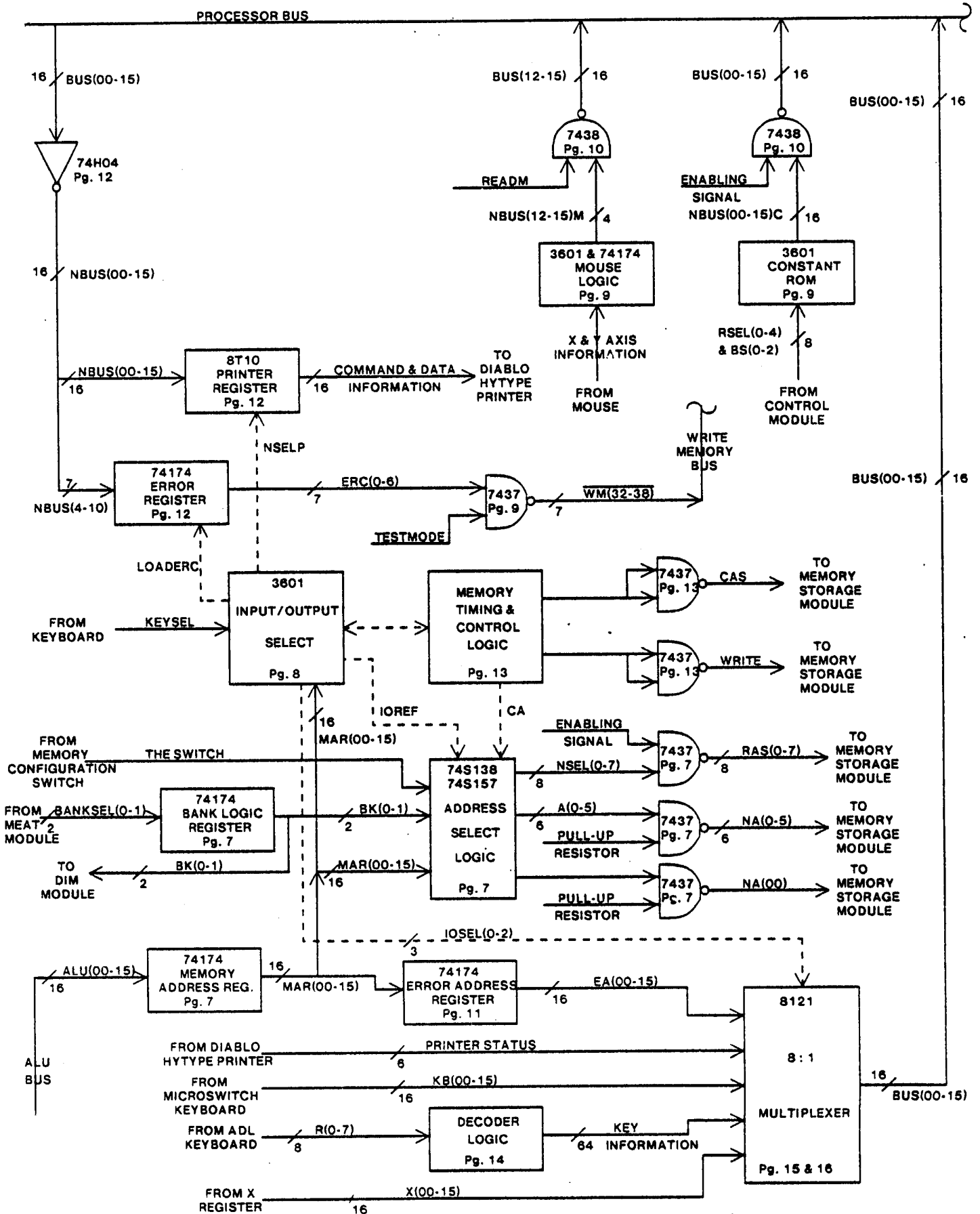
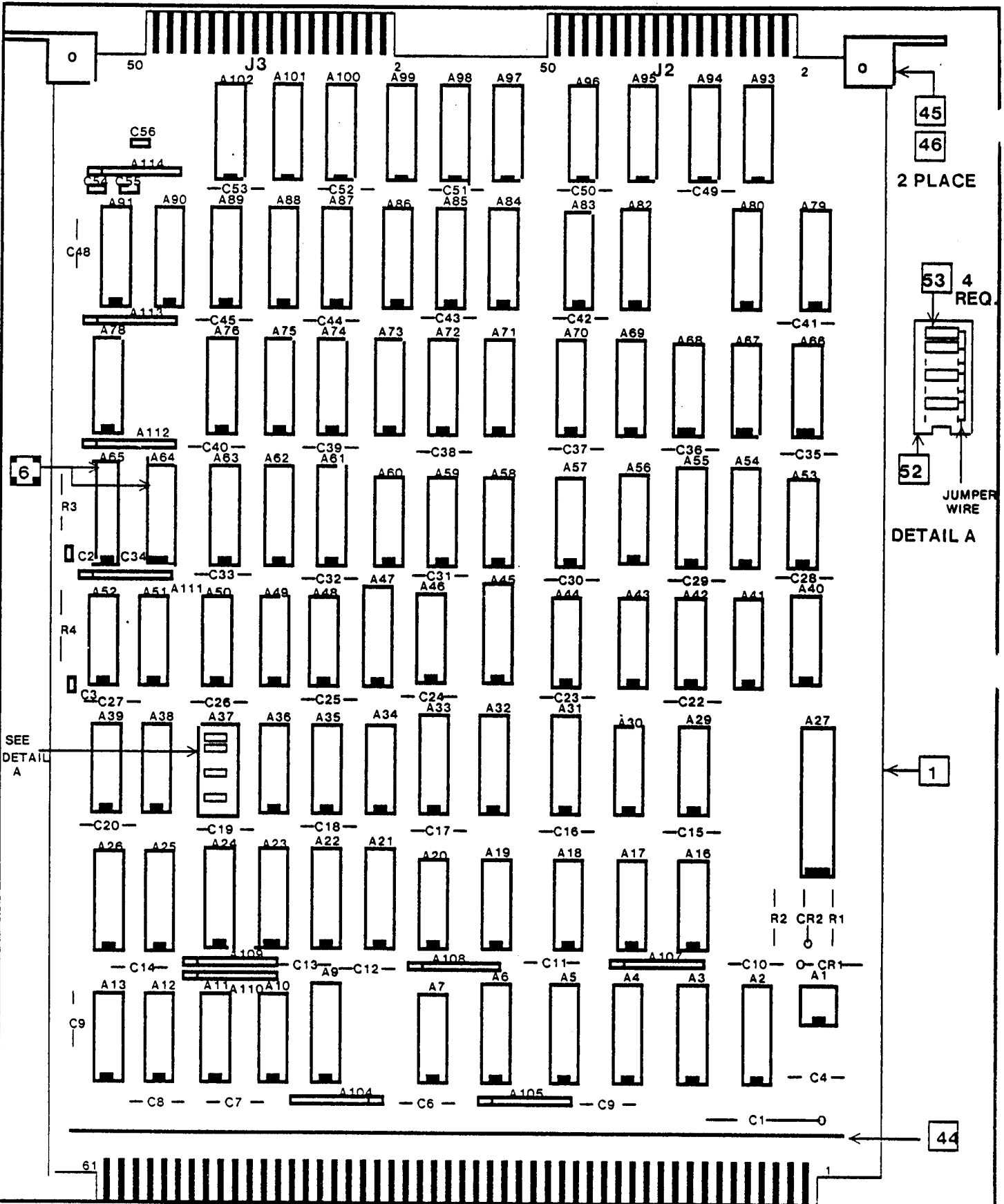


EXTENDED MEMORY ADDRESS INTERFACE MODULE (AIM) (XM)

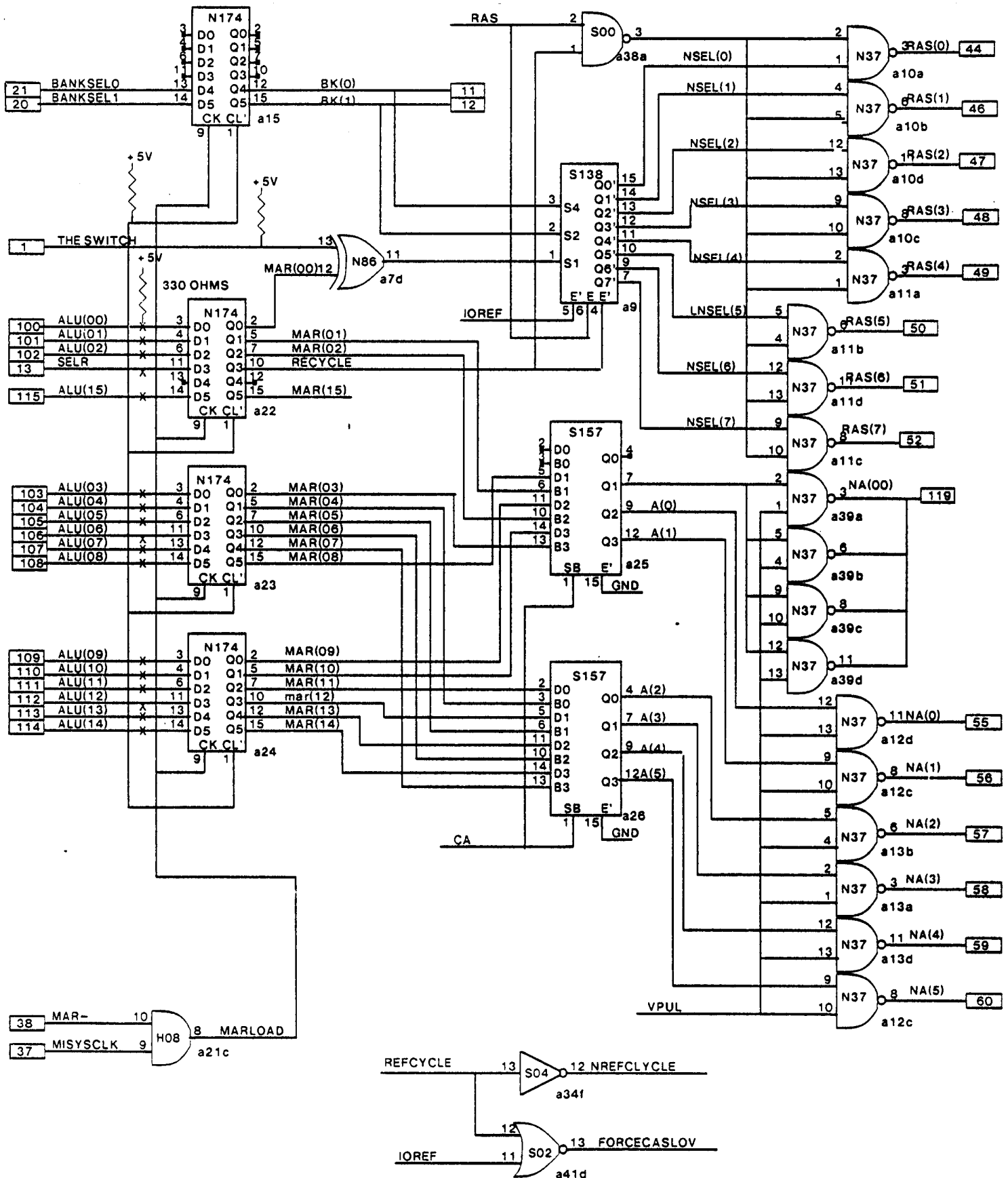


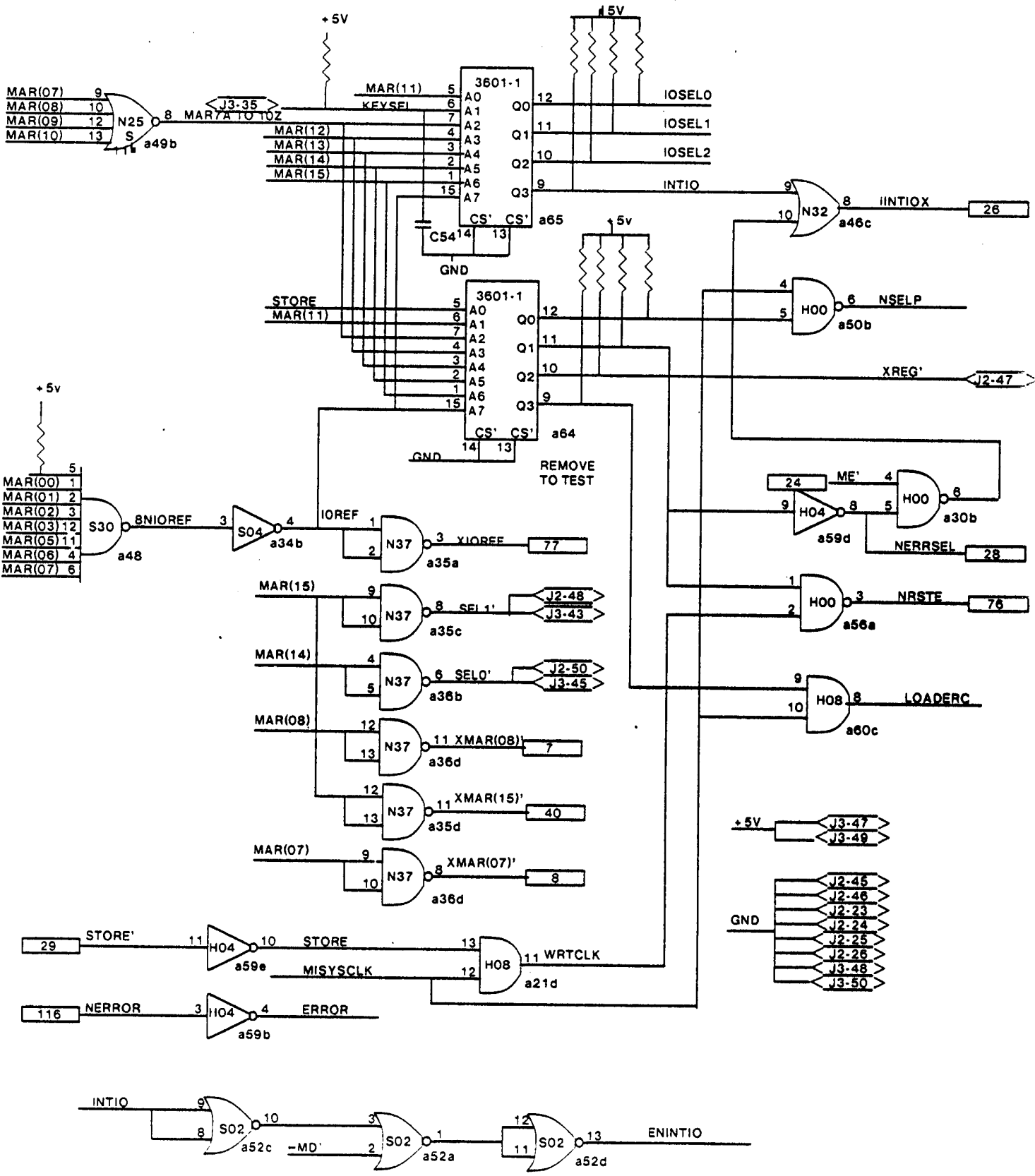


These drawings and specifications, and the data contained therein, are the exclusive property of Xerox Corporation and or Rank Xerox Ltd. Issued in strict confidence and shall not, without the prior written permission of Xerox Corporation Rank Xerox Ltd., be reproduced, copied or used for any purpose whatsoever, except the manufacture of articles for Xerox Corporation or Rank Xerox Ltd.

Title
ASSEMBLY, P.W.
MEMORY ADDRESS INTERF.
 FILE: **AIM.SIL-13**

Xerox Corporation
 El Segundo, California
XEROX
 217173
 G
 Sheet 4 of 16

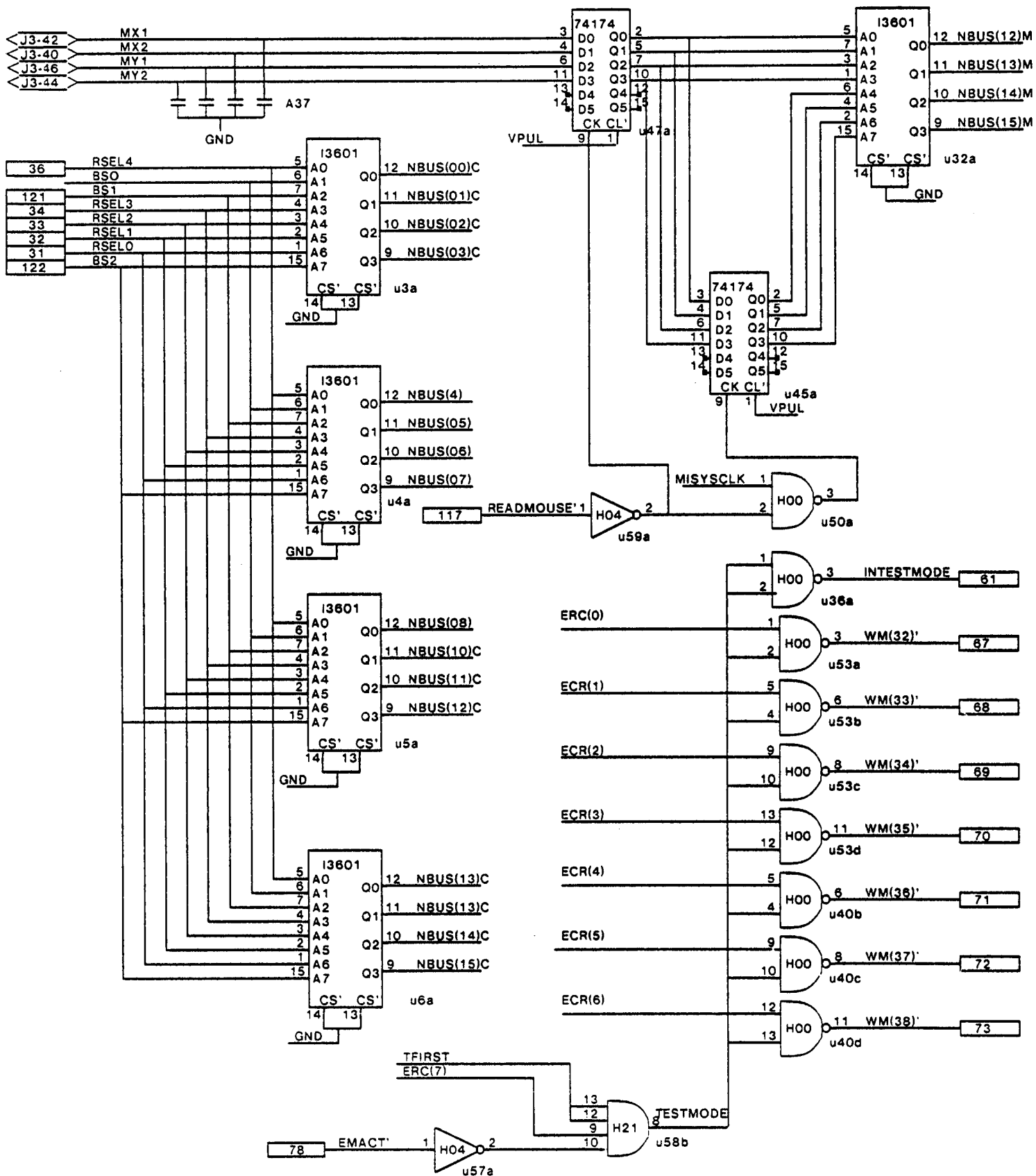


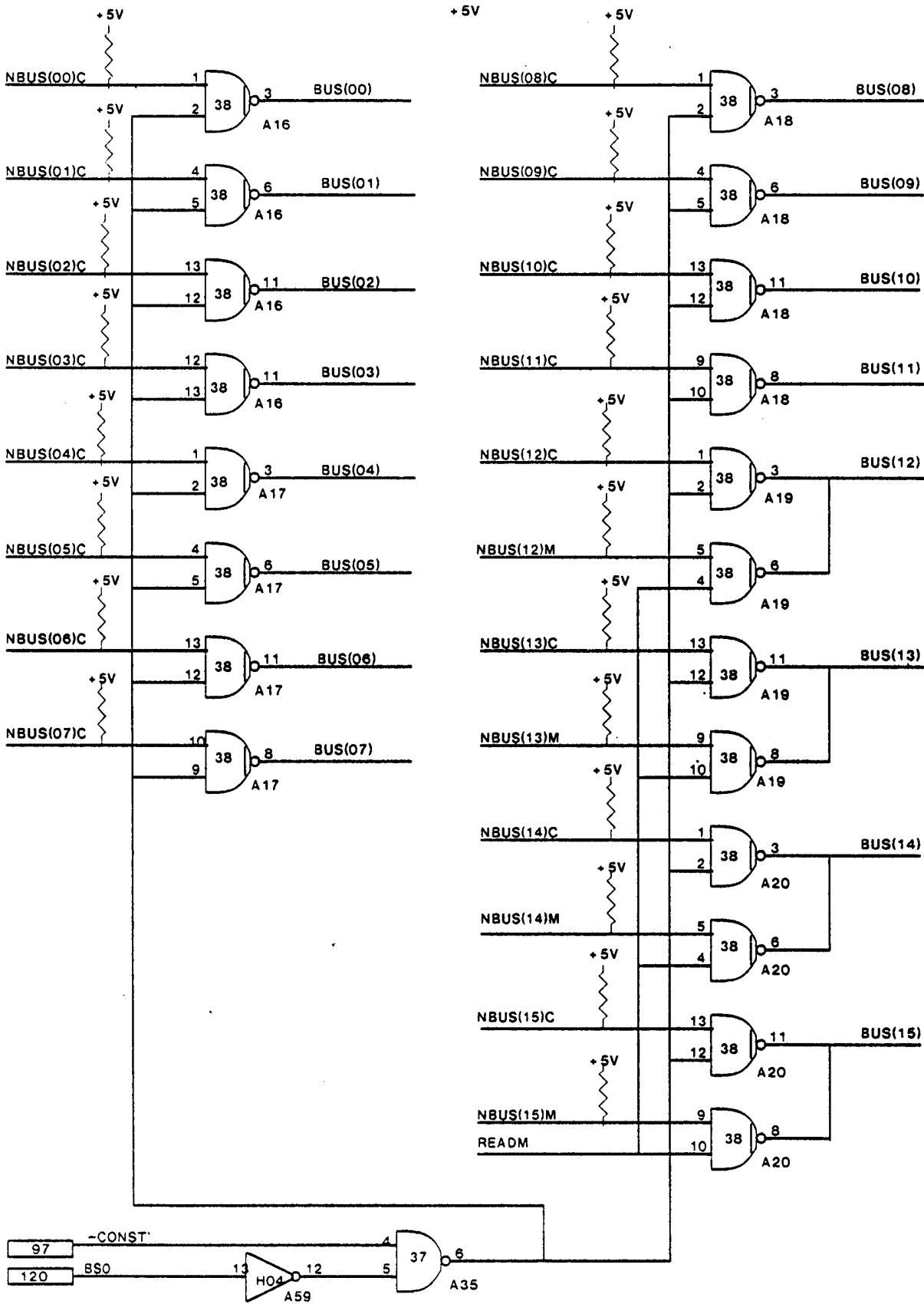


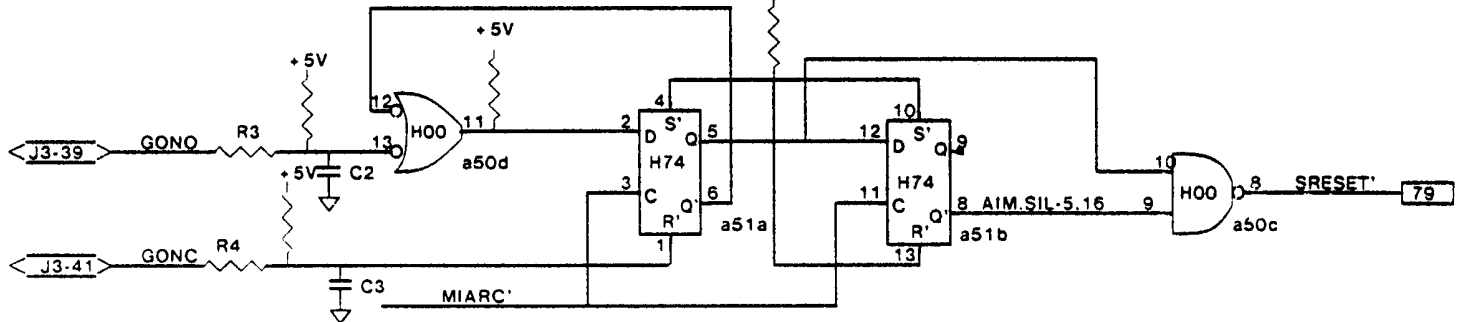
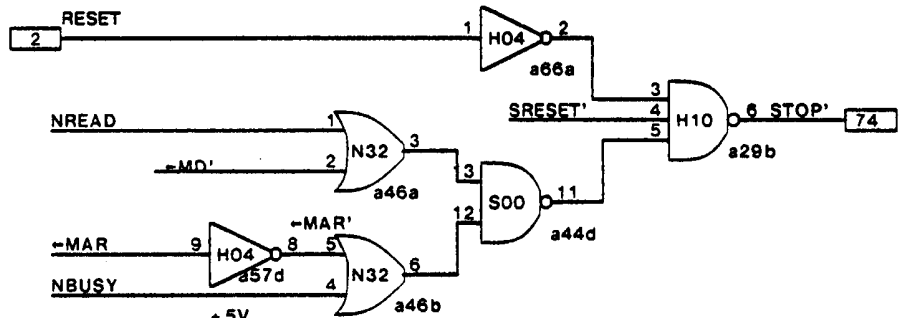
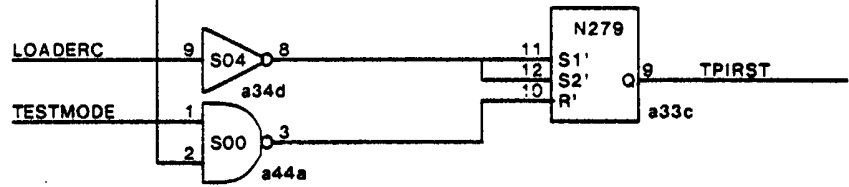
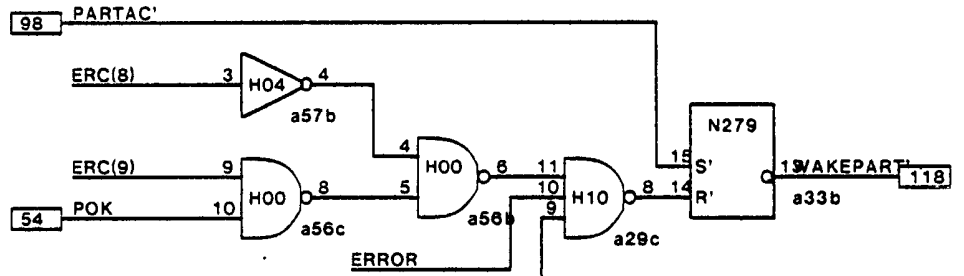
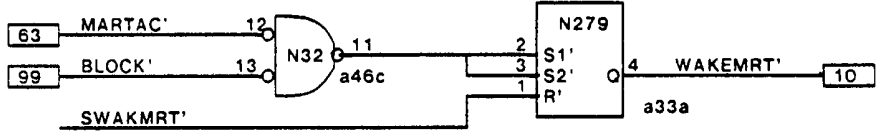
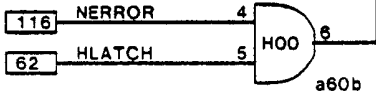
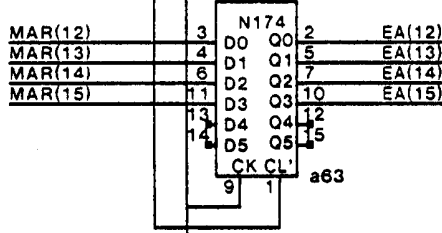
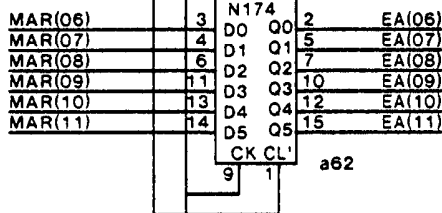
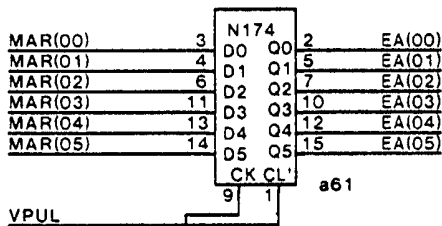
NOTE: REMOVE A65 AND A64 TO TEST

IO ADDRESS DECODE

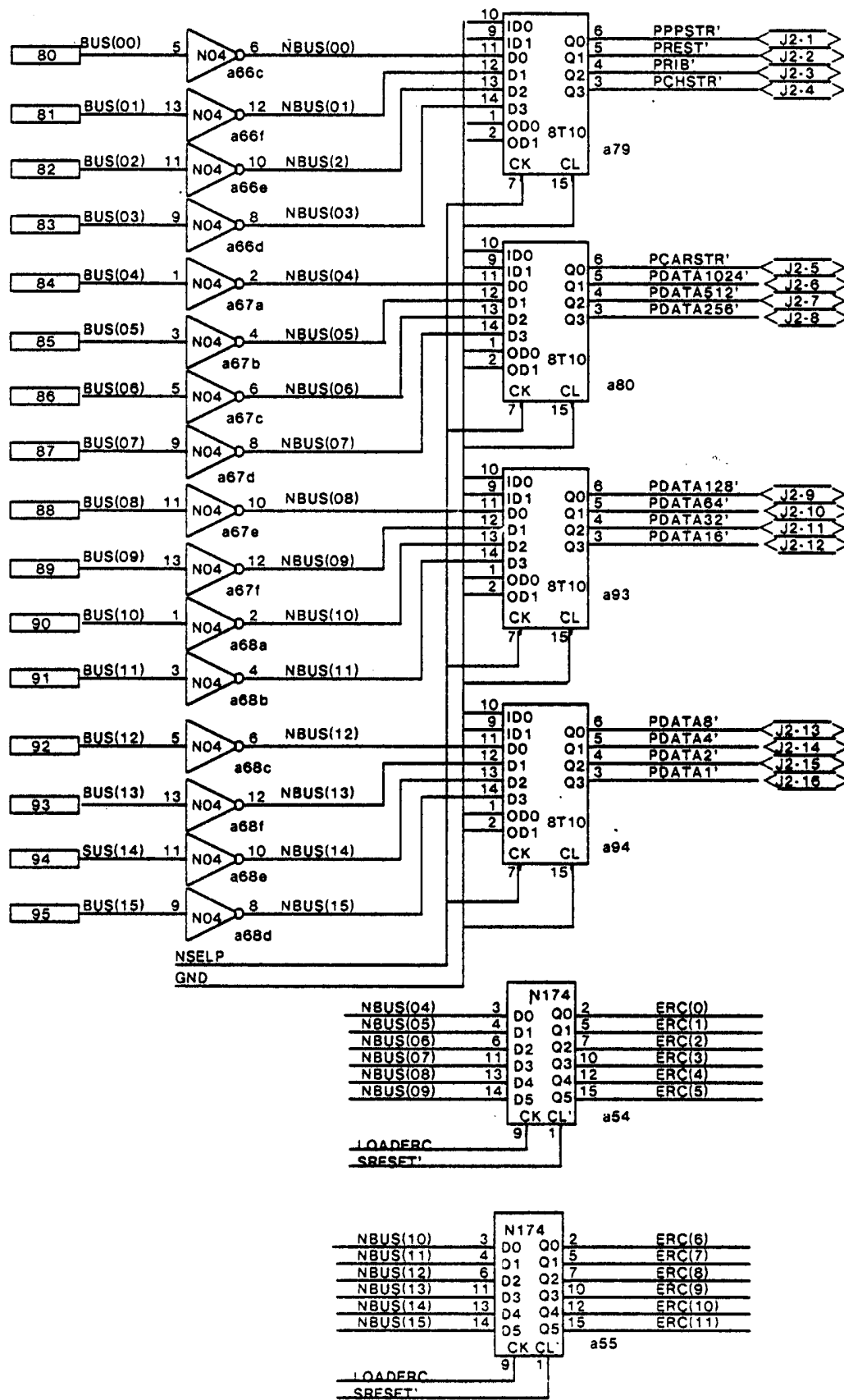
| | | | | | | | |
|--------------|-------------------|---|-------------------|---------------------|----------|------------------|-----------|
| XEROX ED. | Project ALTOII | ASSEMBLY P.W. MEMORY ADDRESS INTERF. | File AIM.SIL-4 | Designer FREEMAN | Rev G | Date 11/17/80 | Page 8 |
|--------------|-------------------|---|-------------------|---------------------|----------|------------------|-----------|

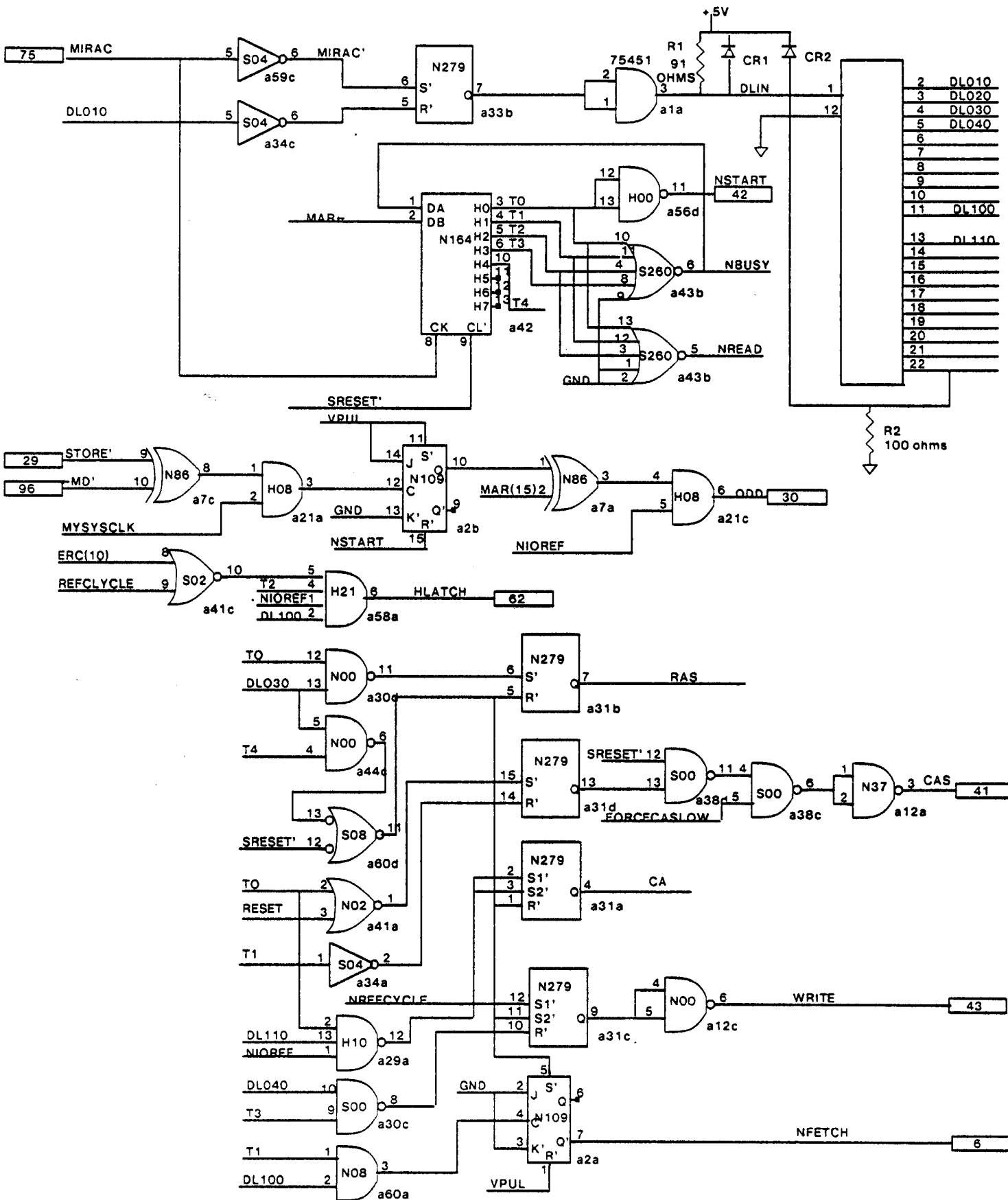


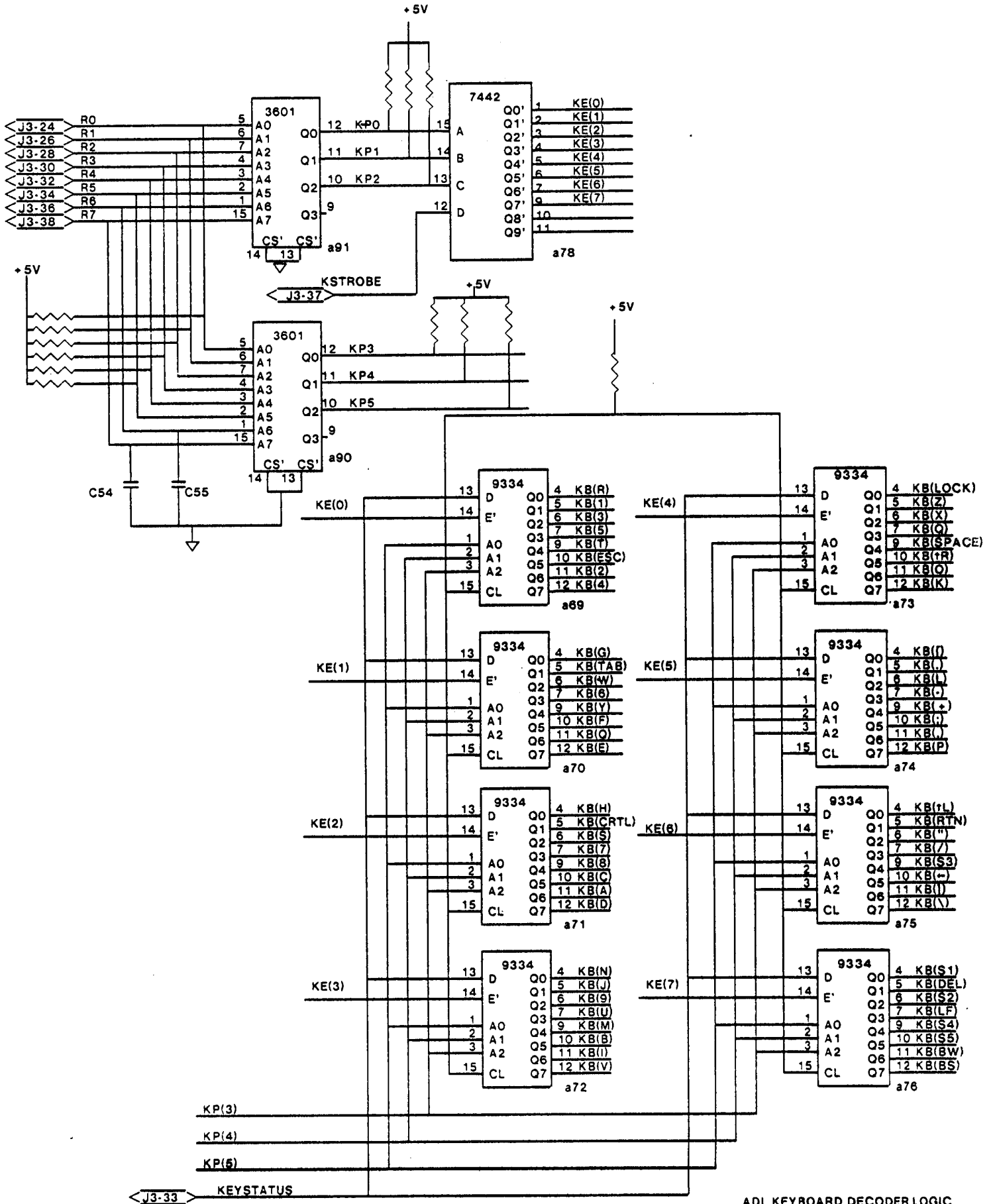




MISC CONTROL







ADL KEYBOARD DECODER LOGIC

| XEROX | Project | ASSEMBLY, PW | File | Designer | Rev | Date | Page |
|-------|---------|------------------------|-----------|----------|-----|----------|------|
| ED | ALTOII | MEMORY ADDRESS INTERF. | AIM.SIL-8 | FREEMAN | G | 11/30/80 | 14 |

