

Wire No.	Term	From	To	Term	Wire Type	Notes	Signal	Chg. Let.
1		J1 - 1	J5 - 50		3		KB1	
2		2	17				KB0	
3		3	49				KB2	
4		4	33				SPARE	
5		5	16				KB3	
6		6	48				KS0	
7		7	32				KB4	
8		8	15				KS1	
9		9	47				KEY SLOT	
10		10	31				KEY SLOT	
11		11	14				KB5	
12		12	46				KS2	
13		13	30				KB6	
14		14	13				KS3	
15		15	45				KB7	
16		16	29				KS4	
17		17	12				KB8	
18		18	44				MS1	
19		19	28				KB9	
20		20	11				MS2	
21		21	43				KB10	
22		22	27				MS3	
23		23	10				KB11	
24		24	42				RO	
25		25	26				KB12	
26		J1 - 26	J5 - 9		3		R1	

These drawings and specifications, and the data contained therein, are the exclusive property of Xerox Corporation and/or Rank Xerox, Ltd. issued in strict confidence and shall not, without the prior written permission of Xerox Corporation or Rank Xerox, Ltd., be reproduced, copied or used for any purpose whatsoever, except the manufacture of articles for Xerox Corporation or Rank Xerox, Ltd.

1. Ref Item No's in Applicable Material List.
2. Ref Designations Are Abbreviated. Prefix Each Designation With:

Title ALTO II

ASSEMBLY, CABLE -
KEYBOARD

(INTERNAL)

Xerox Corporation
El Segundo, California

XEROX

216414

E

Sheet

5

Of

6

Wire No.	Term	From	To	Term	Wire Type	Notes	Signal	Chg. Let.
27		J1 - 27	J5 -41		3		KB13	
28		28	25				R2	
29		29	8				KB14	
30		30	40				R3	
31		31	24				KB15	
32		32	7				R4	
33		33	39				KEYSTATUS	
34		34	23				R5	
35		35	6				KEYSEL	
36		36	38				R6	
37		37	22				KEYSTROBE	
38		38	5				R7	
39		39	37				GONO	
40		40	21				MX2	
41		41	4				GONC	
42		42	36				MX1	
43		43	20				SEL1	
44		44	3				MY2	
45		45	35				SELO	
46		46	19				MY1	
47		47	2				+5V	
48		48	34				GND	
49		49	18				+5V	
50		J1 - 50	J5 -1		3		GND	

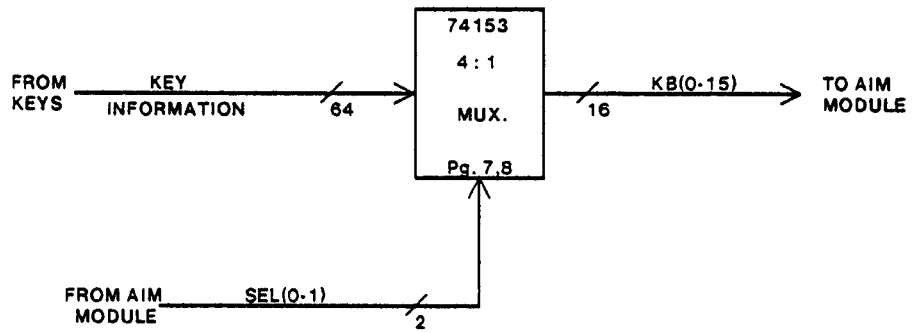
<p>These drawings and specifications, and the data contained therein, are the exclusive property of Xerox Corporation and/or Rank Xerox, Ltd. issued in strict confidence and shall not, without the prior written permission of Xerox Corporation or Rank Xerox, Ltd., be reproduced, copied or used for any purpose whatsoever, except the manufacture of articles for Xerox Corporation or Rank Xerox, Ltd.</p>	<p>1. Ref Item No's in Applicable Material List.</p> <p>2. Ref Designations Are Abbreviated. Prefix Each Designation With:</p>	<p>Title</p> <p>ALTO II ASSEMBLY, CABLE - KEYBOARD (INTERNAL)</p>	<p>Xerox Corporation El Segundo, California</p>	<p>216414</p>	<p>6</p>	<p>6</p>	<p>6</p>
	<p>Sheet</p>			<p>XEROX</p>			

WIRE NO	TERM	FROM	TO	TERM	WIRE TYPE	NOTES	SIGNAL	CHG LET
1		P5-37	J1- 17			BLU/BLK	GONO	
2		17	B			PUR	KB0	
3		50	A			YEL/BLK	KB1	
4		49	1			BLU	KB2	
5		16	3			YEL/BRN	KB3	
6		32	C			GRN	KB4	
7		14	4			YEL/RED	KB5	
8		30	2			YEL	KB6	
9		40	D			YEL/ORG	KB7	
10		12	8			ORN	KB8	
11		28	J			YEL/GRN	KB9	
12		43	H			RED	KB10	
13		10	7			YEL/BLU	KB11	
14		26	E			BRN	KB12	
15		41	5			YEL/PUR	KB13	
16		8	F			BLK	KB14	
17		24	6			YEL/GRY	KB15	
18		35	K			WHT	SEL0'	
19		20	9			GRY	SEL1'	
20		48	14			ORN/BLK	KS0	
21		15	16			ORN/BRN	KS1	
22		46	S			ORN/RED	KS2	
23		13	15			ORN/BLU	KS3	
24		29	13			ORN/PUR	KS4	
25		44	Z			WHT/BLK	MS1	
26		11	Z			WHT/BRN	MS2	
27		27	Y			WHT/RED	MS3	
28		36	X			WHT/ORN	MX2	
29		21	24			WHT/YEL	MX1	
30		19	23			WHT/GRN	MY1	
31		3	W			WHT/BLU	MY2	
32		4	T			BLU/BRN	GONC	
33		2	U			18 AWG WHT	+5V	
34		34	N			18 AWG BLK	GND	
35		18	V			GRN/ORN	+5V	
36		P5- 1	J1- P			PUR/WHT	GND	
37								
38								
39								

217181

XEROX	PROJECT	ASSY,CABLE-KEYBD (ALTO II/MICROSW)	FILE KEYBRD-CA4	DESIGNER ED WAKIDA	REV A	DATE 3/3/78	PAGE 5 OF 5
-------	---------	---------------------------------------	--------------------	-----------------------	----------	----------------	----------------

MICROSWITCH KEYBOARD
BLOCK DIAGRAM

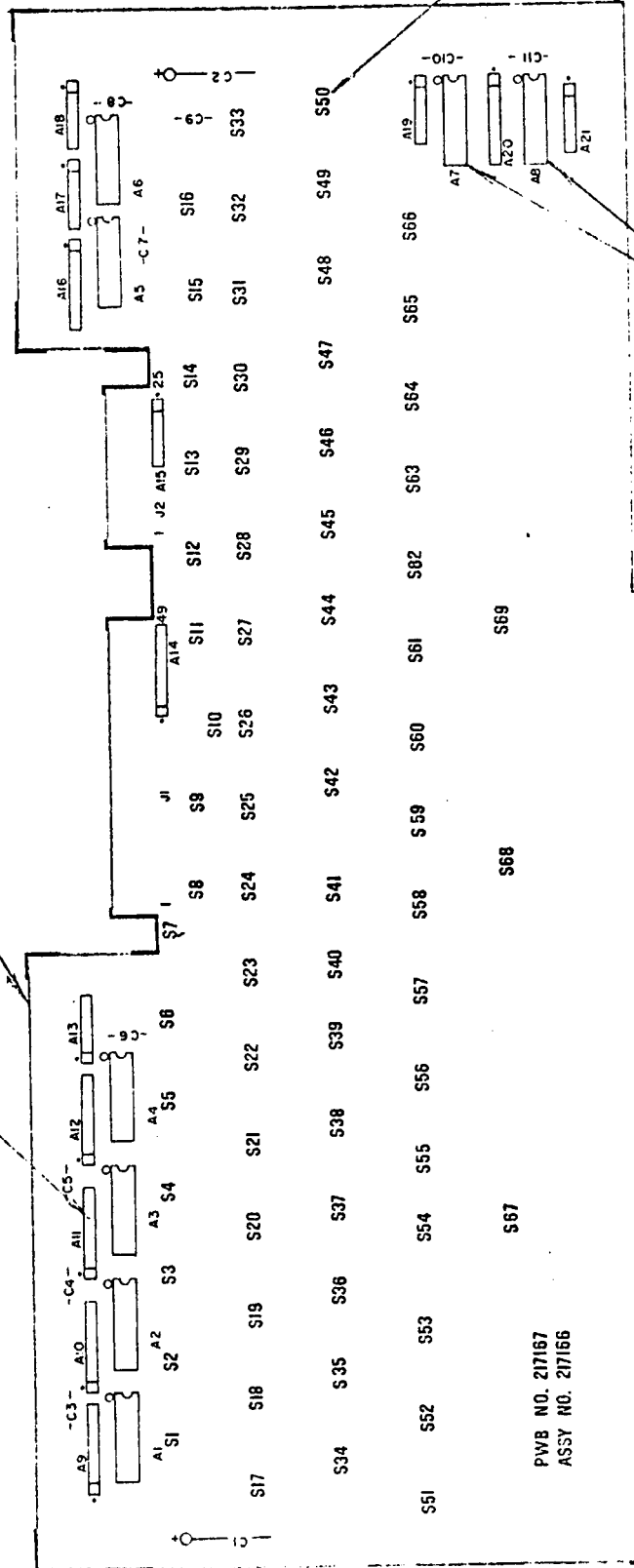


LOCATION S50 NOT USED

1

3

4



PWB NO. 217167
ASSY NO. 217166

These drawings and specifications, and the data contained therein, are the exclusive property of Xerox Corporation and/or Rank Xerox, Ltd. issued in strict confidence and shall not, without the prior written permission of Xerox Corporation or Rank Xerox, Ltd., be reproduced, copied or used for any purpose whatsoever, except the manufacture of articles for Xerox Corporation or Rank Xerox, Ltd.

Title
ASSY, PRINTED WIRING-
KEYBOARD
(ALTO II/MICROSWITCH)

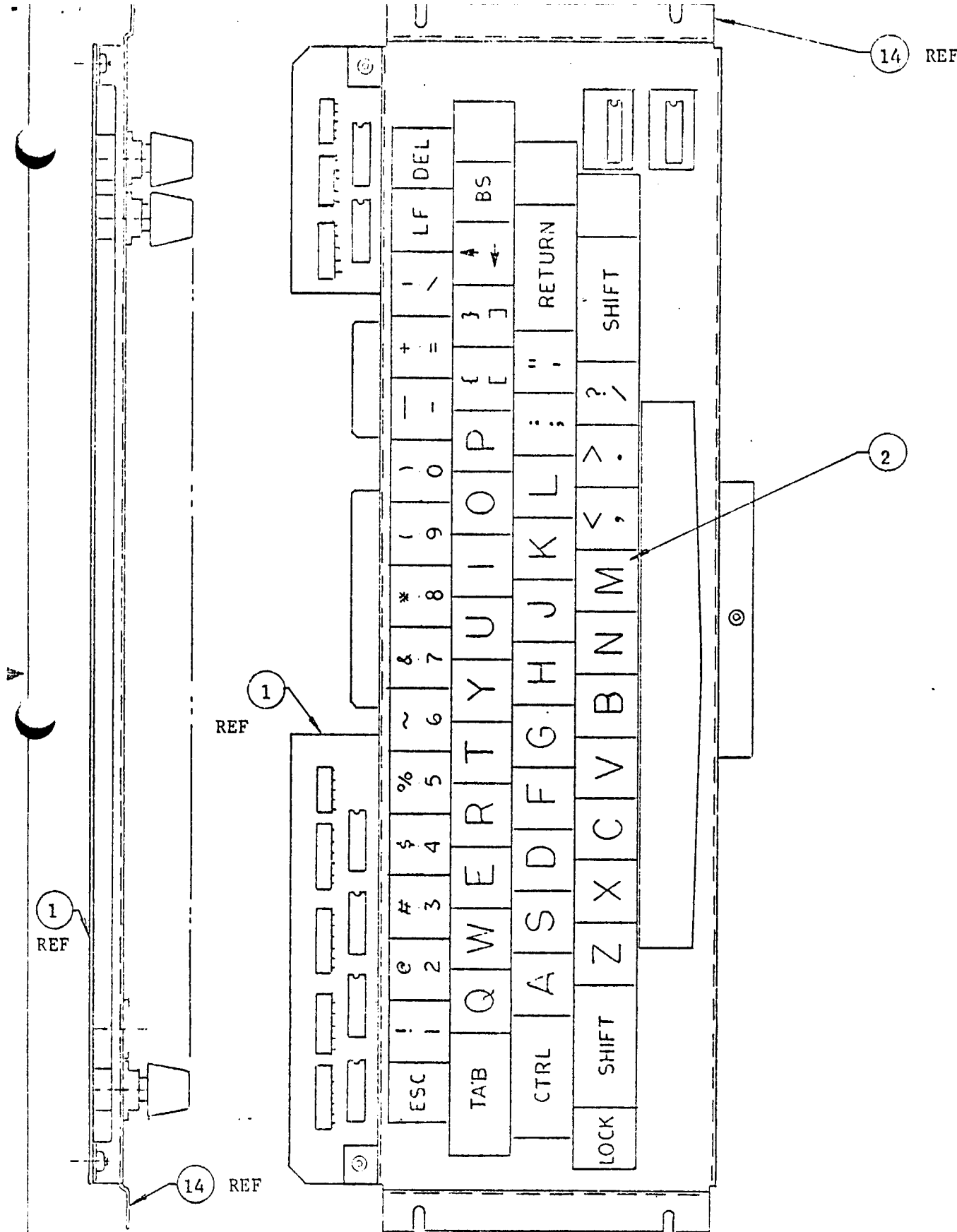
Xerox Corporation
El Segundo, California

XEROX

217166

B

Sheet 5 of 8



These drawings and specifications, and the parts contained therein, are the exclusive property of Xerox Corporation and/or Rank Xerox, Ltd. and shall not be used without the prior written permission of Xerox Corporation or Rank Xerox, Ltd. It is prohibited, in whole or in part, for any person to copy, reproduce, or disseminate the drawings or specifications for Xerox Corporation or Rank Xerox, Ltd.

14 REF

1 REF

2 REF

14 REF

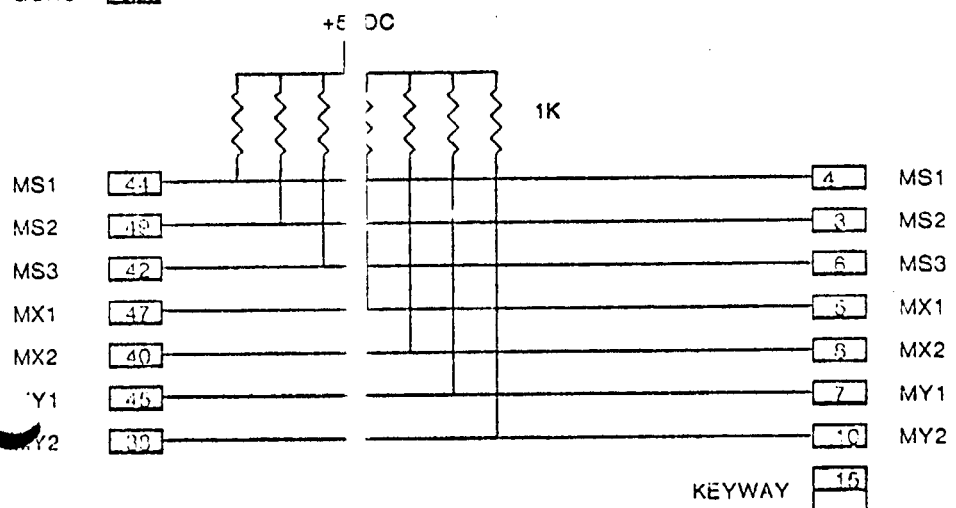
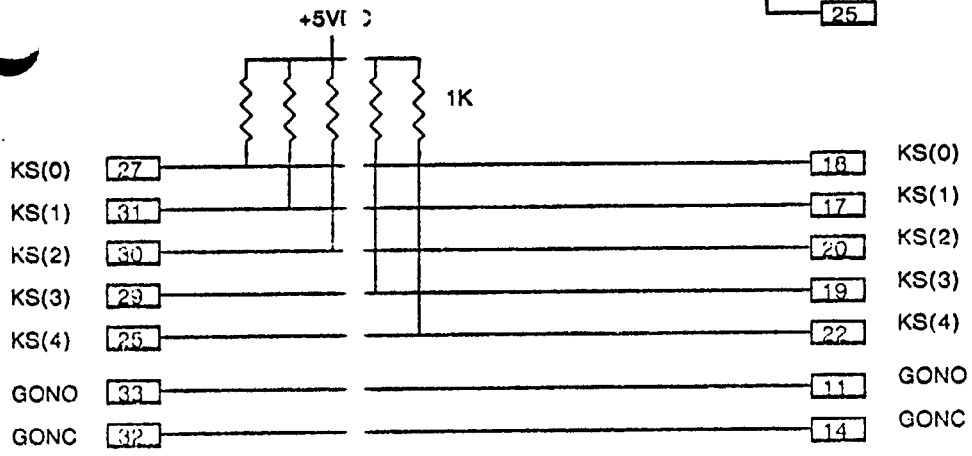
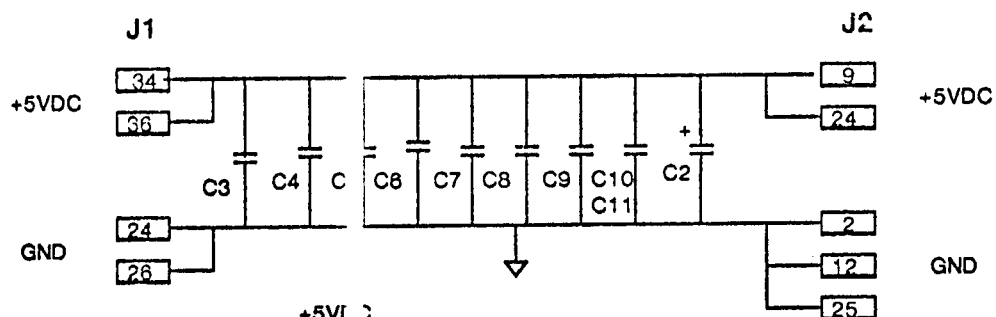
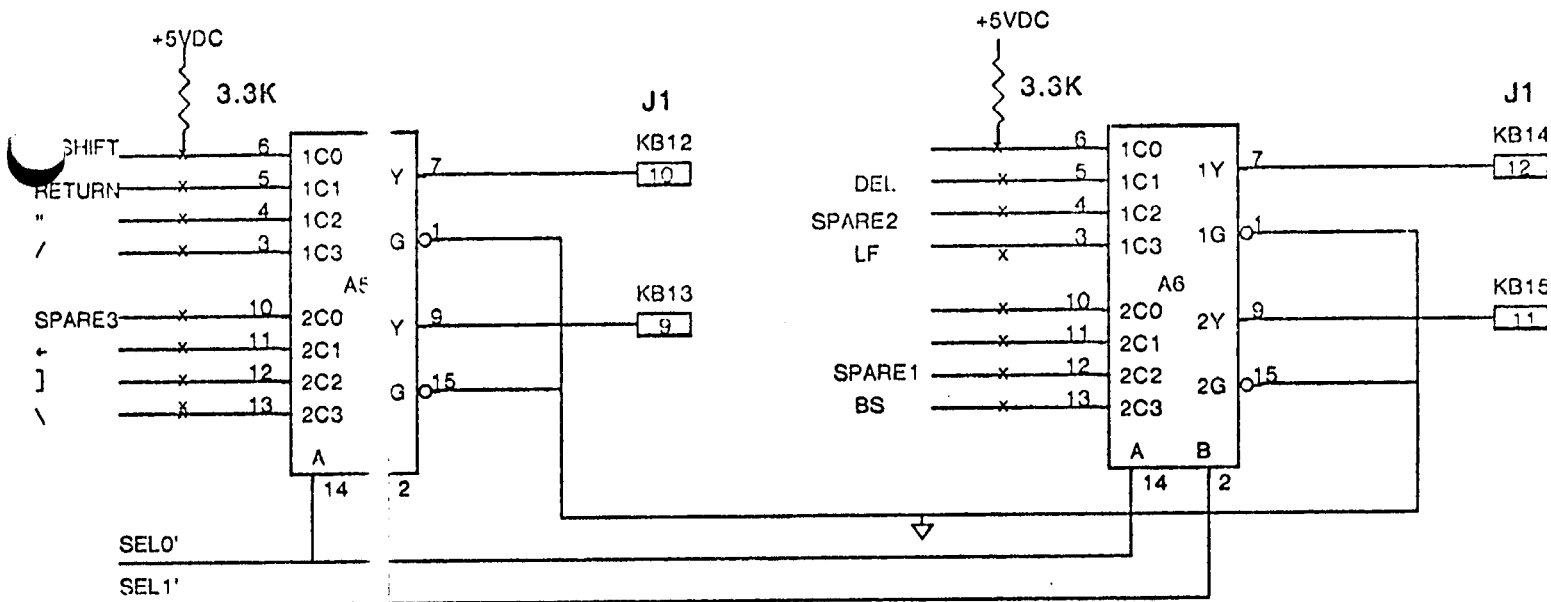
ASSY, PRINTED WIRING-
KEYBOARD
(ALTO II/MICROSWITCH)

Xerox Corporation
P.O. Box 100, Santa Clara, California

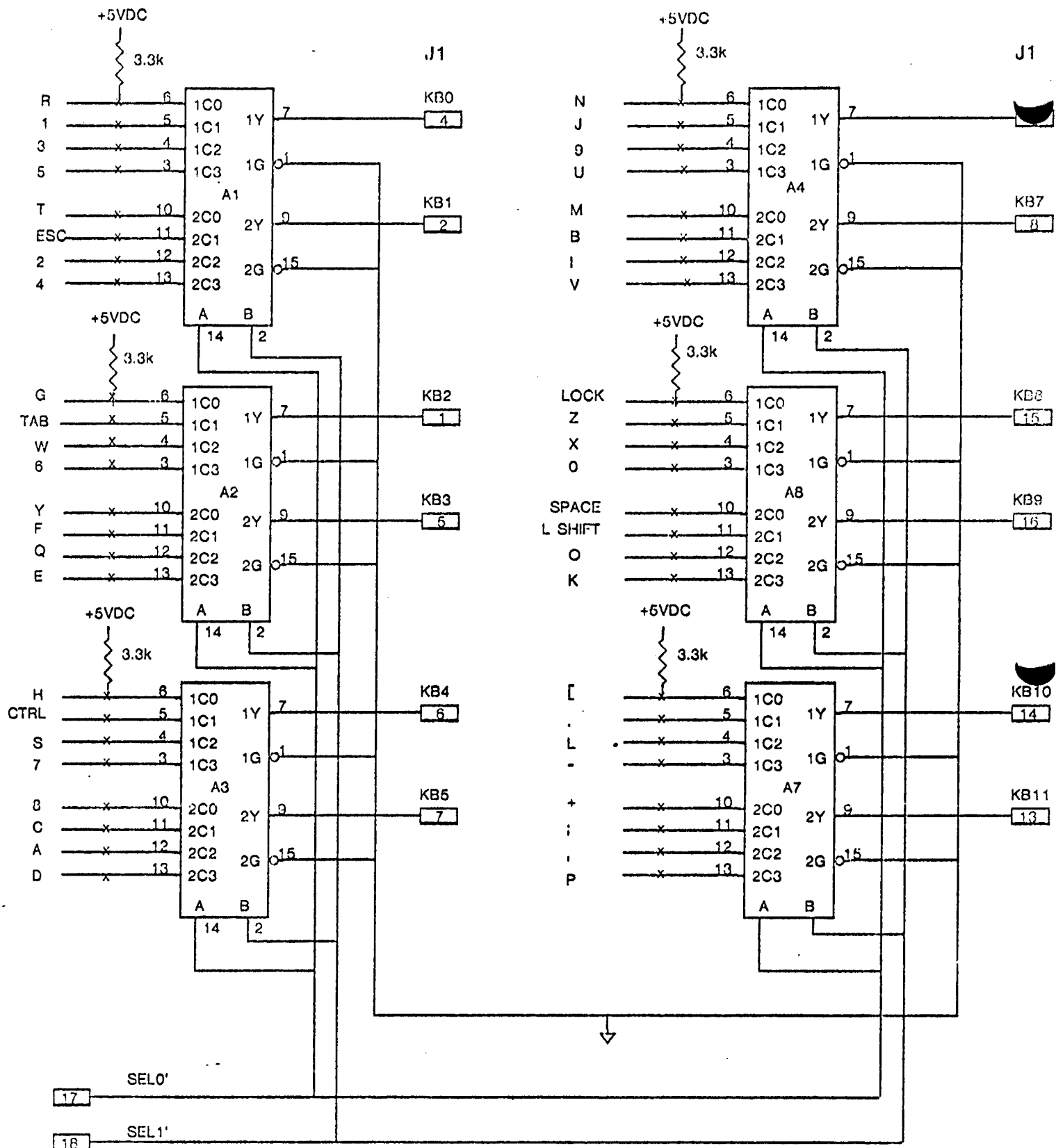
217166

B

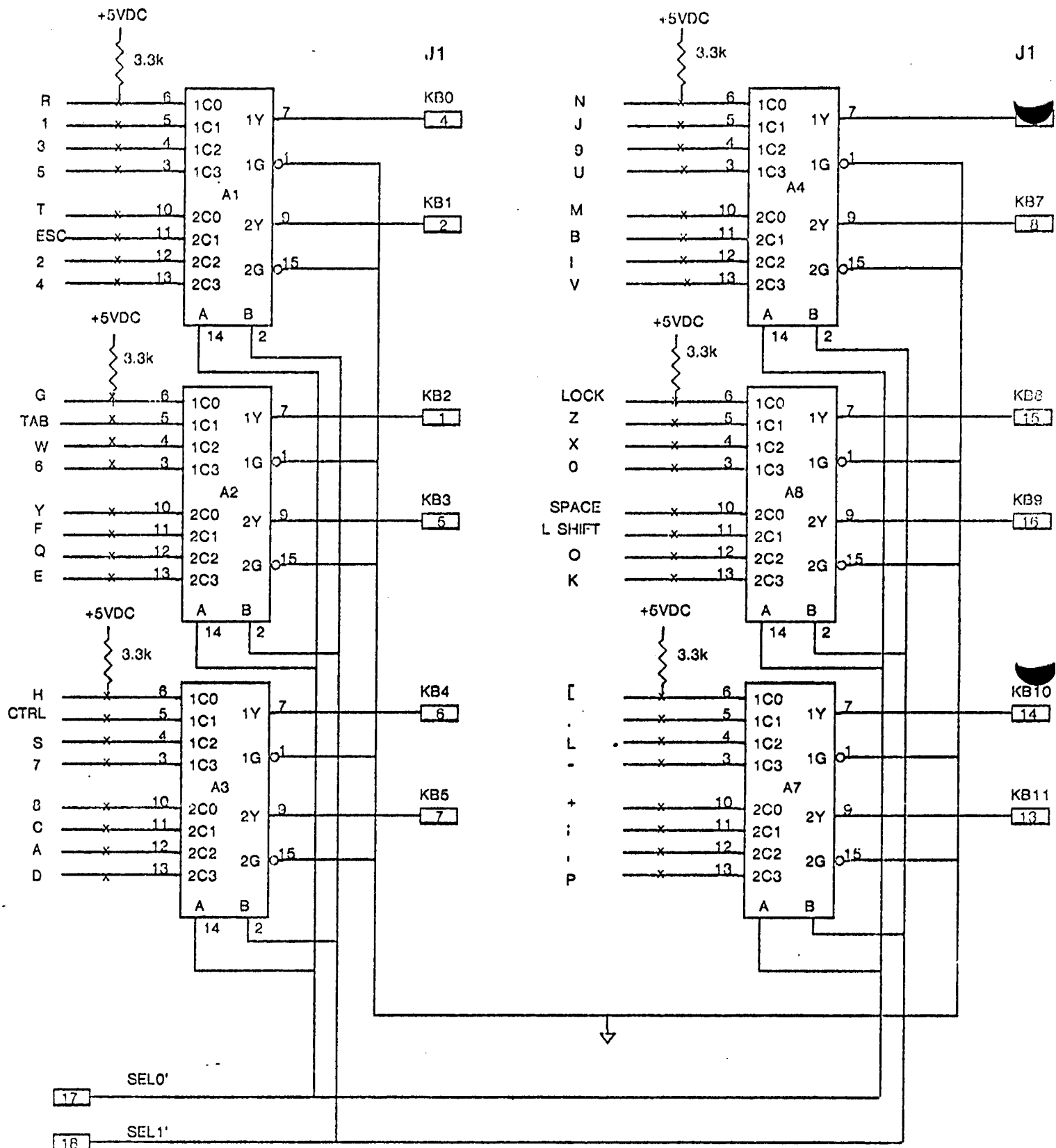
5 8



ASSY.PW 217166	ASSY. NO
-------------------	----------



ASSY.PW	ASSY. NO
217166	



ASSY.PW	ASSY. NO
217166	