

Revisions				216381	D
LAL	Rev.	Description	Chk	Date	Approved
	A	ENCRG RELEASE	<i>bn</i>	3-8-76	
	B	REVISED; ITEM 5 QTY WAS 1	<i>FLU bn</i>	7-28-76	<i>bn</i>
	C	ADDED BOARD SILKSCREEN DWG.	<i>bn</i>	8-9-76	<i>bn</i>
	D	M/L ITEM 38 P/N WAS 514-AG10D, ITEM 39 P/N WAS 516-AG10D ITEM 40 P/N WAS 524-AG10D.	<i>bn</i>	4-13-77	<i>bn</i>

ENGINEERING  
RELEASE

THIS DOCUMENT CONTAINS 9 SHEETS.

Dist Code ALT

These drawings and specifications, and the data contained therein, are the exclusive property of Xerox Corporation and/or Rank Xerox, Ltd. issued in strict confidence and shall not without the prior written permission of Xerox Corporation or Rank Xerox, Ltd., be reproduced, copied or used for any purpose whatsoever, except the manufacture of articles for Xerox Corporation or Rank Xerox, Ltd.	Notes Unless Specified	Drawn <i>Mechanica 3876</i>	Xerox Corporation El Segundo, California		
	1. Tolerances .XX ±.03 Angular .XXX ±.010 ±1/2°	Check <i>Mechanica 7-2870</i>	Title <b>ALTO II</b> ASSEMBLY, PRINTED WIRING- ARITHMETIC LOGIC UNIT		
	2. Break All Sharp Edges .010 Approx.	Appr. <i>bn</i>			
	3. Mach. Surfaces <input checked="" type="checkbox"/>	Material	Model No. <b>ALTO II</b> First Use <b>EWO 7YF92</b> Code Ident. <b>18338</b> Size <b>A</b> Dwg. No. <b>216381</b> Next Assy. First Use <b>216302</b> Scale _____    Do Not Scale Drawing    Sheet <b>1 OF</b> Change Letter <b>D</b>		
4. All Dim. in-Inches	Finish				

NOTES: UNLESS OTHERWISE SPECIFIED

1. ASSEMBLE PER ALTO II MODULE ASSEMBLY SPECIFICATION, DWG NO. 216207.

These drawings and specifications, and the data contained therein, are the exclusive property of Xerox Corporation and/or Rank Xerox, Ltd. issued in strict confidence and shall not, without the prior written permission of Xerox Corporation or Rank Xerox, Ltd., be reproduced, copied or used for any purpose whatsoever, except the manufacture of articles for Xerox Corporation or Rank Xerox, Ltd.

Title ALTO II  
ASSEMBLY, P.W. -  
ARITHMETIC LOGIC UNIT

Xerox Corporation  
El Segundo, California

**XEROX**

216381

D

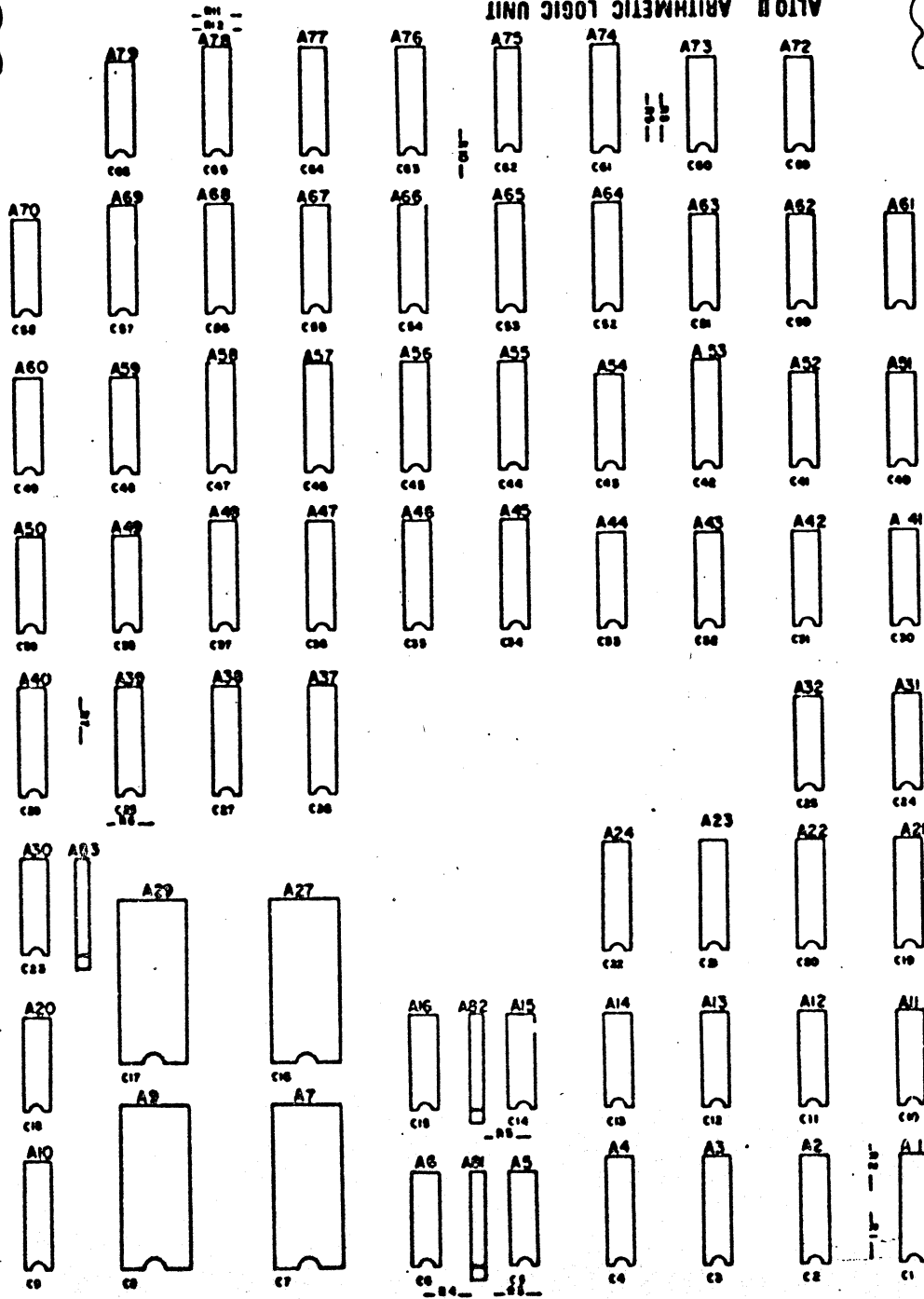
Sheet 2 Of

ALTO II ARITHMETIC LOGIC UNIT

43 44  
2 PLACES

ASSY NO. 216381

PWB NO. 216383



These drawings and specifications, and the data contained therein, are the exclusive property of Xerox Corporation and/or Rank Xerox, Ltd. issued in strict confidence and shall not, without the prior written permission of Xerox Corporation or Rank Xerox, Ltd., be reproduced, copied or used for any purpose whatsoever, except the manufacture of articles for Xerox Corporation or Rank Xerox, Ltd.

Title  
ALTO II  
ASSEMBLY, PW  
ARITHMETIC LOGIC UNIT

Xerox Corporation El Segundo, California		<b>XEROX</b>
216381		
Sheet	3	Of

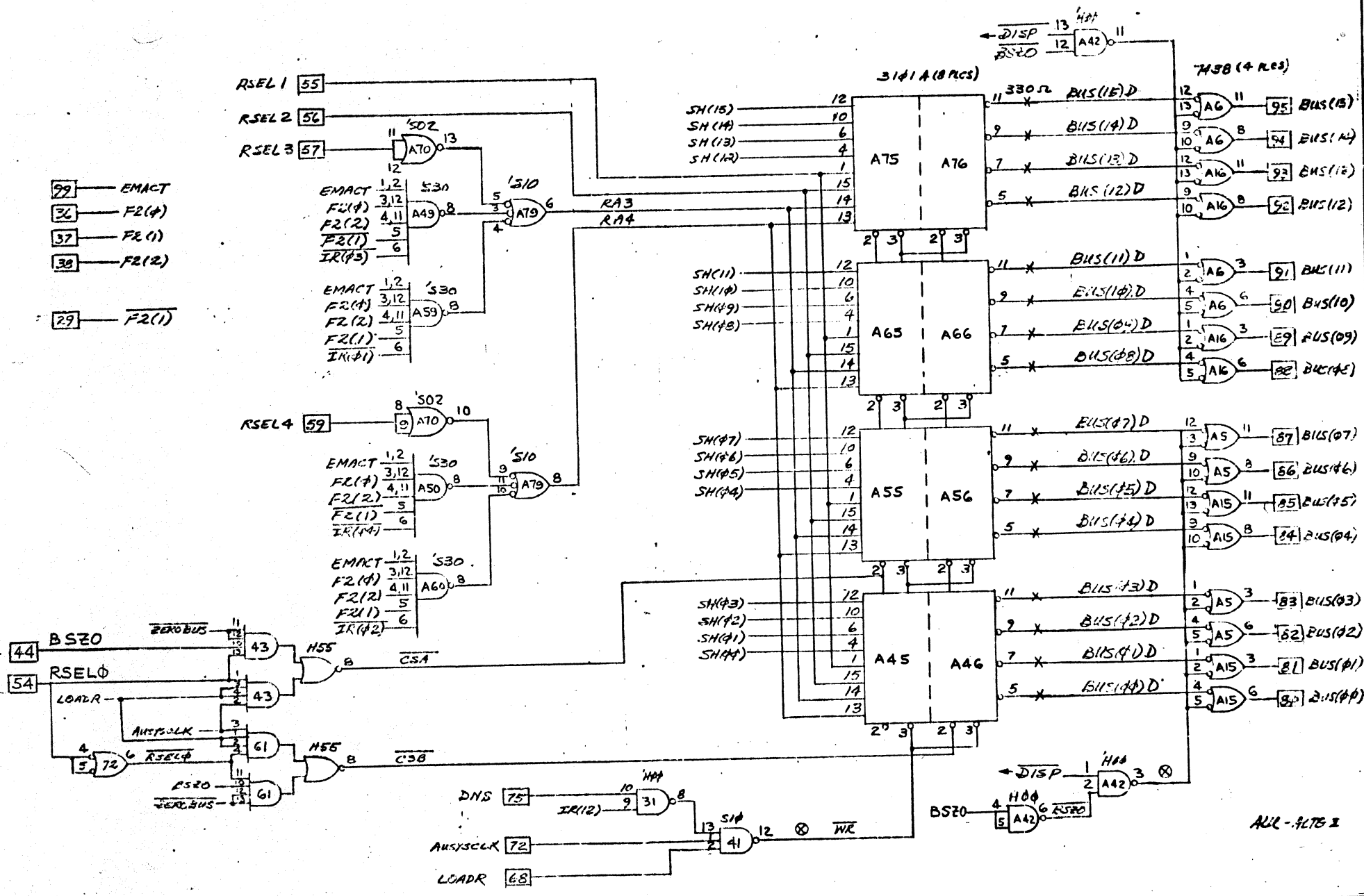
**Material List**

<b>ML</b>	Drawing No. 216381	Rev. D
-----------	-----------------------	-----------

Rev. D	Drawing Title  <b>ALTO II</b>  <b>ASSEMBLY, PRINTED WIRING- ARITHMETIC LOGIC UNIT</b>	These drawings and specifications, and the data contained therein, are the exclusive property of Xerox Corporation and/or Rank Xerox, Ltd. issued in strict confidence and shall not, without the prior written permission of Xerox Corporation or Rank Xerox, Ltd., be reproduced, copied or used for any purpose whatsoever, except the manufacture of articles for Xerox Corporation or Rank Xerox, Ltd.		
		Model No. <b>EW07YF92</b>	Date <b>3/5/76</b>	Sheet 4 Of

Item No.	Drawing Title	Drawing No.	No. Req.	Remarks
1	Board, P. W. - ALU	216383	1	
2	Procedure, Test	216382	REF	
3	Spec, Module Assembly	216207	REF	
4	Microcircuit, 74H00		4	A31,42,52,72
5	74H55		2	A43, 61
6	74H01		2	A44,54
7	74S02		2	A51,70
8	74H04		2	A20,30
9	74S08		4	A11,12,13,14
10	74S10		2	A41,79
11	74S30		4	A49,50,59,60
12	7438		4	A5,6,15,16
13	74H50		1	A63
14	74H51		1	A32
15	74H74		1	A73
16	7486		1	A62
17	74S133		1	A69
18	74S174		3	A37,38,39
19	74S175		4	A1,2,3,4
20	74S181		4	A7,9,17,19
21	74S182		1	A40
22	74298		4	A21,22,23,24
23				
24				
25	I3101A Intel		8	A45,46,55,56,65,66, 75,76
26	F9309 Fairchild		9	A47,48,53,57,58,67, 68,77,78
27	82S23 Signetics		1	A10
28	Microcircuit, 82S34 Signetics		2	A64,74
29				
30				
31	Capacitor, .05 uF, 10V		66	Centralab #UK10-503
32				C1 thru C66
34	Capacitor, 22uF, 15V, Tantalum	187720-005	1	C67

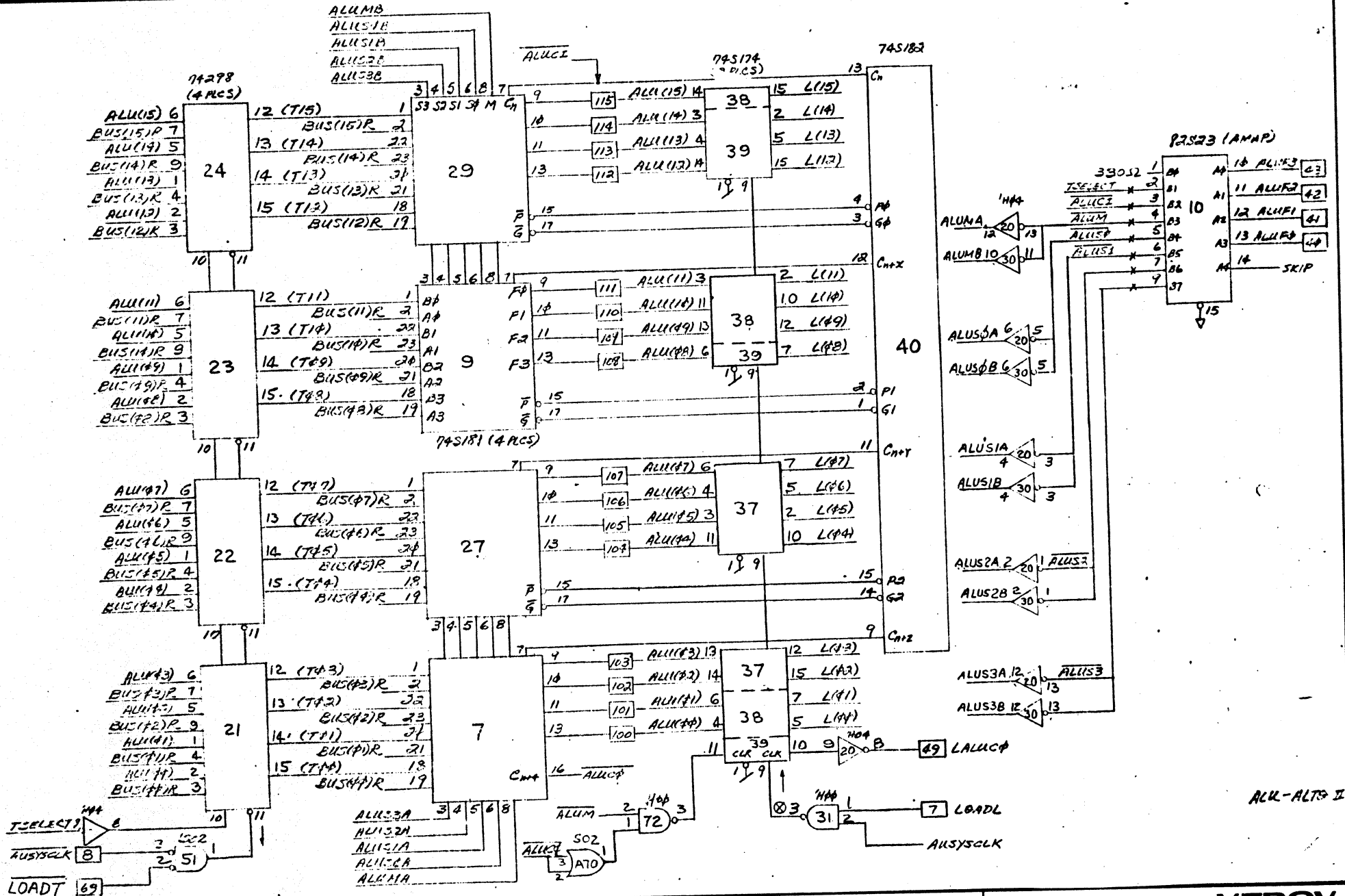




These drawings and specifications, and the data contained therein, are the exclusive property of Xerox Corporation and/or Rank Xerox, Ltd. issued in strict confidence and shall not, without the prior written permission of Xerox Corporation or Rank Xerox, Ltd., be reproduced, copied or used for any purpose whatsoever, except the manufacture of articles for Xerox Corporation or Rank Xerox, Ltd.

Title  
**ASSEMBLY, PRINTED WIRING-  
 ARITHMETIC LOGIC UNIT**

Xerox Corporation El Segundo, California		<b>XEROX</b>
216381		
Sheet	6	Of



These drawings and specifications, and the data contained therein, are the exclusive property of Xerox Corporation and/or Rank Xerox, Ltd. Issued in strict confidence and shall not, without the prior written permission of Xerox Corporation or Rank Xerox, Ltd., be reproduced, copied or used for any purpose whatsoever, except the manufacture of articles for Xerox Corporation or Rank Xerox, Ltd.

Title

ASSEMBLY PRINTED WIRING-  
ARITHMETIC LOGIC UNIT

Xerox Corporation  
El Segundo, California

**XEROX**

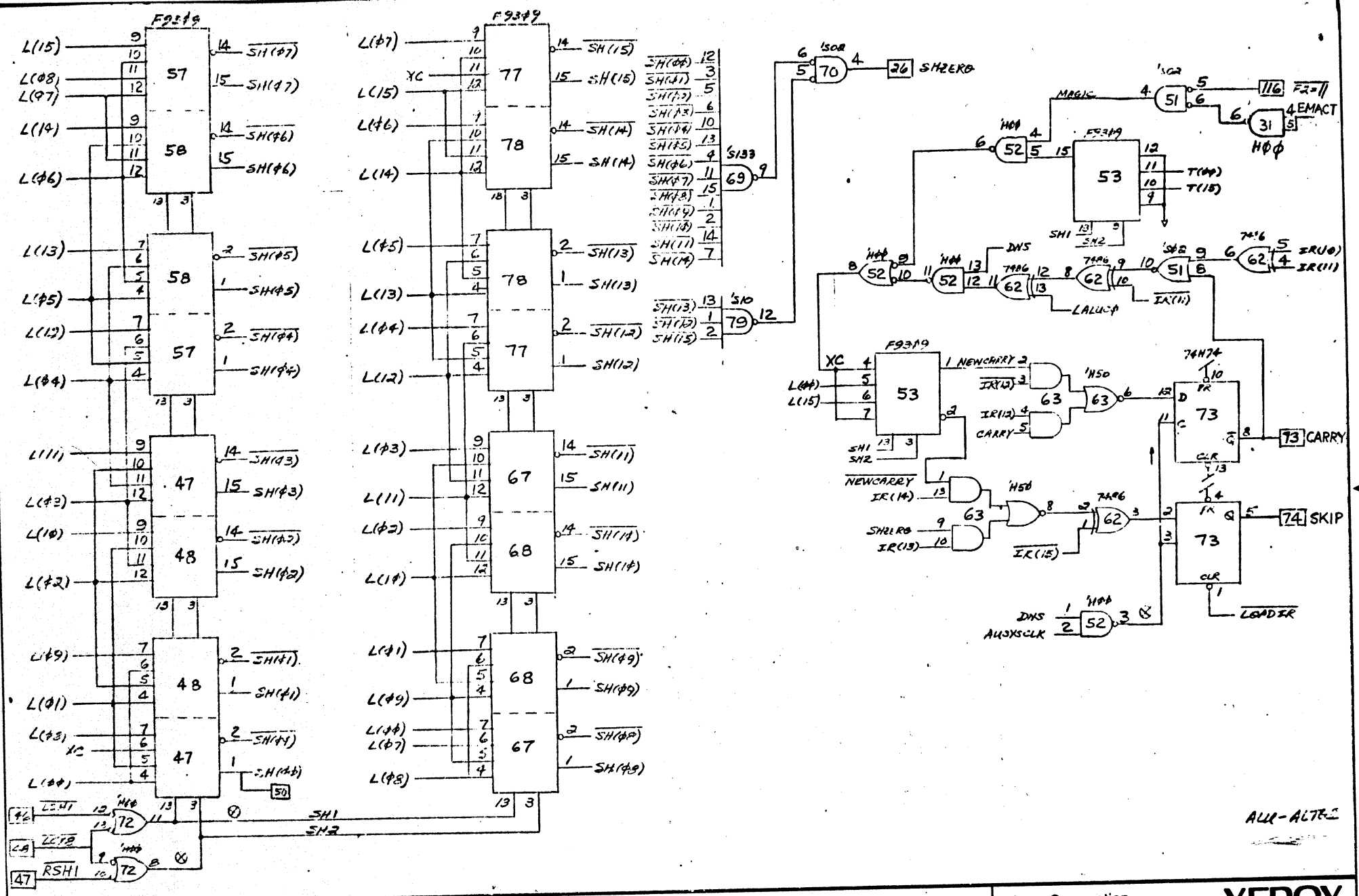
216381

D

Sheet 7 Of







These drawings and specifications, and the data contained therein, are the exclusive property of Xerox Corporation and/or Rank Xerox, Ltd. issued in strict confidence and shall not, without the prior written permission of Xerox Corporation or Rank Xerox, Ltd., be reproduced, copied or used for any purpose whatsoever, except the manufacture of articles for Xerox Corporation or Rank Xerox, Ltd.

Title  
**ASSEMBLY, PRINTED WIRING-  
 ARITHMETIC LOGIC UNIT**

Xerox Corporation  
 El Segundo, California

**XEROX**

216381

Sheet 9 of

D