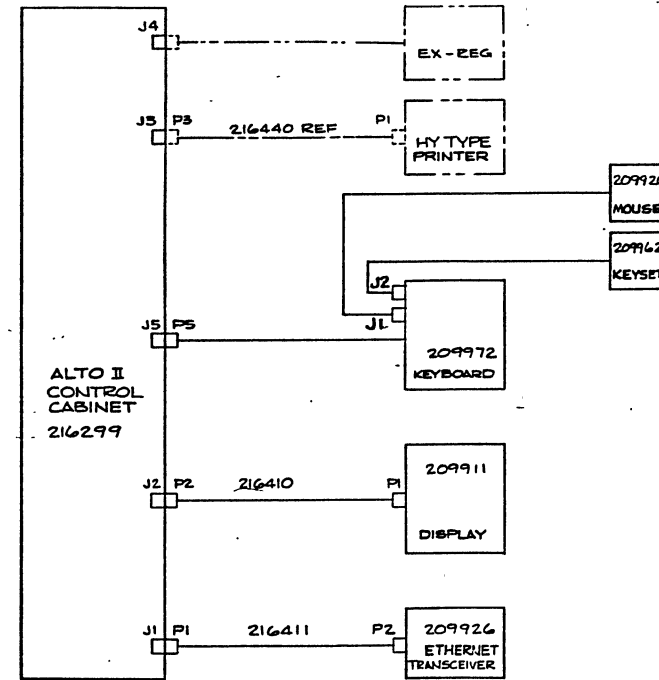
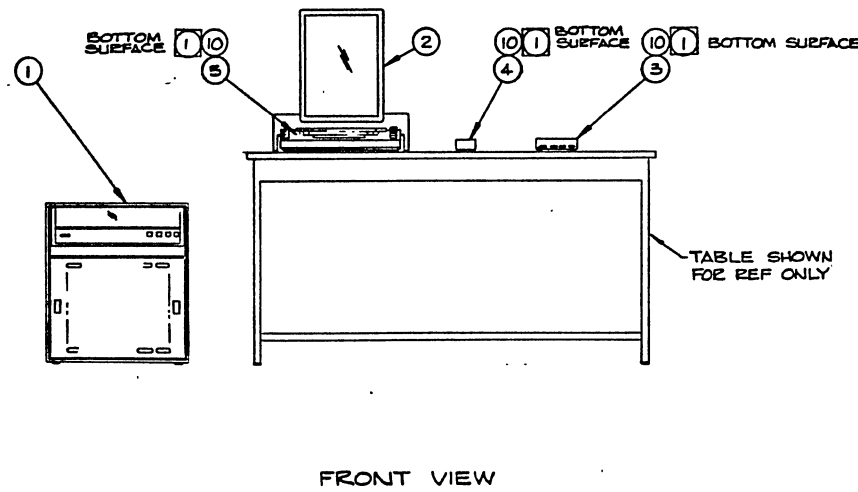
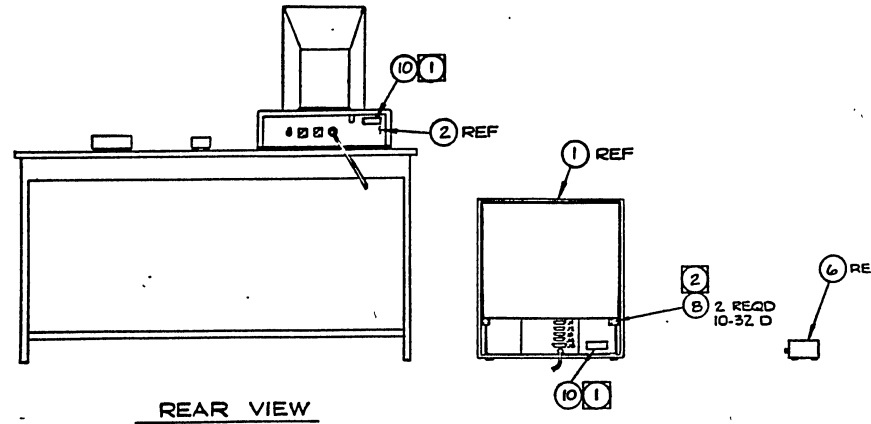


REVISIONS				215362
LAL	REV.	DESCRIPTION	CHK	DATE
	A	ENGRG RELEASE		
		ADDED SH 2 (INSTR. DATA). DWG TITLE WAS: ASSY. ALTO II COMP. SYSTEM. ADD M.L. ITEMS 12 & 13.		

NOTES: UNLESS OTHERWISE SPECIFIED

- ① ADHERE LABEL (ITEM 10) ON SURFACE SPECIFIED. TYPEWRITE ASSY NUMBER AND SERIAL NUMBER.
- ② ITEM 8 INSTALLED FOR SHIPPING PURPOSE ONLY.



SYSTEM CABLING DIAGRAM

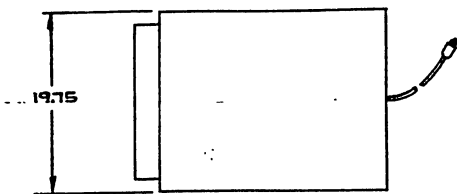
**ENGINEERING
RELEASE**

DIST CODE: AL

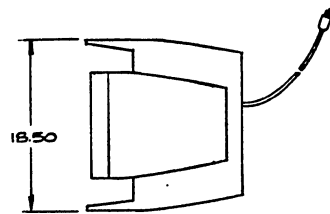
This drawing and specification, and the data contained therein, are the property of Xerox Corporation and/or Xerox Sales, Ltd. and shall remain confidential and shall not be disclosed to any third party without the prior written approval of Xerox Corporation or Xerox Sales, Ltd. No part of this drawing or specification shall be used for any purpose other than that for which it was prepared for Xerox Corporation or Xerox Sales, Ltd.

NOTES UNLESS SPECIFIED		DRAWN	CHECK	DATE	XEROX	
1. TOLERANCES UNLESS SPECIFIED	0.005	<i>V. Williams</i>	<i>C. Williams</i>	1-22-76	TITLE	
2. ALL DIMENSIONS UNLESS SPECIFIED	0.005				ALTO II ASSEMBLY, ALTO II SYSTEM	
3. ALL DIMENSIONS UNLESS SPECIFIED	0.005				CODE IDENT.	SIZE
4. ALL DIMENSIONS UNLESS SPECIFIED	0.005				18338	D
5. ALL DIMENSIONS UNLESS SPECIFIED	0.005				DWG. NO.	216362
6. ALL DIMENSIONS UNLESS SPECIFIED	0.005				SCALE	NONE
7. ALL DIMENSIONS UNLESS SPECIFIED	0.005				DO NOT SCALE DRAWING	SHEET 1 OF 2
8. ALL DIMENSIONS UNLESS SPECIFIED	0.005					
9. ALL DIMENSIONS UNLESS SPECIFIED	0.005					
10. ALL DIMENSIONS UNLESS SPECIFIED	0.005					
11. ALL DIMENSIONS UNLESS SPECIFIED	0.005					
12. ALL DIMENSIONS UNLESS SPECIFIED	0.005					
13. ALL DIMENSIONS UNLESS SPECIFIED	0.005					
14. ALL DIMENSIONS UNLESS SPECIFIED	0.005					
15. ALL DIMENSIONS UNLESS SPECIFIED	0.005					
16. ALL DIMENSIONS UNLESS SPECIFIED	0.005					
17. ALL DIMENSIONS UNLESS SPECIFIED	0.005					
18. ALL DIMENSIONS UNLESS SPECIFIED	0.005					
19. ALL DIMENSIONS UNLESS SPECIFIED	0.005					
20. ALL DIMENSIONS UNLESS SPECIFIED	0.005					
21. ALL DIMENSIONS UNLESS SPECIFIED	0.005					
22. ALL DIMENSIONS UNLESS SPECIFIED	0.005					
23. ALL DIMENSIONS UNLESS SPECIFIED	0.005					
24. ALL DIMENSIONS UNLESS SPECIFIED	0.005					
25. ALL DIMENSIONS UNLESS SPECIFIED	0.005					
26. ALL DIMENSIONS UNLESS SPECIFIED	0.005					
27. ALL DIMENSIONS UNLESS SPECIFIED	0.005					
28. ALL DIMENSIONS UNLESS SPECIFIED	0.005					
29. ALL DIMENSIONS UNLESS SPECIFIED	0.005					
30. ALL DIMENSIONS UNLESS SPECIFIED	0.005					
31. ALL DIMENSIONS UNLESS SPECIFIED	0.005					
32. ALL DIMENSIONS UNLESS SPECIFIED	0.005					
33. ALL DIMENSIONS UNLESS SPECIFIED	0.005					
34. ALL DIMENSIONS UNLESS SPECIFIED	0.005					
35. ALL DIMENSIONS UNLESS SPECIFIED	0.005					
36. ALL DIMENSIONS UNLESS SPECIFIED	0.005					
37. ALL DIMENSIONS UNLESS SPECIFIED	0.005					
38. ALL DIMENSIONS UNLESS SPECIFIED	0.005					
39. ALL DIMENSIONS UNLESS SPECIFIED	0.005					
40. ALL DIMENSIONS UNLESS SPECIFIED	0.005					
41. ALL DIMENSIONS UNLESS SPECIFIED	0.005					
42. ALL DIMENSIONS UNLESS SPECIFIED	0.005					
43. ALL DIMENSIONS UNLESS SPECIFIED	0.005					
44. ALL DIMENSIONS UNLESS SPECIFIED	0.005					
45. ALL DIMENSIONS UNLESS SPECIFIED	0.005					
46. ALL DIMENSIONS UNLESS SPECIFIED	0.005					
47. ALL DIMENSIONS UNLESS SPECIFIED	0.005					
48. ALL DIMENSIONS UNLESS SPECIFIED	0.005					
49. ALL DIMENSIONS UNLESS SPECIFIED	0.005					
50. ALL DIMENSIONS UNLESS SPECIFIED	0.005					
51. ALL DIMENSIONS UNLESS SPECIFIED	0.005					
52. ALL DIMENSIONS UNLESS SPECIFIED	0.005					
53. ALL DIMENSIONS UNLESS SPECIFIED	0.005					
54. ALL DIMENSIONS UNLESS SPECIFIED	0.005					
55. ALL DIMENSIONS UNLESS SPECIFIED	0.005					
56. ALL DIMENSIONS UNLESS SPECIFIED	0.005					
57. ALL DIMENSIONS UNLESS SPECIFIED	0.005					
58. ALL DIMENSIONS UNLESS SPECIFIED	0.005					
59. ALL DIMENSIONS UNLESS SPECIFIED	0.005					
60. ALL DIMENSIONS UNLESS SPECIFIED	0.005					
61. ALL DIMENSIONS UNLESS SPECIFIED	0.005					
62. ALL DIMENSIONS UNLESS SPECIFIED	0.005					
63. ALL DIMENSIONS UNLESS SPECIFIED	0.005					
64. ALL DIMENSIONS UNLESS SPECIFIED	0.005					
65. ALL DIMENSIONS UNLESS SPECIFIED	0.005					
66. ALL DIMENSIONS UNLESS SPECIFIED	0.005					
67. ALL DIMENSIONS UNLESS SPECIFIED	0.005					
68. ALL DIMENSIONS UNLESS SPECIFIED	0.005					
69. ALL DIMENSIONS UNLESS SPECIFIED	0.005					
70. ALL DIMENSIONS UNLESS SPECIFIED	0.005					
71. ALL DIMENSIONS UNLESS SPECIFIED	0.005					
72. ALL DIMENSIONS UNLESS SPECIFIED	0.005					
73. ALL DIMENSIONS UNLESS SPECIFIED	0.005					
74. ALL DIMENSIONS UNLESS SPECIFIED	0.005					
75. ALL DIMENSIONS UNLESS SPECIFIED	0.005					
76. ALL DIMENSIONS UNLESS SPECIFIED	0.005					
77. ALL DIMENSIONS UNLESS SPECIFIED	0.005					
78. ALL DIMENSIONS UNLESS SPECIFIED	0.005					
79. ALL DIMENSIONS UNLESS SPECIFIED	0.005					
80. ALL DIMENSIONS UNLESS SPECIFIED	0.005					
81. ALL DIMENSIONS UNLESS SPECIFIED	0.005					
82. ALL DIMENSIONS UNLESS SPECIFIED	0.005					
83. ALL DIMENSIONS UNLESS SPECIFIED	0.005					
84. ALL DIMENSIONS UNLESS SPECIFIED	0.005					
85. ALL DIMENSIONS UNLESS SPECIFIED	0.005					
86. ALL DIMENSIONS UNLESS SPECIFIED	0.005					
87. ALL DIMENSIONS UNLESS SPECIFIED	0.005					
88. ALL DIMENSIONS UNLESS SPECIFIED	0.005					
89. ALL DIMENSIONS UNLESS SPECIFIED	0.005					
90. ALL DIMENSIONS UNLESS SPECIFIED	0.005					
91. ALL DIMENSIONS UNLESS SPECIFIED	0.005					
92. ALL DIMENSIONS UNLESS SPECIFIED	0.005					
93. ALL DIMENSIONS UNLESS SPECIFIED	0.005					
94. ALL DIMENSIONS UNLESS SPECIFIED	0.005					
95. ALL DIMENSIONS UNLESS SPECIFIED	0.005					
96. ALL DIMENSIONS UNLESS SPECIFIED	0.005					
97. ALL DIMENSIONS UNLESS SPECIFIED	0.005					
98. ALL DIMENSIONS UNLESS SPECIFIED	0.005					
99. ALL DIMENSIONS UNLESS SPECIFIED	0.005					
100. ALL DIMENSIONS UNLESS SPECIFIED	0.005					

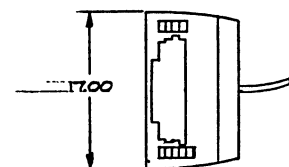
REV. NO.		REVISIONS	CHK	DATE	APP'D
		SEE SH 1			



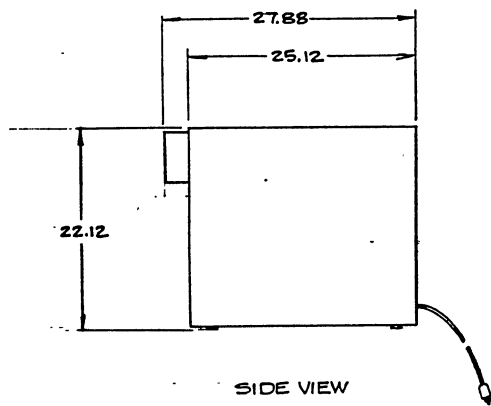
TOP VIEW



TOP VIEW



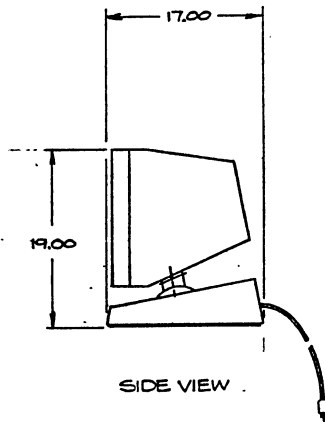
TOP VIEW



SIDE VIEW

ALTO CONTROL CABINET

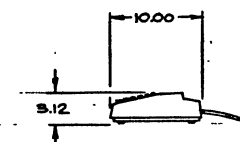
AC INPUT = 120VAC, 1Ø, 60 HZ



SIDE VIEW

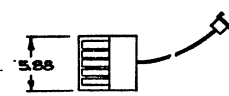
DISPLAY

AC INPUT = 120VAC, 1Ø, 60 HZ



SIDE VIEW

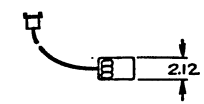
KEYBOARD



TOP VIEW

SIDE VIEW

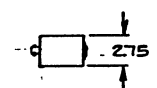
KEYSET



TOP VIEW

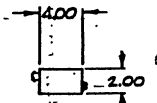
SIDE VIEW

MOUSE



SIDE VIEW

ETHERNET TRANSCEIVER



SIDE VIEW

NOTES UNLESS SPECIFIED		DRAWN	CHKD	DATE	APP'D
1. TOLERANCES UNLESS SPECIFIED: DIM. & ANG. DIMENSIONS ANGLES SEE 2.00 0.125 2. BREAK ALL SHARP EDGES 0.125 3. DRILL ALL DRILL HOLES 0.005 APPROX. 4. BACK SURFACES 5. ALL DIM. IN INCHES 6. ALL SURFACES UNLESS OTHERWISE SPECIFIED AT THIS SCALE		<i>Yoshimura</i>	<i>P. L. 76</i>		
MODEL NO. ALTO II FIRST USE NEXT ASSEMBLY FIRST USE					
TITLE ALTO II ASSEMBLY, ALTO II SYSTEM		Ives Corporation El Segundo, California		XERC	
CODE IDENT. 18338 SIZE D DWG. NO. 216362		SCALE NONE DO NOT SCALE DRAWING		SHEET 2 OF 2	