

LAL		Revisions			209926	B
Rev.	Description	Chk.	Date	Approved		
A	ENGRG RELEASE		3/2/76	J.D.W.		
B	DWG TITLE WAS "SPEC, PROCUREMENT- ETHERNET HEAD". ADDED SH 3 & 4 SCHEMATIC.	SN	8-6-76	E or M		

**ENGINEERING  
RELEASE**

3-5-76  
Dist. Code **ALT**

<p>These drawings and specifications, and the data contained therein, are the exclusive property of Xerox Corporation and/or Rank Xerox, Ltd. issued in strict confidence and shall not, without the prior written permission of Xerox Corporation or Rank Xerox, Ltd., be reproduced, copied or used for any purpose whatsoever, except the manufacture of articles for Xerox Corporation or Rank Xerox, Ltd.</p>	Notes Unless Specified		Drawn <i>M. Steiner</i> 2-20-76	Xerox Corporation El Segundo, California		<b>XEROX</b>
	<p>1. Tolerances          .XX ±.030      Angular ±½°          .XXX ±.010</p> <p>2. Break All Sharp Edges          .010 Approx.</p> <p>3. Mach. Surfaces      ✓</p> <p>4. All Dim. In Inches</p>		Check <i>E. Wick</i> 3/2/76			
			Appr. <i>J. L. ...</i> 2/3/76			
			Material			
Model No. First Use	ALTO II	Finish	Code Ident. <b>18338</b>	Size <b>A</b>	Dwg. No. 209926	Change Letter B
Next Assy. First Use	216362		Scale -	Do Not Scale Drawing		Sheet <b>1 OF 4</b>

NOTES : UNLESS OTHERWISE SPECIFIED.

1. ETHERNET HEAD ASSY MAY BE PURCHASED FROM TAT LAM, 2717 PEACHWOOD COURT, SAN JOSE, CALIFORNIA 95132, VENDOR MODEL NO. 2000 ETHERNET TRANSCEIVER.

These drawings and specifications, and the data contained therein, are the exclusive property of Xerox Corporation and/or Rank Xerox, Ltd. issued in strict confidence and shall not, without the prior written permission of Xerox Corporation or Rank Xerox, Ltd., be reproduced, copied or used for any purpose whatsoever, except the manufacture of articles for Xerox Corporation or Rank Xerox, Ltd.

Title

SPEC, PROCUREMENT-  
ETHERNET TRANSCEIVER

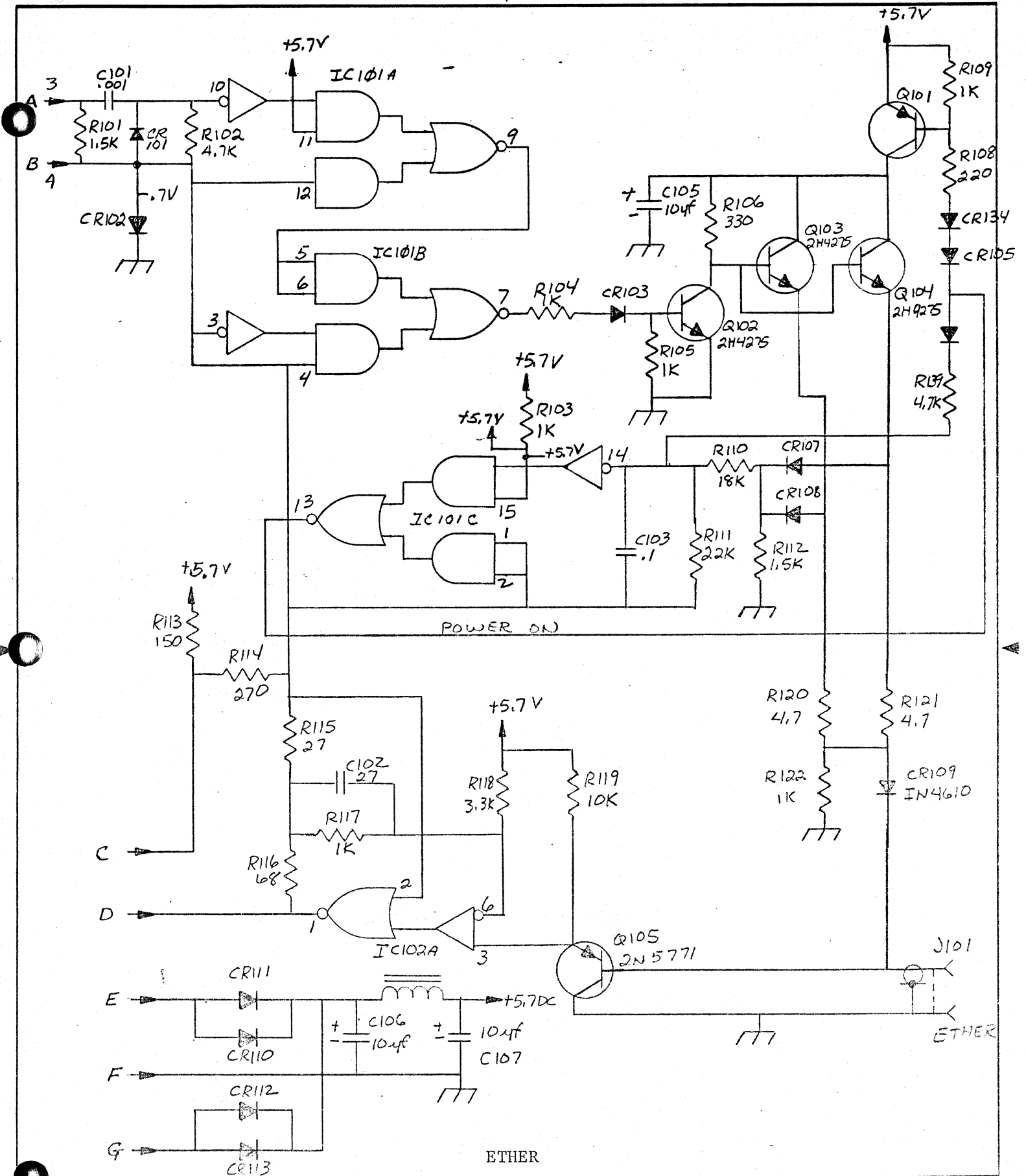
Xerox Corporation  
El Segundo, California

**XEROX**

209926

B

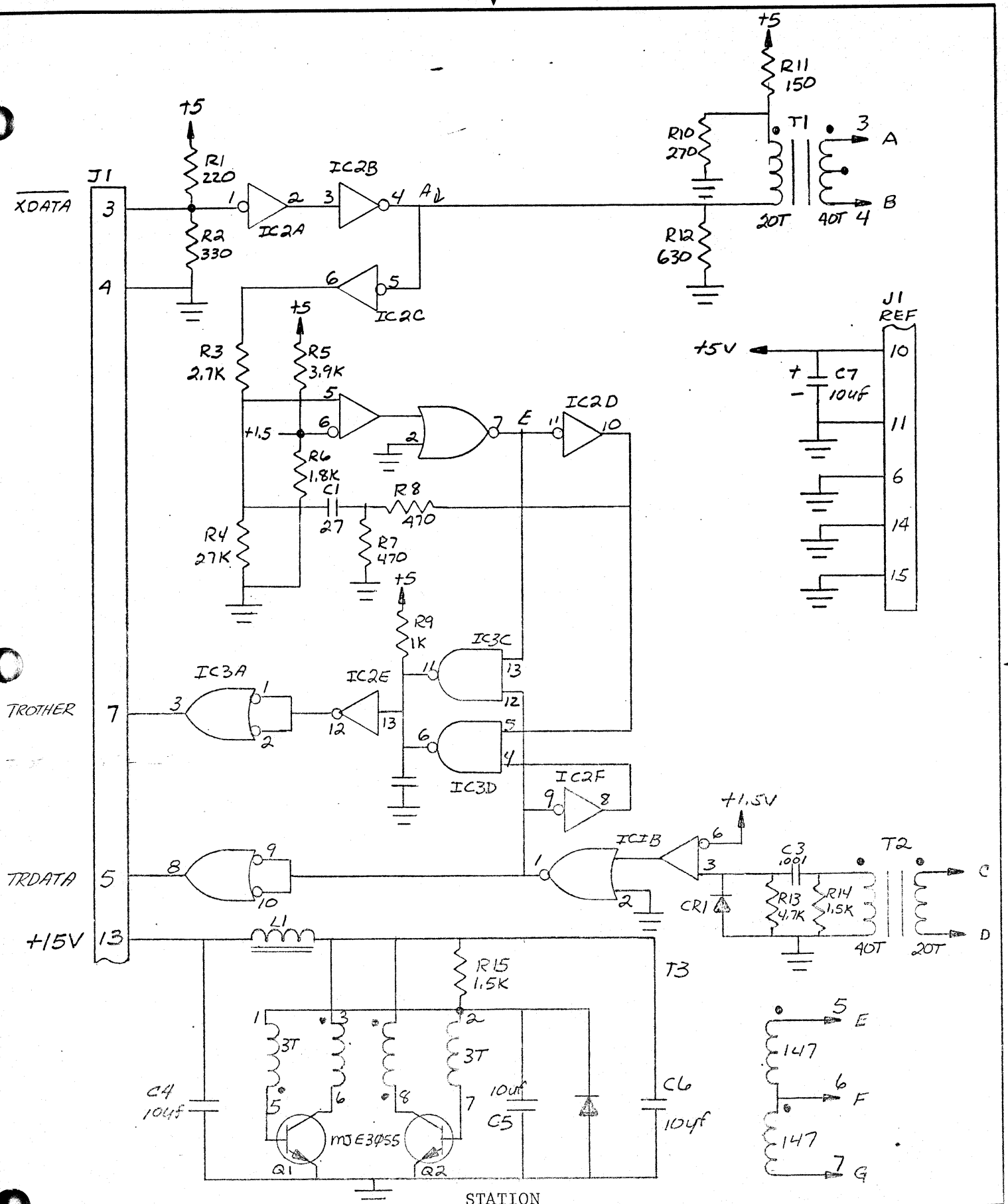
Sheet 2 Of 4



These drawings and specifications, and the data contained therein, are the exclusive property of Xerox Corporation and/or Rank Xerox, Ltd. issued in strict confidence and shall not, without the prior written permission of Xerox Corporation or Rank Xerox, Ltd., be reproduced, copied or used for any purpose whatsoever, except the manufacture of articles for Xerox Corporation or Rank Xerox, Ltd.

Title ALTO II  
 SPEC, PROCUREMENT-  
 ETHERNET TRANSCEIVER

Xerox Corporation El Segundo, California		<b>XEROX</b>
209926	B	
Sheet 3	of 4	



STATION

These drawings and specifications, and the data contained therein, are the exclusive property of Xerox Corporation and/or Rank Xerox, Ltd. issued in strict confidence and shall not, without the prior written permission of Xerox Corporation or Rank Xerox, Ltd., be reproduced, copied or used for any purpose whatsoever, except the manufacture of articles for Xerox Corporation or Rank Xerox, Ltd.

Title ALTO II  
 SPEC, PRO CUREMENT  
 ETHERNET TRANSCEIVER

Xerox Corporation  
 El Segundo, California  
 209926  
 Sheet 4 Of 4  
 B