

MACH	M SERIAL	SYST	SYSTEM	F/E	W/T	CUST	MD	MICRO	BOX	MACHINE	PLT	PLT	MACHINE	
TYPE	C	NUMBER	TYPE	NUMBER	B/O	CTY	NUMBER	CD	TPC-CD	SHIP	SHIP	MFG	CTL	STATUS
5320	0081180	5320	0027326	0317		3054734					78-07-21	ROCH	ROCH	DISC

BASIC ECA.EC	FACTORY EC	SALES MOD	PLANT ORDER	HARD CARD
000.222222	821197	B34	68832M	001

MACHINE DEVICE/FPQ CONFIGURATION

DEVICE/FPQ	QTY	STATUS	DEVICE/FPQ	QTY	STATUS
1005	1	TO BE ADDED FIELD	9492	1	FACTORY INST
4655	1	FIELD INST	9886	1	FACTORY INST
9042	1	FACTORY INST			

STANDARD FEATURE SECTION

ECA	FIELD	FACTORY	FEATURE	BM	FTR-ASN	FEATURE NAME	STATUS	MES-NO	STAT	DATE
000	111111				0009492	DUMMY	FACT INST			
000	222222				1111122	230V/60HZ DUMMY	FACT INST			
000	222222				1111122	230V/60HZ DUMMY	FACT INST			
081	815455	831973			2546301	FINAL ASM-ELECT	FACT INST			
000	821031G	828785			2546303	COVER GROUP	FACT INST			
012	825368A	825381			2546305	ACCENT CVR GRP YELL	FACT INST			
000	821104	825301			2546309	STANDARD O/P PANEL	REMOVED	MS1121	INST	78-09-25
000	821104	825301			2546309	STANDARD O/P PANEL	FACT INST			
014	828521	830444			2546315	VOLTAGE GROUP	FACT INST			
000	821103				2546317	8 FT LINE CORD 60HZ	FACT INST			
079	832095	832050A			2546325	BT F LINE PTR SHP GP	FACT INST			
000	825450	831987			2546326	MAIN STORE FEAT 24K	TO BE INST	K46436	WRIT	81-04-02
000	821070	825295			2546331	PRINTER SPEED 150LPM	FACT INST			
021	828634	825440			2546339	KEYLOCK O/P PANEL	FIELD INST	MS1121	INST	78-09-25
000	821087				2546346	I/O ENTY HOLE COVER	FACT INST			
036	828740	828647A			2546406	MECH PTS-PRINTER	FACT INST			
000	821137	830354			2546410	MECH PTS-FILE	FACT INST			
009	825356	828666			2546862	KEYBOARD ENGLISH	FACT INST			
082	832079	828760			2594631	PRTR 48 CHAR FORTRAN	FACT INST			
000	828715	828715			2772948	ELEC PTS W/0129/5496	FACT INST			
000	830406	830406			2772973	CONTROL STORAGE 4K	FACT INST			

PRIMARY FEATURE & RENOVATE B/M SECTION

ECA	FIELD	FACTORY	FEATURE	B/M	FEATURE NAME	STATUS	MES-NO	STAT	DATE	
063	830354A	832071			2546300	FINAL ASM-MECH	FACT INST			
000	821121	830374			2546405	MECH PTS 33 FD	FACT INST			
077	832081	832146			2546844	LINE PRINTER- LYNX	FACT INST			
069	830358	828777			2546850	33 FD ASM 60 HZ	FACT INST			
088	832129	832148			2547895	FILE ASM 13MB 60 HZ	FACT INST			

CABLE AND SHIP GROUP SECTION

ECA	FIELD	FACTORY	B/M #	LENGTH	DESCRIPTION	STATUS	MES-NO	STAT	DATE
087	832134	832152			2546302	SHIPPING GROUP BASE	FACT INST		

ECA HISTORY SECTION

N/A = ECA NOT ASSIGNED EC PROD PRAC LEVEL = 0113 (MRS)

ECA	EC NO	ECA STATUS	FLD	B/M	EIT	QTY	FCSI	DATE
001	825396	INSTALLED						
002	825466	OPTIONAL CHG NOT INST						
003	825409	INSTALLED						
003	825446	OPTIONAL CHG NOT INST						
004	825459	NOT REQUIRED						
005	828519	INSTALLED						
006	825470	INSTALLED						
006	828641	INSTALLED						
007	825478	INSTALLED						
008	825391	OPTIONAL CHG NOT INST						
010	825484	INSTALLED						
011	825495	INSTALLED						
012	825368A	INSTALLED						
013	828561	INSTALLED						
014	828521	INSTALLED						
015	828553	NOT REQUIRED						
016	825421	INSTALLED						
017	828586	OPTIONAL CHG NOT INST						
020	828503	INSTALLED						
021	828634	INSTALLED						
022	828579	INSTALLED						
023	828538	INSTALLED						
025	825488	INSTALLED						
026	828639	OPTIONAL CHG NOT INST						
027	828686	OPTIONAL CHG NOT INST						
028	828683	NOT REQUIRED						
030	828622	NOT REQUIRED						
031	825473	INSTALLED						
032	828767	NOT REQUIRED						
033	828710	NOT REQUIRED						
034	828739	NOT REQUIRED						
035	828619	INSTALLED						
036	828740	INSTALLED						
037	828743	INSTALLED						
038	828765	NOT REQUIRED						
039	828717	OPTIONAL CHG NOT INST						
042	828768	INSTALLED						

MACH	#	SERIAL	SYST	SYSTEM	F/E	W/T	CUST	MD	MICRO	BOX	MACHINE	PLT	PLT	MACHINE
TYPE	C	NUMBER	TYPE	NUMBER	B/O	CTY	NUMBER	CD	TPC-CD	SHIP	SHIP	MFG	CTL	STATUS
5320		0081180	5320	0027326	0317		3054734				78-07-21	ROCH	ROCH	DISC

ECA HISTORY SECTION

N/A = ECA NOT ASSIGNED

EC PROD PRAC LEVEL = 0113 (MRS)

ECA	EC NO	ECA STATUS	FLD	B/M	EIT	QTY	FCSI	DATE
043	828761	NOT REQUIRED						
045	830361	OPTIONAL CHG NOT INST						
046	828755	INSTALLED						
047	830370	INSTALLED						
048	814006	OPTIONAL CHG NOT INST						
049	828793	INSTALLED						
050	828692	INSTALLED						
050	830415	INSTALLED						
051	830416	NOT REQUIRED						
052	828799	NOT REQUIRED						
053	828638	INSTALLED						
054	830357	INSTALLED						
055	830453	NOT REQUIRED						
056	830388	INSTALLED						
057	830375	INSTALLED						
058	831926	NOT REQUIRED						
060	831958	OPTIONAL CHG NOT INST						
061	830462	NOT REQUIRED						
062	831927	NOT REQUIRED						
063	830354A	INSTALLED						
064	830387	INSTALLED						
065	830402	NOT REQUIRED						
066	831967	OPTIONAL CHG NOT INST						
067	830457	OPTIONAL CHG NOT INST						
068	831975	NOT REQUIRED						
069	830358	INSTALLED						
070	831971	NOT REQUIRED						
071	831994	NOT REQUIRED						
072	832054	NOT REQUIRED						
073	894110	NOT REQUIRED						
074	832050	INSTALLED						
075	832075	NOT REQUIRED						
076	832076	NOT REQUIRED						
077	832081	INSTALLED						
078	832099	NOT REQUIRED						
079	832095	INSTALLED						
080	832124	OPTIONAL CHG NOT INST						
081	815455	INSTALLED						
082	832079	INSTALLED						
083	832113	NOT REQUIRED						
084	832072	NOT REQUIRED						
085	832101	OPTIONAL CHG NOT INST						
086	832131	NOT REQUIRED						
087	832134	INSTALLED						
088	832129	INSTALLED						
089	832115	TO BE ADDED						
091	832140	NOT REQUIRED						
092	832142	TO BE ADDED						
N/A	830461	OPTIONAL CHG NOT INST						

MACH M SERIAL TYPE C	SYST NUMBER	SYSTEM TYPE	F/E B/O	W/T CTY	CUST NUMBER	MD CD	MICRO TPC-CD	BOX SHIP	MACHINE SHIP	PLT MFG	PLT CTL	MACHINE STATUS
5320	0081180	5320	0027326	0317	3054734			78/07/21	78-07-21	ROCH	ROCH	NORMAL

BASIC ECA. EC FACTORY EC SALES MOD MFG MOD PLANT ORDER HARD CARD
000.222222 821197 B34 000 68832M 001

STANDARD FEATURE SECTION

ECA	FIELD	FACTORY	FEATURE	BM	DEVICE	FTR-ASN	FEATURE NAME	STATUS	MES-NO	STAT	DATE
000	111111		0009492	9492	DUMMY		DUMMY	FACT INST			
000	222222		1111122	9886	230V/60HZ	DUMMY	230V/60HZ	FACT INST			
000	222222		1111122	9886	230V/60HZ	DUMMY	230V/60HZ	FACT INST			
000	828604	831973	2546301		FINAL ASM-ELECT			FACT INST			
000	821031G	825418	2546303		COVER GROUP			FACT INST			
012	825368A	825381	2546305	9042	ACCENT CVR GRP YELL			FACT INST			
000	821104	825301	2546309		STANDARD O/P PANEL			TO BE REM	M51121	WRIT	78-08-10
000	821104	825301	2546309		STANDARD O/P PANEL			FACT INST			
014	828521	830444	2546315	9886	VOLTAGE GROUP			FACT INST			
000	821103		2546317		8 FT LINE CORD 60HZ			FACT INST			
079	832095	828698	2546325		BT F LINE PTR SHP GP			FACT INST			
000	821070	825295	2546331		PRINTER SPEED 150LPM			FACT INST			
021	828634	825440	2546339	4655	KEYLOCK O/P PANEL			TO BE INST	M51121	WRIT	78-08-10
000	821087		2546346		I/O ENTY HOLE COVER			FACT INST			
036	828740	828647A	2546406		MECH PTS-PRINTER			FACT INST			
000	821137	830354	2546410		MECH PTS-FILE			FACT INST			
009	825356	828666	2546862		KEYBOARD ENGLISH			FACT INST			
000	828760	828760	2594631	9492	PRTR 48 CHAR FORTRAN			FACT INST			
000	828715	828715	2772948		ELEC PTS W/0129/5496			FACT INST			
000	830406	830406	2772973		CONTROL STORAGE 4K			FACT INST			

PRIMARY FEATURE & RENOVATE B/M SECTION

ECA	FIELD	FACTORY	FEATURE	DEVICE	FEATURE NAME	STATUS	MES-NO	STAT	DATE
080	832071	831973	2546300		FINAL ASM-MECH	FACT INST			
000	821121	830374	2546405		MECH PTS 33 FD	FACT INST			
077	832081	832092	2546844		LINE PRINTER- LYNX	FACT INST			
069	830358	828777	2546850		33 FD ASM 60 HZ	FACT INST			
074	832050	831976	2547895		FILE ASM 13MB 60 HZ	FACT INST			

CABLE AND SHIP GROUP SECTION

ECA	FIELD	FACTORY	B/M #	DC-RPQ LENGTH	DESCRIPTION	STATUS	MES-NO	STAT	DATE
079	832095	832123	2546302		SHIPPING GROUP BASE	FACT INST			

ECA HISTORY SECTION

N/A = ECA NOT ASSIGNED EC PROD PRAC LEVEL = 0113 (MRS)

ECA	EC NO	ECA STATUS	FLD B/M	EIT	QTY	FCSI	DATE
001	825396	INSTALLED					
002	825466	OPTIONAL CHG NOT INST					
003	825409	INSTALLED					
003	825446	OPTIONAL CHG NOT INST					
004	825459	NOT REQUIRED					
005	828519	INSTALLED					
006	825470	INSTALLED					
006	825641	INSTALLED					
007	825478	INSTALLED					
008	825391	OPTIONAL CHG NOT INST					
010	825484	INSTALLED					
011	825495	INSTALLED					
012	825368A	INSTALLED					
013	828561	INSTALLED					
014	828521	INSTALLED					
015	828553	NOT REQUIRED					
016	825421	INSTALLED					
017	828586	OPTIONAL CHG NOT INST					
020	828508	INSTALLED					
021	828634	INSTALLED					
022	828579	INSTALLED					
023	828538	INSTALLED					
025	825488	INSTALLED					
026	828639	OPTIONAL CHG NOT INST					
027	828686	OPTIONAL CHG NOT INST					
028	828683	NOT REQUIRED					
030	828622	NOT REQUIRED					
031	825473	INSTALLED					
032	828767	NOT REQUIRED					
033	828710	NOT REQUIRED					
034	828739	NOT REQUIRED					
035	828619	INSTALLED					
036	828740	INSTALLED					
037	828743	INSTALLED					
038	828765	NOT REQUIRED					
039	828717	OPTIONAL CHG NOT INST					
042	828768	INSTALLED					
043	828761	NOT REQUIRED					
045	830361	OPTIONAL CHG NOT INST					
046	828755	INSTALLED					
047	830370	INSTALLED					
048	814006	OPTIONAL CHG NOT INST					
049	828793	INSTALLED					
050	828692	INSTALLED					
050	830415	INSTALLED					

MACH	M	SERIAL	SYST	SYSTEM	F/E	W/T	CUST	MD	MICRO	BOX	MACHINE	PLT	PLT	MACHINE
TYPE	C	NUMBER	TYPE	NUMBER	B/O	CTY	NUMBER	CD	TPC-CD	SHIP	SHIP	MFG	CTL	STATUS
5320		0081180	5320	0027326	0317		3054734			78/07/21	78-07-21	ROCH	ROCH	NORMAL

ECA HISTORY SECTION

N/A = ECA NOT ASSIGNED

EC PROD PRAC LEVEL = 0113 (MRS)

ECA	EC NO	ECA STATUS	FLD	B/M	EIT	QTY	FCSI	DATE
051	830416	NOT REQUIRED						
052	828799	NOT REQUIRED						
053	828638	INSTALLED						
054	830357	INSTALLED						
055	830453	NOT REQUIRED						
056	830388	INSTALLED						
057	830375	INSTALLED						
058	831926	NOT REQUIRED						
060	831958	OPTIONAL CHG NOT INST						
061	830462	NOT REQUIRED						
062	831927	NOT REQUIRED						
063	830354A	INSTALLED						
064	830387	INSTALLED						
065	830402	NOT REQUIRED						
066	831967	OPTIONAL CHG NOT INST						
067	830457	OPTIONAL CHG NOT INST						
068	831975	NOT REQUIRED						
069	830358	INSTALLED						
070	831971	NOT REQUIRED						
071	831994	NOT REQUIRED						
072	832054	NOT REQUIRED						
074	832050	INSTALLED						
075	832075	NOT REQUIRED						
076	832076	NOT REQUIRED						
077	832081	INSTALLED						
078	832099	NOT REQUIRED						
079	832095	INSTALLED						
080	832071	INSTALLED						
N/A	815455	TO BE ADDED						
N/A	828604	INSTALLED						
N/A	830461	OPTIONAL CHG NOT INST						
N/A	831933	INSTALLED						
N/A	831935	NOT REQUIRED						
N/A	831987	INSTALLED						
N/A	832002	NOT REQUIRED						
N/A	832010	NOT REQUIRED						
N/A	832050A	INSTALLED						
N/A	832069	INSTALLED						
N/A	894110	NOT REQUIRED						
N/A	922878	NOT REQUIRED						

MACH M	SERIAL	SYST	SYSTEM	F/E	W/T	CUST	MD	MICRO	BOX	MACHINE	PLT	PLT	MACHINE
TYPE C	NUMBER	TYPE	NUMBER	B/O	CTY	NUMBER	CD	TPC-CD	SHIP	SHIP	MFG	CTL	STATUS
5320	0081180	5320	0027326	0671		3054734				78/07/21			ROCH ROCH FACTORY

BASIC ECA.EC	FACTORY EC	SALES MOD	MFG MOD	PLANT ORDER	HARD CARD
000.222222	821197	B34	000	68832M	001

STANDARD FEATURE SECTION

ECA	FIELD	FACTORY	FEATURE	B/M	DEVICE	FTR-ASN	FEATURE NAME	STATUS	MES-NO	STAT	DATE
000	111111		0009492		9492		DUMMY	FACT INST			
000	222222		1111122		9886		230V/60HZ DUMMY	FACT INST			
000	828604	831973	2546301				FINAL ASM-ELECT	FACT INST			
000	821031G	825418	2546303				COVER GROUP	FACT INST			
012	825368A	825381	2546305		9042		ACCENT CVR GRP YELL	FACT INST			
000	821104	825301	2546309				STANDARD O/P PANEL	FACT INST			
014	828521	830444	2546315		9884		VOLTAGE GROUP	FACT INST			
000	821103		2546317				8 FT LINE CORD 60HZ	FACT INST			
079	832095	828698	2546325				BT F LINE PTR SHP GP	FACT INST			
000	821070	825295	2546331				PRINTER SPEED 150LPM	FACT INST			
000	821087		2546346				I/O ENTY HOLE COVER	FACT INST			
036	828740	828647A	2546406				MECH PTS-PRINTER	FACT INST			
000	821137	830354	2546410				MECH PTS-FILE	FACT INST			
009	825356	828666	2546862				KEYBOARD ENGLISH	FACT INST			
000	828760	832079	2594631		9492		PRTR 48 CHAR FORTRAN	FACT INST			
000	828715	828715	2772948				ELEC PTS W/O129/5496	FACT INST			
000	830406	830406	2772973				CONTROL STORAGE 4K	FACT INST			

PRIMARY FEATURE & RENOVATE B/M SECTION

ECA	FIELD	FACTORY	FEATURE	DEVICE	FEATURE NAME	STATUS	MES-NO	STAT	DATE
080	832071	831973	2546300		FINAL ASM-MECH	FACT INST			
000	821121	830374	2546405		MECH PTS 33 FD	FACT INST			
077	832081	832092	2546844		LINE PRINTER- LYNX	FACT INST			
069	830358	828777	2546850		33 FD ASM 60 HZ	FACT INST			
074	832050	831976	2547895		FILE ASM 13MB 60 HZ	FACT INST			

CABLE AND SHIP GROUP SECTION

ECA	FIELD	FACTORY	B/M #	DC-RPQ	LENGTH	DESCRIPTION	STATUS	MES-NO	STAT	DATE
079	832095	832123	2546302			SHIPPING GROUP BASE	FACT INST			

FACTORY EC SECTION

EC NO	STATUS
145918	INSTALLED
825309	NOT INST
825327	INSTALLED
825340	INSTALLED
825344	INSTALLED
825361	INSTALLED
825375	INSTALLED
825376	INSTALLED
825380	INSTALLED
825384	INSTALLED
825385	INSTALLED
825387	INSTALLED
825389	INSTALLED
825399	INSTALLED
825408	INSTALLED
825409B	INSTALLED
825410	INSTALLED
825411	INSTALLED
825413	INSTALLED
825414	INSTALLED
825418	INSTALLED
825419	INSTALLED
825420	INSTALLED
825422	INSTALLED
825425	INSTALLED
825429	INSTALLED
825431	INSTALLED
825443	INSTALLED
825445	INSTALLED
825447	INSTALLED
825448	INSTALLED
825460	INSTALLED
825464	INSTALLED
825467	INSTALLED
825468	INSTALLED
825472	INSTALLED
825472A	INSTALLED
825493	INSTALLED
825494	INSTALLED
825745	INSTALLED
825860	INSTALLED
825860A	INSTALLED
828518	INSTALLED
828522	INSTALLED

MACH TYPE	M SERIAL C	SYST NUMBER	SYSTEM TYPE	SYSTEM NUMBER	F/E B/O	W/T CTY	CUST NUMBER	MD CD	MICRO TPC-CD	BOX SHIP	MACHINE SHIP	PLT MFG	PLT CTL	MACHINE STATUS
5320	0081180	5320	0027326	0671			3054734				78/07/21	ROCH	ROCH	FACTORY

FACTORY EC SECTION

EC NO	STATUS
828523	INSTALLED
828524	INSTALLED
828525	INSTALLED
828527	INSTALLED
828529	INSTALLED
828535	INSTALLED
828536	INSTALLED
828537	INSTALLED
828540	INSTALLED
828546	INSTALLED
828550	INSTALLED
828551	INSTALLED
828552	INSTALLED
828555	INSTALLED
828564	INSTALLED
828565	INSTALLED
828565A	INSTALLED
828568	INSTALLED
828570	INSTALLED
828574	INSTALLED
828575	INSTALLED
828580	INSTALLED
828583	INSTALLED
828614	INSTALLED
828620	INSTALLED
828623	INSTALLED
828626	INSTALLED
828627	INSTALLED
828633	INSTALLED
828635	INSTALLED
828638A	INSTALLED
828642	INSTALLED
828643	INSTALLED
828644	INSTALLED
828647	INSTALLED
828647A	INSTALLED
828650	INSTALLED
828654	INSTALLED
828664	INSTALLED
828666	INSTALLED
828668	INSTALLED
828682	INSTALLED
828693	INSTALLED
828696	INSTALLED
828698	INSTALLED
828708	INSTALLED
828713	INSTALLED
828715	INSTALLED
828728	INSTALLED
828735	INSTALLED
828741	INSTALLED
828742	INSTALLED
828744	INSTALLED
828745	INSTALLED
828746	INSTALLED
828747	INSTALLED
828748	INSTALLED
828756	INSTALLED
828760	INSTALLED
828770	INSTALLED
828772	INSTALLED
828775	INSTALLED
828775B	INSTALLED
828777	INSTALLED
828780	INSTALLED
828781	INSTALLED
828782	INSTALLED
828785	NOT INST
828787	INSTALLED
828789	INSTALLED
828790	INSTALLED
828791	INSTALLED
828792	INSTALLED

MACH TYPE	M SERIAL C	SYST NUMBER	SYSTEM TYPE	SYSTEM NUMBER	F/E B/D	W/T CTY	CUST NUMBER	MD CD	MICRO TPC-CD	BOX SHIP	MACHINE SHIP	PLT MFG	PLT CTL	MACHINE STATUS
5320	0081180	5320	0027326	0671			3054734				78/07/21			ROCH ROCH FACTORY

FACTORY EC SECTION

EC NO	STATUS
828795	INSTALLED
828798	INSTALLED
830351	INSTALLED
830354	INSTALLED
830360	INSTALLED
830363	NOT INST
830374	INSTALLED
830376	INSTALLED
830377	INSTALLED
830380	INSTALLED
830383	INSTALLED
830384	INSTALLED
830385	INSTALLED
830390	INSTALLED
830406	INSTALLED
830408	INSTALLED
830418	INSTALLED
830423	INSTALLED
830444	INSTALLED
830454	INSTALLED
830454A	INSTALLED
830464	INSTALLED
831934	INSTALLED
831940	INSTALLED
831941	INSTALLED
831943	INSTALLED
831956	INSTALLED
831959	INSTALLED
831960	INSTALLED
831961	INSTALLED
831962	INSTALLED
831972	INSTALLED
831973	INSTALLED
831976	INSTALLED
831977	INSTALLED
831983	INSTALLED
831986	INSTALLED
831990	INSTALLED
831995	INSTALLED
831996	INSTALLED
831997	INSTALLED
832016	INSTALLED
832020	INSTALLED
832023	INSTALLED
832027	NOT INST
832029	INSTALLED
832041	INSTALLED
832043	INSTALLED
832049	INSTALLED
832057	INSTALLED
832061	NOT INST
832063	INSTALLED
832064	INSTALLED
832065	INSTALLED
832067	INSTALLED
832068	INSTALLED
832070	INSTALLED
832073	INSTALLED
832079	INSTALLED
832082	INSTALLED
832083	INSTALLED
832084	INSTALLED
832091	INSTALLED
832092	INSTALLED
832097	NOT INST
832123	INSTALLED
922791	NOT INST

ECA HISTORY SECTION

N/A = ECA NOT ASSIGNED

EC PROD PRAC LEVEL = 0113 (MRS)

ECA	EC NO	ECA STATUS	FLD B/M	EIT	QTY	FCSI	DATE
001	825396	INSTALLED					
002	825466	OPTIONAL CHG NOT INST					
003	825409	INSTALLED					
003	825446	OPTIONAL CHG NOT INST					
004	825459	NOT REQUIRED					
005	828519	INSTALLED					

MACH M	SERIAL	SYST	SYSTEM	F/E	W/T	CUST	MD	MICRO	BOX	MACHINE	PLT	PLT	MACHINE
TYPE C	NUMBER	TYPE	NUMBER	B/O	CTY	NUMBER	CD	TPC-CD	SHIP	SHIP	MFG	CTL	STATUS
5320	0081180	5320	0027326	0671		3054734				78/07/21			ROCH ROCH FACTORY

ECA HISTORY SECTION

N/A = ECA NOT ASSIGNED

EC PROD PRAC LEVEL = 0113 (MRS)

ECA	EC NO	ECA STATUS	FLD B/M	EIT	QTY	FCSI	DATE
006	825470	INSTALLED					
006	828641	INSTALLED					
007	825478	INSTALLED					
008	825391	OPTIONAL CHG NOT INST					
010	825484	INSTALLED					
011	825495	INSTALLED					
012	825368A	INSTALLED					
013	828561	INSTALLED					
014	828521	INSTALLED					
015	828553	NOT REQUIRED					
016	825421	INSTALLED					
017	828566	OPTIONAL CHG NOT INST					
020	828508	INSTALLED					
021	828634	NOT REQUIRED					
022	828579	INSTALLED					
023	828538	INSTALLED					
025	825488	INSTALLED					
026	828639	OPTIONAL CHG NOT INST					
027	828686	OPTIONAL CHG NOT INST					
028	828683	NOT REQUIRED					
030	828622	NOT REQUIRED					
031	825473	INSTALLED					
032	828767	NOT REQUIRED					
033	828710	NOT REQUIRED					
034	828739	NOT REQUIRED					
035	828619	INSTALLED					
036	828740	INSTALLED					
037	828743	INSTALLED					
038	828765	NOT REQUIRED					
039	828717	OPTIONAL CHG NOT INST					
042	828768	INSTALLED					
043	828761	NOT REQUIRED					
045	830361	OPTIONAL CHG NOT INST					
046	828755	INSTALLED					
047	830370	INSTALLED					
048	814006	OPTIONAL CHG NOT INST					
049	828793	INSTALLED					
050	828692	INSTALLED					
050	830415	INSTALLED					
051	830416	NOT REQUIRED					
052	828799	NOT REQUIRED					
053	828638	INSTALLED					
054	830357	INSTALLED					
055	830453	NOT REQUIRED					
056	830388	INSTALLED					
057	830375	INSTALLED					
058	831926	NOT REQUIRED					
060	831958	OPTIONAL CHG NOT INST					
061	830462	NOT REQUIRED					
062	831927	NOT REQUIRED					
063	830354A	INSTALLED					
064	830387	INSTALLED					
065	830402	NOT REQUIRED					
066	831967	OPTIONAL CHG NOT INST					
067	830457	OPTIONAL CHG NOT INST					
068	831975	NOT REQUIRED					
069	830358	INSTALLED					
070	831971	NOT REQUIRED					
071	831994	NOT REQUIRED					
072	832054	NOT REQUIRED					
074	832050	INSTALLED					
075	832075	NOT REQUIRED					
076	832076	NOT REQUIRED					
077	832081	INSTALLED					
078	832099	NOT REQUIRED					
079	832095	INSTALLED					
080	832071	INSTALLED					
N/A	828604	INSTALLED					
N/A	830461	OPTIONAL CHG NOT INST					
N/A	831933	INSTALLED					
N/A	831935	NOT REQUIRED					
N/A	831987	INSTALLED					
N/A	832002	NOT REQUIRED					
N/A	832010	NOT REQUIRED					
N/A	832050A	INSTALLED					
N/A	832069	INSTALLED					
N/A	894110	NOT REQUIRED					

MACH M	SERIAL	SYST	SYSTEM	F/E	W/T	CUST	MD	MICRO	BOX	MACHINE	PLT	PLT	MACHINE
TYPE C	NUMBER	TYPE	NUMBER	B/O	CTY	NUMBER	CD	TPC-CD	SHIP	SHIP	MFG	CTL	STATUS
5320	0081180	5320	0027326	0671		3054734				78/07/21			ROCH ROCH FACTORY

ECA HISTORY SECTION

N/A = ECA NOT ASSIGNED EC PROD PRAC LEVEL = 0113 (MRS)

ECA	EC NO	ECA STATUS	FLD B/M	EIT	QTY	FCSI	DATE
N/A	922878	NOT REQUIRED					

VOLUME #00 MACHINE 5320- -0081180 MODEL 000 SYSTEM 0027326 MODE

BOX SHIP 78/07/21

LOGIC TYPE -6- BOARDS

PAGE NUM	SH	TITLE	PART NUM	EC NUM	FEATURE B/M OR B/MS
01A-A1		CUST BOARD	0002546830	821224	.W. 0002546301
01A-A2		CUST BOARD	0002546832	825399	.W. 0002546301

TOTAL PART NUMBERS THIS VOLUME 2

VOLUME 001 MACHINE 5320- -0081180 MODEL 000 SYSTEM 0027326 MODE BOX SHIP 78/07/21

LOGIC TYPE -0- SYSTEMS DIAGRAMS

PAGE NUM	SH	TITLE	PART NUM	EC NUM	FEATURE B/M OR B/MS
AY003		LOGIC BLOCK SYMBOLOG	0002547427	825372	•W• 0002546302
AY004		LOGIC BLOCK SYMBOLOG	0002547428	825372	•W• 0002546302
AY005		LOGIC BLOCK SYMBOLOG	0002547429	825372	•W• 0002546302
AY006		LOGIC BLOCK SYMBOLOG	0002547430	825372	•W• 0002546302
AY007		LOGIC BLOCK SYMBOLOG	0002547431	825372	•W• 0002546302
AY010		LOGIC FLOW DIAGRAM	0002547201	832067	•W• 0002546302
AY020		PLUG CHART BD 01A-A1	0002547202	831986	•W• 0002546302
AY030		PLUG CHART BD 01A-A2	0002547203	830423	•W• 0002546302
AY031		PLUG CHART FIXED DSK	0002547162	830358	•W• 0002547895
AY032		PLUG CHART	0002547158	830358	•W• 0002547895
AY033		PLUG CHART 33FD	0002547441	828527	•W• 0002546850
AY035		PLUG CHART KYBD/CRT	0002547164	832023	•W• 0002546302
AY036		PLUG CHART LINE PTR	0002547166	832050	•W• 0002546844
AY040		PIN SIDE BD 01A-A1	0002547432	832029	•W• 0002546302
AY050		PIN SIDE BD 01A-A2	0002547433	828775B	•W• 0002546302
CE010		CE PANEL ADD SWITCH	0002547204	828508	•W• 0002546302
CE020		CE PANEL ADD SWITCH	0002547205	828508	•W• 0002546302
CE030		CE PANEL ADD SWITCH	0002547206	828508	•W• 0002546302
CE040		CE PAN SW CONN-Y2	0002547207	828693	•W• 0002546302
CE050		CE PAN LIGHT SOC J2	0002547208	825372	•W• 0002546302
DG010		SEQ CTR CTRL GULL 8D	0002547209	825372	•W• 0002547895
DG020		GUL 9D CHIP RD/WR SL	0002547210	830358	•W• 0002547895
DG030		GUL 4D SCAN HIT LA	0002547211	825372	•W• 0002547895
DG031		GUL 4D SCAN HIT LA	0002547212	828508	•W• 0002547895
DG040		GUL 2D&3D DBI 0-7.P	0002547213	830358	•W• 0002547895
DG050		GUL 5D (100-10-20-40	0002547214	830358	•W• 0002547895
DG051		GUL 5D (130-40-50-60	0002547215	830358	•W• 0002547895
DG060		GUL 7D 62GV DSK BPC	0002547216	828633	•W• 0002547895
DG070		GUL 6D GULLIVER IMPL	0002547217	830358	•W• 0002547895
DG080		U-CODE CMND CPU CHAN	0002547218	825408	•W• 0002547895
DG081		CHAN TIME LAT CPU	0002547219	825408	•W• 0002547895
DG082		STROBE CNTR&CCB 3-6	0002547220	830358	•W• 0002547895
DG090		GULL 1DSK CRC GEN&CK	0002547221	825372	•W• 0002547895
DG100		GULL CHIP 1 CTRL CHN	0002547222	828565A	•W• 0002547895
DG110		GULL CHIP 1 CONT CHA	0002547165	830358	•W• 0002547895
DG200		GULL CHIP 2 UCODE	0002547223	830358	•W• 0002547895
DG210		GULL CHIP 2 UCODE	0002547224	830358	•W• 0002547895
DG220		GULL CD TRACK CTR	0002547225	830358	•W• 0002547895
DG230		GULL CD FET CHIP 2	0002547226	828696	•W• 0002547895
DG300		GULL SNS BITS 0-7	0002547227	828633	•W• 0002547895
DG400		GULL CD DECODE SNS	0002547228	830358	•W• 0002547895
DG401		GUL CD HD SEL FCU RE	0002547229	828798	•W• 0002547895
DG402		GULL	0002547160	828635	•W• 0002547895
DG500			0002547999	828633	•W• 0002547895
DJ010		DATA CTRL 33FD ATTCH	0002547231	825372	•W• 0002546850
DJ020		UCS CTRL 33FD ATTCH	0002547232	828527	•W• 0002546850
DK010		U-CODE CMND 33FD	0002547233	825408	•W• 0002546850
DK020		CHAN TIM LAT 33FD	0002547234	825408	•W• 0002546850
DK030		STROBE CNTR & CCB 33	0002547235	825408	•W• 0002546850
DK040		ENABLE,CMND SAM 33FD	0002547236	825408	•W• 0002546850
DK050		CCB DECODE 33FD	0002547237	825408	•W• 0002546850
DK060		U-CODE CTRL LAT 33FD	0002547238	828565A	•W• 0002546850
DK110		EX FROM 33FD TO CPU	0002547239	828696	•W• 0002546850
DK120		DBI REG & J10 TRUE	0002547240	825372	•W• 0002546850
DK130		DBI SEL CPU CHAN	0002547241	825372	•W• 0002546850
DK210		READ DATA 33FD ATCH	0002547242	825372	•W• 0002546850
DK220		RD AM CTRL RD DATA	0002547243	825372	•W• 0002546850
DK230		RD BIT RING RD DATA	0002547244	825372	•W• 0002546850
DK310		WR DATA FLOW WR DATA	0002547245	825408	•W• 0002546850
DK320		WR BIT RING WR DATA	0002547246	825372	•W• 0002546850
DK410		CRC CTRL CRC 33FD	0002547247	825372	•W• 0002546850
DK420		CRC SHIFT REG CRC	0002547248	825372	•W• 0002546850
DK510		IMPL & SEEK CTRL	0002547249	825408	•W• 0002546850
DK520		INDEX&SPEED CK CTRL	0002547250	825372	•W• 0002546850
DK530		INDEX-READY & IMP	0002547251	825372	•W• 0002546850
DK610		ERROR CK CIR CTRL	0002547252	825372	•W• 0002546850
DM001		U-CODE CMND ACCEPT	0002547253	825408	•W• 0002546302
DM003		CHAN TIM LAT CPU CH	0002547254	825408	•W• 0002546302
DM005		STROBE CNTR & CCB3-6	0002547255	825408	•W• 0002546302
DM020		KYBD COMMAND DECODE	0002547256	825408	•W• 0002546302
DM030		KYBD DATA REG	0002547257	825408	•W• 0002546302
DM040		KYBD DBI ASSEMBLER	0002547258	828696	•W• 0002546302
DM050		KYBD INTER AND REQ	0002547259	828565	•W• 0002546302
DM070		CRT BFR ADDR GEN	0002547260	825408	•W• 0002546302
DM080		CRT RAM AND RDS	0002547261	830360	•W• 0002546302
DM090		CRT DISPLAY TIMINGS	0002547262	825372	•W• 0002546302
DM100		CRT DBI ASSEMBLER	0002547263	828696	•W• 0002546302
DM110		CRT CMD DECODE	0002547264	825408	•W• 0002546302
DQ001		U CODE CMND ACCEPT	0002547265	825408	•W• 0002546844
DQ005		CHAN TIME LATCH CPU	0002547266	825408	•W• 0002546844
DQ009		STROBE CNTR AND UCS	0002547267	825408	•W• 0002546844
DQ020		PRT CMD DECODE PRT	0002547268	825408	•W• 0002546844
DQ030		PRT CRD DECODE PRT	0002547269	825408	•W• 0002546844
DQ040		PRT CMD DECODE PRT	0002547270	825408	•W• 0002546844
DQ050		DBI ASM PRT CTRL CD	0002547271	828693	•W• 0002546844
DQ060		DBI ASM PRT CTRL CD	0002547272	828696	•W• 0002546844

VOLUME 001 MACHINE 5320- -0081180 MODEL 000 SYSTEM 0027326 MODE

BOX SHIP 78/07/21

LOGIC TYPE -0- SYSTEMS DIAGRAMS

PAGE NUM	SH	TITLE	PART NUM	EC NUM	FEATURE B/M DR B/MS
D0070		JIU PRT CTRL CD PRT	0002547273	825408	.W. 0002546844
D0080		CARRIAGE CTRL PRT CD	0002547274	828693	.W. 0002546844
D0090		COIL CURRENT PRT CTR	0002547275	828693	.W. 0002546844
D0100		SPACE CTR PRT CTRL	0002547276	828693	.W. 0002546844
D0110		PRINT INIT PRT CTRL	0002547277	825408	.W. 0002546844
D0120		SUBSCAN TIME ENABLE	0002547278	825408	.W. 0002546844
D0130		SUPER SCAN TIME PRT	0002547279	825408	.W. 0002546844
D0140		HAMMER-OPT CTRL PRT	0002547280	825408	.W. 0002546844
D0150		LAST SUBSCAN CYC PRT	0002547281	825408	.W. 0002546844
D0160		SCAN CTR PRT CTRL CD	0002547282	825408	.W. 0002546844
D0170		CLOCK TRIGGER PRT CD	0002547283	825408	.W. 0002546844
D0180		BFR AND ADR PRT CTRL	0002547284	825408	.W. 0002546844
D0190		BEL SYNC UK PRT CTRL	0002547285	825408	.W. 0002546844
D0200		SUBSCAN & CHAIN POS	0002547286	825408	.W. 0002546844
D0210		PRT CTRL CD PRT	0002547287	825408	.W. 0002546844
D0220		BELT CTRL PRT CTRL	0002547288	825408	.W. 0002546844
D0230		PAPER CLAMP CIRLS	0002547289	825408	.W. 0002546844
D0240		PAPER CLAMP TIMER	0002547290	825408	.W. 0002546844
D0250		CLAMP TIMINGS PRT	0002547291	825408	.W. 0002546844
D0260		ENIT CK & HMR PARITY	0002547292	825408	.W. 0002546844
D0270		0-INT REQ PRT CTRL	0002547293	825408	.W. 0002546844
D0280		COMPARE MOD PRT CTRL	0002547294	825408	.W. 0002546844
D0290		HMR SEL CTRL PRT	0002547295	825408	.W. 0002546844
D0300		ELAPSED TIME CTR PRT	0002547296	825408	.W. 0002546844
D0310		CONTROL LINES PRT	0002547297	828693	.W. 0002546844
DR010		PRT HMR FIRE CD SS1	0002547313	825408	.W. 0002546844
DR020		PRT HMR FIRE CD SS2	0002547314	825408	.W. 0002546844
DR030		PRT HMR FIRE CD SS3	0002547315	825408	.W. 0002546844
DR040		PRT HMR FIRE CD SS4	0002547316	825408	.W. 0002546844
DR050		PRT HMR FIRE CD SS5	0002547317	825408	.W. 0002546844
DT010		HMR DUTY CYC CD 155	0002547298	831956	.W. 0002546844
DX010		AMPL & DRIVERS DRIVE	0002547312	828777	.W. 0002546850
GV100		VOLTAGE DISTRIBUTION	0002547318	830358	.W. 0002547895
GV110		SYS-FILE INTER FEALD	0002547319	830358	.W. 0002547895
GV120		PRE-AMP & POS	0002547320	830358	.W. 0002547895
GV130		INTER SS MAP CHART	0002547321	832050	.W. 0002547895
GV140		COIL DRV+CURR SENSE	0002547322	830358	.W. 0002547895
GV150		PHASE COMP&DEMOP SEL	0002547323	830358	.W. 0002547895
GV160		OUT OF SYNC DET&KICK	0002547324	830358	.W. 0002547895
GV180		SECTOR&INDEX DETECT	0002547325	830358	.W. 0002547895
GV190		SECTOR&INDEX PULSES	0002547326	830358	.W. 0002547895
GV200		VOCITY CONTROL	0002547327	830358	.W. 0002547895
GV210		ACCESS INTERLOCKS	0002547328	830358	.W. 0002547895
GV215		VELOCITY STORE REG	0002547331	830358	.W. 0002547895
GV220		HOME AND CALIBRATE	0002547329	830358	.W. 0002547895
GV230		ACC CTRL & SEEK COMP	0002547230	830358	.W. 0002547895 .W. 0002547895
GV235		HOME AND RECALIBRATE	0002547492	830358	.W. 0002547895
GV236		ACC CTRL&SEEK COMP	0002547493	830358	.W. 0002547895
GV250		DATA UNSAFE LATCHES	0002547332	830358	.W. 0002547895
GV260		PRE-AMP&WRITE DRIVER	0002547333	830358	.W. 0002547895
GV270		AGC+DETECT AND MFG	0002547334	830358	.W. 0002547895
GV280		DATA SEPARATOR 1	0002547335	830358	.W. 0002547895
GV285		DATA SEPARATOR 2	0002547436	830358	.W. 0002547895
GV290		DATA SEPARATOR 3	0002547336	830358	.W. 0002547895
KB010		KYBD PC BOARD	0002547337	825372	.W. 0002546302

TOTAL PART NUMBERS THIS VOLUME 141

LOGIC TYPE -0- SYSTEMS DIAGRAMS

PAGE NUM	SH	TITLE	PART NUM	EC NUM	FEATURE B/M OR B/MS
OP010		OPER PAN LIGHT&SWIT	0002547338	828538	•W. 0002546302
PA010		I/O BOARD EXIT-CPU	0002547339	831973	•W. 0002546302
PA011		I/O BOARD EXIT-CPU	0002772950	831973	•W. 0002546302
PA020		I/O BOARD EXIT-CPU	0002547340	831973	•W. 0002546302
PA030		I/O BOARD EXIT-CPU	0002547341	825408	•W. 0002546302
PA040		I/O BOARD EXIT-CPU	0002547342	831973	•W. 0002546302
PA050		DISPLAY HI DOTS	0002547343	828537	•W. 0002546302
PA060		SYS BUS IN 8-15,PDOT	0002547167	825372	•W. 0002546302
PA080		STOR BUS BIT 8-15-P	0002547168	831987	•W. 0002546302
PH010		PORT CLOCKS CTRL CPU	0002547344	830358	•W. 0002546302
PH020		CLOCK CTRL/PORT CPU	0002547345	830358	•W. 0002546302
PH030		CYC STEAL CHKS CTRL	0002547346	830358	•W. 0002546302
PH040		INT CTRLS CPU INTER	0002547347	830358	•W. 0002546302
PH050		CLOCKS TGRS CPU INT	0002547348	825372	•W. 0002546302
PH060		CLOCK DECODE CPU	0002547349	825372	•W. 0002546302
PH070		DATA BUFFER/CHAN REG	0002547350	828696	•W. 0002546302
PH080		PORT CKS CPU INTER	0002547351	830358	•W. 0002546302
PH090		MPXPO DATA OUT CPU	0002547352	830358	•W. 0002546302
PH100		CYC STEAL CPU INTER	0002547353	825372	•W. 0002546302
PH110		CBO BITS 0-2 CPU	0002547354	830358	•W. 0002546302
PH120		INTERRUPT CPU INTER	0002547355	831973	•W. 0002546302
PH130		BASE CHAN DBI-MPXPO	0002547356	831973	•W. 0002546302
PH140		CHANNEL STATUS CPU	0002547357	830358	•W. 0002546302
PJ010		MACH CHK,PROD CHK 7	0002547358	825408	•W. 0002546302
PJ020		IMMED DECODE STAT 2	0002547359	825408	•W. 0002546302
PJ040		DECODES STATUS 2 CD	0002547361	825372	•W. 0002546302
PJ050		RUN LTH,ADD COMP LTH	0002547362	825372	•W. 0002546302
PJ060		STOP LTH,ADD COMP GA	0002547363	825408	•W. 0002546302
PJ070		STAT 2 CD SEL GATE	0002547364	831973	•W. 0002546302
PJ080		I/O CLOCK DISP SYS	0002547365	831960	•W. 0002546302
PK001		EVENT INO 0-7,P STAT	0002547366	825408	•W. 0002546302
PK003		PCR CLUCK STAT 1 CD	0002547367	825372	•W. 0002546302
PK005		PROC COND REG 4-7 ST	0002547368	825372	•W. 0002546302
PK007		PROC COND REG 0-3 ST	0002547369	825372	•W. 0002546302
PK009		CPU CK LATCHES ST 1	0002547370	825372	•W. 0002546302
PK011		4 WAY SEL&DISPLAY HI	0002547371	825372	•W. 0002546302
PK013		ADD COMP HI BYTE ST1	0002547372	825372	•W. 0002546302
PK015		PRG CHK CLK RUN IND	0002547373	825372	•W. 0002546302
PK017		P CHECK TRIGGERS ST1	0002547374	825372	•W. 0002546302
PK019		CPU BR COND MET ST 1	0002547375	831987	•W. 0002546302
PK021		CONTROL DECODES ST 1	0002547376	825372	•W. 0002546302
PL010		X-Y REGISTERS	0002547377	825372	•W. 0002546302
PL020		STORAGE DATA REG	0002547378	831987	•W. 0002546302
PL030		STOR GATE HIGH/LOW	0002547379	825372	•W. 0002546302
PL040		LSR REGISTER	0002547380	825372	•W. 0002546302
PL050		ALU GATE HIGH/LOW	0002547381	825372	•W. 0002546302
PL060		ALU HIGH/LOW DATA FL	0002547382	825372	•W. 0002546302
PL070		ALU ZERO/ONE/CARRY	0002547383	825372	•W. 0002546302
PM010		MIC OPER REG(MDR)SYS	0002547384	831987	•W. 0002546302
PM015		T TIMES SYS CTRL CD	0002547385	828537	•W. 0002546302
PM020		CONTROL STOR ACCESS	0002547386	825372	•W. 0002546302
PM025		ALTER&DISPLAY SYS CD	0002547387	825372	•W. 0002546302
PM030		STG GATE BITS SYS CD	0002547388	828508	•W. 0002546302
PM031		STG GATE BITS SYS CD	0002547389	825372	•W. 0002546302
PM035		WR STG HIGH/LOW SYS	0002547390	825372	•W. 0002546302
PM041		ALU FCT BITS SYS CD	0002547391	825372	•W. 0002546302
PM045		ALU GATE HI/LO 0-2	0002547392	825372	•W. 0002546302
PM050		CARRY IN SYS CTRL CD	0002547393	825372	•W. 0002546302
PM053		CLK CS/INTR SYS CTRL	0002547394	825372	•W. 0002546302
PM055		CLK SAR RESET SDRSTG	0002547395	825372	•W. 0002546302
PM057		CLK STG GT CPK SYS	0002547396	825372	•W. 0002546302
PM060		LSR ADDR BIT 0-2	0002547397	830358	•W. 0002546302
PM065		LSR ADDR BIT 3,4,5	0002547398	830358	•W. 0002546302
PM070		WR LSR HIGH/LOW	0002547399	825372	•W. 0002546302
PM075		STAT SEL SYS CTRL CD	0002547400	828614	•W. 0002546302
PM076		STAT SEL SYS CTRL CD	0002547401	825372	•W. 0002546302
PM080		SAR&DISPLAY BITS GEN	0002547402	825372	•W. 0002546302
PN020		DECODE/STG/CSX/CSY	0002547403	825372	•W. 0002546302
PN030		STOR CLK STG CTRL CD	0002547404	825372	•W. 0002546302
PN040		INVALID ADDR STG CTR	0002547405	831987	•W. 0002546302
PN050		USE METER CTRL LOGIC	0002547406	825408	•W. 0002546302
PN060		100 NS OSC&SYS RST	0002547407	830358	•W. 0002546302
PN090		STORAGE 24K	0002547438	831987	•W. 0002546302
PN091		STORAGE 32K	0002547439	831987	•W. 0002546302
PP101		STOR CD CS LD 0-4K	0002547408	831987	•W. 0002546302
PQ501		STOR CD CS HI 0-4K	0002547411	831987	•W. 0002546302
PR101		STOR CD MS 0-8K	0002547412	825372	•W. 0002546302
PS101		STOR CD MS 8-16K	0002547413	825372	•W. 0002546302
PT101		STOR CD MS 16-24K	0002547414	825372	•W. 0002546302
PU101		STOR CD MS 24-32K	0002547415	825372	•W. 0002546302
SQ100		ON SINGLE SHUT CTRL	0002547127	831973	•W. 0002546302
SQ110		THERM,PW CK LTCHS	0002547128	828777	•W. 0002546302
SQ115		SINGLE SHUT SEQ HV	0002547129	828777	•W. 0002546302
SQ120		OVER CURRENT DELAY	0002547130	828508	•W. 0002546302
SQ130		ERROR DETECTION DUAL	0002547131	825408	•W. 0002546302
SQ140		UPPER 4 BITS OF PRES	0002547132	825408	•W. 0002546302

VOLUME 002 MACHINE 5320- -0081180 MODEL 000 SYSTEM 0027326 MODE

BOX SHIP 78/07/21

LOGIC TYPE -0- SYSTEMS DIAGRAMS

PAGE NUM	SH	TITLE	PART NUM	EC NUM	FEATURE B/M OR B/MS
SQ150		LOWER 4 BITS OF PRES	0002547133	825408	.W. 0002546302
SQ160		BIT 0,1 DECODE MULTI	0002547134	825408	.W. 0002546302
SQ170		POSITIVE VOLT SENSE	0002547135	828777	.W. 0002546302
SQ175		NEGATIVE VOLT SENSE	0002547136	828777	.W. 0002546302
SQ180		RESET CIRCUITRY	0002547137	828508	.W. 0002546302
SQ190		PREV FAULT REG&DISP	0002547138	825408	.W. 0002546302
SQ195		LINE FAULT&INPUT VLT	0002547139	828777	.W. 0002546302
TV010		CRT PC BD HVPS/V-H	0002547420	825372	.W. 0002546302
TV020		CRT PC BD VIP/WIGGLE	0002547421	825372	.W. 0002546302
YA001	1	50/60HZ LOW VOLTAGE	0002773090	828777	.W. 0002546302
YA001	2	50/60HZ HIGH VOLTAGE	0002773089	828777	.W. 0002546302
YA002		DC CONTROL VOLTAGES	0002773091	828777	.W. 0002546302
YA010		FERRD POWER SYSTEM	0002773092	828777	.W. 0002546302
YA014		POWER SENSE LINES	0002773093	828777	.W. 0002546302
YA070		AC BOARD ENTER/EXIT	0002773094	828777	.W. 0002546302
YA150		POWER DISTRIBUTION	0002773095	831962	.W. 0002546302
YA160		DC DISTRIBUTION	0002773096	831973	.W. 0002546302
YA162		DC DISTRIBUTION	0002773097	831973	.W. 0002546302
YA165		AC DISTRIBUTION	0002773098	828777	.W. 0002546302
YA170		POWER CABLING	0002772961	831990	.W. 0002546302
YA200		SEQUENCE CARD-TEST	0002773088	828777	.W. 0002546302
ZZ210		VOLTAGE DISTRIBUTION	0002547442	832069	.W. 0002546844
ZZ220		VOLTAGE DISTRIBUTION	0002547443	831995	.W. 0002546844
ZZ310		STEPPER MTR & DRIVER	0002547424	832069	.W. 0002546844
ZZ320		PRINTER	0002547444	832069	.W. 0002546844
ZZ330		PRINTER SOLENOIDS	0002547445	831995	.W. 0002546844
ZZ410		HAMMER COIL DRIVERS	0002547446	828579	.W. 0002546844
ZZ420		HAMMER COIL DRIVERS	0002547447	828579	.W. 0002546844
ZZ430		HAMMER COIL DRIVERS	0002547448	828579	.W. 0002546844
ZZ440		ODD HAMMER ON DETECT	0002547425	825408	.W. 0002546844
ZZ450		HAMMER COILS	0002547449	825408	.W. 0002546844
ZZ500		OSC DIG CONTROL CARD	0002547450	832069A	.W. 0002546844
ZZ510		CARR ADV DIG CTRL CD	0002547451	825408	.W. 0002546844
ZZ520		CARR DR DIG CTRL CD	0002547452	825408	.W. 0002546844
ZZ530		BELT DR DIG CTRL CD	0002547453	825408	.W. 0002546844
ZZ540		EMIT SYNCTTIM DIGIT	0002547454	825408	.W. 0002546844
ZZ550		COUNTER DIG CTRL CD	0002547455	825408	.W. 0002546844
ZZ560		PSS HOME NDT DIG CON	0002547456	825408	.W. 0002546844
ZZ570		INPUTS DIG CTRL CARD	0002547426	832069	.W. 0002546844
ZZ580		OUTPUT DIG CTRL CARD	0002547457	828693	.W. 0002546844
ZZ582		MOTOR & SOLEN DRIVE	0002547161	832081	.W. 0002546844
ZZ910		PRINTER CARD GATE	0002547458	832081	.W. 0002546844
ZZ920		PRINTER CABLE/CONN	0002547459	825408	.W. 0002546844
ZZ921		PRINT CARDS & SWITCH	0002548059	832069A	.W. 0002546844
ZZ930		CE PANEL	0002547122	830357	.W. 0002546302

TOTAL PART NUMBERS THIS VOLUME

131

VOLUME 003 MACHINE 5320- -0081180 MODEL 000 SYSTEM 0027326 MODE BOX SHIP 78/07/21

LOGIC TYPE -0- SYSTEMS DIAGRAMS

PAGE NUM	SH	TITLE	PART NUM	EC NUM	FEATURE B/M OR B/MS
SPLIT MAN		SHIP GROUP	0002547093	832123	.W. 0002546302
0000 MAP		TALBE OF CONTENTS	0002547500	830358	.W. 0002546302
0100 MAP		START OF SYSTEM ENTR	0002547502	832050	.W. 0002546302
0101 MAP		ENTRY 1A	0002547506	830358	.W. 0002546302
0102 MAP		START OF ENTRY A	0002547507	830358	.W. 0002546302
0103 MAP		ENTRY 2A	0002547508	830358	.W. 0002546302
0104 MAP		ENTRY 3A	0002547509	830358	.W. 0002546302
0105 MAP		START OF ENTRY 4	0002547510	830358	.W. 0002546302
0106 MAP		START OF ENTRY 5	0002547511	830358	.W. 0002546302
0107 MAP		START OF ENTRY 6	0002547512	830357	.W. 0002546302
0108 MAP		START OF ENTRY 7	0002547513	830358	.W. 0002546302
0109 MAP		START OF ENTRY 8	0002547514	830357	.W. 0002546302
0110 MAP		START OF ENTRY 9	0002547515	828579	.W. 0002546302
0111 MAP		START OF ENTRY 10	0002547516	828579	.W. 0002546302
0112 MAP		START OF ENTRY 11	0002547517	830357	.W. 0002546302
0113 MAP		START OF ENTRY 12	0002547518	830358	.W. 0002546302
0200 MAP		LAMPTEST	0002547504	830358	.W. 0002546302
0201 MAP		START OF RESET	0002547503	830357	.W. 0002546302
0300-1 MAP		MAPS	0002594601	832050A	.W. 0002546302
0301-1 MAP		MAPS	0002594602	828777	.W. 0002546302
0302-1 MAP		MAPS	0002594603	828777	.W. 0002546302
0303-1 MAP		MAPS	0002594604	831962	.W. 0002546302
0304-1 MAP		MAPS	0002594605	828777	.W. 0002546302
0305-1 MAP		MAPS	0002594606	831962	.W. 0002546302
0306-1 MAP		MAPS	0002594607	831962	.W. 0002546302
0307-1 MAP		MAPS	0002594608	828777	.W. 0002546302
0308-1 MAP		MAPS	0002594609	828777	.W. 0002546302
0309-1 MAP		MAPS	0002594610	831962	.W. 0002546302
0310-1 MAP		MAPS	0002594611	828777	.W. 0002546302
0311-1 MAP		MAPS	0002594612	828777	.W. 0002546302
0312-1 MAP		MAPS	0002594613	828777	.W. 0002546302
0313-1 MAP		MAPS	0002594614	828777	.W. 0002546302
0315-1 MAP		MAPS	0002594615	828777	.W. 0002546302
0316-1 MAP		MAPS	0002594616	828777	.W. 0002546302
0317-1 MAP		MAPS	0002594617	832050A	.W. 0002546302
0318-1 MAP		MAPS	0002594618	832050A	.W. 0002546302
0319-1 MAP		MAPS	0002594619	828777	.W. 0002546302
0400 MAP		PRINT 0	0002547550	832050A	.W. 0002546844
0401 MAP		PRINT 1	0002547551	830357	.W. 0002546844
0402 MAP		PRINT 2	0002547552	828518	.W. 0002546844
0403 MAP		PRINT 3	0002547553	828692	.W. 0002546844
0404 MAP		PRINT 4	0002547554	828518	.W. 0002546844
0405 MAP		PRINT 5	0002547555	830357	.W. 0002546844
0406 MAP		PRINT 6	0002547556	828518	.W. 0002546844
0407 MAP		PRINT 7	0002547557	828518	.W. 0002546844
0600 MAP		62 GV INDEX/TABLE OC	0002547586	832050	.W. 0002547895
0601 MAP		ENTRY 20	0002547587	828518	.W. 0002547895
0602 MAP		MAP	0002547544	830357	.W. 0002547895
0603 MAP		MAP	0002547545	828518	.W. 0002547895
0604 MAP		MAP	0002547546	828518	.W. 0002547895
0605 MAP		MAP	0002547547	828518	.W. 0002547895
0606 MAP		MAP	0002547548	832050	.W. 0002547895
0607 MAP		MAP	0002547549	828518	.W. 0002547895
0608 MAP		MAP	0002547558	828518	.W. 0002547895
0609 MAP		MAP	0002547559	828518	.W. 0002547895
0610 MAP		MAP	0002547585	828518	.W. 0002547895
0611 MAP		MAPS	0002547609	830357	.W. 0002547895
0612 MAP		MAPS	0002547627	830358	.W. 0002547895
0613 MAP		MAPS	0002547628	828518	.W. 0002547895
0614 MAP		MAPS	0002547629	828518	.W. 0002547895
0615 MAP		MAPS	0002547630	828518	.W. 0002547895
0616 MAP		MAPS	0002547631	828518	.W. 0002547895
0617 MAP		MAPS	0002547632	828518	.W. 0002547895
0618 MAP		MAPS	0002547633	828518	.W. 0002547895
0619 MAP		MAPS	0002547634	828518	.W. 0002547895
0620 MAP		MAPS	0002547635	828518	.W. 0002547895
0621 MAP		MAPS	0002547636	828518	.W. 0002547895
0622 MAP		MAPS	0002547637	828518	.W. 0002547895
0623 MAP		ENTRY 210	0002547593	828518	.W. 0002547895
0624 MAP		ENTRY 220	0002547594	828692	.W. 0002547895
0625 MAP		ENTRY 230	0002547595	830357	.W. 0002547895
0626 MAP		ENTRY 240	0002547596	828692	.W. 0002547895
0627 MAP		ENTRY 250	0002547597	828518	.W. 0002547895
0628 MAP		ENTRY 260	0002547598	828518	.W. 0002547895
0629 MAP		ENTRY 270	0002547599	828518	.W. 0002547895
0630 MAP		NR CHART B	0002547603	828518	.W. 0002547895
0631 MAP		RD FAILURE	0002547605	828518	.W. 0002547895
0632 MAP		SK FAILURE	0002547606	828518	.W. 0002547895
0633 MAP		INTERF CHART	0002547607	830357	.W. 0002547895
0634 MAP		CBL CHECK CHART	0002547608	828692	.W. 0002547895
0635 MAP		MAPS	0002547783	832050	.W. 0002547895
0700 MAP		MAP	0002546666	830358	.W. 0002546302
1200 MAP		DISPLAY 0	0002547610	830357	.W. 0002546302
1201 MAP		DISPLAY 1	0002547611	828552	.W. 0002546302
1202 MAP		DISPLAY 2	0002547612	828552	.W. 0002546302
1203 MAP		DISPLAY 3	0002547613	828518	.W. 0002546302

VOLUME 003 MACHINE 5320- -0081180 MODEL 000 SYSTEM 0027326 MODE

BOX SHIP 78/07/21

LOGIC TYPE -0- SYSTEMS DIAGRAMS

PAGE NUM	SH	TITLE	PART NUM	EC NUM	FEATURE B/M OR B/MS
1204	MAP	DISPLAY 4	0002547614	828518	.W. 0002546302
1205	MAP	DISPLAY 5	0002547615	828518	.W. 0002546302
1206	MAP	DISPLAY 6	0002547616	828518	.W. 0002546302
1207	MAP	DISPLAY 7	0002547617	828518	.W. 0002546302
1208	MAP	DISPLAY 8	0002547618	828518	.W. 0002546302
1209	MAP	DISPLAY 9	0002547619	828552	.W. 0002546302
1210	MAP	DISPLAY A	0002547626	828518	.W. 0002546302
3000	MAP	SERVICE DIAG	0002547690	832050	.W. 0002546302
3500	MAP	SERVICE MAP	0002547695	826692	.W. 0002546302

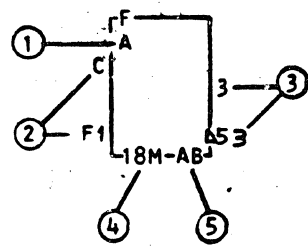
TOTAL PART NUMBERS THIS MACHINE

369

TOTAL PART NUMBERS THIS VOLUME

95

CONVENTIONS



1. FUNCTION

THIS IDENTIFIES THE FUNCTION OF THE BLOCK - (AND)

2. LINE POSITION

ALPHA CHARACTERS NEXT TO THE INPUT OF THE LOGIC BLOCK IDENTIFY THE POSITION OF THE LINE ON THE BLOCK

3. LINE POSITION

NUMERIC CHARACTER NEXT TO THE LOGIC BLOCK ON THE OUTPUT IDENTIFIES THE POSITION OF THE LINE ON THE BLOCK

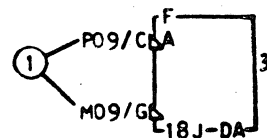
4. LOCATION

THIS IDENTIFIES THE POSITION OF THE BLOCK ON THE PAGE

5. BLOCK I.D.

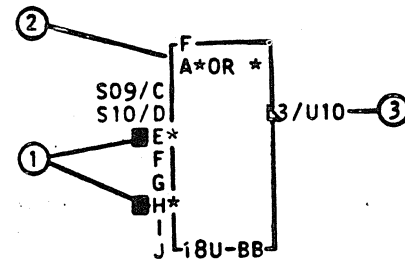
THIS IS USED TO IDENTIFY THE OUTPUT NET WITH ITEM 3

(EXAMPLE: OUTPUT NET OF THIS BLOCK WOULD BE AB3)



1. PROFEABLE INPUT BOARD PINS

CONVENTIONS



1. DELIMITER

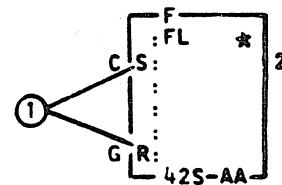
ASTERISK IS A DELIMITER AND SEPARATES GROUPS OF INPUTS

2. BLOCK FUNCTION

A*OR INDICATES 'AND' BLOCKS FEEDING AN 'OR' BLOCK

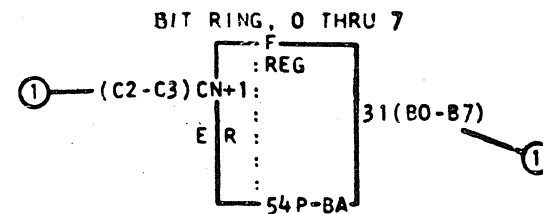
THIS EXAMPLE SHOWS 3 'AND' BLOCKS FEEDING AN 'OR' BLOCK. THE 3 'AND' BLOCK FUNCTIONS ARE SEPARATED BY THE ASTERISKS

3. PROBEABLE OUTPUT BOARD PIN



1. ENGLISH PIN CHARACTERS

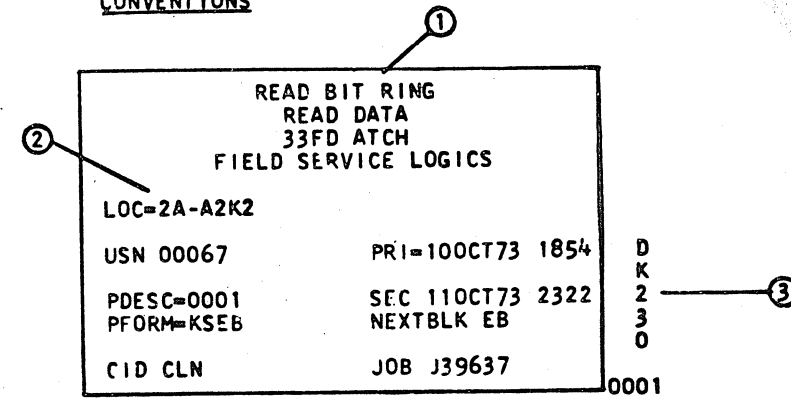
THEY ARE INSIDE THE BLOCK AND DENOTED BY THE DOTTED LINE



1. BUNDLED LINE

OUTPUT LINE CONTAINS 8 LINES, BO THRU B7
INPUT LINE CONTAINS 2 LINES, C2 AND C3

CONVENTIONS



PAGE TITLE BLOCK

- DESCRIPTION OF LOGIC ON THE PAGE
- CARD LOCATION OF LOGIC ON PAGE
- PAGE NUMBER

EDGE OF BLOCK CHARACTERS

- P - A POSITIVE-GOING SHIFT OR PULSE ACTIVATES THE BLOCK
- N - A NEGATIVE-GOING SHIFT OR PULSE ACTIVATES THE BLOCK
- T - A TEST POINT
- D - NEGATIVE DC ACTIVE LEVEL
- I - POSITIVE DC ACTIVE LEVEL

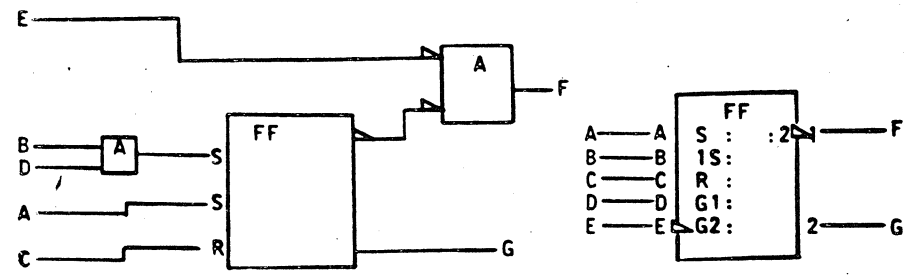
COPYRIGHT IBM CORP. 1974

EC HISTORY		DRAWING TITLE	
27 FEB 74	821197	LOGIC	BLOCK SYMBOLOGY
21 OCT 74	825372	MACH	
		PART NO	2547427
C	CLASSIFICATION		IBM CORP
	2-22-74	56E	

AY003

AY003

CONVENTIONS



LINE DEPENDENCY NOTATIONS

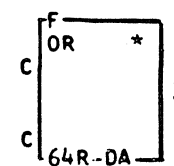
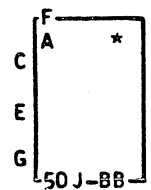
THIS FIGURE IS PROVIDED TO ILLUSTRATE THE DEPENDENCY NOTATION. INPUT B AND OUTPUT F ARE DEPENDENT LINES. INPUT D IS THE DEPENDENCY FOR INPUT B AND IS CALLED G1. THE INPUT B IS NOTED WITH A 1 TO COMPLETE THE INPUT DEPENDENCY NOTATION. INPUT E IS THE DEPENDENCY FOR OUTPUT F. IT IS INDICATED AS G2. OUTPUT F IS DESIGNATED WITH A 2 TO COMPLETE ITS DEPENDENCY NOTATION. INPUTS A, C AND OUTPUT G ARE LINES THAT HAVE NO DEPENDENCY.

ENGLISH PIN CHARACTERS

- A ADDRESS (READ AND/OR WRITE)
- AR READ FROM ADDRESS
- AW WRITE INTO ADDRESS
- C CONTROL (USED WITH DATA STORAGE)
- CD DATA
- G GATES OTHER SIGNALS
- J ALONE, CAUSES SET WITH K, COMPLEMENTS
- K ALONE, CAUSES RESET WITH J, COMPLEMENTS
- R CAUSES RESET
- S CAUSES SET
- T COMPLEMENTS FUNCTION
- Z COMMON SIGNAL DISTRIBUTION
- > SHIFT DOWN
- < SHIFT UP
- + INCREMENT THE COUNT
- DECREMENT THE COUNT
- NUMERAL(S) DECODER LINE HEIGHT OR DEPENDENCY UPON CONTROLLING LINE

AND BLOCK

THE OUTPUT OF THIS AND BLOCK IS AT ITS INDICATED POLARITY ONLY WHEN ALL OF ITS INPUTS ARE AT THEIR INDICATED POLARITIES. THE LETTERS IN THE BLOCK ARE THE SYMBOL OF THE FUNCTION. IN THIS CASE, A IS THE SYMBOL FOR THE AND FUNCTION.

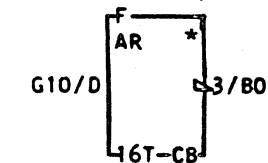
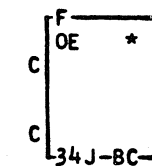


OR BLOCK

THE OUTPUT OF THE OR BLOCK IS AT ITS INDICATED POLARITY ONLY WHEN ONE OR MORE OF ITS INPUTS ARE AT THEIR INDICATED POLARITY.

EXCLUSIVE OR

THE OUTPUT OF AN EXCLUSIVE OR BLOCK IS AT ITS INDICATED POLARITY WHEN ONLY ONE OF ITS INPUTS IS AT THE INDICATED POLARITY.



AMPLIFIER

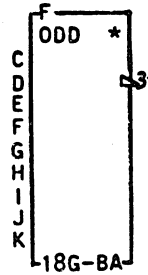
THE AMPLIFIER PROVIDES ADEQUATE DRIVING ENERGY AND AN APPROPRIATE IMPEDANCE MATCH TO OTHER BLOCKS. THE AMPLIFIER OUTPUT IS AT ITS INDICATED POLARITY ONLY WHEN THE INPUT IS AT ITS INDICATED POLARITY. AN AMPLIFIER CAN HAVE NO MORE THAN ONE LOGIC INPUT. AN AMPLIFIER HAVING INPUT OR OUTPUT OF OTHER THAN STANDARD LOGIC SIGNAL VOLTAGE HAS DISTINCTIVE LABELING AT THE BLOCK.

COPYRIGHT IBM CORP. 1974

EC HISTORY		DRAWING TITLE	
27FEB74	821197	LOGIC	BLOCK SYMBOLOLOGY
21OCT74	825372	MACH	
		PART NO 2547428	
C	CLASSIFICATION		IBM CORP
	2-22-74	58B	

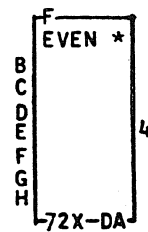
AY004

AY004



ODD COUNT

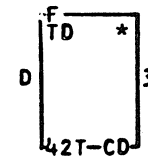
THE OUTPUT OF ODD COUNT (ODD) COUNT IS AT ITS INDICATED POLARITY ONLY WHEN AN ODD NUMBER (SUCH AS 1, 3, 5, OR 7) OF THE INPUTS ARE AT THEIR INDICATED POLARITY.



EVEN COUNT

SIMILAR TO THE ODD EXCEPT THE OUTPUT OF EVEN COUNT (EVEN) IS AT ITS INDICATED POLARITY ONLY WHEN AN EVEN NUMBER (SUCH AS 0, 2, 4, OR 6) OF THE INPUTS ARE AT THEIR INDICATED POLARITY

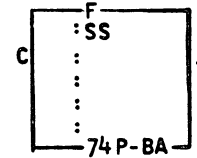
750 NANOSEC TYPICAL



TIME DELAY

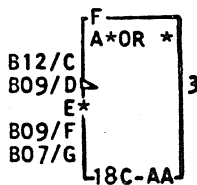
THE TIME DELAY BLOCK DELAYS A SIGNAL WITHOUT INTENTIONAL DISTORTION OF THE SIGNAL. THE TIME DELAY SYMBOL MUST ALWAYS BE ACCOMPANIED BY THE TIME DELAY. TIME DELAYS HAVING A DELAY TIME FOR THE LEADING EDGE OF THE OUTPUT THAT IS DIFFERENT FROM THE TIME DELAY FOR THE TRAILING EDGE ARE IDENTIFIED BY THE PLACEMENT OF AN L FOR LEADING AND A T FOR TRAILING IMMEDIATELY PRIOR TO THE SEPARATE DELAY TIMES IN THE BLOCK AREA THE INPUT POLARITY AT THE BLOCK MUST BE THAT ASSOCIATED WITH THE LEADING EDGE OF THE OUTPUT.

8 MILLSEC MAX



SINGLESHOT

THE OUTPUT OF THE SINGLESHOT CHANGES TEMPORARILY TO THE INDICATED POLARITY WHEN IT RECEIVES AN INPUT SIGNAL OF THE INDICATED POLARITY. THE OUTPUT REMAINS IN THIS QUASI-STABLE STATE FOR A TIME CHARACTERISTIC OF THE PARTICULAR BLOCK. THE SINGLESHOT ALWAYS HAS THE TIME DURATION SHOWN IN THE TITLE AREA OF THE BLOCK. IF A SINGLESHOT HAS MORE THAN ONE OUTPUT NOT OF THE SAME DURATION, THE BLOCK IS LABELED OR A REFERENCE NOTE ON THE PAGE RELATES PIN NUMBERS TO TIME DURATION.

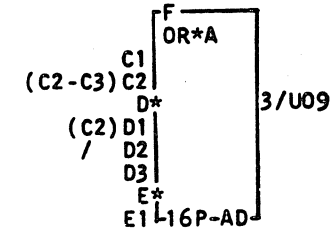


AND TO OR

THE A*OR OUTPUT(S) WILL STAND AT ITS INDICATED POLARITY WHEN AND ONLY WHEN ONE OR MORE OF THE INPUT 'AND' GROUPINGS HAS ALL ITS INPUTS STANDING AT THEIR INDICATED POLARITY.

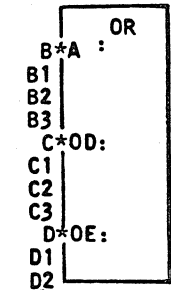
SYMMETRICAL TWO-LEVEL LOGIC COMBINATIONS

INPUT LEVEL	OUTPUT LEVEL	SYMBOL
OE		OE*A
OD	A	OD*A
OR		OR*A
A	OR	A*OR
OE		OE*OR
A	OD	A*OD
OR		OR*OD
A	OE	A*OE
OR		OR*OE
A	SS	A*SS
OE		OE*SS
OR		OR*SS
OD		OD*SS



OR TO AND

THE OR*A OUTPUT(S) WILL STAND AT ITS INDICATED POLARITY WHEN AND ONLY WHEN ALL OF THE INPUT 'OR' GROUPINGS HAVE ONE OR MORE OF THEIR INPUTS STANDING AT ITS INDICATED POLARITY.



TWO LEVEL LOGIC NON-SYMMETRICAL INPUTS

NON-SYMMETRICAL INPUT FUNCTIONS TO THE OR; THESE MAY BE ANY COMBINATION OF BASIC LOGIC FUNCTIONS, EXCLUDING STORAGE.

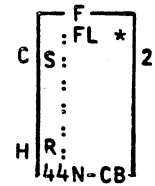
DEFINITION: THE OUTPUT(S) OF THIS OR WILL STAND AT ITS INDICATED POLARITY WHEN AND ONLY WHEN ONE OR MORE OF THE INPUT FUNCTIONS HAVE BEEN SATISFIED.

COPYRIGHT IBM CORP. 1974

EC HISTORY		DRAWING TITLE	
27FEB74	821197	LOGIC	BLOCK SYMBOLGY
21OCT74	825372	MACH	
		PART NO	2547429
C	CLASSIFICATION		IBM CORP
	2-22-74	NEB	

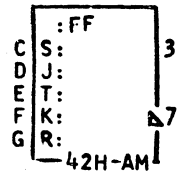
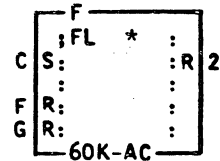
AY005

AY005/2



FLIPLATCH

THE FLIPLATCH IS A STORAGE BLOCK WITH TWO STABLE STATES, ONE IS THE SET STATE AND THE OTHER IS THE RESET STATE. AN ENGLISH CHARACTER, (S, R) ON THE OUTPUT INDICATES THE STATE THE OUTPUT WILL ASSUME IF THE SET AND RESET ARE ACTIVATED SIMULTANEOUSLY.

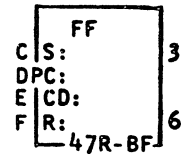


FLIP FLOP

THE FLIP-FLOP HAS TWO STABLE STATES. ONE OF THESE IS THE '1' STATE OR SET STATE, THE OTHER IS THE '0' STATE OR RESET STATE.

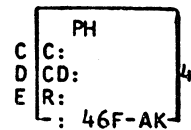
THE OUTPUT(S) WILL HAVE THE INDICATED POLARITY WHILE THE FLIP-FLOP IS IN THE SET STATE.

A FLIP-FLOP CAN HAVE FIVE TYPES (S, R, J, K, AND T) OF INPUTS, IN DIFFERENT COMBINATIONS. INPUTS J AND K, RESPECTIVELY, ACT LIKE INPUTS S AND R IN THE FLIP LATCH EXCEPT THAT SIMULTANEOUS APPLICATION OF A J SET AND K RESET WILL COMPLEMENT THE OUTPUT. THE T INPUT COMPLEMENTS EACH OUTPUT.



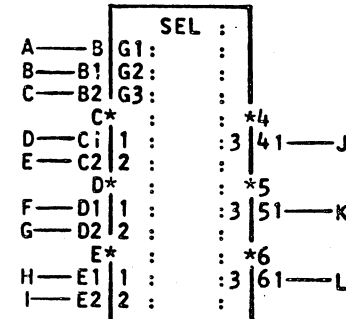
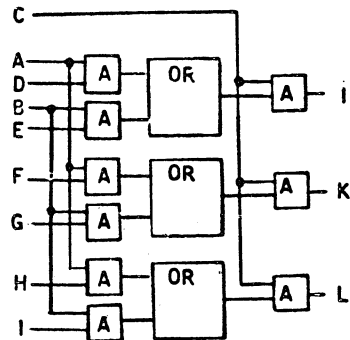
FLIP-FLOP WITH C AND CD

THE FLIP-FLOP CAN BE SET AND RESET WITH THE S AND R INPUTS. A PLUS SHIFT ON THE C INPUT WILL CLOCK THE CD INPUT. THIS WILL SET THE FLIP-FLOP IF THE CD LINE IS ACTIVE OR WILL RESET THE FLIP-FLOP IF THE CD LINE IS INACTIVE.



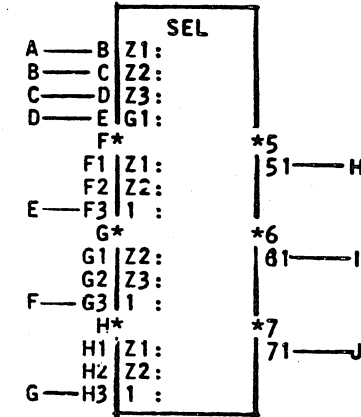
POLARITY HOLD

THE OUTPUT OF THIS BLOCK IS AT THE INDICATED POLARITY WHEN THE DATA LINE IS AT ITS INDICATED POLARITY AND THE CONTROL LINE IS AT ITS POLARITY. WHEN THE CONTROL INPUT GOES TO THE POLARITY OPPOSITE TO THAT INDICATED, THE OUTPUT REMAINS AT WHATEVER POLARITY IT POSSESSES AT THAT MOMENT. THE PH BLOCK MAY HAVE A RESET INPUT. WHEN RESET THE OUTPUT IS OPPOSITE TO THAT OF ITS INDICATED POLARITY.



SELECTOR

THE SELECTOR IS A GATING DEVICE. THE UPPER SECTION OF THE BLOCK CONTAINS THE GATES. THESE LINES ARE DESIGNATED G. THE LOWER SECTION CONTAINS THE GATED DATA LINES.



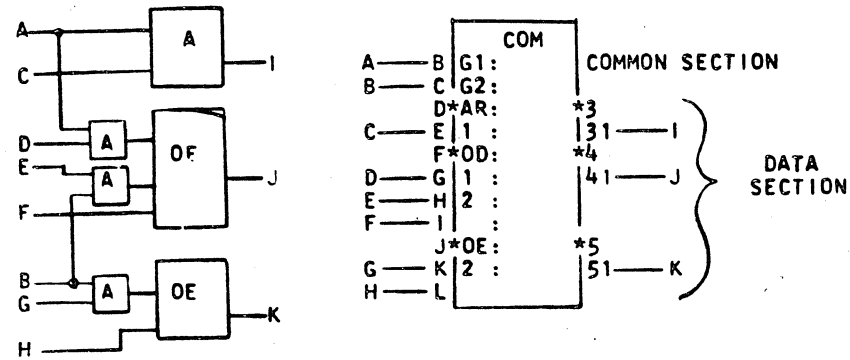
SELECTOR WITH Z INPUT

WHEN AN INPUT LINE IS COMMON TO A NUMBER OF FUNCTIONS IN A STACKED OR MACRO BLOCK CONFIGURATION IT IS DESIGNATED AS A Z LINE. THE Z INPUT LINE IS BROUGHT TO THE COMMON SECTION OF THE LOGIC SYMBOL AND THE APPROPRIATE Z DESIGNATION IS REPEATED IN ALL THE LOGIC FUNCTIONS AFFECTED. THE Z INPUT ACTIVE AT EACH FUNCTION WILL EXIST PROVIDING THE Z INPUT STANDS AT THE POLARITY INDICATED.

AY006

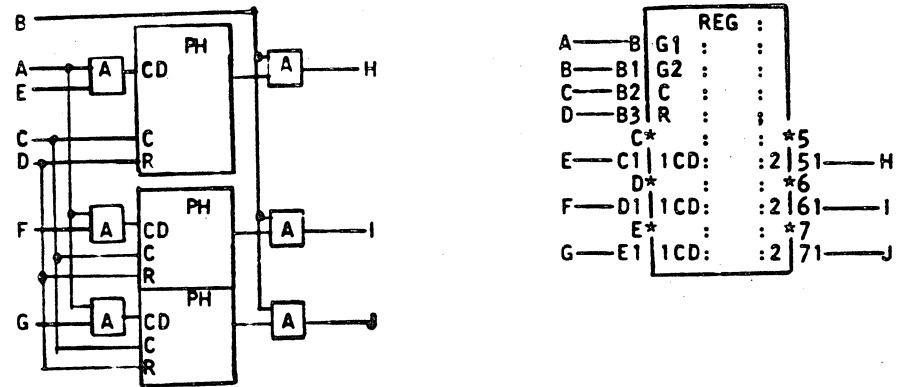
AY006 13

EC HISTORY		DRAWING TITLE	
27FEB74	821197	LOGIC	BLOCK SYMBOLGY
21OCT74	825372	MACH	
		PART NO 2547430	
C	CLASSIFICATION		IBM CORP
	2-22-74 826		



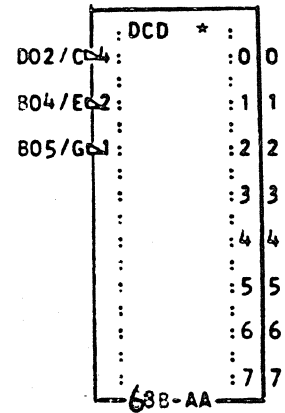
COMMON BLOCK

THE COMMON SECTION MAY BE ASSOCIATED WITH ANY GROUP OF BASIC LOGIC ELEMENTS FUNCTIONALLY GROUPED BY THEIR DEPENDENT GATING. FOR THIS APPLICATION, EACH FUNCTIONAL ELEMENT SHALL CONTAIN THE PROPER LETTER(S) THAT MAKES IT AN APPROVED LOGIC SYMBOL. THE COMMON SECTION MAY CONTAIN THE LETTERS COM AT THE TOP LINE.



REGISTER

A REGISTER LOGIC BLOCK CONSISTS OF A GROUP OF ASSOCIATED STORAGE ELEMENTS (FF, FL, PH) WITH COMMON INPUT AND/OR OUTPUT GATING OR OTHER COMMON INPUT LINES SUCH AS RESET.



DECODE

THE DECODER TRANSLATES A GROUP OF RELATED INPUTS INTO A SPECIFIC OUTPUT. INPUTS ARE NUMBERED IN BINARY PROGRESSION: 1, 2, 4, 8, AND SO ON. THE OUTPUT EQUALS THE SUM OF THE ACTIVE INPUTS.

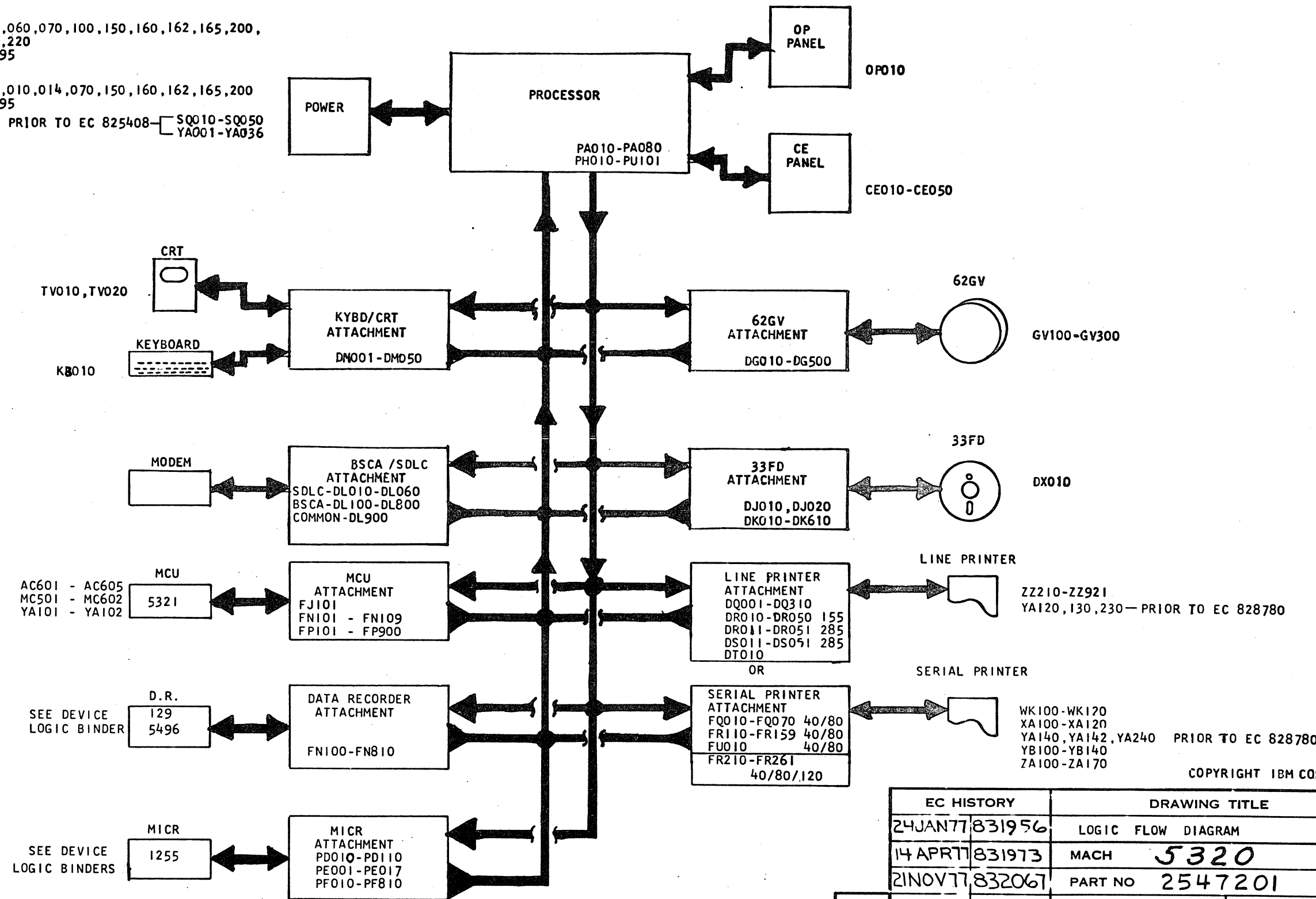
COPYRIGHT IBM CORP. 1974

EC HISTORY		DRAWING TITLE	
27FEB74	821197	LOGIC	BLOCK SYMBOLGY
21OCT74	825372	MACH	
		PART NO	2547431
C	CLASSIFICATION		IBM CORP
		2-22-74	

AFTER EC 825408 — YA040,050,060,070,100,150,160,162,165,200,
210,220
SQ100-SQ195

AFTER EC 828780 — YA001,002,010,014,070,150,160,162,165,200
SQ100-SQ195

PRIOR TO EC 825408 — SQ010-SQ050
YA001-YA036



CRT
TV010, TV020

KEYBOARD
KB010

MODEM

MCU
5321

AC601 - AC605
MC501 - MC602
YA101 - YA102

D.R.
129
5496

SEE DEVICE LOGIC BINDER

MICR
1255

SEE DEVICE LOGIC BINDERS

EC HISTORY		DRAWING TITLE	
24JAN77	831956	LOGIC FLOW DIAGRAM	
14APR77	831973	MACH	5320
21NOV77	832067	PART NO	2547201
C	CLASSIFICATION		IBM CORP
	2-22-74	88B	

COPYRIGHT IBM CORP. 1974

AY010

AY010/5

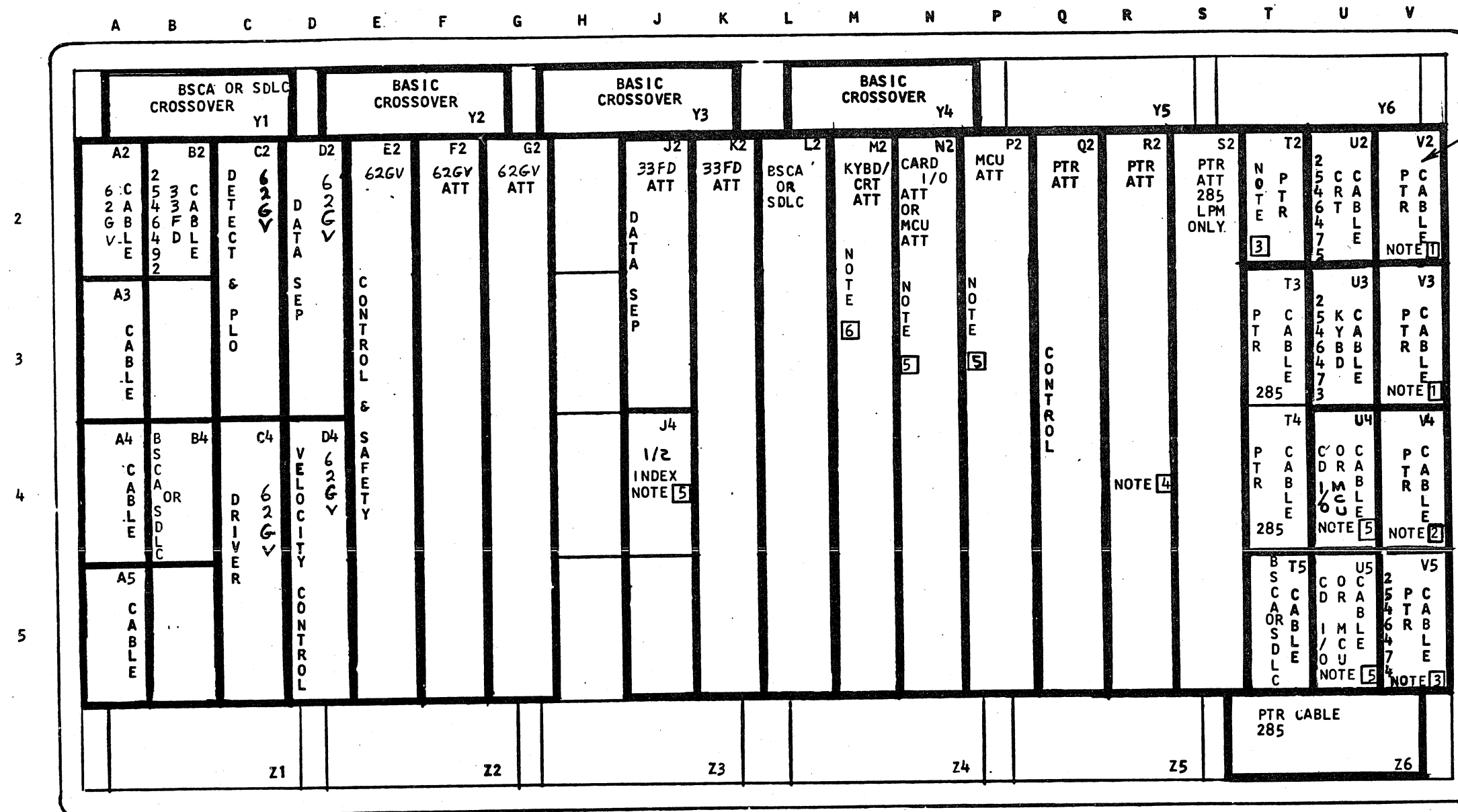
	A	B	C	D	E	F	G	H	J	K	L	M	N	P	Q	R	S	T	U	V	
	Y1			Y2			Y3			Y4			Y5			Y6					
2	NOTE 5 22 55 44 66 48 43	A2 25 44 66 48 43 CABLE	B2 25 44 66 48 43 CABLE	D2 1255 ATT FEAT	E2 1255 ATT FEAT	F2 1255 ATT FEAT		H2 1255 ATT FEAT	J2 NOTE 7 1607016 STATUS 2 CARD	K2 STATUS 1 CARD 656737	L2 DATA FLOW CARD 656763	M2 NOTE 4 656776 OR 656749	N2 NOTE 6 656796 OR 656774 OR 1607017	P2 NOTE 8 CON T2 R3 O5 L5 R4 S9 STORE LO		R2 MAIN STORE 0-8K	S2 MAIN STORE 8-16K	T2 NOTE-2 83 MAIN STORE 16-24K	U2 NOTE-3 82335549 MAIN STORE 24-32K		
3	A3 25 44 66 48 43 CABLE			NOTE 9	NOTE 9	NOTE 9		INTER FACE CARD 656754													
4	A4 1255 ATT NOTE 9	B4 25 44 66 48 43 CABLE																			
5	A5 1255 ATT NOTE 9	B5 25 44 66 48 43 CABLE																			
	BSCA CROSSOVER 5802237		Z1	BASIC CROSSOVER 5802237		Z2	BASIC CROSSOVER 5802237		Z3	BASIC CROSSOVER 5802237		Z4				Z5				Z6	

NOTES

1. ALL REFERENCES TO BSCA MEAN BSCA FEATURE
2. FOR 24K FEATURE
3. FOR 32K FEATURE
4. USE P/N 656776 IF EC 825478 IS INSTALLED. OTHERWISE P/N 656749 CAN BE USED.
5. BEFORE EC 821176 USE P/N 2546484. WITH EC 821176 USE P/N 2546733.
6. THESE THREE CARDS P/N 656796, P/N 656774, AND P/N 1607017 ARE INTERCHANGEABLE
7. THESE THREE CARDS P/N 656755 AND P/N 1607056 ARE INTERCHANGEABLE
8. FOR 8K FEATURE USE P/N 8235549.
9. USED ONLY WITH 1255 ATTACH FEATURE. REFER TO AY019.

COPYRIGHT IBM CORP. 1974

EC HISTORY		DRAWING TITLE	
07OCT75	828604	PLUG CHART	BOARD 01A-A1
31MAR76	828696	MACH	
18JAN77	830406	PART NO	2547202
23MAR77	831986	CLASSIFICATION	
		2-2-74	JEB
		IBM CORP	



NOTE 7

- NOTES
- 1 USE P/N 2546772 FOR SERIAL PRINTER. USE P/N 2546474 FOR LINE PRINTER
 - 2 USE P/N 2546774 FOR SERIAL PRINTER. USE P/N 2546474 FOR LINE PRINTER
 - 3 NOT USED FOR SERIAL PRINTER
 - 4 R2 IS HAMMER DRIVER CARD FOR LINE PRINTER. R2 IS CONTROL CARD FOR SERIAL PRINTER
 - 5 SEE PAGE AY036 FOR CARD I/O P/N'S OR PAGE AY037 FOR MCU AND 1/2 INDEX P/N'S.
 - 6 SEE PAGE AY035 FOR KYBD/CRT CARD P/N.
 - 7 40 CPS W/EC 830387 PLUG EMITTER LATCH CARD P/N 1607043 INTO V2 POSITION PRINTER CABLE PLUGS INTO END OF EMITTER LATCH CARD

COPYRIGHT IBM CORP. 1974

EC HISTORY		DRAWING TITLE	
30DEC76	831943	PLUG CHART	BOARD 01A-A2
24JAN77	831956	MACH	
13APR77	830423	PART NO 2547203	
C		CLASSIFICATION	
		2-22-74	SEB
		IBM CORP	

AY030

AY030

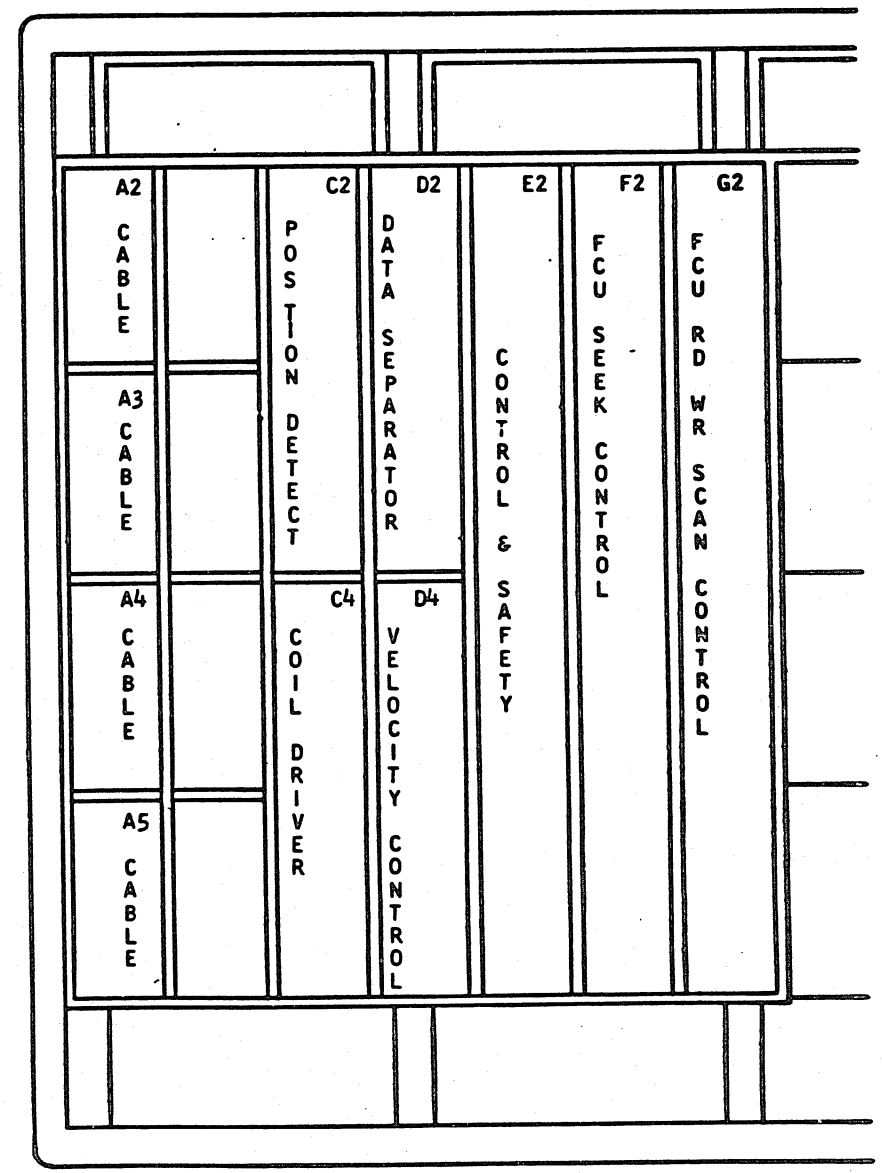
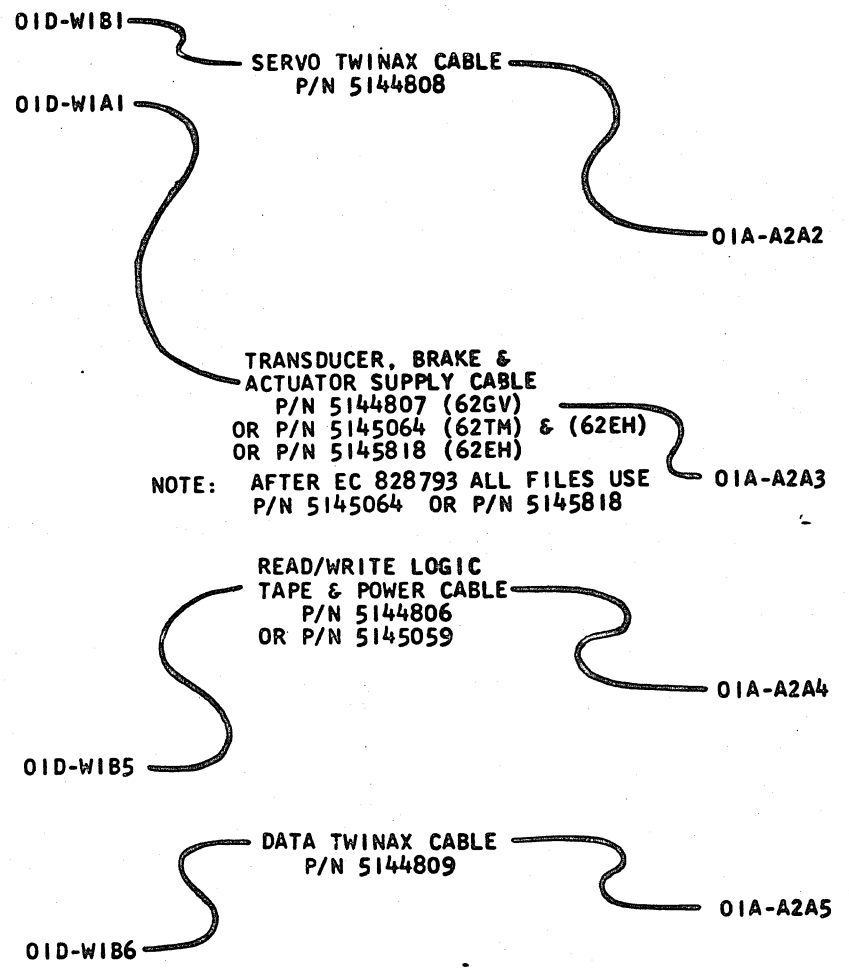
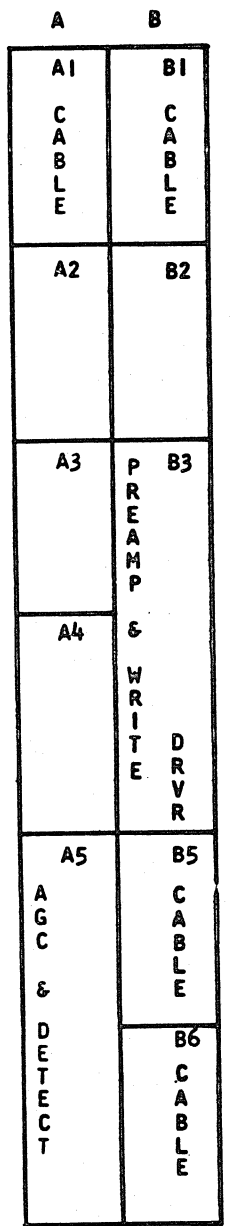
2547162

BOARD O1A -A2

AY031

BOARD O1D - W1

A B C D E F G



62GV/62TM 5MB AND 9MB FILES

O1D-W1B3 - PRE AMP/WRITE DRV P/N 8230292
OR 5850871

O1D-W1A5 - AGC/DETECT P/N 5850850

OR THE FOLLOWING - DO NOT INTERMIX

O1D-W1B3 - PRE AMP/WRITE DRV P/N 8219255
OR P/N 8219263

O1D-W1A5 - AGC/DETECT P/N 8219258
OR P/N 8219260

62EH 13MB FILES

O1D-W1B3 - PRE AMP/WRITE DRV P/N 8219255
OR P/N 8219263

O1D-W1A5 - AGC/DETECT P/N 8219258
OR P/N 8219260

	CARD SOCKET	62GV (3MB)	62GV (5MB)	62TM (9MB)	62EH (13MB)
A	O1A-A2C2 POSITION DETECT	P/N 5850867	P/N 5850867	P/N 5850973	P/N 5850973
		OR P/N 8219249	OR P/N 8219249	OR P/N 8219251	OR P/N 8219251
	O1A-A2C4 COIL DRIVER	P/N 5861346	P/N 5861346	P/N 5861349	P/N 5861349
Y		OR P/N 5861352	OR P/N 5861352	OR P/N 5861350	OR P/N 5861350
	O1A-A2D2 DATA SEPARATOR	P/N 8219247	P/N 8219247	P/N 8219247	P/N 8219247
	O1A-A2D4 VELOCITY CONTROL	P/N 5850875	P/N 5850875	P/N 5850968	P/N 5850968
O		OR P/N 8219257	OR P/N 8219257	P/N 8522625	P/N 8522625
	O1A-A2E2 CONTROL & SAFETY	P/N 8522402	P/N 8522402	OR P/N 8522616	OR P/N 8522616
		OR P/N 8522693	OR P/N 8522693	OR P/N 8522694	OR P/N 8522694
3		OR P/N 8522701	OR P/N 8522701	OR P/N 8522702	OR P/N 8522702
	O1A-A2F2 FCU SEEK CONTROL	P/N 1607031	P/N 1607031	OR P/N 656756	OR P/N 656756
			OR P/N 656775	OR P/N 656775	OR P/N 656775
1		OR P/N 656747	OR P/N 656747	OR P/N 656747	OR P/N 656747
	O1A-A2G2 FCU RD/WR/SCAN CONTROL	P/N 656747	P/N 656747	OR P/N 656764	OR P/N 656764
		OR P/N 656764	OR P/N 656764	OR P/N 1607037	OR P/N 1607037
		OR P/N 1607037	OR P/N 1607037	OR P/N 1607037	OR P/N 1607037
		OR P/N 1607038	OR P/N 1607038	OR P/N 1607038	OR P/N 1607038

EC HISTORY		DRAWING TITLE	
12MAY76	828795	PLUG CHART DETAIL - FIXED DISK	
15SEP76	828633	MACH	
07OCT76	830418	PART NO 2547162	
C	04MAY77	830358	CLASSIFICATION
			IBM CORP

1. REWORK INSTRUCTIONS FOR O1A-A2 BOARD TO UPDATE TO 62GV(3MB) SEE NOTE 1.

A. DELETE THE FOLLOWING WIRE:

G2U09 TO G2U08

B. ADD THE FOLLOWING WIRES:

F2S13 TO F2U08
F2S12 TO G2U09

2. REWORK INSTRUCTIONS FOR O1A-A2 BOARD TO UPDATE TO 62TM (9MB) SEE NOTE 1.

A. DELETE PIN O1A-A2-D4 B10 SEE NOTE 2 FROM NET #GV230DM4 (-SEEK COMPLETE) NET PIN LIST:

62GV (5MB)

62TM (9MB)

SOURCE E2J09

SOURCE E2J09

GV200 D4B10

DG010 G2U06

DG010 G2U06

DG210 F2G12

DG210 F2G12

GV285 D2J04 SEE NOTE 4

GV285 D2J04 SEE NOTE 4

RING OUT NET TO VERIFY PIN D4B10 HAS BEEN DELETED AND NEW NET IS COMPLETE.

B. ADD THE FOLLOWING WIRES:

(1) C4J09 TO E2D09 (GV140)

(2) A3D13 TO C2B12 (GV120)

(3) C2B02 TO C2D08 (GV120)

(4) C2D08 TO C2G12 (GV120)

(5) C4D05 TO A2D06 (GV200)

(6) A3D12 TO A4D08 (GV130)

(7) C4J10 TO E2P07 (GV104)

(8) C4D12 TO E2G09 (GV140)

(9) D2J04 TO E2J09 (GV285) SEE NOTE 3

3. REWORK INSTRUCTIONS FOR O1A-A2 BOARD TO UPDATE TO 62EH (13MB) SEE NOTE 1:

A. COMPLETE THE REWORK WIRING SPECIFIED UNDER ITEM 2. THIS WILL REWORK THE BOARD TO 9MB. THEN COMPLETE THE ADDITIONAL SINGLE WIRE ADD LISTED BELOW WHICH WILL COMPLETE THE WIRING TO 13MB.

B. ADD THE FOLLOWING WIRE:

F2 F2U12 TO A4B10 (DG401AC3)

NOTES:

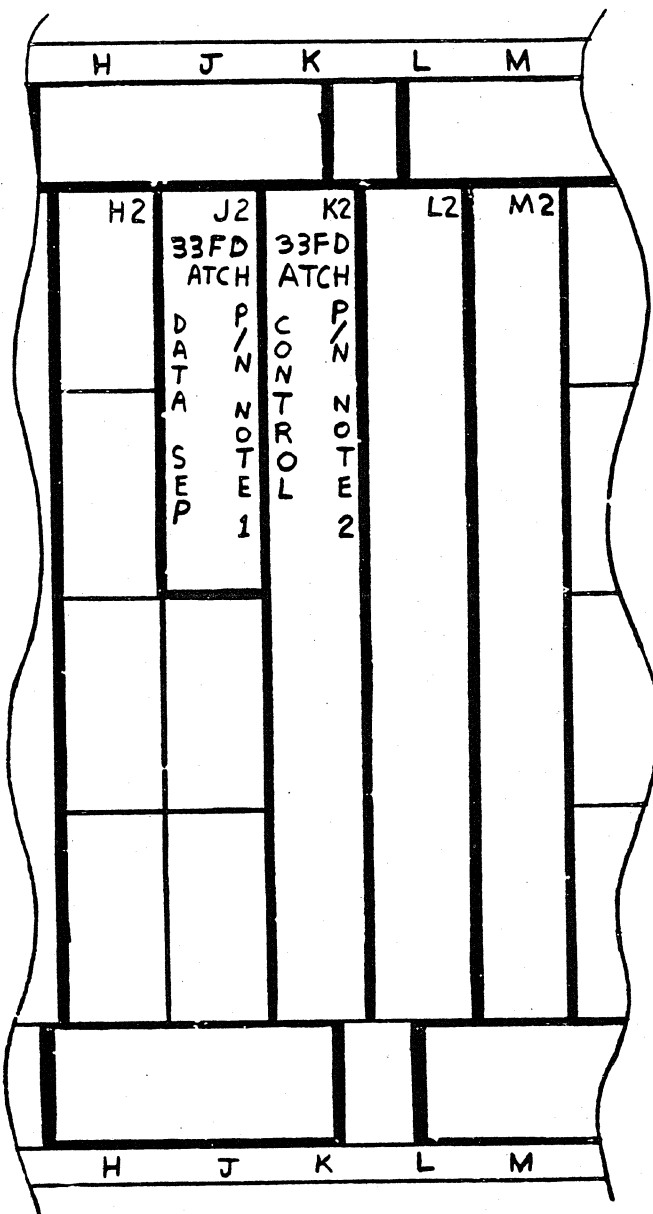
1. ALL FIELD REPLACE BOARDS ARE SHIPPED WIRED FOR 5MB
2. 285 LPM BOARDS P/N 2446226 AND 2439639 AT EC 831954 OR LOWER MAY HAVE BOTH A YELLOW WIRE AND AN EMBEDDED WIRE TO BE REMOVED FROM E2J09 TO D4B10.
3. MAY ALREADY BE INSTALLED ON SOME MACHINES.
4. MAY BE INSTALLED ON SOME MACHINES AS A TOP WRAP TO E2J09. IF SO, REMOVE BOTH WIRES FROM E2J09 AND THEN REPLACE THE WIRE FROM E2J09 TO D2J04.

AY032

AY032

EC HISTORY		DRAWING TITLE	
19DEC75	828635	O1A-A2 BOARD FEATURE WIRING-FIXED DISK	
RED 15SEP76	828633	MACH	
RED 04MAY77	830358	PART NO	2547158
C		CLASSIFICATION	
		JAR 5-4-77	IBM CORP

BOARD 01A-A2



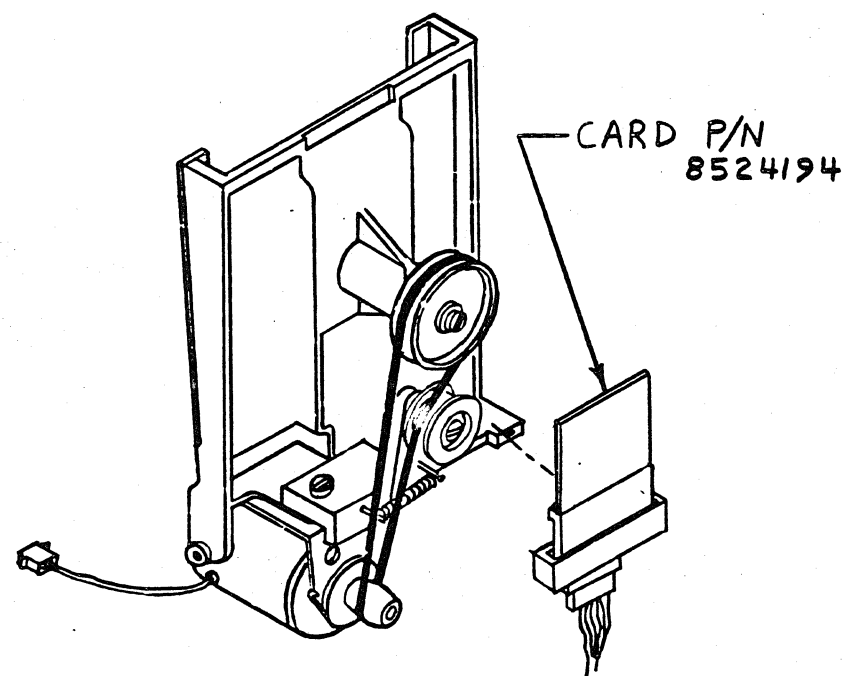
T

2547441

AY033

NOTE 1 J2 SOCKET MAY USE
 EITHER P/N 8523120
 OR P/N 8524222
 OR P/N 8527646 WITH
 CARD EXTENDER
 P/N 813181
 NOTE 2 K2 SOCKET IS
 P/N 656726

33FD



T

T

AY033

AY033

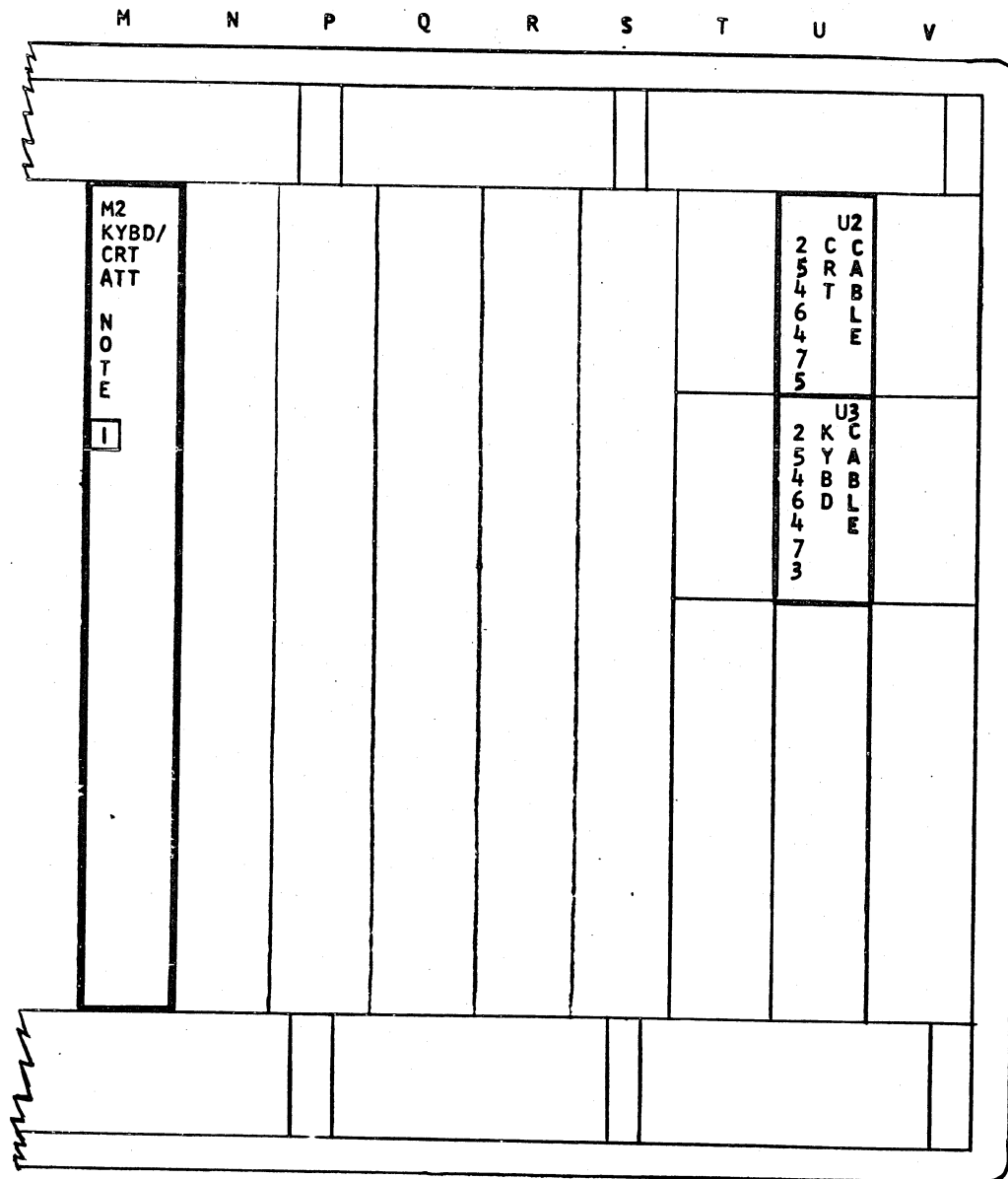
COPYRIGHT IBM CORP. 1974

EC HISTORY		DRAWING TITLE	
13JUN74	825251	FLUG CHART, 33FD CARDS	
21OCT74	825372	MACH	
14MAR75	825493	PART NO 2547441	
C	28APR75	828527	CLASSIFICATION
			6114174
		IBM CORP	

T

01A-A2

AY035



	UPPER CASE KYBD/CRT CARD	DUAL CASE KYBD/CRT CARD
US	0656753 NOTE 2	0656795
ASCII	0656720	
AUG/GER (QWERTZ)	2551394	1607025
AUG/GER (QWERTY)	0656753	
BELGIUM	2551393	
BRAZIL	2551396	
DENMARK	2551398	1607048
FINLAND	2551397	
FRANCE (QWERTY)	2551393	
FRANCES (AZERTY)	2551393	1607026
ITALY	2551393	1607024
JAPAN	2551392	
KATAKANA	0656773	
NORWAY	2551398	
SPAIN	2551374	
SPANISH SPKG.	2551395	
SWEDEN	2551397	
UK-1	2551391	
PORTUGAL	0656768	
UK-2	1607055	1607027

NOTES

- 1 USE PART NUMBER FOR THE COUNTRY NEEDED. SEE TABLE AT LEFT.
- 2 0656729 MAY BE USED — IT HAS BEEN REPLACED BY 0656753

AY035

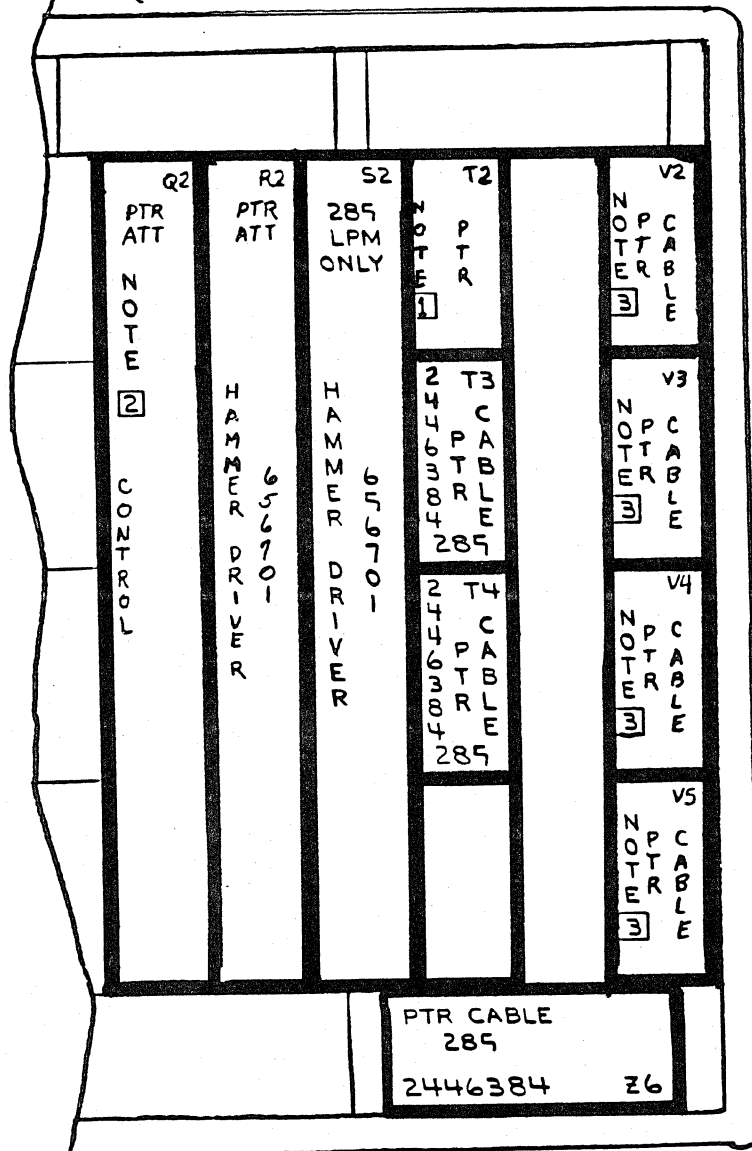
AY035

COPYRIGHT IBM CORP. 1974

EC HISTORY		DRAWING TITLE	
13APR77	830423	PLUG CHART, KEYBOARD/CRT	
15JUN77	832023	MACH	
		PART NO 2547164	
		CLASSIFICATION	IBM CORP

OIA-A2

Q R S T U V



CARD SIDE VIEW

LINE PRINTER

SEE LOGIC PAGE ZZ910 FOR 50, 100, 155 LPM PRINTER / ZZ911 FOR 285 LPM PRINTER IN VOL 2 FOR PRINTER BOX PLUG CHART

- 1 USE P/N 8521638 IN THIS LOCATION FOR 155 LPM PRINTER. USE P/N 8521644 FOR 100 LPM USE P/N 8521636 FOR 50 LPM USE P/N 2439673 FOR 285 LPM
- 2 P/N 656760 OR 8562850 MAY BE IN THIS LOCATION FOR THE 50, 100, OR 155 LPM PRINTER. P/N 8562849 OR P/N 8562850 MAY BE IN THIS POSITION FOR THE 285 LPM PRINTER.
- 3 CABLE P/N IN THESE POSITIONS IS 2546474 FOR 50, 100, 155 LPM. CABLE P/N IN THESE POSITIONS IS 2446384 FOR 285 LPM.

COPYRIGHT IBM CORP. 1974

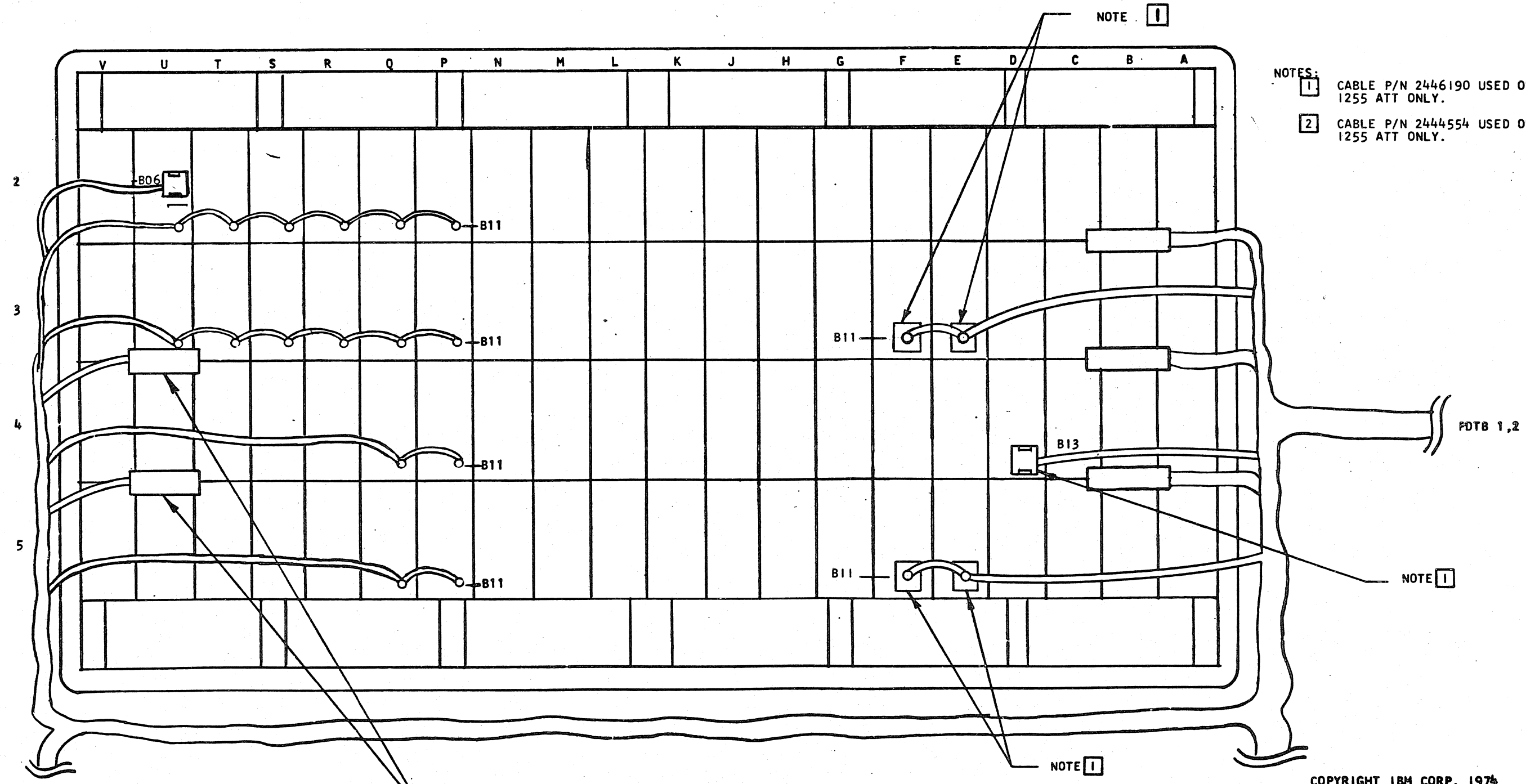
EC HISTORY		DRAWING TITLE	
24JAN77	831956	PLUG CHART, LINE PRINTER	
04MAY77	830358	MACH	
17OCT77	832050	PART NO 2547166	
C		CLASSIFICATION	IBM CORP

AY038

AY038

2547432

AY040



- NOTES:
- 1 CABLE P/N 2446190 USED ON 1255 ATT ONLY.
 - 2 CABLE P/N 2444554 USED ON 1255 ATT ONLY.

NOTE 1

NOTE 1

NOTE 1

NOTE 2

COPYRIGHT IBM CORP. 1974

EC HISTORY		DRAWING TITLE	
01FEB77	830363B	BOARD 01A-A1 PIN SIDE	
14APR77	831973	MACH	
23MAY77	832029	PART NO	2547432
C		CLASSIFICATION	IBM CORP
		2-22-74 JEB	

AY040

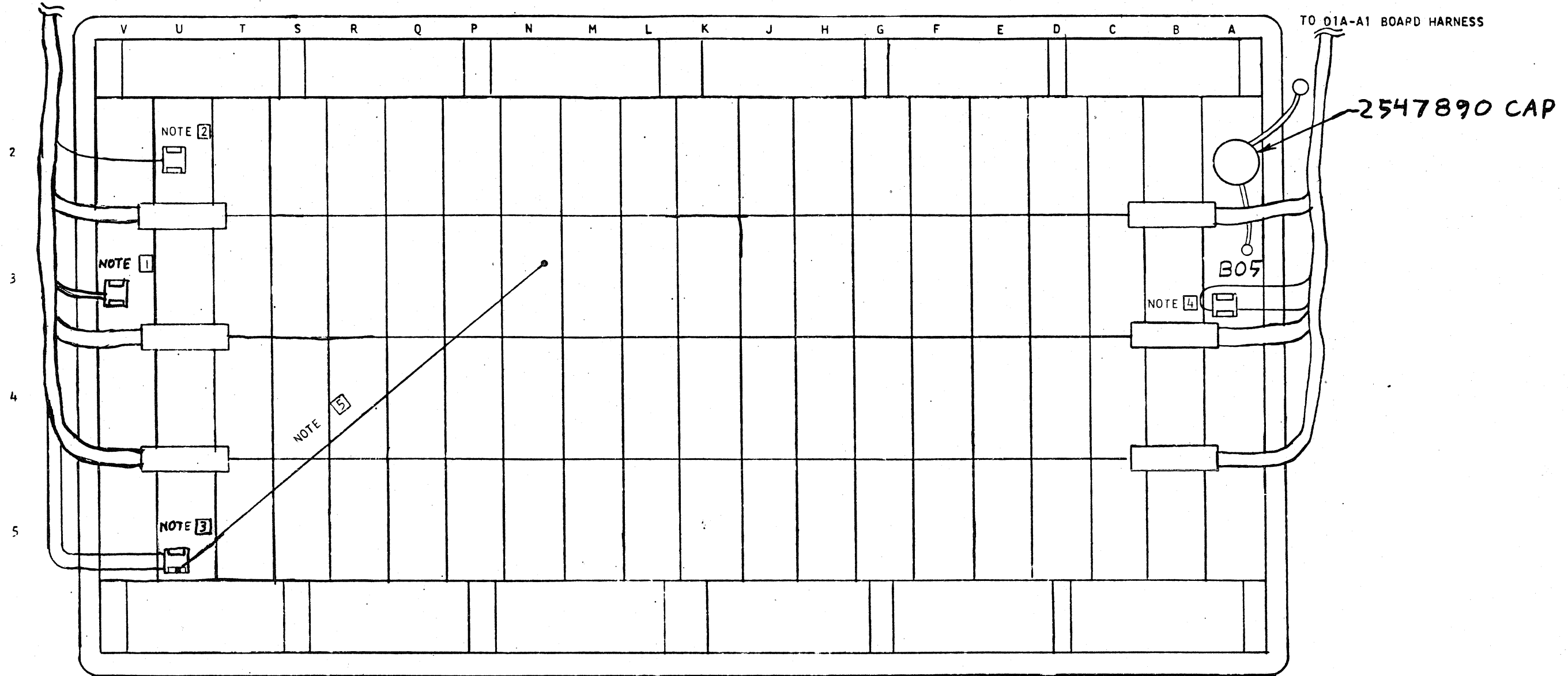
AY040

2547433

AY050

TO 01A-A1 BOARD HARNESS

TO 01A-A1 BOARD HARNESS



NOTES

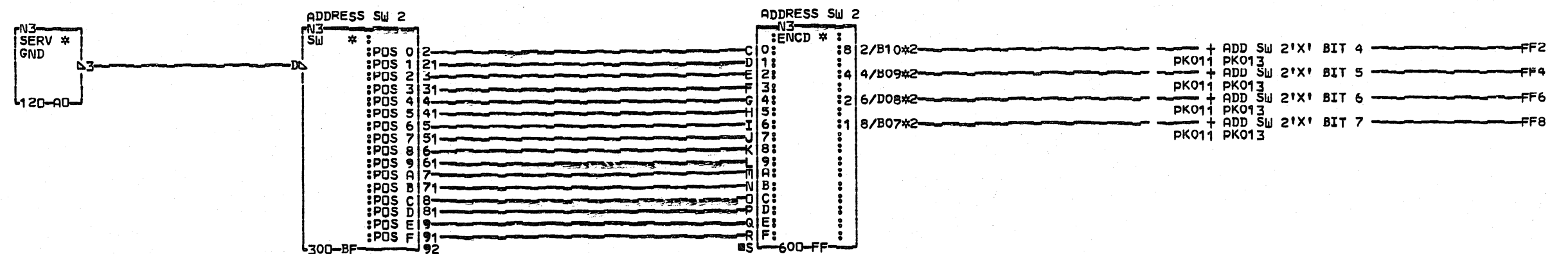
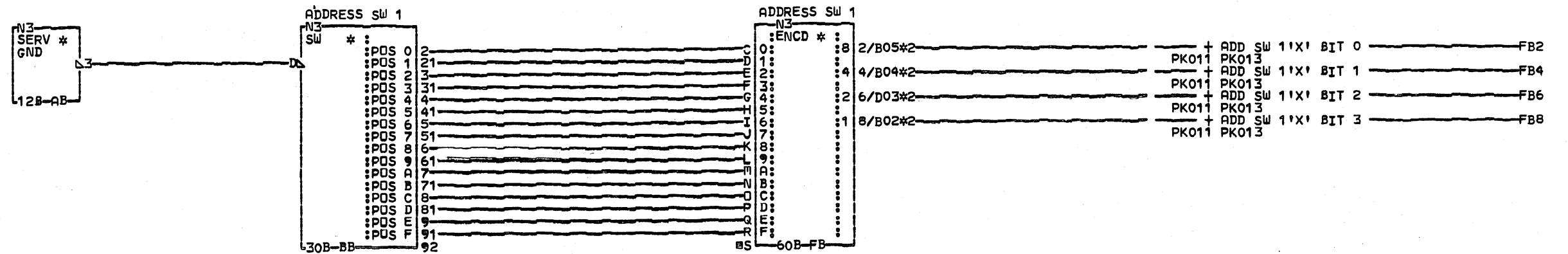
- 1 LOCATED AT V3-D11-D12 FOR LINE PRINTER
LOCATED AT V3-D02-D03 FOR SERIAL PRINTER
- 2 LOCATED AT U2-D09-D10 FOR SDLC AND BSC ONLY.
- 3 LOCATED AT U5-D11-D12 FOR 129/5496 KATAKANA ONLY.
- 4 LOCATED AT A3-D07-D08 (WITH LEADS CONNECTED TO D08)
- 5 BLACK FEATURE WIRE TO BE ADDED FOR 129/5496 KATAKANA ONLY.
A-A2N2G07 TO A-A2U5D12.

COPYRIGHT IBM CORP. 1974

EC HISTORY		DRAWING TITLE	
02JUN75	828561	BOARD 01A-A2 PIN SIDE	
31MAR76	828696	MACH	
05MAY76	828781	PART NO 2547433	
C	11AUG76	828775B	CLASSIFICATION
			2-22-74 <i>JB</i>
			IBM CORP

AY050

AY050

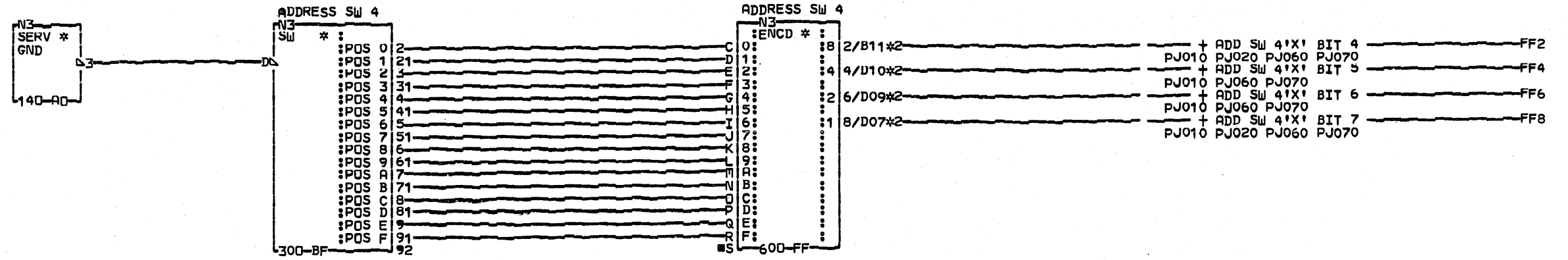
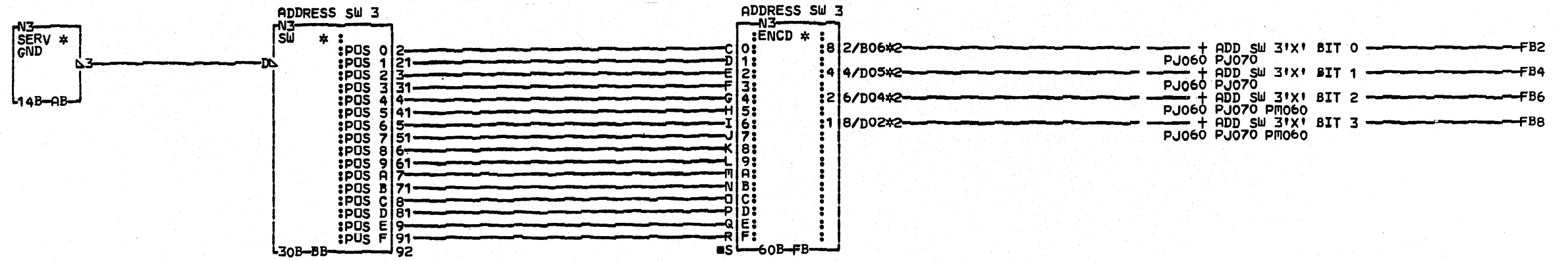


COMMENTS
D1COPYRIGHT IBM CORP. 1974

CONNECTORS
 ---FB2
 0001/1A-A1/B4D05
 0002/1A-A1/C4D05
 ---FB4
 0003/1A-A1/B4D04
 0004/1A-A1/C4D04
 ---FB6
 0005/1A-A1/B4B03
 0006/1A-A1/C4B03
 ---FB8
 0007/1A-A1/B4D02
 0008/1A-A1/C4D02
 ---FF2
 0009/1A-A1/B4D10

CONNECTORS
 0010/1A-A1/C4D10
 ---FF4
 0011/1A-A1/B4D09
 0012/1A-A1/C4D09
 ---FF6
 0013/1A-A1/B4B08
 0014/1A-A1/C4B08
 ---FF8
 0015/1A-A1/B4D07
 0016/1A-A1/C4D07

CE PANEL
 ADDRESS SWITCHES
 FIELD SERVICE LOGICS
 PN2547204 EC828508 PEC825372
 LOC=CEPANEL-Y1
 USN 00102 PRI=22APR75 1702
 PDESC=0001 SEC
 PFORM=KSEB NEXTBLK FG
 CID FEALD JOB L7101603



COMMENTS
D1COPYRIGHT IBM CORP. 1974

CONNECTORS

0009/1A-A1/B4D06	FB2
0010/1A-A1/C4D06	FB4
0011/1A-A1/B4B05	FB6
0012/1A-A1/C4B05	FB8
0013/1A-A1/B4B04	FF2
0014/1A-A1/C4B04	FF4
0015/1A-A1/B4B02	FF6
0016/1A-A1/C4B02	FF8
0001/1A-A1/B4D11	FF2

CONNECTORS

0002/1A-A1/C4D11	FF4
0003/1A-A1/B4B10	FF6
0004/1A-A1/C4B10	FF8
0005/1A-A1/B4B09	FF2
0006/1A-A1/C4B09	FF4
0007/1A-A1/B4B07	FF6
0008/1A-A1/C4B07	FF8

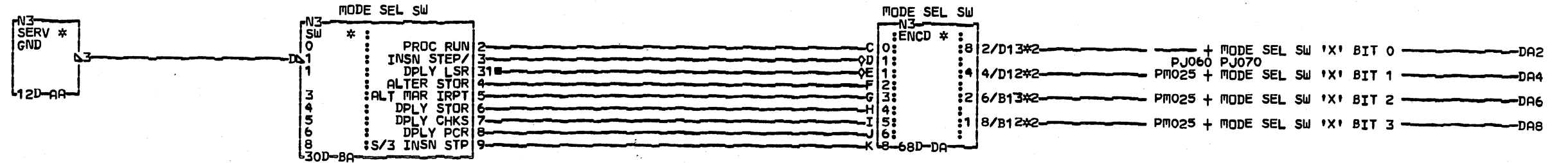
CE PANEL
ADDRESS SWITCHES
FIELD SERVICE LOGICS
PN2547205 EC828508 PEC825372

LOC=CEPANEL-Y1

USN 00102 PRI=22APR75 1702

PDESC=0001 SEC
PFORM=KSEB NEXTBLK FG

CID FEALD JOB L7101603



COMMENTS
 D1COPYRIGHT IBM CORP. 1974

0001

CONNECTORS	
0001/1A-A1/B4B13	DA2
0002/1A-A1/C4B13	DA4
0003/1A-A1/B4B12	DA6
0004/1A-A1/C4B12	DA8
0005/1A-A1/B4D13	DA2
0006/1A-A1/C4D13	DA4
0007/1A-A1/B4D12	DA6
0008/1A-A1/C4D12	DA8

CE PANEL
 MODE SELECTOR SWITCH
 FIELD SERVICE LOGICS
 PN2547206 EC828508 PEC825372

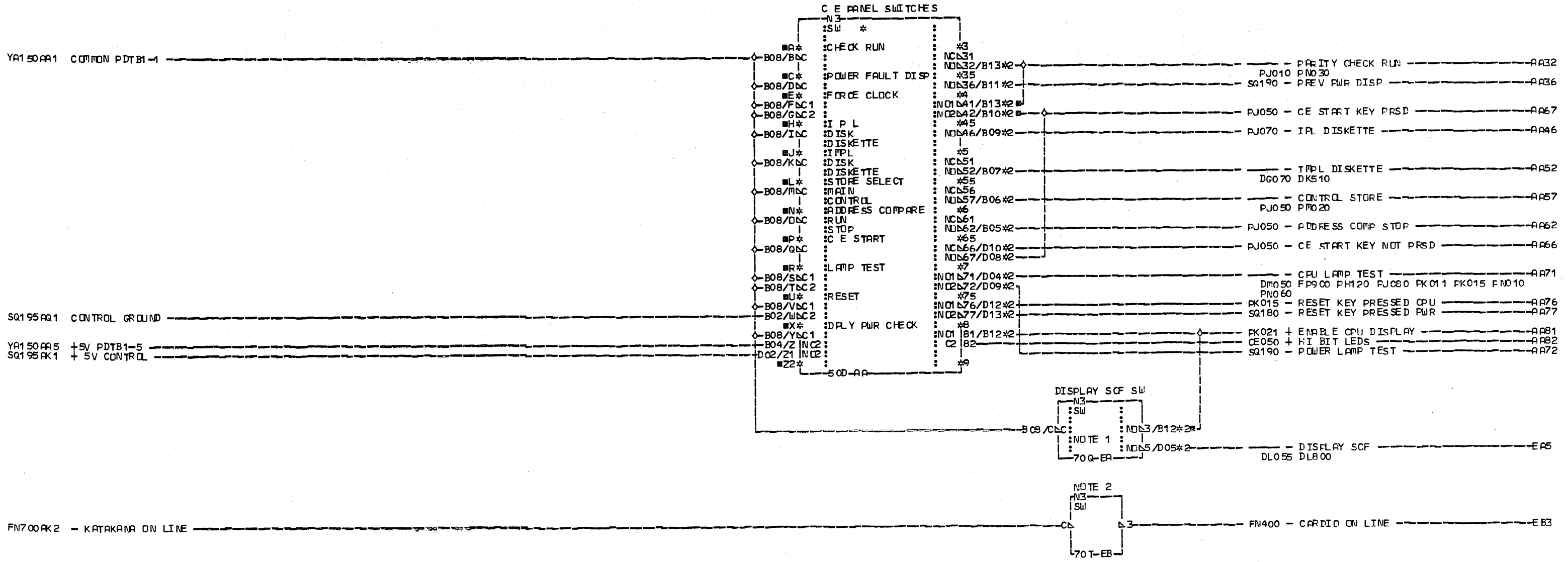
LOC=CEPANEL-Y1

USN 00102 PRI=22APR75 1702

PDESC=0001 SEC
 PFORM=KSEB NEXTBLK DB

CID FEALD JOB L7101603

0001



04001

COMMENTS
 A1 NOTE 1: THIS SW IS INSTALLED ONLY ON SYSTEM WITH 4SCF INSTALLED
 B1 NOTE 2: THIS SWITCH IS INSTALLED ONLY WHEN CIO WITH KATAKAMA IS INSTALLED.
 D1 CUPRIGHT IBM CORP. 1974

CONNECTORS
0008/1A-A1/B5D13
0009/1A-A1/C5D13
0035/1A-A1/A2B09
0033/1A-A1/B5D11
0034/1A-A1/C5D11
0018/1A-A1/B5D09
0019/1A-A1/C5D09
0031/1A-A1/B5D07
0032/1A-A1/C5D07
0029/1A-A1/H6E04

CONNECTORS
0030/1A-A2/H1E13
0010/1A-A1/B5D06
0011/1A-A1/C5D06
0012/1A-A1/B5D05
0013/1A-A1/C5D05
0014/1A-A1/B5D10
0015/1A-A1/C5D10
0016/1A-A1/B5B08
0042/1A-A1/B5D10
0047/1A-A1/C5B08

CONNECTORS
0043/1A-A1/C5D10
0001/1A-A1/B5B04
0002/1A-A1/C5B04
0003/1A-A1/G6A02
0004/1A-A2/G1A11
0041/1A-A1/A2B08
0040/1A-A1/B5B09
0039/1A-A1/C5B09
0022/1A-A1/B5B12
0023/1A-A1/C5B12

CONNECTORS
0036/1A-A1/A2B05
0038/1A-A1/B5B13
0037/1A-A1/C5B13
0024/1A-A1/B5D12
0025/1A-A1/C5D12
0005/1A-A1/B5B05
0028/1A-A1/C5B05
0006/1A-A1/C6A02
0007/1A-A2/C1A11

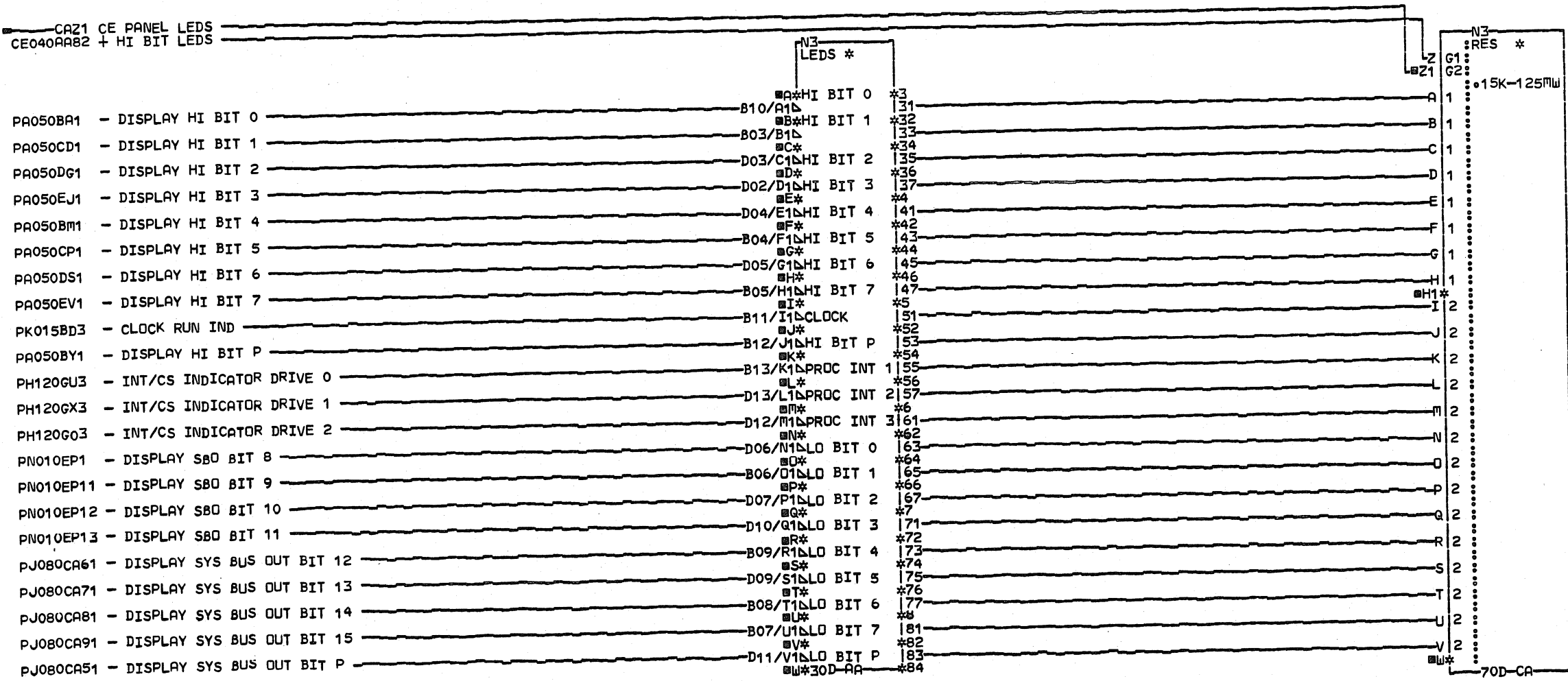
C E PANEL SWITCHES
 CONNECTOR-Y2
 FIELD SERVICE LOGICS
 PN2547207 EC828693 PEC828682

LIU=C E PANEL-Y2

LSN 00119 PRI=30JUN76 0923

PDESC=0001 SEC
 PFORM=KSEB NEXTBLK EC

CID FEALD JOB K5401623



COMMENTS
D1COPYRIGHT IBM CORP. 1974

C E PANEL LIGHTS
SOCKET J2 EXCEPT AS NOTED
FIELD SERVICE LOGICS
PN2547208 EC825372 PEC821224

LOC=CEPANEL-Y3

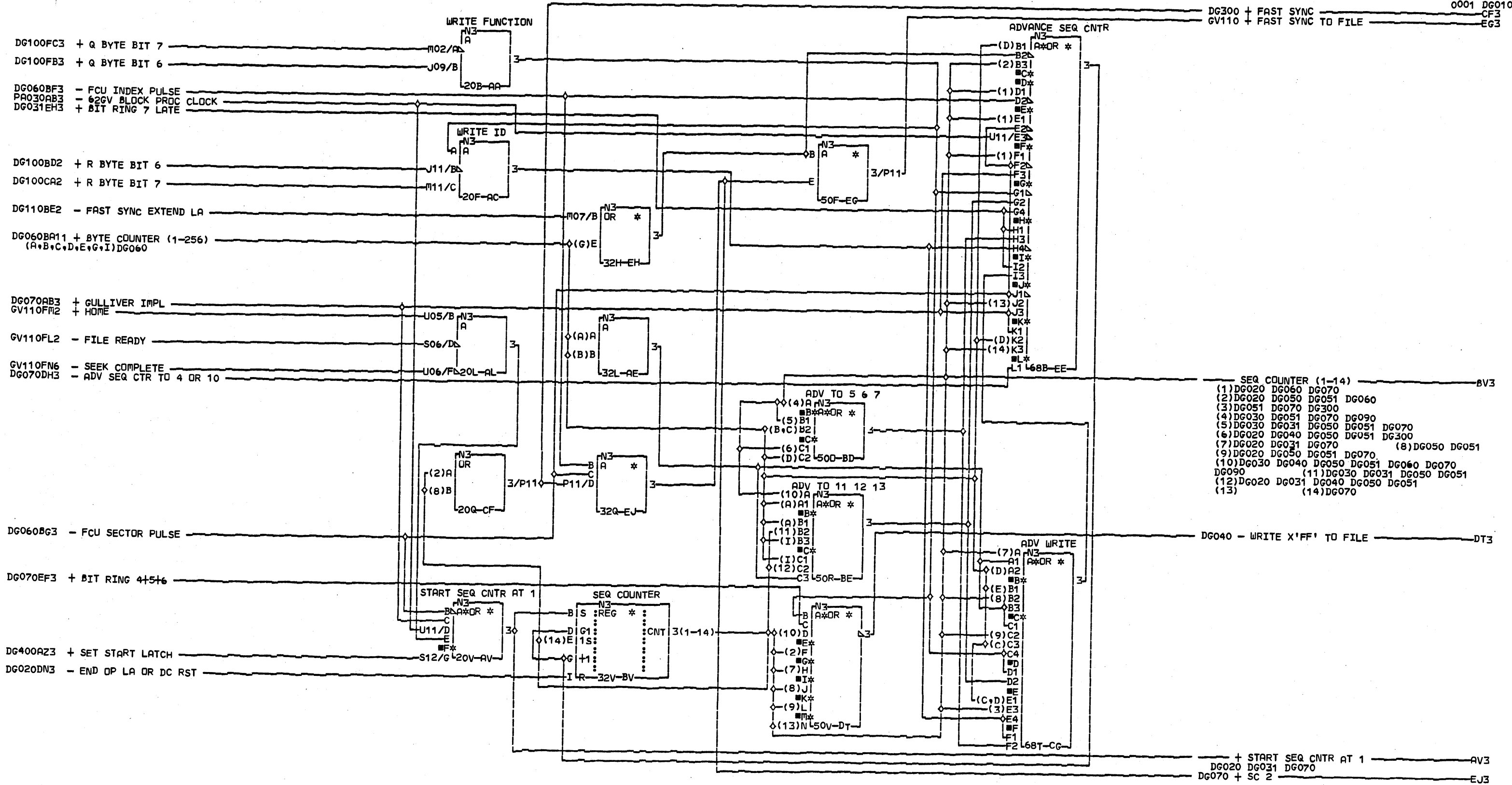
USN 00098 PRI=030CT74 2104

PDESC=0001 SEC
PFORM=KSEB NEXTBLK CB

CID FEALD JOB J27615

0001

0001



- SEQ COUNTER (1-14) BV3
- (1) DG020 DG060 DG070
 - (2) DG020 DG050 DG051 DG060
 - (3) DG051 DG070 DG300
 - (4) DG030 DG051 DG070 DG090
 - (5) DG030 DG031 DG050 DG051 DG070
 - (6) DG020 DG040 DG050 DG051 DG300
 - (7) DG020 DG031 DG070 (8) DG050 DG051
 - (9) DG020 DG050 DG051 DG070
 - (10) DG030 DG040 DG050 DG051 DG060 DG070
 - DG090 (11) DG030 DG031 DG050 DG051
 - (12) DG020 DG031 DG040 DG050 DG051
 - (13) (14) DG070

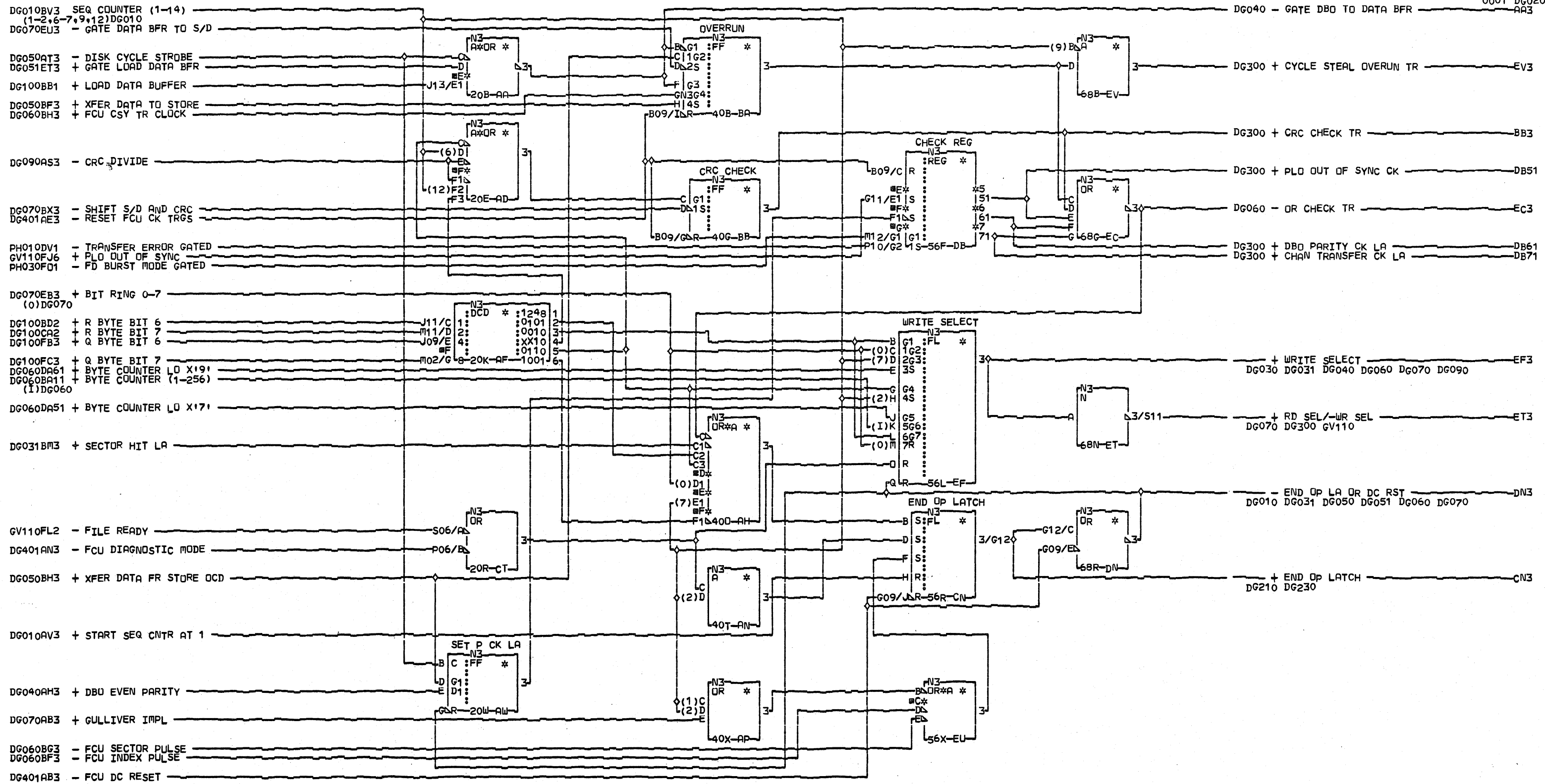
- DG040 - WRITE X'FF' TO FILE DT3
- + START SEQ CNTR AT 1 AV3
DG020 DG031 DG070
DG070 + SC 2 EJ3

COMMENTS
D1COPYRIGHT IBM CORP. 1974

SEQUENCE COUNTER CONTROLS
GULL 8D
PN2547209 EC825372 PEC825251
LOC=1A-A2G2
USN 00098 PRI=03OCT74 2104
PDESC=0001 SEC
PFORM=KSEB NEXTBLK EK
CID FEALD JOB J27615

D
G
0
1
0
001

D
G
0
1
0
001

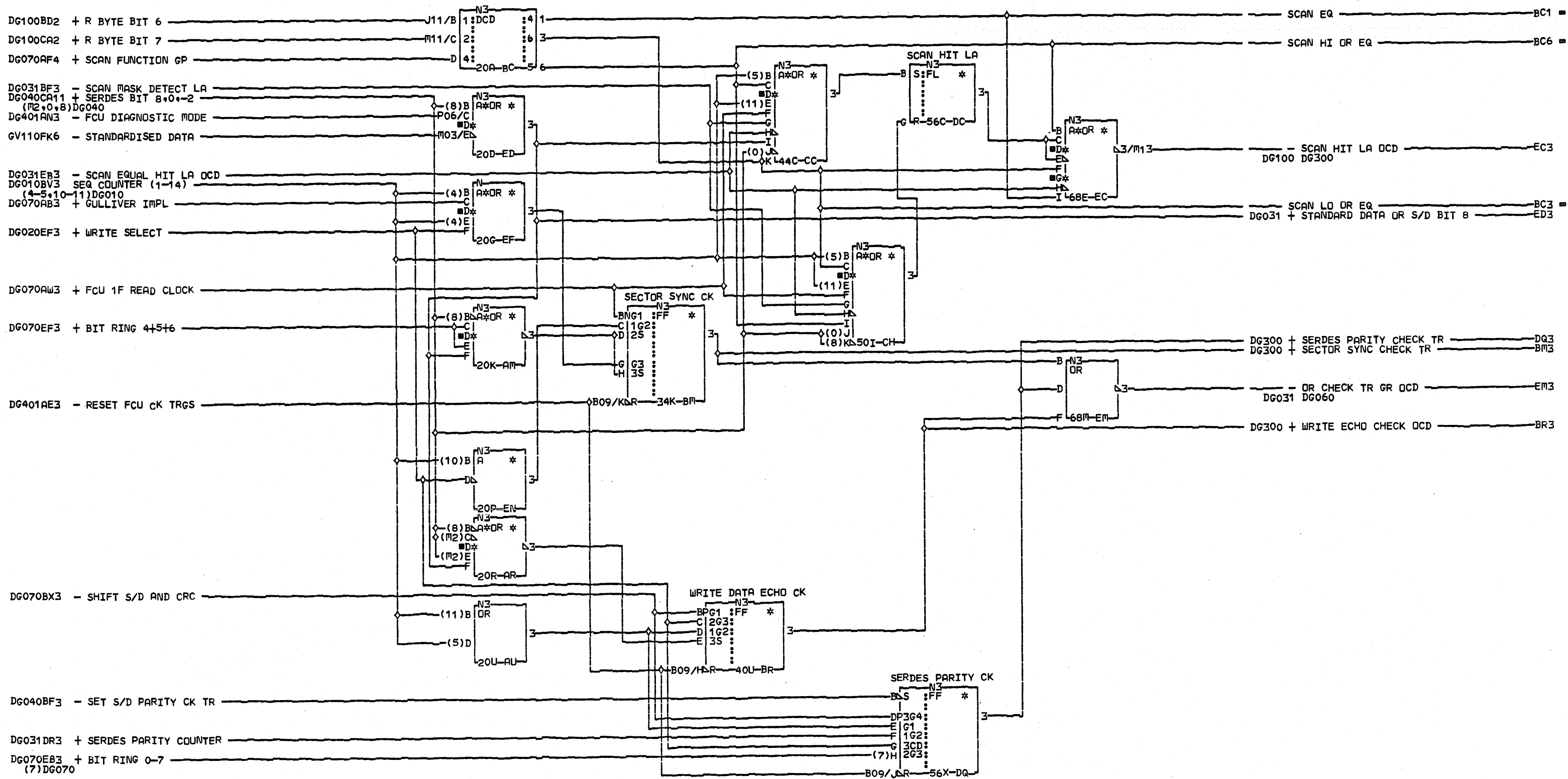


COMMENTS
D1COPYRIGHT IBM CORP. 1974

GUL 9D CHIP
READ/WRITE SEL
PN2547210 EC830358 PEC828508
LOC=1A-A2G2
USN 00124 PRI=05APR77 0311
PDESC=0001 SEC
PFORM=KSEB NEXTBLK EW
CID FEALD JOB L6901600

D
G
O
2
0

D
G
O
2
0

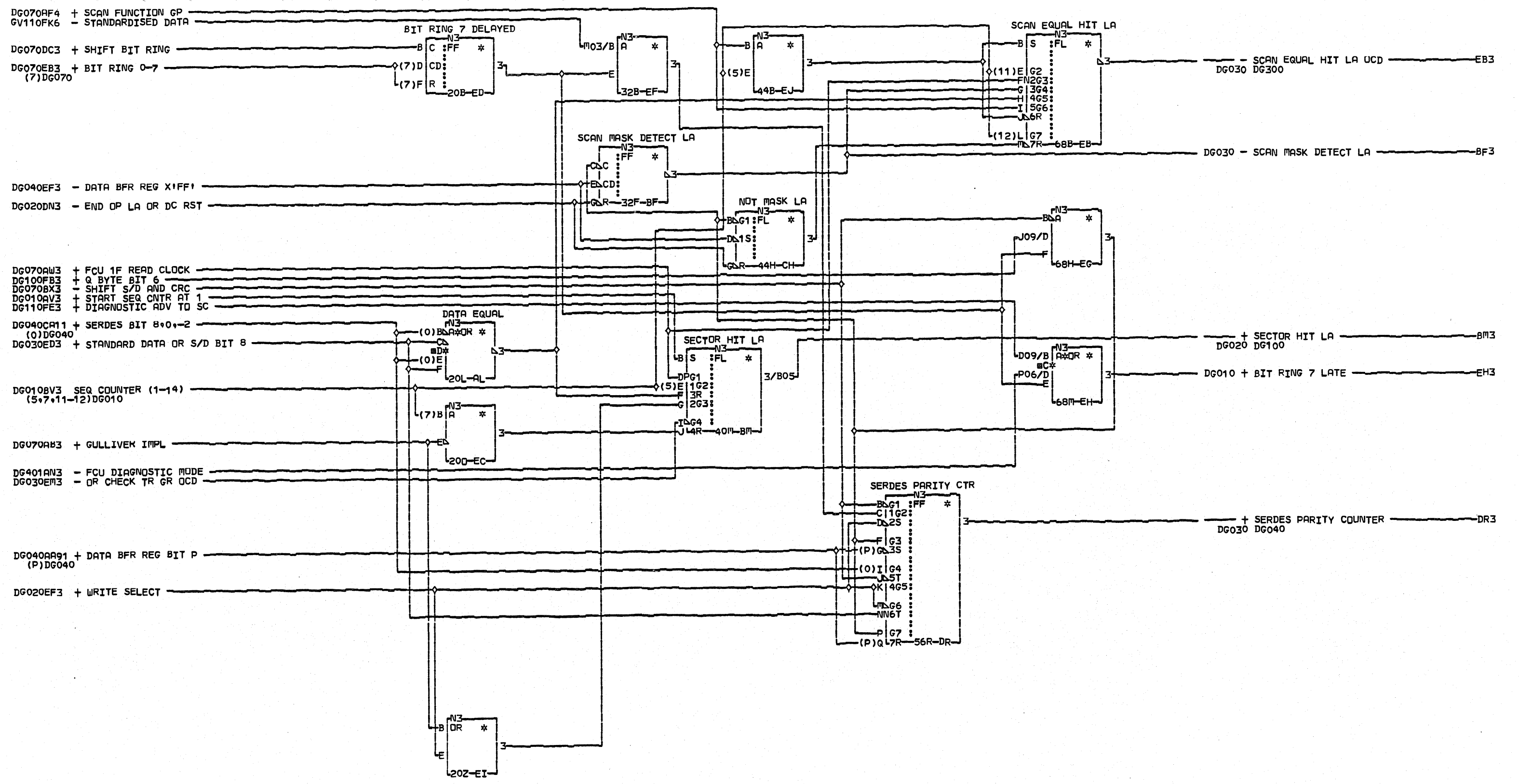


COMMENTS
 D1COPYRIGHT IBM CORP. 1974

GULL 4D
 SCAN HIT LA
 PN2547211 EC825372 PEC825251
 LOC=1A-A2G2
 USN 00098 PRI=03DCT74 2104
 PDESC=0001 SEC
 PFORM=KSEB NEXTBLK ED
 CID FEALD JOB J27615

D
 G
 O
 3
 0
 0001

D
 G
 O
 3
 0
 0001



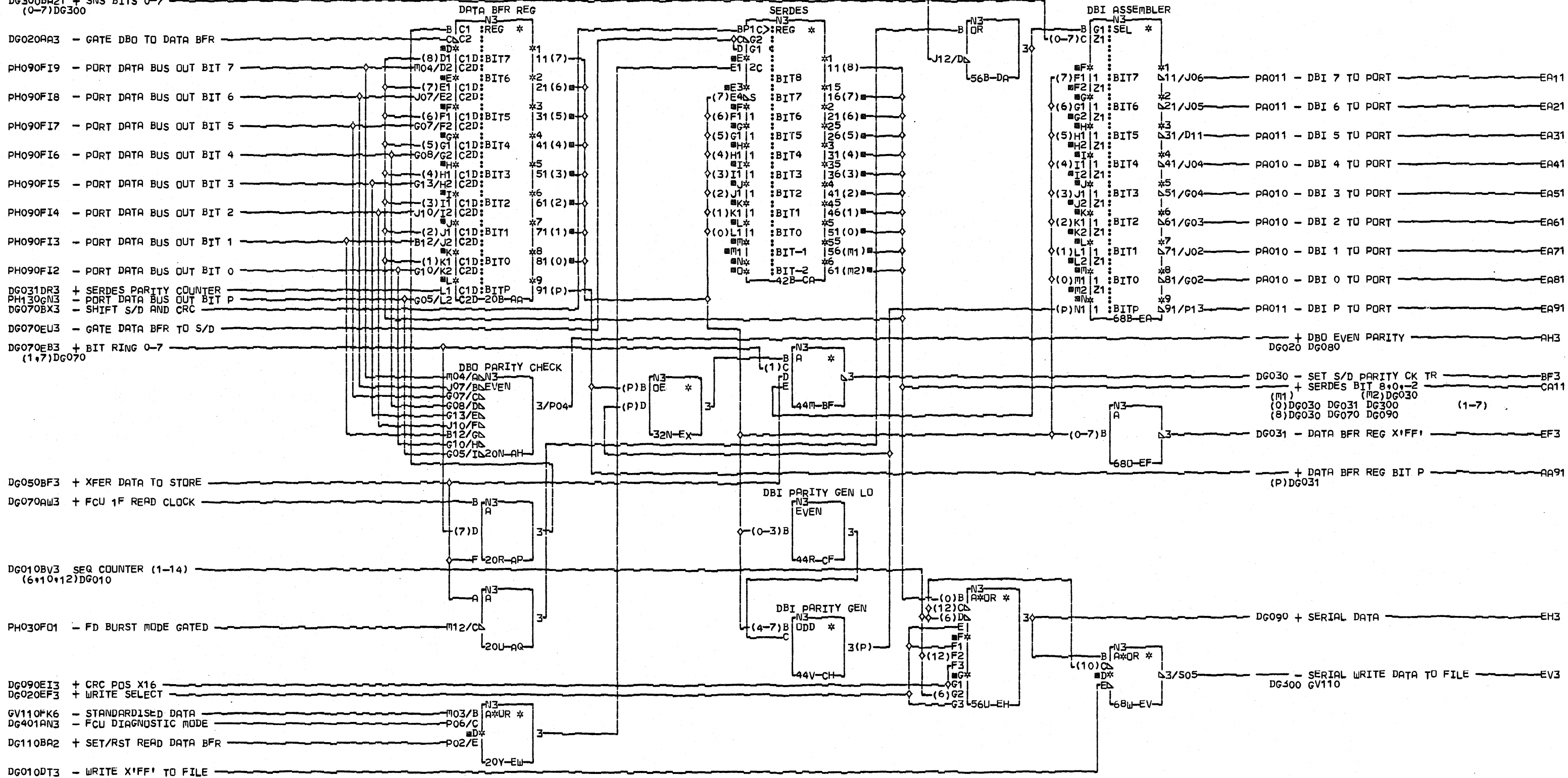
COMMENTS
D1COPYRIGHT IBM CORP. 1974

GULL 4D
SECTOR HIT LA
PN2547212 EC828508 PEC825372
LOC=1A-A2G2
USN 00102 PRI=22APR75 1702
PDESC=0001 SEC
PFORM=KSEB NEXTBLK EK
CID FEALD JOB L7101603

D
G
O
O
1
0001

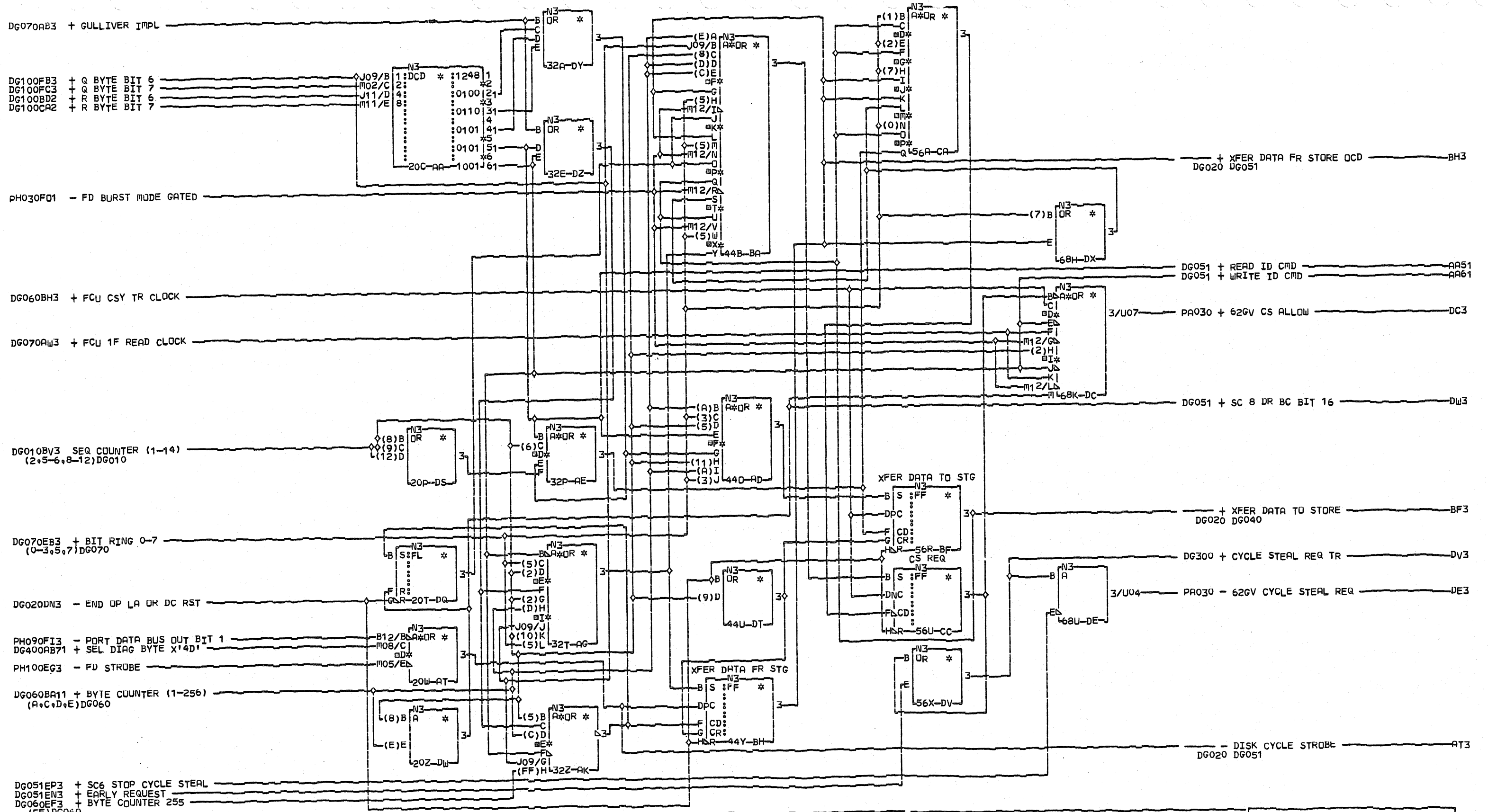
D
G
O
O
3
1
0001

DG400AB61 - SENSE DATA BFR X'159'
DG300BA21 + SNS BITS 0-7
(0-7)DG300



COMMENTS
D1COPYRIGHT IBM CORP. 1974

GULL 2D & 3D CHIPS
 DBI 0-7,P TO CHANNEL
 PN2547213 EC830358 PEC828696
 LOC=1A-A2G2
 USN 00124 PRI=05APR77 0311
 PDESC=0001 SEC
 PFORM=KSEB NEXTBLK EY
 CID FEALD JUB L6901600

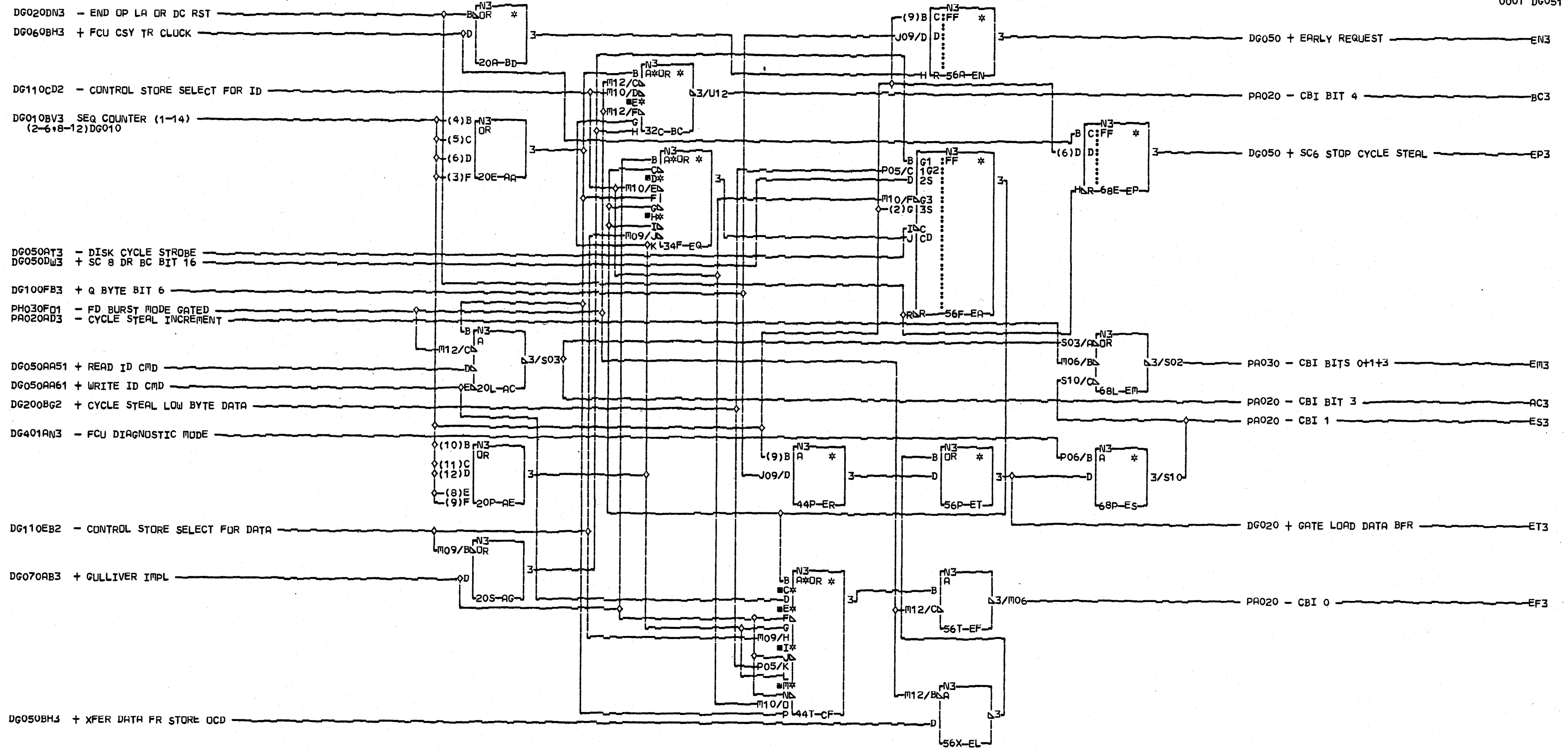


COMMENTS
 D1COPYRIGHT IBM CORP. 1974

GULL 5D (100,110,120,140)
 62GV CYCLE STEAL
 PN2547214 EC830358 PEC828508
 LOC=1A-A2G2
 USN 00124 PRI=05APR77 0311
 PDESC=0001 SEC
 PFORM=KSEB NEXTBLK D0
 CID FEALD JOB L6901600

D
 G
 O
 S
 O
 0001

D
 G
 O
 S
 O
 0001

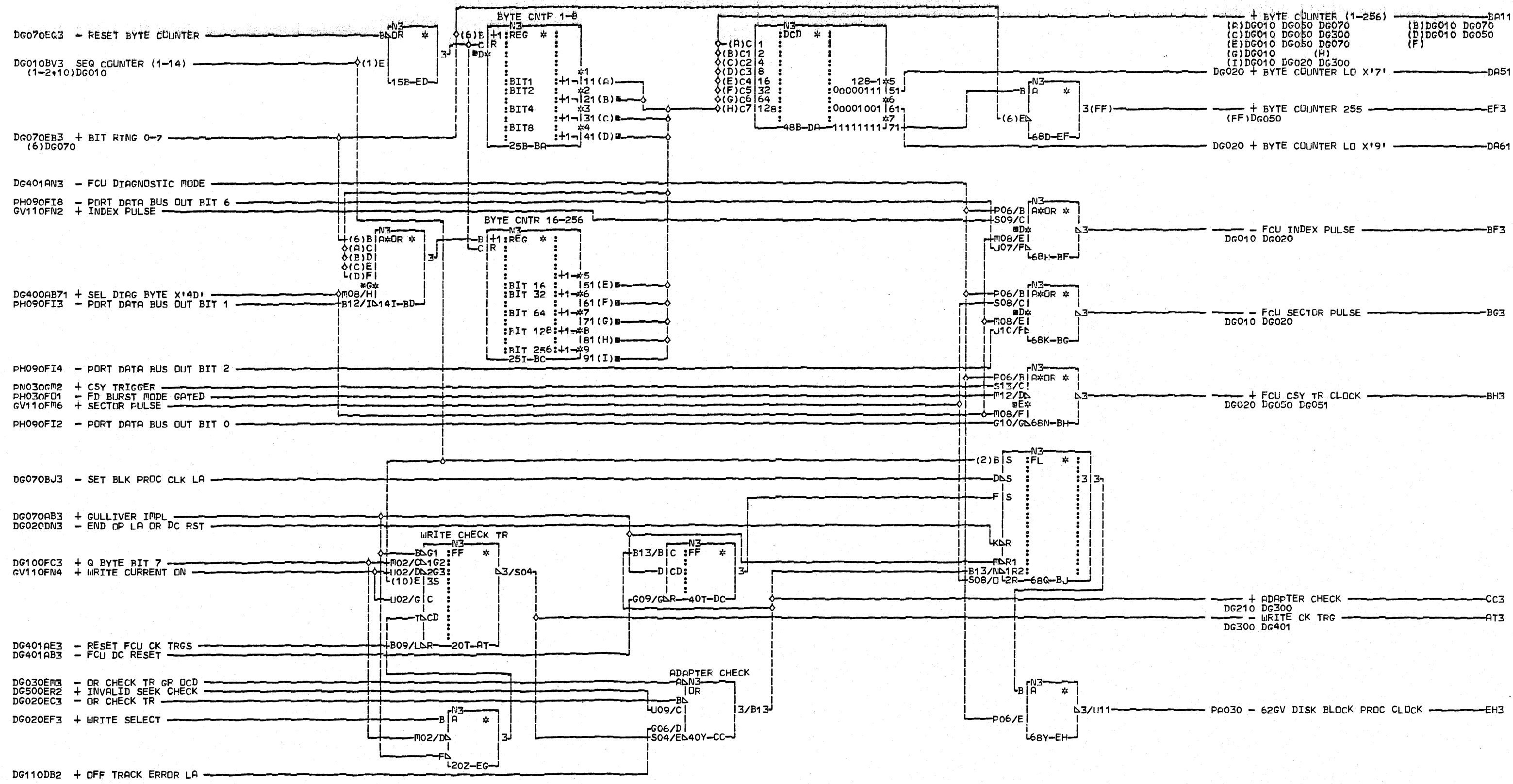


COMMENTS
D1COPYRIGHT IBM CORP. 1974

GULL 5D (130,140,150,160)
CBI BITS
PN2547215 EC830358 PEC828372
LOC=1A-A2G2
USN 0012A PRI=05APR77 0311
PDESC=0001 SEC
PFORM=KSEB NEXTBLK EU
CID FEALD JOB L6901600

D
6
5
1

D
6
5
1

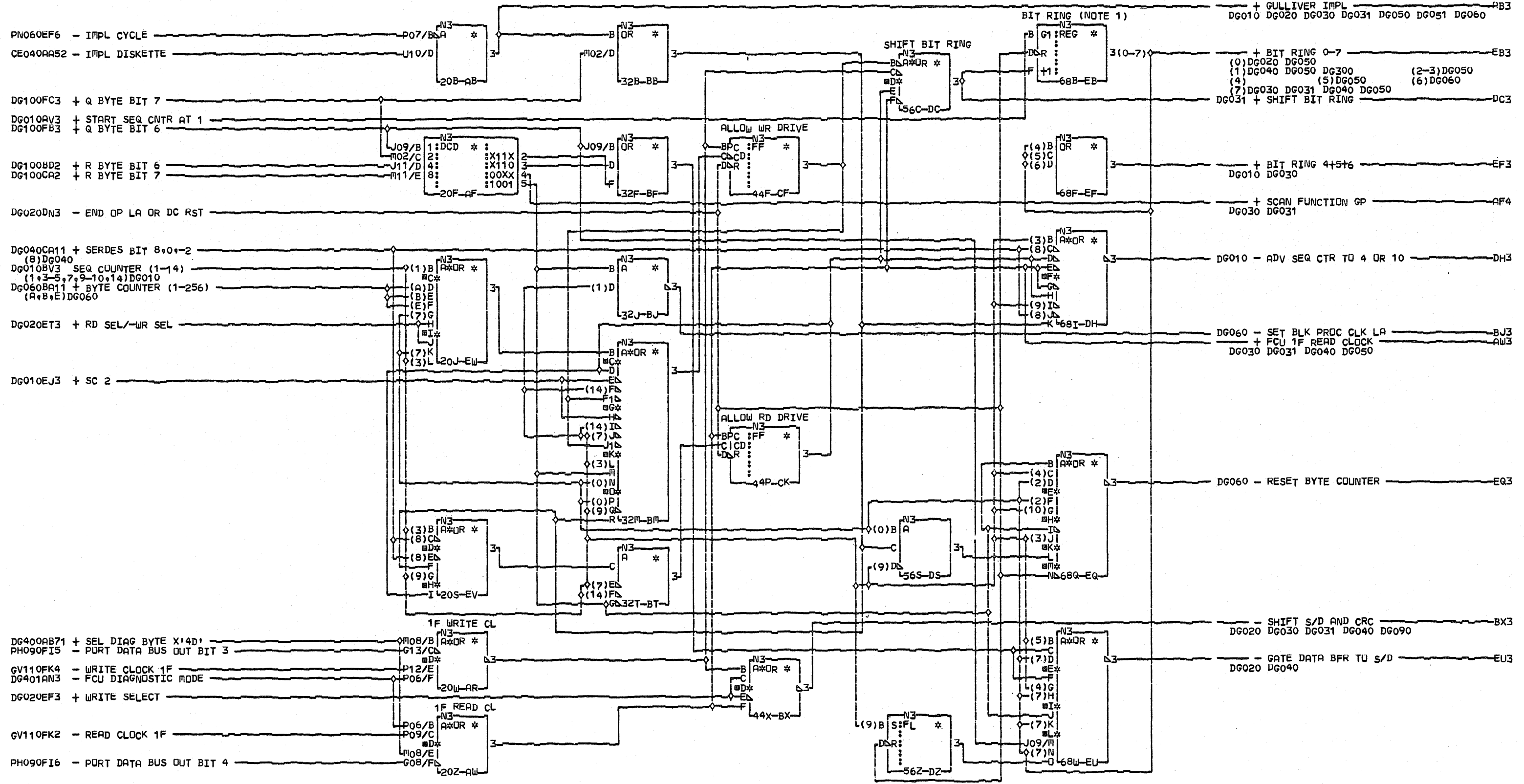


COMMENTS
 D1COPYRIGHT IBM CORP. 1974

GLL 7D
 62GV DISK BPC
 PN2547216 FC828633 PE:825408
 LUC=1A-A2G2
 USN 00111 PRI=240CT75 0322
 PDESC=0001 SEC
 PFORM=KSEB NEXTBLK ET
 CID FEALD JNB L6301019

D
 G
 O
 6
 O
 001

n
 C
 0
 6
 0
 0001



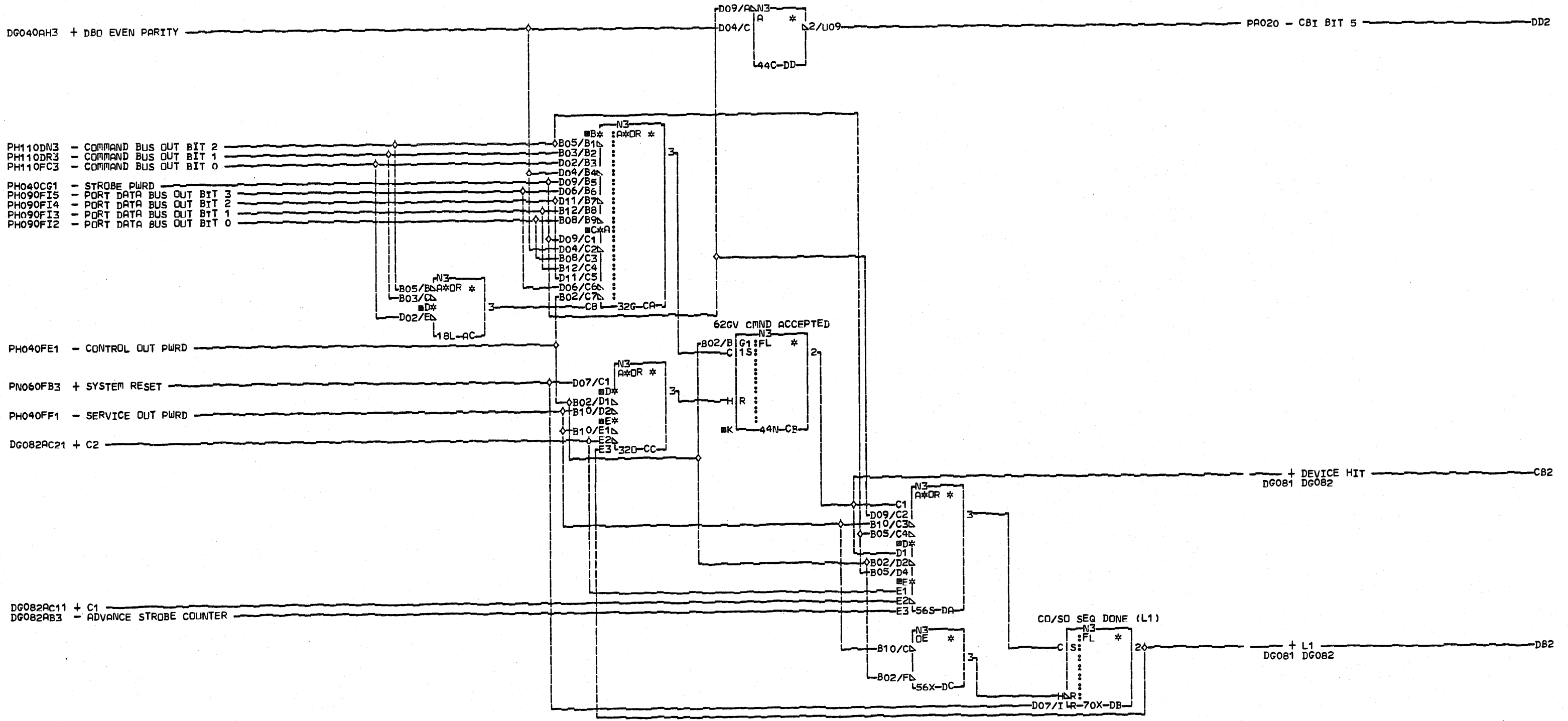
COMMENTS

A1 NOTE 1:
 2 BIT RING 6 LEAVES THE CARD
 3 ON PIN S07 AND RETURNS ON
 4 PIN U13 FOR CARD TEST
 SPURPOSES
 D1 COPYRIGHT IBM CORP. 1974

GULL 6D
 GULLIVER IMPL
 PN2547217 EC830358 PEC825408
 LUC=1A-A2G2
 USN 00124 PRI=05APR77 0311
 PDESC=0001 SEC
 PFORM=KSEB NEXTBLK EX
 CID FEALD JDB L6901600

D
G
O
7
0

D
G
O
7
0

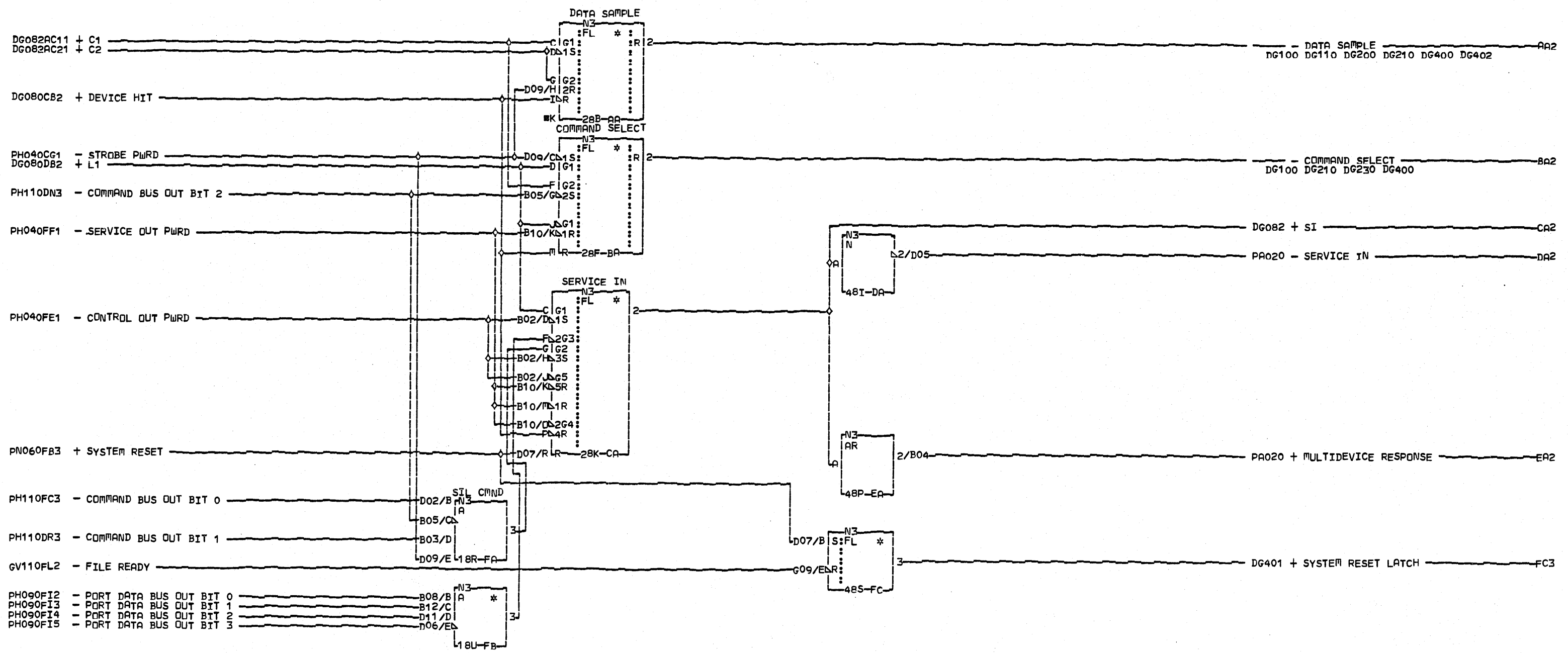


COMMENTS
 D1COPYRIGHT IBM CORP. 1974

U-CODE CMDND ACCEPT
 CPU CHANNEL INTERFACE
 4 FIELD SERVICE LOGICS
 PN254721B EC825408 PEC825372
 LOC=1A-A2F2
 USN 00099 PRI=04NOV74 2017
 PDFSC=0001 SFC
 PFORM=KSEB NEXTBLK DF
 CID FEALD JOB L7101028

D
 G
 0
 8
 0

D
 G
 0
 8
 0



COMMENTS

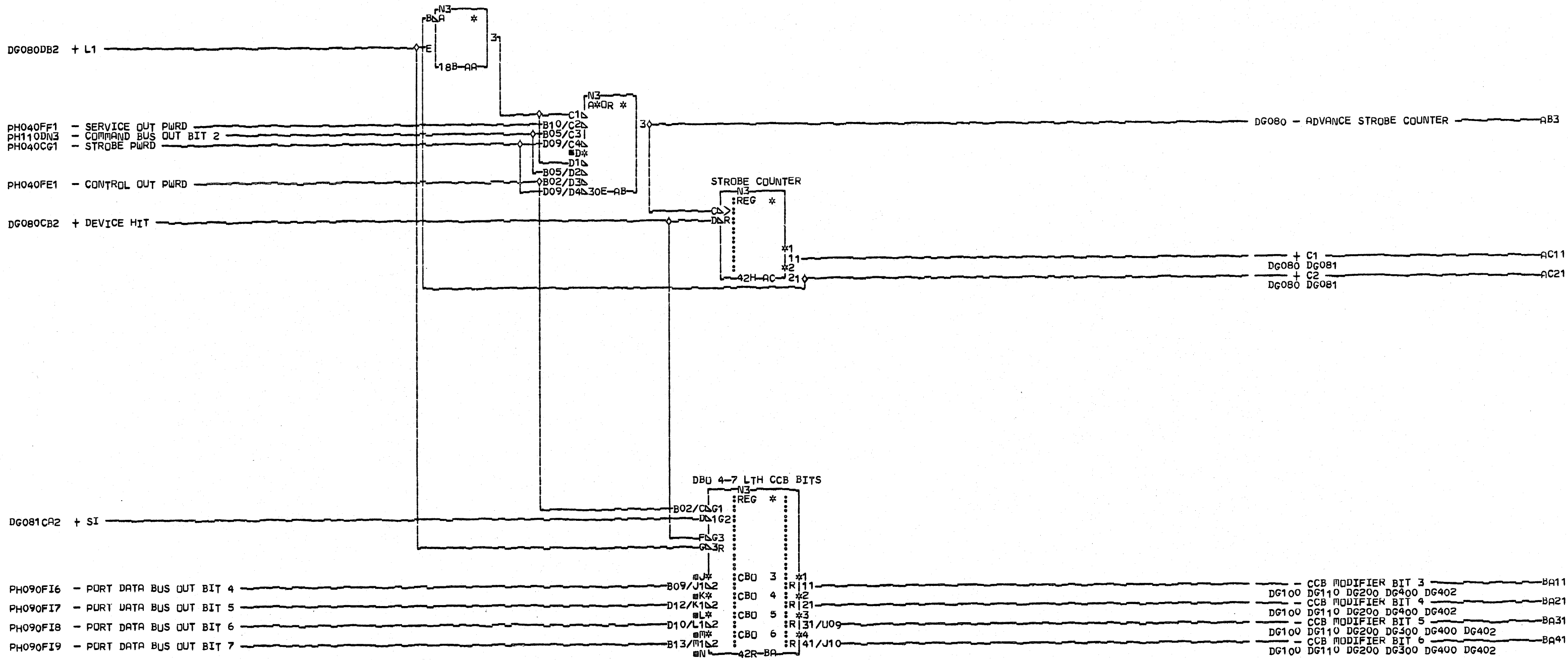
D1COPYRIGHT IBM CORP. 1974

CHANNEL TIMING LATCHES
 CPU CHANNEL INTERFACE
 4 FIELD SERVICE LOGICS
 PN2547219 EC825408 PEC825372

LDC=1A-A2F2
 USN 00100 PRI=08JAN75 1524
 PRFSC=0001 SEC
 PFORM=KSEB NEXTBLK FD
 CID FEALD JOB L7101028

D
8
0
0
1
0001

D
8
0
0
1
0001



COMMENTS
D1COPYRIGHT IBM CORP. 1974

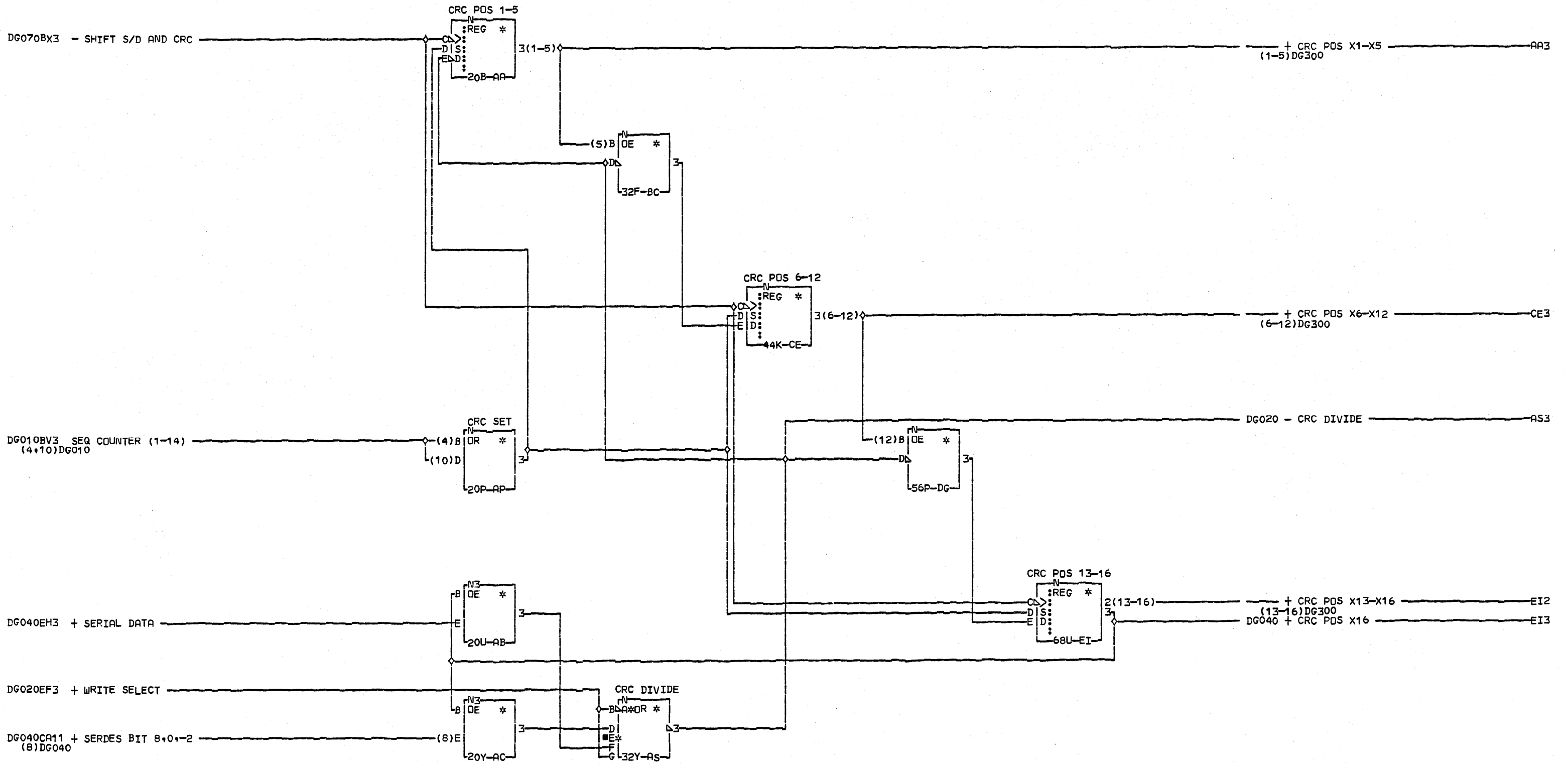
STROBE CNTR & CCB 3-6
CPU CHANNEL INTERFACE
4 FIELD SERVICE LOGICS
PN2547220 EC830358 PEC825408

LOC#1A-A2F2

USN 00124 PRI#05APR77 0311
PDESC#0001 SEC
PFORM#KSEB NEXTBLK BB
CID FEALD JOB L6901600

D
G
0
8
2
0001

D
G
0
8
2
0001

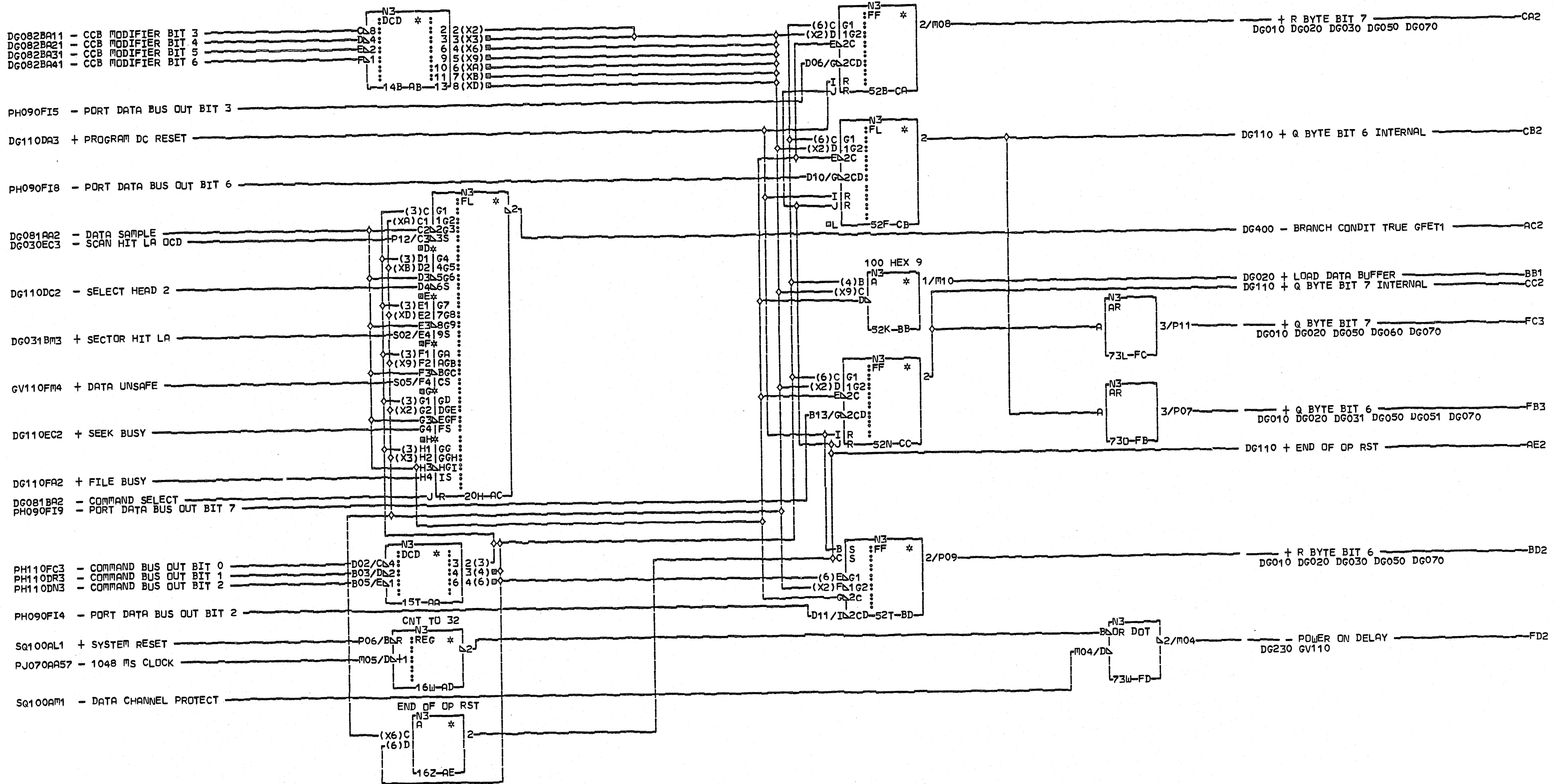


COMMENTS
 D1COPYRIGHT IBM CORP. 1974

GULL 1D
 CRC GEN & CK
 PN2547221 EC825372 PEC825251
 LDC=1A-A2G2
 USN 00098 PRI=030CT74 2104
 PDESC=0001 SEC
 PFORM=KSEB NEXTBLK EJ
 CID FEALD JOB J27615

0001

0001

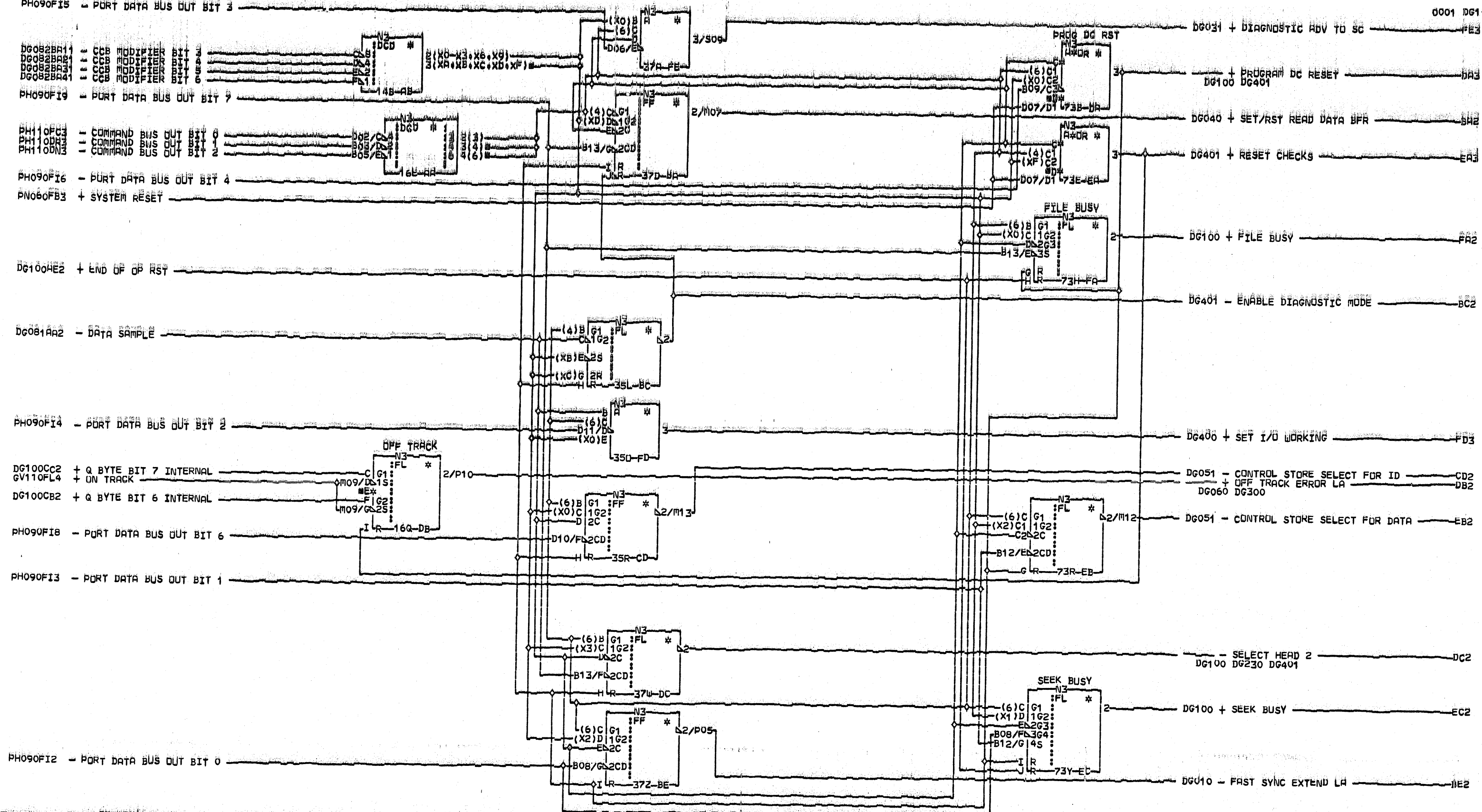


COMMENTS
 D1COPYRIGHT IBM CORP. 1974

GULLIVER CHIP 1
 CONTROL CHANNEL BUS DECODE
 & LATCHES
 PN2547222 EC828565A PEC825408
 LOC#1A-A2F2
 USN 00112 PRI#17DEC75 0037
 PDESC#0001 SEC
 PFORM#KSEB NEXBLK FE
 CID FEALD JOB L7101321

D
 G
 1
 0
 0

D
 G
 1
 0
 0

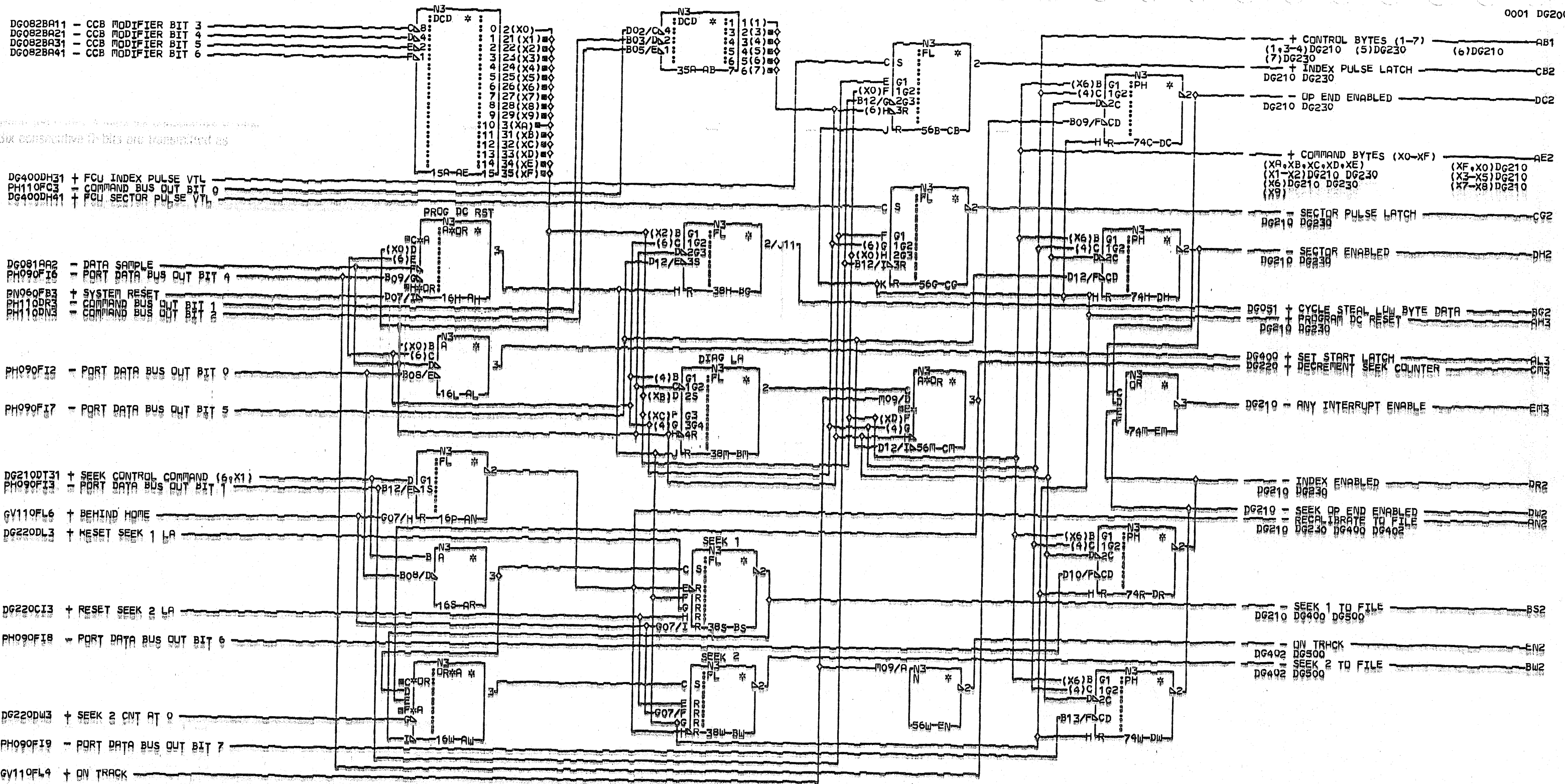


COMMENTS
 D1COPYRIGHT IBM CORP. 1974

D
G
1
1
0
0001

GULLIVER CHIP 1
 CONTROL CHANNEL BUS DECODE
 & LATCHES
 PN2547165 EC830358 PEC828635
 LOC=1A-A2F2
 USN 00124 PRI=05APR77 0311
 PDESC=0001 SEC
 PFORM=KSEB NEXTBLK FF
 CID FEALD JOB L6901600

D
G
1
1
0
0001



DG082BA1 - CCB MODIFIER BIT 3
 DG082BA2 - CCB MODIFIER BIT 4
 DG082BA3 - CCB MODIFIER BIT 5
 DG082BA4 - CCB MODIFIER BIT 6

DG400DH31 + FCU INDEX PULSE VTL
 PH110FC3 - COMMAND BUS OUT BIT 0
 DG400DH41 + FCU SECTOR PULSE VTL

DG081AA2 - DATA SAMPLE
 PH090F16 - PORT DATA BUS OUT BIT 4
 PH090F17 - PORT DATA BUS OUT BIT 5
 PH090F12 - PORT DATA BUS OUT BIT 0
 PH090F17 - PORT DATA BUS OUT BIT 5

DG210DT31 + SEEK CONTROL COMMAND (6,X1)
 PH090F13 - PORT DATA BUS OUT BIT 1

GV110FL6 + BEHIND HOME
 DG220DL3 + RESET SEEK 1 LA

DG220CI3 + RESET SEEK 2 LA

PH090F18 - PORT DATA BUS OUT BIT 6

DG220W3 + SEEK 2 CNT AT 0

PH090F19 - PORT DATA BUS OUT BIT 7

GV110FL4 + ON TRACK

+ CONTROL BYTES (1-7) AB1
 (1,3-4)DG210 (5)DG230 (6)DG210
 (7)DG230
 + INDEX PULSE LATCH CB2
 DG210 DG230
 - UP END ENABLED DC2
 DG210 DG230

+ COMMAND BYTES (X0-XF) AE2
 (XA, XB, XC, XD, XE) (XF, X0)DG210
 (X1-X2)DG210 DG230 (X3-X5)DG210
 (X6)DG210 DG230 (X7-X8)DG210
 (X9)

SECTOR PULSE LATCH CG2
 DG210 DG230

SECTOR ENABLED DH2
 DG210 DG230

DG051 + CYCLE STEAL LOW BYTE DATA AG2
 PROGRAM DC RESET AM3
 DG210 DG230

DG400 + SET START LATCH AL3
 DECREMENT SEEK COUNTER CM3
 DG210 DG230

DG210 - ANY INTERRUPT ENABLE EM3

- INDEX ENABLED DR2
 DG210 DG230

DG210 - SEEK OP END ENABLED DW2
 RECALIBRATE TO FILE AN2
 DG210 DG230 DG400 DG402

- SEEK 1 TO FILE BS2
 DG210 DG400 DG500

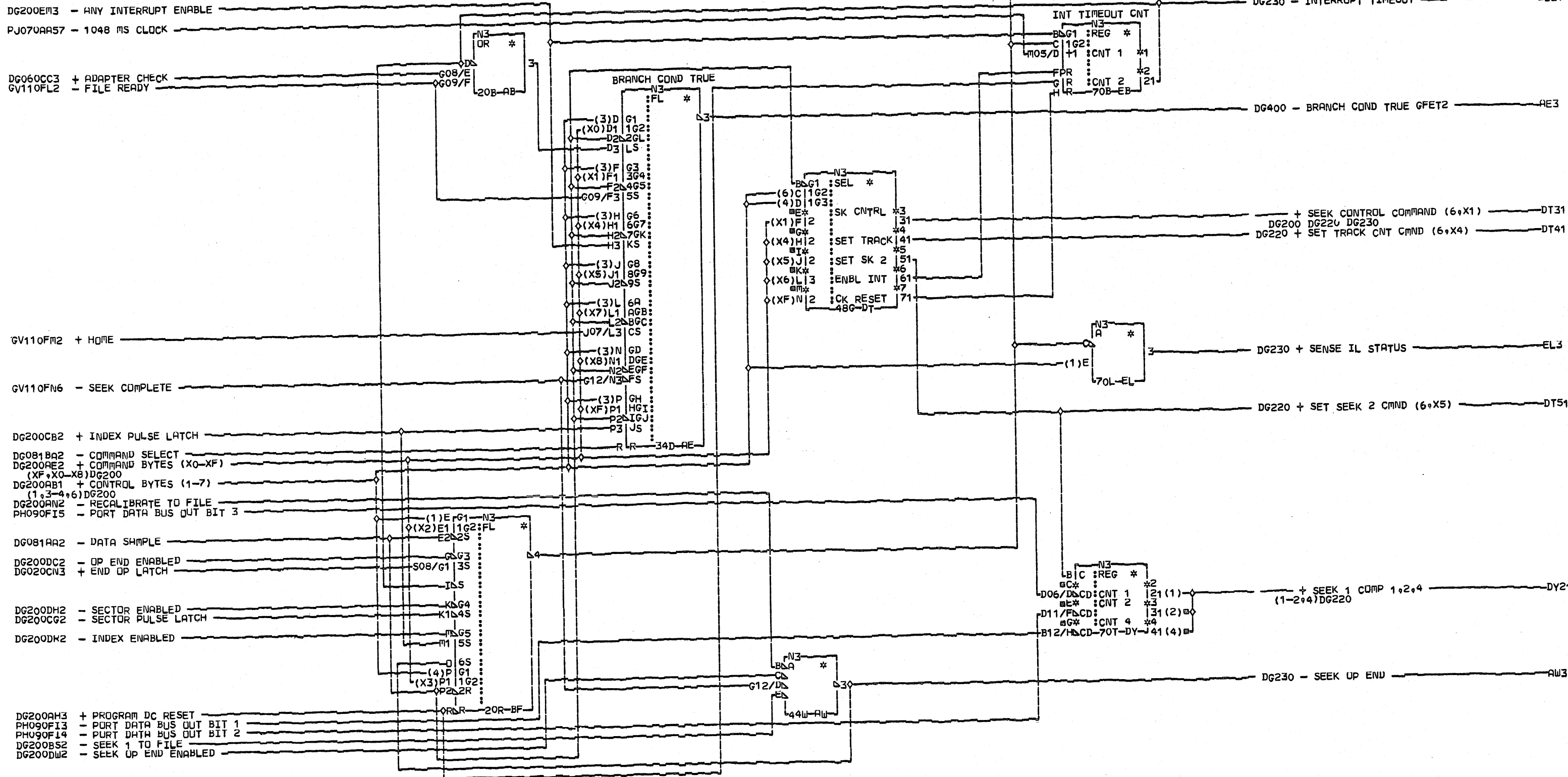
- ON TRACK EN2
 DG402 DG500

- SEEK 2 TO FILE BW2
 DG402 DG500

COMMENTS
 COPYRIGHT IBM CORP. 1974

GULLIVER CARD
 FET CHIP 2
 UCODE INSTRUCTION DECODE
 PN2547223 EC830358 REC829633

LQC=1A-A2F2
 USN 00124 PRI=05APR77 0311
 PDESC=0001 SEC
 PFORM=K58A NEXTBLK #0
 CID FEALD JOB L6901600



COMMENTS
 D1 COPYRIGHT IBM CORP. 1974

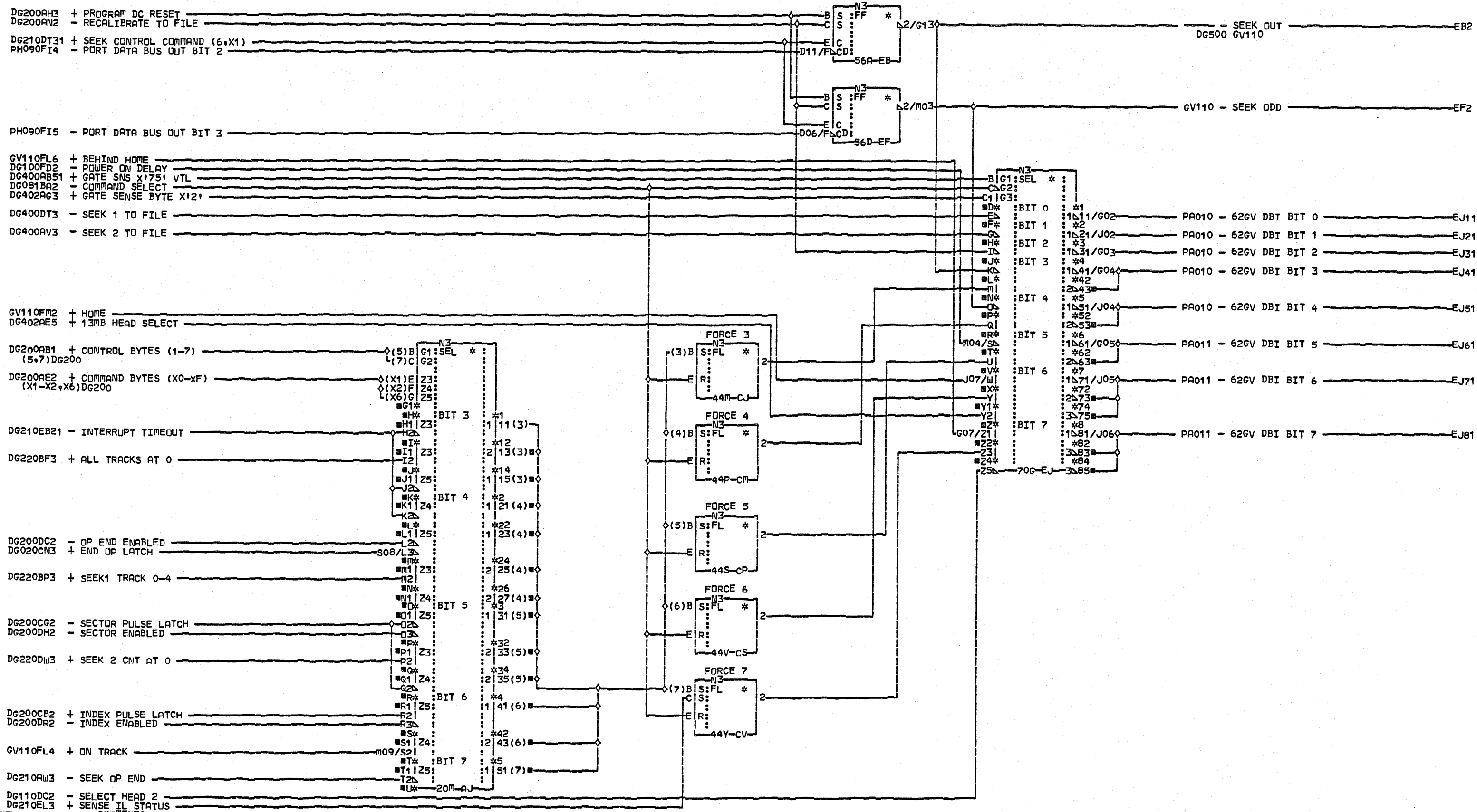
GULLIVER CARD
 FET CHIP 2
 UCODE INSTRUCTION DECODE
 PN2547224 EC830358 PEC825408
 LUC=1A-A2F2
 USN 00124 PRI=05APR77 0311
 PDESC=0001 SEC
 PFORM=KSEB NEXTBLK EM
 CID FEALD JOB L6901600

D
 G
 2
 1
 0

D
 G
 2
 1
 0

0001

0001



D1COPYRIGHT IBM CORP. 1974

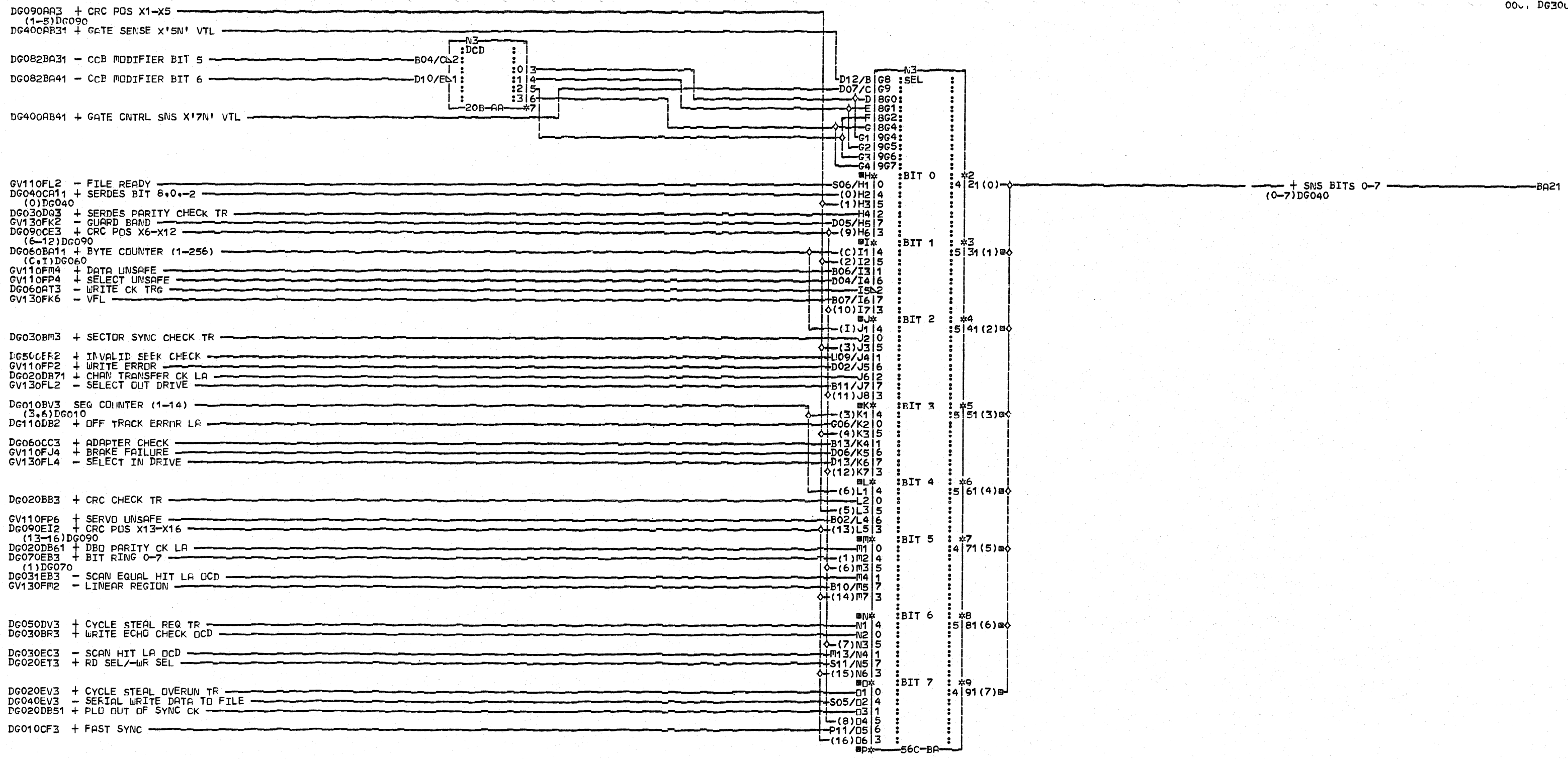
D
W
N
G
O

0001

GULL CARD IF
FIELD LOGICS
PET CHIP 2
PN2547226 EC828696 PEC828635
LUC=1A-A2F2
USN 00115 PRI=10MAR76 2004
PDESC=0001 SEC
PFORM=KSEB NEXTBLK EK
CID FEALD JOB L7100824

D
G
2
3
0

0001

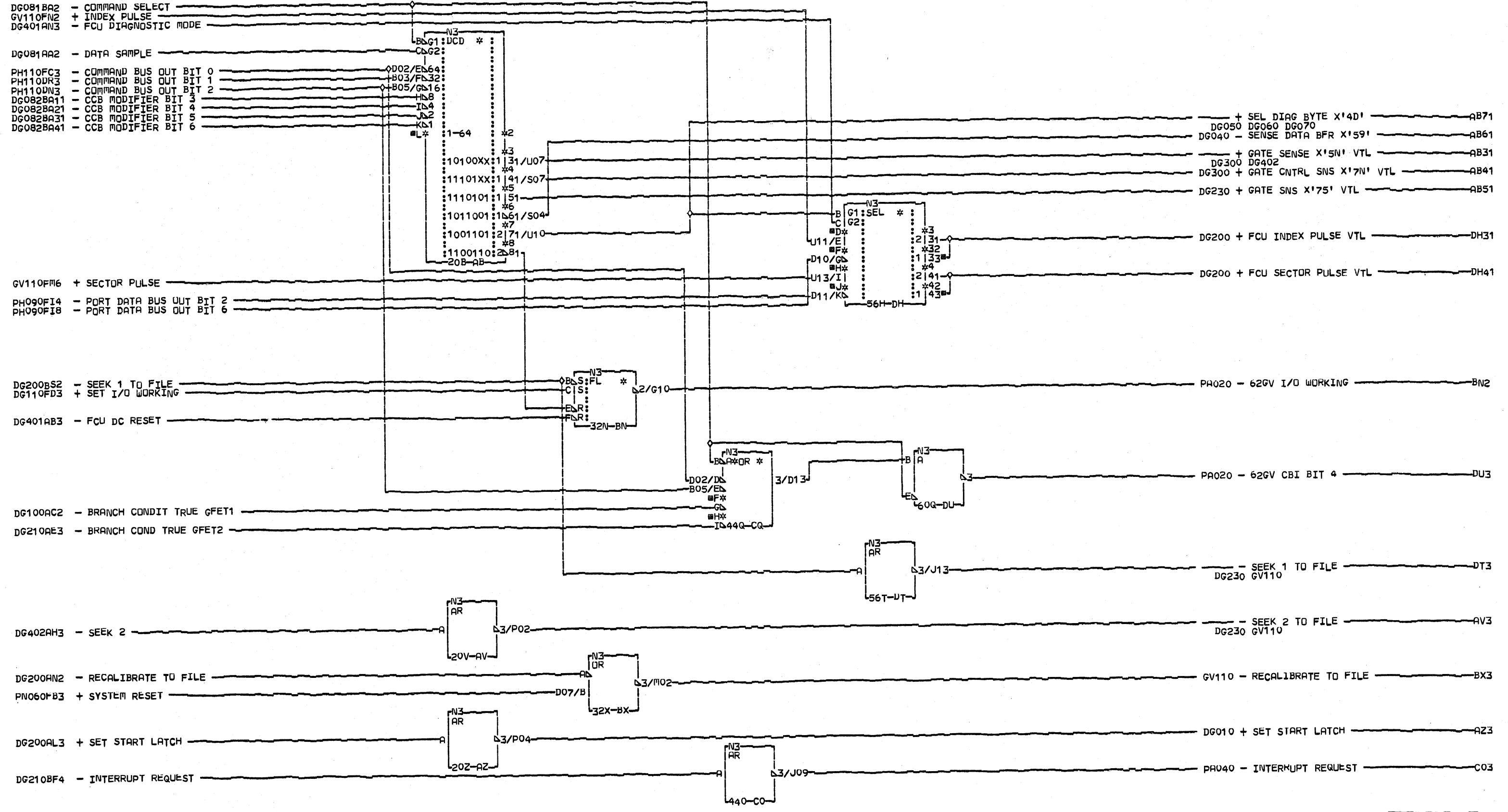


COMMENTS
D1COPYRIGHT IBM CORP. 1974

GULL SNS BITS 0-7
SELECTOR CHIPS D (2)
PN2547227 Ec828633 PEc825408
LUC=1A-A2G2
USN 00111 PRI=240CT75 0322
PDESC=0001 SEC
PFORM=KMEB NEXTBLK BB
CID FEALD JOB L6301019

D
G
3
0
0
0001

D
G
3
0
0
0001

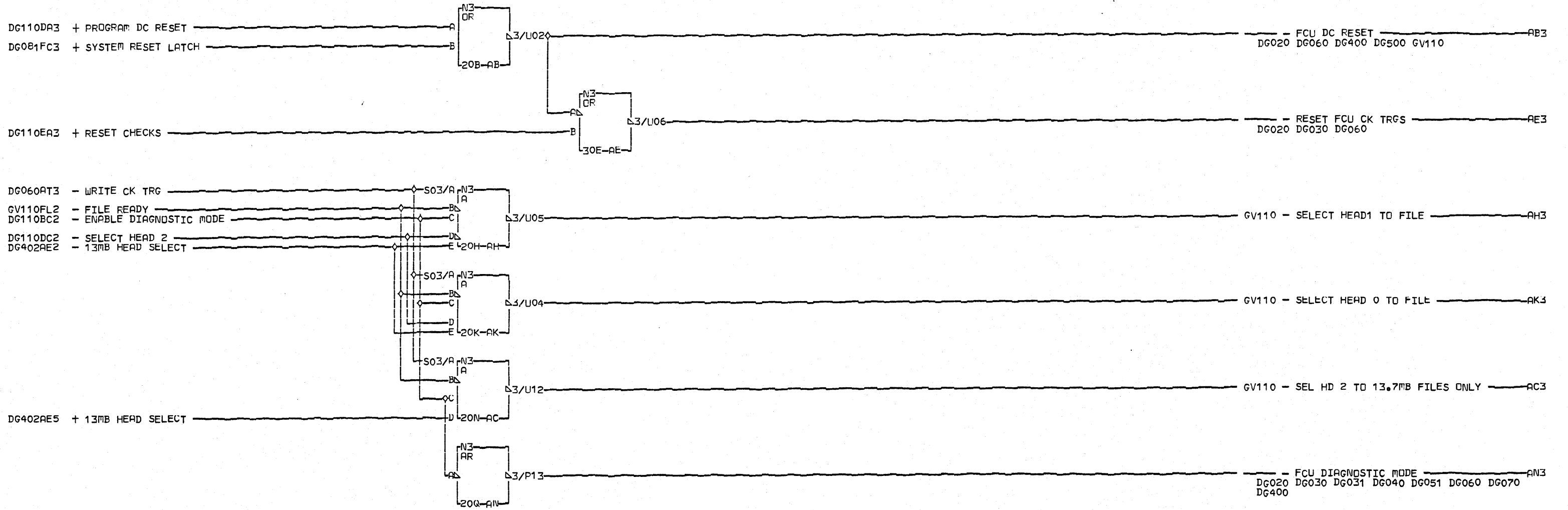


COMMENTS
D1COPYRIGHT IBM CORP. 1974

GULLIVER CARD
 DECODES, SNS, CCB
 REPOWERING
 PN2547228 EC830358 PEC828635
 LOC=1A-A2F2
 USN 00124 PRI=05APR77 0311
 PDESC=0001 SEC
 PFORM=KSEB NEXTBLK DV
 CID FEALD JOB L6901600

D
G
4
0
0

D
G
4
0
0

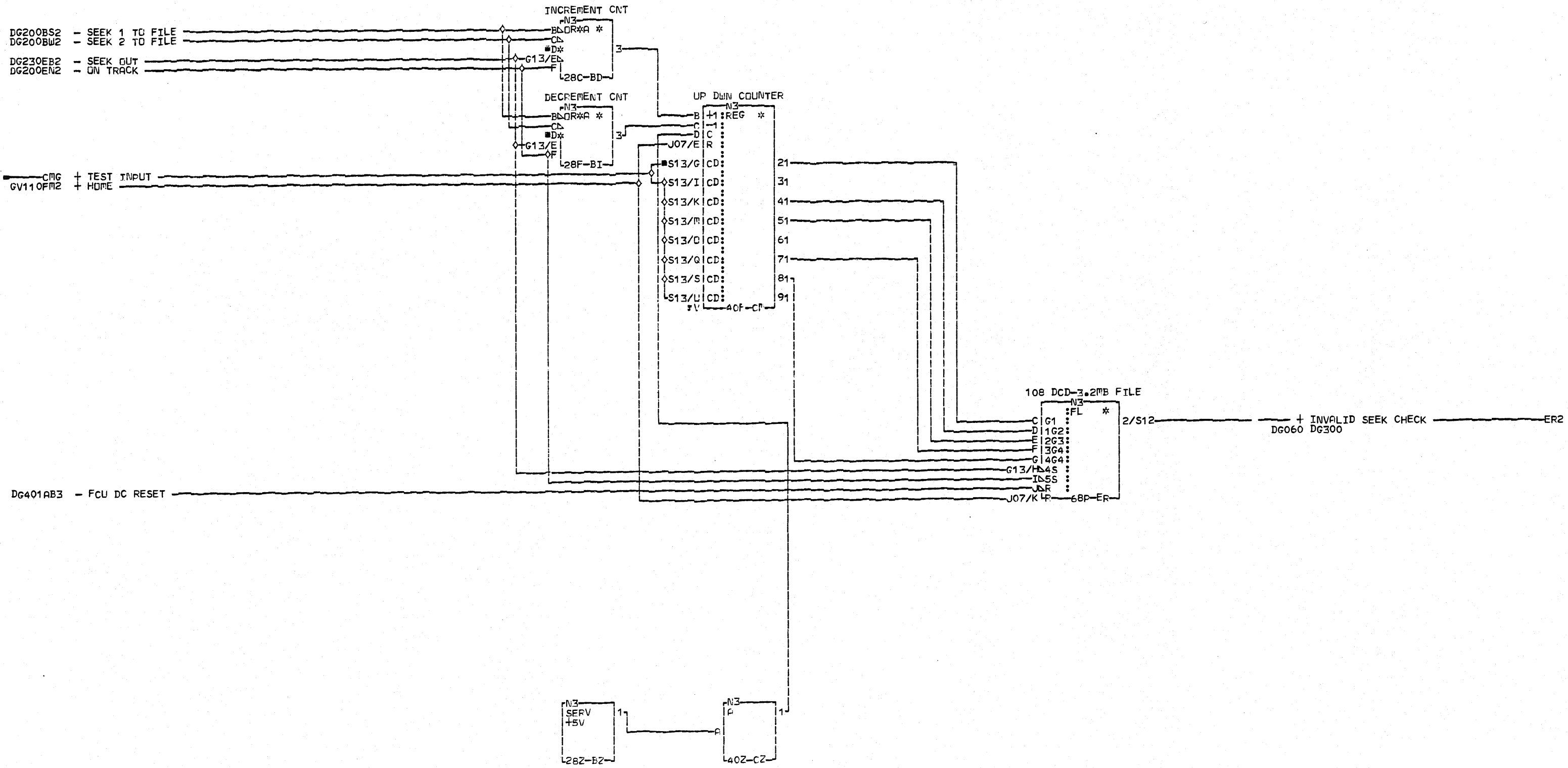


COMMENTS
D1COPYRIGHT IBM CORP. 1974

GULLIVER CARD
HEAD SELECT, FCU RESET
PN2547229 EC828798 PEC828635
LOC=1A-A2F2
USN 00118 PRI=18MAY76 1436
PDESC=0001 SEC
PFORM=KSEB NEXTBLK AD
CID FEALD JOB K5400828

D
4
0
1
0001

D
4
0
1
0001



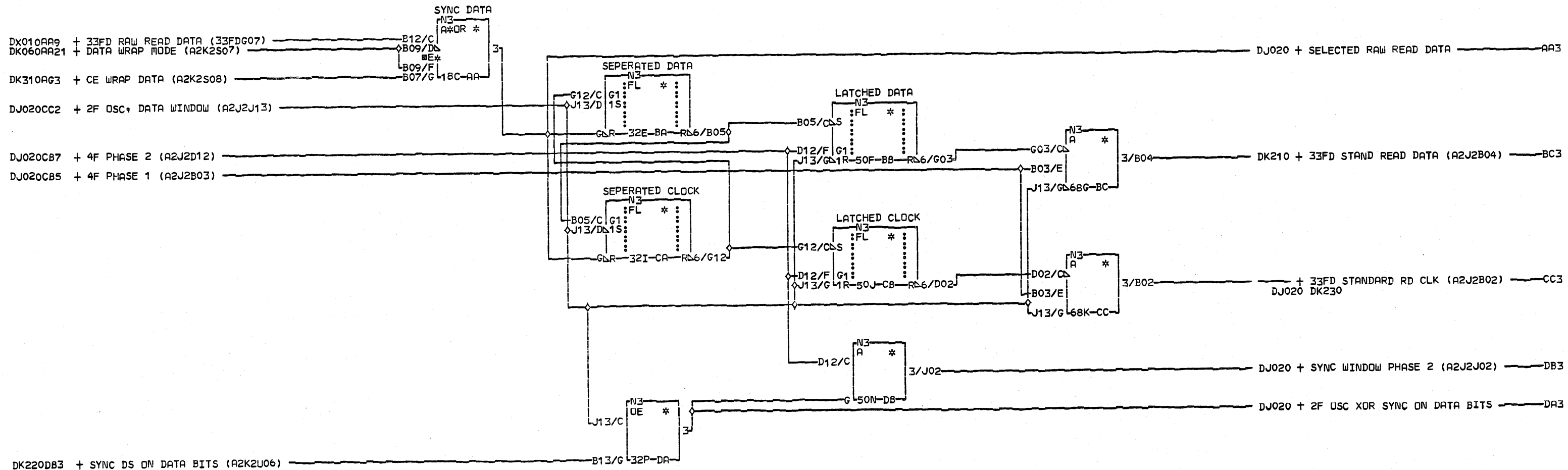
COMMENTS

NOTE: THIS PAGE APPLICABLE FOR 3.2MB ONLY
COPYRIGHT IBM CORP. 1976

INVALID SEEK CHECK
3.2MB GULLIVER ATTACH
PN2547999 EC828633
LDC=1A-A2F2
USN 00119 PRI=16JUL76 1354
PDESC=0001 SEC
PFORM=KSEB NEXTBLK ES
CID FEALD JOB L6301019

DCS
0001

D
5
0
0
0001



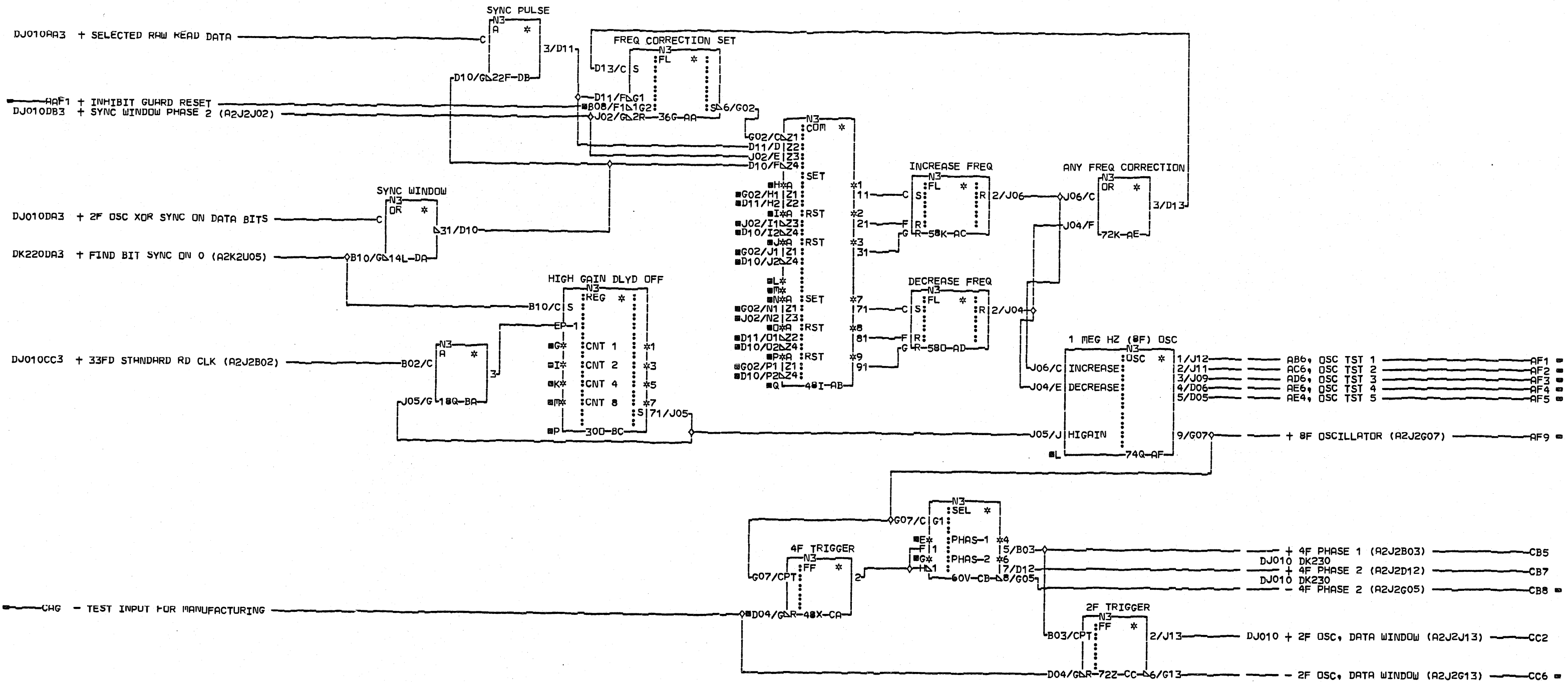
COMMENTS

A1CARD HISTORY:
 2 P/N 8523120
 3 P/N 8523999
 4 P/N 8524222
 D1COPYRIGHT IBM CORP. 1974

DATA CONTROL
 DATA SEPARATOR
 33FD ATCH
 PN2547231 Ec825372 PEC825251
 LOC=1A-A2J2
 USN 00098 PRI=03DCT74 2104
 PDESC=0001 SEC
 PFORM=KSEB NEXTBLK DC
 CID FEALD JOB J27615

D
J
0
1
0
0001

D
J
0
1
0
0001



COMMENTS

DIUCOPYRIGHT IBM CORP. 1974

OSC CONTROL
 DATA SEPARATOR
 33FD ATCH
 PN2547232 EC28527 PEC825372

LOC=1A-A2J2

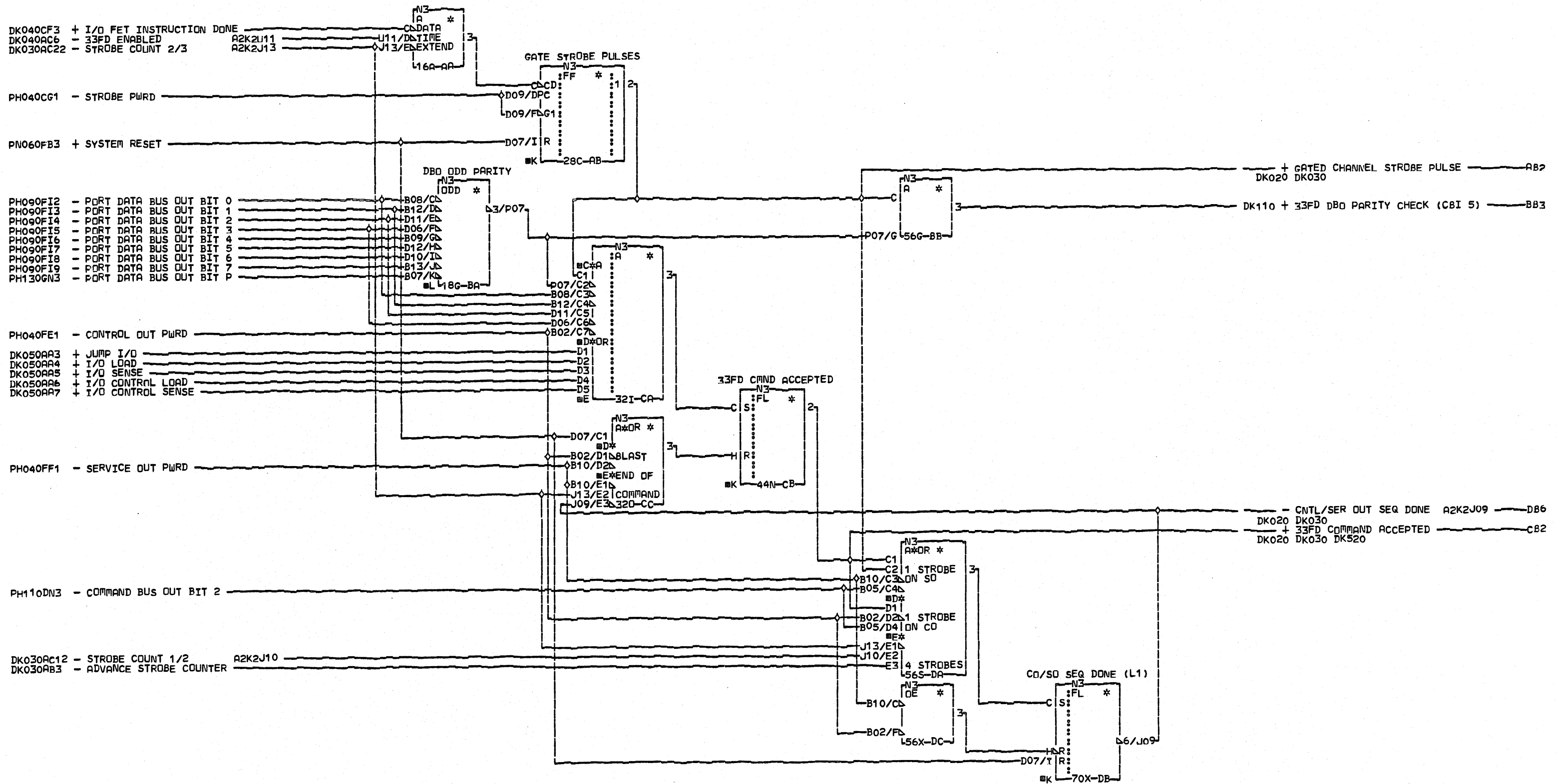
USN 00101 PRI=01APR75 1347

PDESC=0001 SEC
 PFORM=KSE8 NEXTBLK DC

CID FEALD JOB K1501124

0001

0001

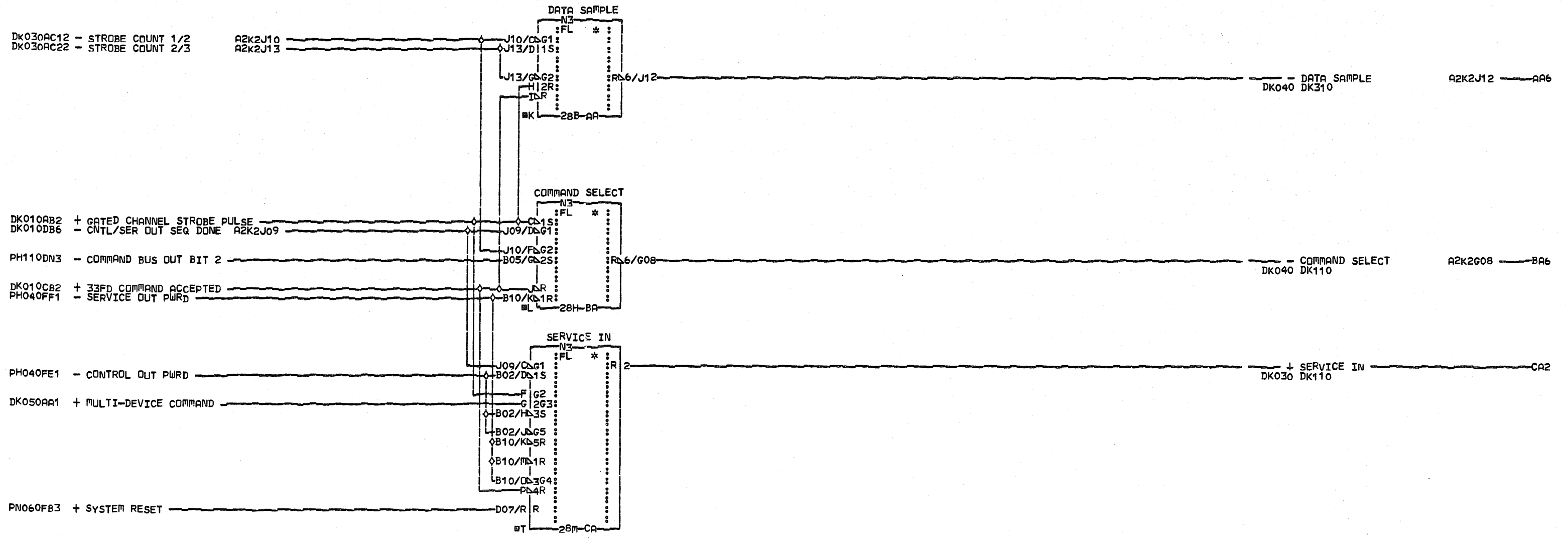


COMMENTS

A1CARD HISTORY:
 2 P/N 656717
 3 P/N 656726
 D1COPYRIGHT IBM CORP. 1974

U-CODE CMND ACCEPT
 CPU CHANNEL INTERFACE
 33FD ATCH
 PN2547233 EC825408 PEC825372

L0C=1A-A2K2
 USN 00099 PRI=04NOV74 2017
 PDFSc=0001 SEC
 PFORM=KSEB NEXTBLK DD
 CID FEALD JOB L7101028

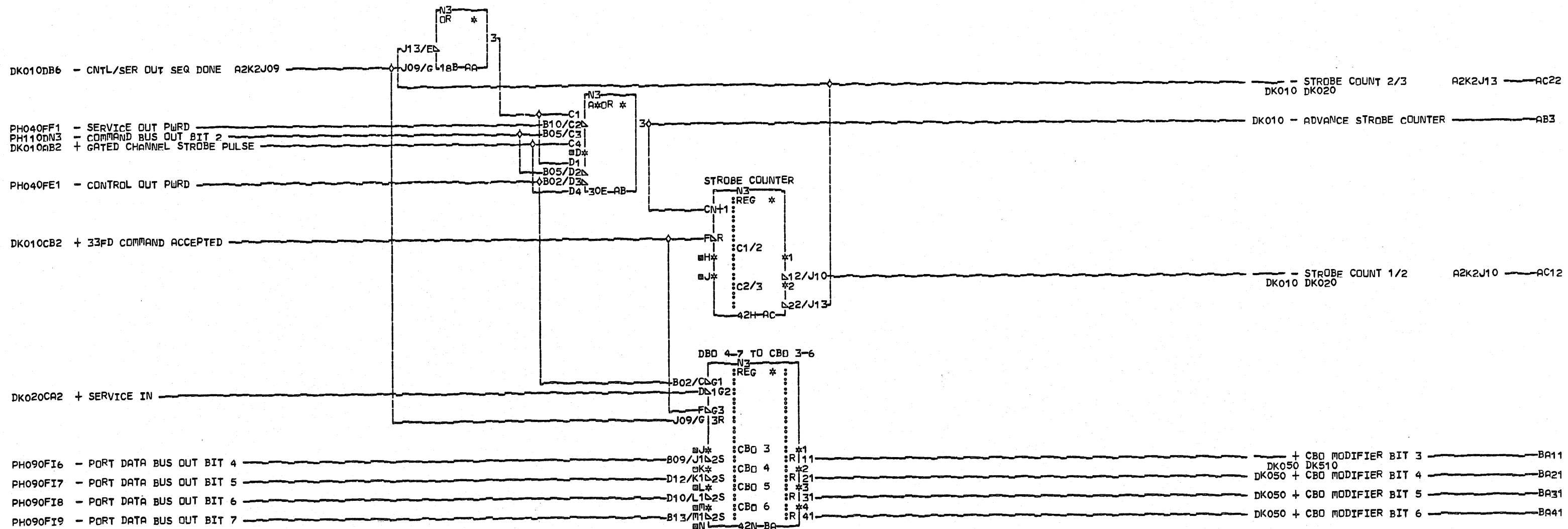


COMMENTS
 D1COPYRIGHT IBM CORP. 1974

CHANNEL TIMING LATCHES
 CPU CHANNEL INTERFACE
 33FD ATCH
 PN2547234 EC825408 PEC825372
 LOC=1A-A2K2
 USN 00099 PRI=04NOV74 2017
 PDFSC=00n1 SEC
 PFORM=KSEB NEXTBLK CB
 CID FEALD JOB L7101028

0001
 0001

D
 K
 0
 2
 0
 0001

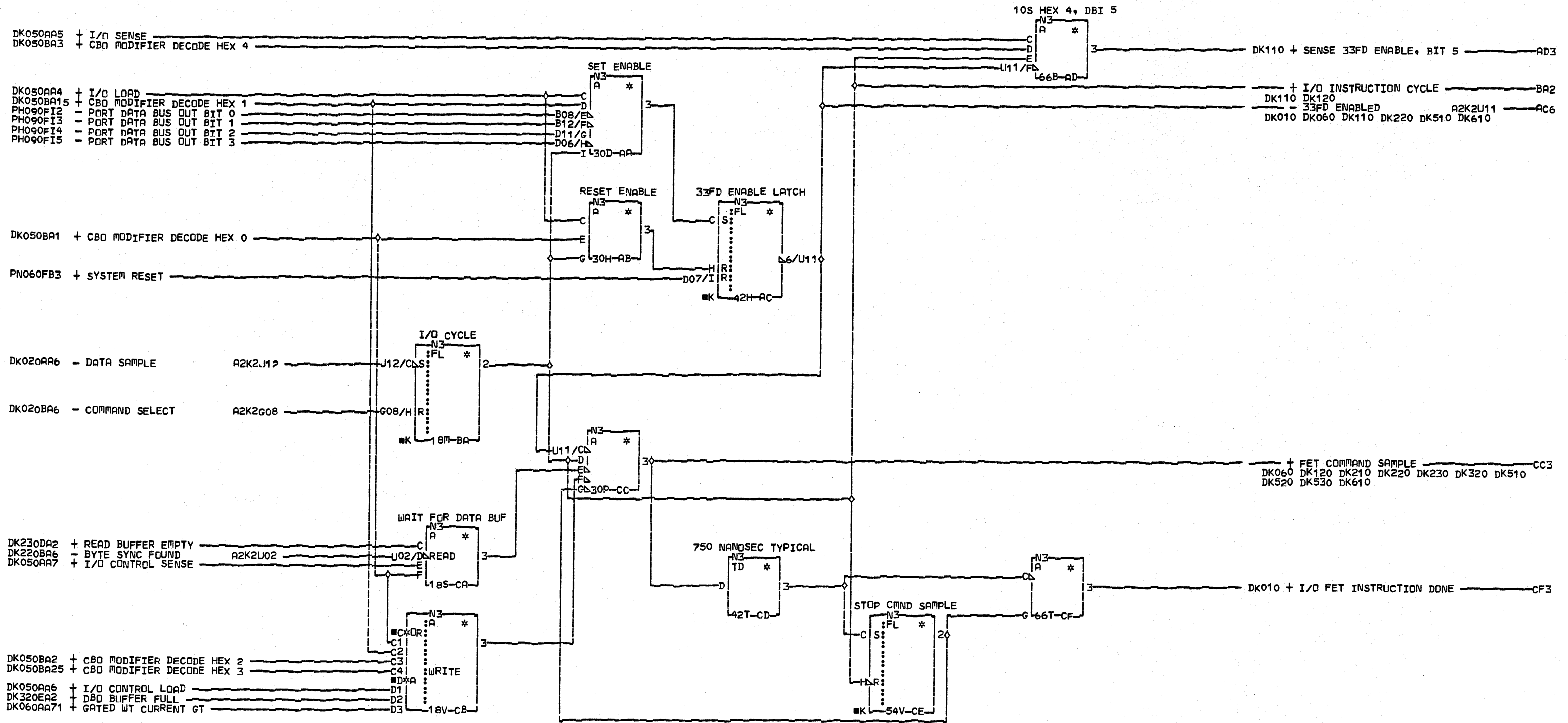


COMMENTS
 D1COPYRIGHT IBM CORP. 1974

STROBE CNTR & CCB 3-6
 CPU CHANNEL INTERFACE
 33FD ATCH
 PN2547235 EC825408 PEC825372
 LDC=1A-A2K2
 USN 00099 PRI=04NOV74 2017
 PDESC=0001 SEC
 PFORM=KSEB NEXTBLK BB
 CID FEALD JOB L7101028

0001

0001

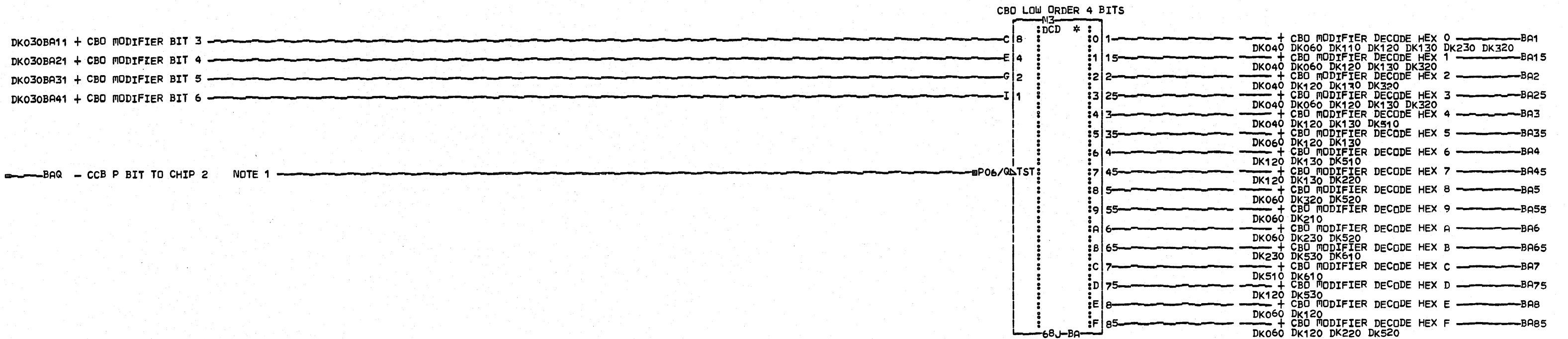
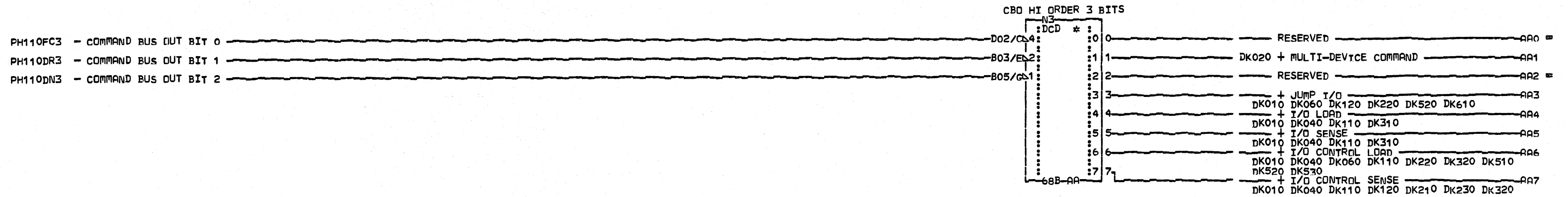


COMMENTS
 D1COPYRIGHT IBM CORP. 1974

ENABLE, CMD SAM, & CMD DONE
 CPU CHANNEL INTERFACE
 33FD ATCH
 PN2547236 EC825408 PEC825372
 LOC#1A-A2K2
 USN 00099 PRI=04NOV74 2017
 PDFSC#0001 SEC
 PFORM#KSEB NEXTBLK CG
 CID FEALD JOB L7101028

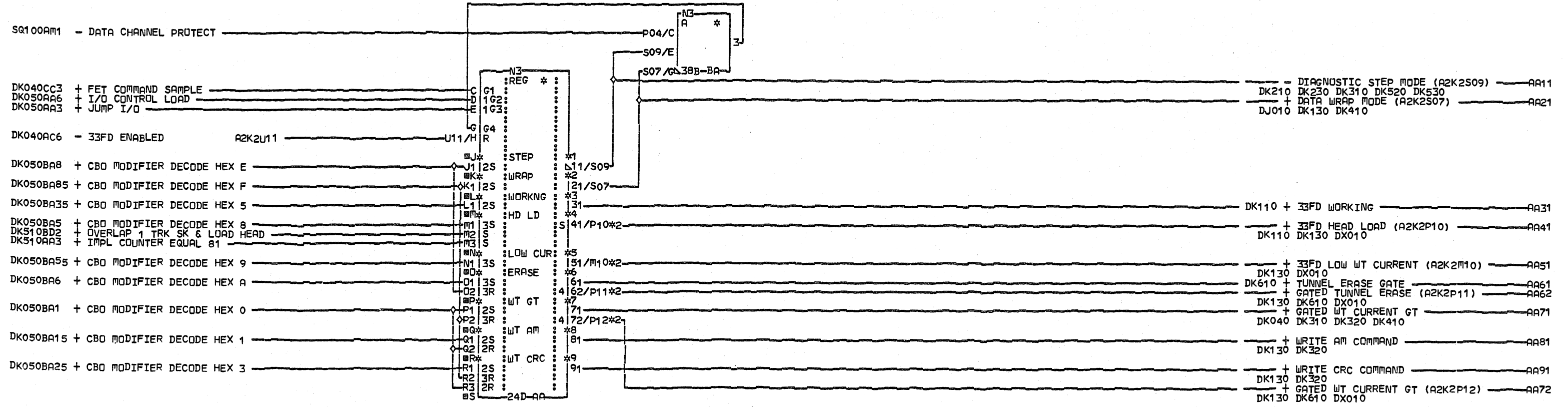
0001

0001



COMMENTS
 A1 1 SHOULD GIVE ODD PARITY
 2 TO MOD BITS ON JUMP
 3 I/O & IOCL. EVEN
 4 PARITY ON IOCS.
 D1COPYRIGHT IBM CORP. 1974

CCB DECODE
 CPU CHANNEL INTERFACE
 33FD ATCH
 PN2547237 EC825408 PEC825372
 LOC=1A-A2K2
 USN 00099 PRI=04NOV74 2017
 PDFSC=0001 SEC
 PFORM=KSEB NEXTBLK BB
 CID FEALD JOB L7101028



COMMENTS
D1COPYRIGHT IBM CORP. 1974

CONNECTORS

0001/1A-A2/B2B10	AA41
0005/33FD-CABLE/A2D10	AA51
0002/1A-A2/B2D06	AA62
0006/33FD-CABLE/A2B06	AA62
0003/1A-A2/B2D04	AA72
0007/33FD-CABLE/A2B04	AA72
0004/1A-A2/B2D05	AA72
0008/33FD-CABLE/A2B05	AA72

N-CODE CONTROLLED LATCHES
CPU CHANNEL INTERFACE
33FD ATCH
PN2547238 EC828565A PEC825408

LDC=1A-A2K2

USN 00112 PRI=17DEC75 0037

PDESC=0001 SEC

PFORM=KSEB NEXTBLK BB

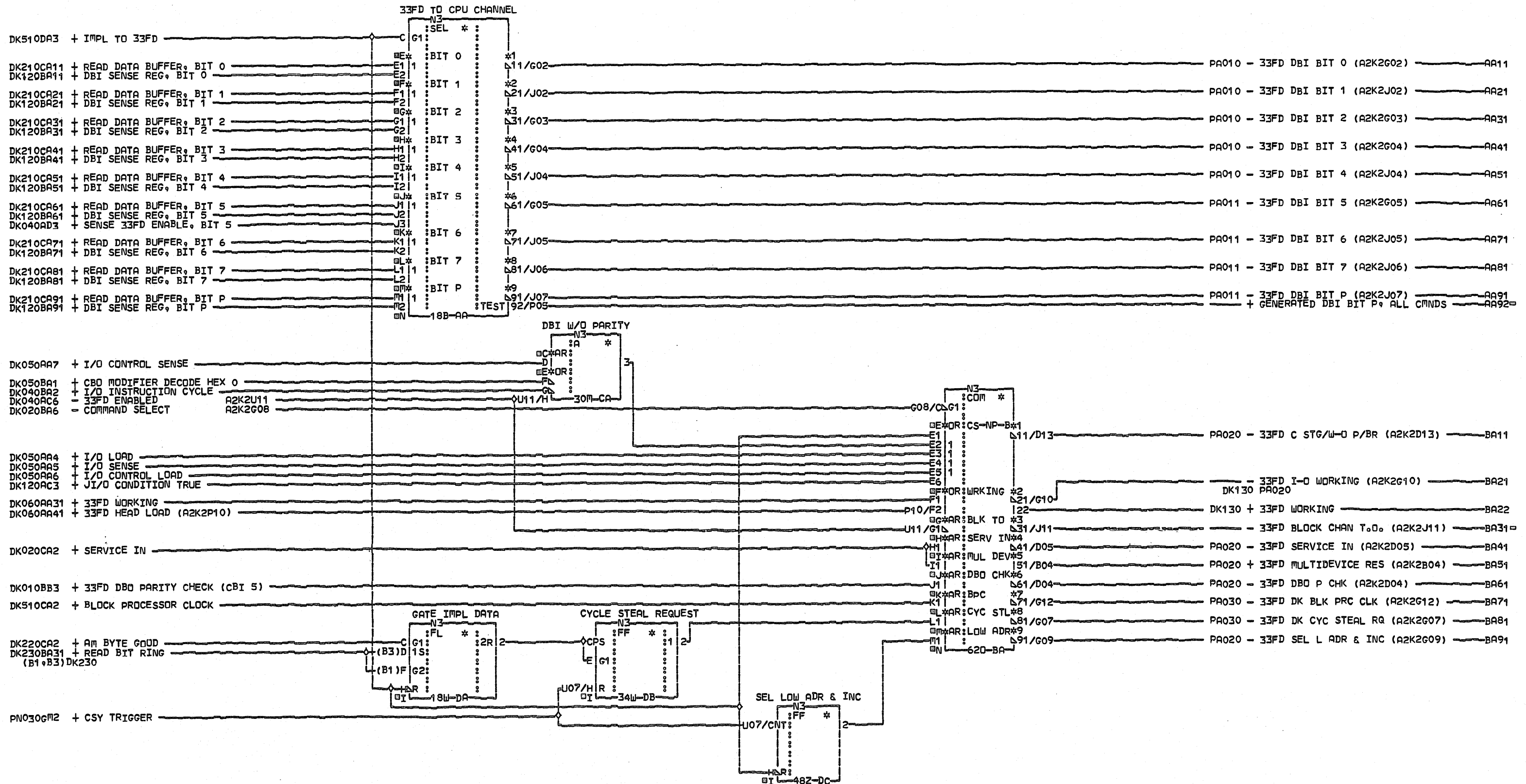
CID FEALD JOB L7101321

DK060

0001

DK060

0001

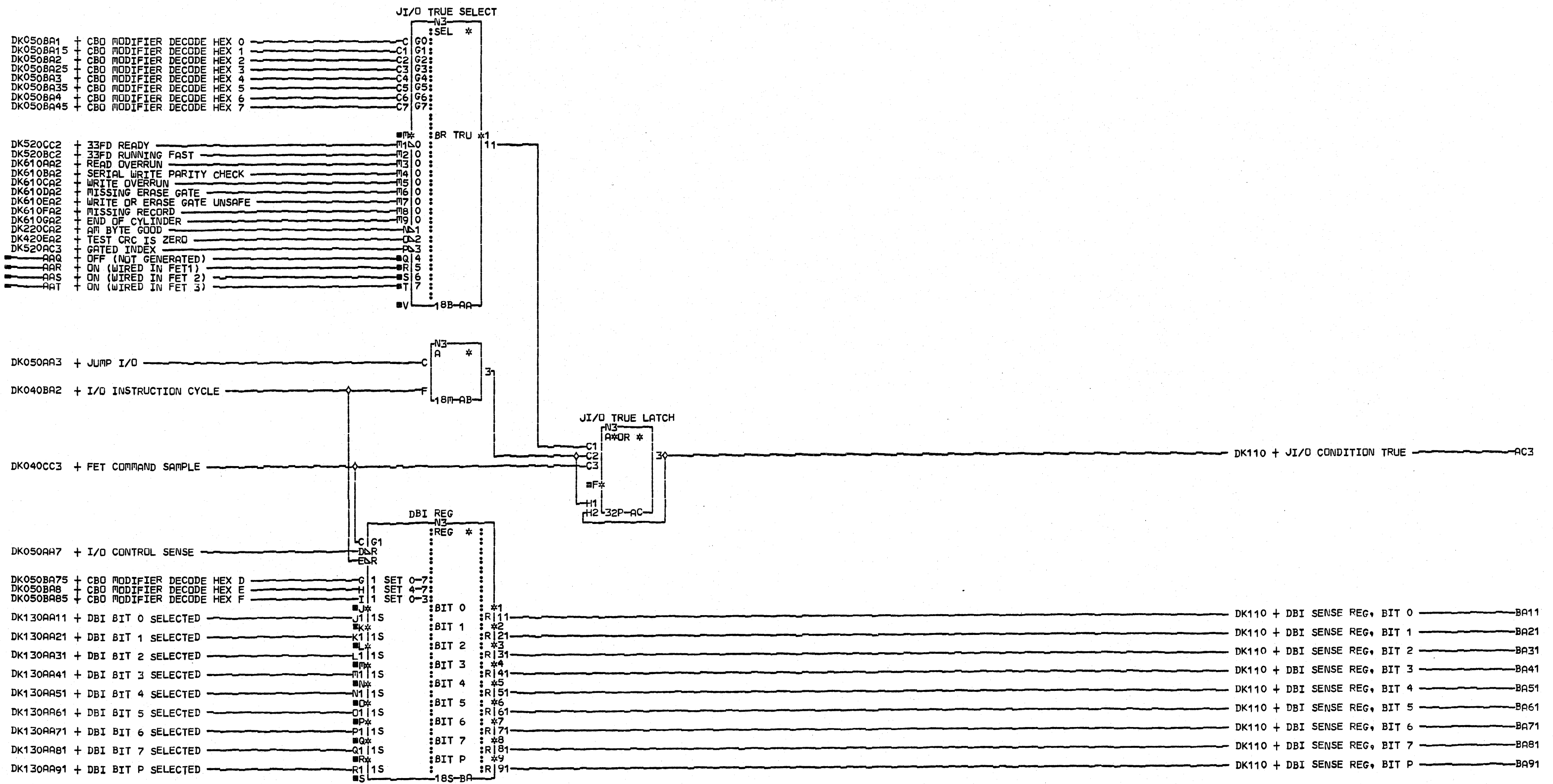


COMMENTS
D1COPYRIGHT IBM CORP. 1974

EXIT FROM 33FD TO CPU
CPU CHANNEL INTERFACE
33FD ATCH
PN2547239 EC828696 PEC825372
LOC=1A-A2K2
USN 00115 PRI=10MAR76 2004
PDESC=0001 SEC
PFORM=KSEB NEXTBLK DD
CID FEALD JDB L7100824

D
K
1
1
0
0001

D
K
1
1
0
0001

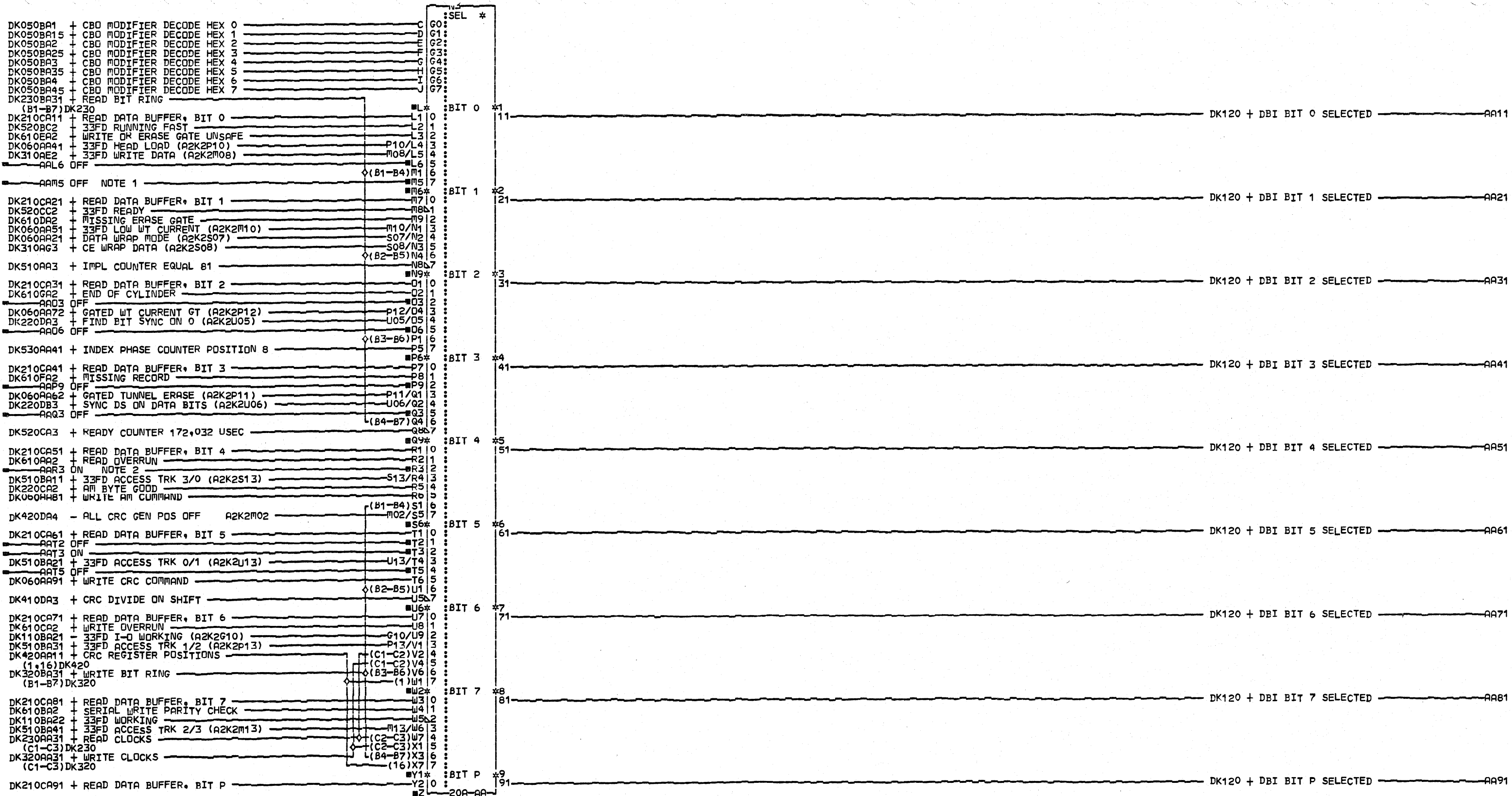


COMMENTS
 D1COPYRIGHT IBM CORP. 1974

DBI REG & J10 TRUE REG
 CPU CHANNEL INTERFACE
 33FD ATCH
 PN2547240 EC825372 PEC825251
 LOC=1A-A2K2
 USN 00098 PRI=03OCT74 2104
 PDESC=0001 SEC
 PFORM=KSEB NEXTBLK BB
 CID FEALD JOB J27615

D
 K
 1
 2
 0
 0001

D
 K
 1
 2
 0
 0001



COMMENTS
 1 NOTE 1: NO OUTPUT WHEN
 2 SELECTED
 3 NOTE 2: OUTPUT WHEN SELECTED
 4 COPYRIGHT IBM CORP. 1974

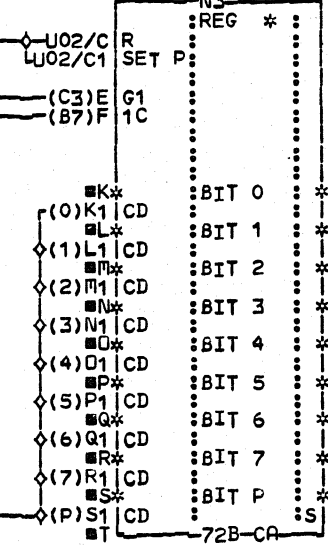
DBI SELECT
 CPU CHANNEL INTERFACE
 33FD ATCH
 PN2547241 EC825372 PEC825251
 LOC=1A-A2K2
 USN 00098 PRI=030CT74 2104
 PDESC=0001 SEC
 PFOR=KSEB NEXTBLK AB
 CID FEALD JOB J27615

DK220BA6 - BYTE SYNC FOUND

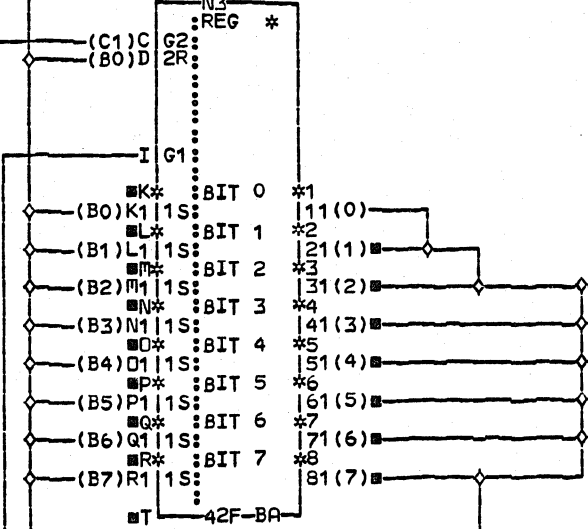
A2K2U02

DK230AA31 + READ CLOCKS
(C1,C3)DK230
DK230BA31 + READ BIT RING
(B0-B7)DK230

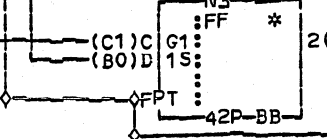
READ DATA BUFFER



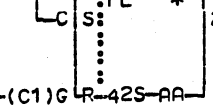
READ DATA DESERIALIZ



GENERATE READ PARITY



42S-AA

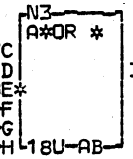


+	READ DATA BUFFER, BIT 0	CA11
+	READ DATA BUFFER, BIT 1	CA21
+	READ DATA BUFFER, BIT 2	CA31
+	READ DATA BUFFER, BIT 3	CA41
+	READ DATA BUFFER, BIT 4	CA51
+	READ DATA BUFFER, BIT 5	CA61
+	READ DATA BUFFER, BIT 6	CA71
+	READ DATA BUFFER, BIT 7	CAB1
+	READ DATA BUFFER, BIT P	CA91

DK220 + GATED STANDARD READ DATA AB3

+ SERIAL READ DATA BUFFER AA2
DK220 DK410

DK060AA11 - DIAGNOSTIC STEP MODE (A2K2S09) S09/C
DJ010BC3 + 33FD STAND READ DATA (A2J2B04) S03/D
DK040CC3 + FET COMMAND SAMPLE F
DK050AA7 + I/O CONTROL SENSE G
DK050BA55 + CBO MODIFIER DECODE HEX 9 H



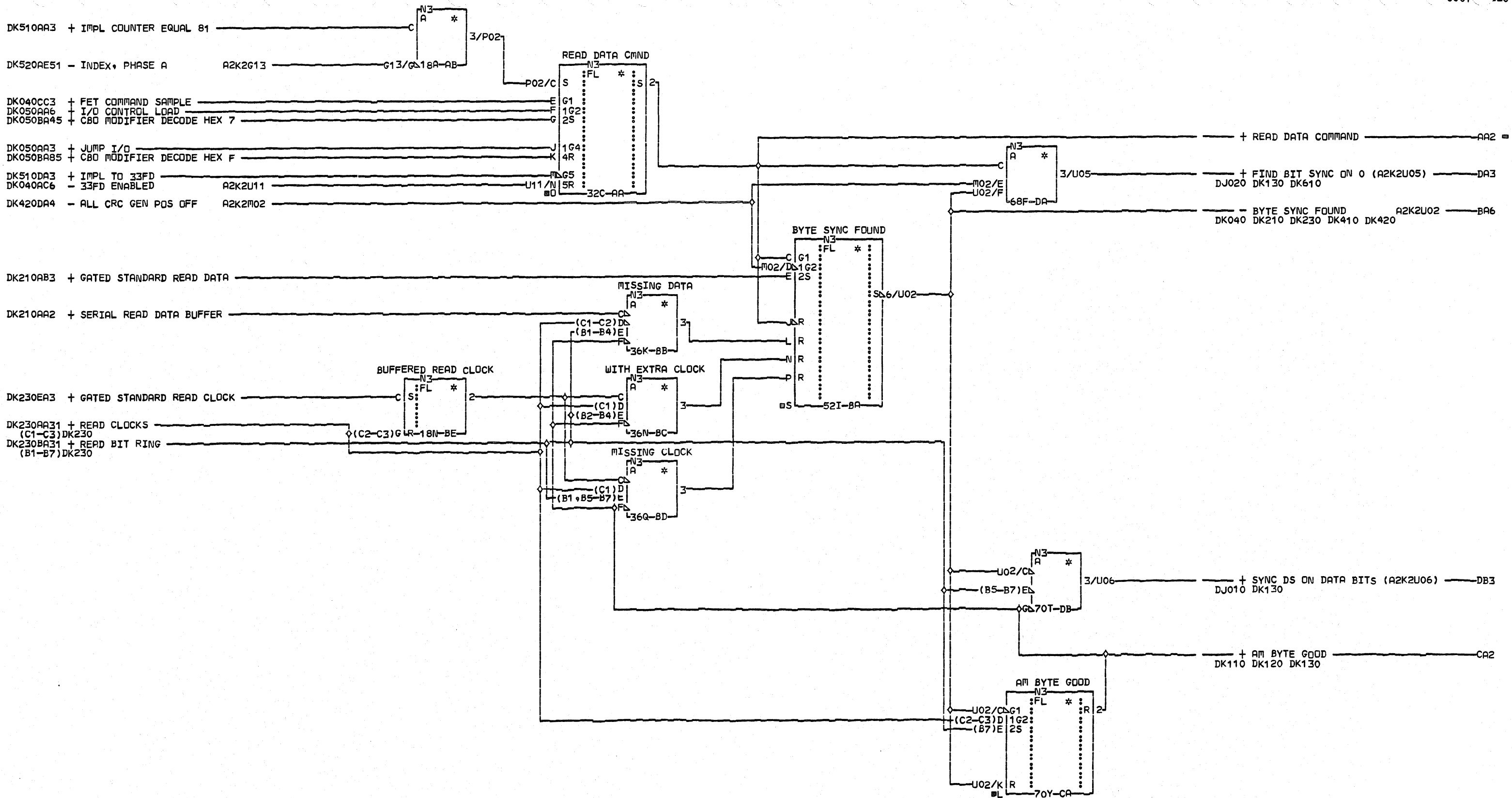
COMMENTS
D1COPYRIGHT IBM CORP. 1974

READ DATA
33FD ATCH
PN2547242 EC825372 PEC825251
LOC=1A-A2K2
USN 00098 PRI=03OCT74 2104
PDESC=0001 SEC
PFORM=KSEB NEXTBLK CB
CID FEALD JOB J27615

DK210

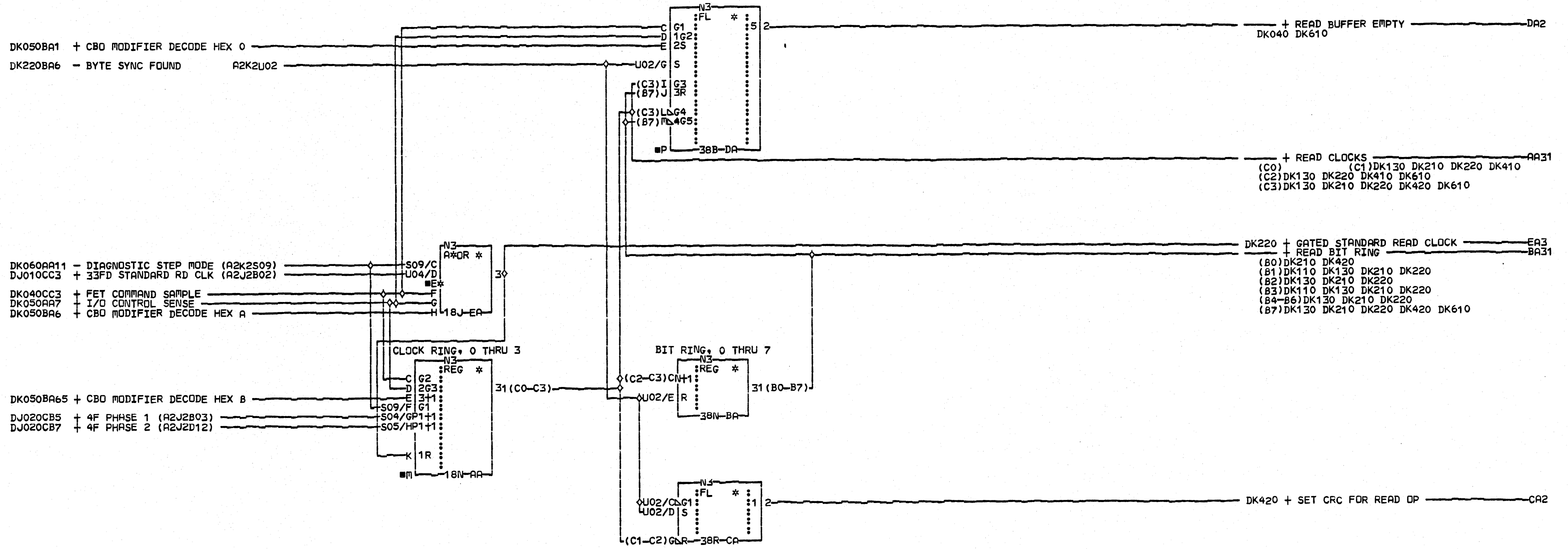
0001

DK210
0001



COMMENTS
D1COPYRIGHT IBM CORP. 1974

READ AM CONTROLS
 READ DATA
 33FD ATCH
 PN2547243 EC825372 PEC825251
 LOC=1A-A2K2
 USN 00098 PRI=030CT74 2104
 PDESC=0001 SEC
 PFDRM=KSEB NEXTBLK DC
 CID FEALD JOB J27615



COMMENTS

D1COPYRIGHT IBM CORP. 1974

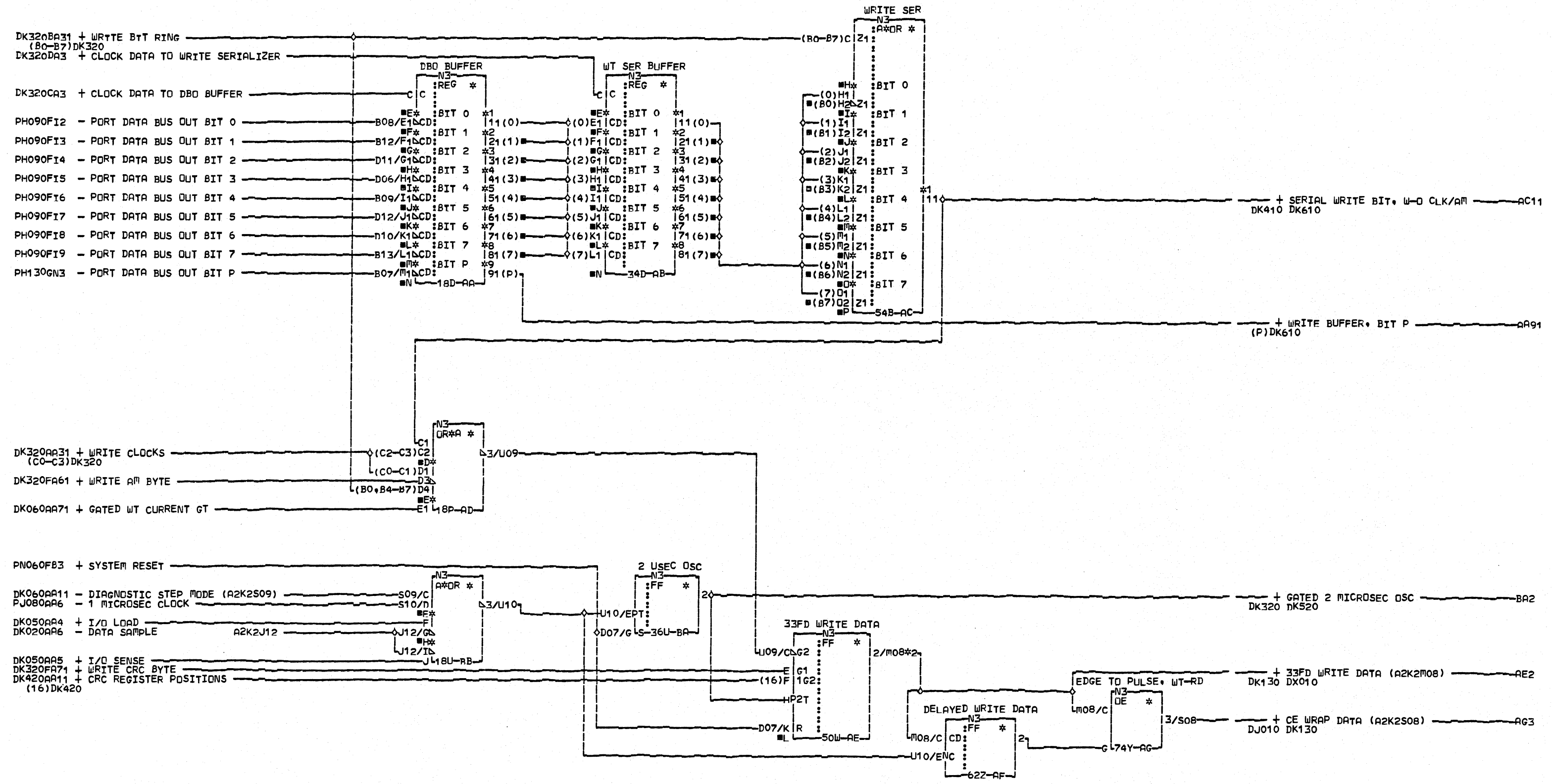
READ BIT RING
 READ DATA
 33FD ATCH
 PN2547244 EC825372 PEC825251

LDC=1A-A2K2

USN 00098 PRI=030CT74 2104

PDESC=0001 SEC
 PFORM=KSEB NEXTBLK EB

CID FEALD JOB J27615



COMMENTS
D1COPYRIGHT IBM CORP. 1974

CONNECTORS
AE2
0001/1A-A2000000000000/B2D02
0002/33FD-CABLE00000000/A2B02

WRITE DATA FLOW
WRITE DATA
33FD ATCH
PN2547245 EC825408 PEC825372

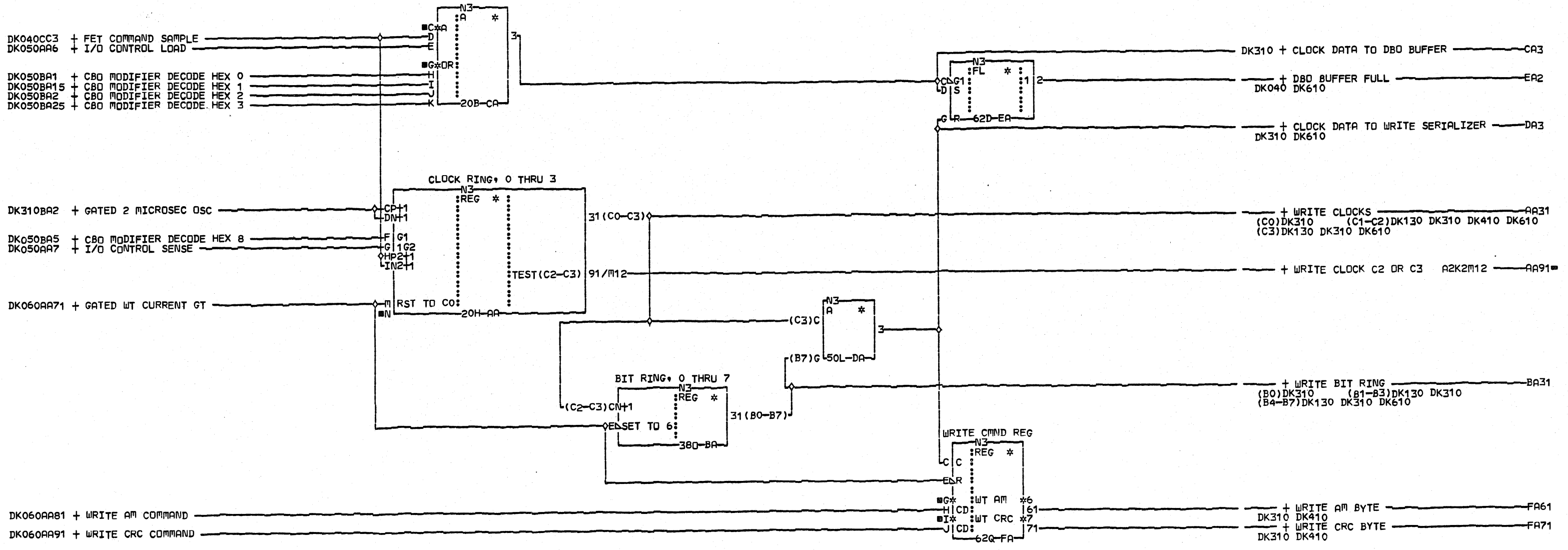
LOC=1A-A2K2
USN 00099 PRI=04NOV74 2017
PDESC=0001 SEC
PFORM=KSEB NEXTBLK BC
CID FEALD JOB L7101028

DK310

0001

DK310

0001



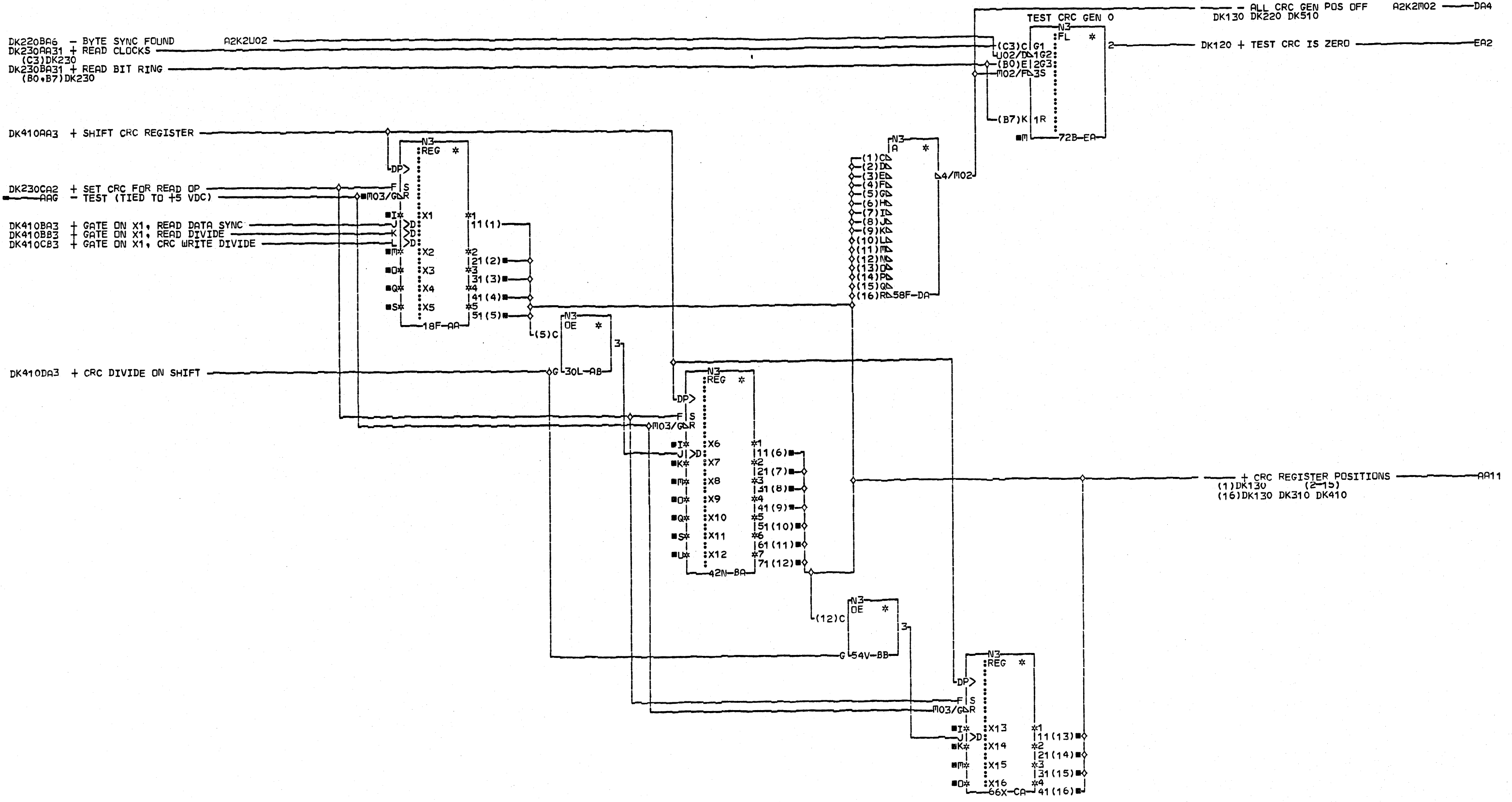
COMMENTS
D1COPYRIGHT IBM CORP. 1974

WRITE BIT RING
WRITE DATA
33FD ATCH
PN2547246 EC825372 PEC825251

LDC=1A-A2K2
USN 00098 PRI=030CT74 2104
PDESC=0001 SEC
PFORM=KSEB NEXTBLK FB
CID FEALD JOB J27615

D
0000
000

D
0000
0001



COMMENTS
D1COPYRIGHT IBM CORP. 1974

CRC SHIFT REG
CRC
33FD ATCH
PN2547248 EC825372 PEC825251

LOC=1A-A2K2

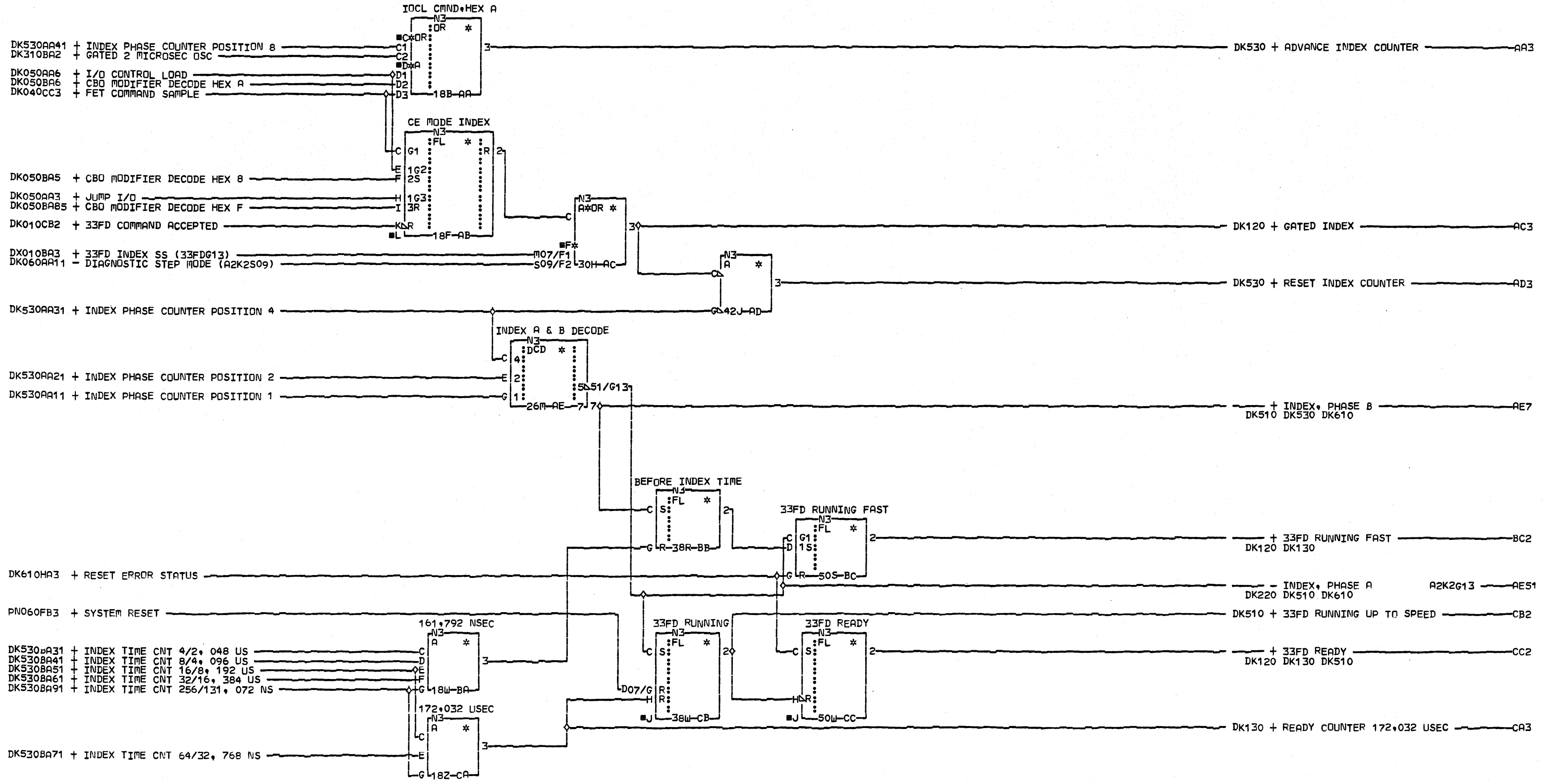
USN 00098 PRI=03OCT74 2104

PDESC=0001 SEC
PFORM=KSEB NEXTBLK EB

CID FEALD JOB J27615

D
N
K
O
0001

D
K
4
2
0
0001

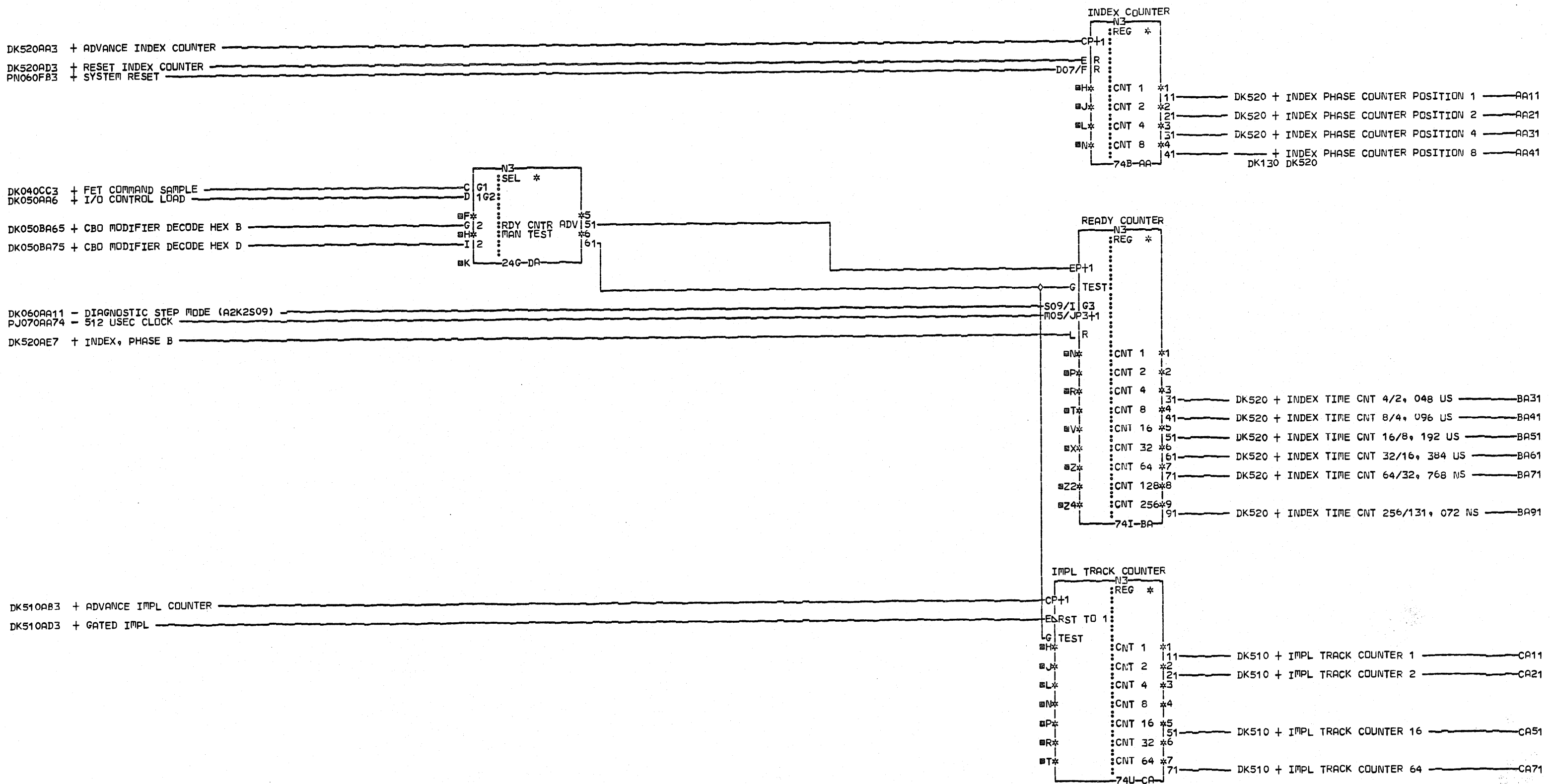


COMMENTS
D1COPYRIGHT IBM CORP. 1974

INDEX & SPEED CHECK
CONTROL
33FD ATCH
PN2547250 EC825372 PEC825251
LOC=1A-A2K2
USN 00098 PRI=030CT74 2104
PDESC=0001 SEC
PFORM=KSEB NEXTBLK CD
CID FEALD JOB J27615

DK520
0001

DK520
0001

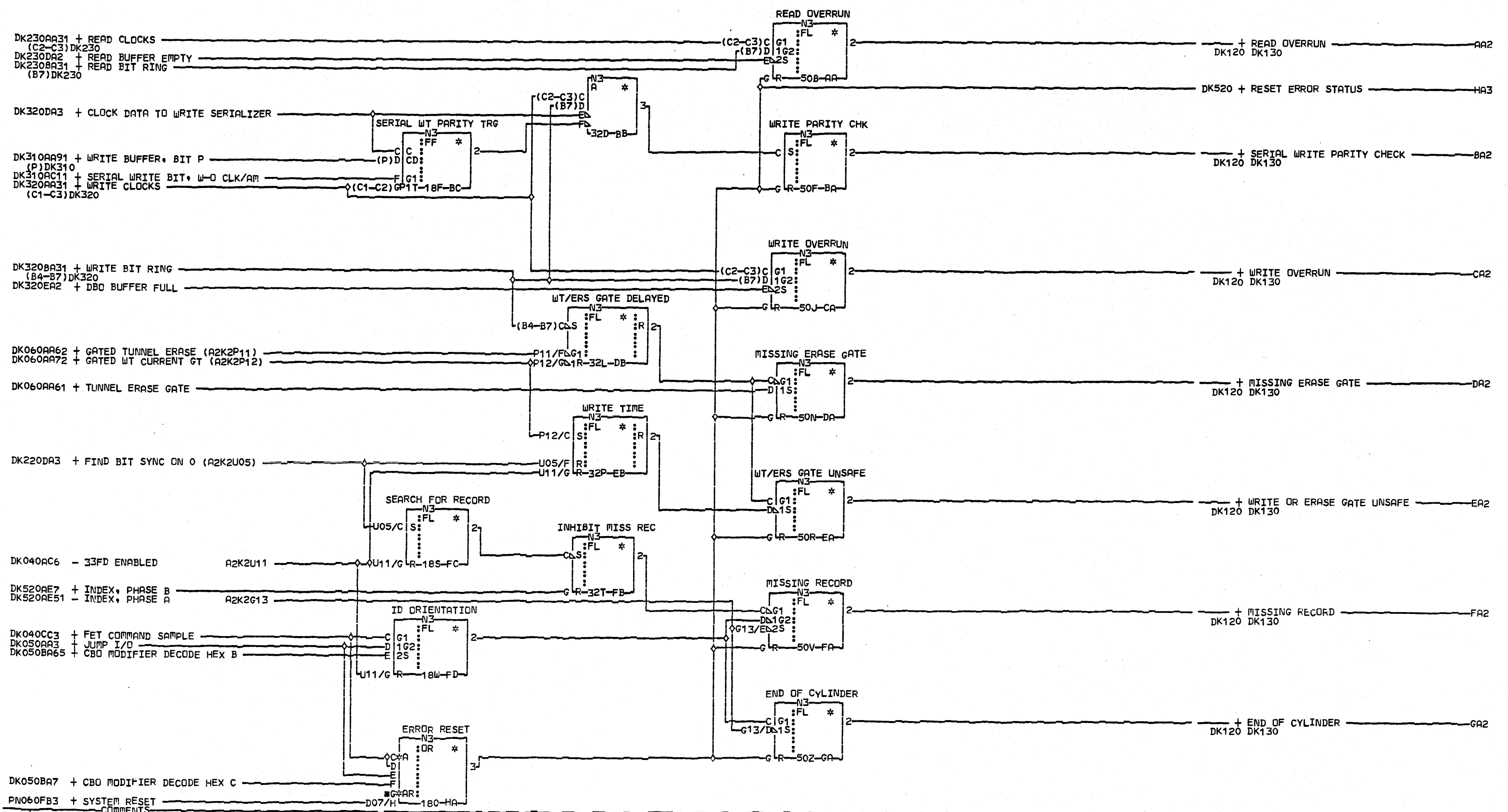


COMMENTS
D1 COPYRIGHT IBM CORP. 1974

INDEX, READY, & IMPL COUNTER CONTROL
33FD ATCH
PN2547251 EC825372 PEC825251
LOC=1A-A2K2
USN 00098 PRI=03UCT74 2104
PDESC=0001 SEC
PFORM=KSEB NEXBLK DB
CID FEALD JOB J27615

0001

DK530

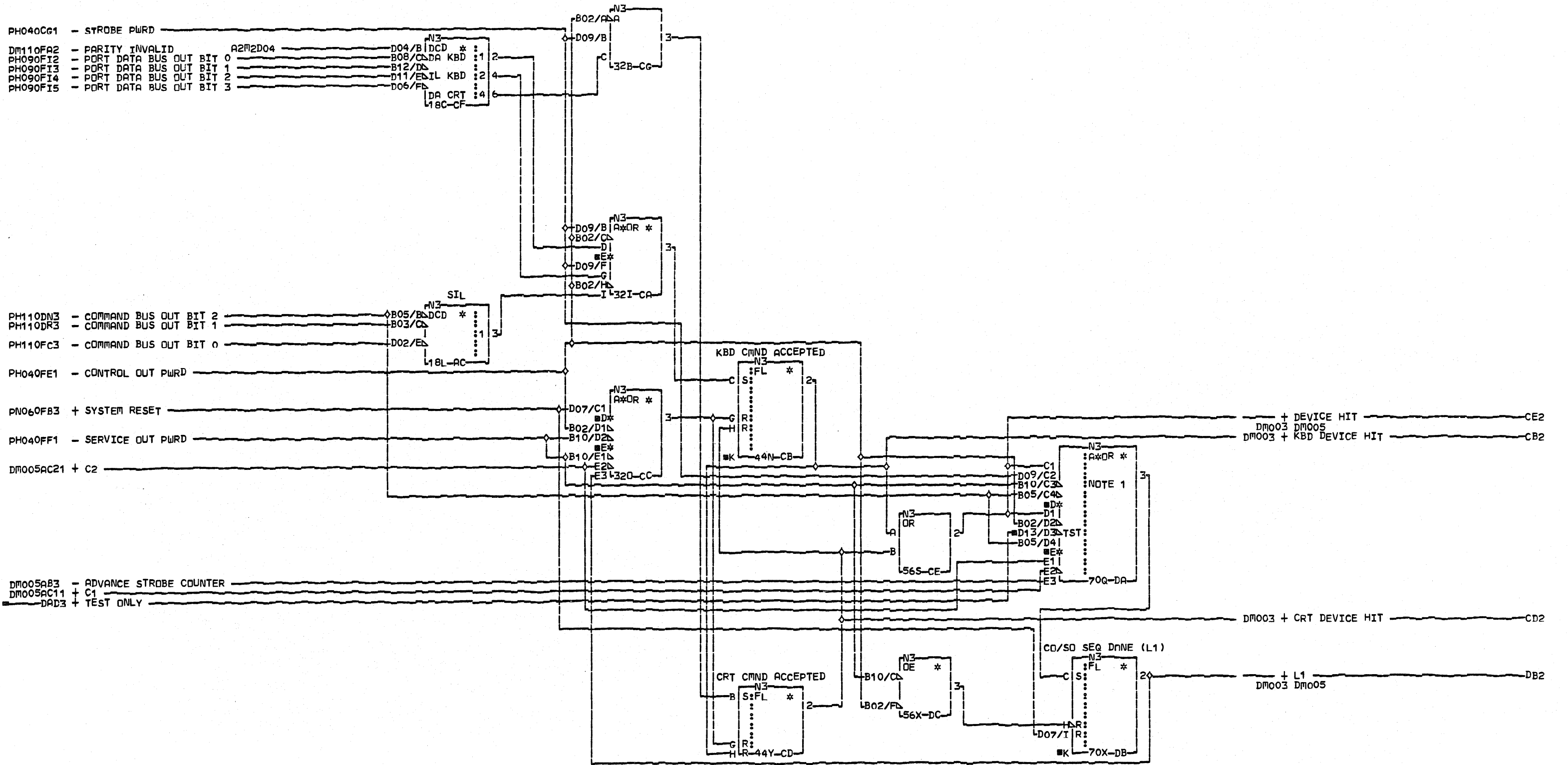


©COPYRIGHT IBM CORP. 1974

ERROR CHECK CIRCUITS
CONTROL
33FD ATCH
PN2547252 EC825372 PEC825251
LOC=1A-A2K2
USN 00098 PRI=030CT74 2104
PDESC=0001 SEC
PFORM=KSEB NEXTBLK HB
CID FEALD JOB J27615

DK610

DK610

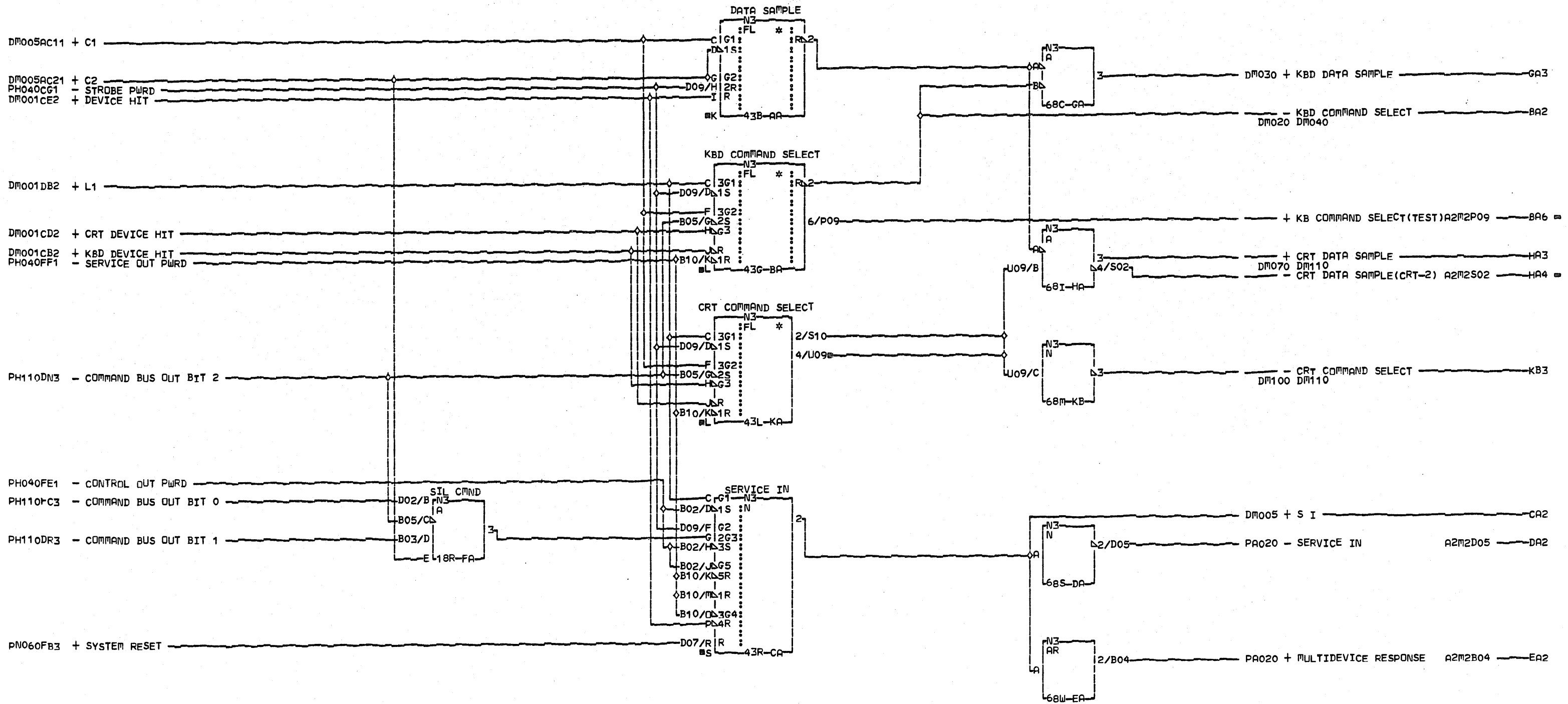


COMMENTS
 A1NOTE 1: D13 IS TEST PIN ONLY
 2 SHOULD BE GROUND
 D1COPYRIGHT IBM CORP. 1974

U-CODE CMND ACCEPT
 CPU CHANNEL INTERFACE
 FIELD SERVICE LOGICS
 PN2547253 EC825408 PEC825372
 LOC=1A-A2M2
 USN 00099 PRI=04NOV74 2017
 PDES=0001 SEC
 PFORM=KSEB NEXTBLK DD
 CID FEALD JOB L7101028

D
 0
 0
 1
 0001

D
 M
 0
 0
 1
 0001



COMMENTS
 D1COPYRIGHT IBM CORP. 1974

CHANNEL TIMING LATCHES
 CPU CHANNEL INTERFACE
 FIELD SERVICE LOGICS
 PN2547254 EC825408 PEC825372

LDC=1A-A2M2

USN 00099

PRI=04NOV74 2017

PDES=0001
 PFORM=KSEB

SEC
 NEXTBLK KC

CID FEALD

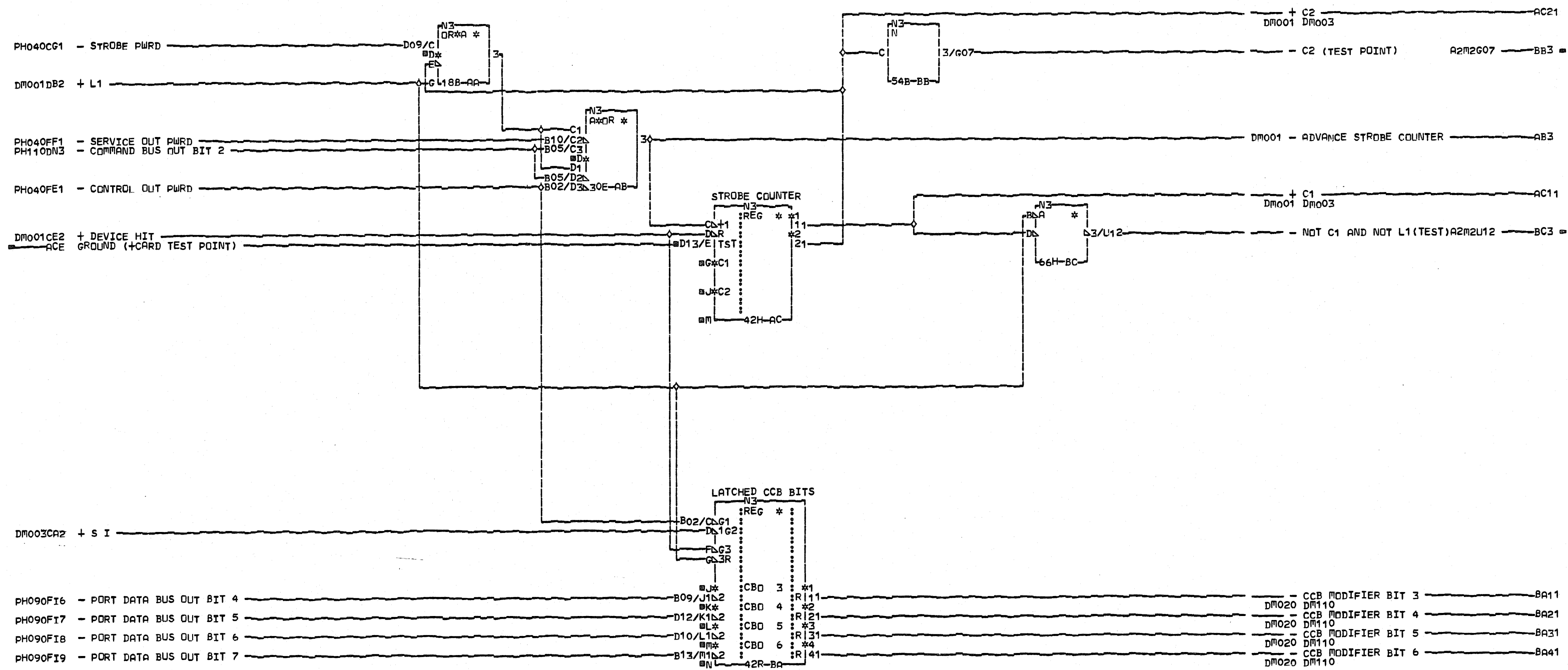
JOB L7101028

DEMO

DEMO

0001

0001



COMMENTS
D1COPYRIGHT IBM CORP. 1974

STROBE CNTR & CCB 3-6
CPU CHANNEL INTERFACE
FIELD SERVICE LOGICS
PN2547255 EC825408 PEC825372

LUC=1A-A2M2

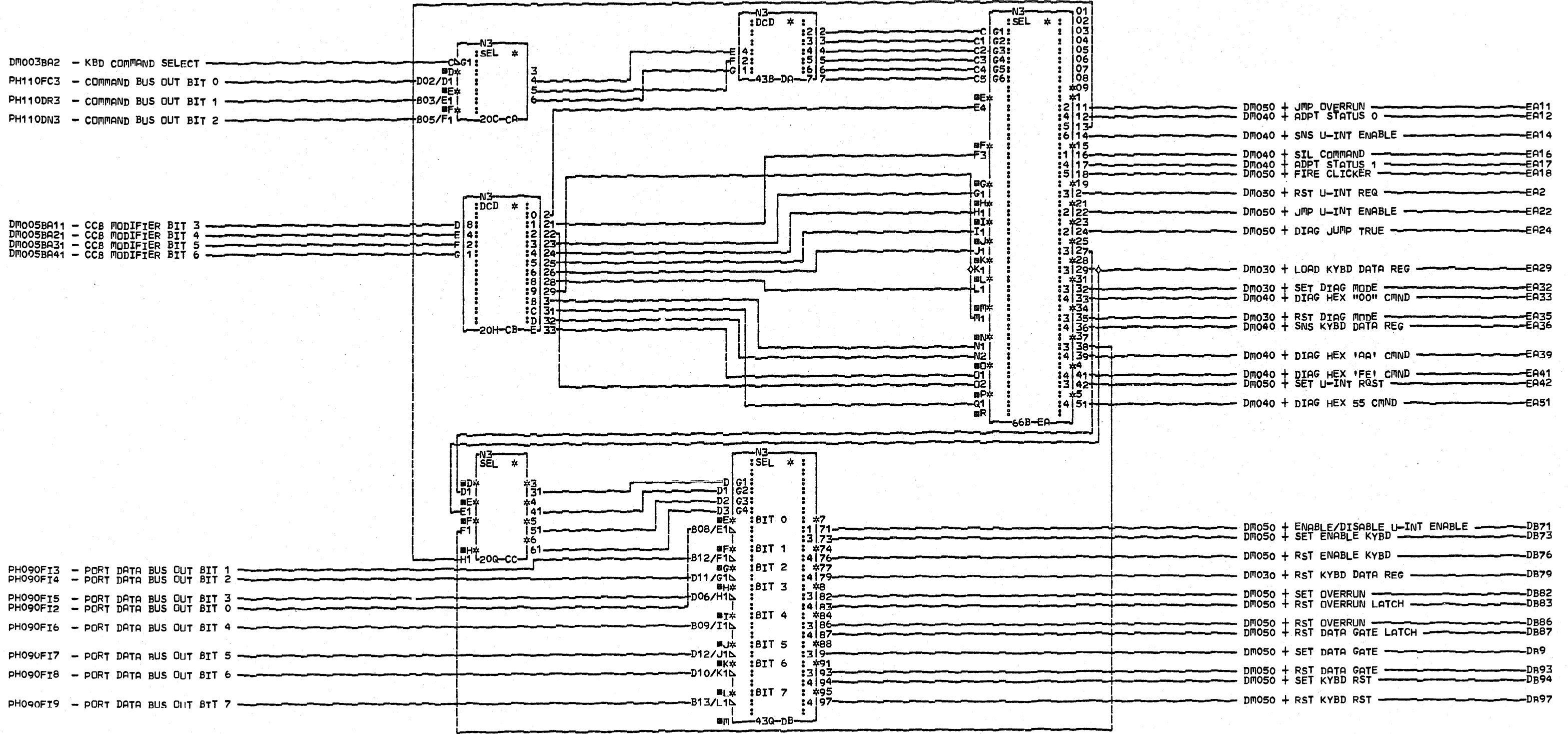
USN 00099 PRI=04NDV74 2017

PDFSC=0001 SEC
PFORM=KSEB NEXTBLK BD

CID FEALD JOB L7101028

DECS
5

D
M
0
0
5



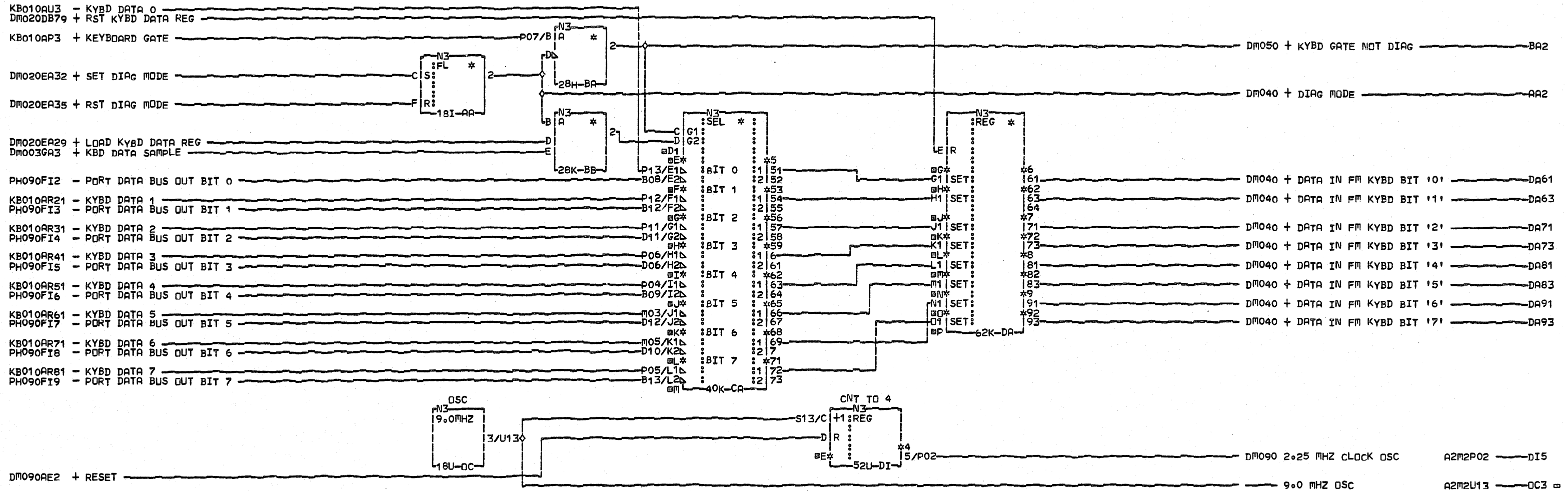
COMMENTS

D1COPYRIGHT IBM CORP. 1974

KYBD COMMAND DECODE
 PN2547256 EC825408 PEC825372
 LOC=1A-A2M2
 USN 00099 PRI=04NOV74 2017
 PDESC=0001 SEC
 PFORM=KSEB NEXTBLK EB
 CID FEALD JOB L7101028

D E C 2 0
0001

D E C 2 0
0001



COMMENTS
D1COPYRIGHT IBM CORP. 1974

KYBD DATA REG

PN2547257 EC825408 PEC825372

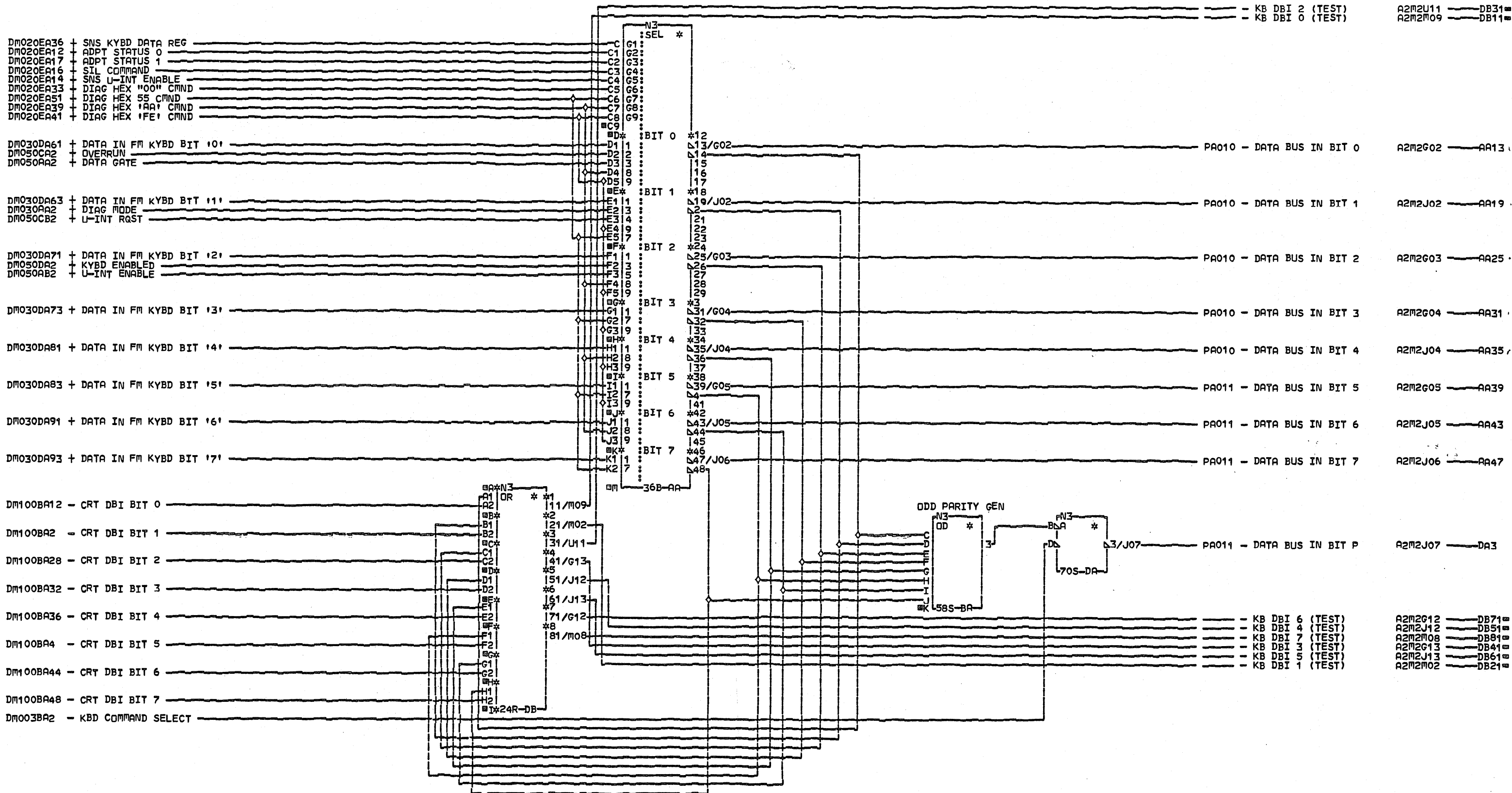
LDC=1A-A2M2

USN 00099 PRI=04NOV74 2017

PDES=0001 SEC

PFOR=KSEB NEXTBLK 0D

CID FEALD JOB L7101028

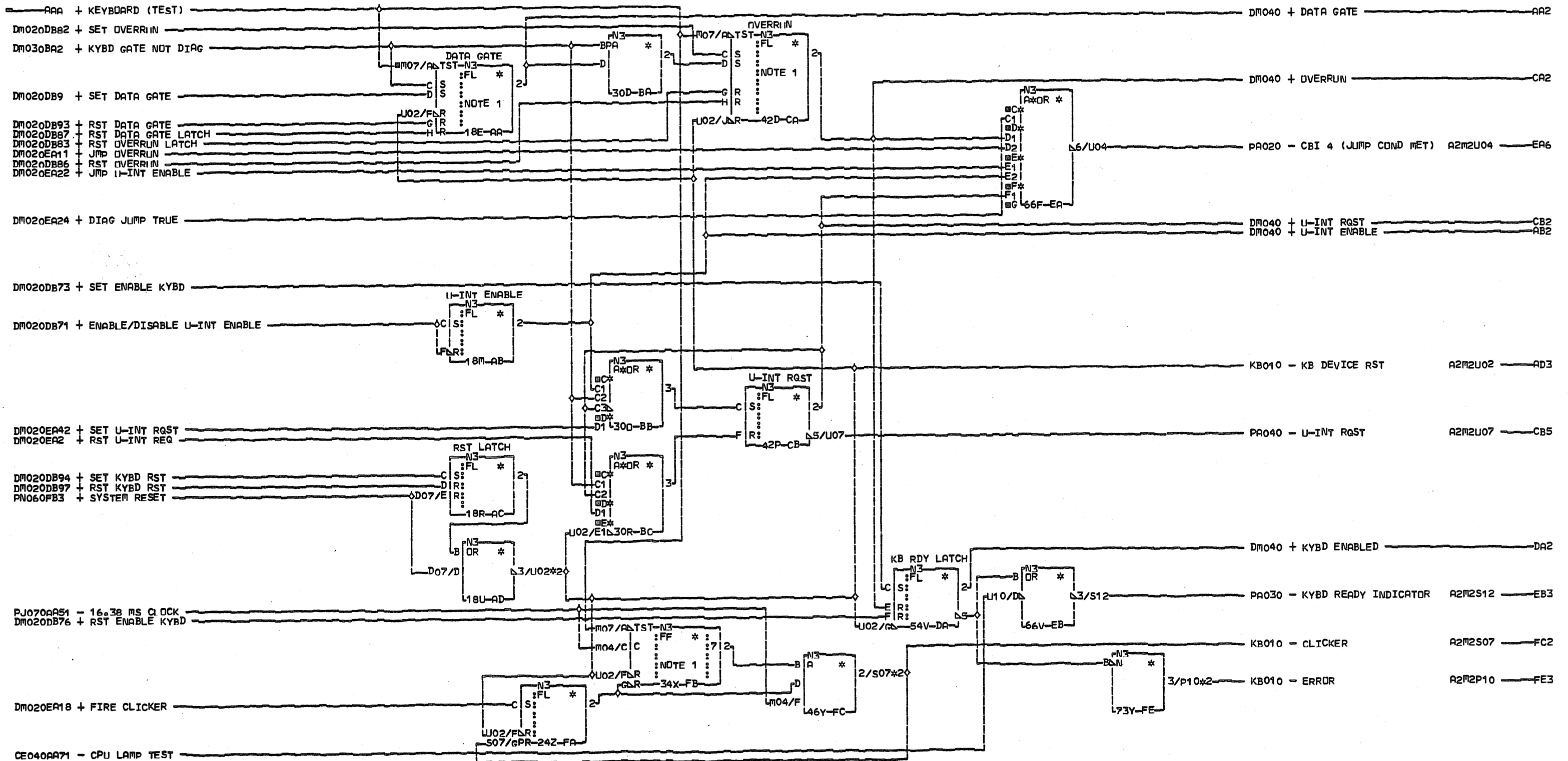


COMMENTS
 A1 NOTE: OUTPUTS OF DB BLOCK
 2 ARE FOR TEST
 3 PURPOSES ONLY
 D1 COPYRIGHT IBM CORP. 1974

KYBD DBI ASSEMBLER
 PN2547258 EC828696 PEC825372
 LOC=1A-A2M2
 USN 00115 PRI=10MAR76 2004
 PDESC=0001 SEC
 PFORM=KSEB NEXTBLK DC
 CID FEALD JOB L7100824

D
 4
 0
 0

D
 M
 0
 4
 0
 0001



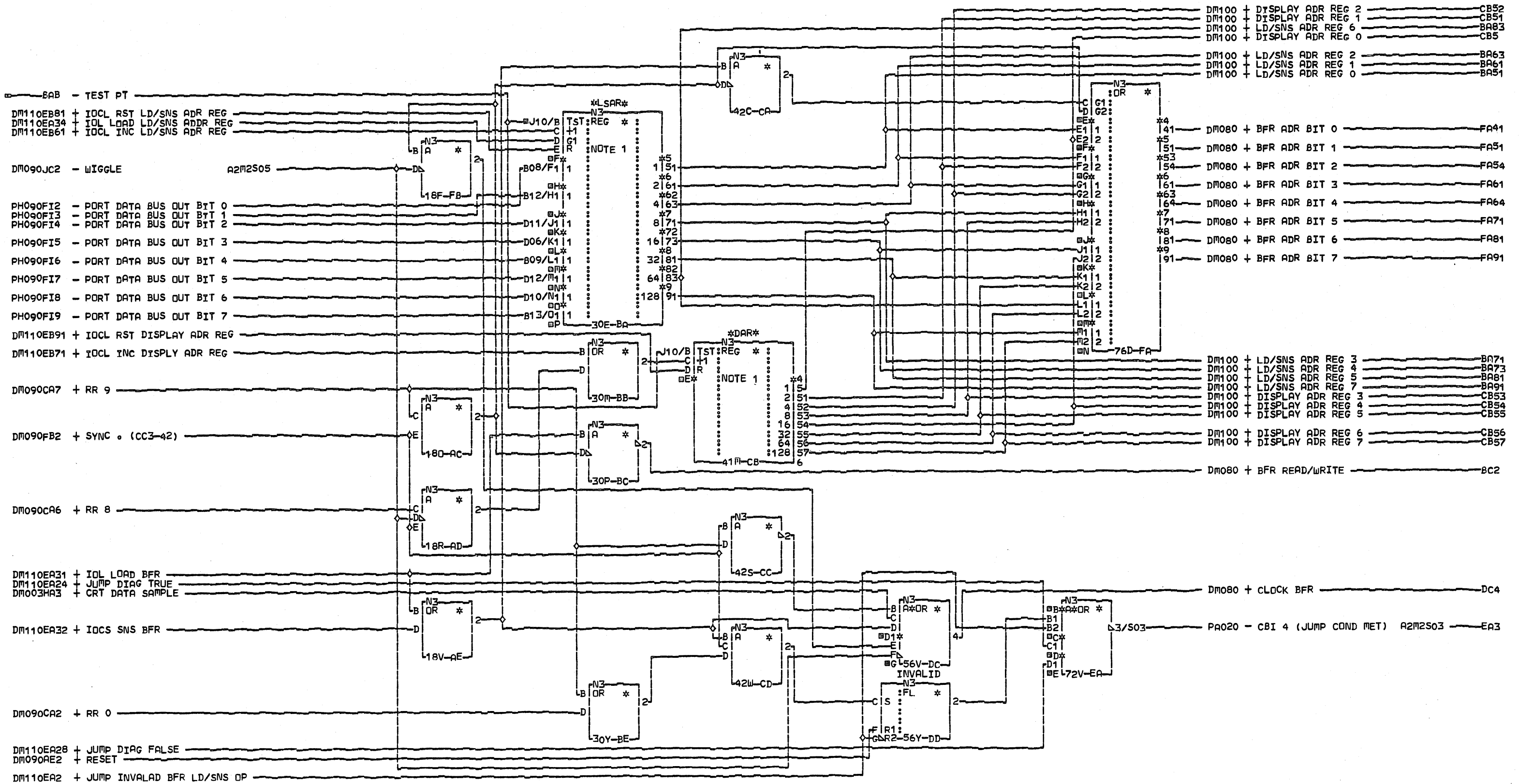
COMMENTS
 A1NOTE : A2M2 TAB PIN M07
 2 IS FOR TEST
 3 PURPOSES ONLY - IT
 4 MUST BE TIED TO
 5 GROUND FOR NORMAL
 6 OPERATION
 D1COPYRIGHT IBM CORP. 1974

CONNECTORS
 AD3
 0001/1A-A2/U3D07
 FC2
 0002/1A-A2/U3D10
 FE3
 0003/1A-A2/U3B03

KYBD INTERRUPT AND REQUEST
 PN2547259 EC828565 PEC825372
 LOC#1A-A2M2
 USN 00108 PRI#29AUG75 1753
 PDES#0001 SEC
 PFORM#KSEB NEXTBLK FF
 CID FEALD JOB L7101633

D E O R O
0001

D E O S O
10001

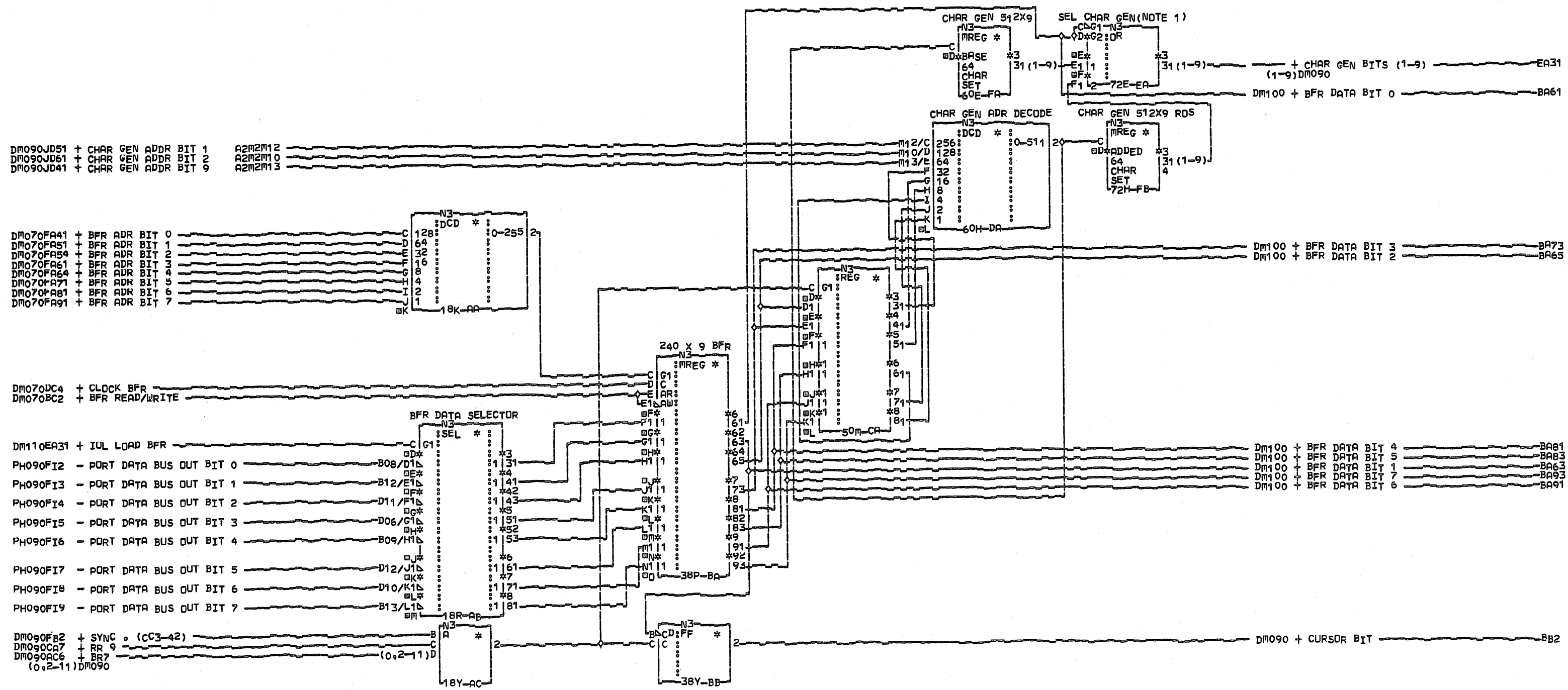


COMMENTS
 A1NOTE : A2M2 TAB PIN J10 NOT
 2 SHOWN IS FOR TEST
 3 PURPOSES ONLY AND IT
 4 MUST BE TIED TO +5V
 5 FOR NORMAL OPERATION
 D1COPYRIGHT IBM CORP. 1974

CRT BFR ADDR GEN
 PN2547260 EC825408 PEC825372
 LOC=1A-A2M2
 USN 00099 PRI=04NOV74 2017
 PDESC=0001 SEC
 PFORM=KSEB NEXTBLK FC
 CID FEALD JOB L7101028

DM070

DM070



DM090JD51 + CHAR GEN ADDR BIT 1 A2M2M12
 DM090JD61 + CHAR GEN ADDR BIT 2 A2M2M10
 DM090JD41 + CHAR GEN ADDR BIT 9 A2M2M13

DM070FA41 + BFR ADR BIT 0
 DM070FA51 + BFR ADR BIT 1
 DM070FA54 + BFR ADR BIT 2
 DM070FA61 + BFR ADR BIT 3
 DM070FA64 + BFR ADR BIT 4
 DM070FA71 + BFR ADR BIT 5
 DM070FA81 + BFR ADR BIT 6
 DM070FA91 + BFR ADR BIT 7

DM070DC4 + CLOCK BFR
 DM070BC2 + BFR READ/WRITE

DM110EA31 + IOL LOAD BFR
 PH090FI2 - PORT DATA BUS OUT BIT 0
 PH090FI3 - PORT DATA BUS OUT BIT 1
 PH090FI4 - PORT DATA BUS OUT BIT 2
 PH090FI5 - PORT DATA BUS OUT BIT 3
 PH090FI6 - PORT DATA BUS OUT BIT 4
 PH090FI7 - PORT DATA BUS OUT BIT 5
 PH090FI8 - PORT DATA BUS OUT BIT 6
 PH090FI9 - PORT DATA BUS OUT BIT 7

DM090FB2 + SYNC (C3-42)
 DM090CA7 + RR 9
 DM090AC6 + BR7 (0,2-11)DM090

+ CHAR GEN BITS (1-9) EA31
 (1-9)DM090
 DM100 + BFR DATA BIT 0 BA61

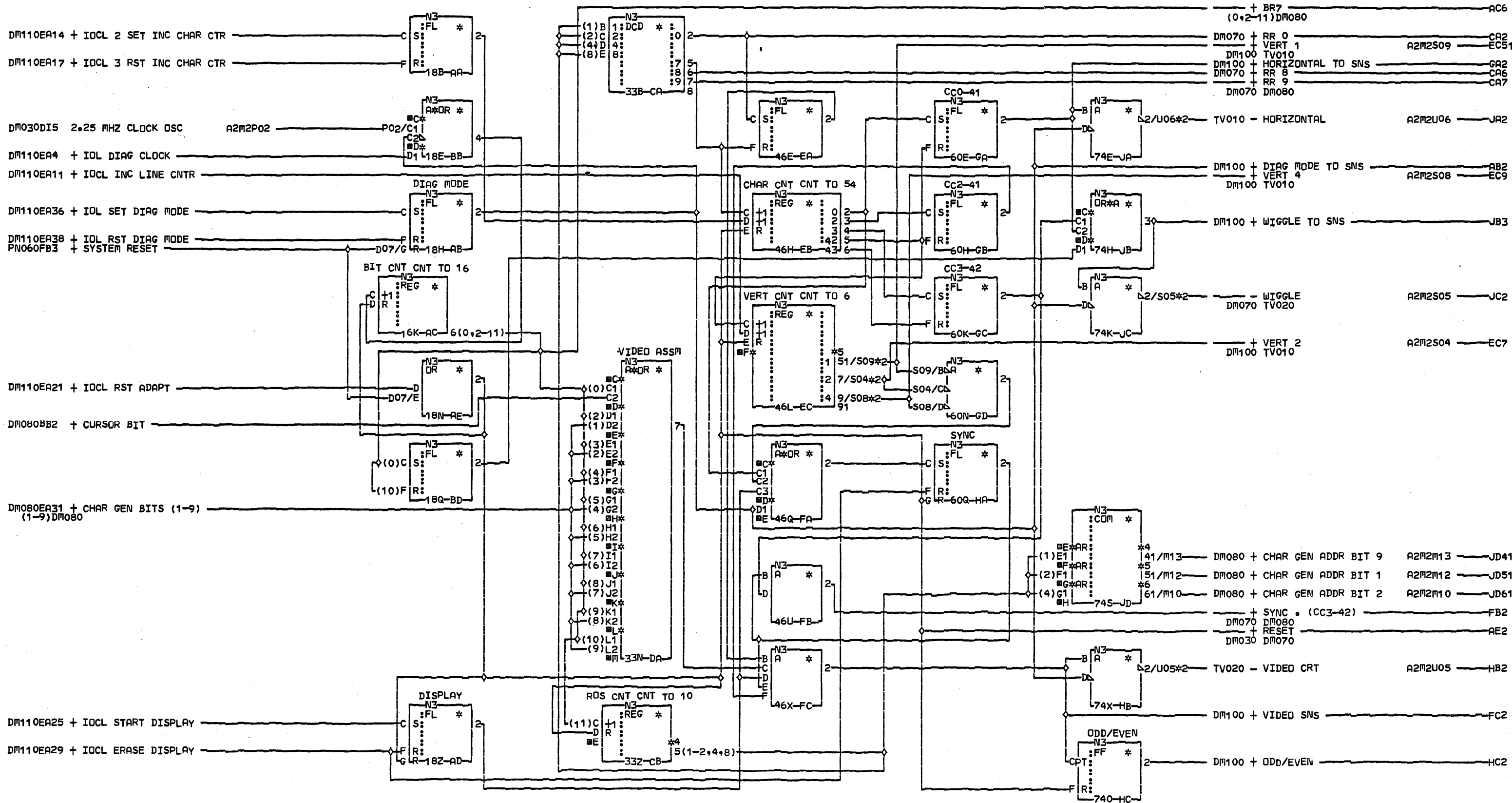
DM100 + BFR DATA BIT 3 BA73
 DM100 + BFR DATA BIT 2 BA65

DM100 + BFR DATA BIT 4 BA81
 DM100 + BFR DATA BIT 5 BA83
 DM100 + BFR DATA BIT 1 BA63
 DM100 + BFR DATA BIT 7 BA93
 DM100 + BFR DATA BIT 6 BA91

DM090 + CURSOR BIT BB2

COMMENTS
 1 NOTE 1: IF ONLY BASE 64 CHAR
 2 SET (1 RUS MODULE) IS ON
 3 CARD, NET DM080BA61 IS
 4 ALWAYS NEGATIVE AND ONLY
 5 THE BASE 64 CHAR SET IS
 6 SELECTED. FOR DUAL CASE,
 7 (UPPER/LOWER) CASE OR 2
 8 CHARACTER SETS (KATAKANA),
 9 BOTH CHARACTER GENERATORS
 10 ARE USED ON THE CARD.
 11 COPYRIGHT IBM CORP. 1974

CRT RAM AND RUS
 PN2547261 EC830360 PEC828682
 LUC=1A-A2M2
 USN 00120 PRI=26AUG76 1031
 PUESC=0001 SEC
 PFDR=KSEB NEXTBLK FC
 CJD FEHLD JUB K5401345



COMMENTS
 D1COPYRIGHT IBM CORP. 1974

CONNECTORS

0002/1A-A2	EC51
0001/1A-A2	EC7
0003/1A-A2	EC9
0005/1A-A2	HB2
0006/1A-A2	JA2
0004/1A-A2	JC2

CRT DISPLAY TIMINGS

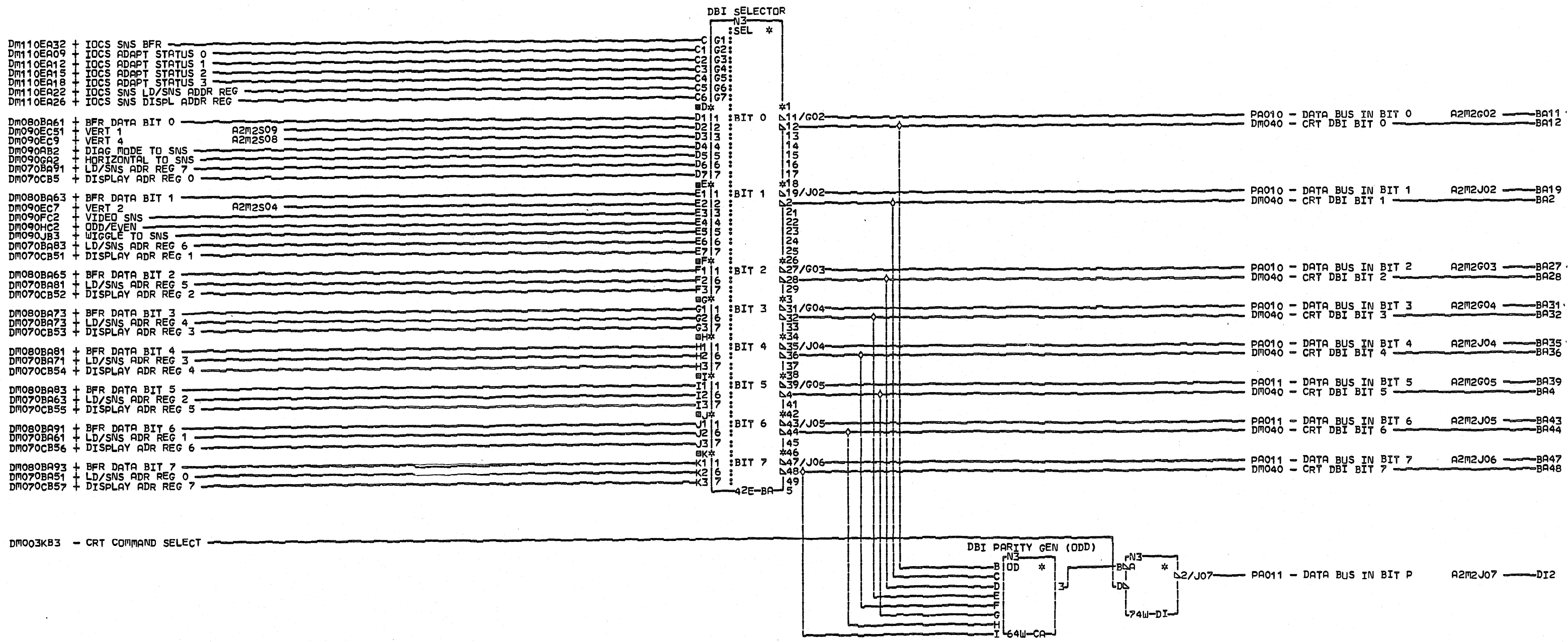
PN2547262 EC825372 PEC825251

LOC=1A-A2M2

USN 00098	PRI=030CT74 2104
PDESC=0001	SEC
PFORM=KSEB	NEXTBLK JE
CID FEALD	JOB J27615

DM090

DM090



DM003KB3 - CRT COMMAND SELECT

COMMENTS
D1COPYRIGHT IBM CORP. 1974

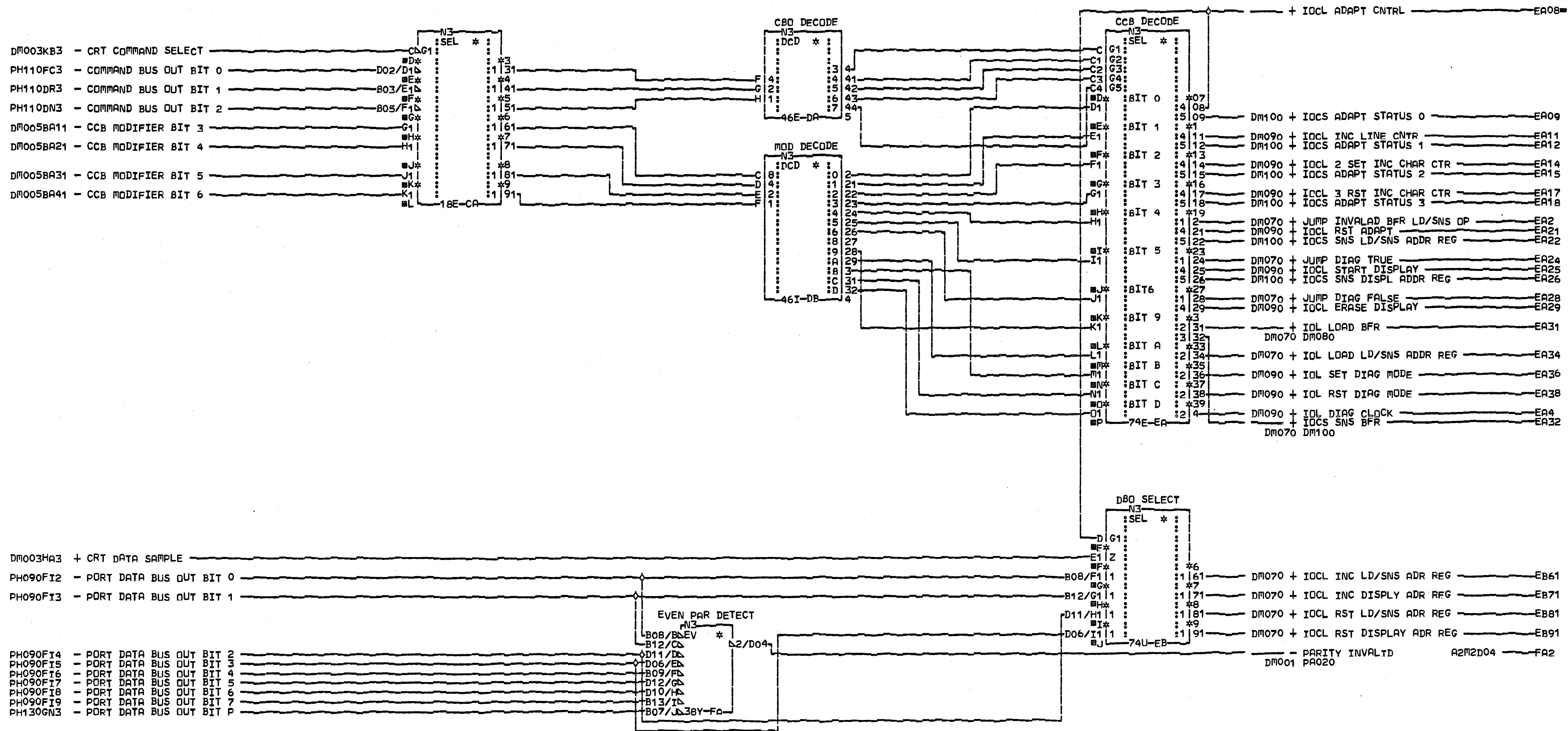
CRT DBI ASSEMBLER	
PN2547263 EC828696 PEC825372	
LOC=1A-A2M2	
USN 00115	PRI=10MAR76 2004
PDESC=0001	SEC
PFORM=KSEB	NEXTBLK DJ
CID FEALD	JOB L7100824

DM100

0001

DM100

0001

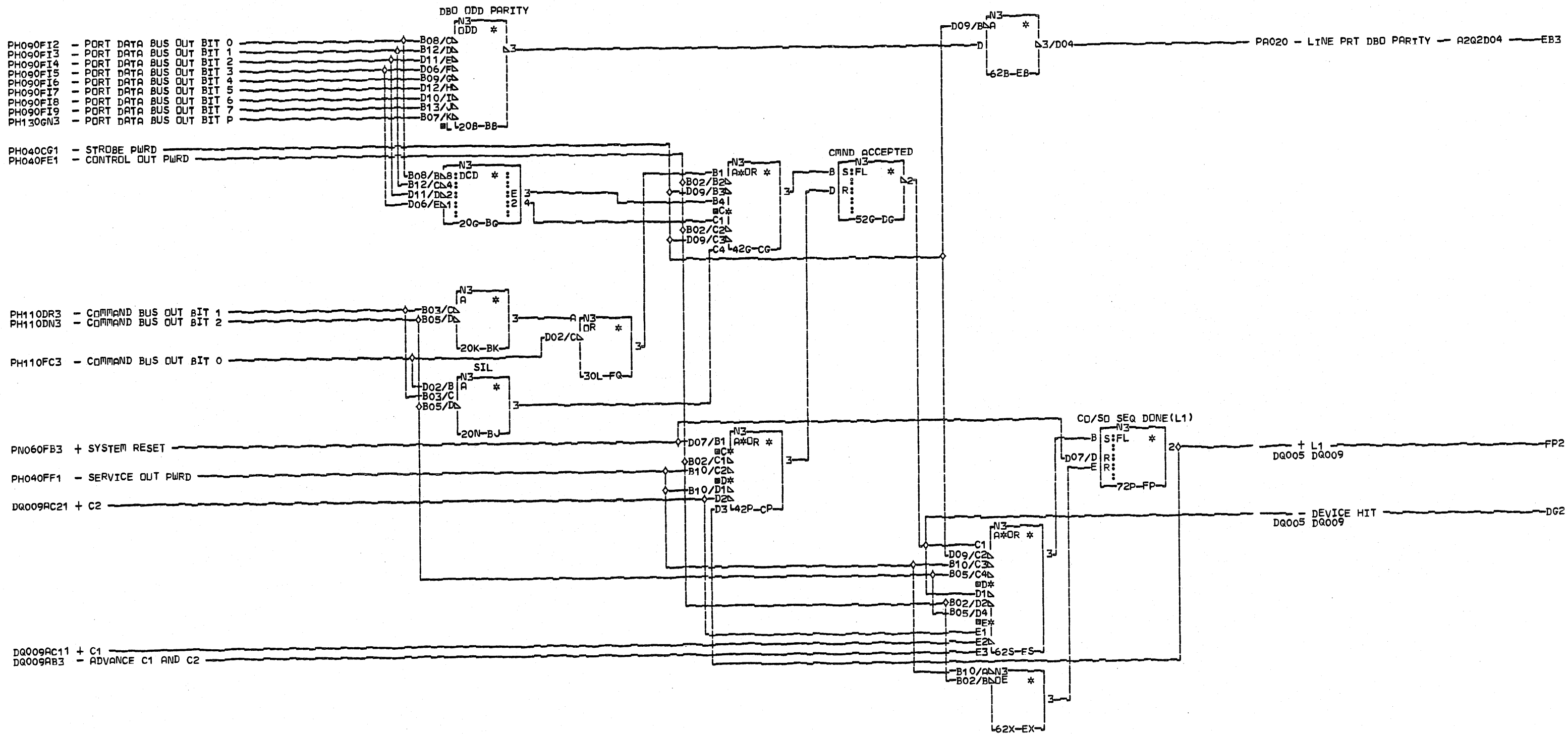


COMMENTS
D1COPYRIGHT IBM CORP. 1974

CRT CMD DECODE
 PN2547264 EC825408 PEC825372
 LOC=1A-A2M2
 USN 00099 PRI=04NOV74 2017
 PDESC=0001 SEC
 PFORM=KSEB NEXTBLK FB
 CID FEALD JOB L7101028

D
M
1
1
0
0001

D
M
1
1
0
0001



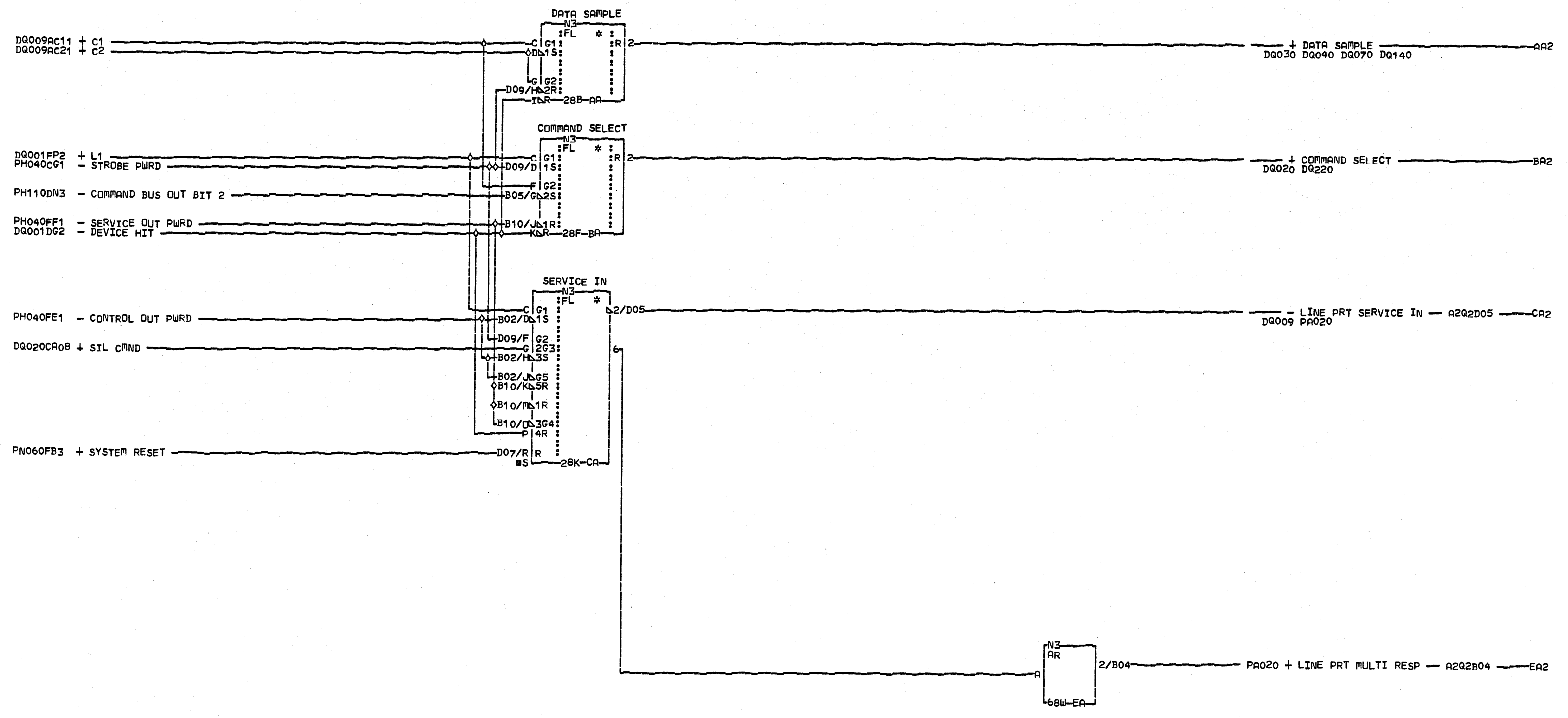
COMMENTS
 D1COPYRIGHT IBM CORP. 1974

U-CODE CMD ACCEPT
 CPU CHANNEL INTERFACE
 LINE PRINTER ATTACHMENT
 PN2547265 EC825408 PEC825372

LDC=1A-A2Q2
 USN 00100 PRI=19DEC74 1352
 PDESC=0001 SEC
 PFORM=KSEB NEXTBLK FR
 CID FEALD JOB L7101028

D
 Q
 0
 0
 1

D
 Q
 0
 0
 1
 0001



COMMENTS

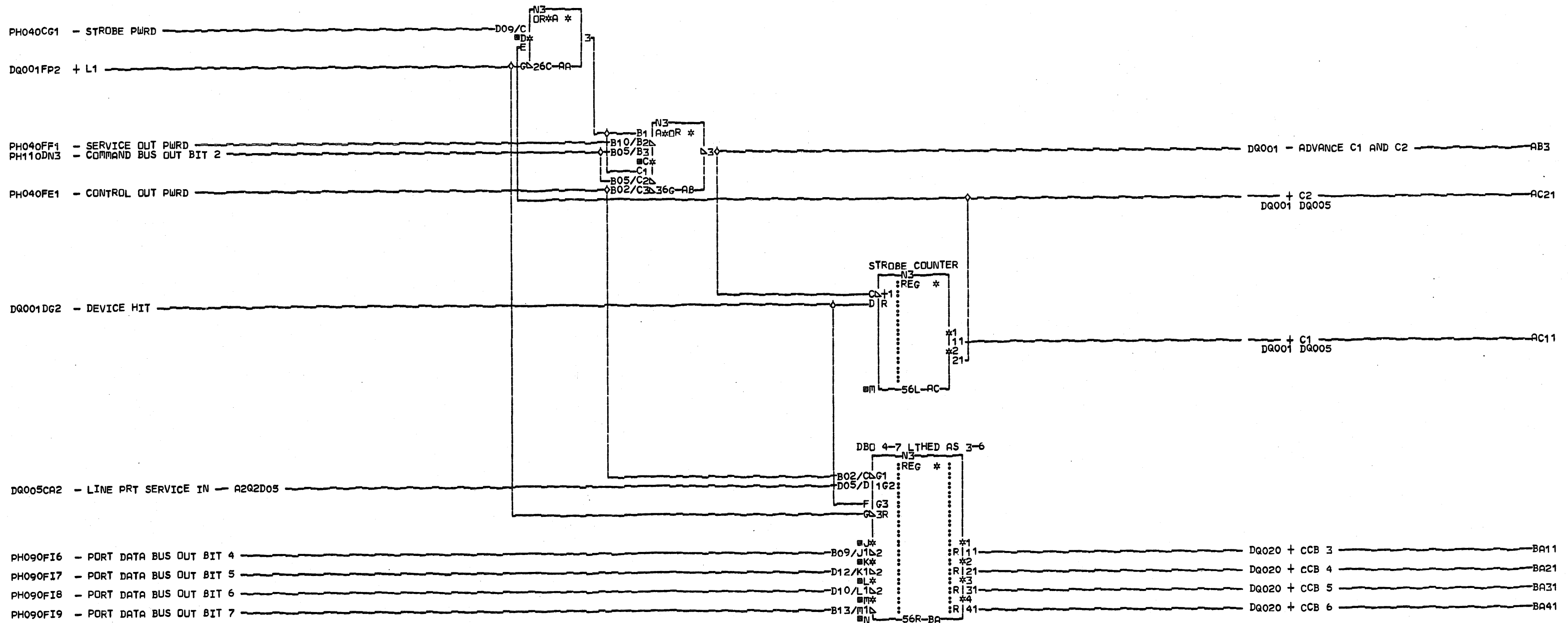
©COPYRIGHT IBM CORP. 1974

D
Q
0
0
5
0001

CHANNEL TIMING LATCHES
 CPU CHANNEL INTERFACE
 LINE PRINTER ATTACHMENT
 PN2547266 EC825408 PEC825372

LOC=1A-A2Q2
 USN 00100 PRI=19DEC74 1352
 PDESC=0001 SEC
 PFORM=KSEB NEXTBLK EB
 CID FEALD JOB L7101028

D
Q
0
0
5
0001



COMMENTS
 D1 COPYRIGHT IBM CORP. 1974

STROBE CNTR AND CCB 3-6
 CPU CHANNEL INTERFACE
 LINE PRINTER ATTACHMENT
 PN2547267 EC825408 PEC825372

LOC=1A-A2Q2

USN 00100 PRI=19DEC74 1352

PDFSC=0001 SEC
 PFORM=KSEB NEXTBLK 8B

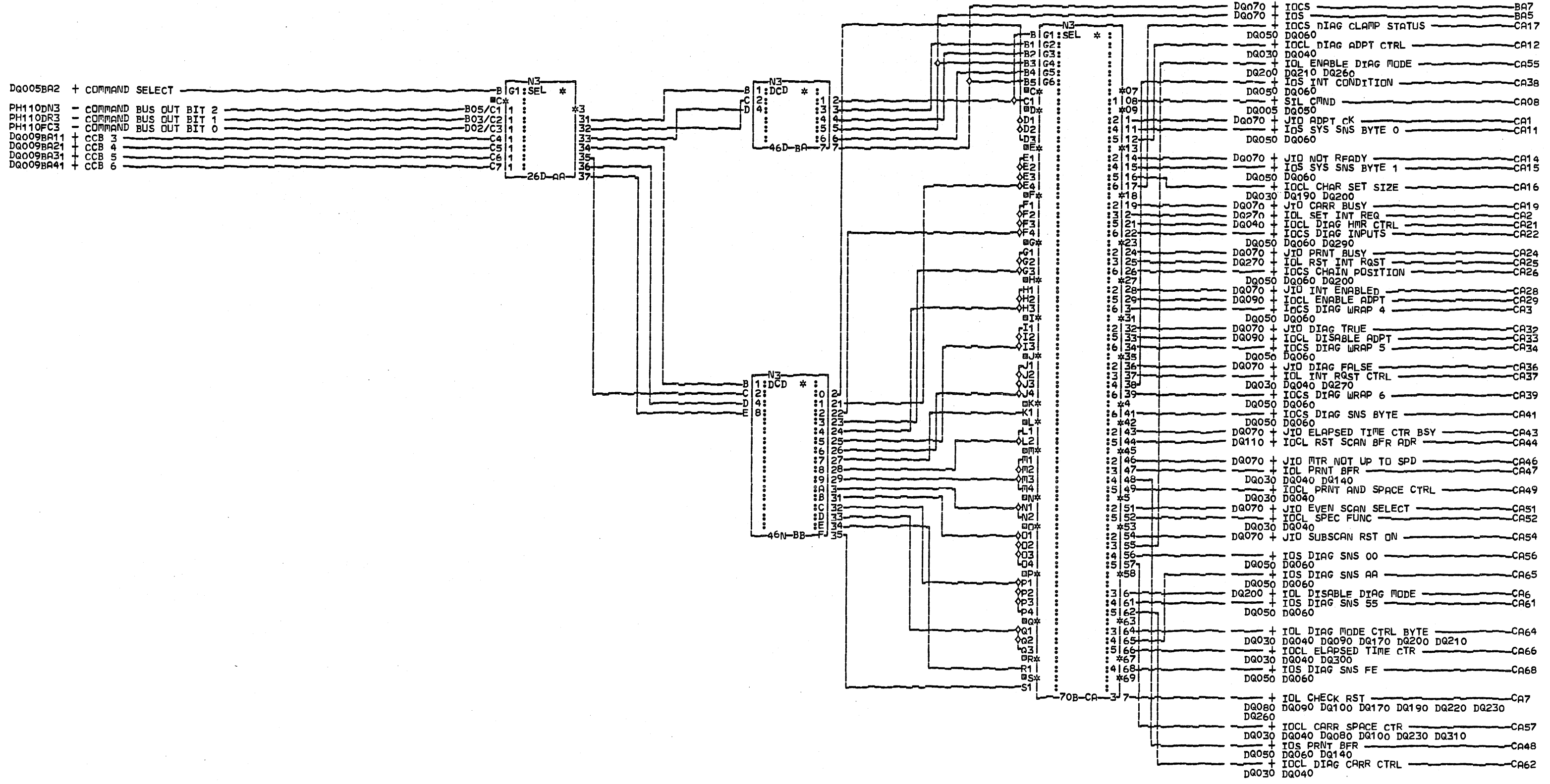
CID FEALD JOB L7101028

D
 Q
 0
 0
 9

0001

D
 Q
 0
 0
 9

0001

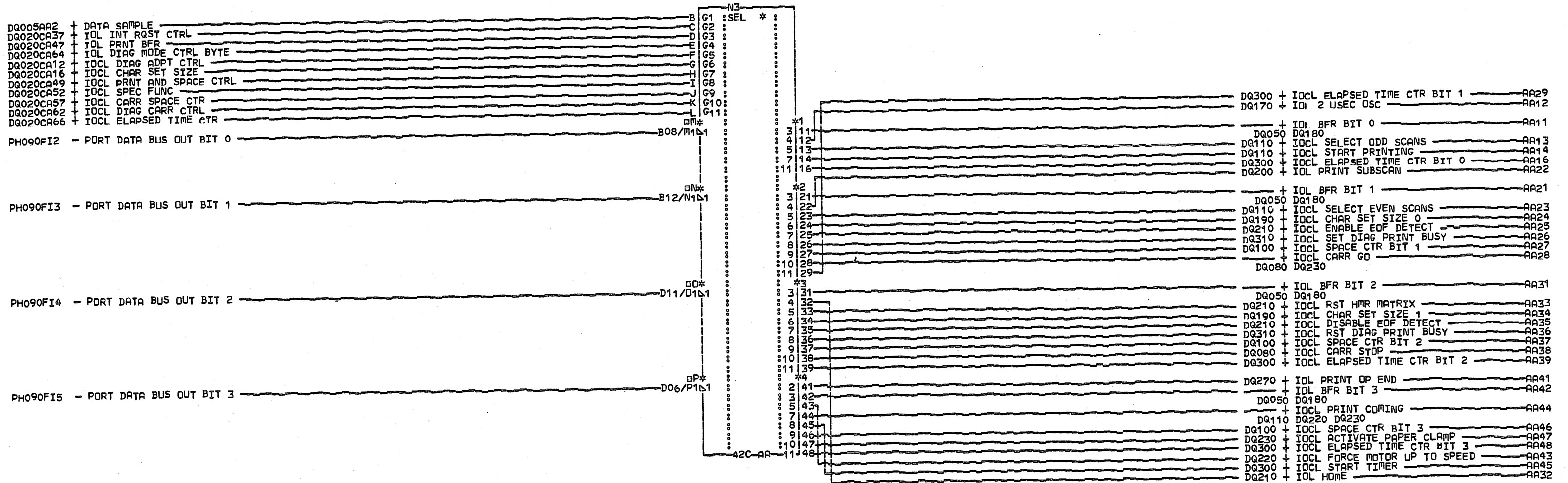


COMMENTS
 D1COPYRIGHT IBM CORP. 1974

PRINTER CMD DECODE
 PRINTER CTR CARD
 LINE PRINTER ATTACHMENT
 PN2547268 EC825408 PEC825372
 LDC=1A-A2Q2
 USN 00100 PRI=19DEC74 1352
 PDFSC=0A01 SEC
 PFORM=KSEB NEXTBLK CB
 CID FEALD JOB L7101028

D
Q
O
O
0001

D
Q
O
O
0001

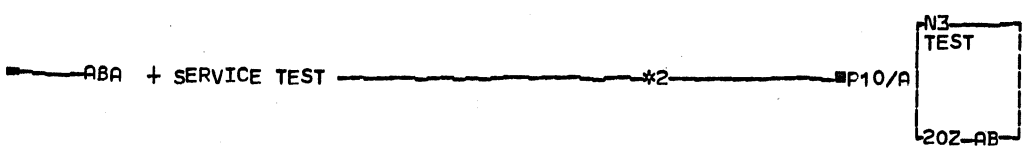
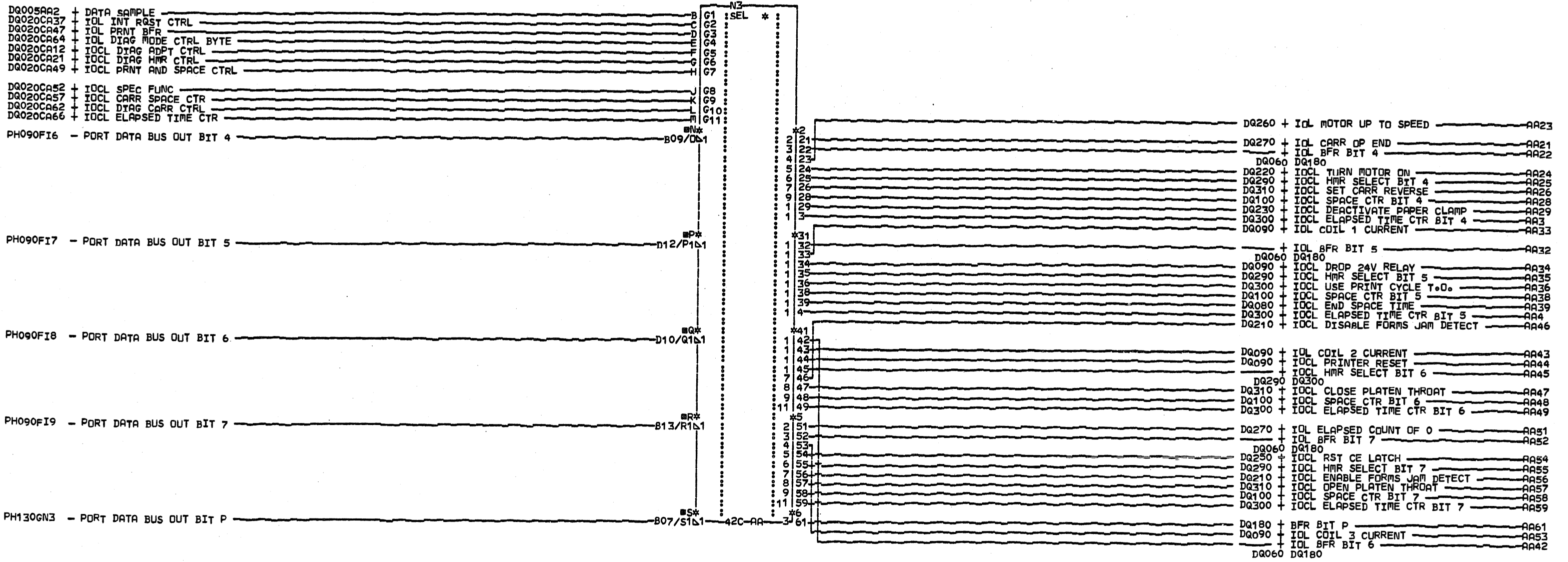


COMMENTS
D1COPYRIGHT IBM CORP. 1974

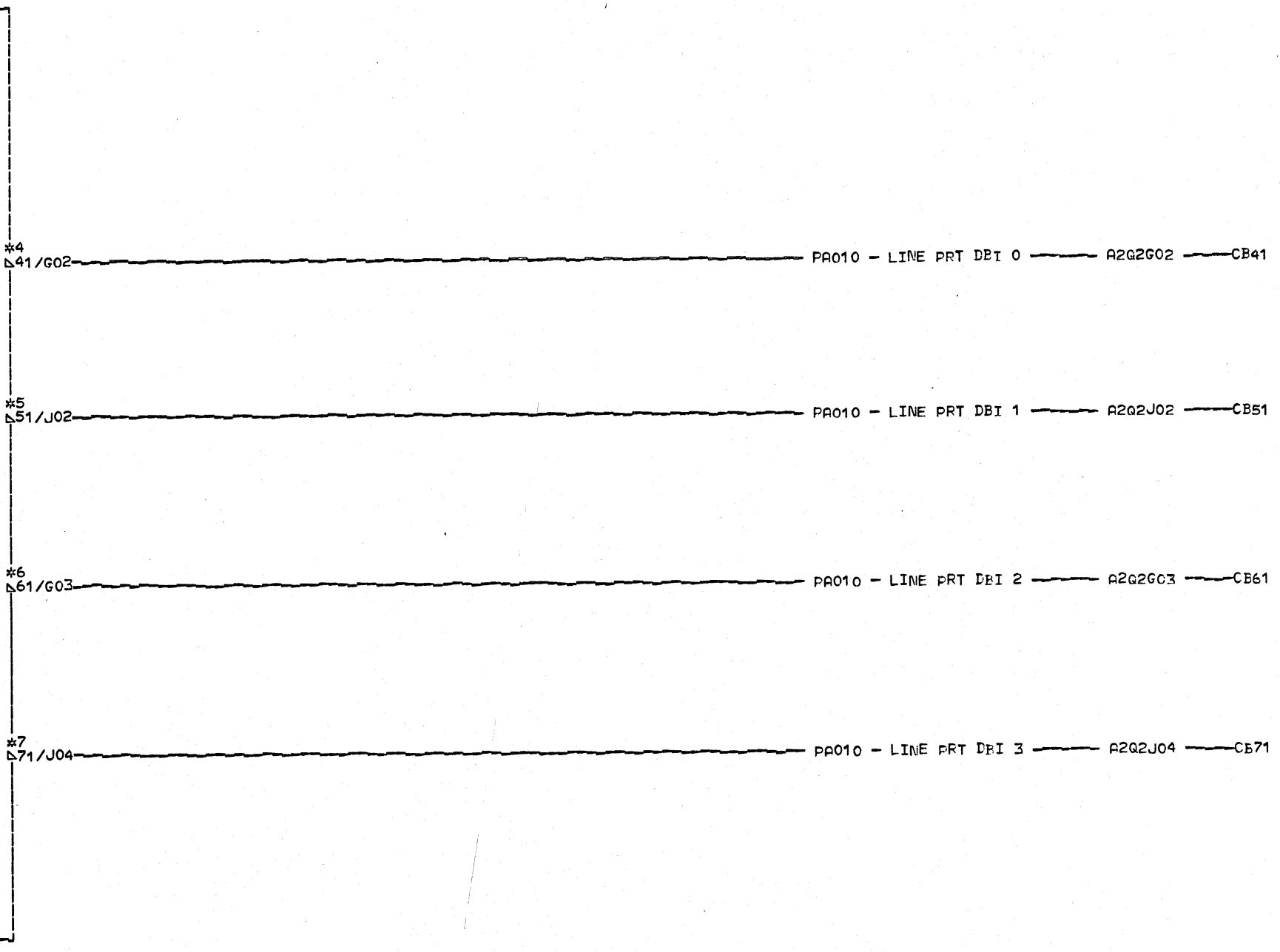
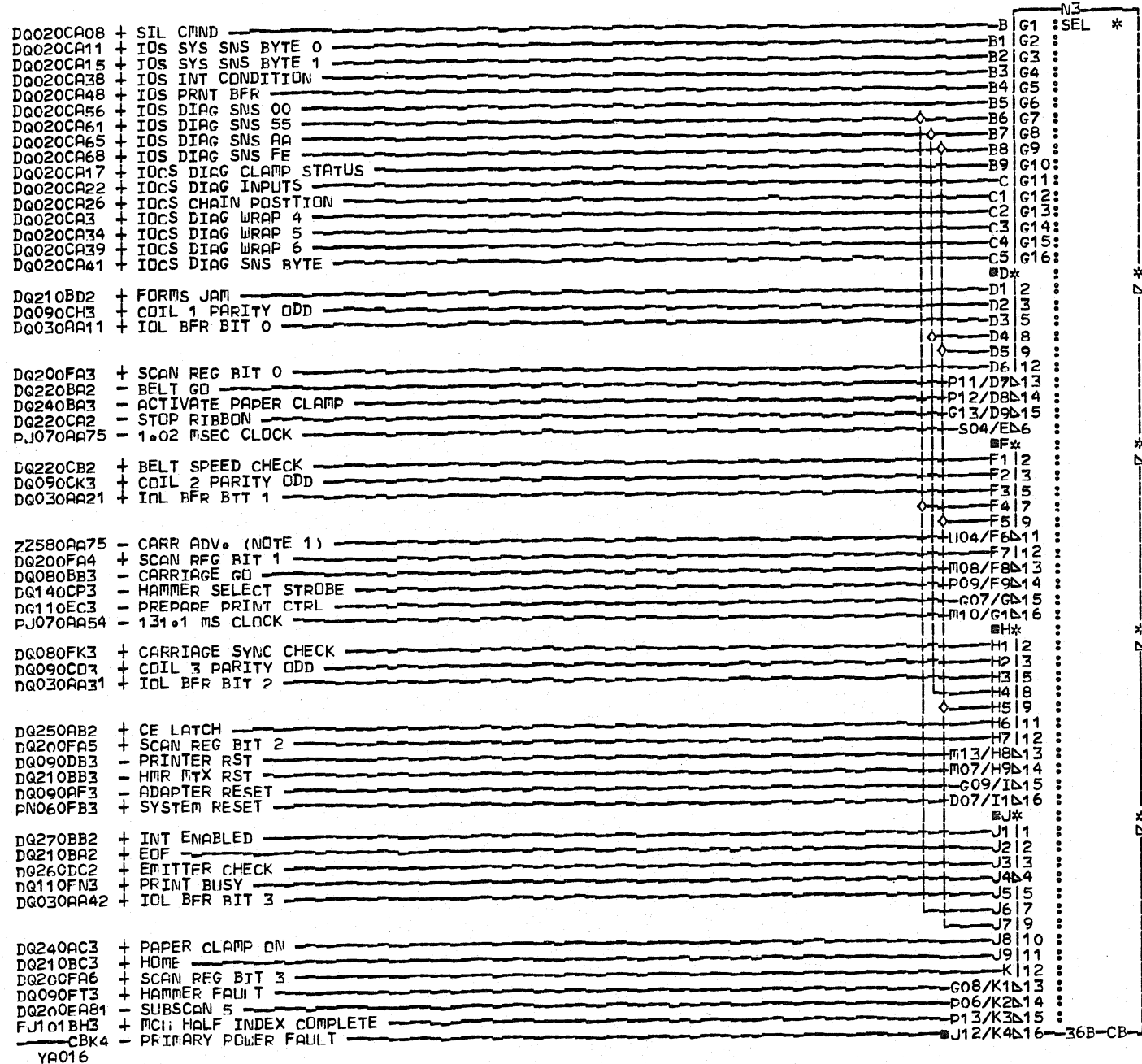
PRINTER CARD DECODE
 PRINTER CONTROL CARD
 LINE PRINTER ATTACHMENT
 PN2547269 EC825408 PEC825372
 LOC=1A-A2Q2
 USN 00100 PRI=19DEC74 1352
 PDFSC=0001 SEC
 PFORM=KSEB NEXTBLK AB
 CID FEALD JOB L7101028

D
Q
3
0

D
Q
3
0

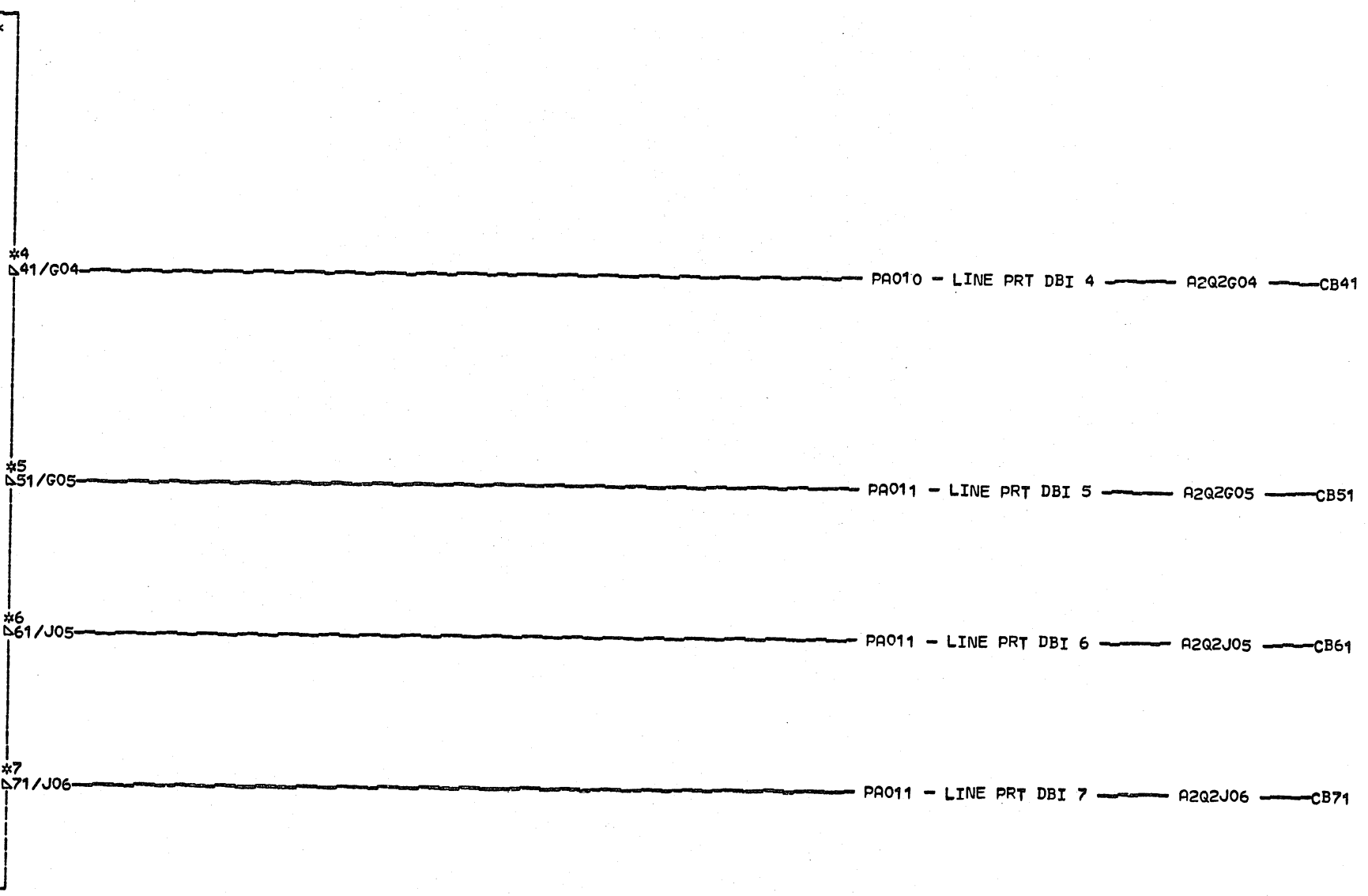
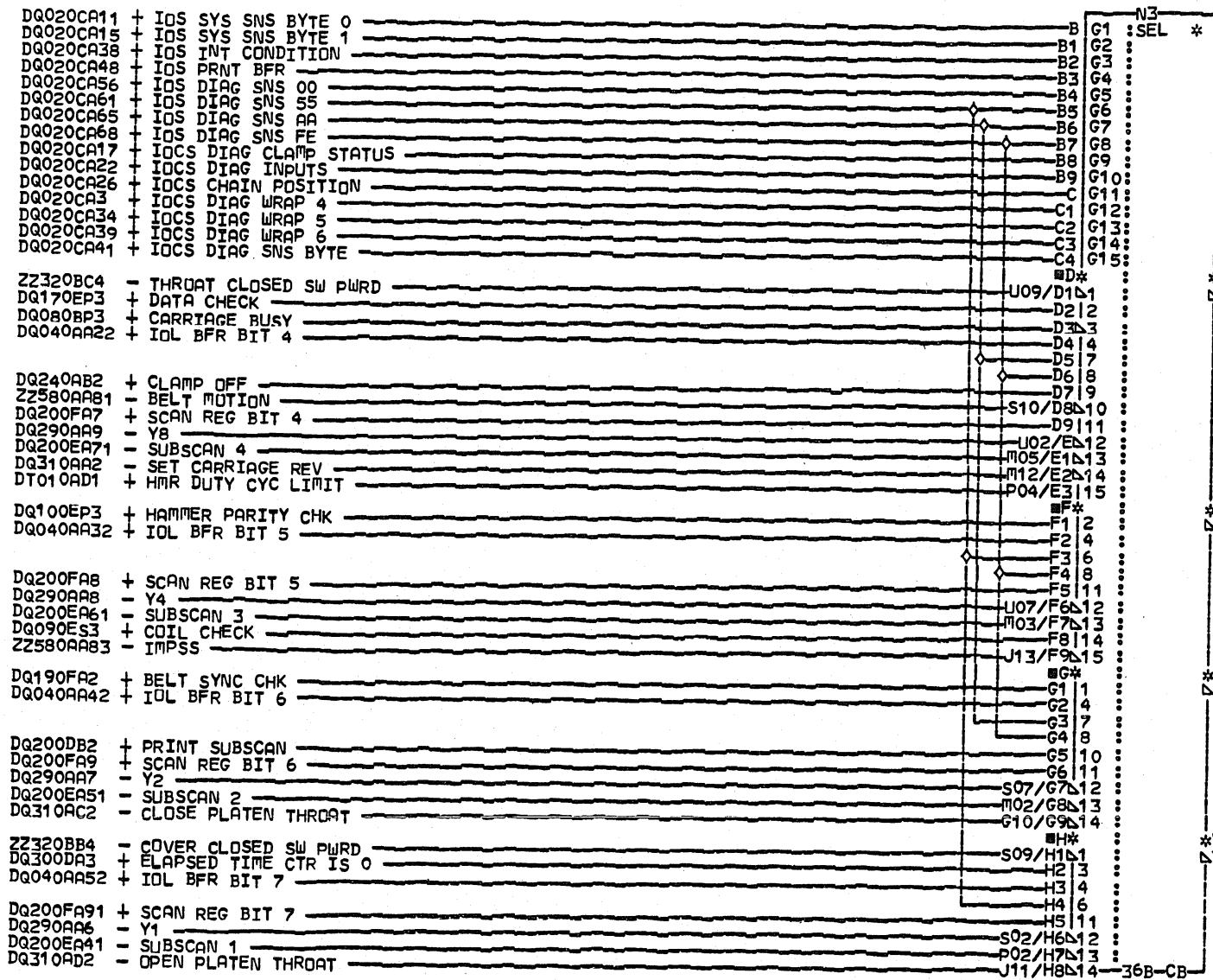


D 4 0 0 1	COMMENTS	CONNECTORS	PRINTER CMD DECODE PRINTER CONTROL CARD LINE PRINTER ATTACHMENT PN2547270 EC825408 PEC825372 LOC=1A-A2Q2 USN 00100 PRI=19DEC74 1352 PDESC=0001 SEC PFORM=KSEB NEXTBLK AC CID FEALD JOB L7101028	D Q 0 4 0 0001
	D1COPYRIGHT IBM CORP. 1974	0001/1A-A2Q2@@@@@@@@@/P08		



COMMENTS
 1 NOTE 1: THIS LINE COMES FROM
 2 FJ101 WHEN HALF INDEX CARD
 3 IS INSTALLED
 41 COPYRIGHT IBM CORP. 1974

DBI ASSEMBLER
 PRINTER CONTROL CARD
 LINE PRINTER ATTACHMENT
 PN2547271 EC828693 PEC825408
 LDC=1A-A2Q2
 IISN 00119 PRI=01JUL76 0909
 PDESC=0001 SEC
 PFURM=KSER NEXTBLK CC
 CTD FEALD JDB K5401121



COMMENTS
D1COPYRIGHT IBM CORP. 1974

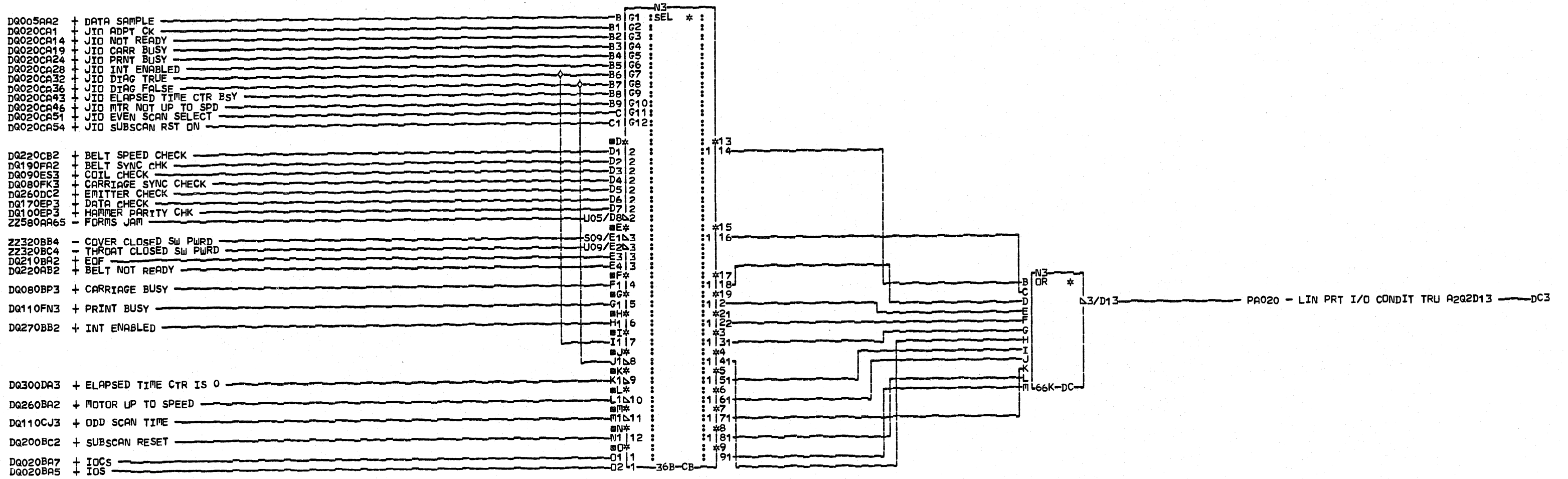
D
Q
0
6
0

0001

DBI ASSEMBLER
 PRINTER CONTROL CARD
 LINE PRINTER ATTACHMENT
 PN2547272 EC828696 PEC825408

LDC=1A-A2Q2
 USN 00115 PRI=10MAR76 2004
 PDESC=0001 SEC
 PFORM=KSEB NEXTBLK CC
 CID FEALD JOB L7100824

D
Q
0
6
0
0001



COMMENTS
D1COPYRIGHT IBM CORP. 1974

JIN
 PRINTER CONTROL CARD
 LINE PRINTER ATTACHMENT
 PN2547273 EC825408 PEC825372

LNC=1A-A2Q2

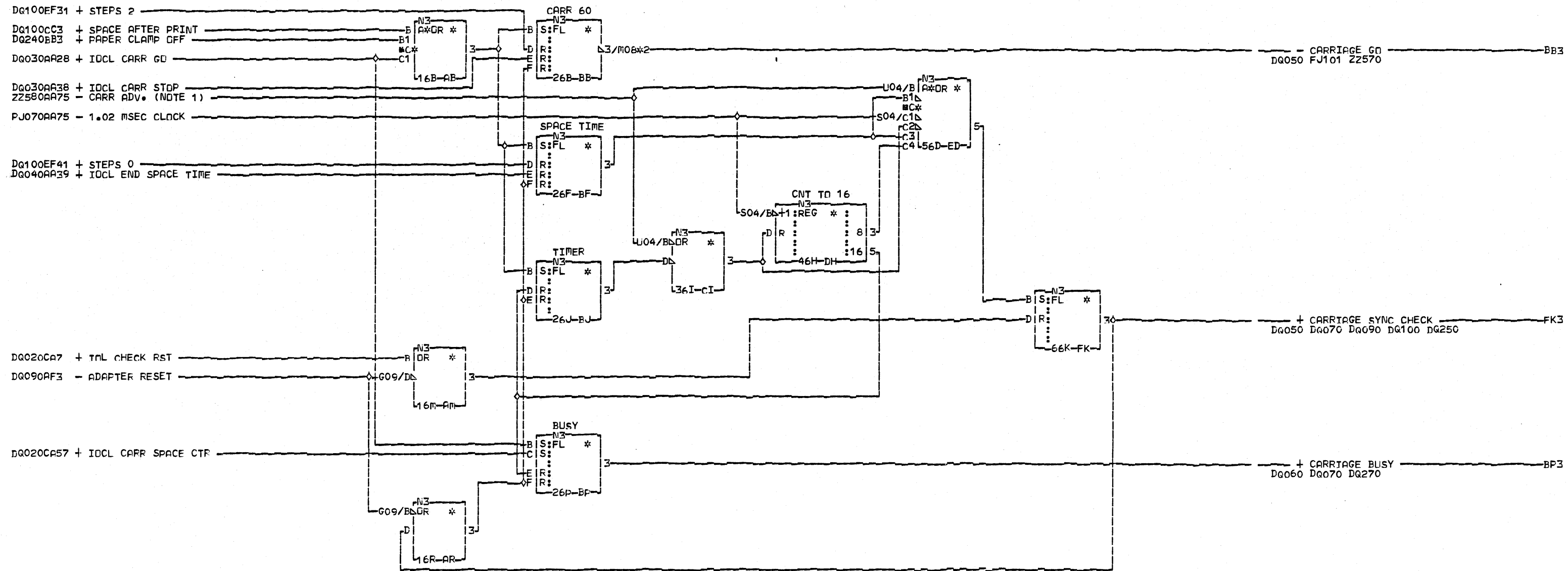
USN 00100 PRI=19DEC74 1352

PDESC=0001 SEC
 PFORM=KSEB NEXTBLK DD

CID FEALD JOB L7101028

D
Q
O
7
0
0001

D
Q
O
7
0
0001



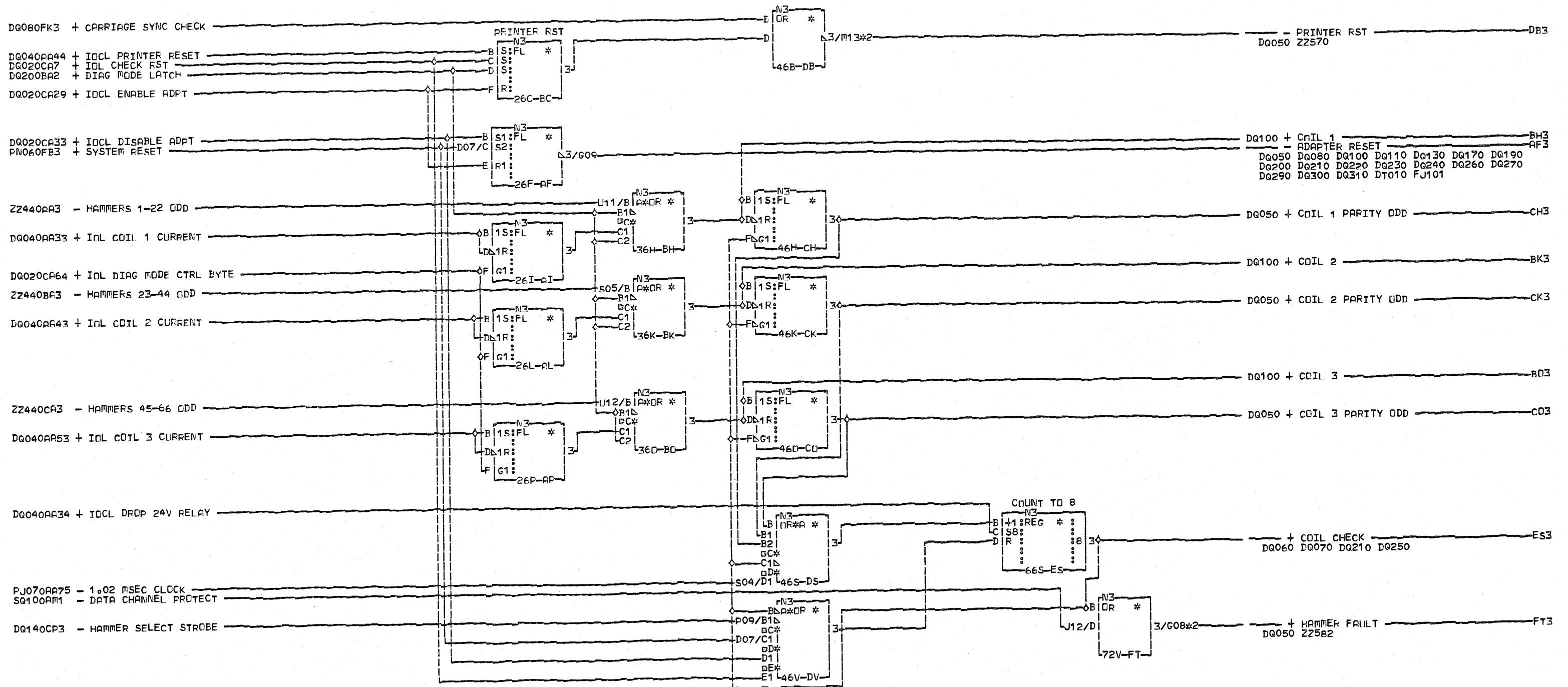
COMMENTS
 1. THIS LINE COMES FROM
 2. FU101 WHEN HALF INDEX CARD
 3. IS INSTALLED
 D1 COPYRIGHT IBM CORP. 1974

CONNECTORS
 BB3
 0002/PRINTER/13C02
 0001/1A-A2/V3D02

CARRIAGE CONTROL
 PRINTER CONTROL CARD
 LINE PRINTER ATTACHMENT
 PN2547274 EC828693 PEC825408
 LUC=1A-A2Q2
 USN 00119 PRI=30JUN76 0923
 PDESC=0001 SEC
 PFORM=KSEB NEXTLK FL
 CID FEALD JOB K5401121

D
 Q
 0
 8
 0
 0001

D
 Q
 0
 8
 0
 0001

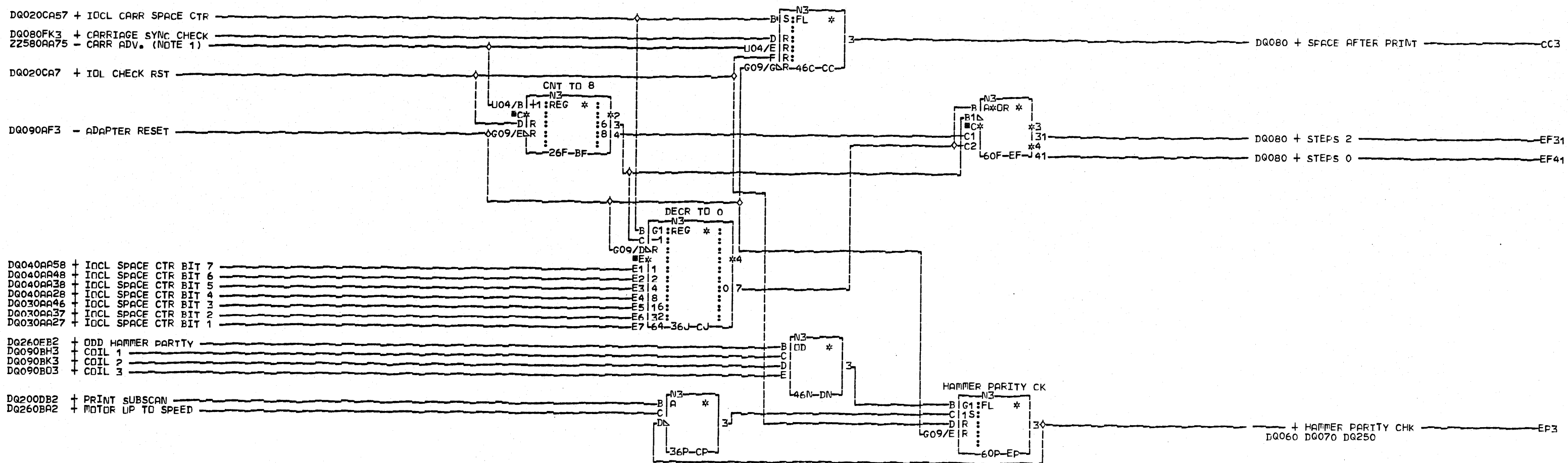


COMMENTS
 D1COPYRIGHT IBM CORP. 1974
 0001

CONNECTORS
 DB3
 0003/PRINTER/13C05
 0001/1A-A2/V3D05
 FT3
 0004/PRINTER/13C23
 0002/1A-A2/V3B03

COIL CURRENT
 PRINTER CONTROL CARD
 LINE PRINTER ATTACHMENT
 PN2547275 EC828693 PEC828565
 LOC#1A-A2Q2
 USN 00119 PRI=30JUN76 0923
 PDESC#0001 SEC
 PFORM#KSEB NEXTBLK FU
 CID FEALD JOB K5401121

00090
 0001



COMMENTS

1 NOTE 1: THIS LINE COMES FROM
 2 FJ101 WHEN HALF INDEX CARD
 3 IS INSTALLED
 1 COPYRIGHT IBM CORP. 1974

SPACE COUNTER
 PRINTER CONTROL CARD
 LINE PRINTER ATTACHMENT
 PN2547276 EC828693 PEC825408

LOC=1A-A2Q2

USN 00119 PRI=30JUN76 0923

PDESC=0001 SEC
 PFDRM=KSEB NEXTBLK EQ

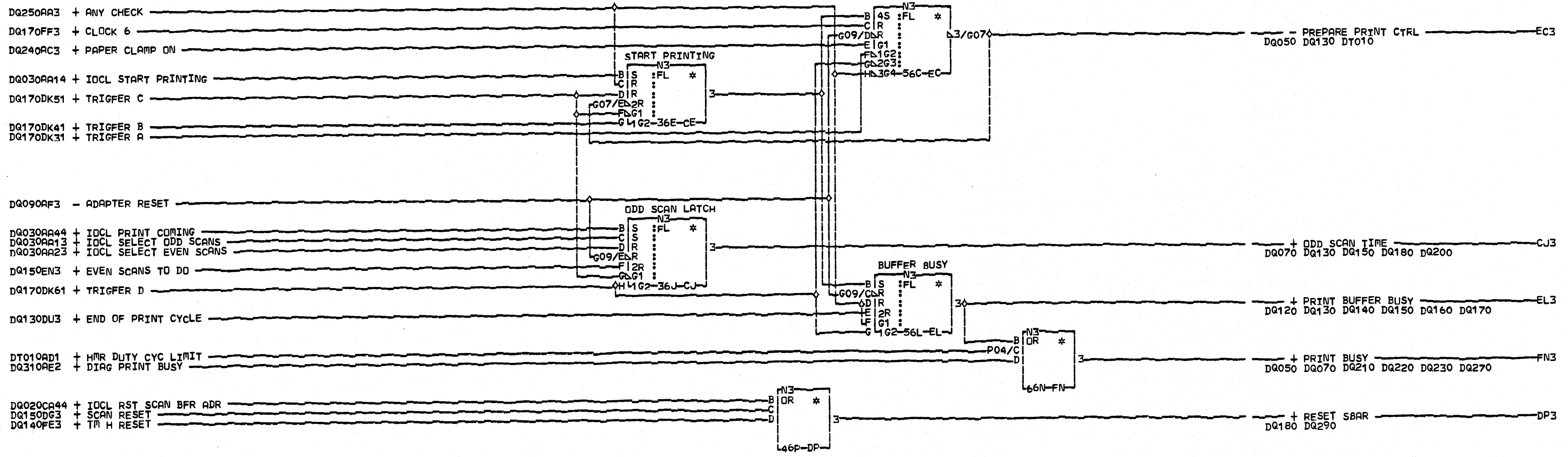
CTD FEALD JOB K5401121

D
 0
 1
 0
 0

0001

D
 0
 1
 0
 0

0001



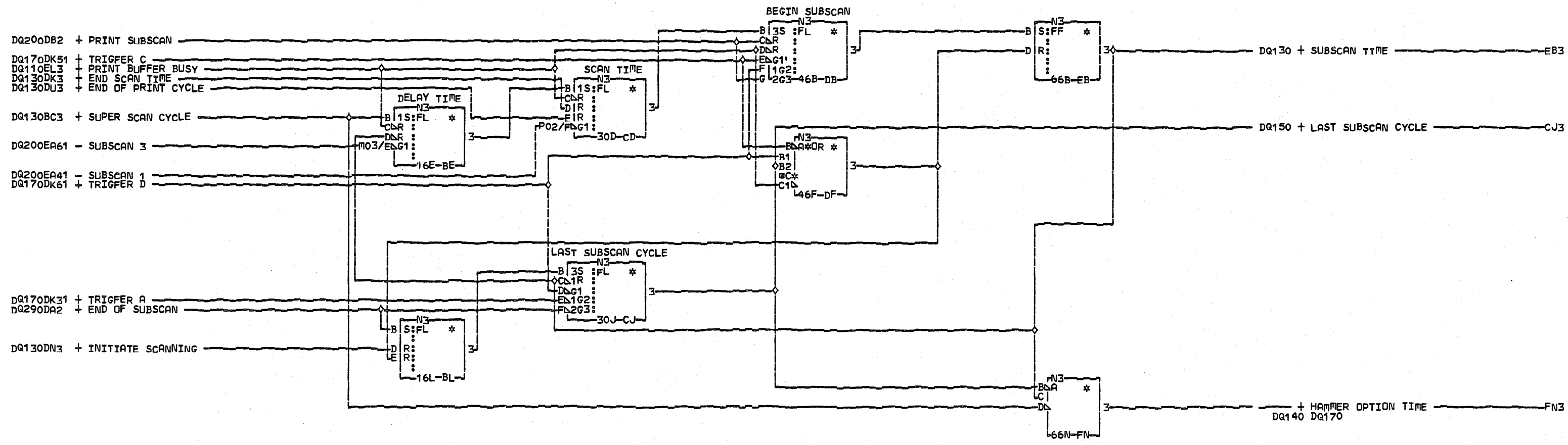
COMMENTS
D1COPYRIGHT IBM CORP. 1974

PRINT INITIATION
PRINTER CONTROL CARD
LINE PRINTER ATTACHMENT
PN2547277 EC825408 PEC825372

LDC=1A-A2Q2
USN 00100 PRI=19DEC74 1352
PDFSC=0001 SEC
PFORM=KSEB NEXTBLK FD
CID FEALD JOB L7101028

D
Q
1
1
0
0001

D
Q
1
1
0
0001



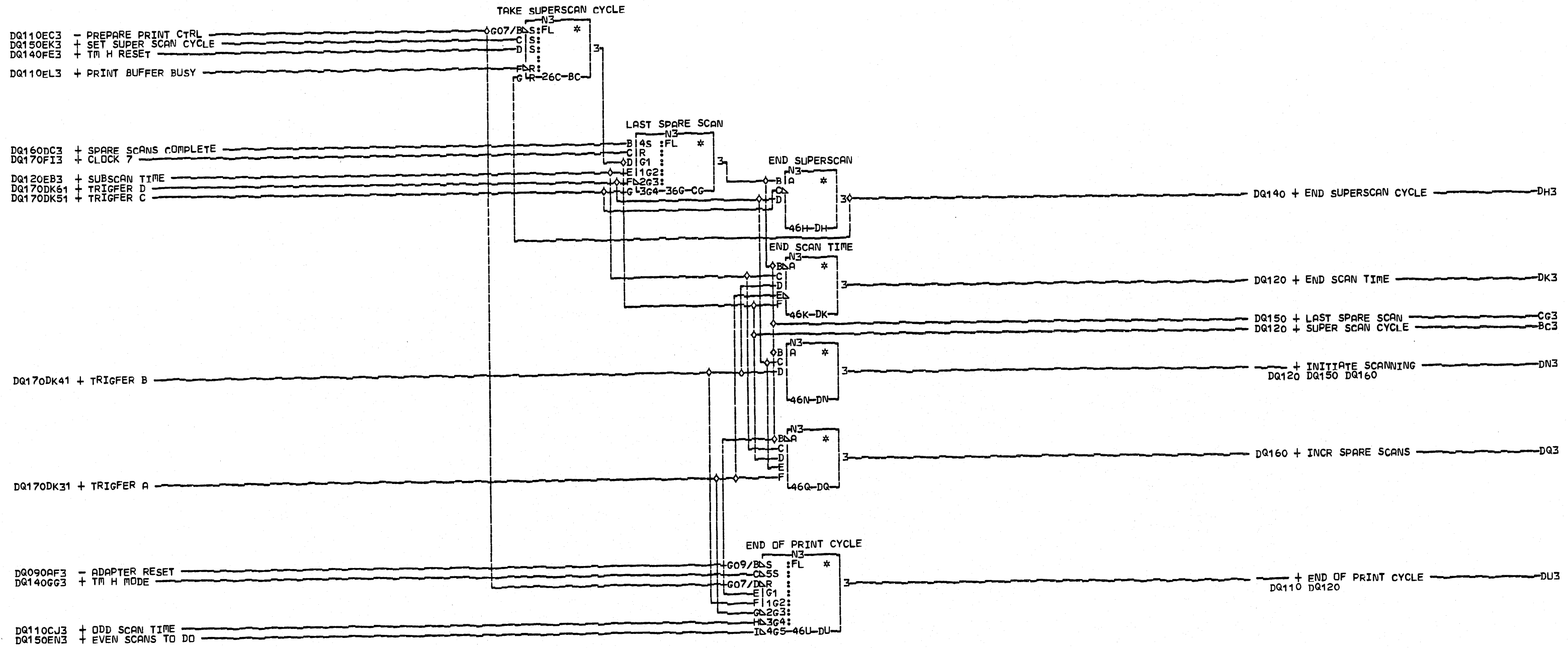
COMMENTS
 D1COPYRIGHT IBM CORP. 1974

SUBSCAN TIME ENABLE
 PRINTER CONTROL CARD
 LINE PRINTER ATTACHMENT
 PN2547278 EC825408 PEC825372

LDC=1A-A2Q2
 USN 00100 PRI=19DEC74 1352
 PDES=0001 SEC
 PFORM=KSEB NEXTBLK FD
 CID FEALD JOB L7101028

D
 Q
 1
 2
 0
 0001

D
 Q
 1
 2
 0
 0001



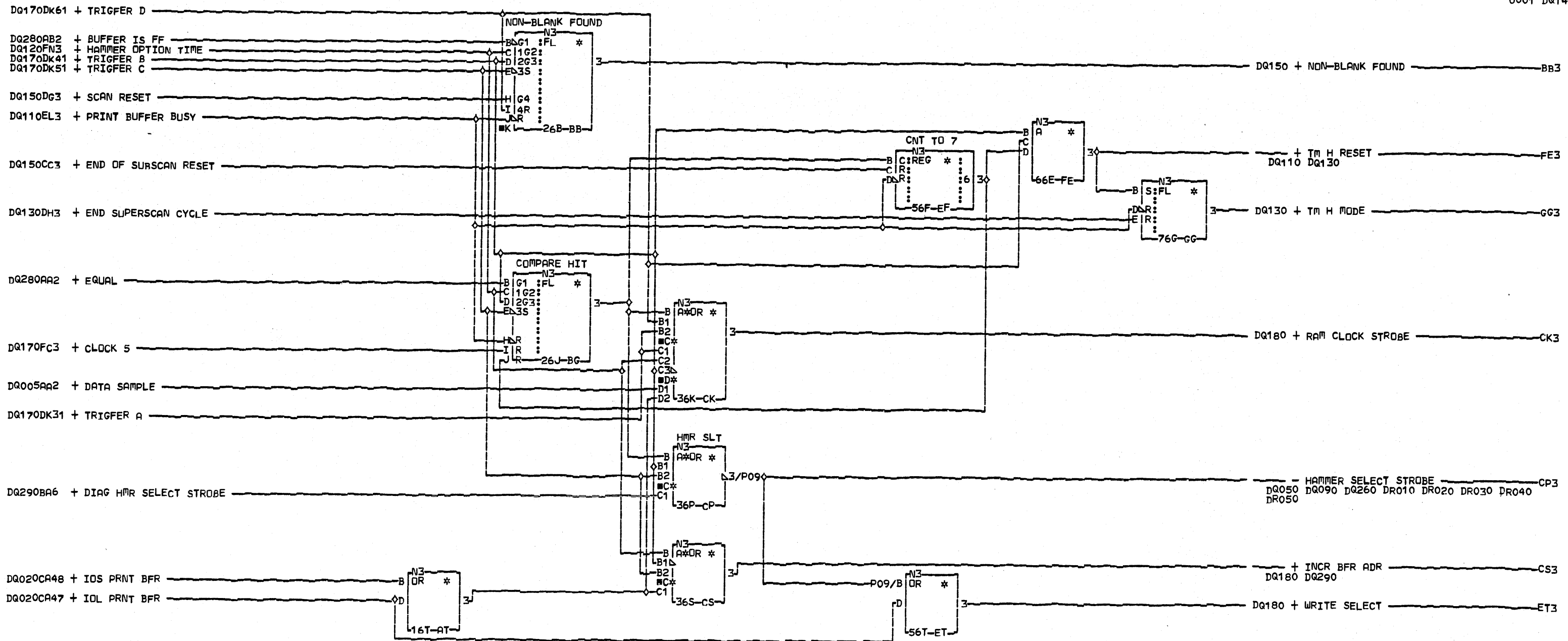
COMMENTS
D1COPYRIGHT IBM CORP. 1974

SUPER SCAN TIME
 PRINTER CONTROL CARD
 LINE PRINTER ATTACHMENT
 PN2547279 EC825408 PEC825372

LOC=1A-A2Q2
 USN 00100 PRI=19DEC74 1352
 PDESC=0001 SEC
 PFORM=KSEB NEXTBLK DV
 CID FEALD JOB L7101028

D
Q
1
3
0
0001

D
Q
1
3
0
0001



COMMENTS

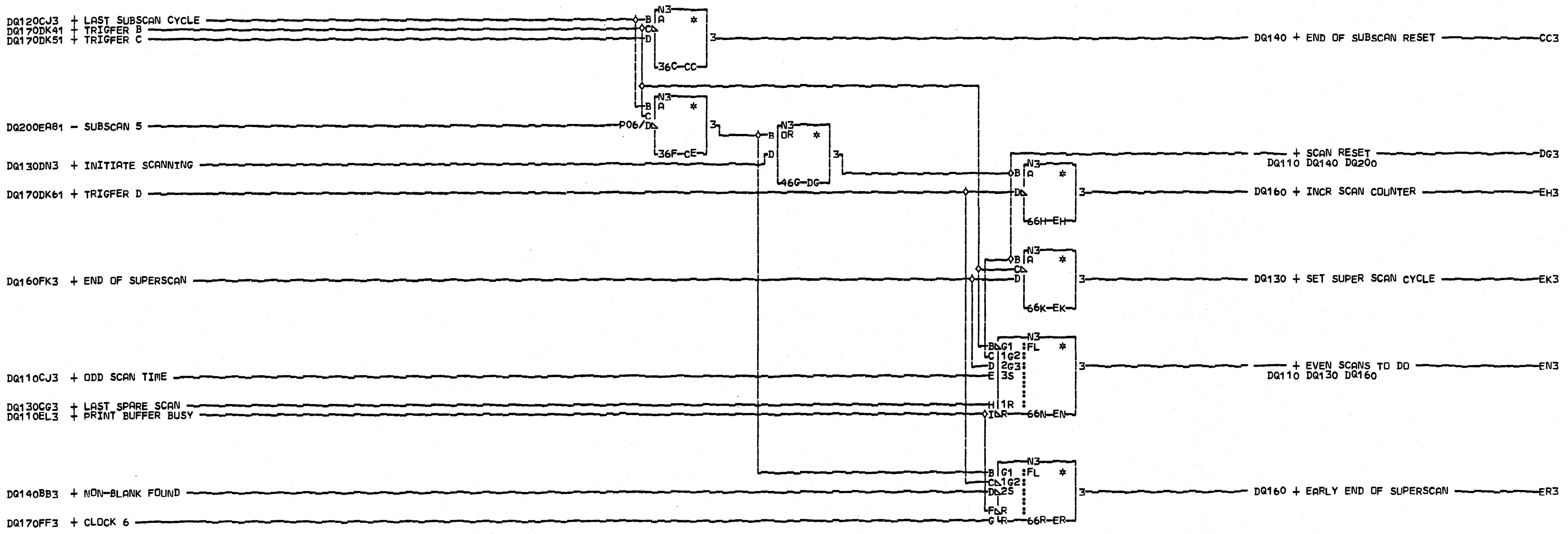
D1COPYRIGHT IBM CORP. 1974

D
Q
1
4
0
0001

HAMMER OPTION CONTROL
 PRINTER CONTROL CARD
 LINE PRINTER ATTACHMENT
 PN2547280 EC825408 PEC825372

LOC#1A-A2Q2
 USN 00100 PRI#19DEC74 1352
 PDESC#0001 SEC
 PFORM#KSEB NEXTBLK GH
 CID FEALD JOB L7101028

D
Q
1
4
0
0001



COMMENTS

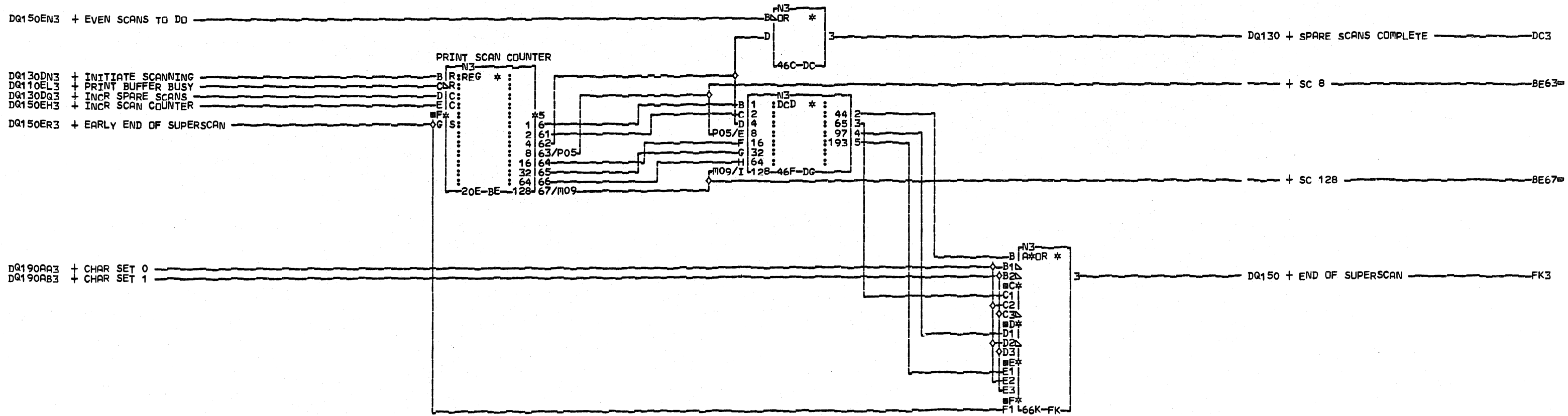
D1COPYRIGHT IBM CORP. 1974

LAST SUBSCAN CYCLE
 PRINTER CONTROL CARD
 LINE PRINTER ATTACHMENT
 PN2547281 EC825408 PEC825372

LOC#1A-A2Q2
 USN 00100 PRI#19DEC74 1352
 PDFSC#0001 SEC
 PFORM#KSEB NEXTBLK ES
 CID FEALD JOB L7101028

D
Q
1
5
0
0001

D
Q
1
5
0
0001



COMMENTS

©COPYRIGHT IBM CORP. 1974

SCAN COUNTER
 PRINTER CONTROL CARD
 LINE PRINTER ATTACHMENT
 PN2547282 EC825408 PEC825372

LOC=1A-A2Q2

USN 00100 PRI=19DEC74 1352

PDESC=0001 SEC
 PFDRM=KSEB NEXTBLK FL

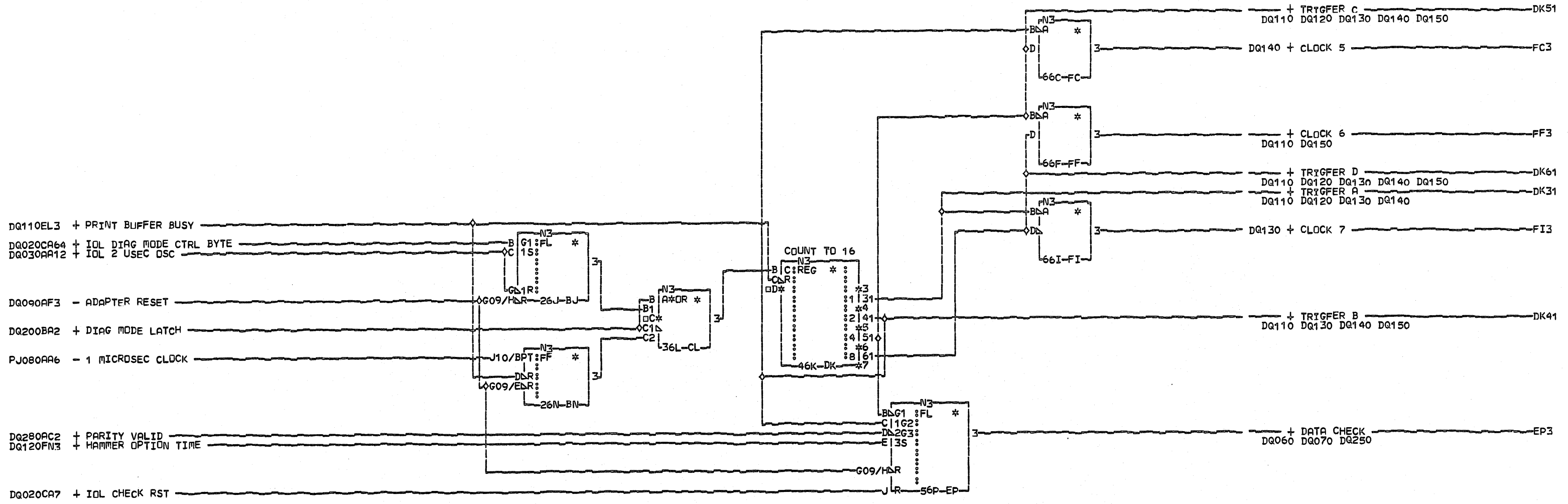
CID FEALD JOB L7101028

D
 Q
 1
 6
 0

0001

D
 Q
 1
 6
 0

0001



COMMENTS
D1COPYRIGHT IBM CORP. 1974

CLOCKING TRIGGERS
PRINTER CONTROL CARD
LINE PRINTER ATTACHMENT
PN2547283 EC825408 PEC825372

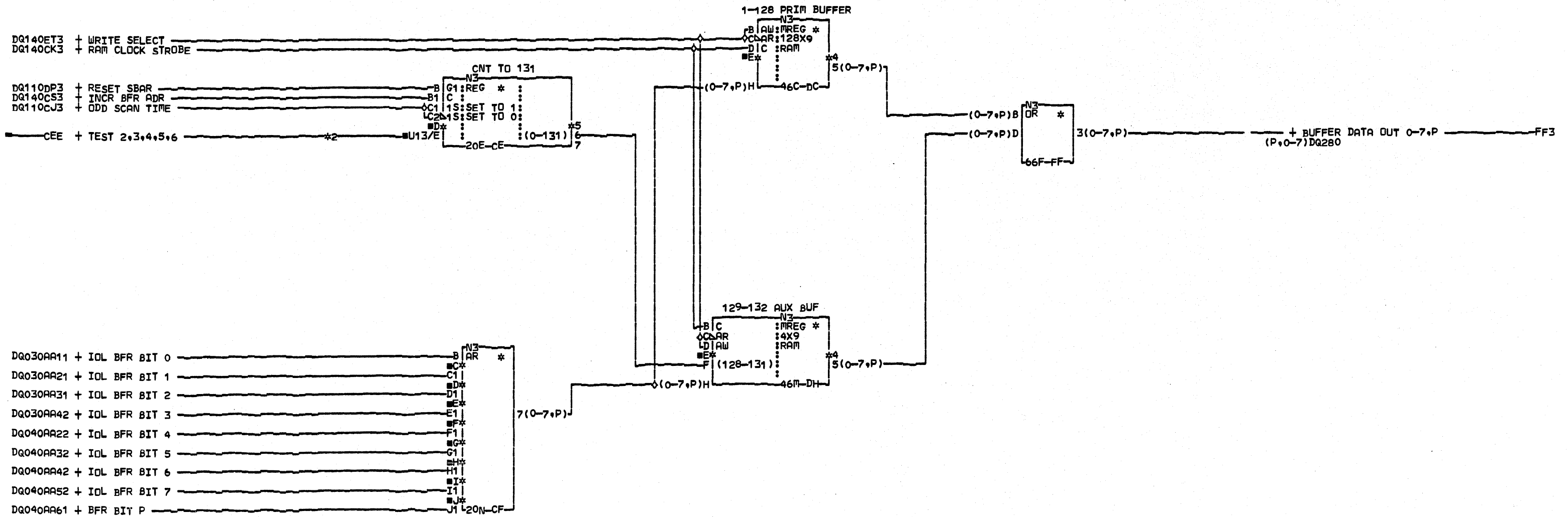
LOC=1A-A2Q2
USN 00100 PRI=19DEC74 1352
PDFSC=0001 SEC
PFORM=KSEB NEXTBLK FJ
CID FEALD JOB L7101028

D
Q
1
7
0

0001

D
Q
1
7
0

0001



COMMENTS
D1COPYRIGHT IBM CORP. 1974

CONNECTORS
CEE
0001/1A-A2Q2@@@@@@@@@/U08

BFR AND ADR REG
PRINTER CONTROL CARD
LINE PRINTER ATTACHMENT
PN2547284 EC825408 PEC825372
LOC=1A-A2Q2
USN 00100 PRI=19DEC74 1352
PDESC=0001 SEC
PFORM=KSEB NEXTBLK FG
CID FEALD JOB L7101028

D
Q
1
8
0
0001

D
Q
1
8
0
0001

DQ200ED7 + BELT POS BIT 5
DQ200ED6 + BELT POS BIT 4

DQ020CA16 + IOCL CHAR SET SIZE
DQ030AA24 + IOCL CHAR SET SIZE 0

DQ200ED8 + BELT POS BIT 6

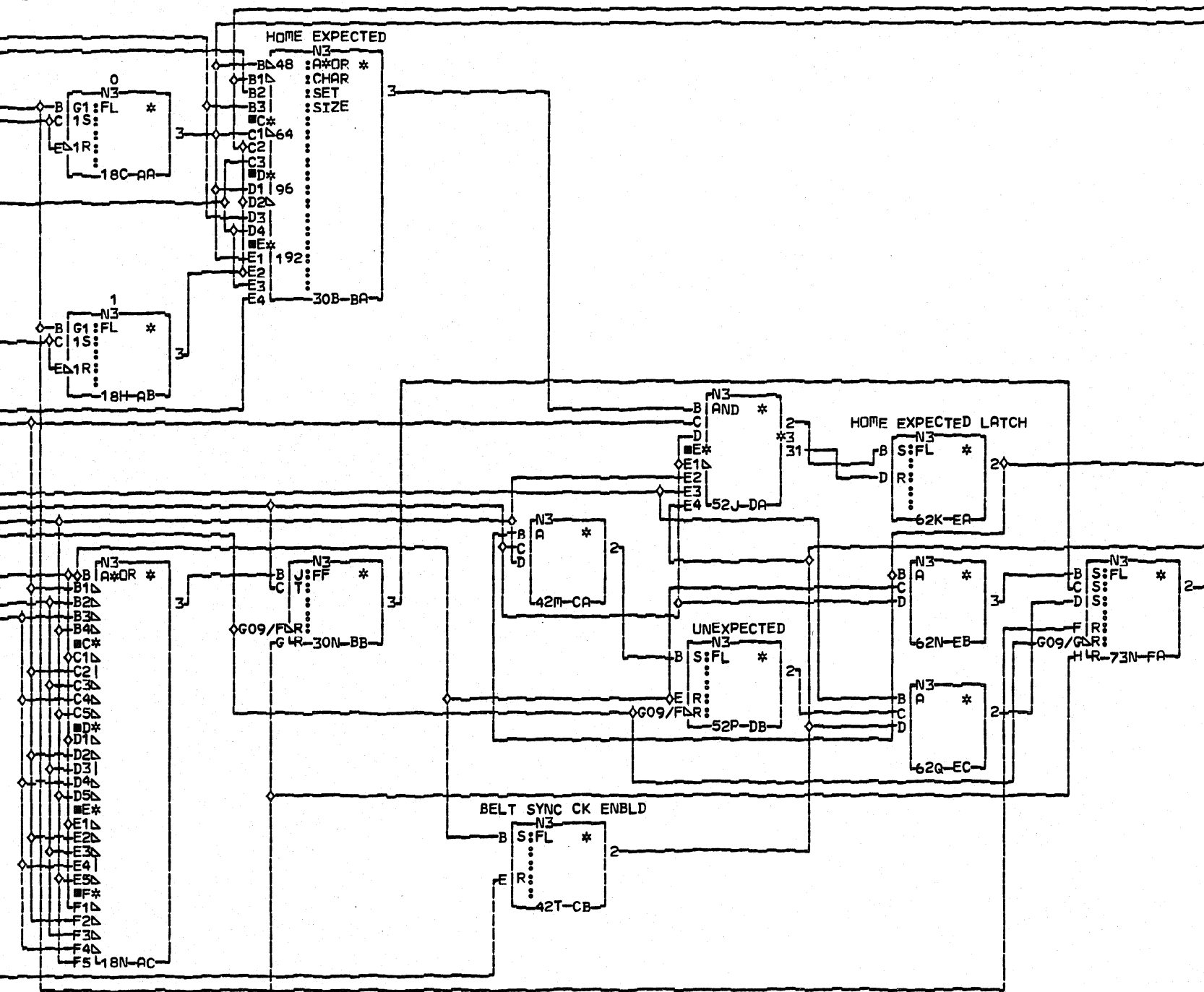
DQ030AA34 + IOCL CHAR SET SIZE 1

DQ200ED9 + BELT POS BIT 7
DQ200DA2 + SS 2

DQ210BC3 + HOME
DQ200DB2 + PRINT SUBSCAN
DQ200DA5 + SS 5
DQ090AF3 - ADAPTER RESET

DQ200DA1 + SS 1
DQ200DA3 + SS 3
DQ200DA4 + SS 4

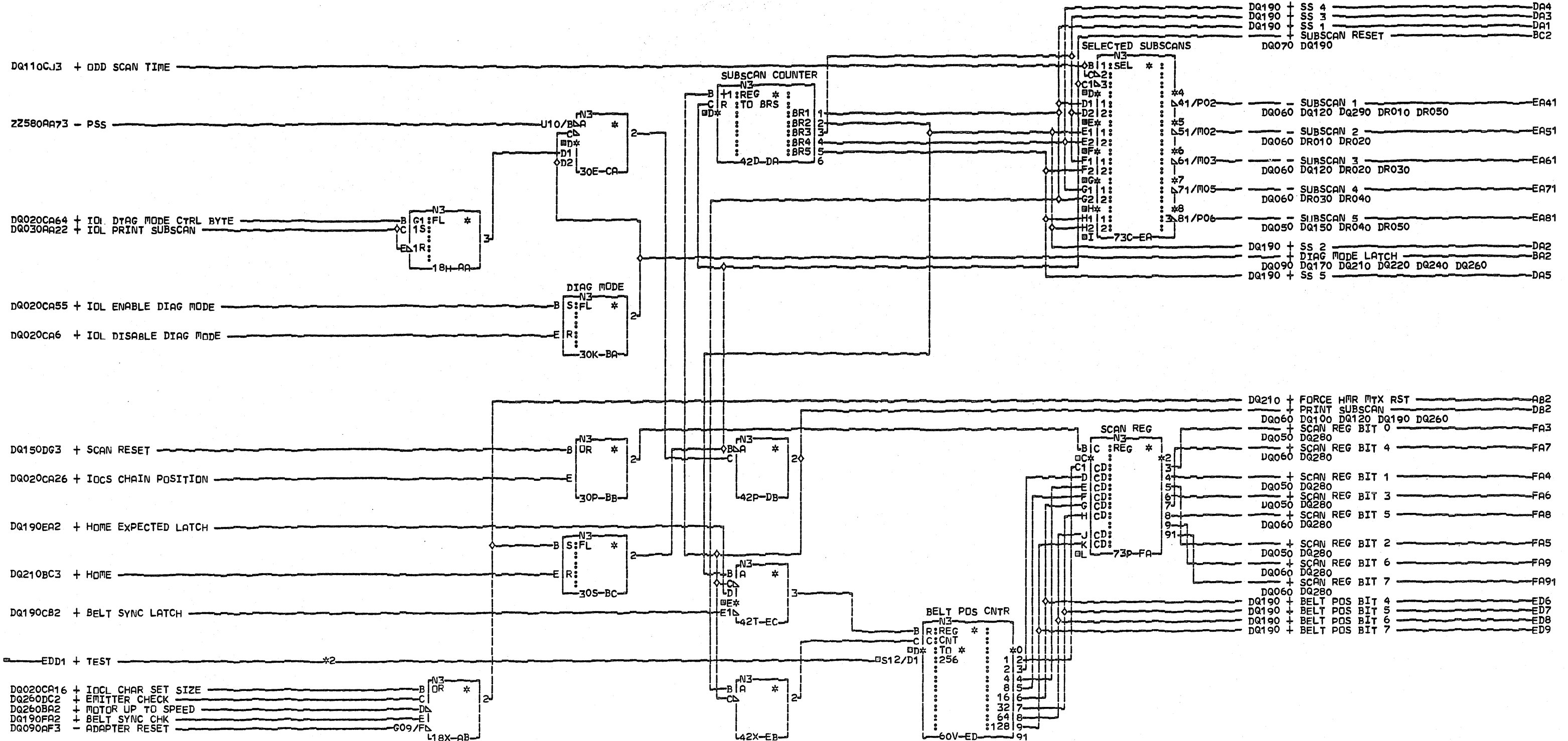
DQ200Bc2 + SUBSCAN RESET
DQ020Ca7 + IOL CHECK RST



COMMENTS
D1COPYRIGHT IBM CORP. 1974

BELT SYNC CHECK
PRINTER CONTROL CARD
LINE PRINTER ATTACHMENT
PN2547285 EC825408 PEC825372

L0C=1A-A2Q2
USN 00100 PRI=19DEC74 1352
PDES=0001 SEC
PFORM=KSEB NEXTBLK FB
CID FEALD JOB L7101028



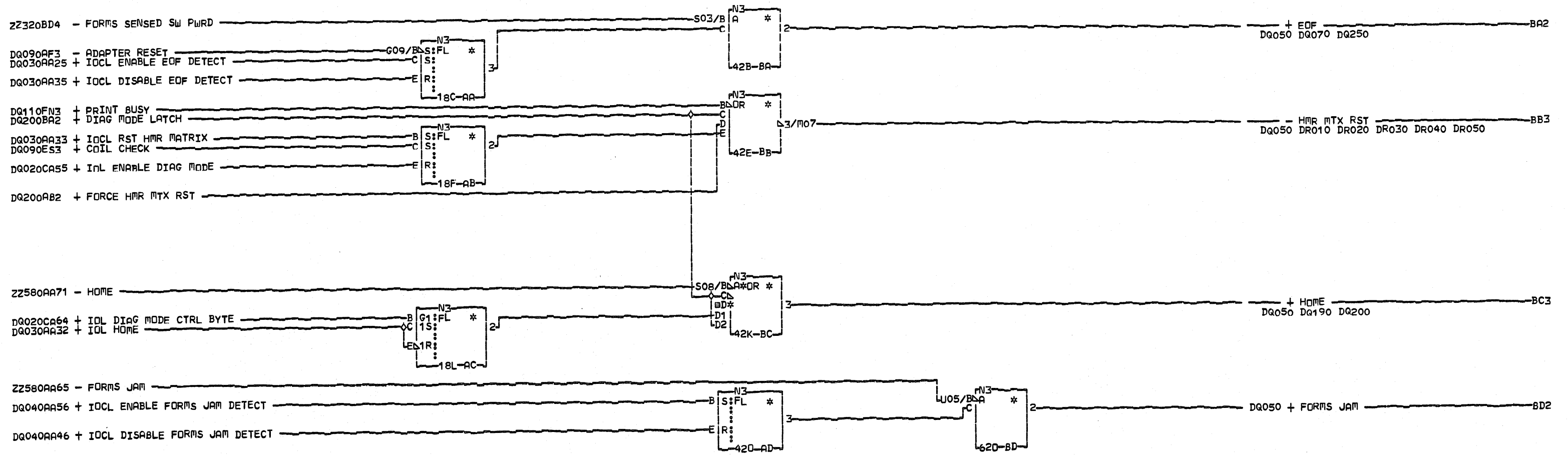
COMMENTS
 D1COPYRIGHT IBM CORP. 1974
 0001

CONNECTORS
 EDD1
 0001/1A-A2Q2@@@@@@@@/U08

SUBSCAN & CHAIN PGS CTR
 PRINTER CONTROL CARD
 LINE PRINTER ATTACHMENT
 PN2547286 EC825408 PEC825372

LDC=1A-A2Q2
 USN 00100 PRI=19DEC74 1352
 PDFSC=0001 SEC
 PFORM=KSEB NEXTBLK FB
 CID FEALD JOB L7101028

D
 Q
 2
 0
 0
 0001



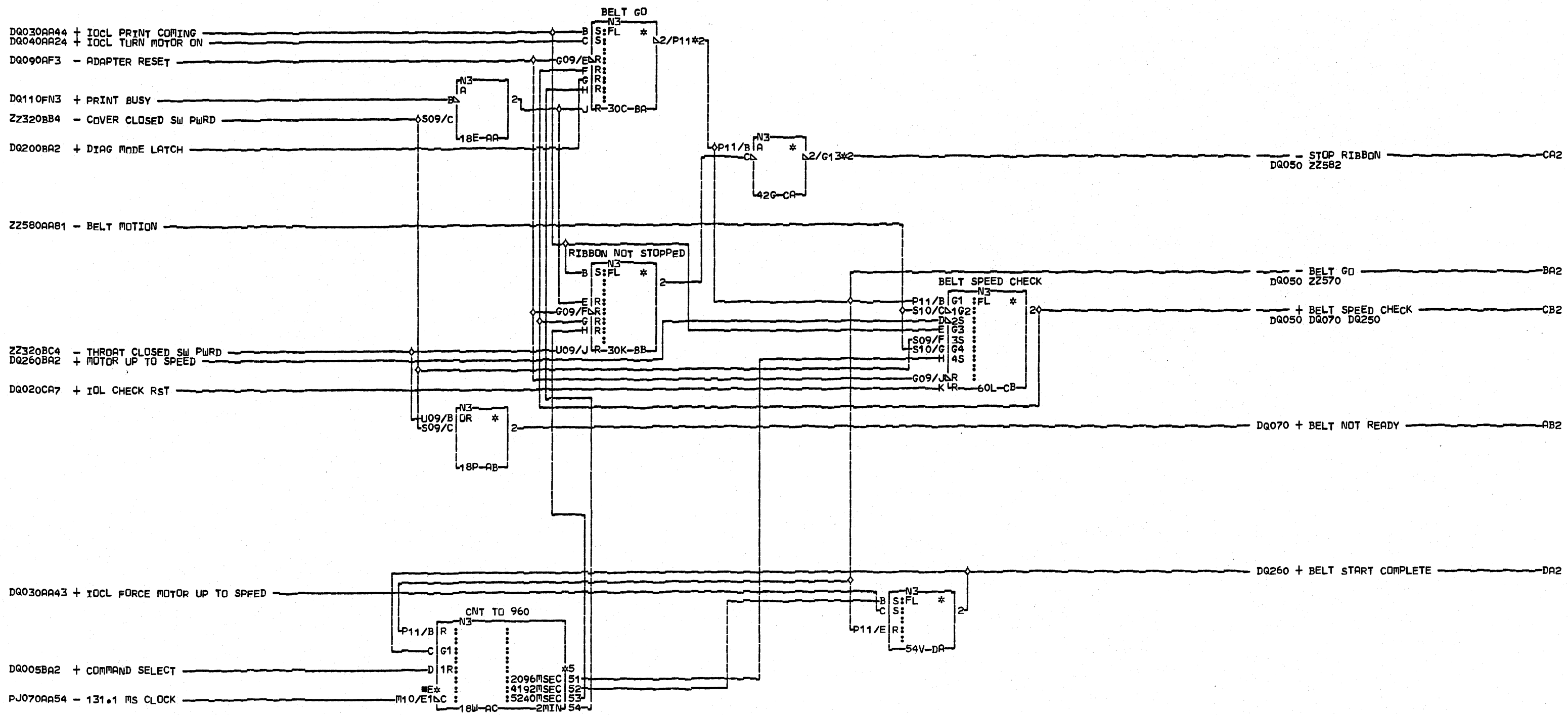
COMMENTS
D1COPYRIGHT IBM CORP. 1974

PRINTER CONTROL CARD
LINE PRINTER ATTACHMENT
PN2547287 EC825408 PEC825372

LDC=1A-A2Q2
USN 00100 PRI=19DEC74 1352
PDESC=00n1 SEC
PFORM=KSEB NEXTBLK BE
CID FEALD JOB L7101028

D
Q
2
1
0

D
Q
2
1
0



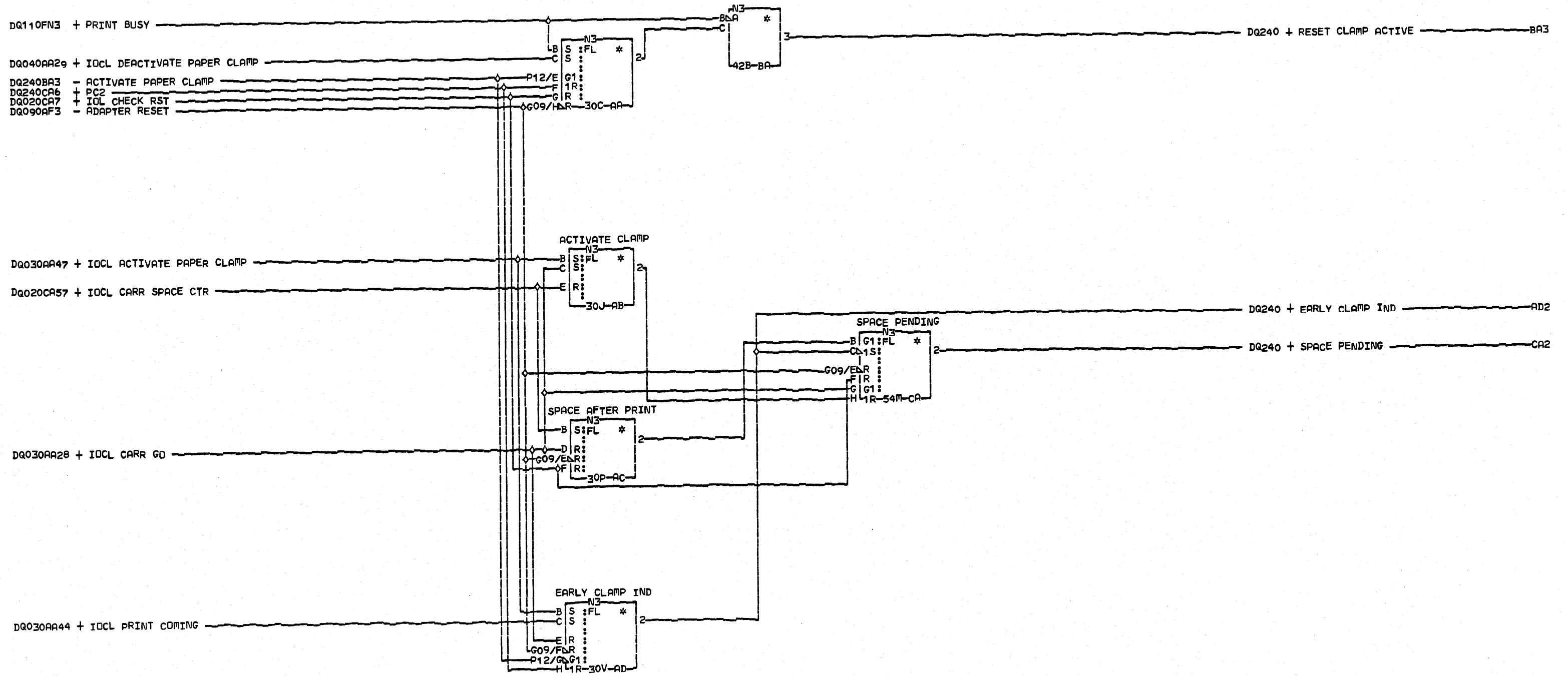
COMMENTS
 D1COPYRIGHT IBM CORP. 1974

CONNECTORS
 BA2
 0004/PRINTER0000000000/13C04
 0002/1A-A20000000000/V3D04
 CA2
 0005/PRINTER0000000000/13C30
 0001/1A-A20000000000/V3B10

BELT CONTROLS
 PRINTER CONTROL CARD
 LINE PRINTER ATTACHMENT
 PN2547288 EC825408 PEC825372
 LOC#1A-A2Q2
 USN 00100 PRI#19DEC74 1352
 PDESC#0001 SEC
 PFORM#KSEB NEXTBLK DB
 CID FEALD JOB L7101028

0001

0001



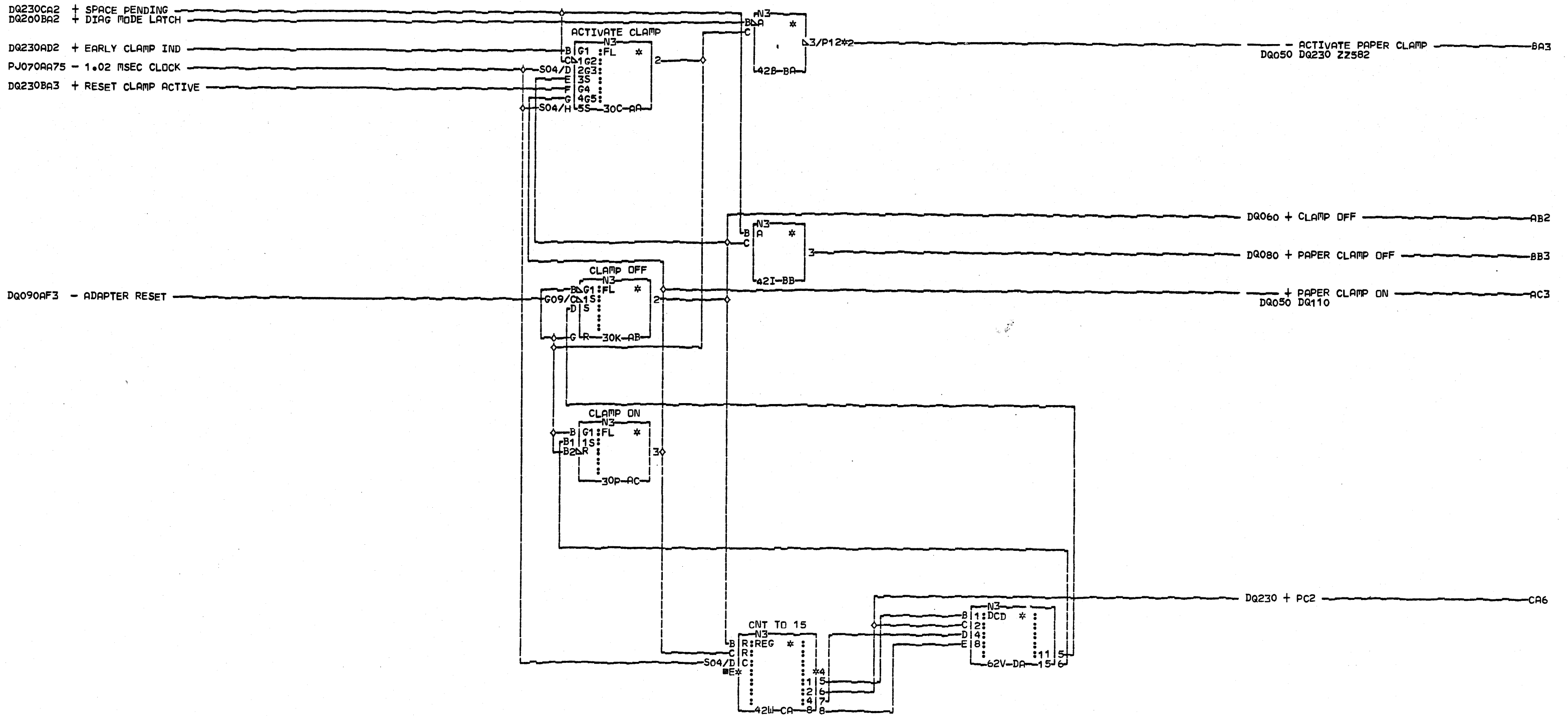
COMMENTS
D1COPYRIGHT IBM CORP. 1974

PAPER CLAMP CTRLS
 PRINTER CONTROL CARD
 LINE PRINTER ATTACHMENT
 PN2547289 EC825408 PEC825372

LOC=1A-A2Q2
 USN 00100 PRI=19DEC74 1352
 PDESC=0001 SEC
 PFORM=KSEB NEXTBLK CB
 CID FEALD JOB L7101028

0001

0001



COMMENTS
D1COPYRIGHT IBM CORP. 1974

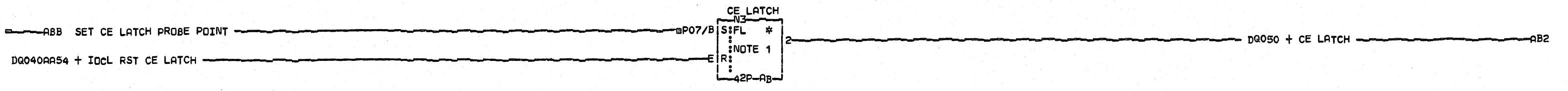
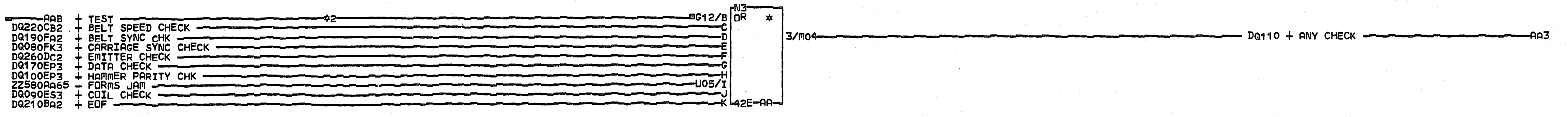
CONNECTORS
BA3
0002/PRINTER@@@@@@@@/13C33
0001/1A-A2@@@@@@@@/13B13

PAPER CLAMP TIMER
PRINTER CONTROL CARD
LINE PRINTER ATTACHMENT
PN2547290 EC825408 PEC825372

L0C=1A-A2Q2
USN 00100 PRI=19DEC74 1352
PDESC=0001 SEC
PFORM=KSEB NEXTBLK DB
CID FEALD JOB L7101028

D
Q
2
4
0
0001

D
Q
2
4
0
0001



COMMENTS
 1 NOTE 1: THE CE LATCH INPUT
 2 MAY BE JUMPED TO
 3 ANY LOGIC SIGNAL AND
 4 SENSED
 D1COPYRIGHT IBM CORP. 1974

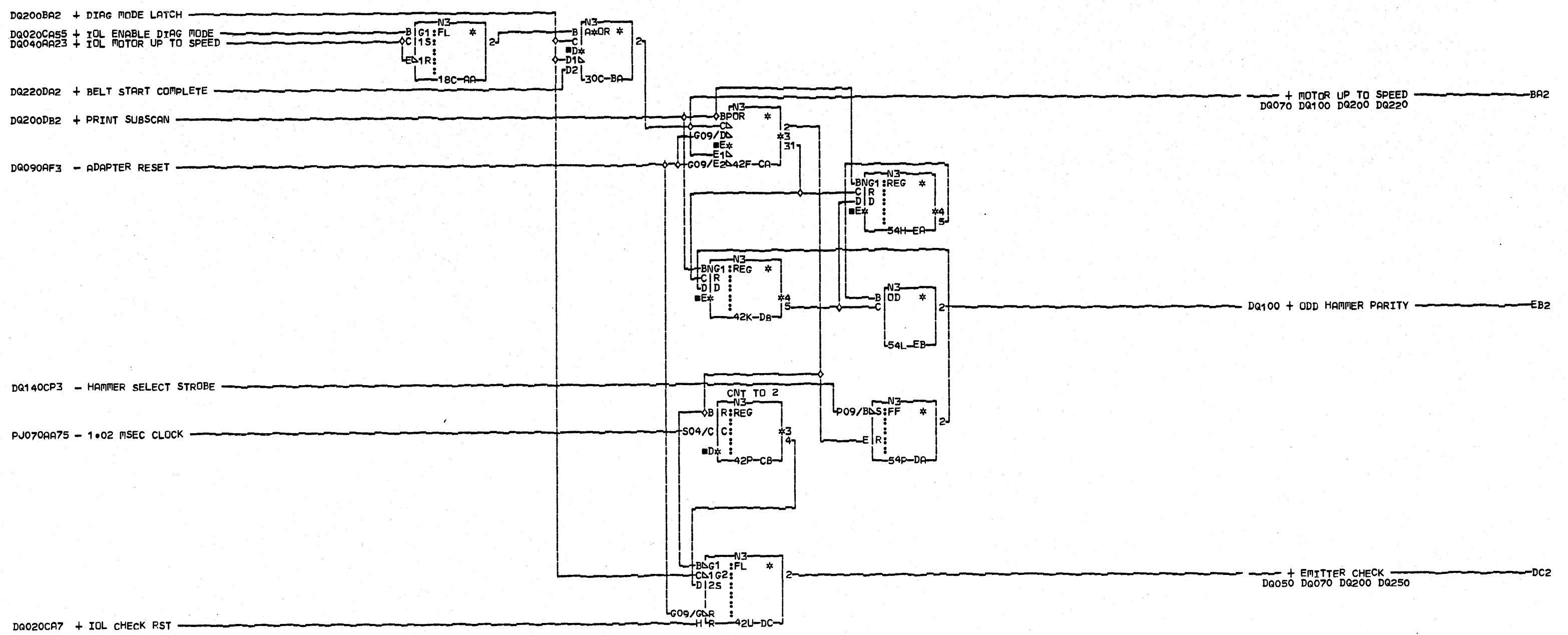
CONNECTORS
 AAB
 0001/1A-A2Q2@@@@@@@@/JOB

CLAMP TIMINGS
 PRINTER CONTROL CARD
 LINE PRINTER ATTACHMENT
 PN2547291 EC825408 PEC825372

LOC=1A-A2Q2
 USN 00100 PRI=19DEC74 1352
 PDESC=0001 SEC
 PFORM=KSEB NEXTBLK AC
 CID FEALD JOB L7101028

0001

0001



COMMENTS
D1COPYRIGHT IBM CORP. 1974

EMITTER CK AND HMR PARITY
 PRINTER CONTROL CARD
 LINE PRINTER ATTACHMENT
 PN2547292 EC825408 PEC825372

LDC=1A-A2Q2

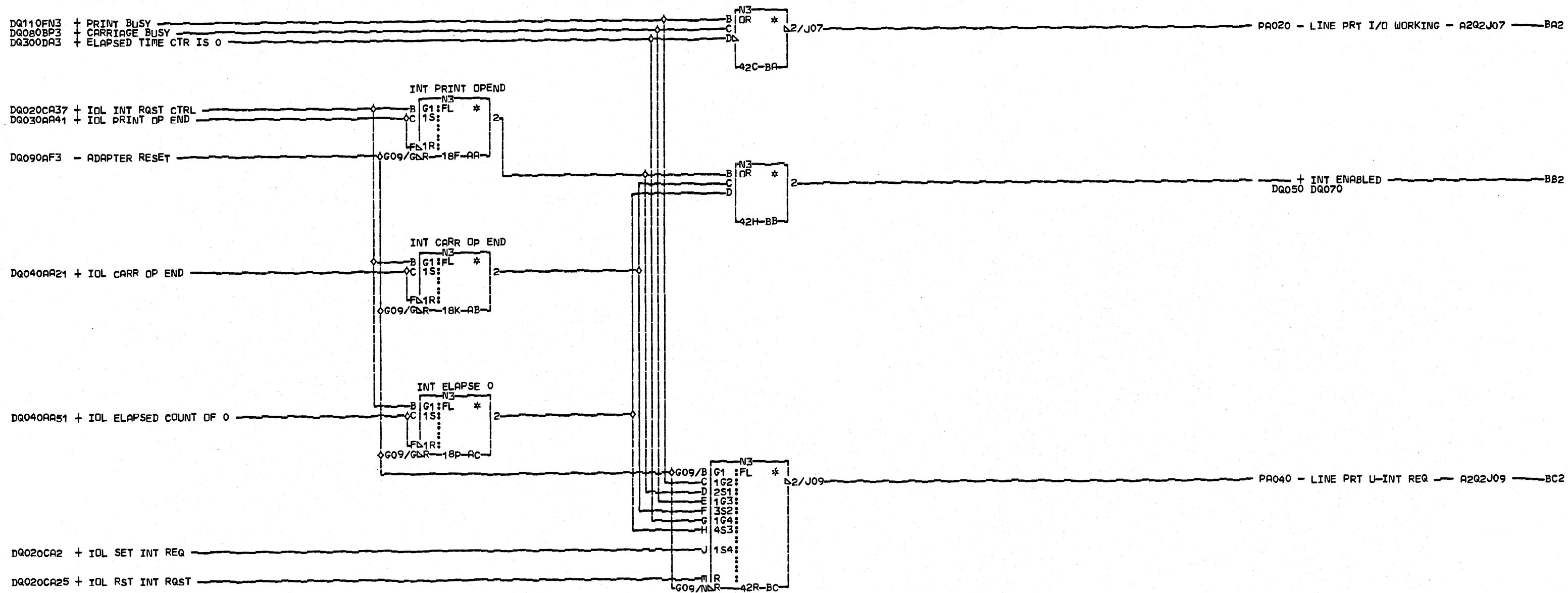
USN 00100 PRI=19DEC74 1352

PNESC=0001 SFC
 PFORM=KSEB NEXTBLK EC

CID FEALD JOB L7101028

D
6
0
0001

D
Q
2
6
0
0001



COMMENTS

D1COPYRIGHT IBM CORP. 1974

U-INT REQ
 PRINTER CONTROL CARD
 LINE PRINTER ATTACHMENT
 PN2547293 EC825408 PEC825372

LDC#1A-A2Q2

USN 00100

PDFSC#0001
 PFORM#KSEB

CID FEALD

PRI#19DEC74 1352

SEC
 NEXTBLK BD

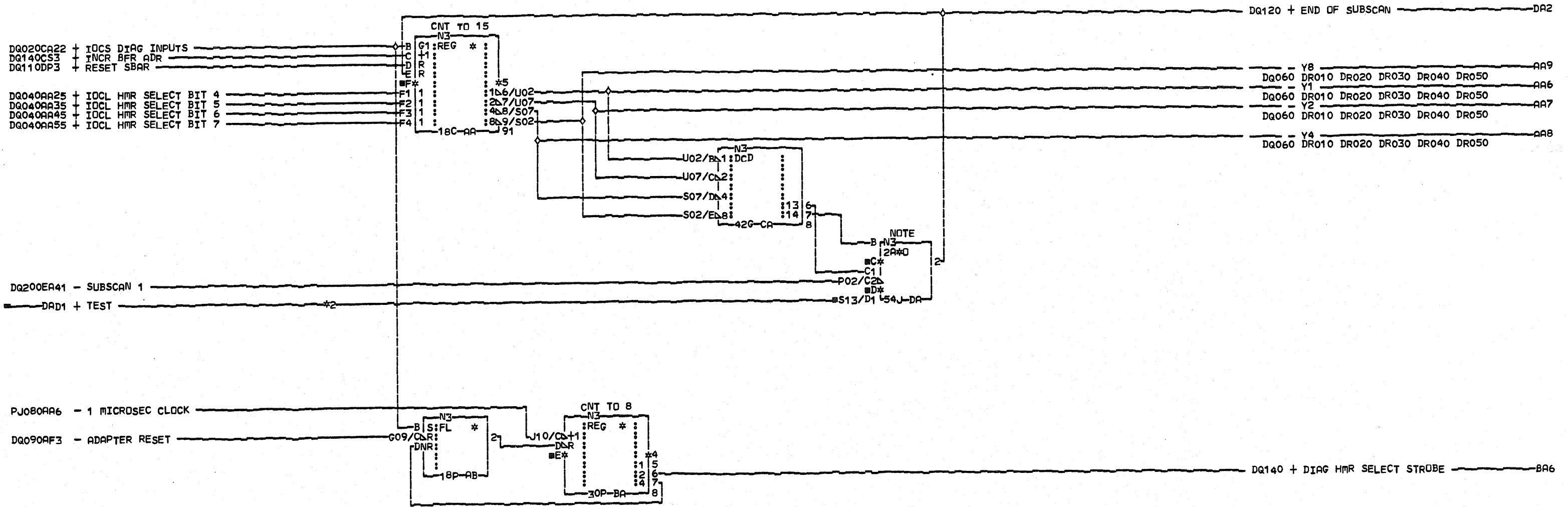
JOB L7101028

D
 Q
 N
 O

0001

D
 Q
 N
 O

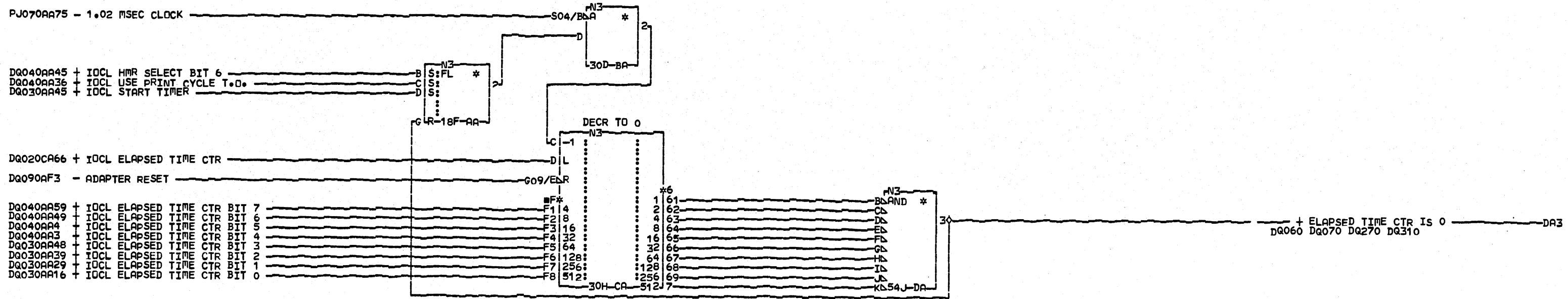
0001



COMMENTS
 A1NOTE : DAD1 IS CONNECTED
 2 TO GROUND AT U08
 D1COPYRIGHT IBM CORP. 1974

CONNECTORS
 DAD1
 0001/1A-A2Q2@@@@@@@@@/U08

HAMMER SELECT CTRL
 PRINTER CONTROL CARD
 LINE PRINTER ATTACHMENT
 PN2547295 EC825408 PEC825372
 LOC=1A-A2Q2
 USN 00100 PRI=19DEC74 1352
 PDFSC=0001 SEC
 PFORM=KSEB NEXTBLK DB
 CID FEALD JOB L7101028



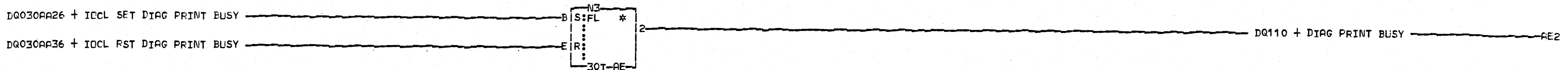
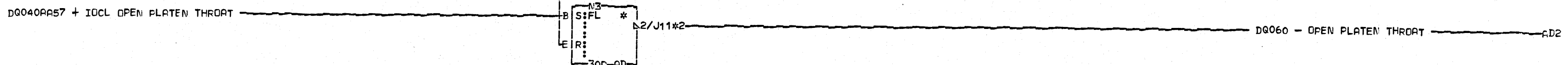
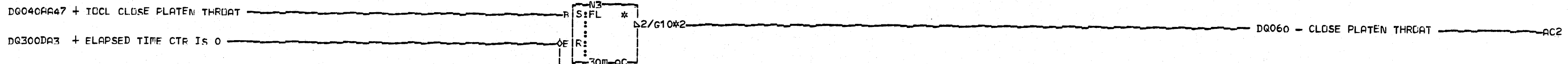
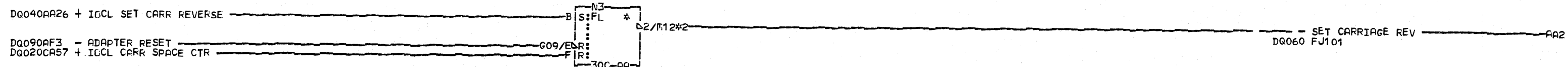
COMMENTS
D1COPYRIGHT IBM CORP. 1974

ELAPSED TIME CTR
PRINTER CONTROL CARD
LINE PRINTER ATTACHMENT
PN2547296 EC825408 PEC825372

LOC=1A-A2Q2
USN 00100 PRI=19DEC74 1352
PDESC=0001 SEC
PFORM=KSEB NEXTBLK DB
CID FEALD JOB L7101028

D
Q
3
0
0
0001

D
Q
3
0
0
0001



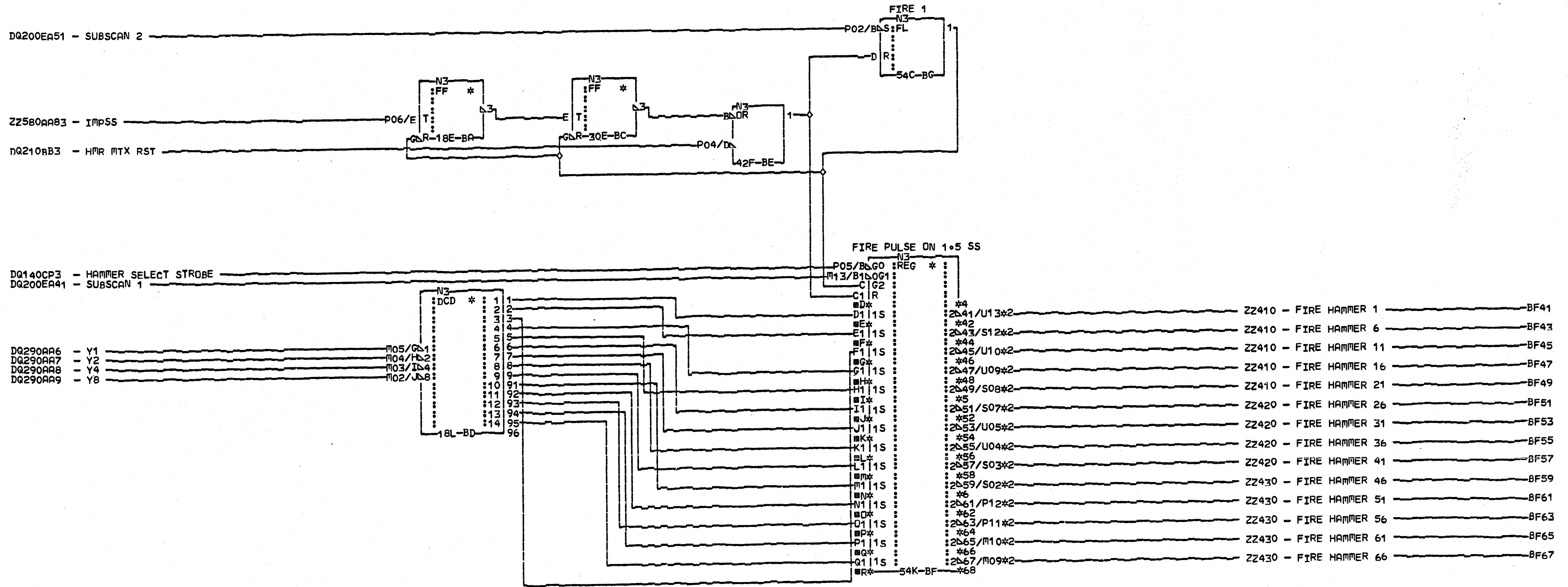
COMMENTS
D1 COPYRIGHT IBM CORP. 1974

CONNECTORS
AA2
0001/1A-A2/T4D02
AC2
0002/1A-A2/T4B08
AD2
0003/1A-A2/T4B04

CONTROL LINES
PRINTER CONTROL CARD
LINE PRINTER ATTACHMENT
PN2547297 EC828693 PEC825408
LUC#1A-A2Q2
USN 00119 PRI#30JUN76 0923
PDESC#0001 SEC.
PFORM#KSEB NEXTBLK AF
CID FEALD JDB K5401121

D
0
3
1
0
0001

D
0
3
1
0
0001



COMMENTS
 D1COPYRIGHT IBM CORP. 1974
 D
 R
 O
 1
 0
 0001

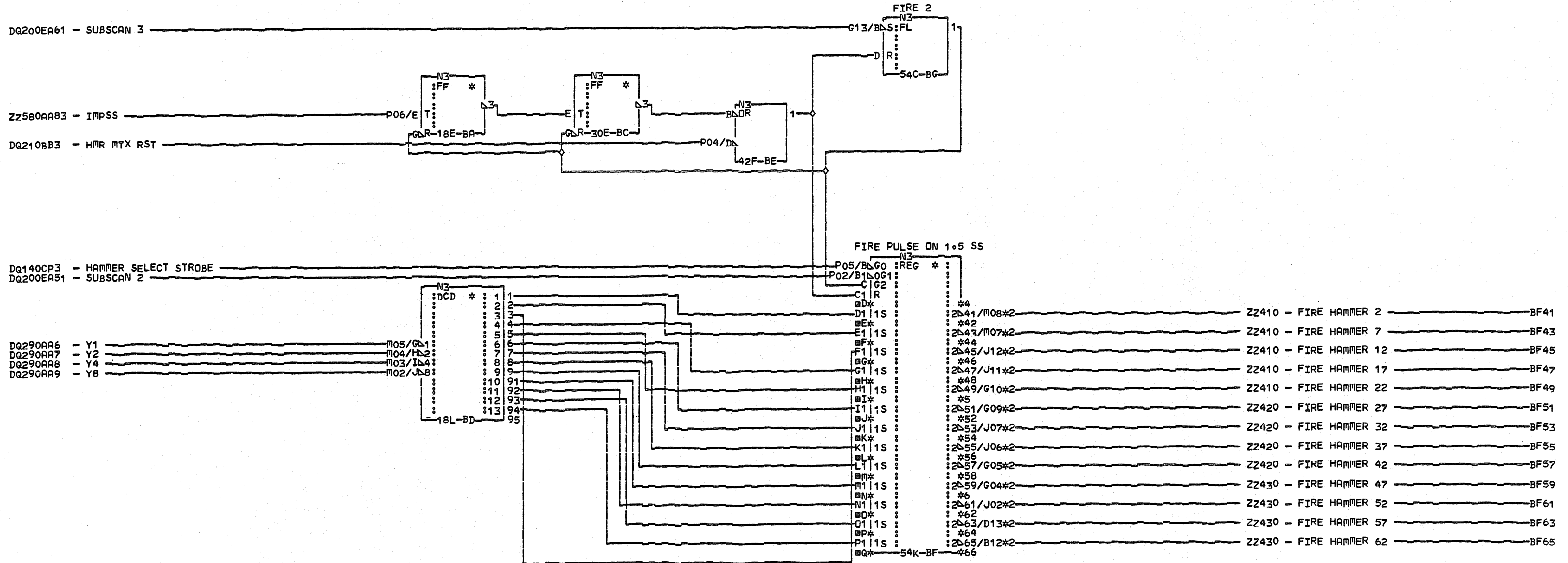
CONNECTORS
 BF41
 0015/PRINTER/V23F26
 0001/1A-A2/V2B06
 BF43
 0016/PRINTER/V23F06
 0002/1A-A2/V2D06
 BF45
 0017/PRINTER/V23F29
 0003/1A-A2/V2B09
 BF47
 0018/PRINTER/V23F09
 0004/1A-A2/V2D09
 BF49
 0019/PRINTER/V23F22

CONNECTORS
 0005/1A-A2/V2B02
 BF51
 0020/PRINTER/V23D04
 0006/1A-A2/V4D04
 BF53
 0021/PRINTER/V23D13
 0007/1A-A2/V4D13
 BF55
 0022/PRINTER/V23D27
 0008/1A-A2/V4R07
 BF57
 0023/PRINTER/V23D33
 0009/1A-A2/V4B13
 BF59

CONNECTORS
 0024/PRINTER/V23B05
 0010/1A-A2/V5D05
 BF61
 0025/PRINTER/V23B28
 0011/1A-A2/V5B08
 BF63
 0026/PRINTER/V23B23
 0012/1A-A2/V5B03
 BF65
 0027/PRINTER/V23B32
 0013/1A-A2/V5B12
 BF67
 0028/PRINTER/V23B03
 0014/1A-A2/V5D03

PRINT HAMMER FIRE CARD
 SS1 HAMMERS
 LINE PRINTER ATTACHMENT
 PN2547313 EC825408 PEC825372
 LOC=1A-A2R2
 USN 00100 PRI=19DEC74 1352
 PDESC=0001 SEC
 PFORM=KSEB NEXTBLK BH
 CID FEALD JOB L7101028

D
 R
 O
 1
 0
 0001



0001
D
R
O
C
O
M
M
E
N
T
S
D1COPYRIGHT IBM CORP. 1974

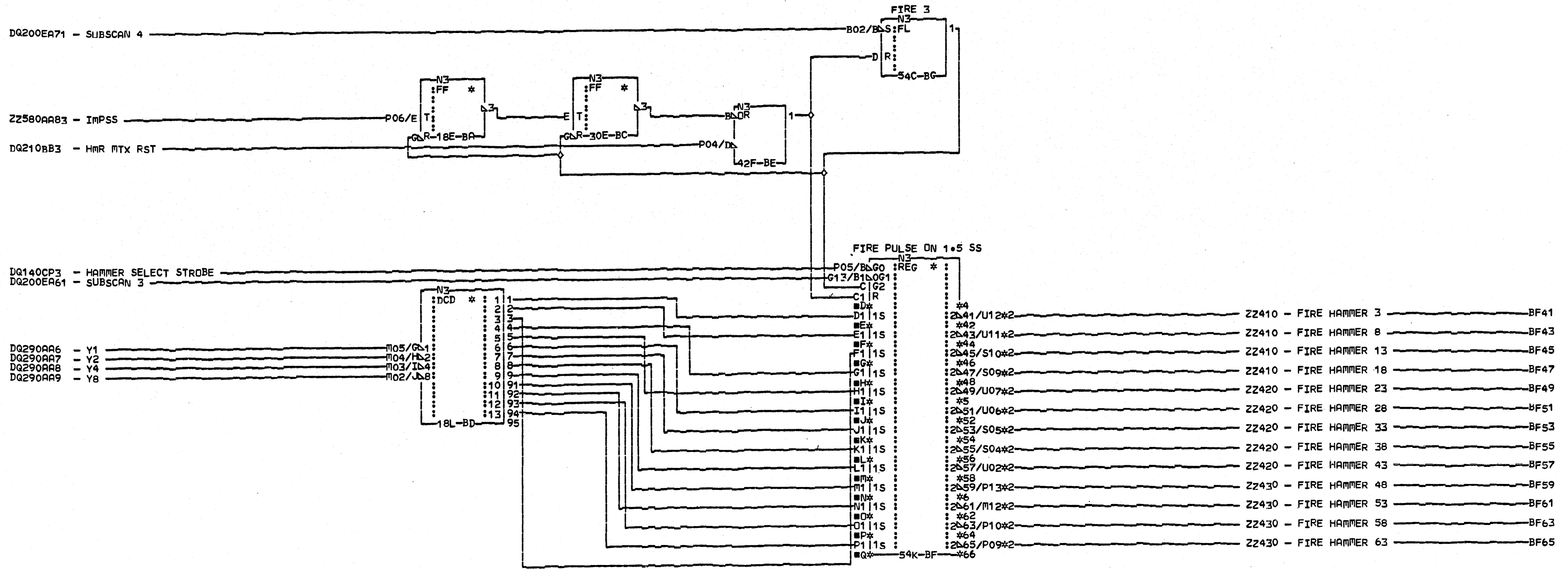
CONNECTORS
BF41
0014/PRINTER/23F05
0001/1A-A2/V2D05
BF43
0015/PRINTER/23F28
0002/1A-A2/V2B08
BF45
0016/PRINTER/23F23
0003/1A-A2/V2B03
BF47
0017/PRINTER/23F32
0004/1A-A2/V2B12
BF49
0018/PRINTER/23F03

CONNECTORS
V2D03
BF51
0019/PRINTER/23D30
0006/1A-A2/V4B10
BF53
0020/PRINTER/23D12
0007/1A-A2/V4D12
BF55
0021/PRINTER/23D10
0008/1A-A2/V4D10
BF57
0022/PRINTER/23D25
0009/1A-A2/V4B05
BF59

CONNECTORS
23R07
V5D07
BF61
0024/PRINTER/23B24
0011/1A-A2/V5B04
BF63
0025/PRINTER/23B11
0012/1A-A2/V5D11
BF65
0026/PRINTER/23B02
0013/1A-A2/V5D02

PRINT HAMMER FIRE CARD
SS2 HAMMERS
LINE PRINTER ATTACHMENT
PN2547314 EC825408 PEC825372
LOC=1A-A2R2
USN 00100 PRI=19DEC74 1352
PDESC=0001 SEC
PFORM=KSEB NEXTBLK BI
CID FEALD JOB L7101028

D
R
O
2
O
0001



COMMENTS
 D1COPYRIGHT IBM CORP. 1974
 D
 R
 O
 3
 0
 0001

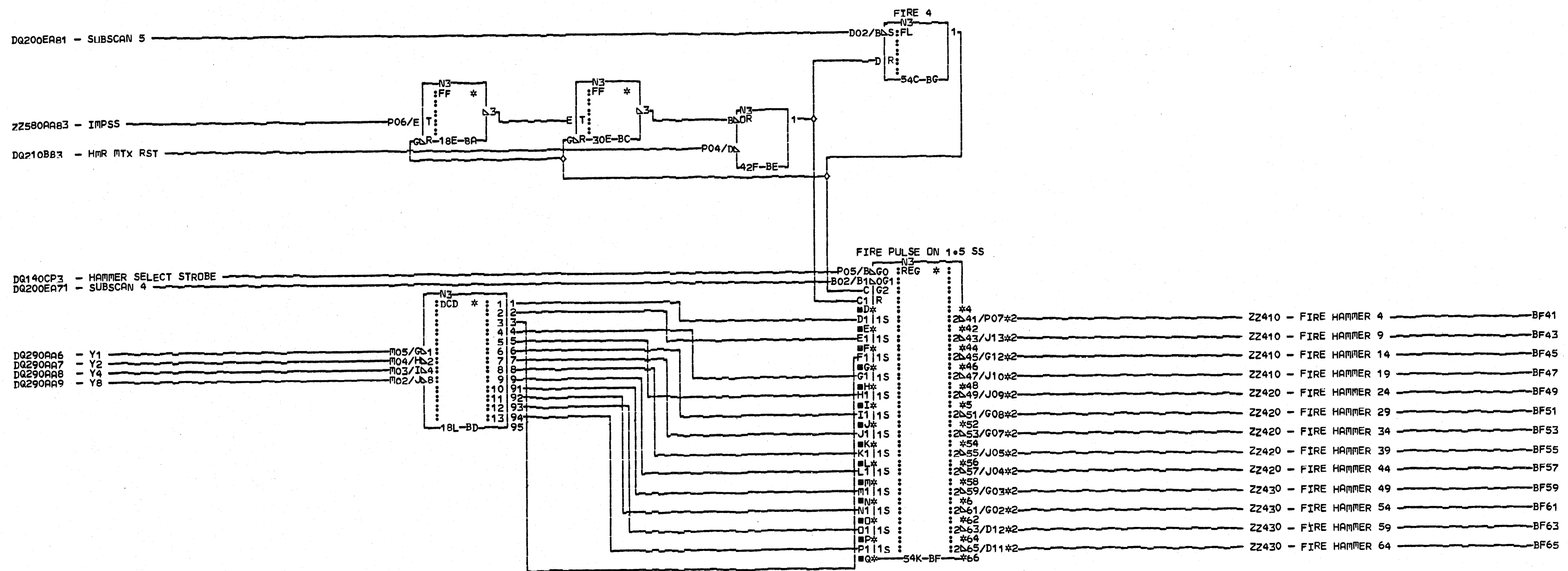
CONNECTORS
 BF41
 0014/PRINTER/V23F07
 0001/1A-A2/V2D07
 BF43
 0015/PRINTER/V23F24
 0002/1A-A2/V2B04
 BF45
 0016/PRINTER/V23F11
 0003/1A-A2/V2D11
 BF47
 0017/PRINTER/V23F02
 0004/1A-A2/V2D02
 BF49
 0018/PRINTER/V23D26

CONNECTORS
 0005/1A-A2/V4B06
 BF51
 0019/PRINTER/V23D06
 0006/1A-A2/V4D06
 BF53
 0020/PRINTER/V23D29
 0007/1A-A2/V4B09
 BF55
 0021/PRINTER/V23D09
 0008/1A-A2/V4D09
 BF57
 0022/PRINTER/V23D22
 0009/1A-A2/V4B02
 BF59

CONNECTORS
 0023/PRINTER/V23B04
 0010/1A-A2/V5D04
 BF61
 0024/PRINTER/V23B13
 0011/1A-A2/V5D13
 BF63
 0025/PRINTER/V23B27
 0012/1A-A2/V5B07
 BF65
 0026/PRINTER/V23B33
 0013/1A-A2/V5B13

PRINT HAMMER FIRE CARD
 SS3 HAMMERS
 LINE PRINTER ATTACHMENT
 PN2547315 EC825408 PEC825372
 LUC=1A-A2R2
 USN 00100 PRI=19DEC74 1352
 PDESC=0001 SEC
 PFORM=KSEB NEXTBLK BH
 CID FEALD JOB L7101028

D
 R
 O
 3
 0
 0001



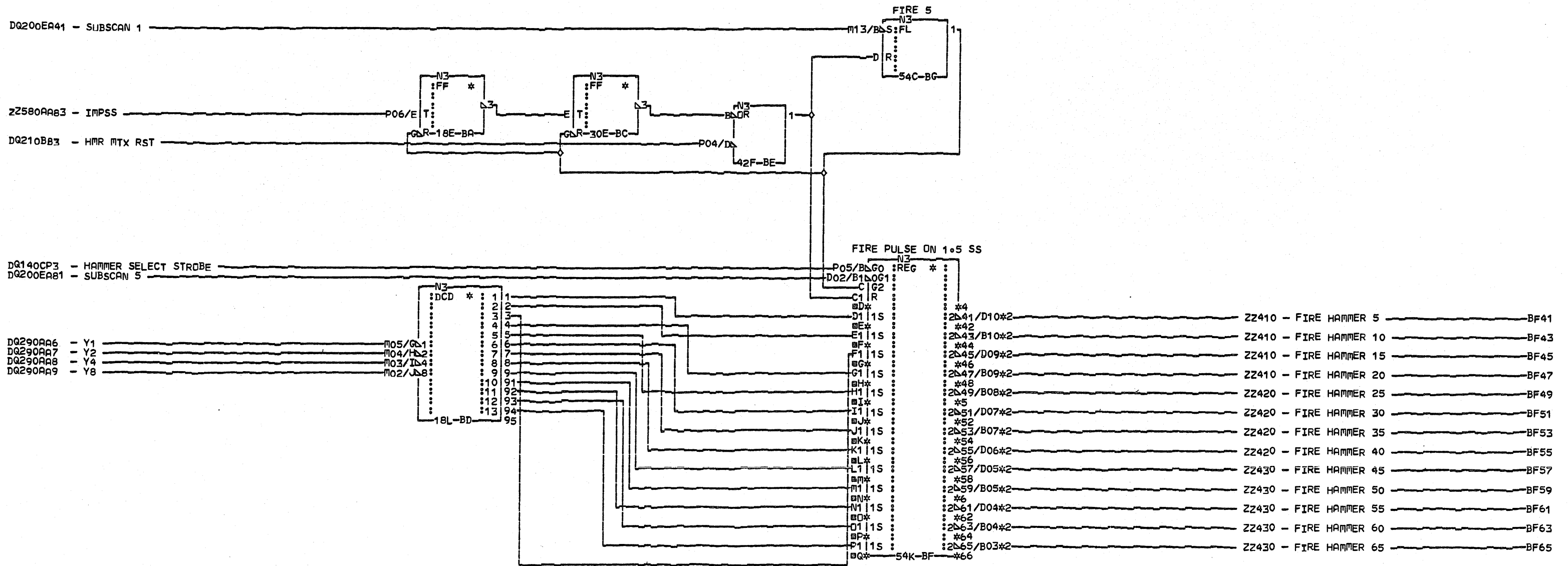
COMMENTS	CONNECTORS	CONNECTORS	CONNECTORS	PRINT HAMMER FIRE CARD SS4 HAMMERS LINE PRINTER ATTACHMENT PN2547316 EC825408 PEC825372	
D1COPYRIGHT IBM CORP. 1974	BF41 0014/PRINTER/V23F04 0001/1A-A2/V2D04	0005/1A-A2/V4D05 BF51 0019/PRINTER/V23D28 0006/1A-A2/V4B08	0023/PRINTER/V23B30 0010/1A-A2/V5B10 BF61 0024/PRINTER/V23B12 0011/1A-A2/V5D12	LDC=1A-A2R2	
	BF43 0015/PRINTER/V23F13 0002/1A-A2/V2D13	BF53 0020/PRINTER/V23D23 0007/1A-A2/V4B03	BF63 0025/PRINTER/V23B10 0012/1A-A2/V5D10	USN 00100	PRI=19DEC74 1352
	BF45 0016/PRINTER/V23F27 0003/1A-A2/V2B07	BF55 0021/PRINTER/V23D32 0008/1A-A2/V4B12	BF65 0026/PRINTER/V23B25 0013/1A-A2/V5B05	PDESC=0001	SEC
	BF47 0017/PRINTER/V23F33 0004/1A-A2/V2B13	BF57 0022/PRINTER/V23D03 0009/1A-A2/V4D03		PFORM=KSEB	NEXTBLK BH
	BF49 0018/PRINTER/V23D05	BF59		CID FEALD	JOB L7101028

D
R
O
4
0

0001

D
R
O
4
0

0001



COMMENTS
D1COPYRIGHT IBM CORP. 1974

D
R
O

0001

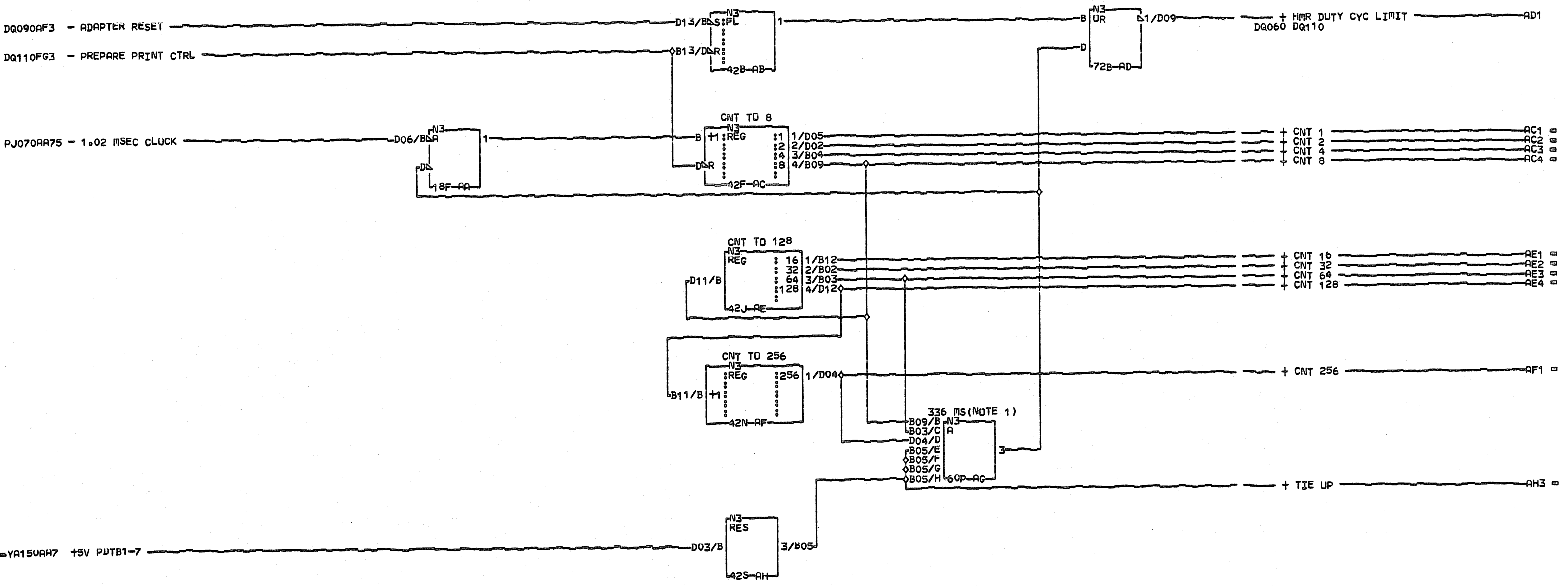
CONNECTORS
 BF41
 0014/PRINTER/23F30
 0001/1A-A2/V2B10
 BF43
 0015/PRINTER/23F12
 0002/1A-A2/V2D12
 BF45
 0016/PRINTER/23F10
 0003/1A-A2/V2D10
 BF47
 0017/PRINTER/23F25
 0004/1A-A2/V2B05
 BF49
 0018/PRINTER/23D07

CONNECTORS
 0005/1A-A2/V4D07
 BF51
 0019/PRINTER/23D24
 0006/1A-A2/V4B04
 BF53
 0020/PRINTER/23D11
 0007/1A-A2/V4D11
 BF55
 0021/PRINTER/23D02
 0008/1A-A2/V4D02
 BF57
 0022/PRINTER/23B26
 0009/1A-A2/V5B06
 BF59

CONNECTORS
 0023/PRINTER/23B06
 0010/1A-A2/V5D06
 BF61
 0024/PRINTER/23B29
 0011/1A-A2/V5B09
 BF63
 0025/PRINTER/23B09
 0012/1A-A2/V5D09
 BF65
 0026/PRINTER/23B22
 0013/1A-A2/V5B06

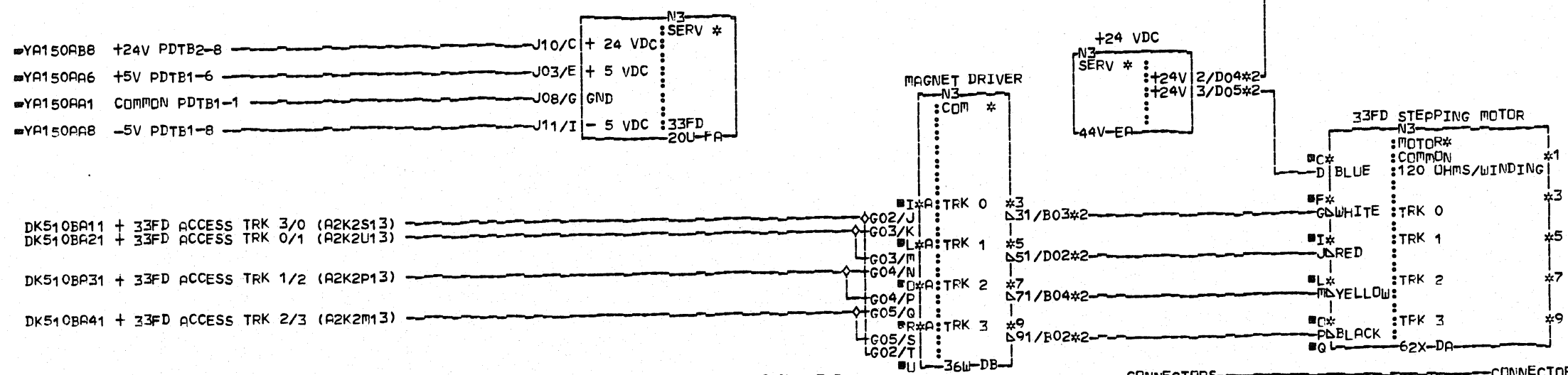
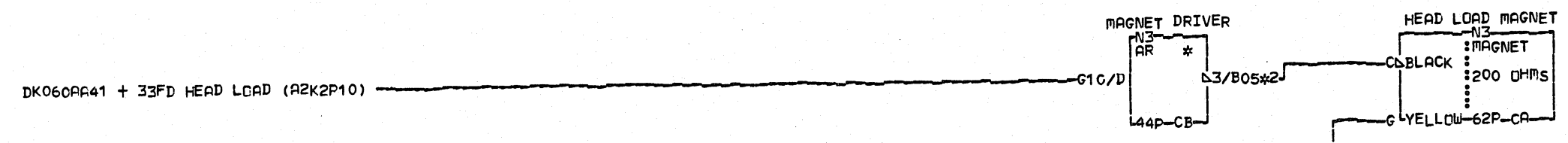
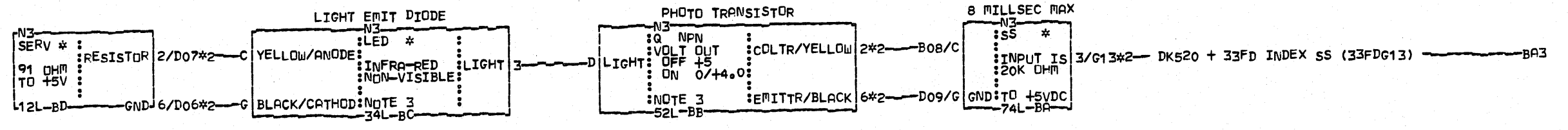
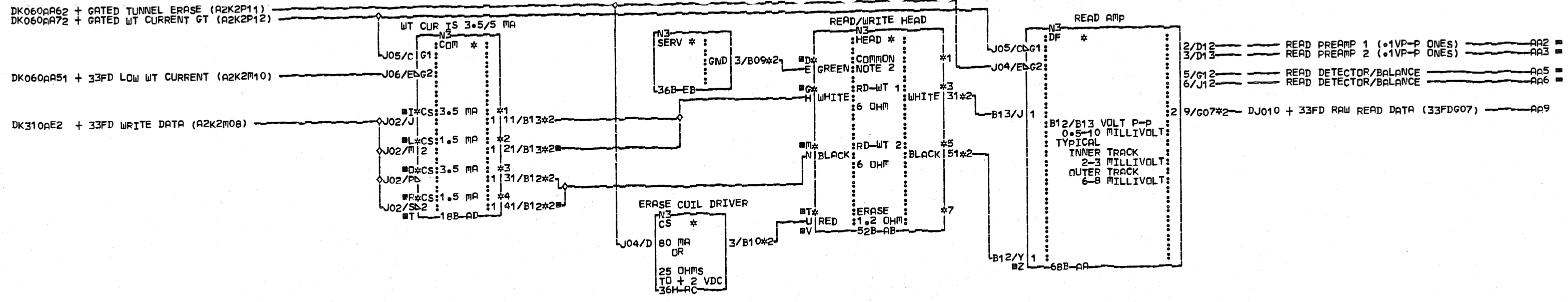
PRINT HAMMER FIRE CARD
 SSS HAMMERS
 LINE PRINTER ATTACHMENT
 PN2547317 EC825408 PEC825372
 LOC=1A-A2R2
 USN 00100 PRI=19DEC74 1352
 PDESC=0001 SEC
 PFORM=KSEB NEXTBLK 8H
 CID FEALD JOB L7101028

D
R
O
0
0001

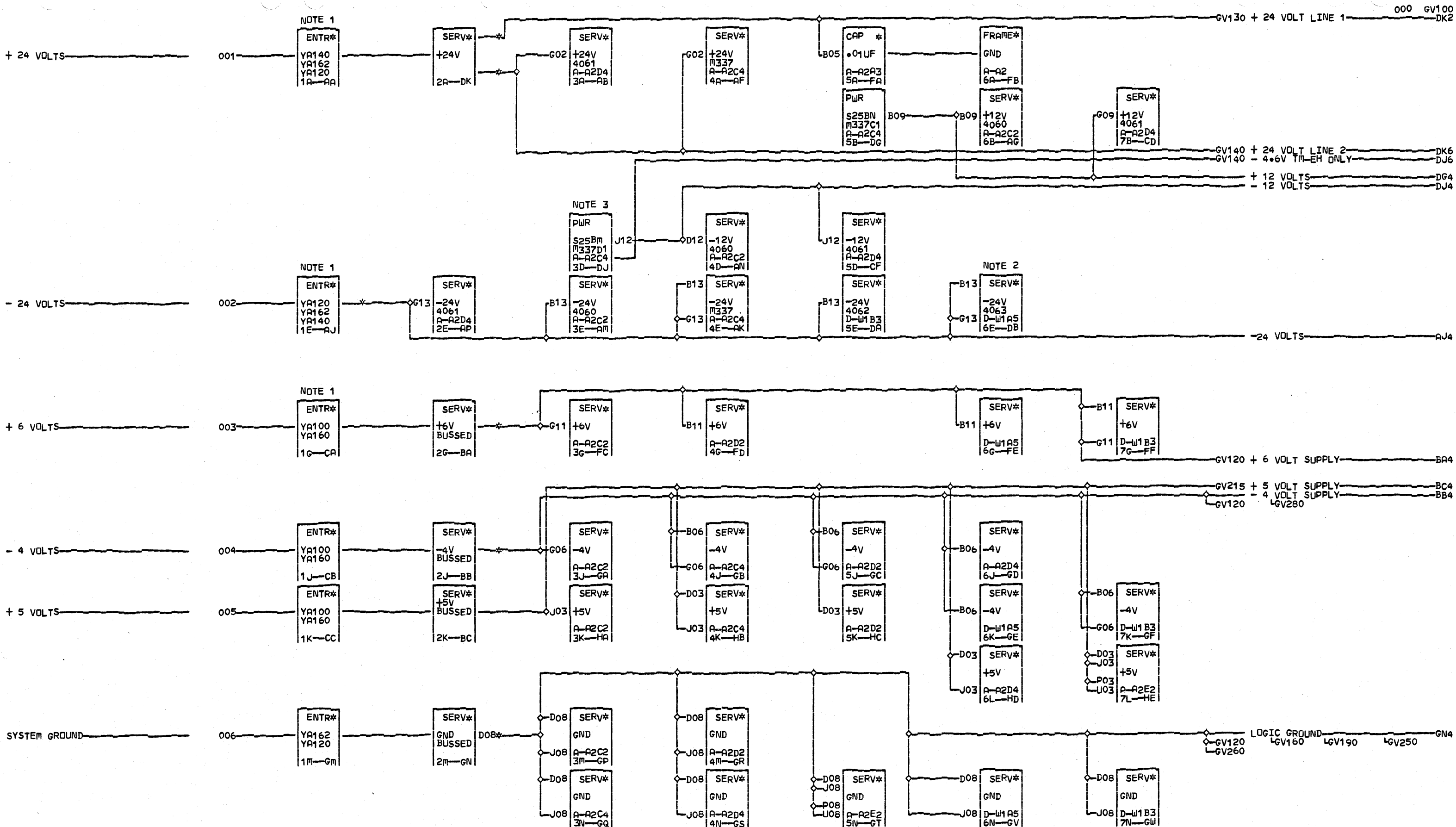


COMMENTS
 A1 NOTE 1: THIS TIME IS FOR
 2 155 LPM ONLY. THE TIMES FOR
 3 50 LPM IS 1130 MS
 4 100 LPM IS 547 MS
 5 285 LPM IS 172 MS
 6 ALL TIMES ARE WITH A 48 CH.
 7 PRINT BELT.
 D1 COPYRIGHT IBM CORP. 1974

HAMMER DUTY CYCLE CARD
 155 LPM, 48 CHAR SET
 LINE PRINTER ATTACHMENT
 PN2547298 EC831956 PEC828508
 LOC=1A-A2T2
 USN 00123 PRI=09DEC76 0917
 PDESC=0001 SEC
 PFORM=KSEB NEXTBLK AI
 CID FEALD JOB M3800808



COMMENTS	CONNECTORS	CONNECTORS	CONNECTORS	CONNECTORS	AMPLIFIERS & DRIVERS
A1NOTE 2: CURRENT LIMIT IS 10 MA FOR RE/WT 100 MA FOR ERASE DO NOT EXCEED	0001/1A-A2/B2B07 0007/33FD-CABLE/A2D07 AB31	0002/1A-A2/B2B13 0013/33FD-CABLE/A2D13 BB2	0020/33FD-CABLE/A1B02 DB51 DB71	0026/33FD-CABLE/A2B10 FAE 0004/1A-A2/B2D03 0027/33FD-CABLE/A2B03 FAG	AMPLIFIERS & DRIVERS DRIVE 33FD PN2547312 EC828777 PEC628565 LDC=5A-33FD USM 00121 PRI=10SEP76 1512 PDESC=0001 SEC PFORM=KSEB NEXTBLK GB CID FEALD JOB K5401931
A1NOTE 3: YELLOW LEAD TO LED & PHOTO TRANSISTOR MUST PLUG ON TERM MARKED WITH A 'Y1'	0008/33FD-CABLE/A1D13 AB51 0009/33FD-CABLE/A1D12 BD2 AC3 0010/33FD-CABLE/A1D10 AD11 0011/33FD-CABLE/A1D13 AD31 0012/33FD-CABLE/A1D12 BA3	0014/33FD-CABLE/A1D08 BB6 0015/33FD-CABLE/A1B09 BD2 0016/33FD-CABLE/A1B07 BD6 0017/33FD-CABLE/A1B06 CB3 0018/33FD-CABLE/A1D06 DB31 0019/33FD-CABLE/A1D03	0021/33FD-CABLE/A1D04 DB91 0022/33FD-CABLE/A1D02 EA2 0023/33FD-CABLE/A1B04 EA3 0024/33FD-CABLE/A1B05 EB3 0025/33FD-CABLE/A1D09 FAC 0003/1A-A2/B2D10	0005/1A-A2/B2D08 0028/33FD-CABLE/A2B08 FAI 0006/1A-A2/B2D11 0029/33FD-CABLE/A2B11	



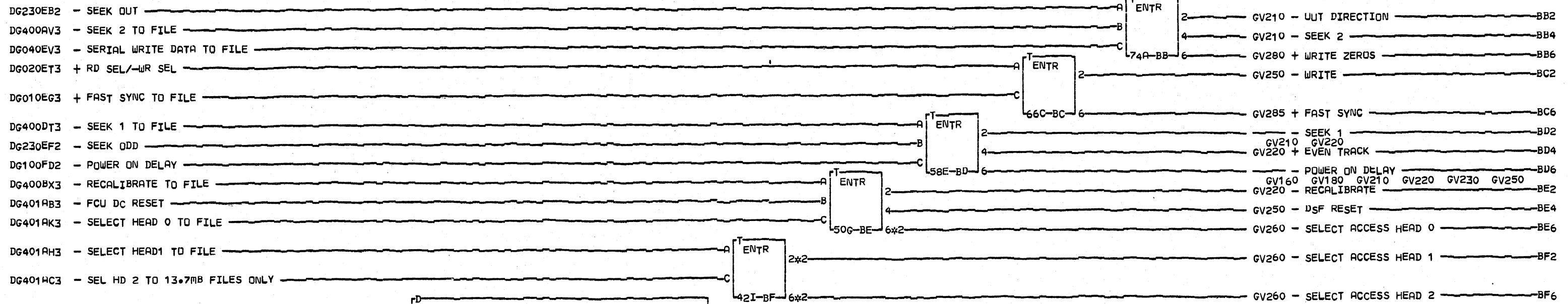
NOTE 1
 REFERENCES FOR ENTER BLOCKS
 ARE INSIDE BLOCKS
 V COPYRIGHT IBM CORP. 1974
 1 NOTE 2 P/N 8219255+9260
 0 DO NOT USE -24V
 0 NOTE 3 -4.6V GEN AND
 USED ON TM-BH
 000C4 CARD ONLY

AJ4 A-A2A4B13	01D-W1B5B06	01A-A2A4D08
01D-W1B5B13	01D-W1B5B07	01D-W1A1D08
01D-W1B5D13	01A-A2A4B07	01D-W1A4D08
01A-A2A4D13	DK2 A-A2A3B05	01D-W1B5D08
BA4 A-A2A4B11	DK6 A-A2A3B02	
01D-W1B5B11	01D-W1A1B02	
01D-W1B5D11	01D-W1A1D02	
01A-A2A4D11	01A-A2A3D02	
BB4 A-A2A4B06	GN4 A-A2A3D08	

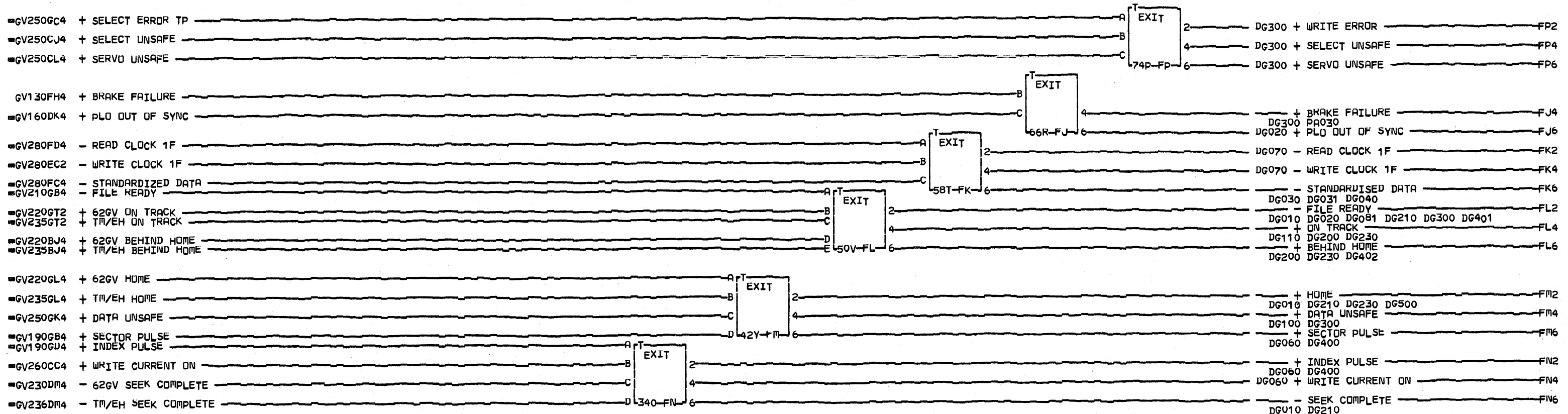
05-19-75 828561
 08-25-75 828565
 04-14-77 830358

VOLTAGE DISTRIBUTION			
DATE	04-21-77	MACH.	62-FILE
LOG	2313	FRAME	01
	P.N.	2547318	
IBM CORP.	GSD BLK.		HF

V
1
0
0
000



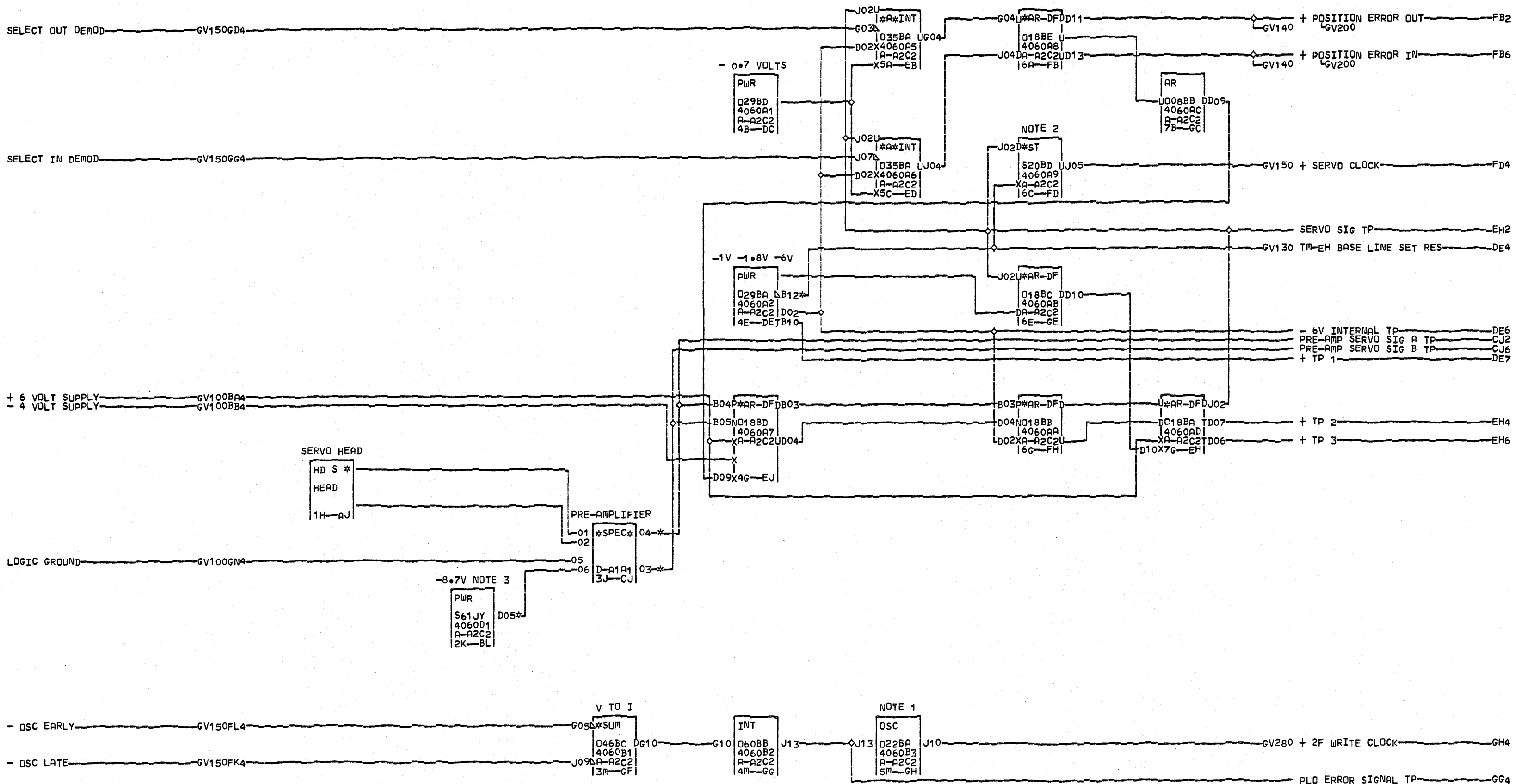
LOGIC AT EC 830358 IS COMMON LOGIC FOR ALL FILE CAPACITIES. NET NAMES PRECEDED BY GV ARE USED ONLY ON 3MB AND 5MB FILES. NET NAMES PRECEDED BY TM/EH ARE USED ONLY ON 9MB AND 13MB FILES. LOGIC PAGES GV220 AND GV230 ARE EXCLUSIVELY 3MB AND 5MB LOGIC FOR PART OF THE E2 CARD. LOGIC PAGES GV235 AND GV236 ARE EXCLUSIVELY 9 MB AND 13MB LOGIC FOR PART OF THE E2 CARD. 16K-FQ



COMMENTS	CONNECTORS	CONNECTORS	SYSTEM-FILE INTERFACE FE ALDS		
A1 WRAP BACK VOLTAGE TEST	BE6	0059/1D-W1/B5D04	PN2547319 EC830358 PEC828635		
2 POINTS ON CONNECTORS	0011/1A-A2/A4B09		LOC#		
3 D-W1/B5D10; 1A-A2/A4D10	0056/1A-A2/A4D10		USN 00124	PRI#07APR77 0120	GV
4 D-W1/B5D07; 1A-A2/A4D07	0051/1D-W1/B5B09		PDESC#0001 SEC		1
5 D-W1/B5D04; 1A-A2/A4D04	0055/1D-W1/B5D10		PFDRM#KSEB NEXTBLK FR		1
D1COPYRIGHT IBM CORP. 1974	BF2		CID FEALD JOB L6901600		0
	0015/1A-A2/A4B08				
	0058/1A-A2/A4D07				
	0052/1D-W1/B5B08				
	0057/1D-W1/B5D07				
	BF6				
	0053/1A-A2/A4B10				
	0060/1A-A2/A4D04				
	0054/1D-W1/B5B10				

GV110

GV110

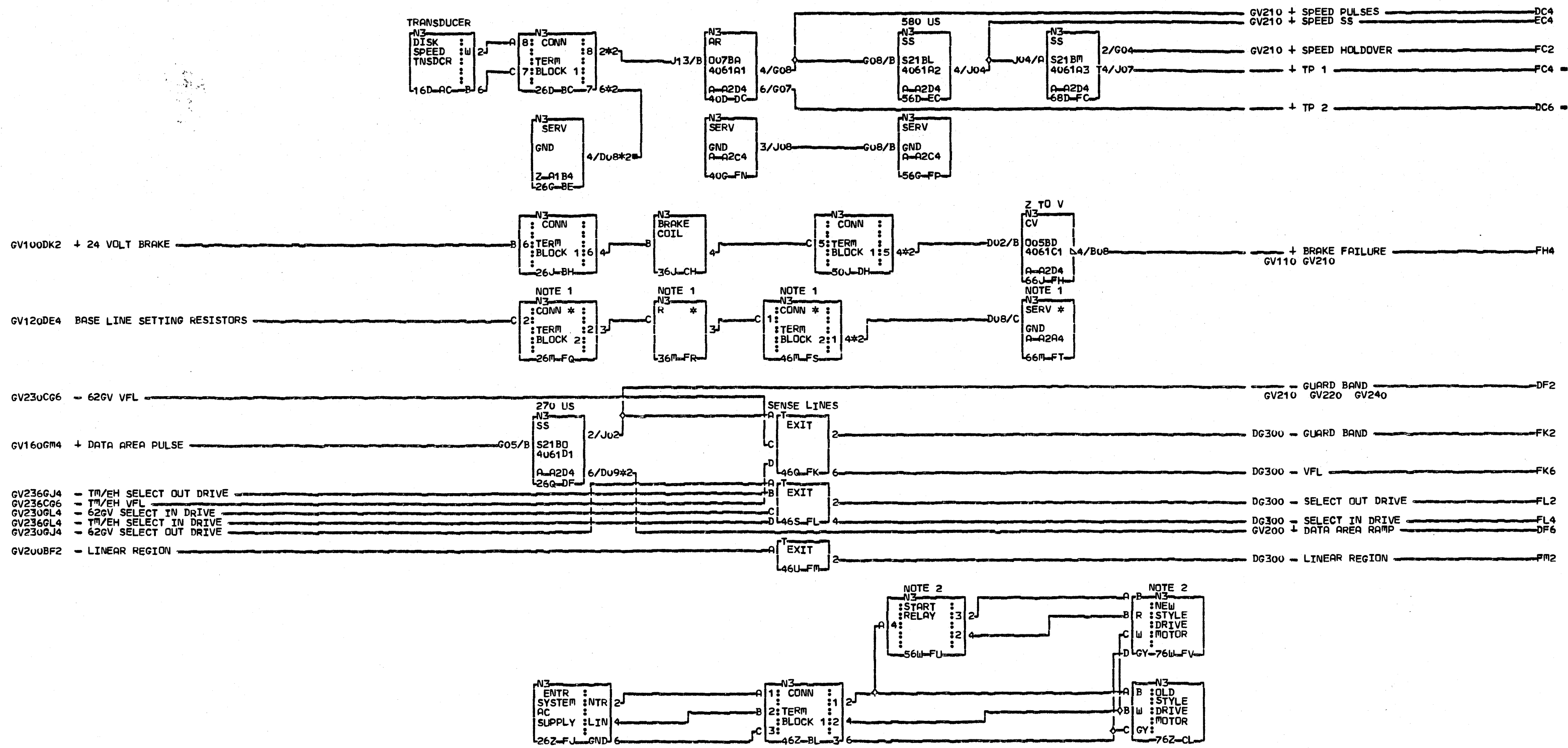


NOTE 1 FREQ NOM 14.22 MHZ
VARIABLE DEPENDANT ON INPUT
G COPYRIGHT IBM CORP. 1974
V NOTE 2 62GV -1.68V
1 TM-EH -1.3V
2 NOTE 3 -8.7V WRAP BACK
0 IS ON 01A-A2A3B08

BL4 A-A2A3D07
01D-W1A1D07
01D-W1A1B07
01A-A2A3B08
CJ2 A-A2A2D04
01D-W1B1D04
CJ6 A-A2A2D05
01D-W1B1D05
DE4 A-A2C2B12
01A-A2A3D13
01D-W1B2-3

02-15-74 821197
02-15-74 392260
10-04-74 825372
04-14-77 830358

SERVO PRE-AMP AND POSITION DET			
PLD ANALOG			
DATE	04-21-77	MACH. 62-FILE	G
LOG	2313 FRAME	01	1
			2
			0
P.No 2547320			000
IBM CORP.	GSD BLK.	GJ	



COMMENTS

A1 NOTE 1:
 2 BLOCKS FG-FR-FS-FT
 3 APPLY ONLY TO 9MB
 4 AND 13MB FILES

B1 NOTE 2:
 2 START RELAY USED WITH
 3 NEW STYLE MOTOR ONLY.
 4 ONLY 1 MOTOR PER SYSTEM.
 D1 COPYRIGHT IBM CORP. 1974

CONNECTORS

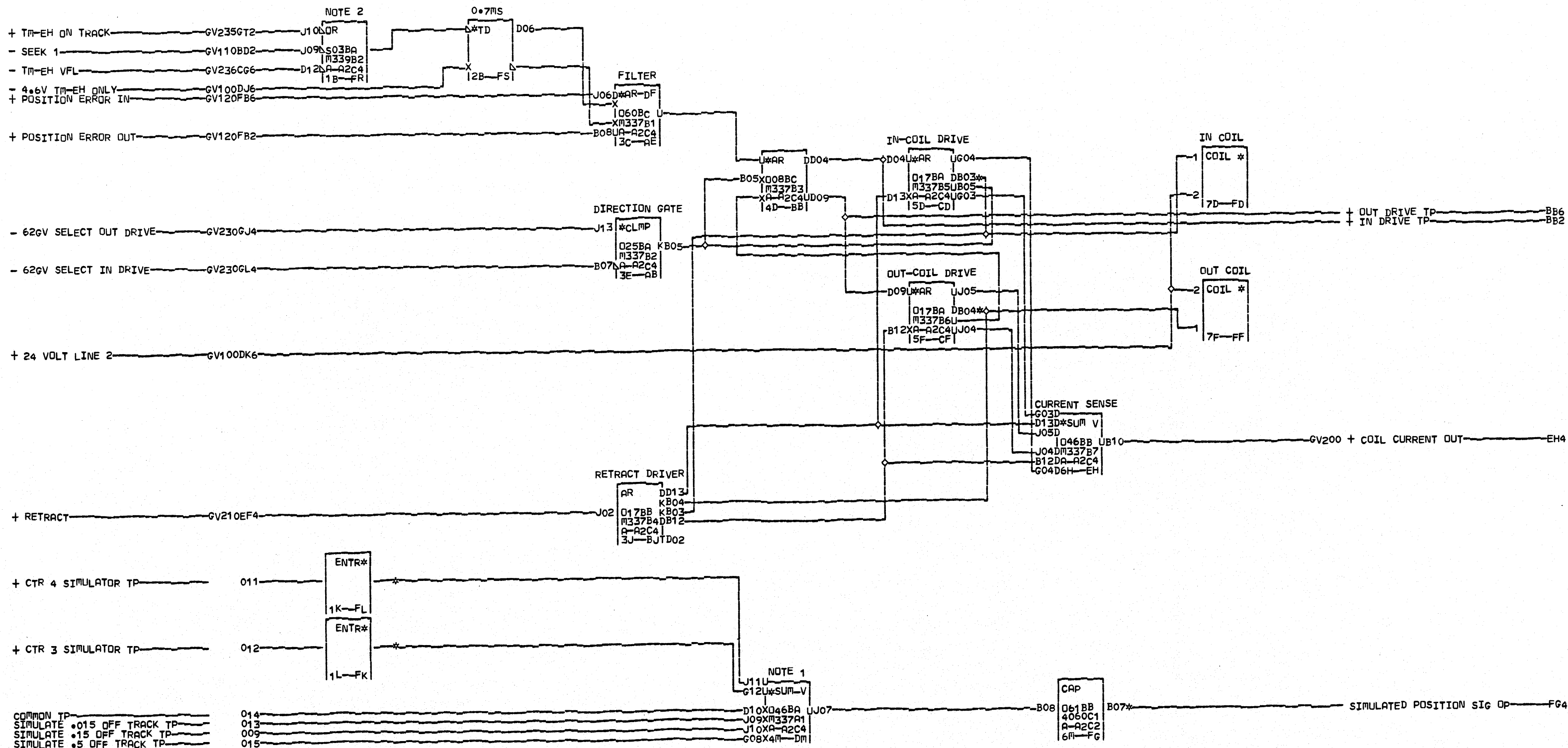
BC2
 0001/1A-A2/A3D10
 BC6
 0002/1A-A2/A3D11
 DF6
 0003/1A-A2/A2D06
 DH4
 0004/1A-A2/A3B07
 FS4
 0005/1A-A2/A3D12

INTERLOCKS SS
 MAP CHART SENSE LINES
 FE ALDS
 PN2547321 EC832050 PEC830358

LOC#
 USN 00125 PRI=U50CT77 1047
 AUC# PFOR=KSEE SEC NEXTBLK FW
 CID FEALD JOB L6900927

GV
 1
 3
 0
 001

GV
 1
 3
 0
 001

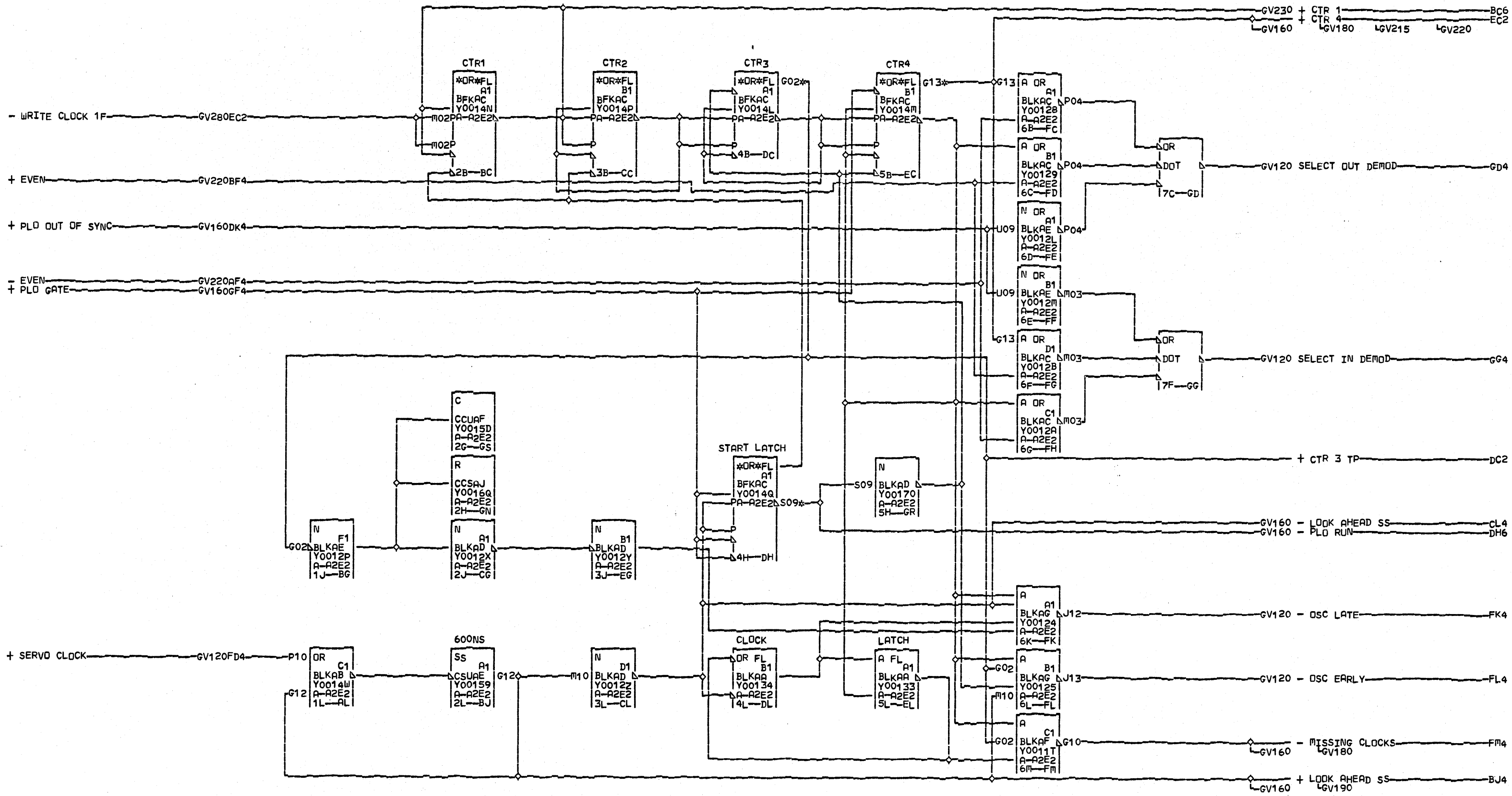


NOTE 1 THIS CIRCUIT IS USED TO SIMULATE A SERVO SIGNAL. V ALL INPUTS ARE 1 UNUSED NORMALLY 4 COPYRIGHT IBM CORP. 1974 0 NOTE 2 BLOCKS FR AND FS ARE NOT USE ON 62GV

CD4 A-A2A3B03
 01D-U1A1B03
 CF4 A-A2A3B04
 01D-U1A1B04
 FG4 A-A2A2B05
 FK4 A-A2A2B04
 FL4 A-A2A2B08

02-15-74 821197
 02-15-74 392260
 10-04-74 825372
 03-10-76 828756
 04-14-77 830358

COIL DRIVERS + CURRENT SENSE		
DATE	04-21-77	MACH. 62-FILE
LOG	2313	FRAME 01
P.N. 2547322		
IBM CORP.	GSD BLK.	FT



COPYRIGHT IBM CORP. 1974

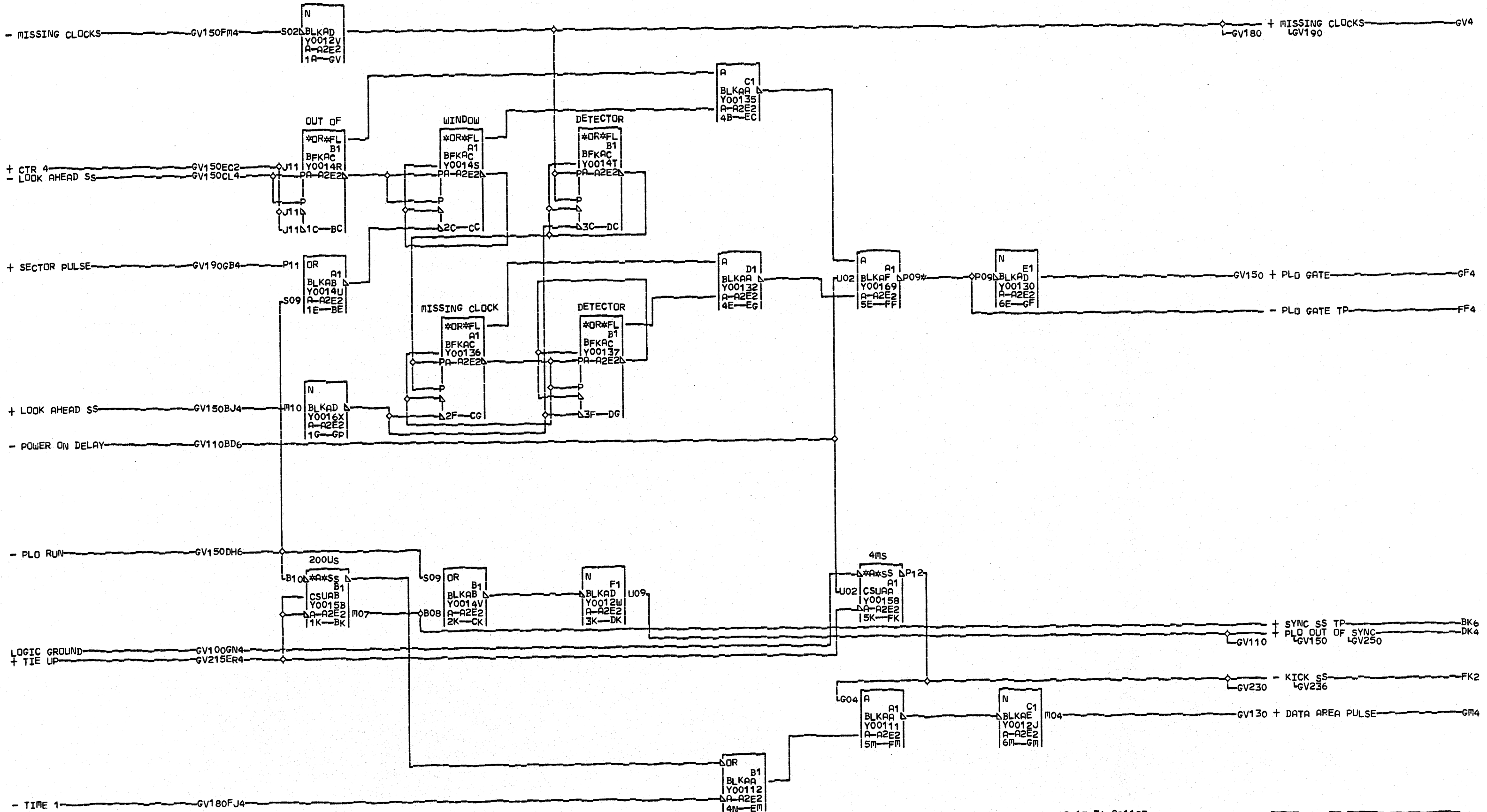
DC2 A-A2A2B03
DH6 A-A2A2D09
EC2 A-A2A2B07

02-15-74 821197
02-15-74 392260
10-04-74 825372
08-25-75 828565
04-14-77 830358

PHASE COMPARE AND DEMOD SELECT		
DATE	04-21-77	MACH. 62-FILE
LOG	2313	FRAME 01
P.N. 2547323		
IBM CORP.	GSD BLK.	GT

GV150
000

GV150
000



COPYRIGHT IBM CORP. 1974

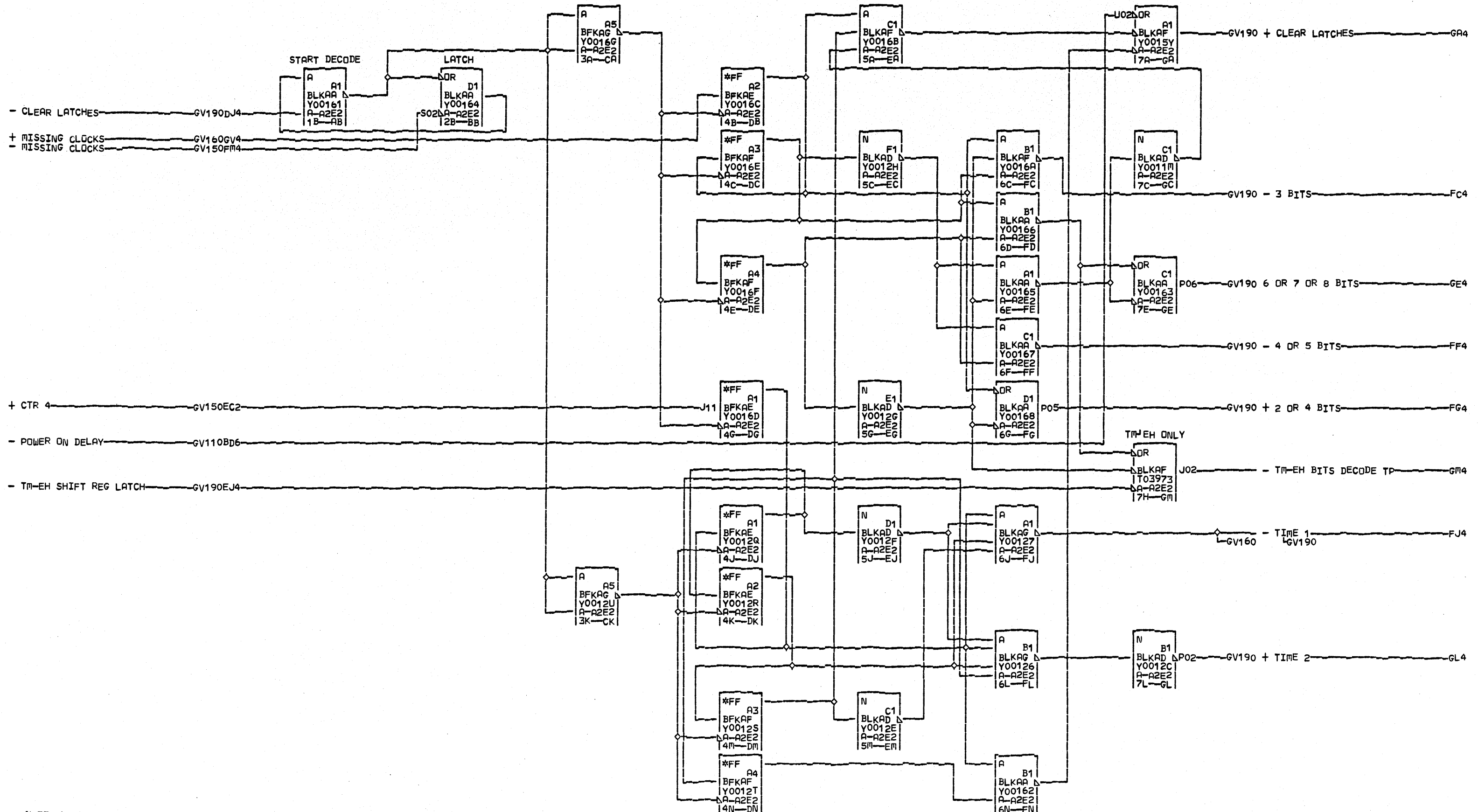
FF4 A-A2A2D07

GV160

000

02-15-74 821197
 02-15-74 392260
 10-04-74 825372
 08-25-75 828565
 04-14-77 830358

OUT OF SYNC DETECTOR AND KICK SS			GV160
DATE	04-21-77	MACH. 62-FILE	
LOG	2313	FRAME 01	000
		P.N. 2547324	
IBM CORP.	GSD BLK.		GW



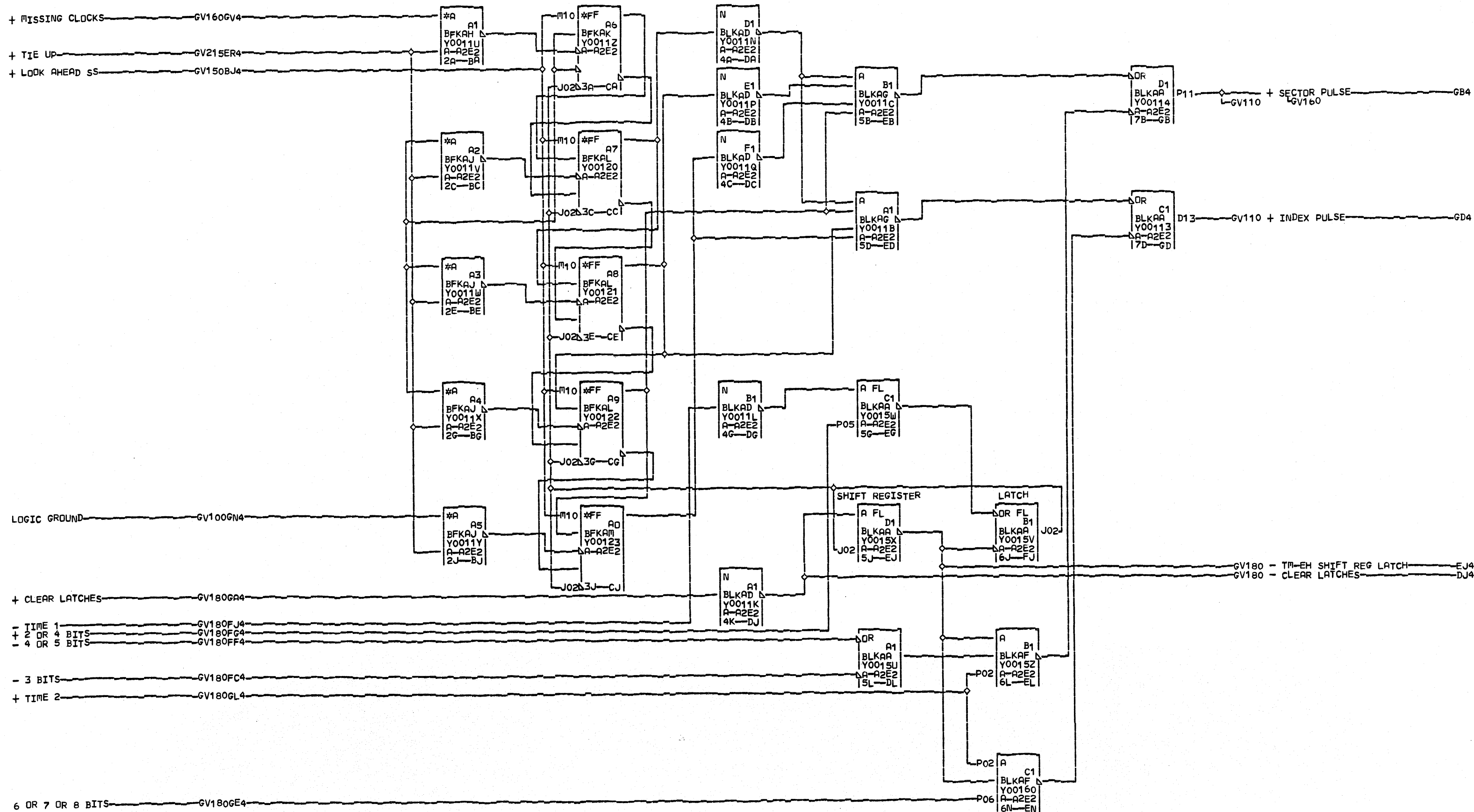
NOTE BLOCK GM AND
TEST POINT NOT AVAIL ON 62GV

GV
1
8
0
000

02-15-74 821197
10-04-74 825372
04-14-77 830358

SECTOR AND INDEX DETECT		
DATE	04-21-77	MACH. 62-FILE
LOG	2313	FRAME 01
	P.N.	2547325
IBM CORP.	GSD BLK.	GN

GV
1
8
0
000



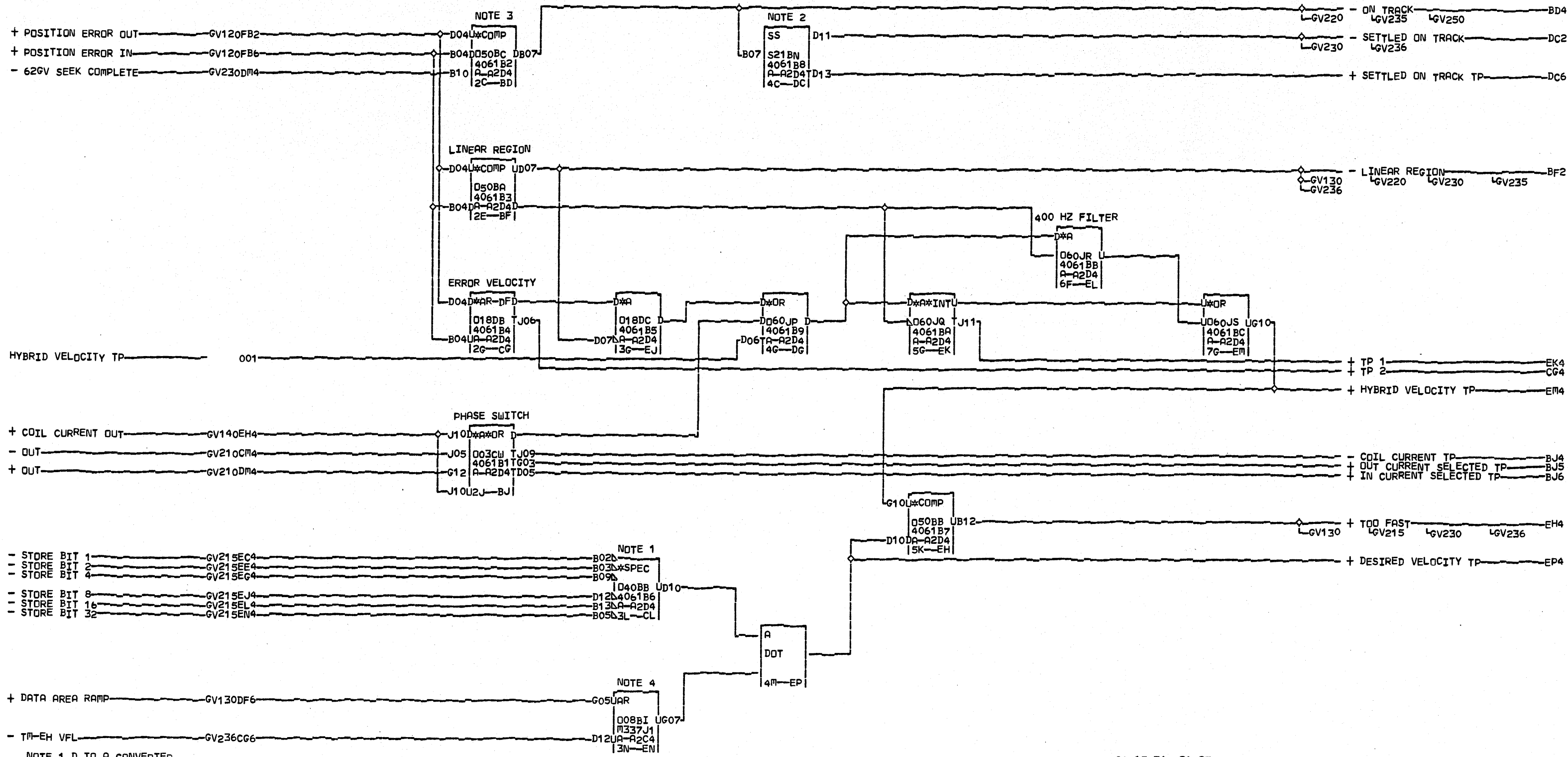
COPYRIGHT IBM CORP. 1974

GV190
000

02-15-74 821197
 02-15-74 392260
 10-04-74 825372
 08-25-75 828565
 04-14-77 830358

SECTOR AND INDEX PULSES		
DATE	04-21-77	MACH. 62-FILE
LOG	2313	FRAME 01
		P.No. 2547326
IBM CORP.	GSD BLK.	GE

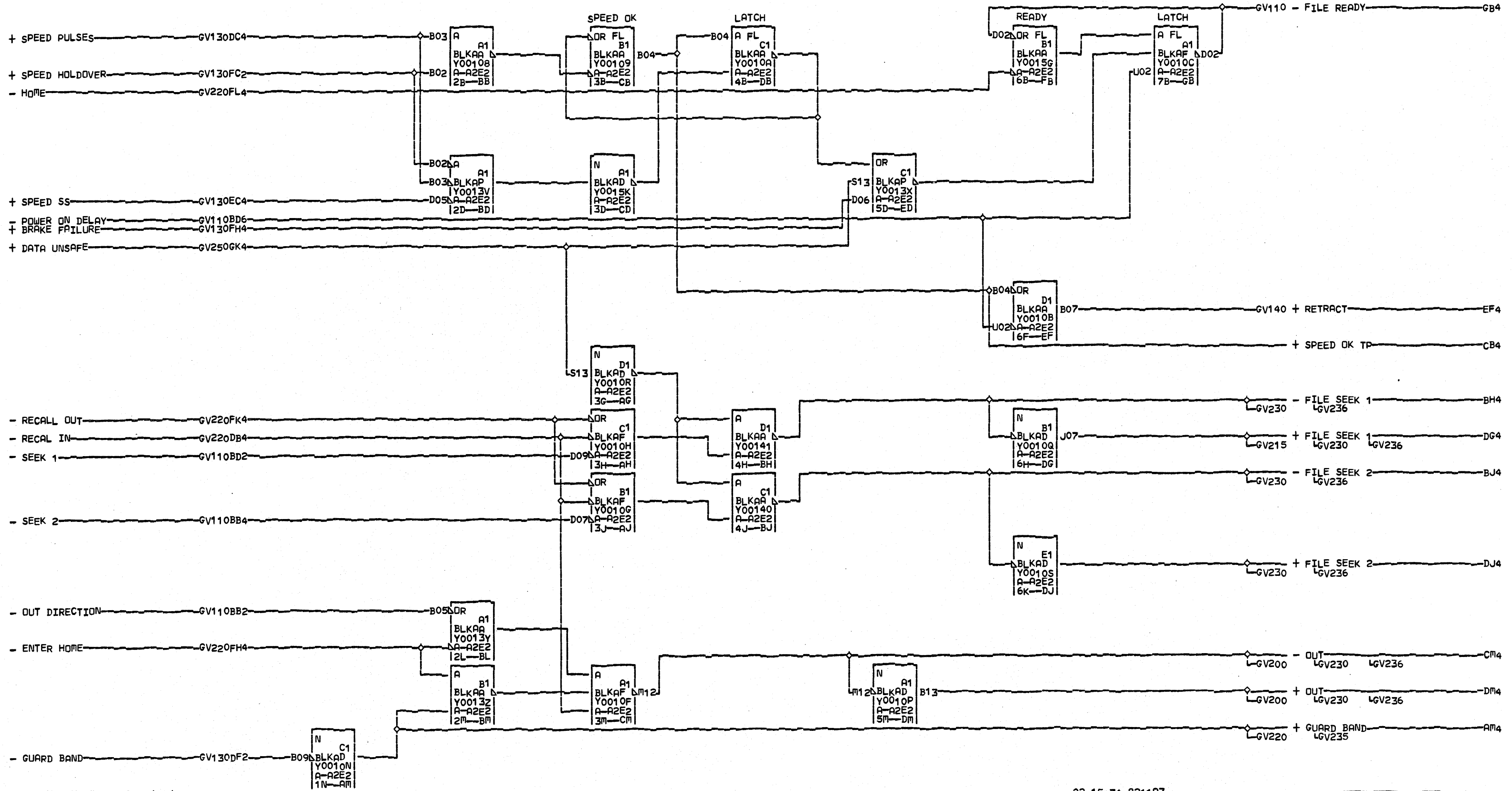
GV190
000



NOTE 1 D TO A CONVERTER
 OUTPUT MAX + VOLT WHEN
 G ALL INPUTS - BIT 1 IS
 V LEAST SIGNIFICANT.
 2 NOTE 4 C4D12 NOT USED ON 62GV
 0 COPYRIGHT IBM CORP. 1974
 0 NOTE 2 3.4MS 62GV AND
 7.4MS TM-EH
 00NOTE 3 D4B10 NOT USED
 ON TM-EH FILES

02-15-74 821197
 02-15-74 392260
 10-04-74 825372
 08-25-75 828565
 04-14-77 830358

VELOCITY CONTROL			
DATE	04-21-77	MACH. 62-FILE	GV200
LOG	2313	FRAME 01	000
		P.N. 2547327	
IBM CORP.	GSD BLK.	EQ	

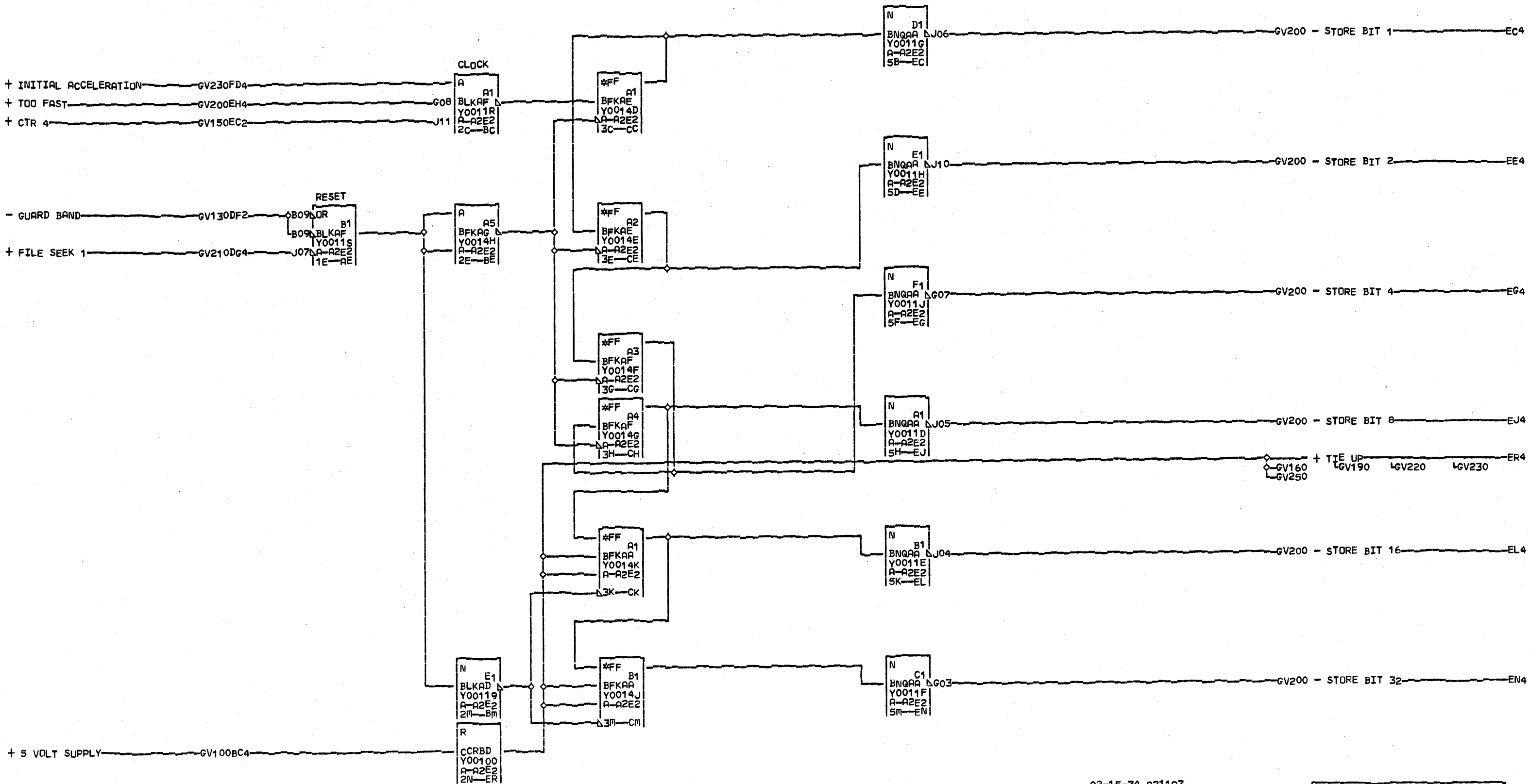


COPYRIGHT IBM CORP. 1974

GV
210
000

02-15-74 821197
02-15-74 392260
10-04-74 825372
05-20-76 830352
08-25-75 828565
04-14-77 830358

ACCESS INTERLOCKS		
DATE	04-21-77	MACH. 62-FILE
LOG	2313	FRAME 01
	P.N.	2547328
IBM CORP.	GSD BLK.	GP

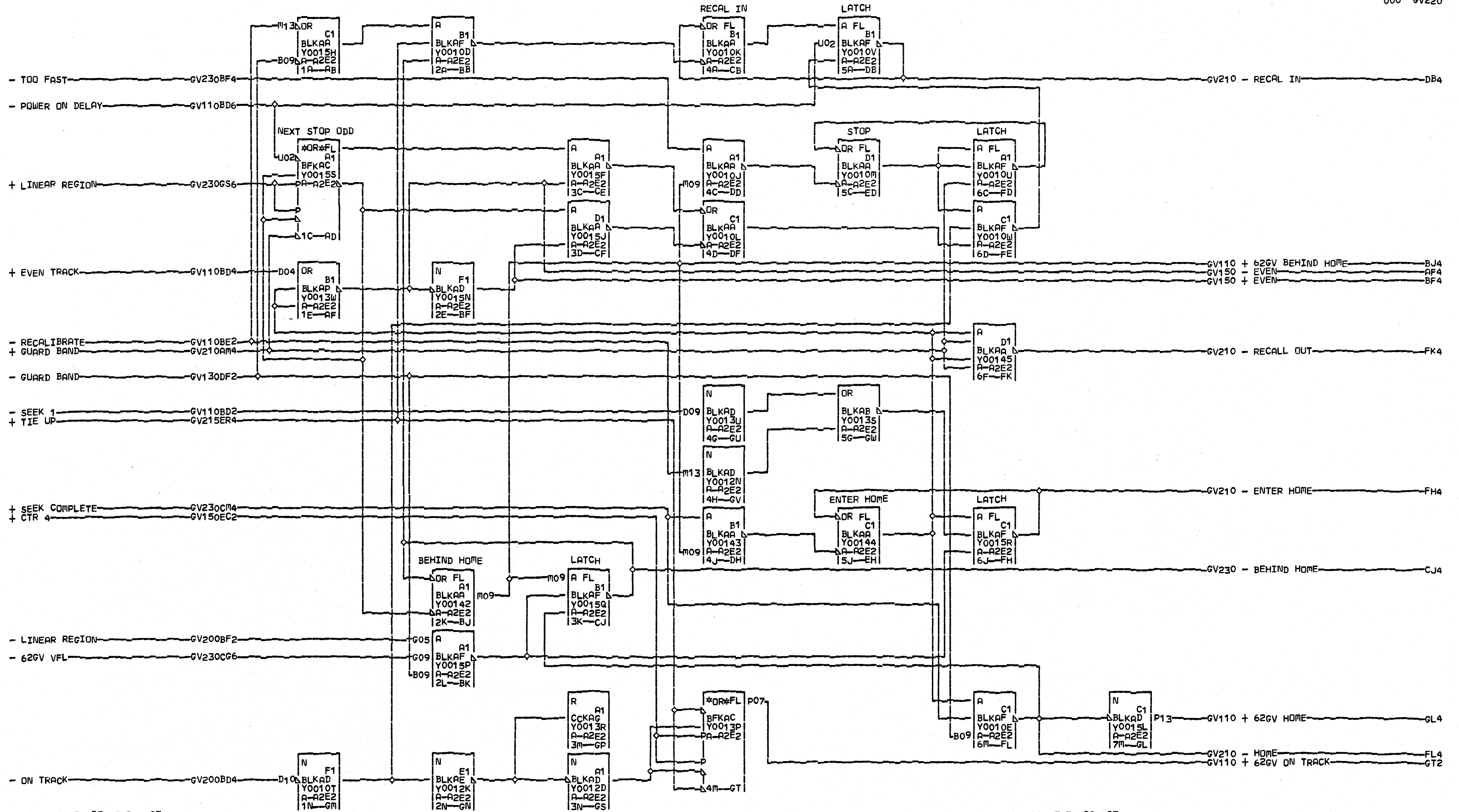


000
 5
 2
 1
 G
 COPYRIGHT IBM CORP. 1974

02-15-74 821197
 02-15-74 392260
 10-04-74 825372
 08-25-75 828565
 04-14-77 830358

VELOCITY STORE REGISTER		
DATE	04-21-77	MACH. 62-FILE
LOG	2313	FRAME 01
		PaNo 2547331
IBM CORP.	GSD BLK.	ES

G
V
2
1
5
000



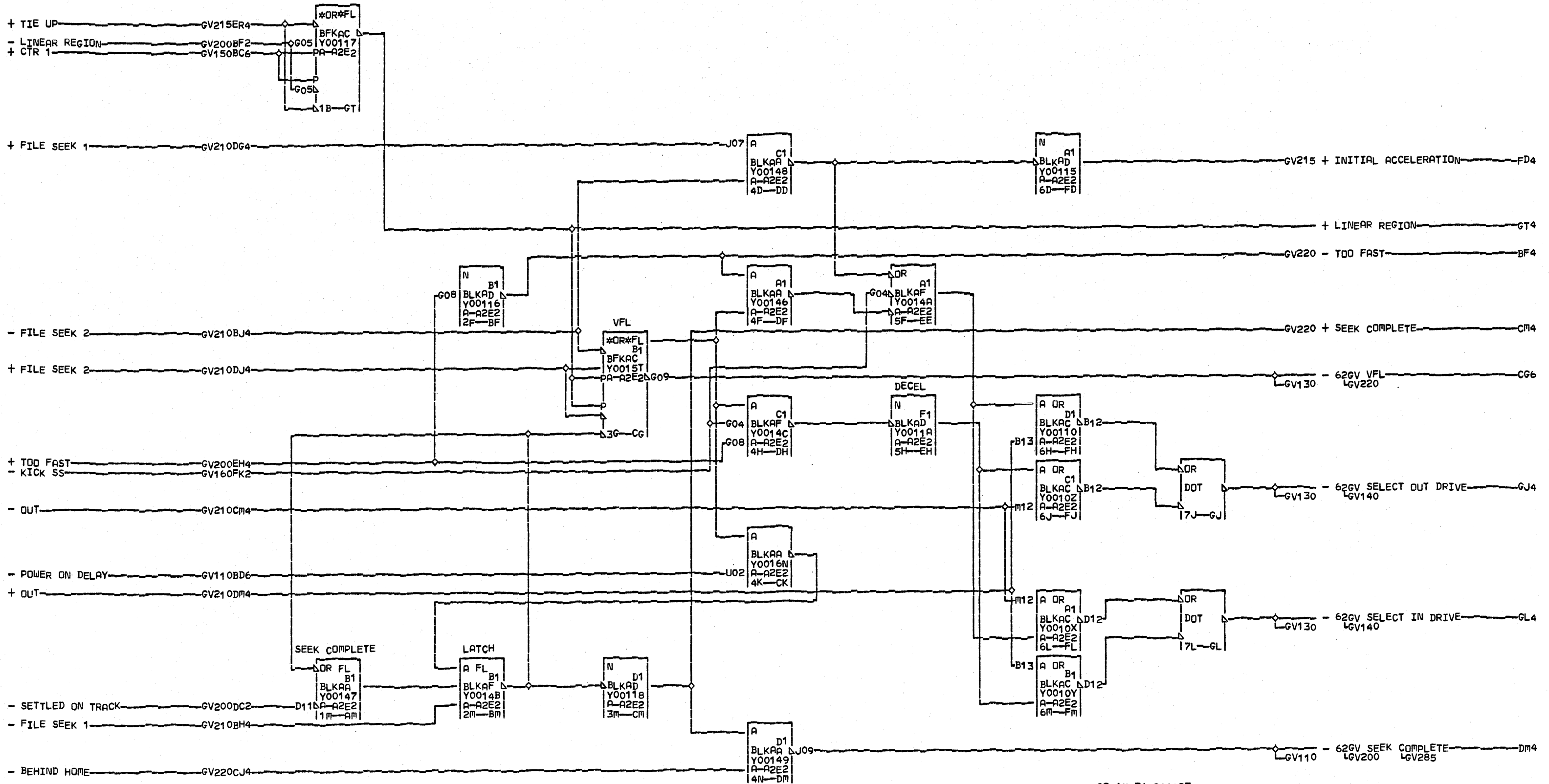
COPYRIGHT IBM CORP. 1974

GV220
000

02-15-74 821197
 02-15-74 392260
 10-04-74 825372
 05-20-76 830352
 08-25-75 828565
 04-14-77 830358

62GV HOME AND RECALIBRATE		
DATE	04-21-77	MACH. 62-FILE
LOG	2313	FRAME 01
		P.N. 2547329
IBM CORP. GSD BLK.		GX

GV220
000

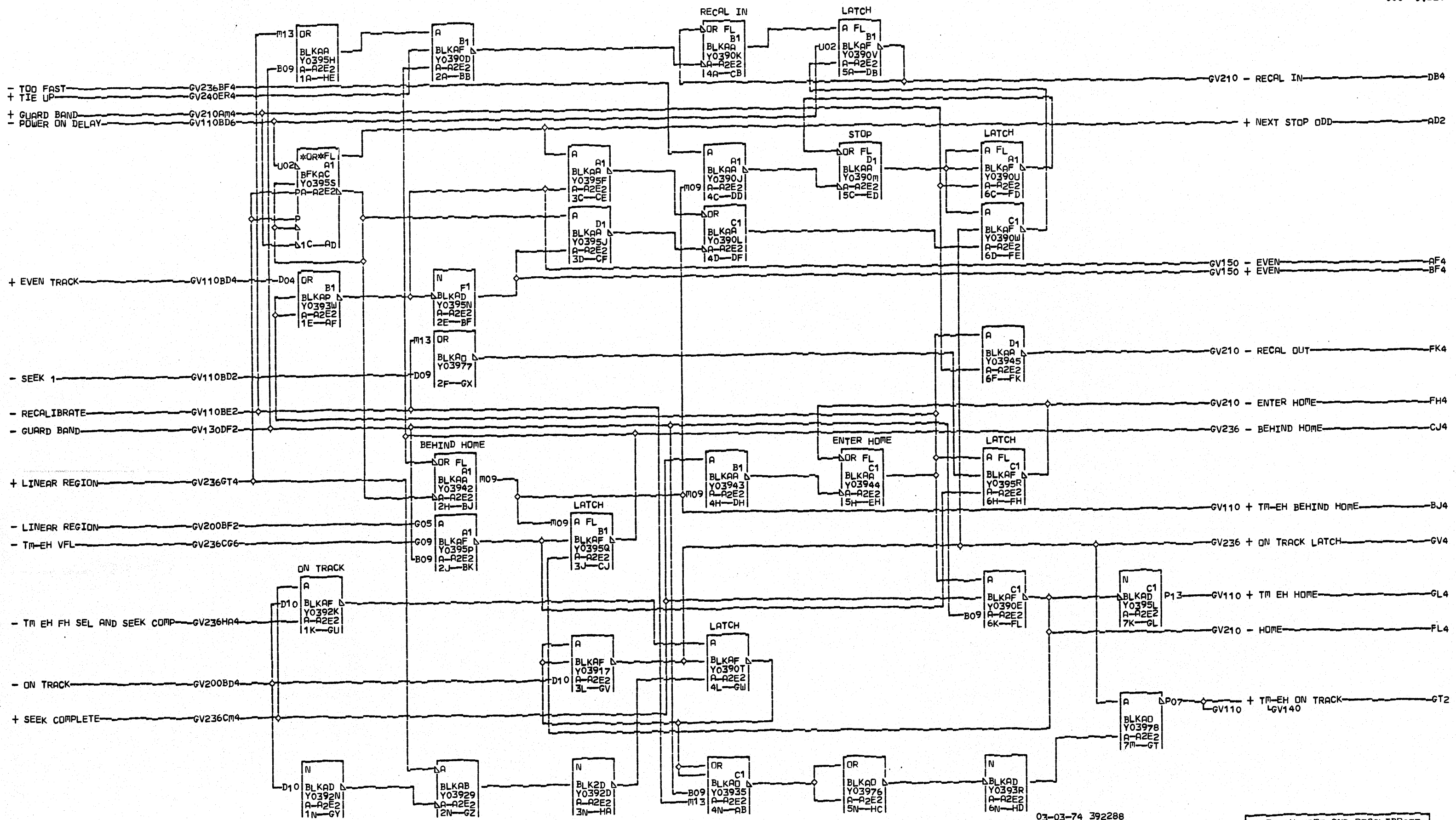


COPYRIGHT IBM CORP. 1974

GV230

02-15-74 821197
 10-04-74 825372
 08-25-75 828565
 04-14-77 830358

62GV ACCESS CONTROL AND SEEK COMPLETE			GV 230 000
DATE	04-21-77	MACH. 62-FILE	
LOG	2313	FRAME 01	
	P.N.	2547330	
IBM CORP.	GSD BLK.	GU	



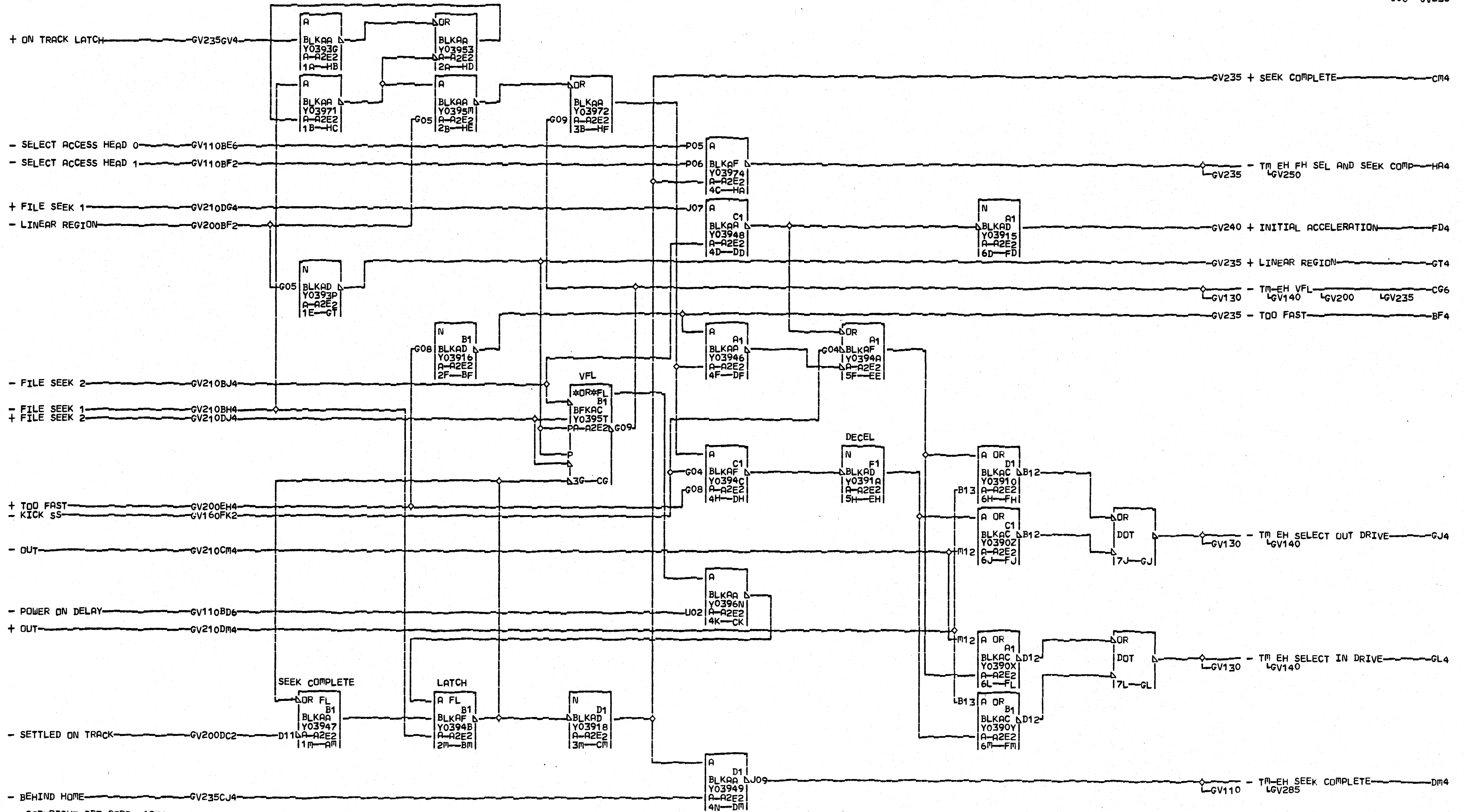
COPYRIGHT IBM CORP. 1974

03-03-74 392288
 01-08-75 825386
 02-10-75 825479
 03-10-76 828756
 05-15-76 828798
 07-10-76 828793
 08-25-75 828565
 04-14-77 830358

62Tm-EH HOME AND RECALIBRATE		
DATE	04-21-77	MACH. 62-FILE
LOG	2313	FRAME 50
		P.N. 2547492
IBM CORP.	UK	BLK. SA

000

GV235



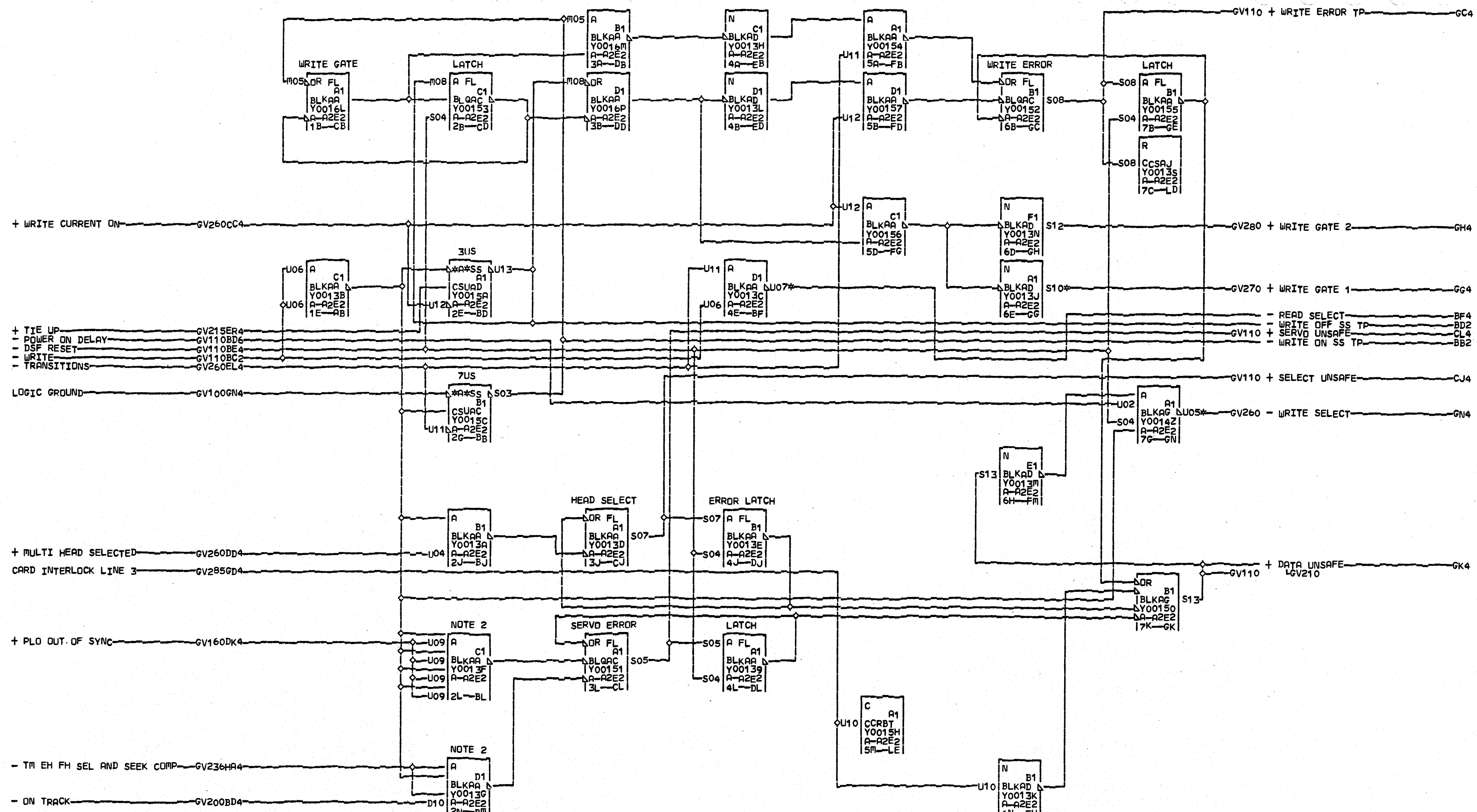
COPYRIGHT IBM CORP. 1974

GV
2
3
6
000

03-03-74 392288
 01-08-75 825386
 02-10-75 825479
 03-10-76 828756
 05-15-76 828798
 08-25-75 828565
 04-14-77 830358

62M-EH ACCESS CONTROL AND SEEK COMPLETE			
DATE	04-21-77	MACH	62-FILE
LOG	2313	FRAME	50
		P.N.	2547493
IBM CORP.	UK	BLK.	SA

GV
2
3
6
000

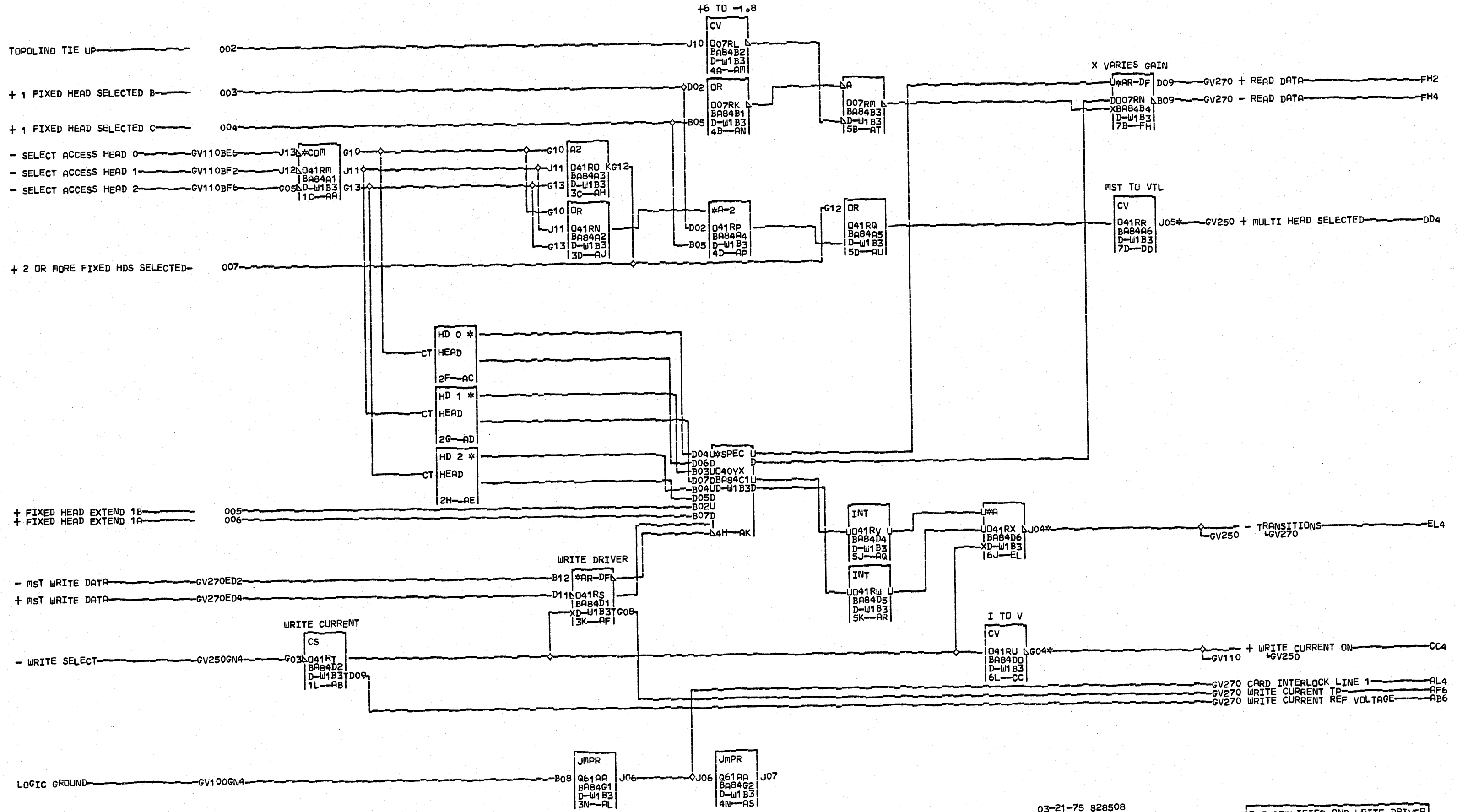


NOTE 1 WHEN FILE HAS NO FIXED HEAD CARD WIRE LINK BETWEEN 01A-A2D2G02 AND 01A-A2E2U10 BLOCK KV TO EH
 2 COPYRIGHT IBM CORP. 1974
 5 NOTE 2 GV236 HA4 NOT USED ON 62GV

BF4 A-A2A4B12
 01D-W1B5B12
 GG4 A-A2A4D06
 01D-W1B5D06
 GN4 A-A2A4D05
 01D-W1B5D05

02-15-74 821197
 02-15-74 392260
 10-04-74 825372
 09-01-75 828635
 03-10-76 828756
 05-20-76 830352
 08-25-75 828565
 04-14-77 830358

DATA UNSAFE LATCHES		
DATE	04-21-77	MACH. 62-FILE
LOG	2347	FRAME 01
	P.N.	2547332
IBM CORP.	GSD BLK.	LF



G COPYRIGHT IBM CORP 1975

V
2
6
0

000

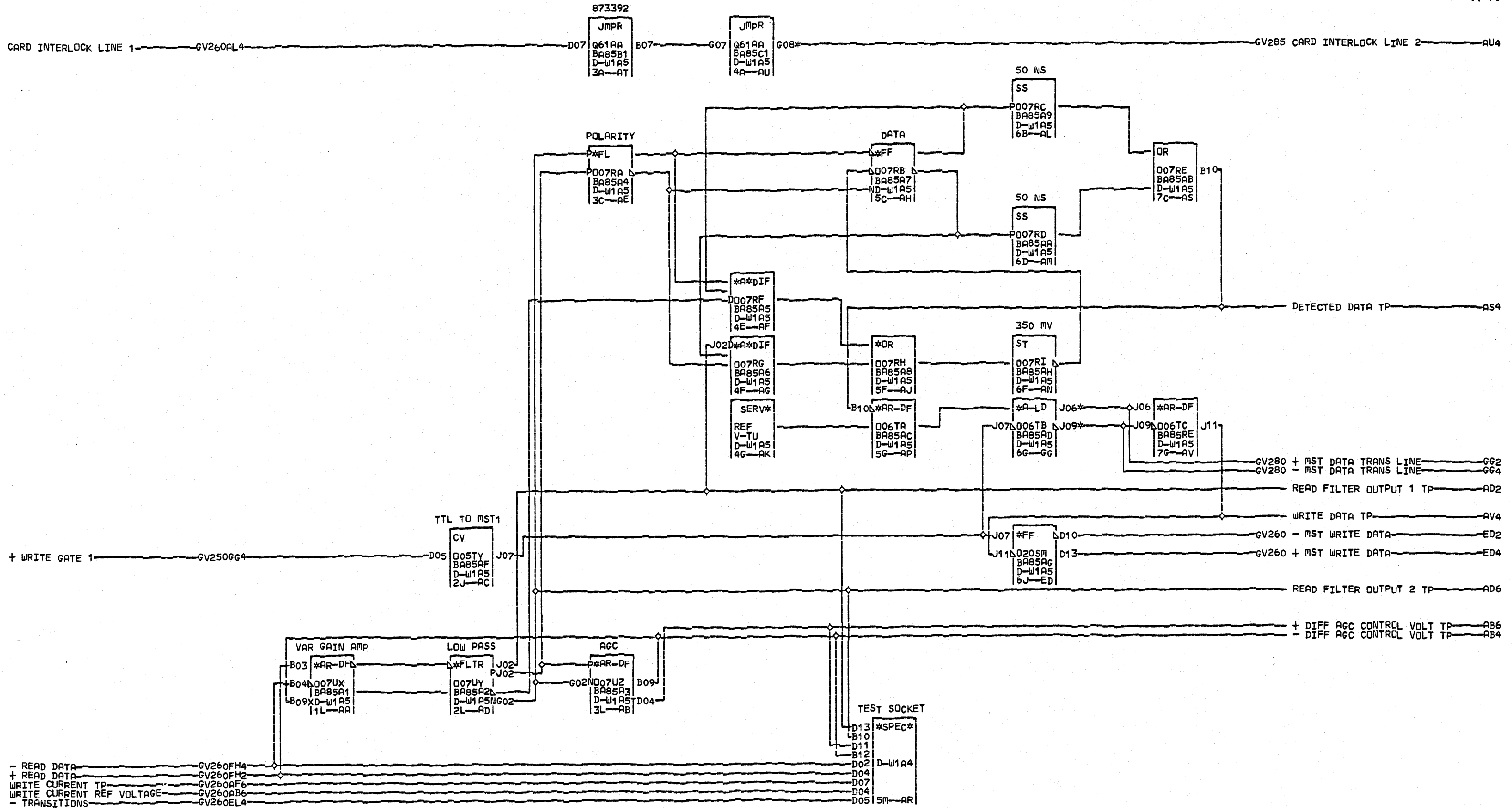
CC4 D-W1B5D09
01A-A2A4D09
DD4 D-W1B5B04
01A-A2A4B04
EL4 D-W1B5B03
01A-A2A4B03

JMPR Q61AA BA84G1 D-W1B3 3N-AL J06
JMPR Q61AA BA84G2 D-W1B3 4N-AS J07

03-21-75 828508
09-01-75 828635
02-15-74 392260
02-10-76 828756
10-04-74 825372
12-31-74 825408
03-10-76 828756
05-20-76 830352
04-14-77 830358

PRE-AMPLIFIER AND WRITE DRIVER		
DATE	04-21-77	MACH. 62-FILE
LOG	2313	FRAME 01
P.N.		2547333
IBM CORP.	BLK.	SA

G
V
2
6
0
000

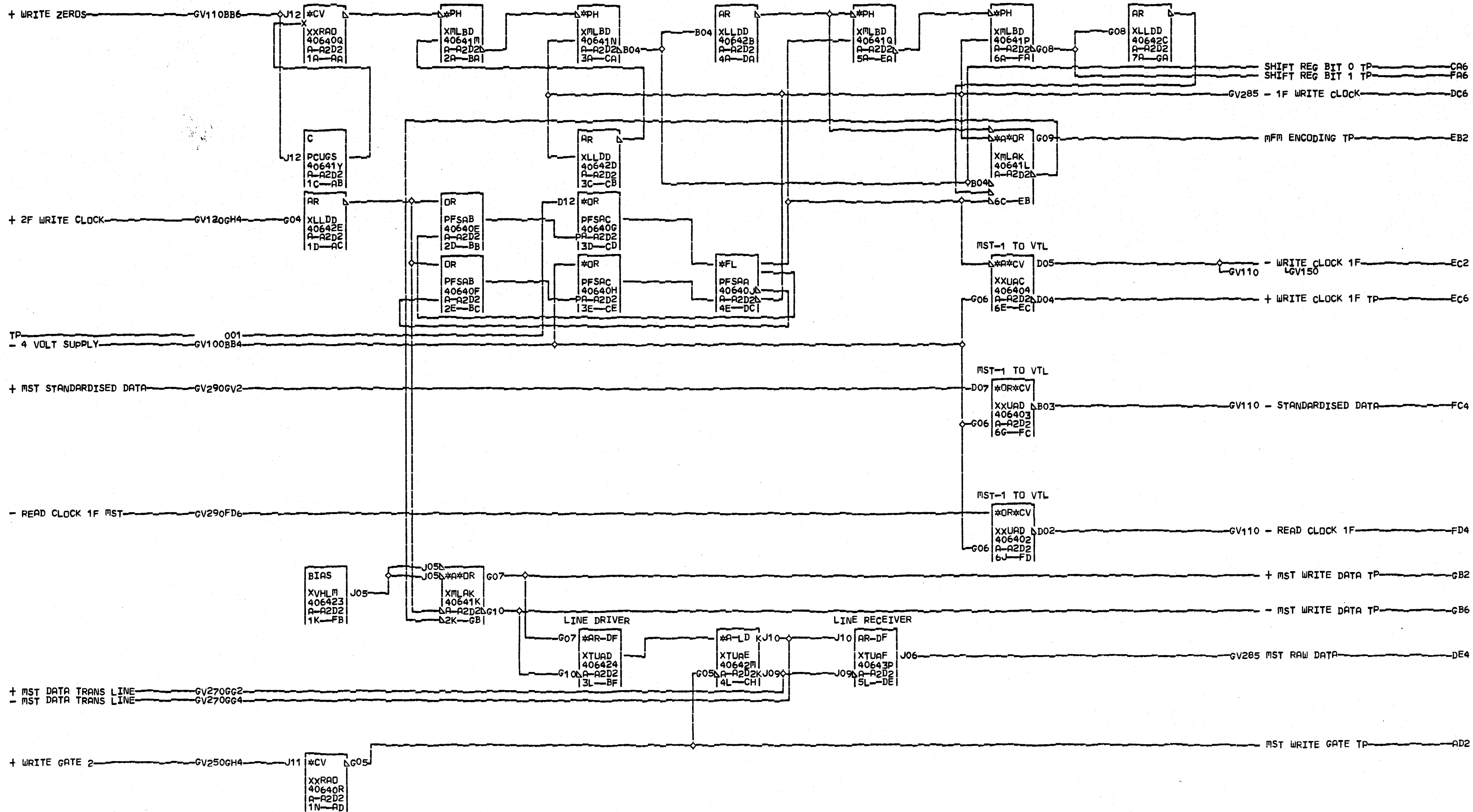


- READ DATA GV260FH4
 + READ DATA GV260FH2
 WRITE CURRENT TP GV260AF6
 WRITE CURRENT REF VOLTAGE GV260AB6
 - TRANSITIONS GV260EL4

AU4 D-W1B5D12
 01A-A2A4D12
 GG2 D-W1B6D11
 01A-A2A5D11
 GG4 D-W1B6D13
 01A-A2A5D13

03-21-75 828508
 02-15-74 392260
 09-01-75 828635
 02-15-74 821197
 10-04-74 825372
 03-10-76 828756
 04-14-77 830358

AGC + DETECT AND			GV 2 7 0
MANUFACTURING TEST SOCKET			
DATE	04-21-77	MACH. 62-FILE	000
LOG	2313	FRAME 01	
P.No. 2547334			
IBM CORP.	BLK.	SA	



COPYRIGHT IBM CORP. 1974

GV280

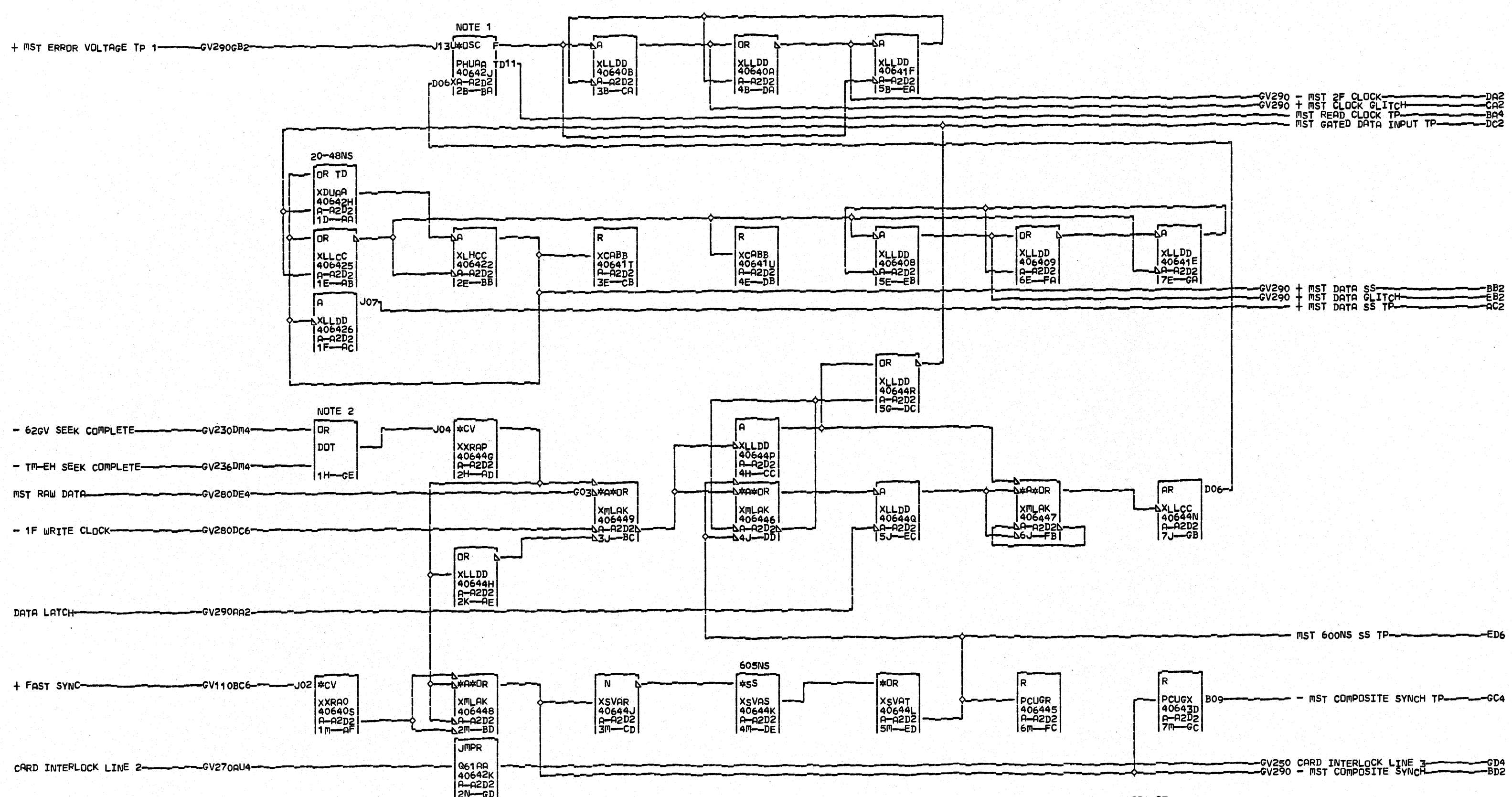
000

02-15-74 821197
 02-15-74 392260
 10-04-74 825372
 03-21-75 828508
 09-01-75 828635
 03-10-76 828756
 04-14-77 830358

DATA SEPARATOR 1		
DATE	04-21-77	MACH. 62-FILE
LOG	2313	FRAME 01
P.N.		2547335
IBM CORP.	SD BL	GC

GV280

000



+ MST ERROR VOLTAGE TP 1 - GV2906B2

GV290 - MST 2F CLOCK - DA2
 GV290 + MST CLOCK GLITCH - CA2
 MST READ CLOCK TP - BA4
 MST GATED DATA INPUT TP - DC2

GV290 + MST DATA SS - BB2
 GV290 + MST DATA GLITCH - EB2
 + MST DATA SS TP - AC2

- 62GV SEEK COMPLETE - GV230DM4

- TM-EH SEEK COMPLETE - GV236DM4

MST RAW DATA - GV280DE4

- 1F WRITE CLOCK - GV280DC6

DATA LATCH - GV290AA2

MST 600NS SS TP - ED6

+ FAST SYNC - GV110BC6

MST COMPOSITE SYNCH TP - GC4

CARD INTERLOCK LINE 2 - GV270AU4

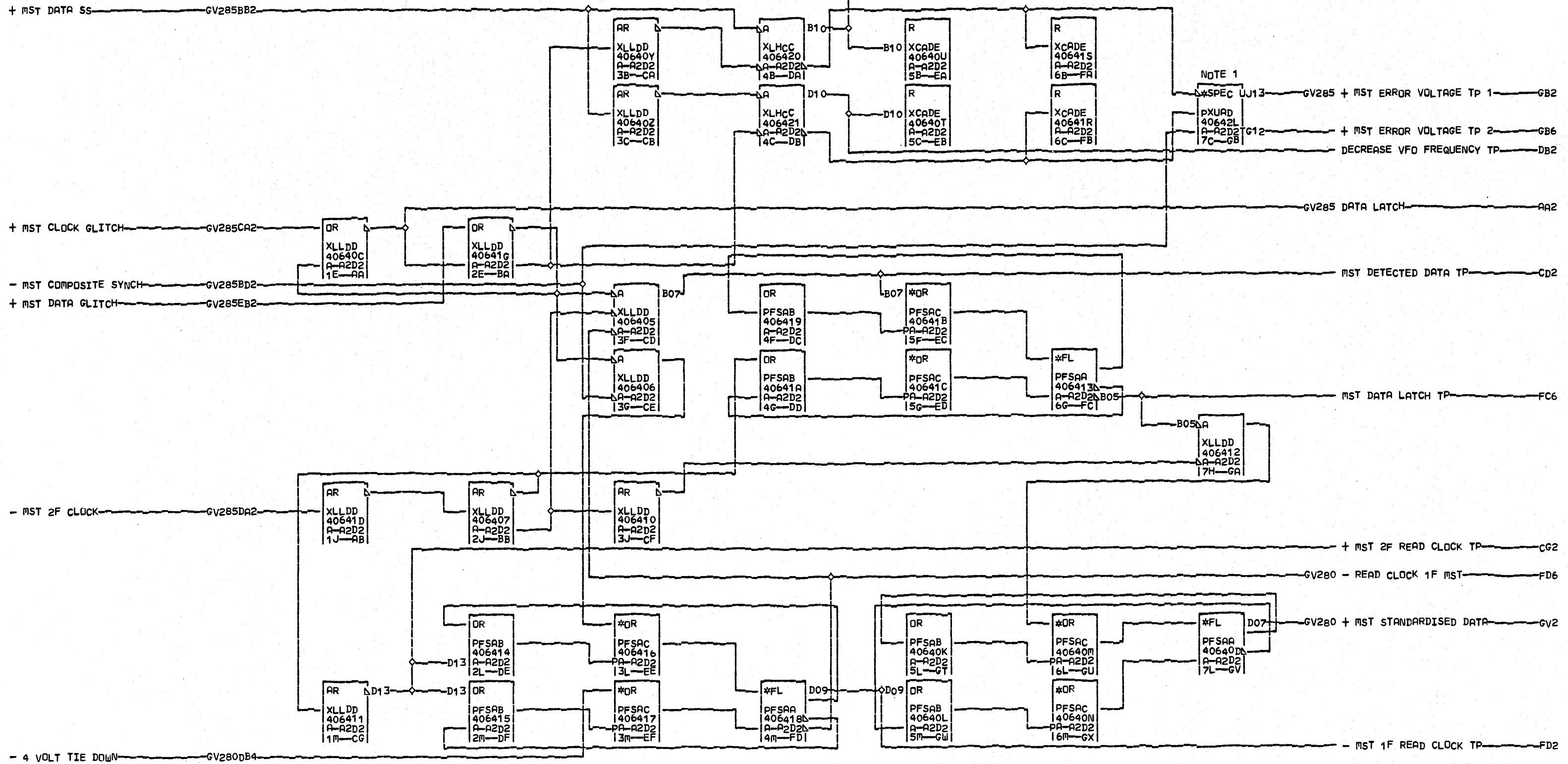
GV250 CARD INTERLOCK LINE 3 - GD4
 GV290 - MST COMPOSITE SYNCH - BD2

NOTE 1 NOMINAL FREQUENCY
 14.22 MHZ VARIABLE DEPENDANT
 ON INPUT.
 V COPYRIGHT IBM CORP. 1974
 2 NOTE 2 MAY NOT EXIST ON
 8 EARLY LEVEL BOARDS.
 5

02-15-74 821197
 02-15-74 392260
 10-04-74 825372
 03-21-75 828508
 03-10-76 828756
 04-14-77 830358

DATA SEPARATOR 2		
DATE	04-21-77	MACH. 62-FILE
LDG	2347	FRAME 01
	P.N.	2547436
IBM CORP. GSD BLK.		GF

INCREASE VFO FREQUENCY TP DA2



NOTE 1

*SPEC UJ13 GV285 + MST ERROR VOLTAGE TP 1 GB2
 PXURD 40642L GV285 + MST ERROR VOLTAGE TP 2 GB6
 A-A2D2 G12
 7C-GB DECREASE VFO FREQUENCY TP DB2

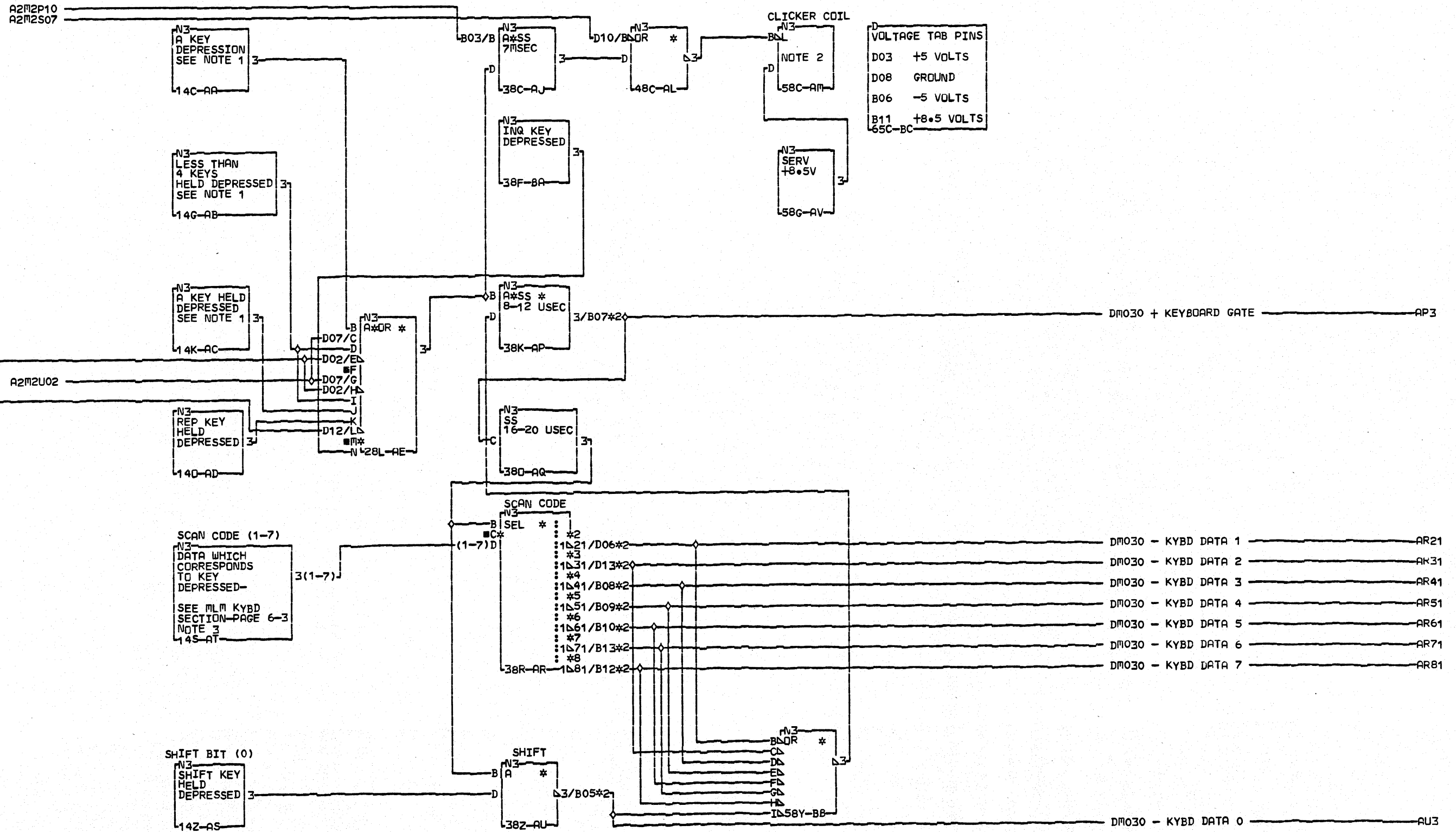
NOTE 1 LOWER INPUT DOWN EQUALS HIGH GAIN
 COPYRIGHT IBM CORP. 1974

02-15-74 821197
 10-04-74 825372
 03-21-75 828508
 04-14-77 830358

DATA SEPARATOR 3		
DATE	04-21-77	MACH. 62-FILE
LOG	2313	FRAME 01
	P.N.	2547336
IBM	BLK	

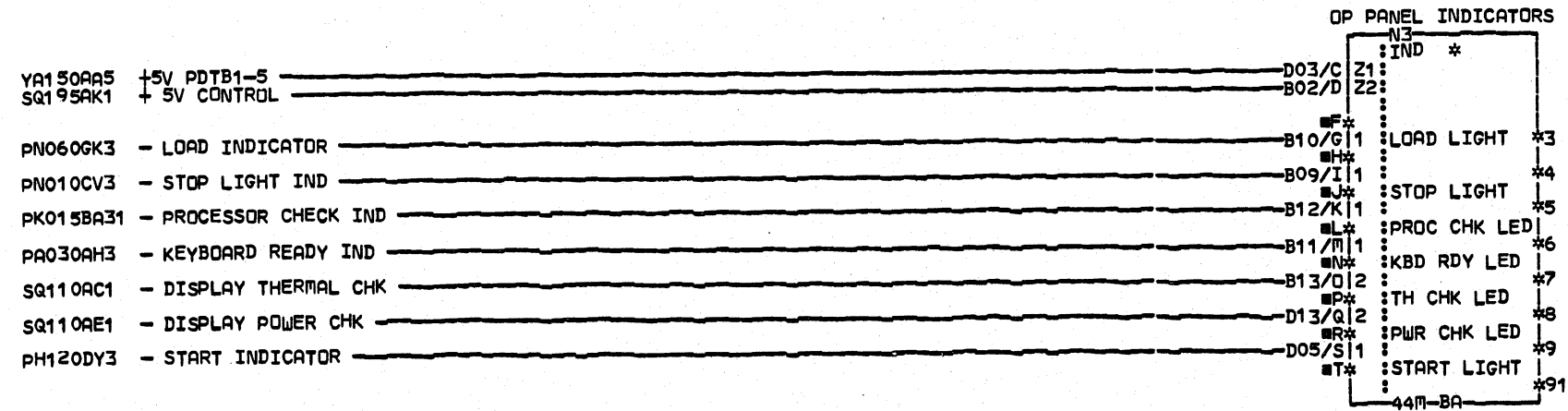
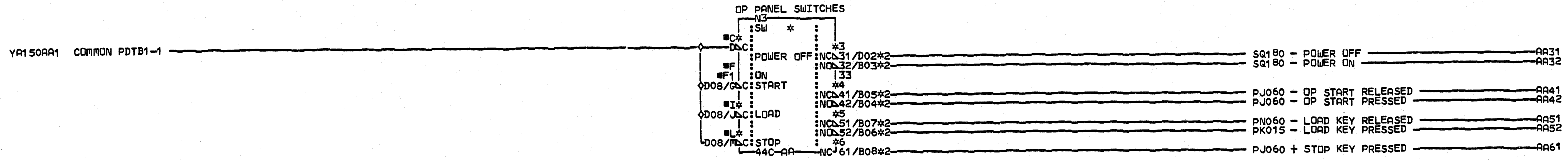
9200

DM050FE3 - ERROR
DM050FC2 - CLICKER



PJO80AD6 - 4 MICRO SEC CLOCK
DM050AD3 - KB DEVICE RST
PJO70AA54 - 131.1 MS CLOCK

K B O 1 0	CONNECTORS		CONNECTORS		KYBD PC BOARD		K B O 1 0
	COMMENTS						
1	A1NOTE 1: NOT REP OR SHIFT KEYS	AP3	AR81	0009/1A-A2000000000000/U3B12	PN2547337 EC825372 PEC825251		
2	NOTE 2: COIL INPUT IS RIGHT MOST BERG PIN(SIGNAL)	AR21	AU3	0002/1A-A2000000000000/U3B05	LDC=6A-KYBD		
3	COIL OUTPUT IS NEXT TO RIGHT MOST BERG PIN (+8.5V)	AR31			USN 0009B	PRI=03DCT74 2104	
4	NOTE 3: FOR MORE THAN 1 KEY DEPRESSED, DATA IS GATED OUT STARTING WITH LEAST SCAN CODE	AR41			PDESC=0001	SEC	
5	BINARY VALUE TO HIGHEST BINARY VALUE	AR51			PFDRM=KSEB	NEXTBLK 8D	
6		AR61			CID FEALD	JOB J27615	
7		AR71					
8		AR81					
9		AR91					
10		AR01					



COMMENTS
 A1 NOTE 1: CONNECTORS
 2 IN LOCATION
 3 1X-A1 ARE
 4 FOR POWER
 5 SEQ CARD.
 D1 COPYRIGHT IBM CORP. 1974

CONNECTORS
AA31
0015/1A-A1/A2B02
0014/1A-A1/B2D02
0016/1X-A1/D03
AA32
0013/1A-A1/A2B04
0011/1A-A1/B2B03
0012/1X-A1/B04
AA41
0001/1A-A1/B2B05
0002/1A-A1/C2B05
AA42
0003/1A-A1/B2B04
0004/1A-A1/C2B04

CONNECTORS
AA51
0009/1A-A1/B2B07
0010/1A-A1/C2B07
AA52
0007/1A-A1/B2B06
0008/1A-A1/C2B06
AA61
0005/1A-A1/B2B08
0006/1A-A1/C2B08

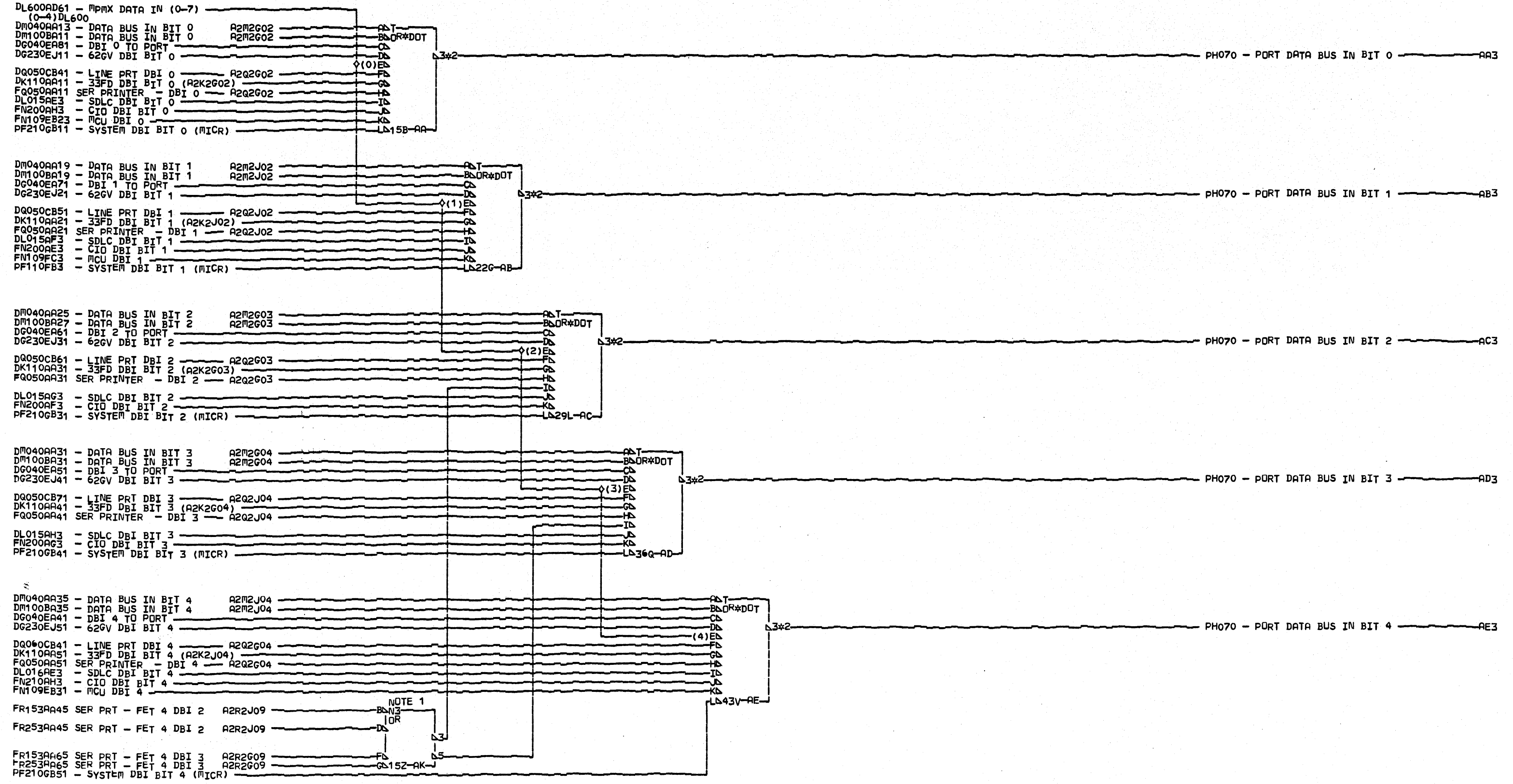
OPERATOR PANEL LIGHTS & SWITCHES FIELD SERVICE LOGICS PN2547338 EC828538 PEC828508		
LOC#		
USN 00104	PRI=17MAY75 0058	
PDESC=0001	SEC	
PFORM=KSEB	NEXTBLK BB	
CID FEALD	JOB L7101031	

D
P
O
1
O

0001

U
P
O
1
O

0001

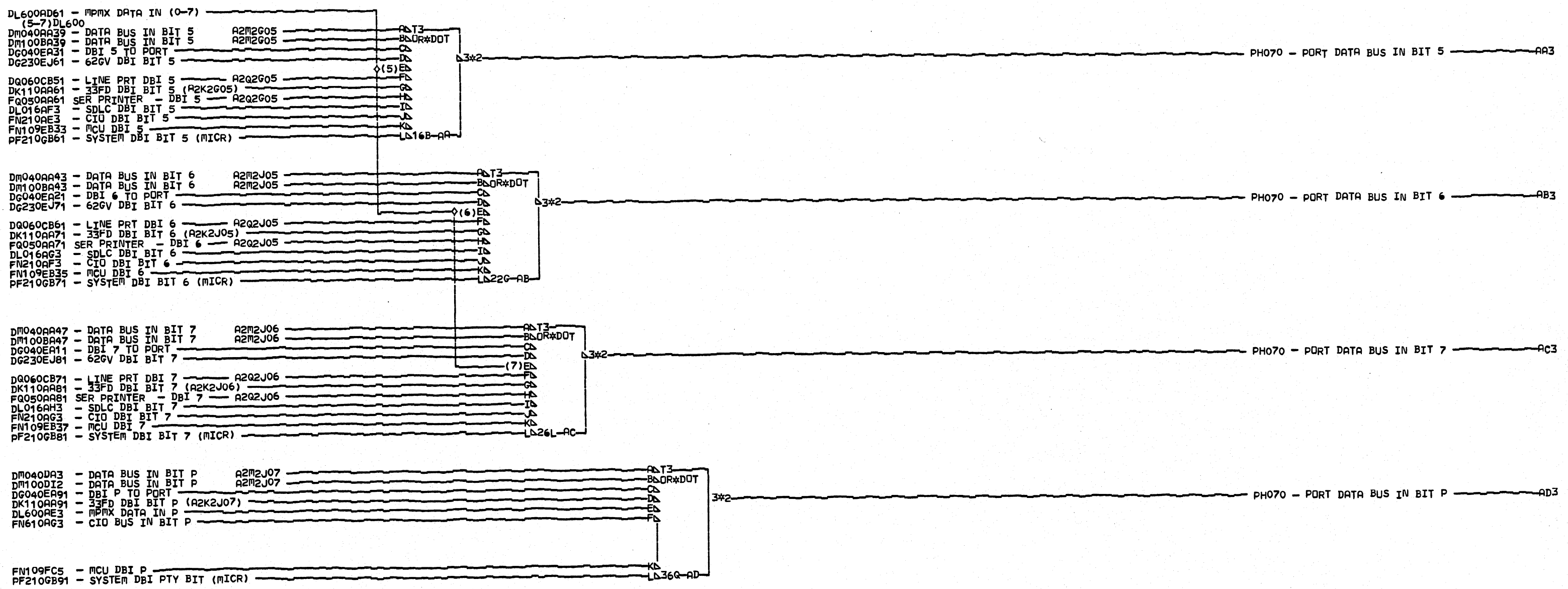


COMMENTS	CONNECTORS	CONNECTORS	I/O BOARD EXIT TO CPU
1 NOTE 1:	AA3	0005/1A-A2/E1D13	
2 FR110 THROUGH FR159 PRESENT	0010/1A-A1/E6A02		
3 FOR 40/80 CPS UNI AND	0001/1A-A2/E1A11		
4 BIDIRECTIONAL PRINTERS	AB3		
5 FR210 THROUGH FR261 PRESENT	0011/1A-A1/E6A04		
6 FOR 40/80/120 CPS	0002/1A-A2/E1A13		
7 COMPATIBLE BIDIRECTIONAL	AC3		
8 PRINTERS	0012/1A-A1/E6B04		
D1COPYRIGHT IBM CORP. 1974	0003/1A-A2/E1B13		
	AD3		
	0013/1A-A1/E6C04		
	0004/1A-A2/E1C13		
	AE3		
	0014/1A-A1/E6D04		

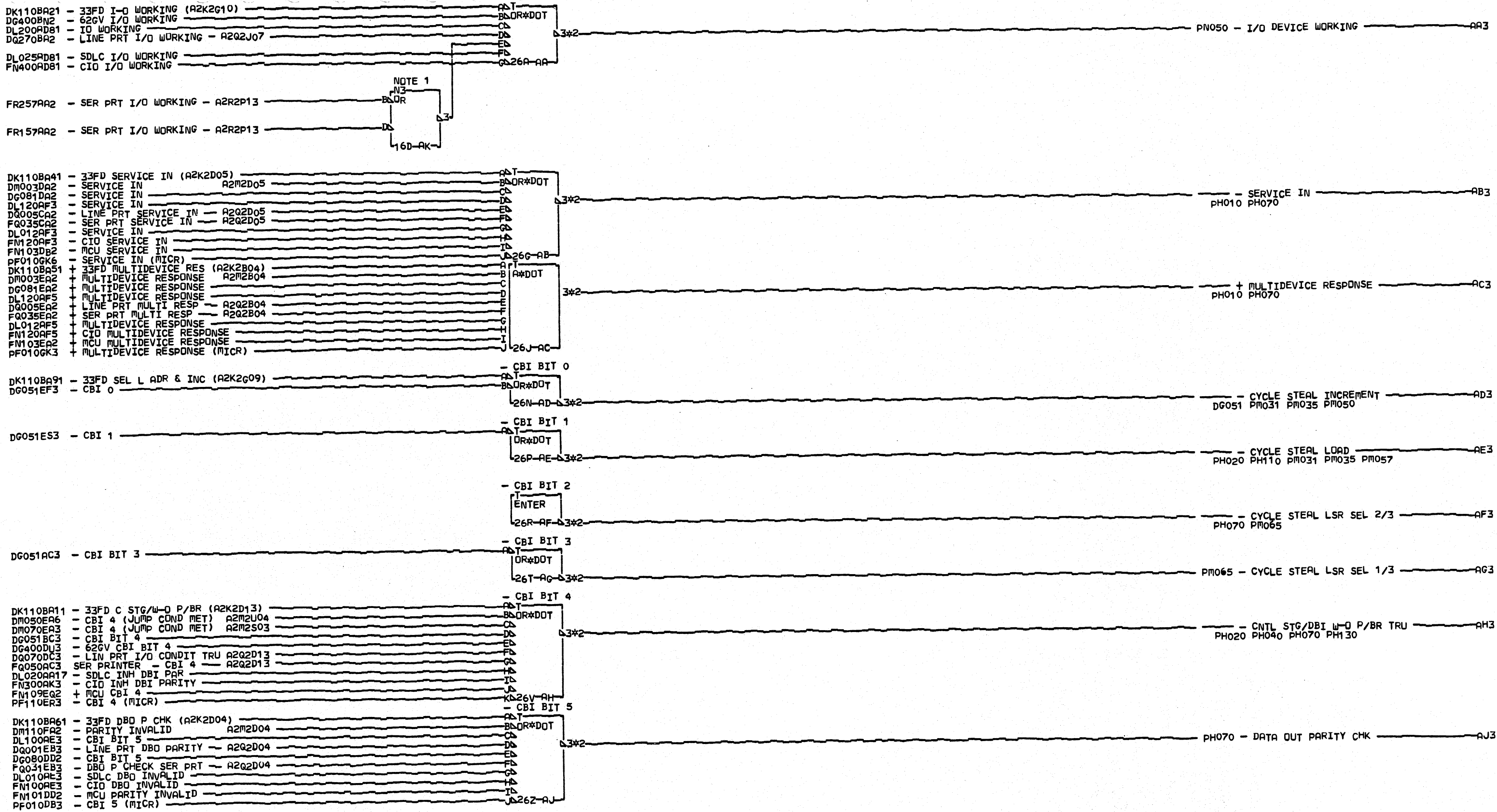
I/O BOARD EXIT TO CPU
 PN2547339 EC831973 PEC831960
 LQC=1A-A2
 USN 00123 PRI=27FEB77 1409
 PDESC=0001 SEC
 PFOR=MKSEB NEXTBLK AL
 CID FEALD JOB L6300839

P
A
0
1
0
0001

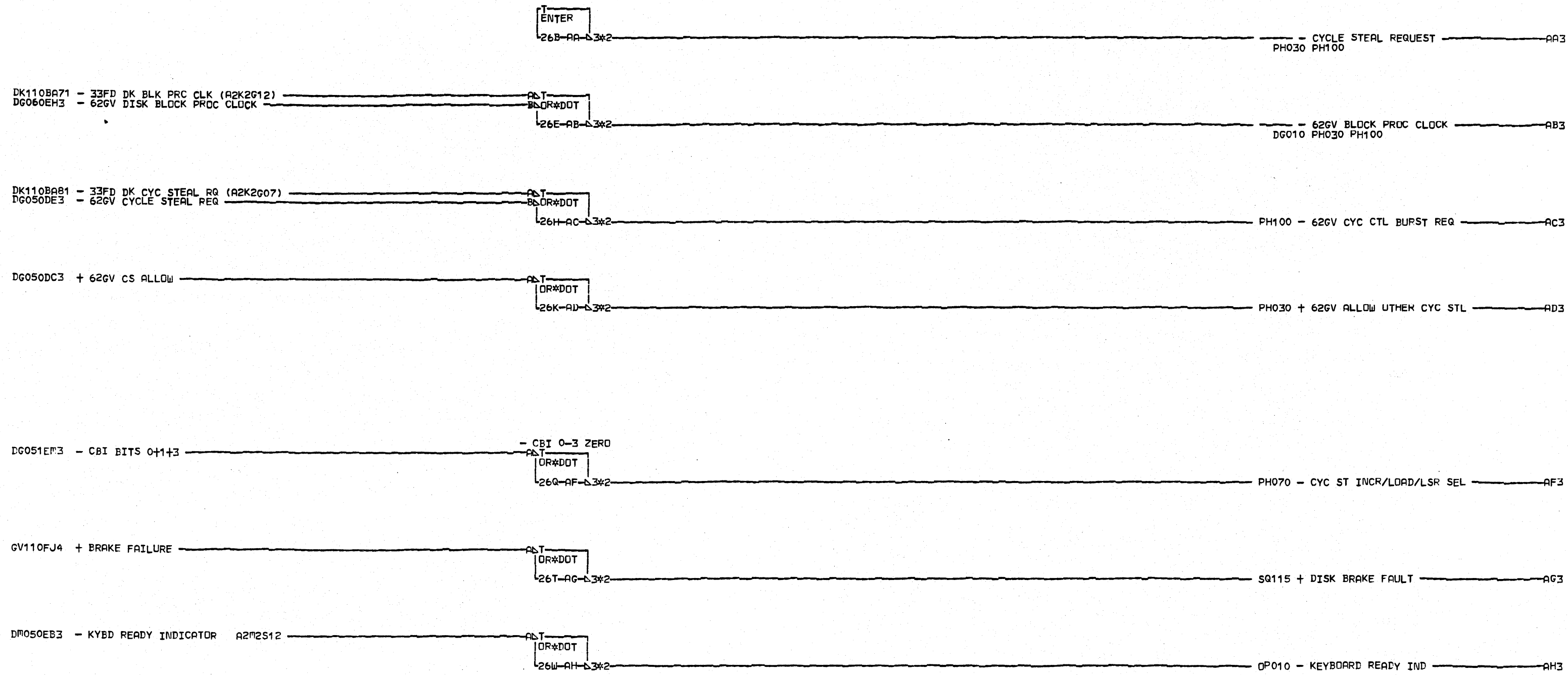
P
A
0
1
0
0001



P A O 1 1	COMMENTS	CONNECTORS	I/O BOARD EXIT TO CPU	P A O 1 1
	D1COPYRIGHT IBM CORP. 1976	AA3 0001/1A-A1/E6E04 0002/1A-A2/E1E13 AB3 0003/1A-A1/F6A04 0004/1A-A2/F1A13 AC3 0005/1A-A1/F6B04 0006/1A-A2/F1B13 AD3 0007/1A-A1/F6C04 0008/1A-A2/F1C13	PN2772950 EC831973 PEC828693 LOC#1A-A2 LSN 00123 PRI#27FEB77 1409 PDESC#0001 SEC RFORM#KSEB NEXTBLK AE CID FEALD JOB L6300839	



PA020001



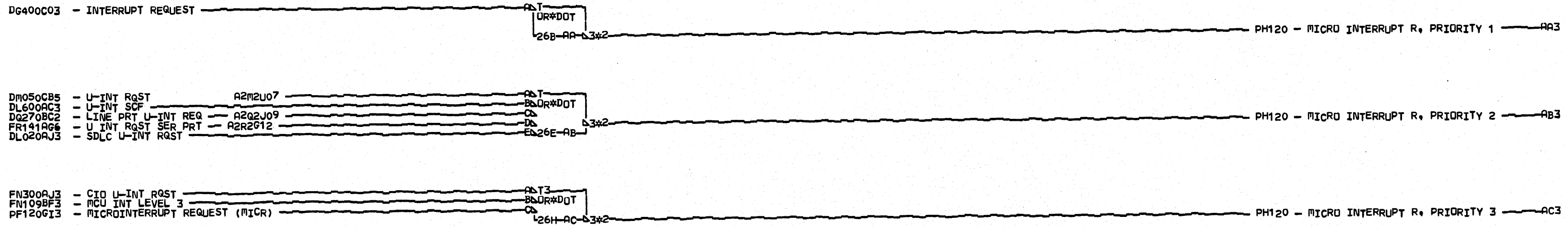
COMMENTS
D1COPYRIGHT IBM CORP. 1974

0001

CONNECTORS
——— AA3
0008/1A-A1 0000000000000000/N6D04
0001/1A-A2 0000000000000000/N1D13
——— AB3
0009/1A-A1 0000000000000000/K6B04
0002/1A-A2 0000000000000000/K1B13
——— AC3
0010/1A-A1 0000000000000000/K6A02
0003/1A-A2 0000000000000000/K1A11
——— AD3
0011/1A-A1 0000000000000000/K6B02
0004/1A-A2 0000000000000000/K1B11
——— AF3
0012/1A-A1 0000000000000000/J6E04

CONNECTORS
0005/1A-A2 0000000000000000/J1E13
——— AG3
0017/1A-A1 0000000000000000/A2D06
0013/1A-A1 0000000000000000/J6D02
0006/1A-A2 0000000000000000/J1D11
——— AH3
0015/1A-A1 0000000000000000/B2B11
0016/1A-A1 0000000000000000/C2B11
0014/1A-A1 0000000000000000/J6E02
0007/1A-A2 0000000000000000/J1E11

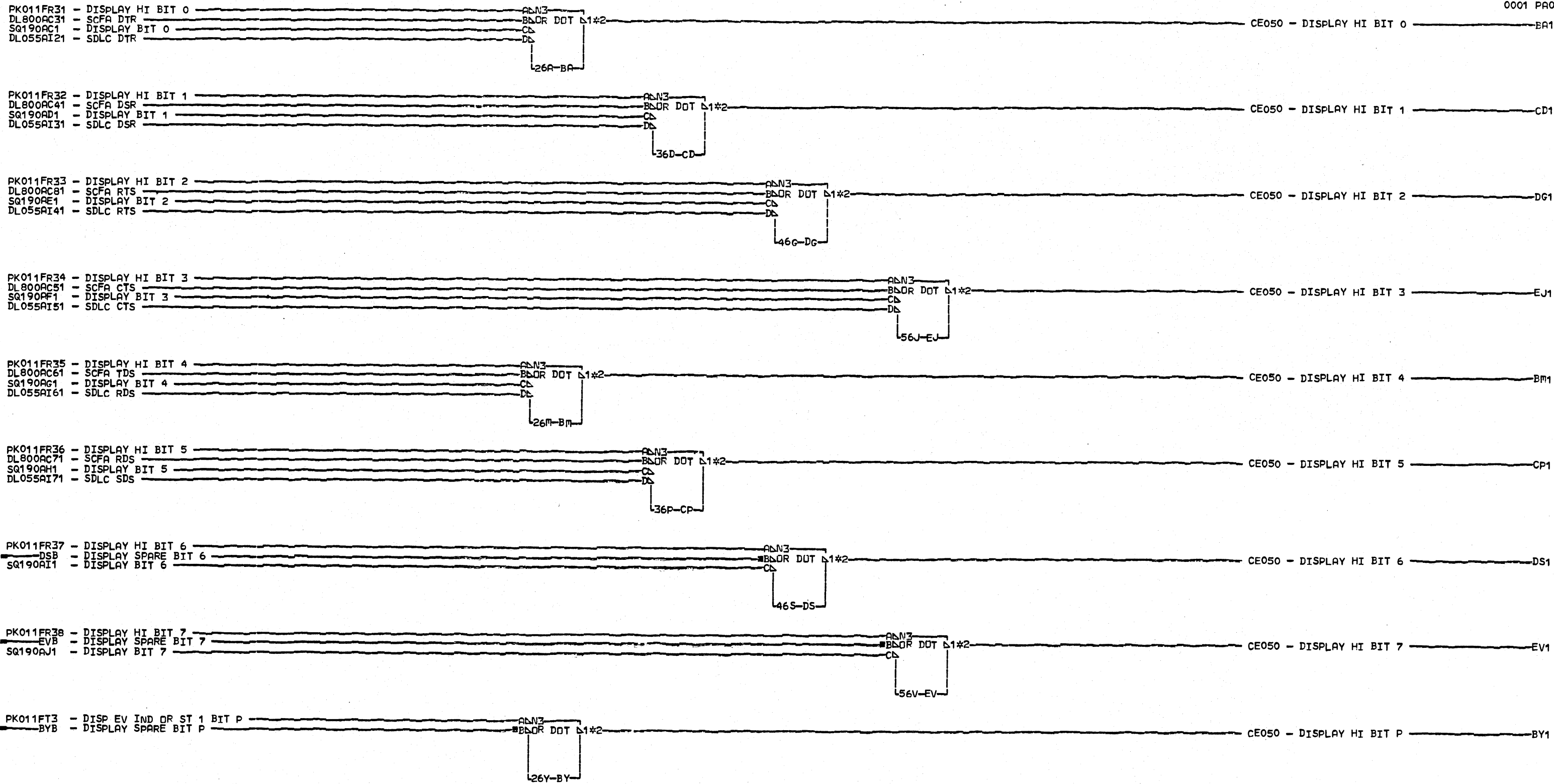
I/O BOARD EXIT TO CPU
PN2547341 EC825408 PEC825372
LOC=1A-A2
USN 00100 PRI=09JAN75 2026
PDESC=0001 SEC
PFORM=KSEB NEXTBLK AI
CID FEALD JOB L7101610



COMMENTS	CONNECTORS	I/O BOARD EXIT TO CPU
D1COPYRIGHT IBM CORP. 1974	PA3 0006/1A-A1/L6D02 0001/1A-A2/L1D11 AB3 0007/1A-A1/M6A02 0002/1A-A2/M1A11 AC3 0011/1A-A1/M6B02 0012/1A-A2/M1B11	PN2547342 EC831973 PEC828693 LOC=1A-A2 USN 00123 PRI=12MAR77 0924 PDESC=0001 SEC PFORM=KSEB NEXTBLK AF CID FEALD JOB L6300839

PA040
0001

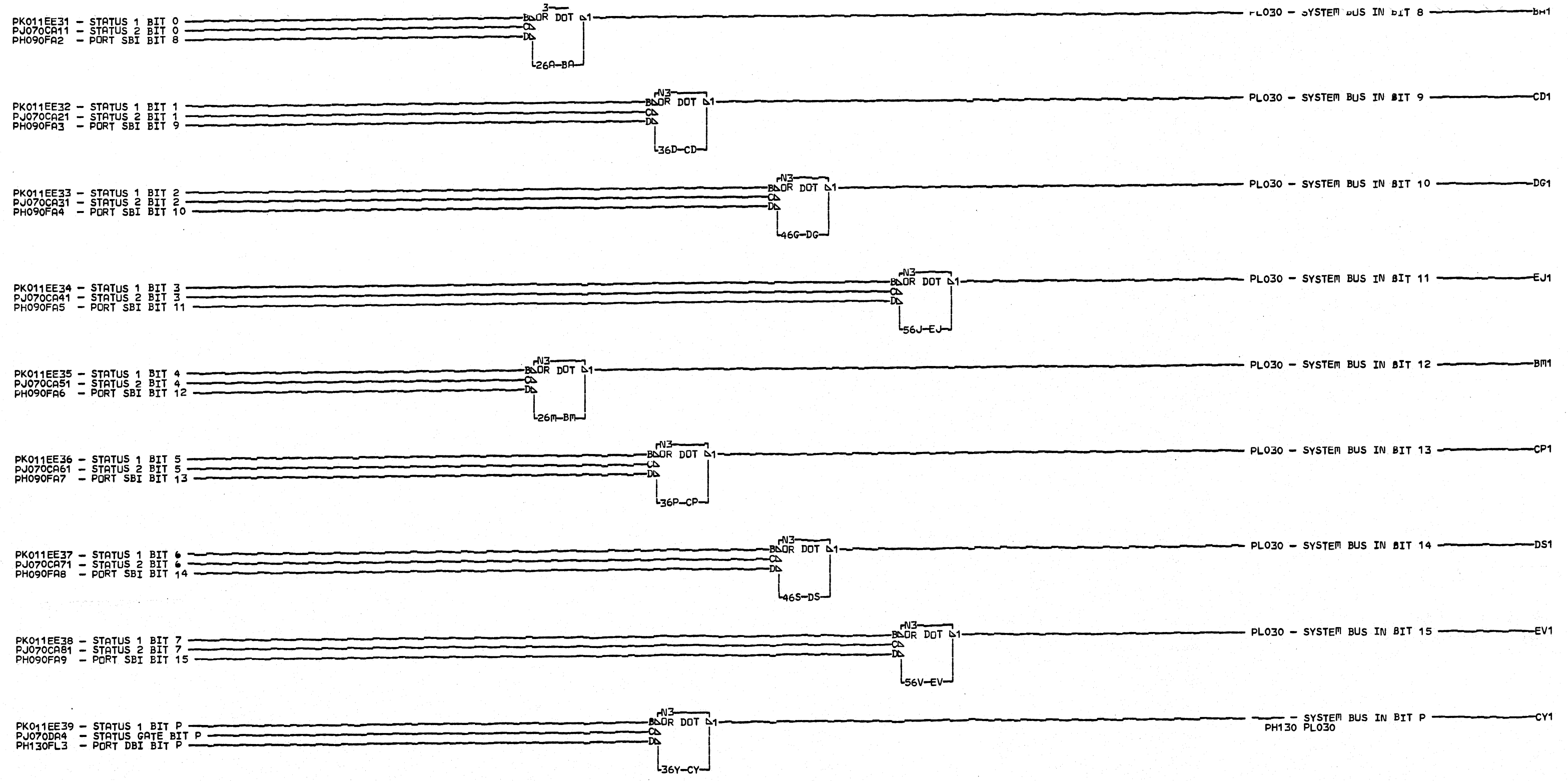
PA040
0001



COMMENTS	CONNECTORS	CONNECTORS	CONNECTORS	CONNECTORS	DISPLAY HI DOTS
DICOPYRIGHT IBM CORP. 1974	BA1 0038/1A-A1/A2D13 0002/1A-A1/A3B10 0036/1A-A1/B6A04 0001/1A-A1/C3B10 0037/1A-A2/B1A13	0061/1A-A1/B6E04 0035/1A-A1/C3B12 0060/1A-A2/B1E13 CD1 0041/1A-A1/A2B13 0005/1A-A1/A3B03 0039/1A-A1/B6B04 0003/1A-A1/C3B03 0040/1A-A2/B1B13 CP1 0052/1A-A1/A2D10 0032/1A-A1/A3B04 0051/1A-A1/B6B02 0009/1A-A1/C3B04	0053/1A-A2/B1B11 DG1 0044/1A-A1/A2D12 0004/1A-A1/A3D03 0042/1A-A1/B6C04 0006/1A-A1/C3B02 0043/1A-A2/B1C13 DS1 0056/1A-A1/A2B10 0010/1A-A1/A3D05 0065/1A-A1/B6C02 0011/1A-A1/C3D05 0054/1A-A2/B1C11 EJ1	0047/1A-A1/A2B12 0030/1A-A1/A3D02 0045/1A-A1/B6D04 0007/1A-A1/C3D02 0046/1A-A2/B1D13 EV1 0058/1A-A1/A2D09 0012/1A-A1/A3B05 0057/1A-A1/B6D02 0034/1A-A1/C3B05 0059/1A-A2/B1D11	PN2547343 EC828537 PEC825408 LOC=1A-A1 USN 00107 PDESC=0001 PFORM=KSEB CID FEALD PRI=17AUG75 1030 SEC NEXTBLK EW JOB L7101254

PA050

PA050



COMMENTS

©COPYRIGHT IBM CORP. 1974

SYSTEM BUS IN 8-15,P DOTS
CPU BOARD

PN2547167 EC825372 PEC821224

LDC=1A-A1

USN 00098 PRI=03OCT74 2208

PDESC=0001 SFC

PFOR=KSEB NEXTBLK EW

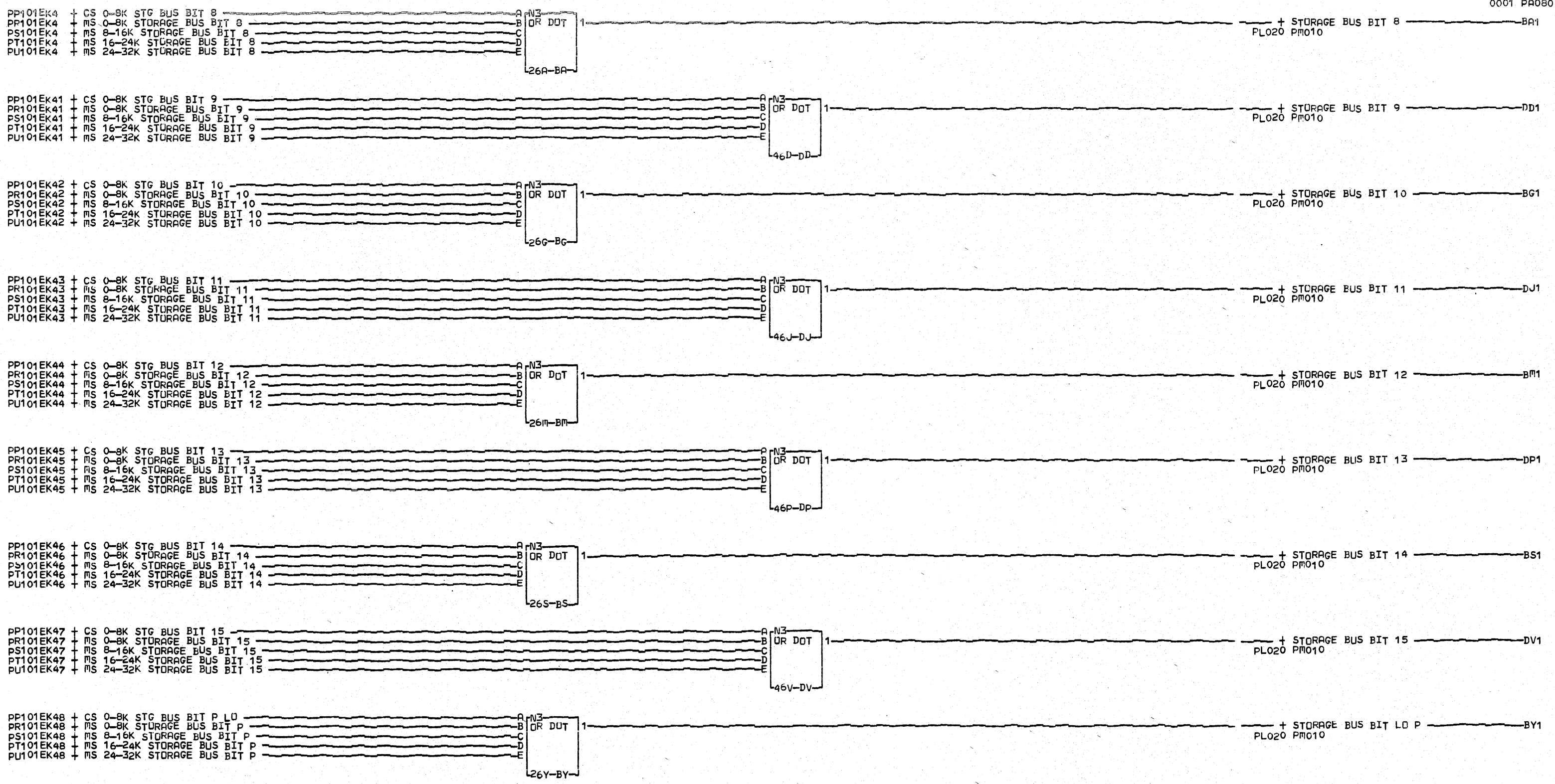
CID FEALD JOB J27616

P
A
O
6
0

0001

P
A
O
6
0

0001



COMMENTS
D1COPYRIGHT IBM CORP. 1974

STORAGE BUS BITS 8-15+P DOTTED
CPU BOARD

PN2547168 EC831987 PEC830406

LDC=1A-A1

LSN 00123 PRI=02FEB77 0639

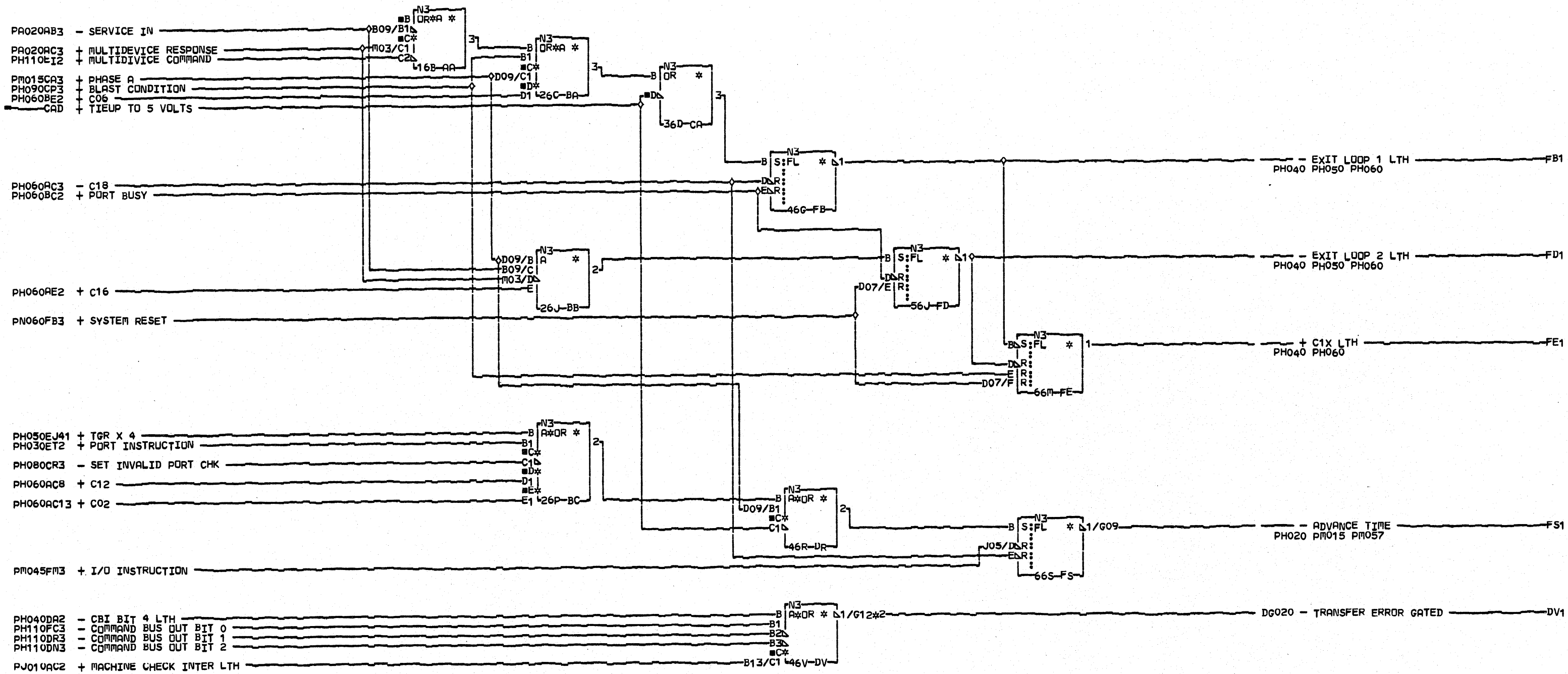
PDESC=0001 SEC

PFORM=K5EB NEXTBLK DW

CID FEALD JOB K5400852

P
A
O
B
O
C

P
A
O
B
O
C



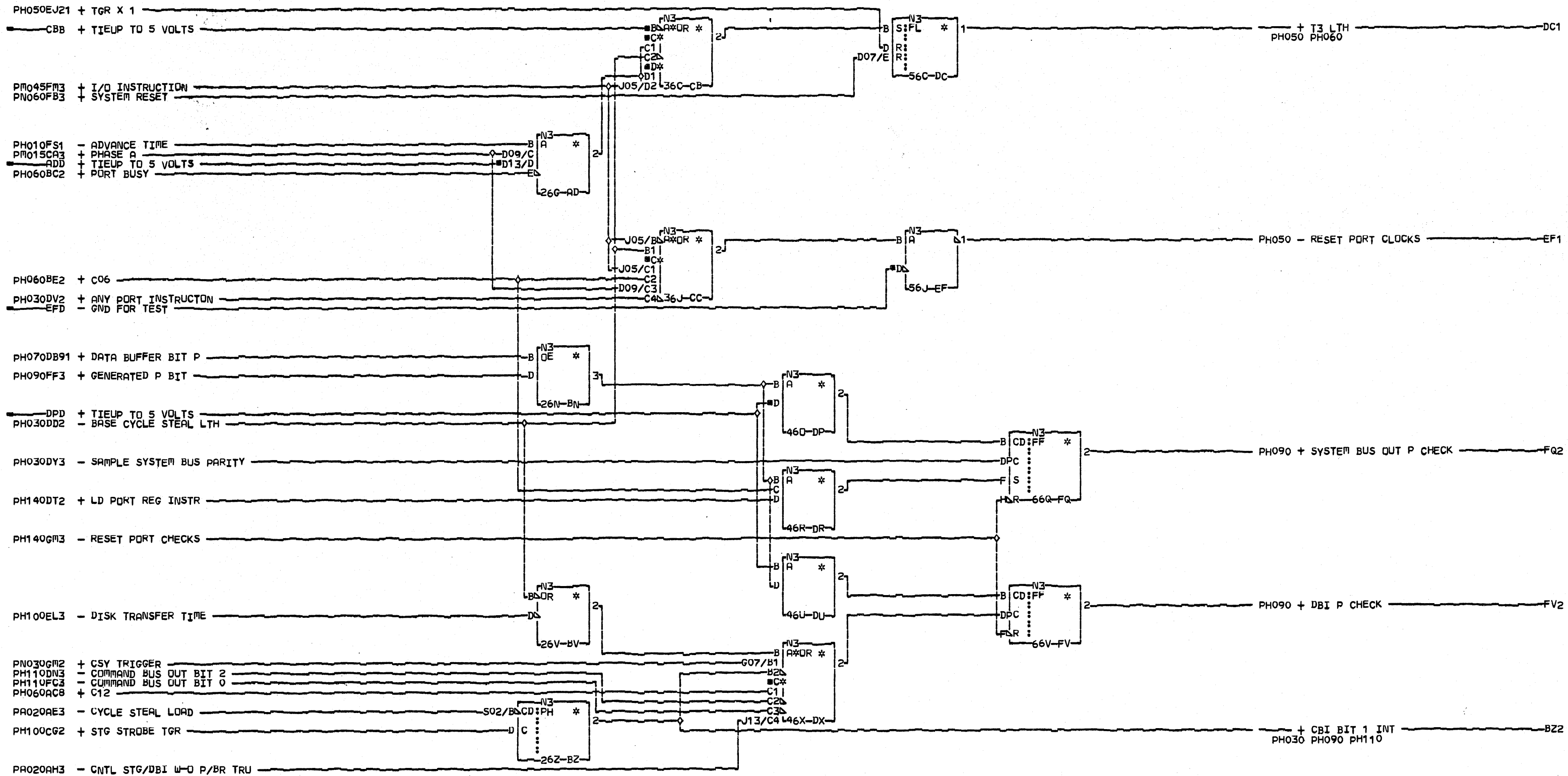
COMMENTS
 D1 COPYRIGHT IBM CORP. 1974

CONNECTORS
 DV1
 0003/1A-A1/H6B02
 0004/1A-A2/H1B11

PORT CLOCKS CONTROL
 PORT CARD
 PN2547344 EC830358 PEC825408
 LUC=1A-A1H2
 USN 00124 PRI=07APR77 0120
 PDESC=0001 SEC 11APR77 0031
 PFORM=KSEB NEXTBLK FT
 CID FEALD JOB L6901600

PH010
 0001

PH010
 0001

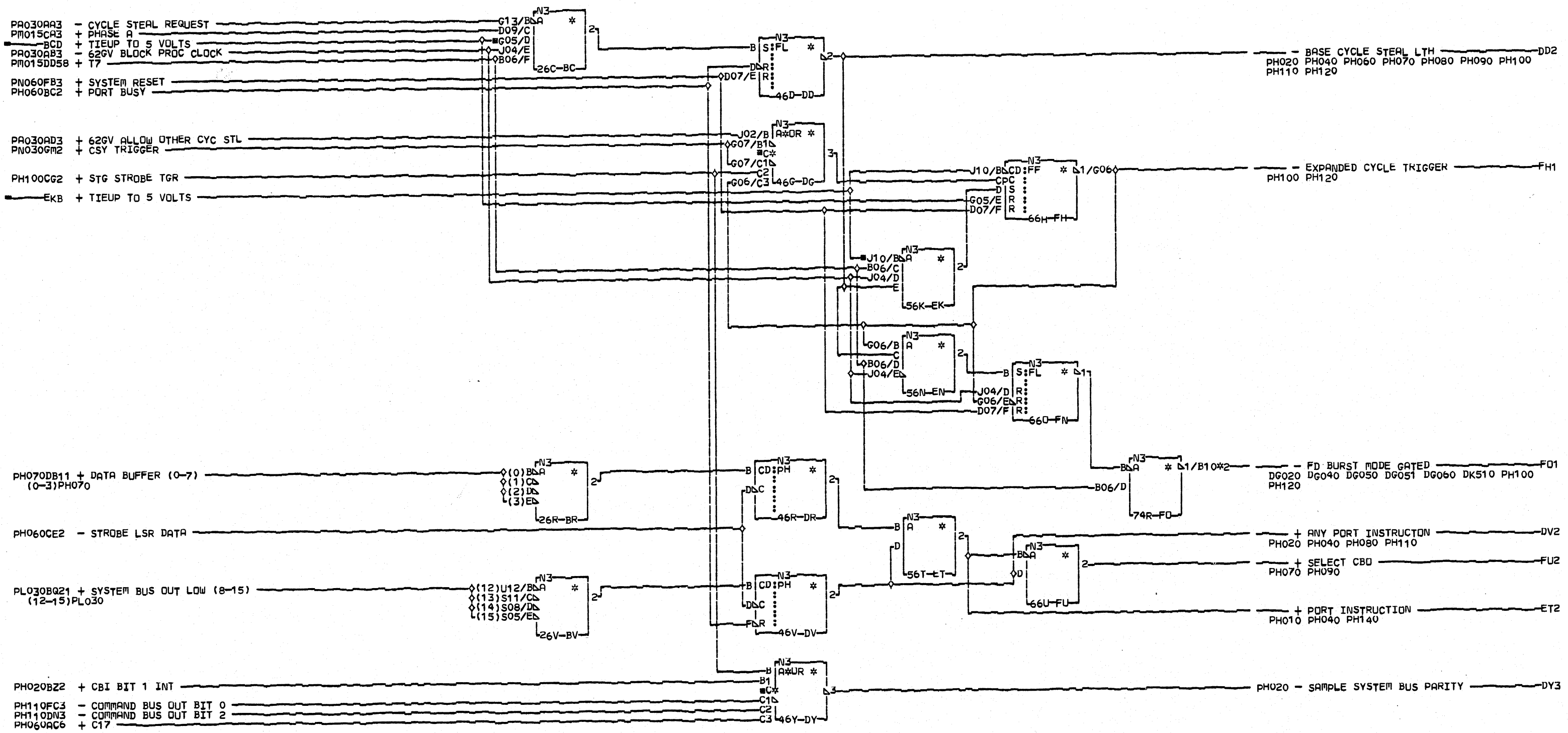


COMMENTS
 D1 COPYRIGHT IBM CORP. 1974

CLOCKS CTRLS/PORT CHKS
 PORT CARD
 PN2547345 EC830358 PEC825408
 LOC=1A-A1H2
 USN 00124 PRI=07APR77 0120
 PDESC=0001 SEC
 PFORM=KSEB NEXTBLK FU
 CID FEALD JOB L6901600

CNOH P

PH020
0



COMMENTS
D1COPYRIGHT IBM CORP. 1974

CONNECTORS
F01
0003/1A-A1/H6D04
0005/1A-A2/H1D13

CYCLE STEAL CHKS/PORT CTRL
PORT CARD

PN2547346 EC830358 PEC825408

LOC=1A-A1H2

USN 00124 PRI=11APR77 0031

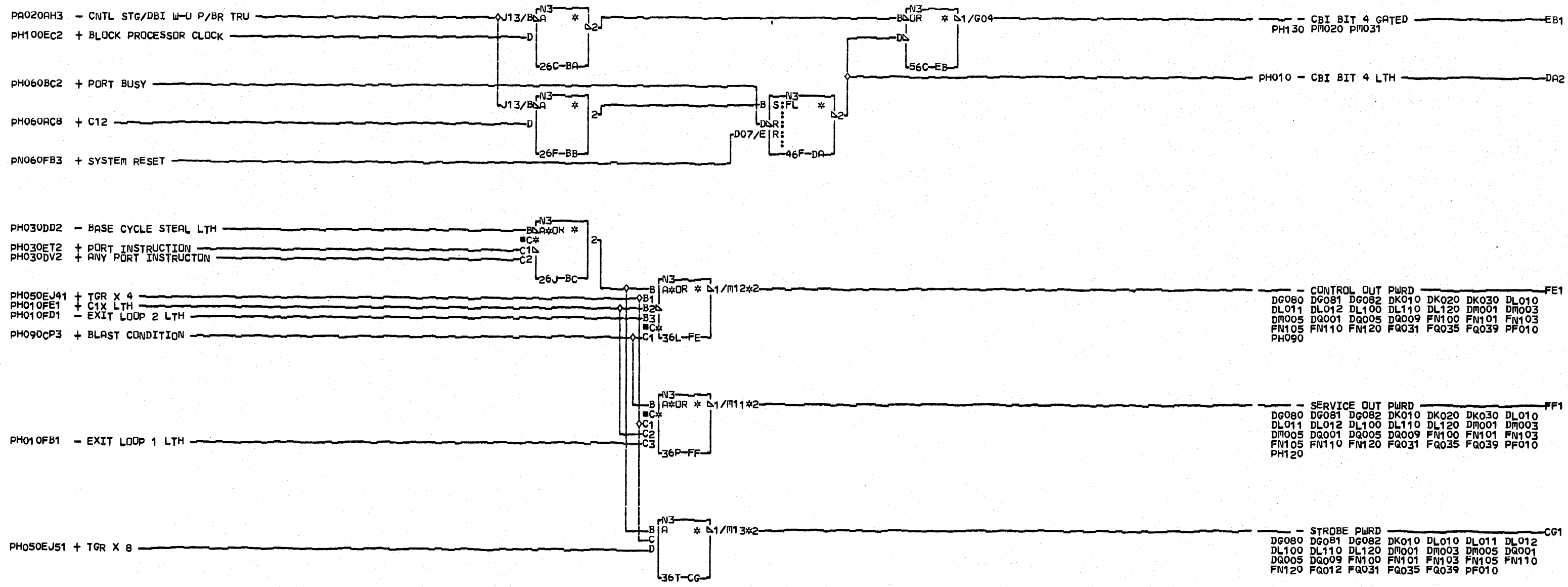
PDESC=0001 SEC

PFORM=KSEB NEXTBLK FV

CID FEALD JOB L6901600

PH070
0001

PH070
0001



EB1 - CBI BIT 4 GATED
PH130 PH020 PH031

PH010 - CBI BIT 4 LTH
DA2

FE1 - CONTROL OUT PWRD
DG080 DG081 DG082 DK010 DK020 DK030 DL010
DL011 DL012 DL100 DL110 DL120 DM001 DM003
DM005 DQ001 DQ005 DQ009 FN100 FN101 FN103
FN105 FN110 FN120 FQ031 FQ035 FQ039 PF010
PH090

FF1 - SERVICE OUT PWRD
DG080 DG081 DG082 DK010 DK020 DK030 DL010
DL011 DL012 DL100 DL110 DL120 DM001 DM003
DM005 DQ001 DQ005 DQ009 FN100 FN101 FN103
FN105 FN110 FN120 FQ031 FQ035 FQ039 PF010
PH120

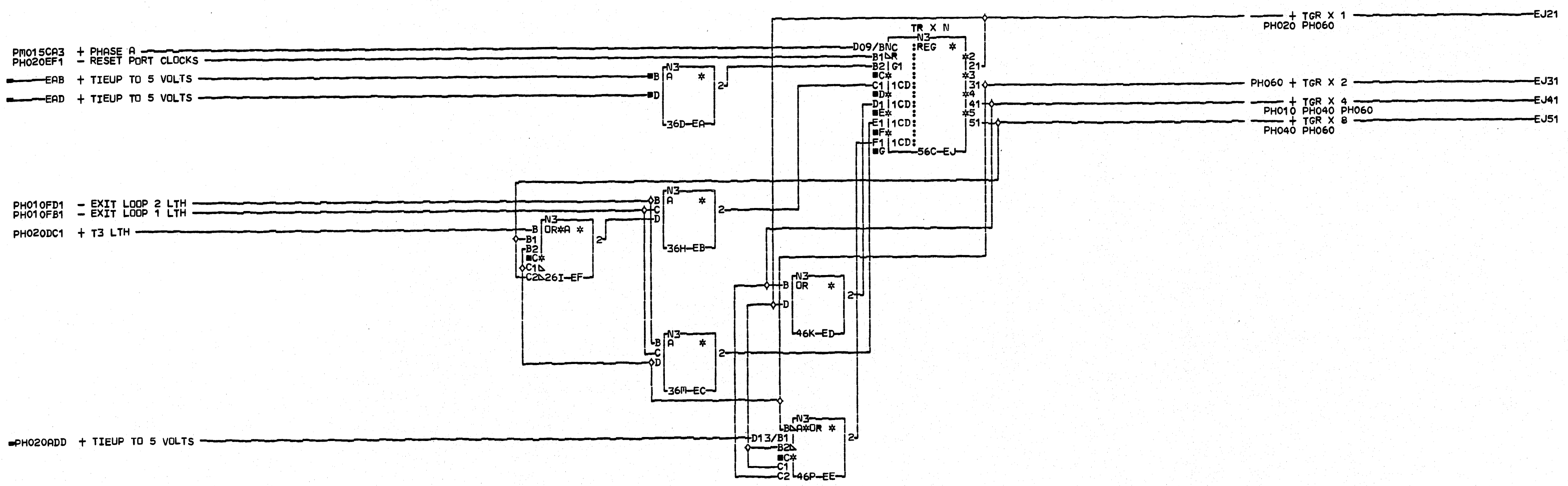
CG1 - STROBE PWRD
DG080 DG081 DG082 DK010 DL010 DL011 DL012
DL100 DL110 DL120 DM001 DM003 DM005 DQ001
DQ005 DQ009 FN100 FN101 FN103 FN105 FN110
FN120 FQ012 FQ031 FQ035 FQ039 PF010

PH040
0001

COMMENTS
D1COPYRIGHT IBM CORP. 1974

CUNNECTORS
CG1
0003/1A-A1/N6B02
0005/1A-A2/N1B11
FE1
0001/1A-A1/M6D02
0006/1A-A2/M1D11
FF1
0002/1A-A1/N6A02
0007/1A-A2/N1A11

INTERFACE CTRLS
PORT CARD
PN2547347 EC830358 PEC831973
LUC=1A-A1H2
USN 00124 PRI=07APR77 0120
PDESC=0001 SEC 11APR77 0031
PFORM=KSEB NEXTBLK FG
CID FEALD JOB L6901600

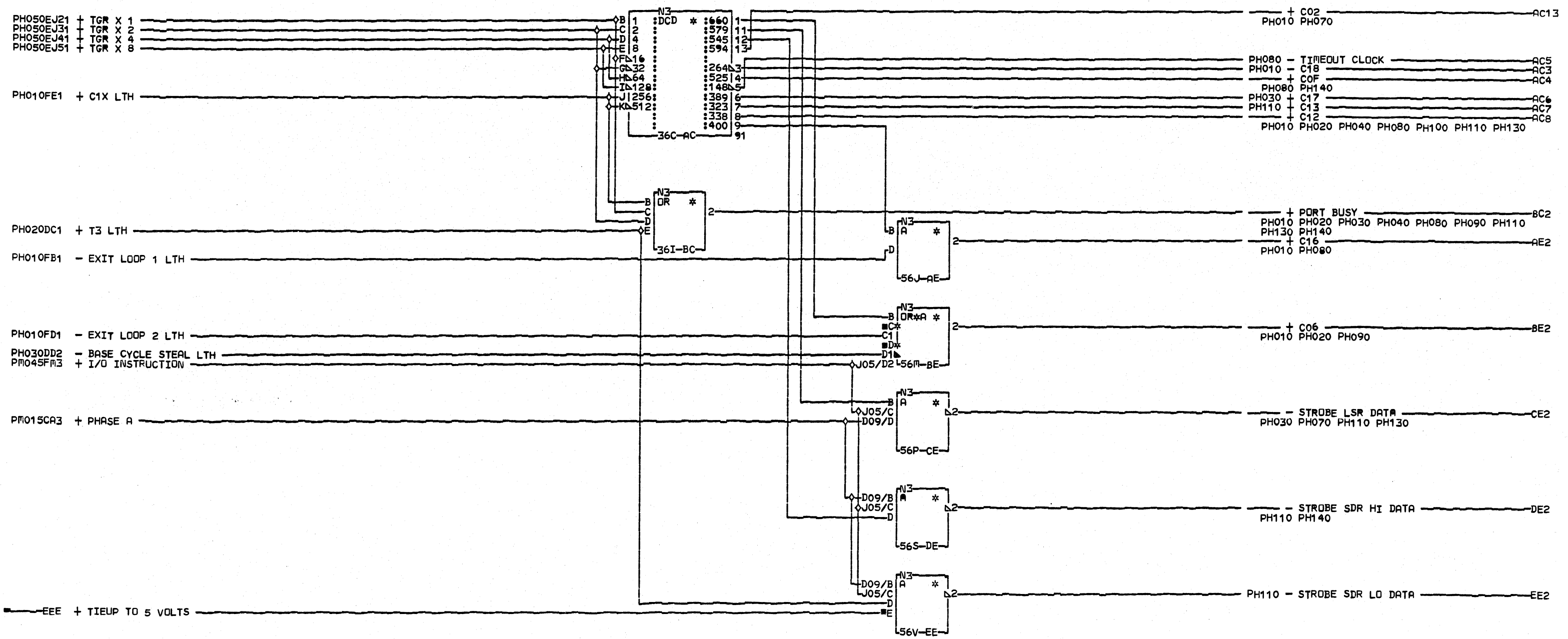


COMMENTS
 D1COPYRIGHT IBM CORP. 1974

CLOCKS TGRS
 PORT CARD
 PN2547348 EC825372 PEC821224
 LOC=1A-A1H2
 USN 00098 PRI=030CT74 2208
 PDESC=0001 SEC
 PFORM=KSEB NEXTBLK EK
 CID FEALD JOB J27616

PH050
 0001

PH050
 0001



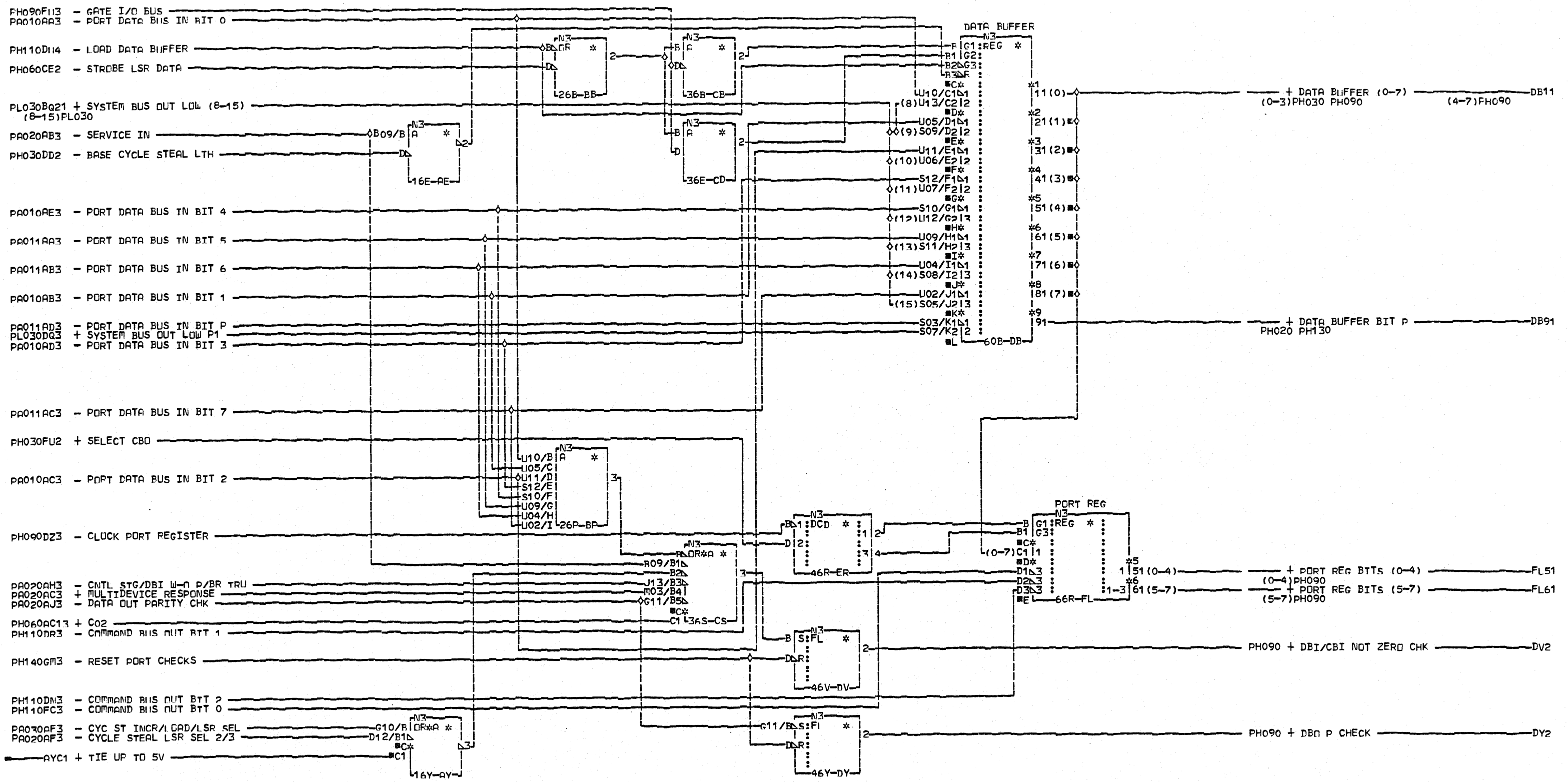
COMMENTS

D1COPYRIGHT IBM CORP. 1974

CLOCKS DECODES
PORT CARD
PN2547349 EC825372 PEC821224
LDC=1A-A1H2
USN 00098 PRI=030CT74 2208
PDESC=0001 SEC
PFORM=KSEB NEXTBLK EF
CID FEALD JOB J27616

PH060
0001

PH060
0001

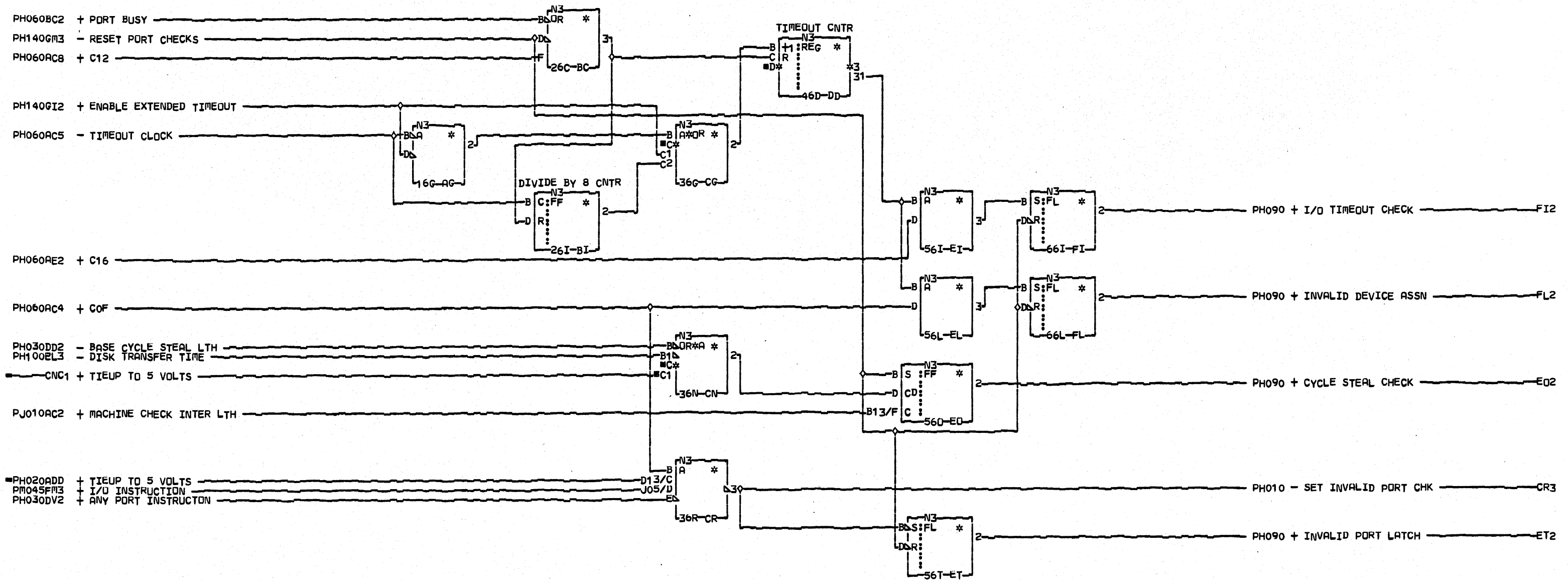


COMMENTS
D1COPYRIGHT IBM CORP. 1974

DATA BUFFER/PORT REG PORT CARD	
PN2547350 EC828696 PEC825408	
LOC=1A-A1H2	
USN 00115	PRI=10MAR76 2004
PDESC=0001	SEC
PFORM=KSER	NEXTBLK FM
CID FFALD	JOB L7101528

P
H
0
7
0

P
H
0
7
0



COMMENTS

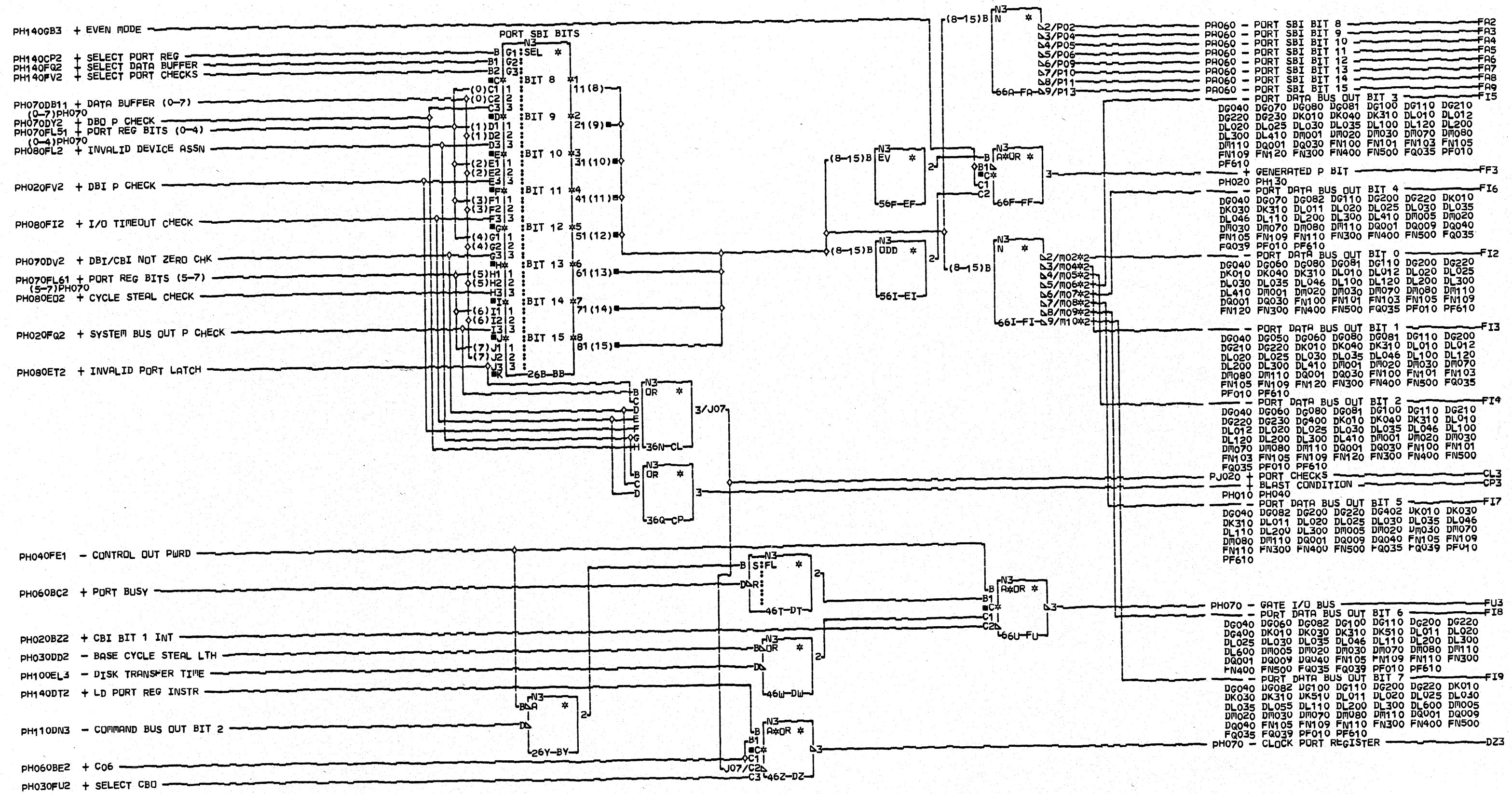
D1COPYRIGHT IBM CORP. 1974

PORT CHECKS
PORT CARD

PN2547351 EC830358 PEC825372
 LOC=1A-A1H2
 USN 00124 PRI=07APR77 0120
 PDESC=0001 SEC
 PFQRM=KSEB NEXTBLK FM
 CID FEALD JOB L6901600

PH080
0001

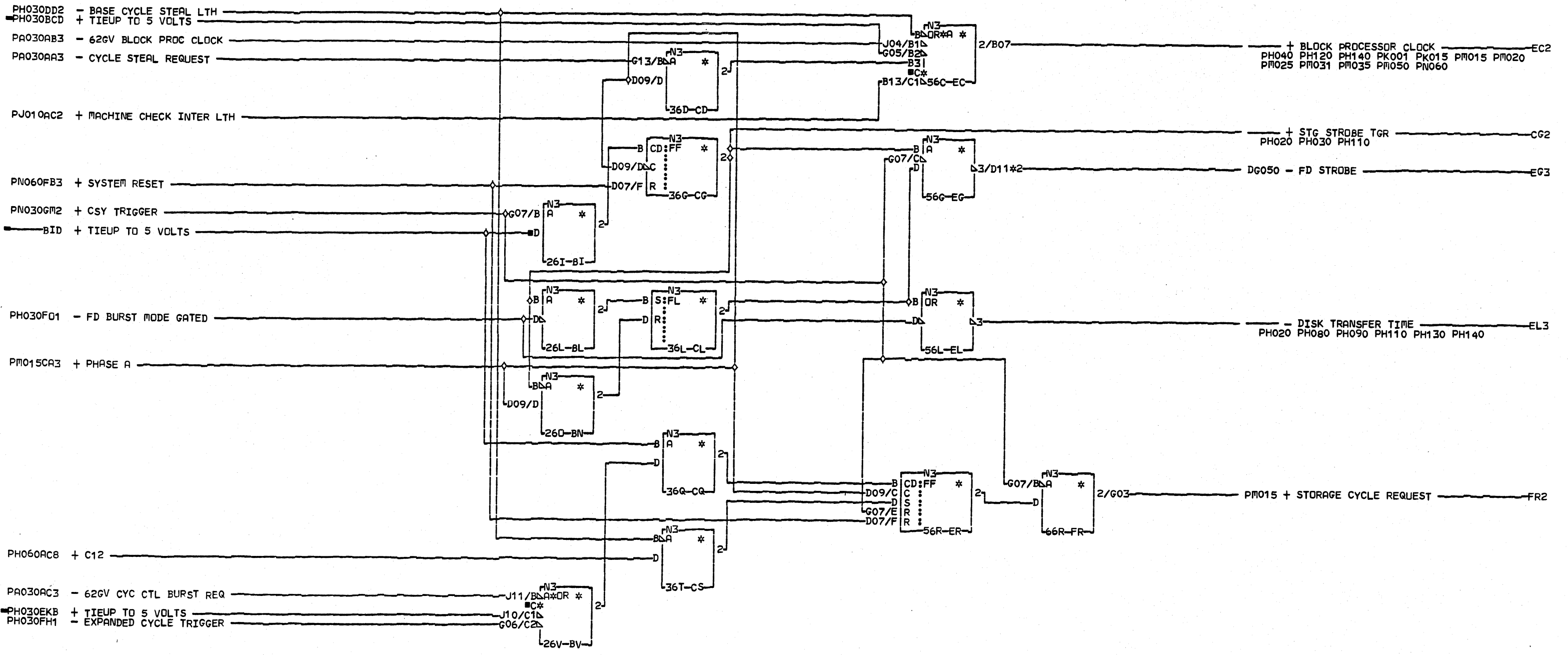
PH080
0001



COMMENTS	CONNECTORS	CONNECTORS
D1 COPYRIGHT IBM CORP. 1974	0001/1A-A1/F6D04	0013/1A-A2/E1D11
	0009/1A-A2/F1D13	0006/1A-A1/E6E02
		0014/1A-A2/E1E11
	0002/1A-A1/D6E02	0007/1A-A1/F6B02
	0010/1A-A2/D1E11	0015/1A-A2/F1B11
		0008/1A-A1/F6C02
	0003/1A-A1/E6B02	0016/1A-A2/F1C11
	0011/1A-A2/E1B11	
	0004/1A-A1/E6C02	
	0012/1A-A2/E1C11	
	0005/1A-A1/E6D02	

PORT DATA CUT PORT CARD	
PN2547352 EC830358 PEC831973	
LOC=1A-A1H2	
USN 00124	PRI=07APR77 0120
PDESC=0001	SEC NEXTBLK FV
PFORM=KSEB	
CID FEALD	JOB L6901600

PH090
0001



PH001

0001

COMMENTS
 D1COPYRIGHT IBM CORP. 1974

CONNECTORS
 EG3
 0003/1A-A1@@@@@@@@@@@@/H6C04
 0005/1A-A2@@@@@@@@@@@@/H1C13

CYCLE STEAL
 PORT CARD

PN2547353 EC825372 PEC821224

LOC=1A-A1H2

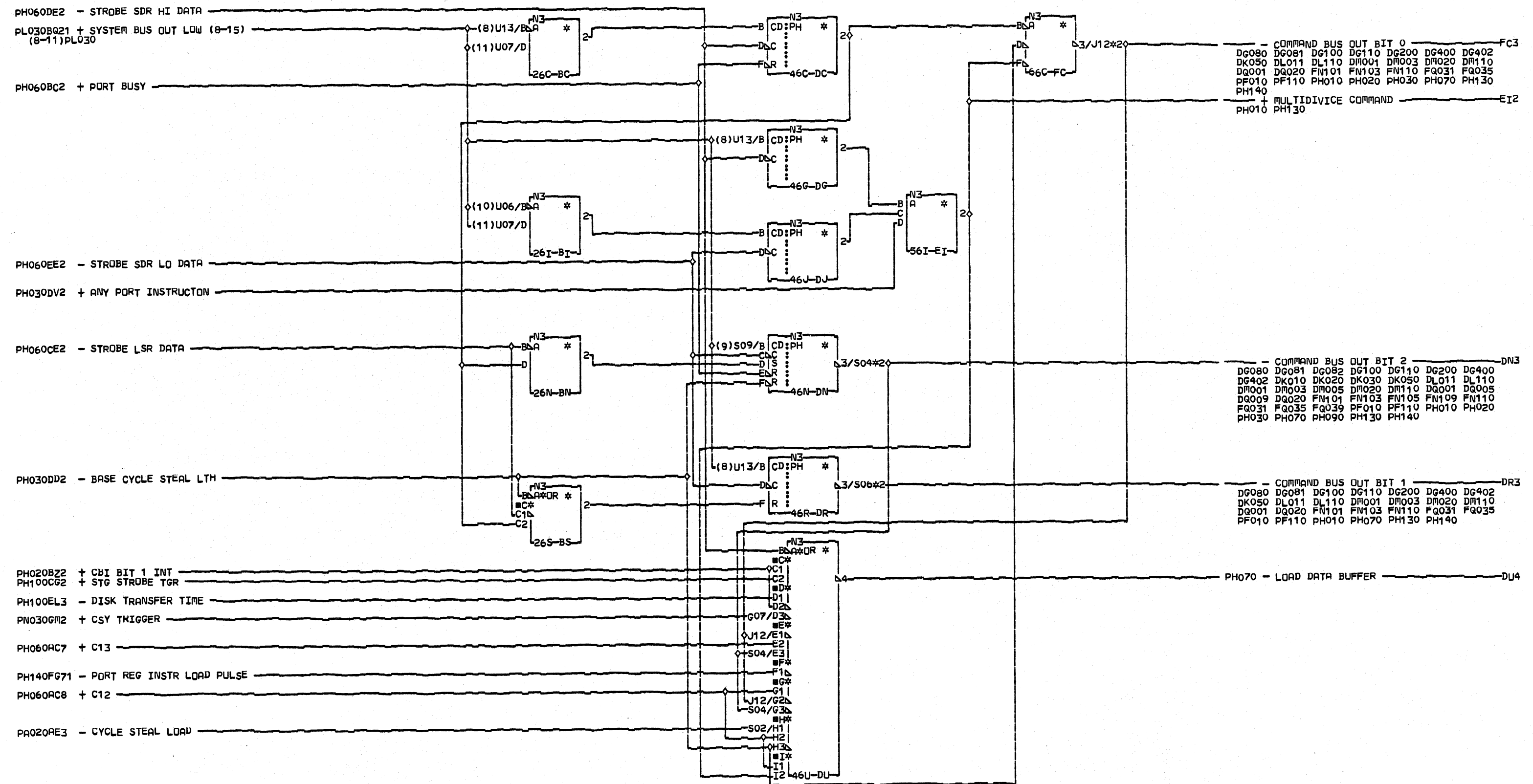
USN 00098 PRI=030CT74 2208

PDESC=0001 SEC
 PFORM=KSEB NEXTBLK FS

CID FEALD JOB J27616

PH001

0001



COMMAND BUS OUT BIT 0 — FC3
 DG080 DG081 DG100 DG110 DG200 DG400 DG402
 DK050 DL011 DL110 DM001 DM003 DM020 DM110
 DQ001 DQ020 FN101 FN103 FN110 FQ031 FQ035
 PF010 PF110 PH010 PH020 PH030 PH070 PH130
 PH140
 + MULTIDIVICE COMMAND — EI2
 PH010 PH130

COMMAND BUS OUT BIT 2 — DN3
 DG080 DG081 DG082 DG100 DG110 DG200 DG400
 DG402 DK010 DK020 DK030 DK050 DL011 DL110
 DM001 DM003 DM005 DM020 DM110 DQ001 DQ005
 DQ009 DQ020 FN101 FN103 FN105 FN109 FN110
 FQ031 FQ035 FQ039 PF010 PF110 PH010 PH020
 PH030 PH070 PH090 PH130 PH140

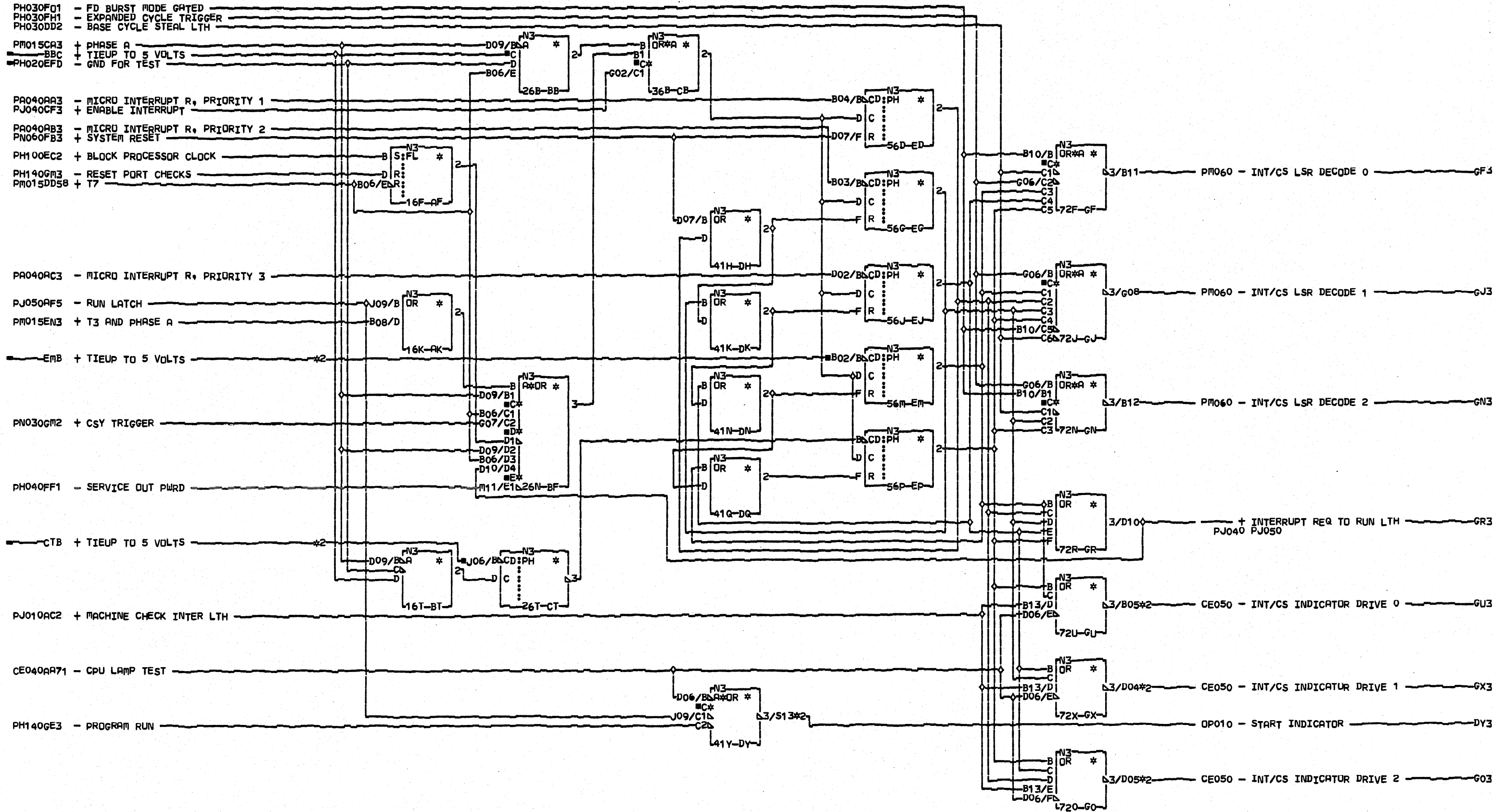
COMMAND BUS OUT BIT 1 — DR3
 DG080 DG081 DG100 DG110 DG200 DG400 DG402
 DK050 DL011 DL110 DM001 DM003 DM020 DM110
 DQ001 DQ020 FN101 FN103 FN110 FQ031 FQ035
 PF010 PF110 PH010 PH070 PH130 PH140

PH070 — LOAD DATA BUFFER — DU4

COMMENTS
 D1COPYRIGHT IBM CORP. 1974

CONNECTORS
 DN3
 0004/1A-A1/N6E02
 0006/1A-A2/N1E11
 DR3
 0003/1A-A1/N6D02
 0007/1A-A2/N1D11
 FC3
 0002/1A-A1/N6C02
 0008/1A-A2/N1C11

CBO BITS 0-2
 PORT CARD
 PN2547354 EC830358 PEC831973
 LUC=1A-A1H2
 USN 00124 PRI=07APR77 0120
 PDESC=0001 SEC
 PFQRM=KSEB NEXTBLK FD
 CID FEALD JDB L6901600



COMMENTS
 D1COPYRIGHT IBM CORP. 1974

CONNECTORS
 CTB
 0018/1A-A1/N6C04
 0019/1A-A2/N1C13
 DY3
 0012/1A-A1/B2D05
 0013/1A-A1/C2D05
 EMB
 0016/1A-A1/M6C02
 0017/1A-A2/M1C11
 GU3
 0003/1A-A1/A3B13
 0004/1A-A1/C3B13
 GX3
 0005/1A-A1/A3D13

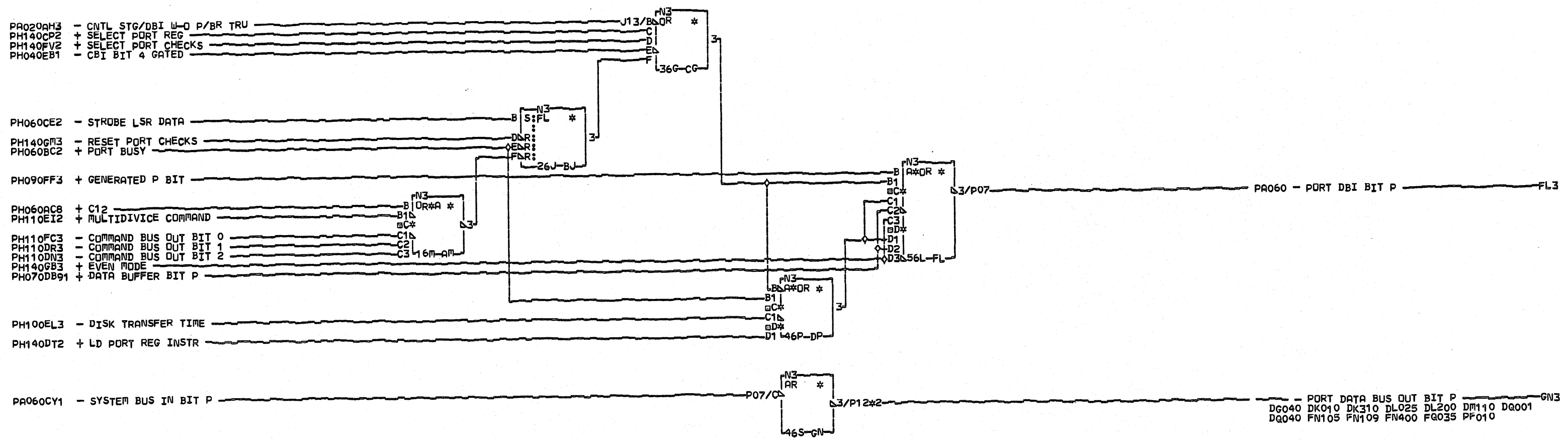
CONNECTORS
 0006/1A-A1/C3D13
 G03
 0007/1A-A1/A3D12
 0008/1A-A1/C3D12

CONNECTORS
 3/D10
 3/B05*2
 3/D04*2
 3/D05*2

INTERRUPT
 PORT CARD
 PN2547355 Ec=831973 PEC828682
 LOC=1A-A1H2
 USN 00123 PRI=16MAR77 0422
 PDESC=0001 SEC
 PFORM=KSEB NEXTBLK G1
 CID FEALD JDB L6300839

P
 H
 1
 2
 0
 0001

P
 H
 1
 2
 0
 0001



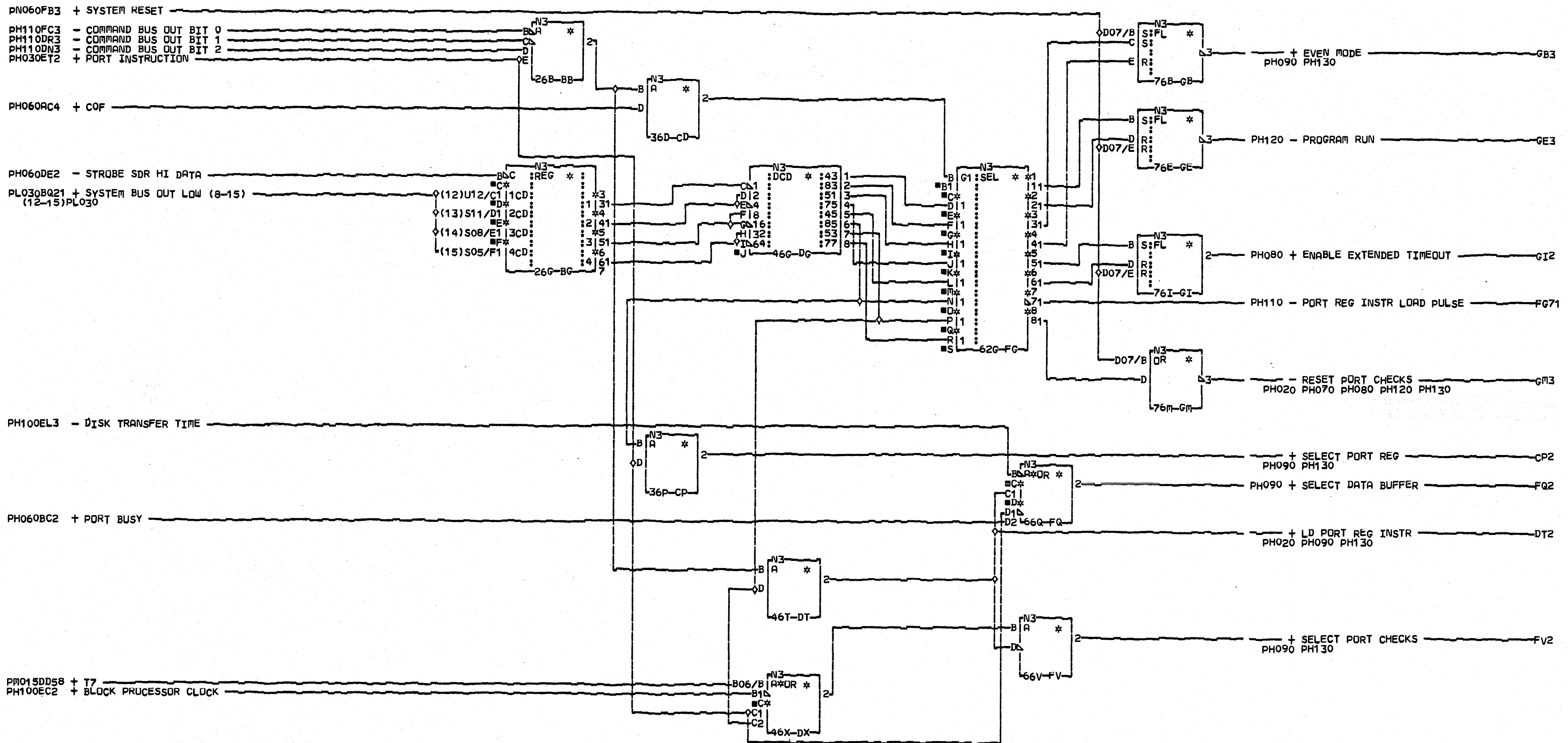
COMMENTS
 D1COPYRIGHT IBM CORP. 1974

CONNECTORS
 GN3
 0002/1A-A1/F6D02
 0003/1A-A2/F1D11

PORT DBI-PORT P BIT
 PORT CARD
 PN2547356 EC831973 PEC828693
 LOC=1A-A1H2
 USN 00123 PRI=10MAR77 1853
 PDESC=0001 SEC
 PFORM=KSEB NEXTBLK 60
 CID FEALD JOB L6300839

P H 1 3 0
0001

P H 1 3 0
0001

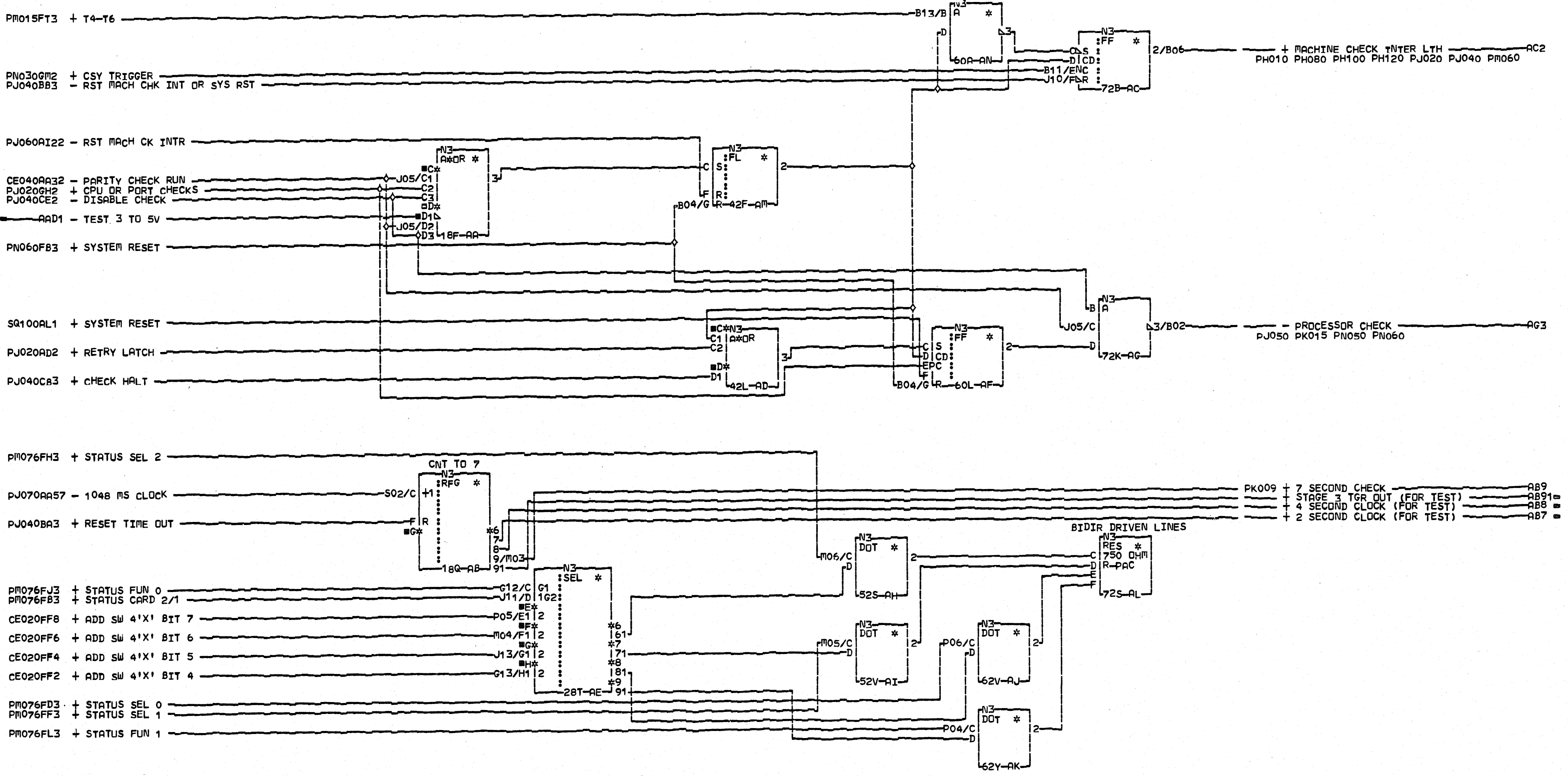


COMMENTS
 D1COPYRIGHT IBM CORP. 1974

PORT STATUS
 PORT CARD
 PN2547357 Ec830358 pEC825408
 LQC#1A-A1H2
 USN 00124 PRI#07APR77 0120
 PDESC#0001 SEC 11APR77 0031
 PFORM#KSEB NEXTBLK GN
 CID FEALD JOB L6901600

P
 1
 4
 0
 0001

P
 H
 1
 4
 0
 0001

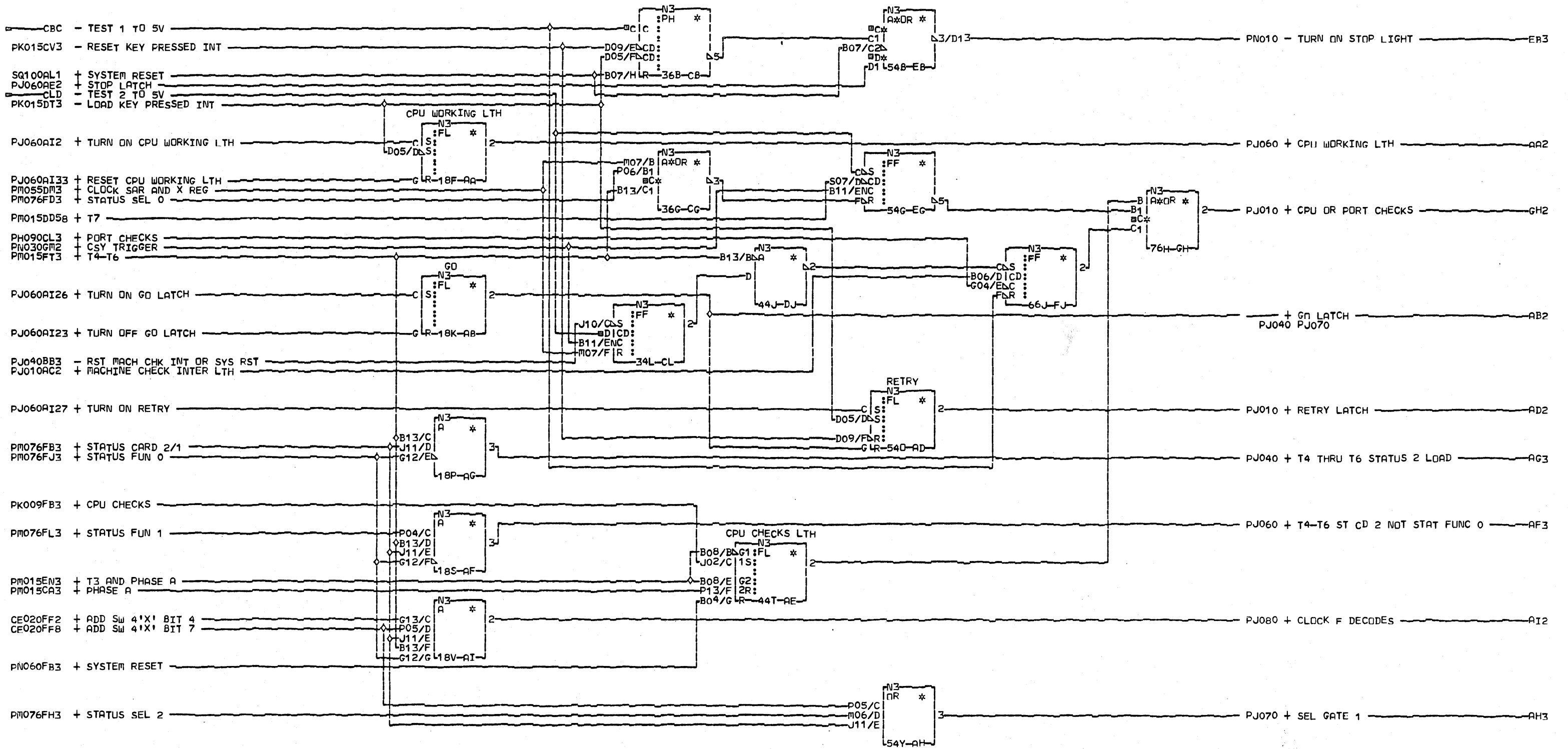


COMMENTS
D1COPYRIGHT IBM CORP. 1974

MACH CHK, PROC CHK
7 SEC CHECK
STATUS 2 CARD
PN2547358 EC825408 PEC825372
LDC=1A-A1J2
USN 00100 PRI=10JAN75 1046
PDES=0001 SEC
PFORM=KSEB NEXTBLK AA
CID FEALD JDB L7101028

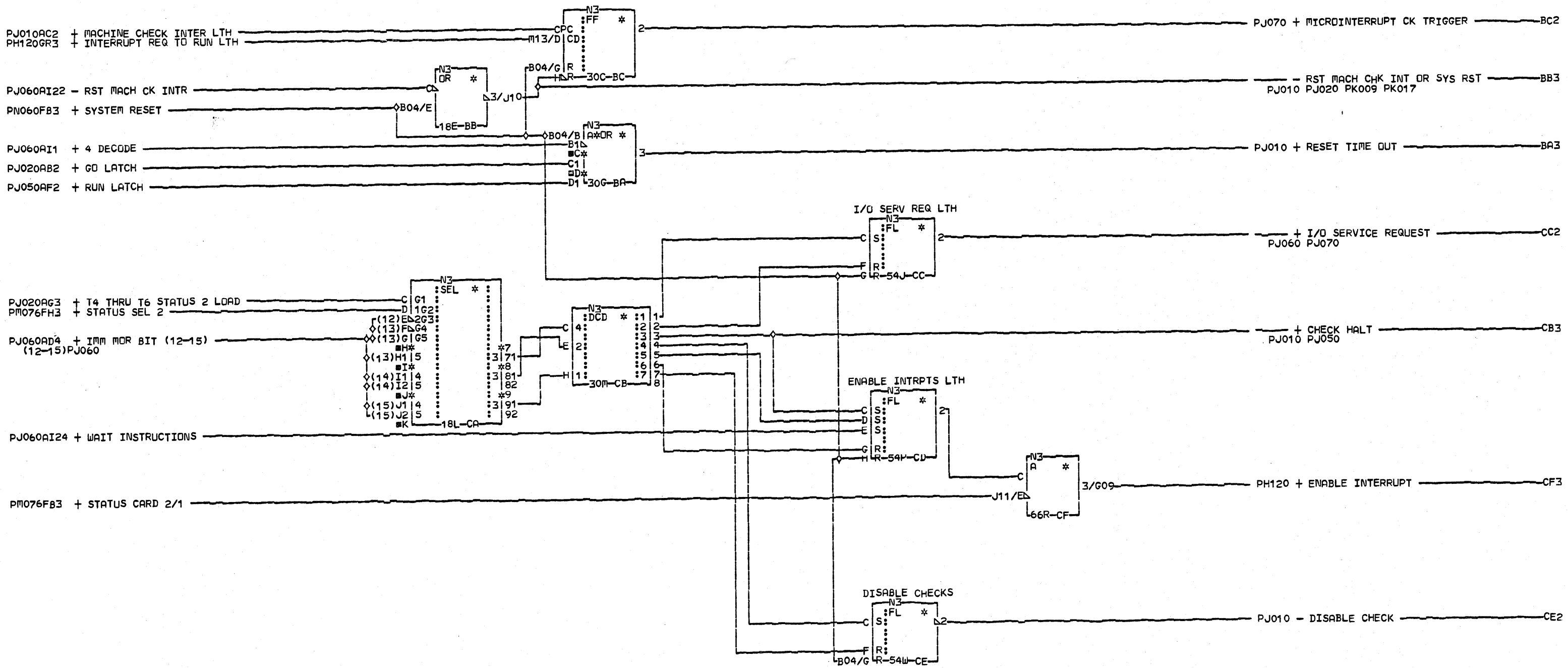
P
J
0
1
0
0001

P
J
0
1
0
0001



COMMENTS
 D1COPYRIGHT IBM CORP. 1974

IMMEDIATE DECDE
 STATUS 2 CARD
 PN2547359 EC825408 PEC825372
 LOC=1A-A1J2
 USN 00100 PRI=09JAN75 2026
 IPDESC=0001 SEC
 PFORM=KSEB NEXTBLK GI
 CID FEALD JOB L7101028



PJ010AC2 + MACHINE CHECK INTER LTH
 PH120GR3 + INTERRUPT REQ TO RUN LTH

PJ060AI22 - RST MACH CK INTR

PN060FB3 + SYSTEM RESET

PJ060AI1 + 4 DECODE

PJ020AB2 + GO LATCH

PJ050AF2 + RUN LATCH

PJ070 + MICROINTERRUPT CK TRIGGER — BC2

- RST MACH CK INT OR SYS RST — BB3
 PJ010 PJ020 PK009 PK017

PJ010 + RESET TIME OUT — BA3

+ I/O SERVICE REQUEST — CC2
 PJ060 PJ070

+ CHECK HALT — CB3
 PJ010 PJ050

PH120 + ENABLE INTERRUPT — CF3

PJ010 - DISABLE CHECK — CE2

PJ020AG3 + T4 THRU T6 STATUS 2 LOAD
 PM076FH3 + STATUS SEL 2

PJ060AD4 + IMM MDR BIT (12-15)
 (12-15)PJ060

PJ060AI24 + WAIT INSTRUCTIONS

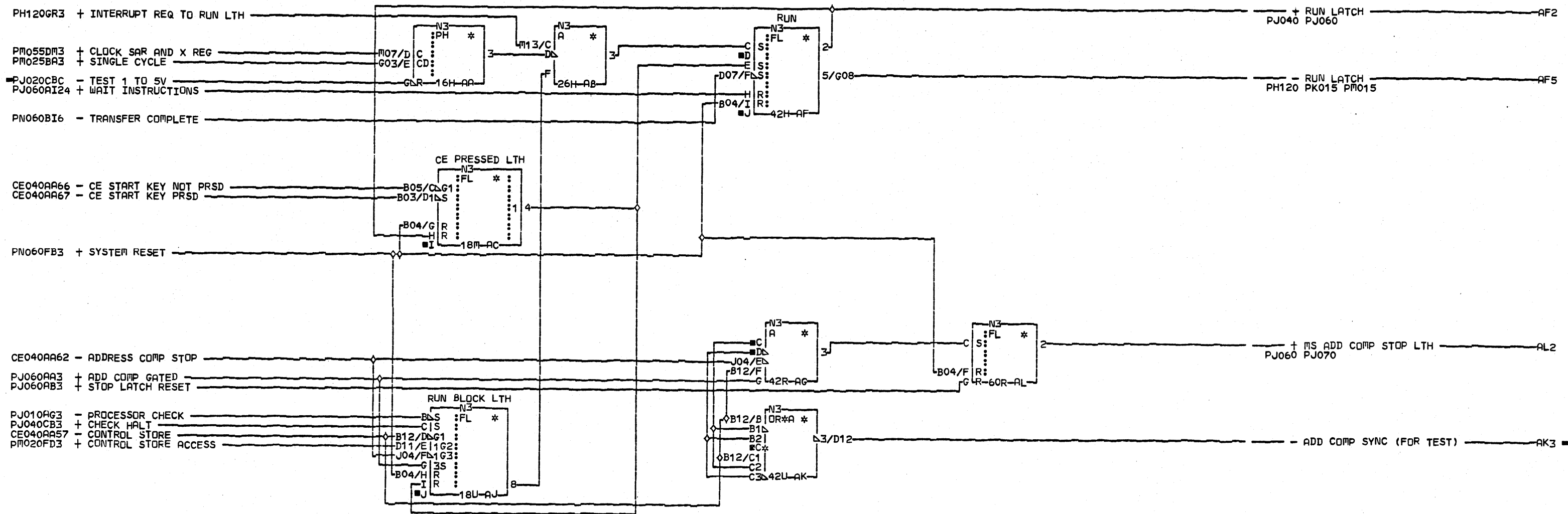
PM076FB3 + STATUS CARD 2/1

COMMENTS
 D1COPYRIGHT IBM CORP. 1974

DECODES
 STATUS 2 CARD
 PN2547361 EC825372 PEC821224
 LOC=1A-A1J2
 USN 00098 PRI=03OCT74 2208
 PDESC=0001 SEC
 PFORM=KSEB NEXTBLK CG
 CID FEALD JOB J27616

P
 0
 4
 0
 0001

P
 J
 0
 4
 0
 0001



COMMENTS

D1COPYRIGHT IBM CORP. 1974

RUN LTH, ADD COMP LTH
 ADD COMP SYNC
 STATUS 2 CARD
 PN2547362 EC825372 PEC821224

LDC=1A-A1J2

USN 00098

PRI=03OCT74 2208

PDESC=0001
PFORM=KSEB

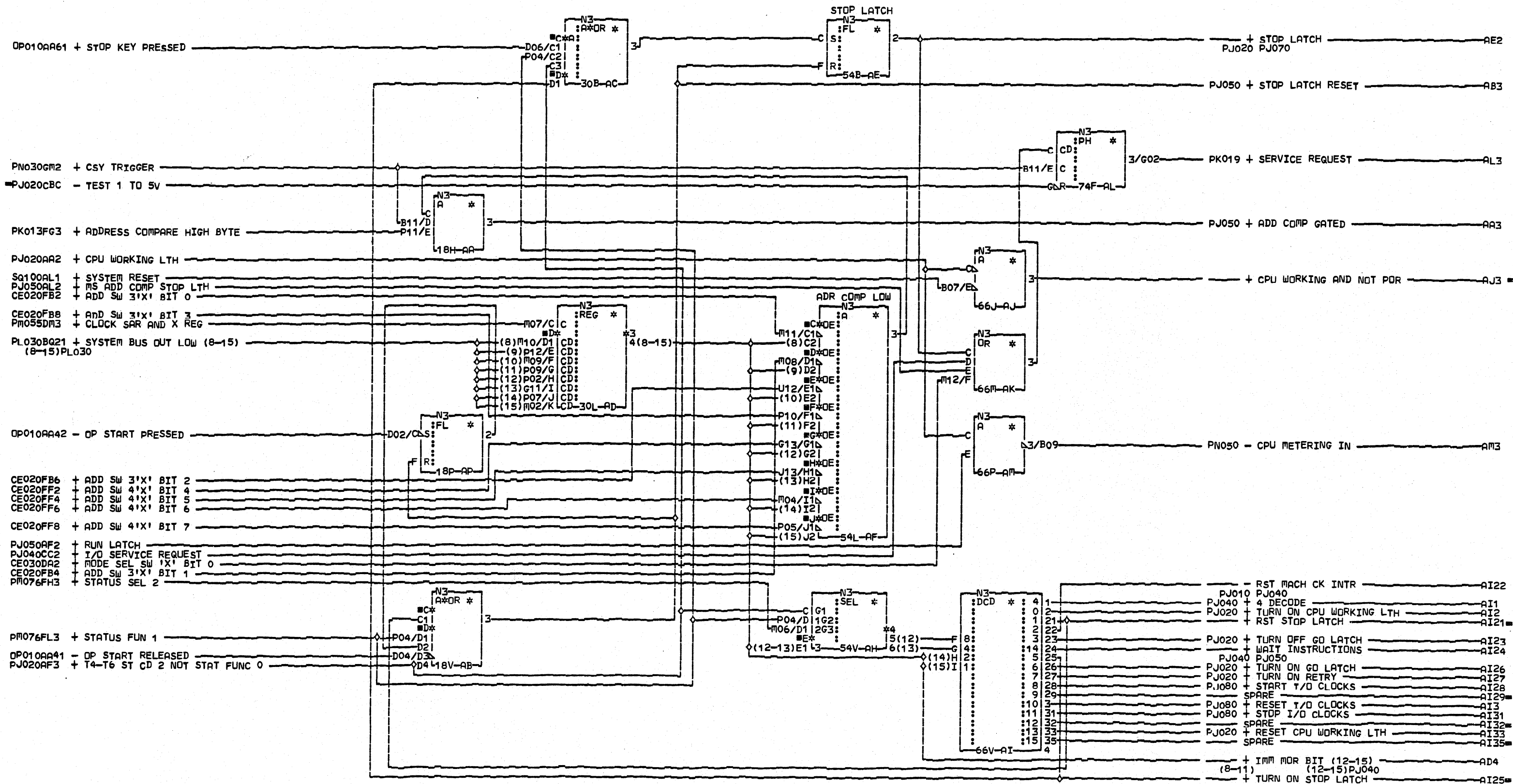
SEC
NEXTBLK AM

CID FEALD

JOB J27616

P
J
O
S
O
0001

P
J
O
S
O
0001



COMMENTS

D1COPYRIGHT IBM CORP. 1974

STOP LTH, ADD COMP GATED
 SERVICE REQUEST, CPU METER IN
 F IMM DECODES
 PN2547363 EC825408 PEC825372

LDC=1A-A1J2

USN 00100 PRI=09JAN75 2026

PDESC=0001 SEC
 PFORM=KSEB NEXTBLK FM

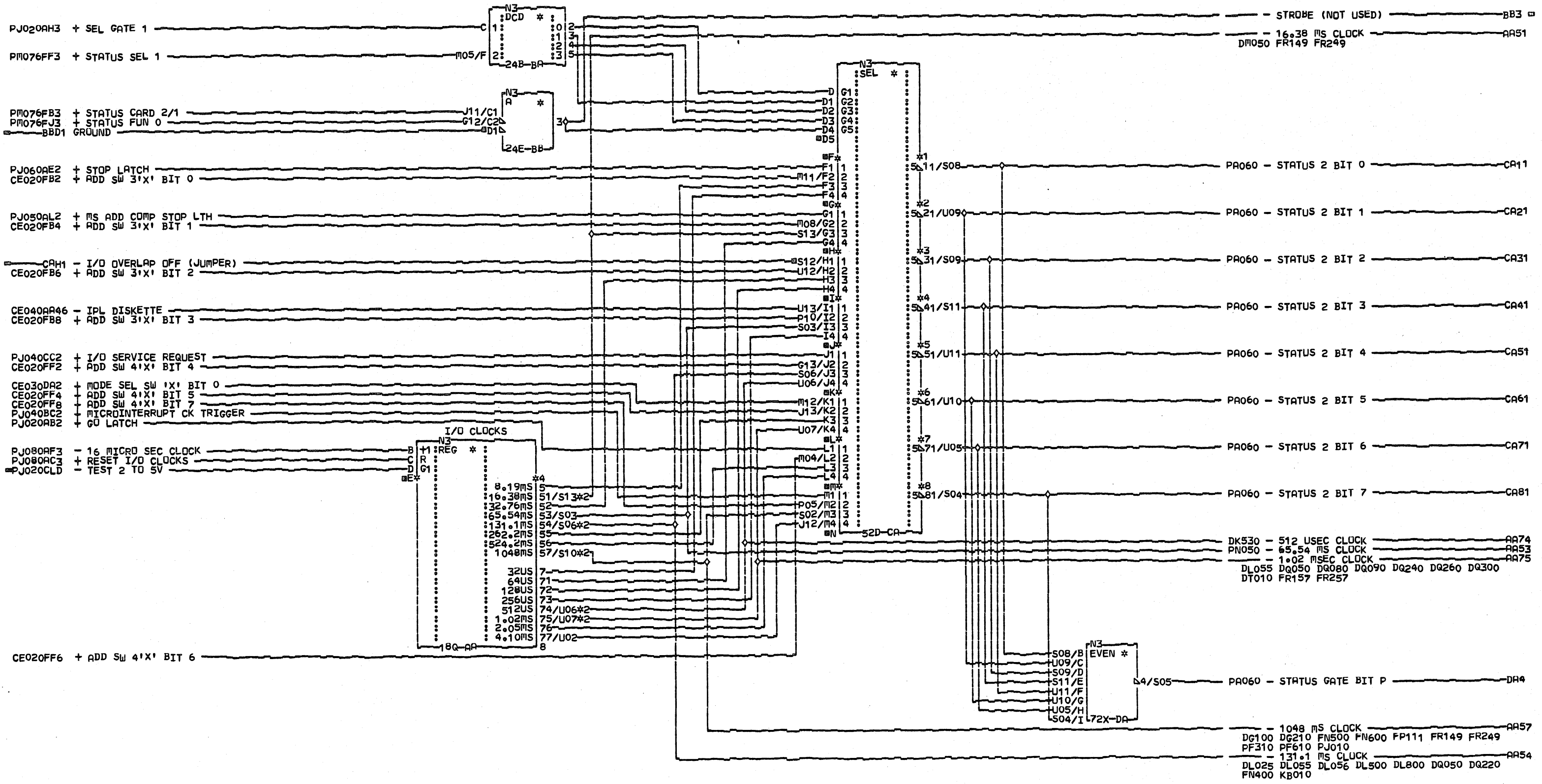
CID FEALD JOB L7101028

P
J
0
6
0

0001

P
J
0
6
0

0001



COMMENTS
D1COPYRIGHT IBM CORP. 1974

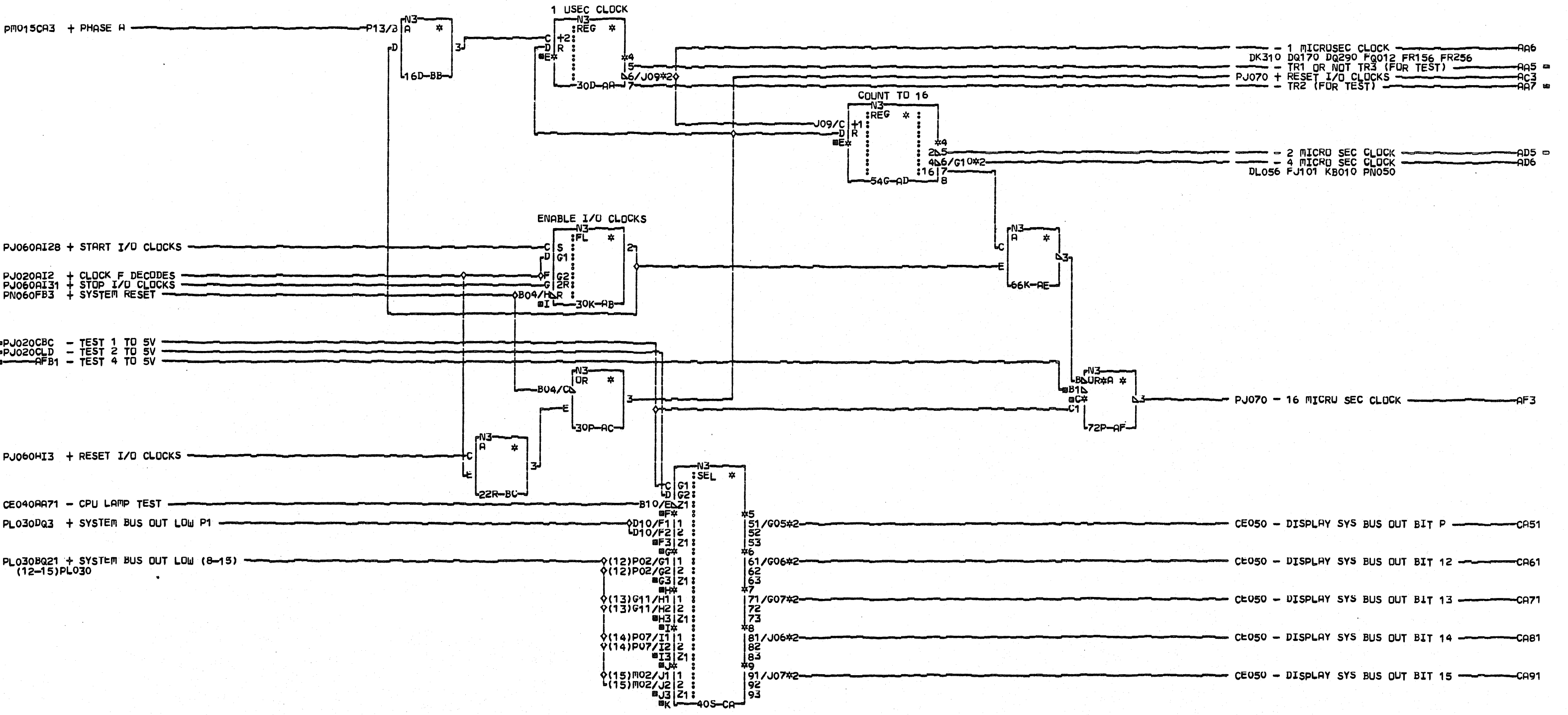
CONNECTORS
AA51
0002/1A-A1/M6E04
0028/1A-A2/M1E13
AA54
0005/1A-A1/M6C04
0032/1A-A2/M1C13
0033/1A-A2/U3D12
AA57
0004/1A-A1/M6D04
0030/1A-A2/M1D13
AA74
0003/1A-A1/M6A04
0031/1A-A2/M1A13
AA75

CONNECTORS
0001/1A-A1/M6B04
0029/1A-A2/M1B13

STATUS 2 CARD SELECTOR GATE BITS	
PN2547364 EC831973 PEC831960	
LUC=1A-A1J2	
USN 00123	PRI=12MAR77 0924
PDESC=0001	SEC
PFORM=KSEB	NEXTBLK DB
CID FEALD	JOB L6300839

P
J
O
7
0

P
J
O
7
0



COMMENTS
 D1COPYRIGHT IBM CORP. 1974

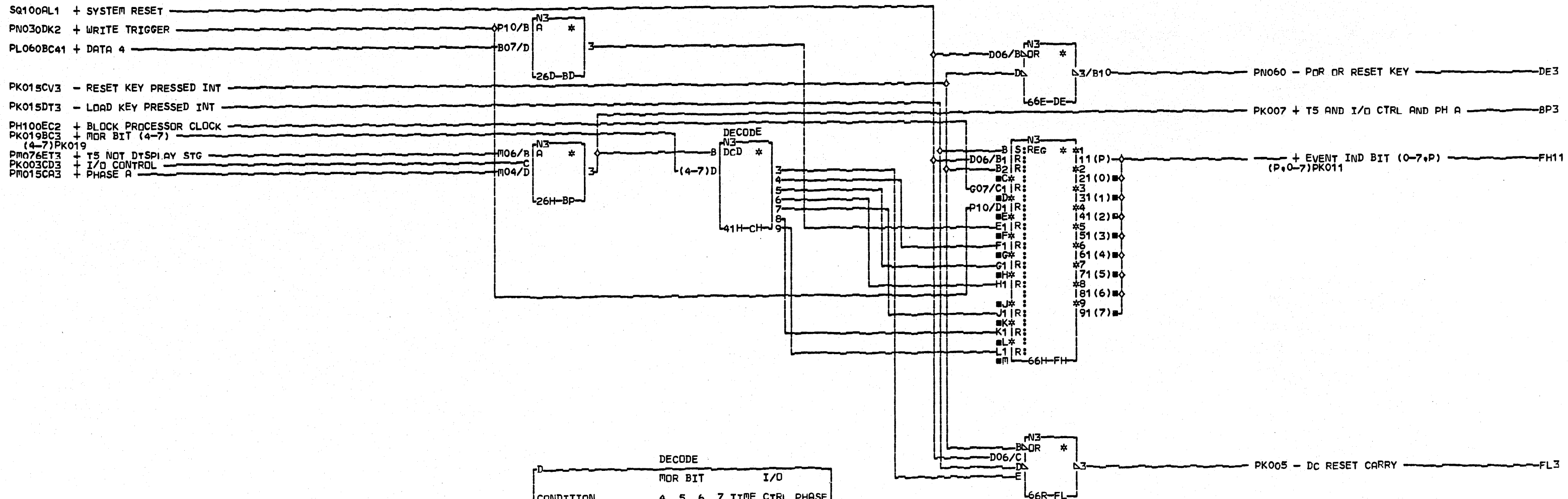
CONNECTORS
 AA6
 0011/1A-A1/L6E02
 0015/1A-A2/L1E11
 AD6
 0012/1A-A1/L6E04
 0016/1A-A2/L1E13
 0017/1A-A2/U3D02
 CA51
 0010/1A-A1/A3D11
 0001/1A-A1/C3D11
 CA61
 0009/1A-A1/A3B09
 0008/1A-A1/C3B09
 CA71

CONNECTORS
 0007/1A-A1/A3D09
 0006/1A-A1/C3D09
 CAB1
 0004/1A-A1/A3B08
 0005/1A-A1/C3B08
 CA91
 0003/1A-A1/A3B07
 0002/1A-A1/C3B07

I/O CLOCKS
 DISP SYS BUS OUT 12-15
 STATUS 2 CARD
 PN2547365 EC=831960 PEC=828693
 LOC=1A-A1J2
 USN 00123 PRI=20JAN77 1840
 PDESC=0001 SEC
 PFORM=KSEB NEXTBLK CB
 CID FEALD JOB M2801621

P
J
0
8
0
0001

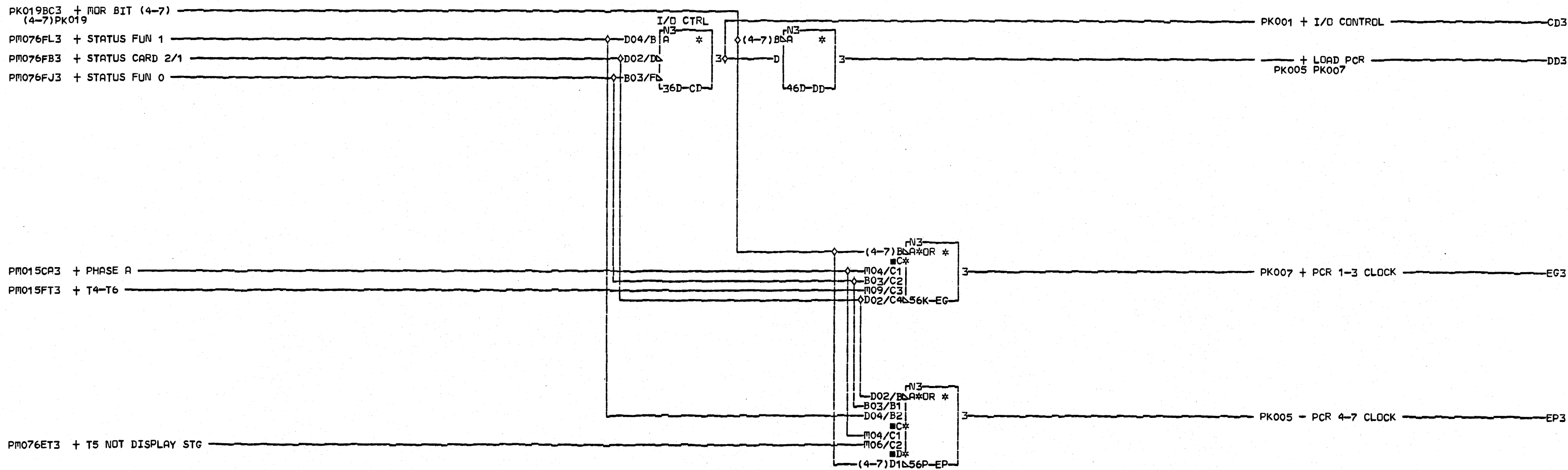
P
J
0
8
0
0001



CONDITION	MOR BIT				I/O		PHASE
	4	5	6	7	TIME	CTRL	
RESET CARRY	0	0	0	1	5	1	A
RESET EVENT IND 2	0	0	1	0	5	1	A
RESET EVENT IND 3	0	0	1	1	5	1	A
RESET EVENT IND 4	0	1	0	0	5	1	A
RESET EVENT IND 5	0	1	0	1	5	1	A
RESET EVENT IND 6	0	1	1	0	5	1	A
RESET EVENT IND 7	0	1	1	1	5	1	A

COMMENTS
D1COPYRIGHT IBM CORP. 1974

EVENT IND 0-7,P
STATUS 1 CARD
PN2547366 EC825408 PEC825372
LDC=1A-A1K2
USN 00100 PRI=03JAN75 1401
PDESC=0001 SEC
PFORM=KSEB NEXTBLK FM
CID FEALD JOB L7101028

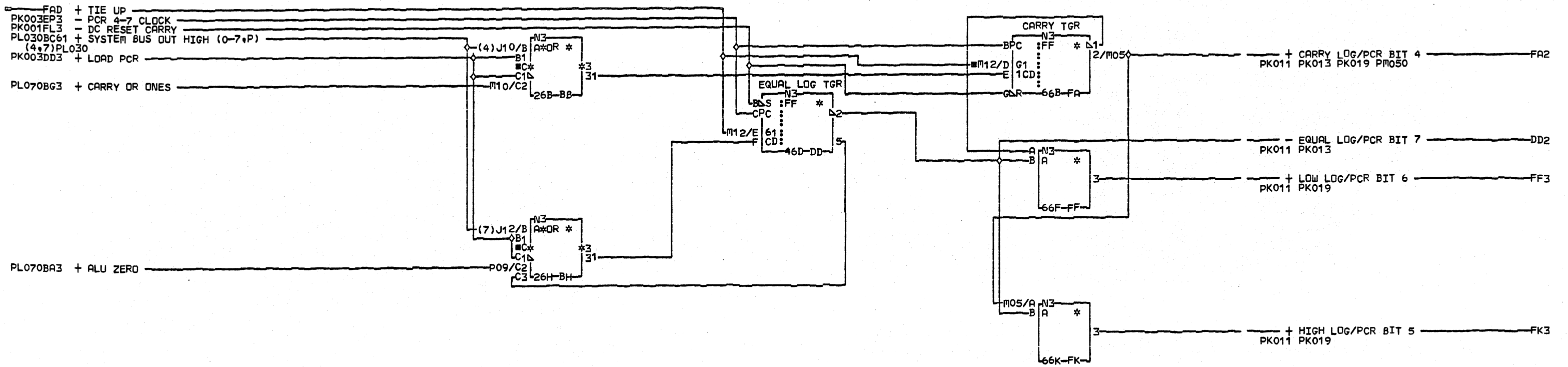


COMMENTS
 D1COPYRIGHT IBM CORP. 1974

PCR CLOCKS
 STATUS 1 CARD
 PN2547367 EC825372 PEC821224
 LOC=1A-A1K2
 USN 00098 PRI=030CT74 2208
 PDESC=0001 SEC
 PFORM=KSEB NEXTBLK EQ
 CID FEALD JOB J27616

P
K
0
0
1

P
K
0
0
3

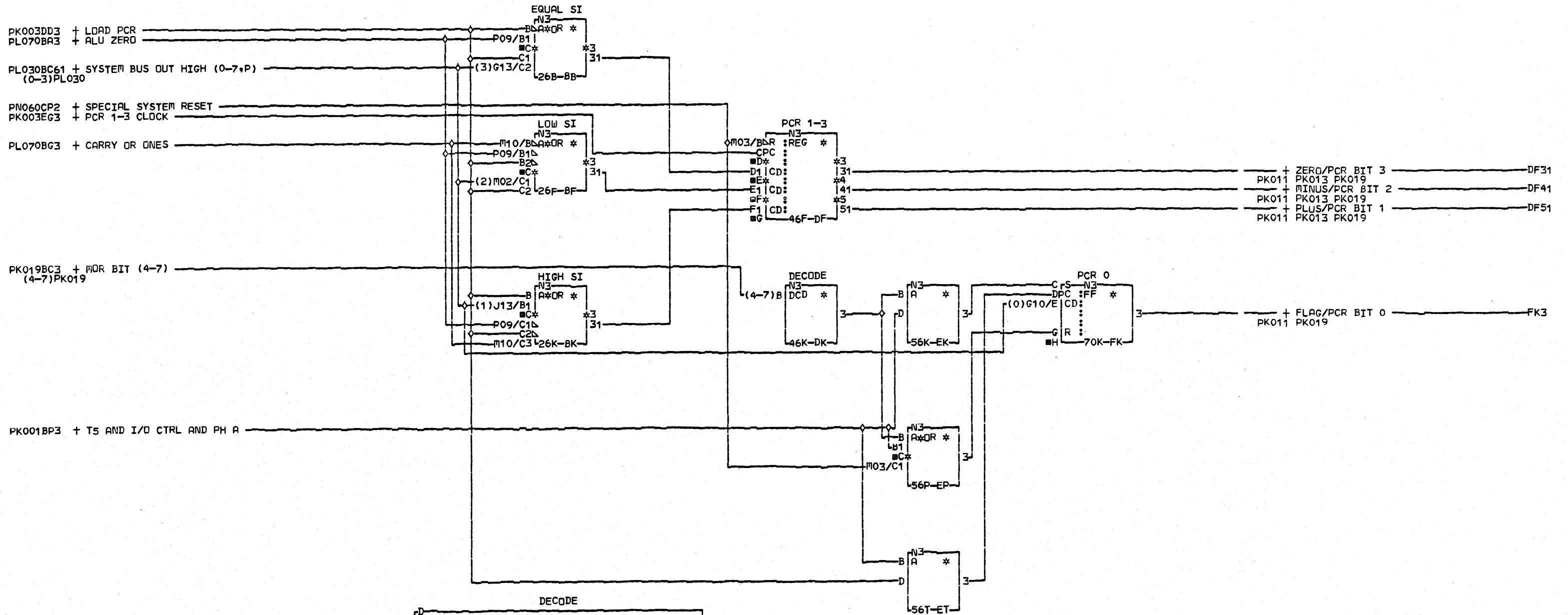


COMMENTS
D1COPYRIGHT IBM CORP. 1974

PROC COND REG 4-7
 STATUS 1 CARD
 PN2547368 EC825372 PEC821224
 LOC=1A-A1K2
 USN 00098 PRI=030CT74 2208
 PDESC=0001 SEC
 PFORM=KSEB NEXTBLK FL
 CID FEALD JOB J27616

PK005
0001

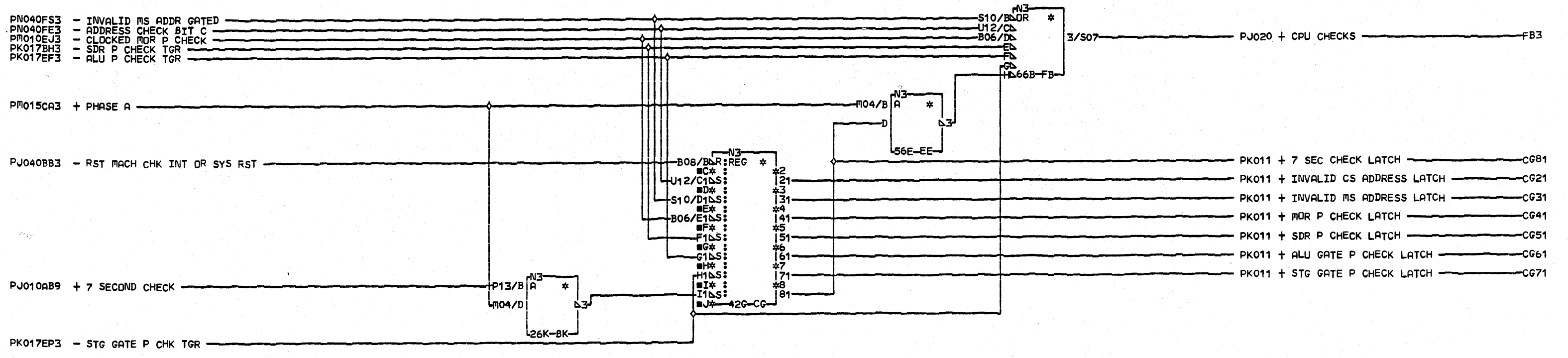
PK005
0001



DECODE						
	MOR BIT				T5 • I/O CTRL	
CONDITION	4	5	6	7	• PHA	SYS RST
SET PCR 0	1	0	0	0	1	
RST PCR 0	1	0	1	1	1	
RST PCR 0						1

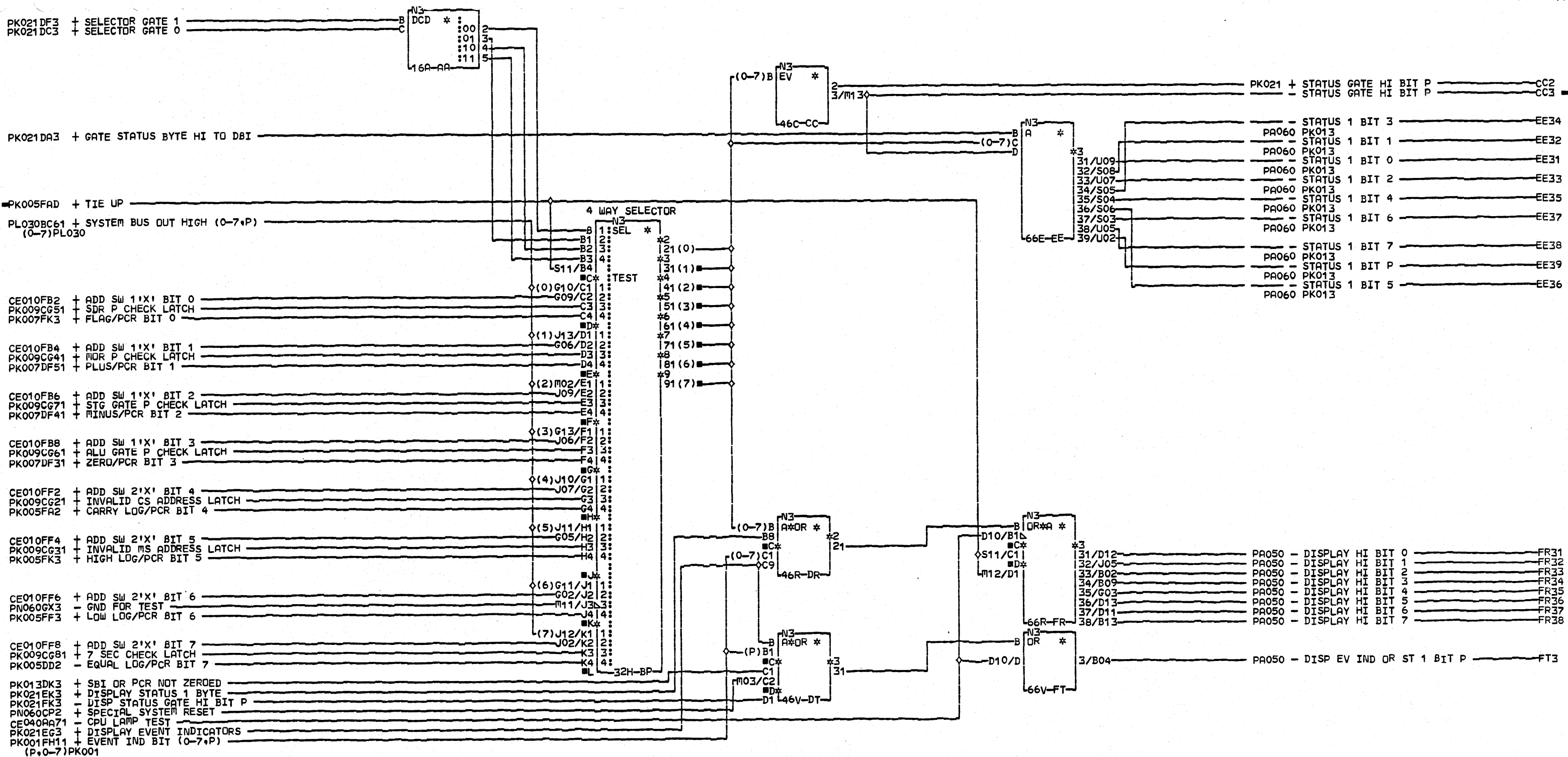
COMMENTS
 D1COPYRIGHT IBM CORP. 1974

PROC COND REG 0-3
 STATUS 1 CARD
 PN2547369 EC825372 PEC821224
 LOC=1A-A1K2
 USN 00098 PRI=030CT74 2208
 PDESC=0001 SEC NEXTBLK FL
 PFORM=KSEB
 CID FEALD JOB J27616



COMMENTS
 D1COPYRIGHT IBM CORP. 1974

CPU CHECK LATCHES
 STATUS 1 CARD
 PN2547370 EC825372 PEC821224
 LDC=1A-A1K2
 USN 00098 PRI=03OCT74 2208
 PDESC=0001 SEC
 PFORM=KSEB NEXTBLK FC
 CID FEALD JOB J27616



COMMENTS
D1COPYRIGHT IBM CORP. 1974

4 WAY SEL AND DISPLAY HI BIT
STATUS 1 CARD

PN2547371 EC825372 PEC821224

LOC=1A-A1K2

USN 00098 PRI=030CT74 2208

PDESC=0001 SEC
PFORM=KSEB NEXTBLK FU

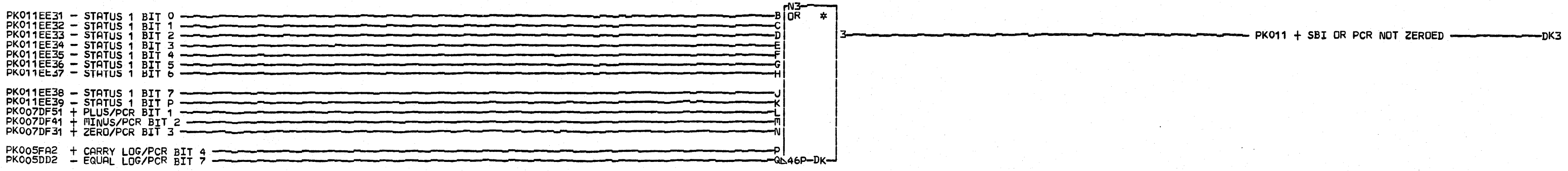
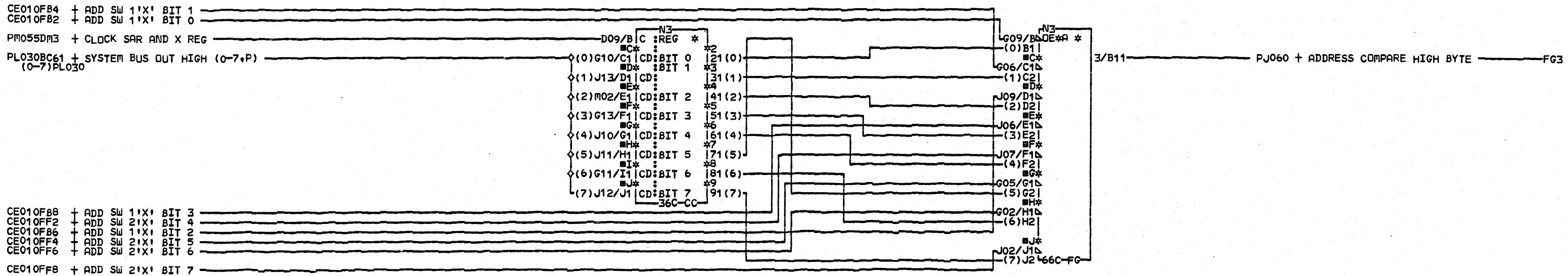
CID FEALD JOB J27616

P
K
0
1
1

0001

P
K
0
1
1

0001

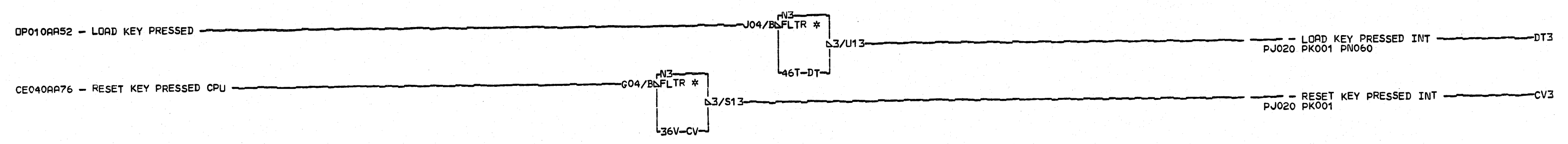
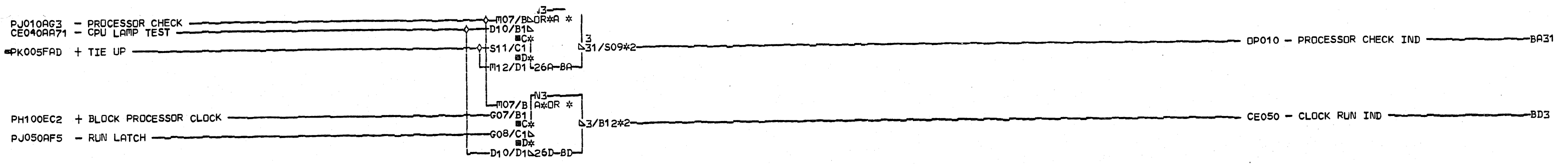


COMMENTS
D1COPYRIGHT IBM CORP. 1974

ADDRESS COMPARE HI BYTE
 STATUS 1 CARD
 PN2547372 EC825372 PEC821224
 LOC=1A-A1K2
 USN 00098 PRI=030CT74 2208
 PDESC=0001 SEC
 PFORM=KSEB NEXTBLK FH
 CID FEALD JOB J27616

P
K
0
1
3
0001

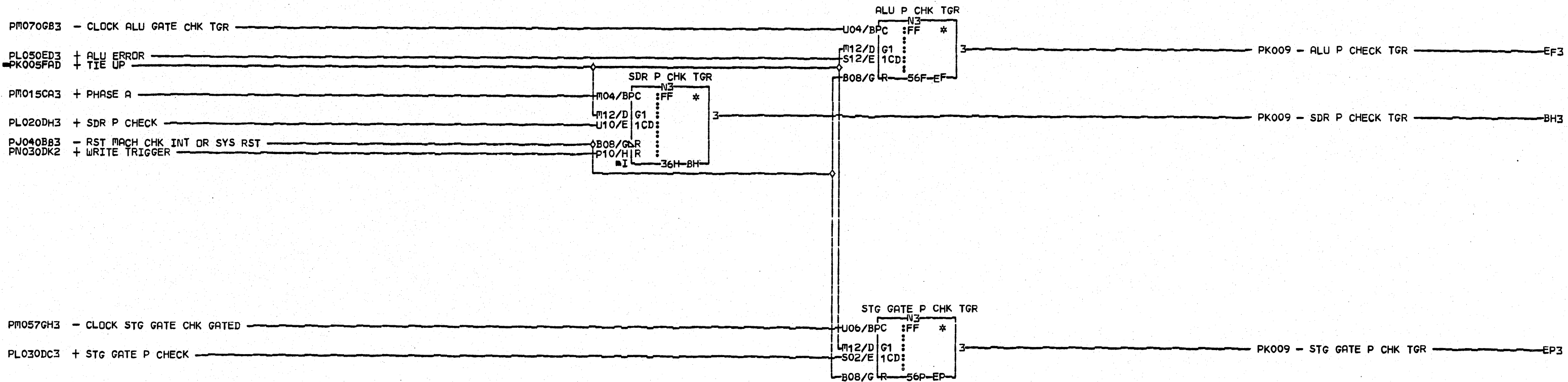
P
K
0
1
3
0001



COMMENTS	CONNECTORS	PROC CHK CLK RUN IND STATUS 1 CARD
D1COPYRIGHT IBM CORP. 1974	BA31 0004/1A-A100000000000000/B2B12 0010/1A-A100000000000000/C2B12	PN2547373 EC825372 PEC821224
	BD3 0003/1A-A100000000000000/A3B11 0002/1A-A100000000000000/C3B11	LDC=1A-A1K2
		USN 00098 PRI=030CT74 2208
		PDESC=0001 SEC PFORM=KSEB NEXTBLK DU
		CID FEALD JOB J27616

PK015
0001

PK015
0001



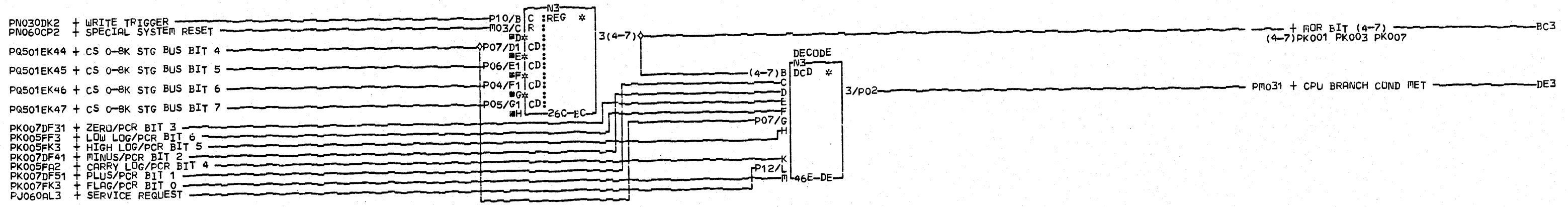
COMMENTS

D1COPYRIGHT IBM CORP. 1974

P CHECK TRIGGERS
STATUS 1 CARD
PN2547374 EC825372 PEC821224
LDC=1A-A1K2
USN 00098 PRI=03OCT74 2208
PDESC=0001 SEC
PFDRM=KSEB NEXTBLK EQ
CID FEALD JOB J27616

PK017
0001

PK017
0001



DECODE

CONDITION	MOR BIT				PCR BIT							CPU BR COND MET	
	4	5	6	7	0	1	2	3	4	5	6		7
NOT HIGH LOG	1	0	0	1						0			1
HIGH LOG	0	0	0	1						1			1
CARRY LOG	0	0	0	0				1					1
NOT LOW LOG	1	0	1	0							0		1
LOW LOG	0	0	1	0							1		1
NOT EQUAL LOG	1	0	1	1								0	1
EQUAL LOG	0	0	1	1								1	1
NOT PLUS	1	1	0	0		0							1
PLUS	0	1	0	0		1							1
NOT MINUS	1	1	0	1			0						1
MINUS	0	1	0	1			1						1
NOT ZERO	1	1	1	0				0					1
ZERO	0	1	1	0				1					1
FLAG	0	1	1	1	1								1
SERVICE REQUEST	1	0	0	0									1

26P-BH

COMMENTS
 D1COPYRIGHT IBM CORP. 1974

CPU BR COND MET
 STATUS 1 CARD

PN2547375 EC831987 PEC830406

LUC=1A-A1K2

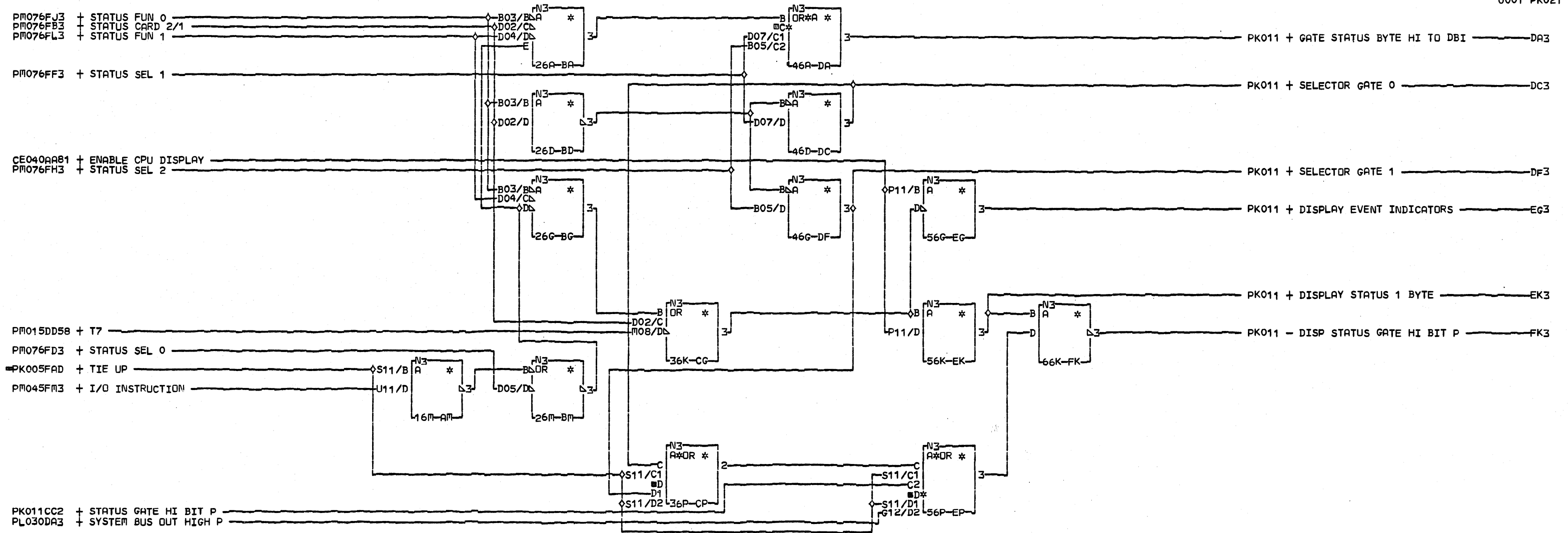
USN 00123 PRI=02FEB77 0639

PDESC=0001 SEC
 PFDRM=KSEB NEXTBLK DF

CID FEALD JOB K5400852

PK019
 0001

PK019
 0001

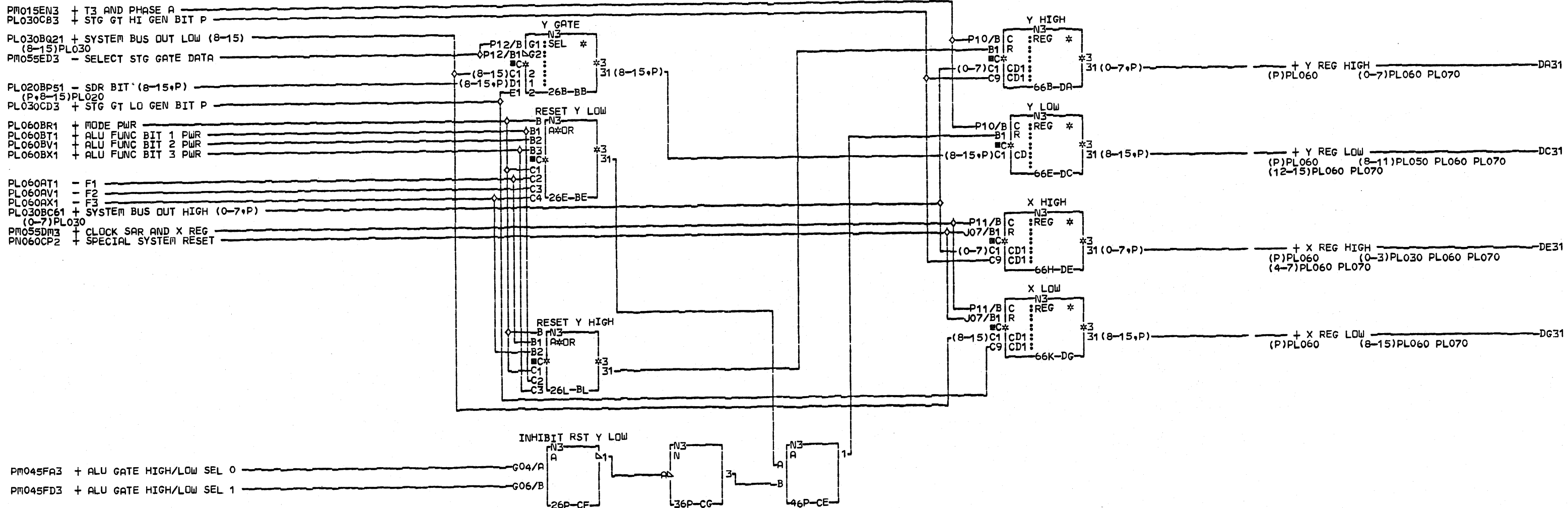


COMMENTS
D1COPYRIGHT IBM CORP. 1974

CONTROL DECODES
STATUS 1 CARD
PN2547376 EC825372 PEC821224
LDC=1A-A1K2
USN 00098 PRI=03DCT74 2208
PDESC=0001 SEC
PFORM=KSEB NEXTBLK FL
CID FEALD JOB J27616

PK021

PK021

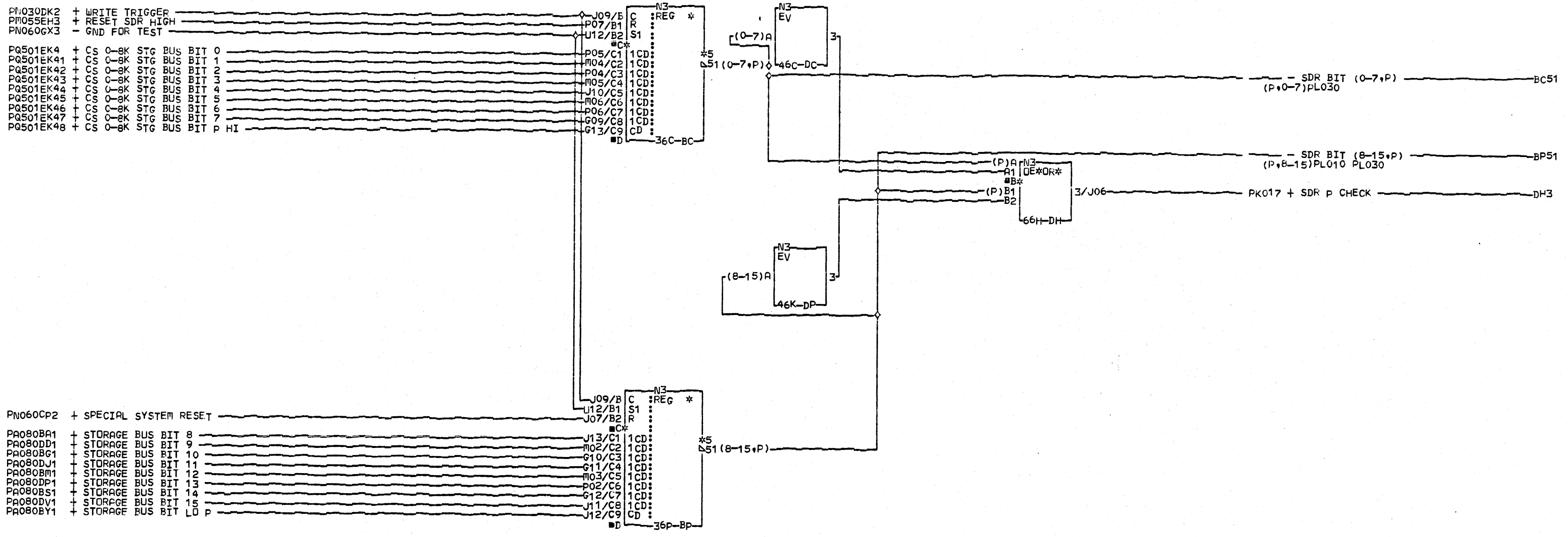


COMMENTS
D1COPYRIGHT IBM CORP. 1974

X-Y REGISTERS
PN2547377 EC825372 PEC821224
LDC=1A-A1L2
USN 00098 PRI=030CT74 2208
PDESC=0001 SEC
PFORM=KSEB NEXTBLK DH
CID FEALD JOB J27616

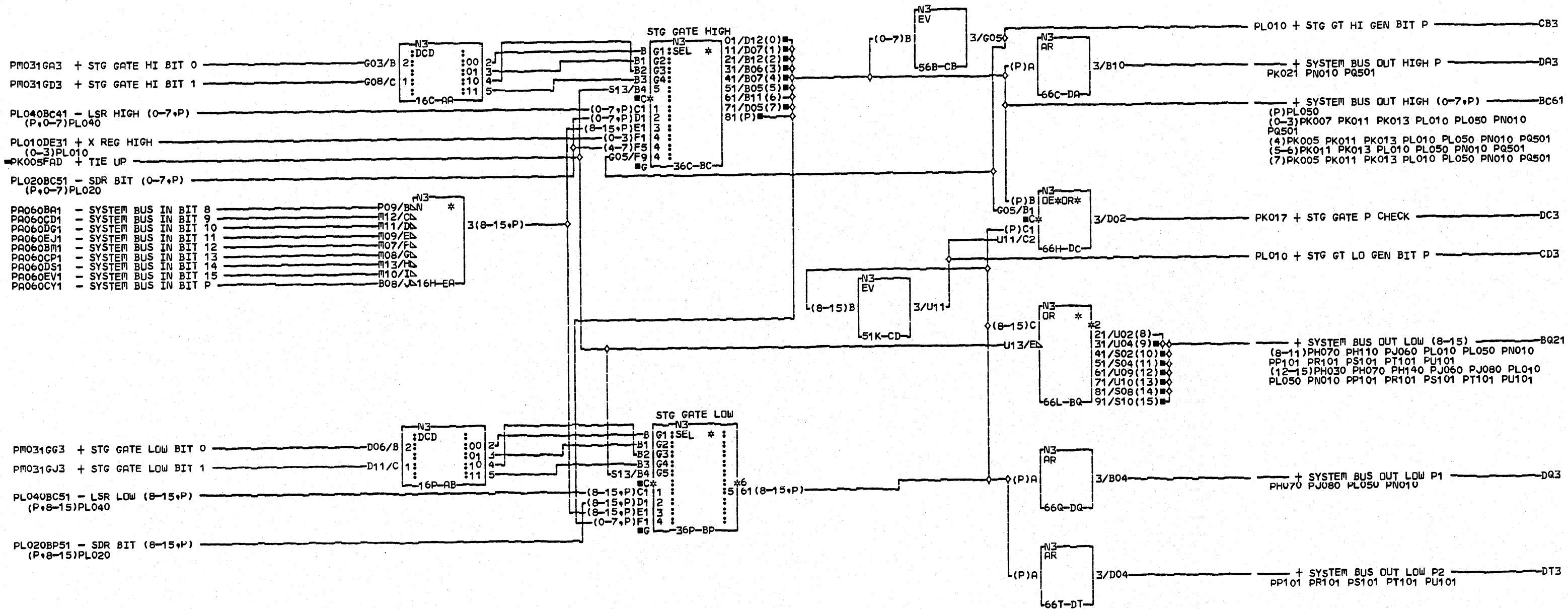
PL010

PL010



COMMENTS
D1COPYRIGHT IBM CORP. 1974

STORAGE DATA REGISTERS
DATA FLOW CARD
PN2547378 EC831987 PEC830406
LUC=1A-A1L2
USN 00123 PRI=02FEB77 0639
PDESC=0001 SEC
PFDRM=KSEB NEXTBLK DQ
CID FEALD JOB K540852

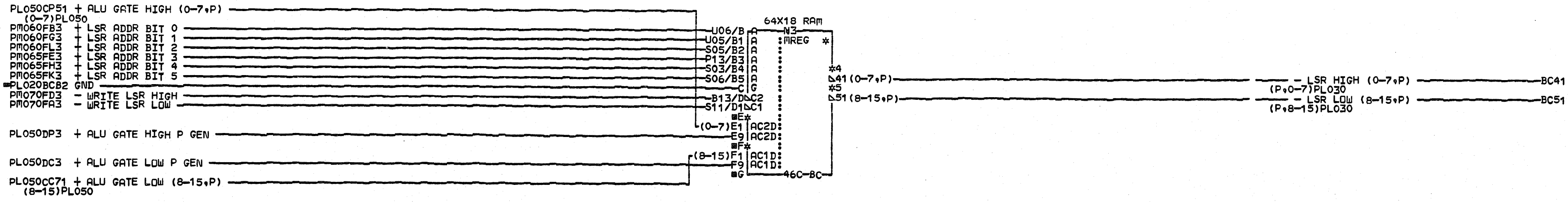


COMMENTS
D1COPYRIGHT IBM CORP. 1974

STORAGE GATE HIGH/LOW
DATA FLOW CARD
PN2547379 EC825372 PEC821224
LOC=1A-A1L2
USN 00098 PRI=030CT74 2208
PDESC=0001 SFC
PFDRM=KSEB NEXTBLK EB
CID FEALD JOB J27616

PL030
0001

PL030
0001



COMMENTS

D1COPYRIGHT IBM CORP. 1974

LSR REGISTER

PN2547380 EC825372 PEC821224

LOC=1A-A1L2

USN 00098

PRI=030CT74 2208

PDESC=0001

SEC

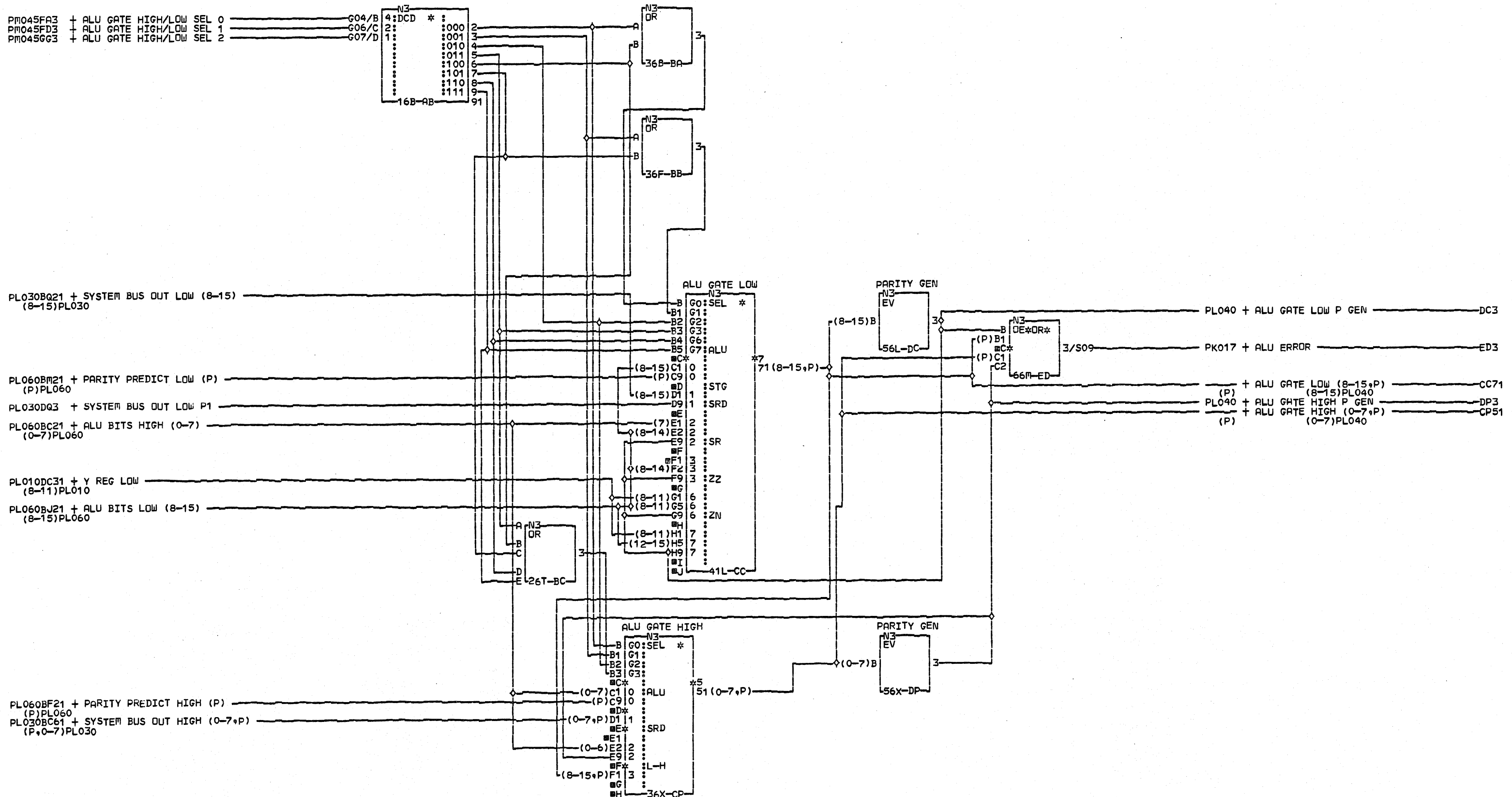
PFORM=KSEB

NEXTBLK 8D

CID FEALD

JOB J27616

PM045FA3 + ALU GATE HIGH/LOW SEL 0
 PM045FD3 + ALU GATE HIGH/LOW SEL 1
 PM045GG3 + ALU GATE HIGH/LOW SEL 2



PL030BQ21 + SYSTEM BUS OUT LOW (8-15)
(8-15)PL030

PL060BM21 + PARITY PREDICT LOW (P)
(P)PL060

PL030DQ3 + SYSTEM BUS OUT LOW P1

PL060BC21 + ALU BITS HIGH (0-7)
(0-7)PL060

PL010DC31 + Y REG LOW
(8-11)PL010

PL060BJ21 + ALU BITS LOW (8-15)
(8-15)PL060

PL060BF21 + PARITY PREDICT HIGH (P)
(P)PL060

PL030BC61 + SYSTEM BUS OUT HIGH (0-7,P)
(P,0-7)PL030

PL040 + ALU GATE LOW P GEN DC3

PK017 + ALU ERROR ED3

+ ALU GATE LOW (8-15,P)
(8-15)PL040 CC71

PL040 + ALU GATE HIGH P GEN DP3

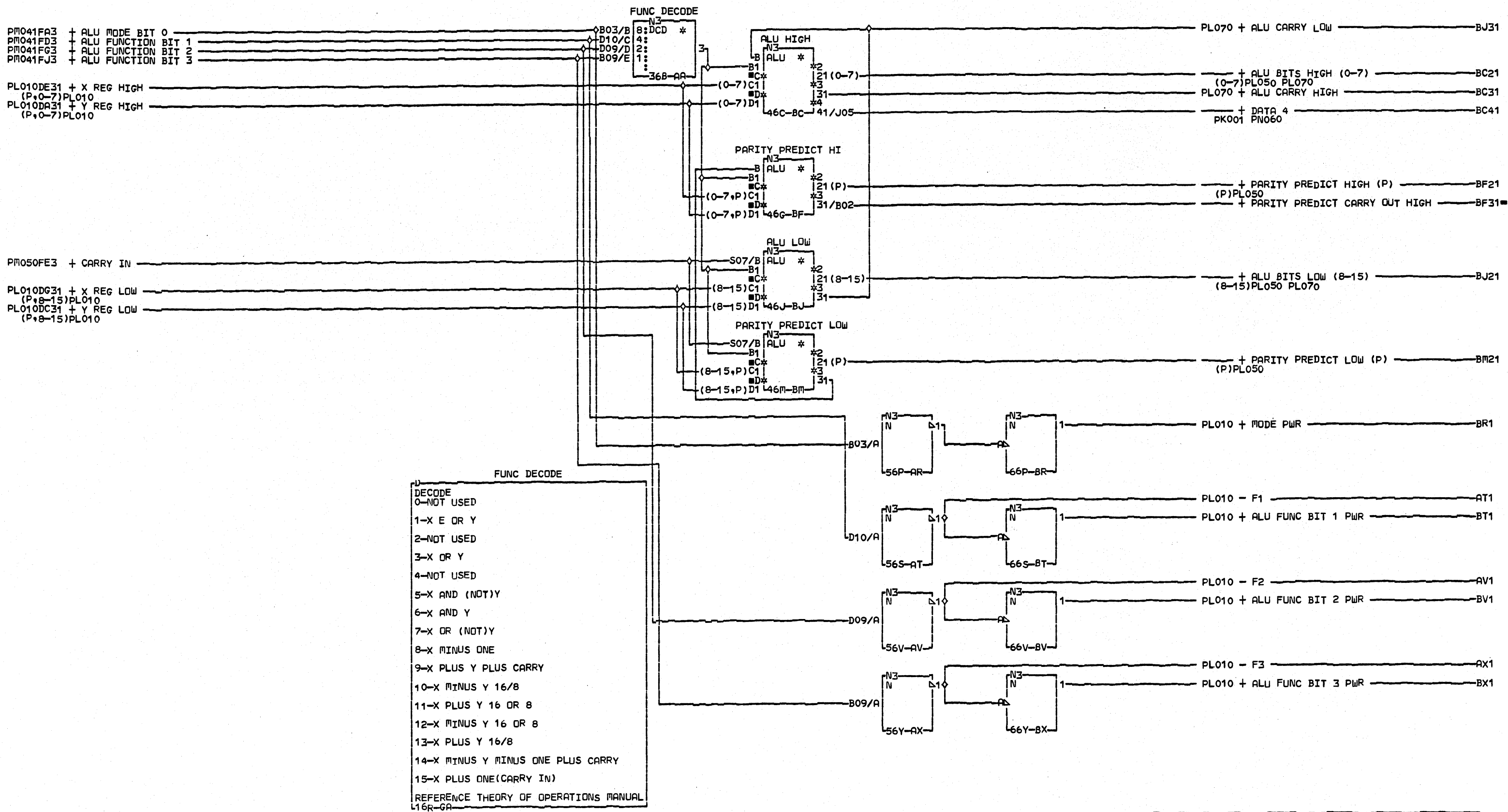
+ ALU GATE HIGH (0-7,P)
(0-7)PL040 CP51

COMMENTS
 D1COPYRIGHT IBM CORP. 1974

ALU GATE HIGH/LOW
 PN2547381 EC825372 PEC821224
 LOC=1A-A1L2
 USN 00098 PRI=03OCT74 2208
 PDESC=0001 SEC
 FORM=KSEB NEXTBLK EF
 CID FEALD JOB J27616

P
L
O
S
O
0001

P
L
O
S
O
0001

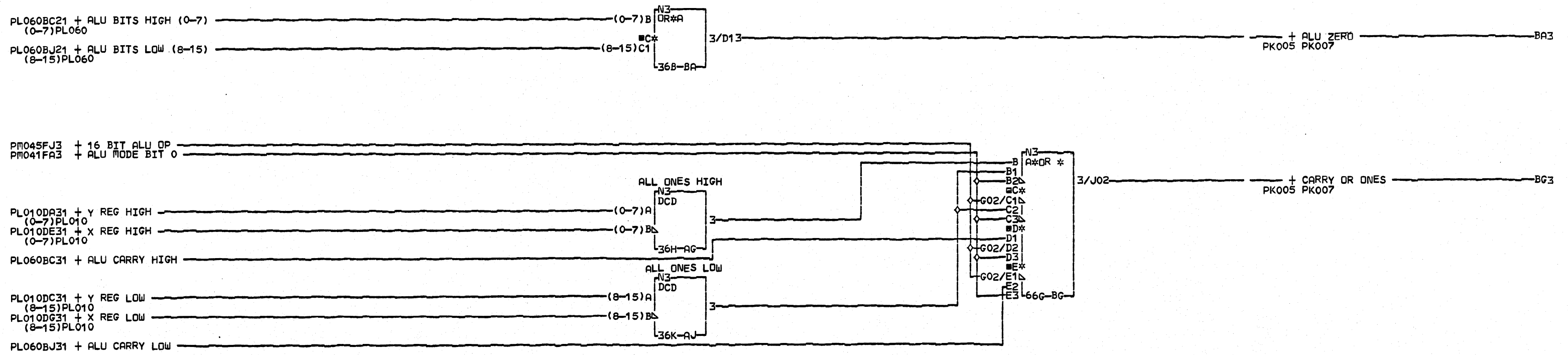


COMMENTS
D1COPYRIGHT IBM CORP. 1974

ALU HIGH/LOW
DATA FLOW CARD
PN2547382 EC825372 PEC821224
LOC=1A-A1L2
USN 00098 PRI=030CT74 2208
PDESC=0001 SEC
PFDRM=KSEB NEXTBLK GB
CID FEALD JOB J27616

PL060
000

PL060
0001



COMMENTS

D1COPYRIGHT IBM CORP. 1974

ALU ZEROS/ONES/CARRY
DATA FLOW CARD

PN2547383 EC825372 PEC821224

LOC=1A-A1L2

USN 00098 PRI=030CT74 2208

PDESC=0001 SEC
PFORM=KSEB NEXTBLK BH

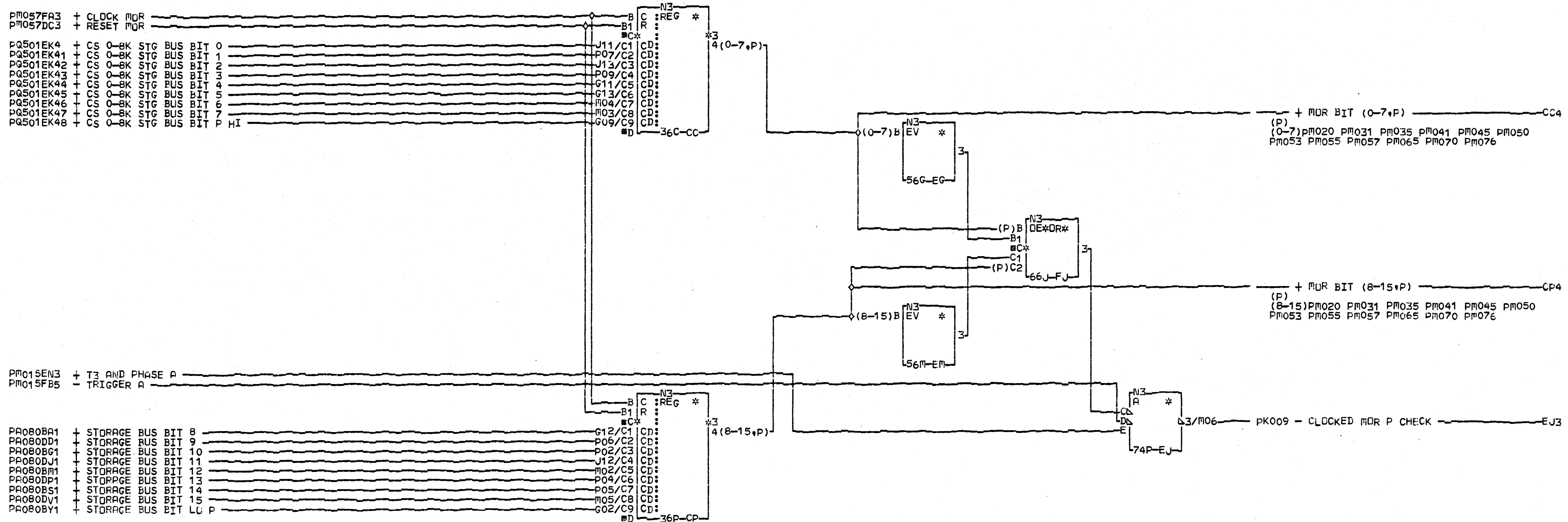
CID FEALD JOB J27616

P
L
0
7
0

0001

P
L
0
7
0

0001

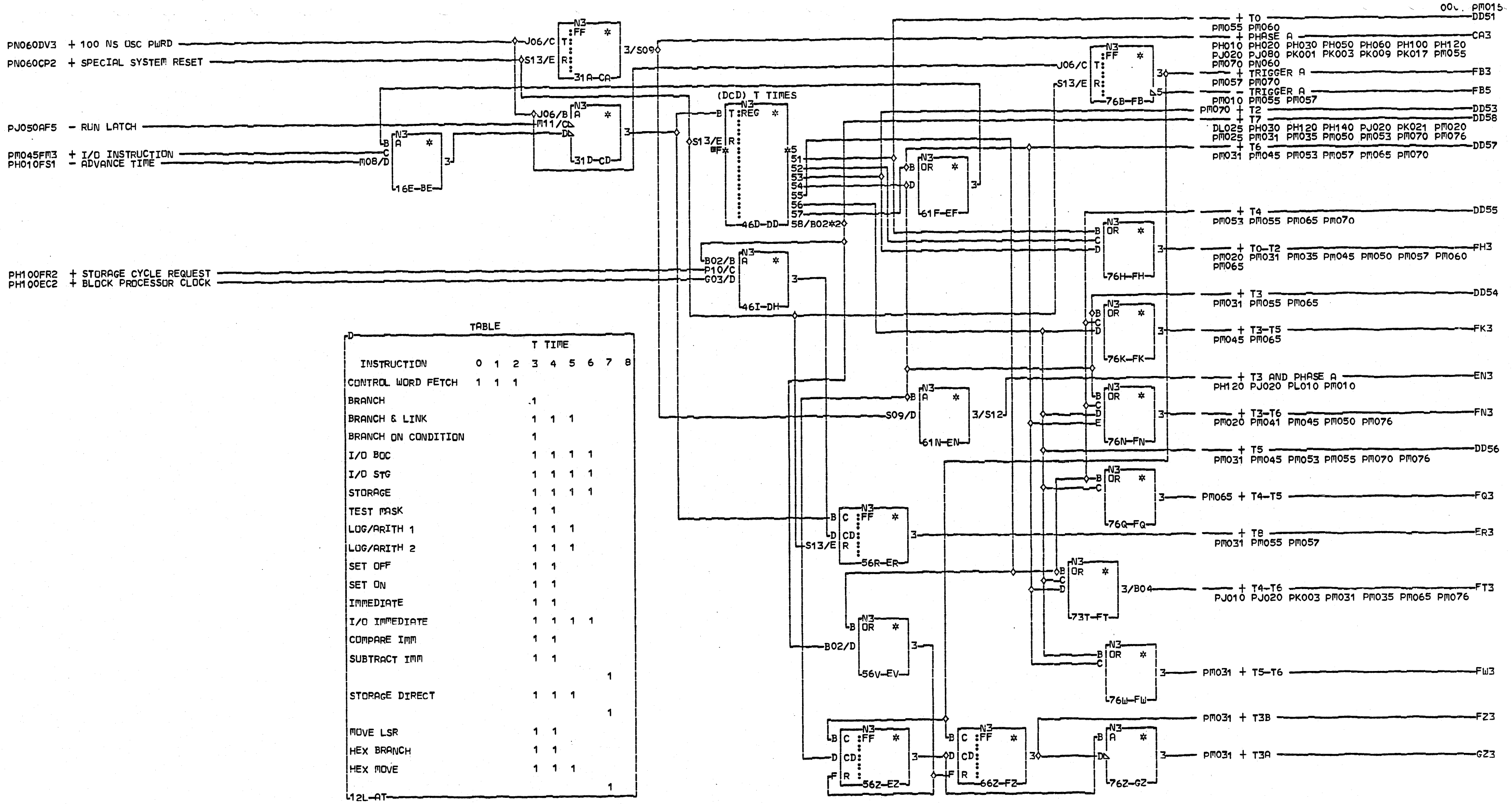


COMMENTS
 D1COPYRIGHT IBM CORP. 1974

P
 F
 0
 1
 0
 0001

MICRO OPERATION REGISTER (MOR)
 SYSTEM CONTROL CARD
 PN2547384 EC831987 PEC830406
 LUC=1A-A1M2
 USN 00123 PRI=02FEB77 0639
 PDESC=0001 SEC
 PFORM=KSEB NEXTBLK FK
 CID FEALD JDR K5400852

P
 F
 0
 1
 0
 0001



TABLE

INSTRUCTION	0	1	2	3	4	5	6	7	8
CONTROL WORD FETCH	1	1	1						
BRANCH				1					
BRANCH & LINK				1	1	1			
BRANCH ON CONDITION				1					
I/O BOC				1	1	1	1		
I/O STG				1	1	1	1		
STORAGE				1	1	1	1		
TEST MASK				1	1				
LOG/ARITH 1				1	1	1			
LOG/ARITH 2				1	1	1			
SET OFF				1	1				
SET ON				1	1				
IMMEDIATE				1	1				
I/O IMMEDIATE				1	1	1	1		
COMPARE IMM				1	1				
SUBTRACT IMM				1	1				
STORAGE DIRECT				1	1	1			1
MOVE LSR				1	1				
HEX BRANCH				1	1				
HEX MOVE				1	1	1			
L2L-AT									1

COMMENTS
D1COPYRIGHT IBM CORP. 1974

CONNECTORS
DD58
0001/1A-A1/J6D04
0002/1A-A2/J1D13

T TIMES
SYSTEM CONTROL CARD
PN2547385 EC828537 PEC825372

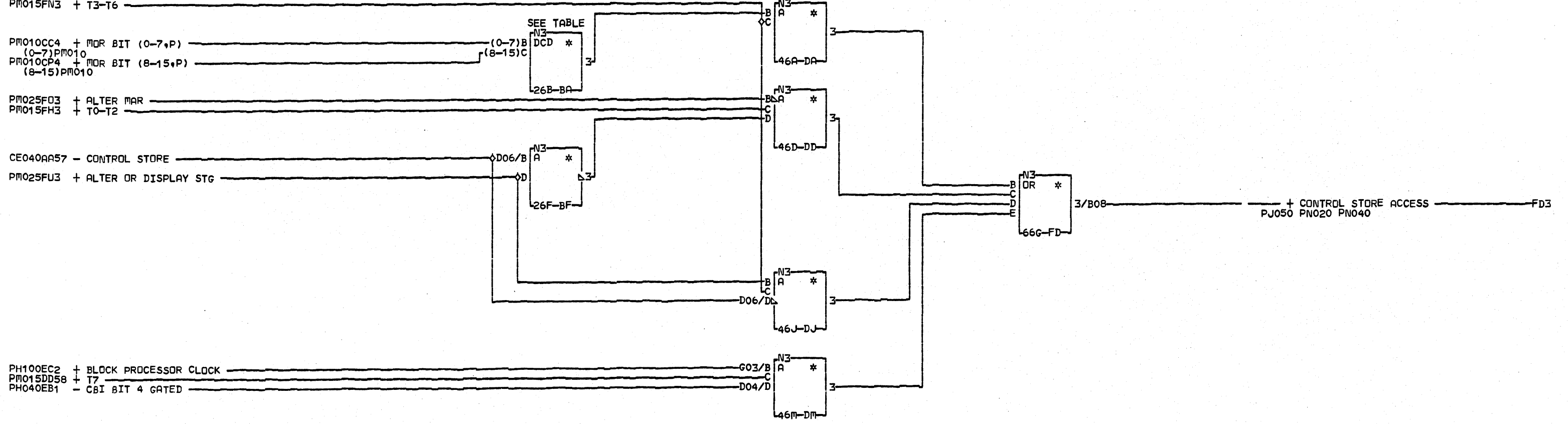
LOC=1A-A1M2
USN 00107 PRI=17AUG75 1030
PDESC=0001 SEC
PFORM=KSEB NEXTBLK GO
CID FEALD JDB L7101254

P
E
O
1
5

0001

P
M
O
1
5

0001

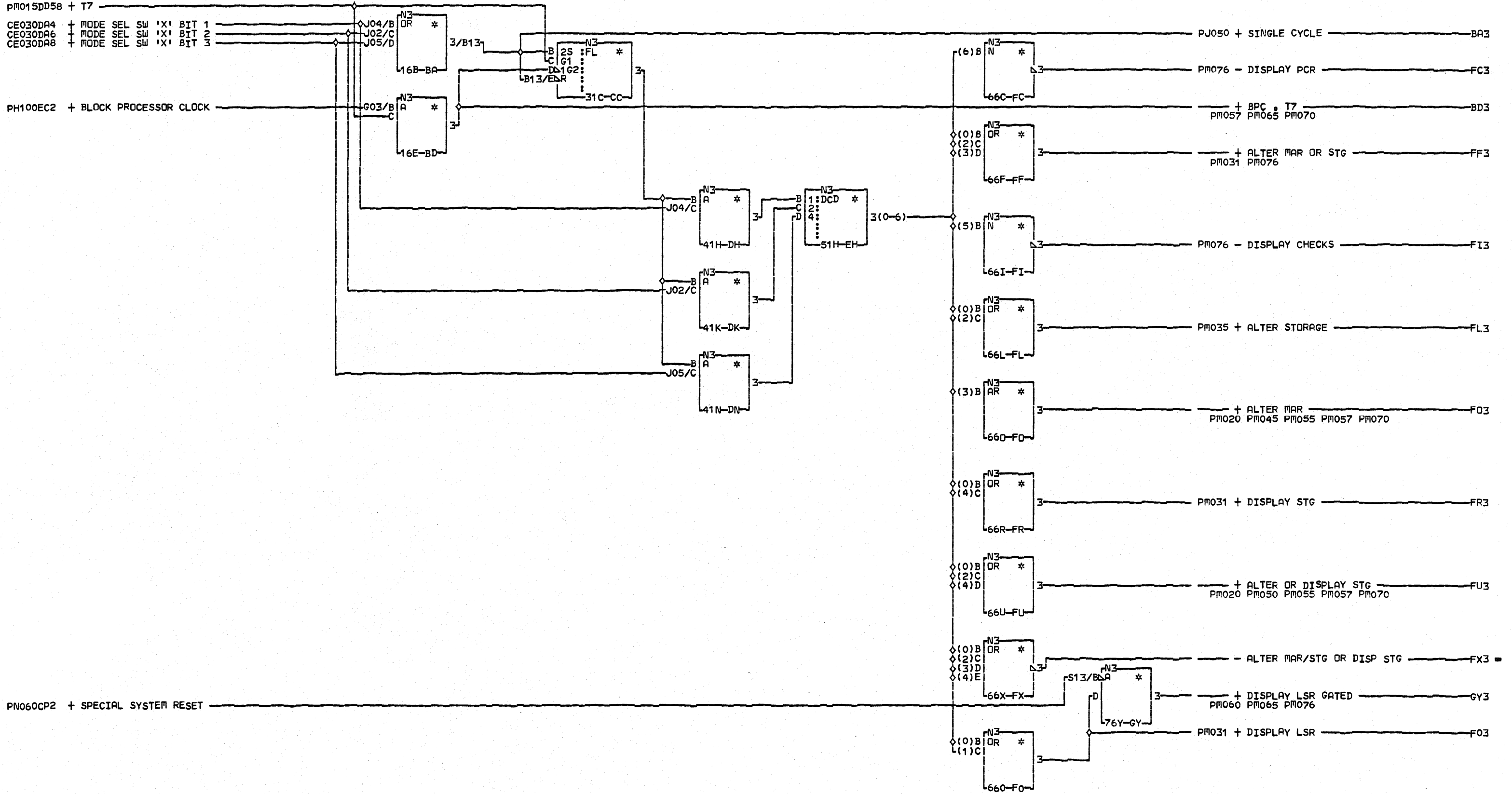


TABLE

INSTRUCTION	TIME	MOR BITS															
		0	1	2	3	4	5	6	7	8	9	10	11	12	13	14	15
STORAGE DIRECT	SD	3-6	1	1	1	0				0							
I/O STORAGE	IDS	3-6	0	1	0	0				0	1						
STORAGE	STG	3-6	0	1	0	0				1	1						

COMMENTS
D1COPYRIGHT IBM CORP. 1974

CONTROL STORE ACCESS
SYSTEM CONTROL CARD
PN2547386 EC825372 PEC821224
LOC=1A-A1M2
USN 00098 PRI=030CT74 2208
PDESC=0001 SEC
PFORM=KSEB NEXTBLK FE
CID FEALD JOB J27616

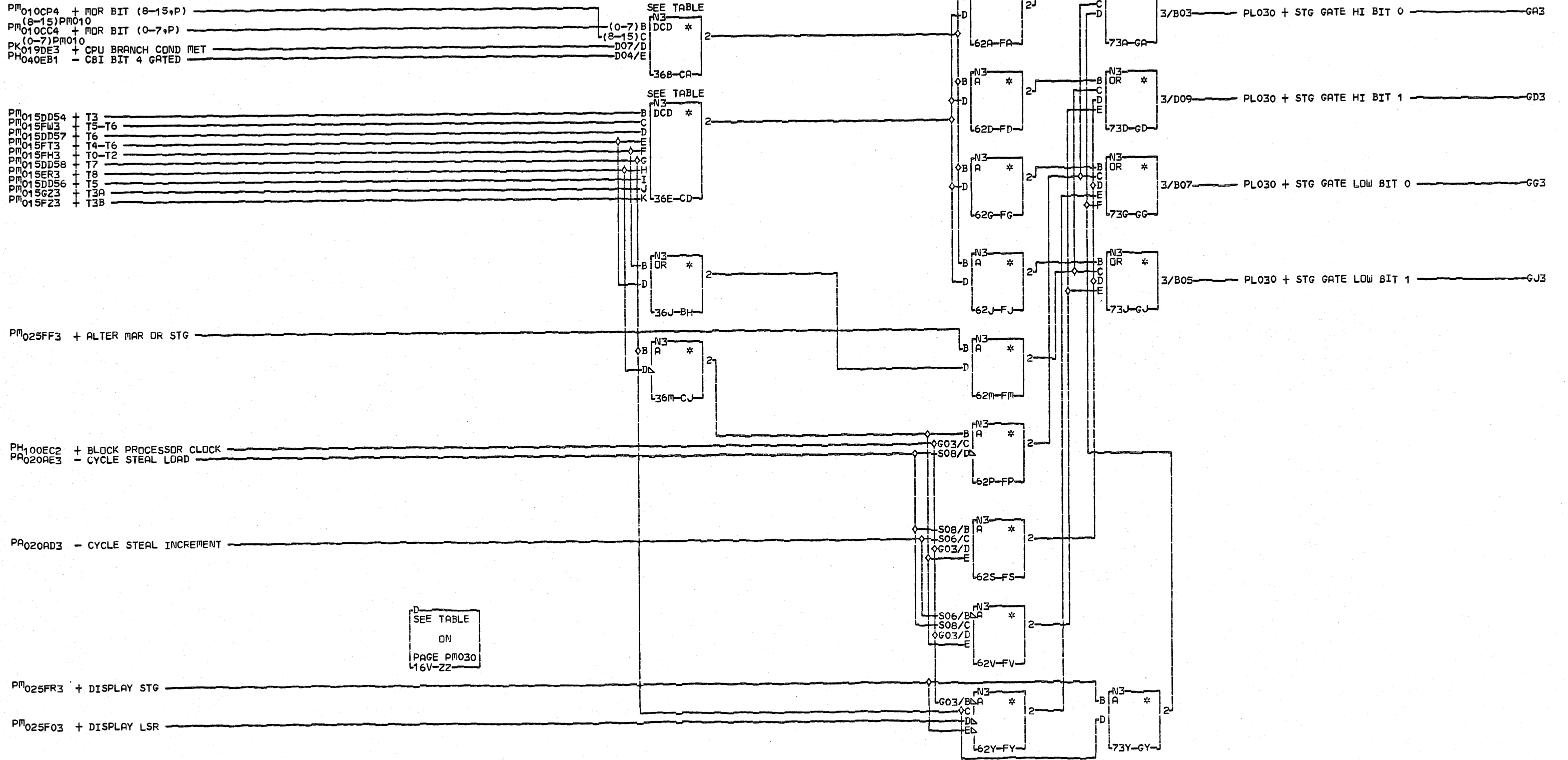


COMMENTS
D1COPYRIGHT IBM CORP. 1974

ALTER AND DISPLAY
SYSTEM CONTROL CARD
PN2547387 EC825372 PEC821224
LOC=1A-A1M2
USN 00098 PRI=030CT74 2208
PDESC=0001 SFC
PFOR=KSEB NEXTBLK GZ
CID FEALD JOB J27616

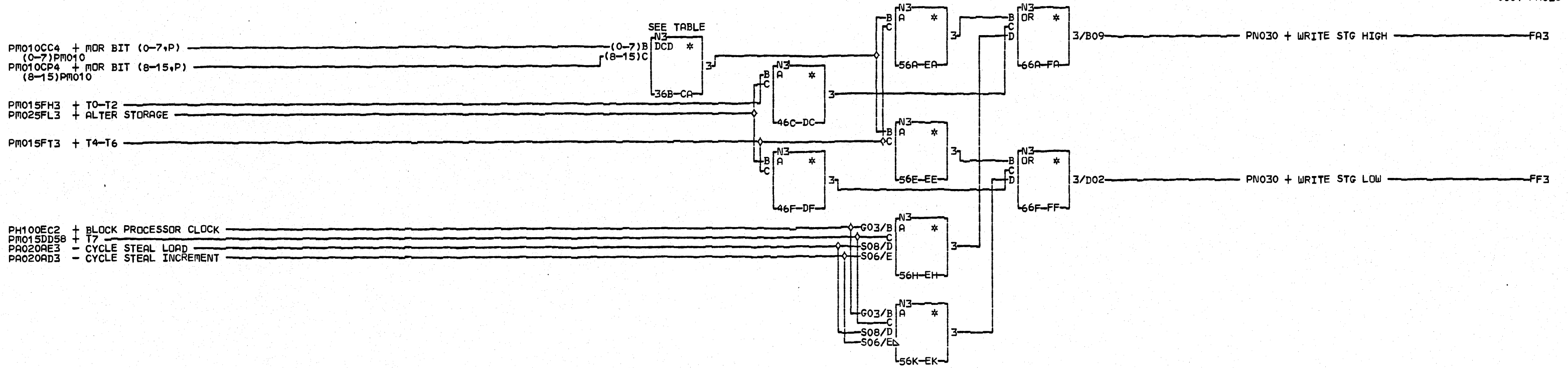
PEONS
0001

PEONS
0001



COMMENTS
D1COPYRIGHT IBM CORP. 1974

STG GATE BITS
SYSTEM CONTROL CARD
PN2547389 EC825372 PEC821224
LDC=1A-A1M2
USN 00098 PRI=030CT74 2208
PDESC=0001 SEC
PFORM=KSEB NEXTBLK Z0
CID FEALD JOB J27616



TABLE

INSTRUCTION	TIME	MDR BITS															WRITE STG		
		0	1	2	3	4	5	6	7	8	9	10	11	12	13	14	15	HI	LO
STORAGE	STG	4-6	0	1	0	0					1	1							1
	STG	4-6	0	1	0	0					1								1
STORAGE DIRECT	SD	4-6	1	1	1	0	1												1 1
I/O STG	IOS	4-6	0	1	0	0	1				1	1							1
		4-6	0	1	0	0	0				1								1
		4-6	0	1	0	0					1	0							1

COMMENTS
D1COPYRIGHT IBM CORP. 1974

WRITE STG HIGH/LOW
SYSTEM CONTROL CARD

PN2547390 EC825372 PEC821224

LOC=1A-A1M2

USN 00098 PRI=030CT74 2208

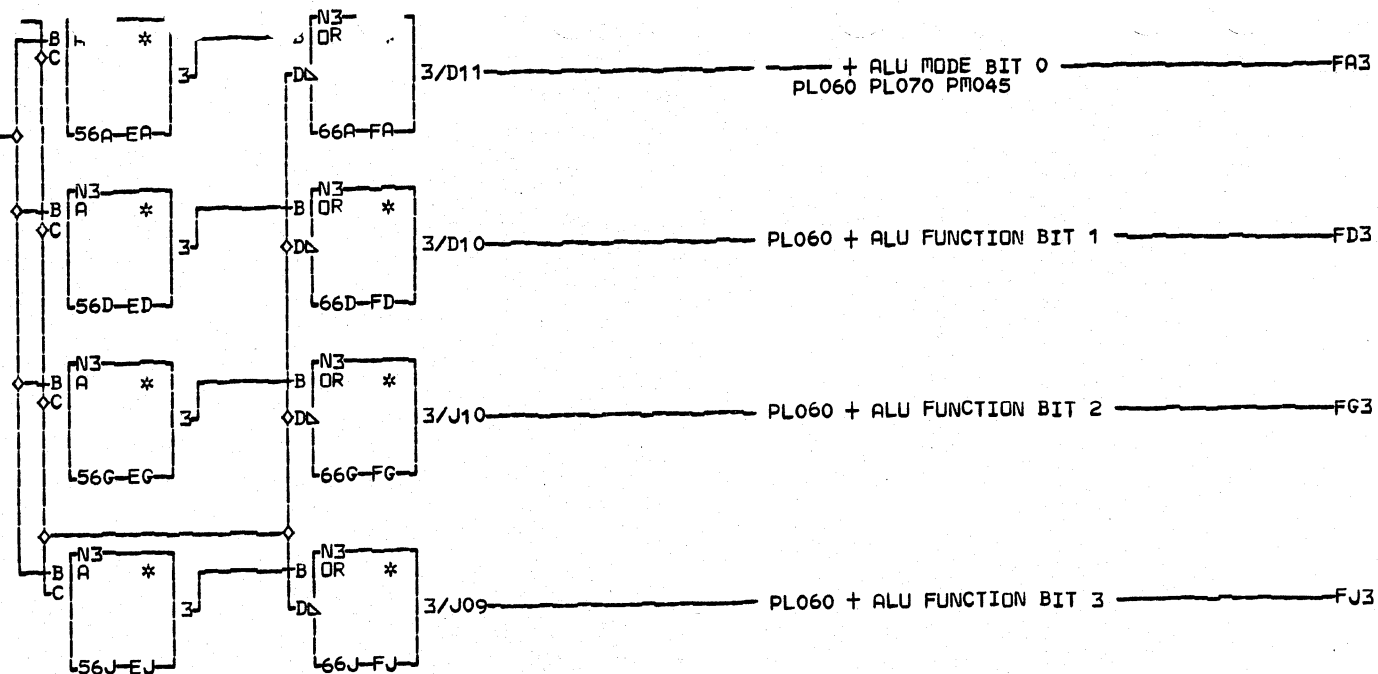
PDESC=0001 SEC
PFORM=KSEB NEXTBLK FG

CID FEALD JOB J27616

PM01 3 + T6 -

PM010CC4 + MOR BIT (0-7+P)
(0-7)PM010
PM010CP4 + MOR BIT (8-15+P)
(8-15)PM010

SEE TABLE
N3 DCD *
36B-CA



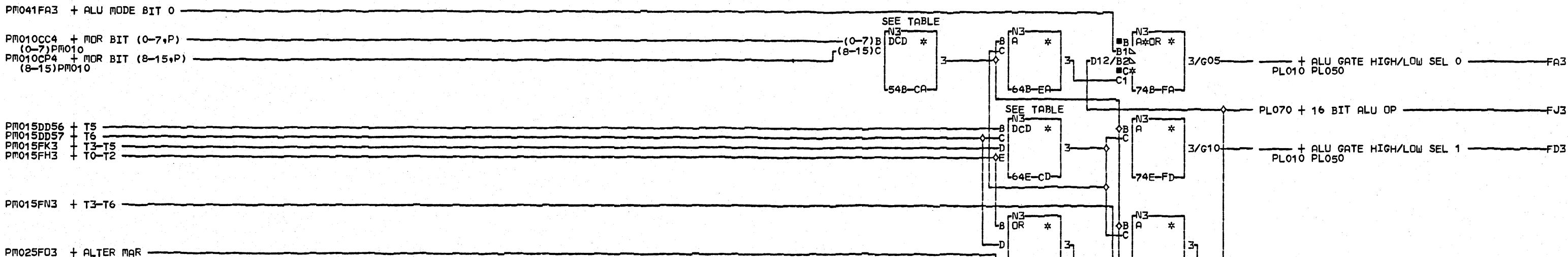
TABLE

MICRO INSTRUCTION	MOR BITS IN	ALU FUNCTION BITS			
		0	1	2	3
BRANCH	BR 0 0 0 0	1	1	1	1
BRANCH & LINK	BAL 0 0 0 1	1	1	1	1
BR ON COND	BDC 0 0 1 0	1	1	1	1
I/O BQC	IOB 0 0 1 1	1	1	1	1
I/O STG	IUS 0 1 0 0	1	0	0	0
STORAGE	STG 0 1 0 0	1	0	0	0
TEST MASK	TM 0 1 0 1	0	1	1	0
LOG/ARITH 1	LA1 0 1 1 0	SAME AS MOR			
LOG/ARITH 2	LA2 0 1 1 1	BITS 8+9+10+11			

SET OFF	SF 1 0 0 0	0	1	0	1
SET ON	SN 1 0 0 1	0	0	1	1
IMMEDIATE	IMM 1 0 1 0	1	1	1	1
I/O IMMEDIATE	IOI 1 0 1 1	1	1	1	1
COMPARE IMM	CI 1 1 0 0	1	1	1	0
SUBTRACT IMM	SI 1 1 0 1	1	1	1	0
STORAGE DIRECT	SD 1 1 1 0	1	1	1	1
MOVE LSR	ML 1 1 1 0	1	1	1	1
HEX BRANCH	HB 1 1 1 1	1	1	1	1
HEX MOVE	HM 1 1 1 1	1	1	1	1

COMMENTS
D1COPYRIGHT IBM CORP. 1974

ALU FUNCTION BITS
SYSTEM CONTROL CARD
PN2547391 EC825372 PEC821224
LOC=1A-A1M2
USN 00098 PRI=030CT74 2208
PDESC=0001 SEC
PFORM=KSEB NEXTBLK FK
CID FEALD JOB J27616



TABLE

INSTRUCTION	TIME	MOR BITS IN																16 BIT ALU GATE SEL			I/O INST
		0	1	2	3	4	5	6	7	8	9	10	11	12	13	14	15	0	1	2	
DEFAULT																	0	0	0		
BRANCH	BR	0	0	0	0												0	0	0		
BRANCH & LINK	BAL	5	0	0	0	1											0	0	1		
CPU BR COND MET	BOC		0	0	1	0											0	0	0		
I/O BOC	IOB	6	0	0	1	1											0	0	1	1	
I/O STG	IOS		0	1	0	0				0							0	0	0	1	
STORAGE	STG	6	0	1	0	0				1	0	1					0	0	1		
	STG	6	0	1	0	0				1	0	0					1	0	1		
TEST MARK	TM		0	1	0	1											0	0	0		
LOG/ARITH 1	LA1		0	1	1	0											1	0	0		
LUG/ARITH 2	LA2		0	1	1	1				0							1	0	0		
	LA2		0	1	1	1				1							1	0	0		
SET OFF	SF		1	0	0	0											1	0	0		
SET ON	SN		1	0	0	1											1	0	0		
IMMEDIATE	IMM		1	0	1	0											1	0	0		
I/O IMMEDIATE	IOI	3-5	1	0	1	1											1	0	1		
	IOI	3-5	1	0	1	1				0										1	
COMPARE IMM	CI	3-5	1	1	0	0											1	0	0		
SUBTRACT IMM	SI	3-5	1	1	0	1											1	0	0		
STORAGE DIRECT	SD	6	1	1	1	0				0							0	0	1		
MOVE LSR	ML		1	1	1	0				1							0	0	0		
HEX BRANCH	HB	3-5	1	1	1	1						0		0			1	1	1		
	HB	3-5	1	1	1	1						0		1			1	1	0		
HEX MOVE	HM	3-5	1	1	1	1				0	0	1					0	1	1		
	HM	3-5	1	1	1	1				0	1	1					0	1	0		
	HM	3-5	1	1	1	1				1	0	1					1	1	0		
	HM	3-5	1	1	1	1				1	1	1					1	1	1		

COMMENTS
D1COPYRIGHT IBM CORP. 1974

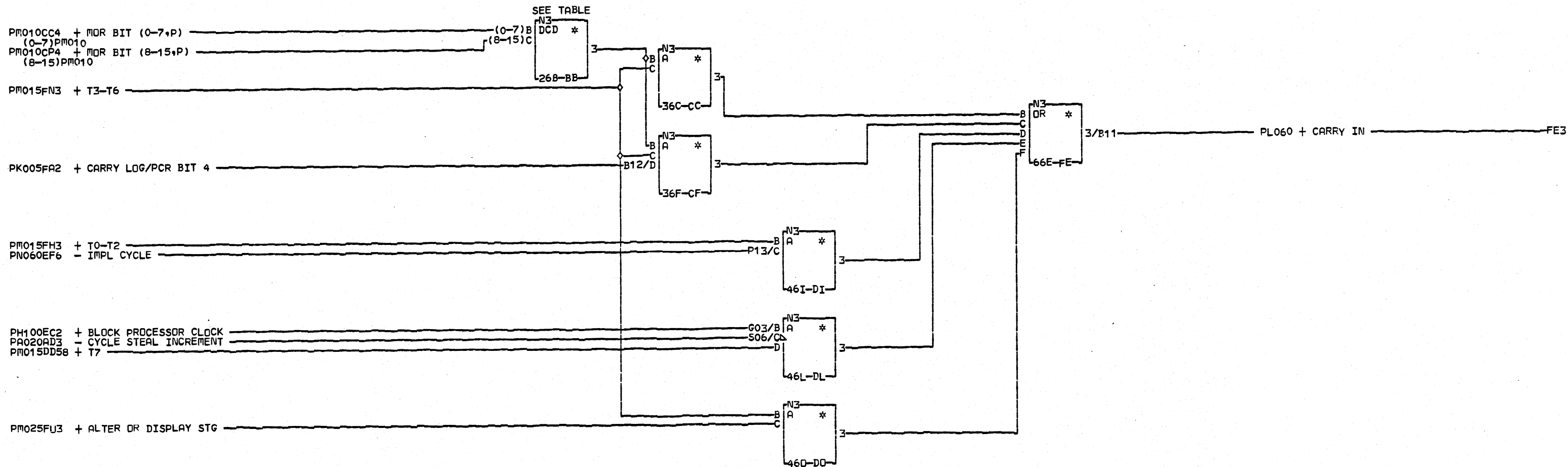
ALU GATE HIGH/LOW SEL 0-2
SYSTEM CONTROL CARD
PN2547392 EC825372 PEC821224
LOC=1A-A1M2
USN 00098 PRI=030CT74 2208
PDESC=0001 SEC
PFORM=KSEB NEXTBLK GH
CID FEALD JOB J27616

P
M
0
4
5

D
E
0
4
5

01

001



TABLE

INSTRUCTION	TIME	MDR BITS														CARRY TGR		
		0	1	2	3	4	5	6	7	8	9	10	11	12	13		14	15
STG	3-6	0	1	0	0				1			0	1					
IDS	3-6	0	1	0	0				0			0	1					
LA1	3-6	0	1	1	0				1	0	1	0						
LA1	3-6	0	1	1	0				1	1	0	0						
LA1	3-6	0	1	1	0				1	1	1	1						
LA1/LA2	3-6	0	1	1					1	0	0	1						1
LA1/LA2	3-6	0	1	1					1	1	1	0						1
LA2	3-6	0	1	1	1				1	0	1	0						
LA2	3-6	0	1	1	1				1	1	0	0						
LA2	3-6	0	1	1	1				1	1	1	1						
CI	3-6	1	1	0	0													
SI	3-6	1	1	0	1													

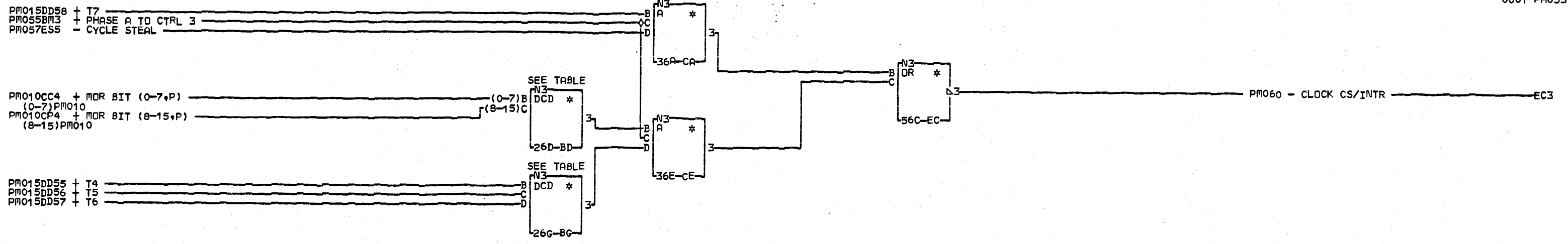
COMMENTS
D1COPYRIGHT IBM CORP. 1974

CARRY IN
SYSTEM CONTROL CARD
PN2547393 EC825372 PEC821224
LOC=1A-A1M2
USN 00098 PRI=030CT74 2208
PDESC=0001 SEC
PFORM=KSEB NEXTBLK FF
CID FEALD JOB J27616

0001

P
M
C
5
0

0001



TABLE

INSTRUCTION	TIME	MOR BITS															
		0	1	2	3	4	5	6	7	8	9	10	11	12	13	14	15
BRANCH & LINK	BAL 5	0	0	0	1												
LOG/ARITH 1	LA1 5	0	1	1	0												
TEST MASK	TM 4	0	1	0	1												
LOG/ARITH 2	LA2 5	0	1	1	1												
SET OFF	SF 4	1	0	0	0												
SET ON	SN 4	1	0	0	1												
IMMEDIATE	IMM 4	1	0	1	0												
COMPARE IMM	CI 4	1	1	0	0												
SUBTRACT IMM	SI 4	1	1	0	1												
STORAGE DIRECT	SD 5	1	1	1	0					0							
MOVE LSR	ML 4	1	1	1	0				1								
HEX BRANCH	HB 4	1	1	1	1								0				
HEX MOVE	HM 5	1	1	1	1									1			
	6			0	1												
	6			1	0												
STORAGE 16K-AK	STG 6	0	1	0	0					1							

COMMENTS
 D1COPYRIGHT IBM CORP. 1974

CLOCK CS/INTR
 SYSTEM CONTROL CARD

PN2547394 EC825372 PEC821224

LDC=1A-A1M2

USN 00098 PRI=03OCT74 2208

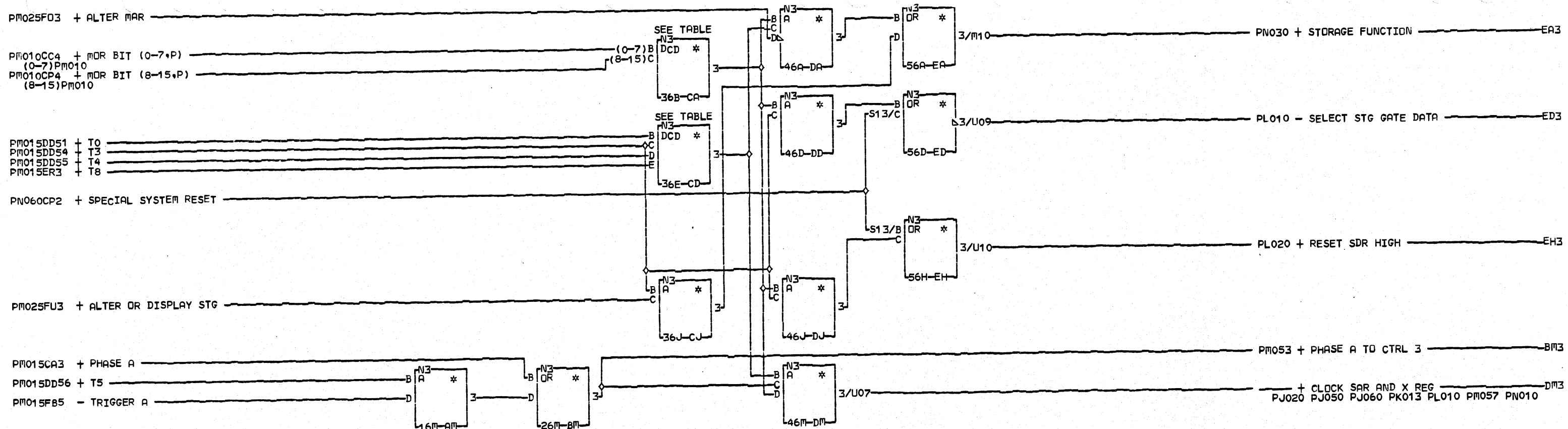
PDESC=0001 SEC

PFDRM=kSEB NEXTBLK ED

CT FEALD 7B J27

A E O M I

P M O S 3



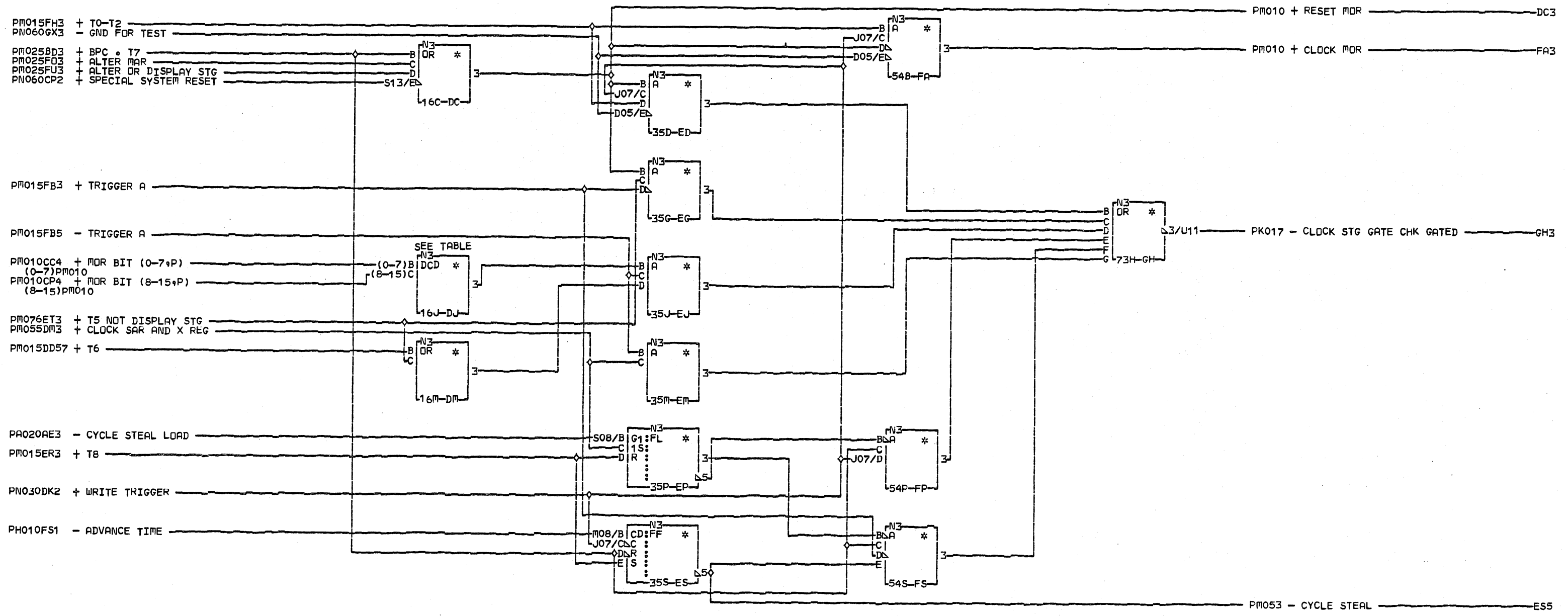
INSTRUCTION	TIME	PHASE	MOR BITS															CLK SAR AND X REG	SEL STG DATA	RESET SDR HI	STG FUN
			0	1	2	3	4	5	6	7	8	9	10	11	12	13	14				
	0																			1	
STORAGE	3		0	1	0	0														1	
BRANCH	3		0	0	0	0														1	
BR DN COND	3		0	0	1	0														1	
I/O STG	4		0	1	0	0														1	
	8																			1	
I/O STG	4	A	0	1	0	0				0							1	1			
LOG/ARITH	4	A	0	1	1												1	1			
HEX MOVE	4	A	1	1	1	1					1						1	1			
ANY INST	0	A															1				
ANY INST	3	A															1				
ANY INST	8	A															1				
STG DIRECT	3		1	1	1	0				0										1	

COMMENTS
D1COPYRIGHT IBM CORP. 1974

CLOCK SAR RESET SDR STG FUN
SYSTEM CONTROL CARD
PN2547395 EC825372 PEC821224
LOC=1A-A1M2
USN 00098 PRI=03OCT74 2208
PDESC=0001 SEC
PFURM=KSEB NEXTBLK EI
CID FEALD JOB J27616

0001

PE055
0001



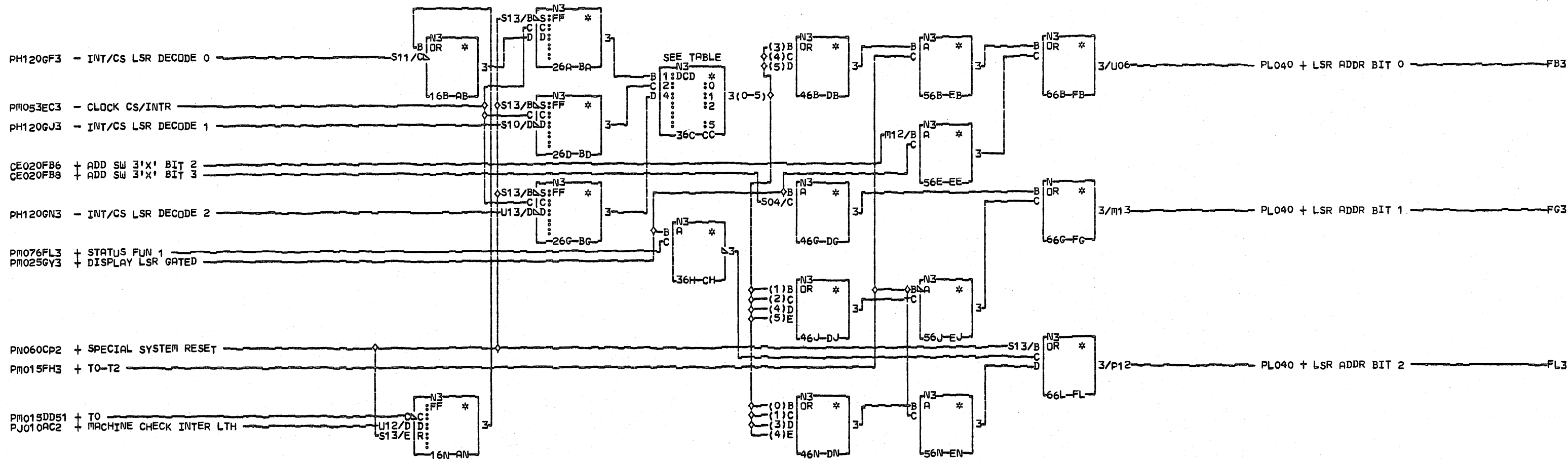
TABLE

INSTRUCTION	TIME	WR	MOR BITS																	
			TGR	0	1	2	3	4	5	6	7	8	9	10	11	12	13	14	15	
I/O STORAGE	IOS	6	0	0	1	0	0													
I/O STORAGE	IOS	5		0	1	0	0					0	1							
STORAGE	STG	5		0	1	0	0					1	1							
	STG	6		0	1	0	0					1	0							
	STG	6	0	0	1	0	0					0								
STORAGE DIRECT	SD	6	0	1	1	1	0					0								
16W-AS	SD	5		1	1	1	0	1				0								

COMMENTS
D1COPYRIGHT IBM CORP. 1974

CLK STG GT CHK
SYSTEM CONTROL CARD
PN2547396 EC825372 PEC821224

LOC=1A-A1A2
USN 00098 PRI=030CT74 2208
PDFSC=0001 SEC
PFORM=KSEB NEXTBLK GI
CTD FEALD QB J27-16



TABLE

INSTRUCTION	TIME	MOR BIT															LSR ADDR			
		0	1	2	3	4	5	6	7	8	9	10	11	12	13	14	15	0	1	2
MOVE LSR	ML	3	1	1	1	0	1			1	0									1
MOVE LSR	ML	4	1	1	1	0	1			1	1									1
MOVE LSR	ML	3	1	1	1	0			1	1				1					1	
MOVE LSR	ML	4	1	1	1	0			1	0				1					1	
MOVE LSR	ML	3	1	1	1	0			1	1	1							1		
MOVE LSR	ML	4	1	1	1	0			1	0	1							1		
MOVE LSR	ML	3	1	1	1	0			1	1				1					1	
MOVE LSR	ML	4	1	1	1	0			1	0				1					1	

COMMENTS
D1 COPYRIGHT IBM CORP. 1974

LSR ADDR BIT 0-2
SYSTEM CONTROL CARD
PN2547397 EC830358 PEC825372
LOC=1A-A1M2
USN 00124 PRI=07APR77 0120
PDESC=0001 SEC
PFORM=KSEB NEXTBLK FM
CID FEALD JOB L6901600

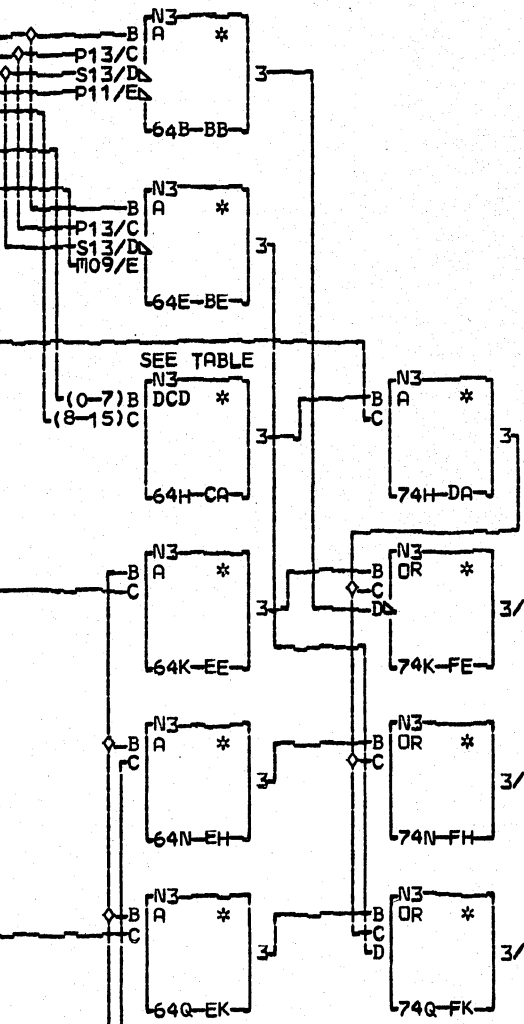
- PM025BD3 + BPC * T7
- PM060EF6 - IMPL CYCLE
- PM060CP2 + SPECIAL SYSTEM RESET
- PA020AF3 - CYCLE STEAL LSR SEL 2/3
- PM010CP4 + MOR BIT (8-15,P)
- (8-15)PM010
- PM010CC4 + MOR BIT (0-7,P)
- (0-7)PM010
- PA020AG3 - CYCLE STEAL LSR SEL 1/3
- PM076FD3 + STATUS SEL 0

- PM015FH3 + T0-T2
- PM015DD54 + T3
- PM015FK3 + T3-T5
- PM015DD55 + T4
- PM015FQ3 + T4-T5
- PM015FT3 + T4-T6
- PM015DD57 + T6
- PM076FH3 + STATUS SEL 2

SEE TABLE
N3 DCD *
26F-CD

TABLE

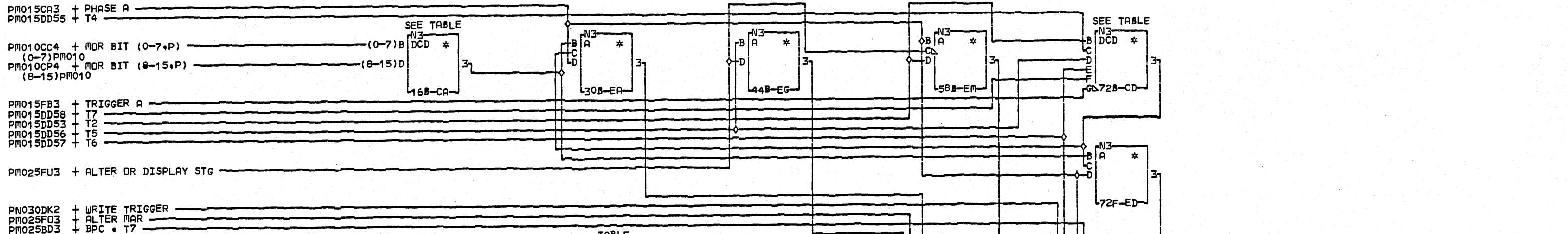
INSTRUCTION	TIME	MOR BITS															LSR ADDR BITS		
		0	1	2	3	4	5	6	7	8	9	10	11	12	13	14	15	3	4
MACHINE CHK INT																	0	1	0
FETCH	0-1-2																		SEE NOTE
BR ON COND	BOC 3	0	0	1	0	1	1	1	1	1								1	
I/O STG	IOS 4-5-6	0	1	0	0						0			X	X	X		SAME	
STORAGE	STG 3	0	1	0	0							1		X	X	X		AS MOR	
	STG 4-5	0	1	0	0							0		X	X	X		13-15	
	STG 4-5	0	1	0	0		X	X	X	1	1							SAME AS	
	STG 6	0	1	0	0		X	X	X	1	0							MOR 5-7	
	STG 6	0	1	0	0						1	1		X	X	X		MOR 13-15	
TEST MASK	TM 3-4	0	1	0	1		X	X	X									MOR 5-7	
LOG/ARITH 1	LA1 3	0	1	1	0									X	X	X		MOR 13-15	
	LA1 4-5	0	1	1	0		X	X	X									MOR 5-7	
LOG/ARITH 2	LA2 3	0	1	1	1									X	X	X		MOR 13-15	
12I-AK	LA2 4-5	0	1	1	1		X	X	X									SAME	
SET OFF	SF 3-4	1	0	0	0		X	X	X									AS	
SET ON	SN 3-4	1	0	0	1		X	X	X									MOR	
IMMEDIATE	IM 3-4	1	0	1	0		X	X	X									5-7	
I/O IMMEDIATE	IDI 4-5-6	1	0	1	1								X	X	X			MOR 13-15	
COMPARE IMM	CI 3-4	1	1	0	0		X	X	X									SAME	
SUBTRACT IMM	SI 3-4	1	1	0	1		X	X	X									AS MOR	
STORAGE DIRECT	SD 4-5-6	1	1	1	0		X	X	X	0								5-7	
MOVE LSR	ML 3	1	1	1	0		X	X	X	1	0			X	X	X		MOR 5-7	
	4	1	1	1	0		X	X	X	1	0			X	X	X		MOR 13-15	
	4	1	1	1	0		X	X	X	1	0			X	X	X		MOR 13-15	
	4	1	1	1	0		X	X	X	1	1			X	X	X		MOR 5-7	
HEX BRANCH	HB 3	1	1	1	1		X	X	X									MOR 5-7	
HEX MOVE	HM 3	1	1	1	1						1	X	X	X				MOR 13-15	
12S-AL	4-5	1	1	1	1		X	X	X		1							MOR 5-7	



NOTE
THESE LSR ADDR BITS DEPEND UPON WHAT LSR YOU ARE SELECTING WITHIN A GIVEN INTERRUPT

- PM076FF3 + STATUS SEL 1
 - PM025GY3 + DISPLAY LSR GATED
 - COMMENTS
- ©1974 IBM CORP.

LSR ADDR BITS 3,4,5
SYSTEM CONTROL CARD
PN2547398 EC830358 PEC825372
LOC=1A-A1M2
USN 00124 PRI=11APR77 2333
PFESC=0001 SEC
PFORM=KSEB NEXTBLK FL
CID FEALD JOB L6901600

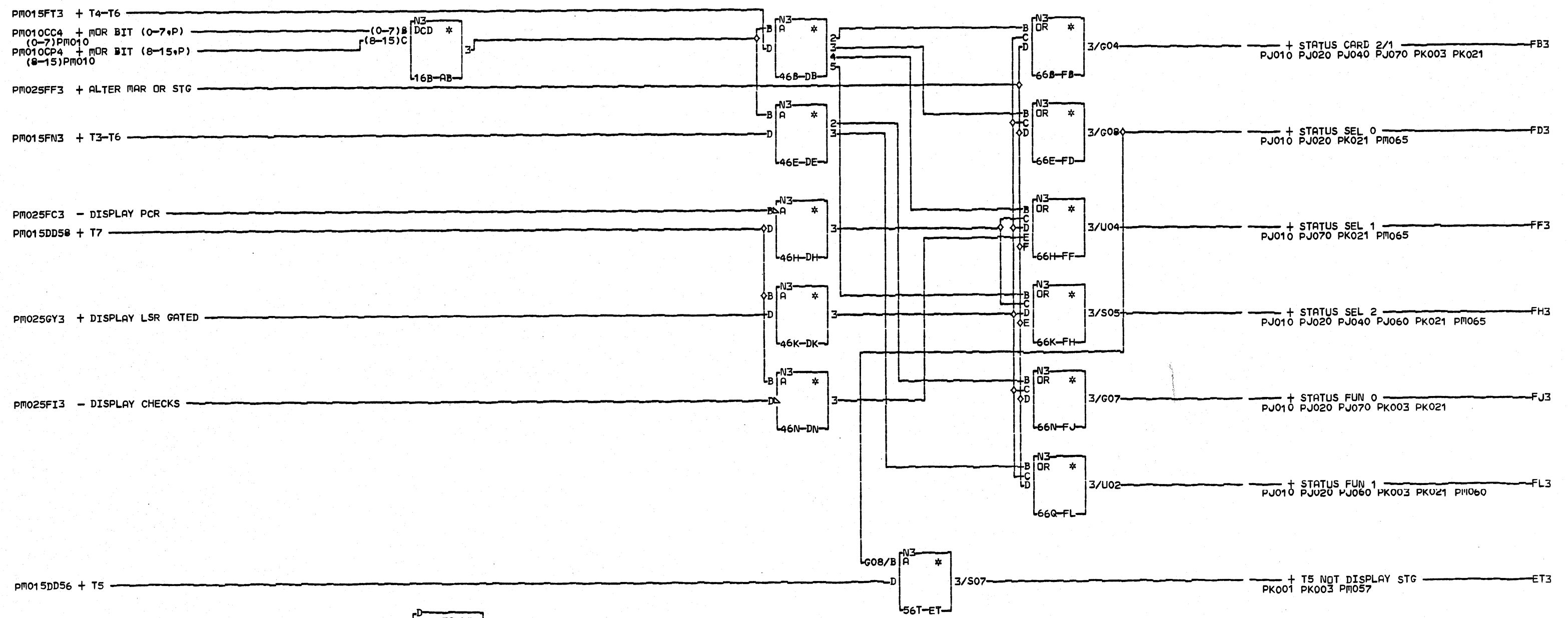


TABLE

INSTRUCTION	PHASE	TIME	TRA	MOR BITS IN																WRITE LSR				
				0	1	2	3	4	5	6	7	8	9	10	11	12	13	14	15	HIGH	LOW			
BRANCH & LINK	BAL	A	4		0	0	0	1												1	1			
	BAL		5	0	0	0	0	1												1	1			
I/O BOC	IOB	A	6		0	0	1	1												0	1			
I/O STG	IOS	A	6		0	1	0	0		0												1	1	
	STG		5	0	0	1	0	0		1	0												1	1
STORAGE	STG	A	6		0	1	0	0		1	1												1	1
	STG	A	6		0	1	0	0	1												1	0		
	STG	A	6		0	1	0	0	0	1												0	1	
	STG	A	6		0	1	0	0		1	1												1	1
LOG/ARITH 1	LA1		5	0	0	1	1	0	1												1	0		
	LA1		5	0	0	1	1	0	0												0	1		
LOG/ARITH 2	LA2		5	0	0	1	1	1	1												1	1		
	LA2		5	0	0	1	1	1	0												1	1		
10I-AK																								
SET OFF	SF	A	4		1	0	0	0	1												1	0		
	SF	A	4		1	0	0	0	0												0	1		
SET ON	SN	A	4		1	0	0	1	1												1	0		
	SN	A	4		1	0	0	1	0												0	1		
IMMEDIATE	IMM	A	4		1	0	1	0	1												1	0		
I/O IMMEDIATE	IOI		5	0	1	0	1	1		1	1												1	0
	IOI		5	0	1	0	1	1		1	0												0	1
SUBTRACT IMM	SI	A	4		1	1	0	1	1												1	0		
	SI	A	4		1	1	0	1	0												0	1		
STORAGE DIRECT	SD	A	6		1	1	1	0		0												1	1	
MOVE LSR	ML	A	4		1	1	1	0		1												1	1	
HEX BRANCH	HB	A	4		1	1	1	1												0	1			
HEX MOVE	HM		5	0	1	1	1	1	1												1	0		
	HM		5	0	1	1	1	1	0												0	1		
	HM		5	0	1	1	1	1		0	1												1	1
10S-AL																								

COMMENTS
D1COPYRIGHT IBM CORP. 1974

WRITE LSR HIGH/LOW
SYSTEM CONTROL CARD
PN2547399 EC825372 PEC821224
LOC=1A-A1M2
USN 00098 PRI=030CT74 2208
PDESC=0001 SEC
PFORM=KSEB NEXTBLK GC
CID FEALD JOB J27616



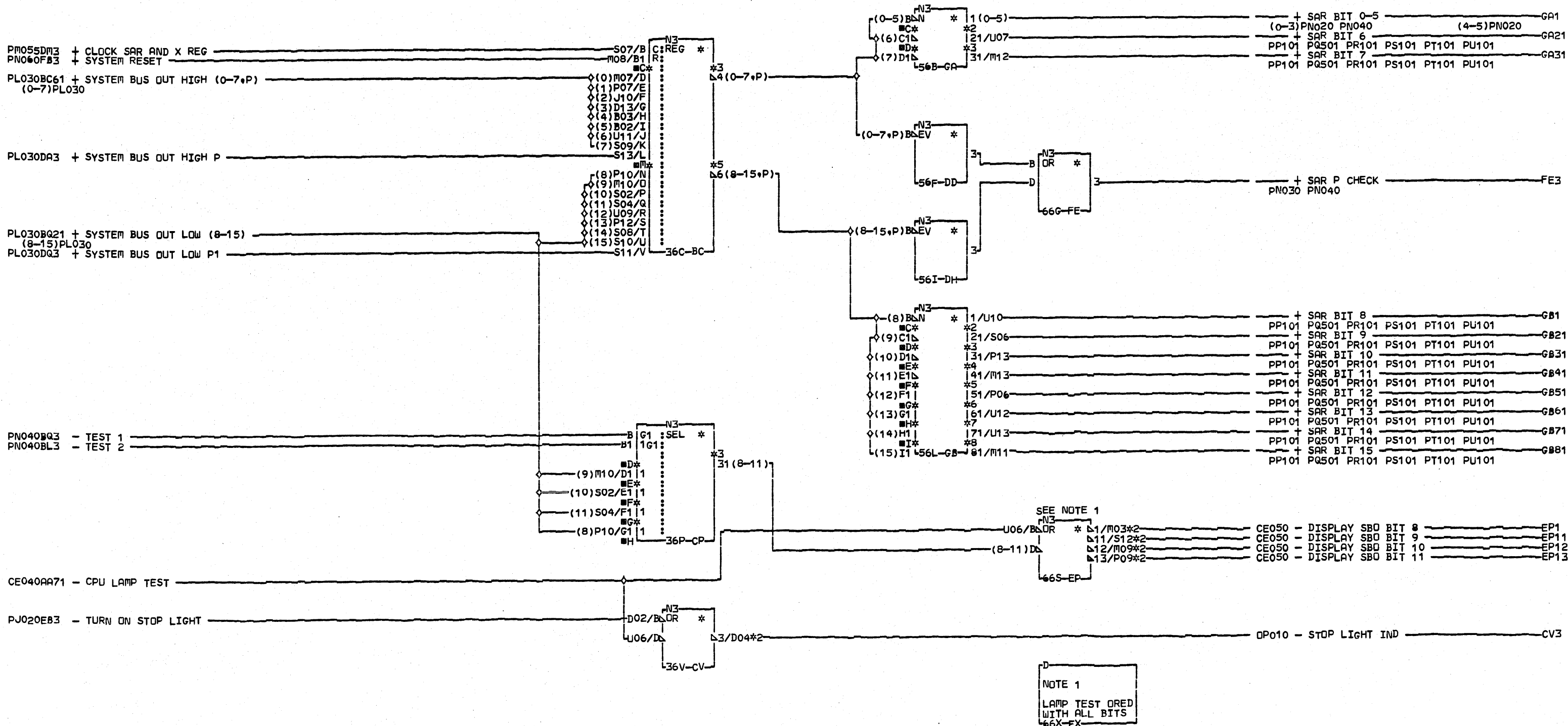
SEE TABLE
ON
PAGE PM075
16V-AR

COMMENTS
D1COPYRIGHT IBM CORP. 1974

STATUS SELECT
SYSTEM CONTROL CARD
PN2547401 EC825372 PEC821224
LOC=1A-A1M2
USN 00098 PRI=030CT74 2208
PDESC=0001 SEC
PFORM=KSEB NEXTBLK FM
CID FEALD JOB J27616

DEON 9
0001

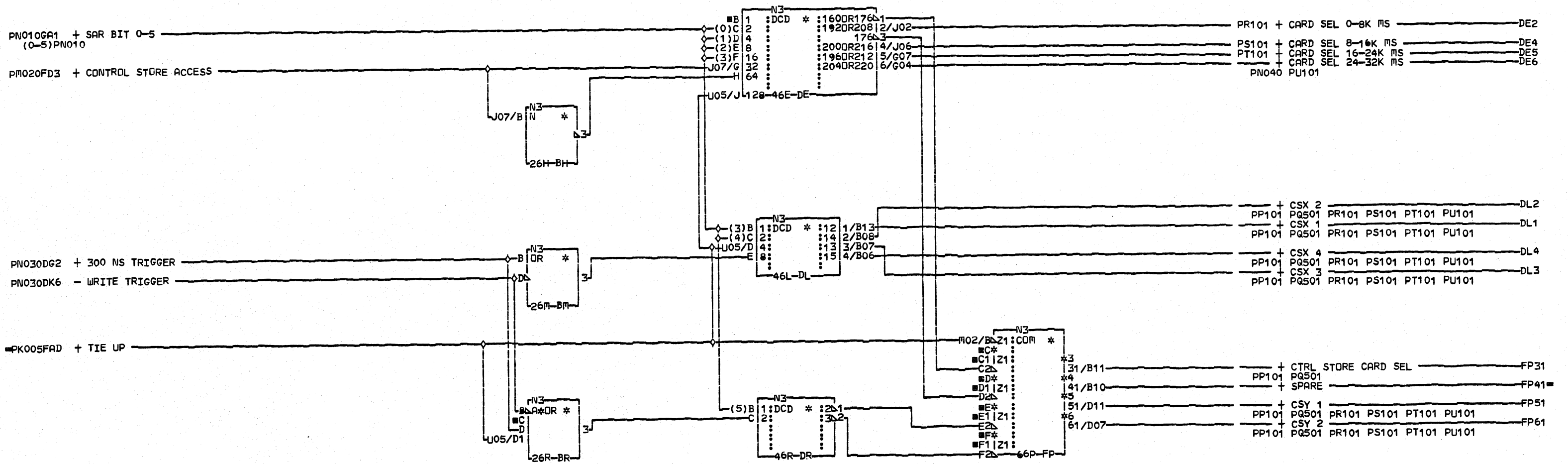
P
M
0
7
6
0001



COMMENTS	CONNECTORS	CONNECTORS	SAR AND DISPLAY BITS GEN STG CTRL CARD
D1COPYRIGHT IBM CORP. 1974	CV3	0004/1A-A1	PN2547402 EC825372 PEC821224
	0012/1A-A1		LDC=1A-A1N2
	0010/1A-A1		USN 00098 PRI=030CT74 2208
	EP1		PDESC=0001 SEC
	0009/1A-A1		PFORM=KSEB NEXTBLK GC
	0008/1A-A1		CID FEALD JOB J27616
	EP11		
	0007/1A-A1		
	0002/1A-A1		
	EP12		
	0011/1A-A1		
	0006/1A-A1		
	EP13		
	0005/1A-A1		

PN010
0001

PN010
0001

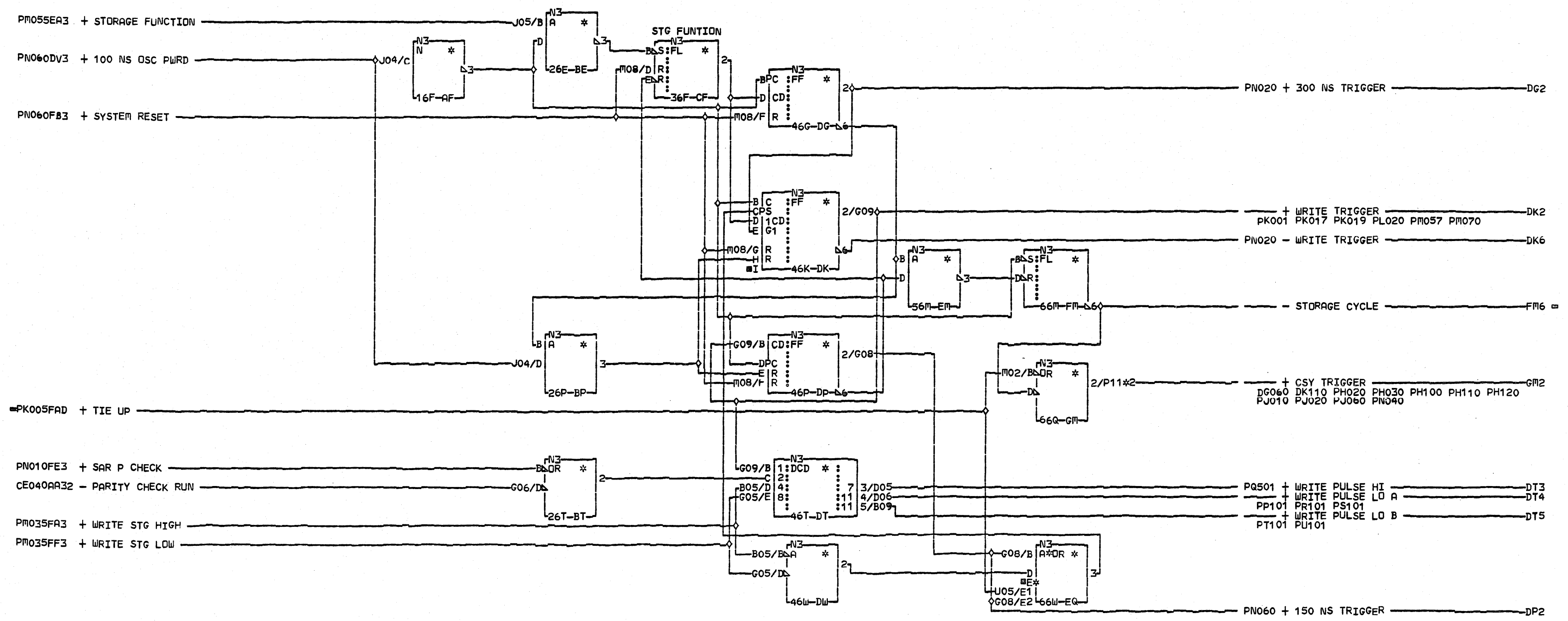


COMMENTS
D1COPYRIGHT IBM CORP. 1974

DECODE: STG CSX CSY
 STG CTRL CARD
 PN2547403 EC825372 PEC821224
 LDC=1A-A1N2
 USN 00098 PRI=030CT74 2208
 PDESC=0001 SEC
 PFORM=KSEB NEXTBLK FQ
 CID FEALD JDB J27516

0001

P
N
O
2
0
0001



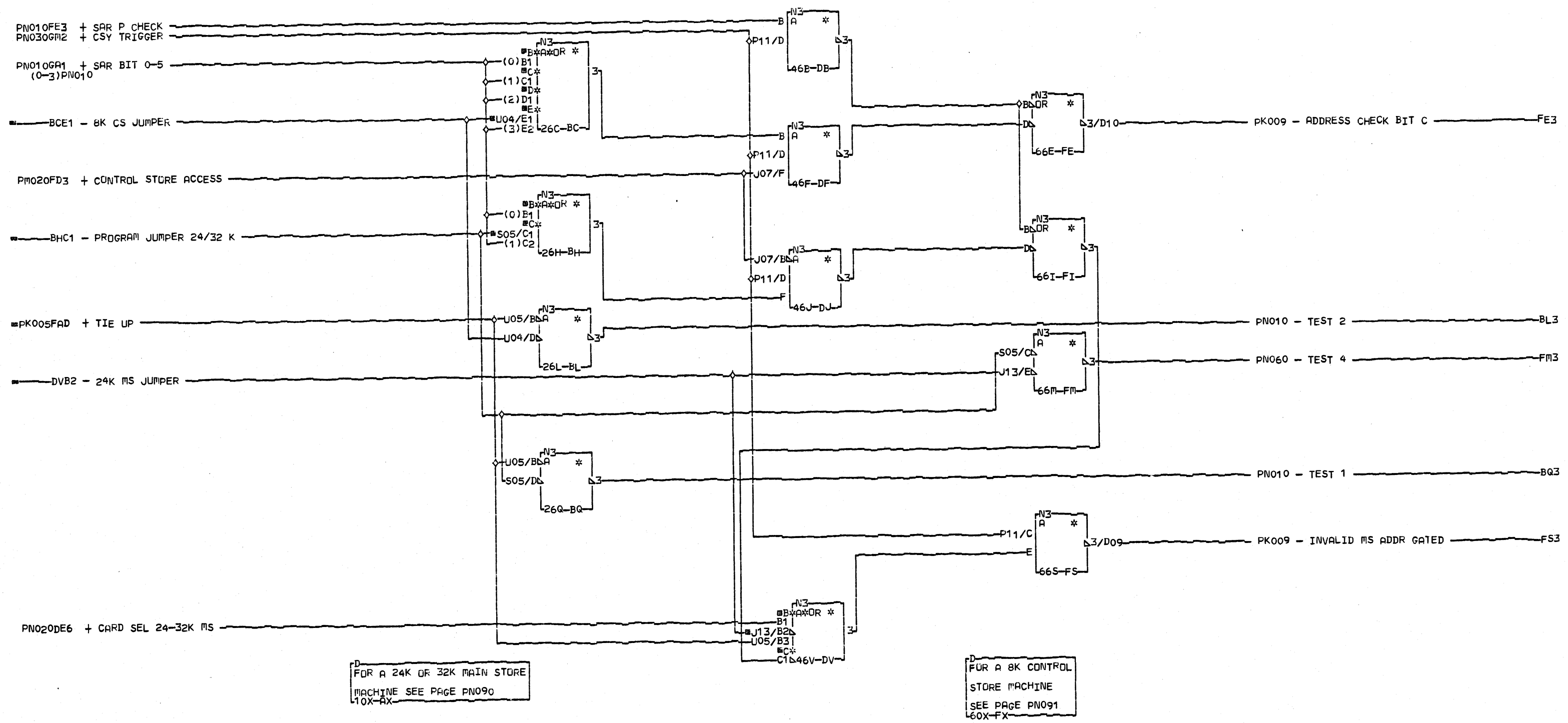
COMMENTS
 D1COPYRIGHT IBM CORP. 1974

CONNECTORS
 GM2
 0003/1A-A1000000000000/H6B04
 0004/1A-A2000000000000/H1B13

STORAGE CLOCK
 STG CTRL CARD
 PN2547404 EC825372 PEC821224
 LOC=1A-A1N2
 USN 00098 PRI=030CT74 2208
 PDESC=0004 SEC
 PFORM=KSEB NEXTBLK GN
 CID FEALD JOB J27616

P
N
O
3
0
0001

P
N
O
3
0
0001



FOR A 24K OR 32K MAIN STORE
MACHINE SEE PAGE PN090
10X-AX

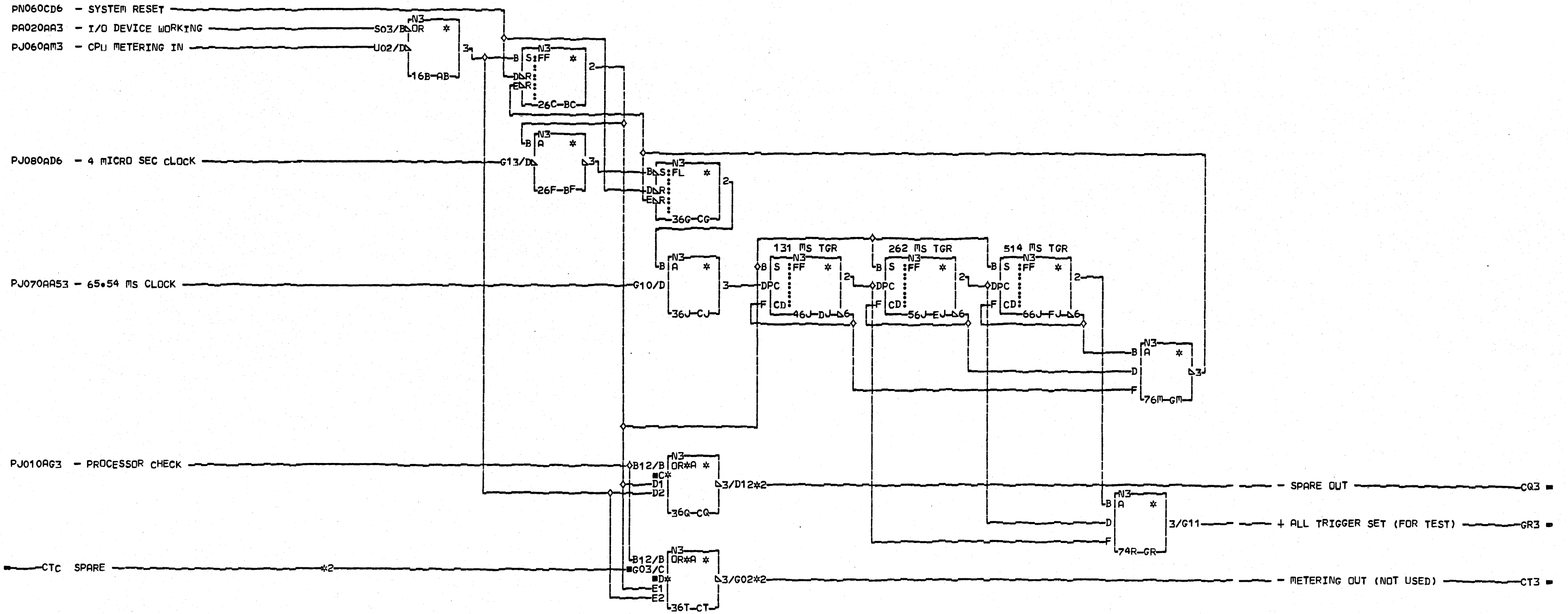
FOR A 8K CONTROL
STORE MACHINE
SEE PAGE PN091
60X-FX

COMMENTS
D1 COPYRIGHT IBM CORP. 1974

INVALID ADDRESS
STG CTRL CARD
PN2547405 EC831987 PEC830406
LUC=1A-A1N2
USN 00123 PRI=02FEB77 0639
PDESC=0001 SEC
PFORM=KSEB NEXTBLK FY
CID FEALD JOB K5400852

PN
0
4
0
0001

P
N
0
4
0
0001



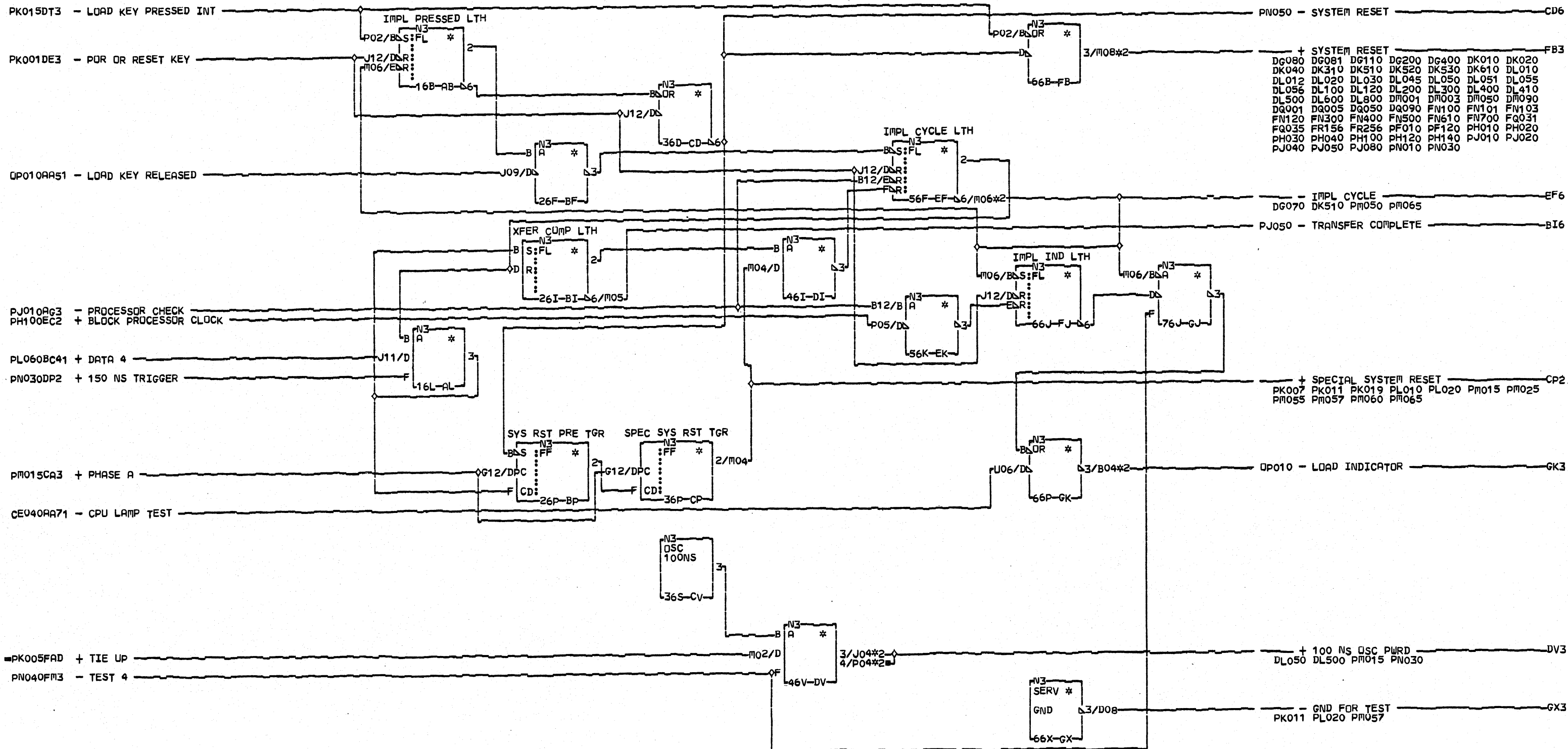
COMMENTS
 D1COPYRIGHT IBM CORP. 1974

CONNECTORS
 CQ3
 0001/1A-A1
 CTC
 0004/1A-A1
 0005/1A-A1
 CT3
 0002/1A-A1
 0003/1A-A2

SINGLE SHOT LOGIC
 STG CTRL CARD
 PN2547406 EC825408 PEC825372
 LOC=1A-A1N2
 USN 00099 PRI=04NOV74 2017
 PDESC=0001 SEC
 PFORM=KSEB NEXTBLK GS
 CTN FEALD

PN050
 0001

PN050
 0001



- DC080 DG081 DG110 DG200 DG400 DK010 DK020
- DK040 DK310 DK510 DK520 DK530 DK610 DL010
- DL012 DL020 DL030 DL045 DL050 DL051 DL055
- DL056 DL100 DL120 DL200 DL300 DL400 DL410
- DL500 DL600 DL800 DM001 DM003 DM050 DM090
- DQ001 DQ005 DQ050 DQ090 FN100 FN101 FN103
- FN120 FN300 FN400 FN500 FN610 FN700 FQ031
- FQ035 FR156 FR256 PF010 PF120 PH010 PH020
- PH030 PH040 PH100 PH120 PH140 PJ010 PJ020
- PJ040 PJ050 PJ080 PN010 PN030

— IMPL CYCLE — EF6
DG070 DK510 PM050 PM065

— TRANSFER COMPLETE — BI6
PJ050

+ SPECIAL SYSTEM RESET — CP2
PK007 PK011 PK019 PL010 PL020 PM015 PM025
PM055 PM057 PM060 PM065

+ 100 NS QSC PWRD — DV3
DL050 DL500 PM015 PN030

— GND FOR TEST — GX3
PK011 PL020 PM057

100 NS QSC AND SYS RST
STG CTRL CARD
PN2547407 EC830358 PEC831973
LOC=1A-A1N2
USN 00124 PRI=07APR77 0120
PDESC=0001 SEC
PFORM=KSEB NEXTBLK GY
CID FEALD JOB L6901600

COMMENTS
D1 COPYRIGHT IBM CORP. 1974

CONNECTORS
DV3
0005/1A-A1/M6E04
0010/1A-A2/M1E13
EF6
0007/1A-A1/J6A04
0011/1A-A2/J1A13
FB3
0006/1A-A1/J6B04
0012/1A-A2/J1B13
GK3
0009/1A-A1/B2B10
0008/1A-A1/C2B10

P
N
O
6
0
0001

P
N
O
6
0
0001

MAIN STORE MEMORY WIRE ADD LIST

THIS PAGE CONTAINS ALL THE WIRES ON THE 1A-A1 BOARD FOR MAIN STORAGE MEMORY CONFIGURATIONS.

THE FOLLOWING BLACK WIRES (PN 811695) ARE REQUIRED:

STG. SIZE	BOARD P/N	NET NO	PIN LOC	PIN LOC
24K	2546830	PN040DVB2	N2J13 TO	N2J08
		PN040BHC1	N2S05 TO	N2U08
32K	2546830	PN040BHC1	N2S05 TO	N2U08

26F-BF

COMMENTS
D1 COPYRIGHT IBM CORP. 1974

24K AND 32K MAIN STORE JMPRE
STG CTRL CARD

PN2547438 EC831987 PEC828760A

LOC=1A-A1N2

LSN 00123 PRI=02FEB77 0639

PDESC=C001 SEC

PFORM=KSEB NEXTBLK Bg

CID FEALD JOB K5400852

P
N
O
9
0
000

P
N
O
9
0
001

CONTROL STORE MEMORY WIRE ADD LIST

THIS PAGE CONTAINS ALL THE WIRES ON THE 1A-A1 BOARD FOR THE CONTROL STORAGE MEMORY.

THE FOLLOWING BLACK WIRE (PN 811695) IS REQUIRED:

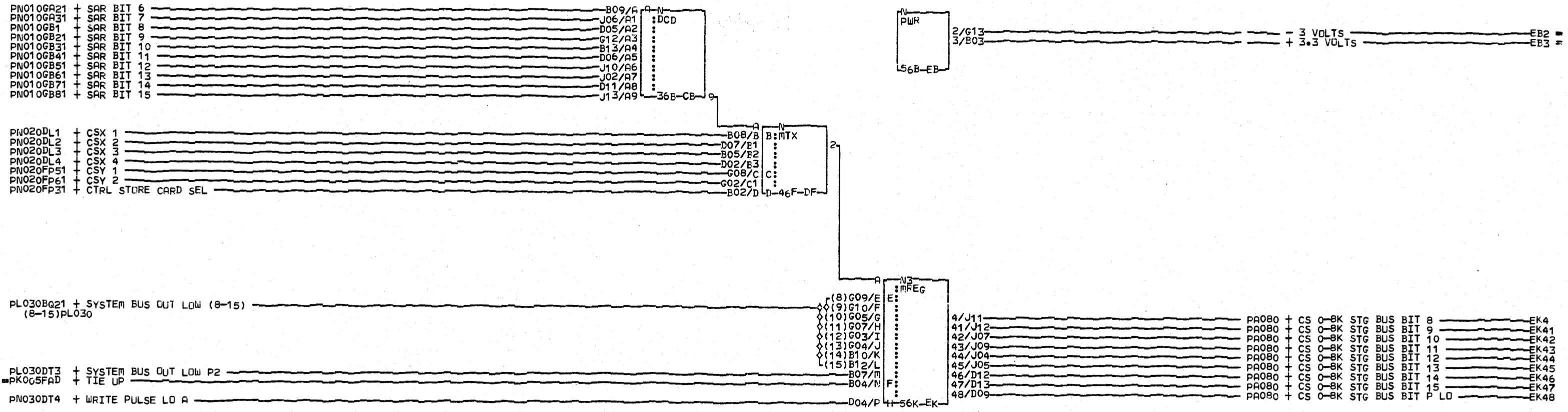
STG.	SIZE	BOARD	P/N	NET NO	PIN LOC	PIN LOC
8K		2546830		PN040BCE1	N2U04	TU N2U08
26F	BF					

COMMENTS
 D1COPYRIGHT IBM CORP. 1974

BK CONTROL STORE JMPR
 STG CTRL CARD
 PN2547439 EC831987 PEC828760
 LOC=1A-A1N2
 USN 00123 PRI=02FEB77 0639
 PDESC=0001 SEC
 PFORM=KSEB NEXTBLK BG
 CID FEALD JOB K5400852

P
 N
 0
 9
 1
 0001

P
 N
 0
 9
 1
 0001



D
 + 8.5V ON B11, G11
 + 5.0V ON D03, J03
 - 5.0V ON B06, G06
 GND ON D08, J08
 26T-BT

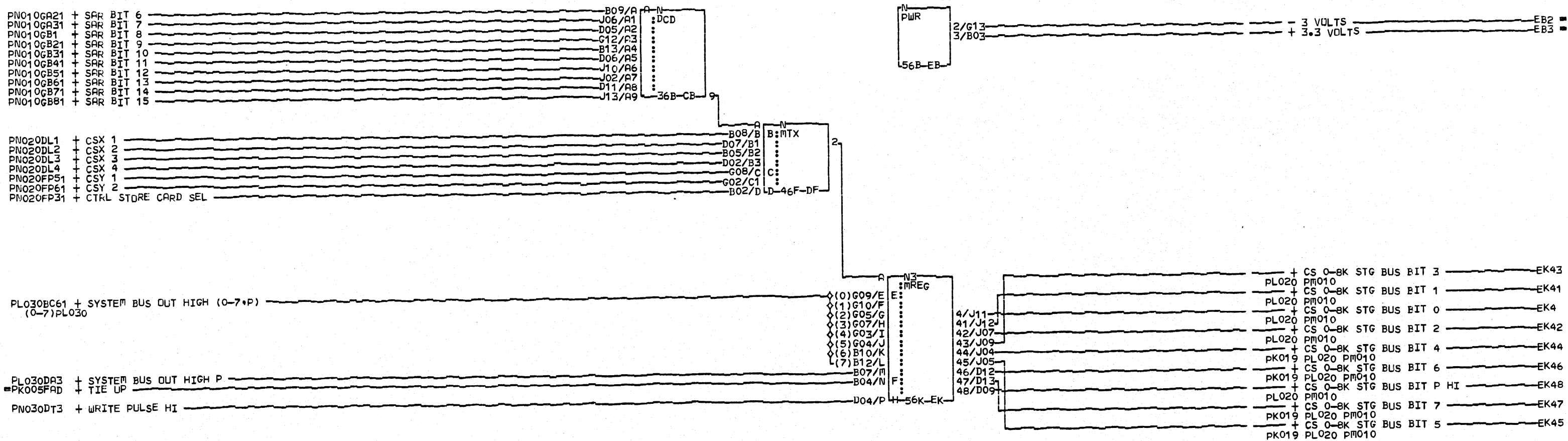
D
 THIS CAN BE EITHER A 4K OR AN 8K
 CARD DEPENDING ON THE AMOUNT OF
 CONTROL STORAGE IN THE MACHINE.
 46T-DT

COMMENTS
 D1COPYRIGHT IBM CORP. 1974

STORAGE CARD CS LD 0-8K
 CS STG CARD CPU BOARD
 PN2547408 EC831987 PEC830406
 LUC=1A-A1P2000000000000
 LSN 00123 PRI=02FEB77 0639
 PDESC=0001 SEC
 PFOR=KSEB NEXTBLK EL
 CID FEALD JOB K5400852

P
 1
 0
 1
 0001

P
 1
 0
 1
 0001

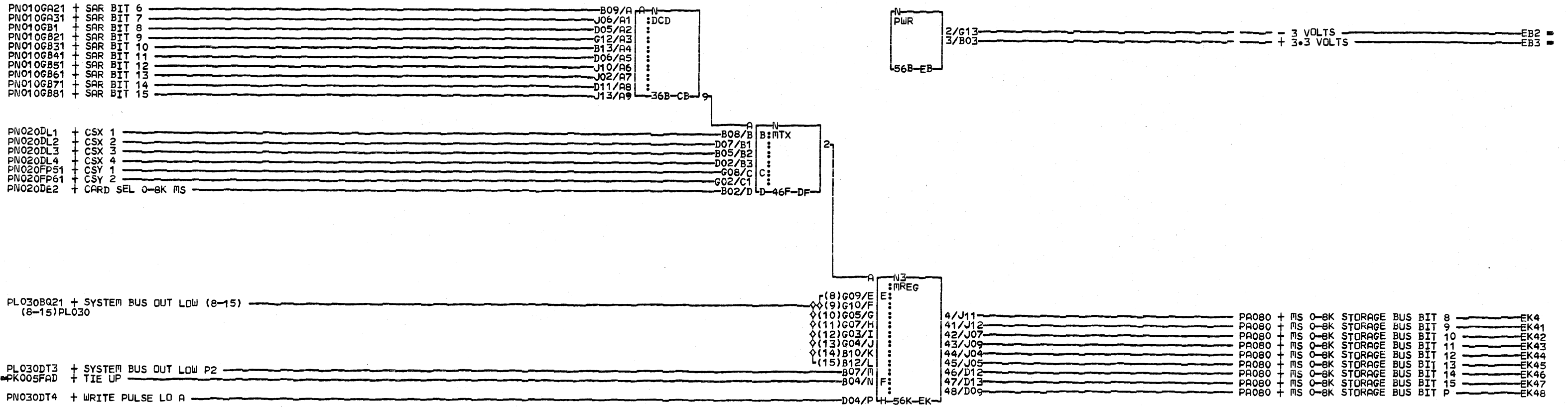


+ 8.5V ON B11, G11
 + 5.0V ON D03, J03
 - 5.0V ON B06, G06
 GND ON D08, J08
 26T-BT

THIS CAN BE EITHER A 4K OR AN 8K
 CARD DEPENDING ON THE AMOUNT OF
 CONTROL STORAGE IN THE MACHINE.
 46T-DT

COMMENTS
 D1COPYRIGHT IBM CORP. 1974

STORAGE CARD CS HI 0-8K
 CS STG CARD CPU BOARD
 PN2547411 EC831987 PEC830406
 LUC=1A-A1Q4000000000000
 USN 00123 PRI=02FEB77 0639
 PDESC=0001 SEC
 PFORM=KSEB NEXTBLK EL
 CID FEALD JOB K5400852

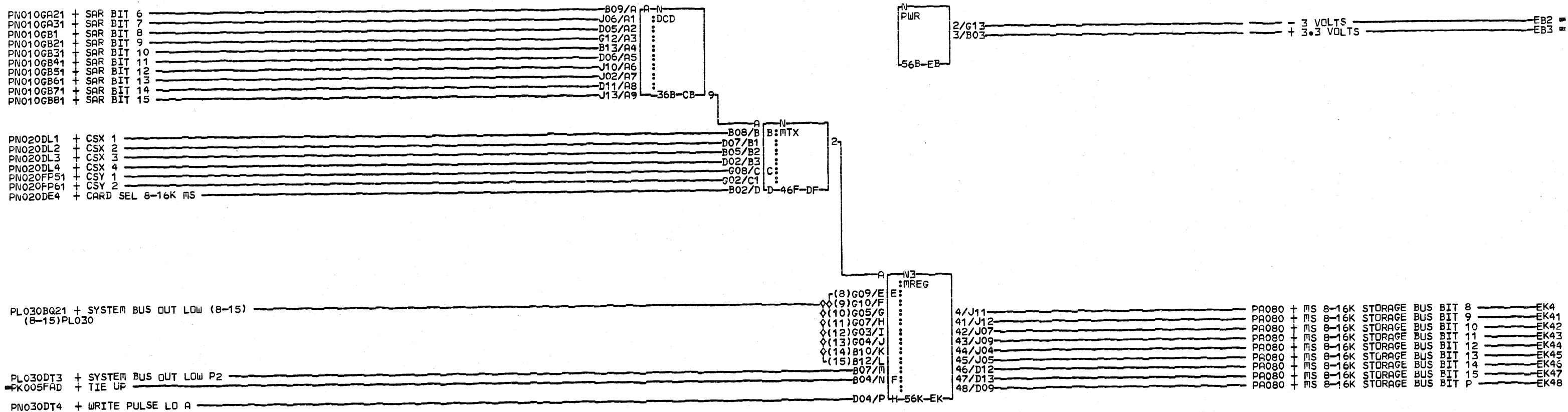


D
+ 8.5V ON B11, G11
+ 5.0V ON D03, J03
- 5.0V ON B06, G06
GND ON D08, J08
26T-BT

COMMENTS

D1COPYRIGHT IBM CORP. 1974

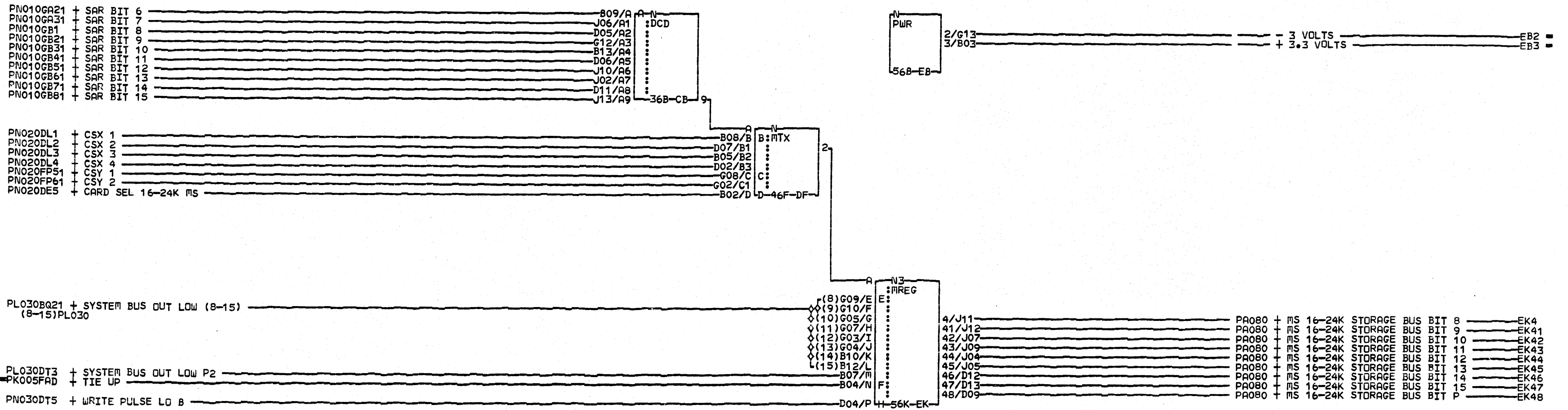
STORAGE CARD MS 0-8K
0-8K MS STG CARD CPU BOARD
PN2547412 EC825372 PEC821224
LDC=1A-A1R200000000000
USN 00098 PRI=030CT74 2208
PDESC=0001 SEC
PFOR=KSEB NEXTBLK EL
CID FEALD JOB J27616



+ 8.5V ON B11, G11
 + 5.0V ON D03, J03
 - 5.0V ON B06, G06
 GND ON D08, J08
 26T-BT

COMMENTS
 D1COPYRIGHT IBM CORP. 1974

STORAGE CARD MS 8-16K
 8-16K MS STG CARD CPU BOARD
 PN2547413 EC825372 PEC821224
 LDC=1A-A1S2@000000000000
 USN 00098 PRI=030CT74 2208
 PDESC=0001 SEC
 PFORM=KSEB NEXTBLK EL
 CID FEALD JOB J27616



+ 8.5V ON B11, G11
 + 5.0V ON D03, J03
 - 5.0V ON B06, G06
 GND ON D08, J08
 26T-BT

THIS CARD WILL NOT BE IN THE SYSTEM
 UNLESS THE 24 OR 32K MAIN STORAGE
 FEATURE IS INSTALLED.
 46T-DT

COMMENTS

D1COPYRIGHT IBM CORP. 1974

STORAGE CARD MS 16-24K
 16-24K MS STG CARD CPU BOARD
 PN2547414 EC825372 PEC821224

LOC=1A-A1T2@@@@@@@@

USN 00098 PRI=030CT74 2208

PDESC=0001 SEC
 PFORM=KSEB NEXTBLK EL

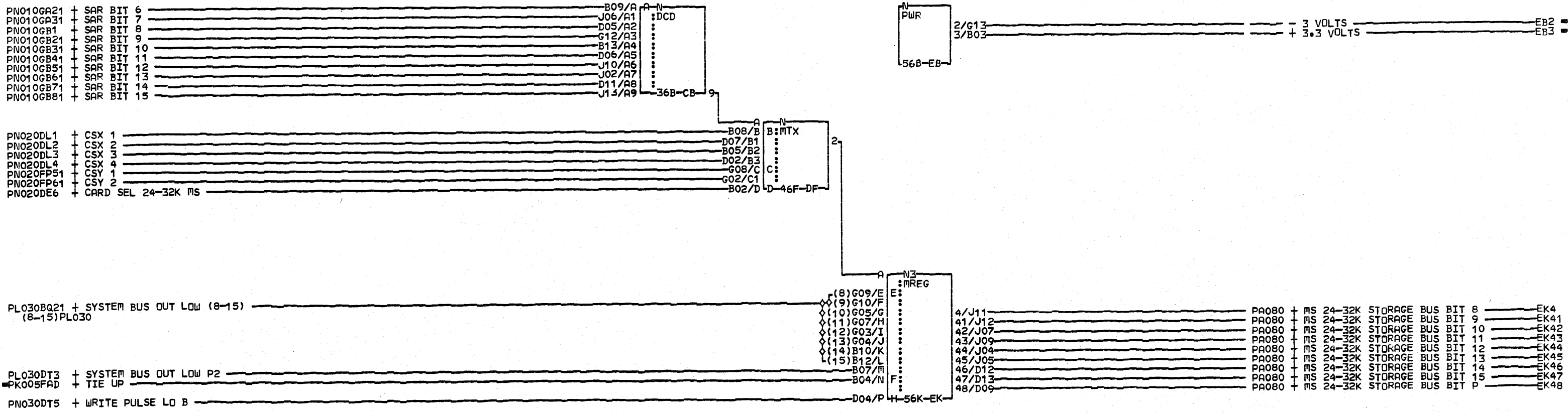
CID FEALD JOB J27616

P
T
1
0
1

0001

P
T
1
0
1

0001



+ 8.5V ON B11, G11
 + 5.0V ON D03, J03
 - 5.0V ON B06, G06
 GND ON D08, J08
 26T-BT

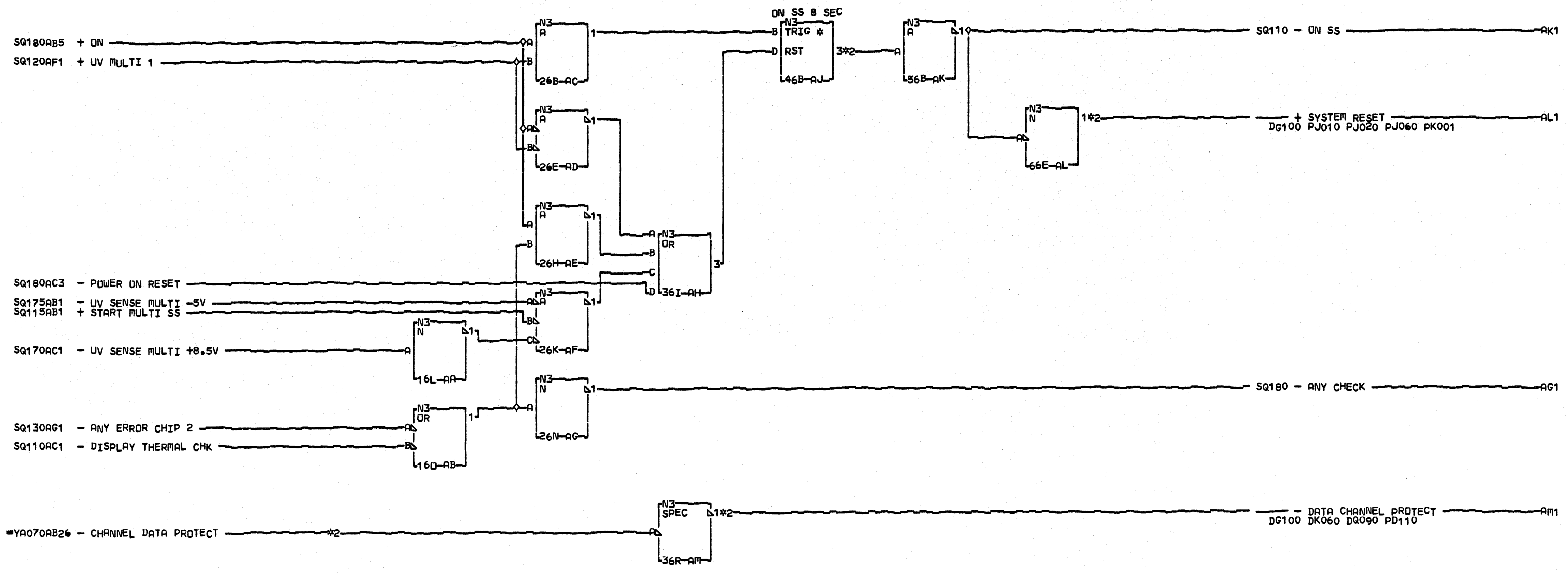
THIS CARD WILL NOT BE IN THE SYSTEM
 UNLESS THE 32K MAIN STORAGE
 FEATURE IS INSTALLED.
 46T-DT

COMMENTS
 D1COPYRIGHT IBM CORP. 1974

STORAGE CARD MS 24-32K
 24-32K MS STG CARD CPU BOARD
 PN2547415 EC825372 PEC821224
 LOC=1A-A1U2@000000000000
 USN 00098 PRI=030CT74 2208
 PDFSC=0001 SEC
 PFCRM=KSEB NEXTBLK EL
 CID FEALD JOB J27616

P
U
1
0
1
0001

P
U
1
0
1
0001



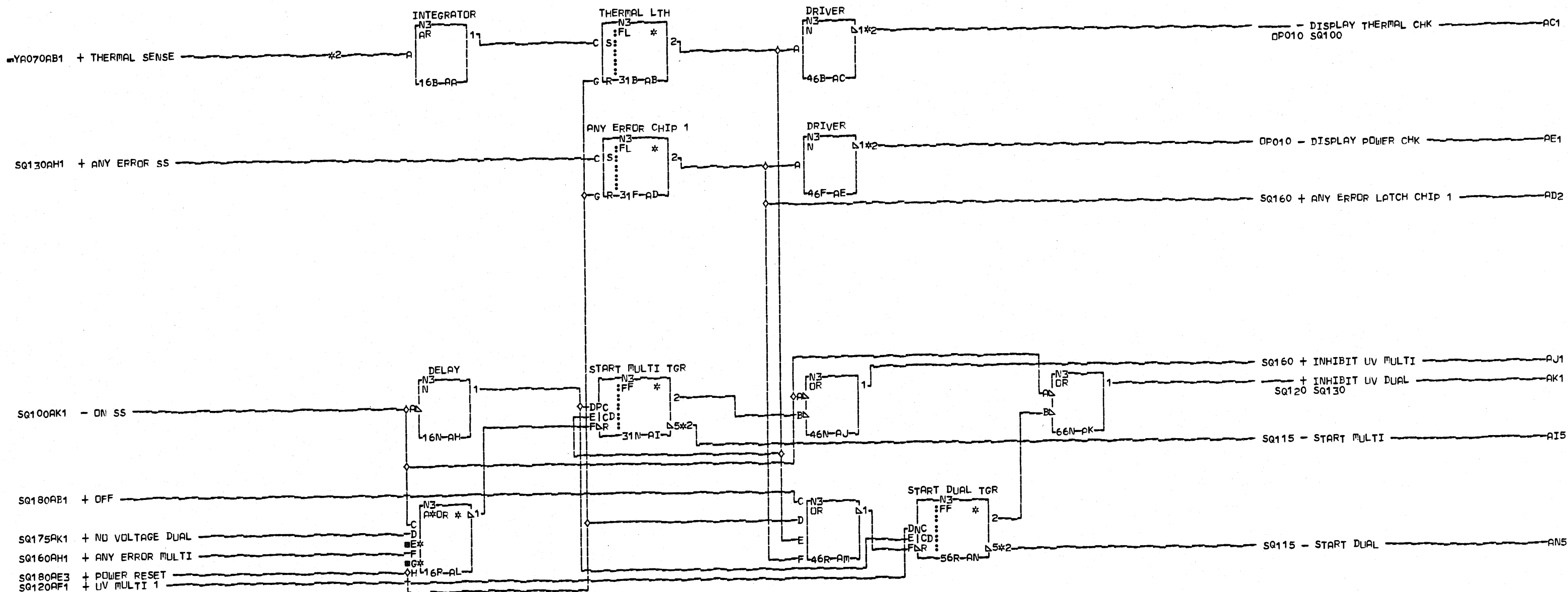
COMMENTS
 D1COPYRIGHT IBM CORP. 1974

CONNECTORS
 — AJ3
 0003/1X-A1A1/G02
 0004/1X-A1A1/J02
 0005/1X-A1A1/TPD06
 — AL1
 0006/1A-A1/A2D04
 0007/1A-A1/J6C04
 0001/1X-A1A1/D04
 0002/1X-A1A1/TPD11
 — AM1
 0008/1X-A1A1/D05
 YA070AB26
 0009/1X-A1A1/M06

ON SINGLE SHOT CONTROL
 DATA CHANNEL PROTECT
 PN2547127 EC831973 PEC828565A
 LOC=1X-A1A1
 USN 00123 PRI=10MAR77 1853
 PDESC=0001 SEC
 PFORM=KSEB NEXTBLK AN
 CID FEALD JOB L6300839

S
 Q
 1
 0
 0
 0001

S
 Q
 1
 0
 0
 0001



COMMENTS
D1COPYRIGHT IBM CORP. 1974

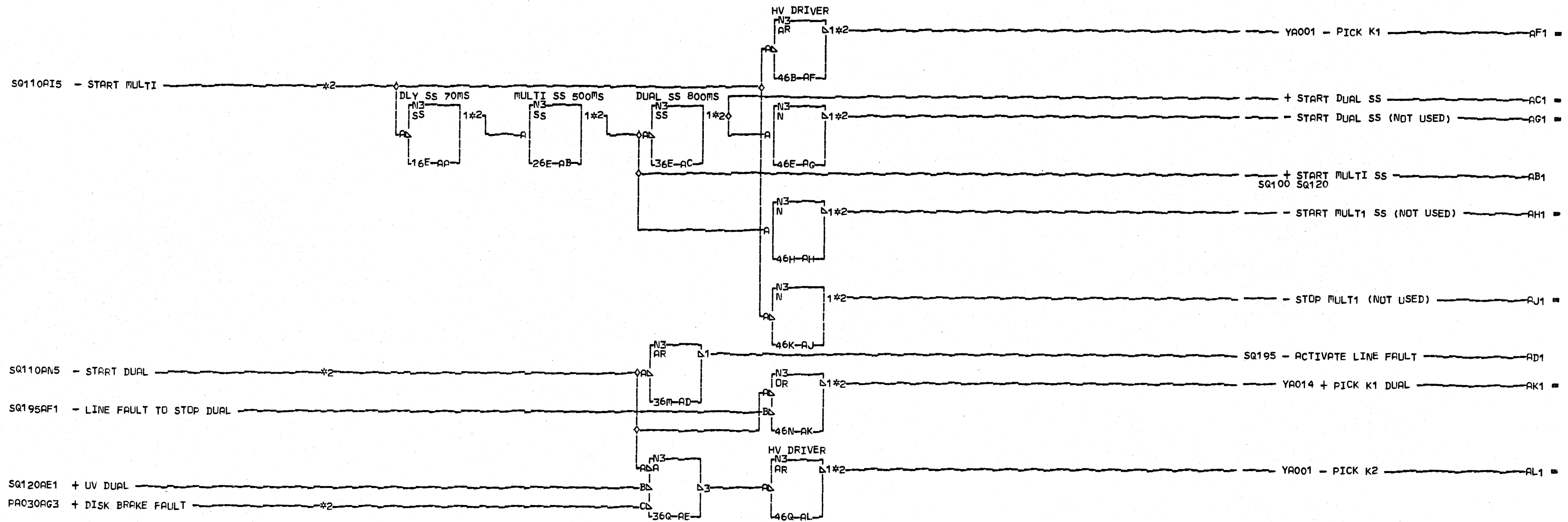
CONNECTORS
AC1
0008/1A-A1/A2B06
0009/1A-A1/B2B13
0010/1A-A1/C2B13
0001/1X-A1A1/B06
AE1
0005/1A-A1/A2B07
0006/1A-A1/B2D13
0007/1A-A1/C2D13
0002/1X-A1A1/B07
AI5
0003/1X-A1A1/TPD12
AN5
0004/1X-A1A1/TPB10

CONNECTORS
YA070AB1
0011/1X-A1A1/P10

THERMAL, POWER CHECK LTCHS
SUPPLY SEQUENCING
PN2547128 EC828777 PEC828508
LUC=1X-A1A1
USN 00121 PRI=09SEP76 1752
PDESC=0001 SEC
PFORM=KSEB NEXTBLK AD
CID FEALD JUB K5401931

S
Q
1
1
0
0C01

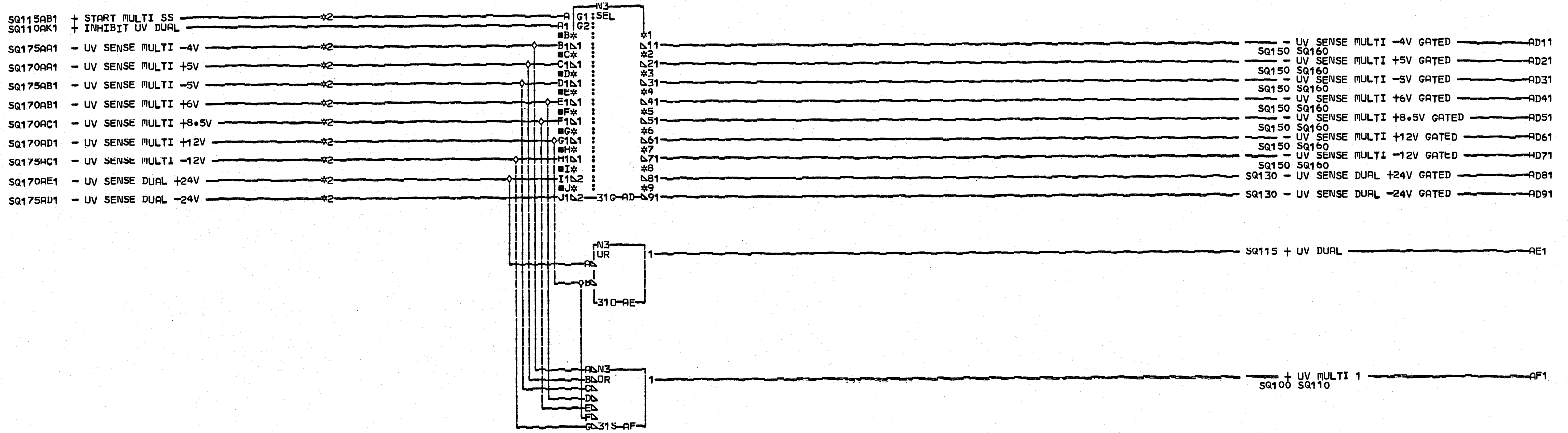
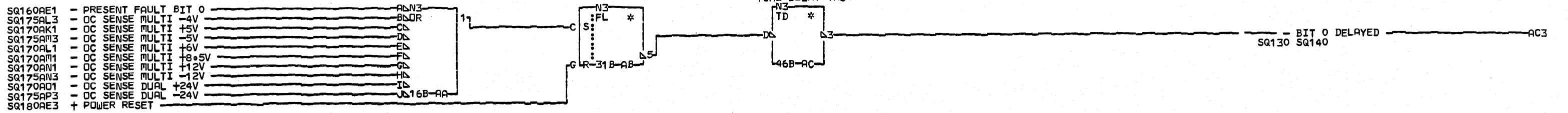
S
Q
1
1
0
0001



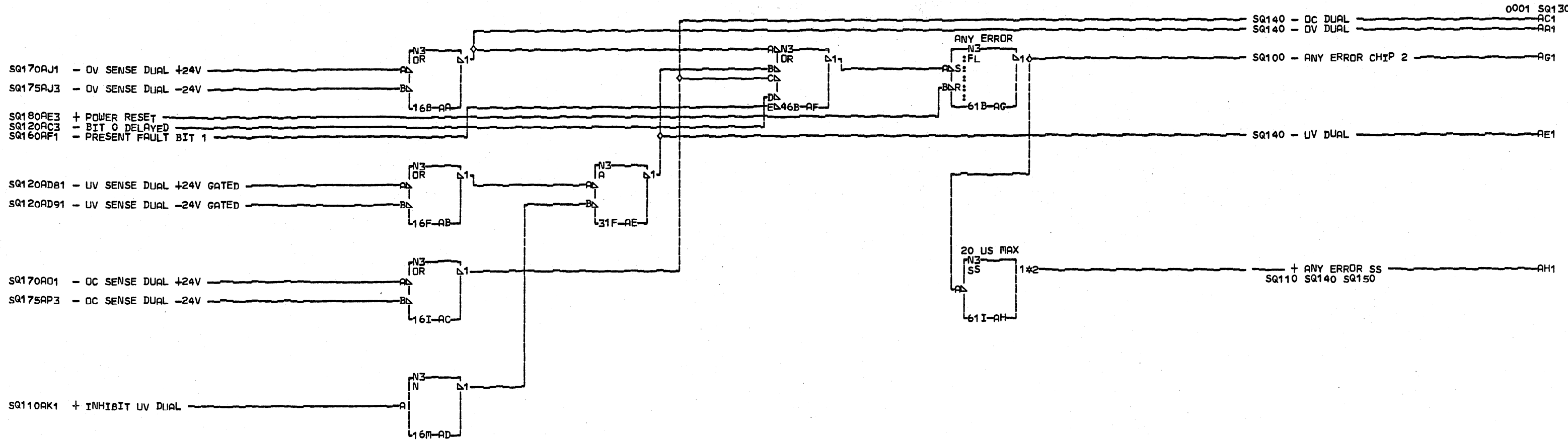
COMMENTS	CONNECTORS	CONNECTORS	CONNECTORS	SINGLE SHOT SEQUENCE HV DRIVERS
D1COPYRIGHT IBM CORP. 1974	PA030AG3	0015/1X-A1A1/TPD07	0007/1X-A1A1/TPB13	SINGLE SHOT SEQUENCE HV DRIVERS PN2547129 EC828777 PEC828508 LOC=1X-A1A1 USN 00121 PRI=09SEP76 1752 PDESC=0001 SEC PFORM=KSEB NEXTBLK DB CID FEALD JOB K5401931
	0019/1X-A1A1/DC6	0018/1X-A1A1/GC7	AL1	
	0020/1X-A1A1/TPB11	AF1	0010/1X-A1A1/M05	
	SQ110AI5	0002/1X-H1A1/P05	0009/1X-A1A1/TPB03	
	0011/1X-A1A1/TPD12	0001/1X-A1A1/TPD03		
	SQ110AN5	AC1		
	0014/1X-A1A1/TPB10	0003/1X-A1A1/U03		
	AR1	AH1		
	0016/1X-A1A1/G09	0004/1X-A1A1/U02		
	0012/1X-A1A1/TPB07	AJ1		
	AB1	0006/1X-A1A1/S02		
	0017/1X-A1A1/G04	0005/1X-A1A1/TPD13		
	0013/1X-A1A1/TPD08	AK1		
	AC1	0008/1X-A1A1/S03		

S
 G
 1
 1
 5
 0001

S
 G
 1
 1
 5
 0001



COMMENTS D1COPYRIGHT IBM CORP. 1974	CONNECTORS SQ115AB1 0001/1X-A1A1/TPD08 SQ170AA1 0003/1X-A1A1/TPJ03 SQ170AB1 0005/1X-A1A1/TPJ02 SQ170AC1 0006/1X-A1A1/TPG04 SQ170AD1 0007/1X-A1A1/TPG02 SQ170AE1 0009/1X-A1A1/TPG05 SQ175AA1 0002/1X-A1A1/TPG11	CONNECTORS SQ175AB1 0004/1X-A1A1/TPG06 SQ175AC1 0008/1X-A1A1/TPG09 SQ175AD1 0010/1X-A1A1/TPG10	OVER CURRENT DELAY UNDER VOLTAGE GATE PN2547130 EC828508 PEC825408 LOC=1X-A1A1 USN 00102 PRI=22APR75 1702 PDESC=0001 SEC PFORM=KSEB NEXTBLK AG CID FEALD JOB L7101603	S Q 1 2 0 0001	S Q 1 2 0 10001
--	--	--	--	-------------------------------	--------------------------------



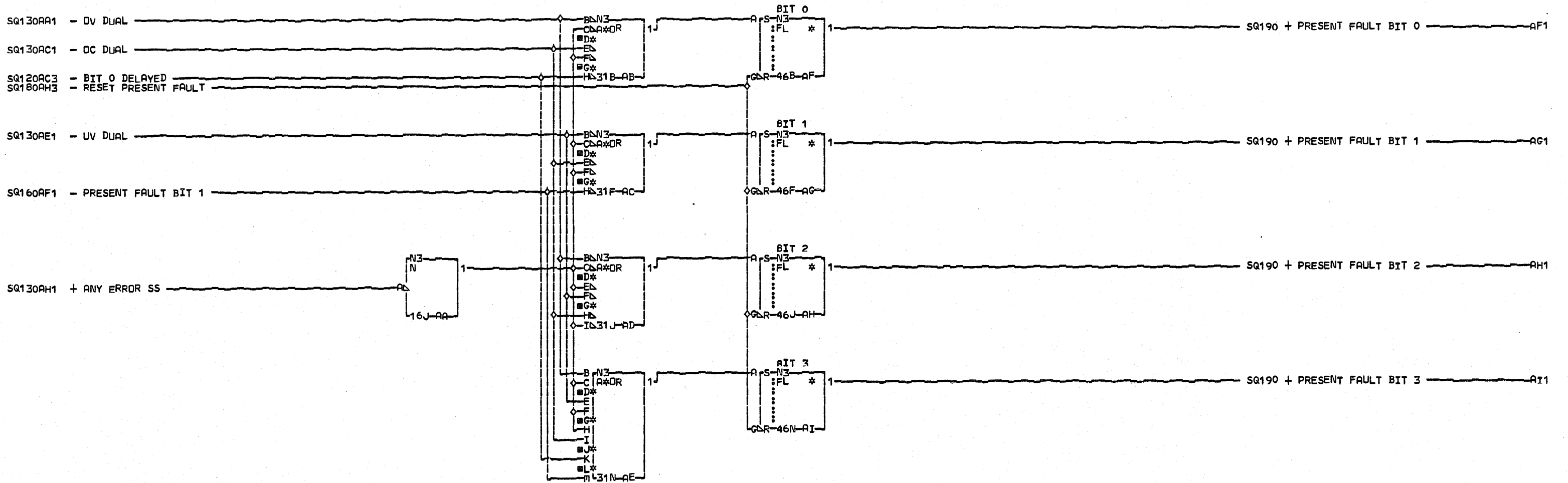
COMMENTS
D1COPYRIGHT IBM CORP. 1974

CONNECTORS
AH1
0001/1X-A1A100000000/J06

ERROR DETECTION
DUAL
PN2547131 EC825408
LOC=1X-A1A1
USN 00100 PRI=03JAN75 1401
PDESC=0001 SEC
PFORM=KSEB NEXTBLK AI
CID FEALD JOB L7101028

0001

S
Q
1
3
0
0001

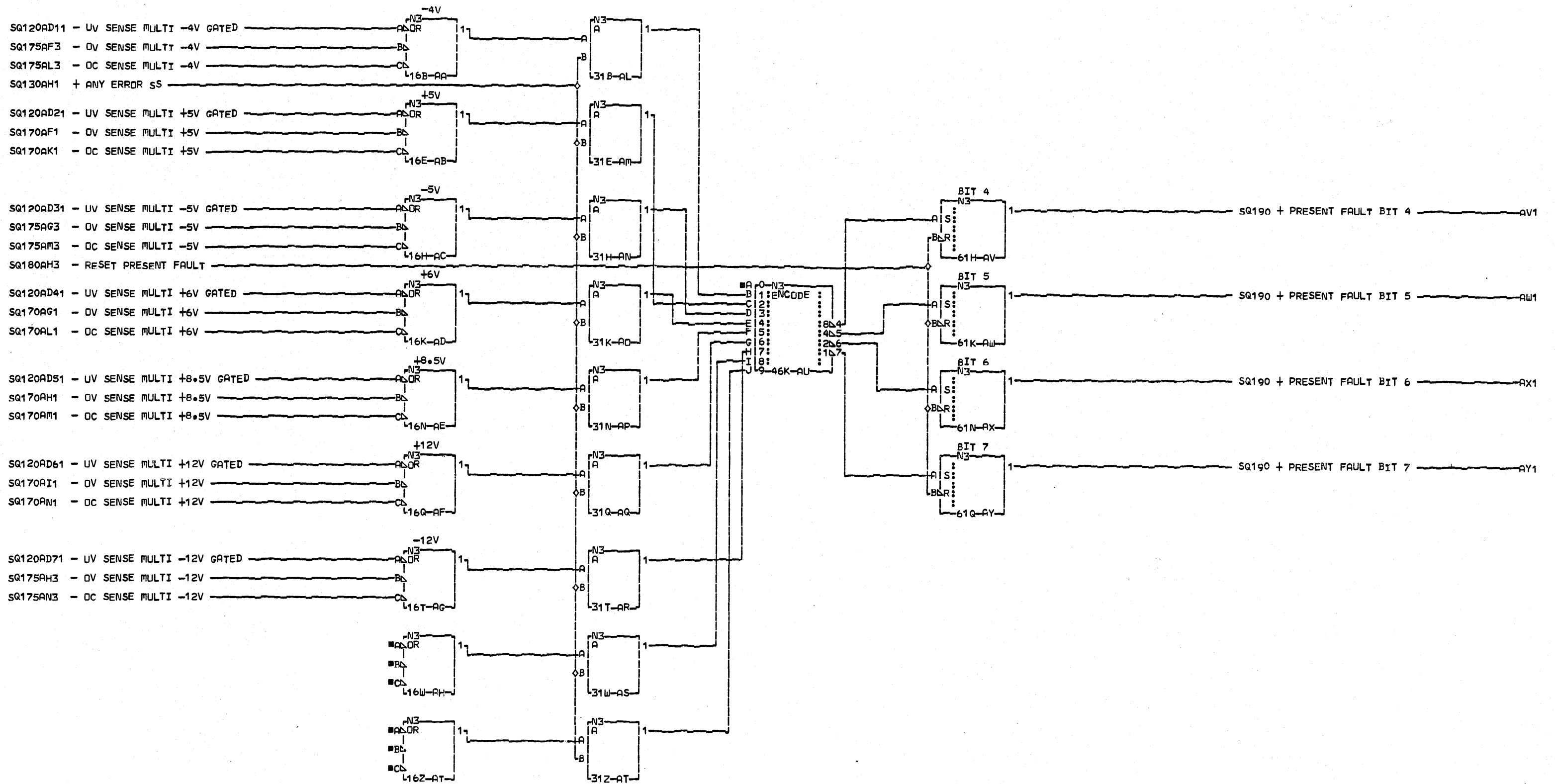


COMMENTS
 D1COPYRIGHT IBM CORP. 1974

UPPER 4 BITS OF PRESENT
 FAULT REG
 PN2547132 EC825408
 LOC=1X-A1A1
 USN 00100 PRI=06JAN75 1226
 PDESC=0001 SEC
 PFORM=KSEB NEXTBLK AJ
 CID FEALD JOB L7101028

S
 Q
 1
 4
 0

S
 Q
 1
 4
 0



COMMENTS
D1COPYRIGHT IBM CORP. 1974

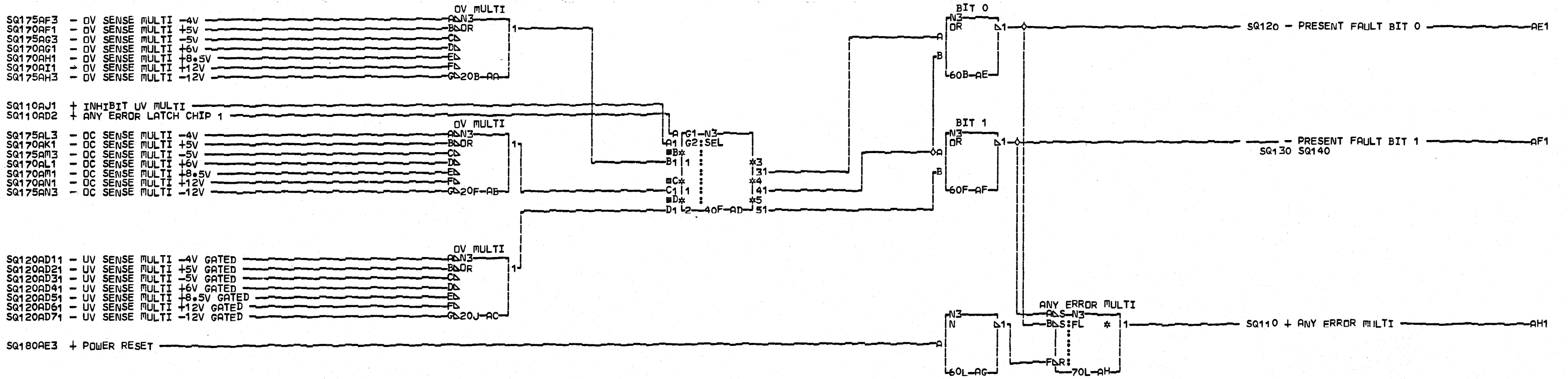
LOWER 4 BITS OF PRESENT
FAULT REG
PN2547133 EC825408
LOC=1X-A1A1
USN 00100 PRI=03JAN75 1401
PDESC=0001 SEC
PFORM=KSEB NEXTBLK AZ
CID FEALD JOB L7101028

S
Q
1
5
0

0001

S
Q
1
5
0

0001



COMMENTS
D1COPYRIGHT IBM CORP. 1974

BIT 0,1 DECODE MULTI

PN2547134 EC825408

LDC=1X-A1A1

USN 00100

PDESC=0001
PFORM=KSEB

CID FEALD

PRI=03JAN75 1401

SEC
NEXTBLK AI

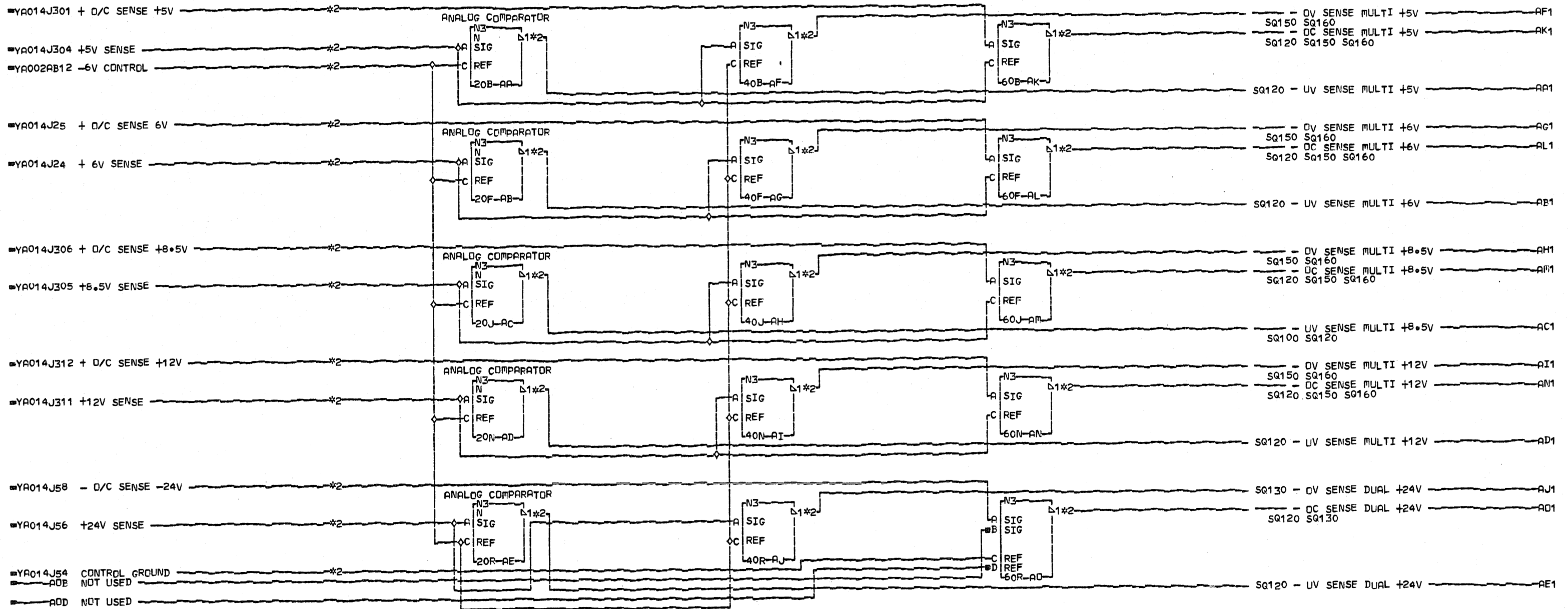
JOB L7101028

S
Q
1
6
0

0001

S
Q
1
6
0

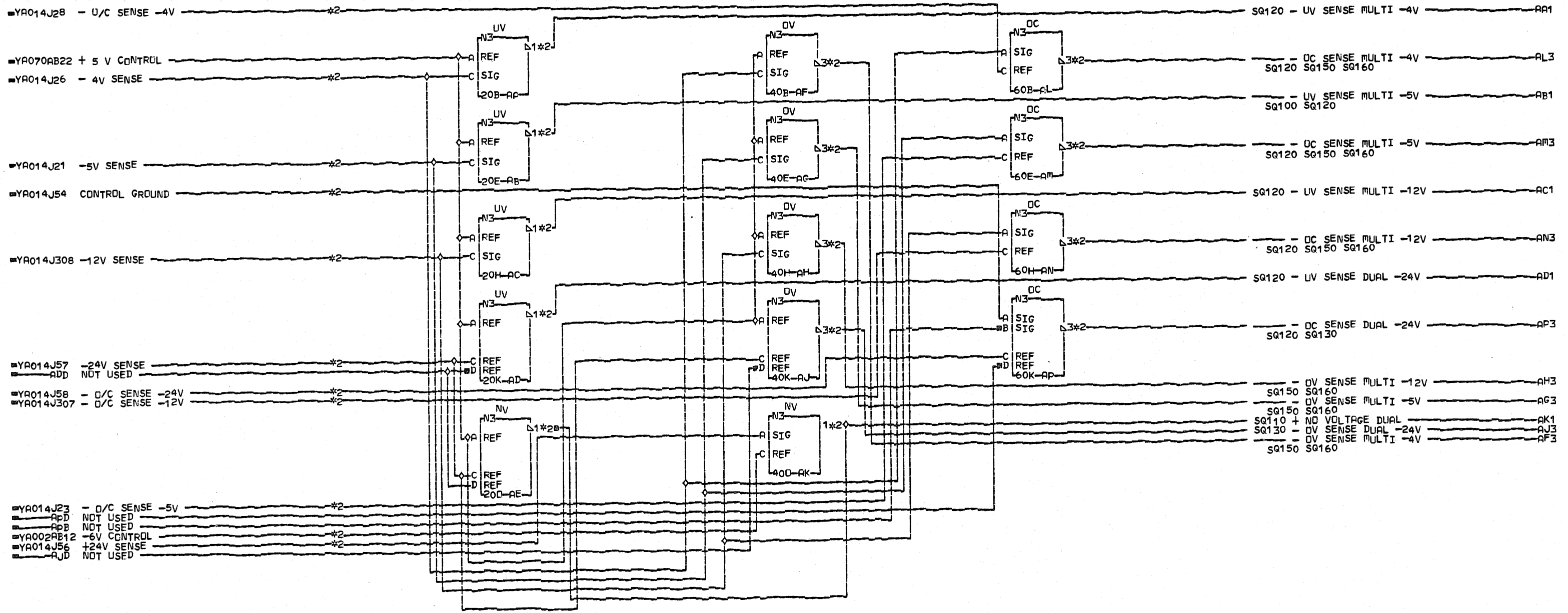
0001



COMMENTS	CONNECTORS	CONNECTORS	CONNECTORS	CONNECTORS	CONNECTORS	POSITIVE VOLTAGE SENSE
D1COPYRIGHT IBM CORP. 1974	AA1 0003/1X-A1A1/TPJ03 AB1 0006/1X-A1A1/TPJ02 AC1 0009/1X-A1A1/TPG04 AD1 0012/1X-A1A1/TPG02 AE1 0015/1X-A1A1/TPG05 AF1 0001/1X-A1A1/TPJ13 AG1 0004/1X-A1A1/TPG08	AH1 0007/1X-A1A1/TPJ06 AI1 0010/1X-A1A1/TPJ11 AJ1 0013/1X-A1A1/TPJ10 AK1 0002/1X-A1A1/J12 AL1 0005/1X-A1A1/GOB AM1 0008/1X-A1A1/G12 AN1 0011/1X-A1A1/G13	AD1 0014/1X-A1A1/J13 YA002AB12 0018/1X-A1A1/P12 YA014J24 0020/1X-A1A1/U10 YA014J25 0019/1X-A1A1/S10 YA014J301 0016/1X-A1A1/S11 YA014J304 0017/1X-A1A1/U11 YA014J305 0022/1X-A1A1/U09	YA014J306 0021/1X-A1A1/S09 YA014J311 0024/1X-A1A1/U12 YA014J312 0023/1X-A1A1/S12 YA014J54 0027/1X-A1A1/S08 YA014J56 0026/1X-A1A1/U13 YA014J58 0025/1X-A1A1/S13	LOC=1X-A1A1 USN 00121 PDESC=0001 PFORM=KSEB CID FEALD	EC828777 PEC628508 PRI=10SEP76 1512 SEC NEXTBLK DB JOB K5401931

S
Q
1
7
0
0001

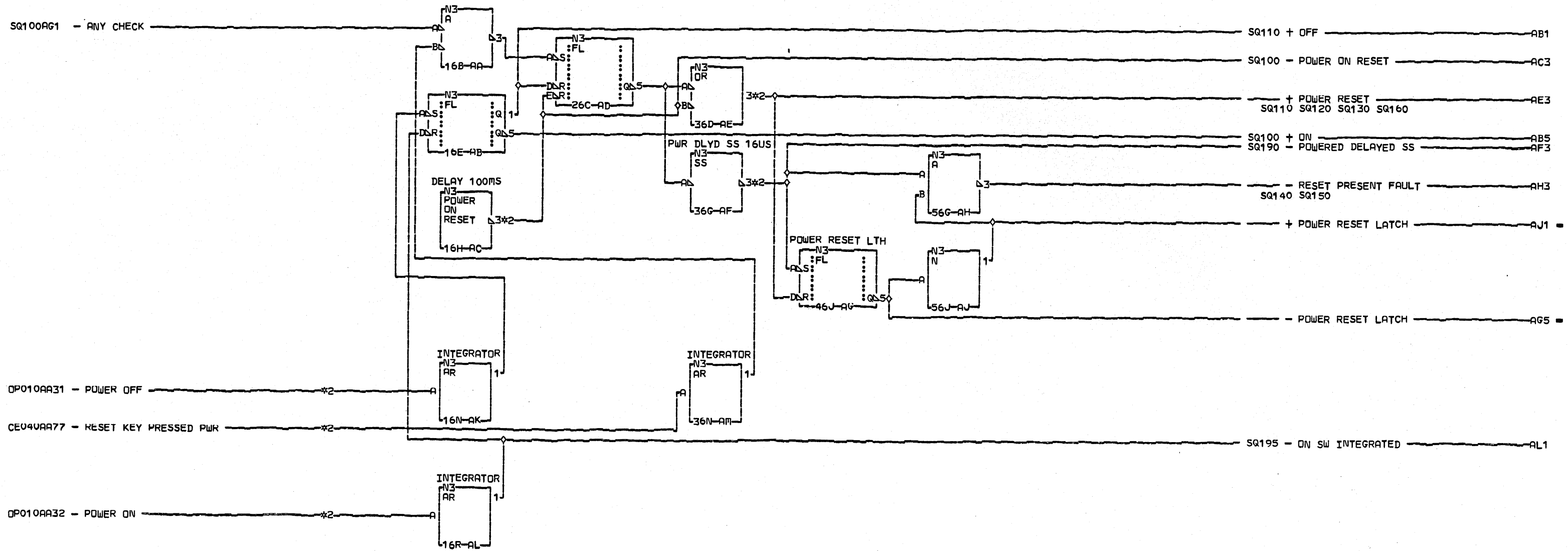
S
C
1
7
0
0001



COMMENTS	CONNECTORS	CONNECTORS	CONNECTORS	CONNECTORS	CONNECTORS
D1COPYRIGHT IBM CORP. 1974	0001/1X-A1A1/TPG11 0003/1X-A1A1/TPG06 0005/1X-A1A1/TPG09 0007/1X-A1A1/TPG10 0012/1X-A1A1/TPJ07 0010/1X-A1A1/TPJ09 0009/1X-A1A1/TPJ12	0011/1X-A1A1/TPG07 0013/1X-A1A1/TPG13 0002/1X-A1A1/G11 0004/1X-A1A1/J11 0006/1X-A1A1/J10 0008/1X-A1A1/G10 0024/1X-A1A1/P12	YR014J21 0016/1X-A1A1/U04 0017/1X-A1A1/S04 0015/1X-A1A1/U07 0014/1X-A1A1/S07 0021/1X-A1A1/S05 0018/1X-A1A1/U05 0022/1X-A1A1/S08	YR014J56 0023/1X-A1A1/U13 0019/1X-A1A1/U06 0020/1X-A1A1/S06	NEGATIVE VOLTAGE SENSE ANALOG NO VOLTAGE SENSE PN2547136 EC628777 PEC828508 LDC=1X-A1A1 USN 00121 PFI=10SEP76 1512 PDESC=0001 SEC PFORM=KSEF NEXTELK DB CID FEALD JOB K5401931

5
1
7
5
C001

S
Q
1
7
5
0001



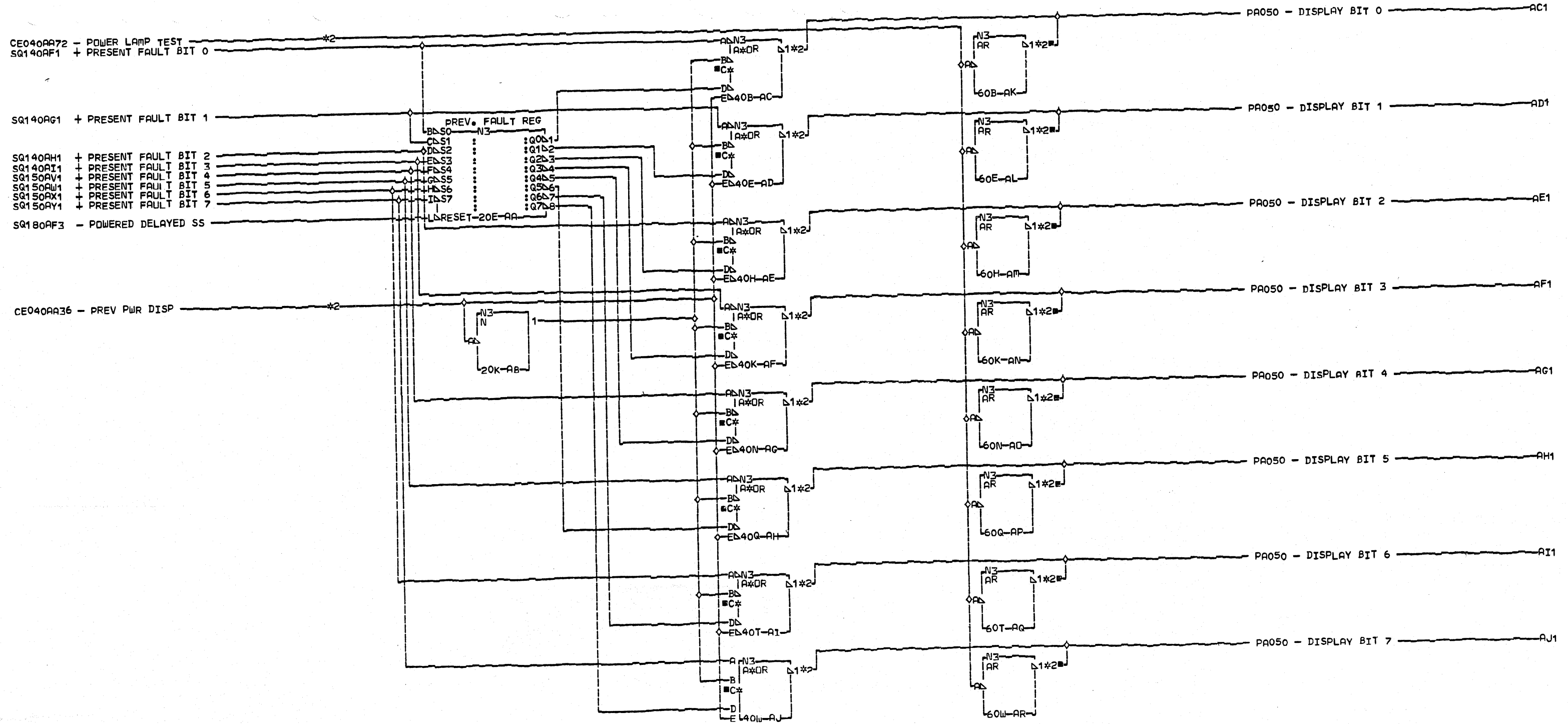
COMMENTS
D1COPYRIGHT IBM CORP. 1974

CONNECTORS
 CE040AA77
 0005/1X-A1A1/B05
 DP010AA31
 0004/1X-A1A1/B04
 DP010AA32
 0003/1X-A1A1/D03
 AC3
 0002/1X-A1A1/M11
 AE3
 0006/1X-A1A1/TPB06
 AF3
 0001/1X-A1A1/J05

RESET CIRCUITRY
 PN2547137 EC828508 PEC825408
 LOC=1X-A1A1
 USN 00102 PRI=22APR75 1702
 PDESC=0001 SEC
 PFORM=KSEB NEXTBLK AN
 CID FEALD JOB L7101603

S
Q
1
8
0

S
Q
1
8
0
0001



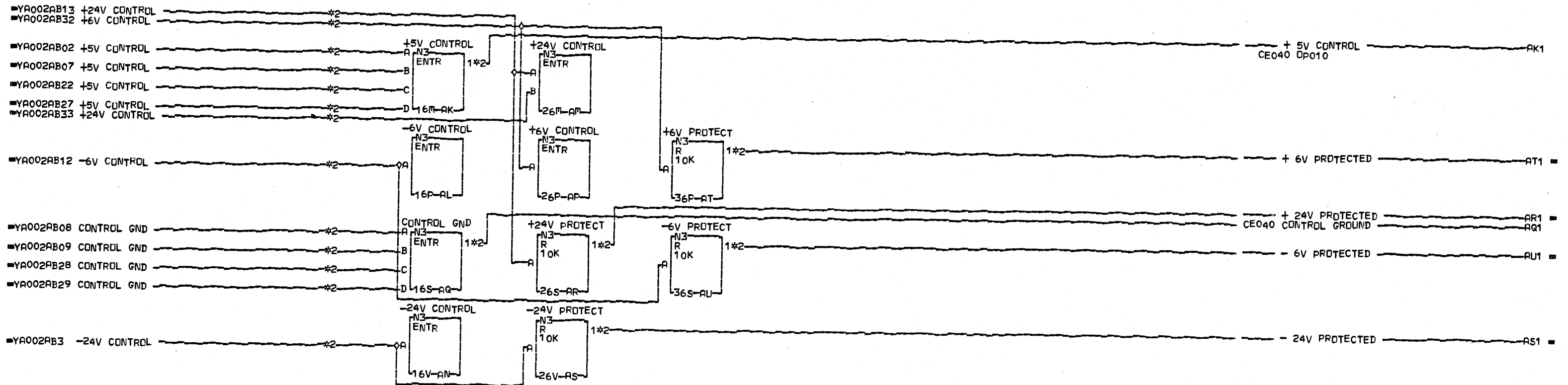
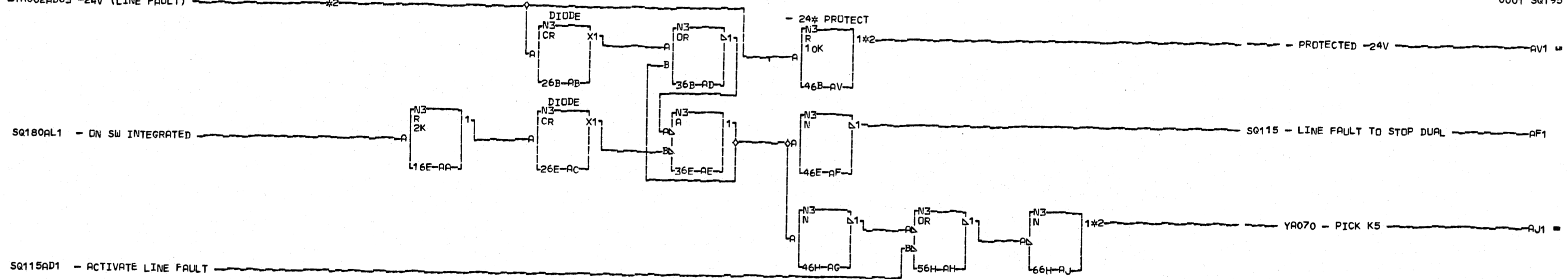
COMMENTS
 D1COPYRIGHT IBM CORP. 1974

CONNECTORS
CE040AA36
0010/1X-A1A10000000000/B09
CE040AA72
0009/1X-A1A10000000000/B08
AC1
0001/1X-A1A10000000000/D13
AD1
0002/1X-A1A10000000000/B13
AE1
0003/1X-A1A10000000000/D12
AF1
0004/1X-A1A10000000000/B12
AG1
0005/1X-A1A10000000000/D11

CONNECTORS
AH1
0006/1X-A1A10000000000/D10
AI1
0007/1X-A1A10000000000/B10
AJ1
0008/1X-A1A10000000000/D09

PREVIOUS FAULT REG
 AND DISPLAY DRIVERS
 PN2547138 EC825408
 LOC=1X-A1A1
 USN 00100 PRI=03JAN75 1401
 PDESC=0001 SEC
 PFORM=KSEB NEXTBLK AS
 CID FEALD JOB L7101028

S
 Q
 1
 9
 0
 0001



COMMENTS
 D1COPYRIGHT IBM CORP. 1974

CONNECTORS
 AJ1
 0001/1X-A1A1/P04
 AK1
 0006/1X-A1A1/B03
 0009/1X-A1A1/D02
 0007/1X-A1A1/TPD05
 AQ1
 0011/1X-A1A1/P08
 0010/1X-A1A1/TPB08
 AR1
 0002/1X-A1A1/TPB04
 AS1
 0003/1X-A1A1/TPD04
 AT1

CONNECTORS
 0004/1X-A1A1/TPB05
 AU1
 0005/1X-A1A1/TPB02
 AV1
 0006/1X-A1A1/TPD02
 YA002AB02
 0015/1X-A1A1/P02
 YA002AB03
 0012/1X-A1A1/P03
 YA002AB07
 0016/1X-A1A1/P07
 YA002AB08
 0022/1X-A1A1/P08
 YA002AB09

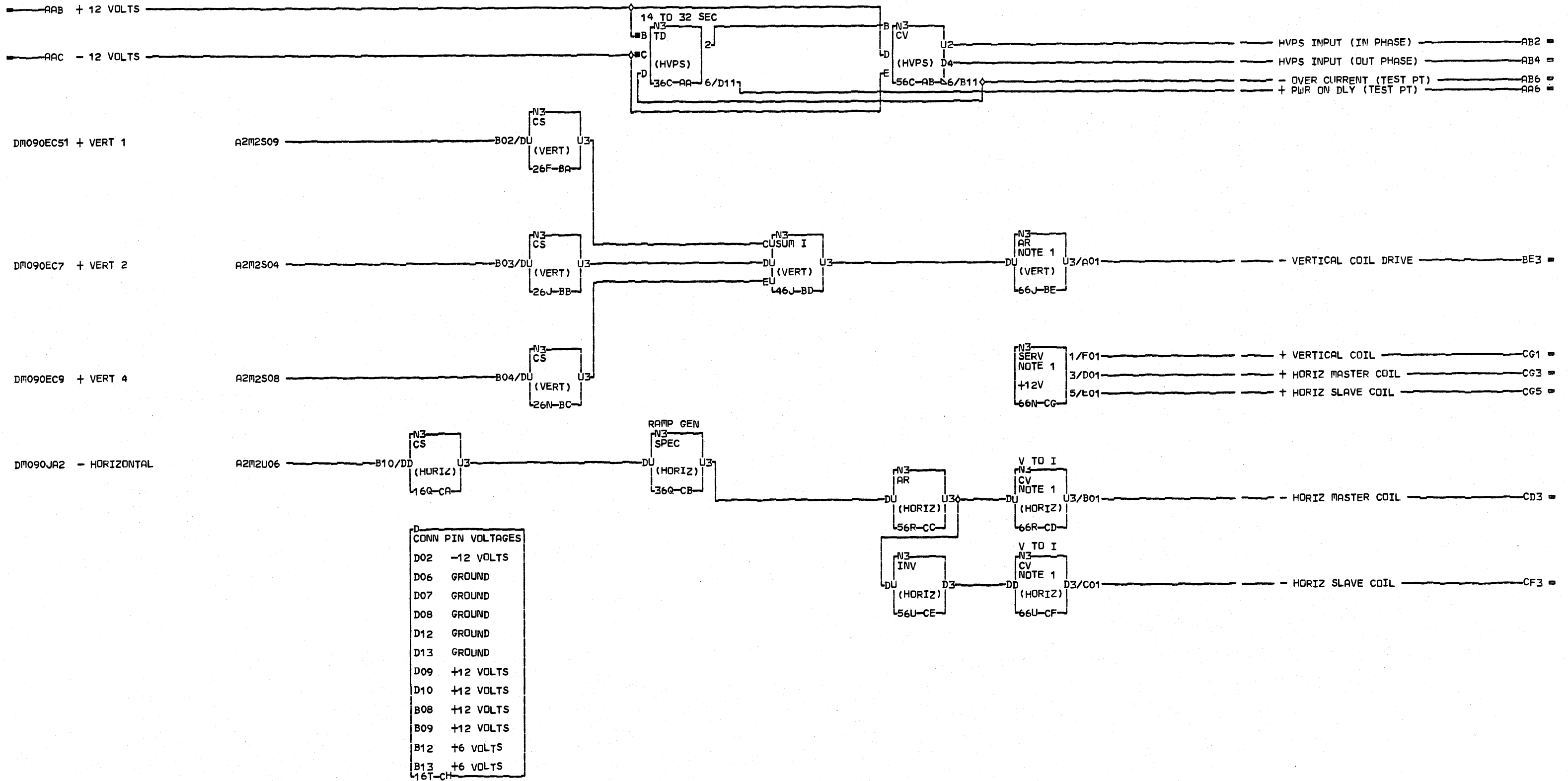
CONNECTORS
 0023/1X-A1A1/M09
 YA002AB12
 0019/1X-A1A1/P12
 YA002AB13
 0013/1X-A1A1/M13
 YA002AB22
 0017/1X-A1A1/M02
 YA002AB27
 0018/1X-A1A1/M07
 YA002AB28
 0024/1X-A1A1/P08
 YA002AB29
 0025/1X-A1A1/P09
 YA002AB3

CONNECTORS
 0020/1X-A1A1/M10
 YA002AB32
 0021/1X-A1A1/M12
 YA002AB33
 0014/1X-A1A1/P13

LINE FAULT
 AND
 INPUT VOLTAGES
 PN2547139 EC828777 PCB28538
 LUC=1X-A1A1
 USN 00121
 PDESC=0001
 PFORM=KSEB
 CID FEALD
 PRI=09SEP76 1752
 SEC
 NEXTBLK RW
 JOB K5401931

S
 1
 9
 5
 0001

0001



CONN	PIN	VOLTAGES
D02		-12 VOLTS
D06		GROUND
D07		GROUND
D08		GROUND
D12		GROUND
D13		GROUND
D09		+12 VOLTS
D10		+12 VOLTS
B08		+12 VOLTS
B09		+12 VOLTS
B12		+6 VOLTS
B13		+6 VOLTS
16T	CH	

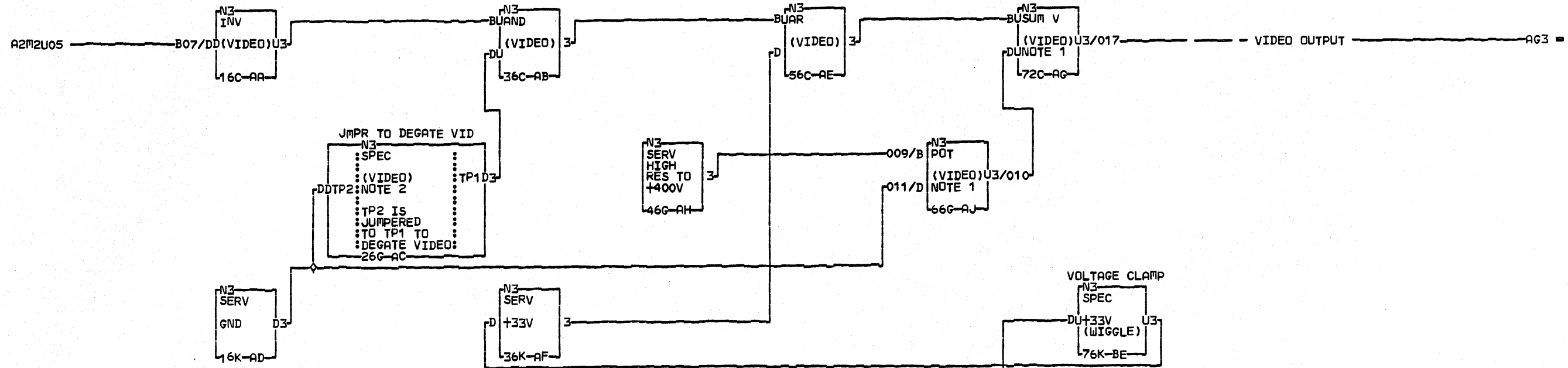
COMMENTS
 A1NOTE 1: OUTPUTS OF BLOCKS BE,CG,CD, & CF ARE LABELED A01 THRU F01 FOR SLIP ON CONNECTOR ON TOP OF PC BOARD (SEE MLM PAGE "DISP 5-3").
 D1COPYRIGHT IBM CORP. 1974

CRT PC BOARD
 HVPS/VERT/HORIZ
 PN2547420 EC825372 PEC825251
 LDC=CRT
 USN 00098 PRI=030CT74 2208
 PDESC=0001 SEC NEXTBLK CI
 PFORM=KSEB
 CID FEALD JOB J27616

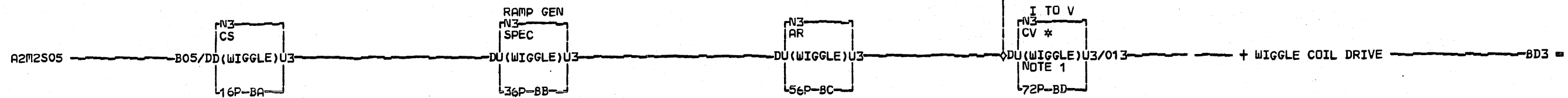
TV010
 0001

TV010
 0001

DM090HB2 - VIDEO CRT



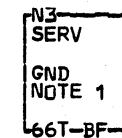
DM090JC2 - WIGGLE



D
CONN PIN VOLTAGES

D02	-12 VOLTS
D06	GROUND
D07	GROUND
D08	GROUND
D12	GROUND
D13	GROUND
D09	+12 VOLTS
D10	+12 VOLTS
B08	+12 VOLTS
B09	+12 VOLTS
B12	+6 VOLTS
B13	+6 VOLTS

16T-CH



COMMENTS
 A1NOTE 1: CONNECTOR
 2 PINS LABELED 009 THRU
 3 013 AND 017 ARE THE
 4 SLIP ON PINS ON
 5 BOTTOM OF PC BOARD
 6 (SEE MLM PAGE "DISP
 7 5-31").
 8NOTE 2: SEE MLM
 9 PAGE DISP 5-3
 D1COPYRIGHT IBM CORP. 1974

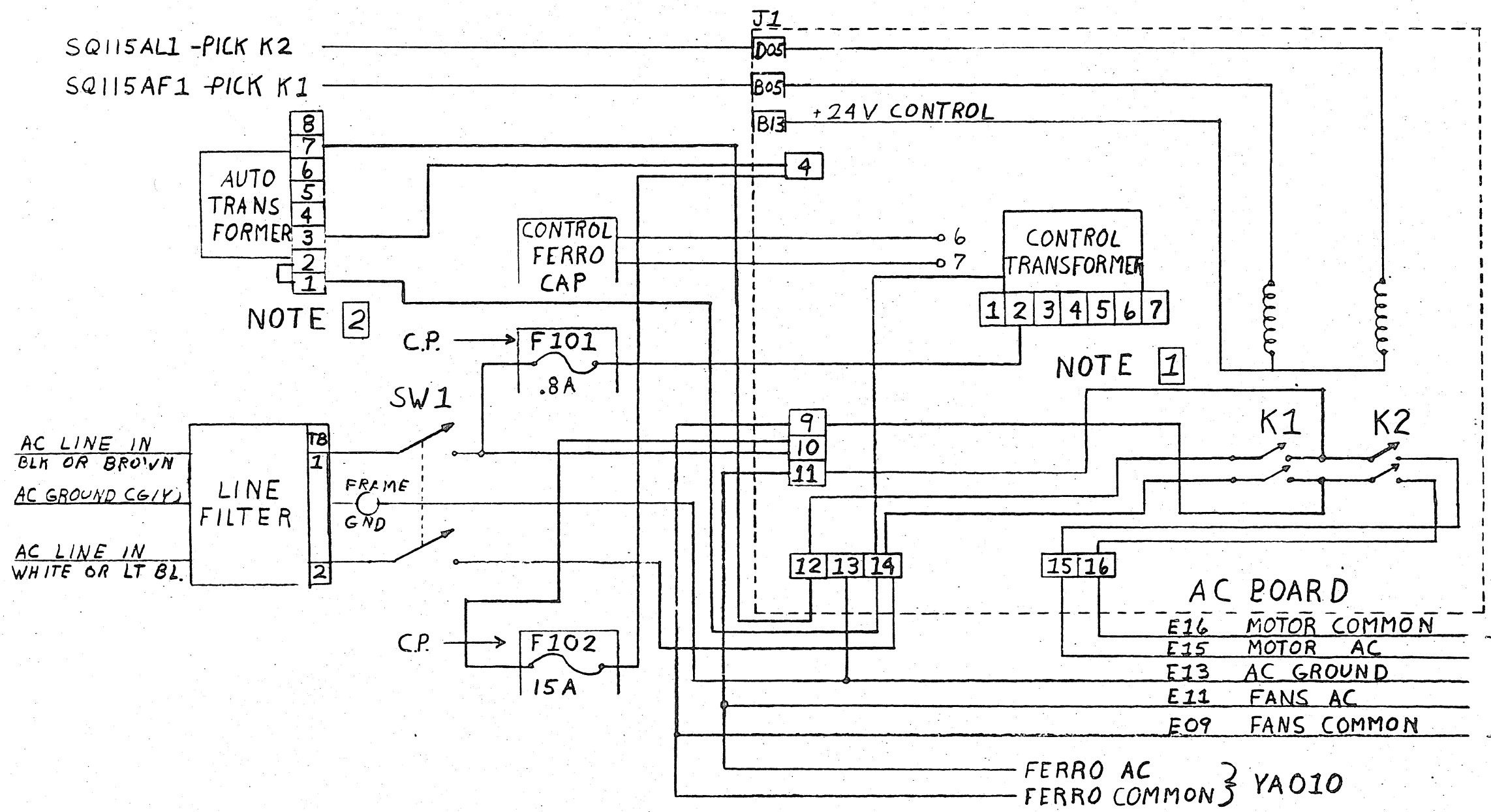
CRT PC BOARD
 VIDEO/WIGGLE SWEEP
 PN2547421 EC825372 PEC825251
 LOC=CRT
 USN 00098 PRI=030CT74 2208
 PDESC=0001 SEC
 PFORM=KSEB NEXTBLK CI
 CID FEALD JOB J27616

T
V
0
2
0

0001

T
V
0
2
0

0001



NOTES

- 1 CONTROL TRANSFORMER VOLTAGE TAPS
- | 60 HZ | 50 HZ |
|-----------|------------|
| 1. 100VAC | 1 100VAC |
| 2. 115VAC | 2 110VAC |
| 3. | 3 123.5VAC |
| 4. | 4 |
| | 5 |
| | 6. |
| | 7. COMMON |

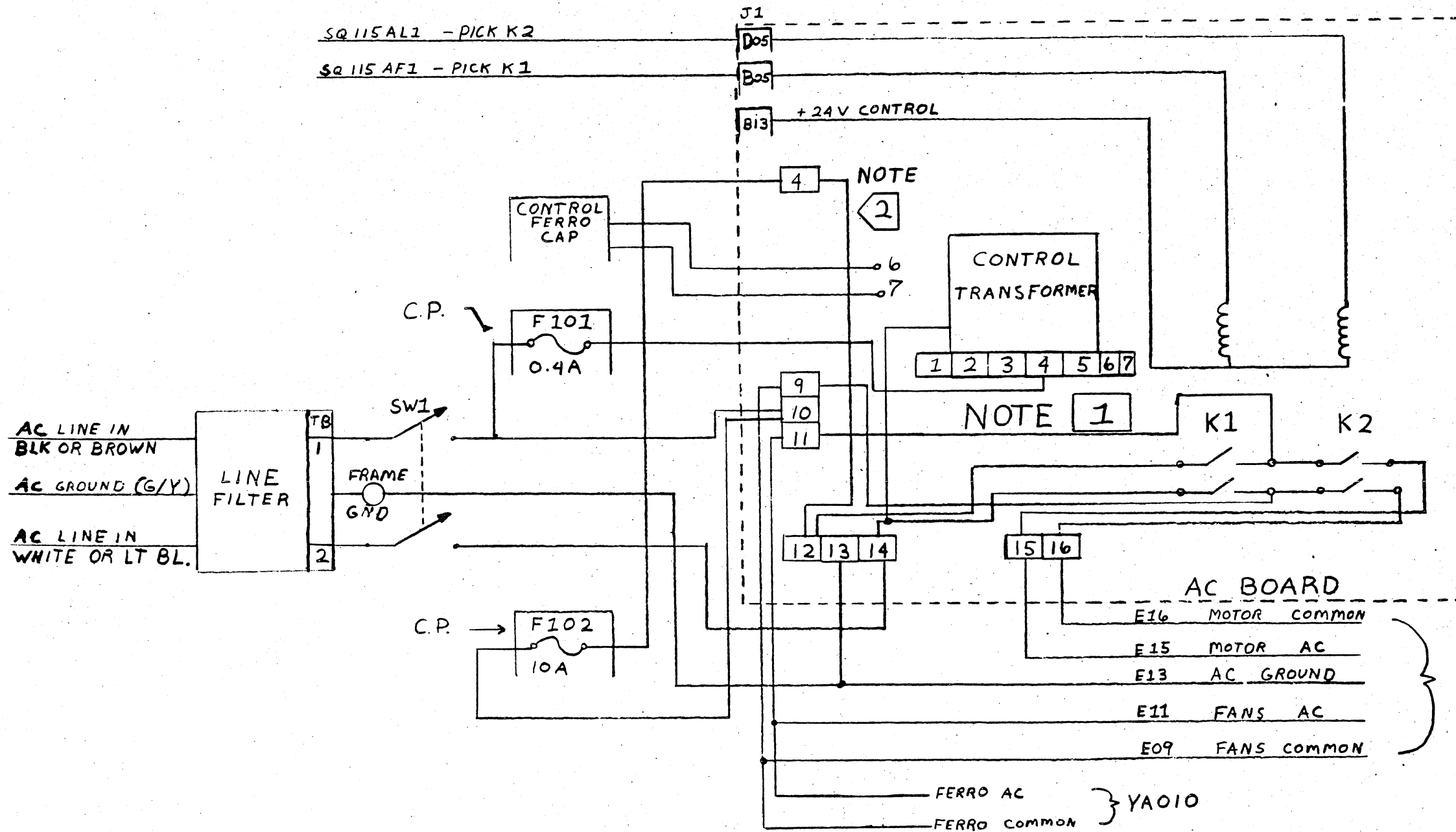
- 2 AUTO TRANSFORMER TAPS
- | | | |
|---------------------|----------|-----------|
| 1. COMMON | | |
| 2. COMMON | | |
| 3. 100 VAC 50/60 HZ | } INPUTS | |
| 4. 110 VAC 50 HZ | | |
| 5. 115 VAC 60 HZ | | |
| 6. 123.5 VAC 50 HZ | | |
| 7. 220 VAC 50 HZ | | |
| 8. 230 VAC 60 HZ | | |
| | | } OUTPUTS |
| | | |

YA150

FERRO AC } YA010
 FERRO COMMON }

EC HISTORY		DRAWING TITLE	
20SEP76	828777	50/60 HZ LOW VOLTAGE	
		MACH 5320	
		PART NO 2773090	
C		CLASSIFICATION	IBM CORP
		04/14/76 JLC.	

YA001



NOTES

1. CONTROL TRANSFORMER VOLTAGE TAPS
- | 60 HZ | 50 HZ |
|-----------|-----------|
| 1. | 1. |
| 2. | 2. |
| 3. 200VAC | 3. |
| 3. 208VAC | 4. 200VAC |
| 4. 230VAC | 5. 220VAC |
| | 6. 235VAC |
| | 7. AC GND |

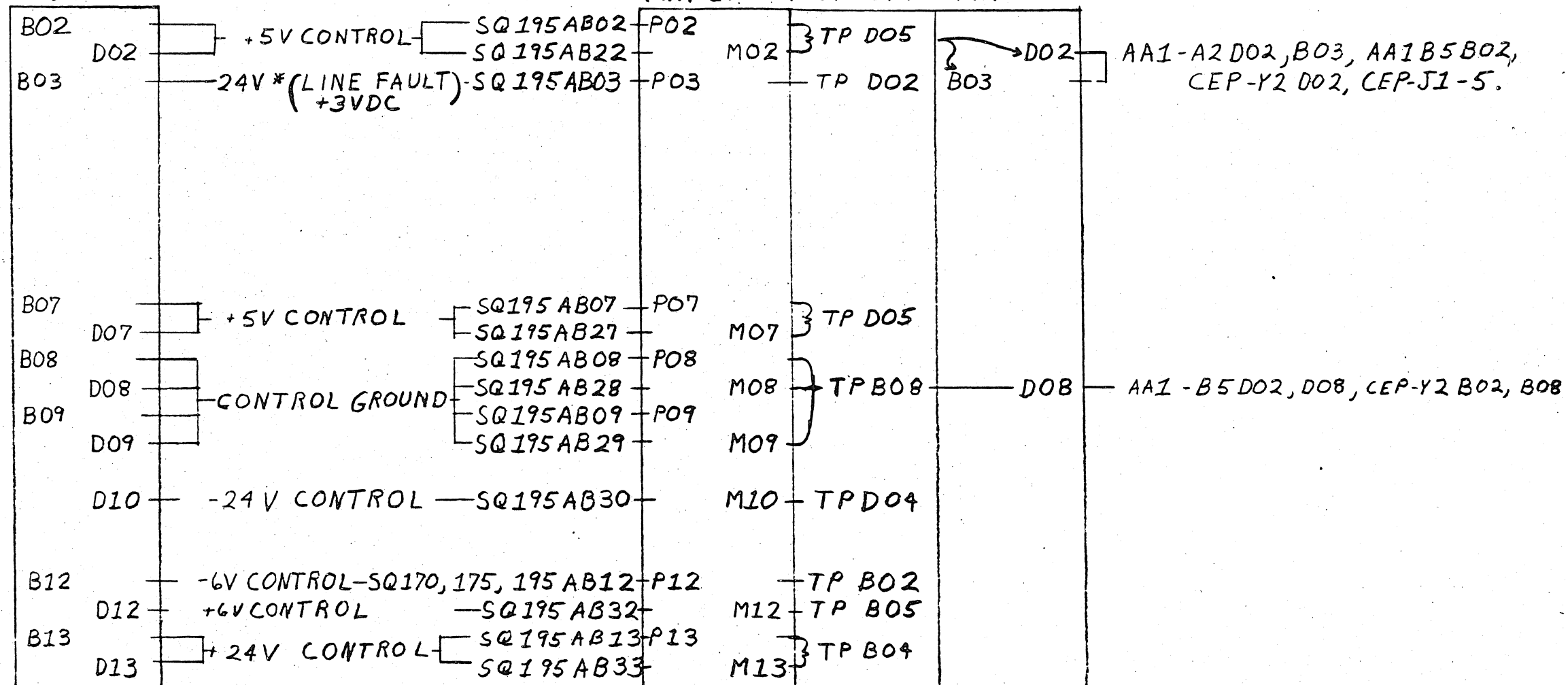
2. JUMPER USED ON HIGH VOLTAGE ONLY

EC HISTORY		DRAWING TITLE	
20	SEPT 6	828	777
		50/60HZ HIGH VOLTAGE	
		MACH 5320	
		PART NO 2773089	
C	CLASSIFICATION		IBM CORP
	04/13/76	JLC	

YA001

AC BOARD
J1

SEQUENCE CARD
MAPLE TEST POINT MAPLE

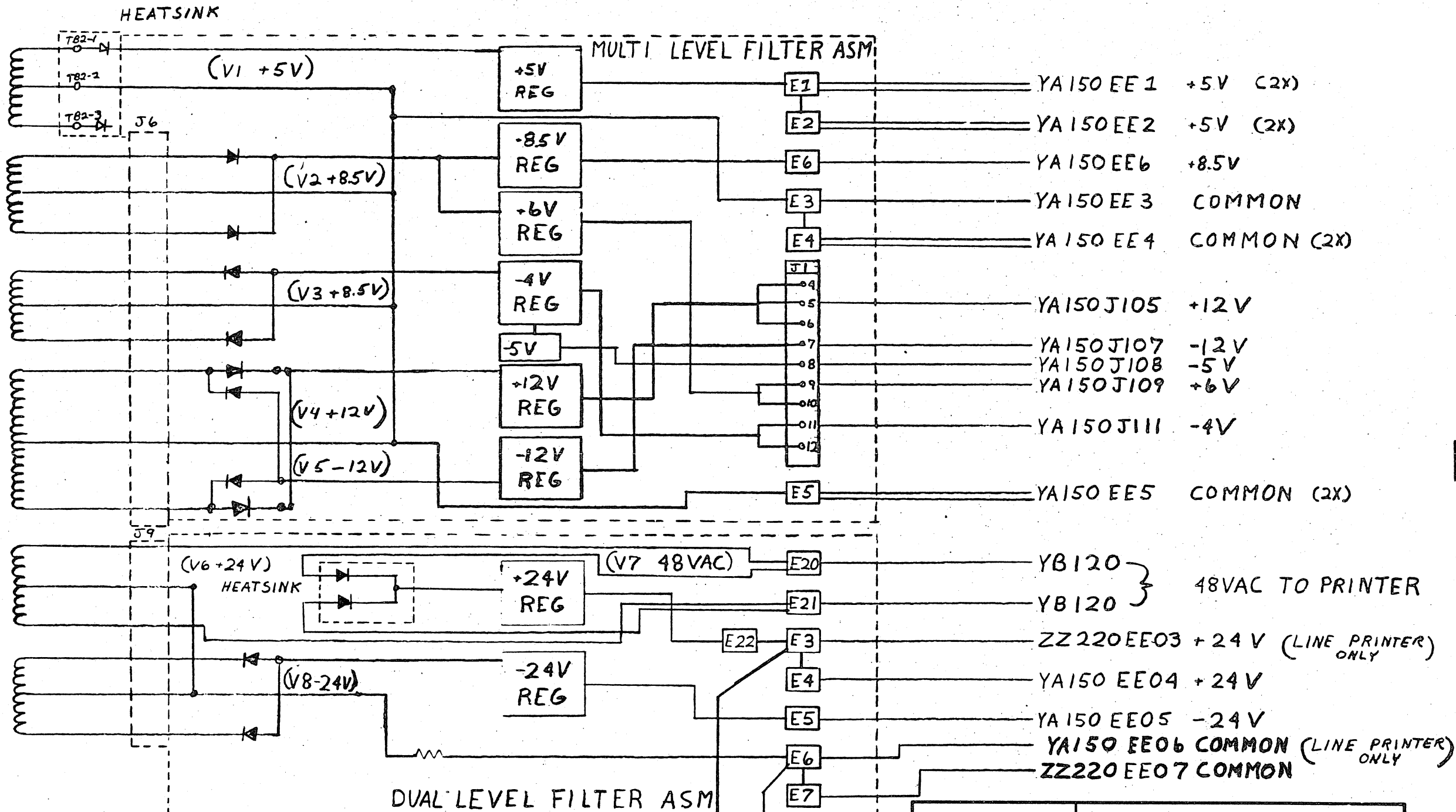
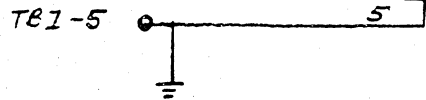
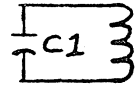


EC HISTORY		DRAWING TITLE	
20SEP76	828777	DC CONTROL VOLTAGES	
		MACH	
		PART NO 2773091	
C		CLASSIFICATION	
		04/19/76	JLC
		IBM CORP	

Y
A
0
0
2

YA001

TB1-1 COMMON
 TB1-2 200 VAC
 TB1-3 208/220
 TB1-4 230/235

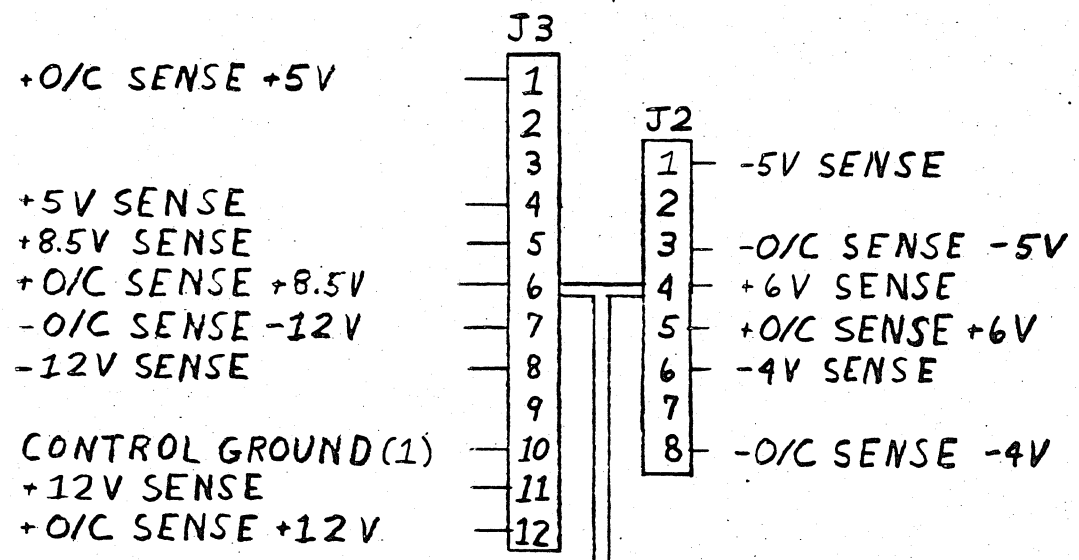


- E1 — YA150 EE1 +5V (2X)
- E2 — YA150 EE2 +5V (2X)
- E6 — YA150 EE6 +8.5V
- E3 — YA150 EE3 COMMON
- E4 — YA150 EE4 COMMON (2X)
- J1
- 04 — YA150 J105 +12V
- 05 — YA150 J107 -12V
- 06 — YA150 J108 -5V
- 07 — YA150 J109 +6V
- 08 — YA150 J111 -4V
- 09
- 10
- 11
- 12
- E5 — YA150 EE5 COMMON (2X)
- E20 — YB120 } 48VAC TO PRINTER
- E21 — YB120 }
- E22 — ZZ220 EE03 +24V (LINE PRINTER ONLY)
- E3 — YA150 EE04 +24V
- E4 — YA150 EE05 -24V
- E5 — YA150 EE06 COMMON (LINE PRINTER ONLY)
- E6 — ZZ220 EE07 COMMON
- E7

PRE-LOAD ASM
 (SERIAL PRINTER ONLY)

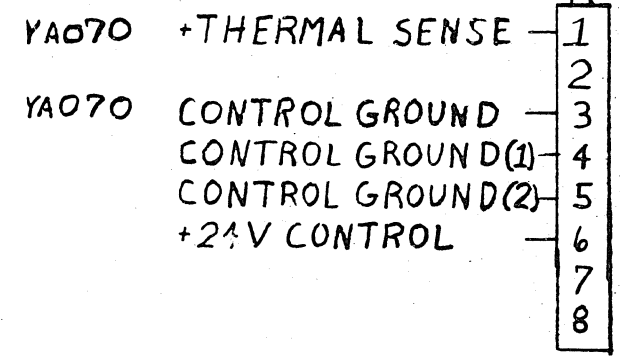
EC HISTORY		DRAWING TITLE	
20	SEP76	828777	FERRO POWER SYSTEM
			MACH
			PART NO 2773092
C			CLASSIFICATION
		04/13/76	JLC
			IBM CORP

YA001



MULTI LEVEL FILTER ASM

AC BOARD ASM



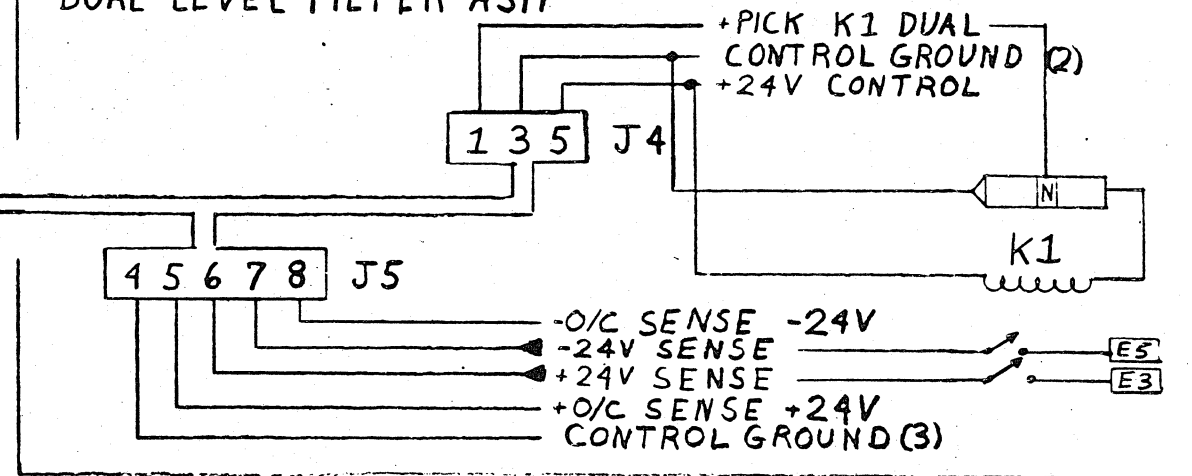
POWER SEQUENCE CARD CABLE (S,U LOCATION)
 CARD PINS 'U'
 CABLE PINS 'B'

- 5V SENSE
- 12V SENSE
- 24V SENSE
- 4V SENSE
- +8.5V SENSE
- +6V SENSE
- +5V SENSE
- +12V SENSE
- +24V SENSE

'S' CARD PINS
 'D' CABLE PINS

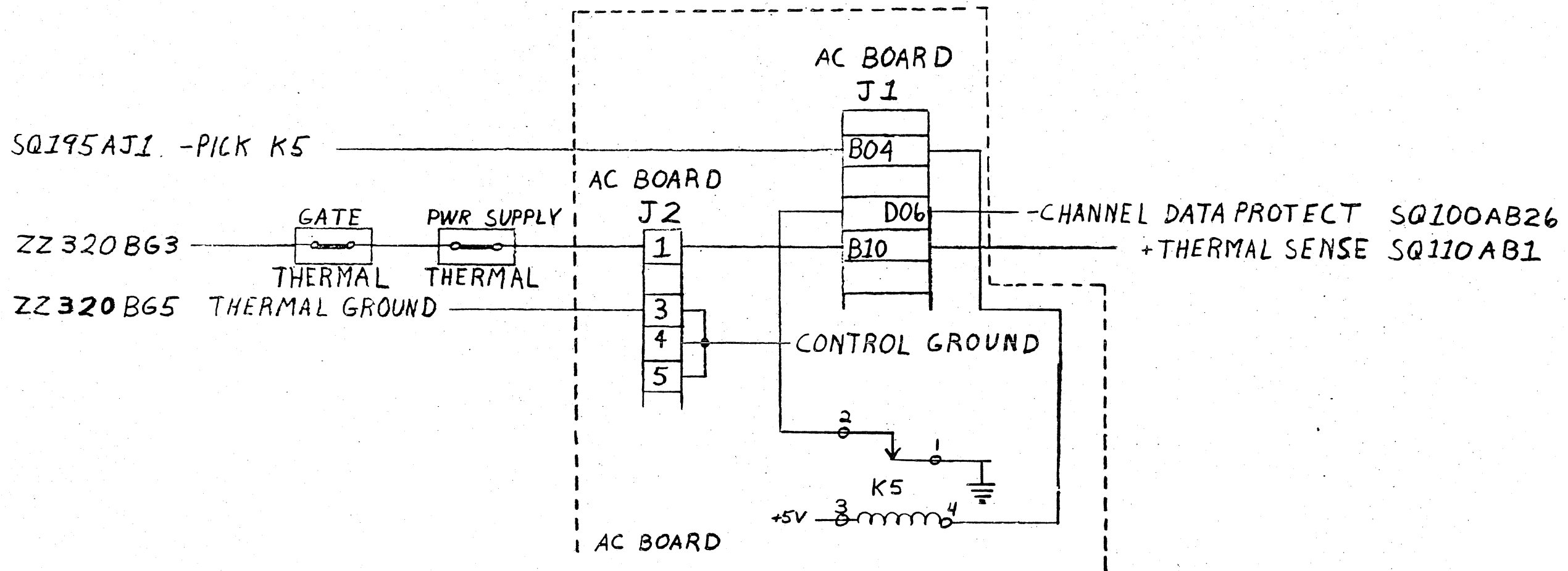
- 2
- 3 +PICK K1 DUAL
- 4 -O/C SENSE -5V
- 5 -O/C SENSE -12V
- 6 -O/C SENSE -24V
- 7 -O/C SENSE -4V
- 8 CONTROL GROUND (3)
- 9 +O/C SENSE +8.5V
- 10 +O/C SENSE +6V
- 11 +O/C SENSE +5V
- 12 +O/C SENSE +12V
- 13 +O/C SENSE +24V

DUAL LEVEL FILTER ASM



EC HISTORY		DRAWING TITLE	
20SEP76	828777	POWER SENSE LINES	
		MACH 5320	
		PART NO 2773093	
C		CLASSIFICATION	IBM CORP
		04/14/76 JLC	

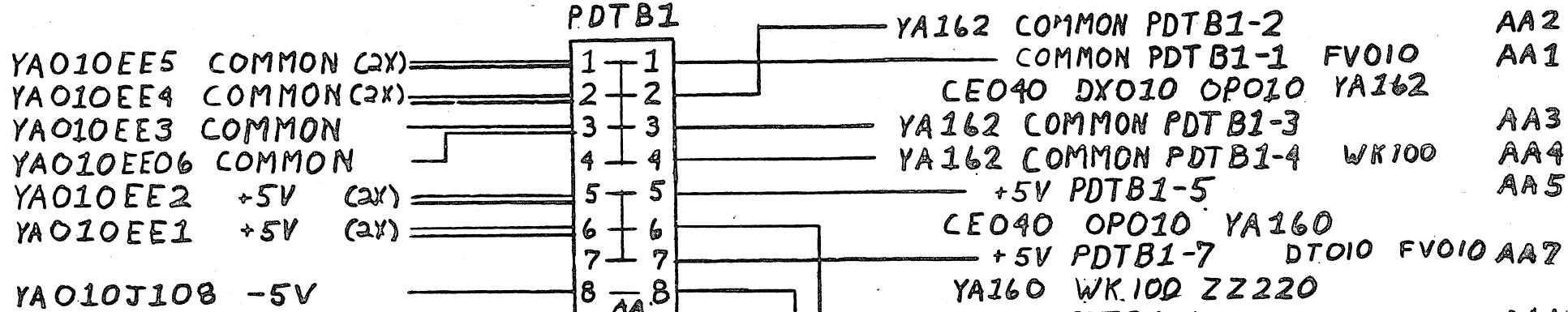
YA014



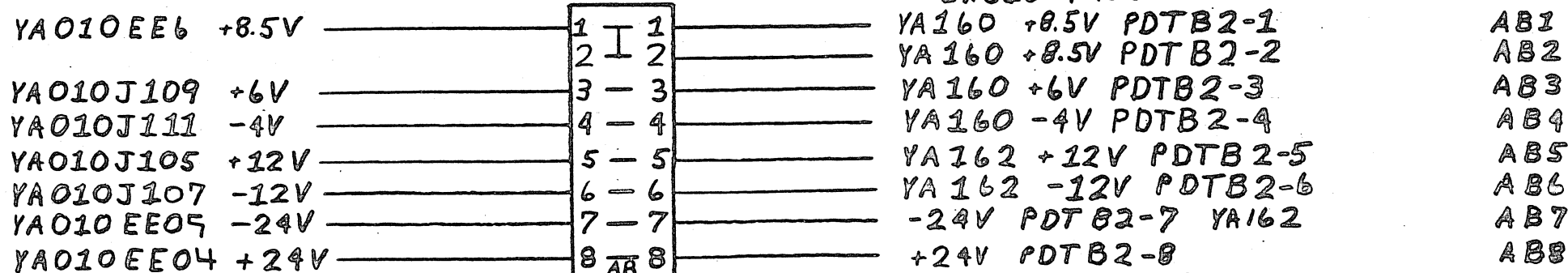
EC HISTORY		DRAWING TITLE	
20SEP76	828777	AC BOARD ENTER/EXIT	
		MACH	
		PART NO 2773094	
B		CLASSIFICATION	
		04/16/76	JLC
		IBM CORP	

Y
A
0
7
0

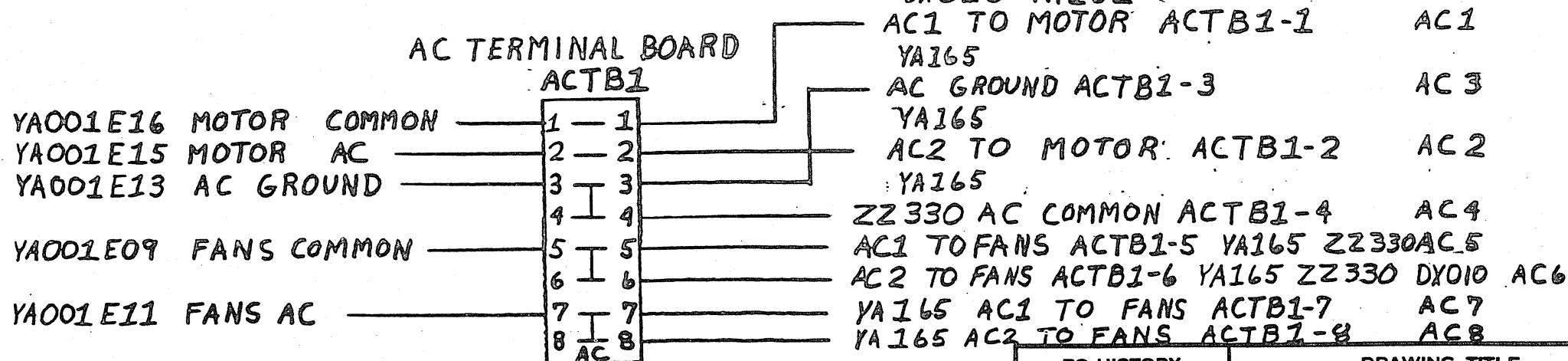
TERMINAL BOARD
PDTB1



TERMINAL BOARD
PDTB2

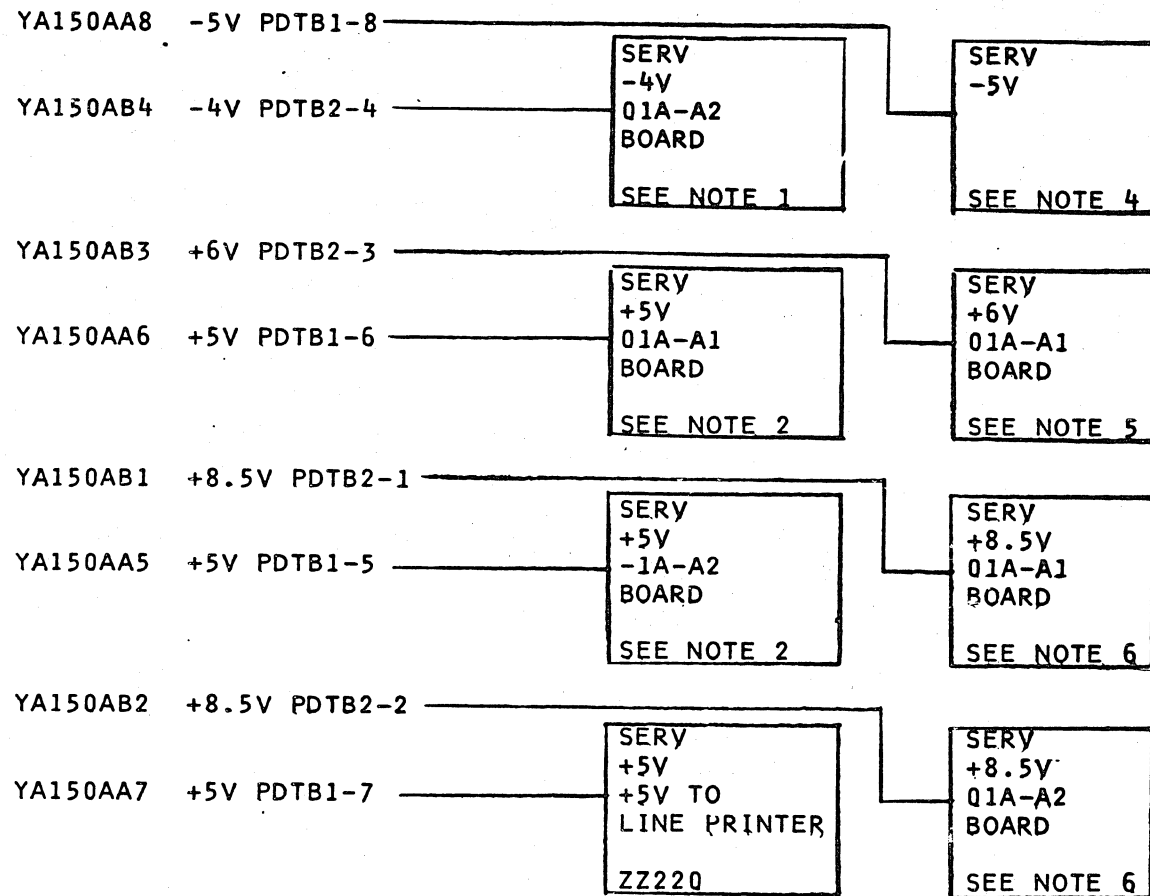


AC TERMINAL BOARD
ACTB1



EC HISTORY		DRAWING TITLE	
05OCT76	828777	POWER DISTRIBUTION	
01MART77	831962	MACH 2773095	
		PART NO	
C	CLASSIFICATION		IBM CORP
	04/15/76	JLC	

YA150



NOTE 1
-4V DIST
01A-A2
B3A14 INPUT
A4B06 TO GV100

NOTE 2
+5V DIST
01A-A1
B3A01 INPUT
B4A01 INPUT
B5A01 INPUT
B5D04 TO CE040
B2D02 TO OP010
01A-A2
B2A14 INPUT
U3A01 INPUT
B4E01 INPUT
U4A01 INPUT
B5A01 INPUT
U5A01 TO GV100
U2E14 TO KB010
B2D03 TO DX010
V2D11 TO SERIAL PRINTER
V2D12 TO SERIAL PRINTER
V3D11 TO SERIAL PRINTER
V3D12 TO SERIAL PRINTER

(MICR FEATURE)
01A-A1
U4A01 INPUT
U5A01 INPUT

NOTE 4
-5V DIST
01A-A1
U2B06 INPUT
01A-A2
U2A14 INPUT
U3A14 INPUT
U4A14 INPUT
B2D11 TO DX010
U3B06 TO KB010

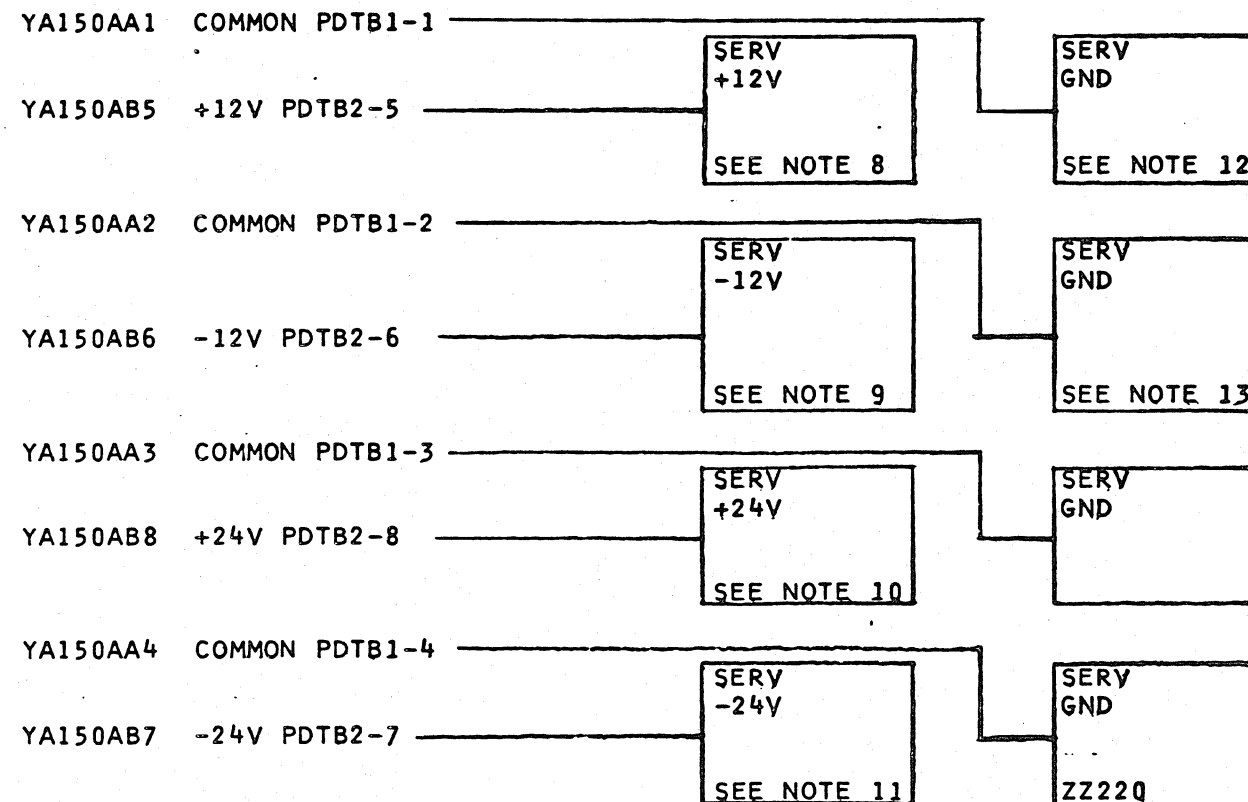
NOTE 5
+6V DIST
01A-A2
B3E01 INPUT
B4E01 INPUT
A4B11 TO GV100
U2B12 TO TVQ20
U2B13 TO TVQ20

NOTE 6
+8.5V DIST
01A-A1
INPUTS
U2B11 Q2B11
U3B11 Q3B11
T2B11 Q4B11
T3B11 Q5B11
S2B11 P2B11
S3B11 P3B11
R2B11 P4B11
R3B11 P5B11
0A1-A2
U3E01 INPUT
U4E01 INPUT
F2G11
U5E01 INPUT
UEB11 TO KB010
01B-A1
U3D11 TO FA011
(MICR FEATURE)
01A-A1
INPUTS
E4B11
E5B11
F4B11
F5B11

EC HISTORY		DRAWING TITLE	
05OCT76	828777	DC DISTRIBUTION	
14APR77	831973	MACH	
		PART NO 2773096	
B	CLASSIFICATION		IBM CORP
	04/19/76	JLC	

YA160

YA160



NOTE 8
 +12V
 01A-A2
 INPUTS
 U2B08
 U2B09
 U2D09 TO BSCA
 U2D10 TO BSCA
 01B-A1
 INPUTS
 U5D03
 U5D04
 01C
 E1B13 TO UB040
 E1B13 TO UB160

NOTE 9
 -12V
 01A-A2
 B3A01 INPUT
 U2D02 INPUT
 01B-A1
 U5D10 TO FA001
 01C
 E1B11 TO UB040
 E1B11 TO UB160
 (MICR FEATURE)
 01A-A1
 D4B13 INPUT

NOTE 10
 +24V
 01A-A2
 B5E01 INPUT
 A3B05 TO GY100
 B2D10 TO DX010

NOTE 11
 -24V
 01A-A2
 B4A14 INPUT
 A4B13 TO GY100

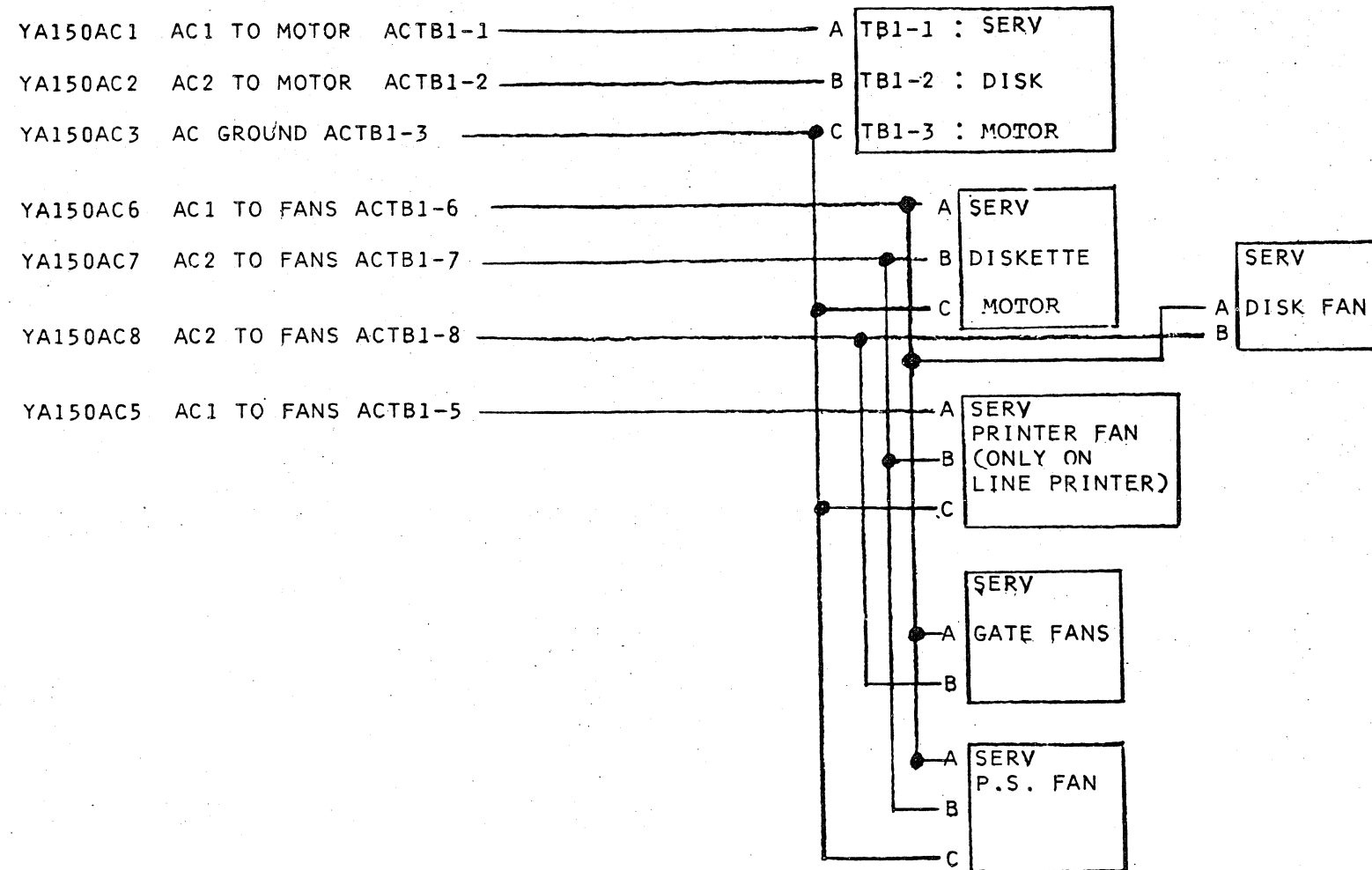
NOTE 12
 GND DISK
 01A-A2
 INPUT
 B2E14 U2E14
 B3E14 U3E14
 B4E14 U4E14
 OUTPUT
 A3D08 TO GV100
 A4D08 TO GV100
 U3D08 TO KB010

NOTE 13 (MICR FEATURE)
 GND
 01A-A1
 U3E14 INPUT
 U4E14 INPUT
 B2E14
 B3E14
 B4E14
 01B-A1
 UFD08 TO UB260

EC HISTORY		DRAWING TITLE	
09OCT76	828777	DC DISTRIBUTION	
14APR77	831973	MACH	
		PART NO 2773097	
B	CLASSIFICATION		IBM CORP
	04/19/76 JLC		

YA162

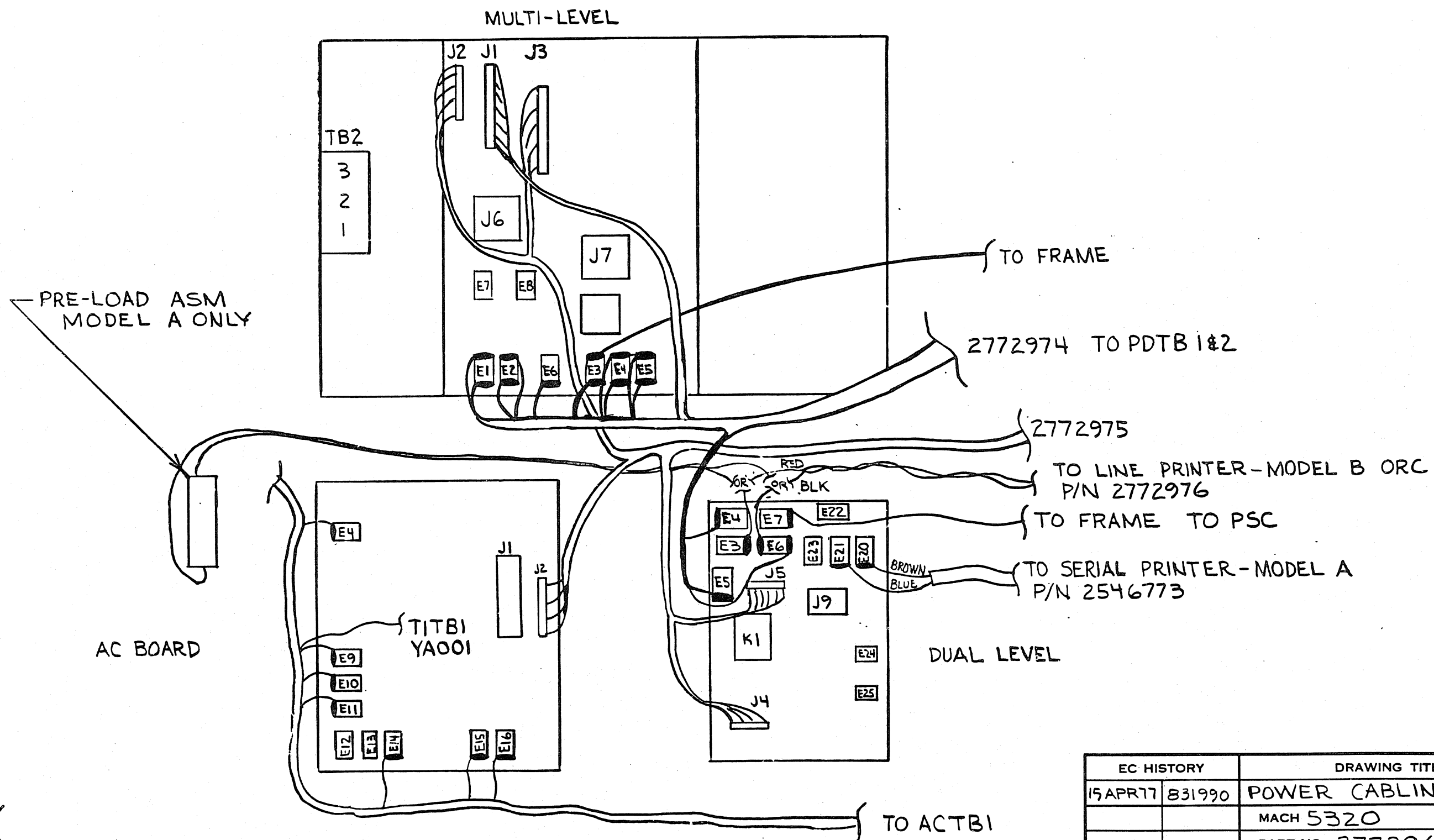
YA162



EC HISTORY		DRAWING TITLE	
20SEP76	828777	AC DISTRIBUTION	
		MACH	
		PART NO 2773098	
B		CLASSIFICATION	IBM CORP
		04/19/76 JLC	

Y
A
1
6
5

YAI70



EC HISTORY		DRAWING TITLE	
15APR77	831990	POWER CABLING	
		MACH 5320	
		PART NO 2772961	
C		CLASSIFICATION	
		REP 13APR77	IBM CORP

YAI70

YAI70

2773088

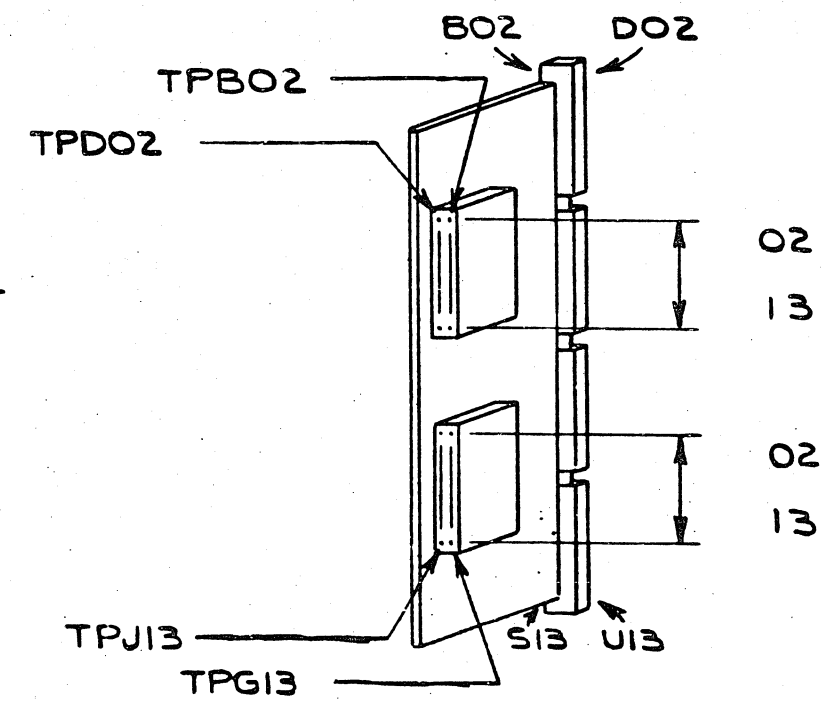
YA200

- TPD02 - PROTECTED -24V*
- TPD03 - PICKED K1
- TPD04 - PROTECTED -24V CONTROL
- TPD05 + 5V CONTROL
- TPD06 + ON SS
- TPD07 + START DUAL
- TPD08 + START MULTI SS
- TPD09 + THERMAL SENSE INTEGRATED
- TPD10 - ACTIVATE LINE FAULT
- TPD11 + SYSTEM RESET
- TPD12 - START MULTI
- TPD13 - STOP MULTI

- TPJ02 - UV SENSE MULTI +6V
- TPJ03 - UV SENSE MULTI +5V
- TPJ04 - SVCM F00 D40
- TPJ05 + OV INHIBIT
- TPJ06 - OV SENSE MULTI +8.5V
- TPJ07 - OV SENSE MULTI -4V
- TPJ08 + 24 NV TEST
- TPJ09 - OV SENSE MULTI -5V
- TPJ10 - OV SENSE DUAL +24V
- TPJ11 - OV SENSE MULTI +12V
- TPJ12 - OV SENSE MULTI -12V
- TPJ13 - OV SENSE MULTI +5V

- TPB02 - PROTECTED -6V CONTROL
- TPB03 - PICK K2
- TPB04 + PROTECTED +24V CONTROL
- TPB05 + PROTECTED +6V CONTROL
- TPB06 + POWER RESET
- TPB07 - DLY SS
- TPB08 CONTROL GROUND
- TPB09 + OFF
- TPB10 - START DUAL
- TPB11 + DISK BRAKE FAULT
- TPB12 BLANK
- TPB13 + PICK KI DUAL

- TPG02 - UV SENSE MULTI +12V
- TPG03 - 24 NV TEST
- TPG04 - UV SENSE MULTI +8.5V
- TPG05 - UV SENSE DUAL +24V
- TPG06 - UV SENSE MULTI -5V
- TPG07 - OV SENSE DUAL -24V
- TPG08 - OV SENSE MULTI +6V
- TPG09 - UV SENSE MULTI -12V
- TPG10 - UV SENSE DUAL -24V
- TPG11 - UV SENSE MULTI -4V
- TPG12 BLANK
- TPG13 + NO VOLTAGE DUAL



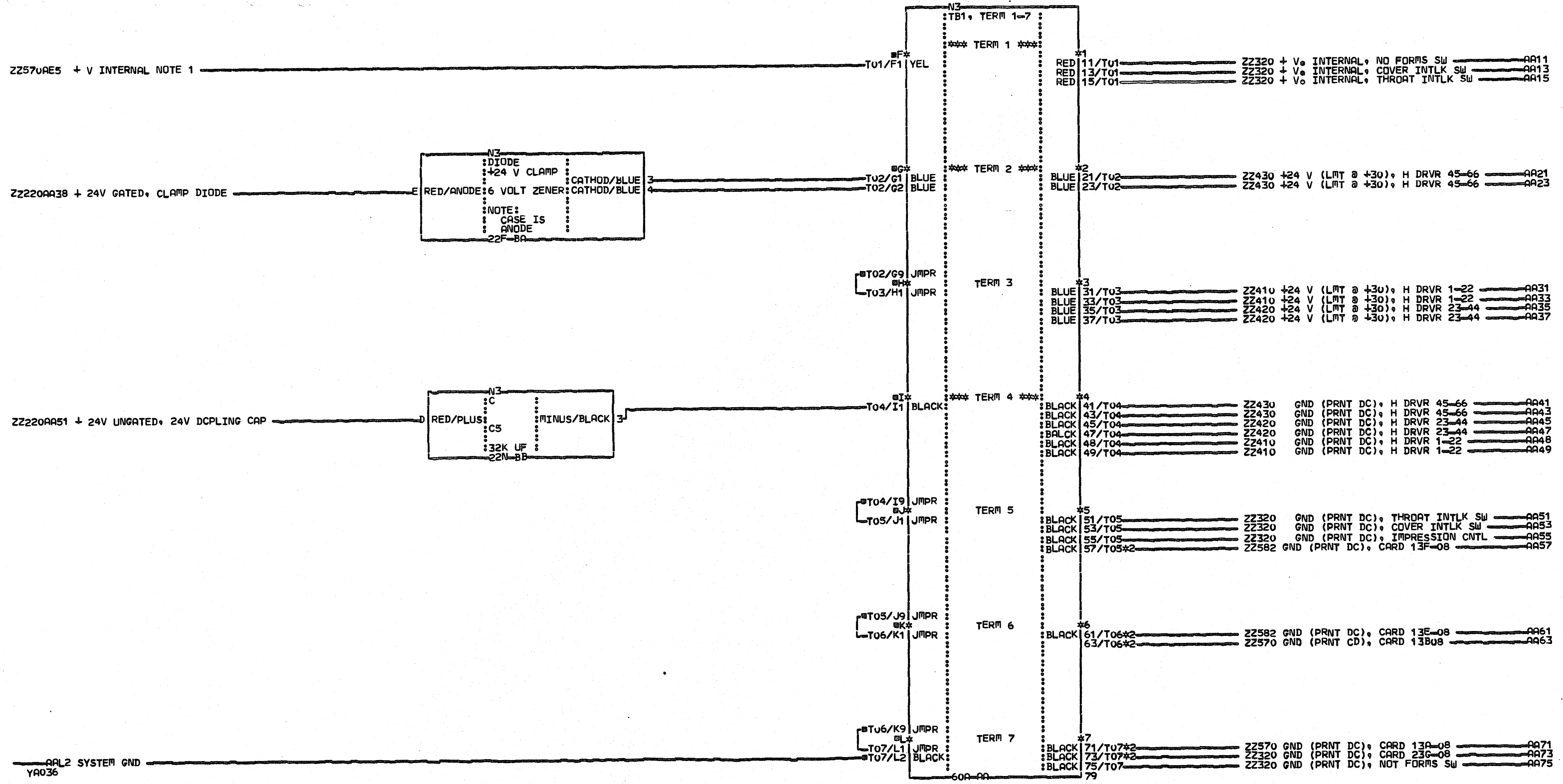
CARD P/N 1607036

COPYRIGHT IBM CORP 1976

EC HISTORY		DRAWING TITLE	
20SEP76	828777	SEQUENCE CARD (TEST POINTS)	
		MACH	
		PART NO 2773088	
B		CLASSIFICATION	
		JLC	09/17/76
		IBM CORP	

YA200

YA200

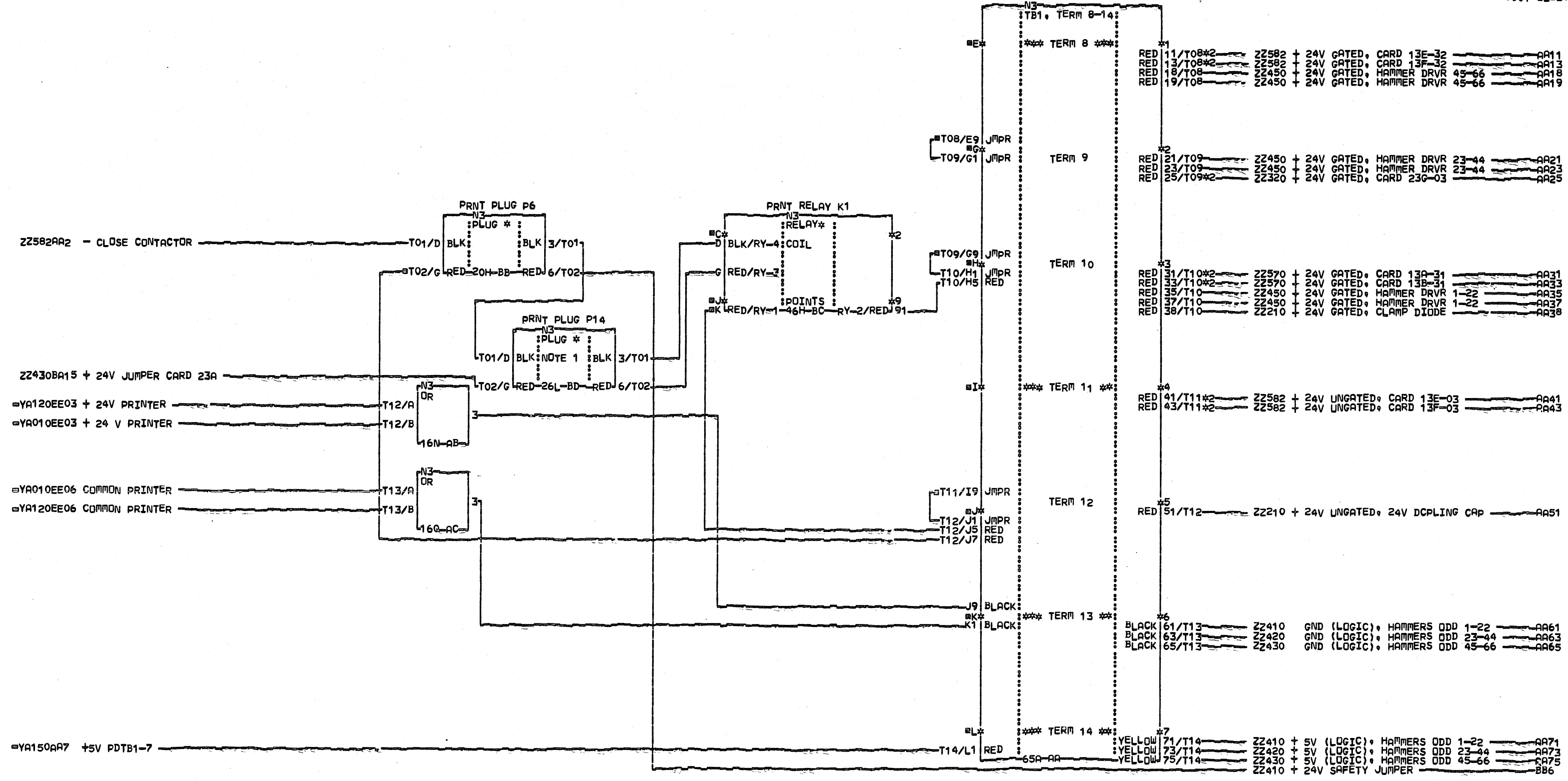


COMMENTS
 A1 NOTE1: + V INTERNAL MAYBE
 2 +5 OR +8.5 DEPENDING ON
 3 THE BASIC CONTROL CARD PN.
 4 SEE Z2921 FOR DETAILS
 D1COPYRIGHT IBM CORP. 1974

CONNECTORS
 AA57
 0001/PRINTER/13F08
 AA61
 0002/PRINTER/13E08
 AA63
 0005/PRINTER/13B08
 0003/PRINTER/13C08
 0004/PRINTER/13D08
 AA71
 0006/PRINTER/13A08
 AA73
 0007/PRINTER/13G08

VOLTAGE DISTRIBUTION
 LINE PRINTER
 PN2547442 EC832069 PEC831995
 LOC=PRINTER
 USN 00125 PRI=07SEP77 1930
 AUC= PFORM=KSEB SEC NEXTBLK AA
 CID FEALD JOB M5301553

Z
 Z
 1
 0
 0001

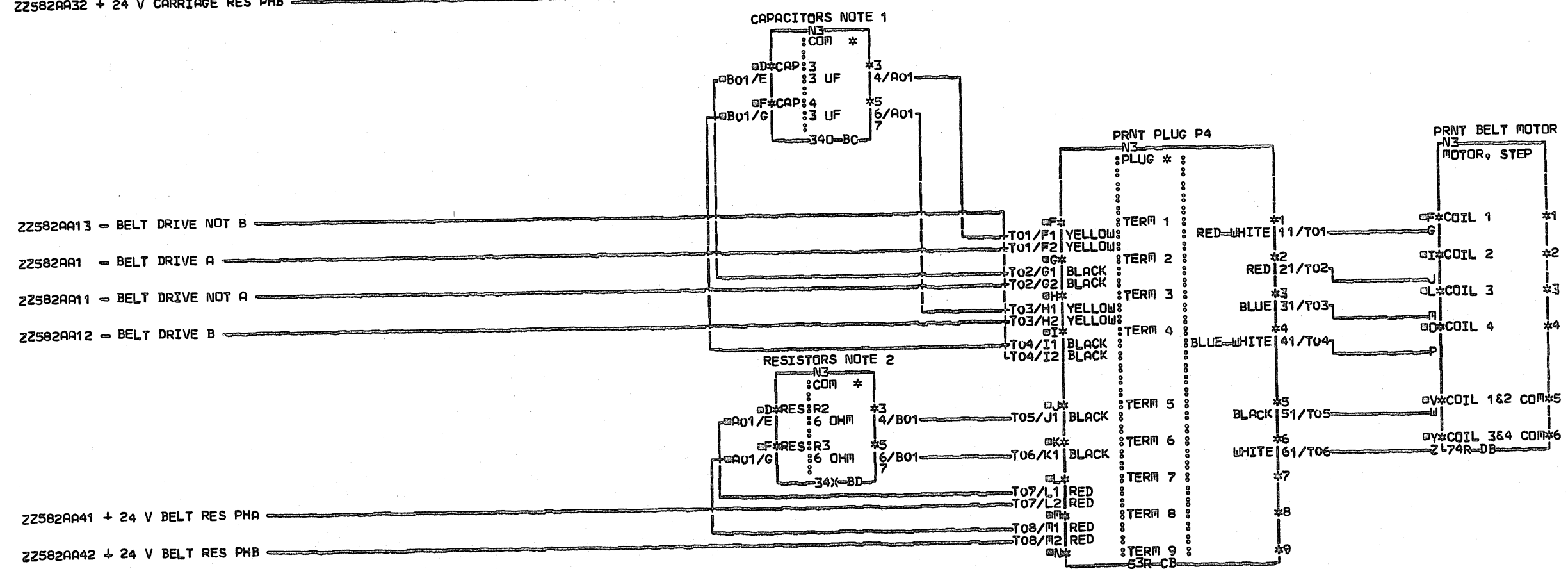
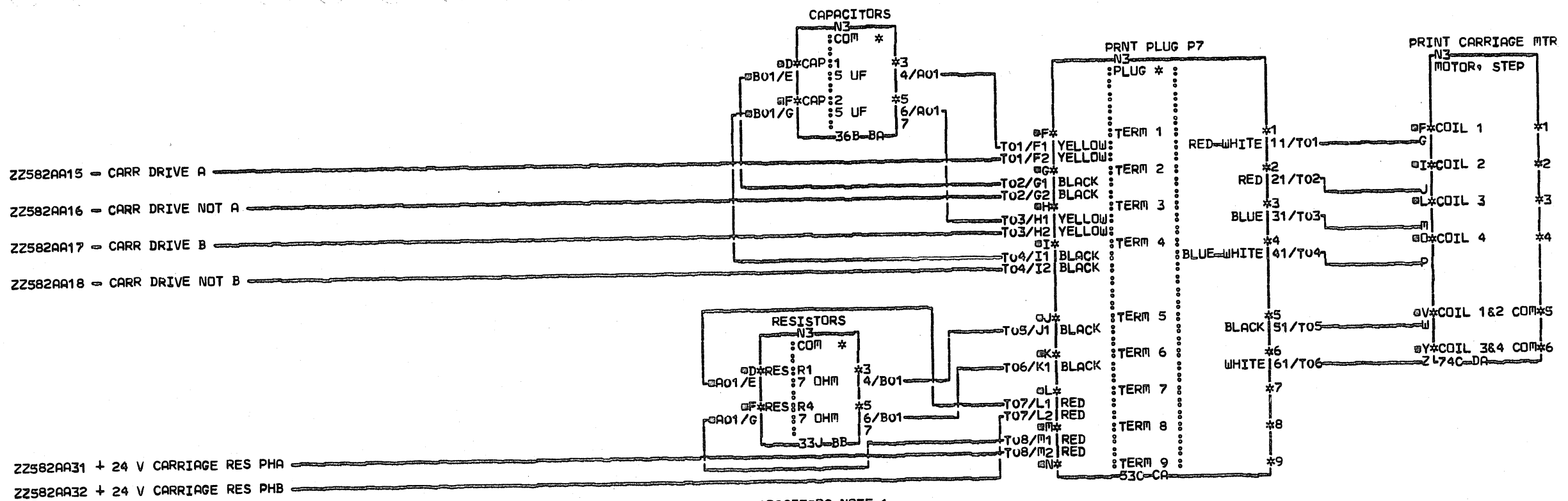


COMMENTS
 A1 NOTE 1: PLUG P14 MAY NOT BE ON ALL MACHINES; IF NOT, RED WIRE ON K1 GOES DIRECTLY TO PLUG P6-T02
 D1 COPYRIGHT IBM CORP. 1974

CONNECTORS
0003/PRINTER/13E32
0004/PRINTER/13F32
0005/PRINTER/23G03
0006/PRINTER/13A31
0007/PRINTER/13B31
0008/PRINTER/13E03
0009/PRINTER/13F03

VOLTAGE DISTRIBUTION	
LINE PRINTER PN2547443 EC831995 PEC828777	
LOC=PRINTER	
USN 00123	PRI=12FEB77 0011
PDESC=0001	SEC
PFORM=KSEB	NEXTBLK BE
CID FEALD	JOB M3800804

256

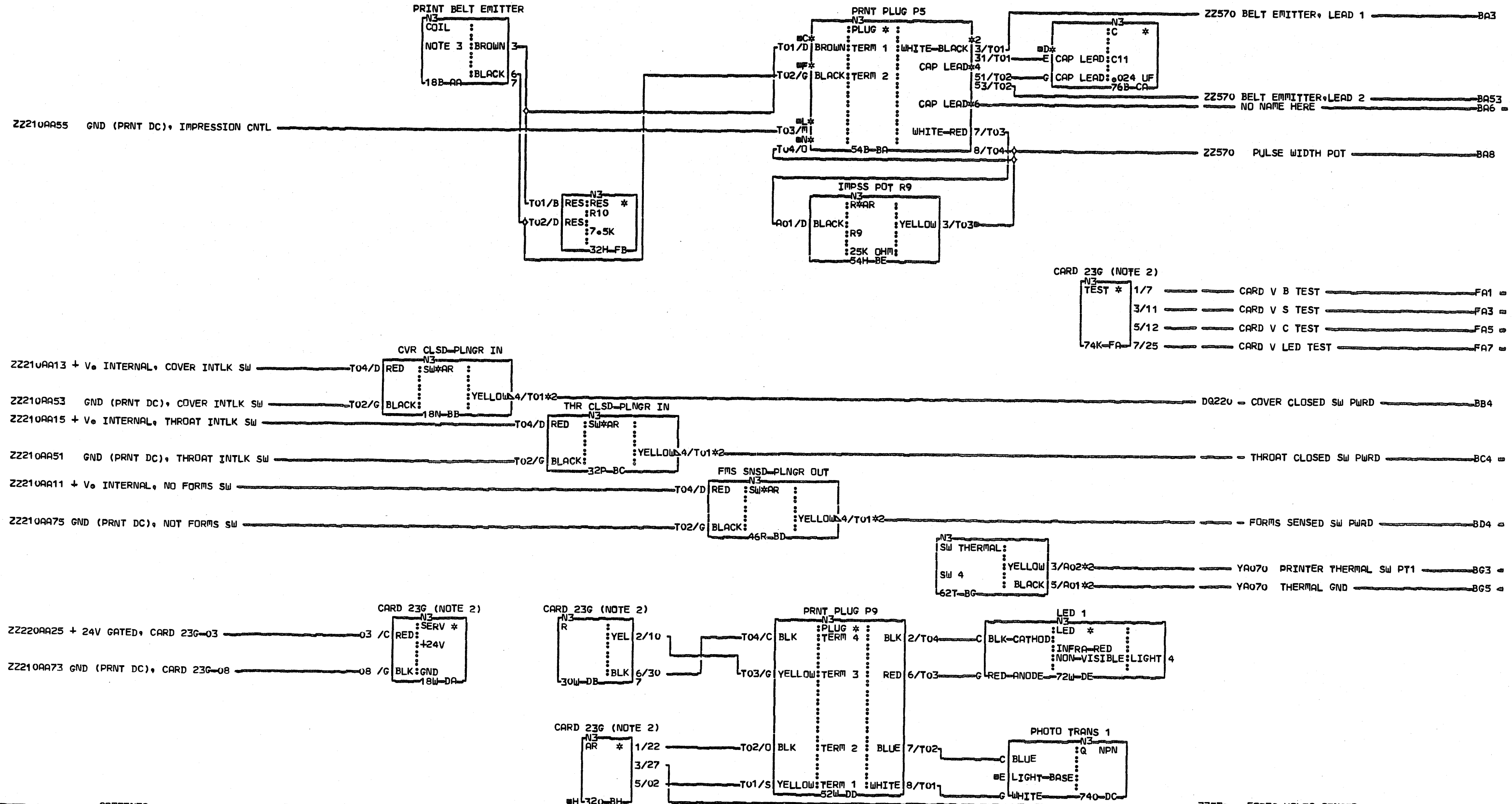


COMMENTS
 A1 NOTE1: THESE CAPACITORS MAY
 2 BE 3UF OR 10UF
 3 NOTE2: THESE RESISTORS MAY
 4 BE 6OHM OR 40HM
 D1COPYRIGHT IBM CORP. 1974

STEPPER MOTORS & PLUGS
 LINE PRINTER
 PN2547424 EC832069 PEC828579
 LOC=PRINTER
 USN 00125 PRI=08SEP77 1806
 AJC= SEC
 PFDR=KSEB NEXTBLK DC
 CID FEALD JOB M5301553

2
 3
 1
 0
 0001

Z
 N
 M
 I
 O
 0001



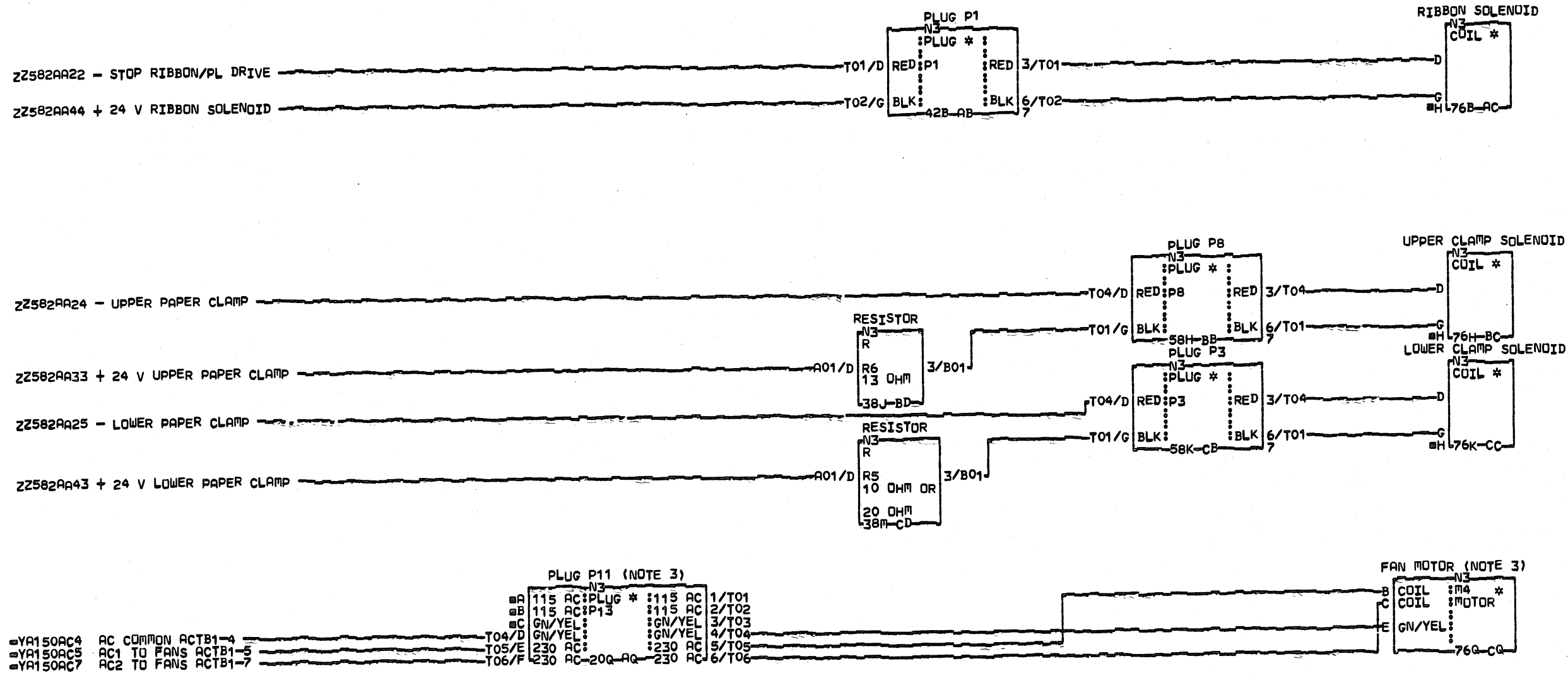
CARD 23G (NOTE 2)

TEST *	1/7	CARD V B TEST	FA1
	3/11	CARD V S TEST	FA3
	5/12	CARD V C TEST	FA5
	7/25	CARD V LED TEST	FA7

COMMENTS	CONNECTORS	CONNECTORS	SWITCHES, PLUGS & LED AMP 23G
B1 NOTE 2: IGNORE ALL CARD 23G PINS NOT REFERENCED ON THIS PAGE.	BB4	0012/1A-A2/T2B08	LINE PRINTER
C1 NOTE 3: EMITTER SIGNAL IS 1300MV P-P MIN.	0008/PRINTER/13C06	0006/1A-A2/V3D12	PN2547444 EC832069 PEC828579
D1 COPYRIGHT IBM CORP. 1974	0002/1A-A2/V3D06		LOC=PRINTER
	BC4		USN 00125
	0010/PRINTER/13C09		PRI=08SEP77 1806
	0011/1A-A2/V3D09		AUC=
	BD4		PFORM=KSEB
	0009/PRINTER/13C13		SEC
	0001/1A-A2/V3D13		NEXTBLK FC
	BG3		CID FEALD
	0003/PRINTER/13C11		JOB M5301553
	0004/1A-A2/V3D11		
	BG5		
	0005/PRINTER/13C12		

C N W M N

Z
2
3
2
0
0001



COMMENTS

B1NOTE 3: T01, T02, T03, ARE USED FOR 115 VAC OPERATION. T04, T05, T06, ARE USED FOR 230 VAC OPERATION. CONNECTIONS FOR 230 VAC OPERATION ARE SHOWN.

D1COPYRIGHT IBM CORP. 1974

SOLENOIDS, PLUGS, & AC MOTORS

LINE PRINTER

PN2547445 EC831995 PEC828777

LOC=PRINTER

USN 00123 PRI=17FEB77 1748

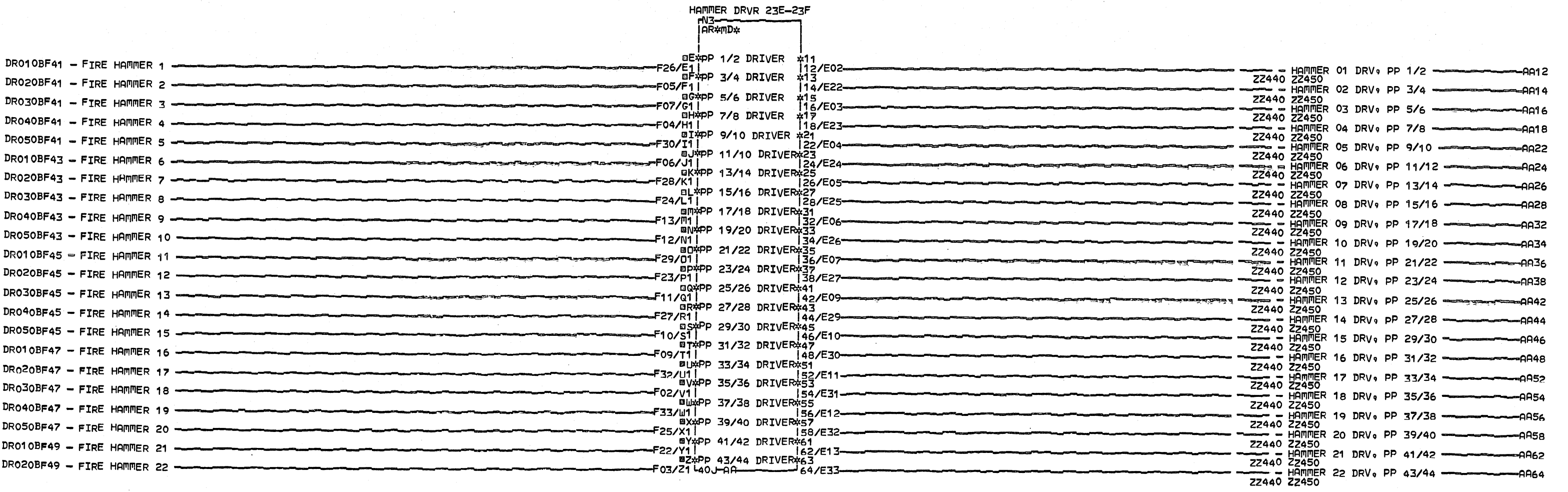
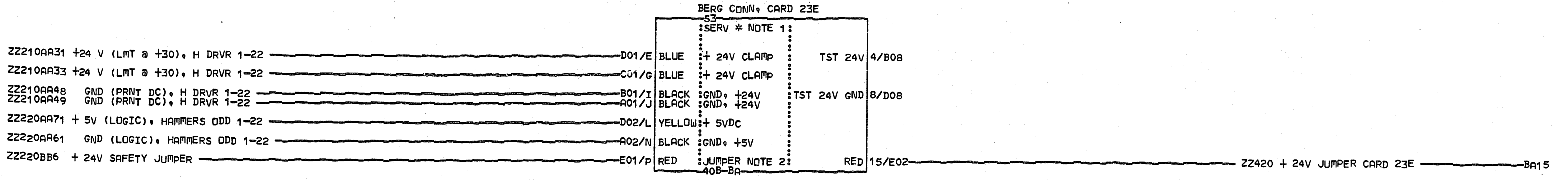
PDESC=0001 SEC NEXTBLK RA

PFORM=KSEB

CID FEALD JOB M380804

NUMNO

NUMNO



COMMENTS

A1 NOTE 1: SEE Z2910

2 DETAIL A FOR

3 PIN DESIGNATION

B1 NOTE 2: ALL MACHINES MAY NOT

2 HAVE THE RED WIRES

3 IN THE CABLE, BUT

4 ALL HAVE THE 10 PTMS

5 ON THE CARDS.

D1 COPYRIGHT IBM CORP. 1974

HAMMER COIL DRIVERS

LINE PRINTER

PN2547446 EC828579 PEC825408

LOC=PRINTER23E-23F

USN 00111 PRI=29OCT75 0551

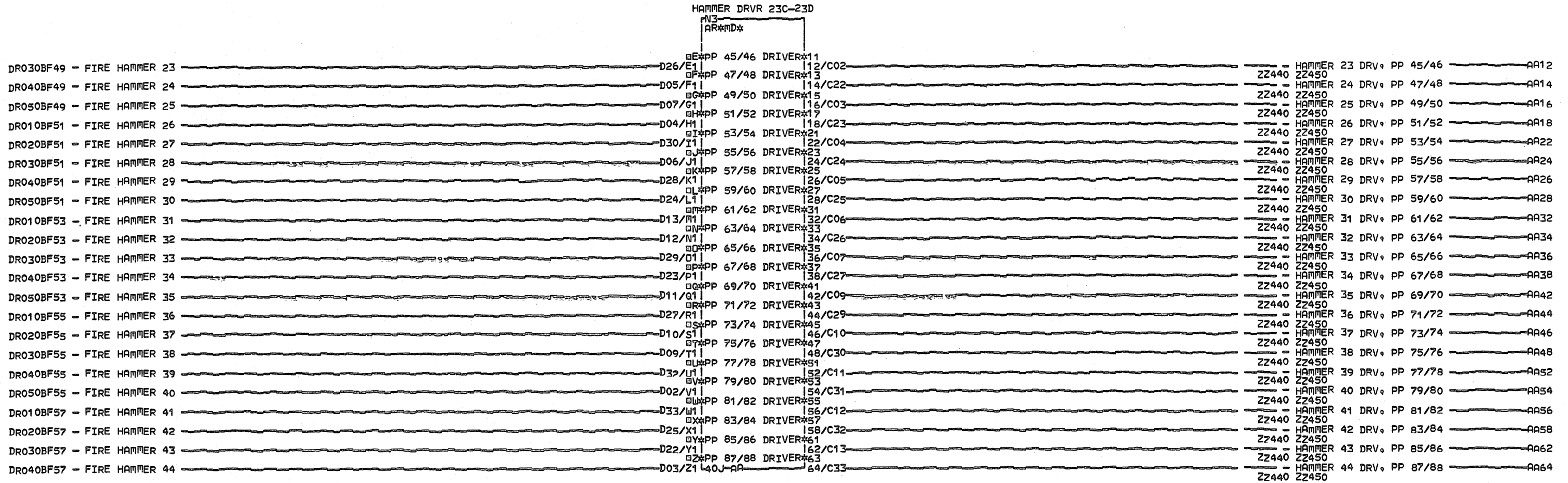
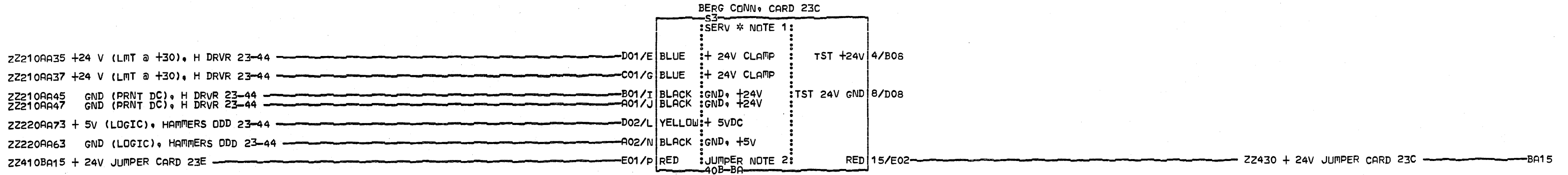
PDESC=0001 SEC

PFORM=KSEB NEXTKL BB

CID FEALD JOB K1501032

0001

0001



COMMENTS

A1NOTE 1: SEE ZZ910
 2 DETAIL A FOR
 3 PIN DESIGNATION
 B1NOTE 2: ALL MACHINES MAY NOT
 2 HAVE THE RED WIRES
 3 IN THE CABLE, BUT
 4 ALL HAVE THE 10 PINS
 5 ON THE CARDS.
 D1COPYRIGHT IBM CORP. 1974

HAMMER COIL DRIVERS

LINE PRINTER
 PN2547447 EC828579 PEC825408

LOC=PRINTER23C-23D

USN 00111 PRI=29OCT75 0551

PDESC=0001 SEC

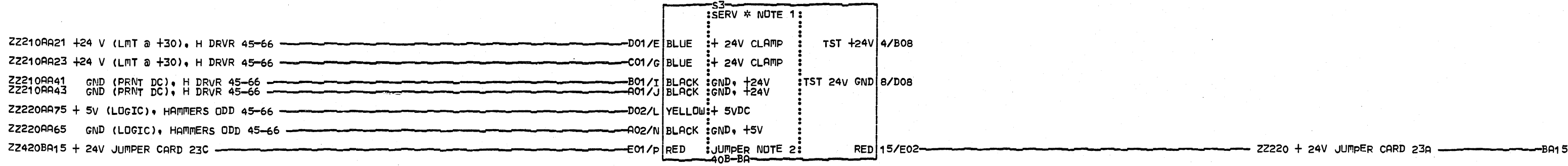
PFORM=KSEB NEXTBLK BB

CID FEALD JOB K1501032

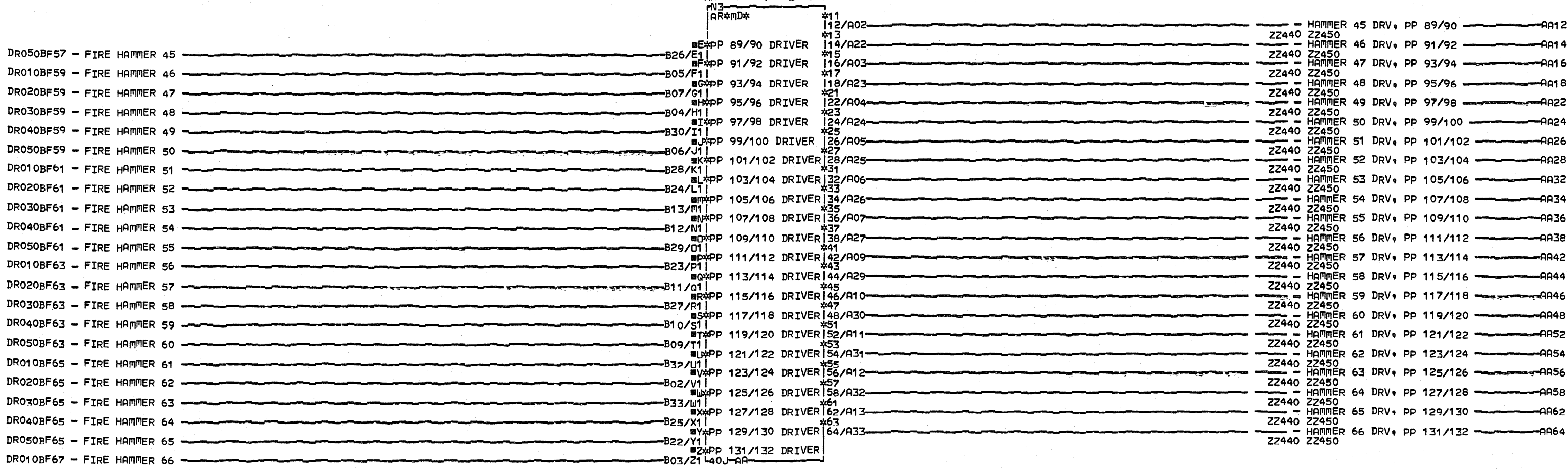
ZZ420

ZZ420

BERG CONN. CARD 23A



HAMMER DRVR 23A-23B



COMMENTS

A1 NOTE 1: SEE ZZ910
 2 DETAIL A FOR
 3 PIN DESIGNATION
 B1 NOTE 2: ALL MACHINES MAY NOT
 2 HAVE THE RED WIRES
 3 IN THE CABLE, BUT
 4 ALL HAVE THE 10 PINS
 5 ON THE CARDS.
 D1 COPYRIGHT IBM CORP. 1974

HAMMER COIL DRIVERS
 LINE PRINTER
 PN2547448 EC828579 PEC825408
 LOC=PRINTER23A-23B
 USN 00111 PRI=29OCT75 0551
 PDESC=0001 SEC
 PFORM=KSEB NEXTBLK BB
 CID FEALD JOB K1501032

ZZ430

ZZ430

			CARD POS 23E		
			N3	ODD *	
ZZ410AA12	- HAMMER	01 DRV	PP 1/2	E02/CD	DQ090 - HAMMERS 1-22 ODD - BA3
ZZ410AA14	- HAMMER	02 DRV	PP 3/4	E22/DA	
ZZ410AA16	- HAMMER	03 DRV	PP 5/6	E03/ED	
ZZ410AA18	- HAMMER	04 DRV	PP 7/8	E23/FD	
ZZ410AA22	- HAMMER	05 DRV	PP 9/10	E04/GD	
ZZ410AA24	- HAMMER	06 DRV	PP 11/12	E24/HD	
ZZ410AA26	- HAMMER	07 DRV	PP 13/14	E05/ID	
ZZ410AA28	- HAMMER	08 DRV	PP 15/16	E25/JD	
ZZ410AA32	- HAMMER	09 DRV	PP 17/18	E06/KD	
ZZ410AA34	- HAMMER	10 DRV	PP 19/20	E26/LD	
ZZ410AA36	- HAMMER	11 DRV	PP 21/22	E07/MD	
ZZ410AA38	- HAMMER	12 DRV	PP 23/24	E27/ND	
ZZ410AA42	- HAMMER	13 DRV	PP 25/26	E09/OD	
ZZ410AA44	- HAMMER	14 DRV	PP 27/28	E29/PD	
ZZ410AA46	- HAMMER	15 DRV	PP 29/30	E10/QD	
ZZ410AA48	- HAMMER	16 DRV	PP 31/32	E30/RD	
ZZ410AA52	- HAMMER	17 DRV	PP 33/34	E11/SD	
ZZ410AA54	- HAMMER	18 DRV	PP 35/36	E31/TD	
ZZ410AA56	- HAMMER	19 DRV	PP 37/38	E12/UD	
ZZ410AA58	- HAMMER	20 DRV	PP 39/40	E32/VD	
ZZ410AA62	- HAMMER	21 DRV	PP 41/42	E13/WD	
ZZ410AA64	- HAMMER	22 DRV	PP 43/44	E33/XD 20C-AA	

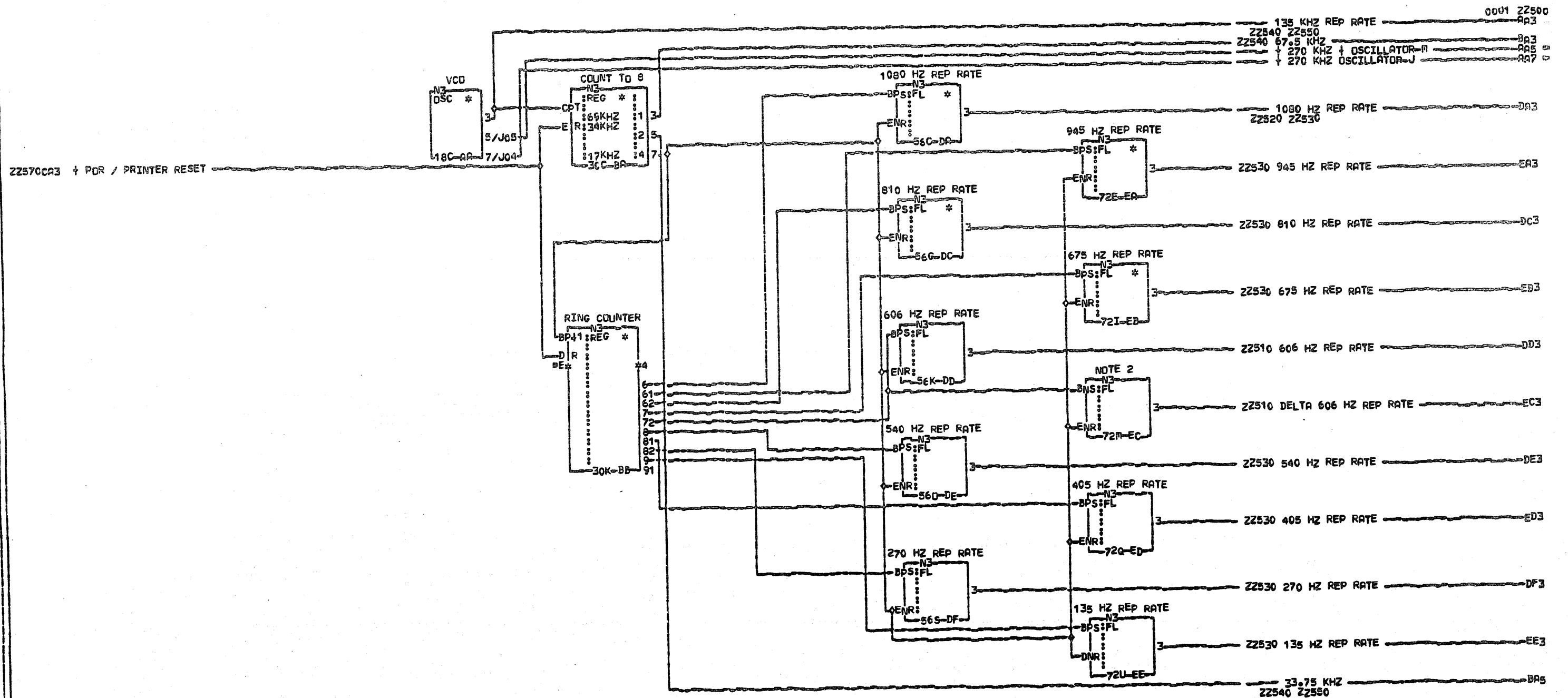
			CARD POS 23C		
			N3	ODD *	
ZZ420AA12	- HAMMER	23 DRV	PP 45/46	C02/CA	DQ090 - HAMMERS 23-44 ODD - BA3
ZZ420AA14	- HAMMER	24 DRV	PP 47/48	C22/DA	
ZZ420AA16	- HAMMER	25 DRV	PP 49/50	C03/EA	
ZZ420AA18	- HAMMER	26 DRV	PP 51/52	C23/FA	
ZZ420AA22	- HAMMER	27 DRV	PP 53/54	C04/GA	
ZZ420AA24	- HAMMER	28 DRV	PP 55/56	C24/HA	
ZZ420AA26	- HAMMER	29 DRV	PP 57/58	C05/IA	
ZZ420AA28	- HAMMER	30 DRV	PP 59/60	C25/JA	
ZZ420AA32	- HAMMER	31 DRV	PP 61/62	C06/KA	
ZZ420AA34	- HAMMER	32 DRV	PP 63/64	C26/LA	
ZZ420AA36	- HAMMER	33 DRV	PP 65/66	C07/MA	
ZZ420AA38	- HAMMER	34 DRV	PP 67/68	C27/NA	
ZZ420AA42	- HAMMER	35 DRV	PP 69/70	C09/OA	
ZZ420AA44	- HAMMER	36 DRV	PP 71/72	C29/PA	
ZZ420AA46	- HAMMER	37 DRV	PP 73/74	C10/QA	
ZZ420AA48	- HAMMER	38 DRV	PP 75/76	C30/RA	
ZZ420AA52	- HAMMER	39 DRV	PP 77/78	C11/SA	
ZZ420AA54	- HAMMER	40 DRV	PP 79/80	C31/TA	
ZZ420AA56	- HAMMER	41 DRV	PP 81/82	C12/UA	
ZZ420AA58	- HAMMER	42 DRV	PP 83/84	C32/VA	
ZZ420AA62	- HAMMER	43 DRV	PP 85/86	C13/WA	
ZZ420AA64	- HAMMER	44 DRV	PP 87/88	C33/XA 20L-BA	

			CARD POS 23A		
			N3	ODD *	
ZZ430AA12	- HAMMER	45 DRV	PP 89/90	A02/CA	DQ090 - HAMMERS 45-66 ODD - CA3
ZZ430AA14	- HAMMER	46 DRV	PP 91/92	A22/DA	
ZZ430AA16	- HAMMER	47 DRV	PP 93/94	A03/EA	
ZZ430AA18	- HAMMER	48 DRV	PP 95/96	A23/FA	
ZZ430AA22	- HAMMER	49 DRV	PP 97/98	A04/GA	
ZZ430AA24	- HAMMER	50 DRV	PP 99/100	A24/HA	
ZZ430AA26	- HAMMER	51 DRV	PP 101/102	A05/IA	
ZZ430AA28	- HAMMER	52 DRV	PP 103/104	A25/JA	
ZZ430AA32	- HAMMER	53 DRV	PP 105/106	A06/KA	
ZZ430AA34	- HAMMER	54 DRV	PP 107/108	A26/LA	
ZZ430AA36	- HAMMER	55 DRV	PP 109/110	A07/MA	
ZZ430AA38	- HAMMER	56 DRV	PP 111/112	A27/NA	
ZZ430AA42	- HAMMER	57 DRV	PP 113/114	A09/OA	
ZZ430AA44	- HAMMER	58 DRV	PP 115/116	A29/PA	
ZZ430AA46	- HAMMER	59 DRV	PP 117/118	A10/QA	
ZZ430AA48	- HAMMER	60 DRV	PP 119/120	A30/RA	
ZZ430AA52	- HAMMER	61 DRV	PP 121/122	A11/SA	
ZZ430AA54	- HAMMER	62 DRV	PP 123/124	A31/TA	
ZZ430AA56	- HAMMER	63 DRV	PP 125/126	A12/UA	
ZZ430AA58	- HAMMER	64 DRV	PP 127/128	A32/VA	
ZZ430AA62	- HAMMER	65 DRV	PP 129/130	A13/WA	
ZZ430AA64	- HAMMER	66 DRV	PP 131/132	A33/XA 20U-CA	

COMMENTS
D1COPYRIGHT TBM CORP. 1974

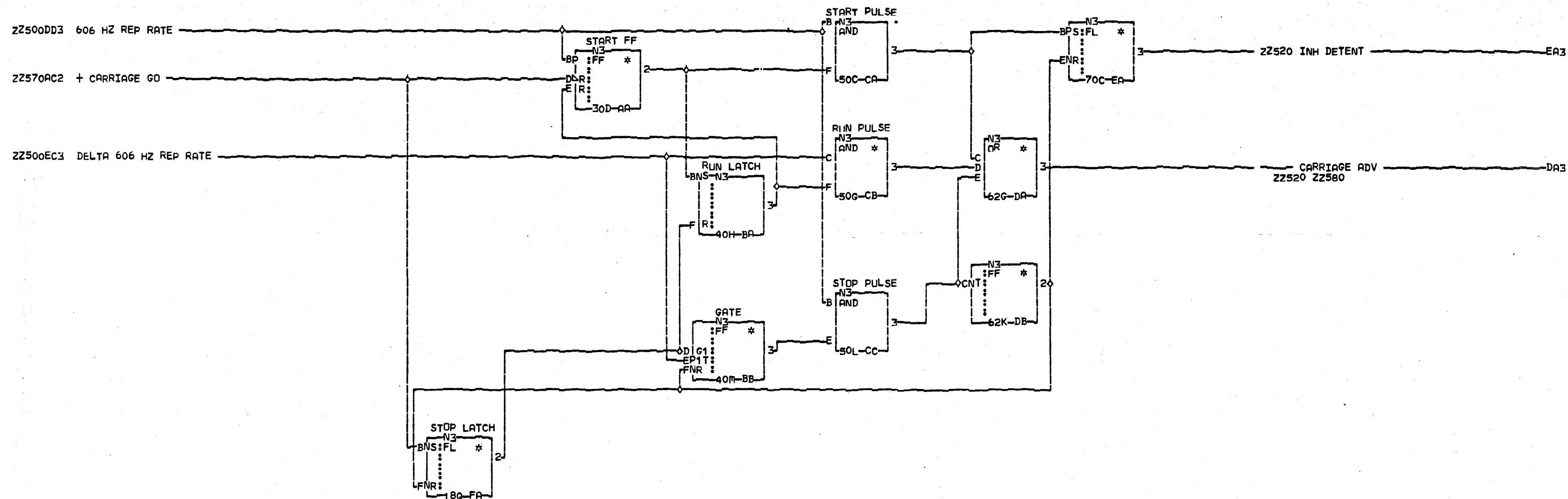
CONNECTORS
 AA3
 0004/PRINTER#####/23F31
 0001/1A-A2#####/V2B11
 BA3
 0006/PRINTER#####/23D11
 0002/1A-A2#####/V4B11
 CA3
 0008/PRINTER#####/23B31
 0003/1A-A2#####/V5B11

ODD HAMMER ON DETECT
 LINE PRINTER
 PN2547425 EC825408 PEC825372
 LOC=PRINTER
 USN 00100 PRI=19DEC74 1352
 PDESC=0001 SEC
 PFORM=KSEB NEXTBLK CB
 CID FEALD JOB L7101028



COMMENTS
 1 NOTE 1: SIGNALS DA3, EA3,
 2 DC3 ETC ARE 50 USEC
 3 PULSES AT THE
 4 INDICATED REP RATE.
 5 NOTE 2: THE DELTA 606 HERTZ
 6 REP RATE IS ONE HALF
 7 CYCLE OUT OF PHASE
 8 FROM THE 606 HERTZ
 9 REP RATE.
 10 NOTE 3: TAB PINS J04
 11 6 J05 ARE JUMPED
 12 TOGETHER OFF CARD.
 13
 14 COPYRIGHT IBM CORP. 1974

OSC
 DIGITAL CONTROL CARD
 LINE PRINTER
 PN2547450 EC832069A PEC825408
 LDC=PRINTER-13A
 USN 00125 PRI=14FE878 1324
 AUC= SEC
 PFORM=KSEB NEXTBLK EF
 CID FEALD JOB K0201512

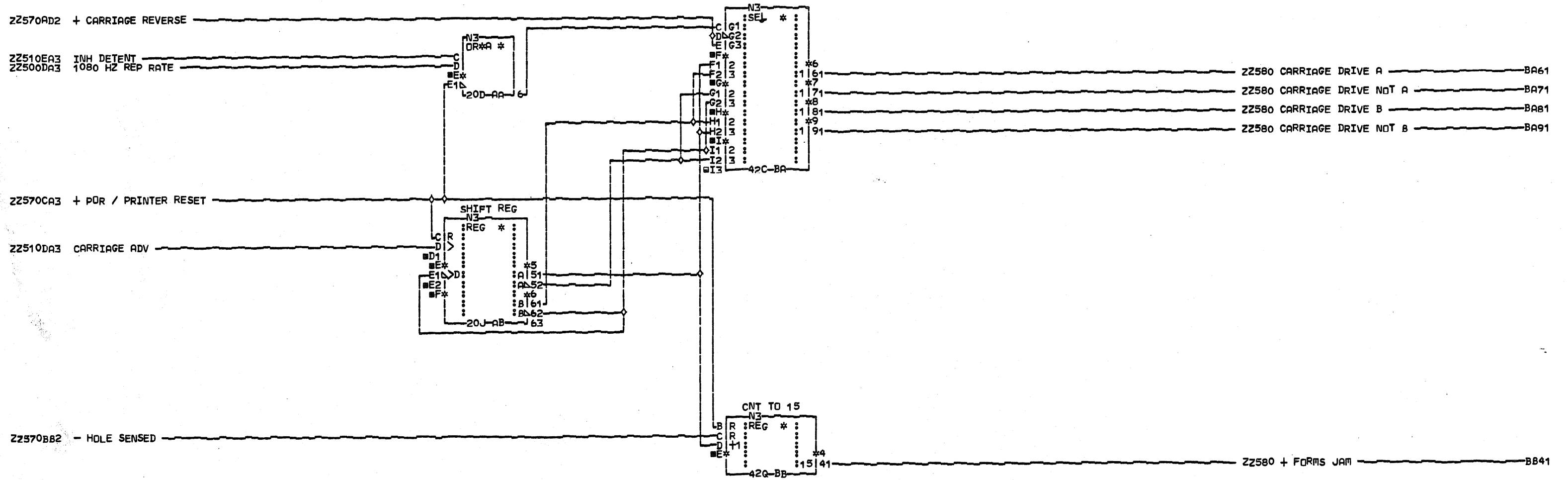


COMMENTS
 D1CNPYRIGHT IBM CORP. 1974

CARRIAGE ADVANCE
 DIGITAL CONTROL CARD
 LINE PRINTER
 PN2547451 EC825408 PEC825372
 LOC=PRINTER-13A
 USN 00100 PRI=19DEC74 1352
 PDESC=0001 SEC
 PFORM=KSEB NEXTBLK FB
 CID FEALD JOB L7101028

0001

0001



COMMENTS
D1COPYRIGHT IBM CORP. 1974

CARRIAGE DRIVE
DIGITAL CONTROL CARD
LINE PRINTER
PN2547452 EC825408 PEC825372

LOC=PRINTER-13A

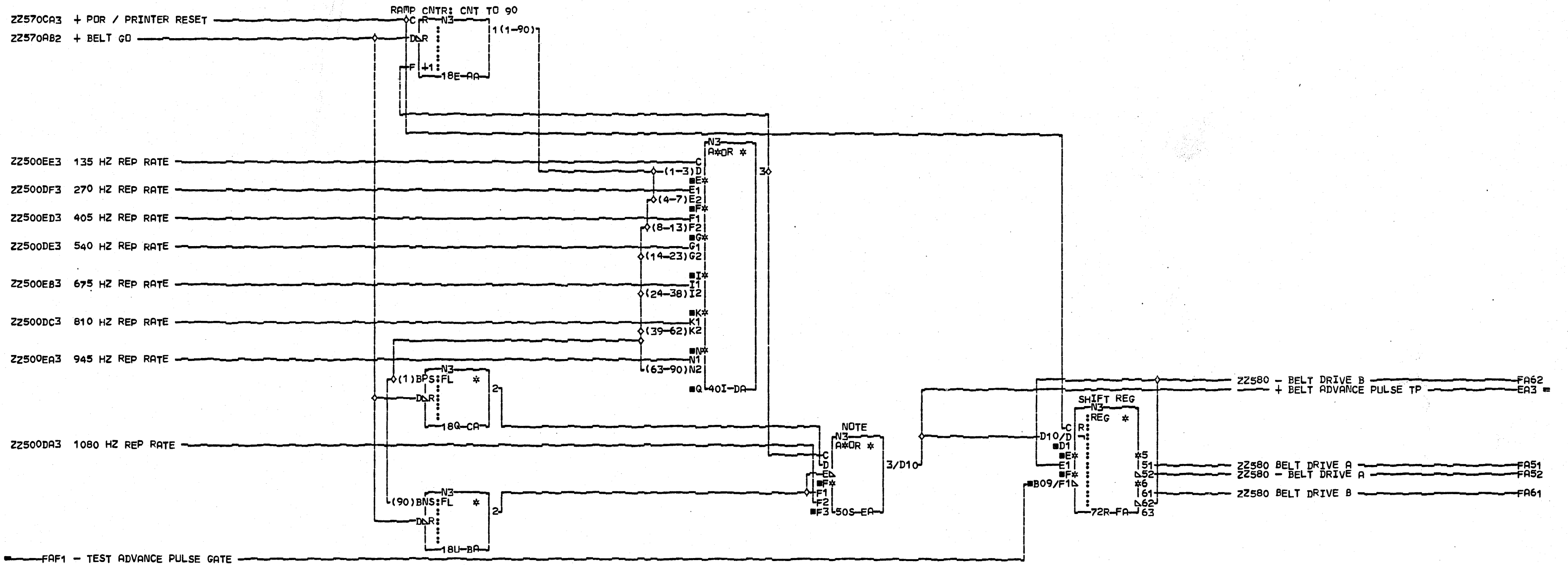
USN 00100 PRI=19DEC74 1352

PDESC=0001 SEC
PFORM=KSEB NEXTBLK BC

CID FEALD JOB L7101028

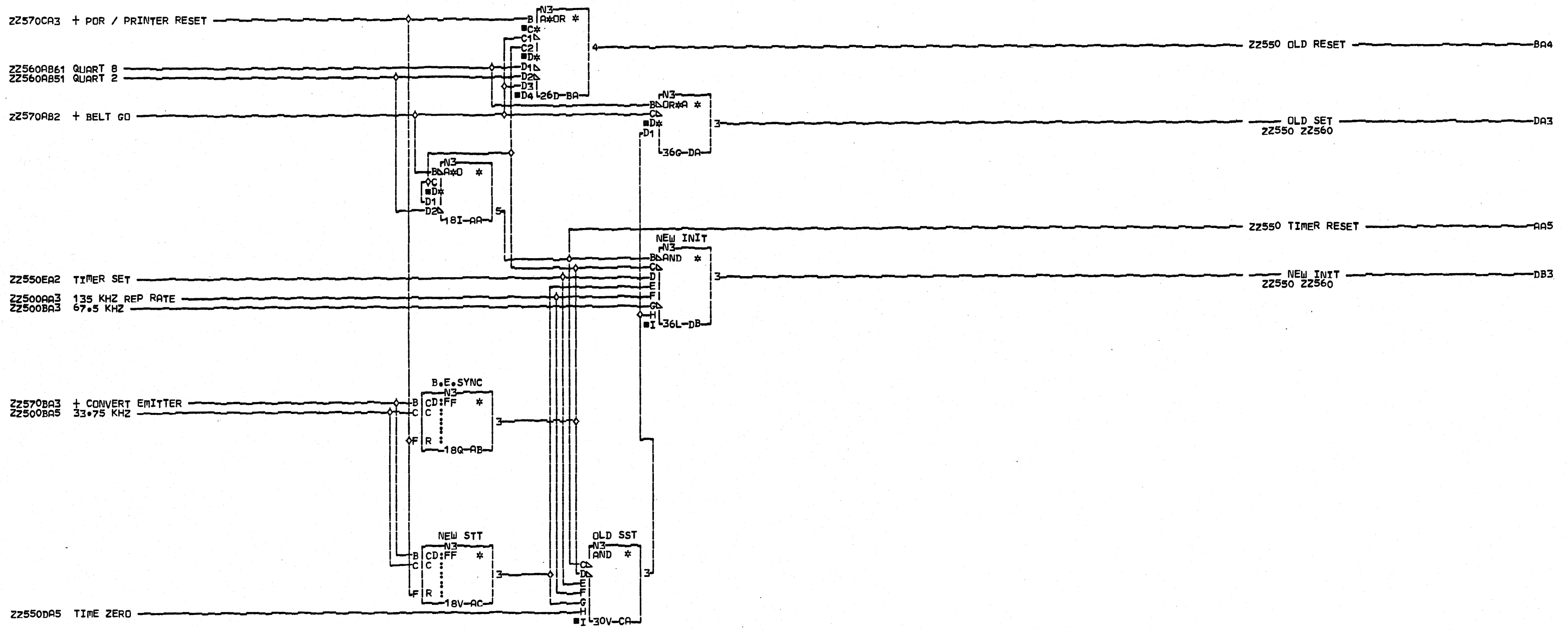
00001

00001



COMMENTS
 A1 NOTE: AFTER RISE OF
 2 '++ BELT GO++ THERE
 3 IS A DELAY OF 533MS
 4 MAX. THEN 'BELT
 5 DRIVE A++ & 'BELT
 6 DRIVE B++ ARE TURNED
 7 ON FOR 382MS AND THE
 8 MOTOR IS LOCKED.
 9 THE ADVANCE PULSES
 A1 THEN START & THE
 2 MOTOR STARTS TO RUN.
 0 D1COPYRIGHT IBM CORP. 1974

BELT DRIVE
 DIGITAL CONTROL CARD
 LINE PRINTER
 PN2547453 EC825408 PEC825372
 LOC=PRINTER-13A
 USN 00100 PRI=19DEC74 1352
 PDFSC=0001 SEC
 PFORM=KSEB NEXTBLK FB
 CID FEALD JOB L7101028



COMMENTS

D1COPYRIGHT IBM CORP. 1974

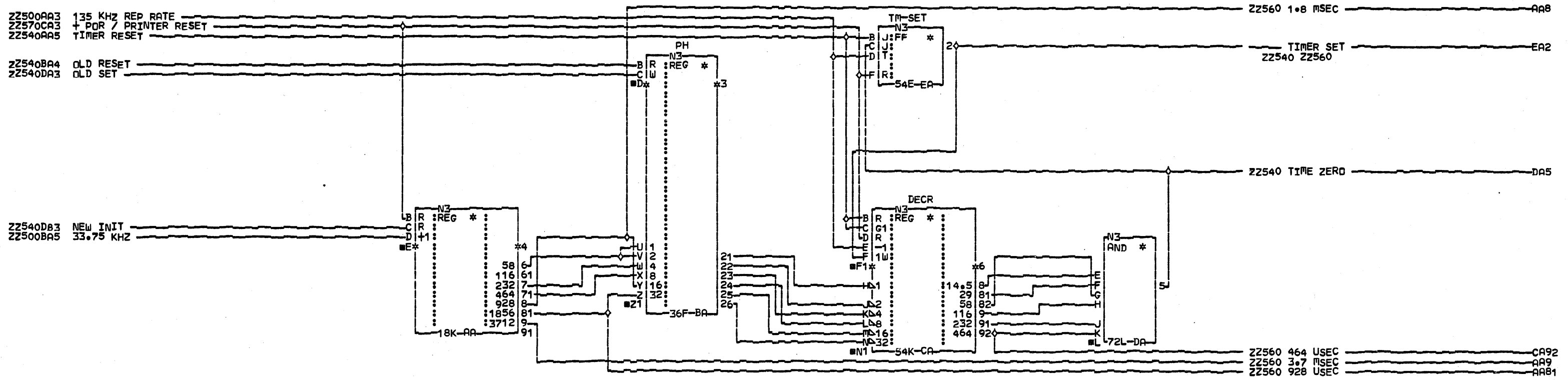
EMITTER SYNC + TIMING
DIGITAL CONTROL CARD
LINE PRINTER
PN2547454 EC825408 PEC825372

LOC=PRINTER-13A

USN 00100 PRI=19DEC74 1352

PDFSC=0001 SEC
PFORM=KSEB NEXTBLK DC

CID FEALD JOB L7101028



COMMENTS
D1COPYRIGHT IBM CORP. 1974

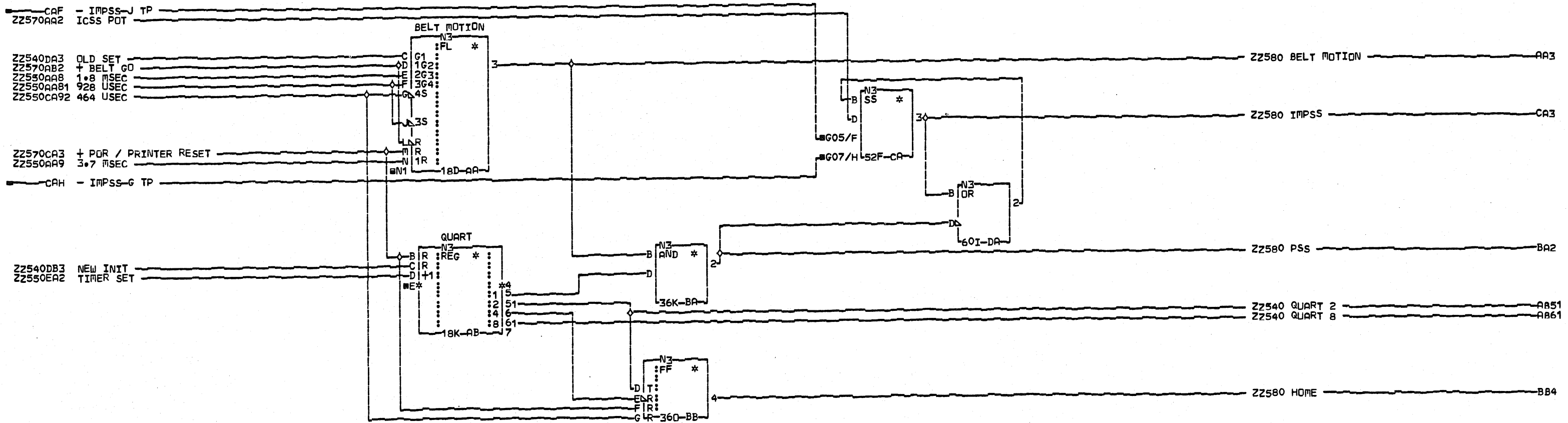
COUNTERS
DIGITAL CONTROL CARD
LINE PRINTER
PN2547455 EC825408 PEC825372

LOC=PRINTER-13A

USN 00100 PRI=19DEC74 1352

PDFSC=0001 SFC
PFORM=KSEB NEXTBLK EB

CID FEALD JOB L7101028



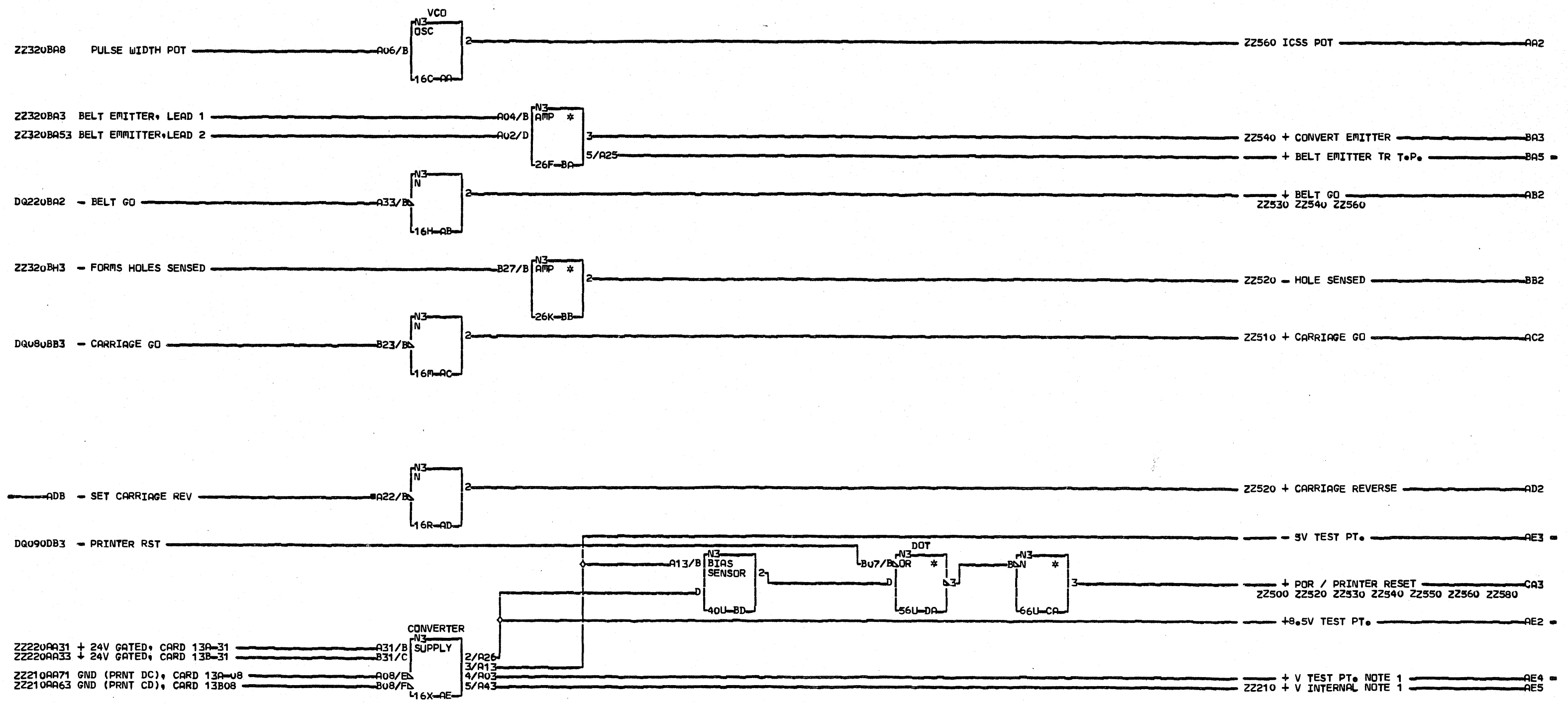
COMMENTS

A1NOTE: TAB PINS G05 & G07
 2 ARE JUMPERED OFF CARD.
 D1COPYRIGHT IBM CORP. 1974

PSS HOME MOTION
 DIGITAL CONTROL CARD
 LINE PRINTER
 PN2547456 EC825408 PEC825372
 LOC=PRINTER-13A
 USN 00100 PRI=19DEC74 1352
 PDFSC=0001 SEC
 PFORM=KSEB NEXTBLK DB
 CID FEALD JOB L7101028

Z
2
5
6
0

Z
2
5
6
0

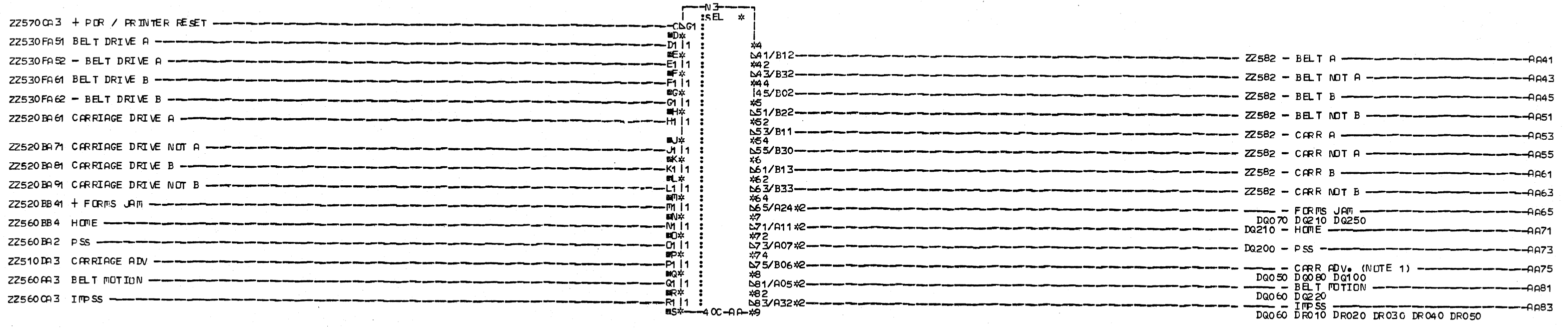


COMMENTS
 A1 NOTE1: + V INTERNAL MAY
 2 BE +5 OR +8.5 DEPENDING
 3 ON BASIC CONTROL CARD PN.
 4 SEE ZZ921 FOR DETAILS
 D1COPYRIGHT IBM CORP. 1974

INPUTS
 DIGITAL CONTROL CARD
 LINE PRINTER
 PN2547426 EC832069 PEC831995
 LOC=PRINTER-13A-13B
 USN 00125 PRI=07SEP77 1930
 AUC= PFORM=KSEB SEC NEXTBLK DB
 CID FEALD JOB M5301553

0001

0001



0001

REMARKS
 1 NOTE 1: THIS LINE GOES TO
 2 FJ101 WHEN HALF INDEX CARD
 3 IS INSTALLED
 D1COPYRIGHT IBM CORP. 1974

CONNECTORS

---AA65
 00 07 /PRINTER/13C32
 00 06 /1A-A2/V3B12
 ---AA71
 00 08 /PRINTER/13C07
 00 03 /1A-A2/V3D07
 ---AA73
 00 09 /PRINTER/13C25
 00 02 /1A-A2/V3B05
 ---AA75
 00 10 /PRINTER/13C22
 00 01 /1A-A2/V3B02
 ---AA81
 00 11 /PRINTER/13C24

CONNECTORS

000 4 /1A-A2/V3B04
 ---AA83
 001 2 /PRINTER/13C27
 000 5 /1A-A2/V3B07

OUTPUT
 DIGITAL CONTROL CARD
 LINE PRINTER
 PN2547457 EC828693 PEC825408

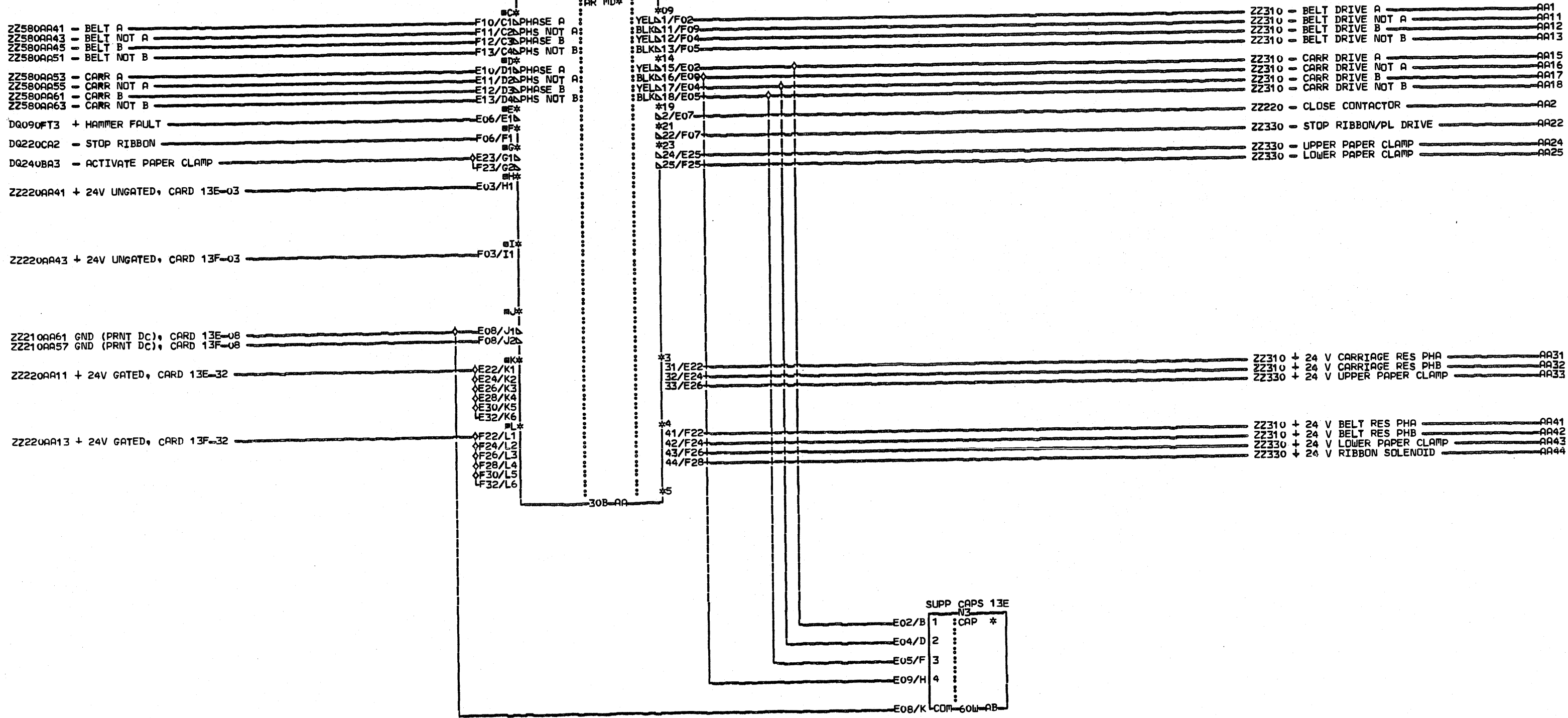
LD=PRINTER-1 3A

USN 00119 PRI=30JUN76 0923

PDESC=0001 SEC
 PFORM=KSEB NEXTBLK AB

CID FEALD JOB K5401623

MOT/SOL DR 13E 13F



COMMENTS
D1COPYRIGHT IBM CORP. 1974

MOTOR & SOLENOID DRIVE
AMPLIFIER CARD
LINE PRINTER
PN2547161 EC832081 PEC825408
LOC=PRINTER13E-13F
USN 00125 PRI=29NOV77 0801
AJC= SEC
PFORM=KSEB NEXTBLK AC
CID FEALD JOB K0200917

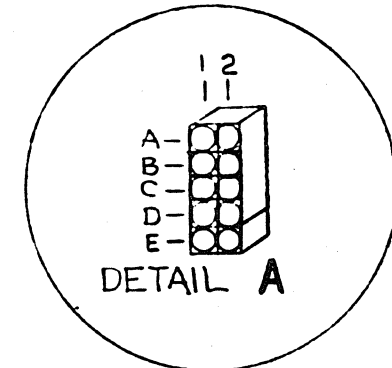
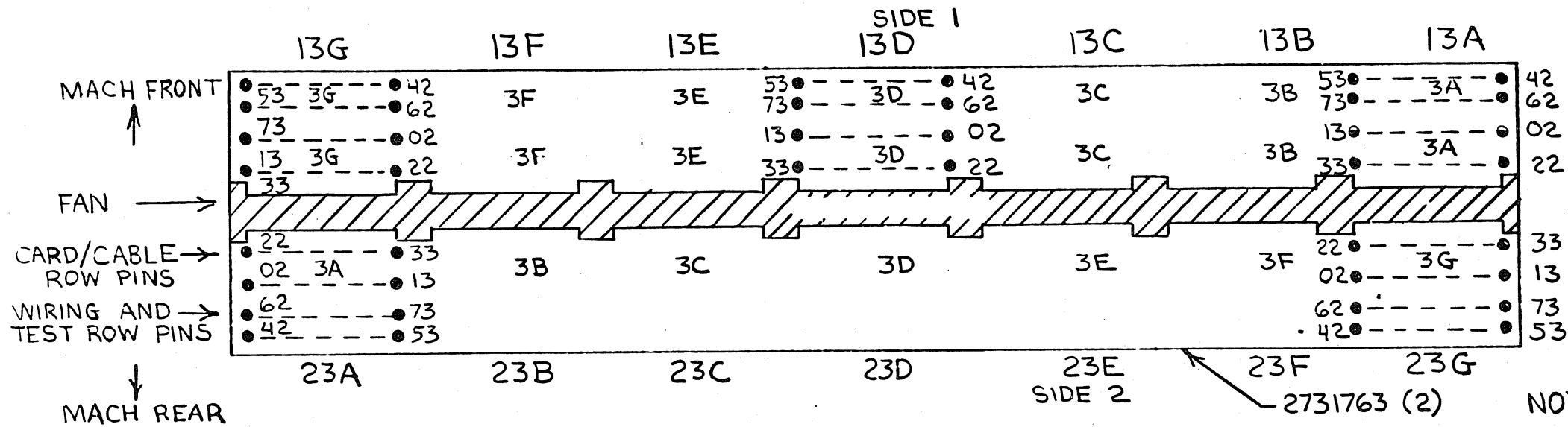
0001

0001

2547458

22910

TOP VIEW

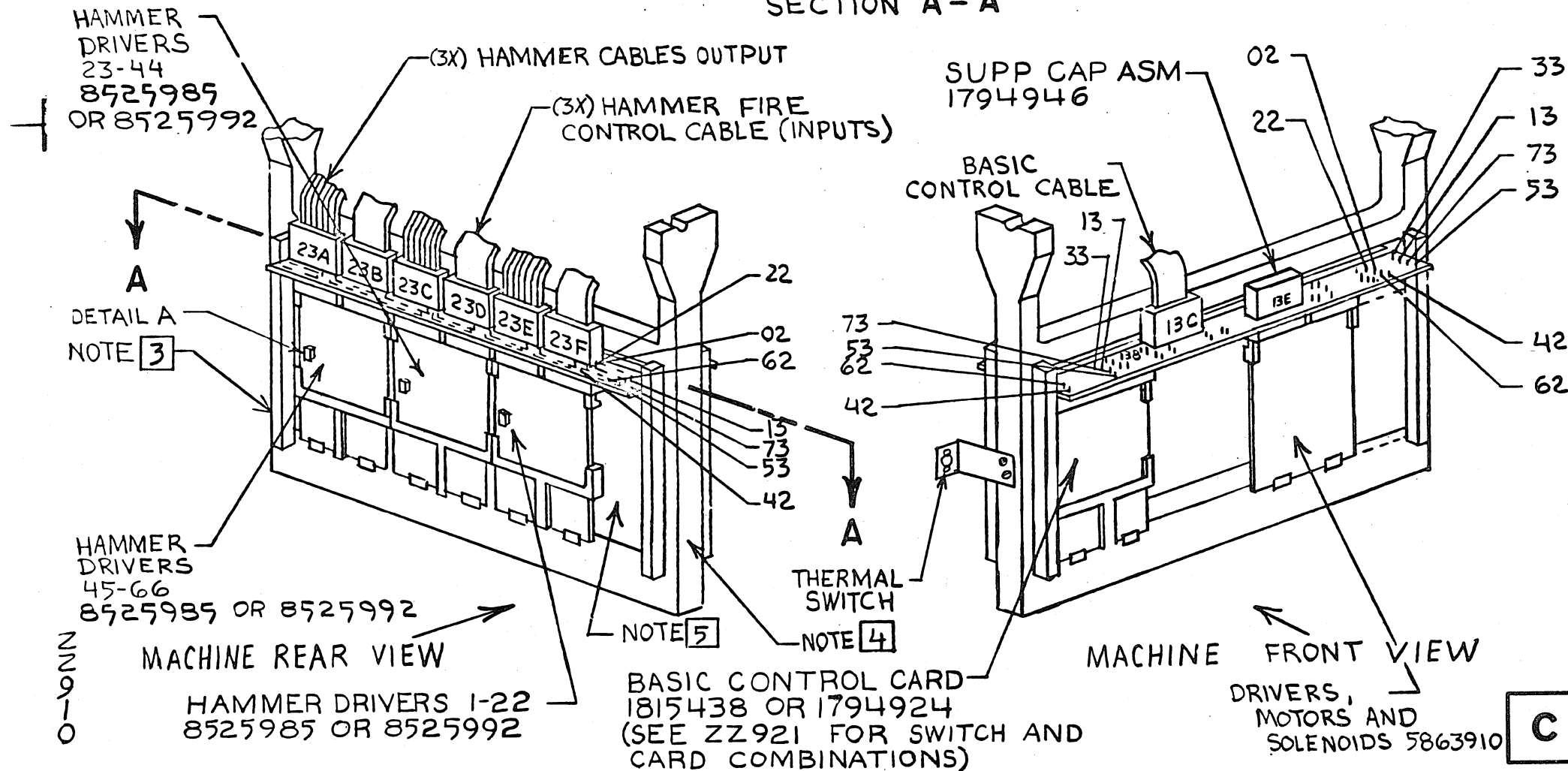


NOTE: THIS IS THE BERG CONNECTOR SHOWN ON ZZ410, ZZ420, AND ZZ430

NOTES

1. PINS 02 THRU 13 ARE CONNECTED ONE FOR ONE WITH PINS 42 THRU 53
2. PINS 22 THRU 33 ARE CONNECTED ONE FOR ONE WITH PINS 62 THRU 73
3. FAN HOUSING IS NOT SHOWN
4. RES ASM IS NOT SHOWN
5. SENSE AMPLIFIER CARD PART NUMBER 5864326 OR 5864327 FOR JAM DETECT PLUGS IN THIS LOCATION, 23G
6. HAMMER FIRE CABLE ENDS USE P/N 2637691 (CONNECTORS) AND P/N 1800735 (HOUSING)

SECTION A-A

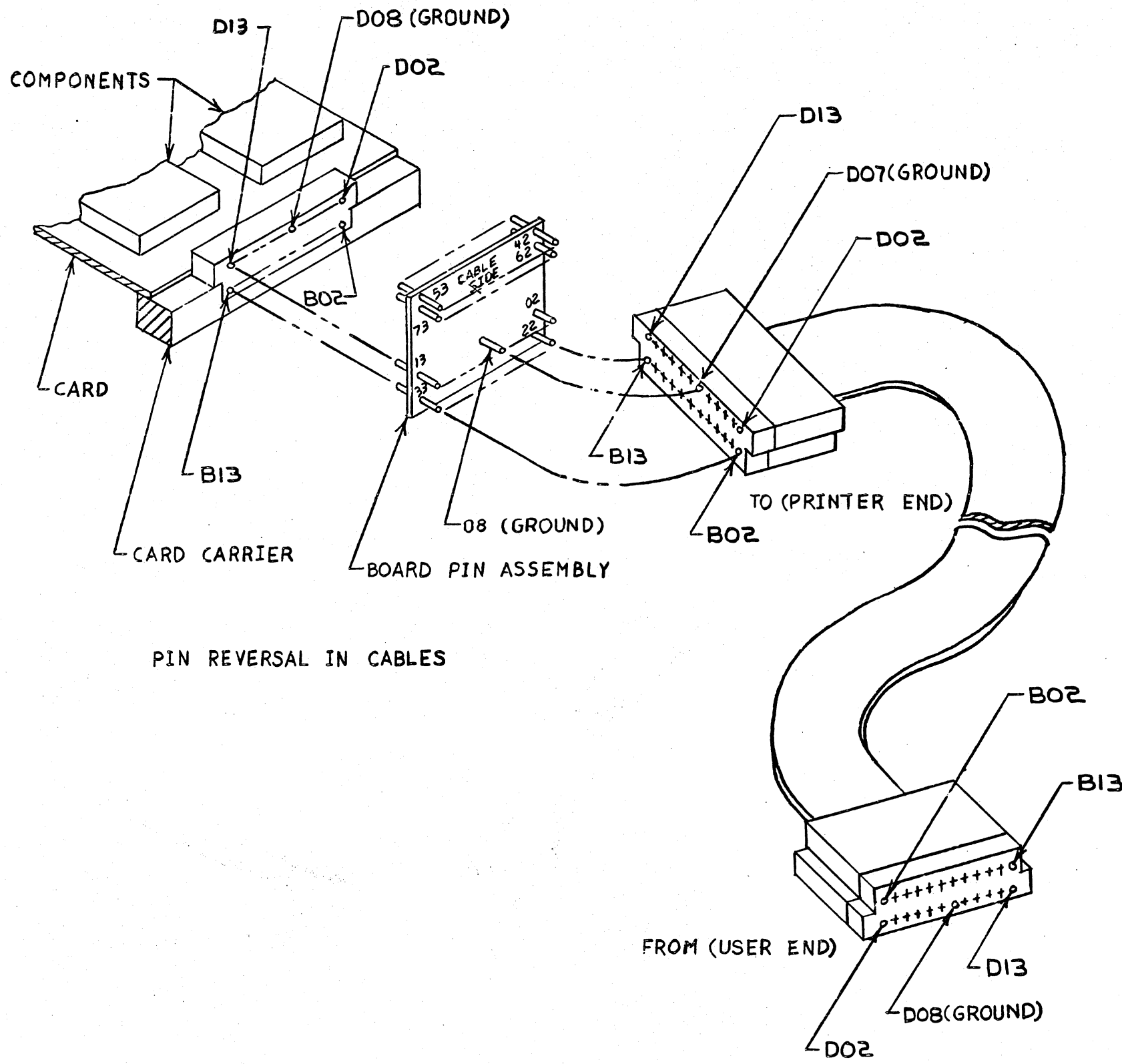


COPYRIGHT IBM CORP. 1974

EC HISTORY		DRAWING TITLE	
14MAR75	825493	PRINTER CARD GATE	
17NOV75	828579	MACH	
21SEP77	832049	PART NO	2547458
09JAN78	832081	CLASSIFICATION	IBM CORP
		2-22-74	IBM CORP

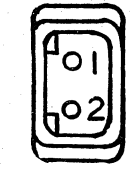
2547459

22920



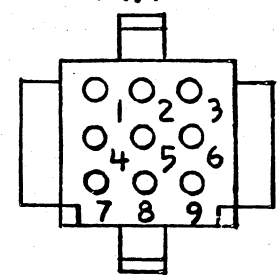
PIN REVERSAL IN CABLES

P1, P2, P6



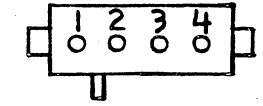
2 POS INLINE CONN

P4, P7



9 POS CONN

P3, P5, P8, P9



4 POS CONN

COPYRIGHT IBM CORP. 1974

EC HISTORY		DRAWING TITLE	
27 FEB 74	821197	PRINTER CABLE / CONN	
19 JUL 74	825251	MACH	
21 OCT 74	825372	PART NO	2547459 ✓
C	16 JAN 75	825408	CLASSIFICATION
			2-22-74 <i>DEB</i> IBM CORP

NNO20

NNO20 65

2548059

ZZ921

LINE PRINTER CONTROL CARD AND SWITCH COMBINATIONS

PRINTER	CONTROL CARD	INTERLOCK SWITCHES				+OP VOLTAGE	+VOLTAGE SUPPLIED BY CARD
		PN EOF	PN COVER, THROAT	IDENTIFIER			
50, 100, 155	1815438	1812560	1810951	MINIATURE 4 PIN CONNECTOR	5 TO 15	5	
	1794850	1812560	1810951		5 TO 15	5	
	1794924	1812560	1810951	INDIVIDUAL CLIPS ON WIRES PN ON SWITCH CASE	5 TO 15	8 1/2	
	1815438	1589401	1589291		5	5	
	1794850	1589401	1589291		5	5	
	1794924	1589402	1589292		8 1/2	8 1/2	
285	1821436	1812560	1810951	MINIATURE 4 PIN CONNECTOR	5 TO 15	5	
	1794849	1812560	1810951		5 TO 15	5	
	1794925	1812560	1810951	INDIVIDUAL CLIPS ON WIRES PN ON SWITCH CASE	5 TO 15	8 1/2	
	1821436	1589401	1589291		5	5	
	1794849	1589401	1589291		5	5	
	*1794925	1589402	1589292		8 1/2	8 1/2	

*NOTE: IF CONVERTING TO THIS COMBINATION, CHECK FOR A PRINTER CABLE WIRE THAT MAY BE PRESENT ON SOME MACHINES AT SOCKET POSITION A23G PIN 03. THIS WIRE MUST BE CUT OR REMOVED DURING THE CONVERSION. THIS WIRE IS NOT USED IN ANY SYS/32 APPLICATION.

EC HISTORY		DRAWING TITLE	
07OCT77	832069	PRINTER CARDS & SWITCHES	
30MAR78	832069A	MACH 5320	
		PART NO 2548059	
C	CLASSIFICATION		IBM CORP
	ELS 9-6-77		

ZZ921

ZZ921

* MODE SELECT SWITCH
ADDRESS/DATA SW 1 AND 3

- BIT 0
- BIT 1
- BIT 2
- BIT 3

CE PANEL-REAR VIEW

** ADDRESS/DATA SW 2 AND 4

- BIT 4
- BIT 5
- BIT 6
- BIT 7

- D02 - GND TO DISPLAY PWR CHECK
- D03
- D04 + CPU 5V TO CE PANEL
- D05 - ADDRESS COMP STOP SW
- D06 - CONTROL STORAGE SW
- D07 - IMPL DISKETTE
- D08
- D09 - IPL DISKETTE
- D10 - CE START KEY PRESSED
- D11 - PREVIOUS PWR FAULT DISPLAY
- D12 + ENABLE CPU DISPLAY
- D13 - CHECK RUN SWITCH

AAI-B5 (Y2) CE040

- B02 + PWR 5V TO CE PANEL
- B03 + CPU 5V TO CE PANEL
- B04 - CPU LAMP TEST
- B05 - BSCA DISPLAY TO ADAFTER
- B06
- B07 - CE METER KEY
- B08 - CE START KEY PRESSED
- B09 - POWER LAMP TEST
- B10 - CE START KEY RELEASED
- B11
- B12 - RESET KEY PRESSED TO CPU
- B13 - RESET KEY PRESSED TO PWR

AAI-B4 (Y1) CE010,020,030

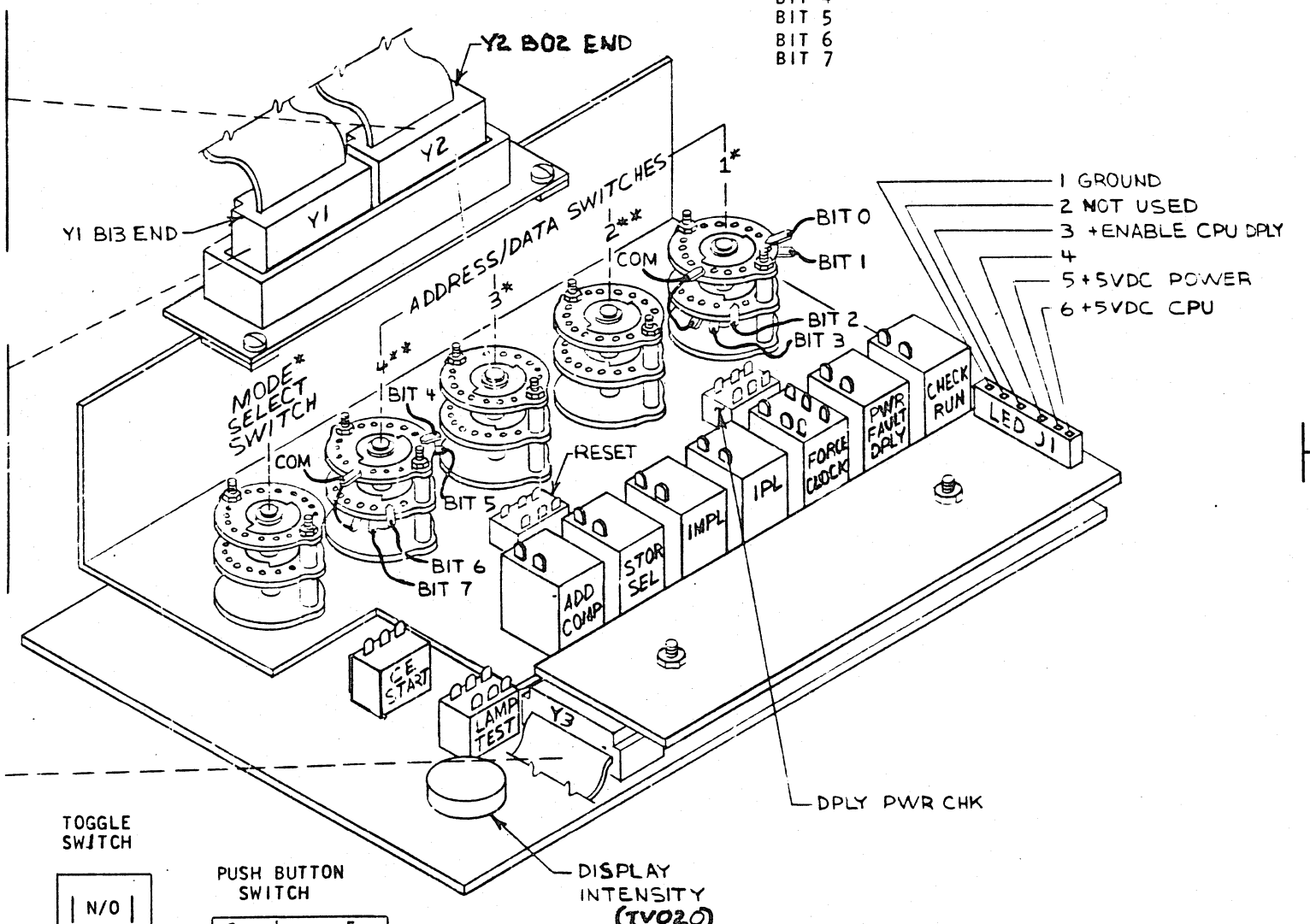
- D02 + ADDRESS SWITCH 1-2 BIT 3
- D03
- D04 + ADDRESS SWITCH 1-2 BIT 1
- D05 + ADDRESS SWITCH 1-2 BIT 0
- D06 + ADDRESS SWITCH 3-4 BIT 0
- D07 + ADDRESS SWITCH 1-2 BIT 7
- D08
- D09 + ADDRESS SWITCH 1-2 BIT 5
- D10 + ADDRESS SWITCH 1-2 BIT 4
- D11 + ADDRESS SWITCH 3-4 BIT 4
- D12 + MODE SELECTOR SW BIT 3
- D13 + MODE SELECTOR SW BIT 2

- B02 + ADDRESS SWITCH 3-4 BIT 3
- B03 + ADDRESS SWITCH 1-2 BIT 2
- B04 + ADDRESS SWITCH 3-4 BIT 2
- B05 + ADDRESS SWITCH 3-4 BIT 1
- B06
- B07 + ADDRESS SWITCH 3-4 BIT 7
- B08 + ADDRESS SWITCH 1-2 BIT 6
- B09 + ADDRESS SWITCH 3-4 BIT 6
- B10 + ADDRESS SWITCH 3-4 BIT 5
- B11
- B12 + MODE SELECTOR SW BIT 1
- B13 + MODE SELECTOR SW BIT 0

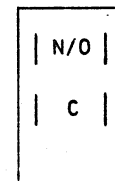
AAI-A3 (Y3) CE050

- D02 - DISPLAY HI BIT 3
- D03 - DISPLAY HI BIT 2
- D04 - DISPLAY HI BIT 4
- D05 - DISPLAY HI BIT 6
- D06 - DISPLAY SBO BIT 8
- D07 - DISPLAY SBO BIT 10
- D08
- D09 - DISPLAY SBO BIT 13
- D10 - DISPLAY SBO BIT 11
- D11 - DISPLAY SBO BIT P
- D12 - INTERRUPT IND DRIVE 2
- D13 - INTERRUPT IND DRIVE 1

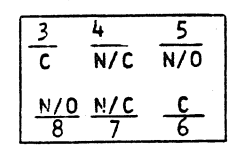
- B02 - DISPLAY HI BIT 1
- B03 - DISPLAY HI BIT 5
- B04 - DISPLAY HI BIT 7
- B05 - DISPLAY SBO BIT 9
- B06 - DISPLAY SBO BIT 15
- B07 - DISPLAY SBO BIT 14
- B08 - DISPLAY SBO BIT 12
- B09 - DISPLAY HI BIT 0
- B10 - DISPLAY HI BIT P
- B11 - CLOCK RUN INDICATOR
- B12 - DISPLAY HI BIT P
- B13 - INTERRUPT IND DRIVE 0



TOGGLE SWITCH



PUSH BUTTON SWITCH



COPYRIGHT IBM CORP. 1974

EC HISTORY		DRAWING TITLE	
21OCT74	825372	CE PANEL	
18OCT76	830357	MACH	
		PART NO 2547122	
C	CLASSIFICATION		IBM CORP

COPYRIGHT IBM CORP. 1974

NN6MO

NN6MO