

# IBM System/3 Basic Assembler Reference Manual

## Program Numbers:

5702-AS1 (Models 8 and 10)

5704-AS1 (Model 15)

5704-AS2 (Model 15)

5705-AS1 (Model 12)

SC21-7509-7

File No. S3-21

Program Product

## Preface

This publication is a reference manual for the programmer using the IBM System/3 Basic Assembler language. This language provides facilities for representing machine usable instructions symbolically on a one-for-one basis. The symbolic representations are translated by the IBM System/3 Basic Assembler into the machine usable form necessary for running a program on the System/3.

### Related Publications

The *IBM System/3 Models 8, 10, 12, and 15 Components Reference Manual*, GA21-9236, contains specifications governing the use of assembler language instructions.

### System/3 Model 8

The System/3 Model 8 is supported by System/3 Model 10 Disk System control programming and program products. The facilities described in this publication for the Model 10 are also applicable to the Model 8, although the Model 8 is not referenced. It should be noted that not all devices and features which are available on the Model 10 are available on the Model 8. Therefore, Model 8 users should be familiar with the contents of *IBM System/3 Model 8 Introduction*, GC21-5114.

### Eighth Edition (April 1975)

This is a minor revision of SC21-7509-5 incorporating Technical Newsletters:

SN21-5385 March 17, 1976  
SN21-5434 December 31, 1976  
SN21-5536 June 24, 1977

This revision makes some changes to various pages and introduces information concerning the IBM System/3 Model 8. Changes to text and small changes to illustrations are indicated by a vertical line at the left of the change; new or extensively revised illustrations are denoted by the symbol ● at the left of the figure caption.

This edition applies to version 12, modification 00 of IBM System/3 Model 10 Disk System Basic Assembler (Program Product Number 5702-AS1); version 03, modification 00 of IBM System/3 Model 15 Basic Assembler (Program Product Number 5704-AS1); and to all subsequent versions and modifications unless otherwise indicated in new editions or technical newsletters. Changes are continually made to the specifications herein; before using this publication in connection with the operation of IBM Systems, consult the latest IBM System/3 Bibliography, GC20-8080, for the editions that are applicable and current.

Requests for copies of IBM publications should be made to your IBM representative or to the branch office serving your locality.

A Reader's Comment Form is at the back of this publication. If the form is gone, address your comments to IBM Corporation, Publications, Department 245, Rochester, Minnesota 55901.

INTRODUCTION . . . . .	1	Source and Object Listing . . . . .	39
Minimum System Requirements . . . . .	1	Cross-Reference List . . . . .	40
		External Symbol List (ESL) Table Size . . . . .	42
Main Storage Requirements . . . . .	2		
<b>PART I. BASIC ASSEMBLER LANGUAGE</b> . . . . .	<b>3</b>	<b>APPENDIX A: MACHINE INSTRUCTIONS</b> . . . . .	<b>43</b>
Basic Statement Format . . . . .	3	Machine Language Instruction Formats . . . . .	43
Terms and Expressions . . . . .	3	Operation Code . . . . .	43
Terms . . . . .	5	Q Code . . . . .	43
The Symbol . . . . .	5	Control Code . . . . .	43
The Self-Defining Term . . . . .	5	Storage Addresses . . . . .	43
Location Counter Reference . . . . .	6	Mnemonic Operation Codes (Machine) . . . . .	47
Expressions . . . . .	7	Extended Mnemonic Codes . . . . .	48
Assembler Coding Conventions . . . . .	8	<b>APPENDIX B: ASSEMBLER INSTRUCTION</b>	
The Statement Format . . . . .	8	<b>REFERENCE TABLE</b> . . . . .	<b>67</b>
Comment Statements . . . . .	10		
Addressing . . . . .	12	<b>APPENDIX C: SYSTEM/3 ASSEMBLER – SOURCE</b>	
Direct Addressing . . . . .	12	<b>LANGUAGE ERROR CODES AND DIAGNOSTICS</b> . . . . .	<b>69</b>
Base-Register Displacement Addressing . . . . .	12		
Relative Addressing . . . . .	12	<b>APPENDIX D: ASSEMBLER LANGUAGE SUBROUTINE</b>	
Instruction Addressing . . . . .	13	<b>TO RPG II LINKAGE</b> . . . . .	<b>71</b>
Data Addressing . . . . .	13	Using Fields in the RPG II Program . . . . .	71
Control of Location Counter . . . . .	13	Referencing a Field in an RPG II Program . . . . .	71
Machine Instruction Statements . . . . .	13	Referencing a Table or Array in an RPG II Program . . . . .	71
Name Entry Attributes . . . . .	14	Referencing an Indicator in an RPG II Program . . . . .	72
Machine Instruction Mnemonic Codes . . . . .	14	RPG II Linkage Sample Program 1 . . . . .	72
Extended Mnemonic Codes . . . . .	14	RPG II Linkage Sample Program 2 . . . . .	72
Machine Instruction Operands . . . . .	14	I/O Subroutines . . . . .	72
Assembler Instruction Statements . . . . .	17	Linkage for I/O Subroutines . . . . .	72
Symbol Definition Instruction . . . . .	17	Library Deck Generator Program (Model 10 Only) . . . . .	76
Data Defining Instructions . . . . .	18	Writing the Assembler Language Program . . . . .	76
Listing Control Instructions . . . . .	20	Assembling the Subroutine . . . . .	79
Program Control Instructions . . . . .	22	Running the LDG Program . . . . .	79
		Output of the LDG Program . . . . .	82
		Example . . . . .	82
<b>PART II. PROGRAMMER'S GUIDE</b> . . . . .	<b>27</b>	<b>APPENDIX E: ASSEMBLER LANGUAGE SUBROUTINE</b>	
Assembler Control Statements . . . . .	27	<b>TO COBOL OR FORTRAN LINKAGE</b> . . . . .	<b>86</b>
Headers Statement . . . . .	27	Standards . . . . .	88
Options Statement . . . . .	27		
OCL Statements For Assembler . . . . .	29	<b>APPENDIX F: BASIC ASSEMBLER SAMPLE</b>	
OCL For Loading the Assembler . . . . .	29	<b>PROGRAM</b> . . . . .	<b>89</b>
OCL For Calling the Assembler . . . . .	31	Model 10 and Model 12 Sample Programs . . . . .	89
Sample Assembler Procedure Stored in Procedure		Program Description . . . . .	89
Library . . . . .	32	Model 15 Sample Program . . . . .	93
Object Program Description . . . . .	32	Program Description . . . . .	93
Record Formats . . . . .	32		
Object Program After Punch Conversion . . . . .	33	<b>APPENDIX G: IBM 1255 MAGNETIC CHARACTER</b>	
Assembly Time Data File Requirements . . . . .	34	<b>READER SUPPORT (Models 12 and 15 Only)</b> . . . . .	<b>99</b>
Source File . . . . .	34		
Object File . . . . .	34		
Work File . . . . .	34		
Operating Procedures . . . . .	36		
Placing Assembler Subroutines in R (Routine) Library . . . . .	36		
Using Assembler Object Program With the Program			
Loader . . . . .	37		
Assembler Listing . . . . .	38		
Control Statements . . . . .	38		
External Symbol List (ESL) . . . . .	39	<b>INDEX</b> . . . . .	<b>105</b>



The IBM System/3 Basic Assembler language is a symbolic language. That is, it must be translated into a form usable by the computer before a program can be run. The computer-usable form is called machine language, and the IBM System/3 Basic Assembler language provides a convenient method for representing, on a one-for-one basis, machine language instructions and related data necessary to write a program for IBM System/3. This one-for-one relationship to machine language instructions gives assembler language great programming versatility.

The assembler language is composed of symbols, called mnemonics, which are used to represent the operation codes of two types of instruction statements:

1. *Machine instruction statements* are the symbols that represent machine language instructions on a one-for-one basis. Note that symbolically represented machine instructions are *translated* into machine language by the assembler.
2. *Assembler instruction statements* are instructions which control the functions of the assembler. Each assembler instruction statement causes the assembler to perform a specific operation during the assembly process.

The IBM System/3 Basic Assembler:

- Processes instructions written in assembler language.
- Translates the assembler language instructions into machine language.
- Assigns storage locations.
- Performs other functions necessary to produce an executable machine language program.

In order to call the assembler from its storage location, a specific set of OCL (operation control language) instructions must be used. Following these OCL instructions, the user may elect to include an OPTIONS instruction, a facility which allows him to take advantage of various combinations of output listings and punched decks.

There are certain procedures for storing assembler routines on the Model 10 Disk System, Model 12, and Model 15 R (relocatable) Library and for loading assembler object programs into main storage. These procedures, as well as the other items mentioned briefly above, are discussed more fully in the text.

#### MINIMUM SYSTEM REQUIREMENTS

The minimum system configuration and optional device support for the Basic Assembler program is shown in the *IBM System/3 Models 6, 8, 10, and 12 System Generation Reference Manual*, GC21-5126 and in the *IBM System/3 Model 15 System Generation Reference Manual*, GC21-7616.

## MAIN STORAGE REQUIREMENTS

The Model 10 Disk System Basic Assembler (5702-AS1) requires 8,192 bytes of main storage for execution, exclusive of control program requirements.

The Model 12 Basic Assembler (5705-AS1) and the Model 15 Basic Assembler (5704-AS1 or 5704-AS2) require 10,240 bytes of main storage for execution, exclusive of control program requirements.

The IBM System/3 Basic Assembler language is a symbolic language that provides a convenient method for representing, on a one-for-one basis, machine language instructions. The symbolic representations in assembler language coding are translated by the IBM System/3 Basic Assembler into the machine language form usable by the computer. In order to code in assembler language, the user must become familiar with certain terms, coding conventions, instructions, and other features of the language. The remainder of this chapter deals with these items.

#### **BASIC STATEMENT FORMAT**

A statement coded in assembler language can contain up to four entries from left to right: Name, Operation, Operand, and Remark. See *Assembler Coding Conventions* in this manual for an explanation of the contents and functions of each entry.

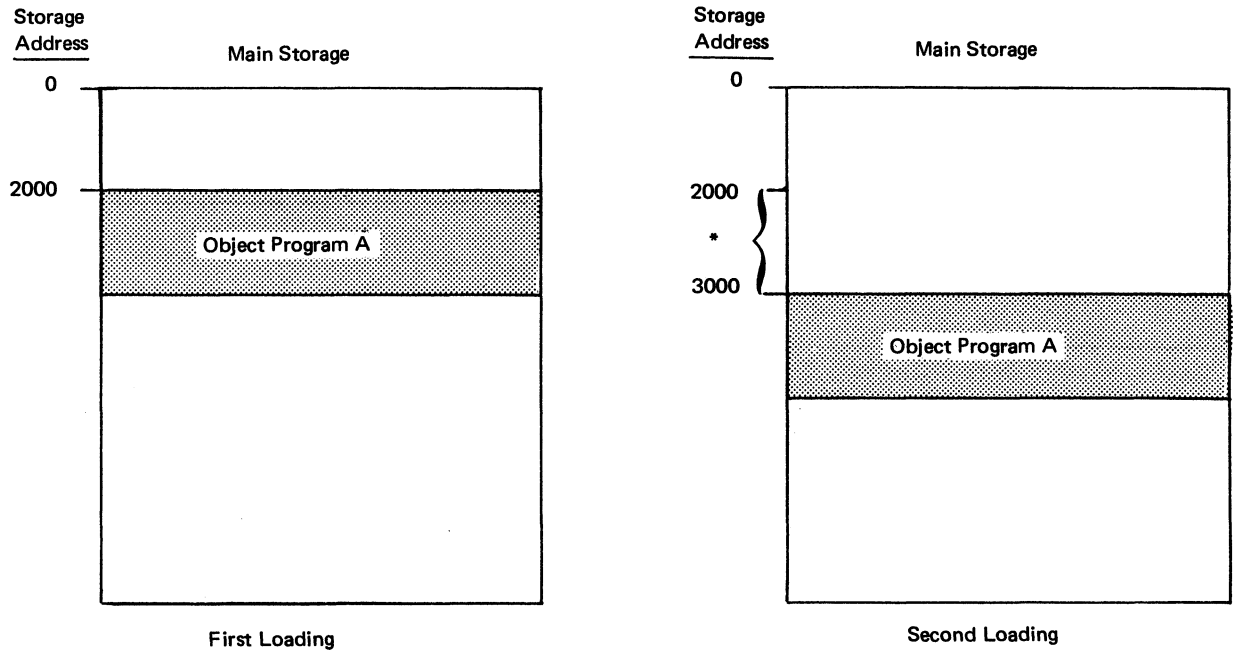
#### **TERMS AND EXPRESSIONS**

A term is a single symbol, self-defining value, or location counter reference which can be used only in the operand field of an assembler language instruction. The three types of terms are described under *Terms* in this section.

An expression consists of one or more terms. It is used to specify the operand fields of assembler language instructions. Terms and expressions are classed as either absolute or relocatable. A term or expression is absolute if its value is not changed when the assembled program in which it is used is relocated in main storage. A term or expression is relocatable if its value is changed when the program in which it is used is relocated.

Program relocation is the loading of an assembled program (object program) into a different area of main storage from that which was originally assigned by the assembler. The difference (in bytes) between the originally assigned address of the object program and the address of the relocated object program is the amount of relocation. The addresses assigned to all instructions and data in the relocated program are changed by the amount

of relocation. In Figure 1, Object Program A is initially loaded at address 2000 in main storage. When Object Program A is loaded a second time, it is placed at address 3000 in main storage. The amount of relocation is 1000 bytes. Therefore, the values of all relocatable terms and expressions used in Object Program A would be increased by 1000 during the second loading.



\* The amount of program relocation is 1000 bytes.

Figure 1. Program Relocation



## TERMS

Three types of terms are used in the IBM System/3 Basic Assembler language.

- Symbol
- Self-defining term
- Location counter reference

### The Symbol

A symbol is a character or combination of characters used to represent storage locations, instructions, input/output units, registers, or arbitrary values. A symbol can be used in either the name field or the operand field of a statement. When used in the name field, the symbol is called a name field entry. When used in the operand field, the symbol is called a symbolic term.

When the assembler finds a symbol in the name field of a statement, it assigns to that symbol an address value attribute. See *Addressing* in this section. The assembler also assigns a length attribute to the symbol, which is the number of bytes in the storage field named by the symbol. There are exceptions. When the assembler encounters EQU, START, or TITLE statements, it does not assign the usual attributes. EQU name field entries derive their values from the operand, START name field entries are assigned a length of 1, and TITLE name field entries are assigned no values at all.

The same symbol cannot be used as a name entry more than once within a program with the exception of the TITLE card. In order for a symbol to be used in the operand field, it must be defined (that is, used as a name) on an instruction other than a TITLE card somewhere in the program. Once it is defined, the symbol may appear in any number of operands. Whether the symbol is used as a name or an operand, these rules must be followed:

1. The symbol can consist of no more than six characters, the first of which must be either alphabetic or \$, #, @. The other characters can be any combination of alphabetic, numeric, or \$, #, @.
2. Blanks and special characters other than \$, #, @ cannot be used in a symbol.

### The Self-Defining Term

The self-defining term is a term which specifies an actual value or bit configuration.

The value expressed by the self-defining term is taken literally by the assembler and is assembled into the instruction. Like all terms, the self-defining term is used only in the operand field.

There are four types of self-defining terms:

- Decimal
- Hexadecimal
- Binary
- Character

#### Decimal Self-Defining Terms

A decimal self-defining term is an unsigned decimal number written as a sequence of decimal digits. High order zeros may be used, such as in 0003. If a decimal term is used as an address, its value cannot exceed the number of bytes in main storage. A decimal term consists of no more than five digits and cannot exceed a value of 65,535. This value is equivalent to the binary value that can be contained in two bytes. A decimal self-defining term is assembled as its binary equivalent.

*Examples:* 16 132 00006 43678

In the following example, a decimal self-defining term is used in a Move Immediate (MVI) instruction. The binary equivalent of 25 would be placed in the 1-byte area referenced by the symbol, COST

NAME	OPERATION	OPERAND
ALPHA	MVI	COST, 25

### Hexadecimal Self-Defining Terms

Hexadecimal self-defining terms can consist of up to four hexadecimal digits enclosed in apostrophes and preceded by the letter X.

*Examples:* X'C34A' X'04F' X'6' X'DE'

Each digit is assembled into its 4-bit binary equivalent. Therefore, the maximum value would be X'FFFF' (65,535).

The following is an example of the use of a hexadecimal self-defining term. The 1-byte area at SWITCH would contain the hexadecimal value F0 (binary, 11110000) after execution of the instruction.

NAME	OPERATION	OPERAND
BETA	MVI	SWITCH, X'F0'

### Binary Self-Defining Terms

Binary self-defining terms are written as a sequence of 1's and 0's enclosed in apostrophes and preceded by the letter B; such as B'1011'. This term would appear in storage as 00001011. The high-order (leftmost) bits are padded with 0-bits to make a multiple of eight bits of data (one or two bytes). A maximum of 16 bits of data can be represented in each term. In the following example of a Move Immediate instruction, the binary information will be moved into the 1-byte field at AREA.

NAME	OPERATION	OPERAND
GAMMA	MVI	AREA, B'10110011'

### Character Self-Defining Terms

Character self-defining terms consist of one or two characters enclosed by apostrophes and preceded by the letter C; such as C'A3'. Any of the valid punch combinations can be used in a character self-defining term.

*Examples:* C'A9' C'EA' C'LB' C'3'

Because certain terms in the assembler language must be enclosed by apostrophes (such as C'EA'), for every apostrophe that is used as a character in a self-defining term, two must be written. For example, the characters A' would be written as C'A''.

In the following example, a dollar sign (\$) would be moved into the byte field at REPORT.

NAME	OPERATION	OPERAND
DELTA	MVI	REPORT, C'\$'

### Location Counter Reference

*Location Counter:* The location counter is an internal counter, maintained by the assembler, which always points to the next available storage location. As each new statement is processed, the location counter is increased by the number of bytes in the assembled statement. The assembler uses the current address in the location counter to assign consecutive storage addresses to program statements.

*Location Counter Reference:* A location counter reference is an asterisk (\*) used as a term in the operand of an instruction. When the assembler encounters an asterisk, it substitutes the current value of the location counter (which always points to the next available storage location) for the asterisk.

## EXPRESSIONS

An expression consists of an arithmetic combination of one or more terms. In a multi-term expression, terms must be separated by an arithmetic operator: the arithmetic operators are + for addition, - for subtraction, and \* for multiplication.

*Examples:* AREA+X\*2D' N-25 R+15 A\*8

The rules for coding an expression are:

1. Two terms or two operators must not be used consecutively in an expression.
2. Parentheses cannot be used in an expression.
3. Only absolute terms can be used in a multiply operation.
4. Blanks are not allowed in an expression.
5.
  - a. Using the Model 10 disk system basic assembler, an expression may consist of only one term when that term is a symbol used as the operand of an EXTRN statement.
  - b. Using the Model 15 basic assembler, if the expression contains an external symbol, then the expression must be of the form A or A±e. A is a symbol used as the operand of an EXTRN statement and e is an absolute expression.

*Note:* An A±e expression must not be in a Model 10 subroutine with RPG II.

If there is more than one term in the expression, the terms are reduced to a single value as follows:

1. Each term is evaluated separately.
2. Arithmetic operations are then performed in a left-to-right sequence, except that multiplication is performed before addition or subtraction. An example would be A+B\*C, which would be evaluated as A+(B\*C), not (A+B)\*C. The result would be the value of the expression.
3. The intermediate result of the expression evaluation is a 3-byte, or 24-bit value. Intermediate results must be in the range of  $-2^{24}$  through  $2^{24}-1$ .

Negative values are carried in the two's-complement form. The final value of the expression is the truncated, rightmost 16 bits of the result. The value of the expression before truncation must be in the range of -65536 through +65535. A negative result is considered to be a 2-byte positive value.

*Note:* In address constants the full 24-bit final expression result is truncated on the left to fit the length of the constant.

*Absolute Expressions:* An expression is considered absolute if its value is unaffected by program relocation.

An absolute term may be a non-relocatable symbol, or any of the self-defining terms. All arithmetic operations are permitted between absolute terms.

An absolute expression can contain relocatable terms or a combination of relocatable and absolute terms under the following conditions:

1. The expression must contain an even number of relocatable terms.
2. The relocatable terms must be paired and each pair must consist of terms with opposite signs. The paired terms need not be adjacent.
3. Relocatable terms cannot be used in a multiplication operation.

Pairing relocatable terms with opposite signs cancels the effect of the relocation, because both terms would be relocated by the same value. Therefore, the value represented by the paired terms would, in effect, remain constant regardless of the program relocation. For example, in the absolute expression A-Y+X, A is an absolute term and X and Y are relocatable terms. If A equals 50, Y equals 25, and X equals 10, the value of the expression would be 35. If X and Y are relocated by a factor of 100, their values would become 110 and 125, respectively. However, the expression would still evaluate as 35 ( $50-125+110=35$ ). Absolute expressions reduce to a single absolute value.

*Relocatable Expressions:* A relocatable expression is one whose value changes by the amount of relocation when the program in which it is used is relocated. All relocatable expressions must reduce to a positive value.

A relocatable expression can be a combination of relocatable and absolute terms under the following conditions:

1. There must be an odd number of relocatable terms.
2. All relocatable terms, except one, must be paired and each pair must consist of terms with opposite signs. The paired terms need not be adjacent.
3. The unpaired term must not be immediately preceded by a minus sign.
4. Relocatable terms cannot enter into a multiplication operation.

All terms in a relocatable expression are reduced to a single value. This single value is the value of the unpaired relocatable term after it has been adjusted (displaced) by the resultant value of the other terms in that expression. For example, in the expression  $W-X+Y$  where  $W$ ,  $X$ , and  $Y$  are relocatable terms; and  $W=10$ ,  $X=3$ ,  $Y=1$ ; the result would be the relocatable value of 8.

If the program is relocated by 100 bytes, the resultant value of the expression would be increased by the amount of relocation (100), giving the expression a value of 108.

In the following expression, a combination of absolute and relocatable terms are used:  $A+F*G-D+B$ .  $A$ ,  $D$ , and  $B$  are relocatable terms;  $F$  and  $G$  are absolute terms. When given the values  $A=3$ ,  $B=2$ ,  $D=5$ ,  $F=1$ , and  $G=4$ , the result would be a relocatable value of 4. The multiplication occurred first, resulting in 4; then the addition and subtraction of the other terms, including the result of the multiplication, was performed in a left-to-right direction. The result of the arithmetic operations is a relocatable value of 4 for this expression.

Upon relocation, the value of this expression can be determined by adding the amount of relocation to all relocatable terms.

## ASSEMBLER CODING CONVENTIONS

This section explains the general coding conventions associated with the IBM System/3 Basic Assembler language. When coding in assembler language, the programmer uses the IBM System/3 Assembler Coding Form (Figure 2).

### The Statement Format

Each line on the coding form is divided into two segments: Statement (columns 1-87), and Sequence (columns 89-96).

The Statement segment can contain up to four entries, from left to right: Name, Operation, Operand and Remark. The Name field is column dependent. It must start in column 1, unless otherwise specified by the ICTL assembler instruction (see *Assembler Instruction Statements*). All other entries can start in any column, as long as there is at least one blank separating each entry and the entries remain in the stated order. Figure 3 is a diagram of assembler statement entries.



### *Name Entry*

- Optional or required depending on the specific instruction.
- Up to six characters can be used in a name.
- First character must be alphabetic (including \$, #, @).
- First character must be in column 1 unless otherwise specified by an ICTL assembler instruction.
- No special characters or blanks in a name (except \$, #, @).
- At least one blank must follow the Name entry or appear in the first Name entry column (if no name is entered).

### *Operation Entry*

- Required entry.
- Contains mnemonic operation code (list of valid machine codes is in *Appendix A. Machine Instructions*).
- Must be followed by a blank.

### *Operand Entry*

- Optional or required depending on the specific instruction.
- Contains coding that describes data to be acted upon.
- Operands are separated by a comma.
- No blanks between terms or operands.
- Blanks are allowed within character constants and character self-defining terms only.
- If the entire operand entry is omitted, but a remark entry is desired, absence of the operand must be indicated by a comma in the operand entry, preceded and followed by one or more blanks.
- Must be followed by a blank.

### *Remark Entry*

- Optional entry.
- Contains a brief verbal description of the statement's function.
- Cannot extend beyond column 87 or a limit prescribed by ICTL assembler instruction.
- Can contain any combination of valid characters or blanks.
- Must be followed by a blank.

### *Identification—Sequence Entry*

- Optional entry.
- Contains statement identification or sequence characters.
- See *ISEQ – Input Sequence Checking* later in this section.

### **Comment Statements**

The entire statement field (columns 1-87) can be used for comments by placing an asterisk in column 1 (or the beginning column, as set by the ICTL assembler instruction). Comments can be extended for more than one line by the repeated use of the asterisk in the first column of additional cards. Comment lines may be used anywhere in the source program and are printed on the program listing. Sequence checking is also performed on cards containing comment statements.

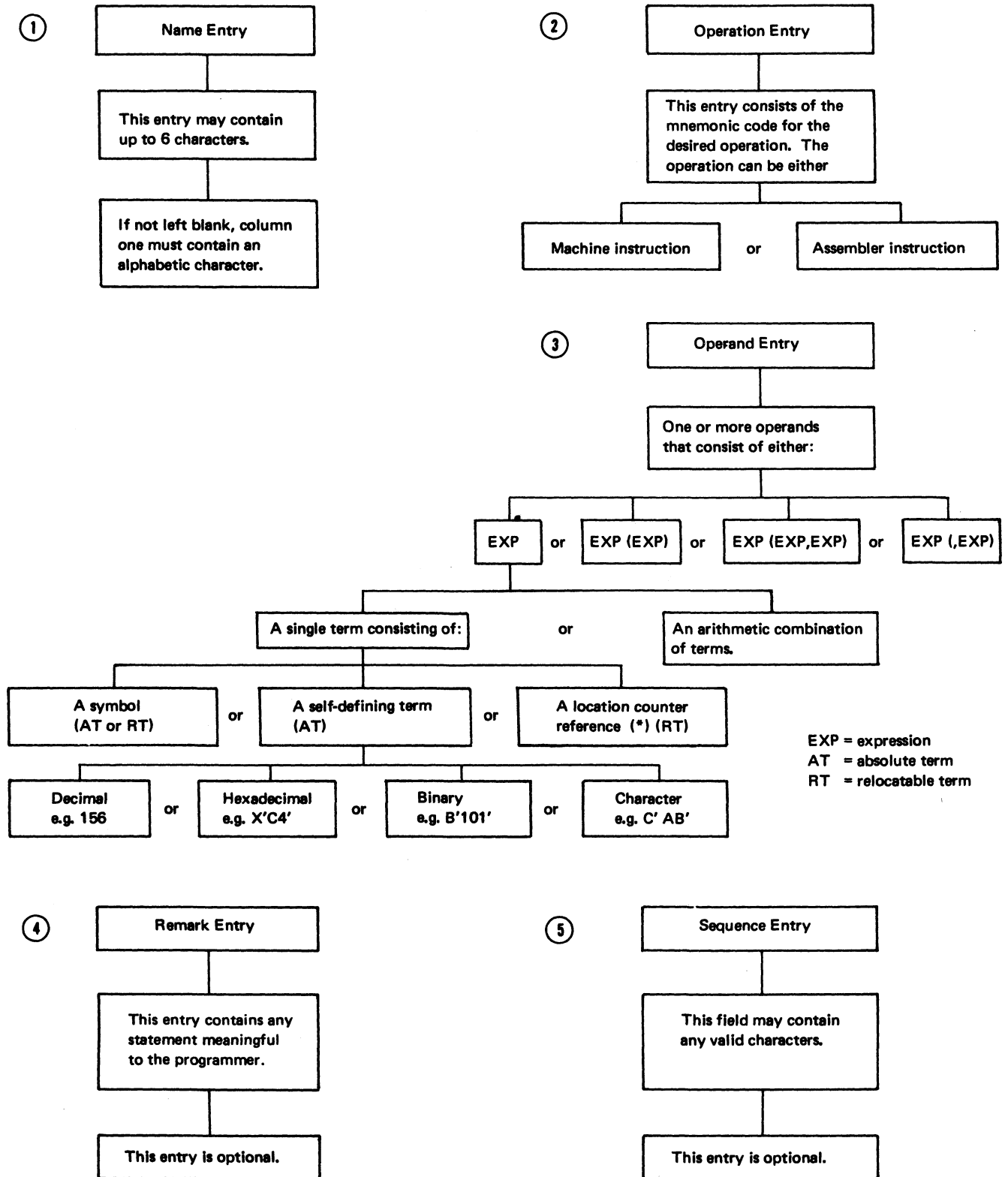
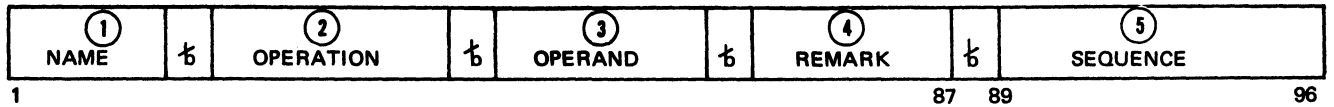


Figure 3. Assembler Statement Entries





In Figure 5, the instruction with the operation code ZAZ has a length of 6 bytes, the instruction AZ has a length of 5 bytes and the instruction with MVI has a length of 4 bytes in storage. Using relative addressing, the location of the AZ instruction can be expressed in two ways, AAA+6 or BBB-5.

IBM																																						
PROGRAM																																						
PROGRAMMER																																						
Name							Operation						Operand																									
1	2	3	4	5	6	7	8	9	10	11	12	13	14	15	16	17	18	19	20	21	22	23	24	25	26	27	28	29	30	31	32	33	34	35				
AAA							ZAZ					B, C																										
BBB							AZ					6(10, 1), C																										
							MVI					D, X'FF'																										
							B					AAA+6																										

Figure 5. Relative Addressing

Figure 6 shows how the AZ instruction can be addressed relative to the nearby symbolic addresses, AAA and BBB.

Relative addressing may also be used with base-register displacement addressing if the displacement is a relocatable term.

*Example:* MVC A+5(RX1),B(2,RX1)

In the example, A+5 is an example of relative addressing used with base-register displacement addressing.

### Instruction Addressing

A symbol used as a name entry in a machine-instruction statement addresses the *leftmost* byte of storage occupied by that instruction.

### Data Addressing

A symbol used as a name entry in a data definition instruction (see *DC - Define Constant* and *DS - Define Storage*) address the *rightmost* byte of storage occupied by or reserved for that data.

### Control of Location Counter

Addressing in any computer language depends upon the location counter. IBM System/3 allows the programmer to control the location counter by using two assembler instructions: *START* and *ORG*. The *START* assembler instruction can be used to initialize the location counter to a desired value at the beginning of a program. The *ORG* assembler instruction can be used to change the value of the location counter anywhere in a program.

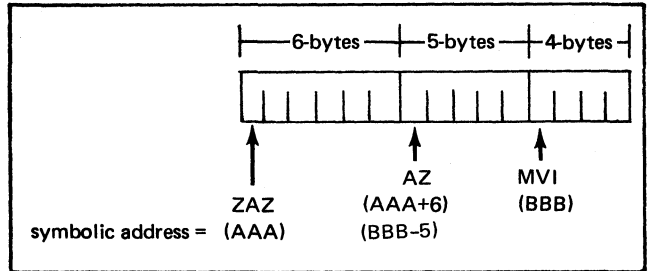


Figure 6. Schematic of Relative Addressing

These two instructions are described in detail under *Assembler Instruction Statements*.

### MACHINE INSTRUCTION STATEMENTS

Machine instruction statements are symbols that represent machine language instructions on a one-for-one basis. The assembler translates these symbolic representations into machine language usable by the computer. Machine instruction statements differ from assembler instruction statements in that the machine instruction statements are executable parts of the program's logic (such as *MVI*, *ST*, *LA*, etc), while assembler instruction statements are simply orders to the assembler, each statement directing a specific operation (such as *DC*, *START*, *SPACE*, etc). See *IBM System/3 Models 8, 10, 12, and 15 Components Reference Manual*, GA21-9236 for a description of the execution of machine instructions.

The format for a machine instruction statement is closely related to, but not the same as, the machine language instruction format which results from the assembly process (see *Appendix A. Machine Instructions* for machine language instruction formats).

A mnemonic operation code is used in place of the actual machine language operation code and one or more operands provide the information required by the machine instruction. A remark and a sequence entry may be included in the machine-instruction statements, but they will not affect the machine language instruction.

## Name Entry Attributes

Any machine-instruction statement can contain a symbol as a name entry. Other machine-instruction statements can use that symbol as an operand. The assembler assigns value and length attributes (characteristics) to every symbol used in a program. The value attribute of a symbol which is used as a name entry in a machine-instruction statement is the address of the leftmost byte of storage occupied by the assembled instruction. The length attribute of the symbol is the number of bytes of storage occupied by the assembled instruction. Refer to *Lengths—Explicit and Implied* in this section for a discussion of the length attributes of other types of symbols, terms, and expressions.

## Machine Instruction Mnemonic Codes

The mnemonic operation codes are designed to be easily-remembered codes that remind the programmer of the functions performed by the instructions. The mnemonic codes are translated into machine-language operation codes by the assembler. IBM System/3 Basic Assembler provides mnemonic and extended mnemonic operation codes. The complete set of mnemonic codes is listed in *Appendix A. Machine Instructions*.

## Extended Mnemonic Codes

Extended mnemonic codes are provided for the convenience of the programmer. They are unlike other mnemonic codes in that part of the information usually provided in the operand is in the extended mnemonic code itself. Extended mnemonic codes allow the following:

1. Conditional branches (BC) and jumps (JC) can be specified mnemonically, requiring only a branch address as an operand.
2. Half-byte moves (MVX) can be specified mnemonically, requiring only the use of addresses as operands.
3. The supervisor call form of the command CPU (CCP) machine operation can be specified mnemonically (Model 15 only).

Extended mnemonic codes are not part of the set of machine instructions, but are translated by the assembler into the corresponding operation code and condition combinations.

See *Appendix A. Machine Instructions* for a list of extended mnemonic codes.

## Machine Instruction Operands

This section describes (1) operand fields and subfields, (2) explicit and implied lengths, and (3) operand groups and formats. The operands of machine instruction statements provide the information about addresses, lengths, and immediate data that is required by the assembler to generate executable machine instructions. General rules for coding of operands are covered in *Assembler Coding Conventions*.

### Operand Fields and Subfields

The left operand of a pair is called operand 1, or operand field 1; the right operand is called operand 2, or operand field 2. An operand field may include one or two subfields (length subfield, register subfield) as in the following example of base-register displacement addressing.

*Example:* 40(,2)

The above operand field contains a displacement entry, 40, and a register subfield entry, 2, representing index register 2. The following rules apply to the coding of subfields:

1. Parentheses must enclose a subfield or subfields.
2. Blanks cannot be used within subfield parentheses.
3. A comma must separate two subfields within parentheses (L,R).
4. If the first subfield of a pair is omitted, the comma that separates it from the second subfield must be retained (,R).
5. If the second subfield of a pair is omitted, the comma separating the pair must also be omitted (L).
6. If both subfields are omitted, the separating comma and the parentheses must also be omitted.

Operand subfields can contain immediate data, length, or register information. Only absolute expressions and self-defining terms may be used as subfield entries.

### Lengths — Explicit and Implied

A length subfield in an operand may be either explicit or implied. To imply a length, the programmer omits the length subfield from an operand. When a length specification is not included in an operand requiring a length, the assembler includes the implied length of the first operand, such as the length attribute of a name entry (see *Name Entry Attributes* in this section). The length attributes of various terms and expressions are shown in Figure 7.

An explicit length is written by the programmer in the operand as an absolute expression. The explicit length overrides any implied length.

<u>Term or Expression</u>	<u>Length Attribute</u>
1. Name entry symbol of a machine-instruction	Length, in bytes, of the instruction.
2. Location-counter reference (*)	Length, in bytes, of the instruction in which it appears (except in the EQU assembler statement, where the length attribute assigned is one).
3. Expression	Length attribute of the leftmost term in the expression.
4. Self-Defining Term	Length attribute is one.
5. START name entry	Length attribute is one.

NOTE: See also *Subfield 3 -- Length* under *Data Defining Instructions*.

Figure 7. Length Attributes of Terms and Expressions

### Operand Groups

Machine-instruction statement operands are divided into six groups. The characteristics of each group are as follows:

*Group 1:* Two-operand format in which a length is explicit or implied in both operands.

*Group 2:* Two-operand format in which a length can be explicit in either operand, but not in both. If length is not explicit in either operand, the assembler uses the implied length of operand 1.

*Group 3:* Two-operand format in which a length cannot be specified.

*Group 4:* One-operand format in which only immediate data may be used.

*Group 5:* Two-operand format in which both operands are immediate data.

*Group 6:* Two-operand format in which operand 1 is used by the assembler to calculate a positive displacement and operand 2 is immediate data.





## Data Defining Instructions

Two data defining instruction statements are available: Define Constant (DC), and Define Storage (DS). These instructions are used to enter data constants and to reserve areas in storage. Each instruction can have a name field entry (symbol) to which other instructions can refer.

### DC—Define Constant

The DC instruction is used to initialize a storage location with a desired value. The IBM System/3 Basic Assembler Language allows six types of constants: storage address, binary, character, decimal, hexadecimal, and integer. The format of the DC instruction is as follows:

NAME	OPERATION	OPERAND			
symbol or blank	DC	Duplication Factor (1)	Type (2)	Length (3)	Constant (4)

Notice that the operand of the DC statement consists of four subfields. The first three describe the constant and the fourth provides the constant. The only blanks permitted within an operand field are blanks embedded in a character constant. The symbol that identifies the DC statement receives the value of the address of the *rightmost* byte of the area defined by the statement.

**Subfield 1—Duplication Factor:** This subfield enables the programmer to repeat the constant in storage. The constant will be generated the number of times indicated by the entry in the first subfield. This entry can be any unsigned, nonzero, decimal value, 1 through 65535. If this subfield is omitted, a duplication factor of 1 is assumed. This duplication factor is applied after the constant is fully assembled. If duplication is specified for an address constant containing a positive location counter reference, the value of the location counter used in each duplication is increased by the length of the constant.

**Subfield 2—Type:** This subfield defines the form of the constant being entered. From the type specification, the assembler determines how it is to interpret the constant and translate it into the appropriate machine format. The type entry is specified by one of the letter codes A, B, C, D, X, or I (see *Subfield 4 – Constant* for related meanings). *The type entry is required.*

**Subfield 3—Length:** The third subfield describes the number of bytes required by the constant. The entry for this subfield may be written two ways:

1.  $L_n$ , where n is an unsigned, nonzero, decimal value. The value of n is as follows:

$n = 1-256$  for I, B, C, X constants

$n = 1-31$  for the D constant

$n = 1-3$  for an A constant

2. L (absolute expression), where an absolute expression is enclosed in parentheses. The value limits for the absolute expression are the same as those for n in the previous paragraph. A location counter reference is not allowed in this expression.

The total area allocated for this constant is the result of: Duplication Factor \* Length=Total Area. *The length entry is required.*

**Subfield 4—Constant:** This subfield supplies the constant that was described in subfields 1 through 3. In general, the address constant (type A) is enclosed in parentheses, while the data constants (types B, C, D, I, and X) are enclosed in apostrophes. *An entry in the constant subfield of a DC statement is always required.*

**Address Constant (A):** This constant is used to load an address into a storage area.

**Example:** SYMBOL DC AL2 (BETA)

In this example, the address represented by the symbol BETA will be stored in the 2-byte field addressed by SYMBOL. The full 24-bit final expression result is truncated on the left to fit the length of the constant. The maximum length of an address constant is 3.

*Binary Constant (B):* This constant is used to create bit patterns and masks.

*Example:* SYMBOL DC 1BL1'10011'

The byte of storage addressed by SYMBOL will contain 00010011. Truncation or padding with binary zeros occurs on the left if the constant is not the length specified. This constant is enclosed in apostrophes. Each digit within the apostrophes represents a single bit in storage, and each eight bits specified will occupy one byte of storage.

*Character Constant (C):* This constant can be used to place a string of characters in storage.

*Example:* SYMBOL DC 1CL17'PLANT 5 PAYROLL'

The byte of storage addressed by SYMBOL will contain a blank, and the byte of storage addressed by SYMBOL-16 will contain the character P.

*Note:* Two blanks have been padded on the right of the character string.

If the constant is not the specified length, truncation or padding with blanks will occur on the right. Each character (including blanks) within the apostrophes will occupy a byte of storage. If an apostrophe occurs within the string of characters, it must be represented by a double apostrophe.

*Decimal Constant (D):* This constant can be used for arithmetic purposes.

*Example:* SYMBOL DC DL5'125.66'

This constant will appear in zoned-decimal form in a 5-byte storage field, addressed by SYMBOL. The decimal point is used only as a convenience for the programmer, and is *not* assembled into the constant. The value of the constant is calculated without the decimal point. Truncation or padding with decimal zeros occurs at the left of the field, if necessary. Signed decimal constants are permitted, making it possible to have a decimal constant with a negative value. Each decimal digit will occupy one byte of storage.

*Hexadecimal Constant (X):* This constant is used to associate a hexadecimal value with a symbol in a defined area in storage.

*Example:* SYMBOL DC 1XL6'8AC14'

The 6-byte field addressed by SYMBOL will contain the following 12 hexadecimal digits: 0000008AC14.

Truncation or padding with hexadecimal zeros occurs at the left. Each two digits between apostrophes will occupy one byte of storage.

*Integer Constant (I):* This constant is used for fixed-point binary arithmetic.

*Example:* SYMBOL DC 1IL2'-7'

A negative number may be used for an I constant. The negative constant is placed in storage in its two's-complement form. This example would appear in storage in bit form as 111111111111001. There is always a positive equivalent to a negative constant; in the above example, it is hexadecimal FFF9 or decimal 65,529. The range of I constants must be within  $-2^{32}+1$  to  $2^{32}-1$ . If the number is positive, it is padded on the left with 0-bits. If the number is negative, it is padded on the left with 1-bits.

#### *DS—Defines Storage*

The DS instruction is much like the DC instruction. It assigns a symbol to an area of storage. Unlike the DC instruction, the DS instruction only reserves the area of storage, it does not insert data. A constant subfield cannot be used with a DS statement. The following illustration shows the DS format.

NAME	OPERATION	OPERAND		
symbol or blank	DS	duplication factor	type	length

A duplication factor of zero can be used in a DS statement if the programmer wishes only to assign a length to its corresponding symbol. The symbol will be given the value of the current location counter minus one. The type and length subfields must follow the same rules as for the DC statement.

The duplication factor can be used by the programmer to specify a reserved area larger than 256 bytes.

*Example:* SYMBOL DS 3CL100

This instruction would reserve a 300-byte area, which would be referenced on the right by the name entry SYMBOL.





**SPACE – Space Listing**

This instruction is used to insert one or more blank lines between statements in the assembler listing:

NAME	OPERATION	OPERAND
blank	SPACE	decimal value or a blank

An unsigned decimal value is used to specify the number of blank lines that are to be inserted. If the operand contains a blank, a zero, or a 1, one blank line will be inserted. If the value of the operand exceeds the number of lines remaining on the current page, the instruction has the same effect on the listing as an EJECT statement. The SPACE instruction, like the EJECT instruction, is not listed on the assembler listing, but does increase the statement counter by one.

**IBM**

IBM System/3 Basic Assembler Coding Form

PROGRAM <b>PROGRAM 1</b>		PUNCHING INSTRUCTIONS	GRAPHIC						
PROGRAMMER <b>XXX</b>		DATE	PUNCH						

Name	Operation	Operand	Remarks
PROG1	START	X'100'	
MASK1	DC	1BL1'01101'	
COUNT3	DC	3/L2'0'	
	EJECT		
READ	LIO	.....	
STORE	MVC	.....	
	:		
	END	READ	

Listing Page 1

Statement number	Name	Operation	Operand	Remark
1	PROG1	START	X'100'	
2	MASK1	DC	1BL1'01101'	
3	COUNT3	DC	3/L2'0'	

Listing Page 2

Statement number	Name	Operation	Operand	Remark
5	READ	LIO	.....	
6	STORE	MVC	.....	
		:		
		END	READ	

Figure 11. EJECT Instruction

**PRINT—Print Optional Data**

The programmer can control the printing of an assembly listing by using the PRINT instruction. A program can have any number of PRINT instructions. Each PRINT instruction controls the listing until the next PRINT instruction is encountered.

NAME	OPERATION	OPERAND
blank	PRINT	operand

The operand field can include entries from the following groups (one or two operands for the Model 10, one, two, or three operands for the Model 12 and the Model 15):

1. ON—A listing is printed.  
OFF—No listing is printed.
2. DATA—Constants are printed out in full on the assembler listing.  
NODATA—Only the leftmost 8 bytes of the constants are printed on the assembler listing.
3. (Model 12 and Model 15 only)  
GEN—Print statements generated by the macro processor if not overridden by other listing control statements.  
NOGEN—Suppress printing of statements generated by the macro processor.

Operand entries must be separated by a comma.

The ON, GEN and DATA conditions are assumed by the assembler unless otherwise specified by a PRINT instruction. If an operand is omitted, it is assumed to be unchanged and continues according to its last specification. Both of the examples in Figure 12 would cause a listing to be printed with only the leftmost 8 bytes of the constants appearing in the listing.

**IBM**

PROGRAM		
PROGRAMMER		
Name	Operation	Operand
MAX	PRINT	ON, NODATA
	DC	5CL3'ABC'
		:

**IBM**

Or

PROGRAM		
PROGRAMMER		
Name	Operation	Operand
MAX	PRINT	NODATA
	DC	5CL3'ABC'
		:

Figure 12. The PRINT Statement

**Program Control Instructions**

**ICTL—Input Format Control**

The ICTL statement permits the programmer to change the normal bounds of the source program statements. When included, the ICTL instruction must precede all other source statements. This instruction can be used only once during a program. An invalid or mispositioned ICTL statement causes termination of the assembly.

NAME	OPERATION	OPERAND
blank	ICTL	two decimals in the form of B,E

The term B specifies the beginning column and the term E specifies the ending column of the source statement. The beginning column must be within columns 1-48. The ending column must be within columns 49-95. The column after the ending column must be blank.

When an ICTL statement is not included in a source program, the beginning column is assumed to be column 1, and column 87 is assumed to be the ending column. Figure 13 is an example of the ICTL instruction. In Figure 13, the name field would start in column 14 and the remark field would end in column 80.

**IBM**

PROGRAM		PROGRAM X3	
PROGRAMMER		XXX	
Name	Operation	Operand	
	ICTL	14,80	
		PROGX3	START X'100'
		MAX2	EQU 2
		SYMBOL DC	1CL6'SYMBOL'
			:
			END

Figure 13. The ICTL Statement

**ISEQ—Input Sequence Checking**

The ISEQ instruction is used to check the sequence of source cards. Sequence checking begins with the first card after the ISEQ instruction. The first sequence entry is taken from the sequence identification field of the ISEQ statement. The sequence entry on the next card is then compared to the previous sequence value. The ISEQ assembler statement has the following effect:

1. The sequence entries on source-statement cards are checked for ascending order.

2. Statements that are out of order and statements without sequence entries are flagged in the assembler listing.
3. The total number of flagged statements is noted at the end of the assembler listing.

For example, with the sequence values 13, 27, 31, 6, 8, 45, 47, 48 and 48, the card numbered 6 and the card without a sequence value would be out of sequence. The assembly does not stop due to a card being out of sequence order. In this example, the card numbered 6 and the card without a sequence entry would be flagged in the error field of the listing. If sequence checking is requested, there is a statement at the end of the listing showing that two cards were out of sequence.

The assembler will not check the sequence unless requested to do so by use of the ISEQ statement.

The following is the ISEQ instruction format:

NAME	OPERATION	OPERAND
blank	ISEQ	two decimal values in the form L, R; or blank

The operand entries, L or R, specify the leftmost (L) and rightmost (R) columns of the field to be sequence checked. The value of L must be within the range of 73 through 96 (inclusive). The length of the sequence field may be from 1 to 8. If the programmer wants to discontinue sequencing, an ISEQ instruction card with a blank operand is inserted.

The sequence field must be separated from the last column of the source statement by at least one blank position. The last column of the source statement is column 87 unless otherwise specified by the ICTL assembler statement. The sequence field must not appear before the last column +1 of the source statement. If the sequence field is to start before column 89, the ICTL statement must be used to redefine the beginning and end of the source statement. For example:

```

ICTL  1, 71  Source statement is defined within
          columns 1-71

ISEQ  73, 80  Sequence field is in columns 73-80
  
```

### START—Start Assembly.

The START instruction may be used to initialize the location counter to a desired value at the beginning of a program. The format of the START instruction is:

NAME	OPERATION	OPERAND
symbol	START	a self-defining value or blank

The assembler uses the single self-defining term in the operand as the initial location-counter value. For example, either of the START instructions in Figure 14 could be used to indicate an initial assembly location of 2040.

If the operand of a START instruction is blank, the location counter is initialized with a value of zero. If neither an ORG nor a START instruction is used to initialize the location counter, the initial value is also zero.

A START instruction must not be preceded by any statement that affects or is dependent upon the setting of the location counter.

The name entry in the name field of a START instruction provides the program with an identifier name called the module name. The module name may be the same as the first TITLE statement.

*Note:* Certain naming restrictions apply when assigning names for your program. For more information on naming restrictions, see *IBM System/3 Model 10 Disk System Control Programming Reference Manual*, GC21-7512, *IBM System/3 Model 12 System Control Programming Reference Manual*, GC21-5130, *IBM System/3 Model 15 System Control Programming Reference Manual*, GC21-5077 (Program Number 5704-AS1), or *IBM System/3 Model 15 System Control Programming Concepts and Reference Manual*, GC21-5162 (Program Number 5704-AS2).

This program name may be used for program linkage. If the START card is not included in the program, or if the name field is blank, a default program name is assigned. See the MODULE NAME MISSING diagnostic in *Appendix C. System/3 Assembler – Source Language Error Codes and Diagnostics*.

### IBM

PROGRAM																																			
PROGRAMMER																																			
S																																			
Name						Operation						Operand																							
1	2	3	4	5	6	7	8	9	10	11	12	13	14	15	16	17	18	19	20	21	22	23	24	25	26	27	28	29	30	31	32	33	34	35	36
SYMBOL						START						2040 LOCATION 2040																							
												(02)																							
SYMBOL						START						X'7F8' LOCATION 2040																							

Figure 14. Using START to Initialize the Location Counter

### ORG—Set Location Counter

The ORG statement sets the location-counter value.

NAME	OPERATION	OPERAND
blank	ORG	blank operand or an expression A optionally followed by two absolute expressions in the form A, B, C

The location counter is set to the smallest value greater than or equal to A which is C more than a multiple of B. In the following example, A can be either a relocatable or absolute expression; B and C must be absolute expressions. The default values for B and C are 1 and 0, respectively. If the second operand (B) is omitted, the third operand (C) must also be omitted.

Current Location Counter	A	B	C	New Location Counter
275	*	100	50	350
340	*	100	50	350
350	*	100	50	350
504	*	256	0	512
750	1000	---	---	1000

All symbols used in the expression A must have been previously defined. The value specified by the ORG statement must be greater than or equal to the starting location-counter value.

If previous ORG statements have reduced the location-counter value for the purpose of redefining the current program, an ORG instruction with a blank operand is used to set the location counter to the previous maximum assigned address plus one (see Figure 15).

Location Counter	Address	Name																								
		1	2	3	4	5	6	7	8	9	10	11	12	13	14	15	16	17	18	19	20	21	22	23	24	
0064		P	R	O	G	4	S	T	A	R	T	1	0	0												
0064	0069	S	Y	M	B	O	L	D	C			1	C	L	6	'										
006A	*0325	F	I	L	L	I	N	D	S			7	C	L	1	0	0									
00CE							O	R	G			F	I	L	L	I	N	-	5	9	9					
00CE	01F9	D	A	T	A		D	C			1	5	0	C	L	2	'	A	Z	'						
0326							O	R	G																	
							:	:	:																	
							E	N	D																	

\* Previous High Address

Figure 15. Using ORG to Control the Location Counter

### USING — Use Register for Base-Displacement Addressing

The USING statement specifies the register to be used for base-displacement addressing and also specifies the base address that the assembler will assume to be in that register at object time. The USING statement does not load the base address into the register specified. This must be done by the programmer before the register can be used for base-register displacement addressing. See *Addressing* in this section.

NAME	OPERATION	OPERAND
blank	USING	V,R

In the preceding format, term V represents an expression. Term R represents an absolute expression with a value of 1 or 2. Term R specifies the index register assumed to contain the base address represented by the term V. The programmer has the option of changing the base register or base address at any time by the insertion of another USING statement. Two USING statements enable the programmer to use the two index registers as base registers to two different portions of main storage.

In Figure 16, register 2 is loaded with the address of ADRES1, which will be used as the base address in instructions following the USING statement.

Location Counter		Name																																					
1	2	3	4	5	6	7	8	9	10	11	12	13	14	15	16	17	18	19	20	21	22	23	24	25	26	27	28	29	30	31	32	33	34	35	36				
		P	R	O	G	1	S	T	A	R	T																												
		:	:	:			L	A		A	D	R	E	S	1	,	2																						
		:	:	:			U	S	I	N	G		A	D	R	E	S	1	,	2																			
		:	:	:																																			

Figure 16. Specifying a Base Register With the USING Statements

### DROP – Drop Base Register

The DROP instruction specifies a base register that is no longer to be used as a base register. The programmer can reinitiate the base register with another USING instruction.

NAME	OPERATION	OPERAND
blank	DROP	specified register

The operand must contain an absolute expression of either 1 or 2. This absolute expression represents the register that is no longer to be used as a base register. The contents of the register are unaffected by the DROP instruction. Figure 17 shows an example of the DROP instruction. Another USING statement is used to specify register 1 as the new base register.

#### IBM

PROGRAM																																					
PROGRAMMER																																					
Name							Operation						Operand																								
1	2	3	4	5	6	7	8	9	10	11	12	13	14	15	16	17	18	19	20	21	22	23	24	25	26	27	28	29	30	31	32	33	34	35			
PROG1							START																														
							:																														
							LA						ADRES1,																								
							USING						ADRES1,																								
							:																														
							DROP						2																								
							LA						ADRES2,																								
							USING						ADRES2,																								
							:																														

Figure 17. Example of the DROP Statement

### ENTRY – Identify Entry Point to Program

This instruction identifies symbols, defined in the current program, which can be used as entry points from other programs.

NAME	OPERATION	OPERAND
blank	ENTRY	any relocatable symbol found in the name field of the current program

The symbol used in the ENTRY operand can also be referenced by any other program provided that program uses the same symbol in the operand of an EXTRN statement. See the example given in the discussion of EXTRN for additional information on the use of ENTRY.

### EXTRN – Identify External Symbols

This instruction identifies symbols, used in the current program, which are defined in another program. Each symbol in the operand of an EXTRN statement must be identified by an ENTRY statement or be the module name in some other program.

NAME	OPERATION	OPERAND
blank	EXTRN	one relocatable symbol not found in the name field of the current program, optionally followed by an absolute expression in parentheses

The external symbol cannot be used in a Name field in the same program that describes that symbol as an EXTRN.

An EXTRN subtype can be specified for the EXTRN symbol by following the symbol with an absolute expression enclosed in parentheses. The value of the absolute expression cannot be less than zero nor more than 255. Any symbol in the expression must have been previously defined. For an explanation of the subtype values and their meanings, see *IBM System/3 Overlay Linkage Editor Reference Manual*, GC21-7561.

Figure 18 shows how ENTRY and EXTRN can be used to make two or more programs act as one main program through sharing data and control. The main program defines symbols A, B, and C and identifies them as entry points. These same symbols are identified as EXTRNs (external symbols) in the subroutine. This allows the subroutine to use these

symbols just as it would if the symbols had been defined in the subroutine. SUBR01, on the other hand, is defined and identified as an entry point by the subroutine and as an EXTRN, external symbol, by the main routine. These four symbols — A, B, C, and SUBR01 — can now be used interchangeably by both the main routine and the subroutine.

The main routine has control first. It executes instructions and then branches to SUBR01 which is defined as an entry point in the subroutine. Instructions in the subroutine are executed. Notice that the subroutine uses symbols A, B, and C which were defined in the main routine. Control is then passed back to the main routine.

*Note:* The actual resolution of symbols between programs is not performed by the assembler.

IBM		
PROGRAM		
PROGRAMMER		
STATEMENT		
Name	Operation	Operand
1 2 3 4 5 6	7 8 9 10 11 12	13 14 15 16 17 18 19 20 21 22 23 24 25 26 27 28 29 30 31 32 33 34 35 36 37 38 39 40
MAIN	START	Ø
	ENTRY	A
	ENTRY	B
	ENTRY	C
	EXTRN	SUBRØ1
ENTRY	EQU	*
	B	SUBRØ1
A	DC	DL4'1234'
B	DC	DL4'5678'
C	DS	CL5
	END	ENTRY

Main Routine

IBM		
PROGRAM		
PROGRAMMER		
STATEMENT		
Name	Operation	Operand
1 2 3 4 5 6	7 8 9 10 11 12	13 14 15 16 17 18 19 20 21 22 23 24 25 26 27 28 29 30 31 32 33 34 35 36 37 38 39 40
SUBR	START	Ø
	ENTRY	SUBRØ1
	EXTRN	A
	EXTRN	B
	EXTRN	C
SUBRØ1	ST	RETURN+3,B
	MVC	EDIT(5),MASK
	ZAZ	D(4),A(4)
	AZ	D(4),B(4)
	ED	EDIT(5),D
	MVC	C(5),EDIT
RETURN	B	Ø
MASK	DC	XL5'2020204B20'
EDIT	DS	DL5
D	DS	DL4
	END	

Subroutine

Figure 18. Example of ENTRY and EXTRN Statements

**END—End Assembly**

The END instruction terminates assembly of the program. The operand of this instruction can contain an expression (usually a name field entry) which specifies the address to which control is to be transferred after the program is loaded. The END instruction must be the last statement in the program. The relocatable expression in the operand must not contain external symbols. The start-of-control address must be specified for programs loaded with the absolute loader.

NAME	OPERATION	OPERAND
blank	END	a relocatable expression or a blank

Figure 19. shows an END statement. In this example, the program receives control at the address corresponding to BEGIN when it is executed.

IBM		
PROGRAM PROGRAM ONE		
PROGRAMMER XXX		
STATEMENT		
Name	Operation	Operand
1 2 3 4 5 6	7 8 9 10 11 12	13 14 15 16 17 18 19 20 21 22 23 24 25 26 27 28 29 30 31 32 33 34 35 36
PROG1	START	
BEGIN	MVC	OUT,ABC(1)
	END	BEGIN

Figure 19. Designating an Entry Point With the END Statement

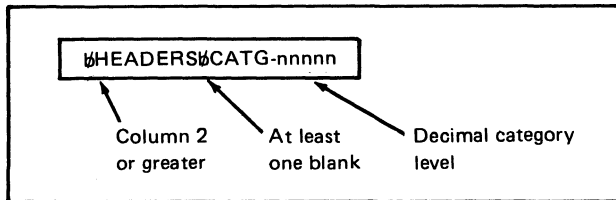
**ASSEMBLER CONTROL STATEMENTS**

Two control statements are used: The HEADERS statement and the OPTIONS statement. Up to 45 of these control statements may be used, in any order. Each statement is limited to six operands. All control statements must appear before any assembler source statements.

**HEADERS Statement**

The HEADERS control statement specifies control information other than output control information to the assembler. The programmer may specify a category level for the object module through the CATG operand, or the length of the control section for any subtype 4 or 5 EXTRNs in the assembler through the COML4 and COML5 operands. For an explanation of category levels and subtype 4 and 5 EXTRNs, see *IBM System/3 Overlay Linkage Editor Reference Manual*, GC21-7561.

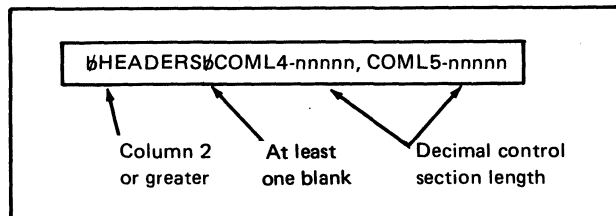
The format of the HEADERS statement with the CATG operand is:



nnnnn

nnnnn is a one to five character decimal string whose value must be less than 00256. If more than one CATG operand appears in the assembler control statements, the value of the last valid operand is used for the module category level. The module category level is placed in the module ESL record.

The format of the HEADERS statement with the COML4 and COML5 operands is:

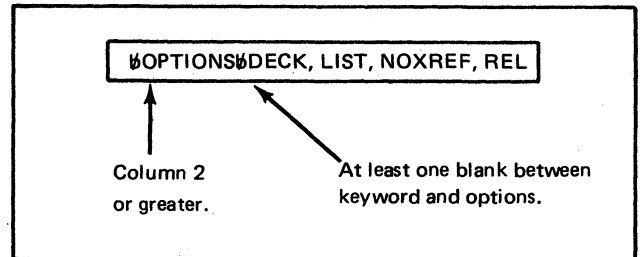


nnnnn is a one to five character decimal string whose value must be less than 65536. If more than one COML4 or COML5 operand is present in the assembler control statements, the length in the last valid operand is used for the appropriate subtype control section length. The lengths specified are placed in the ESL records for the subtype 4 or 5 EXTRNs.

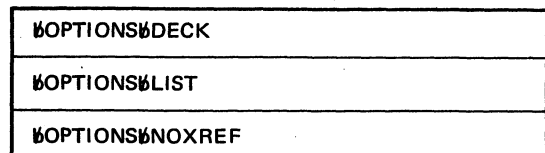
**OPTIONS Statement**

An OPTIONS statement is a control statement for assembler control options. All OPTIONS statements must precede the source deck. The user may specify the following assembler options on OPTIONS statements: DECK, NODECK, LIST, NOLIST, XREF, NOXREF, REL, NOREL, OBJ, OBJ(T), OBJ(P), NOOBJ. XBUF-nnnnn and NOXBUF are also available to users having program 5704-AS2. They may appear on one statement in any order, but must be separated by commas. If the programmer prefers, separate statements may be used for each option. The OPTIONS keyword must start in column 2 or higher (the preceding column must be blank), and there must be one or more blanks between the keyword and the selected options. Blanks are not allowed between the selected options.

The following example shows options appearing on one statement:



More than one OPTIONS statement may be used. In the following example, three statements are used:



The following list provides a brief description of all the options available:

<i>Option</i>	<i>Explanation</i>		
DECK	The object program is punched. When an object program is punched, it is preceded by a // COPY OCL card and followed by a // CEND OCL card. These cards are provided for placing the object program in the R library with the library maintenance utility program (\$MAINT).		On the Model 10 an absolute loader will precede the absolute deck if DECK is specified and if MFCU2 is specified on the // PUNCH statement. On the Model 12 and Model 15, an absolute loader will precede the absolute deck if DECK is specified and if the SYSPCH device is MFCU, 1442, or MFCM (Model 15 only). The loader punched will program load only on the device type on which it was punched. A blank card is inserted between the absolute loader and the object program. This blank card and the OCL cards included with the object program do not affect the operation of the absolute loader and may be discarded.
NODECK	The object program is not punched.		
LIST	The following sections of the assembler listing are printed (see <i>Assembler Listing</i> in this section for a description of the listings):		To prevent cataloging of the absolute object program when NOREL is specified, you should specify NOOBJ.
	<ul style="list-style-type: none"> <li>● Options information</li> <li>● External symbol list</li> <li>● Source and object program listing</li> <li>● Diagnostic listing</li> <li>● Error summary statements</li> </ul>	OBJ or OBJ(T)	The object program is placed in the R library with a retain entry of temporary.
		OBJ(P)	The object program is placed in the R library with a retain entry of permanent.
		NOOBJ	The object program is not placed in the R library. (See <i>Placing Assembler Subroutines in R [Routine] Library</i> in this section.)
NOLIST	Only the following listings are printed:		If no OPTIONS statement is used, the assembly is processed as though DECK, LIST, REL, XREF, and OBJ had been specified. NOXBUF is also assumed with program 5704-AS2.
	<ul style="list-style-type: none"> <li>● Options information</li> <li>● Any statements in error and the associated diagnostics</li> <li>● Error summary statements</li> </ul>		
	The NOLIST option overrides all assembler PRINT statements.		XBUF-nnnnn Specifies the size of the disk external buffers the user has requested. From one to five numeric digits may be used to specify the size of the disk external buffers (program 5704-AS2 only). External buffers should not be specified due to performance considerations if the program size including physical disk buffers does not exceed 56K. However, if external buffers are specified, they should equal the size of the physical disk buffers that normally would be set aside within the program.
XREF	A cross-reference listing is generated.		
NOXREF	A cross-reference listing is not generated.		
REL	A relocatable object program is produced.		
NOREL	An absolute object program is produced.	NOXBUF	Specifies no external buffers are requested for the program (program 5704-AS2 only).
	<i>Note:</i> Absolute object programs can only be used as stand-alone programs; that is, programs which are not dependent on any other disk management system program.		If DECK or OBJ is entered on the OPTIONS statement and there are errors in the assembly, a halt is issued.



## OCL STATEMENTS FOR ASSEMBLER

The loading and running of a disk-system program, including the assembler, is done under control of a group of programs called *disk system management*. The user tells disk system management to run a program through the use of Operation Control Language (OCL) statements. It is necessary to have a set of OCL statements each time a program is run. This section discusses the OCL statements required for use of the assembler. For a complete discussion of OCL, see *IBM System/3 Model 10 Disk System Control Programming Reference Manual*, GC21-7512, *IBM System/3 Model 12 System Control Programming Reference Manual*, GC21-5130, *IBM System/3 Model 15 System Control Programming Reference Manual*, GC21-5077 (Program Number 5704-AS1), or *IBM System/3 Model 15 System Control Programming Concepts and Reference Manual* (Program Number 5704-AS2), GC21-5162.

The assembler language source program can be obtained from either a system input device, a source library entry, or the macro processor. If the source records are obtained from an 80-column device, they are padded with 16 blanks before being placed in the \$SOURCE file. In this case, the user should provide an ICTL statement to prevent the assembler from processing the sequence field of the 80-column record.

## OCL For Loading the Assembler

### *Source Program on System Input Device (Cards)*

Figure 20 is a sample set of OCL statements to load the assembler when the source program is on cards. The unit parameter (F1) on the // LOAD statement specifies where the assembler resides. The codes for the disk drive upon which the assembler resides are:

- R1 – drive 1
- F1 – drive 1
- R2 – drive 2
- F2 – drive 2

The first // FILE statement specifies the attributes and location of the file used for source program residence during the assembly process.

The second // FILE statement specifies attributes and the location of the file used for object output of the assembler. The third // FILE statement specifies attributes and location of the file used for assembler working storage during the assembler process.

The \$WORK2 // FILE statement is optional on the Model 10 Disk System. If it is not supplied, the assembler allocates the work space. However, by specifying the proper placement of file locations, as in Figure 20, this file statement improves the performance of the assembler. It should, therefore, be specified.

In all three // FILE statements, the PACK and UNIT parameters indicate the location of the file named in the NAME Parameter. In addition to R1, F1, R2, and F2, the UNIT parameter can specify D1, D2, D3, and D4 for the Model 15. The RETAIN parameter should reflect a scratch file(s). The TRACKS parameter contains the number of tracks required for that file. The user should choose the number of tracks required in accordance with the space requirements charts in the *Assembly Time Data File Requirements* section. See *IBM System/3 Model 10 Disk System Control Programming Reference Manual*, GC21-7512, *IBM System/3 Model 12 System Control Programming Reference Manual*, GC21-5130, and *IBM System/3 Model 15 System Control Programming Reference Manual* (Program Number 5704-AS1), GC21-5077, or *IBM System/3 Model 15 System Control Programming Concepts and Reference Manual*, GC21-5162, (Program Number 5704-AS2) for further information.

Source Program in a Source Library

Figure 21 shows a sample set of OCL statements used when the source program is in the source library.

IBM System/3 Basic Assembler Coding Form

PROGRAM		DATE	PUNCHING INSTRUCTIONS	GRAPHIC	PAGE	OF
PROGRAMMER						
					CARD ELECTRO NUMBER	
STATEMENT						
1	2	3	4	5	6	7
8	9	10	11	12	13	14
15	16	17	18	19	20	21
22	23	24	25	26	27	28
29	30	31	32	33	34	35
36	37	38	39	40	41	42
43	44	45	46	47	48	49
50	51	52	53	54	55	56
57	58	59	60	61	62	63
64	65	66	67	68	69	70
71	72	73	74	75	76	77
78	79	80	81	82	83	84
85	86	87	88	89	90	91
92	93	94	95	96	97	98
99	100	101	102	103	104	105
106	107	108	109	110	111	112
113	114	115	116	117	118	119
120	121	122	123	124	125	126
127	128	129	130	131	132	133
134	135	136	137	138	139	140
141	142	143	144	145	146	147
148	149	150	151	152	153	154
155	156	157	158	159	160	161
162	163	164	165	166	167	168
169	170	171	172	173	174	175
176	177	178	179	180	181	182
183	184	185	186	187	188	189
190	191	192	193	194	195	196
197	198	199	200	201	202	203
204	205	206	207	208	209	210
211	212	213	214	215	216	217
218	219	220	221	222	223	224
225	226	227	228	229	230	231
232	233	234	235	236	237	238
239	240	241	242	243	244	245
246	247	248	249	250	251	252
253	254	255	256	257	258	259
260	261	262	263	264	265	266
267	268	269	270	271	272	273
274	275	276	277	278	279	280
281	282	283	284	285	286	287
288	289	290	291	292	293	294
295	296	297	298	299	300	301
302	303	304	305	306	307	308
309	310	311	312	313	314	315
316	317	318	319	320	321	322
323	324	325	326	327	328	329
330	331	332	333	334	335	336
337	338	339	340	341	342	343
344	345	346	347	348	349	350
351	352	353	354	355	356	357
358	359	360	361	362	363	364
365	366	367	368	369	370	371
372	373	374	375	376	377	378
379	380	381	382	383	384	385
386	387	388	389	390	391	392
393	394	395	396	397	398	399
400	401	402	403	404	405	406
407	408	409	410	411	412	413
414	415	416	417	418	419	420
421	422	423	424	425	426	427
428	429	430	431	432	433	434
435	436	437	438	439	440	441
442	443	444	445	446	447	448
449	450	451	452	453	454	455
456	457	458	459	460	461	462
463	464	465	466	467	468	469
470	471	472	473	474	475	476
477	478	479	480	481	482	483
484	485	486	487	488	489	490
491	492	493	494	495	496	497
498	499	500	501	502	503	504
505	506	507	508	509	510	511
512	513	514	515	516	517	518
519	520	521	522	523	524	525
526	527	528	529	530	531	532
533	534	535	536	537	538	539
540	541	542	543	544	545	546
547	548	549	550	551	552	553
554	555	556	557	558	559	560
561	562	563	564	565	566	567
568	569	570	571	572	573	574
575	576	577	578	579	580	581
582	583	584	585	586	587	588
589	590	591	592	593	594	595
596	597	598	599	600	601	602
603	604	605	606	607	608	609
610	611	612	613	614	615	616
617	618	619	620	621	622	623
624	625	626	627	628	629	630
631	632	633	634	635	636	637
638	639	640	641	642	643	644
645	646	647	648	649	650	651
652	653	654	655	656	657	658
659	660	661	662	663	664	665
666	667	668	669	670	671	672
673	674	675	676	677	678	679
680	681	682	683	684	685	686
687	688	689	690	691	692	693
694	695	696	697	698	699	700
701	702	703	704	705	706	707
708	709	710	711	712	713	714
715	716	717	718	719	720	721
722	723	724	725	726	727	728
729	730	731	732	733	734	735
736	737	738	739	740	741	742
743	744	745	746	747	748	749
750	751	752	753	754	755	756
757	758	759	760	761	762	763
764	765	766	767	768	769	770
771	772	773	774	775	776	777
778	779	780	781	782	783	784
785	786	787	788	789	790	791
792	793	794	795	796	797	798
799	800	801	802	803	804	805
806	807	808	809	810	811	812
813	814	815	816	817	818	819
820	821	822	823	824	825	826
827	828	829	830	831	832	833
834	835	836	837	838	839	840
841	842	843	844	845	846	847
848	849	850	851	852	853	854
855	856	857	858	859	860	861
862	863	864	865	866	867	868
869	870	871	872	873	874	875
876	877	878	879	880	881	882
883	884	885	886	887	888	889
890	891	892	893	894	895	896
897	898	899	900	901	902	903
904	905	906	907	908	909	910
911	912	913	914	915	916	917
918	919	920	921	922	923	924
925	926	927	928	929	930	931
932	933	934	935	936	937	938
939	940	941	942	943	944	945
946	947	948	949	950	951	952
953	954	955	956	957	958	959
960	961	962	963	964	965	966
967	968	969	970	971	972	973
974	975	976	977	978	979	980
981	982	983	984	985	986	987
988	989	990	991	992	993	994
995	996	997	998	999	1000	1001
1002	1003	1004	1005	1006	1007	1008
1009	1010	1011	1012	1013	1014	1015
1016	1017	1018	1019	1020	1021	1022
1023	1024	1025	1026	1027	1028	1029
1030	1031	1032	1033	1034	1035	1036
1037	1038	1039	1040	1041	1042	1043
1044	1045	1046	1047	1048	1049	1050
1051	1052	1053	1054	1055	1056	1057
1058	1059	1060	1061	1062	1063	1064
1065	1066	1067	1068	1069	1070	1071
1072	1073	1074	1075	1076	1077	1078
1079	1080	1081	1082	1083	1084	1085
1086	1087	1088	1089	1090	1091	1092
1093	1094	1095	1096	1097	1098	1099
1100	1101	1102	1103	1104	1105	1106
1107	1108	1109	1110	1111	1112	1113
1114	1115	1116	1117	1118	1119	1120
1121	1122	1123	1124	1125	1126	1127
1128	1129	1130	1131	1132	1133	1134
1135	1136	1137	1138	1139	1140	1141
1142	1143	1144	1145	1146	1147	1148
1149	1150	1151	1152	1153	1154	1155
1156	1157	1158	1159	1160	1161	1162
1163	1164	1165	1166	1167	1168	1169
1170	1171	1172	1173	1174	1175	1176
1177	1178	1179	1180	1181	1182	1183
1184	1185	1186	1187	1188	1189	1190
1191	1192	1193	1194	1195	1196	1197
1198	1199	1200	1201	1202	1203	1204
1205	1206	1207	1208	1209	1210	1211
1212	1213	1214	1215	1216	1217	1218
1219	1220	1221	1222	1223	1224	1225
1226	1227	1228	1229	1230	1231	1232
1233	1234	1235	1236	1237	1238	1239
1240	1241	1242	1243	1244	1245	124





### TEXT-RLD Records

Text records and RLD pointers are combined in this type of input record. The text portion of each record contains the object code for the program, while the RLD pointers indicate where the address constants and relocatable operands of the text are located. If the NOREL option has been selected on the OPTIONS control card, there will be no relocation indicators in the record. The format for the TEXT-RLD record is:

T	Length-1	Assembled Address	Text	X'00'	RLD
1	2	3	4	5	64

- Byte 1 Record type identifier T.
- Byte 2 Length - 1 (of text only).
- Bytes 3-4 Assembled address of the low order (rightmost) text byte in the record.
- Bytes 5-64 Text starts at byte 5 and goes right, RLD starts at byte 64 and goes left. The leftmost end of the RLD section is marked by hexadecimal zeros, which fill the space between the Text and RLD sections. The end of text is always followed by at least one byte of X'00'.

### END Records

The last record in each object program is an END record. It contains the entry address of the object program. If the user did not include an operand in his source program END statement, the object program END record generated by the assembler will contain the address X'FFFF'. The END record format is:

E	Entry Address	END card program
1	2-3	4

- Byte 1 Record type identifier E.
- Bytes 2-3 Entry address of the object program.
- Bytes 4-64 Program to transfer control to Entry address.

### Object Program After Punch Conversion

All four types of records (HEADER, ESL, TEXT-RLD, and END) assume the same format when they are punched into cards. The punched record format, using 96-column cards, is as follows:

Record ID	Data Field	Self Check Number	Identification Sequence Field
1	2	85	86 88 89 96

Column 1 Record type identifier (H, S, T, or E).

Columns 2-85 Data field, transformed 4 for 3. (For every three 8-bit bytes, four card code characters are created for System/3 96-column cards.)

Columns 86-88 A 2-byte self check number transformed 4 for 3, to 3 bytes.

Columns 89-96 Identification/sequence field.

The punched record format, using 80-column cards, is as follows:

Record ID	Data Field	Blank	Self Check Number	Identification Sequence Field
1	2	64 65 69	70	72 73 80

Column 1 Record type identifier (H, S, T, or E).

Columns 2-64 Data field, bytes 2 to 64 of the object record.

Columns 65-69 Blank.

Columns 70-72 A 2-byte self check number transformed 4 for 3, to 3 bytes.

Columns 73-80 Identification/sequence field.

*Note:* When an object module is punched, it is preceded by a // COPY OCL card and followed by a // CEND OCL card. These cards are provided for placing the object module in the R library with the Library Maintenance program (\$MAINT).

## ASSEMBLY TIME DATA FILE REQUIREMENTS

There are three data files necessary at assembly time:

1. Source file (NAME-\$\$SOURCE)
2. Object file (NAME-\$WORK)
3. Work file (NAME-\$WORK2)

**Model 10 Disk System:** These files must be located on 5444 disk drives. If a // FILE statement is not provided for \$WORK2, the assembler allocates its own work space.

**Model 12:** These files must be located on the simulation area.

**Model 15:** These files must be located on either 3340, 5444, or 5445 disk drives.

### Source File (\$\$SOURCE)

The source file is used by the assembler for storage of the source program. During the job initialization procedure, a disk system management program places the source program in the source file (if the macro processor has not loaded the file). The source records are obtained from either the system input device or a source library using the // COMPILE statement. (See *OCL statements for Assembly* in this section.) Each source record contains 96 bytes, so that eight records occupy three disk sectors in the source file. (One sector = 256 bytes, and is the smallest addressable unit on a disk.) Figure 23 is a source file space requirements table showing how many tracks are required for the size of the source program indicated.

If the assembler is processing a source file created by the macro processor, the // FILE statement for \$\$SOURCE must correspond to the \$\$SOURCE file produced in the macro processor run.

### Object File (\$WORK)

The object file is used by the assembler for intermediate storage of the object program. The object records are stored in four 64-byte entries per sector. (See *Object Program Before Conversion* in this section.) Because each track in the object file can contain 96 records on the 5444, 80 records on the 5445, or 192 records on the 3340, two tracks usually are sufficient for most assemblies.

### Work File (\$WORK2)

The work file is a scratch file used by the assembler throughout the assembly process for intermediate data storage. The file contains four types of data:

1. Intermediate text
2. Symbol table entries
3. Cross-reference data
4. Error information

#### Intermediate Text

Intermediate text is made up of fixed length (10-byte) records. The number of fixed length records is variable for each source statement, and is dependent on the statement type and the contents of the operand field.

The following rules can be used to determine intermediate text file requirements. (The rules apply only to error-free source statements. A statement that contains errors generally requires less storage space.)

#### All Instructions:

- One record for each machine or assembler instruction, or comment statement.
- One record if there is a name field entry.

**Machine Instructions:** One additional record for each term in the operand field.

Source Program Size (Statements)	Number of Tracks Required		
	5444 *	5445	3340
100	2	2	1
200	4	4	2
300	5	6	3
400	7	8	4
500	8	10	4
600	10	12	5
700	11	14	6
800	13	15	7
900	15	17	8
1000	16	19	8

\*Or simulation area

Figure 23. Source File Space Requirements Chart

*Assembler Instructions:*

- END, ENTRY, EQU, EXTRN, ORG, USING – One additional record for each term in the operand field.
- ISEQ, PRINT, SPACE, START – One additional record for each instruction.
- TITLE – Additional records =  $N/8$  (plus one for any non-zero remainder); where N is the number of characters in the TITLE operand field.
- DS/DC
  - One additional record for duplication factor (default or specified value).
  - One additional record for each term in the length specification.
- DC
  - Address constant—One record for each term in the address constant expression.
  - All other constants—Additional records -  $N/8$  (plus one for any nonzero remainder); where N is the number of bytes required to contain the converted constant plus one.

Figure 24 is a sample list of instructions together with the intermediate text space requirements for each.

		Text Space
DECK	START 0	3
ENTRY	SLC A(2),A	5
	MVC A(2),CON1	4
	ALC A(2),CON2	4
	HPL X'FF',X'FF'	3
A	DS CL2	4
CON1	DC 1L2'500'	5
CON2	DC 1L2'-320'	5
	END ENTRY	2

Figure 24. Intermediate Text Space Requirements

*Symbol Table Entries*

Whenever a symbol is used in the name field of an instruction (except a TITLE statement) it becomes a symbol table entry. When the assembler user requests a cross reference, all symbol table entries are added to the work file immediately after the intermediate text. The symbol table entries are also 10-byte, fixed-length records. Assuming an average of one name entry for every four source statements, one sector per 100 source statements is required.

*Cross-Reference Data*

Cross-reference data is written in the same area as the intermediate text and symbol table entries and does not impose any additional space requirements.

*Error Information*

Each statement in error requires a 10-byte error record; therefore, a track will contain at least 600 error records.

*Work File Space Requirements*

Figure 25 is a work file space requirements table showing the number of tracks required for the number of source statements indicated. The requirements for intermediate text and symbol table entries are summed to get the table values. Approximately 40 sectors per 100 source statements are needed to cover most varieties of source statements. If a \$WORK2 // FILE statement is not provided on the Model 10 disk system assembler, the source file (\$SOURCE) size is used for the work file size.

Source Program Size (Statements)	Number of Tracks Required		
	5444*	5445	3340
100	2	2	1
200	4	4	2
300	6	6	3
400	7	8	4
500	9	10	5
600	11	12	6
700	12	14	6
800	14	16	7
900	16	18	8
1000	18	20	9

\*Or simulation area

Figure 25. Work File Space Requirements Chart





- *Library* to receive the object program is the disk specified in the OBJECT operand of the // COMPILER statement. The default disk is the program disk.

#### Using Assembler Object Program with the Program Loader

The user may have the need to load a user-written assembler object program as a stand-alone program. To use an assembler object program in this manner it is necessary to have the program punched into an object deck on the system punch device. The assembler language user obtains an absolute loader by specifying DECK and NOREL on the OPTIONS card (see NOREL option under *OPTIONS Statement*). The 96-column loader contains six cards and the 80-column loader contains one card.

It is the user's responsibility to ensure:

1. That he has not referenced any address greater than the storage capacity of the System/3 on which the program is to be executed.
2. That the address specified on the START instruction statement is greater than X'FF'. (The START assembler statement must specify the address at which the program is to be loaded.)
3. That the END statement indicates the start-of-control address.

*Note:* If absolute object decks for more than one assembly are to be loaded together, then the loader must be removed from the front of the second and all subsequent decks, and the END card must be removed from the back of all decks except the last.

#### IBM 5424 MFCU

The procedure for loading and executing an assembler object program on the IBM 5424 MFCU is as follows:

1. Clear MFCU.
2. Place assembler object deck, including the loader, in primary hopper.
3. Press MFCU START.
4. Ready the printer.

5. Set IPL SELECTOR to MFCU for Model 10 Disk System or ALT for Models 12 and 15.
6. Press console PROGRAM LOAD to load and execute the assembler object program. (L1 or L2 halt is issued for error or not ready conditions on the MFCU.)

#### IBM 2560 MFCM (Model 15 only)

The procedure for loading and executing an assembler object program on the IBM 2560 MFCM is as follows:

1. Clear MFCM.
2. Place assembler object deck, including the loader, in primary hopper.
3. Press MFCM START.
4. Ready the printer.
5. Set IPL SELECTOR to ALT.
6. Press console PROGRAM LOAD to load and execute the assembler object program. (L1 halt is issued for error or not ready conditions on the MFCM.)

#### IBM 1442 Card Read Punch (Models 12 and 15)

The procedure for loading and executing an assembler object program on the IBM 1442 Card Read Punch is as follows:

1. Clear 1442.
2. Place assembler object deck, including the loader, in hopper.
3. Press 1442 START.
4. Ready the printer.
5. Set IPL SELECTOR to ALT.
6. Press console PROGRAM LOAD to load and execute the assembler object program. (L1 halt is issued for error or not ready conditions on the 1442.)

## **ASSEMBLER LISTING**

An important part of the assembler's output is the assembler listing. The assembler's printed output is on the system printer (under control of the // PRINTER OCL statement for Models 12 and 15).

The listing is a printed reproduction of the source program and the corresponding object code generated for it together with other important information. Figure 26 at the back of this section is a sample listing. Specifically, the listing consists of the following:

### **Control Statements**

Any OPTIONS or HEADERS statements specified by the user are printed and specification errors are noted. A list of OPTIONS in effect during the assembly is then printed. The page is ejected before the control statement information is listed.

### External Symbol List (ESL)

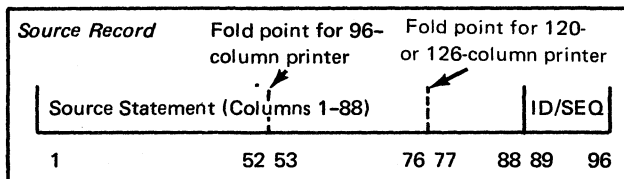
The object program name, EXTRNs, and ENTRYs will appear in the following format:

<i>Symbol</i>	<i>Type</i>
Program name	MODULE
ENTRY symbol	ENTRY
EXTRN symbol	EXTRN

### Source and Object Listing

The source and object listing consists of the following:

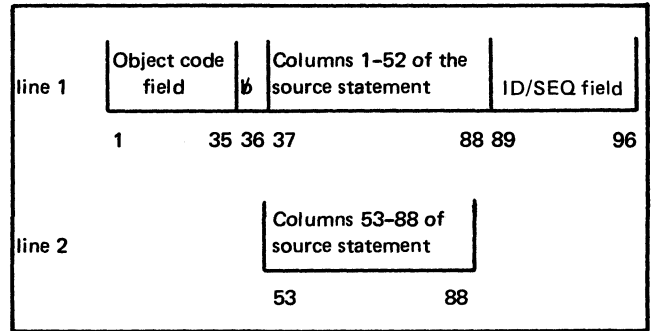
- Error code for improperly coded statements (see *Diagnostics* in this section).
- Location counter value, in hexadecimal, of the high order address of the object code generated by the corresponding source statement.
- The object code, in hexadecimal, generated by the corresponding statement.
- The value, in hexadecimal, of the expression in the operand field of the EQU, USING, DROP, and END statements, the storage address, in hexadecimal, of the low order address of the DC constants, and DS storage areas.
- Statement number, in decimal, for each statement, including comment statements. These numbers are assigned by the assembler. The statement number is a four-digit field which limits the assembly to 9,999 statements.
- The source image, which is formatted according to the size of the printer used:



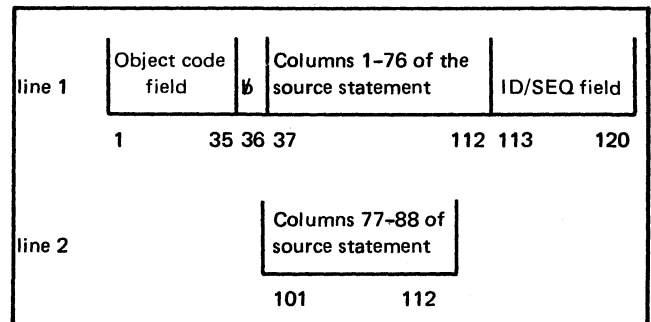
The following examples assume the ID/SEQ field is in columns 89-96 of the source record:

*Note:* The ID/SEQ field may be from one to eight adjacent characters long and may reside anywhere between columns 73-96.

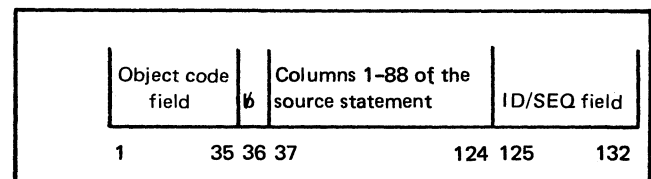
1. On a 96-column printer, the ID/SEQ field is left-justified in columns 89-96 of the print line. If columns 53-88 of the source statement are blank, line 2 will not be printed.



2. On a 120-column or 126-column printer, the ID/SEQ field is left-justified in columns 113-120 of the print line. If columns 77-88 of the source statement are blank, or if the start of the ID/SEQ field on the source record is less than column 77, line 2 will not be printed.



3. With the 132-column printer, the complete source image is printed on one line.



*Note:* Statements generated by the macro processor contain a plus symbol (+) in column 36.

## *Diagnostics*

The source and object program listing includes error codes for improperly coded statements. These errors are listed again, with a message, at the end of the source and object program listing under the heading **DIAGNOSTICS**. This list provides the following information:

- **Statement**—The statement number, in decimal, (assigned by the assembler) of the statement which is in error.
- **Error code**—a 3-digit alphameric code. See *Appendix C: System/3 Assembler—Source Language Error Codes and Diagnostics* for a list of error codes and translations.
- **Message**—A translation of the error code indicating the type of error made.

Also included under **DIAGNOSTICS** are the following error summary statements:

- A count of the total statements in error in the assembly.
- A count of total sequence errors in the assembly if sequence check is requested.

## **Cross-Reference List**

If **XREF** is specified on the **OPTIONS** statement this list includes all symbol names referred to in the source program. The following columns are included:

- **Symbol**—The symbol name.
- **Length**—The decimal length attribute of the symbol in bytes.
- **Values**—Value, in hexadecimal, of the symbol.
- **Defined**—Statement number, in decimal, where the symbol is defined.
- **References**—Statement numbers, in decimal, where the symbol is referenced. Symbolic references to data areas and machine registers whose contents may be altered by execution of a machine instruction are flagged with an asterisk.

At the end of the cross-reference list, the error summary statements are printed again.

```

SUBRC                                EXTERNAL SYMBOL LIST                                VER 00, MOD 00 01/30/76 PAGE 1
SYMBOL  TYPE
SUBRC  MODULE

```

```

SUBRC  SAMPLE EXIT SUBROUTINE--FIELD AND INDICATOR                                VER 00, MOD 00 01/30/76 PAGE 2
ERR LOC  OBJECT CODE      ADDR STMT SOURCE STATEMENT
2 *****
3 *
4 * NAME ..... SUBRC.
5 *
6 * FUNCTION ..... EXIT SUBROUTINE WITH FIELD AND INDICATOR
7 *   PARAMETERS.
8 *
9 *
10 *   THE CODE GENERATED BY THE COMPILER IS AS FOLLOWS:
11 *
12 *   B   SUBRC
13 *   DC  IL1'FIELD LENGTH-1'
14 *   DC  AL2'ADDRESS OF RIGHT OF FIELD'
15 *   DC  XLI'00'
16 *   DC  XLI'INDICATOR MASK'
17 *   DC  XLI'REGISTER 1 DISPLACEMENT'
18 *****
19 SUBRC  START 0
0000 34 08 0C13 20 ST GET+3,ARR          SAVE PARM ADDR
0004 36 08 0C31 21 A CON6,ARR          INCREMENT TO RETURN
0008 34 08 0C2F 22 ST RET+3,ARR          SAVE RETURN
000C 34 02 0C2B 23 ST SAVE+3,2          SAVE XR2
0010 C2 02 00C0 24 GET LA *-*,2          GET PARMETER ADDRESS
0014 2C 01 0C1B 05 25 MVC TEST+2(2),5(,2)  MOVE IN MASK AND DISPLACEMENT
0019 78 00 0C 26 TEST TBN *-*(,1),*-*  TEST INDICATOR
001C F2 90 09 27 JF SAVE          INDICATOR OFF
001F B5 02 02 28 L 2(,2),2          GET CONTROL FIELD ADDRESS
0022 B5 02 05 29 L 5(,2),2          GET LOOK UP ADDRESS
0025 BC C3 00 30 MVI 0(,2),C'C'  MOVE IN C'C'
0028 C2 02 00C0 31 SAVE LA *-*,2          RESTORE
002C C0 87 00C0 32 RET B *-*          RETURN
0030 0006 0031 33 CON6 DC IL2'6'
000F 34 ARR EQU 8
FFFF 35 END
TOTAL STATEMENTS IN ERROR IN THIS ASSEMBLY = 0

```

```

SUBRC                                CROSS REFERENCE                                VER 00, MOD 00 01/30/76 PAGE 3
SYMBOL  LEN VALUE DEFN  REFERENCES
ARR      001 000B 0C34 002C 0021* 0022
CON6     002 0031 0033 0021
GET      004 001C 0024 0020*
RET      004 002C 0032 0022*
SAVE     004 002B 0031 0023* 0027
SUBRC    001 000C 0019
TEST     003 0019 0026 0025*
TOTAL STATEMENTS IN ERROR IN THIS ASSEMBLY = 0

```

Figure 26. Sample Assembler Listing

### External Symbol List (ESL) Table Size

The ESL table is an execution time main storage table containing the module name (START statement name or ASMOBJ) and each EXTRN and ENTRY symbol defined in an assembly. The total of EXTRNs and ENTRYs allowed in a single assembly is limited by the ESL table size.

Using the Model 10 disk system assembler, the limit is 74 EXTRNs and ENTRYs.

Using the Model 12 and Model 15 assembler, the limit varies with the amount of storage available in the execution partition. The limiting sizes and associated storage ranges are:

<i>Storage Available</i>	<i>Limit of EXTRNs and ENTRYs</i>
10K	84
12K	124
14K	169
16K	209
18K - 48K	254

**MACHINE LANGUAGE INSTRUCTION FORMATS**

**Operation Code**

The first byte of each instruction, the operation code, specifies the addressing modes to be employed by the instruction in bits 0 through 3, and the operation to be performed in bits 4 through 7.

**Q Code**

The second byte of each instruction is the Q code. In 2-address formats, the Q code is always a length count. In other formats, depending upon the operation specified, the Q code can be:

- Length count
- Immediate data
- Bit mask

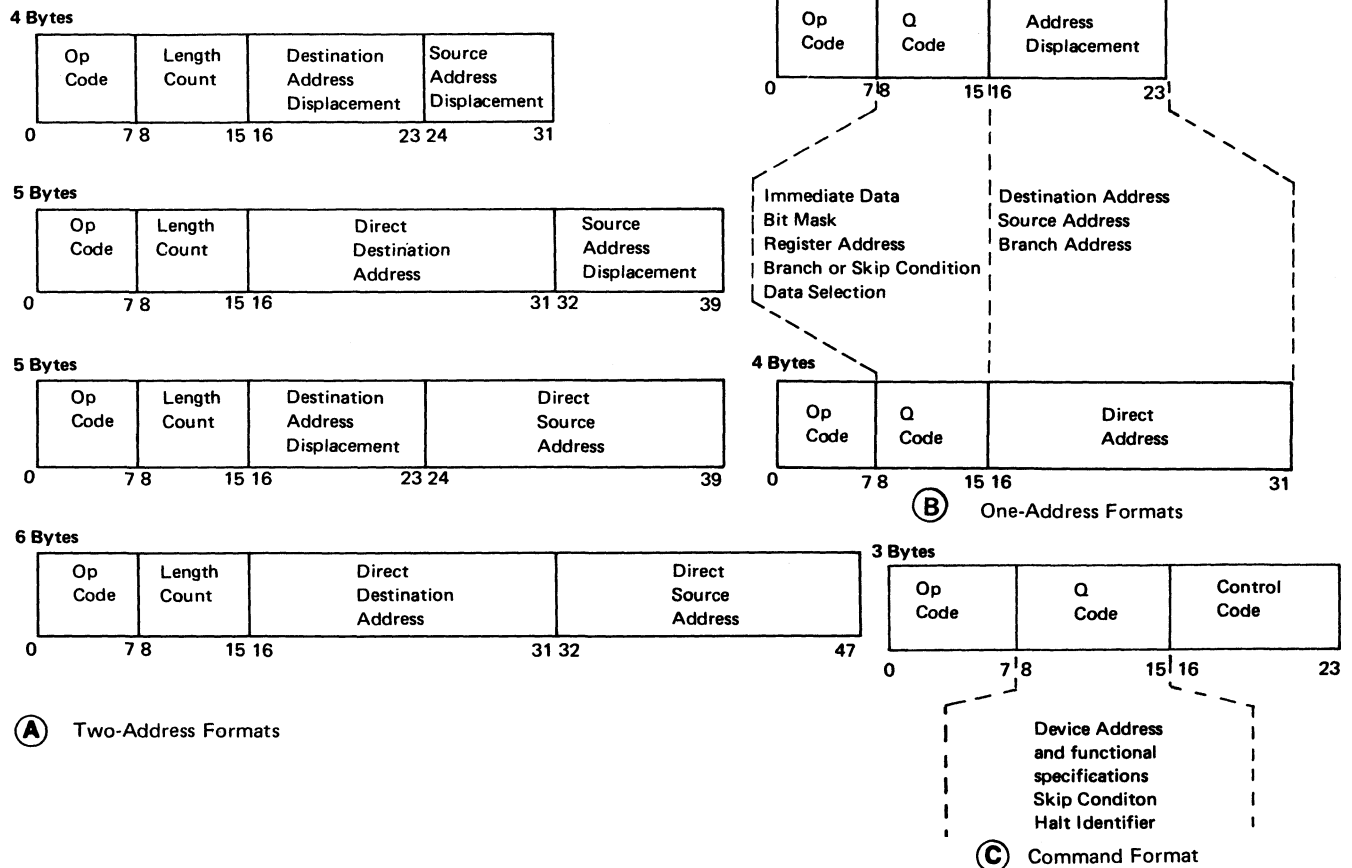
- Register address
- Data selection
- Branch or skip condition
- Device address and functional specifications

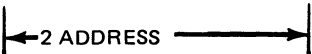
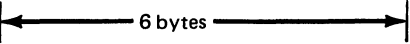

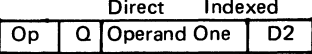
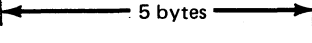

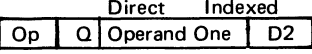
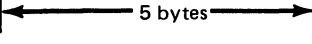
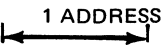
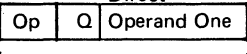
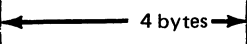

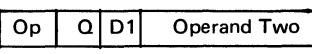
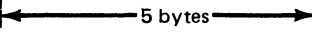
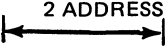
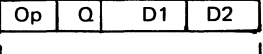
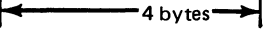
**Control Code**


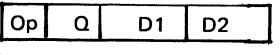
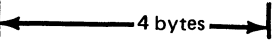

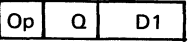
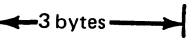

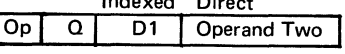
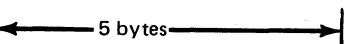

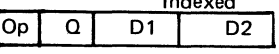
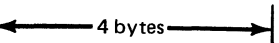

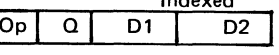
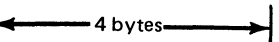
The third byte of an instruction in the Command Format contains additional data pertaining to the command to be executed.

**Storage Addresses**

For instructions in the 1-operand and 2-operand formats, the third byte of the instruction and all bytes following are storage address information.



Op	Mnemonic	Type	
04	ZAZ		
06	AZ		
07	SZ		
08	MVX		Direct
0A	ED		Op Q Operand One Operand Two
0B	ITC		
0C	MVC		
0D	CLC		
0E	ALC		
0F	SLC		
14	ZAZ		
16	AZ		
17	SZ		
18	MVX		Direct Indexed
1A	ED	Op Q Operand One D2	
1B	ITC		
1C	MVC		
1D	CLC		
1E	ALC		R1
1F	SLC		
24	ZAZ		
26	AZ		
27	SZ		
28	MVX		Direct Indexed
2A	ED	Op Q Operand One D2	
2B	ITC		
2C	MVC		
2D	CLC		
2E	ALC		R2
2F	SLC		
30	SNS		
31	LIO		
34	ST		
35	L		Direct
36	A	Op Q Operand One	
38	TBN		
39	TBF		
3A	SBN		
3B	SBF		
3C	MVI		
3D	CLI		
3E	SCP*		
3F	LCP*		
44	ZAZ		
46	AZ		
47	SZ		
48	MVX		Indexed
4A	ED	Op Q D1 Operand Two	
4B	ITC		
4C	MVC		
4D	CLC		
4E	ALC		R1
4F	SLC		
54	ZAZ		
56	AZ		
57	SZ		
58	MVX		Indexed
5A	ED	Op Q D1 D2	
5B	ITC		
5C	MVC		
5D	CLC		
5E	ALC		R1 R1
5F	SLC		

Op	Mnemonic	Type	
64	ZAZ		
66	AZ		
67	SZ		
68	MVX		Op Q D1 D2
6A	ED		
6B	ITC		
6C	MVC		
6D	CLC		
6E	ALC		R1 R2
6F	SLC		
70	SNS		
71	LIO		
74	ST		
75	L		Op Q D1
76	A		
78	TBN		
79	TBF		
7A	SBN		
7B	SBF		
7C	MVI		R1
7D	CLI		
7E	SCP*		
7F	LCP*		
84	ZAZ		
86	AZ		
87	SZ		
88	MVX		Indexed Direct
8A	ED	Op Q D1 Operand Two	
8B	ITC		
8C	MVC		
8D	CLC		
8E	ALC		R2
8F	SLC		
94	ZAZ		
96	AZ		
97	SZ		
98	MVX		Indexed
9A	ED	Op Q D1 D2	
9B	ITC		
9C	MVC		
9D	CLC		
9E	ALC		R2 R1
9F	SLC		
A4	ZAZ		
A6	AZ		
A7	SZ		
A8	MVX		Indexed
AA	ED	Op Q D1 D2	
AB	ITC		
AC	MVC		
AD	CLC		
AE	ALC		R2 R2
AF	SLC		

\* Model 15 only.

**Legend:**

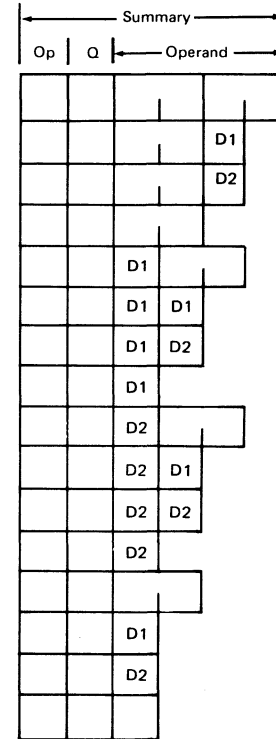
- D1 - Displacement, operand 1
- D2 - Displacement, operand 2
- R1 - Register 1
- R2 - Register 2



Op	Mnemonic	Type
B0	SNS	
B1	LIO	1 ADDRESS
B4	ST	↔
B5	L	Indexed
B6	A	Op   Q   D1
B8	TBN	
B9	TDF	↔ 3 bytes
BA	SBN	
BB	SBF	
BC	MVI	XR2
BD	CLI	
BE	SCP*	
BF	LCP*	
C0	BC	Direct
C1	TIO	Op   Q   Address
C2	LA	↔ 4 bytes
D0	BC	
D1	TIO	Op   Q   D2
D2	LA	↔ 3 bytes
		+XR1
E0	BC	
E1	TIO	Op   Q   D2
E2	LA	↔ 3 bytes
		+XR2
F0	HPL	
F1	APL	
F2	JC	Op   Q   R
F3	SIO	↔ 3 bytes
F4	CCP*	

\*Model 15 only.

Op Code (one byte)																Q Code One Byte	Operands		Total Instr Length	Type
Bits 0-3			Bits 4-7														First	Second		
	0	1	2	3	4	5	6	7	8	9	A	B	C	D	E	F				
0					ZAZ	AZ	SZ	MVX		ED	ITC	MVC	CLC	ALC	SLC		2 Bytes Direct	2 Bytes Direct	6	X
1					ZAZ	AZ	SZ	MVX		ED	ITC	MVC	CLC	ALC	SLC			1 Byte Disp Index-By R1	5	X
2					ZAZ	AZ	SZ	MVX		ED	ITC	MVC	CLC	ALC	SLC			1 Byte Disp Index-By R2	5	X
3	SNS	LIO			ST	L	A		TBN	TBF	SBN	SBF	MVI	CLI	SCP*	LCP*		<del>2 Bytes Direct</del>	<del>6</del>	Y
4					ZAZ	AZ	SZ	MVX		ED	ITC	MVC	CLC	ALC	SLC		1 Byte Displacement Indexed By R1	2 Bytes Direct	5	X
5					ZAZ	AZ	SZ	MVX		ED	ITC	MVC	CLC	ALC	SLC			1 Byte Disp Index-By R1	4	X
6					ZAZ	AZ	SZ	MVX		ED	ITC	MVC	CLC	ALC	SLC			1 Byte Disp Index-By R2	4	X
7	SNS	LIO			ST	L	A		TBN	TBF	SBN	SBF	MVI	CLI	SCP*	LCP*		<del>2 Bytes Direct</del>	<del>6</del>	Y
8					ZAZ	AZ	SZ	MVX		ED	ITC	MVC	CLC	ALC	SLC		1 Byte Displacement Indexed By R2	2 Bytes Direct	5	X
9					ZAZ	AZ	SZ	MVX		ED	ITC	MVC	CLC	ALC	SLC			1 Byte Disp Index-By R1	4	X
A					ZAZ	AZ	SZ	MVX		ED	ITC	MVC	CLC	ALC	SLC			1 Byte Disp Index-By R2	4	X
B	SNS	LIO			ST	L	A		TBN	TBF	SBN	SBF	MVI	CLI	SCP*	LCP*		<del>2 Bytes Direct</del>	<del>6</del>	Y
C	BC	TIO	LA														<del>1 Byte Displacement Indexed By R1</del>	2 Bytes Direct	4	Z
D	BC	TIO	LA															1 Byte Disp Index-By R1	3	Z
E	BC	TIO	LA															1 Byte Disp Index-By R2	3	Z
F	HPL	APL	JC	SIO	CCP*												<del>1 Byte Displacement Indexed By R2</del>	<del>3</del>	F	



\*Model 15 only.

## MNEMONIC OPERATION CODES (MACHINE)

<i>Instruction*</i>	<i>Mnemonic Operation Code</i>	
Zero and Add Zoned Decimal	ZAZ	}
Add Zoned Decimal	AZ	
Subtract Zoned Decimal	SZ	
Move Hex Character	MVX	} Two-address Format**
Move Characters	MVC	
Compare Logical Characters	CLC	
Add Logical Characters	ALC	
Subtract Logical Characters	SLC	
Insert and Test Characters	ITC	
Edit	ED	
Move Logical Immediate	MVI	} One-address Format**
Compare Logical Immediate	CLI	
Set Bits On Masked	SBN	
Set Bits Off Masked	SBF	
Test Bits On Masked	TBN	
Test Bits Off Masked	TBF	
Store Register	ST	
Load Register	L	
Add to Register	A	
Branch On Condition	BC	
Test I/O and Branch	TIO	
Sense I/O	SNS	
Load I/O	LIO	
Load Address	LA	
Load CPU***	LCP	
Store CPU***	SCP	
Advance Program Level	APL	} Command Format**
Halt Program Level	HPL	
Start I/O	SIO	
Command CPU***	CCP	
Jump On Condition	JC	

\* For information concerning specifications for the use of these instructions with the Model 10, see the *IBM System/3 Model 10 Components Reference Manual*, GA21-9103, or with the Model 15, see the *IBM System/3 Model 15 Components Reference Manual*, GA21-9193.

\*\* See *Machine Language Instruction Formats* in this appendix.

\*\*\* These instructions are for the Model 15 but they can also be generated on the Model 12 through the macros \$LCP, \$SCP, and \$CCP. For more information concerning the use of the Model 12 macros, see *IBM System/3 Models 10 and 12 System Control Programming Macros Reference Manual*, GC21-7562.

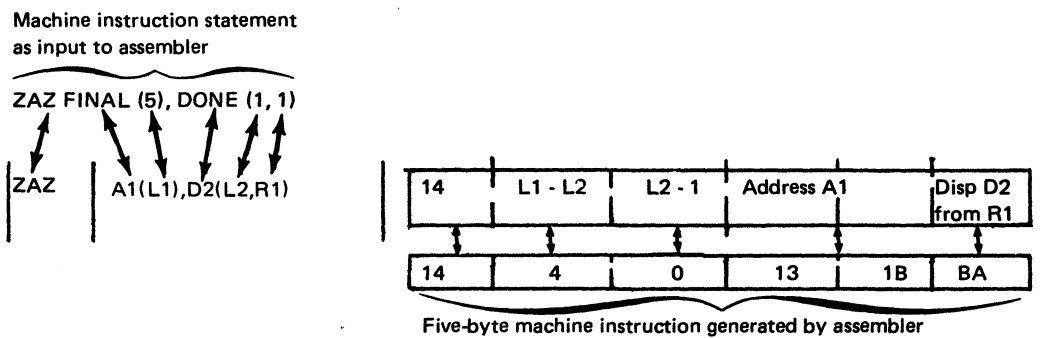
## EXTENDED MNEMONIC CODES

<i>Instruction</i>	<i>Mnemonic Operation Code</i>	<i>Q Code</i>
<b>Move Hex Character (MVX)</b>		
Move to Zone from Zone	MZZ	X'00'
Move to Numeric from Zone	MNZ	X'02'
Move to Zone from Numeric	MZN	X'01'
Move to Numeric from Numeric	MNN	X'03'
<b>Branch On Condition (BC)</b>		
Branch	B	X'87'
Branch High	BH	X'84'
Branch Low	BL	X'82'
Branch Equal	BE	X'81'
Branch Not High	BNH	X'04'
Branch Not Low	BNL	X'02'
Branch Not Equal	BNE	X'01'
Branch Overflow Zoned	BOZ	X'88'
Branch Overflow Logical	BOL	X'A0'
Branch No Overflow Zoned	BNOZ	X'08'
Branch No Overflow Logical	BNOL	X'20'
Branch True	BT	X'10'
Branch False	BF	X'90'
Branch Plus	BP	X'84'
Branch Minus	BM	X'82'
Branch Zero	BZ	X'81'
Branch Not Plus	BNP	X'04'
Branch Not Minus	BNM	X'02'
Branch Not Zero	BNZ	X'01'
<b>Jump On Condition (JC)</b>		
Jump	J	X'87'
Jump High	JH	X'84'
Jump Low	JL	X'82'
Jump Equal	JE	X'81'
Jump Not High	JNH	X'04'
Jump Not Low	JNL	X'02'
Jump Not Equal	JNE	X'01'
Jump Overflow Zoned	JOZ	X'88'
Jump Overflow Logical	JOL	X'A0'
Jump No Overflow Zoned	JNOZ	X'08'
Jump No Overflow Logical	JNOL	X'20'
Jump True	JT	X'10'
Jump False	JF	X'90'
Jump Plus	JP	X'84'
Jump Minus	JM	X'82'
Jump Zero	JZ	X'81'
Jump Not Plus	JNP	X'04'
Jump Not Minus	JNM	X'02'
Jump Not Zero	JNZ	X'01'
Command CPU (CCP—Model 15 only) Supervisor Call	SVC	X'10'

## Assembler Language to Machine Language Relationships

The following charts show the relationship between a machine instruction statement as coded by the System/3 Basic Assembler Language programmer and the machine language as generated by the assembler.

For example, the instruction coded by the programmer is ZAZ FINAL(5),DONE(1,1). From the second line of the first of the charts we can develop the relationship between the instruction and the machine code as follows (assume FINAL is a relocatable symbol with value X'131B' and DONE is an absolute symbol with value X'BA'):



Used in this manner, the following charts show what machine code results from a particular assembler language statement, and vice versa, what assembler language format obtains a particular machine code format.

The abbreviations used on the following pages mean:

- A1 Direct address, operand 1
- A2 Direct address, operand 2
- D1 Displacement, operand 1
- D2 Displacement, operand 2
- L1 Length of operand 1
- L2 Length of operand 2
- R1 Register 1
- R2 Register 2
- RX Local storage register
- I Immediate data

Assembler Instruction Format		Machine Instruction Format					
Operation	Operands	Op-Code	Q-Code		Operands		
		Byte 1	Byte 2		Byte 3	Byte 4	Byte 5
ZAZ	A1(L1),A2(L2)	04	L1-L2	L2-1	Address A1		Address A2
ZAZ	A1(L1),D2(L2,R1)	14	L1-L2	L2-1	Address A1		Disp D2 from R1
ZAZ	A1(L1),D2(L2,R2)	24	L1-L2	L2-1	Address A1		Disp D2 from R2
ZAZ	D1(L1,R1),A2(L2)	44	L1-L2	L2-1	Disp D1 from R1	Address A2	
ZAZ	D1(L1,R1),D2(L2,R1)	54	L1-L2	L2-1	Disp D1 from R1	Disp D2 from R1	
ZAZ	D1(L1,R1),D2(L2,R2)	64	L1-L2	L2-1	Disp D1 from R1	Disp D2 from R2	
ZAZ	D1(L1,R2),A2(L2)	84	L1-L2	L2-1	Disp D1 from R2	Address A2	
ZAZ	D1(L1,R2),D2(L2,R1)	94	L1-L2	L2-1	Disp D1 from R2	Disp D2 from R1	
ZAZ	D1(L1,R2),D2(L2,R2)	A4	L1-L2	L2-1	Disp D1 from R2	Disp D2 from R2	

NOTES:

If L1 or L2 is not specified, the implied length is used.

If D1 or D2 is relocatable, the assembler computes the displacement based on the USING instruction.

Assembler Instruction Format		Machine Instruction Format					
Operation	Operands	Op-Code	Q-Code		Operands		
		Byte 1	Byte 2	Byte 3	Byte 4	Byte 5	Byte 6
AZ	A1(L1),A2(L2)	06	L1-L2	L2-1	Address A1		Address A2
AZ	A1(L1),D2(L2,R1)	16	L1-L2	L2-1	Address A1		Disp D2 from R1
AZ	A1(L1),D2(L2,R2)	26	L1-L2	L2-1	Address A1		Disp D2 from R2
AZ	D1(L1,R1),A2(L2)	46	L1-L2	L2-1	Disp D1 from R1	Address A2	
AZ	D1(L1,R1),D2(L2,R1)	56	L1-L2	L2-1	Disp D1 from R1	Disp D2 from R1	
AZ	D1(L1,R1),D2(L2,R2)	66	L1-L2	L2-1	Disp D1 from R1	Disp D2 from R2	
AZ	D1(L1,R2),A2(L2)	86	L1-L2	L2-1	Disp D1 from R2	Address A2	
AZ	D1(L1, R2), D2(L2, R1)	96	L1-L2	L2-1	Disp D1 from R2	Disp D2 from R1	
AZ	D1(L1,R2),D2(L2,R2)	A6	L1-L2	L2-1	Disp D1 from R2	Disp D2 from R2	

**NOTES:**

If L1 or L2 is not specified, the implied length is used.

If D1 or D2 is relocatable, the assembler computes the displacement based on the USING instruction.

Assembler Instruction Format		Machine Instruction Format					
Operation	Operands	Op-Code	Q-Code	Operands			
		Byte 1	Byte 2	Byte 3	Byte 4	Byte 5	Byte 6
SZ	A1(L1),A2(L2)	07	L1-L2 L2-1	Address A1		Address A2	
SZ	A1(L1),D2(L2,R1)	17	L1-L2 L2-1	Address A1		Disp D2 from R1	
SZ	A1(L1), D2(L2,R2)	27	L1-L2 L2-1	Address A1		Disp D2 from R2	
SZ	D1(L1,R1),A2(L2)	47	L1-L2 L2-1	Disp D1 from R1		Address A2	
SZ	D1(L1,R1),D2(L2,R1)	57	L1-L2 L2-1	Disp D1 from R1		Disp D2 from R1	
SZ	D1(L1,R1),D2(L2,R2)	67	L1-L2 L2-1	Disp D1 from R1		Disp D2 from R2	
SZ	D1(L1,R2),A2(L2)	87	L1-L2 L2-1	Disp D1 from R2		Address A2	
SZ	D1(L1,R2),D2(L2,R1)	97	L1-L2 L2-1	Disp D1 from R2		Disp D2 from R1	
SZ	D1(L1,R2),D2(L2,R2)	A7	L1-L2 L2-1	Disp D1 from R2		Disp D2 from R2	

NOTES:

If L1 or L2 is not specified, the implied length is used.

If D1 or D2 is relocatable, the assembler computes the displacement based on the USING instruction.



Assembler Instruction Format		Machine Instruction Format					
Operation	Operands	Op-Code	Q-Code	Operands			
		Byte 1	Byte 2	Byte 3	Byte 4	Byte 5	Byte 6
MVX	A1(I),A2	08	I	Address A1		Address A2	
MVX	A1(I),D2(R1)	18	I	Address A1		Disp D2 from R1	
MVX	A1(I),D2(R2)	28	I	Address A1		Disp D2 from R2	
MVX	D1(I,R1),A2	48	I	Disp D1 from R1		Address A2	
MVX	D1(I,R1),D2(R1)	58	I	Disp D1 from R1		Disp D2 from R1	
MVX	D1(I,R1),D2(R2)	68	I	Disp D1 from R1		Disp D2 from R2	
MVX	D1(I,R2),A2	88	I	Disp D1 from R2		Address A2	
MVX	D1(I,R2),D2(R1)	98	I	Disp D1 from R2		Disp D2 from R1	
MVX	D1(I,R2),D2(R2)	A8	I	Disp D1 from R2		Disp D2 from R2	

**NOTES:**

I may be specified on either operand, and must have the value X'00',X'01',X'02', or X'03'.

If D1 or D2 is relocatable, the assembler computes the displacement based on the USING instruction.

For the extended mnemonics of the MVX instruction, I-field information is inherent in the mnemonic and the I-field is omitted from the operand field. See *Extended Mnemonic Codes* for the extended MVX and the associated Q-codes.

Assembler Instruction Format		Machine Instruction Format					
Operation	Operands	Op-Code	Q-Code	Operands			
		Byte 1	Byte 2	Byte 3	Byte 4	Byte 5	Byte 6
MVC	A1(L1),A2	0C	L1-1	Address A1		Address A2	
MVC	A1(L1),D2(,R1)	1C	L1-1	Address A1		Disp D2 from R1	
MVC	A1(L1),D2(,R2)	2C	L1-1	Address A1		Disp D2 from R2	
MVC	D1(L1,R1),A2	4C	L1-1	Disp D1 from R1		Address A2	
MVC	D1(L1,R1),D2(,R1)	5C	L1-1	Disp D1 from R1		Disp D2 from R1	
MVC	D1(L1,R1),D2(,R2)	6C	L1-1	Disp D1 from R1		Disp D2 from R2	
MVC	D1(L1,R2),A2	8C	L1-1	Disp D1 from R2		Address A2	
MVC	D1(L1,R2),D2(,R1)	9C	L1-1	Disp D1 from R2		Disp D2 from R1	
MVC	D1(L1,R2),D2(,R2)	AC	L1-1	Disp D1 from R2		Disp D2 from R2	

NOTES:

L1 may be specified on either operand; if L1 is not specified, the implied length of operand one is used.

If D1 or D2 is relocatable, the assembler computes the displacement based on the USING instruction.

Assembler Instruction Format		Machine Instruction Format					
Operation	Operands	Op-Code	Q-Code	Operands			
		Byte 1	Byte 2	Byte 3	Byte 4	Byte 5	Byte 6
CLC	A1(L1),A2	0D	L1-1	Address A1		Address A2	
CLC	A1(L1),D2(,R1)	1D	L1-1	Address A1		Disp D2 from R1	
CLC	A1(L1),D2(,R2)	2D	L1-1	Address A1		Disp D2 from R2	
CLC	D1(L1,R1),A2	4D	L1-1	Disp D1 from R1		Address A2	
CLC	D1(L1,R1),D2(,R1)	5D	L1-1	Disp D1 from R1		Disp D2 from R1	
CLC	D1(L1,R1),D2(,R2)	6D	L1-1	Disp D1 from R1		Disp D2 from R2	
CLC	D1(L1,R2),A2	8D	L1-1	Disp D1 from R2		Address A2	
CLC	D1(L1,R2),D2(,R1)	9D	L1-1	Disp D1 from R2		Disp D2 from R1	
CLC	D1(L1,R2),D2(,R2)	AD	L1-1	Disp D1 from R2		Disp D2 from R2	

NOTES:

L1 may be specified on either operand; if L1 is not specified, the implied length of operand one is used.

If D1 or D2 is relocatable, the assembler computes the displacement based on the USING instruction.

Assembler Instruction Format		Machine Instruction Format					
Operation	Operands	Op-Code	Q-Code	Operands			
		Byte 1	Byte 2	Byte 3	Byte 4	Byte 5	Byte 6
ALC	A1(L1),A2	0E	L1-1	Address A1		Address A2	
ALC	A1(L1),D2,(R1)	1E	L1-1	Address A1		Disp D2 from R1	
ALC	A1(L1),D2,(R2)	2E	L1-1	Address A1		Disp D2 from R2	
ALC	D1(L1,R1),A2	4E	L1-1	Disp D1 from R1		Address A2	
ALC	D1(L1,R1),D2,(R1)	5E	L1-1	Disp D1 from R1		Disp D2 from R1	
ALC	D1(L1,R1),D2,(R2)	6E	L1-1	Disp D1 from R1		Disp D2 from R2	
ALC	D1(L1,R2),A2	8E	L1-1	Disp D1 from R2		Address A2	
ALC	D1(L1,R2),D2,(R1)	9E	L1-1	Disp D1 from R2		Disp D2 from R1	
ALC	D1(L1,R2),D2,(R2)	AE	L1-1	Disp D1 from R2		Disp D2 from R2	

NOTES:

L1 may be specified on either operand; if L1 is not specified, the implied length of operand one is used.

If D1 or D2 is relocatable, the assembler computes the displacement based on the USING instruction.

Assembler Instruction Format		Machine Instruction Format					
Operation	Operands	Op-Code	Q-Code	Operands			
		Byte 1	Byte 2	Byte 3	Byte 4	Byte 5	Byte 6
SLC	A1(L1),A2	0F	L1-1	Address A1		Address A2	
SLC	A1(L1),D2(,R1)	1F	L1-1	Address A1		Disp D2 from R1	
SLC	A1(L1),D2(,R2)	2F	L1-1	Address A1		Disp D2 from R2	
SLC	D1(L1,R1),A2	4F	L1-1	Disp D1 from R1		Address A2	
SLC	D1(L1,R1),D2(,R1)	5F	L1-1	Disp D1 from R1		Disp D2 from R1	
SLC	D1(L1,R1),D2(,R2)	6F	L1-1	Disp D1 from R1		Disp D2 from R2	
SLC	D1(L1,R2),A2	8F	L1-1	Disp D1 from R2		Address A2	
SLC	D1(L1,R2),D2(,R1)	9F	L1-1	Disp D1 from R2		Disp D2 from R1	
SLC	D1(L1,R2),D2(,R2)	AF	L1-1	Disp D1 from R2		Disp D2 from R2	

NOTES:

L1 may be specified on either operand; if L1 is not specified, the implied length of operand one is used.

If D1 or D2 is relocatable, the assembler computes the displacement based on the USING instruction.

Assembler Instruction Format		Machine Instruction Format					
Operation	Operands	Op-Code	Q-Code	Operands			
		Byte 1	Byte 2	Byte 3	Byte 4	Byte 5	Byte 6
ITC	A1(L1),A2	0B	L1-1	Address A1		Address A2	
ITC	A1(L1),D2(,R1)	1B	L1-1	Address A1		Disp D2 from R1	
ITC	A1(L1),D2(,R2)	2B	L1-1	Address A1		Disp D2 from R2	
ITC	D1(L1,R1),A2	4B	L1-1	Disp D1 from R1		Address A2	
ITC	D1(L1,R1),D2(,R1)	5B	L1-1	Disp D1 from R1		Disp D2 from R1	
ITC	D1(L1,R1),D2(,R2)	6B	L1-1	Disp D1 from R1		Disp D2 from R2	
ITC	D1(L1,R2),A2	8B	L1-1	Disp D1 from R2		Address A2	
ITC	D1(L1,R2),D2(,R1)	9B	L1-1	Disp D1 from R2		Disp D2 from R1	
ITC	D1(L1,R2),D2(,R2)	AB	L1-1	Disp D1 from R2		Disp D2 from R2	

NOTES:

Operand one must address the data field at the leftmost byte.

L1 may be specified on either operand; if L1 is not specified, the implied length of operand one is used.

If D1 or D2 is relocatable, the assembler computes the displacement based on the USING instruction.

Assembler Instruction Format		Machine Instruction Format					
Operation	Operands	Op-Code	Q-Code	Operands			
		Byte 1	Byte 2	Byte 3	Byte 4	Byte 5	Byte 6
ED	A1(L1),A2	0A	L1-1	Address A1		Address A2	
ED	A1(L1),D2(R1)	1A	L1-1	Address A1		Disp D2 from R1	
ED	A1(L1),D2(R2)	2A	L1-1	Address A1		Disp D2 from R2	
ED	D1(L1,R1),A2	4A	L1-1	Disp D1 from R1		Address A2	
ED	D1(L1,R1),D2(R1)	5A	L1-1	Disp D1 from R1		Disp D2 from R1	
ED	D1(L1,R1),D2(R2)	6A	L1-1	Disp D1 from R1		Disp D2 from R2	
ED	D1(L1,R2),A2	8A	L1-1	Disp D1 from R2		Address A2	
ED	D1(L1,R2),D2(R1)	9A	L1-1	Disp D1 from R2		Disp D2 from R1	
ED	D1(L1,R2),D2(R2)	AA	L1-1	Disp D1 from R2		Disp D2 from R2	

NOTES:

L1 may be specified on either operand; if L1 is not specified, the implied length of operand one is used.

If D1 or D2 is relocatable, the assembler computes the displacement based on the USING instruction.

Assembler Instruction Format		Machine Instruction Format					
Operation	Operands	Op-Code	Q-Code	Operands			
		Byte 1	Byte 2	Byte 3	Byte 4	Byte 5	Byte 6
MVI	A1,I	3C	I	Address A1			
MVI	D1(,R1),I	7C	I	Disp D1 from R1			
MVI	D1(,R2),I	BC	I	Disp D1 from R2			
NOTE:							
If D1 is relocatable, the assembler computes the displacement based on the USING instruction.							

Assembler Instruction Format		Machine Instruction Format					
Operation	Operands	Op-Code	Q-Code	Operands			
		Byte 1	Byte 2	Byte 3	Byte 4	Byte 5	Byte 6
CLI	A1,I	3D	I	Address A1			
CLI	D1(,R1),I	7D	I	Disp D1 from R1			
CLI	D1(,R2),I	BD	I	Disp D1 from R2			
NOTE:							
If D1 is relocatable, the assembler computes the displacement based on the USING instruction.							

Assembler Instruction Format		Machine Instruction Format					
Operation	Operands	Op-Code	Q-Code	Operands			
		Byte 1	Byte 2	Byte 3	Byte 4	Byte 5	Byte 6
SBN	A1,I	3A	I	Address A1			
SBN	D1(,R1),I	7A	I	Disp D1 from R1			
SBN	D1(,R2),I	BA	I	Disp D1 from R2			
NOTE:							
If D1 is relocatable, the assembler computes the displacement based on the USING instruction.							



Assembler Instruction Format		Machine Instruction Format					
Operation	Operands	Op-Code	Q-Code	Operands			
		Byte 1	Byte 2	Byte 3	Byte 4	Byte 5	Byte 6
SBF	A1,I	3B	I	Address A1			
SBF	D1(,R1),I	7B	I	Disp D1 from R1			
SBF	D1(,R2),I	BB	I	Disp D1 from R2			
NOTE:							
If D1 is relocatable, the assembler computes the displacement based on the USING instruction.							

Assembler Instruction Format		Machine Instruction Format					
Operation	Operands	Op-Code	Q-Code	Operands			
		Byte 1	Byte 2	Byte 3	Byte 4	Byte 5	Byte 6
TBN	A1,I	38	I	Address A1			
TBN	D1(,R1),I	78	I	Disp D1 from R1			
TBN	D1(,R2),I	B8	I	Disp D1 from R2			
NOTE:							
If D1 is relocatable, the assembler computes the displacement based on the USING instruction.							

Assembler Instruction Format		Machine Instruction Format					
Operation	Operands	Op-Code	Q-Code	Operands			
		Byte 1	Byte 2	Byte 3	Byte 4	Byte 5	Byte 6
TBF	A1,I	39	I	Address A1			
TBF	D1(,R1),I	79	I	Disp D1 from R1			
TBF	D1(,R2),I	B9	I	Disp D1 from R2			
NOTE:							
If D1 is relocatable, the assembler computes the displacement based on the USING instruction.							

Assembler Instruction Format		Machine Instruction Format					
Operation	Operands	Op-Code	Q-Code	Operands			
		Byte 1	Byte 2	Byte 3	Byte 4	Byte 5	Byte 6
ST	A1,RX	34	RX	Address A1			
ST	D1(,R1),RX	74	RX	Disp D1 from R1			
ST	D1(,R2),RX	B4	RX	Disp D1 from R2			
NOTE:							
If D1 is relocatable, the assembler computes the displacement based on the USING instruction.							

Assembler Instruction Format		Machine Instruction Format					
Operation	Operands	Op-Code	Q-Code	Operands			
		Byte 1	Byte 2	Byte 3	Byte 4	Byte 5	Byte 6
L	A1,RX	35	RX	Address A1			
L	D1(,R1),RX	75	RX	Disp D1 from R1			
L	D1(,R2),RX	B5	RX	Disp D1 from R2			
NOTE:							
If D1 is relocatable, the assembler computes the displacement based on the USING instruction.							

Assembler Instruction Format		Machine Instruction Format					
Operation	Operands	Op-Code	Q-Code	Operands			
		Byte 1	Byte 2	Byte 3	Byte 4	Byte 5	Byte 6
A	A1,RX	36	RX	Address A1			
A	D1(,R1),RX	76	RX	Disp D1 from R1			
A	D1(,R2),RX	B6	RX	Disp D1 from R2			
NOTE:							
If D1 is relocatable, the assembler computes the displacement based on the USING instruction.							

Assembler Instruction Format		Machine Instruction Format					
Operation	Operands	Op-Code	Q-Code	Operands			
		Byte 1	Byte 2	Byte 3	Byte 4	Byte 5	Byte 6
BC	A1,I	C0	I	Address A1			
BC	D1,(R1),I	D0	I	Disp D1 from R1			
BC	D1,(R2),I	E0	I	Disp D1 from R2			

**NOTES:**

If D1 is relocatable, the assembler computes the displacement based on the USING instruction.

For the extended mnemonics of the BC, the second operand (I-field) is not used since the information is inherent in the mnemonic. See *Extended Mnemonic Codes* for the extended branches and their associated Q-codes.

Assembler Instruction Format		Machine Instruction Format					
Operation	Operands	Op-Code	Q-Code	Operands			
		Byte 1	Byte 2	Byte 3	Byte 4	Byte 5	Byte 6
TIO	A1,I	C1	I	Address A1			
TIO	D1,(R1),I	D1	I	Disp D1 from R1			
TIO	D1,(R2),I	E1	I	Disp D1 from R2			

**NOTE:**

If D1 is relocatable, the assembler computes the displacement based on the USING instruction.

Assembler Instruction Format		Machine Instruction Format					
Operation	Operands	Op-Code	Q-Code	Operands			
		Byte 1	Byte 2	Byte 3	Byte 4	Byte 5	Byte 6
SNS	A1,I	30	I	Address A1			
SNS	D1,(R1),I	70	I	Disp D1 from R1			
SNS	D1,(R2),I	B0	I	Disp D1 from R2			

**NOTE:**

If D1 is relocatable, the assembler computes the displacement based on the USING instruction.

Assembler Instruction Format		Machine Instruction Format					
Operation	Operands	Op-Code	Q-Code	Operands			
		Byte 1	Byte 2	Byte 3	Byte 4	Byte 5	Byte 6
LIO	A1,I	31	I	Address A1			
LIO	D1(,R1),I	71	I	Disp D1 from R1			
LIO	D1(,R2),I	B1	I	Disp D1 from R2			

NOTE:  
 If D1 is relocatable, the assembler computes the displacement based on the USING instruction.

Assembler Instruction Format		Machine Instruction Format					
Operation	Operands	Op-Code	Q-Code	Operands			
		Byte 1	Byte 2	Byte 3	Byte 4	Byte 5	Byte 6
LA	A1,RX	C2	RX	Address A1			
LA	D1(,R1),RX	D2	RX	Disp D1 from R1			
LA	D1(,R2),RX	E2	RX	Disp D1 from R2			

NOTE:  
 If D1 is relocatable, the assembler computes the displacement based on the USING instruction.

Assembler Instruction Format		Machine Instruction Format					
Operation	Operands	Op-Code	Q-Code	Operands			
		Byte 1	Byte 2	Byte 3	Byte 4	Byte 5	Byte 6
LCP	A1,RX	3F	RX	Address A1			
LCP	D1(,R1),RX	7F	RX	Disp D1 from R1			
LCP	D1(,R2),RX	BF	RX	Disp D1 from R2			

NOTES:  
 The Model 15 LCP instruction can also be generated on the Model 12 through the \$LCP macro instruction; see *IBM System/3 Models 10 and 12 System Control Programming Macros Reference Manual*, GC21-7562.  
 If D1 is relocatable, the assembler computes the displacement based on the USING instruction.

Assembler Instruction Format		Machine Instruction Format					
Operation	Operands	Op-Code	Q-Code	Operands			
		Byte 1	Byte 2	Byte 3	Byte 4	Byte 5	Byte 6
SCP	A1,RX	3E	RX	Address A1			
SCP	D1(,R1),RX	7E	RX	Disp D1 from R1			
SCP	D1(,R2),RX	BE	RX	Disp D1 from R2			

NOTES:

The Model 15 SCP instruction can also be generated on the Model 12 through the \$SCP macro instruction; see *IBM System/3 Models 10 and 12 System Control Programming Macros Reference Manual*, GC21-7562.

If D1 is relocatable, the assembler computes the displacement based on the USING instruction.

Assembler Instruction Format		Machine Instruction Format					
Operation	Operands	Op-Code	Q-Code	Operands			
		Byte 1	Byte 2	Byte 3	Byte 4	Byte 5	Byte 6
APL	I	F1	I	00			

NOTE:

The APL is a NO-OP instruction on the Model 15.

Assembler Instruction Format		Machine Instruction Format					
Operation	Operands	Op-Code	Q-Code	Operands			
		Byte 1	Byte 2	Byte 3	Byte 4	Byte 5	Byte 6
HPL	I1,I2	F0	I2	I1			

Assembler Instruction Format		Machine Instruction Format					
Operation	Operands	Op-Code	Q-Code	Operands			
		Byte 1	Byte 2	Byte 3	Byte 4	Byte 5	Byte 6
SIO	I1,I2	F3	I2	I1			

Assembler Instruction Format		Machine Instruction Format					
Operation	Operands	Op-Code	Q-Code	Operands			
		Byte 1	Byte 2	Byte 3	Byte 4	Byte 5	Byte 6
CCP	I1,RX	F4	RX	I1			

NOTES:

The Model 15 CCP instruction can also be generated on the Model 12 through the \$CCP macro instruction; see *IBM System/3 Models 10 and 12 System Control Programming Macros Reference Manual, GC21-7562*.

For the SVC form of the CCP instruction, the Q-code is inherent in the mnemonic and the RX field is omitted from the operand field. See *Extended Mnemonic Codes* for the associated Q-code.

Assembler Instruction Format		Machine Instruction Format					
Operation	Operands	Op-Code	Q-Code	Operands			
		Byte 1	Byte 2	Byte 3	Byte 4	Byte 5	Byte 6
JC	A1,I	F2	I	*			

\*If the first operand is absolute, this value is placed in byte 3.  
If the first operand is relocatable, the displacement from the next sequential instruction to address A1 is placed in byte 3.

NOTE:

For the extended mnemonics of the JC, the second operand (I-field) is not used since the information is inherent in the mnemonic. See *Extended Mnemonic Codes* for the extended jumps and their associated Q-codes.

## Appendix B: Assembler Instruction Reference Table

Operation Entry	Name Entry	Operand Entry
DC	Any Symbol or Blank	One operand entry containing: Duplication Factor, Type, Length, Constant.
DROP	Blank	Specified register (1 or 2).
DS	Any Symbol or Blank	One operand entry containing: Duplication Factor, Type, Length.
EJECT	Blank	Blank.
END	Blank	A relocatable expression or blank.
ENTRY	Blank	Any relocatable name entry found in the current program.
EQU	Any Symbol	An expression.
EXTRN	Blank	One relocatable symbol not found in the current program which may be followed by an absolute expression enclosed in parentheses.
ICTL	Blank	Two decimals in the form of B,E.
ISEQ	Blank	Blank or two decimal values in the form L, R.
ORG	Blank	Blank operand or an expression (A) optionally followed by two absolute expressions in the form A,B,C.
PRINT	Blank	Model 10 Disk System: One or two entries from DATA, NODATA, ON, OFF. Model 12 and Model 15: One to three entries from DATA, NODATA, GEN, NOGEN, ON, OFF.
SPACE	Blank	Blank or a decimal value.
START	Name or Blank	A self-defining value or blank.
TITLE	Name or Blank	A sequence of characters enclosed in apostrophes.
USING	Blank	A relocatable expression (V) and an index register (R) in the form V,R.





## Appendix C: System/3 Assembler – Source Language Error Codes and Diagnostics

Code	Diagnostic	Explanation
N01	INVALID NAME LENGTH	Name field entry greater than six characters
N02	INVALID CHARACTER IN NAME	Name starts with non-alphabetic or contains an invalid character
N03	NAME NOT ALLOWED ON THIS INSTRUCTION	Name field entry not allowed on this instruction
N04	REFERENCE TO UNDEFINED SYMBOL	The referenced symbol is not defined in this program
N05	NAME MISSING FROM INSTRUCTION REQUIRING ONE	Name field entry missing from EQU instruction
N06	PREVIOUSLY DEFINED SYMBOL	Symbol has been previously defined in this program
N07	MODULE NAME MISSING	START instruction missing, or START instruction present but name field entry (module name) missing. Assembler assigns the default module: name ASMOBJ.
O01	INVALID OPERATION CODE	Undefined operation field entry
O02	INVALID ORIGIN	Attempt to ORG to a value less than the initial value of the location counter
O03	INVALID OR ILLEGAL ICTL	Operand error on ICTL, or ICTL not the first statement in the program. (ICTL treated as last source statement in program)
O04	INVALID START INSTRUCTION	START instruction encountered after location counter is initialized
O05	LOCATION COUNTER ERROR	Location counter overflow (greater than 65536) or attempt to reference the location counter at 65536
O06	MISSING END STATEMENT	END statement missing from the program
P01	INVALID OPERAND DELIMITER	An operand field syntactical delimiter is either misplaced or missing
P02	INVALID OPERAND FORMAT	The operand field is not of the proper format for this instruction
P03	MISSING OPERAND	Operand field entry missing from instruction requiring one
P04	INVALID SYNTAX IN EXPRESSION	Violation of one or more expression syntax rules
P05	EXPRESSION VALUE TOO LARGE	Final expression value not in range $-2^{16}$ to $2^{16}-1$
P06	INVALID OPERAND	One or more operand entries do not meet specifications for this instruction
P07	ARITHMETIC OVERFLOW	Intermediate expression value not in the range $-2^{24}$ to $2^{24}-1$
P08	ADDRESSABILITY ERROR	Relocatable displacement outside the range of USING instruction
P09	REGISTER SPECIFICATION ERROR	Index register specification not 1 or 2
P10	INVALID CONSTANT	Error in constant specification on DC instruction
P11	INVALID CONSTANT TYPE	Data type specified on DC/DS is not valid
P12	INVALID DUPLICATION FACTOR	Error in duplication factor specification on DC/DS
P13	INVALID LENGTH SPECIFICATION	Error in length specification
P14	INVALID STATEMENT DELIMITER	The column following the statement field is not blank
P15	RELOCATABLE MULTIPLICATION	A relocatable term used in multiply operation
P16	RELOCATABILITY ERROR	A relocatable expression is used where an absolute expression is required, or an absolute expression is used where a relocatable expression is required
P17	INVALID SYMBOL	Invalid character in or invalid length of a symbol in the operand field
P18	INVALID SELF-DEFINING TERM	Error in the format of a self-defining term
P19	SELF-DEFINING VALUE TOO LARGE	Value of self-defining term is outside of range $-2^{16}$ to $2^{16}-1$
P20	INVALID IMMEDIATE FIELD	Immediate field not in range X'00' to X'FF'
P21	INVALID DISPLACEMENT	Absolute displacement not in range 0 to 255

Code	Diagnostic	Explanation
P22	INVALID EXTRN	Symbol is invalid or already defined in the program or subfield is invalid.
P23	TOO MANY ESL RECORDS	More than allowed number of EXTRN and ENTRY statements were found in the program. This count includes multiple EXTRNs and ENTRYs, ENTRYs with valid symbols which are not defined, and EXTRNs with valid symbols which are defined in the program. See <i>ESL Table Size in Part II. Programmer's Guide</i> .

Assembler subroutines can be linked to an RPG II program. The RPG II program passes parameters as it branches to the assembler subroutine. To write a subroutine that will be linked to an RPG II program the following rules must be used:

1. The name of the assembler subroutine must be SUBRxx. xx can be any valid alphabetic characters for user-written subroutines. (Numeric characters are reserved for IBM-supplied subroutines.) The name used must be the same as the name used in the RPG II program.
2. Upon entry to the assembler language subroutine, the address recall register (ARR) contains a pointer to the parameters which represent the fields to be referenced by the assembler subroutine. The return point to the RPG II program is the first byte after the parameters.
3. If the subroutine makes use of registers 1 and 2, the contents of these registers must be stored upon entry to, and restored before exit from, the subroutine.

### USING FIELDS IN THE RPG II PROGRAM

When linkage is effected from RPG II to an assembler subroutine, three possible areas in the RPG II program can be referenced by the subroutine. They are: field, table or array, and indicator.

#### Referencing a Field in an RPG II Program

The following parameters (symbolic form of code generated by the compiler) are passed by RPG II when a field is to be referenced:

B SUBRxx  
 DC IL1'Field length -1'  
 DC AL2(rightmost address of field)

#### Referencing a Table or Array in an RPG II Program

The following parameters (symbolic form of code generated by the compiler) are passed by RPG II when a table or array is to be referenced:

B SUBRxx  
 DC IL1'Entry length-1'  
 DC AL2(leftmost address of table control field)

The subroutine can refer to the table or array defined in the RPG II program by utilizing the control field created for that table or array. This control field, one of which is created for each table or array built by the RPG II program, is in the following format:

<i>Bytes</i>	<i>Meaning</i>
1-2	Rightmost address of the first entry.
3-4	Rightmost address of the last entry.
5-6	Initialized to rightmost address of first entry; used at object time for rightmost address of the last looked-up entry of a table.
7-8	Length of an entry.

The subroutine can obtain the data retrieved from the last RPG II table LOKUP by using the address in bytes 5-6. To access the table or array itself, the address in bytes 1-2 must be used.

Data used by the subroutine must be left unpacked for the RPG II program.

## Referencing an Indicator in an RPG II Program

The following parameters (symbolic form of code generated by the compiler) are passed by RPG II when an indicator is to be referenced:

B SUBRxx  
DC XL1'00'  
DC XL1'Mask for the indicator'  
DC XL1'Displacement to the indicator from XR1'

*Note:* The parameters passed to the assembler subroutine are determined by the coding done in the RPG II program. For a description of this coding, see the *IBM System/3 RPG II Reference Manual, SC21-7504*, *IBM System/3 Model 6 RPG II Reference Manual, SC21-7517*, or *IBM System/3 Card System RPG II Reference Manual, SC21-7500*.

### RPG II LINKAGE SAMPLE PROGRAM 1

In this sample program, the RPG II program links to the assembler language subroutine SUBRA (Figure 27). When control is returned to the RPG II program, the character 'A' will have been moved into the field in the RPG II program.

### RPG II LINKAGE SAMPLE PROGRAM 2

In this sample program, the RPG II program links to the assembler subroutine SUBRB (Figure 28). The first parameters passed reference a table. The second parameters reference an indicator. The subroutine refers to both sets of parameters. The subroutine first tests the indicator in the RPG II program. If the indicator is off, control is returned to the RPG II program. If the indicator is on, a character 'C' is moved into the last looked up entry in the table. When control is returned to the RPG II program, it checks for a 'C' in the table.

## I/O SUBROUTINES

Subroutines that support input or output devices can also be linked to an RPG II program. These subroutines are commonly referred to as RPG II SPECIAL subroutines.

## Linkage for I/O Subroutines

The following linkage is generated by RPG II to communicate with the user-supplied I/O subroutine.

### 1. DTF (define-the-file) format:

<i>Bytes</i>	<i>Description</i>
0	Device code (X'00')
1	UPSI mask
2-3	Attributes
4-5	Reserved for data management
6-7	Address of next DTF
8-B	Reserved for data management
C-D	Logical record address
E	Completion code  X'42' = End-of-file X'41' = Controlled cancel (not recognized by Model 10 card system) X'40' = Normal completion (not recognized by Model 10 card system)
F	Operation X'C0' = Get and put (model 10 card system only) X'80' = Get X'40' = Put X'20' = Update X'10' = Close
10-11	Input I/O address
12-13	Output I/O address
14-15	Block length
16-17	Record length
18-19	Address of array DTT if array linkage is used

The address of byte 0 of the DTF will be passed to the I/O subroutine in index register 2. Bytes 0-3, 6-7, C-D, and 10-17 are filled in by RPG II at compile time. Byte E, completion code, is inserted by the I/O subroutine when control is returned to RPG II. Byte F, the operation byte, is inserted at object time. The information in bytes 0 and 4-B must be available, unchanged at close time, for data management.

The DTT (define-the-table) is used for array linkage. DTT format:

<i>Bytes</i>	<i>Description</i>
0-1	Address of rightmost byte of the first element of the array.
2-3	Address of rightmost byte of the last element of the array.
4-5	RPG last LOKUP element.
6-7	Length of array element.

2. The I/O subroutine must save and restore the registers altered in the routine. Control should be returned to the address in the address recall register (ARR).

*Note:* The combined get and put operation code, X'CO', is utilized by the System/3 Model 10 Card System only. The System/3 Model 10 Disk System, System/3 Model 12, and System/3 Model 15 use alternate get and put operations to accommodate combined files. When coding an I/O subroutine to be used on either system, be certain to consider this fact.

When an input operation is done, the I/O subroutine must move the address of the physical buffer currently being used to the logical buffer address location in the DTF (bytes C-D). In the Model 10 Card System, address bytes 10-11 will be the same as bytes C-D (one physical buffer).

When an output operation is requested, the I/O subroutine must move the data from the logical buffer (address in bytes C-D of the DTF) to the physical buffer (address in bytes 12-13 of the DTF). The two addresses are the same in the Model 10 Card System. Bytes 0-B are unused in the Model 10 Card System.

The I/O subroutine must do its own open when the first call to it is issued. It must also do its own close to the file on a close call.

If a dual I/O is requested, the second area will be immediately behind the first (Model 10 Disk System, Model 12, and Model 15 only).

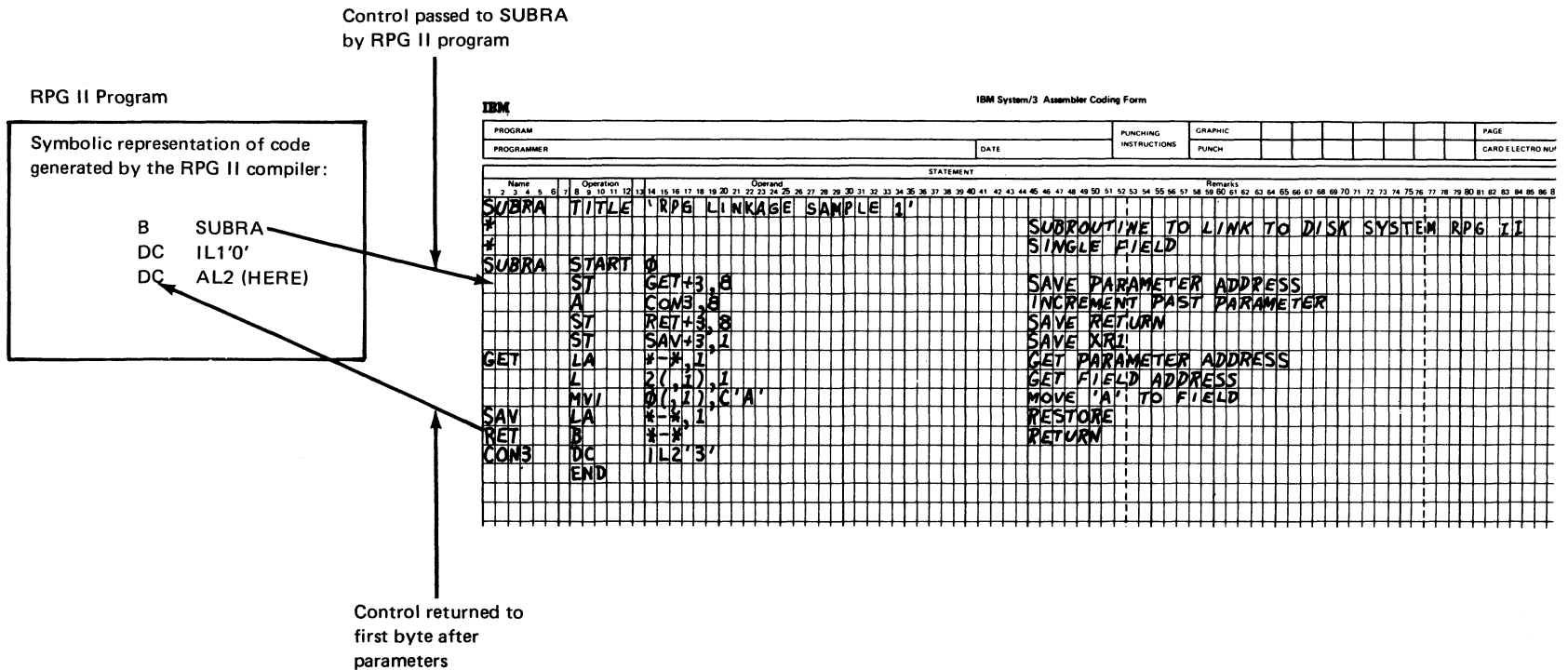
The I/O subroutine cannot be overlaid in the Model 10 Disk System, Model 12, and Model 15.

Sequential processing only is supported.

When an I/O subroutine issues a halt, three halts should be displayed as follows:

1. The first halt issued should be the FF halt reserved by RPG II for SPECIAL I/O subroutine usage.
2. The second halt should be the last two digits of the subroutine name.
3. The third halt may be any valid halt that can be displayed.

Figure 27. Assembler Language Subroutine (SUBRA) for Sample Program 1





## LIBRARY DECK GENERATOR PROGRAM (MODEL 10 ONLY)

The System/3 Model 10 Card System user can write assembler language subroutines to be used as SPECIAL or EXIT routines in an RPG II program. These assembler routines, however, cannot be inserted directly into the RPG II compiler. The assembler language subroutine must first be assembled by the System/3 Model 10 Disk System Basic Assembler and then translated by the Library Deck Generator (LDG) program before it can be placed in the RPG II compiler.

The entire operation, from writing an assembler subroutine to selection of that subroutine by the IBM System/3 Model 10 Card System RPG II compiler is outlined as follows:

1. The assembler subroutine is written by the programmer. If standard control cards supplied by the LDG program are not being used, the programmer must also code control cards for the subroutine.
2. The assembler subroutine is assembled on the System/3 Model 10 Disk System by the Basic Assembler.
3. The LDG program is read into System/3 Model 10 Disk System storage. The \*\*\* parameter card, assembler subroutine object deck, and blank cards are placed in the MFCU.
4. The LDG program produces a deck of cards, containing the subroutine, which can be placed in the RPG II compiler. The deck produced by the LDG program contains the following:
  - Header card
  - Control cards
  - Text
  - Q-card
  - End card
5. The deck produced by the LDG program may now be placed in the RPG II compiler deck. When an RPG II program is compiled, this subroutine will be selected, when required, just as any other compiler subroutine.

The following material describes the information needed to use an assembler language subroutine in an RPG II program. This material is divided into four major sections:

- Writing the assembler language program
- Running the LDG program
- Output of the LDG program
- Example of a SPECIAL subroutine

## Writing the Assembler Language Program

The following information must be considered when the assembler language program is written.

### Title Instruction

The name field of the TITLE instruction must contain OOGEB in columns 1-5.

### Control Cards

Control cards are needed for every assembler language subroutine. Control cards contain code, executed during compile time, which determines whether the subroutine should be included as part of the program being compiled. Library routines are selected only when the execution of a control card determines they are needed. In addition, control cards are needed to ensure that the entry point for the subroutine is placed in the proper location in core for the RPG II compiler to find and use it.

There are two ways to get the control cards you need. In some cases, you will need to code them yourself; in others standard control cards are supplied by the LDG program. If your subroutine is to be used as a normal SPECIAL or EXIT routine, the LDG program will supply three control cards. See Figure 29 for samples of these. When these control cards are provided, a SPECIAL routine is selected if bytes 12-13 of the file description compression matches the identification characters of the routine, and if the SPECIAL device code B'0xxx1010' is present in byte 16 of the same file description compression. EXIT routines are selected if the identifier in the library routine is the same as an entry in the symbol table (bytes 3-4) and if byte 2 of the same entry contains bit configuration 11100000. When these decks are selected, the address of the entry point of associated object code is placed in the symbol table entry, bytes 3-4 for an EXIT reference and/or bytes 8-9 of the file description compression for a SPECIAL reference.

You must code control cards for your subroutine when:

- The subroutine is not a SPECIAL or EXIT routine.
- The subroutine needs a function not provided by the standard control cards.

The following paragraphs describe several compiler resident routines which can be used by programmer coded control cards.



## Coding Control Cards

There are three types of control cards each identified by a special character in column 1. Each type performs a different function:

- Cards with a J in column 1 (J-cards) are usually used to control the selection of a routine for an object program. They also place the routine entry address in compile time storage for use by the RPG II compiler.
- Cards with a K in column 1 (K-cards) are used only when one routine from a set of related routines is to be used in any job. A J card will determine if any of these routines are needed and if so will start the scan for K cards which in turn control selection of the proper routine.
- Cards with an L in column 1 (L-cards) are used to pass information from RPG II compile time core to a subroutine or vice versa. They are executed only if the deck in which they appear has been selected for use with the current program.

Control card identification characters must be defined for assembly at X'0000' and are placed in column 1 of control cards. The only allowable characters are J, K, L, and blank. There should be one non-blank control card identifier character for each block of code for a control card. The blank is used as a delimiter between control card strings.

For example, DC### CLIO'JKLL'###L' shows identifiers for seven control cards and four control card strings. The first is a 4-card string with identifiers 'JKLL' used. The others are single card strings, each of which has an 'L' identification.

LDG identifies the control cards and assigns one control card identification character to each one. The control card strings are merged with the text cards for the routine functional code in the following manner. The first control card string is merged in front of the text, and one additional control card string is merged into the text cards where there is a break in the text caused by a DS or an ORG which changes the location counter.

Each control card must contain executable code. Control cards are coded in the order needed for the purposes described above. Each must begin at X'0017'; therefore, an ORG to 23 or X'0017' must precede the code for each card.

Your control cards must contain instructions for calculating the address at which your subroutine will be loaded. To calculate the true entry address, use the current relocation factor described here.

Label	Address	Function
RELOCF	X'030C' to X'030D'	Contains the current relocation factor. Is modified when the end card of the selected deck is encountered or J1EAA1 is entered.

See Figure 29, Part 1, found at the end of this section, for an example of the use of the current relocation factor.

The following paragraphs describe several compiler resident routines which can be used by programmer coded control cards.

*J-Card Scan Routine* reads the library deck until a J-card is encountered. The routine has three entry points.

Label	Address	Function
J3EAA1	X'031A'	Scans for J-card. When one is found, control is passed to that card. All other cards are ignored.
J2EAA1	X'3014'	Clears X'00E0' to X'00FF' and X'007C' to X'007F' to hex zeroes then scans for J-card as J3EAA1.
J1EAA1	X'030E'	Resets the relocation factor to the next object address and performs as J2EAA1.

*K-Card Scan Routine* has one entry point.

Label	Entry Point	Function
K1EAB1	X'0320'	Scans for K-card. When one is found, control is passed to that card. All other cards except J-cards are ignored. If a J-card is found, a halt '40' is executed.

*Relocate Deck Routine* has one entry point.

<i>Label</i>	<i>Entry Point</i>	<i>Function</i>
R1EAC1	X'032C'	Initiates or continues relocation of the current deck. Will recognize and execute L-cards and reorganize and print Q-cards. Exits to J1EAA1 when end card is encountered.

*Text Handling Routine* builds up full text card in storage and, when a card is full, punches that card. The area from X'0080' to X'00DF' is the location of the punch buffer and this must be considered when using this area of core.

<i>Label</i>	<i>Entry Point</i>	<i>Function</i>
BKEAH1	X'0350'	Forces any partial text card to be punched.
STXLA1	X'035C'	Accepts a string of text to be added to the current text immediately following the last text passed. Requires a 1-byte parameter following the branch. Parameter contains a displacement relative to register 1 to the length byte of the text being passed. The text string should be preceded by this length byte which contains the length of text.

*Scan File Description Compressions Routine* has two entry points. This routine steps through the file description compressions. It returns a pointer to the next compression in register 2. If the condition code is high, the pointer is valid. Any other condition indicates the pointer is invalid.

<i>Label</i>	<i>Entry Point</i>	<i>Function</i>
F1EAE1	X'0338'	Initializes pointer to first file description compression and sets condition code.
F2EAE1	X'033E'	Points register 2 to the next compression and sets the condition code. (Register 2 need not be pointing to the last compression.)

*Wait On Punch Busy Routine:*

<i>Label</i>	<i>Entry Point</i>	<i>Function</i>
WTPUN1	X'0362'	Returns when the previous punch operation has been successfully completed and the buffer is not busy.

*Scan Extension Compressions Routine* has two entry points and steps through the extension compressions and returns a pointer to the next compression in register 2. A high condition code indicates a valid pointer. Any other condition code indicates an invalid (undefined) pointer.

<i>Label</i>	<i>Entry Point</i>	<i>Function</i>
E1EAF1	X'0344'	Initializes pointer to first extension compression and sets condition code.
E2EAF1	X'034A'	Points register 2 to the next compression and sets condition code. (Register 2 need not point to last compression.)

*Title of Subroutine*

The title of the routine must be a defined constant to be loaded starting at X'0000'. It must be equal to or less than 80 characters in length. This title is printed on the RPG II compiler listing with the address of the entry point of the routine if it is selected at compile time.

### *Routine Functional Code*

This code must be assembled starting at X'0000'. The code must contain a break in continuity (a DS or an ORG which changes the location counter value) where control cards are to be inserted.

### **Assembling the Subroutine**

The assembler subroutine is assembled by the Model 10 disk system basic assembler. The OCL considerations for assembly are discussed in *Section II: Programmer's Guide* under the headings *OPTIONS Statement* and *OCL Statements For Assembler*.

An **OPTIONS** card must be used to successfully assemble the subroutine.

### **Running the LDG Program**

The following paragraphs describe a special parameter card that must be used with the assembler deck, the OCL required to load the LDG program, and error conditions that may result.

### *Library Deck Generator Parameter Card (\*\*\*)*

A parameter card must precede the assembler generated object deck to provide the LDG program with information regarding output. Entries for the parameter card are as follows:

<i>Columns</i>	<i>Entry</i>	<i>Explanation</i>
1-3	***	Three asterisks identify a parameter card.
4-9	SUBRxx	These characters identify the subroutine. Substitute any two characters for xx – the second may be blank, but the first must not. Note that the LDG program will not diagnose an error in these columns.
10	, (comma)	Required.
11	S	Standard control cards will be provided by the LDG program for the subroutine identified by the characters found in columns 8-9 of this parameter card. The title, also extracted from this parameter card, will be assigned to the subroutine. The entry point of the routine must be the first byte of the routine. GEB will be forced as module identifier.
	N	Non-standard control cards will be supplied by the user as will identification characters and title. (The format of this material may be found in Figure 29.) If N is specified, the title specified in this parameter card is ignored. Thus, if N is used, columns 21-96 may be left blank.
12	, (comma)	Required.
13	D	Default values for component version, modification level, and indication of complete or partial deck replacement for header card are provided by the LDG program.
	G	Default values are not assumed. The user must provide them in columns 15-19.
14	, (comma)	Required if column 11 contains an S or column 13 a G.
15-16	VV	Two numbers indicating the component version.
17-18	MM	Two numbers indicating modification level.
19	0 (zero)	Partial deck replacement for header card.
	1	Complete deck replacement for header card.
20	, (comma)	Required only if column 13 contains a G and column 11 an S.
21-96	Subroutine title	If column 11 contains an N, the title is not required. If column 13 contains a D, the title of the subroutine must begin in column 15.



## Output of the LDG Program

The header card in stacker 2 should be placed in front of the remainder of the output deck in stacker 3. Insert the subroutine deck in the RPG II Compiler deck using the Program Maintenance Program. The subroutine deck must have GEB in columns 91-93.

## Example

Figure 29 is an example of a SPECIAL subroutine. This sample program can be used as a base for any SPECIAL or EXIT subroutine. The only changes required are modifying the subroutine identification characters, entry point, label, and routine title. Areas of change are outlined in the sample listing. Control cards are created for you.

```

00GEB ANY TITLE DESIRED MAY BE USED
ERR LOC OBJECT CODE ADDR STMT SOURCE STATEMENT
2 * ***** * 00020000
3 * * 00030000
4 * THIS IS A SAMPLE CODING FOR THE CONTROL CARDS FOR A 'SPECIAL' * 00040000
5 * * 00050000
6 * DEVICE REFERENCED IN AN RPG PROGRAM. ALL LABELS WHICH WILL * 00060000
7 * * 00070000
8 * NEED TO BE MODIFIED FOR A PARTICULAR PROGRAM HAVE LABELS * 00080000
9 * * 00090000
10 * STARTING WITH THE CHARACTER '#'. THIS DECK IS IN THE FORMAT * 00100000
11 * * 00110000
12 * REQUIRED BY THE LIBRARY DECK GENERATOR. * 00120000
13 * * 00130000
14 * THESE CONTROL CARDS MAY BE USED FOR ANY SPECIAL OR EXIT * 00140000
15 * * 00150000
16 * SUBROUTINE. * 00160000
17 * * 00170000
18 * ***** * 00180000

20 * ***** * 00200000
21 * * 00210000
22 * STANDARD LABELS AND LABELS USED TO LINK TO THE LIBRARY * 00220000
23 * * 00230000
24 * SELECT ROUTINE AND RPG COMPILER COMMUNICATIONS AREA * 00240000
25 * * 00250000
26 * ***** * 00260000

0000 28 START START 0 PROGRAM SHOULD BE STARTED AT 0 00280000
0001 29 XR1 EQU 1 STANDARD LABEL FOR INDEX REGISTER 1 00290000
0002 30 XR2 EQU 2 STANDARD LABEL FOR INDEX REGISTER 2 00300000
0008 31 ARR EQU 8 ADDRESS RECALL REG 00310000

030D 33 RELOCF EQU START+X'030D' RELOCATION FACTOR FOR CURRENT DECK 00330000
030E 34 J1EAA1 EQU START+X'030E' ENTRY POINT TO RESET RELOCATION 00340000
35 * FACTOR AND SCAN TO NEXT 'J' CARD 00350000
031A 36 J3EAA1 EQU START+X'031A' ENTRY TO SCAN TO NEXT 'J' CARD WITH- 00360000
37 * OUT RESETTING RELOCATION FACTOR 00370000
032C 38 R1EAC1 EQU START+X'032C' ENTRY POINT TO INITIATE OR CONTINUE 00380000
39 * RELOCATION OF THIS DECK 00390000
0338 40 F1EAE1 EQU START+X'0338' ENTRY POINT TO INITIATE THE SCAN OF 00400000
41 * THE FILE DESCRIPTION COMPRESSIONS 00410000
033E 42 F2EAE1 EQU START+X'033E' ENTRY POINT TO CONTINUE FILE DISC. 00420000
43 * COMP. SCAN 00430000
44 * BOTH OF THE PREVIOUS ENTRIES 00440000
45 * RETURN A POINTER IN XR2 AND A 00450000
46 * CONDITION CODE 'HIGH' IF THAT 00460000
47 * POINTER IS VALID 00470000

028C 49 COMMON EQU START+X'028C' START OF THE RPG COMPILER 00490000
50 * COMMUNICATIONS AREA 00500000
02E6 51 ENDCOR EQU COMMON+90 HOLDS LAST ADDRESS IN MEMORY -FIRST 00510000
52 * BYTE USED FOR SYMBOL TABLE - 00520000
02EA 53 ENDST EQU COMMON+94 HOLDS LAST ADDRESS USED FOR SYMBOL 00530000
54 * TABLE. 00540000

```

Figure 29 (Part 1 of 4). Sample Coding for SPECIAL Device

ERR	LOC	OBJECT CODE	ADDR	STMT	SOURCE STATEMENT		
			56	*	*****	00560000	
			57	*		00570000	
			58	*	THE FOLLOWING IS A SKELETON FOR A FILE DESCRIPTION	00580000	
			59	*		00590000	
			60	*	COMPRESSION	00600000	
			61	*		00610000	
			62	*	*****	00620000	
0000			0000	64	FCFG DS CL1 FLAG BYTE FOR COMP. ALWAYS X'FF'	00640000	
0001			0002	65	DS CL2 OUTPUT BUFFER @	00650000	
0003			0004	66	DS CL2 INPUT BUFFER ADDRESS	00660000	
0005			0006	67	DS CL2 PRINT BUFFER ADDRESS	00670000	
0007			0008	68	FCENT@ DS CL2 IOCS ENTRY POINT ADDRESS	00680000	
0009			0009	69	DS CL1 FLAG BYTE	00690000	
000A			000A	70	DS CL1 FLAG BYTE	00700000	
000B			000C	71	FCIDNT DS CL2 HOLDS IDENT FOR SPECIAL ROUTINE	00710000	
000D			000E	72	DS CL2 EXTERNAL INDICATOR ASSIGNMENT	00720000	
000F			000F	73	FCDVA DS CL1 DEVICE CODE B'0XXX1010' FOR SPECIAL	00730000	
0010			0010	74	DS CL1 BLOCKING FACTOR	00740000	
0011			0011	75	DS CL1 RECORD LENGTH	00750000	
			77	*	*****	00770000	
			78	*		00780000	
			79	*	THE FOLLOWING IS A SKELETON FOR A SYMBOL TABLE ENTRY	00790000	
			80	*		00800000	
			81	*	*****	00810000	
0012			0012	83	STLEN DS CL1 LENGTH FOR FIELD ENTRY	00830000	
0013			0013	84	STFLAG DS CL1 FLAG BYTE SPECIAL NEEDS B'	00840000	
0014			0015	85	STIDNT DS CL2 IDENT FOR SPECIAL C'##' HOLDS ENTRY	00850000	
			86	*	POINT AFTER SELECTION	00860000	
			88	*	*****	00880000	
			89	*		00890000	
			90	*	THE FOLLOWING DC CONTAINS THE ID'S FOR THE CONTROL CARDS	00900000	
			91	*		00910000	
			92	*	*****	00920000	
0000			0000	94	ORG 0	00940000	
0000	D1D1D1		0002	95	DC CL3'JJJ'	00950000	
			96	*	THREE CONTROL CARDS ALL WITH IDENT	00960000	
			97	*	'J' AND INSERTED IN FRONT OF THE	00970000	
			98	*	DECK	00980000	
			99	*	*****	00990000	
			100	*		01000000	
			101	*	THIS CONTROL CARD SCANS THE 'F' COMPRESSIONS FOR REFERENCE TO	01010000	
			102	*		01020000	
			103	*	'##' IF FOUND IT SETS THE FLAG BYTE AT X'007B' TO X'FF'.	01030000	
			104	*		01040000	
			105	*	IF EITHER FOUND OR NOT FOUND IT STARTS THE SCAN FOR THE NEXT	01050000	
			106	*		01060000	
			107	*	CONTROL CARD.	01070000	
			108	*		01080000	
			109	*	*****	01090000	
0017			007B	111	ORG X'0017'	01110000	
			112	FLG EQU START+X'7B'	REQUIRED FOR EACH CONTROL CARD	01120000	
			113	*	AREA FROM X'7B' TO X'FF' IS	01130000	
			114	*	USABLE FOR WORKING STORAGE	01140000	
			115	*	THIS BYTE USED TO FLAG IF	01150000	
			116	*	ROUTINE IS REFERENCED ON 'F'	01160000	
			117	*	SPECIFICATIONS	01170000	
0017	7C 00 7B		0000	117	USING START,XR1	01180000	
			118	MVI FLG(,XR1),X'00'	VALID AT ENTRY TO ANY CTL. CARD	01190000	
			119	*	INITIALIZE FLAG FOR NOT USED	01200000	
001A	4E 01 43 030D		120	ALC #ENTRY(2,XR1),RELOCF	ON FILE DESCRIPTION SPECS.	01210000	
001F	C0 87 0338		121	B F1EAE1	CALCULATE TRUE ENTRY ADDRESS	01220000	
			122	USING FCFG,XR2	INITIATE SCAN OF 'F' COMPS.	01230000	
0023	6D 01 45 0C		123	SPCA1 CLC #IDENT(2,XR1),FCIDNT(,XR2)	VALID UPON RETURN FROM F1EAE1	01240000	
0027	88 0A 0F		124	TBN FCDVA(,XR2),B'00001010'	IS THE IDENT THE RIGHT CHAR	01250000	
002A	89 85 0F		125	TBF FCDVA(,XR2),B'10000101'	AND IS DEVICE CODE THAT FOR	01260000	
002D	F2 96 07		126	JC SPCA2,X'96'	'SPECIAL'	01270000	
			127	*	IF THIS IS NOT THE RIGHT COMP, JUMP	01280000	
0030	7C FF 7B		128	MVI FLG(,XR1),X'FF'	SET FLAG TO INDICATE USED ON	01290000	
			129	*	FILE DESCRIPTION SPECS.	01300000	
0033	9C 01 08 43		130	MVC FCENT@(2,XR2),#ENTRY(,XR1)	MOVE ENTRY ADDRESS TO THE	01310000	
			131	*	FILE DESCRIPTION COMP.	01320000	
0037	C0 87 033E		132	SPCA2 B F2EAE1	ELSE SCAN TO NEXT COMP	01330000	
003B	D0 84 23		133	BH SPCA1(,XR1)	IF POINTER STILL OK LOOP	01340000	
003E	C0 87 031A		134	B J3EAA1	GET NEXT 'J' CARD	01350000	
			135	*	THIS ENTRY WILL NOT CLEAR THE	01360000	
			136	*	BYTE AT FLG.		
0042	0000		0043	138	#ENTRY DC AL2(SUBR##)	ENTRY POINT ADDR. TO BE RELOCAT	01380000
0044	7B7B		0045	139	#IDENT DC CL2'##'	TWO CHARACTER IDENT FOR ROUTINE	01390000
			0002	141	DROP XR2		01410000

Identify your subroutines by replacing these # signs with identifying characters.

Figure 29 (Part 2 of 4). Sample Coding for SPECIAL Device

ERR LOC	OBJECT CODE	ADDR	STMT	SOURCE STATEMENT	
		143	*	*****	01430000
		144	*		01440000
		145	*	THIS CONTROL CARD DETERMINES THE END ADDRESS TO BE USED	01450000
		146	*		01460000
		147	*	IN THE SEARCH OF THE SYMBOL TABLE DONE BY THE NEXT CONTROL	01470000
		148	*		01480000
		149	*	CARD.	01490000
		150	*		01500000
		151	*	*****	01510000
		007D	153	END@ EQU START+X*7D'	01530000
			154	*	01540000
			155	*	01550000
			156	*	01560000
			157	*	01570000
			158	*	01580000
			159	*	01590000
				THIS TWO BYTE AREA WILL HOLD THE ADDRESS TO CONTROL THE SYMBOL TABLE SCAN. IT WILL BE THE ADDRESS OF THE END OF THE SYMBOL TABLE OR THE FIRST TABLE ADDRESS TABLE POINTER WHICH EVER IS HIGHEST	
0017		161		ORG X'0017'	01610000
0017 4C 01 7D 02EA		162		MVC END@ (2,XR1),ENDST	01620000
		163	*		01630000
001C C2 02 FFFC		164		LA X'FFFC',XR2	01640000
0020 36 02 02E6		165		A ENDCOR,XR2	01650000
		166	*		01660000
		0011	167	USING STLEN-1,XR2	01670000
0024 B9 18 02		168		TBF STFLAG(,XR2),X'18'	01680000
		169	*		01690000
0027 F2 10 04		170		JT SPCB0	01700000
002A 6C 01 7D 04		171		MVC END@ (2,XR1),STIDNT(,XR2)	01710000
002E C0 87 031A		172		B J3EAA1	01720000
		0002	173	SPCB0 DROP XR2	01730000
				TEST IF ENTRY FOR TABLE OR ARRAY	
				IF NEITHER --> JUMP	
				ELSE RESET THE END ADDRESS	
				GO GET NEXT CARD	
		175	*	*****	01750000
		176	*	THIS CONTROL CARD CHECKS THE SYMBOL TABLE FOR REFERENCES FROM	01760000
		177	*		01770000
		178	*	CALCULATIONS. IF REFERENCED THERE OR ON 'F' SPECS RELOCATION	01780000
		179	*		01790000
		180	*	OF THE DECK IS INITIATED	01800000
		181	*		01810000
		182	*	*****	01820000
0017		184		ORG X'0017'	01840000
0017 4E 01 51 030D		185		ALC #ENT (2,XR1),RELOC	01850000
001C 4C 01 30 02E6		186		MVC SPCB2+3(2,XR1),ENDCOR	01860000
0021 5E 01 30 55		187		SPCB1 ALC SPCB2+3(2,XR1),STSTEP(,XR1)	01870000
0025 4D 01 30 02EA		188		CLC SPCB2+3(2,XR1),ENDST	01880000
002A F2 82 18		189		JL SPCB3	01890000
002D C2 02 0000		190		SPCB2 LA *-*,XR2	01900000
		0011	191	USING STLEN-1,XR2	01910000
0031 9D 01 04 53		192		CLC STIDNT(2,XR2),#IDN(,XR1)	01920000
0035 88 E0 02		193		TBN STFLAG(,XR2),B'11100000'	01930000
0038 00 96 21		194		BC SPCB1(,XR1),X'96'	01940000
003B 9C 01 04 51		195		MVC STIDNT(2,XR2),#ENT(,XR1)	01950000
003F BA 01 02		196		SBN STFLAG(,XR2),B'00000001'	01960000
0042 F2 87 07		197		J SPCB4	01970000
0045 7D FF 7B		198		SPCB3 CLI FLG(,XR1),X'FF'	01980000
		199	*		01990000
0048 C0 01 030E		200		BNE J1EAA1	02000000
004C C0 87 032C		201		SPCB4 B R1EAC1	02010000
				START OF CONTROL CARD TEXT	
				CALCULATE ENTRY ADDRESS	
				INITIALIZE LA BELOW	
				STEP BACK TO NEXT ENTRY	
				CHECK FOR END OF SYMBOL TABLE	
				IF BEYOND END --> JUMP	
				POINT TO ENTRY	
				IS THE IDENT CORRECT AND	
				THE ENTRY FOR AN EXIT LABEL	
				ELSE NOT CORRECT ENTRY --> LOOP	
				ELSE MOVE IN ENTRY POINT	
				START RELOCATION OF ROUTINE	
				WAS ROUTINE REFERENCED FROM	
				FILE DESCRIPTION SPECS. ?	
				NO - UNUSED SCAN TO NEXT DECK	
				YES - USED AS SPECIAL RELOCATE	
0050 0000	0051	203	#ENT	DC AL2(SUBR##)	02030000
0052 7878	0053	204	#IDN	DC CL2'##'	02040000
0054 FFFC	0055	206	STSTEP	DC IL2'-4'	02060000
		207	*		02070000
				ENTRY POINT FOR RELOCATING IDENTIFICATION	
				NEGATIVE LENGTH OF SYMBOL TABLE ENTRY	

Replace these # signs with the characters identifying your subroutine.

Figure 29 (Part 3 of 4). Sample Coding for SPECIAL Device



ERR LOC	OBJECT CODE	ADDR	STMT	SOURCE STATEMENT	
		209	*	*****	02090000
		210	*		02100000
		211	*	THE FOLLOWING DC CONTAINS THE PROGRAM TITLE TO BE PRINTED	02110000
		212	*		02120000
		213	*	ON THE RPG LISTING AND SHOULD BE CHANGED TO REFLECT THE	02130000
		214	*		02140000
		215	*	NAME OF THE SUBROUTINE.	02150000
		216	*		02160000
		217	*	*****	02170000
0000		219	ORG	0 SIGNALS START OF TITLE	02190000
0000	E2D7C5C3C9C1D340	001D	221	DC CL30*SPECIAL I/O ROUTINE ##*	02210000
0008	C961D640D9D6E4E3		221		
0010	C9D5C540787B4040		221		
0018	404040404040		221		
		223	*	*****	02230000
		224	*		02240000
		225	*	THE FOLLOWING CODE REPRESENTS THE FUNCTIONAL CODE FOR THE	02250000
		226	*		02260000
		227	*	USER ROUTINE. THE ABOVE CONTROL CARDS ASSUME THE ENTRY POINT	02270000
		228	*		02280000
		229	*	IS AT SUBR##. THE ENTRY POINT IS UNIQUE TO EACH SUBROUTINE.	02290000
		230	*		02300000
		231	*	THE ENTRY POINT IS THE LABEL ON THE ROUTINE CODE, NOT THAT	02310000
		232	*		02320000
		233	*	ON THE START CARD.	02330000
		234	*		02340000
		235	*	*****	02350000
		237	*	*****	02370000
		238	*		02380000
		239	*	THE ROUTINE MUST MEET THE FOLLOWING REQUIREMENTS	02390000
		240	*		02400000
		241	*	1. WHEN ENTERED FOR INPUT OR OUTPUT (NOT EXIT) IT MUST	02410000
		242	*	ACCEPT THE STANDARD SPECIAL I/O LINKAGE PARAMETERS.	02420000
		243	*		02430000
		244	*	2. WHEN ENTERED VIA AN EXIT FROM CALCULATIONS IT MUST	02440000
		245	*	ACCEPT THE STANDARD EXIT LINKAGE AND PARAMETERS.	02450000
		246	*		02460000
		247	*	3. IT MUST INDICATE END OF FILE BY PROVIDING THE CORRECT	02470000
		248	*	COMPLETION CODE IN THE DTF.	02480000
		249	*		02490000
		250	*	4. IF A DIFFERENT AREA IS USED FOR THE ACTUAL INPUT OR	02500000
		251	*	OUTPUT BUFFER THE DATA MUST BE MOVED TO OR FROM THE ADDRESS	02510000
		252	*	SUPPLIED IN THE DTF.	02520000
		253	*		02530000
		254	*	*****	02540000
0000		256	ORG	0 SIGNALS START OF ROUTINE TEXT	02560000
0000		258	SUBR##	EQU * THIS IS THE ENTRY POINT TO THE RQT.	02580000
		260	*****	ROUTINE CODE IS PLACED HERE *****	02600000
0000		262	END	SUBR## THIS INSURES PROPER LISTING FROM RPG	02620000

Replace these # signs with the characters identifying your subroutine.

Replace these # signs with the characters identifying your subroutine.

Figure 29 (Part 4 of 4). Sample Coding for SPECIAL Device

## Appendix E: Assembler Language Subroutine To COBOL or FORTRAN Linkage

This section describes standard linkage conventions for use between modules produced by the System/3 language translators: COBOL, FORTRAN, and Basic Assembler. Programmers using standard linkage conventions are able to code routines in the language most appropriate to the function being performed, with the assurance that effective and permanent communication has been established. Figure 30 illustrates the standard described on the following pages.

```

*
*   SAMPLE SYSTEM/3 LINKAGE -- MODULE A CALLS MODULE B
*
*           EXTRN MODB
@XR1      EQU   X'01'
@XR2      EQU   X'02'
*
MODA      START X'0000'
*
*           INITIALIZE XR1 AND XR2 TO TEST SAVING
*
*           L      XR1,@XR1
*           L      XR2,@XR2
*           B      MODB          CALL MODULE B
*           DC     AL2(PLIST)
*           HPL    X'6F',X'6F'   HALT 00 AFTER RETURN
*
*
*   PARAMETER LIST
*
*   PLIST      EQU   *
*           DC     AL2 (SAVA)    ADDRESS OF SAVE AREA
*           DC     AL2 (PARM1)   ADDRESS OF FIRST PARAMETER
*           DC     AL2 (PARM2)   ADDRESS OF SECOND PARAMETER
*           DC     XL1 '00"
*
*
*   PARAMETERS
*
*   PARM1      EQU   EQU   *
*           DC     CL5 'FIRST'
*   PARM2      EQU   EQU   *
*           DC     CL6 'SECOND'
*
*
*   SAVE AREA
*
*   SAVA       DC     XL1 'B0'   INDICATOR BYTE -- ASSEMBLER MAIN
*           DC     CL6 'MODE'   MODULE NAME
*
*   XR1        DC     CL2 'R1'
*   XR2        DC     CL2 'R2'
*           END   MODA

```

Figure 30 (Part 1 of 2). Illustration of Standard Linkages

```

*
*   SAMPLE SYSTEM/3 LINKAGE -- MODULE A CALLS MODULE B
*
@XR1      EQU   X'01'
@XR2      EQU   X'02'
@ARR      EQU   X'08'
@IAR      EQU   X'10'
*
          ENTRY MODB
*
MODB      START X'0000'
*
          ST    SAVAR1,@XR1          SAVE CONTENTS OF XR1
          LA    SAVA,@XR1           XR1 WILL BE BASE FOR SAVE AREA
          USING SAVA,@XR1
          ST    SAVAR2(,@XR1),@XR2  SAVE CONTENTS OF XR2
          ST    SAVART(,@XR1),@ARR  SAVE CONTENTS OF ARR
          L     SAVART(,@XR1),@XR2  XR2 POINTS TO ADDRESS OF PARM
                                   LIST
          L     1(,@XR2),@XR2       XR2 POINTS TO PARAMETER LIST
          ALC   SAVART(,@XR1),TWO(,@XR1) SET RETURN POINT 2 PAST ARR.
*
*   BODY OF ROUTINE
*
          L     SAVAR2(,@XR1),@XR2  RESTORE XR2
          L     SAVAR1(,@XR1),@XR1  RESTORE XR1
          L     SAVART,@IAR         RETURN
*
*   SAVE AREA
*
SAVA      DC    XL1'30'            INDICATOR BYTE -- ASSEMBLER LANG
          DC    CL6'MODB'         MODULE NAME
SAVAR1    DC    XL2'00'            CONTENTS OF XR1 ON ENTRY TO THIS
*                                     MODULE
SAVAR2    DC    XL2'00'            CONTENTS OF XR2 ON ENTRY TO THIS
*                                     MODULE
SAVART    DC    AL2(00)           RETURN POINT
*
TWO       DC    IL2'2'
*
          END

```

Figure 30 (Part 2 of 2). Illustration of Standard Linkages

## STANDARDS

In order to be standard, linkage must be accomplished as follows:

1. Each module must have a *save area* (Figure 31).

Byte	Bit	Description	Program
0	0	0=Not a main program 1=Main program	Subroutine Main program
	1-3	000=FORTRAN 001=COBOL 011=Basic Assembler	Subroutine Main program
	4-7	Reserved	
1-6		EBCDIC name, left justified	Subroutine Main program
7-8		Value of index register 1 (XR1) at entry	Subroutine
9-A		Value of index register 2 XR2) at entry	Subroutine
B-C		Return point in calling program	Subroutine

**Note:** Main program refers to the program with the highest level of control.

Figure 31. Save Area

2. Each module that calls another module must have one or more *parameter lists* (Figure 32).

Byte	Description
0-1	Address of save area in this program
2-3	Address of first parameter
(2N)-(2N+1)	Address of Nth parameter
(2N+2)	XL1'00' to indicate end of parameter list

**Note:** The first two bytes as well as the end-of-parameter-list indicator (XL1'00') must be present in all parameter lists. If no parameters are to be passed, the parameter list will be only three bytes in length. In this case, byte 3 will be 0 and the called program will indicate a parameter list length of 2.

**Note:** Addresses in parameter lists refer to the first byte (byte with the lowest address) of the item.

Figure 32. Parameter List

3. When control reaches a program entry point, the address recall register (ARR) must point to a 2-byte field containing the address of the first byte of the parameter list.

The Basic Assembler language code to call a COBOL or FORTRAN subroutine would normally be as follows:

```

EXTRN  SUBR
B      SUBR
DC     AL2(PARAMS)
RETNPT EQU *
```

Note that the pointer to the parameter list points to the left byte of the save area address.

4. Normal return is accomplished by placing in the instruction address register (IAR) a value that is two larger than the contents of the ARR when the program was entered.
5. Index registers 1 and 2 (XR1 and XR2) must be saved upon entry in the called program's save area, and restored at exit.
6. The address recall register need not be restored, but the return address must be determined and placed in the called program's save area.

Along with the Basic Assembler, you will receive a sample program. By executing the sample program you can verify that the Basic Assembler is operational.

### MODEL 10 AND MODEL 12 SAMPLE PROGRAM

This section describes the sample program and explains the operating procedures necessary for executing it. General operating procedures for the Basic Assembler are found in the *IBM System/3 Model 10 Disk System Operator's Guide*, GC21-7508, *IBM System/3 Model 12 Operator's Guide*, GC21-5144, and in Part II of this manual.

#### Program Description

The sample program is called Prime Number Test Program. The program reads a number from the console display data switches, tests to see if it is a prime number, and

indicates the results of the test on the message display unit. If the number zero is tested, the program is terminated.

Three halt codes are used in this program to request input and indicate whether the number is prime. They are:

<i>Halt Code</i>	<i>Meaning</i>
EN	Enter a number to be tested.
IP	The number tested is prime.
NP	The number tested is not prime.

Figure 33 shows the OCL that assembles, link edits, and executes the sample program. Figure 34 shows the sample program statements.

IBM

IBM System/3 Basic Assembler Coding Form

PROGRAM										PUNCHING INSTRUCTIONS										GRAPHIC										PAGE										OF																																																											
PROGRAMMER										DATE										PUNCH										CARD ELECTRO NUMBER																																																																					
NAME															OPERATION															OPERAND															REMARKS																																																						
1	2	3	4	5	6	7	8	9	10	11	12	13	14	15	16	17	18	19	20	21	22	23	24	25	26	27	28	29	30	31	32	33	34	35	36	37	38	39	40	41	42	43	44	45	46	47	48	49	50	51	52	53	54	55	56	57	58	59	60	61	62	63	64	65	66	67	68	69	70	71	72	73	74	75	76	77	78	79	80	81	82	83	84	85	86	87	88	89	90	91	92	93	94	95	96	97	98	99	100
// NOHALT																																																																																																			
// LOAD \$ASSEM, F1															①																																																																																				
// FILE NAME-\$SOURCE, RETAIN-S, UNIT-R2, PACK-R2R2R2, TRACKS-5																																																																																																			
// FILE NAME-\$WORK, RETAIN-S, UNIT-F2, PACK-F2F2F2, TRACKS-2																																																																																																			
// FILE NAME-\$WORK2, RETAIN-S, UNIT-F1, PACK-F1F1F1, TRACKS-5																																																																																																			
// COMPILER SOURCE-\$ASSPL, UNIT-R1, OBJECT-R1															②															③															④																																																						
// RUN																																																																																																			
// LOAD \$OLINK, F1															①																																																																																				
// FILE NAME-\$SOURCE, RETAIN-S, UNIT-R2, PACK-R2R2R2, TRACKS-10																																																																																																			
// FILE NAME-\$WORK, RETAIN-S, UNIT-F2, PACK-F2F2F2, TRACKS-10																																																																																																			
// RUN																																																																																																			

IBM

IBM System/3 Basic Assembler Coding Form

PROGRAM										PUNCHING INSTRUCTIONS										GRAPHIC										PAGE										OF																																	
PROGRAMMER										DATE										PUNCH										CARD ELECTRO NUMBER																																											
NAME															OPERATION															OPERAND															REMARKS																												
1	2	3	4	5	6	7	8	9	10	11	12	13	14	15	16	17	18	19	20	21	22	23	24	25	26	27	28	29	30	31	32	33	34	35	36	37	38	39	40	41	42	43	44	45	46	47	48	49	50	51	52	53	54	55	56	57	58	59	60	61	62	63	64	65	66	67	68	69	70	71	72	73	74
// PHASE NAME-\$ASSPO															⑤																																																										
// OPTIONS MAP-XREF																																																																									
// INCLUDE NAME-\$ASSPR, UNIT-R1															⑥															④																																											
// END																																																																									
// HALT															⑤															⑦																																											
// LOAD \$ASSPO, F1															①																																																										
// RUN																																																																									

NOTES:

1. Specifies the location of the assembler program.
2. Name of assembler sample program in the source library.
3. Specifies the source library with the sample program.
4. Library in which the output assembler object (R) module is stored.
5. Name given to the output assembler object (O) program.
6. Module name and object program name (R).
7. Specifies the object (O) program, stored on the Overlay Linkage Editor program pack by default.

If the system configuration does not include drive 2, references in the OCL to F2 and R2 must be changed to specify devices available on the system.

Figure 33. Model 10 and Model 12 Sample Program OCL



\$ASSPR PRIME NUMBER TEST PROGRAM

ERR LOC OBJECT CODE ADDR STMT SOURCE STATEMENT VER 13. MOD 00 01/30/76 PAGE 3

			56 *									0057
			57 *			DATA AREA						0058
006F	0000	C070	58	ZERO	DC	IL2*0*			BINARY	ZERO		0059
0071	0001	0072	59	ONE	DC	XL2*0001*				CNE		0060
0073	0002	0074	60	TWO	DC	BL2*00000010*				TWO		0061
0075	0003	0076	61	THREE	DC	AL2(3)				THREE		0062
0077		0078	62	SENSE	DS	CL2						0063
0079		007A	63	END#	DS	CL2						0064
007B		007R	64		DS	CL1						0065
007C		007D	65	TEMPAR	DS	CL2						0066
007E		007F	66	TEST#	DS	CL2						0067
		0001	67	XRI	EQU	1						0068
		0000	68	END	\$ASSPR				BASE REGISTER			0069

TOTAL STATEMENTS IN ERROR IN THIS ASSEMBLY = 0

\$ASSPR CROSS REFERENCE

SYMBOL LEN VALUE DEFN REFERENCES VER 13. MOD 00 01/30/76 PAGE 4

\$ASSPR	001	0000	0013	0068								
REGIN	003	0004	0016	0050	0054							
END#	002	007A	0063	C029*	0030*	0031	0031*	0032	0032*	0033	0033*	0034
				0036	0036*	0037	CC27*	0041				
LOOPST	004	004A	0040	0046								
NPRIME	003	0063	CC45	0027								
ONE	002	0072	0059	0040								
PREPAR	004	0016	0024	0019								
PRIME#	003	0069	0053	0025	0042							
SENSE	002	0078	0062	0017*	0018	C024	0026	0029	0043			
SUBTR	004	0059	CC44	0045								
TEMPAR	002	007D	0065	C043*	C044*							
TEST#	002	007F	0066	0028*	0040*	0041	0044					
THREE	002	0076	0061	C024								
TWO	002	0074	CC60	0028								
XRI	001	0001	0067	0014	0015*	0017	0018	0018	0024	0024	0026	0028
				0030	0031	0031	CC32	0032	0033	0033	0034	0034
				0036	0037	C027	CC40	CC40	CC41	CC41	0043	0043
				0046	0050	0054						
ZERO	002	0070	CC58	0018								

TOTAL STATEMENTS IN ERROR IN THIS ASSEMBLY = 0

DL105 I THE CODE LENGTH OF \$ASSPR IS 128 DECIMAL.  
 DL103 I TCTAL NUMBER OF LIBRARY SECTERS PEQUIRED IS 2  
 NAME-\$ASSPR,PACK-R1R1R1,UNIT-R1,RETAIN-T,LIBRARY-R,CATEGORY-000

Figure 34 (Part 2 of 2). Listing of Statements in Model 10 and Model 12 Basic Assembler Sample Program



## MODEL 15 SAMPLE PROGRAM

This section describes the sample program and explains the operating procedures necessary for executing it. General operating procedures for the Basic Assembler are found in the *IBM System/3 Model 15 Operator's Guide*, GC21-5075 and in Part II of this manual.

### Program Description

The sample program is called System Input Device List Program. The program reads records from the system input device and lists them on the system printer. Statements are read and listed until one of the delimiters (/\*,/&, or /.) is encountered. If the delimiter is /\*, another file can be listed under operator control.

There are three messages displayed by this program:

<i>Message</i>	<i>Meaning</i>
EOF ON SYSIN	End of file encountered on the system input device. More files can be printed if the EOF condition is caused by /*. The operator replies P to print another file or C to cancel.
PRINTER ERROR	A permanent printer error has occurred. The program issues the message and then goes to end of job. (The message is displayed and then removed when end of job is reached. However, the message is in the system history area and may be displayed from there.)
SYSIN ERROR	A permanent system input device error has occurred. The program issues the message and then goes to end of job. (The message is displayed and then removed when end of job is reached. However, the message is in the system history area and may be displayed from there.)

The sample program uses Model 15 macros and therefore the assembly step must be preceded by a macro processor step.

Figure 35 shows the OCL that assembles, link edits, and executes the sample program. Figure 36 shows the sample program statements.



THE LIST OF OPTIONS USED DURING THIS ASSEMBLY IS-- NODECK,LIST,XREF,REL,OBJ

\$ASSPR

EXTERNAL SYMBOL LIST

SYMBOL TYPE

VER 01, MOD 00 11-09-73 PAGE 1

\$ASSPR MODULE  
\$SLPRT EXTRN

\$ASSPR

ERR LOC OBJECT CODE

ADDR STMT SOURCE STATEMENT

VER 01, MOD 00 11-09-73 PAGE 2

1 ICTL 1,71  
2 ISFQ 73,80  
3 PRINT NOGEN,NOJDATA

00020000  
00030000  
00040000

\$ASSPR SYSTEM INPUT DEVICE (SYSIN) LIST PROGRAM

ERR LOC OBJECT CODE

ADDR STMT SOURCE STATEMENT

VER 01, MOD 00 11-09-73 PAGE 3

5 \* THIS PROGRAM READS A FILE FROM THE SYSTEM INPUT DEVICE AND LISTS  
6 \* IT ON THE PRINTER.  
7 \*  
8 \* THERE ARE THREE MESSAGES ISSUED BY THIS PROGRAM:  
9 \* MESSAGE TYPE MEANING  
10 \* 'EOF ON SYSIN' WTOR END OF FILE ENCOUNTERED ON SYSIN.  
11 \* MORE FILES MAY BE PRINTED IF THE  
12 \* EOF CONDITION IS CAUSED BY A '/\*\*'.  
13 \* THE OPERATOR REPLYS TO THIS MESSAGE  
14 \* ARE 'P' TO PRINT ANOTHER FILE AND  
15 \* 'C' TO CANCEL AND GO TO EOJ.  
16 \* 'PRINTER ERROR' WTD THERE HAS BEEN A PERMANENT PRINTER  
17 \* ERROR. THE PROGRAM ISSUES THE  
18 \* MESSAGE AND GOES TO END OF JOB.  
19 \* 'SYSIN ERROR' WTD THERE HAS BEEN A PERMANENT SYSIN  
20 \* ERROR. THE PROGRAM ISSUES THE  
21 \* MESSAGE AND GOES TO END OF JOB.

00060000  
00070000  
00080000  
00090000  
00100000  
00110000  
00120000  
00130000  
00140000  
00150000  
00160000  
00170000  
00180000  
00190000  
00200000  
00210000  
00220000

4000

23 \$ASSPR START X'4000'  
24 EXTRN \$SLPRT  
25 USING BASE,BRG  
26 LA BASE,BRG

PRINTER DATA MANAGEMENT  
ESTABLISH A BASE REGISTER  
FOR THE DATA AREAS

00240000  
00250000  
00260000  
00270000

4000 C2 01 408C

4004 D2 02 07

28 \* PREPARE THE PRINTER FILE FOR USE  
29 LA PRNDTF(,BRG),%DTF  
30 \* \$ALOC  
33 \* \$OPEN  
36 MVI %DFSPA(,%DTF),1  
37 MVI %DFOPC(,%DTF),%OCPR  
38 MVI SYSINL+%SRFCT(,BRG),%SRRDF

ALLOCATE PRINTER FILE  
OPEN PRINTER FILE  
SET FOR SINGLE SPACE  
SET OP-CODE TO PRINT  
SET SYSIN OP-CODE FOR 1ST BUFF

00290000  
00300000  
00310000  
00320000  
00330000  
00340000  
00350000

400F BC 01 13

4012 BC 40 0F

4015 7C 01 00

4018 7C 01 17

40 \* PREPARE TO PRINT A NEW FILE  
41 FILES MVI PRNDTF+%DFSKB(,BRG),1

SET TO SKIP BEFORE FIRST PRINT

00370000  
00380000

4018 D2 02 00

43 \* READ FROM SYSIN AND PRINT UNTIL END OF FILE

44 FILEL LA SYSINL(,BRG),SYS

45 \* \$READ OPC-N

49 CLI %SRFCT(,SYS),%SREDF

50 JE EOF

51 CLI %SRFCT(,SYS),%SREOJ

52 JE EOJ

53 CLI %SRFCT(,SYS),%SRERR

54 JE SYSR

55 MVI %SRFCT(,SYS),%SRRD

56 MVC PRNDTF+%DFLRA(2,BRG),%SRBF2(,SYS)

57 LA PRNDTF(,BRG),%DTF

58 \* \$PUTP DEV-1403

60 CLI %DFCMP(,%DTF),%CPPER

61 JE PRNERR

62 MVI %DFSKB(,%DTF),0

63 CLI %DFCMP(,%DTF),%CPUVF

64 JNE NOSKIP

65 MVI %DFSKB(,%DTF),1

66 NOSKIP B FILEL

READ FROM SYSIN  
TEST FOR EOF ('/','&','/','.')  
TEST FOR EOJ ('&','/','.')  
TEST FOR SYSIN ERROR  
SET FOR NEXT SYSIN READ  
POINT TO CURRENT RECORD  
PRINT THE CURRENT RECORD  
TEST FOR PRINTER ERROR  
SET FOR NO SKIP BEFORE  
TEST FOR PAGE OVERFLOW  
SET FOR SKIP TO LINE ONE

00400000  
00410000  
00420000  
00430000  
00440000  
00450000  
00460000  
00470000  
00480000  
00490000  
00500000  
00510000  
00520000  
00530000  
00540000  
00550000  
00560000  
00570000  
00580000  
00590000

Figure 36 (Part 1 of 4). Listing of Statements in Model 15 Basic Assembler Sample Program.

\$ASSPR SYSTEM INPUT DEVICE (SYSIN) LIST PROGRAM

ERR LOC	OBJECT CODE	ADDR	STMT	SOURCE STATEMENT	VER 01, MDD 00 11-09-73	PAGE 4	
				68 * END OF FILE ON SYSIN			00610000
4058	D2 02 28		69	EOF LA EOFMSG(,BRG),LOG			00620000
			70	* \$LOG			00630000
405F	7D C3 37		74	CLI REPLY(,BRG),C'C'			00640000
4062	F2 81 1C		75	JE EOJ			00650000
4065	7D D7 37		76	CLI REPLY(,BRG),C'P'			00660000
4068	CO 81 4018		77	BE FILES			00670000
406C	CO 87 4058		78	B EOF			00680000
			80	* ERROR ON SYSIN			00700000
4070	D2 02 38		81	SYSER LA SERMSG(,BRG),LOG			00710000
			82	* \$LOG			00720000
4077	F2 87 07		86	J EOJ			00730000
			88	* ERROR ON PRINTER			00750000
407A	D2 02 44		89	PRNERR LA PERMSG(,BRG),LOG			00760000
			90	* \$LOG			00770000
			95	* END OF JOB ROUTINE			00790000
4081	D2 02 07	4081	96	EOJ EQU *			00800000
			97	LA PRNDTF(,BRG),\$DTF			00810000
			98	* \$CLOS			00820000
			101	* \$EOJ			00830000

\$ASSPR SYSTEM INPUT DEVICE (SYSIN) LIST PROGRAM

ERR LOC	OBJECT CODE	ADDR	STMT	SOURCE STATEMENT	VER 01, MDD 00 11-09-73	PAGE 5	
				105 * CONSTANTS AND DATA AREAS			00850000
408C			106	BASE EQU *			00860000
							BASE REGISTER ADDRESS
				108 * SYSIN TABLES			00880000
			109	*SYSINL \$RLST BUF1-BJFFR1,BUF2-3UFFR2,			X00890000
			110	* IOAA-PRNBUF,RECL-96,			00900000
			116	* \$RLSD			00910000
							SYSIN EQUATES
				133 * PRINT FILE TABLES			00930000
			134	*RNDF \$DTFP DEV-1403,RCAD-0,IOBA-PRNIOB,			X00940000
			135	* IOAA-PRNBUF,RECL-96,			X00950000
			136	* OVFL-60,PAGE-66			00960000
			160	* \$DTFO D1403-Y			00970000
							PRINTER DTF DISPLACEMENTS
				223 * SYSTEM LOG TABLES			00990000
			224	*OFMSG \$LWTO COMP-AS,HALT-AM,SUBH-PG,TLEN-12,			X01000000
			225	* TADR-EOFMGC,REPLY-Y,RLEN-1,RADR-REPLY			01010000
40C3	E7	40C3	238	REPLY DC CL1'X'			01020000
			239	*ERMMSG \$LWTO COMP-AS,HALT-AM,SUBH-PG,TLEN-11,			X01030000
			240	* TADR-SERMGC			01040000
			251	*ERMMSG \$LWTO COMP-AS,HALT-AM,SUBH-PG,TLEN-13,			X01050000
			252	* TADR-PERMGC			01060000
			263	EOFMGC EQU *			01070000
40DC	C5D6C640D6D540E2	40E7	264	DC CL12'EOF ON SYSIN'			01080000
		40E8	265	SERMGC EQU *			01090000
40E8	E2E8E2C9D540C5D9	40F2	266	DC CL11'SYSIN ERROR'			01100000
		40F3	267	PERMGC EQU *			01110000
40F3	D7D9C9D5E3C5D940	40FF	268	DC CL13'PRINTER ERROR'			01120000
				270 * SYSIN BUFFER AND WORK AREAS			01140000
4100			271	ORG *,128			01150000
							ORG TO REQUIRED BOUNDARY
		4100	272	BUFFR1 EQU *			01160000
4100	0000000000000000	417F	273	DC XL128'0'			01170000
		4180	274	BUFFR2 EQU *			01180000
		41FF	275	DC XL128'0'			01190000
4180	0000000000000000	4200	276	WORKAR EQU *			01200000
		422E	277	DC XL47'0'			01210000
				279 * PRINTER BUFFER AND WORK AREAS			01230000
427C			280	ORG *,256,X'7C'			01240000
							ORG TO REQUIRED BOUNDARY
		427C	281	PRNBUF EQU *			01250000
							PRINTER BUFFER
427C	4040404040404040	4305	282	DC CL138' '			01260000
		4306	283	PRNIOB EQU *			01270000
4306	0000000000000000	4337	284	DC XL50'0'			01280000
				286 * REGISTER LABELS			01300000
		0001	287	BRG EQU 1			01310000
		0002	288	SYS EQU 2			01320000
		0002	289	LOG EQU 2			01330000
		4000	290	END \$ASSPR			01340000

TOTAL STATEMENTS IN ERROR IN THIS ASSEMBLY-- 0

TOTAL SEQUENCE ERRORS IN THIS ASSEMBLY-- 0

Figure 36 (Part 2 of 4). Listing of Statements in Model 15 Basic Assembler Sample Program.

\$ASSPR

CROSS REFERENCE

VER 01, MJD 00 11-09-73 PAGE 5

SYMBOL	LEN	VALUE	DEFN	REFERENCES
\$\$LPRT	001	0001	0024	0059
\$ASSPR	001	4000	0023	0290
\$AICDI	001	0010	0193	
\$AIDAT	001	0001	0198	
\$A1H56	001	0002	0196	
\$A1INT	001	0004	0195	
\$A1MFM	001	0008	0194	
\$A1PCH	001	0020	0192	
\$A1PRT	001	0040	0191	
\$A1PR2	001	0001	0197	
\$A1RD	001	0080	0190	
\$A2ALL	001	0040	0203	
\$A2AMP	001	0004	0208	
\$A2EDF	001	0008	0206	
\$A2HUC	001	0002	0207	
\$A2IND	001	0080	0202	
\$A2MBF	001	0010	0205	
\$A2OPN	001	0001	0209	
\$A2SIN	001	0020	0204	
\$CPCND	001	0010	0214	
\$CPEOF	001	0042	0217	
\$CPOVF	001	0048	0213	0063
\$CPPER	001	0041	0216	0060
\$CPSUC	001	0040	0215	
\$DFARR	001	0009	0168	
\$DFAT1	001	0002	0164	
\$DFAT2	001	0003	0165	
\$DFCHA	001	0005	0166	
\$DFCHB	001	0007	0167	
\$DFCMP	001	000E	0171	0060 0063
\$DFDEV	001	0000	0162	
\$DFLP	001	0010	0183	
\$DFLRA	001	0000	0170	0056*
\$DFMSK	001	001F	0185	
\$DFOPC	001	000F	0172	0037*
\$DFOVF	001	001C	0182	
\$DFPGS	001	0020	0186	
\$DFPIB	001	0017	0179	
\$DFPIO	001	0019	0180	
\$DFPOS	001	001E	0184	
\$DFPQ	001	0014	0177	
\$DFPR	001	0015	0178	
\$DFPRL	001	0018	0181	
\$DFSKA	001	0012	0175	
\$DFSKB	001	0010	0173	0041* 0062* 0065*
\$DFSPA	001	0013	0176	0036*
\$DFSPB	001	0011	0174	
\$DFUPS	001	0001	0163	
\$DFXRS	001	0008	0169	
\$DTF	001	0002	0161	0029* 0036 0037 0057* 0060 0062 0063 0065 0097*
\$DCPRT	001	0040	0221	0037
\$\$SRBF1	001	0002	0118	
\$\$SRBF2	001	0004	0119	0056
\$\$SREDF	001	0050	0129	0049
\$\$SREDJ	001	0080	0131	0051
\$\$SRERR	001	0060	0130	0053

Figure 36 (Part 3 of 4). Listing of Statements in Model 15 Basic Assembler Sample Program.

\$ASSPR

CROSS REFERENCE

VER 01, MOD 00 11-09-73 PAGE 7

SYMBOL	LEN	VALUE	DEFN	REFERENCES
\$SRFCT	001	0000	0117	0038* 0049 0051 0053 0055*
\$SRNOM	001	0040	0128	
\$SRRD	001	0009	0126	
\$SRRDD	001	0000	0123	0055
\$SRRDF	001	0001	0124	0038
\$SRRDL	001	0002	0125	
\$SRWRK	001	0006	0120	
BASE	001	408C	0106	0025 0026
BRG	001	0001	0287	0025 0026* 0029 0038 0041 0044 0056 0057 0069 0074 0076 0081 0089 0097
BUFFER1	001	4100	0272	0113
BUFFER2	001	4180	0274	0114
EDF	003	4058	0069	0050 0078
EDFMGC	001	40DC	0263	0235
EDFMSG	001	4084	0227	0069
EJ	001	4081	0096	0052 0075 0086
FILEL	003	401B	0044	0066
FILES	003	4018	0041	0077
LOG	001	0002	0289	0069* 0081* 0089*
NOSKIP	004	4054	0066	0064
PERMGC	001	40F3	0267	0262
PERMSG	001	40D0	0254	0089
PRNBUF	001	427C	0281	0153
PRNDTF	001	4093	0137	0029 0041* 0056* 0057 0097
PRNERR	003	407A	0089	0061
PRNIOB	001	4306	0283	0152
REPLY	001	40C3	0238	0074 0076 0237
SERMGC	001	40E8	0265	0250
SERMMSG	001	40C4	0242	0081
SYS	001	0002	0288	0044* 0049 0051 0053 0055 0056
SYSER	003	4070	0081	0054
SYSINL	001	408C	0111	0038* 0044
WORKAR	001	4200	0276	0115

TOTAL STATEMENTS IN ERROR IN THIS ASSEMBLY-- 0

TOTAL SEQUENCE ERRORS IN THIS ASSEMBLY-- 0

DL105 I THE CODE LENGTH OF \$ASSPR IS 824 DECIMAL.  
DL103 I TOTAL NUMBER OF LIBRARY SECTORS REQUIRED IS 5  
NAME=\$ASSPR,PACK=R1R1R1,UNIT=R1,RETAIN=T,LIBRARY=R,CATEGORY=00

Figure 36 (Part 4 of 4). Listing of Statements in Model 15 Basic Assembler Sample Program.

## Appendix G: IBM 1255 Magnetic Character Reader Support (Models 12 and 15 Only)

Support is provided by the following IBM-supplied subroutines:

- SUBR07 – 1255 (Model 15 only)
- SUBR08 – 1255 (Model 12 and Model 15)
- SUBR09 – 1419 (Model 12 and Model 15)

For detailed information concerning this support, see the *IBM System/3 Models 12 and 15 1255 and 1419 Magnetic Character Reader Reference and Program Logic Manual*, GC21-5132.





- \$WORK 2 file 34
- // CEND card 33
- // SWITCH statement 31
  
- absolute displacements 12
- absolute expressions 7
- absolute object program 28
- address constant 18
- addressing 12
  - base-register displacement method 12
  - data addressing 13
  - direct method 12
  - instruction addressing 13
  - relative addressing technique 12
  - symbolic (direct) 12
- assembler
  - coding conventions 8
  - coding form 9
  - functions 1
  - instruction statements 17
    - data definition 18
    - fields 8
    - format 8
    - listing control instructions 20
    - program control instructions 22
    - symbol definition instruction 17
  - listing 29
- assembler language subroutines
  - linkage to COBOL 86
  - linkage to FORTRAN 86
  - linkage to RPG II 71
  - placing in R library 36
- assembling a source program 28
- asterisk
  - use in comment statement 10
  - use as location counter reference 6
- attributes
  - length attribute 14
  - value attribute 14
  
- base address 12
- base register 12
- base-register displacement addressing 12
- basic assembler sample program 89
- beginning column 25
- binary constant 6, 19
- binary self-defining term 6
  
- calling a source program 31
- category level 27
- CATG operand 27
- character
  - constants 19
  - self-defining terms 6
- COBOL linkage 86
  
- code
  - control 43
    - mnemonic 1
    - operation 9, 43
      - machine 47
      - mnemonic 1
    - Q code 17, 43
- coding conventions, assembler 8
- coding form, assembler 9
- coding sample for SPECIAL device 82
- COMLx operands 29
- comment statement 10
- complement (two's complement form) 19
- constant (*see also* self-defining term)
  - address 18
  - binary 19
  - character 19
  - data 18
  - decimal 19
  - define constant (DC) 18
  - hexadecimal 19
  - integer 19
  - negative (*see* integer constant)
  - padding of 19
  - truncation of 19
- control card code for assembler subroutine 76
- control statements 27
- control cards, LDG program (*see* Library Deck Generator parameter card)
- control section length 27
- control code 43
- conversion, punch 33
- cross reference data 35
- cross reference listing 28, 40
  
- data
  - addressing 13
  - constant 18
- data defining instructions (DC and DS) 18
- data file requirements 34
- DC (define constant) instruction 18
- decimal constant 19
- decimal self-defining term 5
- deck, object 17
- define constant (DC) instruction 18
- define storage (DS) instruction 19
- diagnostics 40
  - table of 69
- direct addressing 12
- displacement 12
  - absolute 12
  - relocatable 12
- DROP statement 25
- DS (define storage) instruction 19
- duplication factor
  - with DC instruction 18
  - with DS instruction 19

- EJECT statement 20
- END record 33
- END statement 26
- ending column (*see also* ICTL statement) 25
- entry (*see* fields)
- entry point 25
- ENTRY statement 25
- EQU (equate symbol) statement 17
- error code 69
- error conditions, LDG program 81
- error information 35
- ESL record 32
- explicit length 15
- expression 7
  - absolute 7
  - evaluation of 7
  - multi-term 7
  - relocatable 7
  - rules for coding 7
- extended mnemonic codes 14, 48
- external symbol list 39
  - table size 42
- EXTRN statement 25
- EXTRN subtype 25
  - specifying 27
  
- fields(s)
  - assembler statement 8
  
  - identification-sequence 10
  - name 10
  - operand (machine instructions) 14
  - operation 10
  - remark 10
  
- files
  - source 34
  - object 34
  - work 34
- format(s)
  - assembler statement 8
  - machine-instruction statement 13, 43
  - operand 14
- format control, input 22
- FORTRAN linkage 86
  
- groups machine-instruction operand 15
  
- HEADER record 32
- HEADERS statement 27
- hexadecimal constants 19
- hexadecimal self-defining terms 6
  
- ICTL (input format control) statement 22
- identification-sequence entry (field) (*see also* ISEQ statement) 10
- I-field (immediate data) 16
- implied length 15
  
- input format control 22
- input sequence checking (ISEQ) statement 22
- instruction(s)
  - addressing 12
  - assembler instruction statements 17
  - data defining 18
  - listing control 20
- instruction(s) (continued)
  - machine-instruction statements 13
  - program control 22
  
  - symbol definition (EQU) 17
  - types 17
- integer constant 19
- intermediate text 34
- ISEQ (input sequence checking) statement 22
  
- J cards 77
  
- K cards 77
  
- label (*see* symbol *and* name entry)
- language
  - machine (*see also* machine instruction formats) 1
  - RPG II 71
  - symbolic 1
- L cards 78
- length(s)
  - attribute 14
  - control section 27
  - explicit 15
  - implied 15
  - subfield 14
    - of data definition instructions 18
- Library Deck Generator parameter card 80
- Library Deck Generator Program 76
- linking
  - to COBOL 86
  - to FORTRAN 86
  - to RPG II 71
- listing control instructions 20
- listings, program 28, 38
- loading the assembler 29
- location counter 6
  - control of (*see also* START and ORG) 13
- location counter reference (\*) (*see also* terms) 6
  
- machine-instruction(s) 13
  - format 43
  - list of 43
  - mnemonic codes 14
  - operands 14
- machine language 1, 49
- macro processor 30
- main storage requirements 2
- messages 69
- mnemonic operation codes 1
  - for assembler instruction statements 67
  - for machine-instruction statements 47
- module category level 27
- module name 23
  
- name entry (field) 10
- name, module 23
- negative values (*see* integer constant)
- NOREL 28
- NOOBJ 28

OBJ 28  
 object deck 28  
 object file (\$WORK) 34  
 object operand 31  
 object program 4, 32  
 object program, placing in R library  
   direct 36  
   punched 36  
 OCL statements 29  
 one-address format (machine-instructions) 43  
 Op code (machine-instruction formats) 43  
 operand(s)  
   entry (field) 10  
   fields 14  
   formats 15  
   groups 15  
   machine-instruction 14  
   subfields 14  
     of DC and DS instructions 18  
 operation procedures 36  
 operation codes  
   extended mnemonic 13  
   mnemonic (*see* mnemonic operation codes)  
   Op code (machine instructions) 43  
 operation control language statements 29  
 operation entry (field) 10  
 OPTIONS 36  
 OPTIONS statement 27  
 ORG (set location counter) instruction 24  
  
 PRINT (print optional data) instruction 22  
 program control instructions 22  
 program relocation 4  
 punch conversion 33  
  
 Q code 17, 43  
  
 record formats 32  
 REL 28  
 relative addressing 12  
 relocatable  
   displacements 12  
   expressions 7  
   terms 7  
 relocation of programs 4  
 remark entry (field) 10  
 representation of negative values (*see* integer constant)  
  
 requirements  
   data file 34  
   main storage 1  
   system 1  
 restrictions, module name 23  
 RPG II  
   linkage to assembler language subroutine 71  
  
 sample program  
   basic assembler 89  
   RPG II linkage 71  
   SPECIAL subroutine 82  
 segment, assembler statement 8  
 self-defining term 5

sequence 8  
   checking (ISEQ) statement 22  
   entry (field) 8  
 source file 34  
 source and object listing 39  
 source program, from macro processor 31  
 source statement (assembler instruction statement) 1  
 SPACE (space listing) statement 21  
 special character(s)  
   in symbols (name entries) 5  
  
 START (start assembly) statement 23  
 statement(s)  
   assembler instruction 17  
     fields of 8  
     format of 8  
     types 1  
   comment 10  
   machine instruction 13  
 storage  
   addressing 4  
  
   definition (DS) instruction 19  
   relocation in 4  
   requirements 2  
 subfield(s)  
   constant (DC instruction) 18  
   duplication factor 18  
   length 18  
   of machine instruction operands 14  
   type 18  
 subroutine linkage 71, 86  
 SUBR07 99  
 subtype, EXTRN 25  
 subtype, specifying 27  
 symbol (*see also* name entry) 5  
   definition instruction (EQU) 17  
   mnemonic (*see* mnemonic operation codes)  
   rules for coding 5  
   table entries 35  
 symbolic  
   addressing (*see* direct addressing)  
   language 1  
   system requirements 1  
  
 terms 5  
 text, intermediate 34  
 TEXT-RLD records 33  
 TITLE (identify assembly output) statement 20  
 truncation of constants (*see* DC instruction)  
 two-operand format 15  
 two's complement form (*see* integer constant)  
  
 USING statement 24  
 U1 indicator 31  
  
 value attribute 14  
  
 work file 34  
  
 1255 support 99  
 3741 Data Station 1







**International Business Machines Corporation**

**General Systems Division  
4111 Northside Parkway N.W.  
P.O. Box 2150  
Atlanta, Georgia 30301  
(U.S.A. only)**

**General Business Group/International  
44 South Broadway  
White Plains, New York 10601  
U.S.A.  
(International)**

IBM System/3 Basic Assembler Reference (File No. S3-21) Printed in U.S.A. SC21-7509-7

SC21-7509-7

READER'S COMMENT FORM

Please use this form only to identify publication errors or request changes to publications. Technical questions about IBM systems, changes in IBM programming support, requests for additional publications, etc, should be directed to your IBM representative or to the IBM branch office nearest your location.

IBM System/3  
Basic Assembler  
Reference Manual

**Error in publication** (typographical, illustration, and so on). **No reply.**

**Inaccurate or misleading information in this publication.** Please tell us about it by using this postage-paid form. We will correct or clarify the publication, or tell you why a change is not being made, provided you include your name and address.

*Page Number    Error*

*Page Number    Comment*

IBM may use and distribute any of the information you supply in any way it believes appropriate without incurring any obligation whatever. You may, of course, continue to use the information you supply.

Name \_\_\_\_\_

Address \_\_\_\_\_

Cut Along Line

Fold

Fold

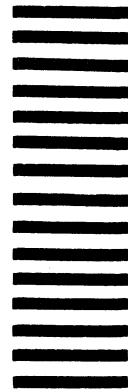


FIRST CLASS  
PERMIT NO. 40  
ARMONK, N. Y.

**BUSINESS REPLY MAIL**

NO POSTAGE STAMP NECESSARY IF MAILED IN THE UNITED STATES

POSTAGE WILL BE PAID BY . . .



IBM Corporation  
General Systems Division  
Development Laboratory  
Publications, Dept. 245  
Rochester, Minnesota 55901

IBM System/3 Basic Assembler Reference (File No. S3-21) Printed in U.S.A. SC21-7509-7

Fold

Fold



**International Business Machines Corporation**

**General Systems Division  
4111 Northside Parkway N.W.  
P.O. Box 2150  
Atlanta, Georgia 30301  
(U.S.A. only)**

**General Business Group/International  
44 South Broadway  
White Plains, New York 10601  
U.S.A.  
(International)**