

S131-0620-4

IBM 5251 Display Station
Models 1 and 11
Parts Catalog



S131-0620-4

IBM 5251 Display Station
Models 1 and 11
Parts Catalog

Preface

The purpose of this publication is to list and show illustrations of all replaceable assemblies, subassemblies, and detail parts released to Production Control on or before 1 June 1979 of the IBM 5251 Models 1 and 11 Display Station. This publication is for the use of an IBM customer engineer or a service representative.

Fifth Edition (June 1979)

This is a major revision of, and obsoletes S131-0620-3. Because the changes and additions are extensive, this publication should be reviewed in its entirety.

Changes are periodically made to the information herein; before using this publication in connection with the operation of IBM systems, be sure you have the latest edition.

Use this publication only for the purposes stated in the *Preface*.

This publication could contain technical inaccuracies or typographical errors. Use the Reader's Comment Form at the back of this publication. If the form has been removed, address your comments to IBM Corporation, Publications, Department 245, Rochester, Minnesota 55901. IBM may use and distribute any of the information you supply in any way it believes appropriate without incurring any obligation whatever. You may, of course, continue to use the information you supply.

HOW TO USE A PARTS CATALOG	ii
VISUAL INDEXES	iv
CATALOG SECTION	1
Figure 1. Final Asm	2
Figure 2. Keyboard and Cover Asm	4
Figure 3. Keyboard Asm	6
Figure 4. Typewriter Keybutton Chart	8
Figure 4A. Data Entry Keybutton Chart	13
Figure 4B. Data Entry Keybutton Chart (with proof)	18
Figure 5. Bezel and Operator Panel Asm (used on machines with E.C. 831110)	20
Figure 6. CRT, Power Supply and Base Asm (used on machines with E.C. 831110)	22
Figure 7. Base Asm	24
Figure 8. Bezel and Operator Panel Asm (used on machines without E.C. 831110)	28
Figure 9. Base Asm	30
Figure 10. Cable and Jumper Component Parts	32
NUMERICAL INDEX	X-1

HOW TO USE THIS PARTS CATALOG

PART 1

To find parts quickly, a general understanding of the structure of this catalog is necessary. The catalog is divided into three major sections:

- The Visual Index, containing overall views of the machine, with call-outs pointing to detailed figures.
- The Catalog Section, containing a pictorial breakdown of assemblies and subassemblies.
- The Numerical Index, which is a numerical list of all parts used in the machine, with cross-references to the figure on which the part is found.

VISUAL INDEX

The Visual Index, located before the Catalog Section, contains a reduced illustration of every figure in the Catalog Section. The reduced illustrations are tied together with flow arrows to form a natural progression from large assemblies to small assemblies and possibly subassemblies. In effect, a visual table of contents is formed by the Visual Index illustrations.

CATALOG SECTION

The Catalog Section contains the full-sized illustrations previously noted in the Visual Index. Index numbers on figures refer to corresponding entries in the Group Assembly Parts List accompanying each figure. Refer to part II for explanation of terms used in the Group Assembly Parts List.

ATTACHING PARTS LIST

The Attaching Parts List contains common screws, nuts, washers, etc. that are used in the machine. Index numbers for attaching parts are on the illustration, and the description is in the Attaching Parts List.

NUMERICAL INDEX

The Numerical Index is located after the Catalog Section and contains a complete list, in numerical order, of all part numbers used on the machine. Listed with the part number is the index and figure number on which the part is illustrated. The numerical index makes it possible to locate a part when only the part number is known.

STACKED INDEX NUMBERS

Stacked Index numbers are used when showing a part and its attaching hardware. The sequence of a typical stack is shown at the right. The circled index number indicates the assembly is broken down within the figure.

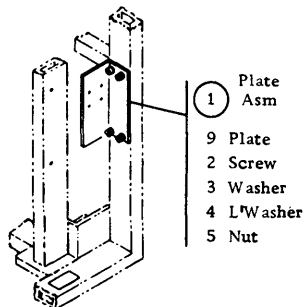


ILLUSTRATION NOTES

Cross-reference notes are directly on the illustration. The illustration's next higher assembly reference, normally located in the upper left corner of the page will read: "For Parts Not Shown See Figure X". If an assembly is referenced to a lower level figure, the note located next to the index number will read: "5 See Figure X."

DOUBLE LINED DETAIL BOX

The double lined box differentiates between parts shown on the basic model and parts related to a level and/or feature difference. An explanation of the level or feature difference is given in the double lined box.

FINDING A PART

The Visual Index is the starting point for locating a part. The illustrations in the Visual Index are reduced versions of all illustrations in the Catalog Section; therefore, the illustrations can be used to find the assembly containing the desired part. Use references to the detailed figure in the Catalog Section, or to another Visual Index illustration, to determine location of part number.

Once the detailed figure in the catalog section is determined, finding the part on the figure and referring to the listing for the part number and description is all that is required in most cases. If the first catalog section figure referenced shows the assembly containing the required part, the index number for the assembly will reference a lower-level figure where the assembly is broken down to its component parts. If the figure referenced by the Visual Index contains neither the part nor an assembly containing the part, it is then necessary to go to the next higher assembly figure. This figure should then contain the part or an assembly containing the part; if not, an even higher level figure must be used. Refer back to the Visual Index for some other figure that could show the desired part.

Note: Many detailed parts are unavailable, because they are part of an inseparable assembly (two or more parts welded or bonded together), or because they are part of an assembly purchased as a unit. If parts are found on a welded or bonded assembly, the following note follows the description of the assembly: "Assembly components are not replaceable." If the part is found on a purchased assembly, and the detail parts of this assembly do not have IBM part numbers, the note following the assembly description will read: "Assembly components are not available." In either case, you need to obtain the part number of the assembly, rather than the detailed part.

EXAMPLE FOR ORDERING PARTS

FIGURE INDEX NUMBER	PART NUMBER	UNITS PER ASM.	DESCRIPTION FOR FIGURE 25			
			1	2	3	4
25	2592881		FAN ASM, 80 HZ FOR NEXT HIGHER ASM SEE LIST 23 AND FOR ILLUSTRATION SEE FIG. 25			
- 1	2172188	1	-	-	-	GUARD
- 2	2591483	AR	-	-	-	SEAL
- 3	2592892	1	-	-	-	BRACKET
- 4	2591431	1	-	-	-	FAN ASM
- 5	324932	1	-	-	-	RING TERMINAL
- 6	1148117	1	-	-	-	CONNECTOR
- 7	1148114	3	-	-	-	TERMINAL
- 8	2591402	1	-	-	-	FAN
FOR ATTACHING PARTS, INDEX NOS. 151 AND ABOVE, SEE LIST 78						

If the entire fan is required, part number 2592881 should be ordered (all one dot items will be received). If only the subassembly is required, part number 2591431 should be ordered (all two dot items will be received). Each part may be ordered individually.

Note: If you order a part that requires a label, make sure you order the label in the correct language. For example: A part of a Quebec machine should have a French Canadian language label rather than a French language label.

HOW TO USE THIS PARTS CATALOG

Part II

A**AR**

As Required (AR) in the units per assembly column denotes that the quantity is used as required.

B**ATT PT**

Attaching Parts: These parts are used to attach a subassembly to an assembly. The attaching parts are listed in the last list just before the numeric index. Special attaching parts are listed with the figure.

C**INDENTURE**

The relationship of a part to its next higher assembly is indicated by indentures. For example:

1 2 3 4

Unit

- . Assemblies and Detail Parts of Unit
- . Attaching Parts for Assemblies & Detail Parts
- . . Subassemblies
- . . Attaching Parts of Subassemblies
- . . . Detail Parts for Subassemblies, etc.

D**NR**

The NR in the part number column denotes the part is procurable but not recommended for field replacement, and that the next higher assembly should be ordered.

E**NP**

The entry NP in the part number column denotes the assembly is non-procurable and the detail parts should be ordered separately.

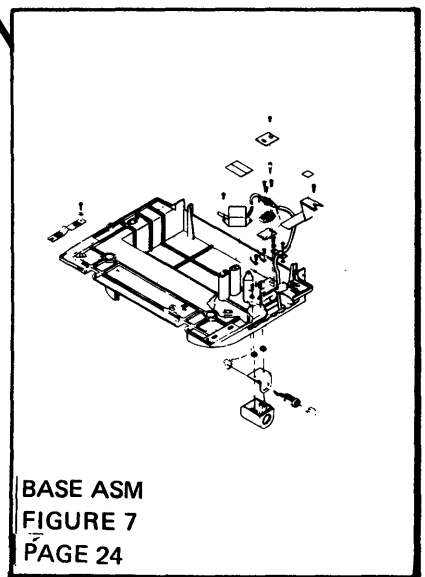
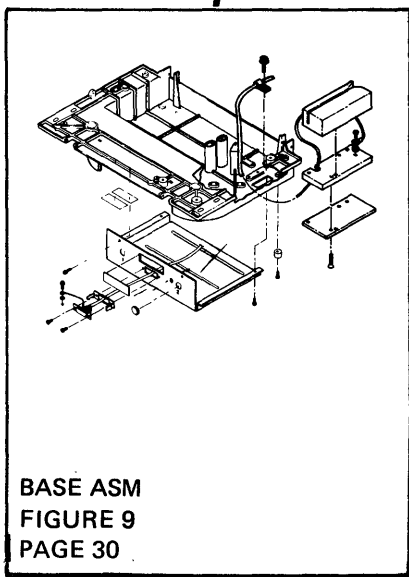
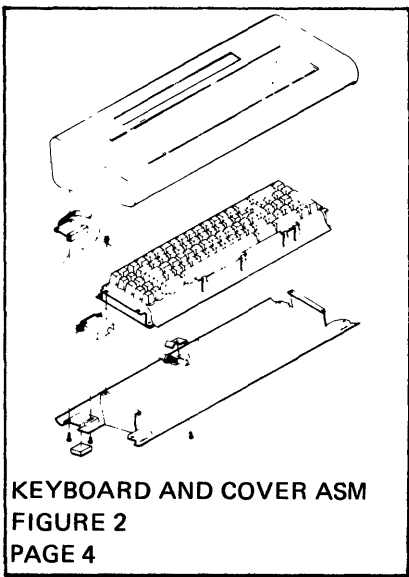
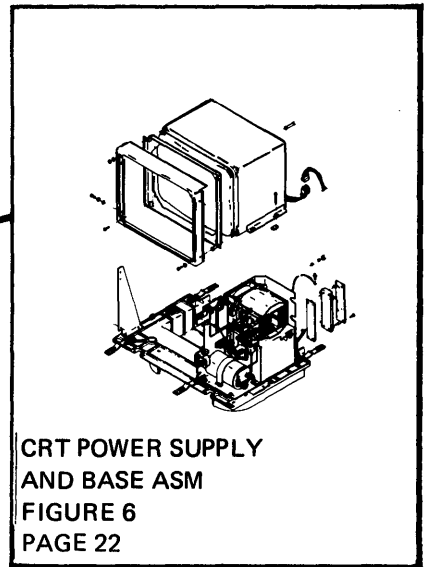
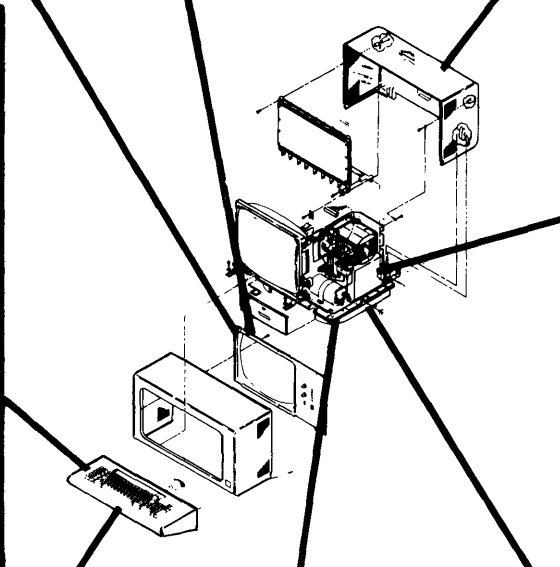
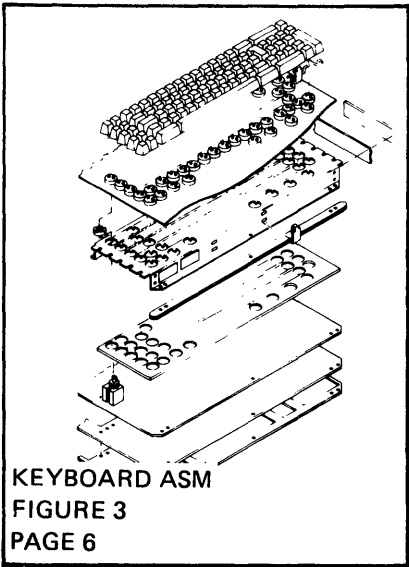
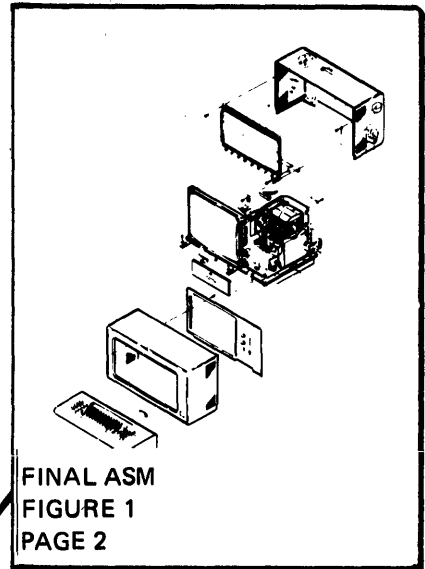
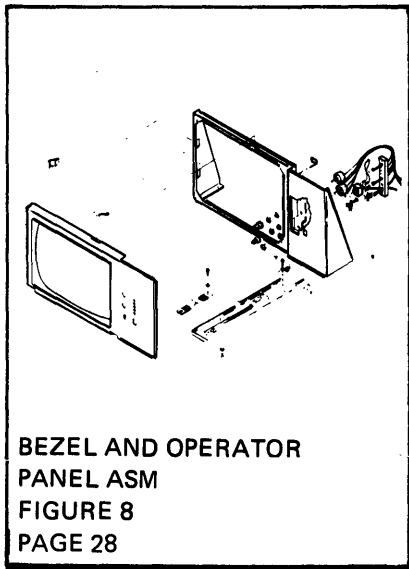
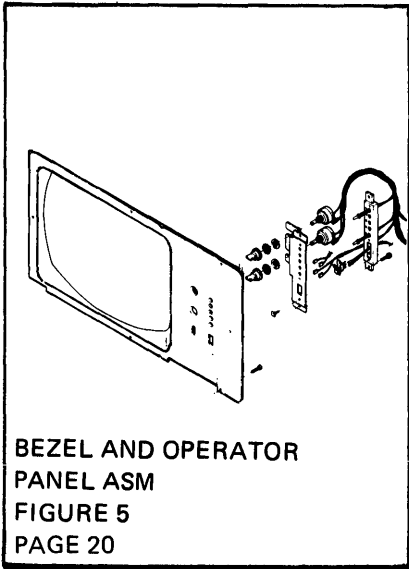
F**NO NO.**

When this indication appears in the part number column, it denotes a group of parts for which no assembly part number has been assigned, and the detail parts should be ordered separately.

EXAMPLE OF PARTS LIST

FIGURE- INDEX NUMBER	PART NUMBER	UNITS PER ASM.	DESCRIPTION FOR FIGURE 5			
			1	2	3	4
5	NO NO.		BEZEL AND OPERATOR PANEL ASM FOR NEXT HIGHER ASM SEE FIGURE 1-4 AND FOR ILLUSTRATION FIGURE 5			
- 1	7362008	1	. BRACKET,LED AND SWITCH			
- 2	2767289 NR	1	. POTENTIOMETER			
- 3	7362248	1	. POTENTIOMETER			
- 4	7362263	2	. KNOB ASM			
- 5	2397045	5	. LED,LIGHT			
- 6	7362200	1	. BLOCK,LED			
- 7	2632773	AR	. CLIP			
- 8	1608427	2	. SCREW,THD FORM-HEX WSHR HD 6-19 X 1/2 LG			
- 9	7362158	1	. CABLE ASM,CE DIAG IND AND SWITCH			
- 10	7361265	1	. CABLE ASM,AC DISTRIBUTION			
- 11	1608571	1	. SWITCH			
- 12	7362254 NP	1	. BEZEL,ENGLISH			
- 12	7362255 NP	1	. BEZEL,FRENCH			
- 12	7362256 NP	1	. BEZEL,JAPANESE			
- 12	7362257 NP	1	. BEZEL,SPANISH			
- 12	7362258 NP	1	. BEZEL,GERMAN			
- 12	7362259 NP	1	. BEZEL,ITALIAN			

E



VISUAL INDEX 1

CATALOG SECTION

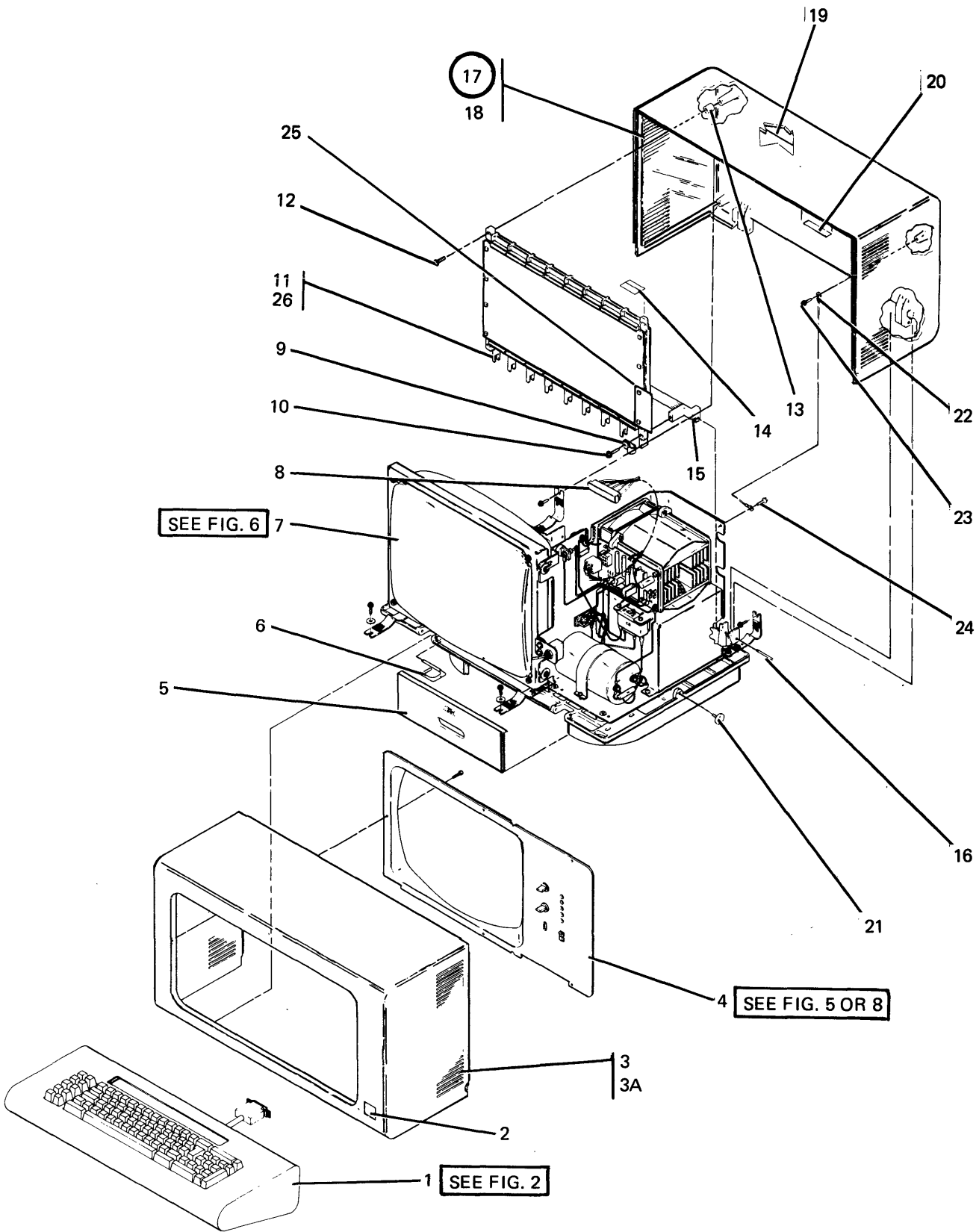


FIGURE 1. FINAL ASM. SEE LIST 1.

FIGURE- INDEX NUMBER	PART NUMBER	UNITS PER ASM.	DESCRIPTION FOR FIGURE 1				
			1	2	3	4	
1	NO NO.		FINAL ASM FOR ILLUSTRATION SEE FIGURE 1				
- 1	NO NO.	1	• KEYBOARD AND COVER ASM FOR DETAIL BREAKDOWN SEE FIGURE 2				
- 2	7362354	1	• LABEL				
- 3	7362360	1	• COVER ASM,FRONT				
- 3	2767401	1	• COVER ASM,FRONT USED ON MACHINES WITH EC 831161				
- 3A	7362362	1	• • FOAM				
- 4	NO NO.		• BEZEL AND OPERATOR PANEL ASM USED ON MACHINES WITH EC 831110 FOR DETAIL BREAKDOWN SEE FIGURE 5				
- 4	NO NO.	1	• BEZEL AND OPERATOR PANEL ASM USED ON MACHINES WITHOUT EC 831110 FOR DETAIL BREAKDOWN SEE FIGURE 8				
- 5	7362142	1	• PLATE,FRONT				
- 6	7362341	2	• HINGE PIN				
- 6	2767391	2	• HINGE PIN USED ON MACHINES WITH EC 831161				
- 7	NO NO.	1	• CRT,POWER SUPPLY AND BASE ASM FOR DETAIL BREAKDOWN SEE FIGURE 6				
- 8	7362343	1	• CABLE ASM,DISPLAY POWER SIGNAL				
- 9	515661	1	• CLAMP,CABLE				
- 10	8330738	2	• SCREW,THD FORM,HEX WSHR HD 6-19 X 3/4 LG				ATT PART
- 11	2731007	1	• STIFFENER				
- 12	5552875	1	• SCREW,THD FORM,HEX WSHR HD 8-16 X 9/16 L				ATT PART
- 13	7362299	2	• ON-SERT				
- 14	2731011	3	• INTERPOSER				
- 15	7362145	1	• HINGE,PLANAR				
- 16	7362322	2	• SCREW,HINGE				ATT PART
- 17	2767400	1	• COVER ASM,REAR USED ON MACHINES WITH EC 831161				
- 17	7362359	1	• COVER ASM,REAR				
- 18	7362104	1	• • COVER				
- 19	7362361	1	• • FOAM				
- 20	7362400	1	• • LABEL				
- 21	7362350	2	• SCREW,COVER				ATT PART
- 21	7362939	2	• SCREW,COVER				
- 22	8330754	1	• USED ON MACHINES WITH EC 831161				
- 22	8330754	1	• STRAIN RELIEF				ATT PART
- 23	7362385	1	• SCREW THD FORM-HEX WSHR HD M4 X 8MM LG				ATT PART
- 24	5552875	1	• SCREW,THD FORM-HEX WSHR HD 8-16 X 9/16 L				ATT PART
- 25	2767867	1	• CARD,LIGHTNING PROTECTOR				
- 26	8330757	1	• BUMPER				

FOR PARTS
NOT SHOWN
SEE FIG. 1

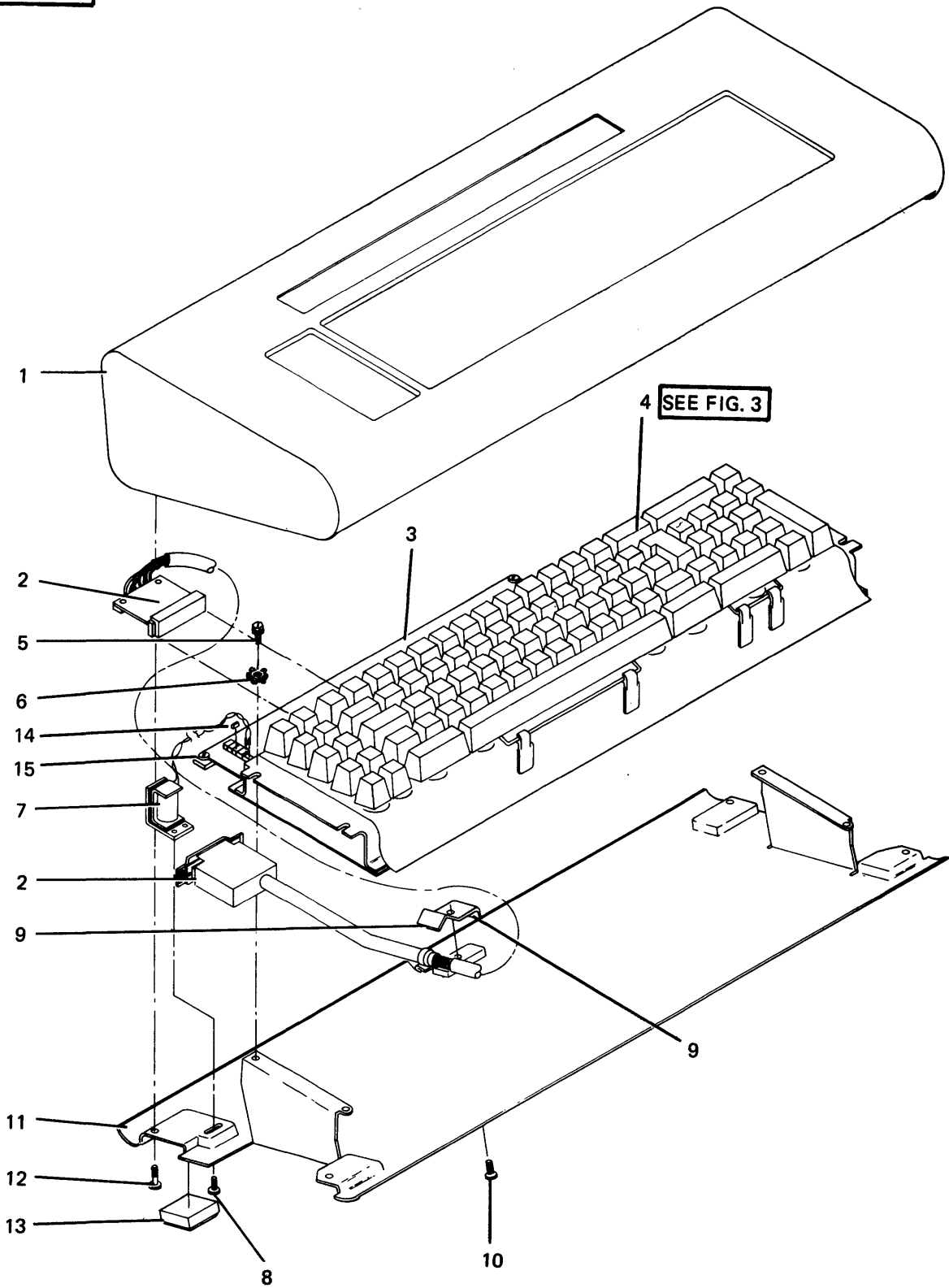


FIGURE 2. KEYBOARD AND COVER ASM. SEE LIST 2.

FIGURE- INDEX NUMBER	PART NUMBER	UNITS PER ASM.	DESCRIPTION FOR FIGURE 2			
			1	2	3	4
2	NO. NO		KEYBOARD AND COVER ASM FOR NEXT HIGHER ASM SEE FIGURE 1-1 AND FOR ILLUSTRATION FIGURE 2			
- 1	7362208	1	• COVER, DATA ENTRY			
- 1	7362501	1	• COVER, TYPEWRITER			
- 2	7362157	1	• CABLE ASM			
- 3	1752768	1	• LOGIC PC BOARD, EURPN CNTRY-TYPWRTR-DOMES			
- 3	5188825	1	• LOGIC PC BOARD, TYPEWRITER			
- 3	5188719	1	• LOGIC PC BOARD, DATA ENTRY			
- 4			SEE KEYBOARD CHART			
- 5	7362338	4	• SCREW, THD FORM-HEX WSHR HD 3.5M X 10MM			
- 6	1622345	4	• STARWASHER			
- 7	7362212	1	• CLICKER ASM			
- 8	1621197	1	• SCREW, MACH-PAN HD M4 X 6MM			
- 9	7362506	1	• CLAMP			
- 10	1621194	1	• SCREW, MACH-PAN HD M4 X 20MM			
- 11	7362502	1	• BASE, KEYBOARD-TYPEWRITER			
- 11	7362209	1	• BASE, KEYBOARD-DATA ENTRY			
- 12	7362507	4	• SCREW, COVER MOUNTING M4 X 12MM			
- 13	5554146	4	• BUMPER			
- 14	1650667	1	• JUMPER			
- 15	10170	2	• SCREW, 6-32 BIND HD-1/4 LG			

Keyboard Chart

COUNTRY	KEYBOARD ASM P/Ns		
	Typewriter	Data Entry	Data Entry With Proof
US	1752692	1752656	1752838
ASCII	1752730	1752663	
BELGIUM	1752693	1752657	1752839
BRAZIL	1752694	1752658	1752840
FRENCH CANADIAN	1752710	1752673	1752855
DENMARK	1752695	1752659	1752841
FINLAND	1752697	1752660	1752842
FRANCE AZERTY	1752709	1752672	1752854
FRANCE QWERTY	1752698	1752661	1752843
GERMANY	1752699		
INTERNATIONAL	1752700	1752663	1752845
ITALY	1752701	1752664	5189548
JAPAN, ENGLISH	1752702	1752665	1752847
JAPAN, KATAKANA	1752713	1252732	1756364
NORWAY	1752703	1752666	1752848
PORTUGAL	1752704	1752667	1752849
SPAIN	1752705	1752668	1752850
SPANISH SPEAKING	1752706	1752669	1752851
SWEDEN	1752707		1752852
UK	1752708	1752671	1752853

FOR PARTS
NOT SHOWN
SEE FIG. 2

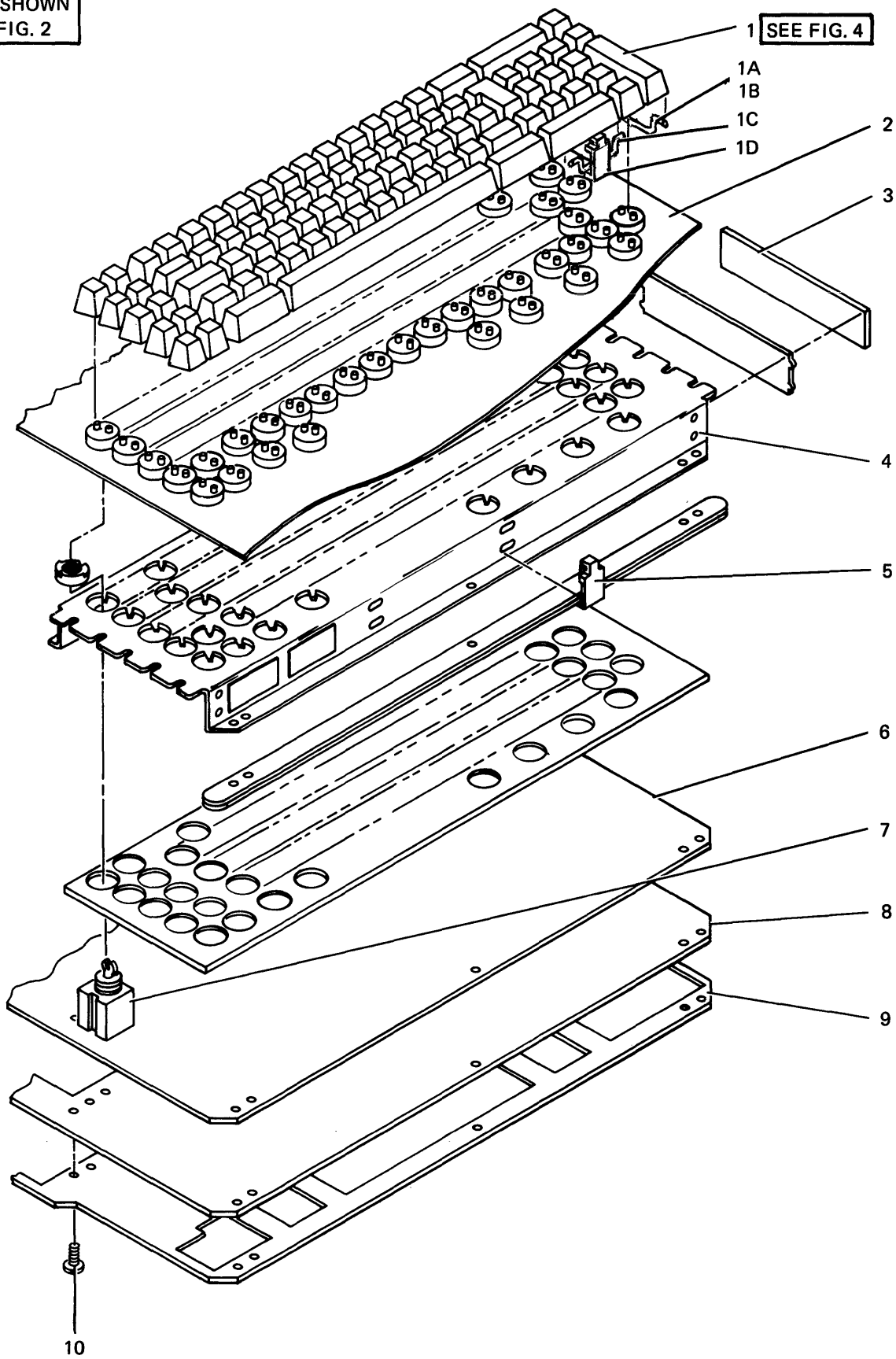
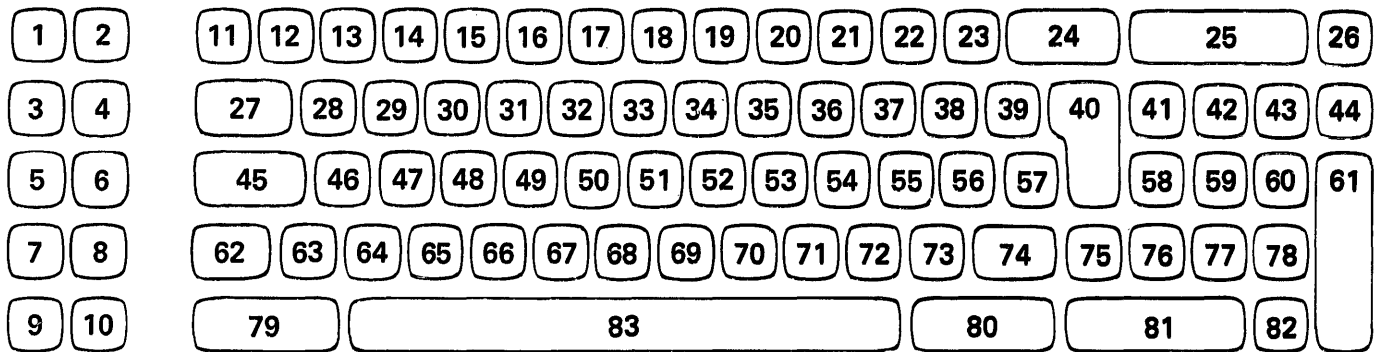


FIGURE 3. KEYBOARD ASM. SEE LIST 3.

FIGURE-INDEX NUMBER	PART NUMBER	UNITS PER ASM.	DESCRIPTION FOR FIGURE 3				
			1	2	3	4	
3							
- 1	NO. NO	1	•			KEYBUTTON CHART SEE FIGURE 4	
- 1A	1865344	2	•			STABILIZER BAR,TYPEWRITER	
- 1B	1863870	2	•			PIVOT,TYPEWRITER	
- 1C	1863871	1	•			STABILIZER BAR,TYPEWRITER	
- 1D	1861398	2	•			PIVOT,TYPEWRITER	
- 2	1752833	1	•			CONTAMINATION SHIELD,TYPEWRITER	
- 2	1752826	1	•			CONTAMINATION SHIELD,66 KEY	
- 2	5587603	1	•			CONTAMINATION SHIELD,67 KEY	
- 2	1757224	1	•			CONTAMINATION SHIELD,69 KEY	
- 3	1864454	2	•			END PLATE ASM	
- 4	1752827	1	•			FRAME ASM,TYPEWRITER	
- 4	1752820	1	•			FRAME ASM,66 KEY	
- 4	5587600	1	•			FRAME ASM,67 KEY	
- 4	1757221	1	•			FRAME ASM,69 KEY	
- 5	5183362	2	•			PIVOT	
- 6	1752328	1	•			PAD PC BOARD	
- 6	1752347	1	•			PAD PC BOARD,66 KEY	
- 6	1752341	1	•			PAD PC BOARD,67 KEY	
- 6	1752355	1	•			PAD PC BOARD,69 KEY	
- 7	1748131	1	•			MODULE,SENSE	
- 7	1748132	1	•			MODULE,NONSENSING FOR SPACE BAR ONLY	
- 8	1752831	1	•			INSULATOR,TYPEWRITER	
- 8	1752874	1	•			INSULATOR,DATA ENTRY	
- 9	1752832	1	•			BASEPLATE,TYPEWRITER	
- 9	1752825	1	•			BASEPLATE,DATA ENTRY	
- 10	1786825	1	•			SCREW,THD FORM-HEX WSHR HD 6-32 X 7/16	ATT PART



POS	PART NUMBER	POS	PART NUMBER
1		43	1854028
2		44	
3		45	1643640
4		46	
5		47	1853522
6		48	1853523
7		49	1853524
8		50	1853525
9	1853547	51	1853526
10	1853562	52	1853527
11		53	1853528
12		54	1853529
13		55	
14		56	
15		57	
16	1853502	58	1854033
17		59	1854034
18		60	1854035
19		61	
20		62	1643637
21		63	
22		64	
23		65	1853533
24	1643648	66	1853534
25	1755818	67	1853535
26		68	1853536
27	1643646	69	1853537
28		70	1853538
29		71	
30	1853512	72	
31	1853513	73	
32	1853514	74	1643644
33	1853515	75	1756171
34	1853516	76	1854038
35	1853517	77	1854039
36	1853518	78	1854040
37		79	
38		80	
39		81	1854044
40		82	
41	1854026	83	1854442
42	1854027		

Part numbers shown are the same for all countries except Japan. Part numbers for the positions left blank are on the following pages.

FIGURE 4. TYPEWRITER KEYBUTTON CHART (1 OF 5)

COUNTRY	POS	PART NUMBER	POS	PART NUMBER	
U.S./ Canada	1	5188333	28	1853510	
	2	1854017	29	1853511	
	3	1854037	37	1853519	
	4	1755819	38	1855430	
	5	1755824	39	1755820	
	6	1756165	40	1755821	
	7	1756168	44	1755823	
	8	1756169	46	1853521	
	11	1755816	55	1853530	
	12	1755817	56	1853531	
	13	1853499	57	1756166	
	14	1853500	61	1756167	
	15	1853501	63	1756170	
	17	1854018	64	1853532	
	18	1853504	71	1650484	
	19	1853505	72	1853644	
	20	1853506	73	1853541	
	21	1853507	79	1756172	
	22	1853508	80	1756173	
	23	1853509	82	1854045	
	26	1853607			
	Belgium	1	5188333	28	1854672
		2	1854017	29	1854105
		3	1854037	37	1853519
		4	1755319	38	5587764
		5	1755824	39	5587765
6		1756165	40	1755821	
7		1756168	44	1755823	
8		1756169	46	1854683	
11		1853563	55	5587766	
12		1756248	56	5587767	
13		1854651	57	5587768	
14		1853500	61	1756167	
15		1853501	63	1756170	
17		5587762	64	1854700	
18		1854645	71	1854697	
19		1854646	72	1854698	
20		1854647	73	1854699	
21		1854648	79	1756172	
22		1854649	80	1756173	
23		5587763	82	1854727	
26		1853607			
Brazil		1	5188333	28	1853510
		2	1854017	29	1853511
		3	1854037	37	1853519
		4	1755819	38	1854674
		5	1755824	39	1854673
	6	1756165	40	1755821	
	7	1756168	44	1755823	
	8	1756169	46	1853521	
	11	1853563	55	1854686	
	12	1756248	56	1854687	
	13	1854651	57	5587754	
	14	5587753	61	1756167	
	15	1853501	63	1756170	
	17	1854644	64	1853532	
	18	1854645	71	1854697	
	19	1854646	72	1854698	
	20	1854647	73	1854699	
	21	1854648	79	1756172	
	22	1854649	80	1756173	
	23	5587868	82	1854045	
	26	1853607			

COUNTRY	POS	PART NUMBER	POS	PART NUMBER	
Canada (French)	1	5188596	28	1853510	
	2	5587770	29	1853511	
	3	5587771	37	1853519	
	4	5587772	38	5587790	
	5	5587773	39	5587791	
	6	5587774	40	5587781	
	7	5587775	44	1752627	
	8	5587776	46	1853521	
	11	1853563	55	1853530	
	12	1756248	56	5587792	
	13	1853499	57	5587793	
	14	1853500	61	5587759	
	15	1853501	63	1756170	
	17	5587789	64	1853532	
	18	1853504	71	5188819	
	19	1853505	72	5587794	
	20	1853506	73	5587795	
	21	1853507	79	5587846	
	22	1853508	80	5587797	
	23	1853509	82	1854045	
	26	1757148			
	Denmark	1	5188333	28	1853510
		2	1854017	29	1853511
		3	1854037	37	1853519
		4	1755819	38	1854675
		5	1755824	39	5587758
6		1756165	40	1755821	
7		1756168	44	1755823	
8		1756169	46	1853521	
11		1853563	55	1854688	
12		1755817	56	1854689	
13		1854651	57	5587867	
14		1853500	61	1756167	
15		5587866	63	1756170	
17		1854644	64	1853532	
18		5587760	71	1854697	
19		1854646	72	1854698	
20		1854647	73	1854699	
21		1854648	79	1756172	
22		5587761	80	1756173	
23		5587757	82	1854727	
26		1853607			
Finland		1	5188333	28	1853510
		2	1854017	29	1853511
		3	1854037	37	1853519
		4	1755819	38	1854676
		5	1755824	39	5587758
	6	1756165	40	1755821	
	7	1756168	44	1755823	
	8	1756169	46	1853521	
	11	1853563	55	1854690	
	12	1756248	56	1854691	
	13	1854651	57	5587867	
	14	5587755	61	1854033	
	15	5587866	63	1756170	
	17	1854644	64	1853532	
	18	1854645	71	1854701	
	19	1854646	72	1854702	
	20	1854647	73	1854703	
	21	1854648	79	1756172	
	22	1854655	80	1756173	
	23	5994151	82	1854727	
	26	1853607			

FIGURE 4. TYPEWRITER KEYBUTTON CHART (2 OF 5)

COUNTRY	POS	PART NUMBER	POS	PART NUMBER	
France (Azerty)	1	5188596	28	1854672	
	2	5587770	29	1854670	
	3	5587771	37	1853519	
	4	5587772	38	5587777	
	5	5587773	39	5587765	
	6	5587774	40	5587781	
	7	5587775	44	1752627	
	8	5587776	46	1854683	
	11	1853563	55	5587778	
	12	1756248	56	5587779	
	13	1854651	57	5587780	
	14	5587755	61	5587759	
	15	1853501	63	1756170	
	17	5587762	64	1854700	
	18	1854645	71	1854697	
	19	1854646	72	1854698	
	20	1854647	73	1854699	
	21	1854648	79	5587782	
	22	1854649	80	5587783	
	23	5587763	82	1854727	
	26	1757148			
	France (Qwerty)	1	5188596	28	1853510
		2	5587770	29	1853511
		3	5587771	37	1853579
		4	5587772	38	5587777
		5	5587773	39	5587765
6		5587774	40	5587781	
7		5587775	44	1752627	
8		5587776	46	1853521	
11		1853563	55	5587778	
12		1756248	56	5587779	
13		1854651	57	5587780	
14		5587755	61	5587759	
15		1853501	63	1756170	
17		5587762	64	1853532	
18		1854645	71	1854697	
19		1853646	72	1854698	
20		1854647	73	1854699	
21		1854648	79	5587782	
22		1854649	80	5587783	
23		5587763	82	1854727	
26		1757148			
Internat'l		1	5188333	28	1853510
		2	1854017	29	1853511
		3	1854037	37	1853519
		4	1755819	38	1854673
		5	1755824	39	5587741
	6	1756165	40	1755821	
	7	1756168	44	1755823	
	8	1756169	46	1853521	
	11	1853563	55	5587822	
	12	1756248	56	5587823	
	13	1854651	57	5587742	
	14	1853500	61	1854724	
	15	1853501	63	1756170	
	17	1854644	64	1853532	
	18	1854645	71	1854697	
	19	1854646	72	1854698	
	20	1854647	73	1854699	
	21	1854648	79	1756172	
	22	1854649	80	1756173	
	23	5587740	82	1854045	
	26	1853607			

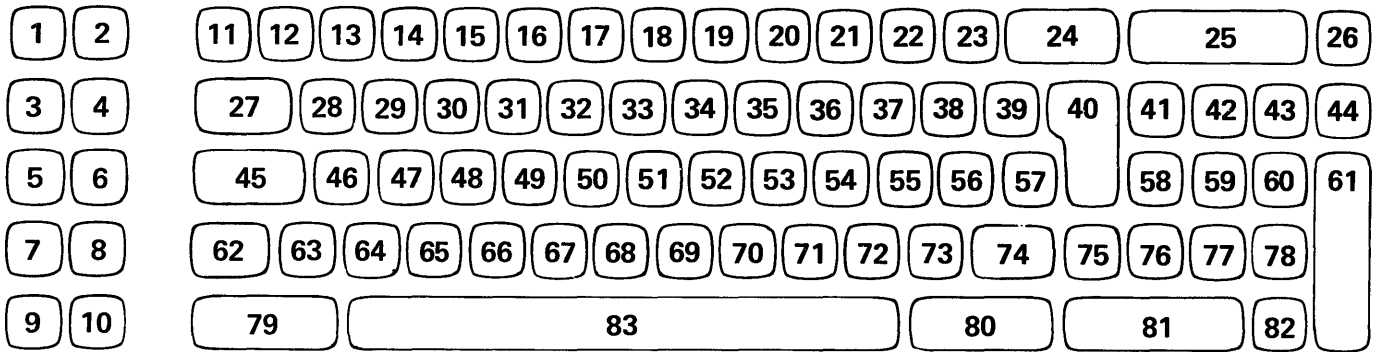
COUNTRY	POS	PART NUMBER	POS	PART NUMBER	
ASCII	1	5188333	28	1853510	
	2	1854017	29	1853511	
	3	1854037	37	1853519	
	4	1755819	38	1853585	
	5	1755824	39	1755820	
	6	1750103	40	1755821	
	7	1756168	44	1755823	
	8	1756169	46	1853521	
	11	1755816	55	1853530	
	12	1756248	56	1853531	
	13	1853499	57	1756166	
	14	1853500	61	1756167	
	15	1853501	63	1756170	
	17	1854669	64	1853532	
	18	1853504	71	1650484	
	19	1853505	72	1853644	
	20	1853506	73	1853541	
	21	1853507	79	1756172	
	22	1853508	80	1756173	
	23	1853509	82	1854045	
	26	1853607			
	Germany	1	5188330	28	1853510
		2	1854601	29	1853511
		3	5587799	37	1853519
		4	5587800	38	1854671
		5	5587801	39	1854673
6		5587802	40	5587808	
7		5587803	44	1854636	
8		5587804	46	1853521	
11		1853563	55	1854681	
12		1756248	56	1854682	
13		1854651	57	5587807	
14		5587755	61	1854724	
15		1853501	63	1756170	
17		1854644	64	1854670	
18		1854645	71	1854697	
19		1854646	72	1854698	
20		1854647	73	1854699	
21		1854648	79	5587809	
22		5587805	80	5587810	
23		5587806	82	1854727	
26		1853607			
Italy		1	5188331	28	1853510
		2	1854017	29	1853511
		3	5587838	37	1853519
		4	5587840	38	5587785
		5	5587839	39	1854673
	6	5587841	40	5587842	
	7	5587775	44	5587824	
	8	5587776	46	1853521	
	11	1853563	55	5587786	
	12	1756248	56	5587787	
	13	1854651	57	5587788	
	14	1854660	61	5587828	
	15	1853501	63	1756170	
	17	1854644	64	1853532	
	18	1854645	71	1854697	
	19	1854646	72	1854698	
	20	1854647	73	1854699	
	21	1854648	79	5587843	
	22	1854649	80	5587844	
	23	5587784	82	1854727	
	26	1853607			

FIGURE 4. TYPEWRITER KEYBUTTON CHART (3 OF 5)

COUNTRY	POS	PART NUMBER	POS	PART NUMBER	
Sweden	1	5188333	28	1853510	
	2	1854017	29	1853511	
	3	1854037	37	1853519	
	4	1755819	38	1854675	
	5	1755824	39	5587758	
	6	1756165	40	1755821	
	7	1756168	44	1755823	
	8	1756169	46	1853521	
	11	1853563	55	1854681	
	12	1756248	56	1854682	
	13	1854651	57	5587867	
	14	5587755	61	1756167	
	15	5587866	63	1756170	
	17	1854644	64	1853532	
	18	1854645	71	1854697	
	19	1854646	72	1854698	
	20	1854647	73	1854699	
	21	1854648	79	1756172	
	22	1854655	80	1756173	
	23	5994151	82	1854727	
	26	1853607			
	Norway	1	5188333	28	1853510
		2	1854017	29	1853511
		3	1854037	37	1853519
		4	1755819	38	1854675
		5	1755824	39	5587758
6		1756165	40	1755821	
7		1756168	44	1755823	
8		1756169	46	1853521	
11		1853563	55	1854689	
12		1756248	56	1854688	
13		1854651	57	5587867	
14		1853500	61	1756167	
15		5587866	63	1756170	
17		1854644	64	1853532	
18		1854645	71	1854697	
19		1854646	72	1854698	
20		1854647	73	1854699	
21		1854648	79	1756172	
22		1854655	80	1756173	
23		5587757	82	1854727	
26		1853607			
Portugal		1	5188333	28	1853510
		2	1854017	29	1853511
		3	1854037	37	1853519
		4	1755819	38	1854674
		5	1755824	39	1854673
	6	1756165	40	1755821	
	7	1756168	44	1755823	
	8	1756169	46	1853521	
	11	1853563	55	1854686	
	12	1756248	56	1854687	
	13	1854651	57	5587745	
	14	5587743	61	1756167	
	15	1853501	63	5587746	
	17	1854644	64	1853532	
	18	1854645	71	1854697	
	19	1854646	72	1854698	
	20	1854647	73	1854699	
	21	1854648	79	1756172	
	22	1854649	80	1756173	
	23	5587744	82	1854727	
	26	1853607			

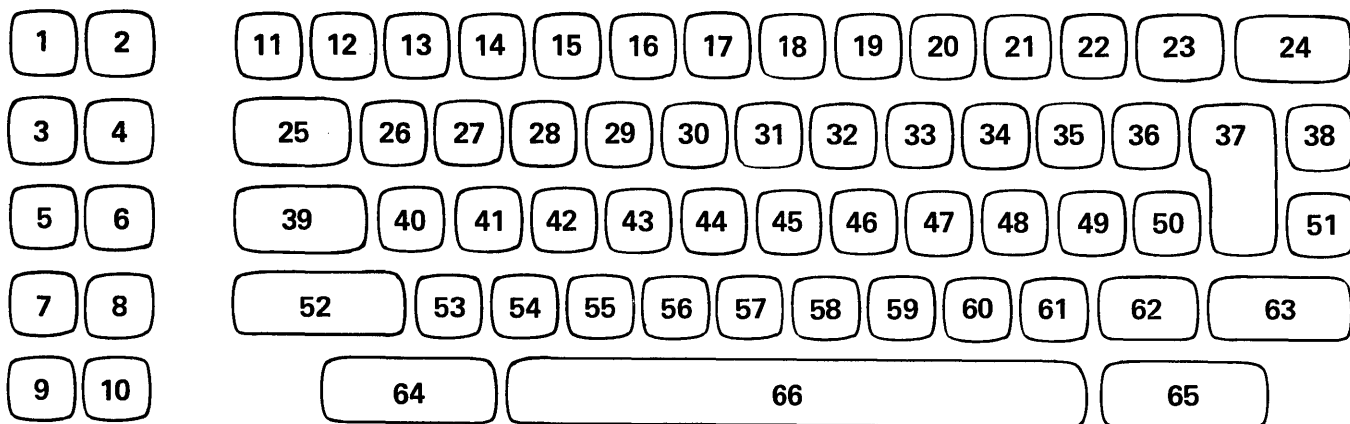
COUNTRY	POS	PART NUMBER	POS	PART NUMBER	
Spain	1	5188332	28	1853510	
	2	5587812	29	1853511	
	3	5587813	37	1853519	
	4	5587814	38	5587820	
	5	5587825	39	1854673	
	6	5587826	40	5587827	
	7	5587775	44	5587824	
	8	5587776	46	1853521	
	11	1853563	55	1854694	
	12	1755817	56	5587822	
	13	1854651	57	5587823	
	14	5587817	61	5587828	
	15	5587818	63	1756170	
	17	1854644	64	1853532	
	18	1854645	71	1854697	
	19	1854646	72	1854698	
	20	1854647	73	1854699	
	21	1854648	79	5587829	
	22	1854649	80	5587830	
	23	5587819	82	1854727	
	26	1853607			
	Spanish Speaking	1	5188332	28	1853510
		2	5587812	29	1853511
		3	5587813	37	1853519
		4	5587814	38	5587820
		5	5587825	39	1854673
6		5587826	40	5587827	
7		5587775	44	5587824	
8		5587776	46	1853521	
11		1853563	55	1854694	
12		1755817	56	5587822	
13		1854651	57	5587823	
14		5587817	61	5587828	
15		1853501	63	1756170	
17		1854644	64	1853532	
18		1854645	71	1854697	
19		1854646	72	1854698	
20		1854647	73	1854699	
21		1854648	79	5587829	
22		1854649	80	5587830	
23		5587819	82	1854045	
26		1853607			
United Kingdom		1	5188333	28	1853510
		2	1854017	29	1853511
		3	1854037	37	1853519
		4	1755819	38	5587749
		5	1755824	39	5587750
	6	1756165	40	1755821	
	7	1756168	44	1755823	
	8	1756169	46	1853521	
	11	5587747	55	1854692	
	12	1755817	56	1854693	
	13	1854651	57	5587751	
	14	1854660	61	1756167	
	15	1853501	63	5587752	
	17	1853502	64	1853532	
	18	1854644	71	1853539	
	19	1854646	72	1853540	
	20	1854647	73	1853541	
	21	5587748	79	1756172	
	22	1854663	80	1756173	
	23	1854667	82	1854045	
	26	1853607			

FIGURE 4. TYPEWRITER KEYBUTTON CHART (4 OF 5)



COUNTRY	KEYBUTTON POSITION												
	1	2	3	4	5	6	7	8	9	10	11	12	
Japan (English)	5188333	1854017	1854037	1755819	5189575	1756165	1756168	1756169	1853547	1853562	5588003	1756248	
Katakana	5188333	1854017	1854037	1755819	5189575	1756165	1756168	1756169	1853547	1853562	5588003	5588004	
	13	14	15	16	17	18	19	20	21	22	23	24	
Japan (English)	1854651	1853500	1853501	1853502	1854644	1854645	1854646	1854647	1854666	1854663	1854667	5194117	
Katakana	1854595	1854596	5588017	1854598	1854599	1854728	1854729	1854730	1854731	5588018	5588019	5588005	
	25	26	27	28	29	30	31	32	33	34	35	36	
Japan (English)	1853547	1853607	1643646	1853510	1853511	1853512	1853513	1853514	1853515	1853516	1853517	1853518	
Katakana	1853547	1853607	1643646	1854735	1854736	1854737	1854738	5588021	1854740	1854741	1854742	1854743	
	37	38	39	40	41	42	43	44	45	46	47	48	
Japan (English)	1853519	5587749	5588013	1755821	1854026	1854027	1854028	1755823	1643640	1853521	1853522	1853523	
Katakana	1854744	5588024	5588023	1755821	1854026	1854027	1854028	1755823	5192927	1854746	1854747	1854748	
	49	50	51	52	53	54	55	56	57	58	59	60	
Japan (English)	1853524	1853525	1853526	1853527	1853528	1853529	1854692	1854693	5588014	1854033	1854034	1854035	
Katakana	1854749	1854750	1854751	1854752	1854753	1854754	5588022	5588025	5588026	1854033	1854034	1854035	
	61	62	63	64	65	66	67	68	69	70	71	72	
Japan (English)	1756167	5588015	-	1853532	1853533	1853534	1853535	1853536	1853537	-	1853539	1853540	
Katakana	1756167	5192926	-	1854757	1854758	1854759	1854760	1854761	1854762	1854763	1854764	1854765	
	73	74	75	76	77	78	79	80	81	82	83	84	
Japan (English)	1853541	5588016	1643644	1854038	1854039	1854040	1854050	1756173	1854044	1854045	-	5588006	
Katakana	1854766	5588027	5192928	1854038	1854039	1854040	5192925	1756173	1854044	1854045	-	5588006	
	85	86											
Japan (English)	1756172	1854050											
Katakana	1756172	5588011											

FIGURE 4. TYPEWRITER KEYBUTTON CHART FOR JAPAN (5 OF 5)



POS	PART NUMBER	POS	PART NUMBER
1		35	1853620
2		36	
3		37	
4		38	
5		39	
6		40	
7		41	1853624
8		42	1854078
9	1853547	43	1854079
10	1853562	44	
11		45	1854135
12		46	1853629
13		47	1853630
14	1854068	48	1853631
15		49	
16		50	
17	1853567	51	1645052
18		52	1756192
19	1853608	53	
20	1853609	54	1853636
21		55	1854139
22		56	1854140
23	1756179	57	
24	1643647	58	1854142
25	1756181	59	1853641
26		60	
27		61	
28	1854072	62	
29		63	
30		64	1853650
31		65	
32	1853617	66	
33	1853618	67	1643643
34	1853619		

Part numbers shown are the same for all countries except Japan Katakana. Part numbers for the positions left blank are on the following pages.

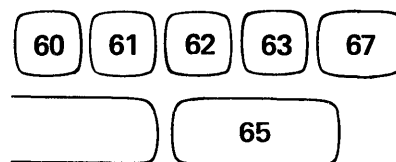


FIGURE 4A. DATA ENTRY KEYBUTTON CHART (1 OF 5)

COUNTRY	POS	PART NUMBER	POS	PART NUMBER	
U.S./ Canada	1	5188333	29	1854073	
	2	1854017	30	1645041	
	3	1854037	31	1854075	
	4	1755819	36	1756182	
	5	5189575	37	1755821	
	6	1756165	38	1756184	
	7	1756168	39	1756188	
	8	1756169	40	1854077	
	11	1756175	44	1853627	
	12	1756175	49	1853569	
	13	1854067	50	1756166	
	15	1854069	53	1854138	
	16	1854070	57	1854141	
	18	1853607	60	1853642	
	21	1854071	61	1853643	
	22	1854020	62	1756195	
	26	1853611	63	1756196	
	27	1853612	65	1756173	
	Belgium	1	5188333	29	1756246
		2	1854017	30	5189471
		3	1854037	31	1756245
		4	1755819	36	1756182
		5	5189575	37	1755821
		6	1756165	38	1756184
		7	1756168	39	1756188
		8	1756169	40	5189472
		11	1756175	44	1756244
12		1756175	49	1853569	
13		5189453	50	5189454	
15		1854069	53	5189473	
16		1854070	57	1756247	
18		1853607	60	1853642	
21		1854071	61	1853643	
22		1854020	62	1756195	
26		5189468	63	1756196	
27		5189470	65	1756173	
Brazil		1	5188333	29	1854159
		2	1854017	30	1645041
		3	1854037	31	1756245
		4	1755819	36	5189493
		5	5189575	37	1755821
		6	1756165	38	1756184
		7	1756168	39	1756188
		8	1756169	40	1854077
		11	1756175	44	1756244
	12	1756175	49	5189494	
	13	5994151	50	5189495	
	15	1854069	53	1854138	
	16	1854070	57	1854175	
	18	1853607	60	1853642	
	21	1854071	61	1853643	
	22	5588003	62	1853566	
	26	1853611	63	1854143	
	27	1853612	65	1756173	

COUNTRY	POS	PART NUMBER	POS	PART NUMBER	
Canada (French)	1	5188596	29	5189464	
	2	5587770	30	5189465	
	3	5587771	31	1756245	
	4	5587772	36	1756182	
	5	5189576	37	5587796	
	6	5587774	38	5189474	
	7	5587775	39	5189479	
	8	5587776	40	1854077	
	11	1756175	44	1756244	
	12	1756175	49	1853569	
	13	5189463	50	1853569	
	15	1854069	53	1854138	
	16	1854070	57	5189750	
	18	1757148	60	1853642	
	21	1757243	61	1853643	
	22	5189467	62	1756195	
	26	1853611	63	1756196	
	27	1853612	65	5587797	
	Denmark	1	5188333	29	5188821
		2	1854017	30	1645041
		3	1854037	31	1756245
		4	1755819	36	5189488
		5	5189575	37	1755821
		6	1756165	38	1756184
		7	1756168	39	1756188
		8	1756169	40	1854077
		11	1756175	44	1756244
12		1756175	49	5189481	
13		5588003	50	5189480	
15		5189489	53	1854138	
16		1854070	57	1854175	
18		1853607	60	1853642	
21		1854071	61	1853643	
22		1854020	62	1853570	
26		1853611	63	1854143	
27		1853612	65	1756173	
Finland		1	5188333	29	5189482
		2	1854017	30	1854074
		3	1854037	31	1756245
		4	1755819	36	5189483
		5	5189575	37	1755821
		6	1756165	38	1756184
		7	1756168	39	1756188
		8	1756169	40	1854077
		11	1756175	44	1756244
	12	1756175	49	1853569	
	13	5994151	50	5189484	
	15	5189489	53	1854138	
	16	1854070	57	1854175	
	18	1853607	60	5189485	
	21	1854071	61	5189486	
	22	5588003	62	5189487	
	26	1853611	63	1854143	
	27	1853612	65	1756173	

FIGURE 4A. DATA ENTRY KEYBUTTON CHART (2 OF 5)

COUNTRY	POS	PART NUMBER	POS	PART NUMBER	
France (Azerty)	1	5188596	29	5184069	
	2	5192976	30	5189471	
	3	5587771	31	1756245	
	4	5587772	36	1853617	
	5	5189576	37	5587781	
	6	5587774	38	5189474	
	7	5587775	39	5189479	
	8	5587776	40	5189472	
	11	1756175	44	1756244	
	12	1756175	49	1853569	
	13	5189466	50	1853569	
	15	1854069	53	5189473	
	16	1854070	57	5189475	
	18	1757148	60	1853642	
	21	1757243	61	1853643	
	22	5189467	62	1756195	
	26	5189468	63	1756196	
	27	5189470	65	5587783	
	France (Qwerty)	1	5188596	29	5184069
		2	5192976	30	5189471
		3	5587771	31	1756245
		4	5587772	36	1853617
		5	5189576	37	5587781
		6	5587774	38	5189474
		7	5587775	39	5189479
		8	1756169	40	1854077
		11	1756175	44	1756244
12		1756175	49	1853569	
13		5189466	50	1853569	
15		1854069	53	1854138	
16		1854070	57	5189475	
18		1757148	60	1853642	
21		1757243	61	1853643	
22		5189467	62	1756195	
26		1853611	63	1756196	
27		1853612	65	5587783	
Internat'l/ ASCII		1	5188333	29	1756246
		2	1854017	30	1645041
		3	1854037	31	1756245
		4	1755819	36	1756182
		5	5189575	37	1755821
		6	1756165	38	1756184
		7	1756168	39	1756188
		8	1756169	40	1854077
		11	1756175	44	1756244
	12	1756175	49	1853569	
	13	1854067	50	1853569	
	15	1854069	53	1854138	
	16	1854070	57	1756247	
	18	1853607	60	1853642	
	21	1854071	61	1853643	
	22	1854020	62	1756195	
	26	1853611	63	1756196	
	27	1853612	65	1756173	

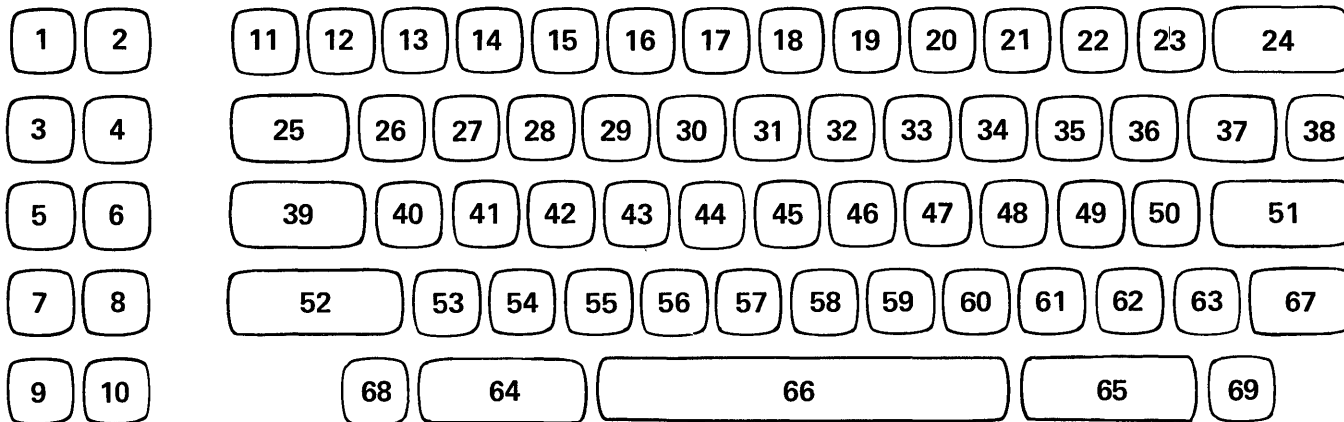
COUNTRY	POS	PART NUMBER	POS	PART NUMBER	
Italy	1	5188331	29	5189469	
	2	1854017	30	5189471	
	3	5587838	31	1756245	
	4	5587840	36	1756182	
	5	5189578	37	5587842	
	6	8542818	38	5189477	
	7	5587775	39	5189458	
	8	5587776	40	1854077	
	11	1756175	44	1756244	
	12	1756175	49	1853569	
	13	5189455	50	1853569	
	15	1854069	53	1854138	
	16	1854070	57	5189459	
	18	1853607	60	1853642	
	21	5189456	61	1853643	
	22	5189457	62	1756195	
	26	1853611	63	1756308	
	27	1853612	65	5587844	
	Japan (English)	1	5188333	29	5189461
		2	1854017	30	5588002
		3	1854037	31	1854075
		4	1755819	36	1756182
		5	5189575	37	1755821
		6	1756165	38	1756184
		7	1756168	39	1756188
		8	1756169	40	1854077
		11	1853567	44	1853627
12		1853567	49	1853569	
13		1854067	50	5189462	
15		5189460	53	1854138	
16		1854070	57	1854141	
18		1853607	60	1853642	
21		1854071	61	1853643	
22		1854020	62	1756195	
26		1853611	63	1756196	
27		1853612	65	1756173	
Norway		1	5188333	29	5188821
		2	1854017	30	1645041
		3	1854037	31	1756245
		4	1755819	36	5189488
		5	5189575	37	1755821
		6	1756165	38	1756184
		7	1756168	39	1756188
		8	1756169	40	1854077
		11	1756175	44	1756244
	12	1756175	49	5189480	
	13	5588003	50	5189481	
	15	5189489	53	1854138	
	16	1854070	57	1854175	
	18	1853607	60	1853642	
	21	1854071	61	1853643	
	22	1854020	62	1853570	
	26	1853611	63	1854143	
	27	1853612	65	1756173	

FIGURE 4A. DATA ENTRY KEYBUTTON CHART (3 OF 5)

COUNTRY	POS	PART NUMBER	POS	PART NUMBER
Portugal	1	5188333	29	1756246
	2	1854017	30	1854074
	3	1854037	31	1756245
	4	1755819	36	5189493
	5	5189575	37	1755821
	6	1756165	38	1756184
	7	1756168	39	1756188
	8	1756169	40	1854077
	11	1756175	44	1756244
	12	1756175	49	5189494
	13	5588003	50	5189495
	15	1854069	53	1854138
	16	5189492	57	1756247
	18	1853607	60	1853642
	21	1854071	61	1853643
	22	1854020	62	1853570
	26	1853611	63	1854143
27	1853612	65	1756173	
Spain	1	5188332	29	1756246
	2	5587812	30	1645041
	3	5587813	31	1854075
	4	5587814	36	1756182
	5	5189576	37	5587827
	6	5587826	38	5189477
	7	5587775	39	5189479
	8	5587776	40	1854077
	11	1756175	44	1853627
	12	1756175	49	5189478
	13	1853602	50	1853569
	15	1757301	53	1854138
	16	1854070	57	1756247
	18	1853607	60	1853642
	21	1757243	61	1853643
	22	5189476	62	1756195
	26	1853611	63	1756308
27	1853612	65	5587830	

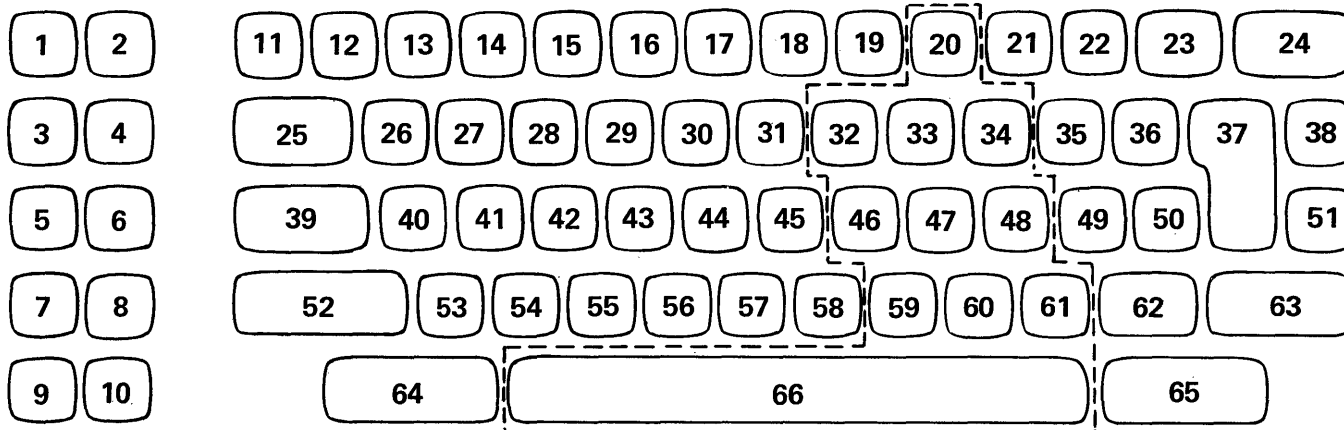
COUNTRY	POS	PART NUMBER	POS	PART NUMBER
Spanish Speaking	1	5188332	29	1756246
	2	5587812	30	1645041
	3	5587813	31	1854075
	4	5587814	36	1756182
	5	5189576	37	5587827
	6	5587826	38	5189477
	7	5587775	39	5189479
	8	5587776	40	1854077
	11	1756175	44	1853627
	12	1756175	49	5189478
	13	1853602	50	1853569
	15	1854069	53	1854138
	16	1854070	57	1756247
	18	1853607	60	1853642
	21	1757243	61	1853643
	22	5189476	62	1756195
	26	1853611	63	1756308
27	1853612	65	5587830	
United Kingdom	1	5188333	29	5188821
	2	1854017	30	1645041
	3	1854037	31	1854075
	4	1755819	36	1756182
	5	5189575	37	1755821
	6	1756165	38	1756184
	7	1756168	39	1756188
	8	1756169	40	1854077
	11	1756175	44	1853627
	12	1756175	49	1853569
	13	5192891	50	1853569
	15	1854069	53	1854138
	16	1854070	57	1854141
	18	1853607	60	1853642
	21	1854071	61	1853643
	22	1854020	62	1746195
	26	1853611	63	1756196
27	1853612	65	1756173	

FIGURE 4A. DATA ENTRY KEYBUTTON CHART (4 OF 5)



COUNTRY	KEYBUTTON POSITION											
	1	2	3	4	5	6	7	8	9	10	11	12
Katakana	5188333	1854017	1854037	1755819	5189575	1756165	1756168	1756169	1853547	1853562	1853567	5192982
	13	14	15	16	17	18	19	20	21	22	23	24
Katakana	5192984	5189497	5189498	5189499	5189500	5189501	5189502	5189503	5189504	5189505	5189506	5189507
	25	26	27	28	29	30	31	32	33	34	35	36
Katakana	1756181	5189508	5189509	5189510	5189511	5189512	5189513	5189514	5189515	5189516	5189517	5189520
	37	38	39	40	41	42	43	44	45	46	47	48
Katakana	5588023	5189519	1756188	5189521	5189522	5189523	5189524	5189525	5189526	5189527	5189528	5189529
	49	50	51	52	53	54	55	56	57	58	59	60
Katakana	5189530	5189531	5189532	5189533	1854757	5189534	5189535	5189536	5189537	5189538	5189539	5189540
	61	62	63	64	65	66	67	68	69			
Katakana	5189541	5189542	5189543	1853650	1756173		5189544	5189545	5588011			

FIGURE 4A. DATA ENTRY KEYBUTTON CHART FOR JAPAN KATAKANA (5 OF 5)



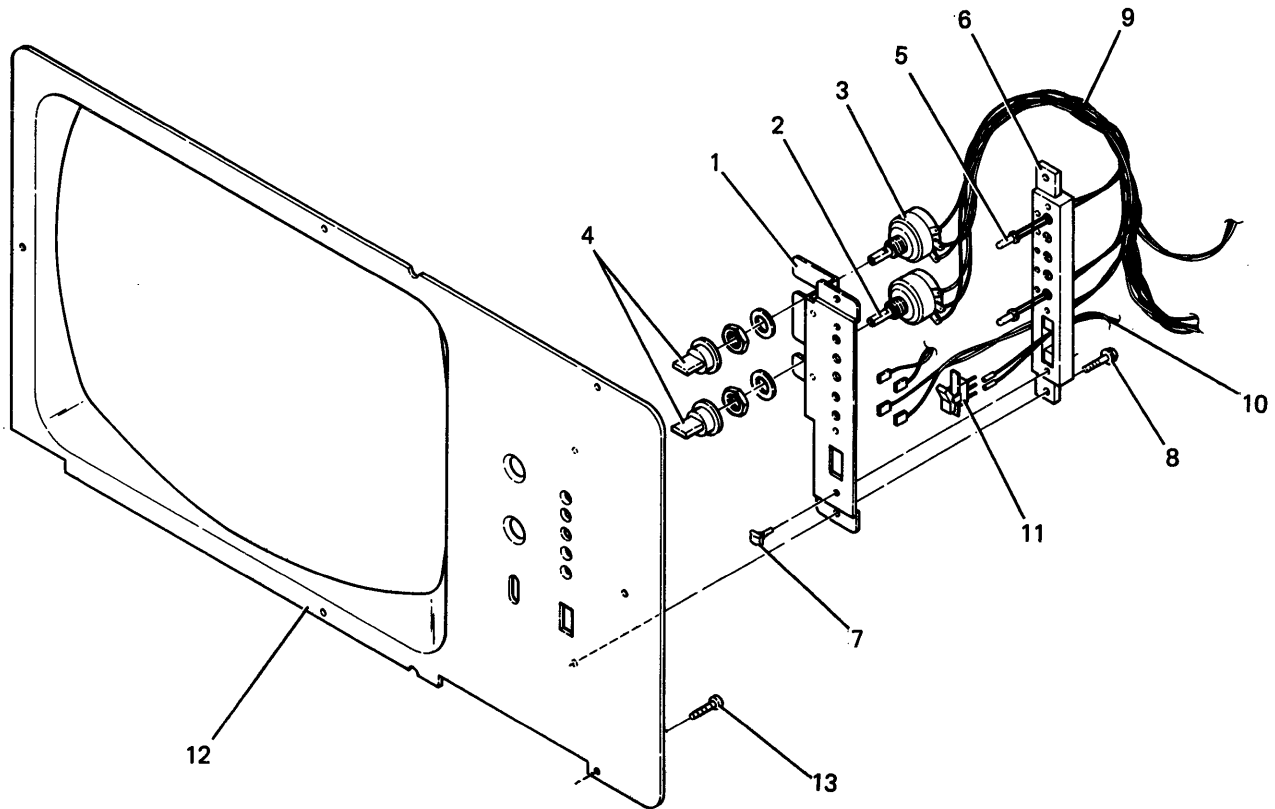
All keybutton part numbers except for the positions shown are the same as the Data Entry keybutton part numbers.

COUNTRY	KEYBUTTON POSITION										
	20	32	33	34	46	47	48	59	60	61	66
US/Canada	1645033	1641095	1641099	1641098	1853629	1853630	1853631	1854799	1855009	1855264	1756241
Belgium	1645033	1641095	1641099	1641098	1853629	1853630	1853631	1854799	1855009	1855264	1756241
Brazil	1645033	1641095	1641099	1641098	1853629	1853630	1853631	1854799	1855009	1855264	1756241
Canada (French)	5192980	1641095	1641099	1641098	1853629	1853630	1853631	1854799	1855009	1855264	1756241
Denmark	1645033	1641095	1641099	1641098	1853629	1853630	1853631	1854799	1855009	1855264	1756241
Finland	1645033	1641095	1641099	1641098	1853629	1853630	1853631	1854799	5189596	5189597	1756241
France (Azerty)	5192980	1641095	1641099	1641098	1853629	1853630	1853631	1854799	1855009	1855264	1756241
France (Qwerty)	5192980	1641095	1641099	1641098	1853629	1853630	1853631	1854799	1855009	1855264	1756241
International/ASCII	1645033	1641095	1641099	1641098	1853629	1853630	1853631	1854799	1855009	1855264	1756241
Italy	1645033	1641095	1641099	1641098	1853629	1853630	1853631	1854799	1855009	1855264	1756241
Japan (English)	1645033	1641095	1641099	1641098	1853629	1853630	1853631	1854799	1855009	1855264	1756241
Japan (Katakana)	5194138	5194139	5194140	5194141	5189527	5189528	5189529	5194142	5194143	5194144	5192825
Sweden	1645033	1641095	1641099	1641098	1853629	1853630	1853631	1854799	1855009	1855264	1756241
Norway	1645033	1641095	1641099	1641098	1853629	1853630	1853631	1854799	1855009	1855264	1756241
Portugal	1645033	1641095	1641099	1641098	1853629	1853630	1853631	1854799	1855009	1855264	1756241
Spain	1645033	1641095	1641099	1641098	1853629	1853630	1853631	1854799	1855009	1855264	1756241
Spanish Speaking	1645033	1641095	1641099	1641098	1853629	1853630	1853631	1854799	1855009	1855264	1756241
United Kingdom	1645033	1641095	1641099	1641098	1853629	1853630	1853631	1854799	1855009	1855264	1756241

FIGURE 4B. DATA ENTRY KEYBUTTON CHART (WITH PROOF)

THIS PAGE INTENTIONALLY LEFT BLANK

FOR PARTS
NOT SHOWN
SEE FIG. 1



**FIGURE 5. BEZEL AND OPERATOR PANEL ASM. SEE LIST 5.
USED ON MACHINES WITH E.C. 831110**

FIGURE- INDEX NUMBER	PART NUMBER	UNITS PER ASM.	DESCRIPTION FOR FIGURE 5			
			1	2	3	4
5	NO NO.		BEZEL AND OPERATOR PANEL ASM FOR NEXT HIGHER ASM SEE FIGURE 1-4 AND FOR ILLUSTRATION FIGURE 5			
- 1	7362008	1	• BRACKET,LED AND SWITCH			
- 2	2767289	1	• POTENTIOMETER			
- 3	7362248	1	• POTENTIOMETER			
- 4	7362263	2	• KNOB ASM			
- 5	8279268	5	• LED,LIGHT			
- 6	7362200	1	• BLOCK,LED			
- 7	2632773	2	• CLIP			
- 8	1608427	2	• SCREW,THD FORM-HEX WSHR HD 6-19 X 1/2 LG			
- 9	7362158	1	• CABLE ASM,CE DIAG IND AND SWITCH			
- 10	7361265	1	• CABLE ASM,AC DISTRIBUTION			
- 11	1608571	1	• SWITCH			
- 12	7362254	1	• BEZEL,ENGLISH-MODEL 11			
- 12	7362255	1	• BEZEL,FRENCH-MODEL 11			
- 12	7362256	1	• BEZEL,KATAKANA-MODEL 11			
- 12	2767475	1	• BEZEL,JAPANESE ENGLISH-MODEL 11			
- 12	7362257	1	• BEZEL,SPANISH-MODEL 11			
- 12	7362258	1	• BEZEL,GERMAN-MODEL 11			
- 12	7362259	1	• BEZEL,ITALIAN-MODEL 11			
- 12	7362307	1	• BEZEL,FRENCH CANADIAN-MODEL 11			
- 12	7362164	1	• BEZEL,ENGLISH-MODEL 1			
- 12	7362216	1	• BEZEL,FRENCH-MODEL 1			
- 12	7362217	1	• BEZEL,KATAKANA-MODEL 1			
- 12	2767474	1	• BEZEL,JAPANESE ENGLISH-MODEL 1			
- 12	7362218	1	• BEZEL,SPANISH-MODEL 1			
- 12	7362219	1	• BEZEL,GERMAN-MODEL 1			
- 12	7362220	1	• BEZEL,ITALIAN-MODEL 1			
- 12	7362306	1	• BEZEL,FRENCH CANADIAN-MODEL 1			
- 13	1608277	6	• SCREW,THD FORM-HEX WSHR HD 6-19 X 3/8 LG			

FOR PARTS
NOT SHOWN
SEE FIG. 1

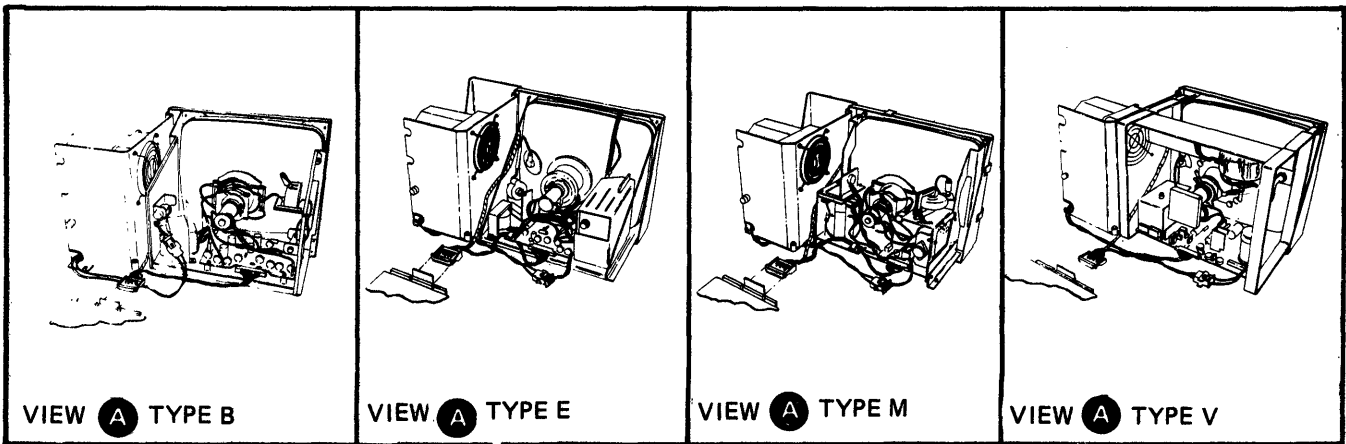
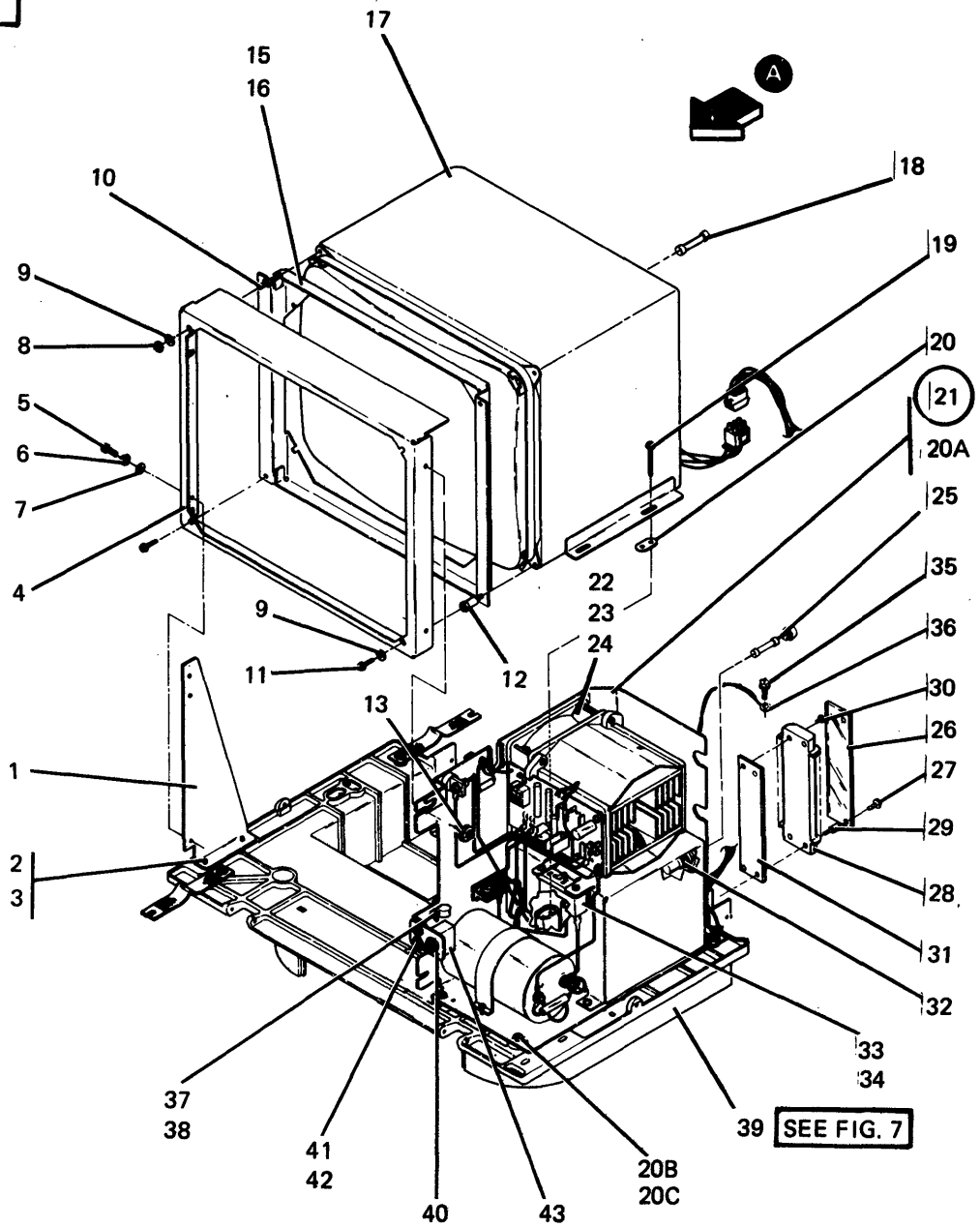


FIGURE 6. CRT POWER SUPPLY AND BASE ASM. SEE LIST 6.
USED ON MACHINES WITH E.C. 831110

FIGURE- INDEX NUMBER	PART NUMBER	UNITS PER ASM.	DESCRIPTION FOR FIGURE 6				
			1	2	3	4	
6	NO NO.		CRT,POWER SUPPLY AND BASE ASM FOR NEXT HIGHER ASM SEE FIGURE 1-7 AND FOR ILLUSTRATION FIGURE 6				
- 1	7362009	1	• BRACE				
- 2	7362553	2	• SCREW,HEX WSHR HD M5 X 10MM LG				ATT PART
- 3	1622347	2	• WASHER,LOCK-EXT T 5.3 TD X 10 OD X .6				ATT PART
- 4	7330741	1	• BRACKET,15 INCH DISPLAY UNIT				
- 5	1621197	3	• SCREW,MACH-SLOTTED PAN HD M4 X 3/8 OD				ATT PART
- 6	55901	3	• WASHER,LOCK-EXT T 11/64 ID X 3/8 OD				ATT PART
- 7	45690	3	• WASHER,FLAT NO. 10 X 7/16 OD X 1/32 THK				ATT PART
- 8	257189	4	• NUT HEX 8-32				ATT PART
- 9	1940	4	• USED ON TYPE B & E DISPLAY				
- 10	7362346	4	• WASHER FLAT NO. 10 X 9/16 OD X 3/64 THK				ATT PART
- 11	1621190	4	• SCREW,USED ON TYPE B,V,E				ATT PART
- 12	7362821	4	• SCREW,MACH-SLOTTED PAN HD M4 X 8MM LG				ATT PART
- 13	7362545	2	• USED ON TYPE M				
- 15	7362318	1	• STUD,USED ON TYPE M				ATT PART
- 16	7362385	2	• SCREW,THD FORM SEMS M4 X 10MM LG				ATT PART
- 17	7362374	1	• BRACKET 12 INCH DISPLAY UNIT				
- 17	7362487	1	• SCREW,THD FORM-HEX WSHR HD M4 X 8MM LG				ATT PART
- 17	7362399	1	• USED ON 12 INCH DISPLAY UNIT				
- 17	7362373	1	• DISPLAY UNIT ASM,TYPE B,E & M 15 INCH				
- 17	7362474	1	• ENGLISH LABELS				
- 18	8330854	1	• DISPLAY UNIT ASM,TYPE V 15 INCH				
- 18	111264	1	• ENGLISH LABELS-WTC				
- 18	303549	1	• DISPLAY UNIT ASM,TYPE V 15 INCH				
- 18	2420202	1	• FRENCH LABELS				
- 19	2767558	2	• DISPLAY UNIT ASM,TYPE E & M 12 INCH				
- 20	7362357	2	• DISPLAY UNIT ASM,TYPE V 12 INCH				
- 20A	1621215	1	• FUSE, 1.25 AMP B TYPE				
- 20B	7362553	2	• FUSE, .75 AMP B TYPE				
- 20C	1622347	2	• FUSE,SB 1 AMP-TYPE M				
- 21	4176630	1	• FUSE,.63 AMP-TYPE V WTC				
- 21	4176620	1	• SCREW,THD FORM-HEX WSHR HD M4 X 16MM LG				ATT PART
- 21	4176610	1	• SHOCK PAD				
- 21	7364904	1	• SCREW,MACH-SLOTTED PAN HD M5 X 10MM LG				ATT PART
- 22	4176642	1	• SCREW,THD FORM-HEX WSHR HD M5 X 12MM LG				ATT PART
- 23	322555	1	• WASHER,LOCK-EXT T 5.3 ID X 10 OD X .6				ATT PART
- 24	257187	1	• POWER SUPPLY ASM,115V 60 HZ				
- 25	123786	1	• POWER SUPPLY ASM,110/220V-50/60 HZ WT				
- 25	1143492	1	• POWER SUPPLY ASM,CEE10 REQUIREMENT				
- 25	615683	1	• POWER SUPPLY ASM,115V 60HZ				
- 26	533359	1	• PRIOR TO S/N 00968				
- 27	10170	2	• FAN				
- 28	2100194	1	• SCREW,MACH-RD HD 6-32 X 2-1/4 LG				ATT PART
- 29	5762407	2	• NUT,HEX NO. 6-32 NC				ATT PART
- 30	322550	2	• FUSE,5 AMP 115V US				
- 31	472362	1	• FUSE,SB 4 AMP 100V SERIES WTC				
- 32	179946	1	• FUSE,SB 2 AMP 200V SERIES WTC				
- 33	5214551	1	• SHIELD,220V 50 HZ WTC				
- 34	38235	2	• SCREW,MACH-BIND HD 6-32 X 1/5 LG				ATT PART
- 35	7362385	1	• SCREW,MACH-BIND HD 6-32 X 1/2 LG				ATT PART
- 36	1622346	1	• TERMINAL BLOCK,220V 50 HZ WTC				
- 37	532393	1	• STANDOFF,220V 50 HZ WTC				
- 38	1621197	1	• SCREW,MACH-GIND HD 6-32 X 1/2 LG				ATT PART
- 39	NO NO.	1	• 220V 50 HZ WTC				
- 40	2767336	1	• MARKER STRIP,220V 50 HZ WTC				
- 41	1673984	2	• FUSEHOLDER				
- 42	1622347	2	• CIRCUIT BREAKER				
- 43	7362253	1	• SCREW,MACH-BIND HD 6-32 X 5/16 LG				ATT PART
			• SCREW,THD FORM-HEX WSHR HD M4 X 8MM LG				ATT PART
			• WASHER,LOCK EXT T 4.3 ID X 8 OD				ATT PART
			• CLAMP				
			• SCREW,MACH-SLOTTED PAN HD M4 X 6MM LG				ATT PART
			• BASE ASM				
			• FOR DETAIL BREAKDOWN SEE FIGURE 7				
			• BRACKET,SWITCH MOUNTING				
			• SCREW,MACH-SLOTTED PAN HD M5 X 10MM LG				ATT PART
			• WASHER,LOCK-EXT T 5.3 ID X 10 OD X .6				ATT PART
			• SWITCH,POWER ON				

FOR PARTS
NOT SHOWN
SEE FIG. 6

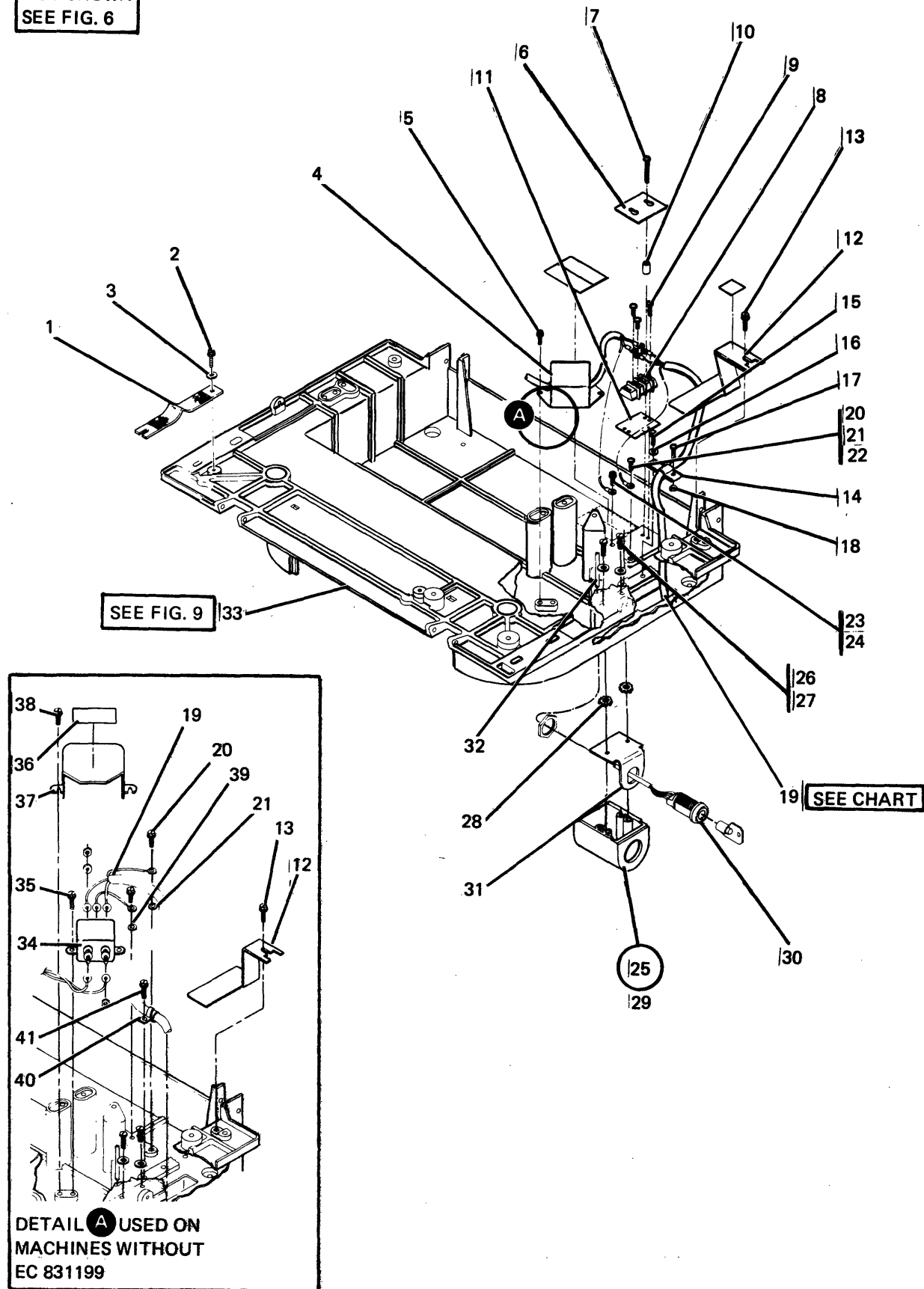






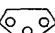
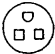


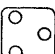


FIGURE 7. BASE ASM. SEE LIST 7.

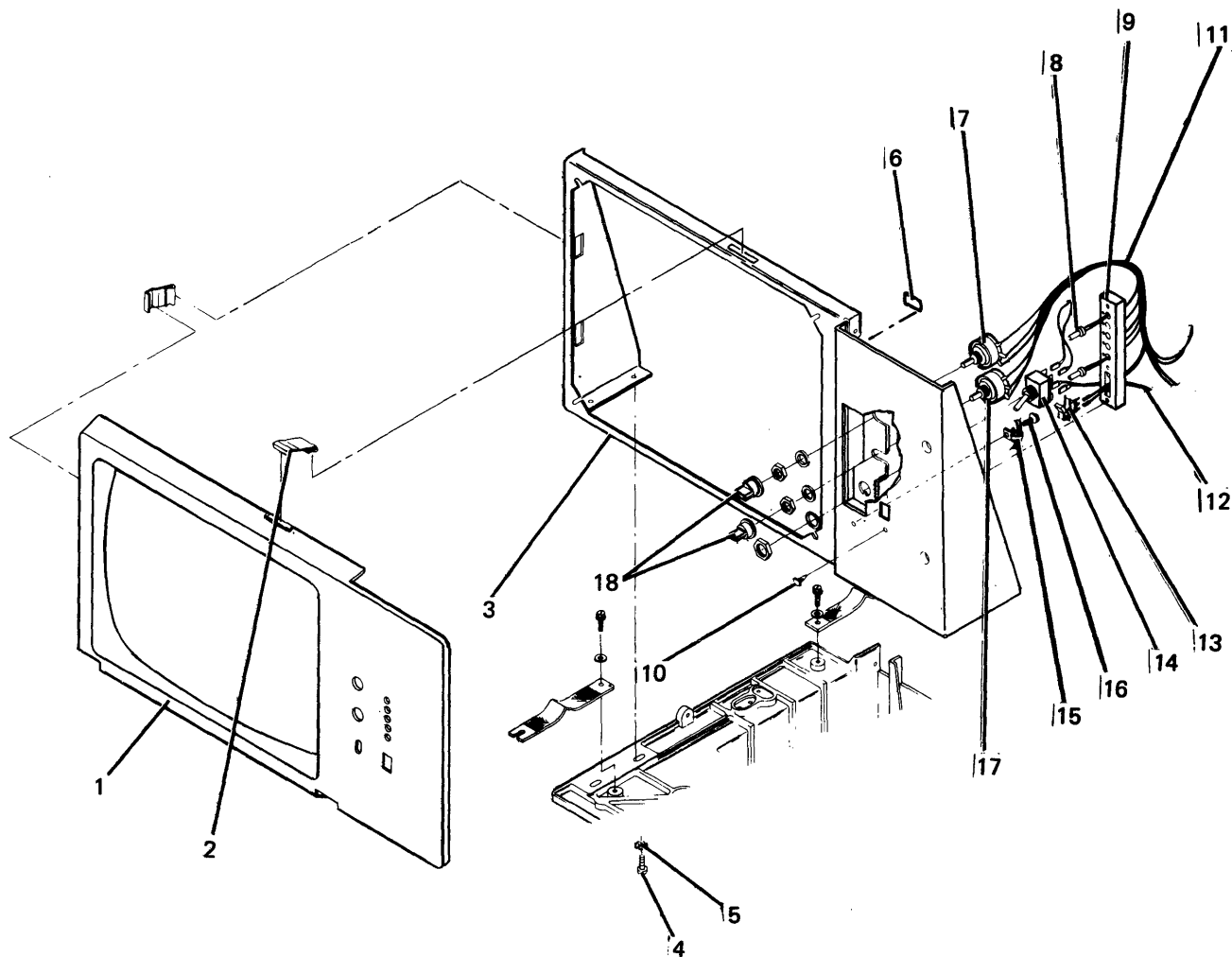
FIGURE- INDEX NUMBER	PART NUMBER	UNITS PER ASM.	DESCRIPTION FOR FIGURE 7			
			1	2	3	4
7	NO NO.		BASE ASM FOR NEXT HIGHER ASM SEE FIGURE 6-39 AND FOR ILLUSTRATION SEE FIGURE 7			
- 1	7362368	2	• GROUND STRAP			
- 2	2451224	2	• SCREW,THD FORM-HEX WSHR HD 8-16 X 7/16 L			
- 3	1940	2	• WASHER,FLAT NO. 10 X 9/16 OD X 3/64 THK			
- 4	2420321	1	• LINE FILTER			
- 5	1621811	2	• SCREW,THD FORM-HEX WSHR HD MR X 10MM LG			
- 6	5319909	1	• COVER,TERMINAL BLOCK			
- 7	8330860	2	• SCREW,PAN HD M3.5 X 28MM LG			
- 8	323836	1	• TERMINAL BLOCK			
- 9	1621847	2	• SCREW,THKD FORM-PAN HD M3 X 12MM LG			
- 10	8330861	1	• SPACER			
- 11	5318920	1	• MARKER STRIP			
- 12	7362364	1	• COVER,CABLE ENTRY			
- 13	1621811	2	• SCREW,THD FORM-HEX WSHR HD M4 X 10MM LG			
- 14	7362434	1	• CLAMP,LINE CORD			
- 15	7362385	1	• SCREW,THD FORM-HEX WSHR HD M4 X 8MM LG			
- 16	22478	1	• WASHER,FLAT 11/64 ID X 3/8 OD X 1/32 LG			
- 17	1621193	1	• SCREW,MACH-SLOTTED PAN HD M4 X 16MM LG			
- 18	1622403	2	• NUT, HEX M4 X 7 FL W X 3.2 THK			
- 19	NO NO.	1	• LINE CORD SEE LINE CORD CHART ON NEXT PAGE			
- 20	7362385	1	• SCREW,THD FORM-HEX WSHR HD M4 X 8MM LG			
- 21	2420051	1	• WASHER CLAMP			
- 22	1622346	1	• WASHER,LOCK-EXT T 4.3 ID X 8 OD X .5 THK			
- 23	1621811	1	• SCREW,THD FORM-HEX WSHR HD M4 X 10MM LG			
- 24	1622346	1	• WASHER,LOCK-EXT T 4.3 ID X 8 OD X .5 THK			
- 25	7361107	1	• KEYLOCK ASM			
- 26	1621846	2	• SCREW,THD FORM-PAN HD M3 X 10MM LG			
- 27	1622302	2	• WASHER,FLAT 3.2 ID X 7 OD X .5 THK			
- 28	1622344	2	• WASHER,LOCK EXT T 3.2 ID X 6 OD X .4 THK			
- 29	7362348	1	• COVER			
- 30	2546576	1	• SWITCH			
- 31	7362347	1	• BRACKET			
- 32	7362210	1	• CABLE ASM			
- 33	NO NO.	1	• BASE ASM FOR DETAIL BREAKDOWN SEE FIGURE 9			
			THE FOLLOWING PARTS ARE USE ON MACHINES WITHOUT EC 831199			
- 34	7362406	1	• LINE FILTER			
- 35	7362385	2	• SCREW,THD FORM-HEX WSHR HD M4 X 8MM LG			
- 36	138754	1	• LABEL			
- 37	7362363	1	• COVER,FILTER			
- 38	7362385	3	• SCREW,THD FORM-HEX WSHR HD M4 X 8MM LG			
- 39	1622346	1	• WASHER,LOCK-EXT T 4.3 ID X 8 OD			
- 40	533289	1	• CLAMP			
- 41	7362385	1	• SCREW,THD FORM-HEX WSHR HD M4 X 8MM LG			

Plug	P/N	Country
 Lock	7362285	1.8 M Lg., U.S.
	7362286	2.5 M Lg., U.S.
 Non-Lock	7362187	1.8 M Lg., U.S.
	7362284	2.5 M Lg., U.S., Bahamas, Barbados, Bermuda, Bolivia, Costa Rica, Brazil, Dominican Republic, Ecuador, Hong Kong, El Salvador, Guatemala, Honduras, Jamaica, Japan, Mexico, Trinidad, Netherlands, Antilles, Nicaragua, Panama, Peru, Philippines, Taiwan, Thailand
No Plug	7362214	WTC, 60 Hz
No Plug	7362215	WTC, 50 Hz
	7362332	Australia, Hong Kong, Argentina, Brazil, Chile, Columbia, New Zealand, Paraguay, Uruguay, Venezuela, Trinidad
	7362333	Finland, Germany, Norway, Netherlands, Sweden, Austria, Spain, Indonesia, Iran, Bulgaria, Portugal, Iceland, Poland, Rumania, and Denmark
	7362334	United Kingdom, Ireland
	7362335	France, Belgium, Malaysia, Algeria, Hungary, Yugoslavia, and Greece
	7362336	Switzerland
	2767288	Japan
	2767646	Denmark
	2767647	Italy
	2767648	South Africa

LINE CORD CHART

THIS PAGE INTENTIONALLY LEFT BLANK

FOR PARTS
NOT SHOWN
SEE FIG. 1



**FIGURE 8. BEZEL AND OPERATOR PANEL ASM. SEE LIST 8.
USED ON MACHINES WITHOUT E.C. 831110**

FOR PARTS
NOT SHOWN
SEE FIG. 7

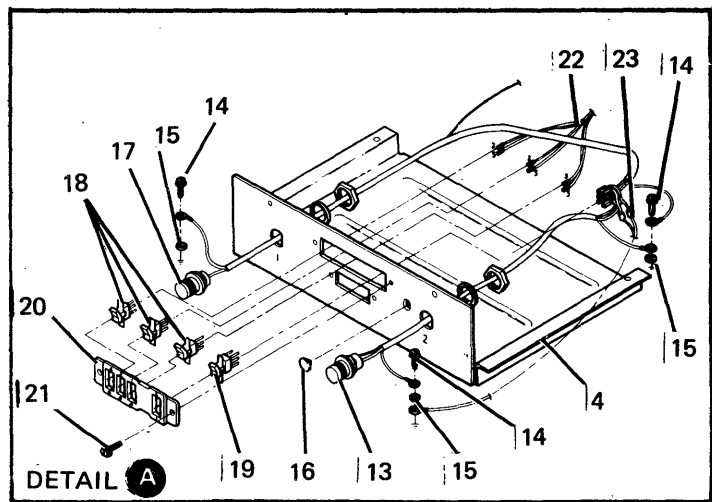
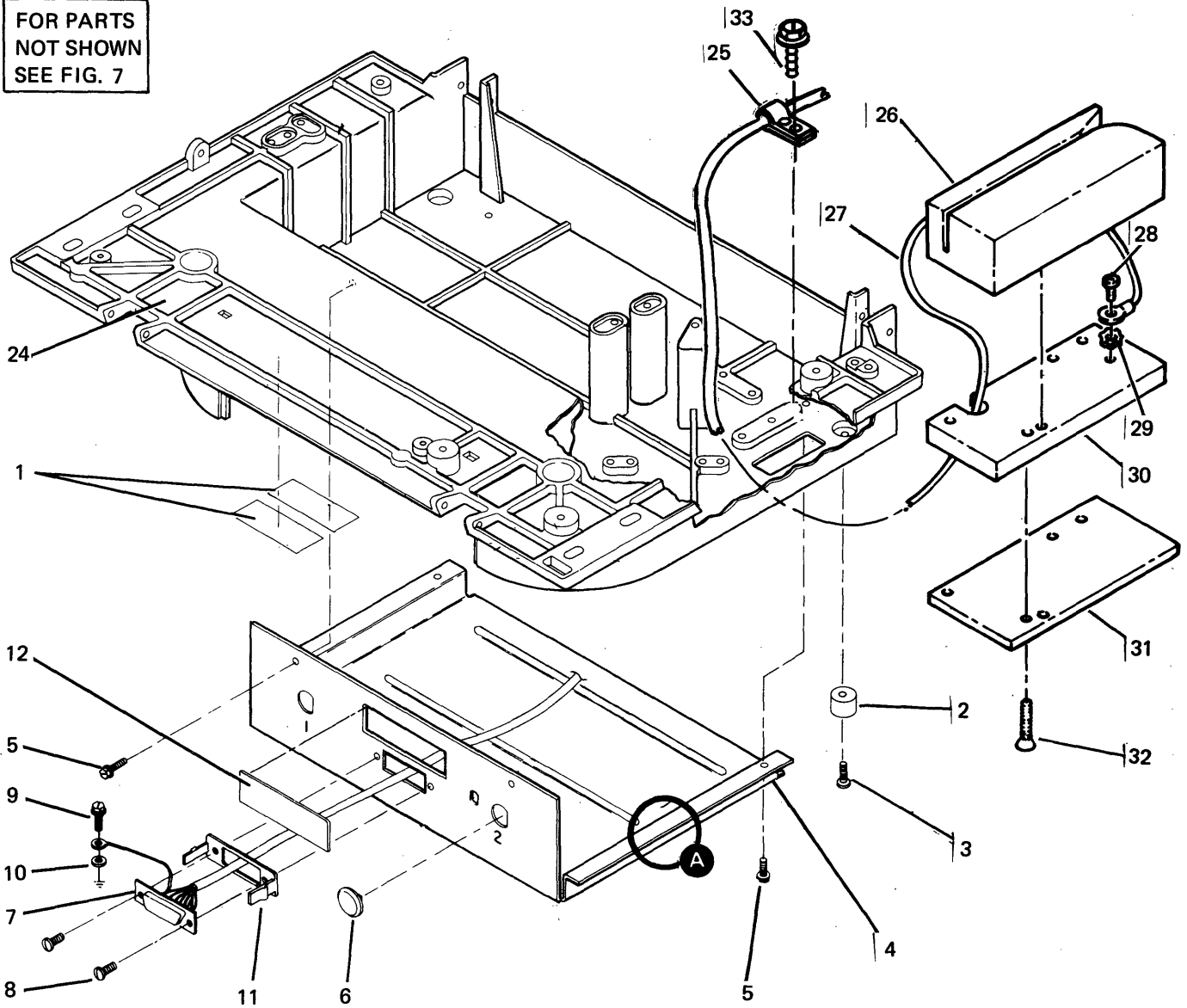


FIGURE 9. BASE ASM. SEE LIST 9.

FIGURE- INDEX NUMBER	PART NUMBER	UNITS PER ASM.	DESCRIPTION FOR FIGURE 9			
			1	2	3	4
9	NO. NO		BASE ASM FOR NEXT HIGHER ASM SEE FIGURE 7-33 AND FOR ILLUSTRATION FIGURE 9			
- 1	7362020	1	• LABEL			
- 2	7362021	4	• FOOT PAD			
- 3	7362508	4	• SCREW,THD FORM-HEX WSHR HD M4 X 16MM			
- 4	7362141	1	• TRAY			
- 5	7362385	4	• SCREW,THD FORM-HEX WSHR HD M4 X 8MM			
- 6	7362351	1	• PLUG			
- 7	7362169	1	• CABLE ASM,KEYBOARD TO PLANAR			
- 8	7362432	2	• SCREW,THD FORM-HEX WSHR HD M2.5 X 7MM			
- 9	7362385	1	• SCREW,THD FORM-HEX WSHR HD M4 X 8MM			
- 10	1622346	1	• WASHER,LOCK-EXT T 4.3MM ID X 8MM OD			
- 11	7362471	1	• RETAINER SPRING			
- 12	7362324	1	• PLUG			
- 13	7362181	1	• CABLE ASM,TWINAX CONN TO CFT DIST			
- 14	7362385	3	• SCREW,THD FORM-HEX WSHR HD M4 X 8MM			
- 15	1622346	3	• WASHER,LOCK EXT T 4.3MM ID X 8MM OD			
- 16	7362352	1	• PLUG			
- 17	7362180	1	• CABLE ASM,TWINAX CONN TO PLANAR AND CFT			
- 18	1608571	3	• SWITCH,ADDRESS			
- 19	7362328	1	• SWITCH,TERMINATOR			
- 20	7362148	1	• PLATE			
- 21	7362338	2	• SCREW,THD FORM-HEX WSHR HD M4 X 8MM			
- 22	7362158	1	• CABLE ASM,CE DIAG IND AND SW			
- 23	7362344	1	• RESISTOR ASM			
- 24	7362105	1	• BASE CASTING			
- 25	7362262	1	• MSR,CLAMP AND CABLE ASM			
- 26	2252881 NR	1	• READER			
- 27	7362261 NP	1	• CABLE			
- 28	55726 NR	1	• SCREW, 6-32 BIND HD-3/16 LG			
- 29	56722	1	• LOCKWASHER			
- 30	1645490	1	• BASE			
- 31	1645491	1	• PAD			
- 32	38447	2	• SCREW, 6-32 FLAT HD-5/8 LG			
- 33	1621813	1	• SCREW,THD FORM-HEX WSHR HD M4 X 16MM			

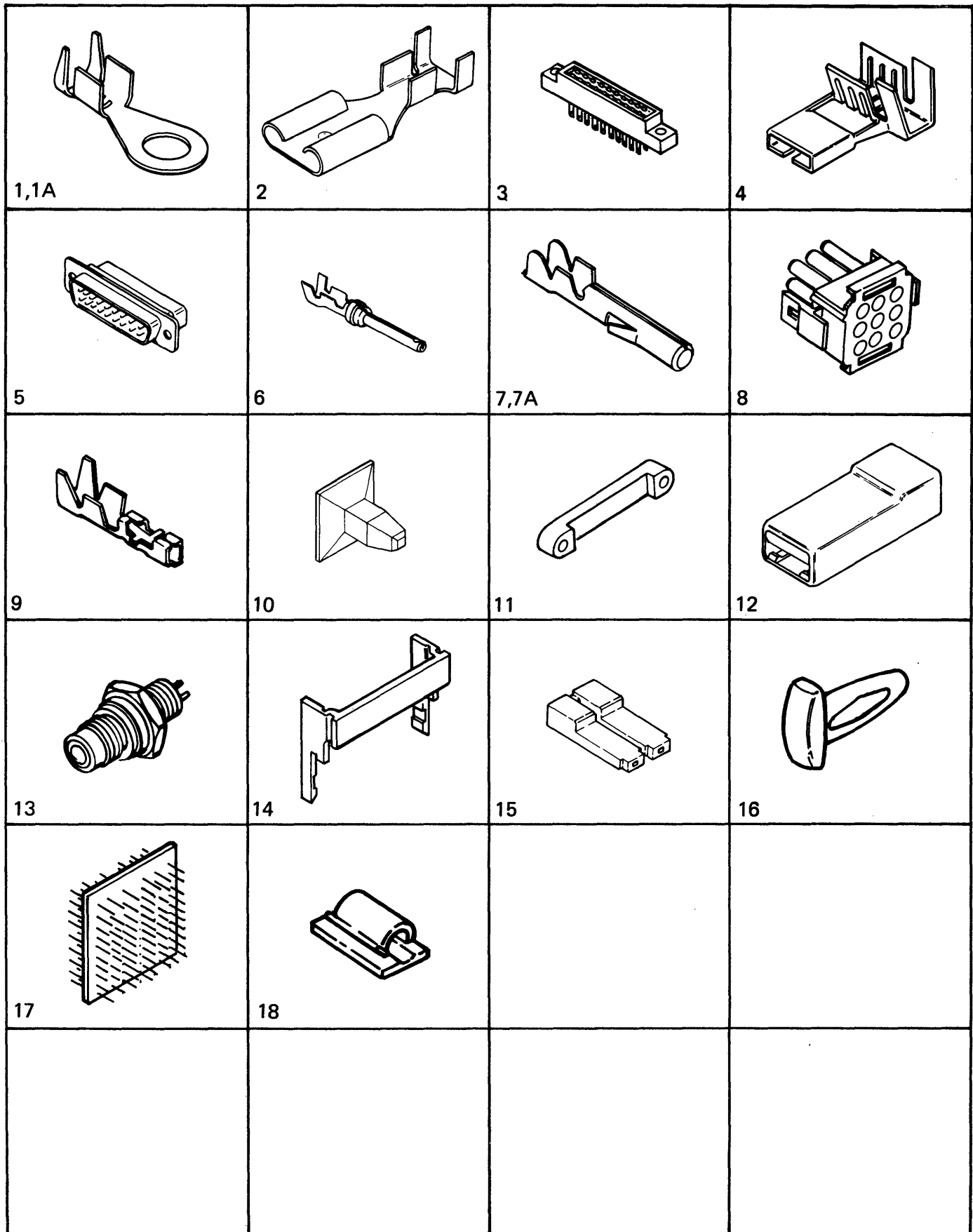


FIGURE 10. CABLE AND JUMPER COMPONENT PART. SEE LIST 10.

FIGURE- INDEX NUMBER	PART NUMBER	UNITS PER ASM.	DESCRIPTION FOR FIGURE 10			
			1	2	3	4
10	NO. NO		CABLE AND JUMPER ASM COMPONENT PARTS FOR ILLUSTRATION SEE FIGURE 10			
	7362157 7362158 7362169		CABLE ASM,KEYBOARD CABLE ASM,CE DIAG IND AND SW CABLE ASM,DISPLAY DISCONNECT TO PLANAR			
	7362180 7362181 7362343		CABLE ASM,TWINAX CONN TO PLANAR TO CFT CABLE ASM,TWINAX CONN TO CFT DISTRIBUTION CABLE ASM,POWER/SIGNAL			
- 1	7362433 483681		CABLE ASM,AC DISTRIBUTION • TERMINAL,RING NO. 8 STUD 18-20 AWG			
- 1A	483682		• TERMINAL,RING NO. 8 STUD 14-16 AWG			
- 2	1127037		• TERMINAL,SLIP-ON 14-18 AWG			
- 3	1608573		• CONNECTOR			
- 4	1608893		• TERMINAL,SLIP-ON 22-24 AWG			
- 5	1655338		• CONNECTOR,PLUG 25 POS			
- 6	1655339		• PIN CONTACT 20-24 AWG			
- 7	1661132		• TERMINAL,DUAL LANCE SOCKET 18-24 AWG			
- 7A	1847521		• TERMINAL PIN			
- 8	1847532		• PLUG,9 CIRCUIT			
- 9	2637679		• CONNECTOR,DISCRETE 22-26 AWG			
- 10	2637689		• HOUSING			
- 11	8331423		• STRAIN RELIEF			
- 12	5761882		• HOUSING			
- 13	7362179		• CABLE RECEPTACLE,FEMALE TWINAX			
- 14	7362330		• GUIDE			
- 15	1794401		• JUMPER			
- 16	2632773		• CANOE CLIP			
- 17	1809903		• CROSSOVER CONNECTOR WITH TEST PINS			
- 17	2731026		• CROSSOVER CONNECTOR W/O TEST PINS			
- 18	2596291		• CLAMP			

THIS PAGE INTENTIONALLY LEFT BLANK

NUMERICAL INDEX

PART NUMBER	LIST AND INDEX NO.
1940	6 - 9
1940	7 - 3
10170	2 - 15
10170	6 - 27
22478	7 - 16
38235	6 - 34
38447	9 - 32
45690	6 - 7
55726	9 - 28
55901	6 - 6
56722	9 - 29
101922	8 - 15
111264	6 - 18
111264	6 - 18
123786	6 - 25
138754	7 - 36
138754	8 - 6
179946	6 - 32
257187	6 - 24
257189	6 - 8
303549	6 - 18
322550	6 - 30
322555	6 - 23
323836	7 - 8
472362	6 - 31
483681	10 - 1
483682	10 - 1A
515661	1 - 9
532393	6 - 37
533289	7 - 40
533359	6 - 26
615683	6 - 25
1127037	10 - 2
1143492	6 - 25
1608277	5 - 13
1608427	5 - 8
1608571	5 - 11
1608571	8 - 13
1608571	9 - 18
1608573	10 - 3
1608893	10 - 4
1621190	6 - 11
1621193	7 - 17
1621194	2 - 10
1621197	2 - 8
1621197	6 - 5
1621197	6 - 38
1621215	6 - 20A
1621811	7 - 5
1621811	7 - 13
1621811	7 - 23
1621813	9 - 33
1621846	7 - 26
1621847	7 - 9
1622302	7 - 27
1622344	7 - 28
1622345	2 - 6
1622346	6 - 36
1622346	7 - 22
1622346	7 - 24
1622346	7 - 39
1622346	9 - 10
1622346	9 - 15
1622347	6 - 3
1622347	6 - 20C
1622347	6 - 42
1622347	8 - 5
1622403	7 - 18
1645490	9 - 30

PART NUMBER	LIST AND INDEX NO.
1645491	9 - 31
1650667	2 - 14
1655338	10 - 5
1655339	10 - 6
1661132	10 - 7
1673984	6 - 41
1748131	3 - 7
1748132	3 - 7
1752328	3 - 6
1752341	3 - 6
1752347	3 - 6
1752355	3 - 6
1752768	2 - 3
1752820	3 - 4
1752825	3 - 9
1752826	3 - 2
1752827	3 - 4
1752831	3 - 8
1752832	3 - 9
1752833	3 - 2
1752874	3 - 8
1757221	3 - 4
1757224	3 - 2
1786825	3 - 10
1794401	10 - 15
1809903	10 - 17
1847521	10 - 7A
1847532	10 - 8
1861398	3 - 1D
1863870	3 - 1B
1863871	3 - 1C
1864454	3 - 3
1865344	3 - 1A
2100194	6 - 28
2252881	9 - 26
2397045	8 - 8
2420051	7 - 21
2420202	6 - 18
2420321	7 - 4
2451224	7 - 2
2546576	7 - 30
2596291	10 - 18
2632773	5 - 7
2632773	8 - 10
2632773	10 - 16
2637679	10 - 9
2637689	10 - 10
2731007	1 - 11
2731011	1 - 14
2731026	10 - 17
2767289	5 - 2
2767289	8 - 17
2767336	6 - 40
2767391	1 - 6
2767400	1 - 17
2767401	1 - 3
2767474	5 - 12
2767475	5 - 12
2767558	6 - 19
2767867	1 - 25
4176610	6 - 21
4176620	6 - 21
4176630	6 - 21
4176642	6 - 22
5183362	3 - 5
5188719	2 - 3
5188825	2 - 3
5214551	6 - 33
5318920	7 - 11

PART NUMBER	LIST AND INDEX NO.
5319909	7 - 6
5552875	1 - 12
5552875	1 - 24
5554146	2 - 13
5587600	3 - 4
5587603	3 - 2
5761882	10 - 12
5762407	6 - 29
7330741	6 - 4
7361107	7 - 25
7361265	5 - 10
7362008	5 - 1
7362009	6 - 1
7362020	9 - 1
7362021	9 - 2
7362104	1 - 18
7362105	9 - 24
7362141	9 - 4
7362142	1 - 5
7362145	1 - 15
7362148	9 - 20
7362157	2 - 2
7362157	10
7362158	5 - 9
7362158	8 - 11
7362158	9 - 22
7362158	10
7362164	5 - 12
7362169	9 - 7
7362179	10 - 13
7362180	9 - 17
7362180	10
7362181	9 - 13
7362181	10
7362200	5 - 6
7362200	8 - 9
7362208	2 - 1
7362209	2 - 11
7362210	7 - 32
7362212	2 - 7
7362216	5 - 12
7362217	5 - 12
7362218	5 - 12
7362219	5 - 12
7362220	5 - 12
7362248	5 - 3
7362248	8 - 7
7362253	6 - 43
7362253	8 - 14
7362254	5 - 12
7362255	5 - 12
7362256	5 - 12
7362257	5 - 12
7362258	5 - 12
7362259	5 - 12
7362261	9 - 27
7362262	9 - 25
7362263	5 - 4
7362263	8 - 18
7362299	1 - 13
7362306	5 - 12
7362307	5 - 12
7362318	6 - 15
7362319	8 - 3
7362322	1 - 16
7362324	9 - 12
7362328	9 - 19
7362330	10 - 14

PART NUMBER	LIST AND INDEX NO.
7362338	2 - 5
7362338	9 - 21
7362340	8 - 2
7362341	1 - 6
7362343	1 - 8
7362343	10
7362344	9 - 23
7362346	6 - 10
7362347	7 - 31
7362348	7 - 29
7362350	1 - 21
7362351	9 - 6
7362352	9 - 16
7362354	1 - 2
7362357	6 - 20
7362359	1 - 17
7362360	1 - 3
7362361	1 - 19
7362362	1 - 3A
7362363	7 - 37
7362364	7 - 12
7362368	7 - 1
7362373	6 - 17
7362374	6 - 17
7362385	1 - 23
7362385	6 - 16
7362385	6 - 35
7362385	7 - 15
7362385	7 - 20
7362385	7 - 35
7362385	7 - 38
7362385	7 - 41
7362385	8 - 16
7362385	9 - 5
7362385	9 - 9
7362385	9 - 14
7362399	6 - 17
7362400	1 - 20
7362406	7 - 34
7362432	9 - 8
7362433	8 - 12
7362433	10
7362434	7 - 14
7362471	9 - 11
7362474	6 - 17
7362487	6 - 17
7362501	2 - 1
7362502	2 - 11
7362506	2 - 9
7362507	2 - 12
7362508	9 - 3
7362545	6 - 13
7362553	6 - 2
7362553	6 - 20B
7362553	8 - 4
7362821	6 - 12
7362939	1 - 21
7364904	6 - 21
8279268	5 - 5
8330738	1 - 10
8330754	1 - 22
8330757	1 - 26
8330854	6 - 18
8330860	7 - 7
8330861	7 - 10
8331423	10 - 11

THIS PAGE INTENTIONALLY LEFT BLANK

READER'S COMMENT FORM

Please use this form only to identify publication errors or request changes to publications. Technical questions about IBM systems, changes in IBM programming support, requests for additional publications, etc, should be directed to your IBM representative or to the IBM branch office nearest your location.

Error in publication (typographical, illustration, and so on). No reply.

Page Number Error

Inaccurate or misleading information in this publication. Please tell us about it by using this postage-paid form. We will correct or clarify the publication, or tell you why a change is not being made, provided you include your name and address.

Page Number Comment

IBM may use and distribute any of the information you supply in any way it believes appropriate without incurring any obligation whatever. You may, of course, continue to use the information you supply.

● No postage necessary if mailed in the U.S.A.

Name _____

Address _____

Cut Along Line

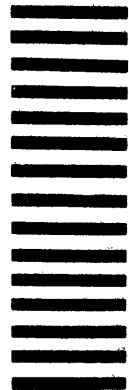
Fold

Fold



FIRST CLASS
PERMIT NO. 40
ARMONK, N. Y.

BUSINESS REPLY MAIL
NO POSTAGE STAMP NECESSARY IF MAILED IN THE UNITED STATES



POSTAGE WILL BE PAID BY . . .

IBM Corporation
General Systems Division
Development Laboratory
Publications, Dept. 245
Rochester, Minnesota 55901

Fold

Fold



International Business Machines Corporation

**General Systems Division
4111 Northside Parkway N.W.
P.O. Box 2150
Atlanta, Georgia 30301
(U.S.A. only)**

**General Business Group/International
44 South Broadway
White Plains, New York 10601
U.S.A.
(International)**

5251 Display Station Models 1 and 11 Parts Catalog Printed in Canada S131-0620-4



International Business Machines Corporation

**General Systems Division
4111 Northside Parkway N.W.
P.O. Box 2150
Atlanta, Georgia 30301
(U.S.A. only)**

**General Business Group/International
44 South Broadway
White Plains, New York 10601
U.S.A.
(International)**

5251 Display Station Models 1 and 11 Parts Catalog Printed in Canada S131-0620-4