



S134-0064-2

IBM 4975 Printer  
Models 02L and 02R  
Parts Catalog



S134-0064-2

**IBM 4975 Printer  
Models 02L and 02R  
Parts Catalog**

**Third Edition (January 1984)**

This publication is only for the purpose of ordering replaceable assemblies, subassemblies, and detail parts for the IBM 4975 Printer Models 02L and 02R.

Changes are periodically made to the information herein; any such changes will be reported in subsequent revisions or Technical Newsletters.

It is possible that this material may contain reference to, or information about, IBM products (machines and programs), programming, or services that are not announced in your country. Such references or information must not be construed to mean that IBM intends to announce such IBM products, programming, or services in your country.

Publications are not stocked at the address given below. Requests for copies of IBM publications should be made to your IBM representative or the IBM branch office serving your locality.

This publication could contain technical inaccuracies or typographical errors. A form for readers' comments is provided at the back of this publication. If the form has been removed, address your comments to IBM Corporation, Information Development, Department 27T, P. O. Box 1328, Boca Raton, Florida 33432. IBM may use or distribute any of the information you supply in any way it believes appropriate without incurring any obligation whatever. You may, of course, continue to use the information you supply.

**(c) Copyright International Business Machines Corporation 1983, 1984.**

## Contents

<b>HOW TO USE PARTS CATALOG</b> .....	iv
<b>VISUAL INDEX</b> .....	viii
<b>CATALOG SECTION</b> .....	1
Figure 1. Final Assembly .....	2
Figure 1A. Base Assembly, Sheet 1 of 2 .....	4
Figure 1A. Base Assembly, Sheet 2 of 2 .....	6
Figure 2. Base Assembly .....	8
Figure 3. Frame Assembly .....	10
Figure 4. Left Side Plate Assembly .....	12
Figure 5. Platen Assembly .....	13
Figure 6. Carrier/Shaft Assembly .....	14
Figure 7. Carrier Assembly, Sheet 1 of 2 .....	16
Figure 7. Carrier Assembly, Sheet 2 of 2 .....	18
Figure 8. A-Frame Assembly .....	20
Figure 9. Right Side Plate Assembly .....	22
Figure 10. Forms Feed Motor Assembly .....	24
Figure 11. Fan and Bracket Assembly .....	25
Figure 12. Power Supply Assembly, 60 HZ - U.S. ....	26
Figure 13. Power Supply Assembly, 60 HZ - WTC .....	28
Figure 14. Power Supply Assembly, 50 HZ - WTC .....	30
Figure 14A. Power Supply Assembly, 50 HZ - WTC with Transformer Fuses .....	32
Figure 15. Forms Tractor Unit Feed Assembly, Sheet 1 of 2 .....	34
Figure 15. Forms Tractor Unit Feed Assembly, Sheet 2 of 2 .....	36
Figure 16. Document Insertion Device Assembly .....	38
Figure 17. Cable Assemblies with Component Parts .....	40
<b>NUMERICAL INDEX</b> .....	X-1

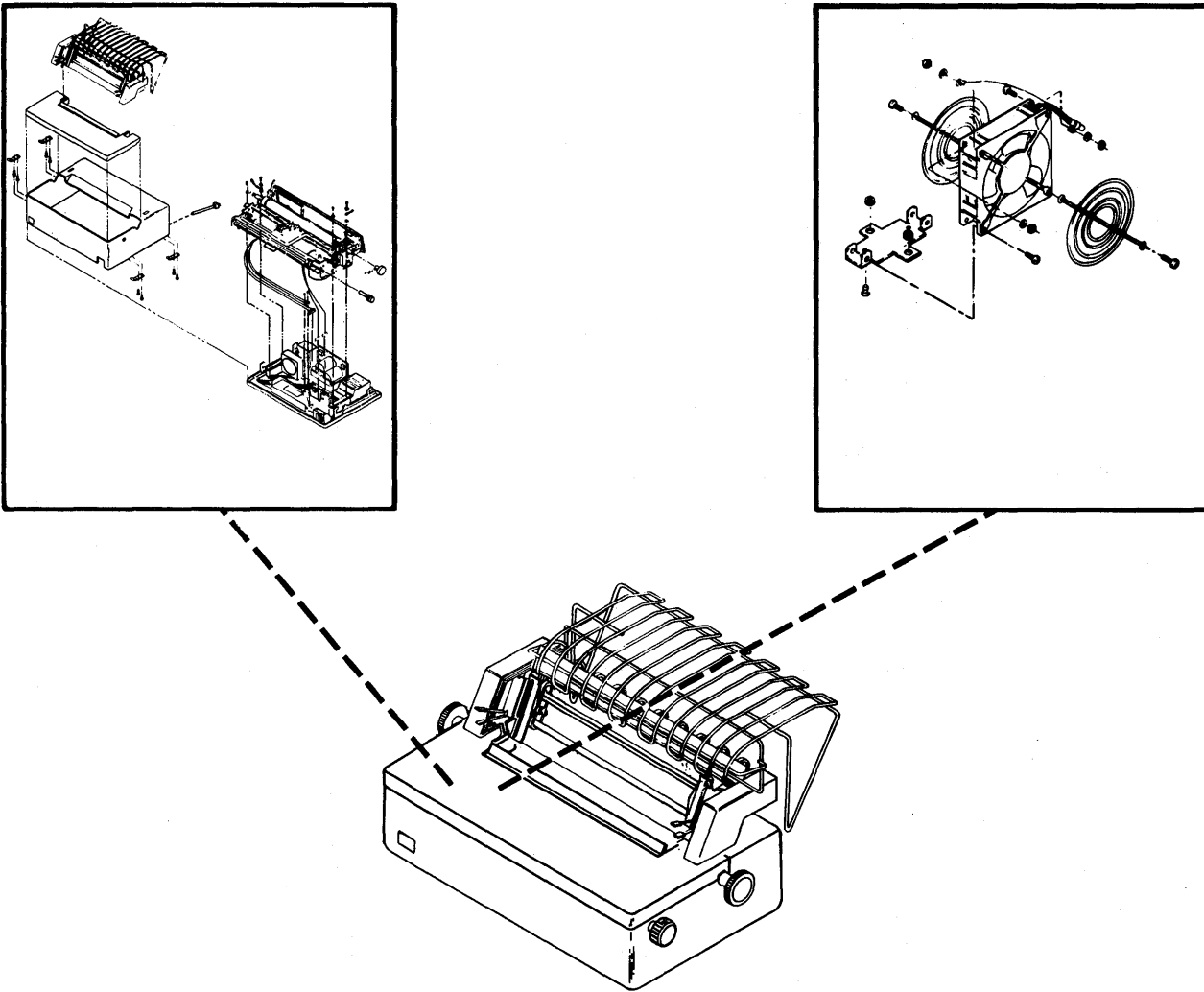
# How to Use a Parts Catalog

## PARTS CATALOG STRUCTURE

To find parts quickly, you should have a general understanding of the three major sections of this catalog:

- 1** Visual Index (machine assembly illustrations and page locations within the Catalog Section)
- 2** Catalog Section (assembly illustrations with accompanying parts lists)
- 3** Numerical Index (parts listed in numerical order with cross-references to applicable figure and index numbers within the Catalog Section)

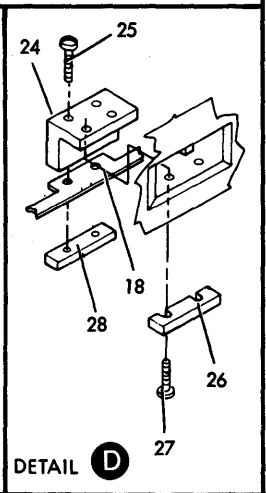
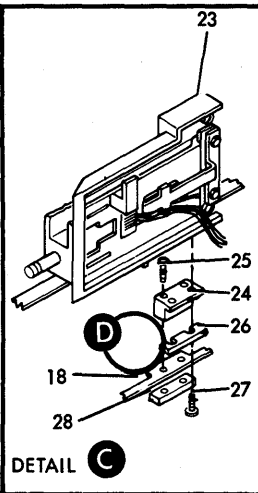
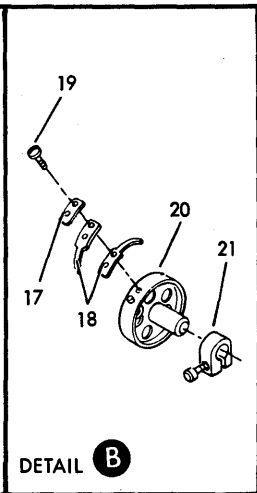
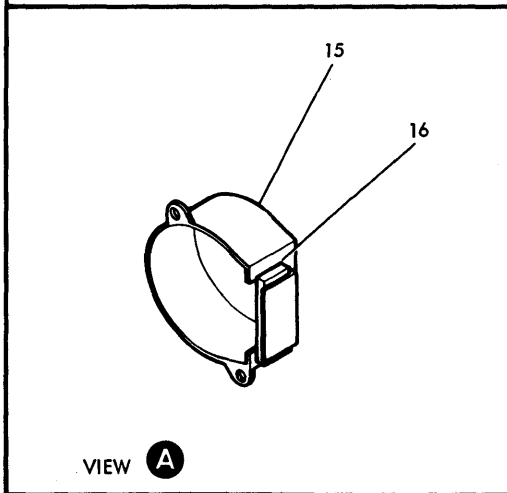
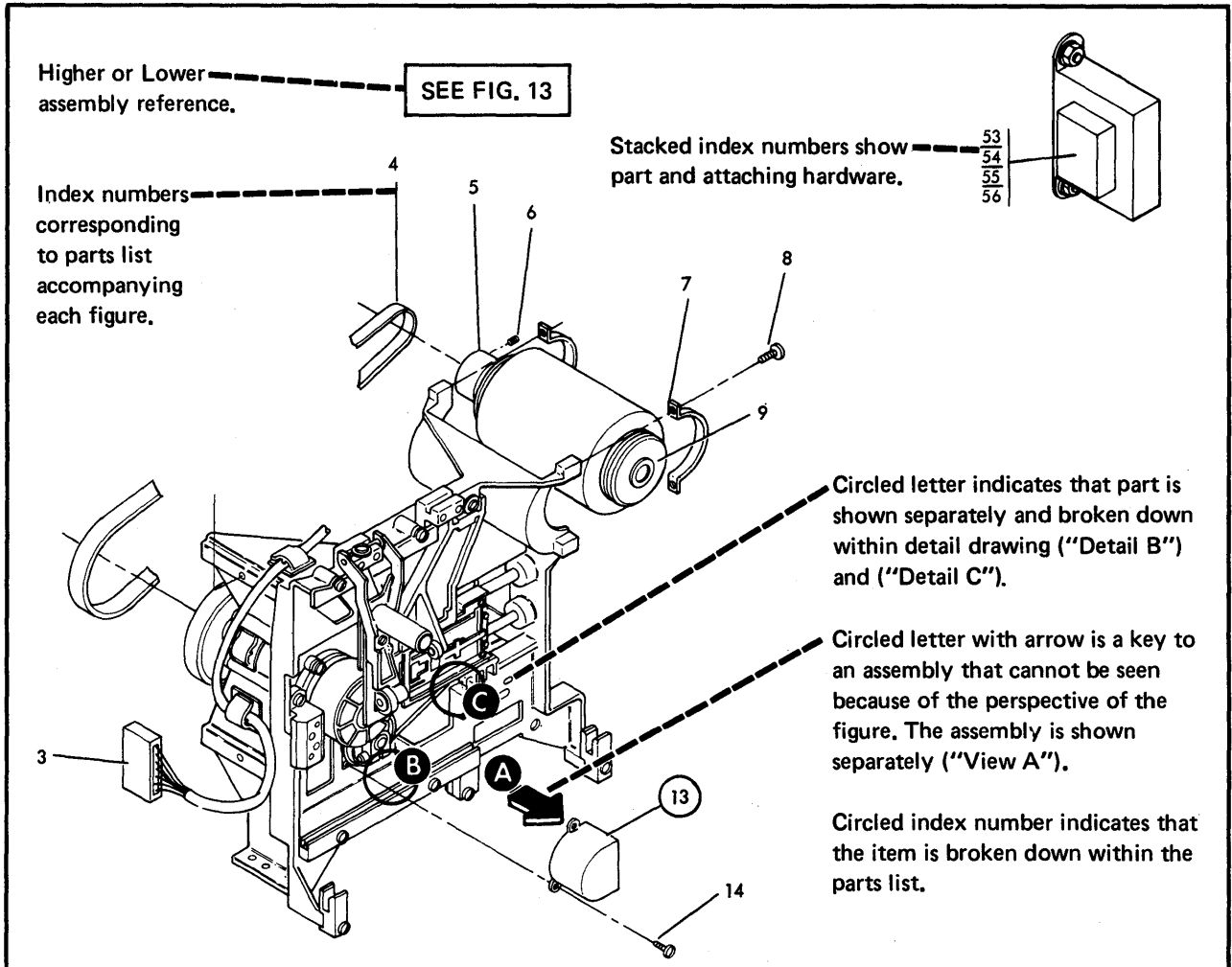
**1** VISUAL INDEX This is a starting point for locating a part in the Catalog Section



*Note:* If assembly name is known, locate page reference in catalog "Contents."

# 2 CATALOG SECTION

(illustrated parts breakdown)



## 2 CATALOG SECTION (parts list)

### POWER SUPPLY ASSEMBLY

FIGURE-INDEX NUMBER	PART NUMBER	UNITS PER ASM.	1	2	3	4	DESCRIPTION
5 -	5891860	REF					POWER SUPPLY ASM,60 HZ
5 -	5891861	REF					POWER SUPPLY ASM,50 HZ
5 - 1	475124	NR					. CLAMP,CAPACITOR
5 - 2	10170						. SCREW,MACH BIND HD- 6-32 X 1/4 LG
5 - 3	6745432						. CAPCCITOR
5 - 4	546782	NP					. COVER
5 - 5	236850						. SCREW,MACHINE BIND HD- 8-32 X 3/8 LG
5 - 6	56790						. WASHER,LOCK
5 - 7	2701001						. TRANSFORMER,60 HZ
5 - 7	2701002						. TRANSFORMER,50 HZ
5 - 8	3675421						. . SHIELD
9 - 9	8723456						. . TERMINAL BOARD,8 POSITION
9 - 10	2908756						. . TIE,CABLE
9 - 11	NO NO.						. BRACKET ASM
9 - 12	542387						. . BRACKET
9 - 13	9887463						. . BRACE

ITEM	MEANING
<b>1</b> Similar Assemblies	Multiple assemblies having majority of identical parts are broken down on same list (common parts have same index number).
<b>2</b> NP	Nonprocurable—parts not available separately; order next higher assembly.
<b>3</b> Indenture	Shows the relationship of a part to its next higher assembly. For example: <div style="margin-left: 20px;">           1 2 3 4            MAIN ASSEMBLY            • Detail parts of main assembly                or            • Assembly within main assembly            • • Detail part of one-dot assembly                or            • • Assembly within one-dot assembly            • • • Detail parts of two-dot assembly         </div>
<b>4</b> NO NO.	No number—order detail parts separately or order next higher assembly or see defective part for part number.
<b>5</b> Figure Number	Number of illustration for this index listing.
<b>6</b> NR	Not recommended—not recommended for field replacement; order next higher assembly.
<b>7</b> REF	Reference—Multiple assemblies on same list and figure called out and illustrated.
<b>8</b> AR	As required—use quantity as required.
<b>9</b> Index Number	Numbers on figure correspond to part numbers on figure index number page.

### 3 NUMERICAL INDEX

#### NUMERICAL INDEX

The numerical index follows the catalog section. Use it to locate a part when you know the part number only. The index lists part numbers in numerical order along with all applicable figures and parts lists.

Part numbers in numerical order		References to figure, parts list, and part index number	
PART NO.	LIST AND INDEX NO.	PART NO.	LIST AND INDEX NO.
10170	1 - 26 1 - 29 1 - 36 1 - 58	813179 813681 813801 813802 815219	1 - 16 8 - 9 8 - 7 8 - 8 4 - 10
28413	3 - 2 7 - 7A	815934	5 - 2 8 - 10
37913	1 - 32 3 - 6	817329	7 - 2
		1637614 1637615 1637616 1637651 1637683 1637685 1637719 1637786	5 - 1 4 - 1 5 - 5 1 - 56 2 - 1 1 - 12A 1 - 12 4 - 2
		6070023 6070024 6070026 6070027 6825498 6826833	6 - 1 1 - 59 6 - REF 5 - 1 1 - 63 5 - REF 8 - 1 6 - 4

#### ORDERING PARTS

Refer to the Catalog Section when ordering parts. The example shown here should help guide you through a typical situation.

##### POWER SUPPLY ASSEMBLY

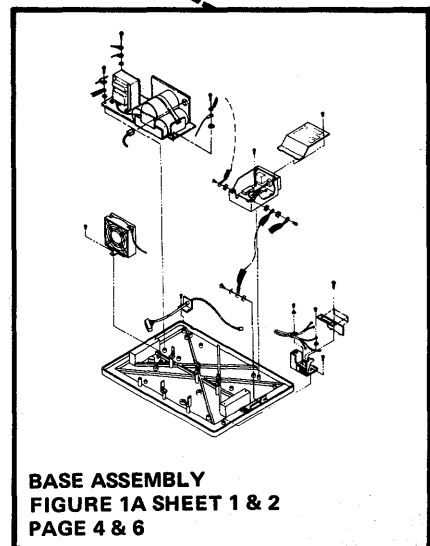
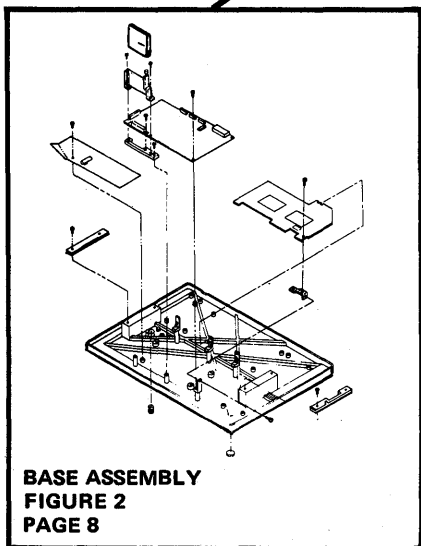
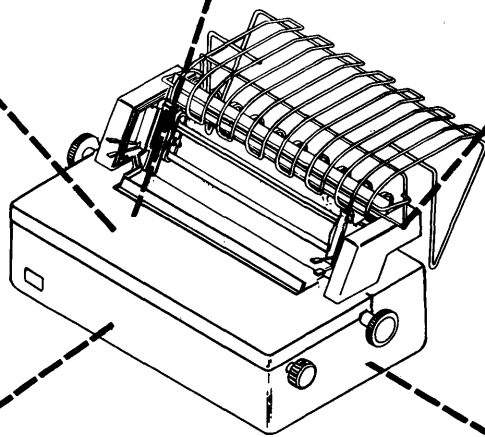
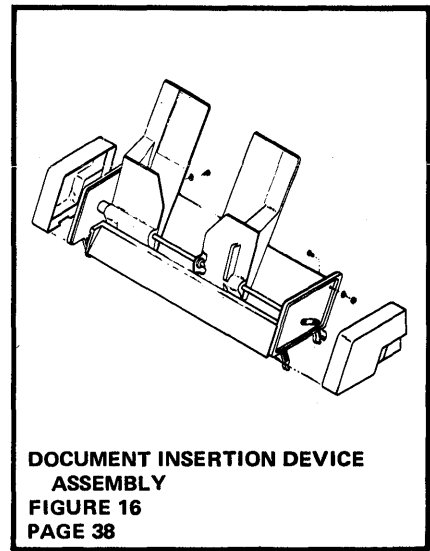
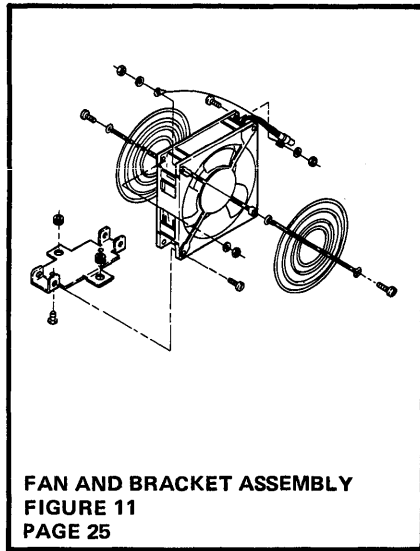
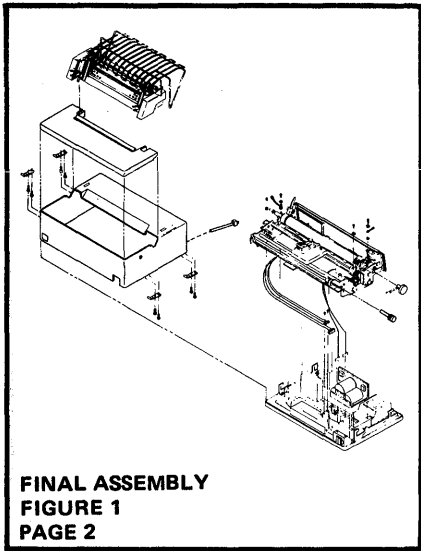
FIGURE-INDEX NUMBER	PART NUMBER	UNITS PER ASM.	DESCRIPTION			
			1	2	3	4
5 -	5891860 <b>A</b>	REF	POWER SUPPLY ASM,60 HZ			
-	5891861	REF	POWER SUPPLY ASM,50 HZ			
- 1	475124 NR	1	. CLAMP,CAPACITOR			
- 2	10170	1	. SCREW,MACH BIND HD- 6-32 X 1/4 LG			
- 3	6745432	1	. CAPCCITOR			
- 4	546782 NP	1	. COVER			
- 5	236850	4	. SCREW,MACHINE BIND HD- 8-32 X 3/8 LG			
- 6	56790	4	. WASHER, LOCK			
- 7	2701001	1	. TRANSFORMER,60 HZ			
- 7	2701002 <b>B</b>	1	. TRANSFORMER,50 HZ			
- 8	3675421	1	. . SHIELD			
- 9	8723456	1	. . TERMINAL BOARD,8 POSITION			
- 10	2908756	AR	. . TIE,CABLE			
- 11	NO NO.	1	. BRACKET ASM			
- 12	542387	1	. . BRACKET			

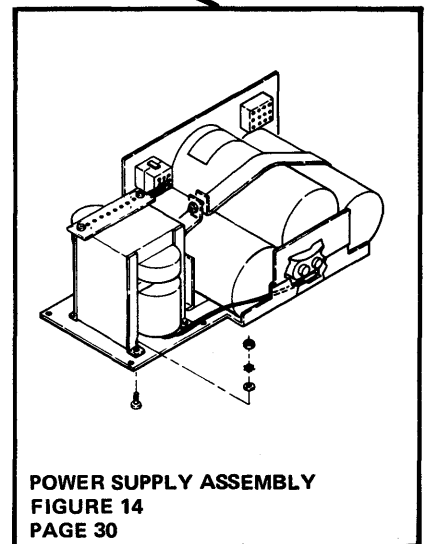
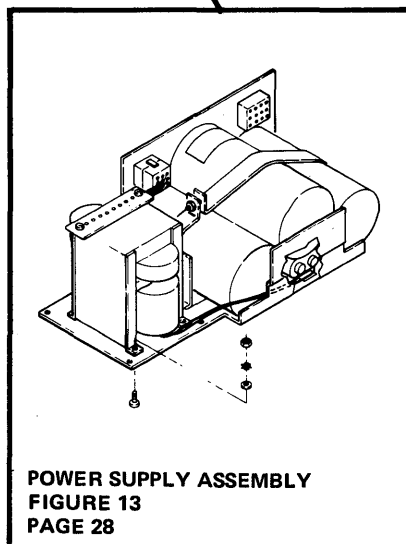
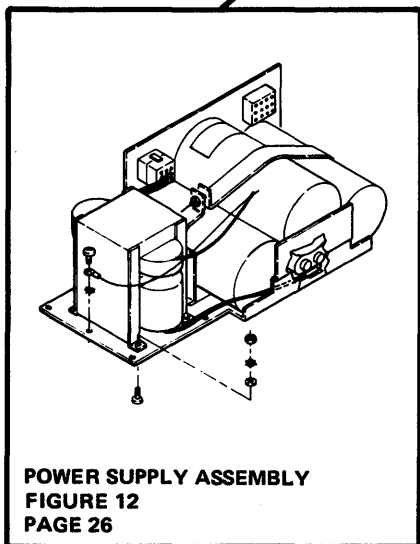
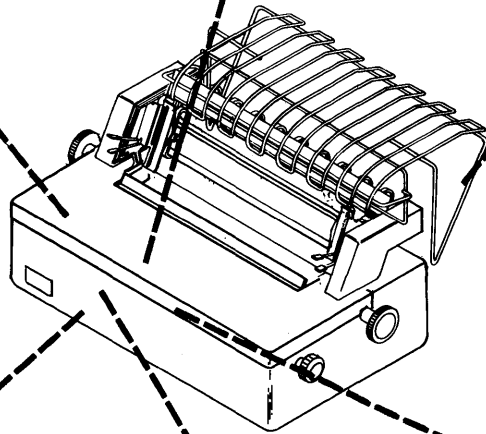
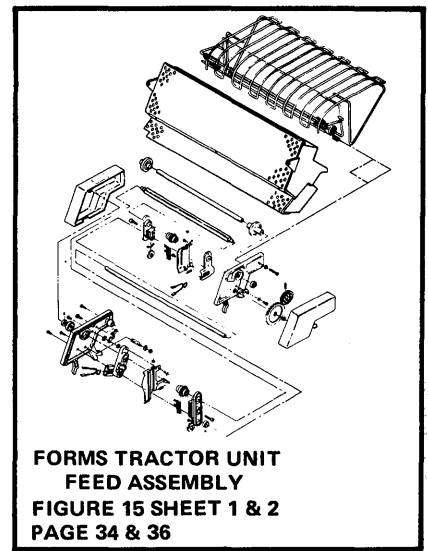
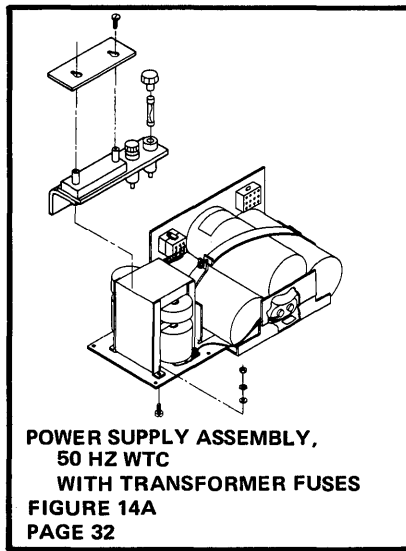
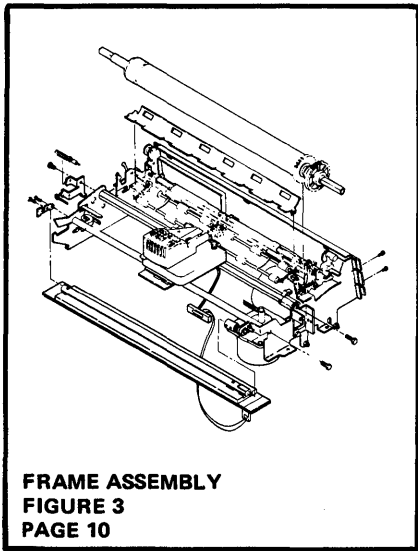
If, for example, you need the *power supply, 60 HZ*, order part number 5891860 **A** (all one and two-dot items will also be received). See the explanation of the Catalog Section for information on how the leading dots are used in the parts listings. If you need the *transformer, 50 HZ*, order part number 2701002 **B** (the transformer and all two-dot items under the transformer, index numbers 8, 9, and 10, will be received.) Each part may also be ordered separately except in the following cases:

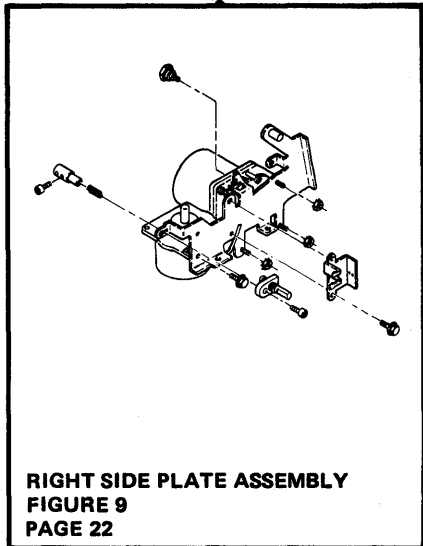
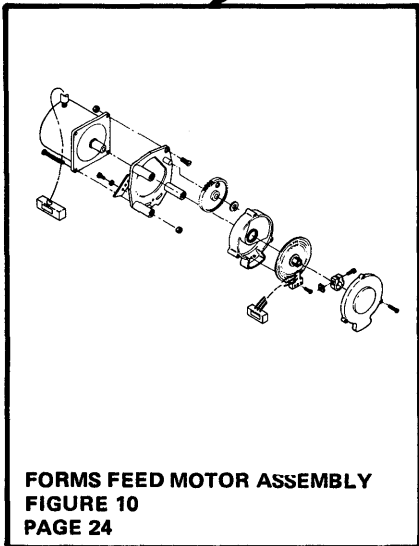
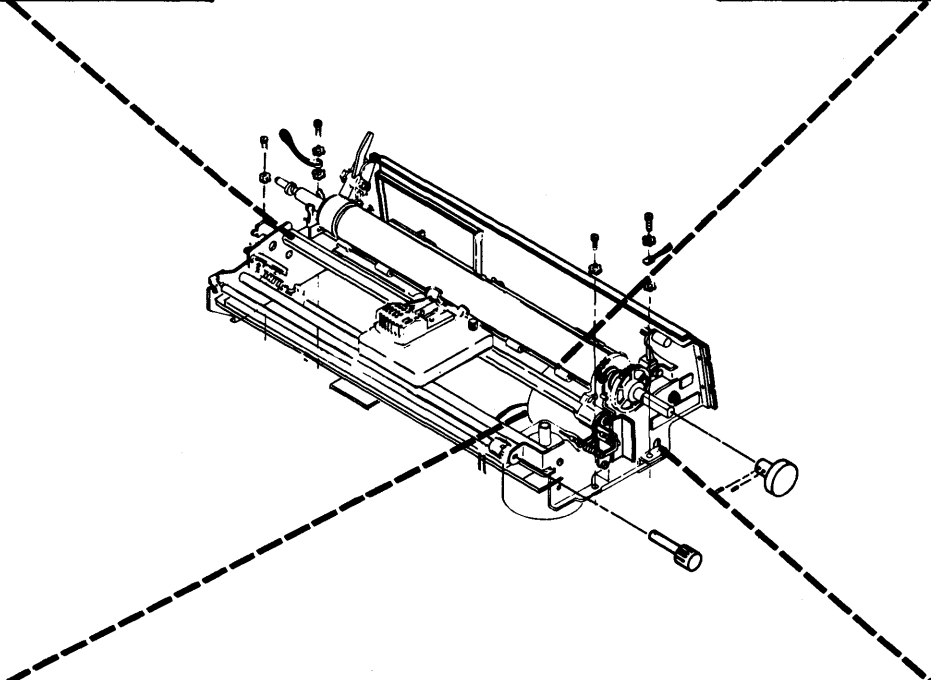
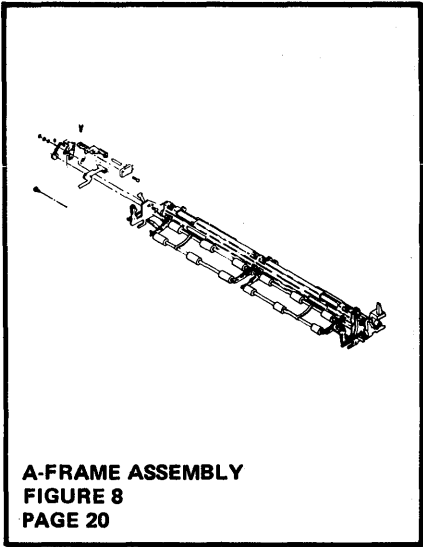
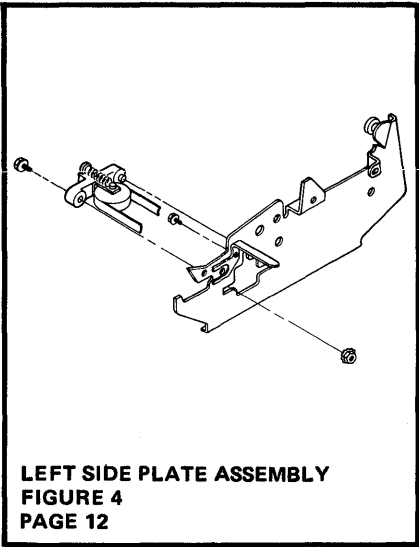
- Many detail parts are unavailable if they are part of an inseparable assembly or if they are part of an assembly that is ordered as a unit. In such cases they are noted NR or Not Recommended.
- Parts found on purchased assemblies may not have IBM part numbers. These parts are noted NP or Nonprocurable.

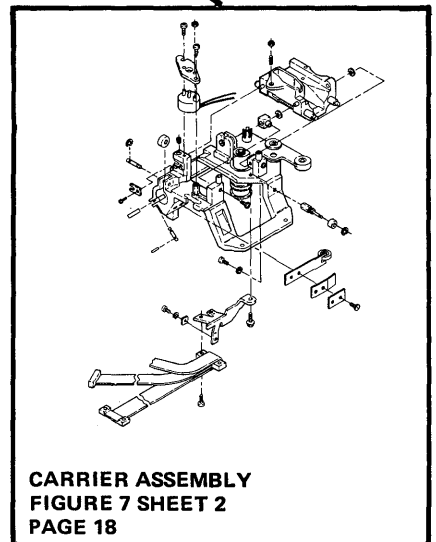
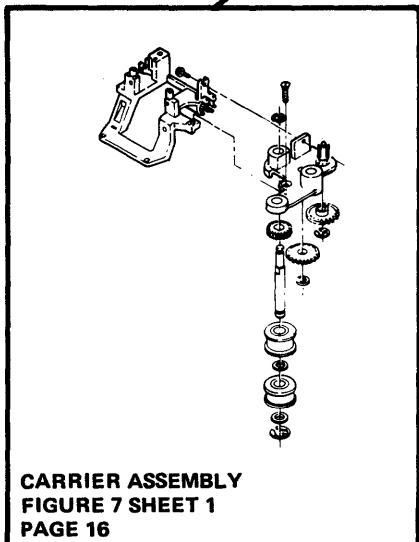
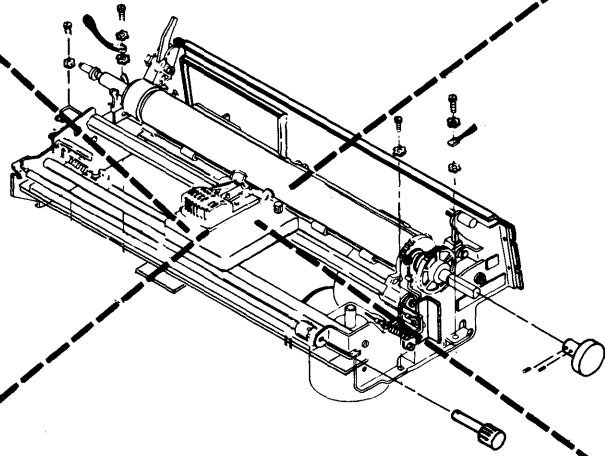
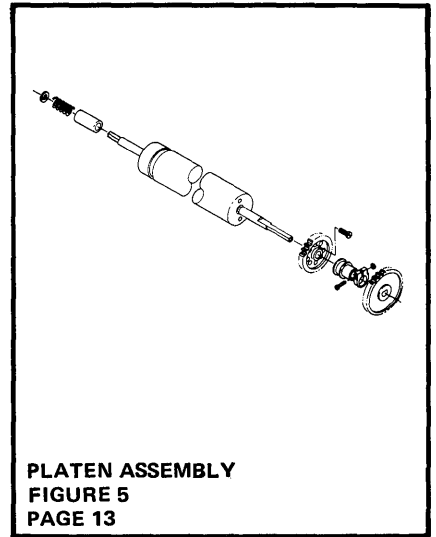
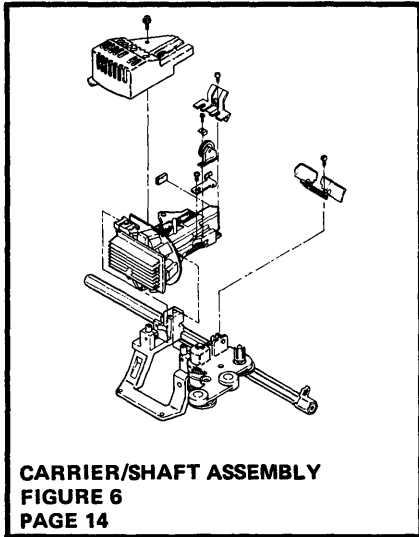
*In either case, order the assembly rather than the detail parts.*











**THIS PAGE INTENTIONALLY LEFT BLANK**

**CATALOG SECTION**

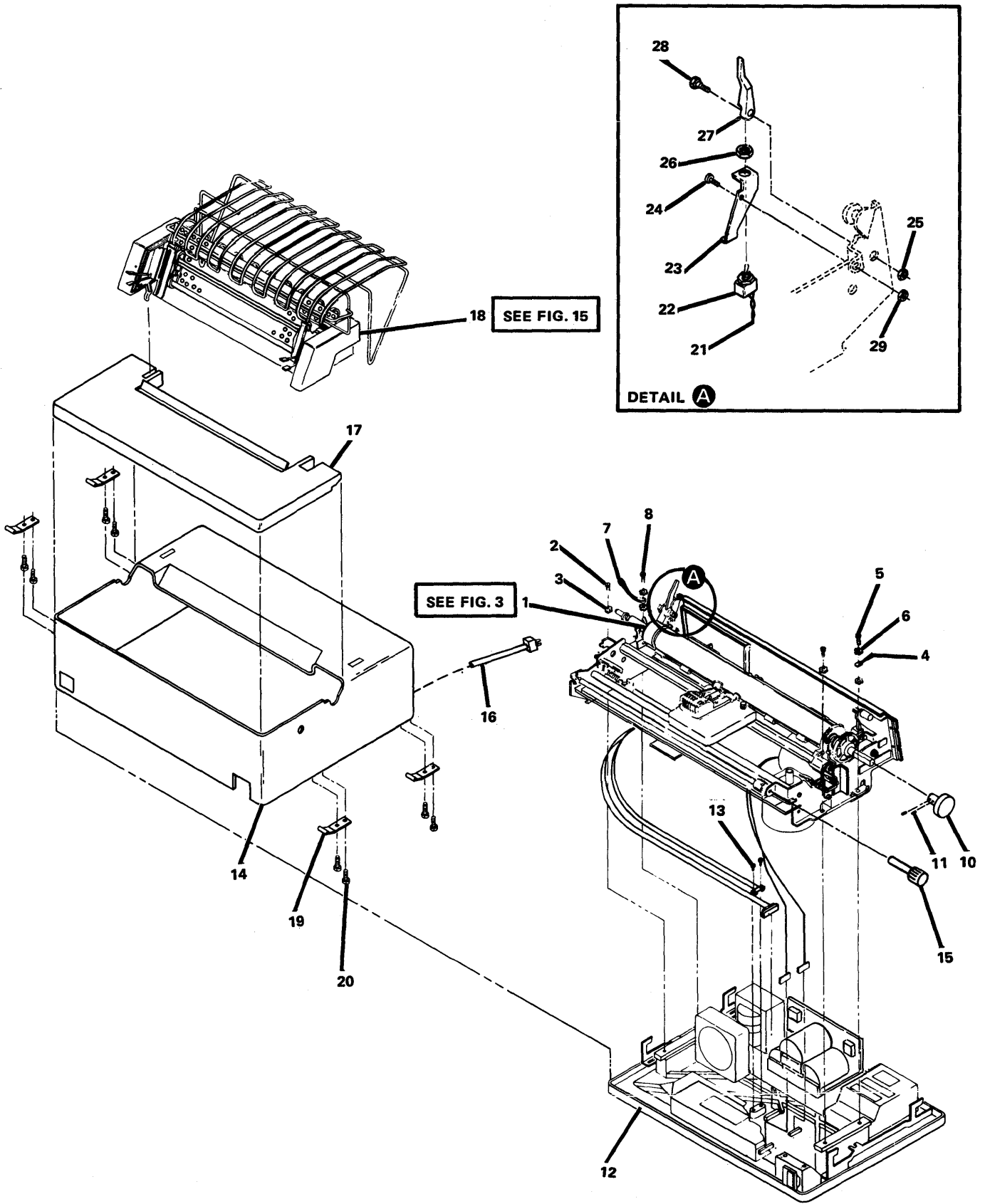


FIGURE 1. FINAL ASSEMBLY. SEE LIST 1.

## FINAL ASM

FIGURE- INDEX NUMBER	PART NUMBER	UNITS PER ASM.	DESCRIPTION			
			1	2	3	4
1 -	NO NO.	REF	FINAL ASM			
			FOR ILLUSTRATION SEE FIGURE 1			
- 1	8529503	1	. FRAME ASM			
			FOR DETAIL BREAKDOWN SEE FIGURE 3			
- 2	1621193	2	. SCREW,MACH PAN HD- M4 X .7 X 16 LG		ATT PT	
- 3	1622346	3	. WASHER,LK EXT T 4.15 ID X 8.5 OD X .4 T		ATT PT	
- 4	528484	1	. STRAP,GROUND			
- 5	1621193	1	. SCREW,MACH PAN HD- M4 X .7 X 16 LG		ATT PT	
- 6	1622346	2	. WASHER,LK EXT T 4.15 ID X 8.5 OD X .4 T		ATT PT	
- 7	518614	1	. STRAP,GROUND			
- 8	1621193	1	. SCREW,MACH PAN HD- M4 X .7 X 16 LG		ATT PT	
- 9	1622346	2	. WASHER,LK EXT T 4.15 ID X 8.5 OD X .4 T		ATT PT	
- 10	6837568	2	. KNOB			
- 11	1621719	4	. SETSCREW			
- 12	6846534 NP	1	. ENCLOSURE ASM,60 HZ-U.S./CANADA-LOCAL			
- 12	6846544 NP	1	. ENCLOSURE ASM,60 HZ-WTC-LOCAL			
- 12	6846545 NP	1	. ENCLOSURE ASM,50 HZ-WTC-LOCAL			
- 12	6846546 NP	1	. ENCLOSURE ASM,60 HZ-JAPANESE-LOCAL			
- 12	4469013 NP	1	. ENCLOSURE ASM,50 HZ-JAPANESE-LOCAL			
- 12	6846558 NP	1	. ENCLOSURE ASM,60 HZ-U.S./CANADA-REMOTE			
- 12	6846559 NP	1	. ENCLOSURE ASM,60 HZ-WTC-REMOTE			
- 12	6846560 NP	1	. ENCLOSURE ASM,50 HZ-WTC-REMOTE			
- 12	4468991 NP	1	. ENCLOSURE ASM,60 HZ-JAPANESE-REMOTE			
- 12	4468997 NP	1	. ENCLOSURE ASM,50 HZ-JAPANESE-REMOTE			
- 13	1608427	2	. SCREW,THD FORM HEX WSHR HD- 6-19 X 1/2 L			
- 14	4469010	1	. COVER ASM, TOP			
- 15	6837570	1	. KNOB			
- 16	6841461	1	. POWER CORD,8 FT-U.S./CANADA,MEXICO, 100V JAPAN			
- 16	5642992	1	. POWER CORD,200V JAPAN			
- 16	6838234	1	. POWER CORD,6 FT-U.S.			
- 16	5642991	1	. POWER CORD,ISRAEL			
- 16	5642990	1	. POWER CORD,SOUTH AFRICA			
- 16	6841732	1	. POWER CORD,DENMARK			
- 16	6841720	1	. POWER CORD,AUSTRIA,FINLAND,GERMANY NETHERLANDS,NORWAY,SPAIN,SWEDEN			
- 16	6841722	1	. POWER CORD,SWITZERLAND			
- 16	6841724	1	. POWER CORD,BELGIUM,FRANCE			
- 16	6841730	1	. POWER CORD,ITALY			
- 16	6841726	1	. POWER CORD,UNITED KINGDOM			
- 16	6841728	1	. POWER CORD,AUSTRALIA,ARGENTINA, COLOMBIA,VENEZUELA,TRINIDAD			
- 17	6837586	1	. COVER ASM,ACCESS			
- 18	6081848	1	. FEED ASM,FORMS TRACTOR UNIT			
			FOR DETAIL BREAKDOWN SEE FIGURE 15			
- 19	6837590	4	. SPRING,COVER LATCH			
- 20	5552876	8	. SCREW			
- 21	8529509	1	. CABLE ASM			
- 22	2183494	1	. SWITCH ASM			
- 23	6837523	1	. BRACKET			
- 24	6841939	1	. SCREW,THD FORM WSHR HD- 10-32 X 7/16 LG		ATT PT	
- 25	311699	1	. NUT AND LOCK WASHER- 6-32			
- 26	179743	2	. NUT,HEX TOGGLE SW MTG .469-32			
- 27	1638927	1	. LEVER			
- 28	843317	1	. STUD,SWITCH LEVER			
- 29	602721	1	. NUT,LOCK			



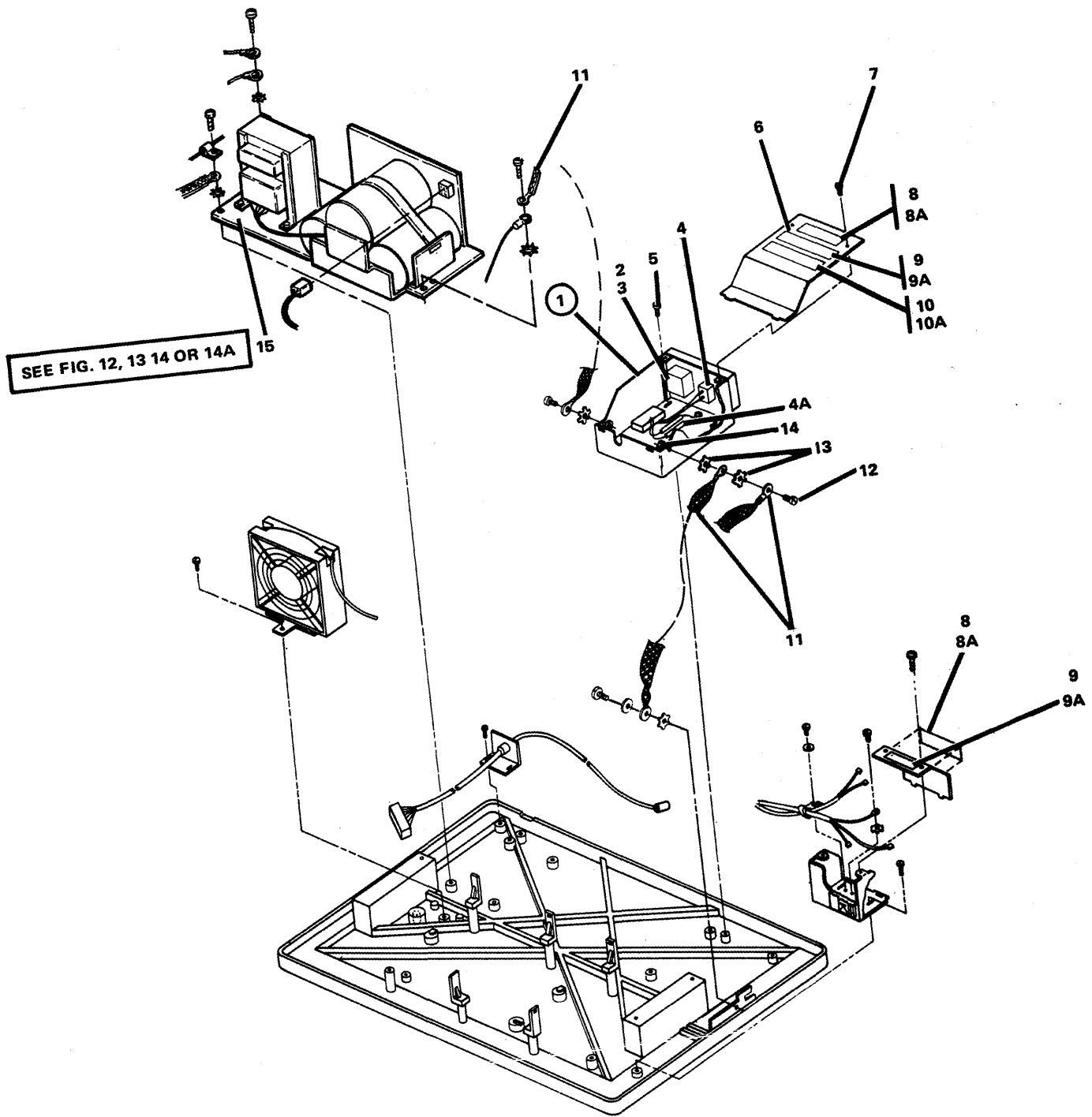


FIGURE 1A. BASE ASSEMBLY. SHEET 1 OF 2. INDEX NOS. 1-15. SEE LIST 1A.

BASE ASM

FIGURE- INDEX NUMBER	PART NUMBER	UNITS PER ASM.	DESCRIPTION			
			1	2	3	4
1A-	NO NO.	REF	BASE ASM			
			FOR ILLUSTRATION SEE FIGURE 1A			
- 1	6837658	1	. DISTRIBUTION BOX ASM- 60 HZ-U.S./CANADA			
- 1	6837622	1	. DISTRIBUTION BOX ASM,50/60 HZ-WTC			
- 2	6846224	1	. . CIRCUIT BREAKER,60 HZ-U.S./CANADA			
- 2	6846225	1	. . CIRCUIT BREAKER,50/60 HZ-WTC			
- 3	667481	AR	. . SCREW ATT PT			
- 4	6837651	1	. . RECEPTACLE ASM,U.S./CANADA			
- 4A	6837688	2	. . FILTER,LINE			
- 5	2451224	3	. SCREW,THD FORM HEX WSHR HD- 8-16 X 7/16L ATT PT			
- 6	6838786	1	. COVER,DISTRIBUTION BOX			
- 7	1621170	2	. SCREW,MACH PAN HD- M3 X .5 X 6 LG ATT PT			
- 8	4499219	1	. LABEL,LINE VOLT PRESENT,MULTI-LANGUAGE			
- 8A	6825840	1	. LABEL,WARNING-JAPAN			
- 9	4499218	1	. LABEL,HAZARDOUS AREA,MULTI-LANGUAGE			
- 9A	8326797	1	. LABEL,HAZARDOUS AREA-JAPAN			
- 10	4499221	1	. LABEL,MACHINE WIRED FOR,MULTI-LANGUAGE			
- 10A	6825867	1	. LABEL,INFORMATION-JAPAN			
- 11	528484	3	. STRAP,GROUND			
- 12	1621190	2	. SCREW,MACH PAN HD- M4 X .7 X 8 LG ATT PT			
- 13	1622346	3	. WASHER,LK EXT T 4.15 ID X 8.5 OD X .4 T ATT PT			
- 14	1622403	2	. NUT,HEX- M4 X 7 ATT PT			
- 15	6837647	1	. POWER SUPPLY ASM,125 W 60 HZ-U.S.			
			LOCAL MODEL			
- 15	6837553	1	. POWER SUPPLY ASM,125 W 60 HZ-WTC			
			LOCAL MODEL			
			FOR DETAIL BREAKDOWN SEE FIGURE 12			
- 15	6837655	1	. POWER SUPPLY ASM,125 W 50 HZ-WTC			
			LOCAL MODEL			
			FOR DETAIL BREAKDOWN SEE FIGURE 13			
- 15	6837655	1	. POWER SUPPLY ASM,125 W 50 HZ-WTC			
			WITH TRANSFORMER FUSES LOCAL MODEL			
			FOR DETAIL BREAKDOWN SEE FIGURE 14A			
- 15	4468994	1	. POWER SUPPLY ASM,125 W 60 HZ-U.S.			
			REMOTE MODEL			
			FOR DETAIL BREAKDOWN SEE FIGURE 12			
- 15	4468995	1	. POWER SUPPLY ASM,125 W 60 HZ-WTC			
			REMOTE MODEL			
			FOR DETAIL BREAKDOWN SEE FIGURE 13			
- 15	4468996	1	. POWER SUPPLY ASM,125 W 50 HZ-WTC			
			REMOTE MODEL			
			FOR DETAIL BREAKDOWN SEE FIGURE 14			
- 15	4468996	1	. POWER SUPPLY ASM,125 W 50 HZ-WTC			
			WITH TRANSFORMER FUSES REMOTE MODEL			
			FOR DETAIL BREAKDOWN SEE FIGURE 14A			
NOTE						
ORDERS FOR REPLACEMENT PARTS REQUIRE LABELS 8,9 AND 10 BE ORDERED AND AFFIXED OVER ENGLISH LABELS						
LABELS 8A,9A AND 10A ARE REQUIRED FOR JAPAN ONLY						

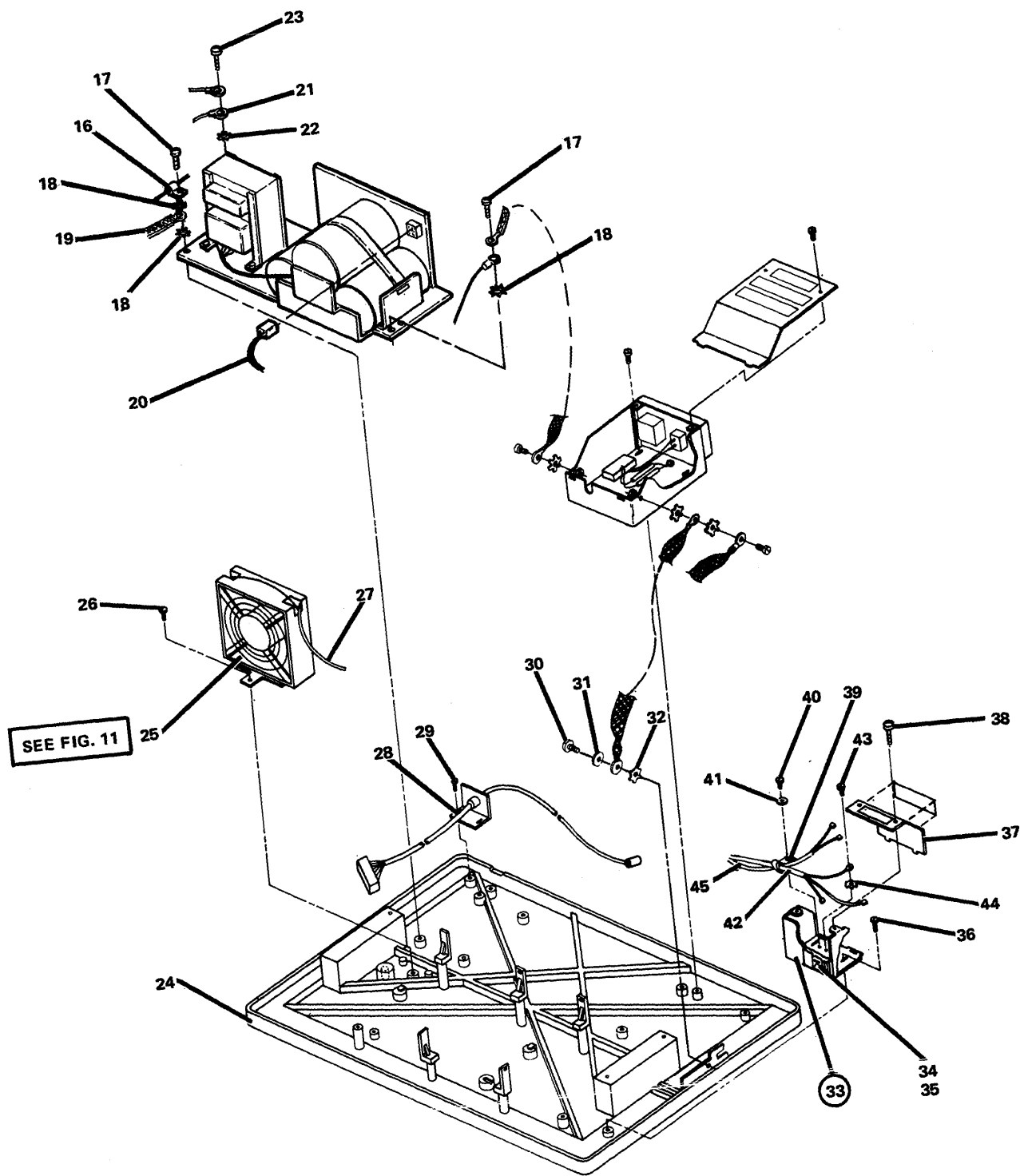


FIGURE 1A. BASE ASSEMBLY. SHEET 2 OF 2. INDEX NOS. 16-45. SEE LIST 1A.

## BASE ASM

FIGURE- INDEX NUMBER	PART NUMBER	UNITS PER ASM.	DESCRIPTION			
			1	2	3	4
1A- 16	4411358	1	.	CLAMP,CABLE-LOCAL MODEL		
- 16	4468985	1	.	CLAMP,CABLE-REMOTE MODEL		
- 17	5552875	6	.	SCREW,THD FORM HEX WSHR HD- 8-16 X 9/16L	ATT PT	
- 18	1622347	5	.	WASHER,LK EXT T 5.15 ID X 10.5 OD X .5 T	ATT PT	
- 19	518614	1	.	STRAP,GROUND		
- 20	6837669	1	.	CABLE ASM,POWER		
- 21	6837648	1	.	CABLE ASM,AC TO POWER SUPPLY TERMINAL BOARD USED ON WTC ONLY		
- 22	1622344	1	.	WASHER,LOCK EXT T- 3.8 ID X 6 OD USED ON WTC ONLY	ATT PT	
- 23	1621170	1	.	SCREW,MACH PAN HD- M3 X .5 X 6 LG USED ON WTC ONLY	ATT PT	
- 24	NO NO.	1	.	COVER ASM,BASE	ATT PT	
- 25	6837616	1	.	FAN ASM FOR DETAIL BREAKDOWN SEE FIGURE 11		
- 26	5552875	2	.	SCREW,THD FORM HEX WSHR HD- 8-16 X 9/16L	ATT PT	
- 27	6837637	1	.	CABLE ASM		
- 28	4468974	1	.	CABLE ASM,PRINTER ATTACH-REMOTE MODEL SERIES/1 ONLY		
- 28	6327814	1	.	CABLE ASM,PRINTER ATTACH-REMOTE MODEL PC ONLY		
- 28	4468975	1	.	CABLE ASM,PRINTER ATTACH-LOCAL MODEL		
- 29	1608427	2	.	SCREW,THD FORM HEX WSHR HD- 6-19 X 1/2 L	ATT PT	
- 30	1621170	1	.	SCREW,MACH PAN HD- M3 X .5 X 6 LG	ATT PT	
- 31	1622302	1	.	WASHER,FLAT- M7 OD X 3.2 ID	ATT PT	
- 32	1622344	1	.	WASHER,LOCK EXT T- 3.8 ID X 6 OD	ATT PT	
- 33	6837656	1	.	SWITCH ASM		
- 34	6837597	1	.	SWITCH		
- 35	5552876	2	.	SCREW	ATT PT	
- 36	1608427	2	.	SCREW,THD FORM HEX WSHR HD- 6-19 X 1/2 L	ATT PT	
- 37	6837657	1	.	COVER,SWITCH BOX		
- 38	1621170	2	.	SCREW,MACH PAN HD- M3 X .5 X 6 LG	ATT PT	
- 39	2102366	1	.	CLAMP,CABLE		
- 40	1621172	1	.	SCREW,MACH PAN HD- M3 X .5 X 10 LG	ATT PT	
- 41	1622302	1	.	WASHER,FLAT- M7 OD X 3.2 ID	ATT PT	
- 42	6837666	1	.	CABLE ASM		
- 43	1621170	1	.	SCREW,MACH PAN HD- M3 X .5 X 6 LG	ATT PT	
- 44	1622344	1	.	WASHER,LOCK EXT T- 3.8 ID X 6 OD	ATT PT	
- 45	6837649	1	.	CABLE ASM,WTC		
- 45	6837668	1	.	CABLE ASM,U.S./CANADA		

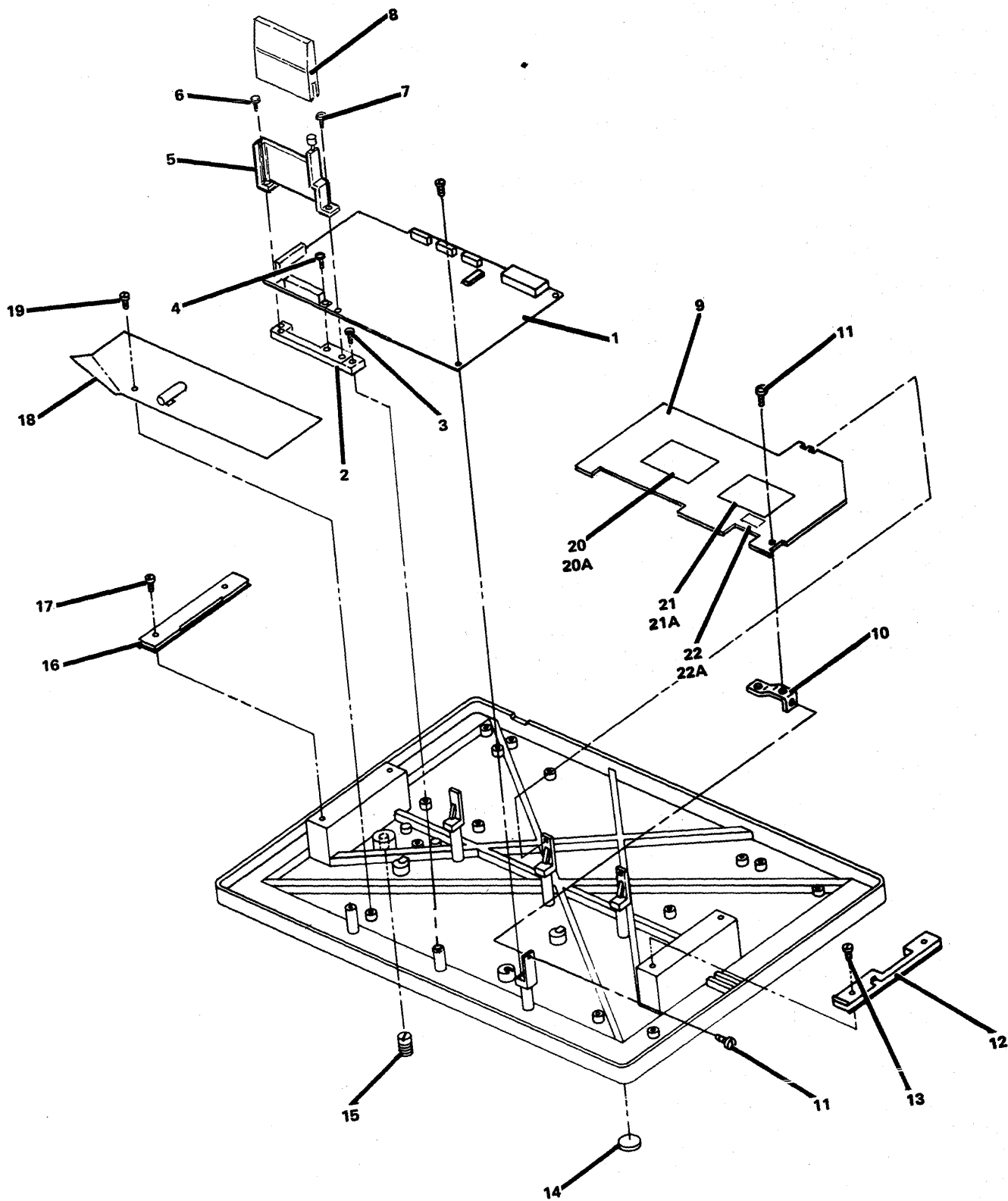


FIGURE 2. BASE ASSEMBLY. SEE LIST 2.

BASE ASM

FIGURE- INDEX NUMBER	PART NUMBER	UNITS PER ASM.	DESCRIPTION				
			1	2	3	4	
2 -	NO NO.	REF	BASE ASM FOR ILLUSTRATION SEE FIGURE 2				
- 1	NO NO.	1	. LOGIC CONTROL CARD ASM FOR PART NUMBER SEE CARD				
- 2	6845623	1	. BLOCK CTL CARD SUP.				
- 3	1608427	1	. SCREW			ATT PT	
- 4	1621023	2	. SCREW			ATT PT	
- 5	6081854	1	. GUIDE ASM				
- 6	7364632	1	. SCREW			ATT PT	
- 7	1608427	1	. SCREW			ATT PT	
- 8	6846538	1	. CARTRIDGE ASM,U.S.				
- 8	6846552	1	. CARTRIDGE ASM,WTC				
- 8	4755583	1	. CARTRIDGE ASM,SPECIAL FUNCTION-U.S.				
- 8	4755584	1	. CARTRIDGE ASM,SPECIAL FUNCTION-WTC				
- 9	4469016	1	. COVER,CONTROL CARD				
- 10	4468363	1	. BRACKET,CARD COVER				
- 11	1621613	2	. SCREW			ATT PT	
- 12	6846539	1	. SCHOCK ASM				
- 13	5552875	2	. SCREW,THD FORM HEX WSHR HD- 8-16 X 9/16L				ATT PT
- 14	6042123	4	. PAD				
- 15	1608441	2	. INSERT,U.S./CANADA- 1/4-20				
- 15	6841964	2	. INSERT,WTC- M6				
- 16	6846540	1	. SCHOCK ASM				
- 17	5552875	2	. SCREW,THD FORM HEX WSHR HD- 8-16 X 9/16L				ATT PT
- 18	6837609	1	. CHASSIS,ASM				
- 19	1608427	1	. SCREW			ATT PT	
- 20	4499220	1	. LABEL,OPERATOR WARNING,MULTI-LANGUAGE				
- 20A	5952972	1	. LABEL,OPERATOR WARNING,JAPAN				
- 21	4499222	1	. LABEL,FUSE WARNING,MULTI-LANGUAGE				
- 21A	4406244	1	. LABEL,FUSE WARNING,JAPAN				
- 22	8529506	1	. LABEL,TEST,MULTI-LANGUAGE				
- 22A	6846553	1	. LABEL,TEST,JAPANESE				

NOTE

ORDERS FOR REPLACEMENT PARTS REQUIRE LABELS 20,21 AND 22 BE ORDERED AND AFFIXED OVER ENGLISH LABELS

LABELS 20A,21A AND 22A ARE REQUIRED FOR JAPAN ONLY

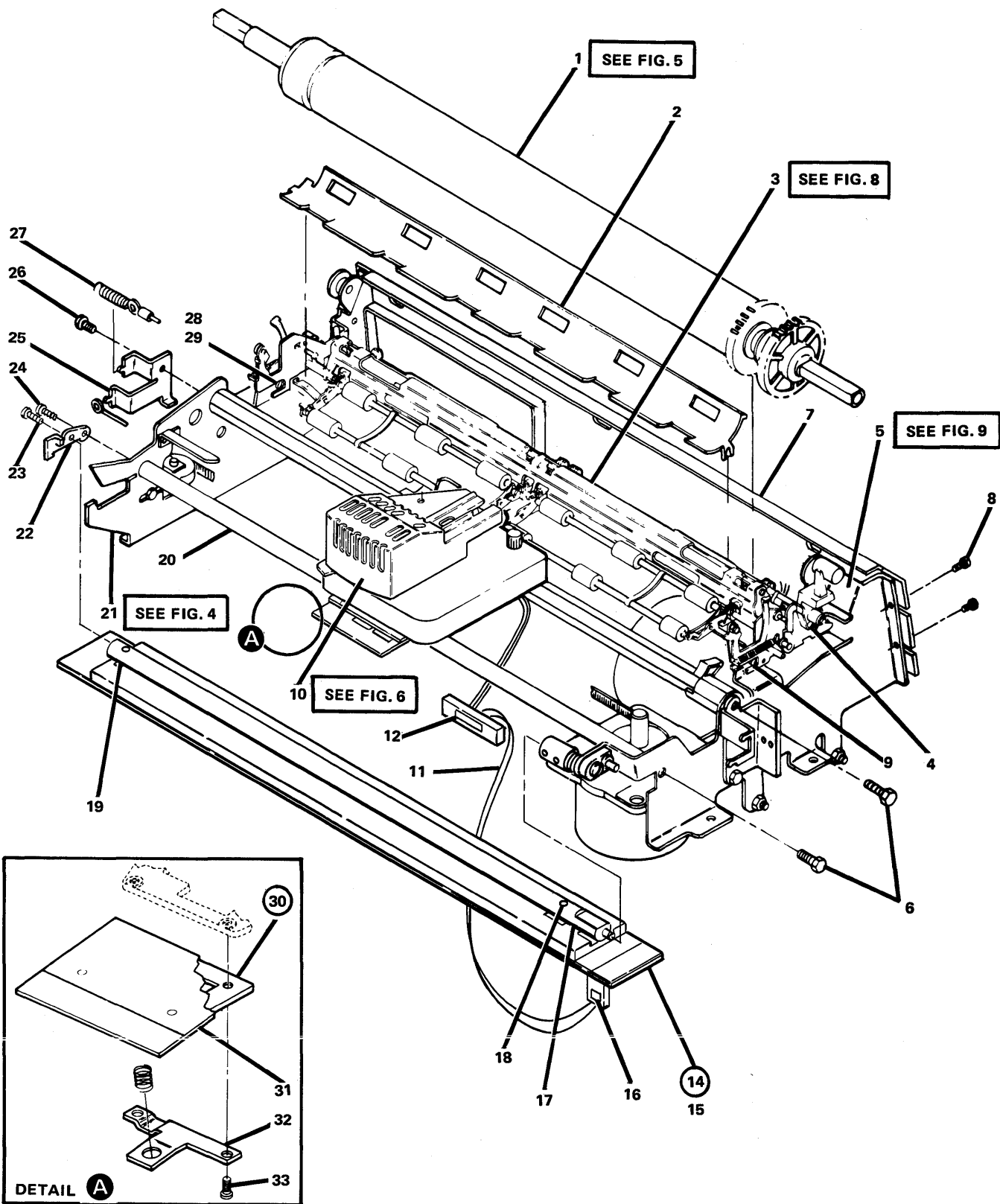
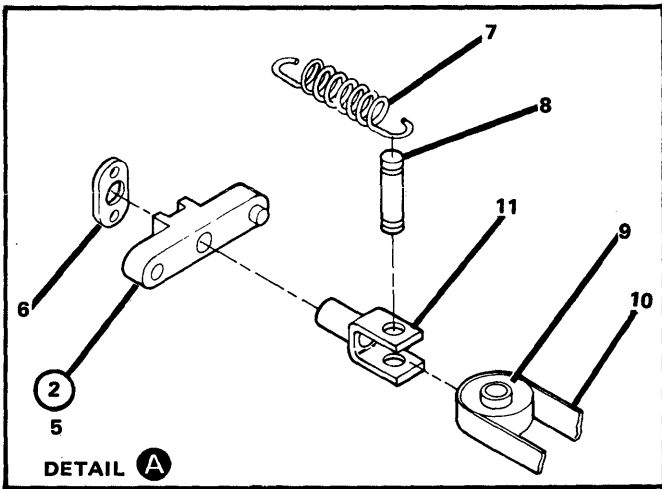


FIGURE 3. FRAME ASSEMBLY. SEE LIST 3.

FRAME ASM

FIGURE- INDEX NUMBER	PART NUMBER	UNITS PER ASM.	DESCRIPTION			
			1	2	3	4
3 -	8529503	1	FRAME ASM FOR NEXT HIGHER ASM SEE FIGURE 1-1 AND FOR ILLUSTRATION FIGURE 3			
- 1	843411	1	. PLATEN ASM FOR DETAIL BREAKDOWN SEE FIGURE 5			
- 2	1638893	1	. DEFLECTOR			
- 3	8529434	1	. A-FRAME ASM FOR DETAIL BREAKDOWN SEE FIGURE 8			
- 4	6841935	2	. SCREW,MACH HEX WSHR HD- 6-32 X 1/4 LG ATT PT			
- 5	NO NO.	1	. RIGHT SIDE PLATE ASM ATT PT FOR DETAIL BREAKDOWN SEE FIGURE 9			
- 6	6841939	2	. SCREW,THD FORM WSHR HD- 10-32 X 7/16 LG ATT PT			
- 7	4468982 NR	1	. STIFFENER PLATE			
- 8	6841935	4	. SCREW,MACH HEX WSHR HD- 6-32 X 1/4 LG ATT PT			
- 9	602721	1	. LOCKNUT- 10-32			
- 10	NO NO.	1	. CARRIER/SHAFT ASM FOR DETAIL BREAKDOWN SEE FIGURE 6			
- 11	6837870	1	. CABLE ASM,PRINTER EMITTER/EOF			
- 12	6840539	1	. . LABEL,P8			
- 14	6031121	1	. PRINT EMITTER ASM			
- 15	4410772	1	. . LABEL,EMITTER TP			
- 16	6840541	1	. . LABEL,P11			
- 17	1638797 NR	1	. . ROD			
- 18	1638844 NR	2	. . SCREW,HEX SOC FLAT HD- 8-32 X 1/2 LG ATT PT			
- 19	6844641 NR	2	. . BRACKET GROUND			
- 20	843175	1	. SHAFT			
- 21	NO NO.	1	. LEFT SIDE PLATE ASM ATT PT FOR DETAIL BREAKDOWN SEE FIGURE 4			
- 22	843389	1	. BRACKET			
- 23	6841935	1	. SCREW,MACH HEX WSHR HD- 6-32 X 1/4 LG ATT PT			
- 24	6841939	1	. SCREW,THD FORM WSHR HD- 10-32 X 7/16 LG ATT PT			
- 25	8326826	1	. BRACKET,RIBBON DRIVE LINE			
- 26	6841939	1	. SCREW,THD FORM WSHR HD- 10-32 X 7/16 LG ATT PT			
- 27	6841534	2	. LINE ASM			
- 28	843344	1	. SCREW,SHOULDER			
- 29	602721	1	. LOCKNUT- 10-32			
- 30	6837398	1	. PICK-UP SLIDER ASM			
- 31	4410771	1	. LABEL,TP			
- 32	843337	1	. CLAMP			
- 33	6841935	2	. SCREW,MACH HEX WSHR HD- 6-32 X 1/4 LG ATT PT			





DETAIL A

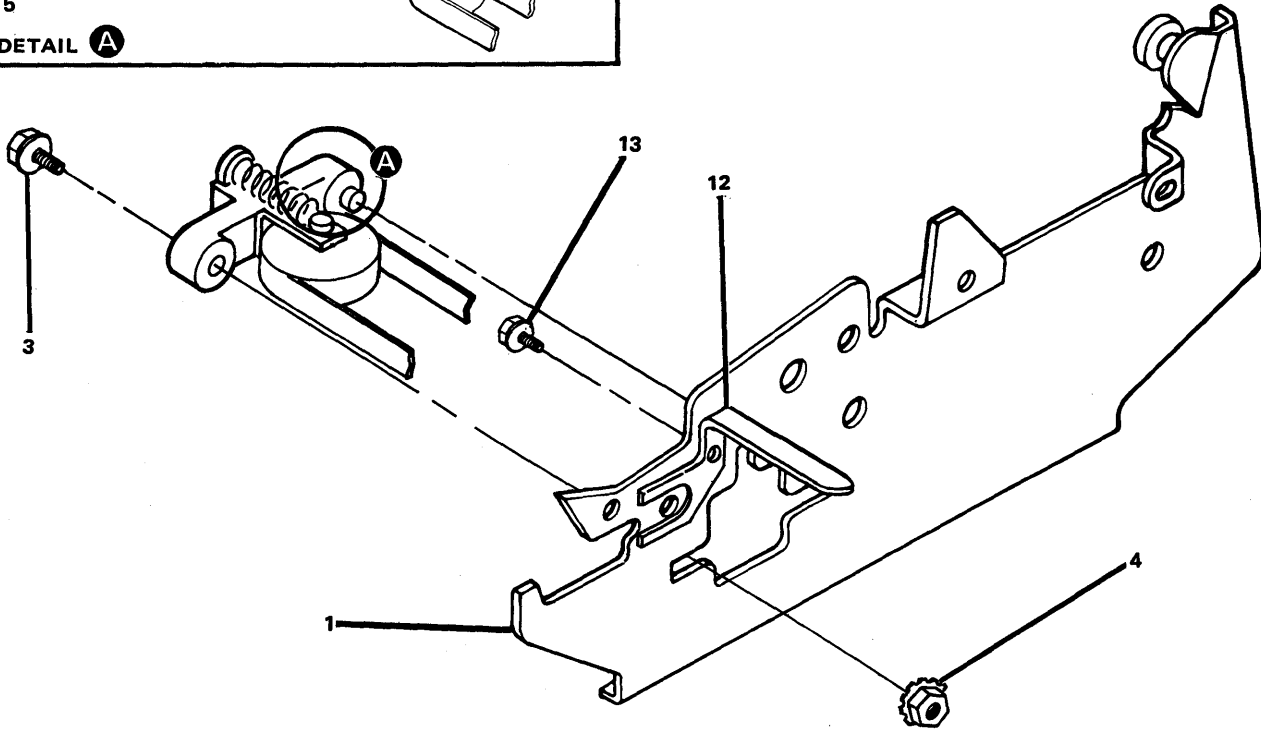


FIGURE 4. LEFT SIDE PLATE ASSEMBLY. SEE LIST 4.

LEFT SIDE PLATE ASM

FIGURE- INDEX NUMBER	PART NUMBER	UNITS PER ASM.	DESCRIPTION			
			1	2	3	4
4 -	NO NO.	REF	LEFT SIDE PLATE ASM FOR NEXT HIGHER ASM SEE FIGURE 3-21 AND FOR ILLUSTRATION FIGURE 4			
- 1	4412700	1	. BRACKET, LH			
- 2	1638809	1	. BELT TENSIONER ASM			
- 3	6841938	1	. SCREW, MACH HEX WSHR HD- 8-32 X 3/4 LG			
- 4	600960	1	. LOCKNUT- 8-32			
- 5	843359 NR	1	. BUSHING			
- 6	843357 NR	1	. PLATE, SPRING HOOK			
- 7	843360 NR	2	. SPRING, BELT TAKE-UP			
- 8	843356 NR	1	. SHAFT			
- 9	843146 NR	1	. PULLEY ASM			
- 10	1638814 NR	1	. BELT			
- 11	1638775 NR	1	. YOKE ASM			
- 12	4498821	1	. RAMP, HEAD			
- 13	6841935	1	. SCREW, MACH HEX WSHR HD- 6-32 X 1/4 LG			

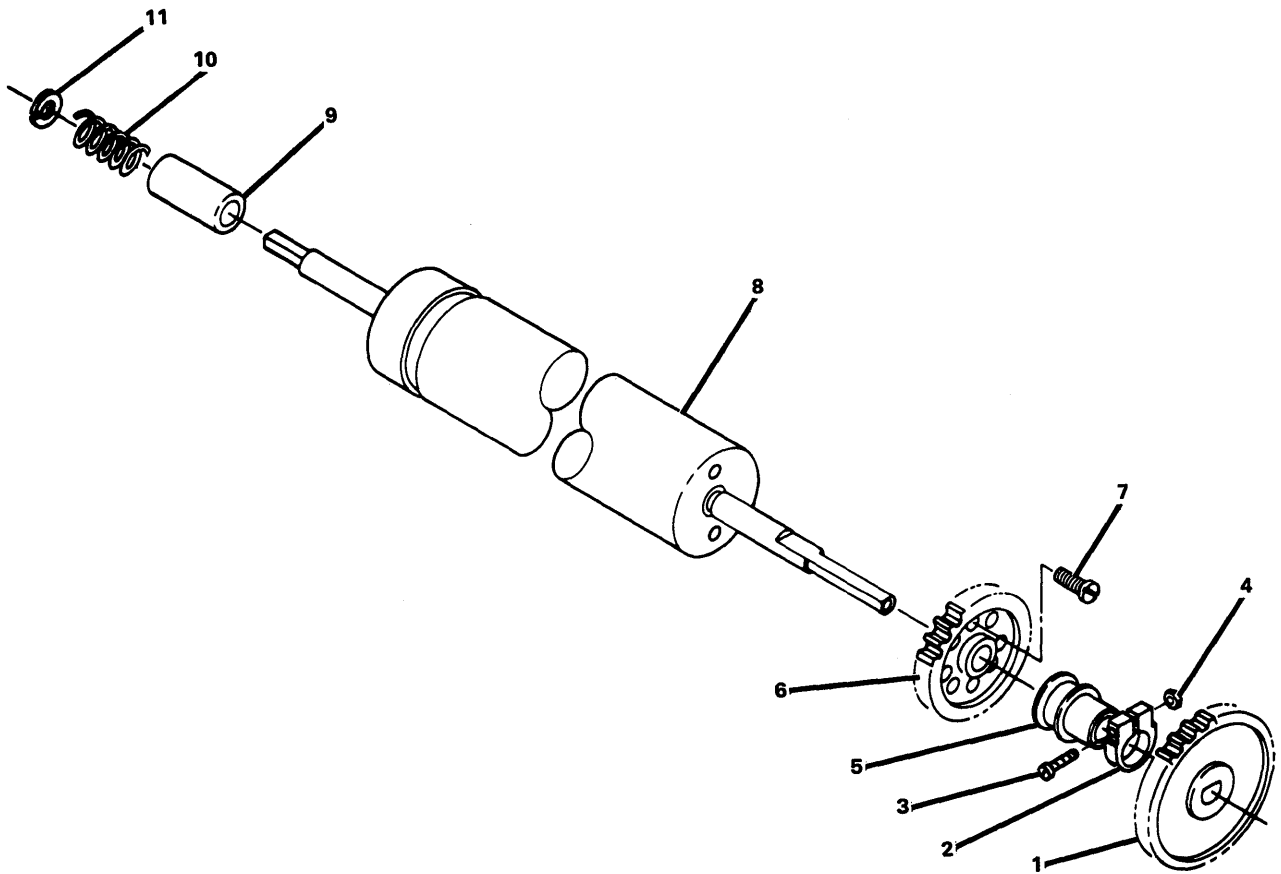


FIGURE 5. PLATEN ASSEMBLY. SEE LIST 5.

PLATEN ASM

FIGURE- INDEX NUMBER	PART NUMBER	UNITS PER ASM.	DESCRIPTION			
			1	2	3	4
5 -	843411	REF	PLATEN ASM FOR NEXT HIGHER ASM SEE FIGURE 3-1 AND FOR ILLUSTRATION FIGURE 5			
- 1	843414	1	. GEAR, SPUR-TRACTOR DRIVE			
- 2	843446	1	. RESISTOR ASM			
- 3	186925	1	. SCREW, 6 FLUTE SOCKET HD- 4-40 X 5/8 LG			
- 4	37913	1	. NUT, HEX JAM- 4-40 X .250			
- 5	843463	1	. BUSHING, PLATEN SHAFT			
- 6	843415	1	. GEAR, SPUR-PLATEN DRIVE			
- 7	34512	2	. SCREW, MACH BIND HD- 8-32 X 3/8 LG			
- 8	6840594	1	. PLATEN			
- 9	843413	1	. BUSHING, PLATEN			
- 10	130118	1	. SPRING			
- 11	192049	1	. CLIP			

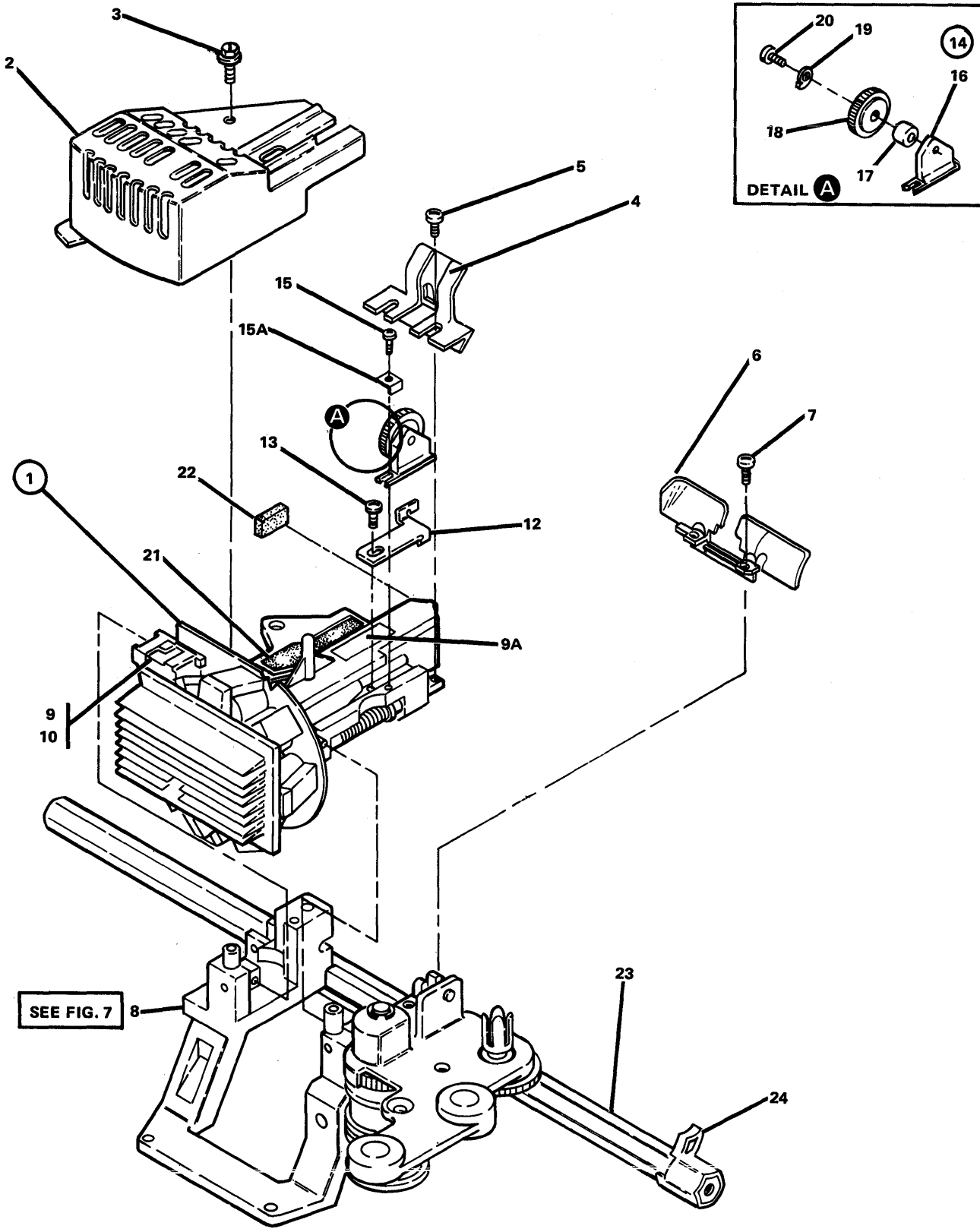


FIGURE 6. CARRIER/SHAFT ASSEMBLY. SEE LIST 6.

## CARRIER/SHAFT ASM

FIGURE- INDEX NUMBER	PART NUMBER	UNITS PER ASM.	DESCRIPTION			
			1	2	3	4
6 -	NO NO.	REF	CARRIER/SHAFT ASM FOR NEXT HIGHER ASM SEE FIGURE 3-10 AND FOR ILLUSTRATION FIGURE 6			
- 1	NO NO.	1	. CARRIER/HEAD ASM			
- 2	6841527	1	. . COVER,PRINT HEAD			
- 3	10170	2	. . SCREW,MACH BIND HD- 6-32 X 1/4 LG ATT PT			
- 4	4468999	1	. . SHIELD,RIBBON			
- 5	4469019	2	. . SCREW ATT PT			
- 6	4469015	1	. . GUIDE,CUT FORMS			
- 7	10170	2	. . SCREW,MACH BIND HD- 6-32 X 1/4 LG ATT PT			
- 8	8529511	1	. . CARRIER ASM FOR DETAIL BREAKDOWN SEE FIGURE 7			
- 9	4469012	1	. . PRINT HEAD ASM			
- 9A	4498870	1	. . LABEL			
- 10	6837505	2	. . SPRING			
- 12	843345	1	. . BRACKET,RIBBON LIFTER			
- 13	438548	1	. . SCREW,MACH BIND HD- 4-40 X 3/16 LG ATT PT			
- 14	6844631	1	. . BRACKET ASM,ADJ			
- 15	338238	1	. . SCREW,MACH BIND HD- 4-40 X 5/16 LG ATT PT			
- 15A	8529435	1	. . PLATE			
- 16	6837506	1	. . . BRACKET,ADJ			
- 17	843306	1	. . . BUSHING			
- 18	6837914	1	. . . KNOB			
- 19	843305	1	. . . SPRING			
- 20	843258	1	. . . SCREW,MACH BIND HD NYLOC- 4-40 X 3/8 LG ATT PT			
- 21	6841861	1	. . WICK ASM			
- 22	1638727	1	. . PAD			
- 23	843173	1	. SHAFT			
- 24	6837884	1	. STOP			

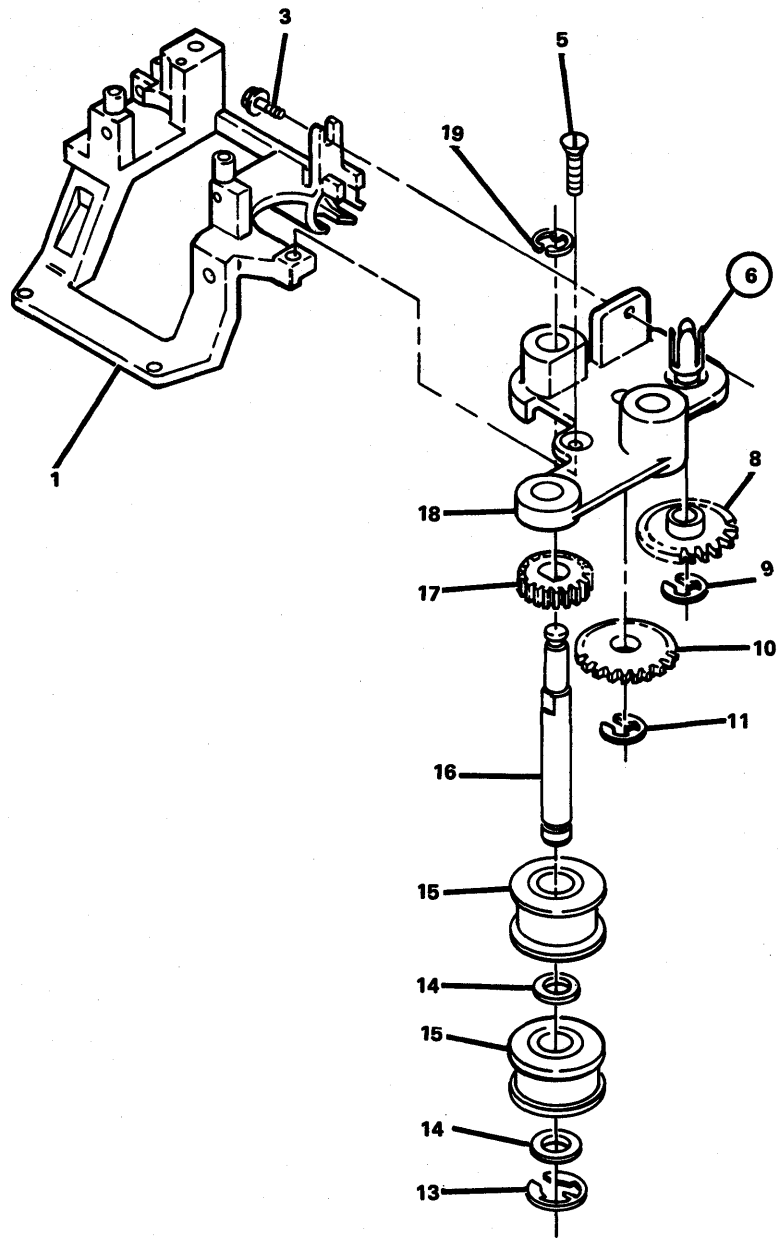


FIGURE 7. CARRIER ASSEMBLY. SHEET 1 OF 2. INDEX NOS. 1-19. SEE LIST 7.

## CARRIER ASM

FIGURE- INDEX NUMBER	PART NUMBER	UNITS PER ASM.	DESCRIPTION			
			1	2	3	4
7 -	8529511	REF	CARRIER ASM FOR NEXT HIGHER ASM SEE FIGURE 6-8 AND FOR ILLUSTRATION FIGURE 7			
- 1	6837516	1	. CARRIER			
- 3	265195	1	. SCREW,MACH HEX HD- 6-32 X 7/16 LG			
- 5	512508	1	. SCREW,MACH FL HD- 6-32 X 1/2 LG			
- 6	6841522	1	. ADAPTER			
- 8	1638709	1	. . GEAR,DRIVEN			
- 9	264641	1	. . . CLIP,RETAINING			
- 10	1638708	1	. . GEAR			
- 11	25282	1	. . . CLIP,RETAINING			
- 13	332747	1	. . . CLIP,RETAINING			
- 14	843161	2	. . WASHER			
- 15	8326828	2	. . CLUTCH ASM			
- 16	6841519	1	. . SHAFT,CLUTCH DRIVE			
- 17	1638707	1	. . GEAR,DRIVER			
- 18	6841521	1	. . ADAPTER ASM			
- 19	1092125	1	. . CLIP,RETAINING			
						ATT PT
						ATT PT

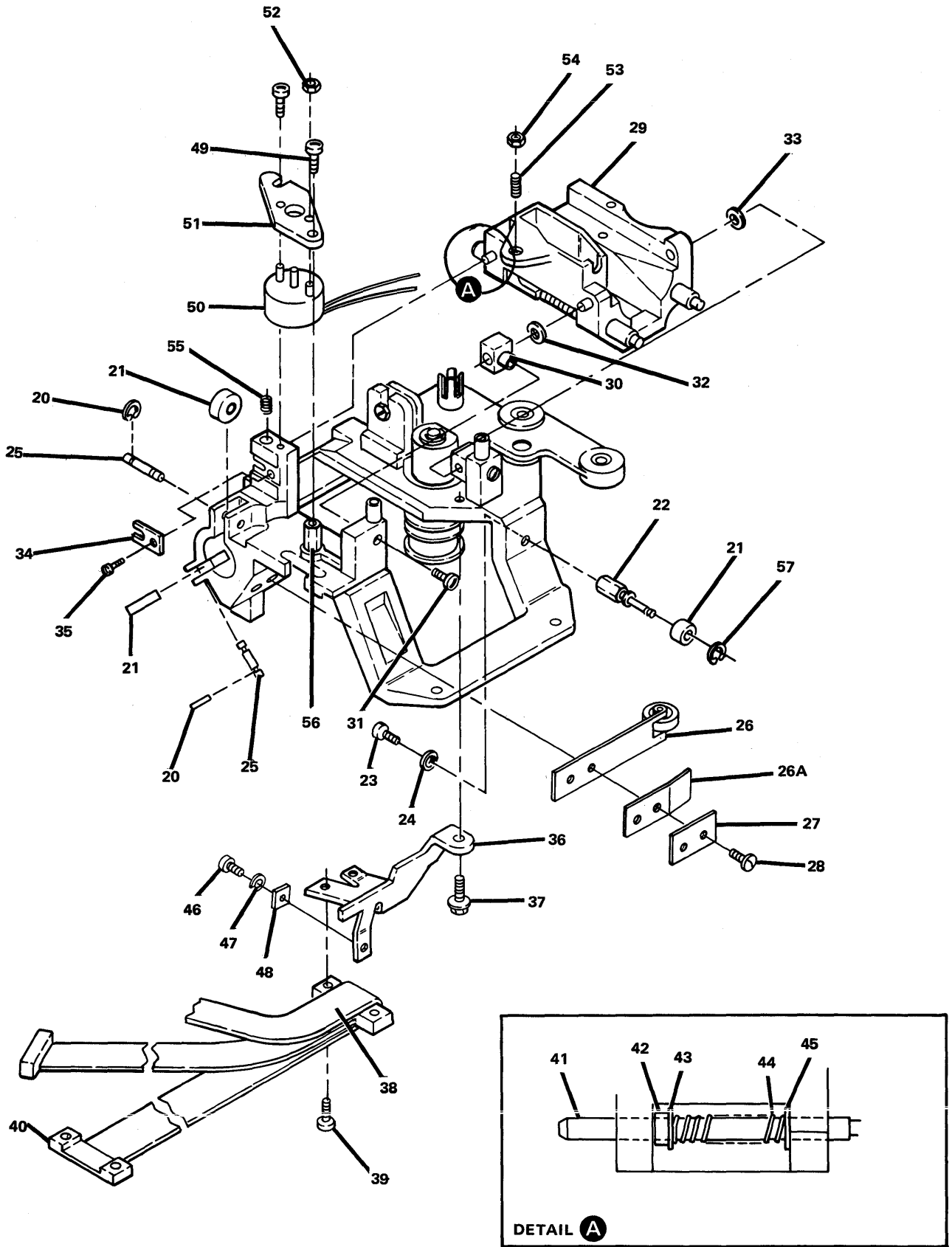


FIGURE 7. CARRIER ASSEMBLY. SHEET 2 OF 2. INDEX NOS. 20-57. SEE LIST 7.

## CARRIER ASM

FIGURE- INDEX NUMBER	PART NUMBER	UNITS PER ASM.	DESCRIPTION			
			1	2	3	4
7 - 20	219633	8	.	RING,RETAINING		
- 21	225574	5	.	BEARING		
- 22	6841865	1	.	STUD		
- 23	149897	1	.	SCREW,HEX SOCKET HD- 8-32 X 3/8 LG	ATT PT	
- 24	1090873	1	.	WASHER,LOCK SPLIT- 3/16 ID X 5/16 OD	ATT PT	
- 25	843384	4	.	SHAFT		
- 26	843159	1	.	SPRING LEAF ASM		
- 26A	8281121	1	.	SPRING		
- 27	843385	1	.	PLATE		
- 28	38350	2	.	SCREW,MACH FIL HD- 6-32 X 1/4 LG	ATT PT	
- 29	4468472	1	.	YOKE ASM		
- 30	6844719	2	.	RETAINER		
- 31	438548	2	.	SCREW,MACH BIND HD- 4-40 X 3/16 LG	ATT PT	
- 32	6837510	1	.	WASHER,THRUST	ATT PT	
- 33	6841840	1	.	WASHER,CURVED	ATT PT	
- 34	6837509	1	.	PLATE,STOP		
- 35	1856	1	.	SCREW,MACH FIL HD- 2-56 X 3/16 LG	ATT PT	
- 36	6837517	1	.	BRACKET		
- 37	38350	2	.	SCREW,MACH FIL HD- 6-32 X 1/4 LG	ATT PT	
- 38	6837883	1	.	CABLE ASM		
- 39	236550	2	.	SCREW,MACH BIND HD- 4-40 X 3/8 LG	ATT PT	
- 40	6844639	1	.	CABLE CLAMP ASM		
- 41	4469018	2	.	SHAFT		
- 42	843266	2	.	WASHER,FELT		
- 43	1092125	2	.	RETAINER		
- 44	6837900	2	.	SPRING		
- 45	8446	2	.	SHIM,5/16 OD X .191 ID X .02 THK		
- 46	6841935	1	.	SCREW,MACH HEX WSHR HD- 6-32 X 1/4 LG		
				NOT PART OF THIS ASM		
- 47	62031	1	.	WASHER,LOCK INT T- NO. 6 X .295 OD		
				NOT PART OF THIS ASM		
- 48	843162	1	.	CLAMP		
				NOT PART OF THIS ASM		
- 49	251970	2	.	SCREW,MACH BIND HD- 4-40 X 1/4 LG	ATT PT	
- 50	6837513	1	.	SOLENOID		
- 51	6837514	1	.	BRACKET		
- 52	47987	1	.	NUT,PLAIN HEX- 2-56 X 3/16	ATT PT	
- 53	257972	1	.	SETSCREW,6 FLUTE- 6-32 X 5/16 LG FL PT	ATT PT	
- 54	257187	1	.	NUT,HEX- 6-32	ATT PT	
- 55	6841838	1	.	SPRING		
- 56	6841866	1	.	STUD		
- 57	1073418	1	.	RING,RETAINING		



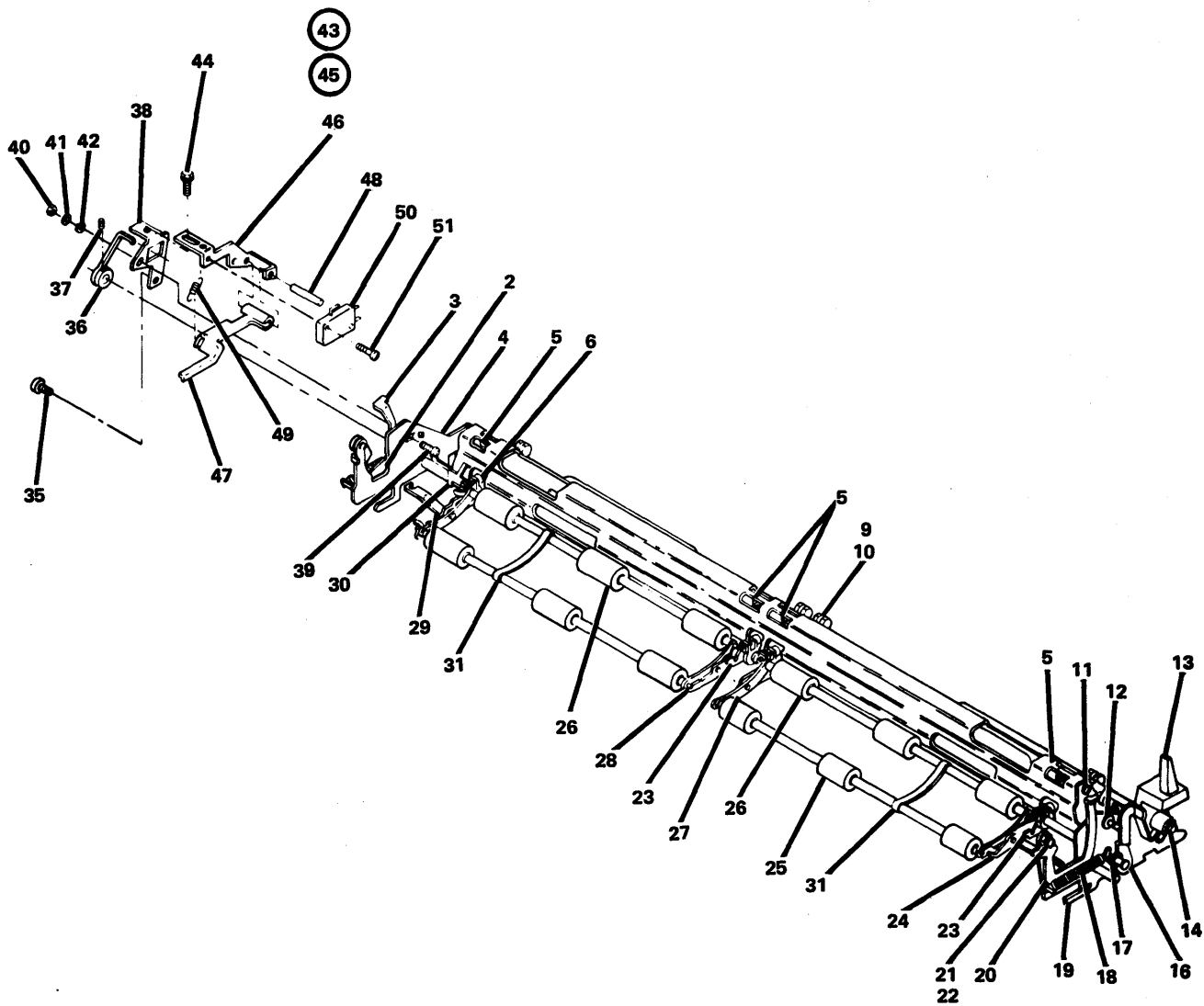


FIGURE 8. A-FRAME ASSEMBLY. SEE LIST 8.

## A-FRAME ASM

FIGURE- INDEX NUMBER	PART NUMBER	UNITS PER ASM.	DESCRIPTION			
			1	2	3	4
8 -	8529434	REF	A-FRAME ASM FOR NEXT HIGHER ASM SEE FIGURE 3-3 AND FOR ILLUSTRATION FIGURE 8			
- 2	1206439	1	. SPRING,LATCH-LH			
- 3	1204263	1	. LATCH,LH			
- 4	1147599	1	. PLATE,LH			
- 5	1147597	4	. SPRING			
- 6	1256114	2	. LEVER			
- 9	1147586	4	. SCREW			
- 10	257187	4	. NUT,HEX- 6-32			
- 11	1256204	1	. SCREW			
- 12	1205562	1	. STUD			
- 13	1256715	1	. LEVER			
- 14	1115633	1	. RING,RETAINING			
- 16	1204274	1	. FEED ROLL RELEASE LEVER AND SHAFT ASM			
- 17	1103695	2	. RING,RETAINING			
- 18	1206438	1	. SPRING,LATCH-RH			
- 19	1290623	1	. PLATE,RH			
- 20	1205314	1	. LATCH,RH			
- 21	10170	2	. SCREW,MACH BIND HD- 6-32 X 1/4 LG			
- 22	6840582	2	. NUT			
- 23	1256113	2	. LEVER			
- 24	1147570	1	. ARM ASM			
- 25	1147580	2	. ROLL ASM			
- 26	1128138	2	. ROLL ASM			
- 27	1147571	1	. ARM ASM			
- 28	1147572	1	. ARM ASM			
- 29	1147573	1	. ARM ASM			
- 30	1147559	1	. FRAME			
- 31	843123	2	. SPRING			
- 35	6841935	1	. SCREW,MACH HEX WSHR HD- 6-32 X 1/4 LG			
- 36	1638891	1	. ARM,VERRIDE			
- 37	123780	1	. SETSCREW,SPLINE DR CUP PT- 10-32 X 3/16			
- 38	1638883	1	. MOUNT,SWITCH			
- 39	38263	1	. SCREW,MACH FIL HD- 4-40 X 5/16 LG			
- 40	37913	1	. NUT,HEX JAM- 4-40 X .250			
- 41	257984	1	. WASHER,LOCK SPLIT- .115 ID X .212 OD			
- 42	45653	1	. WASHER,FL- 3/8 OD X 1/8 ID X .025 THK			
- 43	1638880	1	. SWITCH ASM,EOF			
- 44	6841935	1	. SCREW,MACH HEX WSHR HD- 6-32 X 1/4 LG			
- 45	4410769	1	. . . ACTUATOR ASM			
- 46	1638881	1	. . . BRACKET,SWITCH			
- 47	1638882	1	. . . LEVER,ACTUATOR			
- 48	1638890	1	. . . PIN			
- 49	1638884	1	. . . SPRING			
- 50	1638889	1	. . . SWITCH			
- 51	438550	2	. . . SCREW,MACH BIND HD- 4-40 X 1/2 LG			

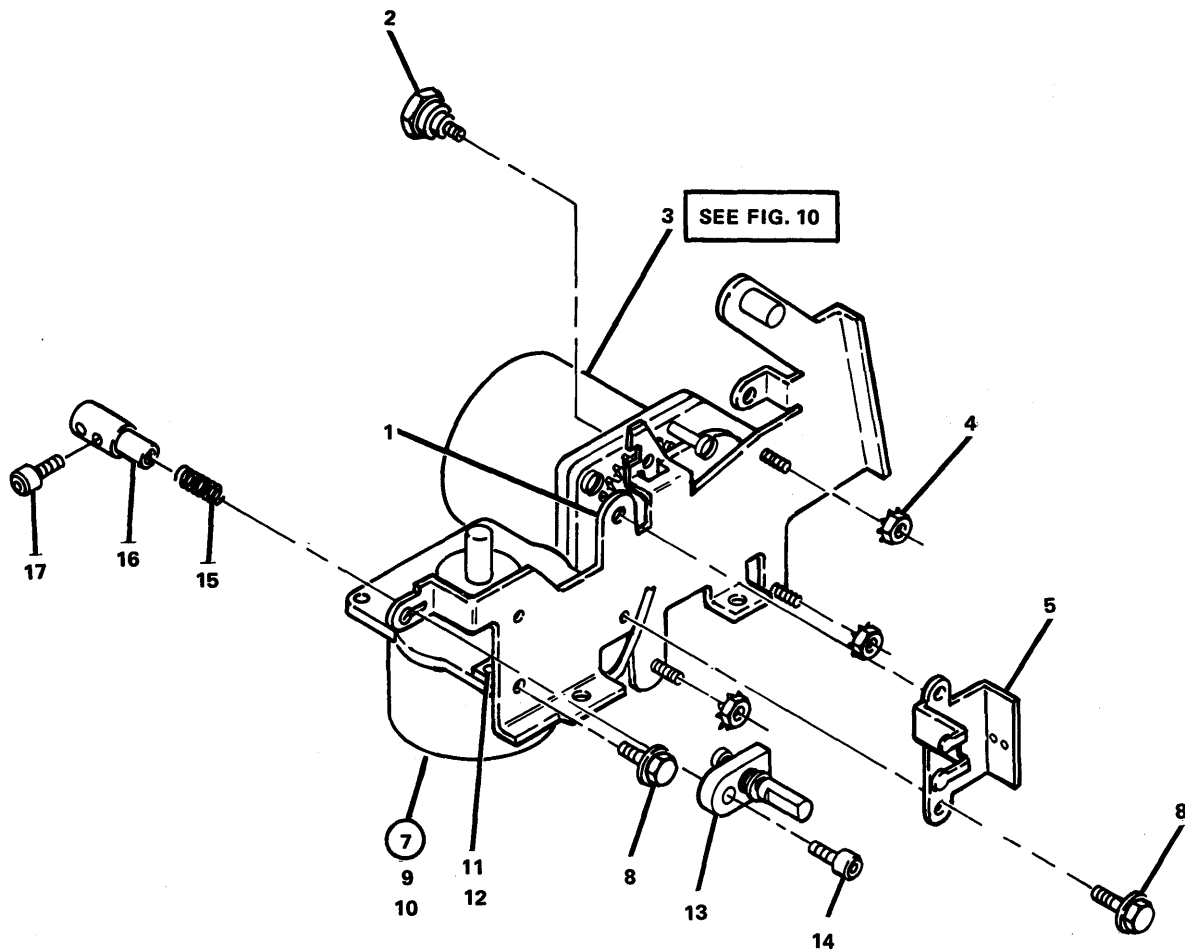


FIGURE 9. RIGHT SIDE PLATE ASSEMBLY. SEE LIST 9.



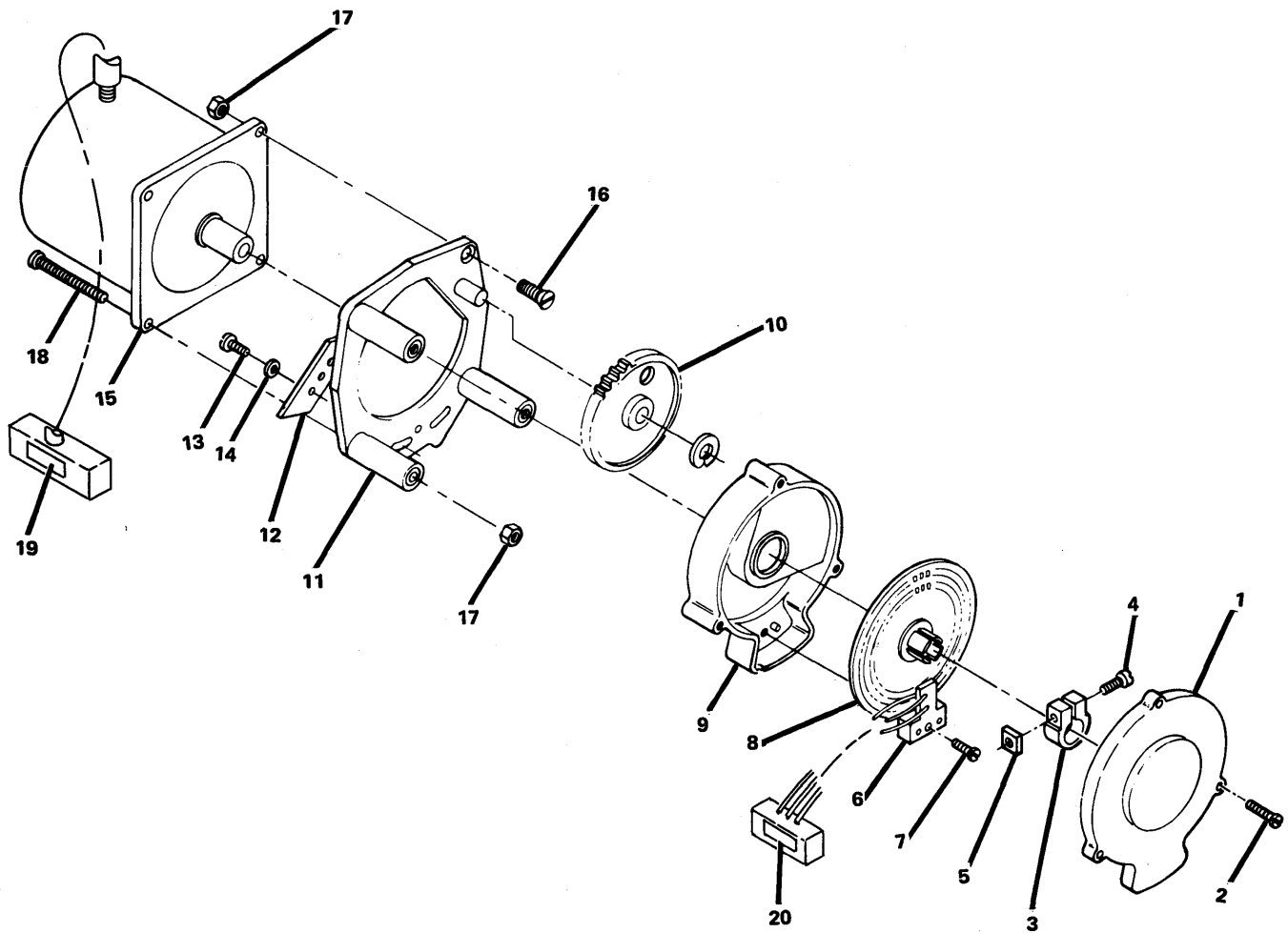


FIGURE 10. FORMS FEED MOTOR ASSEMBLY. SEE LIST 10.

FORMS FEED MOTOR ASM

FIGURE- INDEX NUMBER	PART NUMBER	UNITS PER ASM.	DESCRIPTION			
			1	2	3	4
10 -	6837520	REF	FORMS FEED MOTOR ASM FOR NEXT HIGHER ASM SEE FIGURE 9-3 AND FOR ILLUSTRATION FIGURE 10			
- 1	843132	1	. COVER, OUTER			
- 2	2181071	3	. SCREW			
- 3	843378	1	. CLAMP			
- 4	129654	NR	. SCREW, HEX SOCKET HD- 10-32 X 3/4 LG			
- 5	1638790	NR	. NUT, SQUARE- 10-32			
- 6	6837496	NR	. TRANSDUCER ASM			
- 7	1638852	NR	. SCREW, THD FORM PAN HD- 4-20 X 3/4 LG			
- 8	6839736	NR	. EMITTER GEAR ASM			
- 9	1638786	NR	. COVER, INNER			
- 10	1638740	NR	. GEAR, IDLER			
- 11	1638735	NR	. MOUNT ASM, MOTOR			
- 12	1638856	NR	. PLATE, BACKER			
- 13	186928	2	. SCREW, 6 FLUTE SOCKET HD- 6-32 X 5/8 LG			
- 14	6364	2	. WASHER, LOCK SPLIT NO. 6- 1/4 OD			
- 15	6837866	NR	. MOTOR, STEPPER			
- 16	55918	1	. SCREW, BND HD- 10-32 X .625 LG			
- 17	221	4	. NUT, HEX- 10-32			
- 18	322562	3	. SCREW, MACH BIND HD- 10-32 X 2 LG			
- 19	6840533	1	. LABEL, P5			
- 20	6840538	1	. LABEL, P9			

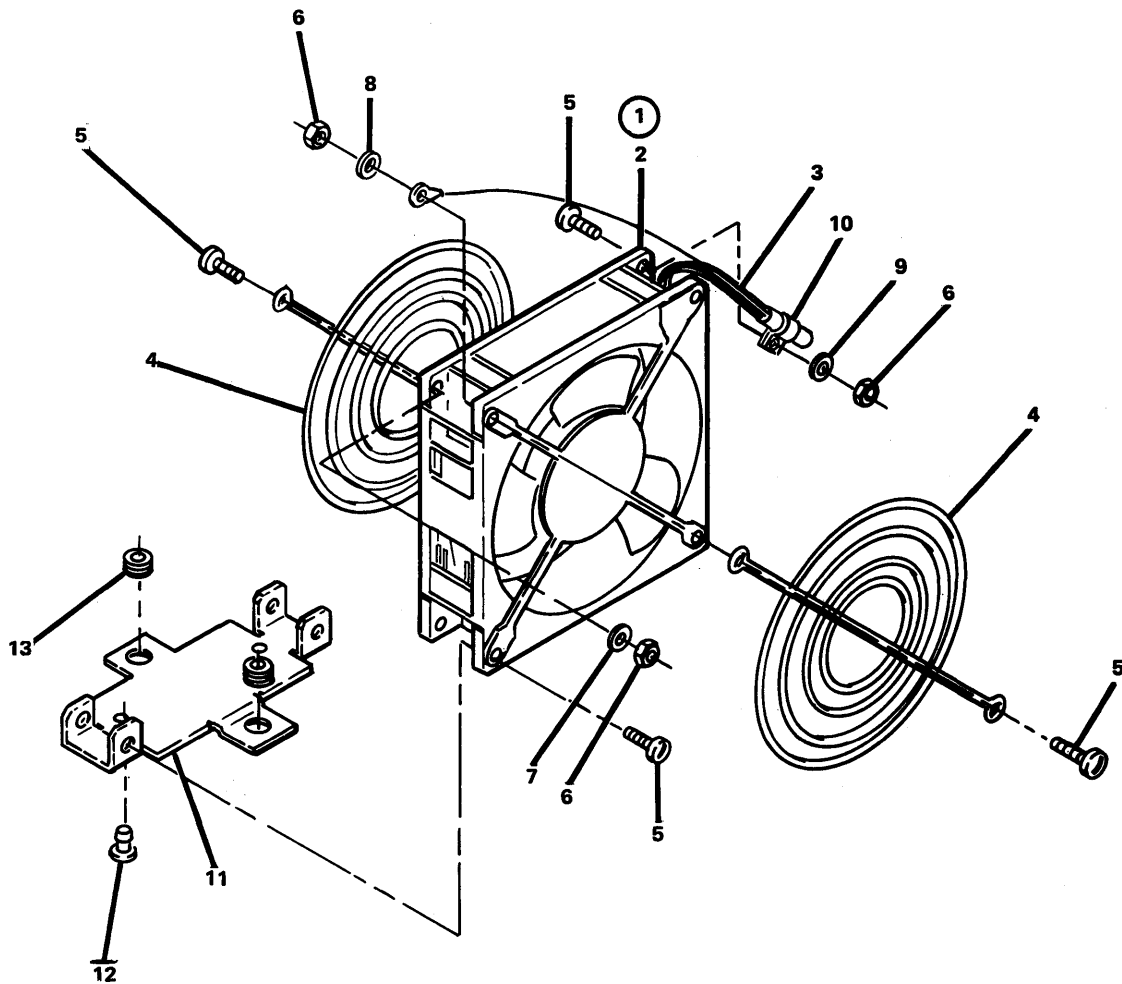


FIGURE 11. FAN AND BRACKET ASSEMBLY. SEE LIST 11.

FAN AND BRACKET ASM

FIGURE- INDEX NUMBER	PART NUMBER	UNITS PER ASM.	DESCRIPTION			
			1	2	3	4
11 -	6837616	1	FAN AND BRACKET ASM FOR NEXT HIGHER ASM SEE FIGURE 1A-25 AND FOR ILLUSTRATION FIGURE 11.			
- 1	6837665	1	. FAN ASM			
- 2	597300	1	. . FAN			
- 3	6837637	1	. . CABLE ASM			
- 4	2546641	2	. GUARD			
- 5	1621174	6	. SCREW			
- 6	1622401	3	. NUT, HEX- M3 X 5.5			
- 7	1622344	1	. WASHER, LOCK EXT T- 3.8 ID X 6 OD			
- 8	1622332	1	. WASHER, LOCK INT T- 3.2 ID X 6 OD			
- 9	1622302	1	. WASHER			
- 10	515661	1	. CLAMP			
- 11	6837615	1	. BRACKET			
- 12	2750830	2	. BUMPER			
- 13	1077722	2	. GROMMET			
					ATT PT	
					ATT PT	
					ATT PT	
					ATT PT	

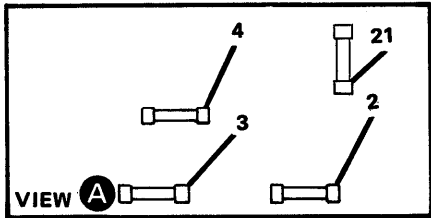
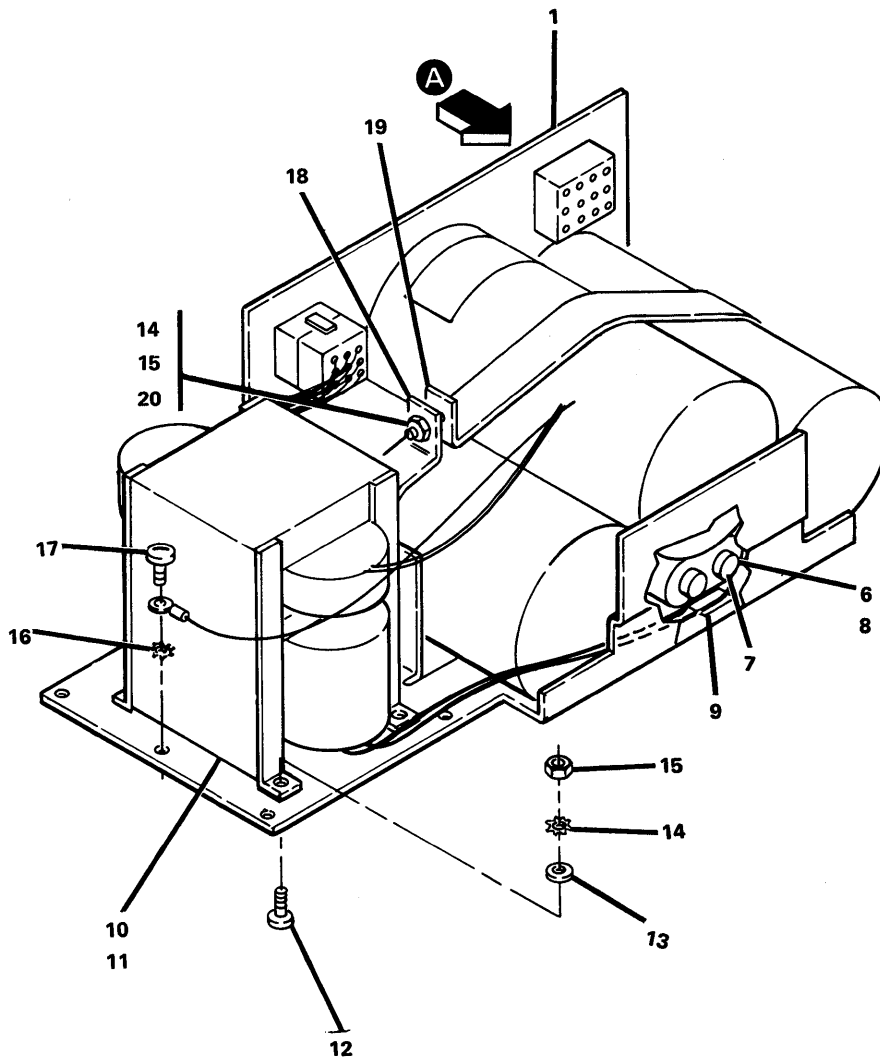


FIGURE 12. POWER SUPPLY ASSEMBLY, 60HZ-U.S. SEE LIST 12.

## POWER SUPPLY ASM

FIGURE- INDEX NUMBER	PART NUMBER	UNITS PER ASM.	DESCRIPTION				
			1	2	3	4	
12 -	6837647	REF	POWER SUPPLY ASM,60 HZ-U.S. LOCAL MODEL				
-	4468994	REF	POWER SUPPLY ASM,60 HZ-U.S. REMOTE MODEL FOR NEXT HIGHER ASM SEE FIGURE 1A-15 AND FOR ILLUSTRATION LIST 12				
- 1	NO NO.	1	. PC CARD ASM FOR PART NUMBER SEE CARD				
- 2	511063	1	. FUSE,MED-BLO- 10 A 250 V				
- 3	261853	1	. FUSE,MED-BLO- 8 A 250 V				
- 4	512137	1	. FUSE,SLO-BLO- 5 A 125 V LOCAL ONLY				
- 4	615683	1	. FUSE,SLO-BLO- 2 A 250 V REMOTE ONLY				
- 6	5252850	1	. CAPACITOR				
- 7	526378	2	. SHIELD,CAP				
- 8	6838719	1	. STRAP				
- 9	138748	1	. LABEL				
- 10	6837547	1	. TRANSFORMER				
- 11	1622346	1	. WASHER,LK EXT T 4.15 ID X 8.5 OD X .4 T LOCATED UNDER GROUND LEG				
- 12	1621192	4	. SCREW,MACH PAN HD- M4 X .7 X 12 L6				ATT PT
- 13	1622304	4	. WASHER,FLAT- M9 OD X 4.3 ID X .8 THK				ATT PT
- 14	1622346	5	. WASHER,LK EXT T 4.15 ID X 8.5 OD X .4 T				ATT PT
- 15	1622403	5	. NUT,HEX- M4 X 7				ATT PT
- 16	1622344	1	. WASHER,LOCK EXT T- 3.8 ID X 6 OD				ATT PT
- 17	1621170	1	. SCREW,MACH PAN HD- M3 X .5 X 6 L6				ATT PT
- 18	6838715	1	. STRAP				
- 19	6838775	1	. STRAP				
- 20	1621064	1	. SCREW				ATT PT
- 21	322762	1	. FUSE, 0.125 A 250 V REMOTE MODEL ONLY				



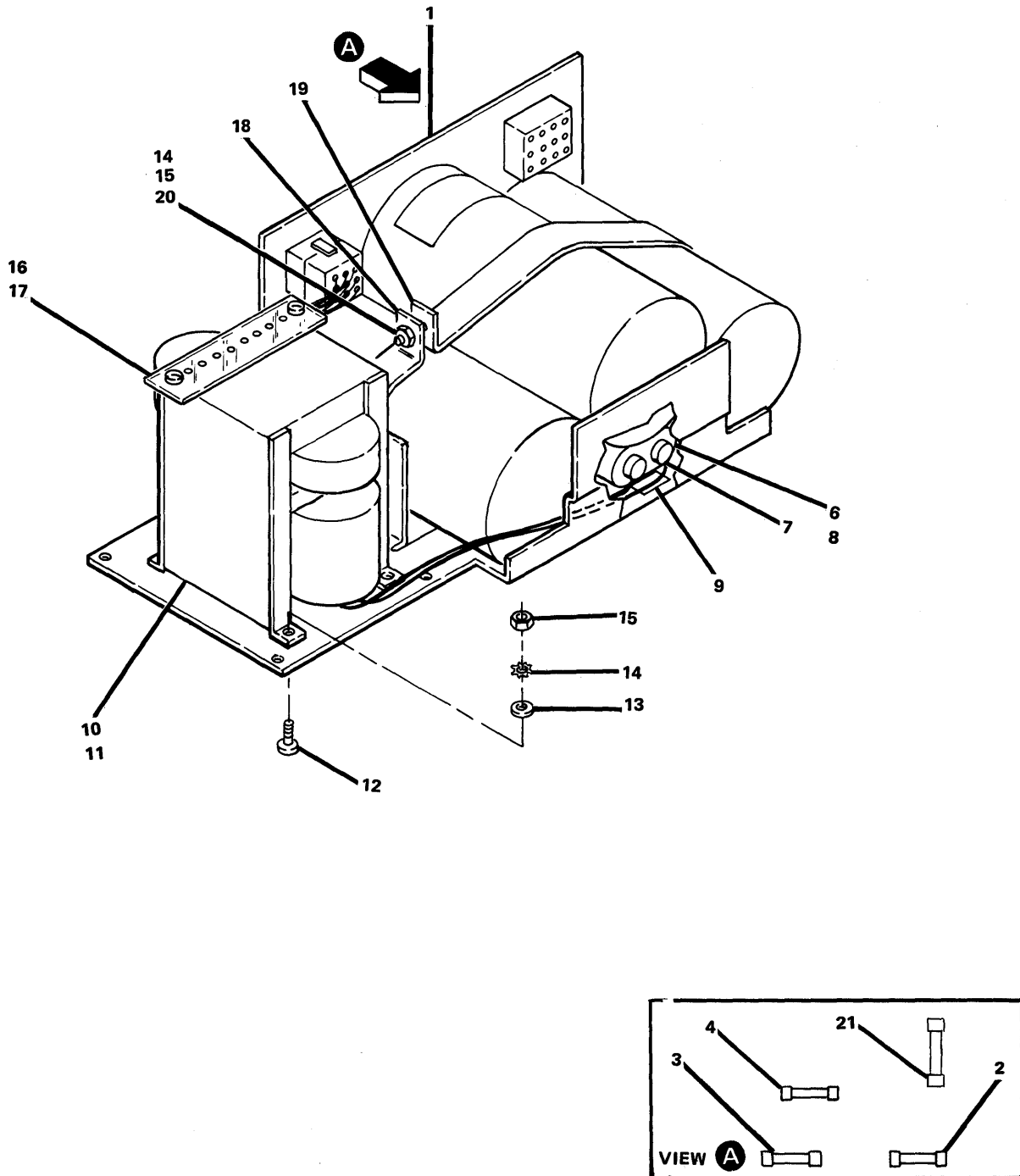


FIGURE 13. POWER SUPPLY ASSEMBLY, 60HZ-WTC. SEE LIST 13.

## POWER SUPPLY ASM

FIGURE- INDEX NUMBER	PART NUMBER	UNITS PER ASM.	DESCRIPTION				
			1	2	3	4	
13 -	6837553	REF	POWER SUPPLY ASM,60 HZ,WTC LOCAL MODEL				
-	4468995	REF	POWER SUPPLY ASM,60 HZ,WTC REMOTE MODEL FOR NEXT HIGHER ASM SEE FIGURE 1A-15 AND FOR ILLUSTRATION FIGURE 13				
- 1	NO NO.	1	. PC CARD ASM FOR PART NUMBER SEE CARD				
- 2	511063	1	. FUSE,MED-BLO- 10 A 250 V				
- 3	261853	1	. FUSE,MED-BLO- 8 A 250 V				
- 4	512137	1	. FUSE,SLO-BLO- 5 A 125 V LOCAL ONLY				
- 4	615683	1	. FUSE,SLO-BLO- 2 A 250 V REMOTE ONLY				
- 6	5252850	1	. CAPACITOR				
- 7	526378	2	. SHIELD,CAP				
- 8	6838719	1	. STRAP				
- 9	138748	1	. LABEL				
- 10	6837548	1	. TRANSFORMER				
- 11	1622346	1	. WASHER,LK EXT T 4.15 ID X 8.5 OD X .4 T LOCATED UNDER GROUND LEG				
- 12	1621192	4	. SCREW,MACH PAN HD- M4 X .7 X 12 LG				ATT PT
- 13	1622304	4	. WASHER,FLAT- M9 OD X 4.3 ID X .8 THK				ATT PT
- 14	1622346	5	. WASHER,LK EXT T 4.15 ID X 8.5 OD X .4 T				ATT PT
- 15	1622403	5	. NUT,HEX- M4 X 7				ATT PT
- 16	361537	1	. SHIELD,TERMINAL BOARD				
- 17	1621181	2	. SCREW,MACH PAN HD- M3.5 X .6 X 6 LG				ATT PT
- 18	6838715	1	. STRAP				
- 19	6838775	1	. STRAP				
- 20	1621064	1	. SCREW				ATT PT
- 21	322762	1	. FUSE,0.125 A 250 V REMOTE MODEL ONLY				

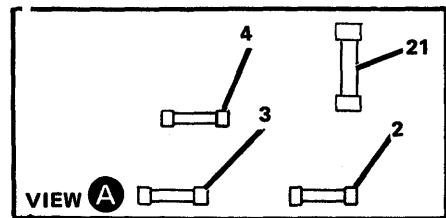
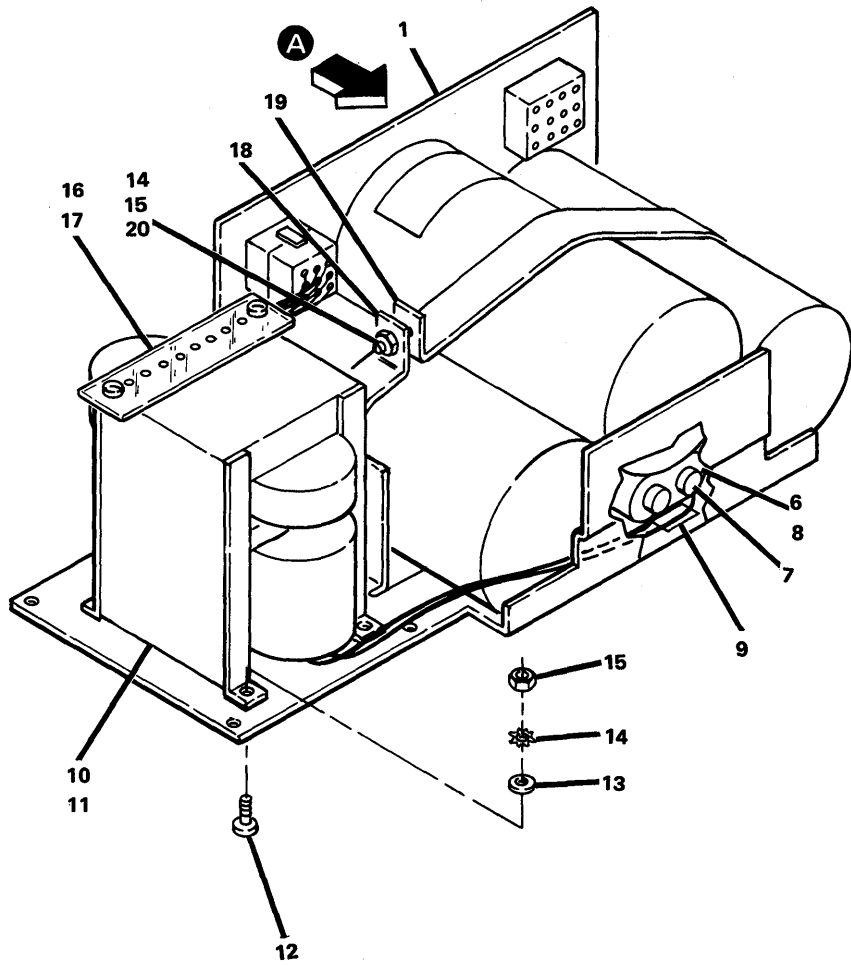


FIGURE 14. POWER SUPPLY ASSEMBLY, 50HZ-WTC. SEE LIST 14.

## POWER SUPPLY ASM

FIGURE- INDEX NUMBER	PART NUMBER	UNITS PER ASM.	DESCRIPTION				
			1	2	3	4	
14 -	6837655	REF	POWER SUPPLY ASM,50 HZ WTC LOCAL MODEL				
-	4468996	REF	POWER SUPPLY ASM,50 HZ WTC REMOTE MODEL FOR NEXT HIGHER ASM SEE FIGURE 1A-15 AND FOR ILLUSTRATION FIGURE 14				
-	4755599	REF	. POWER SUPPLY ASM,50 HZ 125 W WTC LOCAL SUBSTITUTE FOR EUROPEAN COUNTRIES				
-	4755598	REF	. POWER SUPPLY ASM,50 HZ 125 W WTC REMOTE SUBSTITUTE FOR EUROPEAN COUNTRIES				
- 1	NO NO.	1	. PC CARD ASM FOR PART NUMBER SEE CARD				
- 2	511063	1	. FUSE,MED-BLO- 10 A 250 V				
- 3	261853	1	. FUSE,MED-BLO- 8 A 250 V				
- 4	512137	1	. FUSE,SLO-BLO- 5 A 125 V LOCAL ONLY				
- 4	615683	1	. FUSE,SLO-BLO- 2 A 250 V REMOTE ONLY				
- 6	5252850	1	. CAPACITOR				
- 7	526378	2	. SHIELD,CAP				
- 8	6838719	1	. STRAP				
- 9	138748	1	. LABEL				
- 10	6837549	1	. TRANSFORMER				
- 10	2426491	1	. TRANSFORMER SUBSTITUTE FOR EUROPEAN COUNTRIES				
- 11	1622346	1	. WASHER,LK EXT T 4.15 ID X 8.5 OD X .4 T LOCATED UNDER GROUND LEG				ATT PT
- 12	1621192	4	. SCREW,MACH PAN HD- M4 X .7 X 12 LG				ATT PT
- 13	1622304	4	. WASHER,FLAT- M9 OD X 4.3 ID X .8 THK				ATT PT
- 14	1622346	5	. WASHER,LK EXT T 4.15 ID X 8.5 OD X .4 T				ATT PT
- 15	1622403	5	. NUT,HEX- M4 X 7				ATT PT
- 16	351237	1	. SHIELD,TERMINAL BOARD				
- 17	1621181	2	. SCREW,MACH PAN HD- M3.5 X .6 X 6 LG				ATT PT
- 18	6838715	1	. STRAP				
- 19	6838775	1	. STRAP				
- 20	1621064	1	. SCREW				ATT PT
- 21	322762	1	. FUSE, 0.125 A 250 V REMOTE MODEL ONLY				

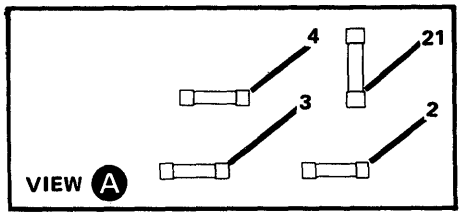
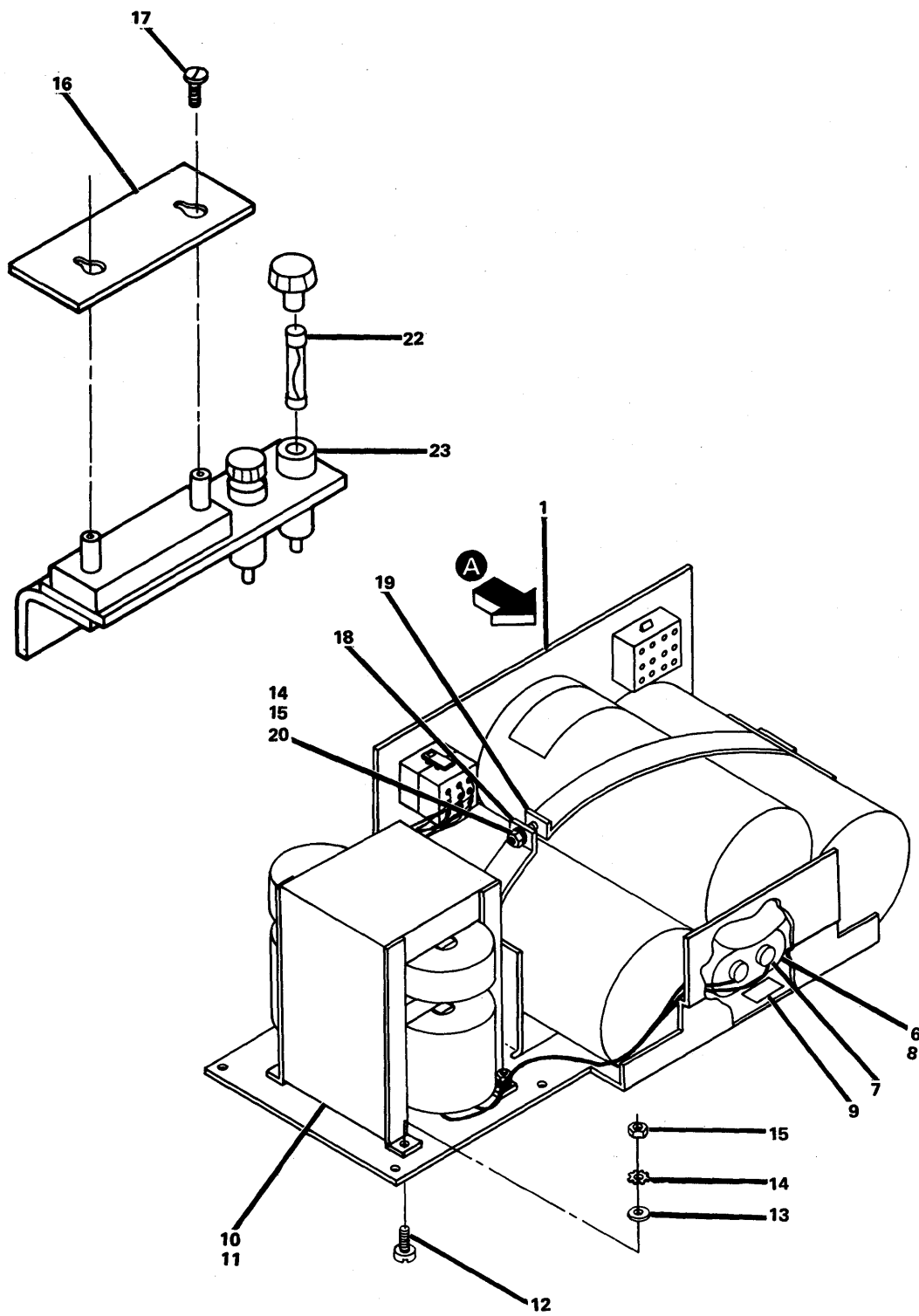


FIGURE 14A. POWER SUPPLY ASSEMBLY, 50 HZ-WTC WITH TRANSFORMER FUSES. SEE LIST 14A.

## POWER SUPPLY ASM

FIGURE- INDEX NUMBER	PART NUMBER	UNITS PER ASM.	DESCRIPTION				
			1	2	3	4	
14A-	6837655	REF	POWER SUPPLY ASM,50 HZ WTC WITH TRANSFORMER FUSES LOCAL MODEL				
-	4468996	REF	POWER SUPPLY ASM,50 HZ WTC WITH TRANSFORMER FUSES REMOTE MODEL FOR NEXT HIGHER ASM SEE FIGURE 1A-15 AND FOR ILLUSTRATION FIGURE 14A				
- 1	NO NO.	1	. PC CARD ASM FOR PART NUMBER SEE CARD				
- 2	511063	1	. FUSE,MED-BLO- 10 A 250 V				
- 3	261853	1	. FUSE,MED-BLO- 8 A 250 V				
- 4	512137	1	. FUSE,SLO-BLO- 5 A 125 V LOCAL ONLY				
- 4	615683	1	. FUSE,SLO-BLO- 2 A 250 V REMOTE ONLY				
- 6	5252850	1	. CAPACITOR				
- 7	526378	2	. SHIELD,CAP				
- 8	6838719	1	. STRAP				
- 9	138748	1	. LABEL				
- 10	6837549	1	. TRANSFORMER				
- 11	1622346	1	. WASHER,LK EXT T 4.15 ID X 8.5 OD X .4 T LOCATED UNDER GROUND LEG				
- 12	1621192	4	. SCREW,MACH PAN HD- M4 X .7 X 12 LG				ATT PT
- 13	1622304	4	. WASHER,FLAT- M9 OD X 4.3 ID X .8 THK				ATT PT
- 14	1622346	5	. WASHER,LK EXT T 4.15 ID X 8.5 OD X .4 T				ATT PT
- 15	1622403	5	. NUT,HEX- M4 X 7				ATT PT
- 16	351237	1	. SHIELD,TERMINAL BOARD				
- 17	1621181	2	. SCREW,MACH PAN HD- M3.5 X .6 X 6 LG				ATT PT
- 18	6838715	1	. STRAP				
- 19	6838775	1	. STRAP				
- 20	1621064	1	. SCREW				ATT PT
- 21	322762	1	. FUSE, 0.125 A 250 V REMOTE MODEL ONLY				
- 22	512137	2	. FUSE,SLO-BLO 5 A 125 V				
- 23	4201819	2	. FUSEHOLDER				

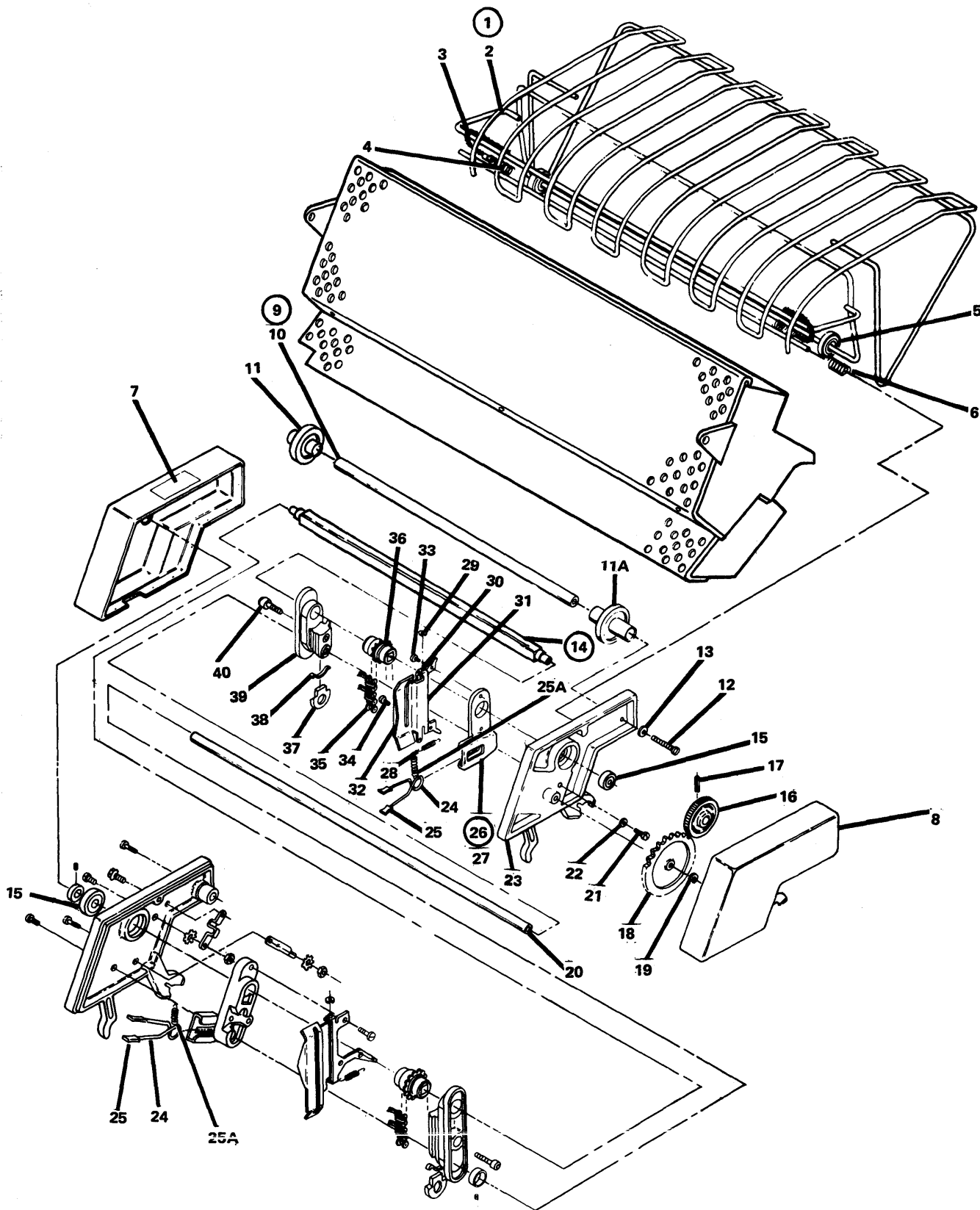


FIGURE 15. FORMS TRACTOR UNIT FEED ASSEMBLY. SHEET 1 OF 2. INDEX NOS. 1-40. SEE LIST 15.

## FORMS TRACTOR UNIT FEED ASM

FIGURE- INDEX NUMBER	PART NUMBER	UNITS PER ASM.	DESCRIPTION				
			1	2	3	4	
15 -	6081848	REF	FORMS TRACTOR UNIT FEED ASM FOR NEXT HIGHER ASM SEE FIGURE 1-18 AND FOR ILLUSTRATION FIGURE 15				
- 1	6846279	1	. GUIDE ASM,FORMS				
- 2	6846278	1	. . GUIDE				
- 3	843574	1	. . . ELIMINATOR ASM				
- 4	843576	1	. . . SPRING				
- 5	1638841	2	. . . GUIDE,PAPER				
- 6	638210	1	. . . SPRING				
- 7	843138	1	. COVER,LH-WHITE				
- 8	6841881	1	. COVER,RH				
- 9	6081840	1	. FEED ASM,FORMS TRACTOR UNIT				
- 10	843281	NR	. . . SHAFT				
- 11	6844659	NP	. . . ROLLER				
- 11A	843282	NR	. . . ROLLER				
- 12	1638815	1	. . . SCREW,SPECIAL SHLDR- 10-32 X 1 LG				ATT PT
- 13	638875	1	. . . WASHER,SPRING				ATT PT
- 14	843204	1	. . . SHAFT AND GEAR ASM				
- 15	156364	2	. . . . BEARING				
- 16	843207	NR	. . . . GEAR				
- 17	326265	NR	. . . . PIN,ROLL				
- 18	843283	1	. . . GEAR				
- 19	311072	1	. . . CLIP,RETAINING				
- 20	1638802	NR	. . . SHAFT				
- 21	1638816	1	. . . SCREW,SPECIAL SHLDR- 8-32 X 3/8 LG				ATT PT
- 22	638875	1	. . . WASHER,SPRING				ATT PT
- 23	6842703	1	. . . FRAME,RH				
- 24	843206	2	. . . LOCK SPRING ASM				
- 25	843271	4	. . . . TAB				
- 25A	1164080	2	. . . SPRING				
- 26	1638823	1	. . . TRACTOR ASM,RH				
- 27	1638825	1	. . . . CARRIER				
- 28	1638833	1	. . . . SPRING				
- 29	219633	2	. . . . RING,RETAINING				
- 30	843272	1	. . . . PIN,HINGE				
- 31	1638832	NR	. . . . PLATE,PRESSURE				
- 32	4414892	NR	. . . . PLATE,HINGE				
- 33	731626	1	. . . . SCREW,THD FORM PAN HD- 6-32 X 1/4 LG				ATT PT
- 34	209184	1	. . . . SCREW,SELF TAP FL HD NO. 6 X 5/16 LG				ATT PT
- 35	1638834	NR	. . . . CHAIN ASM				
- 36	843285	NR	. . . . SPROCKET				
- 37	1638829	NR	. . . . TENSIONER				
- 38	843273	NR	. . . . SPRING				
- 39	1638827	NR	. . . . GUIDE,CHAIN				
- 40	6844560	1	. . . . SCREW,THD FORM HEX WSHR HD- 6-19 X 1.0 L				ATT PT



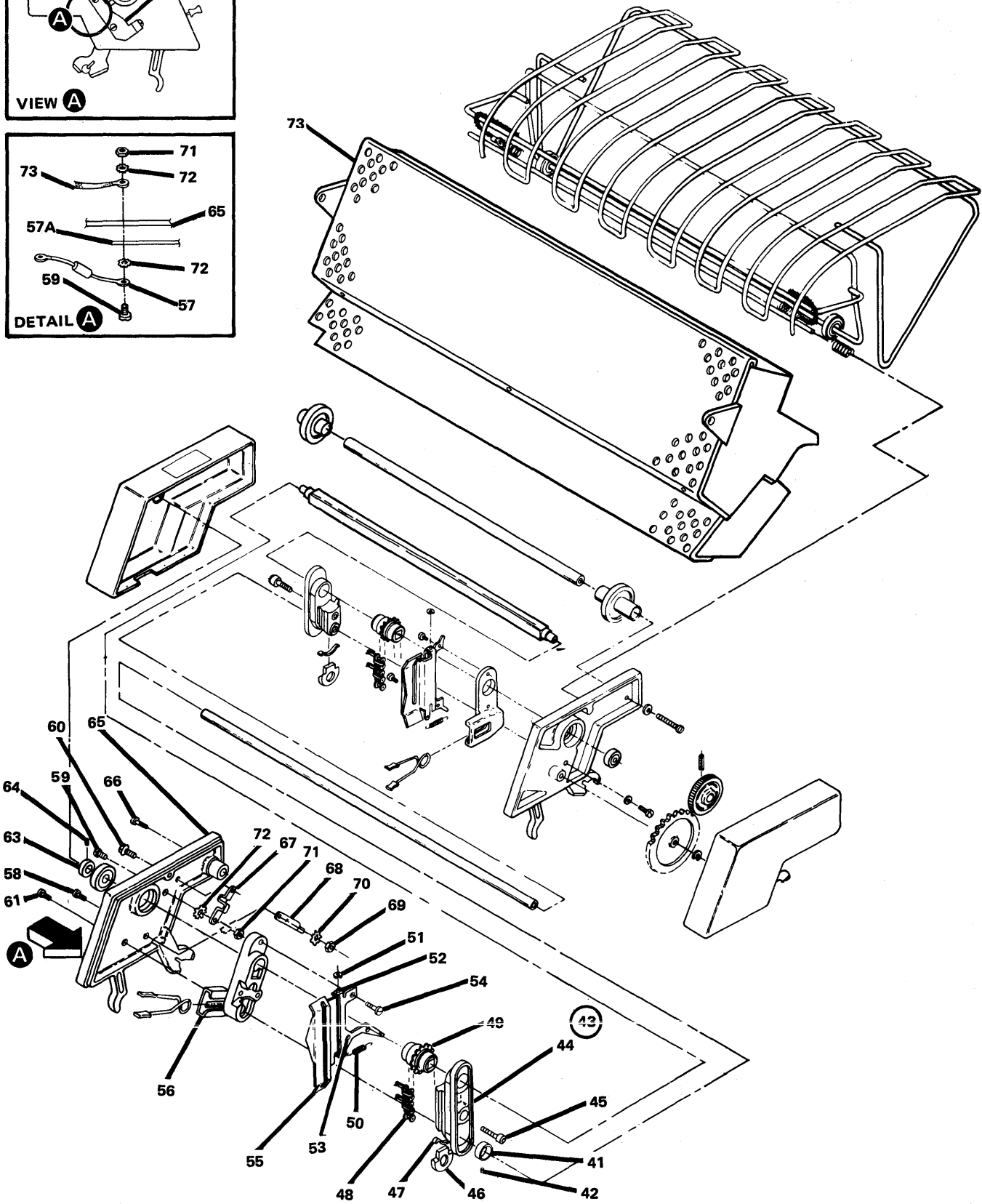
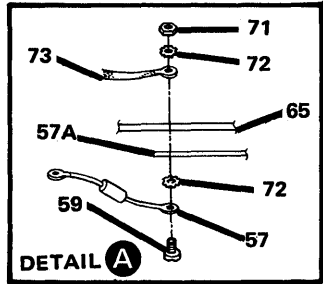
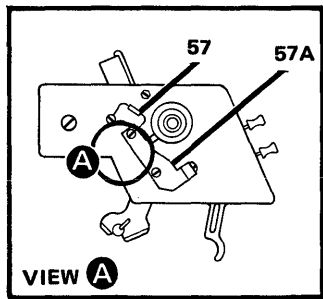


FIGURE 15. FORMS TRACTOR UNIT FEED ASSEMBLY. SHEET 2 OF 2. INDEX NOS. 41-73. SEE LIST 15.

## FORMS TRACTOR UNIT FEED ASM

FIGURE- INDEX NUMBER	PART NUMBER	UNITS PER ASM.	DESCRIPTION			
			1	2	3	4
15 - 41	313694 NR	1	.	COLLAR		
- 42	151720	2	.	SETSCREW,6-FLUTE OR CUP PT- 8-32 X 3/16	ATT PT	
- 43	1638822 NR	1	.	TRACTOR ASM, LH		
- 44	4414894	1	.	GUIDE,CHAIN		
- 45	6844560	1	.	SCREW,THD FORM HEX WSHR HD- 6-19 X 1.0 L	ATT PT	
- 46	4414893 NR	1	.	TENSIONER		
- 47	843273 NR	1	.	SPRING		
- 48	843276 NR	1	.	CHAIN ASM		
- 49	843285 NR	1	.	SPROCKET		
- 50	843287	1	.	SPRING		
- 51	219633	2	.	RING,RETAINING		
- 52	843275	1	.	PIN,HINGE		
- 53	843286 NR	1	.	PLATE,HINGE		
- 54	731626 NR	3	.	SCREW,THD FORM PAN HD- 6-32 X 1/4 LG		
- 55	843293	1	.	PLATE,PRESSURE		
- 56	1638824 NR	1	.	CARRIER		
- 57	6081841	1	.	RESISTOR ASM		
- 57A	1638988	1	.	GROUND STRAP		
- 58	35739	1	.	SCREW,MACH BIND HD- 6-32 X 7/16 LG	ATT PT	
- 59	438550	3	.	SCREW,MACH BIND HD- 4-40 X 1/2 LG	ATT PT	
- 60	5350012	1	.	SCREW,THD FORM HEX WSHR HD- 8-32 X 1/4 L	ATT PT	
- 61	843277	1	.	SCREW,MACH BD HD LOCK- 8-32 X 3/8 LG	ATT PT	
- 63	327686	1	.	COLLAR		
- 64	1175621	2	.	SETSCREW,SPLINE DR CUP PT- 6-32 X 3/16 L	ATT PT	
- 65	6081850	1	.	FRAME,L.H.		
- 66	843278	1	.	SCREW,MACH BIND HD- 10-32 X 1 LG	ATT PT	
- 67	2594621	1	.	STRAP,GROUND		
- 68	1638804	1	.	STRAP		
- 69	257187	2	.	NUT,HEX- 6-32	ATT PT	
- 70	56722	1	.	WASHER,LOCK EXT T- .150 ID	ATT PT	
- 71	37913	2	.	NUT,HEX JAM- 4-40 X .250	ATT PT	
- 72	338169	3	.	WASHER,LOCK EXT T- 1/8 ID X 1/4 OD	ATT PT	
- 73	6069539	1	.	MUFFLER ASM		

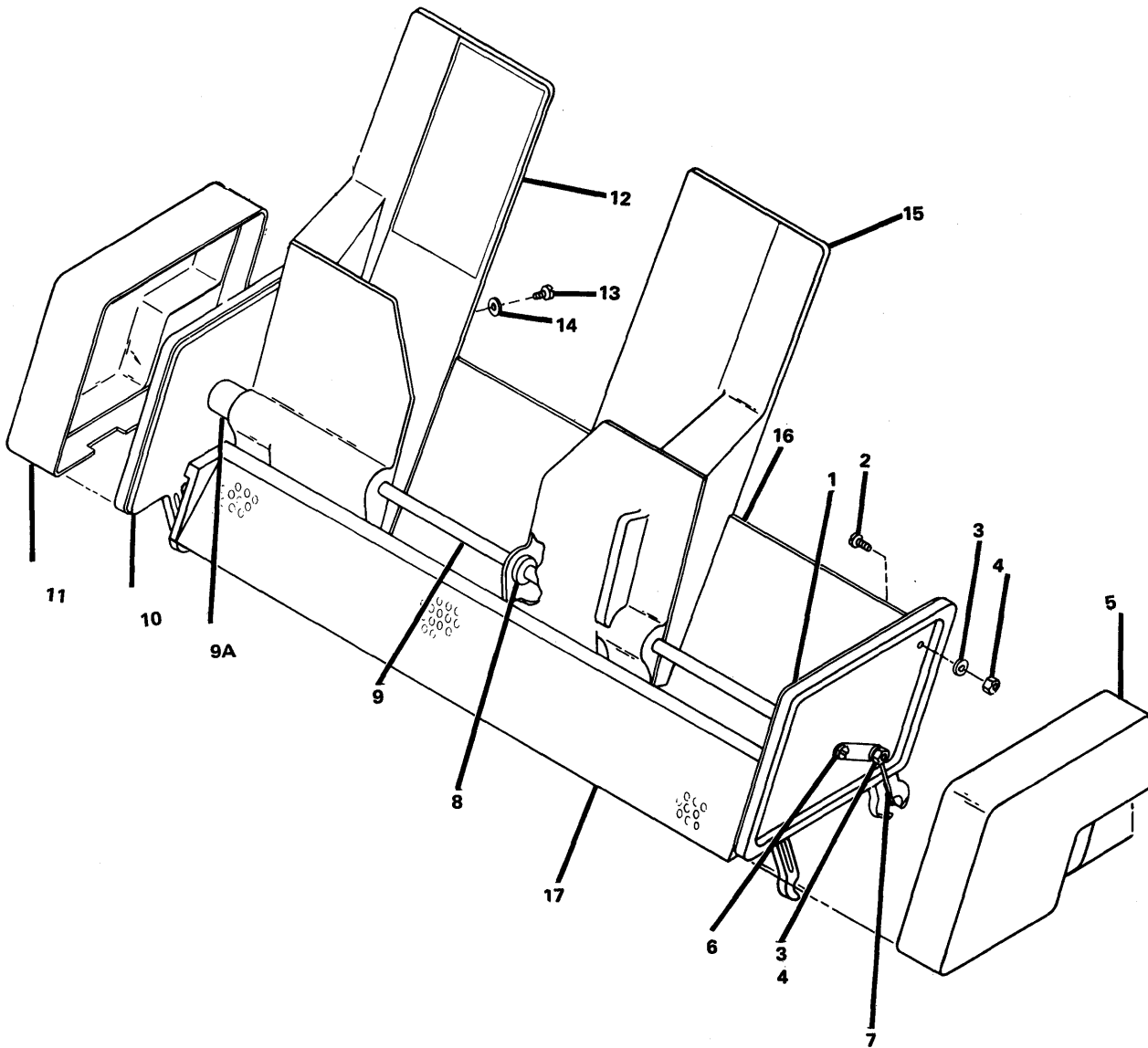


FIGURE 16. DOCUMENT INSERTION DEVICE ASSEMBLY. SEE LIST 16.



CABLE ASM WITH COMPONENT PARTS

FIGURE- INDEX NUMBER	PART NUMBER	UNITS PER ASM.	DESCRIPTION			
			1	2	3	4
17 -	NO NO.	REF	CABLE ASSEMBLIES WITH COMPONENT PARTS FOR ILLUSTRATION SEE FIGURE 17.			
- 1	518614		. STRAP,GROUND FOR COMPONENT PARTS SEE INDEX NO. 3A			
- 1	528484		. STRAP,GROUND FOR COMPONENT PARTS SEE INDEX NO. 2			
- 1	6837637		. CABLE ASM,FAN FOR COMPONENT PARTS SEE INDEX NO. 3			
- 1	6837648		. CABLE ASM,AC TO POWER SUPPLY TERMINAL BOARD- 60 AND 50 HZ GBG/I FOR COMPONENT PARTS SEE INDEX NO. 3			
- 1	6837649		. CABLE ASM,SW TO BE TB AND CB- 60/50 HZ- GBG/I FOR COMPONENT PARTS SEE INDEX NOS. 4,7			
- 1	6837666		. CABLE ASM,AC FOR COMPONENT PARTS SEE INDEX NOS. 3,7			
- 1	6837668		. CABLE ASM,SW TO BE TB AND CB FOR COMPONENT PARTS SEE INDEX NOS. 3,4,7			
- 1	6837669		. CABLE ASM,DC DISTRIBUTION FOR COMPONENT PARTS SEE INDEX NOS. 3B,9			
- 1	6837870		. CABLE ASM,PRINT EMITTER/EOF FOR COMPONENT PARTS SEE INDEX NOS. 5,6, 6B,11			
- 1	6837883		. CABLE ASM,PRINT HEAD- 160 CPS FOR COMPONENT PARTS SEE INDEX NOS. 5,6, 8,10,10B			
- 1	4468974		. CABLE ASM,SIGNAL-REMOTE MODEL SERIES/1 FOR COMPONENT PARTS SEE INDEX NOS. 5, 10A,13,14			
- 1	6327814		. CABLE ASM,SIGNAL-REMOTE MODEL PC FOR COMPONENT PARTS SEE INDEX NO. 16			
- 1	4468975		. CABLE ASM,SIGNAL-LOCAL MODEL FOR COMPONENT PARTS SEE INDEX NOS. 5, 10A,12,15			
- 1	8529509		. CABLE ASM,PRINT-WAIT-TOF FOR COMPONENT PARTS SEE INDEX NOS. 4A, 5,6B			

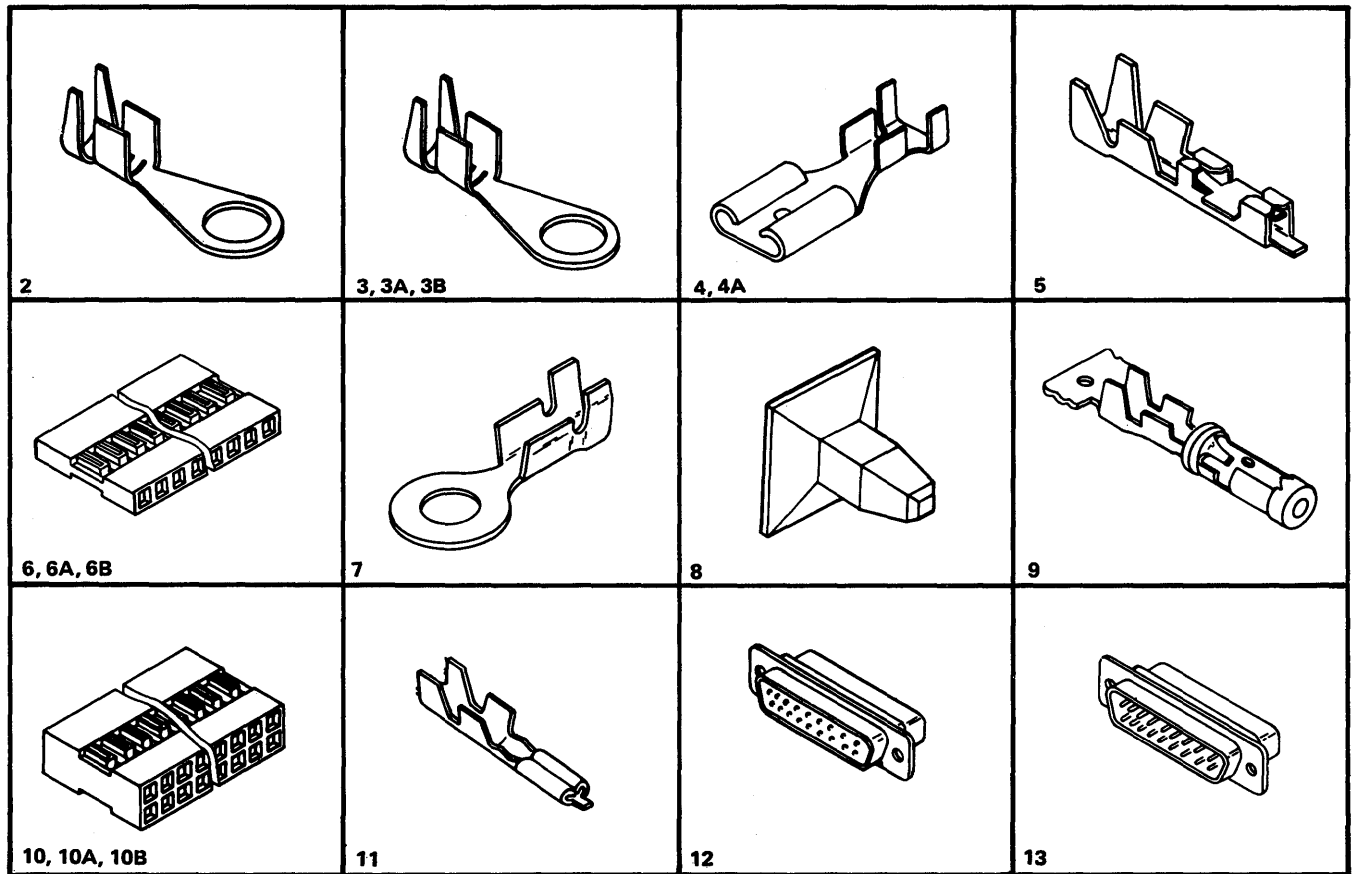


FIGURE 17. CABLE ASSEMBLIES WITH COMPONENT PARTS. SHEET 1 OF 2. INDEX NOS. 2-13. SEE LIST 17.

CABLE ASM WITH COMPONENT PARTS

FIGURE- INDEX NUMBER	PART NUMBER	UNITS PER ASM.	DESCRIPTION			
			1	2	3	4
17 - 2	113750	AR	.	TERMINAL,RING		
- 3	483677	AR	.	TERMINAL,RING NO. 6 STUD- 18-20 AWG		
- 3A	483678	AR	.	TERMINAL,RING NO. 6 STUD- 14-16 AWG		
- 3B	483682	AR	.	TERMINAL,RING NO. 8 STUD- 14-16 AWG		
- 4	430799	AR	.	TERMINAL,SLIP-ON- 18-24 AWG		
- 4A	236916	AR	.	TERMINAL,CONTACT FEMALE- 22-24 AWG		
- 5	2637682	AR	.	PIN,CONTACT		
- 6	2637680	AR	.	HOUSING,1 X 4-LEFT POLARIZED		
- 6A	2731836	AR	.	HOUSING- 1 X 8-LEFT POLARIZED		
- 6B	2731835	AR	.	HOUSING- 1 X 4-LEFT POLARIZED		
- 7	236915	AR	.	TERMINAL,CONTACT FEMALE- 18-20 AWG		
- 8	2637689	AR	.	INSERT,POLARIZATION		
- 9	2122261	AR	.	SOCKET,CONTACT- 16-18 AWG		
- 10	2731847	AR	.	HOUSING- 2 X 16-POLARIZED		
- 10A	2731388	AR	.	HOUSING,2 X 12		
- 10B	6837915	AR	.	HOUSING,2 X 12		
- 11	5412817	AR	.	TERMINAL		
- 12	5252593	AR	.	CONNECTOR,25-POSITION FEMALE		
- 13	5252592	AR	.	CONNECTOR,25-POSITION MALE		

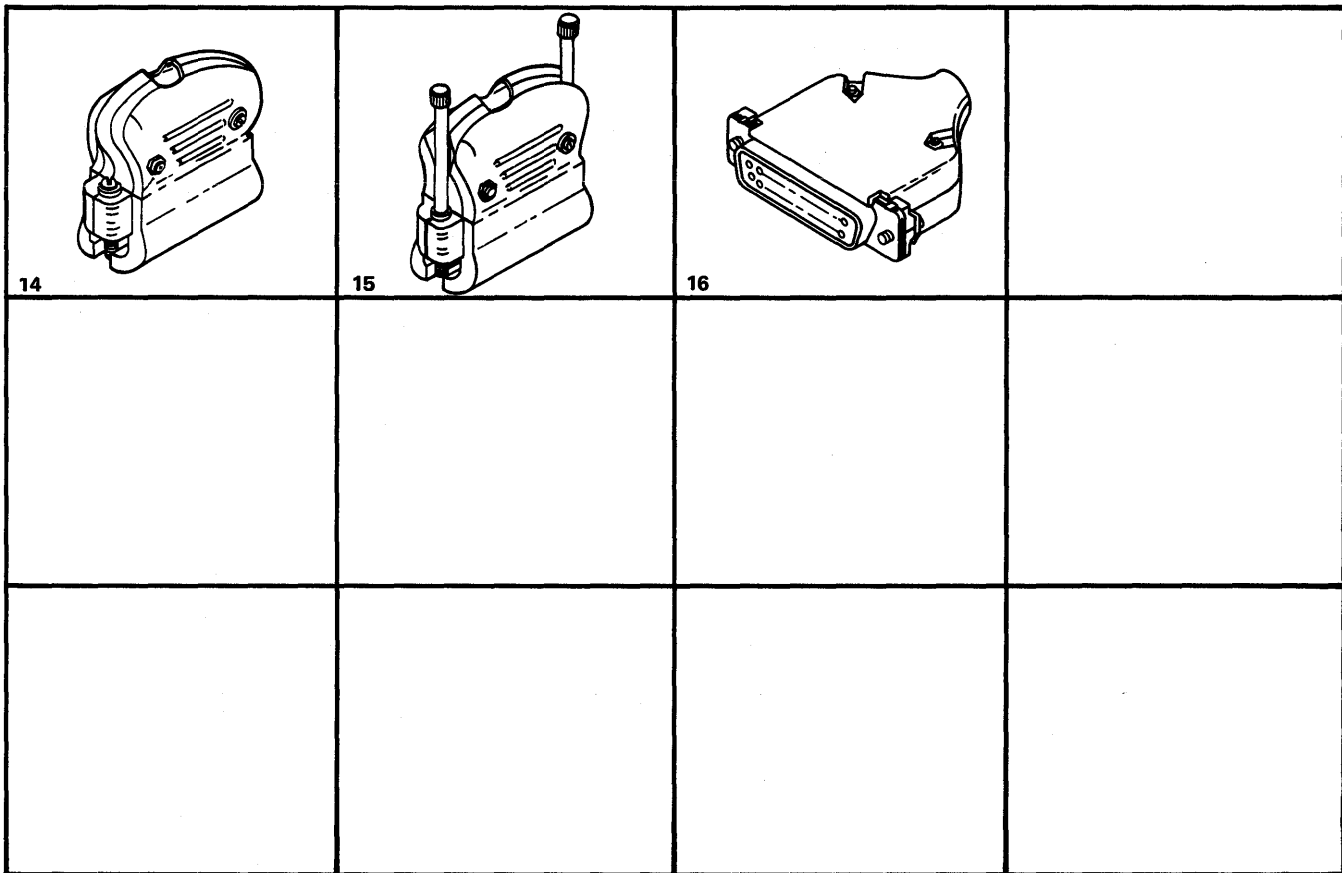


FIGURE 17. CABLE ASSEMBLIES WITH COMPONENT PARTS. SHEET 2 OF 2. INDEX NOS. 14-16. SEE LIST 17.

CABLE ASM WITH COMPONENT PARTS

FIGURE- INDEX NUMBER	PART NUMBER	UNITS PER ASM.	DESCRIPTION
			1 2 3 4
17 - 14	2721890	AR	. HOOD,SIGNAL CABLE CONNECTOR
- 15	765295	AR	. HOOD,SIGNAL CABLE CONNECTOR
- 16	6327824	AR	. METAL HOOD,SIGNAL CABLE CONNECTOR

# NUMERICAL INDEX

PART NO.	LIST AND INDEX NO.	PART NO.	LIST AND INDEX NO.	PART NO.	LIST AND INDEX NO.	PART NO.	LIST AND INDEX NO.
221	10 - 17	265195	7 - 3	667481	1A- 3	843574	15 - 3
1856	7 - 35	311072	15 - 19	731626	15 - 33	843576	15 - 4
2903	16 - 14	311699	1 - 25		15 - 54	843584	9 - 16
6364	10 - 14	313694	15 - 41	760388	16 - 13	1073418	7 - 57
8446	7 - 45	322562	10 - 18	765295	17 - 15	1077722	11 - 13
10170	6 - 3	322762	12 - 21	843123	8 - 31	1090873	7 - 24
	6 - 7		13 - 21	843132	10 - 1	1092125	7 - 19
	8 - 21		14 - 21	843138	15 - 7		7 - 43
25282	7 - 11		14A- 21	843146	4 - 9	1103695	8 - 17
32042	9 - 12	326265	15 - 17	843159	7 - 26	1115633	8 - 14
34512	5 - 7	327686	15 - 63	843161	7 - 14	1128138	8 - 26
35739	15 - 58	332747	7 - 13	843162	7 - 48	1147559	8 - 30
37913	5 - 4	338169	15 - 72	843173	6 - 23	1147570	8 - 24
	8 - 40	338238	6 - 15	843175	3 - 20	1147571	8 - 27
	15 - 71	344184	9 - 17	843204	15 - 14	1147572	8 - 28
38263	8 - 39	351237	14 - 16	843206	15 - 24	1147573	8 - 29
38350	7 - 28		14A- 16	843207	15 - 16	1147580	8 - 25
	7 - 37	361537	13 - 16	843211	9 - 15	1147586	8 - 9
45653	8 - 42	430799	17 - 4	843233	9 - 5	1147597	8 - 5
47987	7 - 52	438548	6 - 13	843258	6 - 20	1147599	8 - 4
55918	10 - 16		7 - 31	843266	7 - 42	1164080	15 - 25A
56722	15 - 70	438550	8 - 51	843271	15 - 25	1175621	15 - 64
62031	7 - 47		15 - 59	843272	15 - 30	1204263	8 - 3
113750	17 - 2	483677	17 - 3	843273	15 - 38	1204274	8 - 16
123780	8 - 37	483678	17 - 3A		15 - 47	1205314	8 - 20
129654	10 - 4	483682	17 - 3B	843275	15 - 52	1205562	8 - 12
130118	5 - 10	511063	12 - 2	843276	15 - 48	1206438	8 - 18
138748	12 - 9		13 - 2	843277	15 - 61	1206439	8 - 2
	13 - 9		14 - 2	843278	15 - 66	1256113	8 - 23
	14 - 9		14A- 2	843281	15 - 10	1256114	8 - 6
	14A- 9	512137	12 - 4	843282	15 - 11A	1256204	8 - 11
149897	7 - 23		13 - 4	843283	15 - 18	1256715	8 - 13
151720	15 - 42		14 - 4	843285	15 - 36	1290623	8 - 19
156364	15 - 15		14A- 4		15 - 49	1608427	1 - 13
179743	1 - 26		14A- 22	843286	15 - 53		1A- 29
186925	5 - 3	512508	7 - 5	843287	15 - 50		1A- 36
186928	10 - 13	515661	11 - 10	843293	15 - 55		2 - 3
192049	5 - 11	518614	1 - 7	843305	6 - 19		2 - 7
209184	15 - 34		1A- 19	843306	6 - 17		2 - 19
219633	7 - 20		17 - 1	843317	1 - 28	1608441	2 - 15
	15 - 29	526378	12 - 7	843337	3 - 32	1621023	2 - 4
	15 - 51		13 - 7	843344	3 - 28	1621064	12 - 20
225574	7 - 21		14 - 7		9 - 2		13 - 20
236550	7 - 39		14A- 7	843345	6 - 12		14 - 20
236915	17 - 7	528484	1 - 4	843356	4 - 8		14A- 20
236916	17 - 4A		1A- 11	843357	4 - 6	1621170	1A- 7
251820	9 - 14		17 - 1	843359	4 - 5		1A- 23
251970	7 - 49	597300	11 - 2	843360	4 - 7		1A- 30
257187	7 - 54	600960	4 - 4	843378	10 - 3		1A- 38
	8 - 10	602721	1 - 29	843384	7 - 25		1A- 43
	15 - 69		3 - 9	843385	7 - 27		12 - 17
257189	16 - 4		3 - 29	843389	3 - 22	1621172	1A- 40
257972	7 - 53		9 - 4	843411	3 - 1	1621174	11 - 5
257984	8 - 41	615683	12 - 4		5 - REF	1621181	13 - 17
257986	16 - 3		13 - 4	843413	5 - 9		14 - 17
261853	12 - 3		14 - 4	843414	5 - 1		14A- 17
	13 - 3		14A- 4	843415	5 - 6	1621190	1A- 12
	14 - 3	638210	15 - 6	843446	5 - 2	1621192	12 - 12
	14A- 3	638875	15 - 13	843463	5 - 5		13 - 12
264641	7 - 9		15 - 22	843561	9 - 9		14 - 12



# NUMERICAL INDEX

PART NO.	LIST AND INDEX NO.	PART NO.	LIST AND INDEX NO.	PART NO.	LIST AND INDEX NO.	PART NO.	LIST AND INDEX NO.
1621192-CONT	14A- 12	1638832	15 - 31	4468996-CONT	1A- 15	6837443	16 - 16
1621193	1 - 2	1638833	15 - 28		14 - REF	6837452	16 - 11
	1 - 5	1638834	15 - 35		14A- REF	6837453	16 - 5
	1 - 8	1638841	15 - 5	4468997	1 - 12	6837454	16 - REF
1621613	2 - 11	1638844	3 - 18	4468999	6 - 4	6837484	16 - 12
1621719	1 - 11	1638852	10 - 7	4469010	1 - 14	6837485	16 - 15
1622302	1A- 31	1638856	10 - 12	4469012	6 - 9	6837496	10 - 6
	1A- 41	1638880	8 - 43	4469013	1 - 12	6837505	6 - 10
	11 - 9	1638881	8 - 46	4469015	6 - 6	6837506	6 - 16
1622304	12 - 13	1638882	8 - 47	4469016	2 - 9	6837509	7 - 34
	13 - 13	1638883	8 - 38	4469018	7 - 41	6837510	7 - 32
	14 - 13	1638884	8 - 49	4469019	6 - 5	6837513	7 - 50
	14A- 13	1638889	8 - 50	4498821	4 - 12	6837514	7 - 51
1622332	11 - 8	1638890	8 - 48	4498870	6 - 9A	6837516	7 - 1
1622344	1A- 22	1638891	8 - 36	4499218	1A- 9	6837517	7 - 36
	1A- 32	1638893	3 - 2	4499219	1A- 8	6837520	9 - 3
	1A- 44	1638927	1 - 27	4499220	2 - 20		10 - REF
	11 - 7	1638988	15 - 57A	4499221	1A- 10	6837523	1 - 23
	12 - 16	2102366	1A- 39	4499222	2 - 21	6837547	12 - 10
1622346	1 - 3	2122261	17 - 9	4755583	2 - 8	6837548	13 - 10
	1 - 6	2181071	10 - 2	4755584	2 - 8	6837549	14 - 10
	1 - 9	2183494	1 - 22	4755598	14 - REF		14A- 10
	1A- 13	2426491	14 - 10	4755599	14 - REF	6837553	1A- 15
	12 - 11	2451224	1A- 5	5252592	17 - 13		13 - REF
	12 - 14	2546641	11 - 4	5252593	17 - 12	6837568	1 - 10
	13 - 11	2594621	15 - 67	5252850	12 - 6	6837570	1 - 15
	13 - 14	2637680	17 - 6		13 - 6	6837586	1 - 17
	14 - 11	2637682	17 - 5		14 - 6	6837590	1 - 19
	14 - 14	2637689	17 - 8		14A- 6	6837597	1A- 34
	14A- 11	2721890	17 - 14	5350012	15 - 60	6837609	2 - 18
	14A- 14	2731388	17 - 10A	5412817	17 - 11	6837615	11 - 11
1622347	1A- 18	2731835	17 - 6B	5552875	1A- 17	6837616	1A- 25
1622401	11 - 6	2731836	17 - 6A		1A- 26		11 - REF
1622403	1A- 14	2731847	17 - 10		2 - 13	6837622	1A- 1
	12 - 15	2750830	11 - 12		2 - 17	5837637	1A- 27
	13 - 15	4201819	14A- 23	5552876	1 - 20		11 - 3
	14 - 15	4406244	2 - 21A		1A- 35		17 - 1
	14A- 15	4410769	8 - 45	5642990	1 - 16	6837647	1A- 15
1638707	7 - 17	4410771	3 - 31	5642991	1 - 16		12 - REF
1638708	7 - 10	4410772	3 - 15	5642992	1 - 16	6837648	1A- 21
1638709	7 - 8	4411358	1A- 16	5952972	2 - 20A		17 - 1
1638727	6 - 22	4412700	4 - 1	6031121	3 - 14	6837649	1A- 45
1638735	10 - 11	4412701	9 - 1	6042123	2 - 14		17 - 1
1638740	10 - 10	4414892	15 - 32	6060970	16 - 9A	6837651	1A- 4
1638775	4 - 11	4414893	15 - 46	6069539	15 - 73	6837655	1A- 15
1638786	10 - 9	4414894	15 - 44	6081840	15 - 9		1A- 15
1638790	10 - 5	4468363	2 - 10	6081841	15 - 57		14 - REF
1638797	3 - 17	4468472	7 - 29	6081848	1 - 18		14A- REF
1638802	15 - 20	4468974	1A- 28		15 - REF	6837656	1A- 33
1638804	15 - 68		17 - 1	6081850	15 - 65	6837657	1A- 37
1638809	4 - 2	4468975	1A- 28	6081854	2 - 5	6837658	1A- 1
1638814	4 - 10		17 - 1	6327814	1A- 28	6837665	11 - 1
1638815	15 - 12	4468982	3 - 7		17 - 1	6837666	1A- 42
1638816	15 - 21	4468985	1A- 16	6327824	17 - 16		17 - 1
1638822	15 - 43	4468991	1 - 12	6825840	1A- 8A	6837668	1A- 45
1638823	15 - 26	4468994	1A- 15	6825867	1A- 10A		17 - 1
1638824	15 - 56		12 - REF	6837398	3 - 30	6837669	1A- 20
1638825	15 - 27	4468995	1A- 15	6837434	16 - 10		17 - 1
1638827	15 - 39		13 - REF	6837435	16 - 1	6837688	1A- 4A
1638829	15 - 37	4468996	1A- 15	6837438	16 - 9	6837866	10 - 15

## NUMERICAL INDEX

PART NO.	LIST AND INDEX NO.	PART NO.	LIST AND INDEX NO.	PART NO.	LIST AND INDEX NO.	PART NO.	LIST AND INDEX NO.
6837870	3 - 11	6841938	4 - 3				
	17 - 1	6841939	1 - 24				
6837879	9 - 11		3 - 6				
6837883	7 - 38		3 - 24				
	17 - 1		3 - 26				
6837884	6 - 24		9 - 8				
6837900	7 - 44		16 - 6				
6837914	6 - 18	6841964	2 - 15				
6837915	17 - 10B	6842703	15 - 23				
6838234	1 - 16	6843293	16 - 7				
6838715	12 - 18	6844560	15 - 40				
	13 - 18		15 - 45				
	14 - 18	6844631	6 - 14				
	14A- 18	6844639	7 - 40				
6838719	12 - 8	6844641	3 - 19				
	13 - 8	6844659	15 - 11				
	14 - 8	6844719	7 - 30				
	14A- 8	6845623	2 - 2				
6838775	12 - 19	6845960	16 - 17				
	13 - 19	6846224	1A- 2				
	14 - 19	6846225	1A- 2				
	14A- 19	6846278	15 - 2				
6838786	1A- 6	6846279	15 - 1				
6839736	10 - 8	6846300	16 - 2				
6840533	10 - 19	6846534	1 - 12				
6840534	9 - 10	6846538	2 - 8				
6840538	10 - 20	6846539	2 - 12				
6840539	3 - 12	6846540	2 - 16				
6840541	3 - 16	6846544	1 - 12				
6840582	8 - 22	6846545	1 - 12				
6840594	5 - 8	6846546	1 - 12				
6840647	9 - 7	6846552	2 - 8				
6841461	1 - 16	6846553	2 - 22A				
6841519	7 - 16	6846558	1 - 12				
6841521	7 - 18	6846559	1 - 12				
6841522	7 - 6	6846560	1 - 12				
6841527	6 - 2	7364632	2 - 6				
6841534	3 - 27	8281121	7 - 26A				
6841720	1 - 16	8326797	1A- 9A				
6841722	1 - 16	8326826	3 - 25				
6841724	1 - 16	8326828	7 - 15				
6841726	1 - 16	8529430	16 - 8				
6841728	1 - 16	8529434	3 - 3				
6841730	1 - 16		8 - REF				
6841732	1 - 16	8529435	6 - 15A				
6841838	7 - 55	8529503	1 - 1				
6841840	7 - 33		3 - REF				
6841861	6 - 21	8529506	2 - 22				
6841865	7 - 22	8529509	1 - 21				
6841866	7 - 56		17 - 1				
6841881	15 - 8	8529511	6 - 8				
6841932	9 - 13		7 - REF				
6841935	3 - 4						
	3 - 8						
	3 - 23						
	3 - 33						
	4 - 13						
	7 - 46						
	8 - 35						
	8 - 44						

**THIS PAGE INTENTIONALLY LEFT BLANK**

IBM 4975 Printer Models 02L and 02R  
Parts Catalog  
Order No. S134-0064-2

READER'S  
COMMENT  
FORM

This manual is part of a library that serves as a reference source for systems analysts, programmers, and operators of IBM systems. You may use this form to communicate your comments about this publication, its organization, or subject matter, with the understanding that IBM may use or distribute whatever information you supply in any way it believes appropriate without incurring any obligation to you. Your comments will be sent to the author's department for whatever review and action, if any, are deemed appropriate.

**Note:** *Copies of IBM publications are not stocked at the location to which this form is addressed. Please direct any requests for copies of publications, or for assistance in using your IBM system, to your IBM representative or to the IBM branch office serving your locality.*

Note: Staples can cause problems with automated mail sorting equipment.  
Please use pressure sensitive or other gummed tape to seal this form.

Thank you for your cooperation. No postage stamp necessary if mailed in the U.S.A. (Elsewhere, an IBM office or representative will be happy to forward your comments or you may mail directly to the address in the Edition Notice on the back of the title page.)

Reader's Comment Form

Cut or Fold Along Line

Fold and tape

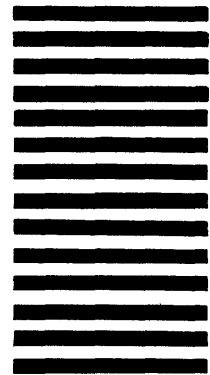
Please Do Not Staple

Fold and tape



NO POSTAGE  
NECESSARY  
IF MAILED  
IN THE  
UNITED STATES

**BUSINESS REPLY MAIL**  
FIRST CLASS    PERMIT NO. 40    ARMONK, N.Y.



POSTAGE WILL BE PAID BY ADDRESSEE:

International Business Machines Corporation  
Information Development, Department 27T  
P.O. Box 1342  
Boca Raton, Florida 33432

Fold and tape

Please Do Not Staple

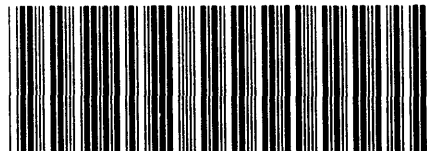
Fold and tape







S134-0064-02



S134-0064-2

Printed in U.S.A.