

Maintenance Library

MIM	PCM	MDM
INTRO LGND GLOS START MLX PROG LOC PWR CARR INST INSP INDEX	PARTS CATALOG	CARD PLUG CHARTS POWER DIAGRAM VOLTAGE PIN LISTS
VOL .R10	VOL .R20	VOL .R30

ECM	MSM	LRM
INTRO ECI CTL-I MNT-C DBFR CTRL CHL-I DD PORT STOR DC	INTRO SENSE OPER PDA REF MD	LOGIC REFER- ENCE
VOL .R45	VOL .R60	VOL .R70



Storage Control Models 21 and 23 Maintenance Diagram Manual

3880
MDM

Seq AA0010	PN 6315733 1 of 2	881146 13 Jan 84	881221 15 Aug 84	A21802 17 Jun 85		
------------	----------------------	---------------------	---------------------	---------------------	--	--

Preface

The drawings and specifications contained herein shall not be reproduced in whole or in part without written permission.

IBM has prepared this maintenance manual for the use of IBM customer engineers in the installation, maintenance, and repair of the specific machines indicated. IBM makes no representation that it is suitable for any other purpose.

Information contained in this manual is subject to change from time to time. Any such change will be reported in subsequent revisions.

It is possible that this material may contain reference to, or information about IBM products (machines and programs), programming, or services that are not announced in your country. Such references or information must not be construed to mean that IBM intends to announce such IBM products, programming, or services in your country.

Requests for copies of IBM publications should be made to your IBM representative or to the IBM branch office servicing your locality.

A form for reader's comments is provided at the back of this publication. If the form has been removed comments may be addressed to:

International Business Machines Corporation
 Department 61C/313
 Tucson, Arizona, U.S.A. 85744

IBM may use or distribute any of the information you supply in any way it believes appropriate without incurring any obligation whatever. You may, of course, continue to use the information you supply.

Maintenance Manual Ordering Procedure (IBM Internal)

Individual pages of the 3880 Maintenance manual can be ordered from the Tucson plant by using the Wiring Diagram/Logic Page Request, Z150-0130 (U/M 015). In the logic page columns, enter the page identifier information: sequence number and side number **1**, part number **2**, and engineering change (EC) number **3**.

	1	2	3
3880		PN 6315733	881146
MDM	Seq AA0010	2 of 2	13 Jan 84

© Copyright IBM Corp. 1984

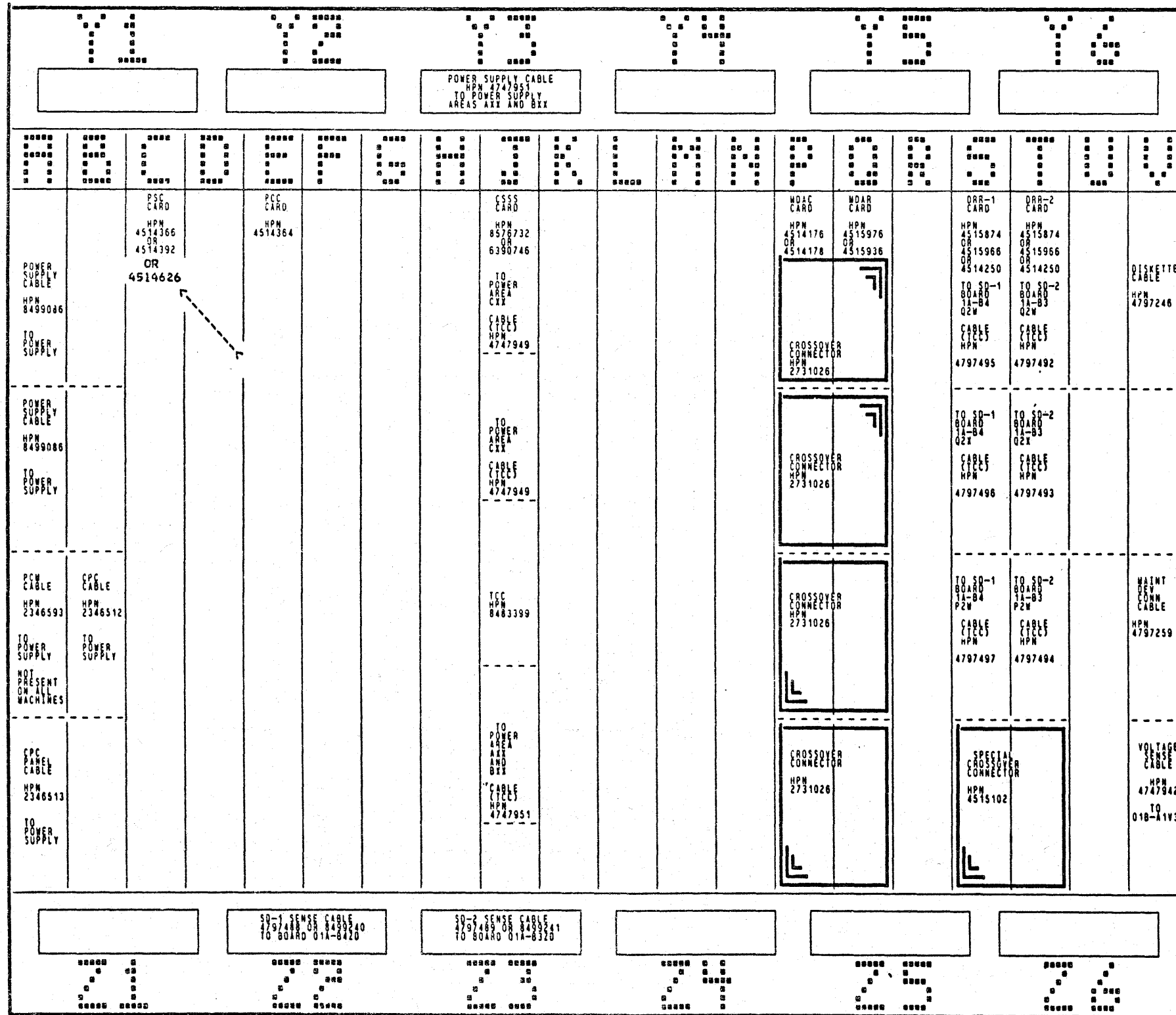
Groups of pages can be ordered by including a description (section, volume) and the machine serial number.

Related Publications

A list of related publications can be found in the Maintenance Support Manual, REF section.

3880		PN 6315733	881146	881221	A21802		
MDM	Seq AA0010	2 of 2	13 Jan 84	15 Aug 84	17 Jun 85		

© Copyright IBM Corp. 1984, 1985



POWER SUPPLY CABLE
HPN 474951
TO POWER SUPPLY
AREAS AXI AND BIX

A B C D E F G H I J K L M N O P Q R S T U V

POWER SUPPLY CABLE HPN 8499086 TO POWER SUPPLY	PSC CARD HPN 4514366 OR 4514392 OR 4514626	PCC CARD HPN 4514364				CSSD CARD HPN 8576732 OR 6390746 TO POWER AREA CIX CABLE HPN 4747949					MBC CARD HPN 4514176 OR 4514178	MBR CARD HPN 4515976 OR 4515936	DRR-1 CARD HPN 4515874 OR 4515966 OR 4514250	DRR-2 CARD HPN 4515874 OR 4515966 OR 4514250		DISKETTE CABLE HPN 4787246
POWER SUPPLY CABLE HPN 8499086 TO POWER SUPPLY						TO POWER AREA CIX CABLE HPN 4747949				CROSSOVER CONNECTOR HPN 2731026	CROSSOVER CONNECTOR HPN 2731026	TO SD-1 BOARD 1A-B4 Q2W CABLE HPN 4797495	TO SD-2 BOARD 1A-B3 Q2W CABLE HPN 4797492			
POWER SUPPLY CABLE HPN 8499086 TO POWER SUPPLY						TO POWER AREA CIX CABLE HPN 4747949				CROSSOVER CONNECTOR HPN 2731026	CROSSOVER CONNECTOR HPN 2731026	TO SD-1 BOARD 1A-B4 Q2W CABLE HPN 4797496	TO SD-2 BOARD 1A-B3 Q2W CABLE HPN 4797493			
PCM CABLE HPN 2346593 TO POWER SUPPLY NOT PRESENT ON ALL MACHINES	CPC CABLE HPN 2346512 TO POWER SUPPLY					TCC HPN 8483399				CROSSOVER CONNECTOR HPN 2731026	CROSSOVER CONNECTOR HPN 2731026	TO SD-1 BOARD 1A-B4 P2W CABLE HPN 4797497	TO SD-2 BOARD 1A-B3 P2W CABLE HPN 4797494		MAINT DEV CONN CABLE HPN 4787259	
CPC PANEL CABLE HPN 2346513 TO POWER SUPPLY						TO POWER AREA AXI AND BIX CABLE HPN 4747951				CROSSOVER CONNECTOR HPN 2731026	CROSSOVER CONNECTOR HPN 2731026	SPECIAL CROSSOVER CONNECTOR HPN 4515102			VOLTAGE SENSE CABLE HPN 4747942 TO 010-A1V3	

NOTE: IF OPTIONAL EC 450175 IS INSTALLED, THERE WILL BE A 1/2 UFD POLARIZED CAPACITOR, PN 1848742, INSTALLED BETWEEN E4012 (+) AND E4008 (-).

BOARD (HARDWARE) PART NUMBER 4748573.8576733.6316002.6390758

Temp. Rework
Suitable for filming

IEC 11290087
IEC 11224221
IEC 11224222
EC A29221

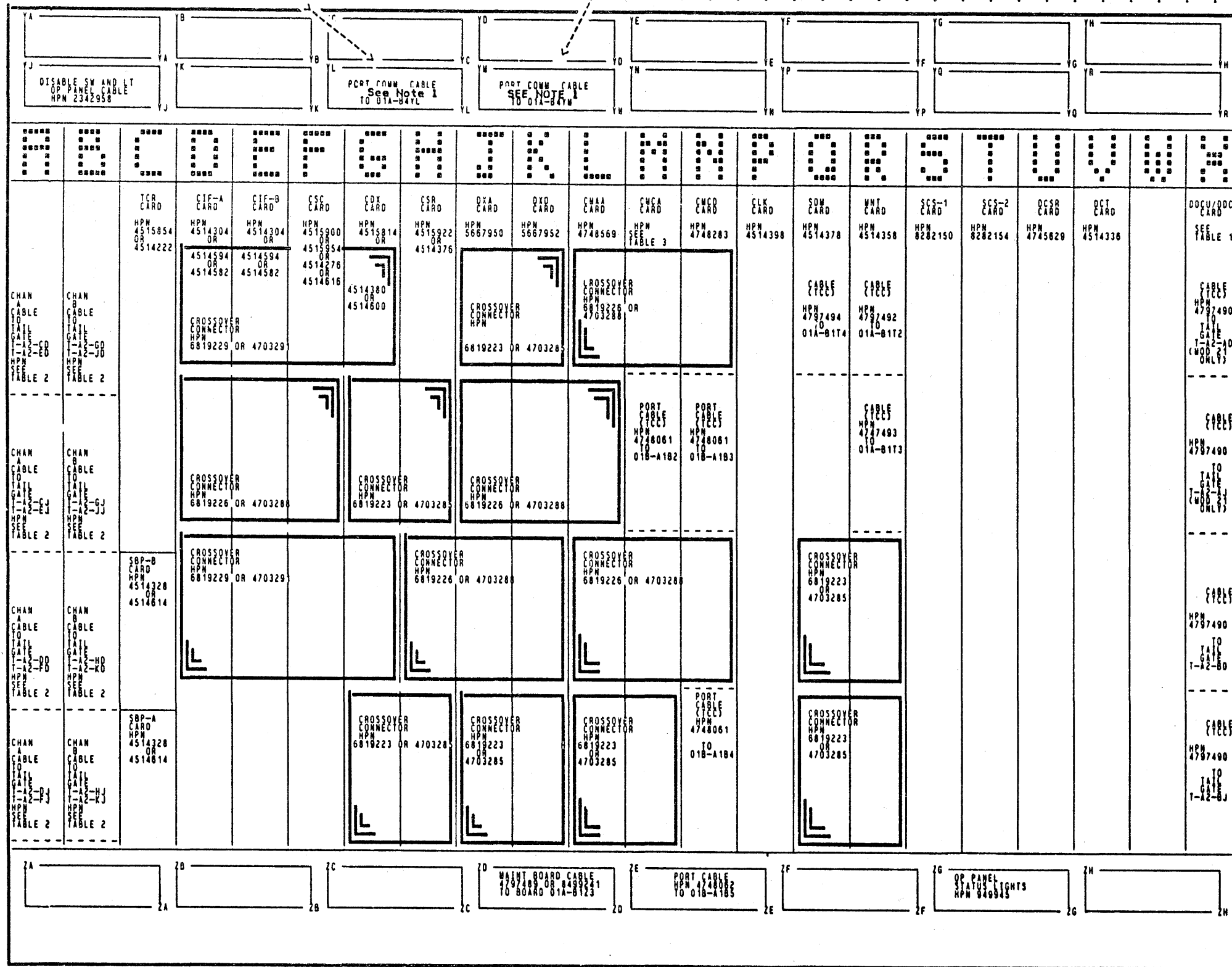
EC HISTORY

15FEB84 081148	MAINTENANCE BOARD
15MAY84 081218	
09AUG84 081221	
15OCT84 081221	
15JAN85 081221	

259,48023
PRINT 22 MAR 85 1778 PM 6315736
PAGE 01 OF 6

MACH 3880
PAGE 011-01
LOC 011-01

HPN REC A21797



NOTE 1: LOCATIONS YL AND YM MUST BOTH CONTAIN THE SAME PART NUMBER. IT CAN BE EITHER 4748063 OR 6272720. DO NOT MIX PART NUMBERS.

TABLE 1

CARD LOC	WQ0 21	WQ0 23
X2	DDCU 4514398 4514322 4514322	DCV 4514214 4514218 OR 4514572

TABLE 2
CHANNEL CABLE CONFIGURATION

PLUG LOC	OLD CONFIG A/B	NEW CONFIG
3	4797485	4797485
2	4797486	4797486
3	4797482	4797482
WITH FACTORY INSTALLED E/W		
3	4797482	4797482
2	4797485	4797485
3	4797486	4797486

TABLE 3

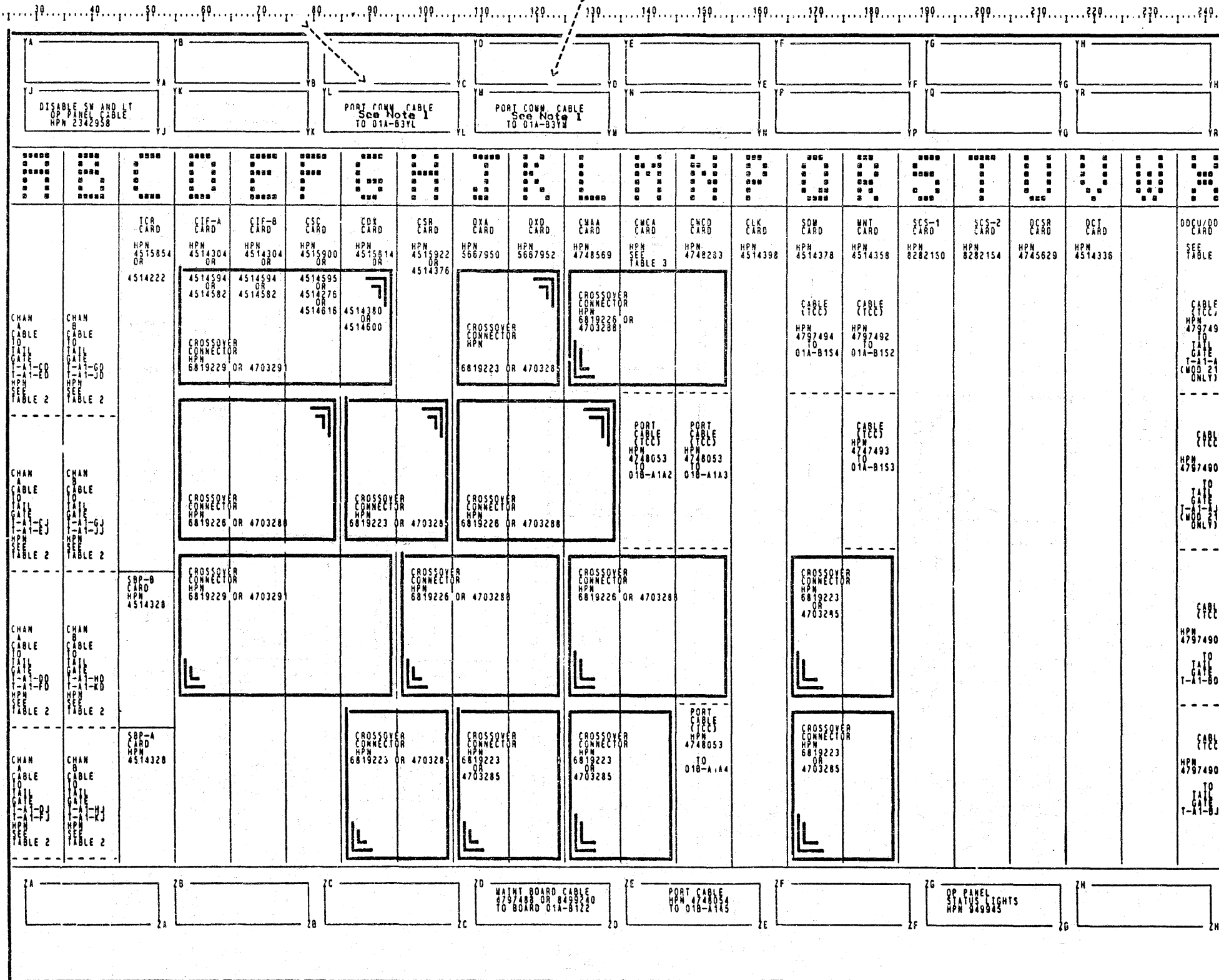
SD BOARD 01A-B3/B4	6315998	6315981
CWCA CARD 01A-B3/B4 M2	4748515	6315973

BOARD (HARDWARE) PART NUMBER: 6315998 OR 6315981

Temp. Rework
Suitable for filming

EC HISTORY

15EE084 881149	STORAGE DIRECTOR 2
15E084 881149	SD BOARD
15E084 881149	CHANNEL
15E084 881149	PRINT 22 MAR 85 0076 PM 6315736
	PAGE 2 OF 6
	MACH 3890 HPN
	LOC ME 01A-B3 HEC 421797



NOTE 1: LOCATIONS YL AND YM MUST BOTH CONTAIN THE SAME PART NUMBER. IT CAN BE EITHER 4748063 OR 6272720. DO NOT MIX PART NUMBERS.

TABLE 1

CARD LOC	MOD 21	MOD 23
X2	DDCU 4514396 4514322	DDCV 4514214 4514216 OR 4514572

TABLE 2
CHANNEL CABLE CONFIGURATION

PLUG LOC	OLD CONFIG A/B	NEW CONFIG A/B
2	4797482 4797486 4797488 4797488	4797482 4797486 4797488 4797488
WITH FACTORY INSTALLED E/W		
2	4797482 4797486 4797488 4797482	4797482 4797486 4797488 4797482

TABLE 3

SD BOARD 01A-B3/B4	6315988	6315981
CMCA CARD 01A-B3/B4 M2	4748515	6315973

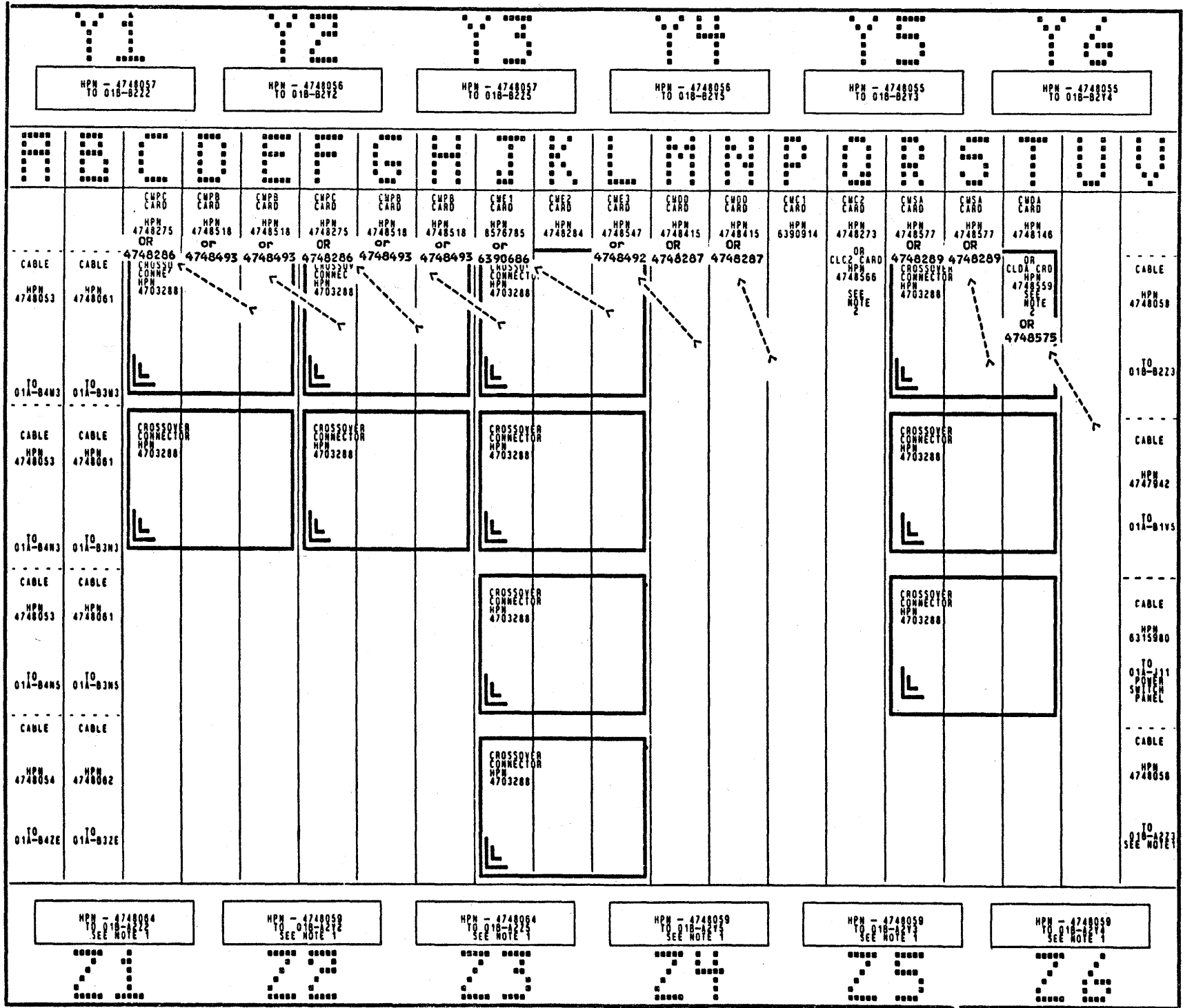
BOARD (HARDWARE) PART NUMBER: 6315998 OR 6315981

Temp. Reword
Suitable for filming

IEC 11290087
IEC 11224221
IEC 11224222
EC A29221

EC HISTORY

13 FEB 84 081348	1 STORAGE DIRECTOR 1
02 AUG 84 1215521	20 BOARD
10 JAN 85 121750	30 BOARD
15 JAN 85 121750	PRINT 22 MAR 85 0074 PM 03 15 236
	PAGE 03 OF 6
MACH 380	HPN
LOC 011-B4	HEC A21797



HPN - 4748057
TO 018-8222

HPN - 4748056
TO 018-8272

HPN - 4748057
TO 018-8223

HPN - 4748056
TO 018-8273

HPN - 4748055
TO 018-8273

HPN - 4748055
TO 018-8274

HPN - 4748084
SEE NOTE 1

HPN - 4748059
SEE NOTE 1

HPN - 4748084
SEE NOTE 1

HPN - 4748059
SEE NOTE 1

HPN - 4748059
SEE NOTE 1

HPN - 4748059
SEE NOTE 1

BOARD (HARDWARE) PART NUMBER 4748285

- NOTE:
1. PRESENT WITH 32 MB AND NOT EXPANDED STORAGE.
 2. MACHINES WITH EXPANDED STORAGE USE CLC2 AND CLC4 CARDS.

Machines other than Model 21s with serial numbers 84000 through 84299 have expanded storage.

Temp. Rework
Suitable for filming

IEC 1129087
IEC 11224221
IEC 11224222
EC A29221

12FEB84 081349	SUBSYSTEM STORAGE CONTROL BOARD
09AUG84 081349	
09AUG84 081349	
15JAN85 121750	
SEQ 18021	
PRINT 08MAR85 1802 PN. 0315236	
PAGE 4 OF 6	
MACH 3880	HPN HEC A21797
NAME WJ	
LOC 018-A1	

10 20 30 40 50 60 70 80 90 100 110 120 130 140 150 160 170 180 190 200 210 220 230 240 250 260 270 280 290 300

Y1		Y2 HPN - 4748059 TO 018-A122				Y3 HPN - 4748059 TO 018-A125				Y4 HPN - 4748059 TO 018-A126				Y5 HPN - 4748059 TO 018-A124				Y6	
A	B	C	D	E	F	G	H	J	K	L	M	N	P	Q	R	S	T	V	
CMSH CARD HPN 4748550 or 4748288	CMSH CARD HPN 6014878	CMSH CARD HPN 6014878	CMSH CARD HPN 6014878	CMSH CARD HPN 6014878	CMSH CARD HPN 6014878	CMSH CARD HPN 6014878	CMSH CARD HPN 6014878	CMSH CARD HPN 6014878	CMSH CARD HPN 8576784	CMSH CARD HPN 8576784	CMSH CARD HPN 6014878	CMSH CARD HPN 6014878	CMSH CARD HPN 6014878	CMSH CARD HPN 6014878	CMSH CARD HPN 6014878	CMSH CARD HPN 6014878	CMSH CARD HPN 6014878	CMSH CARD HPN 4748550 or 4748288	
	32MB XXX	XXX	XXX	XXX	XXX	XXX	XXX	XXX			XXX	XXX	XXX	XXX	XXX	XXX	XXX		
Z1		Z2 HPN - 4748004 TO 018-A121				Z3 HPN - 4748058 TO 018-A123				Z4 HPN - 4748004 TO 018-A123				Z5		Z6			

NOTES:
 XXX INDICATES WHICH CMSH STORAGE CARDS
 ARE PRESENT FOR EACH STORAGE SIZE -
 MACHINE WITHOUT EXPANDED STORAGE ONLY.

CMSH (non-expanded storage) cards
 are in Model 21s with serial numbers
 84000 through 84299 only.

BOARD (HARDWARE) PART NUMBER 4748548

Temp. Rework
 Suitable for filming

IEC 1129087
 IEC 11224221
 IEC 11224222
 EC A29221

EC HISTORY

10FEB84 081148	SUBSYSTEM STORAGE BOARD 2
10AUG84 081148	REV 10921
10OCT84 081148	REV 10921
10DEC84 081148	REV 10921

WACH 3880 HPN 421797
 LOC 018-A2 HEC

Y		Z		3		4		5		6											
		HPN - 4748056 TO 018-A1Y2		HPN - 4748055 TO 018-A1Y5		HPN - 4748055 TO 018-A1Y6		HPN - 4748056 TO 018-A1Y4													
A	B	C	D	E	F	G	H	I	J	K	L	M	N	O	P	Q	R	S	T	U	V
CMSH CARD HPN 4748550 or 4748288	CMSH CARD HPN 6014878 OR CLP4 CARD HPN 6860756	CMSH CARD HPN 6014878 OR CLP4 CARD HPN 6860756	CMSH CARD HPN 6014878 OR CLP4 CARD HPN 6860756 OR CLP2 CARD HPN 6120161	CMSH CARD HPN 6014878 OR CLP4 CARD HPN 6860756	CMSH CARD HPN 6014878 OR CLP4 CARD HPN 6860756	CMSH CARD HPN 6014878 OR CLP4 CARD HPN 6860756	CMSH CARD HPN 6014878 OR CLP4 CARD HPN 6860756	CMSH CARD HPN 8576784 OR CLAR CARD HPN 4748494	CMSH CARD HPN 8576784 OR CLAR CARD HPN 4748494	CMSH CARD HPN 6014878 OR CLP4 CARD HPN 6860756	CMSH CARD HPN 6014878 OR CLP4 CARD HPN 6860756	CMSH CARD HPN 6014878 OR CLP4 CARD HPN 6860756	CMSH CARD HPN 6014878 OR CLP4 CARD HPN 6860756	CMSH CARD HPN 6014878 OR CLP4 CARD HPN 6860756	CMSH CARD HPN 6014878 OR CLP4 CARD HPN 6860756	CMSH CARD HPN 6014878 OR CLP4 CARD HPN 6860756	CMSH CARD HPN 6014878 OR CLP4 CARD HPN 6860756	CMSH CARD HPN 6014878 OR CLP4 CARD HPN 6860756	CMSH CARD HPN 4748550 or 4748288		
	8MB XXX		XXX		XXX		XXX		XXX		XXX		XXX		XXX		XXX		XXX		XXX
	16MB XXX	XXX	XXX YYY	XXX	XXX	XXX	XXX		XXX	XXX	XXX	XXX	XXX	XXX	XXX	XXX	XXX	XXX	XXX		XXX
	32MB	YYY	YYY	YYY	YYY	YYY	YYY		YYY	YYY	YYY	YYY	YYY	YYY	YYY	YYY	YYY	YYY	YYY		YYY
	48MB	YYY	YYY	YYY	YYY	YYY	YYY		YYY	YYY	YYY	YYY	YYY	YYY	YYY	YYY	YYY	YYY	YYY		YYY
	64 MB YYY	YYY	YYY	YYY	YYY	YYY	YYY		YYY	YYY	YYY	YYY	YYY	YYY	YYY	YYY	YYY	YYY	YYY		YYY
		HPN - 4748057 TO 018-A1Y1		HPN - 4748058 TO 018-A1Y2				HPN - 4748057 TO 018-A1Y3													
7		8		9		A		B		C											

NOTE:

1. XXX INDICATES WHICH CMSH STORAGE CARDS ARE PRESENT FOR EACH STORAGE SIZE. MACHINES WITHOUT EXPANDED STORAGE.
2. YYY INDICATES WHICH CLP4 CARDS ARE PRESENT FOR EACH STORAGE SIZE. MACHINES WITH EXPANDED STORAGE.
3. ZZZ INDICATES WHICH CLP2 CARDS ARE PRESENT FOR EACH STORAGE SIZE. MACHINES WITH EXPANDED STORAGE.

CMSH CARDS - 1MB STORAGE
CLP2 CARDS - 2MB STORAGE
CLP4 CARDS - 4MB STORAGE

Machines other than Model 21s with serial numbers 84000 through 84299 have expanded storage.

Temp. Rework
Suitable for filming

IEC 11290087
IEC 11224221
IEC 11224222
EC A29221

EC HISTORY

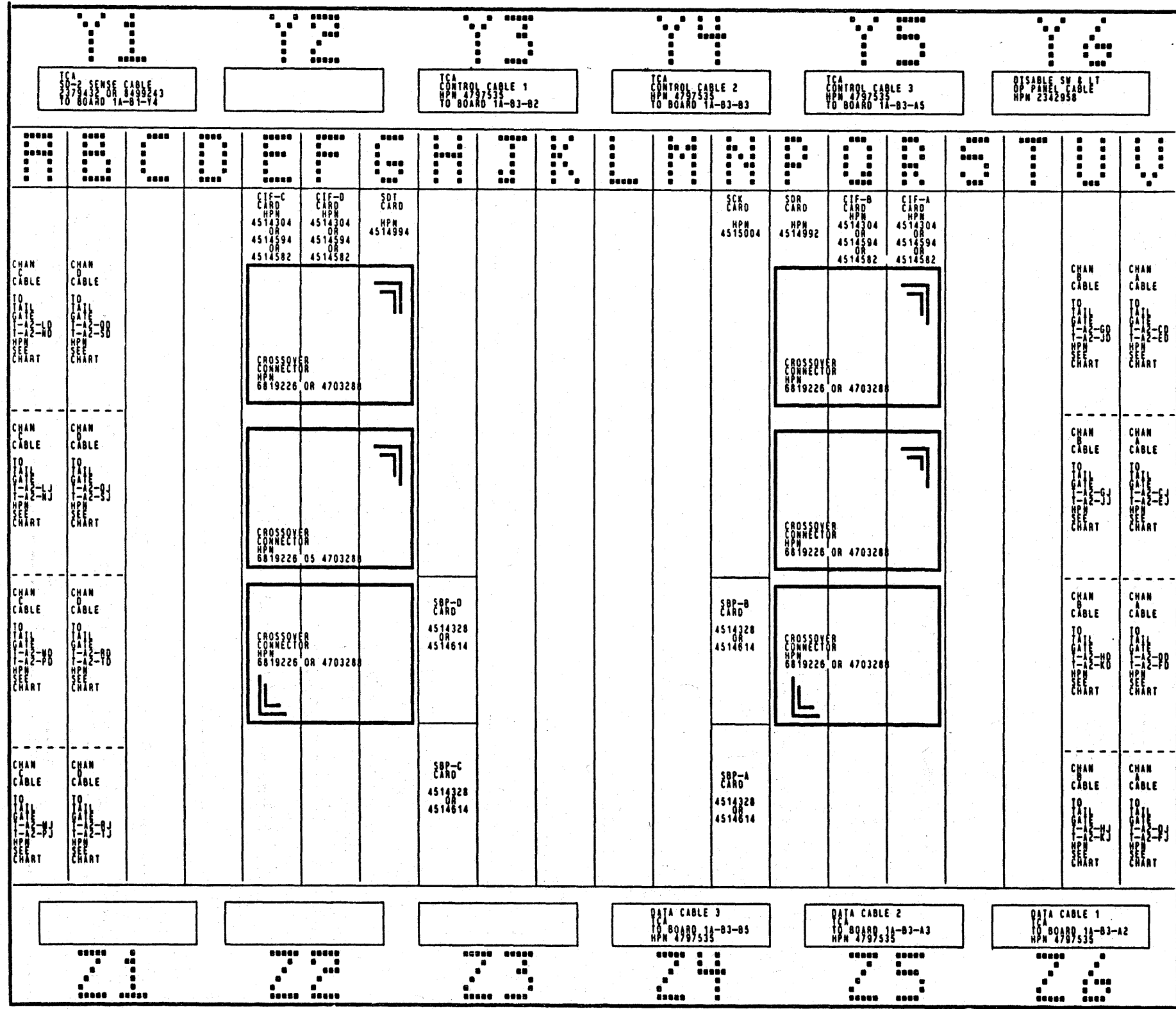
12 FEB 84 0811346	SUBSYSTEM STORAGE BOARD 1
03 MAY 84 0811346	
10 OCT 84 1211523	
15 JAN 85 1211523	
15 JAN 85 1211523	

SEQ 18021
PRINT 14 FEB 85 1790 PM 0315Z30
PAGE 8 OF 6

MACH 380
LOC 018-02
MCH REC A21787

BOARD (HARDWARE) PART NUMBER 4748548

10 20 30 40 50 60 70 80 90 100 110 120 130 140 150 160 170 180 190 200 210 220 230 240 250 260 270 280 290 3000



BOARD (HARDWARE) PART NUMBER 4513993

CHANNEL CABLE CONFIGURATION
NOTE: DO NOT COMBINE LONG AND SHORT BUS OR TAG CABLES IN THE SAME CHANNEL.

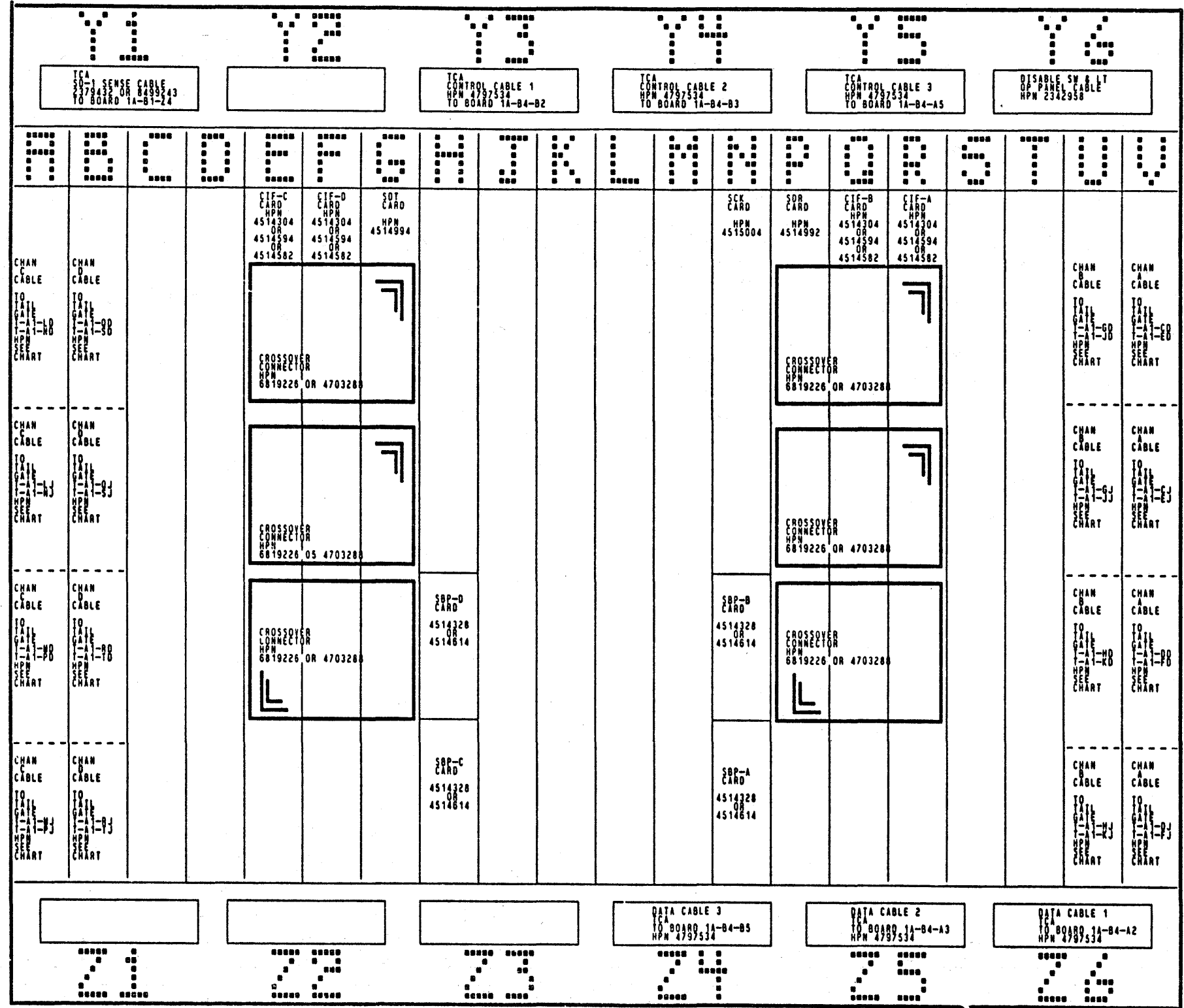
CABLE LENGTH PLUG LOC	OLD CONFIGURATION		NEW CONFIGURATION	
	LONG	SHORT	LONG	SHORT
2	4797482	2314724	4797482	2314724
3	4797482	2314724	4797482	2314724
4	4797486	2314725	4797486	2314725
5	4797482	2314724	8499134	8499202
FACTORY INSTALLED E/W				
2	4797482	2314724	4797482	2314724
3	4797482	2314724	4797482	2314724
4	2679456	2679457	2679456	2679457
5	4797482	2314724	8499134	8499202

Temp. Rework
Suitable for filming

IEC 11290087
IEC 11224221
IEC 11224222
EC A29221

EC HISTORY

15FEB84 081148	TWO CHANNEL ADDITIONAL
20MAY84 081153	BOARD - 502
10OCT84 081159	SEQ 10041
15JAN85 021787	PRINT 14FEB85 1810 PW PAGE 0315238
	1 OF 8
	MACH 3880 HPM
	LOC 011-A3 REC A21797



BOARD (HARDWARE) PART NUMBER 4513993

CHANNEL CABLE CONFIGURATION CHART
 NOTE: DO NOT COMBINE LONG AND SHORT BUS OR TAG CABLES IN THE SAME CHANNEL.

CABLE LENGTH	OLD CONFIGURATION		NEW CONFIGURATION	
	LONG	SHORT	LONG	SHORT
PLUG LOC	A, B, U, V	A, B ONLY	A, B, U, V	A, B ONLY
2	4797482	2314724	4797482	2314724
3	4797482	2314724	4797482	2314724
4	4797486	2314725	4797486	2314725
5	4797482	2314724	8499134	8499202
FACTORY INSTALLED E/M				
2	4797482	2314724	4797482	2314724
3	4797482	2314724	4797482	2314724
4	2679456	2679457	2679456	2679457
5	4797482	2314724	8499134	8499202

Temp. Rework
 Suitable for filming

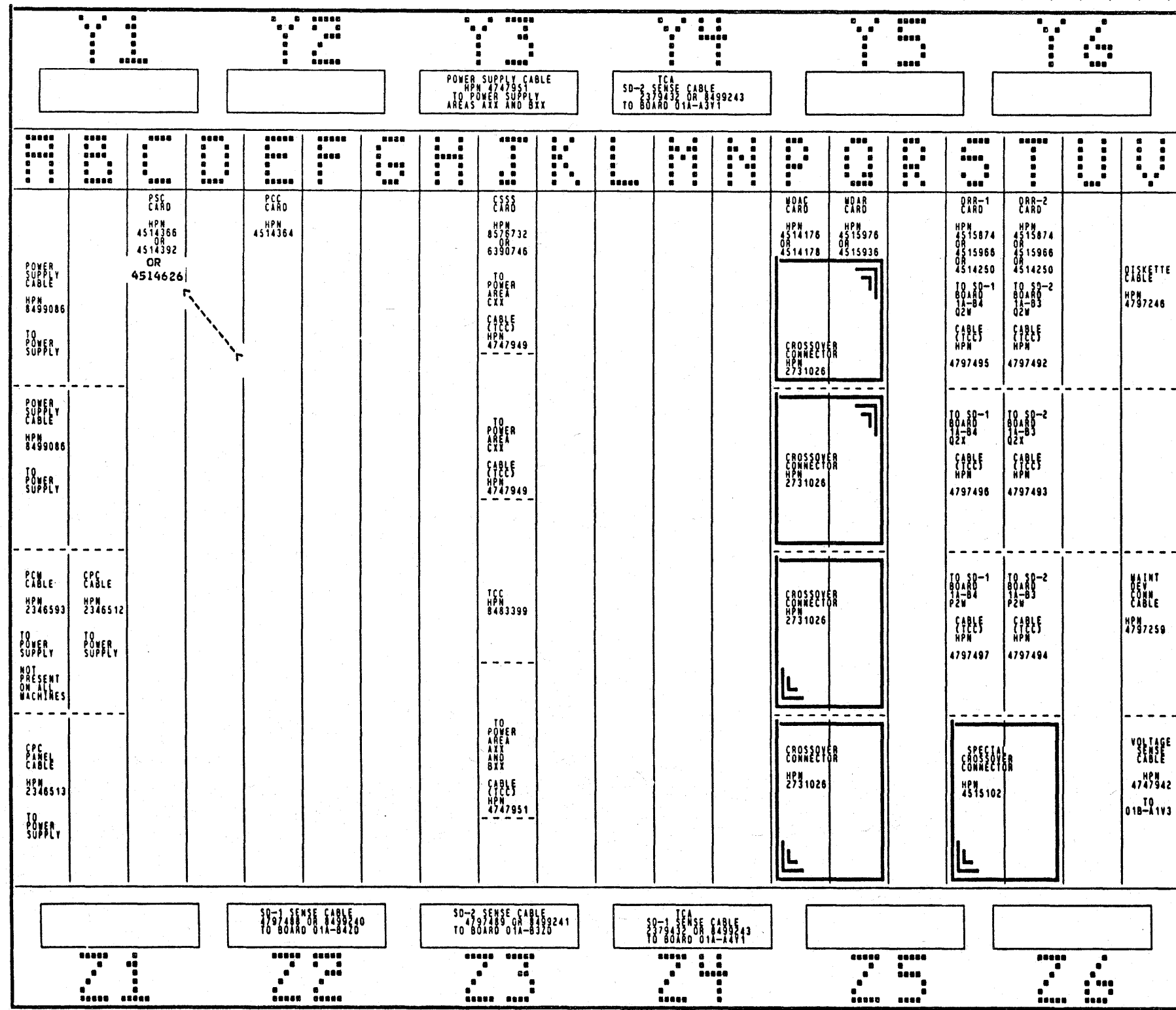
IEC 11290087
 IEC 11224221
 IEC 11224222
 EC A29221

EC HISTORY

15FEB84	881346	REV CHANNEL ADDITIONAL BOARD - 301
09AUG84	881346	REV BOARD
10OCT84	881346	PRINT 22MAR85 1804 PN 6315230
15JAN85	A21797	PAGE 2 OF 8

MACH 3880 HPN
 PNAME 407 LOC 011-441X NEC A21797

10 20 30 40 50 60 70 80 90 100 110 120 130 140 150 160 170 180 190 200 210 220 230 240 250 260 270 280 290 300



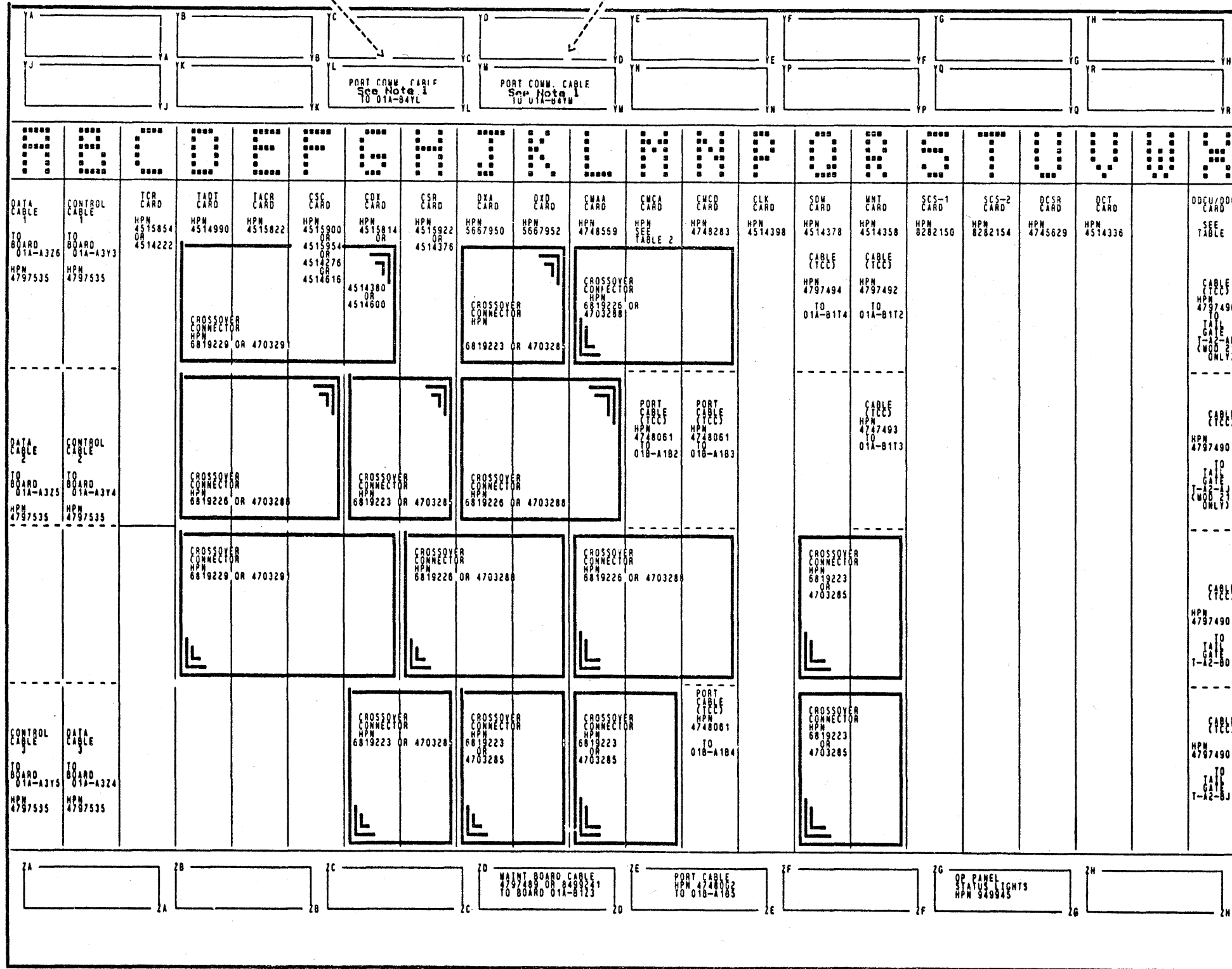
NOTE: IF OPTIONAL EC 450175 IS INSTALLED, THERE WILL BE A 1/2 UFD POLARIZED CAPACITOR, PN 1848742, INSTALLED BETWEEN E4B12 (+) AND E4D08 (-).

Temp. Rework
Suitable for filming

IEC 11290087
IEC 11224221
IEC 11224222
EC A29221

BOARD (HARDWARE) PART NUMBER 4748573.8578733.8316002.8390758

EC HISTORY	
15FEB84 881116	MAINTENANCE BOARD
13MAY84 881116	
09AUG84 881123	
10OCT84 A21259	
15JAN85 A21797	
2EQ 880411	
PRINT 22MAR85 1774	PN 8315738
	PAGE 3 OF 8
MACH 3880	HPN
LOC 011-81	NEC A21797



BOARD (HARDWARE) PART NUMBER: 6315997 OR 6315982

NOTE 1: LOCATIONS YL AND YM MUST BOTH CONTAIN THE SAME PART NUMBER. IT CAN BE EITHER 4748063 OR 6272720. DO NOT MIX PART NUMBERS.

TABLE 1

CARD LOC	MOD 21	MOD 23
X2	DDCU 4514196 4514228 4514322	DDCV 4514214 4514216 OR 4514572

TABLE 2

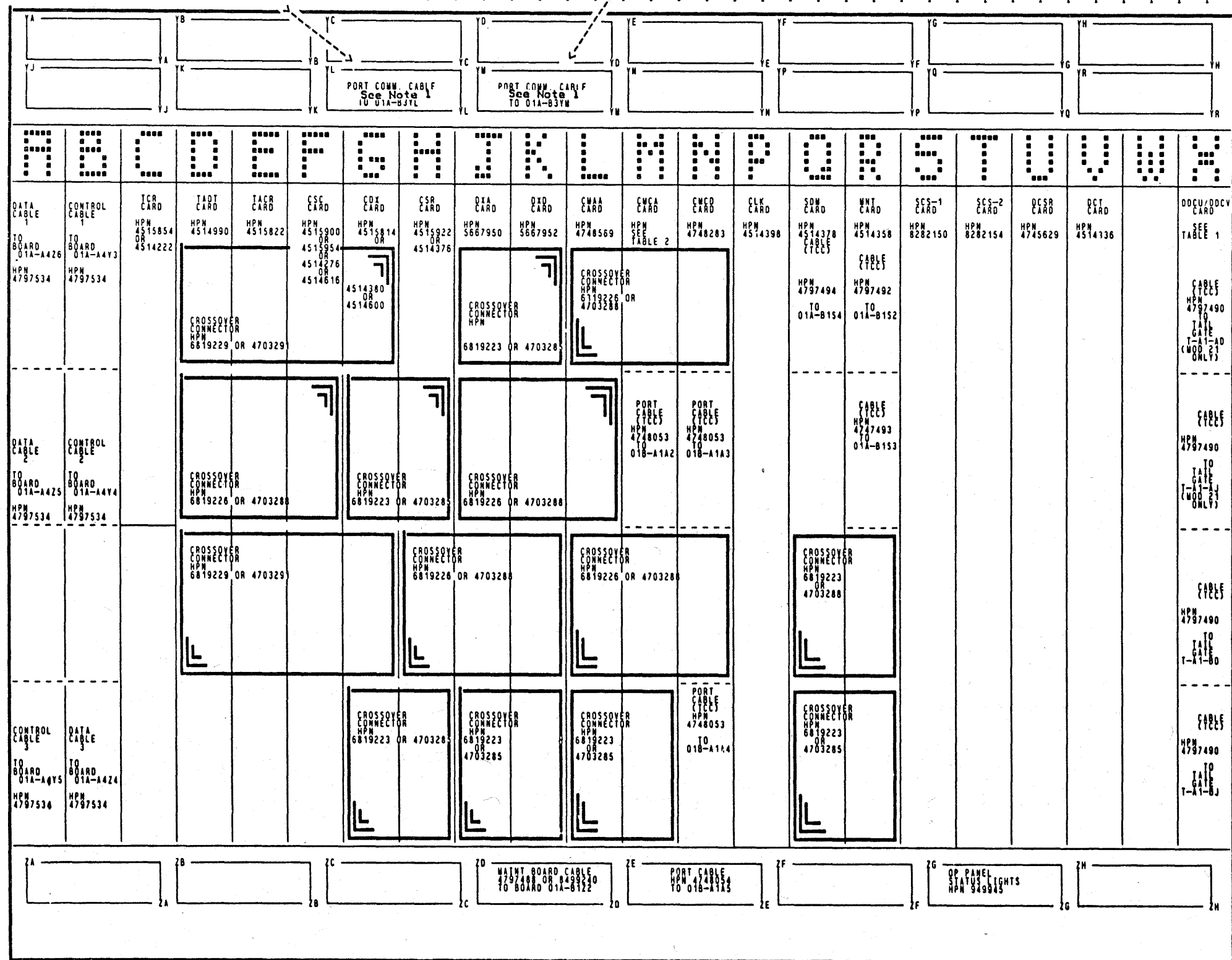
SD BOARD 01A-B3/B4	6315997	6315982
CWCA CARD 01A-B3/B4 M2	4748515	6315973

Temp. Rework
Suitable for filming

IEC 11290087
IEC 11224221
IEC 11224222
EC A29221

EC HISTORY

12FEB84 081148	STORAGE DIRECTOR 2
03MAY84 081153	SD BOARD
03MAY84 081153	SD BOARD
10OCT84 121950	SD BOARD
15JAN85 121797	PRINT 22MAR85 0059 PM PAGE 031238
	OF 8
	MACH 3880 HPN
	NAME 00J HEC
	LOC 01A-B3 A21797



NOTE 1: LOCATIONS YL AND YM MUST BOTH CONTAIN THE SAME PART NUMBER. IT CAN BE EITHER 4748063 OR 6272720. DO NOT MIX PART NUMBERS.

TABLE 1

CARD LOC	MOD 21	MOD 23
X2	DDCU 4514398 4514322	DCV 4514216 OR 4514572

TABLE 2

SD BCARD 01A-B3/B4	6315997	6315982
CMCA CARD 01A-B3/B4 M2	4748515	6315973

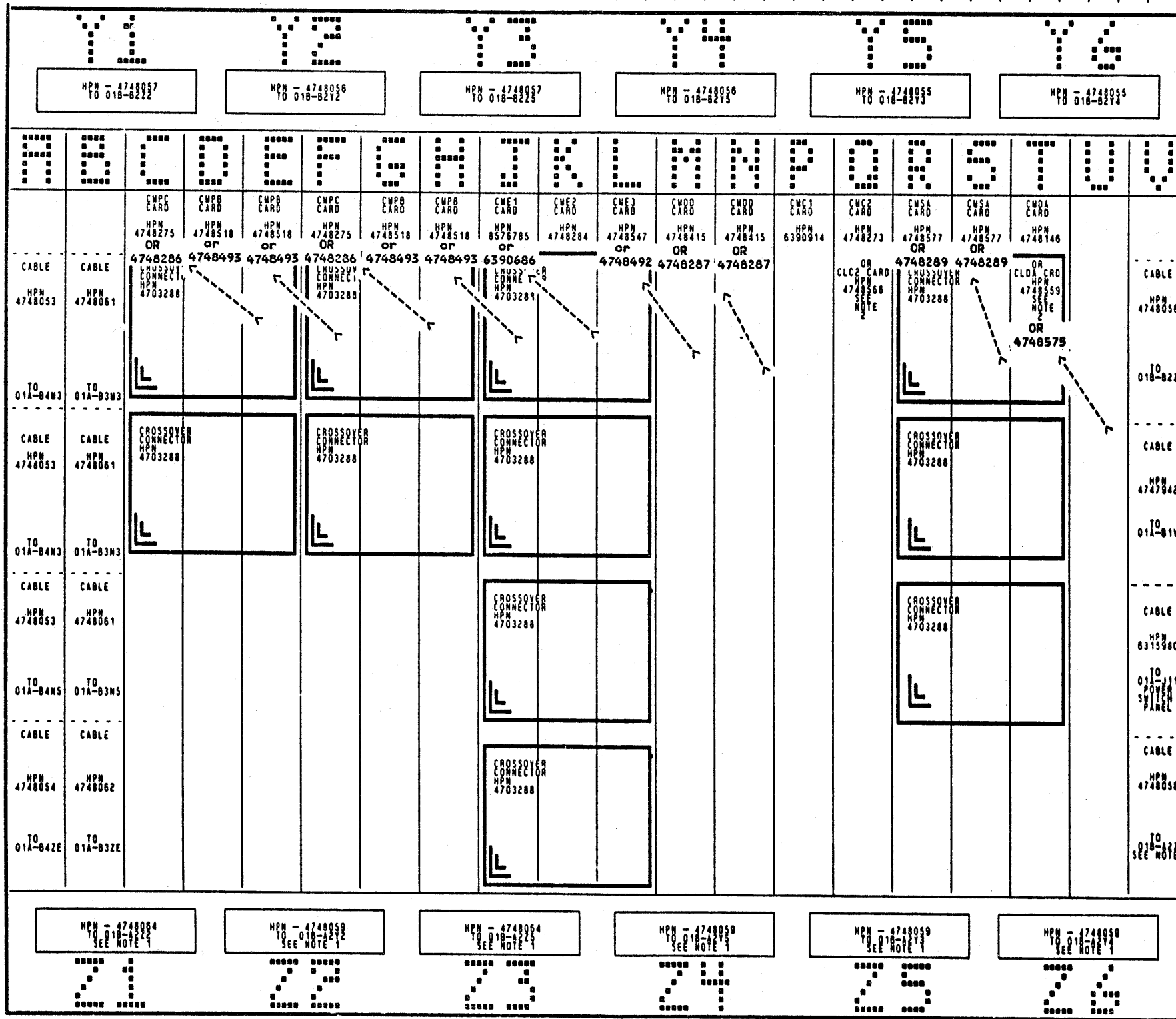
Temp. Rework
Suitable for filming

IEC 11290087
IEC 11224221
IEC 11224222
EC A29221

EC HISTORY

15FEB84 881146	STORAGE DIRECTOR 1
09MAY84 881215	SD1 BOARD
10OCT84 881215	REV. 18041
15JUN85 821797	PRINT 22MAR85 0058 PM PAGE 3 OF 8
18MAY80	HPN REC A21797
18MAY80	LOC 01A-B4

BOARD (HARDWARE) PART NUMBER: 6315997 OR 6315982



BOARD (HARDWARE) PART NUMBER 4748285

- NOTE:
1. PRESENT WITH 32 MB AND NOT EXPANDED STORAGE.
 2. MACHINES WITH EXPANDED STORAGE USE CLC2 AND CLD4 CARDS.

Temp. Rework
Suitable for filming

IEC 11290087
IEC 11224221
IEC 11224222
EC A29221

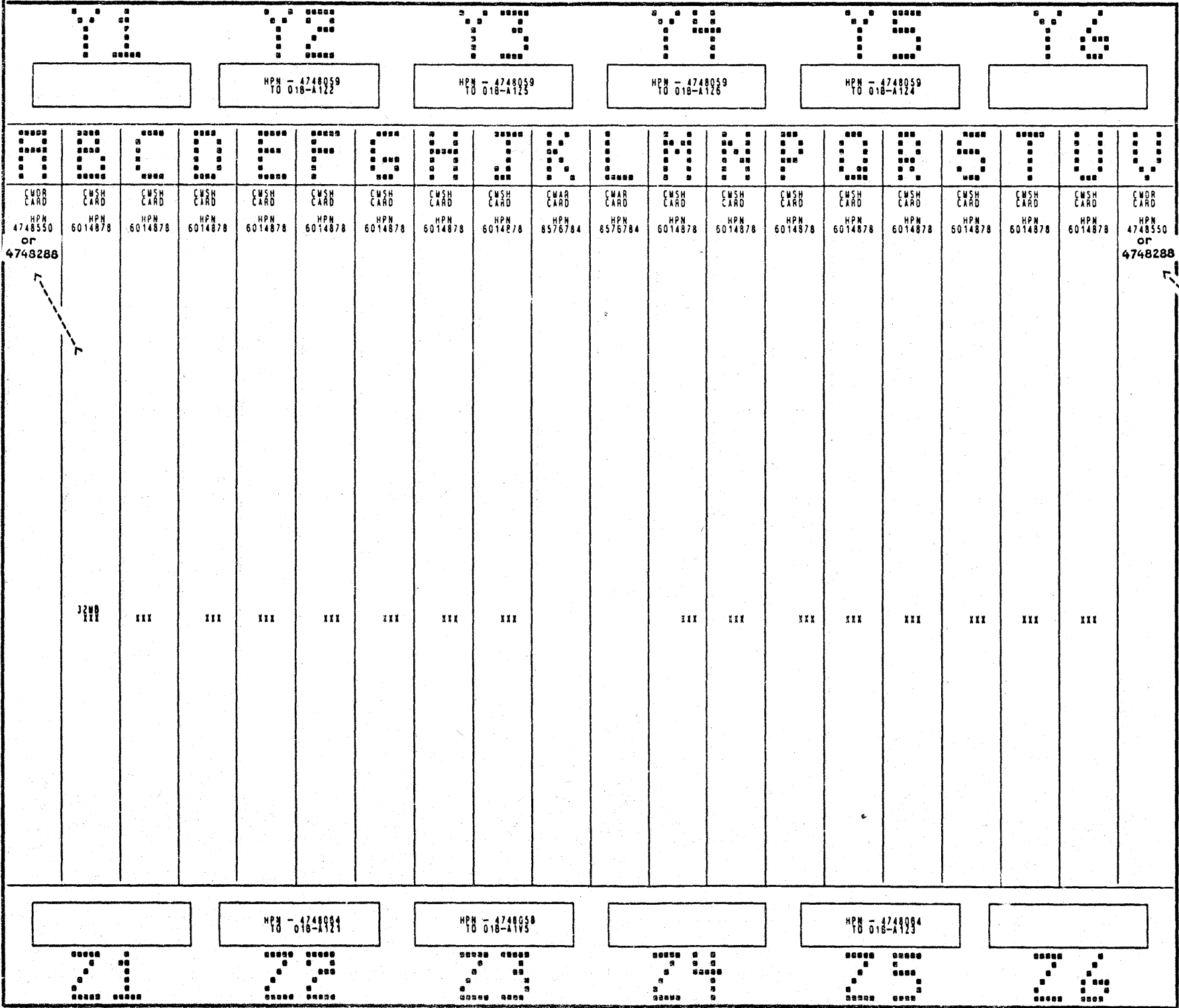
EC HISTORY

13FEB84 081148	SUBSYSTEM STORAGE CONTROL BOARD
13MAY84 081533	
13JUN84 081533	
13JAN85 221787	

SEQ 89041 PRNT 08MAR85 1801 PM 0315238
PAGE 8 OF 8

MACH 3880	HPN
FRM 018-A1	REC 421797
LOC 018-A1	

10 20 30 40 50 60 70 80 90 100 110 120 130 140 150 160 170 180 190 200 210 220 230 240 250 260 270 280 290 300



NOTES:
 XXX INDICATES WHICH CWSH STORAGE CARDS
 ARE PRESENT FOR EACH STORAGE SITE
 MACHINES WITHOUT EXPANDED STORAGE ONLY.

CWSH (non-expanded storage) cards
 are in Model 21s with serial numbers
 84000 through 84299 only.

Temp. Rework
 Suitable for filming

BOARD (HARDWARE) PART NUMBER 4748548

EC HISTORY

15FEB84 081349	SVRSTYEM EXPANDED STORAGE 2
10AUG84 081235	
08AUG84 081235	
18JAN85 221737	REV A0041
	REV 12FEB85 1784 PN 6315738
	PAGE 03 OF 08

MACH 3880 HPN
 LOC 018-A2 REC A21797

Y1		Y2		Y3		Y4		Y5		Y6									
HPN - 4748056 TO 018-A1V2		HPN - 4748055 TO 018-A1V5		HPN - 4748055 TO 018-A1V6		HPN - 4748056 TO 018-A1V4													
CARD	CARD	CARD	CARD	CARD	CARD	CARD	CARD	CARD	CARD	CARD	CARD	CARD	CARD	CARD	CARD	CARD	CARD	CARD	CARD
CMDR CARD HPN 4748550 OR 4748288	CMSH CARD HPN 6014878 OR CLP4 CARD HPN 6860756	CMSH CARD HPN 6014878 OR CLP4 CARD HPN 6860756	CMSH CARD HPN 6014878 OR CLP4 CARD HPN 6867056 OR CLP2 CARD HPN 6120161	CMSH CARD HPN 6014878 OR CLP4 CARD HPN 6860756	CMSH CARD HPN 6014878 OR CLP4 CARD HPN 6860756	CMSH CARD HPN 6014878 OR CLP4 CARD HPN 6860756	CMSH CARD HPN 6014878 OR CLP4 CARD HPN 6860756	CMSH CARD HPN 6014878 OR CLP4 CARD HPN 6860756	CMSH CARD HPN 6014878 OR CLP4 CARD HPN 6860756	CMSH CARD HPN 6014878 OR CLP4 CARD HPN 6860756	CMSH CARD HPN 6014878 OR CLP4 CARD HPN 6860756	CMSH CARD HPN 6014878 OR CLP4 CARD HPN 6860756	CMSH CARD HPN 6014878 OR CLP4 CARD HPN 6860756	CMSH CARD HPN 6014878 OR CLP4 CARD HPN 6860756	CMSH CARD HPN 6014878 OR CLP4 CARD HPN 6860756	CMSH CARD HPN 6014878 OR CLP4 CARD HPN 6860756	CMSH CARD HPN 6014878 OR CLP4 CARD HPN 6860756	CMSH CARD HPN 6014878 OR CLP4 CARD HPN 6860756	CMSH CARD HPN 6014878 OR CLP4 CARD HPN 6860756
	0MB YYY		XXX ZZZ		XXX ZZZ		XXX ZZZ		XXX ZZZ		XXX ZZZ		XXX ZZZ		XXX ZZZ		XXX ZZZ		XXX ZZZ
	16MB XXX	XXX	XXX YYY	XXX	XXX	XXX	XXX	XXX	XXX	XXX	XXX	XXX	XXX	XXX	XXX	XXX	XXX	XXX	XXX
	32MB	YYY	YYY	YYY	YYY	YYY	YYY	YYY	YYY	YYY	YYY	YYY	YYY	YYY	YYY	YYY	YYY	YYY	YYY
	48MB	YYY	YYY	YYY	YYY	YYY	YYY	YYY	YYY	YYY	YYY	YYY	YYY	YYY	YYY	YYY	YYY	YYY	YYY
	64MB YYY	YYY	YYY	YYY	YYY	YYY	YYY	YYY	YYY	YYY	YYY	YYY	YYY	YYY	YYY	YYY	YYY	YYY	YYY
HPN - 4748057 TO 018-A1V1		HPN - 4748058 TO 018-A1V2		HPN - 4748058 TO 018-A1V3		HPN - 4748057 TO 018-A1V4													
Z1	Z2	Z3	Z4	Z5	Z6														

BOARD (HARDWARE) PART NUMBER 4748548

NOTE:

- XXX INDICATES WHICH CMSH STORAGE CARDS ARE PRESENT FOR EACH STORAGE SIZE - MACHINES WITHOUT EXPANDED STORAGE.
- YYY INDICATES WHICH CLP4 CARDS ARE PRESENT FOR EACH STORAGE SIZE - MACHINES WITH EXPANDED STORAGE.
- ZZZ INDICATES WHICH CLP2 CARDS ARE PRESENT FOR EACH STORAGE SIZE - MACHINES WITH EXPANDED STORAGE.

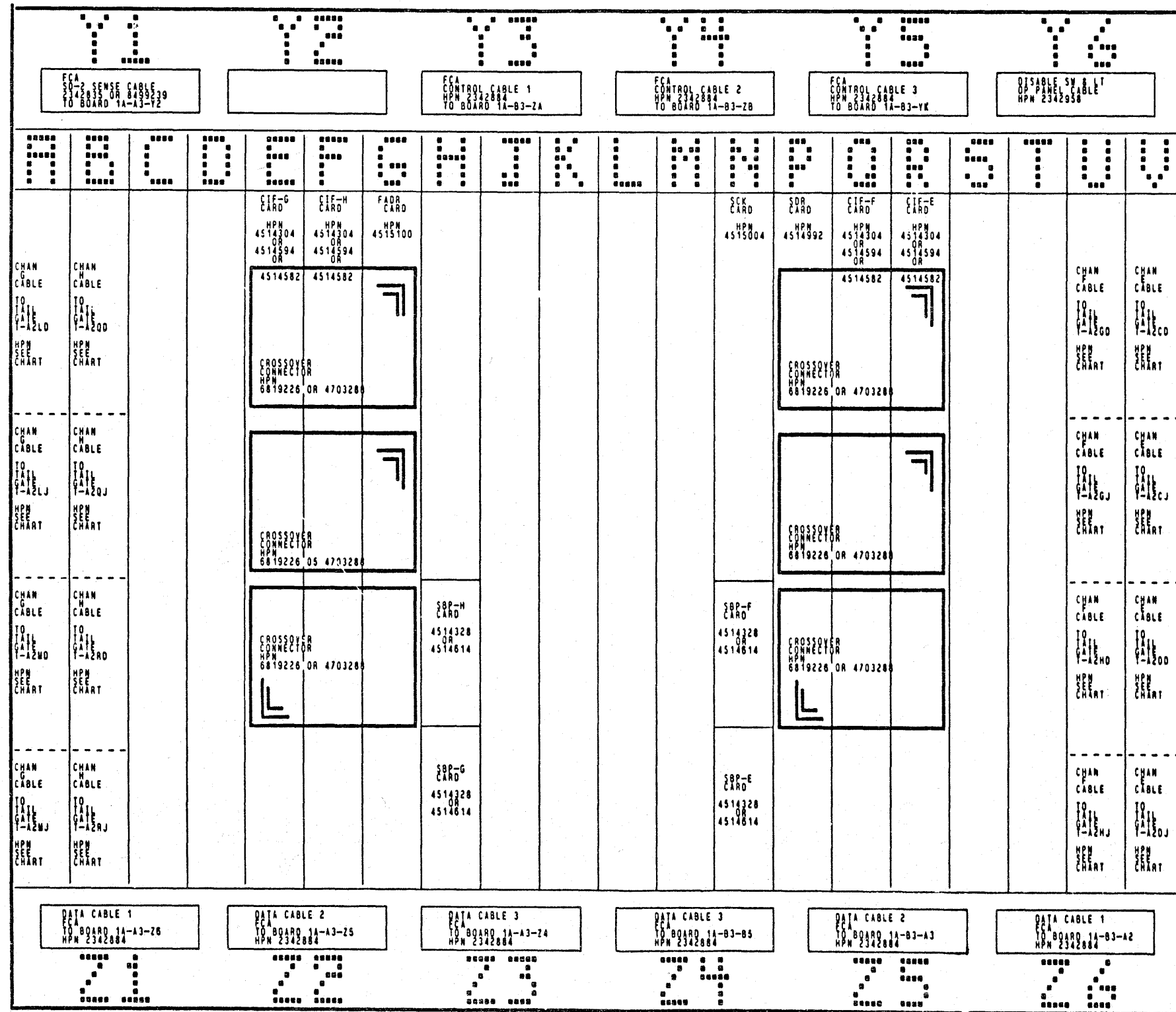
CMSH CARDS - 2MB STORAGE
CLP2 CARDS - 2MB STORAGE
CLP4 CARDS - 4MB STORAGE

Machines other than Model 21s with serial numbers 84000 through 84299 have expanded storage.

Temp. Rework
Suitable for filming

IEC 1129087
IEC 11224221
IEC 11224222
EC A29221

15FEB84 081148	SUBSYSTEM STORAGE BOARD 1
09MAY84 081235	
09AUG84 121550	
15JAN85 A21797	
SEQ 00041	PAGE 8 OF 8
PRINT 14FEB85 1709 PM	
PAGE 3880	HPN A21797
NAME 018-02	LOC 018-02



BOARD (HARDWARE) PART NUMBER 4513997

CHART
CHANNEL CABLE CONFIGURATION
NOTE: DO NOT COMBINE LONG AND SHORT BUS OR TAG CABLES IN THE SAME CHANNEL.

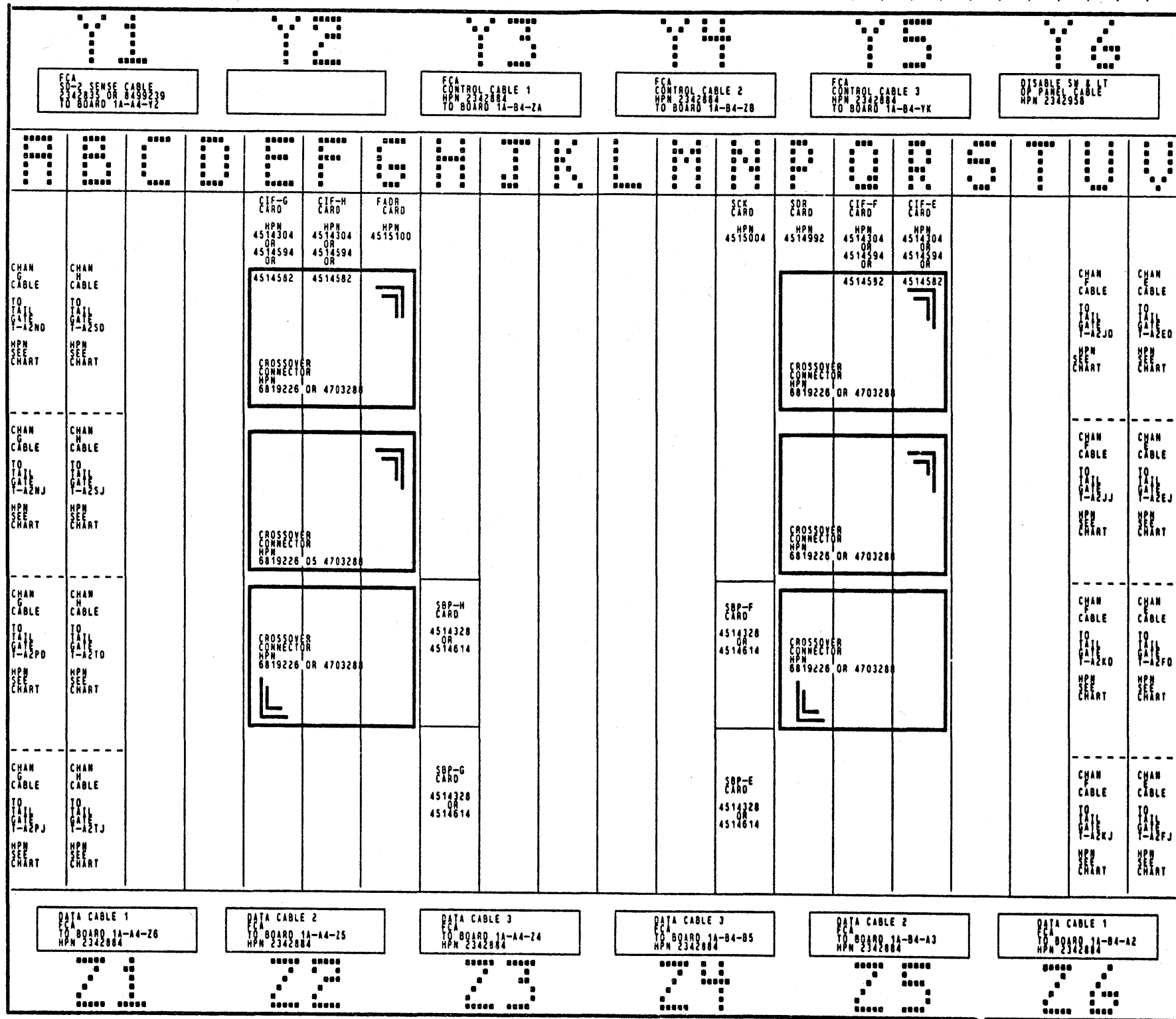
CABLE #	LONG		SHORT	
	PLUG LOC	A/B	U/V	A/B U/V
2	2342804	2342803	2342804	2342803
3	2342804	2342803	2342804	2342803
4	2342807	2342806	2342807	2342806
5	2342804	2342803	8499204	8499203

IEC 11290087
IEC 11224221
IEC 11224222
EC A29221

EC HISTORY

98JUN88 021387	FOUR CHANNEL ADDITIONAL BOARD
10FEB85 1808	HPN 0315740
10MAY88	HPN 421797

Temp. Rework
Suitable for filming



BOARD (HARDWARE) PART NUMBER 4513997

CHART
CHANNEL CABLE CONFIGURATION
NOTE: DO NOT COMBINE LONG AND SHORT BUS OR TAG CABLES IN THE SAME CHANNEL.

CABLE LENGTH	LONG		SHORT	
	A/B	U/V	A/B	U/V
2	2342804	2342803	2342804	2342803
3	2342804	2342803	2342804	2342803
4	2342807	2342808	2342807	2342808
5	2342804	2342803	8499204	8499203

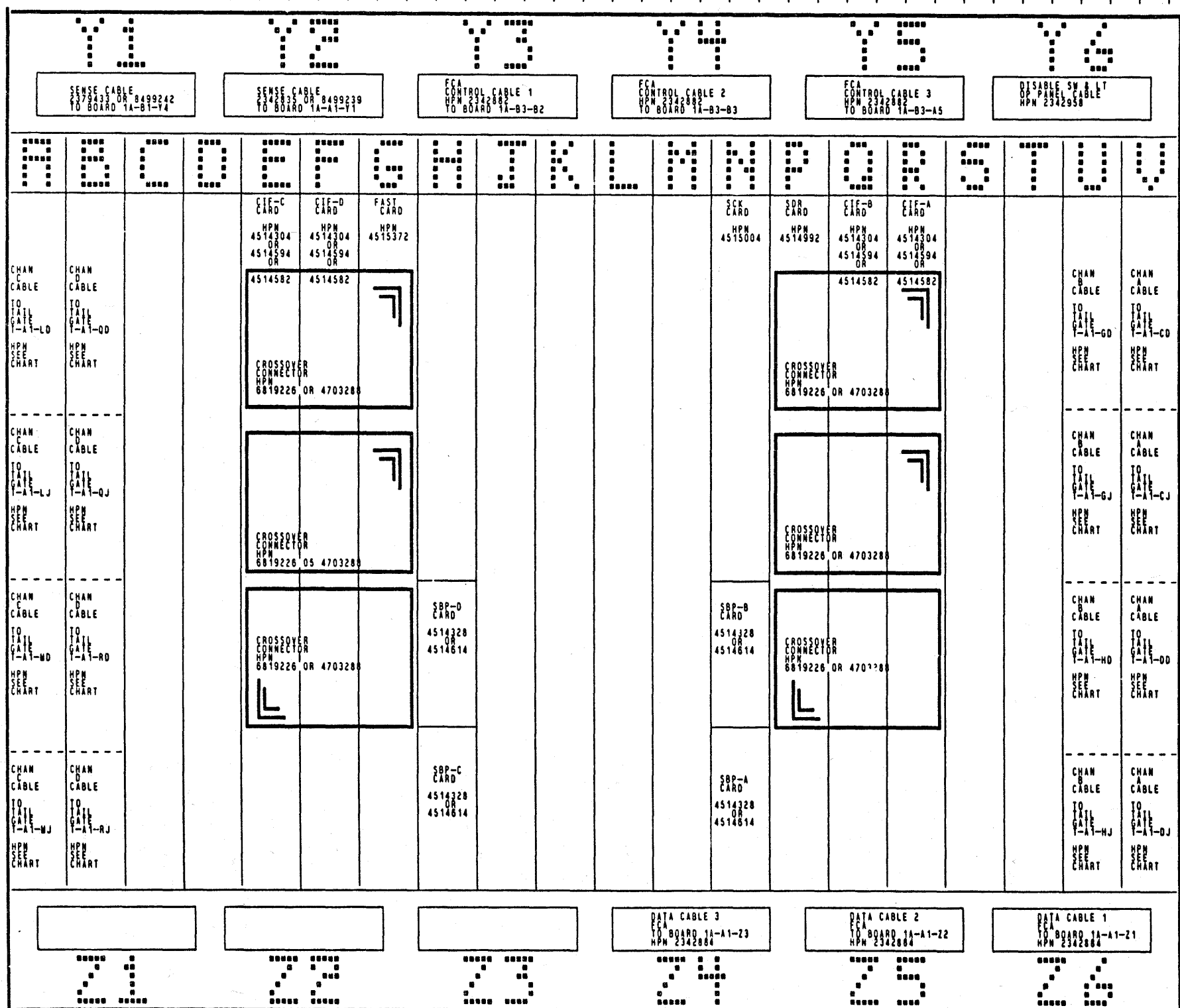
IEC 1129087
IEC 11224221
IEC 11224222
EC A29221

EC HISTORY

99JXG88 021383	FOUR CHANNEL ADDITIONAL
	BOARD
	PRINT 99E085 1808 PN 0315240
	PAGE 2 OF 9
	MACH 3880 HPN A21797
	LOC 01A-22

Temp. Rework
Suitable for filming

10 20 30 40 50 60 70 80 90 100 110 120 130 140 150 160 170 180 190 200 210 220 230 240 250 260 270 280 290 300



BOARD (HARDWARE) PART NUMBER 4513993

CHART
CHANNEL CABLE CONFIGURATION
NOTE: DO NOT COMBINE LONG AND SHORT BUS ON THE CABLES IN THE SAME CHANNEL.

CABLE LENGTH	LONG		SHORT	
	A/B	U/V	A/B	U/V
2	2342805	2342804	2342805	2342804
3	2342805	2342804	2342805	2342804
4	2342808	2342807	2342808	2342807
5	2342805	2342804	8489205	8489204

Temp. Rework
Suitable for filming

IEC 11290087
IEC 11224221
IEC 11224222
EC A29221

EC HISTORY

98JXG85 121983

FOUR CHANNEL ADDITIONAL BOARD

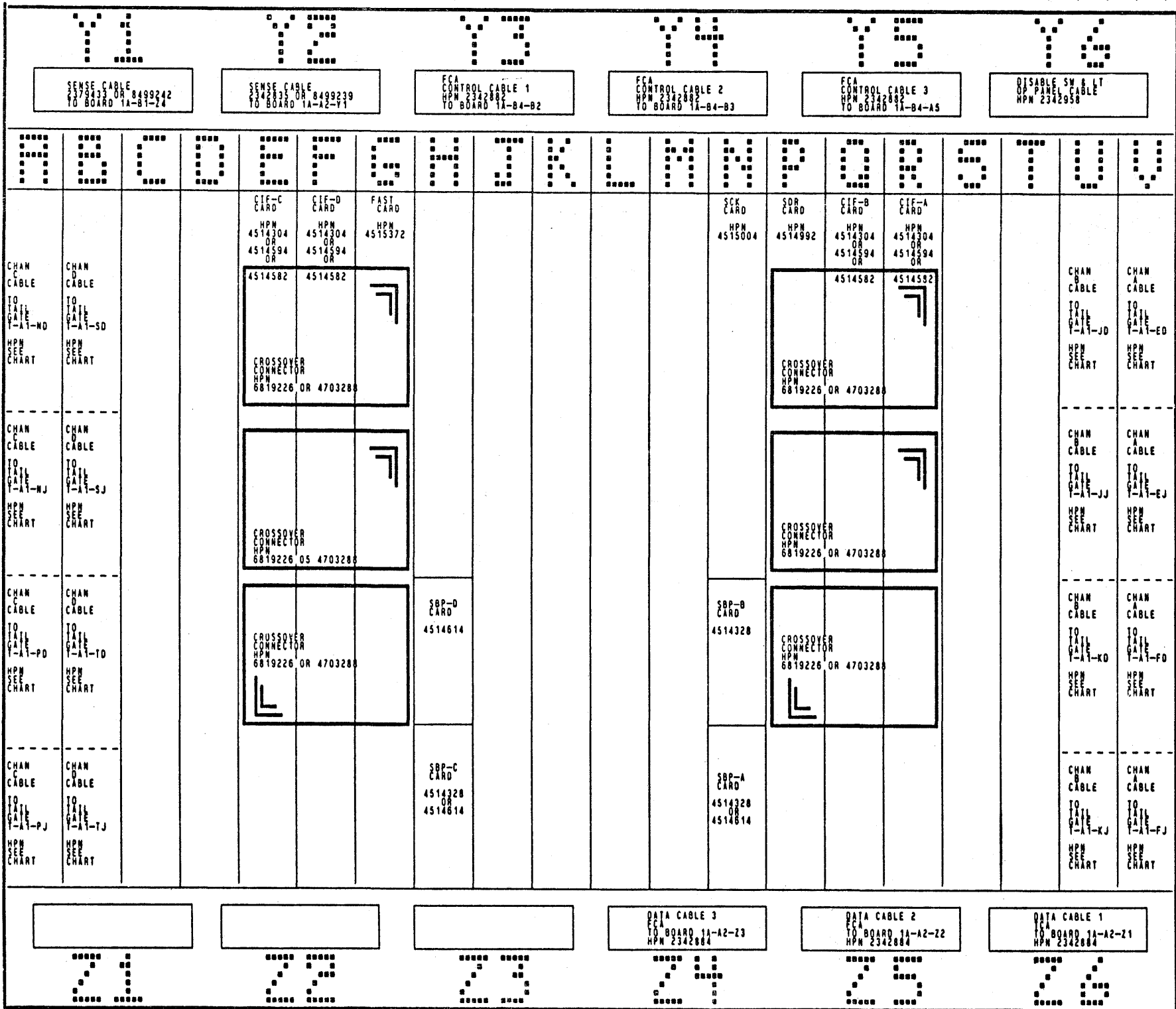
REV 18001

PRY 14 FEB 85 1800 PM 6315240

PAGE 3 OF 9

HACH 3888
PRIME 4018X
LOC 01A-A3XX

HPM REC A21797



BOARD (HARDWARE) PART NUMBER 4513993

CHART
CHANNEL CABLE CONFIGURATION
NOTE: DO NOT COMBINE LONG AND SHORT BUS OR TAG CABLES IN THE SAME CHANNEL.

CABLE LENGTH	LONG		SHORT	
	A/B	U/V	A/B	U/V
2	2342805	2342804	2342805	2342804
3	2342805	2342804	2342805	2342804
4	2342808	2342807	2342808	2342807
5	2342805	2342804	8499205	8499204

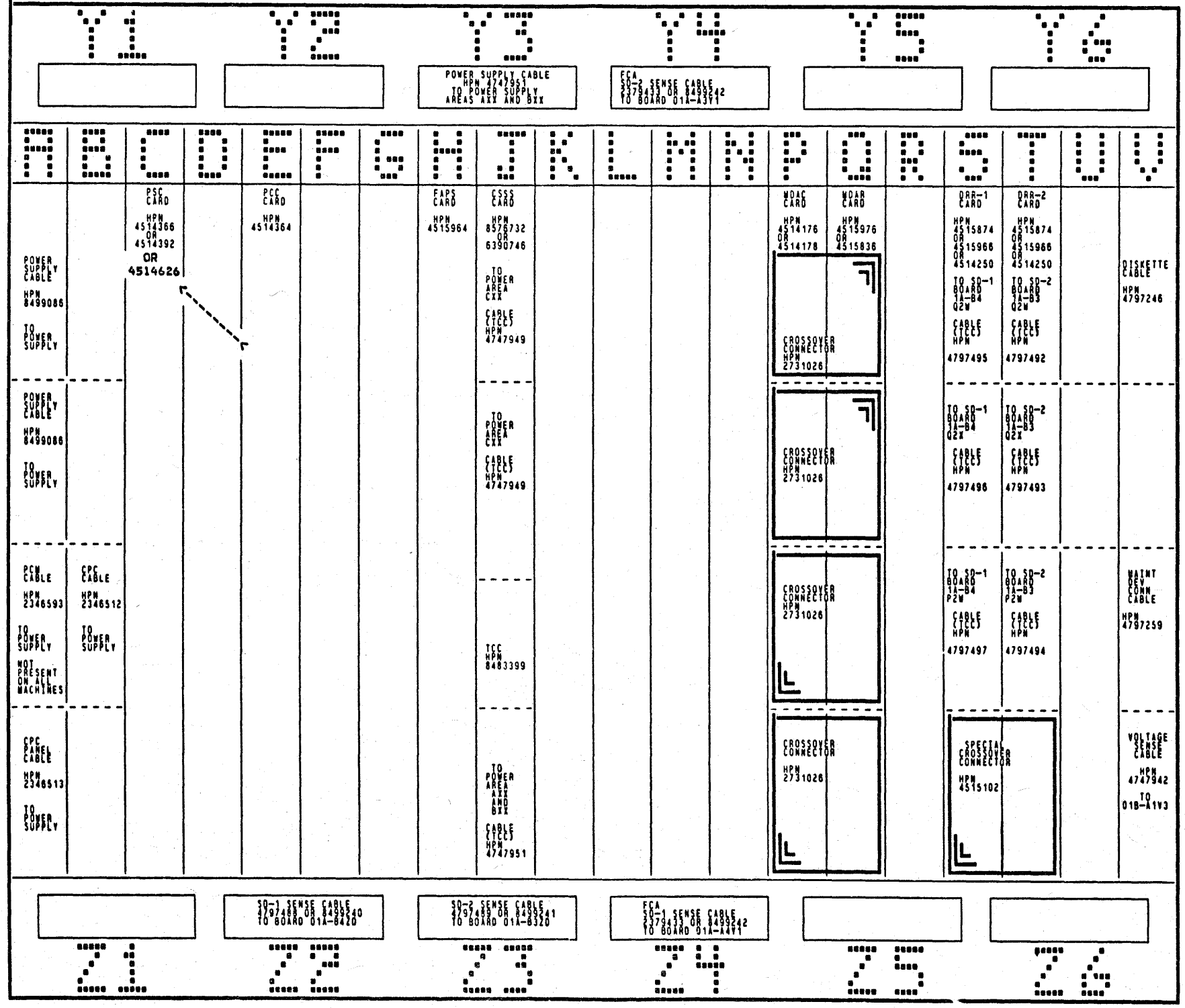
IEC 11290087
IEC 11224221
IEC 11224222
EC A29221

EC HISTORY

09AUG88 021983	FOUR CHANNEL ADDITIONAL
01AUG88 021983	PRINT 10 FEB88 1801 PM 0215740
01AUG88 021983	WACH 3880 HPM HEC A21797
01AUG88 021983	LOC 01A-14XX

Temp. Rework
Suitable for filming

19 20 30 40 50 60 70 80 90 100 110 120 130 140 150 160 170 180 190 200 210 220 230 240 250 260 270 280 290 300



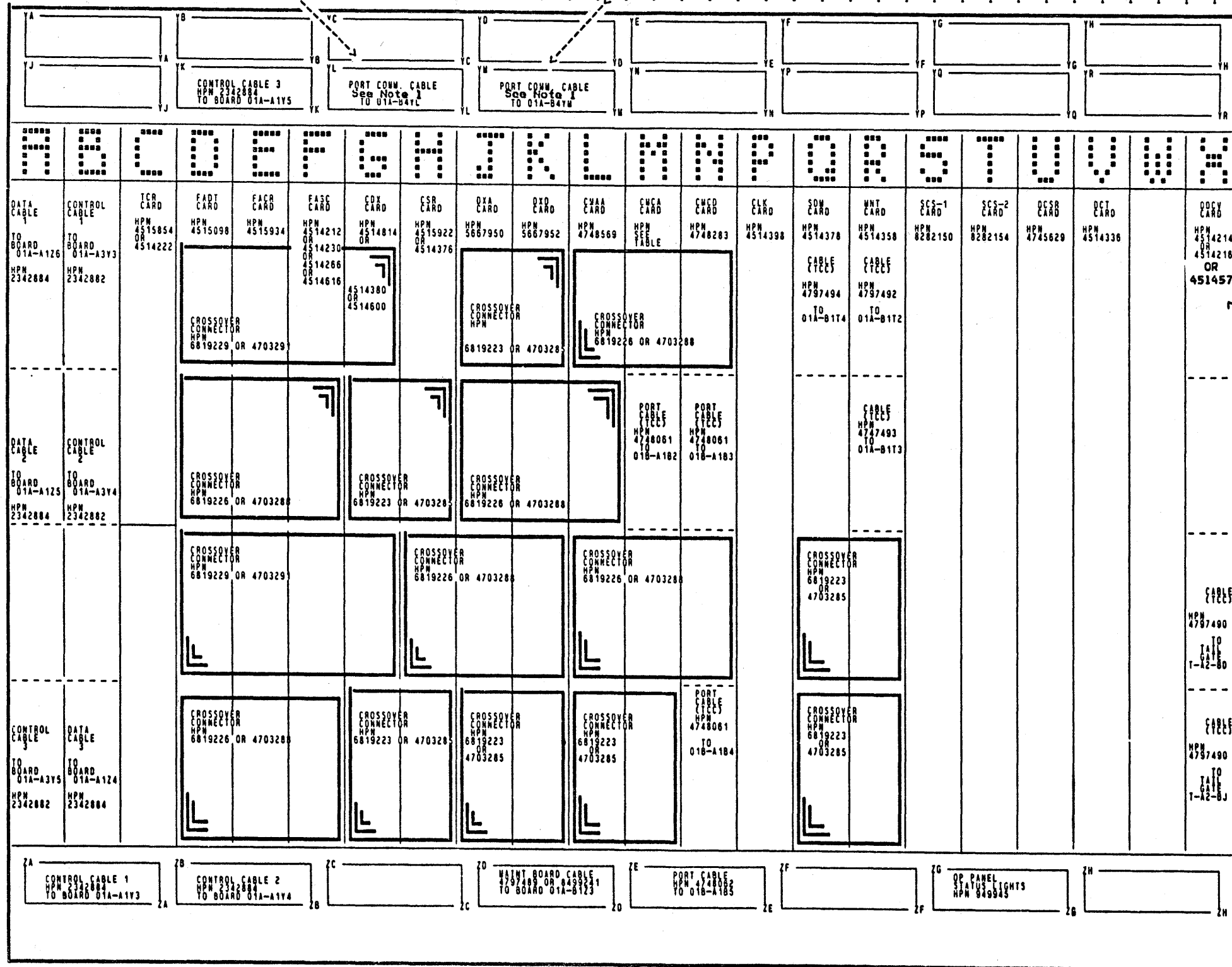
BOARD (HARDWARE) PART NUMBER 4748573, 8576733, 8316002, 6390758

NOTE: IF OPTIONAL EC 450175 IS INSTALLED, THERE WILL BE A 1.2 UFD POLARIZED CAPACITOR, PN 1848742, INSTALLED BETWEEN E4612 (+) AND E4008(-).

Temp. Rework
Suitable for filming

IEC 11290087
IEC 11224221
IEC 11224222
EC A29221

EC HISTORY	
99AUG88 021363	MAINTENANCE BOARD
PCB	
SEP 1988	
PRINT 21MAR85 1771 PN	6316740
	PAGE 3 OF 9
MACH 3880	HPN
FRAME W010A	HEC A21797
LOC 01A-01	



NOTE 1: LOCATIONS YL AND YM MUST BOTH CONTAIN THE SAME PART NUMBER. IT CAN BE EITHER 4748063 OR 6272720. DO NOT MIX PART NUMBERS.

TABLE

SD BOARD 01A-83/84	4748240	6315990
CMCA CARD 01A-83/84	4748515	6315973

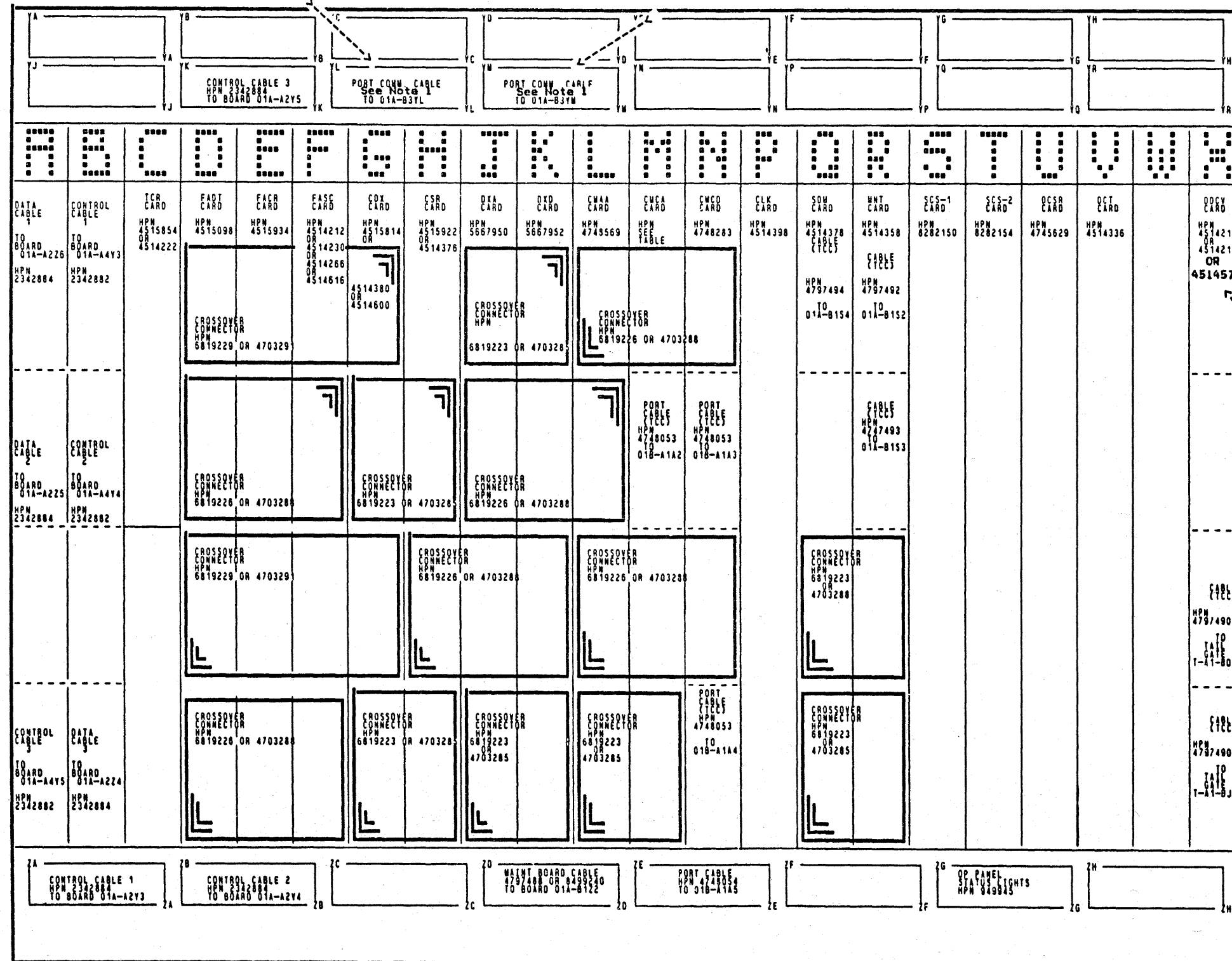
BOARD (HARDWARE) PART NUMBER: 4748240 OR 6315990

Temp. Rework
Suitable for filming

IEC 11290087
IEC 11224221
IEC 11224222
EC A29221

EC HISTORY

98JAN83 021983	STORAGE DIRECTOR 2
	SD BOARD
	PRINT REPORT
	STANBOS 0067 PN 6315740
	PAGE 8 OF 9
	MACH 3880
	FRM 01A-83
	LOC 01A-83
	REC A21797



NOTE 1: LOCATIONS YL AND YM MUST BOTH CONTAIN THE SAME PART NUMBER. IT CAN BE EITHER 4748063 OR 6272720. DO NOT MIX PART NUMBERS.

TABLE

SO BOARD 01A-B3/B4	4748240	6315990
CMCA CARD 01A-B3/B4	4748515	6315973

BOARD (HARDWARE) PART NUMBER: 4748240 OR 6315990

Temp. Rework
Suitable for filming

IEC 1129087
IEC 11224221
IEC 11224222
EC A29221

EC HISTORY

92 AUG 85 091553	STORAGE DIRECTOR 1
93 JAN 85 121553	SO BOARD
	REV 1
	PRINT 21 MAR 85 0083 PM
	PAGE 63 OF 94
	WACH 3880
	NAME 0038
	LOC 01A-B4
	HPN REC A21797

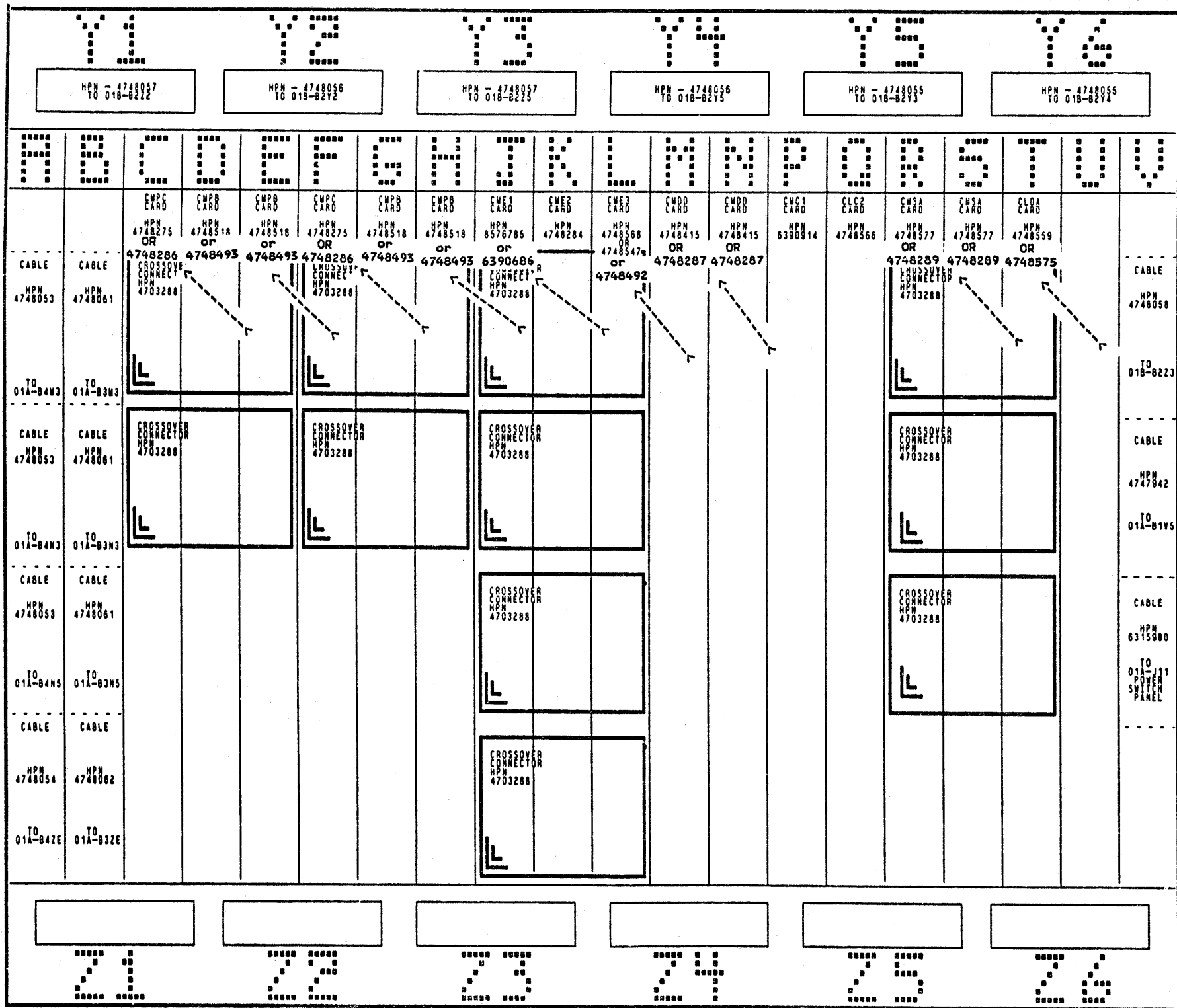
10 20 30 40 50 60 70 80 90 100 110 120 130 140 150 160 170 180 190 200 210 220 230 240 250 260 270 280 290 300

100 110 120 130 140 150 160 170 180 190 200 210 220 230 240 250 260 270 280 290 300

100 110 120 130 140 150 160 170 180 190 200 210 220 230 240 250 260 270 280 290 300

100 110 120 130 140 150 160 170 180 190 200 210 220 230 240 250 260 270 280 290 300

100 110 120 130 140 150 160 170 180 190 200 210 220 230 240 250 260 270 280 290 300



BOARD (HARDWARE) PART NUMBER 4748285

Temp. Rework
Suitable for filming

IEC 1129087
IEC 11224221
IEC 11224222
EC A29221

98AUG88 081563	SUBSYSTEM STORAGE CONTROL BOARD
SEQ 10001	PRINT 08MAR85 1804 PM 0315Z40
	PAGE 8 OF 9
MACH 3880	HPN HEC A21797
PRIME WQJ8X	
LOC 01B-A1	

10 20 30 40 50 60 70 80 90 100 110 120 130 140 150 160 170 180 190 200 210 220 230 240 250 260 270 280 290 300

Y1		Y2		Y3		Y4		Y5		Y6									
[]		HPN - 4748056 TO 018-1172		HPN - 4748055 TO 018-1175		HPN - 4748055 TO 018-1176		HPN - 4748056 TO 018-1174		[]									
CMOR CARD HPN 4748550 OR 4748288	CLP4 CARD HPN 6860756	CLP4 CARD HPN 6860756	CLP4 CARD HPN 6860756 OR CLP2 CARD HPN 6120161	CLP4 CARD HPN 6860756	CLP4 CARD HPN 6860756	CLP4 CARD HPN 6860756	CLP4 CARD HPN 6860756	CLP4 CARD HPN 6860756	CLP4 CARD HPN 6860756	CLP4 CARD HPN 6860756	CLP4 CARD HPN 6860756	CLP4 CARD HPN 6860756	CLP4 CARD HPN 6860756	CLP4 CARD HPN 6860756	CLP4 CARD HPN 6860756	CLP4 CARD HPN 6860756	CLP4 CARD HPN 6860756	CLP4 CARD HPN 6860756	CMOR CARD HPN 4748550 OR 4748288
	8MB		ZZZ			ZZZ				ZZZ			ZZZ						
	16MB		YYV			YYV				YYV			YYV						
	32MB	YYV	YYV			YYV	YYV			YYV	YYV		YYV	YYV					
	48MB	YYV	YYV	YYV	YYV	YYV	YYV			YYV	YYV	YYV	YYV	YYV	YYV				
	64MB YYV	YYV	YYV	YYV	YYV	YYV	YYV			YYV	YYV	YYV	YYV	YYV	YYV				
[]		HPN - 4748057 TO 018-1171		HPN - 4748058 TO 018-1172		[]		HPN - 4748057 TO 018-1173		[]									
Z1		Z2		Z3		Z4		Z5		Z6									

NOTE:
 1. YYY INDICATES WHICH CLP4 CARDS ARE PRESENT FOR EACH STORAGE SIZE - MACHINES WITH EXPANDED STORAGE.
 2. ZZZ INDICATES WHICH CLP2 CARDS ARE PRESENT FOR EACH STORAGE SIZE - MACHINES WITH EXPANDED STORAGE.
 CLP2 CARDS - 2MB STORAGE
 CLP4 CARDS - 4MB STORAGE

Machines other than Model 21s with serial numbers 84000 through 84299 have expanded storage.

Temp. Rework
 Suitable for filming

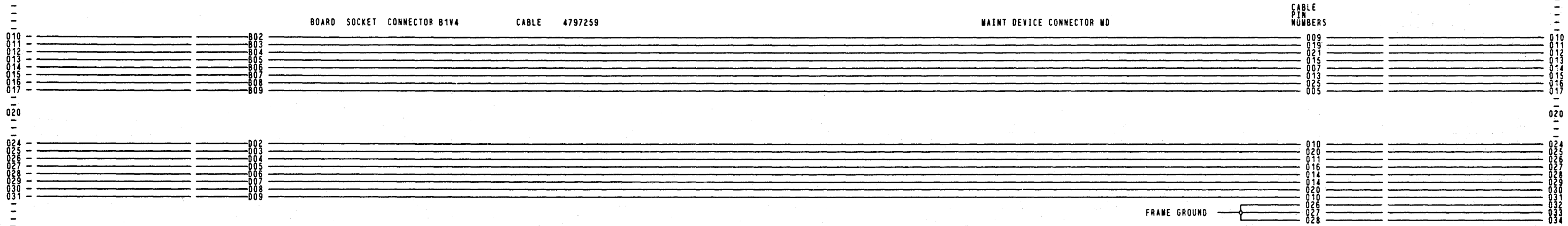
IEC 11290087
 IEC 11224221
 IEC 11224222
 EC A29221

EC HISTORY

99AUG88 081323	SUBSYSTEM STORAGE BOARD 1
95JAN85 121763	
SEP 1983	PRINT 14 FEB 85 1796 PH 0315740
	PAGE 9 OF 9
MACH 3880	HPN
FRAME 0018	HEC A21797
LOC 018-82	

BOARD (HARDWARE) PART NUMBER 4748548

10 20 30 40 50 60 70 80 90 100 110 120 130 140 150 160 170 180 190 200 210 220 230 240 250 260 270 280 290 300



040
050
060
070
080
090
100
110
120

IBM CONFIDENTIAL until FCS

EC HISTORY

15FEB84 881146	MAINTENANCE BOARD TO
30MAY84 881215	MAINTENANCE DEVICE
SEQ XA001	PRINT 26JUL84 1359 PM 6315742
	PAGE 1 OF 7
MACH 3880	HPN
PRNAME W0J	HEC 881221
LOC	X

IBM CORP

15FEB84 881146 30MAY84 881215 SEQ XA001 PRINT 26JUL84 1359 PM 6315742 PAGE 1 OF 7 MACH 3880 PRNAME W0J LOC HPN HEC 881221 X

CABLES 4797488 AND 4797489

CABLES 4797534 AND 4797535 (TWO ADDED CHAN SWITCH)

010	002	010	002
011	003	011	003
012	004	012	004
013	005	013	005
014	006	014	006
015	007	015	007
016	008	016	008
017	009	017	009
018	010	018	010
019	011	019	011
020	012	020	012
021	013	021	013

024	002	024	002
025	003	025	003
026	004	026	004
027	005	027	005
028	006	028	006
029	007	029	007
030	008	030	008
031	009	031	009
032	010	032	010
033	011	033	011
034	012	034	012
035	013	035	013

CABLES 4797492 THRU 4797497

040	002	040	002
041	003	041	003
042	004	042	004
043	005	043	005
044	006	044	006
045	007	045	007
046	008	046	008
047	009	047	009

050	002	050	002
051	003	051	003
052	004	052	004
053	005	053	005
054	006	054	006
055	007	055	007
056	008	056	008
057	009	057	009

060

BOARD SOCKET CONNECTOR

CABLES 4797490 AND 4797491

TAIL GATE CONNECTOR

065	002	065	002
066	003	066	003
067	004	067	004
068	005	068	005
069	006	069	006
070	007	070	007
071	008	071	008
072	009	072	009
073	010	073	010
074	011	074	011
075	012	075	012
076	013	076	013

THE WIRES AT THE INPUT AND OUTPUT CONNECTORS ARE TWISTED AND WOVEN TO REDUCE ELECTRICAL NOISE

THE WIRES AT THE INPUT AND OUTPUT CONNECTORS ARE TWISTED AND WOVEN TO REDUCE ELECTRICAL NOISE

079	002	079	002
080	003	080	003
081	004	081	004
082	005	082	005
083	006	083	006
084	007	084	007
085	008	085	008
086	009	086	009
087	010	087	010
088	011	088	011
089	012	089	012
090	013	090	013

THE WIRES AT THE INPUT AND OUTPUT CONNECTORS ARE TWISTED AND WOVEN TO REDUCE ELECTRICAL NOISE

THE WIRES AT THE INPUT AND OUTPUT CONNECTORS ARE TWISTED AND WOVEN TO REDUCE ELECTRICAL NOISE

BOARD SOCKET CONNECTOR

TAIL GATE CONNECTOR

CABLE 4797529 (TWO ADDED CHAN SWITCH)

100	008	100	008
101	009	101	009
102	010	102	010
103	011	103	011
104	012	104	012

107	008	107	008
108	009	108	009
109	010	109	010
110	011	110	011
111	012	111	012

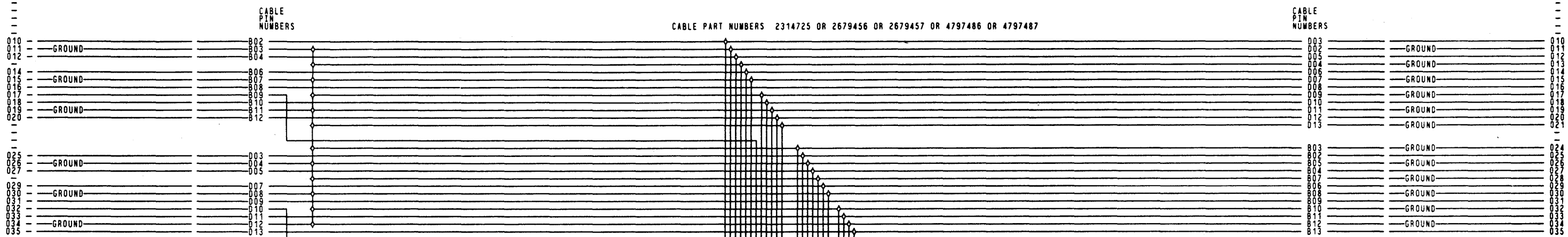
120

IBM CONFIDENTIAL until FCS

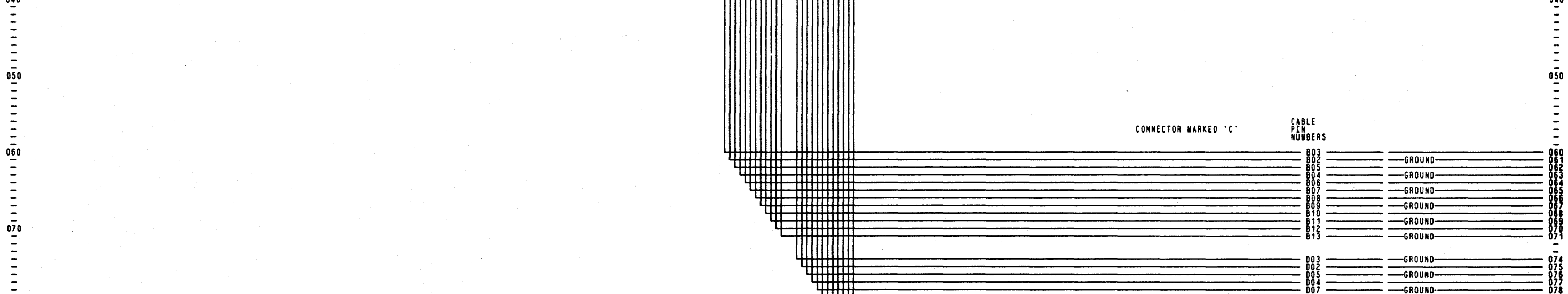
EC HISTORY

15FEB84 881146	STORAGE DIRECTOR BOARD TO
30MAY84 881215	MAINTENANCE BOARD TAIL GATE
	TO TOP CARD CONNECTOR
	SEQ ZA001
	PRINT 26JUL84 1360 PN 6315742
	PAGE 2 OF 7
	WACH 3880
	PHAME MOJ
	LOC
	HPN HEC 881221

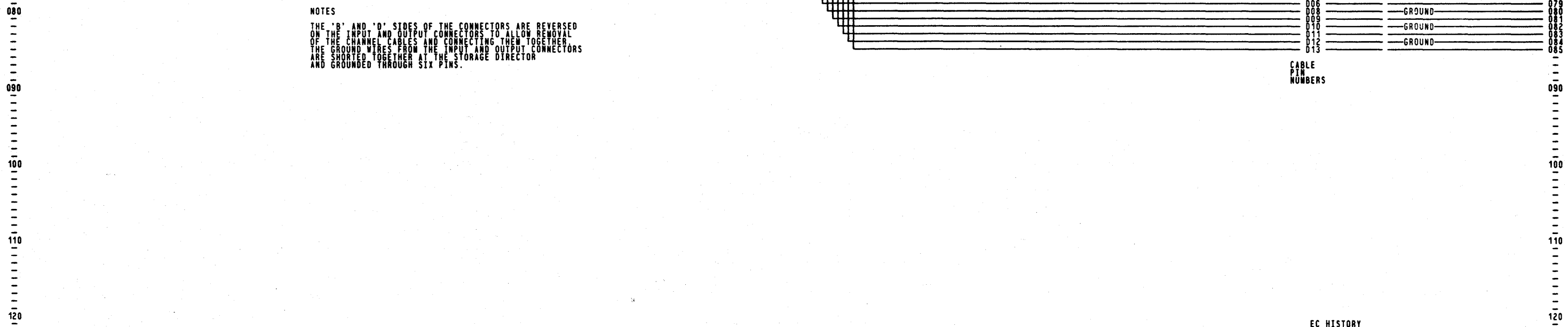
10 20 30 40 50 60 70 80 90 100 110 120 130 140 150 160 170 180 190 200 210 220 230 240 250 260 270 280 290 300



CONNECTOR MARKED 'A' OR NOT MARKED CONNECTOR MARKED 'B' CONNECTOR MARKED 'C'



NOTES
 THE 'B' AND 'D' SIDES OF THE CONNECTORS ARE REVERSED ON THE INPUT AND OUTPUT CONNECTORS TO ALLOW REMOVAL OF THE CHANNEL CABLES AND CONNECTING THEM TOGETHER. THE GROUND WIRES FROM THE INPUT AND OUTPUT CONNECTORS ARE SHORTED TOGETHER AT THE STORAGE DIRECTOR AND GROUNDED THROUGH SIX PINS.

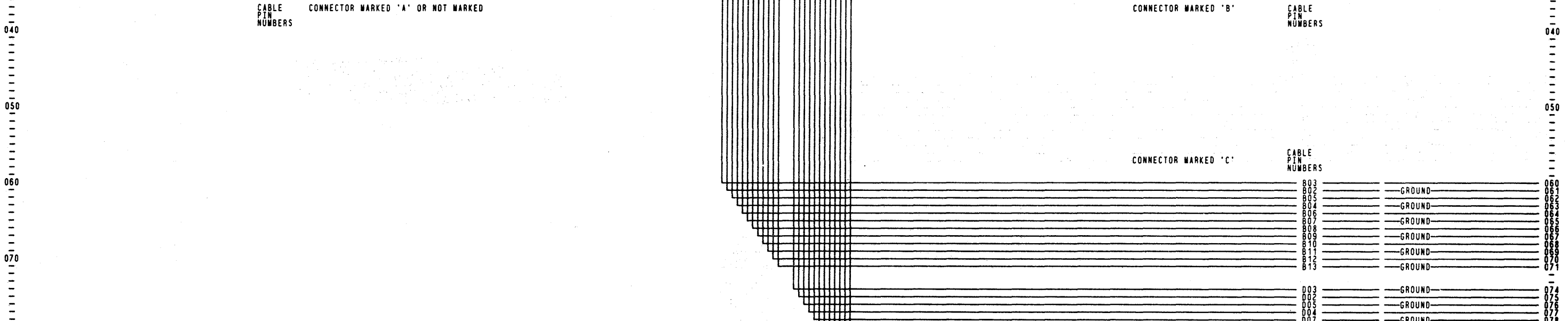
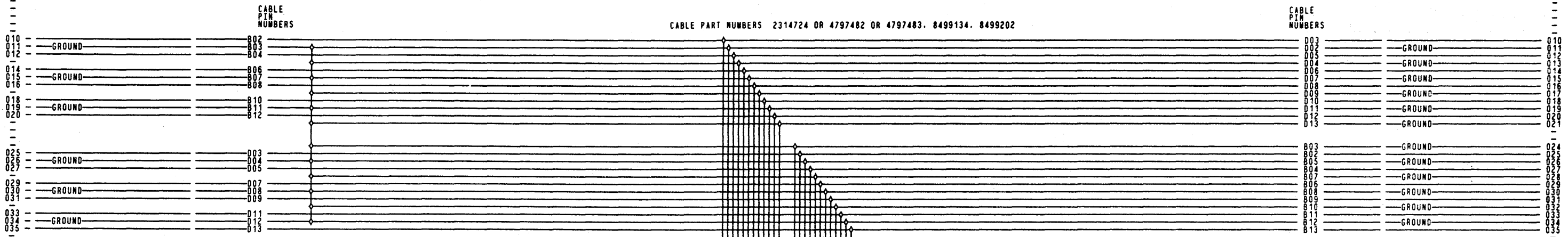


EC HISTORY

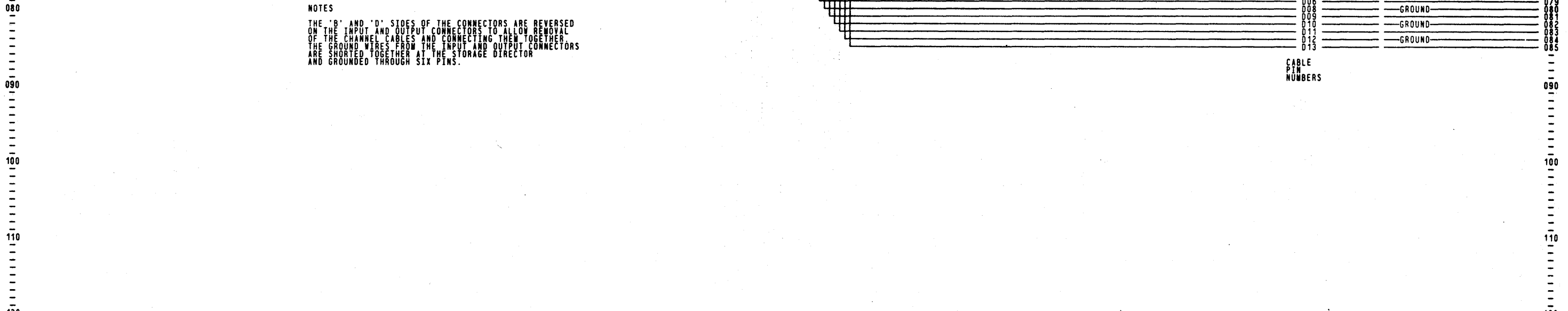
15FEB84 881146	TAIL GATE
30MAY84 881215	TO STORAGE DIRECTOR BOARDS
	CHAN CBL TYPE 'B'
	SEQ 1 ADD 1
	PRINT 26JUL84 1361 PN 6315742
	PAGE 3 OF 7
	MACH 3880 HPN
	LOC MOJ HEC 881221

IBM CORP

100 110 120



NOTES
 THE 'B' AND 'D' SIDES OF THE CONNECTORS ARE REVERSED ON THE INPUT AND OUTPUT CONNECTORS TO ALLOW REMOVAL OF THE CHANNEL CABLES AND CONNECTING THEM TOGETHER. THE GROUND WIRES FROM THE INPUT AND OUTPUT CONNECTORS ARE SHORTED TOGETHER AT THE STORAGE DIRECTOR AND GROUNDED THROUGH SIX PINS.



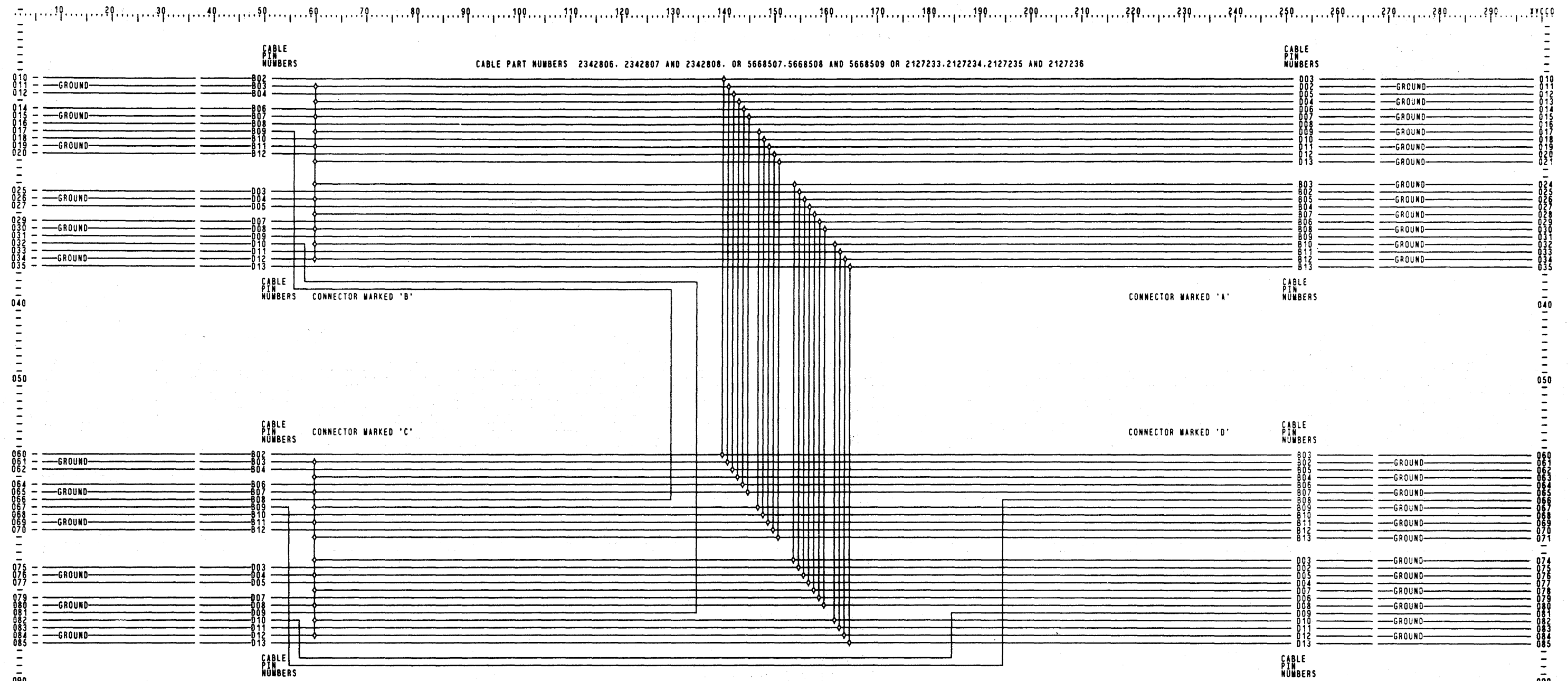
IBM CONFIDENTIAL until FCS

EC HISTORY

15FEB84 881146	TAIL GATE
30MAY84 881215	TO STORAGE DIRECTOR BOARDS
	CHAN CBL TYPE 'A'
	REV YA001
	PRINT 26JUL84 1360 PN. 6315742
	PAGE 4 OF 7

MACH 3880 HPN
 PRIME W0J HEC 881221
 LOC

CABLE PART NUMBERS 2342806, 2342807 AND 2342808, OR 5668507, 5668508 AND 5668509 OR 2127233, 2127234, 2127235 AND 2127236

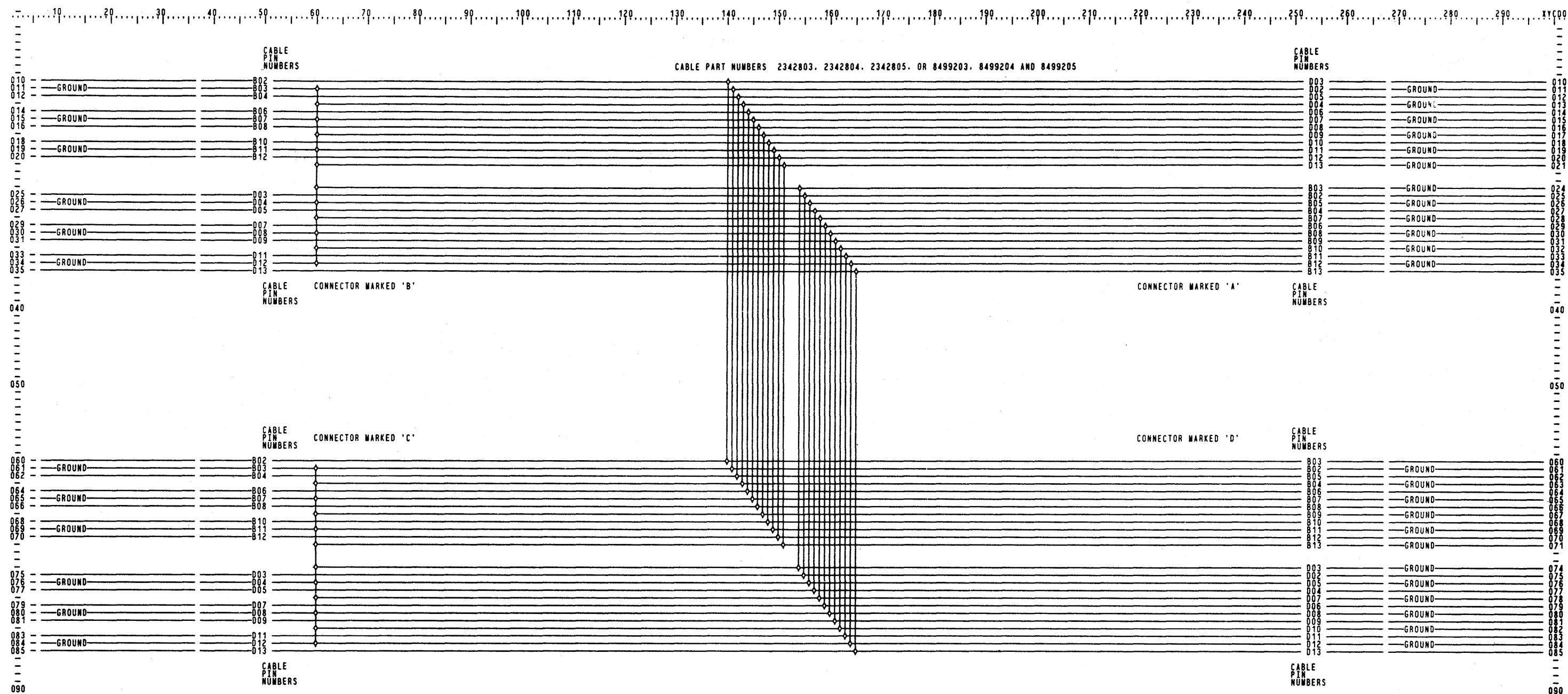


NOTES
 THE "B" AND "D" SIDES OF THE CONNECTORS ARE REVERSED ON THE INPUT AND OUTPUT CONNECTORS TO ALLOW REMOVAL OF THE CHANNEL CABLES AND CONNECTING THEM TOGETHER. THE GROUND WIRES FROM THE INPUT AND OUTPUT CONNECTORS ARE SHORTED TOGETHER AT THE STORAGE DIRECTOR AND GROUNDED THROUGH SIX PINS.

EC HISTORY

15FEB84 881146	TAILOR MADE
30MAY84 881215	TO STORAGE DIRECTOR BOARDS
	CHAN CBL TYPE B FCA
	SEQ XA001
	PRINT 26JUL84 0841 PM 631574Z
	PAGE 5 OF 7
MACH 3880	HPN
LOC	REC 881221

CABLE PART NUMBERS 2342803, 2342804, 2342805, OR 8499203, 8499204 AND 8499205



NOTES
 THE 'B' AND 'D' SIDES OF THE CONNECTORS ARE REVERSED ON THE INPUT AND OUTPUT CONNECTORS TO ALLOW REMOVAL OF THE CHANNEL CABLES AND CONNECTING THEM TOGETHER. THE GROUND WIRES FROM THE INPUT AND OUTPUT CONNECTORS ARE SHORTED TOGETHER AT THE STORAGE DIRECTOR AND GROUNDED THROUGH SIX PINS.

IBM CONFIDENTIAL until FCS

EC HISTORY

15FEB84 881146	TAIL GATE
30MAY84 881215	TO STORAGE DIRECTOR BOARDS
	CHAN CBL TYPE 'A'
	FCA
	PRINT 30JUL84 1473 PN 6315742
	PAGE 6 OF 7
MACH 3880	HPN
PRNME MOJ	HEC 881221
LOC	X

10 20 30 40 50 60 70 80 90 100 110 120 130 140 150 160 170 180 190 200 210 220 230 240 250 260 270 280 290 300

CABLES 4748055, 4748056, 4748057, 4748058, 4748059, 4748060, AND 4748064 SUBSYSTEM STORAGE CONTROL TO CACHE STORAGE

010	002	002	010
011	003	003	011
012	004	004	012
013	005	005	013
014	006	006	014
015	007	007	015
016	008	008	016
017	009	009	017
018	010	010	018
019	011	011	019
020	012	012	020
021	013	013	021

TWISTED PAIR CABLE

025	002	002	025
026	003	003	026
027	004	004	027
028	005	005	028
029	006	006	029
030	007	007	030
031	008	008	031
032	009	009	032
033	010	010	033
034	011	011	034
035	012	012	035
036	013	013	036

TWISTED PAIR CABLE

GROUND

040

CABLES 4748053 AND 4748061 STORAGE DIRECTOR TO SUBSYSTEM STORAGE CONTROL

046	*13	002	046
047	*13	003	047
048	*13	004	048
049	*13	005	049
050	*13	006	050
051	*13	007	051
052	*13	008	052
053	*13	009	053
054	*13	010	054
055	*13	011	055
056	*13	012	056
057	*02	013	057

TWISTED PAIR CABLE

GROUND

060	*33	002	060
061	*33	003	061
062	*33	004	062
063	*33	005	063
064	*33	006	064
065	*33	007	065
066	*33	008	066
067	*33	009	067
068	*33	010	068
069	*33	011	069
070	*33	012	070
071	*33	013	071
072	*22	013	072

TWISTED PAIR CABLE

GROUND

*=TCC X OR Z

080

CABLES 4748054, 4748062 AND 4748063 STORAGE DIRECTOR TO SUBSYSTEM STORAGE CONTROL AND SD TO SD

090	002	002	090
091	003	003	091
092	004	004	092
093	005	005	093
094	006	006	094
095	007	007	095
096	008	008	096
097	009	009	097
098	010	010	098
099	011	011	099
100	012	012	100
101	013	013	101

TWISTED PAIR CABLE

GROUND

106	002	002	106
107	003	003	107
108	004	004	108
109	005	005	109
110	006	006	110
111	007	007	111
112	008	008	112
113	009	009	113
114	010	010	114
115	011	011	115
116	012	012	116
117	013	013	117

TWISTED PAIR CABLE

GROUND

120

EC HISTORY

15FEB84 881146	SUBSYSTEM STORAGE CABLES
30MAY84 881215	
SEQ XA001	
PRINT 26JUL84 0041	PN 6315742
PAGE 7	OF 7
MACH 3880	HPN
LOC W0J	HEC 881221

IBM CORP

10 20 30 40 50 60 70 80 90 100 110 120 130 140 150 160 170 180 190 200 210 220 230 240 250

PART NUMBER 4748548

VOLTAGE DISTRIBUTION LIST
LOCATION 01B-B2/A2

010
020
030
040
050
060
070
080
090
100
110
120

010
020
030
040
050
060
070
080
090
100
110
120

VOLT	PIN	PL	VOLT	PIN	PL	VOLT	PIN	PL	VOLT	PIN	PL	VOLT	PIN	PL	VOLT	PIN	PL	VOLT	PIN	PL			
+00000	A2D08	03	+00000	J3D08	03	+00000	T5D08	03	+05000	E4D03	03	+05000	N2D03	03	+05000	V4D03	03	+08500	P2B11	03	-05000	N2B06	03
	A3D08	03		J4D08	03		U1A12	03		E5D03	03		N3B06	03		V5D03	03		P3B11	03		N5B06	03
	A4D08	03		J5D08	03		U1B11	03		F2B13	03		N3D03	03	+08500	B1A12	03		P4B11	03		P2B06	03
	A5D08	03		J6D08	03		U1B12	03		F2D03	03		N4B13	03		B1B12	03		P5B11	03		P5B06	03
	B1E11	03		K2D08	03		U1C12	03		F3B06	03		N4D03	03		B1C12	03		Q2B11	03		Q1B12	03
	B2D08	03		K3D08	03		U1D12	03		F3D03	03		N5D03	03		B1D12	03		Q3B11	03		Q1C12	03
	B3D08	03		K4D08	03		U1E12	03		F4B13	03		P2B13	03		B2B11	03		Q4B11	03		Q1D12	03
	B4D08	03		K5D08	03		U2D08	03		F4D03	03		P2D03	03		B3B11	03		Q5B11	03		Q1E12	03
	B5D08	03		L2D08	03		U3D08	03		F5D03	03		P3B06	03		B4B11	03		R2B11	03		Q2B06	03
	B6E02	03		L3D08	03		U4D08	03		G2B13	03		P3D03	03		B5B11	03		R3B11	03		Q5B06	03
	C2D08	03		L4D08	03		U5D08	03		G2D03	03		P4B13	03		C2B11	03		R4B11	03		Q6B03	03
	C3D08	03		L5D08	03		U6B02	03		G3B06	03		P4D03	03		C3B11	03		R5B11	03		G6C03	03
	C4D08	03		M1E11	03		V2D08	03		G3D03	03		P5D03	03		C4B11	03		S2B11	03		Q6D03	03
	C5D08	03		M2D08	03		V3D08	03		G4B13	03		Q2B13	03		C5B11	03		S3B11	03		Q6E03	03
	D2D08	03		M3D08	03		V4D08	03		G4D03	03		Q2D03	03		D2B11	03		S4B11	03		R2B06	03
	D3D08	03		M4D08	03		V5D08	03		G5D03	03		Q3B06	03		D3B11	03		S5B11	03		R5B06	03
	D4D08	03		M5D08	03	+05000	A2D03	03		H2B13	03		Q3D03	03		D4B11	03		T2B11	03		S2B06	03
	D5D08	03		M6E02	03		A3D03	03		H2D03	03		Q4B13	03		D5B11	03		T3B11	03		S5B06	03
	E2D08	03		N2D08	03		A4D03	03		H3B06	03		Q4D03	03		E2B11	03		T4B11	03		T2B06	03
	E3D08	03		N3D08	03		A5D03	03		H3D03	03		Q5D03	03		E3B11	03		T5B11	03		T5B06	03
	E4D08	03		N4D08	03		B1E12	03		H4B13	03		R2B13	03		E4B11	03		U2B11	03		U2B06	03
	E5D08	03		N5D08	03		B2B13	03		H4D03	03		R2D03	03		E5B11	03		U3B11	03		U5B06	03
	F1A11	03		P2D08	03		B2D03	03		H5D03	03		R3B06	03		F2B11	03		U4B11	03			
	F1A12	03		P3D08	03		B3B06	03		J2B13	03		R3D03	03		F3B11	03		U5B11	03			
	F1B12	03		P4D08	03		B3D03	03		J2D03	03		R4B13	03		F4B11	03	-05000	B2B06	03			
	F1C12	03		P5D08	03		B4B13	03		J3B06	03		R4D03	03		F5B11	03		B5B06	03			
	F1D12	03		Q2D08	03		B4D03	03		J3D03	03		R5D03	03		G2B11	03		C2B06	03			
	F2D08	03		Q3D08	03		B5D03	03		J4B13	03		S2B13	03		G3B11	03		C5B06	03			
	F3D08	03		Q4D08	03		C1A12	03		J4D03	03		S2D03	03		G4B11	03		D2B06	03			
	F4D08	03		Q5D08	03		C1B12	03		J5D03	03		S3B06	03		G5B11	03		D5B06	03			
	F5D08	03		R1A11	03		C1C12	03		K2D03	03		S3D03	03		H2B11	03		E1B12	03			
	F6A02	03		R1A12	03		C2B13	03		K3D03	03		S4B13	03		H3B11	03		E1C12	03			
	G2D08	03		R1B12	03		C2D03	03		K4D03	03		S4D03	03		H4B11	03		E1D12	03			
	G3D08	03		R1C12	03		C3B06	03		K5D03	03		S5D03	03		H5B11	03		E1E12	03			
	G4D08	03		R1D12	03		C3D03	03	+05000	L2D03	03		T2B13	03		J2B11	03		E2B06	03			
	G5D08	03		R2D08	03		C4B13	03		L3D03	03		T2D03	03		J3B11	03		E5B06	03			
	H1C12	03		R3D08	03		C4D03	03		L4D03	03		T3B06	03		J4B11	03		F2B06	03			
	H1D12	03		R4D08	03		C5D03	03		L5D03	03		T3D03	03		J5B11	03		F5B06	03			
	H1E12	03		R5D08	03		D2B13	03		M1E12	03		T4B13	03	+08500	M1A12	03		F6A03	03			
	H2D08	03		R6A02	03		D2D03	03		M2B13	03		T4D03	03		M1B12	03		F6B03	03			
	H3D08	03		S2D08	03		D3B06	03		M2D03	03		T5D03	03		M1C12	03		F6C03	03			
	H4D08	03		S3D08	03		D3D03	03		M3B06	03		U2B13	03		M1D12	03		F6D03	03			
	H5D08	03		S4D08	03		D4B13	03		M3D03	03		U2D03	03		M2B11	03		G2B06	03			
	J1A12	03		S5D08	03		D4D03	03		M4B13	03		U3B06	03		M3B11	03		G5B06	03			
	J1B11	03		T1C12	03		D5D03	03		M4D03	03		U3D03	03		M4B11	03		H2B06	03			
	J1B12	03		T1D12	03		E2B13	03		M5D03	03		U4B13	03		M5B11	03		H5B06	03			
	J1C12	03		T1E12	03		E2D03	03		N1A12	03		U4D03	03		N2B11	03		J2B06	03			
	J1D12	03		T2D08	03		E3B06	03		N1B12	03		U5D03	03		N3B11	03		J5B06	03			
	J1E12	03		T3D08	03		E3D03	03		N1C12	03		V2D03	03		N4B11	03	-05000	M2B06	03			
	J2D08	03		T4D08	03		E4B13	03		N2B13	03		V3D03	03		B5B11	03		M5B06	03			

REA # 1-1290089
 EC # A29221
 DATE 9-24-85

EC HISTORY		VOLTAGE DISTRIBUTION LIST	
15FEB84	881146	SEQ	YA001
30MAY84	881215	PRINT	05FEB85 0019 PN 6315744
09AUG84	881223		PAGE 1 OF 6
15JAN85	A21797		
MACH		HPN	
LOC		REC	
1B-B2/A2		A21797	
		0001	

010
020
030
040
050
060
070
080
090
100
110
120

010
020
030
040
050
060
070
080
090
100
110
120

VOLT	PIN	PL	VOLT	PIN	PL	VOLT	PIN	PL	VOLT	PIN	PL	VOLT	PIN	PL	VOLT	PIN	PL
+00000	A1E12	03	+00000	E6D03	03	+00000	P2D08	03	+01700	J1C12	03	+05000	F3D03	03	+05000	R3D03	03
	A2D08	03		E6E03	03		P3D08	03		J1D12	03		F4D03	03		R4D03	03
	A3D08	03		F1A11	03		P4D08	03		J1E12	03		F5D03	03		R5D03	03
	A4D08	03		F1A12	03		P5D08	03		J3B06	03		G2D03	03		S2D03	03
	A5D08	03		F1B12	03		Q2D08	03		J4B06	03		G3D03	03		S3D03	03
	A6E03	03		F1C12	03		Q3D08	03		K1A12	03		G4D03	03		S4D03	03
	B1A12	03		F1D12	03		Q4D08	03		K3B06	03		G5D03	03		S5D03	03
	B1B12	03		F1E12	03		Q5D08	03		K4B06	03		H2D03	03		T1B12	03
	B1C12	03		F2D08	03		R1A11	03		L1E12	03		H3D03	03		T1C12	03
	B1D12	03		F3D08	03		R2D08	03		L3B06	03		H4D03	03		T1D12	03
	B1E11	03		F4D08	03		R3D08	03		L4B06	03		H5D03	03		T1E12	03
	B1E12	03		F5D08	03		R4D08	03		M1A12	03		J2D03	03		T2D03	03
	B2D08	03		F6A02	03		R5D08	03		M1B12	03		J3D03	03		T3D03	03
	B3D08	03		F6A03	03		R6A02	03		M1C12	03		J4D03	03		T4D03	03
	B4D08	03		F6B03	03		S2D08	03		M1D12	03		J5D03	03		T5D03	03
	B5D08	03		F6C03	03		S3D08	03		M1E12	03		K2D03	03		U1A12	03
	B6A03	03		F6D03	03		S4D08	03		M3B06	03		K3D03	03		U1B12	03
	B6B03	03		F6E03	03		S5D08	03		M4B06	03		K4D03	03		U1C12	03
	B6C03	03		G2D08	03		T2D08	03		M1A12	03		K5D03	03		U1D12	03
	B6D03	03		G3D08	03		T3D08	03		M1B12	03		L2D03	03		U1E12	03
	B6E02	03		G4D08	03		T4D08	03		M1C12	03		L3D03	03		U2D03	03
	B6E03	03		G5D08	03		T5D08	03		M1D12	03		L4D03	03		U3D03	03
	C1A12	03		H2D08	03		U1B11	03		M3B06	03		L5D03	03		U4D03	03
	C1B12	03		H3D08	03		U2D08	03		M4B06	03		M2D03	03		U5D03	03
	C1C12	03		H4D08	03		U3D08	03		P3B06	03		M3D03	03		V1A12	03
	C1D12	03		H5D08	03		U4D08	03		P4B06	03		M4D03	03		V3D03	03
	C2D08	03		J1B11	03		U5D08	03		Q3B06	03		M5D03	03			
	C3D08	03		J2D08	03		U6B02	03		Q4B06	03		M2D03	03			
	C4D08	03		J3D08	03		V2D08	03		R3B06	03		N3D03	03			
	C5D08	03		J4D08	03		V3D08	03		R4B06	03		N4D03	03			
	C6A03	03		J5D08	03		V4D08	03		S3B06	03		N5D03	03			
	C6B03	03		J6B02	03		V5D08	03		S4B06	03		P2D03	03			
	C6C03	03		K2D08	03	+01700	C3B06	03		T3B06	03		P3D03	03			
	C6D03	03		K3D08	03		C4B06	03		T4B06	03		P4D03	03			
	D2D08	03		K4D08	03		D3B06	03		U3B06	03		P5D03	03			
	D3D08	03		K5D08	03		D4B06	03		U4B06	03		Q1A12	03			
	D4D08	03		L2D08	03		E3B06	03		Y3B06	03		Q1B12	03			
	D5D08	03		L3D08	03		E4B06	03	+05000	C2D03	03		Q1C12	03			
	E1A12	03		L4D08	03		F3B06	03		C3D03	03		Q1D12	03			
	E1B12	03		L5D08	03		F4B06	03		C4D03	03		Q1E12	03			
	E1C12	03		M1E11	03		G3B06	03		C5D03	03		Q2D03	03			
	E1D12	03		M2D08	03		G4B06	03		D2D03	03		Q3D03	03			
	E1E12	03		M3D08	03		H1B12	03		Q3D03	03		Q4D03	03			
	E2D08	03		M4D08	03		H1C12	03		Q4D03	03		Q5D03	03			
	E3D08	03		M5D08	03		H1D12	03		Q5D03	03		R1A12	03			
	E4D08	03		M6E02	03		H1312	03		E2D03	03		R1B12	03			
	E5D08	03		N2D08	03		H3B06	03		E3D03	03		R1C12	03			
	E6A03	03		N3D08	03		H4B06	03		E4D03	03		R1D12	03			
	E6B03	03		N4D08	03		J1A12	03		E5D03	03		R1E12	03			
	E6C03	03		N5D08	03		J1B12	03		F2D03	03		R2D03	03			

REA # 1-1290089
 EC # A29221
 DATE 9-24-85

EC HISTORY		VOLTAGE DISTRIBUTION LIST	
15FEB84	881146	SEQ	YA001
30MAY84	881216	PRINT	05FEB85 0021
09AUG84	881221	PN	6315744
15JAN85	A21797	PAGE	2 OF 6
		HPN	A21797
		REC	0002

10 20 30 40 50 60 70 80 90 100 110 120 130 140 150 160 170 180 190 200 210 220 230 240 250 260 270 280 290 YA001

PART NUMBER 2 CH 4 CH 8 CH
4748282 4748281 4748240
OR 6390706 6390710 6315990
OR 6315998 6315997
OR 6315981 6315982

VOLTAGE DISTRIBUTION LIST
LOCATION 01A-B4/B3

VOLT	PIN	PL	VOLT	PIN	PL	VOLT	PIN	PL	VOLT	PIN	PL	VOLT	PIN	PL	VOLT	PIN	PL	VOLT	PIN	PL
+00000	A1808	03	+00000	B3803	03	+00000	E1A11	03	+05000	H3B11	03	+00000	M3D08	03	+00000	R4B11	03	+00000	V2B11	03
	A1813	03		B3807	03		E1D08	03		H3D08	03		M4D08	03		R4D08	03		V2D08	03
	A1C06	03		B3B11	03		E1D13	03		G4B11	03		M5D08	03		R5B11	03		V3B11	03
	A1C07	03		B3D04	03		E1E06	03		H4D08	03		M6D03	03		R5D08	03		V3D08	03
	A1C11	03		B3D08	03		E1E11	03		H5B11	03		M6E03	03		R6A04	03		V4B11	03
	A1D07	03		B3D12	03		E2B11	03		H5D08	03		M1C06	03		R6B02	03		V4D08	03
	A1E07	03		B4B03	03		E2D08	03		H6C04	03		M1C11	03		R6E04	03		V5B11	03
	A2B03	03		B4B07	03		E3B11	03		H6D02	03		M2D08	03		S1A06	03		V5D08	03
	A2B07	03		B4B11	03		E3D08	03		J1D08	03		M3D08	03		S1A11	03		V6E04	03
	A2B11	03		B4D04	03		E4B11	03		J1E06	03		M4D08	03		S2B11	03		W1A06	03
	A2D04	03		B4D08	03		E4D08	03		J1E07	03		M5D08	03		S2D08	03		W1A07	03
	A2D08	03		B4D12	03		E5B11	03		J2B11	03		M6A03	03		S3B11	03		W1A11	03
	A2D12	03		B5B03	03		E5D08	03		J2D08	03		M6B03	03		S3D08	03		W1B07	03
	A3B03	03		B5B07	03		E6A02	03		J3B11	03		M6C02	03		S4B11	03		W1C07	03
	A3B07	03		B5B11	03		E6D04	03		J3D08	03		M6C03	03		S4D08	03		W1D07	03
	A3B11	03		B5D04	03		E6E02	03		J4B11	03		M6D03	03		S5B11	03		W1D08	03
	A3D04	03		B5D08	03		F1E08	03		J4D08	03		M6E03	03		S5D08	03		W1D13	03
	A3D08	03		B5D12	03		F1E13	03		J5B11	03		P2B11	03		S6A02	03		W1E06	03
	A3D12	03		B6A04	03		F2B11	03		J5D08	03		P2D08	03		T1A08	03		W1E07	03
	A4B03	03		B6B02	03		F2D08	03		J6D04	03		P3B11	03		T1A13	03		W1E11	03
	A4B07	03		B6E04	03		F3B11	03		J6E02	03		P3D08	03		T1B06	03		W2B11	03
	A4B11	03		C1A06	03		F3D08	03		K1A07	03		P4B11	03		T1B11	03		W2D08	03
	A4D04	03		C1A11	03		F4B11	03		K1B07	03		P4D08	03		T1E08	03		W3B11	03
	A4D08	03		C2B11	03		F4D08	03		K1C07	03		P5B11	03		T1E13	03		W3D08	03
	A4D12	03		C2D08	03		F5B11	03		K1C08	03		P5D08	03		T2B11	03		W4B11	03
	A5B03	03		C3B11	03		F5D08	03		K1D06	03		P6A03	03		T2D08	03		W4D08	03
	A5B07	03		C3D08	03		F6E04	03		K1D07	03		Q1B08	03		T3B11	03		W5B11	03
	A5B11	03		C4B11	03		G1A06	03		K1D11	03		Q1B13	03		T3D08	03		W5D08	03
	A5D04	03		C4D08	03		G1A11	03		K1E07	03		Q1C06	03		T4B11	03		W6A02	03
	A4D08	03		C5B11	03		G1D08	03		K2B11	03		Q1C11	03		T4D08	03		W6D04	03
	A5D12	03		C5D08	03		G1D13	03		K2D08	03		Q2B11	03		T5B11	03		W6E02	03
	A6B04	03		C6A02	03		G1E06	03		K3B11	03		Q2D08	03		T5D08	03		X1A07	03
	A6C02	03		D1A08	03		GHE11	03		K3D08	03		Q3B11	03		T6A04	03		X1B07	03
	B1A07	03		D1A13	03		G2B11	03		K4B11	03		Q3D08	03		T6B02	03		X1C07	03
	B1A08	03		D1B06	03		G2D08	03		K4D08	03		Q4B11	03		T6E04	03		X1C08	03
	B1A13	03		D1B11	03		G3B11	03		K5B11	03		Q4D08	03		U1A06	03		X1C13	03
	B1B06	03		D1E08	03		G3D08	03		K5D08	03		Q5B11	03		U1A11	03		X1D06	03
	B1B07	03		D1E13	03		G4B11	03		K6C04	03		Q5D08	03		U1D08	03		X1D11	03
	B1B11	03		D2B11	03		G4D08	03		K6D02	03		Q6B04	03		U1D13	03		X2B11	03
	B1C07	03		D2D08	03		G5B11	03		L1A07	03		Q6C02	03		U1E06	03		X2D08	03
	B1D07	03		D3B11	03		G5D08	03		L1B07	03		R1A08	03		U1E11	03		X3B11	03
	B1E07	03		D3D08	03		G6A02	03		L1B08	03		R1A13	03		U2D08	03		X3D08	03
	B1E08	03		D4B11	03		G6D04	03		L1C06	03		R1B06	03		U3D08	03		X4B11	03
	B1E13	03		D4D08	03		G6E02	03		L2D08	03		R1B11	03		U4D08	03		X4D08	03
	B2B03	03		D5B11	03		H1C08	03		L3D08	03		R1E08	03		U5D08	03		X5B11	03
	B2B07	03		D5D08	03		H1C13	03		L4D08	03		R1E13	03		U6A02	03		X5D08	03
	B2B11	03		D6A04	03		H1D06	03		L5D08	03		R2B11	03		U6D04	03		X6C04	03
	B2D04	03		D6B02	03		H1D11	03		L6B04	03		R2D08	03		U6E02	03		X6D02	03
	B2D08	03		D6E04	03		H2B11	03		L6C02	03		R3B11	03		V1E08	03	+01700	G1E07	03
	B2D12	03		E1A06	03		H2D08	03		M2D08	03		R3D08	03		V1E13	03		H1A07	03

REA # 1-1290089
EC # A29221
DATE 9-24-85

EC HISTORY

15FEB84 881146	VOLTAGE DISTRIBUTION LIST
30MAY84 881213	
09AUG84 881213	
18JAN85 A21797	

SEQ YA001
PRINT 05FEB85 0020 PN 6315744
PAGE 3 OF 6

WACH
PNAME VOLTAGE HPM
LOC 1A-B4/B3 HEC A21797
0003

2 CH 4 CH 8CH
 PART NUMBER 4748282 4748281 4748240
 6390706 6390710 6315990
 6315998 6315997
 6315981 6315982

VOLTAGE DISTRIBUTION LIST
 LOCATION 01A-B3/B4

VOLT	PIN	PL	VOLT	PIN	PL	VOLT	PIN	PL	VOLT	PIN	PL	VOLT	PIN	PL	VOLT	PIN	PL
+01700	H1807	03	+05000	F5806	03	+05000	P2806	03	+05000	V5806	03	+06000	E4D12	03	-05000	U6D03	03
	H1C07	03		F5D03	03		P2D03	03		V5D03	03		E5D12	03		X2809	03
	L3806	03		G2806	03		P3806	03		W2806	03		G6A03	03		X4809	03
	L4806	03		G2D03	03		P3D03	03		W2D03	03		G6B03	03			
	M3806	03		G3806	03		P4806	03		W3806	03		G6C03	03			
	M4806	03		G3D03	03		P4D03	03		W3D03	03		G6D03	03			
	M3806	03		G4806	03		P5806	03		W4806	03		X2D12	03			
	M4806	03		G4D03	03		P5D03	03		W4D03	03		X4D12	03			
+01700	R6803	03		G5806	03		Q2806	03		W5806	03	+07250	Q6C03	03			
	R6C03	03		G5D03	03		Q2D03	03		W5D03	03		Q6D03	03			
	R6D03	03		H2806	03		Q3806	03		W6A03	03		Q6E03	03			
	R6E03	03		H2D03	03		Q3D03	03		W6B03	03		R6A03	03			
	S2805	03		H3806	03		Q4806	03		W6C03	03		S2D10	03			
	S3809	03		H3D03	03		Q4D03	03		W6D03	03		S2D13	03			
	S4805	03		H4806	03		Q5806	03		W6E03	03		S3802	03			
	S5809	03		H4D03	03		Q5D03	03		X2806	03		S3804	03			
	T2805	03		H5806	03		R2806	03		X2D03	03		S4D10	03			
	T3809	03		H5D03	03		R2D03	03		X3806	03		S4D13	03			
	T4805	03		J2806	03		R3806	03		X3D03	03		S5802	03			
	T5809	03		J2D03	03		R3D03	03		X4806	03		S5804	03			
+05000	C2806	03		J3806	03		R4806	03		X4D03	03		T2D10	03			
	C2D03	03		J3D03	03		R4D03	03		X5806	03		T2D13	03			
	C3806	03		J4806	03		R5806	03		X5D03	03		T3802	03			
	C3D03	03		J4D03	03		R5D03	03		X6A03	03		T3804	03			
	C4806	03		J5806	03		S2806	03		X6B03	03		T4D10	03			
	C4D03	03		J5D03	03		S2D03	03		X6C03	03		T4D13	03			
	C5806	03		J6E03	03	+05000	S3806	03		G1A07	03		T5802	03			
	C5D03	03		K2806	03		S3D03	03		G1B07	03		T5804	03			
	D2806	03		K2D03	03		S4806	03		G1C07	03	+01200	T6803	03			
	D2D03	03		K3806	03		S4D03	03		G1D07	03		T6C03	03			
	D3806	03		K3D03	03		S5806	03		L2D03	03		T6D03	03			
	D3D03	03		K4806	03		S5D03	03		L3D03	03		T6E03	03			
	D4806	03		K4D03	03		T2806	03		L4D03	03		U2B11	03			
	D4D03	03		K5806	03		T2D03	03		L5D03	03		U3B11	03			
	D5806	03		K5D03	03		T3806	03		W2D03	03		U4B11	03			
	D5D03	03		K6A03	03		T3D03	03		W3D03	03		U5B11	03			
	E2806	03		K6B03	03		T4806	03		W4D03	03	+01500	D3B13	03			
	E2D03	03		K6C03	03		T4D03	03		W5D03	03		E3B13	03			
	E3806	03		K6D03	03		T5806	03		W2D03	03		G6E03	03			
	E3D03	03		K6E03	03		T5D03	03		W3D03	03		H6A03	03			
	E4806	03		L6A03	03		U2D03	03		W4D03	03		H6B03	03			
	E4D03	03		L6B03	03		U3D03	03		W5D03	03		H6C03	03			
	E5806	03		M1D07	03	+06000	U4D03	03	+06000	C4D12	03		X3B13	03			
	E5D03	03		M1E07	03		U5D03	03		C5D12	03	-05000	U2806	03			
	F2806	03		M1A07	03		V2806	03		D2D12	03		U3806	03			
	F2D03	03		M1807	03		V2D03	03		D3D12	03		U4806	03			
	F3806	03		M1C07	03		V3806	03		D4D12	03		U5806	03			
	F3D03	03		M1D07	03		V3D03	03		D5D12	03		U6A03	03			
	F4806	03		M1E07	03		V4806	03		E2D12	03		U6B03	03			
	F4D03	03		P1A07	03		V4D03	03		E3D12	03		U6C03	03			

NOTES: 1. THE +7.25 OR THE +3.0 VDC IS NOT PRESENT ON THIS MODEL.
 2. THERE ARE 2 +5 VDC NETS. THE SECOND NET BEGINS WITH 61A07.

REA # 1-1290089
 REC # A29221
 DATE 9-24-85

15FEB84 881146	VOLTAGE DISTRIBUTION LIST
30MAY84 881225	SEQ YA001
09AUG84 881521	PRINT 05FEB85 0031 PN 6315244
15JAN85 A21797	PAGE 4 OF 6
	WACH HPN
	PLANE VOLTAGE REC A21797
	LOC 1A-84/B3 0004

120 110 100 90 80 70 60 50 40 30 20 10 0

10 20 30 40 50 60 70 80 90 100 110 120 130 140 150 160 170 180 190 200 210 220 230 240 250 260 270 280 290 YA001

PART NUMBER 4748573.8576733.6316002.6390758

VOLTAGE DISTRIBUTION LIST
LOCATION 01A-B1

VOLT	PIN	PL	VOLT	PIN	PL	VOLT	PIN	PL	VOLT	PIN	PL	VOLT	PIN	PL	VOLT	PIN	PL
+00000	A2C02	02	+00000	E6B03	02	+00000	L4D08	02	+00000	S2D08	02	+05000	D2D03	02	-05000	P4D03	02
.	A2D08	02	.	E6C03	02	.	L5D08	02	.	S3D08	02	.	D3D03	02	.	P5D03	02
.	A3C02	02	.	E6D03	02	.	M1A12	02	.	S4D08	02	.	D4D03	02	.	Q2D03	02
.	A3D08	02	.	E6E03	02	.	M1B12	02	.	S5D08	02	.	D5D03	02	.	Q3D03	02
.	A4C02	02	.	F1A11	02	.	M1C12	02	.	T1C12	02	.	E1B12	02	.	Q4D03	02
.	A4D08	02	.	F2D08	02	.	M1D12	02	.	T1D12	02	.	E1C12	02	.	Q5D03	02
.	A5C02	02	.	F3D08	02	.	M1E11	02	.	T1E12	02	.	E1D12	02	.	Q6B03	02
.	A5D08	02	.	F4D08	02	.	M1E12	02	.	T2C02	02	.	E1E12	02	.	Q6C03	02
.	B1A12	02	.	F5D08	02	.	M2D08	02	.	T2D08	02	.	E2D03	02	.	Q6D03	02
.	B1B12	02	.	F6A02	02	.	M3D08	02	.	T3C02	02	.	E3D03	02	.	Q6E03	02
.	B1C12	02	.	F6A03	02	.	M4D08	02	.	T3D08	02	.	E4D03	02	.	R2D03	02
.	B1D12	02	.	F6B03	02	.	M5D08	02	.	T4C02	02	.	E4D03	02	.	R3D03	02
.	B1E11	02	.	F6C03	02	.	M6A03	02	.	T4D08	02	.	F1A12	02	.	R4D03	02
.	B1E12	02	.	F6D03	02	.	M6B03	02	.	T5C02	02	.	F1B12	02	.	R5D03	02
.	B2C02	02	.	G2D08	02	.	M6C03	02	.	T5D08	02	.	F1C12	02	.	R6A03	02
.	B2D08	02	.	G3D08	02	.	M6D03	02	.	T6C03	02	.	F1D12	02	.	R6B03	02
.	B3C02	02	.	G4D08	02	.	M6E02	02	.	T6D03	02	.	F2D03	02	.	R6C03	02
.	B3D08	02	.	G5D08	02	.	M6E03	02	.	T6E03	02	.	F3D03	02	.	R6D03	02
.	B4C02	02	.	H1C12	02	.	N1A12	02	.	U1A12	02	.	F4D03	02	.	S2D03	02
.	B4D08	02	.	H1D12	02	.	N1B12	02	.	U1B11	02	.	F5D03	02	.	S3D03	02
.	B5C02	02	.	H1E12	02	.	N1C12	02	.	U1B12	02	.	G2D03	02	.	S4D03	02
.	B5D08	02	.	H2D08	02	.	N2D08	02	.	U1C12	02	.	G3D03	02	.	S5D03	02
.	B6A03	02	.	H3D08	02	.	N3D08	02	.	U1D12	02	.	G4D03	02	.	T2D03	02
.	B6B03	02	.	H4D08	02	.	N4D08	02	.	U1E12	02	.	G5D03	02	.	T3D03	02
.	B6C03	02	.	H5D08	02	.	N5D08	02	.	U2C02	02	.	H2D03	02	.	T4D03	02
.	B6D03	02	.	H6C03	02	.	N6A03	02	.	U2D08	02	.	H3D03	02	.	T5D03	02
.	B6E02	02	.	H6D03	02	.	N6B03	02	.	U3C02	02	.	H4D03	02	.		
.	B6E03	02	.	H6E03	02	.	N6C03	02	.	U3D08	02	.	H5D03	02	.		
.	C1A12	02	.	J1A12	02	.	P2D08	02	.	U4C02	02	.	J2D03	02	.		
.	C1B12	02	.	J1B11	02	.	P3D08	02	.	U4D08	02	.	J3D03	02	.		
.	C1C12	02	.	J1B12	02	.	P4D08	02	.	U5C02	02	.	J4D03	02	.		
.	C2C02	02	.	J1C12	02	.	P5D08	02	.	U5D08	02	.	J5D03	02	.		
.	C2D08	02	.	J1D12	02	.	Q1B12	02	.	U6A03	02	.	K2D03	02	.		
.	C3C02	02	.	J1E12	02	.	Q1C12	02	.	U6B02	02	.	K3D03	02	.		
.	C3D08	02	.	J2D08	02	.	Q1D12	02	.	U6B03	02	.	K4D03	02	.		
.	C4C02	02	.	J3D08	02	.	Q1E12	02	.	U6C03	02	.	D5D03	02	.		
.	C4D08	02	.	J4D08	02	.	Q2D08	02	.	U6D03	02	.	L2D03	02	.		
.	C5C02	02	.	J5D08	02	.	Q3D08	02	.	U6E03	02	.	L3D03	02	.		
.	C5D08	02	.	J6A03	02	.	Q4D08	02	.	V2C02	02	.	L4D03	02	.		
.	C6A03	02	.	J6B02	02	.	Q5D08	02	.	V2D08	02	.	L5D03	02	.		
.	C6B03	02	.	J6B03	02	.	R1A11	02	.	V3C02	02	.	M2D03	02	.		
.	C6C03	02	.	J6C03	02	.	R1A12	02	.	V3D08	02	.	M3D03	02	.		
.	D2D08	02	.	J6D03	02	.	R1B12	02	.	V4C02	02	.	M4D03	02	.		
.	D3D08	02	.	J6E03	02	.	R1C12	02	.	V4D08	02	.	M5D03	02	.		
.	D4D08	02	.	K2D08	02	.	R1D12	02	.	V5C02	02	.	N2D03	02	.		
.	D5D08	02	.	K3D08	02	.	R2D08	02	.	V5D08	02	.	M3D03	02	.		
.	E2D08	02	.	K4D08	02	.	R3D08	02	.	+05000	C2D03	02	.	N4D03	02	.	
.	E3D08	02	.	K5D08	02	.	R4D08	02	.	.	C3D03	02	.	N5D03	02	.	
.	E4D08	02	.	L2D03	02	.	R5D08	02	.	.	C4D03	02	.	P2D03	02	.	
.	E5D08	02	.	L3D08	02	.	R6A02	02	.	.	C5D03	02	.	P3D03	02	.	

REA # 1-1290089
 EC # A29221
 DATE 9-24-85

EC HISTORY		VOLTAGE DISTRIBUTION LIST	
15FEB84	881146	SEQ	YA001
30MAY84	881215	PRINT	21MAR85 0031 PN 6315744
09AUG84	881563		PAGE 5 OF 6
15JAN85	A21797		
IBM CORP		WACH	HPN
		PRAME	REC
		VOLTAGE	A21797
		LOC	1A-B1
			0005


```

3333 888 888 000
333 888 888 000
3333 888 888 000

```

```

PPPP 0000 W W EEEEE RRRR R
P C O O W W EEEE RRRR R
P O O O W W EEEE RRRR R
P O O O W W EEEE RRRR R
P 0000 W W EEEE RRRR R

L 0000 GGGG IIII CCCC 6 000 H H ZZZZ 2 2 2 CCCC H H
L O O O G G G I I C C 6 6 6 0 0 0 H H H H H Z Z 2 2 C C C H H H H H
L L L L 0000 GGGG IIII CCCC 666 6 000 H H ZZZZ 22222 CCCC H H

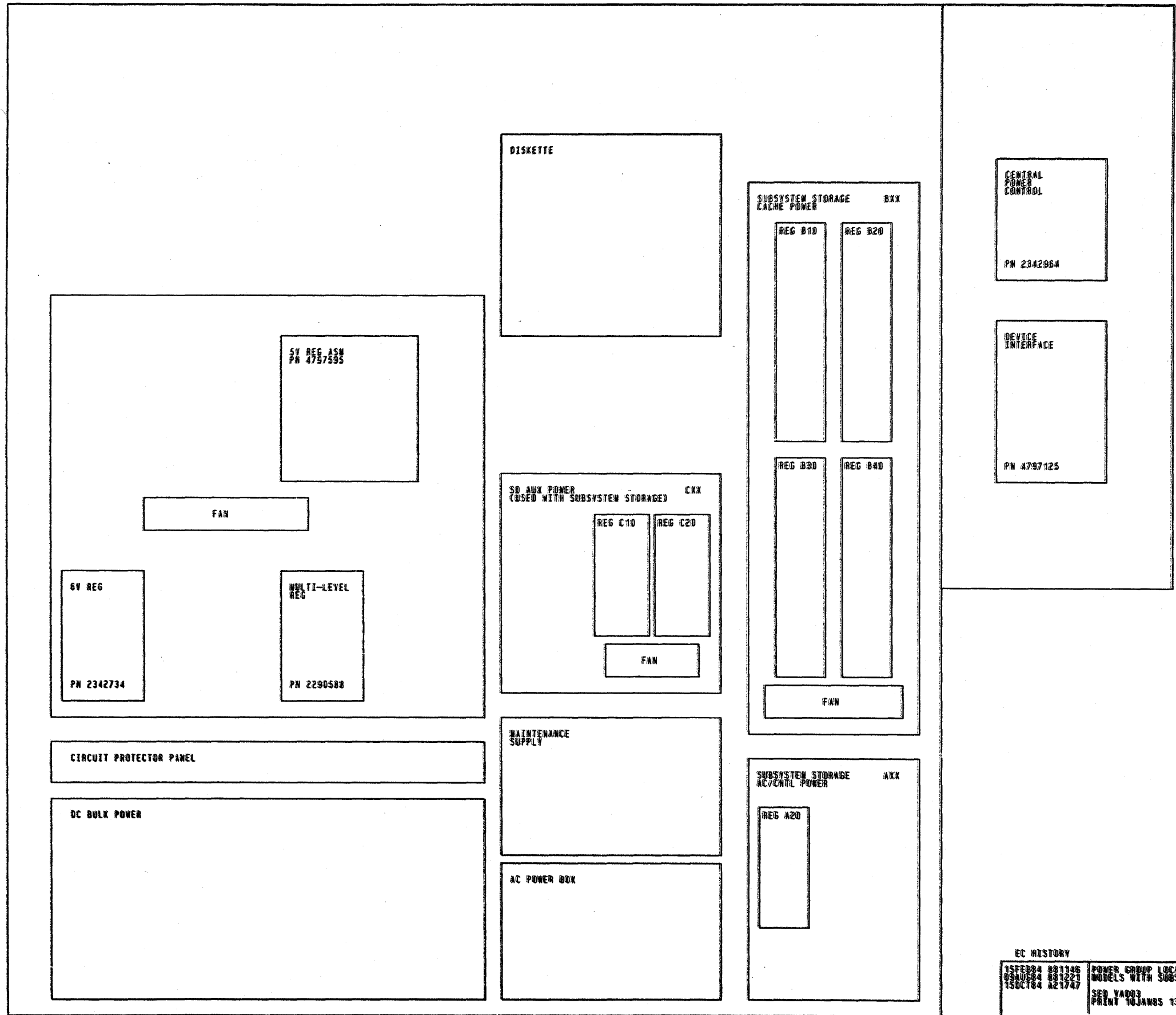
```

TITLE	PAGE	2 CH	SUBSYSTEM	STORAGE	POWER
INDEX TABLE OF CONTENTS	YA010	P/N 6315757			
POWER GROUP LOCATION	YA020				
SYMBOLS USED IN POWER DIAGRAMS	YA100				
+ 24V SCHEMATIC	YA105				
BLOCK DIAGRAM GROUNDING SCHEMATIC	YA110		BLOCK DIAGRAM GROUNDING SCHEMATIC	YC110	P/N 6315753
PRIMARY POWER BOX	YA111		AC CONTROL	YC200	
PRIMARY POWER BOX CONTROLS	YA115		AC POWER DISTRIBUTION	YC000	
PSM POWER SUPPLY	YA121		B GATE AND B BOX FANS	YC320	
DC BULK SUPPLIES - STACK	YA131		CNTL DC BULK SUPPLY	YC400	
BULK DC SUPPLY - VMEW	YA132		CNTL +1.7 VOLT REGULATOR	YC500	
REGULATOR STACK	YA133		01BA1 CNTL PWR DISTRIBUTION CARD	YC550	
DC SWITCH	YA137		01BA1 BD DC PWR DISTRIBUTION	YC560	
LOGIC GATE POWER DISTRIBUTION	YA151		STORAGE REG B30 DC SUPPLY	YC600	
CENTRAL POWER CONTROL BOARD	YA161		STORAGE REG B20 DC SUPPLY	YC620	
CENTRAL POWER CONTROL BOARD FEED THRU	YA163		01BB2 POWER DISTRIBUTION CARD	YC650	
HOST AND DEVICE CONNECTOR PANEL	YA165		01BB2 BD DC PWR DISTRIBUTION	YC660	
OPERATOR PANEL AND 2 CHANNEL SWITCHES	YA171		STORAGE REG B40 DC SUPPLY	YC700	
OPERATOR PANEL WITH REMOTE 2 CH SW	YA171		STORAGE REG B10 DC SUPPLY	YC720	
OPERATOR PANEL & 2 CH SW LOCAL/REMOTE	YA171		01BA2 POWER DISTRIBUTION CARD	YC750	
2 CHAN LOCAL/REMOTE SWITCH FEATURE	YA175		01BA2 BD DC PWR DISTRIBUTION	YC760	
DC SWITCH PANEL	YA181		AUX SD1 & 2 DC BULK SUPPLY	YC800	
DEVICE INTERFACE BOARD	YA191		AUX SD1 DC REGULATOR	YC820	
MAINT BD CONN A2.A3.A4	YA211		AUX SD2 DC REGULATOR	YC830	
MAINT BD CONN B4.A5	YA215		AUX SD1 & 2 DC PWR DISTRIBUTION	YC850	
MAINT BD CONN Z2.Z3.Z4.Y4.V2	YA217		MISC SWITCHES AND INDICATORS	YC900	
DISKETTE	YA311		MAINT BD CONN Y3	YC940	
POWER SENSOR CARD EDS	YA405		MAINT BD CONN V5. AND B GATE PSM CABLES	YC950	
POWER CONTROL CARD EDS	YA407		PWR SEQUENCE & MONITOR CARD	YC960	

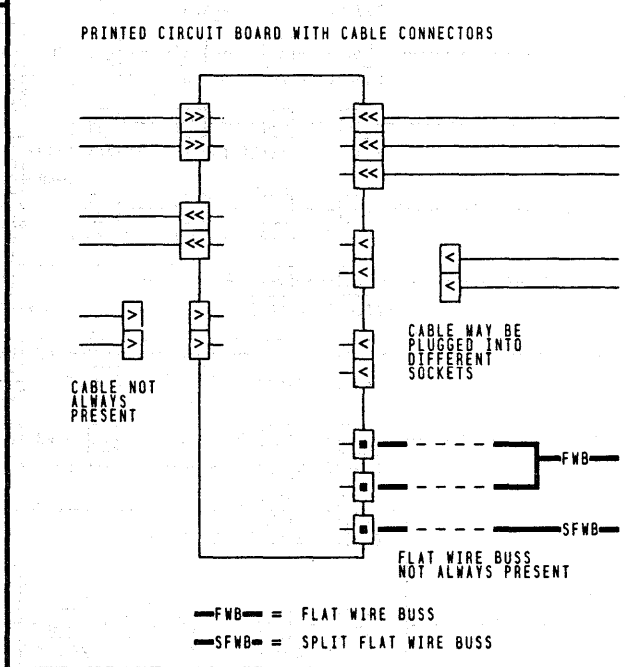
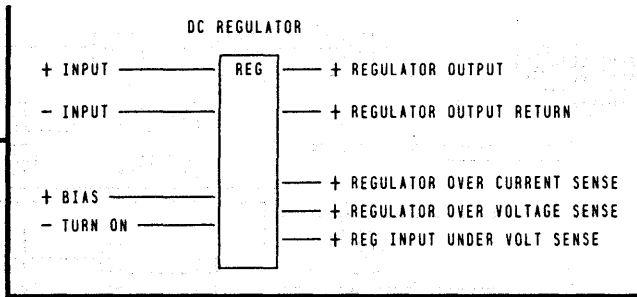
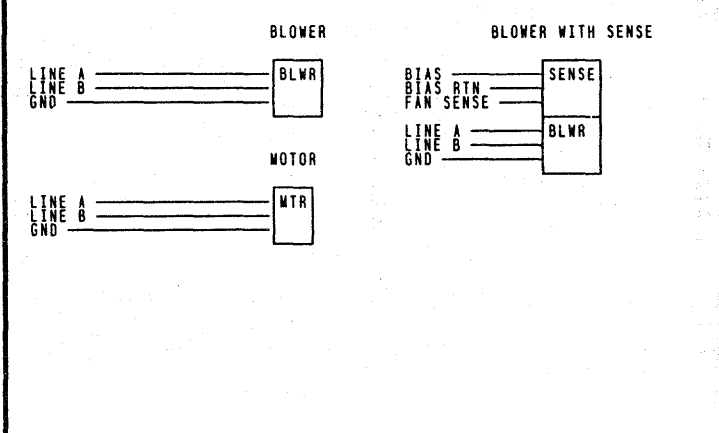
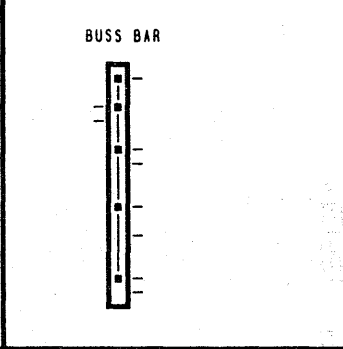
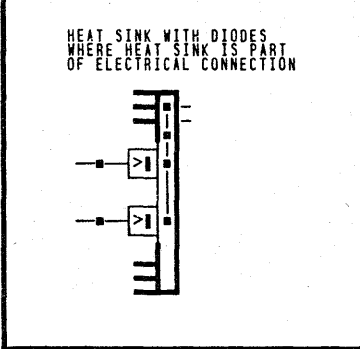
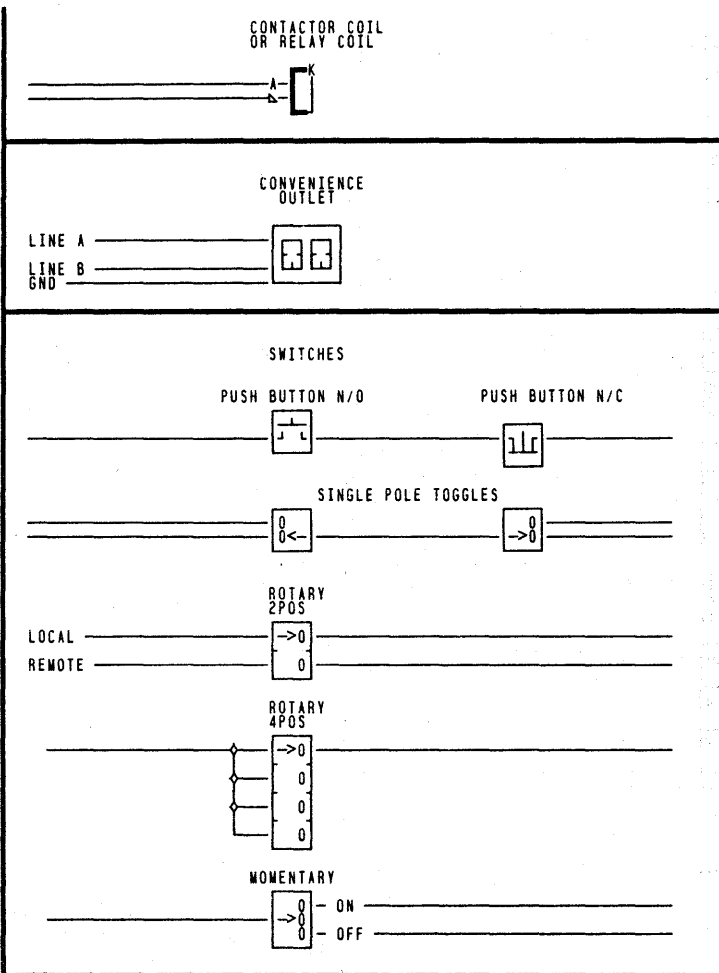
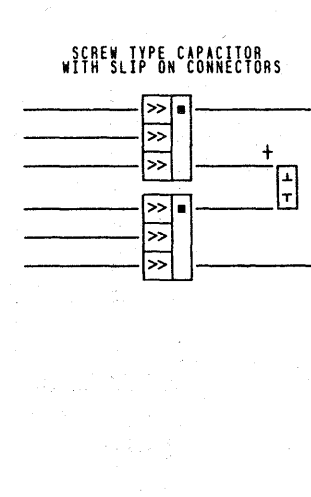
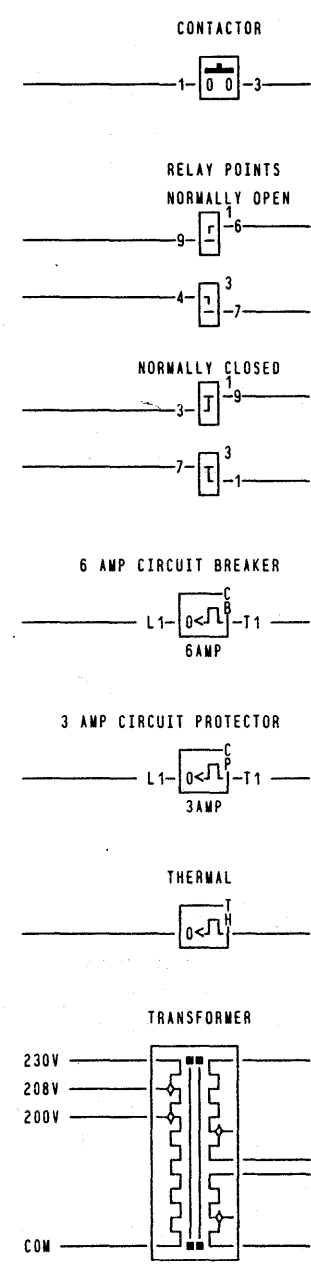
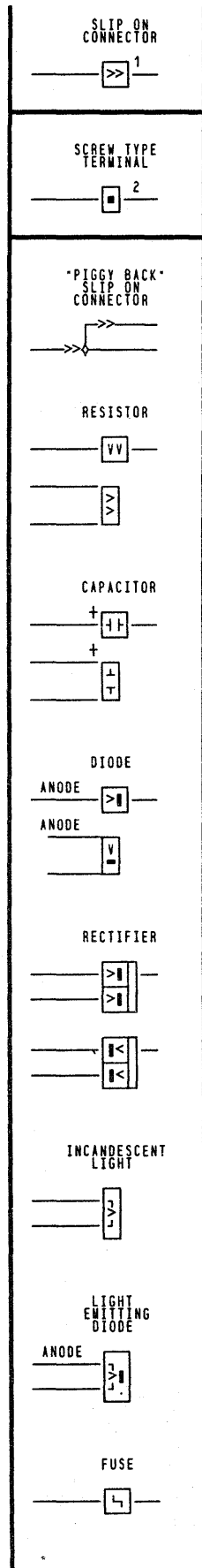
EC HISTORY

15FEB84 881146	INDEX TABLE OF CONTENTS
09AUG84 881221	MODELS WITH SUBSYSTEM STORAGE
15OCT84 A21747	
SEQ YA003	
PRINT 10JAN85 1609 P/N 6315757	PAGE 1 OF 28
MACH 3880	HPN
PLAC HZ60	HEC
LOC	A21801

IBW CORP



EC HISTORY
 15FEB84 881146 POWER GROUP LOCATION
 09AUG84 881221 MODELS WITH SUBSYSTEM STORAGE
 15OCT84 A21747
 SEQ YA003
 PRINT 10JAN85 1360 PN 6315757
 PAGE 2 OF 28
 WACH 3880 HPN
 PNAME H260 REC A21801
 ILOC



+ SIGN NEAR A CAPACITOR INDICATES POLARITY

NUMBERS NEXT TO SLIP ON CONNECTORS, SCREW TYPE TERMINALS, AND RELAY POINTS INDICATE POSITION.

ALPHA/NUMERIC CHARACTERS IN THE LINE INDICATE ACTUAL PIN DESIGNATIONS ON RELAYS, SWITCHES, CIRCUIT PROTECTORS, ETC.

COMPONENTS WITH DESIGNATION

1XX	FOUND ON	YA137, YA181 AND YB180
2XX	FOUND ON	YA131
3XX	FOUND ON	YA121
4XX	FOUND ON	YA111 AND YA115
5XX	FOUND ON	YA171
7XX	FOUND ON	YA161 AND YA163
8XX	FOUND ON	YA191
AXX	FOUND ON	YC200, YC300, YC400, YC500, YC900
BXX	FOUND ON	YC320, YC600, YC620, YC700, YC720
CXX	FOUND ON	YC800, YC820, YC830, YC900

EC HISTORY

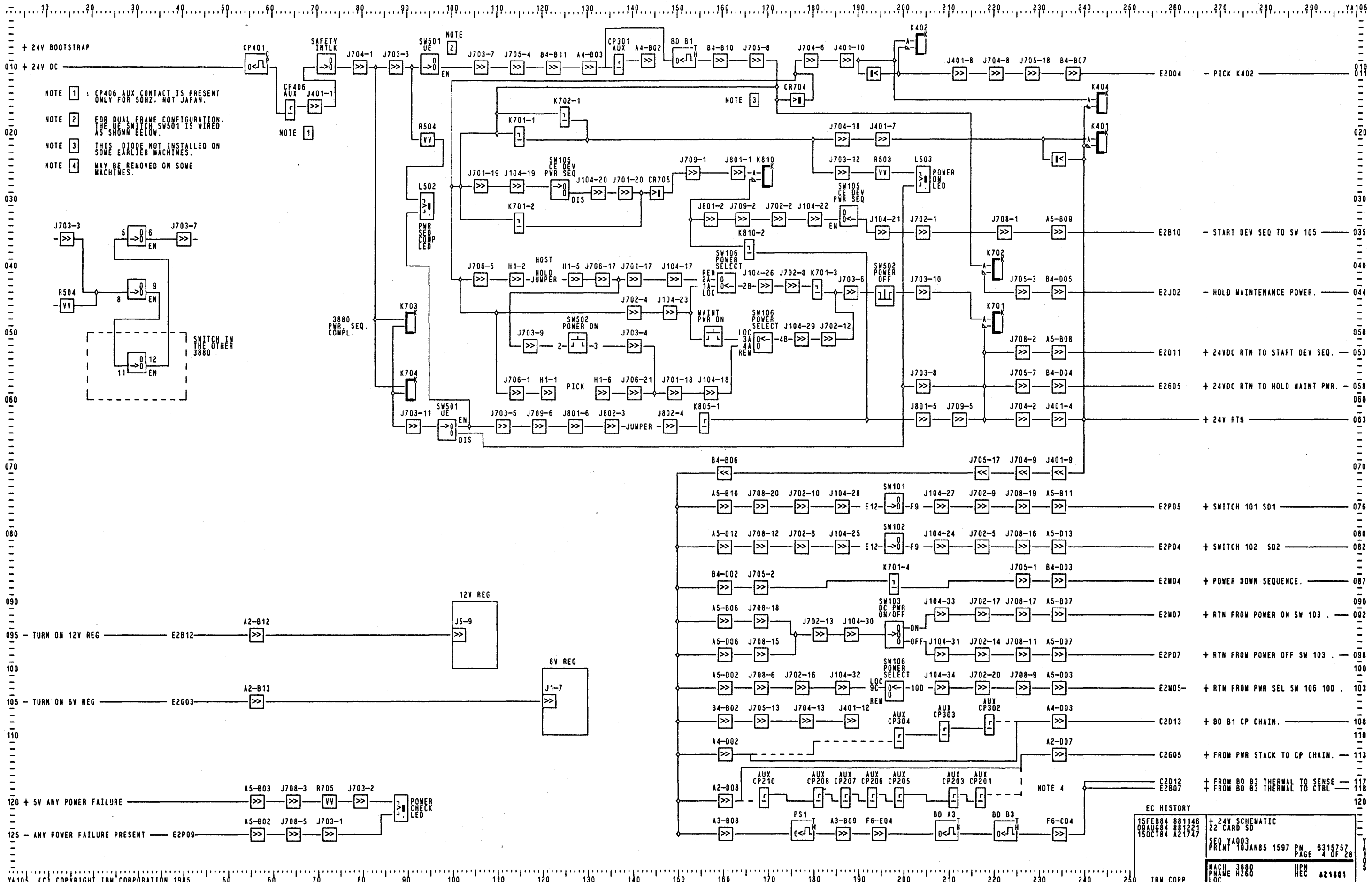
15FEB84	881146	SYMBOLS USED IN POWER DIAGRAMS
09AUG84	881221	MODELS WITH SUBSYSTEM STORAGE
15OCT84	A21747	

SEQ YA003

PRINT 10JAN85 1800 PN 6315757

PAGE 3 OF 28

MACH 3880	HPN
NAME H260	REC A21801
LOC	

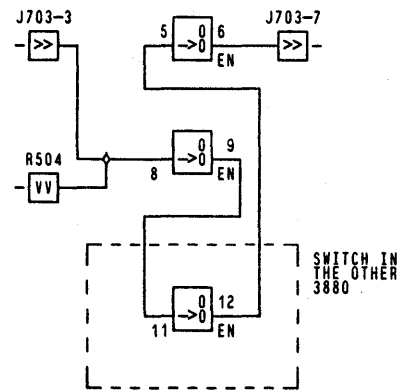


NOTE 1: CP406 AUX CONTACT IS PRESENT ONLY FOR SOHZ. NOT JAPAN.

NOTE 2: FOR DUAL FRAME CONFIGURATION, THE UE SWITCH SW501 IS WIRED AS SHOWN BELOW.

NOTE 3: THIS DIODE NOT INSTALLED ON SOME EARLIER MACHINES.

NOTE 4: MAY BE REMOVED ON SOME MACHINES.

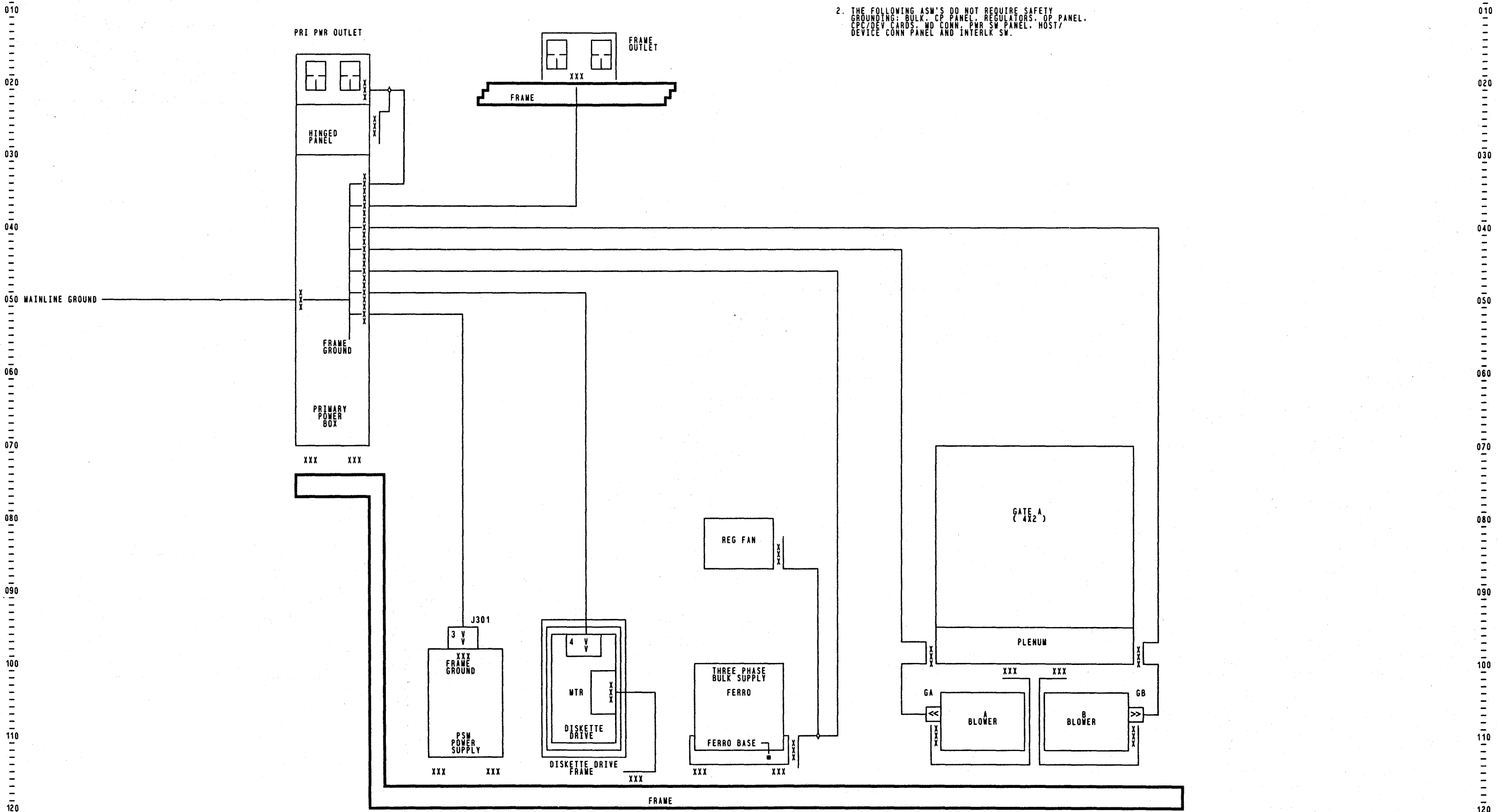


EC HISTORY	
15FEB84 881146	+ 24V SCHEMATIC
09AUG84 881221	22 CARD 5D
15OCT84 A21747	PRINT 10JAN85 1597 PM 6315757
	PAGE 4 OF 28
	MACH 3880 HPN
	LOC PRAWE H260 HEC A21801

10 20 30 40 50 60 70 80 90 100 110 120 130 140 150 160 170 180 190 200 210 220 230 240 250 260 270 280 290 300 YA110

NOTES:

- 1. XXX DENOTES EXTERNAL STAR WASHER.
- 2. THE FOLLOWING ASM'S DO NOT REQUIRE SAFETY GROUNDING: BULK, CP PANEL, REGULATORS, OP. PANEL, CPC/DEV CARDS, MD CONN, PWR SW PANEL, HOST/DEVICE CONN PANEL AND INTERLK SW.



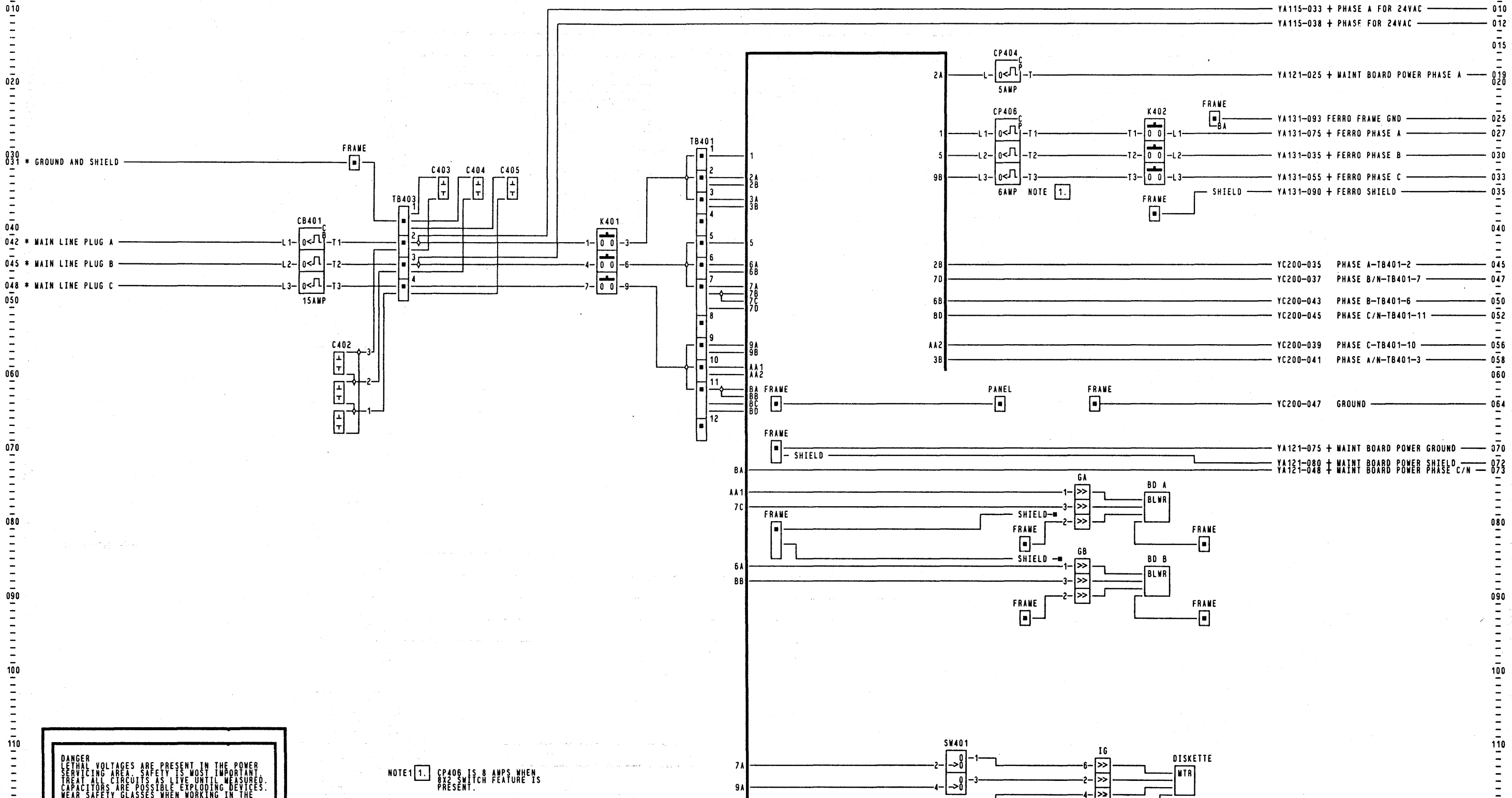
EC HISTORY

15FEB84 881146	BLOCK DIAGRAM
09AUG84 881221	GROUNDING SCHEMATIC
15OCT84 A21747	

SEQ YA003
PRINT 10JAN85 0038 PW 6315757
PAGE 5 OF 28

MACH	HPN
PLANE HZ60	HEC A21801
LOC	

IBM CORP



030 * GROUND AND SHIELD
 040 * MAIN LINE PLUG A
 045 * MAIN LINE PLUG B
 048 * MAIN LINE PLUG C

YA115-033 + PHASE A FOR 24VAC
 YA115-038 + PHASE FOR 24VAC
 YA121-025 + MAINT BOARD POWER PHASE A
 YA131-093 FERRO FRAME GND
 YA131-075 + FERRO PHASE A
 YA131-035 + FERRO PHASE B
 YA131-055 + FERRO PHASE C
 YA131-090 + FERRO SHIELD
 YC200-035 PHASE A-TB401-2
 YC200-037 PHASE B/N-TB401-7
 YC200-043 PHASE B-TB401-6
 YC200-045 PHASE C/N-TB401-11
 YC200-039 PHASE C-TB401-10
 YC200-041 PHASE A/N-TB401-3
 YC200-047 GROUND

YA121-075 + MAINT BOARD POWER GROUND
 YA121-080 + MAINT BOARD POWER SHIELD
 YA121-048 + MAINT BOARD POWER PHASE C/N

DANGER
 LETHAL VOLTAGES ARE PRESENT IN THE POWER SERVICING AREA. SAFETY IS MOST IMPORTANT. TREAT ALL CIRCUITS AS LIVE UNTIL MEASURED. CAPACITORS ARE POSSIBLE EXPLODING DEVICES. WEAR SAFETY GLASSES WHEN WORKING IN THE POWER AREA.
 ALWAYS REINSTALL ALL GREEN/YELLOW GROUND WIRES AND SAFETY COVERS BEFORE POWERING ON THE MACHINE.

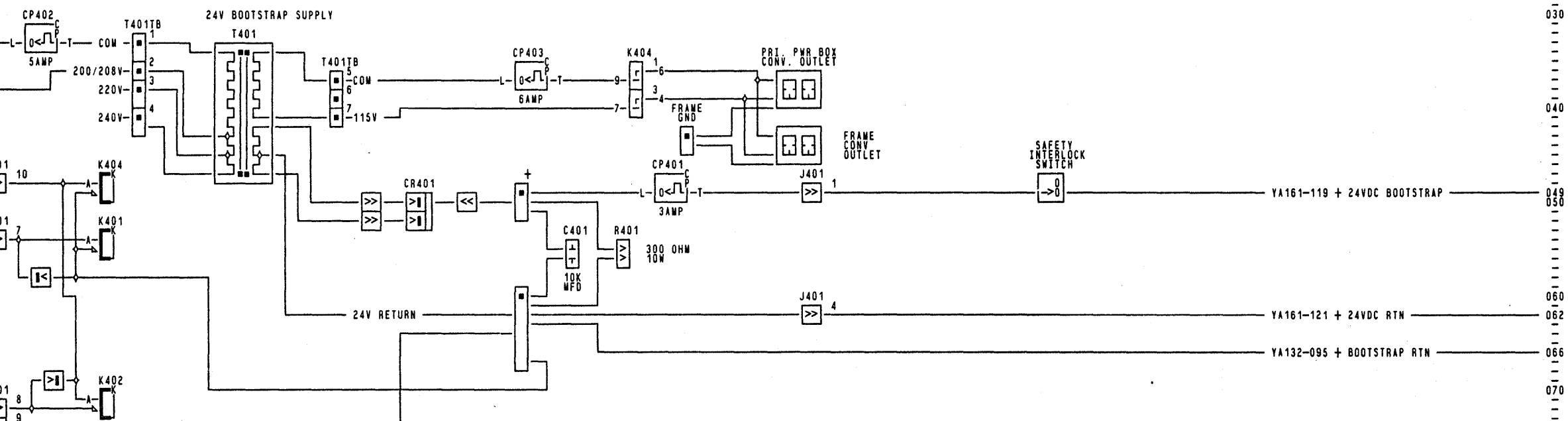
NOTE 1. CP406 IS 8 AMPS WHEN 8X2 SWITCH FEATURE IS PRESENT.

EC HISTORY

15FEB84 881146	PRIMARY POWER BOX ALL 60HZ
09AUG84 881221	OR 50 HZ JAPAN ONLY
15OCT84 A21747	MODELS WITH SUBSYSTEM STORAGE
	SD YA003
	PRINT 10JAN85 1106 PM 6315757
	PAGE 6 OF 28
MACH 3880	HPN
PRIME H260	HEC A21801
LOC	

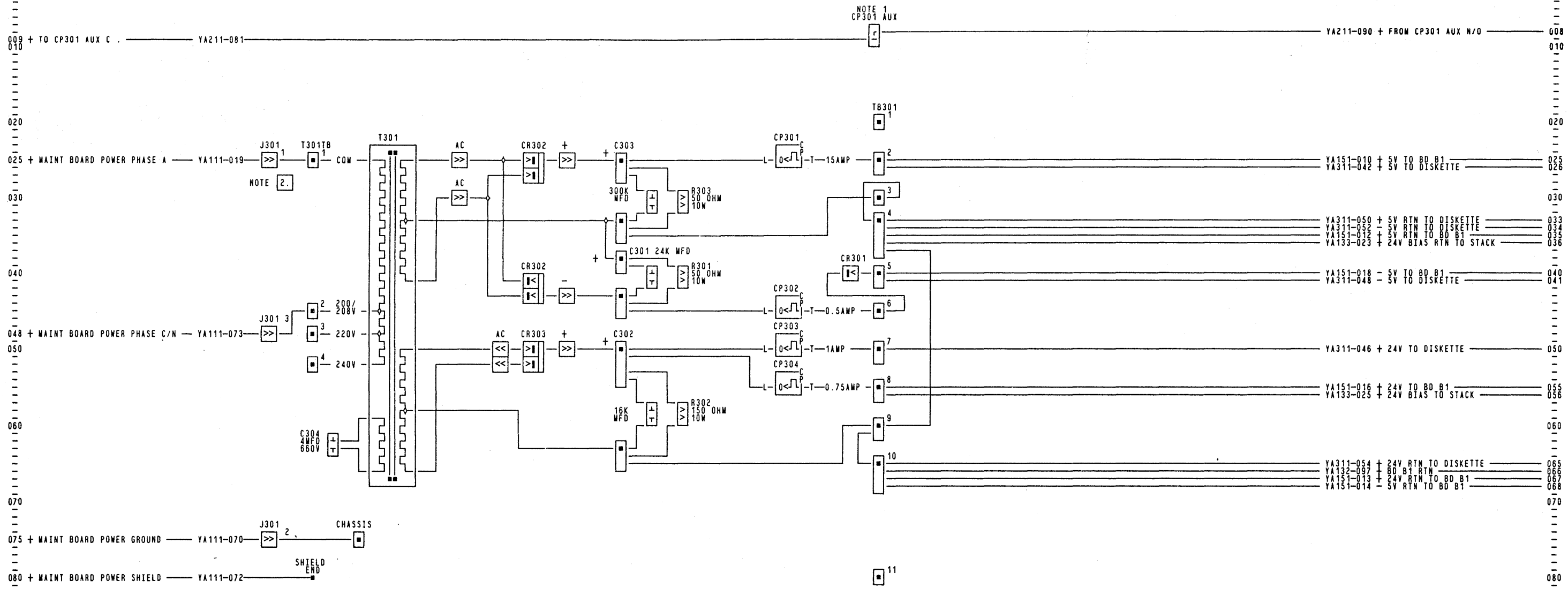
DANGER
 LETHAL VOLTAGES ARE PRESENT IN THE POWER
 SERVICING AREA. SAFETY IS MOST IMPORTANT.
 TREAT ALL CIRCUITS AS LIVE UNTIL MEASURED.
 CAPACITORS ARE POSSIBLE EXPLODING DEVICES.
 WEAR SAFETY GLASSES WHEN WORKING IN THE
 POWER AREA.

ALWAYS REINSTALL ALL GREEN/YELLOW GROUND
 WIRES AND SAFETY COVERS BEFORE POWERING
 ON THE MACHINE.



EC HISTORY

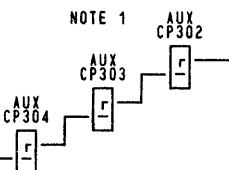
15FEB84 881146	PRIMARY POWER BOX CONTROLS
09AUG84 881221	ALL 60HZ MACHINES
15OCT84 A21747	OF 50HZ MACHINES
	REV YA003
	PRINT 10JAN85 1585 PN 6315757
	PAGE 7 OF 28
MACH 3880	HPN
PRIME H280	REC 121801
LOC	



NOTES:
 2. J301 MAY NOT BE INSTALLED.

DANGER
 LETHAL VOLTAGES ARE PRESENT IN THE POWER SERVICING AREA. SAFETY IS MOST IMPORTANT. TREAT ALL CIRCUITS AS LIVE UNTIL MEASURED. CAPACITORS ARE POSSIBLE EXPLODING DEVICES. WEAR SAFETY GLASSES WHEN WORKING IN THE POWER AREA.
 ALWAYS REINSTALL ALL GREEN/YELLOW GROUND WIRES AND SAFETY COVERS BEFORE POWERING ON THE MACHINE.

NOTE 1: THE NORMALLY OPEN AUX CONTACTS ARE CLOSED WHEN CP IS CLOSED.

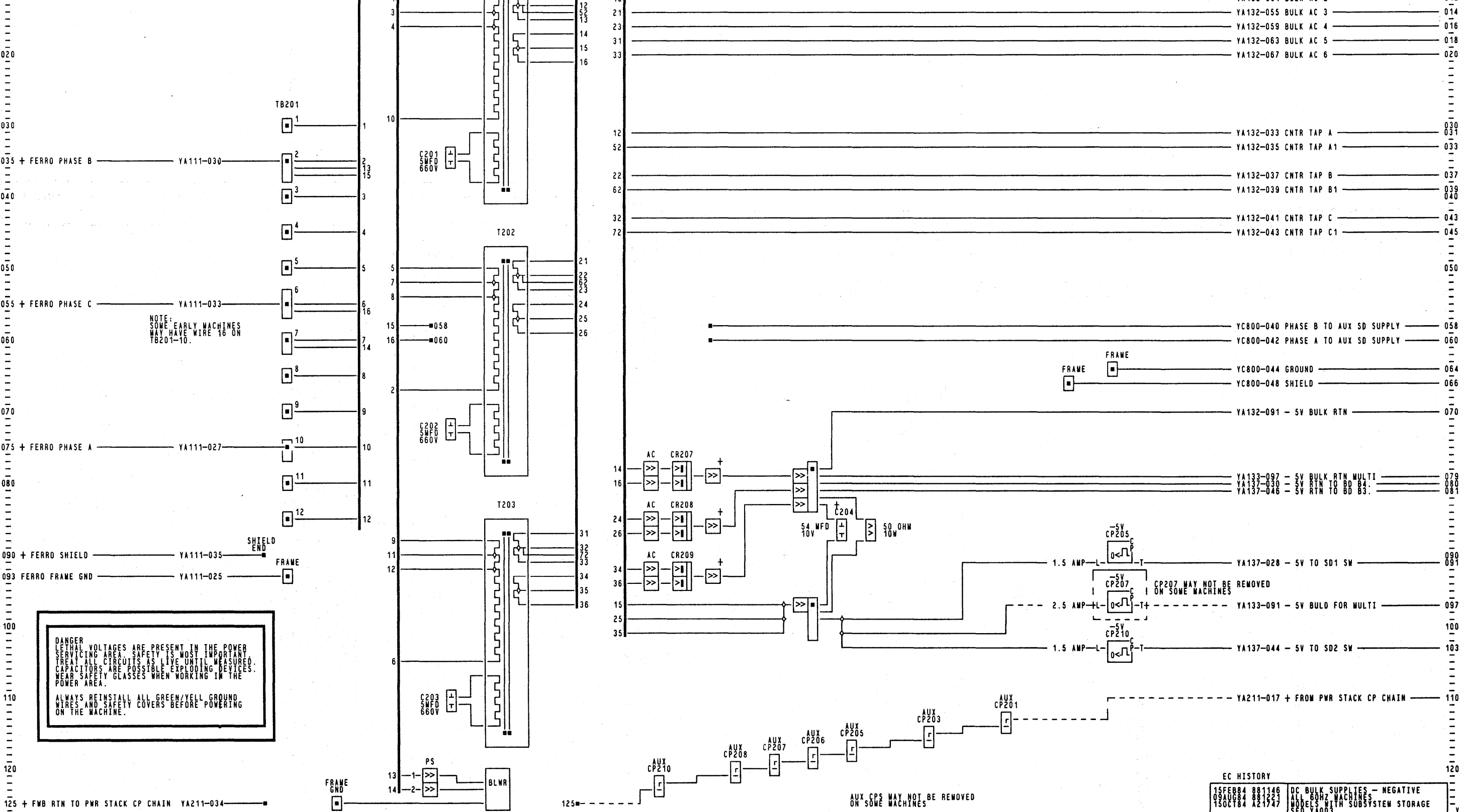


EC HISTORY

15FEB84 881146	POWER SUPPLY
09AUG84 881221	ALL 60HZ MACHINES
15OCT84 A21747	SEQ YA003
	PRINT 10JAN85 1084 PN 631575Z
	PAGE 8 OF 28
	MACH 3880 HPN
	PNWE H260 HEC
	LOC A21001

60HZ DELTA JUMPERS FOR TB201	240V -2 TO -1 -6 TO -9 -10 TO -9	220V -2 TO -3 -6 TO -11	200/208V -2 TO -4 -6 TO -8 -10 TO -12
------------------------------	---	-------------------------------	--

ONLY ONE SET OF JUMPERS MUST BE INSTALLED

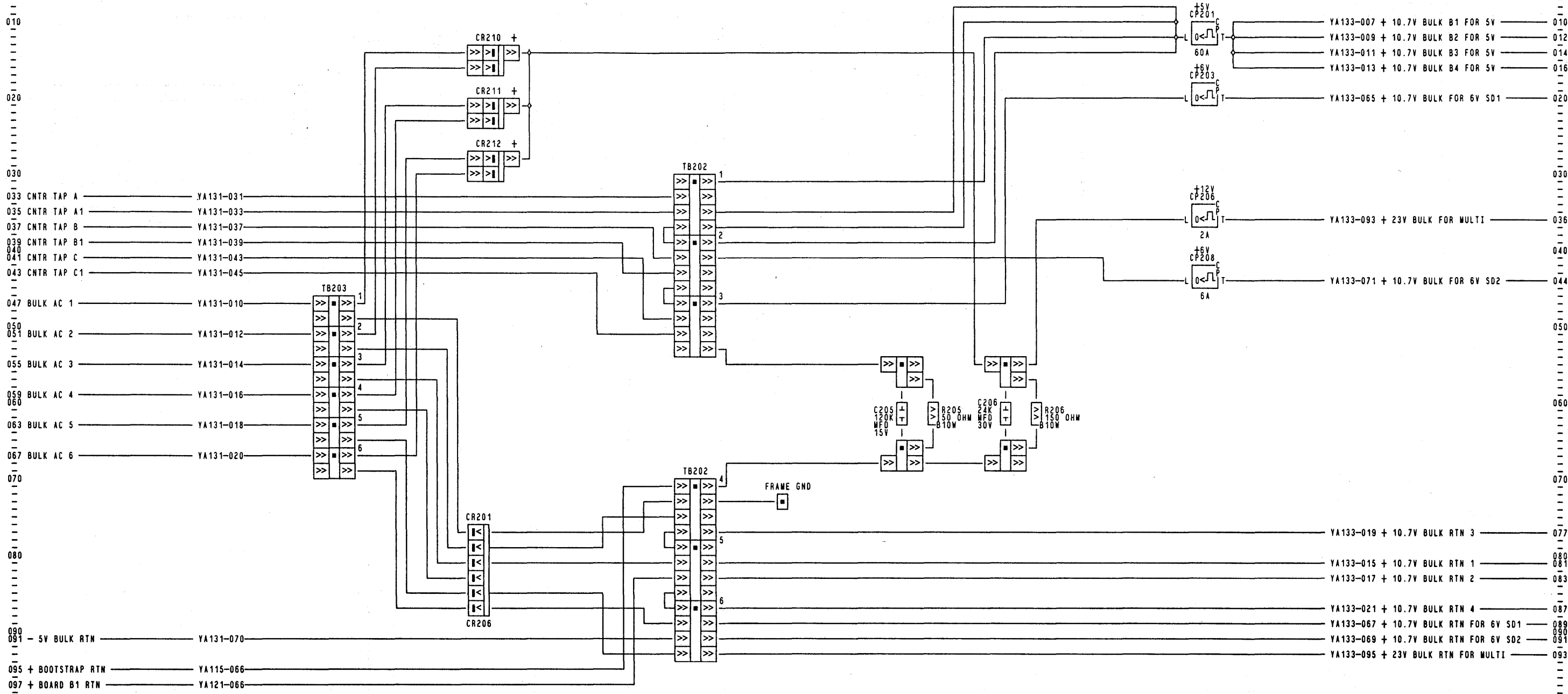


NOTE: SOME EARLY MACHINES MAY HAVE WIRE 16 ON TB201-10.

DANGER
LETHAL VOLTAGES ARE PRESENT IN THE POWER SERVICING AREA. SAFETY IS MOST IMPORTANT. TREAT ALL CIRCUITS AS LIVE UNTIL MEASURED. CAPACITORS ARE POSSIBLE EXPLODING DEVICES. WEAR SAFETY GLASSES WHEN WORKING IN THE POWER AREA.

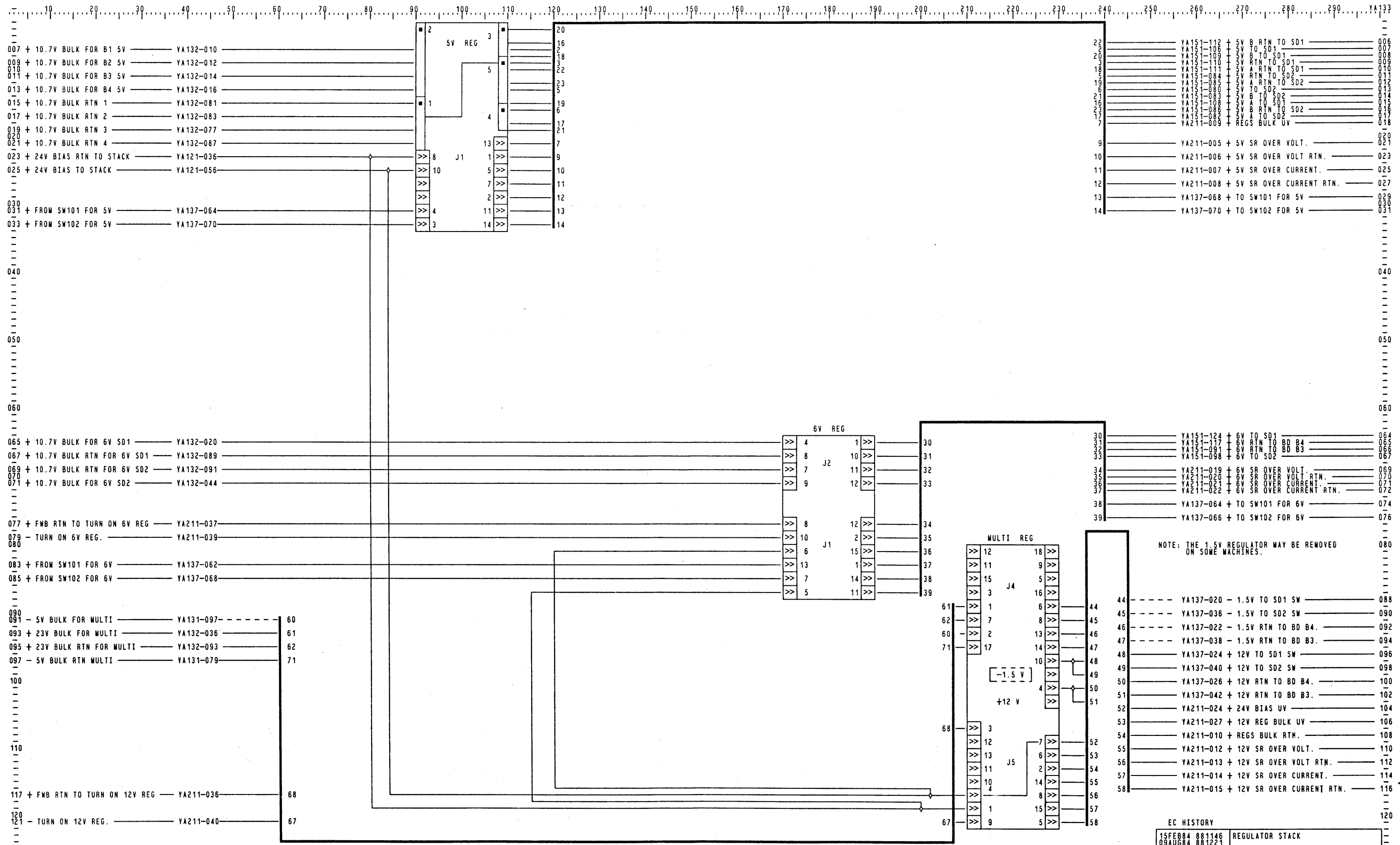
ALWAYS REINSTALL ALL GREEN/YELL GROUND WIRES AND SAFETY COVERS BEFORE POWERING ON THE MACHINE.

EC HISTORY	
15FEB84 881146	DC BULK SUPPLIES - NEGATIVE
09AUG84 881147	ALL 60HZ MACHINES
15OCT84 A21947	MODELS WITH SUBSYSTEM STORAGE
SEP Y4003	
PRINT 10JAN85 1077 PM	6315257
	PAGE 9 OF 28
MACH 3880	HPM
LOC H260	REC A21001



010
020
030
033 CNTR TAP A YA131-031
035 CNTR TAP A1 YA131-033
037 CNTR TAP B YA131-037
039 CNTR TAP B1 YA131-039
040
041 CNTR TAP C YA131-043
043 CNTR TAP C1 YA131-045
047 BULK AC 1 YA131-010
050
051 BULK AC 2 YA131-012
055 BULK AC 3 YA131-014
059 BULK AC 4 YA131-016
060
063 BULK AC 5 YA131-018
067 BULK AC 6 YA131-020
070
080
089
091 - 5V BULK RTN YA131-070
095 + BOOTSTRAP RTN YA115-066
097 + BOARD B1 RTN YA121-066
010
012
014
016
020
036
040
044
050
060
070
077
080
081
083
087
089
090
091
093
100
110
120

EC HISTORY	
15FEB84 881146	BULK DC SUPPLY
09AUG84 881221	V. NEW
15OCT84 A21747	
SEQ YA003	PN 6315757
PRINT 10JAN85 1145	PAGE 10 OF 28
WACH 3980	HPN
LOC	HEC A21801



007 + 10.7V BULK FOR B1 5V — YA132-010
 009 + 10.7V BULK FOR B2 5V — YA132-012
 010 + 10.7V BULK FOR B3 5V — YA132-014
 013 + 10.7V BULK FOR B4 5V — YA132-016
 015 + 10.7V BULK RTN 1 — YA132-081
 017 + 10.7V BULK RTN 2 — YA132-083
 019 + 10.7V BULK RTN 3 — YA132-077
 021 + 10.7V BULK RTN 4 — YA132-087
 023 + 24V BIAS RTN TO STACK — YA121-036
 025 + 24V BIAS TO STACK — YA121-056
 031 + FROM SW101 FOR 5V — YA137-064
 033 + FROM SW102 FOR 5V — YA137-070
 065 + 10.7V BULK FOR 6V SD1 — YA132-020
 067 + 10.7V BULK RTN FOR 6V SD1 — YA132-089
 069 + 10.7V BULK RTN FOR 6V SD2 — YA132-091
 071 + 10.7V BULK FOR 6V SD2 — YA132-044
 077 + FWB RTN TO TURN ON 6V REG — YA211-037
 079 - TURN ON 6V REG. — YA211-039
 083 + FROM SW101 FOR 6V — YA137-062
 085 + FROM SW102 FOR 6V — YA137-068
 091 - 5V BULK FOR MULTI — YA131-097
 093 + 23V BULK FOR MULTI — YA132-036
 095 + 23V BULK RTN FOR MULTI — YA132-093
 097 - 5V BULK RTN MULTI — YA131-079
 117 + FWB RTN TO TURN ON 12V REG — YA211-036
 121 - TURN ON 12V REG. — YA211-040

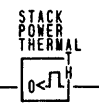
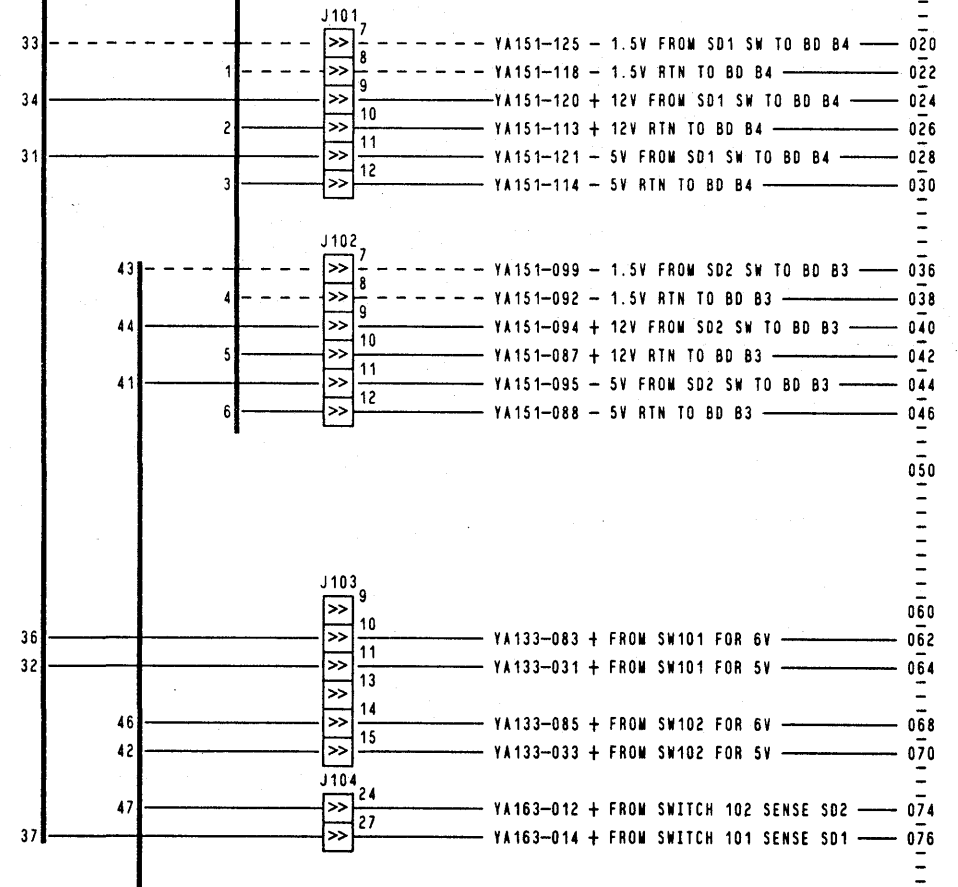
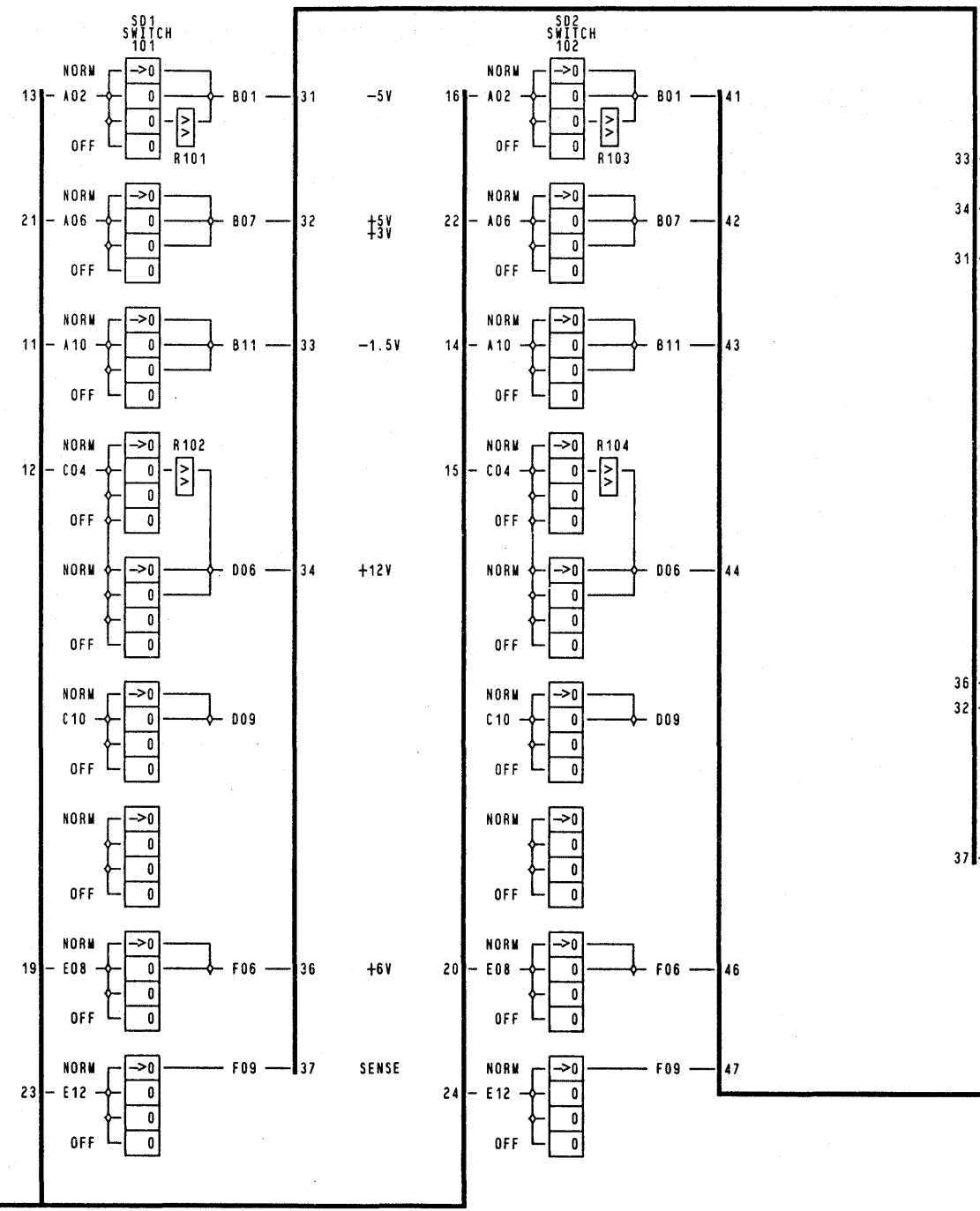
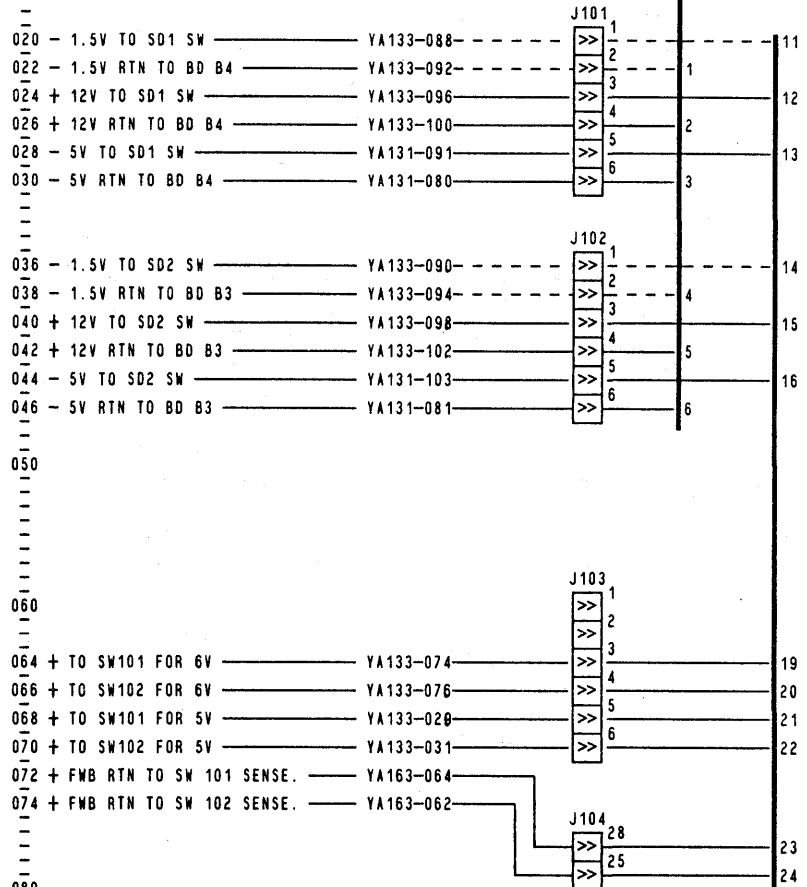
22 YA151-112 + 5V B RTN TO SD1
 23 YA151-106 + 5V TO SD1
 24 YA151-109 + 5V TO SD1
 25 YA151-110 + 5V RTN TO SD1
 26 YA151-111 + 5V A RTN TO SD1
 27 YA151-084 + 5V RTN TO SD2
 28 YA151-085 + 5V A RTN TO SD2
 29 YA151-087 + 5V TO SD2
 30 YA151-083 + 5V B TO SD2
 31 YA151-108 + 5V A TO SD1
 32 YA151-086 + 5V B RTN TO SD2
 33 YA151-082 + 5V A TO SD2
 34 YA211-009 + REGS BULK UV
 35
 36
 37
 38
 39
 44 YA137-020 - 1.5V TO SD1 SW
 45 YA137-036 - 1.5V TO SD2 SW
 46 YA137-022 - 1.5V RTN TO BD B4.
 47 YA137-038 - 1.5V RTN TO BD B3.
 48 YA137-024 + 12V TO SD1 SW
 49 YA137-040 + 12V TO SD2 SW
 50 YA137-026 + 12V RTN TO BD B4.
 51 YA137-042 + 12V RTN TO BD B3.
 52 YA211-024 + 24V BIAS UV
 53 YA211-027 + 12V REG BULK UV
 54 YA211-010 + REGS BULK RTN.
 55 YA211-012 + 12V SR OVER VOLT.
 56 YA211-013 + 12V SR OVER VOLT RTN.
 57 YA211-014 + 12V SR OVER CURRENT.
 58 YA211-015 + 12V SR OVER CURRENT RTN.

NOTE: THE 1.5V REGULATOR MAY BE REMOVED ON SOME MACHINES.

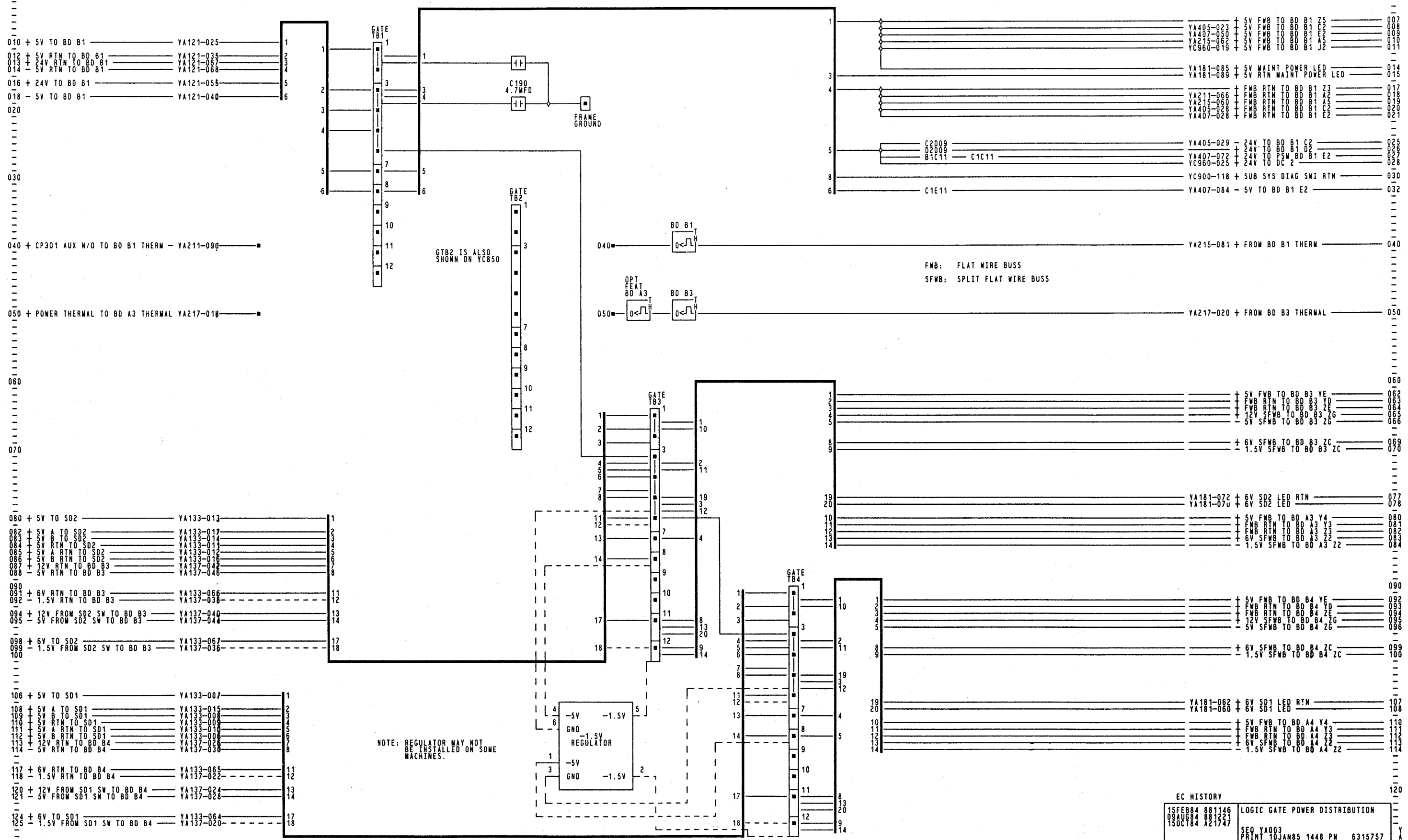
EC HISTORY

15FEB84 881146	REGULATOR STACK
09AUG84 881221	
15OCT84 A21747	
SEO YA003	PAGE 11 OF 28
PRINT 10JAN85 1795 PM	6315757
MACH 3880	HPN
LOC ME H260	HEC A21801

NOTE: MAY BE REMOVED ON SOME MACHINES.



EC HISTORY	
15FEB84 881146	DC SWITCH PANEL
09AUG84 881221	SEQ YA003
15OCT84 A21747	PRINT 10JAN85 1778 PN 6315757
	PAGE 12 OF 28
MACH 3880	HPN
PNAME HZ60	HEC A21801
LOC	



- 010 + 5V TO BD B1 YA121-025
- 012 + 5V RTN TO BD B1 YA121-035
- 013 + 24V RTN TO BD B1 YA121-067
- 014 - 5V RTN TO BD B1 YA121-068
- 016 + 24V TO BD B1 YA121-055
- 018 - 5V TO BD B1 YA121-040
- 020
- 030
- 040 + CP301 AUX N/O TO BD B1 THERM - YA211-090
- 050 + POWER THERMAL TO BD A3 THERMAL YA217-018
- 060
- 070
- 080 + 5V TO SD2 YA133-013
- 082 + 5V A TO SD2 YA133-017
- 083 + 5V B TO SD2 YA133-014
- 084 + 5V RTN TO SD2 YA133-011
- 085 + 5V A RTN TO SD2 YA133-012
- 086 + 5V B RTN TO SD2 YA133-016
- 087 + 12V RTN TO BD B3 YA137-046
- 088 - 5V RTN TO BD B3 YA137-046
- 090
- 091 + 6V RTN TO BD B3 YA133-066
- 092 - 1.5V RTN TO BD B3 YA137-038
- 094 + 12V FROM SD2 SW TO BD B3 YA137-040
- 095 - 5V FROM SD2 SW TO BD B3 YA137-044
- 098 + 6V TO SD2 YA133-067
- 099 - 1.5V FROM SD2 SW TO BD B3 YA137-036
- 100
- 106 + 5V TO SD1 YA133-007
- 108 + 5V A TO SD1 YA133-015
- 109 + 5V B TO SD1 YA133-008
- 110 + 5V RTN TO SD1 YA133-009
- 111 + 5V A RTN TO SD1 YA133-010
- 112 + 5V B RTN TO SD1 YA133-006
- 113 + 12V RTN TO BD B4 YA137-050
- 114 - 5V RTN TO BD B4 YA137-050
- 117 + 6V RTN TO BD B4 YA133-065
- 118 - 1.5V RTN TO BD B4 YA137-022
- 120 + 12V FROM SD1 SW TO BD B4 YA137-024
- 121 - 5V FROM SD1 SW TO BD B4 YA137-028
- 124 + 6V TO SD1 YA133-064
- 125 - 1.5V FROM SD1 SW TO BD B4 YA137-020

NOTE: REGULATOR MAY NOT BE INSTALLED ON SOME MACHINES.

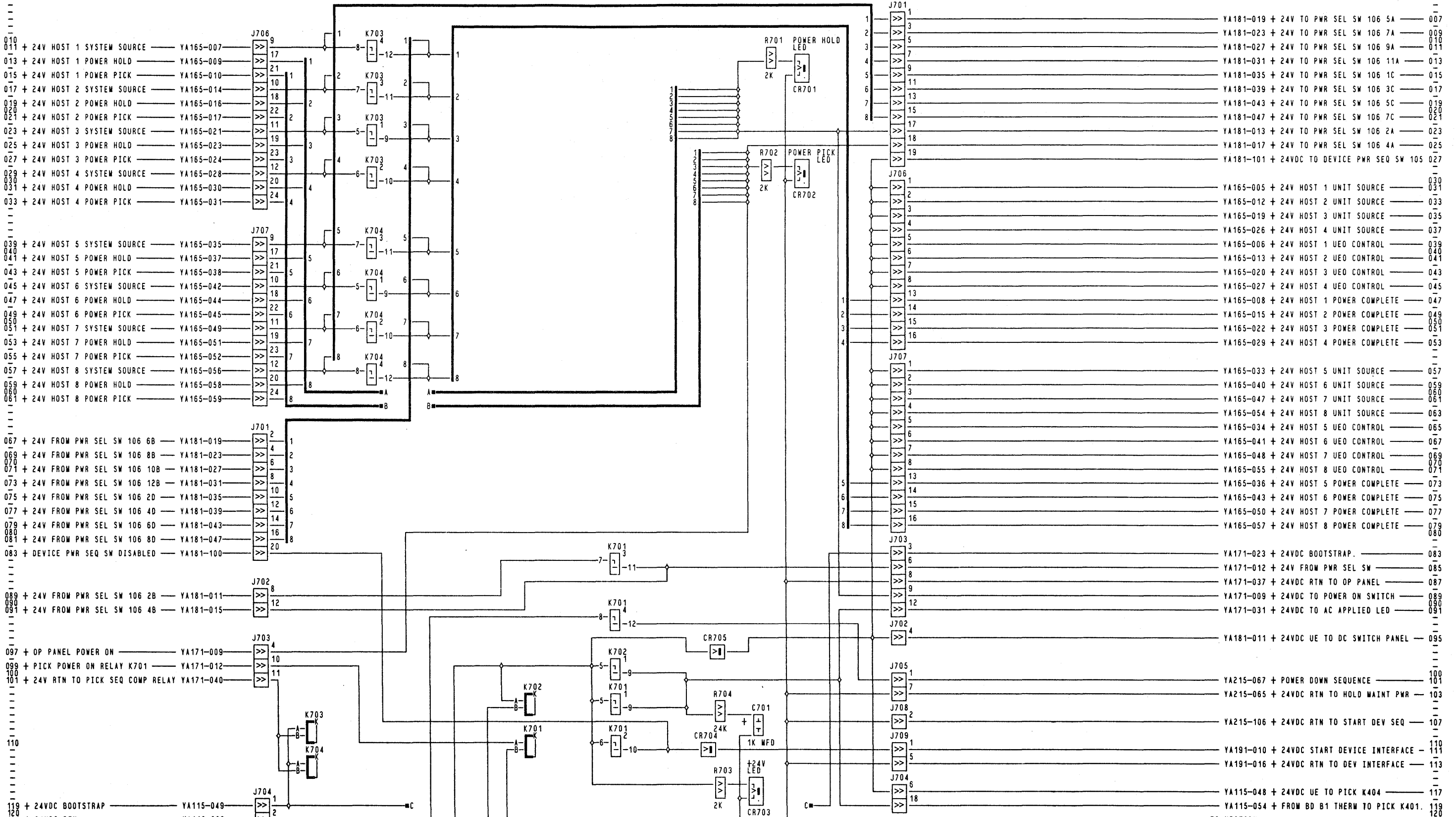
FWB: FLAT WIRE BUSS
SFWB: SPLIT FLAT WIRE BUSS

EC HISTORY

15FEB84 881146	LOGIC GATE POWER DISTRIBUTION
09AUG84 881221	
15OCT84 A21747	

SEQ YA003
PRINT 10JAN85 1448 PN 6315757
PAGE 13 OF 28

WACH 3880 HPN
NAME HZ60 HEC A21801
LOC



011 + 24V HOST 1 SYSTEM SOURCE — YA165-007 — J706 9
 013 + 24V HOST 1 POWER HOLD — YA165-009 — J706 17
 015 + 24V HOST 1 POWER PICK — YA165-010 — J706 21
 017 + 24V HOST 2 SYSTEM SOURCE — YA165-014 — J706 10
 019 + 24V HOST 2 POWER HOLD — YA165-016 — J706 18
 021 + 24V HOST 2 POWER PICK — YA165-017 — J706 22
 023 + 24V HOST 3 SYSTEM SOURCE — YA165-021 — J706 11
 025 + 24V HOST 3 POWER HOLD — YA165-023 — J706 19
 027 + 24V HOST 3 POWER PICK — YA165-024 — J706 23
 029 + 24V HOST 4 SYSTEM SOURCE — YA165-028 — J706 12
 031 + 24V HOST 4 POWER HOLD — YA165-030 — J706 20
 033 + 24V HOST 4 POWER PICK — YA165-031 — J706 24

039 + 24V HOST 5 SYSTEM SOURCE — YA165-035 — J707 9
 041 + 24V HOST 5 POWER HOLD — YA165-037 — J707 17
 043 + 24V HOST 5 POWER PICK — YA165-038 — J707 21
 045 + 24V HOST 6 SYSTEM SOURCE — YA165-042 — J707 10
 047 + 24V HOST 6 POWER HOLD — YA165-044 — J707 18
 049 + 24V HOST 6 POWER PICK — YA165-045 — J707 22
 051 + 24V HOST 7 SYSTEM SOURCE — YA165-049 — J707 11
 053 + 24V HOST 7 POWER HOLD — YA165-051 — J707 19
 055 + 24V HOST 7 POWER PICK — YA165-052 — J707 23
 057 + 24V HOST 8 SYSTEM SOURCE — YA165-056 — J707 12
 059 + 24V HOST 8 POWER HOLD — YA165-058 — J707 20
 061 + 24V HOST 8 POWER PICK — YA165-059 — J707 24

067 + 24V FROM PWR SEL SW 106 6B — YA181-019 — J701 2
 069 + 24V FROM PWR SEL SW 106 8B — YA181-023 — J701 4
 071 + 24V FROM PWR SEL SW 106 10B — YA181-027 — J701 6
 073 + 24V FROM PWR SEL SW 106 12B — YA181-031 — J701 8
 075 + 24V FROM PWR SEL SW 106 2D — YA181-035 — J701 10
 077 + 24V FROM PWR SEL SW 106 4D — YA181-039 — J701 12
 079 + 24V FROM PWR SEL SW 106 6D — YA181-043 — J701 14
 081 + 24V FROM PWR SEL SW 106 8D — YA181-047 — J701 16
 083 + DEVICE PWR SEQ SW DISABLED — YA181-100 — J701 20

089 + 24V FROM PWR SEL SW 106 2B — YA181-011 — J702 8
 091 + 24V FROM PWR SEL SW 106 4B — YA181-015 — J702 12

097 + OP PANEL POWER ON — YA171-009 — J703 4
 099 + PICK POWER ON RELAY K701 — YA171-012 — J703 10
 101 + 24V RTN TO PICK SEQ COMP RELAY YA171-040 — J703 11

119 + 24VDC BOOTSTRAP — YA115-049 — J704 1
 121 + 24VDC RTN — YA115-062 — J704 2

125 + FMB RTN TO POWER DOWN SEQUENCE YA215-082 — J705 2
 127 — HOLD MAINTENANCE POWER — YA215-080 — J705 3
 129 + FROM BD B1 THERM TO PICK K401 YA215-092 — J705 8

011 — YA181-019 + 24V TO PWR SEL SW 106 5A — 007
 013 — YA181-023 + 24V TO PWR SEL SW 106 7A — 009
 015 — YA181-027 + 24V TO PWR SEL SW 106 9A — 011
 017 — YA181-031 + 24V TO PWR SEL SW 106 11A — 013
 019 — YA181-035 + 24V TO PWR SEL SW 106 1C — 015
 021 — YA181-039 + 24V TO PWR SEL SW 106 3C — 017
 023 — YA181-043 + 24V TO PWR SEL SW 106 5C — 019
 025 — YA181-047 + 24V TO PWR SEL SW 106 7C — 021
 027 — YA181-013 + 24V TO PWR SEL SW 106 2A — 023
 029 — YA181-017 + 24V TO PWR SEL SW 106 4A — 025
 031 — YA181-101 + 24VDC TO DEVICE PWR SEQ SW 105 — 027

033 — YA165-005 + 24V HOST 1 UNIT SOURCE — 030
 035 — YA165-012 + 24V HOST 2 UNIT SOURCE — 033
 037 — YA165-019 + 24V HOST 3 UNIT SOURCE — 035
 039 — YA165-026 + 24V HOST 4 UNIT SOURCE — 037
 041 — YA165-006 + 24V HOST 1 UEO CONTROL — 039
 043 — YA165-013 + 24V HOST 2 UEO CONTROL — 041
 045 — YA165-020 + 24V HOST 3 UEO CONTROL — 043
 047 — YA165-027 + 24V HOST 4 UEO CONTROL — 045
 049 — YA165-008 + 24V HOST 1 POWER COMPLETE — 047
 051 — YA165-015 + 24V HOST 2 POWER COMPLETE — 049
 053 — YA165-022 + 24V HOST 3 POWER COMPLETE — 051
 055 — YA165-029 + 24V HOST 4 POWER COMPLETE — 053

057 — YA165-033 + 24V HOST 5 UNIT SOURCE — 057
 059 — YA165-040 + 24V HOST 6 UNIT SOURCE — 059
 061 — YA165-047 + 24V HOST 7 UNIT SOURCE — 061
 063 — YA165-054 + 24V HOST 8 UNIT SOURCE — 063
 065 — YA165-034 + 24V HOST 5 UEO CONTROL — 065
 067 — YA165-041 + 24V HOST 6 UEO CONTROL — 067
 069 — YA165-048 + 24V HOST 7 UEO CONTROL — 069
 071 — YA165-055 + 24V HOST 8 UEO CONTROL — 071
 073 — YA165-036 + 24V HOST 5 POWER COMPLETE — 073
 075 — YA165-043 + 24V HOST 6 POWER COMPLETE — 075
 077 — YA165-050 + 24V HOST 7 POWER COMPLETE — 077
 079 — YA165-057 + 24V HOST 8 POWER COMPLETE — 079

083 — YA171-023 + 24VDC BOOTSTRAP — 083
 085 — YA171-012 + 24V FROM PWR SEL SW — 085
 087 — YA171-037 + 24VDC RTN TO OP PANEL — 087
 089 — YA171-009 + 24VDC TO POWER ON SWITCH — 089
 091 — YA171-031 + 24VDC TO AC APPLIED LED — 091

095 — YA181-011 + 24VDC UE TO DC SWITCH PANEL — 095

100 — YA215-067 + POWER DOWN SEQUENCE — 100
 101 — YA215-065 + 24VDC RTN TO HOLD MAINT PWR — 103
 107 — YA215-106 + 24VDC RTN TO START DEV SEQ — 107
 111 — YA191-010 + 24VDC START DEVICE INTERFACE — 111
 113 — YA191-016 + 24VDC RTN TO DEV INTERFACE — 113
 117 — YA115-048 + 24VDC UE TO PICK K404 — 117
 119 — YA115-054 + FROM BD B1 THERM TO PICK K401 — 119

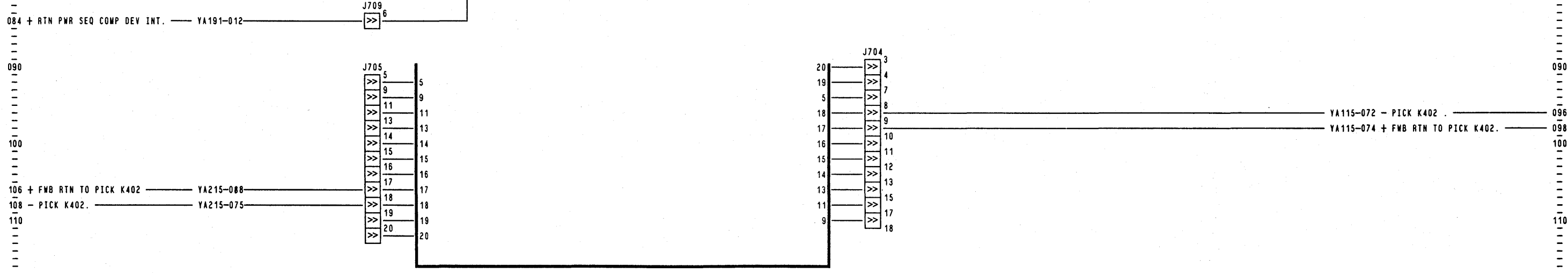
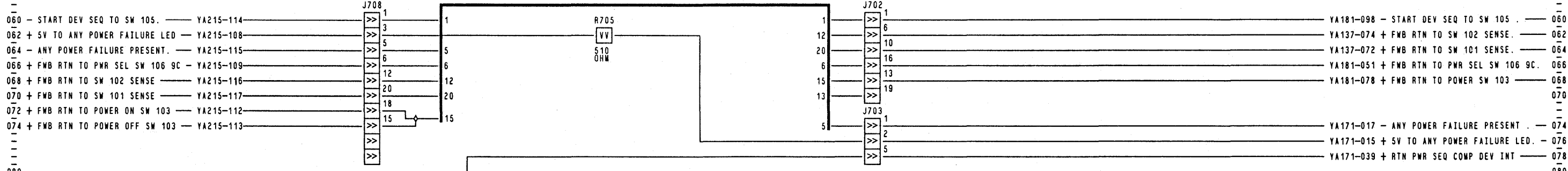
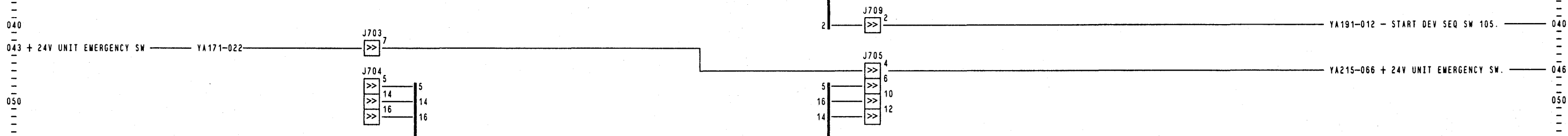
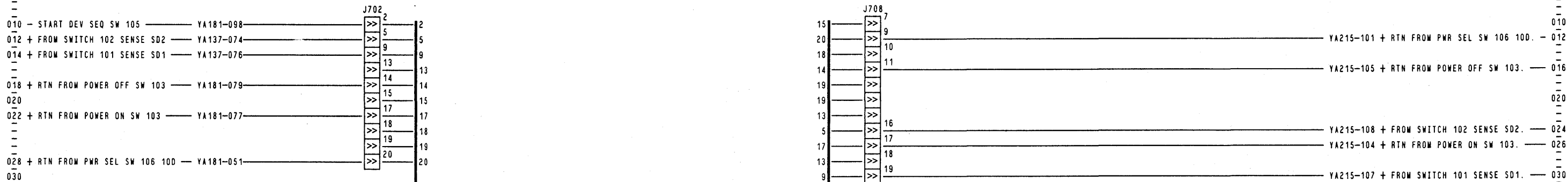
EC HISTORY

15FEB84 881146	CENTRAL POWER CONTROL BOARD
09AUG84 881221	
15OCT84 A21747	

SEQ YA003
 PRINT 10JAN85 1051 PN 6315257
 PAGE 14 OF 28

MACH 3880	HPN
PRIME H260	HEC
LOC	A21801

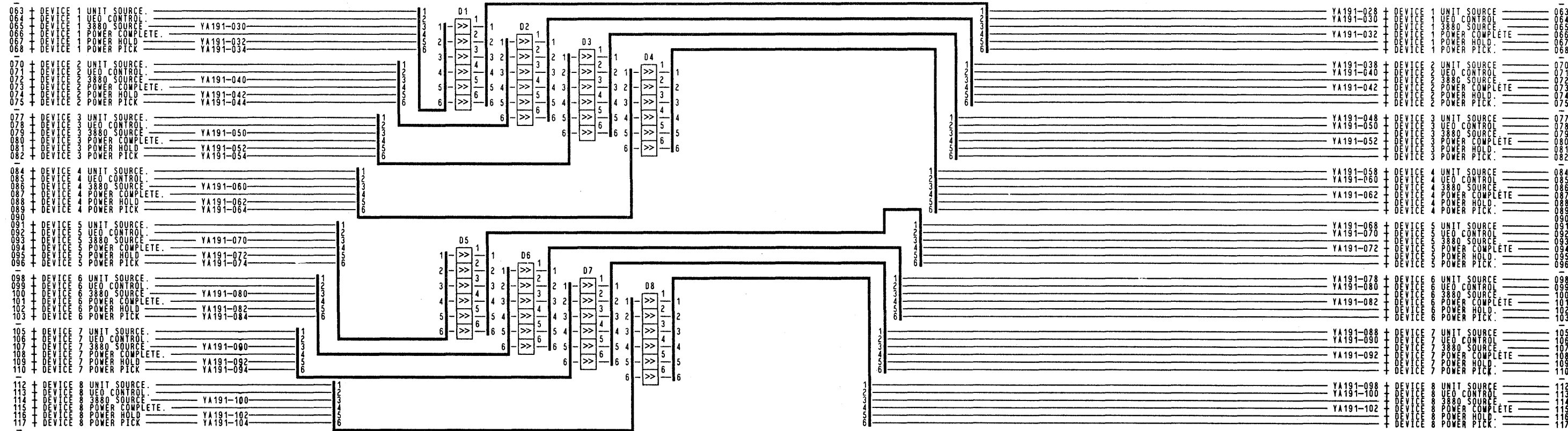
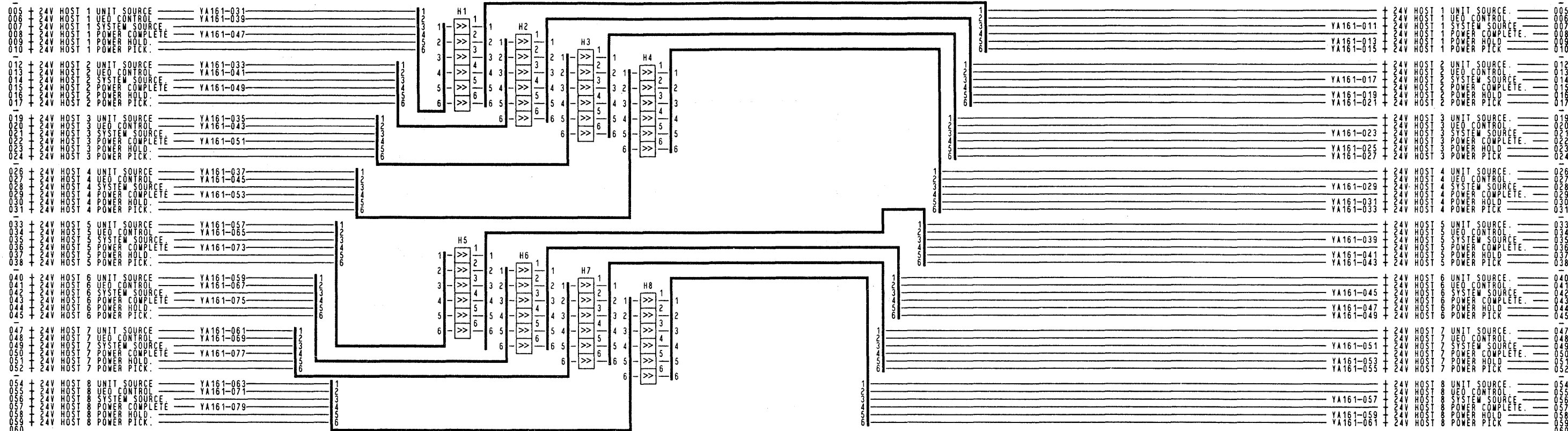
10 20 30 40 50 60 70 80 90 100 110 120 130 140 150 160 170 180 190 200 210 220 230 240 250 260 270 280 290 YA163



100 110 120

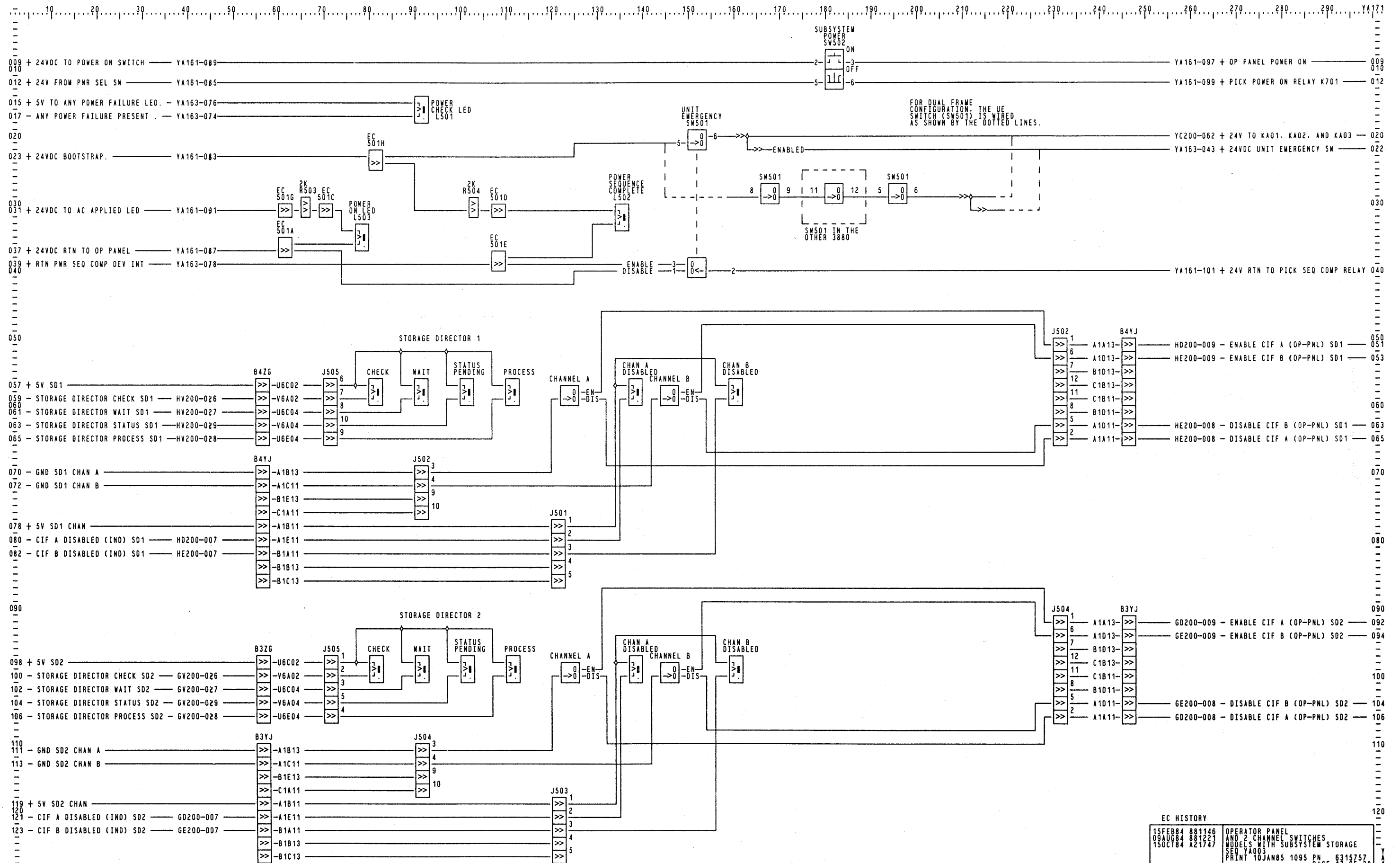
EC HISTORY

15FEB84 881146	CENTRAL POWER CONTROL BOARD
09AUG84 881221	FEED THRU
15OCT84 A21747	
SEQ YA003	
PRINT 10JAN85 1042 PN 6315757	
	PAGE 15 OF 28
MACH 3880	HPN
PRNAME HZ60	HEC A21001
LOC	0001

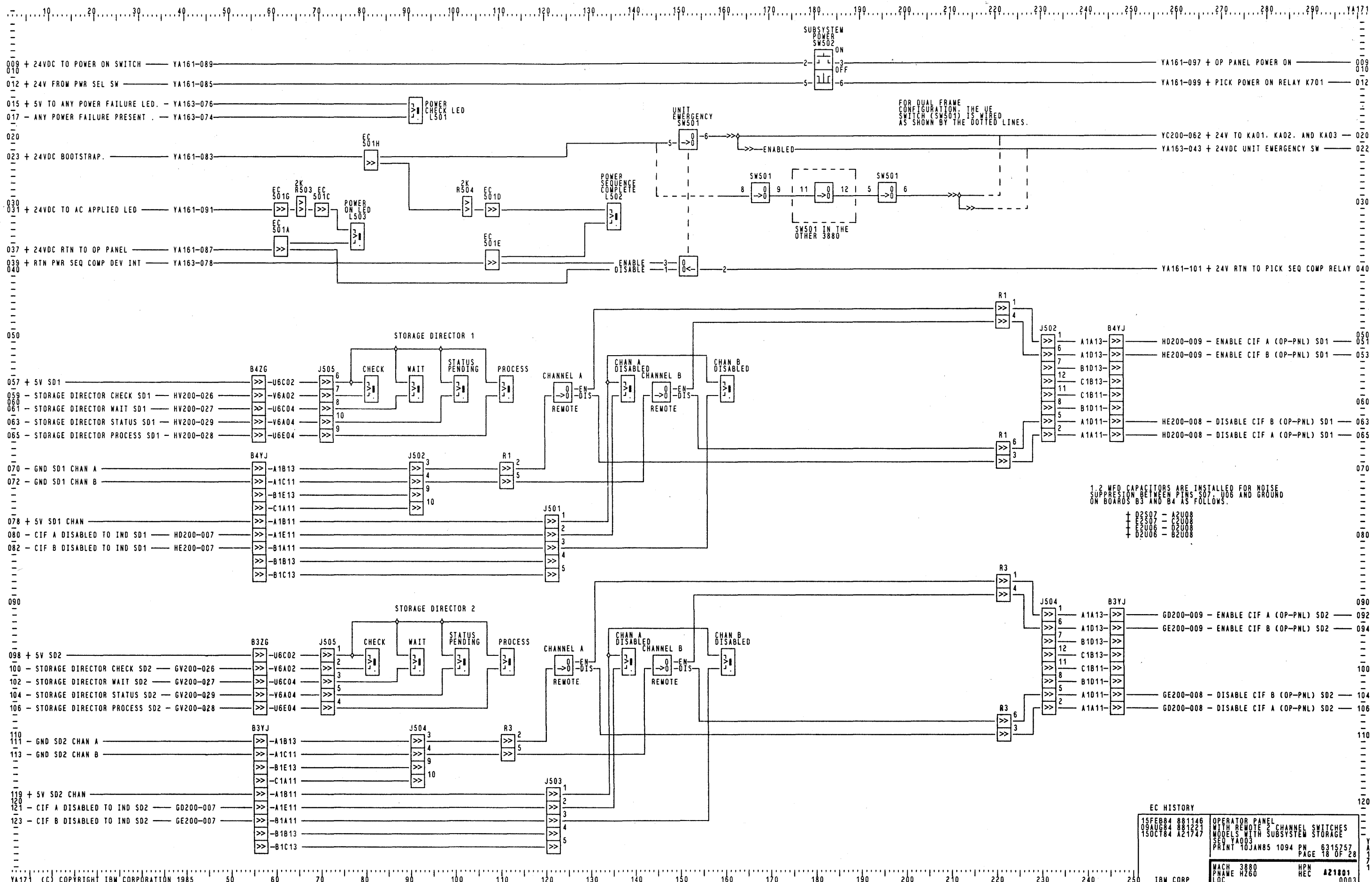


EC HISTORY

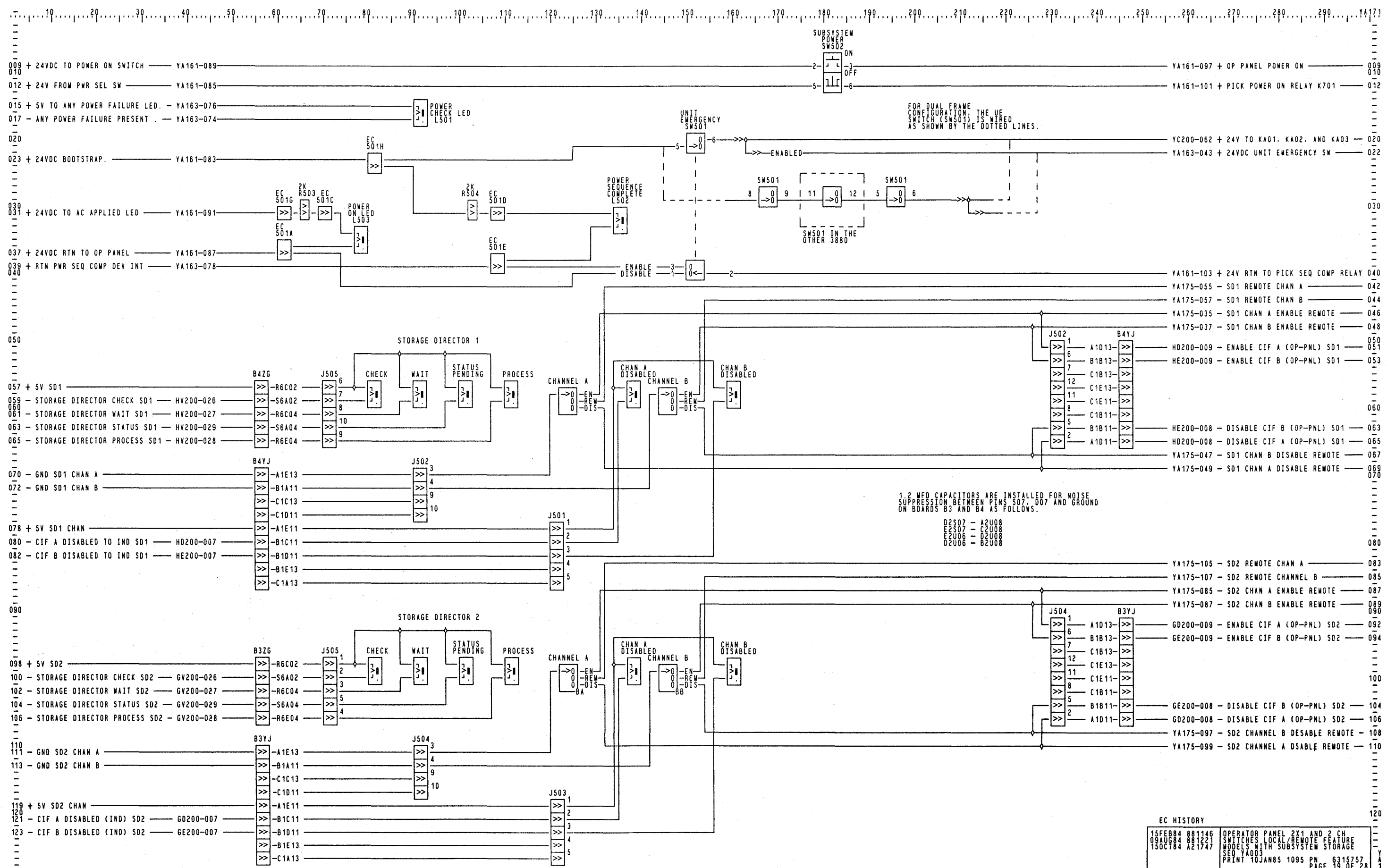
15FEB84 881146	HOST AND DEVICE CONNECTOR PANEL
09AUG84 881221	SEQ YA003
15OCT84 A21747	PRINT 10JAN85 1763 PM 6315757
	PAGE 16 OF 28
	MACH 3880 HPN
	NAME H260 HEC A21801
	LOC U001



EC HISTORY			
15FEB84	881146	OPERATOR PANEL	
09AUG84	881221	AND 2 CHANNEL SWITCHES	
15OCT84	A21747	MODELS WITH SUBSYSTEM STORAGE	
		SEQ YA003	
		PRINT 10JAN85 1095	PN 6315757
			PAGE 17 OF 28
		MACH 3880	HPN
		NAME H260	REC A21801
		LOC	UUU2



EC HISTORY	
15FEB84 881146	OPERATOR PANEL
09AUG84 881221	WITH REMOTE 2 CHANNEL SWITCHES
15OCT84 A21747	MODELS WITH SUBSYSTEM STORAGE
SEQ YAO03	PRINT 10JAN85 1094 PN 6315757
	PAGE 18 OF 28
WACH 3880	HPN HEC A21801
LOC PNAME H260	0003



1.2 MFD CAPACITORS ARE INSTALLED FOR NOISE SUPPRESSION BETWEEN PINS S07, D07 AND GROUND ON BOARDS B3 AND B4 AS FOLLOWS.

D2S07 - A2U08
 D2S07 - C2U08
 D2U06 - D2U08
 D2U06 - B2U08

EC HISTORY		OPERATOR PANEL 2X1 AND 2 CH SWITCHES LOCAL/REMOTE FEATURE MODELS WITH SUBSYSTEM STORAGE	
15FEB84	881146	PN	6315757
09AUG84	881221	PN	19 OF 28
15OCT84	A21747	PN	19 OF 28
REV A003		PAGE 19 OF 28	
PRINT 10JAN85 1095		PAGE 19 OF 28	
MACH 3880		HPN	
LOC		HEC A21801	
IBM CORP		0001	

010

020

030

035 - SD1 CHAN A ENABLE REMOTE — YA171-046

037 - SD1 CHAN B ENABLE REMOTE — YA171-048

040

047 - SD1 CHAN B DISABLE REMOTE — YA171-067

049 - SD1 CHAN A DISABLE REMOTE — YA171-069

050

055 - SD1 REMOTE CHAN A — YA171-042

057 - SD1 REMOTE CHAN B — YA171-044

060

070

080

085 - SD2 CHAN A EMABLE REMOTE — YA171-087

087 - SD2 CHAN B ENABLE REMOTE — YA171-089

090

097 - SD2 CHAN B DISABLE REMOTE — YA171-108

099 - SD2 CHAN A DISABLE REMOTE — YA171-110

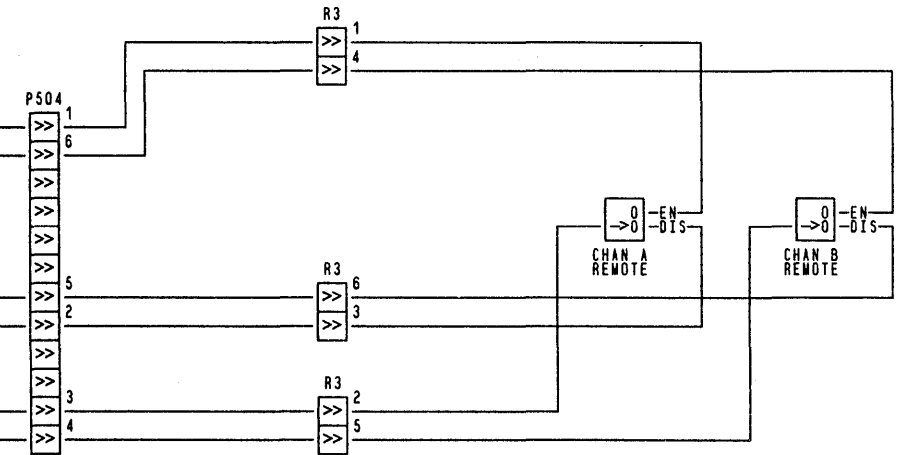
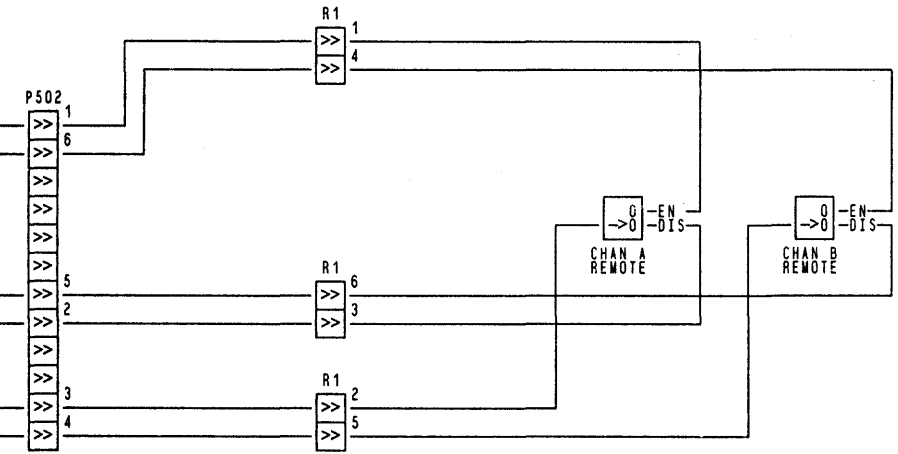
100

105 - SD2 REMOTE CHAN A — YA171-083

107 - SD2 REMOTE CHAN B — YA171-085

110

120



010

020

030

040

050

060

070

080

090

100

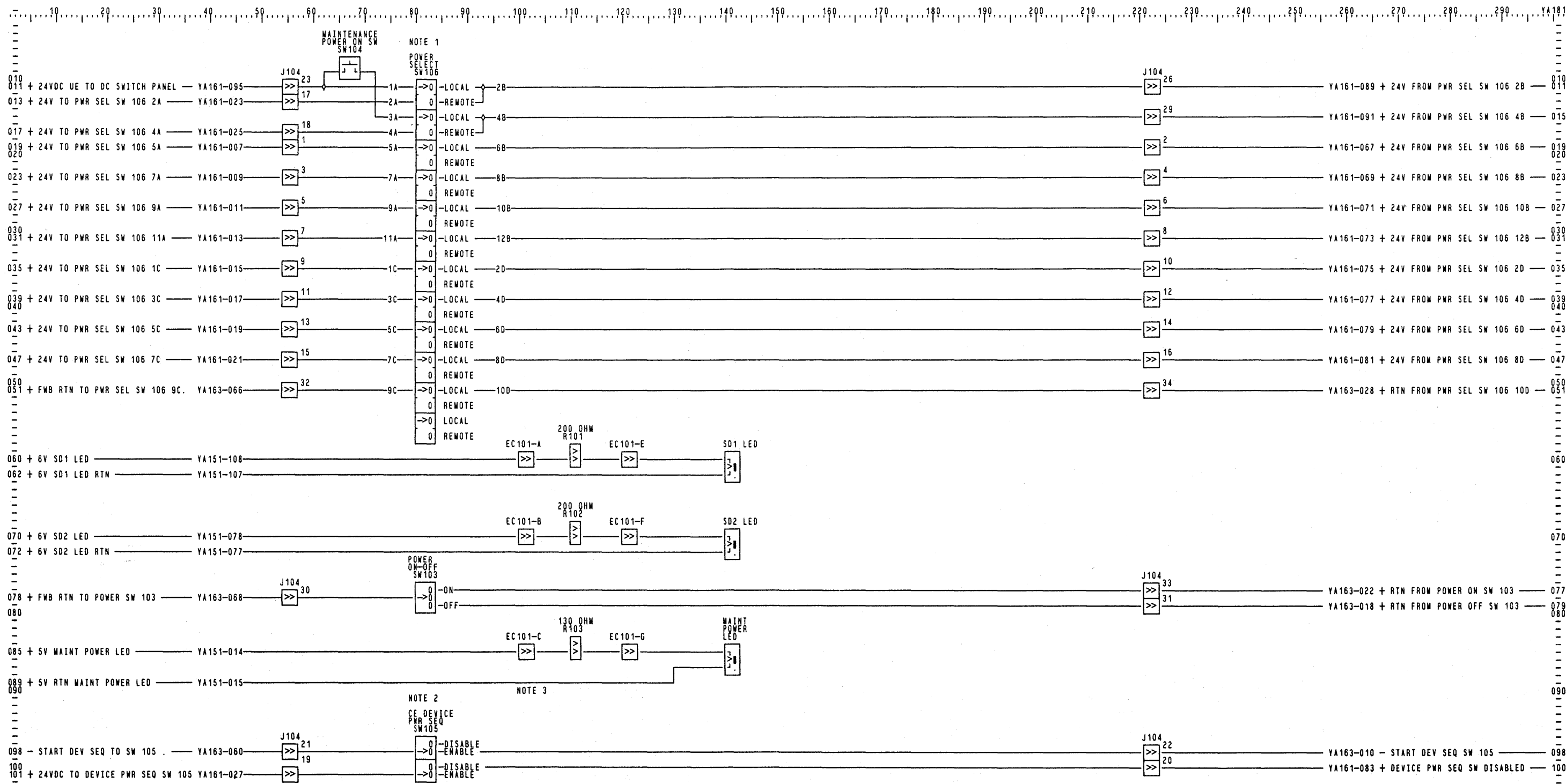
110

120

EC HISTORY

15FEB84 881146	2X1 LOCAL REMOTE
09AUG84 881221	SWITCH FEATURE
15OCT84 A21747	
SEQ YA003	
PRINT 10JAN85 0020 PN 6315257	
PAGE 20 OF 28	
MACH 3880	HPN
PRNAME H260	REC A21801
LOC	

YA
175

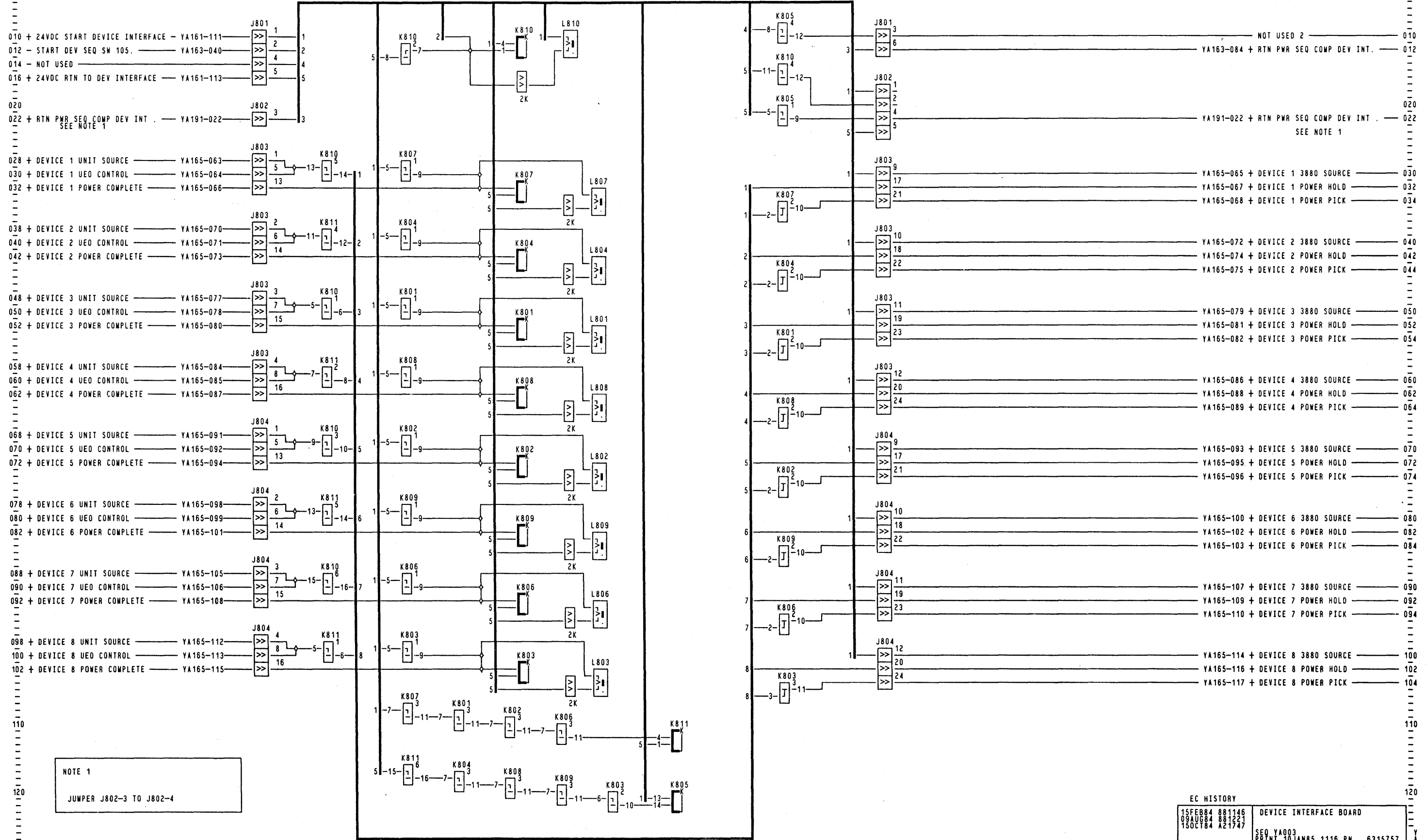


NOTE 1: POWER SELECT SWITCH SHOWN IN LOCAL POSITION
 NOTE 2: CE DEVICE SWITCH SHOWN IN ENABLE POSITION

NOTE 3: E.C. POSITIONS D AND H RESERVED FOR FEATURES

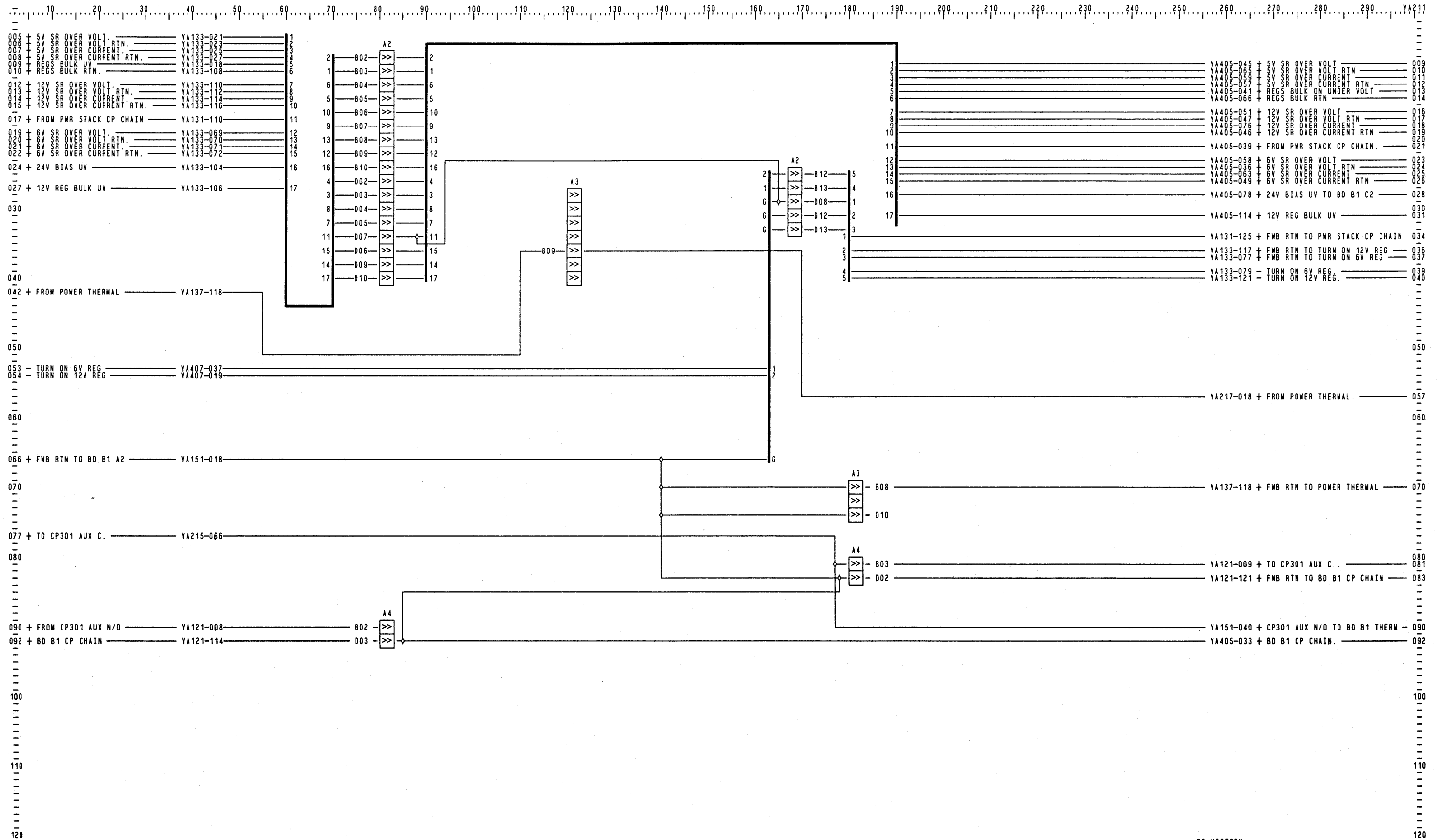
EC HISTORY

15FEB84 881146	DC SWITCH PANEL
09AUG84 881221	
15OCT84 A21747	
SEQ YA003	
PRINT 10JAN85 1430	PN 6315757
	PAGE 21 OF 28
MACH 3880	HPN
PRNAME HZ60	HEC A21801
LOC	UUU1

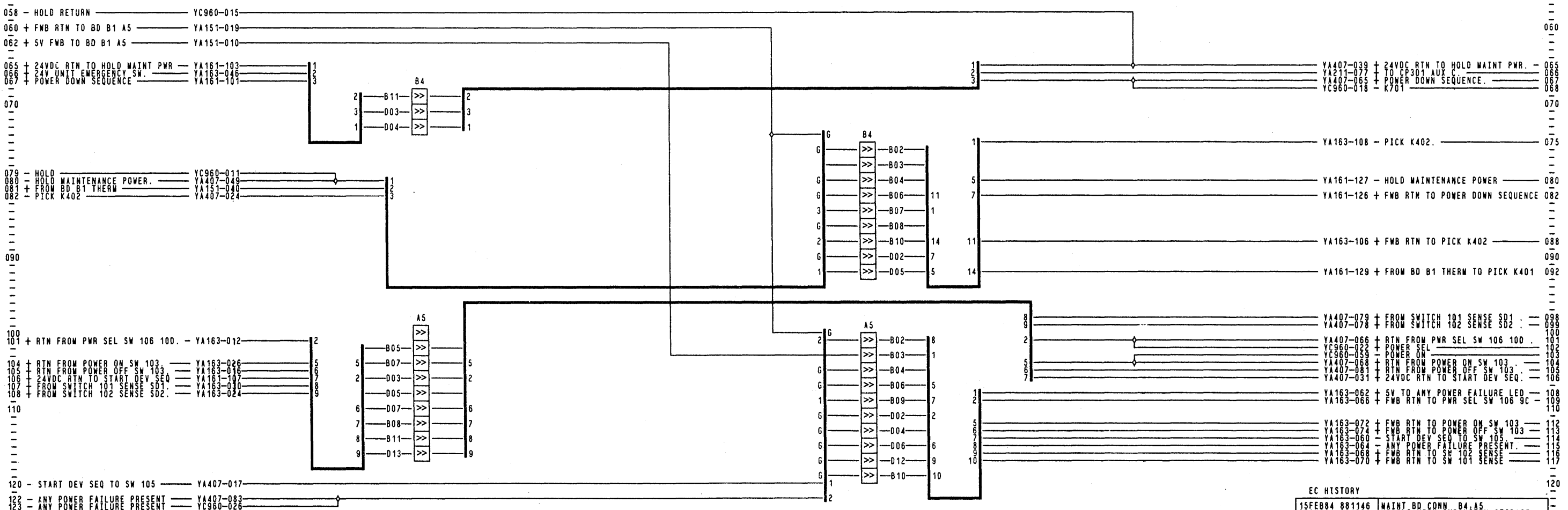


NOTE 1
 JUMPER J802-3 TO J802-4

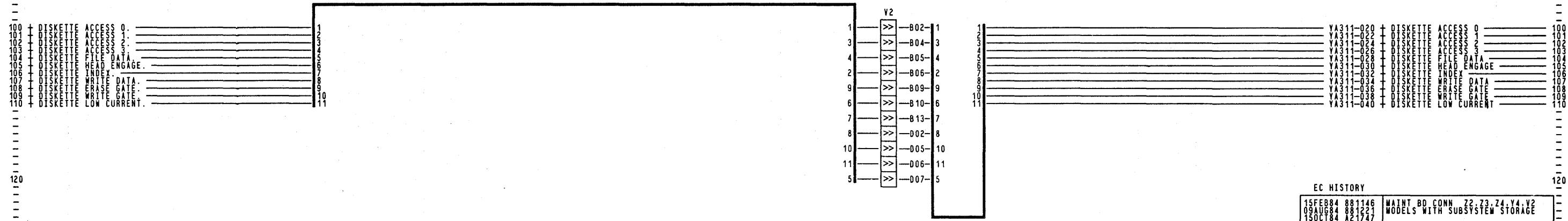
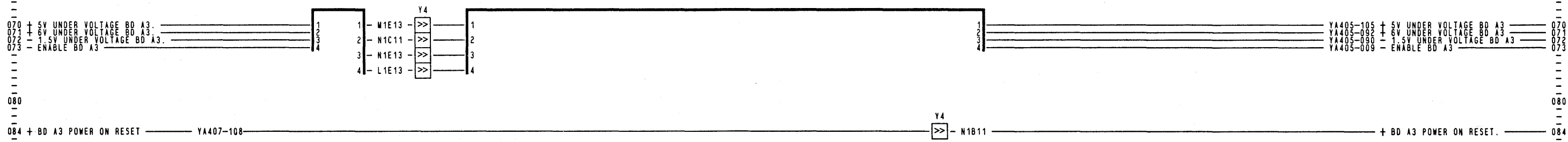
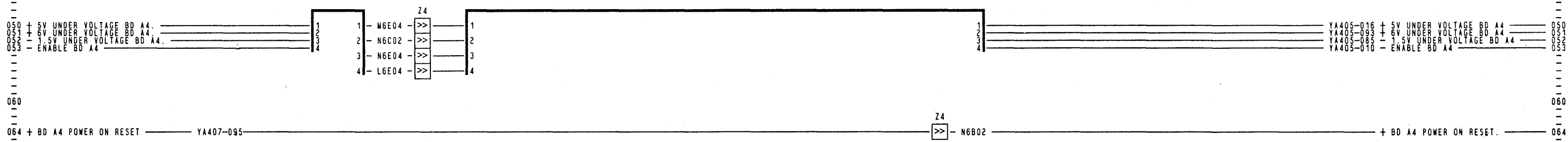
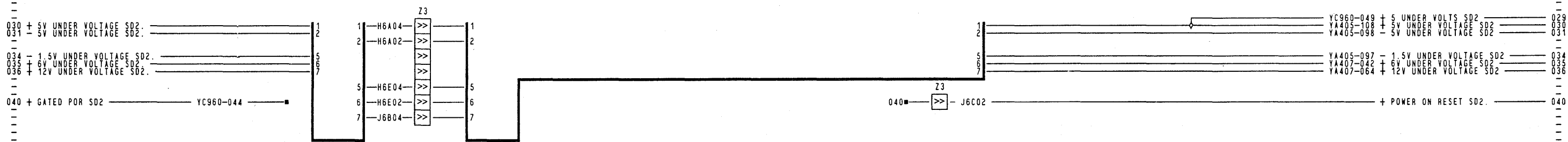
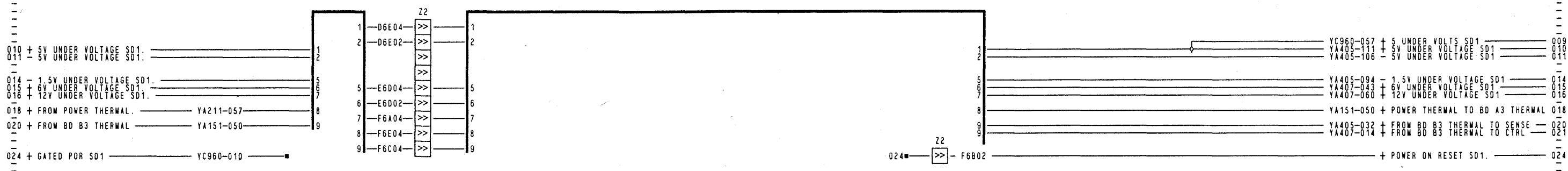
EC HISTORY	
15FEB84 881146	DEVICE INTERFACE BOARD
09AUG84 881223	SEO YA003
15OCT84 A21747	PRINT 10JAN85 1116 PN 6315757
	PAGE 22 OF 28
MACH 3880	HPN
PRIME HZ60	HEC A21801
LOC	



EC HISTORY
 15FEB84 881146 MAINT BD CONN A2.A3.A4
 09AUG84 881221
 15OCT84 A21747
 SEQ YA003
 PRINT 10JAN85 1138 PW 6345757
 PAGE 23 OF 28
 WACH 3880 HPN
 PNAME H260 REC A21801
 TRW CORP



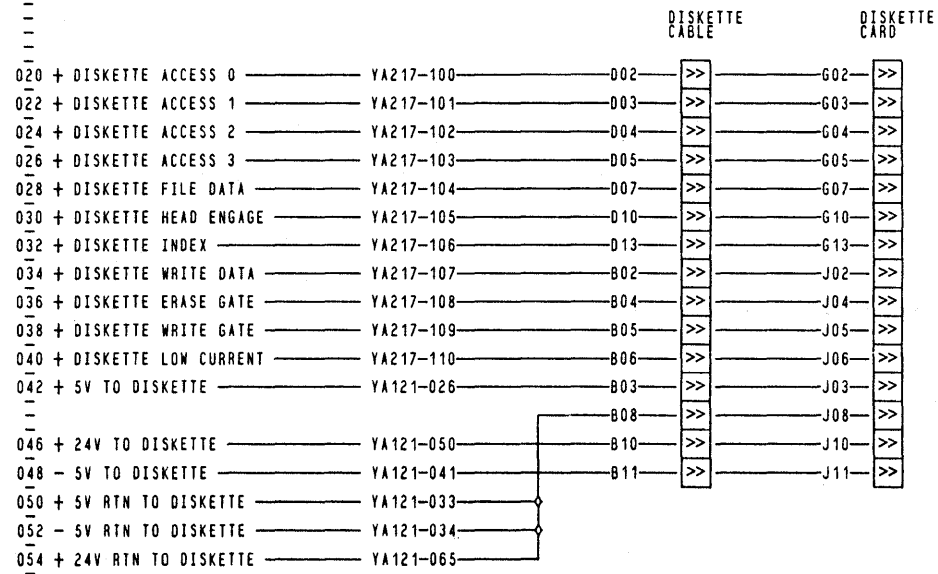
EC HISTORY	
15FEB84 881146	MAINT BD CONN B4,A5
09AUG84 881221	MODELS WITH SUBSYSTEM STORAGE
15OCT84 A21747	
SER YA003	
PRINT 10JAN85 1360 PN 6315757	
PAGE 24 OF 28	
MACH 3880	HPN
PNAM E H260	HEC
LOC	A21801



EC HISTORY
 15FEB84 881146 MAINT BD CONN Z2,Z3,Z4,Y4,Y2
 09AUG84 881221 MODELS WITH SUBSYSTEM STORAGE
 15OCT84 A21747
 SEQ YA003
 PRINT 10JAN85 1786 PN 6315757
 PAGE 25 OF 28
 MACH 3880 HPN
 PNAME H260 HEC A21801
 LOC

010

010



020

030

040

050

060

060

070

070

080

080

090

090

100

100

110

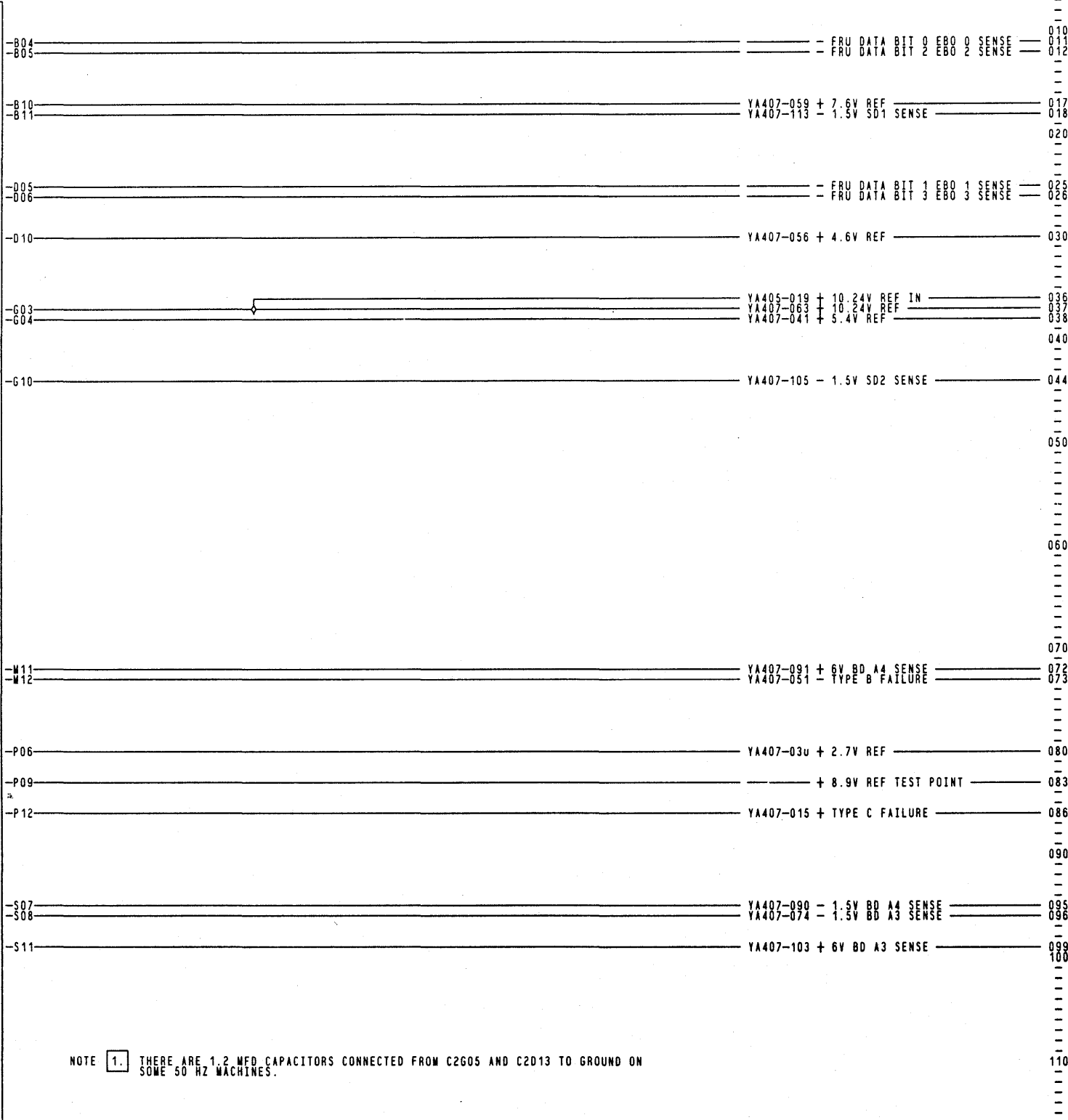
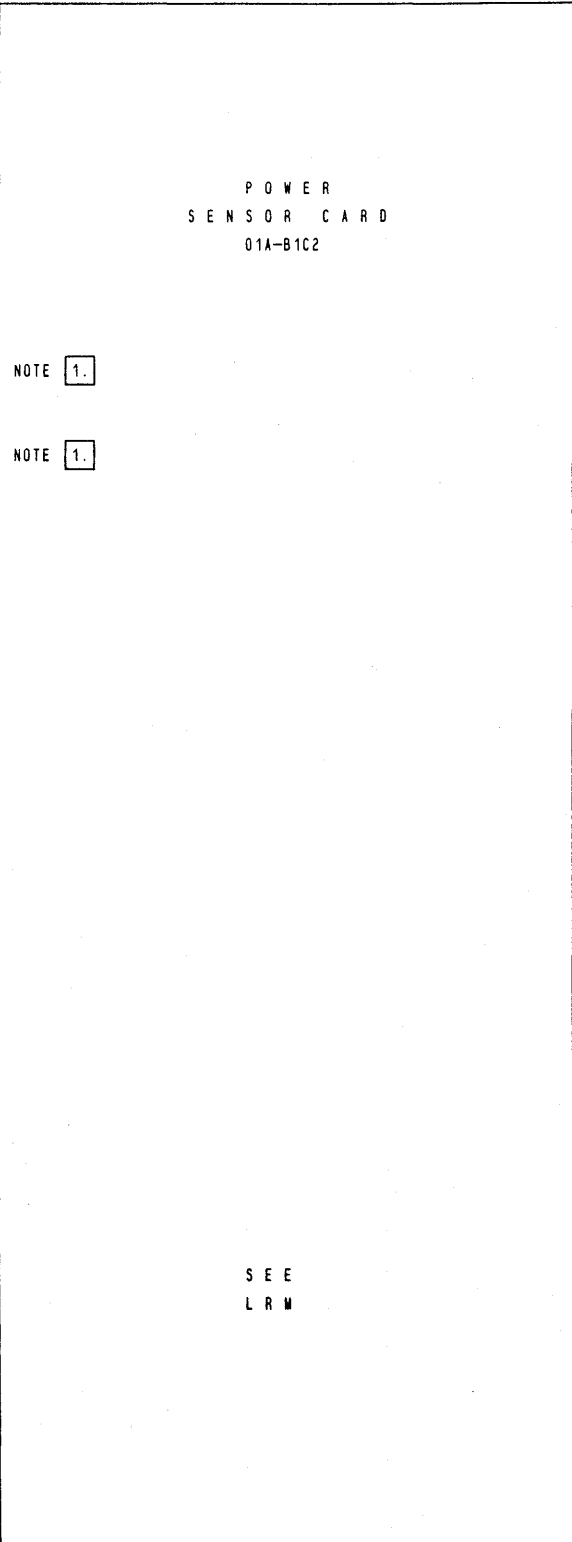
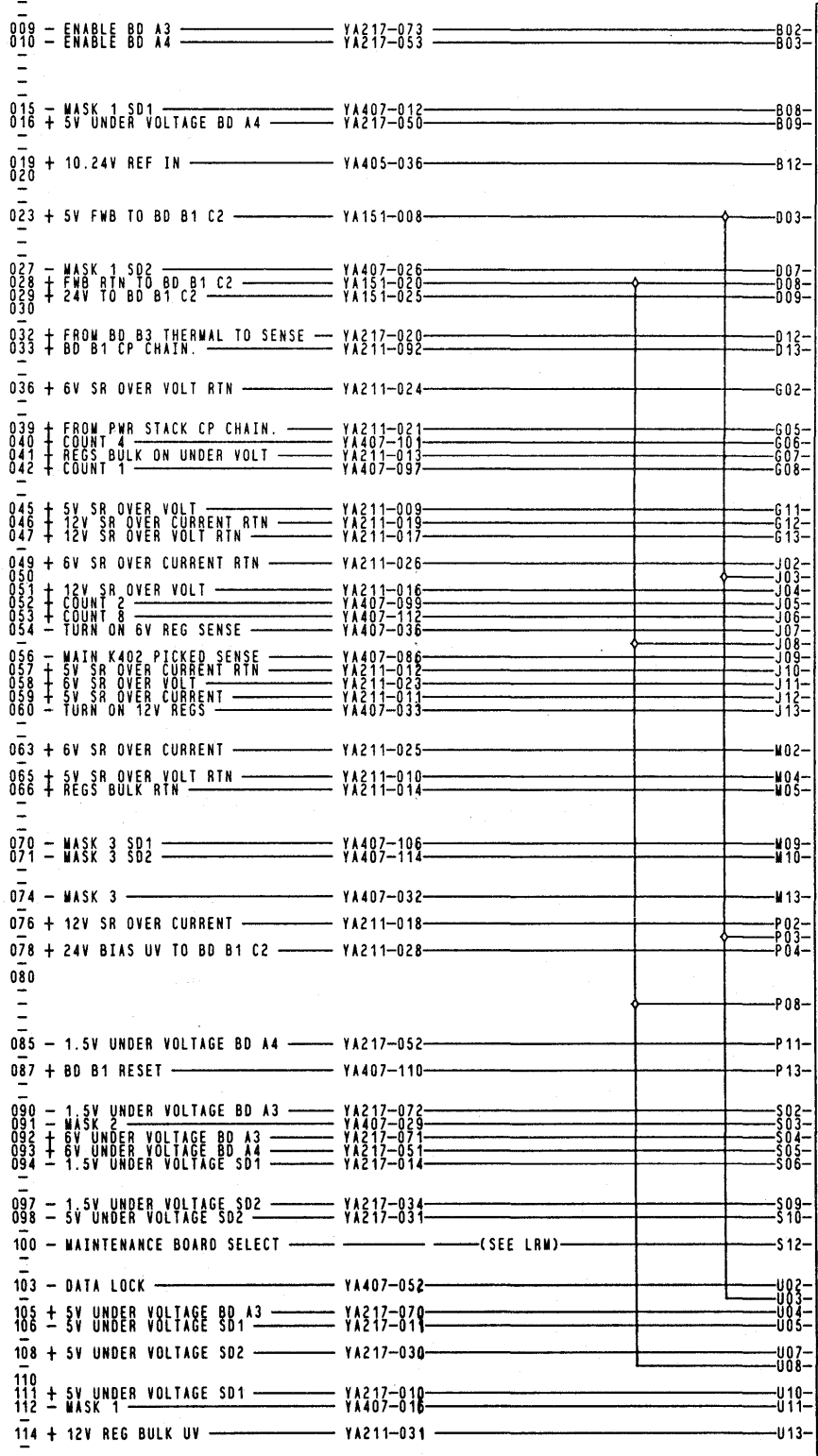
110

120

120

EC HISTORY

15FEB84 881146	DISKETTE
09AUG84 881221	
15OCT84 A21747	
SEQ YA003	
PRINT 10JAN85 1771	PN 6315257
	PAGE 26 OF 28
MACH 3880	HPN
PRNAME H260	HEC A21001
LOC	0001

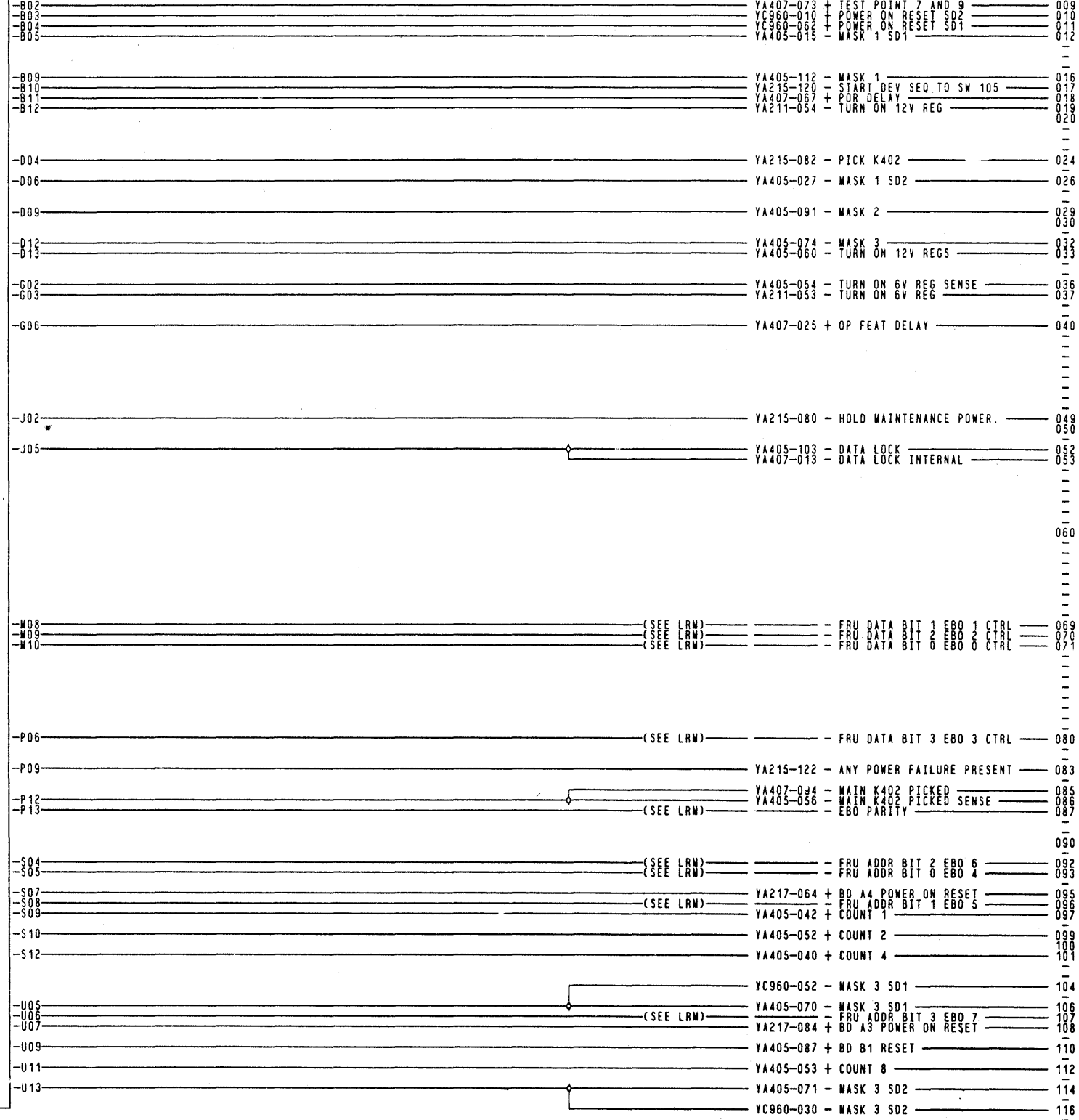
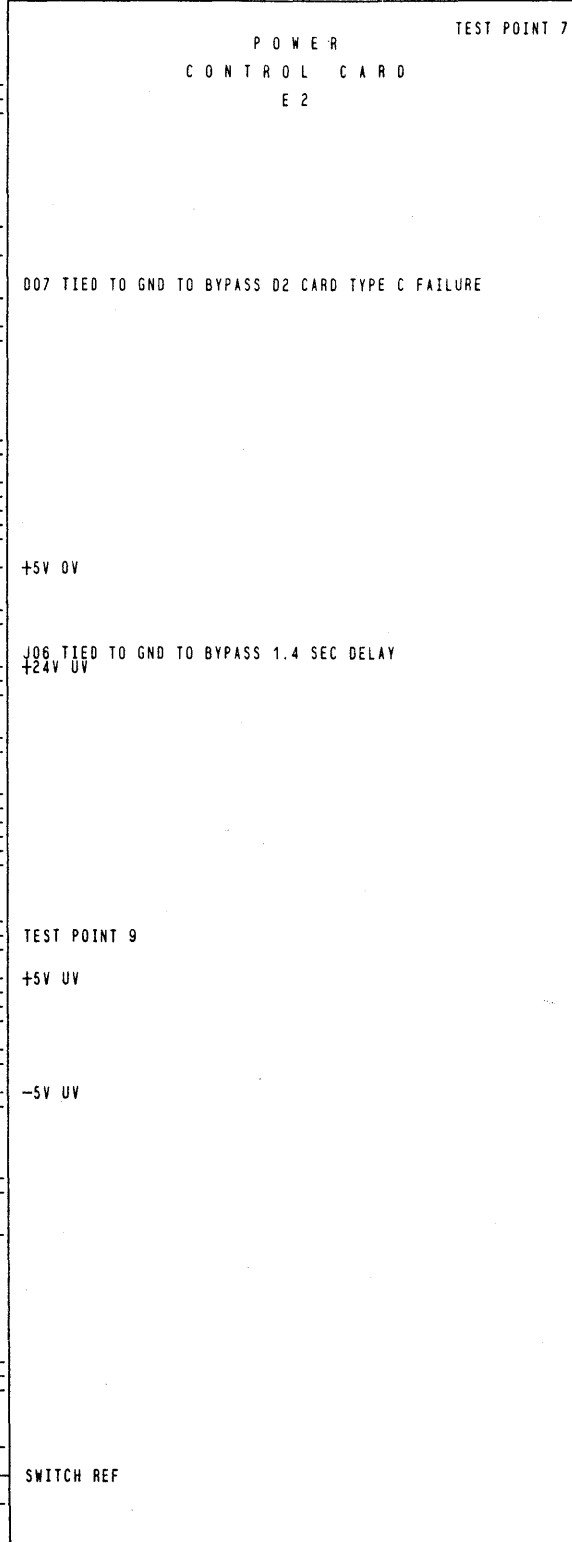
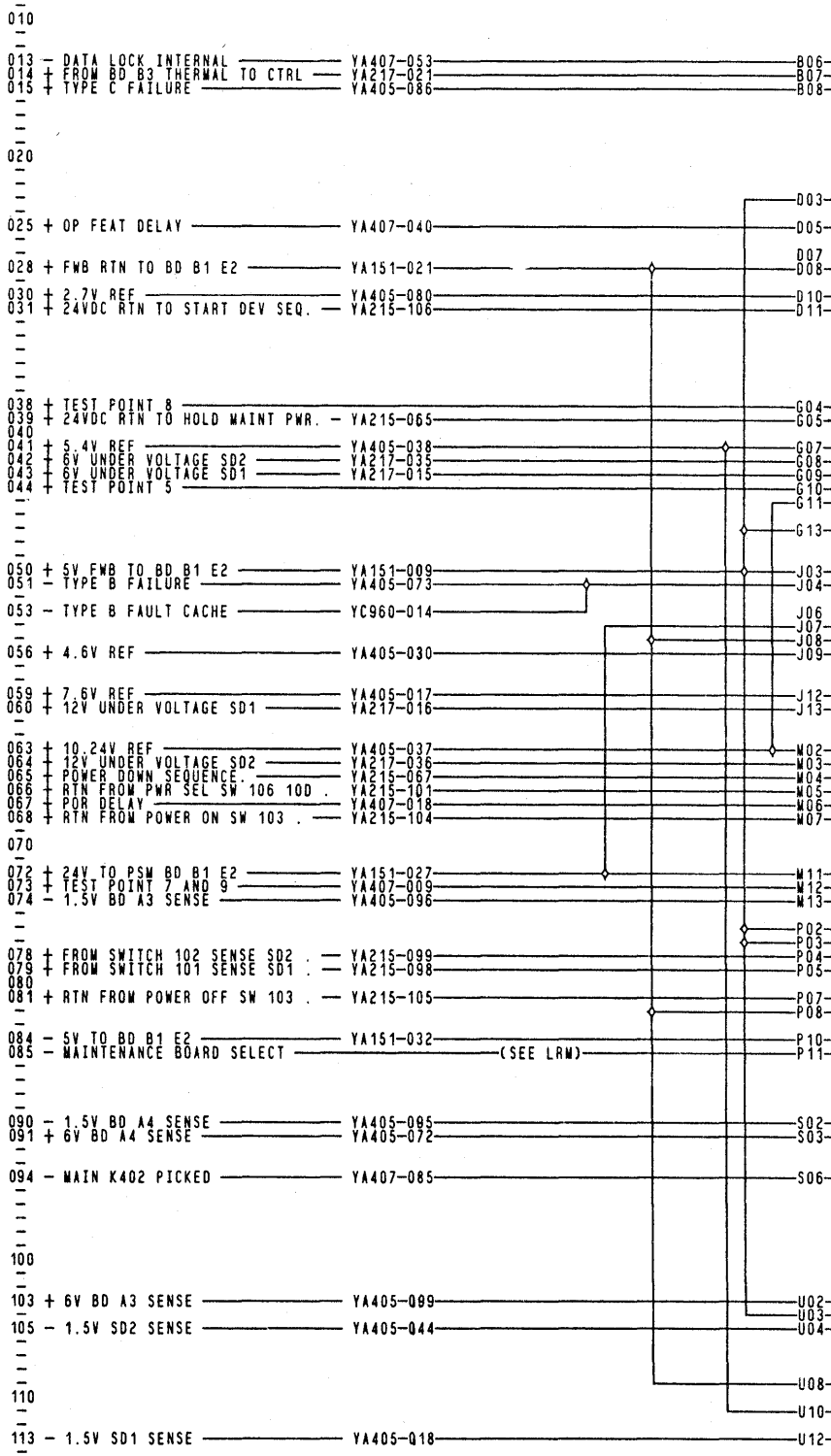


NOTE 1. THERE ARE 1.2 MFD CAPACITORS CONNECTED FROM C2G05 AND C2D13 TO GROUND ON SOME 50 HZ MACHINES.

EC HISTORY

15FEB84 881146	POWER SENSOR CARD
09AUG84 881223	WITH ADDITIONAL 4
15OCT84 A21747	CHANNEL SWITCHES
SEQ YA003	
PRINT 10JAN85 1047 PN 6315757	
	PAGE 27 OF 28

MACH 3880 HPN
NAME HZ60 HEC
LOC A21801



EC HISTORY
 15FEB84 881146 POWER CONTROL CARD W/ADDITIONAL
 09AUG84 881221 4 CHANNEL SWITCHES MODELS
 15OCT84 A21747 SUBSYSTEM STORAGE
 SEQ YA003
 PRINT 10JAN85 1462 PN 6315757
 PAGE 28 OF 28
 WACH 3880 HPN
 NAME H260 HEC
 LOC A21801

3333 888 888 000
333 888 888 000
3333 888 888 000

PPPP 0000 W W EEEEE RRRR L 0000 GGGG IIII CCCC 6 000 H H ZZZZ 44 CCCC H H
P P O O W W EEEEE RRRR R 6666 0 0 H H H Z Z 44444 C C H H H H
P P O O W W EEEEE RRRR R 6666 0 0 H H H Z Z 44444 C C H H H H
P 0000 W W EEEEE RRRR LLLL 0000 GGGG IIII CCCC 666 000 H H ZZZZ 4 CCCC H H

TITLE	PAGE	4 CH
INDEX TABLE OF CONTENTS	YA010	P/N 6315758
POWER GROUP LOCATION	YA020	
SYMBOLS USED IN POWER DIAGRAMS	YA100	
+ 24V SCHEMATIC	YA105	
BLOCK DIAGRAM GROUNDING SCHEMATIC	YA110	
PRIMARY POWER BOX	YA111	
PRIMARY POWER BOX CONTROLS	YA115	
PSM POWER SUPPLY	YA121	
DC BULK SUPPLIES - STACK	YA131	
BULK DC SUPPLY - VMEM	YA132	
REGULATOR STACK	YA133	
DC SWITCH	YA137	
LOGIC GATE POWER DISTRIBUTION	YA151	
CENTRAL POWER CONTROL BOARD	YA161	
CENTRAL POWER CONTROL BOARD FEED THRU	YA163	
HOST AND DEVICE CONNECTOR PANEL	YA165	
OPERATOR PANEL AND 4 CHANNEL SWITCHES	YA171	
OPERATOR PANEL WITH REMOTE 4 CH SW	YA171	
OPERATOR PANEL & 4 CH SW LOCAL/REMOTE	YA171	
4 CHAN LOCAL/REMOTE SWITCH FEATURE	YA175	
DC SWITCH PANEL	YA181	
DEVICE INTERFACE BOARD	YA191	
MAINT BD CONN A2.A3.A4	YA211	
MAINT BD CONN B4.A5	YA215	
MAINT BD CONN Z2.Z3.Z4.Y4.V2	YA217	
DISKETTE	YA311	
POWER SENSOR CARD EDS	YA405	
POWER CONTROL CARD EDS	YA407	

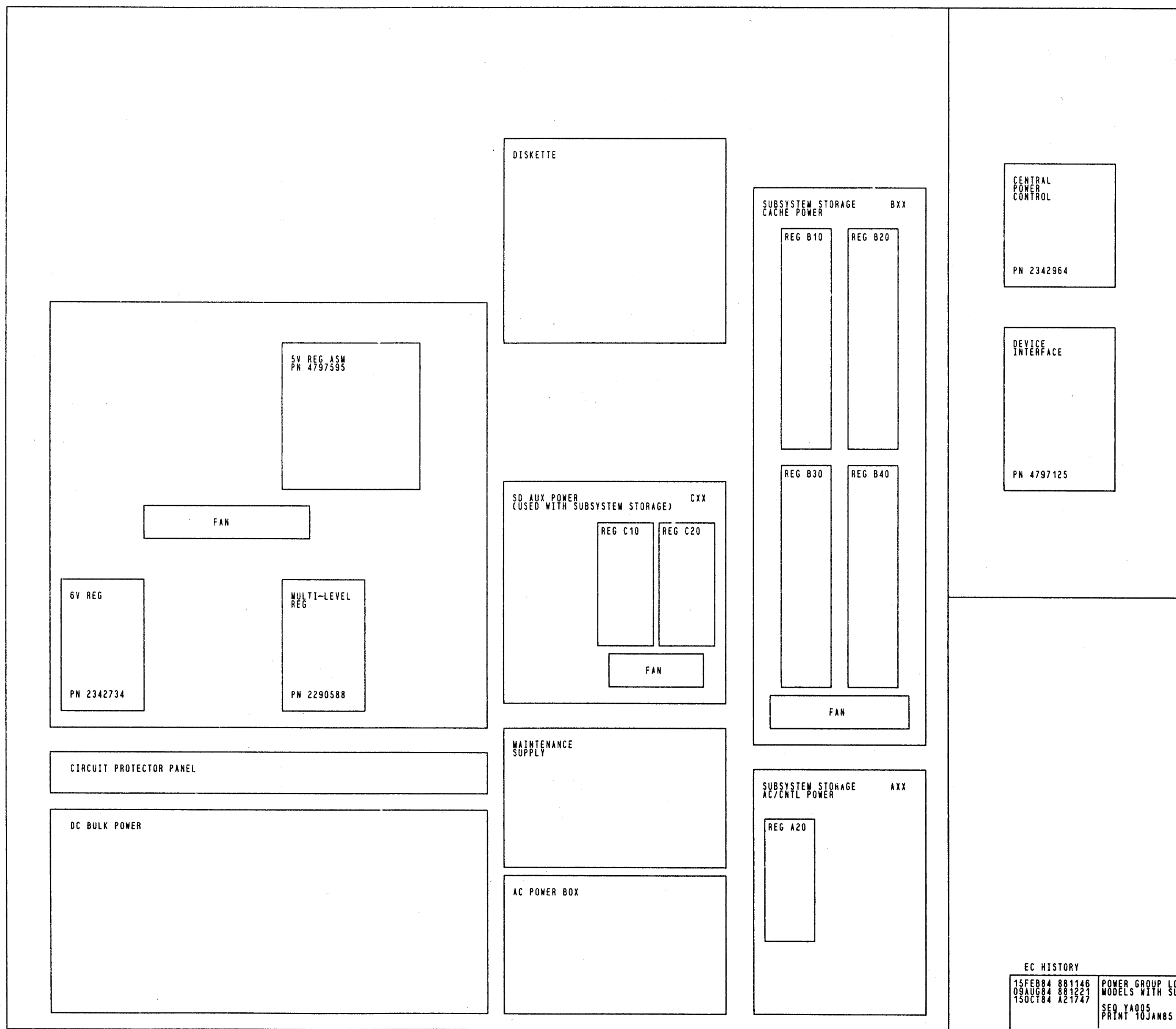
TITLE	PAGE	POWER
BLOCK DIAGRAM GROUNDING SCHEMATIC	YC110	P/N 6315753
AC CONTROL	YC200	
AC POWER DISTRIBUTION	YC300	
B GATE AND B BOX FANS	YC320	
CNTL DC BULK SUPPLY	YC400	
CNTL +1.7 VOLT REGULATOR	YC500	
01BA1 CNTL PWR DISTRIBUTION CARD	YC550	
01BA1 BD DC PWR DISTRIBUTION	YC560	
STORAGE REG B30 DC SUPPLY	YC600	
STORAGE REG B20 DC SUPPLY	YC620	
01BB2 POWER DISTRIBUTION CARD	YC650	
01BB2 BD DC PWR DISTRIBUTION	YC660	
STORAGE REG B40 DC SUPPLY	YC700	
STORAGE REG B10 DC SUPPLY	YC720	
01BA2 POWER DISTRIBUTION CARD	YC750	
01BA2 BD DC PWR DISTRIBUTION	YC760	
AUX SD1 & 2 DC BULK SUPPLY	YC800	
AUX SD1 DC REGULATOR	YC820	
AUX SD2 DC REGULATOR	YC830	
AUX SD1 & 2 DC PWR DISTRIBUTION	YC850	
MISC SWITCHES AND INDICATORS	YC900	
MAINT BD CONN Y3	YC940	
MAINT BD CONN V5. AND B GATE PSM CABLES	YC950	
PWR SEQUENCE & MONITOR CARD	YC960	

EC HISTORY

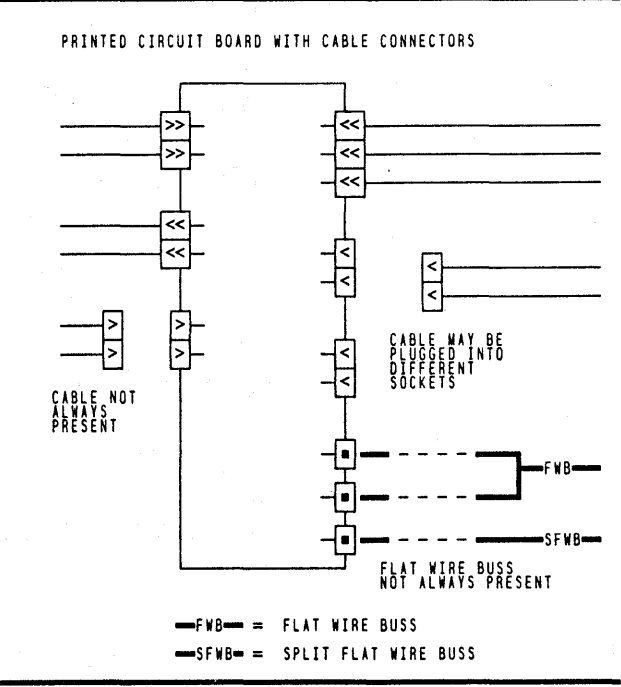
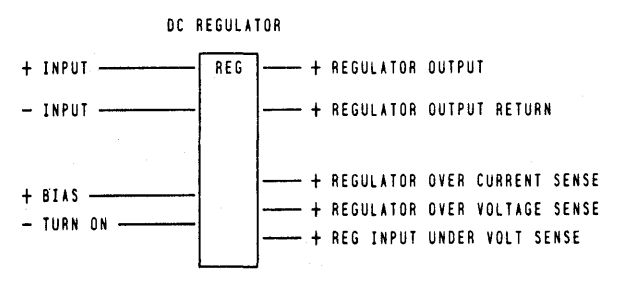
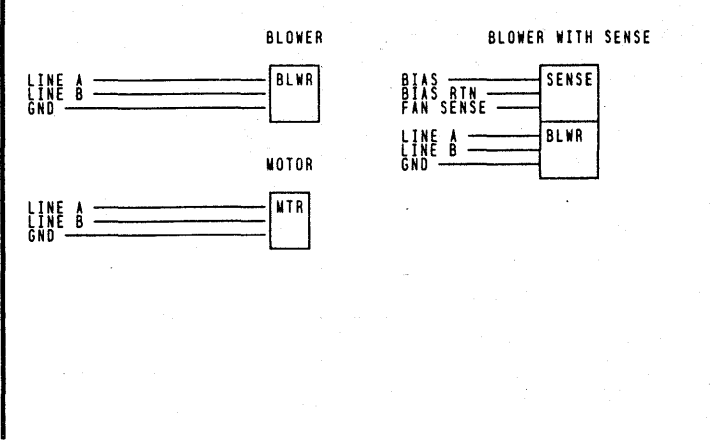
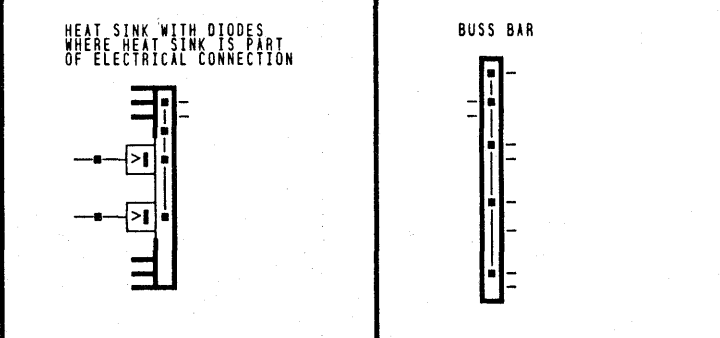
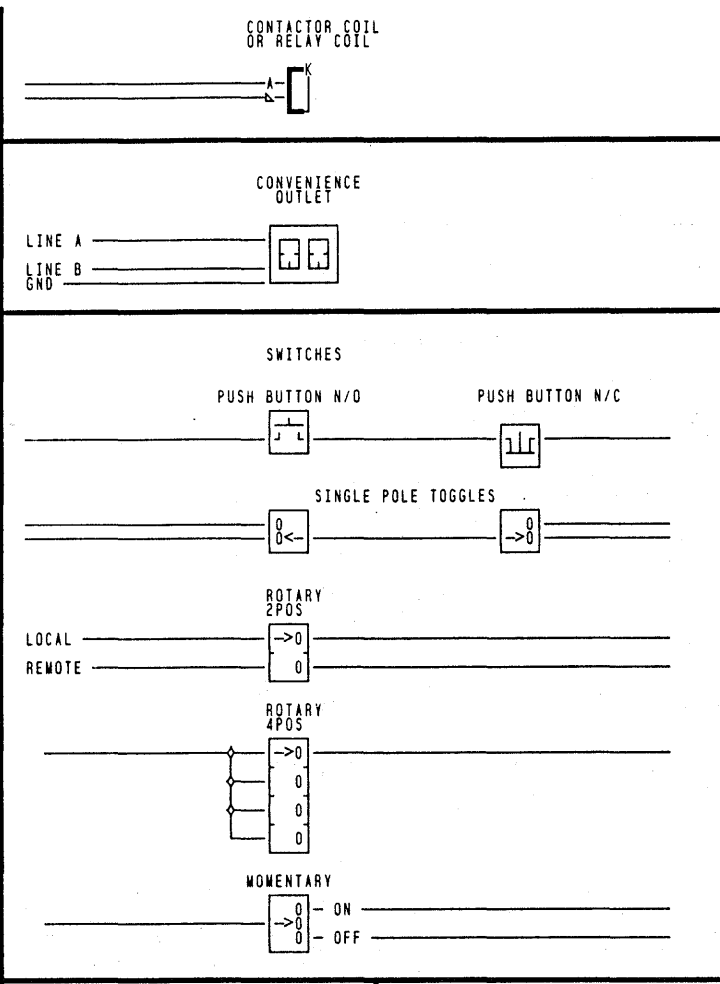
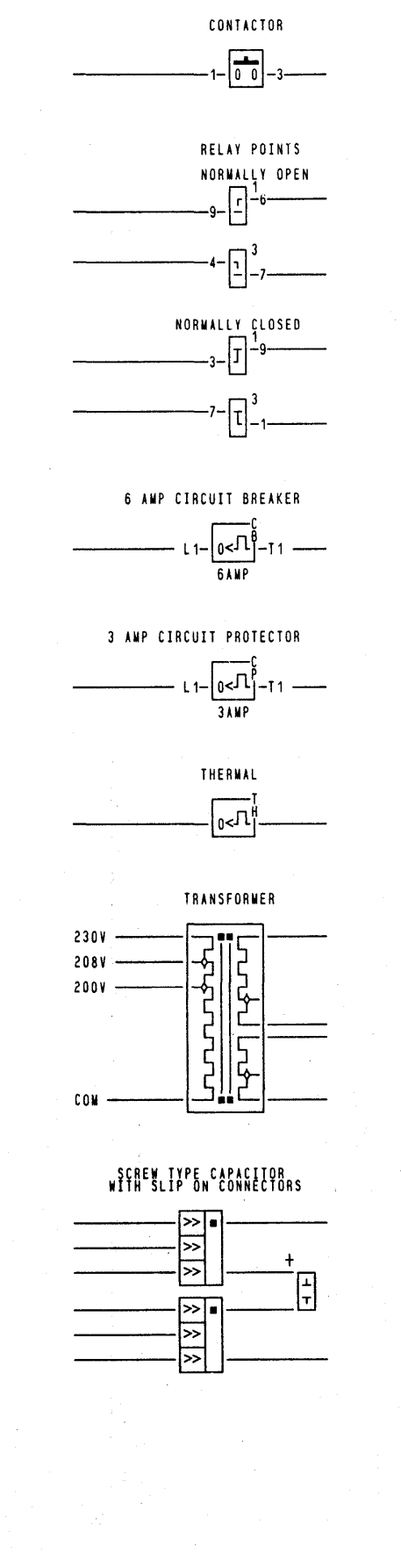
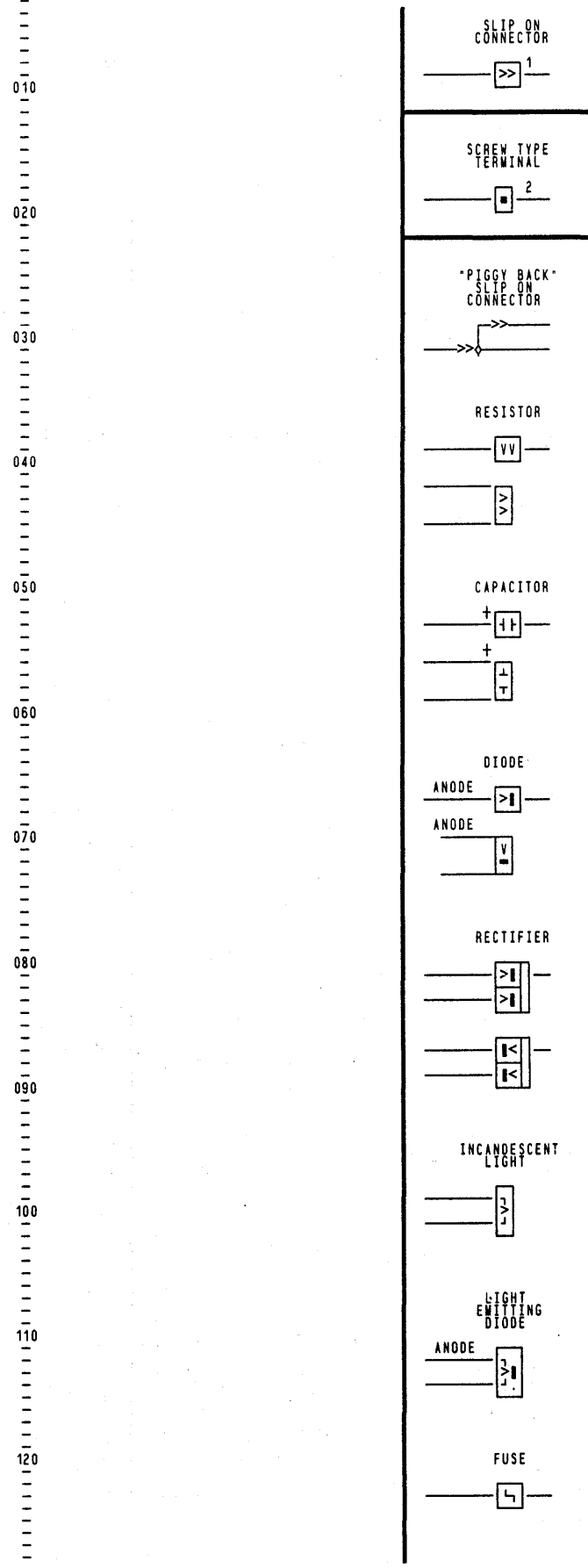
15FEB84 881146	INDEX TABLE OF CONTENTS
09AUG84 881221	MODELS WITH SUBSYSTEM STORAGE
15OCT84 A21747	

SEQ YA005
PRINT 10JAN85 1613 PN 6315758
PAGE 1 OF 28

NACH 3880	HPN
PNWE H260	HEC
LOC	A21801



EC HISTORY		POWER GROUP LOCATION	
15FEB84	881146	MODEL'S WITH SUBSYSTEM STORAGE	
09AUG84	881221		
13OCT84	A21747		
SEP YA005		PRINT 10JAN85 1362 PN	6315758
			PAGE 2 OF 28
MACH 3880		HPN	
PNAME H260		HEC	A21801
LOC			

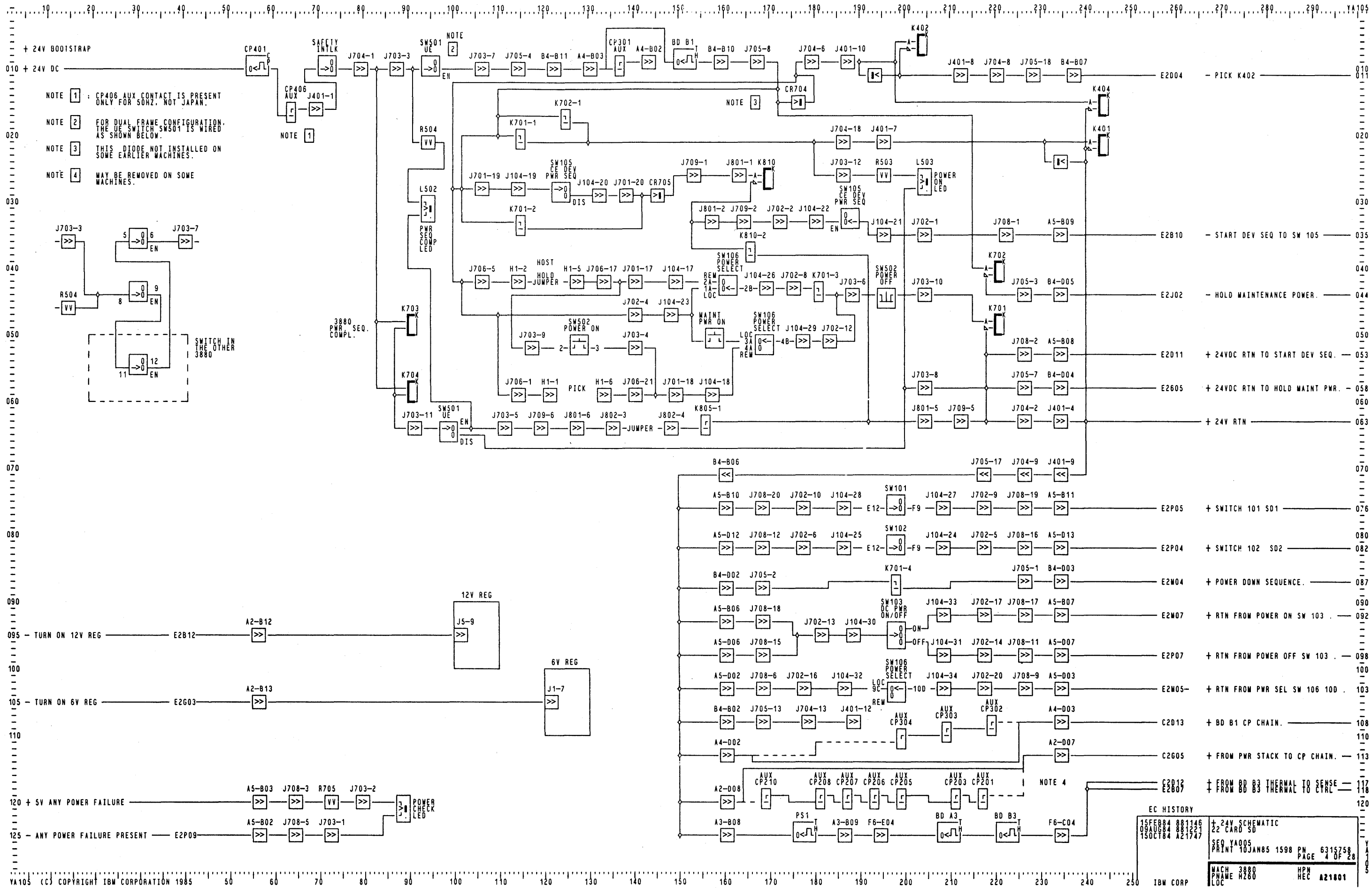


+ SIGN NEAR A CAPACITOR INDICATES POLARITY
 NUMBERS NEXT TO SLIP ON CONNECTORS, SCREW TYPE TERMINALS, AND RELAY POINTS INDICATE POSITION.
 ALPHA/NUMERIC CHARACTERS IN THE LINE INDICATE ACTUAL PIN DESIGNATIONS ON RELAYS, SWITCHES, CIRCUIT PROTECTORS, ETC.

COMPONENTS WITH DESIGNATION
 1XX FOUND ON YA137, YA181 AND YB180
 2XX FOUND ON YA131
 3XX FOUND ON YA131
 4XX FOUND ON YA111 AND YA115
 5XX FOUND ON YA171
 7XX FOUND ON YA161 AND YA163
 8XX FOUND ON YA191
 9XX FOUND ON YC200, YC300, YC400, YC500, YC900
 0XX FOUND ON YC320, YC600, YC620, YC700, YC720
 CXX FOUND ON YC800, YC820, YC830, YC900

EC HISTORY

15FEB84 881146	SYMBOLS USED IN POWER DIAGRAMS
09AUG84 881221	MODELS WITH SUBSYSTEM STORAGE
15OCT84 A21747	
SEQ YA005	
PRINT 10JAN85 1802 PN 6315758	PAGE 3 OF 28
WACH 3880	HPW
LOC H260	REC A21801

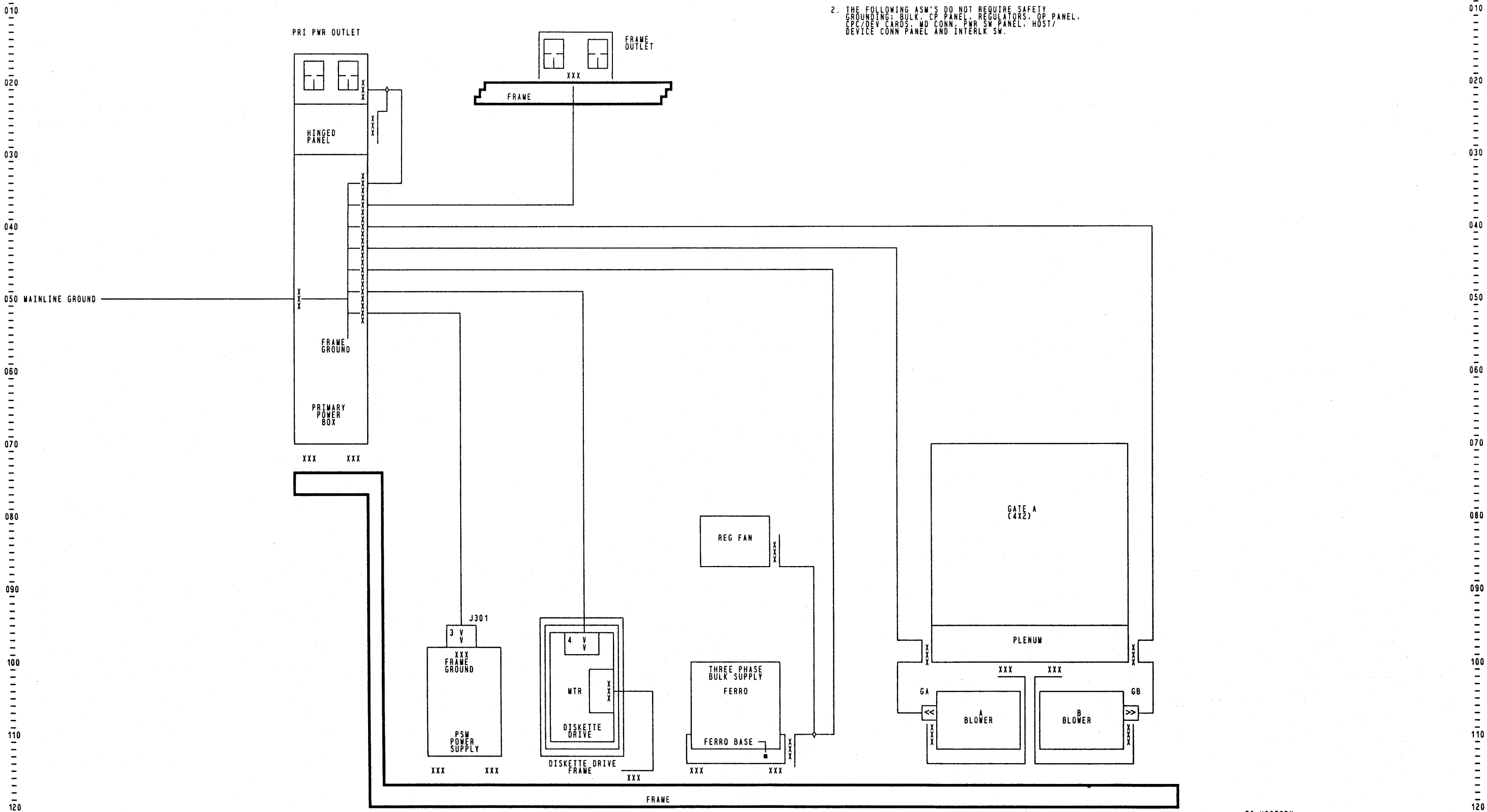


NOTE 1 : CP406 AUX CONTACT IS PRESENT ONLY FOR SOHZ, NOT JAPAN.
 NOTE 2 FOR DUAL FRAME CONFIGURATION, THE UE SWITCH SW501 IS WIRED AS SHOWN BELOW.
 NOTE 3 THIS DIODE NOT INSTALLED ON SOME EARLIER MACHINES.
 NOTE 4 MAY BE REMOVED ON SOME MACHINES.

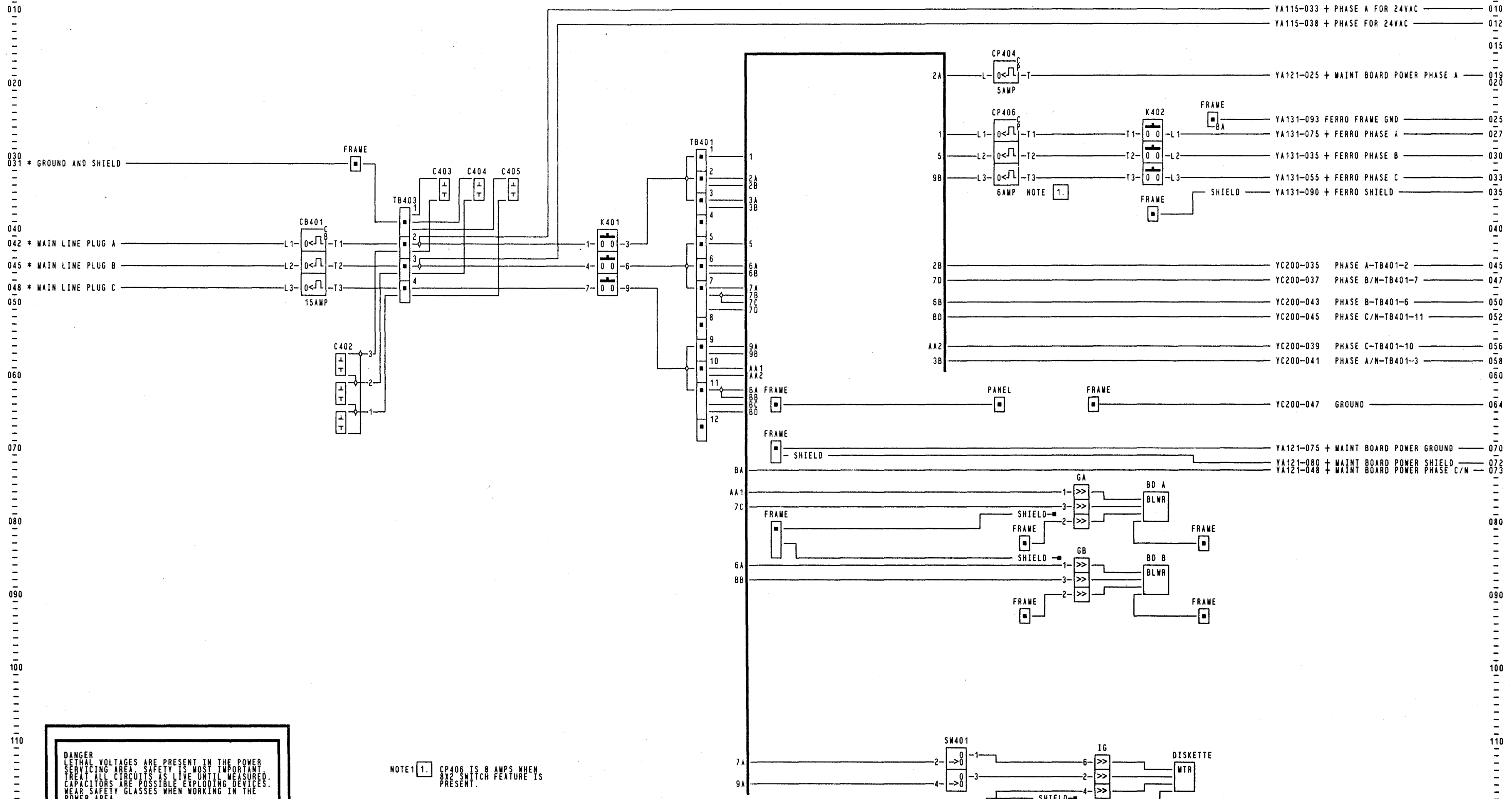
EC HISTORY	
15FEB84 881146	+ 24V SCHEMATIC
09AUG84 881221	22 CARD SD
15OCT84 A21747	SEQ YA005
	PRINT 10JAN85 1598 PM 6315258
	PAGE 4 OF 28
MACH 3880 HPN	
PNAME H260 REC A21801	
LOC	

10 20 30 40 50 60 70 80 90 100 110 120 130 140 150 160 170 180 190 200 210 220 230 240 250 260 270 280 290 YA110

- NOTES:
1. XXX DENOTES EXTERNAL STAR WASHER.
 2. THE FOLLOWING ASM'S DO NOT REQUIRE SAFETY GROUNDING: BULK, CP PANEL, REGULATORS, OP. PANEL, CPC/DEV CARDS, WD CONN, PWR SW PANEL, HOST/DEVICE CONN PANEL AND INTERLK SW.



EC HISTORY	
15FEB84 881146	BLOCK DIAGRAM
09AUG84 881221	GROUNDING SCHEMATIC
15OCT84 A21747	
SEQ YA005	PN 6315758
PRINT 10JAN85 0039	PAGE 3 OF 28
WACH	HPN
PNAME H260	HEC A21801
LOC	



030 * GROUND AND SHIELD
 042 * MAIN LINE PLUG A
 045 * MAIN LINE PLUG B
 048 * MAIN LINE PLUG C

WARNING
 DANGER
 LETHAL VOLTAGES ARE PRESENT IN THE POWER
 SERVICING AREA. SAFETY IS MOST IMPORTANT.
 TREAT ALL CIRCUITS AS LIVE UNTIL MEASURED.
 CAPACITORS ARE POSSIBLE EXPLODING DEVICES.
 WEAR SAFETY GLASSES WHEN WORKING IN THE
 POWER AREA
 ALWAYS REINSTALL ALL GREEN/YELLOW GROUND
 WIRES AND SAFETY COVERS BEFORE POWERING
 ON THE MACHINE.

NOTE 1. CP406 IS 8 AMPS WHEN
 8X2 SWITCH FEATURE IS
 PRESENT.

EC HISTORY
 15FEB84 881146 PRIMARY POWER BOX ALL 60HZ
 09AUG84 881221 OR 50 HZ JAPAN ONLY
 15OCT84 A21747 MODELS WITH SUBSYSTEM STORAGE
 SEQ 14003
 PRINT 10JAN85 1108 PN 6315758
 PAGE 6 OF 28
 MACH 3880 HPN
 LDC PHAME H260 HEC A21801

10 20 30 40 50 60 70 80 90 100 110 120 130 140 150 160 170 180 190 200 210 220 230 240 250 260 270 280 290 YA115

010

020

030

033 + PHASE A FOR 24VAC YA111-010

038 + PHASE FOR 24VAC YA111-012

040

048 + 24VDC UE TO PICK K404 YA161-117

050

054 + FROM BD B1 THERM TO PICK K401. YA161-119

060

070

072 - PICK K402 YA163-096

074 + FMB RTN TO PICK K402. YA163-098

080

090

100

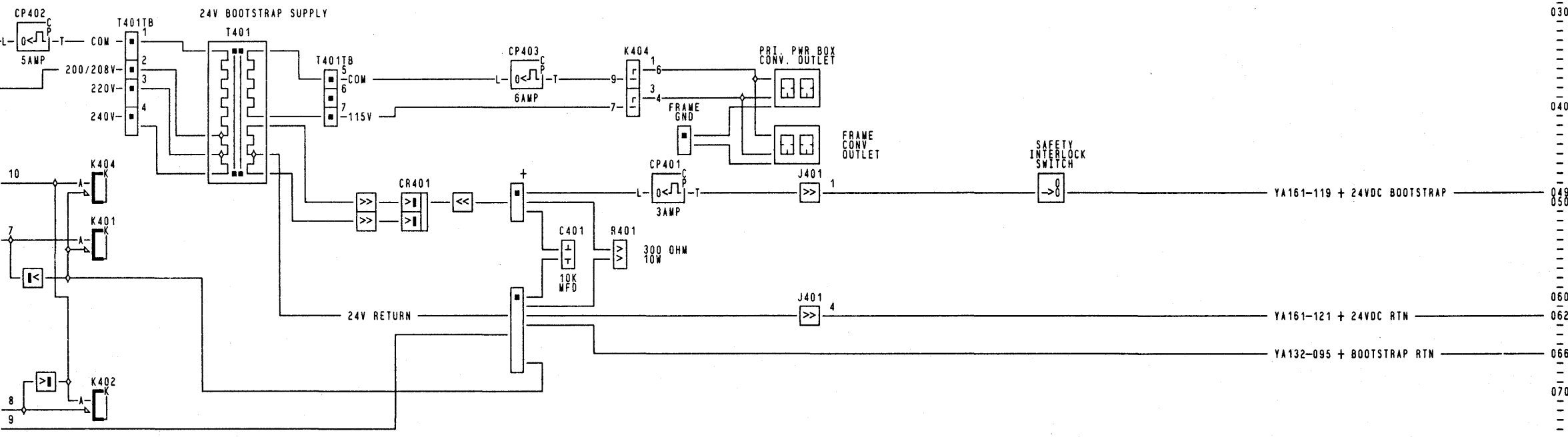
110

120

DANGER
 LETHAL VOLTAGES ARE PRESENT IN THE POWER
 SERVICING AREA. SAFETY IS MOST IMPORTANT.
 TREAT ALL CIRCUITS AS LIVE UNTIL MEASURED.
 CAPACITORS ARE POSSIBLE EXPLODING DEVICES.
 WEAR SAFETY GLASSES WHEN WORKING IN THE
 POWER AREA.

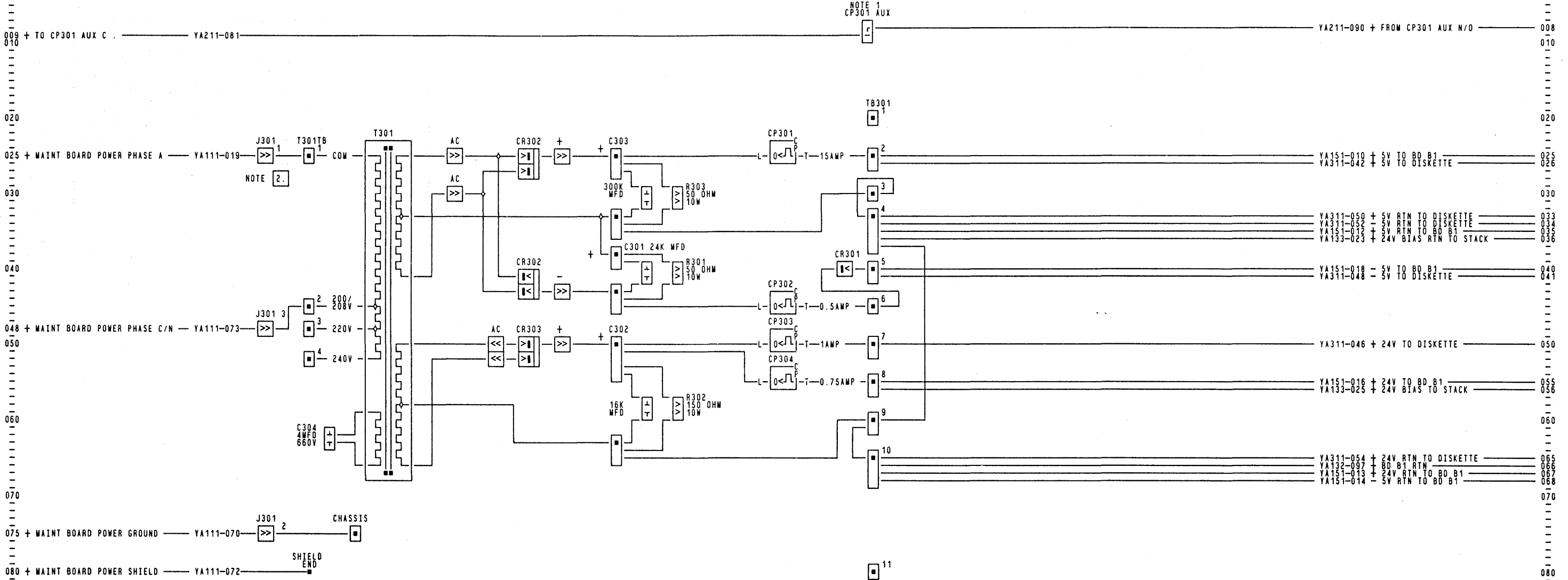
ALWAYS REINSTALL ALL GREEN/YELLOW GROUND
 WIRES AND SAFETY COVERS BEFORE POWERING
 ON THE MACHINE.

YA115 (C) COPYRIGHT IBM CORPORATION 1985 50 60 70 80 90 100 110 120 130 140 150 160 170 180 190 200 210 220 230 240 250 IBM CORP



EC HISTORY	
15FEB84 881146	PRIMARY POWER BOX CONTROLS
09AUG84 881223	ALL 60HZ MACHINES
15OCT84 A21747	OR 50HZ JAPAN
	SEQ YA005
	PRINT 10JAN85 1587 PN 6315758
	PAGE 7 OF 28
MACH 3880	HPN
PHAME HZ60	HEC A21801
LOC	

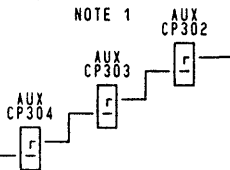
YA115



NOTES:
 2. J301 MAY NOT BE INSTALLED.

DANGER
 LETHAL VOLTAGES ARE PRESENT IN THE POWER SERVICING AREA. SAFETY IS MOST IMPORTANT. TREAT ALL CIRCUITS AS LIVE UNTIL MEASURED. CAPACITORS ARE POSSIBLE EXPLODING DEVICES. WEAR SAFETY GLASSES WHEN WORKING IN THE POWER AREA.
 ALWAYS REINSTALL ALL GREEN/YELLOW GROUND WIRES AND SAFETY COVERS BEFORE POWERING ON THE MACHINE.

NOTE 1: THE NORMALLY OPEN AUX CONTACTS ARE CLOSED WHEN CP IS CLOSED.

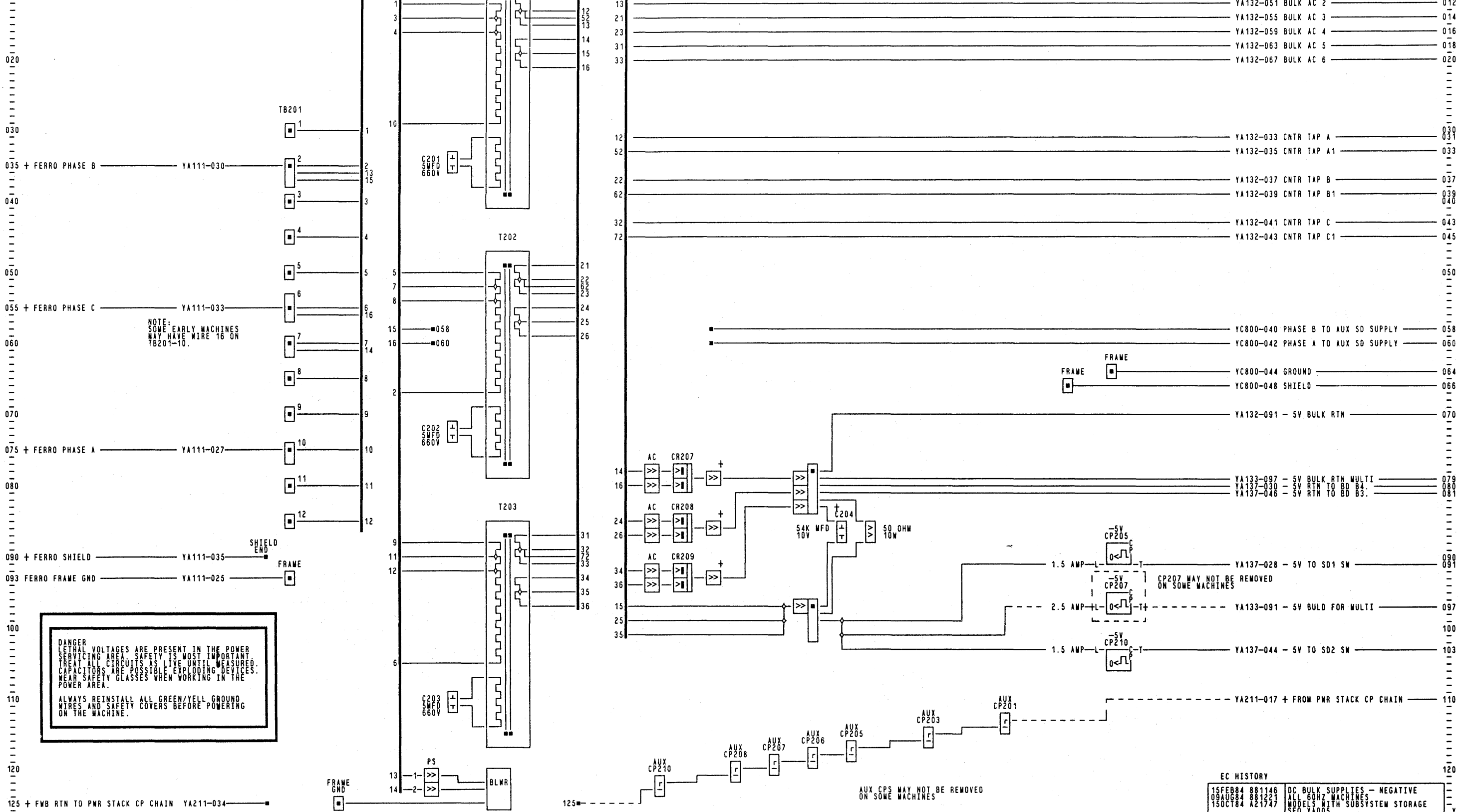


EC HISTORY

15FEB84 881146	POWER SUPPLY
09AUG84 881221	ALL 60HZ MACHINES
15OCT84 A21747	
SEQ YA005	PRINT 10JAN85 1085 PN 6315758
	PAGE 8 OF 28
MACH 3880	HPN
PRIME H260	HEC
LOC	A21801

60HZ DELTA JUMPERS FOR TB201	240V TO -1 -6 TO -9	220V TO -3 -6 TO -11	200/208V TO -4 -7 TO -12
---------------------------------------	---------------------------	----------------------------	--------------------------------

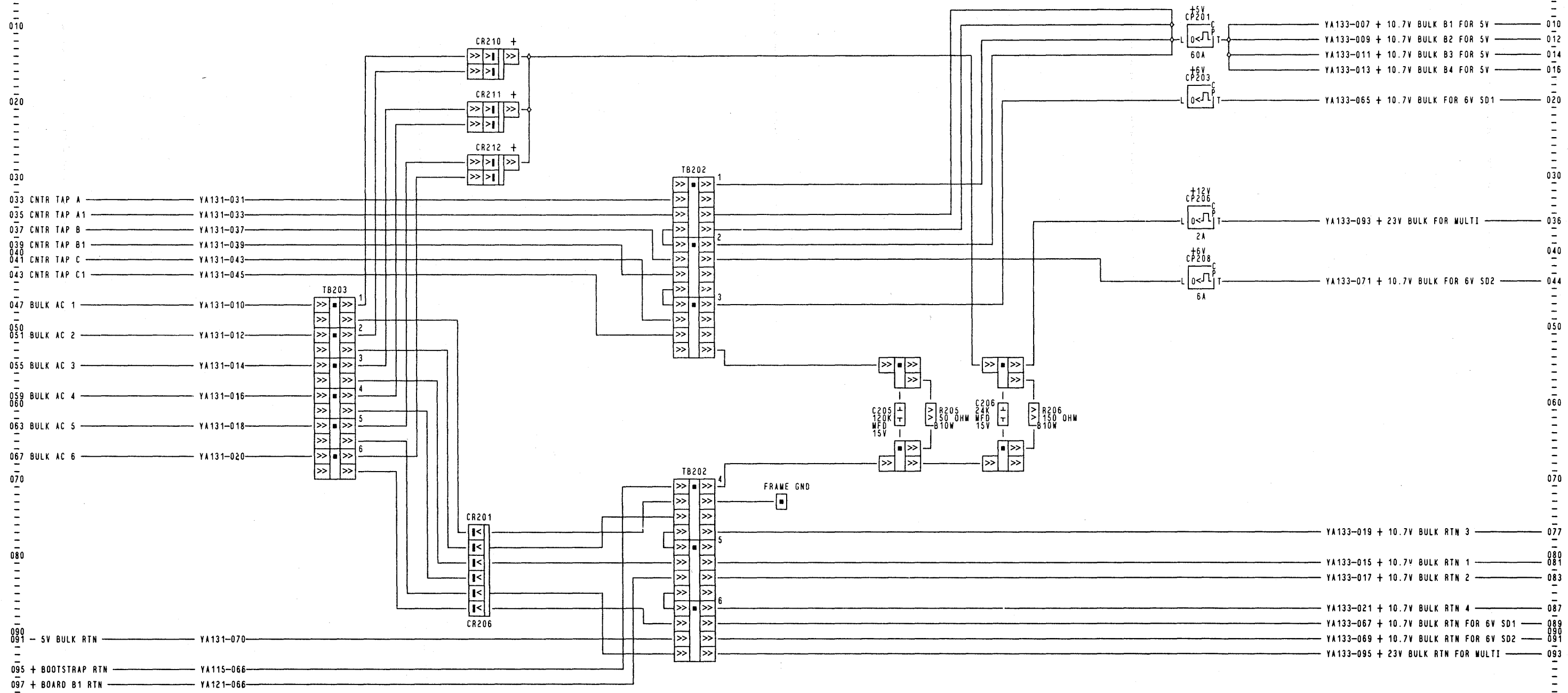
ONLY ONE SET OF JUMPERS MUST BE INSTALLED



DANGER
LETHAL VOLTAGES ARE PRESENT IN THE POWER
SERVICING AREA. SAFETY IS MOST IMPORTANT.
TREAT ALL CIRCUITS AS LIVE UNTIL MEASURED.
CAPACITORS ARE POSSIBLE EXPLODING DEVICES.
WEAR SAFETY GLASSES WHEN WORKING IN THE
POWER AREA.

ALWAYS REINSTALL ALL GREEN/YELL GROUND
WIRES AND SAFETY COVERS BEFORE POWERING
ON THE MACHINE.

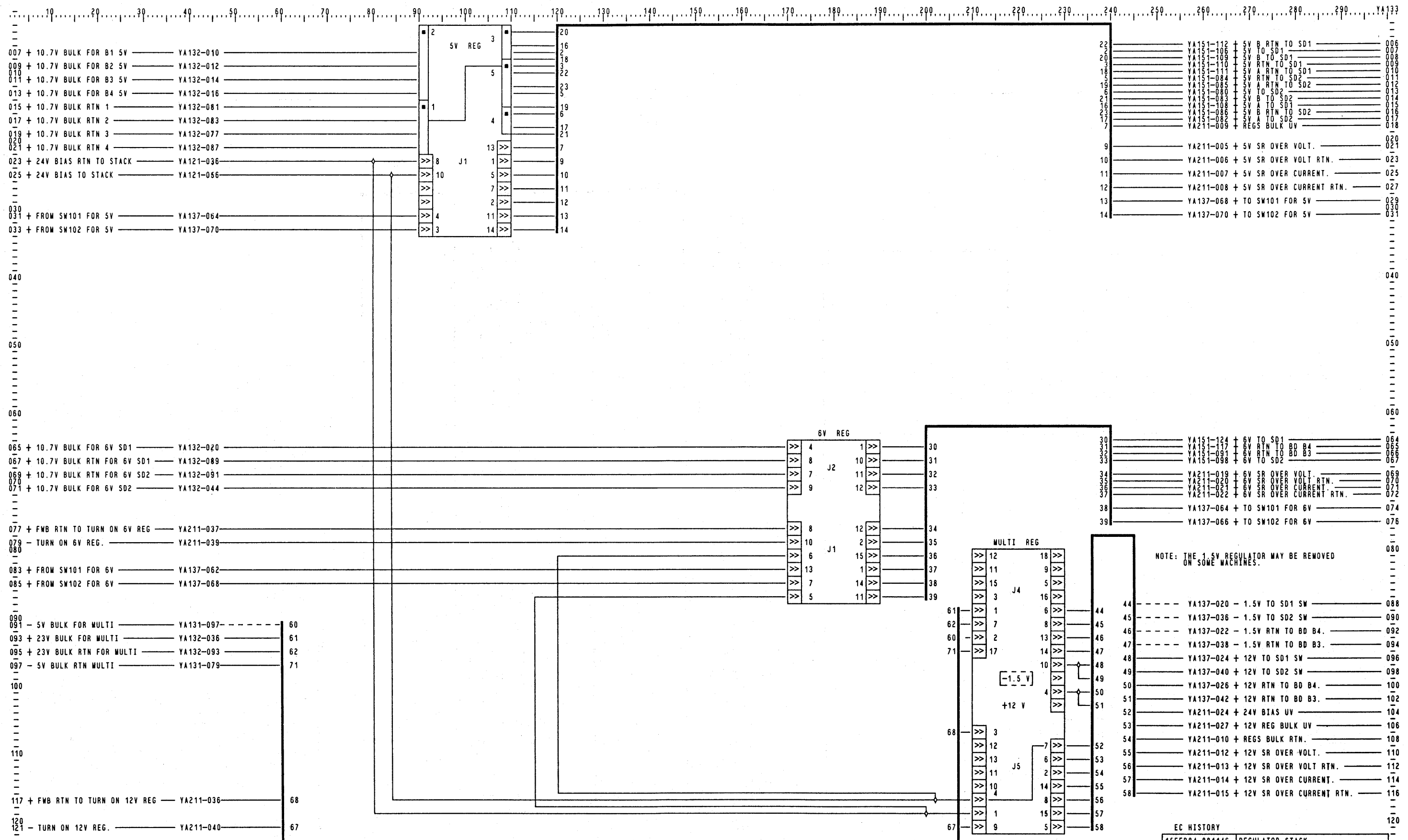
EC HISTORY	
15FEB84 881146	DC BULK SUPPLIES - NEGATIVE
09AUG84 881221	ALL 60HZ MACHINES
15OCT84 A21927	MODEL WITH SUBSYSTEM STORAGE
SE0 YA005	PRINT 08JAN85 1078 PN 6315258
	PAGE 9 OF 28
MACH 3880	HPN
FRAME H260	HEC A21801
LOC	



010
020
030
033 CNTR TAP A
035 CNTR TAP A1
037 CNTR TAP B
039 CNTR TAP B1
040 CNTR TAP C
041 CNTR TAP C
043 CNTR TAP C1
047 BULK AC 1
050 BULK AC 2
051 BULK AC 2
055 BULK AC 3
059 BULK AC 4
060 BULK AC 4
063 BULK AC 5
067 BULK AC 6
070
080
090
091 - 5V BULK RTN
095 + BOOTSTRAP RTN
097 + BOARD B1 RTN
100
110
120

010
012
014
016
020
030
036
040
044
050
060
070
077
080
081
083
087
089
090
091
093
100
110
120

EC HISTORY		
15FEB84 881146	BULK DC SUPPLY	
09AUG84 881221	V. WEM	
15OCT84 A21747		
SFO YA005		
PRINT 10JAN85 1147	PN 6315758	PAGE 10 OF 28
MACH 3880	HPN	
LOC	HEC	A21801



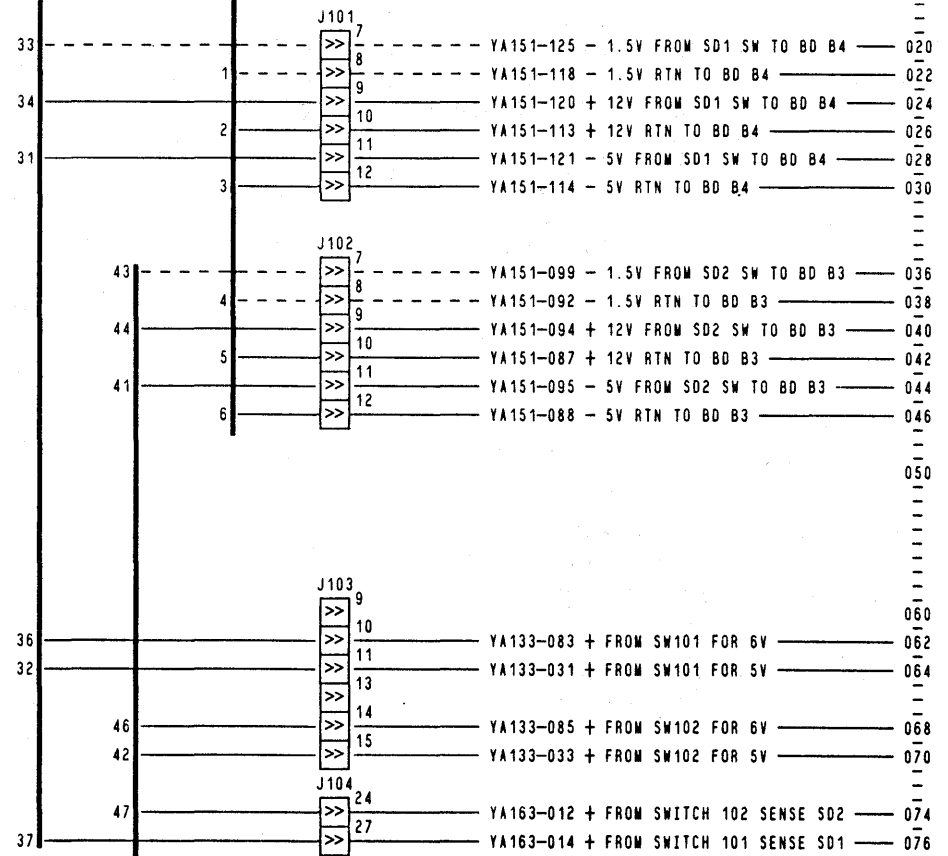
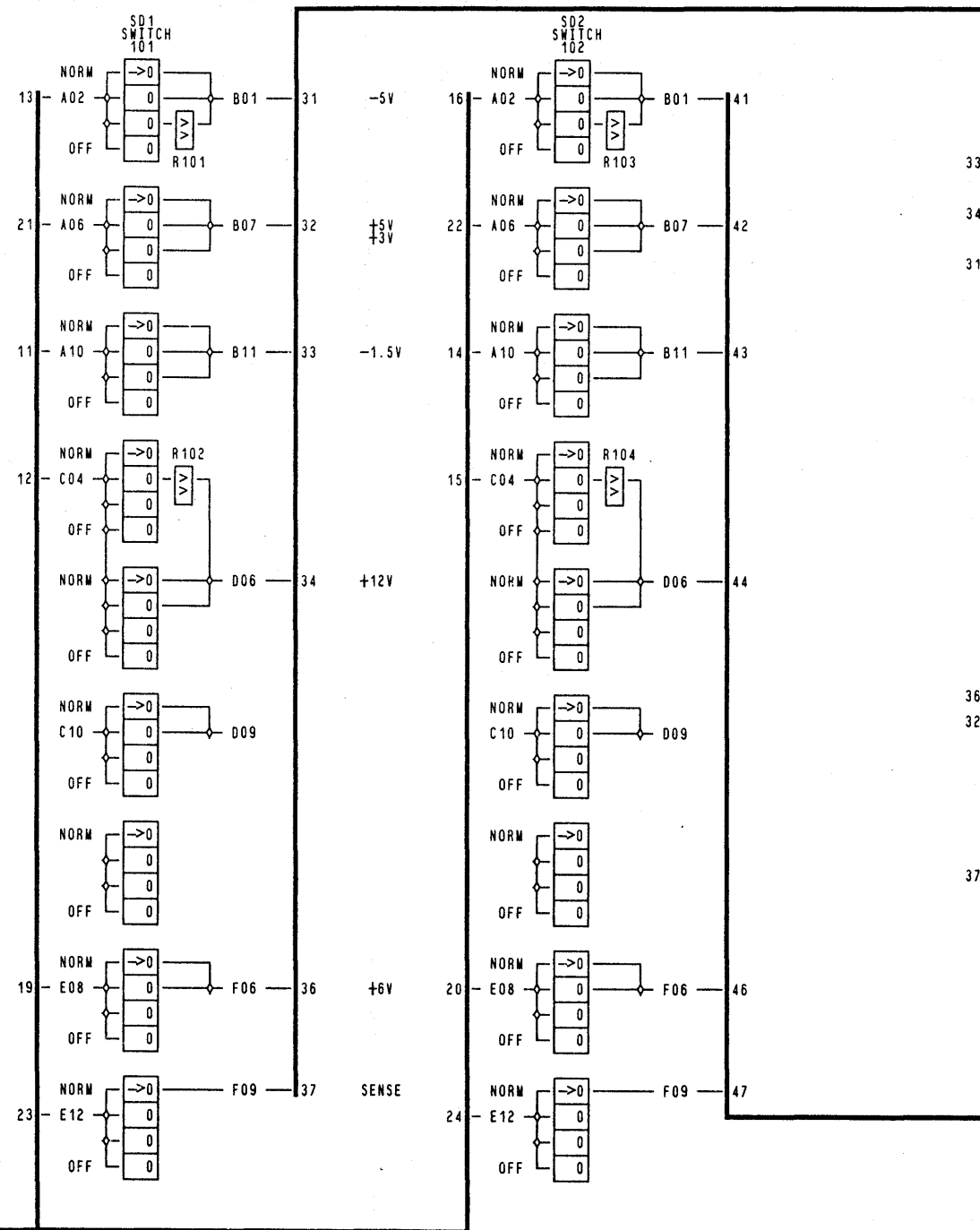
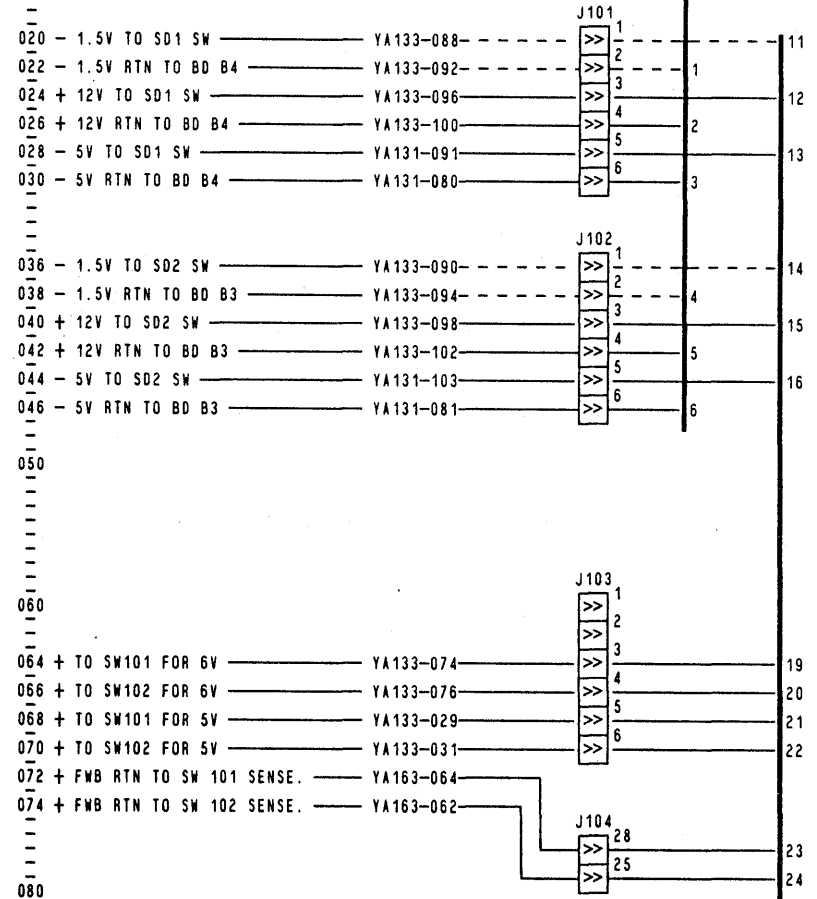
NOTE: THE 1.5V REGULATOR MAY BE REMOVED ON SOME MACHINES.

EC HISTORY	
15FEB84 881146	REGULATOR STACK
09AUG84 881229	
15OCT84 A21747	
SEQ YA005	
PRINT 10JAN85 1794 PN 6315758	
PAGE 11 OF 28	
MACH 3880	HPN
LOC H260	REC A21801

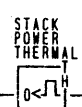
010
020
030
040
050
060
070
080
090
100
110
120

010
020
030
040
050
060
070
080
090
100
110
120

NOTE: MAY BE REMOVED ON SOME MACHINES.



118 + FNB RTN TO POWER THERMAL — YA211-070



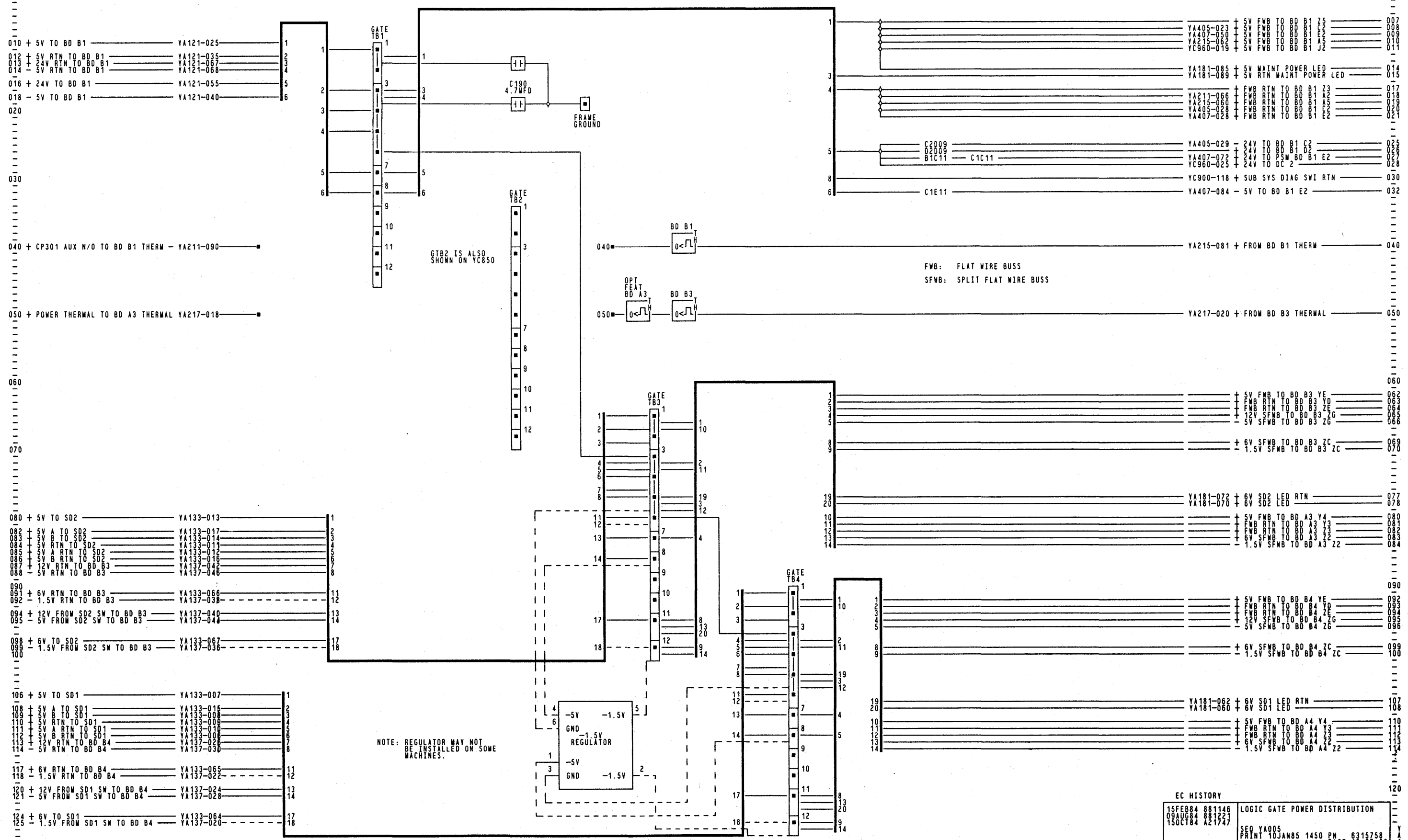
YA211-042 + FROM POWER THERMAL

EC HISTORY

15FEB84 881146	DC SWITCH PANEL
09AUG84 881221	
15OCT84 A21747	

SEQ. YA005
 PRINT 10JAN85 1780 PN 6315758
 PAGE 12 OF 28

MACH. 3880 HPN
 PNAME HZ60 HEC A21801
 LOC



010 + 5V TO BD B1
 012 + 5V RTN TO BD B1
 013 + 24V RTN TO BD B1
 014 - 5V RTN TO BD B1
 016 + 24V TO BD B1
 018 - 5V TO BD B1
 020

040 + CP301 AUX N/O TO BD B1 THERM - YA211-090
 050 + POWER THERMAL TO BD A3 THERMAL YA217-018

080 + 5V TO SD2
 082 + 5V A TO SD2
 083 + 5V B TO SD2
 084 + 5V RTN TO SD2
 085 + 5V A RTN TO SD2
 086 + 5V B RTN TO SD2
 087 + 12V RTN TO BD B3
 088 - 5V RTN TO BD B3
 090
 091 + 6V RTN TO BD B3
 092 - 1.5V RTN TO BD B3
 094 + 12V FROM SD2 SW TO BD B3
 095 - 5V FROM SD2 SW TO BD B3
 098 + 6V TO SD2
 099 - 1.5V FROM SD2 SW TO BD B3
 100

106 + 5V TO SD1
 108 + 5V A TO SD1
 109 + 5V B TO SD1
 110 + 5V RTN TO SD1
 111 + 5V A RTN TO SD1
 112 + 5V B RTN TO SD1
 113 + 12V RTN TO BD B4
 114 - 5V RTN TO BD B4
 117 + 6V RTN TO BD B4
 118 - 1.5V RTN TO BD B4
 120 + 12V FROM SD1 SW TO BD B4
 121 - 5V FROM SD1 SW TO BD B4
 124 + 6V TO SD1
 125 - 1.5V FROM SD1 SW TO BD B4

YA405-023 + 5V FWB TO BD B1 Z5
 YA407-050 + 5V FWB TO BD B1 Z2
 YA215-062 + 5V FWB TO BD B1 A5
 YC960-019 + 5V FWB TO BD B1 J2
 YA181-085 + 5V MAINT POWER LED
 YA181-089 + 5V RTN MAINT POWER LED
 YA211-066 + FWB RTN TO BD B1 Z3
 YA215-060 + FWB RTN TO BD B1 A5
 YA405-029 + FWB RTN TO BD B1 E2
 YA407-028 + FWB RTN TO BD B1 E2
 YA405-029 + 24V TO BD B1 C2
 YA407-072 + 24V TO BD B1 D2
 YC960-025 + 24V TO DC 2
 YC900-118 + SUB SYS DIAG SWI RTN
 YA407-084 - 5V TO BD B1 E2

YA215-081 + FROM BD B1 THERM
 YA217-020 + FROM BD B3 THERMAL

+ 5V FWB TO BD B3 YE
 + FWB RTN TO BD B3 YD
 + FWB RTN TO BD B3 ZE
 + 12V SFWB TO BD B3 ZG
 + 5V SFWB TO BD B3 ZH
 + 6V SFWB TO BD B3 ZC
 + 1.5V SFWB TO BD B3 ZC
 YA181-072 + 6V SD2 LED RTN
 YA181-070 + 6V SD2 LED
 + 5V FWB TO BD A3 Y4
 + FWB RTN TO BD A3 Y3
 + FWB RTN TO BD A3 Z3
 + 6V SFWB TO BD A3 Z2
 + 1.5V SFWB TO BD A3 Z2

+ 5V FWB TO BD B4 YE
 + FWB RTN TO BD B4 YD
 + FWB RTN TO BD B4 ZE
 + 12V SFWB TO BD B4 ZG
 + 5V SFWB TO BD B4 ZH
 + 6V SFWB TO BD B4 ZC
 + 1.5V SFWB TO BD B4 ZC

YA181-062 + 6V SD1 LED RTN
 YA181-060 + 6V SD1 LED
 + 5V FWB TO BD A4 Y4
 + FWB RTN TO BD A4 Y3
 + FWB RTN TO BD A4 Z3
 + 6V SFWB TO BD A4 Z2
 + 1.5V SFWB TO BD A4 Z2

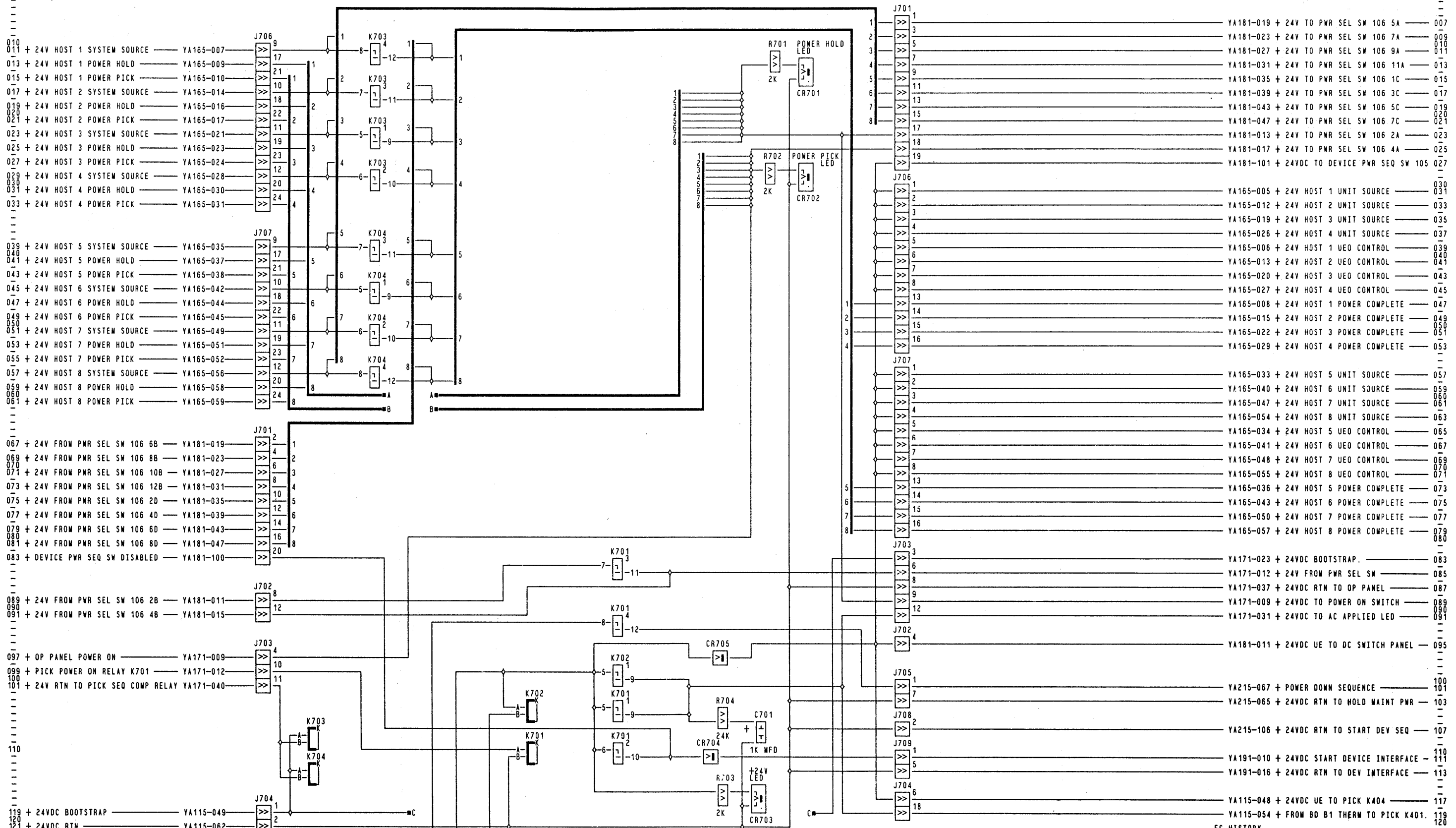
NOTE: REGULATOR MAY NOT BE INSTALLED ON SOME MACHINES.

EC HISTORY

15FEB84 881146	LOGIC GATE POWER DISTRIBUTION
09AUG84 881227	
13OCT84 A21747	

REQ YA005
 PRINT 10JAN85 1450 PW 6315758
 PAGE 13 OF 28

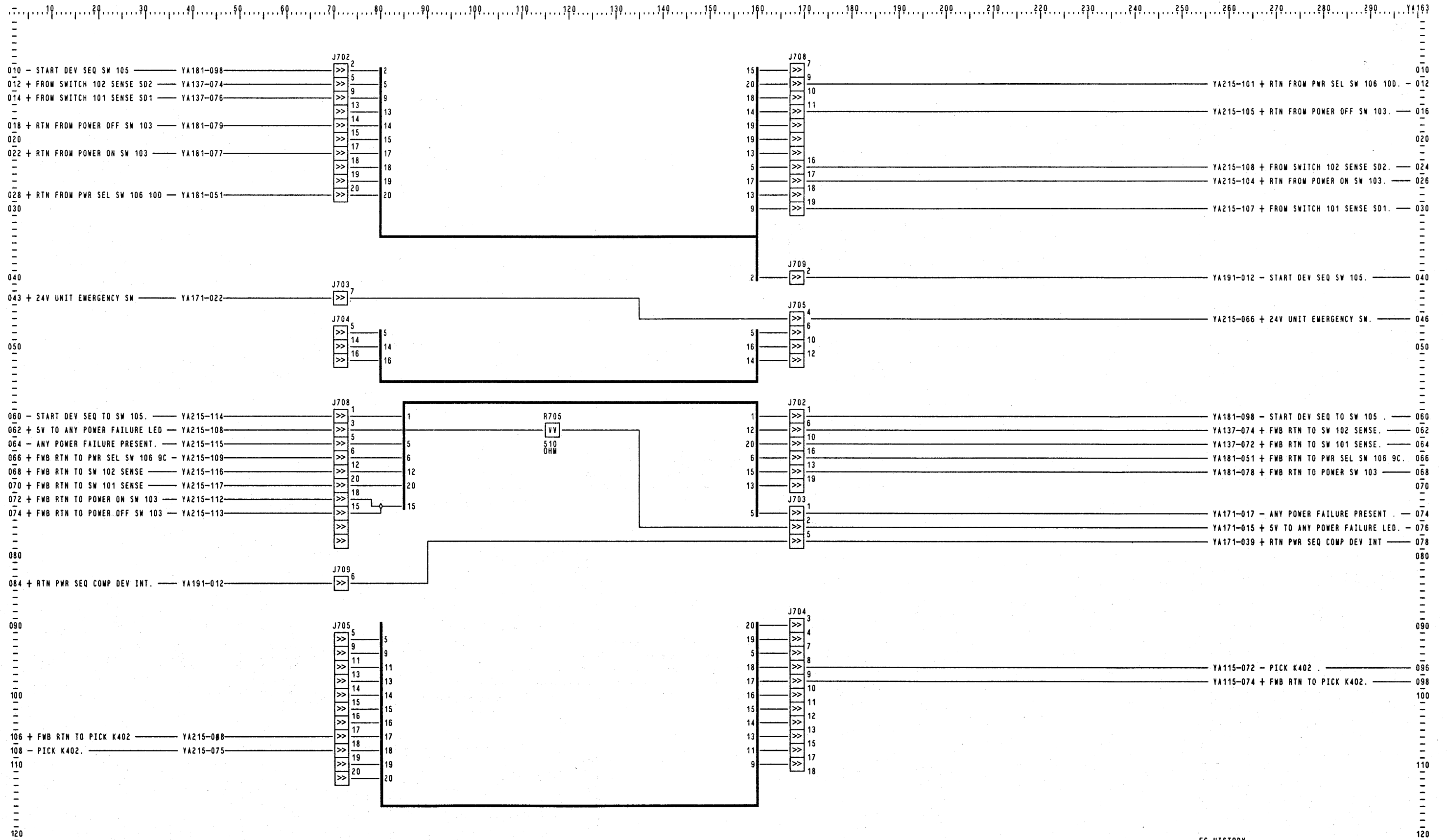
MACH 3880	HPM
WAVE H280	HEC A21801
LOC	



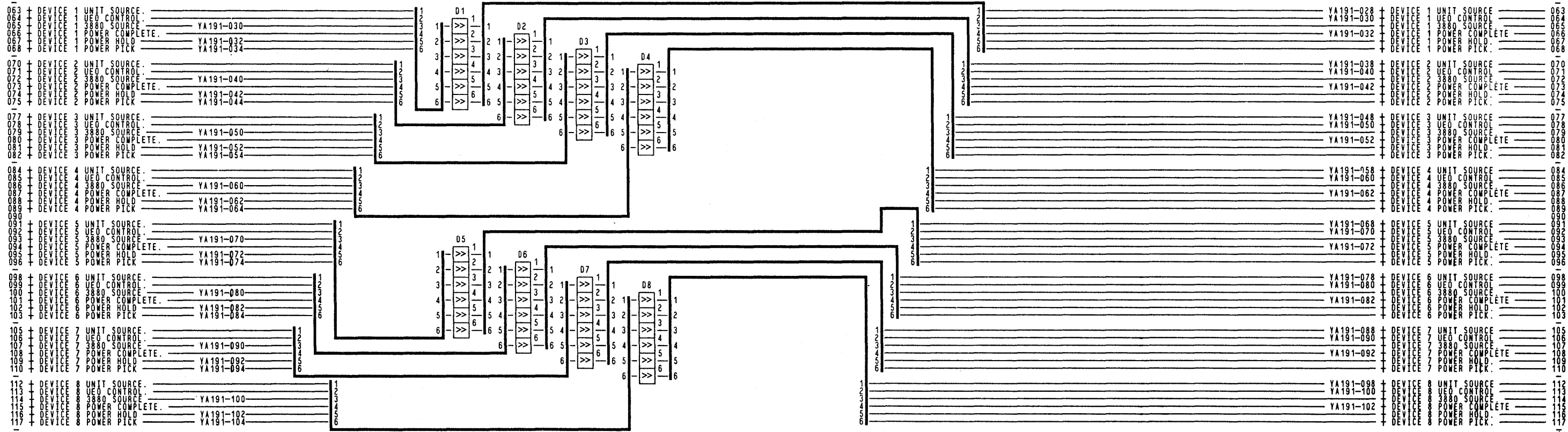
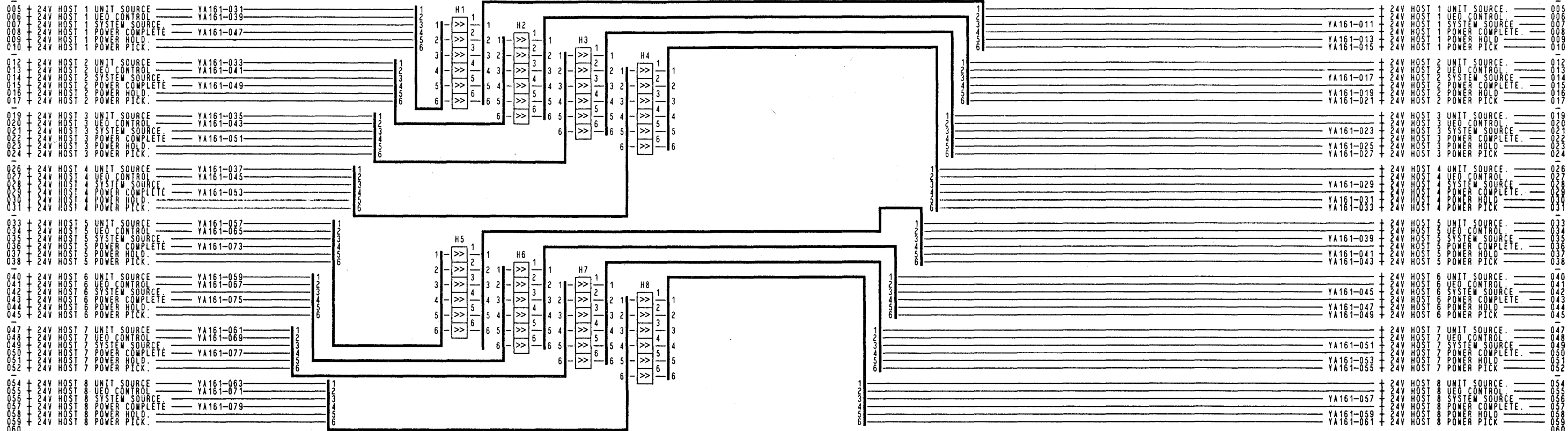
- 019 + 24V HOST 1 SYSTEM SOURCE — YA165-007
- 013 + 24V HOST 1 POWER HOLD — YA165-009
- 015 + 24V HOST 1 POWER PICK — YA165-010
- 017 + 24V HOST 2 SYSTEM SOURCE — YA165-014
- 019 + 24V HOST 2 POWER HOLD — YA165-016
- 021 + 24V HOST 2 POWER PICK — YA165-017
- 023 + 24V HOST 3 SYSTEM SOURCE — YA165-021
- 025 + 24V HOST 3 POWER HOLD — YA165-023
- 027 + 24V HOST 3 POWER PICK — YA165-024
- 029 + 24V HOST 4 SYSTEM SOURCE — YA165-028
- 031 + 24V HOST 4 POWER HOLD — YA165-030
- 033 + 24V HOST 4 POWER PICK — YA165-031
- 039 + 24V HOST 5 SYSTEM SOURCE — YA165-035
- 041 + 24V HOST 5 POWER HOLD — YA165-037
- 043 + 24V HOST 5 POWER PICK — YA165-038
- 045 + 24V HOST 6 SYSTEM SOURCE — YA165-042
- 047 + 24V HOST 6 POWER HOLD — YA165-044
- 049 + 24V HOST 6 POWER PICK — YA165-045
- 051 + 24V HOST 7 SYSTEM SOURCE — YA165-049
- 053 + 24V HOST 7 POWER HOLD — YA165-051
- 055 + 24V HOST 7 POWER PICK — YA165-052
- 057 + 24V HOST 8 SYSTEM SOURCE — YA165-056
- 059 + 24V HOST 8 POWER HOLD — YA165-058
- 061 + 24V HOST 8 POWER PICK — YA165-059
- 067 + 24V FROM PWR SEL SW 106 6B — YA181-019
- 069 + 24V FROM PWR SEL SW 106 8B — YA181-023
- 071 + 24V FROM PWR SEL SW 106 10B — YA181-027
- 073 + 24V FROM PWR SEL SW 106 12B — YA181-031
- 075 + 24V FROM PWR SEL SW 106 2D — YA181-035
- 077 + 24V FROM PWR SEL SW 106 4D — YA181-039
- 079 + 24V FROM PWR SEL SW 106 6D — YA181-043
- 081 + 24V FROM PWR SEL SW 106 8D — YA181-047
- 083 + DEVICE PWR SEQ SW DISABLED — YA181-100
- 089 + 24V FROM PWR SEL SW 106 2B — YA181-011
- 091 + 24V FROM PWR SEL SW 106 4B — YA181-015
- 097 + OP PANEL POWER ON — YA171-009
- 099 + PICK POWER ON RELAY K701 — YA171-012
- 101 + 24V RTN TO PICK SEQ COMP RELAY — YA171-040
- 119 + 24VDC BOOTSTRAP — YA115-049
- 121 + 24VDC RTN — YA115-062
- 125 + FMB RTN TO POWER DOWN SEQUENCE — YA215-082
- 127 — HOLD MAINTENANCE POWER — YA215-080
- 129 + FROM BD B1 THERM TO PICK K401 — YA215-092

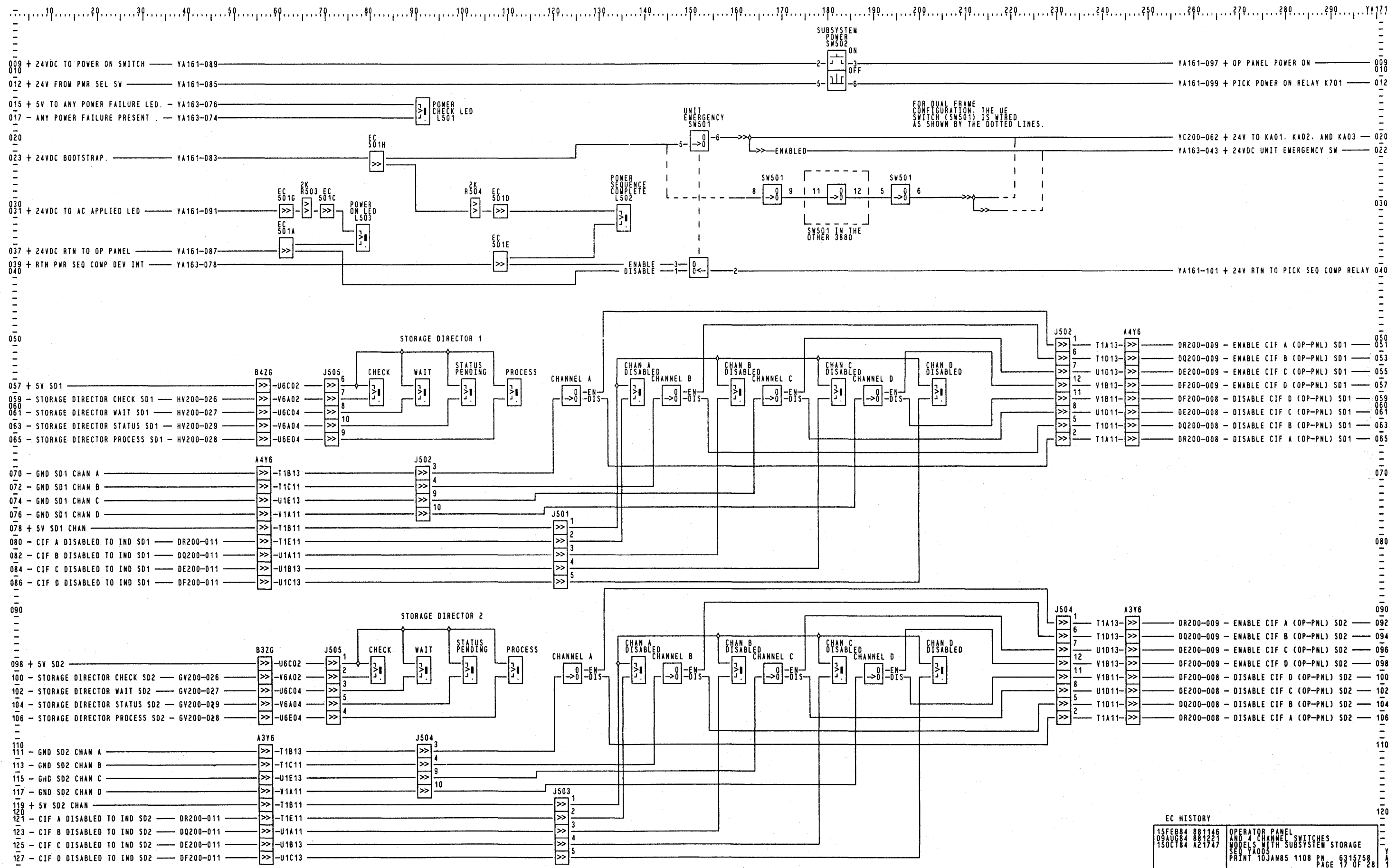
EC HISTORY

15FEB84 881146	CENTRAL POWER CONTROL BOARD
09AUG84 881523	SEQ YA005
15OCT84 A21747	PRINT 10JAN85 1053 PN 6315758
	PAGE 14 OF 28
	WACH 3880 HPN
	NAME HZ60 HEC
	LOC A21801



EC HISTORY	
15FEB84 881146	CENTRAL POWER CONTROL BOARD
09AUG84 881221	FEED THRU
15OCT84 A21747	SEQ YA005
	PRINT 10JAN85 1043 PN 6315758
	PAGE 15 OF 28
	MACH. 3880 HPN
	NAME H260 HEC A21801
	LOC UUU1

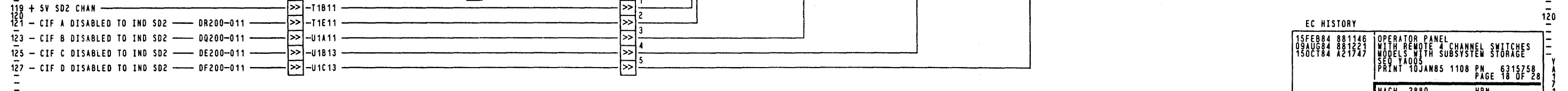
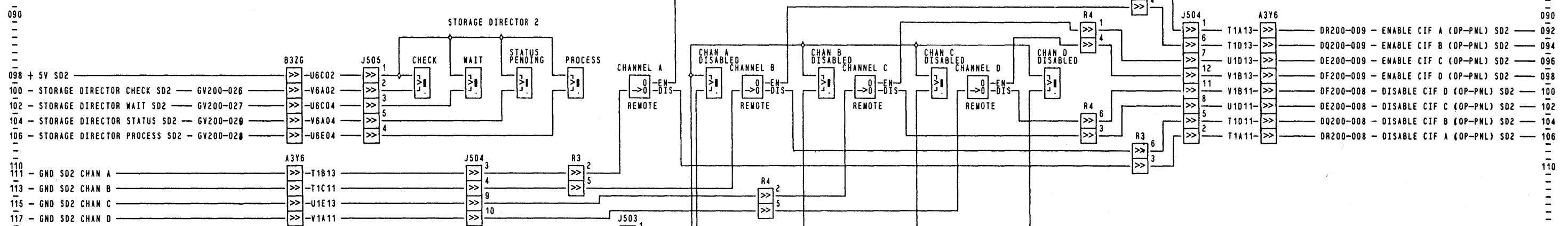
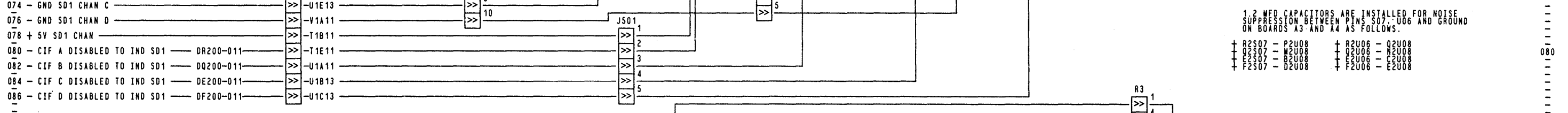
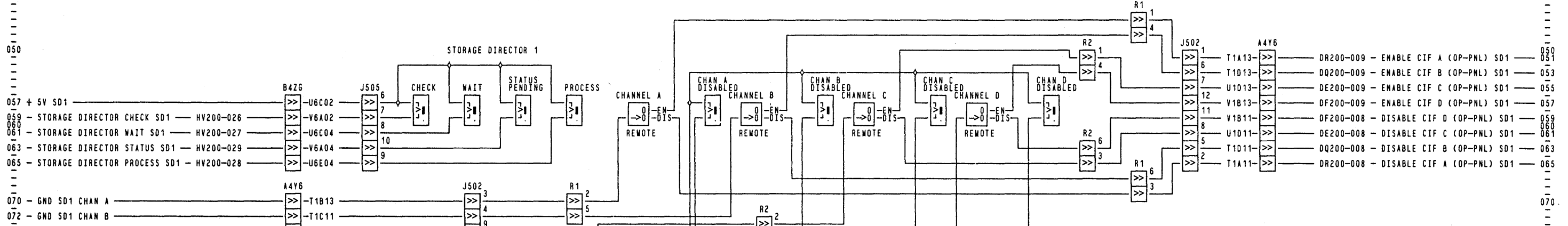
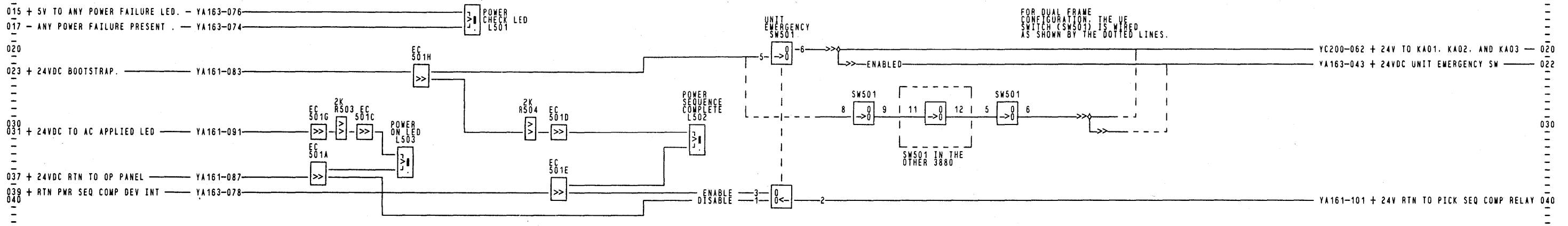
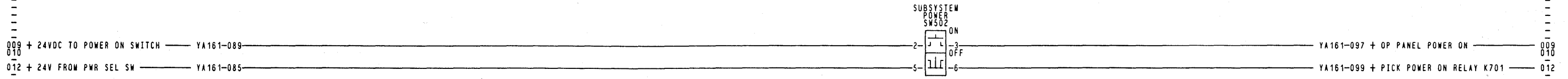




10 20 30 40 50 60 70 80 90 100 110 120 130 140 150 160 170 180 190 200 210 220 230 240 250 260 270 280 290 YA171

009 + 24VDC TO POWER ON SWITCH — YA161-089 — 009
 010 — 010
 012 + 24V FROM PWR SEL SW — YA161-085 — 012
 015 + 5V TO ANY POWER FAILURE LED. — YA163-076 — 015
 017 - ANY POWER FAILURE PRESENT. — YA163-074 — 017
 020 — 020
 023 + 24VDC BOOTSTRAP. — YA161-083 — 023
 030 — 030
 031 + 24VDC TO AC APPLIED LED — YA161-091 — 031
 037 + 24VDC RTN TO OP PANEL — YA161-087 — 037
 039 + RTN PWR SEQ COMP DEV INT — YA163-078 — 039
 040 — 040
 050 — 050
 057 + 5V SD1 — 057
 059 - STORAGE DIRECTOR CHECK SD1 — HV200-026 — 059
 060 - STORAGE DIRECTOR WAIT SD1 — HV200-027 — 060
 061 - STORAGE DIRECTOR STATUS SD1 — HV200-029 — 061
 063 - STORAGE DIRECTOR PROCESS SD1 — HV200-028 — 063
 065 - STORAGE DIRECTOR PROCESS SD1 — HV200-028 — 065
 070 - GND SD1 CHAN A — 070
 072 - GND SD1 CHAN B — 072
 074 - GND SD1 CHAN C — 074
 076 - GND SD1 CHAN D — 076
 078 + 5V SD1 CHAN — 078
 080 - CIF A DISABLED TO IND SD1 — DR200-011 — 080
 082 - CIF B DISABLED TO IND SD1 — DQ200-011 — 082
 084 - CIF C DISABLED TO IND SD1 — DE200-011 — 084
 086 - CIF D DISABLED TO IND SD1 — DF200-011 — 086
 090 — 090
 098 + 5V SD2 — 098
 100 - STORAGE DIRECTOR CHECK SD2 — GV200-026 — 100
 102 - STORAGE DIRECTOR WAIT SD2 — GV200-027 — 102
 104 - STORAGE DIRECTOR STATUS SD2 — GV200-029 — 104
 106 - STORAGE DIRECTOR PROCESS SD2 — GV200-028 — 106
 110 - GND SD2 CHAN A — 110
 113 - GND SD2 CHAN B — 113
 115 - GND SD2 CHAN C — 115
 117 - GND SD2 CHAN D — 117
 119 + 5V SD2 CHAN — 119
 121 - CIF A DISABLED TO IND SD2 — DR200-011 — 121
 123 - CIF B DISABLED TO IND SD2 — DQ200-011 — 123
 125 - CIF C DISABLED TO IND SD2 — DE200-011 — 125
 127 - CIF D DISABLED TO IND SD2 — DF200-011 — 127

EC HISTORY
 15FEB84 881146 OPERATOR PANEL
 09AUG84 881223 AND 4 CHANNEL SWITCHES
 15OCT84 A21747 MODELS WITH SUBSYSTEM STORAGE
 SEQ YA005
 PRINT 10JAN85 1108 PH 6315758
 PAGE 17 OF 28
 MACH 3880 HPN
 PNAME HZ60 HEC A21801
 LOC 0002

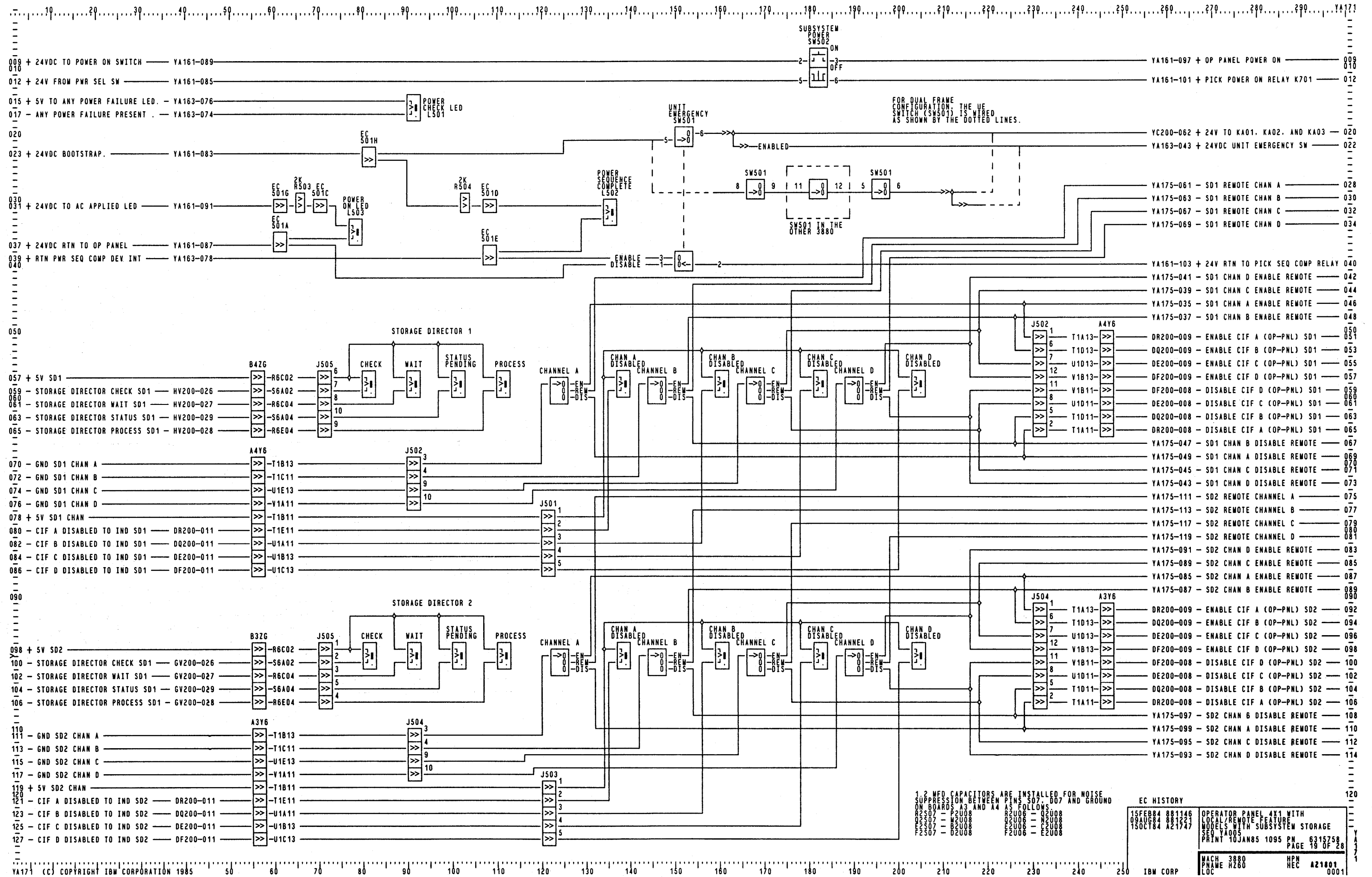


1.2 MFD CAPACITORS ARE INSTALLED FOR NOISE SUPPRESSION BETWEEN PINS S07, U06 AND GROUND ON BOARDS A3 AND A4 AS FOLLOWS:
+ R2S07 - P2U08 + R2U06 - Q2U08
+ Q2S07 - M2U08 + Q2U06 - N2U08
+ F2S07 - B2U08 + E2U06 - C2U08
+ F2S07 - D2U08 + F2U06 - E2U08

EC HISTORY

15FEB84 881146	OPERATOR PANEL
09AUG84 881221	WITH REMOTE 4 CHANNEL SWITCHES
15OCT84 A21747	MODELS WITH SUBSYSTEM STORAGE
	SEQ YA005
	PRINT 10JAN85 1108 PM 6315258
	PAGE 18 OF 28

MACH 3880 HPH
PNAME H760 HEC A21801
LOC 0003



1.2 MFD CAPACITORS ARE INSTALLED FOR NOISE SUPPRESSION BETWEEN PINS S07, S07 AND GROUND ON BOARDS A3 AND A4 AS FOLLOWS:
R2S07 - P2U08, Q2U06 - N2U08
R2S07 - R2U08, Q2U06 - C2U08
F2S07 - D2U08, F2U06 - E2U08

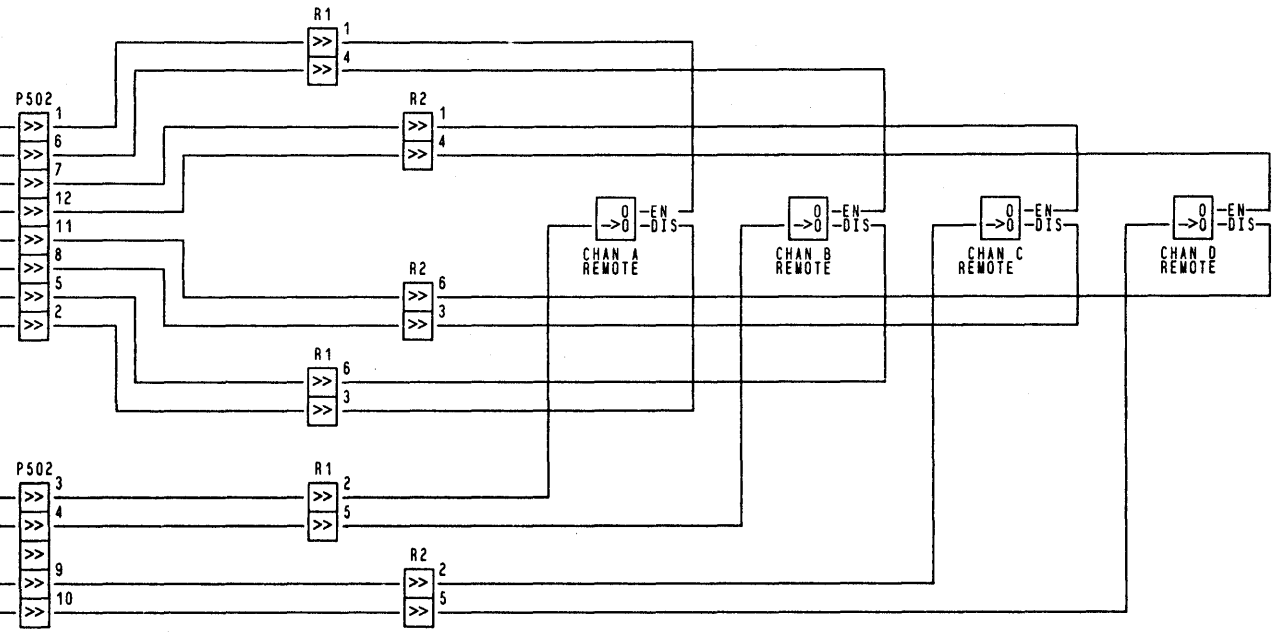
EC HISTORY	
15FEB84 881146	OPERATOR PANEL 4X1 WITH LOCAL/REMOTE FEATURE
09AUG84 881221	MODELS WITH SUBSYSTEM STORAGE
15OCT84 A21747	REV YAG05
	PRINT 10JAN85 1095 PM 6315758
	PAGE 19 OF 28
	WACH 3880 HPM
	FRAME HZ60 REC A21801
	LOC

010

020

030

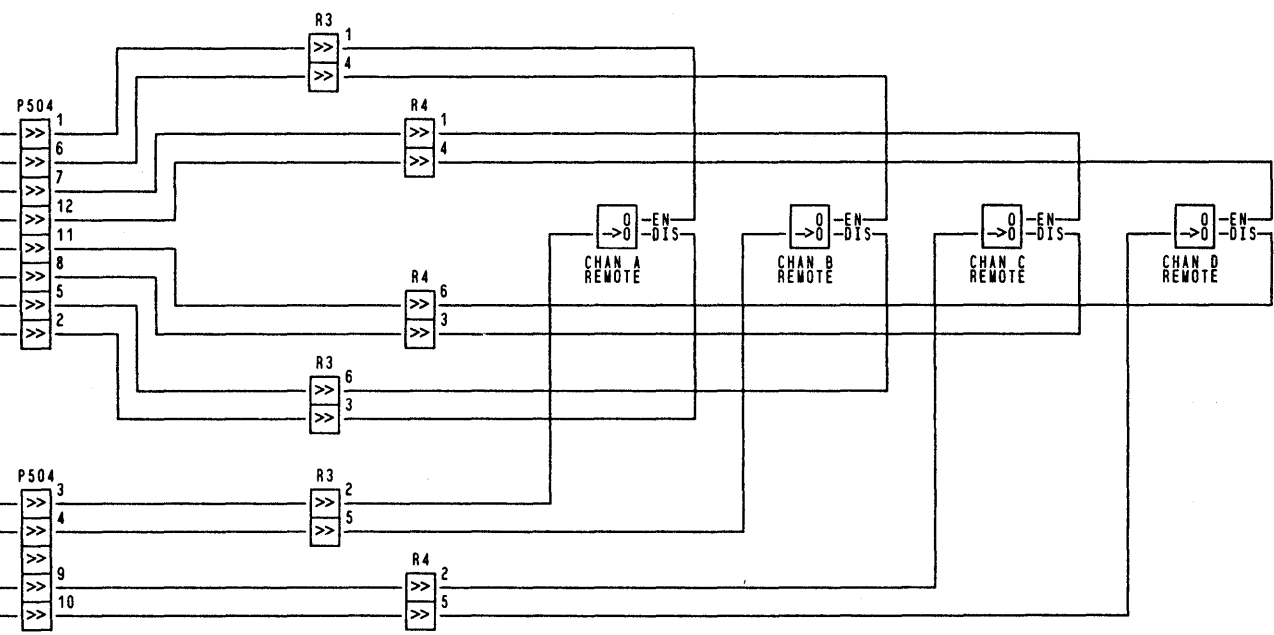
035 - SD1 CHAN A ENABLE REMOTE — YA171-046
 037 - SD1 CHAN B ENABLE REMOTE — YA171-048
 039 - SD1 CHAN C ENABLE REMOTE — YA171-044
 040 - SD1 CHAN D ENABLE REMOTE — YA171-042
 041 - SD1 CHAN D DISABLE REMOTE — YA171-073
 043 - SD1 CHAN C DISABLE REMOTE — YA171-071
 045 - SD1 CHAN B DISABLE REMOTE — YA171-067
 047 - SD1 CHAN A DISABLE REMOTE — YA171-069



060 - SD1 REMOTE CHAN A — YA171-028
 061 - SD1 REMOTE CHAN B — YA171-030
 063 - SD1 REMOTE CHAN C — YA171-032
 067 - SD1 REMOTE CHAN D — YA171-034

080

085 - SD2 CHAN A ENABLE REMOTE — YA171-087
 087 - SD2 CHAN B ENABLE REMOTE — YA171-089
 089 - SD2 CHAN C ENABLE REMOTE — YA171-085
 090 - SD2 CHAN D ENABLE REMOTE — YA171-083
 091 - SD2 CHAN D DISABLE REMOTE — YA171-114
 093 - SD2 CHAN C DISABLE REMOTE — YA171-112
 095 - SD2 CHAN B DISABLE REMOTE — YA171-108
 097 - SD2 CHAN A DISABLE REMOTE — YA171-110



110 - SD2 REMOTE CHAN A — YA171-075
 111 - SD2 REMOTE CHAN B — YA171-077
 113 - SD2 REMOTE CHAN C — YA171-079
 117 - SD2 REMOTE CHAN D — YA171-081

EC HISTORY			
15FEB84 881146	4X1 LOCAL REMOTE		
09AUG84 881221	SWITCH FEATURE		
13OCT84 A21947			
SEQ YA005		PAGE 20 OF 28	
PRINT 10JAN85 0016		PW 6315758	
MACH 3880		HPN	
NAME R280		HEC A21801	
LOC			

010

020

030

040

050

060

070

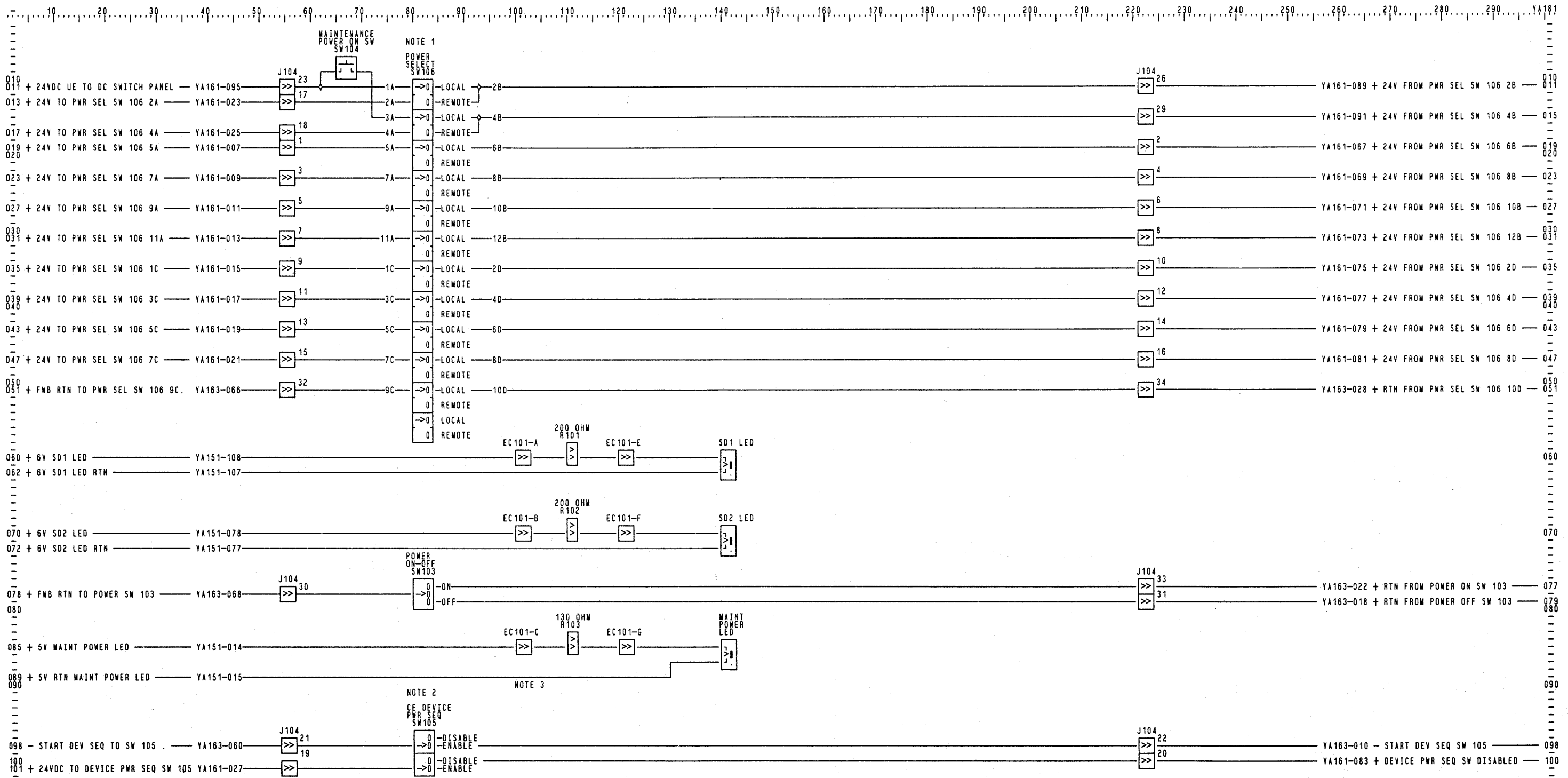
080

090

100

110

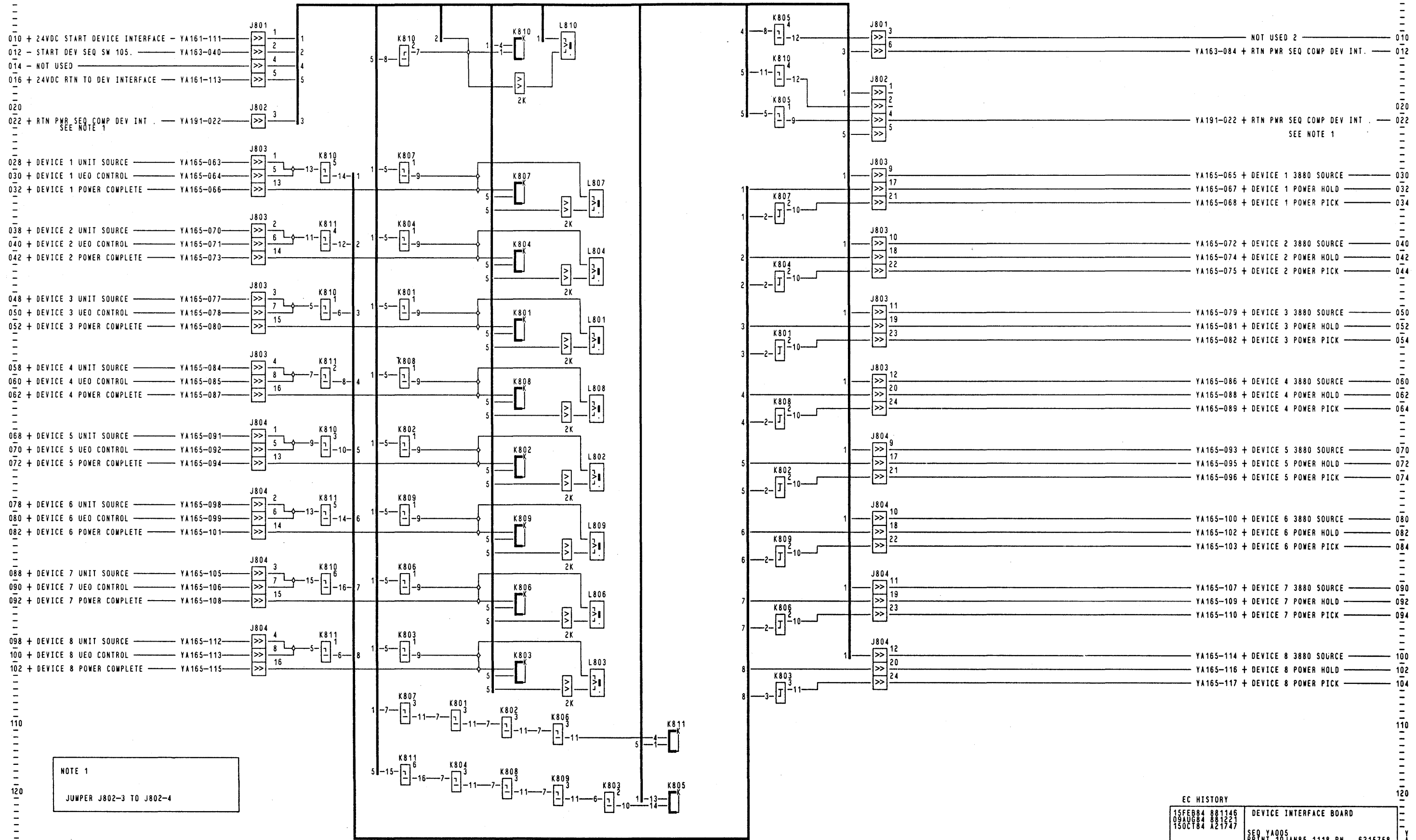
120



NOTE 1: POWER SELECT SWITCH SHOWN IN LOCAL POSITION
 NOTE 2: CE DEVICE SWITCH SHOWN IN ENABLE POSITION

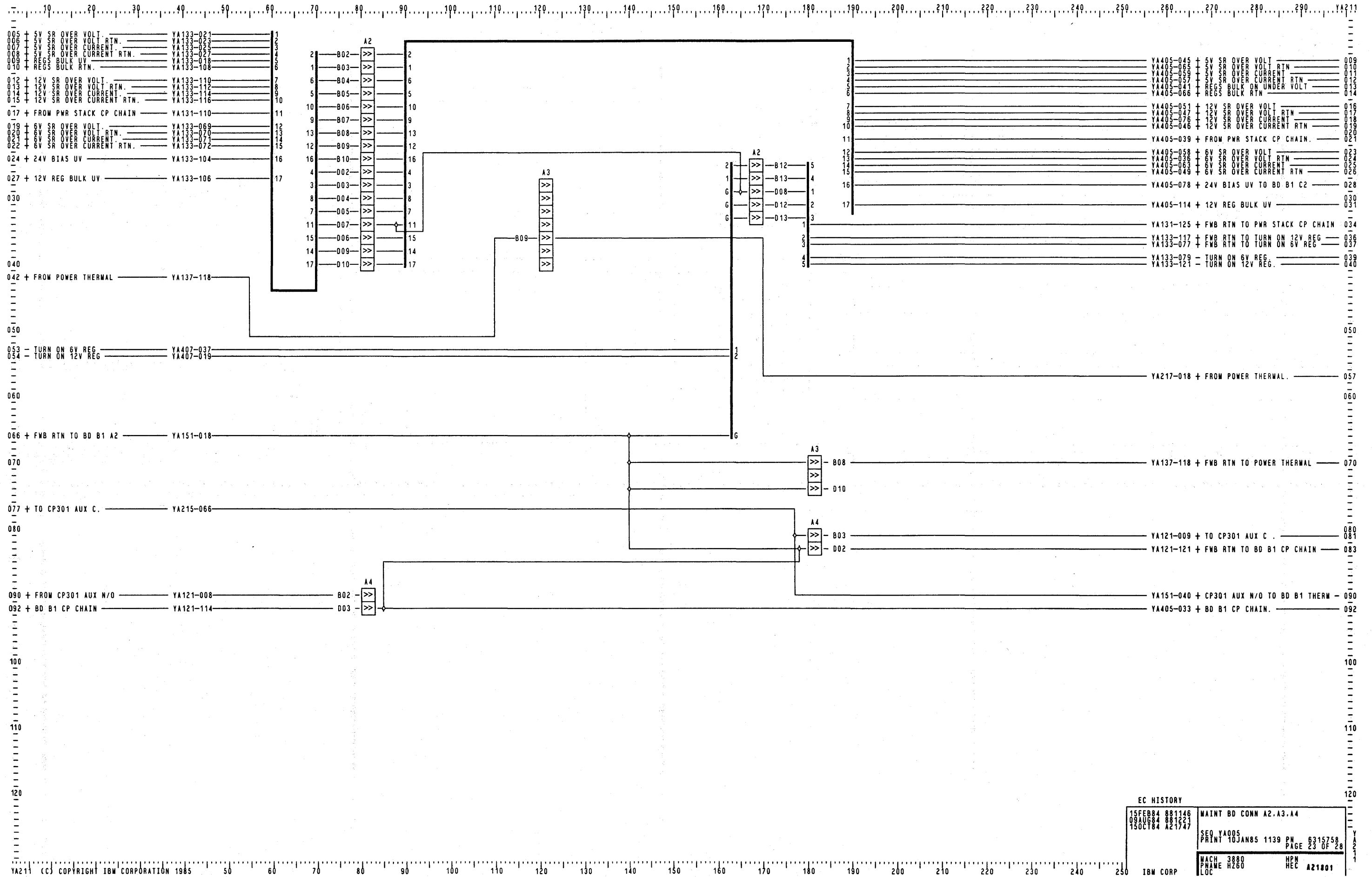
NOTE 3: E.C. POSITIONS D AND H RESERVED FOR FEATURES

EC HISTORY	
15FEB84 881146	DC SWITCH PANEL
09AUG84 881223	SEQ YA005
15OCT84 A21747	PRINT 10JAN85 1432 PN 6315758
	PAGE 21 OF 28
	WACH 3980 HPN A21801
	LOC HEC U001



NOTE 1
 JUMPER J802-3 TO J802-4

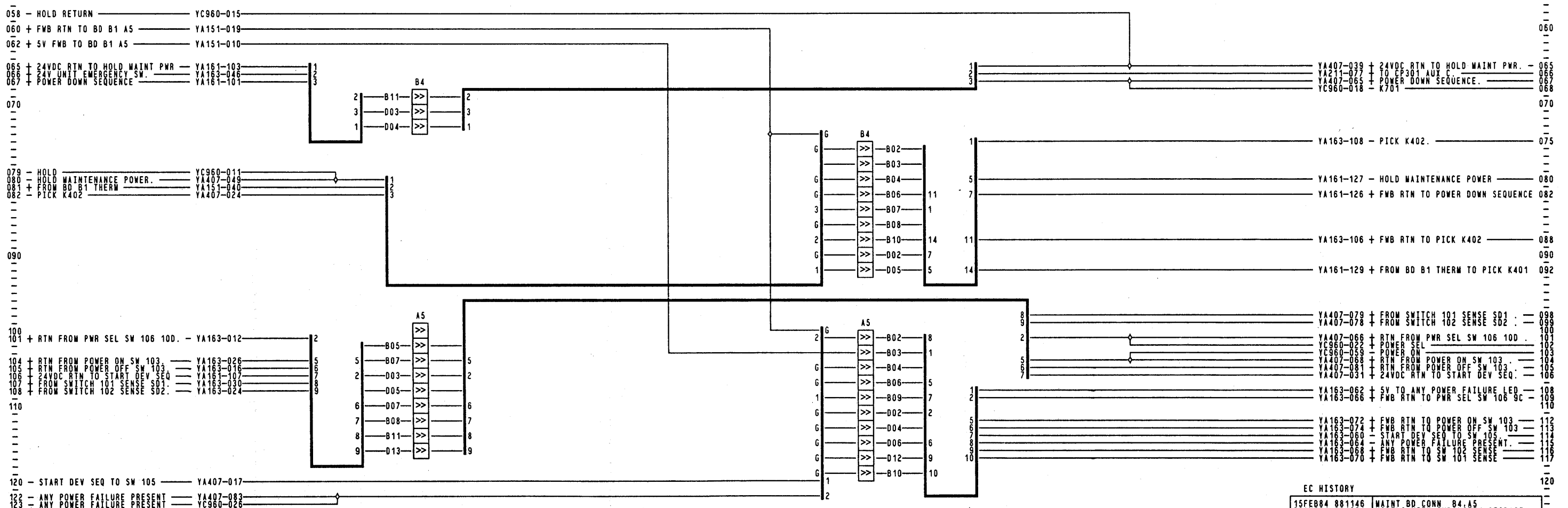
EC HISTORY	
15FEB84 881146	DEVICE INTERFACE BOARD
09AUG84 881223	SEQ YA005
15OCT84 A21747	PRINT 10JAN85 1118 PN 6315758
	PAGE 22 OF 28
WACH 3880	HPN
PHAME HZ60	HEC
LOC	A21801



EC HISTORY	
15FEB84 881146	MAINT BD CONN A2,A3,A4
08AUG84 881221	
15OCT84 821747	
SEQ YA005	PAGE 23 OF 28
PRINT 10JAN85 1139 PW	6315758
MACH 3880	HPN
NAME RZ60	HEC
LOC	A21001

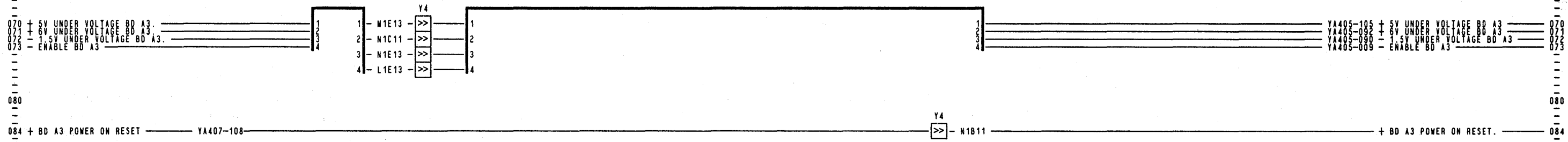
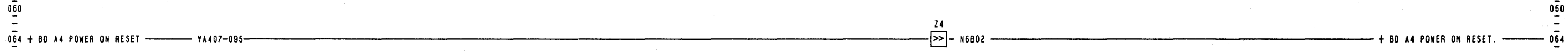
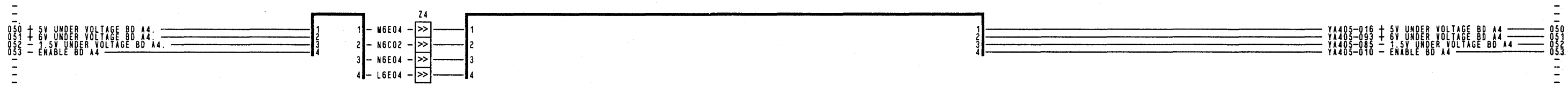
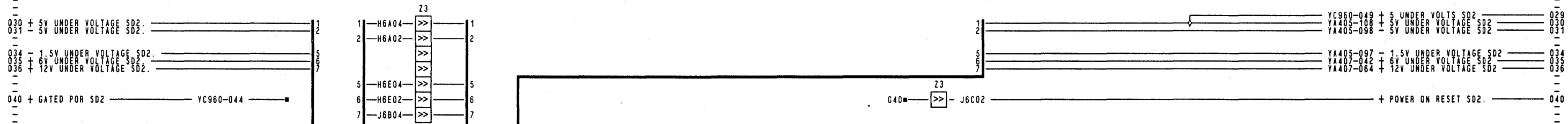
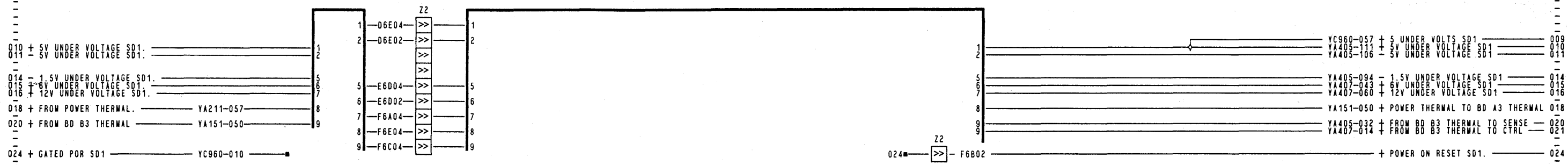
010
020
030
040
050
060
070
080
090
100
110
120

010
020
030
040
050
060
070
080
090
100
110
120



EC HISTORY

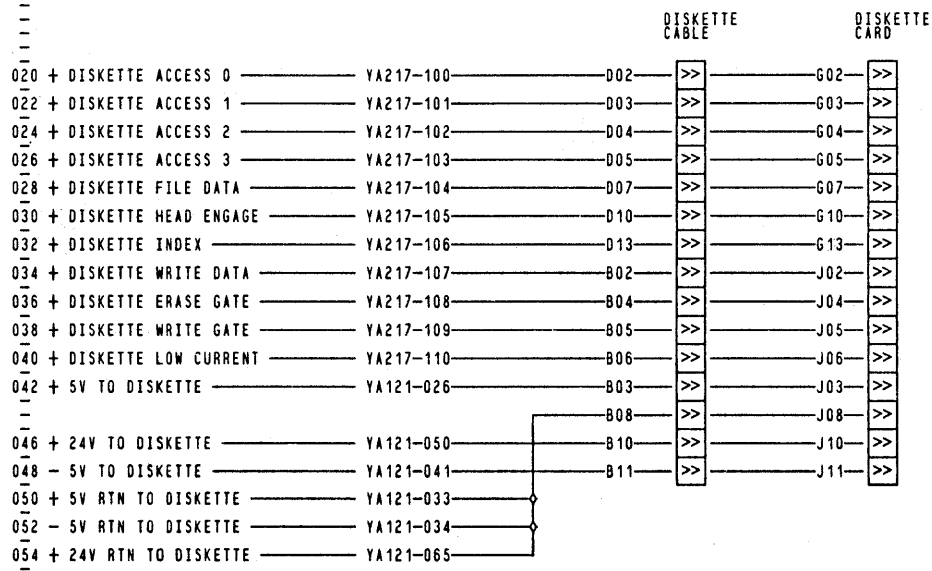
15FEB84 881146	MAINT BD CONN B4 A5
09AUG84 881221	MODELS WITH SUBSYSTEM STORAGE
15OCT84 A21747	
SEQ YA005	
PRINT 10JAN85 1356	PN PAGE 6315758
	PAGE 24 OF 28
MACH 3880	HPN
LOC PRANE H260	HEC A21801



EC HISTORY
 15FEB84 881146 MAINT BD CONN Z2,Z3,Z4,Y4,Y2
 09AUG84 881221 MODELS WITH SUBSYSTEM STORAGE
 15OCT84 A21747
 SEQ YA005
 PRINT 10JAN85 1788 PN 6315258
 PAGE 25 OF 28
 MACH 3880 HPN
 PNAME H260 HEC A21001
 LOC

010

010



060

060

070

070

080

080

090

090

100

100

110

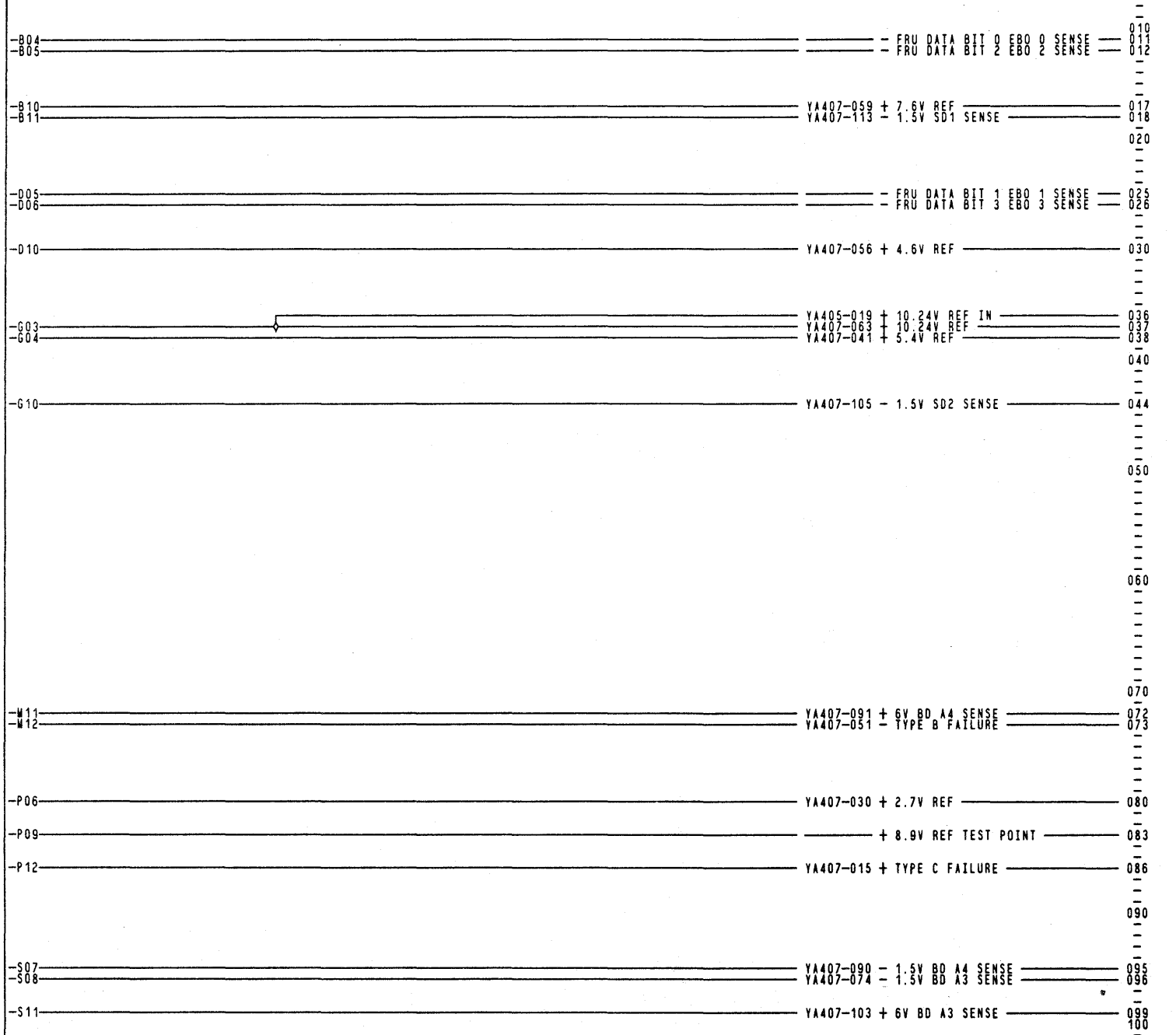
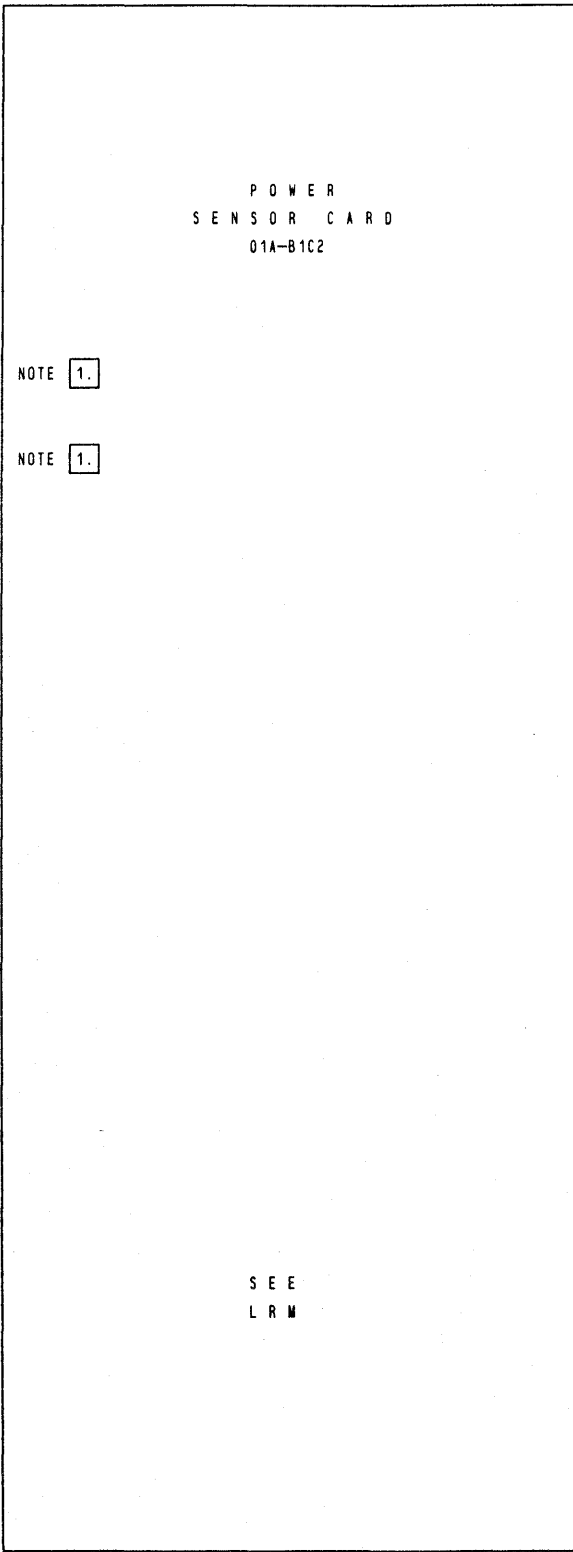
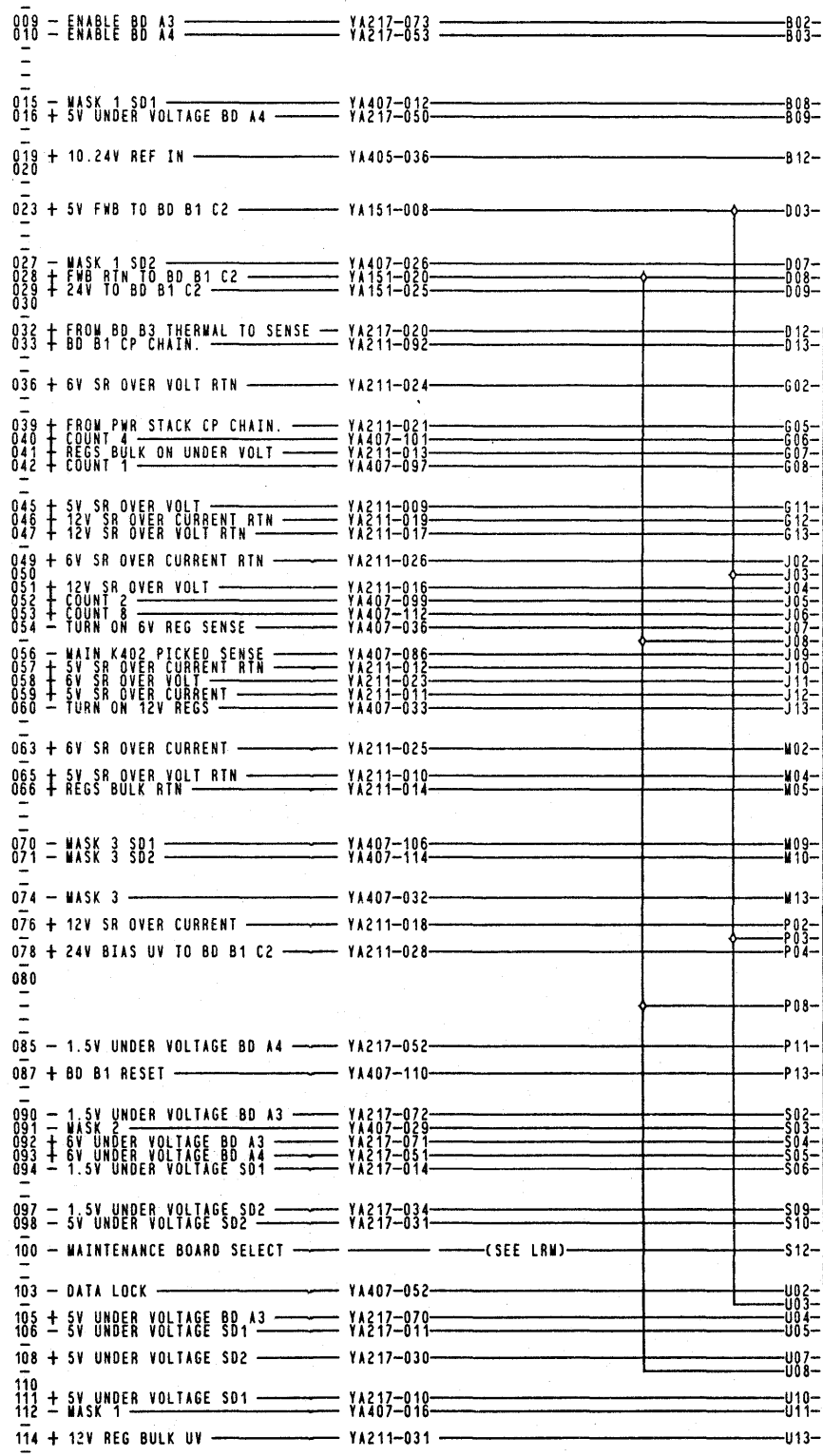
110

120

120

EC HISTORY

15FEB84 881146	DISKETTE
09AUG84 881221	
15OCT84 A21747	
SEQ YA005	
PRINT 10JAN85 1773	PN 6315758
	PAGE 26 OF 28
MACH 3880	HPN
PRNAME HZ60	HEC A21801
LOC	0001

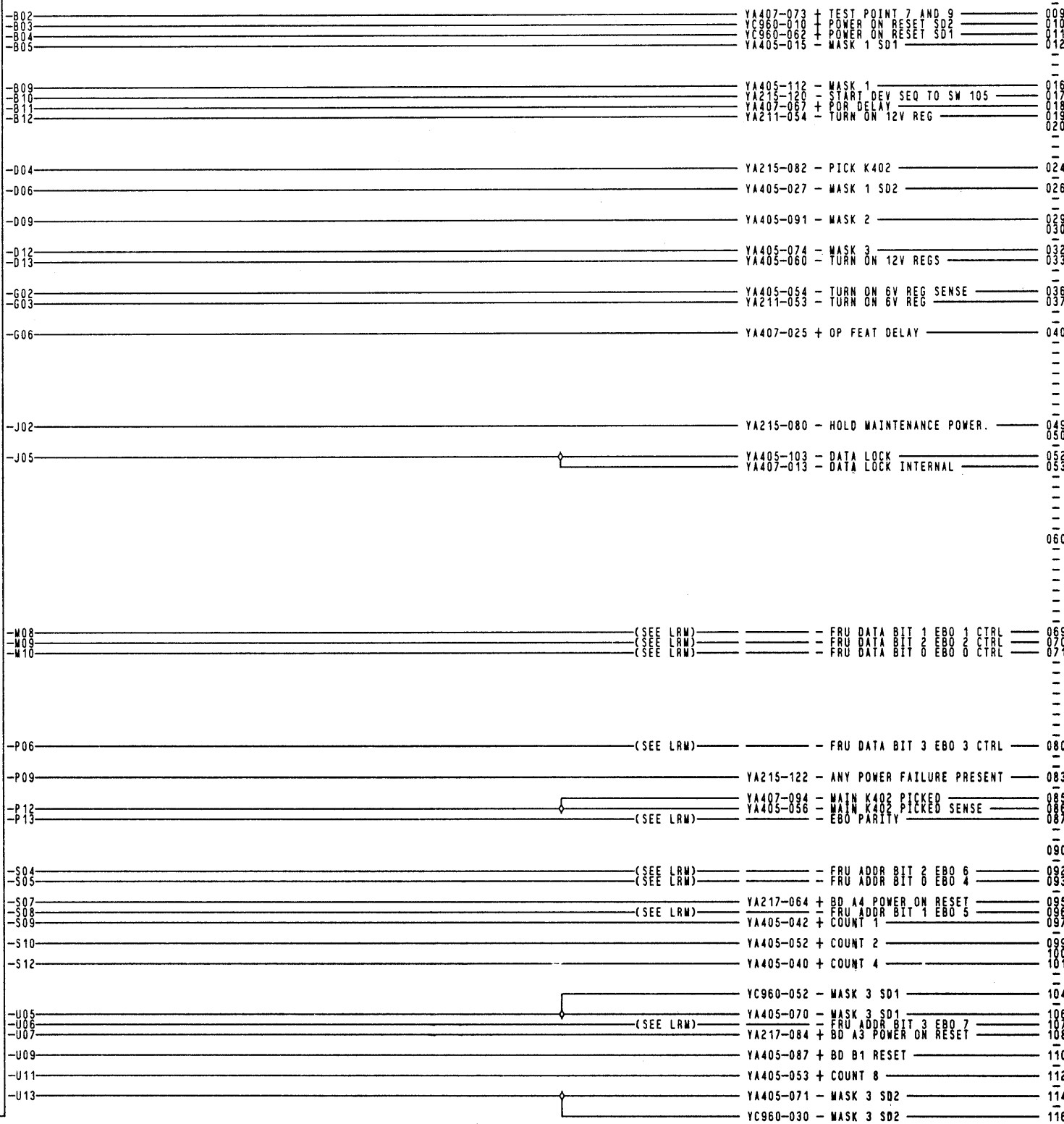
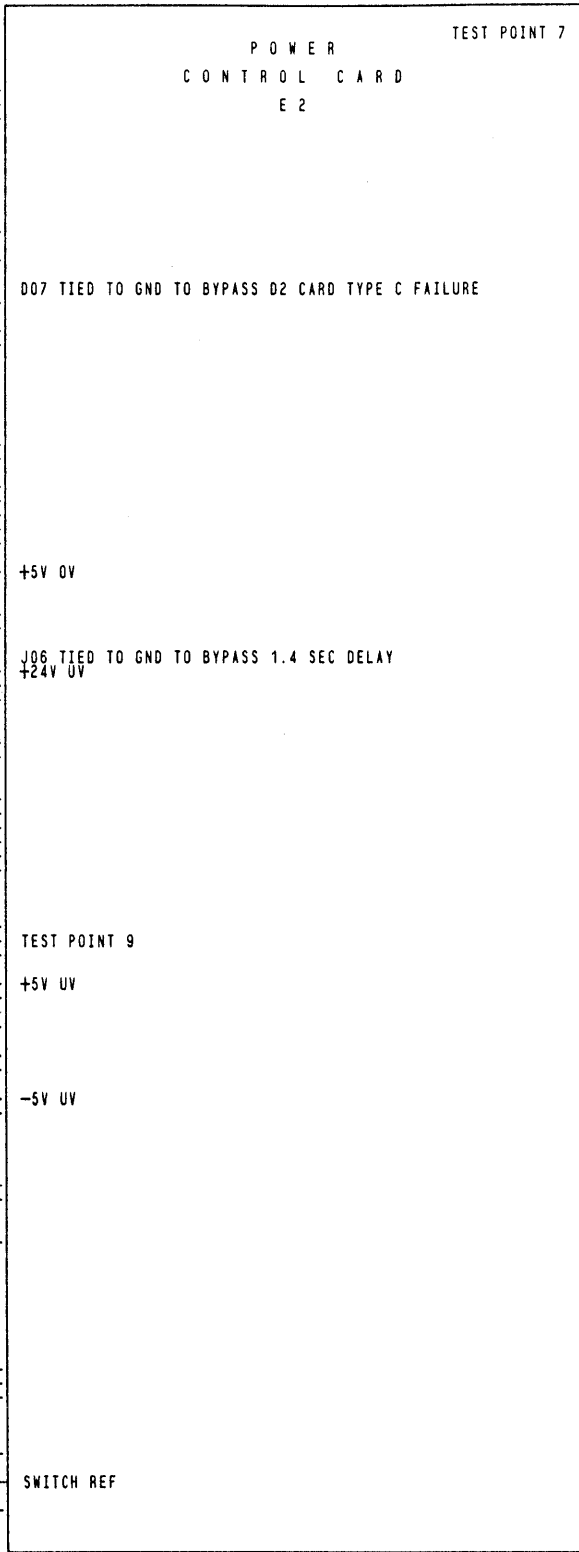
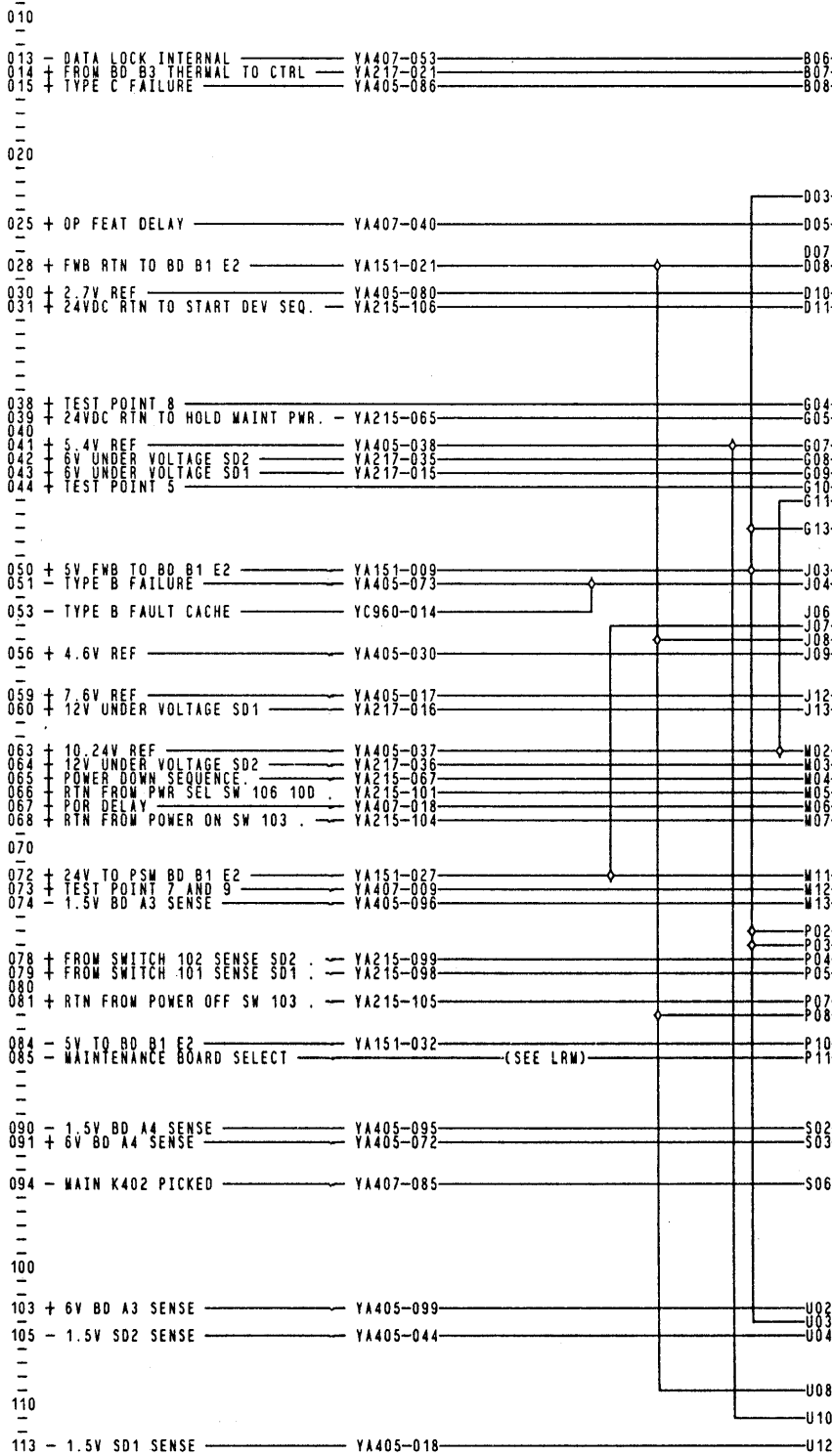


NOTE 1. THERE ARE 1.2 MFD CAPACITORS CONNECTED FROM C2G05 AND C2D13 TO GROUND ON SOME 50 HZ MACHINES.

EC HISTORY

15FEB84 881146	POWER SENSOR CARD
09AUG84 881221	WITH ADDITIONAL 4
15OCT84 A21747	CHANNEL SWITCHES
	REQ YA405
	PRINT 10JAN85 1049 PN. 6315758
	PAGE 27 OF 28

MACH 3880 HPN
 NAME H260 HEC
 LOC A21001



EC HISTORY

15FEB84 881146	POWER CONTROL CARD W/ADDITIONAL
09AUG84 881221	4 CHANNEL SWITCHES MODELS
15OCT84 A21747	SUBSYSTEM STORAGE
	REV YA005
	PRINT 10JAN85 1464 PN 6315758
	PAGE 28 OF 28

MACH 3880 HPN
 PRNME H260 HEC
 LOC A21801

3333 8888 8888 0000
3333 8888 8888 0000
3333 8888 8888 0000

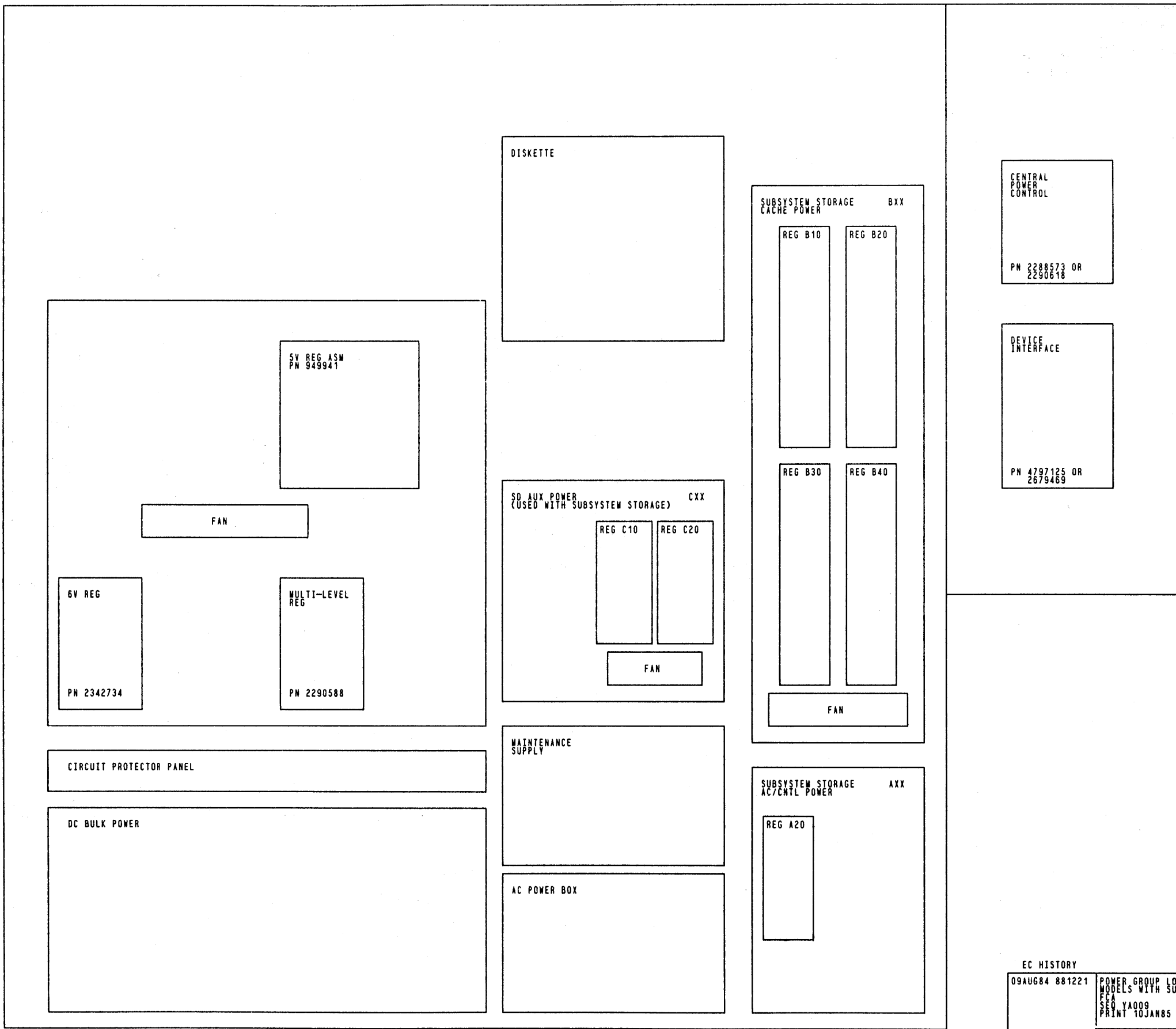
PPPP 00000 W W EEEEE RRRR R
PPPP 0 0 0 W W W EEEE RRRR R
P 00000 W W W EEEEE R R R

L 0000 GGGGG IIIII CCCCC 6 000 H H ZZZZ 888 CCCC H H
L 0 0 0 G G G I I I C C C 6666 0 0 0 H H H H Z Z 888 C C C H H H H
L L L L 0 0 0 0 G G G G I I I I C C C C 666 0 0 0 H H H Z Z Z Z 888 C C C C H H H

T I T L E	PAGE	8 CH	S U B S Y S T E M	S T O R A G E	P O W E R
INDEX TABLE OF CONTENTS	YA010	P/N 6315759	T I T L E	PAGE	P/N 6315753
POWER GROUP LOCATION	YA020		BLOCK DIAGRAM GROUNDING SCHEMATIC	YC110	
SYMBOLS USED IN POWER DIAGRAMS	YA100		AC CONTROL	YC200	
+ 24V SCHEMATIC	YA105		AC POWER DISTRUBUTION	YC300	
BLOCK DIAGRAM GROUNDING SCHEMATIC	YA110		B GATE AND B BOX FANS	YC320	
PRIMARY POWER BOX	YA111		CNTL DC BULK SUPPLY	YC400	
PRIMARY POWER BOX CONTROLS	YA115		CNTL +1.7 VOLT REGULATOR	YC500	
PSM POWER SUPPLY	YA121		01BA1 CNTL PWR DISTRUBUTION CARD	YC550	
DC BULK SUPPLIES - STACK	YA131		01BA1 BD DC PWR DISTRUBUTION	YC560	
BULK DC SUPPLY - VMEW	YA132		STORAGE REG B30 DC SUPPLY	YC600	
REGULATOR STACK	YA133		STORAGE REG B20 DC SUPPLY	YC620	
DC SWITCH	YA137		01BB2 POWER DISTRIBUTION CARD	YC650	
LOGIC GATE POWER DISTRIBUTION	YA151		01BB2 BD DC PWR DISTRUBUTION	YC660	
CENTRAL POWER CONTROL BOARD	YA161		STORAGE REG B40 DC SUPPLY	YC700	
CENTRAL POWER CONTROL BOARD FEED THRU	YA163		STORAGE REG B10 DC SUPPLY	YC720	
HOST AND DEVICE CONNECTOR PANEL	YA165		01BA2 POWER DISTRIBUTION CARD	YC750	
OPERATOR PANEL AND 4 CHANNEL SWITCHES	YA171		01BA2 BD DC PWR DISTRUBUTION	YC760	
OPERATOR PANEL WITH REMOTE 4 CH SW	YA171		AUX SD1 & 2 DC BULK SUPPLY	YC800	
OPERATOR PANEL & 4 CH SW LOCAL/REMOTE	YA171		AUX SD1 DC REGULATOR	YC820	
OPERATOR PANEL LOCAL 8 CHANNEL	YA173		AUX SD2 DC REGULATOR	YC830	
OPERATOR PANEL REMOTE 8 CHANNEL	YA173		AUX SD1 & 2 DC PWR DISTRUBUTION	YC850	
REMOTE 4 CHANNEL SWITCH	YA175		MISC SWITCHES AND INDICATORS	YC900	
8X2 LOCAL REMOTE SWITCH FEATURE	YA177		MAINT BD CONN Y3	YC940	
DC SWITCH PANEL	YA181		MAINT BD CONN V5, AND B GATE PSM CABLES	YC950	
DEVICE INTERFACE BOARD	YA191		PWR SEQUENCE & MONITOR CARD	YC960	
MAINT BD CONN A2, A3, A4	YA211				
MAINT BD CONN B4, A5	YA215				
MAINT BD CONN Z2, Z3, Z4, Y4, V2	YA217				
DISKETTE	YA311				
POWER SENSE CARD	YA405				
POWER CONTROL CARD	YA407				
POWER SENSOR CARD 8 CHANNEL	YA409				

EC HISTORY

09AUG84 881221	INDEX TABLE OF CONTENTS MODELS WITH SUBSYSTEM STORAGE
	SEQ YA009 PRINT 10JAN85 1615 PN 6315759 PAGE 1 OF 32
	MACH 3880 HPN PNAME H2608X REC A21801
IBM CORP	

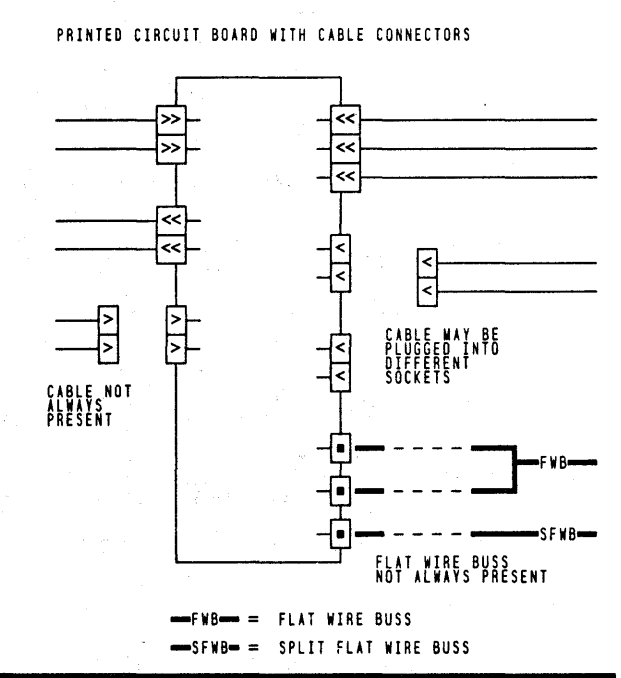
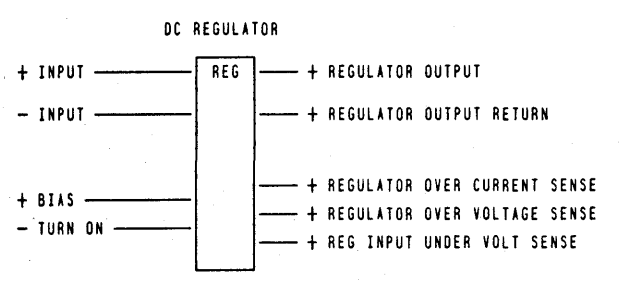
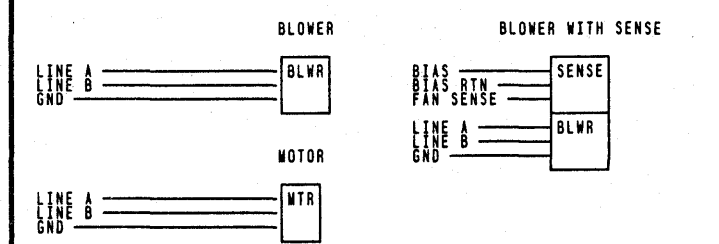
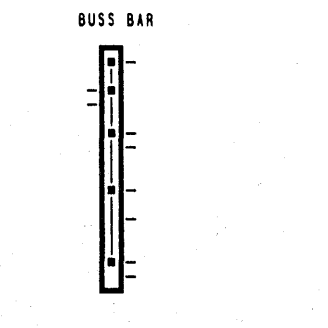
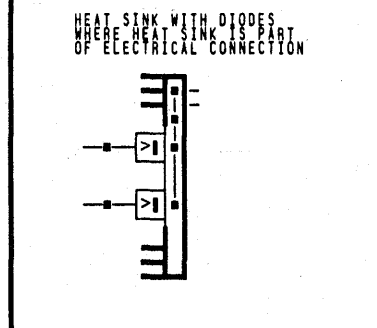
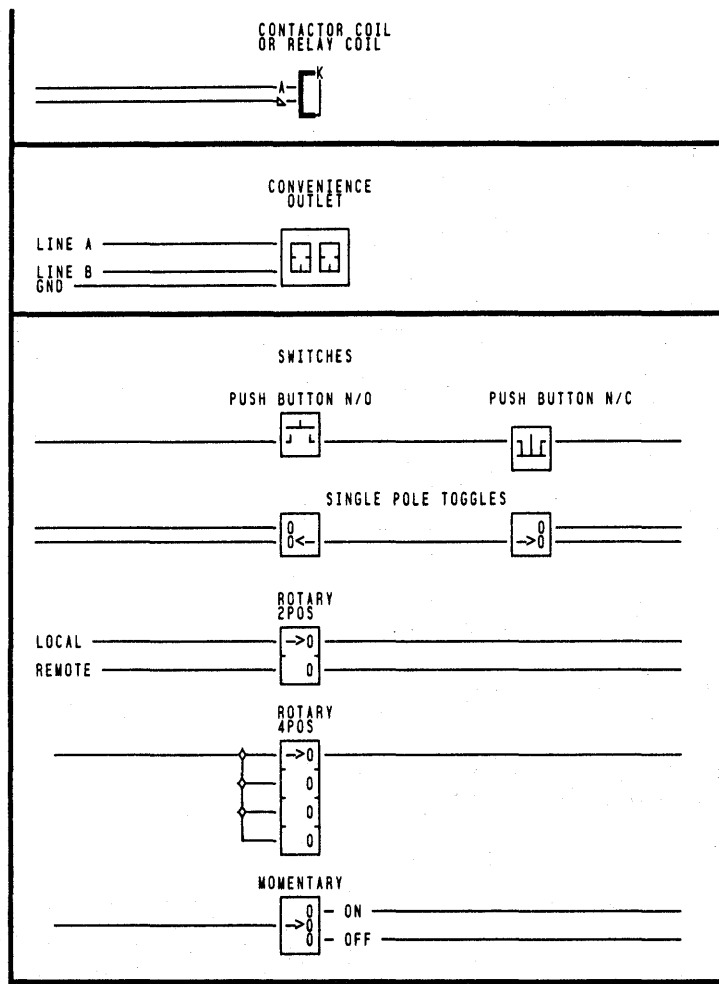
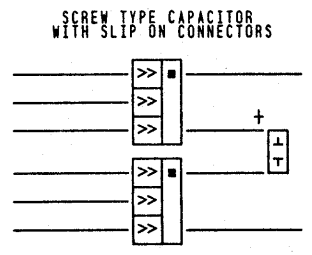
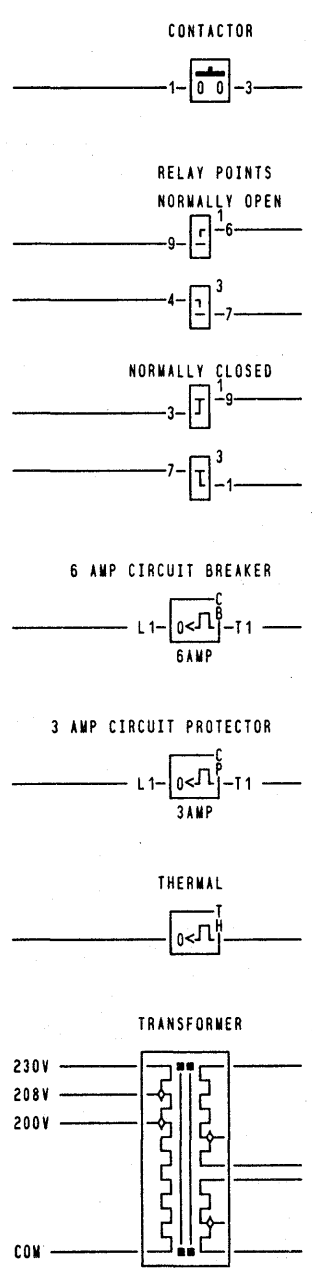
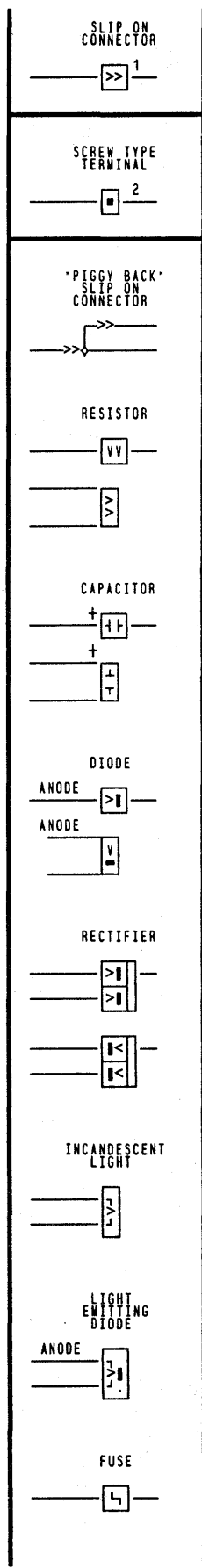


EC HISTORY
 09AUG84 881221 POWER GROUP LOCATION
 MODELS WITH SUBSYSTEM STORAGE
 PCA
 SEQ YA009
 PRINT 10JAN85 1364 PN 6315759
 PAGE 2 OF 32

MACH 3880 HPN
 PRNWE H2608X HEC 421801
 LOC

010
020
030
040
050
060
070
080
090
100
110
120

010
020
030
040
050
060
070
080
090
100
110
120



+ SIGN NEAR A CAPACITOR INDICATES POLARITY

NUMBERS NEXT TO SLIP ON CONNECTORS, SCREW TYPE TERMINALS, AND RELAY POINTS INDICATE POSITION.

ALPHA/NUMERIC CHARACTERS IN THE LINE INDICATE ACTUAL PIN DESIGNATIONS ON RELAYS, SWITCHES, CIRCUIT PROTECTORS, ETC.

COMPONENTS WITH DESIGNATION 1XX FOUND ON YA137, YA181 AND YB180

2XX FOUND ON YA134

3XX FOUND ON YA124

4XX FOUND ON YA111 AND YA115

5XX FOUND ON YA171

7XX FOUND ON YA161 AND YA163

8XX FOUND ON YA191

AXX FOUND ON YC200, YC300, YC400, YC500, YC900

BXX FOUND ON YC320, YC500, YC620, YC700, YC720

CXX FOUND ON YC800, YC820, YC830, YC900

EC HISTORY

09AUG84 881221

SYMBOLS USED IN POWER DIAGRAMS MODELS WITH SUBSYSTEM STORAGE

SEQ YA009

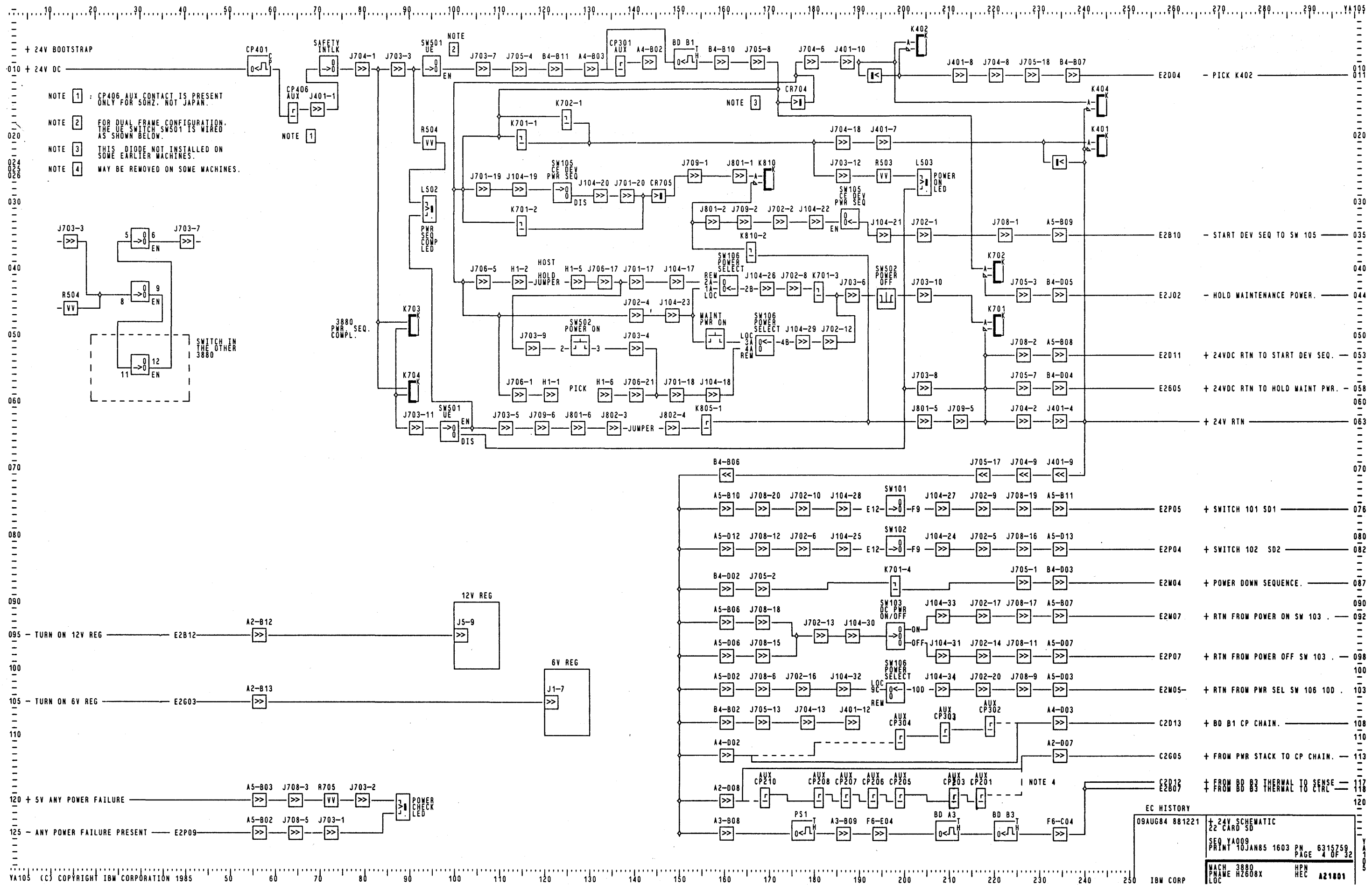
PRINT 10JAN85 1804 PM 6315759

PAGE 3 OF 32

MACH 3880 HPN

PNAMW H2608X HEC

LDC A21801

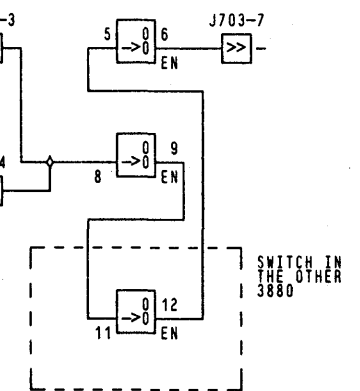


NOTE 1 : CP406 AUX CONTACT IS PRESENT ONLY FOR 50H2, NOT JAPAN.

NOTE 2 FOR DUAL FRAME CONFIGURATION, THE UE SWITCH SW501 IS WIRED AS SHOWN BELOW.

NOTE 3 THIS DIODE NOT INSTALLED ON SOME EARLIER MACHINES.

NOTE 4 MAY BE REMOVED ON SOME MACHINES.



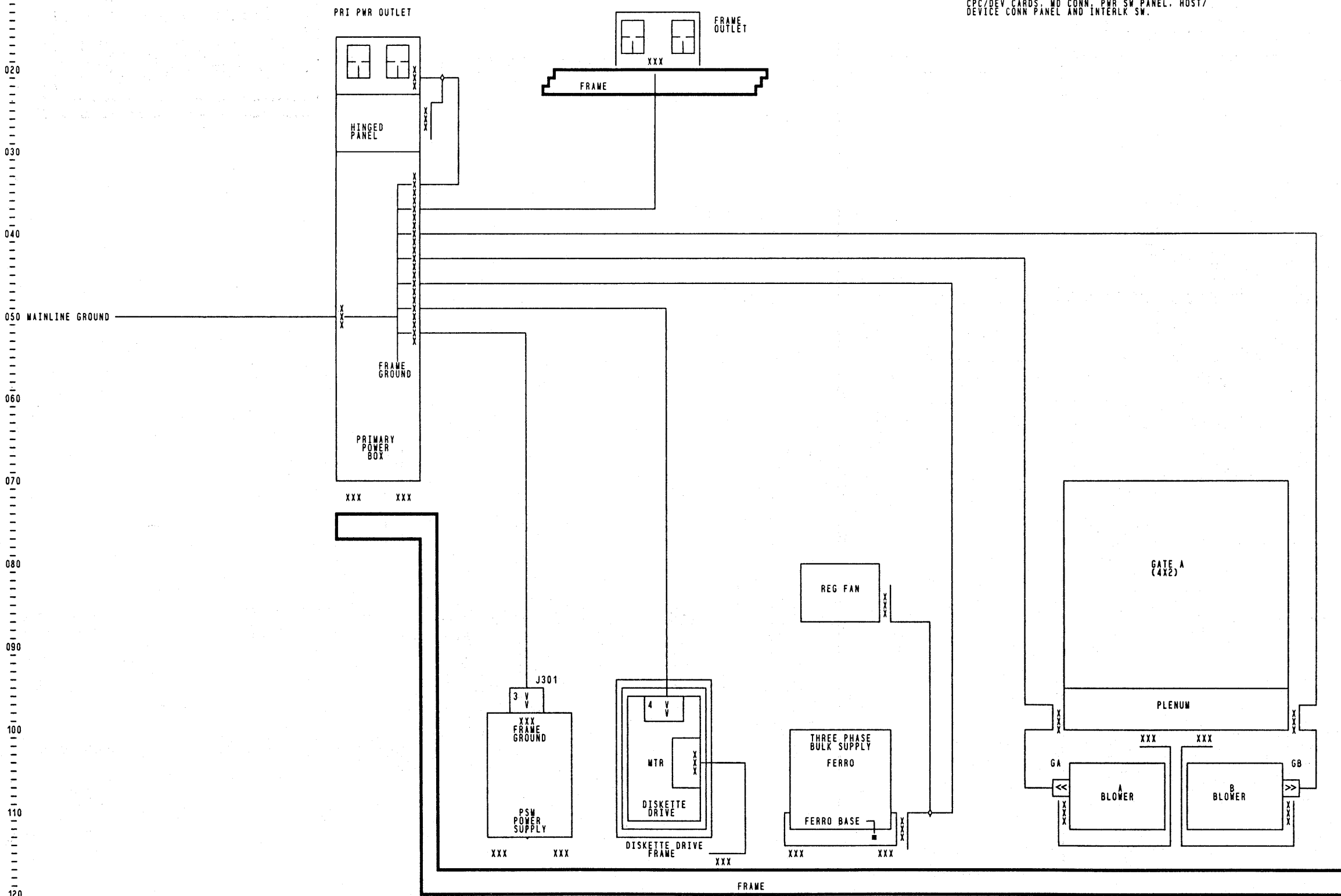
EC HISTORY	
09AUG84 881221	24V SCHEMATIC
	22 CARD 50
SEQ YA009	PRINT 10JAN85 1603 PW 6315759
	PAGE 4 OF 32
MACH 3880	HPN
FRAME R2608X	REC A21801
LOC	

10 20 30 40 50 60 70 80 90 100 110 120 130 140 150 160 170 180 190 200 210 220 230 240 250 260 270 280 290 YA110

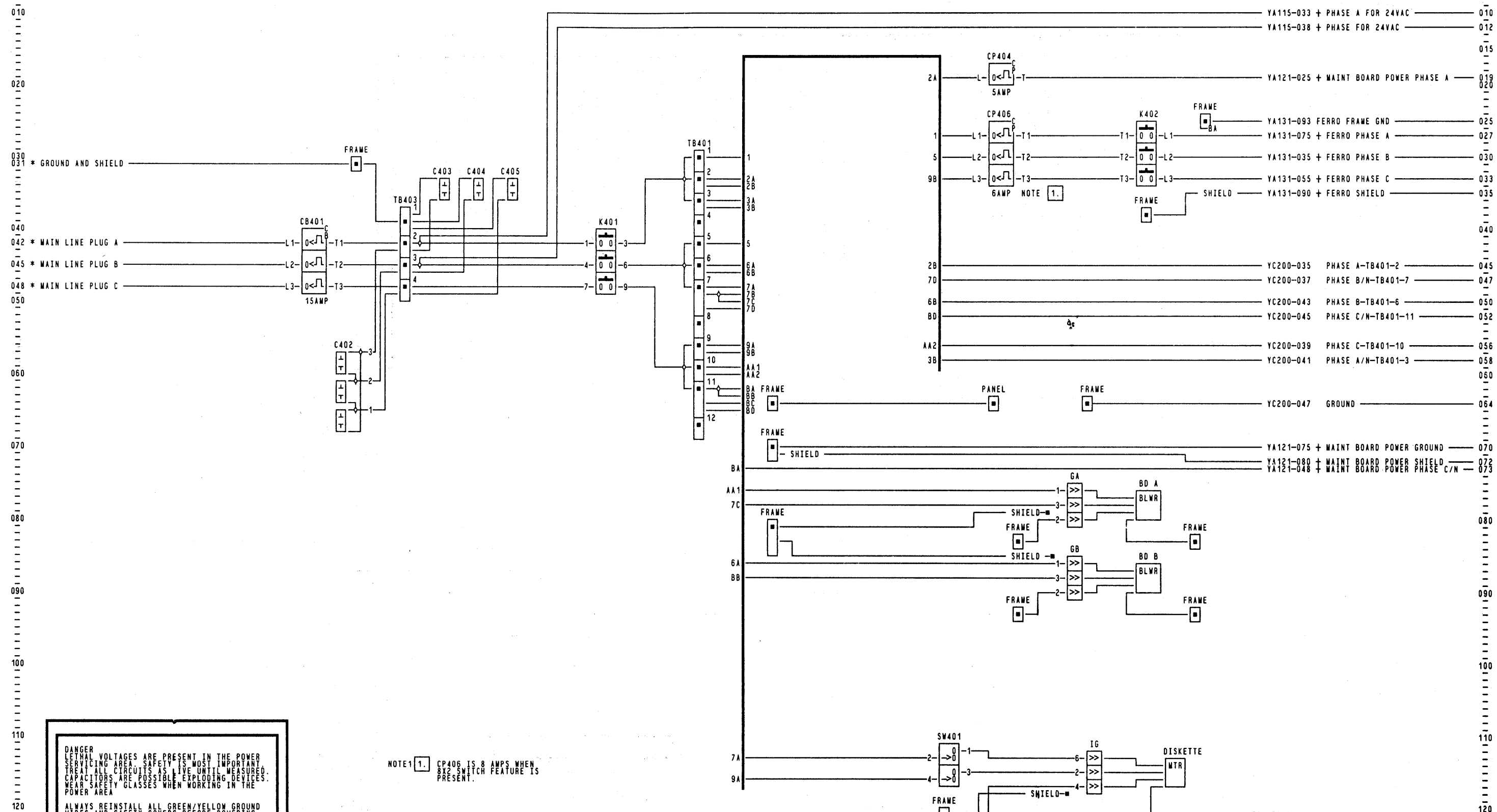
010
020
030
040
050
060
070
080
090
100
110
120

010
020
030
040
050
060
070
080
090
100
110
120

- NOTES:
1. XXX DENOTES EXTERNAL STAR WASHER.
 2. THE FOLLOWING ASM'S DO NOT REQUIRE SAFETY GROUNDING: BULK, CP PANEL, REGULATORS, OP. PANEL, CPC/DEV CARDS, MD CONN, PWR SW PANEL, HOST/DEVICE CONN PANEL AND INTERLK SW.



EC HISTORY	
09AUG84 881221	BLOCK DIAGRAM GROUNDING SCHEMATIC
SEQ YA009	PN 6315259
PRINT 10JAN85 0040	PAGE 5 OF 32
MACH	HPN
PNME HZ608X	REC 421801
LOC	



030 * GROUND AND SHIELD
 042 * MAIN LINE PLUG A
 045 * MAIN LINE PLUG B
 048 * MAIN LINE PLUG C

DANGER
 LETHAL VOLTAGES ARE PRESENT IN THE POWER SERVICING AREA. SAFETY IS MOST IMPORTANT. TREAT ALL CIRCUITS AS LIVE UNTIL MEASURED. CAPACITORS ARE POSSIBLE EXPLODING DEVICES. WEAR SAFETY GLASSES WHEN WORKING IN THE POWER AREA.
 ALWAYS REINSTALL ALL GREEN/YELLOW GROUND WIRES AND SAFETY COVERS BEFORE POWERING ON THE MACHINE.

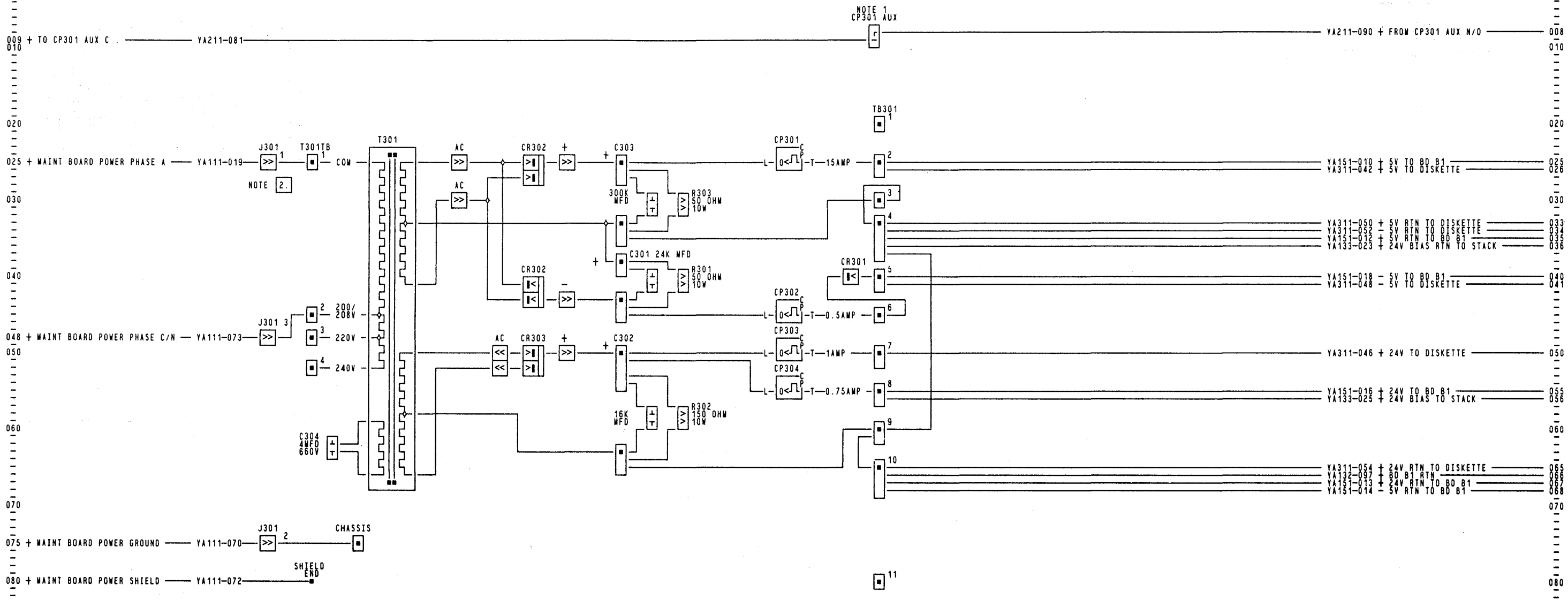
NOTE 1. CP406 IS 8 AMPS WHEN 8X2 SWITCH FEATURE IS PRESENT.

EC HISTORY
 09AUG84 881221 PRIMARY POWER BOX ALL 60HZ OR 50 HZ JAPAN ONLY MODELS WITH SUBSYSTEM STORAGE SEQ Y4009 PRINT 10JAN85 1110 PN 6315259 PAGE 6 OF 32
 MACH 3880 HPN
 PNAME H2608X HEC
 LOC A21001

DANGER
 LETHAL VOLTAGES ARE PRESENT IN THE POWER SERVICING AREA. SAFETY IS MOST IMPORTANT. TREAT ALL CIRCUITS AS LIVE UNTIL MEASURED. CAPACITORS ARE POSSIBLE EXPLODING DEVICES. WEAR SAFETY GLASSES WHEN WORKING IN THE POWER AREA.

ALWAYS REINSTALL ALL GREEN/YELLOW GROUND WIRES AND SAFETY COVERS BEFORE POWERING ON THE MACHINE.

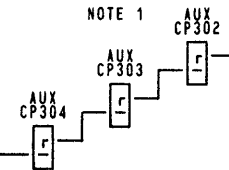
EC HISTORY	
09AUG84 881221	PRIMARY POWER BOX CONTROLS
	ALL 60HZ MACHINES
	OR 50HZ JAPAN - FCA
	SEQ YA009
	PRINT 10JAN85 1582 PN 6315259
	PAGE 7 OF 32
MACH 3880	HPN
PNAME HZ608X	HEC 421801
LOC	



NOTES:
 2. J301 MAY NOT BE INSTALLED.

DANGER
 LETHAL VOLTAGES ARE PRESENT IN THE POWER SERVICING AREA. SAFETY IS MOST IMPORTANT. TREAT ALL CIRCUITS AS LIVE UNTIL MEASURED. CAPACITORS ARE POSSIBLE EXPLODING DEVICES. WEAR SAFETY GLASSES WHEN WORKING IN THE POWER AREA.
 ALWAYS REINSTALL ALL GREEN/YELLOW GROUND WIRES AND SAFETY COVERS BEFORE POWERING ON THE MACHINE.

NOTE 1: THE NORMALLY OPEN AUX CONTACTS ARE CLOSED WHEN CP IS CLOSED.

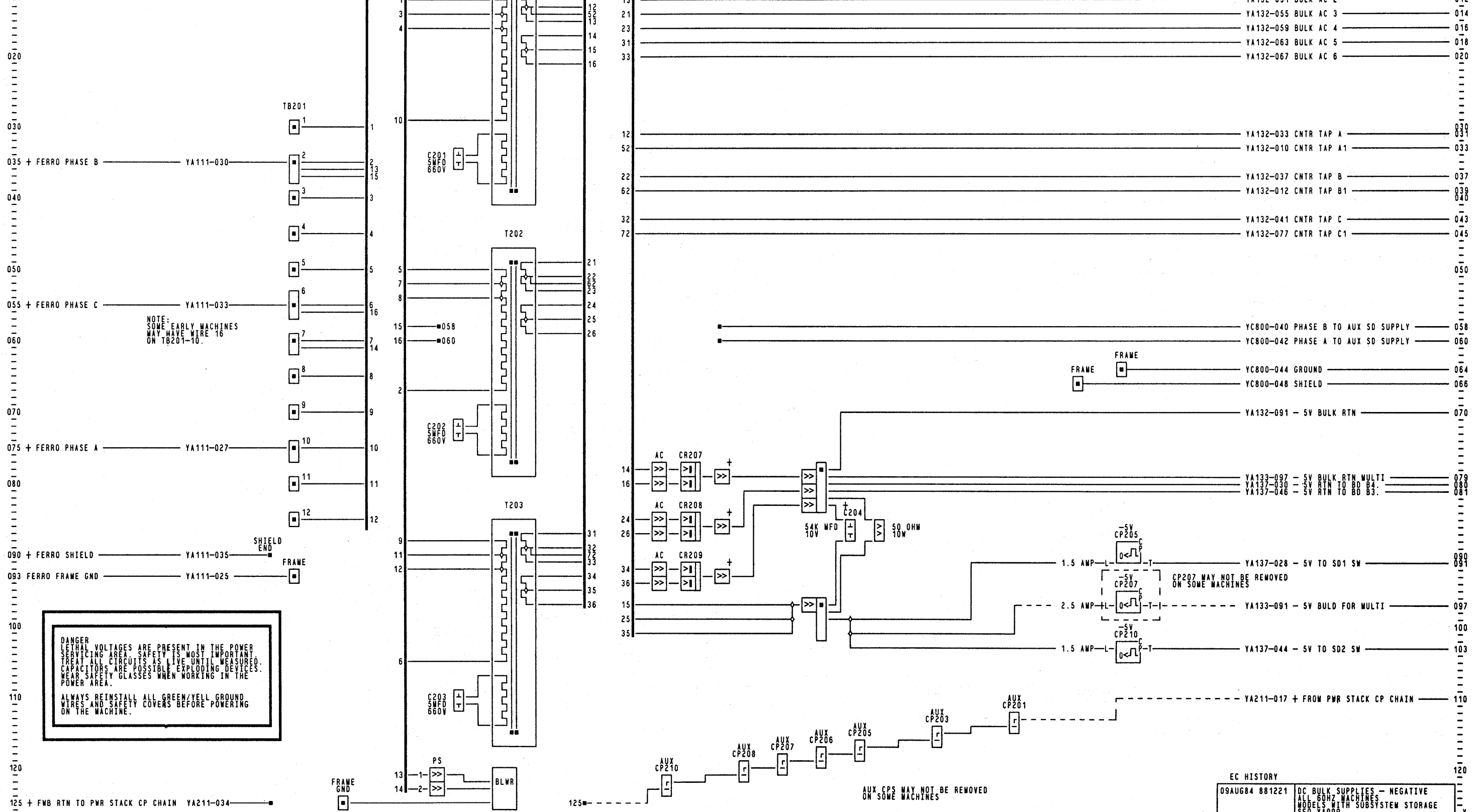


EC HISTORY

09AUG84 881221	POWER SUPPLY ALL 60HZ MACHINES
SEQ YA009	PRINT 10JAN85 1087 PN 6315759
	PAGE 8 OF 32
MACH 3880	HPN
LOC PRAME H2608X	HEC A21801

60HZ DELTA JUMPERS FOR TB201	240V -2 TO -1 -6 TO -5 -10 TO -9	220V -2 TO -3 -6 TO -7 -10 TO -11	200/208V -2 TO -4 -6 TO -8 -10 TO -12
---------------------------------------	---	--	--

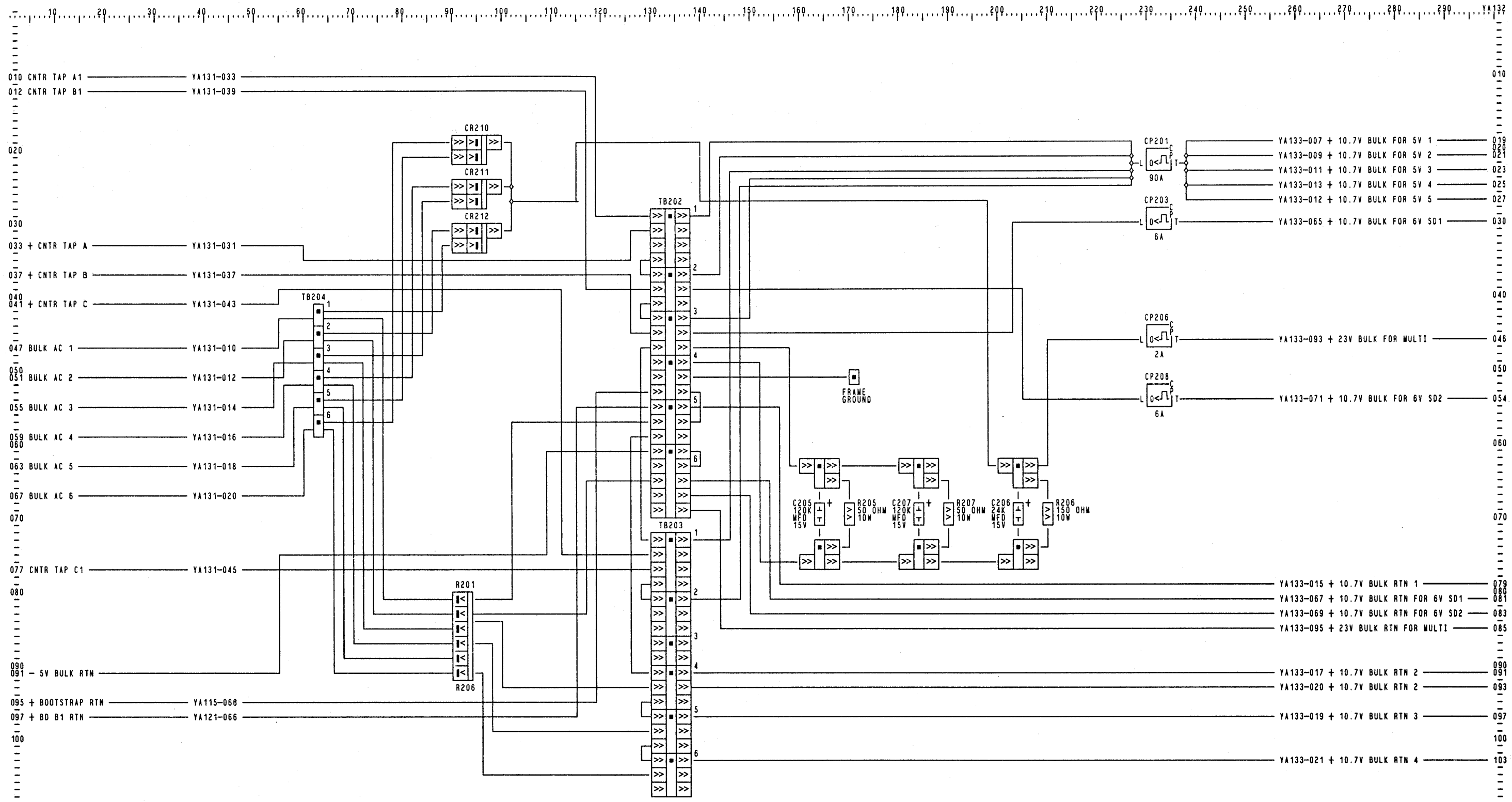
ONLY ONE SET OF JUMPERS MUST BE INSTALLED



NOTE: SOME EARLY MACHINES MAY HAVE WIRE 16 ON TB201-10.

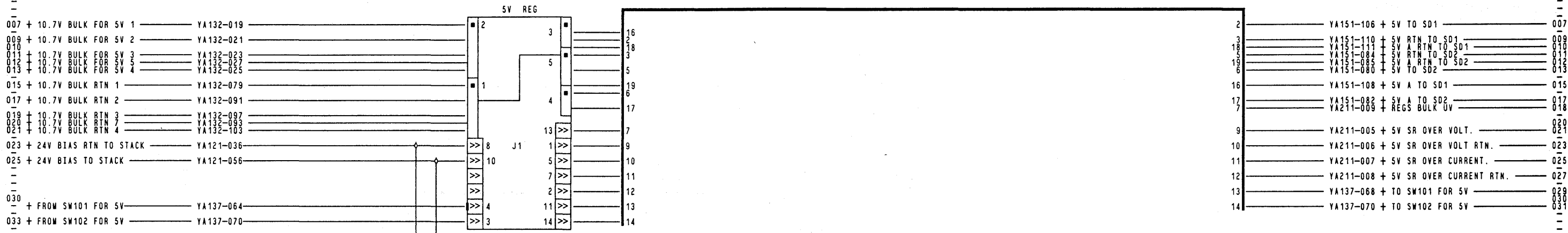
DANGER
LETHAL VOLTAGES ARE PRESENT IN THE POWER SERVICING AREA. SAFETY IS MOST IMPORTANT. SERVICING ALL CIRCUITS AS LIVE UNTIL MEASURED. CAPACITORS ARE POSSIBLE EXPLODING DEVICES. WEAR SAFETY GLASSES WHEN WORKING IN THE POWER AREA.
ALWAYS REINSTALL ALL GREEN/YELL GROUND WIRES AND SAFETY COVERS BEFORE POWERING ON THE MACHINE.

EC HISTORY	
09AUG84 881221	DC BULK SUPPLIES - NEGATIVE
	ALL 60HZ MACHINES
	MODELS WITH SUBSYSTEM STORAGE
	SDO YA009
	PRINT 10JAN85 1077 PN 6315759
	PAGE 9 OF 32
MACH 3880	HPN
FRAME H2608X	HEC 421801
LOC	

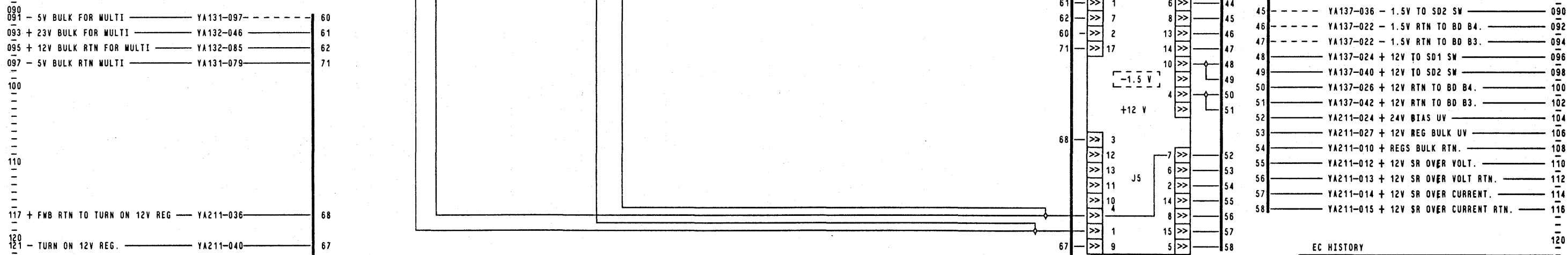
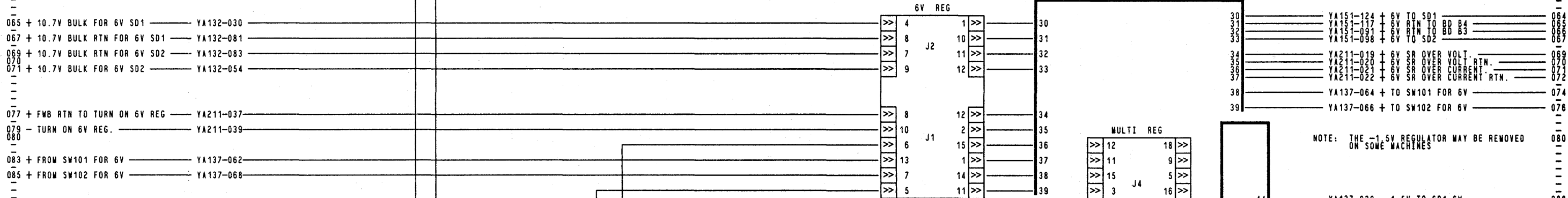


EC HISTORY	
09AUG84 881221	BULK DC SUPPLY 8 CHANNEL
	SEQ YA009
	PRINT 10JAN85 1151 PM 6315759
	PAGE 10 OF 32
IBW CORP	MACH 3880 HPN LOC H2608X HEC A21001

10 20 30 40 50 60 70 80 90 100 110 120 130 140 150 160 170 180 190 200 210 220 230 240 250 260 270 280 290 YA133



040
050
060



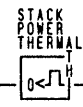
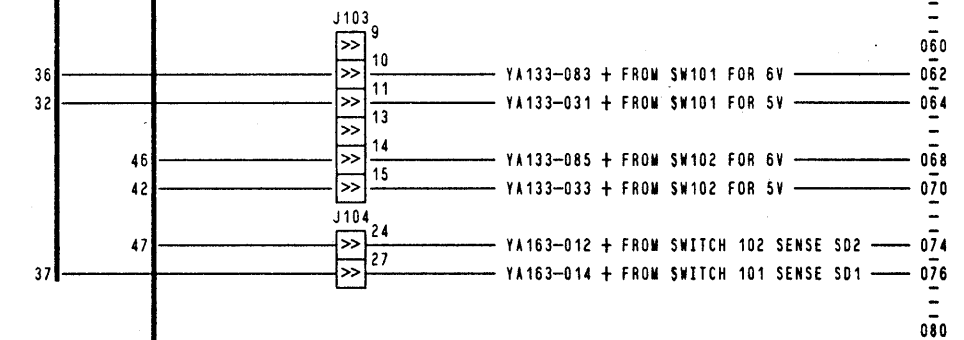
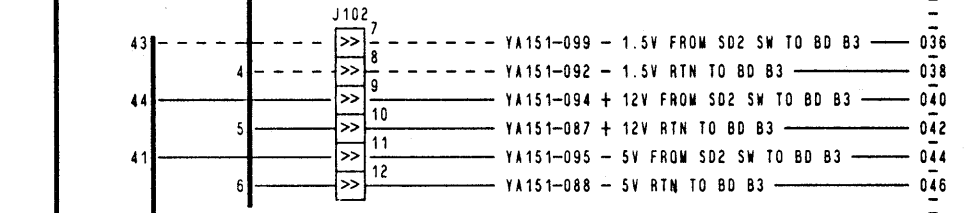
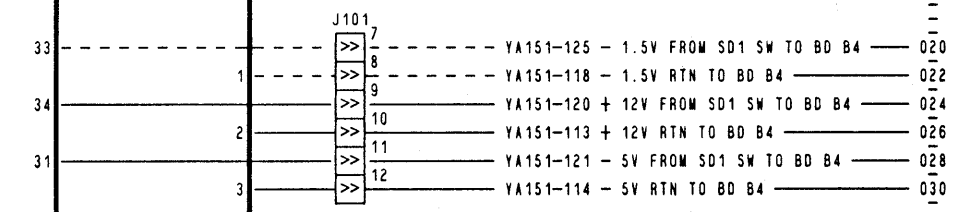
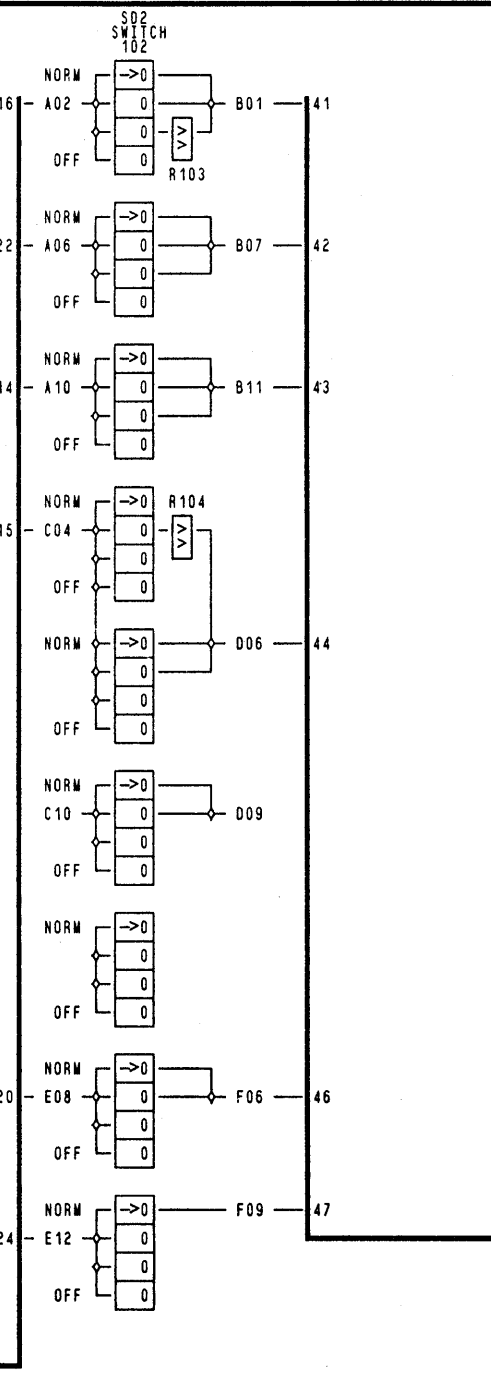
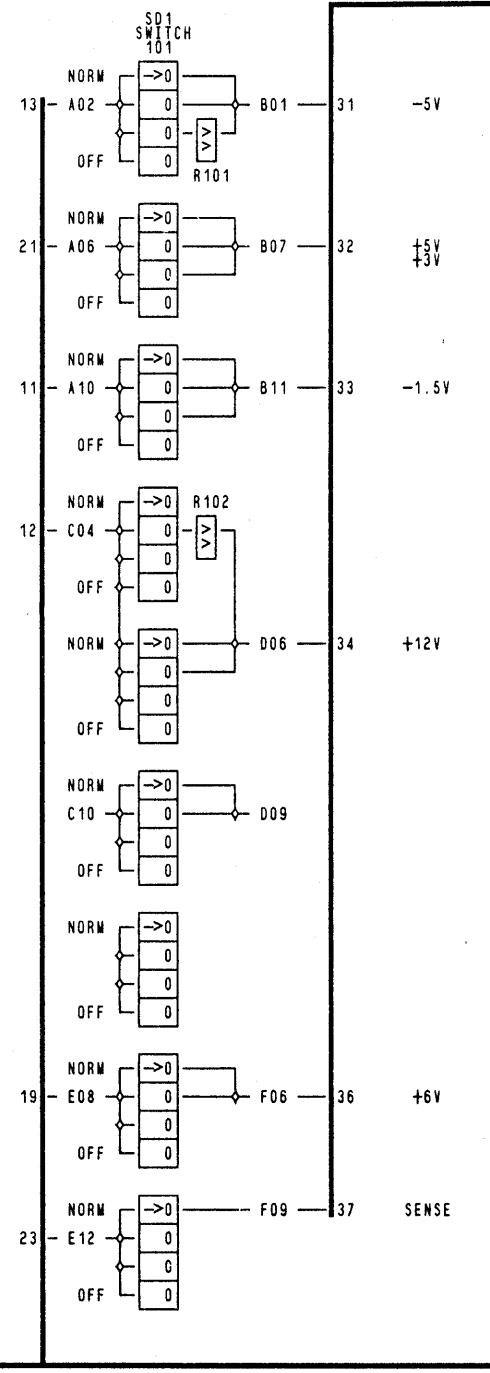
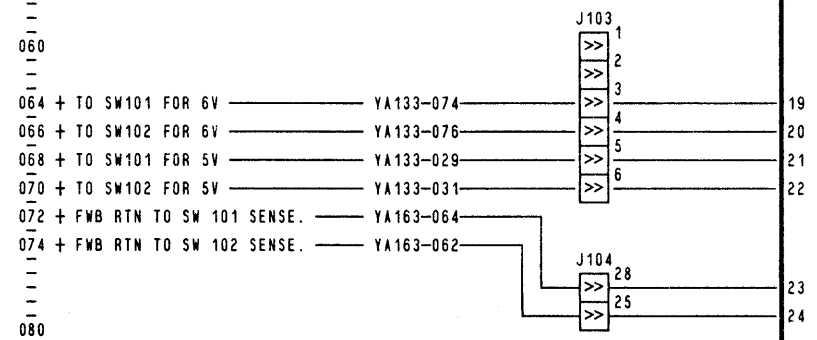
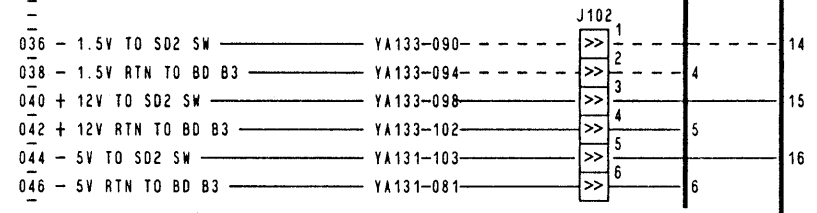
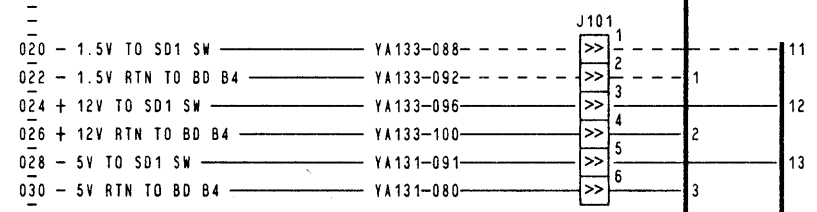
NOTE: THE -1.5V REGULATOR MAY BE REMOVED ON SOME MACHINES

EC HISTORY
 09AUG84 881221 REGULATOR STACK
 8 CHANNEL
 SEQ YA009
 PRINT 10JAN85 1786 PN 6315759
 PAGE 11 OF 32
 MACH 3880 HPN
 PNAME H2608X HEC
 LOC A21801

010
020
030
040
050
060
070
080
090
100
110
120

010
020
030
040
050
060
070
080
090
100
110
120

NOTE: MAY BE REMOVED ON SOME MACHINES.

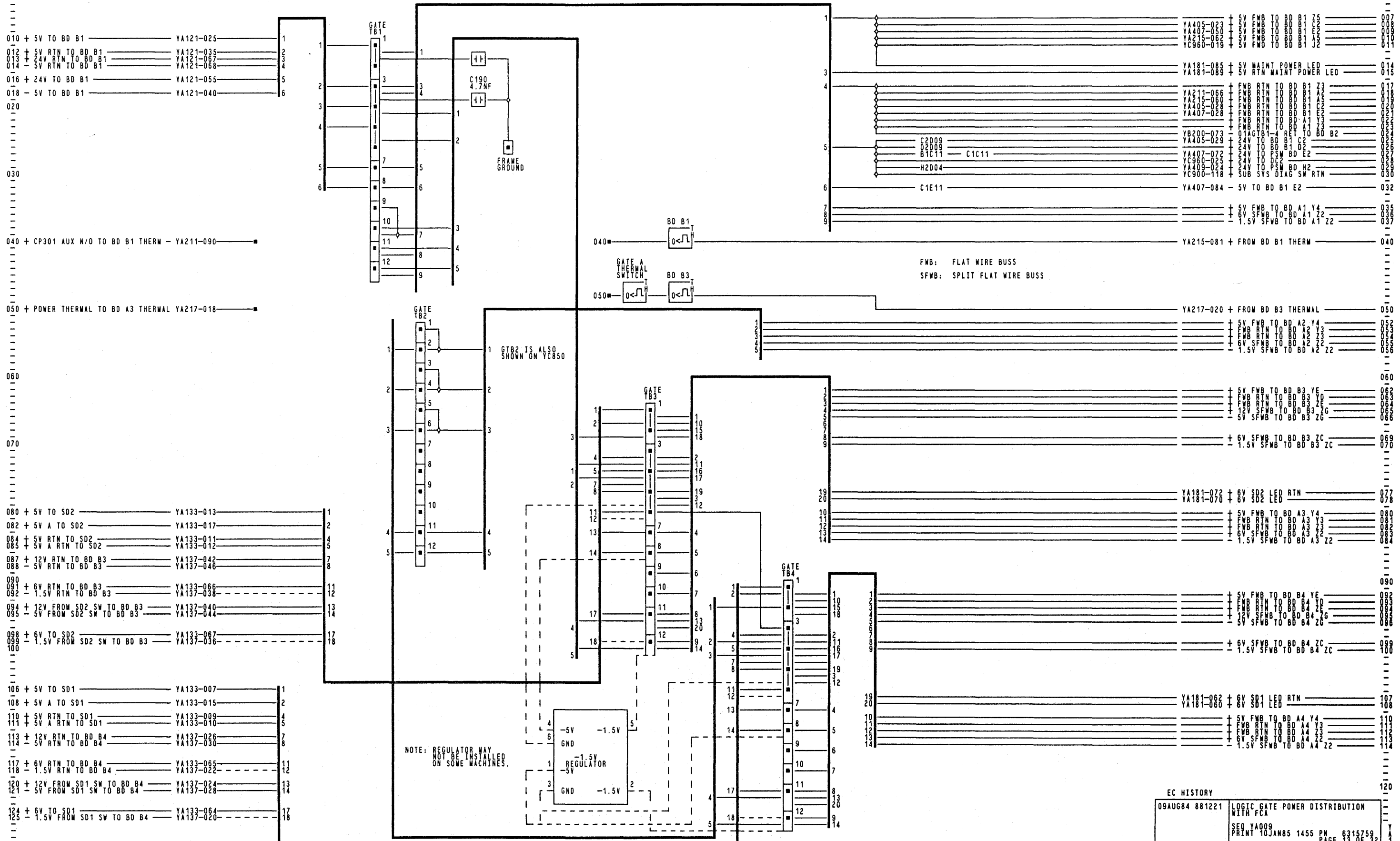


118 + FNB RTN TO POWER THERMAL YA211-070

YA211-042 + FROM POWER THERMAL

EC HISTORY

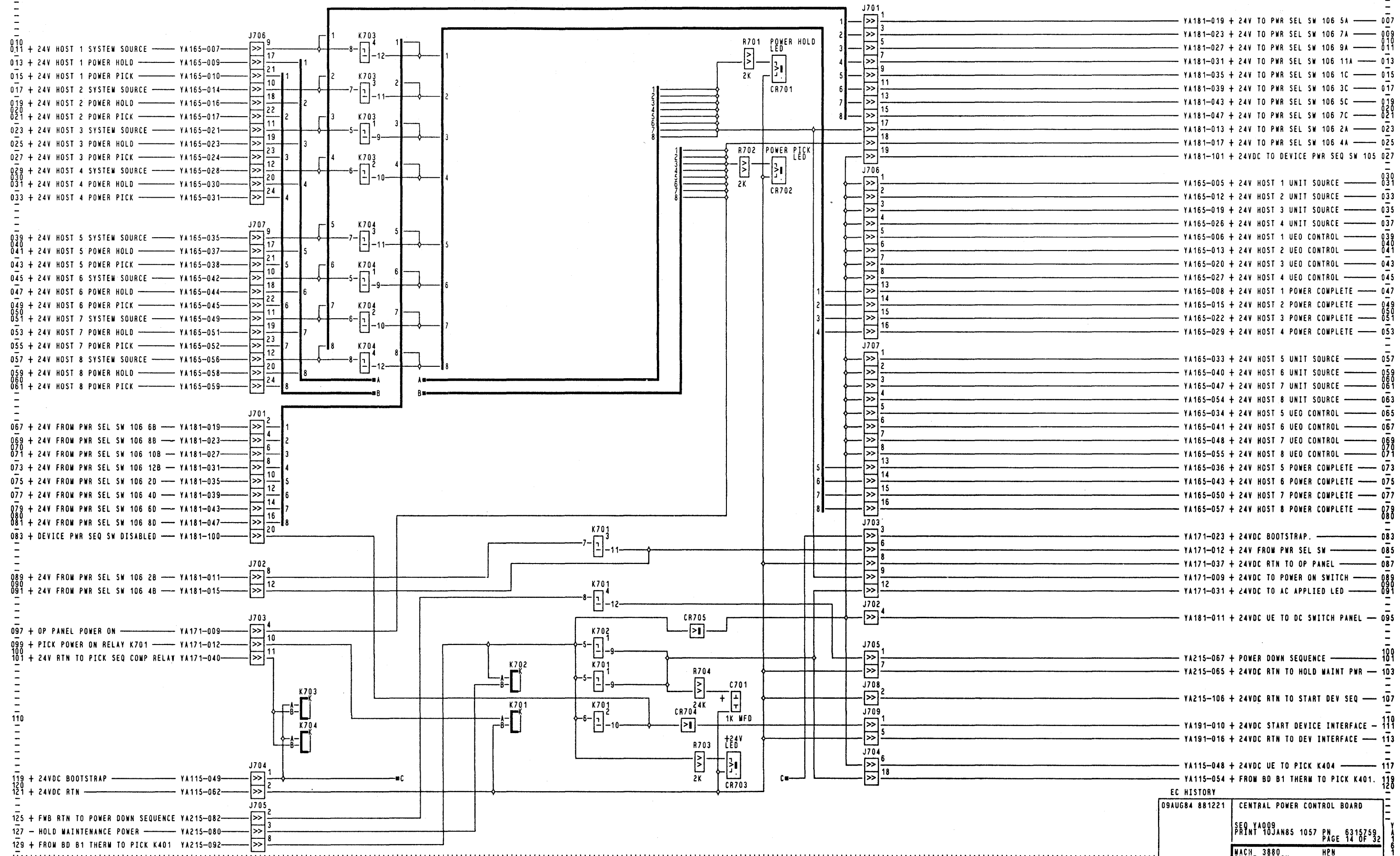
09AUG84 881221	DC SWITCH PANEL
SEQ YA009	
PRINT 10JAN85 1784 PH	6315759
	PAGE 12 OF 32
MACH 3880	HPN
NAME HZ608X	HEC
LOC	A21801



- 010 + 5V TO BD B1 YA121-025
- 012 + 5V RTN TO BD B1 YA121-035
- 013 + 24V RTN TO BD B1 YA121-067
- 014 - 5V RTN TO BD B1 YA121-068
- 016 + 24V TO BD B1 YA121-055
- 018 - 5V TO BD B1 YA121-040
- 020
- 030
- 040 + CP301 AUX N/O TO BD B1 THERM - YA211-090
- 050 + POWER THERMAL TO BD A3 THERMAL YA217-018
- 060
- 070
- 080 + 5V TO SD2 YA133-013
- 082 + 5V A TO SD2 YA133-017
- 084 + 5V RTN TO SD2 YA133-011
- 085 + 3V A RTN TO SD2 YA133-012
- 087 + 12V RTN TO BD B3 YA137-042
- 088 - 5V RTN TO BD B3 YA137-046
- 090
- 091 + 6V RTN TO BD B3 YA133-066
- 092 - 1.5V RTN TO BD B3 YA137-038
- 094 + 12V FROM SD2 SW TO BD B3 YA137-040
- 095 - 5V FROM SD2 SW TO BD B3 YA137-044
- 098 + 6V TO SD2 YA133-067
- 099 - 1.5V FROM SD2 SW TO BD B3 YA137-036
- 100
- 106 + 5V TO SD1 YA133-007
- 108 + 5V A TO SD1 YA133-015
- 110 + 5V RTN TO SD1 YA133-009
- 111 + 5V A RTN TO SD1 YA133-010
- 113 + 12V RTN TO BD B4 YA137-026
- 114 - 5V RTN TO BD B4 YA137-030
- 117 + 6V RTN TO BD B4 YA133-065
- 118 - 1.5V RTN TO BD B4 YA137-022
- 120 + 12V FROM SD1 SW TO BD B4 YA137-024
- 121 - 5V FROM SD1 SW TO BD B4 YA137-028
- 124 + 6V TO SD1 YA133-064
- 125 - 1.5V FROM SD1 SW TO BD B4 YA137-020

- YA405-023 + 5V FWB TO BD B1 Z5
- YA407-050 + 5V FWB TO BD B1 C2
- YA215-069 + 5V FWB TO BD B1 A3
- YC960-019 + 5V FWD TO BD B1 J2
- YA181-085 + 5V MAINT POWER LED
- YA181-089 + 5V RTN MAINT POWER LED
- YA211-066 + FWB RTN TO BD B1 Z3
- YA215-060 + FWB RTN TO BD B1 A2
- YA405-028 + FWB RTN TO BD B1 C2
- YA407-028 + FWB RTN TO BD B1 E2
- YA407-028 + FWB RTN TO BD A1 V3
- YA407-028 + FWB RTN TO BD A1 V3
- VB200-073 + 01AGT87-8 REF TO BD B2
- YA405-029 + 24V TO BD B1 C5
- YA407-072 + 24V TO PSM BD E2
- YC960-025 + 24V TO DC2
- YA409-024 + 24V TO PSM BD H2
- YC900-118 + SUB SYS DIAG SW RTN
- YA407-084 - 5V TO BD B1 E2
- + 5V FWB TO BD A1 Y4
- + 1.5V SFWB TO BD A1 Z2
- YA215-081 + FROM BD B1 THERM
- YA217-020 + FROM BD B3 THERMAL
- + 5V FWB TO BD A2 Y4
- + FWB RTN TO BD A2 Y3
- + FWB RTN TO BD A2 Z3
- + 6V SFWB TO BD A2 Z2
- + 1.5V SFWB TO BD A2 Z2
- + 5V FWB TO BD B3 Y6
- + FWB RTN TO BD B3 Y6
- + 12V SFWB TO BD B3 Z6
- + 5V SFWB TO BD B3 Z6
- + 6V SFWB TO BD B3 ZC
- + 1.5V SFWB TO BD B3 ZC
- YA181-072 + 6V SD2 LED RTN
- YA181-076 + 6V SD2 LED
- + 5V FWB TO BD A3 Y4
- + FWB RTN TO BD A3 Y3
- + 6V SFWB TO BD A3 Z2
- + 1.5V SFWB TO BD A3 Z2
- + 5V FWB TO BD B4 Y6
- + FWB RTN TO BD B4 Y6
- + 12V SFWB TO BD B4 Z6
- + 5V SFWB TO BD B4 Z6
- + 6V SFWB TO BD B4 ZC
- + 1.5V SFWB TO BD B4 ZC
- YA181-062 + 6V SD1 LED RTN
- YA181-066 + 6V SD1 LED
- + 5V FWB TO BD A4 Y4
- + FWB RTN TO BD A4 Y3
- + FWB RTN TO BD A4 Z2
- + 5V SFWB TO BD A4 Z2
- + 1.5V SFWB TO BD A4 Z2

EC HISTORY
 09AUG84 881221 LOGIC GATE POWER DISTRIBUTION WITH FCA
 SEQ YA009
 PRINT 10JAN85 1455 PN 6315759
 PAGE 13 OF 32
 MACH 3880 HPN
 NAME H2608X HEC 421801
 LOC

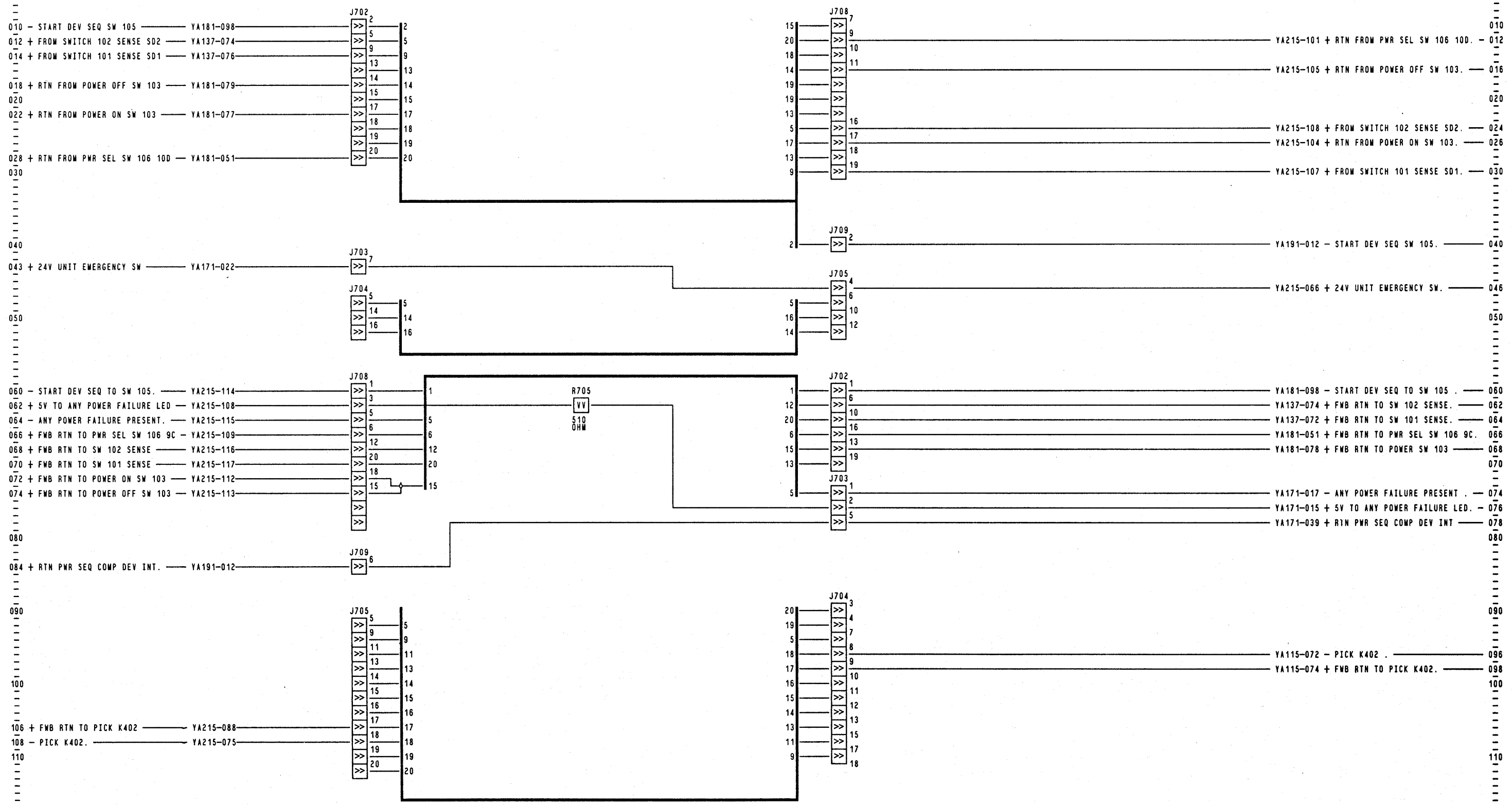


- 010 + 24V HOST 1 SYSTEM SOURCE — YA165-007
- 011 + 24V HOST 1 POWER HOLD — YA165-009
- 015 + 24V HOST 1 POWER PICK — YA165-010
- 017 + 24V HOST 2 SYSTEM SOURCE — YA165-014
- 019 + 24V HOST 2 POWER HOLD — YA165-016
- 021 + 24V HOST 2 POWER PICK — YA165-017
- 023 + 24V HOST 3 SYSTEM SOURCE — YA165-021
- 025 + 24V HOST 3 POWER HOLD — YA165-023
- 027 + 24V HOST 3 POWER PICK — YA165-024
- 029 + 24V HOST 4 SYSTEM SOURCE — YA165-028
- 031 + 24V HOST 4 POWER HOLD — YA165-030
- 033 + 24V HOST 4 POWER PICK — YA165-031
- 039 + 24V HOST 5 SYSTEM SOURCE — YA165-035
- 041 + 24V HOST 5 POWER HOLD — YA165-037
- 043 + 24V HOST 5 POWER PICK — YA165-038
- 045 + 24V HOST 6 SYSTEM SOURCE — YA165-042
- 047 + 24V HOST 6 POWER HOLD — YA165-044
- 049 + 24V HOST 6 POWER PICK — YA165-045
- 051 + 24V HOST 7 SYSTEM SOURCE — YA165-049
- 053 + 24V HOST 7 POWER HOLD — YA165-051
- 055 + 24V HOST 7 POWER PICK — YA165-052
- 057 + 24V HOST 8 SYSTEM SOURCE — YA165-056
- 059 + 24V HOST 8 POWER HOLD — YA165-058
- 061 + 24V HOST 8 POWER PICK — YA165-059
- 067 + 24V FROM PWR SEL SW 106 6B — YA181-019
- 069 + 24V FROM PWR SEL SW 106 8B — YA181-023
- 071 + 24V FROM PWR SEL SW 106 10B — YA181-027
- 073 + 24V FROM PWR SEL SW 106 12B — YA181-031
- 075 + 24V FROM PWR SEL SW 106 2D — YA181-035
- 077 + 24V FROM PWR SEL SW 106 4D — YA181-039
- 079 + 24V FROM PWR SEL SW 106 6D — YA181-043
- 081 + 24V FROM PWR SEL SW 106 8D — YA181-047
- 083 + DEVICE PWR SEQ SW DISABLED — YA181-100
- 089 + 24V FROM PWR SEL SW 106 2B — YA181-011
- 091 + 24V FROM PWR SEL SW 106 4B — YA181-015
- 097 + OP PANEL POWER ON — YA171-009
- 099 + PICK POWER ON RELAY K701 — YA171-012
- 101 + 24V RTN TO PICK SEQ COMP RELAY YA171-040
- 119 + 24VDC BOOTSTRAP — YA115-049
- 121 + 24VDC RTN — YA115-062
- 125 + FWB RTN TO POWER DOWN SEQUENCE YA215-082
- 127 - HOLD MAINTENANCE POWER — YA215-080
- 129 + FROM BD B1 THERM TO PICK K401 YA215-092

EC HISTORY

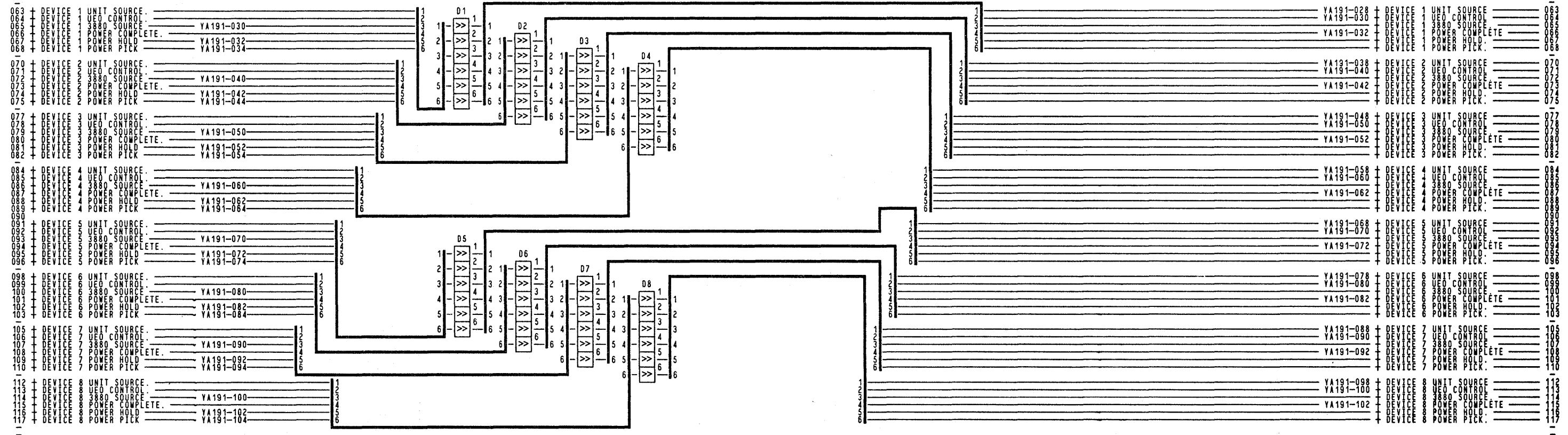
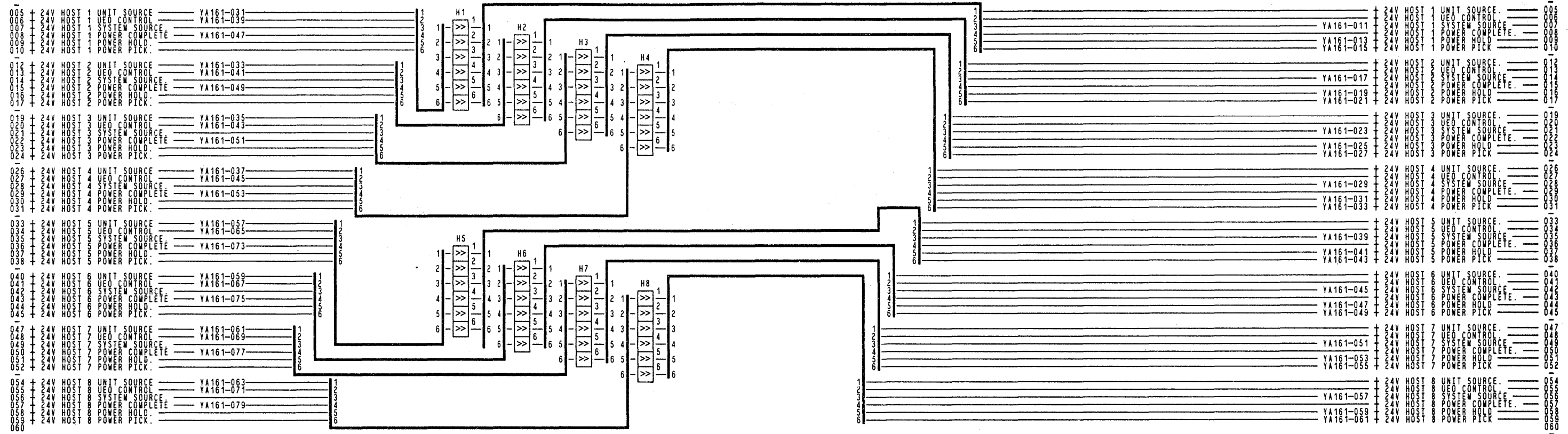
09AUG84 881221	CENTRAL POWER CONTROL BOARD
SEQ YA009	PRINT 10JAN85 1057 PN 6315259
	PAGE 14 OF 32
WACH 3880	HPN
PNAME H2608X	REC A21001
LOC	

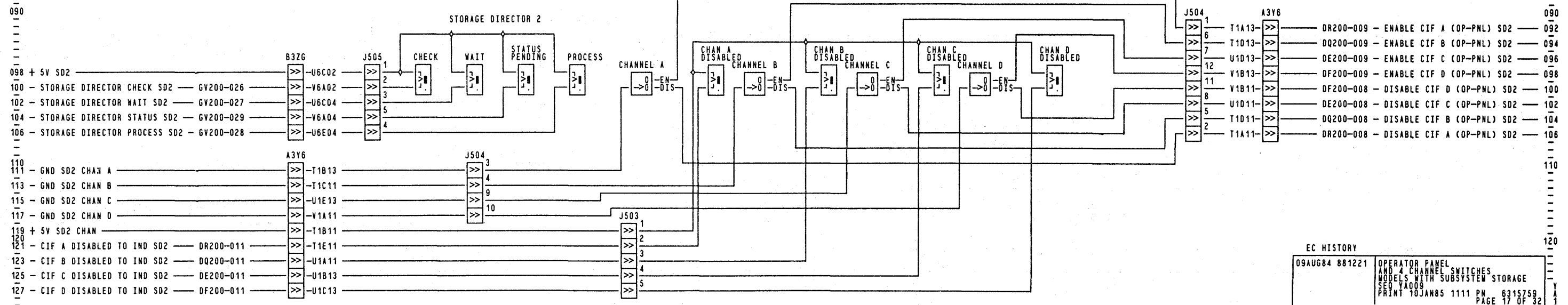
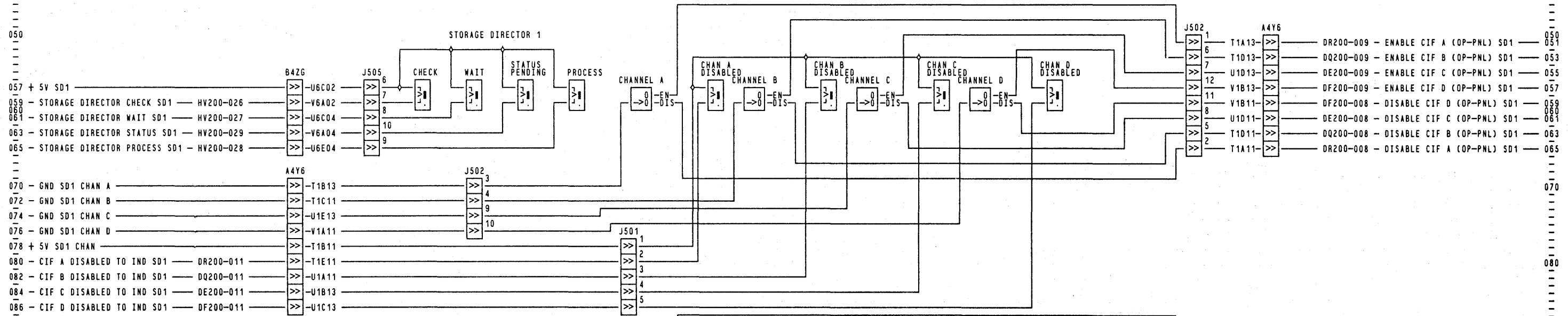
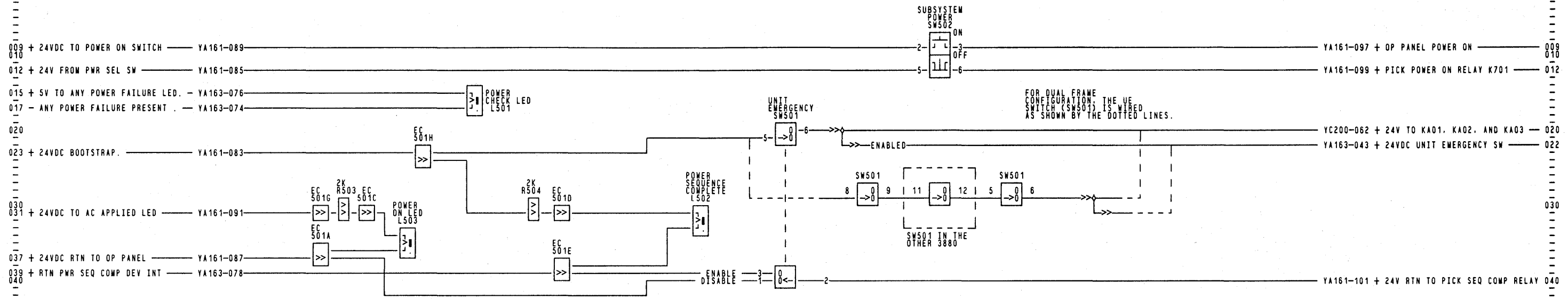
10 20 30 40 50 60 70 80 90 100 110 120 130 140 150 160 170 180 190 200 210 220 230 240 250 260 270 280 290 YA163



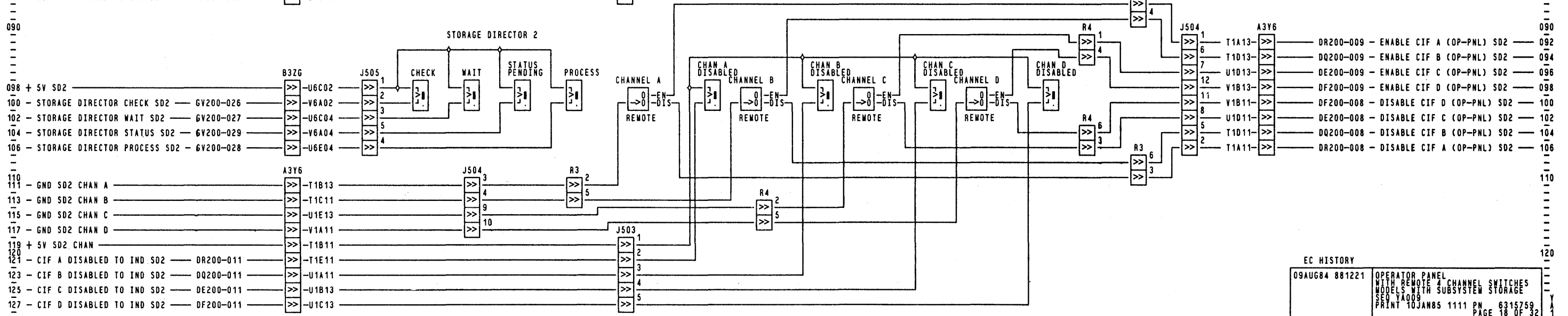
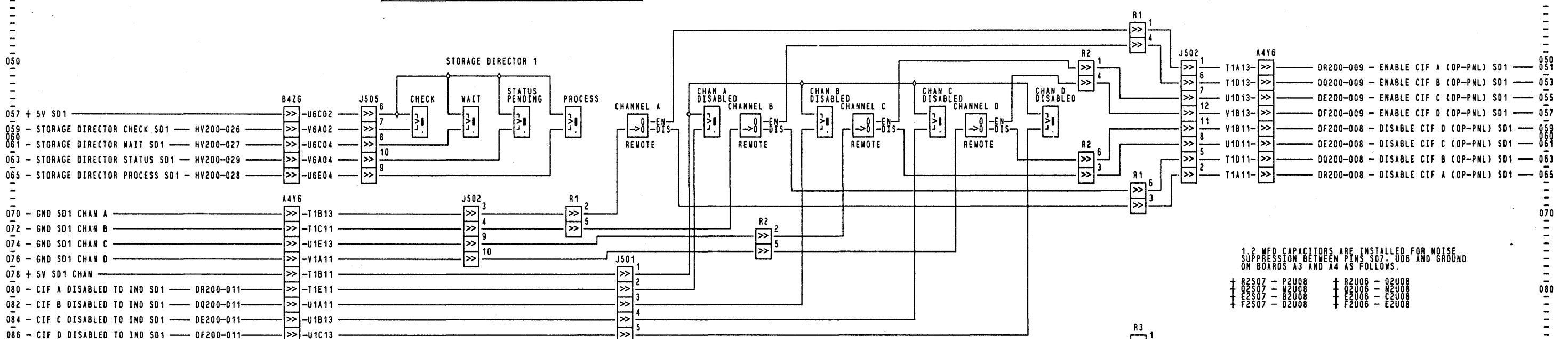
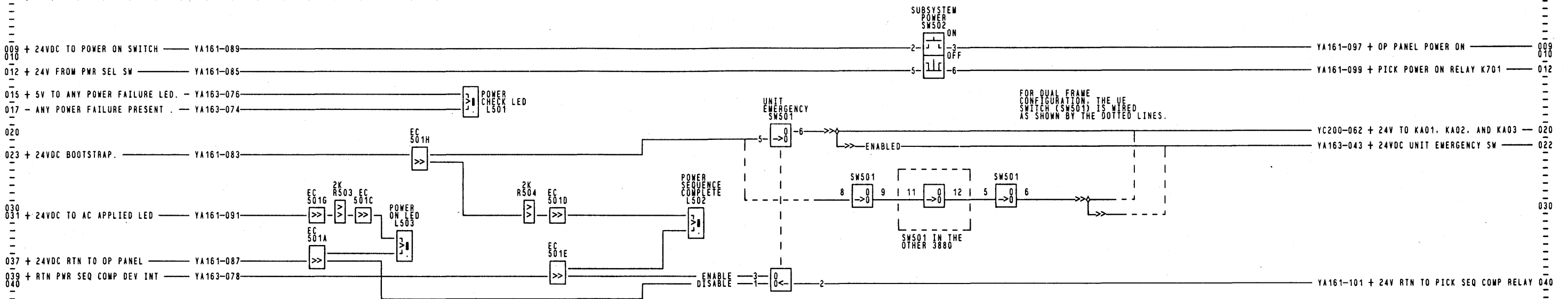
EC HISTORY

09AUG84 881221	CENTRAL POWER CONTROL BOARD FEED THRU
SEQ YA009	PRINT 10JAN85 1044 PN 6315759
	PAGE 15 OF 32
WACH 3880	HPN
LOC H2608X	HEC A21801





EC HISTORY
09AUG84 881221 OPERATOR PANEL AND 4 CHANNEL SWITCHES MODELS WITH SUBSYSTEM STORAGE SEQ YA009 PRINT 10JAN85 1111 PN 6315759 PAGE 17 OF 32
MACH 3880 HPN
PNAME HZ608X HEC A2100
LOC

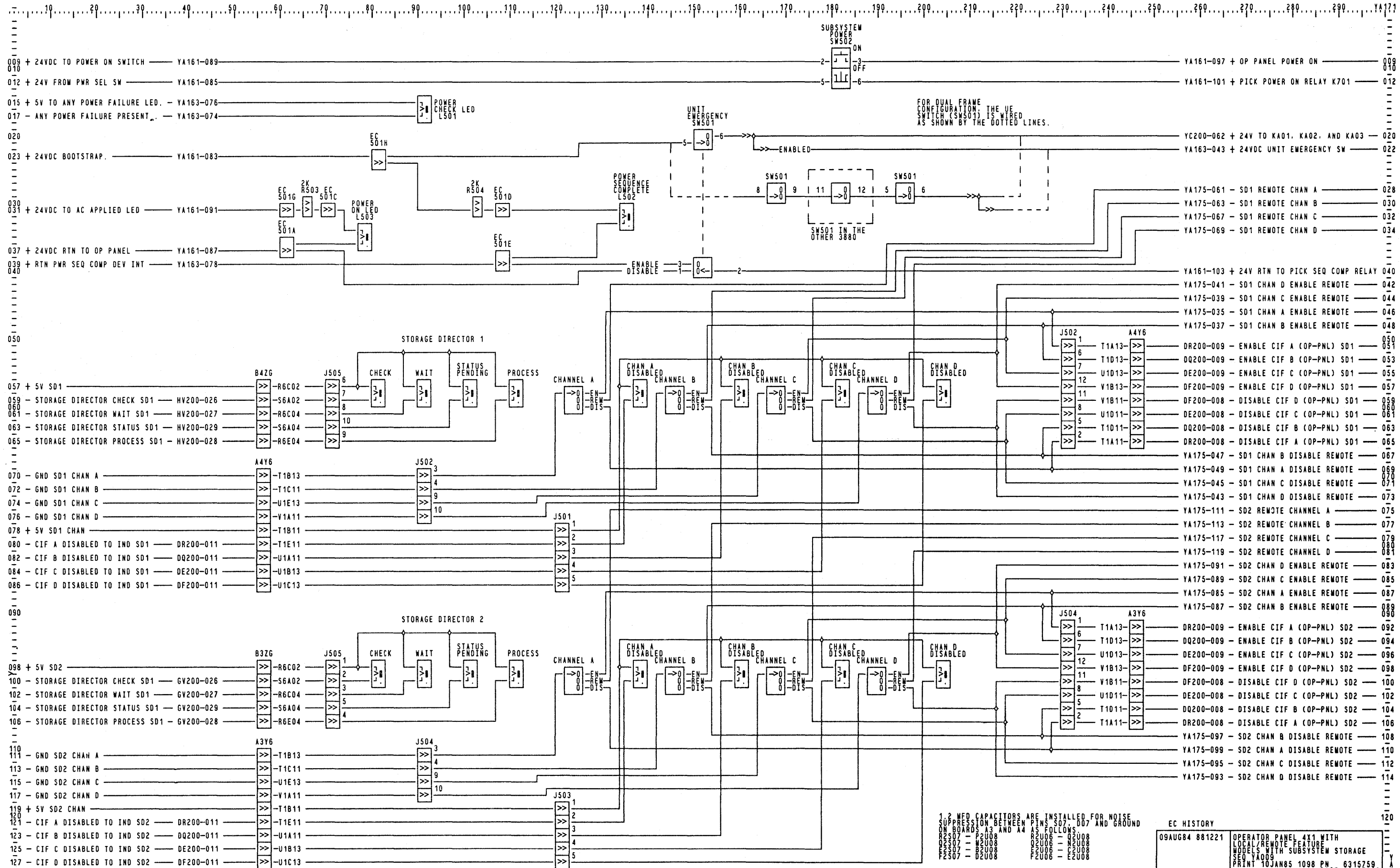


1, 2 MED CAPACITORS ARE INSTALLED FOR NOISE SUPPRESSION BETWEEN PINS S07, U06 AND GROUND ON BOARDS A3 AND A4 AS FOLLOWS.

- + R2S07 - P2U08
- + R2U06 - Q2U08
- + R2S07 - W2U08
- + R2U06 - Q2U08
- + R2S07 - B2U08
- + R2U06 - P2U08
- + R2S07 - D2U08
- + R2U06 - E2U08

EC HISTORY

09AUG84 881221	OPERATOR PANEL WITH REMOTE CHANNEL SWITCHES MODELS WITH SUBSYSTEM STORAGE
PRINT 10JAN85 1111	PN 6315759
	PAGE 18 OF 32
WACH 3880	HPN
NAME H2608X	HEC
	A21801
	0003

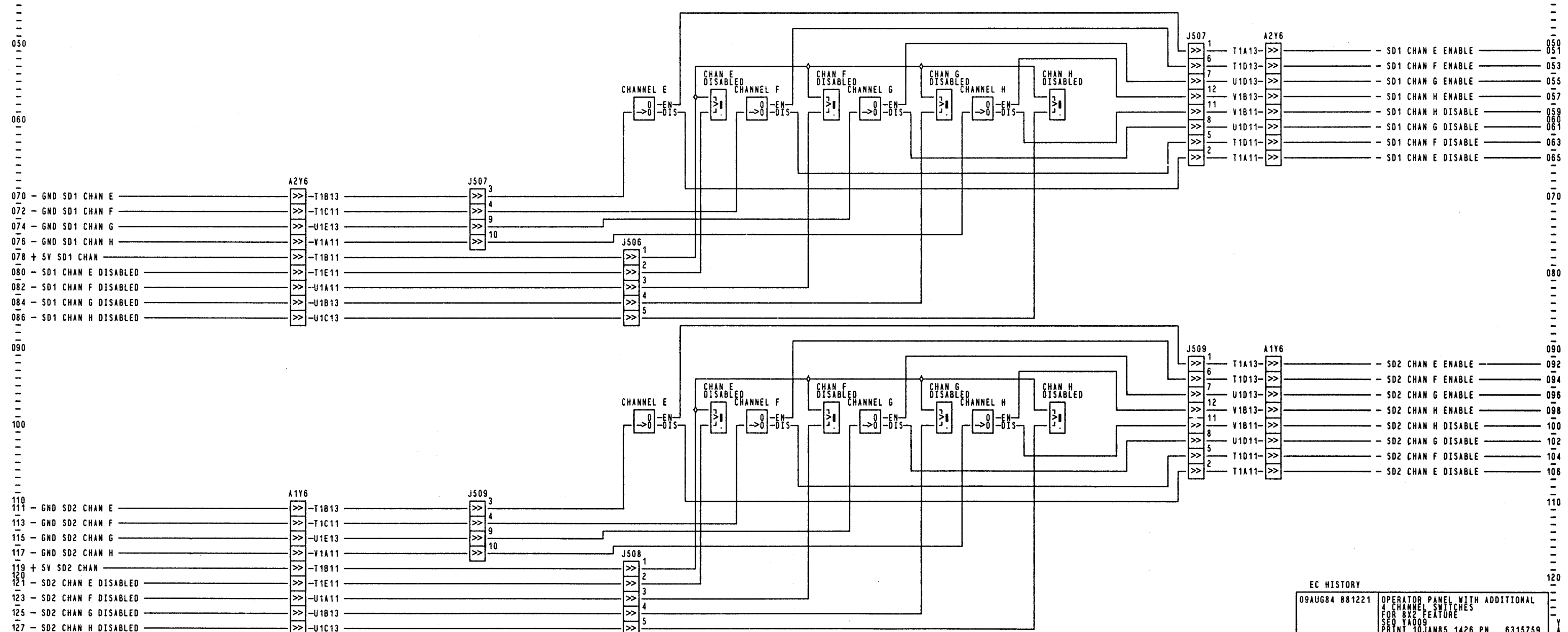


009 + 24VDC TO POWER ON SWITCH — YA161-089 ————— 009
 010 ————— 010
 012 + 24V FROM PWR SEL SW — YA161-085 ————— 012
 015 + 5V TO ANY POWER FAILURE LED. — YA163-076 ————— 015
 017 — ANY POWER FAILURE PRESENT — YA163-074 ————— 017
 020 ————— 020
 023 + 24VDC BOOTSTRAP. — YA161-083 ————— 023
 030 ————— 030
 031 + 24VDC TO AC APPLIED LED — YA161-091 ————— 031
 037 + 24VDC RTN TO OP PANEL — YA161-087 ————— 037
 039 + RTN PWR SEQ COMP DEV INT — YA163-078 ————— 039
 040 ————— 040
 050 ————— 050
 057 + 5V SD1 ————— 057
 059 — STORAGE DIRECTOR CHECK SD1 — HV200-026 ————— 059
 060 — STORAGE DIRECTOR WAIT SD1 — HV200-027 ————— 060
 061 — STORAGE DIRECTOR STATUS SD1 — HV200-029 ————— 061
 063 — STORAGE DIRECTOR PROCESS SD1 — HV200-028 ————— 063
 065 — STORAGE DIRECTOR PROCESS SD1 — HV200-028 ————— 065
 070 — GND SD1 CHAN A ————— 070
 072 — GND SD1 CHAN B ————— 072
 074 — GND SD1 CHAN C ————— 074
 076 — GND SD1 CHAN D ————— 076
 078 + 5V SD1 CHAN ————— 078
 080 — CIF A DISABLED TO IND SD1 — DR200-011 ————— 080
 082 — CIF B DISABLED TO IND SD1 — DQ200-011 ————— 082
 084 — CIF C DISABLED TO IND SD1 — DE200-011 ————— 084
 086 — CIF D DISABLED TO IND SD1 — DF200-011 ————— 086
 090 ————— 090
 098 + 5V SD2 ————— 098
 100 — STORAGE DIRECTOR CHECK SD1 — GV200-026 ————— 100
 102 — STORAGE DIRECTOR WAIT SD1 — GV200-027 ————— 102
 104 — STORAGE DIRECTOR STATUS SD1 — GV200-029 ————— 104
 106 — STORAGE DIRECTOR PROCESS SD1 — GV200-028 ————— 106
 110 — GND SD2 CHAN A ————— 110
 111 — GND SD2 CHAN B ————— 111
 113 — GND SD2 CHAN C ————— 113
 115 — GND SD2 CHAN D ————— 115
 117 — GND SD2 CHAN D ————— 117
 119 + 5V SD2 CHAN ————— 119
 120 — CIF A DISABLED TO IND SD2 — DR200-011 ————— 120
 121 — CIF B DISABLED TO IND SD2 — DQ200-011 ————— 121
 123 — CIF C DISABLED TO IND SD2 — DE200-011 ————— 123
 125 — CIF D DISABLED TO IND SD2 — DF200-011 ————— 125
 127 — CIF D DISABLED TO IND SD2 — DF200-011 ————— 127

009 + OP PANEL POWER ON ————— 009
 010 ————— 010
 012 + PICK POWER ON RELAY K701 ————— 012
 020 + 24V TO KA01, KA02, AND KA03 ————— 020
 022 + 24VDC UNIT EMERGENCY SW ————— 022
 028 — SD1 REMOTE CHAN A ————— 028
 030 — SD1 REMOTE CHAN B ————— 030
 032 — SD1 REMOTE CHAN C ————— 032
 034 — SD1 REMOTE CHAN D ————— 034
 040 + 24V RTN TO PICK SEQ COMP RELAY ————— 040
 042 — SD1 CHAN D ENABLE REMOTE ————— 042
 044 — SD1 CHAN C ENABLE REMOTE ————— 044
 046 — SD1 CHAN A ENABLE REMOTE ————— 046
 048 — SD1 CHAN B ENABLE REMOTE ————— 048
 050 ————— 050
 051 — ENABLE CIF A (OP-PNL) SD1 ————— 051
 053 — ENABLE CIF B (OP-PNL) SD1 ————— 053
 055 — ENABLE CIF C (OP-PNL) SD1 ————— 055
 057 — ENABLE CIF D (OP-PNL) SD1 ————— 057
 059 — DISABLE CIF D (OP-PNL) SD1 ————— 059
 060 — DISABLE CIF C (OP-PNL) SD1 ————— 060
 061 — DISABLE CIF B (OP-PNL) SD1 ————— 061
 063 — DISABLE CIF A (OP-PNL) SD1 ————— 063
 065 — SD1 CHAN B DISABLE REMOTE ————— 065
 067 — SD1 CHAN A DISABLE REMOTE ————— 067
 069 — SD1 CHAN C DISABLE REMOTE ————— 069
 071 — SD1 CHAN D DISABLE REMOTE ————— 071
 073 — SD1 CHAN D DISABLE REMOTE ————— 073
 075 — SD2 REMOTE CHANNEL A ————— 075
 077 — SD2 REMOTE CHANNEL B ————— 077
 079 — SD2 REMOTE CHANNEL C ————— 079
 081 — SD2 REMOTE CHANNEL D ————— 081
 083 — SD2 CHAN D ENABLE REMOTE ————— 083
 085 — SD2 CHAN C ENABLE REMOTE ————— 085
 087 — SD2 CHAN A ENABLE REMOTE ————— 087
 089 — SD2 CHAN B ENABLE REMOTE ————— 089
 090 ————— 090
 092 — ENABLE CIF A (OP-PNL) SD2 ————— 092
 094 — ENABLE CIF B (OP-PNL) SD2 ————— 094
 096 — ENABLE CIF C (OP-PNL) SD2 ————— 096
 098 — ENABLE CIF D (OP-PNL) SD2 ————— 098
 100 — DISABLE CIF D (OP-PNL) SD2 ————— 100
 102 — DISABLE CIF C (OP-PNL) SD2 ————— 102
 104 — DISABLE CIF B (OP-PNL) SD2 ————— 104
 106 — DISABLE CIF A (OP-PNL) SD2 ————— 106
 108 — SD2 CHAN B DISABLE REMOTE ————— 108
 110 — SD2 CHAN A DISABLE REMOTE ————— 110
 112 — SD2 CHAN C DISABLE REMOTE ————— 112
 114 — SD2 CHAN D DISABLE REMOTE ————— 114

1, 2 MFD CAPACITORS ARE INSTALLED FOR NOISE SUPPRESSION BETWEEN PINS S07, D07 AND GROUND ON BOARDS A3 AND A4 AS FOLLOWS
 R2207 - F2U08 R2U08 - Q2U08
 R2207 - W2U08 Q2U08 - F2U08
 R2207 - B2U08 Q2U08 - F2U08
 R2207 - D2U08 F2U08 - E2U08

EC HISTORY
 09AUG84 881221 OPERATOR PANEL 4X1 WITH LOCAL REMOTE FEATURE
 MODEL WITH SUBSYSTEM STORAGE
 SEQ YA009
 PRINT 10JAN85 1098 PN 6315759
 PAGE 19 OF 32
 WACH 3880 HPN
 LOC H2608X HEC A21001
 0001



EC HISTORY
 09AUG84 881221 OPERATOR PANEL WITH ADDITIONAL
 4 CHANNEL SWITCHES
 FOR SX2 FEATURE
 SEQ 1A009
 PRINT 10JAN85 1426 PN 6315759
 PAGE 20 OF 32
 WACH 3880 HPN
 PWME HZ608X HEC A21801
 LOC 0002

10 20 30 40 50 60 70 80 90 100 110 120 130 140 150 160 170 180 190 200 210 220 230 240 250 260 270 280 290 300 YA173

010

020

030

040

050

060

070

080

090

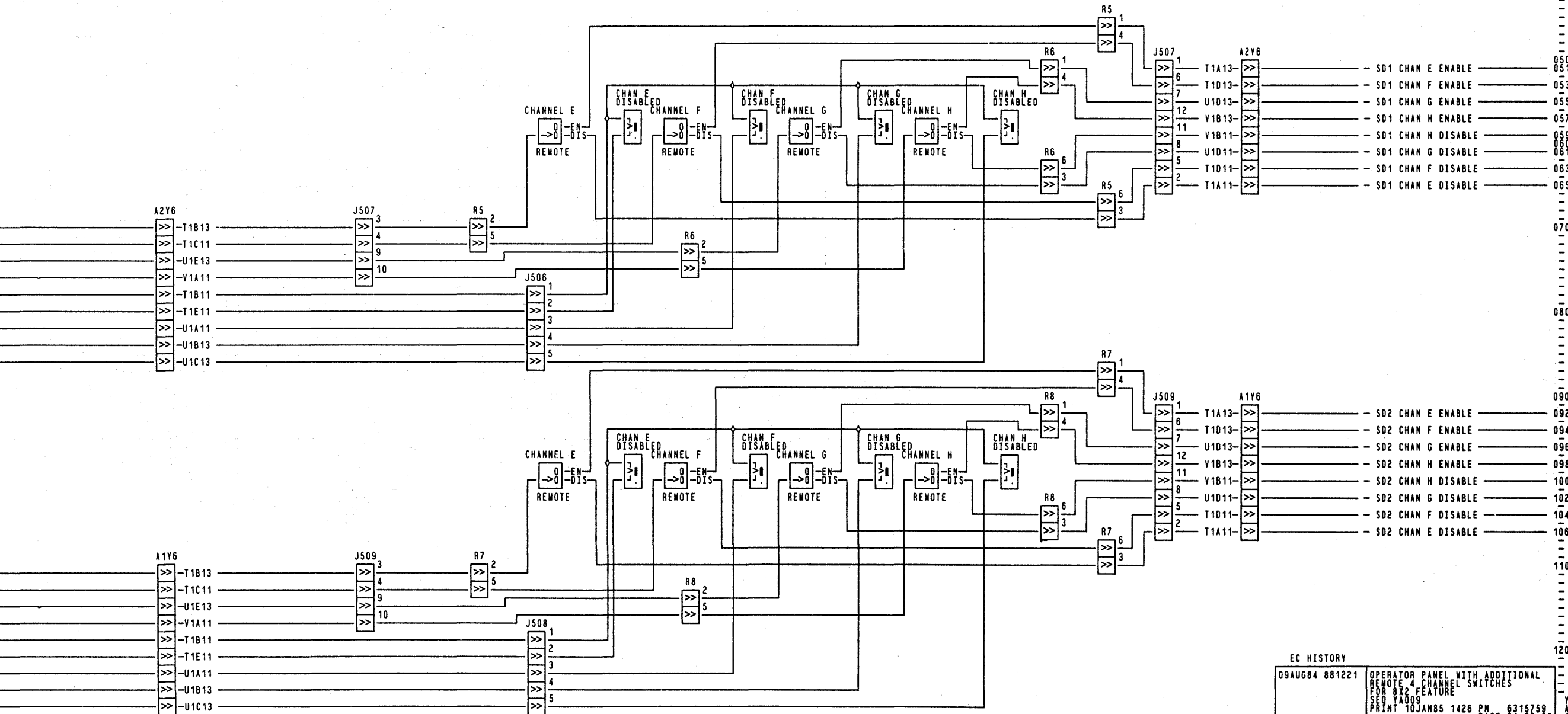
100

110

120

YA173 (C) COPYRIGHT IBM CORPORATION 1985 50 60 70 80 90 100 110 120 130 140 150 160 170 180 190 200 210 220 230 240 250

- 070 - GND SD1 CHAN E
- 072 - GND SD1 CHAN F
- 074 - GND SD1 CHAN G
- 076 - GND SD1 CHAN H
- 078 + 5V SD1 CHAN
- 080 - SD1 CHAN E DISABLED
- 082 - SD1 CHAN F DISABLED
- 084 - SD1 CHAN G DISABLED
- 086 - SD1 CHAN H DISABLED
- 110 - GND SD2 CHAN E
- 113 - GND SD2 CHAN F
- 115 - GND SD2 CHAN G
- 117 - GND SD2 CHAN H
- 119 + 5V SD2 CHAN
- 120 - SD2 CHAN E DISABLED
- 123 - SD2 CHAN F DISABLED
- 125 - SD2 CHAN G DISABLED
- 127 - SD2 CHAN H DISABLED



1.2 MFD CAPACITORS ARE INSTALLED FOR NOISE SUPPRESSION BETWEEN PINS 507, 506 AND GROUND ON BOARDS A1 AND A2 AS FOLLOWS.

- + R2507 - P2U08
- + R2507 - M2U08
- + R2507 - B2U08
- + R2U06 - Q2U08
- + R2U06 - N2U08
- + R2U06 - E2U08

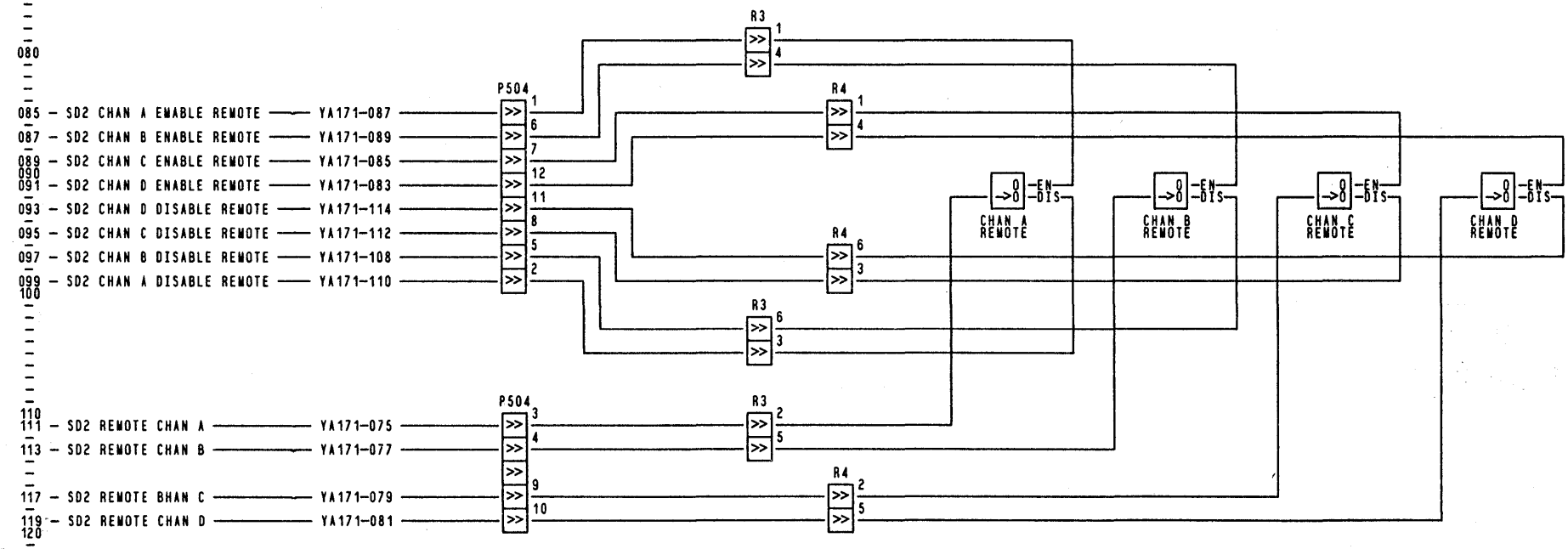
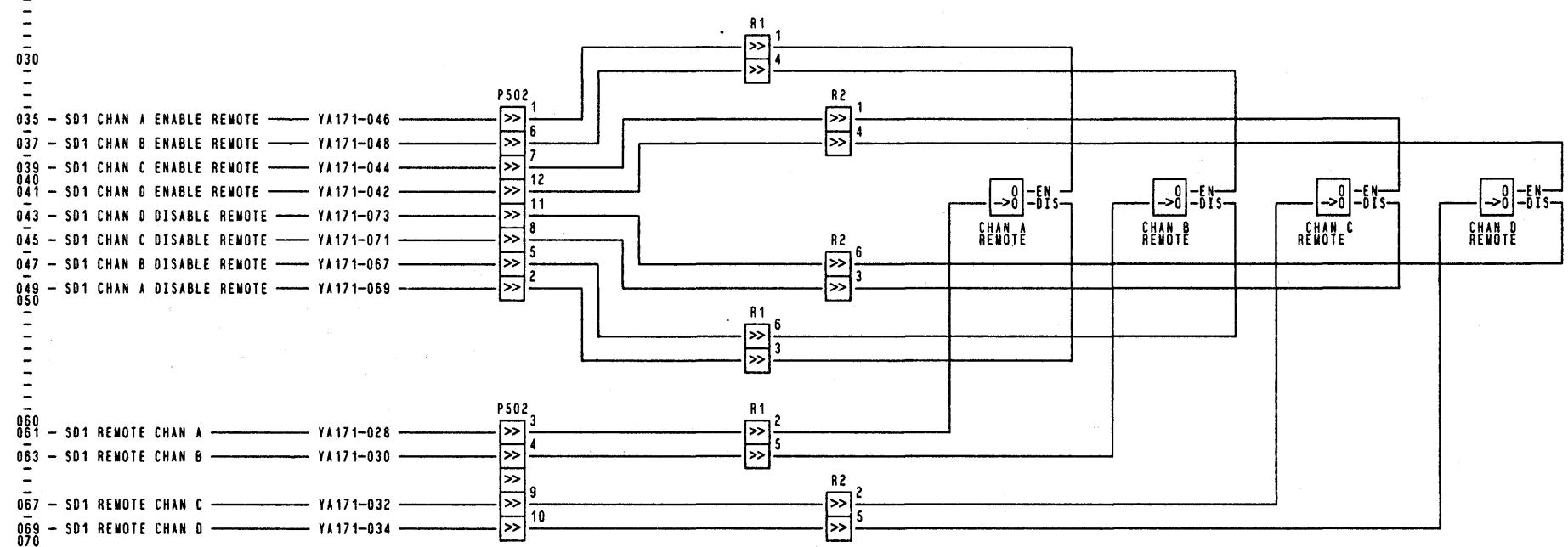
EC HISTORY
09AUG84 881221

OPERATOR PANEL WITH ADDITIONAL REMOTE 4 CHANNEL SWITCHES FOR 8X2 FEATURE
SEQ YA009
PRINT 10JAN85 1426 PW 6315759
PAGE 21 OF 32

MACH 3880 HPN
NAME HZ608X HEC A21001
LOC 0001

010
020
030
035
037
039
040
041
043
045
047
049
050
060
061
063
067
069
070
080
085
087
089
090
091
093
095
097
099
100
110
111
113
117
119
120
YA175 (C) COPYRIGHT IBM CORPORATION 1985

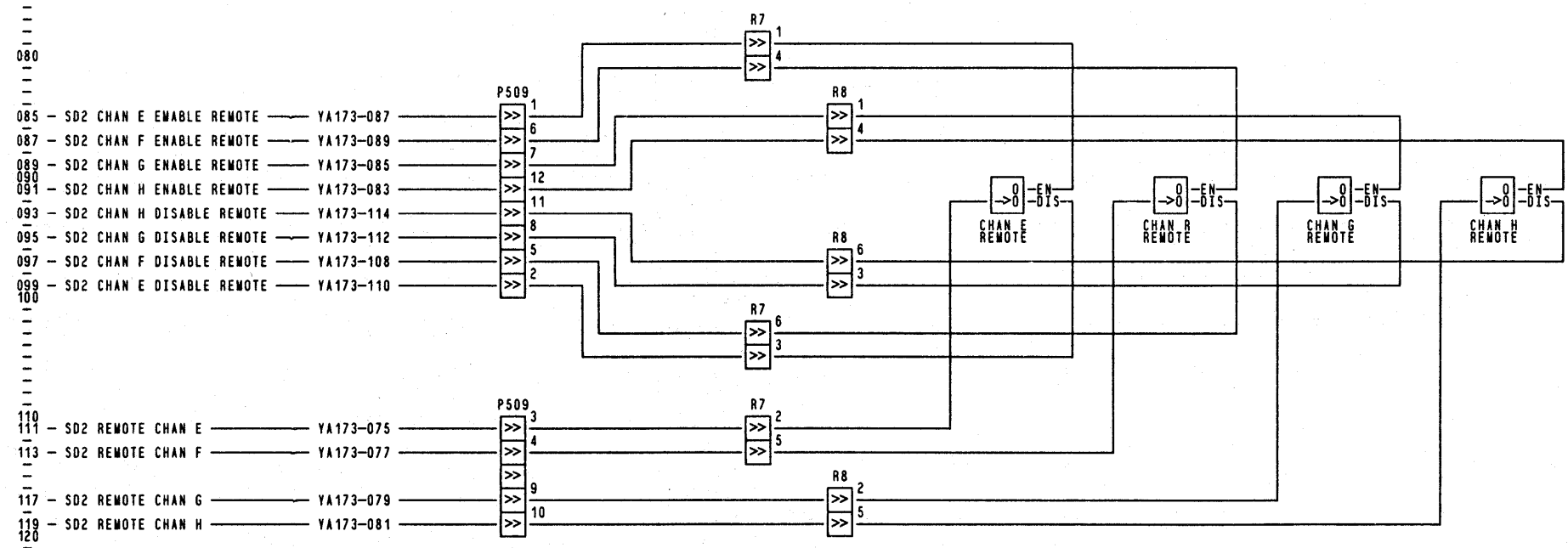
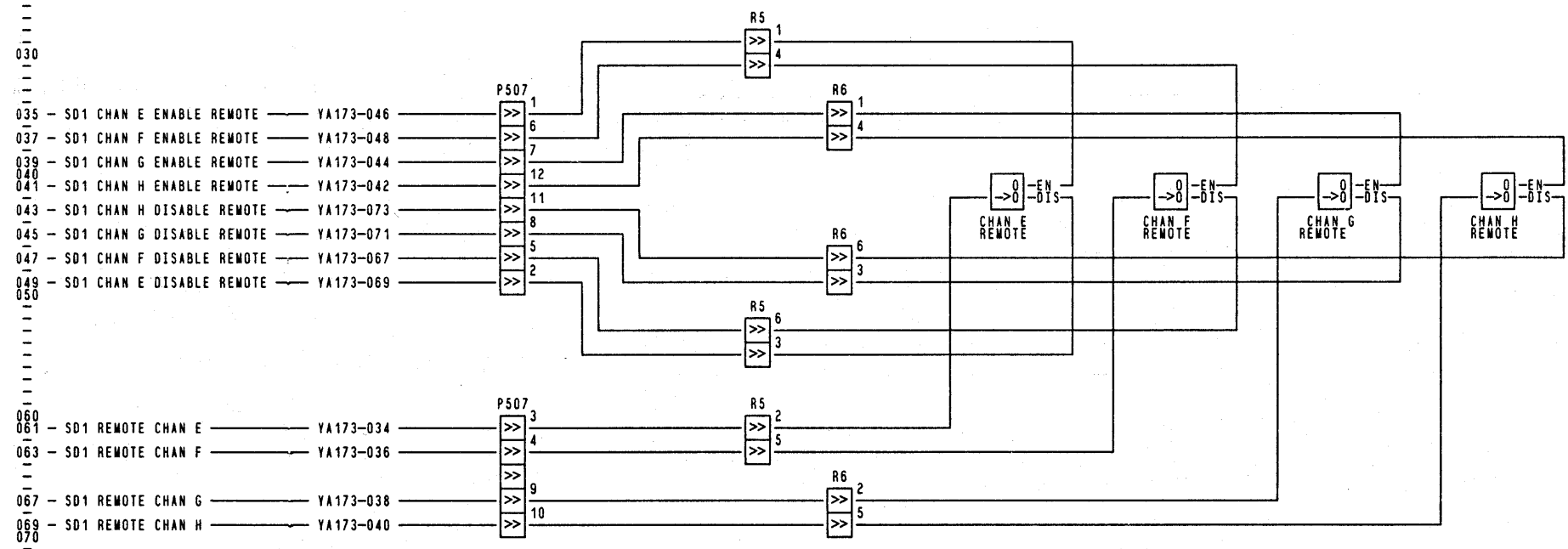
010
020
030
040
050
060
070
080
090
100
110
120
Y
5



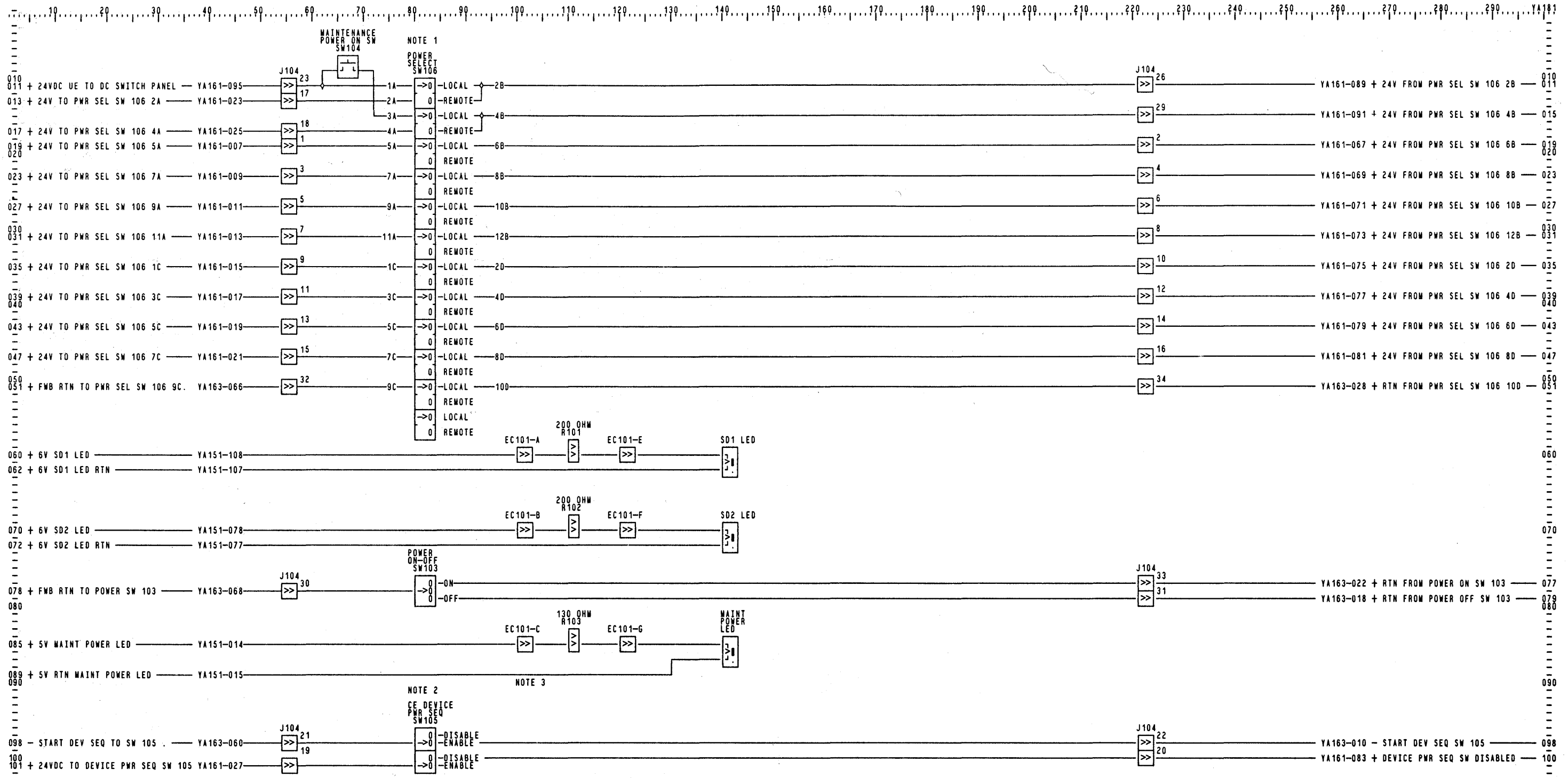
EC HISTORY
 09AUG84 881221 4X1 LOCAL REMOTE SWITCH FEATURE
 SEQ YA009
 PRINT 10JAN85 0022 PW 6315759 PAGE 22 OF 32
 MACH 3880 HPN
 PRIME HZ608X HEC 421801
 LGC

010
020
030
035
037
039
041
043
045
047
049
050
060
061
063
067
069
070
080
085
087
089
091
093
095
097
099
100
110
111
113
117
119
120

010
020
030
040
050
060
070
080
090
100
110
120



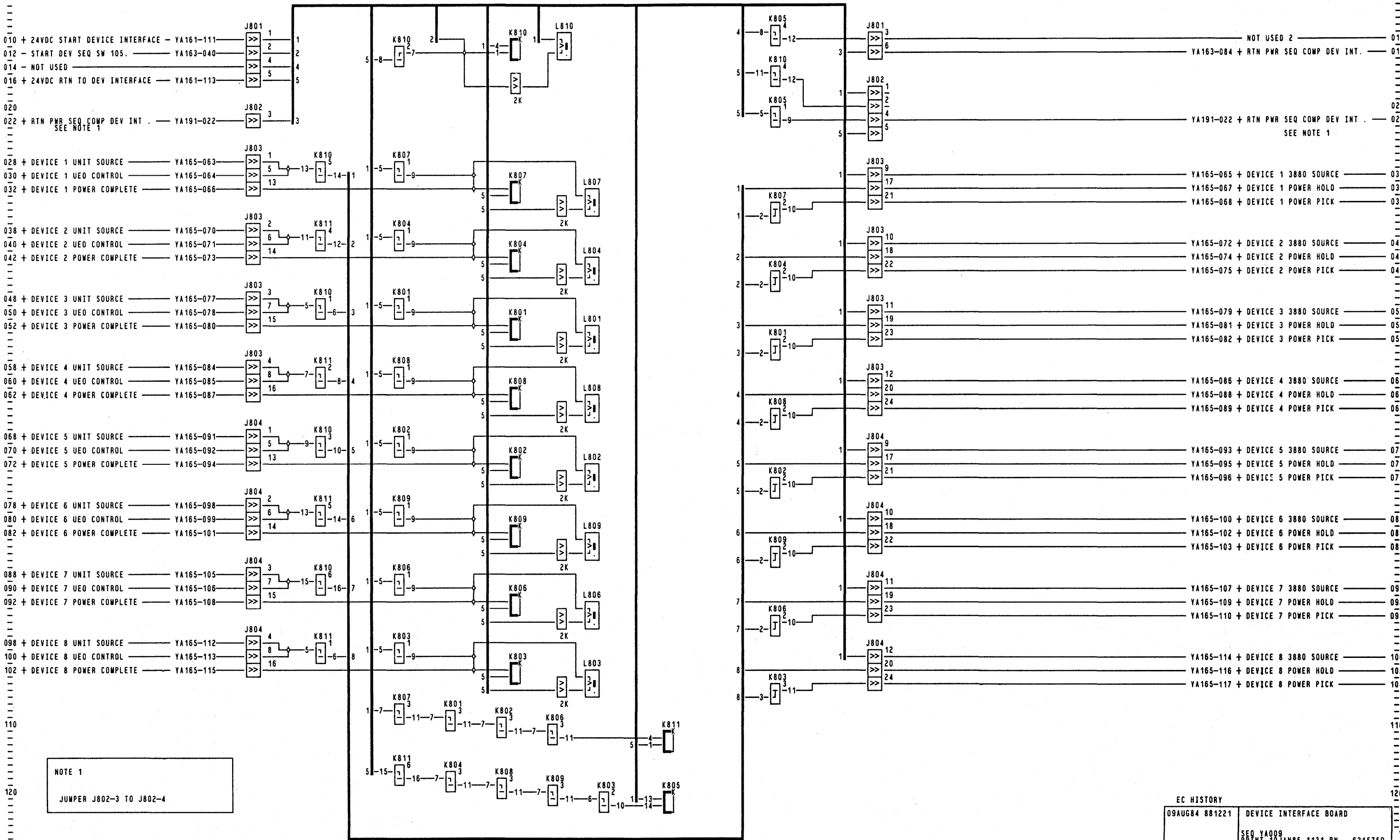
EC HISTORY	
09AUG84 881221	8X2 LOCAL REMOTE SWITCH FEATURE
SEQ YA009	
PRINT 10JAN85 0018	PN 6315759
	PAGE 23 OF 32
MACH 3980	HPN
LOC PLANE H2608X	HEC A21801



NOTE 1: POWER SELECT SWITCH SHOWN IN LOCAL POSITION
 NOTE 2: CE DEVICE SWITCH SHOWN IN ENABLE POSITION

NOTE 3: E.C. POSITIONS D AND H RESERVED FOR FEATURES

EC HISTORY	
09AUG84 881221	DC SWITCH PANEL
SEQ YA009	PRINT 10JAN85 1436 PM 6315759
	PAGE 24 OF 32
WACH 3880	HPN
PRAME H2608X	HEC A21001
LOC	0001

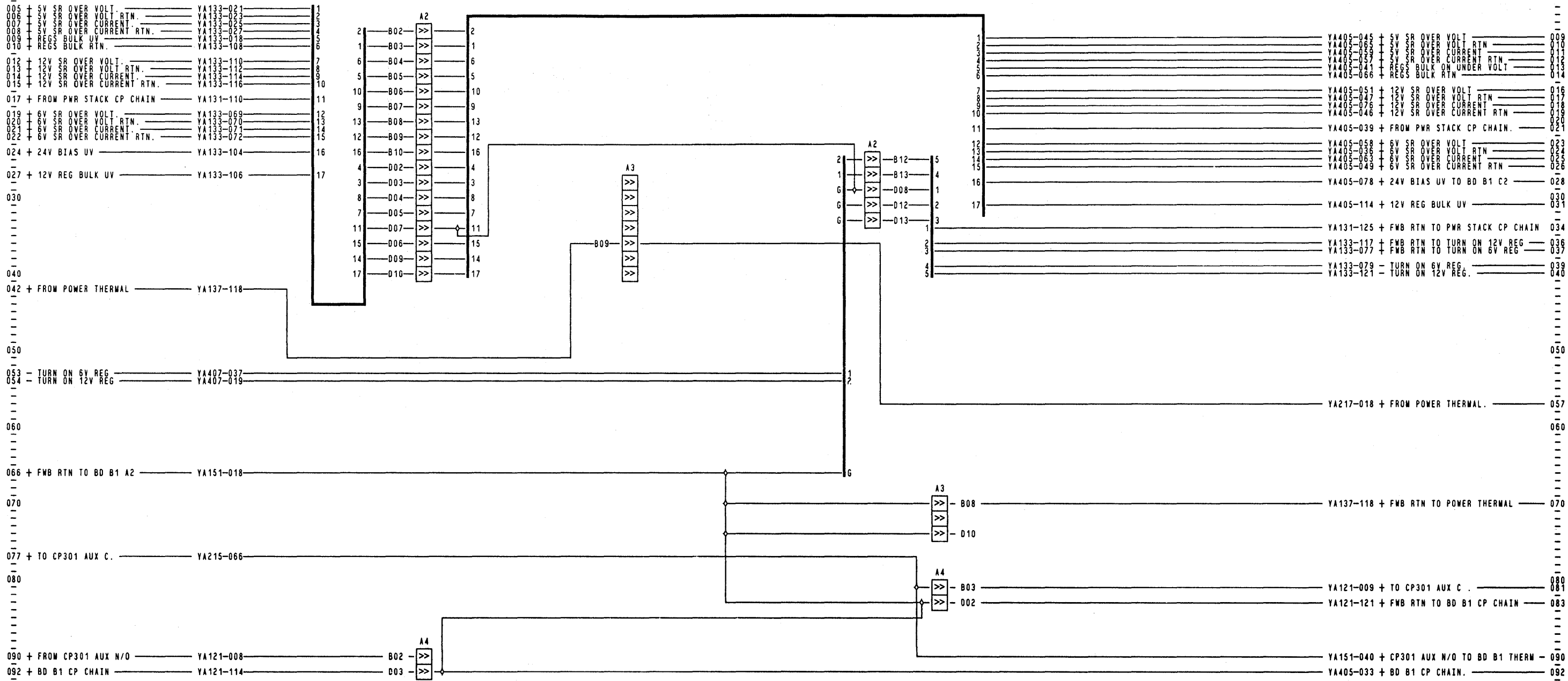


010 + 24VDC START DEVICE INTERFACE - YA161-111
 012 - START DEV SEQ SW 105. - YA163-040
 014 - NOT USED
 016 + 24VDC RTN TO DEV INTERFACE - YA161-113
 020
 022 + RTN PWR SEQ COMP DEV INT . - YA191-022
 SEE NOTE 1
 028 + DEVICE 1 UNIT SOURCE - YA165-063
 030 + DEVICE 1 UEO CONTROL - YA165-064
 032 + DEVICE 1 POWER COMPLETE - YA165-066
 038 + DEVICE 2 UNIT SOURCE - YA165-070
 040 + DEVICE 2 UEO CONTROL - YA165-071
 042 + DEVICE 2 POWER COMPLETE - YA165-073
 048 + DEVICE 3 UNIT SOURCE - YA165-077
 050 + DEVICE 3 UEO CONTROL - YA165-078
 052 + DEVICE 3 POWER COMPLETE - YA165-080
 058 + DEVICE 4 UNIT SOURCE - YA165-084
 060 + DEVICE 4 UEO CONTROL - YA165-085
 062 + DEVICE 4 POWER COMPLETE - YA165-087
 068 + DEVICE 5 UNIT SOURCE - YA165-091
 070 + DEVICE 5 UEO CONTROL - YA165-092
 072 + DEVICE 5 POWER COMPLETE - YA165-094
 078 + DEVICE 6 UNIT SOURCE - YA165-098
 080 + DEVICE 6 UEO CONTROL - YA165-099
 082 + DEVICE 6 POWER COMPLETE - YA165-101
 088 + DEVICE 7 UNIT SOURCE - YA165-105
 090 + DEVICE 7 UEO CONTROL - YA165-106
 092 + DEVICE 7 POWER COMPLETE - YA165-108
 098 + DEVICE 8 UNIT SOURCE - YA165-112
 100 + DEVICE 8 UEO CONTROL - YA165-113
 102 + DEVICE 8 POWER COMPLETE - YA165-115

NOT USED 2
 YA163-084 + RTN PWR SEQ COMP DEV INT.
 YA191-022 + RTN PWR SEQ COMP DEV INT .
 SEE NOTE 1
 YA165-065 + DEVICE 1 3880 SOURCE
 YA165-067 + DEVICE 1 POWER HOLD
 YA165-068 + DEVICE 1 POWER PICK
 YA165-072 + DEVICE 2 3880 SOURCE
 YA165-074 + DEVICE 2 POWER HOLD
 YA165-075 + DEVICE 2 POWER PICK
 YA165-079 + DEVICE 3 3880 SOURCE
 YA165-081 + DEVICE 3 POWER HOLD
 YA165-082 + DEVICE 3 POWER PICK
 YA165-086 + DEVICE 4 3880 SOURCE
 YA165-088 + DEVICE 4 POWER HOLD
 YA165-089 + DEVICE 4 POWER PICK
 YA165-093 + DEVICE 5 3880 SOURCE
 YA165-095 + DEVICE 5 POWER HOLD
 YA165-096 + DEVICE 5 POWER PICK
 YA165-100 + DEVICE 6 3880 SOURCE
 YA165-102 + DEVICE 6 POWER HOLD
 YA165-103 + DEVICE 6 POWER PICK
 YA165-107 + DEVICE 7 3880 SOURCE
 YA165-109 + DEVICE 7 POWER HOLD
 YA165-110 + DEVICE 7 POWER PICK
 YA165-114 + DEVICE 8 3880 SOURCE
 YA165-116 + DEVICE 8 POWER HOLD
 YA165-117 + DEVICE 8 POWER PICK

NOTE 1
 JUMPER J802-3 TO J802-4

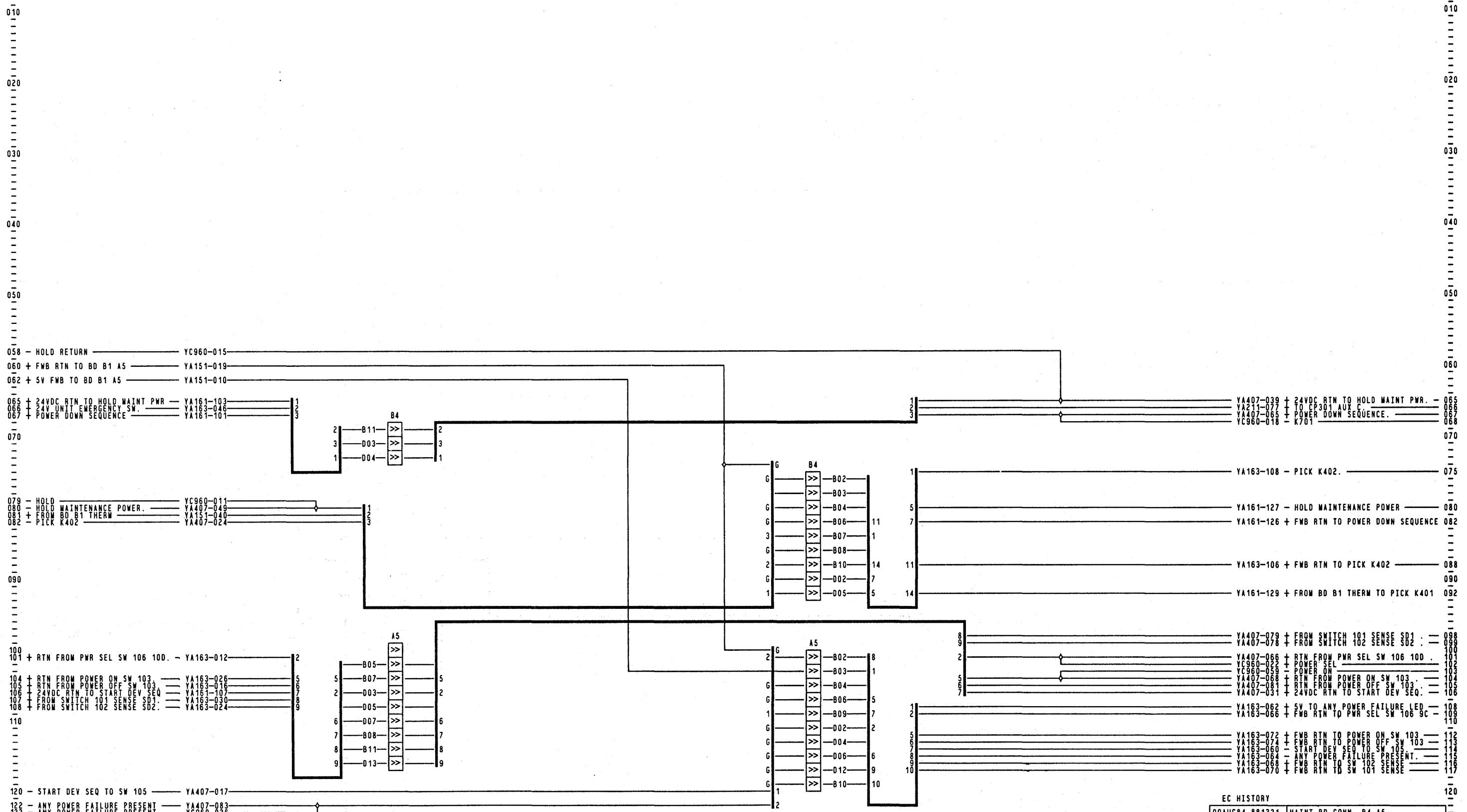
EC HISTORY	
09AUG84 881221	DEVICE INTERFACE BOARD
SEQ YA009	PRINT 10JAN85 1121 PM 6315259
	PAGE 25 OF 32
MACH 3880	HPM
PRNWE H2608X	REC 421001
LOC	



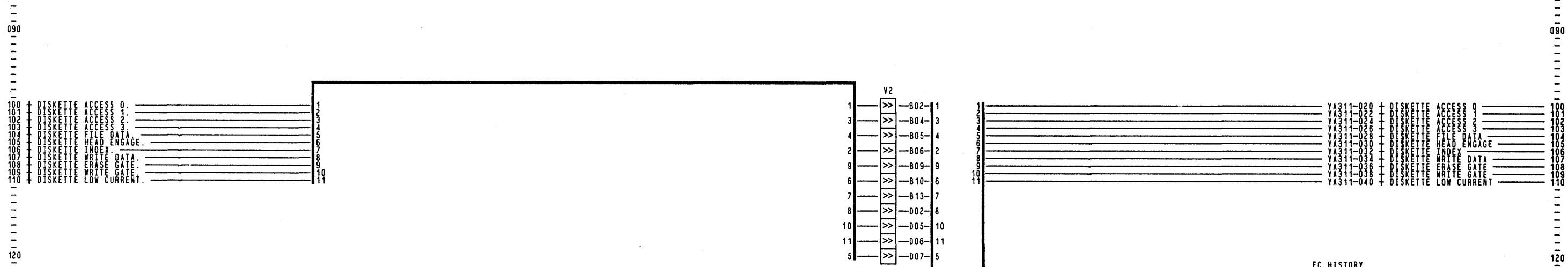
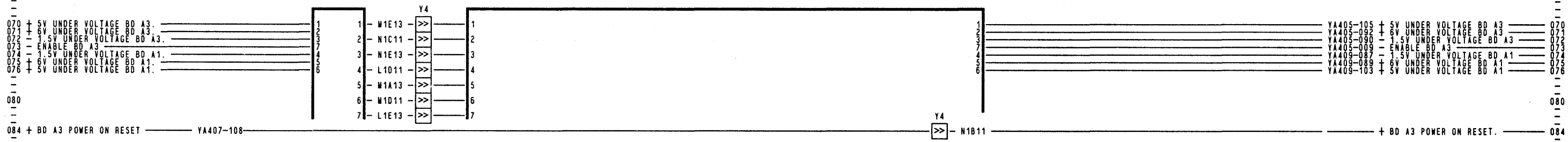
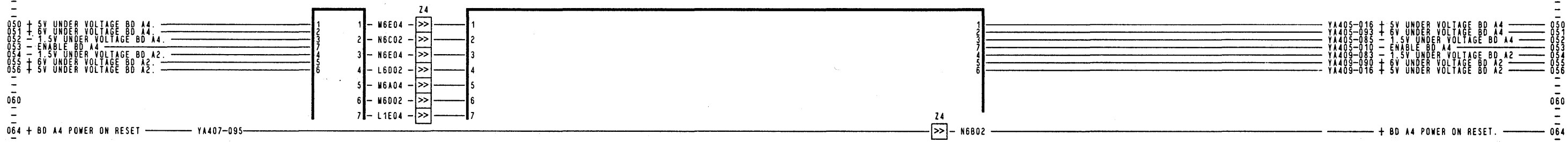
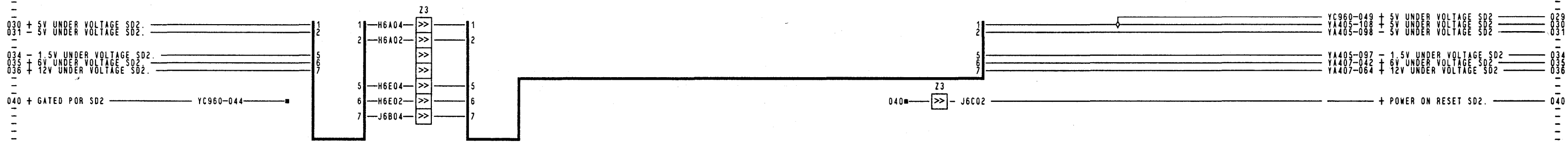
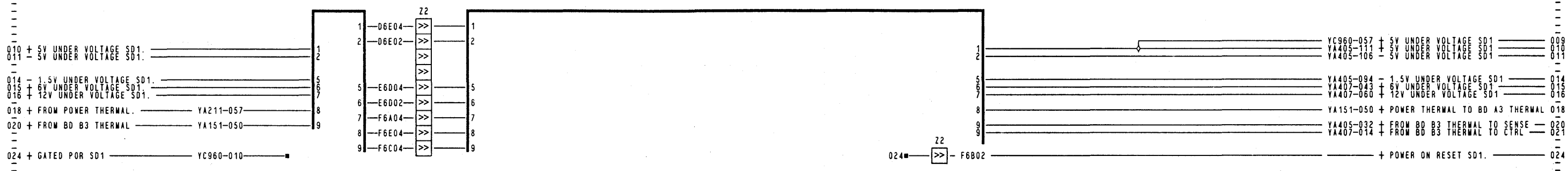
005 + 5V SR OVER VOLT RTN. YA133-021 2
 006 + 5V SR OVER VOLT RTN. YA133-022 3
 007 + 5V SR OVER CURRENT RTN. YA133-023 4
 008 + 5V SR OVER CURRENT RTN. YA133-024 5
 009 + REGS BULK UV YA133-018 6
 010 + REGS BULK RTN. YA133-108 6
 012 + 12V SR OVER VOLT RTN. YA133-110 7
 013 + 12V SR OVER VOLT RTN. YA133-112 8
 014 + 12V SR OVER CURRENT RTN. YA133-114 9
 015 + 12V SR OVER CURRENT RTN. YA133-116 10
 017 + FROM PWR STACK CP CHAIN YA131-110 11
 019 + 6V SR OVER VOLT RTN. YA133-069 12
 020 + 6V SR OVER VOLT RTN. YA133-070 13
 021 + 6V SR OVER CURRENT RTN. YA133-071 14
 022 + 6V SR OVER CURRENT RTN. YA133-072 15
 024 + 24V BIAS UV YA133-104 16
 027 + 12V REG BULK UV YA133-106 17
 030
 040
 042 + FROM POWER THERMAL YA137-118
 050
 053 - TURN ON 6V REG YA407-037
 054 - TURN ON 12V REG YA407-019
 060
 066 + FWB RTN TO BD B1 A2 YA151-018
 070
 077 + TO CP301 AUX C. YA215-066
 080
 090 + FROM CP301 AUX W/O YA121-008
 092 + BD B1 CP CHAIN YA121-114
 099 + 5V SR OVER VOLT RTN. YA405-045 1
 010 + 5V SR OVER VOLT RTN. YA405-046 2
 011 + 5V SR OVER CURRENT RTN. YA405-047 3
 012 + 5V SR OVER CURRENT RTN. YA405-048 4
 013 + REGS BULK ON UNDER VOLT YA405-049 5
 014 + REGS BULK RTN. YA405-066 6
 016 + 12V SR OVER VOLT RTN. YA405-051 7
 017 + 12V SR OVER VOLT RTN. YA405-052 8
 018 + 12V SR OVER CURRENT RTN. YA405-053 9
 019 + 12V SR OVER CURRENT RTN. YA405-054 10
 021 + FROM PWR STACK CP CHAIN. YA405-039 11
 023 + 6V SR OVER VOLT RTN. YA405-058 12
 024 + 6V SR OVER VOLT RTN. YA405-059 13
 025 + 6V SR OVER CURRENT RTN. YA405-060 14
 026 + 6V SR OVER CURRENT RTN. YA405-061 15
 028 + 24V BIAS UV TO BD B1 C2 YA405-078 16
 030 + 12V REG BULK UV YA405-114 17
 034 + FWB RTN TO PWR STACK CP CHAIN YA131-125 1
 036 + FWB RTN TO TURN ON 12V REG YA133-117 2
 037 + FWB RTN TO TURN ON 6V REG YA133-077 3
 039 - TURN ON 6V REG YA133-079 4
 040 - TURN ON 12V REG. YA133-121 5
 057 + FROM POWER THERMAL. YA217-018 1
 070 + FWB RTN TO POWER THERMAL YA137-118 2
 080 + TO CP301 AUX C. YA121-009 3
 081 + FWB RTN TO BD B1 CP CHAIN YA121-121 4
 090 + CP301 AUX W/O TO BD B1 THERM YA151-040 5
 092 + BD B1 CP CHAIN. YA405-033 6

EC HISTORY	
09AUG84 881221	MAINT BD CONN A2.A3.A4
SEQ YA009	PRINT 10JAN85 1142 PN 6315759
	PAGE 26 OF 32
WACH 3880	HPN
PLANE H2608X	REC A21001
LOC	

10 20 30 40 50 60 70 80 90 100 110 120 130 140 150 160 170 180 190 200 210 220 230 240 250 260 270 280 290 YA215



EC HISTORY
 09AUG84 881221 MAINT BD CONN B4 A5
 MODELS WITH SUBSYSTEM STORAGE
 SEQ YA009
 PRINT 10JAN85 1360 PN 6315759
 PAGE 27 OF 32
 MACH 3880 HPN
 PNAME HZ608X HEC 821801
 LOC



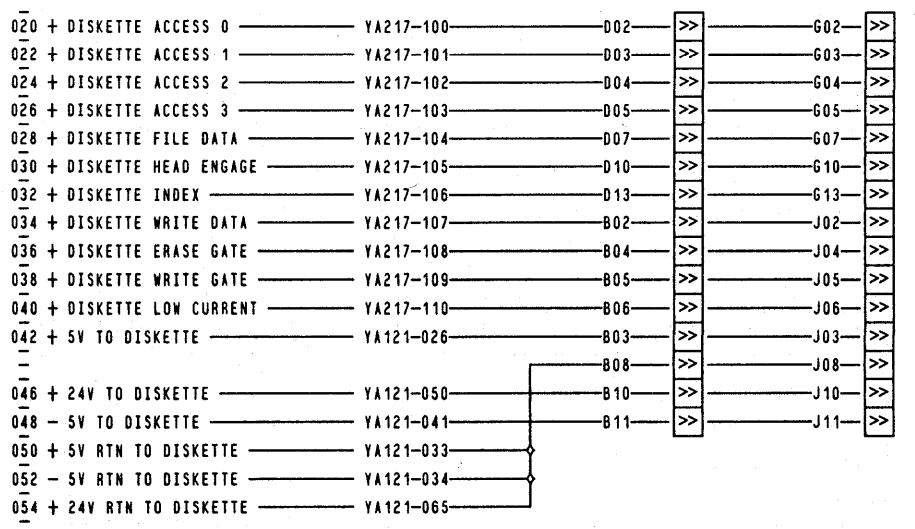
EC HISTORY
 09AUG84 881221 MAINT BD CONN Z2.Z3.Z4.Y4.V2 WITH ADDITIONAL 4 CHANNEL SWITCHES
 SEQ YA009
 PRINT 10JAN85 1438 PN 9315259 PAGE 28 OF 32
 WACH 3880 HPN
 PNAME H2608X HEC
 LOC A21001

10 20 30 40 50 60 70 80 90 100 110 120 130 140 150 160 170 180 190 200 210 220 230 240 250 260 270 280 290 300 YA311

010

010

DISKETTE CABLE DISKETTE CARD



020

030

040

050

060

060

070

070

080

080

090

090

100

100

110

110

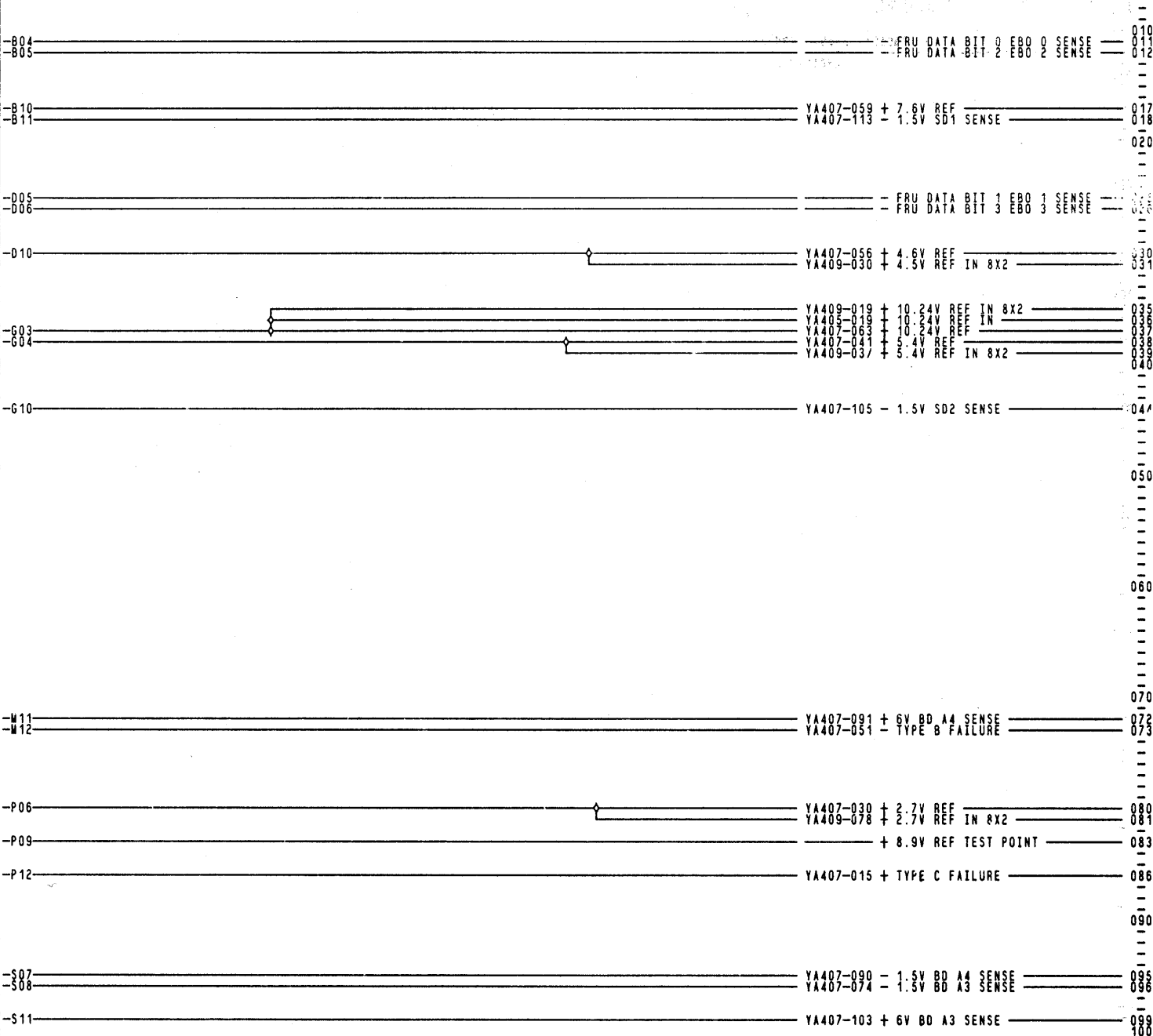
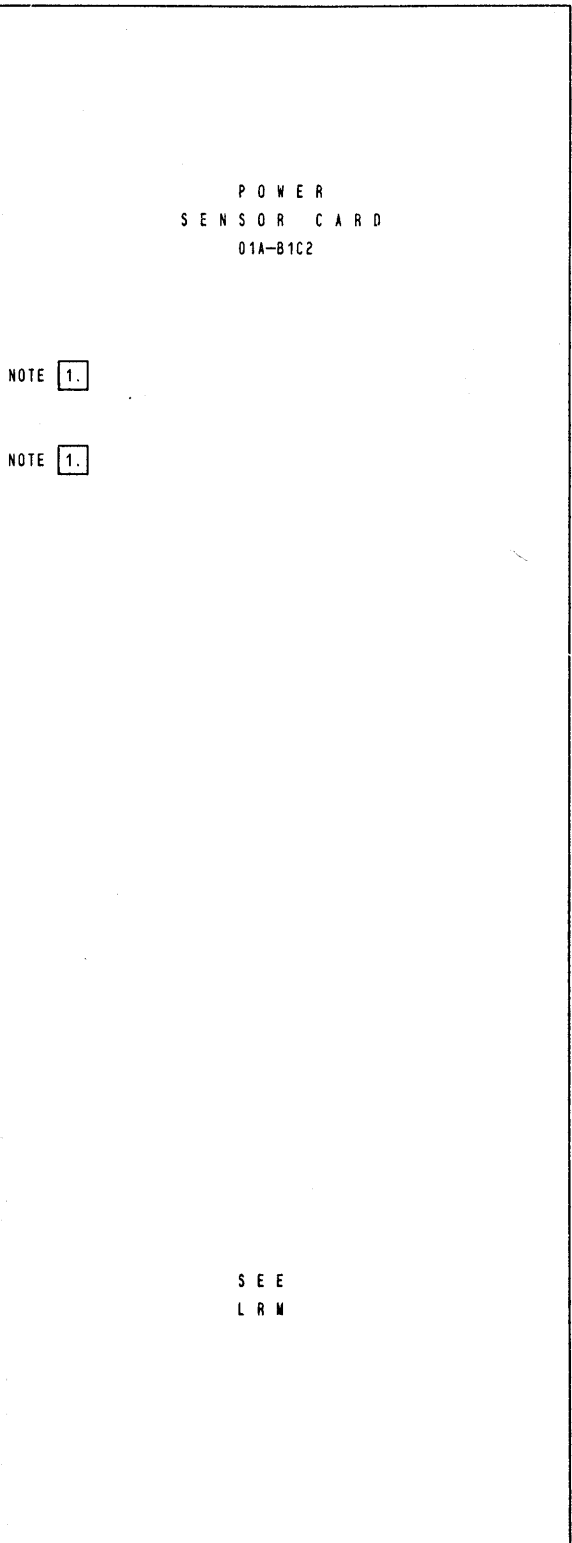
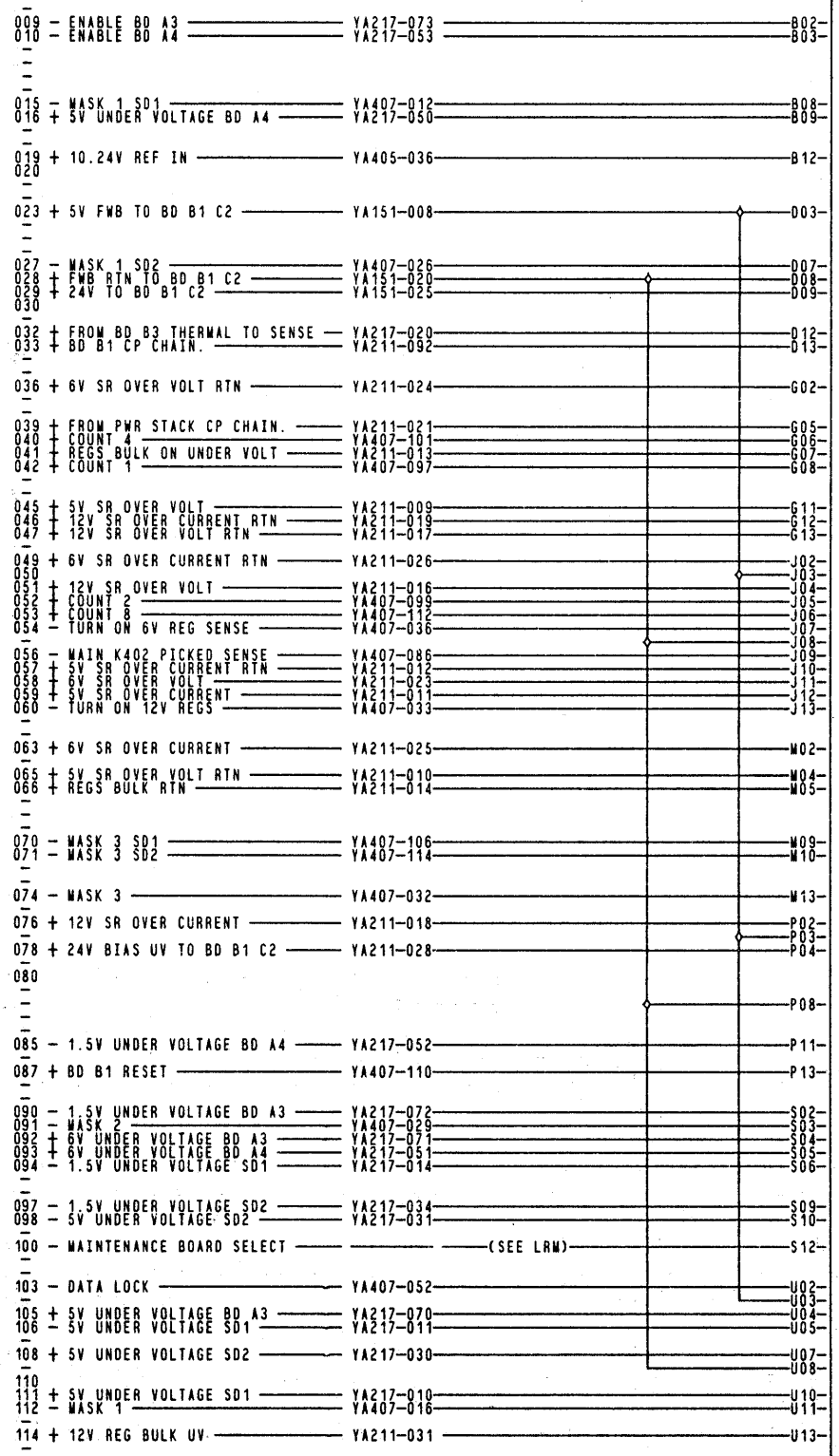
120

120

EC HISTORY

09AUG84 881221	DISKETTE
SEQ YA009	
PRINT 10JAN85 1776	PN 6315759
PAGE 29 OF 32	
WACH 3880	HPN
LOC H2608X	REC A21801
0001	

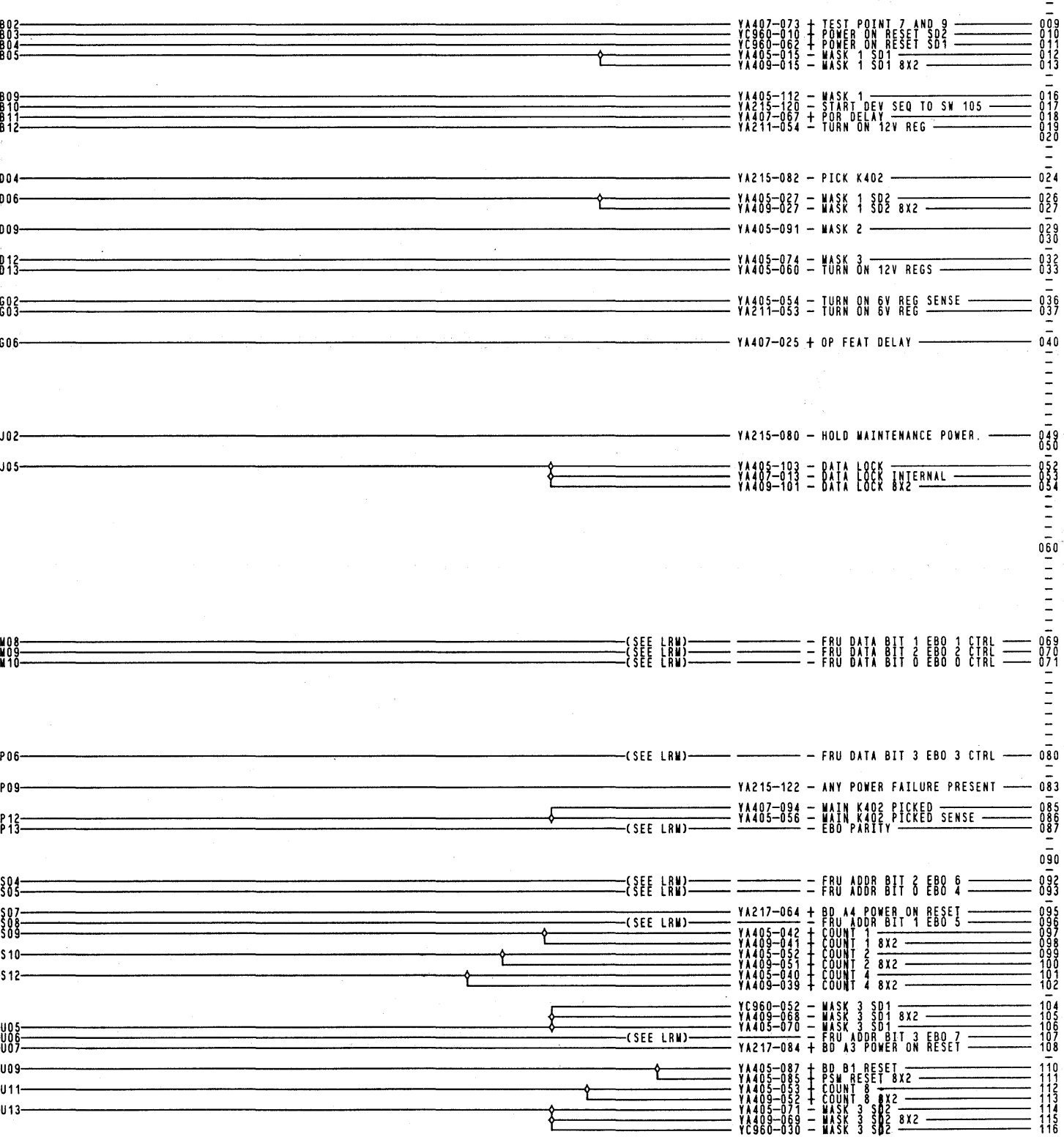
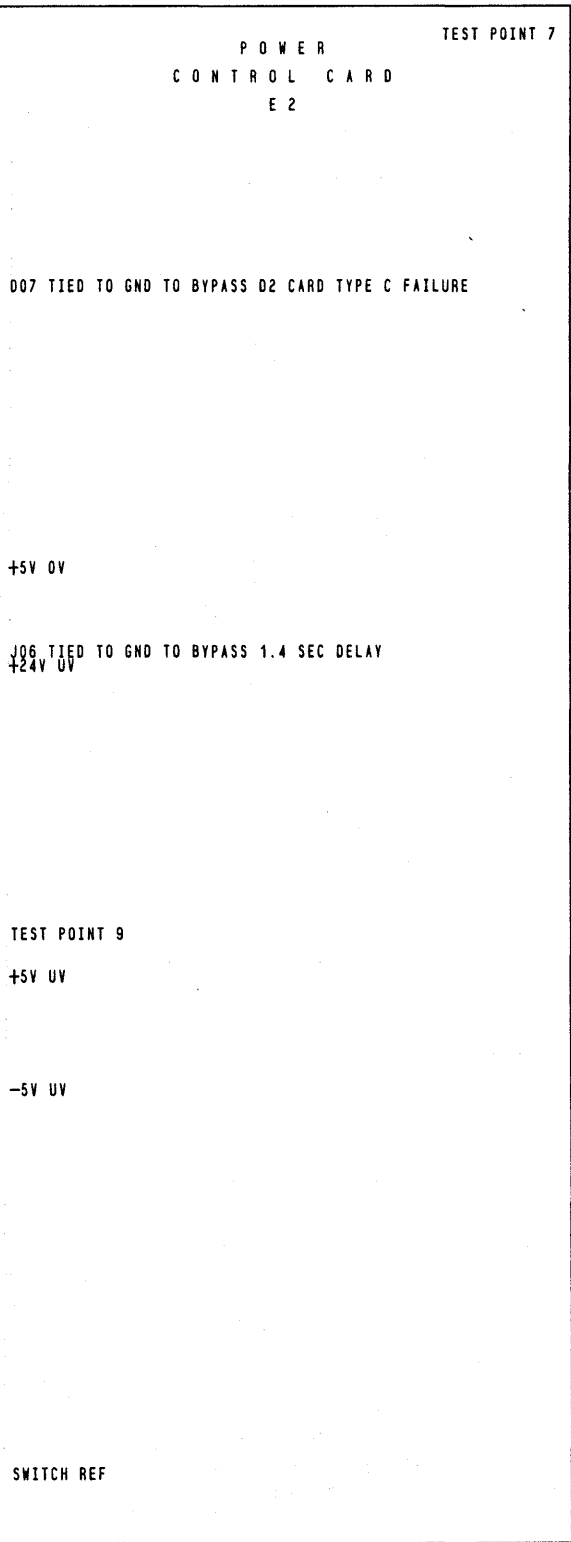
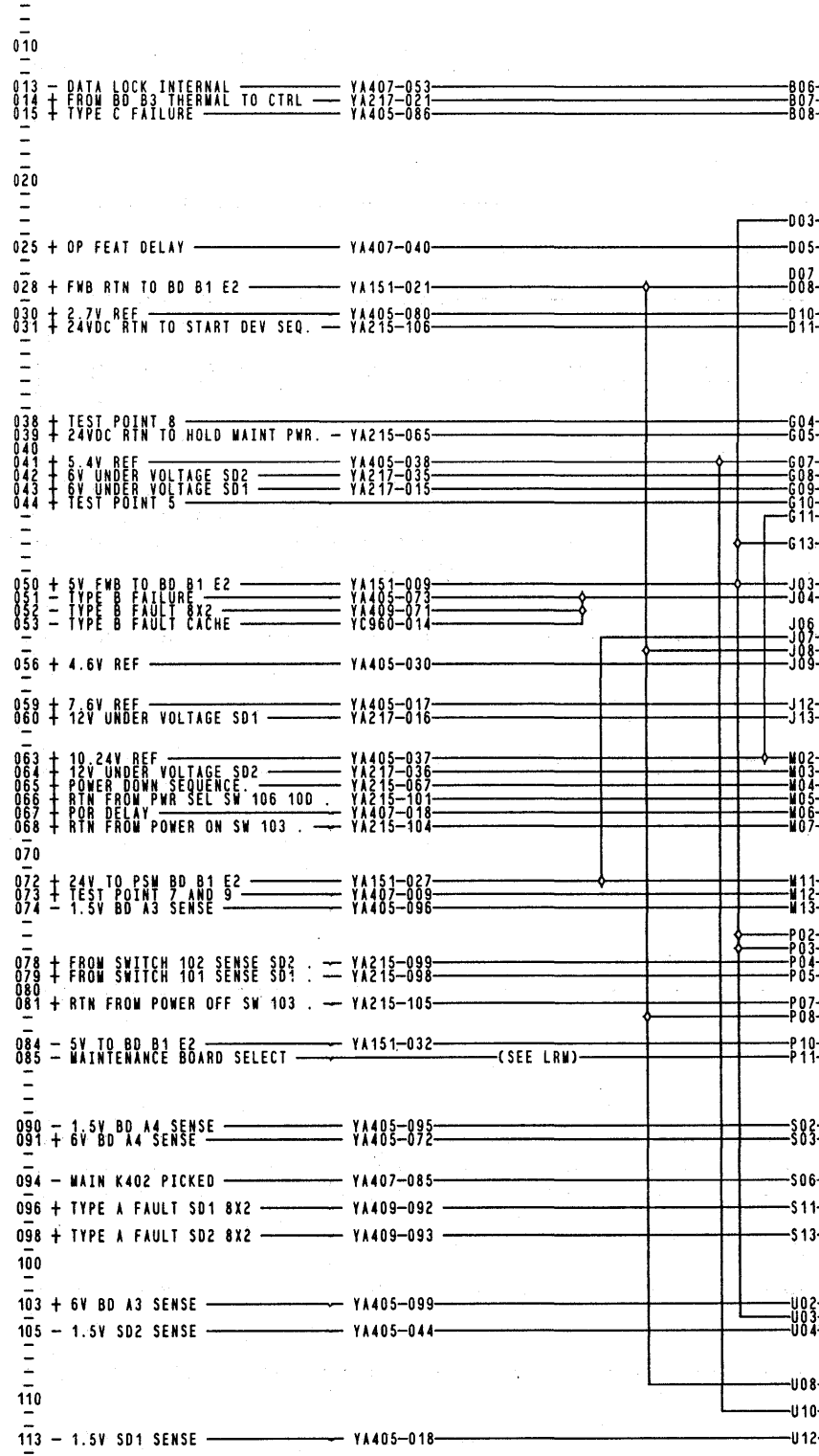
Y A 3 1



NOTE 1. THERE ARE 1.2 MFD CAPACITORS CONNECTED FROM C2605 AND C2013 TO GROUND ON SOME 50 HZ MACHINES.

EC HISTORY

09AUG84 881221	POWER SENSOR CARD WITH ADDITIONAL 4 CHANNEL SWITCHES
	REQ YA009
	PRINT 10JAN85 1053 P/N 6315759
	PAGE 30 OF 32
	MACH 3880 HPN
	PRIME H2008X REC
	LOC A21001



EC HISTORY	
09AUG84 881221	POWER CONTROL CARD W/ADDITIONAL 4 CHANNEL SWITCHES MODELS
	SD SYSTEM STORAGE
	SD Y4009
	PRINT 10JAN85 1467 PN 6315759
	PAGE 31 OF 32
	MACH 3880 HPN
	PRNAME H2608X HEC
	LCC A21801

010

015 - MASK 1 SD1 8X2 ----- YA407-013 ----- B08
 016 + 5V UNDER VOLTAGE BD A2 ----- YA217-056 ----- B09

019 + 10.24V REF IN 8X2 ----- YA405-035 ----- B12
 020

024 + 24V TO PSM BD H2 ----- YA151-029 ----- D04
 027 - MASK 1 SD2 8X2 ----- YA407-027 ----- D07
 030 + 4.6V REF IN 8X2 ----- YA405-031 ----- D10

037 + 5.4V REF IN 8X2 ----- YA405-039 ----- G04
 039 + COUNT 4 8X2 ----- YA407-102 ----- G06
 040
 041 + COUNT 1 8X2 ----- YA407-098 ----- G08

050
 051 + COUNT 2 8X2 ----- YA407-100 ----- J05
 052 + COUNT 8 8X2 ----- YA407-113 ----- J06

060

068 - MASK 3 SD1 8X2 ----- YA407-105 ----- W09
 069 - MASK 3 SD2 8X2 ----- YA407-115 ----- W10
 070

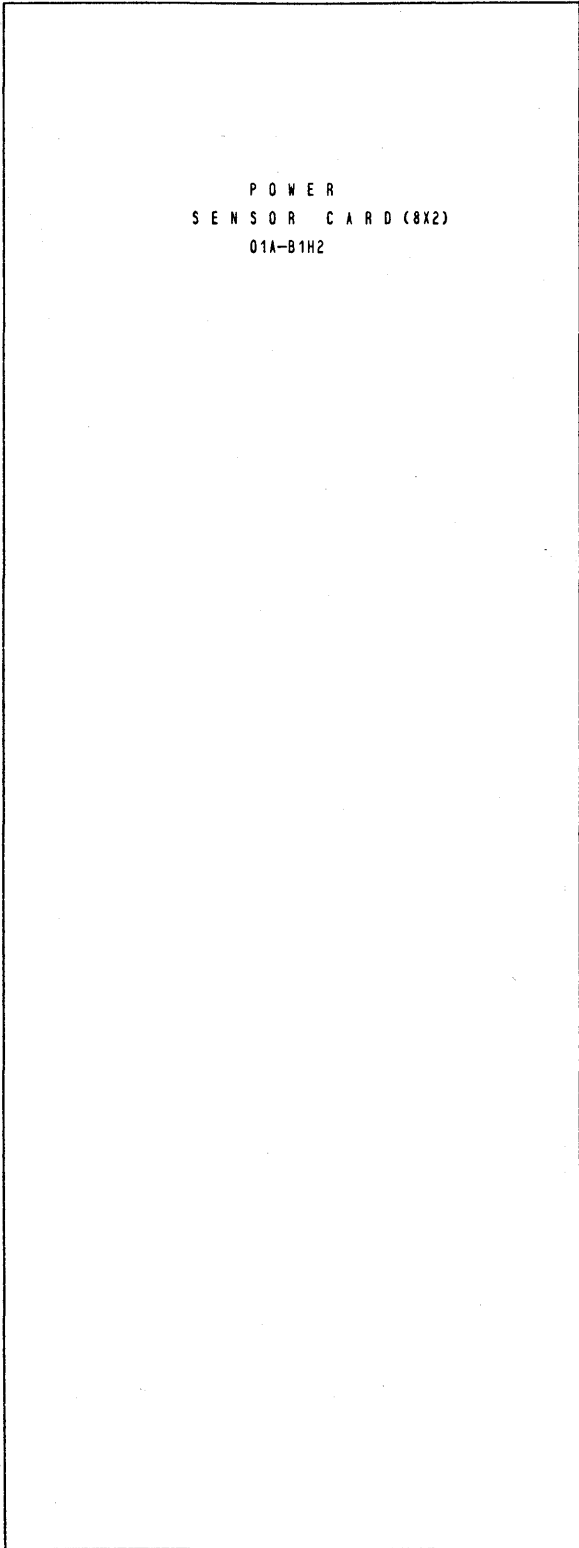
078 + 2.7V REF IN 8X2 ----- YA405-081 ----- P06
 080

083 - 1.5V UNDER VOLTAGE BD A2 ----- YA217-054 ----- P11
 085 + PSM RESET 8X2 ----- YA407-111 ----- P13
 087 - 1.5V UNDER VOLTAGE BD A1 ----- YA217-074 ----- S02
 089 + 6V UNDER VOLTAGE BD A1 ----- YA217-073 ----- S04
 090 + 6V UNDER VOLTAGE BD A2 ----- YA217-053 ----- S05

097 - MAINT BOARD SELECT(PSM SEL 8X2)NOTE 1 ----- S12
 098 - TYPE A FAULT SD1 UNUSED ----- S13

100
 101 - DATA LOCK 8X2 ----- YA407-054 ----- U02
 103 + 5V UNDER VOLTAGE BD A1 ----- YA217-076 ----- U04

110 - TYPE A FAULT SD2 UNUSED ----- U11



B04 ----- NOTE 1 - FRU DATA BIT 0 EBO 0 ----- 010
 B05 ----- NOTE 1 - FRU DATA BIT 2 EBO 2 ----- 011

B05 ----- NOTE 1 - FRU DATA BIT 1 EBO 1 ----- 025
 B06 ----- NOTE 1 - FRU DATA BIT 3 EBO 3 ----- 026

W12 ----- YA407-052 - TYPE B FAULT 8X2 ----- 070
 071

S07 ----- YA407-098 + TYPE A FAULT SD1 8X2 ----- 092
 S08 ----- YA407-098 + TYPE A FAULT SD2 8X2 ----- 093

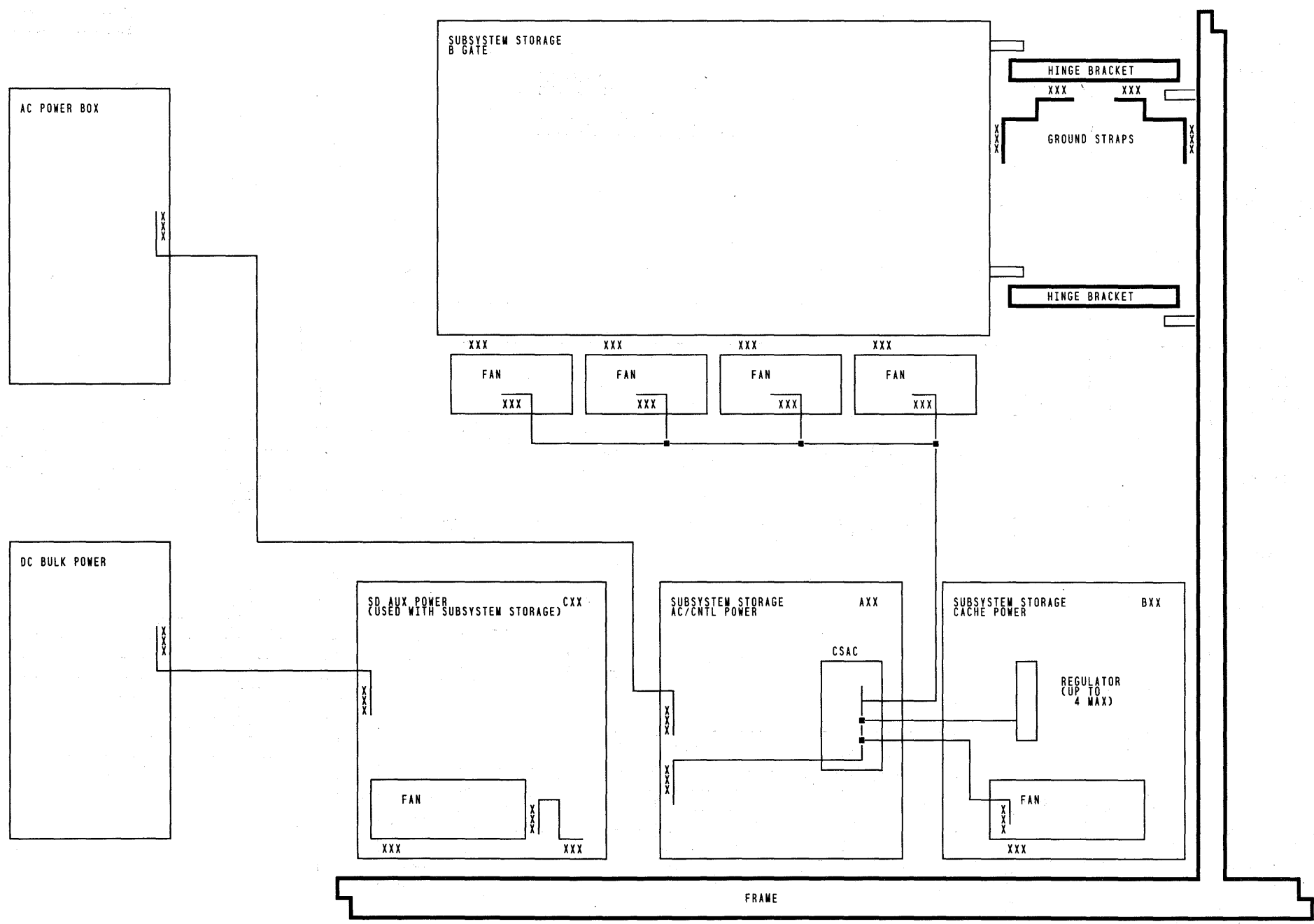
NOTE 1. THESE LINES TIE INTO COMMON LOGIC NETS ON THE MAINTENANCE BOARD.

EC HISTORY

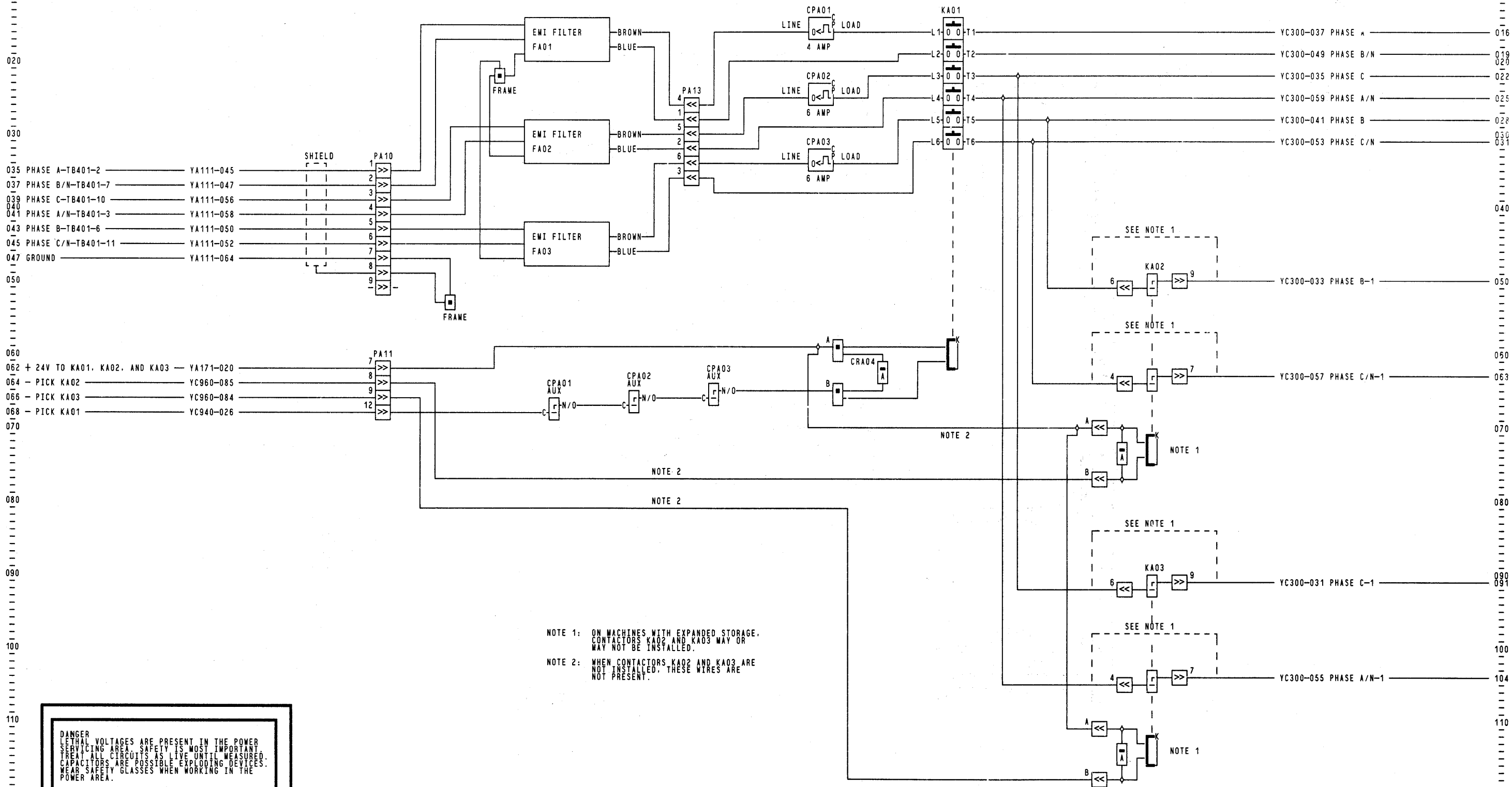
09AUG84 881221	POWER SENSOR CARD 8X2
SEQ YA009	
PRINT 10JAN85 1032	PN 8315759
	PAGE 32 OF 32
MACH 3880	HPN
LOC HZ608X	HEC A21801

NOTES

1. XXX DENOTES EXTERNAL STAR WASHER.



EC HISTORY	
15FEB84 881146	SUBSYSTEM
09AUG84 881215	BLOCK DIAGRAM GROUNDING
	SCHEMATIC
	SEQ YC001
	PRINT 03OCT84 0029 PN 6315753
	PAGE 1 OF 24
MACH 3880	HPN
PNAM YC	HEC A21747
LOC	



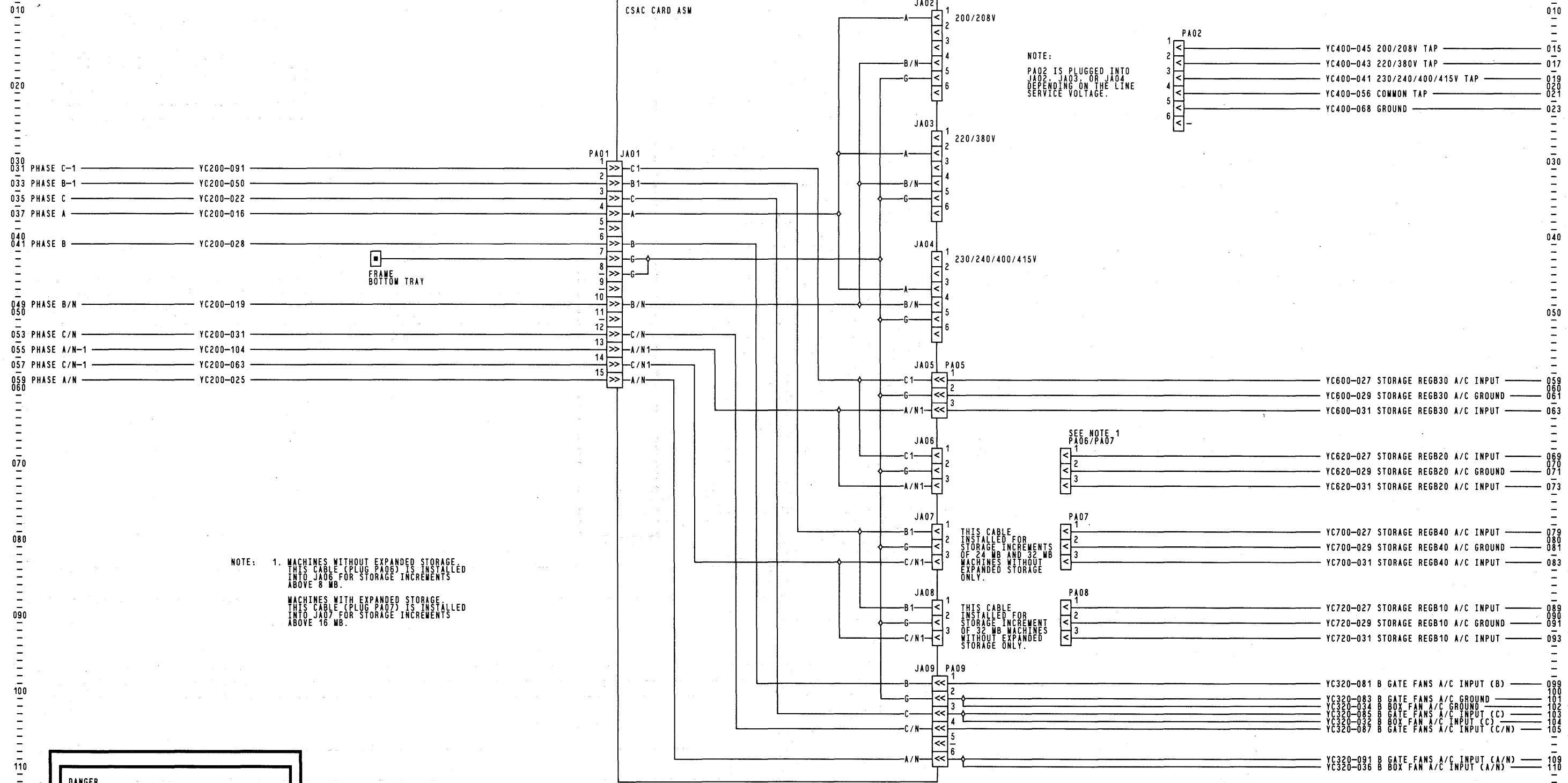
NOTE 1: ON MACHINES WITH EXPANDED STORAGE, CONTACTORS KA02 AND KA03 MAY OR MAY NOT BE INSTALLED.

NOTE 2: WHEN CONTACTORS KA02 AND KA03 ARE NOT INSTALLED, THESE WIRES ARE NOT PRESENT.

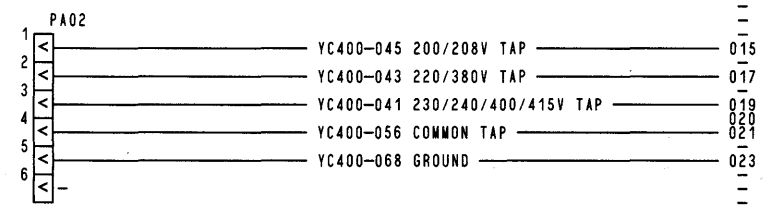
DANGER
LETHAL VOLTAGES ARE PRESENT IN THE POWER SERVICING AREA. SAFETY IS MOST IMPORTANT. TREAT ALL CIRCUITS AS LIVE UNTIL MEASURED. CAPACITORS ARE POSSIBLE EXPLODING DEVICES. WEAR SAFETY GLASSES WHEN WORKING IN THE POWER AREA.

ALWAYS REINSTALL ALL GREEN/YELLOW GROUND WIRES AND SAFETY COVERS BEFORE POWERING ON THE MACHINE.

EC HISTORY	
15FEB84 881146	SUBSYSTEM STORAGE
09AUG84 881215	AC CONTROL
SEQ YC001	
PRINT 030CT84 0103	PN 6315Z53
PAGE 2 OF 24	
MACH 3880	HPN
PNAME YC	HEC
LOC	A21747



NOTE:
PA02 IS PLUGGED INTO
JA02, JA03, OR JA04
DEPENDING ON THE LINE
SERVICE VOLTAGE.



NOTE: 1. MACHINES WITHOUT EXPANDED STORAGE
THIS CABLE (PLUG PA06) IS INSTALLED
INTO JA06 FOR STORAGE INCREMENTS
ABOVE 8 MB.

MACHINES WITH EXPANDED STORAGE
THIS CABLE (PLUG PA07) IS INSTALLED
INTO JA07 FOR STORAGE INCREMENTS
ABOVE 16 MB.

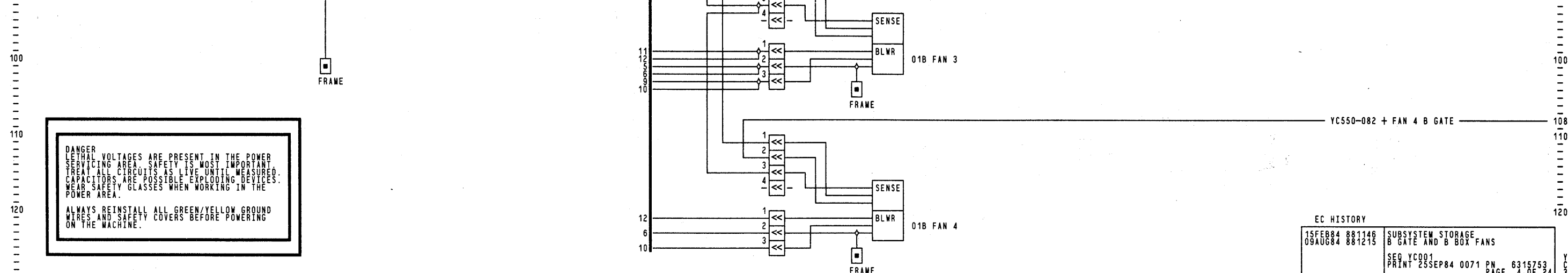
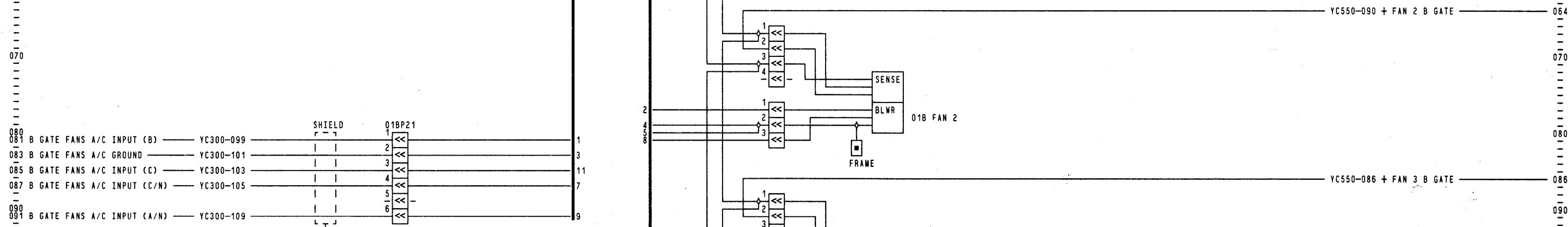
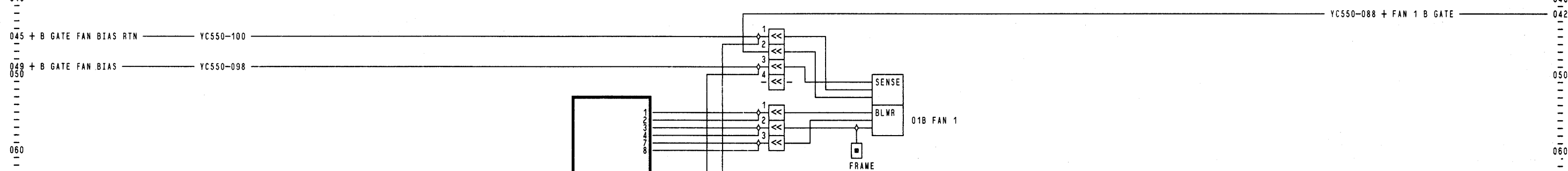
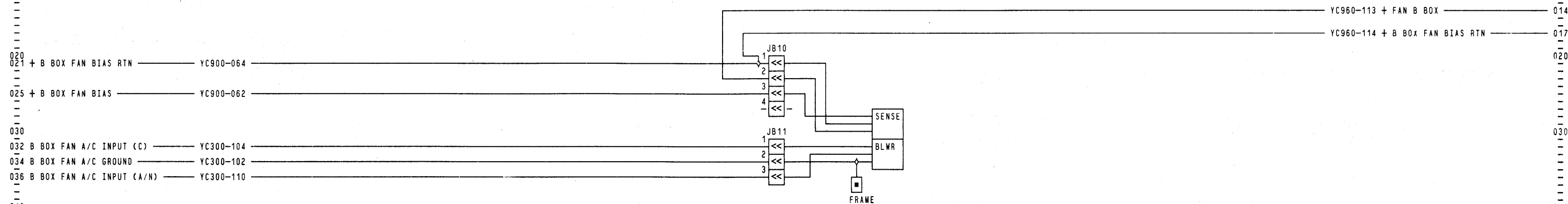
THIS CABLE
IS INSTALLED FOR
STORAGE INCREMENTS
OF 24 MB AND 32 MB
MACHINES WITHOUT
EXPANDED STORAGE
ONLY.

THIS CABLE
IS INSTALLED FOR
STORAGE INCREMENT
OF 32 MB MACHINES
WITHOUT EXPANDED
STORAGE ONLY.

DANGER
LETHAL VOLTAGES ARE PRESENT IN THE POWER
SERVICING AREA. SAFETY IS MOST IMPORTANT.
TREAT ALL CIRCUITS AS LIVE UNTIL MEASURED.
CAPACITORS ARE POSSIBLE EXPLODING DEVICES.
WEAR SAFETY GLASSES WHEN WORKING IN THE
POWER AREA.

ALWAYS REINSTALL ALL GREEN/YELLOW GROUND
WIRES AND SAFETY COVERS BEFORE POWERING
ON THE MACHINE.

EC HISTORY	
15FEB84 881146	SUBSYSTEM STORAGE
09AUG84 881215	AC POWER DISTRIBUTION
SEQ YC001	
PRINT 03OCT84 0091 PN 6315753	
PAGE 3 OF 24	
MACH 3880	HPN
NAME YC	HEC A21747
LOC	



DANGER
 LETHAL VOLTAGES ARE PRESENT IN THE POWER
 SERVICING AREA. SAFETY IS MOST IMPORTANT.
 TREAT ALL CIRCUITS AS LIVE UNTIL MEASURED.
 CAPACITORS ARE POSSIBLE EXPLODING DEVICES.
 WEAR SAFETY GLASSES WHEN WORKING IN THE
 POWER AREA.

ALWAYS REINSTALL ALL GREEN/YELLOW GROUND
 WIRES AND SAFETY COVERS BEFORE POWERING
 ON THE MACHINE.

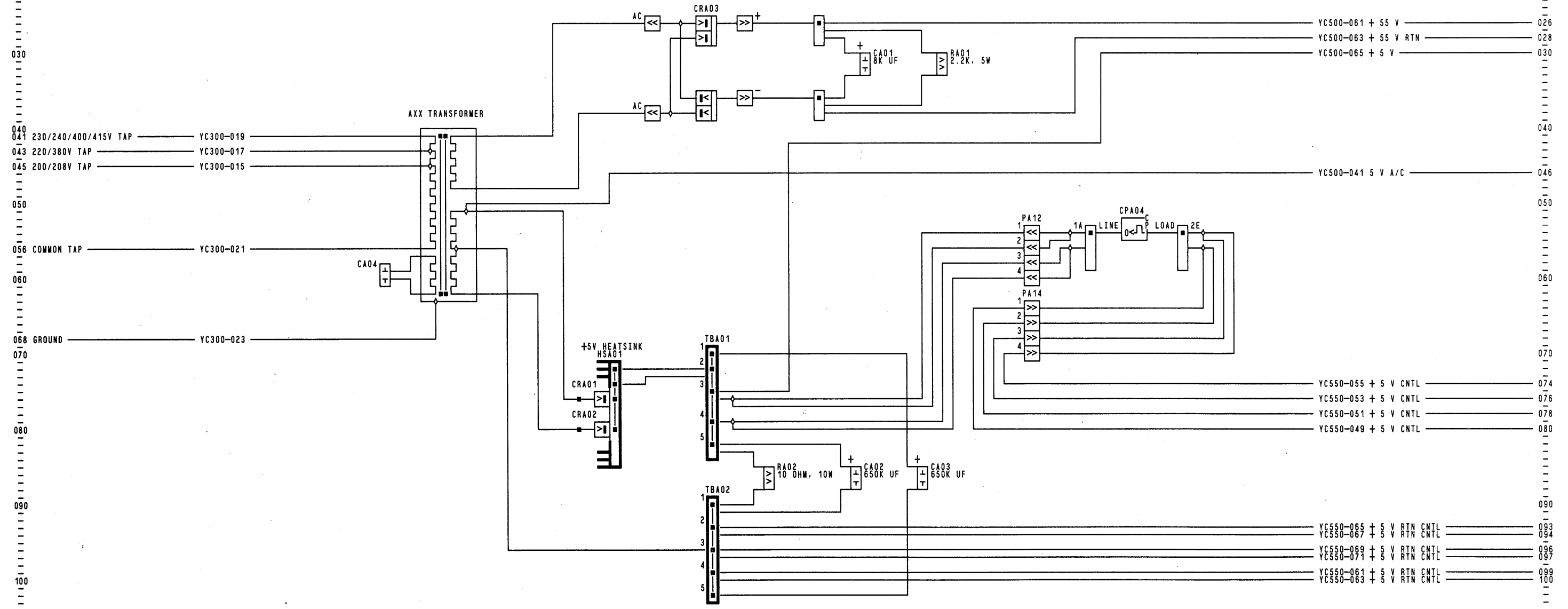
EC HISTORY
 15FEB84 881146 SUBSYSTEM STORAGE
 08AUG84 881215 B GATE AND B BOX FANS
 SEQ YC001
 PRINT 25SEP84 0071 PN 6315753
 PAGE 4 OF 24

MACH 3880 HPN
 PNAME YC HEC A21747
 LOC

10 20 30 40 50 60 70 80 90 100 110 120 130 140 150 160 170 180 190 200 210 220 230 240 250 260 270 280 290 YC400

010 020 030 040 050 060 070 080 090 100 110 120

026 028 030 046 074 076 078 080 093 094 096 097 099 100



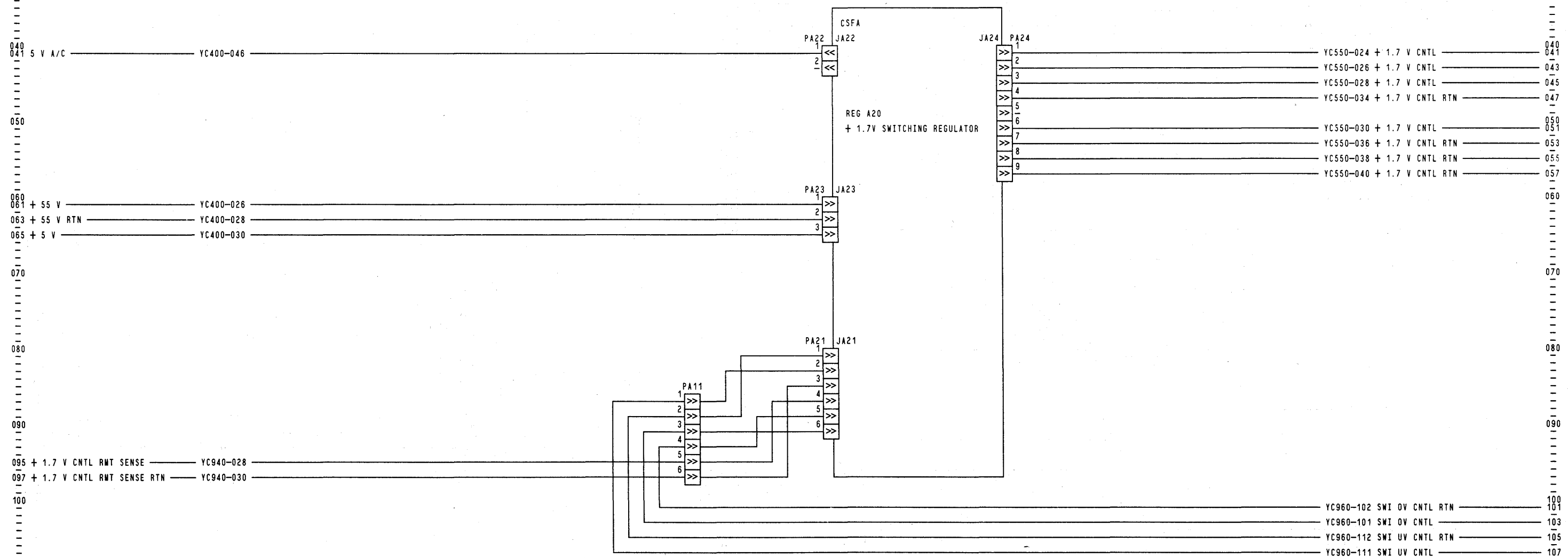
DANGER
 LETHAL VOLTAGES ARE PRESENT IN THE POWER
 SERVICING AREA. SAFETY IS MOST IMPORTANT.
 TREAT ALL CIRCUITS AS LIVE UNTIL MEASURED.
 CAPACITORS ARE POSSIBLE EXPLODING DEVICES.
 WEAR SAFETY GLASSES WHEN WORKING IN THE
 POWER AREA.

ALWAYS REINSTALL ALL GREEN/YELLOW GROUND
 WIRES AND SAFETY COVERS BEFORE POWERING
 ON THE MACHINE.

EC HISTORY		SUBSYSTEM STORAGE	
15FEB84 881146	09AUG84 881215	CNTL DC BULK SUPPLY	
SEQ YC001		PN 6315253	
PRINT 25SEP84 0096		PAGE 5 OF 24	
MACH 3880		HPN HEC A21747	
LOC			

010
020
030
040
041
050
060
061
063
065
070
080
090
095
097
100
110
120

010
020
030
040
041
043
045
047
050
051
053
055
057
060
070
080
090
100
101
103
105
107
110
120



DANGER
 LETHAL VOLTAGES ARE PRESENT IN THE POWER
 SERVICING AREA. SAFETY IS MOST IMPORTANT.
 TREAT ALL CIRCUITS AS LIVE UNTIL MEASURED.
 CAPACITORS ARE POSSIBLE EXPLODING DEVICES.
 WEAR SAFETY GLASSES WHEN WORKING IN THE
 POWER AREA.

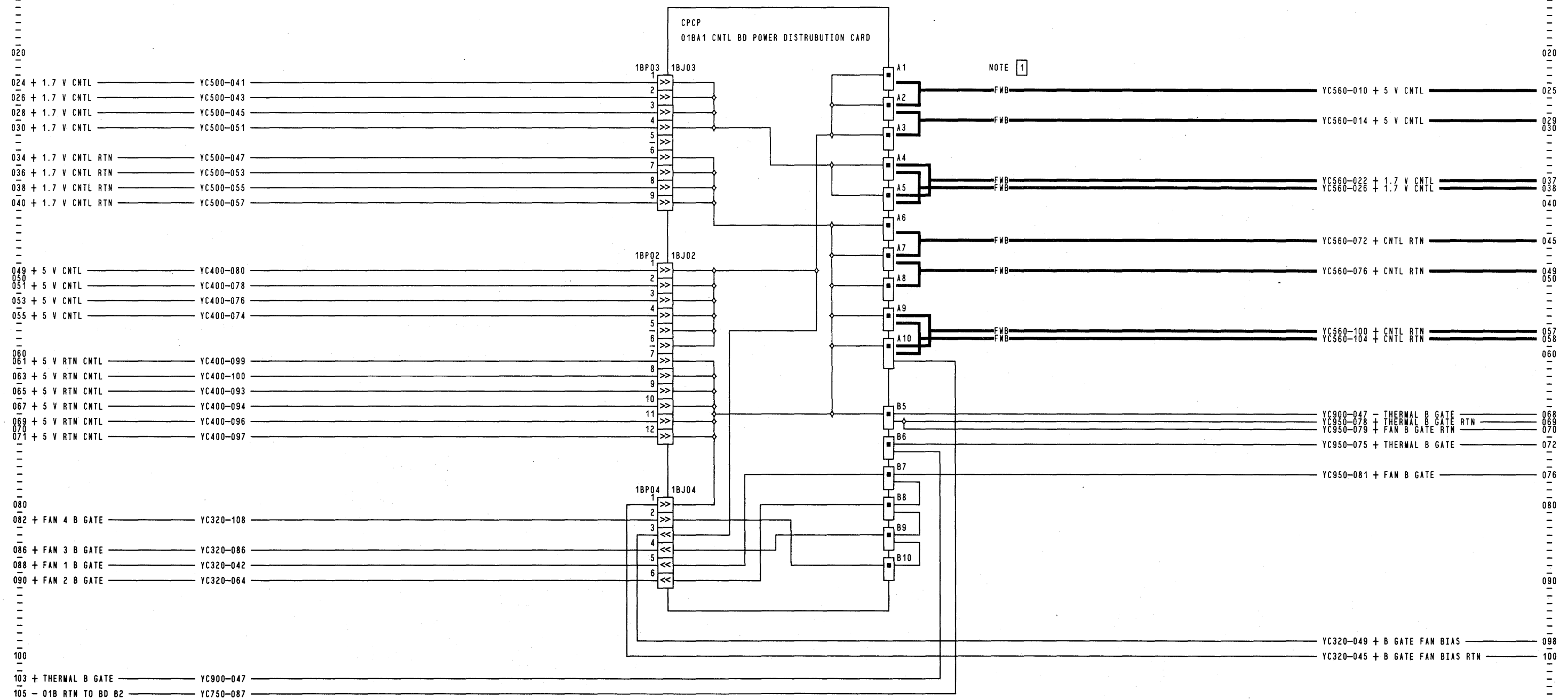
ALWAYS REINSTALL ALL GREEN/YELLOW GROUND
 WIRES AND SAFETY COVERS BEFORE POWERING
 ON THE MACHINE.

EC HISTORY
 15FEB84 881146 SUBSYSTEM STORAGE
 09AUG84 881215 CNTL +1.7 VOLT REGULATOR

SEQ YC001
 PRINT 25SEP84 0066 PM 6315753
 PAGE 6 OF 24

MACH 3880 HPN
 LOC VC HEC A21747

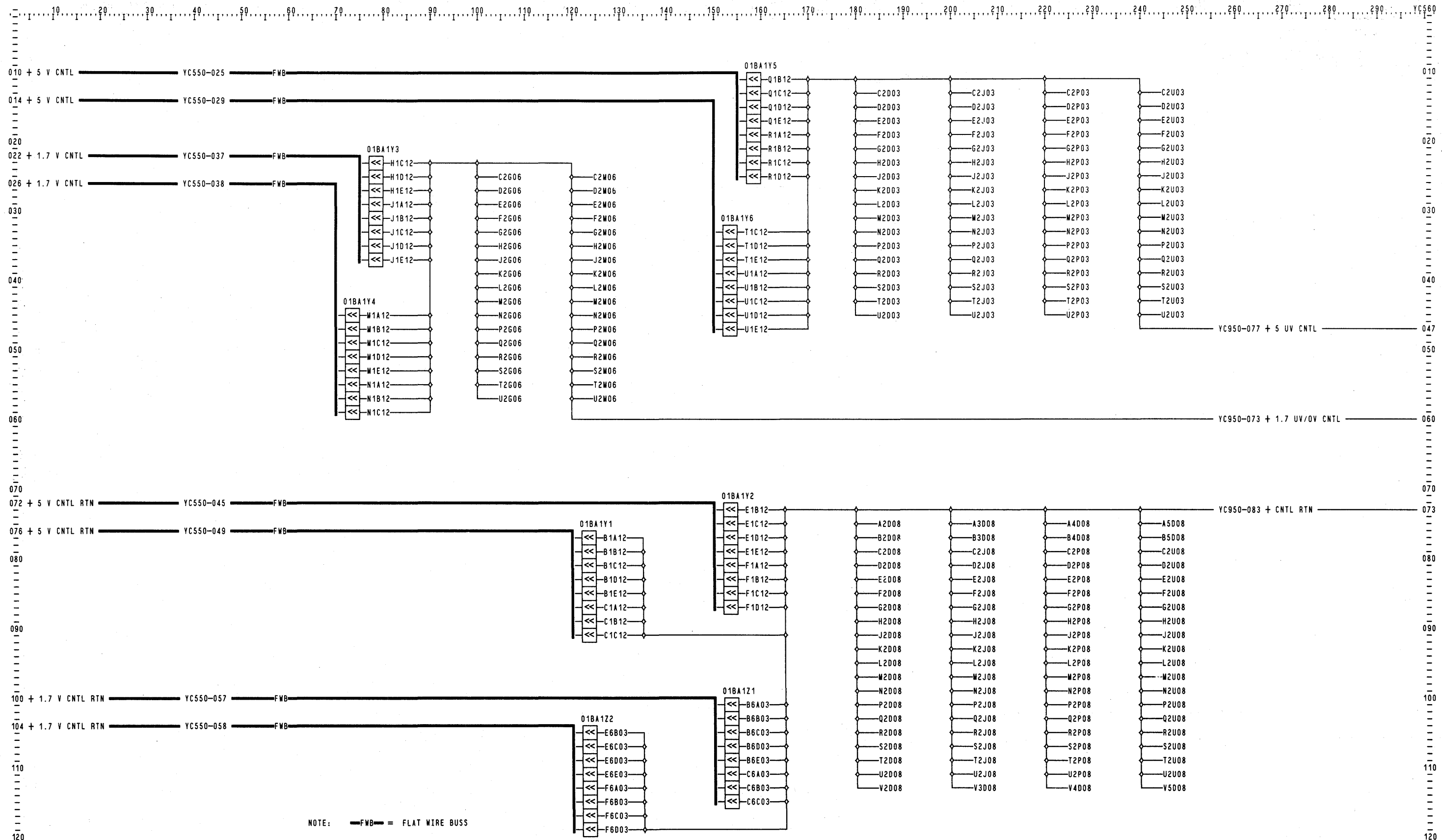
IBM CORP



NOTE 1 -FWB- : FLAT WIRE BUSS

EC HISTORY

15FEB84 881146	SUBSYSTEM STORAGE
09AUG84 881215	01BA1 CNTL PWR DISTRIBUTION CARD
SEQ YC001	
PRINT 25SEP84 0105 PN 6315753	
PAGE 7 OF 24	
MACH 3880	HPM
PRNAME YC	REC A21747
LOC	



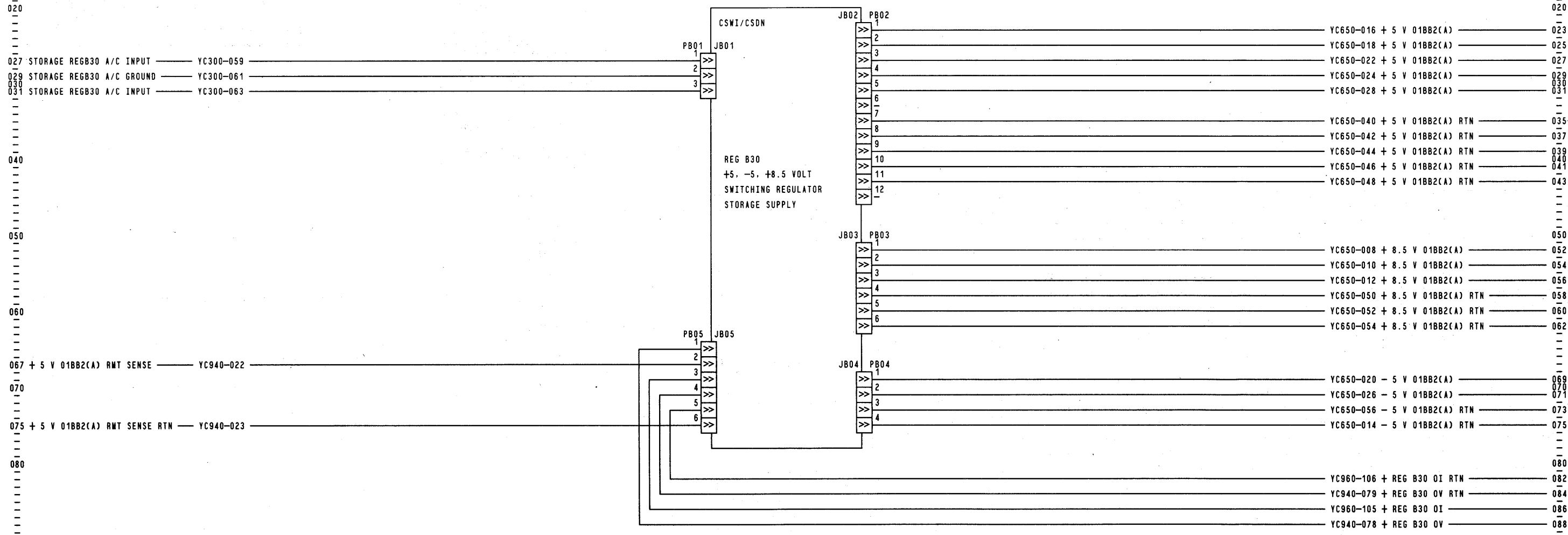
NOTE: —FWB— = FLAT WIRE BUSS

EC HISTORY

15FEB84 881146	SUBSYSTEM STORAGE
09AUG84 881215	01BA1 BD DC PWR DISTRIBUTION
	SEQ YC001
	PRINT 25SEP84 0047 PW 6315753
	PAGE 8 OF 24
IBM CORP	WACH 3880 HPN
	PNWE YC LOC HEC A21747

010
020
027
029
030
031
040
050
060
067
070
075
080
090
100
110
120

010
020
023
025
027
029
030
031
035
037
039
040
041
043
050
052
054
056
058
060
062
069
070
071
073
075
080
082
084
086
088
090
100
110
120



DANGER
LETHAL VOLTAGES ARE PRESENT IN THE POWER
SERVICING AREA. SAFETY IS MOST IMPORTANT.
TREAT ALL CIRCUITS AS LIVE UNTIL MEASURED.
WEAR SAFETY GLASSES WHEN WORKING IN THE
POWER AREA.

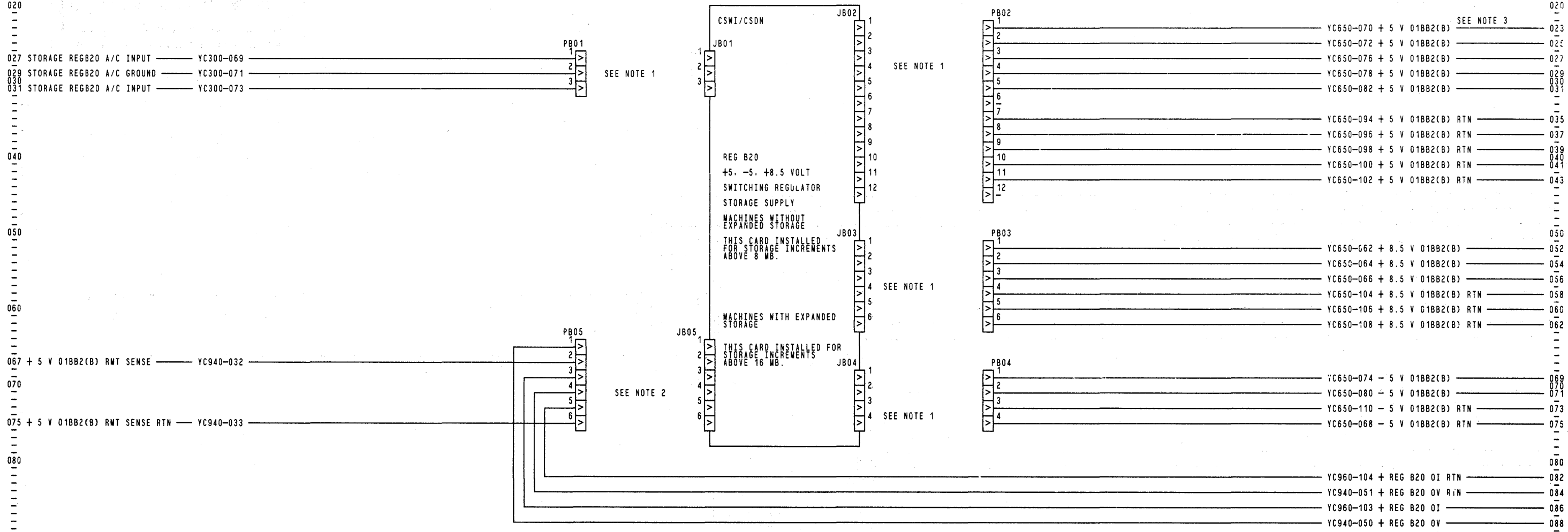
ALWAYS REINSTALL ALL GREEN/YELLOW GROUND
WIRES AND SAFETY COVERS BEFORE POWERING
ON THE MACHINE.

EC HISTORY	
15FEB84 881146	SUBSYSTEM STORAGE
08AUG84 881215	STORAGE REG B30 DC SUPPLY
SEQ YC001	
PRINT 25SEP84 0094	PN 6315753
	PAGE 9 OF 24
MACH 3880	HPN
NAME YC	HEC A21747

Y
C
6
0
0

010
020
030
040
050
060
070
080
090
100
110
120

010
020
030
040
050
060
070
080
090
100
110
120

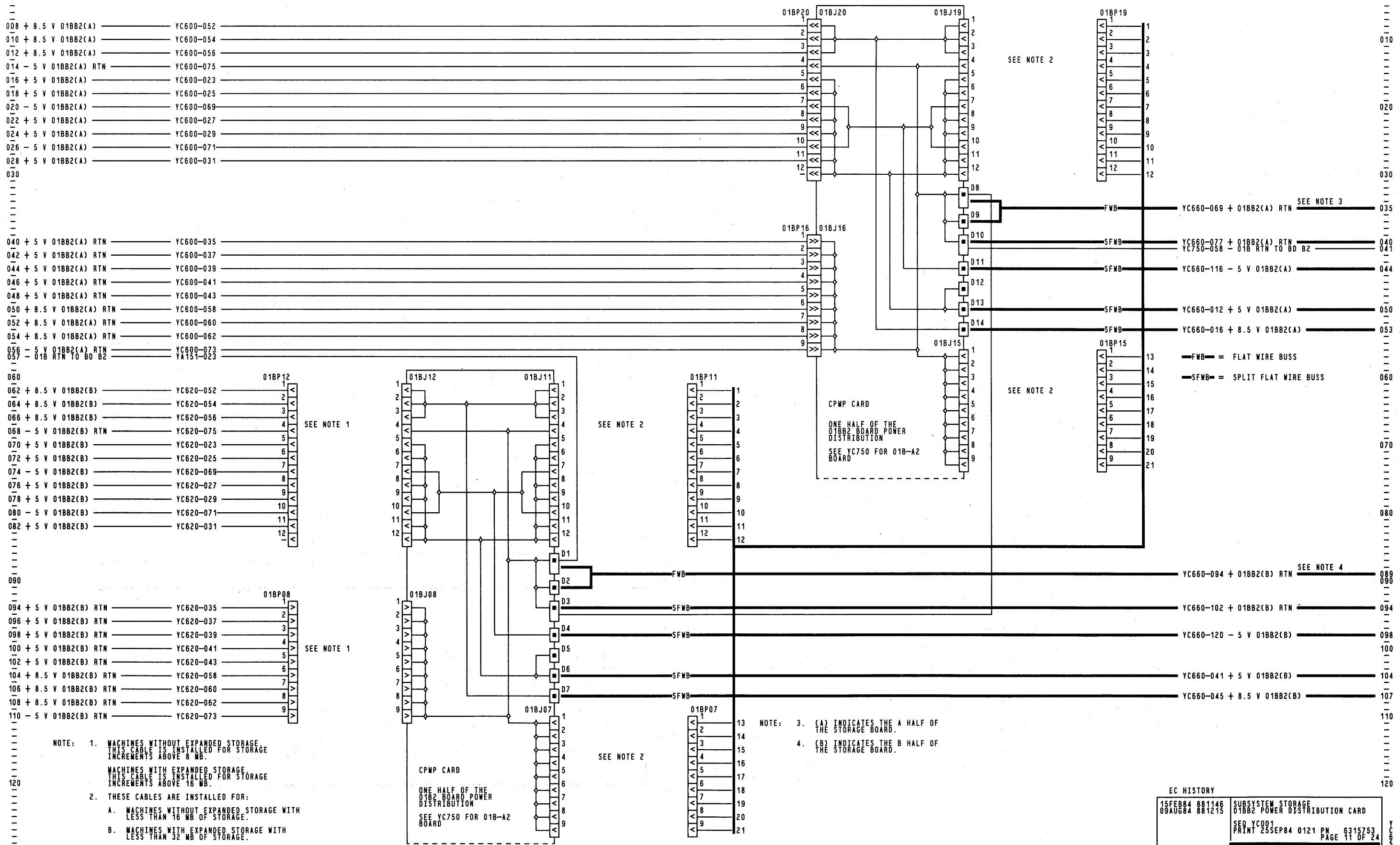


- NOTE:
1. MACHINES WITH EXPANDED STORAGE. THIS CABLE INSTALLED FOR STORAGE INCREMENTS ABOVE 16 MB.
MACHINES WITHOUT EXPANDED STORAGE. THIS CABLE INSTALLED FOR STORAGE INCREMENTS ABOVE 8 MB.
 2. MACHINES WITH EXPANDED STORAGE. THIS CABLE PLUGGED FOR STORAGE INCREMENTS ABOVE 16 MB.
MACHINES WITHOUT EXPANDED STORAGE. THIS CABLE PLUGGED FOR STORAGE INCREMENTS ABOVE 8 MB.
 3. (B) INDICATES THE B HALF OF THE STORAGE BOARD.

DANGER
LETHAL VOLTAGES ARE PRESENT IN THE POWER SERVICING AREA. SAFETY IS MOST IMPORTANT. TREAT ALL CIRCUITS AS LIVE UNTIL MEASURED. WEAR SAFETY GLASSES WHEN WORKING IN THE POWER AREA.
ALWAYS REINSTALL ALL GREEN/YELLOW GROUND WIRES AND SAFETY COVERS BEFORE POWERING ON THE MACHINE.

EC HISTORY

15FEB84 881146	SUBSYSTEM STORAGE
09AUG84 881215	STORAGE REG B20 DC SUPPLY
SEQ YC001	
PRINT 25SEP84 0094 PN 6315253	
PAGE 10 OF 24	
MACH 3880	HPN
LOC	HEC A21747



NOTE: 1. MACHINES WITHOUT EXPANDED STORAGE
THIS CABLE IS INSTALLED FOR STORAGE
INCREMENTS ABOVE 8 MB.
MACHINES WITH EXPANDED STORAGE
THIS CABLE IS INSTALLED FOR STORAGE
INCREMENTS ABOVE 16 MB.

2. THESE CABLES ARE INSTALLED FOR:

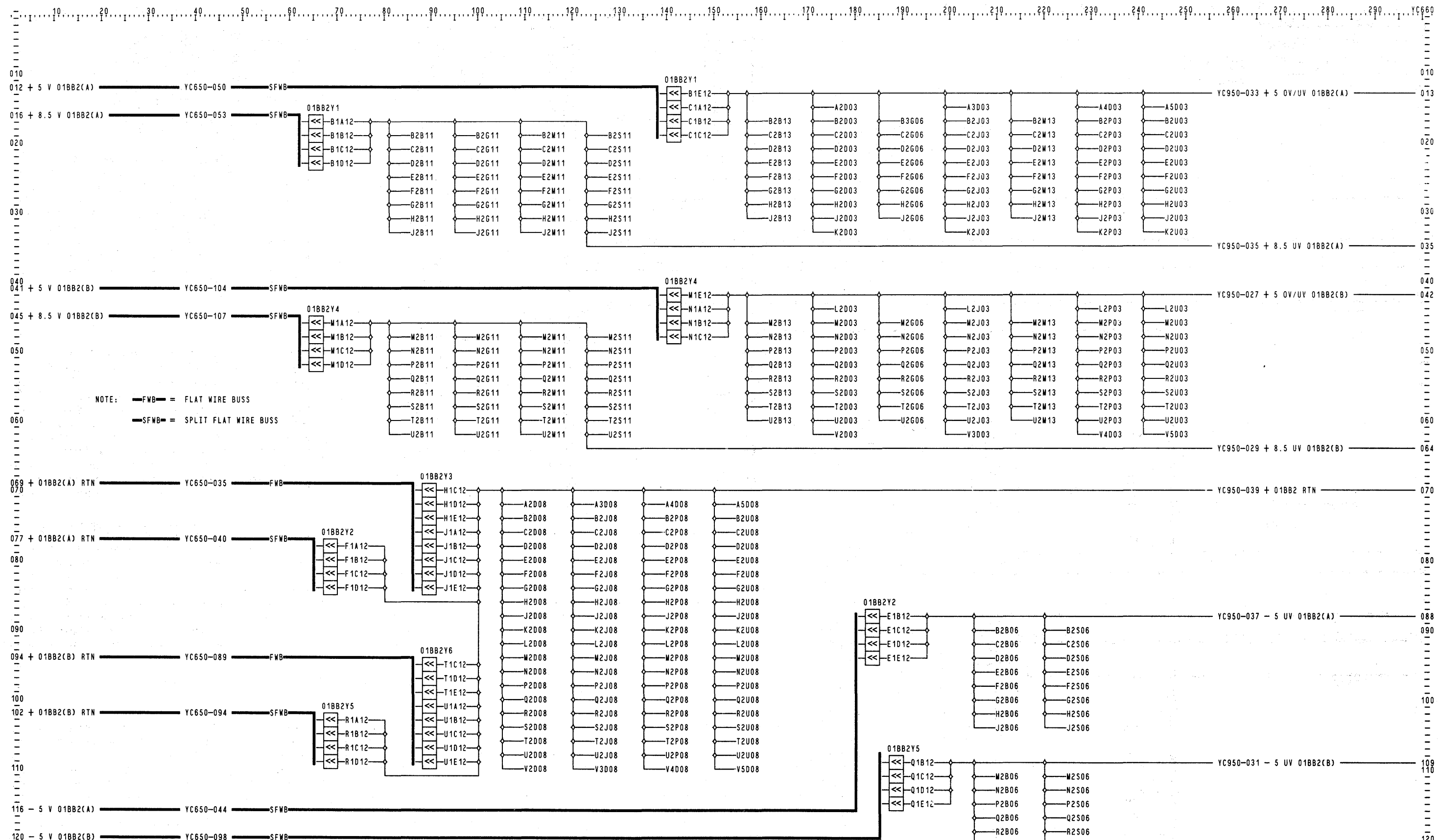
A. MACHINES WITHOUT EXPANDED STORAGE WITH
LESS THAN 16 MB OF STORAGE.

B. MACHINES WITH EXPANDED STORAGE WITH
LESS THAN 32 MB OF STORAGE.

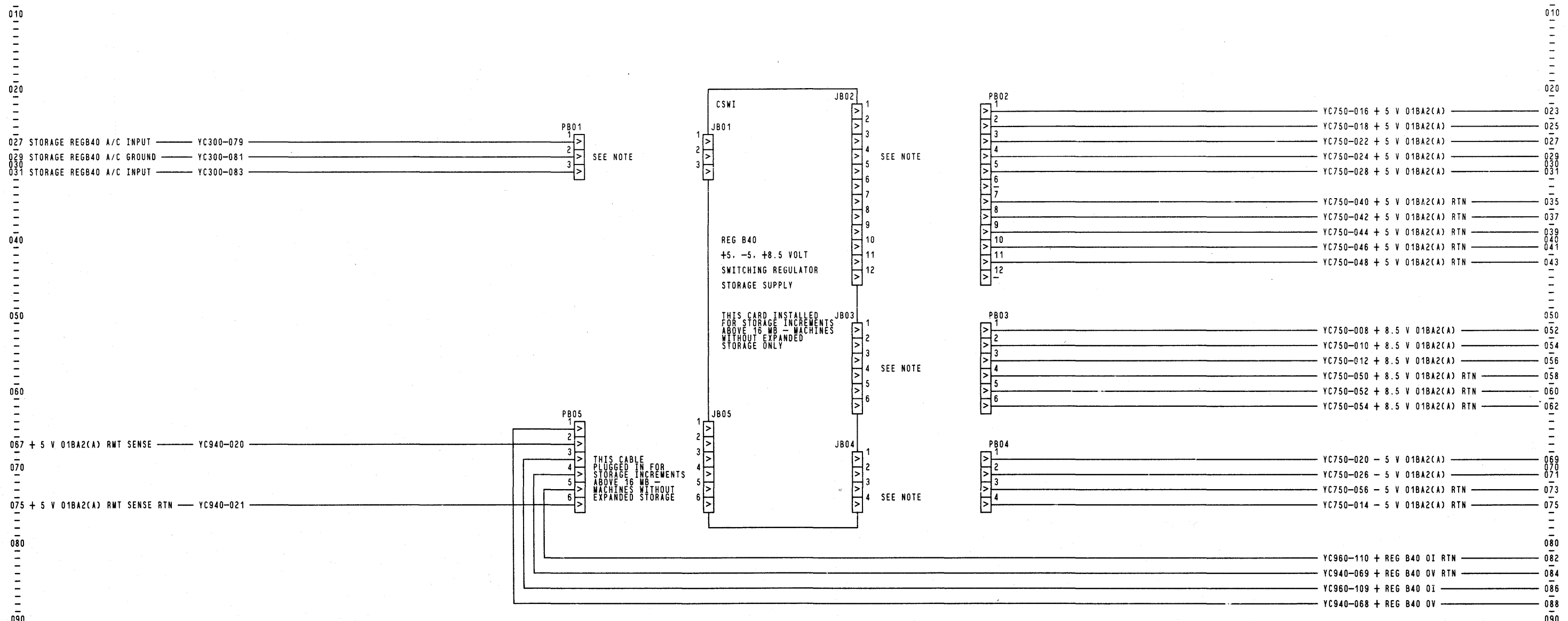
NOTE: 3. (A) INDICATES THE A HALF OF
THE STORAGE BOARD.

4. (B) INDICATES THE B HALF OF
THE STORAGE BOARD.

EC HISTORY	
15FEB84 881146	SUBSYSTEM STORAGE
09AUG84 881215	01BB2 POWER DISTRIBUTION CARD
SEQ YC001 PRINT 25SEP84 0121 PW 6315253 PAGE 11 OF 24	
MACH 3880	HPN
LOC	HEC A21747



EC HISTORY	
15FEB84 881146	SUBSYSTEM STORAGE
09AUG84 881215	01BB2 BD DC PWR DISTRIBUTION
SEQ YC001	PN 6315753
PRINT 25SEP84 0050	PAGE 12 OF 24
MACH 3880	HPN
PNWE VC	HEC A21747
LOC	



NOTE: THIS CABLE INSTALLED FOR STORAGE INCREMENTS ABOVE 16 MB - MACHINES WITHOUT EXPANDED STORAGE ONLY.

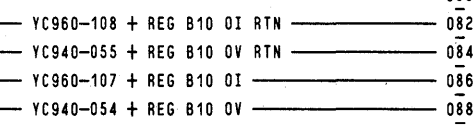
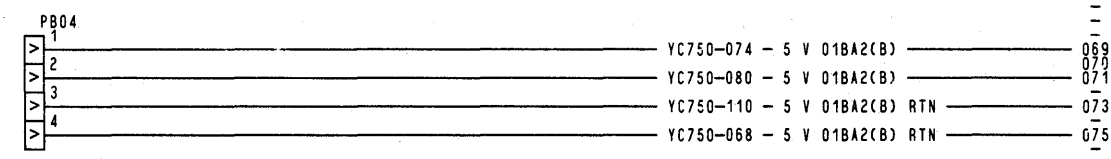
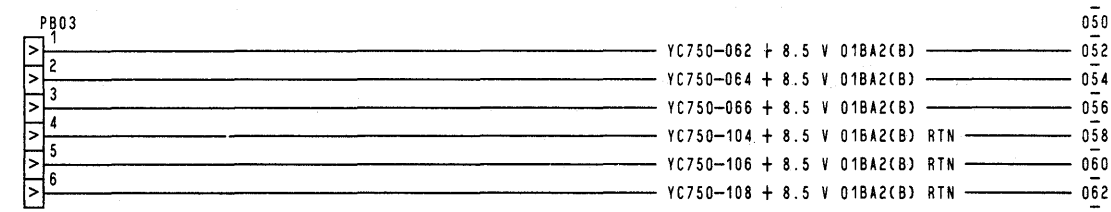
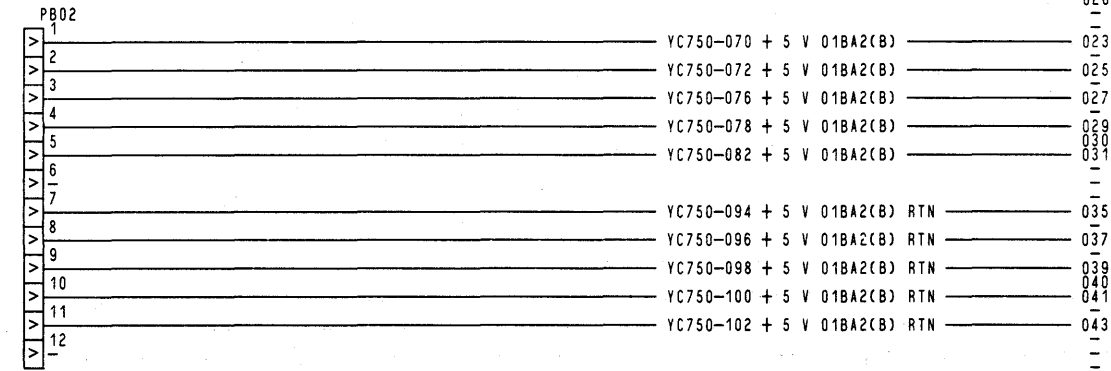
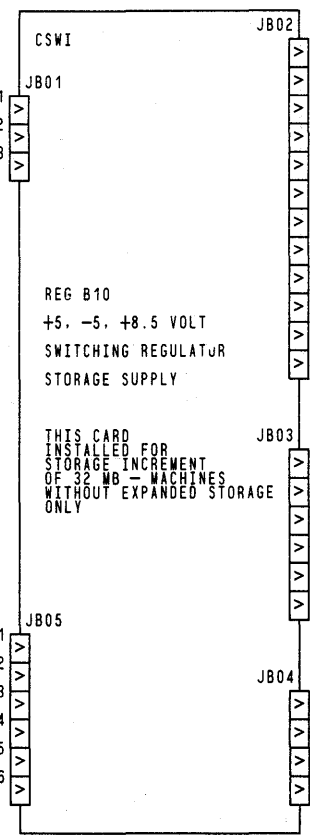
DANGER
LETHAL VOLTAGES ARE PRESENT IN THE POWER SERVICING AREA. SAFETY IS MOST IMPORTANT. TREAT ALL CIRCUITS AS LIVE UNTIL MEASURED. WEAR SAFETY GLASSES WHEN WORKING IN THE POWER AREA.

ALWAYS REINSTALL ALL GREEN/YELLOW GROUND WIRES AND SAFETY COVERS BEFORE POWERING ON THE MACHINE.

EC HISTORY	
15FEB84 881146	SUBSYSTEM STORAGE
09AUG84 881215	STORAGE REG B40 DC SUPPLY
SEQ YC001	
PRINT 25SEP84 0089 PN 6315753	
PAGE 13 OF 24	
MACH 3880	HPN
LOC YC	HEC A21747



NOTE: THIS CABLE INSTALLED FOR STORAGE INCREMENT OF 32 MB - MACHINES WITHOUT EXPANDED STORAGE ONLY.

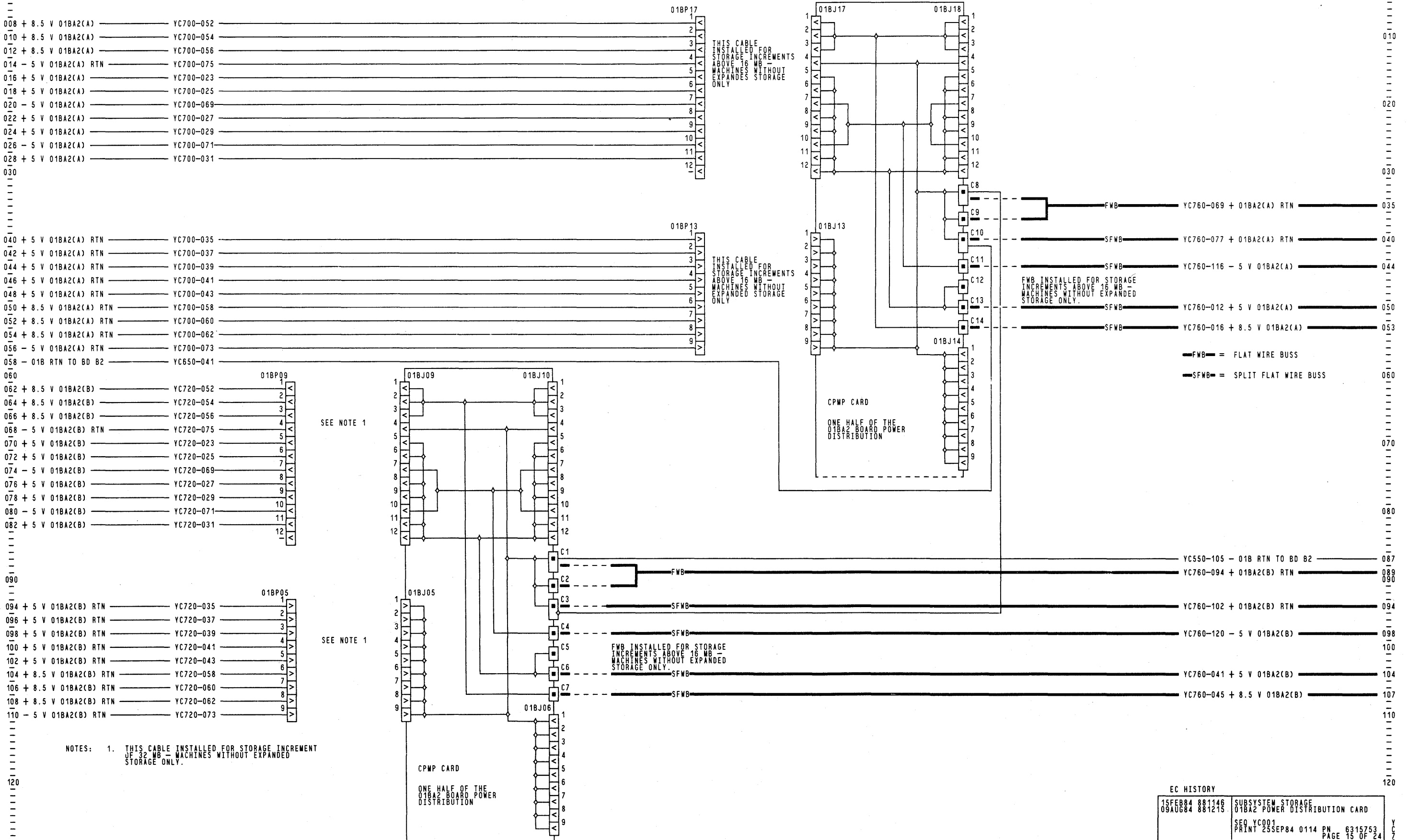


DANGER
LETHAL VOLTAGES ARE PRESENT IN THE POWER
SERVICING AREA. SAFETY IS MOST IMPORTANT.
TREAT ALL CIRCUITS AS LIVE UNTIL MEASURED.
WEAR SAFETY GLASSES WHEN WORKING IN THE
POWER AREA.

ALWAYS REINSTALL ALL GREEN/YELLOW GROUND
WIRES AND SAFETY COVERS BEFORE POWERING
ON THE MACHINE.

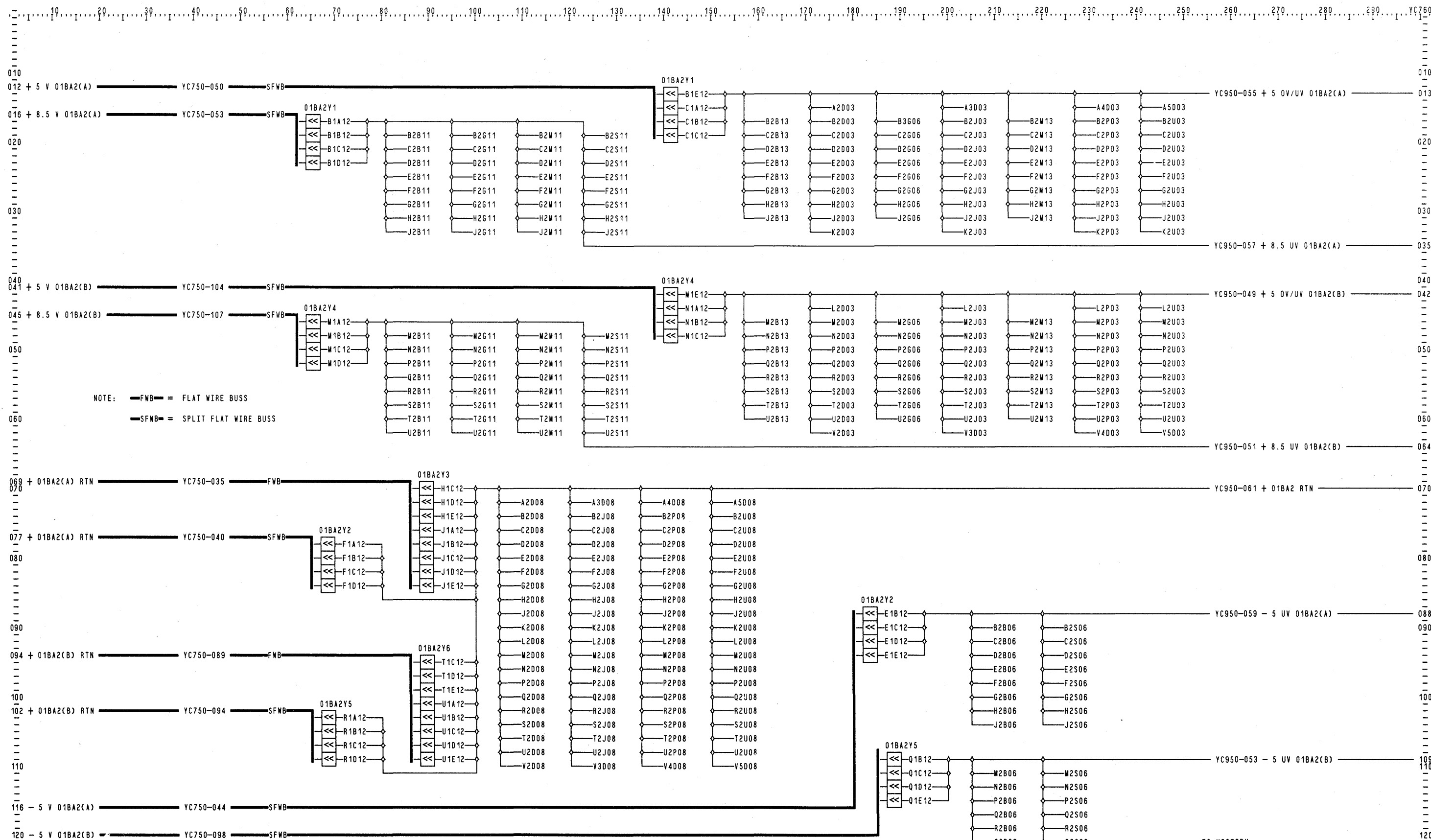
EC HISTORY

15FEB84 881146	SUBSYSTEM STORAGE
09AUG84 881245	STORAGE REG B10 DC SUPPLY
SEQ YC001	
PRINT 25SEP84 0088	PN 6315753
	PAGE 14 OF 24
MACH 3880	HPN
LOC	HEC A21747



NOTES: 1. THIS CABLE INSTALLED FOR STORAGE INCREMENT OF 32 MB - MACHINES WITHOUT EXPANDED STORAGE ONLY.

EC HISTORY	
15FEB84 881146	SUBSYSTEM STORAGE
09AUG84 881215	01BA2 POWER DISTRIBUTION CARD
SEQ YC001	
PRINT 25SEP84 0114	PN 6315753
	PAGE 15 OF 24
MACH 3880	HPN
PNAM2 YC	HEC A21747
LOC	



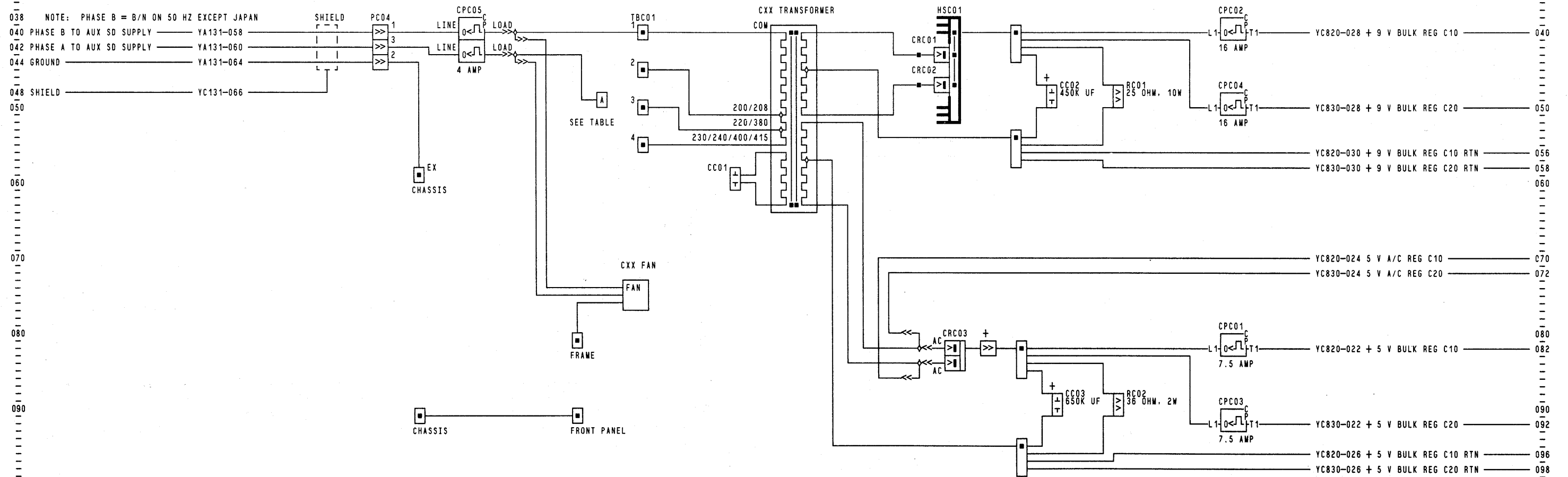
NOTE: —FWB— = FLAT WIRE BUSS
 —SFWB— = SPLIT FLAT WIRE BUSS

NOTE: 01BA2 BOARD AND CABLES TO IT ARE INSTALLED FOR STORAGE INCREMENTS OF 24 MB AND 32 MB — MACHINES WITHOUT EXPANDED STORAGE.

EC HISTORY

15FEB84 881146	SUBSYSTEM STORAGE
09AUG84 881215	01BA2 BD DC PWR DISTRIBUTION
SEQ YC001	
PRINT 25SEP84 0055 PN 6315753	
PAGE 16 OF 24	
MACH 3880	HPN
PNAME YC	HEC A21747
LOC	

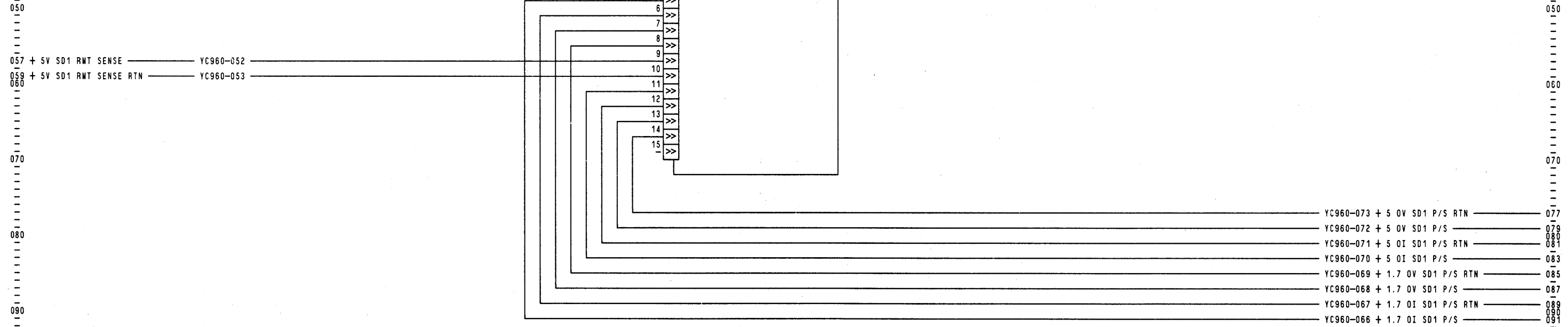
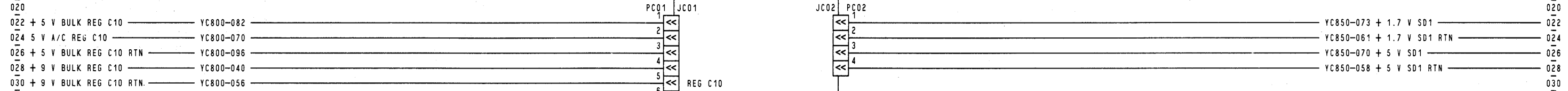
TAP CHANGE CONNECTION FOR TBC01			
WIRE	200/208V	220/380V	230/240 400/415V
A TO	TBC01-2	TBC01-3	TBC01-4



DANGER
 LETHAL VOLTAGES ARE PRESENT IN THE POWER SERVICING AREA. SAFETY IS MOST IMPORTANT. TREAT ALL CIRCUITS AS LIVE UNTIL MEASURED. CAPACITORS ARE POSSIBLE EXPLODING DEVICES. WEAR SAFETY GLASSES WHEN WORKING IN THE POWER AREA.

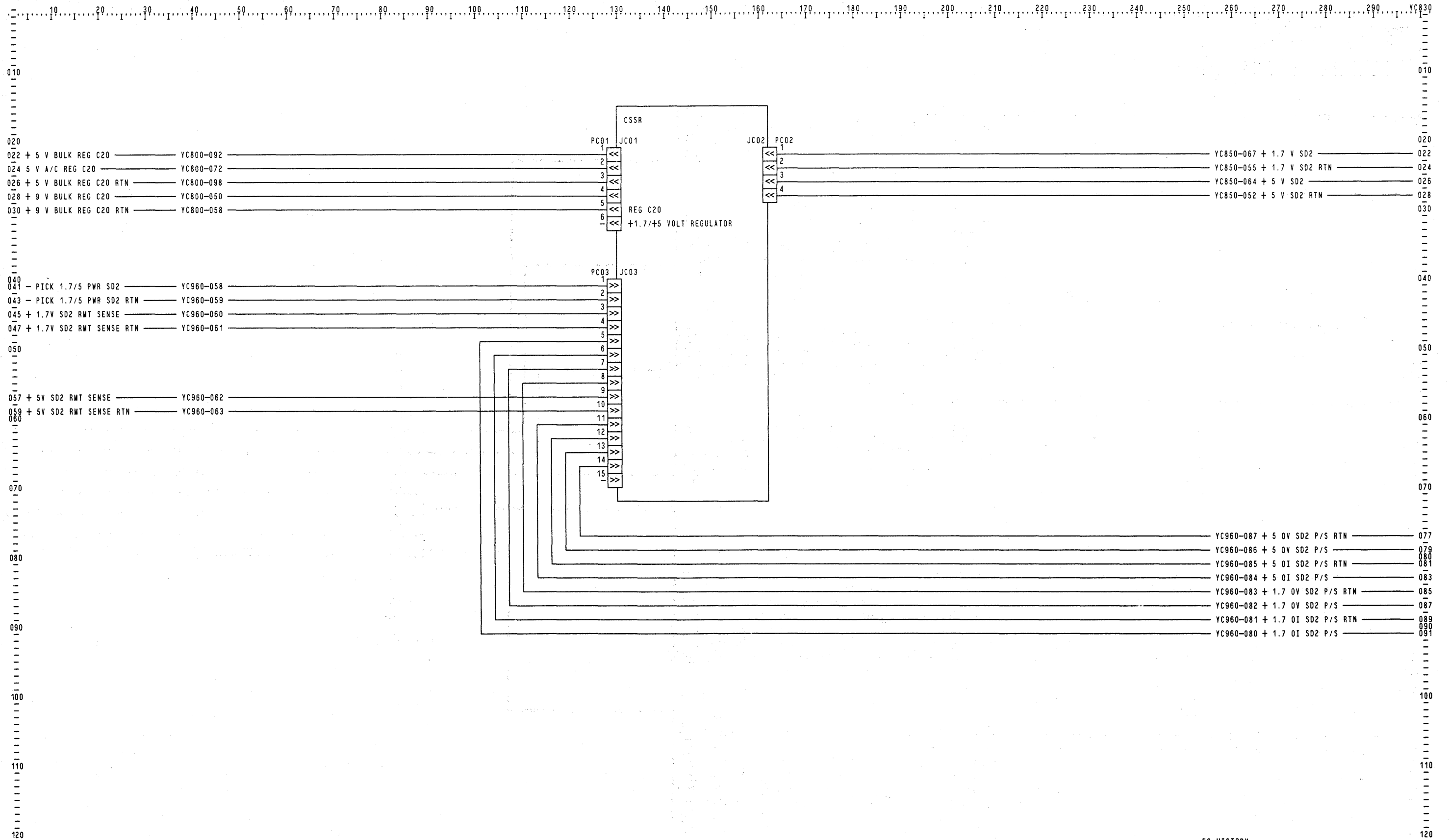
ALWAYS REINSTALL ALL GREEN/YELLOW GROUND WIRES AND SAFETY COVERS BEFORE POWERING ON THE MACHINE.

EC HISTORY	
15FEB84 881146	SUBSYSTEM STORAGE
09AUG84 881215	AUX SD1 & 2 DC BULK SUPPLY
SEQ YC001	
PRINT 25SEP84 0095 PN	6315753
	PAGE 17 OF 24
MACH 3880	HPN
FRAME YC	HEC
LOC	A21747

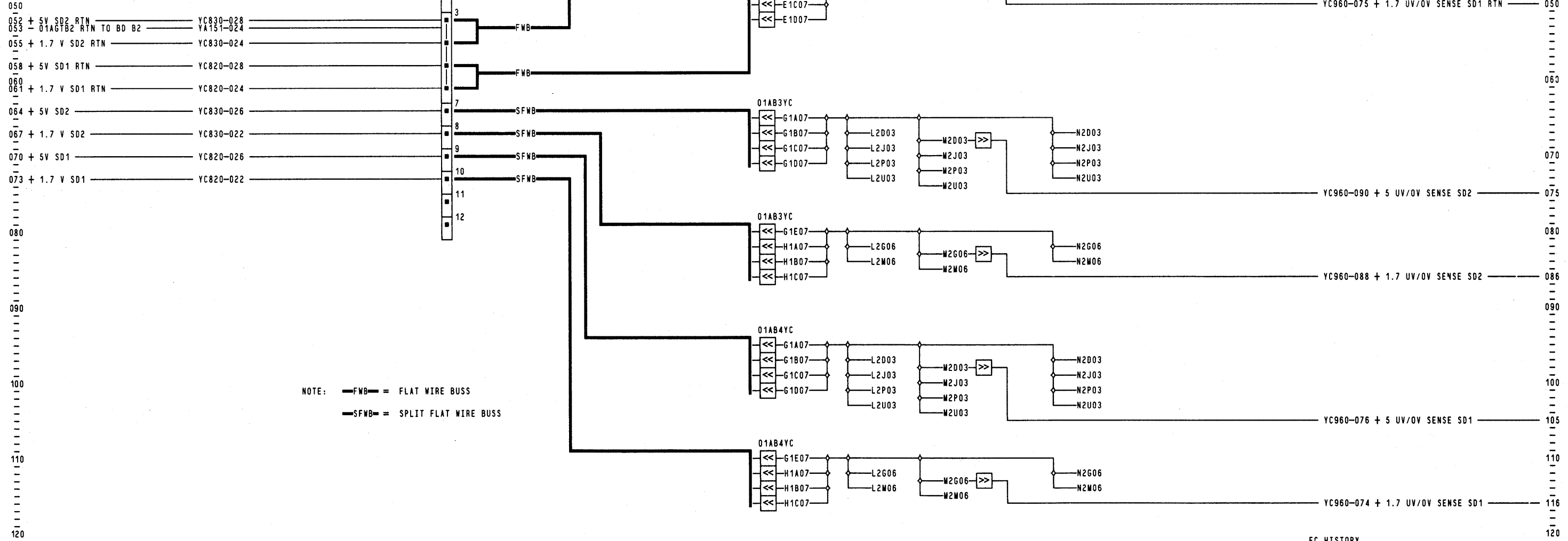


EC HISTORY

15FEB84 881146	SUBSYSTEM STORAGE
09AUG84 881215	AUX SD1 DC REGULATOR
SEQ YC001	
PRINT 25SEP84 0057	PN 6315753
PAGE 18 OF 24	
MACH 3880	HPN
NAME YC	HEC A21747
LOC	



EC HISTORY			
15FEB84 881146	SUBSYSTEM STORAGE	SEQ YC001	
09AUG84 881215	AUX SD2 DC REGULATOR	PRINT 25SEP84 0055	PN 6315253
			PAGE 19 OF 24
		MACH 3880	HPN
		LOC YC	HEC A21747

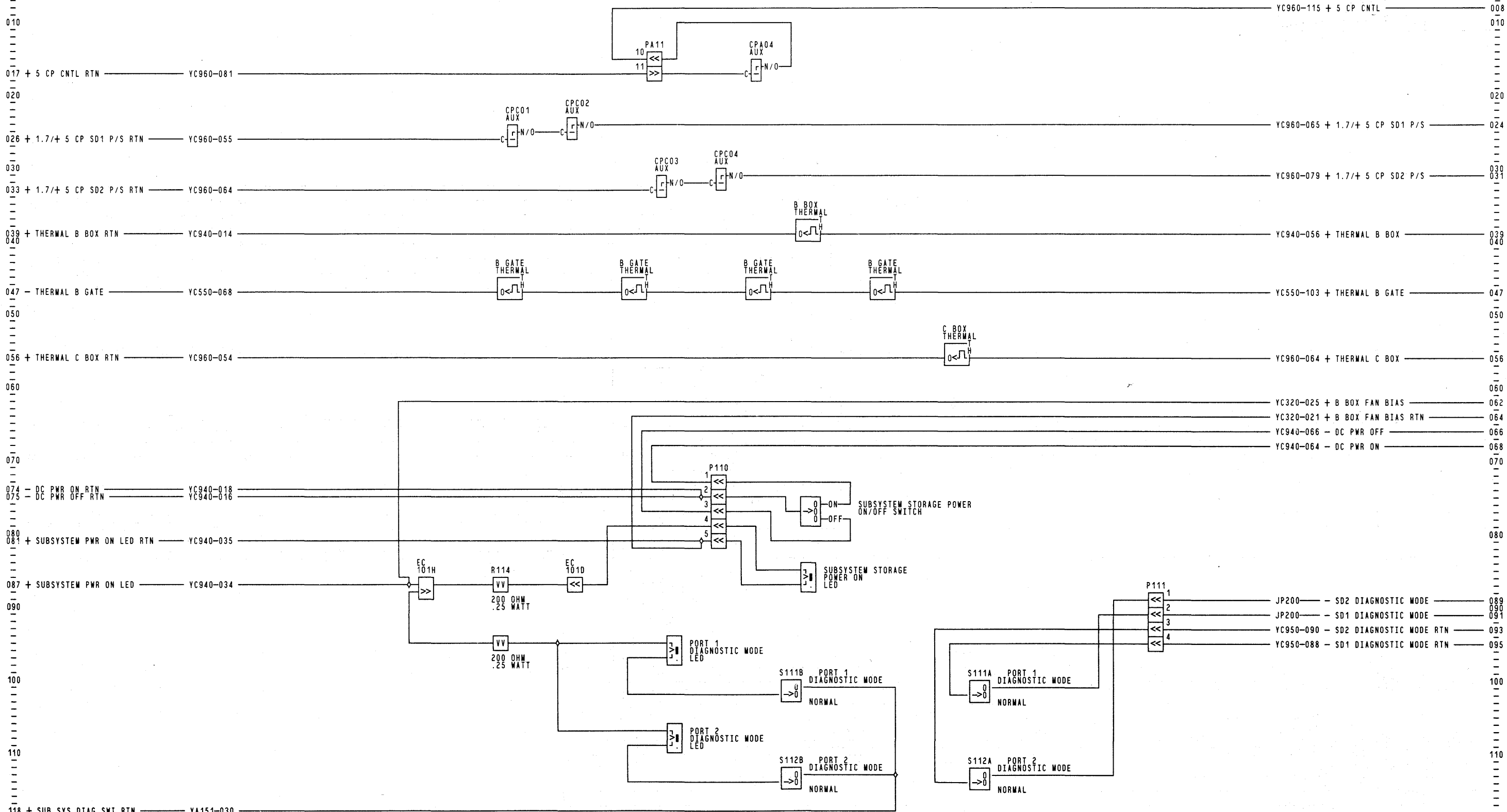


NOTE: **FWB** = FLAT WIRE BUSS
SFWB = SPLIT FLAT WIRE BUSS

GTB2 IS ALSO SHOWN
ON YA151
01AGTB2

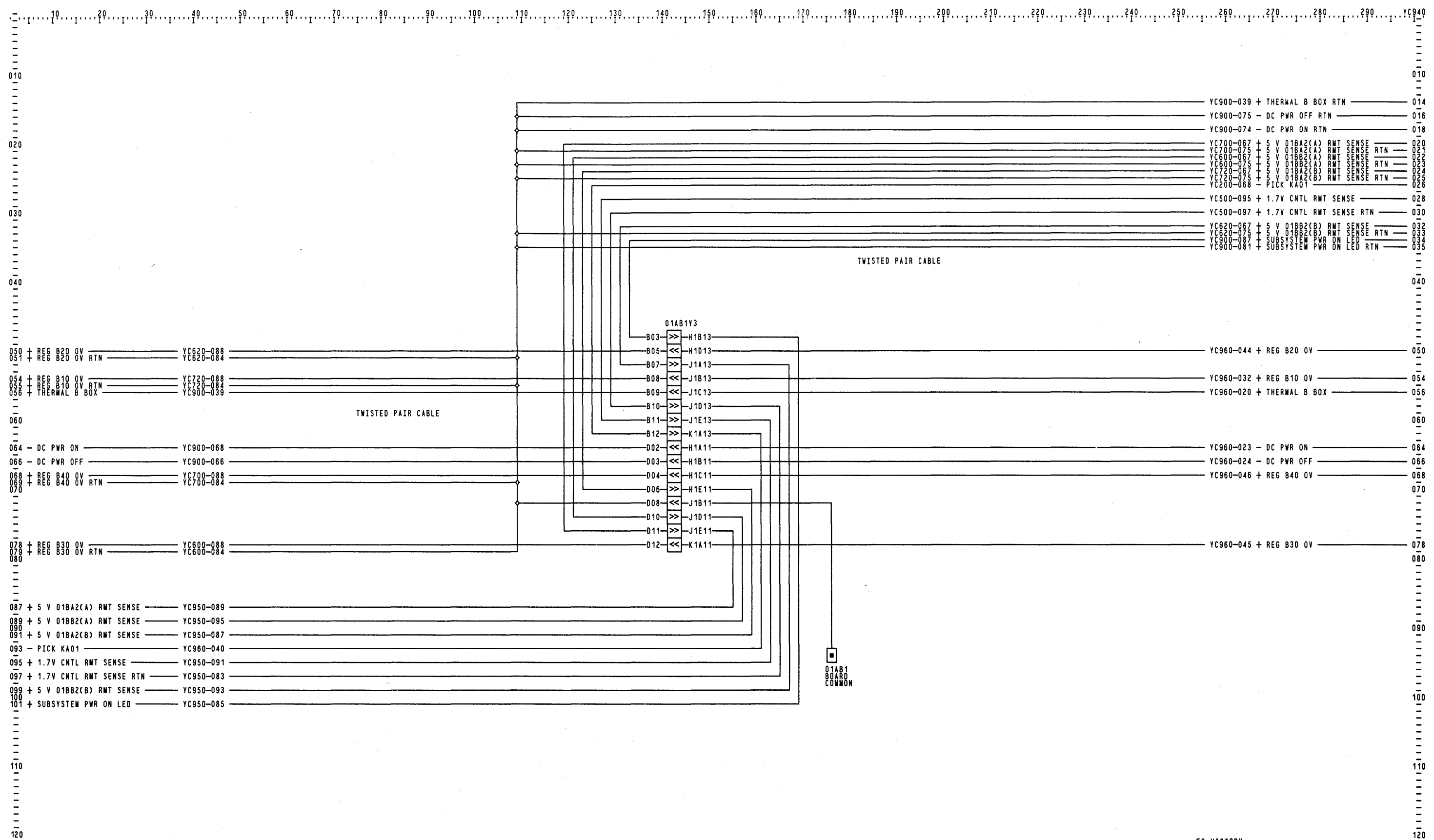
EC HISTORY		SUBSYSTEM STORAGE	
15FEB84 881146	09AUG84 881215	AUX SD1 & 2 DC PWR DISTRIBUTION	
SEQ YC001		PAGE 20 OF 24	
MACH 3880		HPN 6315753	
NAME YC		HEC A21747	
LOC			

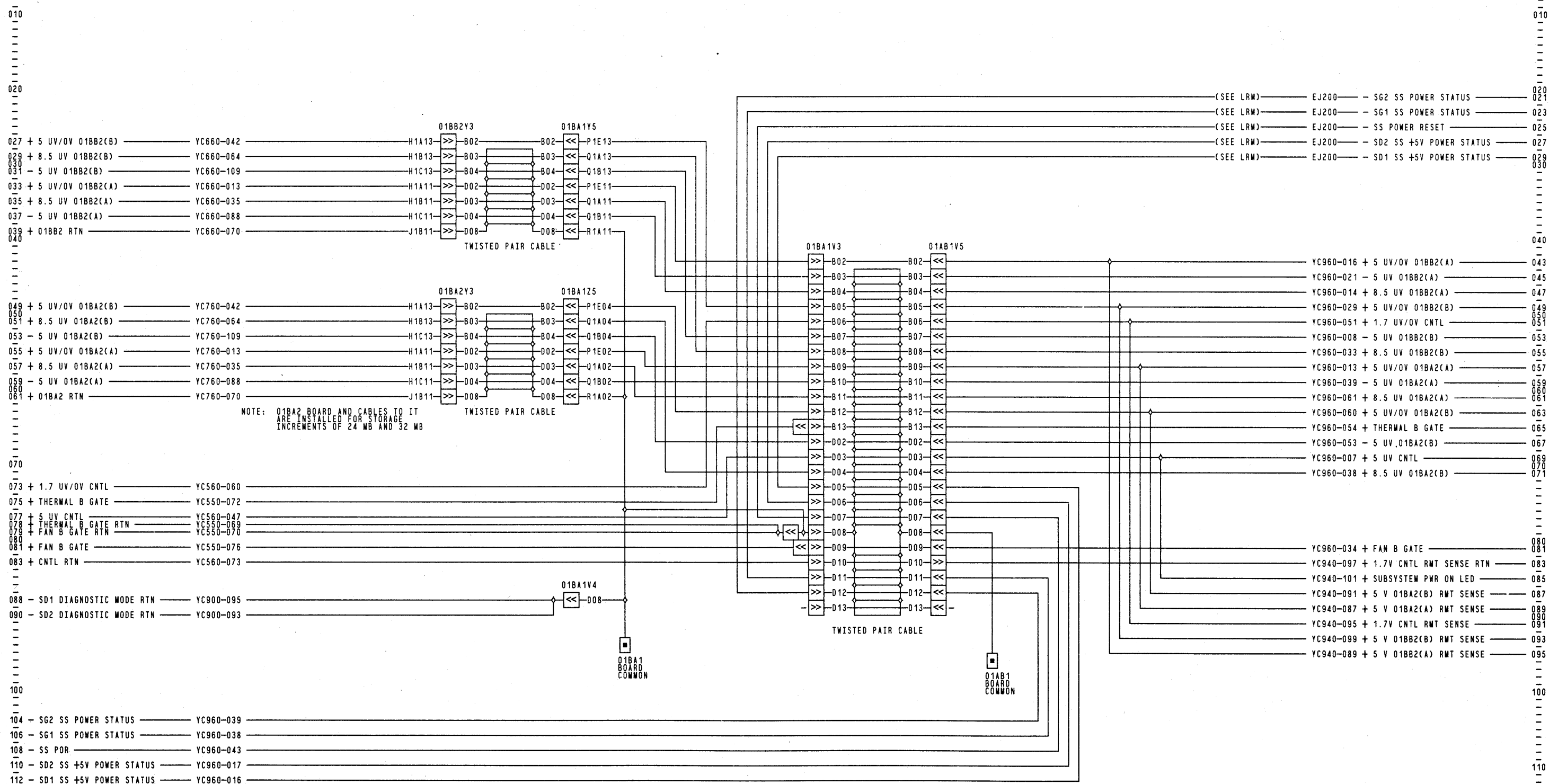
10 20 30 40 50 60 70 80 90 100 110 120 130 140 150 160 170 180 190 200 210 220 230 240 250 260 270 280 290 YC900



EC HISTORY

15FEB84 881146	SUBSYSTEM STORAGE
09AUG84 881215	MISC SWITCHES AND INDICATORS
SEQ YC001	PRINT 25SEP84 0080 PN 6315753
	PAGE 21 OF 24
MACH 3880	HPN
PRIME YC	HEC A21747
LOC	





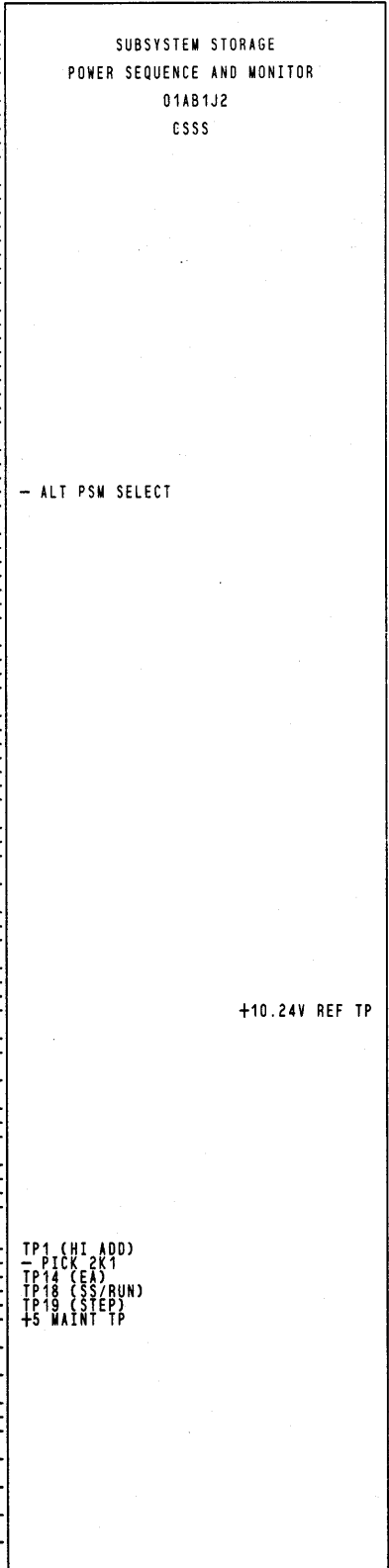
EC HISTORY

15FEB84 881146	SUBSYSTEM STORAGE
09AUG84 881215	MAINT BD CONN V5, AND
	B GATE PSM CABLES
	SEQ YC901
	PRINT 23SEP84 0132 PN 6315753
	PAGE 23 OF 24

MACH 3880 HPN

LOC PNAME YC HEC A21747

007 + 5 UV CNTL YC950-069
 008 - 5 UV 01BB2(B) YC950-063
 010 + POWER ON RESET SD2 YA407-010
 013 + 5 UV/OV 01BA2(A) YC950-057
 014 + 8.5 UV 01BB2(A) YC950-047
 015 + FWB RTN TO BD B1 J2 YA151-022
 016 + 5 UV/OV 01BB2(A) YC950-043
 018 - K701 YA215-068
 019 + 5V FWB TO BD B1 J2 YA151-011
 020 + THERMAL B BOX YC940-056
 021 - 5 UV 01BB2(A) YC950-045
 022 + POWER SEN YA215-102
 023 - DC PWR ON YC940-064
 024 + DC PWR OFF YC940-066
 025 + 24V DC 2 YA151-028
 029 + 5 UV/OV 01BB2(B) YC950-049
 030 - MASK 3 SD2 YA407-116
 032 + REG B10 OV YC940-054
 033 + 8.5 UV 01BB2(B) YC950-055
 034 + FAN B GATE YC950-081
 038 + 8.5 UV 01BA2(B) YC950-071
 039 - 5 UV 01BA2(A) YC950-059
 041 - PSM 2 SELECT (SEE LRM)
 044 + REG B20 OV YC940-050
 045 + REG B30 OV YC940-078
 046 + REG B40 OV YC940-068
 049 + 5 UNDER VOLTS SD2 YA217-029
 051 + 1.7 UV/OV CNTL YC950-051
 052 - MASK 3 SD1 YA407-104
 053 - 5 UV 01BA2(B) YC950-067
 054 + THERMAL B GATE YC950-065
 057 + 5 UNDER VOLTS SD1 YA217-009
 059 - POWER ON YA215-103
 060 + 5 UV/OV 01BA2(B) YC950-063
 061 + 8.5 UV 01BA2(A) YC950-061
 062 + POWER ON RESET SD1 YA407-011
 064 + THERMAL C BOX YC900-056
 065 + 1.7/+5 CP SD1 P/S YC900-024
 066 + 1.7 OI SD1 P/S YC820-091
 067 + 1.7 OI SD1 P/S RTN YC820-089
 068 + 1.7 OV SD1 P/S RTN YC820-087
 069 + 1.7 OV SD1 P/S RTN YC820-085
 070 + 5 OI SD1 P/S RTN YC820-083
 071 + 5 OI SD1 P/S RTN YC820-081
 072 + 5 OV SD1 P/S RTN YC820-079
 073 + 5 OV SD1 P/S RTN YC820-077
 074 + 1.7 UV/OV SENSE SD1 RTN YC850-116
 075 + 1.7 UV/OV SENSE SD1 RTN YC850-105
 076 + 1.7 UV/OV SENSE SD1 RTN YC850-103
 077 + 5 UV/OV SENSE SD1 RTN YC850-048
 079 + 1.7/+5 CP SD2 P/S YC900-031
 080 + 1.7 OI SD2 P/S RTN YC830-091
 081 + 1.7 OI SD2 P/S RTN YC830-089
 082 + 1.7 OV SD2 P/S RTN YC830-087
 083 + 1.7 OV SD2 P/S RTN YC830-085
 084 + 5 OI SD2 P/S RTN YC830-083
 085 + 5 OI SD2 P/S RTN YC830-081
 086 + 5 OV SD2 P/S RTN YC830-079
 087 + 5 OV SD2 P/S RTN YC830-077
 088 + 1.7 UV/OV SENSE SD2 RTN YC850-089
 089 + 1.7 UV/OV SENSE SD2 RTN YC850-077
 090 + 5 UV/OV SENSE SD2 RTN YC850-075
 091 + 5 UV/OV SENSE SD2 RTN YC850-025
 100 + SWT OV CNTL YC500-103
 101 + SWT OV CNTL RTN YC500-101
 102 + REC B20 OI RTN YC620-086
 103 + REC B20 OI RTN YC620-082
 104 + REC B30 OI RTN YC600-086
 105 + REC B30 OI RTN YC600-082
 106 + REC B30 OI RTN YC600-082
 107 + REC B10 OI RTN YC720-086
 108 + REC B10 OI RTN YC720-082
 109 + REC B40 OI RTN YC700-086
 110 + REC B40 OI RTN YC700-082
 111 + SWT UV CNTL YC500-107
 112 + SWT UV CNTL RTN YC500-105
 113 + FAN B BOX YC320-014
 114 + FAN B FAN YC320-012
 115 + CP CNTL BIAS RTN YC900-008



B05 YA217-024 + GATED POR SD1 010
 B06 YA215-079 - HOLD 011
 D04 YA407-053 - TYP B FAULT CACHE 014
 D06 YA215-058 - HOLD RETURN 015
 D10 YC950-112 - SD1 S2 +5V POWER STATUS 016
 D11 YC950-110 - SD1 S2 +5V POWER STATUS 017
 D12 (SEE LRM) BUS OUT BIT P 018
 G10 (SEE LRM) BUS OUT BIT 5 020
 G11 (SEE LRM) BUS OUT BIT 6 021
 G13 (SEE LRM) BUS OUT BIT 7 022
 J04 YA215-123 - ANY POWER FAILURE PRESENT 026
 M02 (SEE LRM) BUS OUT BIT 1 029
 M03 (SEE LRM) BUS OUT BIT 4 031
 P06 (SEE LRM) BUS OUT BIT 3 034
 P09 (SEE LRM) BUS OUT BIT 0 035
 S04 YC950-106 - SG1 SS POWER STATUS 038
 S09 YC950-104 - SG2 SS POWER STATUS 039
 S10 YC940-093 - PICK KA01 040
 U04 YC950-108 - SS POR 043
 U13 YA217-040 + GATED POR SD2 044
 W28 YC820-041 - PICK 1.7/5 PWR SD1 048
 W29 YC820-043 - PICK 1.7/5 PWR SD1 RTN 049
 W30 YC820-047 - 1.7V SD1 RMT SENSE RTN 051
 W31 YC820-057 - 5V SD1 RMT SENSE RTN 052
 W32 YC820-059 - 5V SD1 RMT SENSE RTN 053
 W33 YC900-056 - THERMAL C BOX RTN 054
 W34 YC900-026 - 1.7/+5 CP SD1 P/S RTN 055
 X28 YC830-041 - PICK 1.7/5 PWR SD2 058
 X29 YC830-043 - PICK 1.7/5 PWR SD2 RTN 059
 X30 YC830-047 - 1.7V SD2 RMT SENSE RTN 060
 X31 YC830-047 - 1.7V SD2 RMT SENSE RTN 061
 X32 YC830-059 - 5V SD2 RMT SENSE RTN 063
 X33 YC900-033 - 1.7/+5 CP SD2 P/S RTN 064
 Y02 070
 Y04 070
 Y06 070
 Y07 070
 Y08 070
 Y13 070
 Y23 +10.24V REF TP
 Z08 YC900-017 + 5 CP CNTL RTN 080
 Z30 YC200-066 - PICK KA03 084
 Z31 YC200-064 - PICK KA02 085
 090
 100
 110
 120

EC HISTORY
 15FEB84 881146 SUBSYSTEM STORAGE
 09AUG84 881215 POWER SEQUENCE & MONITOR CARD
 SEQ YC001
 PRINT 25SEP84 0111 PN 6315753
 PAGE 24 OF 24
 MACH 3880 HPN
 NAME YC HEC A21747
 LOC