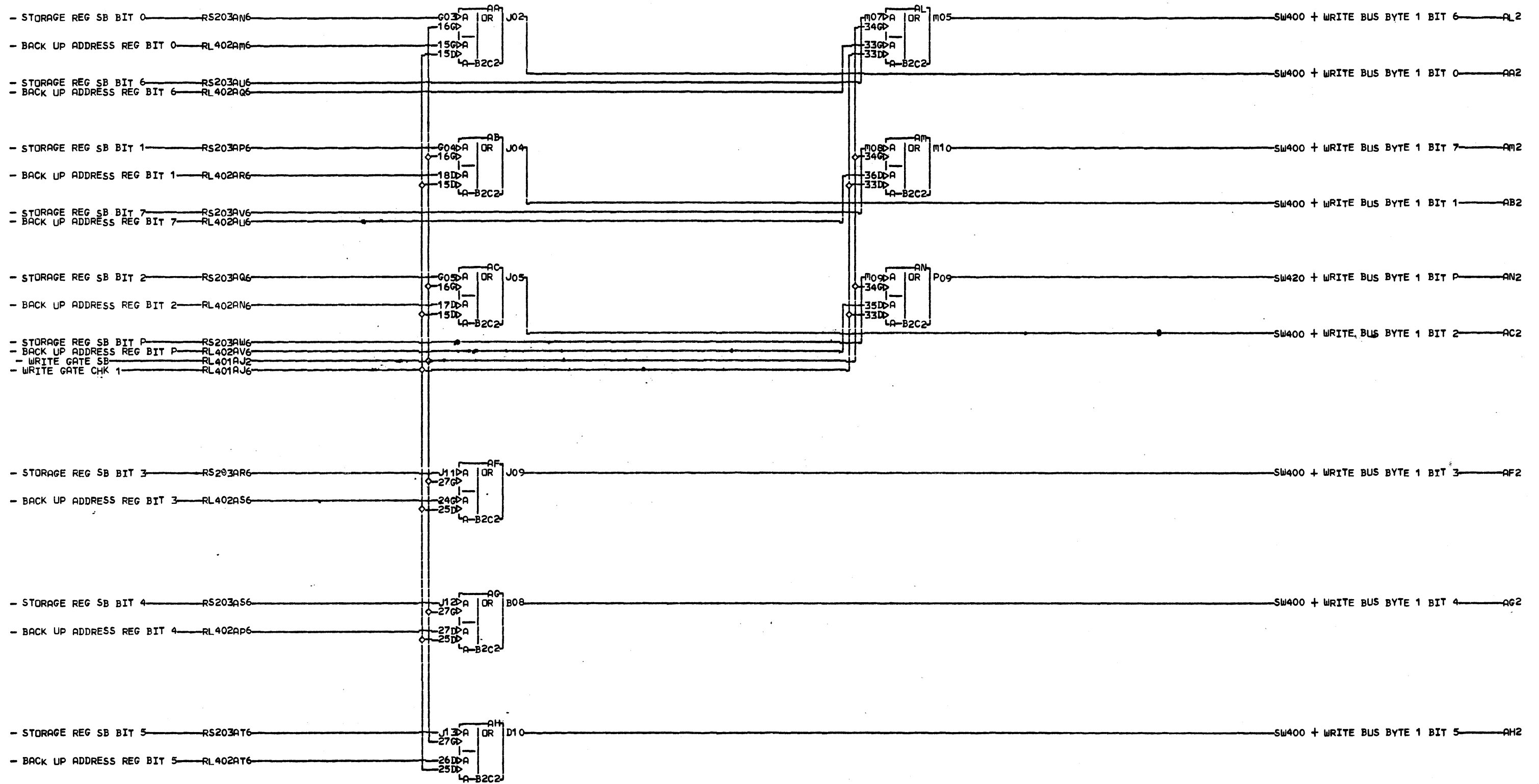


RL401
000

LOC. TYPE
A-B2C2 0690

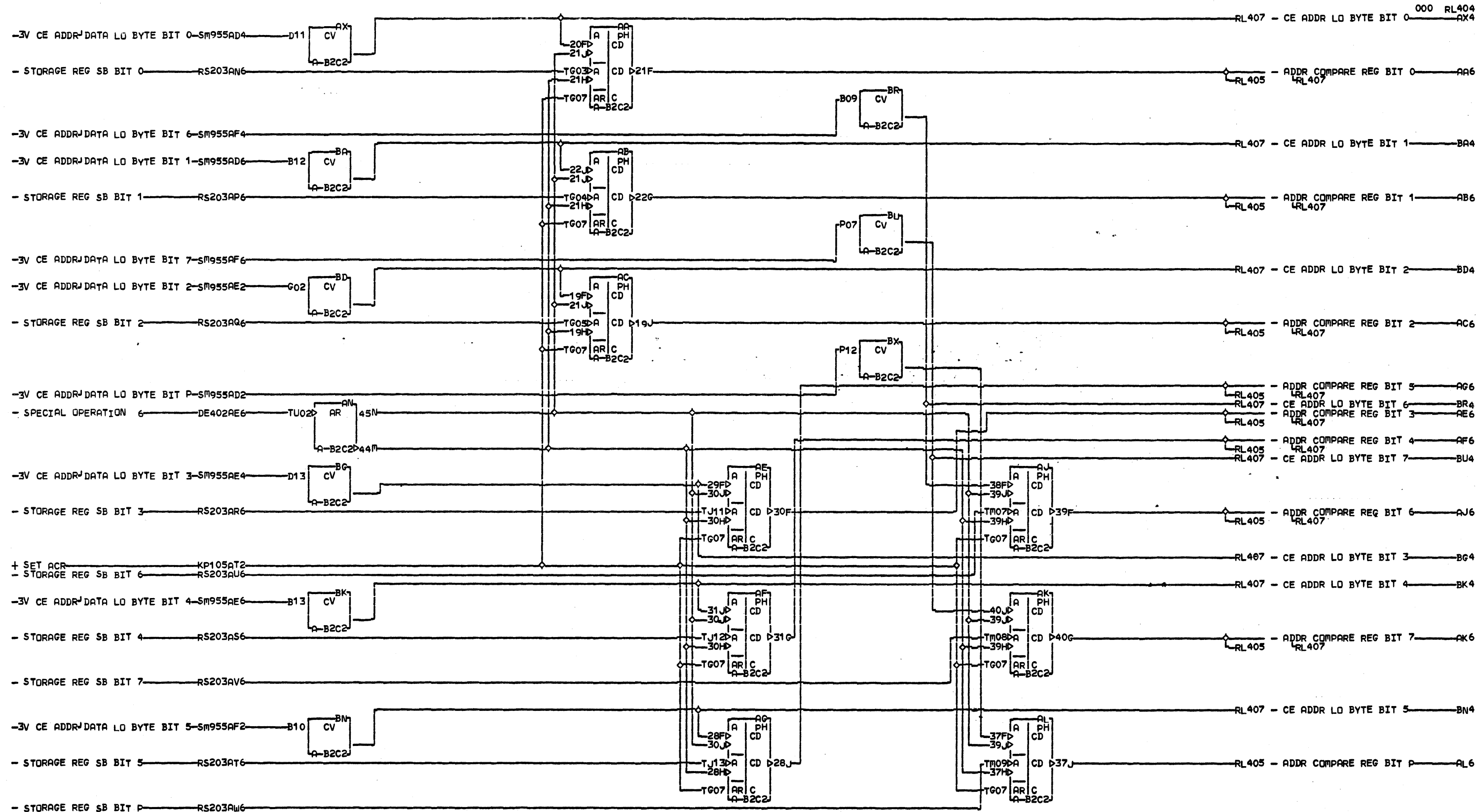
DISPLAY DECODES AND WRITE GATE	
E.C. HISTORY 437301	MACH. 3830-2
DATE 06-15-73	LAST EC 437310
FRAME 01	IBM CORP. SDD P.N. 2345923

RL401
000



LOC. TYPE
A-B2C2 0690

STOR WRITE BUS BYTE 1	
E.C. HISTORY	B MACH. 3830-2
437301	FRAME 01
437302	IBM CORP. SDD
DATE	LAST EC
06-15-73	437310
	P.N. 2345925

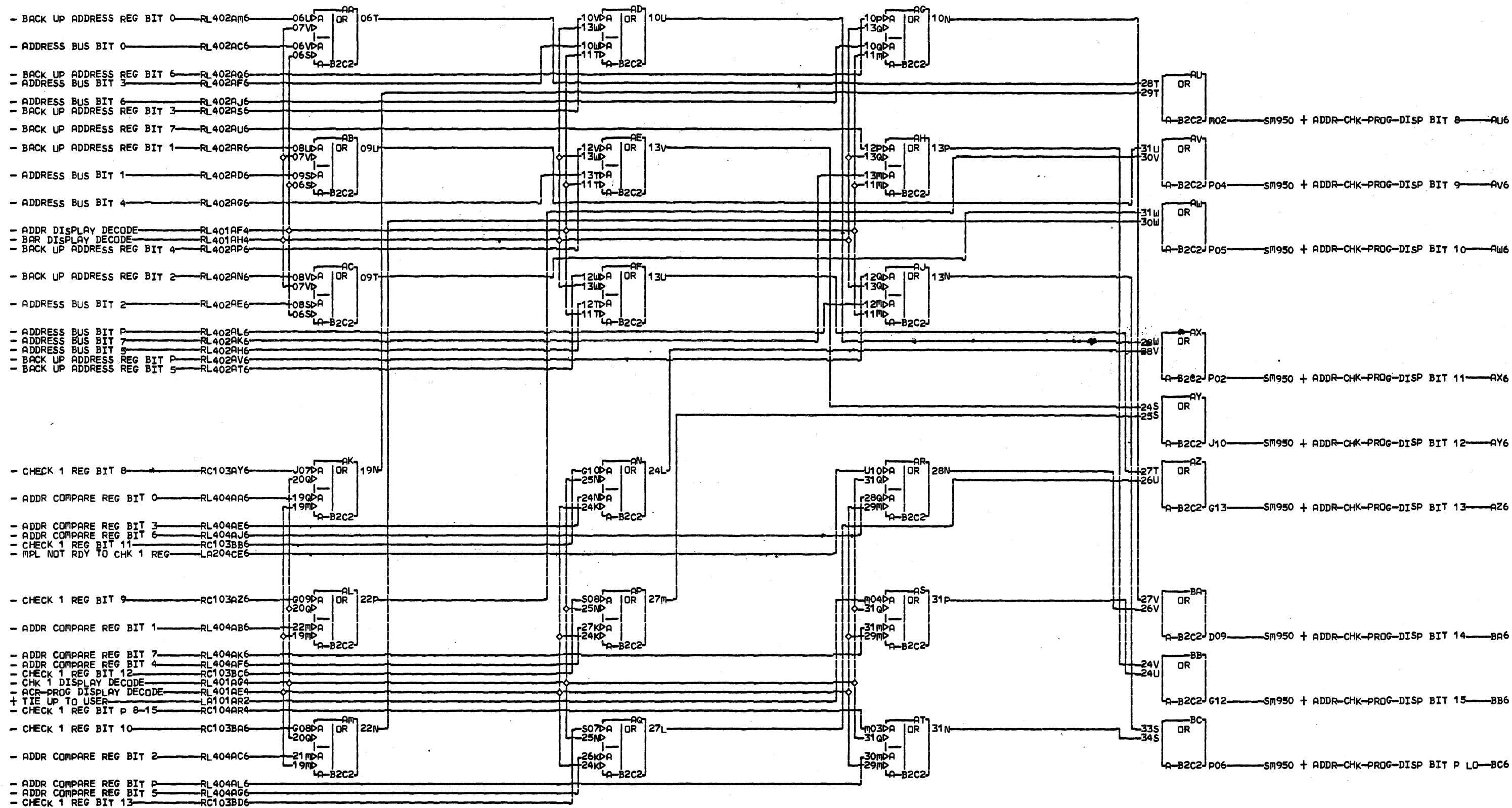


LOC. TYPE
A-B2C2 0690

ADDRESS COMPARE REGISTER	
E.C. HISTORY 437301	MACH. 3830-2 FRAME 01
DATE 06-15-73	IBM CORP. SDD P.N. 2345926
LAST EC 437310	

R
L
4
0
4

R
L
4
0
4



LOC. TYPE
A-B2C2 0690

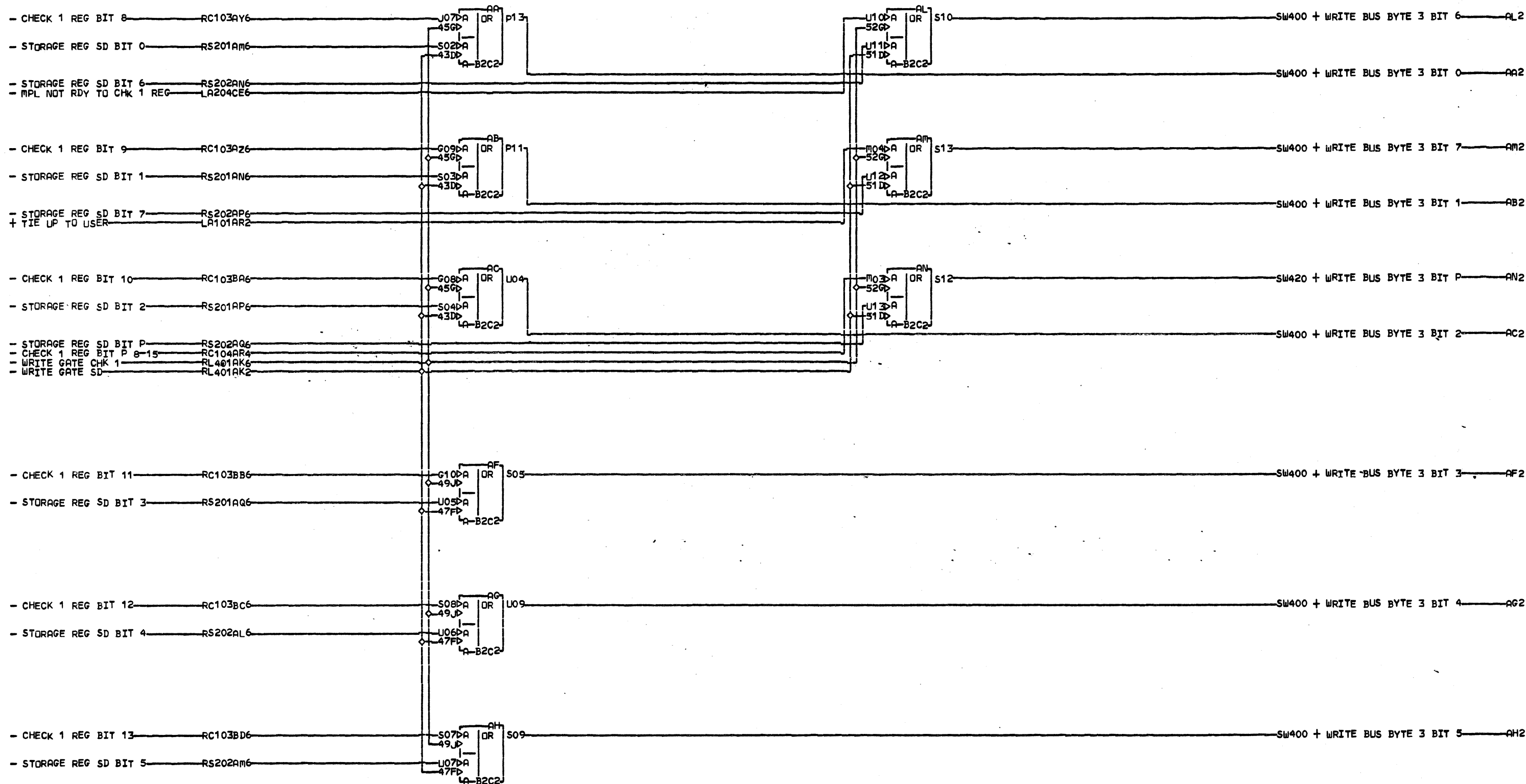
ADDR-CHK-PROG-DISPLAY	
E.C. HISTORY	B. MACH. 3830-2
437301	FRAME 01
DATE LAST EC	IBM CORP. SDD
06-15-73 437310	P.N. 2345927

RL405

000

RL405

000



RL406

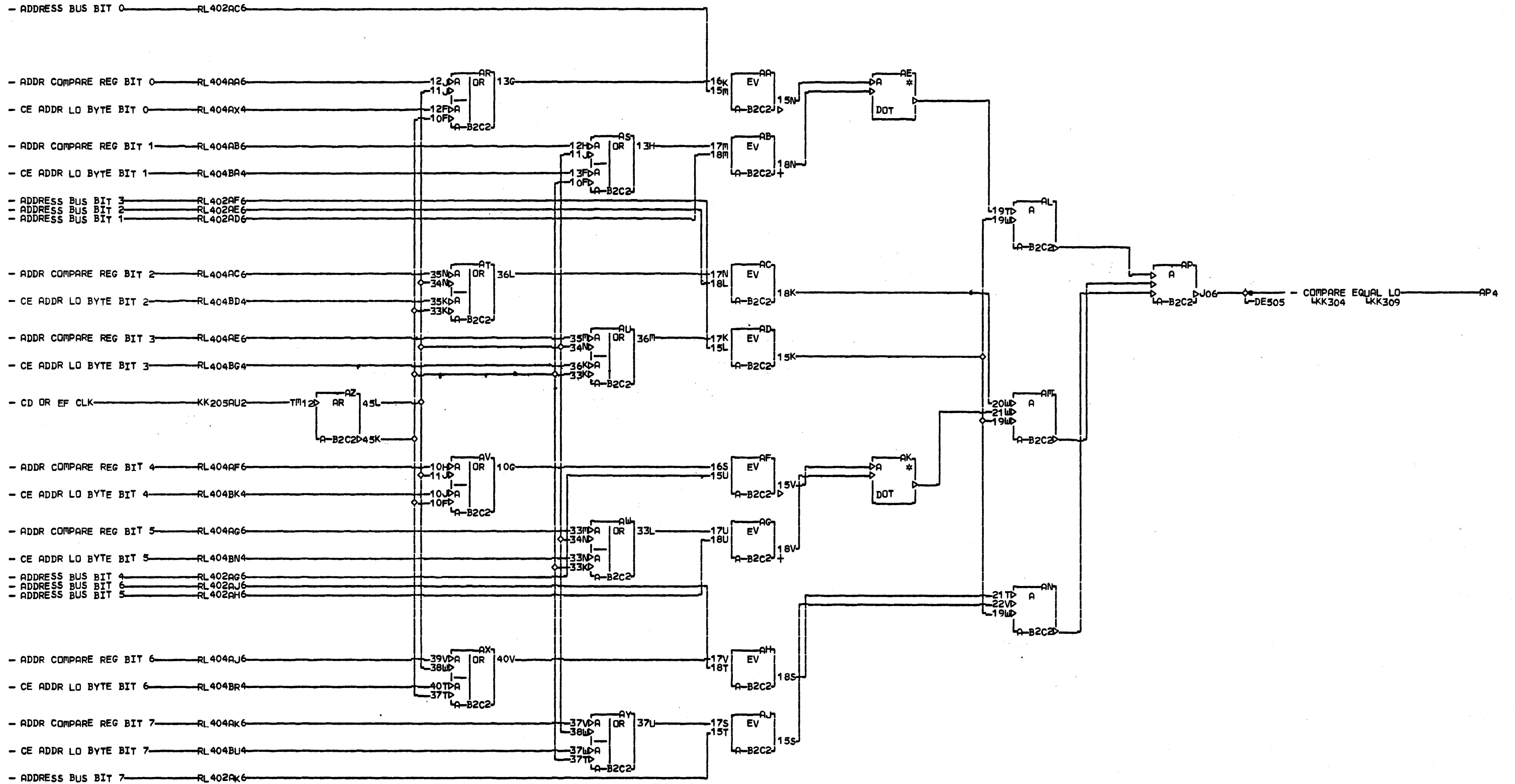
000

LOC. TYPE
A-B2C2 0690

STOR WRITE BUS BYTE 3	
E.C. HISTORY	B MACH. 3830-2
437301	FRAME 01
437302	IBM CORP. SDD
DATE LAST EC	PoN. 2345928
06-15-73 437310	

RL406

000

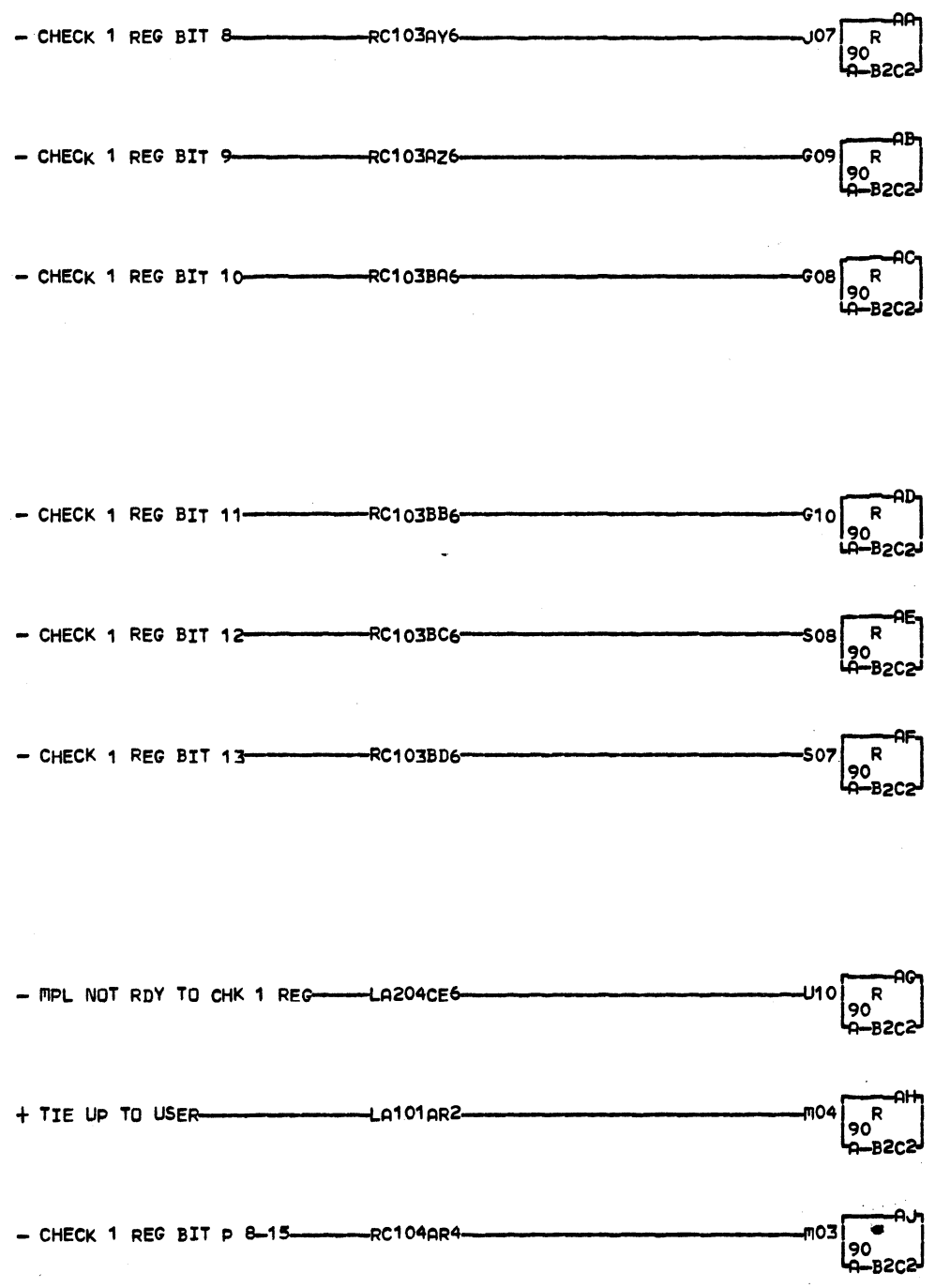


000
R
04
L
7

LOC. TYPE
A-B2C2 0690

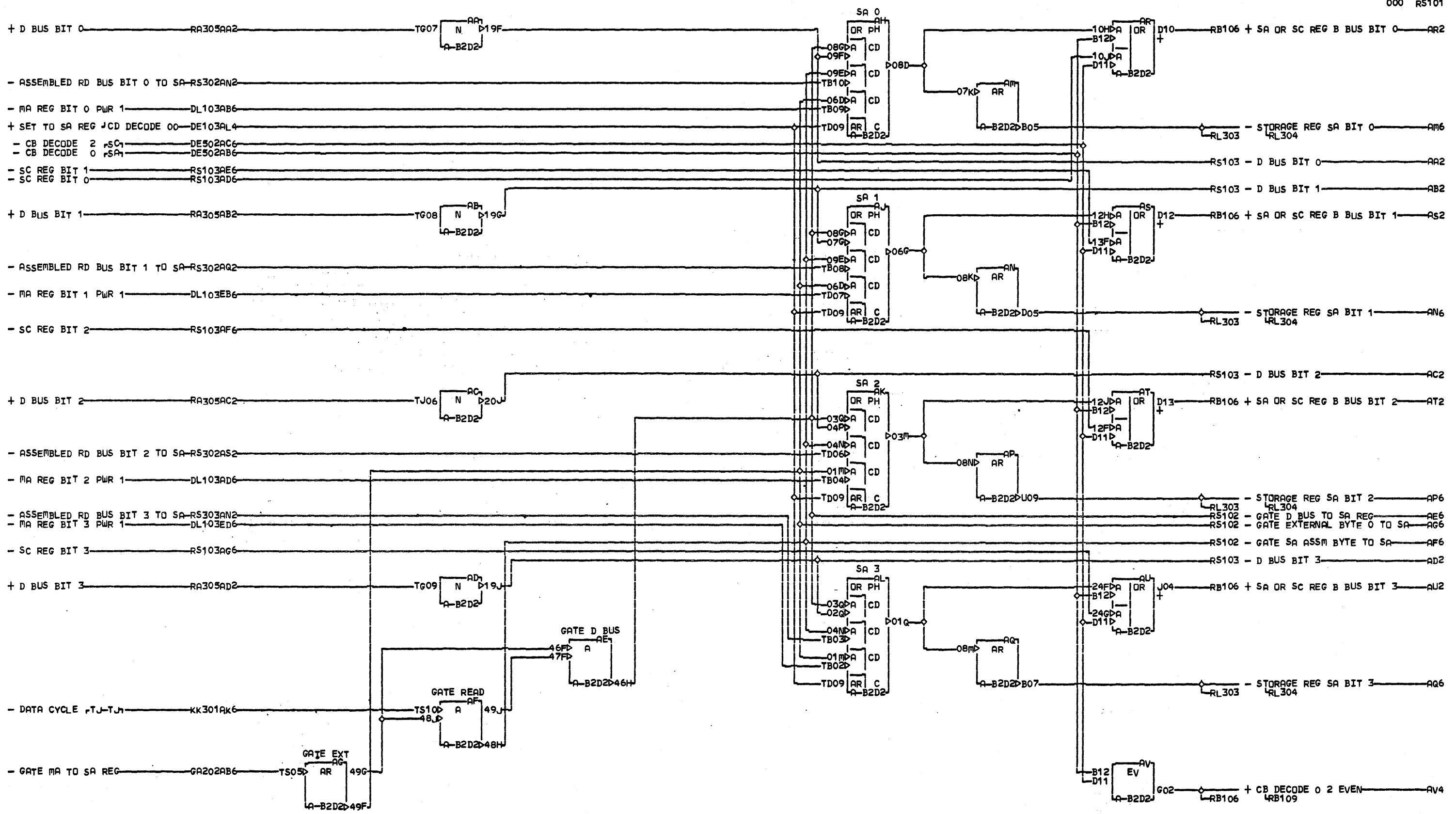
ACR AND ADDR BIT COMP EQUAL	
E.C. HISTORY	B MACH. 3830-2
437301	FRAME 01
437305	IBM CORP. SDD
DATE	LAST EC
06-15-73	437310
P.N.	2345929

R
L
4
0
7



LOC. TYPE
A-B2C2 0690

TERMINATORS	
—E.C.—HISTORY— 437301	B. MACH. 3830-2 FRAME 01
DATE 06-15-73	LAST EC 437310
	IBM CORP. SDD P.N. 234 5930

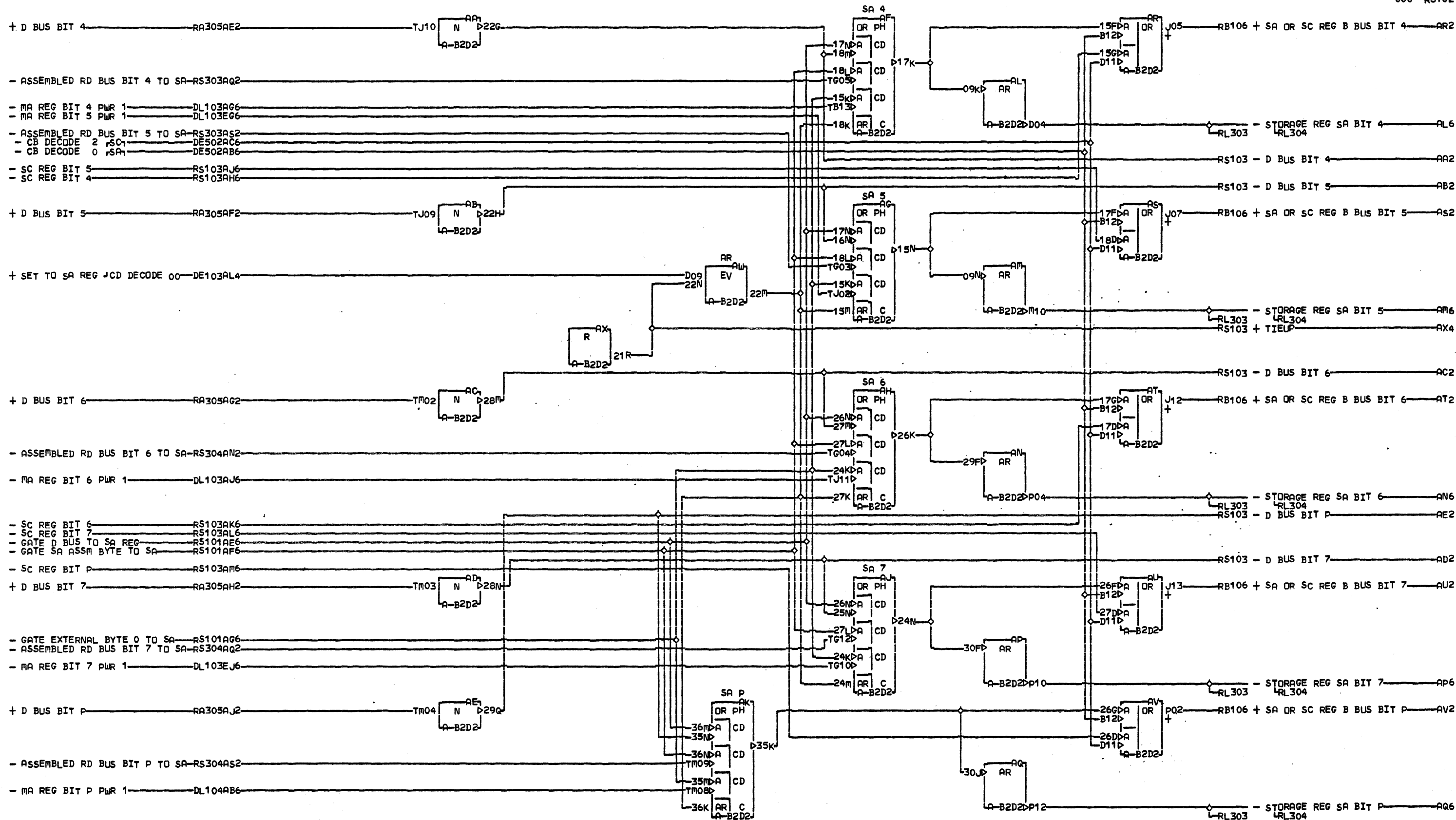


LOC. TYPE
A-B2D2 0689

STORAGE REG SA BITS 0-3	
E.C. HISTORY	B. MACH. 3830-2
437301	FRAME 01
DATE LAST EC	IBM CORP. SDD
06-15-73 437310	P. No. 2345931

RS101
000

RS101
000



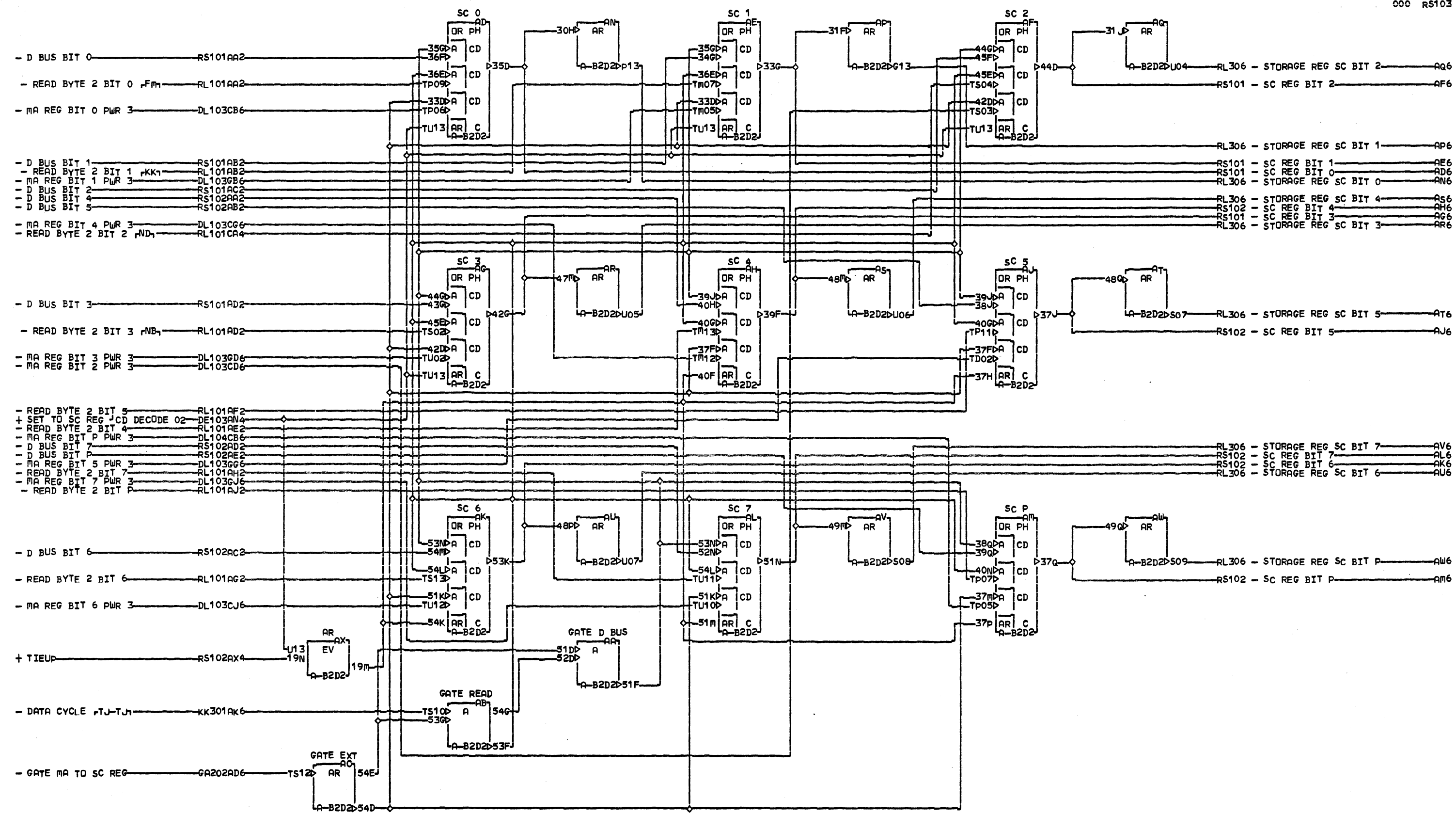
- + D BUS BIT 4 — RA305AE2 — TJ10 — N — 22G — A-B2D2
- ASSEMBLED RD BUS BIT 4 TO SA-RS303AQ2
- MA REG BIT 4 PWR 1 — DL103AG6
- MA REG BIT 5 PWR 1 — DL103EG6
- ASSEMBLED RD BUS BIT 5 TO SA-RS303AS2
- CB DECODE 2 rSC1 — DE502AC6
- CB DECODE 0 rSA1 — DE502AB6
- SC REG BIT 5 — RS103AJ6
- SC REG BIT 4 — RS103AH6
- + D BUS BIT 5 — RA305AF2 — TJ09 — N — 22H — A-B2D2
- + SET TO SA REG JCD DECODE 00 — DE103AL4 — D09 — 22N — AR — EV — A-B2D2 — 22M
- + D BUS BIT 6 — RA305AG2 — TM02 — N — 28M — A-B2D2
- ASSEMBLED RD BUS BIT 6 TO SA-RS304AN2
- MA REG BIT 6 PWR 1 — DL103AJ6
- SC REG BIT 6 — RS103AK6
- SC REG BIT 7 — RS103AL6
- GATE D BUS TO SA REG — RS101AE6
- GATE SA ASSM BYTE TO SA — RS101AF6
- SC REG BIT P — RS103AM6
- + D BUS BIT 7 — RA305AH2 — TM03 — N — 28N — A-B2D2
- GATE EXTERNAL BYTE 0 TO SA — RS101AG6
- ASSEMBLED RD BUS BIT 7 TO SA-RS304AQ2
- MA REG BIT 7 PWR 1 — DL103EJ6
- + D BUS BIT P — RA305AJ2 — TM04 — N — 29Q — A-B2D2
- ASSEMBLED RD BUS BIT P TO SA-RS304AS2
- MA REG BIT P PWR 1 — DL104AB6

LOC. TYPE
A-B2D2 0689

STORAGE REG SA BITS 4-P	
E.C. HISTORY	B MACH. 3830-2
437301	FRAME 01
DATE LAST EC	IBM CORP. SDD
06-15-73 437310	P.No. 2345932

R
S
1
0
2

R
S
1
0
2

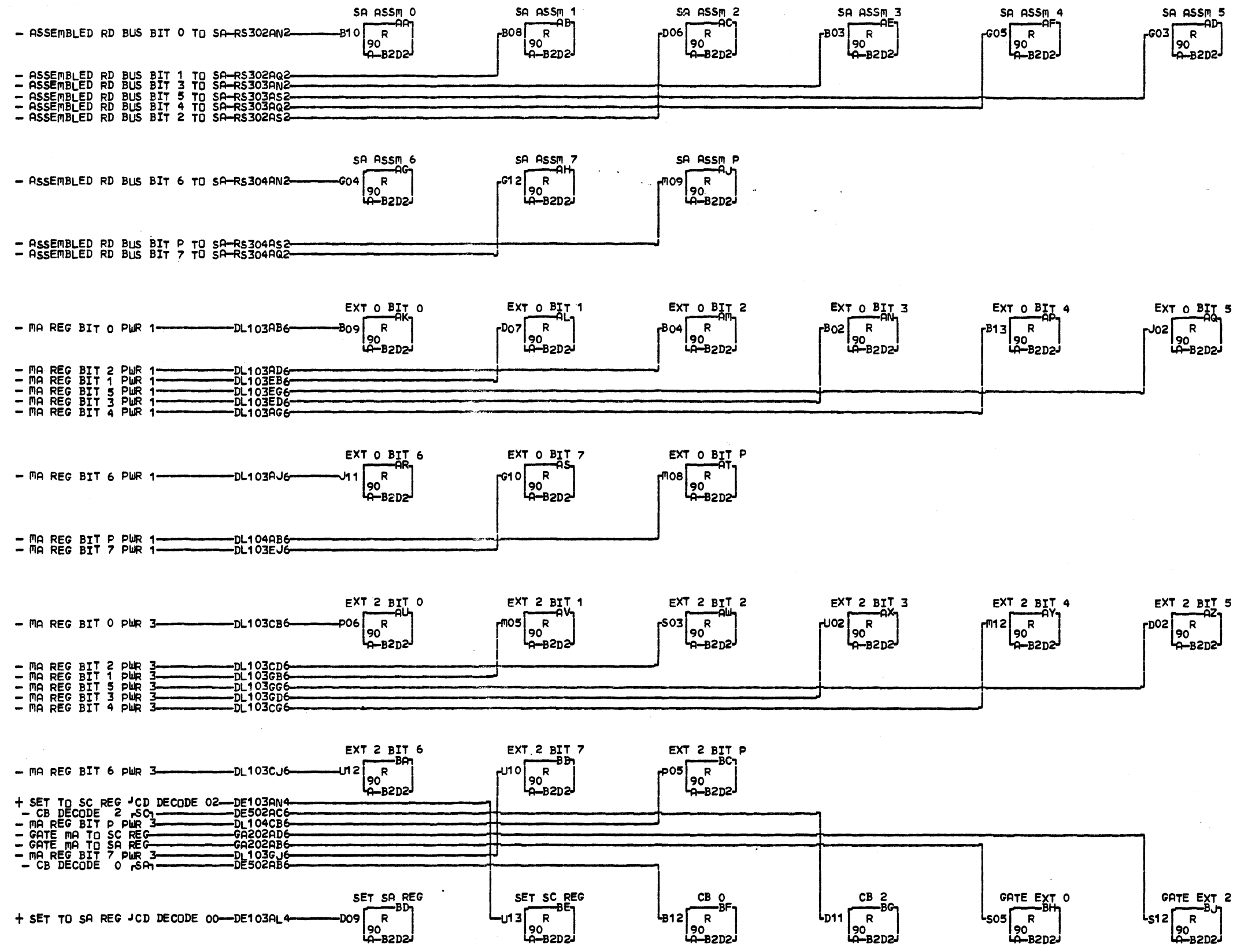


LOC. TYPE
A-B2D2 0689

STORAGE REG SC	
-E.C.-HISTORY-437301	B-MACH.3830-2
437302	FRAME 01
DATE LAST EC	IBM CORP. SDD
06-15-73 437310	P.No. 2345933

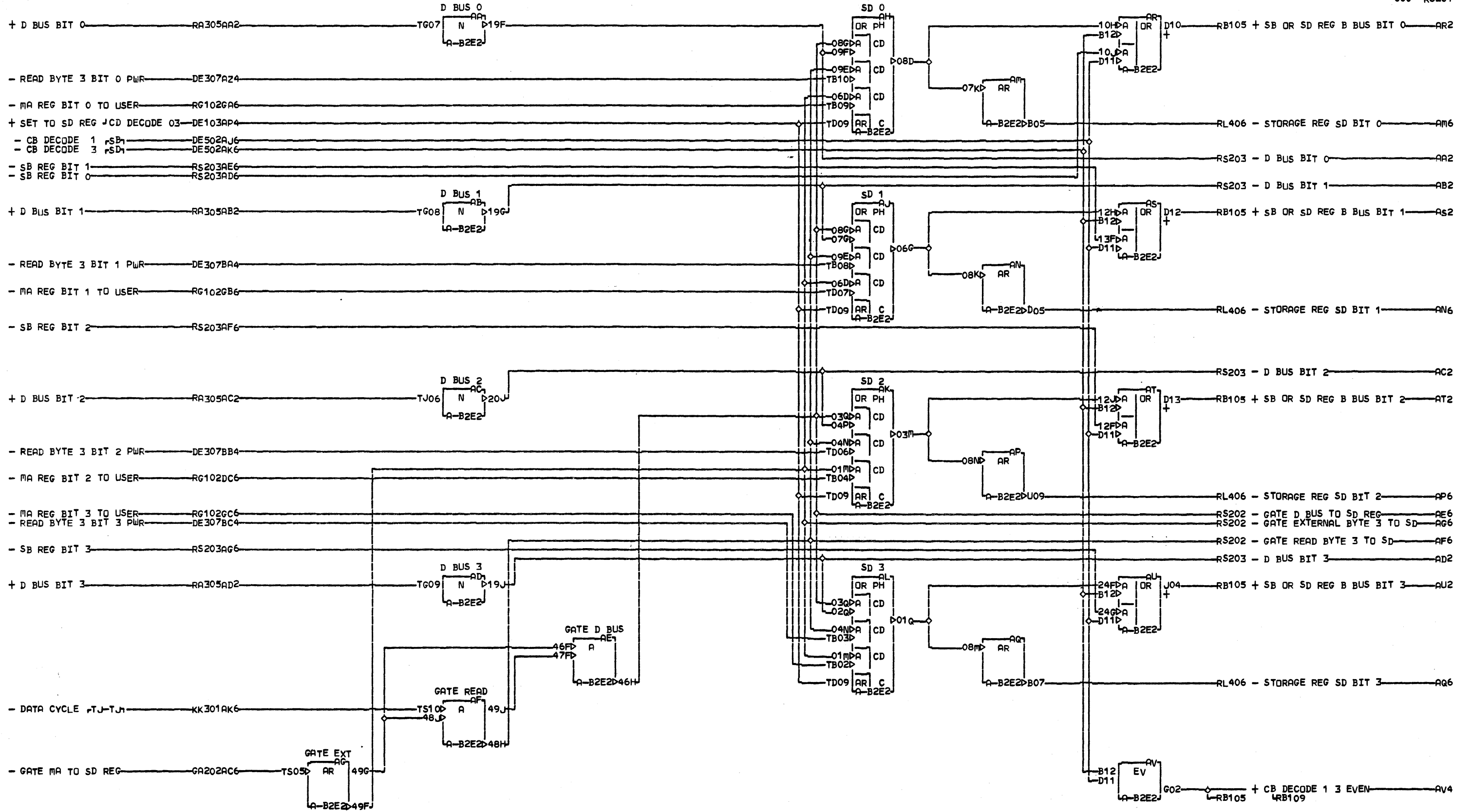
RS103

RS103



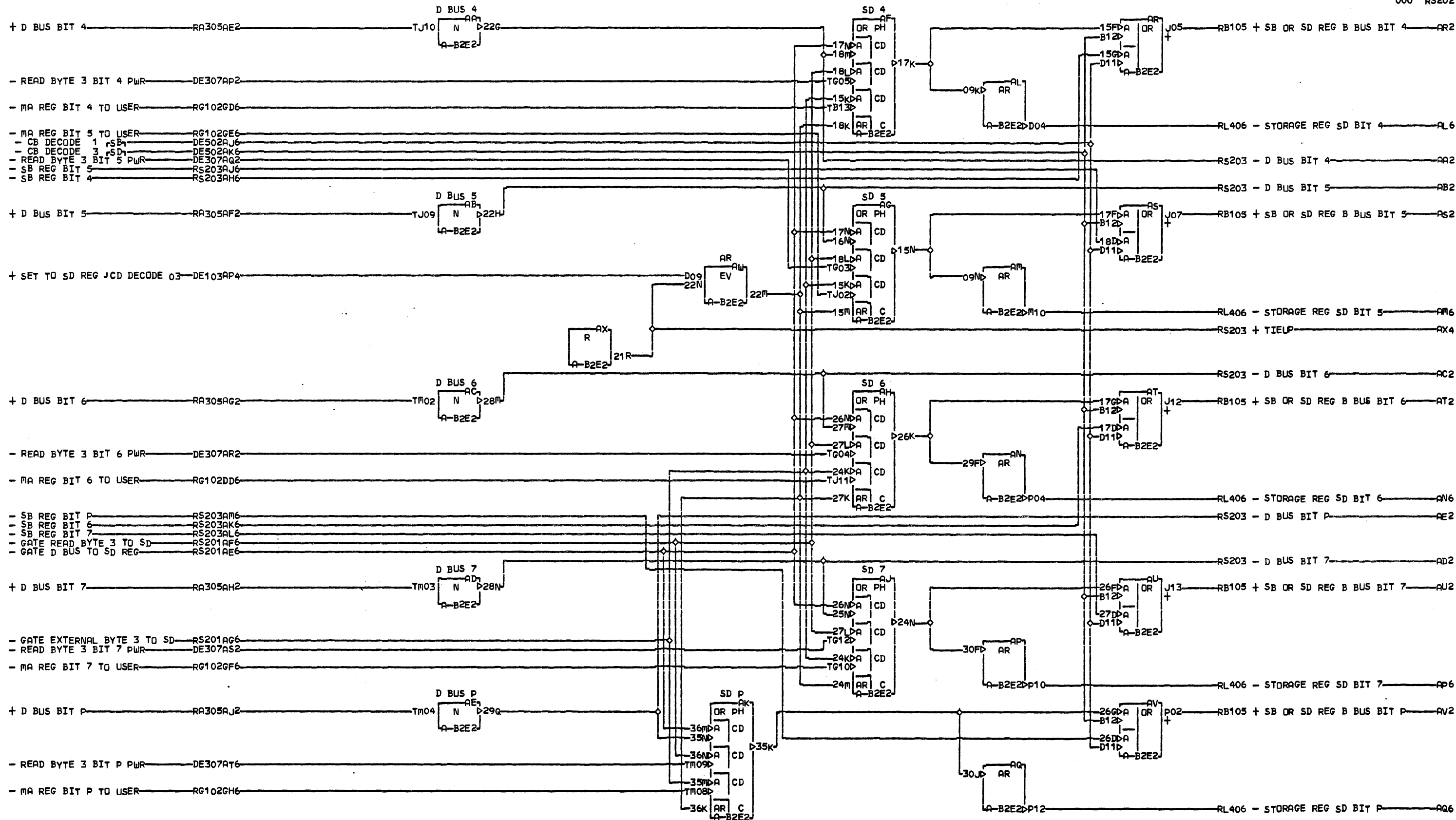
LQC. TYPE
A-B2D2 0689

SA SC REGS TERMINATORS	
E.C. HISTORY 437301	MACH. 3830-2 FRAME 01
DATE LAST EC 06-15-73 437310	IBM CORP. SSD P.No. 2345934



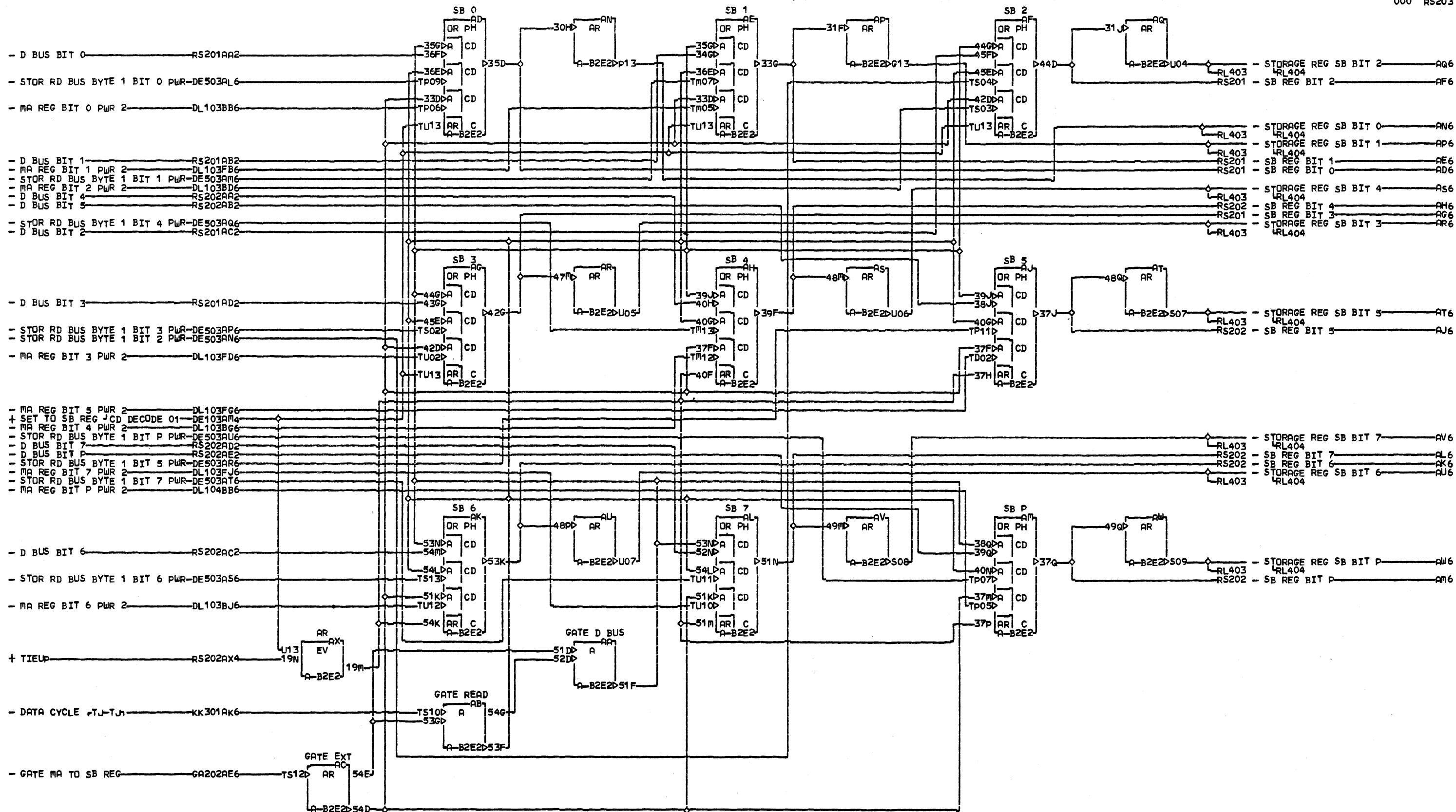
LOC. TYPE
A-B2E2 0689

STORAGE REG SD BITS 0-3	
E.C. HISTORY	B MACH. 3830-2
437301	FRAME 01
437302	IBM CORP. SDD
DATE LAST EC	P.No. 2345935
06-15-73 437310	



LOC. TYPE
A-B2E2 0689

STORAGE REG SD BITS 4-P	
E.C. HISTORY 437301	MACH. 3830-2 FRAME 01
DATE 06-15-73	IBM CORP. SDD P.No. 2345936
LAST EC 437310	

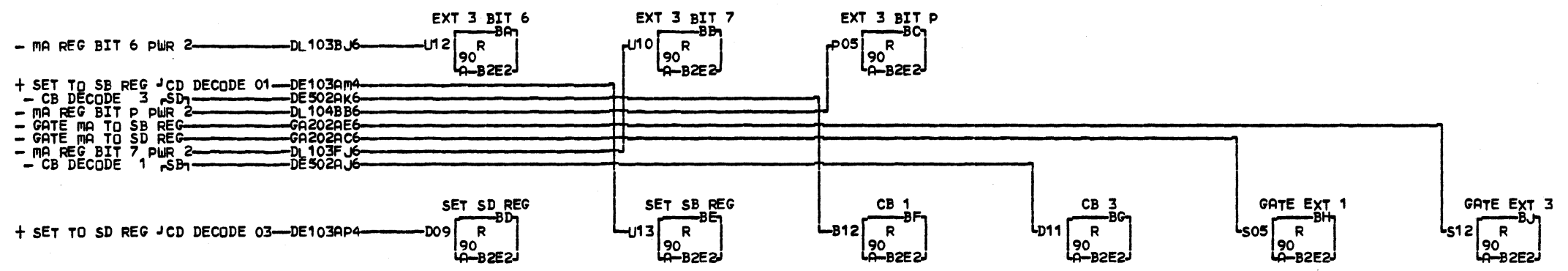
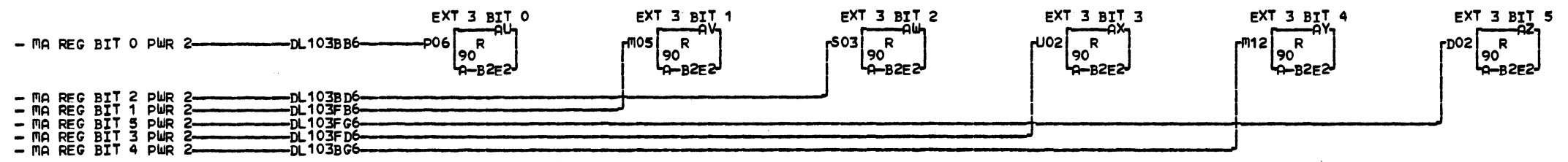
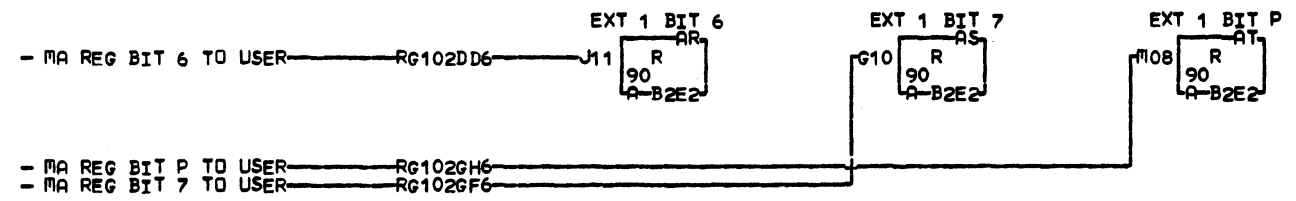
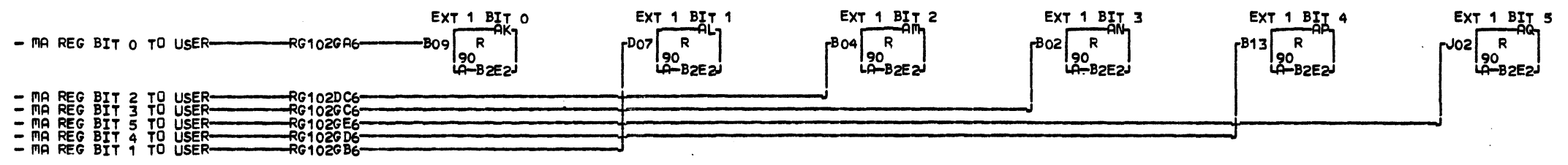
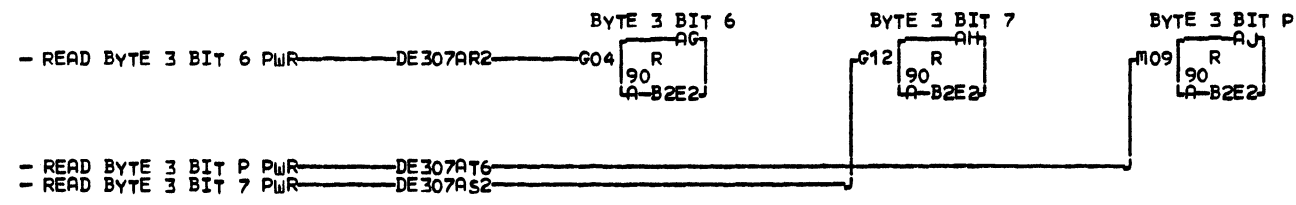
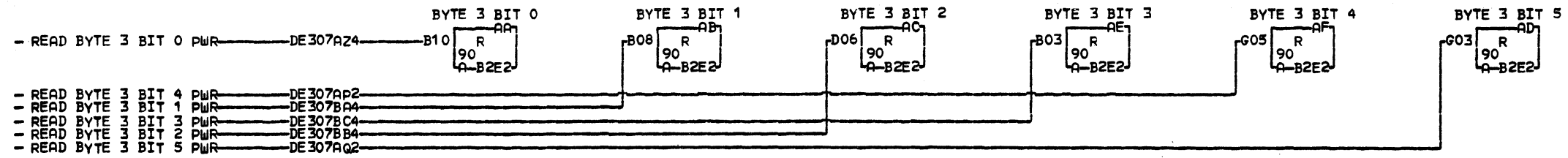


LOC. TYPE
A-B2E2 0689

STORAGE REG SB	
E.C. HISTORY	B-MACH. 3830-2
437301	FRAME 01
DATE LAST EC	IBM CORP. SDD
06-15-73 437310	P.No. 2345937

R
S
N
O
M

R
S
N
O
M

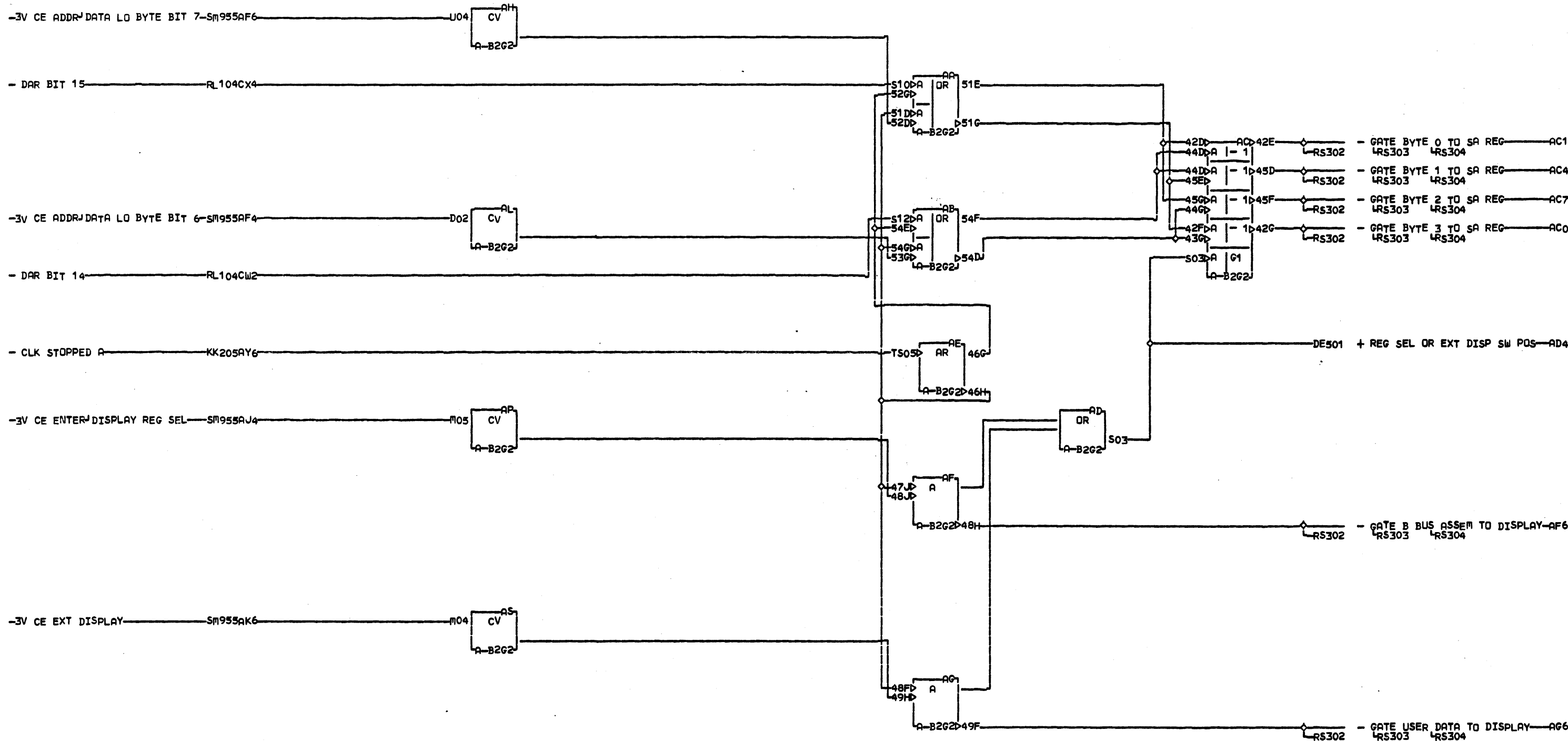


LOC. TYPE
A-B2E2 0689

SB SD REGS TERMINATORS	
E.C.—HISTORY	B1 MACH. 3830-2
437301	FRAME 01
437302	IBM CORP. SSD
DATE LAST EC	P.No. 2345938
06-15-73 437310	

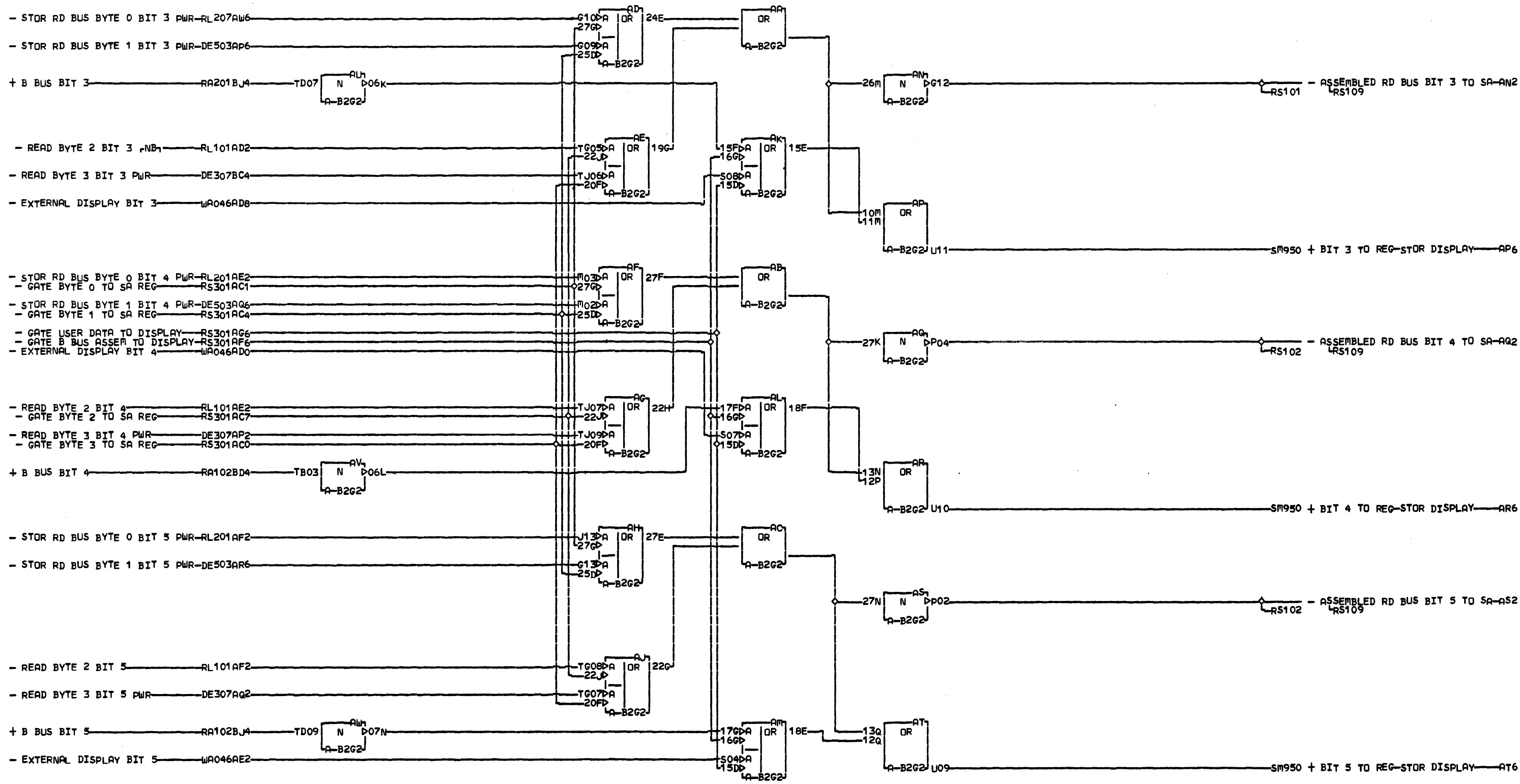
000
R
9
000

R
S
2
0
9
000



LQC. TYPE
A-B2G2 0695

SA AND DISPLAY ASSEM CONTROL	
E.C. HISTORY 437301	B. MACH. 3830-2 FRAME 01
DATE 06-15-73	LAST EC 437310
	IBM CORP. SDD P.N. 2345939

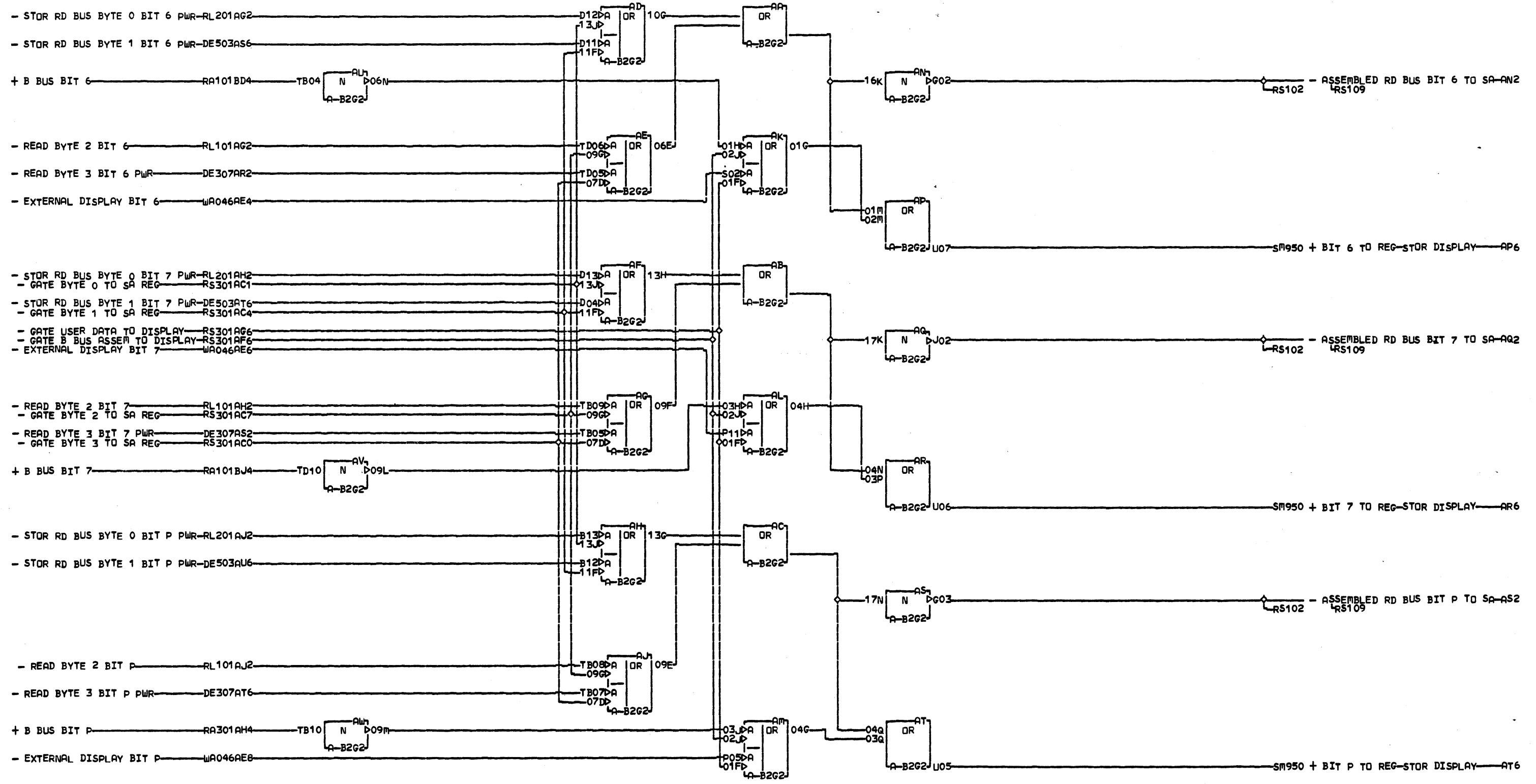


LOC. TYPE
A-B2G2 0695

SA AND DISPLAY ASSEM BIT 30405	
E.C. HISTORY	B MACH. 3830-2
437301	FRAME 01
437302	IBM CORP. SDD
DATE	LAST EC
06-15-73	437310
P.No.	2345941

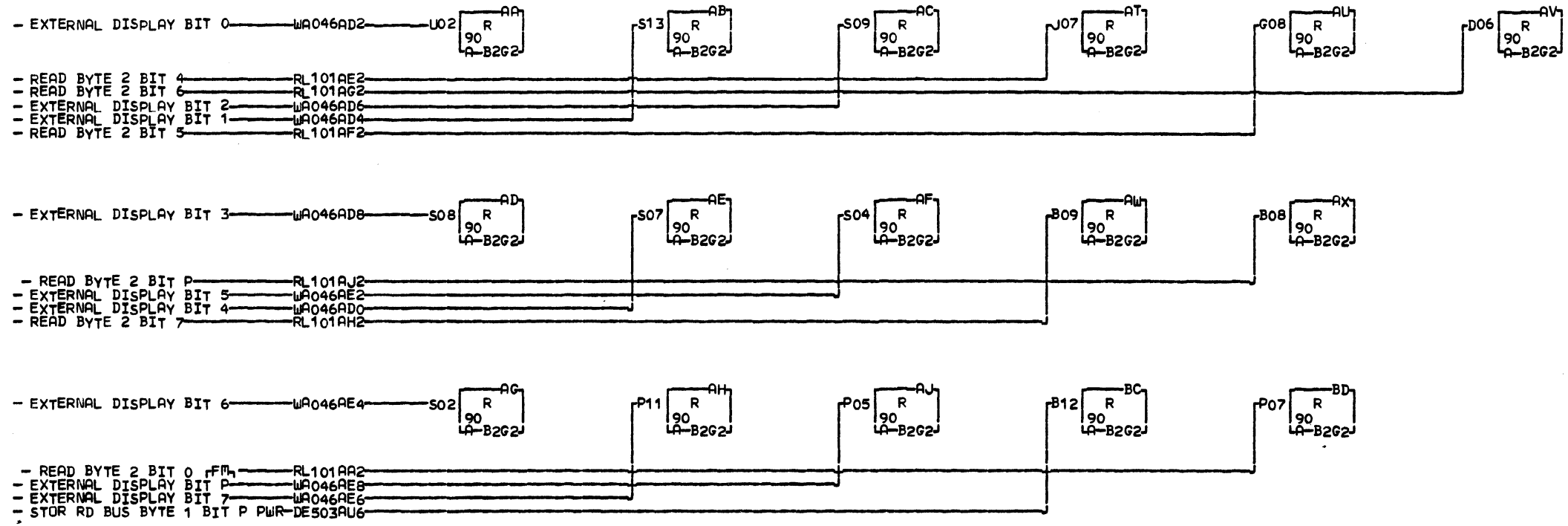
R
UNOM

R
UNOM



LOC. TYPE
A-B2G2 0695

SA AND DISPLAY ASSEM BIT 6070P	
E.C. HISTORY	B-MACH. 3830-2
437301	FRAME 01
DATE LAST EC	IBM CORP. SDD
06-15-73 437310	P.N. 2345942

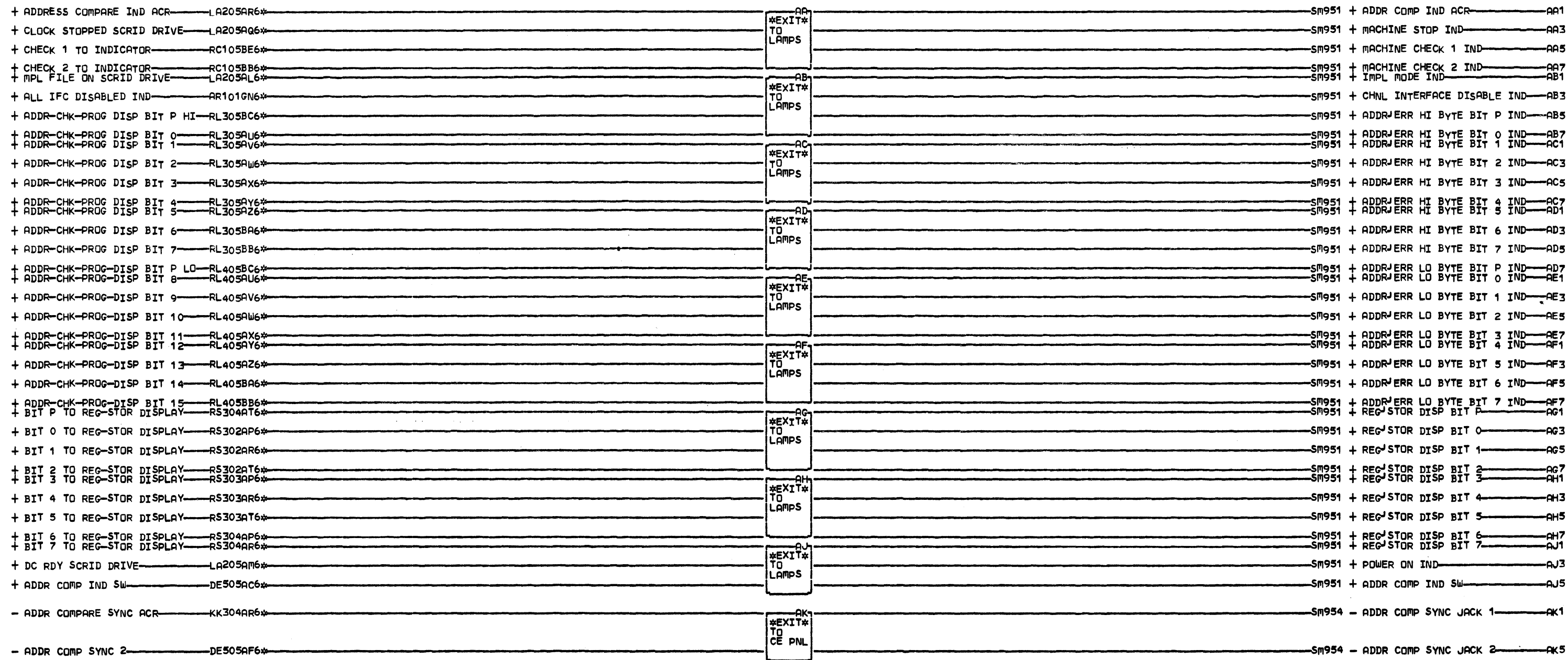


90444R
000

LOC. TYPE
A-B2G2 0695

SA AND DISPLAY ASSEM TERM	
E.C. HISTORY 437301	B. MACH. 3830-2
DATE 06-15-73	LAST EC 437310
FRAME 01	IBN CORP. SDD
P.N. 2345943	

RS309
000



AR101GN6	LA205AQ6	RL305AU6	RL305BC6	RL405AZ6	RS302AT6	RS304AT6
2 01A-B2V2D02	1 01A-B2V2B04	1 01A-B2V3B05	1 01A-B2V3B02	1 01A-B2V3D10	1 01A-B2V2D07	1 01A-B2V2D04
DE505AC6	LA205AR6	RL305AY6	RL405AU6	RL405BA6	RS303AP6	
1 01A-B2V2B08	1 01A-B2V2B03	1 01A-B2V3B07	1 01A-B2V3D04	1 01A-B2V3D11	1 01A-B2V2D09	
DE505AF6	RC105BB6	RL305AY6	RL405AV6	RL405BB6	RS303AR6	
1 01A-B2V4D09	1 01A-B2V2B07	1 01A-B2V3B08	1 01A-B2V3D05	1 01A-B2V3D12	1 01A-B2V2D10	
KK304AR6	RC105BE6	RL305AZ6	RL405AU6	RL405BC6	RS303AT6	
1 01A-B2V5D13	1 01A-B2V2B05	1 01A-B2V3B09	1 01A-B2V3D06	1 01A-B2V3D02	1 01A-B2V2D11	
LA205AL6	RL305AU6	RL305BA6	RL405AX6	RS302AP6	RS304AP6	
1 01A-B2V2B02	1 01A-B2V3B03	1 01A-B2V3B10	1 01A-B2V3D07	1 01A-B2V2D05	1 01A-B2V2D12	
LA205AM6	RL305AV6	RL305BB6	RL405AY6	RS302AR6	RS304AR6	
1 01A-B2V2B13	1 01A-B2V3B04	1 01A-B2V3B12	1 01A-B2V3D09	1 01A-B2V2D06	1 01A-B2V2D13	

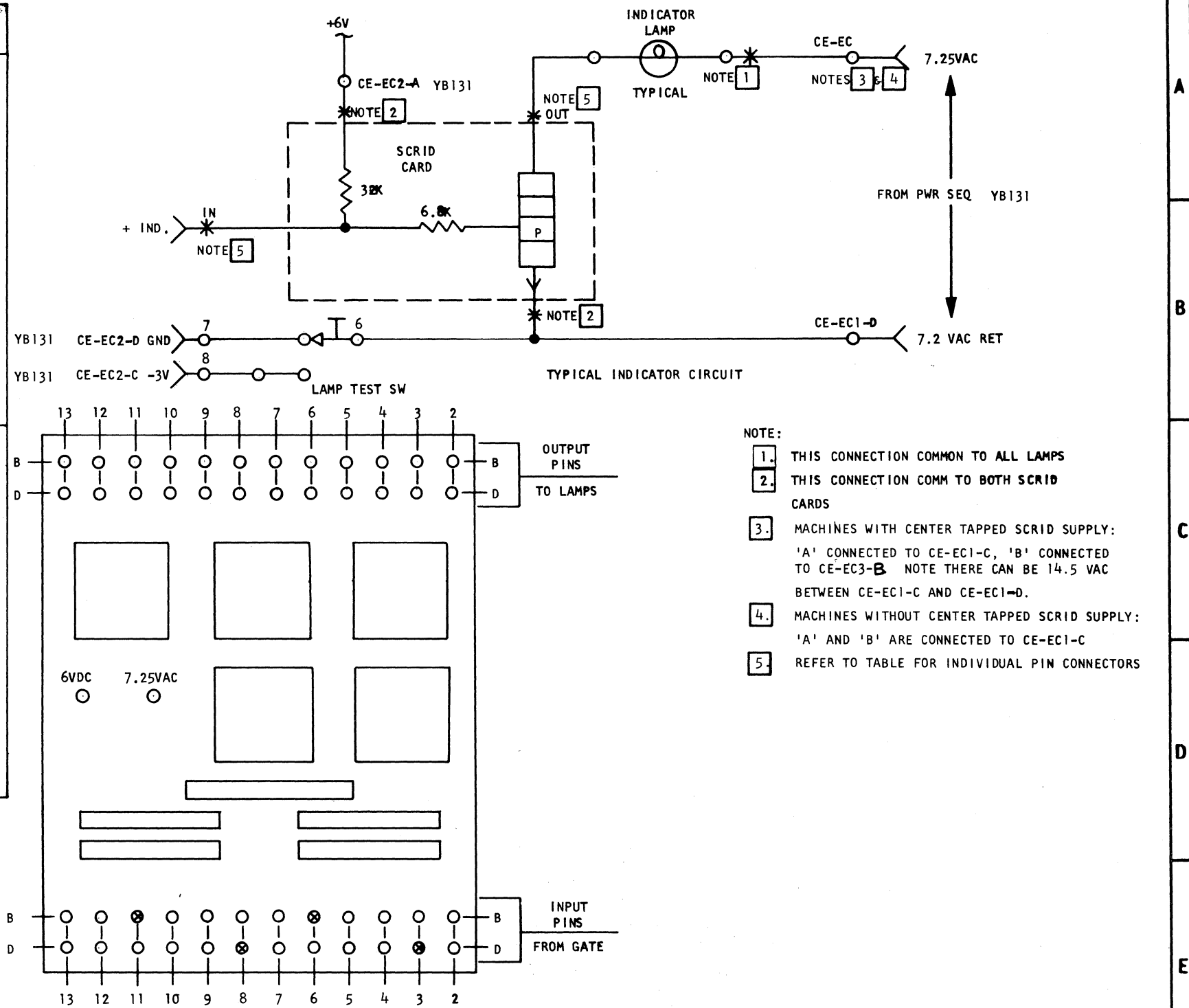
LOC. TYPE

EXIT TO CE PANEL	
E.C. HISTORY	MACH. 3830-2
437301	FRAME 01
DATE	IBM CORP. SDD
06-15-73	P.No. 2345950
LAST EC	
437310	

SM950

SM950

FROM	LINE NAME	* NOTE 5 SCRID CONN. IN-PIN	* NOTE 5 SCRID CONN. OUTPUT	LAMP NAME	* NOTES 3 & 4 SCRID SUPPLY
W2V2B02	+ IMPL MODE IND	SC1B02	B02	IMPL MODE	B
B03	+ ADDR COMP IND ACR	B03	B03	ADDR.COMP. ACR	A
B04	+ MACHINE STOP IND	B04	B04	MACH.STOPPED	A
B05	+ MACHINE ERROR 1 IND	SC1B05	B05	MACH CHK 1	A
B06					
B07	+ MACHINE ERROR 2 IND	SC1B07	B07	MACH CHK 2	A
B08	+ ADDR COMP IND SW	SC1B08	B08	ADDR COMP SW	B
B09					
B10					
B11					
B12	+ POWER ON	SC1B13	B13	POWER ON	A
D02	+ CHNL INTERFACE DISABLE IND	SC1D02	D02	INTERFACE DISABLE	A
D03					
D04	+REG/STOR DISP BIT P	SC1D04	D04	REG/STOR BIT. P	A
D05	0	D05	D05	0	A
D06	1	D06	D06	1	A
D07	2	D07	D07	2	A
D09	3	D09	D09	3	A
D10	4	D10	D10	4	A
D11	5	D11	D11	5	A
D12	6	D12	D12	6	A
W2V2D13	+REG/STOR DISP BIT 7	SC1D13	D13	REG/STOR BIT. 7	A
W2V3B02	+ ADDR/ERR HI BYTE BIT P IND	SC2B02	B02	ADDR/CHK DISP P	B
B03	0	B03	B03	0	B
B04	1	B04	B04	1	B
B05	+ ADDR/ERR HI BYTE BIT 2 IND	SC2B05	B05	ADDR/CHK DISP 2	B
B06					
B07	+ ADDR/ERR HI BYTE BIT 3 IND	SC2B07	B07	ADDR/CHK DISP 3	B
B08	4	B08	B08	4	B
B09	5	B09	B09	5	B
B10	+ ADDR/ERR HI BYTE BIT 6 IND	SC2B10	B10	ADDR/CHK DISP 6	B
B11					
B12	+ ADDR/ERR HI BYTE BIT 7 IND	SC2B12	B12	ADDR/CHK DISP 7	B
B13					
D02	+ADDR/ERR LO BYTE BIT P IND	SC2D02	D02	ADDR/CHK DISP P	A
D03					
D04	+ADDR/ERR LO BYTE BIT 0 IND	SC2D04	D04	ADDR/CHK DISP 8	B
D05	1	D05	D05	9	B
D06	2	D06	D06	10	B
D07	3	D07	D07	11	B
D09	4	D09	D09	12	B
D10	5	D10	D10	13	B
D11	6	D11	D11	14	A
D12	+ADDR/ERR LO BYTE BIT 7 IND	SC2D12	D12	ADDR/CHK DISP 15	A
W2V3D13					

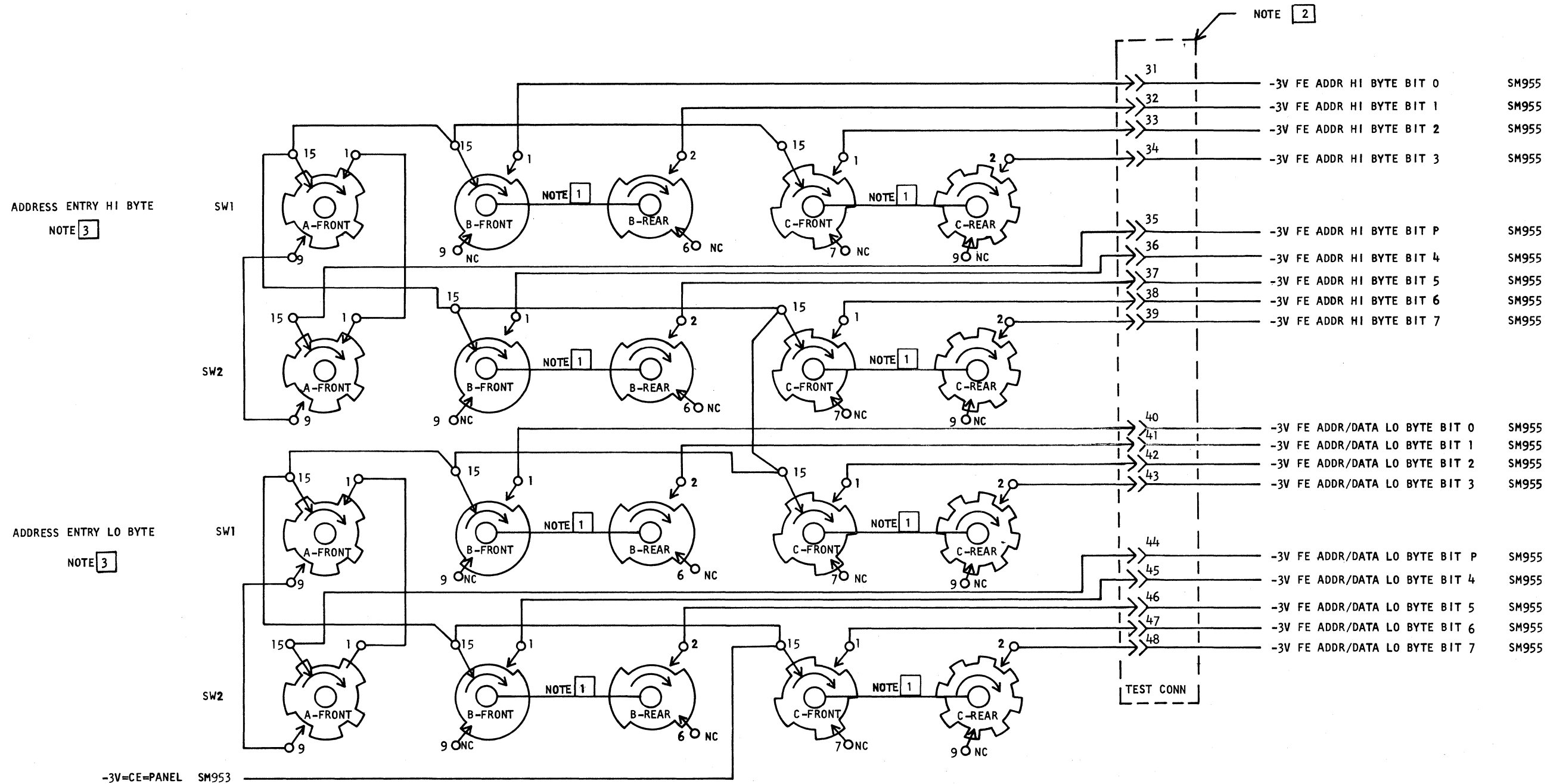


- NOTE:
- THIS CONNECTION COMMON TO ALL LAMPS
 - THIS CONNECTION COMM TO BOTH SCRID CARDS
 - MACHINES WITH CENTER TAPPED SCRID SUPPLY:
'A' CONNECTED TO CE-EC1-C, 'B' CONNECTED TO CE-EC3-B NOTE THERE CAN BE 14.5 VAC BETWEEN CE-EC1-C AND CE-EC1-D.
 - MACHINES WITHOUT CENTER TAPPED SCRID SUPPLY:
'A' AND 'B' ARE CONNECTED TO CE-EC1-C
 - REFER TO TABLE FOR INDIVIDUAL PIN CONNECTORS

SCRID CARD - PIN ARRANGEMENT
(COMPONENT SIDE)

THIS DOCUMENT IS THE PROPERTY OF IBM. ITS USE IS AUTHORIZED ONLY FOR RESPONDING TO A REQUEST FOR QUOTATION OR FOR THE PERFORMANCE OF WORK FOR IBM. ALL QUESTIONS MUST BE REFERRED TO THE IBM PURCHASING DEPARTMENT

DATE	EC NUMBER	DATE	EC NUMBER	SCRIDS & CABLE CONNECTIONS		
12SEP69	429600	31JUL70	429650D			
4NOV69	429600B	8DEC70	429651	DATE	JUN69	P/N 2269150
2FEB70	429650	21APR71	429653			TYPE
23APR70	429650B	5JUL73	429657	IBM		SM951
22MAY70	429650C					



- NOTES:
1. LINES INDICATED ARE INTERNAL TO SWITCH, CONNECTING FRONT WAFER TO REAR WAFER.
 2. CONNECTOR NOT ON ALL MACHINES
 3. TERMINAL NOS ARE FOR OPEN WAFER TYPE SWITCHES. LATER MODELS CONTAIN ENCLOSED TYPE SWITCHES. REFER TO PAGE SM958 FOR CORRECT TERMINAL NOS AND REF DIAGRAM.

THIS DOCUMENT IS THE PROPERTY OF IBM. ITS USE IS AUTHORIZED ONLY FOR RESPONDING TO A REQUEST FOR QUOTATION OR FOR THE PERFORMANCE OF WORK FOR IBM. ALL QUESTIONS MUST BE REFERRED TO THE IBM PURCHASING DEPARTMENT

DATE	EC NUMBER	DATE	EC NUMBER	CE PANEL SWITCHES ADDR/DATA			
12SEP69	429600	21APR71	429653				
23APR70	429650B	5 JUL73	429657	DATE	JUN69	P/N	2269151
22MAY 70	429650C					TYPE	
31JUL70	429650D			IBM		SM952	
8DEC 70	429651						

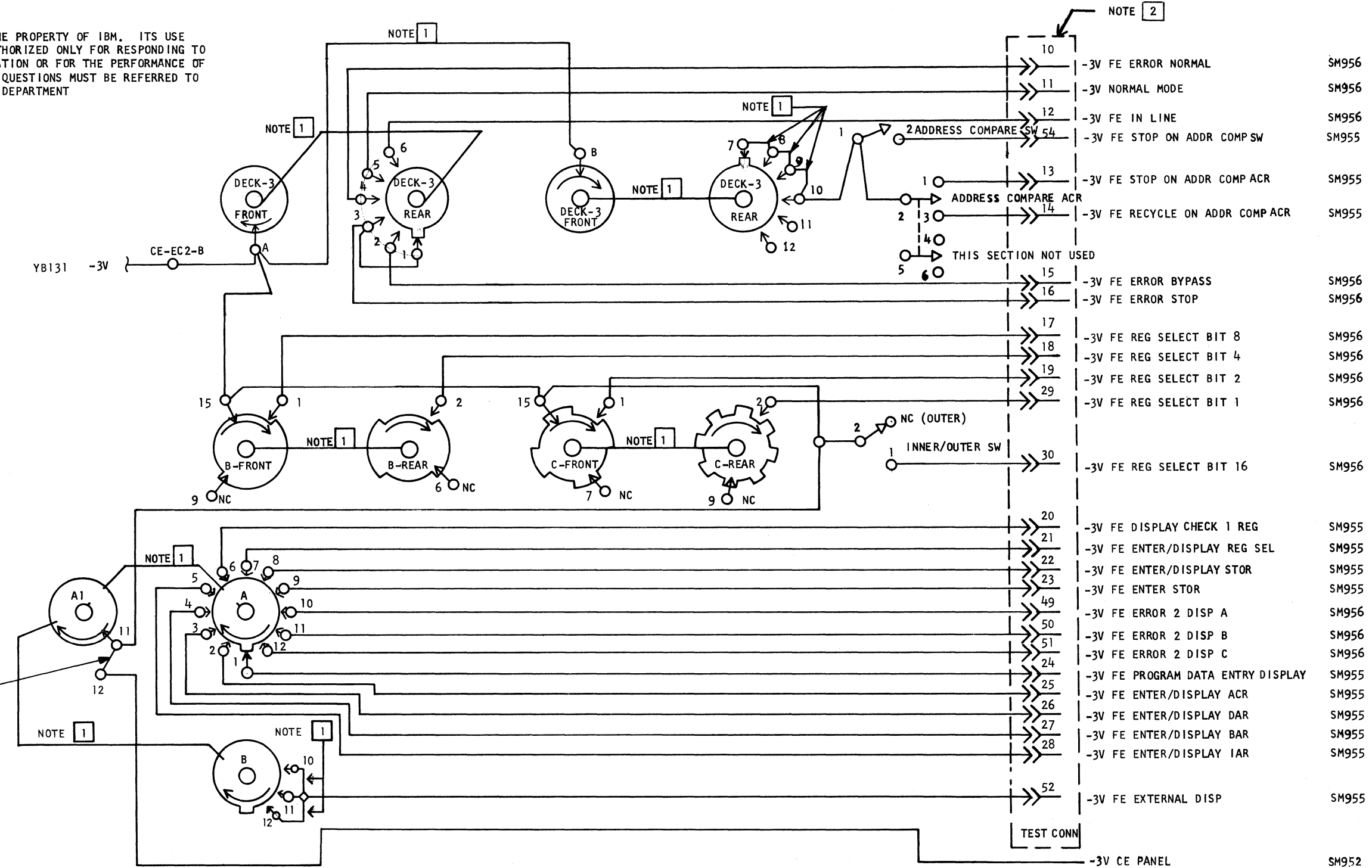
THIS DOCUMENT IS THE PROPERTY OF IBM. ITS USE IS AUTHORIZED ONLY FOR RESPONDING TO A REQUEST FOR QUOTATION OR FOR THE PERFORMANCE OF WORK FOR IBM. ALL QUESTIONS MUST BE REFERRED TO THE IBM PURCHASING DEPARTMENT

OPERATIONAL MODE
NOTE 4

REGISTER SELECT
NOTE 4

ENTER/DISPLAY
NOTE 3
NOTE 4

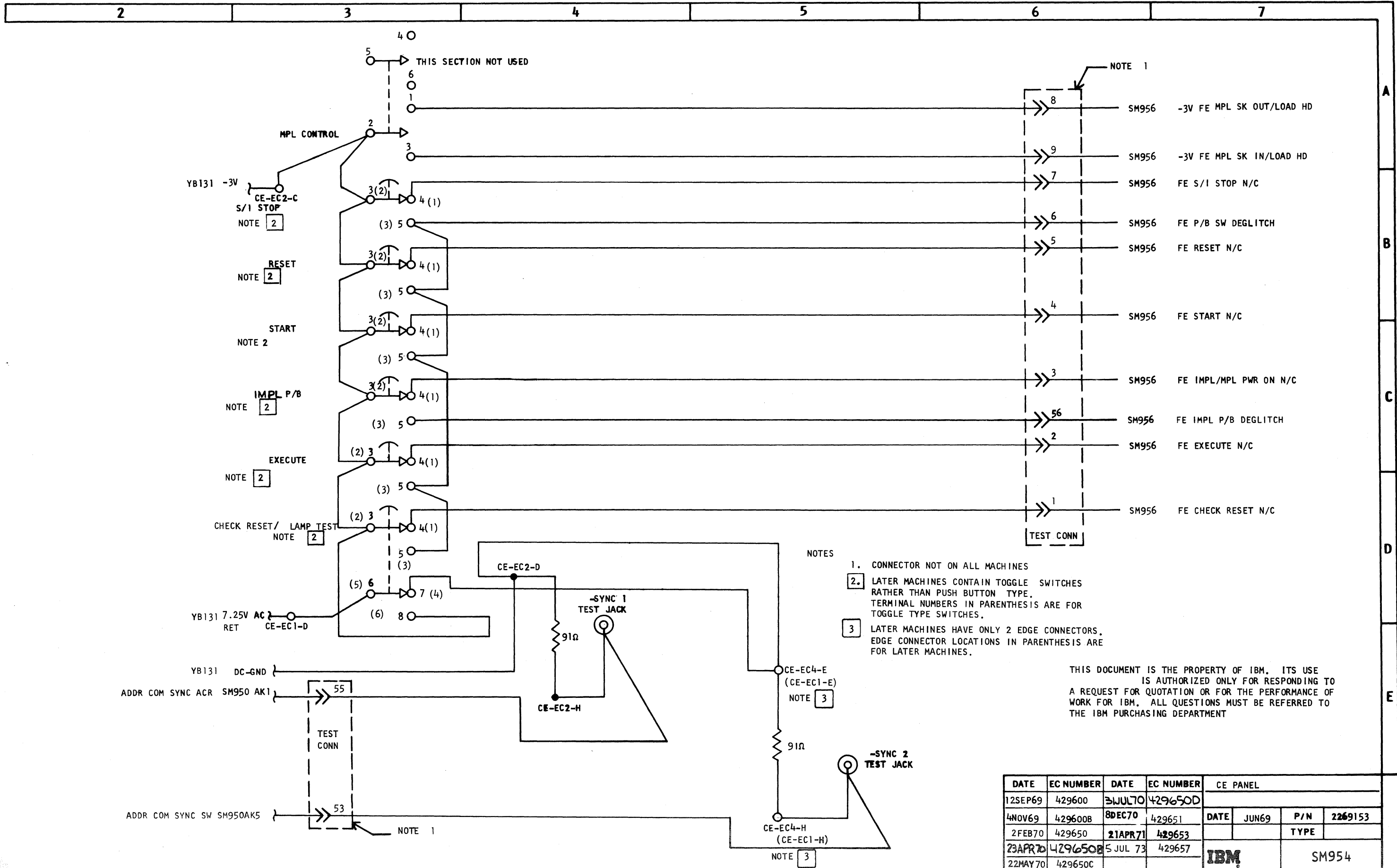
ENTER/DISPLAY



NOTES:

- 1. LINES INDICATED ARE INTERNAL TO SWITCH.
- 2. CONNECTOR NOT ON ALL MACHINES.
- 3. EARLY MACHINES MAY HAVE WAFER A AND A1 REVERSED
- 4. ROTARY SWITCH TERMINALS MAY BE DIFFERENT ON LATER MODELS. REFER TO PAGE SM 958 FOR PROPER TERMINAL DESIGNATION.

DATE	EC NUMBER	DATE	EC NUMBER	CE PANEL SWITCHES		
12SEP69	429600	31JUL70	429650D			
4NOV69	429600B	28SEP70	429650G	DATE	JUN69	P/N 2269152
2FEB70	429650	8DEC70	429651		N.NILSEN	TYPE
23APR70	429650B	21APR71	429653	IBM SM953		
22MAY70	429650C	5JUL73	429657			

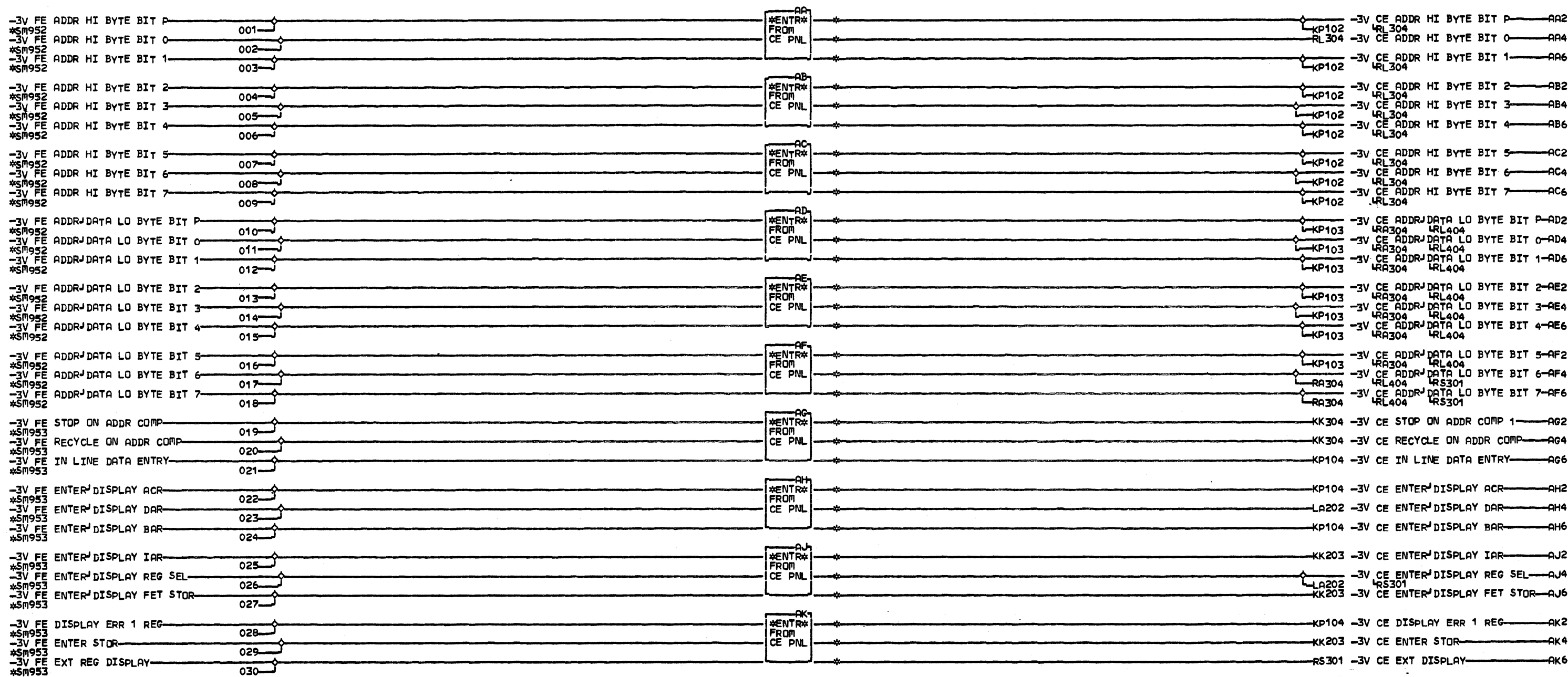


- NOTE 1
- 8 SM956 -3V FE MPL SK OUT/LOAD HD
 - 9 SM956 -3V FE MPL SK IN/LOAD HD
 - 7 SM956 FE S/I STOP N/C
 - 6 SM956 FE P/B SW DEGLITCH
 - 5 SM956 FE RESET N/C
 - 4 SM956 FE START N/C
 - 3 SM956 FE IMPL/MPL PWR ON N/C
 - 56 SM956 FE IMPL P/B DEGLITCH
 - 2 SM956 FE EXECUTE N/C
 - 1 SM956 FE CHECK RESET N/C

- NOTES
1. CONNECTOR NOT ON ALL MACHINES
 2. LATER MACHINES CONTAIN TOGGLE SWITCHES RATHER THAN PUSH BUTTON TYPE. TERMINAL NUMBERS IN PARENTHESIS ARE FOR TOGGLE TYPE SWITCHES.
 3. LATER MACHINES HAVE ONLY 2 EDGE CONNECTORS. EDGE CONNECTOR LOCATIONS IN PARENTHESIS ARE FOR LATER MACHINES.

THIS DOCUMENT IS THE PROPERTY OF IBM. ITS USE IS AUTHORIZED ONLY FOR RESPONDING TO A REQUEST FOR QUOTATION OR FOR THE PERFORMANCE OF WORK FOR IBM. ALL QUESTIONS MUST BE REFERRED TO THE IBM PURCHASING DEPARTMENT

DATE	EC NUMBER	DATE	EC NUMBER	CE PANEL		
12SEP69	429600	31JUL70	429650D			
4NOV69	429600B	8DEC70	429651	DATE	JUN69	P/N 2269153
2FEB70	429650	21APR71	429653			TYPE
23APR70	429650B	5 JUL 73	429657	IBM		SM954
22MAY70	429650C					



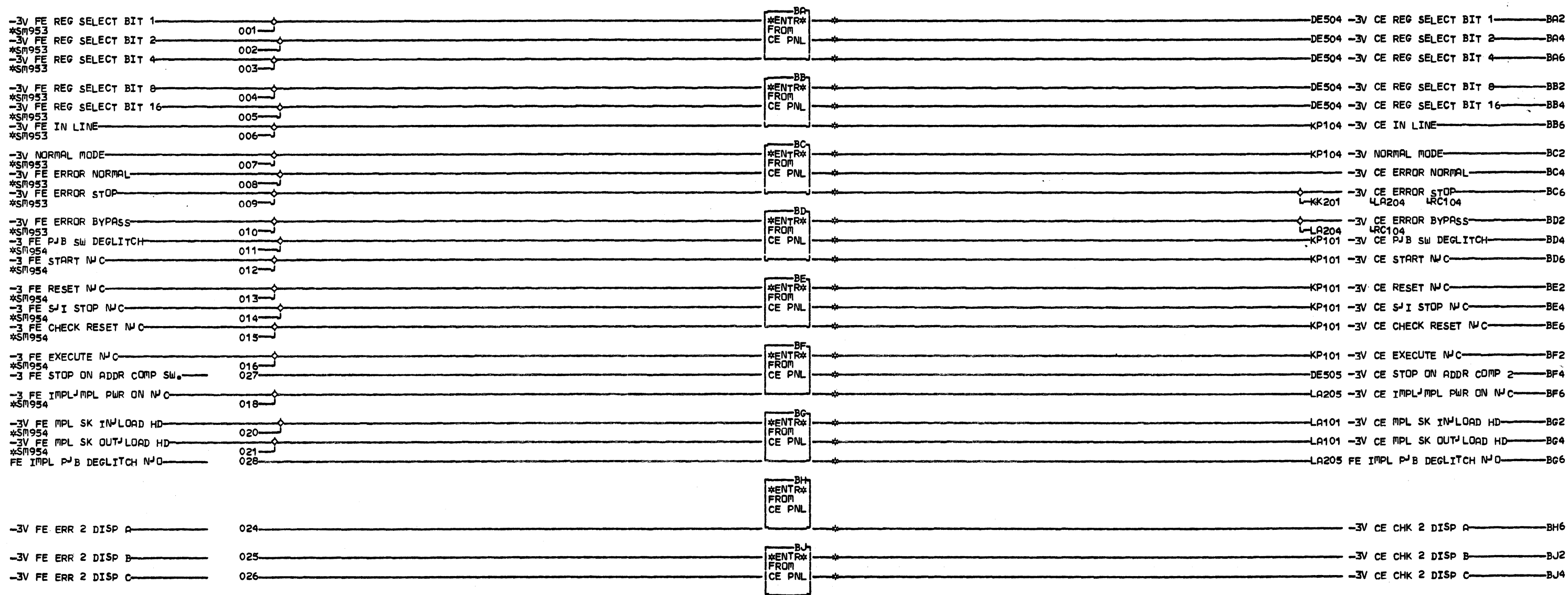
S E M 9 5 5

AA2	A-B2V4B02	AD2	A-B1V5B05	AE2	A-B1V5B02	AF2	A-B1V5D06	AG2	A-B2V5B12	AK2	A-B2V5D02
AA4	A-B2V4B03	A01	A-B1U6B04	A01	A-B1U6E04	A01	A-B1U6E02	AG4	A-B2V5B13	AK4	A-B2V5D03
AA6	A-B2V4B04	A01	A-B2U1B11	A01	A-B2U1E11	A01	A-B2U1E13	AG6	A-B2V5B02	AK6	A-B2V5D04
AB2	A-B2V4B05	AD4	A-B1V5B06	AE4	A-B1V5B03	AF4	A-B1V5D07	AH2	A-B2V5B03		
AB4	A-B2V4B06	A01	A-B1U6C04	A01	A-B1V6A04	A01	A-B1V6A02	AH4	A-B2V5B04		
AB6	A-B2V4D02	A01	A-B2U1C11	A01	A-B2V1A11	A01	A-B2V1A13	AH6	A-B2V5B05		
AC2	A-B2V4D03	AD6	A-B1V5B07	AE6	A-B1V5D05	AF6	A-B1V5D04	AJ2	A-B2V5B06		
AC4	A-B2V4D04	A01	A-B1U6D04	A01	A-B1V6B04	A01	A-B1V6B02	AJ4	A-B2V5B07		
AC6	A-B2V4D05	A01	A-B2U1D11	A01	A-B2V1B11	A01	A-B2V1B13	AJ6	A-B2V5B08		

LOC. TYPE

CE PANEL ENTRY	
E.C. HISTORY	B MACH. 3830-2
437301	FRAME 01
DATE	IBM CORP. SDD
06-15-73	P.N. 2345951
LAST EC	437310

S M 9 5 5



SM956

000

BA2	Q-B2V5B09	2 01A	B2A2D11	BF6	Q-B2V4B10	2 01A	B2V6B04
BA4	Q-B2V5B10	BD2	Q-B2V4B07	BG2	Q-B1V5D02		
BA6	Q-B2V5D09	BD4	Q-B2V4B11	BG4	Q-B1V5D03		
BB2	Q-B2V5D10	BD6	Q-B2V4B12	BG6	Q-B2V5D12		
BB4	Q-B2V5D11	BE2	Q-B2V4B13	BH6	Q-B2V5D05		
BB6	Q-B2V4D06	BE4	Q-B2V4D11	2 01A	Q-B2V6A02		
BC2	Q-B2V4D07	BE6	Q-B2V4D12	BJ2	Q-B2V5D06		
BC4	Q-B2V4B09	BF2	Q-B2V4D13	2 01A	Q-B2V6B02		
BC6	Q-B2V4B08	BF4	Q-B2V5D08	BJ4	Q-B2V5D07		

LOC. TYPE

CE PANEL ENTRY	
E.C. HISTORY	MACH. 3830-2
437301	FRAME 01
437305	IBM CORP. SDD
437307	
DATE	LAST EC
06-15-73	437310
P.No. 2345952	

SM956

000

LINE NAME	NET NUMBER	CONNECTION
-3V FE ADDR/DATA LO BYTE BIT 2	SM955AE2	W1V5B02
-3V FE ADDR/DATA LO BYTE BIT 3	SM955AE4	B03
		B04
-3V FE ADDR/DATA LO BYTE BIT P	SM955AD2	B05
-3V FE ADDR/DATA LO BYTE BIT 0	SM955AD4	B06
-3V FE ADDR/DATA LO BYTE BIT 1	SM955AD6	B07
		B08
		B09
		B10
		B11
		B12
		B13
-3V FE MPL SK IN/LOAD HD	SM956BG2	D02
-3V FE MPL SK OUT/LOAD HD	SM956BG4	D03
-3V FE ADDR/DATA LO BYTE BIT 7	SM955AF6	D04
-3V FE ADDR/DATA LO BYTE BIT 4	SM955AE6	D05
-3V FE ADDR/DATA LO BYTE BIT 5	SM955AF2	D06
-3V FE ADDR/DATA LO BYTE BIT 6	SM955AF4	D07
		W1V5B13

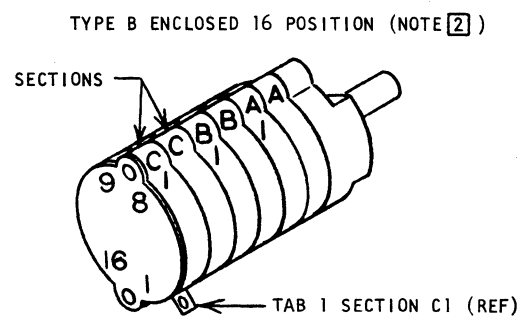
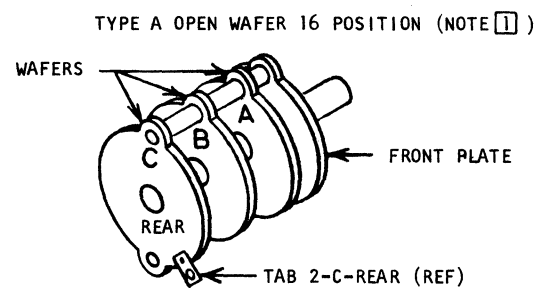
LINE NAME	NET NUMBER	CONNECTION
-3V FE PROGRAM DATA ENTRY DISPLAY	SM955AG6	W2V5B02
-3V FE ENTER/DISPLAY ACR	SM955AH2	B03
-3V FE ENTER/DISPLAY DAR	SM955AH4	B04
-3V FE ENTER/DISPLAY BAR	SM955AH6	B05
-3V FE ENTER/DISPLAY IAR	SM955AJ2	B06
-3V FE ENTER/DISPLAY REG SEL	SM955AJ4	B07
-3V FE ENTER/DISPLAY STOR	SM955AJ6	B08
-3V FE REG SELECT BIT 1	SM956BA2	B09
-3V FE REG SELECT BIT 2	SM956BA4	B10
		B11
		B12
-3V FE STOP ON ADDR COMP ACR	SM955AG2	B13
-3V FE RECYCLE ON ADDR COMP ACR	SM955AG4	D02
-3V FE DISPLAY CHECK REG	SM955AK2	D03
-3V FE ENTER STOR	SM955AK4	D04
-3V FE EXT DISPLAY	SM955AK6	D05
-3V FE ERR 2 DISP A	SM956BJ6	D06
-3V FE ERR 2 DISP B	SM956BJ2	D07
-3V FE ERR 2 DISP C	SM956BJ4	D08
-3V FE STOP ON ADDR COMP SW	SM956BF4	D09
-3V FE REG SELECT BIT 4	SM956BA6	D10
-3V FE REG SELECT BIT 8	SM956BB2	D11
-3V FE REG SELECT BIT 16	SM956BB4	D12
-3V FE IMPL P/B DEGLITCH	SM956BG6	D13
-ADDR COMP SYNC ACR	SM950AK1	W2V5 D13

LINE NAME	NET NUMBER	CONNECTION
-3V FE ADDR HI BYTE BIT P	SM955AA2	W2V4B02
-3V FE ADDR HI BYTE BIT 0	SM955AA4	B03
-3V FE ADDR HI BYTE BIT 1	SM955AA6	B04
-3V FE ADDR HI BYTE BIT 2	SM955AB2	B05
-3V FE ADDR HI BYTE BIT 3	SM955AB4	B06
-3V FE ERROR BYPASS	SM956BD2	B07
-3V FE ERROR STOP	SM956BC6	B08
-3V FE ERROR NORMAL	SM956BC4	B09
FE IMPL/MPL PWR ON N/C	SM956BF6	B10
FE P/B SW DEGLITCH	SM956BD4	B11
FE START N/C	SM956BD6	B12
FE RESET N/C	SM956BE2	B13
-3V FE ADDR HI BYTE BIT 4	SM955AB6	D02
-3V FE ADDR HI BYTE BIT 5	SM955AC2	D03
-3V FE ADDR HI BYTE BIT 6	SM955AC4	D04
-3V FE ADDR HI BYTE BIT 7	SM955AC6	D05
-3V FE IN LINE	SM956BB6	D06
-3V NORMAL MODE	SM956BC2	D07
-ADDR COMP SYNC SW	SM950AK5	D09
FE S/I STOP N/C	SM956BE4	D11
FE CHECK RESET N/C	SM956BE6	D12
FE EXECUTE N/C	SM956BF2	D13
		W2V4D13

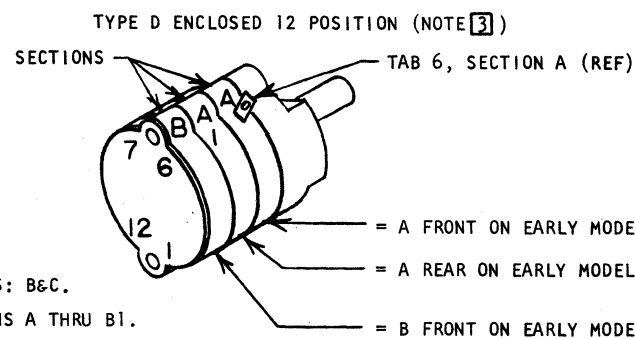
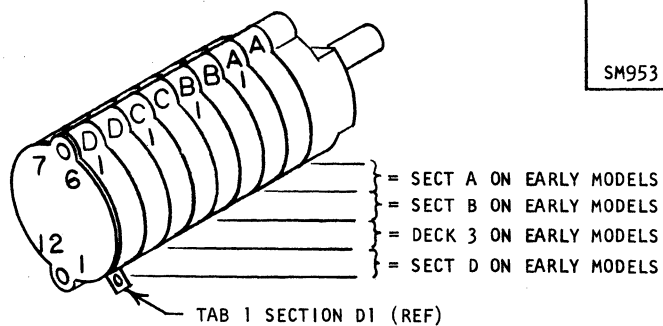
DATE	EC NUMBER	DATE	EC NUMBER	CE PANEL - CABLE CONNECTIONS			
12SEP69	429600	5 JUL73	429657				
4NOV69	429600B			DATE	NOV69	P/N	2269154
23APR70	429650B					TYPE	
22MAY70	429650C			IBM		SM957	
31JUL70	429650D						

NAME	TYPE	LOGIC PAGE	SIGNAL NAME	EDGE CONN.	NOTE 5 TEST CONN.	EARLY MOD.		LATE MOD.					
						TAB	SECTION	TAB	SECTION				
ENTER DISPLAY	D	SM953	PROGRAM DATA		24	1	A-REAR	1	A				
			ACR		25	2		2					
			DAR		26	3		3					
			BAR		27	4		4					
			IAR		28	5		5					
			CHECK 1 REG		20	6		6					
			REG SELECT		21	7		7					
			DISP STORAGE		22	8		8					
			ENT STORAGE		23	9		9					
			ERROR 2-A		49	10		10					
			ERROR 2-B		50	11		11					
			ERROR 2-C		51	12		12					
			EXT DISPLAY		52	11	B-REAR	11	B				
			-3VDC SERV.			11	A-FRNT	12	A1				
-3VDC SERV.			12	B-FRNT	11	A1							
OPERATIONAL MODE	C	YB131	CE-EC1-F			1	A	1	A				
			PIN-6 ON/OFF SW			5	A	4	A1				
			CE-EC2-G			7	A	6	A1				
			CE-EC1-H			8	A	7	A				
			PIN-2 ON/OFF SW			12	A	10	A1				
			CE-EC3-C			14	A	12	A1				
			CE-EC1-A			1	B	1	B				
			CE-EC1-G			2	B	1	B1				
			CE-EC4-A			8	B	7	B				
			CE-EC4-B			9	B	7	B1				
	SM953			-3VDC SERV	CE-EC2-B		A	DECK-3	1	C			
				JMPR TO ERR. STOP			1		1	C1			
				ERROR BYPASS		15	2		2				
				ERROR STOP		16	3		3				
				ERROR NORM.		10	4		4				
				NORMAL		11	5		5				
				IN-LINE		12	6		6				
				FE MODE	PIN-1 ACR SW.		10		10				
				YB131			CE-EC1-E			1	D	1	D
							CE-EC3-D			2		1	D1
CE-EC3-E			8					7	D				
CE-EC3-G			9					7	D1				

- NOTES:
- OPEN WAFER ADDRESS-DATA ENTRY SWITCHES HAVE 3 WAFERS: A, B & C. REGISTER SELECT SWITCH HAS 2 WAFERS: B & C.
 - ENCLOSED ADDRESS-DATA ENTRY SWITCHES HAVE SECTIONS A THRU C1, REGISTER SELECT SWITCH HAS SECTIONS A THRU B1.
 - EARLY MACHINES - SECTIONS A & A1 ARE REVERSED.
 - OPEN WAFER SWITCH: -3VDC SERVICE ON TAB 15 OF SW1, WAFER A-FRONT, B-FRONT, C-FRONT, TAB 15 OF SW2, WAFER B-FRONT, C-FRONT
ENCLOSED SWITCH: -3VDC SERVICE ON TAB 14 OF SW1 SECTION A, SECTION C
TAB 14 OF SW2 SECTION C
 - TEST CONNECTOR NOT ON ALL MACHINES.
 - TAB 9 OF WAFER A FRONT, SW1, CONNECTED TO TAB 9 OF WAFER A FRONT, SW2, ON OPEN WAFER SWITCH
TAB 9 OF SECTION A1, SW1, CONNECTED TO TAB 9 OF SECTION A1, SW2, ON ENCLOSED SWITCH



TYPE C ENCLOSED 6 POSITION



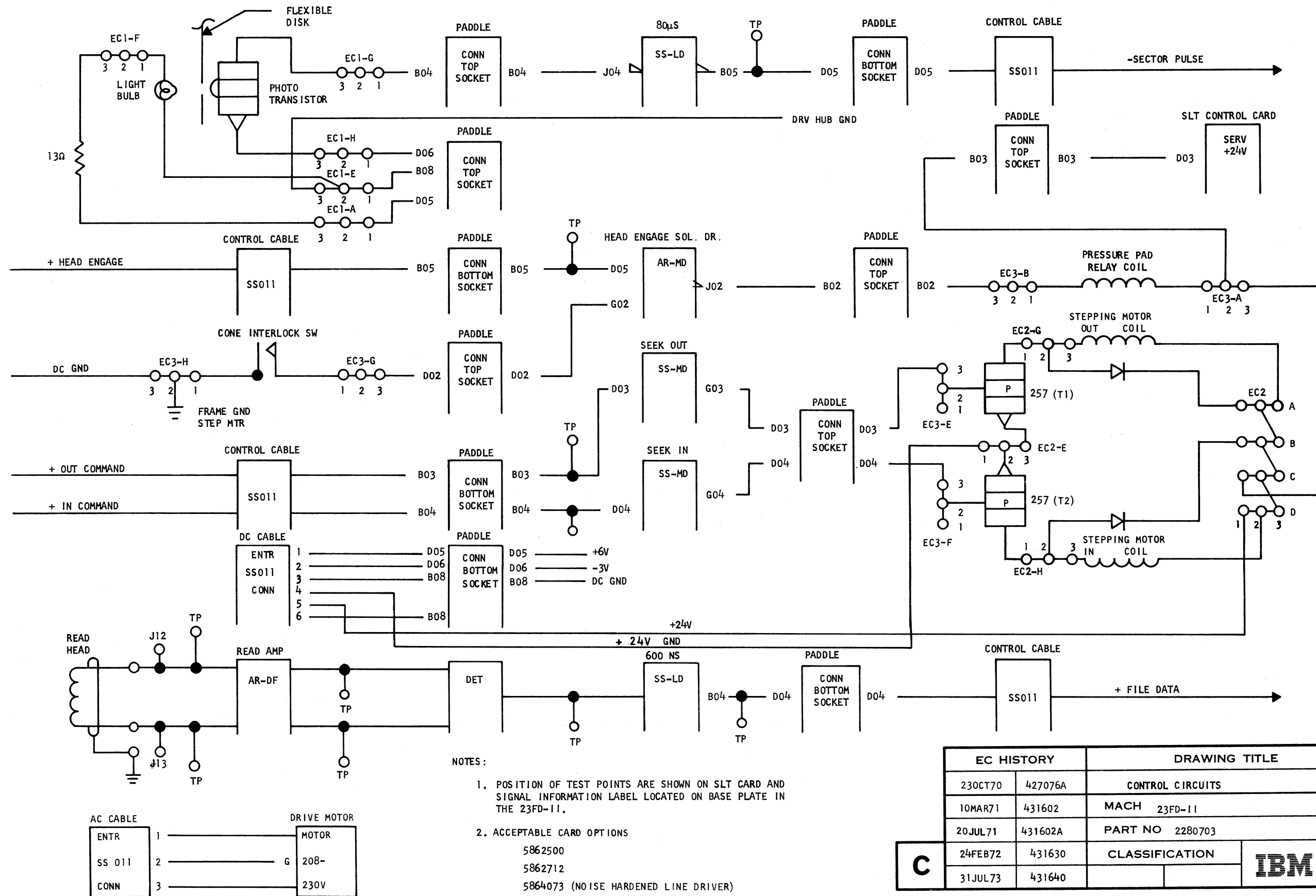
NAME/SW. NO	TYPE	SIGNAL NAME	NOTE 5 TEST CONN.	OPEN WAFER		ENCLOSED		
				TAB	WAFER	TAB	SECTION	
ADDR. ENTRY HI BYTE SW1 (NOTE 4) (NOTE 6)	A OR B	BIT 0	31	1	B-FRNT	1	B	
		BIT 1	32	2	B-REAR	2	B1	
		BIT 2	33	1	C-FRNT	2	C1	
		SM952	BIT 3	34	2	C-REAR	1	C1
		BIT 4	36	1	B-FRNT	1	B	
		BIT 5	37	2	B-REAR	2	B1	
		BIT 6	38	1	C-FRNT	2	C1	
		BIT 7	39	2	C-REAR	1	C1	
		SM952	BIT P	35	15	A-FRNT	14	A
		ADDR/DATA ENTRY LO BYTE SW1 (NOTE 4) (NOTE 6) SM952	BIT 0	40	1	B-FRNT	1	B
		BIT 1	41	2	B-REAR	2	B1	
		BIT 2	42	1	C-FRNT	2	C1	
BIT 3	43	2	C-REAR	1	C1			
BIT 4	45	1	B-FRNT	1	B			
BIT 5	46	2	B-REAR	2	B1			
BIT 6	47	1	C-FRNT	2	C1			
BIT 7	48	2	C-REAR	1	C1			
SM952	BIT P	44	15	A-FRNT	14	A		
ADDR/DATA ENTRY LO BYTE SW2 (NOTE 4) (NOTE 6) SM952	SELECT BIT 8	17	1	B-FRNT	1	A		
	SELECT BIT 4	18	2	B-REAR	2	A1		
	SELECT BIT 2	19	1	C-FRNT	2	B1		
	SELECT BIT 1	29	2	C-REAR	1	B1		
	-3VDC SERV	CE-EC2B	15	B-FRNT	14	B		
	-3VDC SERV	JMPR	15	C-FRNT				
SM953	REGISTER SELECT							

IBM CONFIDENTIAL UNTIL JUNE 1971, UNCLASSIFIED THEREAFTER

EC HISTORY		DRAWING TITLE	
9 MAR 71	429651	CE PANEL SWITCH CONVERSION CHART	
21 APR 71	429653	MACH	
		PART NO 2269156	
C	CLASSIFICATION		IBM CORP

SM953

N
E

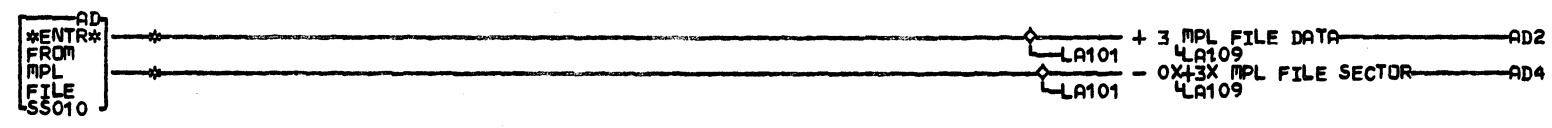
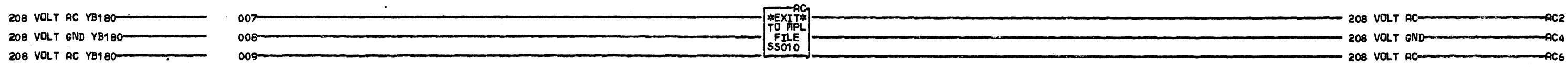
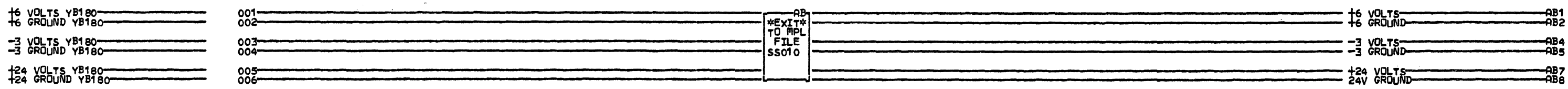
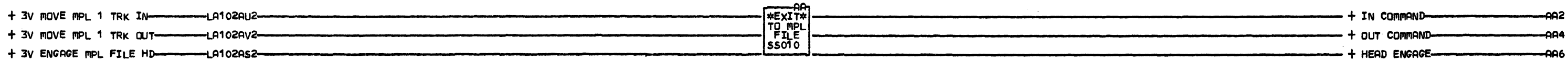


NOTES:

1. POSITION OF TEST POINTS ARE SHOWN ON SLT CARD AND SIGNAL INFORMATION LABEL LOCATED ON BASE PLATE IN THE 23FD-11.
2. ACCEPTABLE CARD OPTIONS
 5862500
 5862712
 5864073 (NOISE HARDENED LINE DRIVER)

EC HISTORY		DRAWING TITLE	
23OCT70	427076A	CONTROL CIRCUITS	
10MAR71	431602	MACH 23FD-11	
20JUL71	431602A	PART NO 2280703	
24FEB72	431630	CLASSIFICATION	IBM CORP
31JUL73	431640		

S
S
O
1
0



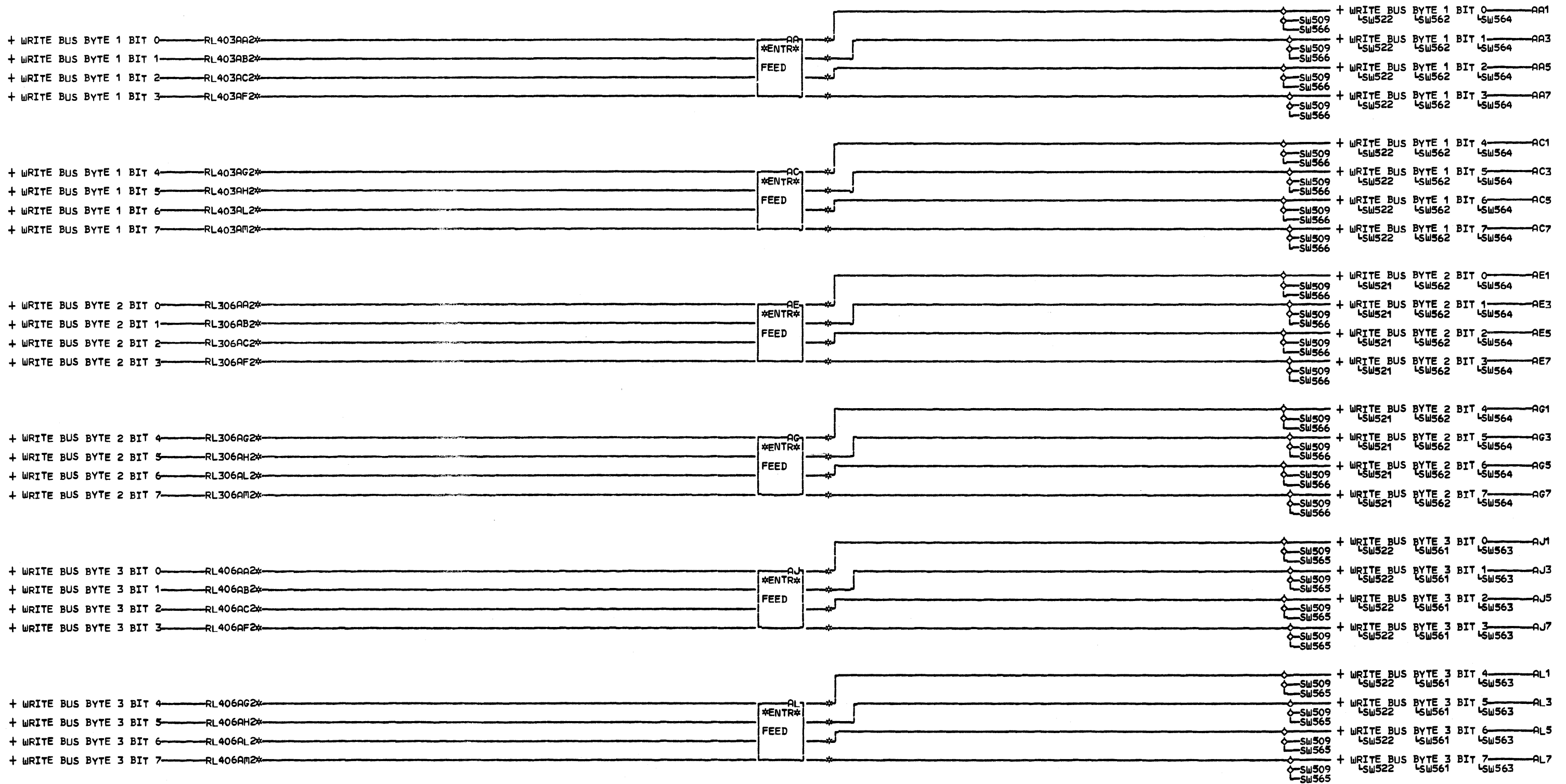
SS011
000

AD2 A-B1T4B09
AD4 A-B1T4B12

LOC. TYPE

MPL FILE INTERFACE	
E-C-HISTORY 437301	B-MACH.3830-2 FRAME 01
DATE 06-15-73	IBM CORP. SDD P.N. 2345953
LAST EC 437310	

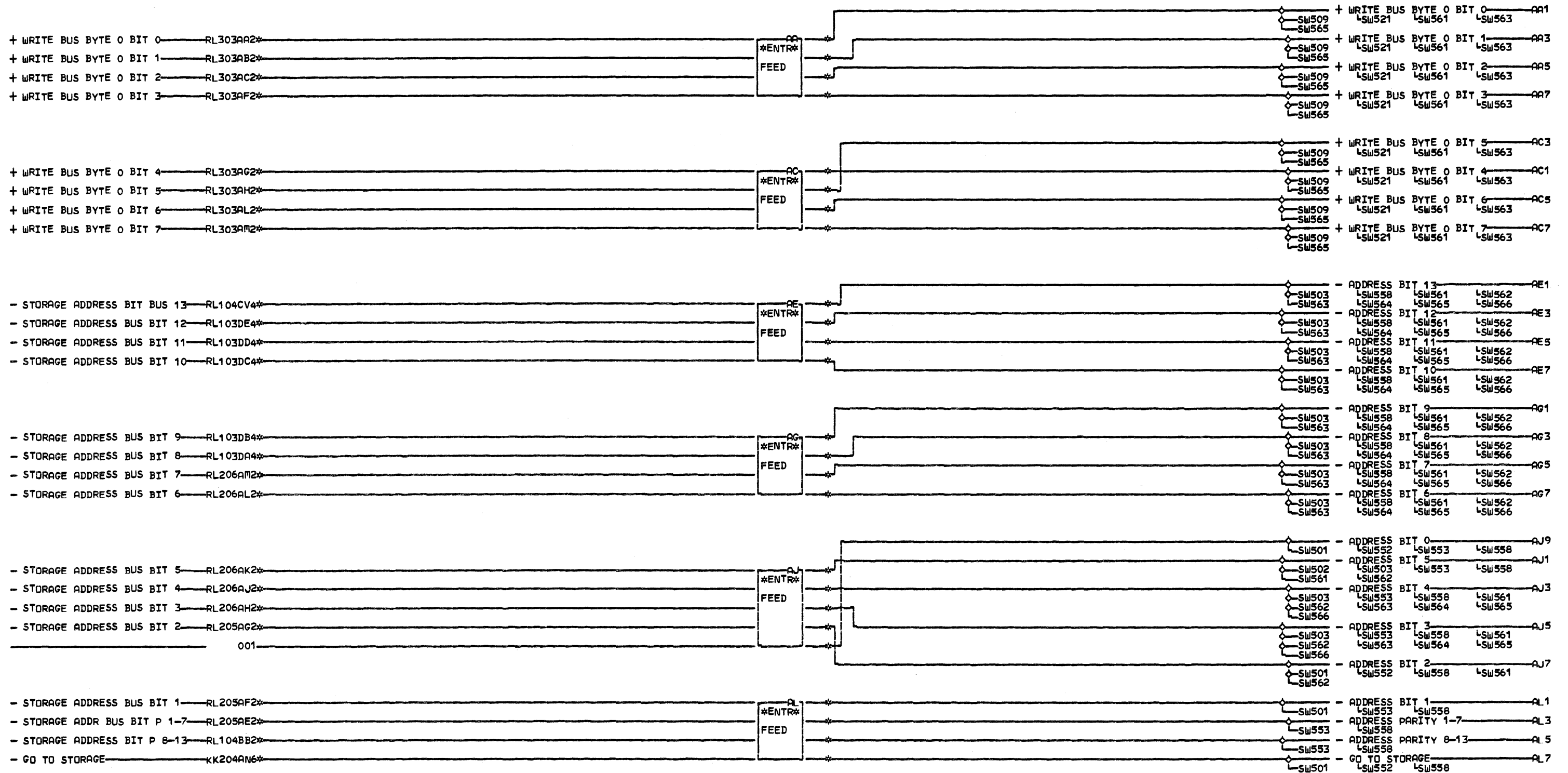
SS011
000



RL306AA2	RL306AL2	RL403AG2	RL406AC2	AA1	P-B3H1A13	AG1	P-B3H1B11
A 01A-B2C6C04	A 01A-B2E6C04	A 01A-B2E6D02	A 01A-B2G6A02	AA3	P-B3H1B13	AG3	P-B3H1C11
RL306AB2	RL306AM2	RL403AH2	RL406AF2	AA5	P-B3H1C13	AG5	P-B3H1D11
A 01A-B2C6D04	A 01A-B2E6D04	A 01A-B2E6E02	A 01A-B2F6A04	AA7	P-B3H1D13	AG7	P-B3H1E11
RL306AC2	RL403AA2	RL403AL2	RL406AG2	AC1	P-B3H1E13	AJ1	P-B3J1E13
A 01A-B2C6E04	A 01A-B2D6E02	A 01A-B2F6A02	A 01A-B2F6B04	AC3	P-B3J1A13	AJ3	P-B3K1A13
RL306AF2	RL403AB2	RL403AM2	RL406AH2	AC5	P-B3J1B13	AJ5	P-B3K1B13
A 01A-B2D6E04	A 01A-B2E6A02	A 01A-B2F6B02	A 01A-B2F6C04	AC7	P-B3J1C13	AJ7	P-B3J1B11
RL306AG2	RL403AC2	RL406AA2	RL406AL2	AE1	P-B3J1D11	AL1	P-B3J1C11
A 01A-B2E6A04	A 01A-B2E6B02	A 01A-B2F6D02	A 01A-B2F6D04	AE3	P-B3F1E11	AL3	P-B3J1D11
RL306AH2	RL403AF2	RL406AB2	RL406AM2	AE5	P-B3G1A11	AL5	P-B3J1E11
A 01A-B2E6B04	A 01A-B2E6C02	A 01A-B2F6E02	A 01A-B2F6E04	AE7	P-B3H1A11	AL7	P-B3K1A11

LOC. TYPE

WRITE DATA BITS		S
E.C.-HISTORY	MACH. 3830-2	W
437380	FRAME 01	4
	IBM CORP. SDD	0
DATE LAST EC	P.N. 2290500	006
11-28-75 437381		

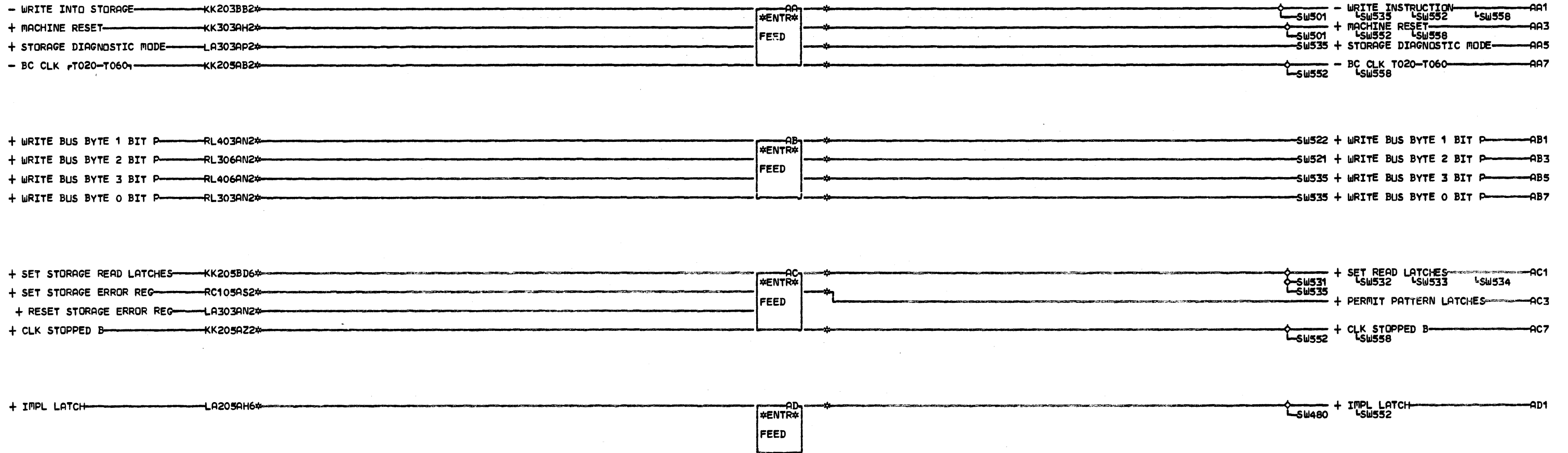


KK204AN6	A 01A-B2Q6C04	RL206AK2	A 01A-B2C6C02	AC1	A-B3F1E13	AJ3	A-B3A2B04
A 01A-B2N6E04	RL104CV4	A 01A-B2B6B02	RL303AG2	AC3	A-B3G1A13	AJ5	A-B3A2D03
RL103DA4	A 01A-B2B6D04	RL206AL2	A 01A-B2C6D02	AC5	A-B3F1A11	AJ7	A-B3A2B03
A 01A-B2A6D04	RL205AE2	A 01A-B2B6C02	RL303AH2	AC7	A-B3F1B11	AJ9	A-B3A2D08
RL103DB4	A 01A-B2Q6B04	RL206AM2	A 01A-B2C6E02	AE1	A-B3A2B13	AL1	A-B3A2B02
A 01A-B2A6E04	RL205AF2	A 01A-B2B6D02	RL303AL2	AE3	A-B3A2B12	AL3	A-B3R1C11
RL103DC4	A 01A-B2A6D02	RL303AA2	A 01A-B2B6E04	AE5	A-B3A2B11	AL5	A-B3R1D11
A 01A-B2B6A04	RL205AG2	A 01A-B2B6E02	RL303AM2	AE7	A-B3A2B10	AL7	A-B3A2D07
RL103DD4	A 01A-B2A6E02	RL303AB2	A 01A-B2C6A04	AG1	A-B3A2B09		
A 01A-B2B6B04	RL206AH2	A 01A-B2C6A02	AA1	A-B3F1A13	AG3	A-B3A2B08	
RL103DE4	A 01A-B2N6A04	RL303AC2	AA3	A-B3F1B13	AG5	A-B3A2B07	
A 01A-B2B6C04	RL206AJ2	A 01A-B2C6B02	AA5	A-B3F1C13	AG7	A-B3A2B06	
RL104BB2	A 01A-B2B6A02	RL303AF2	AA7	A-B3F1D13	AJ1	A-B3A2B05	

LOC. TYPE

S
W
4
1
0

WRITE DATA + ADDRESS BITS		S
E.C. HISTORY	MACH. 3830-2	W
437380	FRAME 01	4
	IBM CORP. SDD	1
DATE LAST EC	P.No. 2290501	0
11-28-75 437381		006



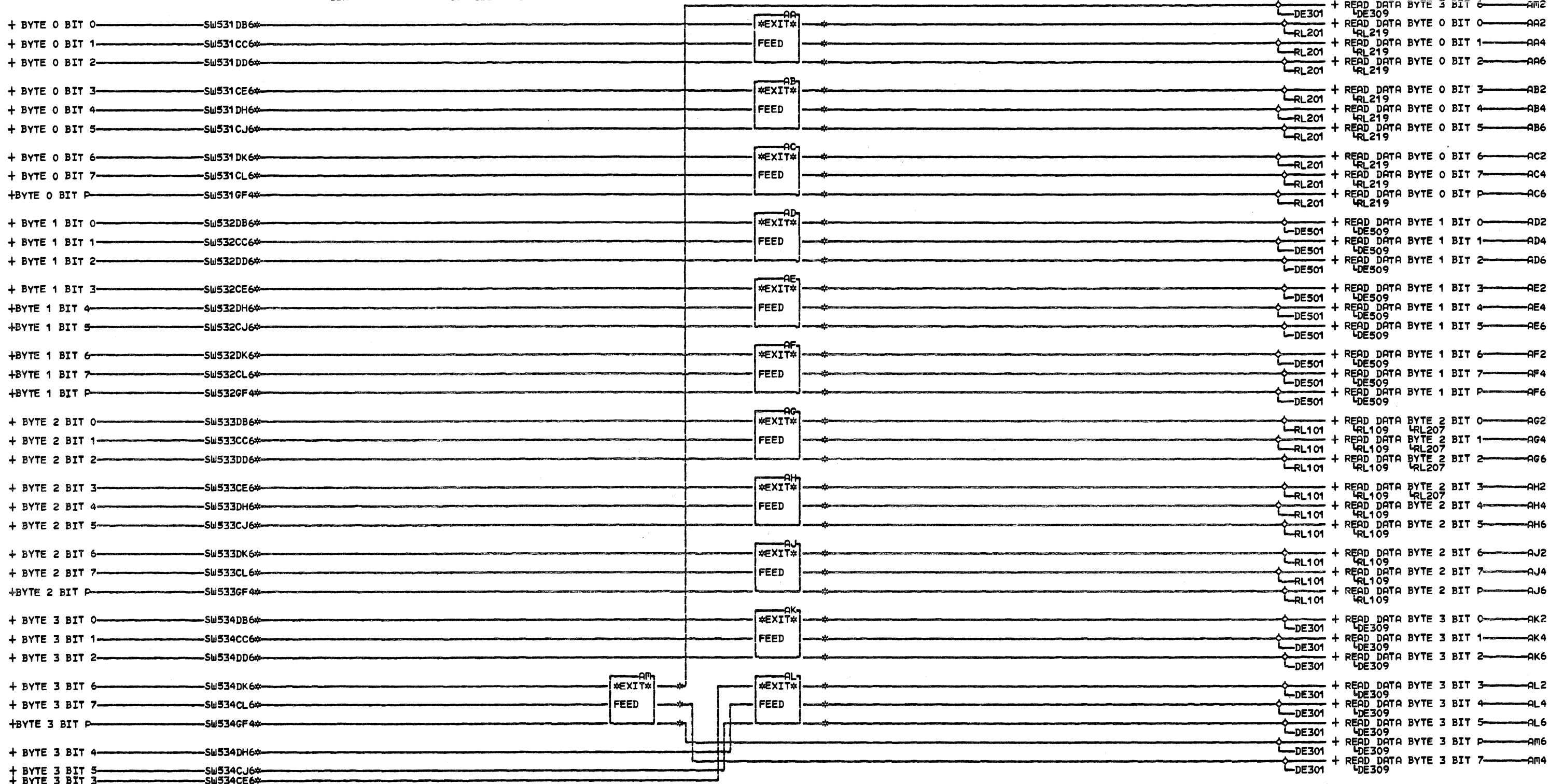
S
E
4
2
0

KK203BB2	A 01A-B2N6C04	RL303AN2	AA3 A-B3A2D05	AC7 A-B3A2D02
A 01A-B2N6D04	LA205AH6	A 01A-B2C6B04	AA5 A-B3E1E13	AD1 A-B3R1B13
KK205AB2	1 01A-B2U6A04	RL306AN2	AA7 A-B3A2D04	
A 01A-B2N6B04	LA303AN2	A 01A-B2E6E04	AB1 A-B3J1D13	
KK205AZ2	A 01A-B1V3D13	RL403AN2	AB3 A-B3J1A11	
A 01A-B2M6E04	LA303AP2	A 01A-B2F6C02	AB5 A-B3K1B11	
KK205BD6	1 01A-B1V3D12	RL406AN2	AB7 A-B3F1C11	
A 01A-B2Q6D04	RC105AS2	A 01A-B2G6A04	AC1 A-B3R1E11	
KK303AH2	A 01A-B2Q6E04	AA1 A-B3A2D06	AC3 A-B3S1A11	

LOC. TYPE

CONTROLS	
E.C. HISTORY 437380	MACH. 3830-2 FRAME 01
DATE LAST EC 11-28-75 437381	IBM CORP. SDD P.No. 2290447

S
W
4
2
0



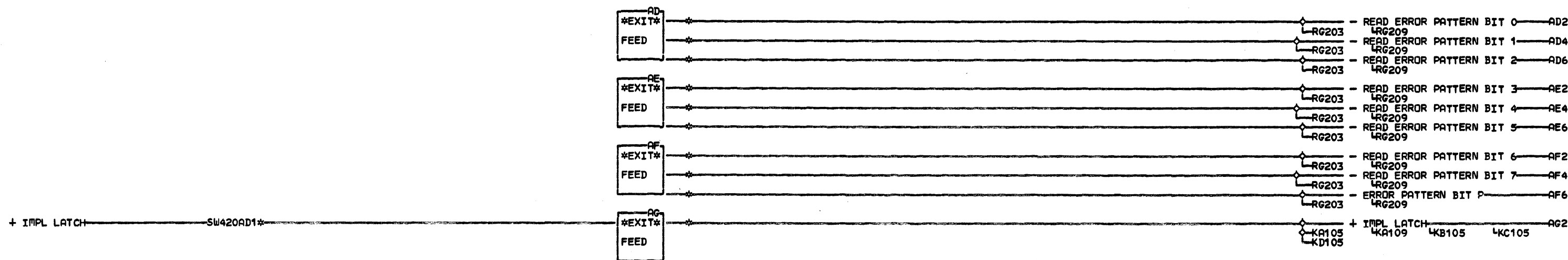
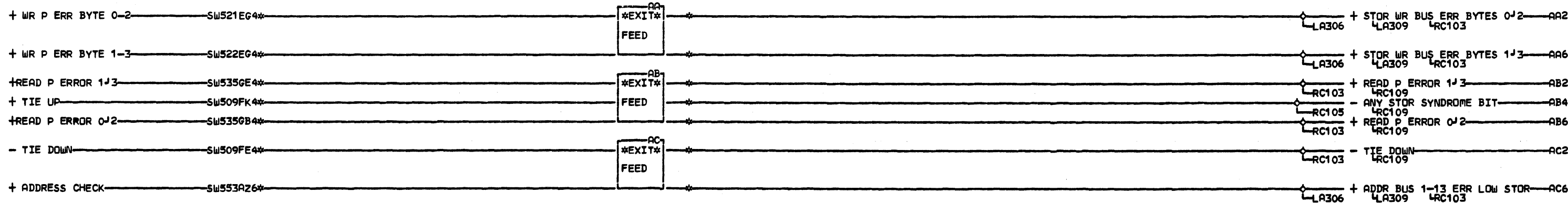
SW531CC6	SW532CC6	SW533CC6	SW534CC6	AA2	A-B2J6B04	AG2	A-B2H6A02
A 01A-B3N1A11	A 01A-B3M1A13	A 01A-B3L1E13	A 01A-B3Q1A13	AA4	A-B2J6C04	AG4	A-B2H6B02
SW531CE6	SW532CE6	SW533CE6	SW534CE6	AA6	A-B2J6D04	AG6	A-B2H6C02
A 01A-B3N1C11	A 01A-B3M1C13	A 01A-B3L1B13	A 01A-B3Q1C13	AB2	A-B2K6E04	AH2	A-B2H6D02
SW531CJ6	SW532CJ6	SW533CJ6	SW534CJ6	AB4	A-B2K6A04	AH4	A-B2H6E02
A 01A-B3N1E11	A 01A-B3M1E13	A 01A-B3L1D13	A 01A-B3Q1E13	AB6	A-B2K6B04	AH6	A-B2J6A02
SW531CL6	SW532CL6	SW533CL6	SW534CL6	AC2	A-B2L6D04	AJ2	A-B2H6A04
A 01A-B3Q1A11	A 01A-B3M1C11	A 01A-B3L1E11	A 01A-B3Q1D11	AC4	A-B2L6E04	AJ4	A-B2H6B04
SW531DB6	SW532DB6	SW533DB6	SW534DB6	AC6	A-B2M6A04	AJ6	A-B2H6C04
A 01A-B3M1E11	A 01A-B3M1E13	A 01A-B3L1D13	A 01A-B3P1E13	AD2	A-B2J6B02	AK2	A-B2L6D02
SW531DD6	SW532DD6	SW533DD6	SW534DD6	AD4	A-B2J6C02	AK4	A-B2L6E02
A 01A-B3N1B11	A 01A-B3M1B13	A 01A-B3M1A13	A 01A-B3Q1B13	AD6	A-B2J6D02	AK6	A-B2M6A02
SW531DH6	SW532DH6	SW533DH6	SW534DH6	AE2	A-B2J6E02	AL2	A-B2M6B02
A 01A-B3N1D11	A 01A-B3M1D13	A 01A-B3M1C13	A 01A-B3Q1D13	AE4	A-B2K6A02	AL4	A-B2M6C02
SW531DK6	SW532DK6	SW533DK6	SW534DK6	AE6	A-B2K6B02	AL6	A-B2M6D02
A 01A-B3P1E11	A 01A-B3M1B11	A 01A-B3L1D11	A 01A-B3Q1C11	AF2	A-B2H6D04	AM2	A-B2M6B04
SW531GF4	SW532GF4	SW533GF4	SW534GF4	AF4	A-B2H6E04	AM4	A-B2M6C04
A 01A-B3Q1B11	A 01A-B3M1D11	A 01A-B3M1A11	A 01A-B3Q1E11	AF6	A-B2J6A04	AM6	A-B2M6D04

LOC. TYPE

READ DATA EXIT	
E-C-HISTORY	MACH.3830-2
437380	FRAME 01
DATE LAST EC	IBM CORP. SDD
11-28-75 437381	P.No. 2290448

S
W
4
7
0

S
W
4
7
0



SW420AD1 A 01A-B3E1A11 B 01A-B1U6C02 B 01A-B2U1B13 AF4 A-B1V3D10
 2 01A-B3R1A13 SW535GB4 AA6 A-B2Q6A02 B 01A-B1U6B02 AF6 A-B1V3D11
 SW509FE4 A 01A-B3E1C11 B 01A-B2U1D13 AD2 A-B1V3D02 AC2 A-A1U1A13
 A 01A-B3E1E11 SW535GE4 B 01A-B1U6D02 AD4 A-B1V3D03
 SW509FK4 A 01A-B3E1B11 AB2 A-B2Q6B02 AD6 A-B1V3D04
 A 01A-B3E1D11 SW553AZ6 AB4 A-B2Q6D02 AE2 A-B1V3D05
 SW521EG4 A 01A-B3R1B11 AB6 A-B2Q6C02 AE4 A-B1V3D06
 A 01A-B3D1E11 AA2 A-B2P6E02 AC2 A-B2Q6E02 AE6 A-B1V3D07
 SW522EG4 B 01A-B2U1C13 AC6 A-B2Q6A04 AF2 A-B1V3D09

LOC. TYPE

ERROR + PATTERN	
EXIT	
E.C. HISTORY 437380	MACH. 3830-2
DATE 11-28-75	LAST EC 437381
FRAME 01	IBN CORP. SDD
P.No. 2290449	

IBM

CONFIDENTIAL

UNTIL 03-30-76

UNCLASSIFIED

THEREAFTER

005 SW490

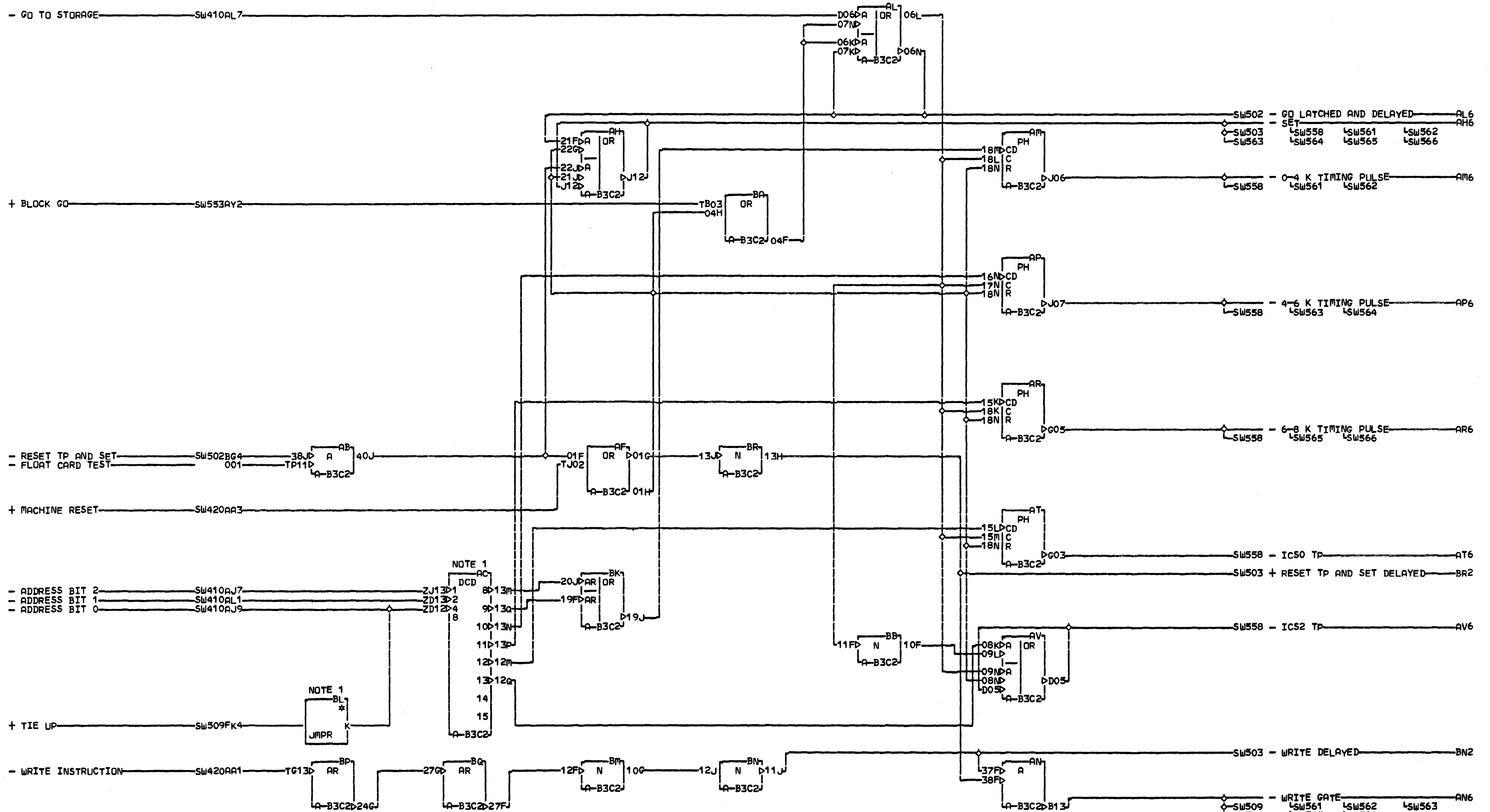
SW490

005COPYRIGHT IBM CORP 1976
SIM TO PN 2345960 EC 437310

EXIT	
E.C. HISTORY 437380	B1 MACH. 3830-2
DATE LAST EC 11-28-75 437381	FRAME 01 IBM CORP. SDD P.N. 2290450

SW490

005

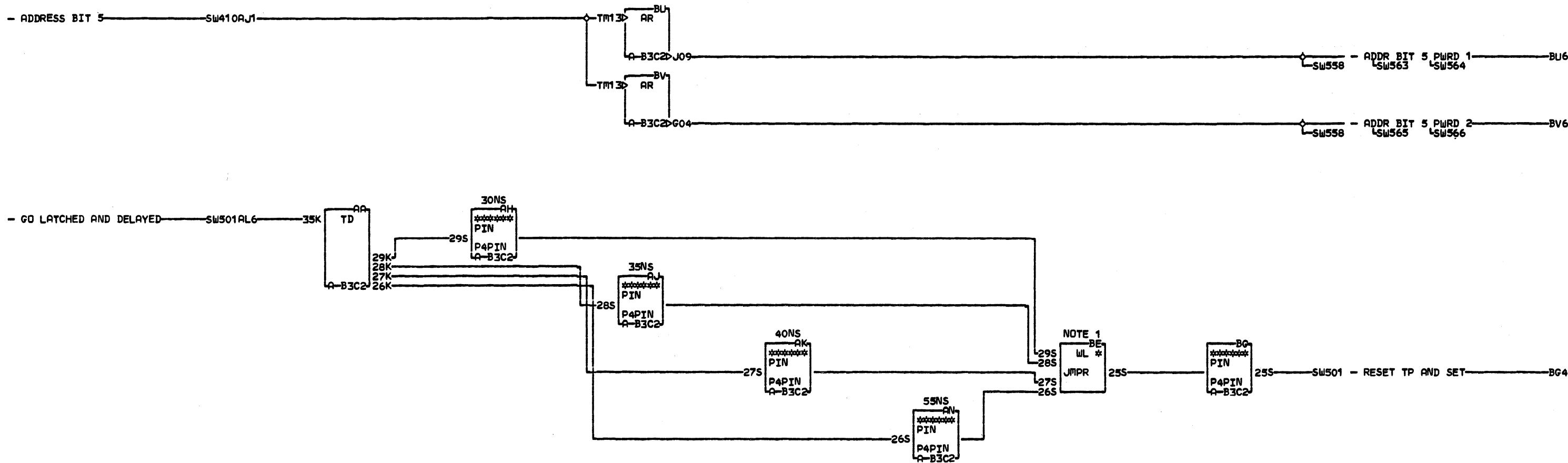


NOTE 1
 ADD BOARD WIRE FROM
 S B3C2M07 TO B3L2P10
 W FOR 4060 OR 8K STORAGE
 S REF SW509FK4
 0
 1

LOC. TYPE
 A-B3C2 2504

BSM CONTROL CARD	
E.C. HISTORY 437380	MACH. 3830-2
DATE LAST EC 11-28-75 437381	FRAME 01
	IBM CORP. SDD
	P.No. 2290502

S
 W
 5
 0
 1
 006



NOTE 1
 PLUG FOR 55NS +8 -ONS
 PULSE AT 01A-B3C2J06
 SW501AM6

LOC. TYPE
 A-B3C2 Z504

SNIP CONTROL CARD	
E.C. HISTORY 437380	MACH. 3630-2 FRAME 01
DATE LAST EC 11-28-75 437381	IBM CORP. SDD P.N. 2290452

SW502
005

IBM

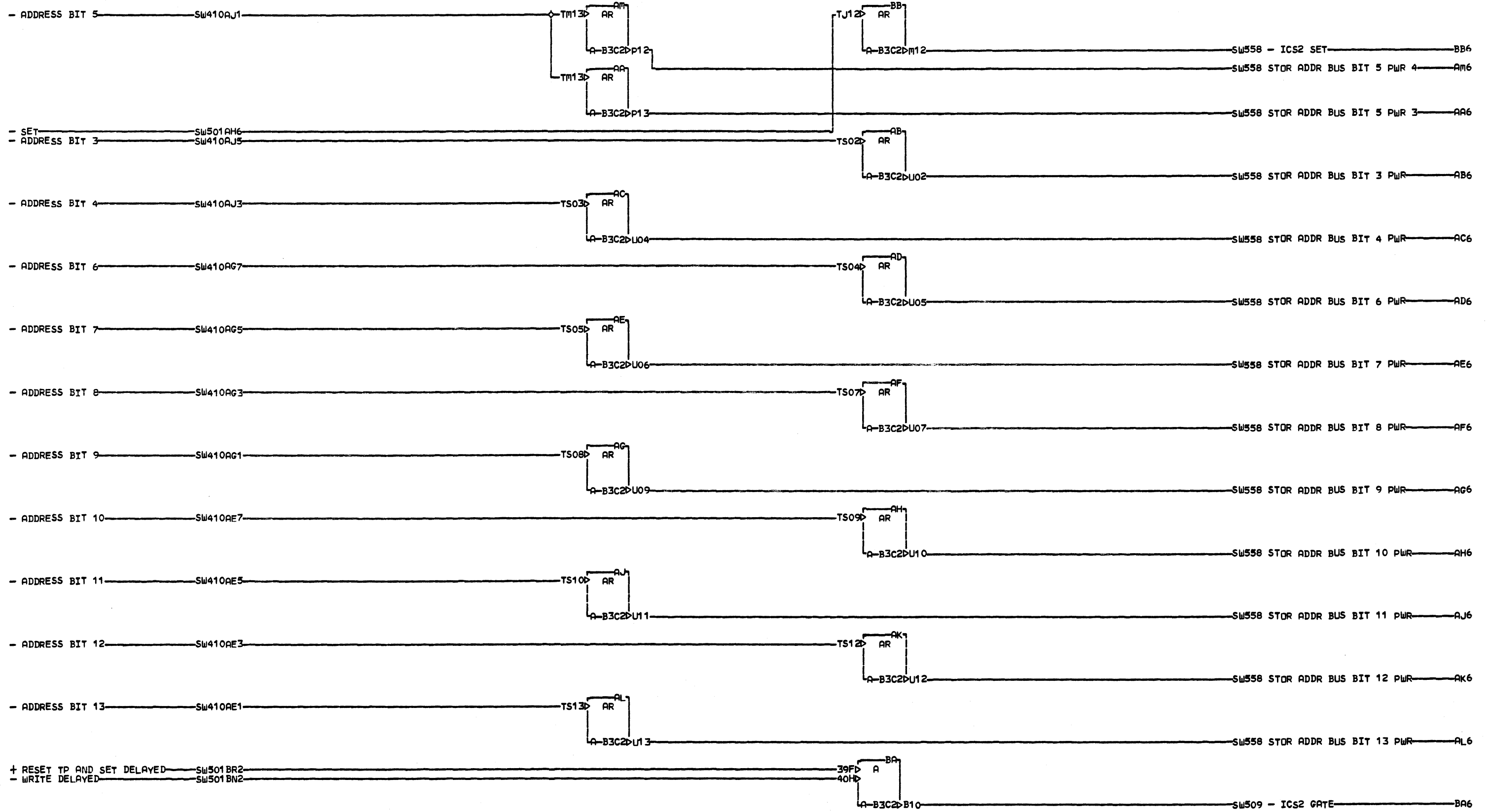
CONFIDENTIAL

UNTIL 03-30-76

UNCLASSIFIED

THEREAFTER

006 SW503

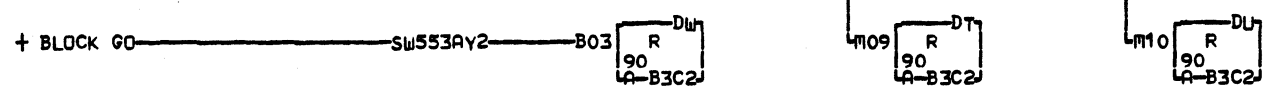
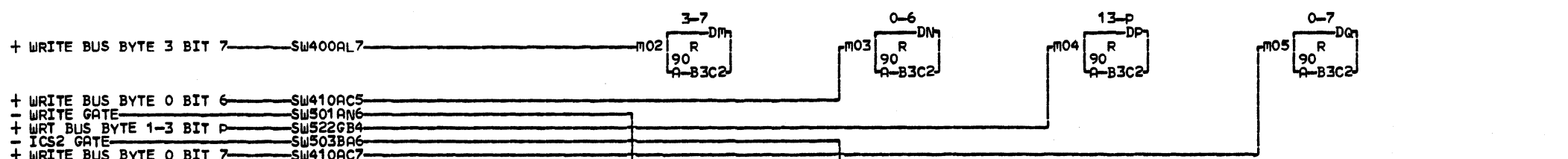
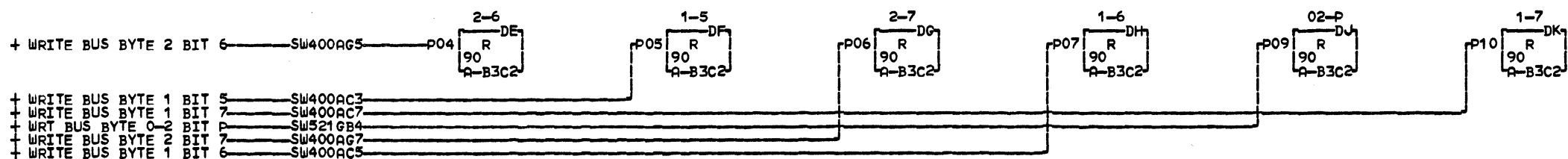
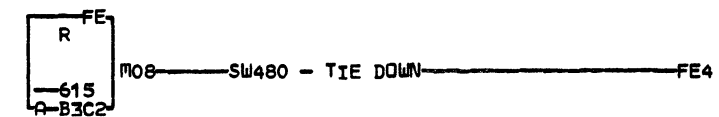
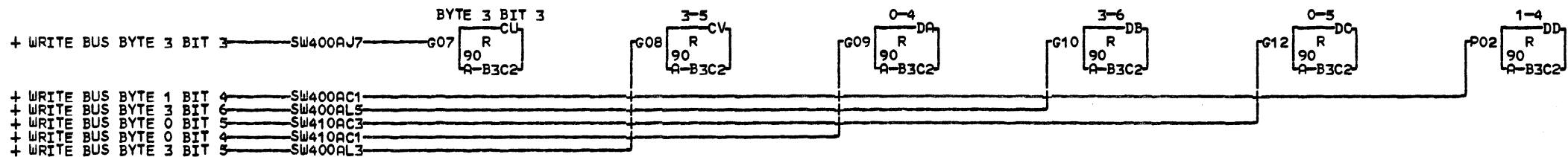
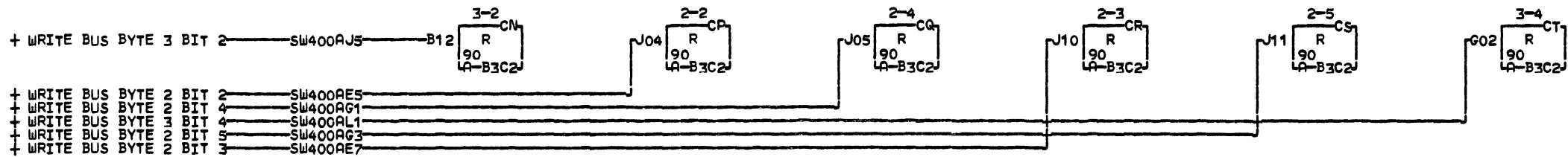
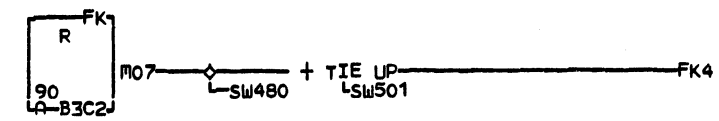
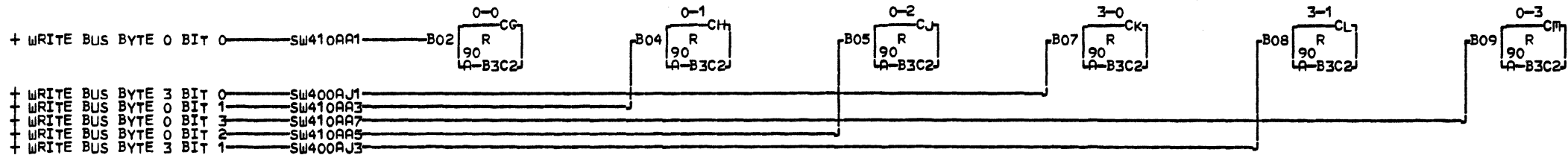
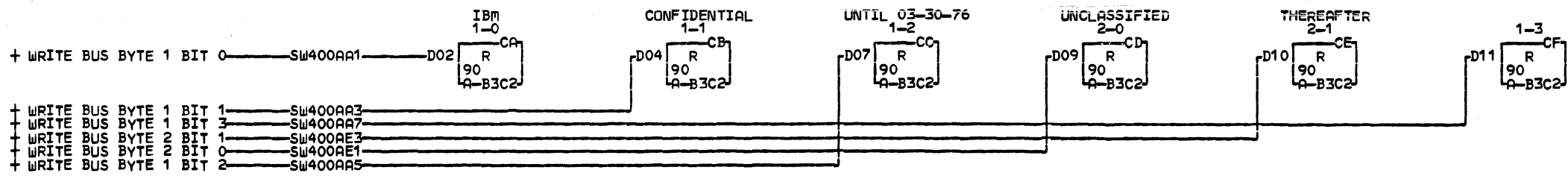


LOC. TYPE
A-B3C2 2504

ADDR BUS POWERING	
E.C.-HISTORY 437380	MACH. 3830-2
DATE LAST EC 11-28-75 437381	FRAME 01 IBM CORP. GPD P.N. 2290503

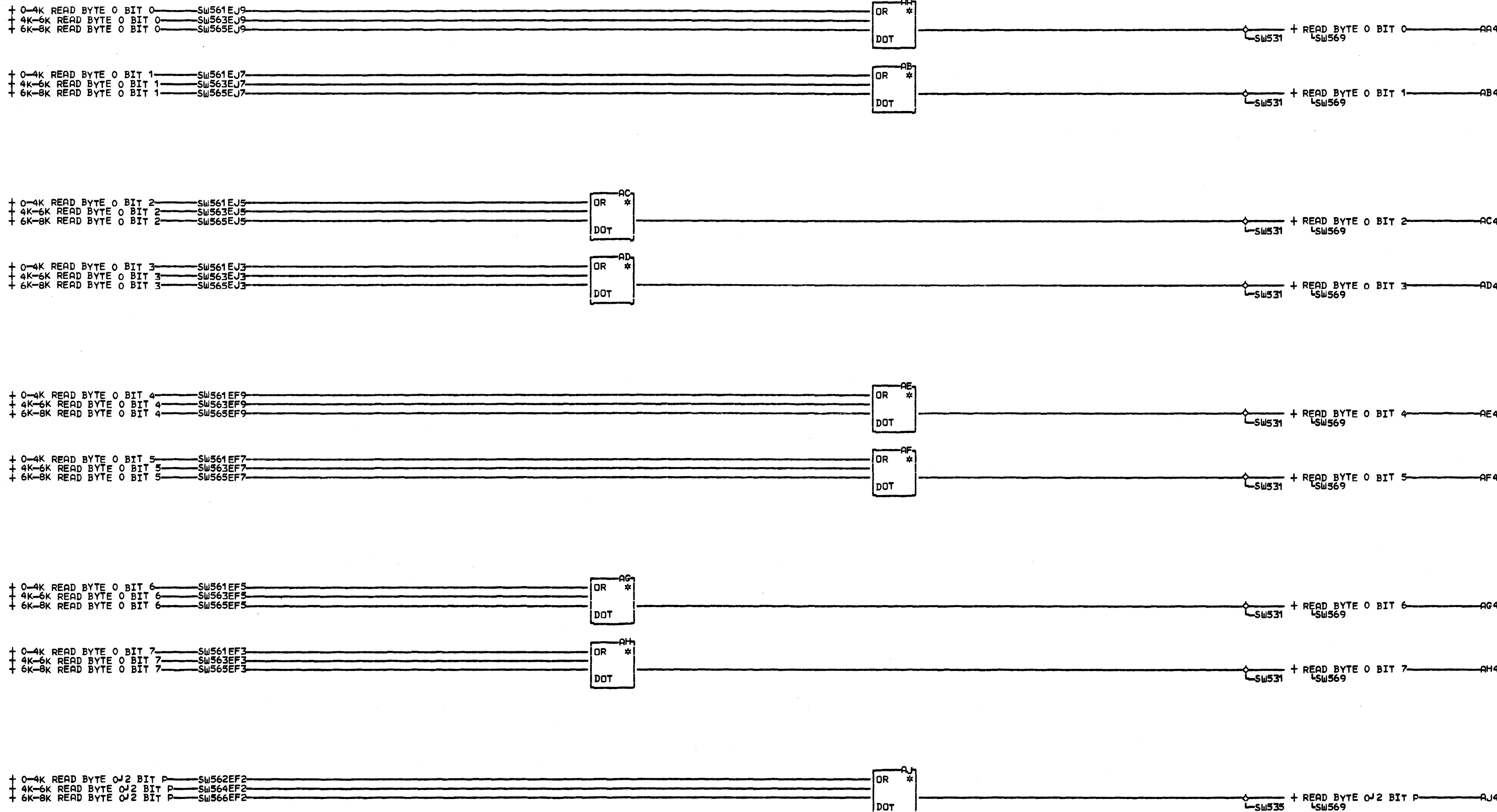
SW503
006

S
W
O
U
R
C
E



LOC. TYPE
A-B3C2 2504

LINE TERMINATORS	
E.C. HISTORY 437380	MACH. 3830-2 FRAME 01
DATE LAST EC 11-28-75 437381	IBM CORP. GPD P.N. 2290504

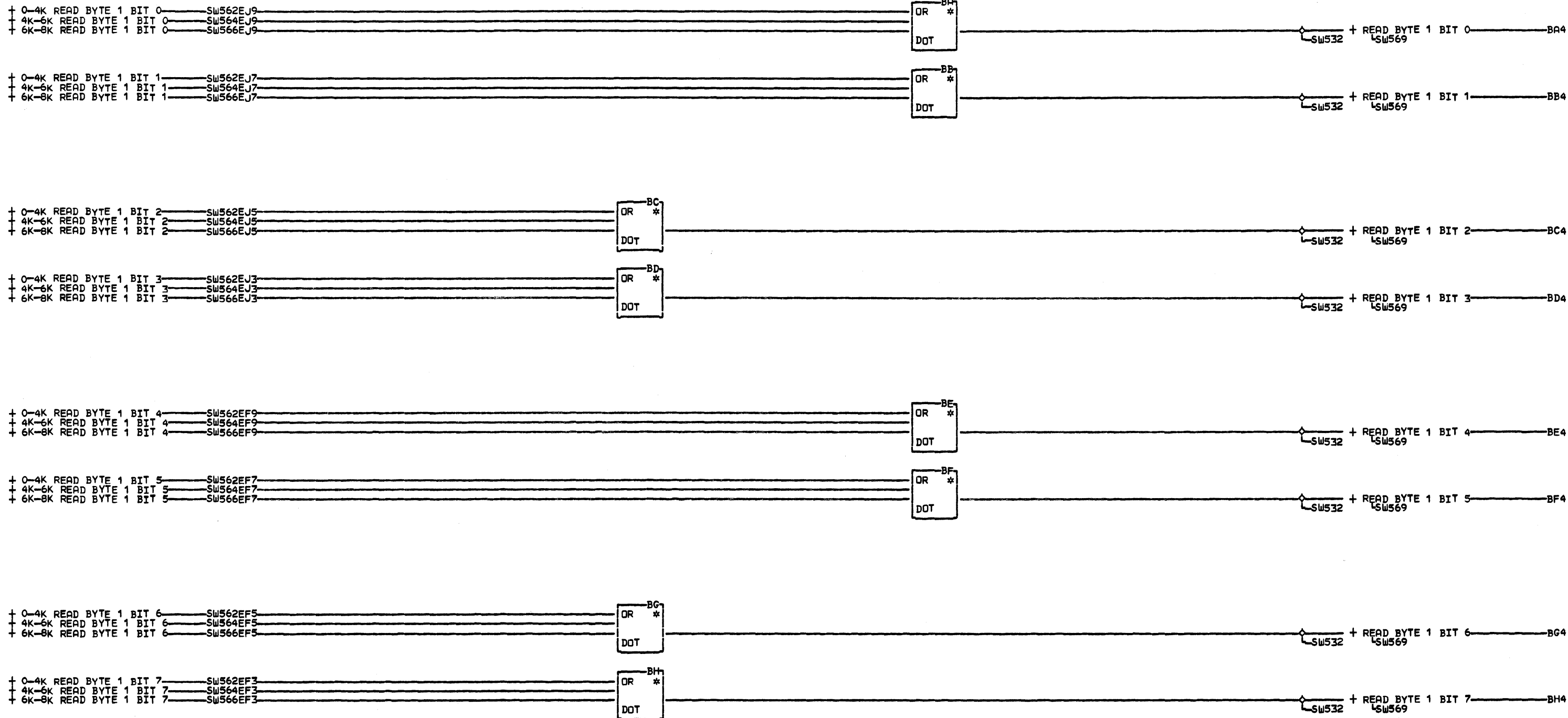


LOC. TYPE

S
W
5
1
1

READ DATA BYTE 0	
E.C. HISTORY	B. MACH. 3830-2
437380	FRAME 01
DATE LAST EC	IBM CORP. SDD
11-28-75 437381	P.No. 2290505

S
W
5
1
1

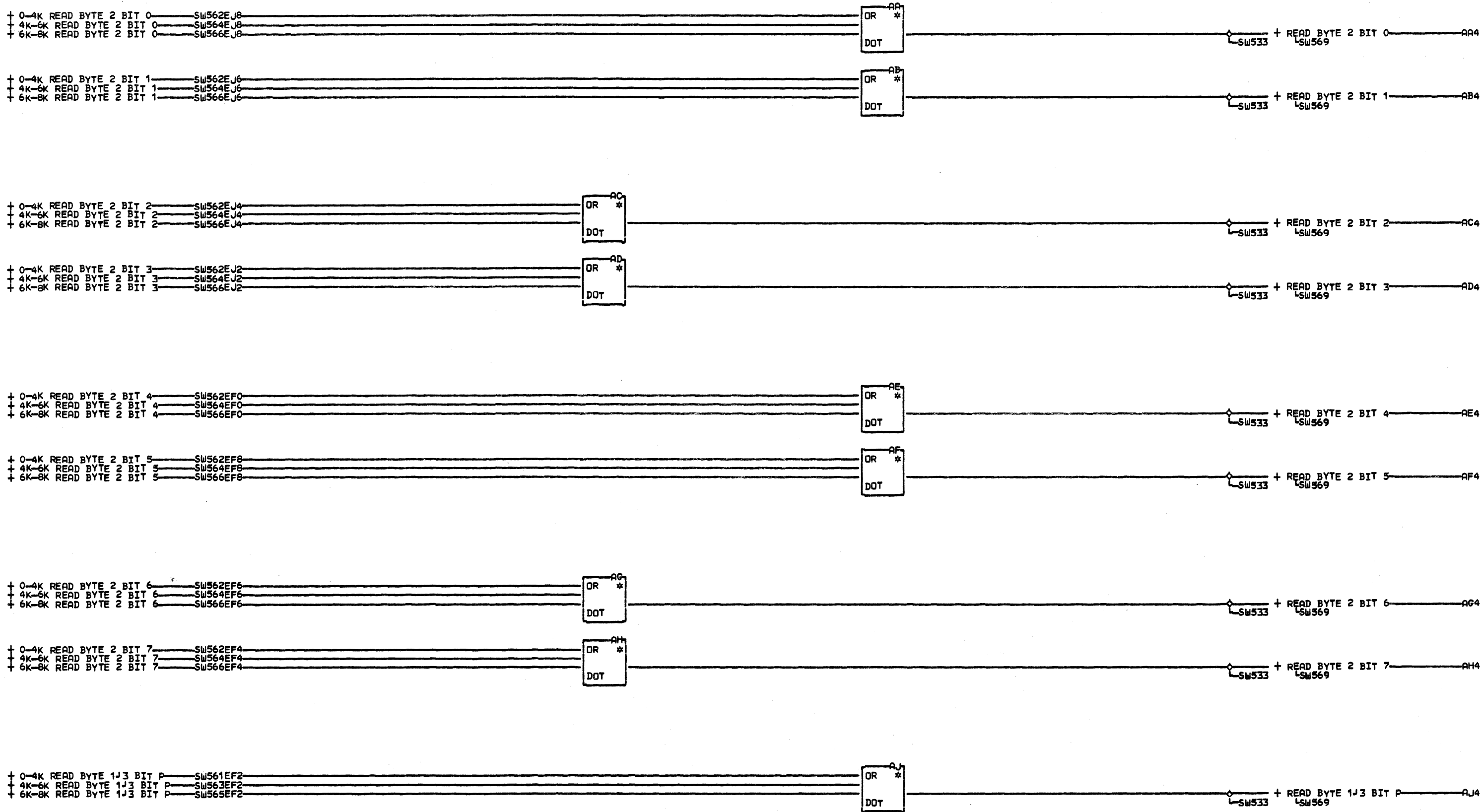


LDC. TYPE

S
W
5
1
2

READ DATA BYTE 1	
E.C. HISTORY 437380	MACH. 3830-2 FRAME 01
DATE 11-28-75	IBM CORP. SDD P.No. 2290506
LAST EC 437381	

S
W
5
1
2

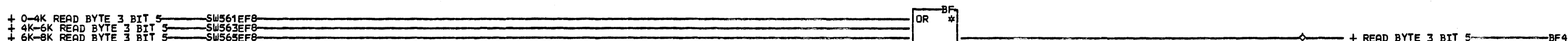
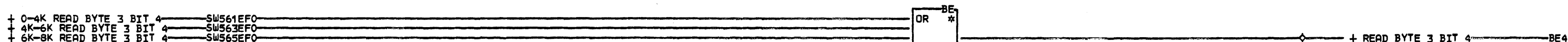
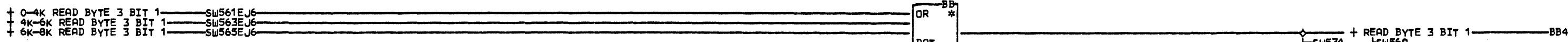
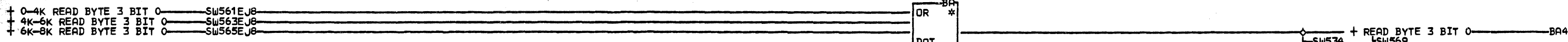


LOC. TYPE

READ DATA BYTE 2	
E.C. HISTORY	MACH. 3830-2
437380	FRAME 01
DATE LAST EC	IBM CORP. SDD
11-28-75 437381	P.N. 2290507

S
W
5
1
3

S
W
5
1
3

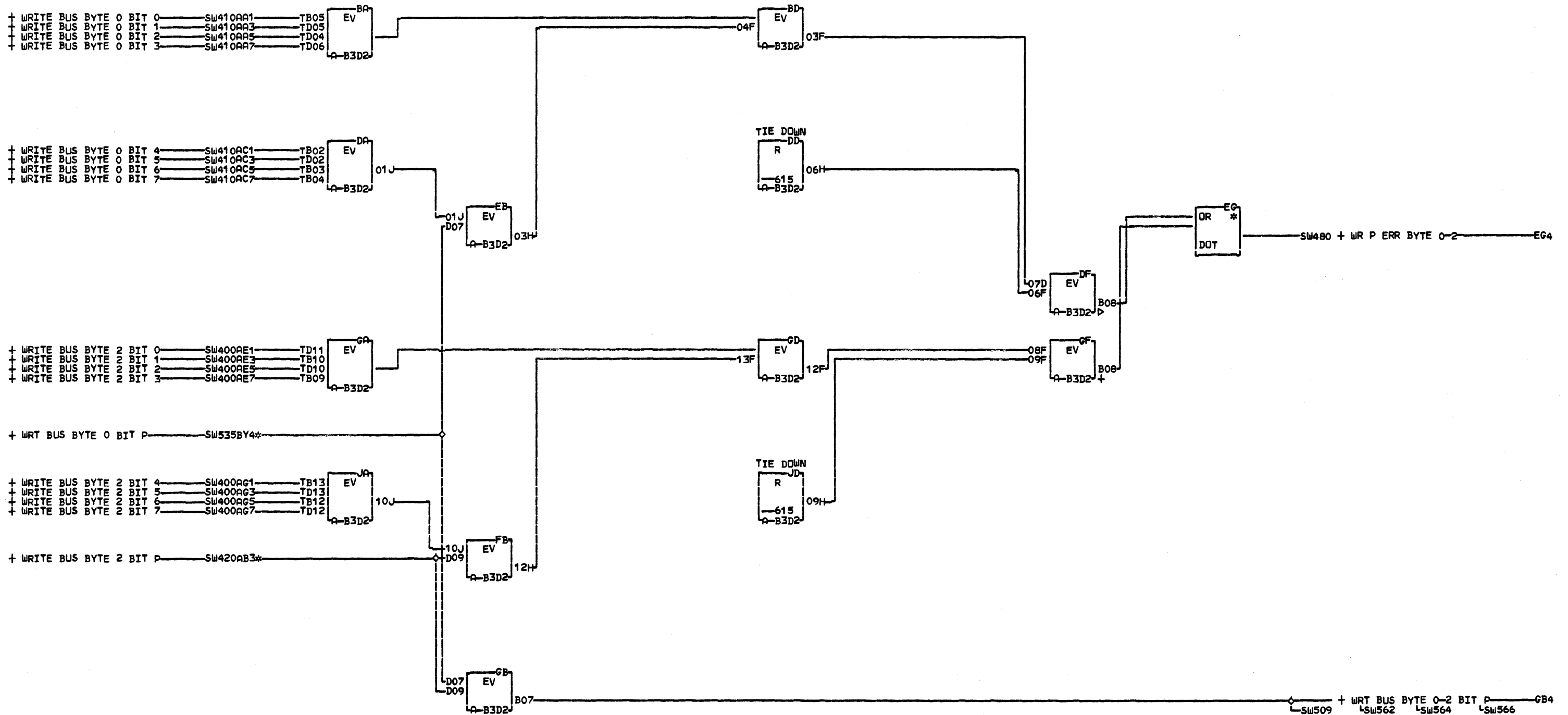


LOC. TYPE

SW514

READ DATA BYTES 3	
E.C.—HISTORY—437380	MACH. 3830-2
DATE 11-20-75	LAST EC 437381
FRAME 01	IBM CORP. SDD
P.N. 2290508	

SW514



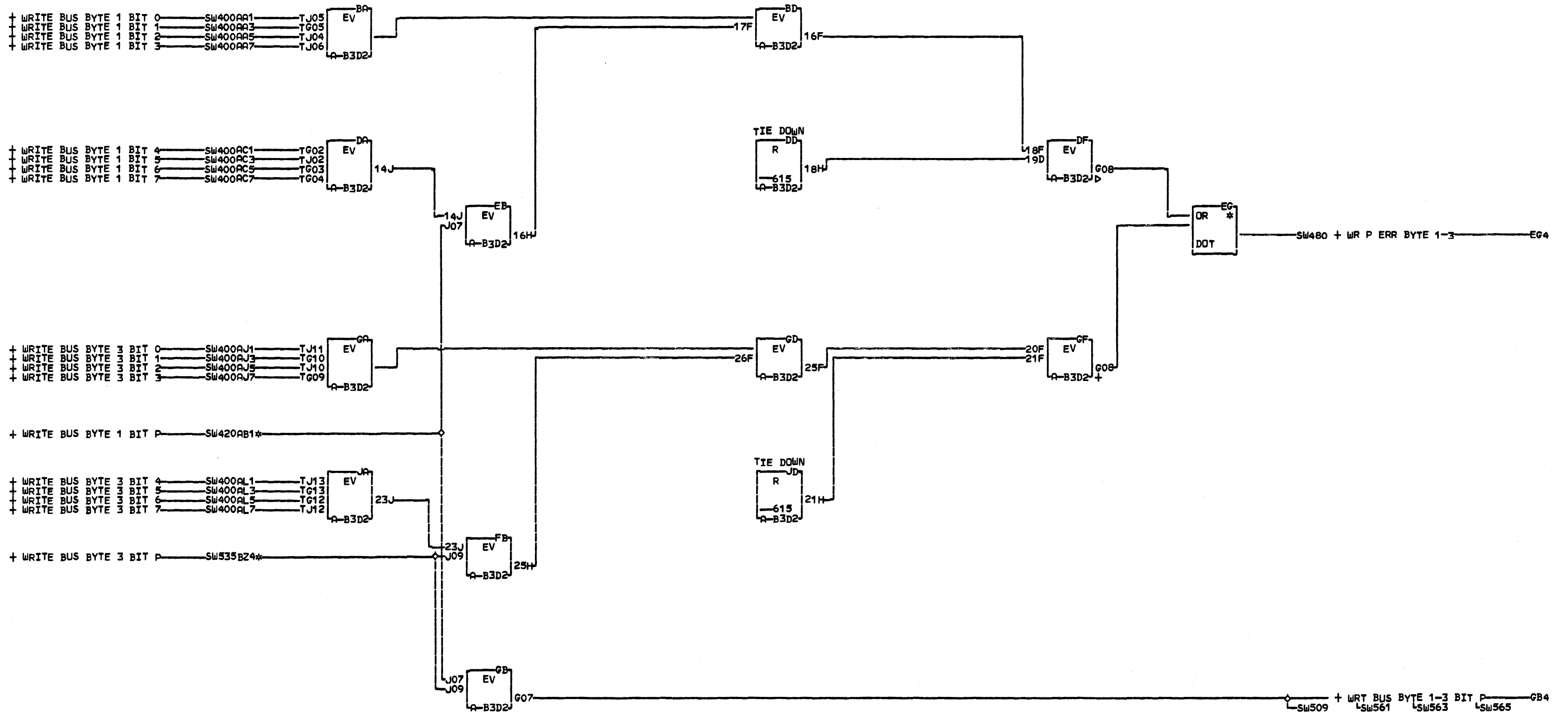
SW420AB3
RESISTOR
A-B3D2D09
SW535BY4
RESISTOR
A-B3D2D07

LDC. TYPE
A-B3D2 Z503

WRITE BUS PARITY CHECK AND GENERATOR	
E.C. HISTORY 437380	MACH.3830-2
DATE LAST EC 11-28-75 437381	FRAME 01 IBM CORP. GPD P.N. 2290509

S
W
5
2
1

S
W
5
2
1



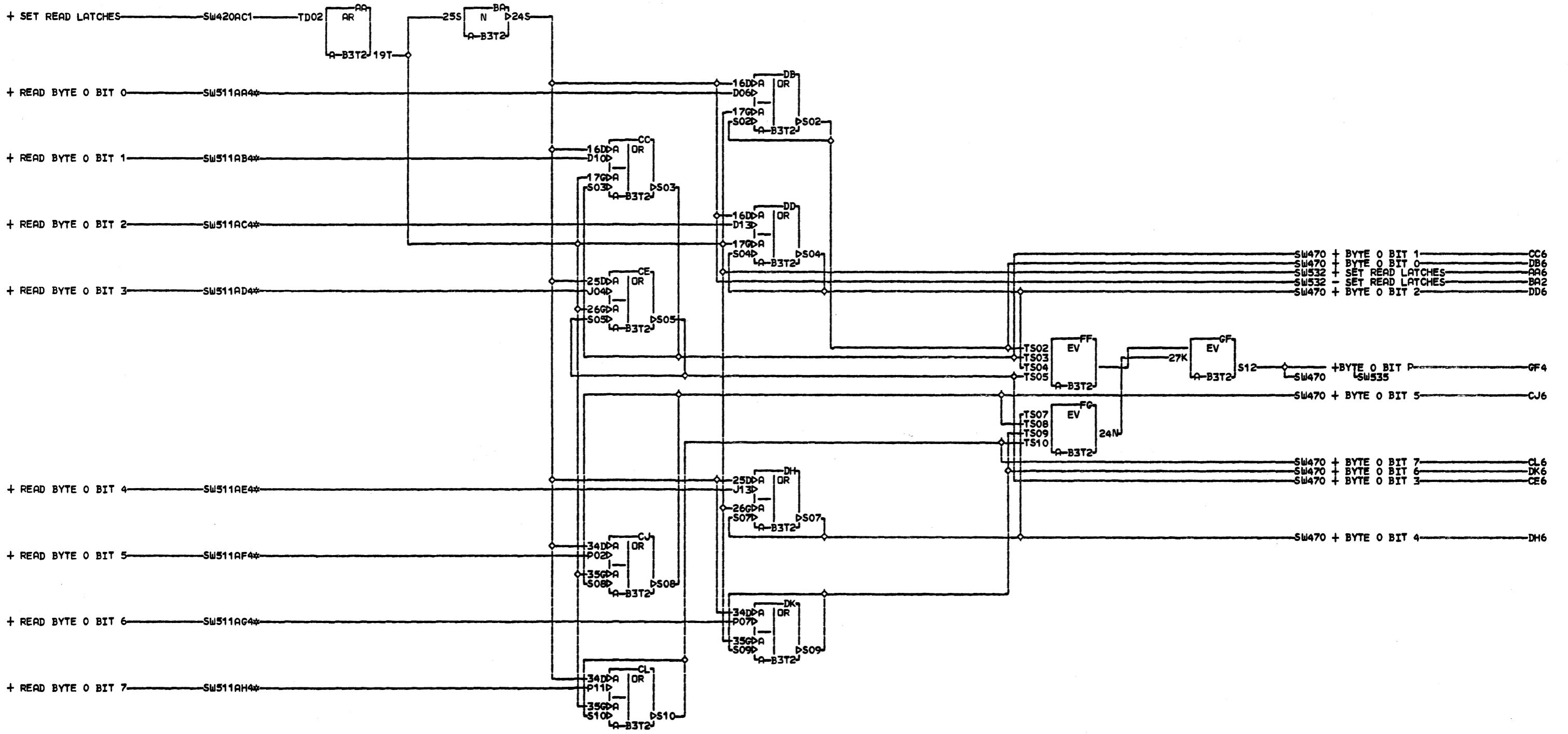
SW420AB1
RESISTOR
A-B3D2J07
SW535B24
RESISTOR
A-B3D2J09

LOC. TYPE
A-B3D2 Z503

WRITE BUS PARITY CHECK AND GENERATOR	
E.C. HISTORY 437380	MACH. 3830-2
DATE LAST EC 11-28-75 437381	FRAME 01 IBM CORP. GPD P.N. 2290510

5
N
E

5
E
2
2



SW470 + BYTE 0 BIT 1 ——— CC6
 SW470 + BYTE 0 BIT 0 ——— DB6
 SW532 + SET READ LATCHES ——— AA6
 SW532 - SET READ LATCHES ——— BA2
 SW470 + BYTE 0 BIT 2 ——— DD6

TS02 EV FF
 TS03 EV GF
 TS04 EV
 TS05 EV
 A-B3T2
 27K
 S12
 SW470 + BYTE 0 BIT P ——— GF4
 SW535
 SW470 + BYTE 0 BIT 5 ——— CJ6

TS07 EV FG
 TS08 EV
 TS09 EV
 TS10 EV
 A-B3T2
 24N
 SW470 + BYTE 0 BIT 7 ——— CL6
 SW470 + BYTE 0 BIT 6 ——— DK6
 SW470 + BYTE 0 BIT 3 ——— CE6

SW470 + BYTE 0 BIT 4 ——— DH6

S
1

SW511AA4	RESISTOR	A-B3T2J13	A-B3T2P07
A-B3T2D06	A-B3T2D13	A-B3T2J13	SW511AH4
A-B3T2D06	SW511AD4	RESISTOR	A-B3T2P11
SW511AB4	RESISTOR	A-B3T2P02	A-B3T2P11
RESISTOR	A-B3T2J04	A-B3T2P02	
A-B3T2D10	A-B3T2J04	SW511AG4	
A-B3T2D10	SW511AE4	RESISTOR	
SW511AC4	RESISTOR	A-B3T2P07	

LOC. TYPE
A-B3T2 2502

BYTE 0 READ LATCHES	
E.C. HISTORY 437380	MACH. 3830-2
DATE 11-28-75	LAST EC 437381
FRAME 01	IBM CORP. GPD
P.No. 2290460	

S
1

IBM

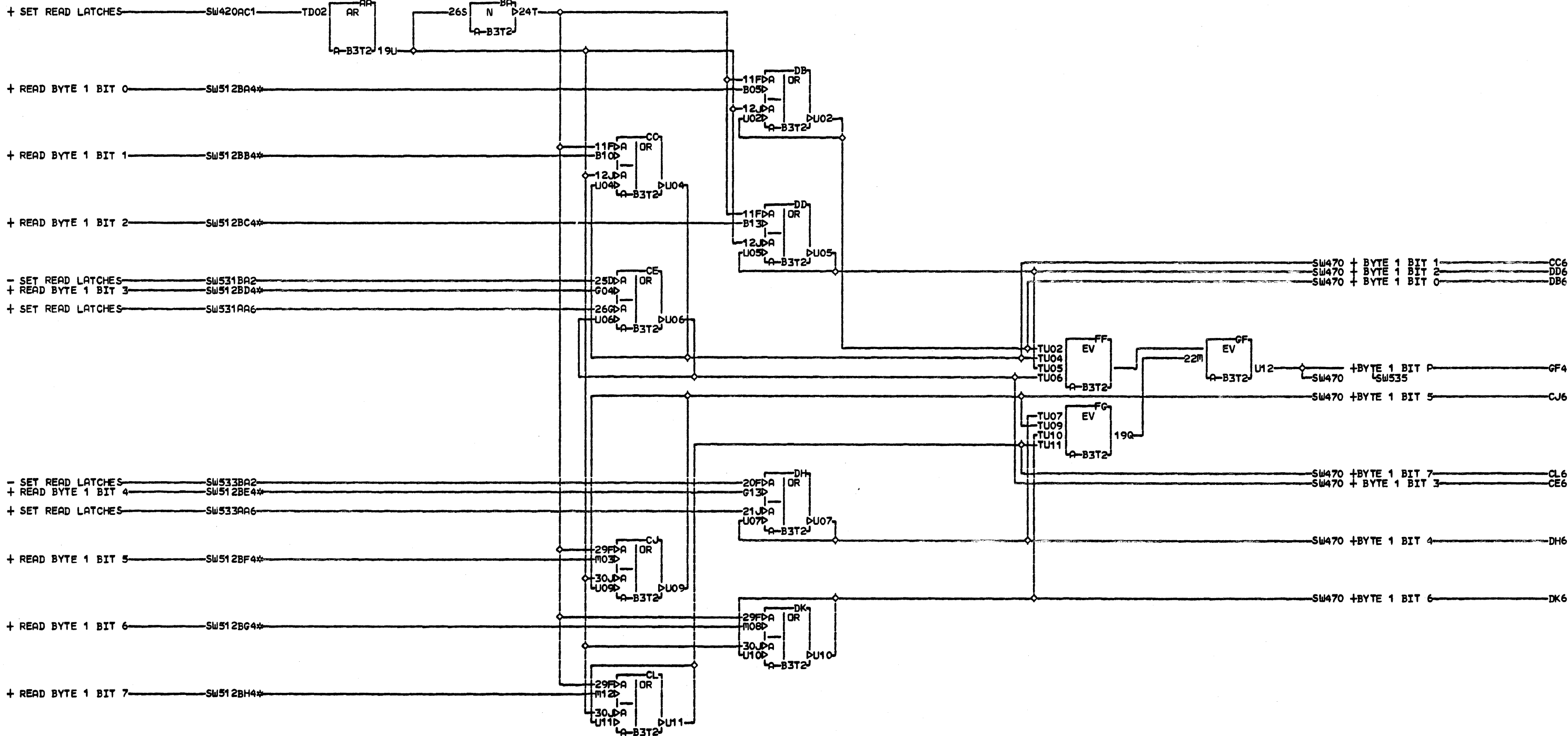
CONFIDENTIAL

UNTIL 03-30-76

UNCLASSIFIED

THEREAFTER

005 SW532



S
NUMBER

005COPYRIGHT IBM CORP 1976

SW512BA4	RESISTOR	A-B3T2G13	A-B3T2M08
A-B3T2B05	RESISTOR	A-B3T2G13	SW512BH4
A-B3T2B05	RESISTOR	SW512BF4	RESISTOR
SW512BB4	RESISTOR	A-B3T2M03	A-B3T2M12
A-B3T2B10	RESISTOR	A-B3T2M03	A-B3T2M12
A-B3T2B10	RESISTOR	SW512BC4	
SW512BC4	RESISTOR	A-B3T2M08	

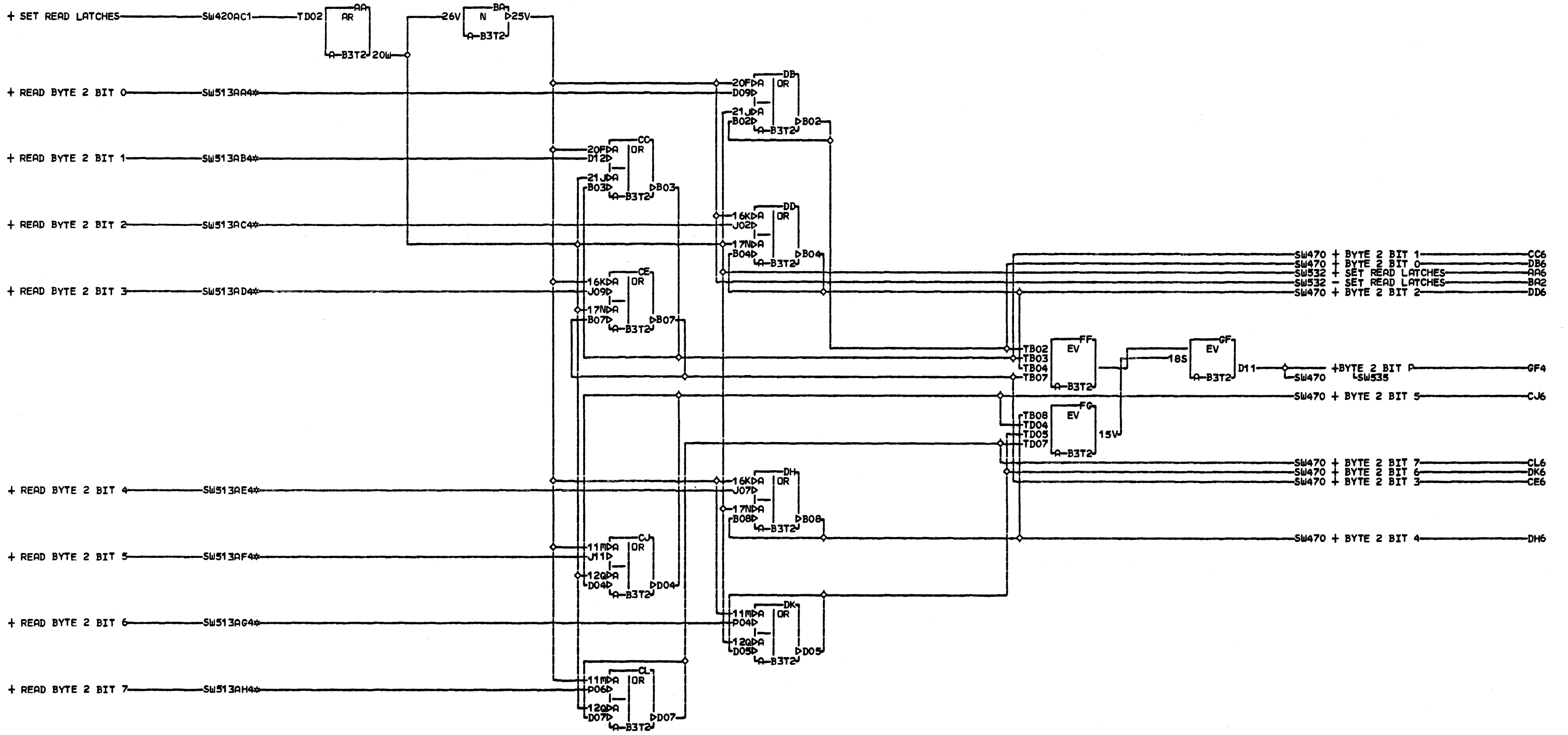
LOC. TYPE
A-B3T2 2502

BYTE 1 READ LATCHES	
E-C-HISTORY 437380	B-MACH#3830-2
DATE 11-28-75	LAST EC 437381
FRAME 01	IBM CORP. GPD P.No. 2290461

S
NUMBER

005

IBM CONFIDENTIAL UNTIL 03-30-76 UNCLASSIFIED THEREAFTER



SW513AA4	RESISTOR	A-B3T2J07	A-B3T2P04
RESISTOR	A-B3T2J02	A-B3T2J07	SW513AH4
A-B3T2D09	A-B3T2J02	SW513AF4	RESISTOR
A-B3T2D09	SW513AD4	RESISTOR	A-B3T2P06
SW513AB4	RESISTOR	A-B3T2J11	A-B3T2P06
RESISTOR	A-B3T2J09	A-B3T2J11	
A-B3T2D12	A-B3T2J09	SW513AG4	
A-B3T2D12	SW513AE4	RESISTOR	
SW513AC4	RESISTOR	A-B3T2P04	

LCC TYPE
A-B3T2 2502

BYTE 2 READ LATCHES	
E.C.-HISTORY 437380	MACH. 3830-2
DATE 11-28-75	LAST EC 437381
FRAME 01	IBM CORP. GPD
P.N. 2290462	

S
W
M
E

S
W
M
E

IBM

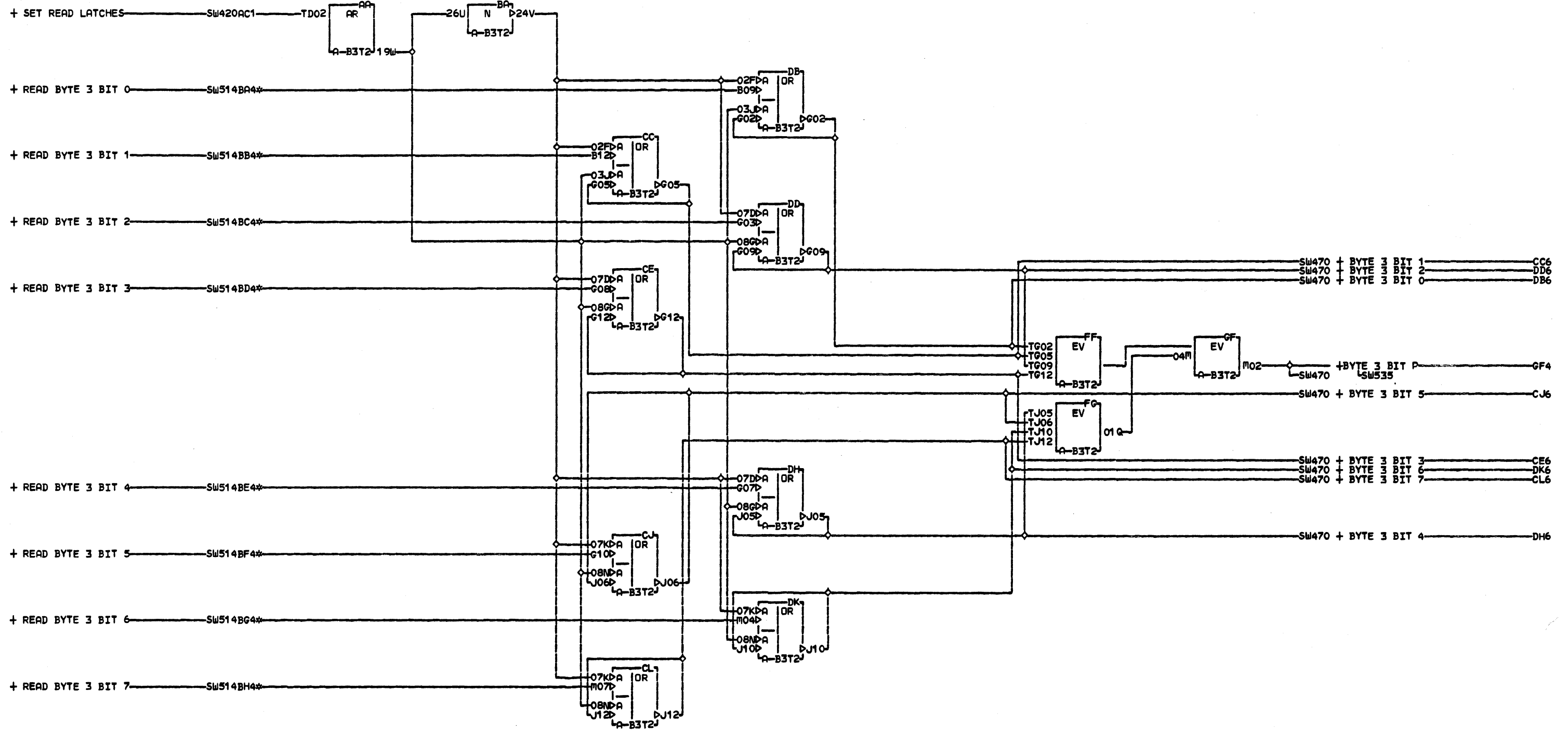
CONFIDENTIAL

UNTIL 03-30-76

UNCLASSIFIED

THEREAFTER

005 SW534



S
W
5
3
4

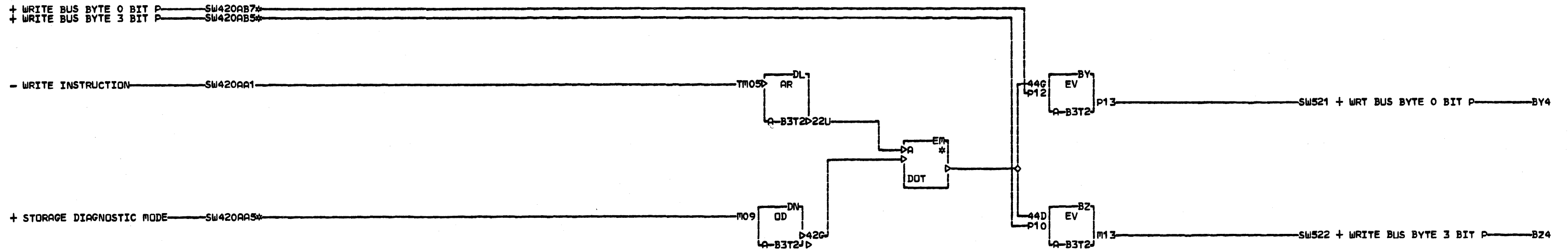
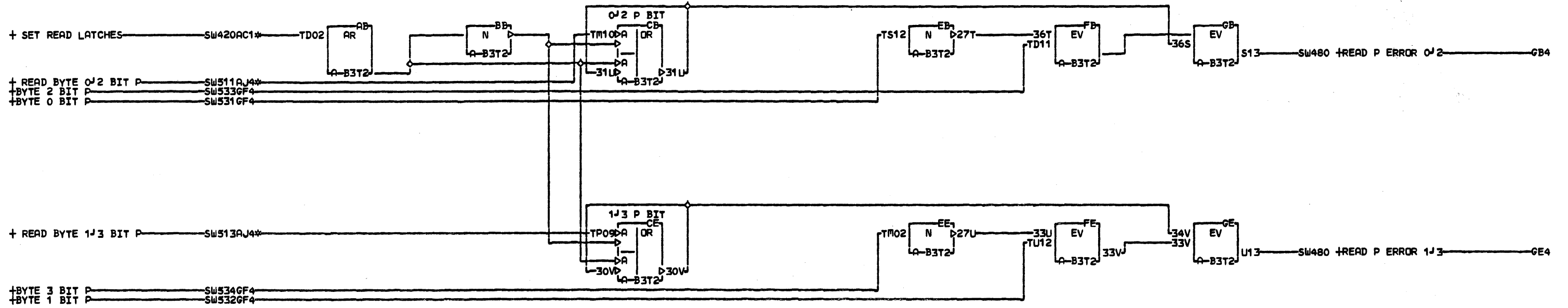
005COPYRIGHT IBM CORP 1976

SW514BA4	RESISTOR	A-B3T2G07	A-B3T2M04
RESISTOR	A-B3T2G03	A-B3T2G07	SW514BH4
A-B3T2B09	A-B3T2G03	SW514BF4	RESISTOR
A-B3T2B09	SW514BD4	RESISTOR	A-B3T2M07
SW514BB4	RESISTOR	A-B3T2G10	A-B3T2M07
RESISTOR	A-B3T2G08	A-B3T2G10	
A-B3T2B12	A-B3T2G08	SW514BG4	
A-B3T2B12	SW514BE4	RESISTOR	
SW514BC4	RESISTOR	A-B3T2M04	

LOC. TYPE
A-B3T2 2502

BYTE 3 READ LATCHES	
E.C. HISTORY	B. MACH. 3830-2
437380	
FRAME	01
IBM CORP. GPD	
DATE LAST EC	P.N. 2290463
11-28-75 437381	

S
W
5
3
4
005



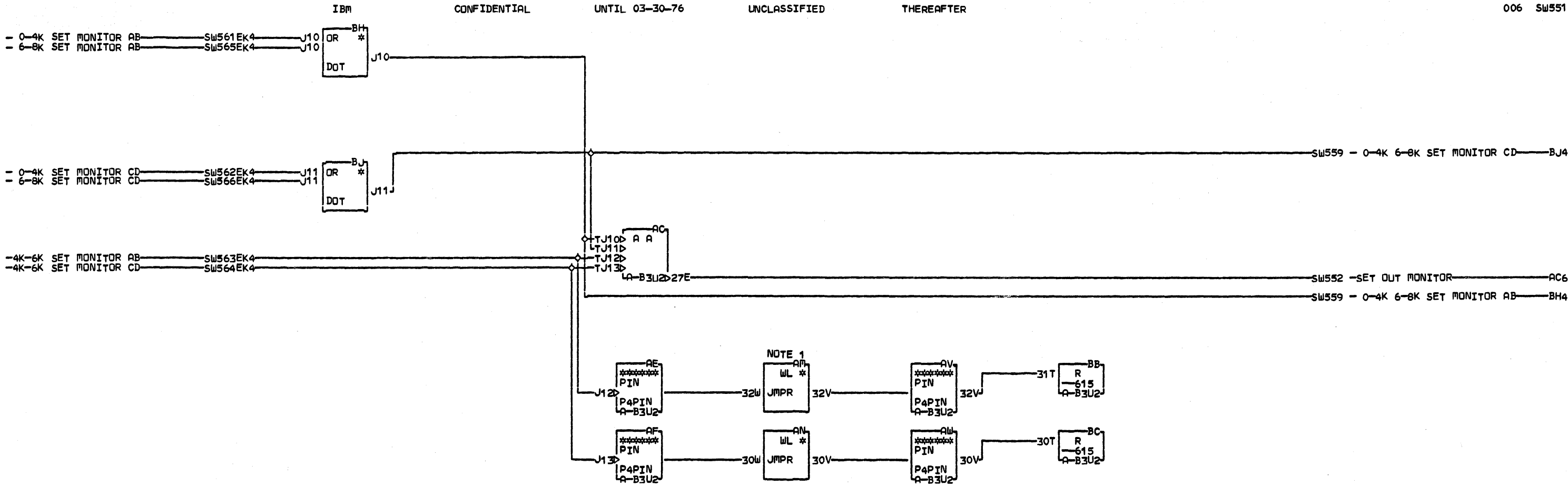
- SW420AA5 RESISTOR A-B3T2M09
- SW420AB5 RESISTOR A-B3T2P10
- SW420AB7 RESISTOR A-B3T2P12
- SW420AC1 RESISTOR A-B3T2D02
- SW511AJ4 RESISTOR A-B3T2M10
- SW513AJ4 RESISTOR A-B3T2M10
- SW531GF4 RESISTOR A-B3T2P09
- SW533GF4 RESISTOR A-B3T2P09
- SW534GF4 RESISTOR A-B3T2P09

LOC. TYPE
A-B3T2 Z502

READ P ERROR READ LATCHES	
E.C. HISTORY	MACH. 3630-2
437380	FRAME 01
DATE LAST EC	IBM CORP. GPD
11-26-75 437381	P.No. 2290464

54985

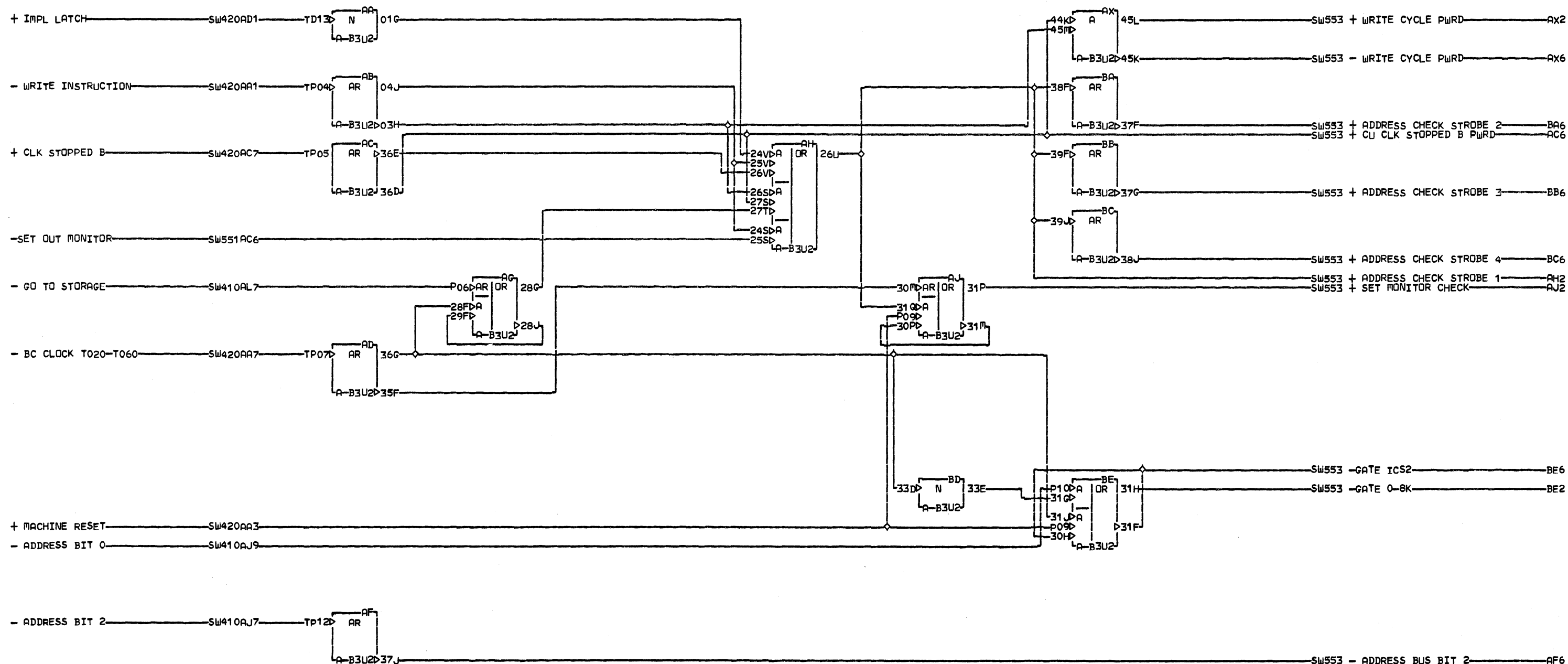
54985



NOTE 1
 FOR 4K ONLY. JUMPER PIN A TO
 PIN B 32W-32V AND PIN C TO
 PIN D 30W-30V.

LOC. TYPE
 A-B3U2 2505

BSM ADDRESS CHECK	
E.C. HISTORY 437380	B MACH. 3830-2 FRAME 01
DATE 11-28-75	IBM CORP. SDD P.N. 2290511
LAST EC 437381	



NOTE 1
ADDRESS BIT 0 IS TIED UP.
SEE PAGE SW501 NOTE 1.

LOC. TYPE
A-B3U2 2505

ADDRESS CHECK CONTROL LOGIC	
E.C. HISTORY 437380	B. MACH. 3830-2 FRAME 01
DATE 11-28-74	IBM CORP. GPD P.N. 2290512
LAST EC 437381	

IBM

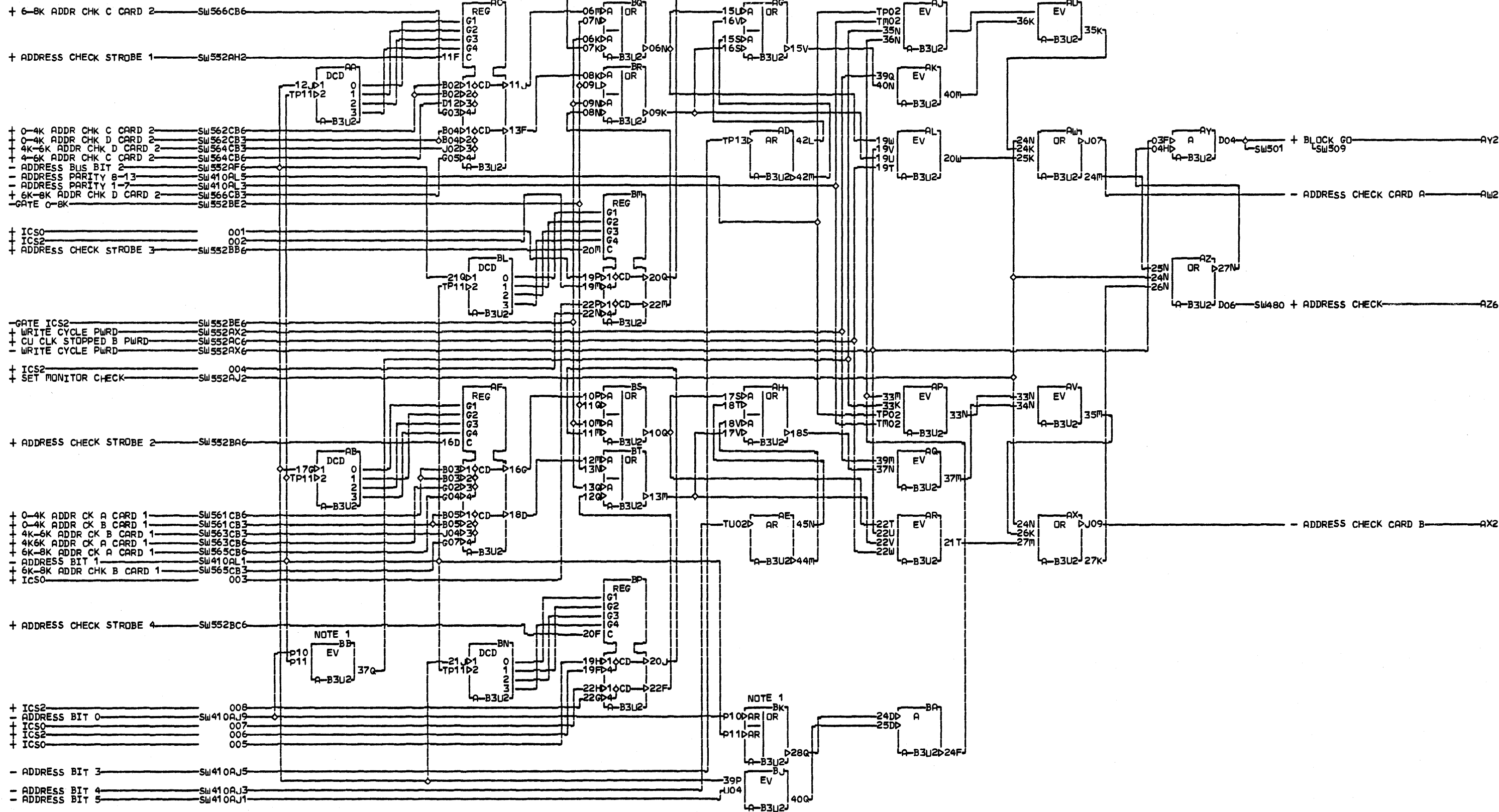
CONFIDENTIAL

UNTIL 03-30-76

UNCLASSIFIED

THEREAFTER

006 SW553

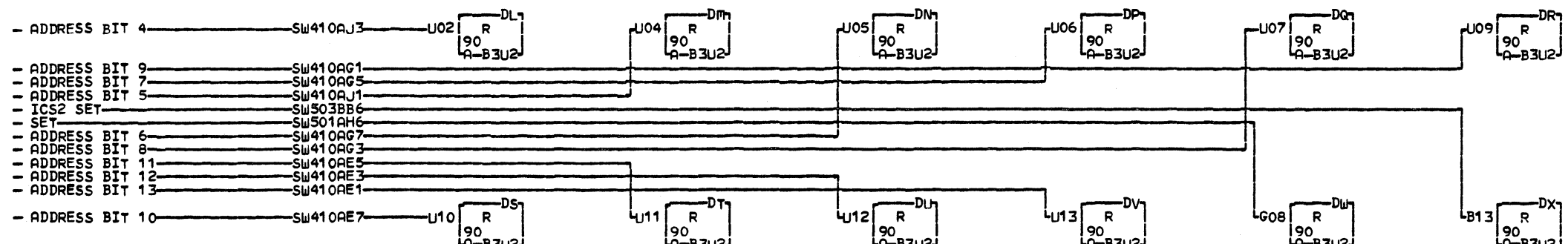
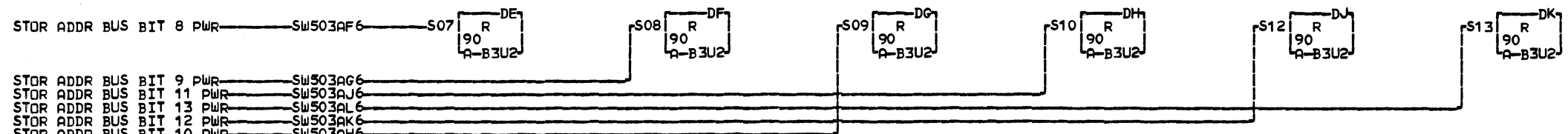
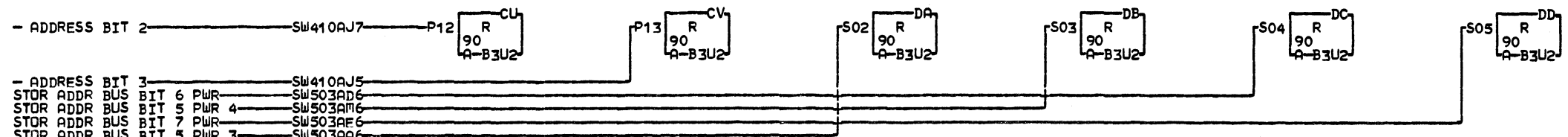
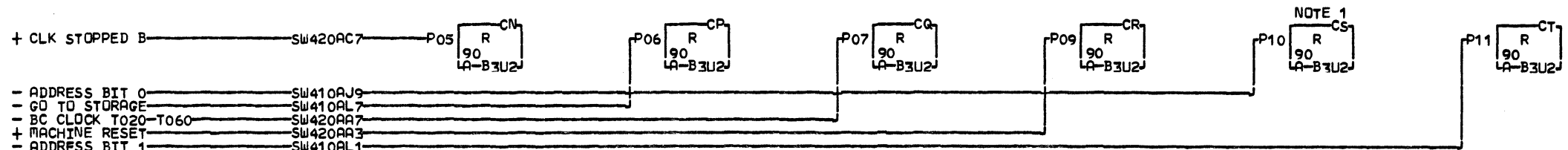
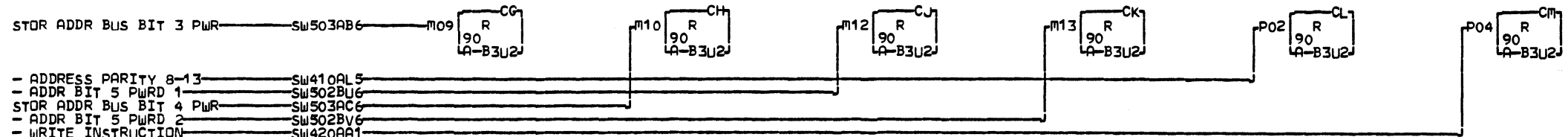
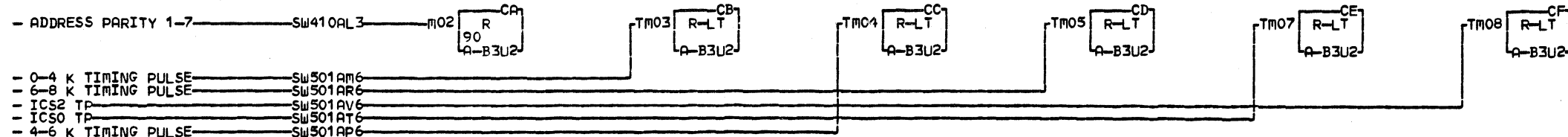


NOTE 1
 ADDRESS BIT 0 IS TIED UP.
 SEE PAGE SW501 NOTE 1.

LOC. TYPE
 A-B3U2 2505

BSM ADDRESS CHECK	
E.C.-HISTORY 437380	MACH. 3830-2
DATE LAST EC 11-28-75 437381	FRAME 01 IBM CORP. GPD P.N. 2290513

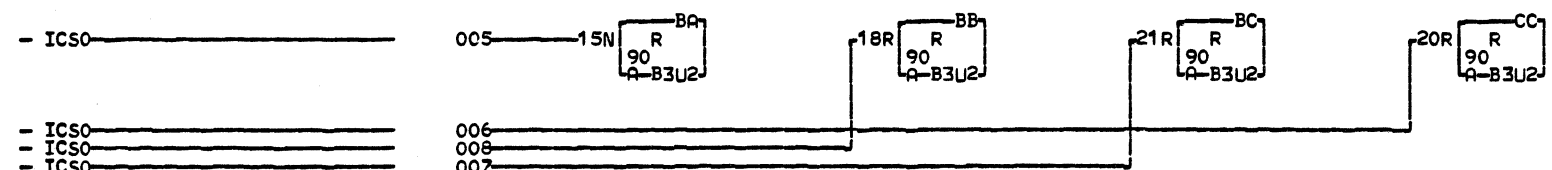
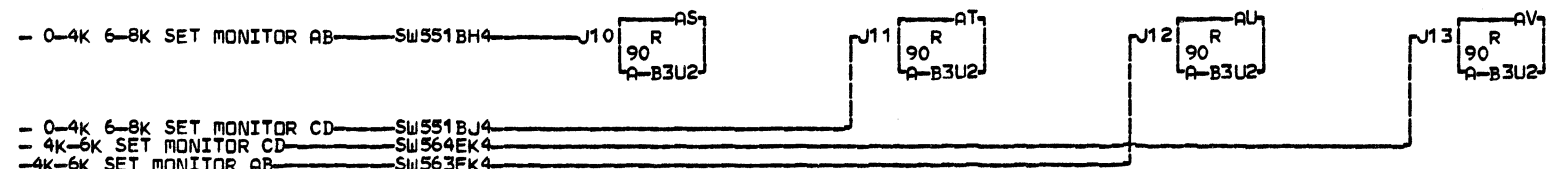
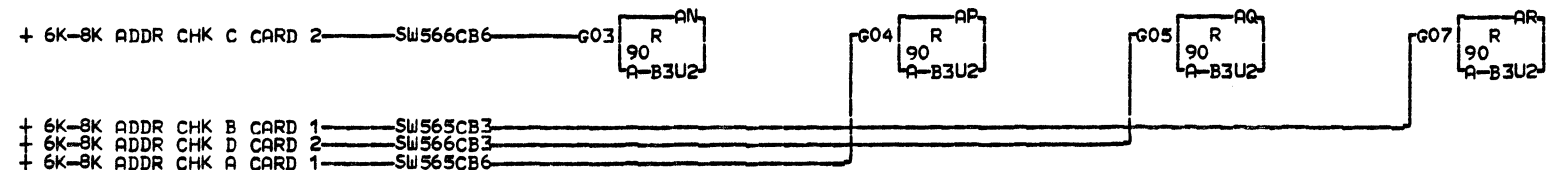
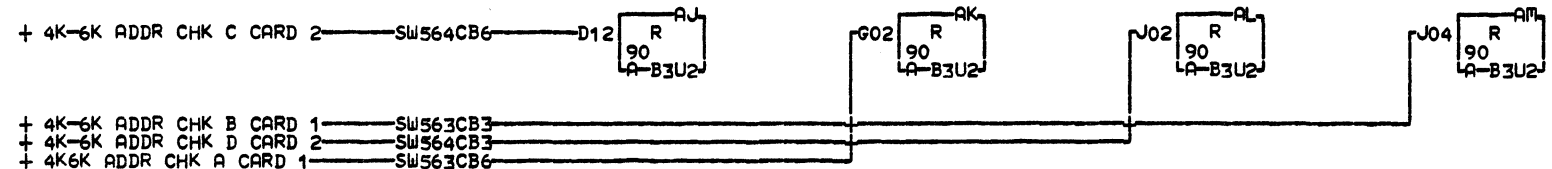
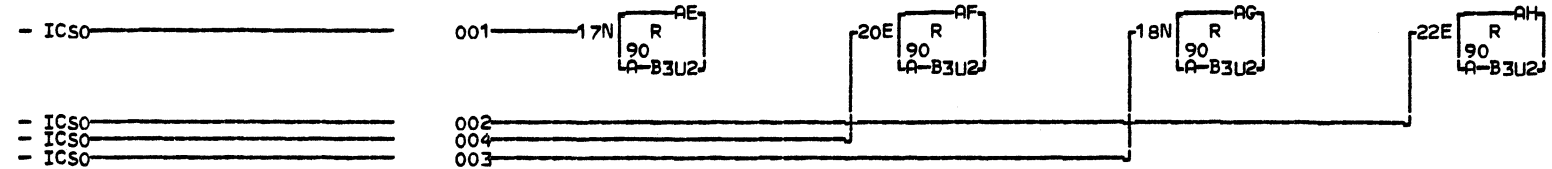
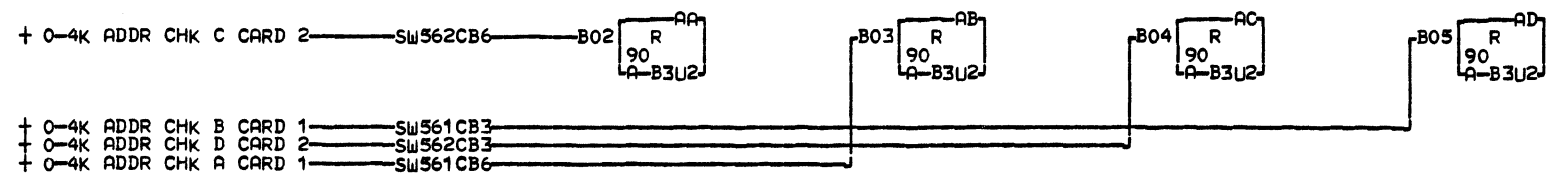
S
M
U
S
006



NOTE 1
 ADDRESS BIT 0 IS TIED UP.
 SEE PAGE SW501 NOTE 1.

LDC TYPE
 A-B3U2 Z505

TERMINATOR PAGE	
E.C. HISTORY	B MACH. 3830-2
437380	FRAME 01
DATE	IBM CORP. GPD
11-28-75 437381	P.N. 2290514

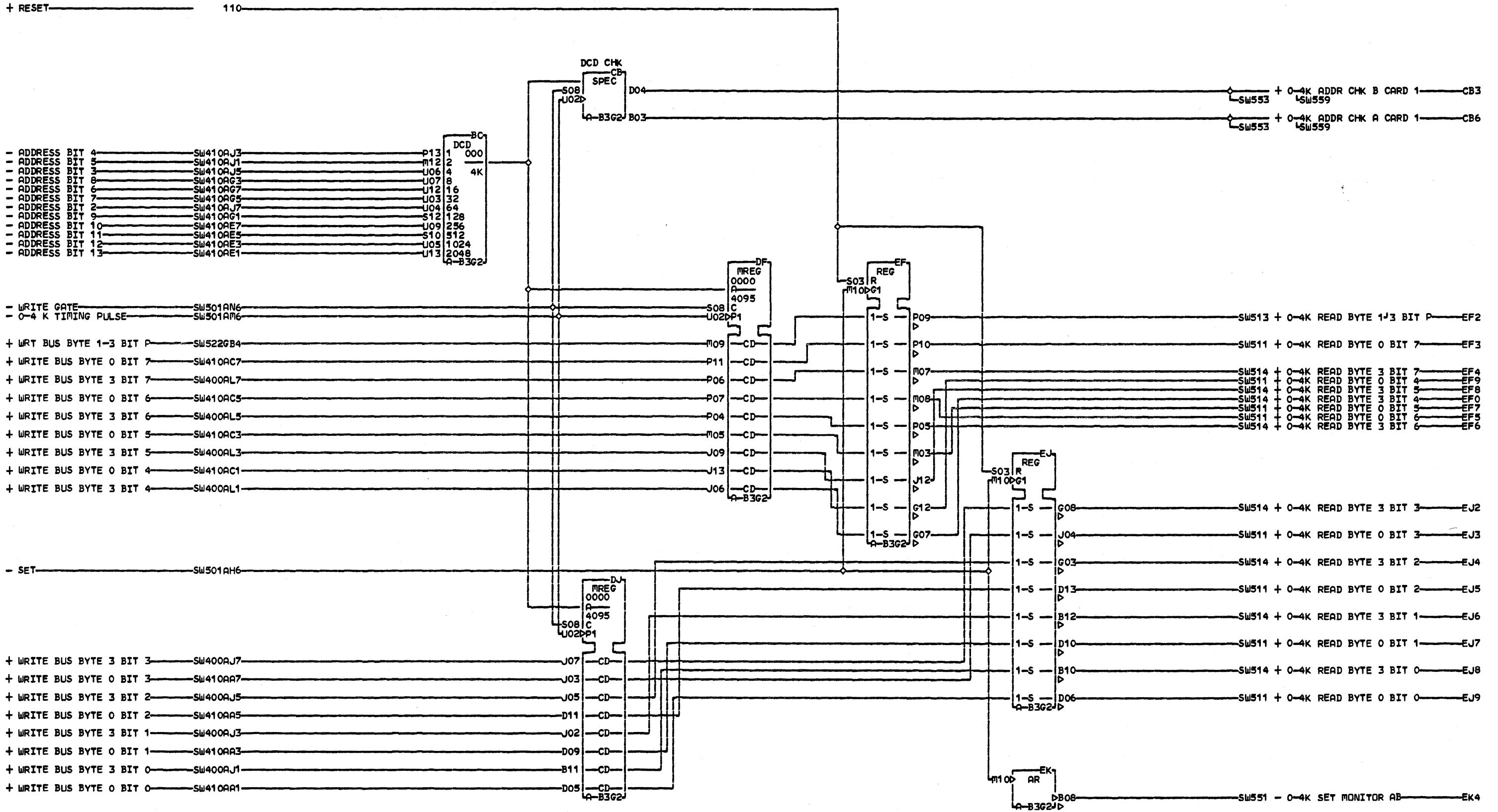


LOC. TYPE
A-B3U2 2505

BSM ADDRESS CHECK	
E.C. HISTORY 437380	MACH. 3830-2 FRAME 01
DATE LAST EC 11-28-75 437381	IBM CORP. SDD P.N. 2290515

S
9

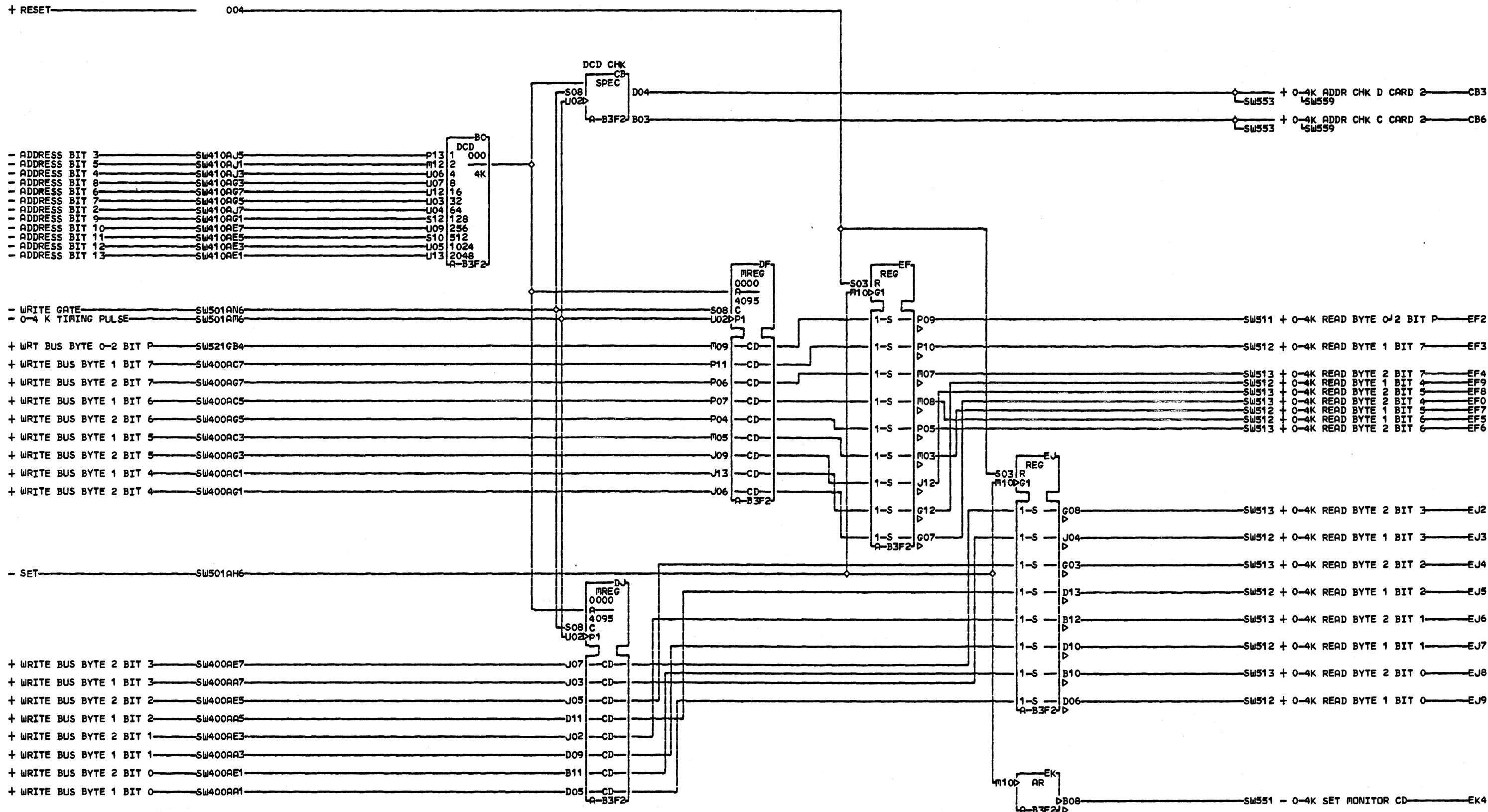
S
9



5
5
6
1

LOC. TYPE
A-B3G2 X493

0-4K ARRAY CARD BYTE 0 3 BITS 0 TO 7 AND BYTE 1 3 BIT P		S W 5 6 1
E.C.—HISTORY—437380	B—MACH—3830-2	
DATE	LAST EC	IBM CORP. CD P.No. 2290469
11-28-75	437381	

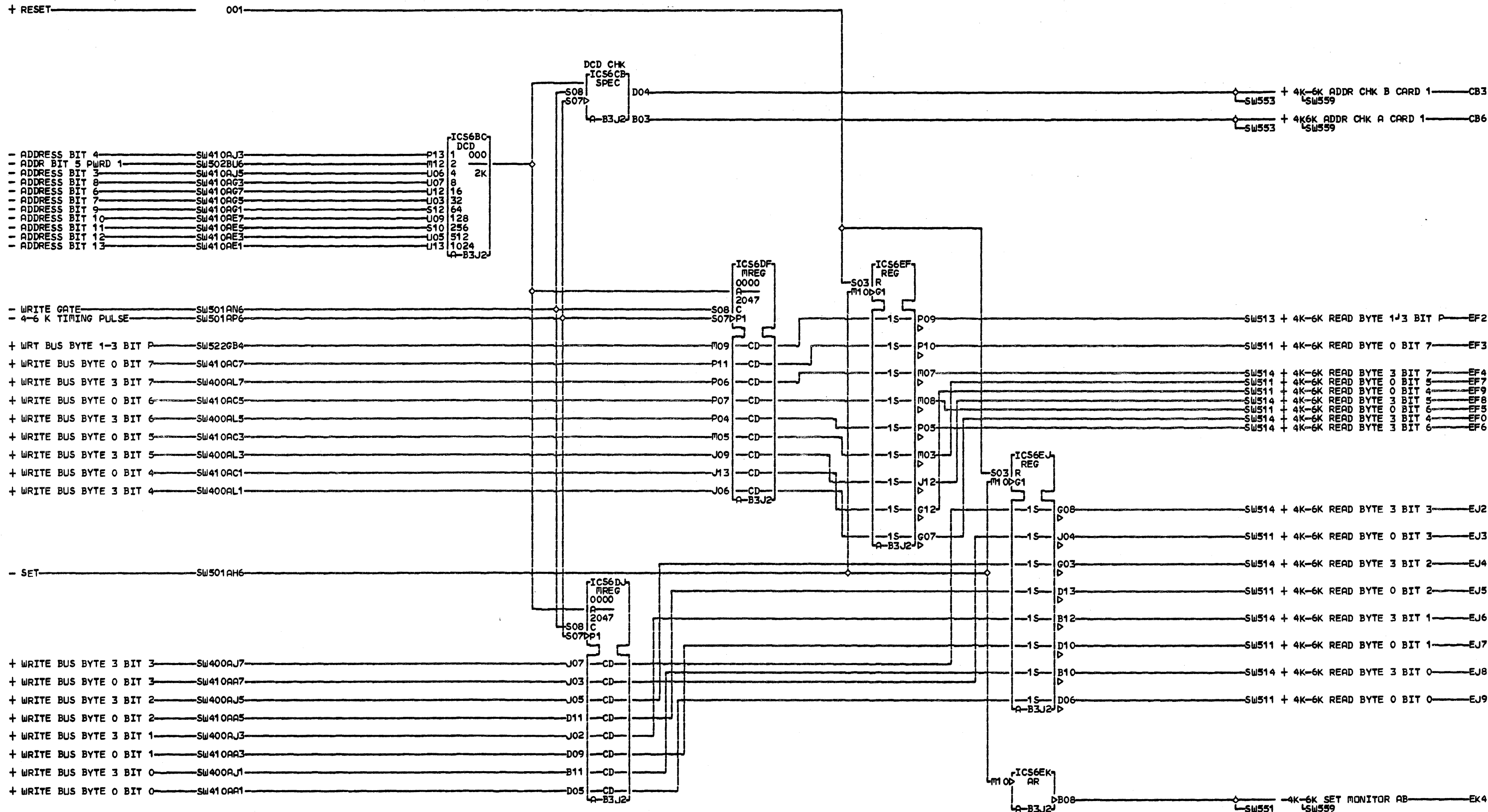


LOC. TYPE
A-B3F2 X493

0-4K ARRAY CARD BYTE 1/2 BITS 0 TO 7 AND BYTE 0/2 BIT P	FRAME 01
E-C-HISTORY 437380	IBM CORP. CD
DATE LAST EC 11-28-75 437381	P.No. 2290470

SW562

SW562

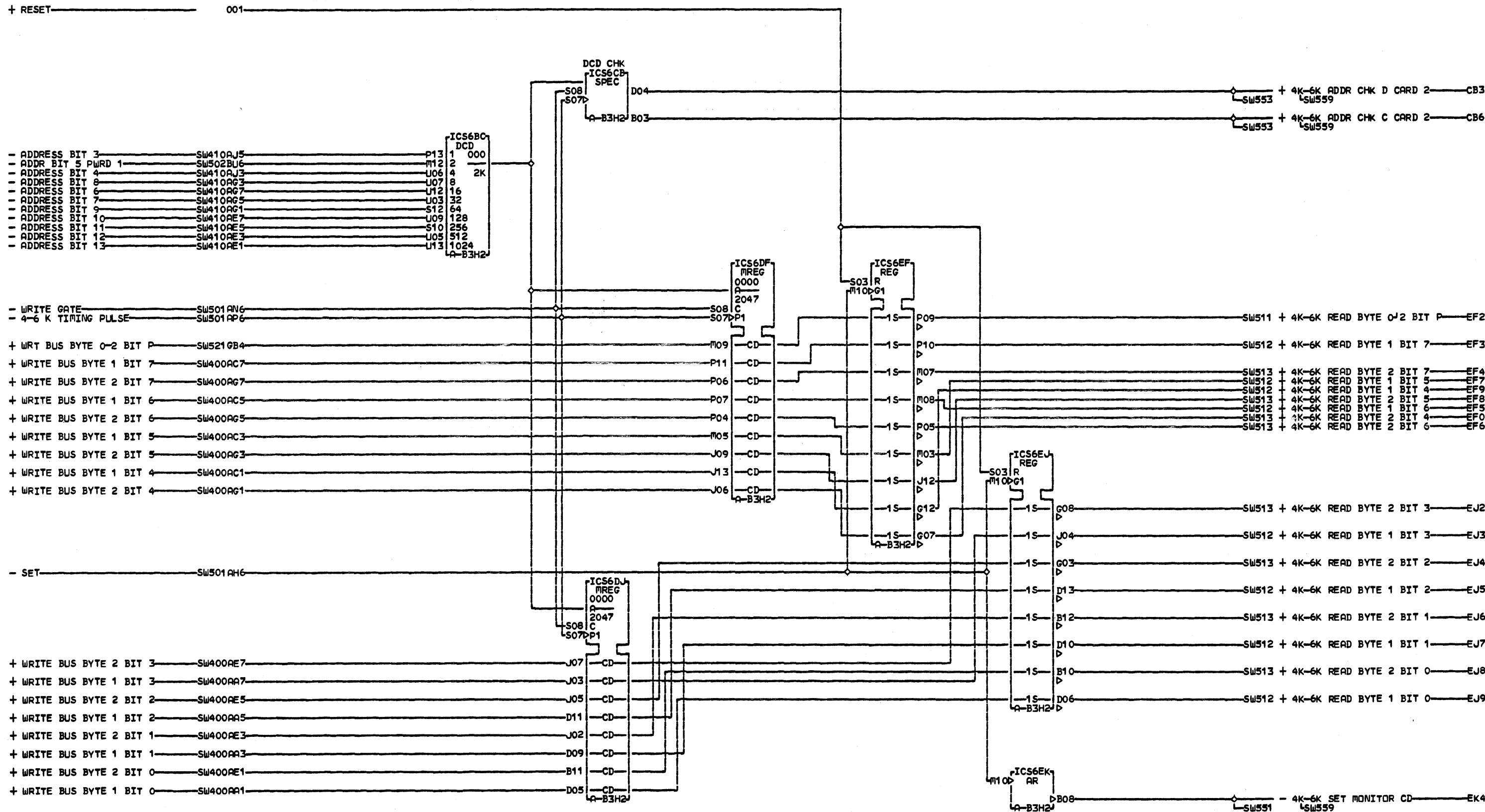


LDC TYPE A-B3J2 X494

4K-6K ARRAY CARD BYTE 0-3 BITS 0 TO 7 AND BYTE 1-3 BIT P	MACH. 3830-2
E.C. HISTORY	
437380	FRAME 01
DATE LAST EC	IBM CORP. CD
11-28-75 437381	P.No. 2290471

SW563

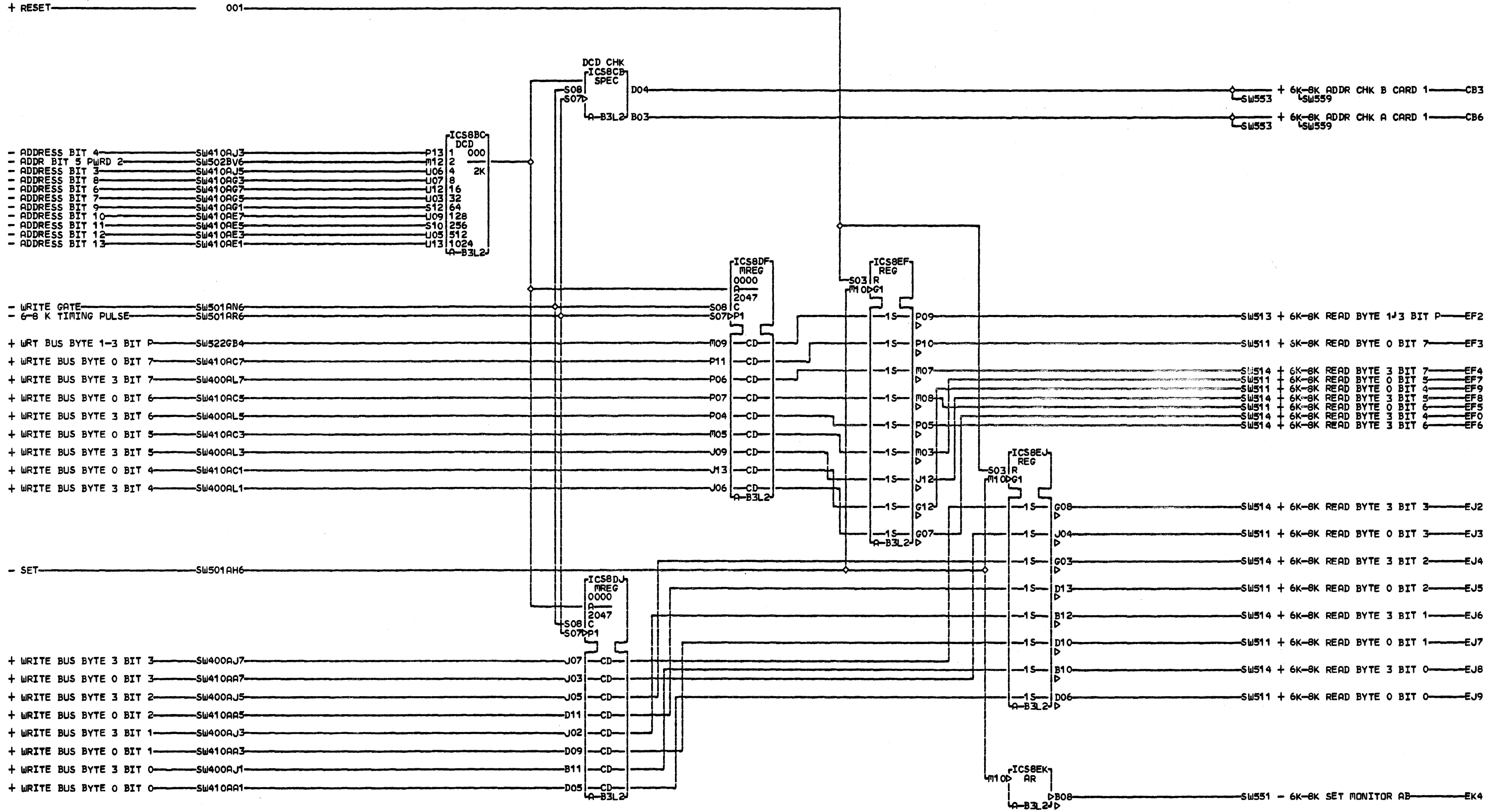
SW563



LOC. TYPE
A-B3H2 X494

4K-6K ARRAY CARD BYTE 1/2 BITS 0 TO 7 AND BYTE 0/2 BIT P		S W 5 6 4
E.C. HISTORY 437380	MACH. 3830-2	
DATE LAST EC 11-28-75 437381	FRAME 01 IBM CORP. CD	005
	P.N. 2290472	

S
W
5
6
4



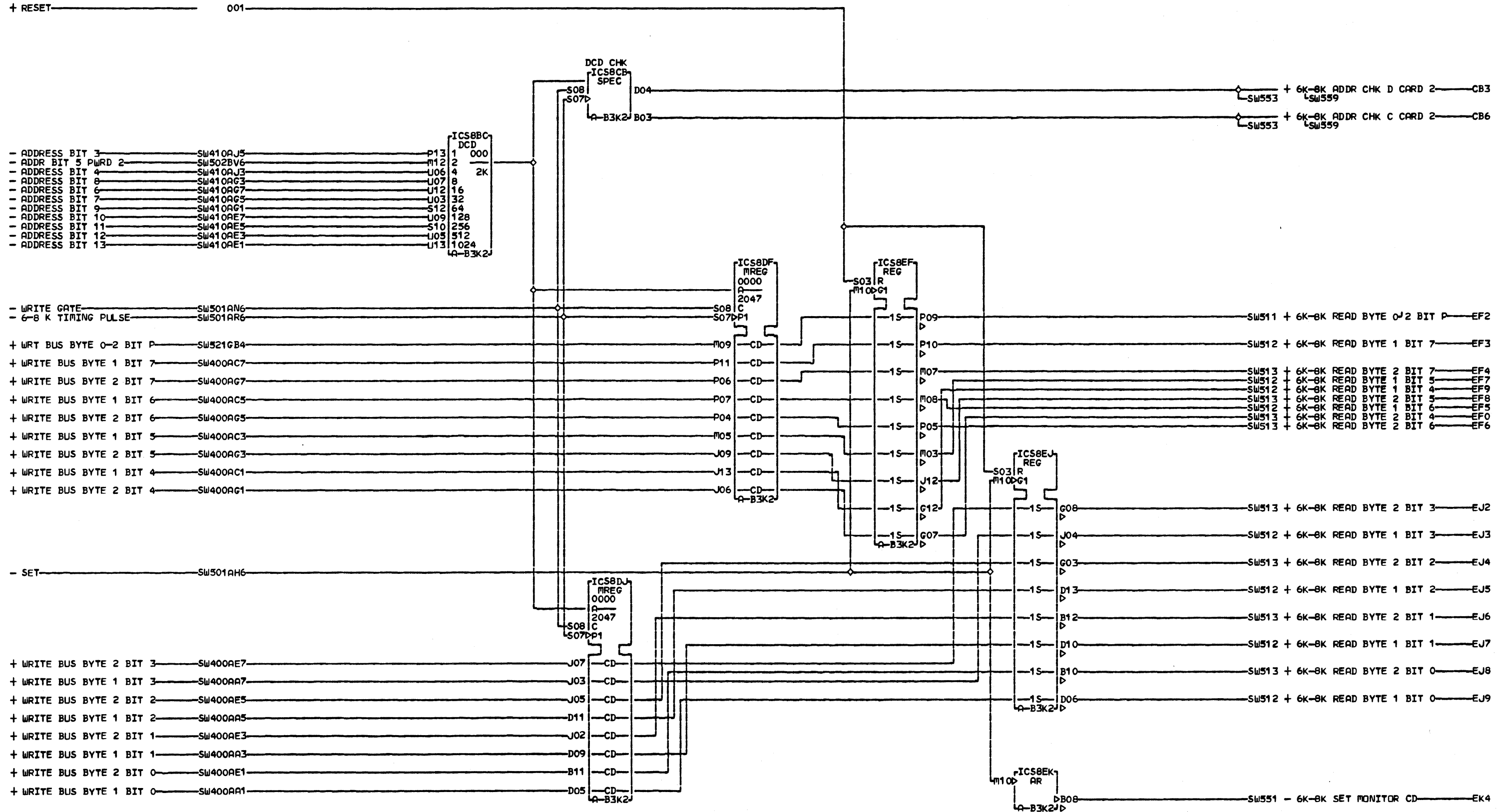
Input	Switch	Terminal	Value
- ADDRESS BIT 4	SW410AJ3	P13	1 000
- ADDR BIT 5 PWRD 2	SW502BV6	M12	2
- ADDRESS BIT 3	SW410AJ5	U06	4 2K
- ADDRESS BIT 8	SW410AG3	U07	8
- ADDRESS BIT 6	SW410AG7	U12	16
- ADDRESS BIT 7	SW410AG5	U03	32
- ADDRESS BIT 9	SW410AG1	S12	64
- ADDRESS BIT 10	SW410AE7	U09	128
- ADDRESS BIT 11	SW410AE5	S10	256
- ADDRESS BIT 12	SW410AE3	U05	512
- ADDRESS BIT 13	SW410AE1	U13	1024

Input	Switch	Terminal	Value
- WRITE GATE	SW501AG6	S08	C
- 6-8 K TIMING PULSE	SW501AR6	S07	P1
+ WRT BUS BYTE 1-3 BIT P	SW522GB4	M09	CD
+ WRITE BUS BYTE 0 BIT 7	SW410AC7	P11	CD
+ WRITE BUS BYTE 3 BIT 7	SW400AL7	P06	CD
+ WRITE BUS BYTE 0 BIT 6	SW410AC5	P07	CD
+ WRITE BUS BYTE 3 BIT 6	SW400AL5	P04	CD
+ WRITE BUS BYTE 0 BIT 5	SW410AC3	M05	CD
+ WRITE BUS BYTE 3 BIT 5	SW400AL3	J09	CD
+ WRITE BUS BYTE 0 BIT 4	SW410AC1	J13	CD
+ WRITE BUS BYTE 3 BIT 4	SW400AL1	J06	CD

Input	Switch	Terminal	Value
- SET	SW501AH6	S08	C
+ WRITE BUS BYTE 3 BIT 3	SW400AJ7	J07	CD
+ WRITE BUS BYTE 0 BIT 3	SW410AA7	J03	CD
+ WRITE BUS BYTE 3 BIT 2	SW400AJ5	J05	CD
+ WRITE BUS BYTE 0 BIT 2	SW410AA5	D11	CD
+ WRITE BUS BYTE 3 BIT 1	SW400AJ3	J02	CD
+ WRITE BUS BYTE 0 BIT 1	SW410AA3	D09	CD
+ WRITE BUS BYTE 3 BIT 0	SW400AJ1	B11	CD
+ WRITE BUS BYTE 0 BIT 0	SW410AA1	D05	CD

LOC. TYPE
A-B3L2 X494

6K-8K ARRAY CARD BYTE 0-3 BITS 0 TO 7 AND BYTE 1-3 BIT P	
E.C. HISTORY	MACH. 3830-2
437380	
DATE LAST EC	FRAME 01
11-28-75 437381	IBM CORP. CD
	P.No. 2290480



LDC TYPE
A-B3K2 X494

6K-8K ARRAY CARD BYTE 1-2 BITS 0 TO 7 AND BYTE 0-2 BIT P	S W 5 6 6
E.C. HISTORY - MACH. 3830-2 437380	
DATE LAST EC 11-28-75 437381	005
FRAME 01 IBM CORP. CD P.No. 2290481	

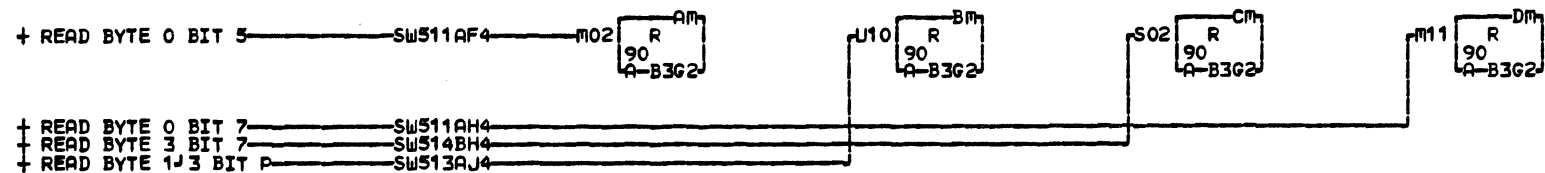
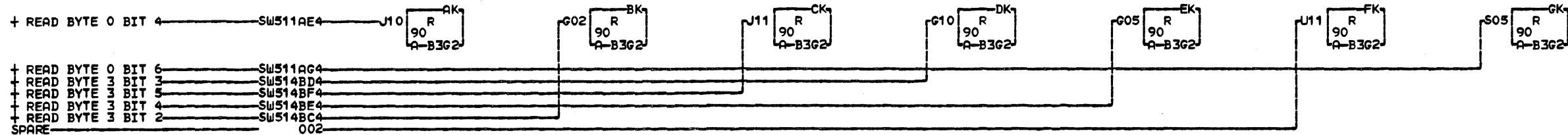
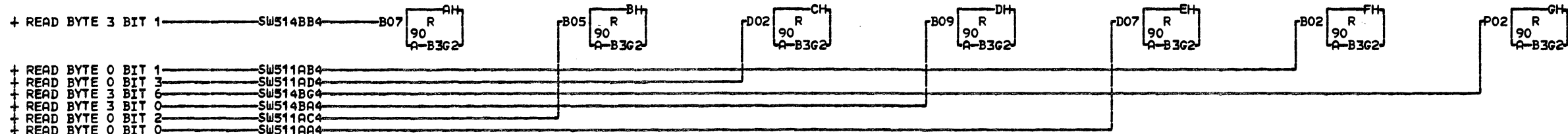
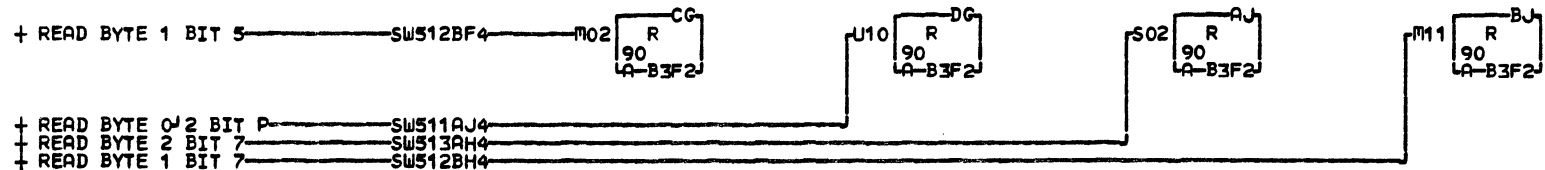
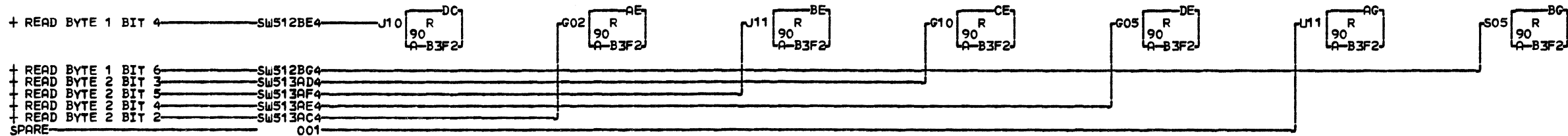
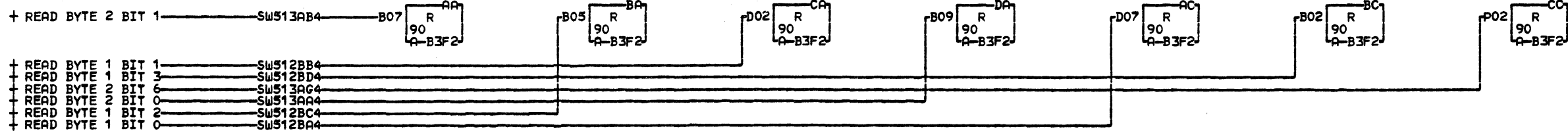
IBM

CONFIDENTIAL

UNTIL 03-30-76

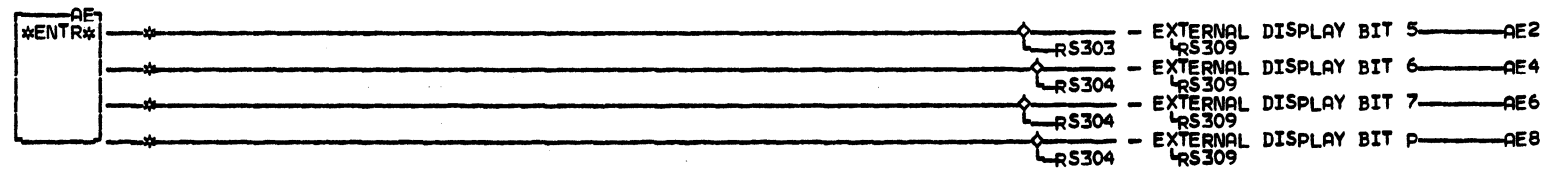
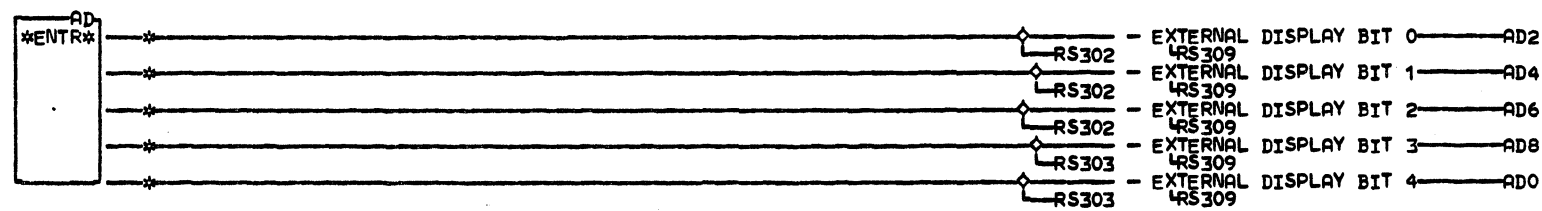
UNCLASSIFIED

THEREAFTER



LDC. TYPE
 A-B3F2 X493
 A-B3G2 X493

TERMINATORS	
90 OHM	
E.C.-HISTORY	MACH. 3830-2
437380	FRAME 01
IBM CORP. SDD	
DATE LAST EC	P.N. 2290473
11-28-75 437381	



AD10A-B2A2B06
 AD2 A-B2A2B02
 AD4 A-B2A2B03
 AD6 A-B2A2B04
 AD8 A-B2A2B05
 AE2 A-B2A2B07
 AE4 A-B2A2B08
 AE6 A-B2A2B09
 AE8 A-B2A2B10

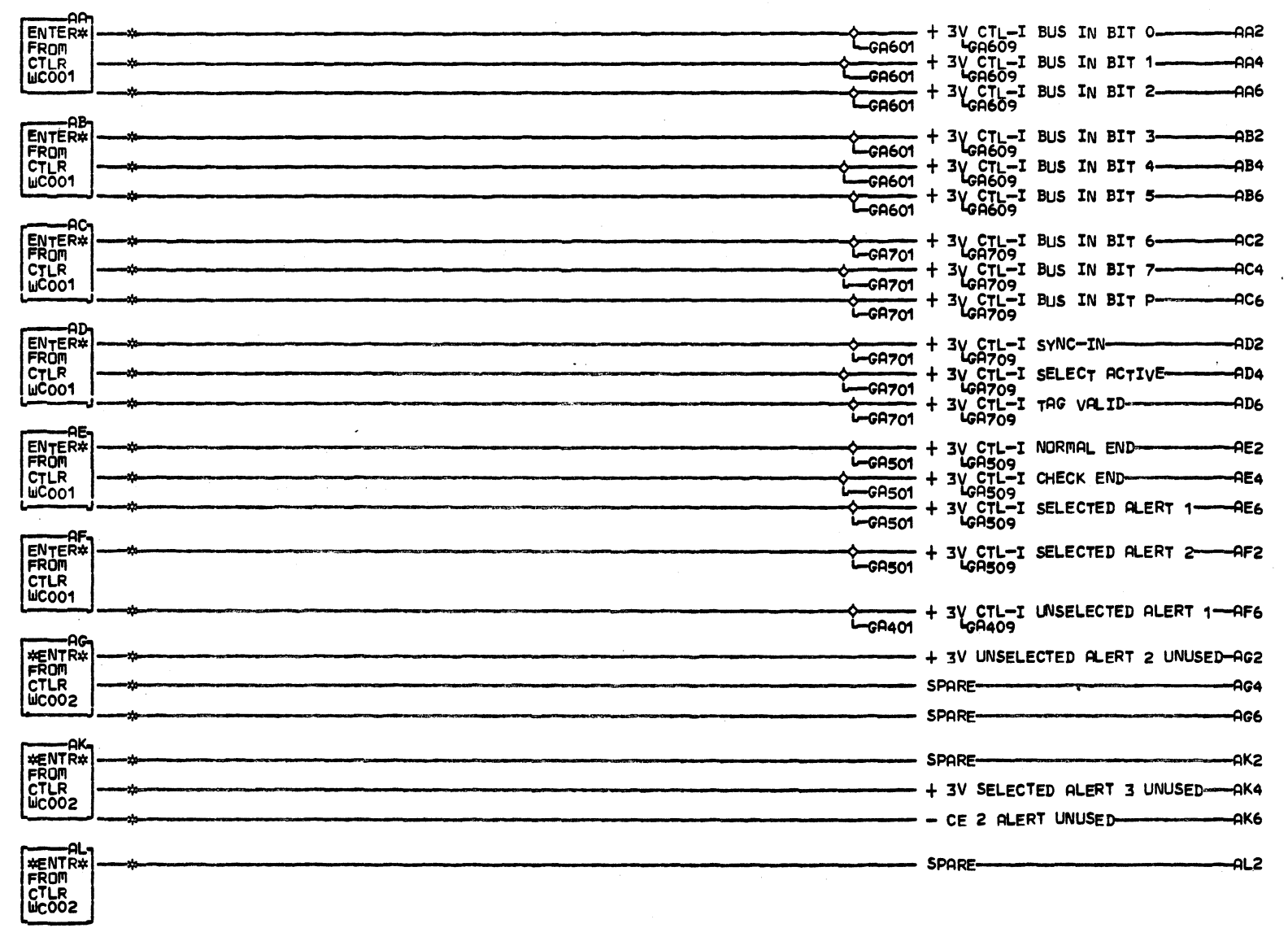
LOC. TYPE

EXTERNAL DISPLAY	
BITS 0-7 TO B2	
E.C. HISTORY	MACH. 3830-2
437301	FRAME 01
437305	IBM CORP. SDD
DATE 06-15-73	LAST EC 437310
P.N. 2345963	

WA
0
4
6
000

THEREAFTER **

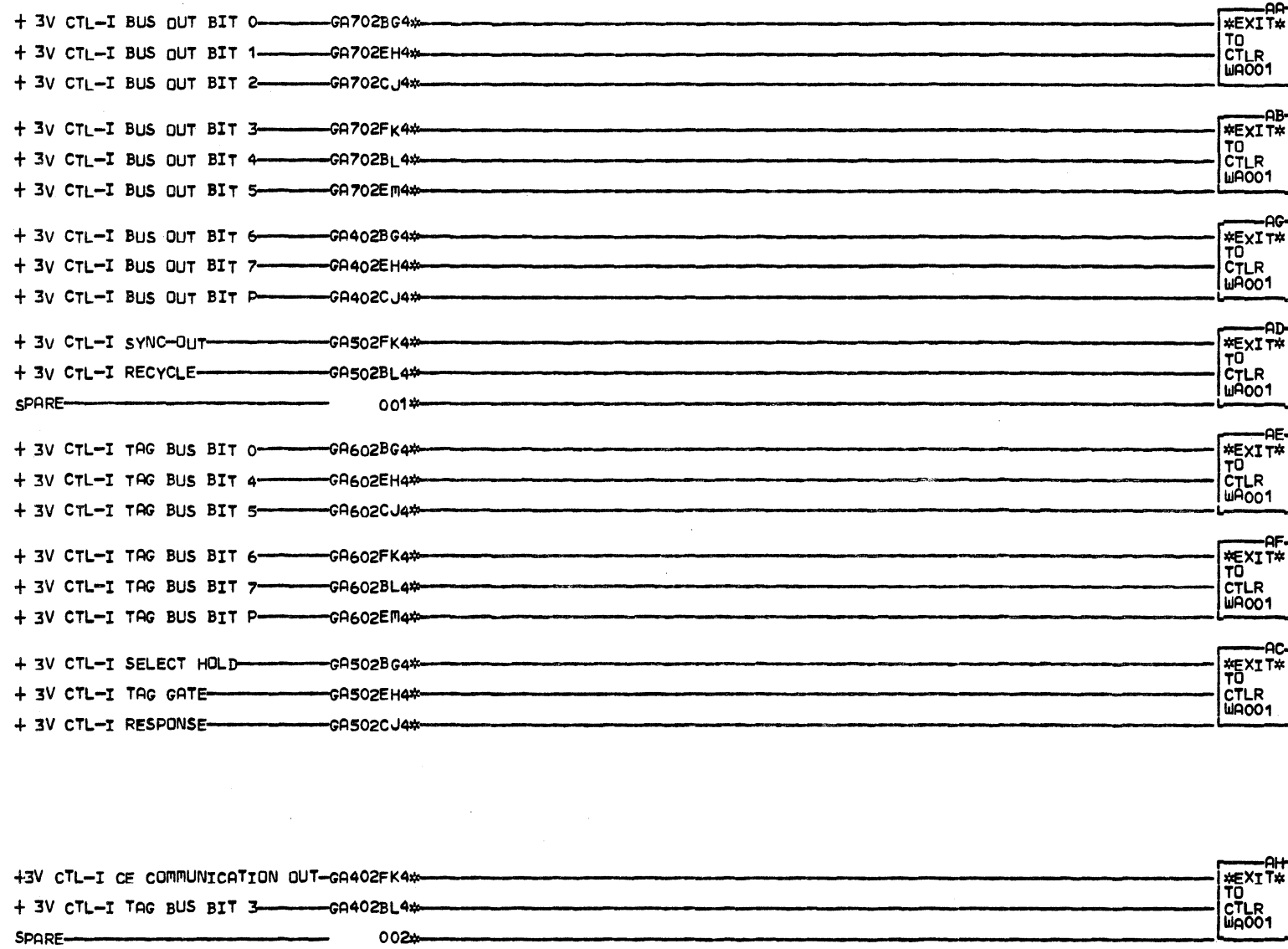
000 WA070



AA2 D-P1-J04	1 01A-B1A4D09	AD2 D-P1-J13	1 01A-B1A3D06	AG6 D-P2J-J11
1 01A-B1A4D04	AB6 D-P1-G10	1 01A-B1A4D13	AE6 D-P2G-G08	AK2 D-P1J-J02
AA4 D-P1-G05	1 01A-B1A4D10	AD4 D-P2G-G03	1 01A-B1A3D07	AK4 D-P2G-G10
1 01A-B1A4D05	AC2 D-P1-J11	1 01A-B1A3D03	AF2 D-P2J-J09	AK6 D-P1G-G06
AA6 D-P1-J06	1 01A-B1A4D11	AD6 D-P2J-J04	1 01A-B1A3D09	AL2 D-P2J-J02
1 01A-B1A4D06	AC4 D-P1-G12	1 01A-B1A3D04	AF6 D-P2G-G12	
AB2 D-P1-G08	1 01A-B1A4D12	AE2 D-P2G-G05	1 01A-B1A3D12	
1 01A-B1A4D07	AC6 D-P1-G03	1 01A-B1A3D05	AG2 D-P2J-J13	
AA4 D-P1-J109	1 01A-B1A4D03	AE4 D-P2J-J06	AG4 D-P2G-G06	

LOC. TYPE

CTL-I ENTER LINES FROM CONTROLLER		MACH. 3830-2	
437301	437306	FRAME	01
437302	437307	IBM CORP. SDD	
437304			
437305			
DATE	LAST EC	PAN. 2345665	
06-15-73	437310		



WA
07
1
000

001	GA402CJ4	1	01A-B1A3B11	1	01D-P2B-B10	GA602CJ4	1	01A-B1A3B07	1	01D-P1D-D06		
1	01D-P2D-D02	1	01A-B1A4B03	1	01D-P2D-D11	GA502FK4	1	01A-B1A3B04	1	01D-P2B-B08		
002	GA402EH4	1	01D-P1B-B03	GA502BL4	1	01A-B1A4B13	1	01D-P2D-D04	GA702BG4	1	01A-B1A4B05	
1	01D-P2B-B06	GA402EH4	1	01A-B1A4B12	1	01D-P2D-D13	GA602EH4	1	01A-B1A4B04	1	01D-P1B-B05	
GA402BG4	1	01A-B1A4B11	1	01D-P1B-B12	GA502CJ4	1	01A-B1A3B03	1	01D-P2B-B05	GA702BL4	1	01A-B1A4B10
1	01A-B1A4B11	GA402FK4	1	01A-B1A4B08	1	01D-P2B-B12	GA602EM4	1	01A-B1A4B09	1	01D-P1B-B10	
1	01D-P1D-D11	GA402BL4	1	01A-B1A4B08	1	01D-P2B-B12	GA602BL4	1	01A-B1A3B09	1	01D-P1D-D09	
GA402BL4	1	01A-B1A4B02	1	01D-P1B-B06	GA502EH4	1	01A-B1A3B06	1	01D-P2D-D09	GA702FK4	1	01A-B1A4B07
1	01A-B1A4B02	GA502BG4	1	01A-B1A3B10	1	01D-P2D-D06	GA602FK4	1	01A-B1A4B06	1	01D-P1B-B08	
1	01D-P1D-D02											

LOC. TYPE

CTL-I EXIT LINES TO CONTROLLER			
E.C.-HISTORY		MACH. 3830-2	
437301	437305	FRAME	01
437302	437306		
437303	437307	IBM CORP. SDD	
437304			
DATE	LAST EC		
06-15-73	437310	PaNo	2345966

WA
07
1
000

IBM

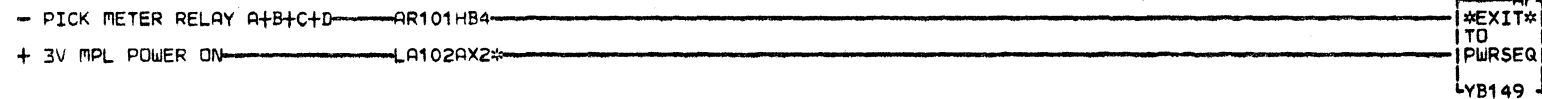
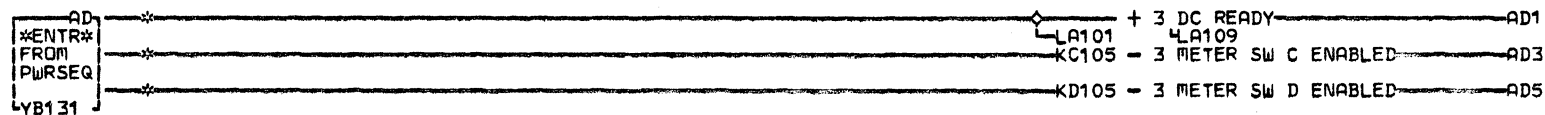
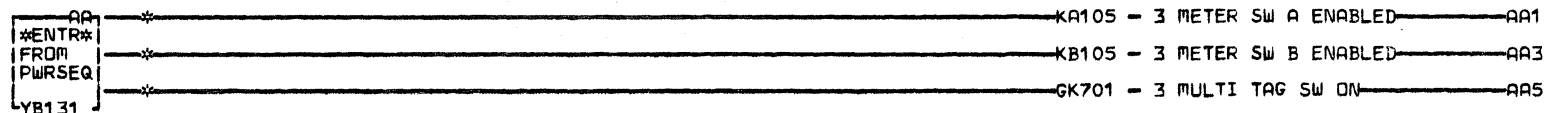
CONFIDENTIAL

UNTIL 08-01-73

UNCLASSIFIED

THEREAFTER

002 WA076



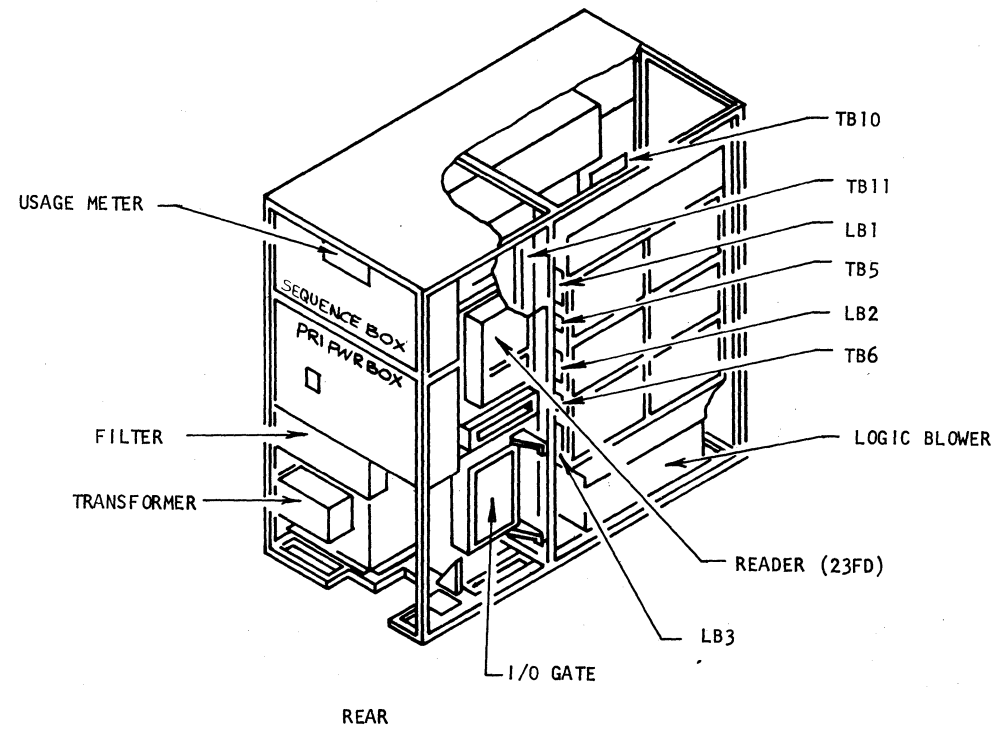
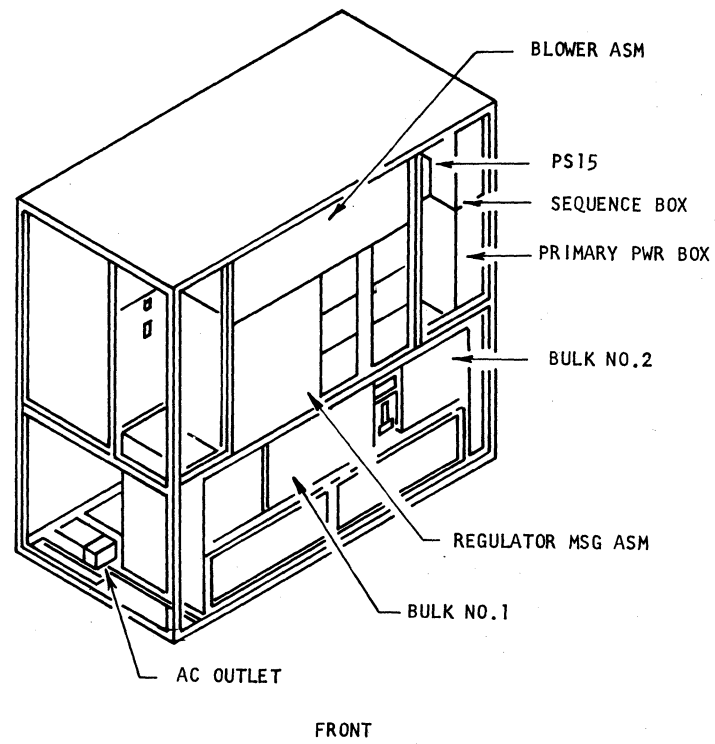
LA102AX2 B 01A-B1V2D08
 T 01A-B1V5D09 B 01A-B1R1A11
 AA1 A-B1V5D12 AD1 A-B1V5D10
 B 01A-B1V2D09 AD3 A-B1K1B11
 B 01A-B1R1B11 AD5 A-B1K1A11
 AA3 A-B1V5D13
 B 01A-B1V2D10
 B 01A-B1R1C11
 AA5 A-B1V5D11

002
 SIM TO PN

EC 437310

LOC. TYPE

POWER SEQ ENTER AND EXIT		W
E.C. HISTORY - MACH. 3830-2		A
437357	FRAME 01	0
437310	IBM CORP. SDD	7
DATE LAST EC	PoN# 2346284	6
04-16-73 437311		002

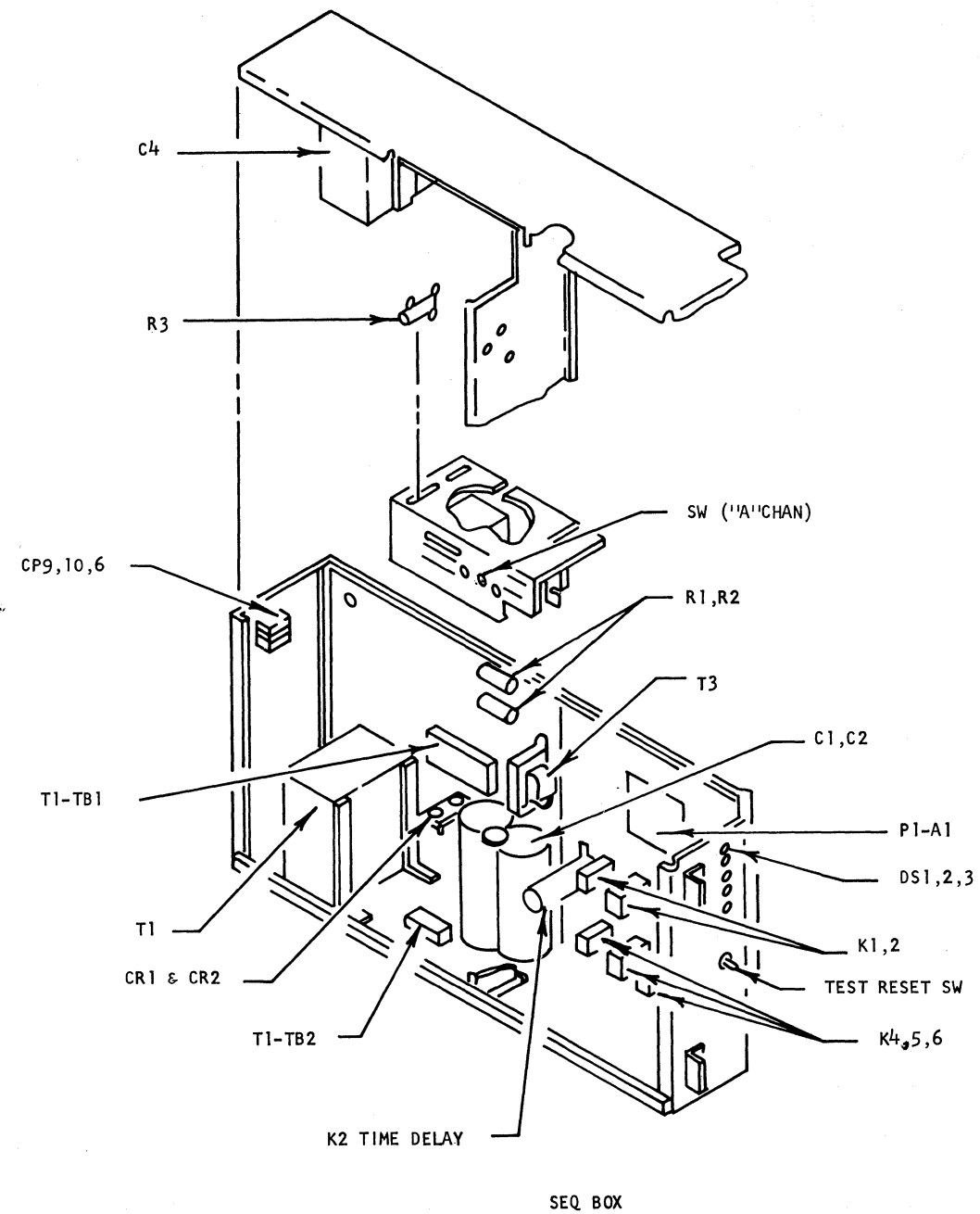


IBM CONFIDENTIAL
UNTIL OCT 1972, UNCLASSIFIED THEREAFTER

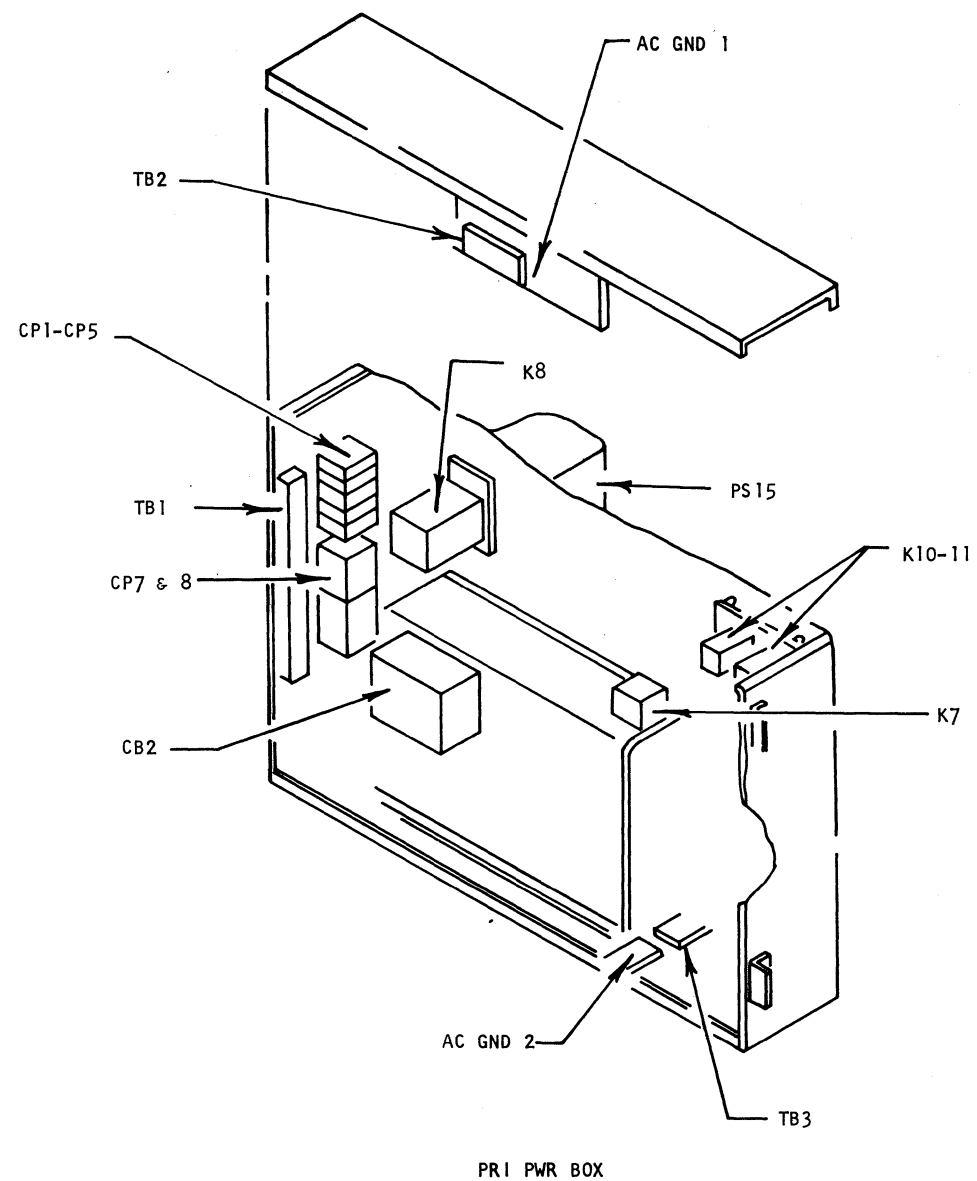
EC HISTORY		DRAWING TITLE	
20DEC71	437502	COMPONENT LOCATION	
25JUL72	437529	MACH	3830-2
		PART NO	2199850
C		CLASSIFICATION	IBM CORP

Y
B
0
1
0

Y
B
0
1
0



T88L



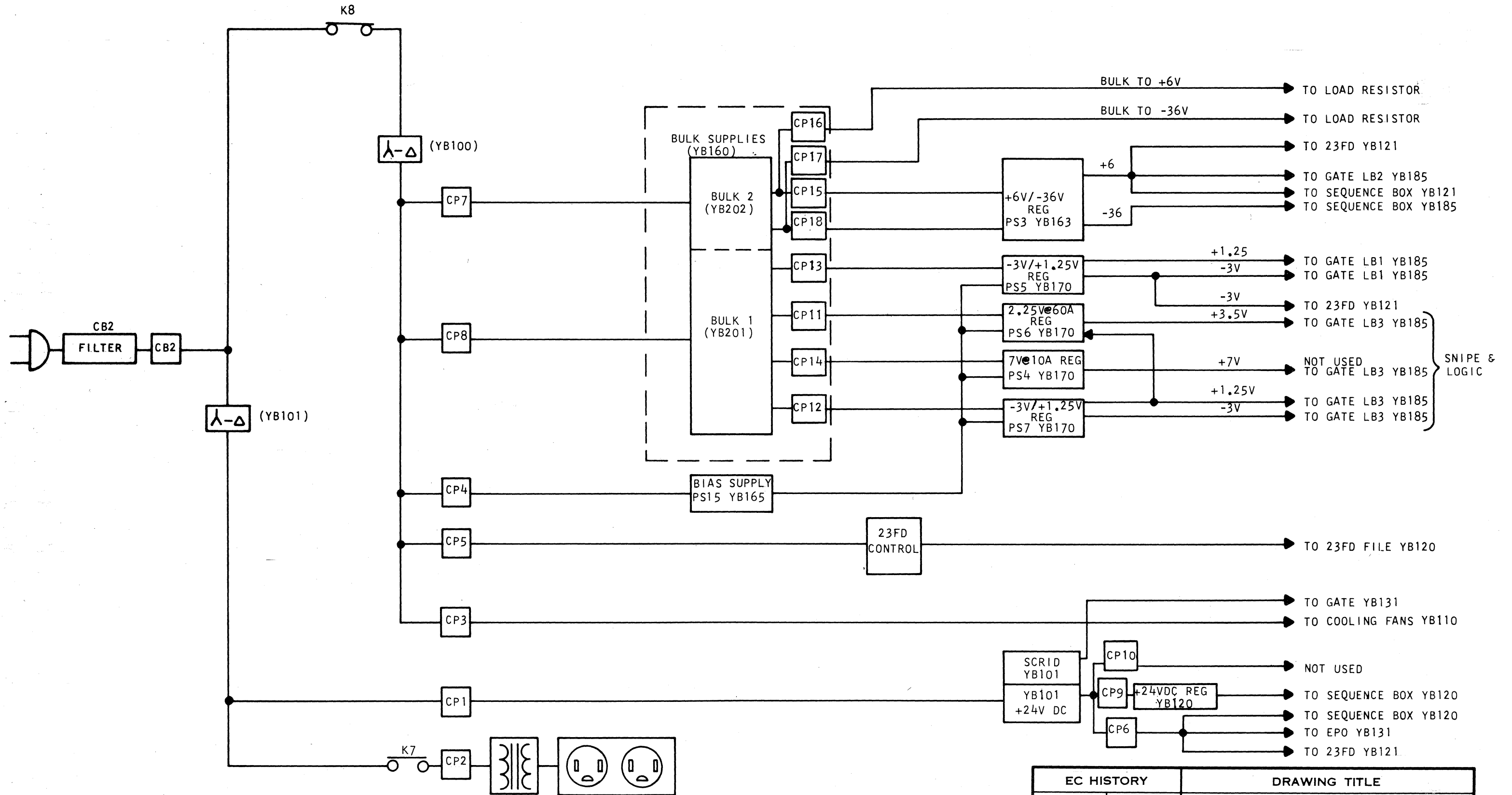
PR1 PWR BOX

IBM CONFIDENTIAL
UNTIL OCT 1972, UNCLASSIFIED THEREAFTER

EC HISTORY		DRAWING TITLE	
20DEC71	437502	COMPONENT LOCATION	
6MAR72	437517	MACH	3830-2
25 JUL72	437529	PART NO	2199851
C		CLASSIFICATION	IBM CORP

YB011

YB011



IBM CONFIDENTIAL UNTIL DECEMBER 1975
UNCLASSIFIED THEREAFTER

EC HISTORY		DRAWING TITLE	
7FEB75	437380	BASIC POWER DISTRIBUTION SYSTEM	
		MACH 3830 - 2 SNIPE 2X	
		PART NO 2348926	
C		CLASSIFICATION	
		FLW	11FEB75
		IBM CORP	

Y
B
0
1
2

CONTACTORS

K-	COIL	1	2	3	4
K1	YB120	YB120	YB120		
K2	YB120	YB120	YB120	YB120	
K3A	YB121	YB121	YB121	YB121	
K4	YB120	YB120	YB120		YB120
K5	YB120	YB120	YB120	YB120	
K6	YB120	YB121	YB121	YB121	
K7	YB120	YB101	YB101		
K8	YB120	YB100	YB100	YB100	
K10	YB120	YB120		YB120	
K11	YB120	YB120			
K13	YB121	YB121			

CIRCUIT BREAKERS

CB2	YB100

TERMINAL BLOCKS

TB-1	YB100
TB-2	YB100
TB-3	YB101
TB-5	YB185
TB-6	YB185
TB-10	YB200
TB-11	YB163
BULK 1 TB	YB160
BULK 2 TB	YB160
50HZ-TB	YB160
T1-TB1	YB101
T1-TB2	YB101

CIRCUIT PROTECTORS

CP	PAGE	DC	60 HZ	50 HZ
CP1	YB101		6A	6A
CP2	YB101		6A	6A
CP3	YB100		4A	4A
CP4	YB100		1A	1A
CP5	YB100		1A	1A
CP6	YB101	5A		
CP7	YB100		8A	6A
CP8	YB100		15A	10A
CP9	YB101	1A		
CP10	YB101	10A		
CP11	YB160	60A		
CP12	YB160	70A		
CP13	YB160	70A		
CP14	YB160	12A		
CP15	YB160	8A		
CP16	YB160	45A		
CP17	YB160	16A		
CP18	YB160	1A		

CONNECTORS

FAN CONN A,B,C,D	YB110
MAIN CKT BD NO.1	YB121
MAIN CKT BD NO.2	YB120
SYSTEM E P O 1,2,3 & 4	YB131
23FD J1 & J2	YB180
SEQ START S1 & S2	YB135
SUBSYS EPO 5 & 6	YB135
FILE CONTROL	YB210
PS THERM E	YB110
POWER CONTROL 1 & 2	YB131

TABS
LOCATED IN SEQ BOX)

MAIN CKT BOARD

1	YB121
2	YB121
3	YB121
4	YB121
5	YB120
6	YB120
7	YB120
8	YB120
9	YB120
10	YB120
11	YB121
12	YB121
13	YB121
14	YB121
15	YB120
16	YB120
17	YB120
18	YB120
19	YB120
20	YB120
21	YB120

MAIN CKT BOARD

22	YB120
23	YB121
24	YB121
25	YB121
26	YB121
27	YB121
28	YB121
29	YB121
30	YB121
31	YB121
32	YB121
33	YB121
34	YB121

23FD TRIAC BOARD

1	YB120
2	YB120
3	YB120
4	YB120

LOCATED IN PRIMARY POWER BOX

EDGE CONNECTORS

EC	A	B	C	D	E	F	G	H
CE EC-1	YB131	YB131	YB131	YB131	YB131	YB131	YB131	YB131
CE EC-2	YB131	YB131	YB131	YB131	YB110	YB110	YB131	SM954
CE EC-3	—	YB131	YB131	YB131	YB131	—	YB131	YB131
CE EC-4	YB131	YB131	—	—	SM954	YB131	YB131	SM954
CE EC-5	YB131	YB131	YB131	YB131	YB131	YB131	YB131	YB131

EC HISTORY		DRAWING TITLE	
20DEC71	437502	LOCATION CHART	
6MAR72	437517	MACH 3830-2	
25JUL72	437529	PART NO 2199853	
C	25APR73	437552	CLASSIFICATION
			IBM CORP

Y
B
0
1
3

Y
B
0
1
3

FOR 60HZ INPUT VOLTAGE CHANGES				
CONNECT	200V	208V	230V	LOGIC PAGE
CP1	T1-TB1-2	T1-TB1-3	T1-TB1-4	YB101
CP2	TB3-2	TB3-2	TB3-1	YB101
BTB1-10	BTB1-12	BTB1-11	BTB1-9	YB160
BTB2-10	BTB2-12	BTB2-11	BTB2-9	YB160
BTB1-6	BTB1-8	BTB1-7	BTB1-5	YB160
BTB2-6	BTB2-8	BTB2-7	BTB2-5	YB160
BTB1-2	BTB1-4	BTB1-3	BTB1-1	YB160
BTB2-2	BTB2-4	BTB2-3	BTB2-1	YB160
TB2-3	PS15 TB1-2	PS15 TB1-2	PS15 TB1-3	YB165

FOR 50HZ DELTA INPUT VOLTAGE CHANGES				
REMOVE		ADD		LOGIC PAGE
TB1-3 TO TB1-4		TB1-3 TO TB1-2		YB100
TB1-7 TO TB1-8		TB1-7 TO TB1-6		YB100
TB1-11 TO TB1-12		TB1-11 TO TB1-10		YB100
TB3-2 TO TB3-3		TB3-2 TO TB3-1		YB101

CONNECT	200V	220V	235V	LOGIC PAGE
CP1	T1-TB1-2	T1-TB1-3	T1-TB1-4	YB101
50HZ TB-3	BTB1-4	BTB1-3	BTB1-1	YB160
50HZ TB-3	BTB2-4	BTB2-3	BTB2-1	YB160
50HZ TB-2	BTB1-8	BTB1-7	BTB1-5	YB160
50HZ TB-2	BTB2-8	BTB2-7	BTB2-5	YB160
50HZ TB-1	BTB1-12	BTB1-11	BTB1-9	YB160
50HZ TB-1	BTB2-12	BTB2-11	BTB2-9	YB160
TB2-3	PS15 TB1-2	PS15 TB1-3	PS15 TB1-4	YB165

FOR 50HZ WYE INPUT VOLTAGE CHANGES				
REMOVE		ADD		LOGIC PAGE
TB1-3 TO TB1-2		TB1-3 TO TB1-4		YB100
TB1-7 TO TB1-6		TB1-7 TO TB1-8		YB100
TB1-11 TO TB1-10		TB1-11 TO TB1-12		YB100
TB3-2 TO TB3-1		TB3-2 TO TB3-3		YB101

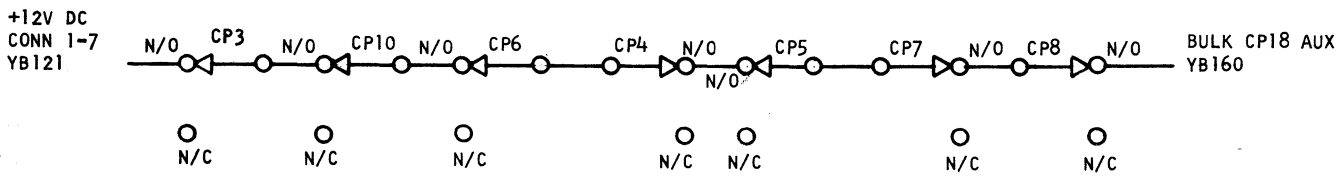
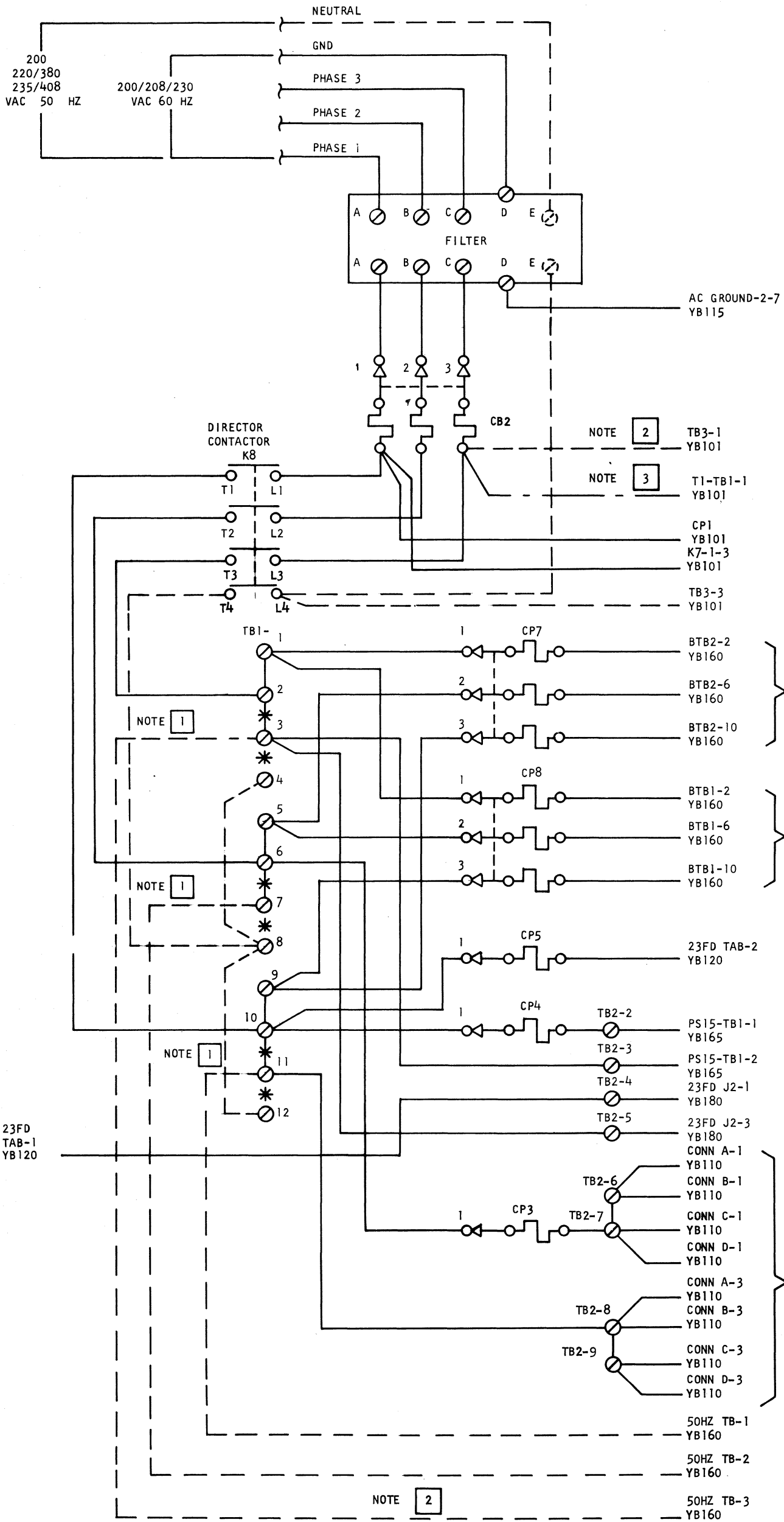
CONNECT		380V	408V	LOGIC PAGE
CP1		T1-TB1-3	T1-TB1-4	YB101
50HZ TB-3		BTB1-3	BTB1-1	YB160
50HZ TB-3		BTB2-3	BTB2-1	YB160
50HZ TB-2		BTB1-7	BTB1-5	YB160
50HZ TB-2		BTB2-7	BTB2-5	YB160
50HZ TB-1		BTB1-11	BTB1-9	YB160
50HZ TB-1		BTB2-11	BTB2-9	YB160
TB2-3		PS15 TB1-3	PS15 TB1-4	YB165

IBM CONFIDENTIAL
UNTIL OCT 1972, UNCLASSIFIED THEREAFTER

EC HISTORY		DRAWING TITLE	
20DEC71	437502	AC INPUT CHART	
25JUL72	437529	MACH 3830-2	
		PART NO 2199854	
		CLASSIFICATION	
		IBM CORP	

C

YB100



IBM CONFIDENTIAL
UNTIL OCT 1972, UNCLASSIFIED THEREAFTER

DRAWING TITLE	
AC DISTRIBUTION	
EC HISTORY	MACH 3030-2
20 DEC 71 437502	PART NO 2199855
25 JUL 72 437529	CLASSIFICATION
	IBM CORP

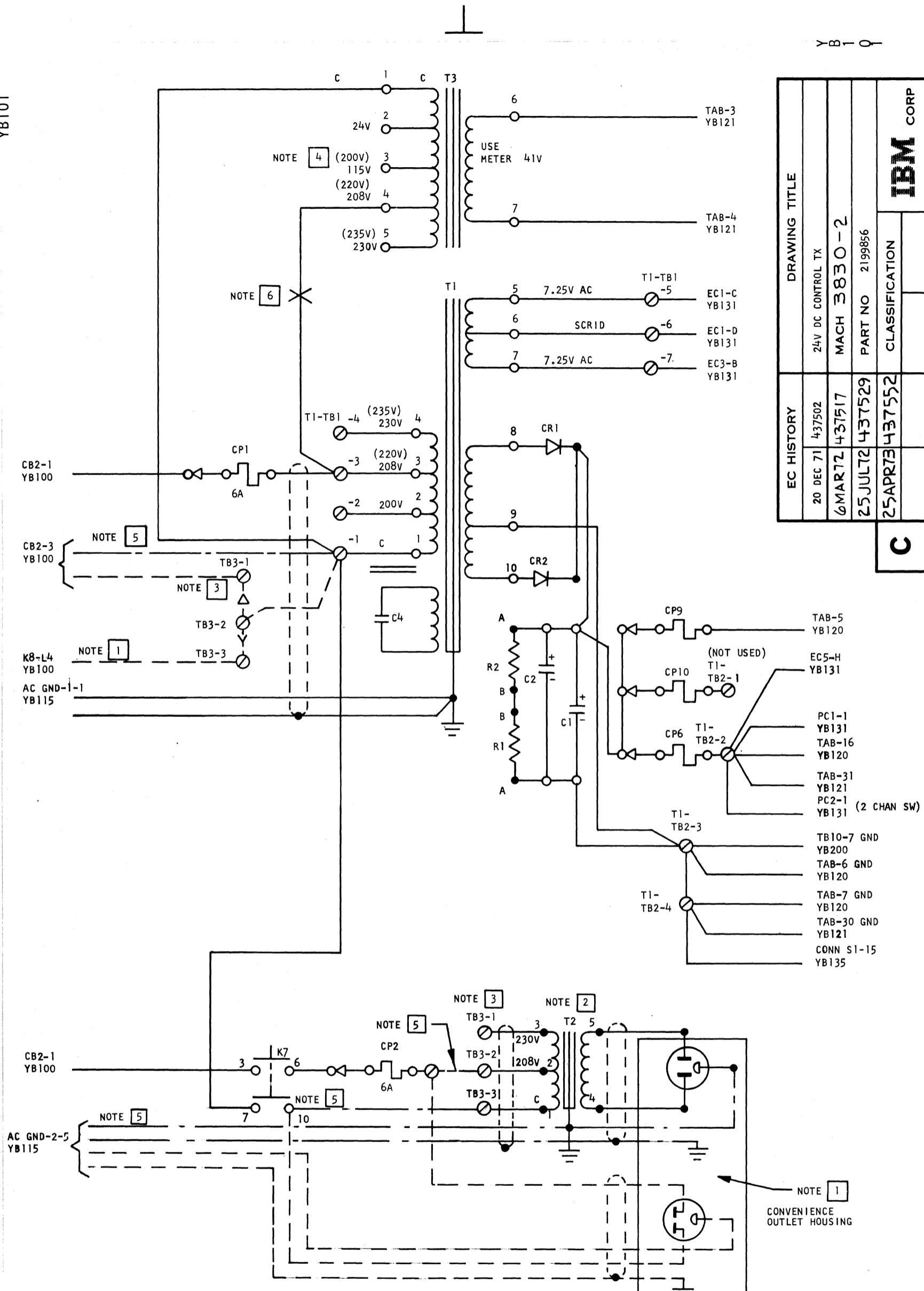
C

NOTES:
1 SHOWN WIRED FOR DELTA
* REMOVE FOR 50HZ "Y" CONNECTION WIRE AND JUMPER
TB1-3-4, 7-8, 11-12
2 50HZ ONLY
3 60HZ ONLY

Y B 1 0 0

YB101

Y B 1 0 1



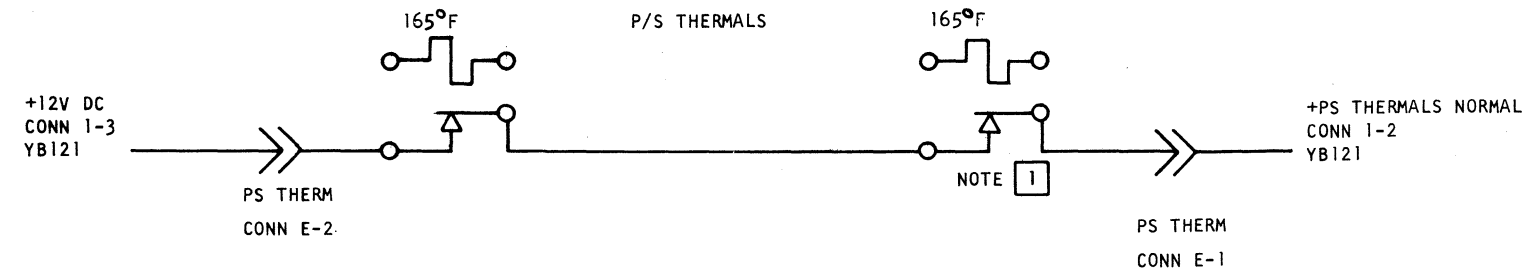
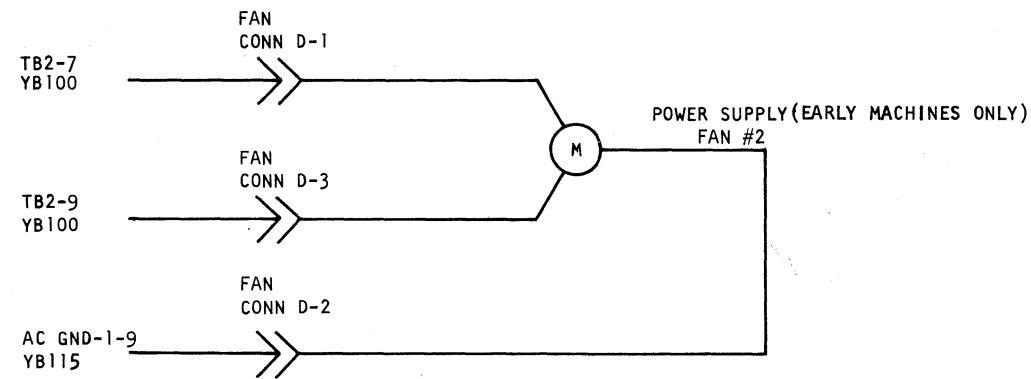
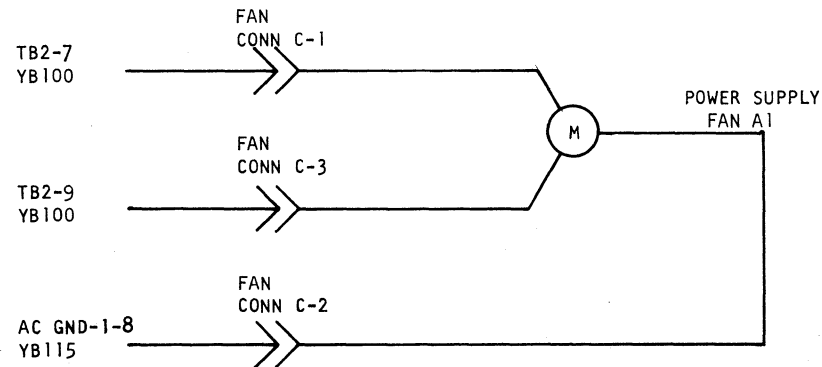
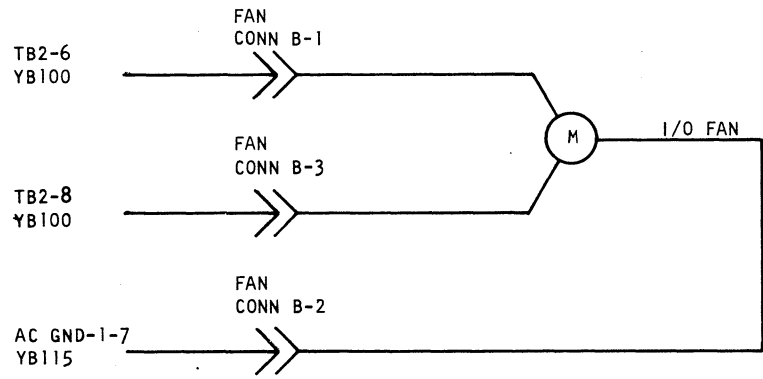
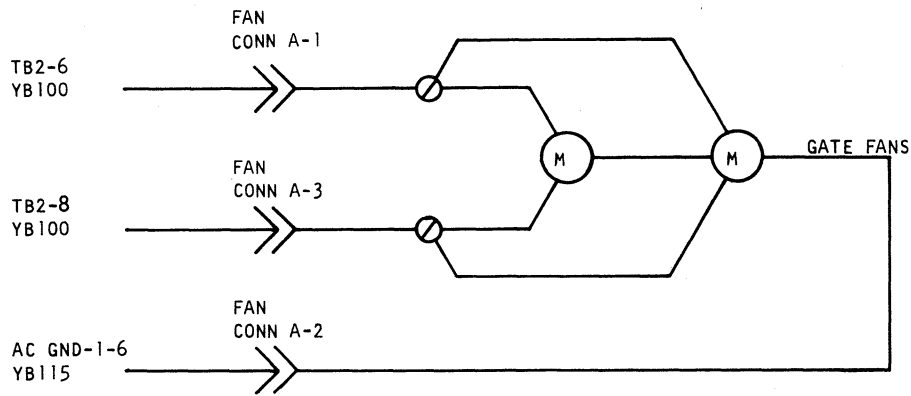
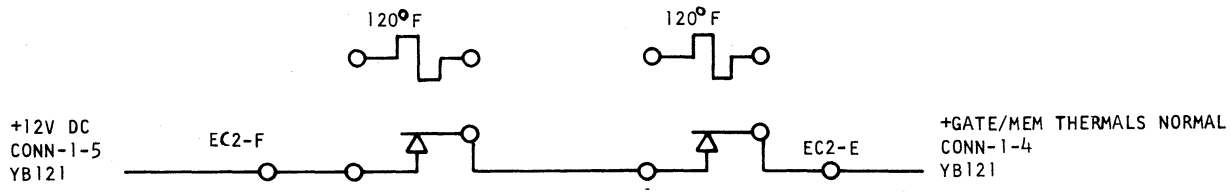
EC HISTORY	20 DEC 71	437502	24V DC CONTROL TX
	6 MAR 72	437517	MACH 3830-2
	25 JUL 72	437529	PART NO 2199856
	25 APR 73	437552	CLASSIFICATION
			IBM CORP

C

- NOTES:
- 1 ---FOR 50 HZ ONLY
 - 2 T2 AND STANDARD OUTLET ARE REMOVED FOR 50 HZ
 - 3 TB3 IS USED FOR Δ Y SWITCHING OF T1 AND CONVENIENCE OUTLET FOR 50 HZ OR T2 IN 60HZ
 - 4 VOLTAGES IN PARENTHESIS SHOW 50 HZ VOLTAGES
 - 5 ---60 HZ ONLY.. REMOVED FOR 50 HZ
 - 6 THIS WIRE LEFT IN PLACE. 'T1' IS USED AS AN AUTOTRANSFORMER WHEN CHANGING VOLTAGES

NOTE 1
CONVENIENCE
OUTLET HOUSING

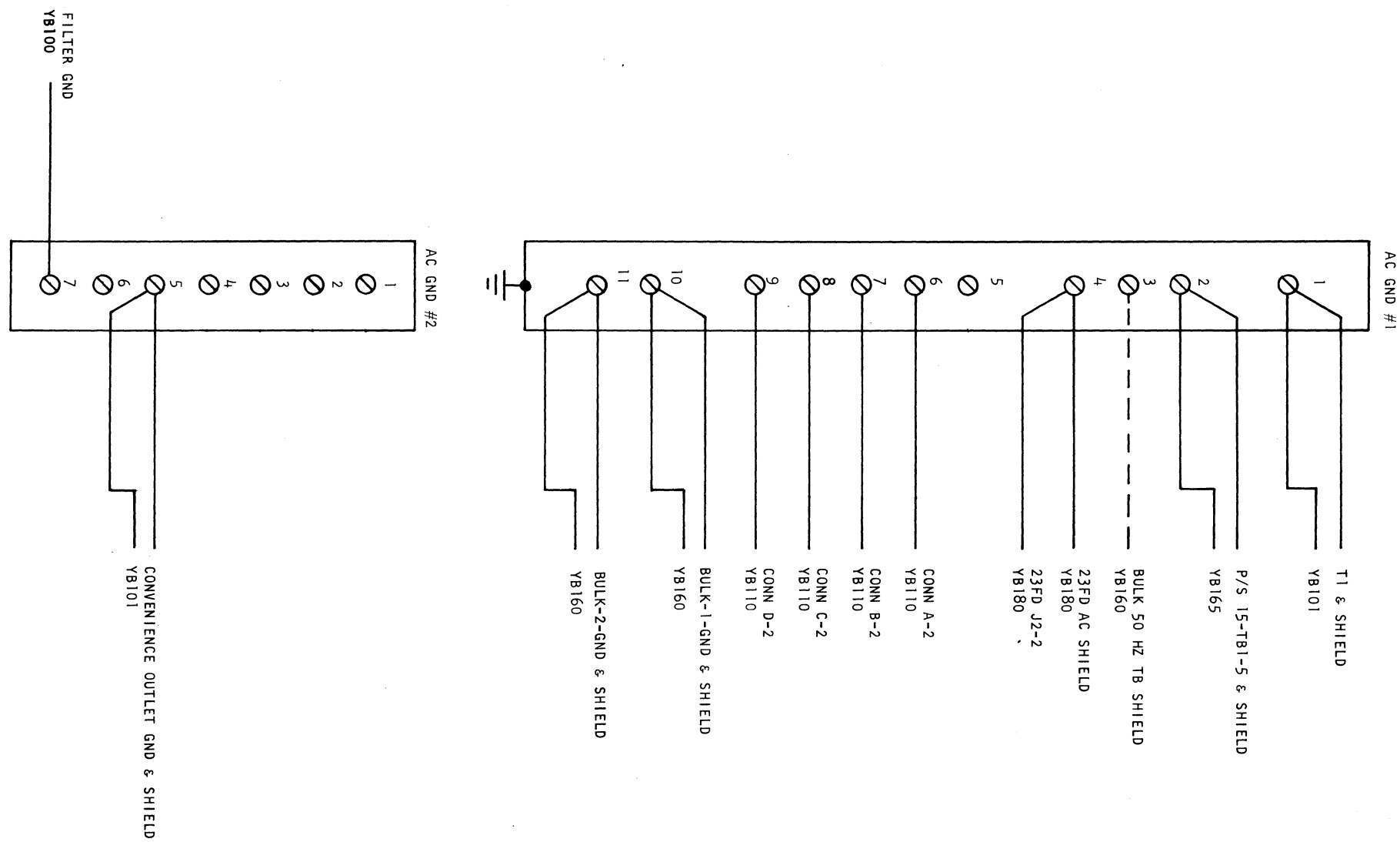
GATE/MEM THERMALS



NOTES:
 [1] THERMAL SWITCH PRESENT IN MACHINES WITH PS FAN NO. 2 ONLY

IBM CONFIDENTIAL
 UNTIL OCT 1972, UNCLASSIFIED THEREAFTER

DRAWING TITLE		FANS	
EC HISTORY	20DEC71	437502	
	6MAR72	437517	MACH 3830-2.
	25JUL72	437529	PART NO 2199857
CLASSIFICATION		IBM CORP	
C			



IBM CONFIDENTIAL
UNTIL OCT 1972, UNCLASSIFIED THEREAFTER

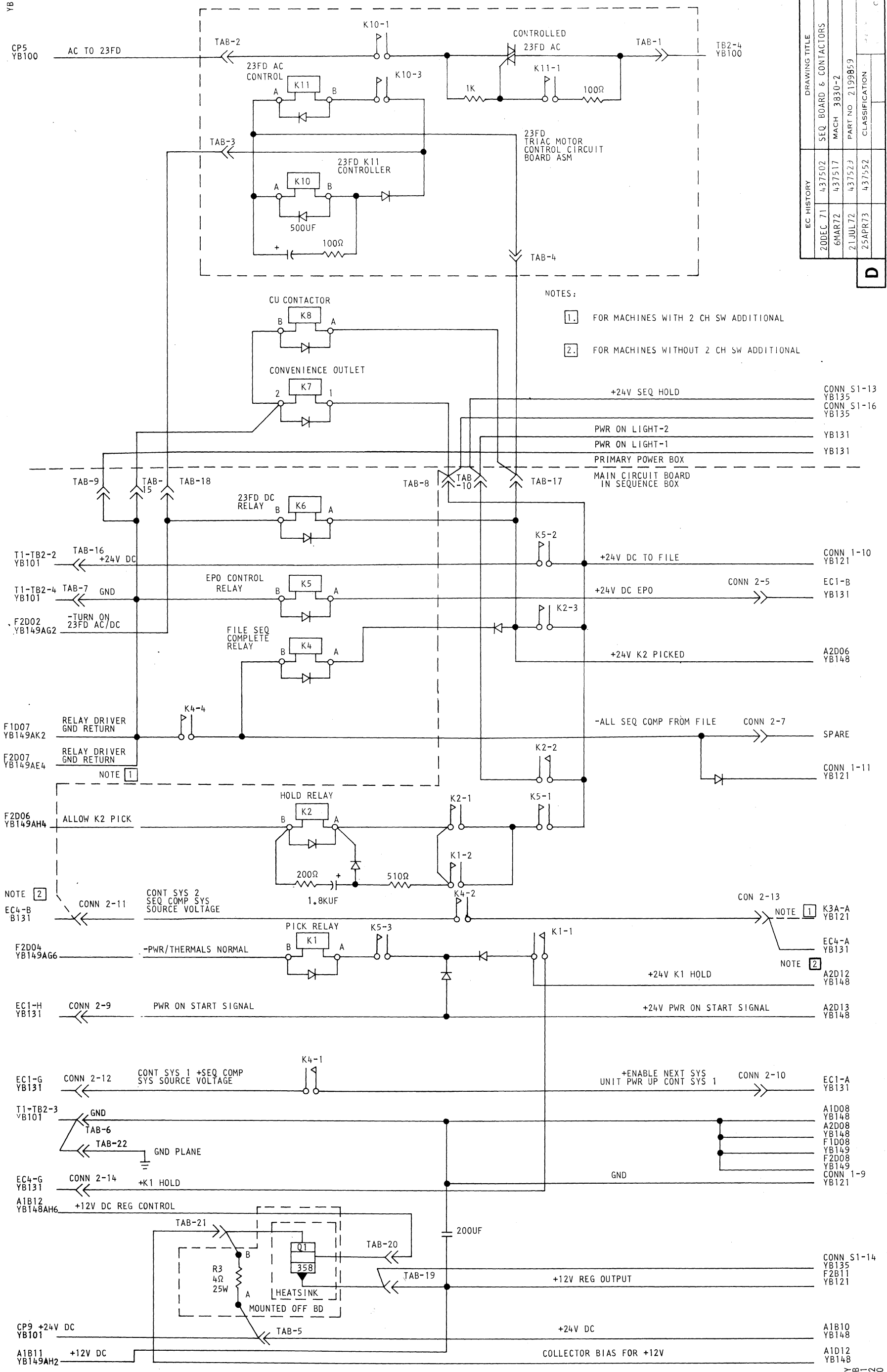
EC HISTORY		DRAWING TITLE	
20DEC71	437502	AC GND	
6MAR72	437517	MACH 3830-2	
25JUL72	437529	PART NO	2199858
C		CLASSIFICATION	
		IBM CORP	

Y B 1 1 5

Y B 1 1 5

YB120

CP5
YB100



- NOTES:
- 1. FOR MACHINES WITH 2 CH SW ADDITIONAL
 - 2. FOR MACHINES WITHOUT 2 CH SW ADDITIONAL

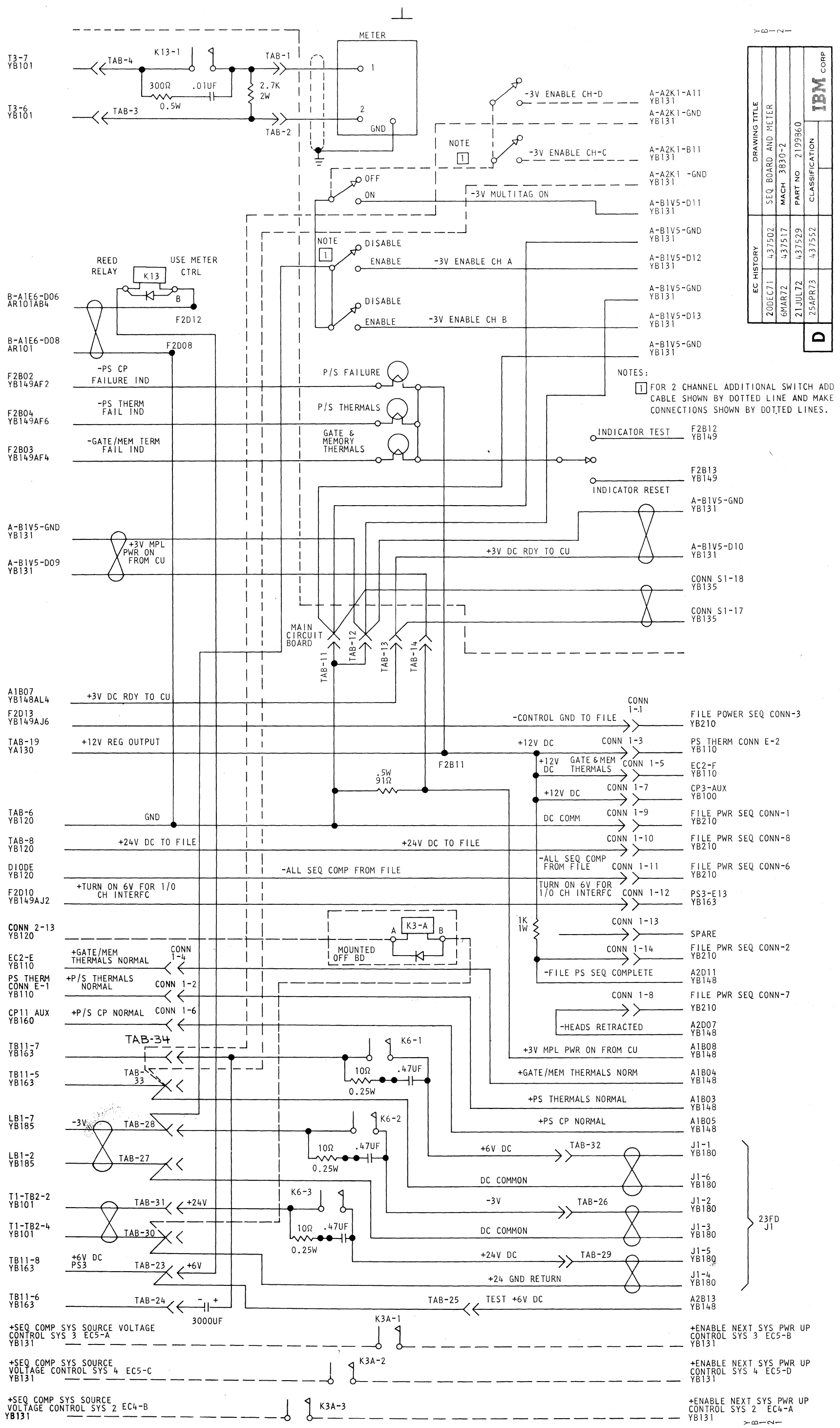
DRAWING TITLE			
EC HISTORY	SEQ BOARD & CONTACTORS		
20DEC 71	437502	MACH 3830-2	
6MAR72	437517	PART NO 2199859	
21JUL72	437523	CLASSIFICATION	
25APR73	437552		
			C-RP
			D

YB120

680018-0 WDFP 7/25/82Z ALD DRAWING FORMAT *SPEC/CLN/MSST *R

YB121

YB-2-



DRAWING TITLE	
SEQ BOARD AND METER	YB131
MACH 3830-2	YB131
PART NO 2199860	YB131
CLASSIFICATION	YB131
IBM CORP	

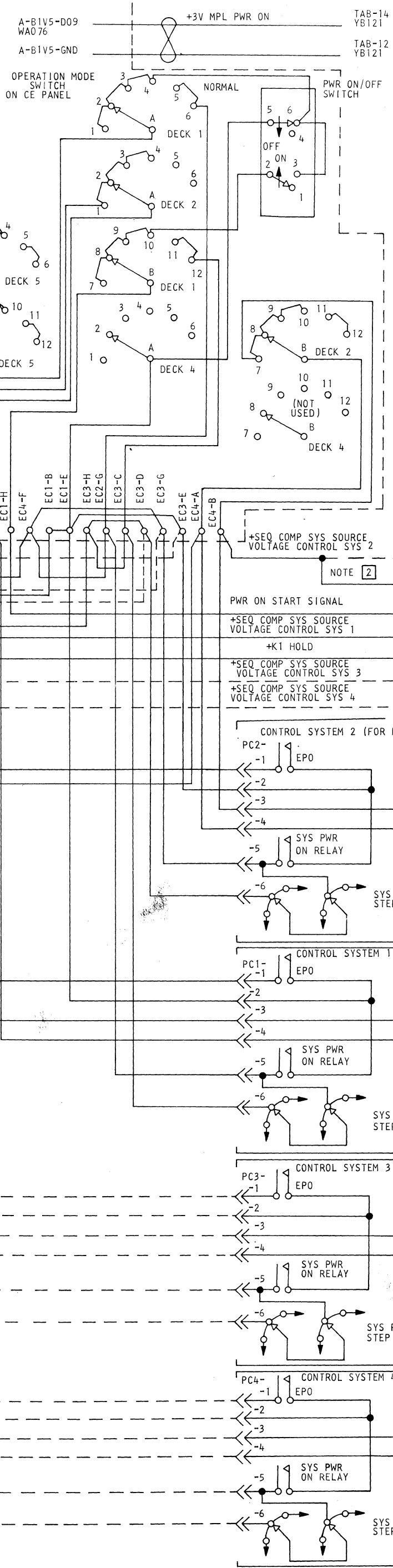
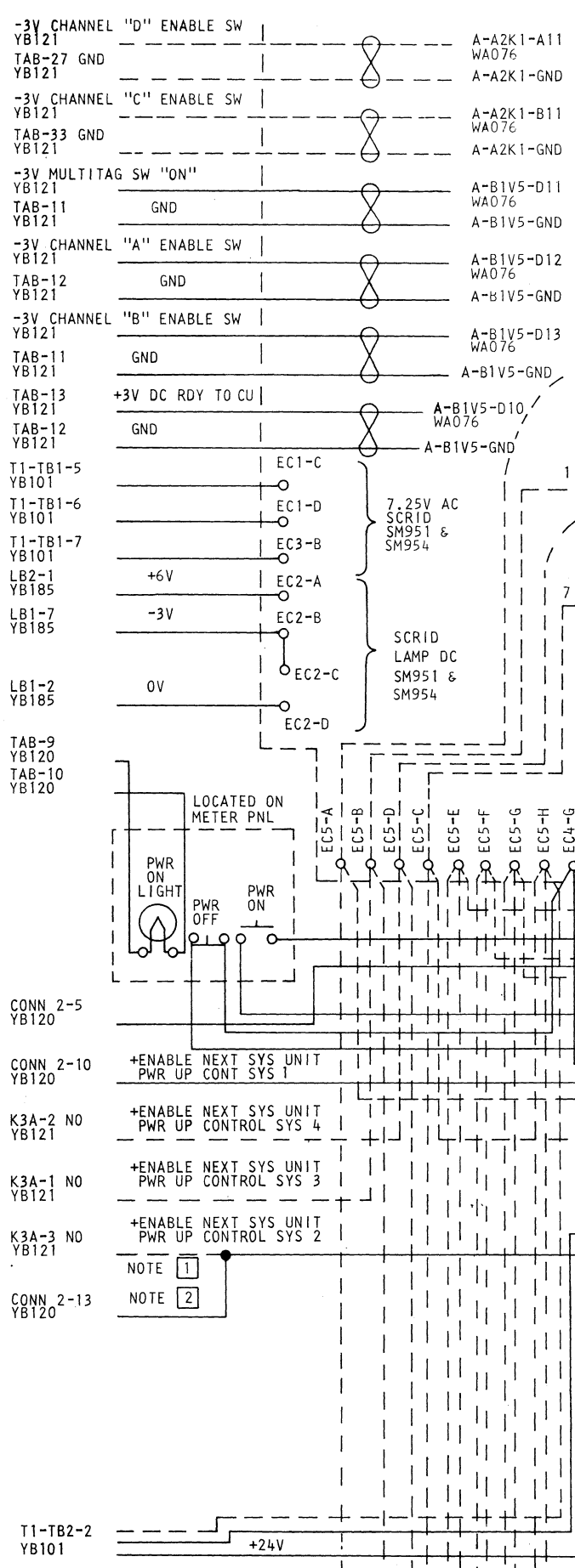
EC HISTORY	
20DEC71	437502
6MAR72	437517
21JUL72	437529
25APR73	437552
D	

NOTES:
 1 FOR 2 CHANNEL ADDITIONAL SWITCH ADD CABLE SHOWN BY DOTTED LINE AND MAKE CONNECTIONS SHOWN BY DOTTED LINES.

23FD J1

950-01320 IBM DRAWING FORMAT 11/80

YB131



DRAWING TITLE		C.E. PANEL	
EC HISTORY	20DEC71	437502	MACH 3830-2
	6MAR72	437517	PART NO 2193861
	21JUL72	437529	CLASSIFICATION
	20OCT72	437539	
	25APR73	437552	
			IBM CORP

- NOTE 1
- K3A-3C (YB121)
 - CONN 2-11 (YB120)
 - CONN 2-9 (YB120)
 - CONN 2-12 (YB120)
 - CONN 2-14 (YB120)
 - K3A-1C (YB121)
 - K3A-2C (YB121)
- NOTE 2
- +SEQ COMP SYS SOURCE VOLTAGE CONTROL SYS 2
 - +SEQ COMP SYS SOURCE VOLTAGE CONTROL SYS 1
 - +SEQ COMP SYS SOURCE VOLTAGE CONTROL SYS 3
 - +SEQ COMP SYS SOURCE VOLTAGE CONTROL SYS 4

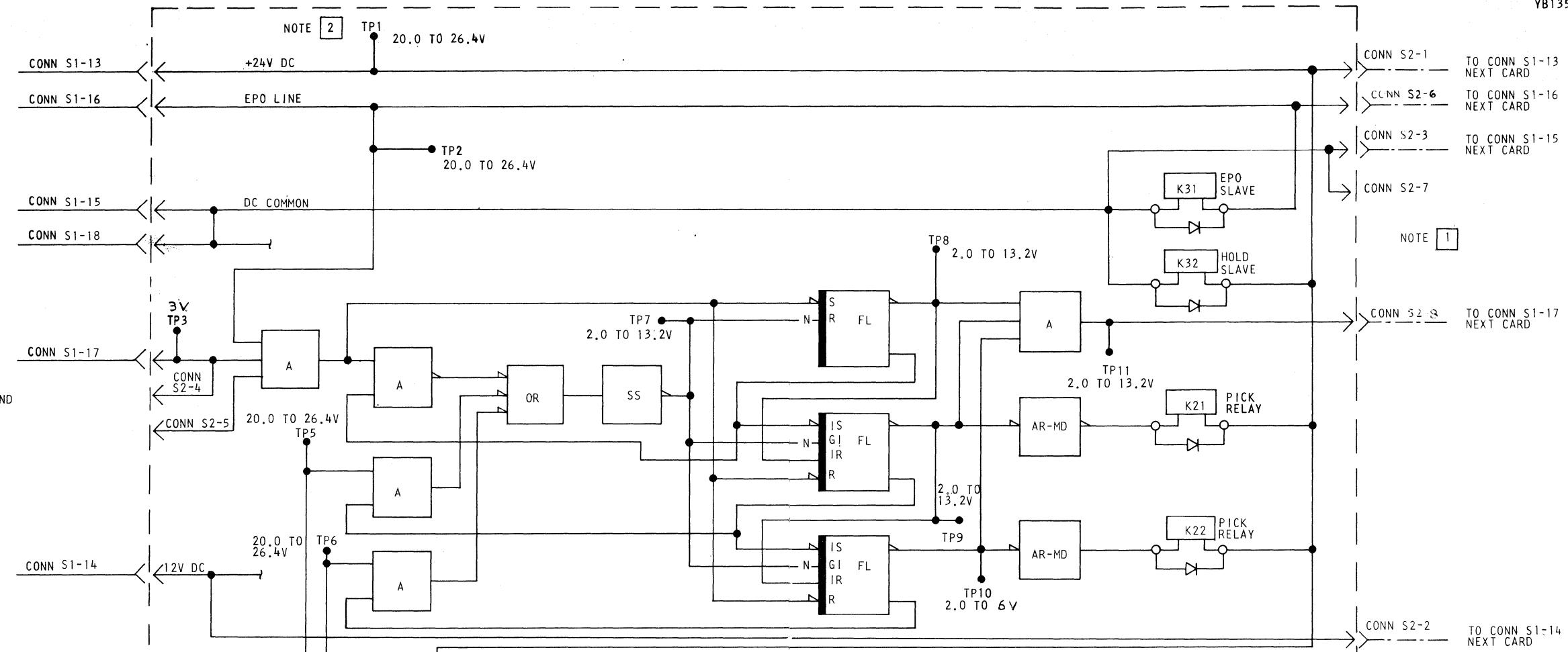
- NOTES:
- FOR 2 CHANNEL SWITCH ADDITIONAL ADD CABLE SHOWN BY DOTTED LINES AND MAKE CONNECTIONS SHOWN BY DOTTED LINES
 - FOR MACHINES WITHOUT 2 CH SW ADDITIONAL

24V TO SEQ ST
TAB 10, YB120
EPO TO SEQ ST
TAB-8, YB120

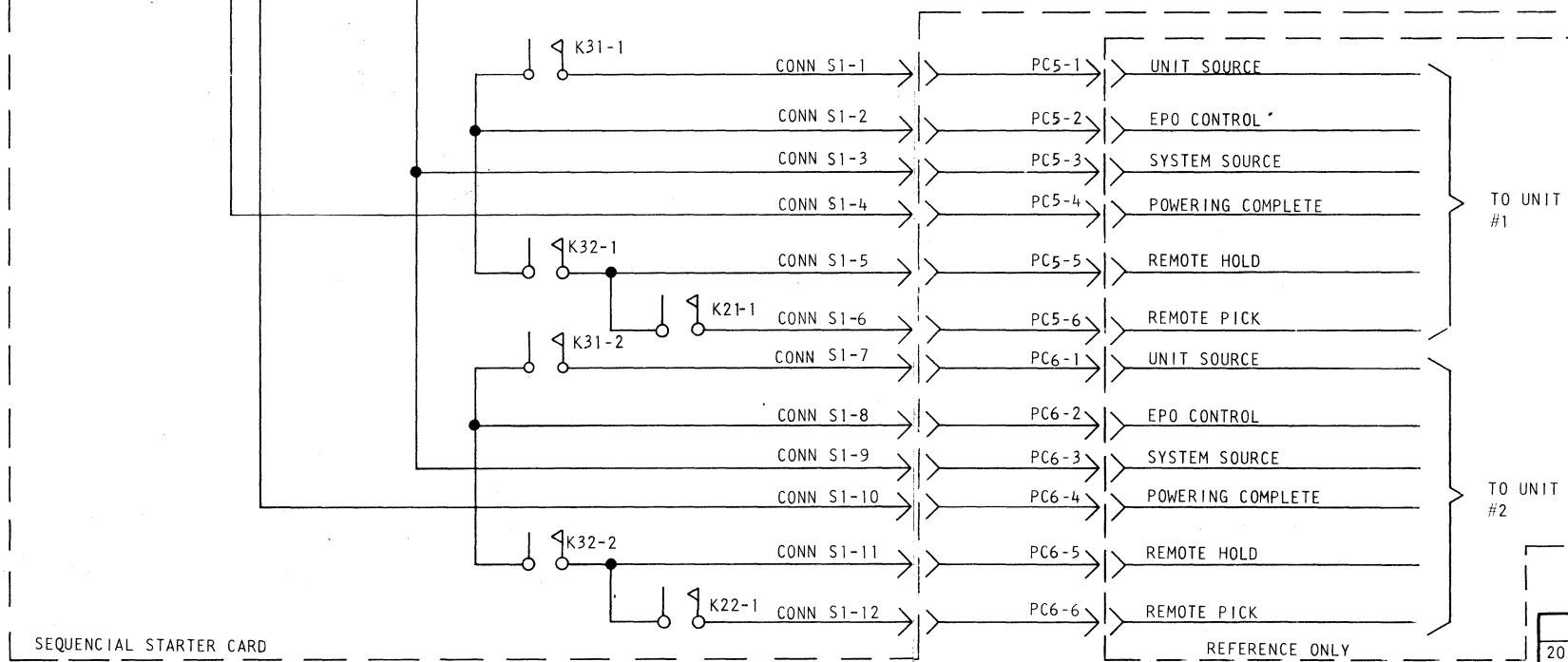
24V TO SEQ ST RET
T1-TB2-4, YB101
PWR ON SIG TO SEQ ST RET
TAB-11, YB121

PWR ON SIG TO SEQ ST
TAB-13, YB121
PWR ON SIG TO SEQ ST EXTEND
EXTEND INPUT

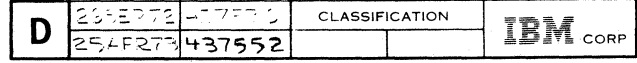
12V DC TO SEQ ST
TAB-19, YB120



NOTES:
1 - - - - - USED WITH 32 DRIVE
EXPANSION FEATURE ONLY
2 VOLTAGE RANGE GIVEN AT TEST
POINTS DESCRIBES NORMAL
OPERATING CONDITION



EC HISTORY		DRAWING TITLE
20 DEC 71	437502	SEQUENTIAL STARTER
6MAR72	437517	MACH 5 2 1 1
25 JULY 72	437528	PART NO 2199873
20 SEP 72	437530	CLASSIFICATION
25 APR 73	437552	



YB135

YB135

```

A1      SINGLE CARD
      5860161 L161

      YB143 A1
-----
A2      CONNECTOR
      B05 YB148AA2
      B07 YB148AA4
      B08 YB148AA6
      B09 YB148AB2
      B10 YB148AB4
      B12 YB148AC2
      B13 YB148AB6
      D02 YB148AC4
      D04 YB144GE4
      D05 YB148AG6
      D06 YB148AC6
      D07 YB148AD2
      D09 YB148AE6
      D11 YB148AD4
      D12 YB148AD6
      D13 YB148AE2
-----
B1      DOUBLE CARD
B2      5860690 L690

      YB146 A1 B1 B2 B3 B4 B5
      B6 B7 B8 B9 C1 C3
      C4 D1
-----
C2      SINGLE CARD
      P783

      YB144 01 02 03 04 05 06
      07 08 09 10 11 12
      13 14 15 16 17
-----
D1      DOUBLE CARD
D2      5860313 L313

      YB140 01 02 03 04 05 06
      07 08 09 10 11 12
      14 15 16 17 18 19
      20 21 22 23 24 25
      26 27 28 30 31 32
      33 34 36 37 38 39
      40 41 42 43 44 45
      46
      YB141 47 48 49 50 51 52
      53 54 55 56 57 58
      59 63 64 66 67 68
      69 70 71 72 73 74
      75 76 77 78 79 80
      81 82
      YB140 83 85
      YB141 86 87 88 89 90
      YB140 99
-----
E1      DOUBLE CARD
E2      5862698 N698

      YB145 A1 A2 A3 A4 A5 A6
      A7 A8 A9

      UNUSED PORTIONS

      B
-----
F1      SINGLE CARD
      5860121 L121

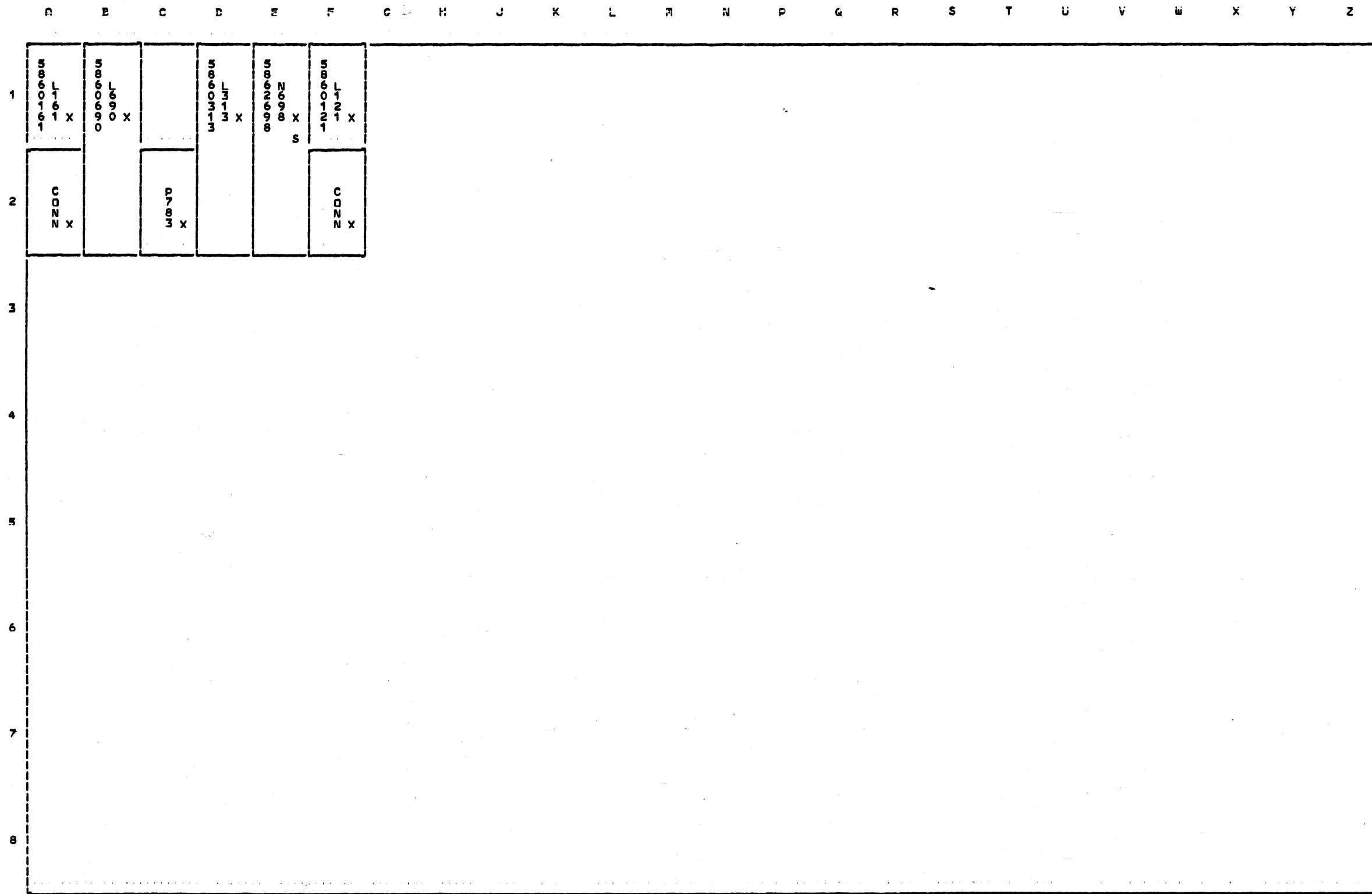
      YB142 01 02 03 04 05 06
      07 08 09 10 11 12
      13 14 15 16 17 18
      24 25 26 27 28 29
      30 31 32 33
-----
F2      CONNECTOR
      R02 YB142AY4
      R03 YB142AK4
      R04 YB142AR4
      R05 YB149AQ4
      R07 YB149AR4
      R08 YB149AC6
      B12 YB149AB2
      B13 YB149AB6
      D02 YB146FF4
      D04 YB146NE4
      D06 YB146BE4
      D07 YB146AE6
      D10 YB146BJ4
      D13 YB146FF4
    
```

PLUG LIST

PART NO	ACC	TYPE	SOCKETS	TOTAL
5860121		L121	F1	01
5860161		L161	A1	01
5860313		L313	D1	01
5860690		L690	B1	01
5862698		N698	E1	01
		CONN	A2 F2	02
		P783	C2	01

YB143

SOCKET LISTING
 DATE 02-19-75 MACH. 3830-D2I
 INGR 9109 BOARD 01D-01
 PREV. ENGR. - - -
 PRES. ENGR. 02-07-75 437380
 P.N. 2348933
 IBM CORP. SDD BIK.

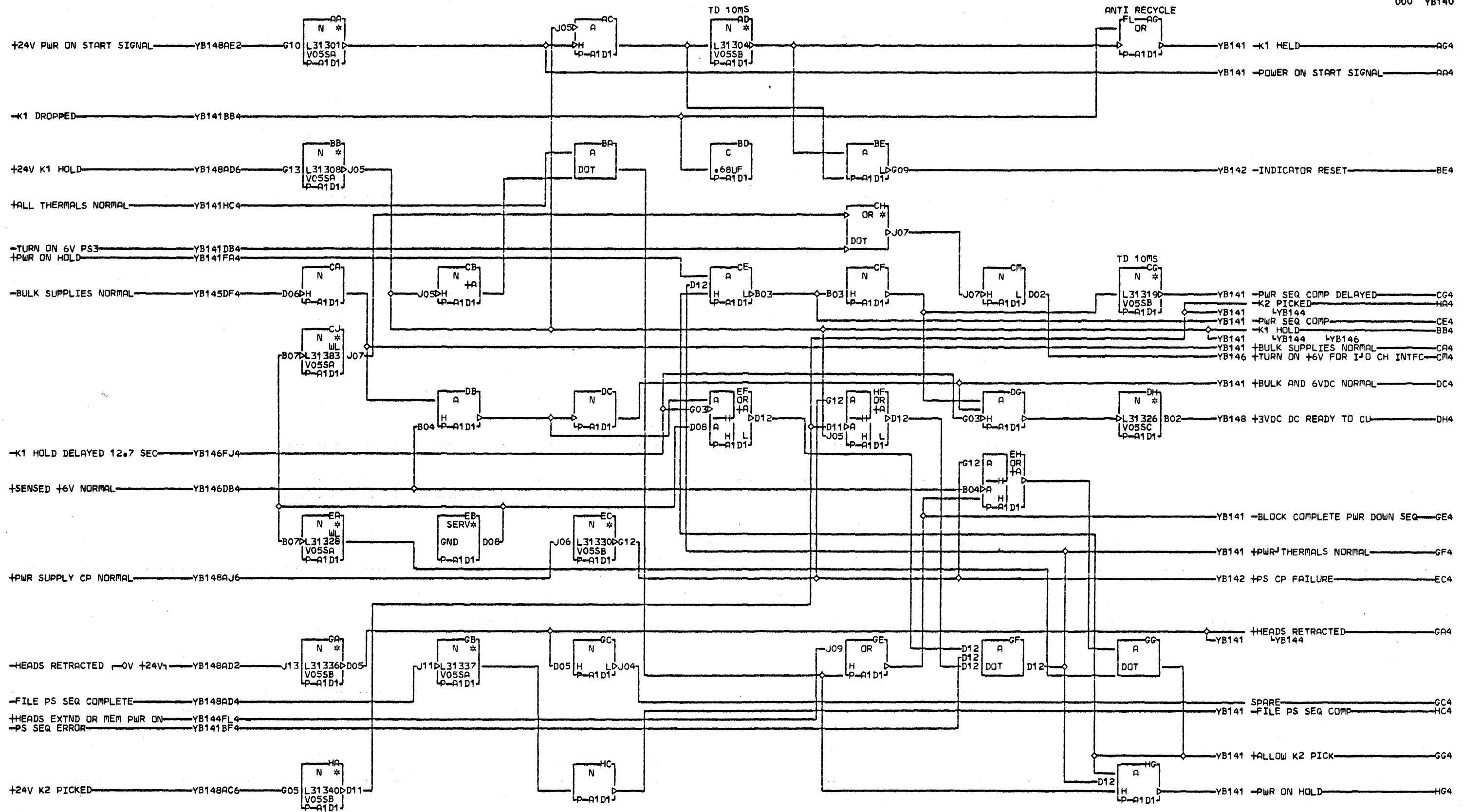


SYMBOLS
 X - NO RISE SOCKET
 E - CONFLICT
 S - PORTIONS LEFT

SIDA CHART
 DATE 02-19-75 MACH. 3830-P21
 ING 9109 BOARD 01P-A1
 PREV. ENGR. - - -
 PRES. ENGR. 02-07-75 437380
 P.No. 2348934
 IBM CORP. SDD Bk.

Y
B
1
9

Y
R
1
3
9
005

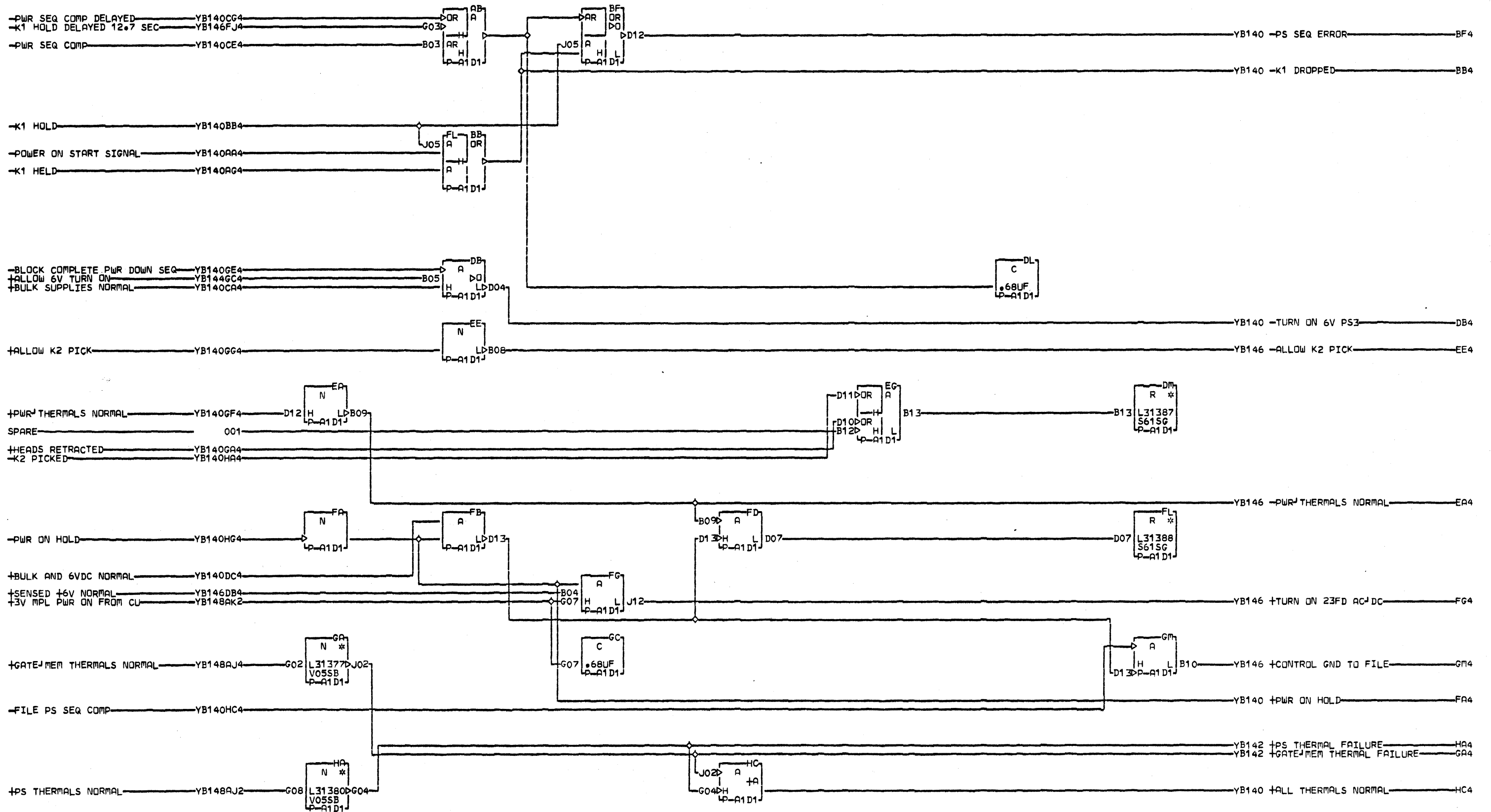


Y
B
1
4
0
000

LOC TYPE
P-A1D1 L313

PWR SEQ CONTROL CARD	
E.C. HISTORY	MACH. 3830-P2I
427410	FRAME 01
427410A	IBM CORP. SD
427410B	
427441	
DATE LAST EC	P.N. 2289959
03-09-71 427442	

Y
B
1
4
0
000



Y
B
1
4
1

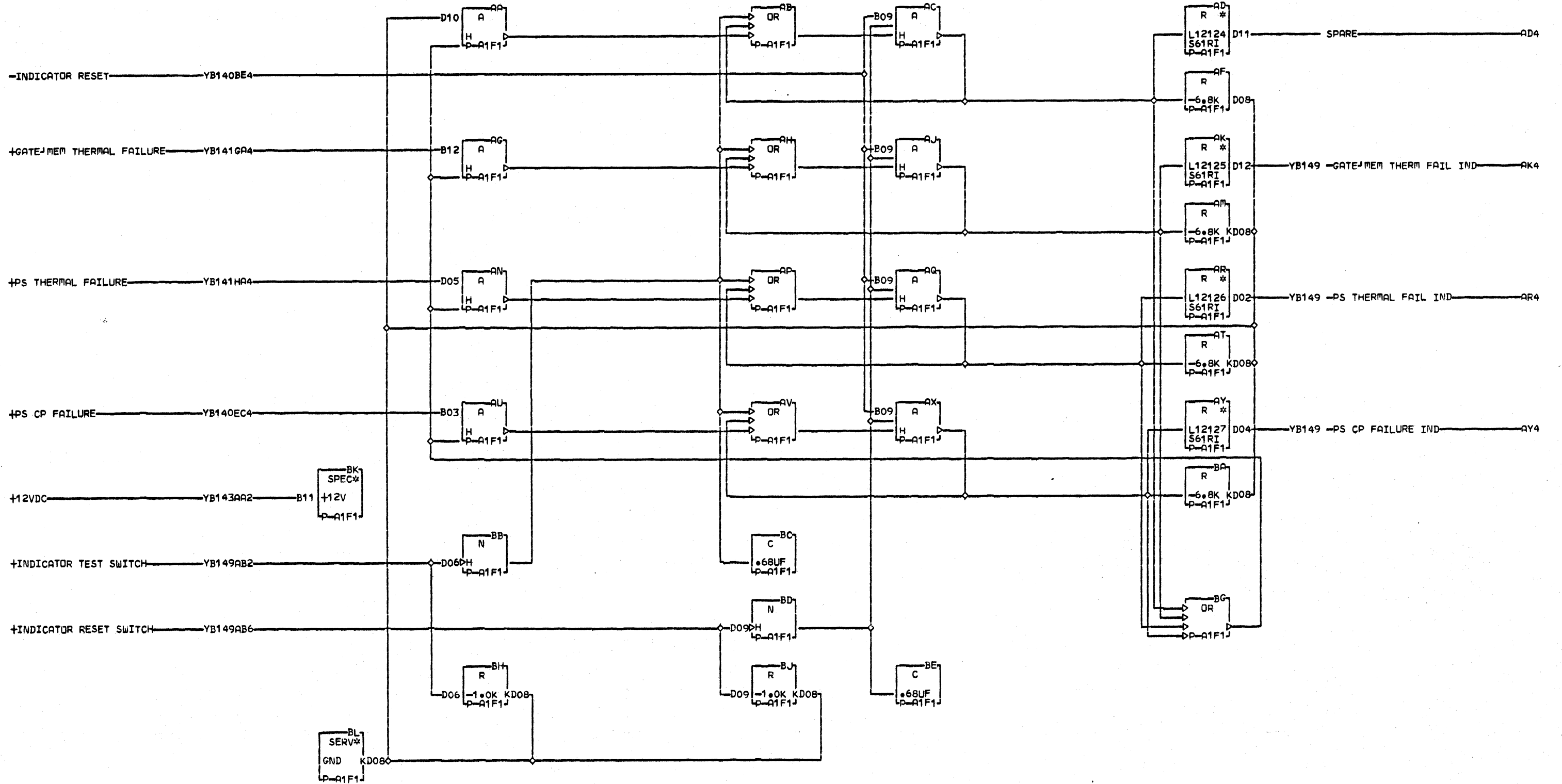
000

LOC. TYPE
P-A1D1 L313

PWR SEQ CONTROL CARD			
E.C. HISTORY		MACH. 3830-P21	
427410	427442	FRAME	01
427410A		IBM CORP. SD	
427410B			
427441			
DATE	LAST EC	P.N.	2289960
04-27-71	427443		

Y
B
1
4
1

000

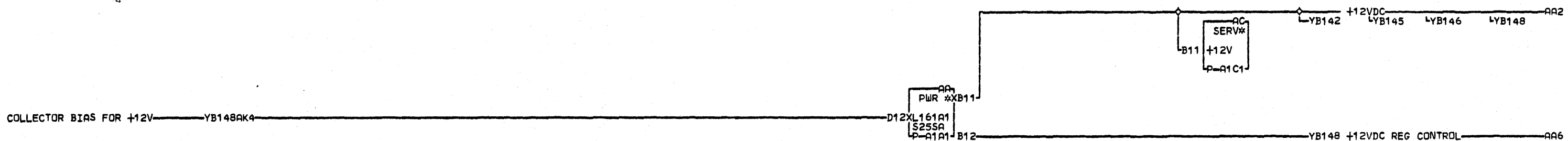
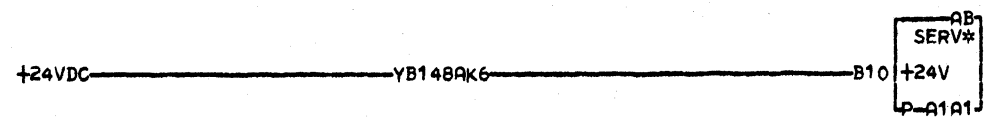


Y
B
1
4
2
000

LUC. TYPE
P-A1F1 L121

INDICATOR CARD			
E.C. HISTORY		MACH. 3830-P2I	
427410	427442	FRAME	01
427410A		IBM CORP. SD	
427410B			
427441			
DATE	LAST EC	P.N.	2289961
04-27-71	427443		

Y
B
1
4
2
000

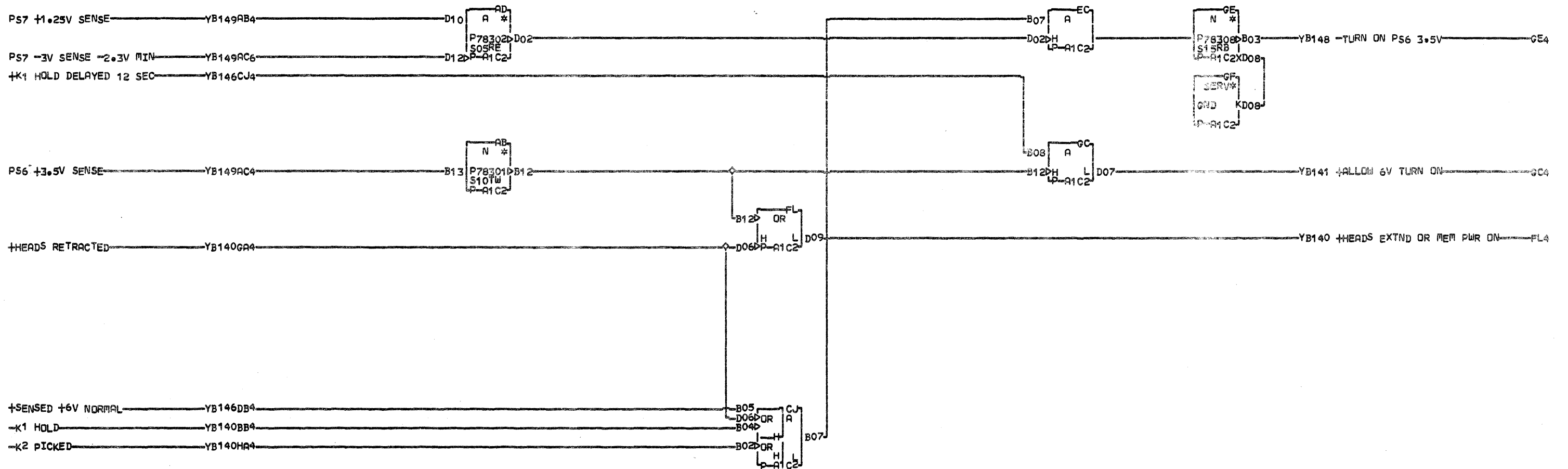


Y
B
1
4
3
000

LUC. TYPE
P-A1A1 L161

12 VOLT REGULATOR			
E.C. HISTORY		MACH. 3830-P2I	
427410	427442	FRAME	01
427410A		IBI	01
427410B		IBI	03
427441		IBI	03
DATE	LAST EC	P.N.	2289962
04-27-71	427443		

Y
B
1
4
3
000

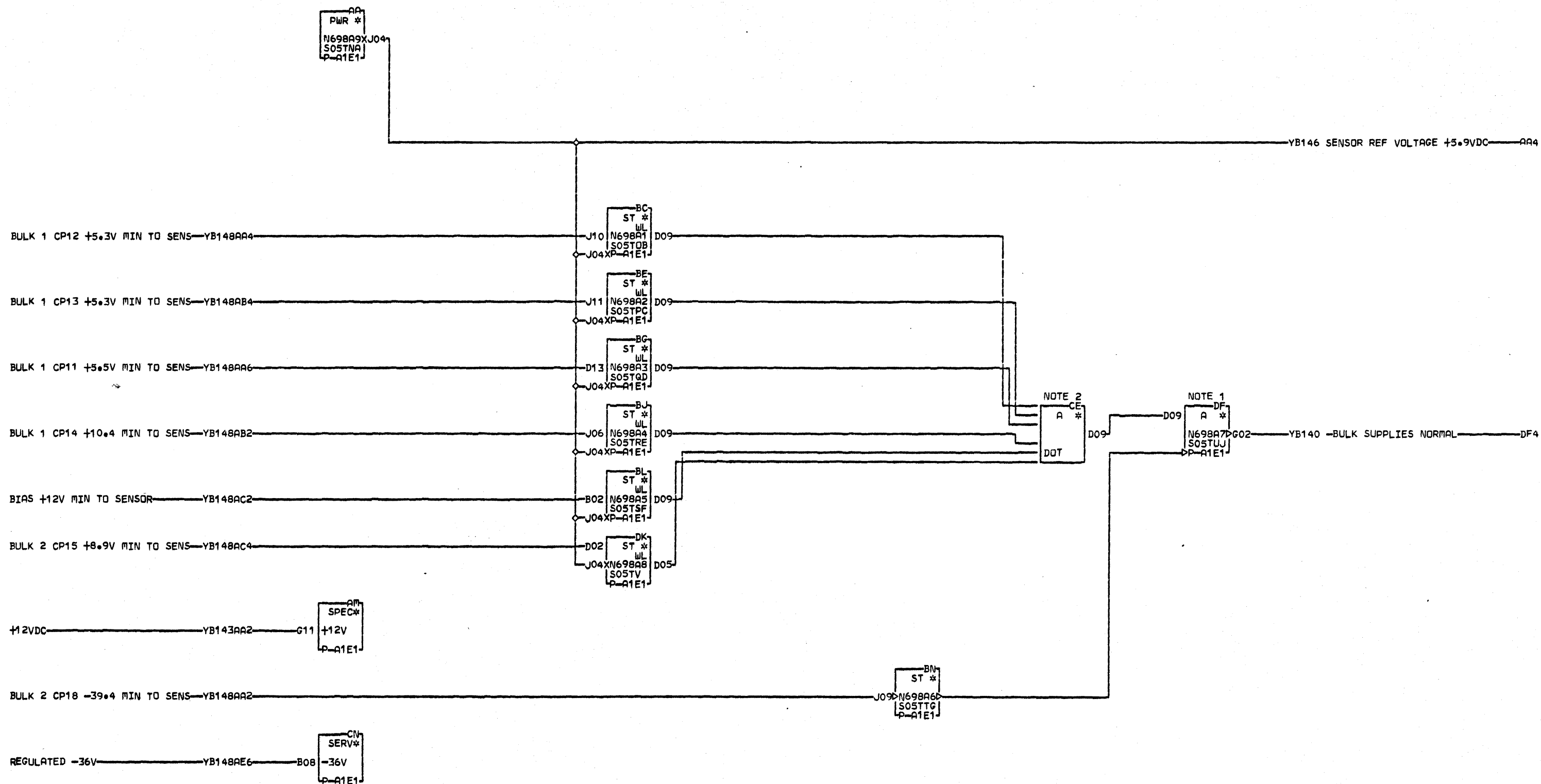


Y
B
1
4
4

LOC. TYPE
P-A1C2 P783

SNIPE MEMORY SEQUENCE	
E.C. HISTORY PREC001	MACH. 3830-P2I FRAME 01
DATE 02-07-75	LAST EC 437380
	IBM CORP. SD P.N. 2348927

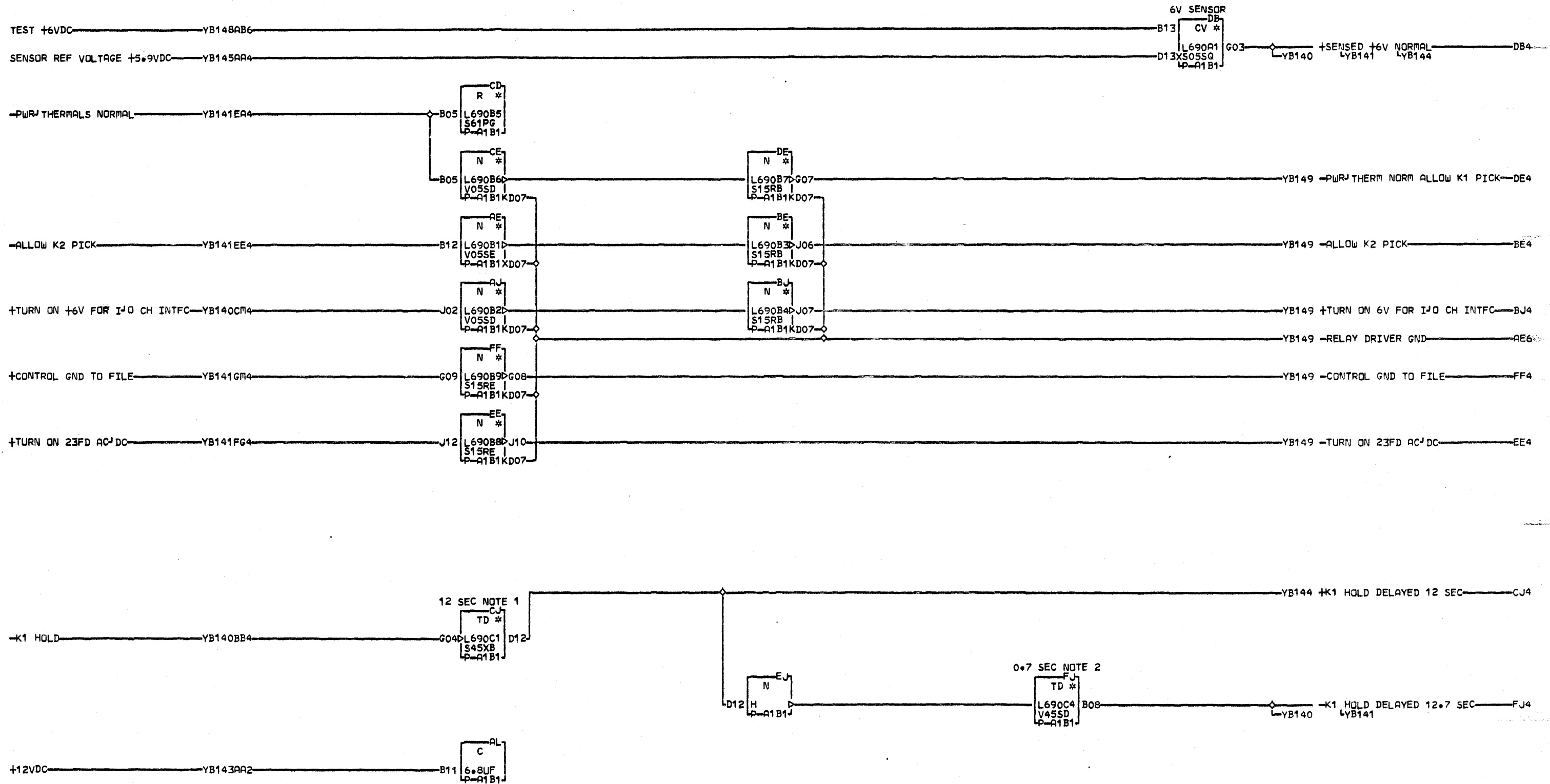
Y
B
1
4
4



NOTE NO. 1 THE BULK DC INPUT
MIN LEVELS MUST BE MAINTAINED
Y TO HAVE A -BULK SUPPLIES
B NORMAL OUTPUT
1
4 NOTE 2
5 PLUS LEVEL FOR D09 IS +12V
MINUS LEVEL FOR D09 IS +11.3V
000

LOC. TYPE
P-A1E1 N698

PLD SENSOR III		
E.C. HISTORY	MACH. 3830-P2I	Y
427410 427442		B
427410A	FRAME 01	1
427410B		4
427441	IBM CORP. SD	5
DATE LAST EC		
04-27-71 427443	P.N. 2289964	000

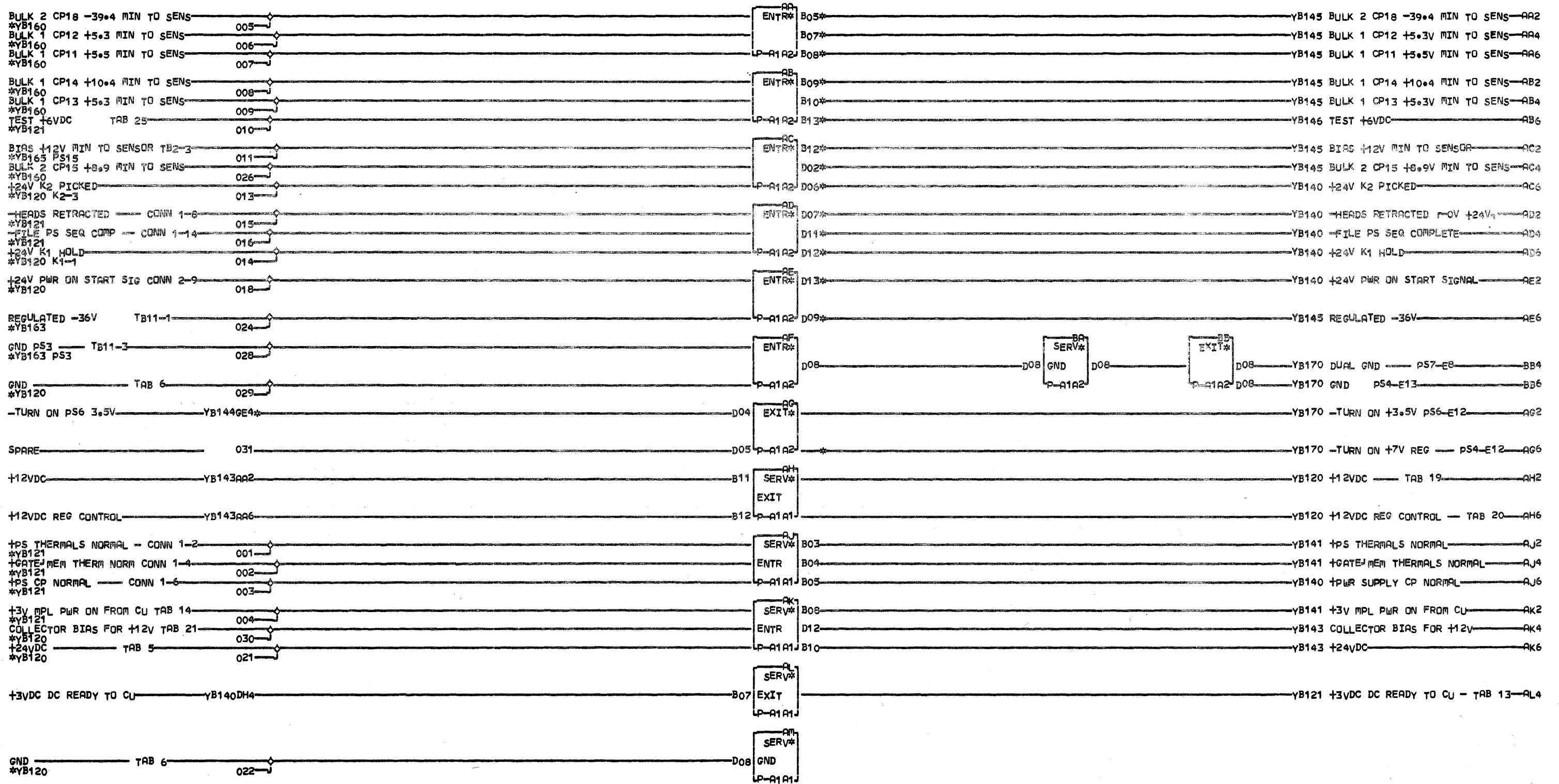


NOTE 1 LEADING EDGE DELAY
 MAX 16.5 SEC MIN 7.5 SEC
 Y TRAIL EDGE DELAY NOM 0 SEC
 B
 1 NOTE 2 LEADING EDGE DELAY
 4 MAX 2.0 SEC MIN 0.2 SEC
 6 TRAIL EDGE DELAY NOM 0 SEC

000

LQC. TYPE
 P-A1B1 L690

E.C. HISTORY		MACH. 3830-P2I		
427410	427442			Y
427410A		FRAME	01	B
427410B				4
427441		IBM CORP. SD		6
DATE	LAST EC			000
04-27-71	427443	P.N.	2289965	



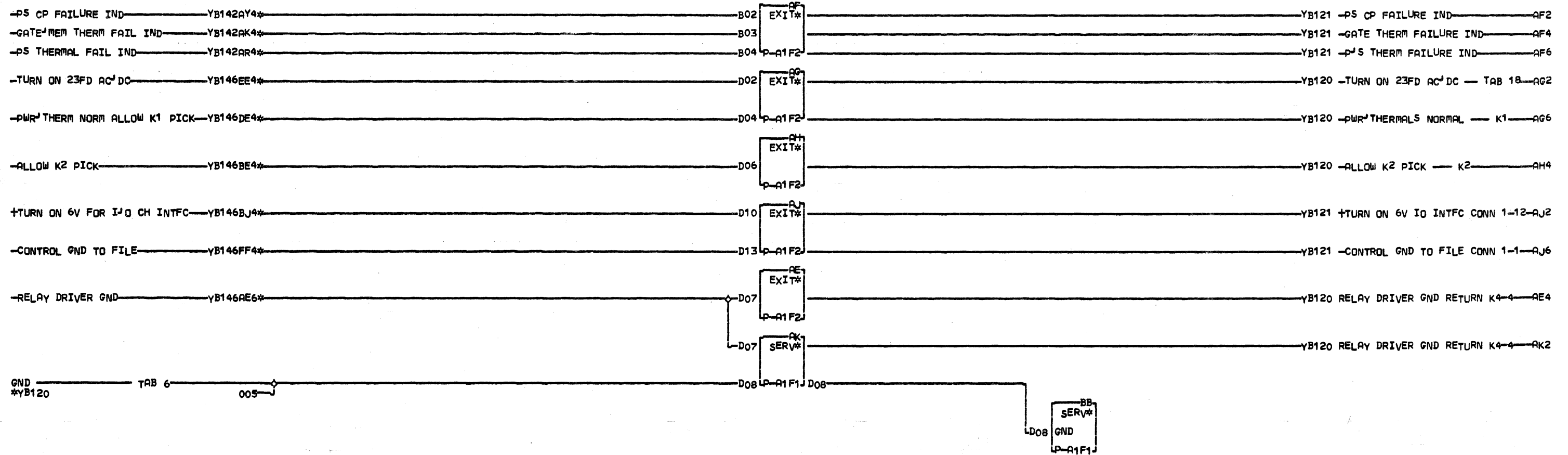
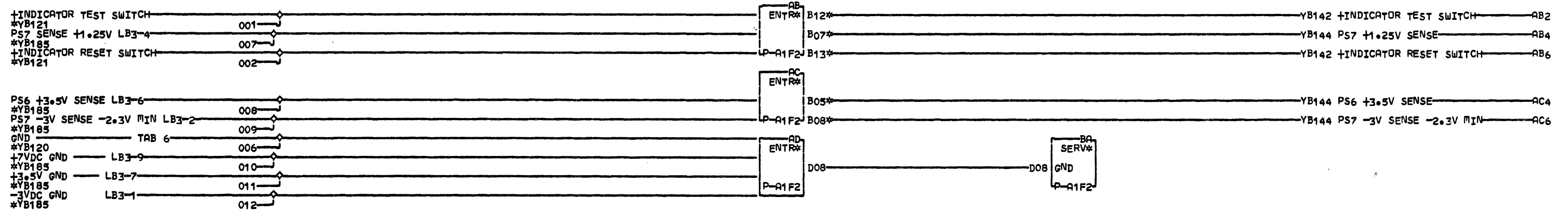
Y
B
1
4
8
005

YB144GE4	AC4	P-A1 A2D02
01 P-A1 A2D04	AC6	P-A1 A2D06
AA2 P-A1 A2B05	AD2	P-A1 A2D07
AA4 P-A1 A2B07	AD4	P-A1 A2D11
AA6 P-A1 A2B08	AD6	P-A1 A2D12
AB2 P-A1 A2B09	AE2	P-A1 A2D13
AB4 P-A1 A2B10	AE6	P-A1 A2D09
AB6 P-A1 A2B13	AG6	P-A1 A2D05
AC2 P-A1 A2B12		

SIM TO PN 2289966 EC 427442

ENTR EXIT	
E.C.-HISTORY	MACH. 3830-P2I
DATE	LAST EC
02-07-75	437380
IBM CORP. SDD	P.N. 2348928

Y
B
1
4
8
005



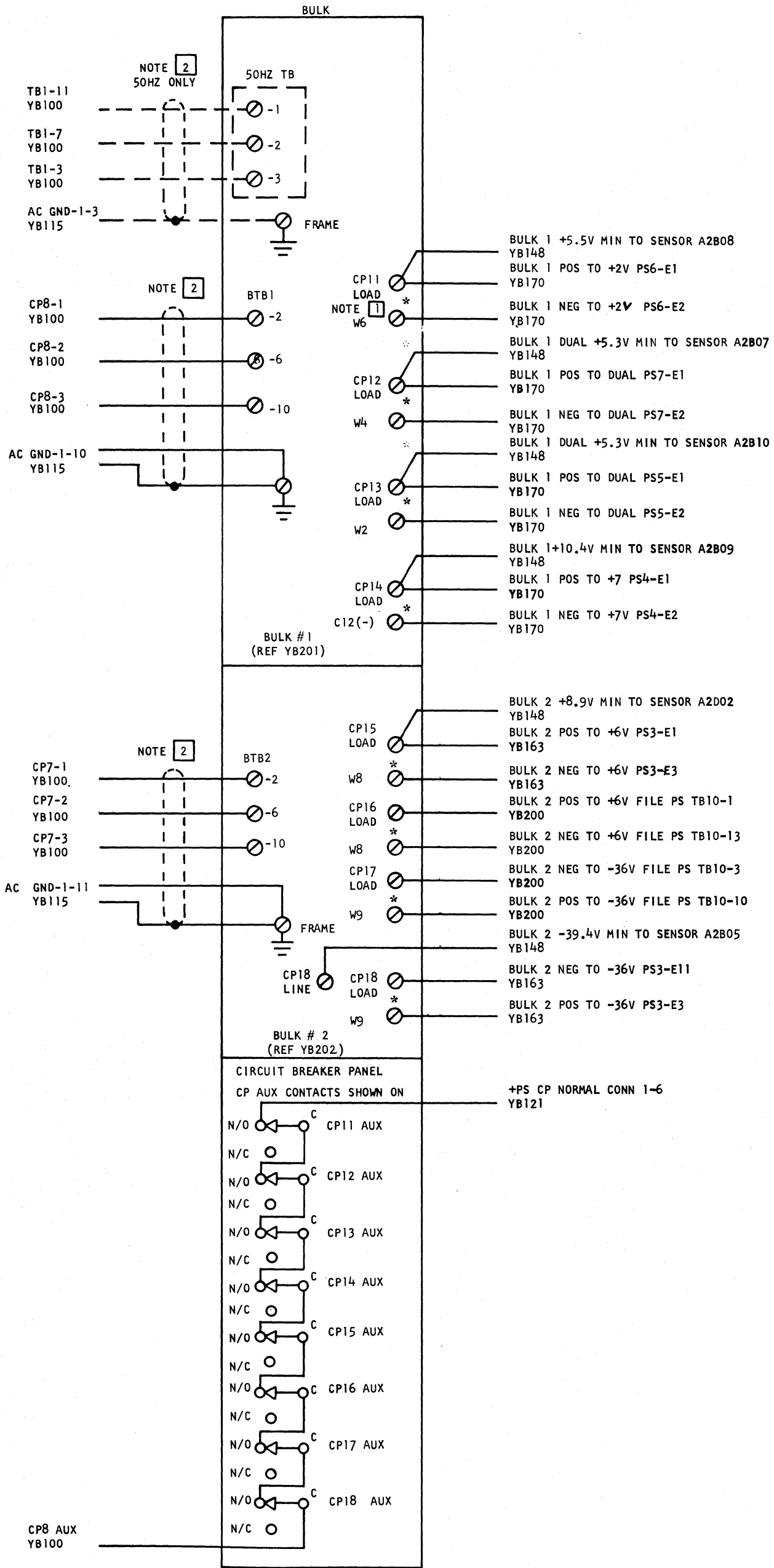
Y	YB142AK4	01P-A1F2D06	AB2	P-A1F2B12
B	01P-A1F2B03	YB146BJ4	AB4	P-A1F2B07
1	YB142AR4	01P-A1F2D10	AB6	P-A1F2B13
4	01P-A1F2B04	YB146DE4	AC4	P-A1F2B05
9	YB142AY4	01P-A1F2D04	AC6	P-A1F2B08
	01P-A1F2B02	YB146EE4		
	YB146AE6	01P-A1F2D02		
005	01P-A1F2D07	YB146FF4		
	YB146BE4	01P-A1F2D13		

ENTR EXIT		
E.C. HISTORY	MACH.3830-P2I	Y
	FRAME 01	B
	IBM CORP. SDD	1
DATE	LAST EC	4
02-07-75	437380	9
	P.N. 2348929	005

SIM TO PN 2289967 EC 427443

YB160

Y B 1 6 0



DRAWING TITLE	
20DEC71	437502
25JUL72	437529
25APR73	437552
BULK SUPPLIES	
MACH 3830-2	
PART NO 2199862	
CLASSIFICATION	
C	

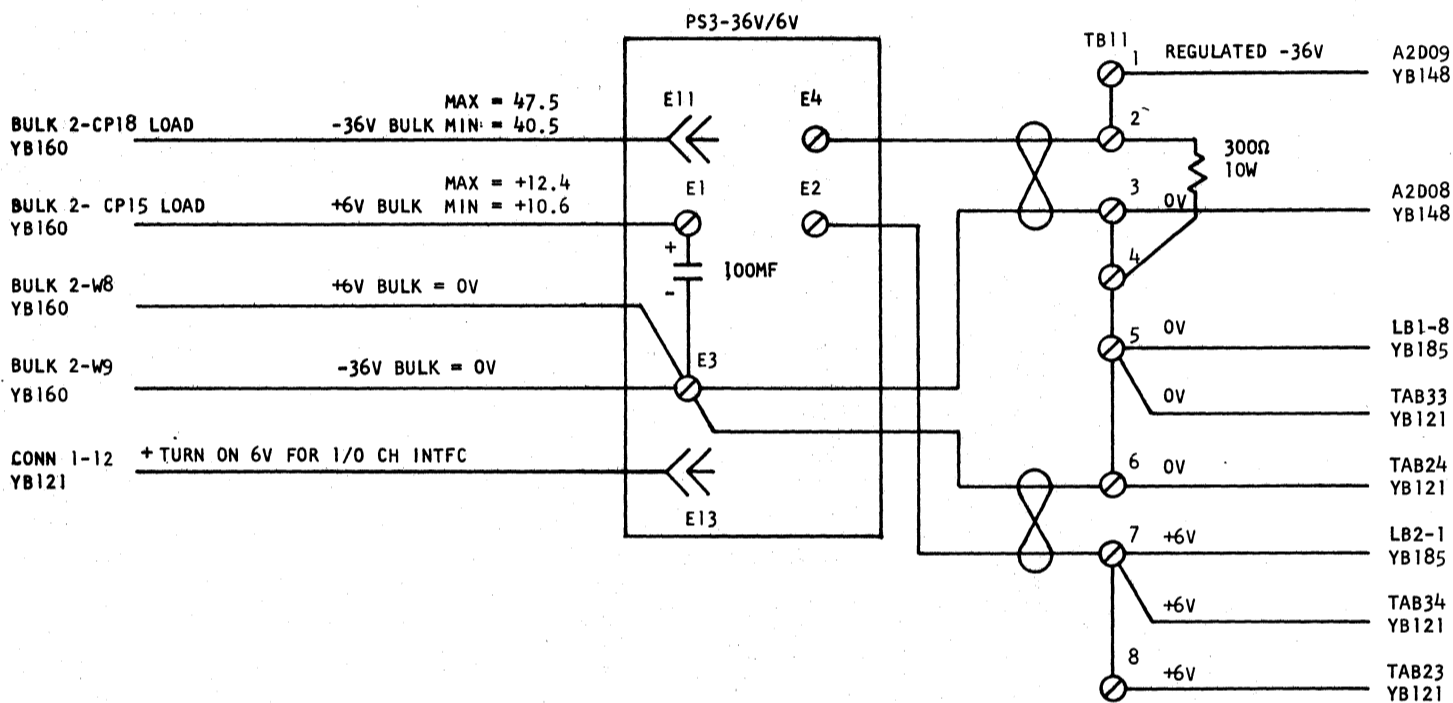
NOTES:
 1 * BULK VOLTAGES ARE SHOWN AT REGULATOR DESTINATIONS
 2 SEE YB026 FOR AC INPUT CONFIGURATIONS

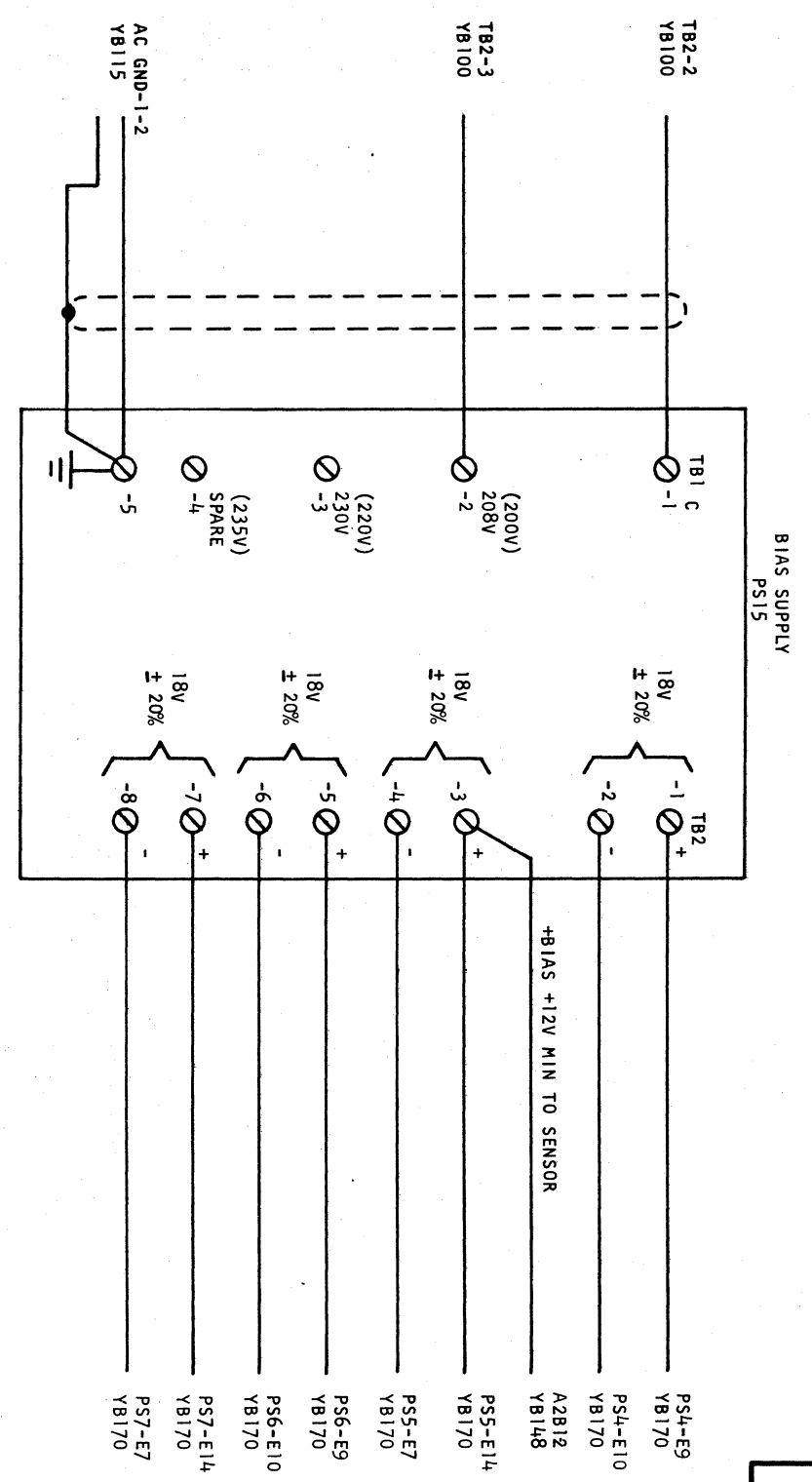
Y B 1 6 0

IBM CONFIDENTIAL
UNTIL OCT 1972, UNCLASSIFIED THEREAFTER

EC HISTORY		DRAWING TITLE	
20DEC71	437502	PS3-	
25JUL72	437529	MACH 3830-2	
		PART NO 2199863	
		CLASSIFICATION	IBM CORP

C





NOTES:
1. VOLTAGES IN PARENTHESES ARE 50HZ VOLTAGES.

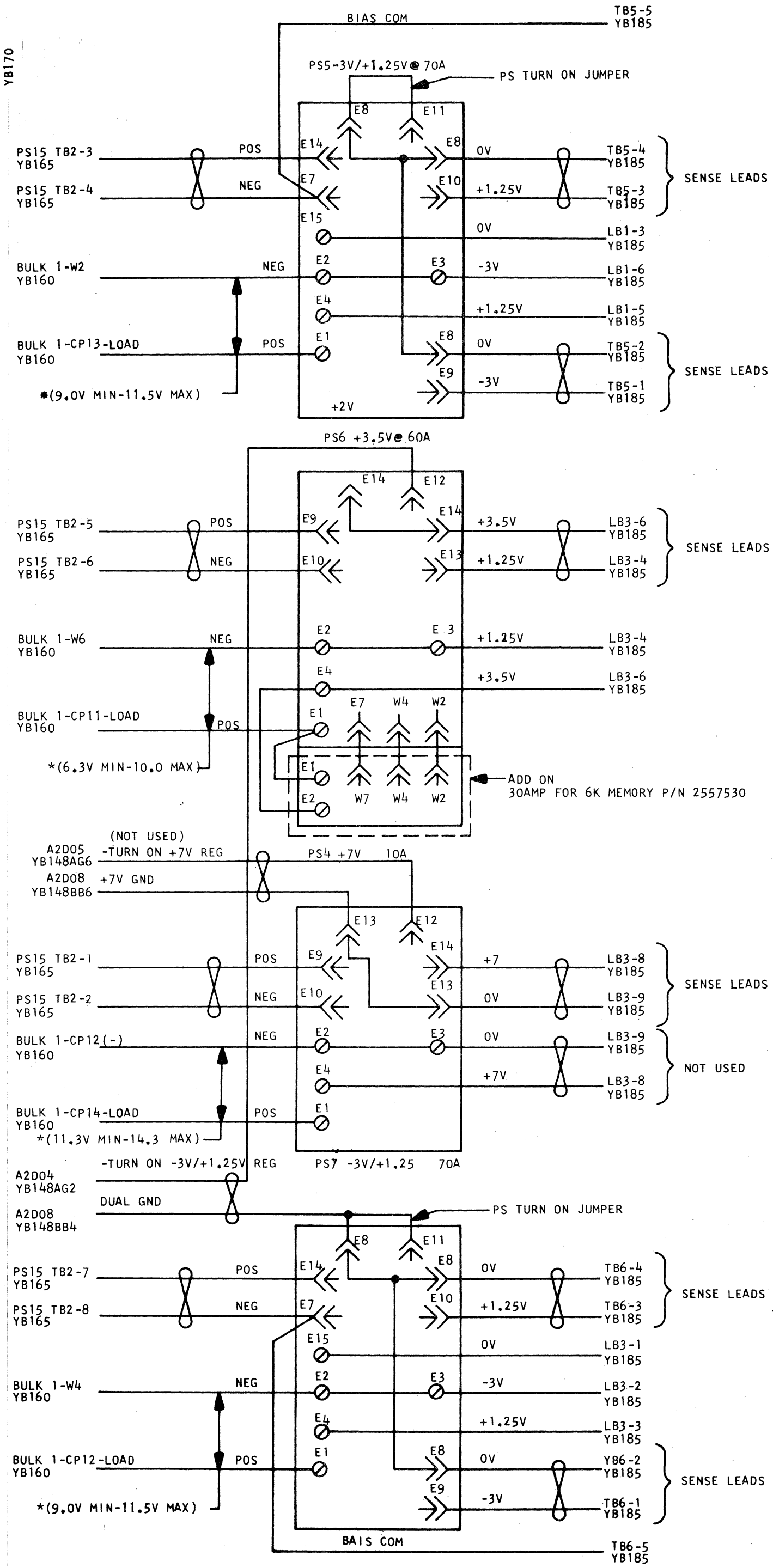
IBM CONFIDENTIAL
UNTIL OCT 1972, UNCLASSIFIED THEREAFTER

EC HISTORY		DRAWING TITLE
20DEC71	437502	BIAS SUPPLY
25JUL72	437529	MACH 3830-2
		PART NO 2199864
C		CLASSIFICATION
		IBM CORP

YB165

YB165

YB170

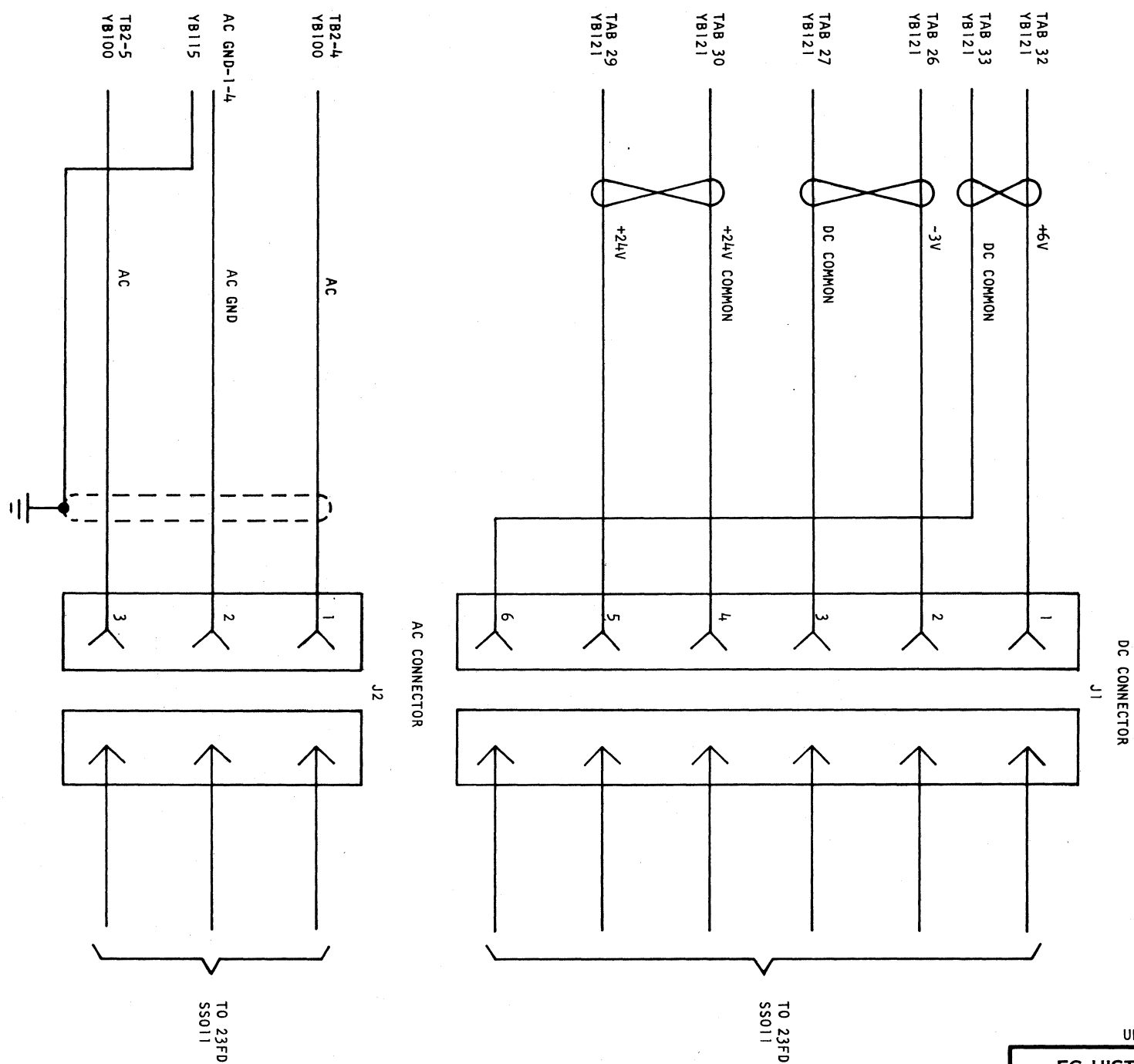


IBM CONFIDENTIAL UNTIL DECEMBER 1975

DRAWING TITLE		Y B 1 7 0	
EC HISTORY	437380	PS5-PS8	
		MACH 3830-2 SNIPE 2X	
		PART NO 2348930	
		CLASSIFICATION	IBM CORP
		FLW	11FEB75
C			

NOTES:
 1 *INDICATE MINIMUM AND MAXIMUM VOLTAGE INPUTS

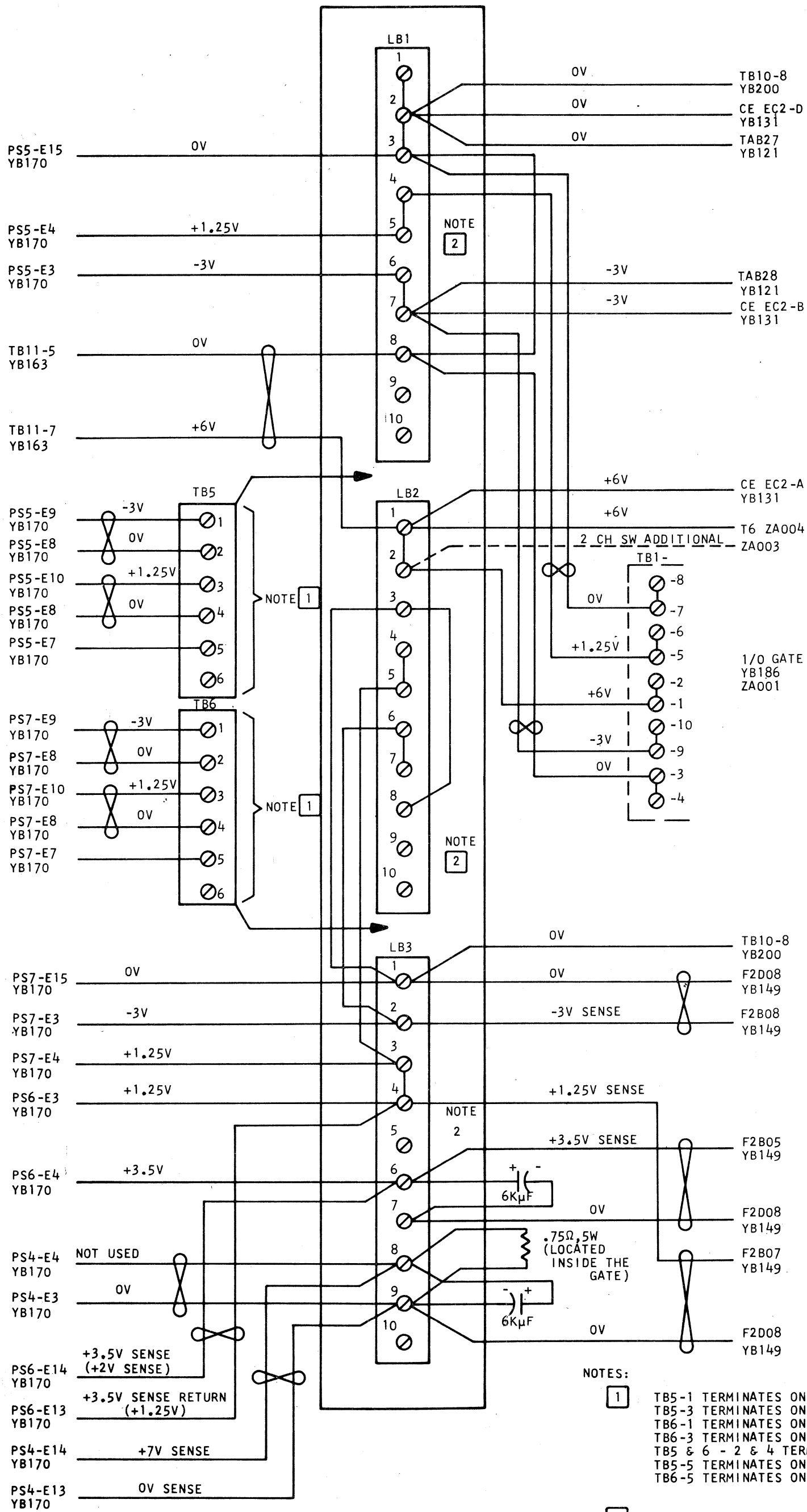
Y B 1 7 0



IBM CONFIDENTIAL
UNTIL OCT 1972, UNCLASSIFIED THEREAFTER

EC HISTORY		DRAWING TITLE	
20DEC71	437502	POWER CONNECTIONS TO 23FD	
25JUL72	437529	MACH 3030-2	
		PART NO 2199866	
C		CLASSIFICATION	
		IBM CORP	

YB185

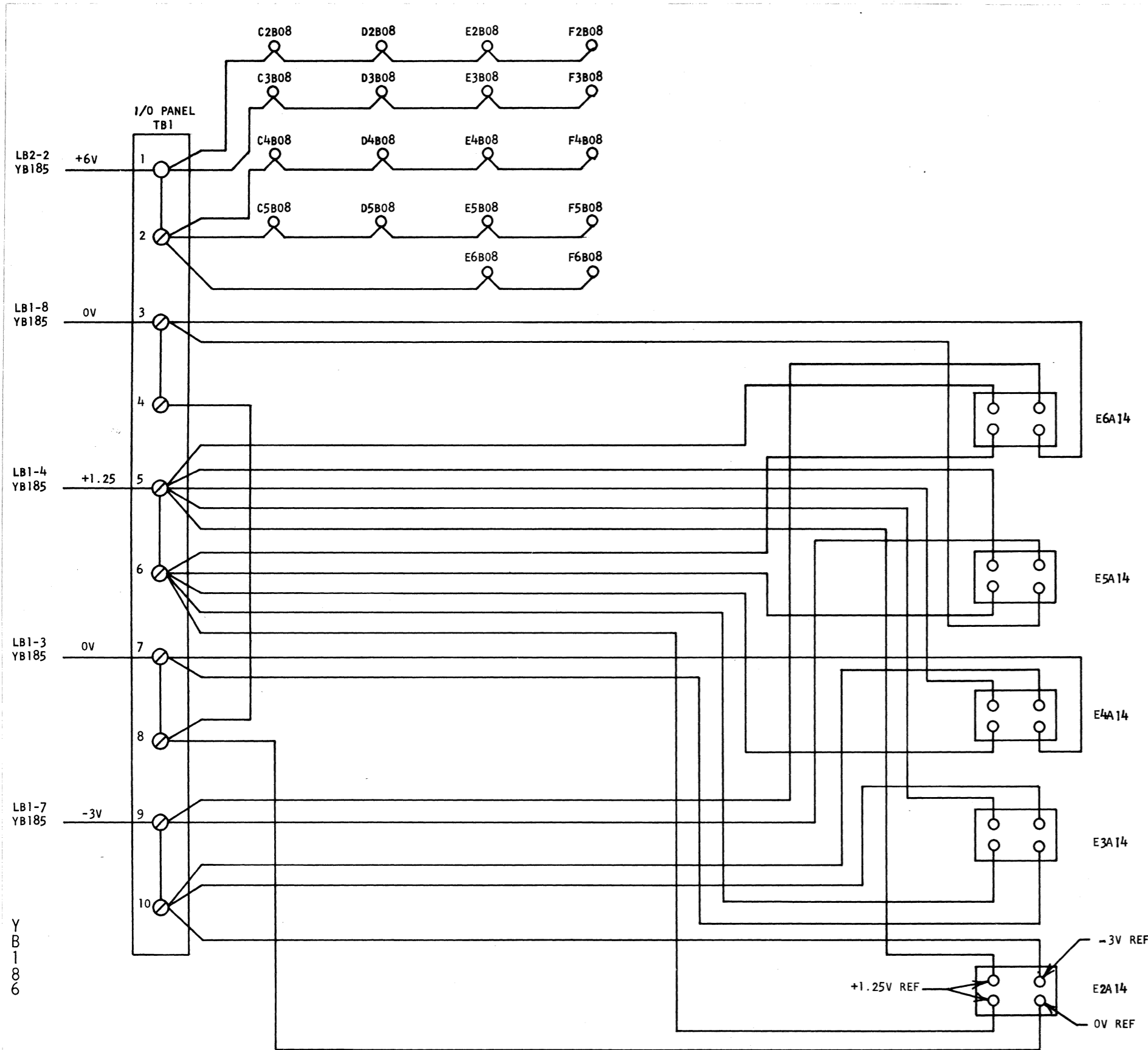


EC HISTORY	DRAWING TITLE	GATE D.C. DISTRIBUTION		CLASSIFICATION	FLW	11FEB75
	7FEB75	437380	MACH 3830-2			
IB NOV 75	437381	PART NO 2348931		IBM CORP		
					C	

IBM CONFIDENTIAL UNTIL DECEMBER 1975

NOTES:

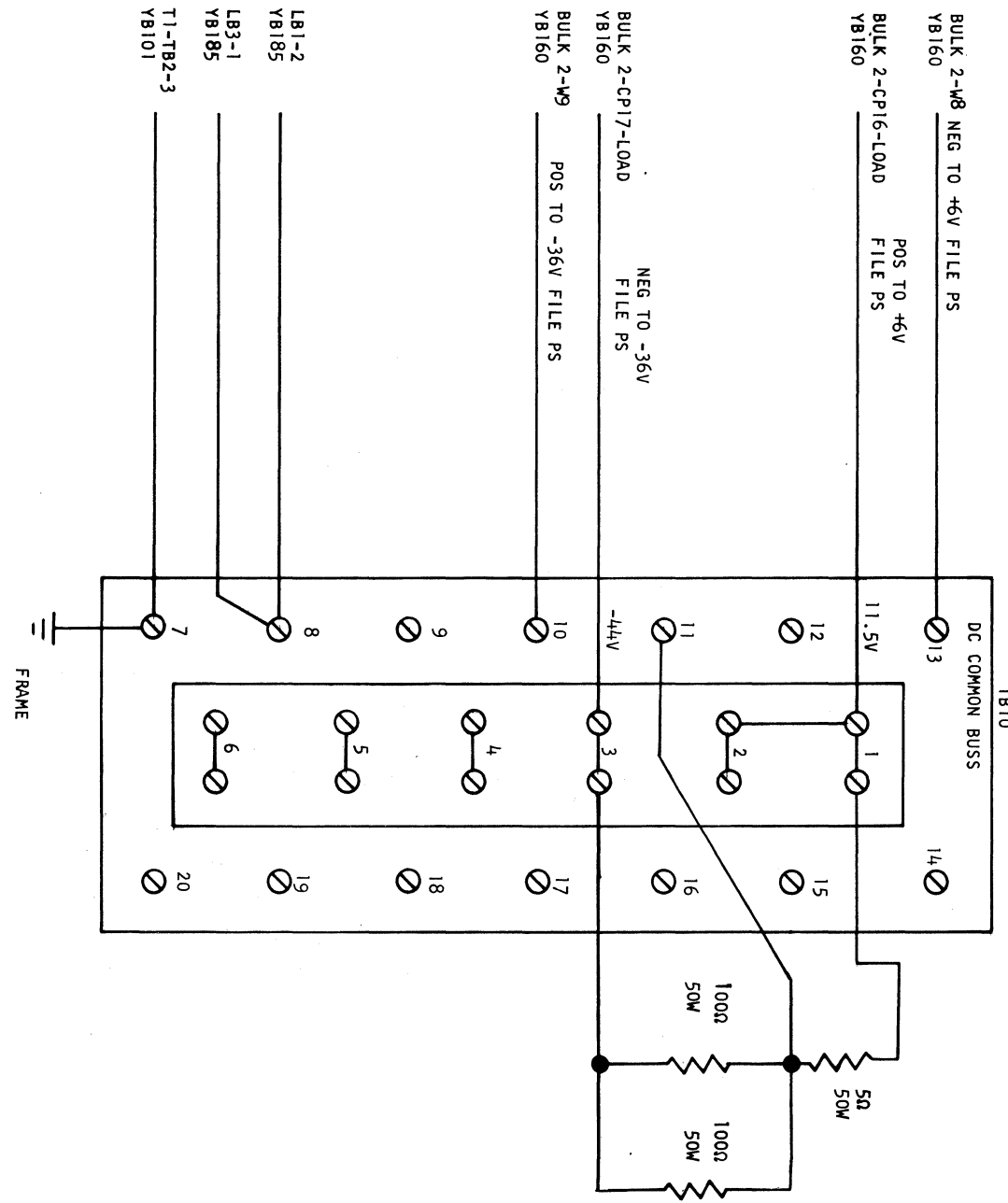
- 1 TB5-1 TERMINATES ON B1C2-G06
TB5-3 TERMINATES ON B1C2-J03
TB6-1 TERMINATES ON B3A2-G06
TB6-3 TERMINATES ON B3A2-G11
TB5 & 6 - 2 & 4 TERMINATES ON GND RAILS
TB5-5 TERMINATES ON B1C2-GND RAIL AT J05
TB6-5 TERMINATES ON B3A2-GND RAIL AT G08
- 2 SEE YB220 FOR LAMINAR BUS CONNECTIONS



EC HISTORY		DRAWING TITLE	
20DEC71	437502	DC DISTRIBUTION ON IO BOARD	
25JUL72	437529	MACH 3830-2	
25APR73	437552	PART NO 2199874	
C		CLASSIFICATION	
		IBM CORP	

Y
B
1
8
6

Y
B
1
8
6



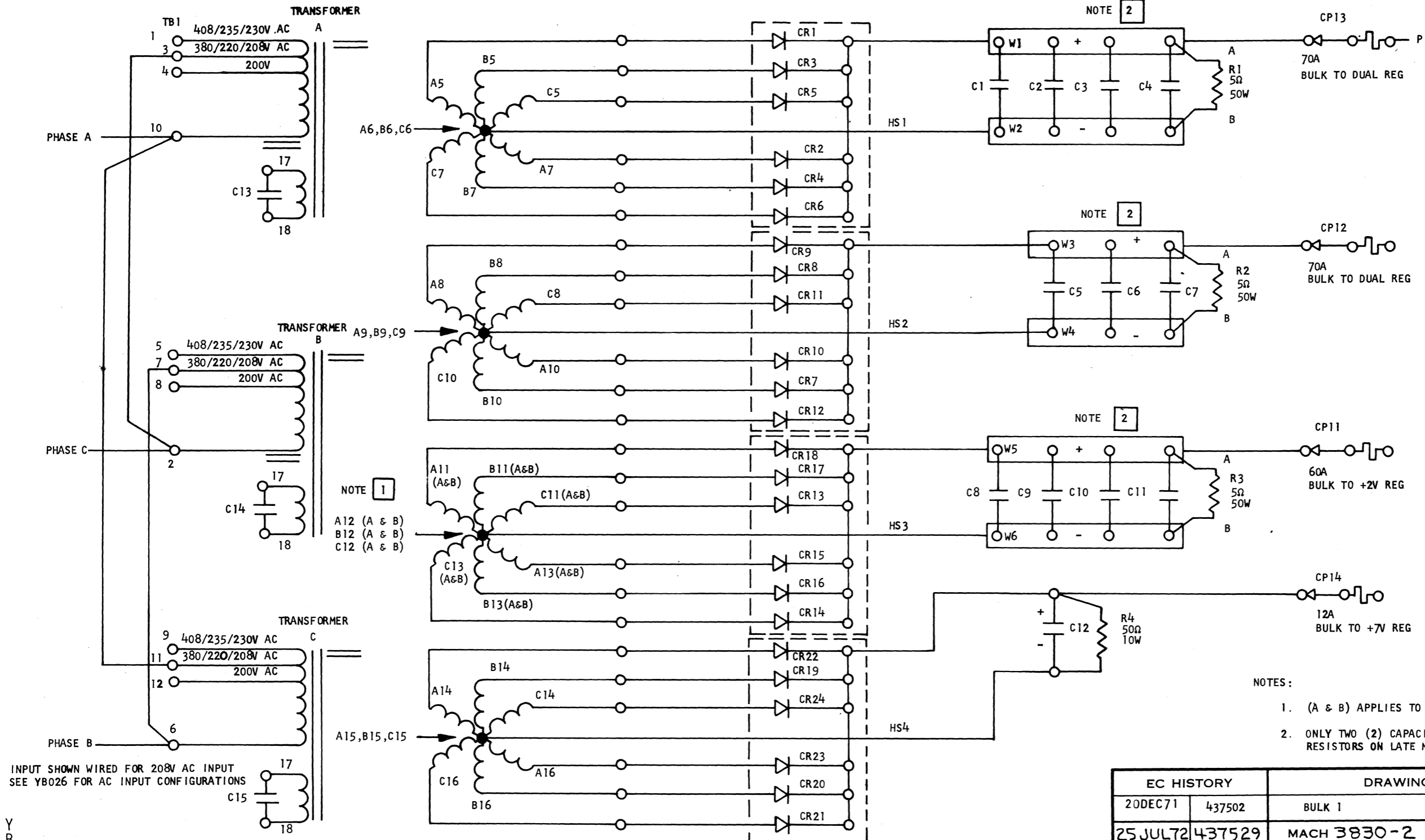
IBM CONFIDENTIAL
UNTIL OCT 1972, UNCLASSIFIED THEREAFTER

EC HISTORY		DRAWING TITLE	
20DEC71	437502	DC DISTRIBUTION	
6MAR72	437517	MACH 3830-2	
25JUL72	437529	PART NO	2199868
C		CLASSIFICATION	IBM CORP

YB200

YB200

BULK 1



NOTE 1
 A12 (A & B)
 B12 (A & B)
 C12 (A & B)

NOTE 2

NOTE 2

NOTE 2

- NOTES:
- (A & B) APPLIES TO 60 HZ ONLY
 - ONLY TWO (2) CAPACITORS WITH 50Ω 10W RESISTORS ON LATE MACHINES

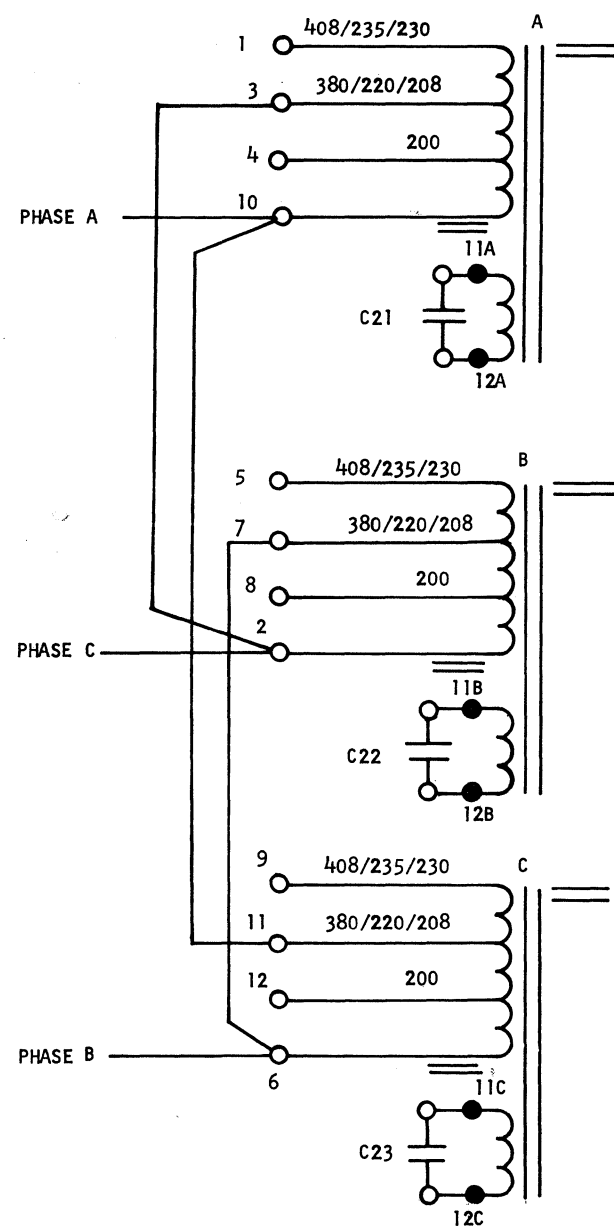
INPUT SHOWN WIRED FOR 208V AC INPUT
 SEE YB026 FOR AC INPUT CONFIGURATIONS

EC HISTORY		DRAWING TITLE	
20DEC71	437502	BULK 1	
25JUL72	437529	MACH 3830-2	
25APR73	437552	PART NO 2199869	
C	CLASSIFICATION		IBM CORP

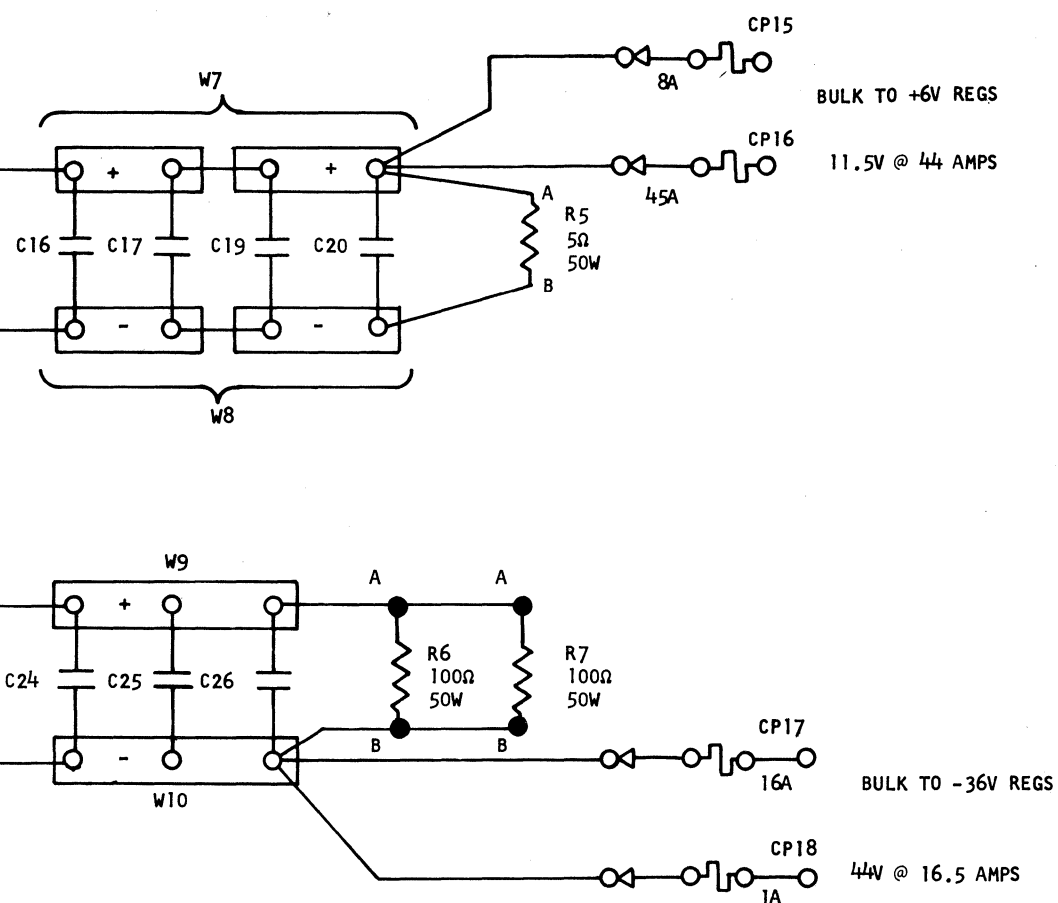
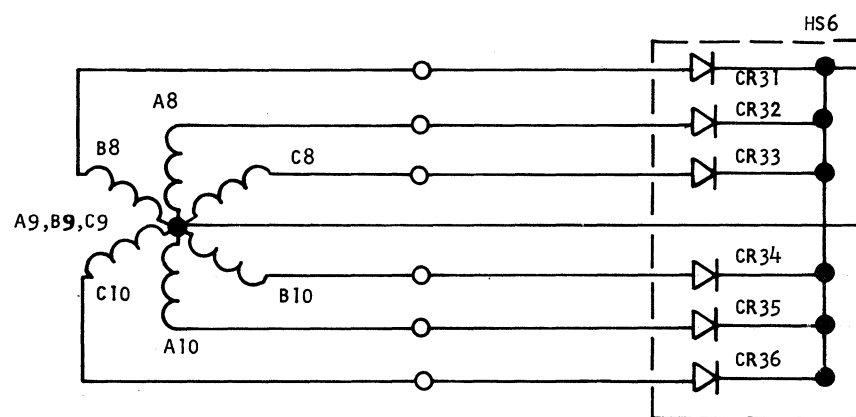
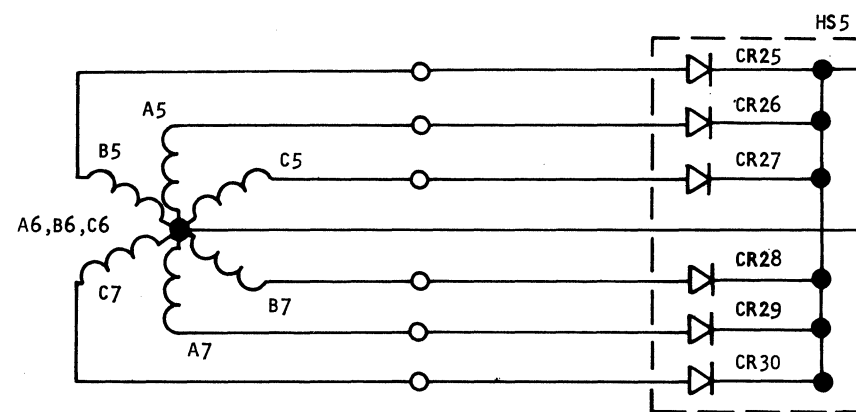
Y B 2 0 1

Y B 2 0 1

BULK 2
SHOWN WIRED FOR 208V AC INPUT



SEE YB026 FOR AC INPUT CONFIGURATIONS



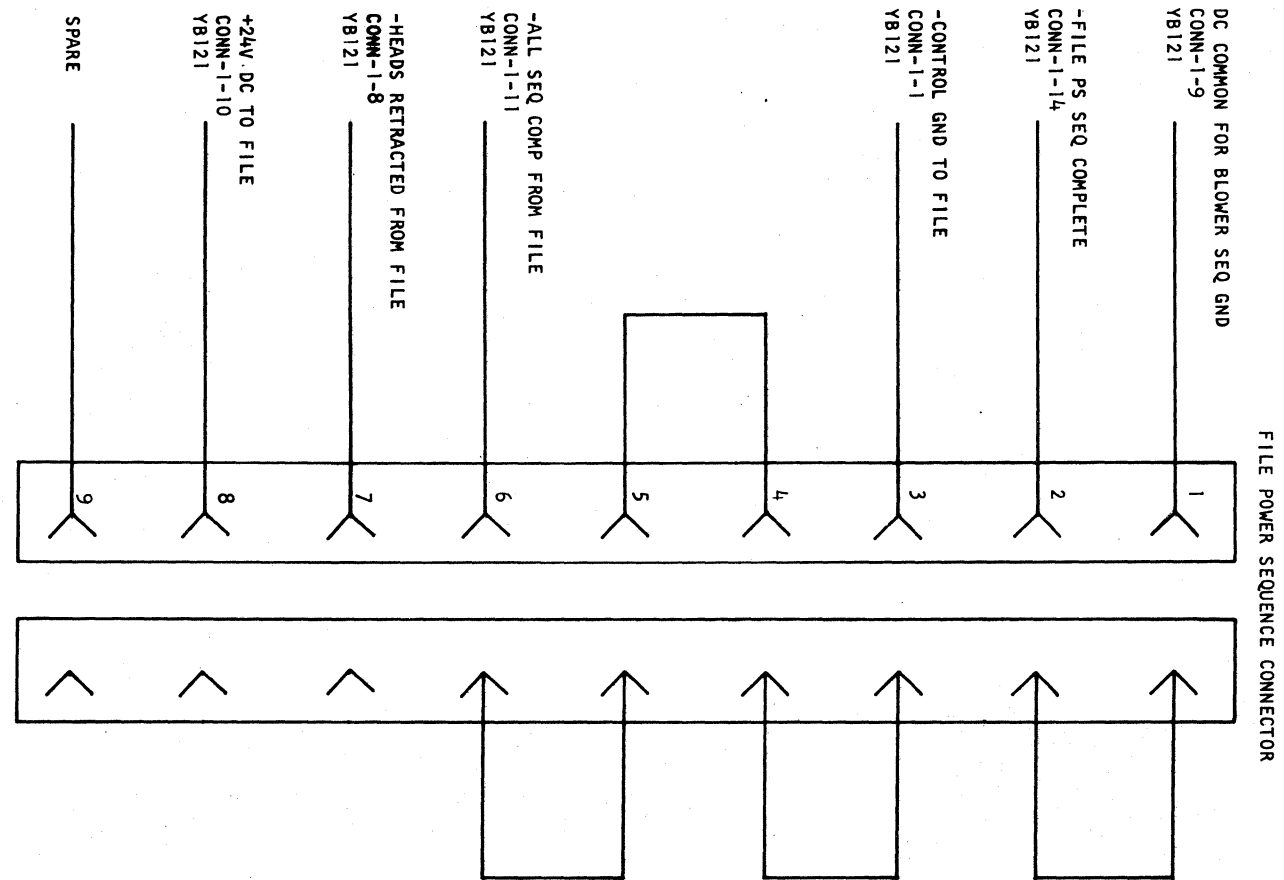
COMPONENT CHART	
CODE	DESCRIPTION
TR A,B,C	TRANSFORMER, FERRO
CR25-30	RECTIFIER 30A, 150V
CR31-36	RECTIFIER 10A, 150V
C21-23	CAPACITOR 30 µfd 330V AC
C16-20	CAPACITOR 120K µfd, 15V
C24-26	CAPACITOR 34K µfd, 55V
CP16	CIRCUIT BREAKER 45A
CP17	CIRCUIT BREAKER 16A
CP15	CIRCUIT BREAKER 8A
CP18	CIRCUIT BREAKER 1A
R5	5Ω, 50W
R6-7	100Ω, 50W

IBM CONFIDENTIAL
UNTIL OCT 1972, UNCLASSIFIED THEREAFTER

EC HISTORY		DRAWING TITLE	
20DEC71	437502	BULK 2	
25JUL72	437529	MACH 3830-2	
		PART NO 2199870	
C	CLASSIFICATION		IBM CORP

Y
B
2
0
2

Y
B
2
0
2

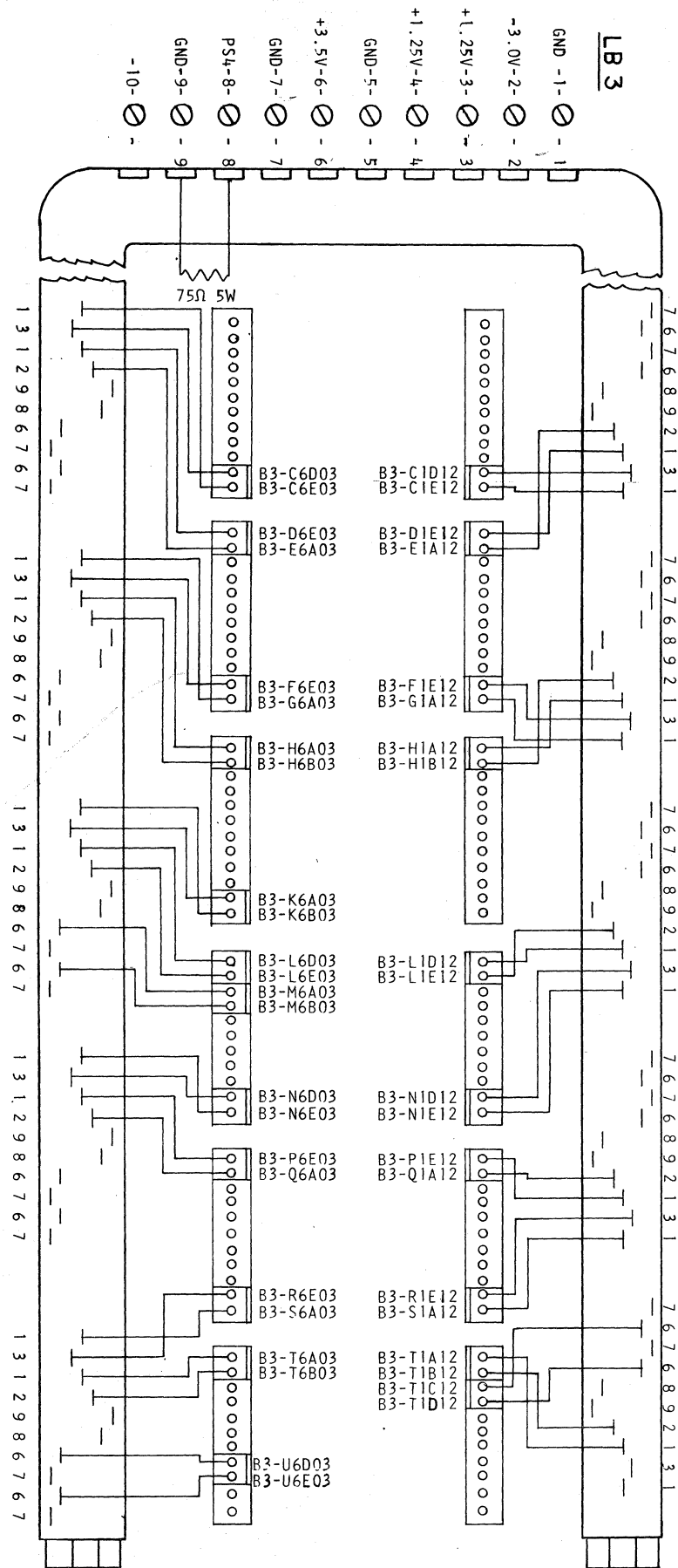


IBM CONFIDENTIAL
 UNTIL OCT 1972, UNCLASSIFIED THEREAFTER

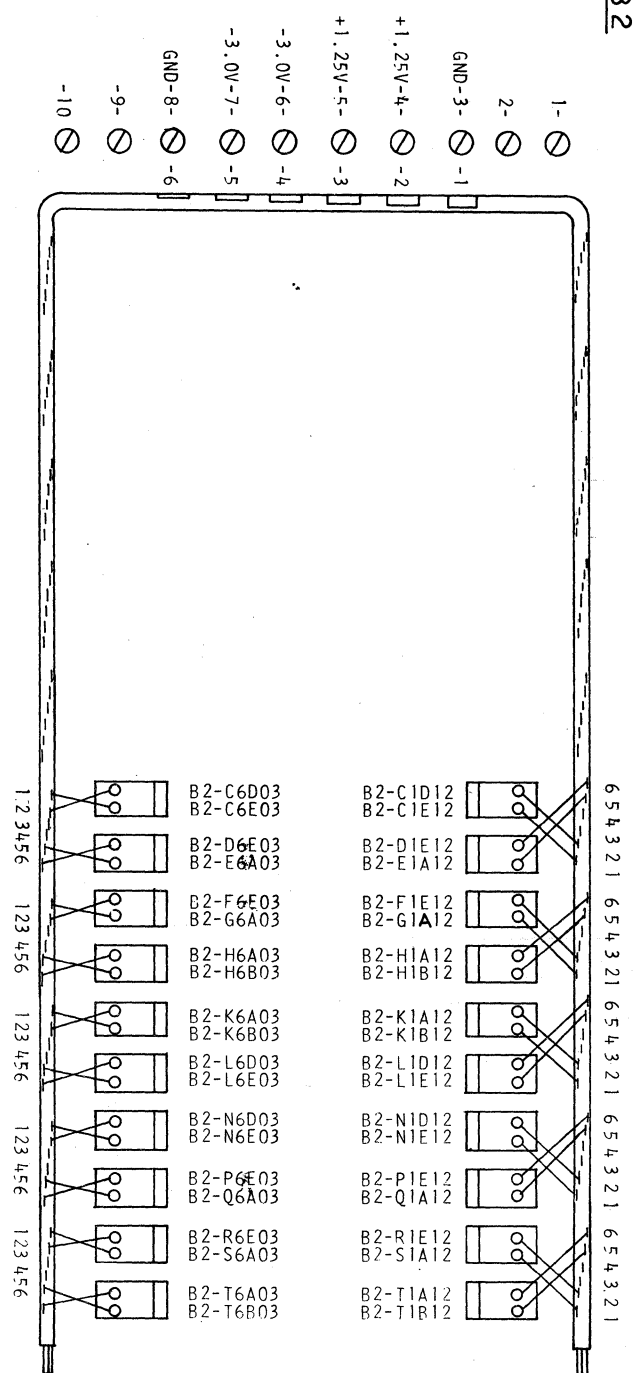
EC HISTORY		DRAWING TITLE	
20DEC71	437502	FILE POWER SEQUENCE CONNECTOR	
25 JUL72	437529	MACH 3830-2	
		PART NO 2199871	
C		CLASSIFICATION	IBM CORP

YB210

YB210

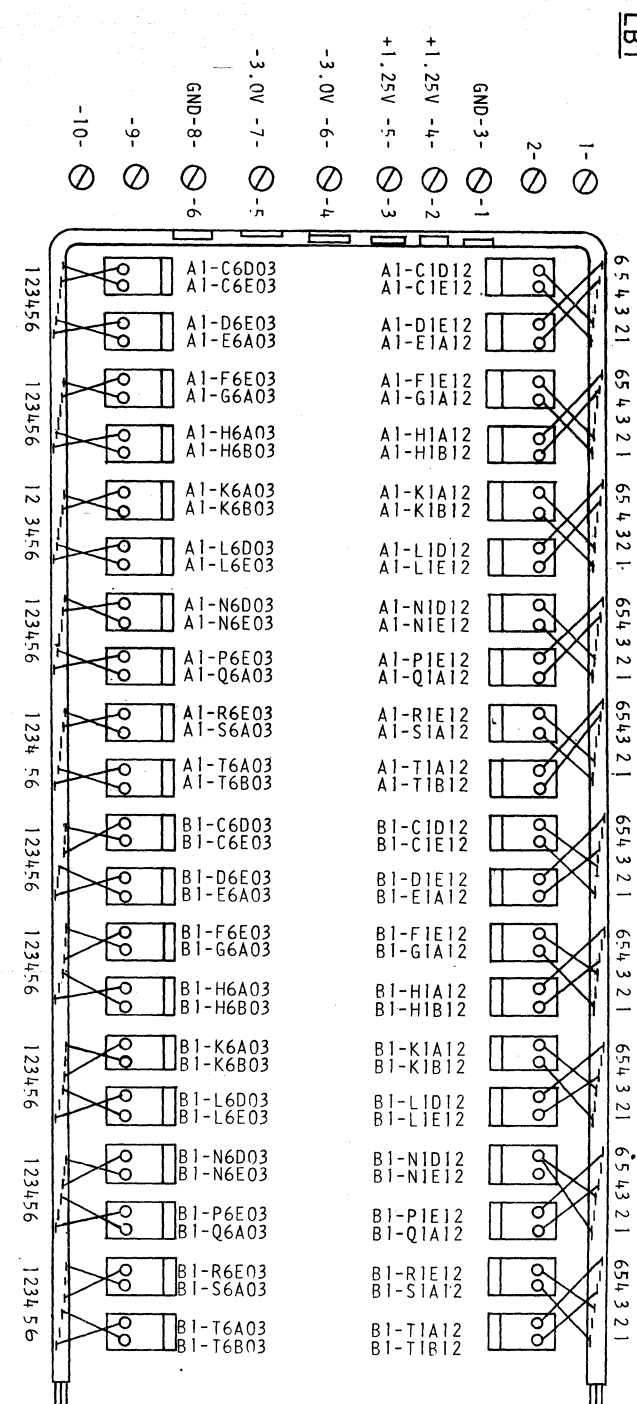


OIA B3



OIA-B2

NOTES:
1 SEE YR185 FOR LAMINAR BUS VOLTAGE CONNECTIONS

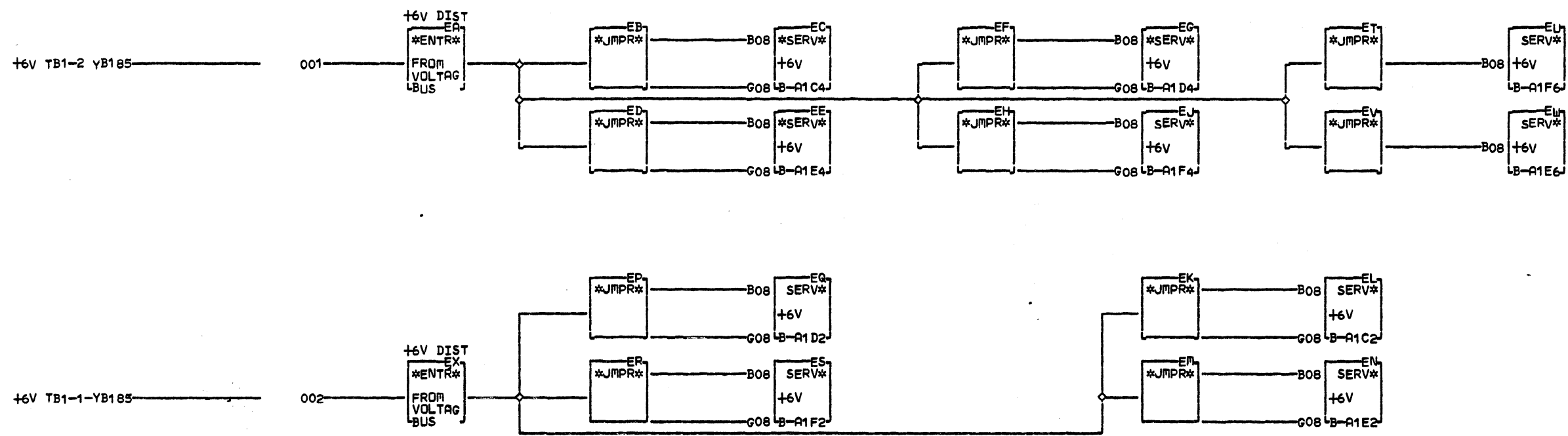


OIA-A1

OIA-B1

IBM CONFIDENTIAL UNTIL DEC 1975

EC HISTORY		DRAWING TITLE	
7FEB75	437380	GATE LAMINAR BUS	
		MACH 3830-2 SNIPE	
		PART NO 2348932	
D	CLASSIFICATION		IBM CORP
	11FEB75	FLW	

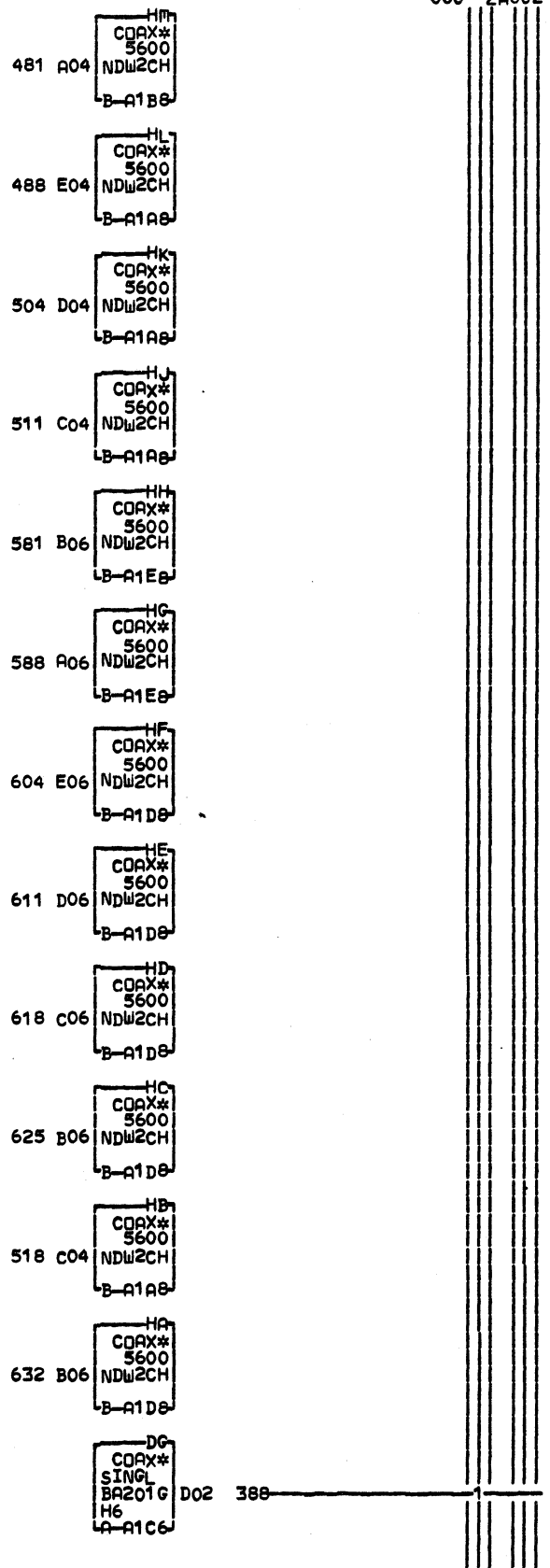
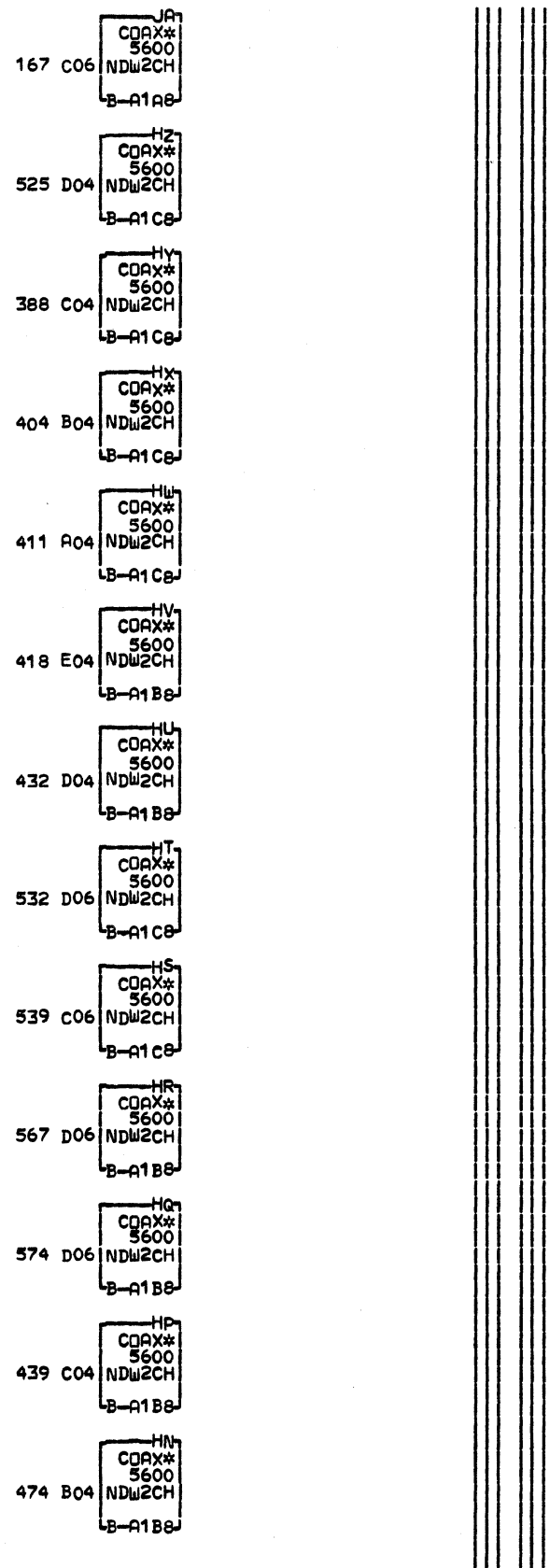
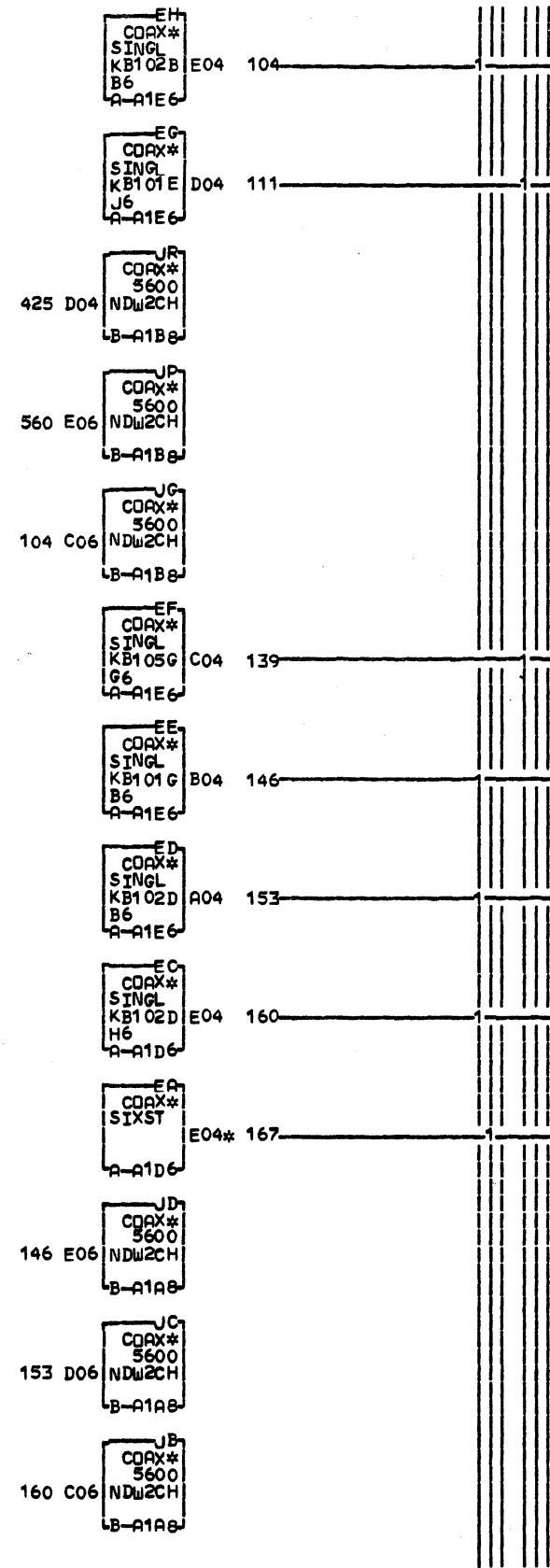


LOC. TYPE

1000
000

TAILGATE BOARD	
SERVICE VOLTAGES	
E.C. HISTORY	MACH. 3830-2
437301	
DATE	LAST EC
06-15-73	437310
FRAME	01
IBM CORP. SDD	
P.N.	2345969

ZA001
000



PAGE
01
OF
02

ZA002

000

EDGE CONN. 01B-A10J 01B-A10J
 167 A-P103 518 A-P102 632 A-P102
 01A-P2 01A-P2 01A-P2
 01B-P1 01B-P1 01B-P1
 01B-P2 01B-P2 01B-P2
 01B-A10J 01B-A10J 01B-A10M
 432 A-P102 574 A-P102
 01A-P2 01A-P2
 01B-P1 01B-P1
 01B-P2 01B-P2

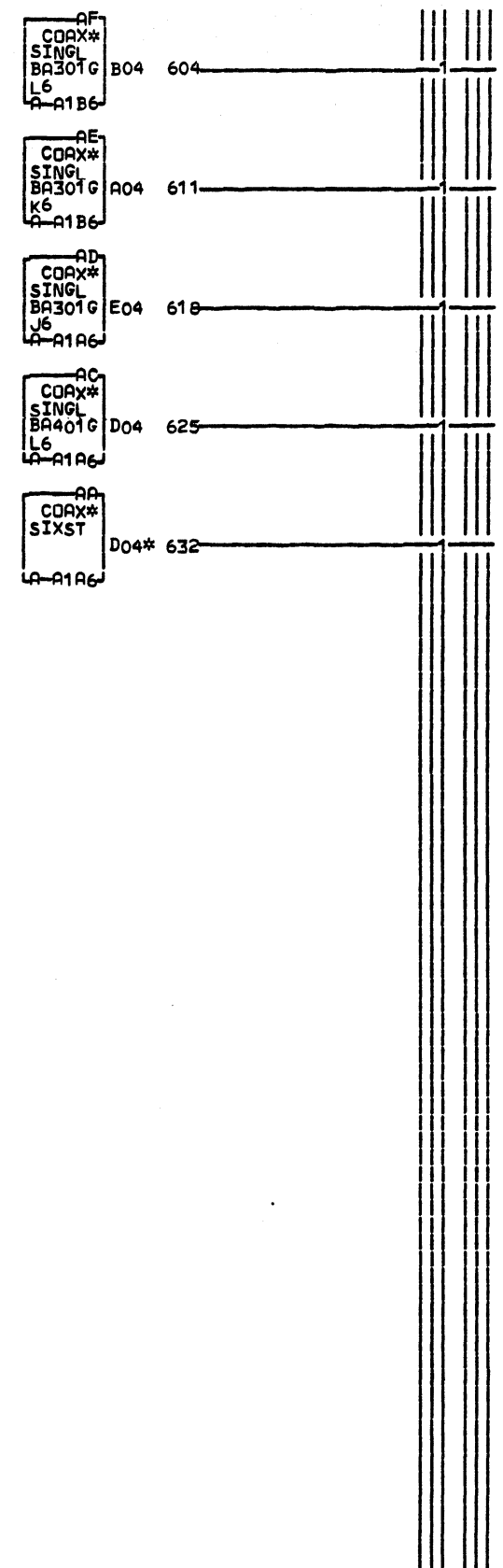
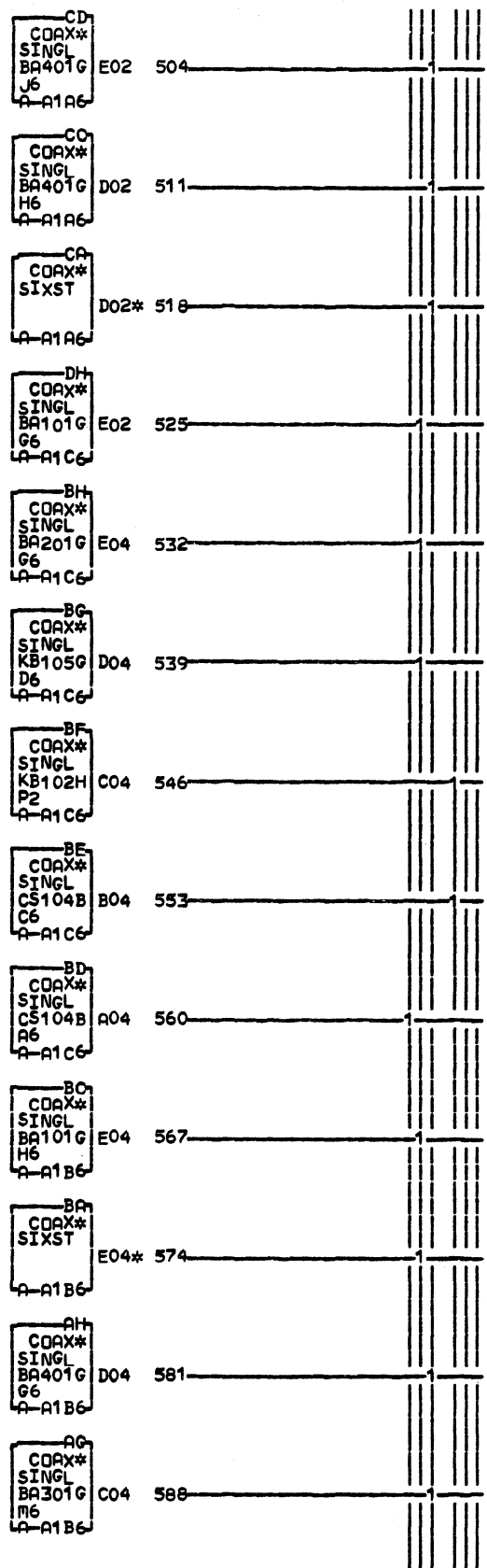
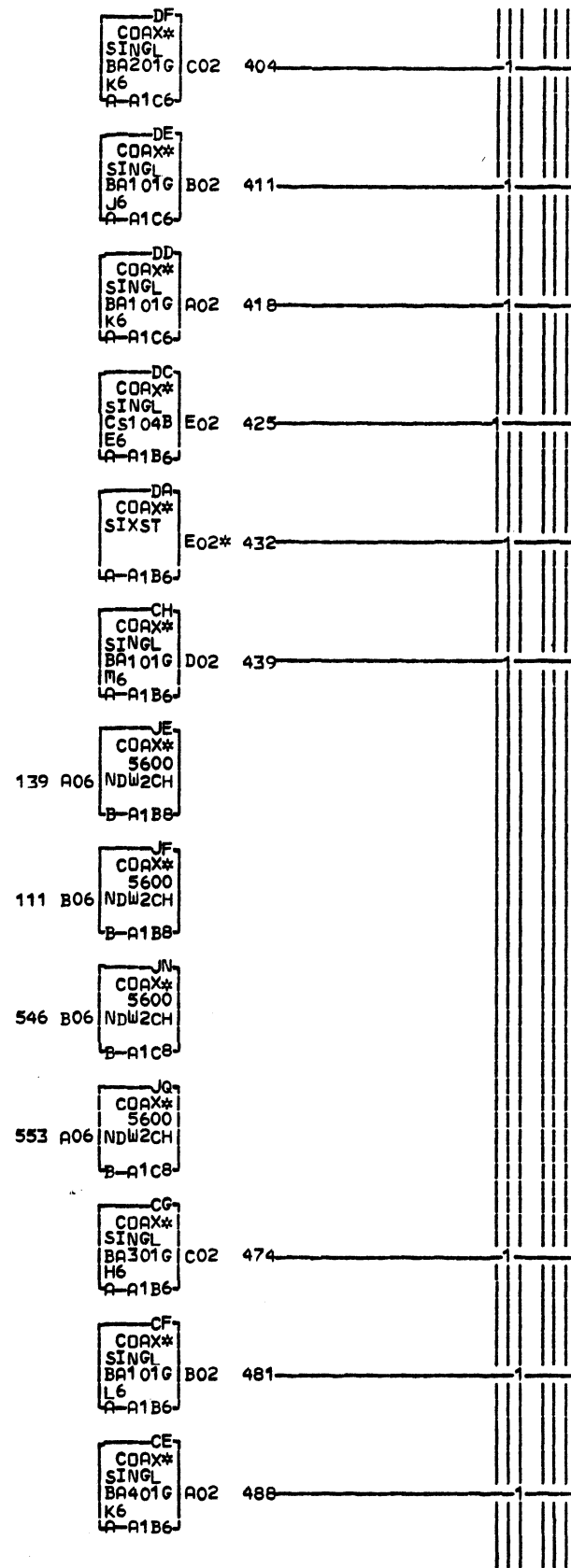
LOC. TYPE

CABLES W2CH
 B-A1 TO A1 BOARD
 E.C. HISTORY B MACH. 3830-2
 437301 437305
 437302
 437303
 437304
 DATE LAST EC
 06-15-73 437310
 FRAME 01
 IBM CORP. SDD
 P.N. 2345970

PAGE
01
OF
02

ZA002

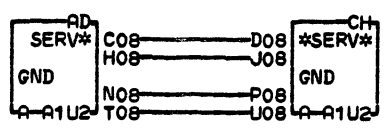
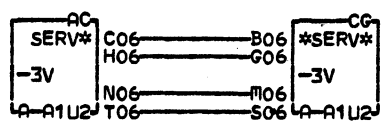
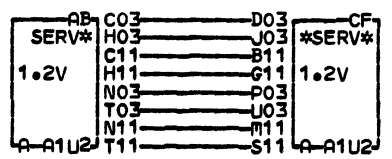
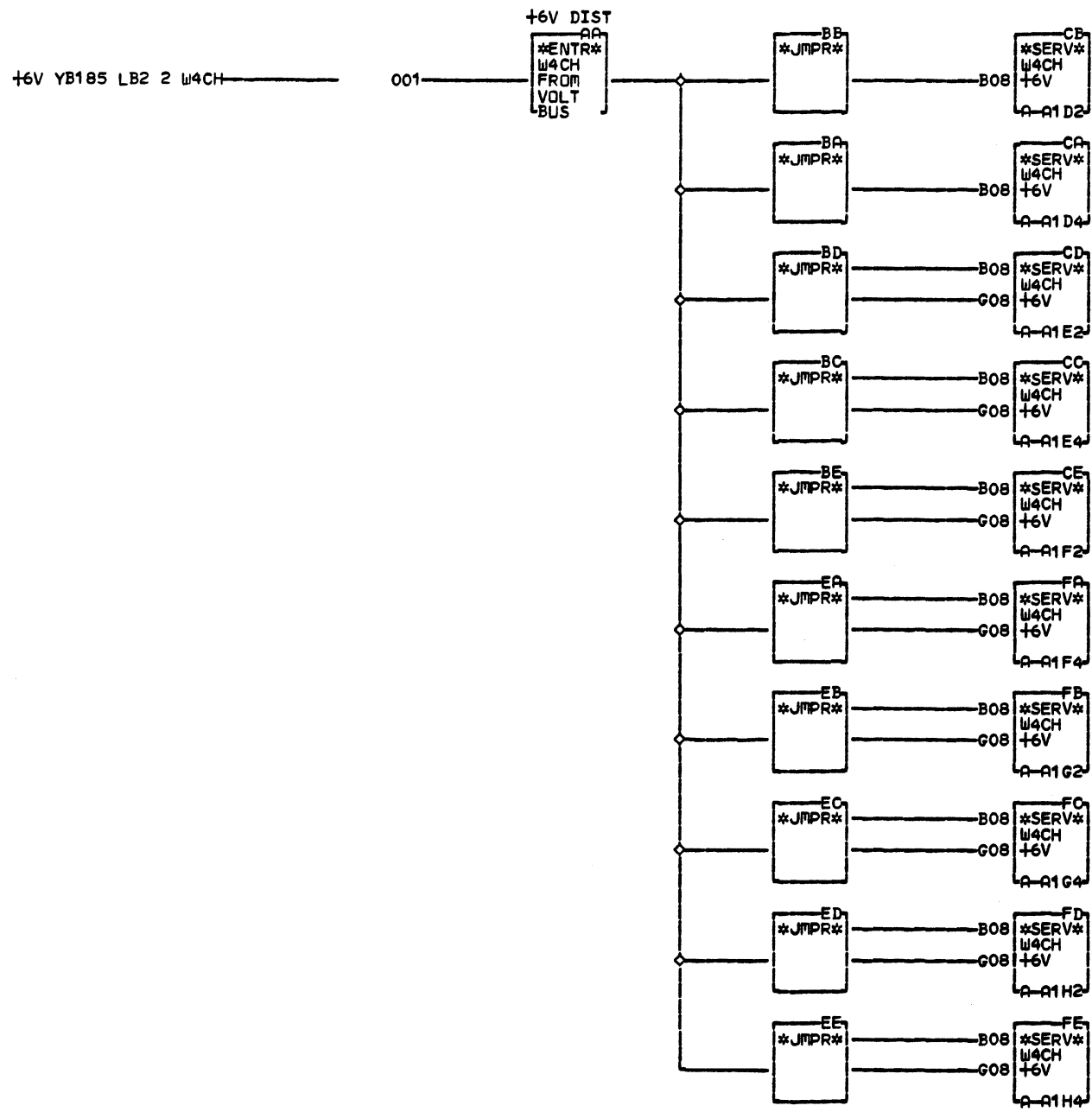
000



EDGE CONN.	01B-A10J	01B-A10J
167 A-P103	518 A-P102	632 A-P102
01A-P2	01A-P2	01A-P2
01B-P1	01B-P1	01B-P1
01B-P2	01B-P2	01B-P2
01B-A10J	01B-A10J	01B-A10M
432 A-P102	574 A-P102	
01A-P2	01A-P2	
01B-P1	01B-P1	
01B-P2	01B-P2	

LOC. TYPE

CABLES W2CH		B-A1 TO A1 BOARD		E.C. HISTORY		MACH. 3830-2	
437301	437305	FRAME	01				
437302		IBM CORP.	sDD				
437303		DATE	LAST EC				
437304		06-15-73	437310	P.No.	2345970		

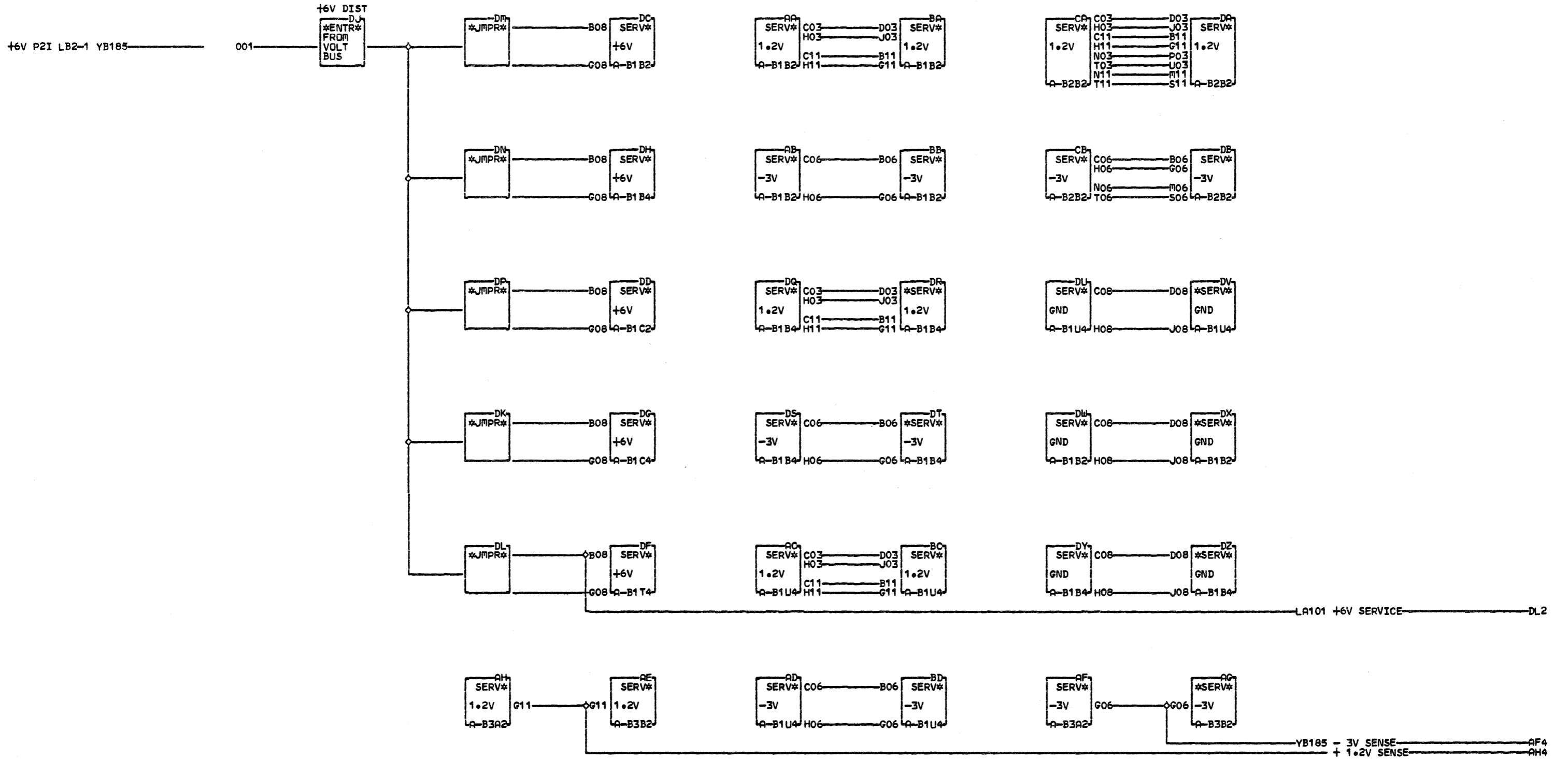


LOC. TYPE

ROOM

SERVICE PAGE A1 BOARD	
E.C. HISTORY	B. MACH. 3830-2
DATE	LAST EC
11-28-75	437381
FRAME	01
IBM CORP. SDD	
PoN. 2290493	

ZA003
005



LOC. TYPE

SERVICE PAGE B1B2-B3 BDS	
E.C. HISTORY	B MACH. 3830-2
437380	FRAME 01
DATE LAST EC	IBM CORP. SDD
11-28-75 437381	P.No. 2290476

NOON

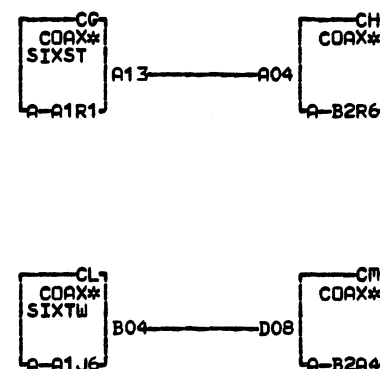
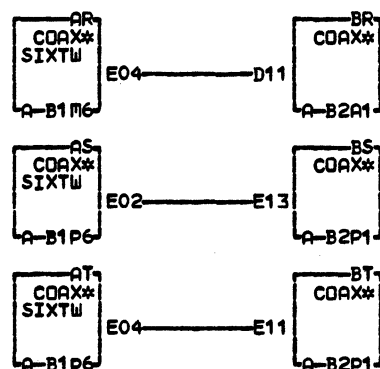
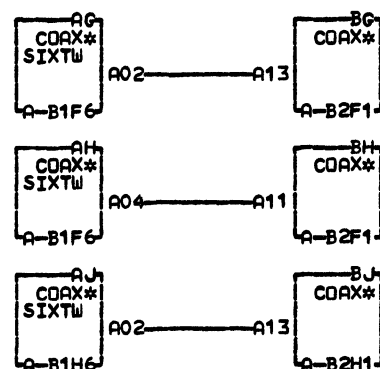
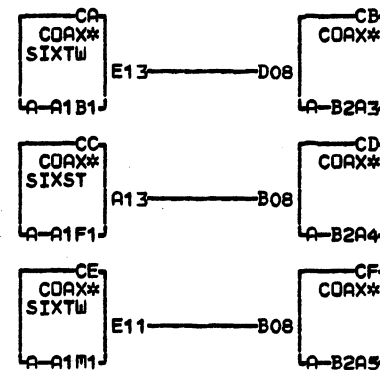
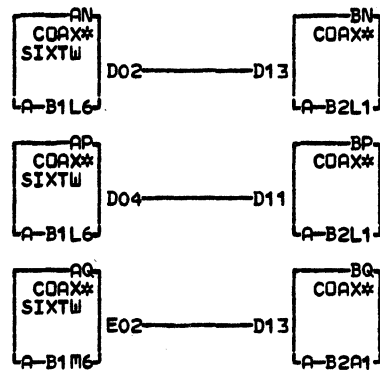
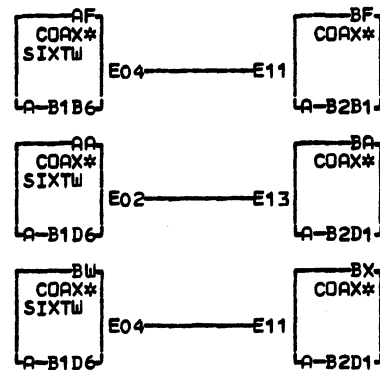
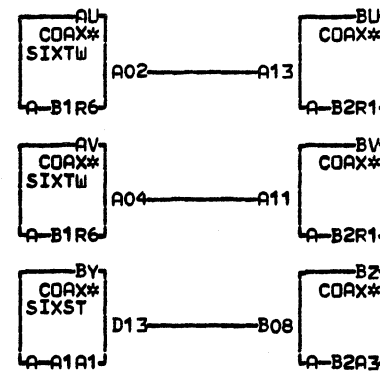
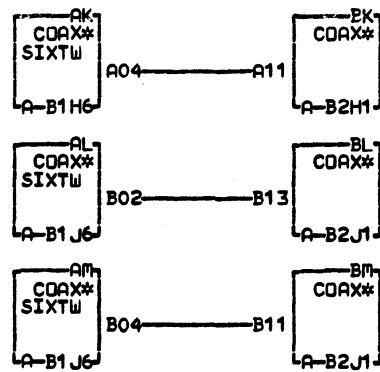
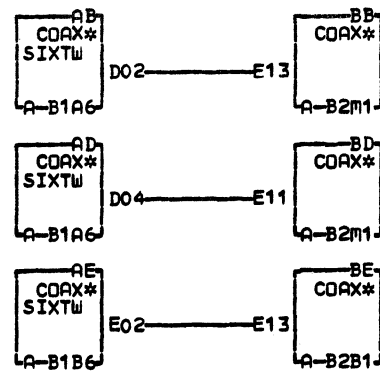
NOON

IBM CONFIDENTIAL

UNTIL 03-30-76 UNCLASSIFIED

THEREAFTER

005 ZA005

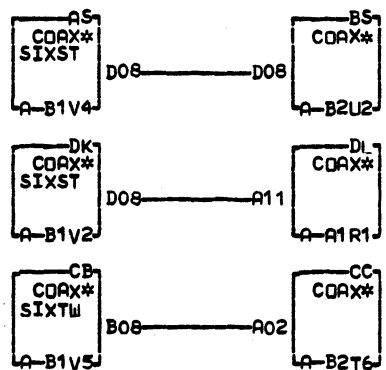
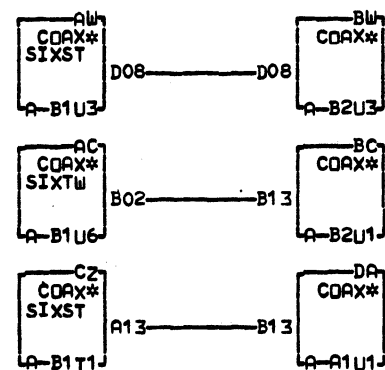
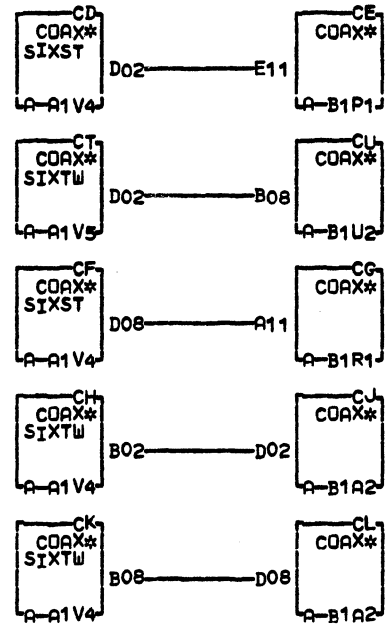
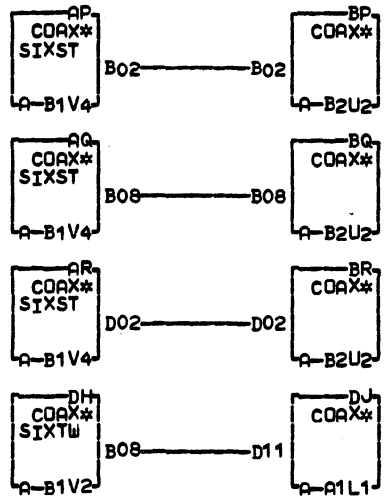
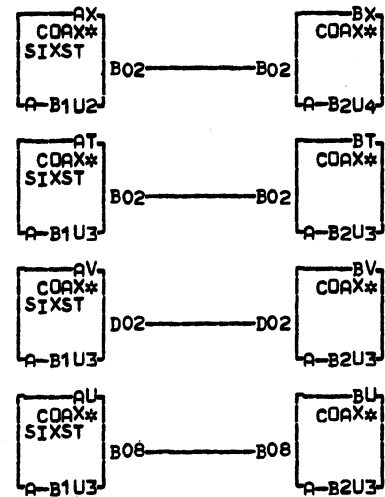
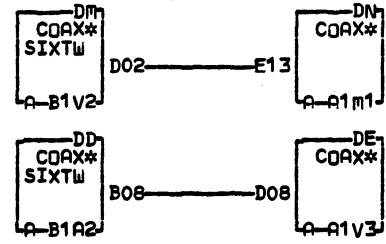
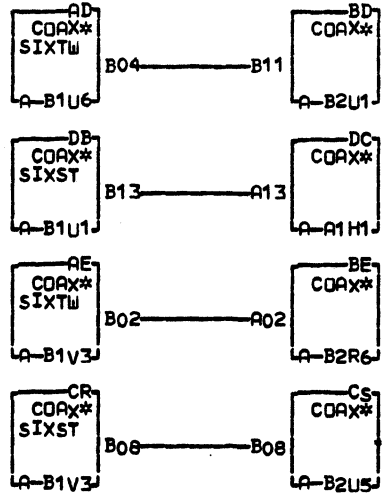
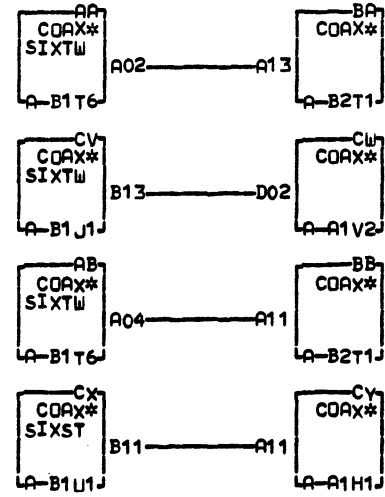


LOC. TYPE

NOON

CABLES	
E.C. HISTORY 437380	MACH. 3830-2 FRAME 01 IBM CORP. SDD P.O. 2290477
DATE 11-28-75	LAST EC 437381

NOON
005



LOC. TYPE

6-PAK CABLES	
E.C. HISTORY	B. MACH. 3830-2
437301	
437303	FRAME 01
437304	
437305	IBM CORP. SDD
DATE	LAST EC
06-15-73	437310
	Pa. No. 2345974

IBM

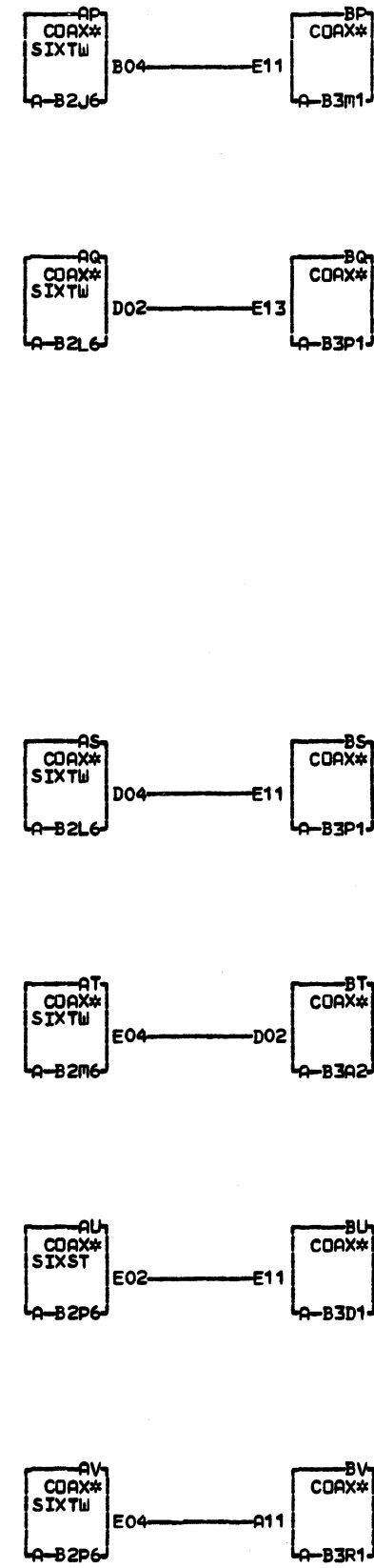
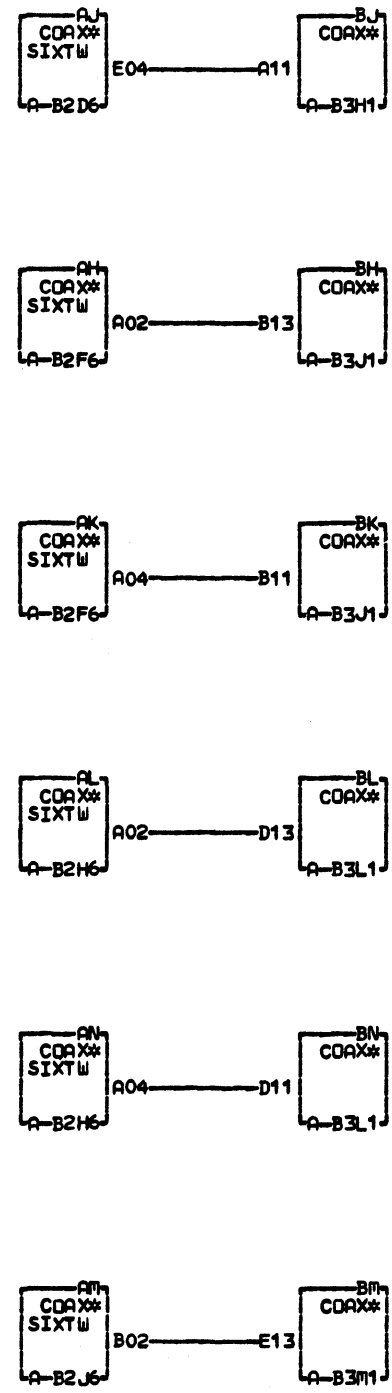
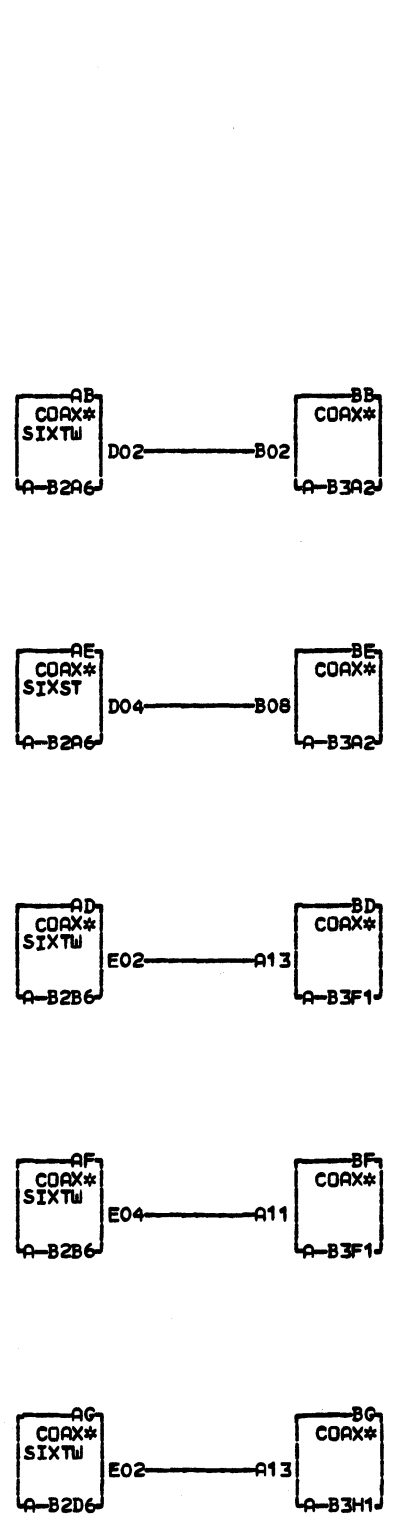
CONFIDENTIAL

UNTIL 03-30-76

UNCLASSIFIED

THEREAFTER

005 ZA007

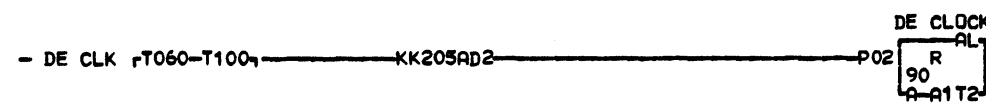
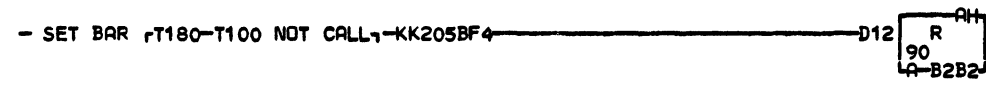
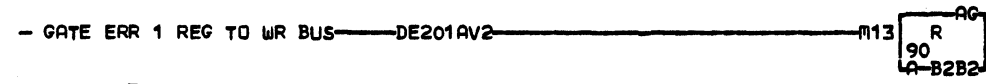
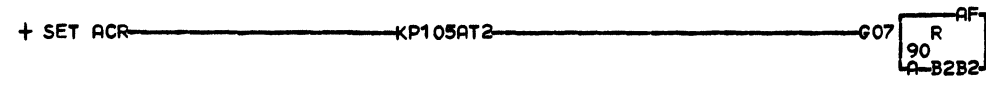


LOC. TYPE

CABLES TO MEMORY BOARD B3	
E.C. HISTORY 437380	MACH. 3830-2
DATE 11-28-75	LAST EC 437381
FRAME 01	IBM CORP. SDD
P.o.N. 2290478	

NOON

NOON

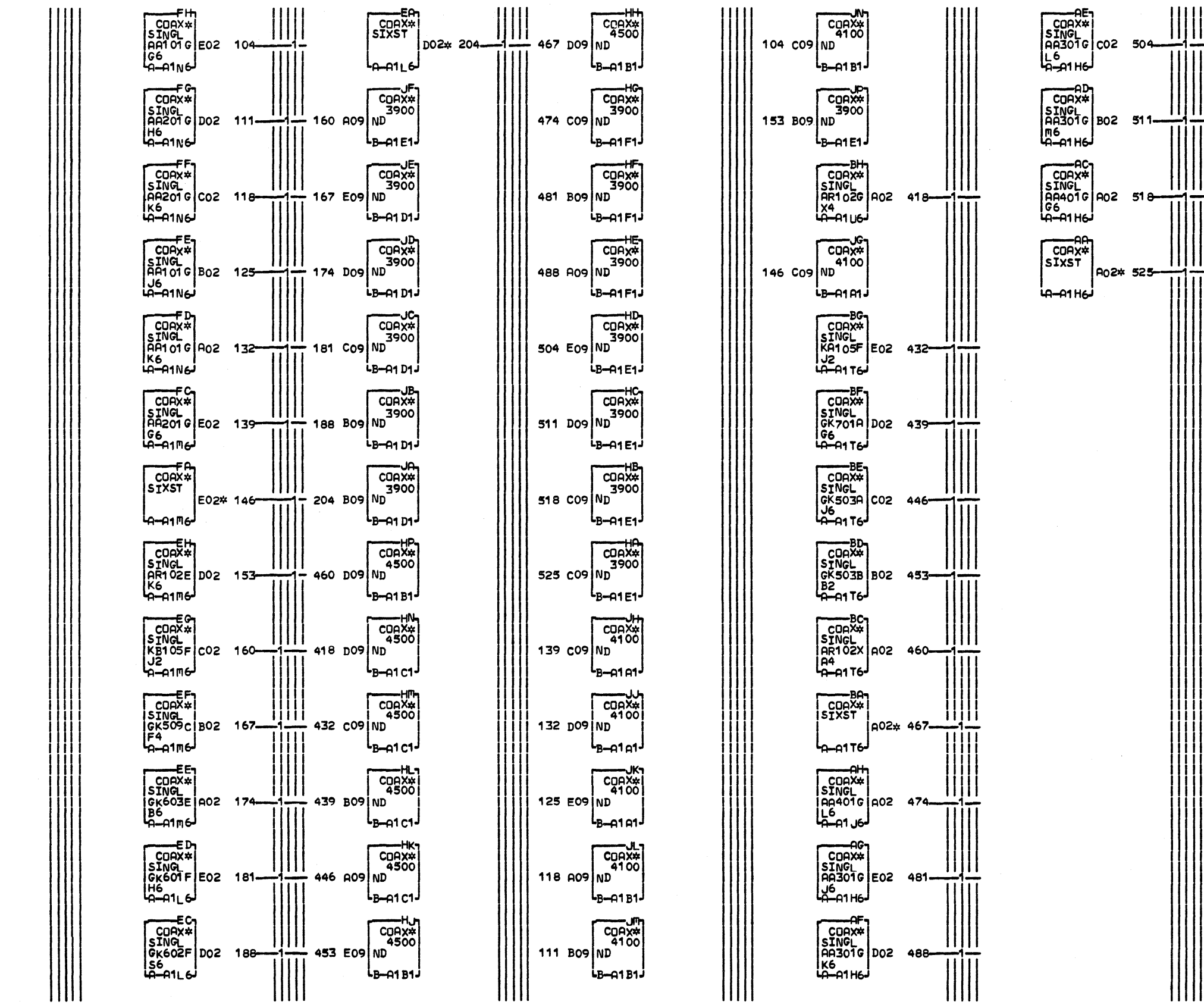


1100DN

LOC. TYPE
A-A1T2 PLOT
A-B2B2 PLOT

PLUG ON TERMINATORS PLOT	
E.C.-HISTORY	B-MACH.3830-2
FRAME	01
IBM CORP. SDD	
DATE LAST EC	P.No. 2348504
11-28-75 437381	

1100DN



EDGE CONN. 01B-A10M 01B-A10M
 146 P-A30M 467 P-A30M
 01P-P3 01P-P3
 01P-P2 01P-P2
 01B-P1 01B-P1
 01B-A10J 01B-A10J
 204 P-A30M 525 P-A30J
 01P-P3 01P-P3
 01P-P2 01P-P2
 01B-P1 01B-P1

LOC. TYPE

6-PAK CABLES
 B-A1 TO A1 BOARD
 E.C. HISTORY MACH. 3830-2
 437301
 437302 FRAME 01
 437305
 DATE LAST EC IBM CORP. SDD ZA012
 06-15-73 437310 P.N. 2345977 000

TAILGATE EARLY MACHINES
CHANNEL C CHANNEL D

T4-04 TAG IN	T3-04 TAG OUT	T4-01	B D T3-01
T4-05 BUS IN	T3-05 BUS OUT	T4-02	G J T4-02
T2-04	T1-04	T2-01	T1-01
T2-05	T1-05	T2-02	T1-02
CHANNEL A		CHANNEL B	

- TAG IN
- TAG OUT
- BUS IN
- BUS OUT
- PC1
- PC2
- PC3
- PC4
- PC11
- PC10

NOTE 8

NOTE 9

TAILGATE LATE MACHINES

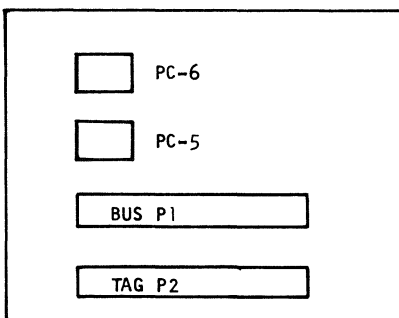
A	B
D2 B2	DARK 01T3-04
LIGHT	T4-04
DARK	T3-05
LIGHT	T4-05
	T3-01
	T4-01
	T3-02
	T4-02
	T1-04
	T2-04
	T1-05
	T2-05
	T1-01
	T2-01
	T1-02
	T2-02

- CHANNEL D
- CHANNEL C
- CHANNEL B
- CHANNEL A
- PC1
- PC2
- PC3
- PC4
- PC11
- PC10

NOTE 8

NOTE 9

CONTROLLER INTERFACE CONN



NOTES:

- VIEWS FROM CHANNEL CABLE SIDE.
- BUS OUT TERMINATOR P/N 2282675
- TAG OUT TERMINATOR P/N 2282676
- OUT CABLE CONNECTORS ARE TYPE A (P/N 2281874)
- IN CABLE CONNECTORS ARE TYPE B (P/N 2281832)
- EACH 3830-2 CAN BE CONNECTED TO BLOCK MPX CHANNELS AS FOLLOWS

BASIC	ONE
TWO CHANNEL (SFC 8170)	TWO
TWO CHANNEL ADDITIONAL (SFC 8171)	FOUR

ORDER ONE GROUP 791 OR 793 AND 794 PER CHANNEL

7

8

9

- LAST 3830-2 MUST BE WITHIN 150FT
- BRACKET MOUNTED ON FRAME BELOW 01B BOARD
- BRACKET MOUNTED ON FRAME BELOW 01B BOARD AND LEFT OF PC3/PC4 BRACKET

- EACH 3830-2 CAN BE CONNECTED TO A 2925-10 OR EQUIVALENT SWITCHING CONSOLE FOR REMOTE ENABLE/DISABLE CHANNEL SWITCHING AS FOLLOWS:
- | | |
|-----------------------------------|-----|
| TWO CHANNEL (SFC 6148) | ONE |
| TWO CHANNEL ADDITIONAL (SFC 6149) | ONE |
- ORDER ONE GROUP 1794 PER FEATURE

CABLE GROUP	NO OF CA	KEY NO	PIN	FROM				TO				X MAX (FT)	B/M	NOTES
				UNIT	CONN LOC	Y DIM (IN)	Z DIM (IN)	UNIT	CONN LOC	Y DIM (IN)	Z DIM (IN)			
791	2	791T	5353920	3830-2	TAG IN	30.00		BLOCK MPX CHAN			*	NOTE 7	5373074	
		791B			BUS IN						*			
793	2	793T			TAG OUT			NEXT CONTROL UNIT			*			
		793B	5353920		BUS OUT						*		5373074	
794	1	794A	5351178		PC-1			SEQ CTRL			30.00	150.00	5397821	
1794	1	1794A	5351178	3830-2	PC-10	30.00		2925-10 OR SW CONSOLE			30.00	150.00	5397821	9 & 10

* REFER TO TABLE A

TABLE A (Z DIMENSIONS)

GROUP	791 BLOCK MPX	793 CTRL	794 SEQ
2880	40.00"		30.00"
3155	12.00"		20.00"
CONTROL		30.00"	
3145	30.00"		
3158	12.00"	30.00"	20.00"

IBM CONFIDENTIAL UNTIL AUGUST 1973, UNCLASSIFIED THEREAFTER

EC HISTORY		DRAWING TITLE	
22 JUN 73	437329	CABLE ROUTING AND IDENT CHART	
23 JUL 73	437310	MACH 3830-2	
		PART NO 2345985	
		CLASSIFICATION	IBM CORP