

IBM

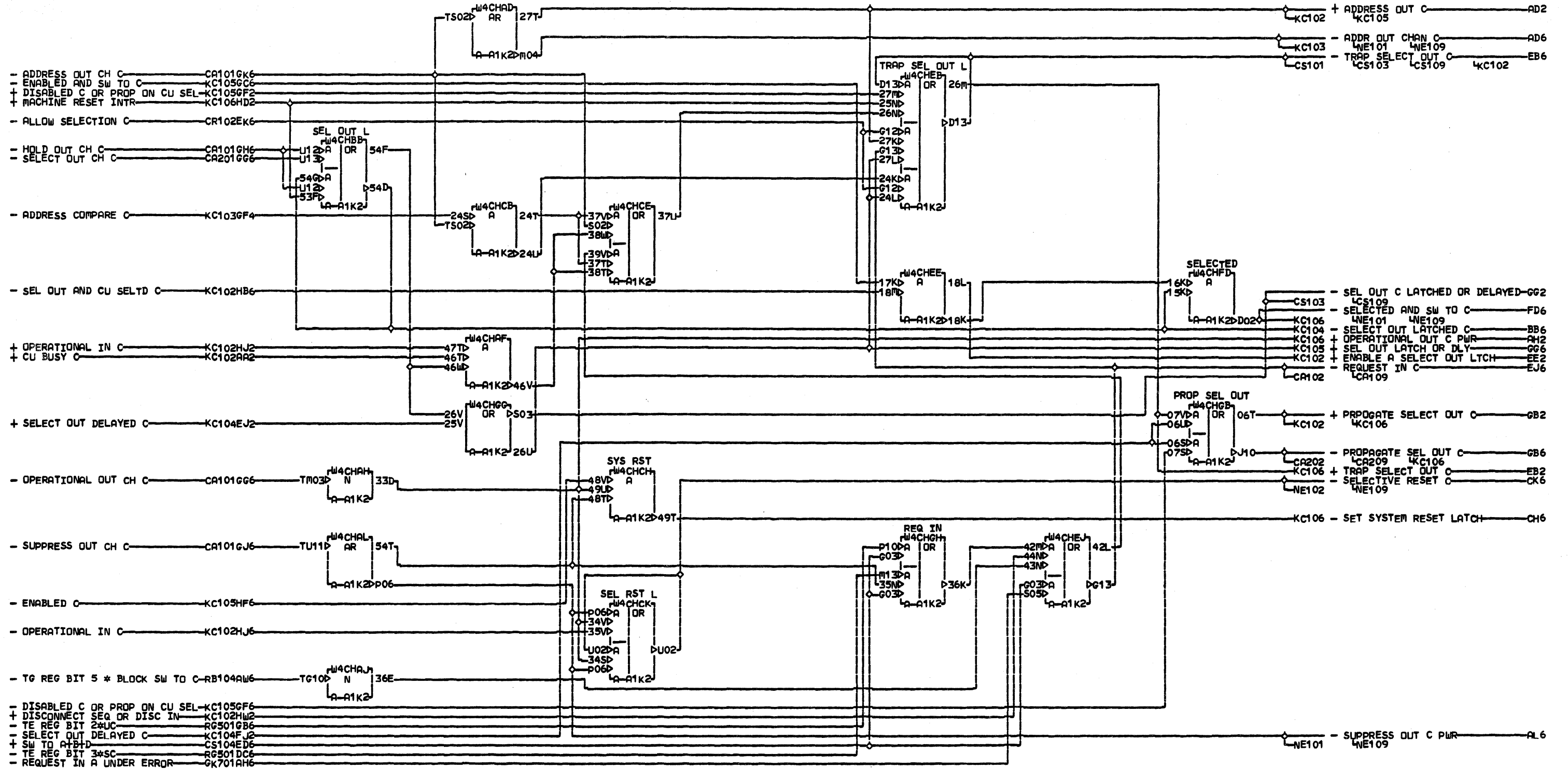
CONFIDENTIAL

UNTIL 03-30-76

UNCLASSIFIED

THEREAFTER

005 KC101

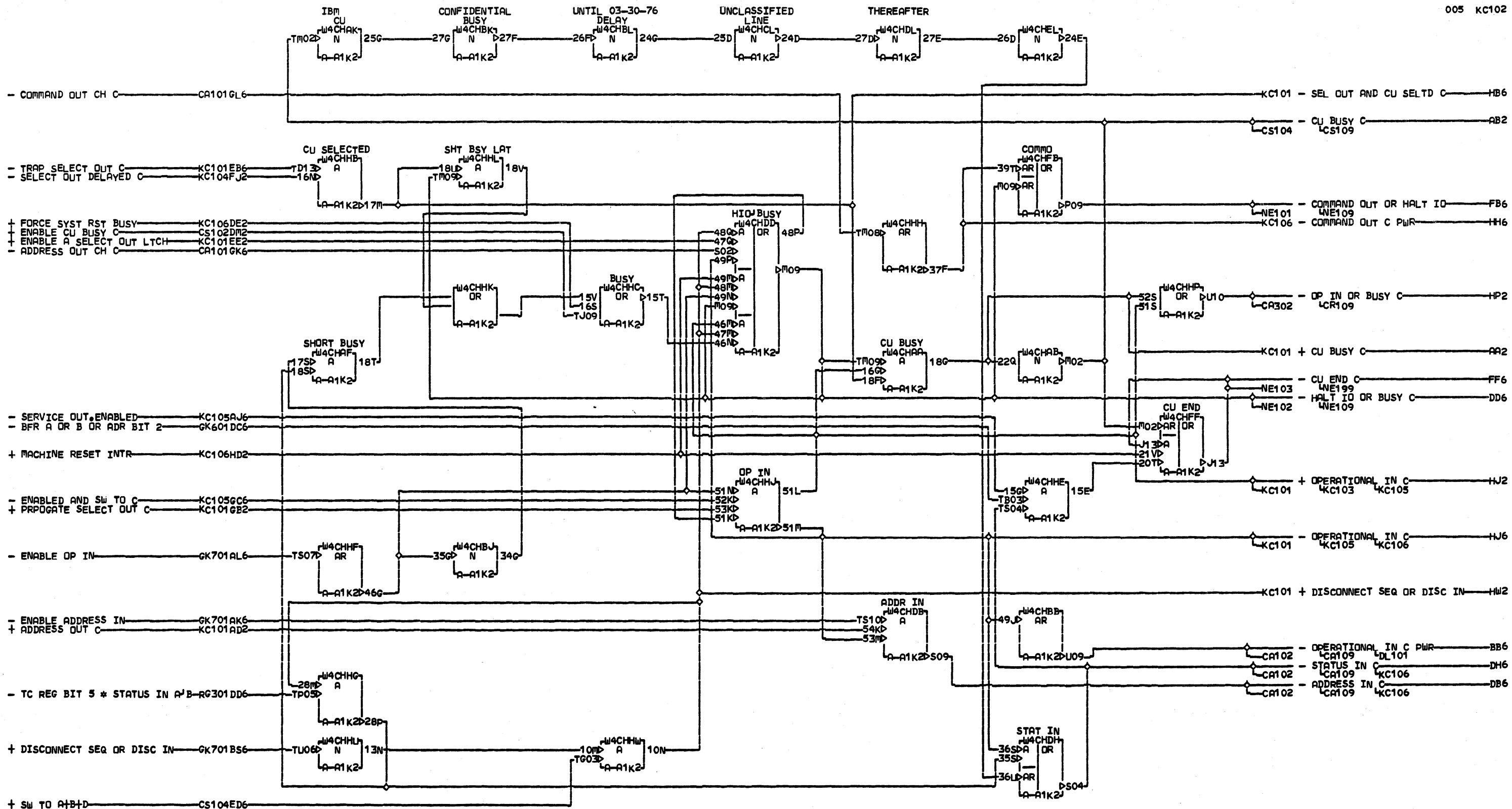


LOC. TYPE  
A-A1K2 2732

CHAN C SELECTION REQUEST IN AND RESETS	
E.C. HISTORY	B. MACH. 3830-2
437380	
DATE	LAST EC
11-28-75	437381
FRAME	01
IBMCORP. SDD	
P.N.	2290383

K  
C  
1  
0  
1

K  
C  
1  
0  
1

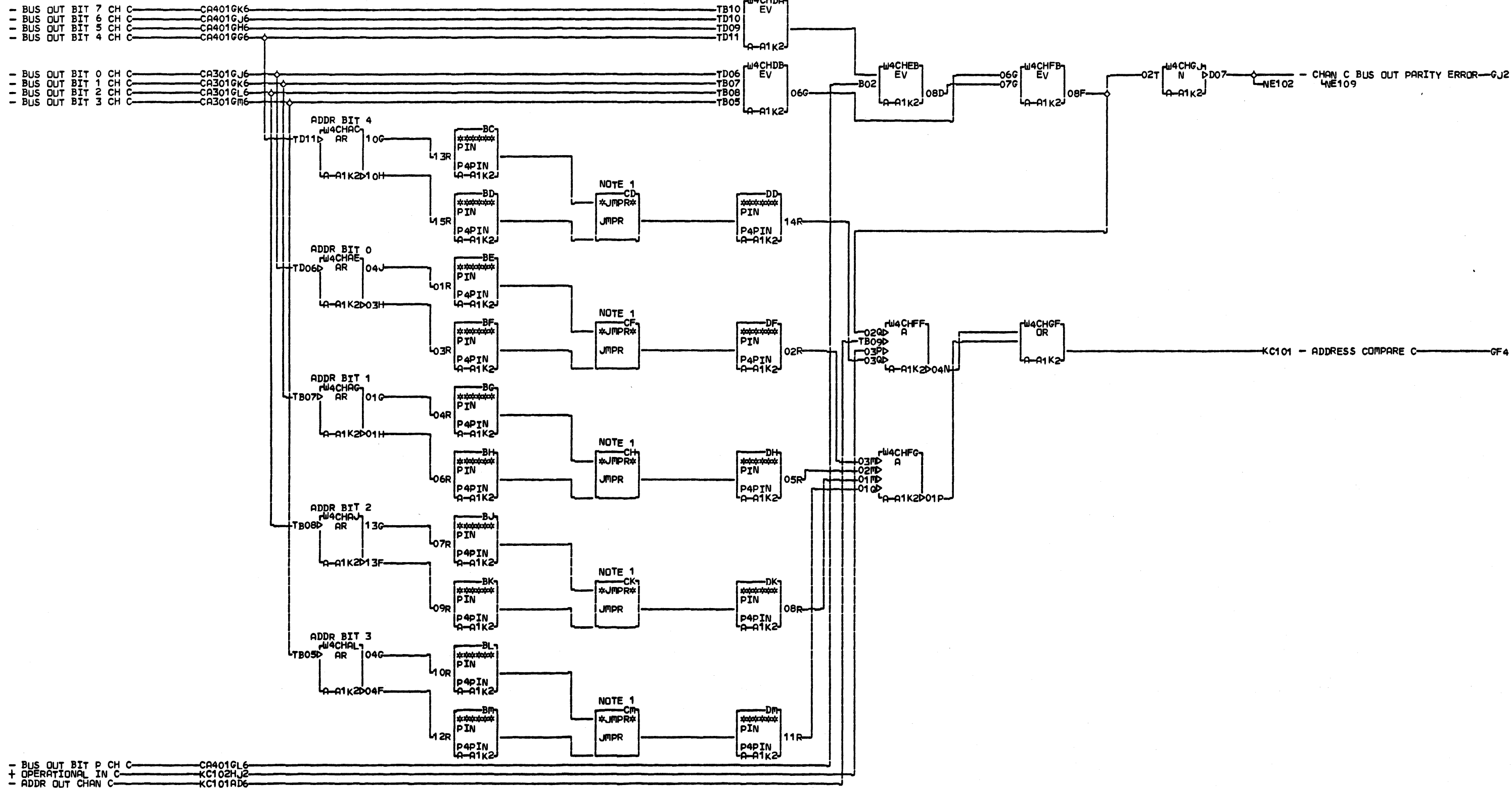


LOC. TYPE  
A-1K2 2732

CHANNEL C OP IN HIO COMD	
CU BUSY STAT IN SUPPO ADR IN	
E.C. - HISTORY	B. MACH. 3830-2
437380	FRAME 01
DATE LAST EC	IBM CORP. SDD
11-28-75 437381	P.N. 2290384

K  
C  
1  
0  
2

K  
C  
1  
0  
2

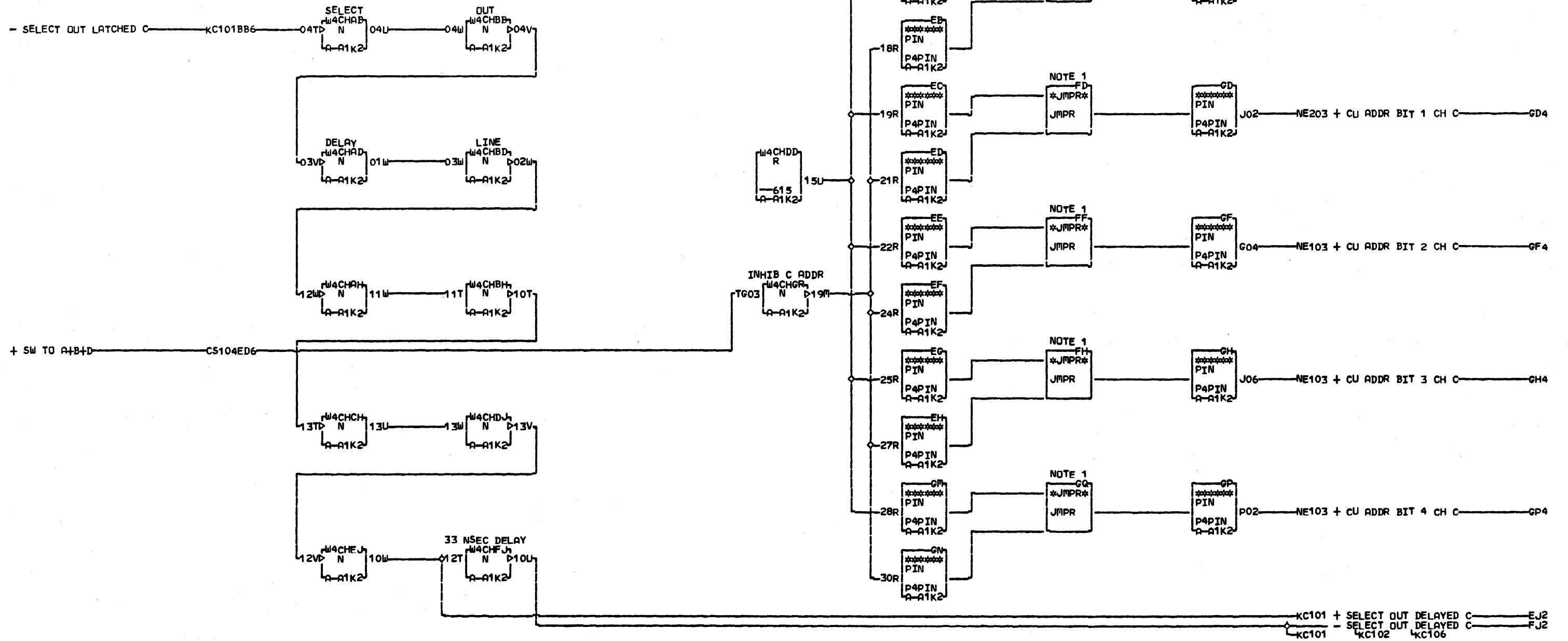


- BUS OUT BIT 0 CH C CA401GL6  
 + OPERATIONAL IN C KC102HJ2  
 - ADDR OUT CHAN C KC101AD6

NOTE 1.  
 WIRE PER DEFINED ADDRESS.  
 K  
 C  
 1  
 0  
 3

LOC. TYPE  
 A-A1K2 2732

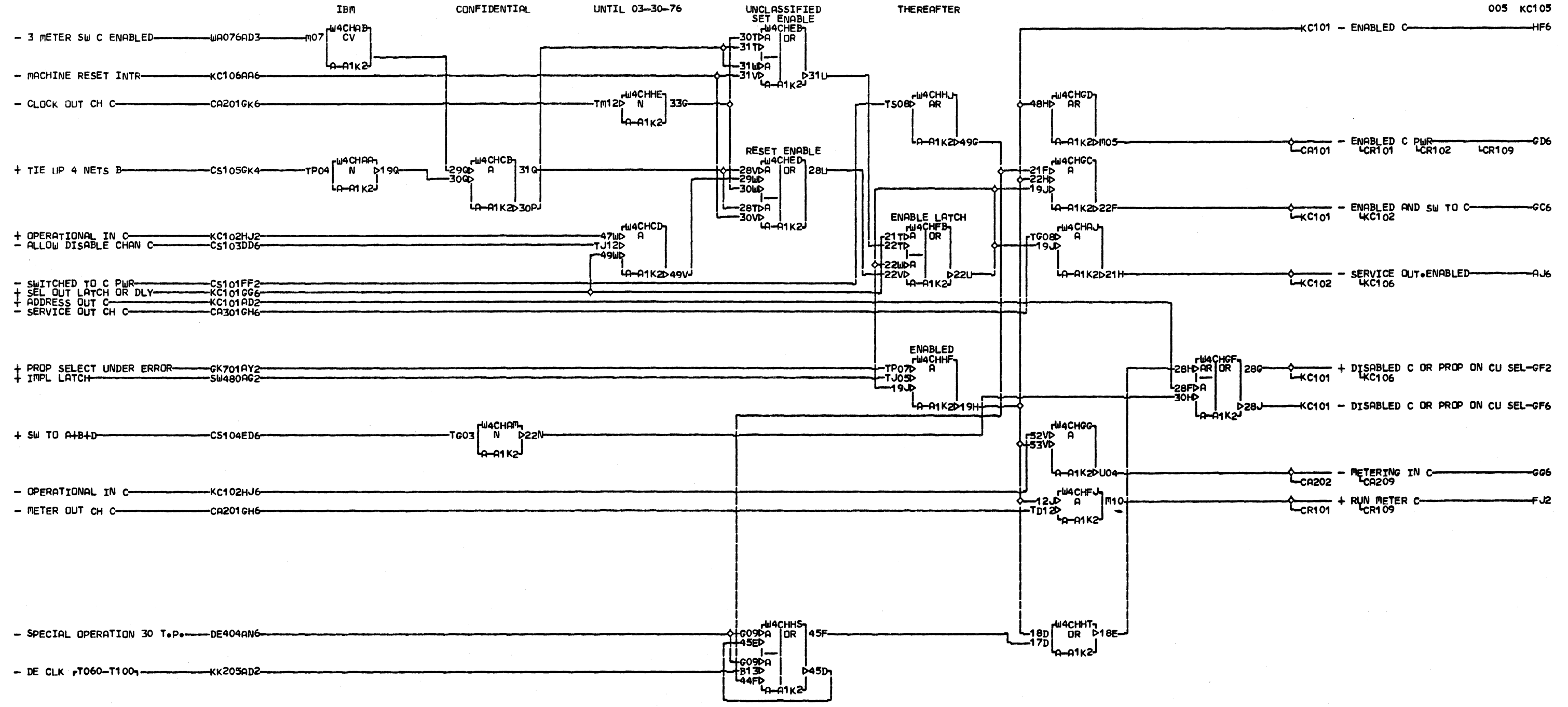
CHAN A BUS OUT PAR ADDRESS COMPARE		K C 1 0 3
-E.C.-HISTORY- 437380	B-MACH.3830-2 FRAME 01	
DATE LAST EC 11-28-75 437381	IBM CORP. SDD P.N. 2290385	005



NOTE 1. WIRE PER DEFINED CCU ADDRESS

LOC. TYPE A-A1K2 2732

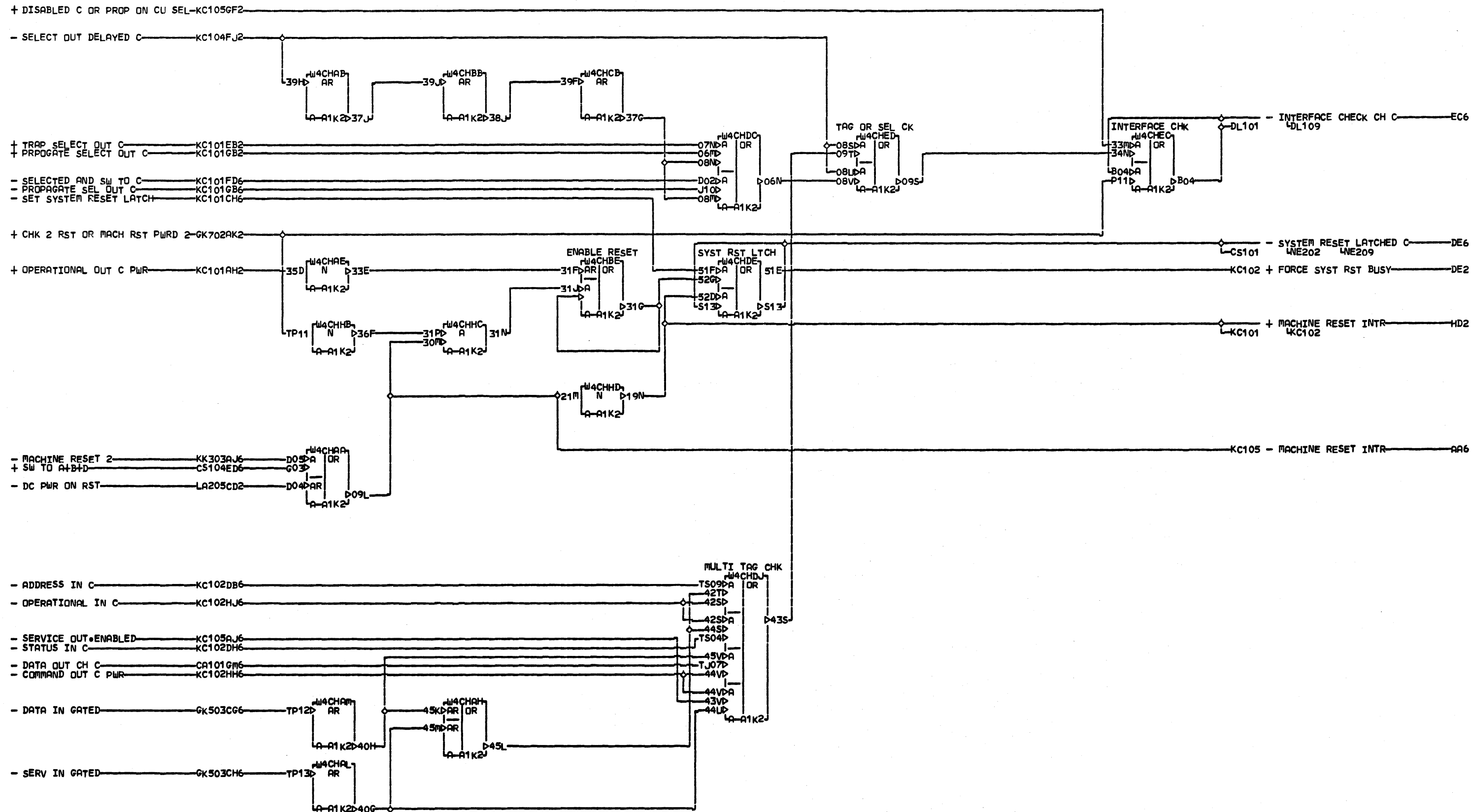
CHAN C ADDR ENCODE		K C 1 0 4
SELECTED DELAYED DRIVER GATING	MACH. 3830-2	
E.C.-HISTORY	437380	005
FRAME	01	
DATE	11-28-75	P.No. 2290386
LAST EC	437381	



K  
C  
1  
0  
5

LOC. TYPE  
A-A1K2 2732

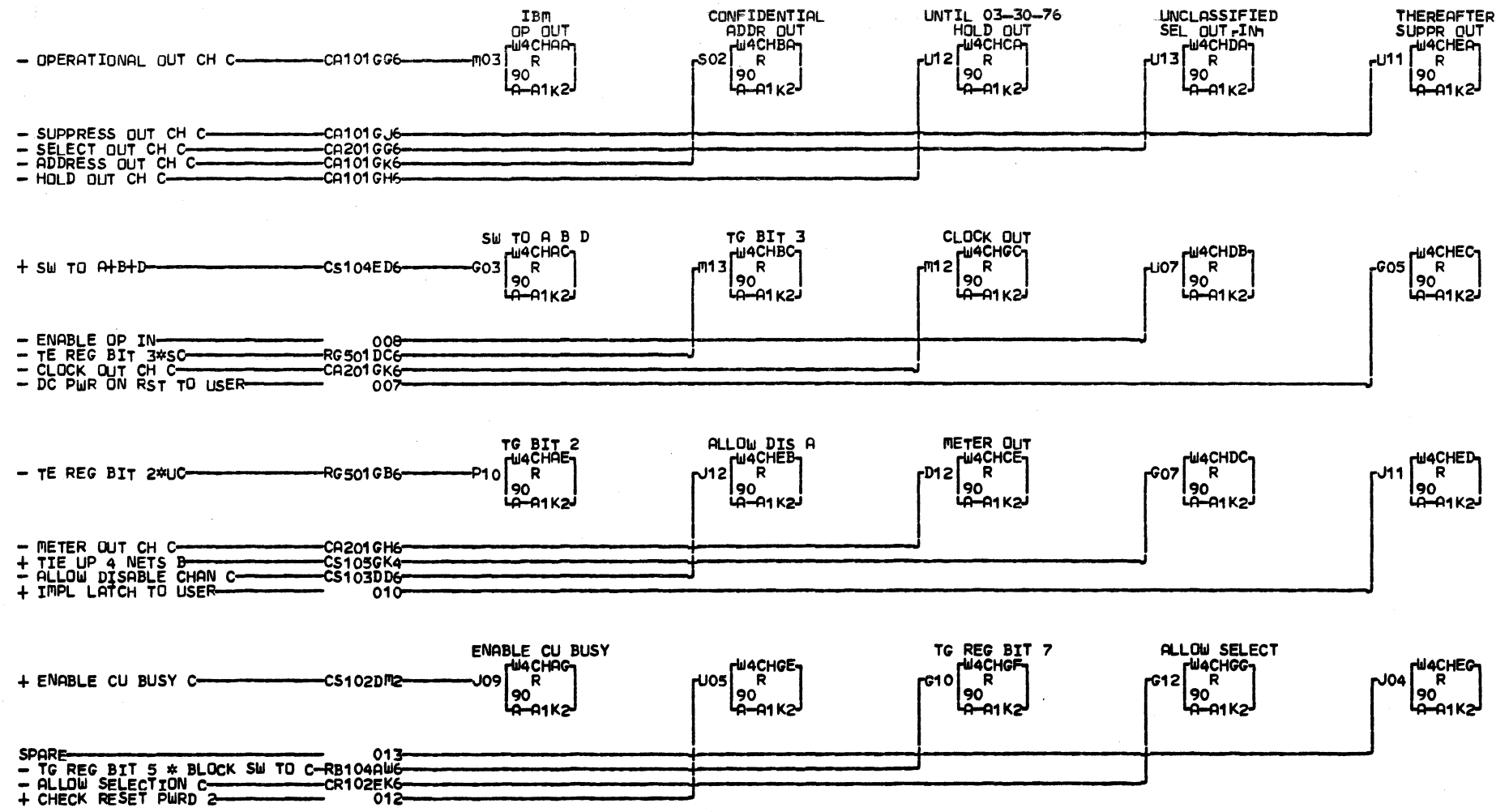
METER ENABLE-DISABLE LOGIC FOR CHANNEL C		K C 1 0 5
E.C.-HISTORY 437380	B-MACH.3830-2 FRAME 01	
DATE 11-28-75	LAST EC 437381	IBM CORP. SDD P.o.N. 2290387
005		



LOC. TYPE  
A-A1K2 2732

- INTERFACE CHECK	
E.C. HISTORY 437380	B. MACH. 3830-2 FRAME 01
DATE LAST EC 11-28-75 437381	IBM CORP. SDD P.N. 2290388

K  
C  
1  
0  
6  
005

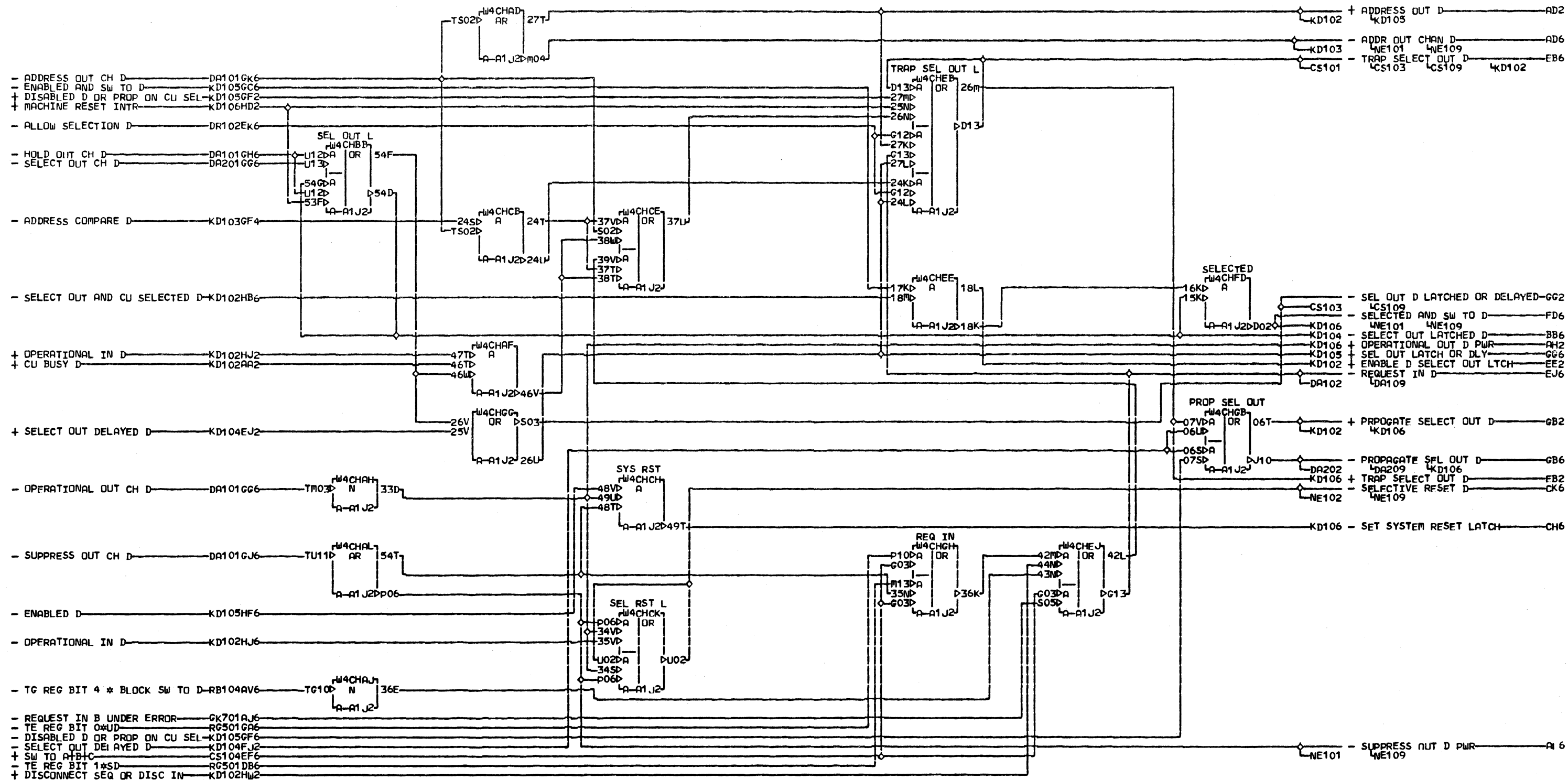


LOC. TYPE  
A-A1K2 2732

CHANNEL C TERMINATORS	
E.C. HISTORY 437380	B. MACH. 3830-2
DATE 11-28-75	LAST EC 437381
FRAME 01	IBN CORP. SDD
	P.N. 2290389

K  
C  
1  
0  
9

K  
C  
1  
0  
9



K  
D  
1  
0  
1

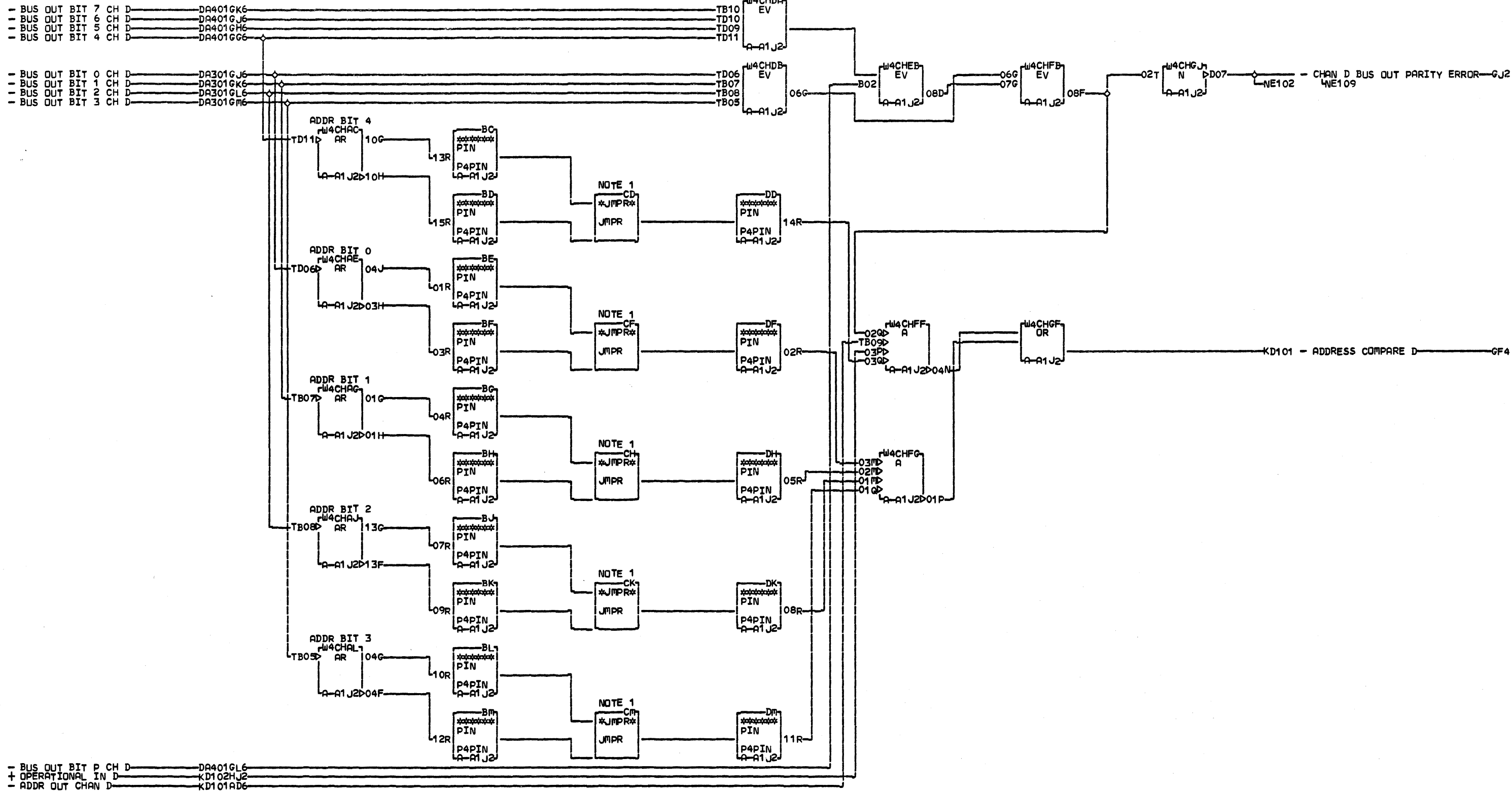
LOC. TYPE  
A-A1J2 2732

CHAN D SELECTION	
REQUEST IN AND RESETS	
E.C. HISTORY	MACH. 3830-2
437380	
FRAME	01
IBM CORP. SDD	
DATE LAST EC	P.N. 2290390
11-28-75 437381	

K  
D  
1  
0  
1







- BUS OUT BIT P CH D DA401GL6  
 + OPERATIONAL IN D KD102HJ2  
 - ADDR OUT CHAN D KD101AD6

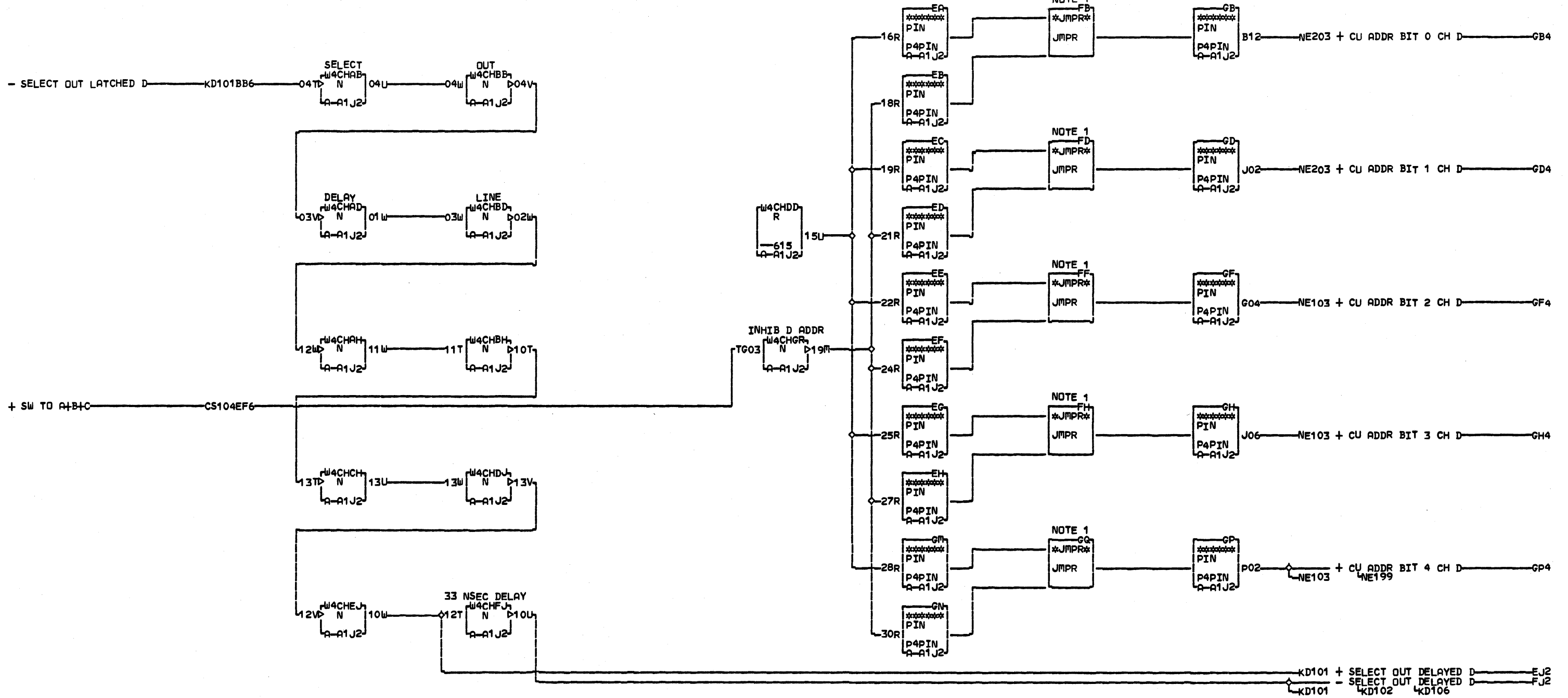
NOTE 1.  
 WIRE PER DEFINED ADDRESS.

LOC. TYPE  
 A-A1J2 2732

CHAN D BUS OUT PAR ADDRESS COMPARE	
E.C. HISTORY 437380	B. MACH. 3830-2
DATE 11-28-75	LAST EC 437381
FRAME 01	IBM CORP. SDD
P.N. 2290392	

KD103

KD103



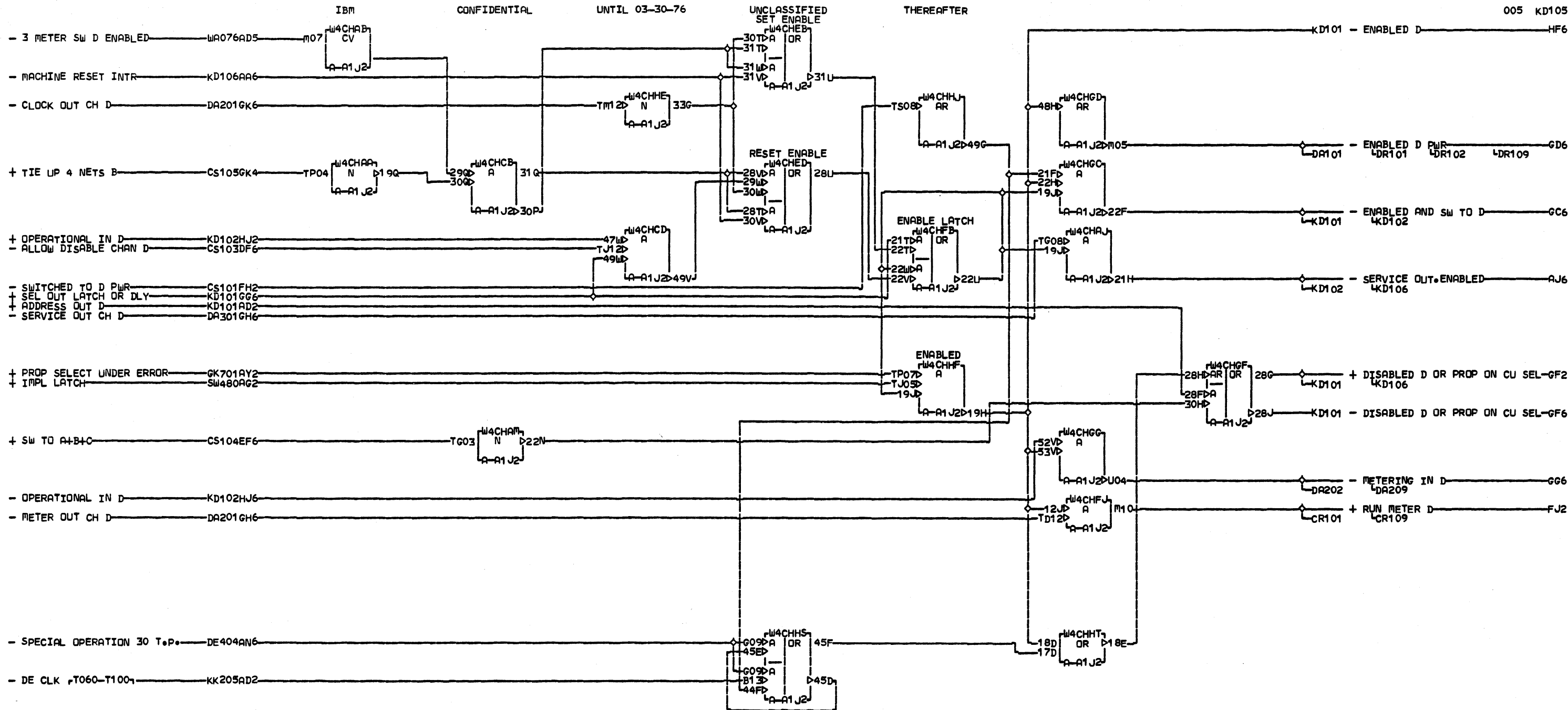
NOTE 1. WIRE PER DEFINED  
CCU ADDRESS

K  
D  
1  
0  
4

LOC. TYPE  
A-A1J2 2732

CHAN D ADDR ENCODE	
SELECTED DELAYED DRIVER GATING	
E.C.-HISTORY	B. MACH. 3830-2
437380	
FRAME	01
IBM CORP. SDD	
DATE LAST EC	P.No. 2290393
11-28-75 437381	

K  
D  
1  
0  
4

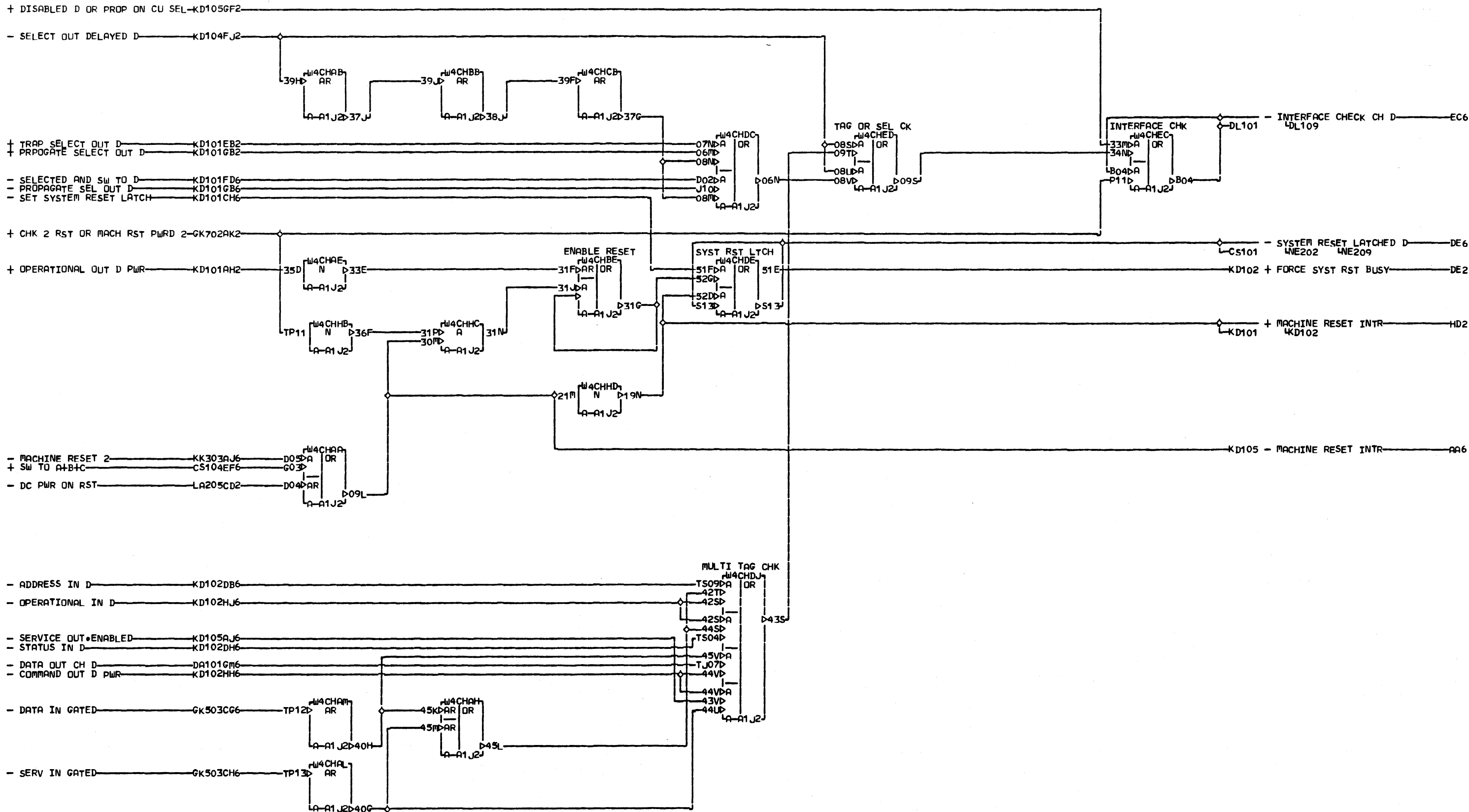


K  
D  
1  
0  
5

LOC. TYPE  
A-A1J2 2732

METER ENABLE-DISABLE LOGIC FOR CHANNEL D	
E.C. HISTORY 437380	MACH. 3830-2
DATE 11-28-75	LAST EC 437381
FRAME 01	IBM CORP. SDD
P.N. 2290394	

K  
D  
1  
0  
5

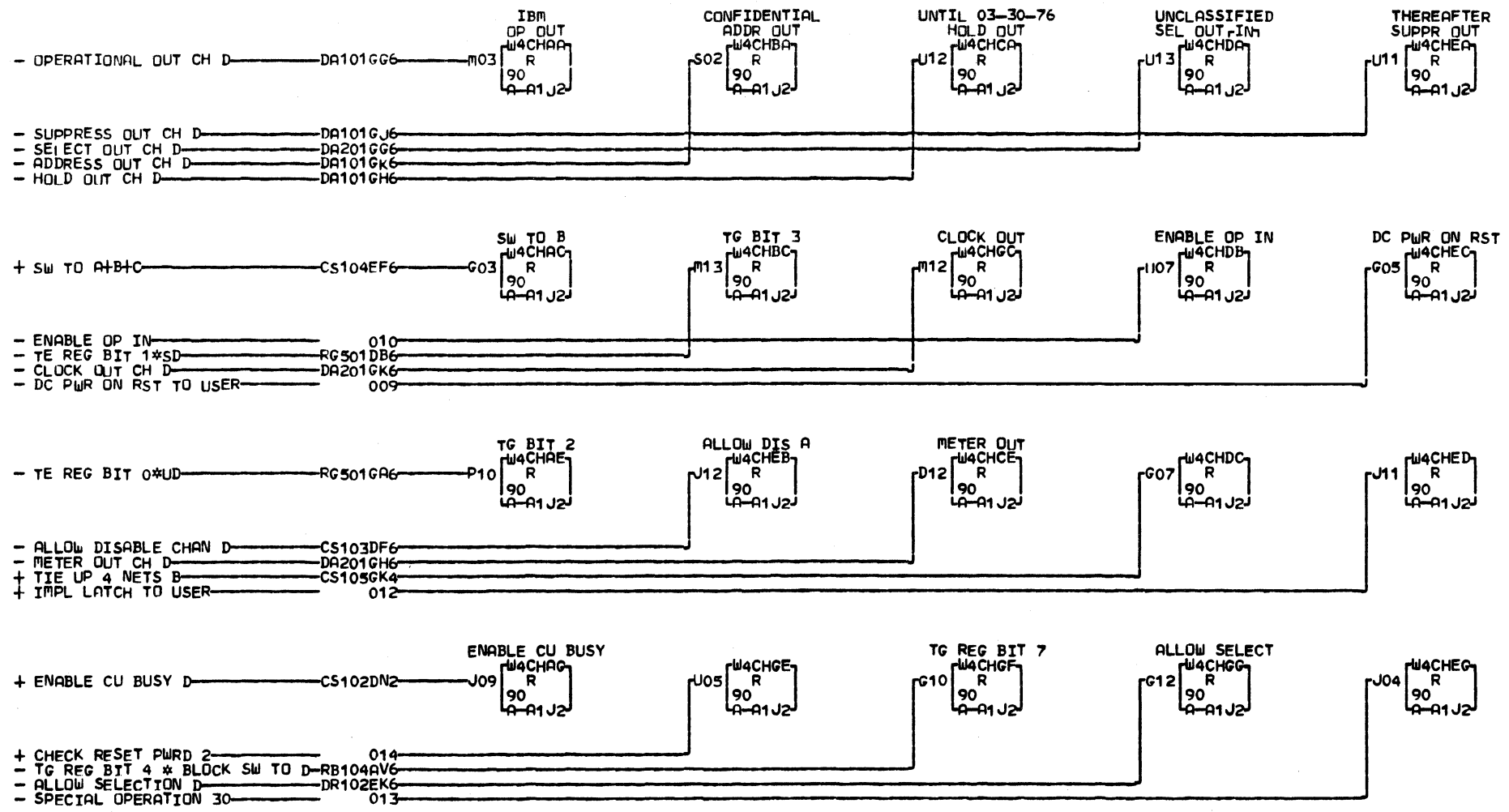


LOC. TYPE  
A-A1J2 2732

- INTERFACE CHECK	
E.C. HISTORY 437380	B. MACH. 3830-2 FRAME 01
DATE 11-28-75	LAST EC 437381
	IBM CORP. SDD P.N. 2290395

K  
D  
1  
0  
6

005



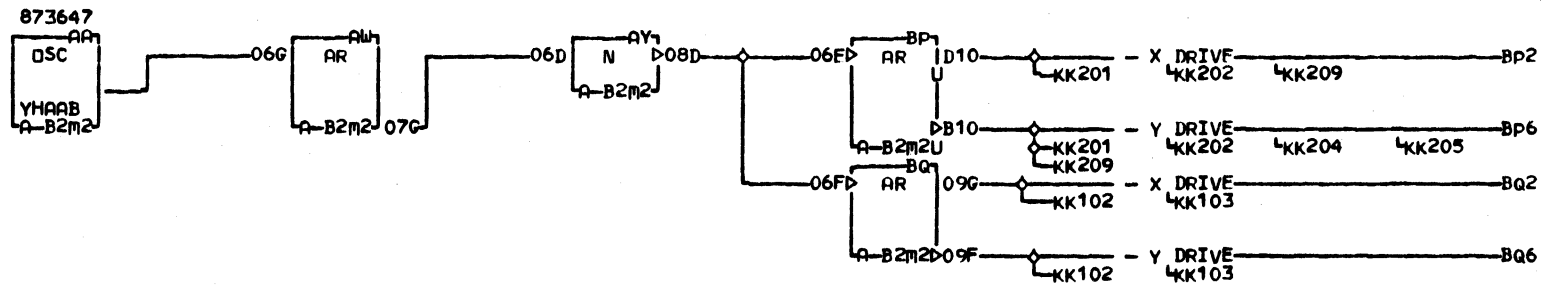
K  
D  
1  
0  
9

005COPYRIGHT IBM CORP 1976  
SIM TO PN 2345778 EC 437310

LOC. TYPE  
A-A1 J2 2732

CHANNEL D TERMINATORS	
E.C.-HISTORY 437380	B. MACH. 3830-2
DATE 11-28-75	LAST EC 437381
FRAME 01	IBM CORP. SDD
P.No. 2290396	

K  
D  
1  
0  
9  
005



\* MUST CONFORM TO MST 2 4 MIX  
\* SPECIFICATION 860178

LOC. TYPE  
A-B2M2 0693

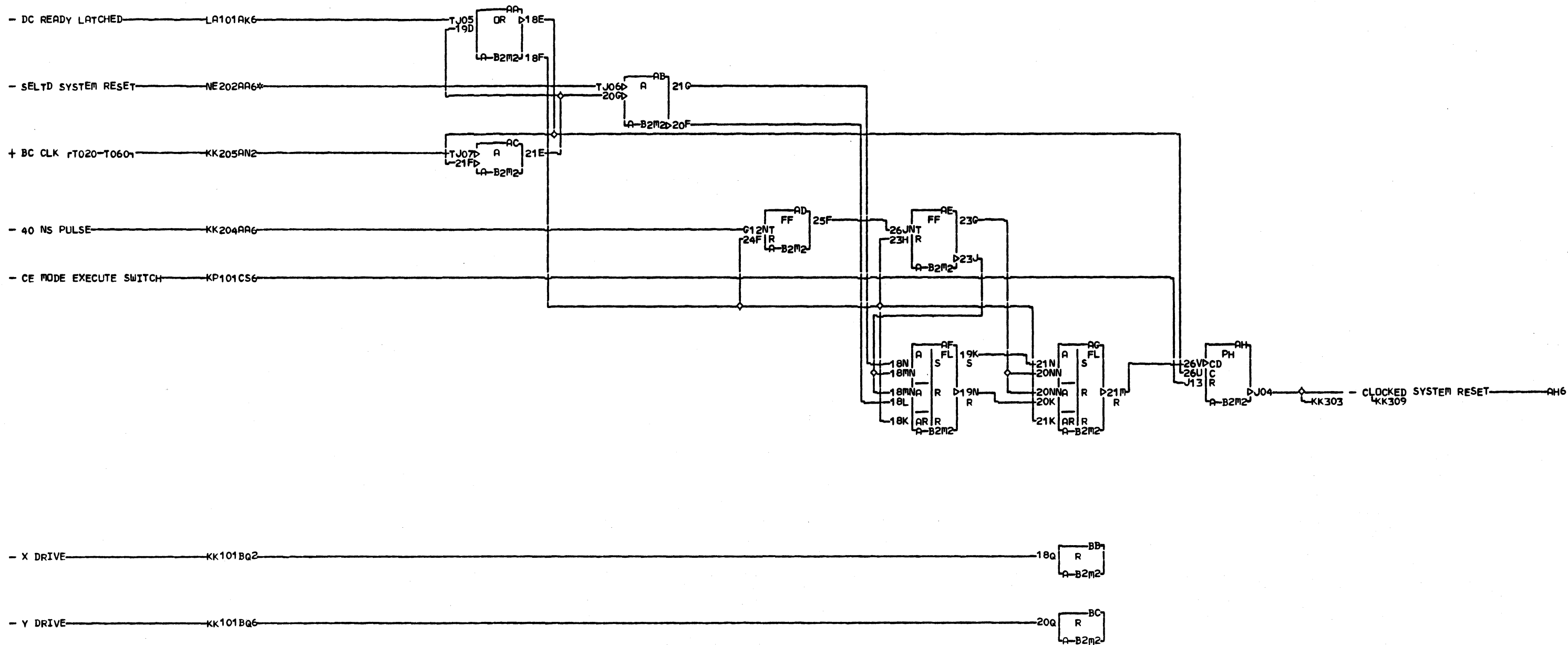
25MHZ OSCILLATOR	
E.C. HISTORY	B. MACH. 3830-2
437301	
437305	FRAME 01
	IBM CORP. SDD
DATE LAST EC	P.N. 2345779
06-15-73 437310	

K  
K  
1  
0  
1

000

K  
K  
1  
0  
1

000

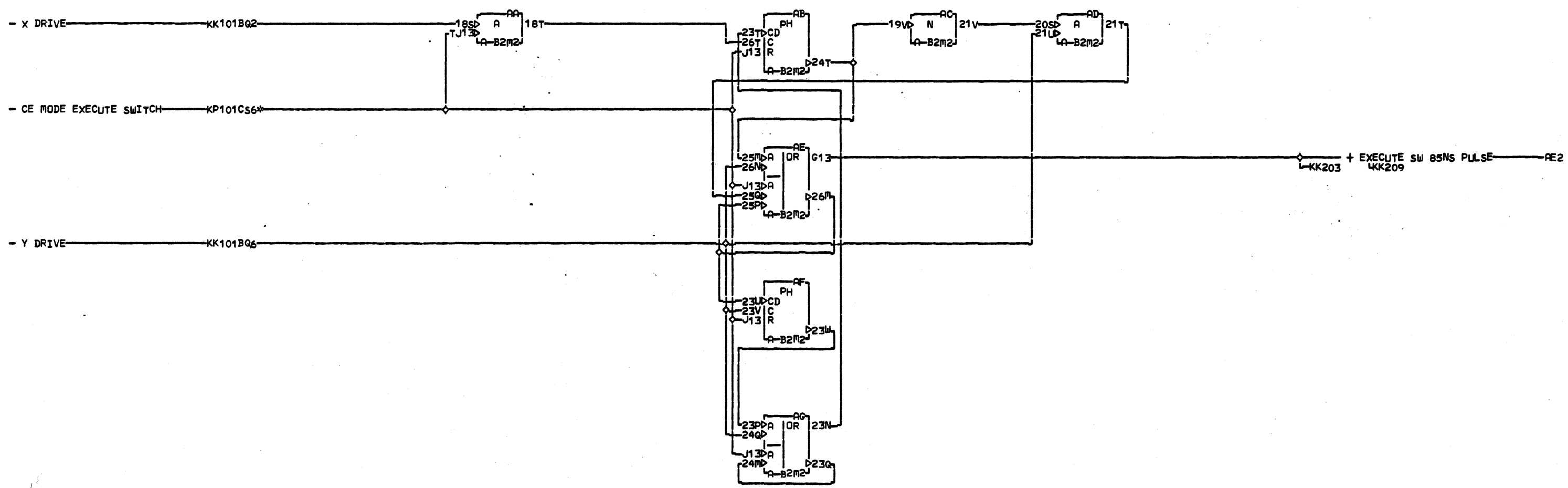


NE202AA6  
RESISTOR  
A-B2M2J06

LOC. TYPE  
A-B2M2 0693

25MHZ OSCILLATOR	
CLOCKED SYSTEM RESET	
E.C. HISTORY	B. MACH. 3830-2
437301	FRAME 01
437303	
437308	IBM CORP. SDD
437309	
DATE	LAST EC
06-15-73	437310
	P.N. 2345780

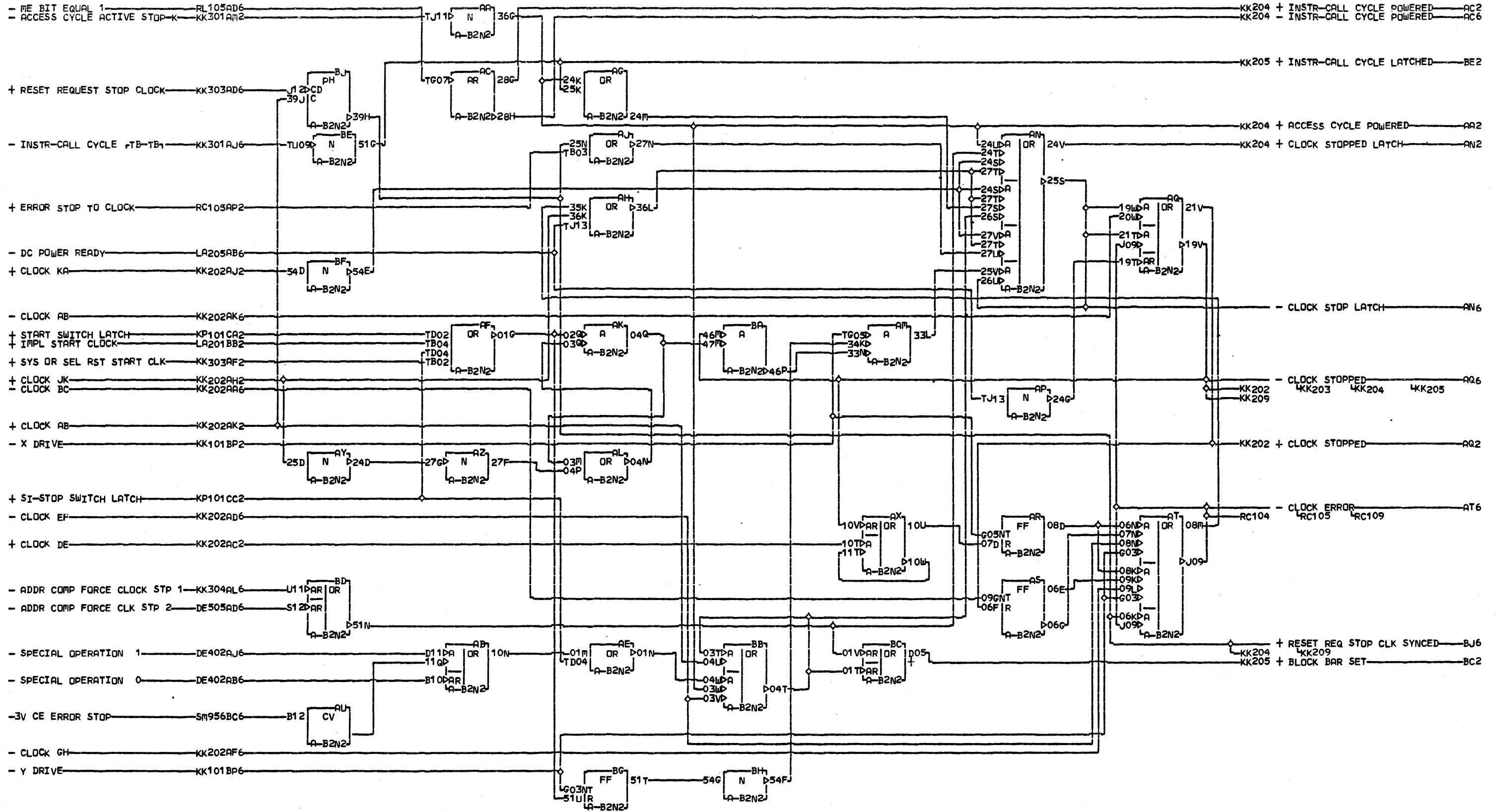




KP101CS6  
RESISTOR  
A-B2M2J13

LOC. TYPE  
A-B2M2 0693

EXECUTE SW PULSE GENERATOR	
E.C. HISTORY 437301	MACH. 3830-2
DATE 06-15-73	FRAME 01
LAST EC 437310	IBM CORP. SDD
	P.N. 2345781



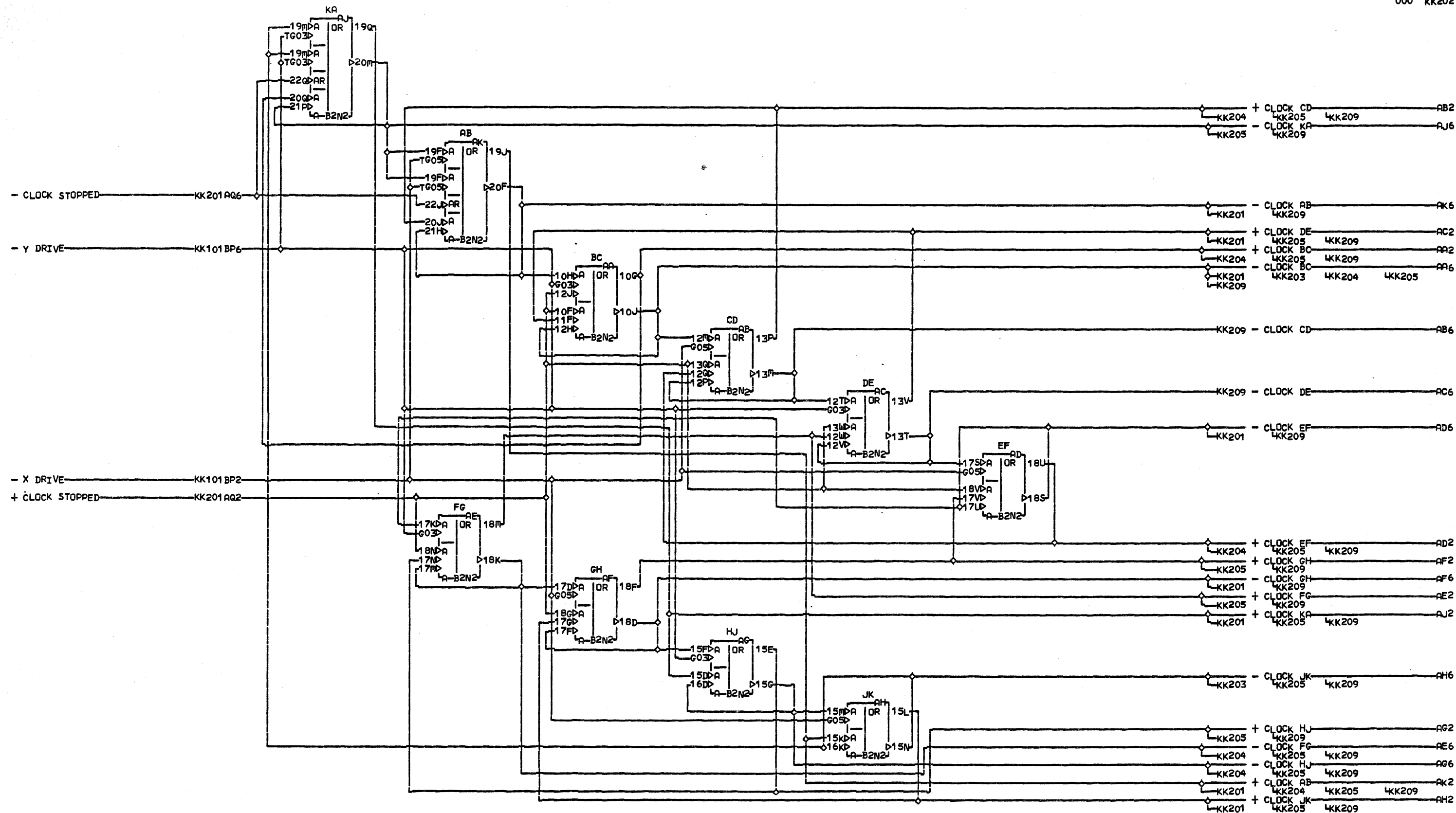
\* MUST CONFORM TO M5T 2 4 MIX  
\* SPECIFICATION 860178

LOC. TYPE  
A-B2N2 0694

CLOCK START STOP ERROR CTRL	
E.C. HISTORY	B MACH. 3830-2
437301	FRAME 01
437305	IBM CORP. SDD
DATE LAST EC	P.N. 2345782
06-15-73 437310	

KK201-100

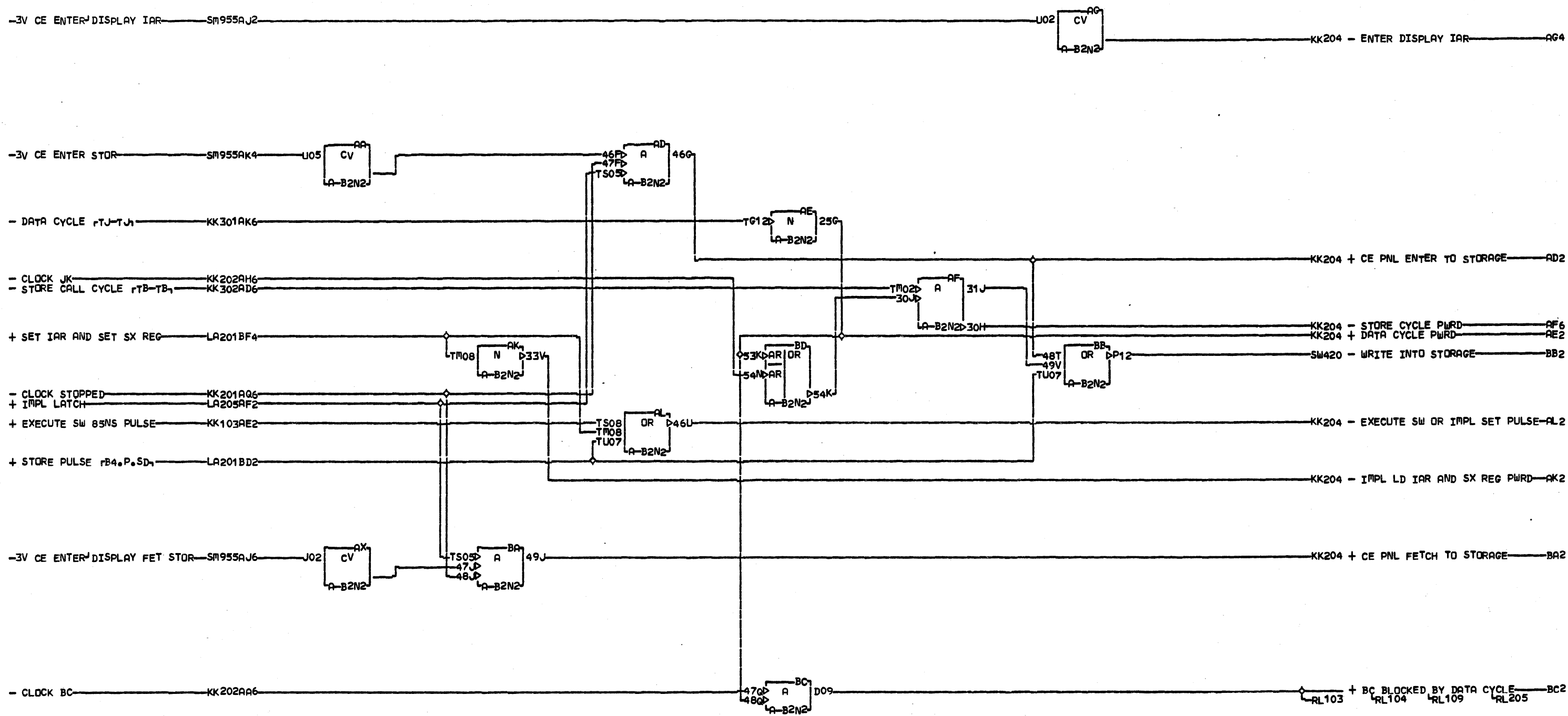
KK201



LOC. TYPE  
A-B2N2 0694

CLOCK RING		K K 2 0 2
E.C. HISTORY 437301	MACH. 3830-2	
DATE LAST EC 06-15-73 437310	FRAME 01 IBM CORP. SDD P.No. 2345783	000

NONKX  
000

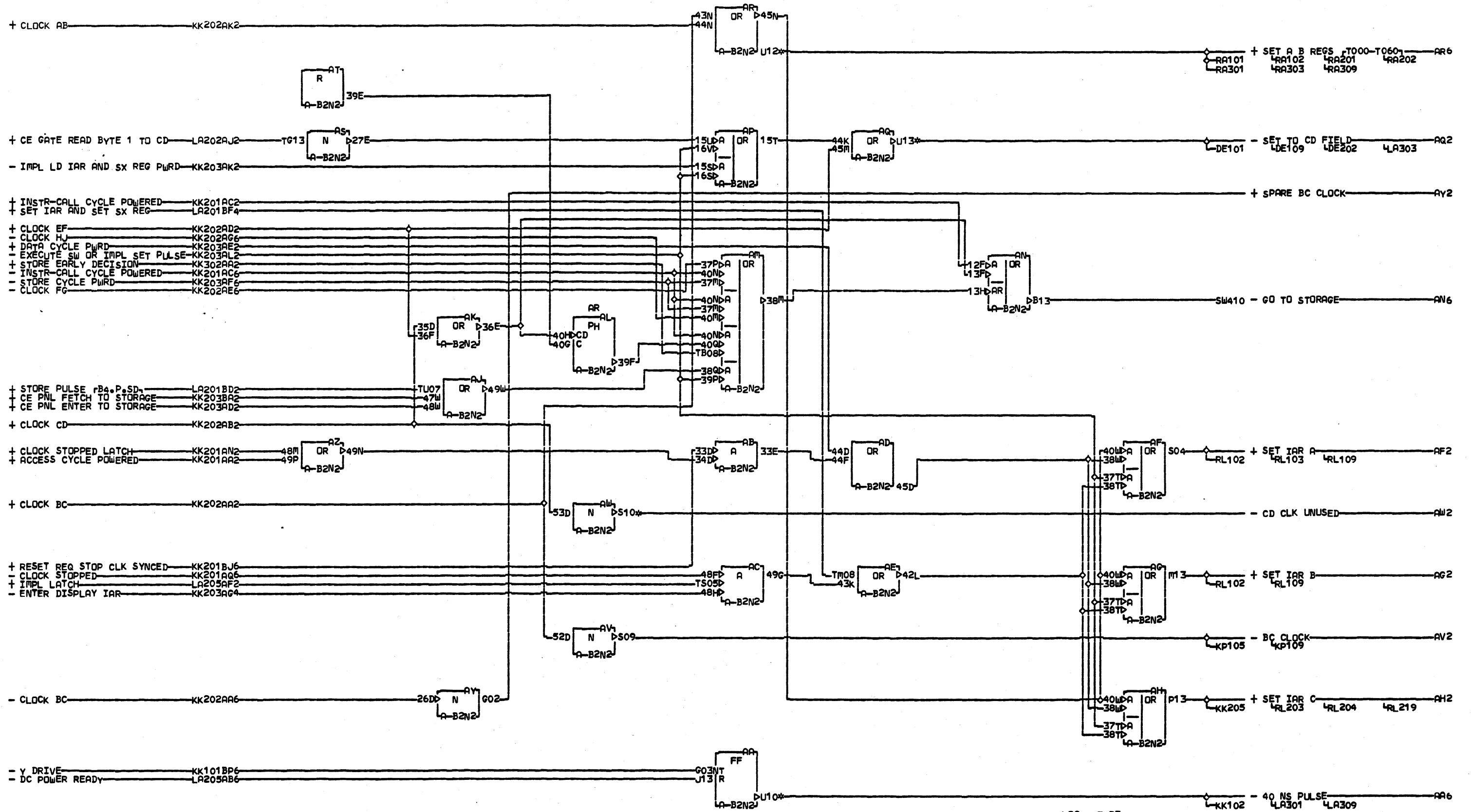


LOC. TYPE  
A-B2N2 0694

60 NANOSECOND PULSE GENERATOR	
-E.C.-HISTORY-	MACH. 3830-2
437301	FRAME 01
437302	IBM CORP. SDD
DATE LAST EC	P.No. 2345784
06-15-73 437310	

WONKK  
000

KK203  
000



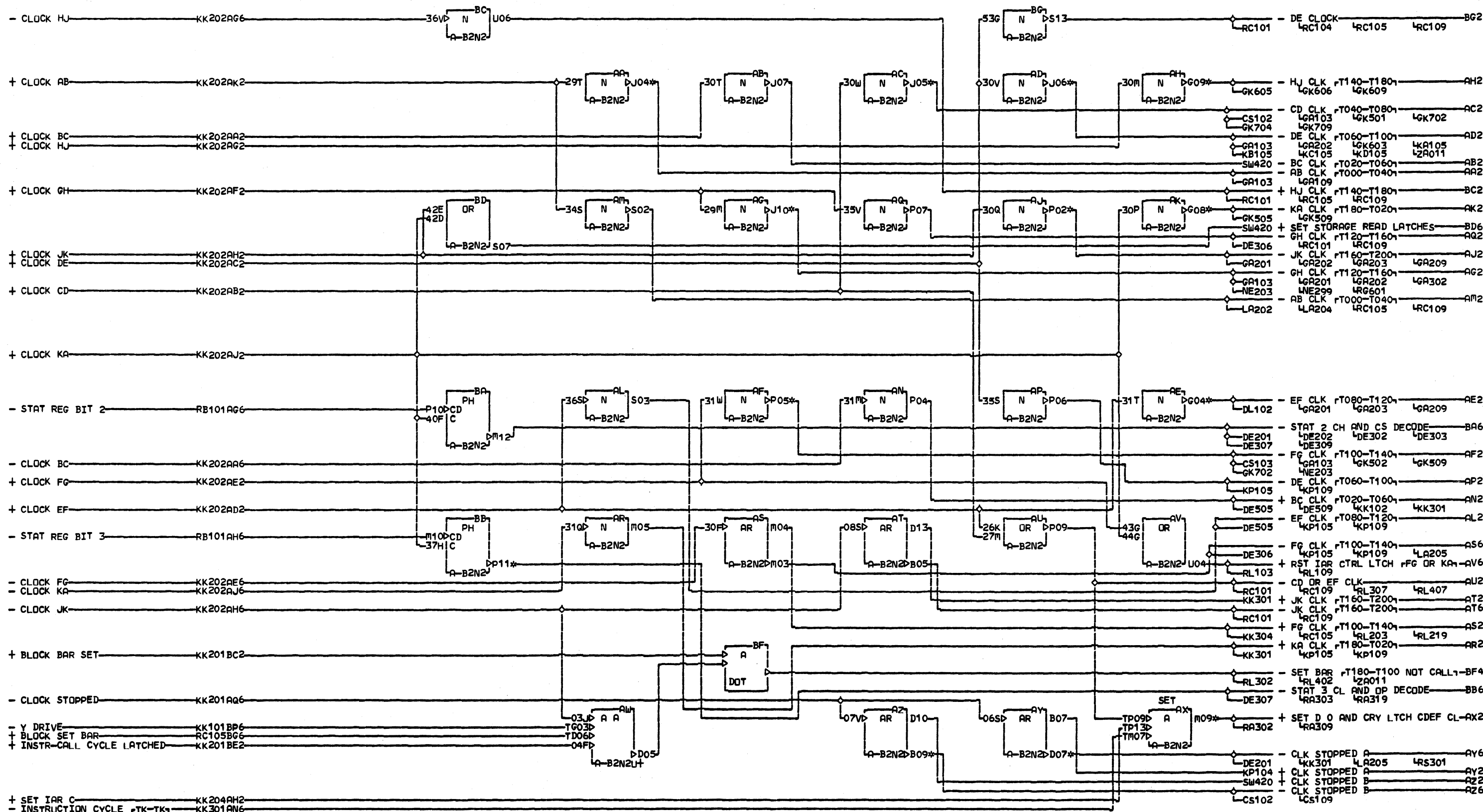
KK204  
000

AA6 A-B2U2B09  
 A 01A-B1V4B09  
 AQ2 A-B2U1A11  
 A 01A-B1U6A04  
 AR6 A-B2T1E11  
 A 01A-B1T6E04  
 AW2 A-B2U4B04  
 A 01A-B1U2B04

LOC. TYPE  
 A-B2N2 0694

E.C. HISTORY		MACH. 3830-2	
437301		FRAME	01
437302		IBN CORP. SDD	
DATE	LAST EC	P.N.	2345785
06-15-73	437310		

KK204  
000



K  
K  
2  
0  
5

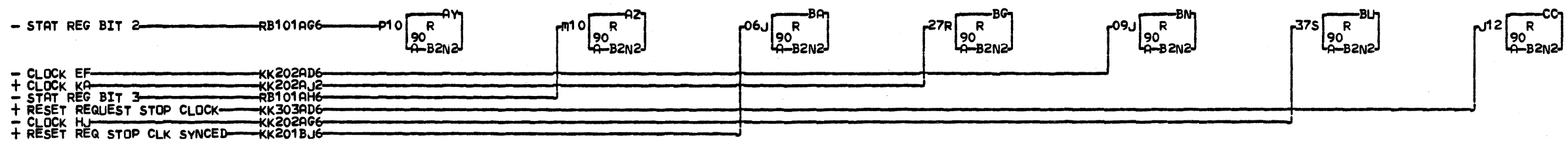
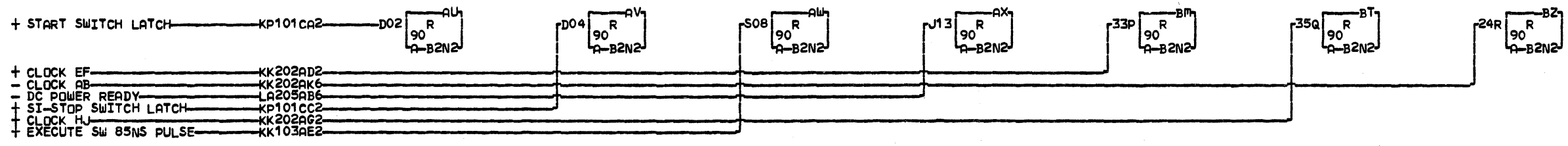
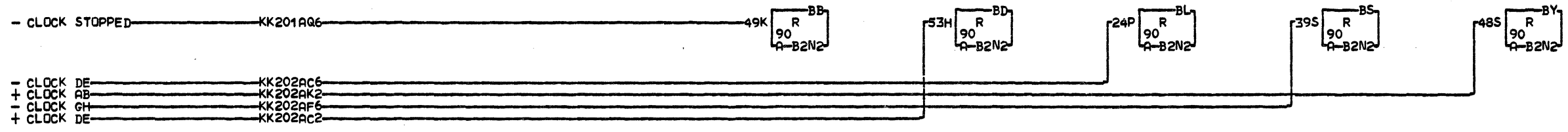
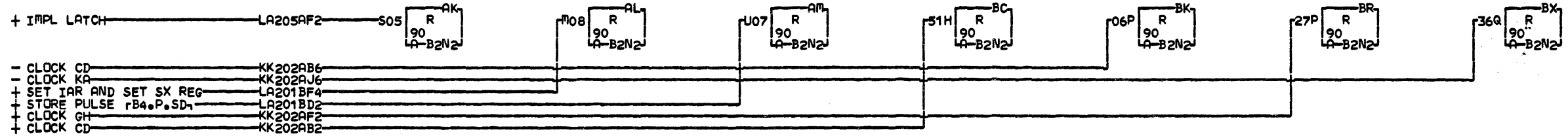
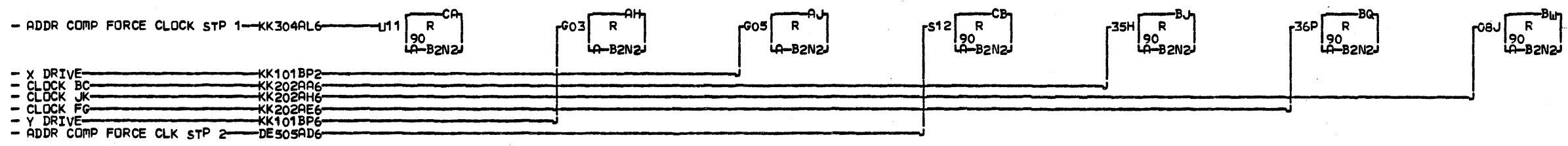
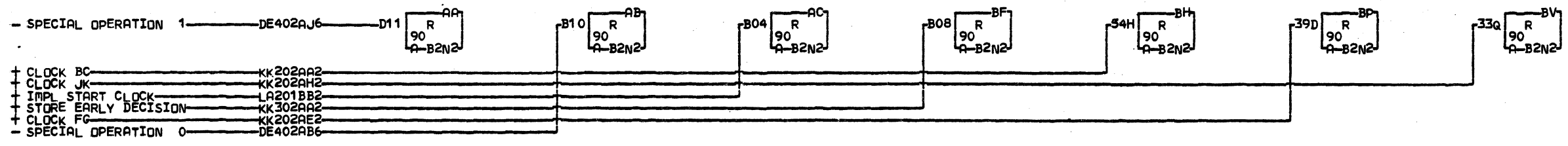
005COPYRIGHT IBM CORP 1976  
SIM TO PN 2345786 EC 437310

AR2 A-B2T6A02 B 01A-A1U1E13 AG2 A-B2U6B02 1 01A-A1U1B11  
A 01A-B1V5B08 AE2 A-B2R6B04 1 01A-B1V2B04 AX2 A-B2T1E13  
AC2 A-B2T6C02 A 01A-A1R1B13 B 01A-B1V2D04 A 01A-B1T6E02  
A 01A-B1V5B10 B 01A-A1V4D02 B 01A-A1M1B13 AY6 A-B2U2D07  
B 01A-B1T1C13 B 01A-B1P1E11 AH2 A-B2U6C02 A 01A-B1V4D07  
B 01A-A1U1D13 AF2 A-B2U6A02 1 01A-A1G1A11 AZ6 A-B2T6B04  
AD2 A-B2T6D02 A 01A-B1V5B13 AJ2 A-B2U6D02 1 01A-A1T1B13  
A 01A-B1V5B11 B 01A-B1U1A13 1 01A-B1V2B06 BB6 A-B2T1D13  
B 01A-B1T1D13 B 01A-A1V1B13 AK2 A-B2U6E02 A 01A-B1T6D02

LOC. TYPE  
A-B2N2 0694

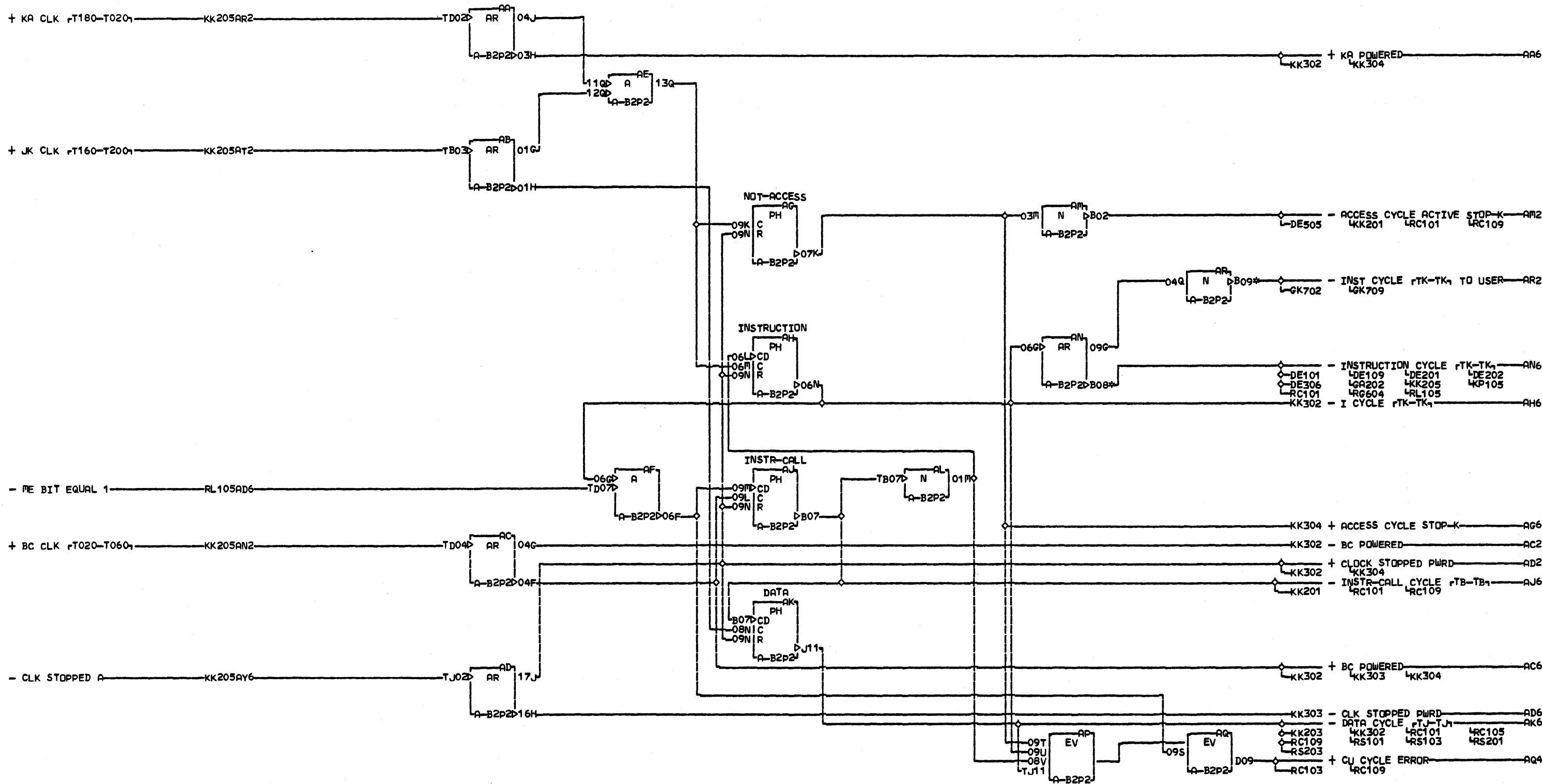
CONTROL UNIT CLOCK OUTPUTS	
E.C.-HISTORY	B-MACH.3830-2
437380	FRAME 01
DATE LAST EC	IBM CORP. SDD
11-28-75 437381	P.No. 2290397

K  
K  
2  
0  
5  
005



LOC. TYPE  
A-B2N2 0694

CLOCK TERMINATORS	
- E.C. HISTORY — 437301	- MACH. 3830-2
	FRAME 01
	IBM CORP. SDD
DATE 06-15-73	LAST EC 437310
	P.N. 2345787



AN6 A-B2R6A02  
 A 01A-B1V3B02  
 AR2 A-B2T6D04  
 I 01A-A1T1D13

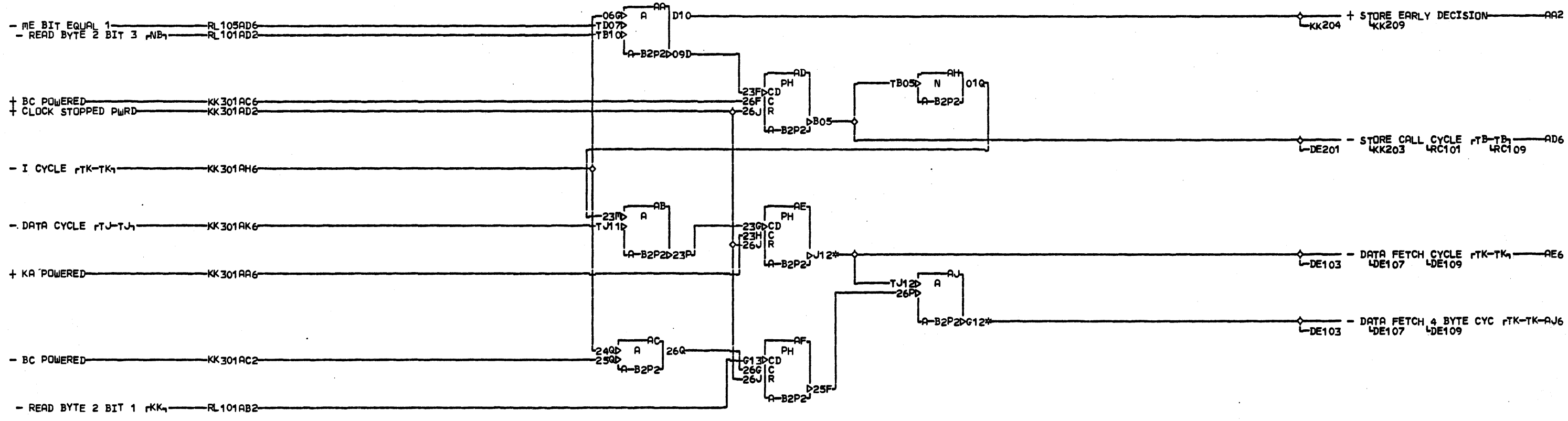
LOC. TYPE  
 A-B2P2 0701

CU CYCLE CONTROL LOGIC	
E.C. HISTORY	MACH. 3830-2
437380	FRAME 01
DATE LAST EC	IBM CORP. SDD
11-28-75 437381	P.No. 2290398

KK301

KK301





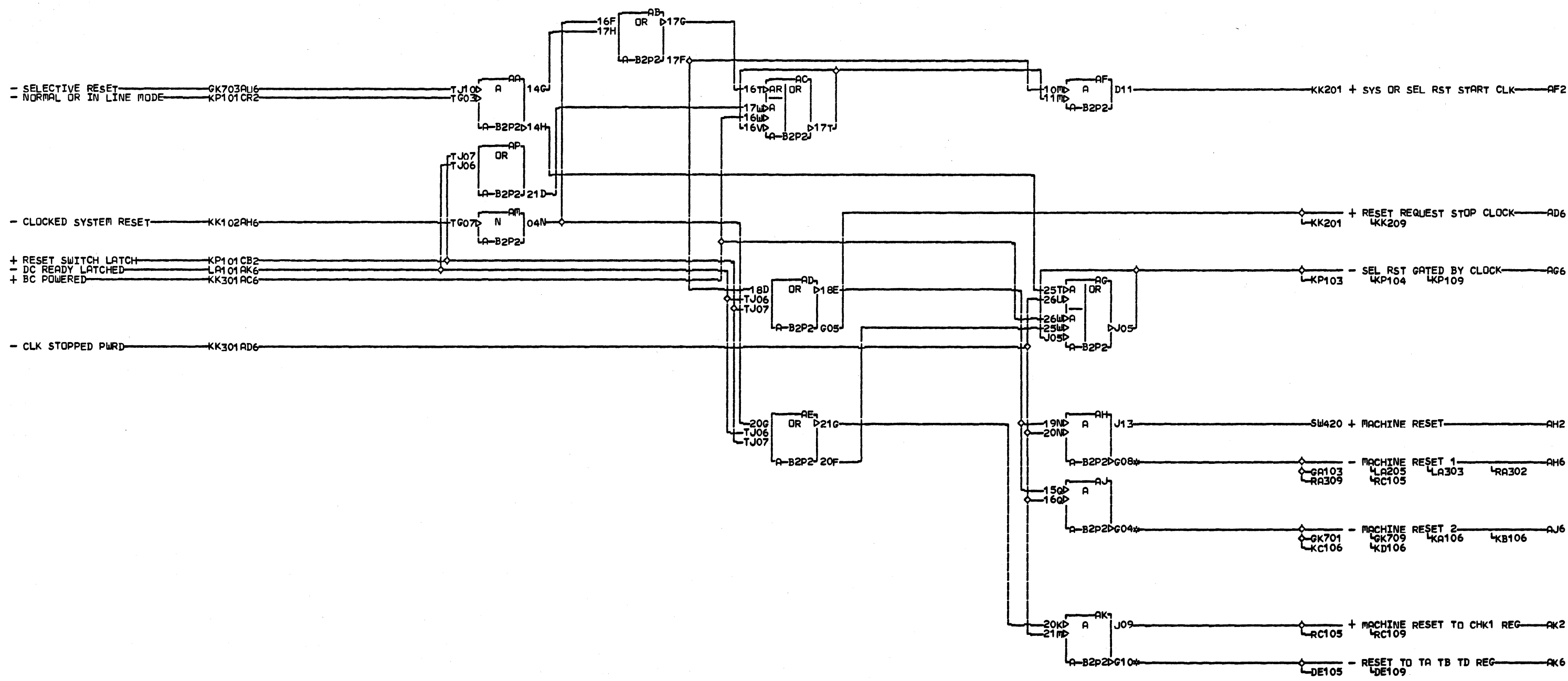
NOUXX

AE6 A-B2L2D12  
 A 01A-B1V4D12  
 AJ6 A-B2L2D11  
 A 01A-B1V4D11

LOC. TYPE  
 A-B2P2 0701

DATA CYCLE CONTROL LOGIC	
E.C. HISTORY 437301	MACH. 3830-2
DATE 06-13-73	FRAME 01
LAST EC 437310	IBM CORP. SDD
	P.No. 2345789

KK302



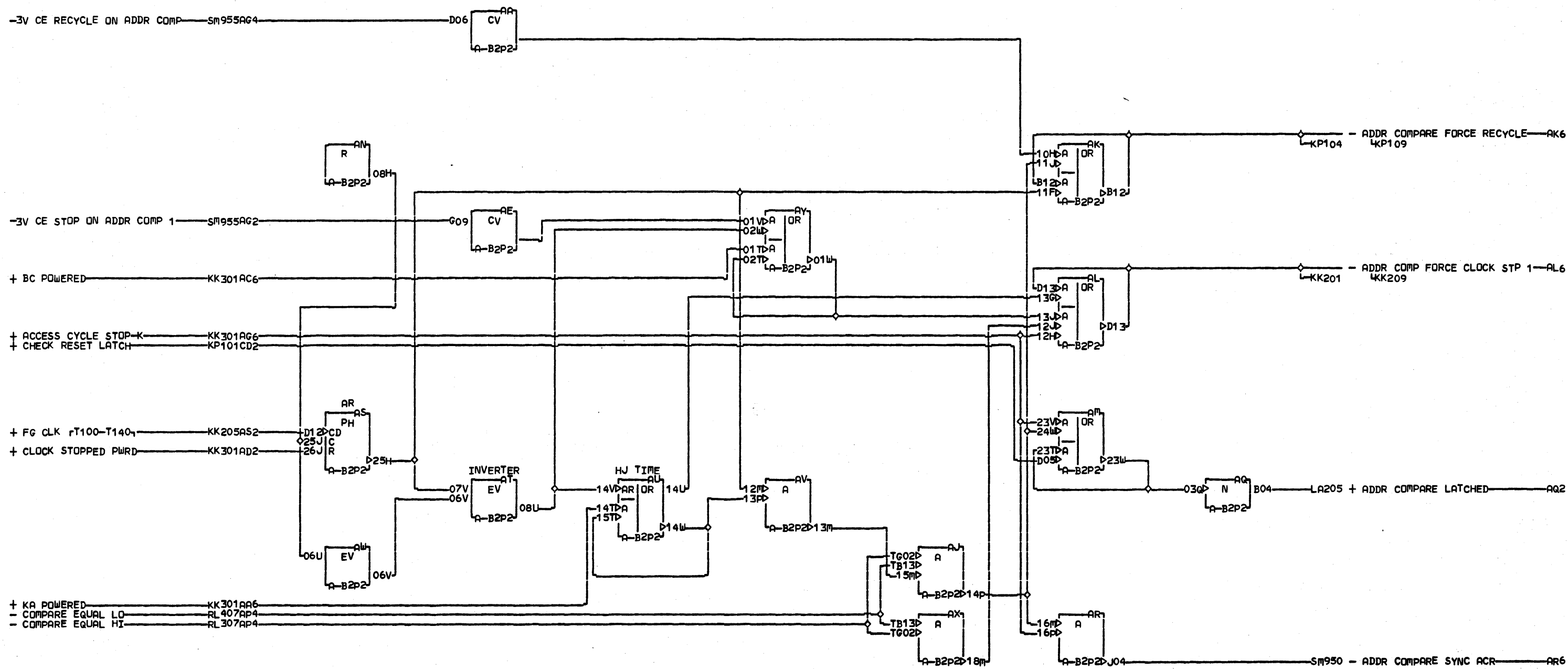
AH6 A-B2R6C02  
 A 01A-B1V3B04  
 AJ6 A-B2T6C04  
 1 01A-A1T1C13  
 AK6 A-B2N1E11  
 A 01A-B1B6D04

LOC. TYPE  
 A-B2P2 0701

RESET CONTROL LOGIC	
E.C. HISTORY 437380	MACH. 3830-2
DATE LAST EC 11-28-75 437381	FRAME 01 IBM CORP. SDD P.N. 2290399

WOUKK

KK303



KK304  
000

LOC. TYPE  
A-B2P2 0701

CE ADDRESS COMPARE LOGIC	
E.C. HISTORY	B MACH. 3830-2
437301	FRAME 01
437305	IBM CORP. SDD
DATE	LAST EC
06-15-73	437310
	P.N. 2345791

KK304  
000

IBM

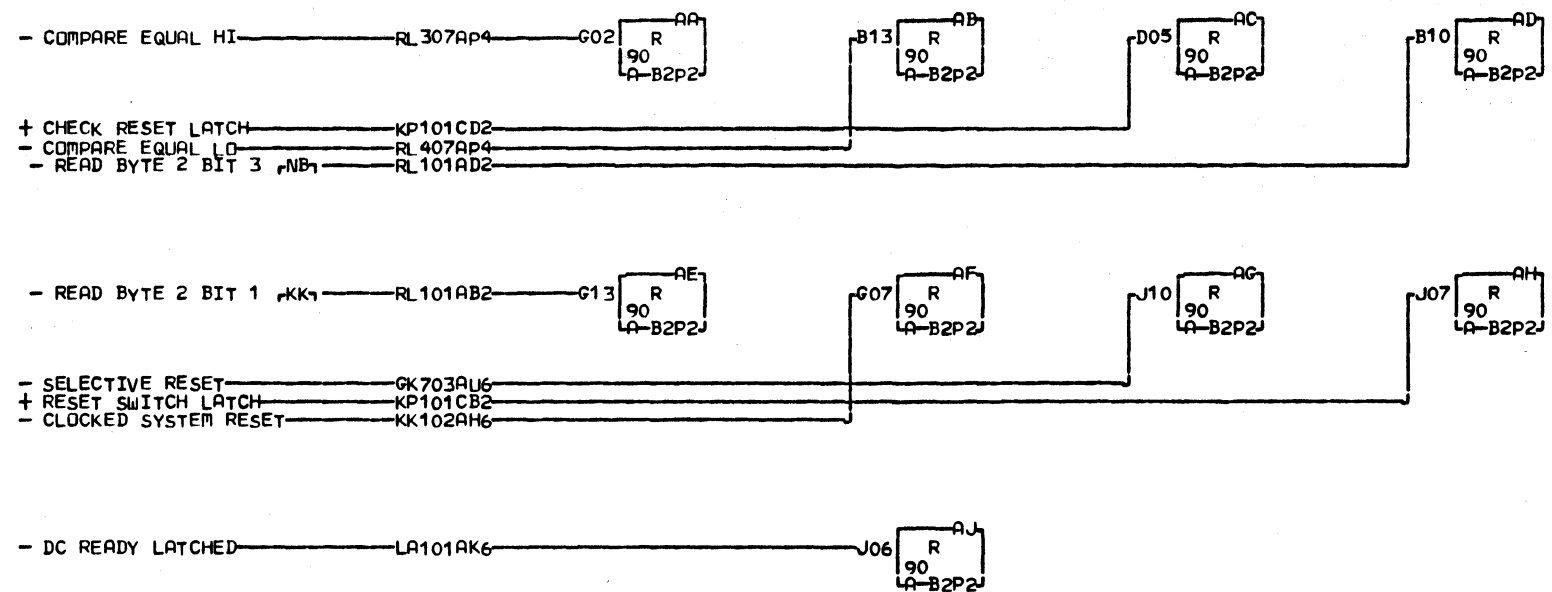
CONFIDENTIAL

UNTIL 03-30-76

UNCLASSIFIED

THEREAFTER

005 KK309



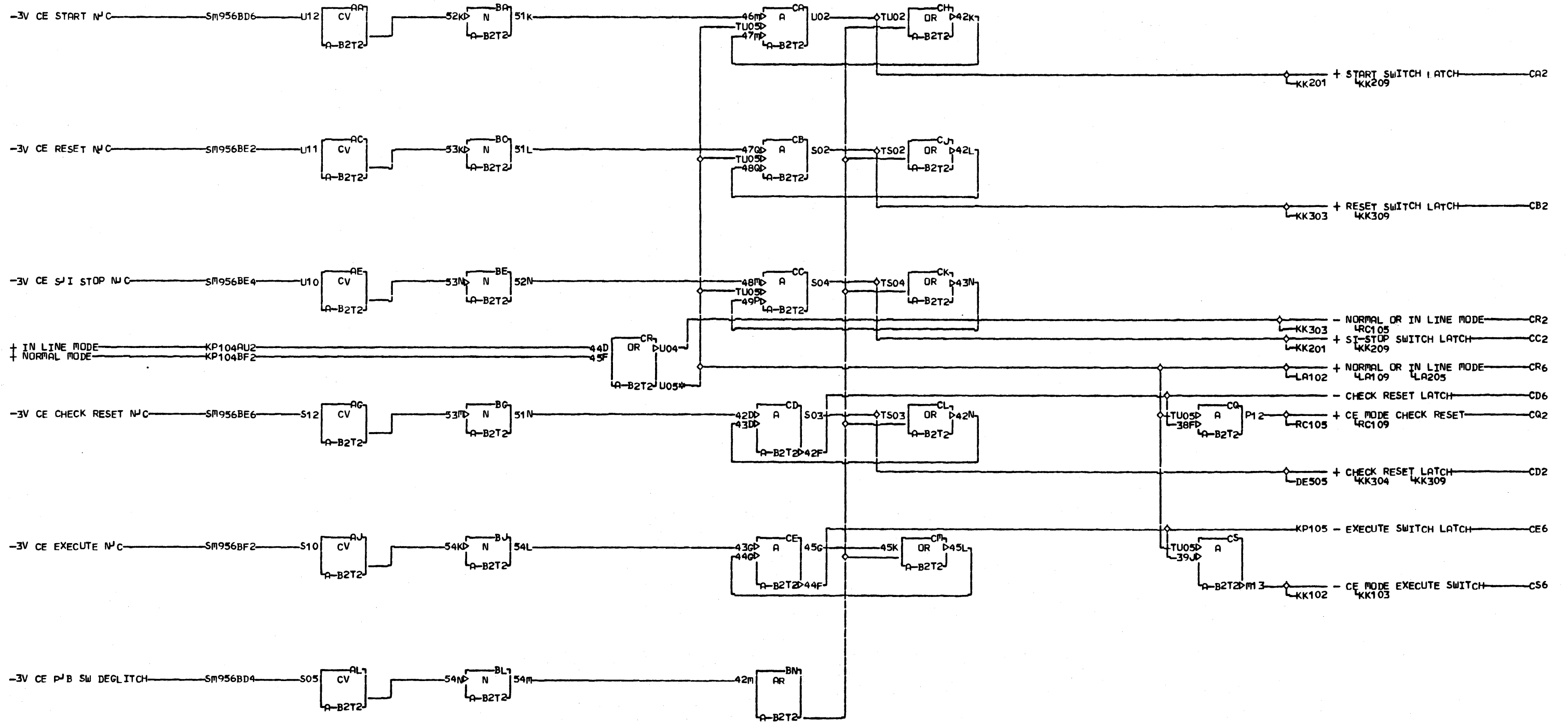
LOC. TYPE  
A-B2P2 0701

OP CTRL LINE TERMINATORS	
E.C. HISTORY	B MACH. 3830-2
FRAME	01
IBM CORP. SDD	
DATE	LAST EC
11-28-75	437381
P.No.	2348482

KK309

005

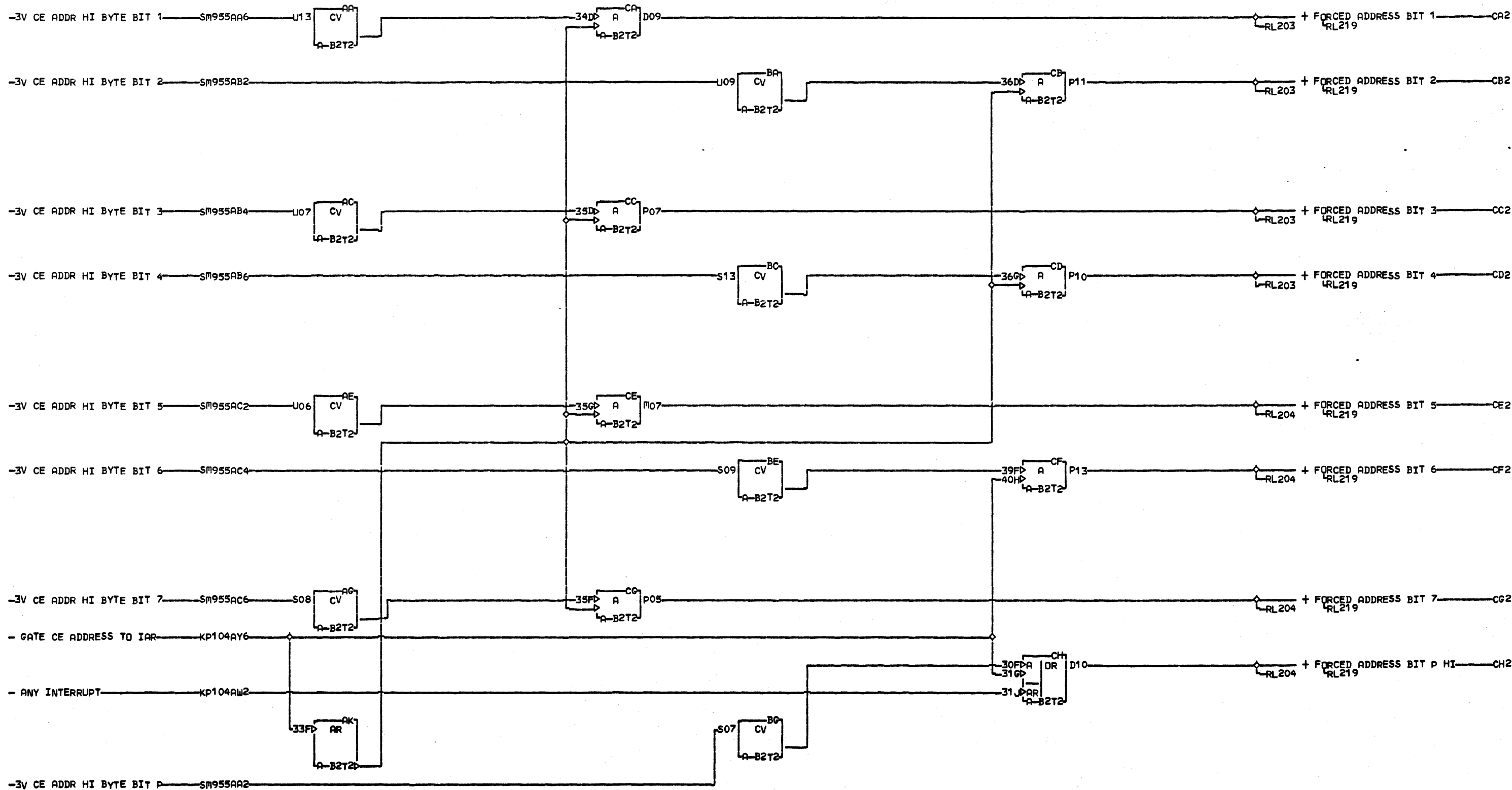
KK309



CR6 A-B2U3B06  
 A 01A-B1U3B06

LOC. TYPE  
 A-B2T2 0696

CE ADDRESS GATING AND IN LINE CONTROLS	
E.C. HISTORY	B MACH. 3830-2
437301	FRAME 01
437305	IBM CORP. SDD
DATE LAST EC	P.N. 2345793
06-15-73 437310	



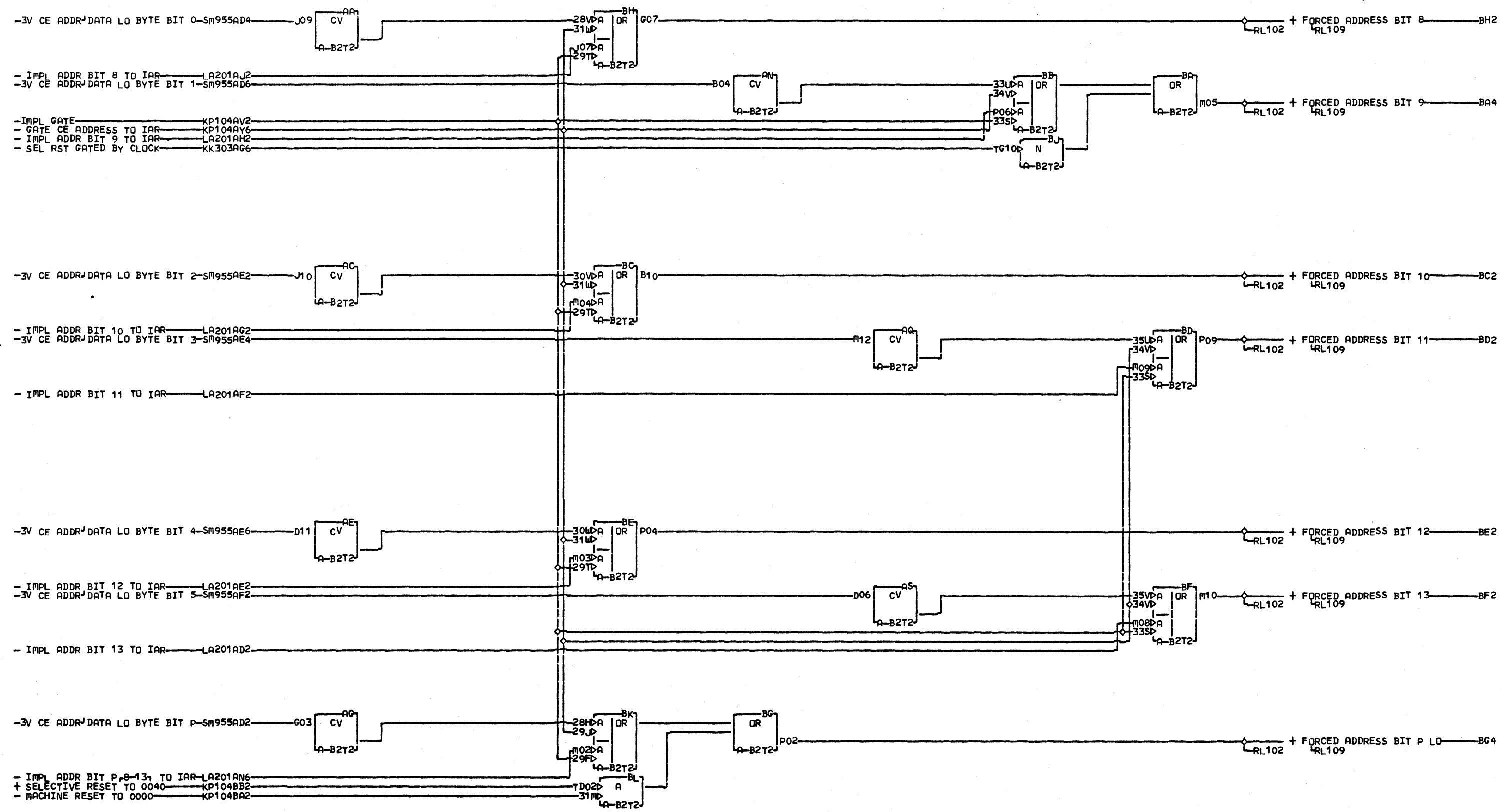
LOC. TYPE  
A-B2T2 0696

CE ADDRESS GATING AND IN LINE CONTROLS	
E.C. HISTORY 437301	MACH. 3830-2 FRAME 01
DATE 06-15-73	IBM CORP. SDD P.No. 2345794
LAST EC 437310	

K  
P  
1  
0  
2

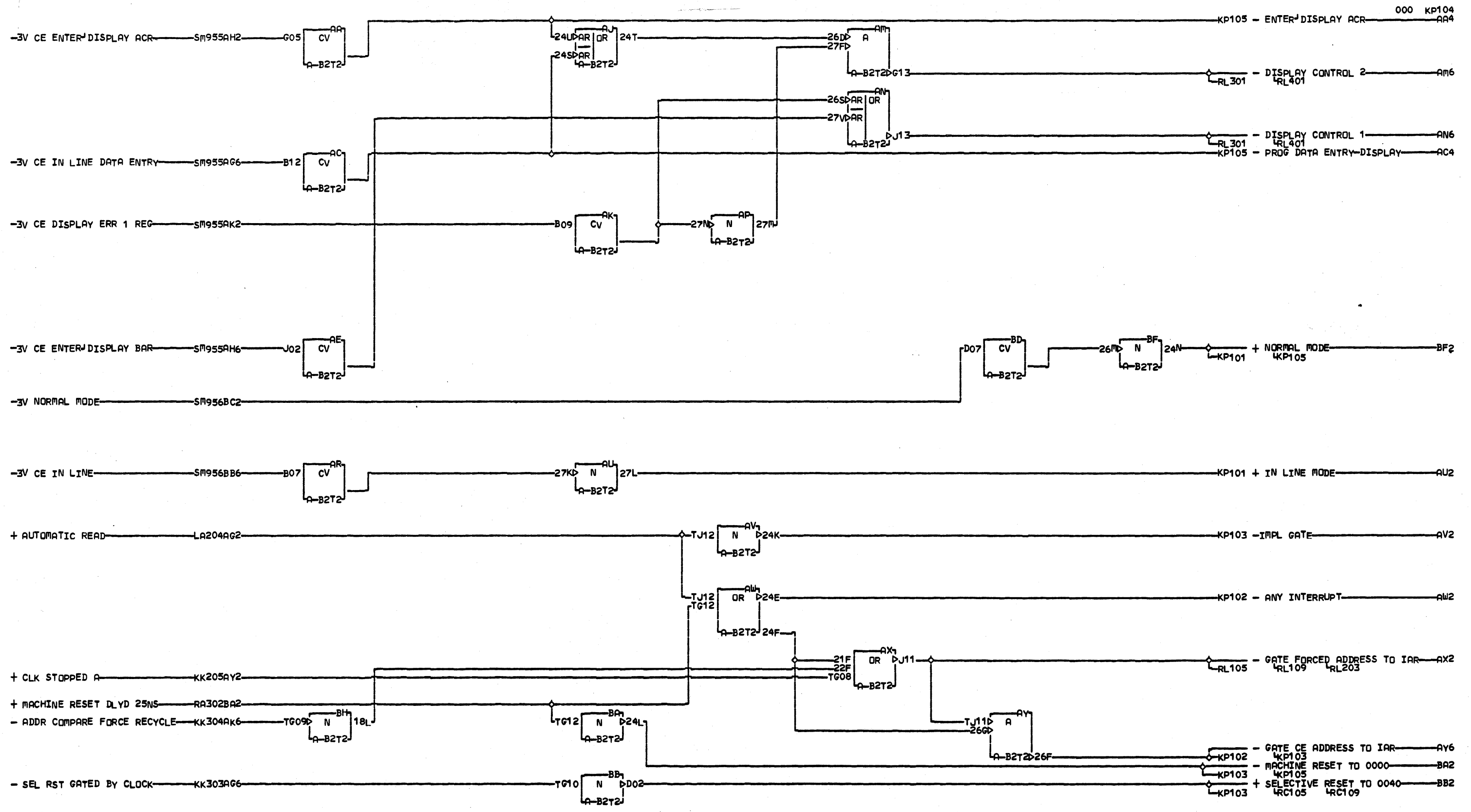
000

NO-10K  
000



LOC. TYPE  
A-B2T2 0696

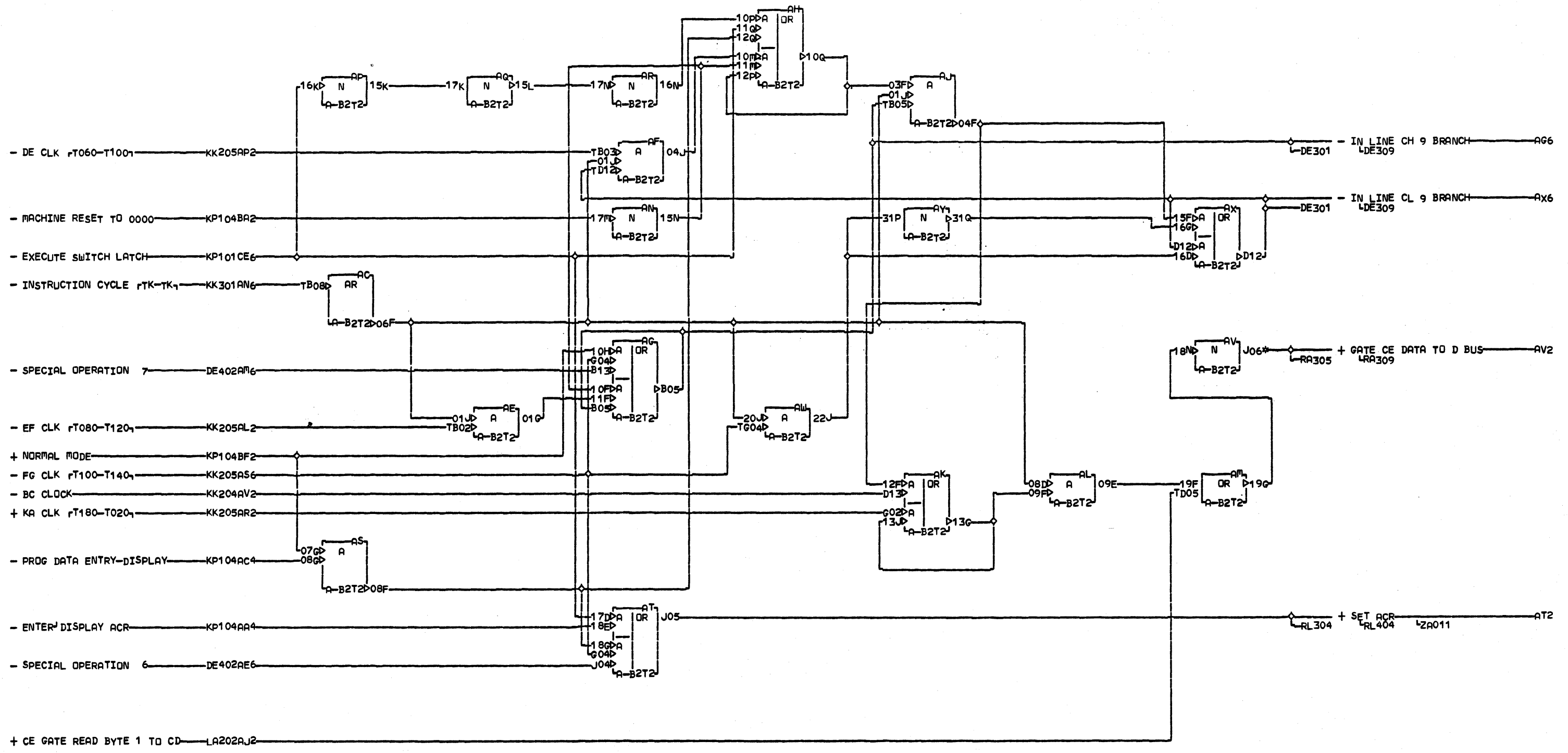
CE ADDRESS GATING AND IN LINE CONTROLS	
E.C. HISTORY 437301	B. MACH. 3830-2
DATE 06-15-73	LAST EC 437310
FRAME 01	IBM CORP. SDD P.N. 2345795



LOC. TYPE  
A-B2T2 0696

CE ADDRESS GATING AND IN LINE CONTROLS		K P 1 0 4
-E.C.-HISTORY 437301	B-MACH. 3830-2 FRAME 01	
DATE 06-15-73	LAST EC 437310	IBM CORP. SDD P.O. No. 2345796
000		





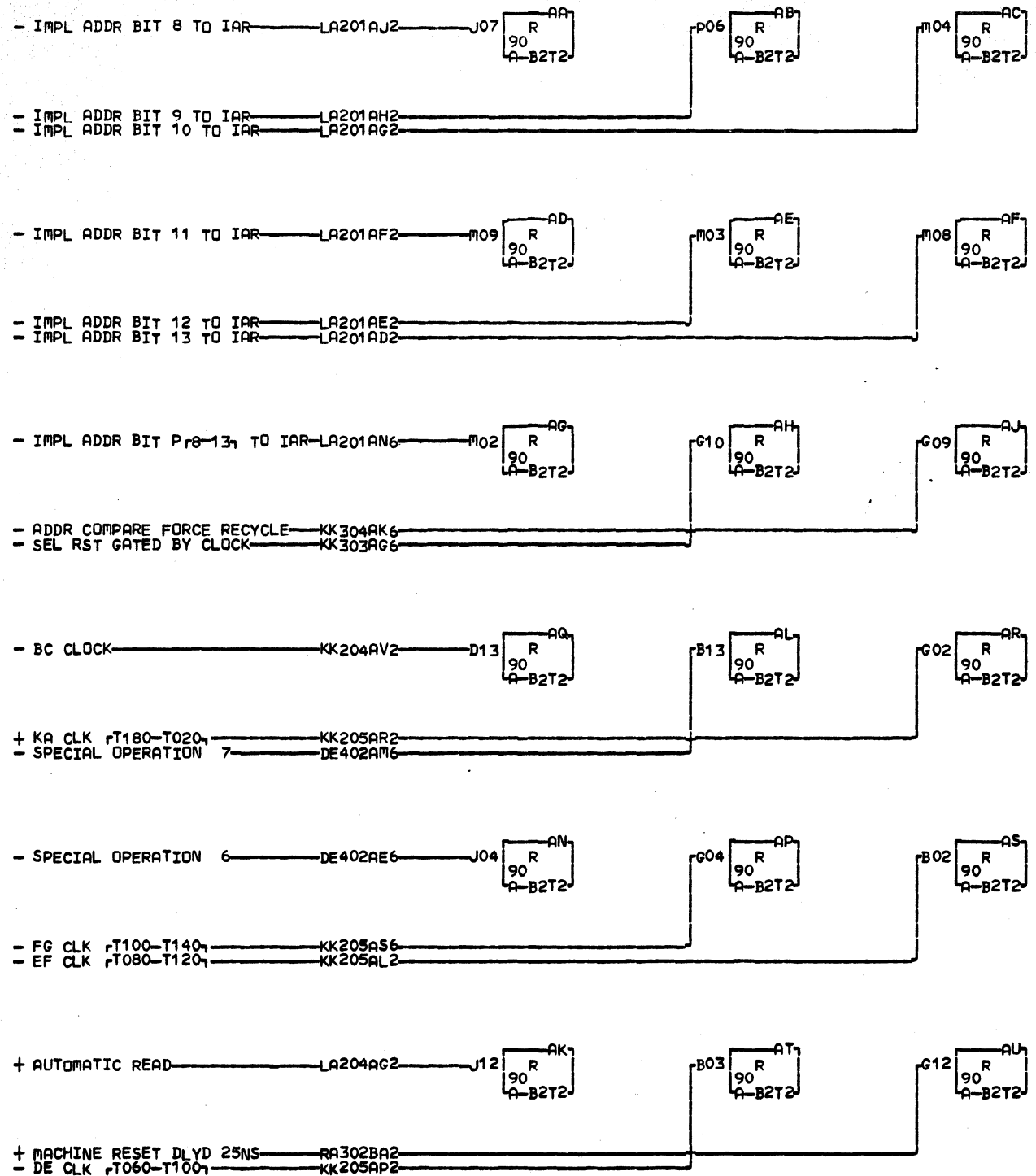
AV2 A-B2R6D02  
A 01A-B1V3B05

LOC. TYPE  
A-B2T2 0696

CE ADDRESS GATING AND IN LINE CONTROLS		K P 1 0 5
E.C. HISTORY - MACH. 3830-2 437301		
DATE	LAST EC	IBM CORP. SDD P.No. 2345797
06-15-73	437310	

50-100  
000

000



K  
P  
1  
0  
9

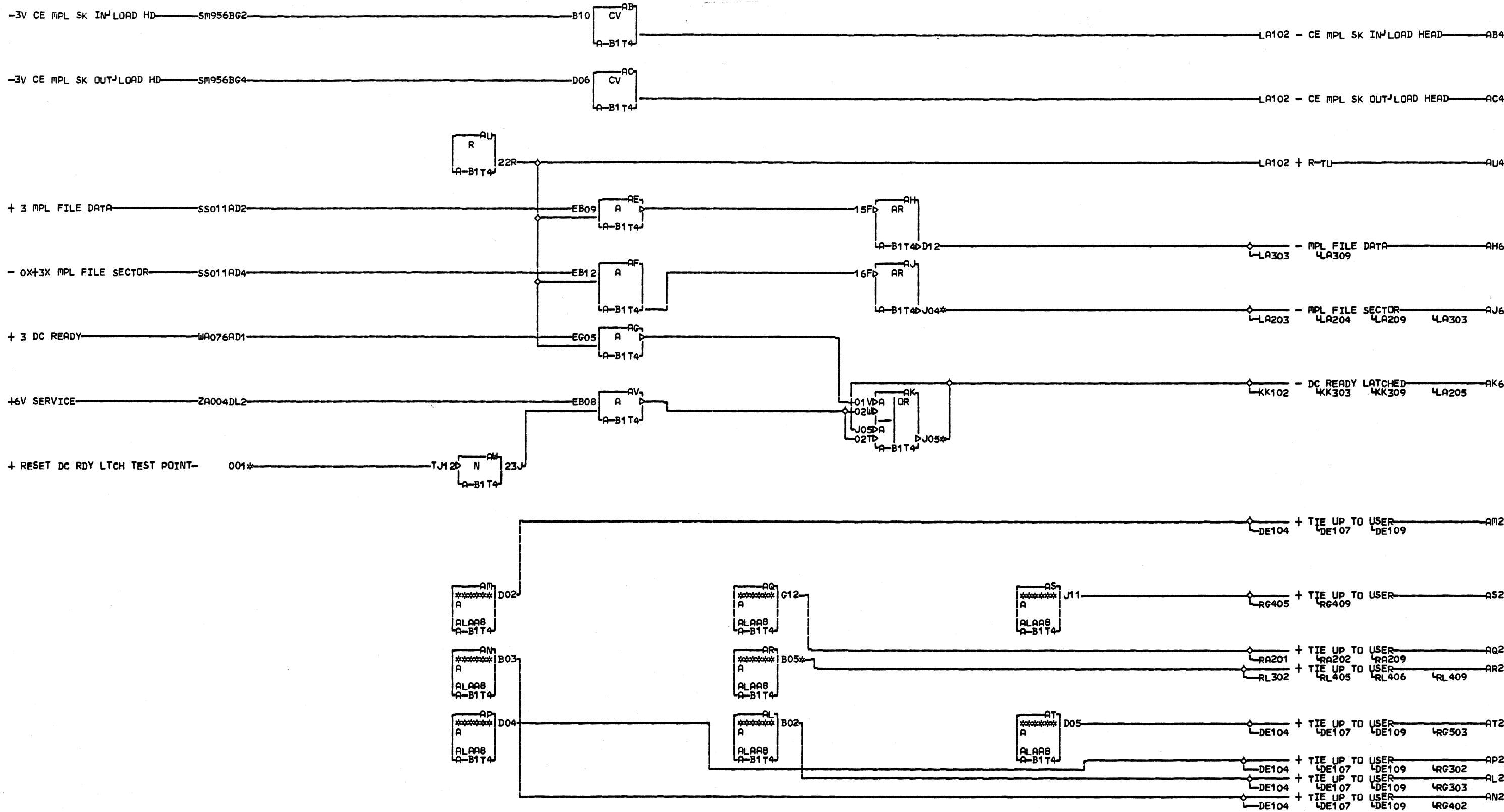
000

LOC. TYPE  
A-B2T2 0696

CE ADDRESS GATING AND IN LINE CONTROLS	
E.C. HISTORY 437301	MACH. 3830-2
DATE 06-15-73	LAST EC 437310
FRAME 01	IBM CORP. SDD
P.No. 2345798	

K  
P  
1  
0  
9

000



10-1DL  
 001  
 RESISTOR  
 A-B1T4J12  
 AJ6 A-B1U3B05  
 A 01A-B2U3B05  
 AK6 A-B1V4B10  
 A 01A-B2U2B10  
 AR2 A-B1V3B06  
 A 01A-B2R6E02

IBM COPYRIGHT IBM CORP 1976  
 SIM TO PN 2345799 EC 437310

LOC. TYPE  
 A-B1T4 0702

IMPL CONTROL		L A 1 0 1
TIE UPS	FE CONV	
E.C. HISTORY 437380	B MACH. 3830-2	005
DATE LAST EC 11-28-75 437381	FRAME 01 IBM CORP. SDD P.N. 2290400	

IBM

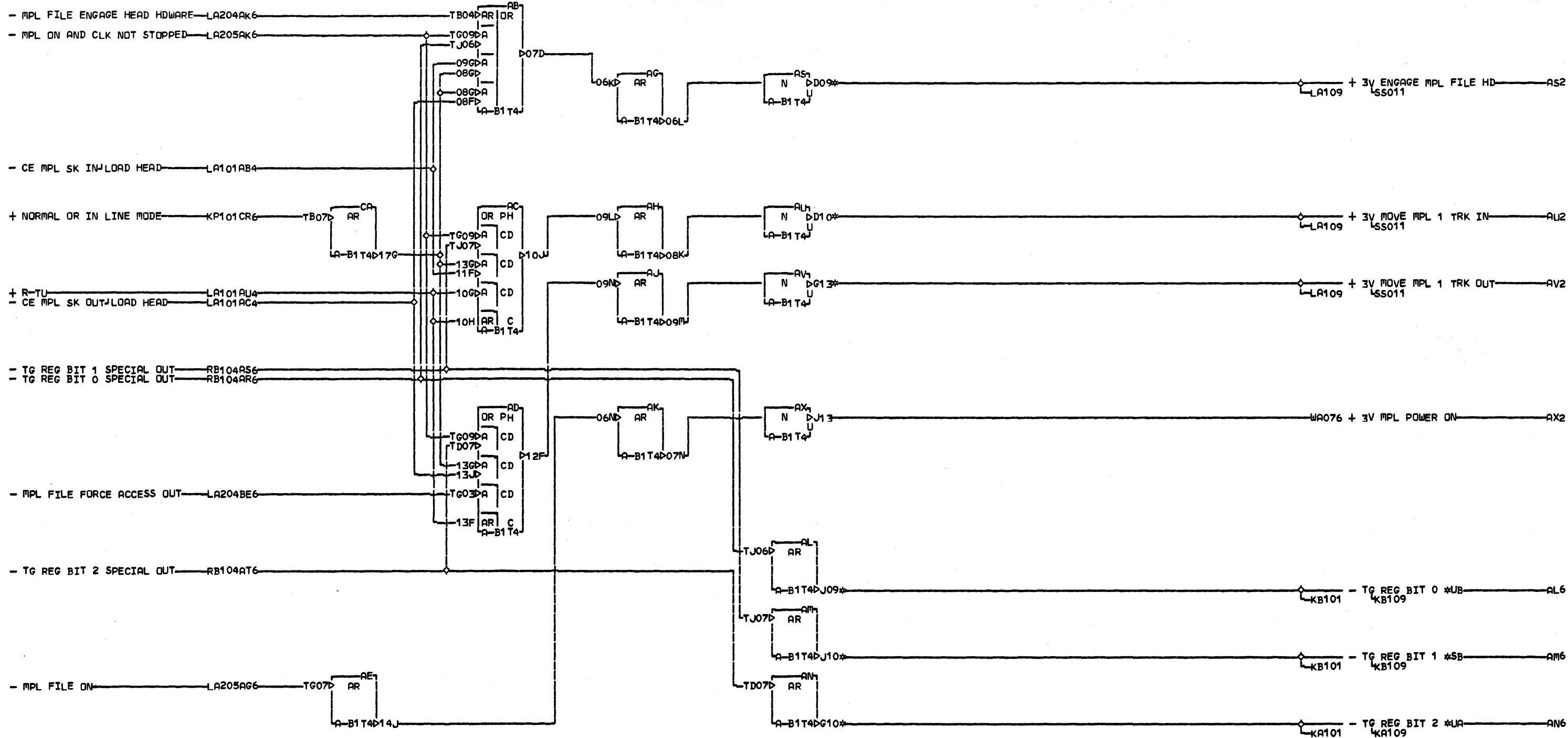
CONFIDENTIAL

UNTIL 03-30-76

UNCLASSIFIED

THEREAFTER

005 LA102



11  
2

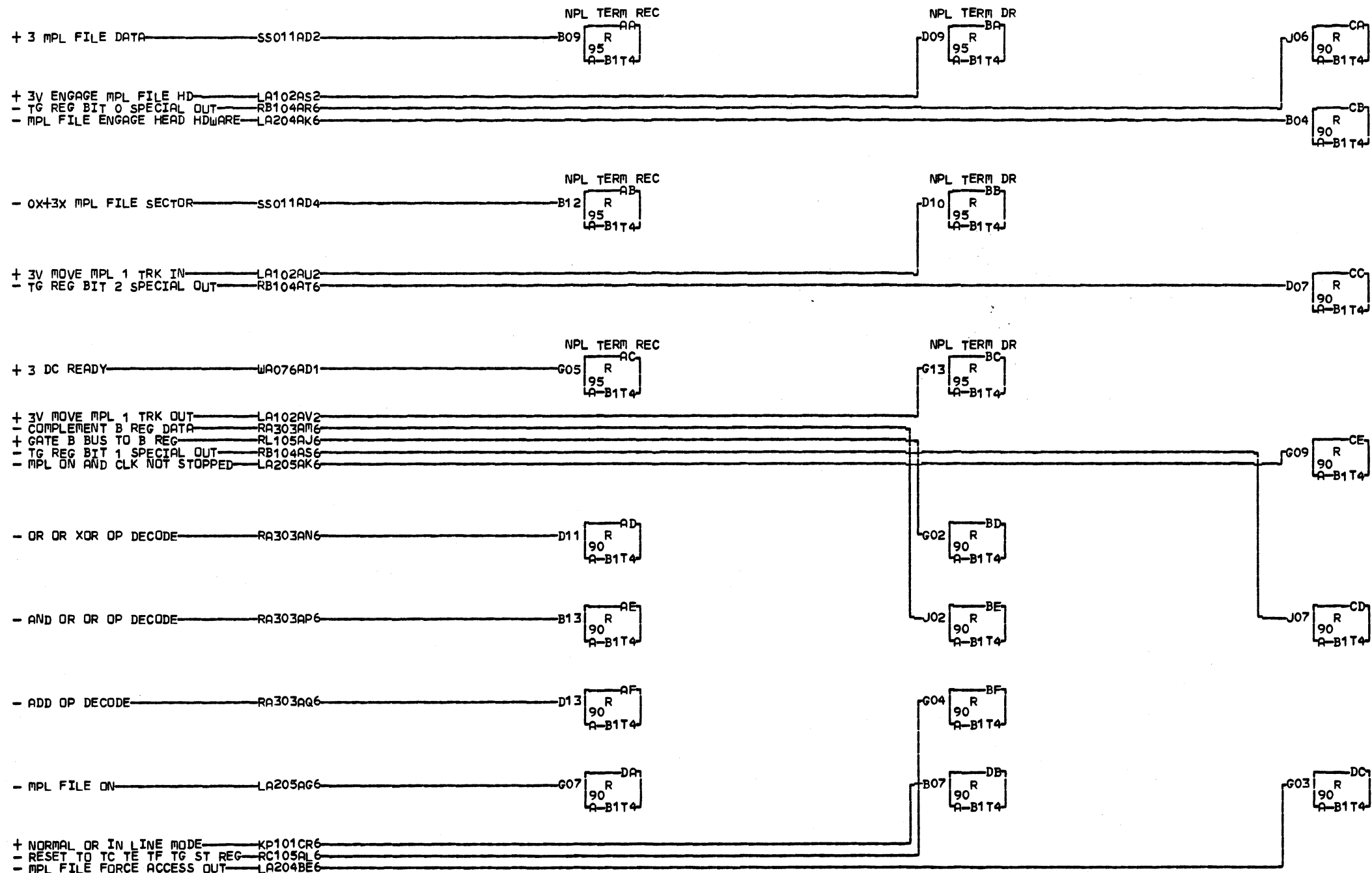
005COPYRIGHT IBM CORP 1976  
SIM TO PN 2345800 EC 437310

AL6 A-B1V2D11  
 A 01A-A1R1D11  
 AM6 A-B1V2D12  
 A 01A-A1R1E11  
 AN6 A-B1V2D13  
 A 01A-A1S1A11  
 AS2 A-B1T4D09  
 AU2 A-B1T4D10  
 AV2 A-B1T4G13

LOC. TYPE  
A-B1T4 0702

IMPL CONTROL LINE DRIVERS	
E.C. HISTORY 437380	B. MACH. 3830-2
DATE 11-28-75	LAST EC 437381
FRAME 01	IBM CORP. SDD
P.N. 2290401	

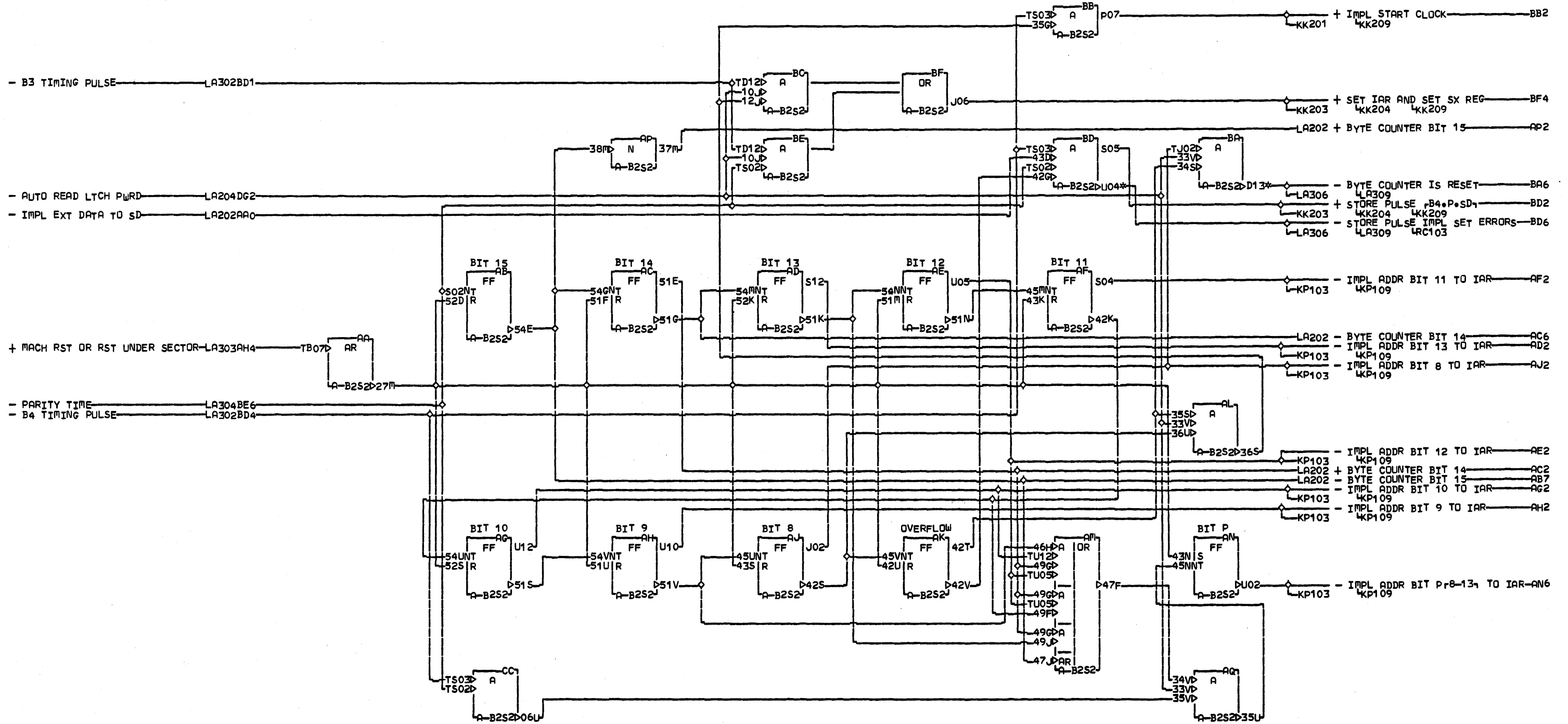
LA  
1  
0  
2  
005



LOC. TYPE  
A-B1T4 0702

IMPL CONTROL	
LINE TERMINATORS	
E.C. HISTORY 437301	MACH. 3830-2
DATE 06-15-73	LAST EC 437310
FRAME 01	IBM CORP. SDD
P.No. 2345801	

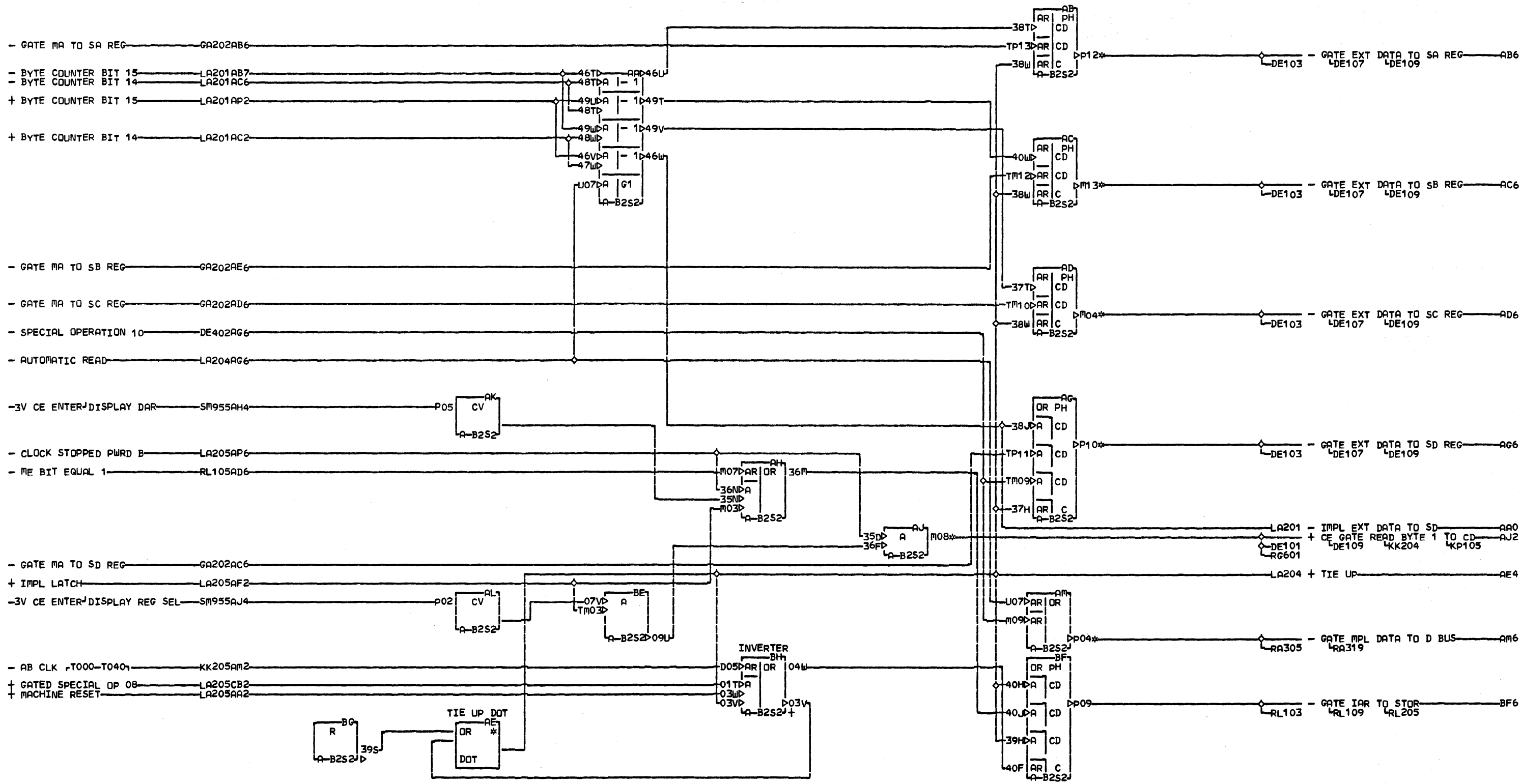
L  
A  
1  
0  
9  
000



BA6 A-B2U3D07  
 A 01A-B1U3D07  
 BD6 A-B2U3D13  
 A 01A-B1U3D13

LOC. TYPE  
 A-B2S2 0703

IMPL CONTROL CARD	
BYTE CNT AND STORAGE ADDR GEN	
437301	E.C. HISTORY - MACH. 3830-2
DATE 06-15-73	LAST EC 437310
FRAME 01	IBM CORP. SDD
P.N. 2345802	

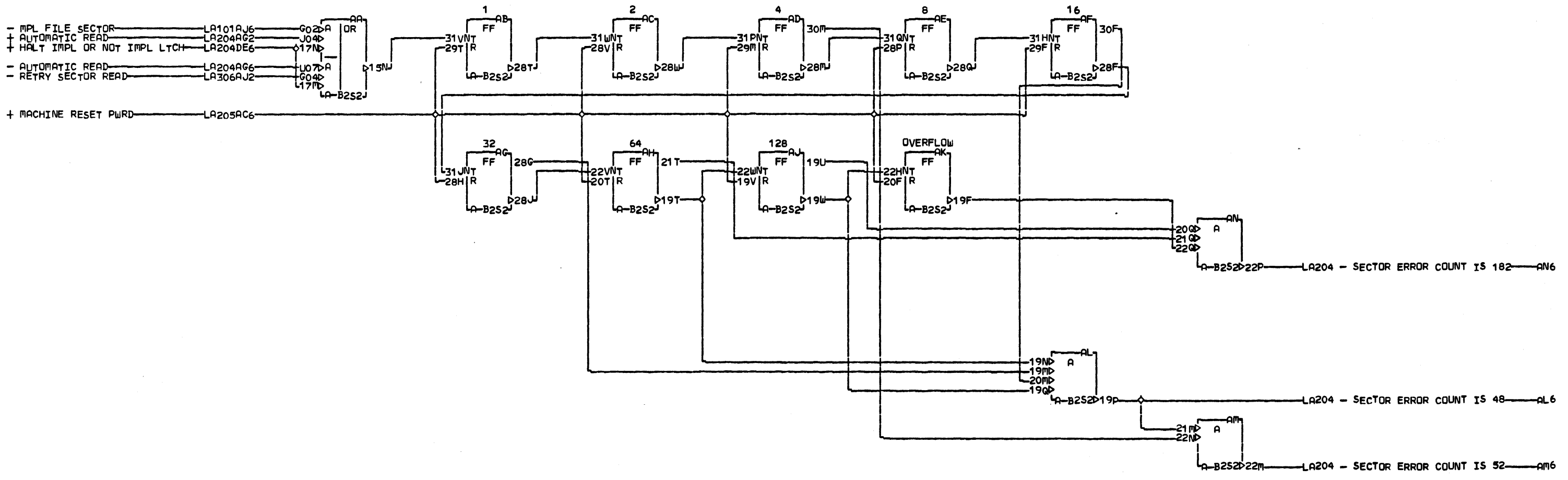


NONDL  
 005COPYRIGHT IBM CORP 1976  
 SIM TO PN 2345803 EC 437310

AB6 A-B2U3D12 A 01A-B1U3B10  
 A 01A-B1U3D12 AM6 A-B2U3D10  
 AC6 A-B2U3B11 A 01A-B1U3D10  
 A 01A-B1U3B11  
 AD6 A-B2U3B09  
 A 01A-B1U3B09  
 AG6 A-B2U3D11  
 A 01A-B1U3D11  
 AJ2 A-B2U3B10

LOC. TYPE  
 A-B2S2 0703

IMPL CONTROL CARD		L A 2 0 2
EXT DATA REGISTER CONTROLS		
-E.C.-HISTORY	B MACH.3830-2	005
437380	FRAME 01	
DATE LAST EC	IBM CORP. SDD	
11-28-75 437381	P.N. 2290402	



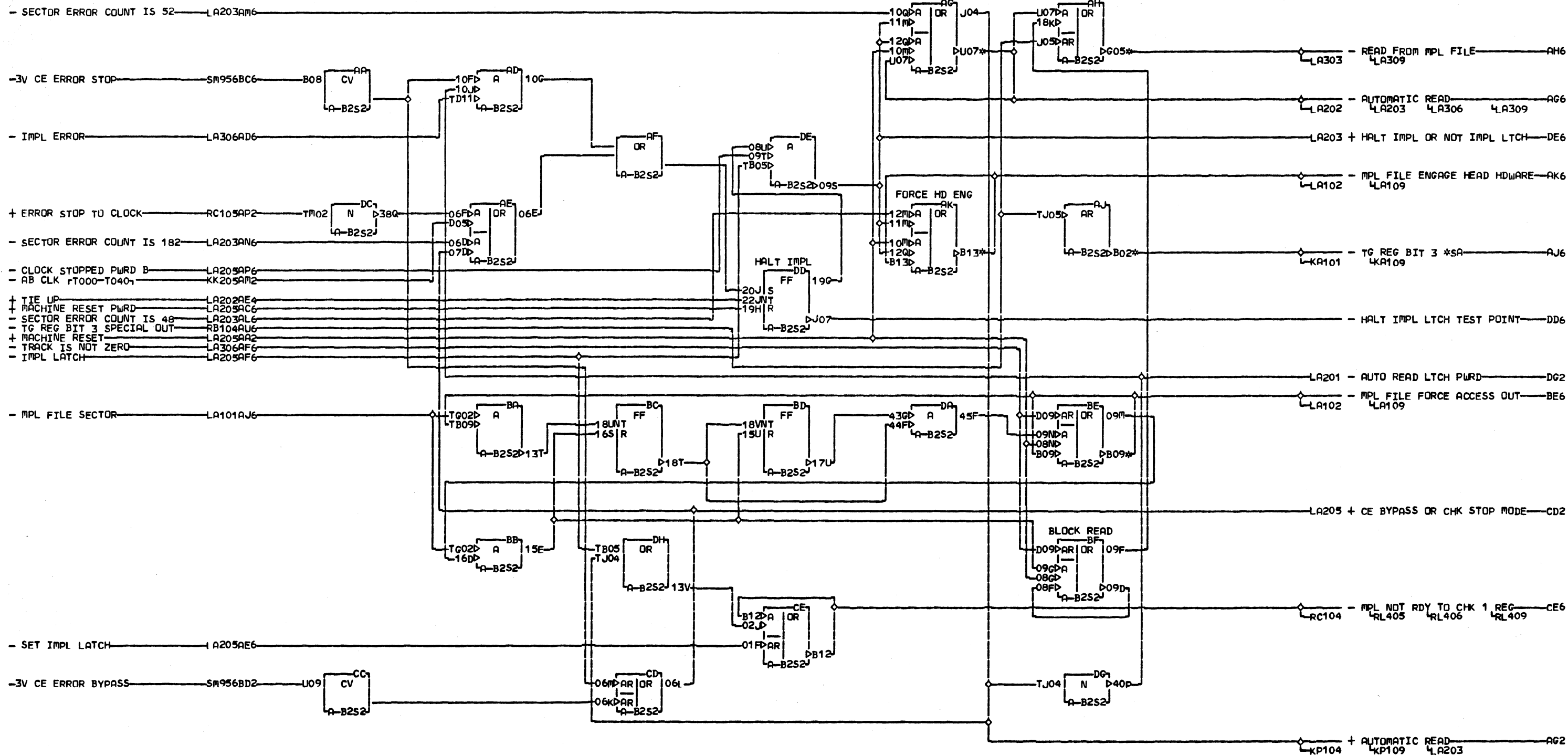
WOND  
000

LOC. TYPE  
A-B252 0703

IMPL CONTROL CARD	
ERROR OR SECTOR COUNTER	
E.C. HISTORY 437301	MACH. 3830-2
DATE 06-15-73	LAST EC 437310
FRAME 01	IBM CORP. SDD
P.N. 2345804	

WOND  
000





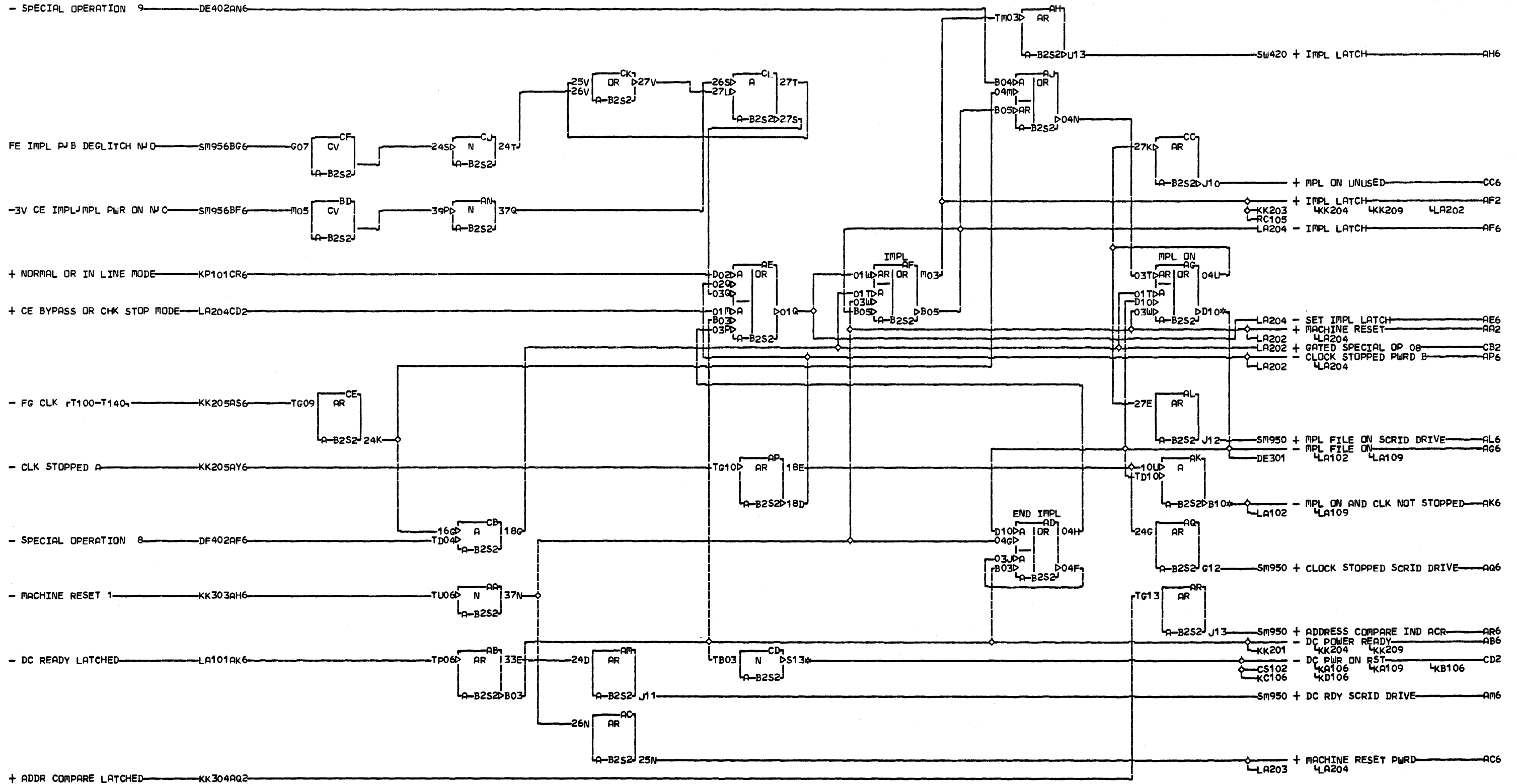
LA204

AG6 A-B2R6B02 A 01A-B1U3B03  
 A 01A-B1V3B03  
 AH6 A-B2U3B08  
 A 01A-B1U3B08  
 AJ6 A-B2T6A04  
 1 01A-B1T1A13  
 AK6 A-B2U3B04  
 A 01A-B1U3B04  
 BE6 A-B2U3B03

LOC. TYPE  
 A-B2S2 0703

005COPYRIGHT IBM CORP 1976  
 SIM TO PN 2345805 EC 437310

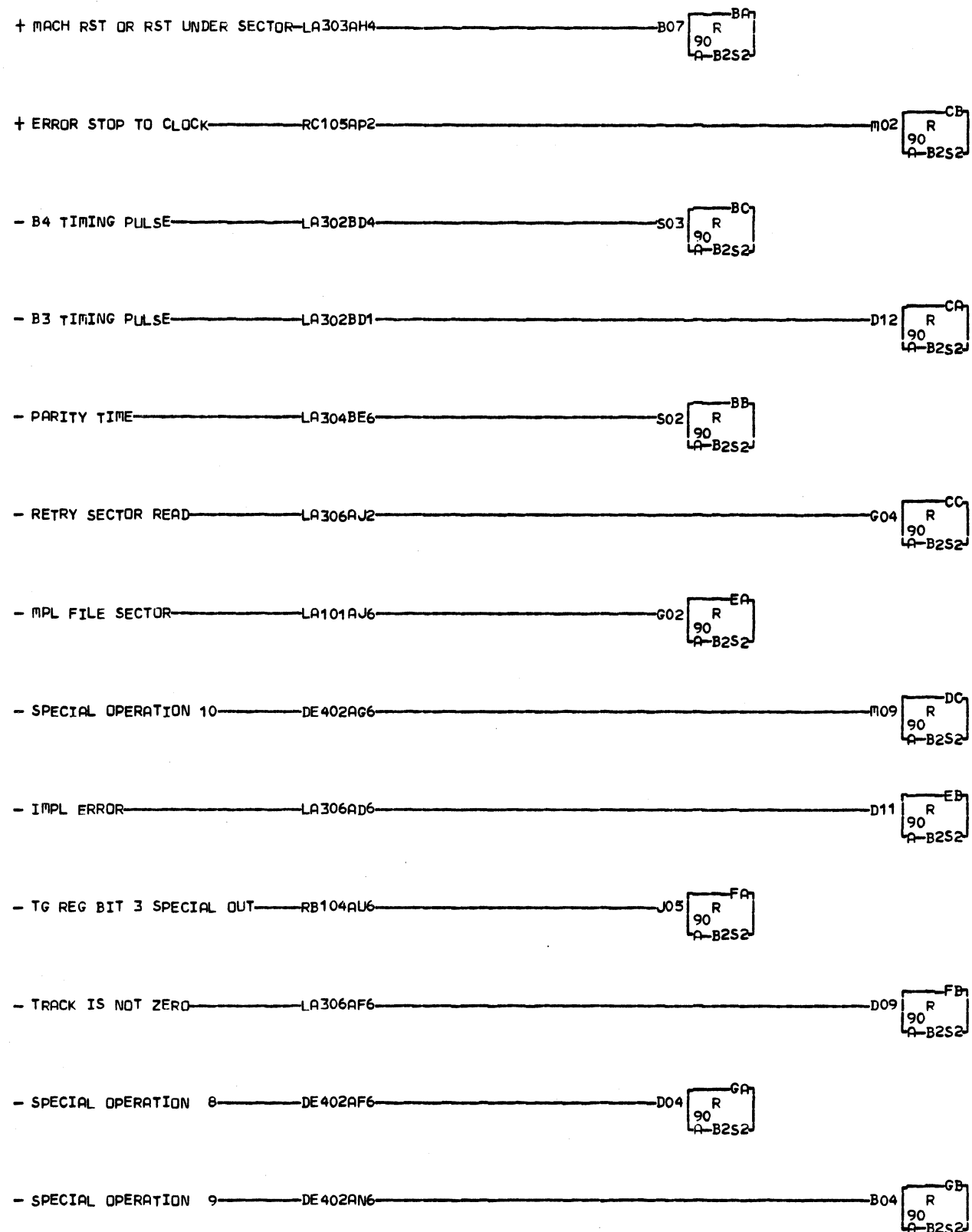
IMPL CONTROL CARD		LA
READ CNTRL	HEAD ACCESS + ENG	2
E.C.-HISTORY	MACH-3830-2	0
437380	FRAME 01	4
DATE LAST EC	IBM CORP. SDD	005
11-28-75 437381	P.N. 2290403	



AG6 A-B2U3D04  
 A 01A-B1U3D04  
 AK6 A-B2U3B02  
 A 01A-B1U3B02  
 CD2 A-B2V6A04  
 1 01A-A1K6B02

LOC. TYPE  
 A-B2S2 0703

IMPL CONTROL CARD		L A 2 0 5
IMPL MODE AND MPL FILE CNTRL	MACH. 3830-2	
E.C. HISTORY	437380	005
FRAME	01	
DATE LAST EC	11-28-75 437381	005
P.N.	2290404	

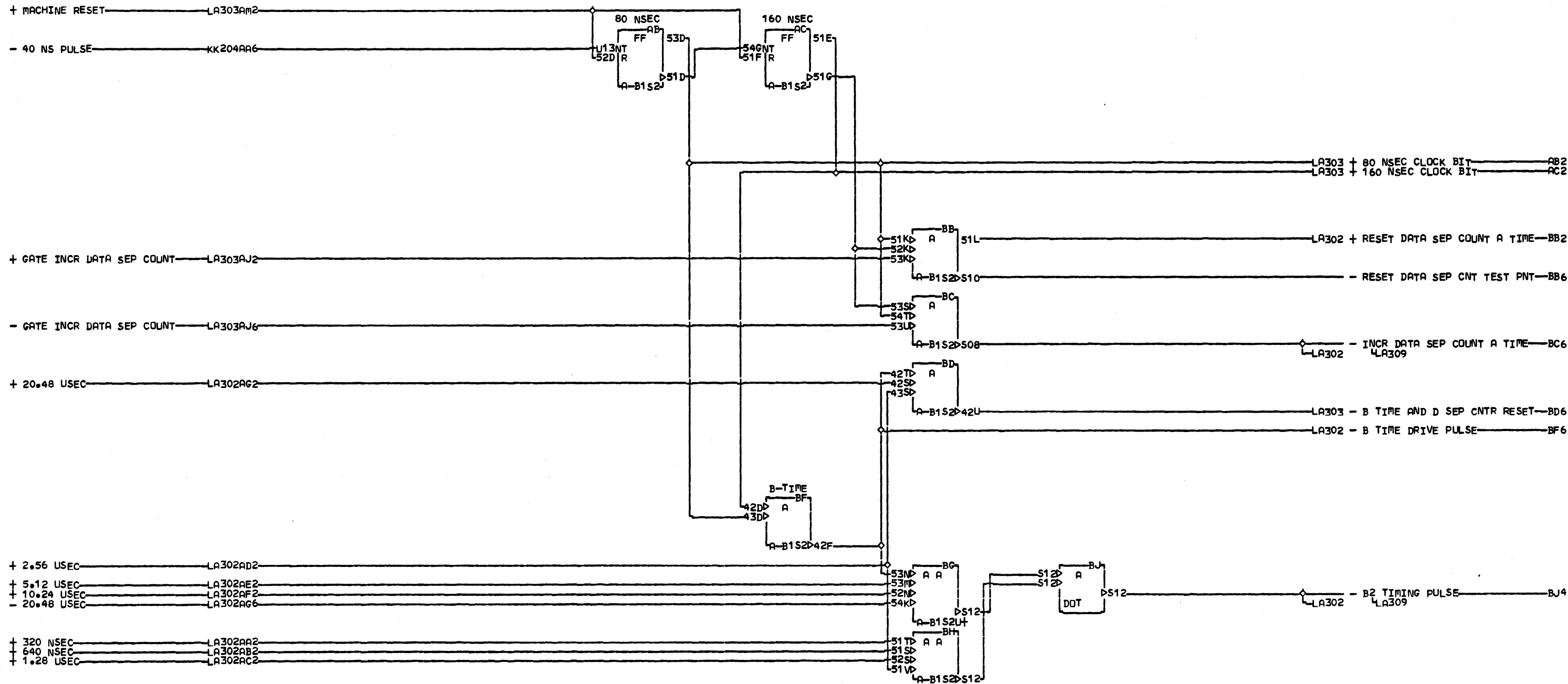


90NDT  
000

LOC. TYPE  
A-B2S2 0703

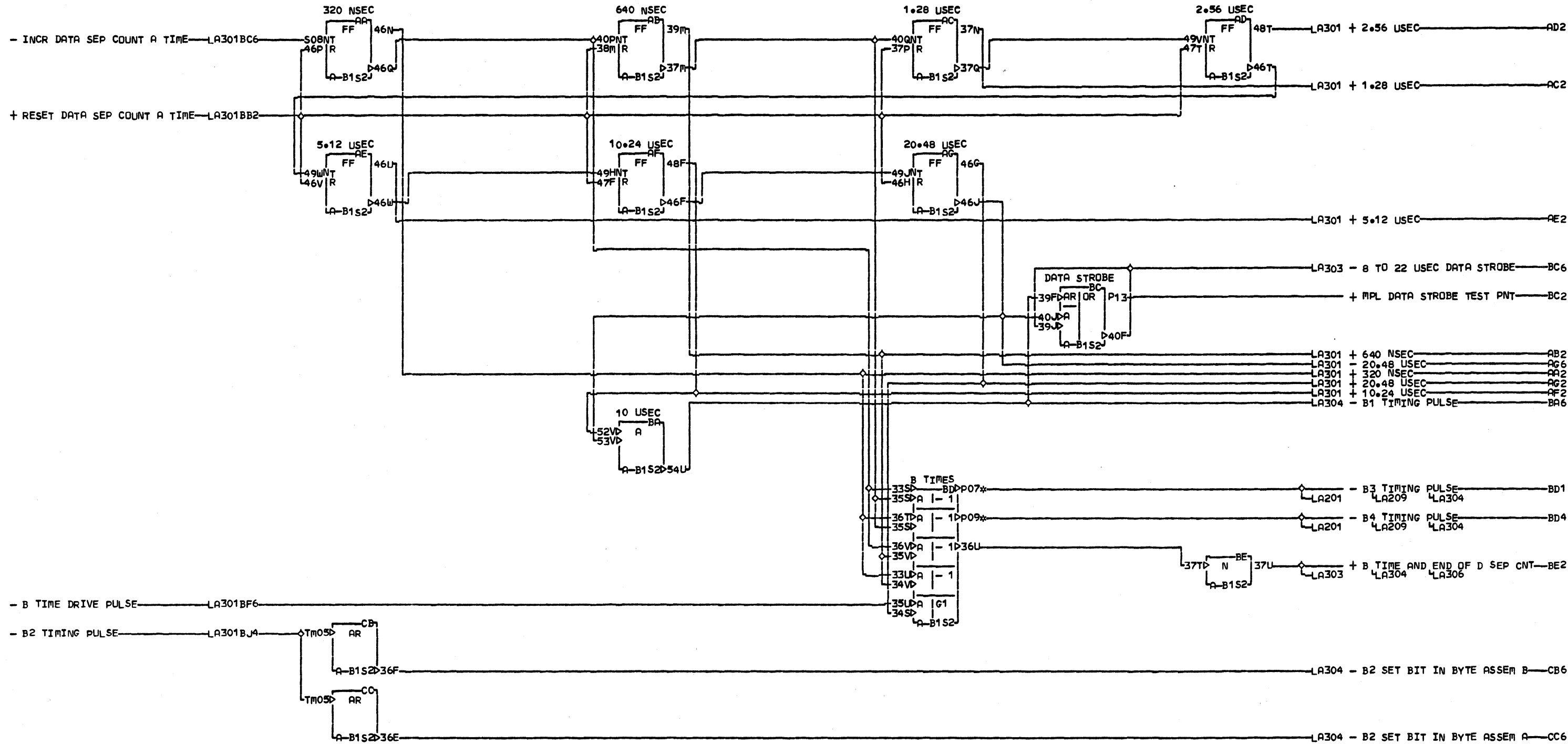
IMPL CONTROL CARD	
RESISTOR PAGE	
E.C. HISTORY 437301	B. MACH. 3830-2
DATE 06-15-73	LAST EC 437310
FRAME 01	IBN CORP. SDD
P.N. 2345807	

LA209  
000



LOC. TYPE  
A-B1S2 0704

MPL FILE DESERIALIZER	
DATA SEPARATOR COUNT CONTROL	
437301	E.C. HISTORY
437307	FRAME 01
	IBM CORP. SDD
DATE LAST EC	P.N. 2345808
06-15-73 437310	



BD1 A-B1U3D06  
 A 01A-B2U3D06  
 BD4 A-B1U3B13  
 A 01A-B2U3B13

LOC. TYPE  
 A-B1S2 0704

MPL FILE DESERIALIZER	
DATA SEPARATOR COUNT	
-E.C. HISTORY-	MACH. 3830-2
437301	FRAME 01
437307	IBM CORP. SDD
DATE LAST EC	P.No. 2345809
06-15-73 437310	

IBM

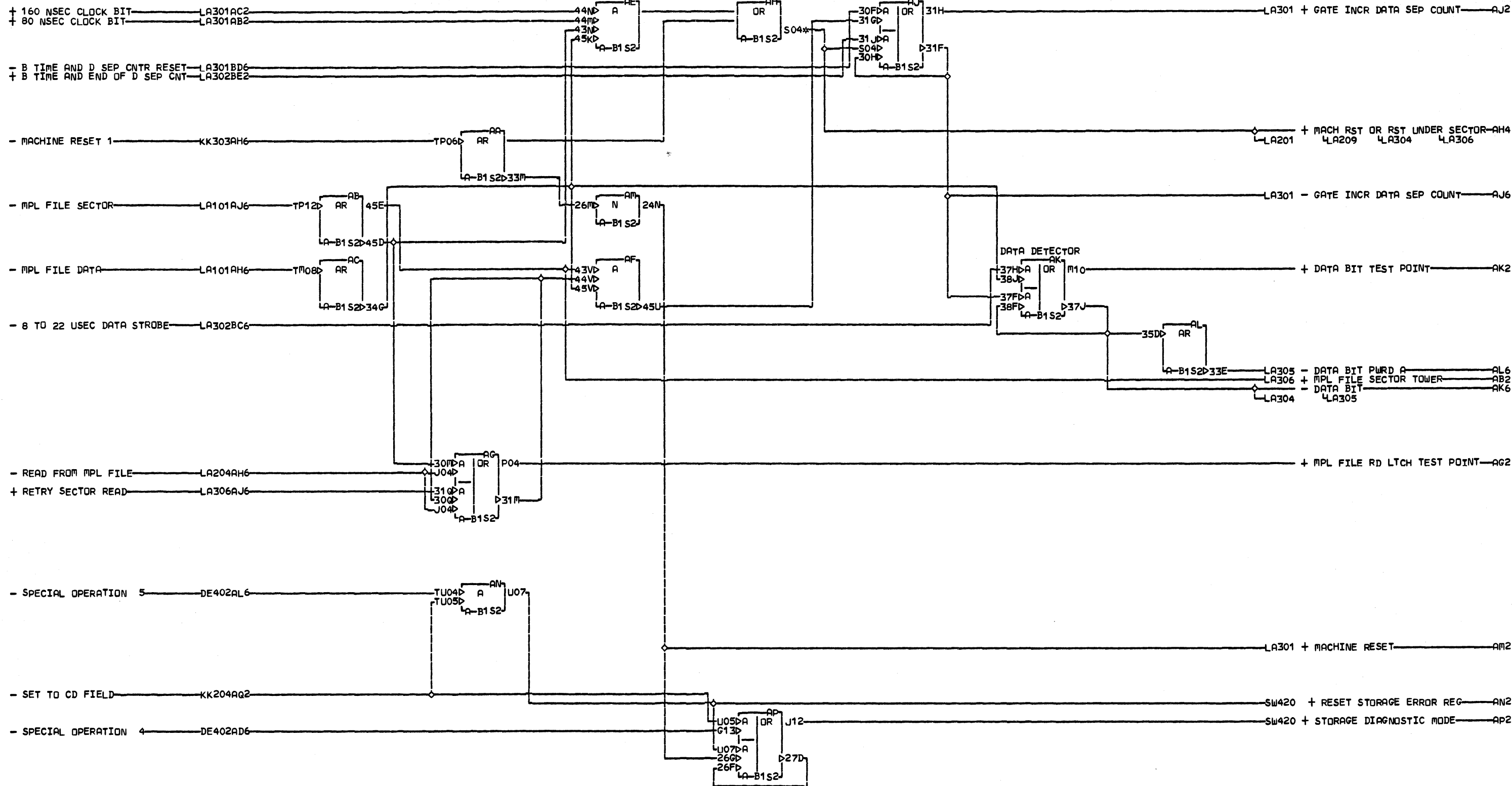
CONFIDENTIAL

UNTIL 03-30-76

UNCLASSIFIED

THEREAFTER  
COUNT-RST

005 LA303



AH4 A-B1U3D02  
A 01A-B2U3D02

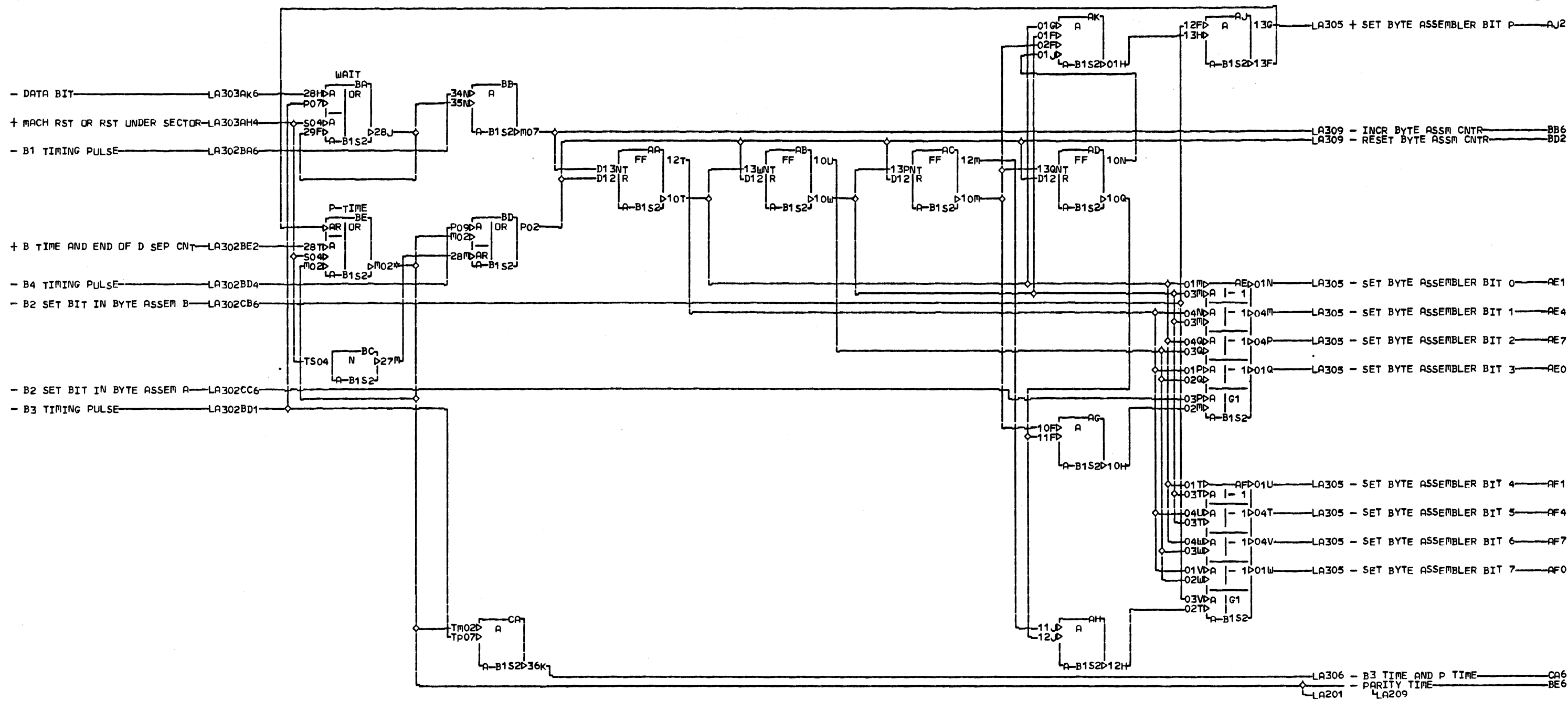
LOC. TYPE  
A-B1S2 0704

MPL FILE DESERIALIZER	
DATA SEPARATOR AND DATA INPUT	
E.C. HISTORY	B MACH. 3830-2
437380	
DATE	LAST EC
11-28-75	437381
FRAME	01
IBM CORP. SDD	
P.No.	2290405

LA303

005

UNCL



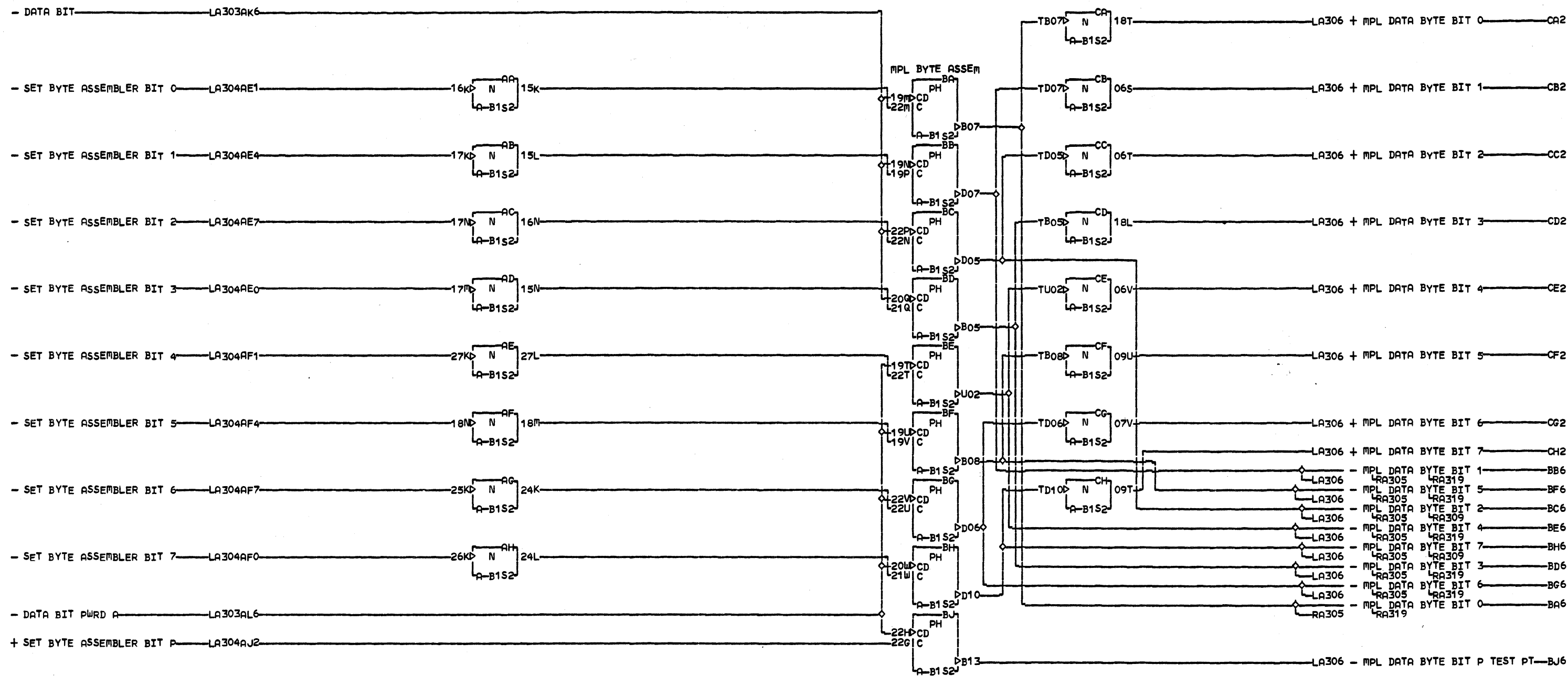
40331  
000

BE6 A-B1U3B12  
A 01A-B2U3B12

LOC. TYPE  
A-B1S2 0704

MPL FILE DESERIALIZER	
BIT COUNTER AND CONTROL	
E.C. HISTORY	B MACH. 3830-2
437301	
DATE	LAST EC
06-15-73	437310
FRAME	01
IBM CORP. SDD	
P.No. 2345811	

LA304  
000

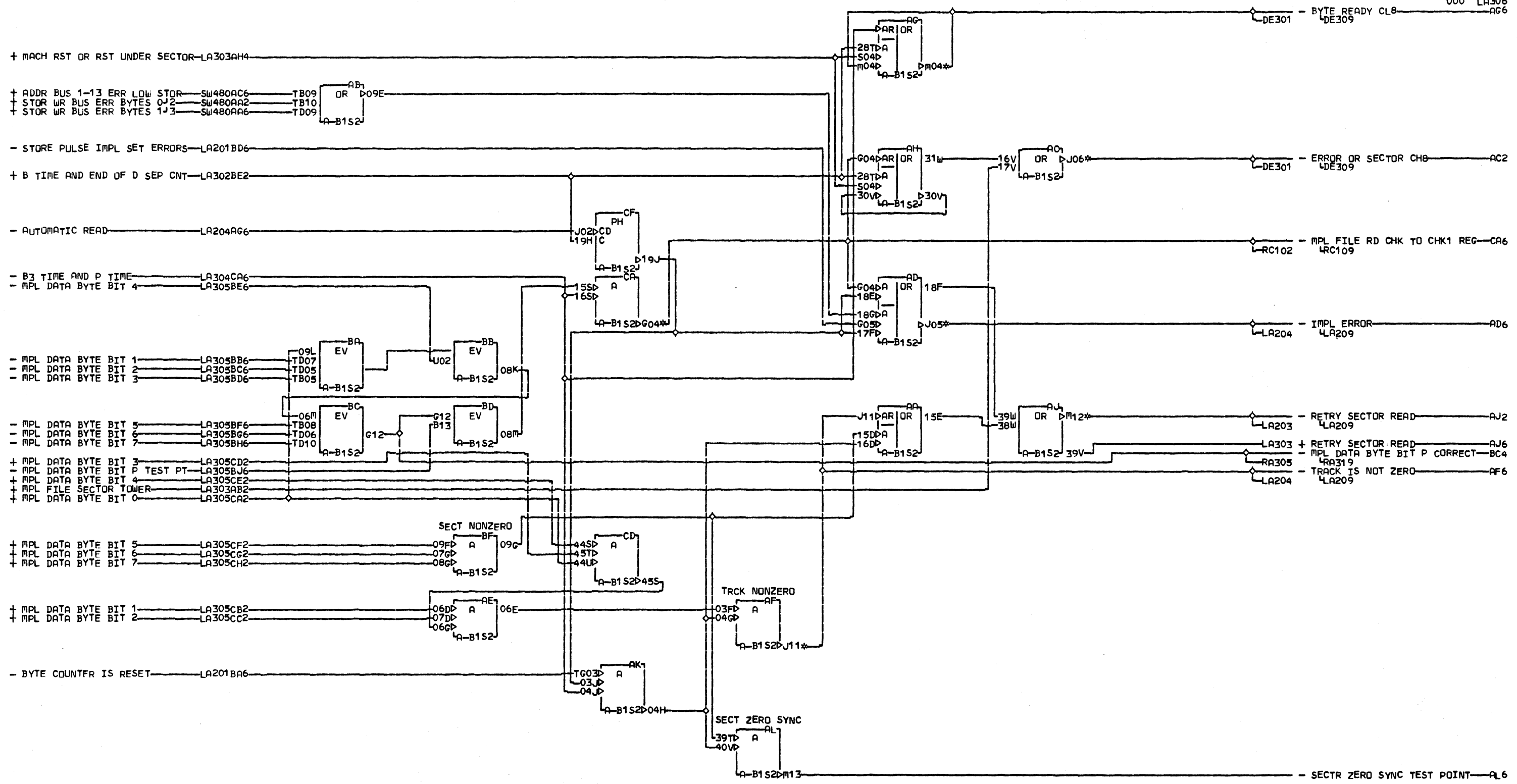


000

LOC. TYPE  
A-B1S2 0704

MPL FILE DESERIALIZER BYTE ASSEMBLY REGISTER		LA 305
E.C. HISTORY 437301	MACH. 3830-2	
DATE LAST EC 06-15-73 437310	FRAME 01 IBM CORP. SDD P.N. 2345812	000





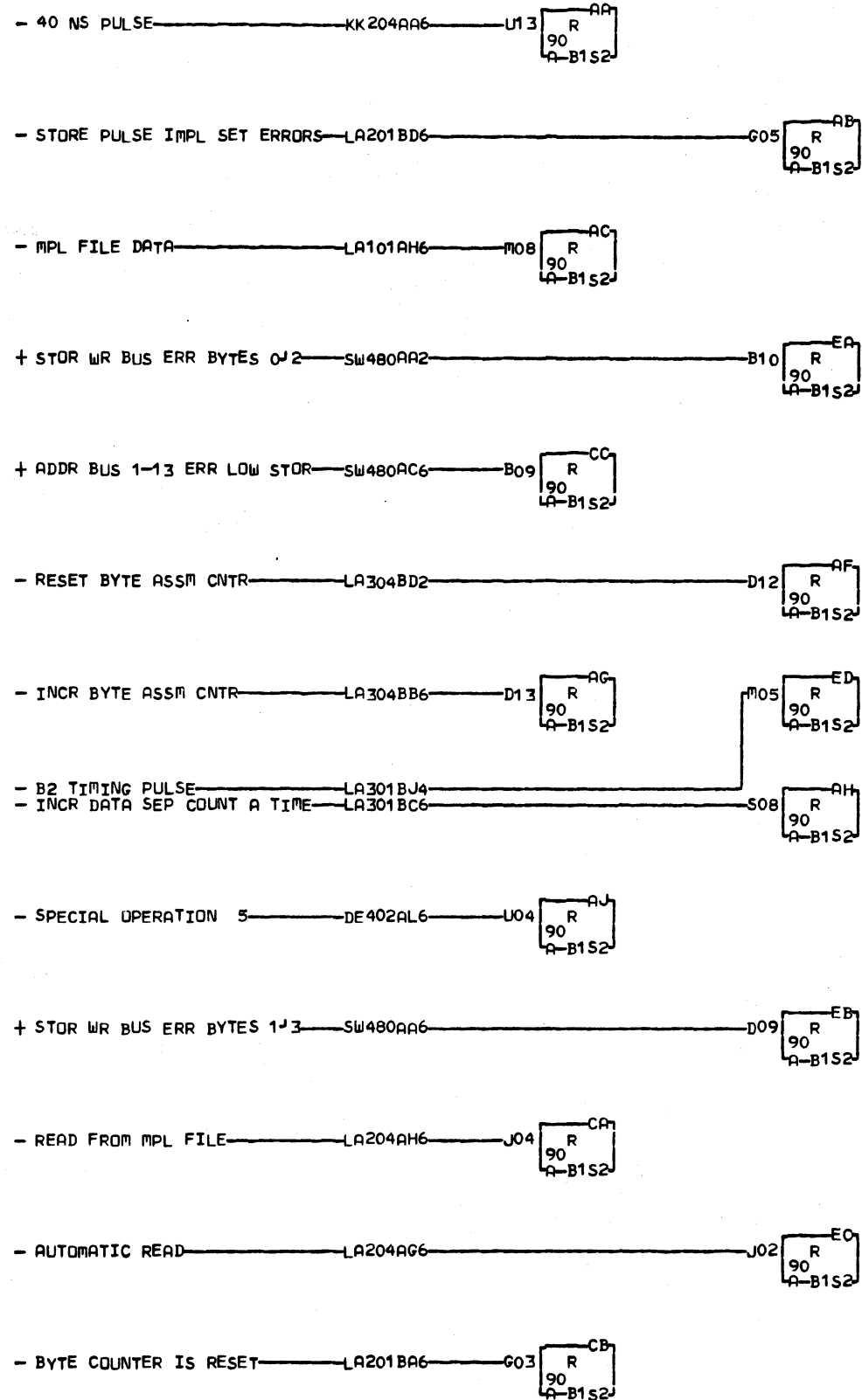
L  
A  
3  
0  
6  
000

AC2 A-B1U3B07 A 01A-B2U4B05  
 A 01A-B2U3B07 CA6 A-B1V4B08  
 AD6 A-B1U3D05 A 01A-B2U2B08  
 A 01A-B2U3D05  
 AF6 A-B1U3D03  
 A 01A-B2U3D03  
 AG6 A-B1U3D09  
 A 01A-B2U3D09  
 AJ2 A-B1U2B05

LOC. TYPE  
A-B1S2 0704

MPL FILE DESERIALIZER	
BYTE ASSEMBLER AND CNT CNTRL	
E.C. HISTORY-B MACH. 3830-2	
437301	FRAME 01
437302	
IBM CORP. SDD	
DATE LAST EC	P.N. 2345813
06-15-73 437310	

L  
A  
3  
0  
6  
000

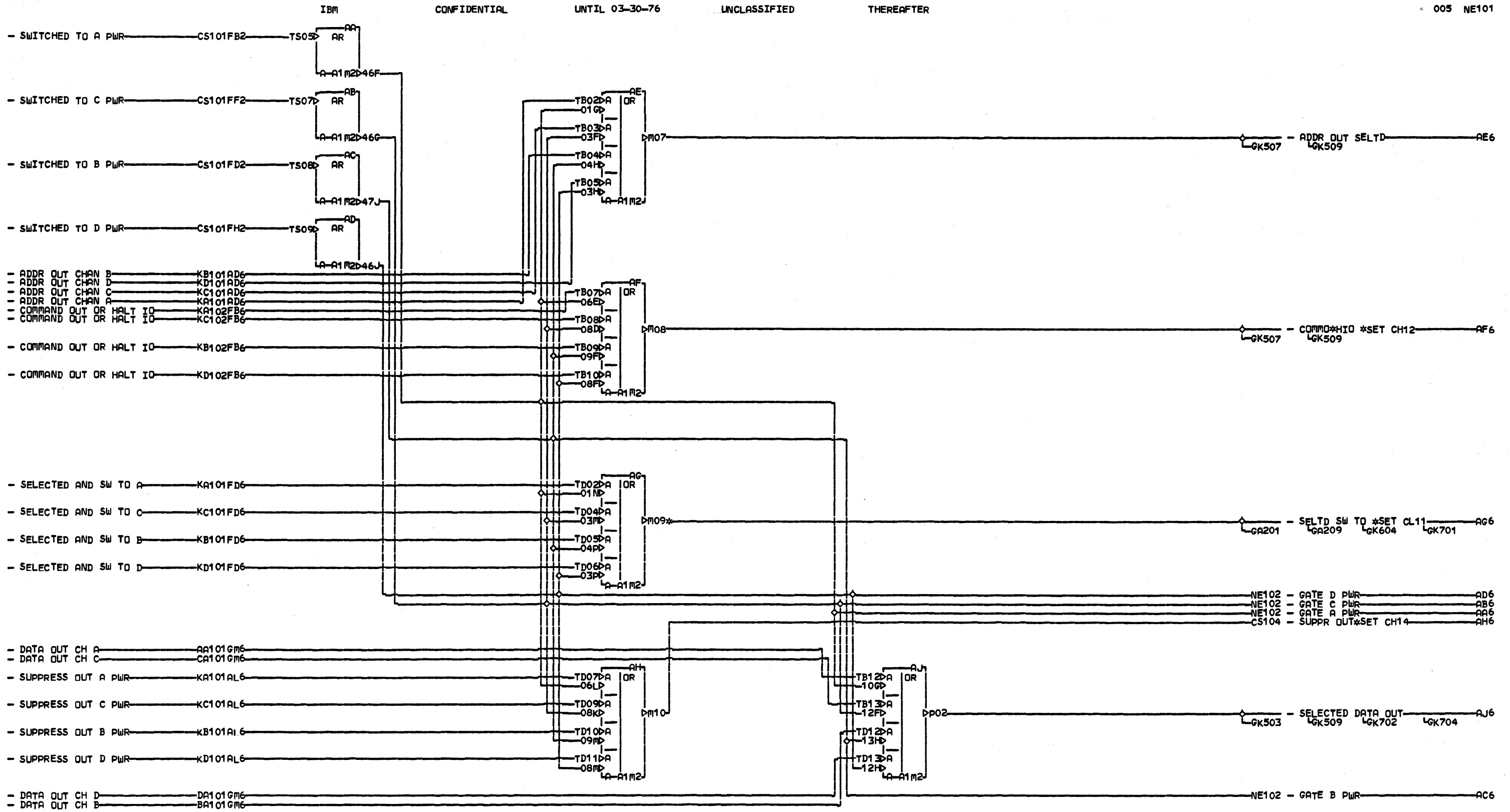


LA309  
000

LOC. TYPE  
A-B1S2 0704

MPL FILE DESERIALIZER	
RESISTOR PAGE	
E.C. HISTORY	MACH. 3830-2
437301	FRAME 01
437302	IBM CORP. SDD
DATE	LAST EC
06-15-73	437310
P.N.	2345814

LA309  
000

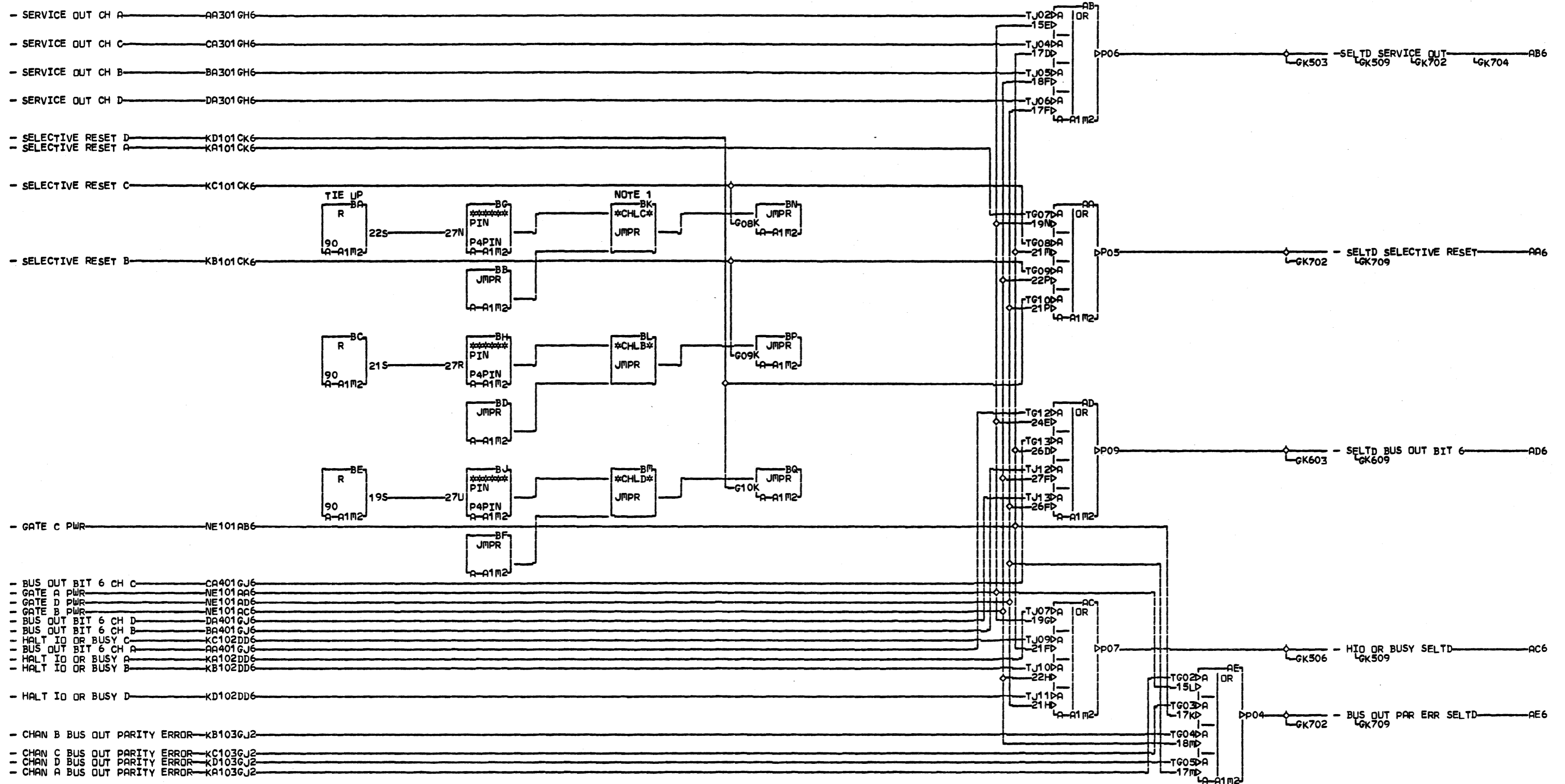


AG6 A-B1V2D06  
 A 01A-A1N1D13

LOC. TYPE  
 A-A1M2 9966

SELTD TAGS	
E.C.-HISTORY 437380	B MACH.3830-2 FRAME 01
DATE LAST EC 11-28-75 437381	IBM CORP. SDD P.N. 2290406

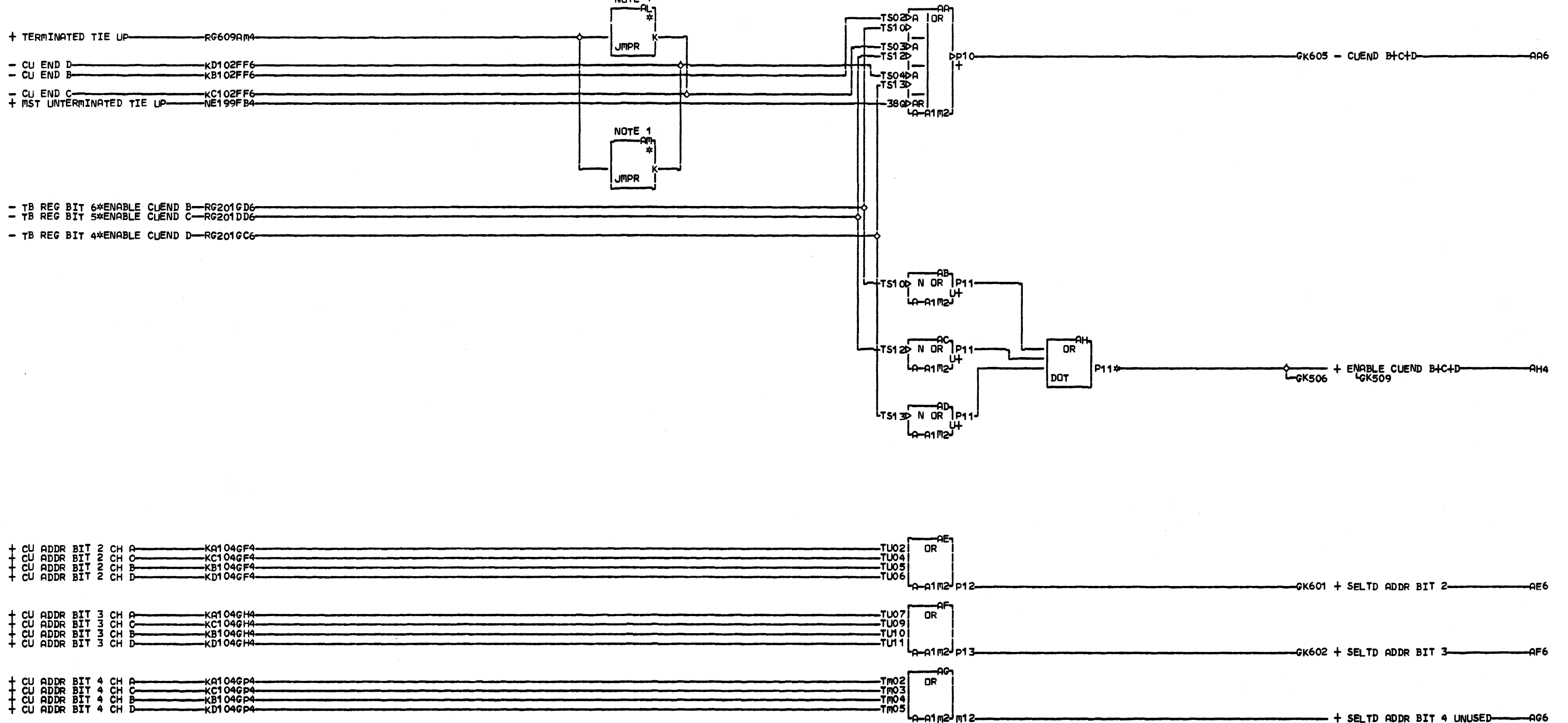
NE  
1  
0  
1  
005



NOTE 1  
 FOR ONE CHAN PLUG M27 TO N27  
 N Q27 TO R27 AND T27 TO U27  
 E FOR TWO CHAN PLUG M27 TO N27  
 1 P27 TO Q27 AND T27 TO U27  
 0 FOR FOUR CHAN PLUG L27 TO M27  
 2 P27 TO Q27 AND S27 TO T27  
 SEE PLM INST 20  
 005COPYRIGHT IBM CORP 1976  
 SIM TO PN 2345816 EC 437310

LDC. TYPE  
 A-A1M2 9966

SELTD TAGS		N E 1 0 2 005
SELTD SELECTIVE RESET		
E.C. HISTORY	B. MACH. 3830-2	
437380	FRAME 01	
DATE LAST EC	IBM CORP. SDD	
11-28-75 437381	P.N. 2290407	

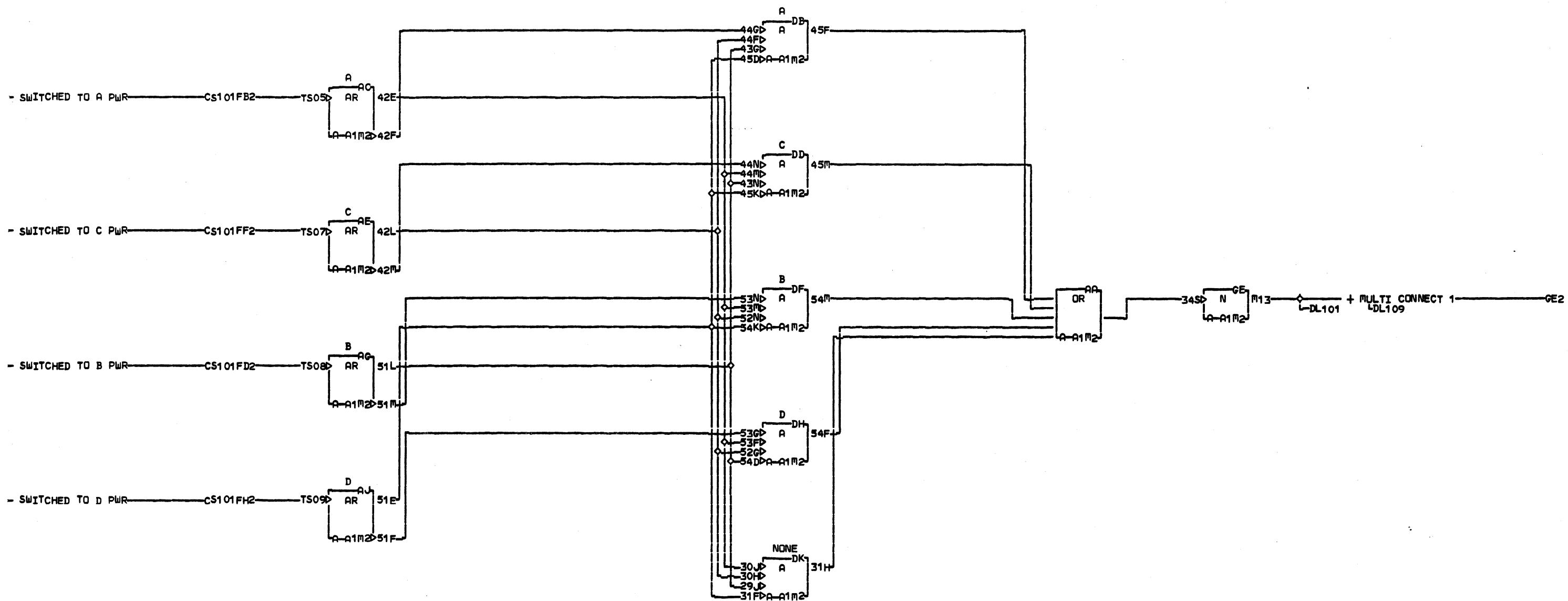


NOTE 1  
 ADD BOARD WIRES FROM  
 N A1V2D07 TO A1M2S03  
 E A1M2S03 TO A1M2S04  
 1 WHEN TWO CHANNEL SWITCH  
 0 IS INSTALLED, REMOVE FOR  
 3 SINGLE CHANNEL OR  
 ADDITIONAL TWO CHANNEL  
 005COPYRIGHT IBM CORP 1976  
 SIM TO PN 2345817 EC 437310

AH4 RESISTOR  
 A-A1M2P11

LDC. TYPE  
 A-A1M2 9966

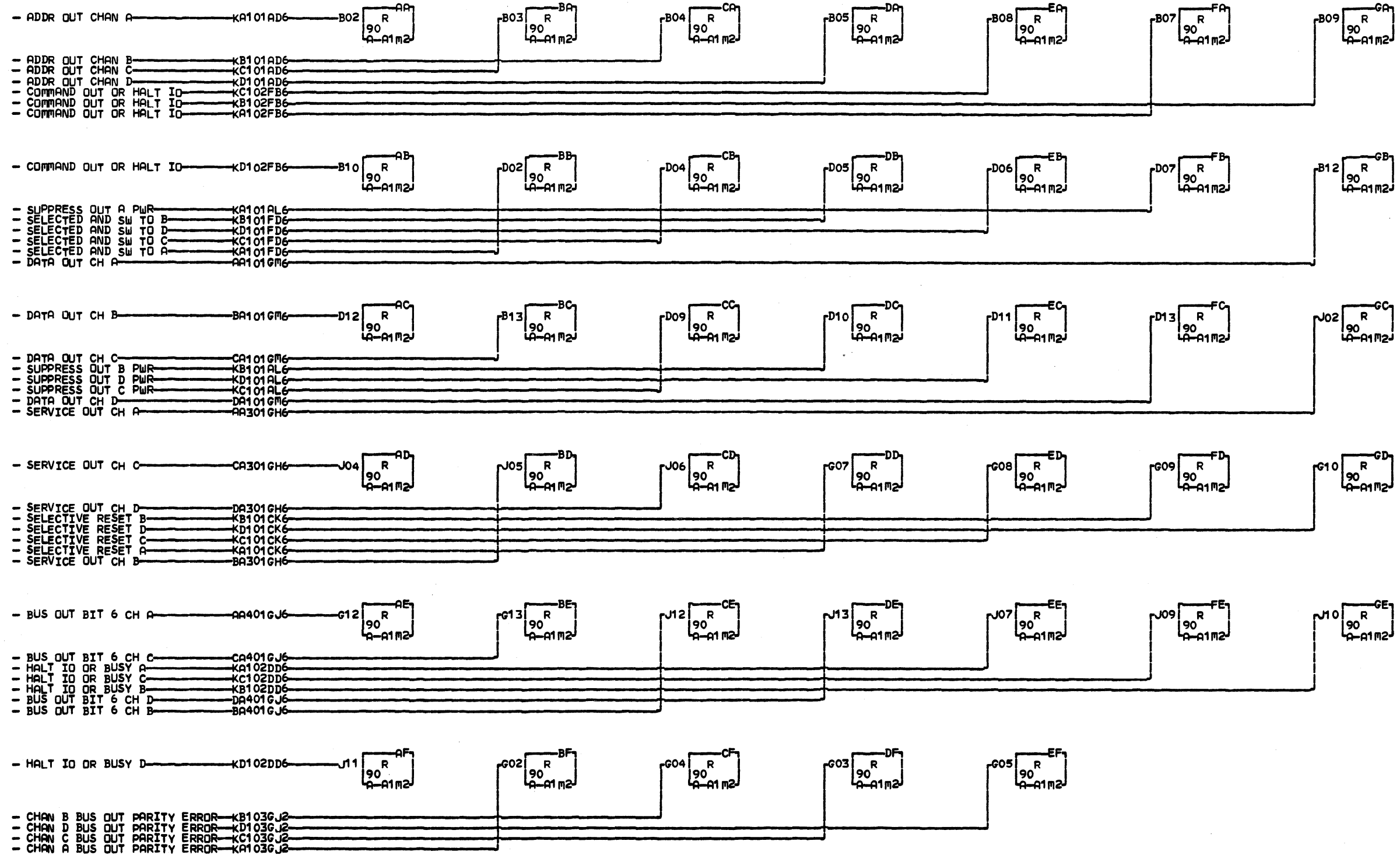
CUEND ADDR BITS 2-4		MACH. 3830-2	FRAME 01
E.C. HISTORY 437380	B		
DATE 11-28-75	LAST EC 437381	IBM CORP. SDD	005
		P.N. 2290408	



LQC. TYPE  
A-A1M2 9966

ONE AND ONLY ONE CHECK	
-E.C.-HISTORY-	B MACH. 3830-2
437301	FRAME 01
437305	IBM CORP. SDD
DATE	LAST EC
06-15-73	437310
	P.N. 2345818

IBM CONFIDENTIAL UNTIL 03-30-76 UNCLASSIFIED THEREAFTER



LOC. TYPE A-A1M2 9966

LINE TERMINATORS NE1	
E.C.—HISTORY	B MACH.3830-2
437380	FRAME 01
DATE	LAST EC
11-28-75	437381
	P.No. 2290409

IBM

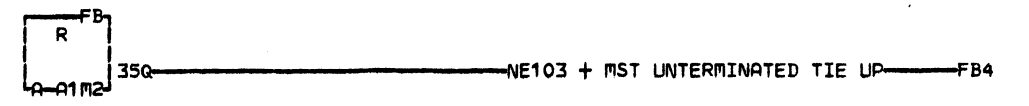
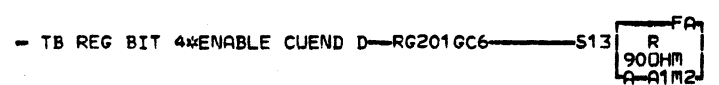
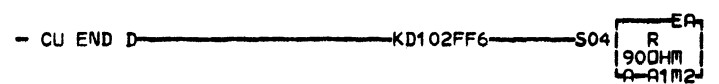
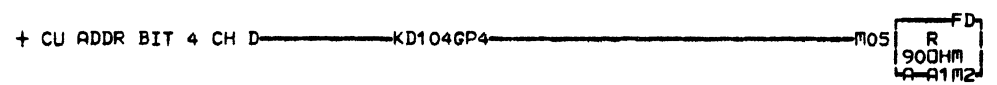
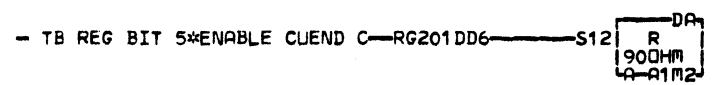
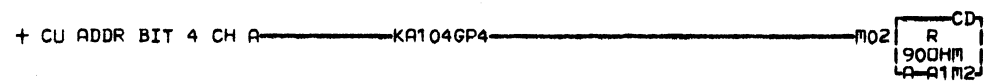
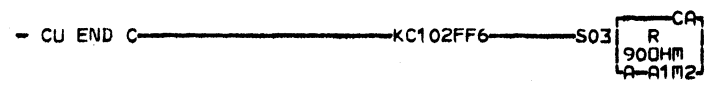
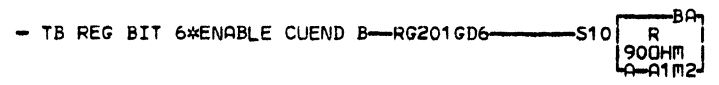
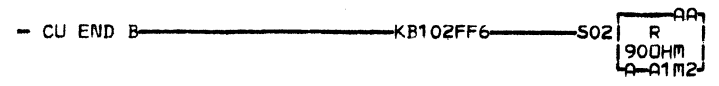
CONFIDENTIAL

UNTIL 08-01-73

UNCLASSIFIED

THEREAFTER

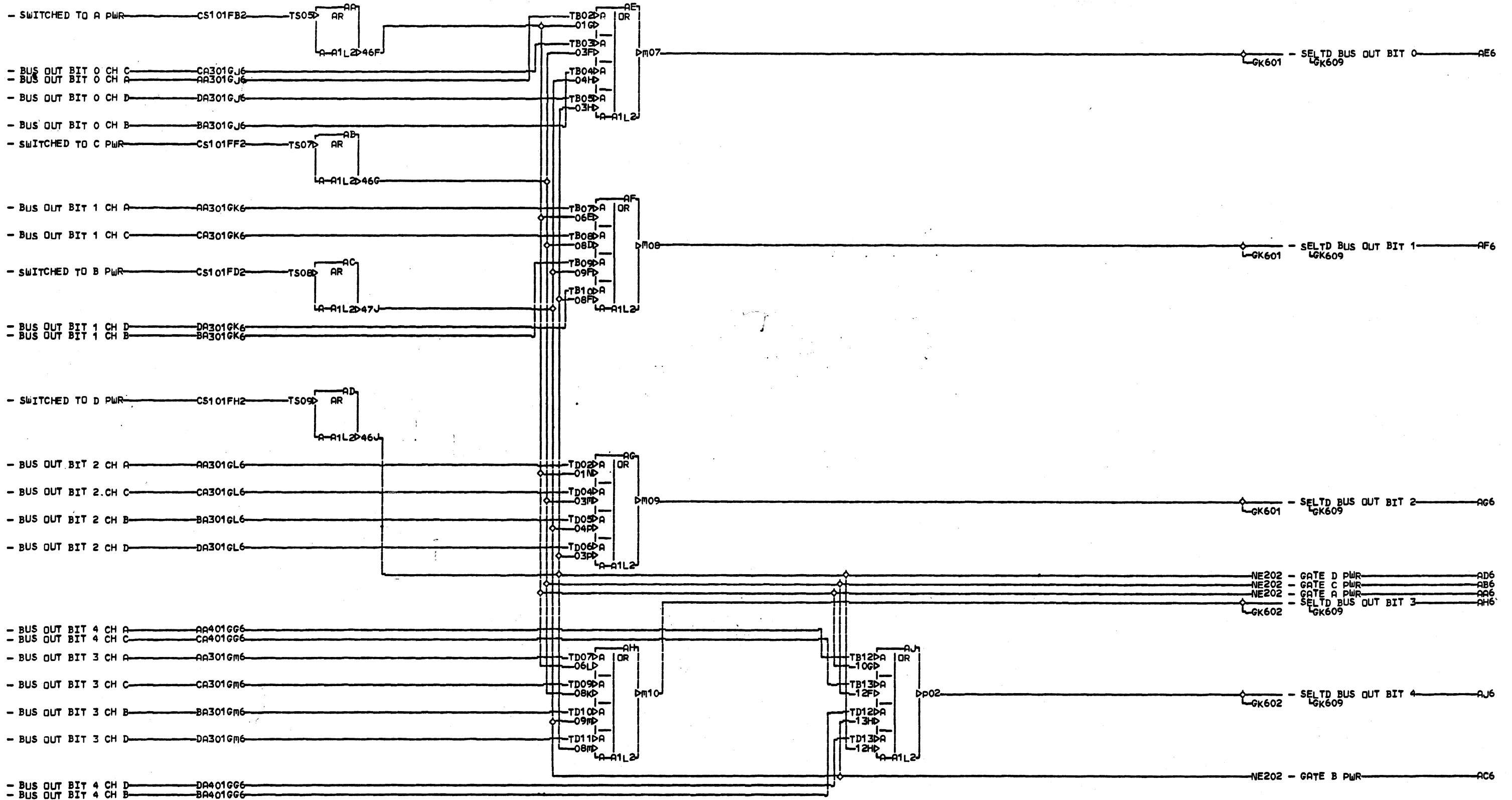
002 NE199



LOC. TYPE  
A-A1M2 9966

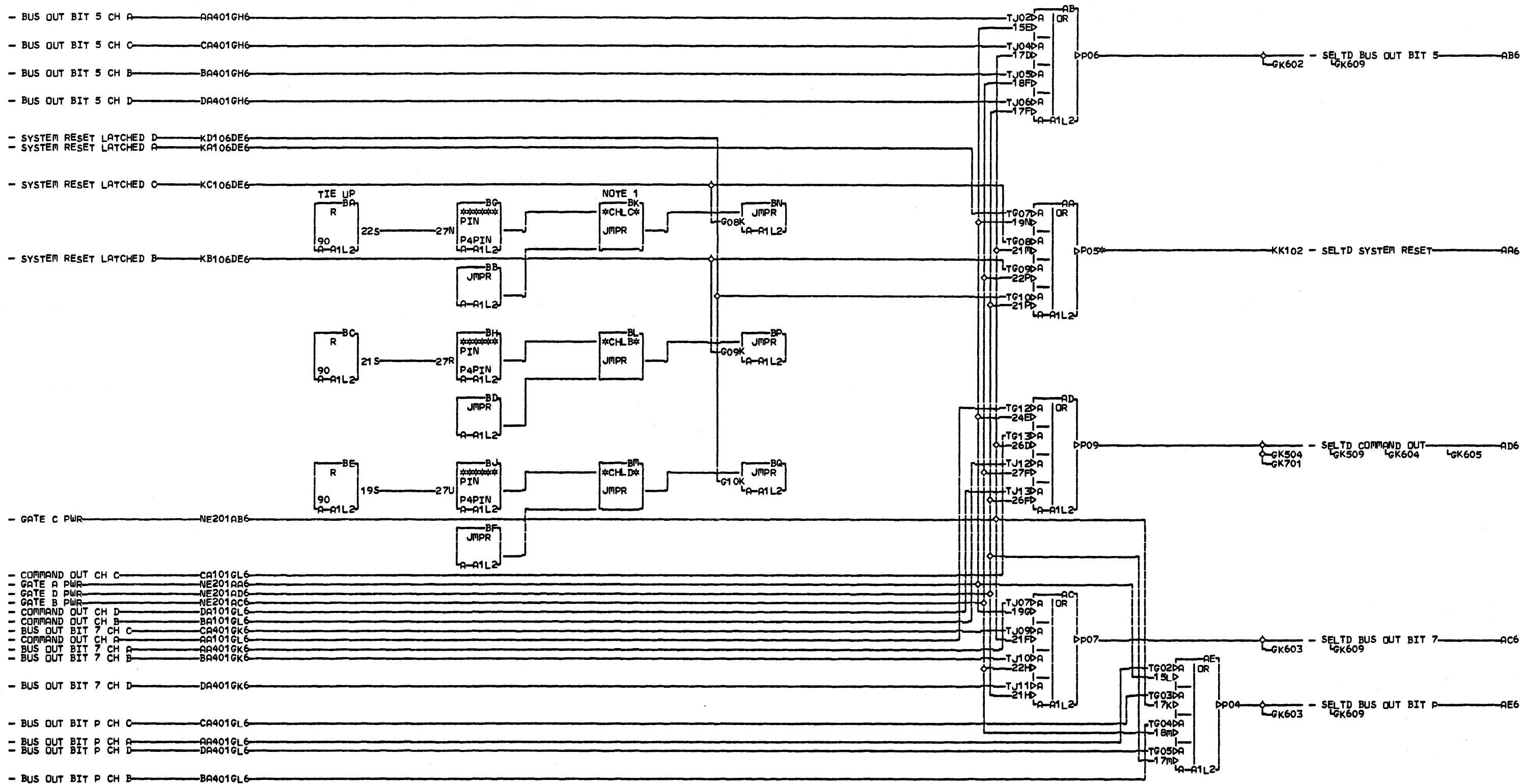
LINE TERMINATORS NE1			
E.C. HISTORY		MACH. 3830-2	
437357		FRAME	01
437310		IBM CORP. SDD	
DATE	LAST EC	P.No.	2346277
04-16-73	437311		





LOC. TYPE  
A-A1L2 9966

SELTD BUS OUT	
BIT 0-4	
E-C-HISTORY	B-MACH. 3830-2
437301	FRAME 01
437302	IBM CORP. SDD
437305	P.No. 2345821
DATE	LAST EC
06-15-73	437310



NOTE 1  
 FOR ONE CHAN PLUG M27 TO N27 AA6 A-A1R1E13  
 N Q27 TO R27 AND T27 TO U27 A 01A-B2R6E04  
 E FOR TWO CHAN PLUG M27 TO N27  
 2 P27 TO Q27 AND T27 TO U27  
 0 FOR FOUR CHAN PLUG L27 TO M27  
 2 P27 TO Q27 AND S27 TO T27  
 SEE PLM INST 20.  
 005COPYRIGHT IBM CORP 1976  
 SIM TO PN 2345822 EC 437310

LOC. TYPE  
 A-A1L2 9966

SELTD BUS OUT 5-P		MACH. 3830-2	FRAME 01
SELTD SYSTEM RESET			
E.C. HISTORY	B		IBM CORP. SDD
437380			P.N. 2290410
DATE	LAST EC		
11-28-75	437381		

NON

IBM

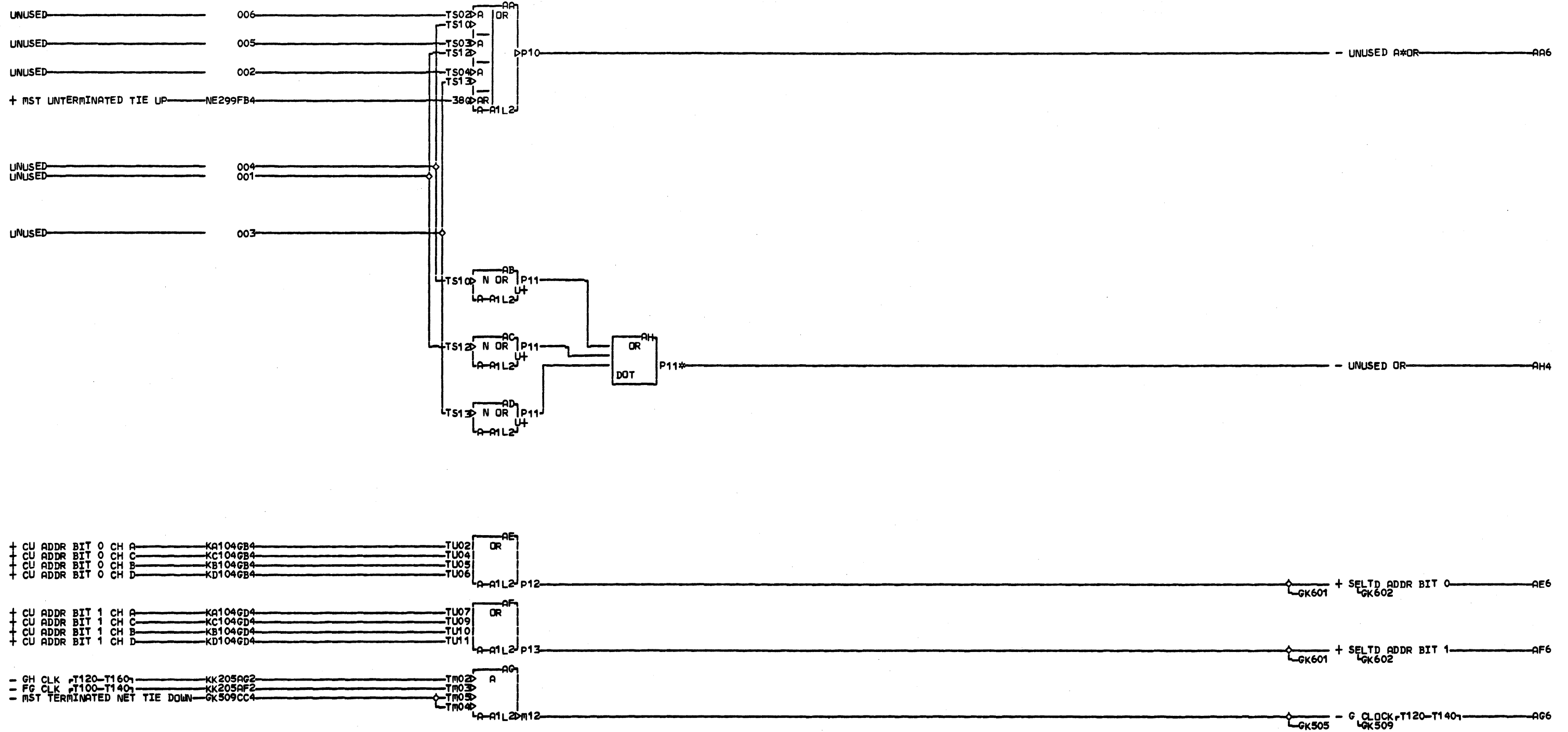
CONFIDENTIAL

UNTIL 03-30-76

UNCLASSIFIED

THEREAFTER

005 NE203



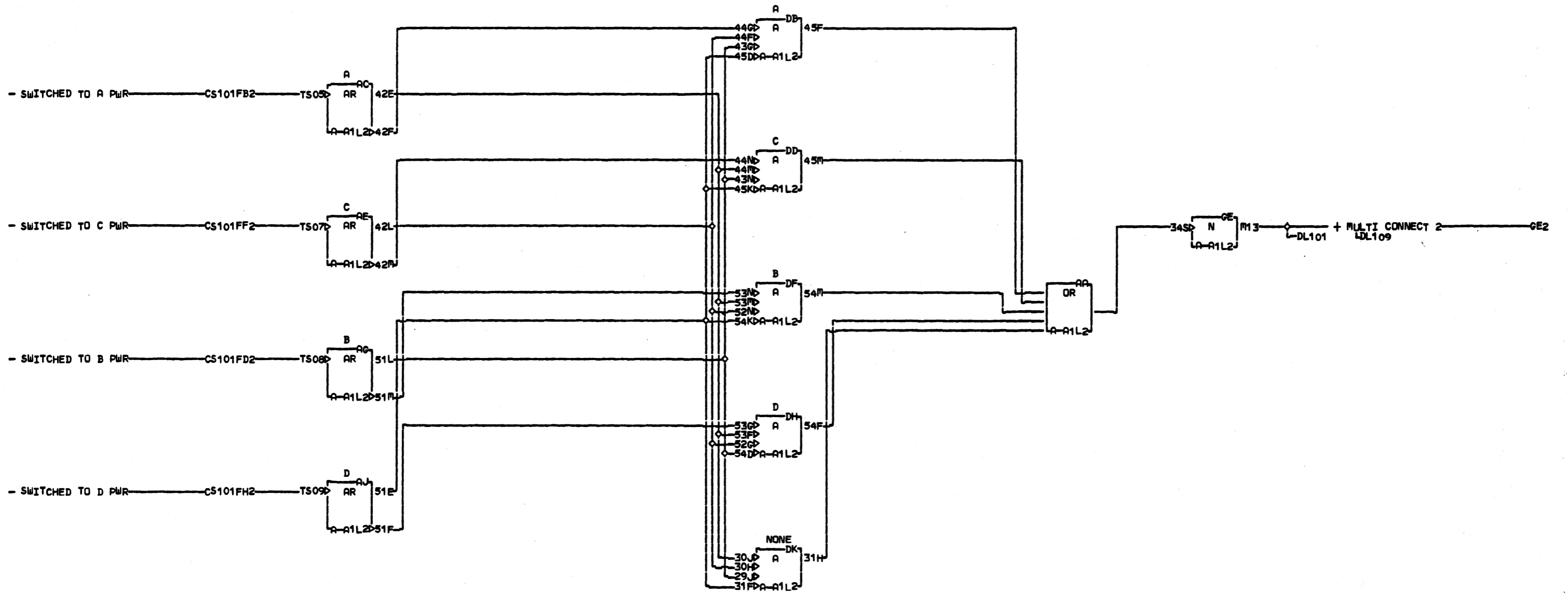
AA4 RESISTOR  
A-A1L2P11

LOC. TYPE  
A-A1L2 9966

SELTD ADDR BIT 0-1	
E.C. HISTORY 437380	MACH. 3830-2 FRAME 01
DATE LAST EC 11-28-75 437381	IBM CORP. SDD P.No. 2290411

WONM

NE203



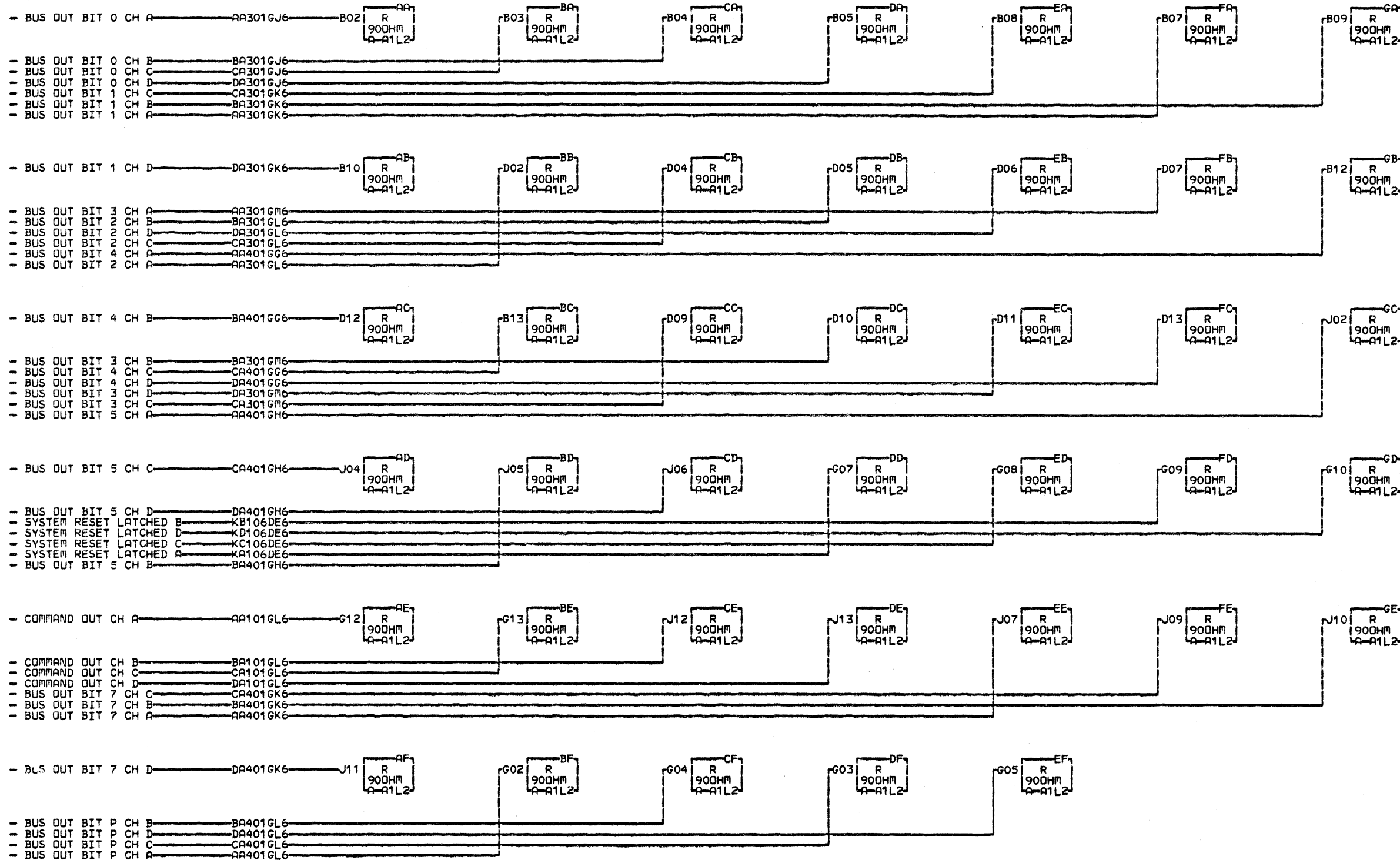
POWER  
000

LOC. TYPE  
A-A1L2 9966

ONE AND ONLY ONE CHECK	
—E.C.— HISTORY —	B MACH. 3830-2
437301	FRAME 01
437305	IBM CORP. SDD
DATE LAST EC	P.No. 2345824
06-15-73 437310	

POWER  
000

IBM CONFIDENTIAL UNTIL 08-01-73 UNCLASSIFIED THEREAFTER



LOC. TYPE  
A-A1L2 9966

LINE TERMINATORS NE2	
E.C. HISTORY 437357	MACH. 3830-2
DATE 04-16-73	FRAME 01
LAST EC 437311	IBM CORP. SDD
	P.O. 2346280

IBM

CONFIDENTIAL

UNTIL 03-30-76

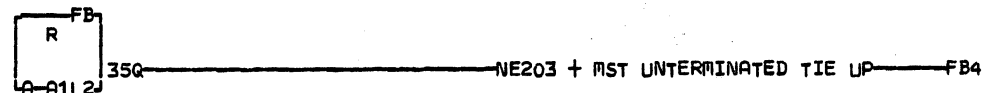
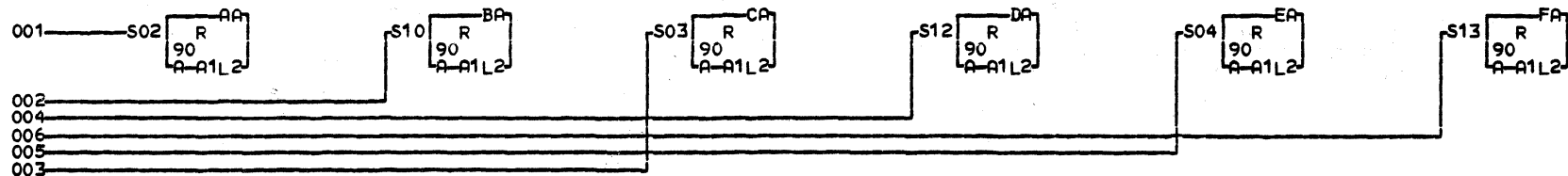
UNCLASSIFIED

THEREAFTER

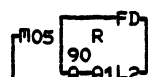
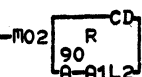
005 NE299

UNUSED

UNUSED  
UNUSED  
UNUSED  
UNUSED  
UNUSED



- GH CLK rT120-T160—KK205AG2



- MST TERMINATED NET TIE DOWN—GK509CC4

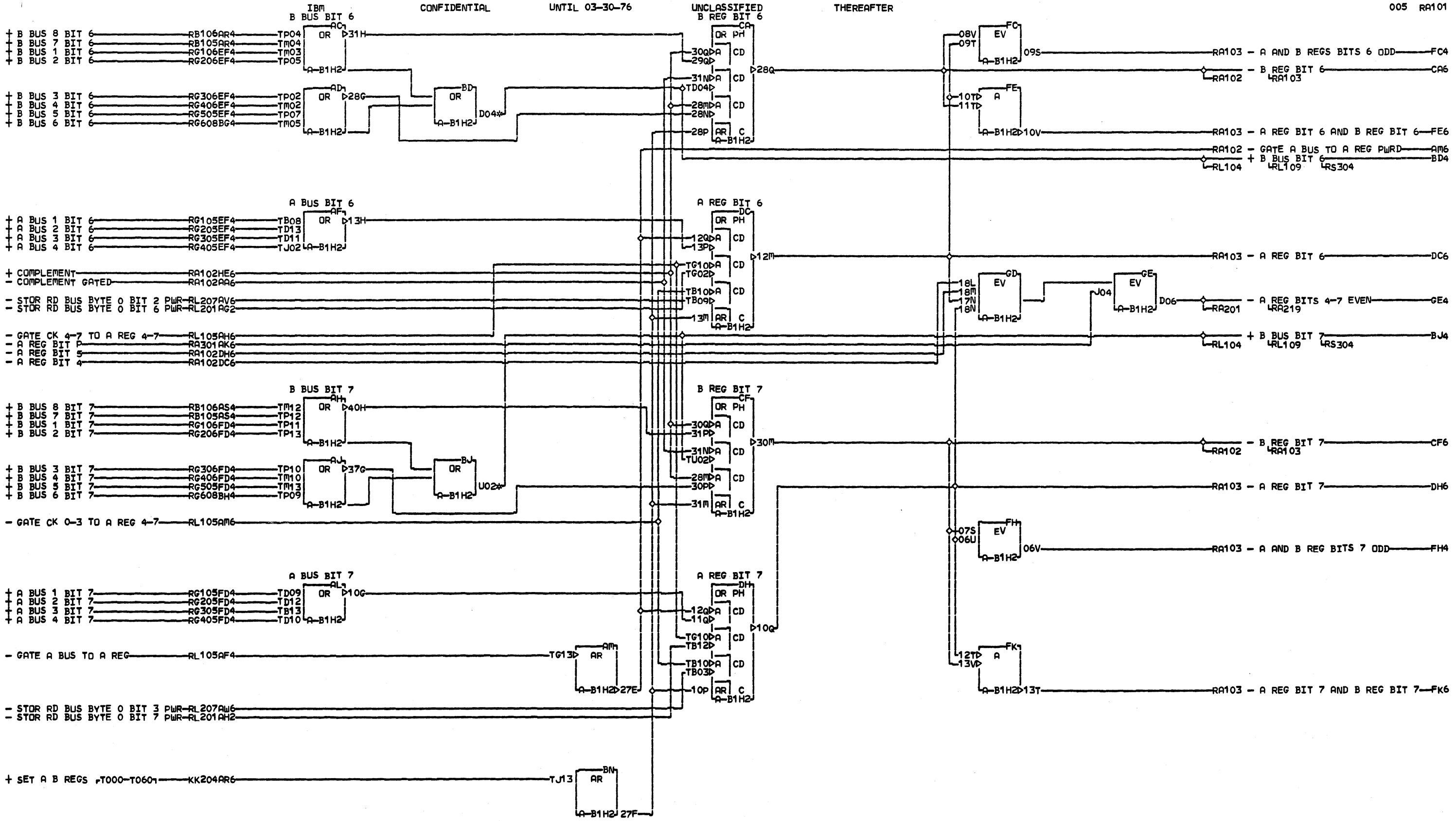
LOC. TYPE  
A-A1L2 9966

LINE TERMINATORS NE2	
E.C. HISTORY 437380	B MACH. 3830-2
DATE 11-28-75	FRAME 01 IBN CORP. SDD P.N. 2290412
LAST EC 437381	

N  
E  
2  
9  
9

005

N  
E  
2  
9  
9



R A I O 1  
 BD4 A-B1E6D04  
 A 01A-B2E1D11  
 BJ4 A-B1E6C04  
 A 01A-B2E1C11

LOC. TYPE  
 A-B1H2 0708

A AND B BUS AND REGISTERS BITS 6 AND 7		R A I O 1
E.C. HISTORY - MACH. 3830-2		
437380	FRAME 01	005
DATE LAST EC	IBM CORP. SD	
11-28-75 437381	P.N. 2290413	

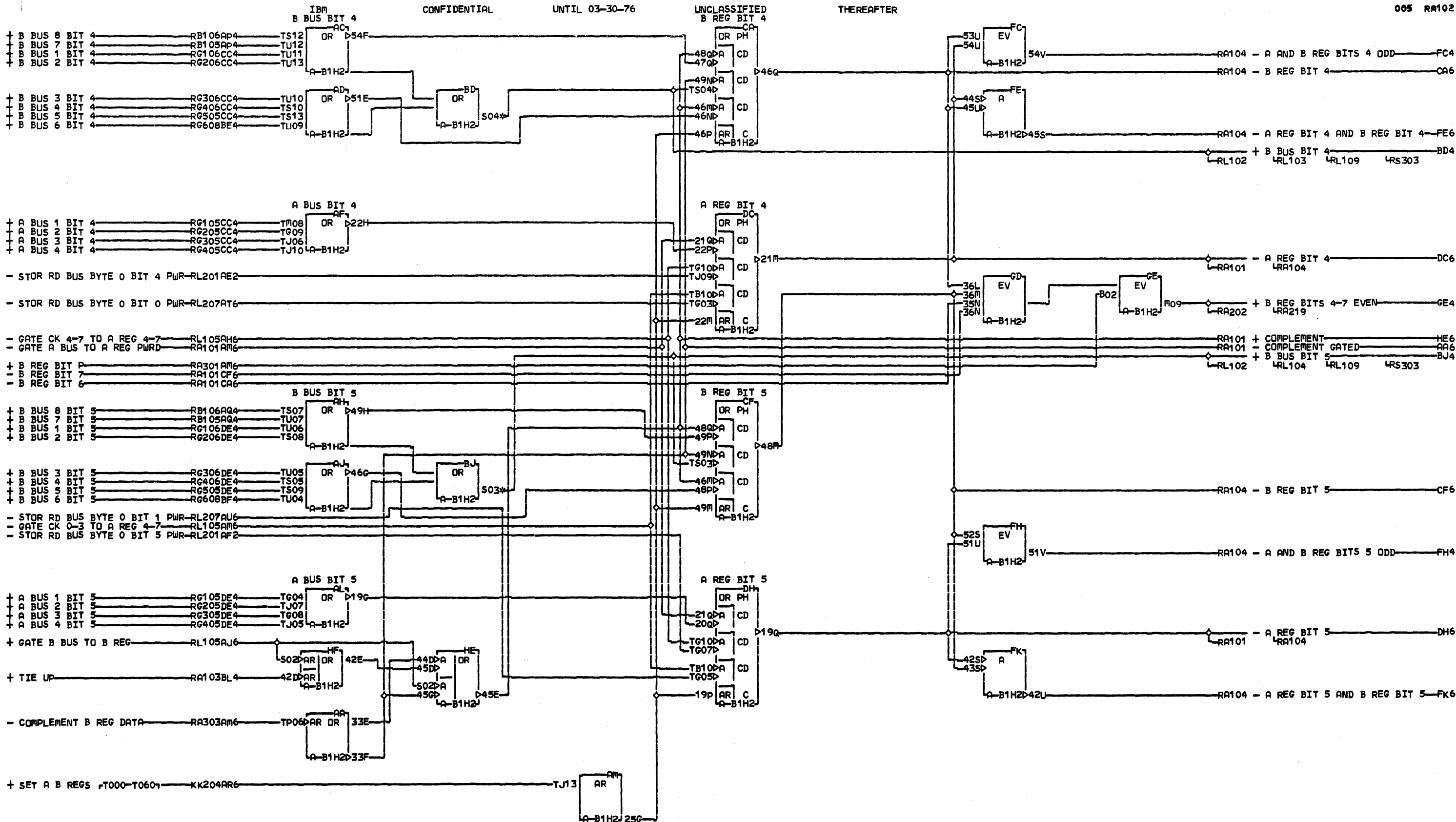
CONFIDENTIAL

UNTIL 03-30-76

UNCLASSIFIED

THEREAFTER

005 RA102



RA102

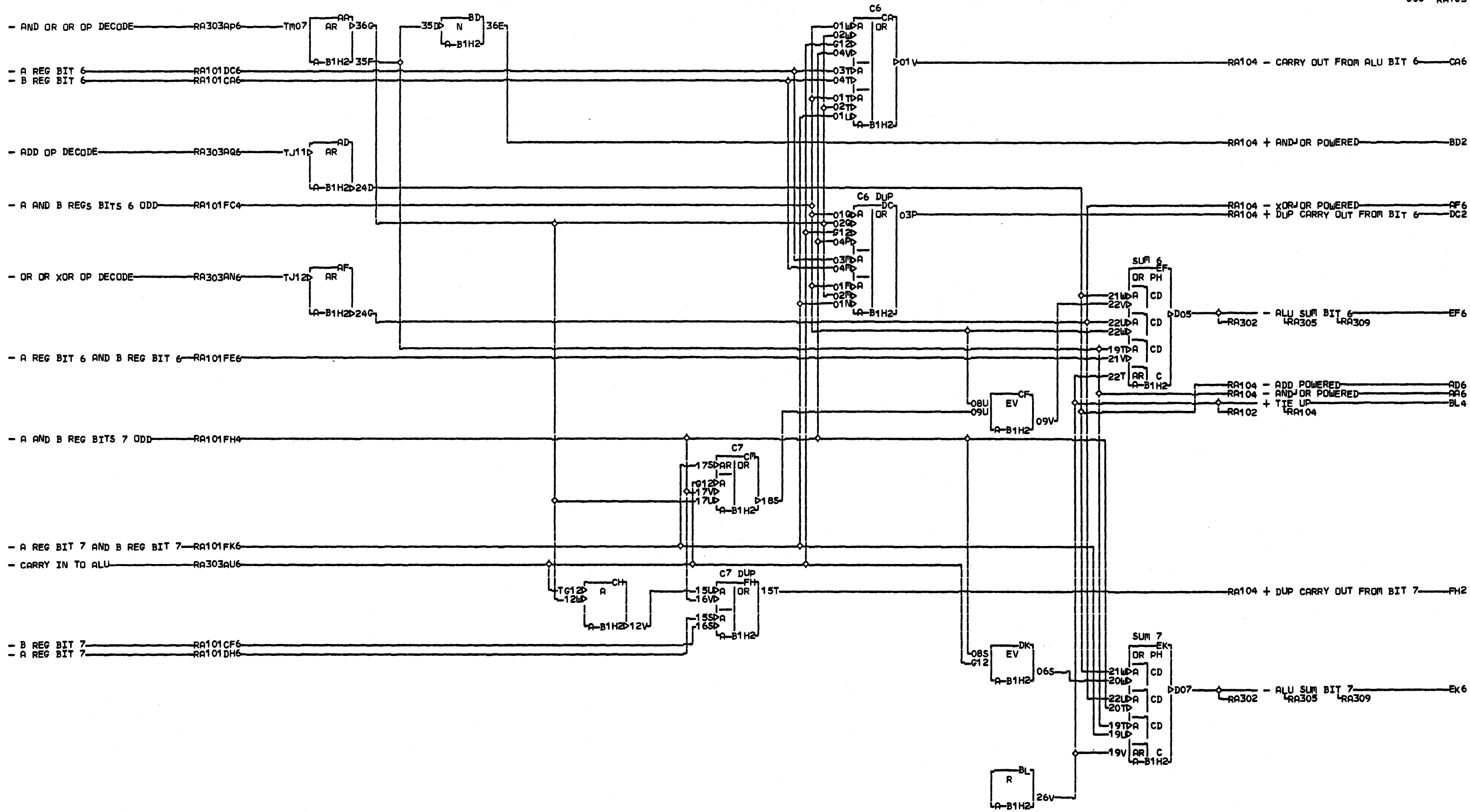
BD4 A-B1F6A04  
 A 01A-B2F1A11  
 BJ4 A-B1E6E04  
 A 01A-B2E1E11

LOC. TYPE  
 A-B1H2 0708

A AND B BUS AND REGISTERS BITS 4 AND 5		R A 1 0 2
E.C. HISTORY B-MACH-3830-2		
437380	FRAME	01
DATE LAST EC		IBM CORP. SD
11-28-75 437381	P.N.	2290414

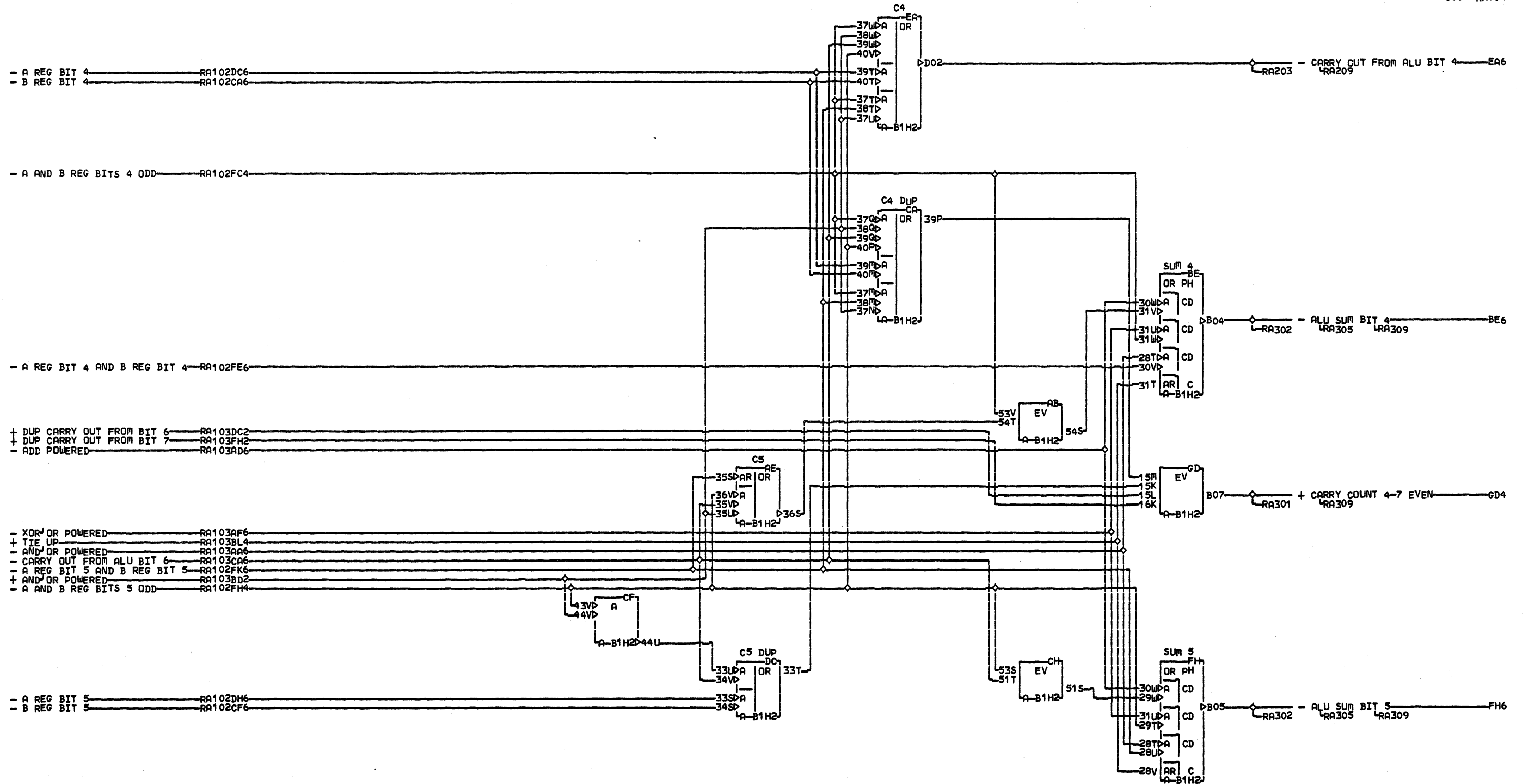
005





LOC. TYPE  
A-B1H2 0708

ALU SUM BITS 6 AND 7	
E.C. HISTORY 437301	MACH. 3830-2 FRAME 01
DATE LAST EC 06-15-73 437310	IBM CORP. SD P.No. 2345829



LOC. TYPE  
A-B1H2 0708

ALU SUM BITS 4 AND 5	
E.C. HISTORY 437301	MACH. 3830-2
DATE LAST EC 06-15-73 437310	FRAME 01
	IBM CORP. SD
	P.N. 2345830

IBM

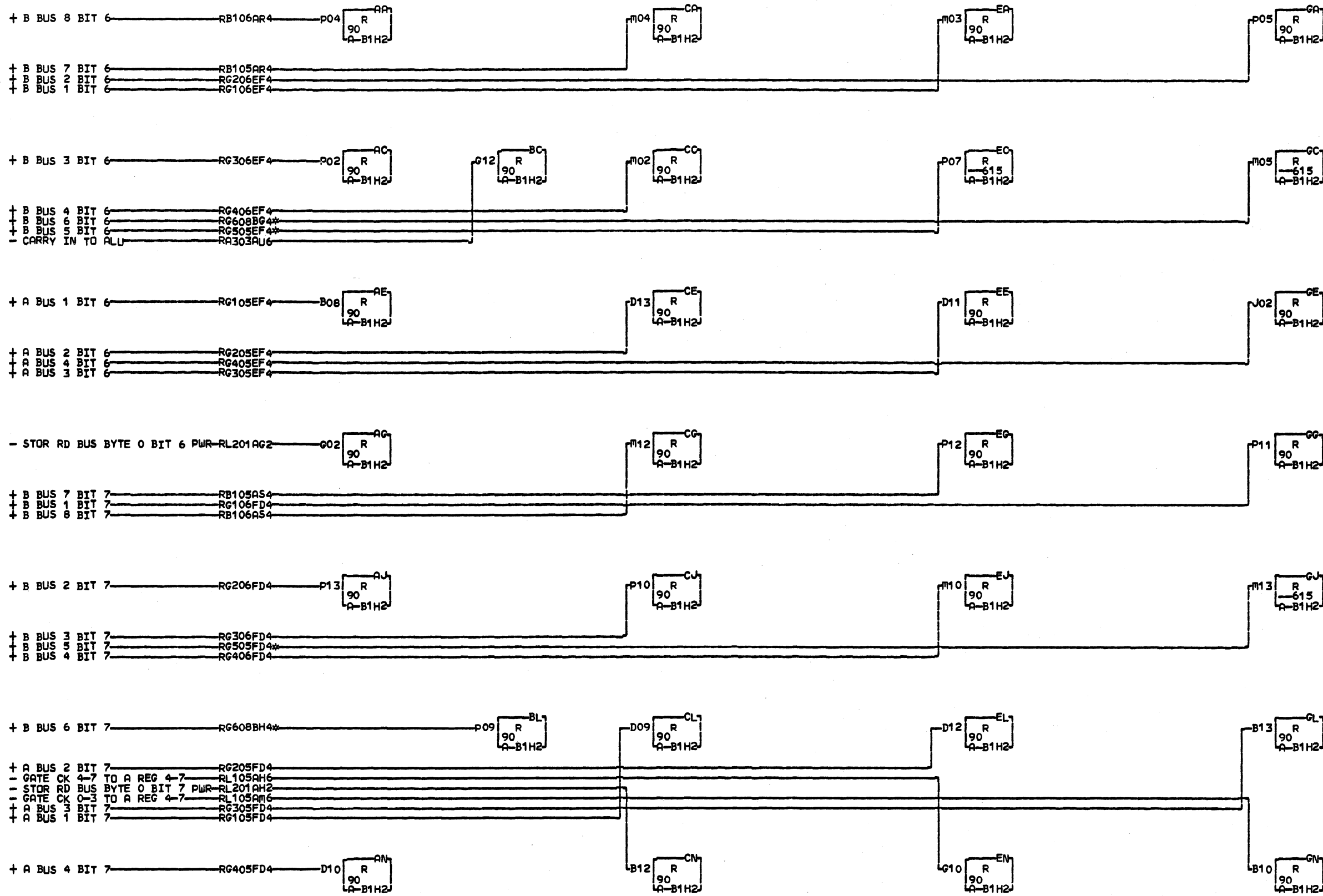
CONFIDENTIAL

UNTIL 03-30-76

UNCLASSIFIED

THEREAFTER

005 RA109



R  
A  
1  
0  
9

RG505EF4 RESISTOR A-B1H2P07  
 RG505FD4 RESISTOR A-B1H2M13  
 RG608BC4 RESISTOR A-B1H2P05

RG608BH4 RESISTOR A-B1H2P09

005COPYRIGHT IBM CORP 1976  
 SIM TO PN 2345831 EC 437310

LOC. TYPE  
 A-B1H2 0708

ALU BITS 0-3 OR 4-7	
E.C. HISTORY 437380	MACH. 3830-2 FRAME 01 IBM CORP. SD P.N. 2290415
DATE LAST EC 11-28-75 437381	

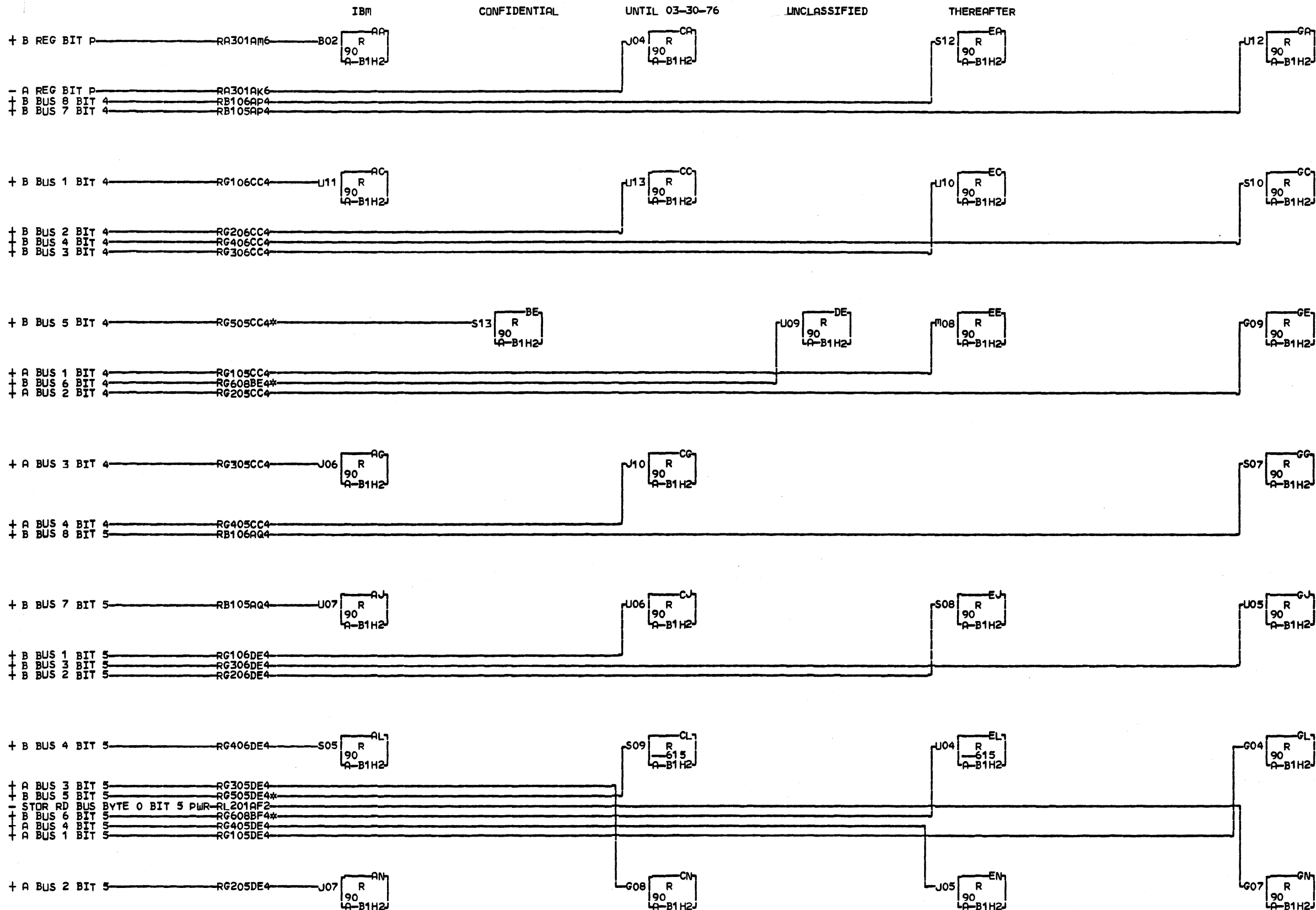
CONFIDENTIAL

UNTIL 03-30-76

UNCLASSIFIED

THEREAFTER

005 RA119



R  
A  
1  
1  
9

005COPYRIGHT IBM CORP 1976  
SIM TO PN 2345832 EC 437310

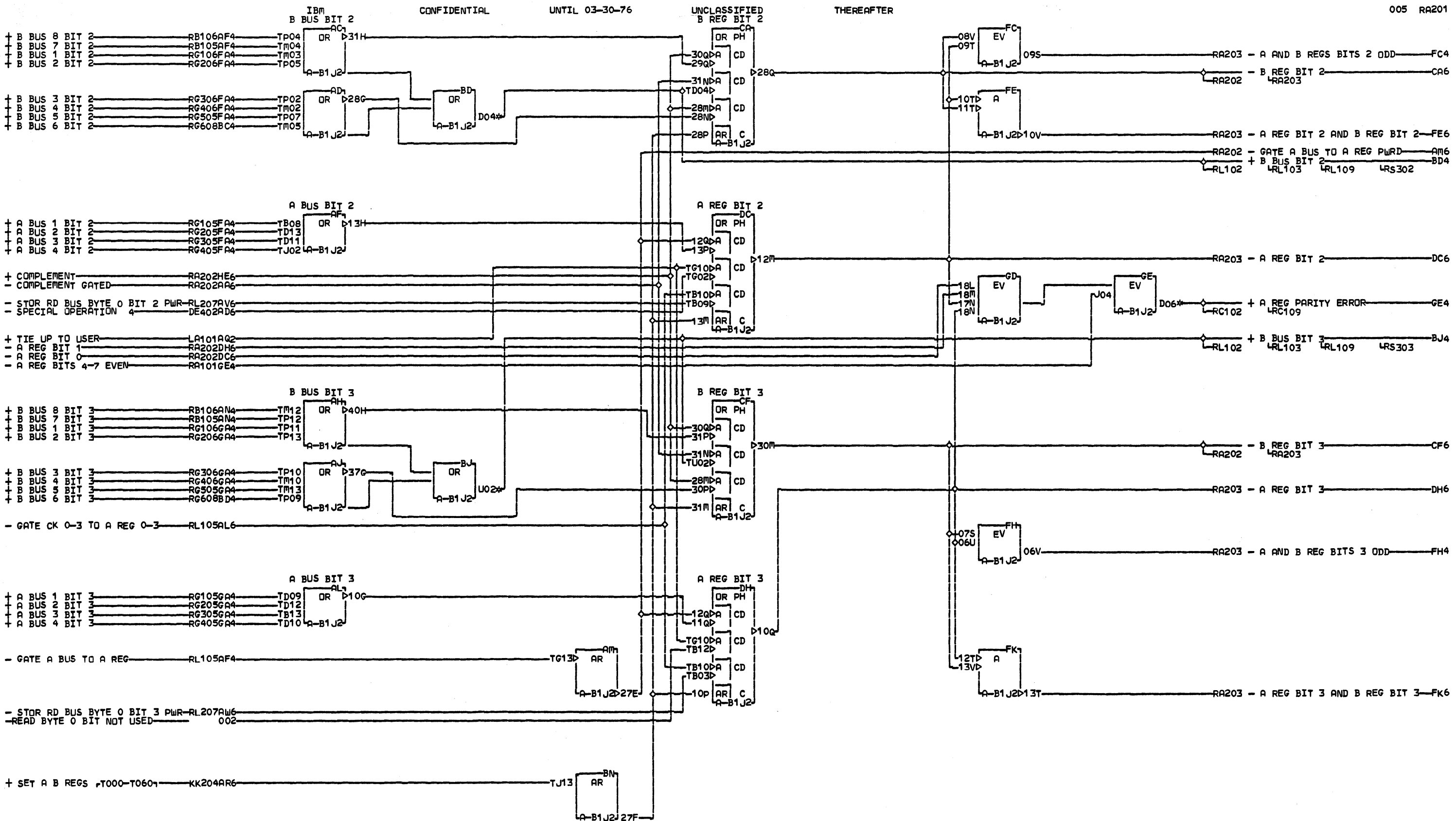
RG505CC4	RESISTOR	RG608BF4	RESISTOR
RG505DE4	A-B1H2S13	RG608BE4*	A-B1H2U04
RG608BF4*	A-B1H2S09		
RG608BE4	RESISTOR		
	A-B1H2U09		

LDC. TYPE  
A-B1H2 0708

ALUBITS 0-3 OR 4-7	
E.C. HISTORY 437380	MACH. 3830-2
DATE 11-28-75	LAST EC 437381
FRAME IBM CORP. SD	01
P.No. 2290416	

R  
A  
1  
1  
9

005



BD4 A-B1F6C04  
 A 01A-B2F1C11  
 BJ4 A-B1F6B04  
 A 01A-B2F1B11  
 GE4 A-B1U2B02  
 A 01A-B2U4B02

LOC. TYPE  
 A-B1J2 0708

A AND B BUS AND REGISTERS BITS 2 AND 3		R A 2 0 1
E.C. HISTORY MACH. 3830-2		
437380	FRAME 01	005
DATE LAST EC	IBM CORP. SD	
11-28-75 437381	PoN. 2290417	

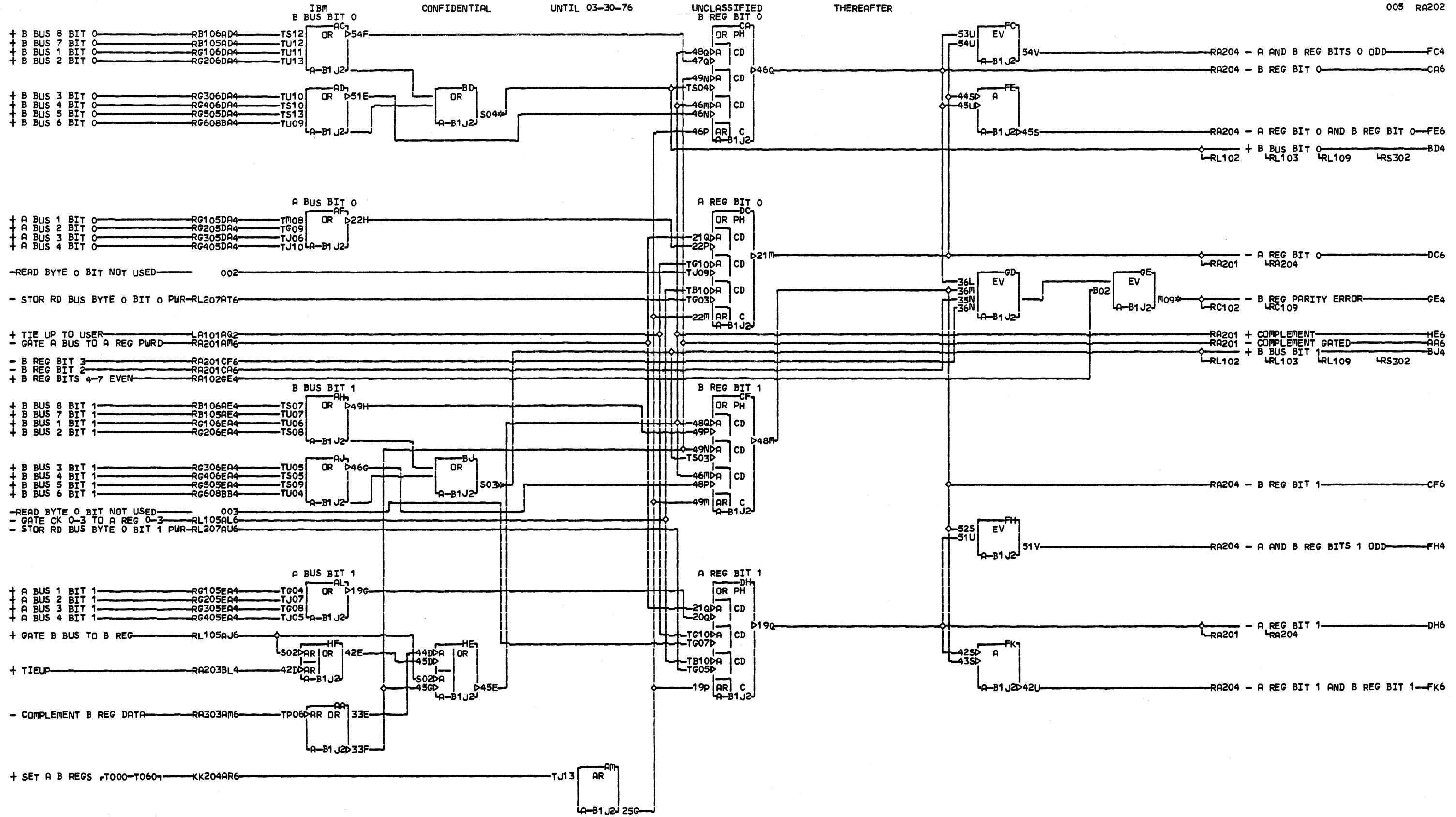
CONFIDENTIAL

UNTIL 03-30-76

UNCLASSIFIED

THEREAFTER

005 RA202

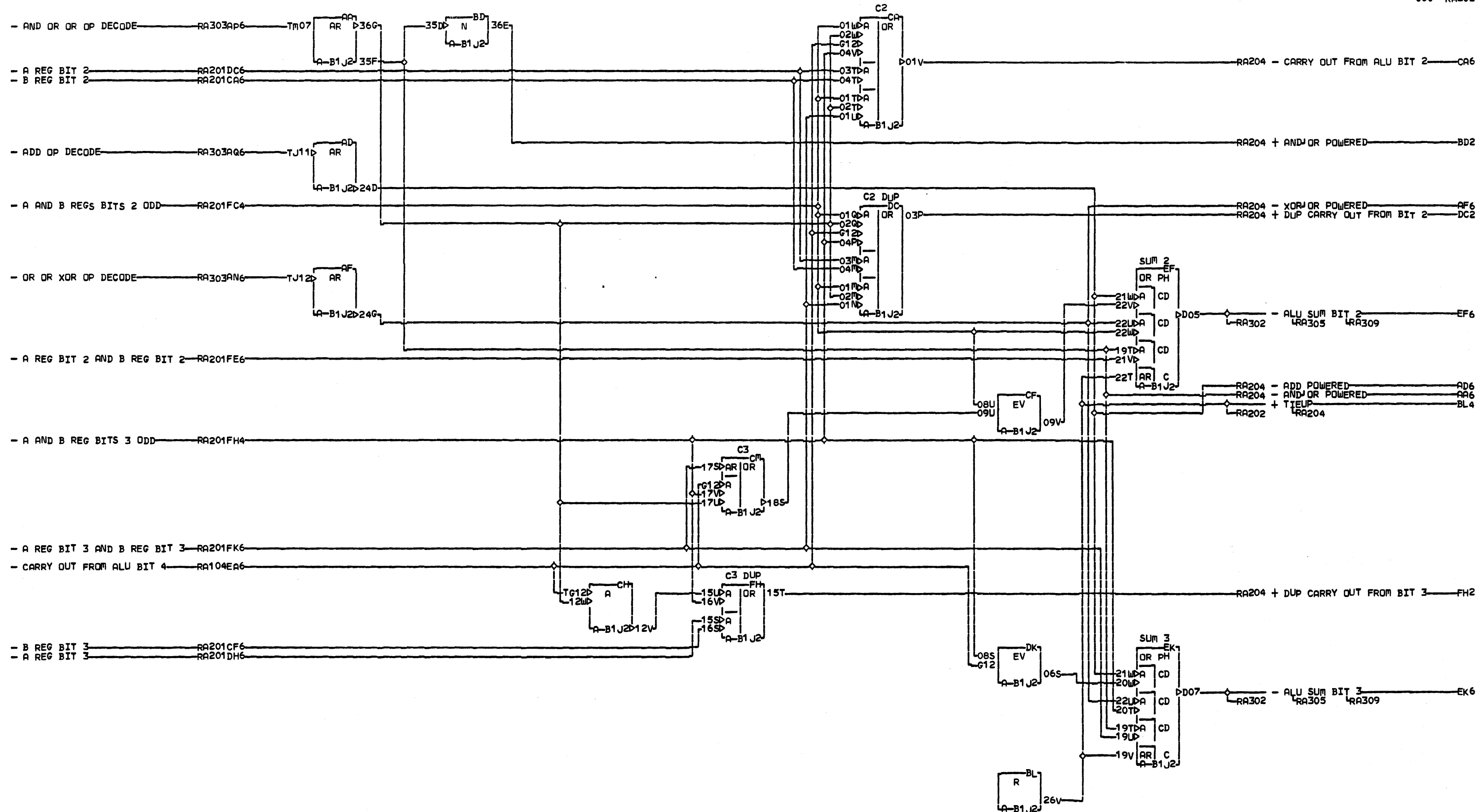


202

- BD4 A-B1F6E04
- A 01A-B2F1E11
- BJ4 A-B1F6D04
- A 01A-B2F1D11
- GE4 A-B1V3B07
- A 01A-B2S6A02

LOC. TYPE  
A-B1J2 0708

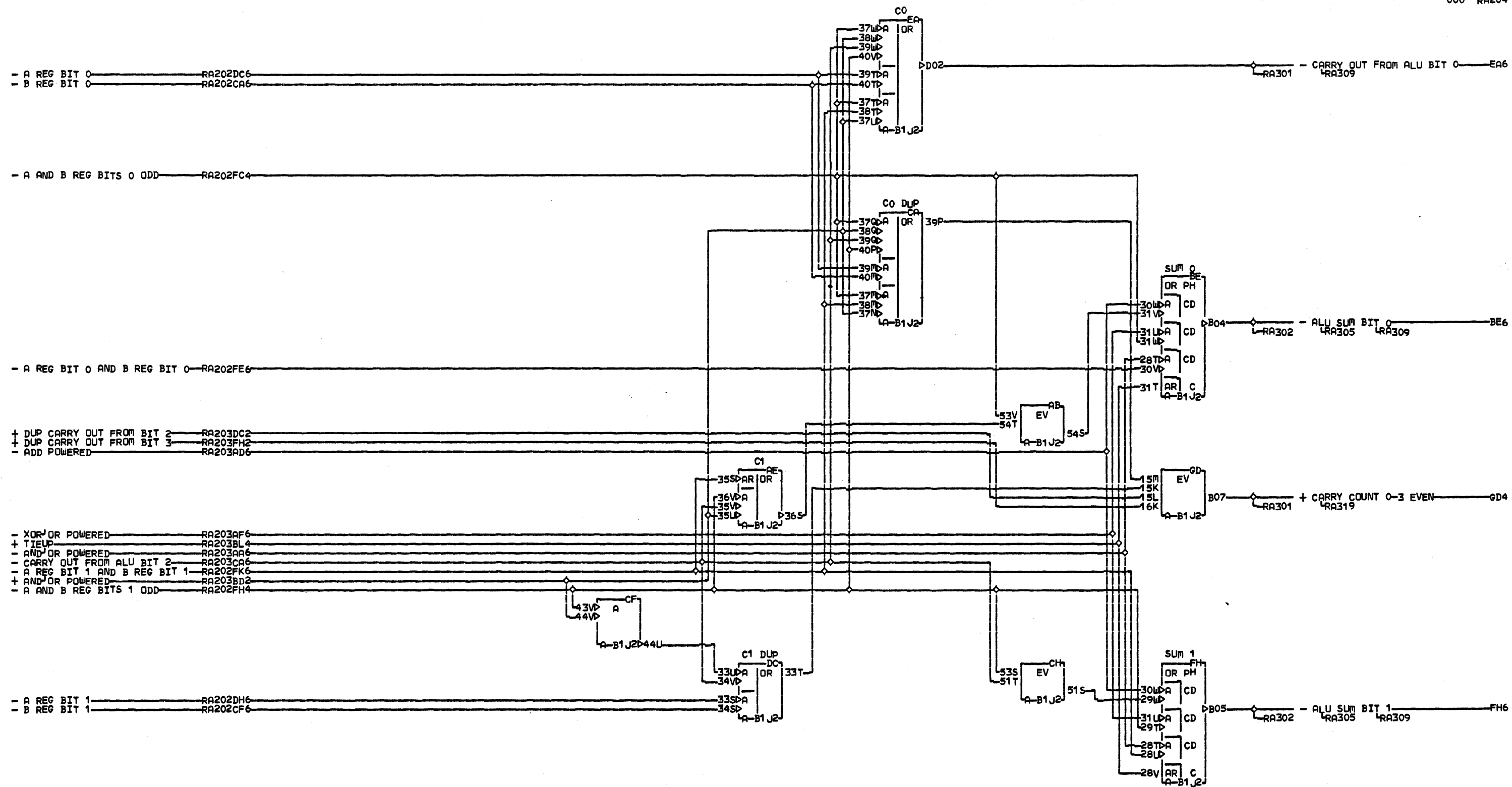
A AND B BUS AND REGISTERS BITS 0 AND 1		R A 2 0 2
-E.C.-HISTORY- 437380	-MACH-3830-2	
DATE 11-28-75	LAST EC 437381	FRAME 01
P.N. 2290418		IBM CORP. SD
		005



LOC. TYPE  
A-B1J2 0708

ALU SUM BITS 2 AND 3	
E.C. HISTORY 437301	B. MACH. 3830-2
DATE LAST EC 06-15-73 437310	FRAME 01 IBM CORP. SD P.N. 2345835

RA203



LDC. TYPE  
A-B1J2 0708

ALLI SUM BITS 0 AND 1	
E.C. HISTORY 437301	MACH. 3830-2
DATE 06-15-73	LAST EC 437310
FRAME 01	IBM CORP. SD
P.N. 2345836	

RA204  
000

000  
R  
2  
0  
4



IBM

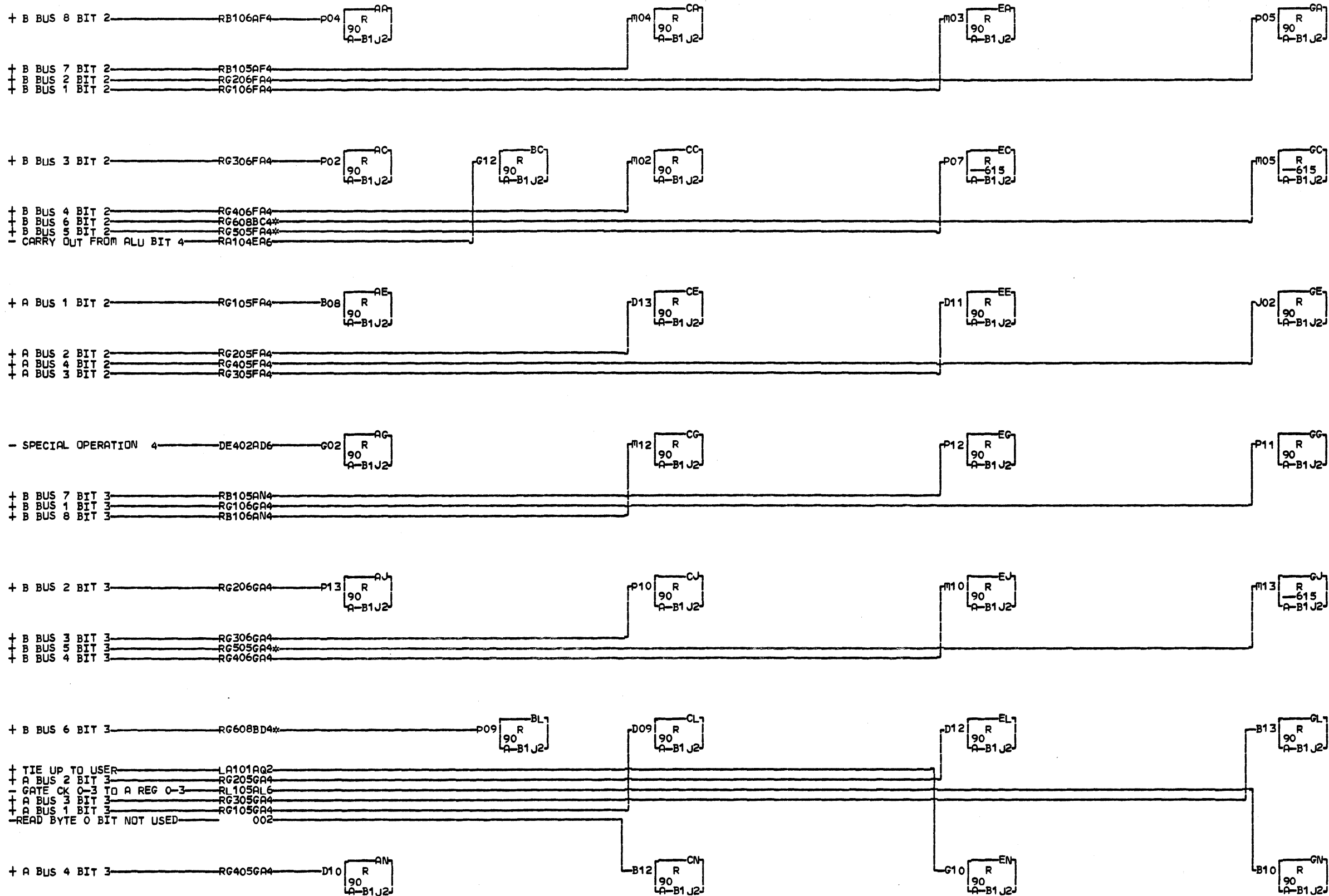
CONFIDENTIAL

UNTIL 03-30-76

UNCLASSIFIED

THEREAFTER

005 RA209



R  
A  
2  
0  
9

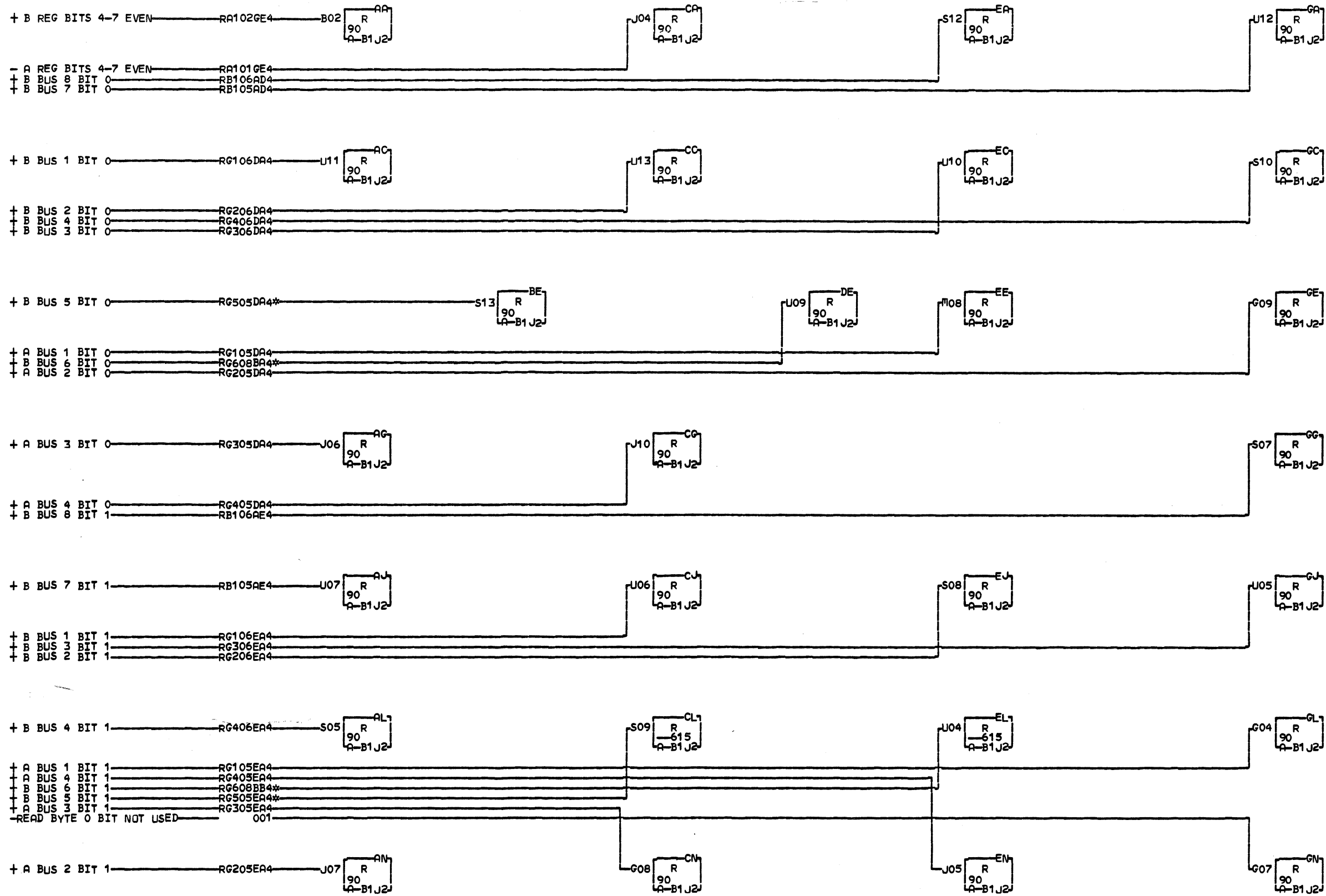
005COPYRIGHT IBM CORP 1976  
SIM TO PN 2345837 EC 437310

RG505FA4 RESISTOR A-B1J2P07  
 RG505GA4 RESISTOR A-B1J2M13  
 RG608BC4 RESISTOR A-B1J2M05  
 RG608BD4 RESISTOR A-B1J2P09

LOC. TYPE  
A-B1J2 0708

ALU BITS 0-3 OR 4-7	
E.C. HISTORY 437380	MACH. 3830-2 FRAME 01
DATE LAST EC 11-28-75 437381	IBM CORP. SD P.N. 2290419

R  
A  
2  
0  
9  
005



R  
A  
2  
1  
9

RG505DA4 RESISTOR A-B1J2S13  
 RG505EA4 RESISTOR A-B1J2S09  
 RG608BA4 RESISTOR A-B1J2U09

RG608BB4 RESISTOR A-B1J2U04

005COPYRIGHT IBM CORP 1976  
 SIM TO PN 2345838 EC 437310

LDC TYPE  
 A-B1J2 0708

ALUBITS 0-3 OR 4-7	
E.C. HISTORY 437380	MACH. 3830-2 FRAME 01
DATE LAST EC 11-28-75 437381	IBM CORP. SD P.No. 2290420

IBM

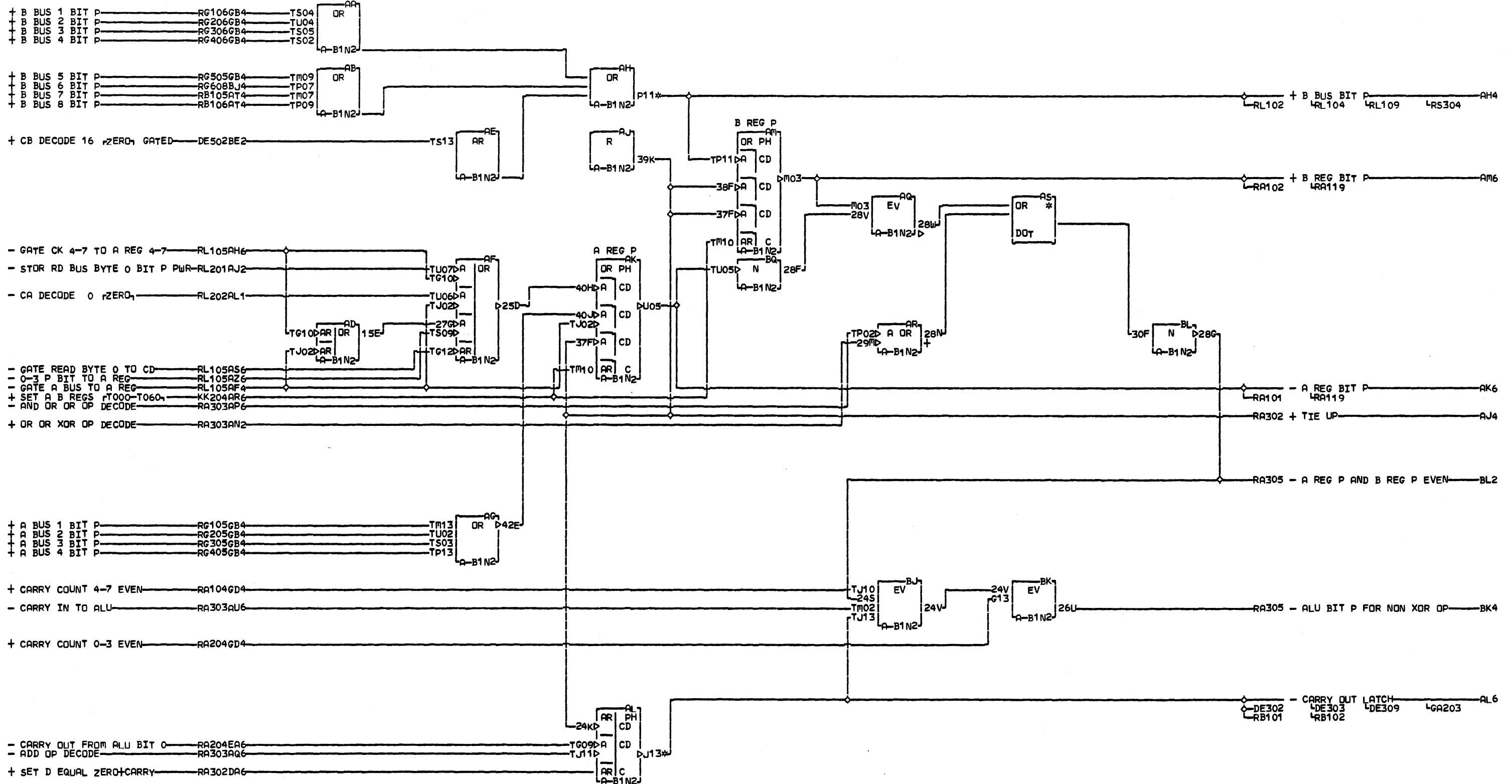
CONFIDENTIAL

UNTIL 03-30-76

UNCLASSIFIED

THEREAFTER

005 RA301

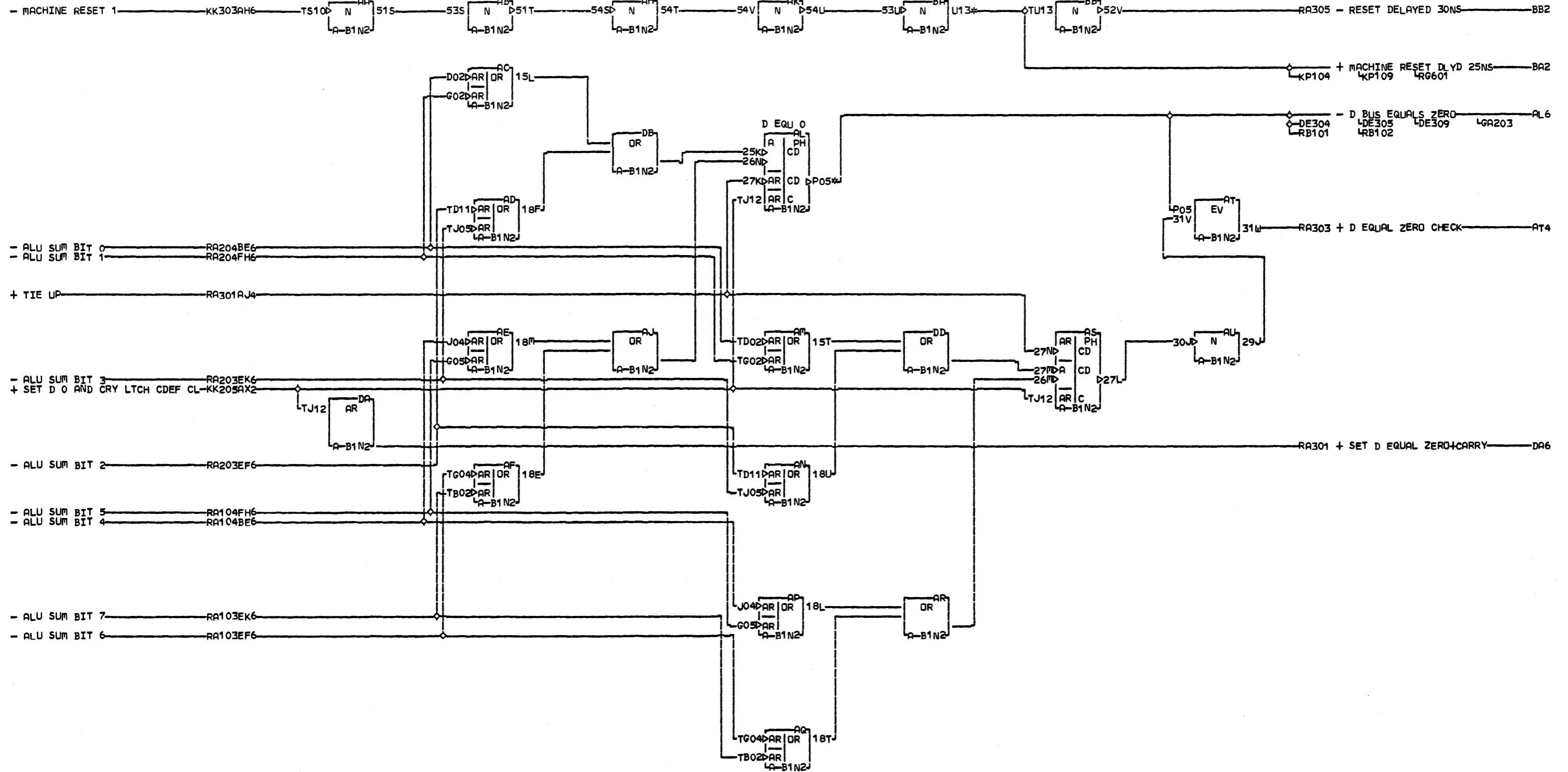


AH4 A-B1M6C04  
 A 01A-B2M1C11  
 AL6 A-B1L6D04  
 A 01A-B2L1D11

LOC. TYPE  
 A-B1N2 0688

ALU PARITY PREDICTOR	
E.C. HISTORY 437380	B MACH. 3830-2
DATE LAST EC 11-28-75 437381	FRAME 01
	IBM CORP. SDD
	P.N. 2290421

IBM CONFIDENTIAL UNTIL 03-30-76 UNCLASSIFIED THEREAFTER

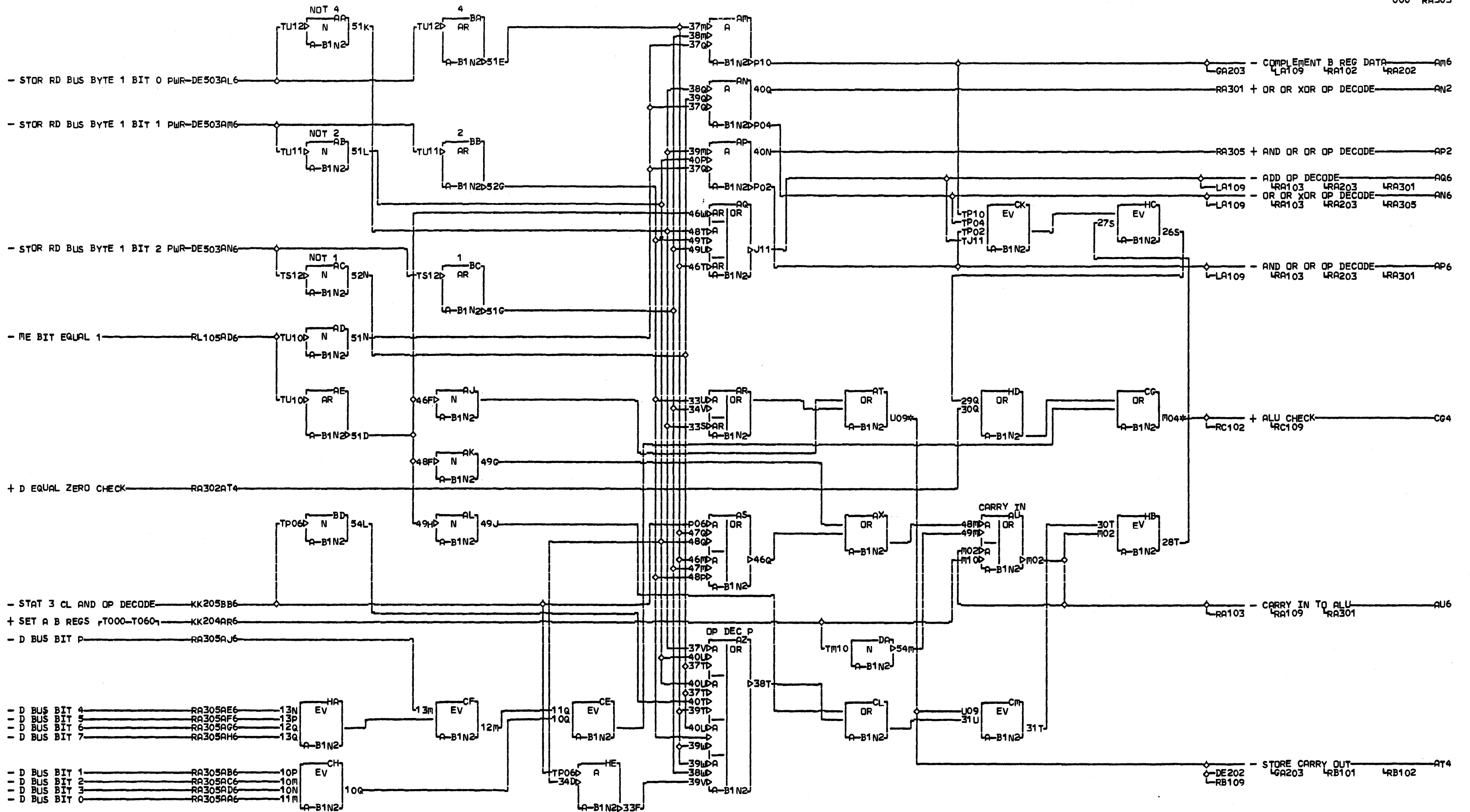


AL6 A-B1L6E04  
 A 01A-B2L1E11  
 BA2 A-B1R6C02  
 A 01A-B2R1C13

LDC. TYPE  
 A-B1N2 0688

D EQUAL ZERO TESTER	
E.C. HISTORY 437380	MACH. 3830-2
DATE LAST EC 11-28-75 437381	FRAME 01 IBM CORP. SDD P.O. No. 2290422

RA302  
005



AT4 A-B1T6C02  
 A 01A-B2T1C13  
 CG4 A-B1R6E02  
 A 01A-B2R1E13

LQC. TYPE  
 A-B1N2 0688

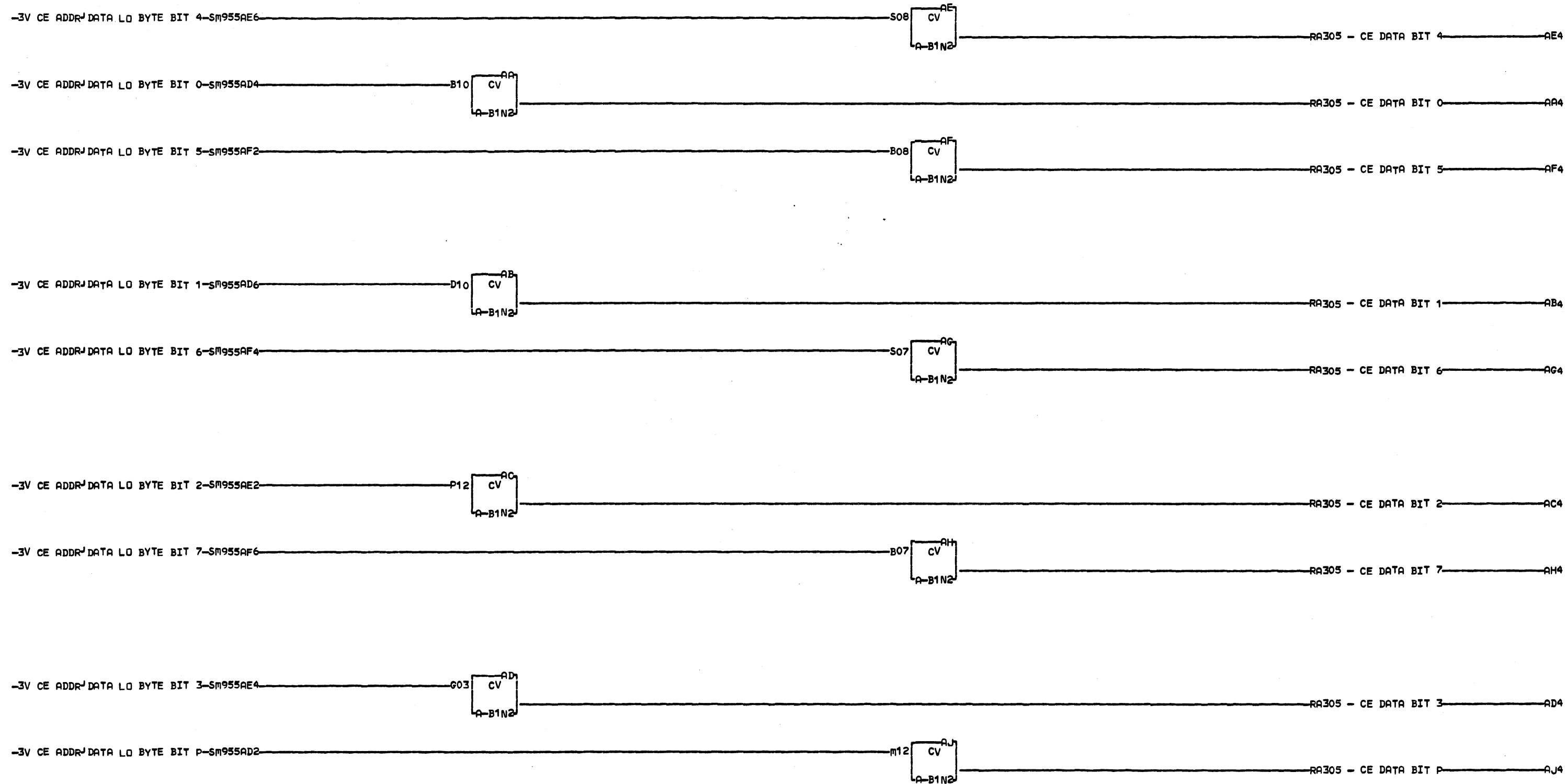
OP DECODER AND ALU CHK	
E.C. HISTORY 437301	B-MACH. 3830-2 FRAME 01
DATE LAST EC 06-15-73 437310	IBM CORP. SDD P.N. 2345841

R  
A  
3  
0  
3

000

R  
A  
3  
0  
3

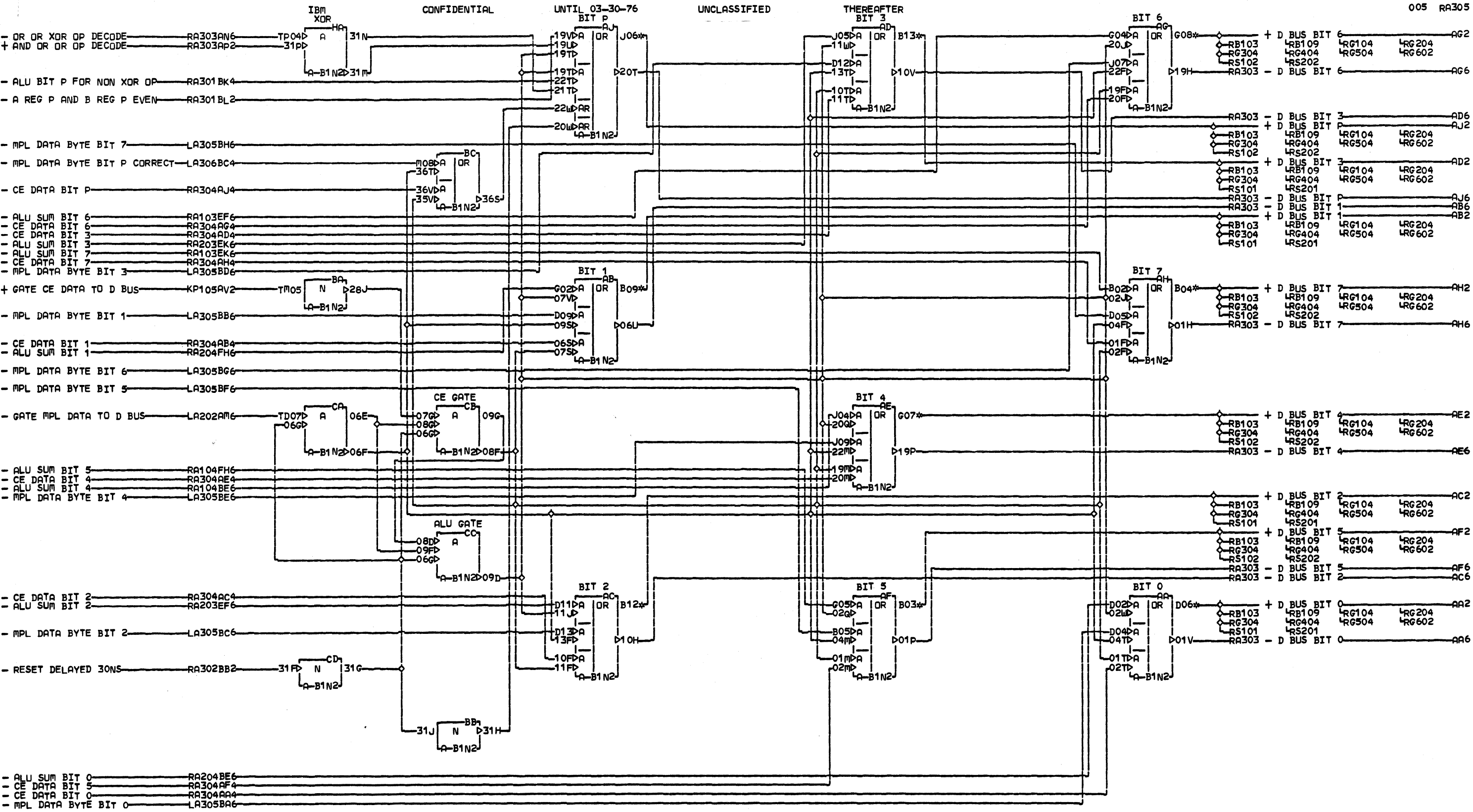
000



LDC TYPE  
A-B1N2 0688

D BUS SW INTEGRATORS	
E.C. HISTORY 437301	B. MACH. 3830-2 FRAME 01
DATE 06-15-73	LAST EC 437310
	IBM CORP. SDD P.N. 2345842

RA  
3  
0  
4  
000



005COPYRIGHT IBM CORP 1976  
SIM TO PN 2345843 EC 437310

AA2 A-B1D6E02 A 01A-B2E1D13  
A 01A-B2D1E13 AF2 A-B1E6E02  
AB2 A-B1E6A02 A 01A-B2E1E13  
A 01A-B2E1A13 AG2 A-B1D6E04  
AC2 A-B1E6B02 A 01A-B2D1E11  
A 01A-B2E1B13 AH2 A-B1E6A04  
AD2 A-B1E6C02 A 01A-B2E1A11  
A 01A-B2E1C13 AJ2 A-B1E6B04  
AE2 A-B1E6D02 A 01A-B2E1B11

LOC. TYPE  
A-B1N2 0688

D BUS	
E.C. HISTORY 437380	MACH. 3830-2
DATE 11-28-75	FRAME 01
LAST EC 437381	IBM CORP. SDD
	P.N. 2290423

IBM

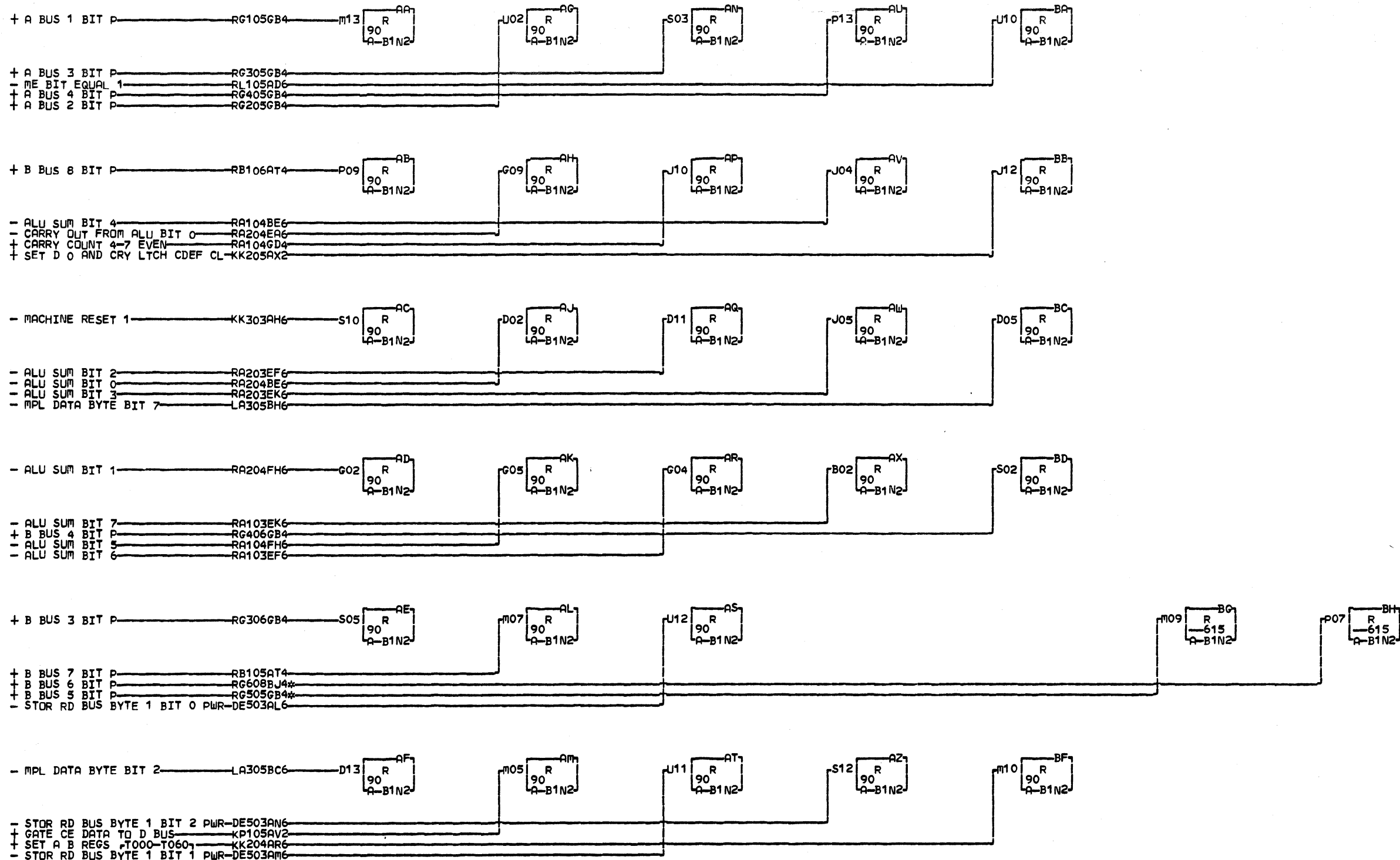
CONFIDENTIAL

UNTIL 03-30-76

UNCLASSIFIED

THEREAFTER

005 RA309



RA309

RG505GB4  
RESISTOR  
A-B1N2M09  
RG608BJ4  
RESISTOR  
A-B1N2P07

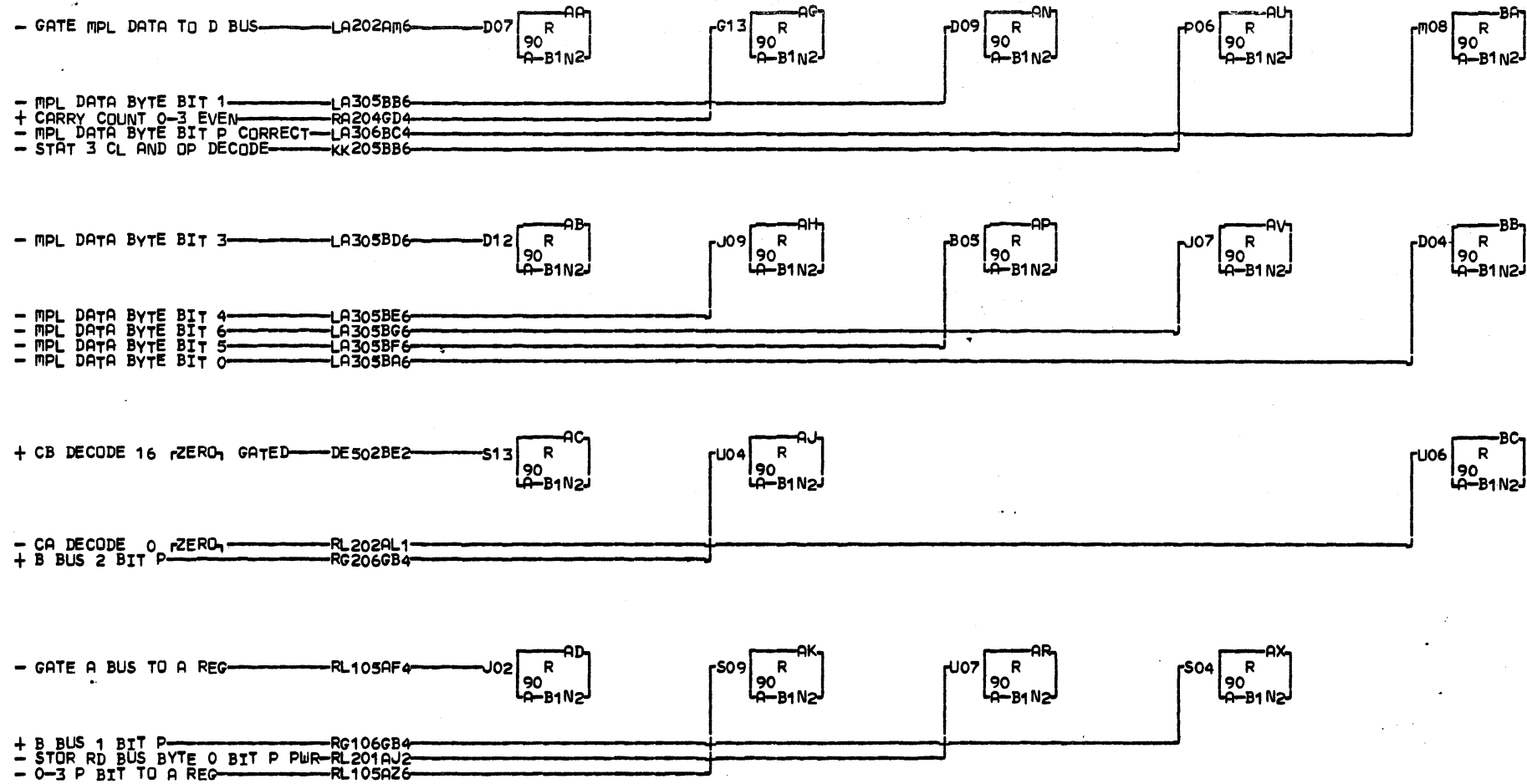
LOC. TYPE  
A-B1N2 0688

D BUS CARD RESISTORS	
PAGE 1 OF 2	
E.C. HISTORY 437380	MACH. 3830-2
DATE 11-28-75	LAST EC 437381
FRAME 01	IBM CORP. SDD
P.No. 2290424	

RA309

005





LOC. TYPE  
A-B1N2 0688

D BUS RESISTOR	
PAGE 2 OF 2	
E.C. HISTORY — 437301	B-MACH. 3830-2
DATE — 06-15-73	LAST EC — 437310
FRAME	01
IBM CORP. SDD	
P.N. 2345845	