

# **IBM** Maintenance Library

**3725**

**Models 1 and 2  
Communication Controller**

**3726**

**Communication Controller  
Expansion Unit**

**Parts Catalog**

# Preface

This Parts Catalog (PC) contains listings and illustrations of all replaceable assemblies, subassemblies and detail parts for the IBM 3725 Communication Controller and IBM 3726 Communication Controller Expansion.

The information enables stock and maintenance personnel to identify, requisition, and issue replacement parts.

For specific information on:

- Cable and card locations, see *3725/3726 Maintenance Information Manual*, SY33-2018
- Power supplies, see *3725/3726 Power Supplies, Theory of Operation*, SY33-2020
- Crossover, see *Y/Z Component Location* (Pages YZ003, YZ004, YZ005, YZ007, YZ008, YZ102)

## Seventh Edition (July 1986)

This is a major revision of S135-2008-6, which is now obsolete.

The drawings and specifications contained herein shall not be reproduced in whole or in part without written permission.

IBM has prepared this maintenance manual for the use of IBM customer engineers in the installation, maintenance, or repair of the specific machines indicated. IBM makes no representations that is suitable for any other purpose.

The information contained in this manual is subject to change from time to time. Any such changes will be reported in subsequent revisions or Technical Newsletters.

Reference in this publication to IBM products, programs, or services does not imply that IBM intends to make these available in all countries in which IBM operates. Any reference to an IBM program product in this publication is not intended to state or imply that only IBM's program product may be used. Any functionally equivalent program may be used instead.

Publications are not stocked at the addresses given below. Requests for IBM publications should be made to your IBM representative or to the IBM branch office serving your locality.

A form for readers' comments is provided at the back of this publication. If the form has been removed, comments may be addressed to either of the following:

- International Business Machines, Corporation, Department 6R1LG, 180 Kost Road, Mechanicsburg, PA 17055, USA
- IBM France, Centre d'Etudes et Recherches, Service 0799, 06610 La Gaude, France

IBM may use or distribute any of the information you supply in any way believes appropriate without incurring any obligation to you.

# Contents

Page

How to use this Parts Catalog .....	iv
Glossary .....	v
Master Visual Index .....	vi
Visual Index 1. Frame 01 .....	vii
Visual Index 2. Frame 02 .....	viii

Catalog Section .....	1
-----------------------	---

## Figure

1. Covers Assembly, Frame 01 (4 sheets) .....	2
2. Final Assembly, Frame 01 (4 sheets) .....	6
3. Control Panel Assembly .....	14
4. Primary Power Box Assembly (PS6), Frame 01 (3 sheets) .....	16
5. Power Factor Capacitor Assembly, Frame 01 .....	22
6. Power Tub Assembly, Frame 01 .....	24
7. Power Block 5 V 75 AMP Assembly (PS1 and PS3) .....	26
8. Power Block 4.4 V 47 AMP Assembly (PS2) .....	28
9. Gate Basic Assembly (01A) .....	30
10. Gate Expansion Assembly (01B) .....	32
11. Diskette Drive Assembly .....	34
12. Diskette Drive, Final Assembly .....	36
13. Diskette Guide and Clamping Assembly .....	38
14. Carriage and Pulley Assembly .....	40
15. Motor Capacitor and Actuator Assembly .....	42
16. Covers Assembly, Frame 02 (4 sheets) .....	44
17. Final Assembly, Frame 02 (4 sheets) .....	48
18. Primary Power Box Assembly (PS10), Frame 02 (2 sheets) .....	56
19. Gate CAB Assembly (02C) .....	60
20. Power CAB Assembly (PS7) .....	62
21. Power Factor Capacitor Assembly, Frame 02 .....	64
22. Power Tub Assembly, Frame 02 .....	66
23. Power Block 5 V 42 AMP Assembly (PS1, PS2, PS3, PS5 and PS6) .....	68
24. Gate Assembly (02A and 02B) .....	70
25. Power Boards Assembly (PWB1 and PWB2) .....	72
26. Convenience Outlet Assembly .....	74
27. EPO Bracket Assembly .....	74
28. Boards Assembly .....	76
29. Card Hardware Mountings .....	78
30. Safety Labels .....	80
31. Cable and Jumper Component Parts (5 sheets) .....	82

Numerical Index .....	X-1
-----------------------	-----

# HOW TO USE THIS PARTS CATALOG

## HOW TO FIND PART INFORMATION:

WHEN ASSEMBLY LOCATION IS KNOWN,

PERFORM STEPS

①, ③ AND ④

WHEN ASSEMBLY NAME IS KNOWN

PERFORM STEPS

②, ③ AND ④

WHEN PART NUMBER IS KNOWN

PERFORM STEPS

③, ⑥ AND ⑦

①  
TURN TO THE VISUAL INDEX - THEN LOCATE, BY ILLUSTRATION, THE ASSEMBLY CONTAINING THE PART.

②  
TURN TO THE CONTENTS PAGE - THEN LOCATE, BY NAME, THE ASSEMBLY CONTAINING THE PART.

③  
TURN TO THE PAGE FOR THAT ASSEMBLY - THEN LOCATE THE PART VISUALLY.

④  
USING THE INDEX NUMBER SHOWN WITH THE PART, REFER TO THE ACCOMPANYING LISTING TO OBTAIN THE PART NUMBER, DESCRIPTION AND QUANTITY.

⑤  
TURN TO THE NUMERICAL INDEX - THEN NOTE THE FIGURE AND INDEX NUMBER GIVEN FOR THAT PART NUMBER.

⑥  
TURN TO THE FIGURE NUMBER GIVEN - THEN FIND THE INDEX NUMBER ON THE ILLUSTRATION.

⑦  
FIND THE CORRESPONDING INDEX NUMBER IN THE ACCOMPANYING LISTING TO OBTAIN THE DESCRIPTION AND QUANTITY OF THE PART.

**NOTE:**  
IF THE DESIRED ITEM IS PART OF A SUBASSEMBLY NOT BROKEN DOWN WITHIN THAT FIGURE, REFER TO THE FIGURE ASSIGNED TO THE SUB-ASSEMBLY, LOCATE THE PART VISUALLY AND OBTAIN THE PART NUMBER, DESCRIPTION AND QUANTITY FROM THE ACCOMPANYING LISTING.

# GLOSSARY

- ① **NO PN** - When this notation appears in the Part No. column, it denotes a part or group of parts that have not been assigned a part number or which are not recommended for field replacement.
- ② **NR** - This notation in the Part No. column denotes a part not recommended for field replacement.
- ③ **NP** - This notation in the Part No. or Description column indicates parts that are non-procurable. In these cases the next higher assembly should be ordered.
- ④ **AR** - The notation AR in the Units Per Asm. column indicates that the quantity of the part is used as required.
- ⑤ **SIMILAR ASSEMBLIES** - If two or more assemblies contain a majority of identical parts, they are combined in the same listing. Parts common to assemblies are illustrated and listed by one index number. Parts peculiar to one or the other of the assemblies are listed separately and identified either in the description of the part, or by a descriptive trailer line.

- ⑥ **REF** - The notation REF in the Units Per Asm. column indicates that the listing of the assembly is repeated and reference should be made to its previous listing for the quantity required.

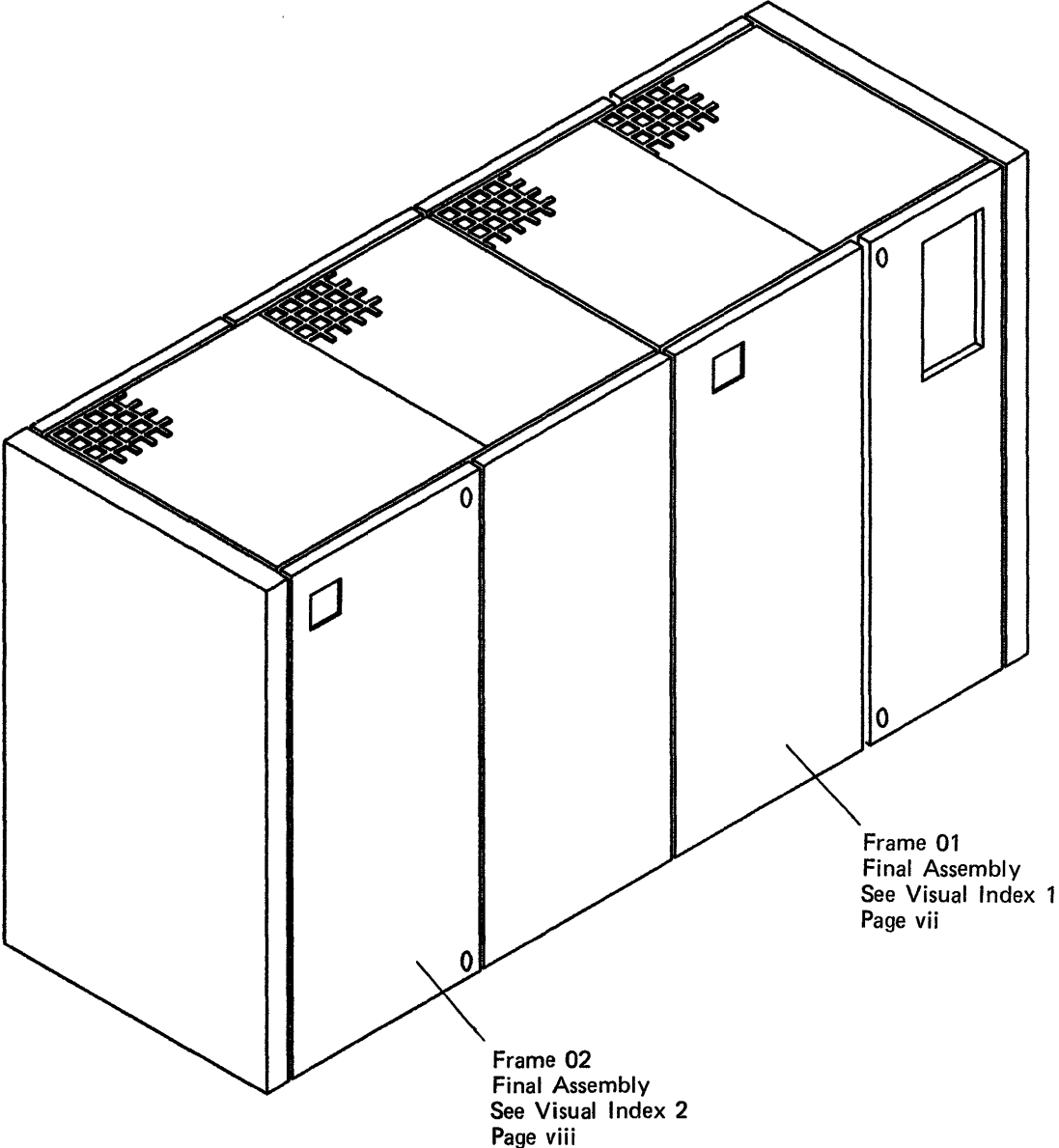
- ⑦ **INDENTURE** - The indentation of items under the numerals 1 through 4 at the head of the Description column shows the relationship between assemblies, subassemblies and detail parts. For example:

1 2 3 4

- (No dot)      **MAIN ASSEMBLY**
- (One dot)     ● Detail parts of main assembly
- (One dot)     ● Assembly within main assembly
- (Two dot)    ● ● Detail part of one dot assembly
- (Two dot)    ● ● Assembly within one dot assembly
- (Three dot) ● ● ● Detail parts of two dot assembly

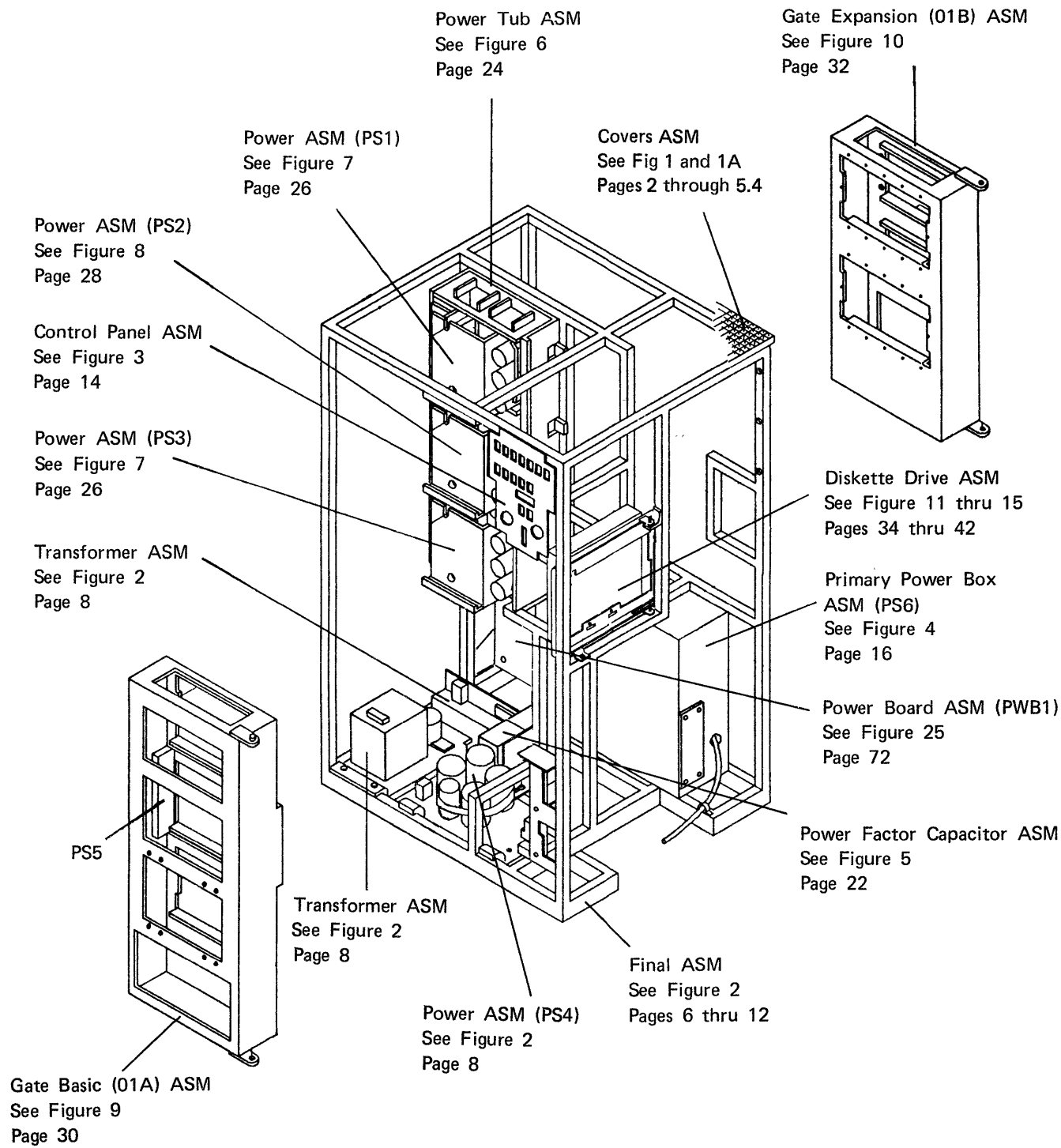
FIGURE INDEX NUMBER	PART NUMBER	UNITS PER ASM.	DESCRIPTION			
			1	2	3	4
22 -	NO PN	REF	TRANSPORT AND VACUUM ASSEMBLY			
①			THIS ASSEMBLY CANNOT BE ORDERED FOR REPLACEMENT, SEE LIST 2-252 FOR NEXT HIGHER ASM			
- 1	1846187	1	●	DOOR ASSEMBLY, VACUUM COLUMN - MODS 6, 8		
- 1	1846188	1	●	DOOR ASSEMBLY, VACUUM COLUMN - MOD 4		
- 2	55918	5	●	SCREW, MACH BD HD - 10-32 X 0.625 LG		
- 3	45690	5	●	WASHER, FL - 0.203 ID X 0.408 OD		
- 4	2512946	AR	●	SHIM, DOOR VAC COLUMN 0.015 THK		
- 4	2512948	AR	●	SHIM, DOOR VAC COLUMN 0.030 THK		
- 5	1846100	AR	●	PNEUMATIC HOSES TRANSPORT ASSEMBLY		
- 9	2523727	1	●	DISC, DECORATIVE		
- 10	1767707	1	●	COVER		
- 11	322562	3	●	SCREW, BD HD - 10-32 X 2.000 INCHES LG		
- 12	1767705	1	●	CAM		
- 13	1766920	1	●	SPRING, COMP 1.190 OD X 2.750 LG		
- 14	1767720	1	●	HUB ASM		
- 15	356742	3	● ●	CLAMP, 0.375 ID X 0.173 MTG HOLE		
- 16	5489002	3	● ●	SCREW, MACH BD HD - 6-32 X 0.250 LG		
- 17	1090873	6	● ●	LOCKWASHER, SPLIT - 0.168 ID X 0.296 OD		
- 18	1767703	3	● ●	ROLLER, TRIPLE		
- 19	1767711	3	● ●	ROLLER, SINGLE		

# Master Visual Index



Frame 01: Communication Controller

Frame 02: Communication Controller Expansion

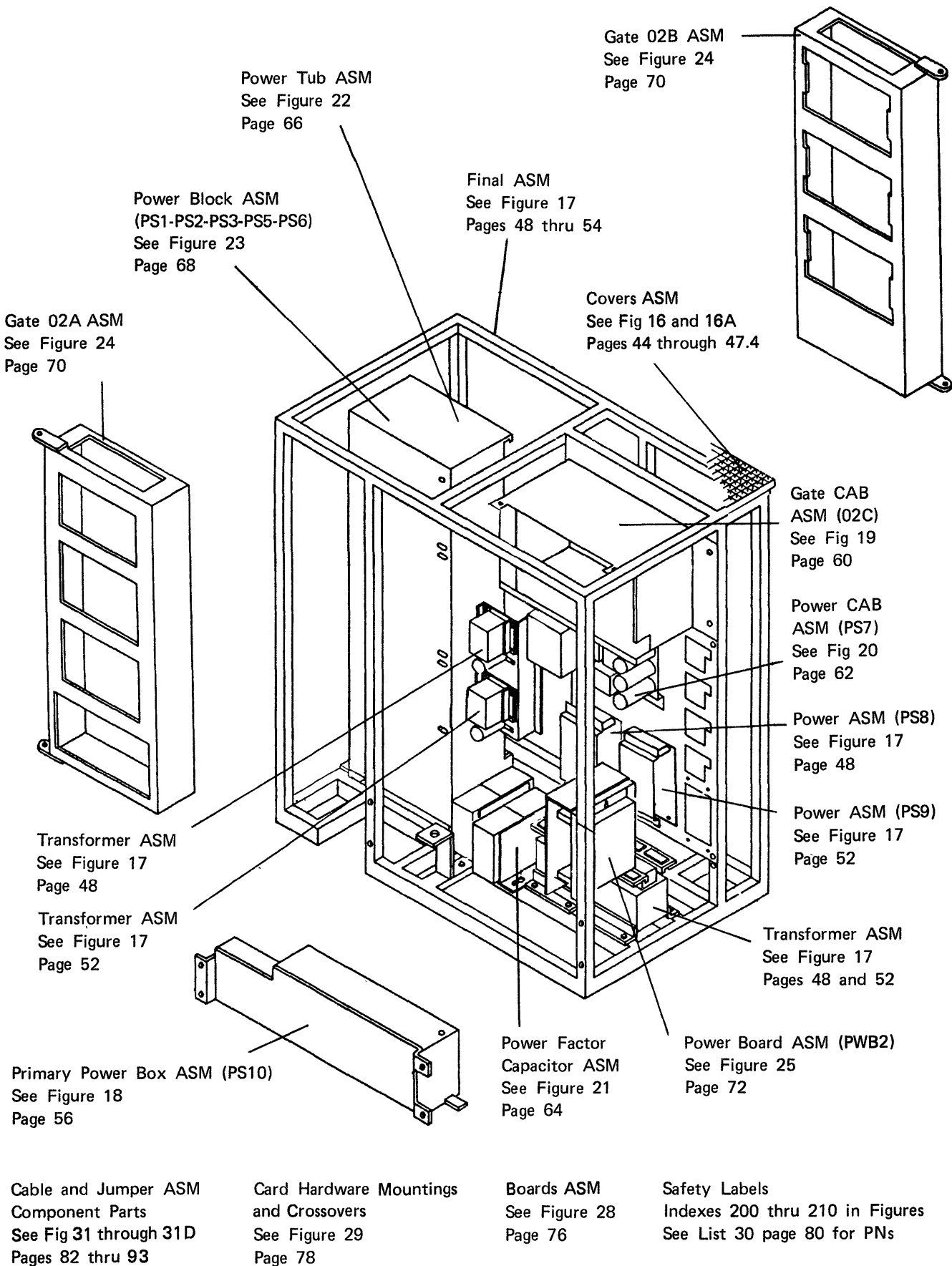


Cable and Jumper ASM  
Component Parts  
See Fig 31 through 31D  
Page 82 thru 93

Card Hardware Mountings  
and Crossovers  
See Figure 29  
Page 78

Boards ASM  
See Figure 28  
Page 76

Safety Labels  
Indexes 200 thru 210 in Figures  
See List 30 page 80 for PNs



VISUAL INDEX 2, FRAME 02



# **CATALOG SECTION**

OLD DESIGN COVERS, BEFORE EC A04595

Notes :

1. Old design covers are no longer available. However, latches, hinges, etc. can be ordered.
2. If a front or rear cover has to be changed, it can only be replaced by two new covers, left and right with the required latches, hinges, and receptacles (See list 1 indexes 14 and 15).

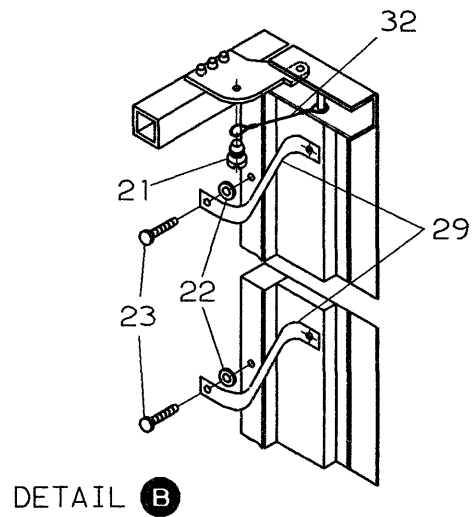
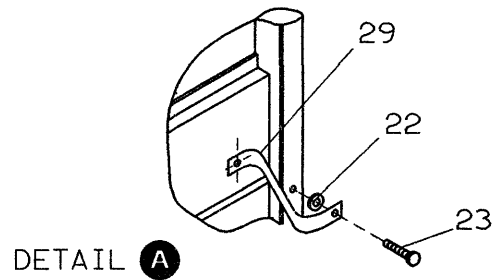
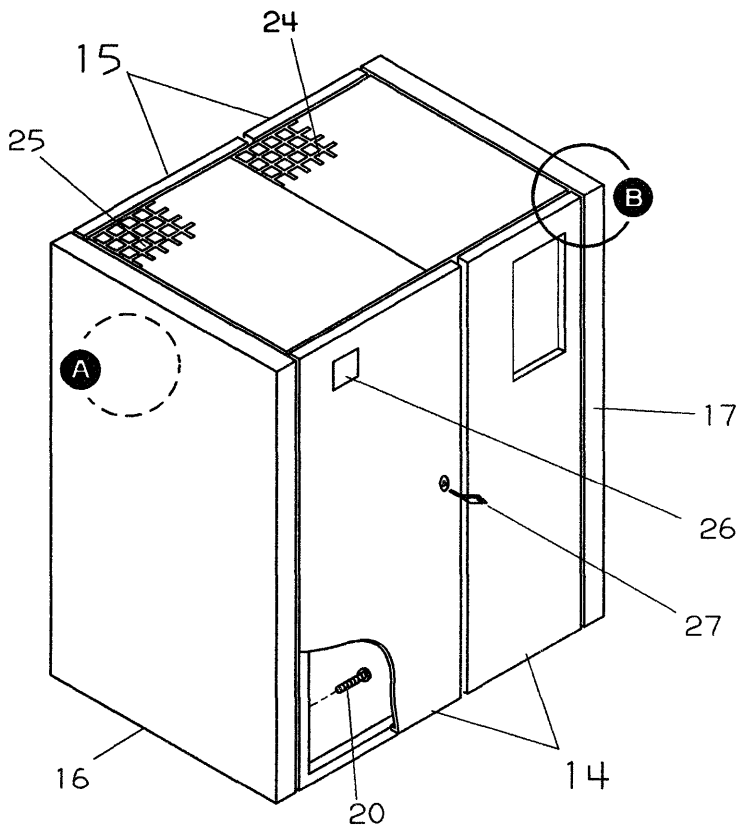
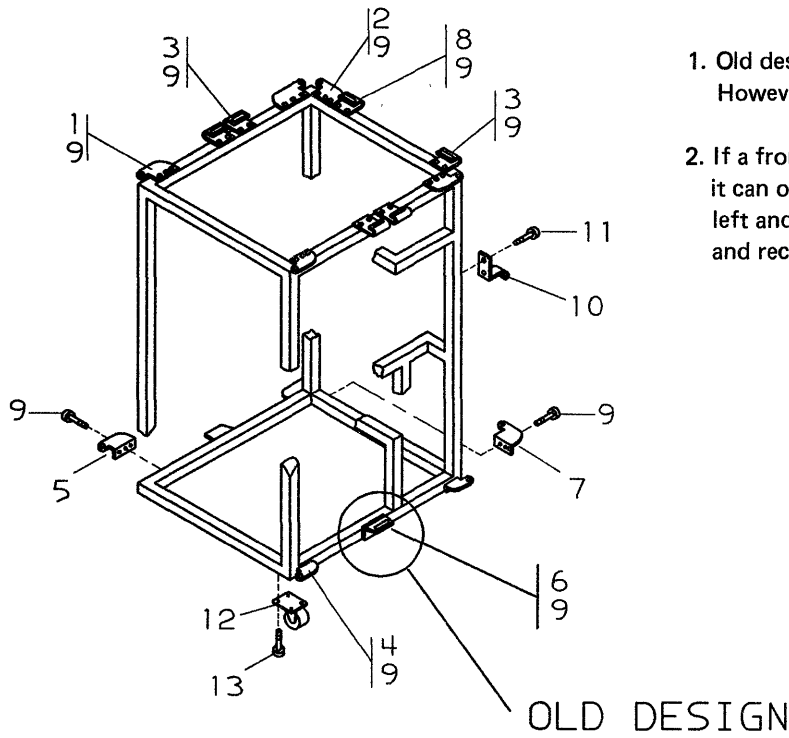


FIGURE 1 . COVERS ASSEMBLY . SHEET 1 OF 2 . SEE LIST 1

**OLD DESIGN COVERS, BEFORE EC A04595**

LIST AND INDEX	PART NUMBER	UNITS PER ASM	DESCRIPTION
----------------	-------------	---------------	-------------

1 -	NO PN		COVERS ASSEMBLY FRAME 01 FOR ILLUSTRATION SEE FIGURE 1
- 1	5584630	4	. PLATE
- 2	5584697	1	. PLATE
- 3	4866793	AR	. PLATE
- 4	5584628	2	. PLATE
- 5	4866794	2	. PLATE
- 6	5584626	4	. LATCH
- 7	1733494	1	. HINGE
- 8	4866793	1	. PLATE
- 9	1621950	AR	. SCREW,HEX SOCKET BUTTON HD CAP- M6 X 12 LG
- 10	5609847	1	. LATCH
- 11	1621190	2	. SCREW,PAN HD- M4 X 8 LG
- 12	513271	4	. CASTER
- 12	4802961	4	. CASTER, ONLY FOR JAPAN.
- 13	1621230	16	. SCREW,PAN HD- M6 X 12 LG

THE FOLLOWING 14 B/M'S INCLUDE  
TWO COVERS (LEFT AND RIGHT),  
INSTALLATION INSTRUCTION,  
LATCHES, AND RECEPTACLES.

- 14	56X3052	1	. B/M FOR FRONT COVERS,BLUE
- 14	56X3054	1	. B/M FOR FRONT COVERS,GRAY
- 14	56X3056	1	. B/M FOR FRONT COVERS,BROWN
- 14	56X3058	1	. B/M FOR FRONT COVERS,GREEN
- 14	56X3060	1	. B/M FOR FRONT COVERS,ROSE
- 14	56X3062	1	. B/M FOR FRONT COVERS,YELLOW
- 14	56X3064	1	. B/M FOR FRONT COVERS,WHITE
- 15	56X3053	1	. B/M FOR REAR COVERS,BLUE
- 15	56X3055	1	. B/M FOR REAR COVERS,GRAY
- 15	56X3057	1	. B/M FOR REAR COVERS,BROWN
- 15	56X3059	1	. B/M FOR REAR COVERS,GREEN
- 15	56X3061	1	. B/M FOR REAR COVERS,ROSE
- 15	56X3063	1	. B/M FOR REAR COVERS,YELLOW
- 15	56X3065	1	. B/M FOR REAR COVERS,WHITE
- 16	2667749	1	. COVER ASM,SIDE,LEFT,WHITE
- 17	2666915	1	. COVER ASM,SIDE,RIGHT,WHITE
- 20	1621213	6	. SCREW,PAN HD- M5 X 20 LG
- 21	8324808	5	. SCREW-BASE FRAME
- 22	1622346	12	. LCKW,EXT M4- 4.3 ID X 8 OD X 0.035 THK
- 23	1621197	12	. SCREW,PAN HD- M4 X 6 LG
- 24	1736677	1	. TOP COVER
- 25	1736678	1	. TOP COVER
- 26	6081184	1	. NAME PLATE
- 27	6834390	2	. COVER KEY

OLD DESIGN COVERS, BEFORE EC A04595

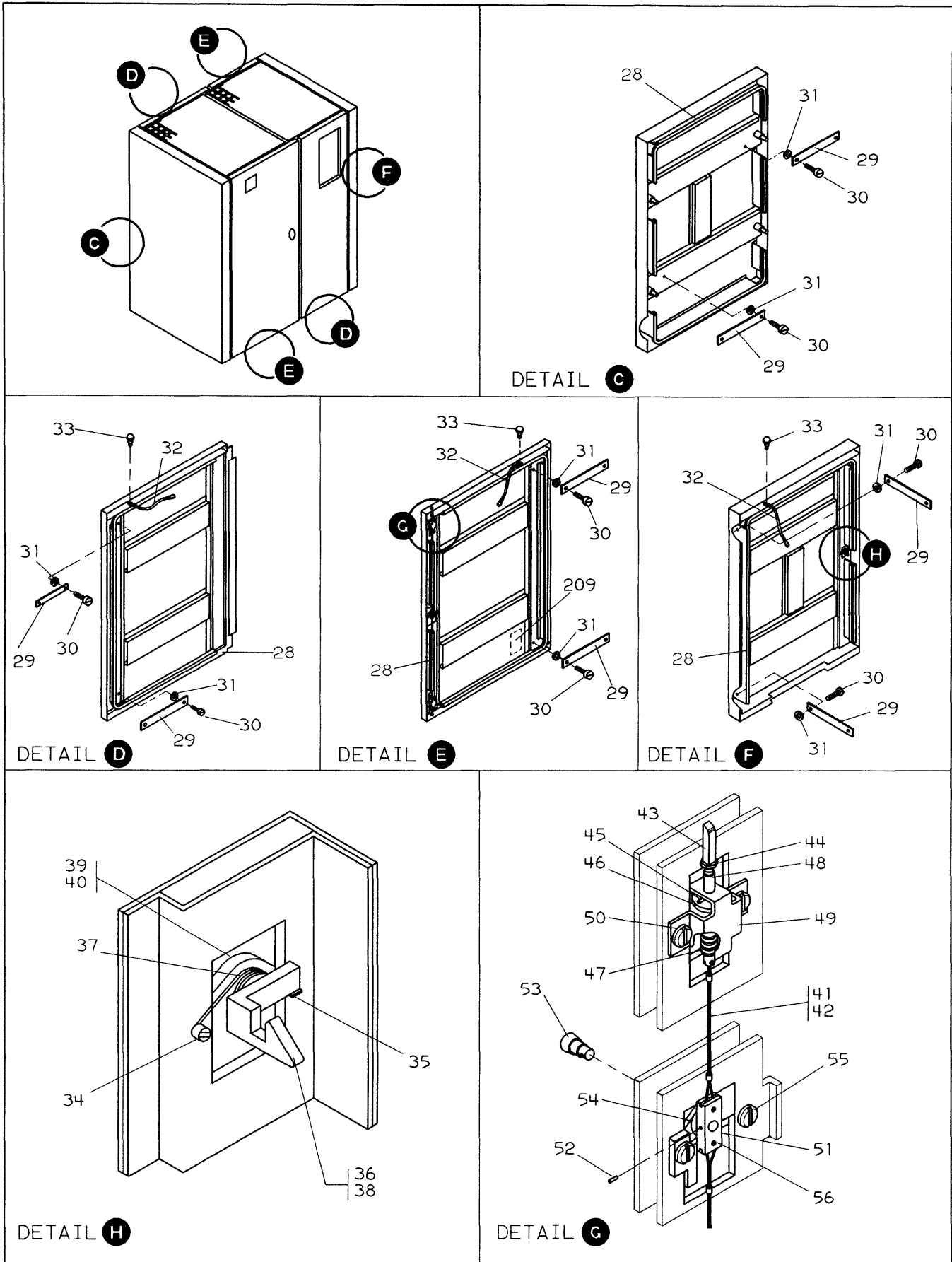


FIGURE 1 . COVERS ASSEMBLY . SHEET 2 OF 2 . SEE LIST 1

OLD DESIGN COVERS, BEFORE EC A04595

LIST AND INDEX	PART NUMBER	UNITS PER ASM	DESCRIPTION
1 - 28	4511727	AR	. . SEAL
- 29	5267931	AR	. . JUMPER ASM
- 30	1621197	AR	. . SCREW,PAN HD- M4 X 6 LG
- 31	1622346	AR	. . LCKW,EXT M4- 4.3 ID X 8 OD X 0.5 THK
- 32	6081012	AR	. . CABLE STAY
- 33	6081391	AR	. . STUD
- 34	1621290	2	. . SCREW,FLAT HD- M3 X 20 LG
- 35	5609846	1	. . STOP
- 36	5609844	1	. . LATCH
- 37	5609845	1	. . SPRING
- 38	1611051	1	. . ROLL-PIN
- 39	5672267	1	. . ACTUATOR LATCH
- 40	5584642	1	. . HOUSING-ACTUATOR
- 41	1733469	2	. . CABLE
- 42	5584659	2	. . STUD
- 43	5584647	2	. . HANDLE
- 44	5609843	2	. . NUT,KNURLED- M5
- 45	1611051	2	. . ROLL-PIN
- 46	1622306	2	. . WSHR,FLAT M6- 6.6 ID X 12.5 OD X 1.6 THK
- 47	5584649	2	. . SPRING
- 48	5584646	2	. . ROD-LATCH
- 49	5584644	2	. . GUIDE
- 50	1621190	4	. . SCREW,PAN HD- M4 X 8 LG
- 51	5584643	1	. . ACTUATOR-BAR
- 52	1611051	1	. . ROLL-PIN
- 53	5672267	1	. . ACTUATOR LATCH
- 54	5584642	1	. . HOUSING-ACTUATOR
- 55	1621190	2	. . SCREW,PAN HD- M4 X 8 LG
- 56	5584659	2	. . STUD

NEW DESIGN COVERS, AFTER EC A04595

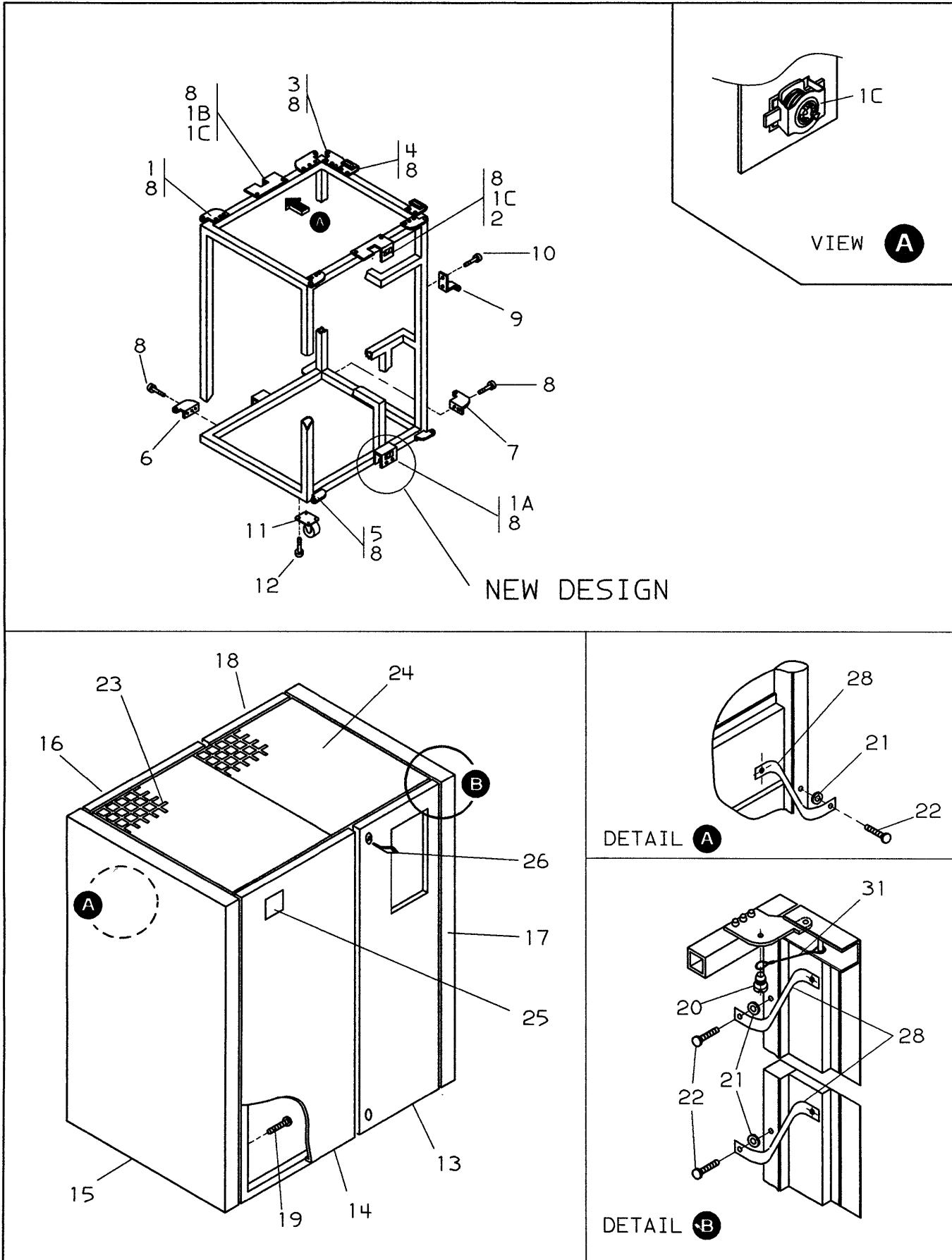


FIGURE 1A . COVERS ASSEMBLY . SHEET 1 OF 2 . SEE LIST 1A

**NEW DESIGN COVERS, AFTER EC A04595**

LIST AND INDEX	PART NUMBER	UNITS PER ASM	DESCRIPTION
1A-	NO PN		COVERS ASSEMBLY FRAME 01 FOR ILLUSTRATION SEE FIGURE 1A
- 1	5584630	4	. PLATE
- 1A	4802923	2	. PLATE
- 1B	6124869	1	. PLATE
- 1C	6406241	4	. RECEPTACLE
- 2	7837321	1	. PLATE
- 3	5584697	1	. PLATE
- 4	4866793	2	. PLATE
- 5	5584628	2	. PLATE
- 6	4866794	2	. PLATE
- 7	1733494	1	. HINGE
- 8	1621950	AR	. SCREW,HEX SOCKET BUTTON HD CAP- M6 X 12 LG
- 9	5609847	1	. LATCH
- 10	1621190	2	. SCREW,PAN HD- M4 X 8 LG
- 11	513271	4	. CASTER
- 11	4802961	4	. CASTER, ONLY FOR JAPAN.
- 12	1621230	16	. SCREW,PAN HD- M6 X 12 LG
- 13	6081217	1	. COVER ASM,FRONT,RIGHT,BLUE
- 13	1733605	1	. COVER ASM,FRONT,RIGHT,GRAY
- 13	1733649	1	. COVER ASM,FRONT,RIGHT,BROWN
- 13	1733650	1	. COVER ASM,FRONT,RIGHT,GREEN
- 13	1733651	1	. COVER ASM,FRONT,RIGHT,ROSE
- 13	1733652	1	. COVER ASM,FRONT,RIGHT,YELLOW
- 13	1733653	1	. COVER ASM,FRONT,RIGHT,WHITE
- 14	6081218	1	. COVER ASM,FRONT,LEFT,BLUE
- 14	1733613	1	. COVER ASM,FRONT,LEFT,GRAY
- 14	1733619	1	. COVER ASM,FRONT,LEFT,BROWN
- 14	1733625	1	. COVER ASM,FRONT,LEFT,GREEN
- 14	1733631	1	. COVER ASM,FRONT,LEFT,ROSE
- 14	1733637	1	. COVER ASM,FRONT,LEFT,YELLOW
- 14	1733643	1	. COVER ASM,FRONT,LEFT,WHITE
- 15	2667749	1	. COVER ASM,SIDE,LEFT,WHITE
- 16	6081219	1	. COVER ASM,REAR,RIGHT,BLUE
- 16	1733655	1	. COVER ASM,REAR,RIGHT,GRAY
- 16	1733656	1	. COVER ASM,REAR,RIGHT,BROWN
- 16	1733657	1	. COVER ASM,REAR,RIGHT,GREEN
- 16	1733658	1	. COVER ASM,REAR,RIGHT,ROSE
- 16	1733659	1	. COVER ASM,REAR,RIGHT,YELLOW
- 16	1733660	1	. COVER ASM,REAR,RIGHT,WHITE
- 17	2666915	1	. COVER ASM,SIDE,RIGHT,WHITE
- 18	6081220	1	. COVER ASM,REAR,LEFT,BLUE
- 18	2667130	1	. COVER ASM,REAR,LEFT,GRAY
- 18	2667132	1	. COVER ASM,REAR,LEFT,BROWN
- 18	2667134	1	. COVER ASM,REAR,LEFT,GREEN
- 18	2667136	1	. COVER ASM,REAR,LEFT,ROSE
- 18	2667138	1	. COVER ASM,REAR,LEFT,YELLOW
- 18	2667140	1	. COVER ASM,REAR,LEFT,WHITE
- 19	1621213	6	. SCREW,PAN HD- M5 X 20 LG
- 20	8324808	5	. SCREW-BASE FRAME
- 21	1622346	12	. LCKW,EXT M4- 4.3 ID X 8 OD X 0.035 THK
- 22	1621197	12	. SCREW,PAN HD- M4 X 6 LG

NEW DESIGN COVERS, AFTER EC A04595

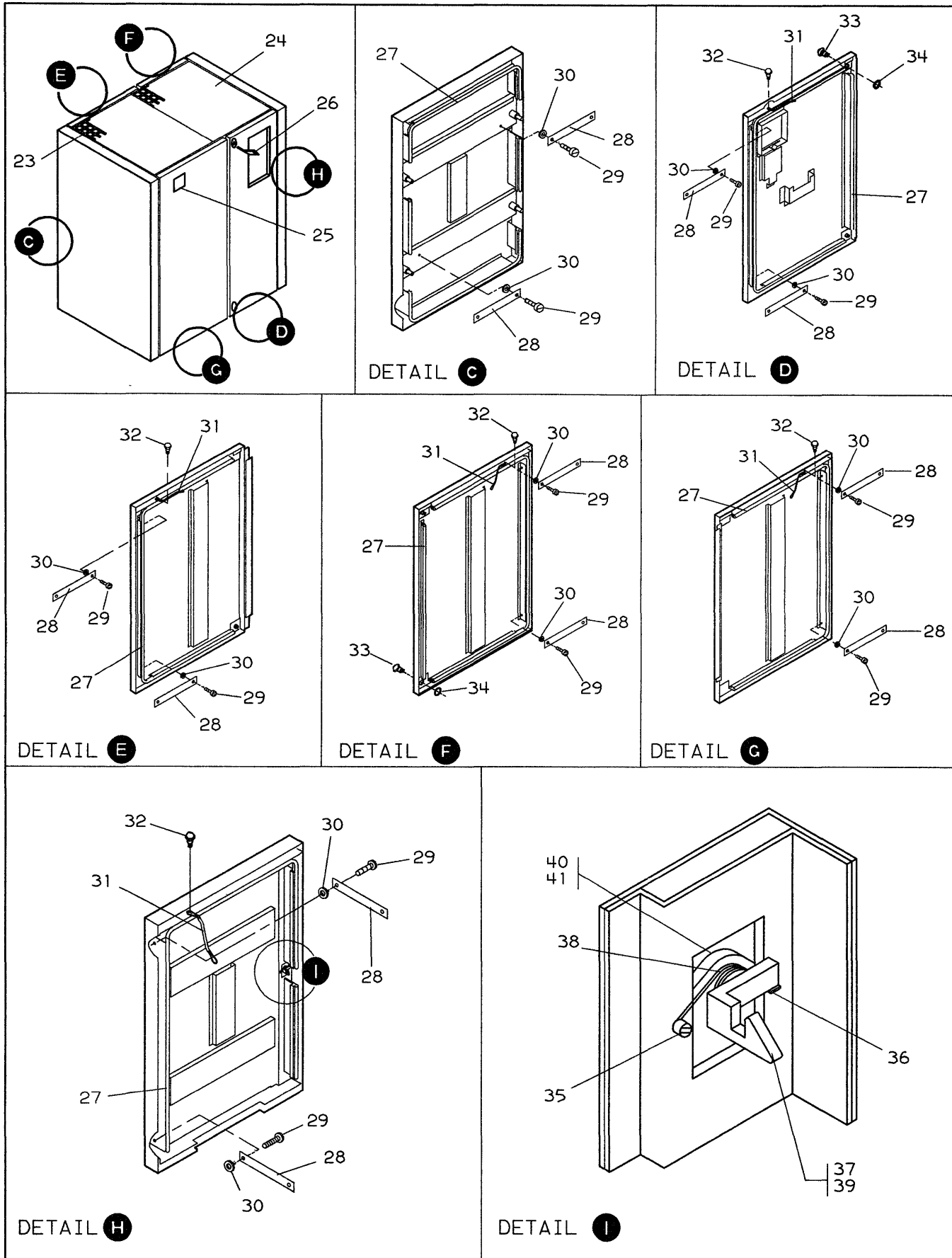


FIGURE 1A . COVERS ASSEMBLY . SHEET 2 OF 2 . SEE LIST 1A



**NEW DESIGN COVERS, AFTER EC A04595**

LIST AND INDEX	PART NUMBER	UNITS PER ASM	DESCRIPTION
1A- 23	61X3230	1	. TOP COVER
- 24	61X3231	1	. TOP COVER
- 25	6081184	1	. NAME PLATE
- 26	1643894	2	. COVER KEY
- 27	4511727	AR	. SEAL
- 28	5267931	AR	. JUMPER ASM
- 29	1621197	AR	. SCREW, PAN HD- M4 X 6 LG
- 30	1622346	AR	. LCKW, EXT M4- 4.3 ID X 8 OD X 0.5 THK
- 31	6081012	AR	. CABLE STAY
- 32	6081391	AR	. STUD
- 33	6406240	AR	. STUD
- 34	3125575	AR	. CLIP
- 35	1621290	2	. SCREW, FLAT HD- M3 X 20 LG
- 36	5609846	1	. STOP
- 37	5609844	1	. LATCH
- 38	5609845	1	. SPRING
- 39	1611051	1	. ROLL-PIN
- 40	5672267	1	. ACTUATOR LATCH
- 41	5584642	1	. HOUSING-ACTUATOR

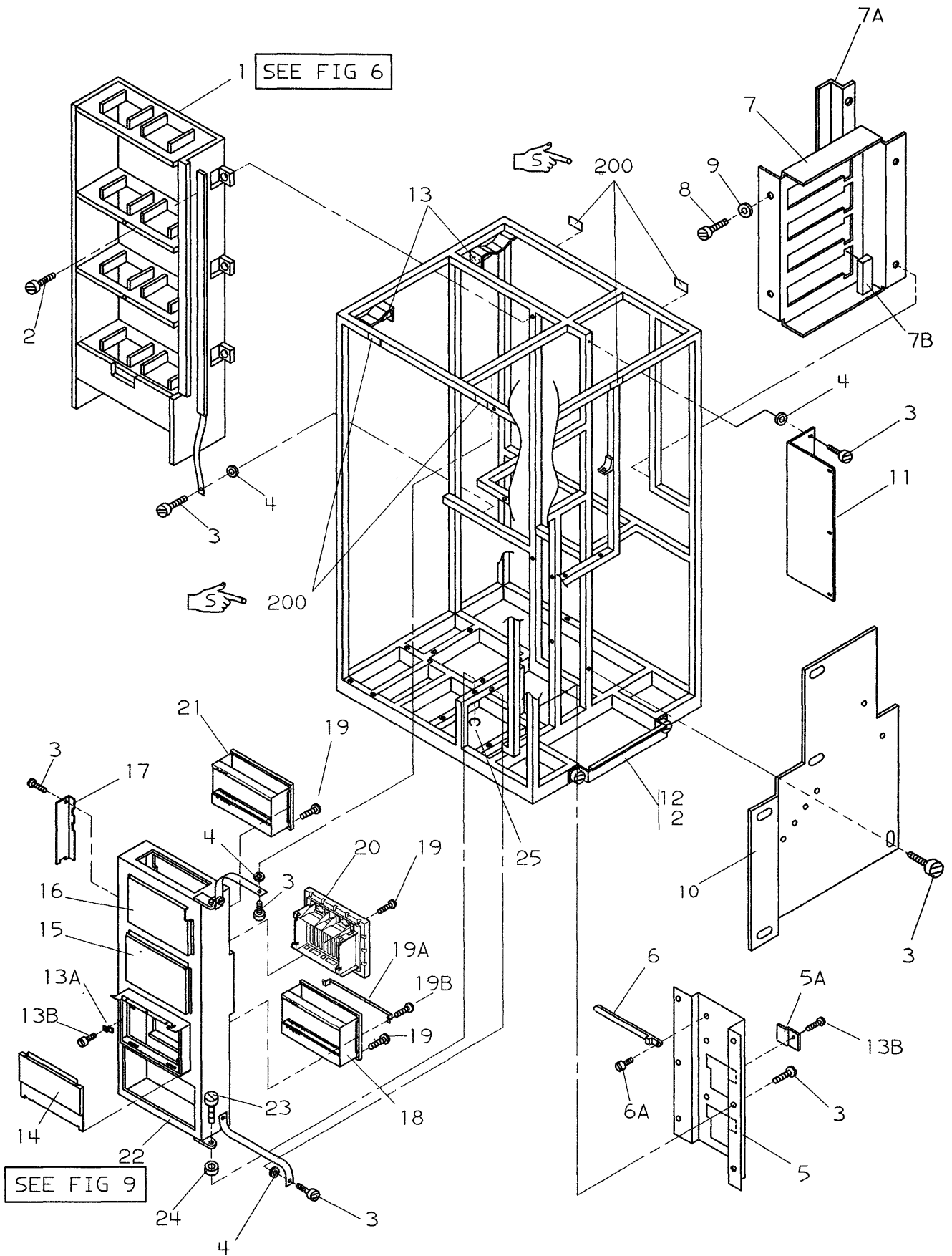


FIGURE 2 . FINAL ASSEMBLY FRAME 01 . SHEET 1 OF 4 . SEE LIST 2

LIST AND INDEX	PART NUMBER	UNITS PER ASM	DESCRIPTION
2 -	NO PN		FINAL ASSEMBLY FRAME 01 FOR ILLUSTRATION SEE FIGURE 2
- 1	1733891	1	. POWER TUB ASSEMBLY FOR DETAIL BREAKDOWN SEE FIGURE 6
- 2	1673983	6	. SCREW,PAN HD- M5 X 6 LG
- 3	1621197	AR	. SCREW,PAN HD- M4 X 6 LG
- 4	1622346	AR	. LCKW,EXT M4- 4.3 ID X 8 OD X 0.5 THK
- 5	6081101	1	. BRACKET
- 5A	1736903	AR	. RETAINER
- 6	1159255	3	. CLAMP
- 6A	1621310	3	. SCREW,FLAT HD- M4 X 12 LG
- 7	2667016	2	. TAIL GATE ASSEMBLY
- 7A	1736746	2	. RETAINER
- 7B	1736873	32	. DUMMY CONNECTOR
- 8	1673984	8	. SCREW,PAN HD- M5 X 10 LG
- 9	1622347	2	. LCKW,EXT M5- 5.3 ID X 10 OD X 0.6 THK
- 10	6081099	1	. PLATE
- 11	6081104	1	. BRACKET
- 12	2667704	1	. RETAINER
- 13	4499612	2	. BUMPER
- 13A	6089104	1	. RETAINER
- 13B	1621170	1	. SCREW,PAN HD- M3 X 6 LG
- 14	1733351	1	. COVER ASM, ONLY FOR MODEL 1
- 14	4802892	1	. COVER ASM, ONLY FOR MODEL 2
- 15	6081332	1	. COVER ASM
- 16	1736945	1	. COVER ASM
- 17	1733697	1	. COVER ASM
- 18	NO PN	1	. BOARD ASM,01A-A3, MODEL 1 OR 2
- 19	1621175	AR	. SCREW,PAN HD- M3 X 20 LG
- 19A	4712804	1	. RETAINER
- 19B	1621177	2	. SCREW,PAN HD- M3 X 25 LG
- 20	NO PN	1	. BOARD ASM,01A-A2
- 21	NO PN	1	. BOARD ASM,01A-A1
- 22	1736739	1	. GATE BASIC ASM,01A FOR DETAIL BREAKDOWN SEE FIGURE 9
- 23	1736741	1	. PIN
- 24	1622308	1	. WASHER,FLAT M10- 11 ID X 21 OD X 2 THK
- 25	237245	1	. RING,RETAINING EXT- 0.300 ID X 0.035 THK

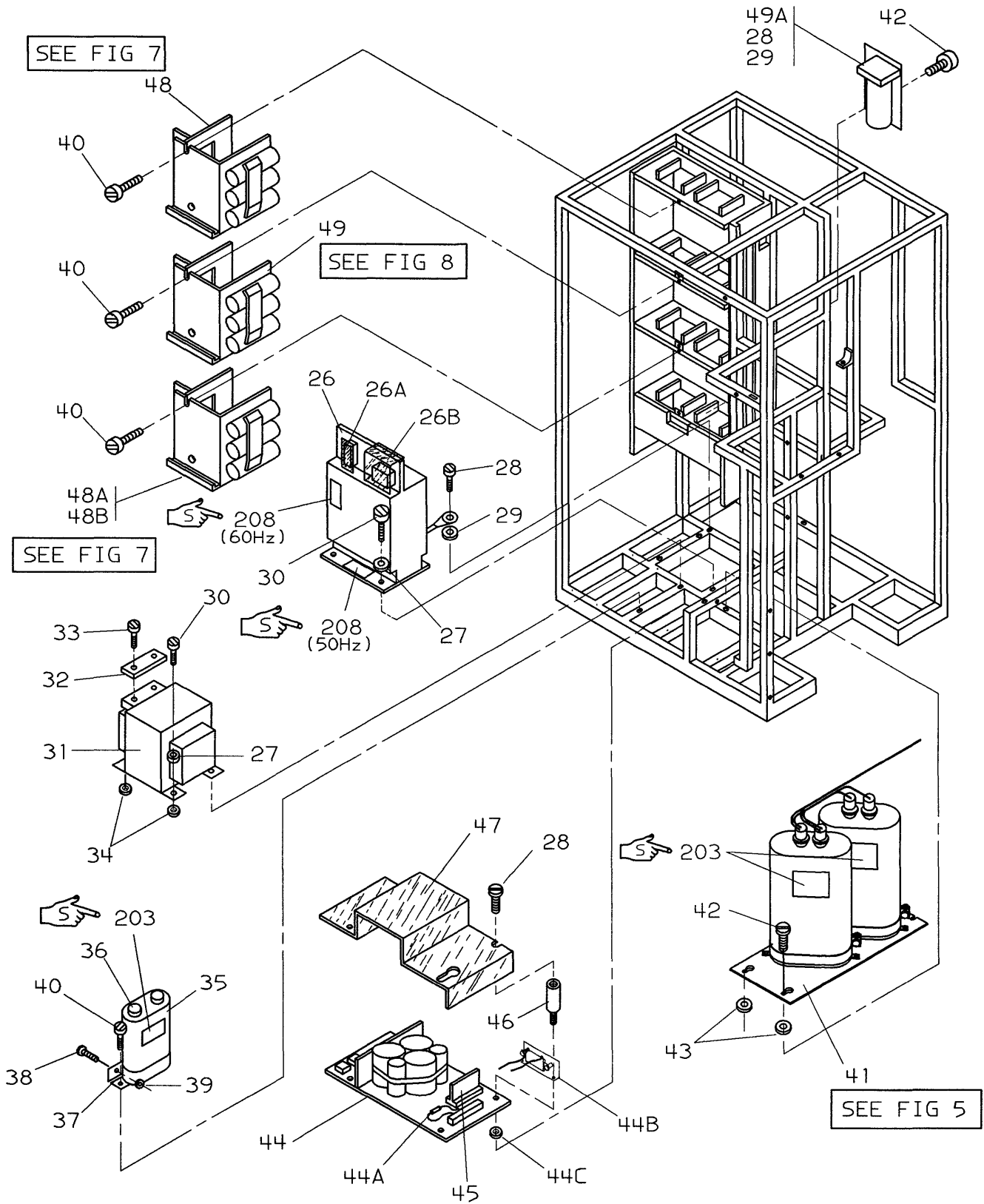


FIGURE 2 . FINAL ASSEMBLY FRAME 01 . SHEET 2 OF 4 . SEE LIST 2

LIST AND INDEX	PART NUMBER	UNITS PER ASM	DESCRIPTION
2 - 26	4119753		. TRANSFORMER ASM- 60 HZ
- 26	4119759	1	. TRANSFORMER ASM- 50 HZ
- 26A	350966	1	. SAFETY SHIELD- 60 HZ
- 26A	337193	1	. SAFETY SHIELD- 50 HZ
- 26B	2667771	1	. SAFETY SHIELD
- 27	1622306	AR	. WSHR, FLAT M6- 6.6 ID X 12.5 OD X 1.6 THK
- 28	1621190	AR	. SCREW, PAN HD- M4 X 8 LG
- 29	1622346	AR	. LCKW, EXT M4- 4.3 ID X 8 OD X 0.5 THK
- 30	1621595	AR	. SCREW, HEX HD CAP- M6 X 12 LG
- 31	6081144		. TRANSFORMER ASM- 60 HZ
- 31	4119830	1	. TRANSFORMER ASM- 50 HZ
- 32	1751307	1	. SAFETY SHIELD, USED WITH TFMR 4119753
- 32	187479	1	. SAFETY SHIELD, USED WITH TFMR 4119759
- 33	1621181	2	. SCREW, PAN HD- M3.5 X 6 LG
- 34	1622348	AR	. LCKW, EXT M6- 6.4 ID X 11 OD X 0.7 THK
- 35	6814312	1	. CAPACITOR- 6 MF 660 VAC 60 HZ
- 35	4120852	1	. CAPACITOR- 6 MF 660 VAC 50 HZ
- 36	2722507	1	. INSULATOR- 50 HZ
- 36	363001	1	. BOOT- 60 HZ
- 37	5404092	1	. BRACKET- 60 HZ
- 37	2722511	1	. CLAMP- 50 HZ
- 38	1621185	1	. SCREW, PAN HD- M3.5 X 20 LG
- 39	1622402	1	. NUT, M3.5
- 40	1621197	AR	. SCREW, PAN HD- M4 X 6 LG
- 41	2667355	1	. POWER FACTOR CAPACITOR ASM- 60 HZ
- 41	2667356	1	. POWER FACTOR CAPACITOR ASM- 50 HZ FOR DETAIL BREAKDOWN SEE FIGURE 5
- 42	1673984	AR	. SCREW, PAN HD- M5 X 10 LG
- 43	1622347	2	. LCKW, EXT M5- 5.3 ID X 10 OD X 0.6 THK
- 44	6081241	1	. POWER ASM, PS4
- 44A	6124857	1	. RESISTOR ASM USED BEFORE EC 342062
- 44B	61X3192	1	. RESISTOR ASM USED AFTER EC 342062
- 44C	642307	4	. SPACER
- 45	NO PN	1	. SENSE CARD
- 46	2667340	4	. STUD
- 47	6081110	1	. SAFETY COVER
- 48	6081265	1	. POWER ASM, PS1- 5 V 75 AMP 60 HZ
- 48	6081264	1	. POWER ASM, PS1- 5 V 75 AMP 50 HZ
- 48A	6081265	1	. POWER ASM, PS3- 5 V 75 AMP 60 HZ
- 48A	6081264	1	. POWER ASM, PS3- 5 V 75 AMP 50 HZ USED ONLY WITH LESS THAN 2MEG
- 48B	61X3188	1	. POWER ASM, PS3- 5 V 75 AMP 60 HZ
- 48B	61X3186	1	. POWER ASM, PS3- 5 V 75 AMP 50 HZ USED ONLY WITH MORE THAN 2MEG FOR DETAIL BREAKDOWN SEE FIGURE 7
- 49	1733402	1	. POWER ASM, PS2- 4,4 V 47 AMP 60 HZ
- 49	1733850	1	. POWER ASM, PS2- 4,4 V 47 AMP 50 HZ FOR DETAIL BREAKDOWN SEE FIGURE 8
- 49A	4712985	2	. CAPACITOR ASSEMBLY

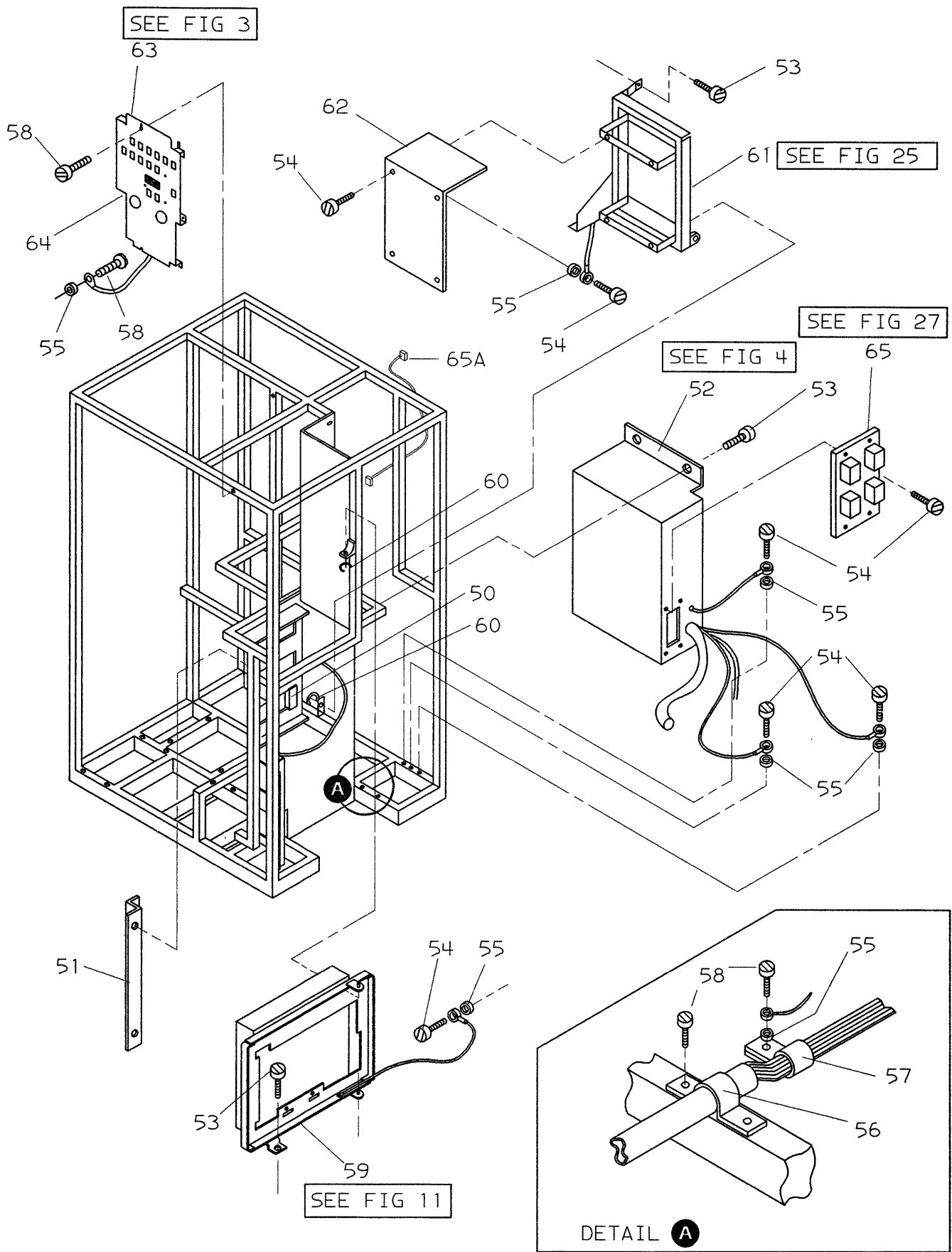


FIGURE 2 . FINAL ASSEMBLY FRAME 01 . SHEET 3 OF 4 . SEE LIST 2

LIST AND INDEX	PART NUMBER	UNITS PER ASM	DESCRIPTION
2 - 50	1736873	32	. DUMMY CONNECTOR
- 51	1736746	1	. RETAINER
- 52	1736650	1	. PRIMARY POWER BOX,PS6- 60 HZ, ONLY FOR USA
- 52	2667156	1	. PRIMARY POWER BOX,PS6- 60 HZ
- 52	2667157	1	. PRIMARY POWER BOX,PS6- 60 HZ, ONLY FOR JAPAN
- 52	2667158	1	. PRIMARY POWER BOX,PS6- 50 HZ
- 52	2667159	1	. PRIMARY POWER BOX,PS6- 50 HZ, ONLY FOR JAPAN
- 52	4713008	1	. PRIMARY POWER BOX,PS6- 50 HZ, ONLY FOR AUSTRALIA AND NEW ZEALAND. FOR DETAIL BREAKDOWN SEE FIGURE 4
- 53	1673984	AR	. SCREW,PAN HD- M5 X 10 LG
- 54	1621197	AR	. SCREW,PAN HD- M4 X 6 LG
- 55	1622346	AR	. LCKW,EXT M4- 4.3 ID X 8 OD X 0.5 THK
- 56	6081216	1	. CLAMP
- 56	6124797	1	. CLAMP, ONLY FOR AUSTRALIA AND NEW ZEALAND.
- 57	104294	1	. CLAMP
- 58	1621190	AR	. SCREW,PAN HD- M4 X 8 LG
- 59	1733596	1	. DISKETTE DRIVE ASM- 60 HZ
- 59	1733930	1	. DISKETTE DRIVE ASM- 50 HZ FOR DETAIL BREAKDOWN SEE FIGURE 11
- 60	237245	AR	. RING,RETAINING EXT- 0.300 ID X 0.035 THK
- 61	2667668	1	. POWER BOARD ASSEMBLY,PWB1 FOR DETAIL BREAKDOWN SEE FIGURE 25
- 62	6081297	1	. SAFETY COVER
- 63	2666918	1	. CONTROL PANEL ASSEMBLY FOR DETAIL BREAKDOWN SEE FIGURE 3
- 64	2666921	1	. OVERLAY,ENGLISH
- 64	2666922	1	. OVERLAY,FRENCH
- 64	2666923	1	. OVERLAY,GERMAN
- 64	4712522	1	. OVERLAY,ITALIAN
- 64	4712523	1	. OVERLAY,BRAZILIAN
- 64	4712524	1	. OVERLAY,SPANISH
- 65	1733876	1	. PLATE USED WHEN EPO ASM IS NOT MOUNTED
- 65	1733812	1	. EPO BRACKET ASSEMBLY FOR DETAIL BREAKDOWN SEE FIGURE 27
- 65A	2667242	1	. CONSOLE CABLE (7,5 m LENGTH)

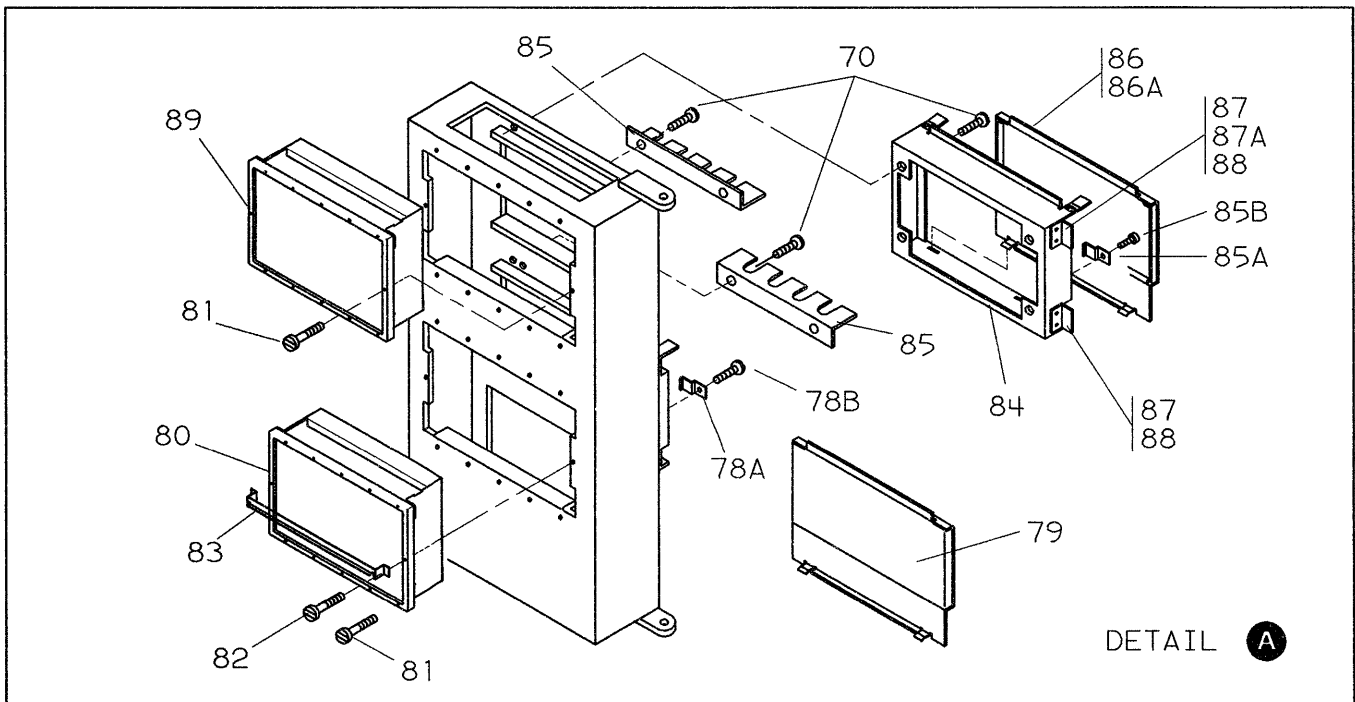
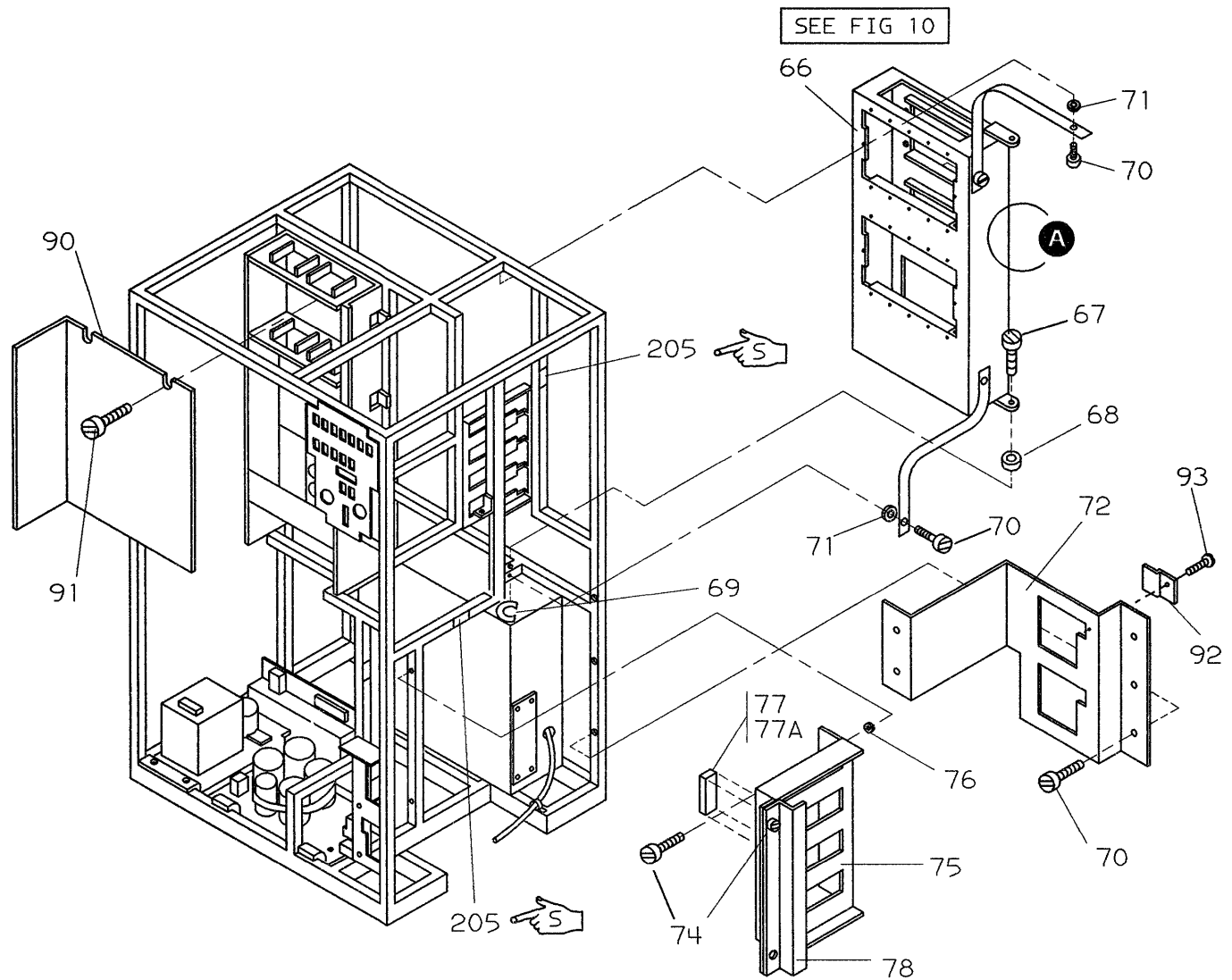


FIGURE 2 . FINAL ASSEMBLY FRAME 01 . SHEET 4 OF 4 . SEE LIST 2



LIST AND INDEX	PART NUMBER	UNITS PER ASM	DESCRIPTION
2 - 66	1736737	1	. GATE EXPANSION ASSEMBLY,01B FOR DETAIL BREAKDOWN SEE FIGURE 10
- 67	1736741	1	. PIN
- 68	1622308	1	. WASHER,FLAT M10- 11 ID X 21 OD X 2 THK
- 69	237245	1	. RING,RETAINING EXT- 0.300 ID X 0.035 THK
- 70	1621197	AR	. SCREW,PAN HD- M4 X 6 LG
- 71	1622346	AR	. LCKW,EXT M4- 4.3 ID X 8 OD X 0.5 THK
- 72	6081102	1	. BRACKET
- 74	1673984	AR	. SCREW,PAN HD- M5 X 10 LG
- 75	2667016	1	. TAIL GATE ASSEMBLY
- 76	1622347	1	. LCKW,EXT M5- 5.3 ID X 10 OD X 0.6 THK
- 77	1736873	32	. DUMMY CONNECTOR
- 77A	5393056	AR	. CONNECTOR ONLY IF REQUIRED
- 78	1736746	1	. RETAINER
- 78A	6089105	1	. RETAINER
- 78B	1621170	1	. SCREW,PAN HD- M3 X 6 LG
- 79	6081251	1	. COVER ASM, ONLY FOR MODEL 1
- 79	6406418	1	. COVER ASM, ONLY FOR MODEL 2
- 80	NO PN	1	. BOARD ASM,01B-A2
- 81	1621175	12	. SCREW,PAN HD- M3 X 20 LG
- 82	1621177	2	. SCREW,PAN HD- M3 X 25 LG
- 83	4712804	1	. RETAINER
- 84	1736885	1	. GUIDE ASM
- 85	1736887	2	. GUIDE ASM
- 85A	6089105	1	. RETAINER
- 85B	1621170	1	. SCREW,PAN HD- M3 X 6 LG
- 86	1733353	1	. COVER ASM
- 86A	6426317	1	. COVER ASM ONLY FOR LABC
- 87	2194941	2	. BASE CLAMP
- 87A	56X3048	1	. BASE CLAMP ONLY FOR LABC
- 88	1621181	4	. SCREW,PAN HD- M3.5 X 6 LG
- 89	NO PN	1	. BOARD ASM,01B-A1
- 90	2667298	1	. SHIELD ASSEMBLY
- 91	1621190	2	. SCREW,PAN HD- M4 X 8 LG
- 92	1736903	AR	. RETAINER
- 93	1621170	AR	. SCREW,PAN HD- M3 X 6 LG

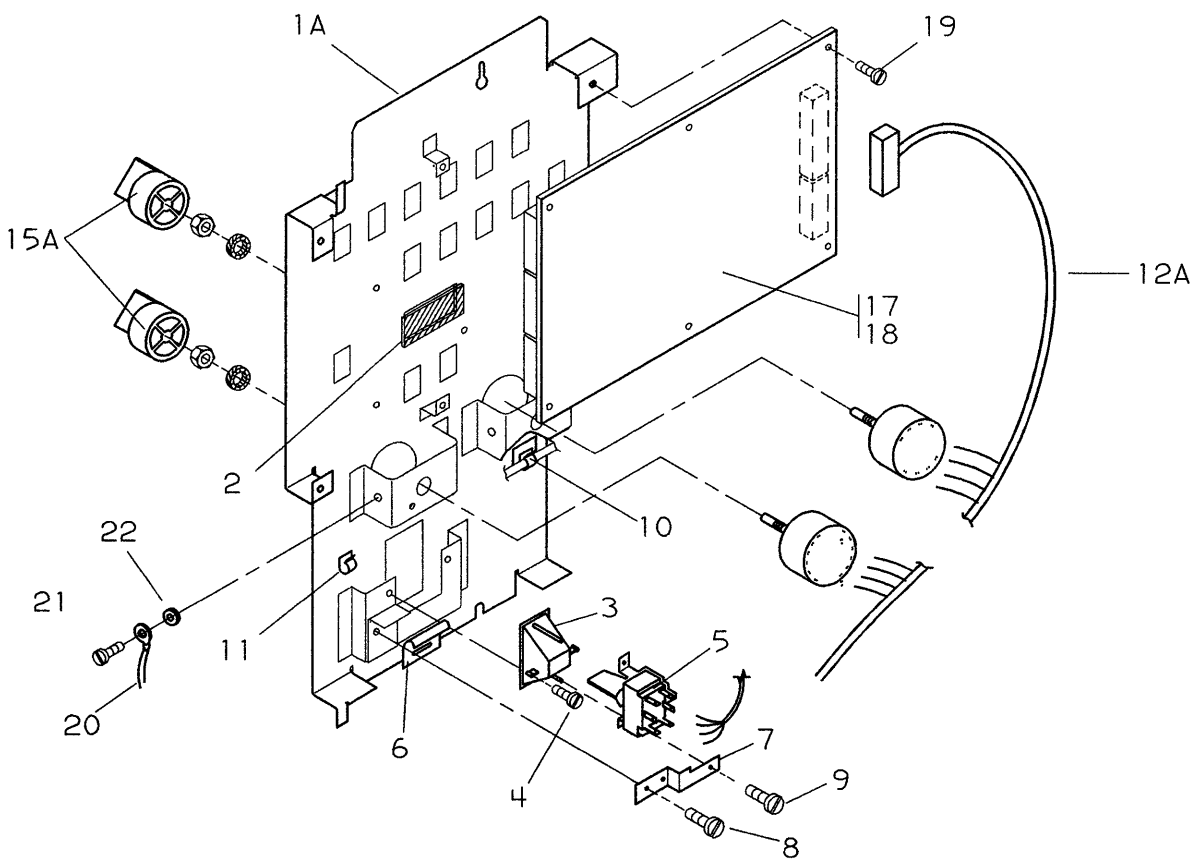
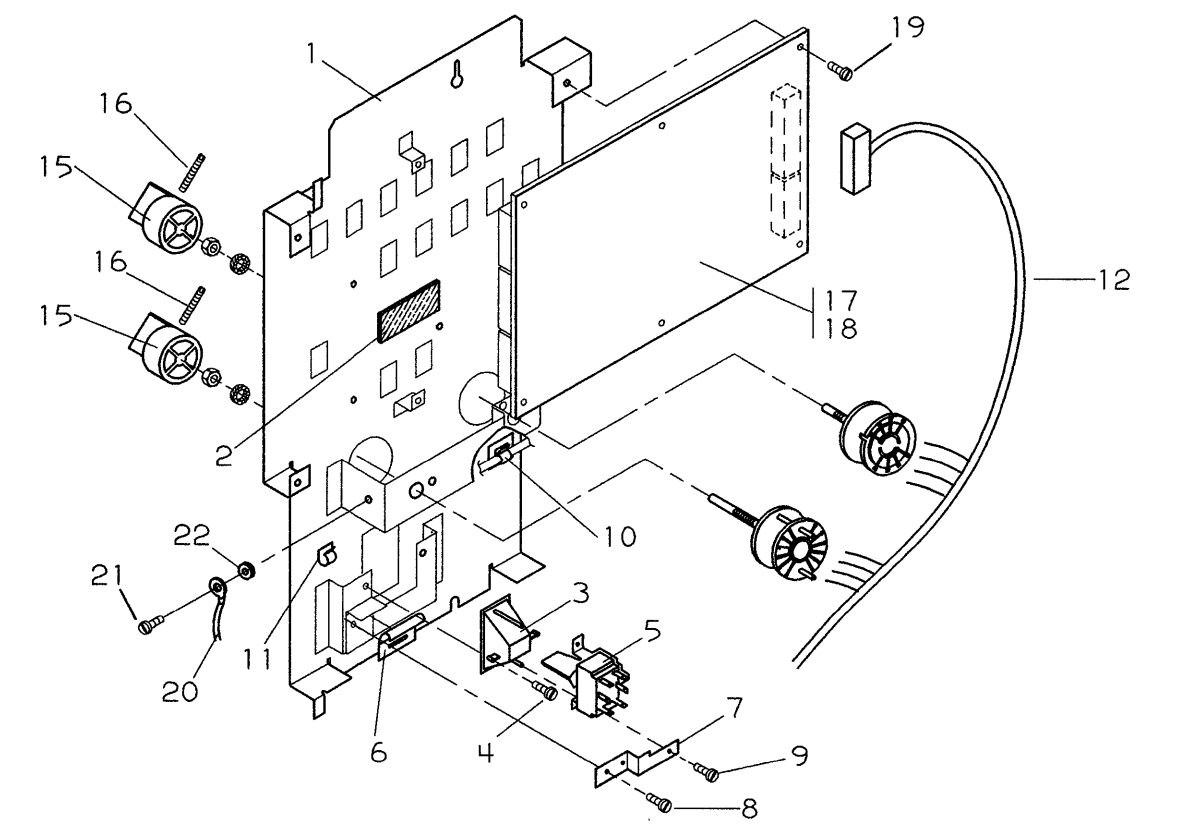


FIGURE 3 . CONTROL PANEL ASSEMBLY . SEE LIST 3

LIST AND INDEX	PART NUMBER	UNITS PER ASM	DESCRIPTION
3 -	2666918	REF	CONTROL PANEL ASSEMBLY FOR ILLUSTRATION SEE FIGURE 3 FOR NEXT HIGHER ASM SEE LIST 2-63
- 1	NO PN	NP	. PANEL
- 1A	6163085	1	. PANEL USED AFTER EC A04596
- 2	1736922	1	. LENS REQUIRED FOR FUJISAWA MACHINES, ORIGIN 97
- 3	4521357	1	. HOUSING
- 4	1621183	2	. SCREW,PAN HD- M3.5 X 10 LG
- 5	4521305	1	. SWITCH DPDT- 3 AMP 250 VAC, 6 AMP 125 VAC
- 6	4521307	1	. SPRING
- 7	4796840	1	. BRACKET
- 8	1621181	2	. SCREW,PAN HD- M3.5 X 6 LG
- 9	80651	2	. SCREW,TBD CUTTING PAN HD- 6/32 X 0.375 LG
- 10	2513269	1	. CLAMP
- 11	2596291	1	. BASE CLAMP
- 12	2666919	1	. CABLE AND ROTARY SWITCH ASM
- 12A	6486234	1	. CABLE AND ROTARY SWITCH ASM USED AFTER EC A04596
- 15	1842106	2	. KNOB
- 15A	6406226	2	. KNOB USED AFTER EC A04596
- 16	257976	2	. SETSCREW,SPLINE DR FL PT- 6/32 X 1/2 LG NOT USED AFTER EC A04596
- 17	NO PN	1	. CONTROL PANEL CARD ASM,01-L
- 18	5616013	3	. DISPLAY
- 19	1621181	6	. SCREW,PAN HD- M3.5 X 6 LG
- 20	2667094	1	. JUMPER
- 21	1621181	1	. SCREW,PAN HD- M3.5 X 6 LG
- 22	1622345	1	. LCKW,EXT M3.5- 3.7 ID X 7 OD X 0.4 THK

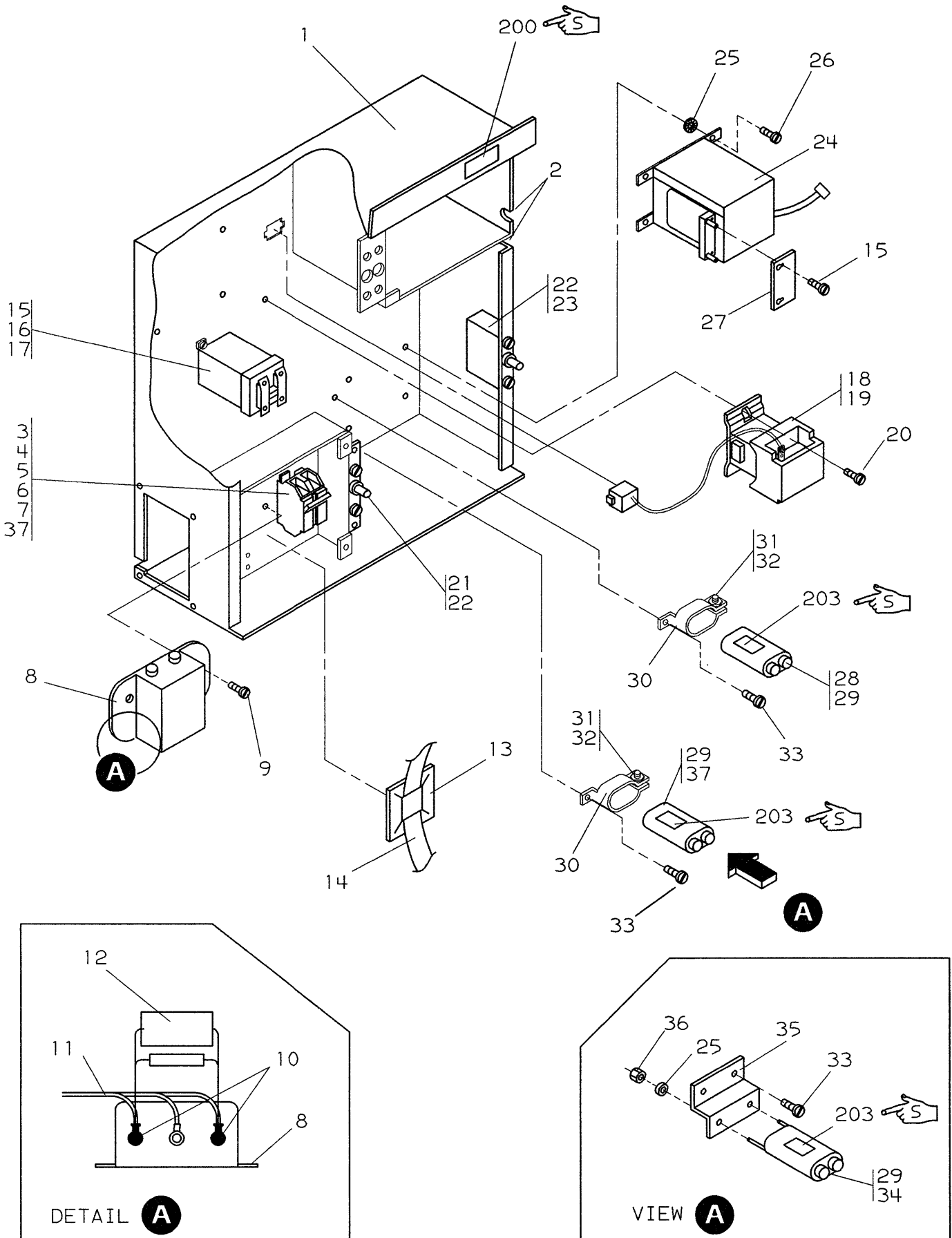


FIGURE 4 . PRIMARY POWER BOX ASSEMBLY . SHEET 1 OF 3 . SEE LIST 4

LIST AND INDEX	PART NUMBER	UNITS PER ASM	DESCRIPTION
4 -	1736650	REF	PRIMARY POWER BOX ASM- 60 HZ, ONLY FOR USA
-	2667156	REF	PRIMARY POWER BOX ASM- 60 HZ
-	2667159	REF	PRIMARY POWER BOX ASM- 50 HZ, ONLY FOR JAPAN
-	2667157	REF	PRIMARY POWER BOX ASM- 60 HZ, ONLY FOR JAPAN
-	2667158	REF	PRIMARY POWER BOX ASM- 50 HZ
-	4713008	REF	PRIMARY POWER BOX ASM- 50 HZ, ONLY FOR AUSTRALIA AND NEW ZEALAND. FOR ILLUSTRATION SEE FIGURE 4 FOR NEXT HIGHER ASM SEE LIST 2-52
- 1	6081325	1	. BOX ASM
- 2	480755	2	. GROMMET
- 3	5719456	1	. CIRCUIT BREAKER- 15 AMP 240 V 2 POLE
- 4	1851574	4	. CLAMP
- 5	1621172	4	. SCREW,PAN HD- M3 X 10 LG
- 6	6089087	1	. CAPACITOR ASM
- 7	1622346	1	. LCKW,EXT M4- 4.3 ID X 8 OD X 0.5 THK
- 8	7389045	1	. LINE FILTER CAPACITOR- 250 VAC 20 AMP
- 9	1621170	4	. SCREW,PAN HD- M3 X 6 LG
- 10	5646793	2	. CAP/FUSE INSULATOR,RUBBER
- 11	2667667	1	. CABLE ASM
- 12	5646788	1	. CAPACITOR AND RESISTOR ASM
- 13	2278668	1	. CLAMP
- 14	556450	1	. STRAP
- 15	1621181	AR	. SCREW,PAN HD- M3.5 X 6 LG
- 16	5276701	1	. CONTACTOR MAGNETIC- 24 VDC COIL 2 CONTACTS
- 17	2666959	1	. DIODE ASM
- 18	5214578	1	. CONTACTOR MAGNETIC- 24 VDC COIL 3 + 2 CONTACTS
- 19	2666959	1	. DIODE ASM
- 20	1621190	2	. SCREW,PAN HD- M4 X 8 LG
- 21	2644456	1	. CIRCUIT PROTECTOR- 0.7 AMP 240 VAC
- 22	10170	AR	. SCREW,SLOT BIND HD- 6/32 X 0.250 LG
- 23	2574138	1	. CIRCUIT PROTECTOR- 2 AMP 50 VDC 1 POLE
- 24	4119843	1	. TRANSFORMER- 60 HZ
- 24	4119831	1	. TRANSFORMER- 50 HZ
- 25	1622347	AR	. LCKW,EXT M5- 5.3 ID X 10 OD X 0.6 THK
- 26	1673984	4	. SCREW,PAN HD- M5 X 10 LG
- 27	1751307	1	. SAFETY SHIELD, USED WITH TFMR 4119843
- 27	1161692	1	. SAFETY SHIELD, USED WITH TFMR 4119831
- 28	5252850	1	. CAPACITOR- 2 MF 660 VAC 60 HZ
- 28	4120821	1	. CAPACITOR- 2 MF 660 VAC 50 HZ
- 29	2722507	2	. INSULATOR- 50 HZ
- 29	363001	2	. BOOT- 60 HZ
- 30	737732	1	. BRACKET- 60 HZ
- 30	2722509	2	. CLAMP- 50 HZ
- 31	1621185	AR	. SCREW,PAN HD- M3.5 X 16 LG USED WITH CLAMP 2722509
- 31	1621183	AR	. SCREW,PAN HD- M3.5 X 10 LG
- 32	1622402	AR	. NUT,M3.5
- 33	1621197	AR	. SCREW,PAN HD- M4 X 6 LG
- 34	8279060	1	. CAPACITOR- 60 HZ
- 35	6081288	1	. BRACKET
- 36	11598	2	. NUT,PLAIN-HEX- 12/32 X 3/8 FL W
- 37	4120800	1	. CAPACITOR- 3 MF 330 VAC 50 HZ

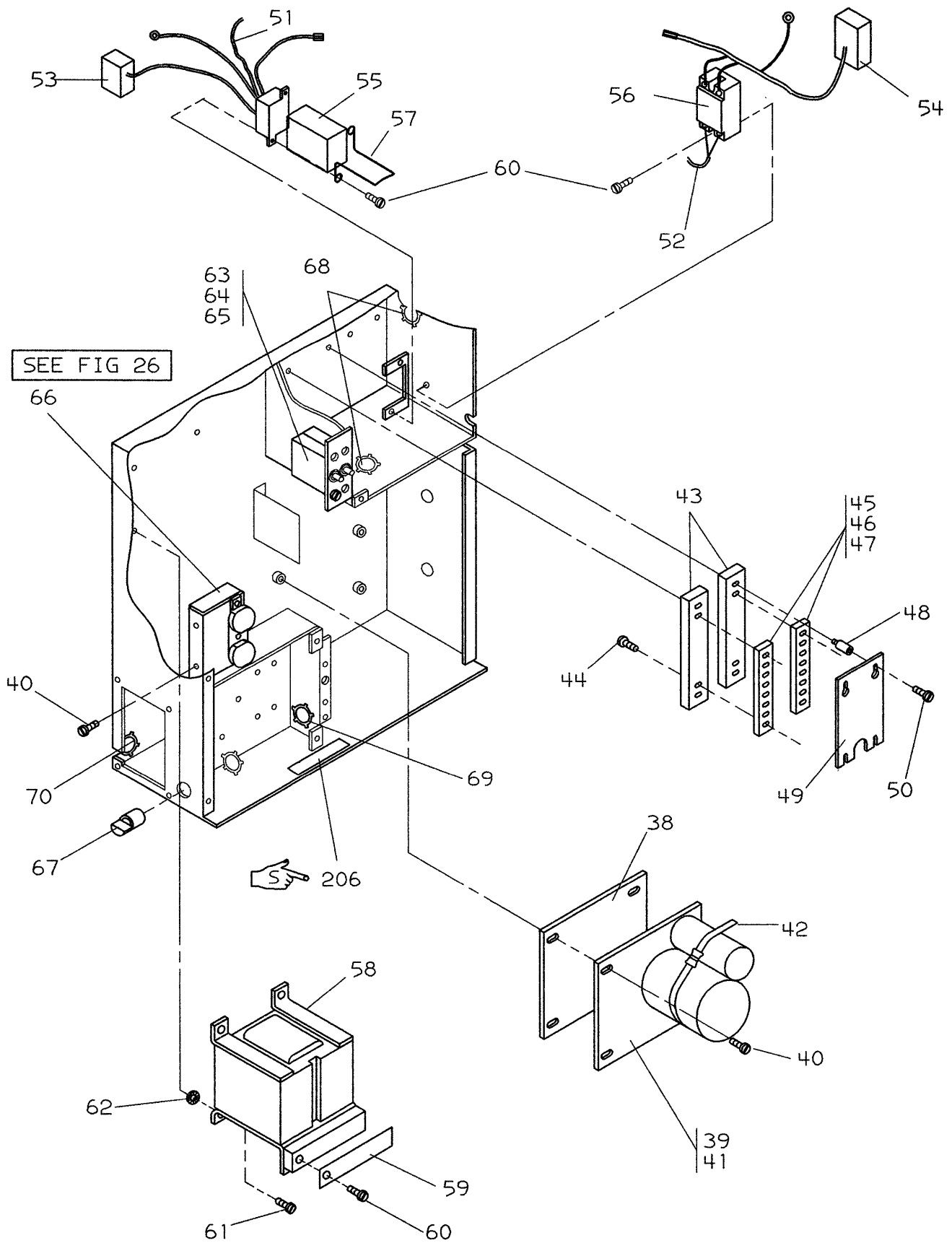


FIGURE 4 . PRIMARY POWER BOX ASSEMBLY . SHEET 2 OF 3 . SEE LIST 4

LIST AND INDEX	PART NUMBER	UNITS PER ASM	DESCRIPTION
4 - 38	1736782	1	. INSULATOR
- 39	NO PN	1	. CARD ASM, FERRO C, PS6
- 40	1621197	4	. SCREW,PAN HD- M4 X 6 LG
- 41	855231	3	. FUSE- 2 AMP 250 V
- 42	1597743	1	. TIE LOCK
- 43	1736896	2	. INSULATOR
- 44	1624350	4	. SCREW,PAN HD- M5 X 10 LG
- 45	1736895	2	. BUS BAR
- 46	1673984	AR	. SCREW,PAN HD- M5 X 10 LG
- 47	1622347	AR	. LCKW,EXT M5- 5.3 ID X 10 OD X 0.6 THK
- 48	4712547	4	. STUD
- 49	6081291	1	. SAFETY SHIELD
- 50	1621181	4	. SCREW,PAN HD- M3.5 X 6 LG
- 51	2667077	1	. CABLE ASM
- 52	2667077	1	. CABLE ASM USED AFTER EC A04606
- 53	1733413	1	. CABLE ASM
- 54	1733413	1	. CABLE ASM USED AFTER EC A04606
- 55	2278766	1	. RELAY 3 PDT- 24 VDC
- 56	2410093	1	. SOLID STATE RELAY USED AFTER EC A04606
- 57	5689628	1	. RETAINER
- 58	826102	1	. TRANSFORMER USED IN ASM 1736650 AND 2667156
- 58	1859339	1	. TRANSFORMER USED IN ASM 2667157 AND 2667159
- 59	187479	1	. SHIELD
- 60	10170	2	. SCREW,SLOT,BIND HD- 6/32 X 0.250 LG
- 61	1621230	4	. SCREW,PAN HD- M6 X 12 LG USED WITH TFMR 826102 AND 1859339
- 62	1622348	AR	. LCKW,EXT M6- 6.4 ID X 11 OD X 0.7 THK
- 63	1805224	1	. CIRCUIT PROTECTOR- 2.5 AMP 240 VAC
- 63	5518550	1	. CIRCUIT PROTECTOR- 3 AMP 240 V 50/60 HZ 2 POLE USED ONLY IN ASM 2667158
- 64	310411	1	. COVER PLUG NOT USED WITH ASM 2667158
- 65	10170	AR	. SCREW,SLOT BIND HD- 6/32 X 0.250 LG
- 66	2667662	1	. CONVENIENCE OUTLET ASM- 60 HZ
- 66	2667663	1	. CONVENIENCE OUTLET ASM- 50 HZ USED ONLY WITH ASM 2667158 FOR DETAIL BREAKDOWN SEE FIGURE 26
- 67	2100264	1	. CLAMP,CONNECTOR
- 68	4712871	2	. GROMMET
- 69	4712870	1	. GROMMET
- 70	480755	1	. GROMMET

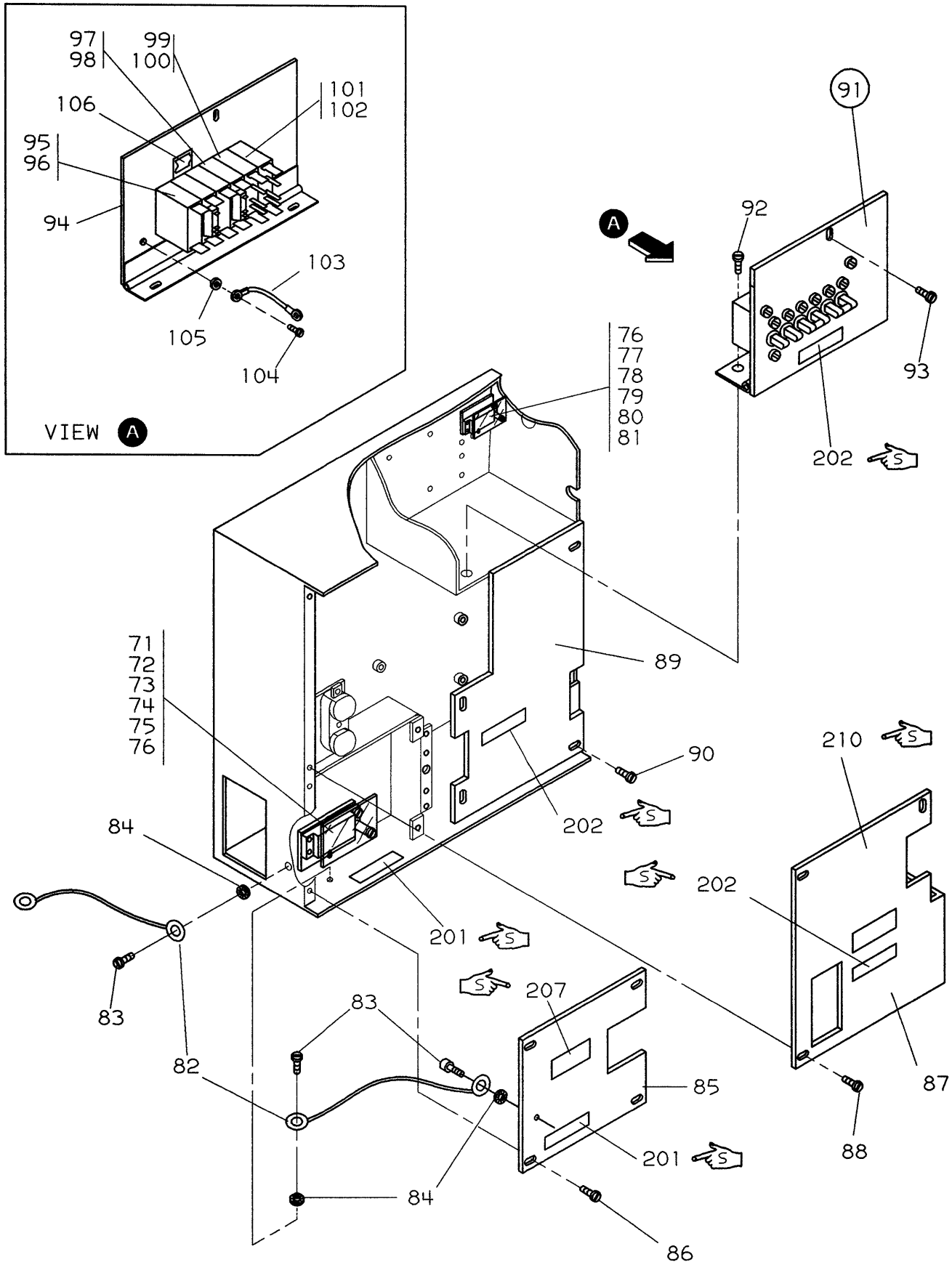


FIGURE 4 . PRIMARY POWER BOX ASSEMBLY . SHEET 3 OF 3 . SEE LIST 4



LIST AND INDEX	PART NUMBER	UNITS PER ASM	DESCRIPTION
4 - 71	2101380	1	. MARKER STRIP- 2 POS
- 72	323840	1	. TERMINAL BOARD 2 DBL SCREW TERMINALS
- 73	1621184	2	. SCREW,PAN HD- M3.5 X 12 LG
- 74	4120572	2	. STUD
- 75	4120456	1	. SAFETY COVER
- 76	1621181	AR	. SCREW,PAN HD- M3.5 X 6 LG
- 77	322266	1	. MARKER STRIP- 6 POS
- 78	317131	1	. TERMINAL BOARD 6 DBL SCREW TERMINALS
- 79	4120571	2	. STUD
- 80	367115	3	. JUMPER-TERMINAL STRIP VDC DISTR BRS
- 81	337193	1	. SAFETY SHIELD-TERMINAL BOARD 6 POS
- 82	2667094	2	. JUMPER
- 83	1621197	3	. SCREW,PAN HD- M4 X 6 LG
- 84	1622346	3	. LCKW,EXT M4- 4.3 ID X 8 OD X 0.5 THK
- 85	6081326	1	. COVER
- 86	1621197	4	. SCREW,PAN HD- M4 X 6 LG
- 87	6081329	1	. COVER
- 88	1621197	4	. SCREW,PAN HD- M4 X 6 LG
- 89	6081328	1	. COVER
- 90	1621197	4	. SCREW,PAN HD- M4 X 6 LG
- 91	2667123	1	. CP PANEL ASM
- 92	1621197	2	. SCREW,PAN HD- M4 X 6 LG
- 93	1621197	1	. SCREW,PAN HD- M4 X 6 LG
- 94	6081327	1	. . CIRCUIT PROTECTOR-BRACKET
- 95	5518550	1	. . CIRCUIT PROTECTOR- 3 AMP 240 V 50/60 HZ 2 POLE
- 96	10170	4	. . SCREW,SLOT BIND HD- 6/32 X 0.250 LG
- 97	5518550	1	. . CIRCUIT PROTECTOR- 3 AMP 240 V 50/60 HZ 2 POLE
- 98	10170	4	. . SCREW,SLOT BIND HD- 6/32 X 0.250 LG
- 99	1805224	1	. . CIRCUIT PROTECTOR- 2.5 AMP 240 VAC
-100	10170	2	. . SCREW,SLOT BIND HD- 6/32 X 0.250 LG
-101	2644455	1	. . CIRCUIT PROTECTOR- 15 AMP 240 V
-102	10170	2	. . SCREW,SLOT BIND HD- 6/32 X 0.250 LG
-103	2667094	1	. . JUMPER
-104	1621197	1	. . SCREW,PAN HD- M4 X 6 LG
-105	1622346	1	. . LCKW,EXT M4- 4.3 ID X 8 OD X 0.5 THK
-106	2513268	1	. . CLAMP

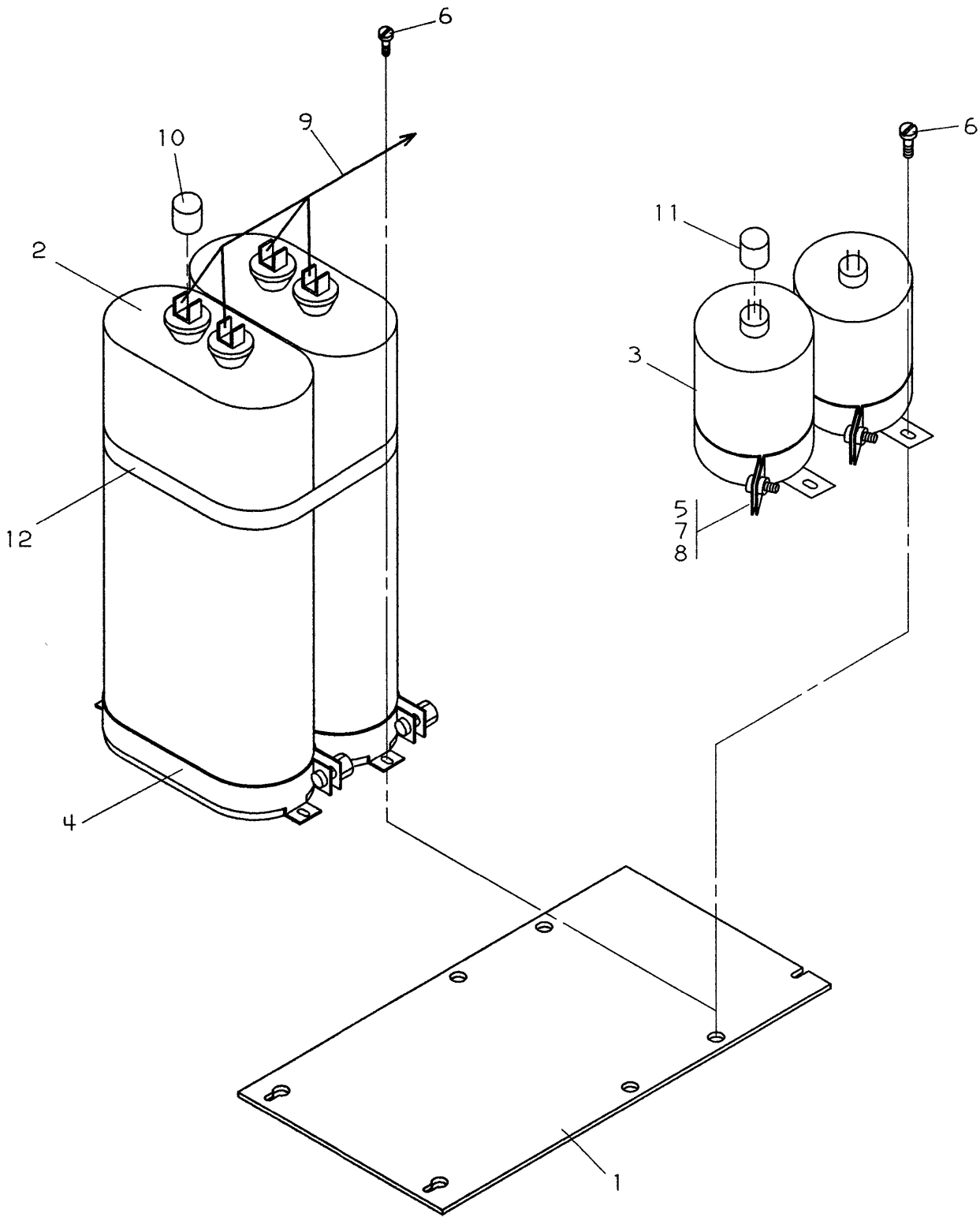


FIGURE 5 . POWER FACTOR CAPACITOR ASSEMBLY . SEE LIST 5

LIST AND INDEX	PART NUMBER	UNITS PER ASM	DESCRIPTION
5 -	2667355	REF	POWER FACTOR CAPACITOR ASM- 60 HZ 120 MF
-	2667356	REF	POWER FACTOR CAPACITOR ASM- 50 HZ 120 MF
			FOR ILLUSTRATION SEE FIGURE 5
			FOR NEXT HIGHER ASM SEE LIST 2-41
- 1	6081290	1	. BRACKET
- 2	8279075	2	. CAPACITOR- 60 MF 330 VAC 60 HZ
- 3	4120817	2	. CAPACITOR- 60 MF 330 VAC 50 HZ
- 4	2449882	2	. CLAMP
			USED WITH CAPACITOR 8279075
- 5	2722515	2	. CLAMP, CAPACITOR- 3.74 DIA
			USED WITH CAPACITOR 4120817
- 6	1621197	4	. SCREW, PAN HD- M4 X 6 LG
- 7	1621194	2	. SCREW, PAN HD- M4 X 20 LG
			USED WITH CLAMP 2722515
- 8	1622403	2	. NUT, M4
			USED WITH CLAMP 2722515
- 9	2667343	1	. CABLE ASM
- 10	526378	4	. INSULATOR- 60 HZ
- 11	2722507	2	. INSULATOR- 50 HZ
- 12	1145574	1	. TIE LOCK
			USED WITH CAPACITOR 8279075

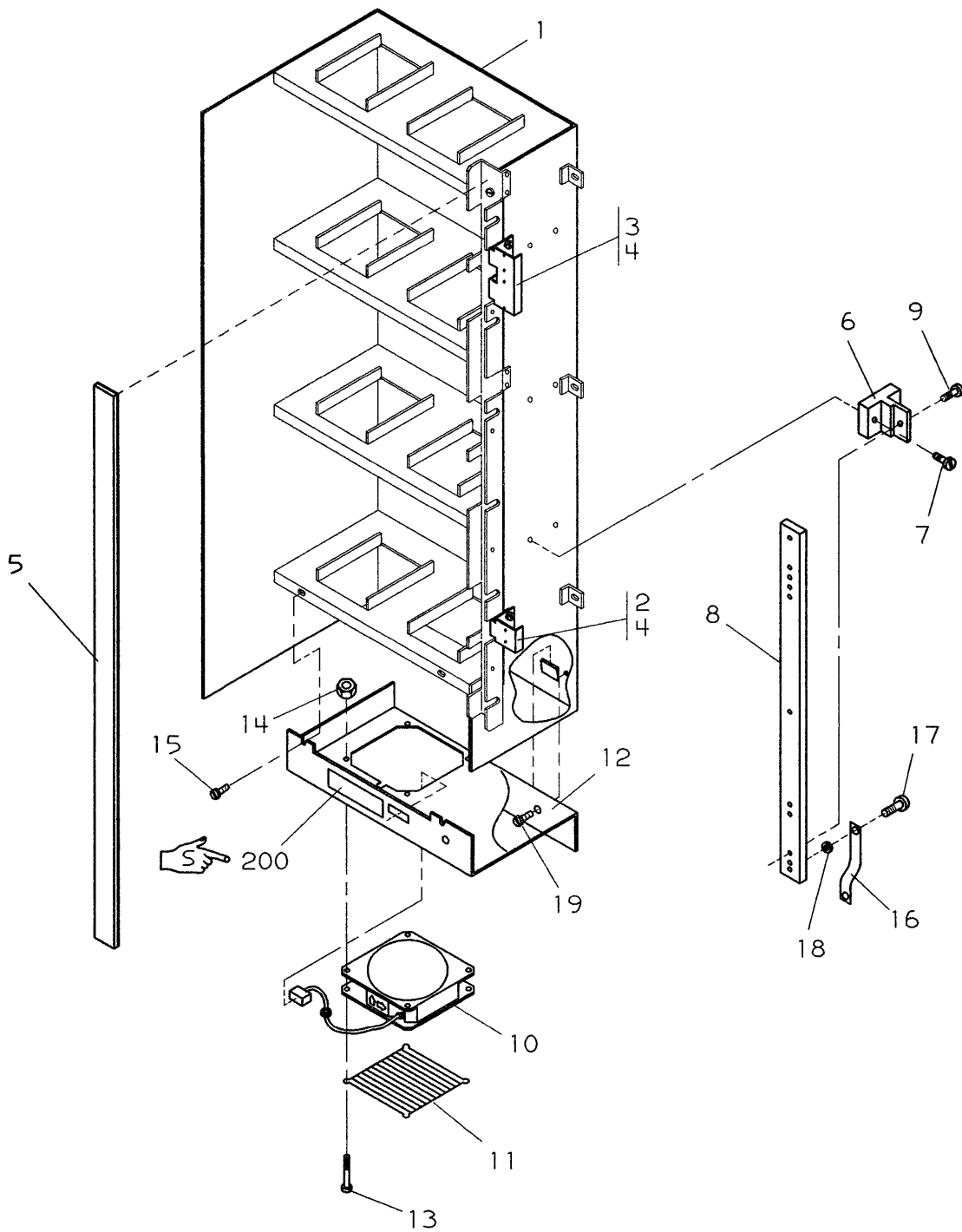


FIGURE 6 . POWER TUB ASSEMBLY . SEE LIST 6

LIST AND INDEX	PART NUMBER	UNITS PER ASM	DESCRIPTION
----------------	-------------	---------------	-------------

6 -	1733891	REF	POWER TUB ASSEMBLY FOR ILLUSTRATION SEE FIGURE 6 FOR NEXT HIGHER ASM SEE LIST 2-1
- 1	1736740	1	. TUB
- 2	2194941	3	. BASE CLAMP
- 3	2194615	1	. BASE CLAMP
- 4	70078	2	. SCREW, SELF TAPPING- 6/32 X 0.250 LG
- 5	817979	1	. TAPE
- 6	1736897	3	. SUPPORT
- 7	1621190	6	. SCREW, PAN HD- M4 X 8 LG
- 8	1733740	1	. BUS BAR
- 9	1621190	3	. SCREW, PAN HD- M4 X 8 LG
- 10	1733698	1	. FAN ASM
- 11	177946	1	. GUARD
- 12	1733922	1	. BRACKET
- 13	1621154	4	. SCREW, SLOT PAN HD- M3 X 50 LG
- 14	1622401	4	. NUT, M3
- 15	1621190	4	. SCREW, PAN HD- M4 X 8 LG
- 16	2667063	1	. JUMPER ASM
- 17	1621190	1	. SCREW, PAN HD- M4 X 8 LG
- 18	1622346	1	. LCKW, EXT M4- 4.3 ID X 8 OD X 0.5 THK
- 19	1621190	2	. SCREW, PAN HD- M4 X 8 LG USED BEFORE EC A04264

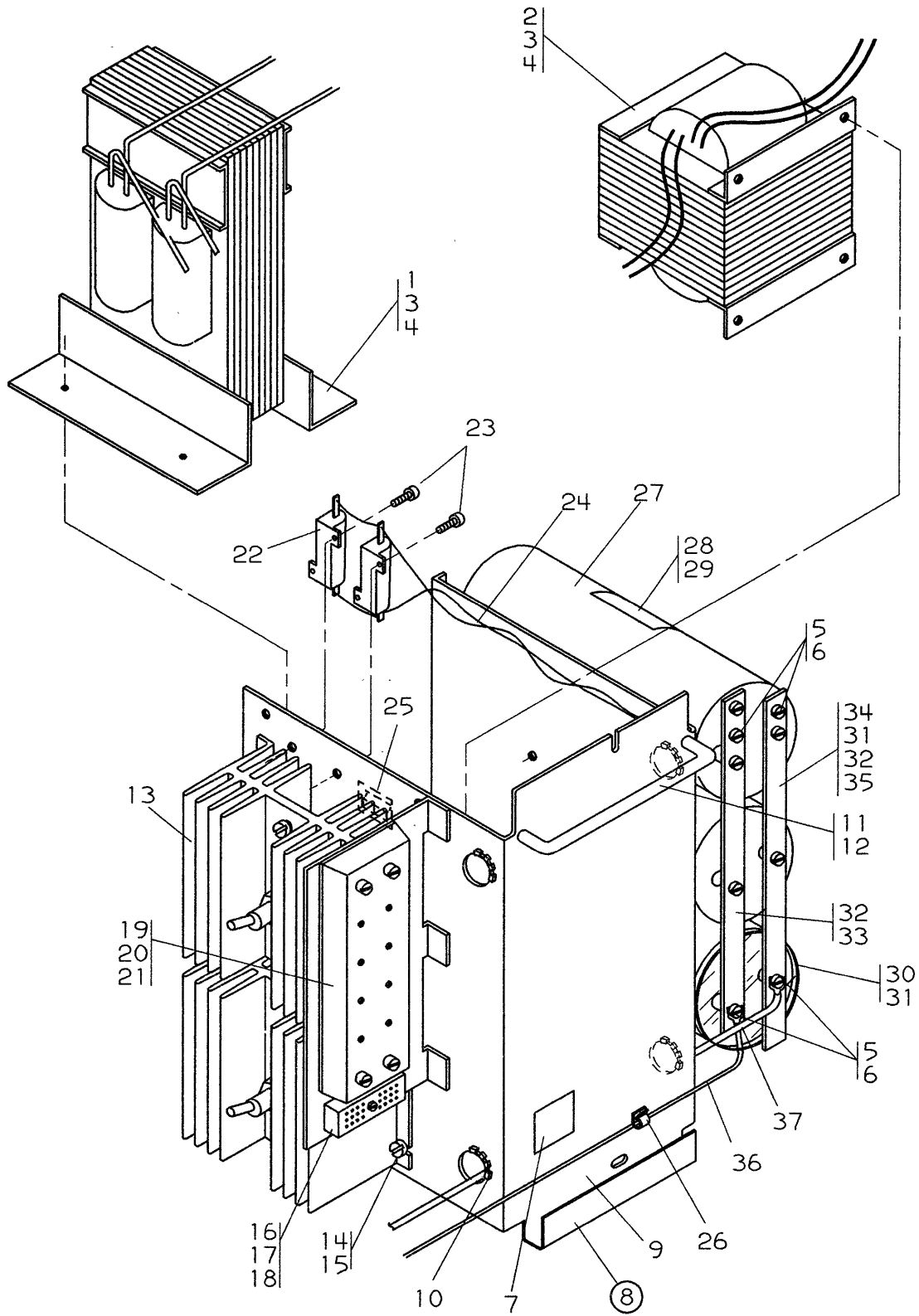


FIGURE 7 . POWER BLOCK 5 V 75 AMP ASSEMBLY . SEE LIST 7

LIST AND INDEX	PART NUMBER	UNITS PER ASM	DESCRIPTION
7 -	6081264	REF	POWER BLOCK ASM- 5 V 75 AMP 50 HZ
-	6081265	REF	POWER BLOCK ASM- 5 V 75 AMP 60 HZ
-	61X3186	REF	POWER BLOCK ASM- 5 V 75 AMP 50 HZ
-	61X3188	REF	POWER BLOCK ASM- 5 V 75 AMP 60 HZ
			FOR ILLUSTRATION SEE FIGURE 7
			FOR NEXT HIGHER ASM SEE LIST 2-48
- 1	4119741	1	. POWER INDUCTOR- 0.60 TO 2.60 mH 50 HZ
- 2	4119756	1	. POWER INDUCTOR- 0.47 TO 2.2 mH 60 HZ
- 3	1673984	AR	. SCREW,PAN HD- M5 X 10 LG
- 4	1622347	AR	. LCKW,EXT M5- 5.3 ID X 10 OD X 0.6 THK
- 5	1621190	AR	. SCREW,PAN HD- M4 X 8 LG
- 6	1622346	AR	. LCKW,EXT M4- 4.3 ID X 8 OD X 0.5 THK
- 7	4712546	1	. LABEL
- 8	2667648	1	. BRACKET ASM- 50 HZ
- 8	2667646	1	. BRACKET ASM- 60 HZ
- 9	1733989	1	. . BRACKET- 60 HZ
- 9	1733396	1	. . BRACKET- 50 HZ
- 10	4802965	4	. . GROMMET
- 11	4712827	1	. . HANDLE
- 12	1621210	2	. . SCREW,PAN HD- M5 X 10 LG
- 13	1733592	2	. . RECTIFIER ASM
- 14	2181741	8	. . INSULATOR
- 15	1621171	8	. . SCREW,PAN HD- M3 X 8 LG
- 16	302131	1	. . STRIP-TERMINAL BLOCK INSULATOR
- 17	302090	1	. . TERMINAL BLOCK ASM- 24 FEMALE CONTACTS
- 18	1621173	1	. . SCREW,PAN HD- M3 X 12 LG
- 19	1994576	1	. . MARKER STRIP
- 20	1994573	1	. . TERMINAL BLOCK
- 21	1621194	4	. . SCREW,PAN HD- M4 X 20 LG
- 22	2195626	2	. . RESISTOR,1 OHM, PLUS/MINUS 5 % 50 W ONLY 1 RESISTOR USED FOR PS3 WITH OVER 2 MEG
- 23	1621176	4	. . SCREW,PAN HD- M3 X 4 LG
- 24	1733384	2	. . JUMPER
- 25	2596291	3	. . CLAMP
- 26	2596275	1	. . CLAMP
- 27	4430000	3	. . CAPACITOR- 650000 MF 6.3 VDC
- 28	4176575	1	. . CLAMP
- 29	1621205	2	. . SCREW,PAN HD- M4 X 65 LG
- 30	2666965	3	. . SAFETY SHIELD
- 31	65756	AR	. . WASHER,LOCK-INT TH 0.256 ID X 0.478 OD
- 32	2667652	2	. . BUS BAR
- 33	243087	3	. . SCREW,ROUND HD- 0.250 28 UNF 2A X 12.7 LG
- 34	765073	3	. . SPACER
- 35	345116	3	. . SCREW,HEX HD- 0.250-28 UNF 2A X 19.05 LG
- 36	1733399	1	. . JUMPER
- 37	1733388	1	. . JUMPER

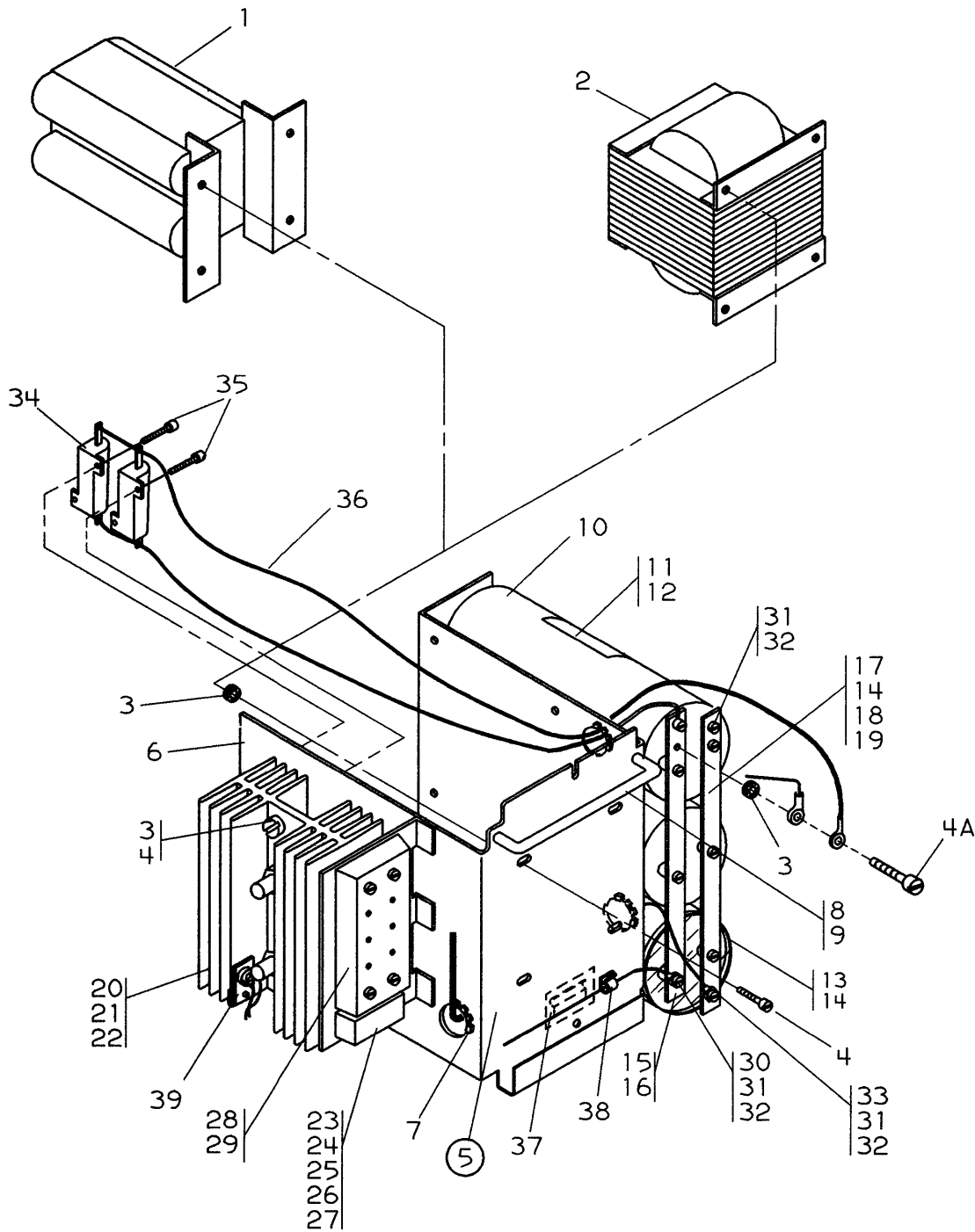


FIGURE 8 . POWER BLOCK 4.4 V 47 AMP ASSEMBLY . SEE LIST 8



LIST AND INDEX	PART NUMBER	UNITS PER ASM	DESCRIPTION
8 -	1733850	REF	POWER BLOCK ASM- 4.4 V 47 AMP 50 HZ
-	1733402	REF	POWER BLOCK ASM- 4.4 V 47 AMP 60 HZ FOR ILLUSTRATION SEE FIGURE 8 FOR NEXT HIGHER ASM SEE LIST 2-49
- 1	4119740	1	. POWER INDUCTOR- 0.9 TO 2.8 mH 50 HZ
- 2	4119755	1	. POWER INDUCTOR- 0.78 TO 2.7 mH 60 HZ
- 3	1622347	AR	. LCKW,EXT M5- 5.3 ID X 10 OD X 0.6 THK
- 4	1673984	AR	. SCREW,PAN HD- M5 X 10 LG
- 4A	1673983	2	. SCREW,PAN HD- M5 X 6 LG
- 5	1736811	1	. BRACKET ASM
- 6	1733398	1	. . BRACKET
- 7	4802965	4	. . GROMMET
- 8	4712827	1	. . HANDLE
- 9	1621210	2	. . SCREW,PAN HD- M5 X 10 LG
- 10	4430000	3	. . CAPACITOR- 650000 MF 6.3 VDC
- 11	4176575	1	. . CLAMP
- 12	1621205	2	. . SCREW,PAN HD- M4 X 65 LG
- 13	2666965	3	. . SAFETY SHIELD
- 14	65756	AR	. . LOCKWASHER,INT- TH 0.256 ID X 0.478 OD
- 15	4712586	1	. . BUS BAR
- 16	243087	3	. . SCREW,ROUND HD- 0.250 28 UNF 2A X 12.7 LG
- 17	765073	3	. . SPACER
- 18	2667652	1	. . BUS BAR
- 19	345116	3	. . SCREW,HEX HD- 0.250-28 UNF 2A X 19.05 LG
- 20	1733571	1	. . RECTIFIER ASM
- 21	2181741	4	. . INSULATOR
- 22	1621171	4	. . SCREW,PAN HD- M3 X 8 LG
- 23	302131	1	. . STRIP-TERMINAL BLOCK INSULATOR
- 24	302090	1	. . TERMINAL BLOCK ASM- 24 FEMALE CONTACTS
- 25	1621173	1	. . SCREW,PAN HD- M3 X 12 LG
- 26	1733678	2	. . RESISTOR ASM- 430 OHM 0.5 W
- 27	5703260	1	. . MARKER STRIP
- 28	5261460	1	. . TERMINAL BLOCK
- 29	1621194	4	. . SCREW,PAN HD- M4 X 20 LG
- 30	1733399	1	. . JUMPER
- 31	1622346	AR	. . LCKW,EXT M4- 4.3 ID X 8 OD X 0.5 THK
- 32	1621190	AR	. . SCREW,PAN HD- M4 X 8 LG
- 33	1733386	1	. . CABLE
- 34	2195636	2	. . RESISTOR- 1 OHM PLUS/MINUS 5 % 50 W
- 35	1621176	4	. . SCREW,PAN HD- M3 X 4 LG
- 36	1733384	2	. . JUMPER
- 37	2596291	2	. . CLAMP
- 38	2596275	1	. . CLAMP
- 39	6081069	1	. THERMAL SWITCH ASM

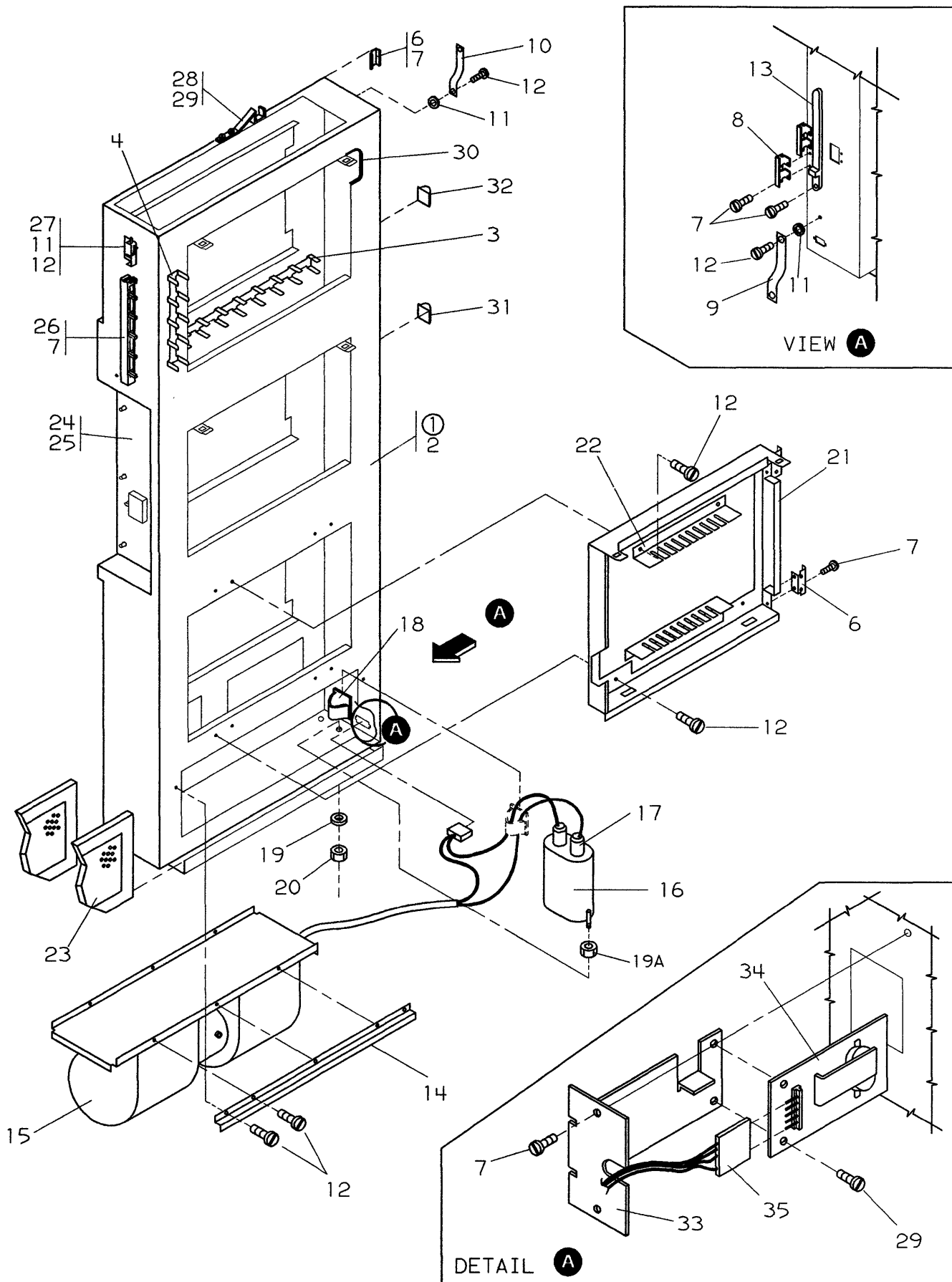


FIGURE 9 . GATE BASIC ASSEMBLY . SEE LIST 9

LIST AND INDEX	PART NUMBER	UNITS PER ASM	DESCRIPTION
----------------	-------------	---------------	-------------

9 -	1736739	REF	GATE BASIC ASSEMBLY FOR ILLUSTRATION SEE FIGURE 9 FOR NEXT HIGHER ASM SEE LIST 2-22
- 1	7837329	1	. GATE RACEWAY ASM
- 2	1736799	1	. . GATE
- 3	4449221	10	. . RACEWAY
- 4	4449222	4	. . RACEWAY
- 5	2590010	3	. . RACEWAY
- 6	2194941	6	. BASE CLAMP
- 7	1621181	AR	. SCREW,PAN HD- M3.5 X 6 LG
- 8	2194615	3	. BASE CLAMP
- 9	4802949	1	. JUMPER
- 10	5267931	1	. JUMPER
- 11	1622346	AR	. LCKW,EXT M4- 4.3 ID X 8 OD X 0.5 THK
- 12	1621197	AR	. SCREW,PAN HD- M4 X 6 LG
- 13	1159255	1	. CLAMP
- 14	1736874	1	. GUIDE FILTER
- 15	4120595	1	. BLOWER ASM
- 16	5252824	1	. CAPACITOR- 4 MF 370 VAC
- 17	363001	1	. BOOT
- 18	2596291	1	. CLAMP
- 19	1622347	2	. LCKW,EXT M5- 5.3 ID X 10 OD X 0.6 THK
- 19A	221	1	. NUT
- 20	11598	2	. NUT,PLAIN-HEX 12/32 X 3/8 FL W
- 21	1736886	1	. GUIDE ASM
- 22	1736887	2	. GUIDE ASM
- 23	4681518	2	. FILTER
- 24	1733005	1	. CARD ASM,PS5
- 25	1621191	6	. SCREW,PAN HD- M4 X 10 LG
- 26	2667015	1	. CONNECTOR ASM
- 27	4712825	1	. LATCH ASM
- 28	2666972	1	. LATCH
- 29	1621170	2	. SCREW,PAN HD- M3 X 6 LG
- 30	480755	1	. GROMMET
- 31	2513269	3	. CLAMP
- 32	2596291	3	. BASE CLAMP
- 33	2666971	1	. BRACKET
- 34	6081000	1	. CARD ASM,THERMAL SWITCH
- 35	1733684	1	. CABLE ASM

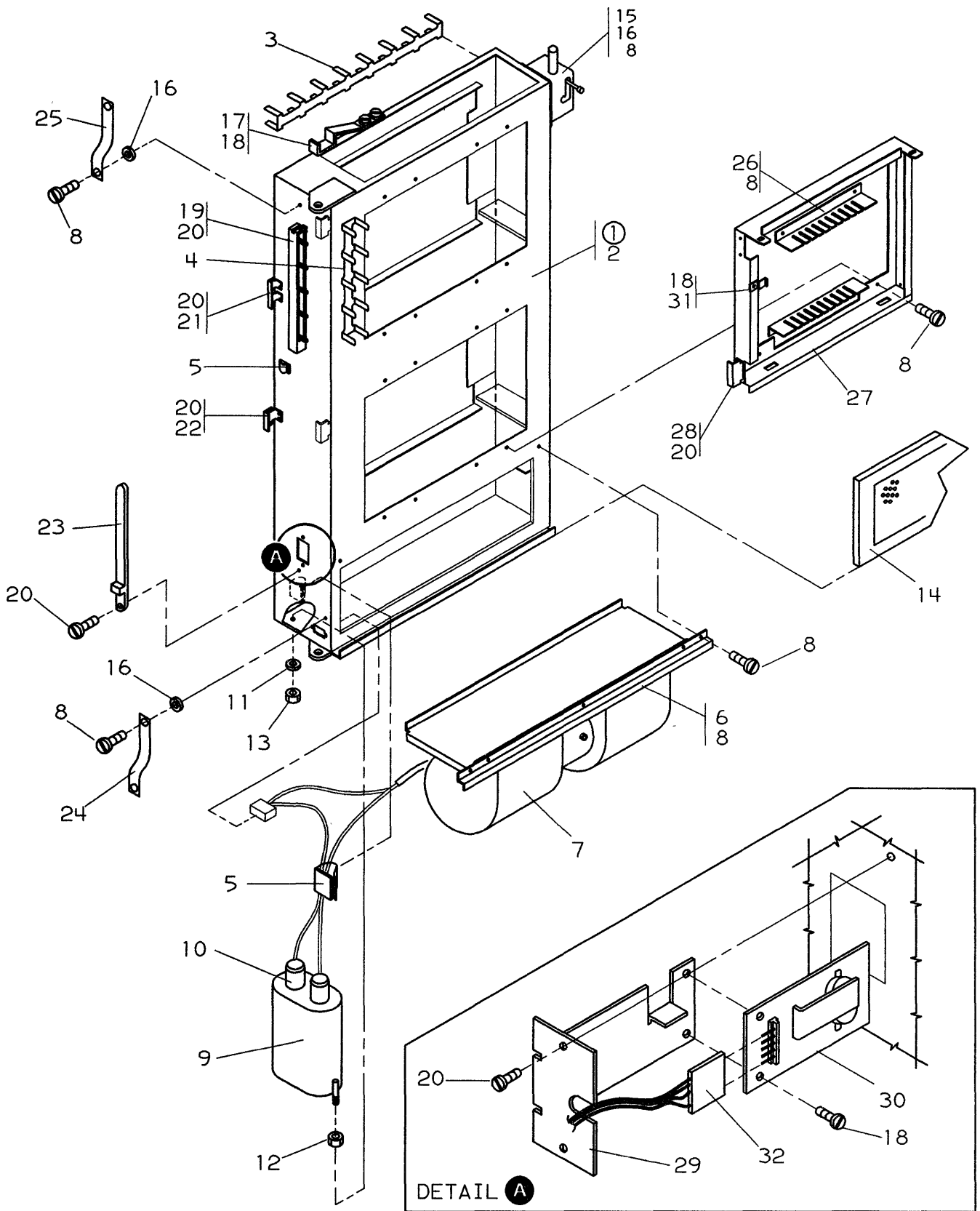


FIGURE 10 . GATE EXPANSION ASSEMBLY . SEE LIST 10

LIST AND INDEX	PART NUMBER	UNITS PER ASM	DESCRIPTION
----------------	-------------	---------------	-------------

10 -	1736737	REF	GATE EXPANSION ASSEMBLY FOR ILLUSTRATION SEE FIGURE 10 FOR NEXT HIGHER ASM SEE LIST 2-66
- 1	7837330	1	. GATE RACEWAY ASM
- 2	1736800	1	. . GATE
- 3	4449221	4	. . RACEWAY
- 4	4449220	3	. . RACEWAY
- 5	2596291	2	. CLAMP
- 6	1736874	1	. GUIDE FILTER
- 7	4120595	1	. BLOWER ASM
- 8	1621197	AR	. SCREW,PAN HD- M4 X 6 LG
- 9	5252824	1	. CAPACITOR- 4 MF 370 VAC
- 10	363001	1	. BOOT
- 11	1622347	2	. LCKW,EXT M5- 5.3 ID X 10 OD X 0.6 THK
- 12	221	2	. NUT
- 13	11598	2	. NUT,PLAIN-HEX 12/32 X 3/8 FL W
- 14	4681518	1	. FILTER
- 15	4712824	1	. LATCH ASSEMBLY
- 16	1622346	AR	. LCKW,EXT M4- 4.3 ID X 8 OD X 0.5 THK
- 17	2666972	1	. LATCH
- 18	1621170	AR	. SCREW,PAN HD- M3 X 6 LG
- 19	2667015	1	. CONNECTOR ASM
- 20	1621181	AR	. SCREW,PAN HD- M3.5 X 6 LG
- 21	2194615	1	. BASE CLAMP
- 22	2194941	3	. BASE CLAMP
- 23	1159255	1	. CLAMP
- 24	4802949	1	. JUMPER
- 25	5267931	1	. JUMPER
- 26	1736887	2	. GUIDE ASM
- 27	1736885	1	. GUIDE ASM
- 28	2194941	2	. BASE CLAMP
- 29	2666971	1	. BRACKET
- 30	6081000	1	. CARD ASM,THERMAL SWITCH
- 31	1736903	AR	. RETAINER
- 32	1733687	1	. CABLE ASM

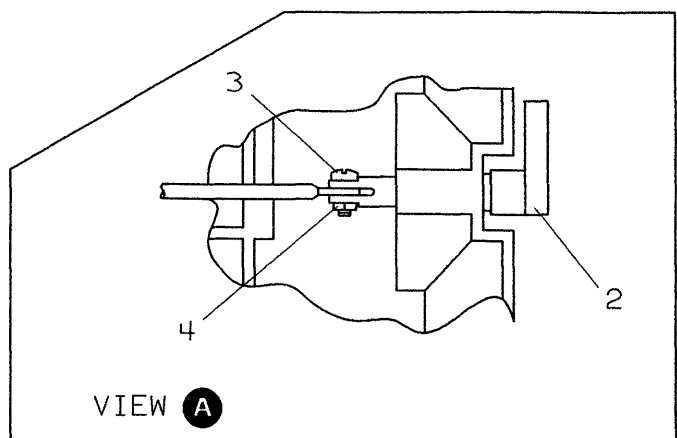
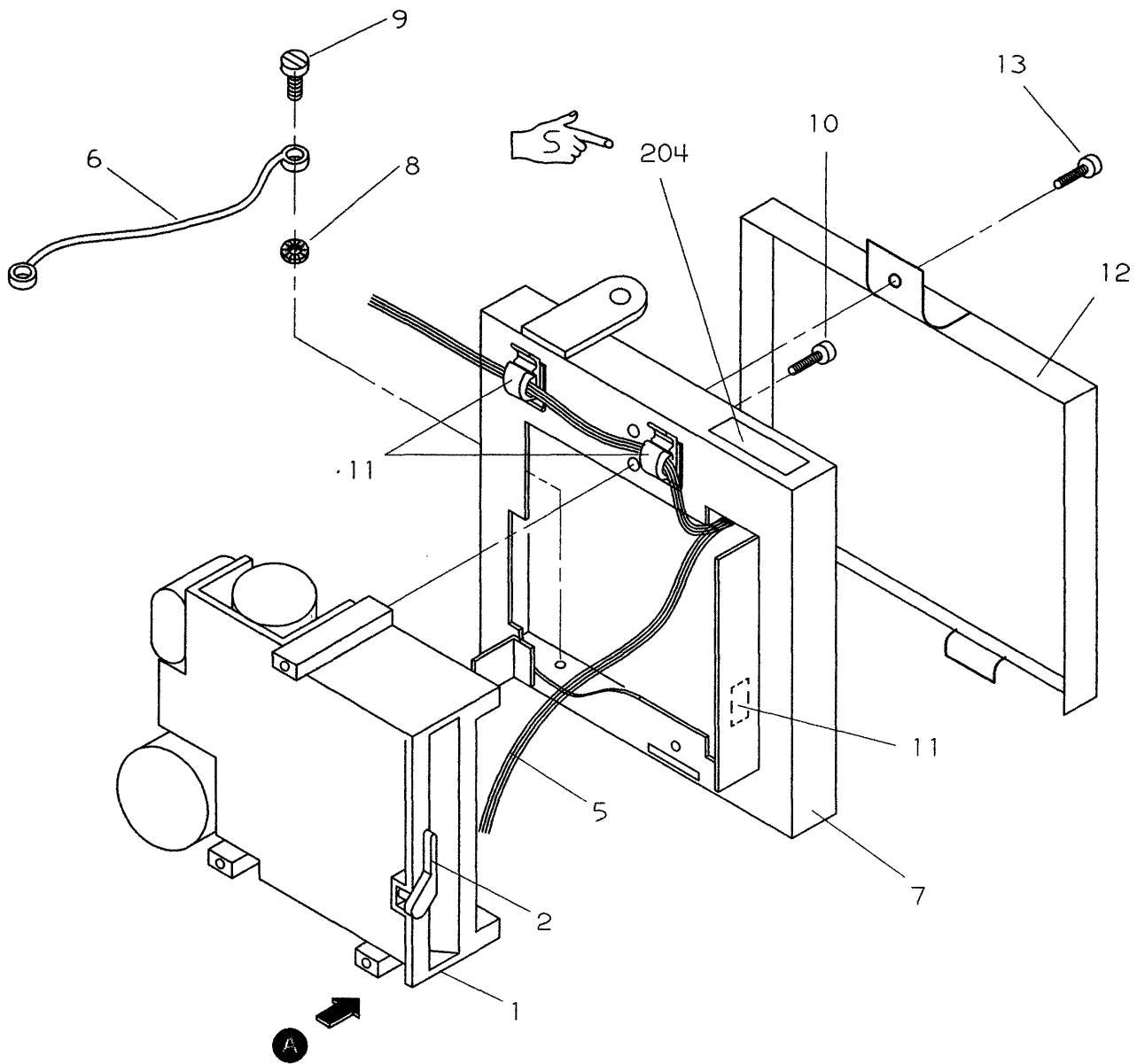


FIGURE 11 . DISKETTE DRIVE ASSEMBLY . SEE LIST 11

LIST AND INDEX	PART NUMBER	UNITS PER ASM	DESCRIPTION
11 -	1733596	REF	DISKETTE DRIVE ASM- 60 HZ
-	1733930	REF	DISKETTE DRIVE ASM- 50 HZ
			FOR ILLUSTRATION SEE FIGURE 11
			FOR NEXT HIGHER ASM SEE LIST 2-59
- 1	4240517	1	. DISKETTE DRIVE ASM- 60 HZ
- 1	4240513	1	. DISKETTE DRIVE ASM- 50 HZ
			FOR DETAIL BREAKDOWN SEE FIG 12 THRU 15
- 2	8543632	1	. HANDLE
- 3	1621182	1	. SCREW, PAN HD- M3.5 X 8 LG
- 4	1622402	1	. NUT, M3.5
- 5	6081145	1	. CABLE ASM
- 6	2667094	1	. JUMPER
- 7	6081214	1	. BRACKET
- 8	1622346	1	. LCKW, EXT M4- 4.3 ID X 8 OD X 0.5 THK
- 9	1621197	1	. SCREW, PAN HD- M4 X 6 LG
- 10	1621197	3	. SCREW, PAN HD- M4 X 6 LG
- 11	2596291	1	. BASE CLAMP
- 12	2667069	1	. COVER
- 13	1621197	1	. SCREW, PAN HD- M4 X 6 LG

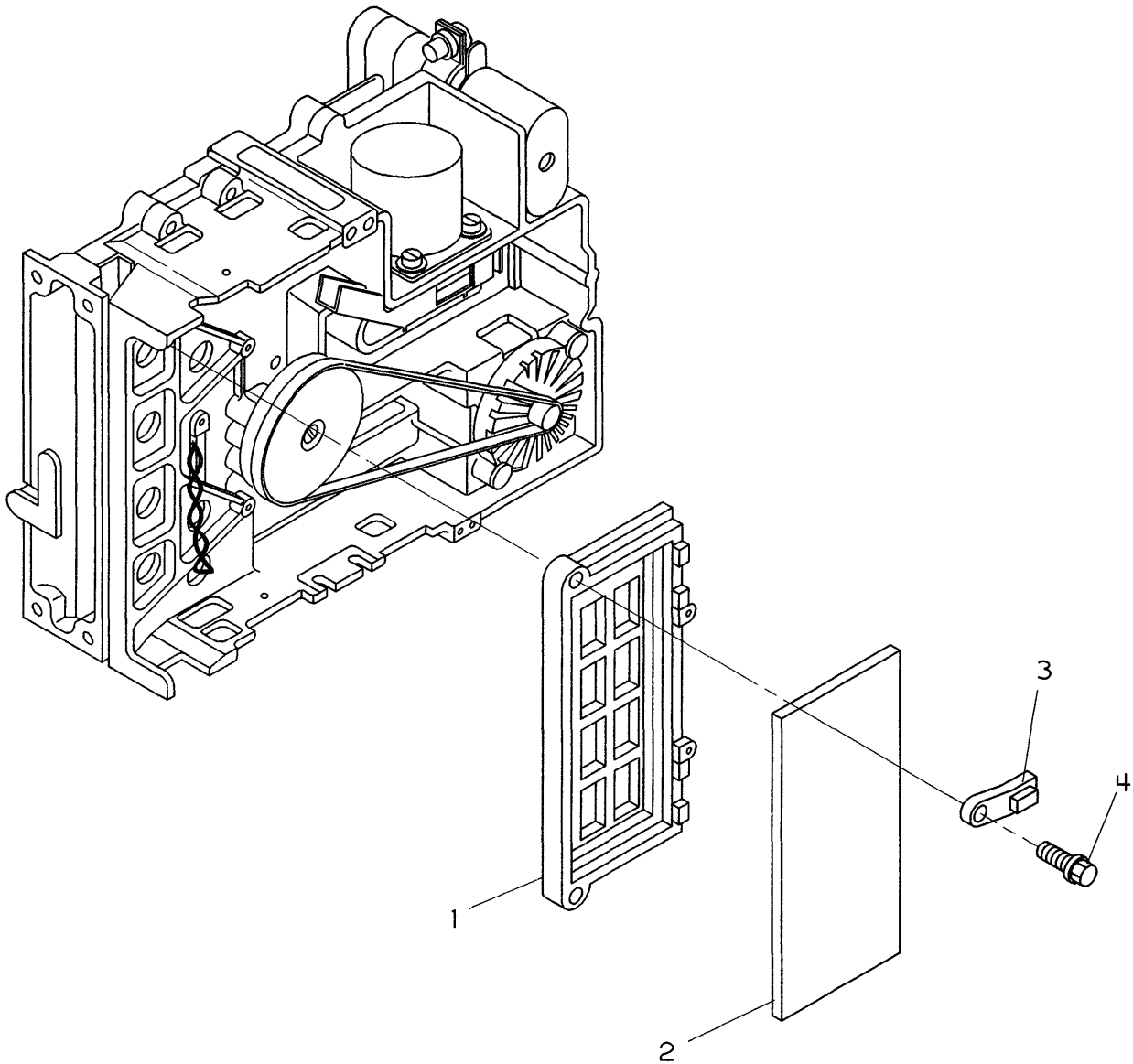


FIGURE 12 . DISKETTE DRIVE 200 - 240 V ASSEMBLY . SEE LIST 12



LIST AND INDEX	PART NUMBER	UNITS PER ASM	DESCRIPTION
----------------	-------------	---------------	-------------

12 -	4240513	REF	DISKETTE DRIVE ASM- 200/240 V 50 HZ
-	4240517	REF	DISKETTE DRIVE ASM- 200/240 V 60 HZ
			FOR ILLUSTRATION SEE FIGURE 12
			FOR NEXT HIGHER ASM SEE LIST 11-1
- 1	4240638	1	. CARD HOLDER
- 2	4240722	1	. CARD ASM
- 3	4240584	2	. CARD RETAINER
- 4	2462686	4	. SCREW, THD FORM- M4 X 16 LG

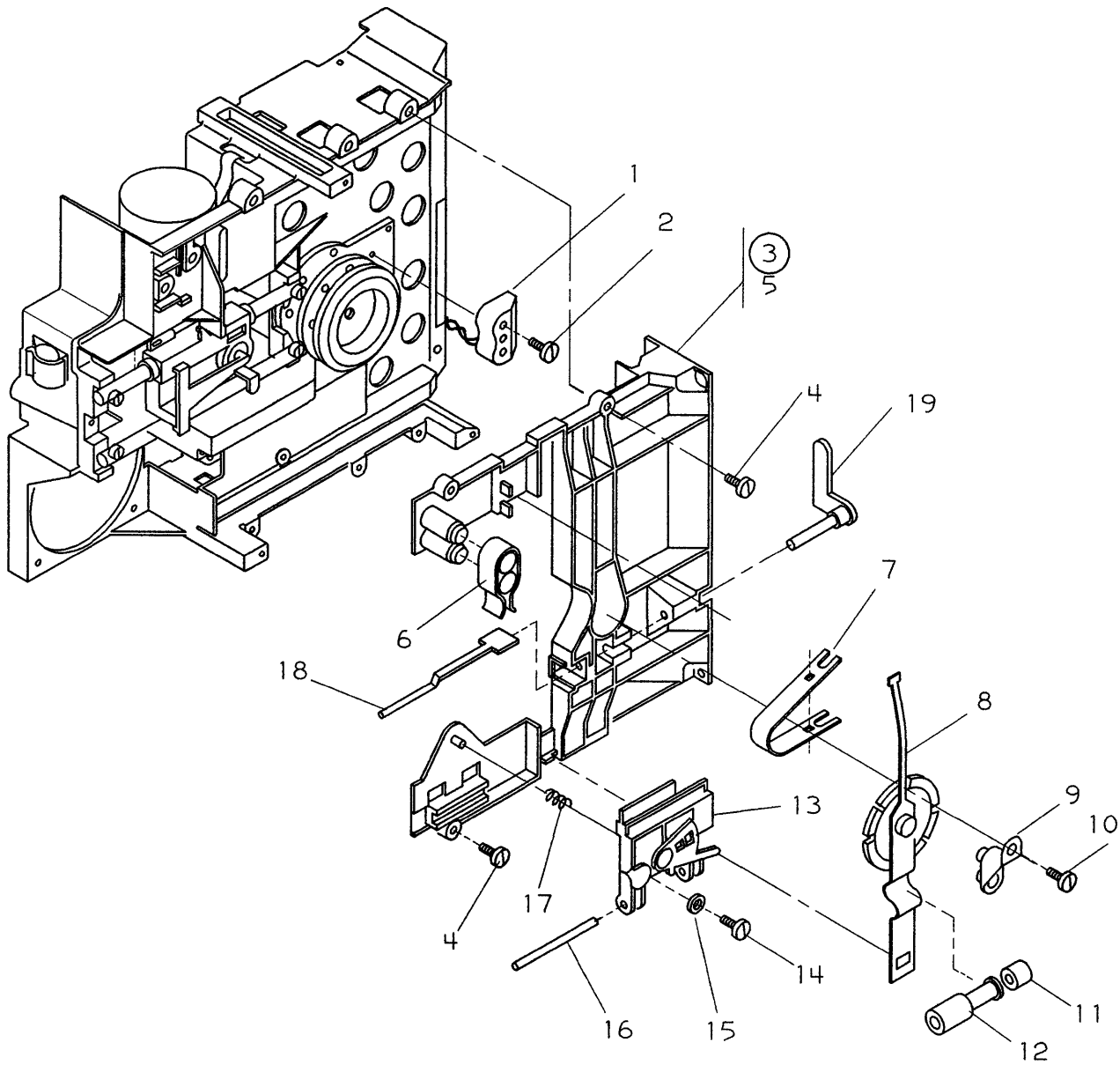


FIGURE 13 . DISKETTE GUIDE AND CLAMPING ASSEMBLY . SEE LIST 13

LIST AND INDEX	PART NUMBER	UNITS PER ASM	DESCRIPTION
----------------	-------------	---------------	-------------

13 -	NO PN		DISKETTE GUIDE AND CLAMPING ASSEMBLY FOR ILLUSTRATION SEE FIGURE 13
- 1	4240576	1	. PTX ASM
- 2	2462686	1	. SCREW,THD-FORM M4 X 16 LG
- 3	4240684	1	. GUIDE ASM
- 4	2462686	4	. SCREW,THD-FORM M4 X 16 LG
- 5	4240663	1	. . GUIDE
- 6	4240632	1	. . RETAINER, SPRING, TOOL
- 7	4240631	1	. . TENSION, SPRING, TOOL
- 8	4240589	1	. . COLLET ASM
- 9	4240661	1	. . LED ASM
- 10	1621193	1	. . SCREW, PAN HD- M4 X 16 LG
- 11	4240687	1	. . ROLLER, COLLET PRESSURE
- 12	4240614	1	. . ROLLER, COLLET ACTUATOR
- 13	4240580	1	. . BAIL
- 14	1621192	1	. . SCREW, PAN HD- M4 X 12 LG
- 15	49374	1	. . WASHER, FLAT, NO 10 X 17/32 OD X 5/64 THK
- 16	2462574	1	. . PIN
- 17	4240583	1	. . SPRING, BAIL RETURN
- 18	4240592	1	. . ROD, COLLET ACTUATOR
- 19	8543632	1	. LEVER, DISKETTE ENGAGING

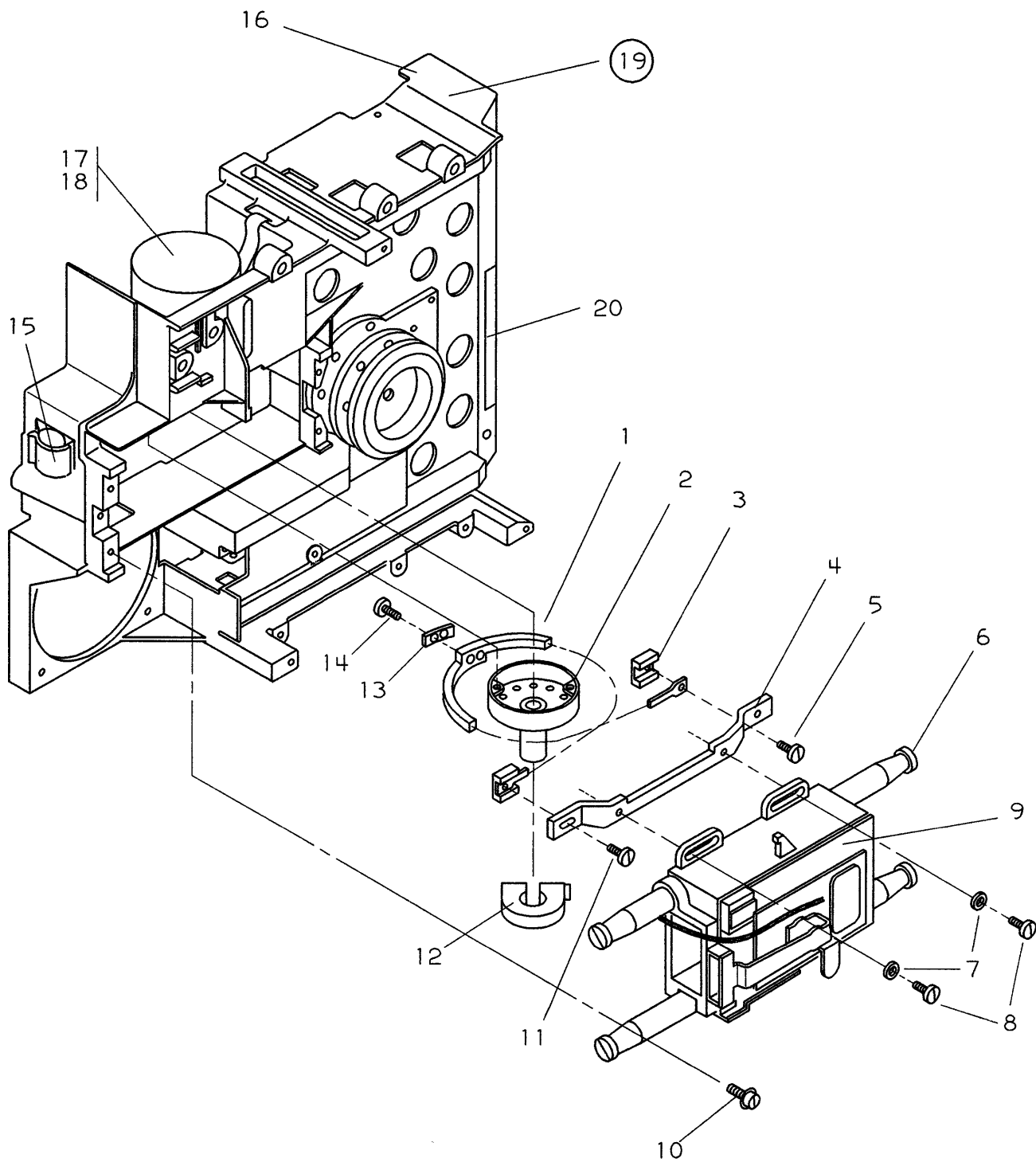
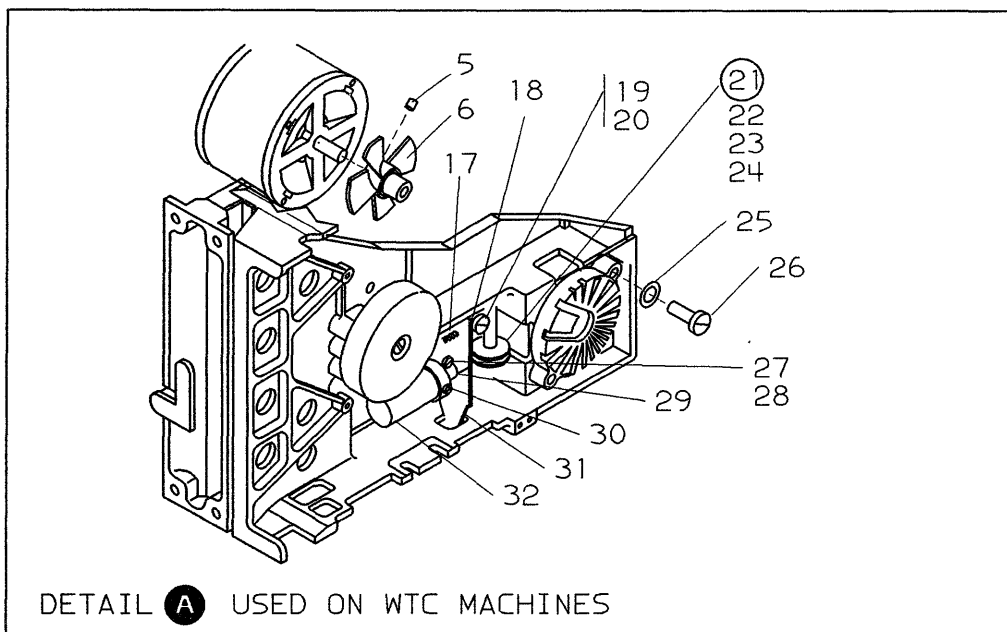
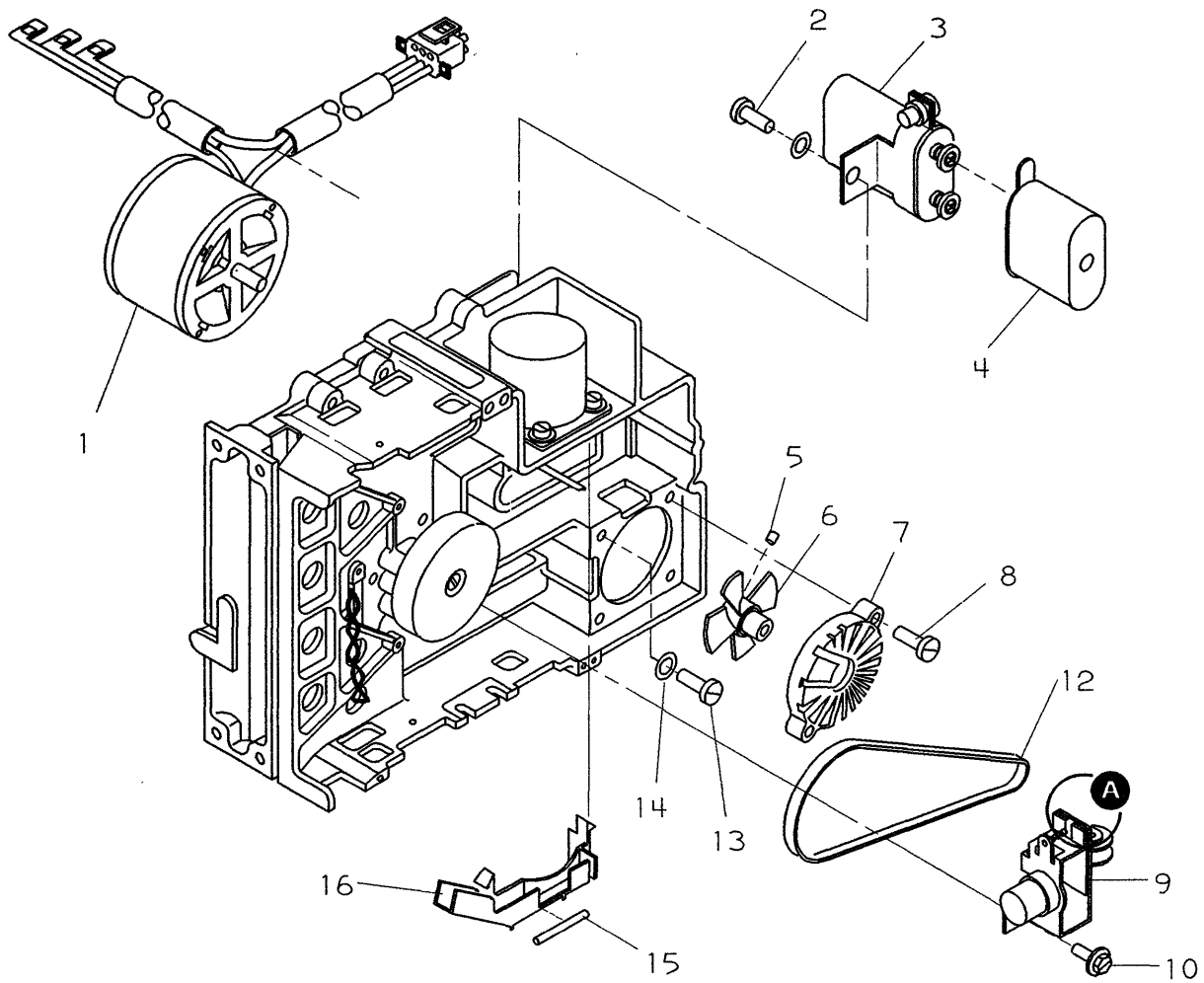


FIGURE 14 . CARRIAGE AND PULLEY ASSEMBLY . SEE LIST 14

LIST AND INDEX	PART NUMBER	UNITS PER ASM	DESCRIPTION
----------------	-------------	---------------	-------------

14 -	NO PN		CARRIAGE AND PULLEY ASSEMBLY FOR ILLUSTRATION SEE FIGURE 14
- 1	4240596	1	. DRIVE BAND
- 2	4240594	1	. PULLEY, STEPPER MOTOR
- 3	4240601	1	. CLAMP
- 4	4240600	1	. MTG BRACKET
- 5	1621170	1	. SCREW, PAN HD- M3 X 6 LG
- 6	4240573	2	. GUIDE ROD
- 7	1622302	2	. WASHER, FLAT M3- 3.2 ID X 7 OD X 0.5 THK
- 8	1621170	2	. SCREW, PAN HD- M3 X 6 LG
- 9	4240620	1	. HEAD/CARRIAGE
- 10	4240648	4	. SCREW, THD FORM- M4 X 0.7 X 12.8 LG
- 11	1621170	1	. SCREW, PAN HD- M3 X 6 LG
- 12	2305493	1	. CLAMP ASM
- 13	4240599	1	. CLAMP
- 14	1621170	1	. SCREW, PAN HD- M3 X 6 LG
- 15	2596291	1	. CLAMP
- 16	NO PN		CASTING AND SPINDLE ASSEMBLY FOR ILLUSTRATION SEE FIGURE 14
- 17	4240593	1	. STEPPER MOTOR
- 18	2460645	3	. SCREW, THD FORM- M4 X 10 LG
- 19	4240646	1	. CASTING AND SPINDLE
- 20	4240625	1	. . TAPE, LABEL



DETAIL **A** USED ON WTC MACHINES

FIGURE 15 . MOTOR CAPACITOR AND ACTUATOR ASSEMBLY . SEE LIST 15

LIST AND INDEX	PART NUMBER	UNITS PER ASM	DESCRIPTION
----------------	-------------	---------------	-------------

15 -	NO PN		MOTOR CAPACITOR AND ACTUATOR ASM FOR ILLUSTRATION SEE FIGURE 15
- 1	4240679	1	. MOTOR ASM- 220 V 50/60 HZ
- 2	2462686	1	. SCREW, THD FORM- M4 X 16 LG
- 3	4240635	1	. CAPACITOR ASM
- 4	363001	1	. BOOT
- 5	1621719	1	. SETSCREW, SPLINE SOCKET- M4 X 20 LG
- 6	4240675	1	. PULLEY AND FAN- 60 HZ
- 6	4240673	1	. PULLEY AND FAN- 50 HZ
- 7	4240671	1	. ENCLOSURE, FAN
- 8	1621194	2	. SCREW, PAN HD- M4 X 20 LG
- 9	4240666	1	. HEAD LOAD SOLENOID
- 10	2462685	2	. SCREW, THD FORM- M4 X 0.7 X 10 LG
- 12	4240605	1	. BELT, DRIVE- 60 HZ
- 12	4240604	1	. BELT, DRIVE- 50 HZ
- 13	1621192	2	. SCREW, PAN HD- M4 X 12 LG
- 14	35229	4	. WASHER- 17/64 ID X 7/16 OD
- 14	22478	2	. WSHR, FLAT 0.170 ID X 0.375 OD X 0.032 LG
- 15	5562019	1	. TIMING PIN
- 16	4240610	1	. GUIDE HD LEAD
- 17	4240563	1	. SPRING, SOLENOID
- 18	104702	1	. PIN
- 19	2462685	1	. SCREW, THD FORM- M4 X 0.7 X 10 LG
- 20	35229	1	. WASHER- 17/64 ID X 7/16 OD
- 21	2420943	1	. ROLLER, SOLENOID
- 22	2420944	1	. . SHAFT
- 23	147297	2	. . RING, RETAINING EXT- 0.094 ID X 0.020 THK
- 24	1256071	1	. . PULLEY
- 25	22478	4	. WSHR, FLAT- 0.170 ID X 0.375 OD X 0.032 LG
- 26	1621192	4	. SCREW, PAN HD- M4 X 12 LG
- 27	2462685	1	. SCREW, THD FORM- M4 X 0.7 X 10 LG
- 28	2421551	1	. ROTATION PREVENTOR
- 29	4240608	1	. BUMPER
- 30	5562115	1	. SETSCREW- 10/32 X 4.76 LG
- 31	2420946	1	. PLATE
- 32	4240568	1	. SOLENOID ASM

OLD DESIGN COVERS, BEFORE EC A04595

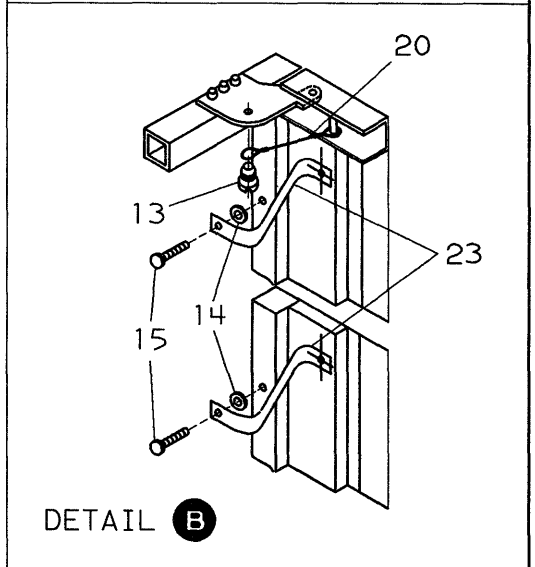
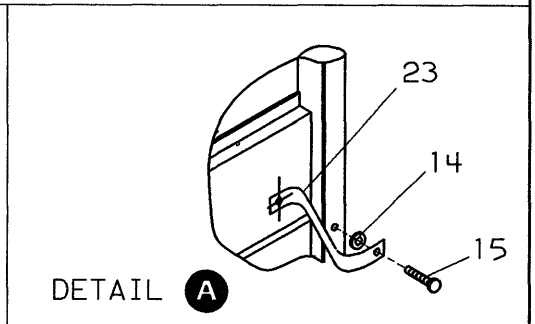
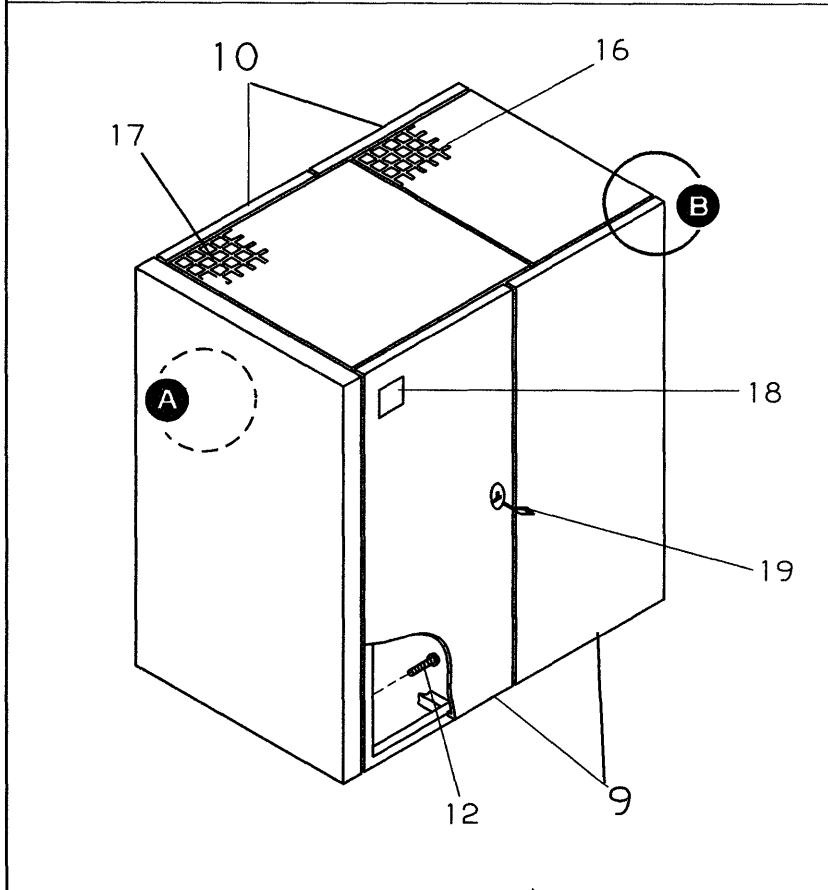
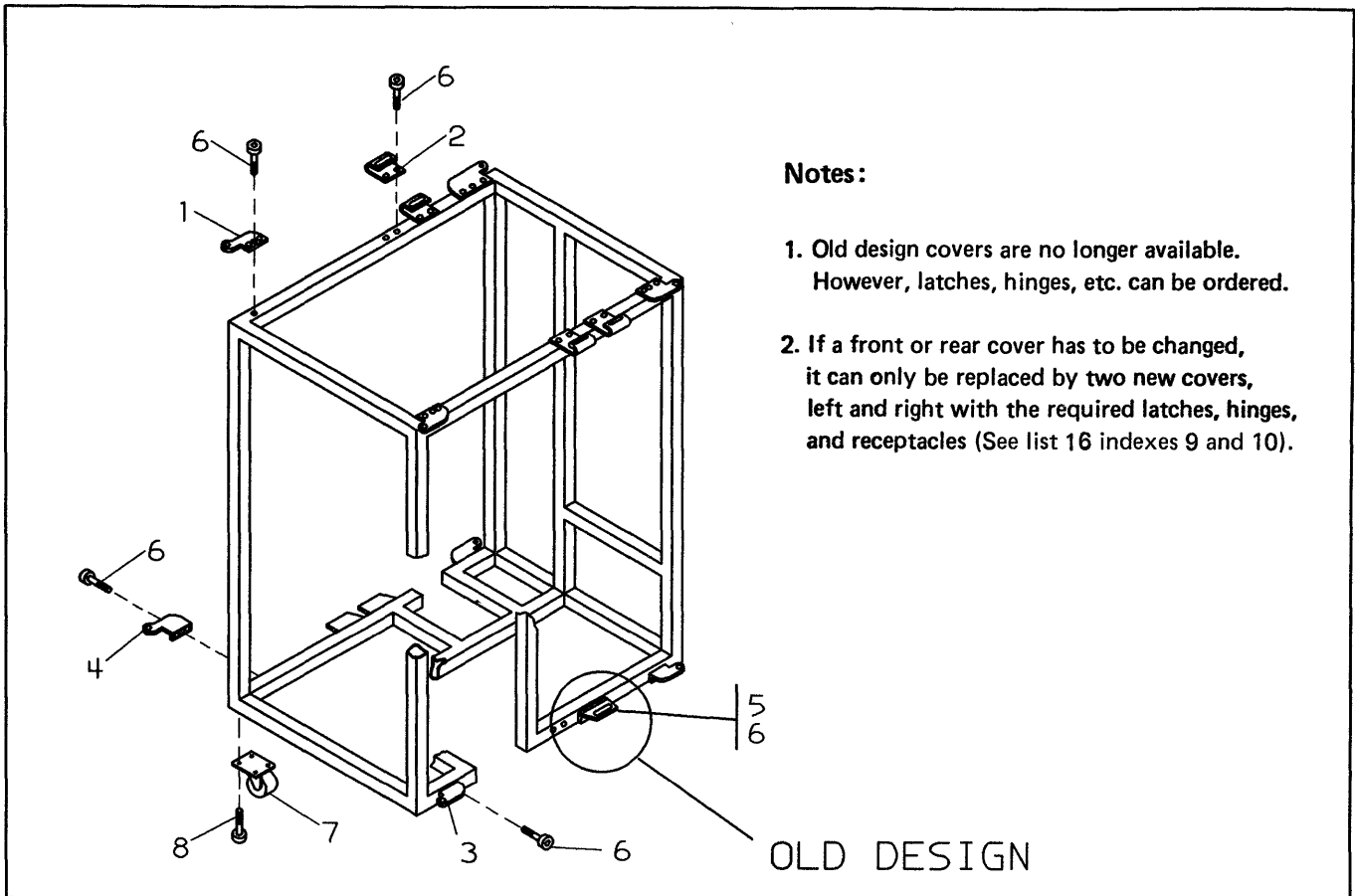


FIGURE 16 . COVERS ASSEMBLY . SHEET 1 OF 2 . SEE LIST 16



**OLD DESIGN COVERS, BEFORE EC A04595**

LIST AND INDEX	PART NUMBER	UNITS PER ASM	DESCRIPTION
----------------	-------------	---------------	-------------

16 -	NO PN		COVERS ASSEMBLY FRAME 02 FOR ILLUSTRATION SEE FIGURE 16
- 1	5584630	4	. PLATE
- 2	4866793	4	. PLATE
- 3	5584628	2	. PLATE
- 4	4866794	2	. PLATE
- 5	5584626	4	. LATCH
- 6	1621950	AR	. SCREW, HEX SOCKET BUTTON HD CAP- M6 X 12 LG
- 7	513271	4	. CASTER
- 7	4802961	4	. CASTER,
		4	ONLY FOR JAPAN
- 8	1621230	16	. SCREW, PAN HD- M6 X 12 LG

THE FOLLOWING 14 B/M'S INCLUDE  
TWO COVERS (LEFT AND RIGHT),  
INSTALLATION INSTRUCTION,  
LATCHES, AND RECEPTACLES.

- 9	56X3066	1	. B/M FOR FRONT COVERS, BLUE
- 9	56X3068	1	. B/M FOR FRONT COVERS, GRAY
- 9	56X3070	1	. B/M FOR FRONT COVERS, BROWN
- 9	56X3072	1	. B/M FOR FRONT COVERS, GREEN
- 9	56X3074	1	. B/M FOR FRONT COVERS, ROSE
- 9	56X3076	1	. B/M FOR FRONT COVERS, YELLOW
- 9	56X3078	1	. B/M FOR FRONT COVERS, WHITE
- 10	56X3067	1	. B/M FOR REAR COVERS, BLUE
- 10	56X3069	1	. B/M FOR REAR COVERS, GRAY
- 10	56X3071	1	. B/M FOR REAR COVERS, BROWN
- 10	56X3073	1	. B/M FOR REAR COVERS, GREEN
- 10	56X3075	1	. B/M FOR REAR COVERS, ROSE
- 10	56X3077	1	. B/M FOR REAR COVERS, YELLOW
- 10	56X3079	1	. B/M FOR REAR COVERS, WHITE
- 12	1621213	4	. SCREW, PAN HD- M5 X 20 LG
- 13	8324808	4	. SCREW-BASE FRAME
- 14	1622346	AR	. LCKW, EXT M4- 4.3 ID X 8 OD X 0.5 THK
- 15	1621197	AR	. SCREW, PAN HD- M4 X 6 LG
- 16	1736678	1	. TOP COVER
- 17	1736675	1	. TOP COVER
- 18	6081185	1	. NAME PLATE
- 19	6834390	2	. COVER KEY

OLD DESIGN COVERS, BEFORE EC A04595

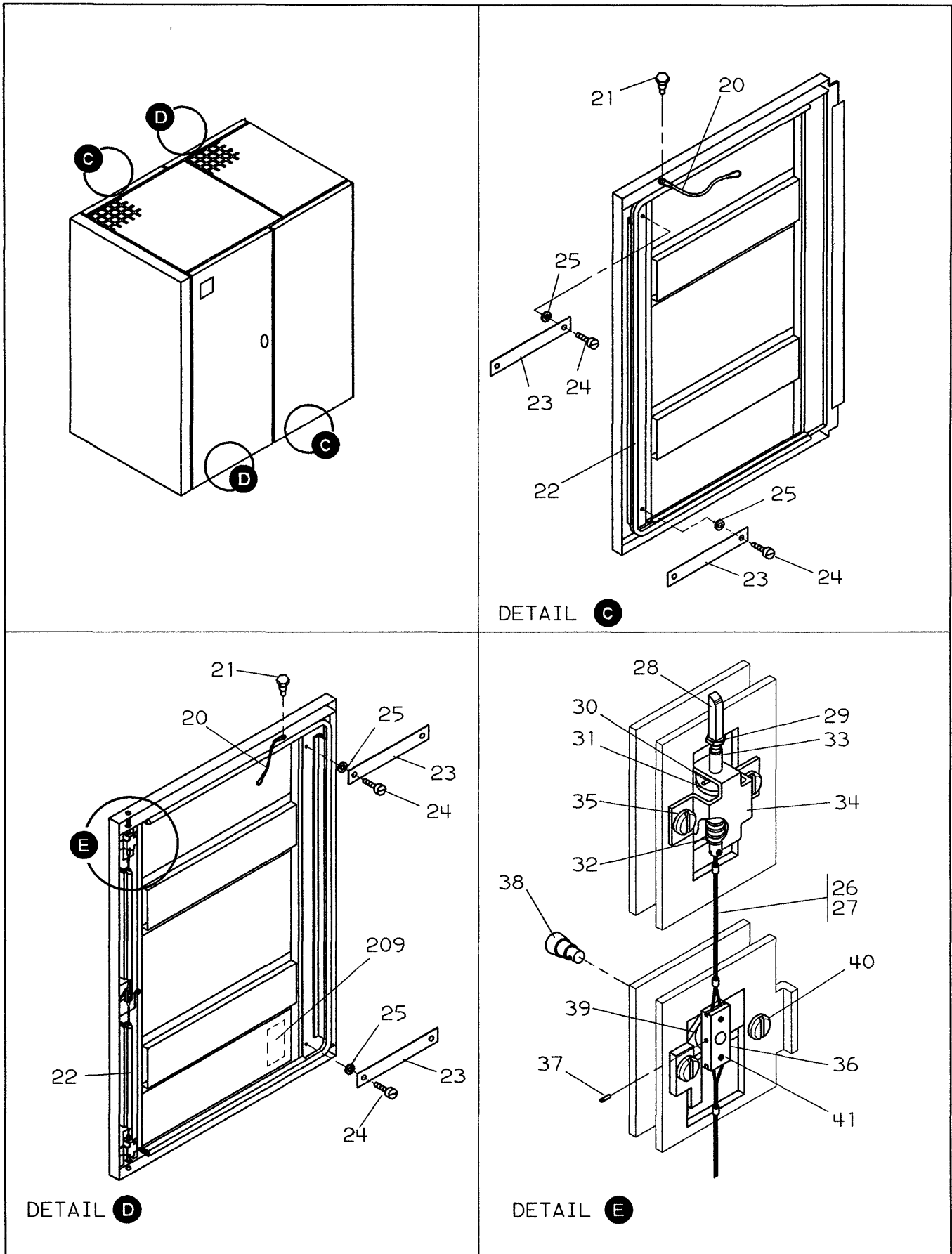


FIGURE 16 . COVERS ASSEMBLY . SHEET 2 OF 2 . SEE LIST 16

**OLD DESIGN COVERS, BEFORE EC A04595**

LIST AND INDEX	PART NUMBER	UNITS PER ASM	DESCRIPTION
16 - 20	6081012	AR	. . CABLE STAY
- 21	6081391	AR	. . STUD
- 22	4511727	AR	. . SEAL
- 23	5267931	AR	. . JUMPER
- 24	1621197	AR	. . SCREW, PAN HD- M4 X 6 LG
- 25	1622346	AR	. . LCKW, EXT M4- 4.3 ID X 8 OD X 0.5 THK
- 26	1733469	2	. . CABLE
- 27	5584659	2	. . STUD
- 28	5584647	2	. . HANDLE
- 29	5609843	2	. . NUT, KNURLED-M5
- 30	1611051	2	. . ROLL-PIN
- 31	1622306	2	. . WSHR, FLAT M6- 6.6 ID X 12.5 OD X 1.6 THK
- 32	5584649	2	. . SPRING
- 33	5584646	2	. . ROD-LATCH
- 34	5584644	2	. . GUIDE
- 35	1621190	4	. . SCREW, PAN HD- M4 X 8 LG
- 36	5584643	1	. . ACTUATOR-BAR
- 37	1611051	1	. . ROLL-PIN
- 38	5672267	1	. . ACTUATOR-LATCH
- 39	5584642	1	. . HOUSING-ACTUATOR
- 40	1621190	2	. . SCREW, PAN HD- M4 X 8 LG
- 41	5584659	AR	. . STUD

NEW DESIGN COVERS, AFTER EC A04595

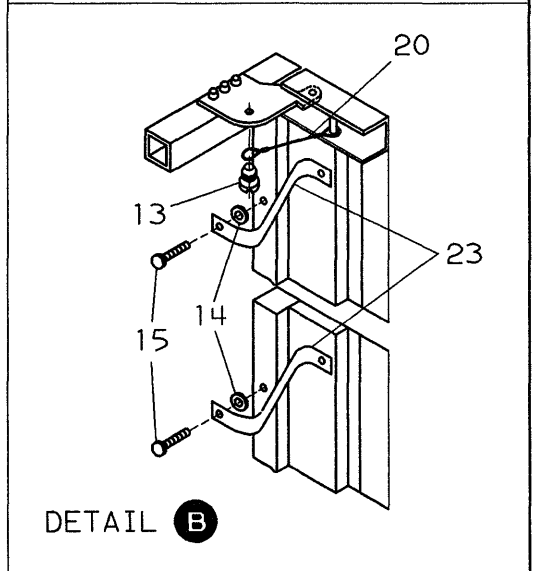
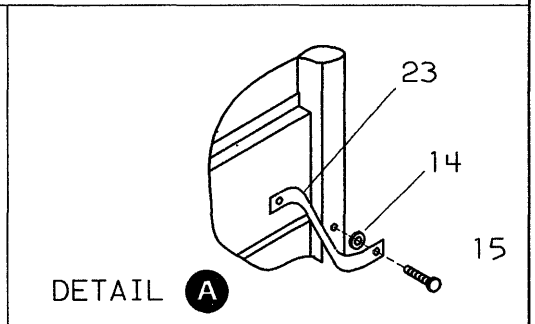
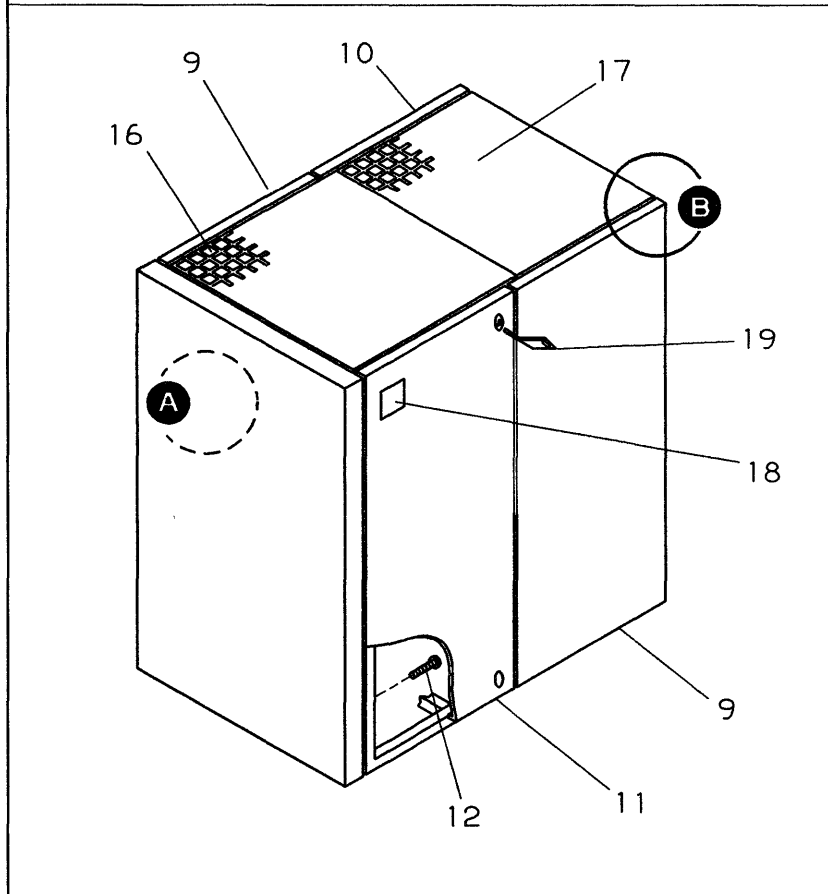
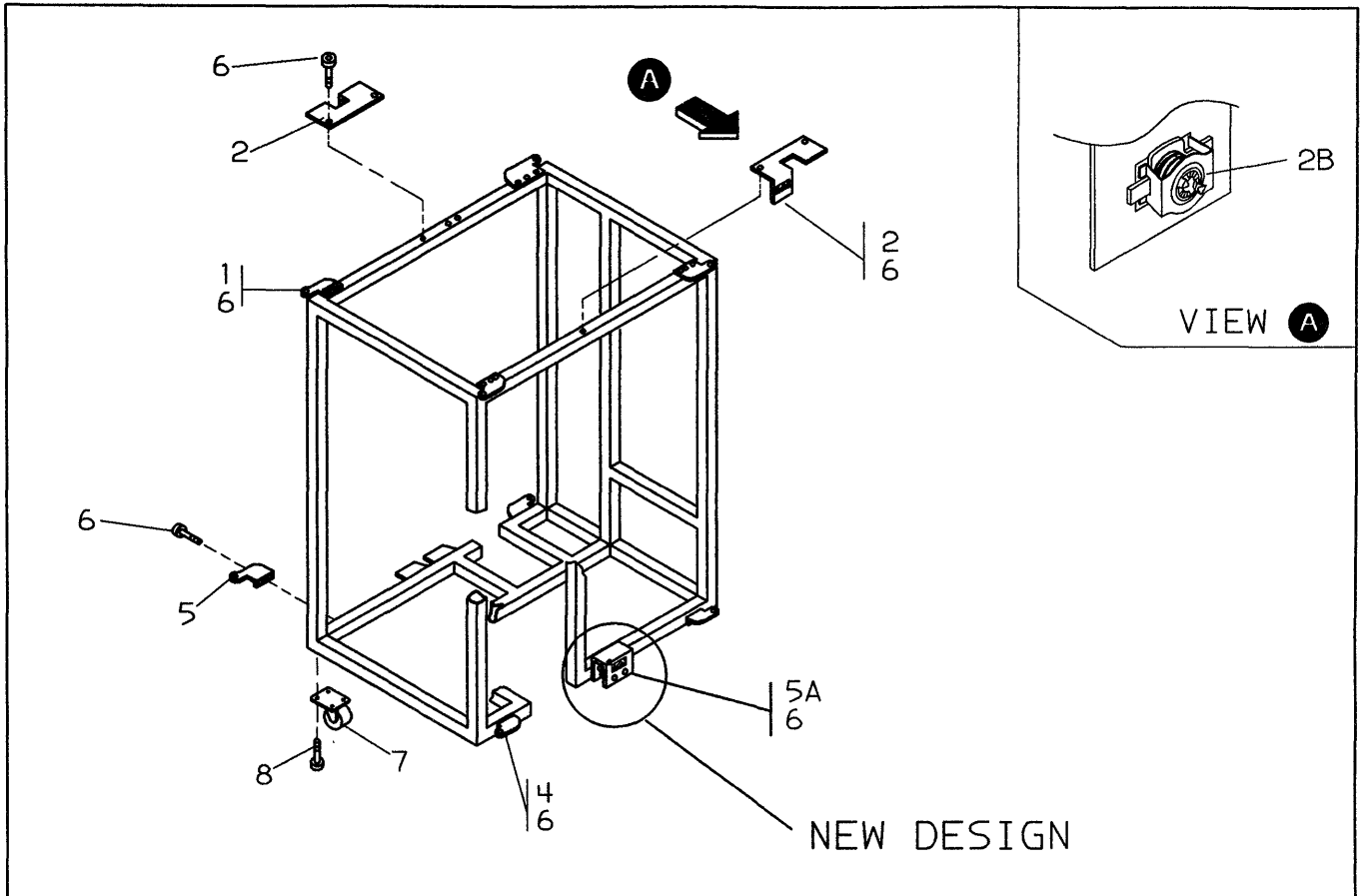


FIGURE 16A. COVERS ASSEMBLY . SHEET 1 OF 2 . SEE LIST 16A

**NEW DESIGN COVERS, AFTER EC A04595**

LIST AND INDEX	PART NUMBER	UNITS PER ASM	DESCRIPTION
16A-	NO PN		COVERS ASSEMBLY FRAME 02 FOR ILLUSTRATION SEE FIGURE 16A
- 1	5584630	4	. PLATE
- 2	6124869	2	. PLATE
- 3	6406241	4	. RECEPTACLE
- 4	5584628	2	. PLATE
- 5	4866794	2	. PLATE
- 5A	4802923	2	. PLATE
- 6	1621950	AR	. SCREW,HEX SOCKET BUTTON HD CAP- M6 X 12 LG
- 7	513271	4	. CASTER
- 7	4802961	4	. CASTER,
		4	ONLY FOR JAPAN
- 8	1621230	16	. SCREW,PAN HD- M6 X 12 LG
- 9	1733609	1	. COVER ASM,FRONT AND REAR,RIGHT,BLUE
- 9	1733615	1	. COVER ASM,FRONT AND REAR,RIGHT,GRAY
- 9	1733621	1	. COVER ASM,FRONT AND REAR,RIGHT,BROWN
- 9	1733627	1	. COVER ASM,FRONT AND REAR,RIGHT,GREEN
- 9	1733633	1	. COVER ASM,FRONT AND REAR,RIGHT,ROSE
- 9	1733639	1	. COVER ASM,FRONT AND REAR,RIGHT,YELLOW
- 9	1733645	1	. COVER ASM,FRONT AND REAR,RIGHT,WHITE
- 10	1733611	1	. COVER ASM,REAR,LEFT,BLUE
- 10	1733617	1	. COVER ASM,REAR,LEFT,GRAY
- 10	1733623	1	. COVER ASM,REAR,LEFT,BROWN
- 10	1733629	1	. COVER ASM,REAR,LEFT,GREEN
- 10	1733635	1	. COVER ASM,REAR,LEFT,ROSE
- 10	1733641	1	. COVER ASM,REAR,LEFT,YELLOW
- 10	1733647	1	. COVER ASM,REAR,LEFT,WHITE
- 11	2667142	1	. COVER ASM,FRONT,LEFT,BLUE
- 11	2667144	1	. COVER ASM,FRONT,LEFT,GRAY
- 11	2667146	1	. COVER ASM,FRONT,LEFT,BROWN
- 11	2667148	1	. COVER ASM,FRONT,LEFT,GREEN
- 11	2667150	1	. COVER ASM,FRONT,LEFT,ROSE
- 11	2667152	1	. COVER ASM,FRONT,LEFT,YELLOW
- 11	2667154	1	. COVER ASM,FRONT,LEFT,WHITE
- 12	1621213	4	. SCREW,PAN HD- M5 X 20 LG
- 13	8324808	4	. SCREW-BASE FRAME
- 14	1622346	AR	. LCKW,EXT M4- 4.3 ID X 8 OD X 0.5 THK
- 15	1621197	AR	. SCREW,PAN HD- M4 X 6 LG
- 16	61X3232	1	. TOP COVER
- 17	61X3230	1	. TOP COVER
- 18	6081185	1	. NAME PLATE
- 19	1643894	2	. COVER KEY

NEW DESIGN COVERS, AFTER EC A04595

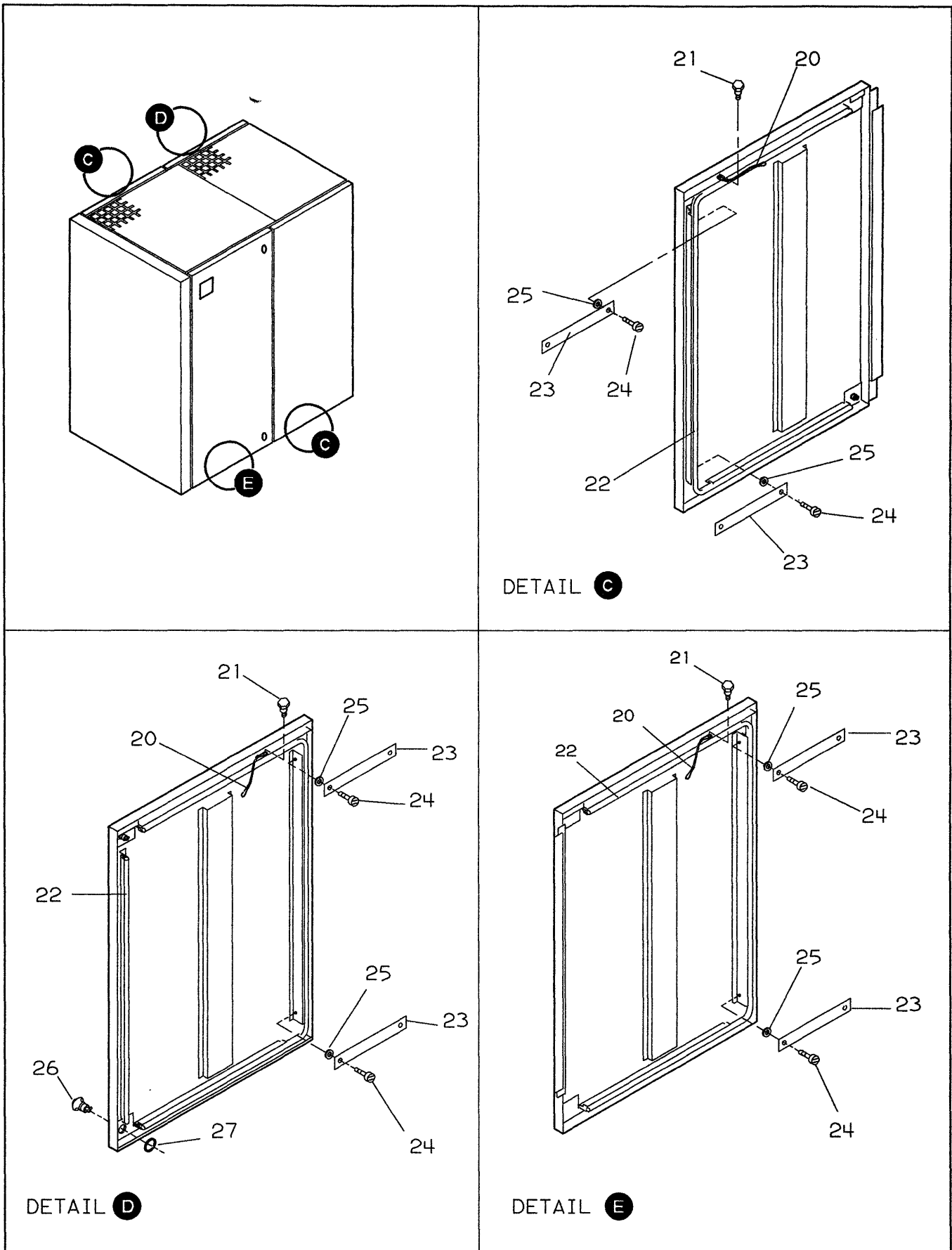


FIGURE 16A. COVERS ASSEMBLY . SHEET 2 OF 2 . SEE LIST 16A

**NEW DESIGN COVERS, AFTER EC A04595**

LIST AND INDEX	PART NUMBER	UNITS PER ASM	DESCRIPTION
16A- 20	6081012	AR	. . CABLE STAY
- 21	6081391	AR	. . STUD
- 22	4511727	AR	. . SEAL
- 23	5267931	AR	. . JUMPER
- 24	1621197	AR	. . SCREW, PAN HD- M4 X 6 LG
- 25	1622346	AR	. . LCKW, EXT M4- 4.3 ID X 8 OD X 0.5 THK
- 26	6406240	AR	. . STUD
- 27	3125575	AR	. . CLIP

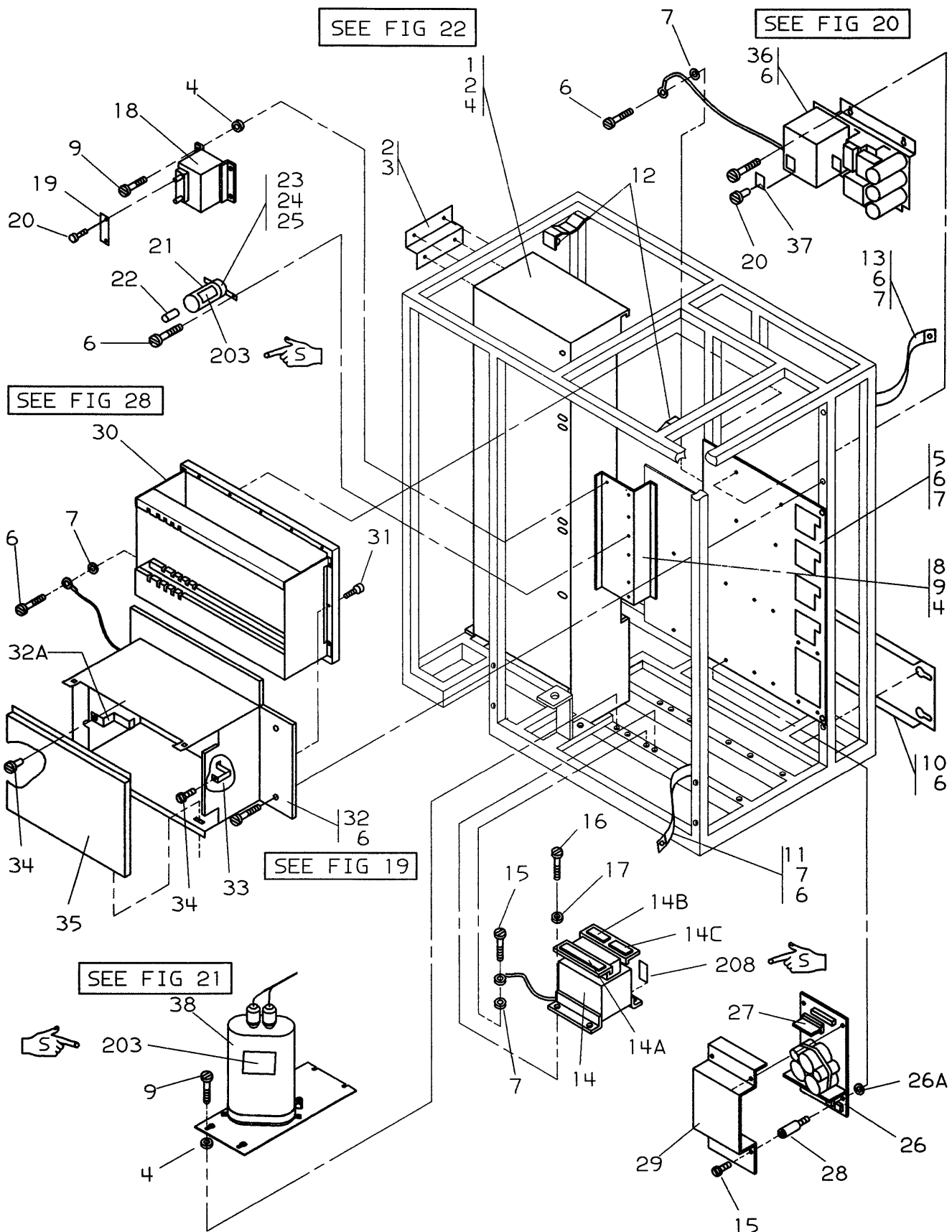


FIGURE 17 . FINAL ASSEMBLY FRAME 02 . SHEET 1 OF 4 . SEE LIST 17



LIST AND INDEX	PART NUMBER	UNITS PER ASM	DESCRIPTION
17 -	NO PN		FINAL ASSEMBLY FRAME 02 FOR ILLUSTRATION SEE FIGURE 17
- 1	1733915	1	. TUB ASM FOR DETAIL BREAKDOWN SEE FIG 22
- 2	1673983	AR	. SCREW,PAN HD- M5 X 6 LG
- 3	1736949	1	. BRACKET
- 4	1622347	AR	. LCKW,EXT M5- 5.3 ID X 10 OD X 0.6 THK
- 5	2667333	1	. BRACKET ASM
- 6	1621197	AR	. SCREW,PAN HD- M4 X 6 LG
- 7	1622346	AR	. LCKW,EXT M4- 4.3 ID X 8 OD X 0.5 THK
- 8	1736900	1	. BRACKET ASM
- 9	1673984	4	. SCREW,PAN HD- M5 X 10 LG
- 10	2667334	1	. COVER
- 11	4802950	2	. JUMPER ASSEMBLY
- 12	4499612	2	. BUMPER
- 13	5267931	1	. JUMPER
- 14	4119754	1	. TRANSFORMER- 60 HZ
- 14	4119758	1	. TRANSFORMER- 50 HZ
- 14A	4120361	1	. SAFETY SHIELD
- 14B	350996	1	. SAFETY SHIELD- 60 HZ
- 14B	337193	1	. SAFETY SHIELD- 50 HZ
- 14C	4120360	1	. SAFETY SHIELD
- 15	1621190	AR	. SCREW,PAN HD- M4 X 8 LG
- 16	1621595	4	. SCREW,HEX HD- CAP- M6 X 12 LG
- 17	1622306	4	. WSHR,FLAT M6- 6.6 ID X 12.5 OD X 1.6 THK
- 18	4119844	1	. TRANSFORMER- 60 HZ
- 18	4119832	1	. TRANSFORMER- 50 HZ
- 19	1751307	1	. SAFETY SHIELD- 60 HZ
- 19	187479	1	. SAFETY SHIELD- 50 HZ
- 20	1621181	AR	. SCREW,PAN HD- M3.5 X 6 LG
- 21	6814311	1	. CAPACITOR- 4 MF 660 VAC 60 HZ
- 21	4120824	1	. CAPACITOR- 4 MF 660 VAC 50 HZ
- 22	2722507	1	. INSULATOR- 50 HZ
- 22	363001	1	. BOOT- 60 HZ
- 23	5404092	1	. BRACKET- 60 HZ
- 23	2722510	1	. CLAMP- 50 HZ
- 24	1621186	1	. SCREW,PAN HD- M3.5 X 20 LG
- 25	1622402	1	. NUT,M3.5
- 26	4712588	1	. POWER ASM,PS8
- 26A	642307	4	. SPACER
- 27	NO PN	1	. SENSE CARD
- 28	2667340	4	. STUD
- 29	2666955	1	. SAFETY COVER ASM
- 30	NO PN	1	. BOARD ASM
- 31	1621175	12	. SCREW,PAN HD- M3 X 20 LG
- 32	1733601	1	. GATE CAB ASSEMBLY,02C FOR DETAIL BREAKDOWN SEE FIGURE 19
- 32A	6089106	1	. RETAINER
- 33	4712917	1	. BRACKET
- 34	1621170	AR	. SCREW,PAN HD- M3 X 6 LG
- 35	1733551	1	. COVER
- 36	2667058	1	. POWER CAB ASSEMBLY,PS7- 60 HZ
- 36	2667064	1	. POWER CAB ASSEMBLY,PS7- 50 HZ FOR DETAIL BREAKDOWN SEE FIGURE 20

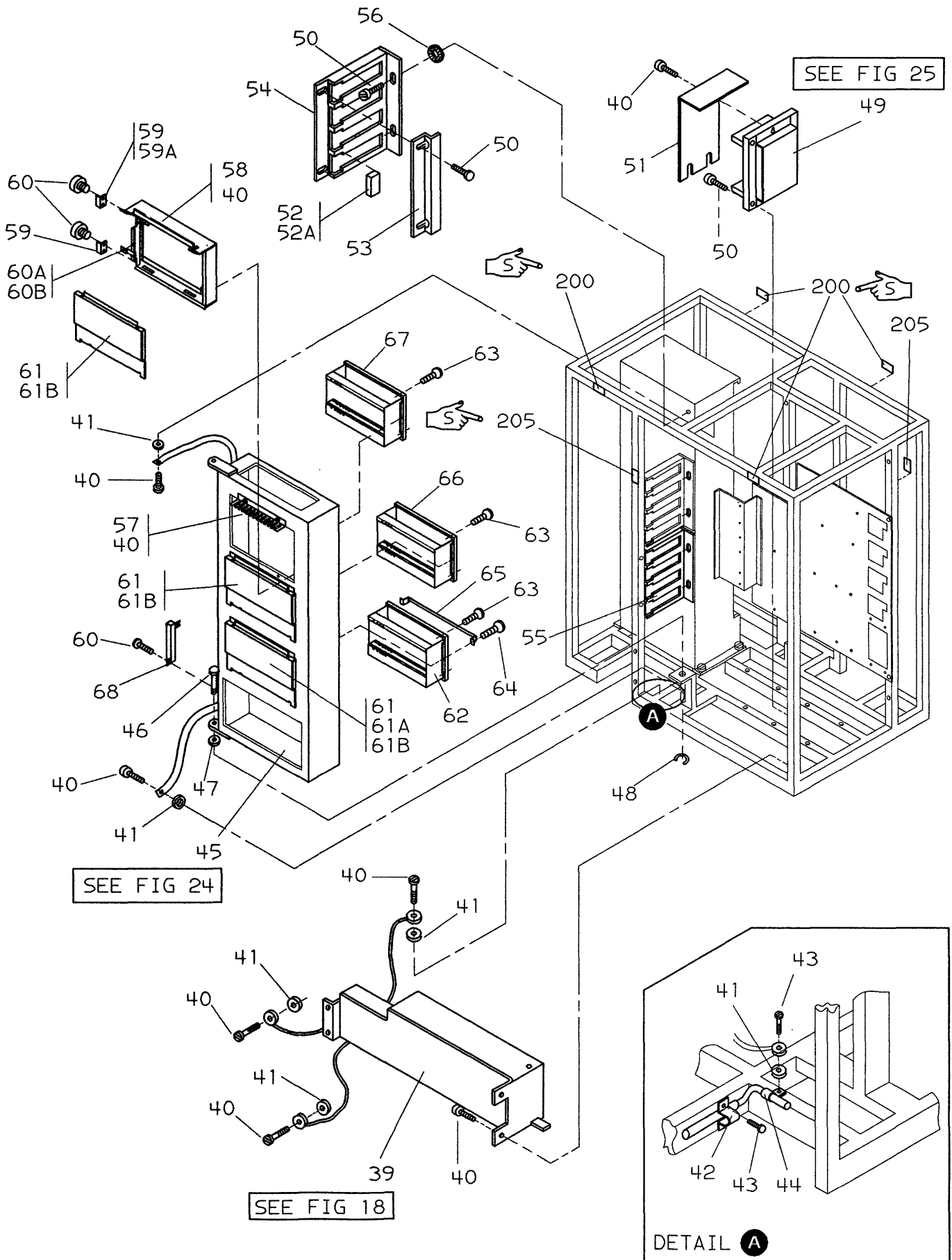


FIGURE 17 . FINAL ASSEMBLY FRAME 02 . SHEET 2 OF 4 . SEE LIST 17

LIST AND INDEX	PART NUMBER	UNITS PER ASM	DESCRIPTION
17 - 37	1751307	1	. SAFETY SHIELD, USED WITH POWER 2667058
- 37	187479	1	. SAFETY SHIELD, USED WITH POWER 2667064
- 38	2667357	1	. POWER FACTOR CAPACITOR ASM- 60 HZ
- 38	2667358	1	. POWER FACTOR CAPACITOR ASM- 50 HZ FOR DETAIL BREAKDOWN SEE FIGURE 21
- 39	1736773	1	. PRIMARY POWER BOX ASM,PS10- 60 HZ ONLY FOR USA
- 39	2667201	1	. PRIMARY POWER BOX ASM,PS10- 60 HZ
- 39	2667317	1	. PRIMARY POWER BOX ASM,PS10- 60 HZ ONLY FOR JAPAN
- 39	2667202	1	. PRIMARY POWER BOX ASM,PS10- 50 HZ
- 39	2667203	1	. PRIMARY POWER BOX ASM,PS10- 50 HZ ONLY FOR JAPAN
- 39	4713009	1	. PRIMARY POWER BOX ASM,PS10- 50 HZ ONLY FOR AUSTRALIA AND NEW ZEALAND FOR DETAIL BREAKDOWN SEE FIGURE 18
- 40	1621197	AR	. SCREW,PAN HD- M4 X 6 LG
- 41	1622346	AR	. LCKW,EXT M4- 4.3 ID X 8 OD X 0.5 THK
- 42	6081216	1	. CLAMP
- 42	6124797	1	. CLAMP, ONLY FOR AUSTRALIA AND NEW ZEALAND.
- 43	1621190	3	. SCREW,PAN HD- M4 X 8 LG
- 44	104294	1	. CLAMP
- 45	1736770	1	. GATE ASM,02A FOR DETAIL BREAKDOWN SEE FIGURE 24
- 46	1733699	1	. SHAFT
- 47	1622308	1	. WASHER,FLAT M10- 11 ID X 21 OD X 2 THK
- 48	237245	1	. RING,RETAINING EXT- 0.300 ID X 0.035 THK
- 49	2667674	1	. POWER BOARD ASM,PWB2 FOR DETAIL BREAKDOWN SEE FIGURE 25
- 50	1673984	AR	. SCREW,PAN HD- M5 X 10 LG
- 51	6081297	1	. SAFETY COVER
- 52	1736873	96	. DUMMY CONNECTOR
- 52A	5393056	AR	. CONNECTOR ONLY IF REQUIRED
- 53	1736746	3	. RETAINER
- 54	2667016	2	. TAIL GATE ASSEMBLY
- 55	6056538	1	. TAIL GATE ASSEMBLY
- 56	1622347	AR	. LCKW,EXT M5- 5.3 ID X 10 OD X 0.6 THK
- 57	1736887	6	. GUIDE ASM
- 58	1736885	3	. GUIDE ASM
- 59	2194941	6	. BASE CLAMP
- 59A	56X3048	3	. BASE CLAMP ONLY FOR LAB C
- 60	1621181	AR	. SCREW,PAN HD- M3.5 X 6 LG
- 60A	6089105	3	. RETAINER
- 60B	1621170	3	. SCREW,PAN HD- M3 X 6 LG
- 61	1733353	3	. COVER ASM
- 61A	6056735	1	. COVER ASM USED WITH RPQ 8J5080
- 61B	6426317	3	. COVER ASM USED WITH LAB C
- 62	NO PN	1	. BOARD ASM,02A-A3
- 63	1621175	AR	. SCREW,PAN HD- M3 X 20 LG
- 64	1621177	2	. SCREW,PAN HD- M3 X 25 LG

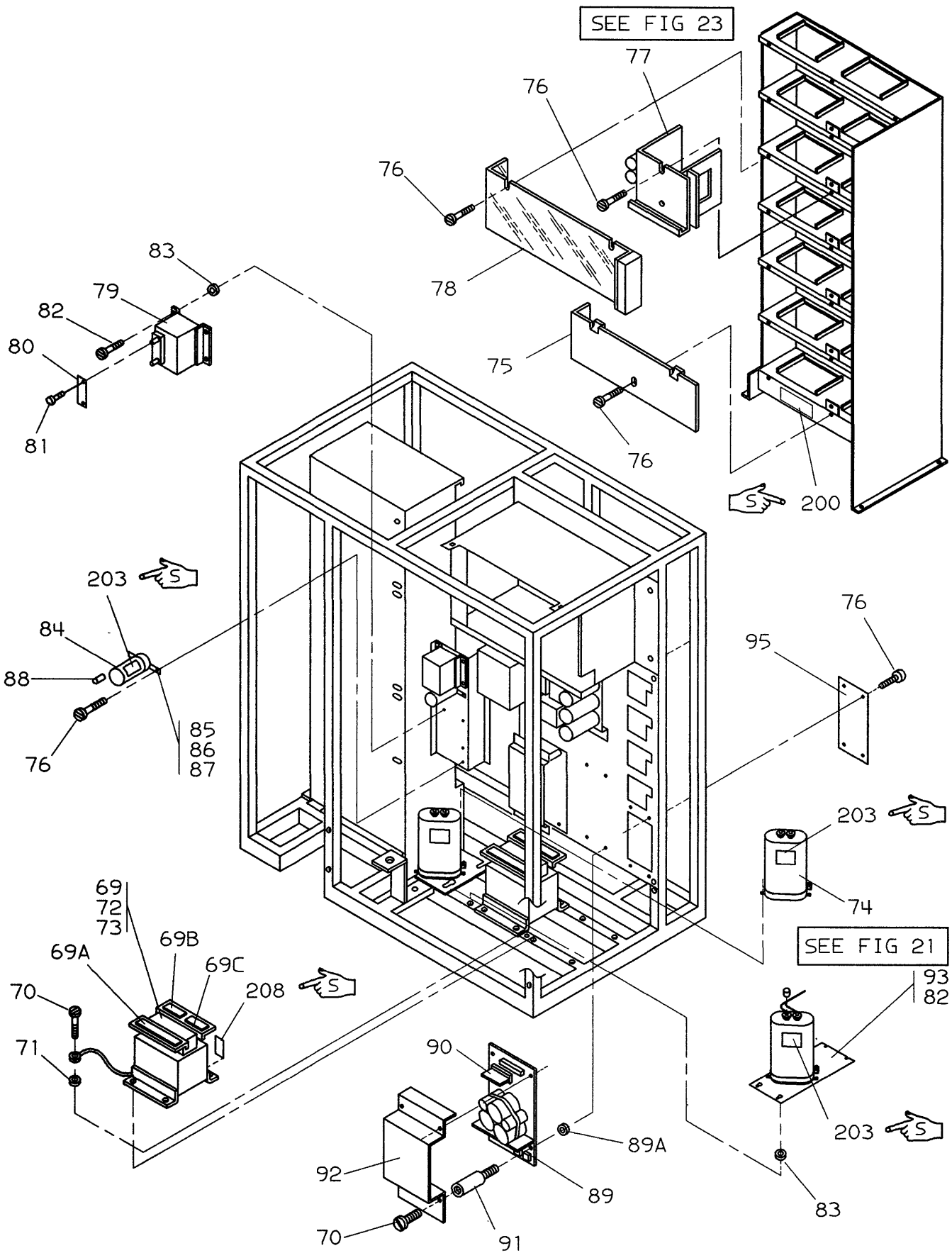


FIGURE 17 . FINAL ASSEMBLY FRAME 02 . SHEET 3 OF 4 . SEE LIST 17

LIST AND INDEX	PART NUMBER	UNITS PER ASM	DESCRIPTION
17 - 65	4712804	1	. RETAINER
- 66	NO PN	1	. BOARD ASM,02A-A2
- 67	NO PN	1	. BOARD ASM,02A-A1
- 68	2667015	1	. CONNECTOR ASM
- 69	4119754	1	. TRANSFORMER- 60 HZ
- 69	4119758	1	. TRANSFORMER- 50 HZ
- 69A	4120361	1	. SAFETY SHIELD
- 69B	350996	1	. SAFETY SHIELD- 60 HZ
- 69B	337193	1	. SAFETY SHIELD- 50 HZ
- 69C	4120360	1	. SAFETY SHIELD
- 70	1621190	AR	. SCREW,PAN HD- M4 X 8 LG
- 71	1622346	1	. LCKW,EXT M4- 4.3 ID X 8 OD X 0.5 THK
- 72	1621595	4	. SCREW,HEX HD CAP- M6 X 12 LG
- 73	1622306	4	. WSHR,FLAT M6- 6.6 ID X 12.5 OD X 1.6 THK
- 74	2667627	1	. POWER FACTOR CAPACITOR ASM- 60 HZ 90 MF
- 74	2667628	1	. POWER FACTOR CAPACITOR ASM- 50 HZ 90 MF FOR DETAIL BREAKDOWN SEE FIGURE 21
- 75	2667299	3	. SAFETY COVER
- 76	1621197	AR	. SCREW,PAN HD- M4 X 6 LG
- 77	1733401	1	. POWER BLOCK,PS1/2-3-5-6, 5 V 42 AMP 60 HZ,
- 77	1733849	1	. POWER BLOCK,PS1/2-3-5-6, 5 V 42 AMP 50 HZ, FOR DETAIL BREAKDOWN SEE FIGURE 23
- 78	2667297	1	. SAFETY COVER
- 79	4119844	1	. TRANSFORMER- 60 HZ
- 79	4119832	1	. TRANSFORMER- 50 HZ
- 80	1751307	1	. SAFETY SHIELD- 60 HZ
- 80	187479	1	. SAFETY SHIELD- 50 HZ
- 81	1621181	2	. SCREW,PAN HD- M3.5 X 6 LG
- 82	1673984	AR	. SCREW,PAN HD- M5 X 10 LG
- 83	1622347	AR	. LCKW,EXT M5- 5.3 ID X 10 OD X 0.6 THK
- 84	6814311	1	. CAPACITOR- 4 MF 660 VAC 60 HZ
- 84	4120824	1	. CAPACITOR- 4 MF 660 VAC 50 HZ
- 85	5404092	1	. BRACKET- 60 HZ
- 85	2722510	1	. CLAMP- 50 HZ
- 86	1621186	1	. SCREW,PAN HD- M3.5 X 20 LG
- 87	1622402	1	. NUT,M3.5
- 88	2722507	1	. INSULATOR- 50 HZ
- 88	363001	1	. BOOT- 60 HZ
- 89	4712588	1	. POWER ASM,PS9
- 89A	642307	4	. SPACER
- 90	NO PN	1	. SENSE CARD
- 91	2667340	4	. STUD
- 92	2666955	1	. SAFETY COVER
- 93	2667357	1	. POWER FACTOR CAPACITOR ASM- 60 HZ 45 MF
- 93	2667358	1	. POWER FACTOR CAPACITOR ASM- 50 HZ 45 MF FOR DETAIL BREAKDOWN SEE FIGURE 21
- 95	1733813	1	. EPO BRACKET ASSEMBLY FOR DETAIL BREAKDOWN SEE FIGURE 27

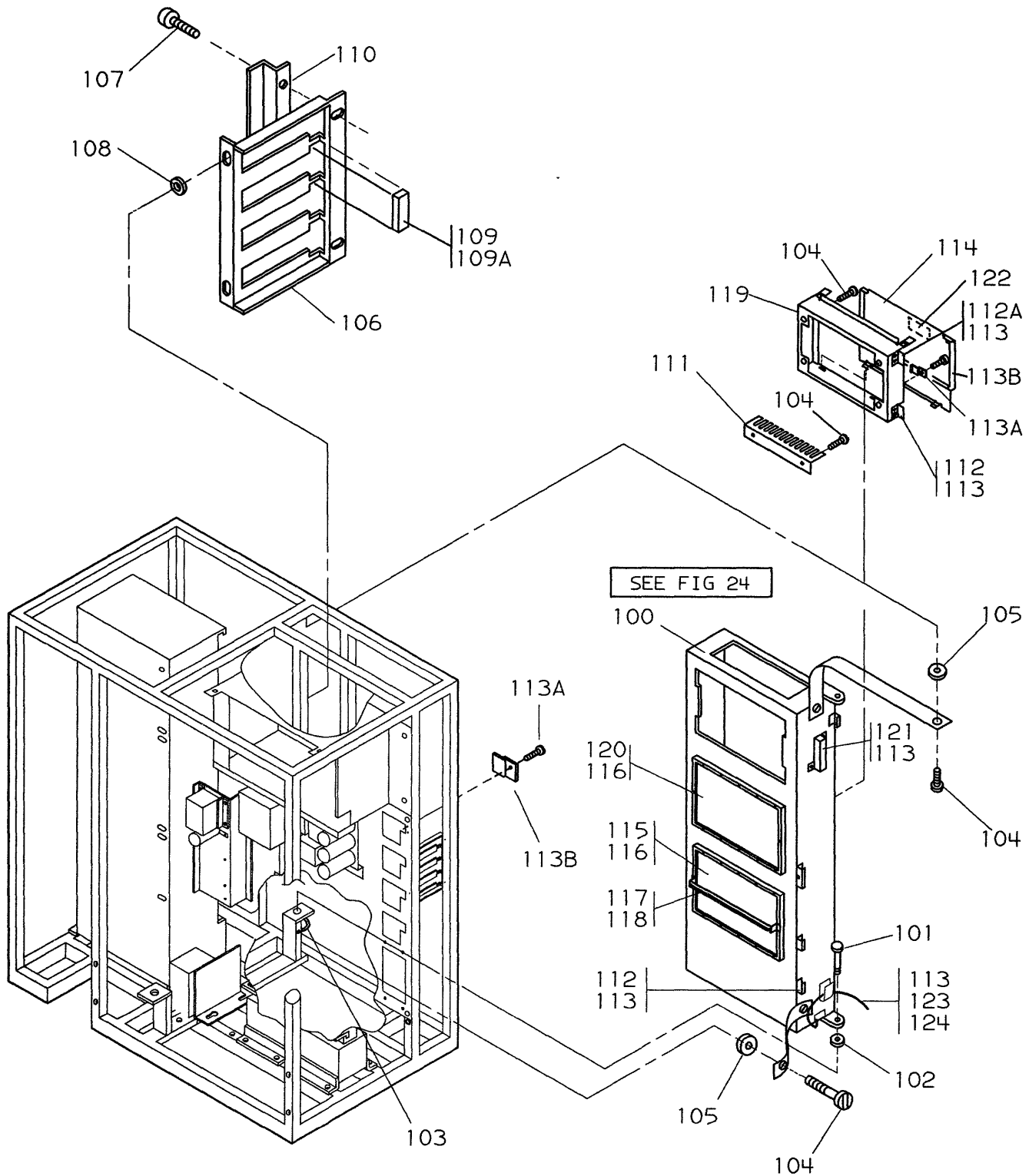


FIGURE 17 . FINAL ASSEMBLY FRAME 02 . SHEET 4 OF 4 . SEE LIST 17

LIST AND INDEX	PART NUMBER	UNITS PER ASM	DESCRIPTION
17 -100	1736770	1	. GATE ASSEMBLY,02B FOR DETAIL BREAKDOWN SEE FIGURE 24
-101	1733699	1	. SHAFT
-102	1622308	1	. WASHER,FLAT M10- 11 ID X 21 OD X 2 THK
-103	237245	1	. RING,RETAINING EXT- 0.300 ID X 0.035 THK
-104	1621197	AR	. SCREW,PAN HD- M4 X 6 LG
-105	1622346	1	. LCKW,EXT M4- 4.3 ID X 8 OD X 0.5 THK
-106	2667016	2	. TAIL GATE ASSEMBLY
-107	1673984	AR	. SCREW,PAN HD- M5 X 10 LG
-108	1622347	AR	. LCKW,EXT M5- 5.3 ID X 10 OD X 0.6 THK
-109	1736873	64	. DUMMY CONNECTOR
-109A	5393056	AR	. CONNECTOR ONLY IF REQUIRED
-110	1736746	2	. RETAINER
-111	1736887	AR	. GUIDE ASM
-112	2194941	AR	. BASE CLAMP
-112A	56X3048	2	. BASE CLAMP ONLY FOR LABC
-113	1621181	AR	. SCREW,PAN HD- M3.5 X 6 LG
-113A	6089105	AR	. RETAINER
-113B	1621170	AR	. SCREW,PAN HD- M3 X 6 LG
-114	1733353	2	. COVER ASM
-114	6426317	2	. COVER ASM ONLY FOR
-115	NO PN	1	. BOARD ASM,02B-A3 (LAB 7)
-116	1621175	AR	. SCREW,PAN HD- M3 X 20 LG
-117	1621177	2	. SCREW,PAN HD- M3 X 25 LG
-118	4712804	1	. RETAINER
-119	1736885	2	. GUIDE ASM
-120	NO PN	1	. BOARD ASM,02B-A2 (LAB 8)
-121	2667015	1	. CONNECTOR ASM
-122	4712571	AR	. LABEL THIS LABEL CONTAINS ALL OF THE LABELS FOR 3725,3726 LAB POSITIONS. USE THE CORRESPONDING LABEL FOR THE DESIRED LAB POSITION.
-123	2667091	1	. CABLE ASM
-124	2102364	1	. CLAMP

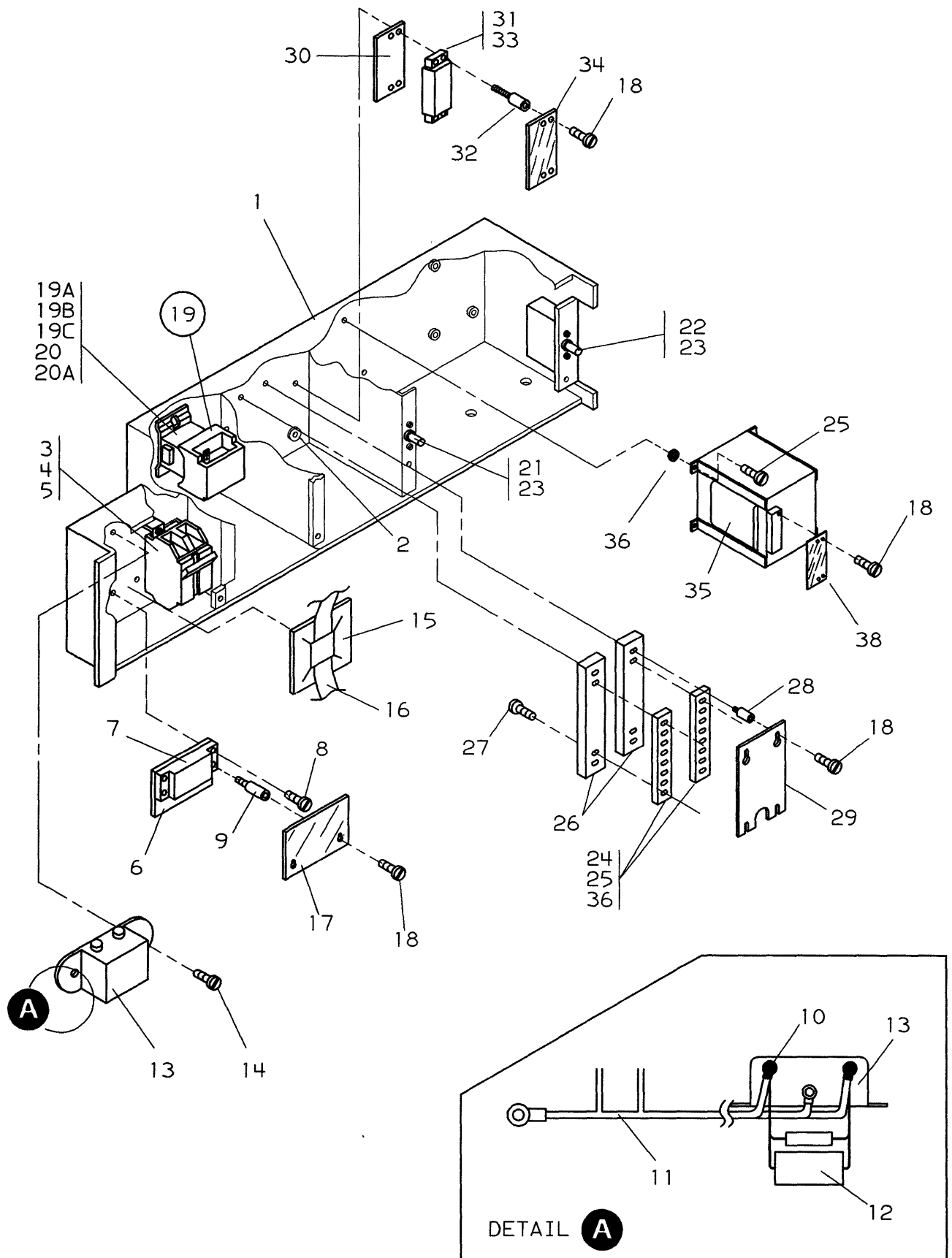


FIGURE 18 . PRIMARY POWER BOX . SHEET 1 OF 2 . SEE LIST 18



LIST AND INDEX	PART NUMBER	UNITS PER ASM	DESCRIPTION
18 -	1736773	REF	PRIMARY POWER BOX ASM- 60 HZ, ONLY FOR USA AND CANADA
-	2667201	REF	PRIMARY POWER BOX ASM- 60 HZ
-	2667202	REF	PRIMARY POWER BOX ASM- 50 HZ
-	2667203	REF	PRIMARY POWER BOX ASM- 50 HZ, ONLY FOR JAPAN
-	2667317	REF	PRIMARY POWER BOX ASM- 60 HZ, ONLY FOR JAPAN
-	4713009	REF	PRIM. POWER BOX ASM- 50 HZ, ONLY FOR AUSTRALIA AND NEW ZEALAND FOR ILLUSTRATION SEE FIGURE 18 FOR NEXT HIGHER ASM SEE LIST 17-39
- 1	1736860	1	. BOX ASM
- 2	4712871	1	. GROMMET
- 3	5719456	1	. CIRCUIT BREAKER- 15 AMP 240 V 2 POLE
- 4	1851574	4	. CLAMP
- 5	1621172	4	. SCREW,PAN HD- M3 X 10 LG
- 6	2101380	1	. MARKER STRIP- 2 POS
- 7	323840	1	. TERMINAL BOARD 2 DBL SCREW TERMINALS
- 8	1621184	2	. SCREW,PAN HD- M3.5 X 12 LG
- 9	4120572	2	. STUD
- 10	5975032	2	. CAP/FUSE INSULATOR,RUBBER
- 11	2667667	2	. CABLE ASM
- 12	2667348	1	. RESISTOR AND CAPACITOR ASM
- 13	1862652	1	. LINE FILTER CAPACITOR- 250 VAC 20 AMP
- 14	1621170	AR	. SCREW,PAN HD- M3 X 6 LG
- 15	2278668	2	. CLAMP
- 16	556450	1	. STRAP
- 17	4120456	1	. SAFETY SHIELD
- 18	1621181	AR	. SCREW,PAN HD- M3.5 X 6 LG
- 19	6426575	1	. CONTACTOR ASSEMBLY
- 19A	1621191	3	. SCREW,PAN HD- M4 X 10 LG
- 19B	2574125	1	. . CONTACTOR MAGNETIC- 24 VDC COIL 3 CONTACTS
- 19C	2396445	1	. . CAPACITOR ASM
- 20	2666959	1	. . DIODE ASM
- 20A	7837317	1	. RESISTOR ASM
- 21	2644456	1	. CIRCUIT PROTECTOR- 0.7 AMP 240 VAC
- 22	10170	AR	. SCREW,SLOT BIND HD- 6/32 X 0.250 LG
- 23	2574138	1	. CIRCUIT PROTECTOR- 2 AMP 50 VDC 1 POLE
- 24	1736895	2	. BUS BAR
- 25	1673984	AR	. SCREW,PAN HD- M5 X 10 LG
- 26	1736896	2	. INSULATOR
- 27	1624350	4	. SCREW,PAN HD- M5 X 10 LG
- 28	4712547	4	. STUD
- 29	6081291	1	. SAFETY SHIELD
- 30	322266	1	. MARKER STRIP- 6 POS
- 31	317131	1	. TERMINAL BOARD 6 DBL SCREW TERMINALS
- 32	4120571	2	. STUD
- 33	367115	3	. JUMPER-TERMINAL STRIP VDC DISTR BRS
- 34	337193	1	. SAFETY SHIELD TB- 6 POS
- 35	4119843	1	. TRANSFORMER- 60 HZ
- 35	4119831	1	. TRANSFORMER- 50 HZ
- 36	1622347	AR	. LCKW,EXT M5- 5.3 ID X 10 OD X 0.6 THK
- 38	1751307	1	. SAFETY SHIELD TB- 60 HZ
- 38	1161692	1	. SAFETY SHIELD TB- 50 HZ

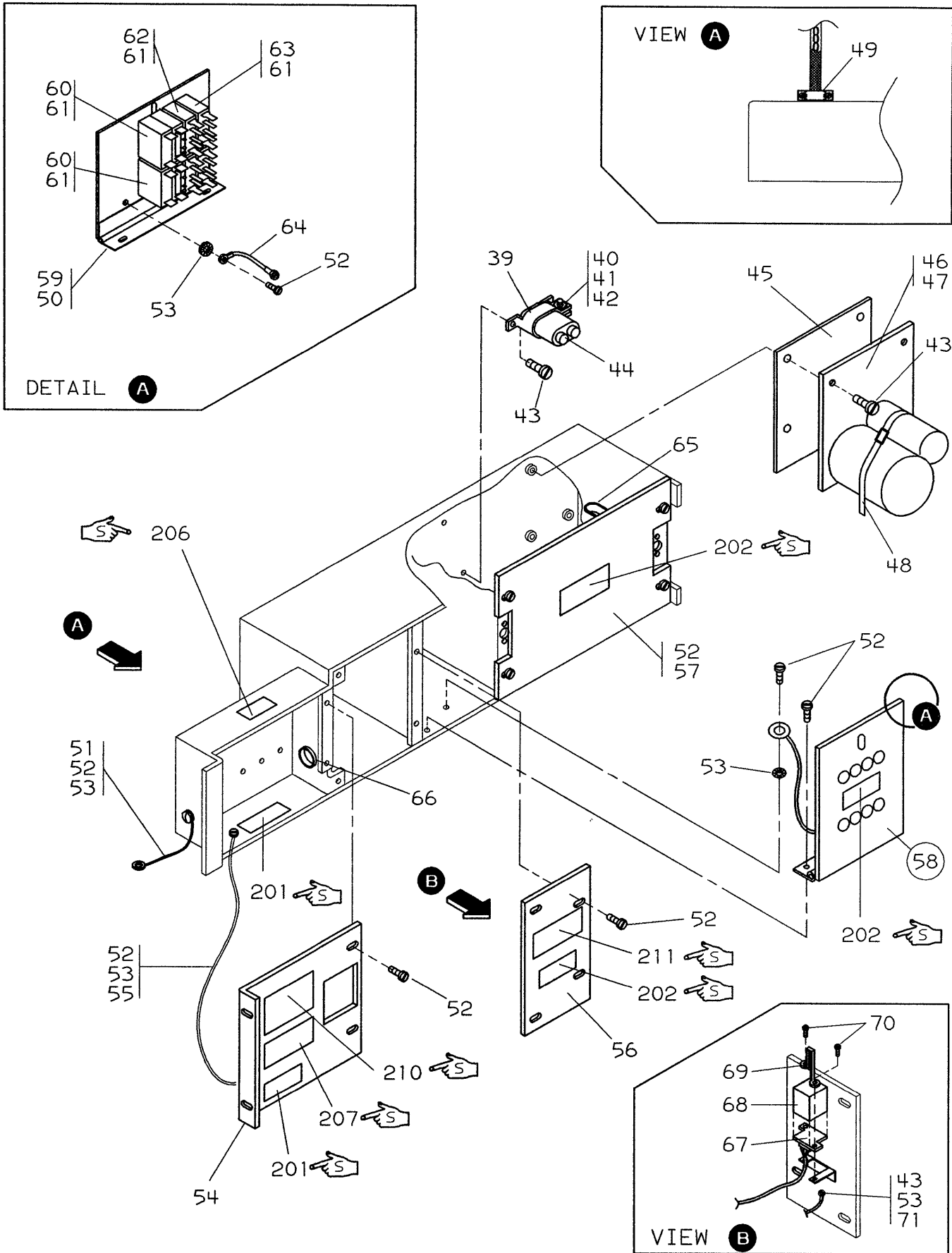


FIGURE 18 . PRIMARY POWER BOX . SHEET 2 OF 2 . SEE LIST 18

LIST AND INDEX	PART NUMBER	UNITS PER ASM	DESCRIPTION
18 - 39	5252850	1	. CAPACITOR- 2 MF 660 VAC 60 HZ
- 39	4120821	1	. CAPACITOR- 2 MF 660 VAC 50 HZ
- 40	737732	1	. BRACKET- 60 HZ
- 40	2722509	1	. CLAMP- 50 HZ
- 41	1621185	1	. SCREW,PAN HD- M3.5 X 16 LG USED WITH CLAMP 2722509
- 41	1621183	1	. SCREW,PAN HD- M3.5 X 10 LG USED WITH CLAMP 737732
- 42	1622402	1	. NUT,M3.5
- 43	1621197	AR	. SCREW,PAN HD- M4 X 6 LG
- 44	2722507	1	. INSULATOR- 50 HZ
- 44	363001	1	. BOOT- 60 HZ
- 45	1736782	1	. INSULATOR
- 46	6081245	1	. POWER SUPPLY,PS10
- 47	855231	3	. FUSE- 2 AMP 250 V
- 48	1597743	1	. TIE LOCK
- 48	2565125	1	. BUCKLE
- 49	2100264	1	. CLAMP
- 50	556450	1	. CLAMP
- 51	6081337	1	. JUMPER ASM
- 52	1621197	AR	. SCREW,PAN HD- M4 X 6 LG
- 53	1622346	AR	. LCKW,EXT M4- 4.3 ID X 8 OD X 0.5 THK
- 54	1736862	1	. COVER
- 55	2667094	1	. JUMPER
- 56	1736676	1	. COVER
- 57	1736863	1	. COVER
- 58	2667215	1	. CP PANEL ASSEMBLY
- 59	1736861	1	. . CIRCUIT PROTECTOR,BRACKET
- 60	5518550	4	. . CIRCUIT PROTECTOR- 3AMP 240 V 50/60 HZ 2 POLE
- 61	10170	AR	. . SCREW,SLOT BIND HD- 6/32 X 0.250 LG
- 62	1805224	2	. . CIRCUIT PROTECTOR- 2.5 AMP 240 VAC
- 63	2306660	2	. . CIRCUIT PROTECTOR- 10 AMP
- 64	2667094	1	. . JUMPER
- 65	480755	1	. GROMMET
- 66	4712870	1	. GROMMET
- 67	1733572	1	. CABLE ASM
- 68	2242321	1	. RELAY
- 69	5689628	1	. SPRING
- 70	1621170	2	. SCREW,PAN HD- M3 X 6 LG
- 71	2667094	1	. JUMPER

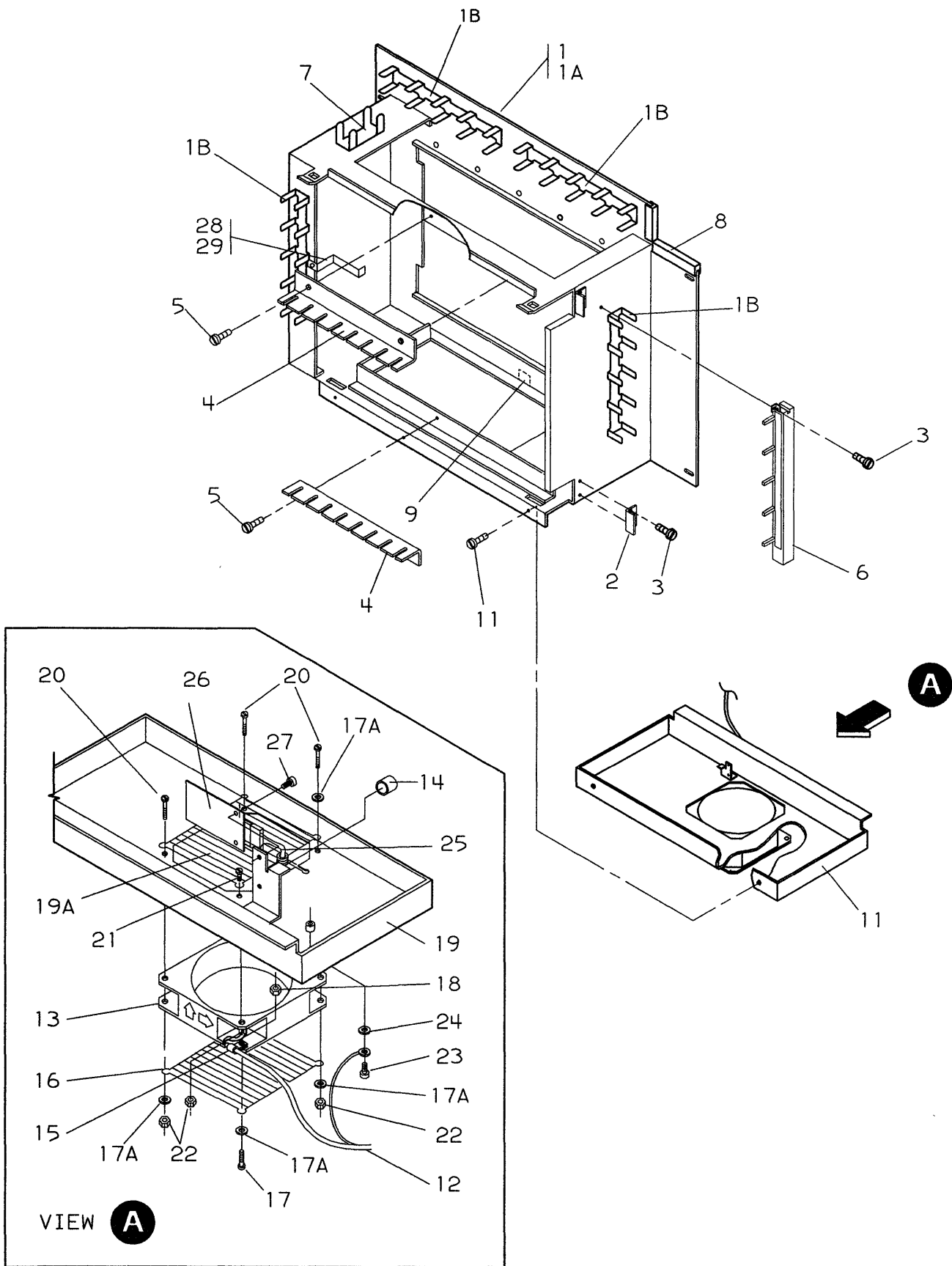


FIGURE 19 . GATE CAB ASSEMBLY . SEE LIST 19

LIST AND INDEX	PART NUMBER	UNITS PER ASM	DESCRIPTION
----------------	-------------	---------------	-------------

19 -	1733601	REF	GATE CAB ASSEMBLY FOR ILLUSTRATION SEE FIGURE 19 FOR NEXT HIGHER ASM SEE LIST 17-32
- 1	7837328	1	. GATE RACEWAY ASM
- 1A	1733553	1	. . GATE
- 1B	4449220	4	. . RACEWAY
- 2	2194941	2	. BASE CLAMP
- 3	1621181	AR	. SCREW, PAN HD- M3.5 X 6 LG
- 4	1736887	2	. GUIDE ASM
- 5	1621197	4	. SCREW, PAN HD- M4 X 6 LG
- 6	2667015	1	. CONNECTOR ASM
- 7	1550717	3	. RACEWAY
- 8	480755	1	. GROMMET
- 9	2596291	2	. CLAMP
- 10	6081188	1	. BLOWER ASM, CAB
- 11	1621197	2	. SCREW, PAN HD- M4 X 6 LG
- 12	6081187	1	. . CABLE ASM
- 13	4404222	1	. . FAN ASM
- 14	483619	1	. . TUBING
- 15	2102364	1	. . CLAMP
- 16	177946	1	. . FAN GUARD
- 17	1621185	1	. . SCREW, PAN HD- M3.5 X 16 LG
- 17A	1622303	1	. . WASHER, FLAT M3.5- 3.7 ID X 8 OD X 0.5 THK
- 18	1622402	1	. . NUT, M3.5
- 19	2667651	1	. . BRACKET
- 19A	177946	1	. . FAN GUARD
- 20	1621154	3	. . SCREW, SLOT PAN HD- M3 X 50 LG
- 21	1621174	1	. . SCREW, PAN HD- M3 X 16 LG
- 22	1622401	4	. . NUT, M3
- 23	1621197	1	. . SCREW, PAN HD- M4 X 6 LG
- 24	1622346	1	. . LCKW, EXT M4- 4.3 ID X 8 OD X 0.5 THK
- 25	1733567	1	. . CABLE ASM
- 26	4754410	1	. . CARD ASM, THERMAL SWITCH
- 27	1621170	2	. . SCREW, PAN HD- M3 X 6 LG
- 28	6089106	1	. BRACKET
- 29	1621170	1	. SCREW, PAN HD- M3 X 6 LG

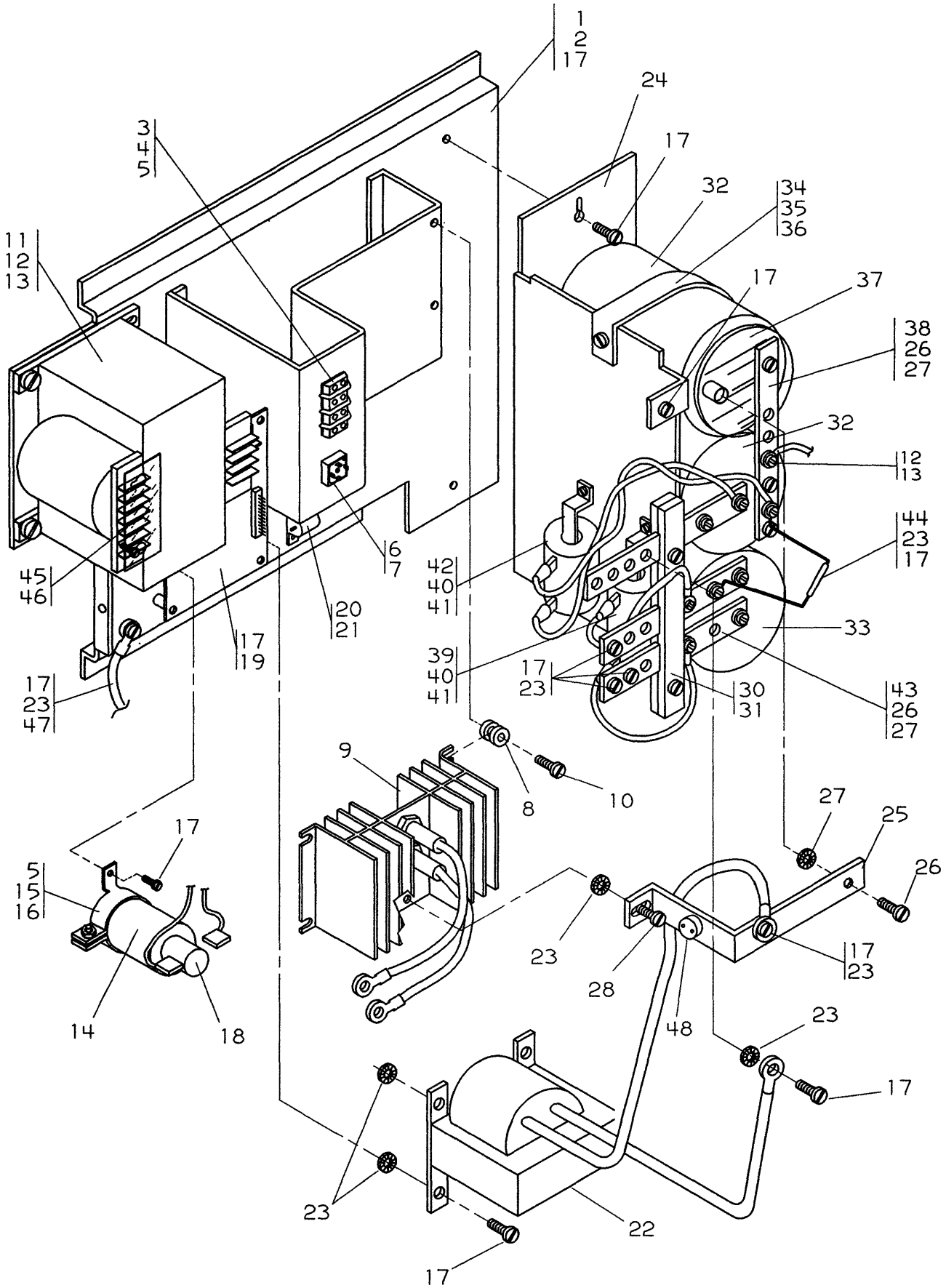


FIGURE 20 . POWER CAB ASSEMBLY . SEE LIST 20

LIST AND INDEX	PART NUMBER	UNITS PER ASM	DESCRIPTION
20 -	2667058	REF	POWER CAB ASSEMBLY- 60 HZ
-	2667064	REF	POWER CAB ASSEMBLY- 50 HZ
			FOR ILLUSTRATION SEE FIGURE 20
			FOR NEXT HIGHER ASM SEE LIST 17-36
- 1	2667315	1	. PLATE
- 2	2667057	1	. SAFETY SHIELD
- 3	2667723	1	. STRIP
- 4	436972	1	. TERMINAL BLOCK
- 5	1621185	AR	. SCREW,PAN HD- M3.5 X 16 LG
- 6	8278909	1	. RECTIFIER ASM
- 7	1621193	1	. SCREW,PAN HD- M4 X 16 LG
- 8	2181741	4	. INSULATOR
- 9	1733550	1	. HEAT SINK ASM
- 10	1621171	4	. SCREW,PAN HD- M3 X 8 LG
- 11	4119841	1	. TRANSFORMER- 60 HZ
- 11	4119829	1	. TRANSFORMER- 50 HZ
- 12	1673984	AR	. SCREW,PAN HD- M5 X 10 LG
- 13	1622347	AR	. LCKW,EXT M5- 5.3 ID X 10 OD X 0.6 THK
- 14	6814312	1	. CAPACITOR- 6 MF 660 VAC 60 HZ
- 14	4120852	1	. CAPACITOR- 6 MF 660 VAC 50 HZ
- 15	5404092	1	. BRACKET- 60 HZ
- 15	2722511	1	. CLAMP- 50 HZ
- 16	1622402	1	. NUT,M3.5
- 17	1621197	AR	. SCREW,PAN HD- M4 X 6 LG
- 18	2722507	1	. INSULATOR- 50 HZ
- 18	363001	1	. BOOT- 60 HZ
- 19	1733014	1	. PRINTED CKT,PS9
- 20	2667764	1	. RESISTOR ASM
- 21	1621176	2	. SCREW,PAN HD- M3 X 4 LG
- 22	4119761	1	. CHOKE POWER FREQUENCY- 4 M OHM, 0.13 mH 60 HZ
- 22	4119760	1	. CHOKE POWER FREQUENCY- 1 V, 0.200 mH 50 HZ
- 23	1622346	AR	. LCKW,EXT M4- 4.3 ID X 8 OD X 0.5 THK
- 24	2667788	1	. CAPACITOR ASM
- 25	1733496	1	. BUS BAR
- 26	332620	AR	. SCREW,SLOT BIND HD- 10/32 X 0.500 LG
- 27	1622335	1	. LCKW,INT M5- 5.3 ID X 10 OD X 0.6 THK
- 28	1621191	1	. SCREW,PAN HD- M4 X 10 LG
- 30	2667060	2	. . INSULATOR
- 31	1621174	2	. . SCREW,PAN HD- M3 X 16 LG
- 32	1646686	2	. . CAPACITOR- 300 MF 7.5 VDC
- 33	5252966	1	. . CAPACITOR- 225000 MF 10 VDC
- 34	6081370	1	. . CLAMP
- 35	1621199	2	. . SCREW,PAN HD- M4 X 4 LG
- 36	1733355	1	. . FOAM
- 37	337334	3	. . SAFETY SHIELD
- 38	1733495	1	. . BUS BAR
- 39	1733599	1	. . RESISTOR ASM
- 40	510316	2	. . BRACKET-MTG,25W RESISTOR
- 41	1621170	AR	. . SCREW,PAN HD- M3 X 6 LG
- 42	6081368	1	. . RESISTOR ASM
- 43	1733498	3	. . BUS BAR
- 44	1733544	1	. . RESISTOR ASM
- 45	1751307	1	. SAFETY SHIELD
- 46	1621181	2	. SCREW,PAN HD- M3.5 X 6 LG
- 47	2667094	1	. JUMPER
- 48	4712925	1	. THERMAL SWITCH





LIST AND INDEX	PART NUMBER	UNITS PER ASM	DESCRIPTION
21 -	2667357	REF	POWER FACTOR CAPACITOR ASM- 60 HZ 45 MF
-	2667358	REF	POWER FACTOR CAPACITOR ASM- 50 HZ 45 MF
-	2667627	REF	POWER FACTOR CAPACITOR ASM- 60 HZ 90 MF
-	2667628	REF	POWER FACTOR CAPACITOR ASM- 50 HZ 90 MF
			FOR ILLUSTRATION SEE FIGURE 21
			FOR NEXT HIGHER ASM SEE LIST
			17-38, 17-74, 17-93 AND 17-94
- 1	6081371	1	. BRACKET USED WITH ASM 2667357 AND 2667358
- 2	8279076	1	. CAPACITOR- 45 MF 330 VAC 60 HZ
- 3	4120815	1	. CAPACITOR- 45 MF 330 VAC 50 HZ
- 4	2449882	1	. CLAMP USED WITH CAPACITOR 8279076
- 5	2722514	1	. CLAMP, CAPACITOR- 3.35 DIA USED WITH CAPACITOR 4120815
- 6	1621197	2	. SCREW, PAN HD- M4 X 6 LG USED WITH ASM 2667357 AND 2667358
- 7	1621194	1	. SCREW, PAN HD- M4 X 20 LG USED WITH ASM 2667358
- 8	1622403	1	. NUT, M4 USED WITH ASM 2667358
- 9	2667344	1	. CABLE ASM
- 10	526378	2	. INSULATOR- 60 HZ
- 11	2722507	1	. INSULATOR- 50 HZ
- 12	8279076	1	. CAPACITOR- 45 MF 330 VAC 60 HZ
- 13	4120815	1	. CAPACITOR- 45 MF 330 VAC 50 HZ
- 14	2449882	2	. CLAMP- 60 HZ
- 15	2722514	1	. CLAMP- 50 HZ
- 16	1621197	2	. SCREW, PAN HD- M4 X 6 LG USED WITH ASM 2667627 AND 2667628
- 17	1621194	1	. SCREW, PAN HD- M4 X 20 LG USED WITH ASM 2667628
- 18	1622403	1	. NUT, M4 USED WITH ASM 2667628
- 19	2667364	2	. JUMPER ASM USED WITH ASM 2667627 AND 2667628
- 20	526378	2	. INSULATOR- 60 HZ
- 21	2722507	1	. INSULATOR- 50 HZ

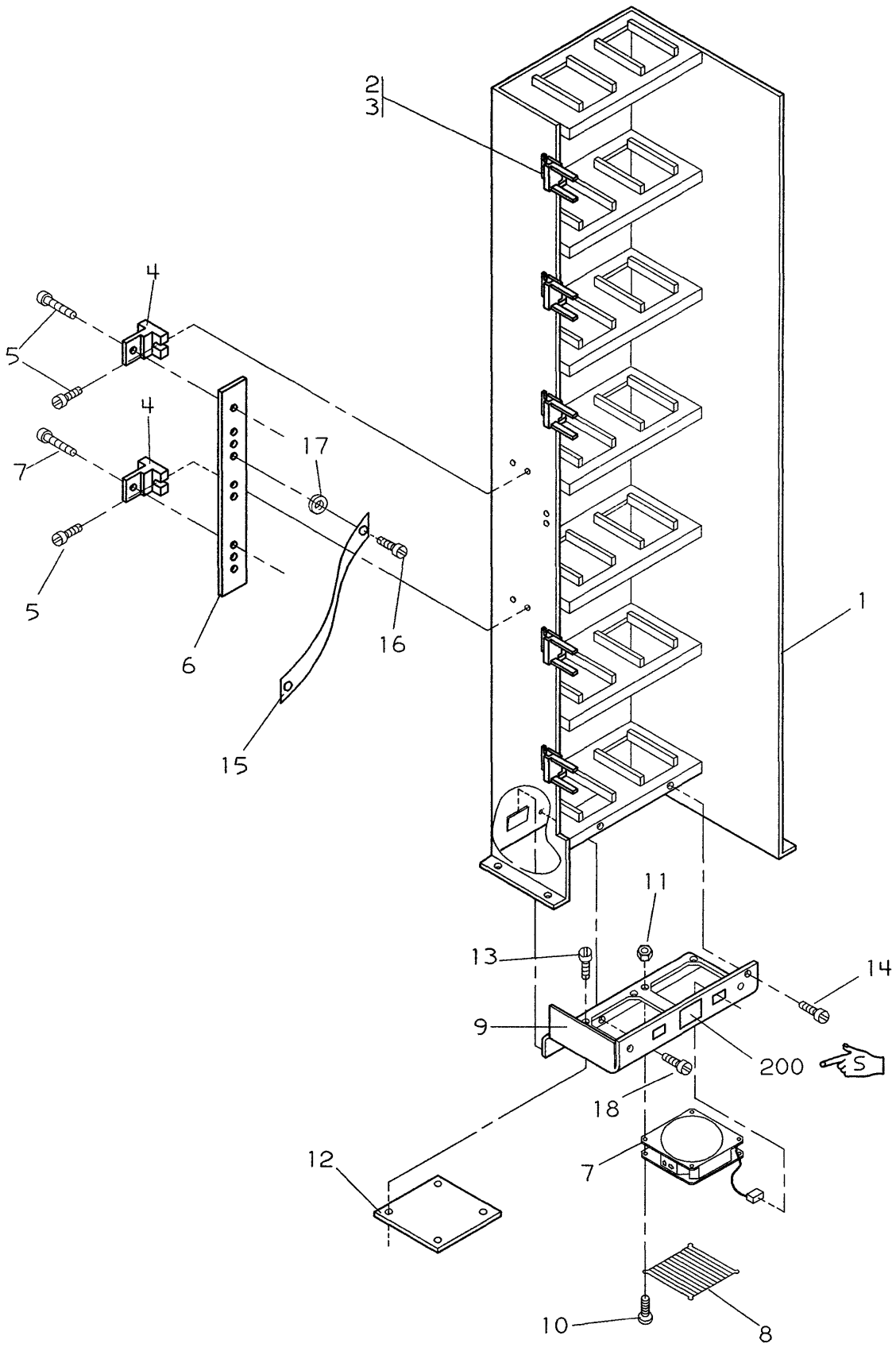


FIGURE 22 . POWER TUB ASSEMBLY . SEE LIST 22

LIST AND INDEX	PART NUMBER	UNITS PER ASM	DESCRIPTION
----------------	-------------	---------------	-------------

22 -	1733915	REF	POWER TUB ASSEMBLY FOR ILLUSTRATION SEE FIGURE 22 FOR NEXT HIGHER ASM SEE LIST 17-1
- 1	1736866	1	. TUB
- 2	4712920	5	. BASE CLAMP
- 3	1621181	10	. SCREW, PAN HD- M3.5 X 6 LG
- 4	1736897	2	. SUPPORT
- 5	1621190	AR	. SCREW, PAN HD- M4 X 8 LG
- 6	1736872	1	. BUS BAR
- 7	1733698	2	. FAN ASM
- 8	177946	2	. GUARD
- 9	1736871	1	. BRACKET
- 10	1621154	8	. SCREW, SLOT PAN HD- M3 X 50 LG
- 11	1622401	8	. NUT, M3
- 12	2667724	1	. PLATE USED WHEN LEFT FAN IS NOT INSTALLED
- 13	1621170	4	. SCREW, PAN HD- M3 X 6 LG
- 14	1621197	4	. SCREW, PAN HD- M4 X 6 LG
- 15	2109294	1	. JUMPER
- 16	1673983	1	. SCREW, PAN HD- M4 X 6 LG
- 17	1622347	1	. LCKW, EXT M5- 5.3 ID X 10 OD X 0.6 THK
- 18	1621190	2	. SCREW, PAN HD- M4 X 8 LG

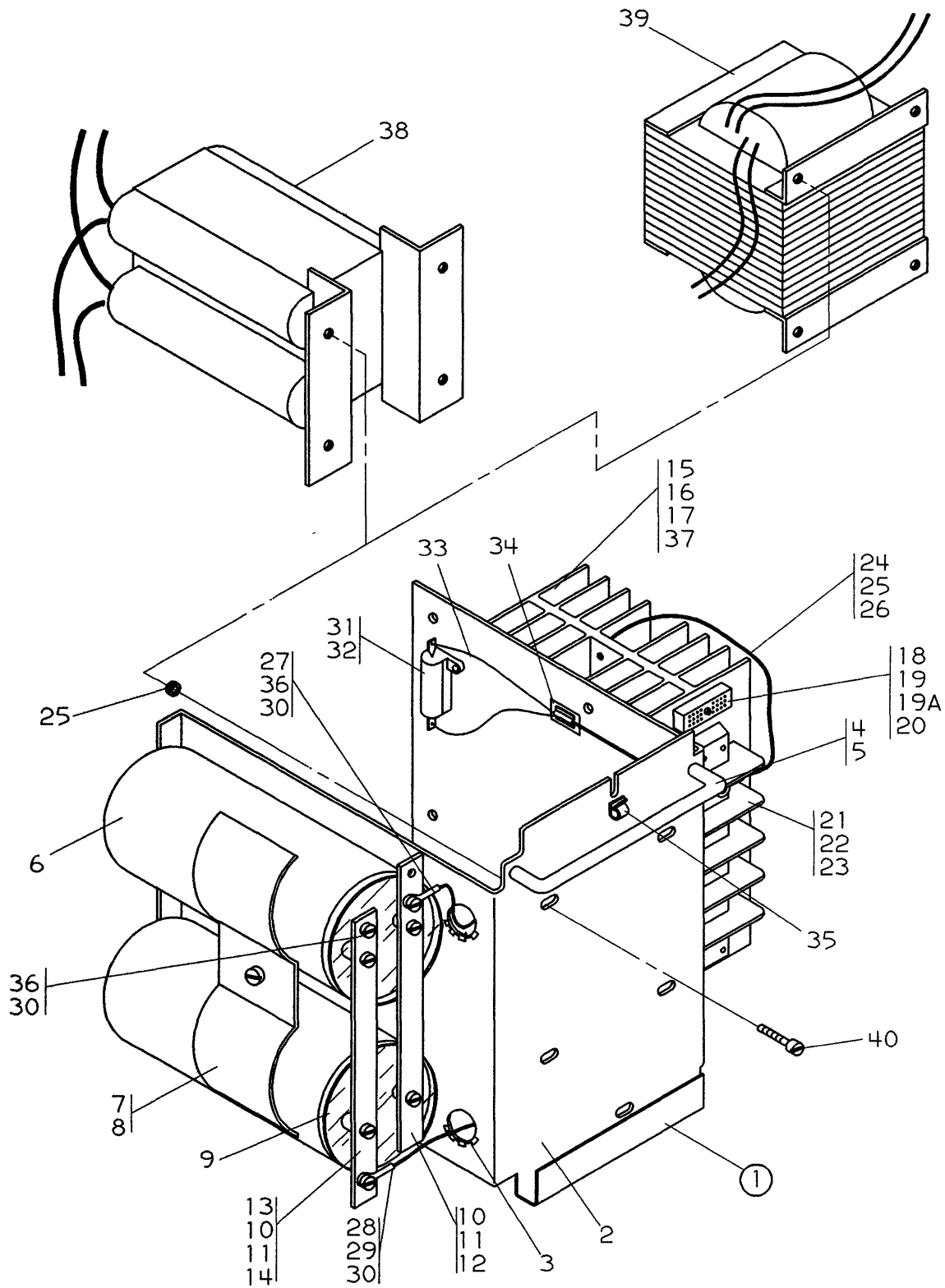


FIGURE 23 . POWER BLOCK 5 V 42 AMP ASSEMBLY . SEE LIST 23

LIST AND INDEX	PART NUMBER	UNITS PER ASM	DESCRIPTION
23 -	1733849	REF	POWER BLOCK ASSEMBLY- 5 V 42 AMP 50 HZ
-	1733401	REF	POWER BLOCK ASSEMBLY- 5 V 42 AMP 60 HZ FOR ILLUSTRATION SEE FIGURE 23 FOR NEXT HIGHER ASM SEE LIST 17-77
- 1	1736810	1	. BRACKET ASM
- 2	1733397	1	. . BRACKET
- 3	4802965	4	. . GROMMET
- 4	4712827	1	. . HANDLE
- 5	1621210	2	. . SCREW,PAN HD- M5 X 10 LG
- 6	4430000	2	. . CAPACITOR- 650000 MF 6.3 VDC
- 7	1733417	1	. . CLAMP
- 8	1621205	1	. . SCREW,PAN HD- M4 X 65 LG
- 9	2666965	2	. . SAFETY SHIELD
- 10	65756	4	. . LOCKWASHER,INT- 0.256 ID X 0.478 OD
- 11	1733390	2	. . BUS BAR
- 12	243087	2	. . SCREW,ROUND HD- 0.250 28 UNF 2A X 12.7 LG
- 13	765073	2	. . SPACER
- 14	345116	2	. . SCREW,HEX HD- 0.250-28 UNF 2A X 19.05 LG
- 15	1770790	2	. . RECTIFIER ASM
- 16	2181741	8	. . INSULATOR
- 17	1621171	8	. . SCREW,PAN HD- M3 X 8 LG
- 18	302131	1	. . STRIP-TERMINAL BLOCK INSULATOR
- 19	302090	1	. . TERMINAL BLOCK ASM- 24 FEMALE CONTACTS
- 19A	1733679	2	. . RESISTOR ASM- 430 OHM 0.5 W
- 20	1621173	1	. . SCREW,PAN HD- M3 X 12 LG
- 21	5367888	1	. . MARKER STRIP
- 22	5213913	1	. . TERMINAL BLOCK
- 23	1621194	4	. . SCREW,PAN HD- M4 X 20 LG
- 24	1733385	2	. . JUMPER ASM
- 25	1622347	AR	. . LCKW,EXT M5- 5.3 ID X 10 OD X 0.6 THK
- 26	236849	2	. . SCREW,BIND HD- 10/32 X 0.250 LG
- 27	1733399	1	. . JUMPER
- 28	1733386	1	. . JUMPER
- 29	1622346	1	. . LCKW,EXT M4- 4.3 ID X 8 OD X 0.5 THK
- 30	1621190	AR	. . SCREW,PAN HD- M4 X 8 LG
- 31	2195636	1	. . RESISTOR- 1 OHM PLUS/MINUS 5 % 50 W
- 32	1621176	2	. . SCREW,PAN HD- M3 X 4 LG
- 33	1733383	2	. . JUMPER
- 34	2596291	3	. . BASE CLAMP
- 35	2596275	1	. . CLAMP
- 36	1622346	1	. . LCKW,EXT M4- 4.3 ID X 8 OD X 0.5 THK
- 37	4712925	1	. THERMAL SWITCH, ONLY FOR PS3
- 38	4119740	1	. POWER INDUCTOR- 0.9 TO 2.8 mH 50 HZ
- 39	4119755	1	. POWER INDUCTOR- 0.78 TO 2.7 mH 60 HZ
- 40	1673984	4	. SCREW,PAN HD- M5 X 10 LG

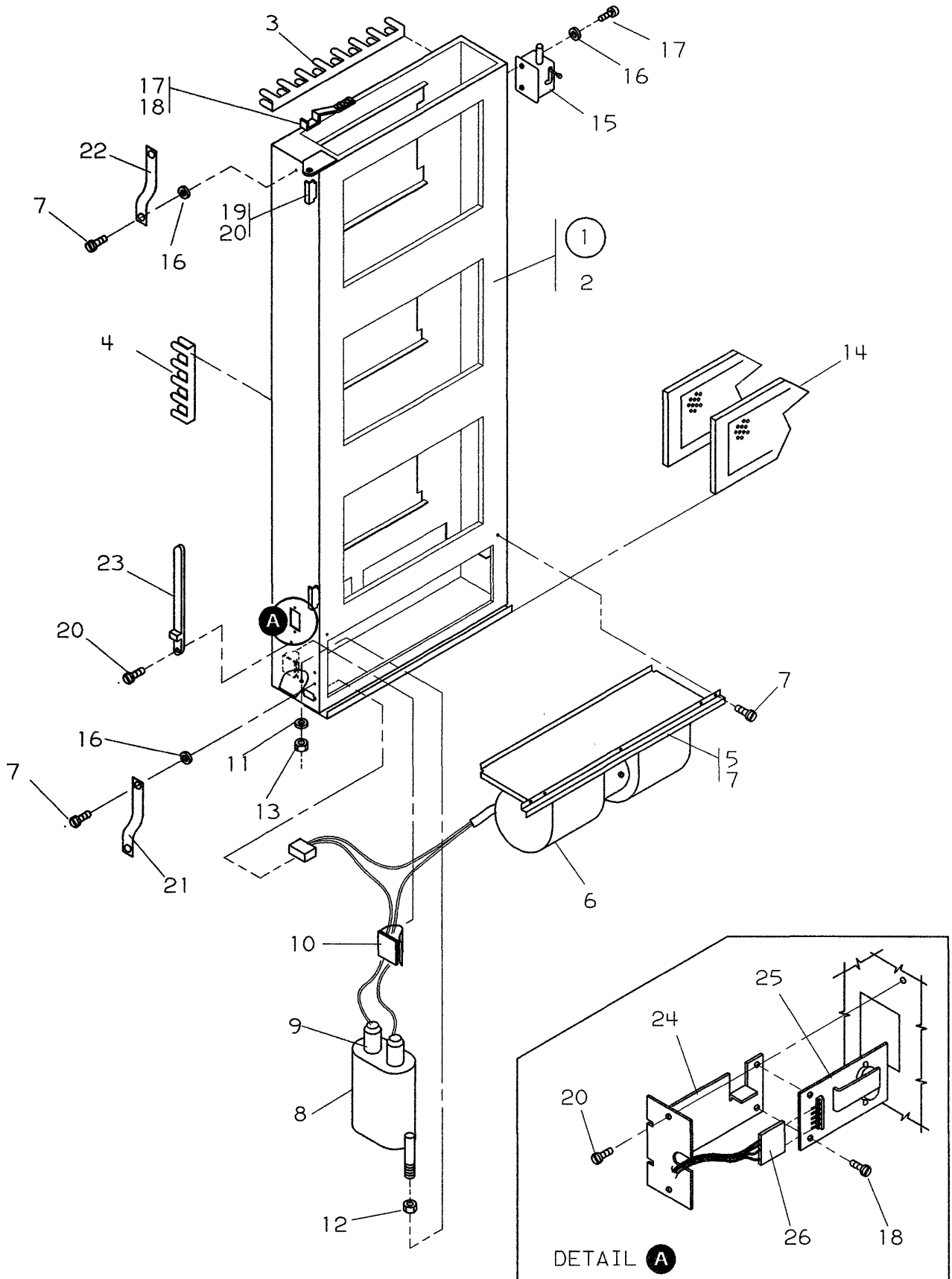


FIGURE 24 . GATE ASSEMBLY FRAME 02 . SEE LIST 24

LIST AND INDEX	PART NUMBER	UNITS PER ASM	DESCRIPTION
----------------	-------------	---------------	-------------

24 -	1736770	REF	GATE ASSEMBLY FOR ILLUSTRATION SEE FIGURE 24 FOR NEXT HIGHER ASM SEE LIST 17-45 AND 17-100
- 1	7837331	1	. GATE RACEWAY ASM
- 2	1736768	1	. . GATE
- 3	4449221	5	. . RACEWAY
- 4	4449220	5	. . RACEWAY
- 5	1736874	1	. GUIDE FILTER
- 6	4120595	1	. BLOWER ASM
- 7	1621197	AR	. SCREW,PAN HD- M4 X 6 LG
- 8	5252824	1	. CAPACITOR- 4 MF 370 VAC
- 9	363001	1	. BOOT
- 10	2596291	1	. CLAMP
- 11	1622347	2	. LCKW,EXT M5- 5.3 ID X 10 OD X 0.6 THK
- 12	221	2	. NUT
- 13	11598	2	. NUT,PLAIN HEX- 12/32 X 3/8 FL W
- 14	4681518	2	. FILTER
- 15	4712824	1	. LATCH ASSEMBLY
- 16	1622346	AR	. LCKW,EXT M4- 4.3 ID X 8 OD X 0.5 THK
- 17	2666972	1	. LATCH
- 18	1621170	2	. SCREW,PAN HD- M3 X 6 LG
- 19	2194941	4	. BASE CLAMP
- 20	1621181	AR	. SCREW,PAN HD- M3.5 X 6 LG
- 21	4802949	1	. JUMPER
- 22	5267931	1	. JUMPER
- 23	1159255	1	. CLAMP
- 24	2666971	1	. BRACKET
- 25	6081000	1	. CARD ASM,THERMAL SWITCH
- 26	1733563	1	. CABLE ASM (02B)
- 26	1733564	1	. CABLE ASM (02A)

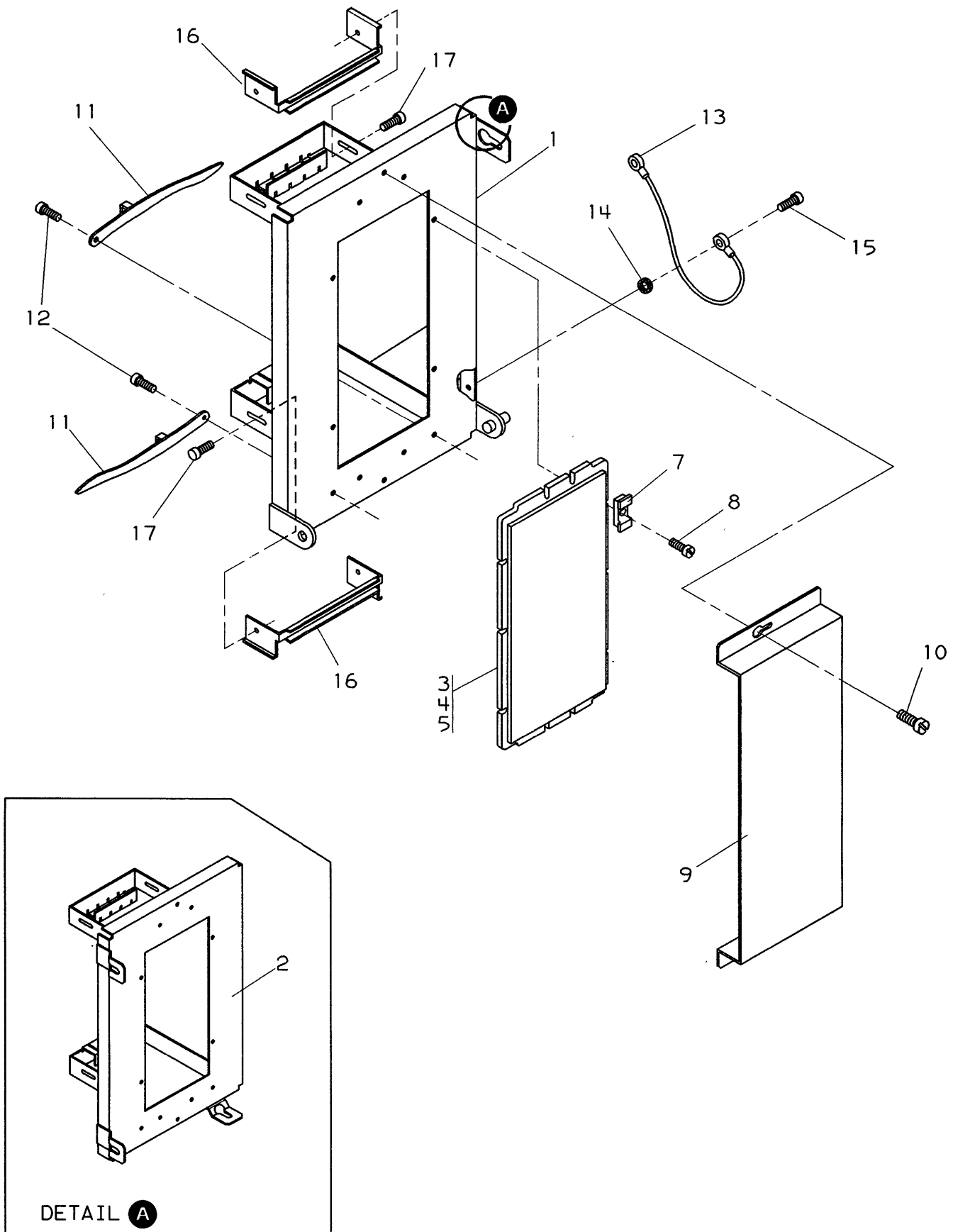


FIGURE 25 . POWER BOARDS ASSEMBLY , SEE LIST 25



LIST AND INDEX	PART NUMBER	UNITS PER ASM	DESCRIPTION
25 -	2667668	REF	POWER BOARD ASSEMBLY,PWB1 FOR ILLUSTRATION SEE FIGURE 25 FOR NEXT HIGHER ASM SEE LIST 2-61
-	2667674	REF	POWER BOARD ASSEMBLY,PWB2 FOR ILLUSTRATION SEE FIGURE 25 FOR NEXT HIGHER ASM SEE LIST 17-49
- 1	6081103	1	. BRACKET POWER BOARD,PWB1
- 2	2667233	1	. BRACKET POWER BOARD,PWB2
- 3	NO PN	1	. BOARD ASM,PWB1,01R-A1
- 3	NO PN	1	. BOARD ASM,PWB2,02J-A1
- 4	NO PN	AR	. TERMINATOR CARDS,PWB2 POSITION A3 AND/OR A4,A5,YA,YB
- 5	NO PN	1	. TERMINATOR CARDS,POSITION ZA,PWB1
- 7	813179	4	. CLAMP
- 8	1621023	4	. SCREW,CHEESE HD- M3 X 12 LG
- 9	2667212	1	. COVER
- 10	1621170	2	. SCREW,PAN HD- M3 X 6 LG
- 11	1159255	2	. CLAMP
- 12	1621170	2	. SCREW,PAN HD- M3 X 6 LG
- 13	2667094	1	. JUMPER
- 14	1622346	1	. LCKW,EXT M4- 4.3 ID X 8 OD X 0.5 THK
- 15	1621197	1	. SCREW,PAN HD- M4 X 6 LG
- 16	4712872	2	. RETAINER
- 17	1621181	2	. SCREW,PAN HD-M3.5 X 6 LG

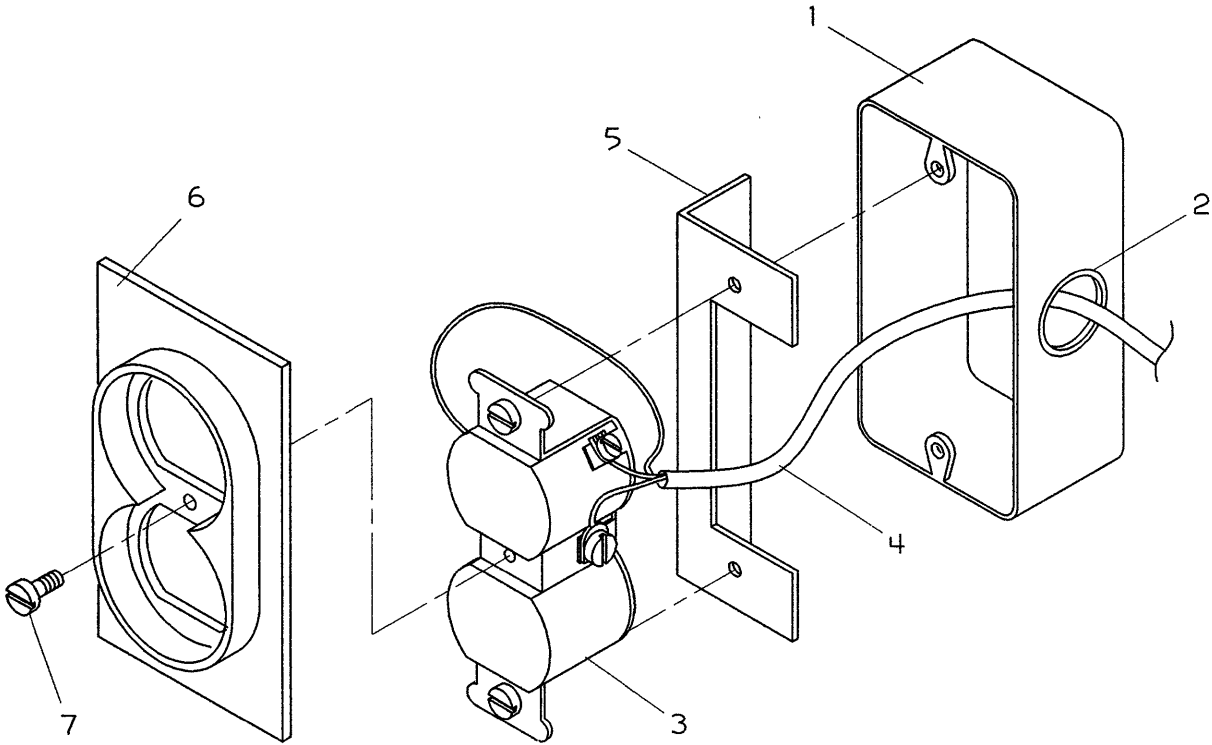


FIGURE 26 . CONVENIENCE OUTLET ASM . SEE LIST 26

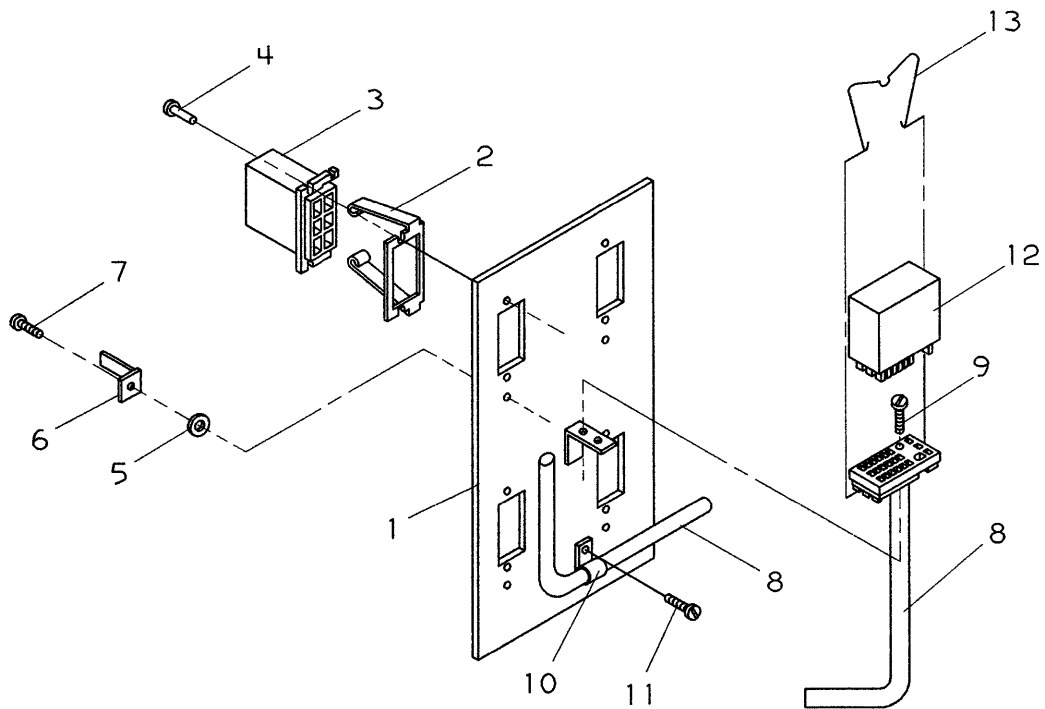


FIGURE 27 . EPO BRACKET ASSEMBLY . SEE LIST 27

LIST AND INDEX	PART NUMBER	UNITS PER ASM	DESCRIPTION
26 -	2667662	REF	CONVENIENCE OUTLET ASM- 60 HZ
-	2667663	REF	CONVENIENCE OUTLET ASM- 50 HZ
			FOR ILLUSTRATION SEE FIGURE 26
			FOR NEXT HIGHER ASM SEE LIST 4-74
- 1	194355	1	. BOX-OUTLET
- 2	6163094	1	. SNAP BUSHING
- 3	357995	1	. OUTLET, CONVENIENCE- 125 V 60 HZ
- 3	418835	1	. OUTLET, CONVENIENCE- 220 V 50 HZ
- 4	1736819	1	. CABLE ASM- 60 HZ
- 4	2667088	1	. CABLE ASM- 50 HZ
- 5	2667059	1	. BRACKET
- 6	2502115	1	. SHROUD
- 7	81693	1	. SCREW, SLOT BIND HD- 6/32 X 0.375 LG

LIST AND INDEX	PART NUMBER	UNITS PER ASM	DESCRIPTION
27 -	1733812	REF	EPO BRACKET ASSEMBLY, BASIC
			FOR NEXT HIGHER ASM SEE LIST 2-65
-	1733813	REF	EPO BRACKET ASSEMBLY, EXPANSION
			FOR ILLUSTRATION SEE FIGURE 27
			FOR NEXT HIGHER ASM SEE LIST 17-95
- 1	1736948	1	. BRACKET
- 2	5236960	4	. CLIP
- 3	523269	4	. HOUSING
- 4	1621021	8	. SCREW, CHEESE HD- M3 X 8 LG
- 5	1622344	4	. LCKW, EXT M3- 3.2 ID X 6 OD X 0.4 THK
- 6	5271288	4	. TERMINAL
- 7	1621020	4	. SCREW, CHEESE HD- M3 X 6 LG
- 8	1733688	1	. CABLE, BASIC
- 8	1733568	1	. CABLE, EXPANSION
- 9	1621170	1	. SCREW, PAN HD- M3 X 6 LG
- 10	2102364	1	. CLAMP
- 11	1621170	1	. SCREW, PAN HD- M3 X 6 LG
- 12	5351156	1	. RELAY
- 13	5351163	1	. CLIP

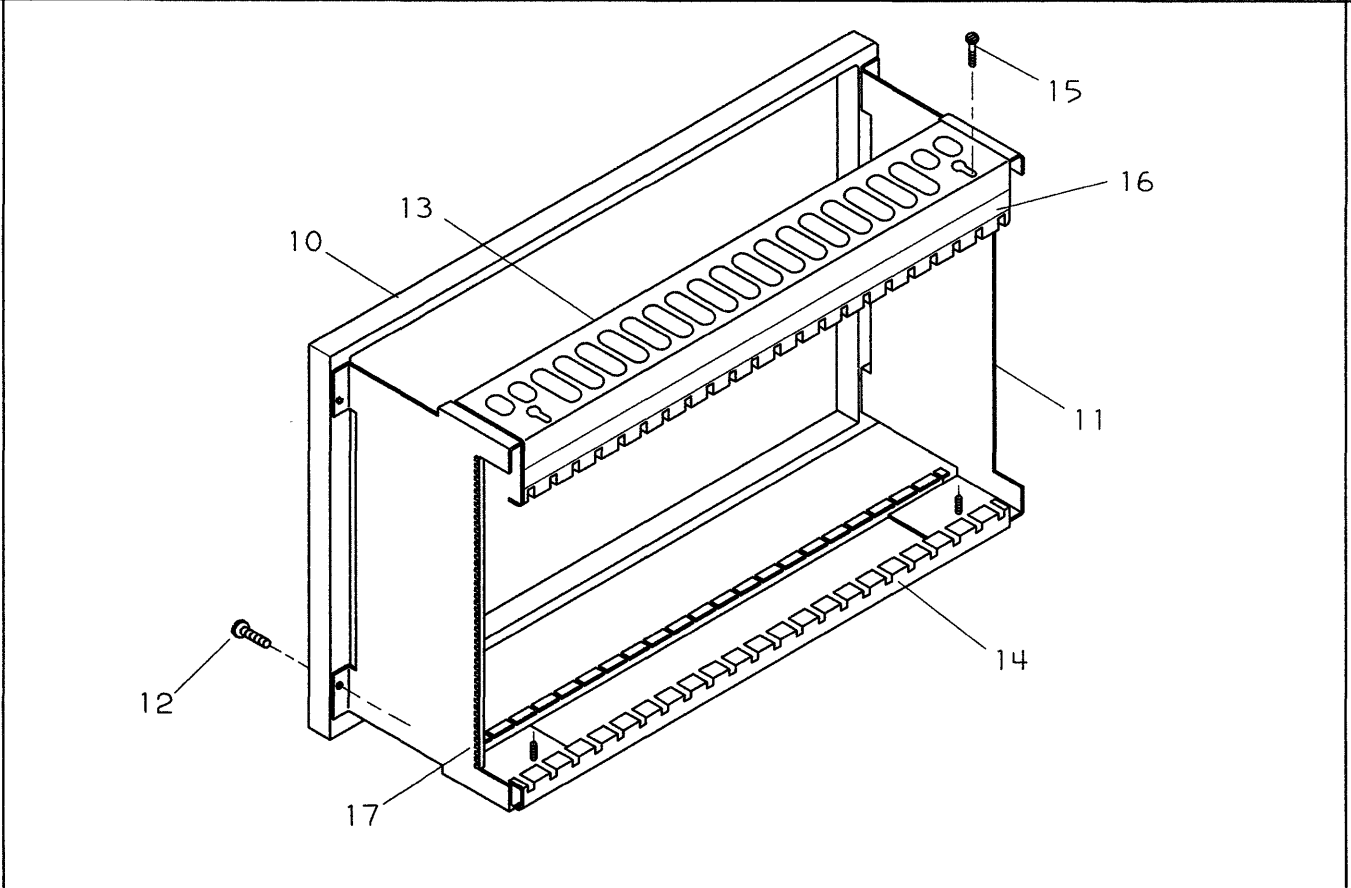
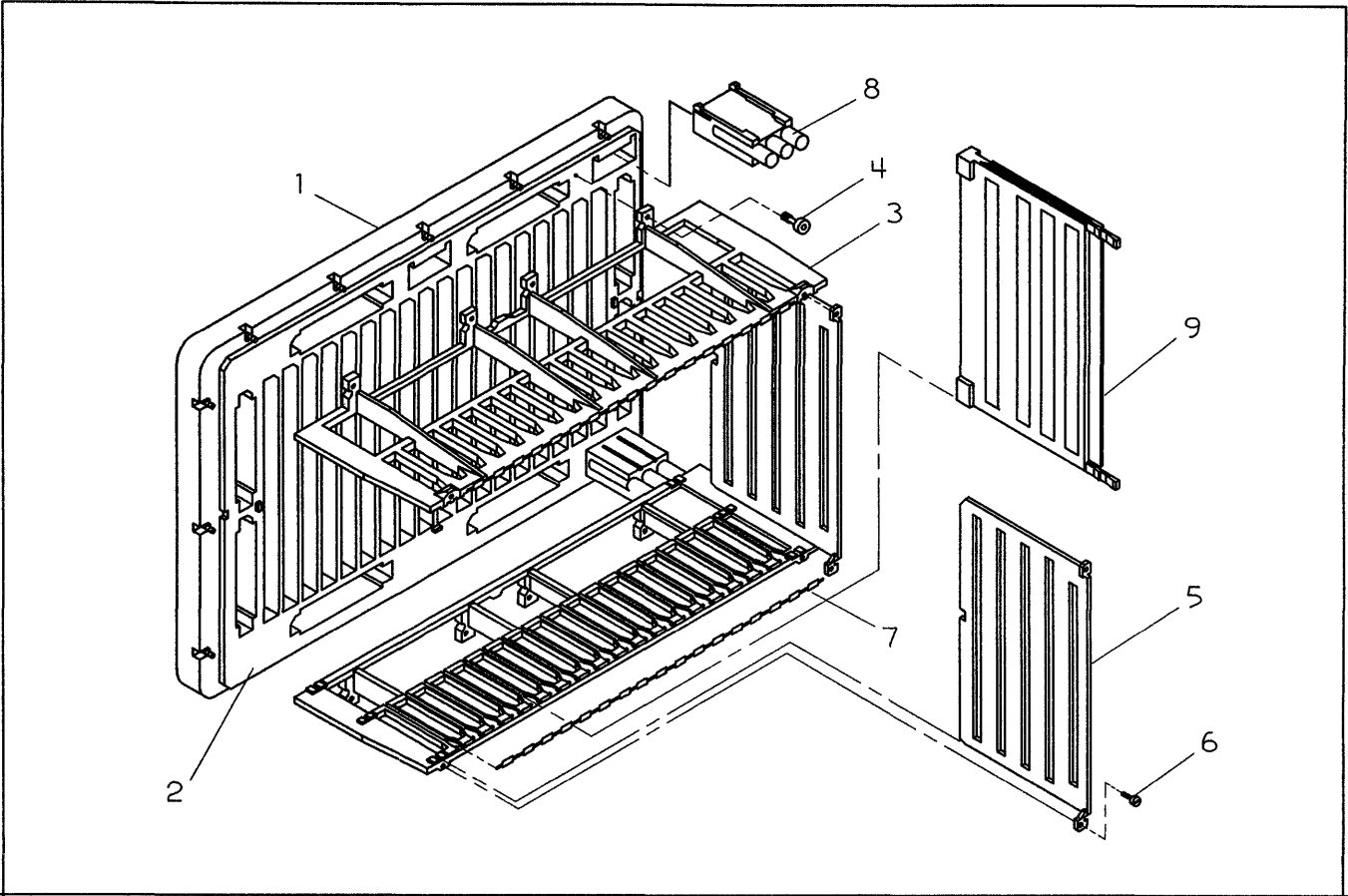


FIGURE 28 . BOARD ASSEMBLY . SEE LIST 28

LIST AND INDEX	PART NUMBER	UNITS PER ASM	DESCRIPTION
28 - 1	NO PN	REF	BOARD ASM 18 PAC,01A-A2 FOR ILLUSTRATION SEE FIG 28
- 2	NO PN	1	. BOARD
- 3	4138523	2	. CARD GUIDE
- 4	2360072	8	. CAPTIVE SCREW- M3.5 X 12.7 LG
- 5	4138524	2	. PLATE
- 6	1621170	4	. SCREW,PAN HD- M3 X 6 LG
- 7	4138559	2	. MARKER STRIP
- 8	4138587	2	. CAP HSG ASM
- 9	4138564	7	. DUMMY CARD
- 10	NO PN	REF	BOARD SUB ASM 22 COLUMN 01A-A1,A3;01B-A1,A2;02A-A1,A2,A3; 02B-A1,A2,A3;02C-A1 FOR ILLUSTRATION SEE FIG 28
- 11	6081087	2	. AIR BAFFLE
- 12	1621175	4	. SCREW,PAN HD- M3 X 20 LG
- 13	8268914	1	. GUIDE UPPER
- 14	8268915	1	. GUIDE LOWER
- 15	1621197	4	. SCREW,PAN HD- M4 X 6 LG
- 16	2667765	1	. LABEL
- 17	480755	1	. GROMMET

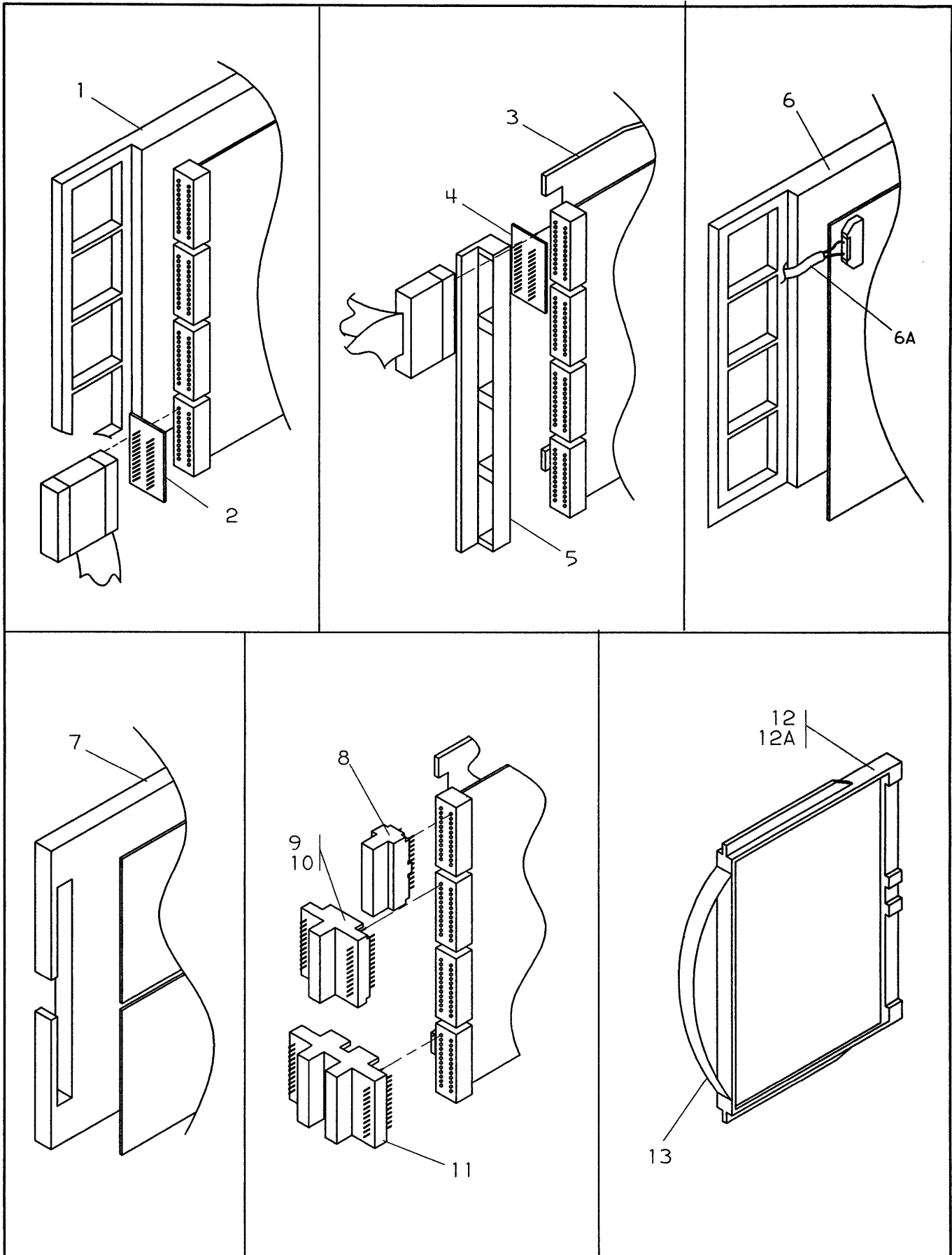


FIGURE 29 . CARD HARDWARE MOUNTINGS . SEE LIST 29

LIST AND INDEX	PART NUMBER	UNITS PER ASM	DESCRIPTION
----------------	-------------	---------------	-------------

29 -	NO PN	REF	CARD HARDWARE MOUNTING
-			FOR ILLUSTRATION SEE FIGURE 29
- 1	1733309	AR	. CARD HOLDER
- 2	5997553	AR	. SEGMENT BOARD
- 3	8240000	AR	. CARD HOLDER
			USED FOR CARD 4W 3H
- 3	2732785	AR	. CARD HOLDER
			USED FOR CARD 2W 3H
- 4	5997533	AR	. SEGMENT BOARD
- 5	4802963	AR	. COUPLER
- 6	819408	AR	. CARD HOLDER
- 6A	6163098	AR	. CABLE ASM, TO TAIL GATE
- 7	818002	AR	. CARD HOLDER
- 8	2399086	AR	. CROSSOVER NON-POLARIZED 1 POS
- 9	6081372	AR	. CROSSOVER POLARIZED 2 POS
- 9	4138552	AR	. CROSSOVER POLARIZED 2 POS
- 9	6819211	AR	. CROSSOVER POLARIZED 2 POS
- 9	1794411	AR	. CROSSOVER NON-POLARIZED 2 POS
- 9	2633938	AR	. CROSSOVER NON-POLARIZED 2 POS
- 10	243087	2	. SCREW, ROUND HD- 0.250 28 UNF 2A X 12.7 LG
- 11	5590961	AR	. CROSSOVER POLARIZED 3 POS
- 11	6125294	AR	. CROSSOVER POLARIZED 3 POS
- 11	4134831	AR	. CROSSOVER NON-POLARIZED 3 POS
- 11	2666927	AR	. CROSSOVER POLARIZED 3 POS
- 11	2666929	AR	. CROSSOVER POLARIZED 3 POS
- 11	6081373	AR	. CROSSOVER POLARIZED 3 POS
- 11	1733265	AR	. CROSSOVER POLARIZED 3 POS
- 11	6819214	AR	. CROSSOVER POLARIZED 3 POS
- 11	6081118	AR	. CROSSOVER POLARIZED 3 POS
- 11	6125296	AR	. CROSSOVER POLARIZED 3 POS
- 11	6125298	AR	. CROSSOVER POLARIZED 3 POS
- 11	6125300	AR	. CROSSOVER POLARIZED 3 POS
- 11	5590964	AR	. CROSSOVER POLARIZED 3 POS
- 12	819632	AR	. DUMMY CARD
			OR
- 12	4712879	AR	. DUMMY CARD
- 12A	816983	AR	. DUMMY CARD
			ONLY FOR POSITION U4-U5
- 13	4712878	AR	. EXTENDER
			USED ONLY WITH 819632

LIST AND INDEX	PART NUMBER	UNITS PER ASM	DESCRIPTION
----------------	-------------	---------------	-------------

30 -	NO PN		SAFETY LABELS
-200	1743129	AR	. SAFETY LABEL, USA, UK, AND NORWAY
-200	8326799	AR	. SAFETY LABEL, CANADA
-200	8326722	AR	. SAFETY LABEL, FRANCE
-200	8326801	AR	. SAFETY LABEL, FINLAND
-200	6081052	AR	. SAFETY LABEL, BELGIUM
-200	8326802	AR	. SAFETY LABEL, GERMANY
-200	8326800	AR	. SAFETY LABEL, ITALY
-200	6081056	AR	. SAFETY LABEL, BRAZIL
-200	8326798	AR	. SAFETY LABEL, SPANISH
-200	6081016	AR	. SAFETY LABEL, SWEDEN
-200	8326797	AR	. SAFETY LABEL, JAPAN
-200	6081058	AR	. SAFETY LABEL, DENMARK
-201	138754	AR	. SAFETY LABEL, USA, UK, AND CANADA
-201	6815184	AR	. SAFETY LABEL, CANADA
-201	6815187	AR	. SAFETY LABEL, FRANCE
-201	6825818	AR	. SAFETY LABEL, FINLAND
-201	6843729	AR	. SAFETY LABEL, BELGIUM
-201	6825819	AR	. SAFETY LABEL, GERMANY
-201	6825820	AR	. SAFETY LABEL, ITALY
-201	6843726	AR	. SAFETY LABEL, NORWAY
-201	6815188	AR	. SAFETY LABEL, BRAZIL
-201	6825821	AR	. SAFETY LABEL, SPANISH
-201	8551903	AR	. SAFETY LABEL, SWEDEN
-201	6825840	AR	. SAFETY LABEL, JAPAN
-201	6081059	AR	. SAFETY LABEL, DENMARK
-202	82370	AR	. SAFETY LABEL, USA, UK, AND NORWAY
-202	8323797	AR	. SAFETY LABEL, CANADA
-202	1731480	AR	. SAFETY LABEL, FRANCE
-202	6081036	AR	. SAFETY LABEL, FINLAND
-202	6081037	AR	. SAFETY LABEL, BELGIUM
-202	6081038	AR	. SAFETY LABEL, GERMANY
-202	6081039	AR	. SAFETY LABEL, ITALY
-202	6081040	AR	. SAFETY LABEL, BRAZIL
-202	6081041	AR	. SAFETY LABEL, SPANISH
-202	6081042	AR	. SAFETY LABEL, SWEDEN
-202	6081043	AR	. SAFETY LABEL, JAPAN
-202	6081060	AR	. SAFETY LABEL, DENMARK
-203	4422117	AR	. SAFETY LABEL, EXCEPT BELGIUM
-203	5685242	AR	. SAFETY LABEL, BELGIUM
-204	1203359	AR	. SAFETY LABEL, USA, UK, AND NORWAY
-204	984124	AR	. SAFETY LABEL, CANADA
-204	6841193	AR	. SAFETY LABEL, FRANCE
-204	6841187	AR	. SAFETY LABEL, FINLAND
-204	6081045	AR	. SAFETY LABEL, BELGIUM
-204	6841186	AR	. SAFETY LABEL, GERMANY
-204	6841188	AR	. SAFETY LABEL, ITALY
-204	6081046	AR	. SAFETY LABEL, BRAZIL
-204	6841189	AR	. SAFETY LABEL, SPANISH
-204	6081047	AR	. SAFETY LABEL, SWEDEN
-204	6841177	AR	. SAFETY LABEL, JAPAN
-204	6081062	AR	. SAFETY LABEL, DENMARK
-205	737858	AR	. SAFETY LABEL, USA, UK, AND NORWAY
-205	1743497	AR	. SAFETY LABEL, CANADA
-205	4413711	AR	. SAFETY LABEL, FRANCE
-205	6825871	AR	. SAFETY LABEL, FINLAND
-205	6081048	AR	. SAFETY LABEL, BELGIUM



LIST AND INDEX	PART NUMBER	UNITS PER ASM	DESCRIPTION
30A-205	4413713	AR	. SAFETY LABEL, GERMANY
-205	4413712	AR	. SAFETY LABEL, ITALY
-205	6081049	AR	. SAFETY LABEL, BRAZIL
-205	4413734	AR	. SAFETY LABEL, SPANISH
-205	8551934	AR	. SAFETY LABEL, SWEDEN
-205	6093278	AR	. SAFETY LABEL, JAPAN
-205	6081063	AR	. SAFETY LABEL, DENMARK
-206	845762	AR	. SAFETY LABEL, USA, UK, AND NORWAY
-206	8323796	AR	. SAFETY LABEL, CANADA
-206	6812825	AR	. SAFETY LABEL, CANADA
-206	6815192	AR	. SAFETY LABEL, FRANCE
-206	6825864	AR	. SAFETY LABEL, FINLAND
-206	8329449	AR	. SAFETY LABEL, BELGIUM
-206	6815195	AR	. SAFETY LABEL, GERMANY
-206	6815191	AR	. SAFETY LABEL, ITALY
-206	6081050	AR	. SAFETY LABEL, BRAZIL
-206	6815190	AR	. SAFETY LABEL, SPANISH
-206	5688621	AR	. SAFETY LABEL, SWEDEN
-206	6825867	AR	. SAFETY LABEL, JAPAN
-206	6081064	AR	. SAFETY LABEL, DENMARK
-207	2667694	AR	. SAFETY LABEL, USA, UK, AND NORWAY
-207	6081051	AR	. SAFETY LABEL, CANADA
-207	2667100	AR	. SAFETY LABEL, FRANCE
-207	2667248	AR	. SAFETY LABEL, FINLAND
-207	6081011	AR	. SAFETY LABEL, BELGIUM
-207	6081013	AR	. SAFETY LABEL, GERMANY
-207	6081015	AR	. SAFETY LABEL, ITALY
-207	6081017	AR	. SAFETY LABEL, BRAZIL
-207	6081019	AR	. SAFETY LABEL, SPANISH
-207	6081021	AR	. SAFETY LABEL, SWEDEN
-207	6081023	AR	. SAFETY LABEL, JAPAN
-207	6081066	AR	. SAFETY LABEL, DENMARK
-208	2667695	AR	. SAFETY LABEL, USA, UK, AND NORWAY
-208	6081053	AR	. SAFETY LABEL, CANADA
-208	6081025	AR	. SAFETY LABEL, FRANCE
-208	6081026	AR	. SAFETY LABEL, FINLAND
-208	6081027	AR	. SAFETY LABEL, BELGIUM
-208	6081028	AR	. SAFETY LABEL, GERMANY
-208	6081029	AR	. SAFETY LABEL, ITALY
-208	6081030	AR	. SAFETY LABEL, BRAZIL
-208	6081031	AR	. SAFETY LABEL, SPANISH
-208	6081032	AR	. SAFETY LABEL, SWEDEN
-208	6081033	AR	. SAFETY LABEL, JAPAN
-208	6081065	AR	. SAFETY LABEL, DENMARK
-209	4447206	AR	. SAFETY LABEL, USA
-210	1859279	AR	. SAFETY LABEL, USA, UK, AND NORWAY
-210	4712900	AR	. SAFETY LABEL, CANADA
-210	4712901	AR	. SAFETY LABEL, FRANCE
-210	4712902	AR	. SAFETY LABEL, FINLAND
-210	4712903	AR	. SAFETY LABEL, BELGIUM
-210	4712904	AR	. SAFETY LABEL, GERMANY
-210	4712905	AR	. SAFETY LABEL, ITALY
-210	4712906	AR	. SAFETY LABEL, BRAZIL
-210	4712907	AR	. SAFETY LABEL, SPANISH
-210	4712908	AR	. SAFETY LABEL, SWEDEN
-210	4712910	AR	. SAFETY LABEL, JAPAN
-210	4712909	AR	. SAFETY LABEL, DENMARK
-211	4802951	AR	. SAFETY LABEL, CANADA

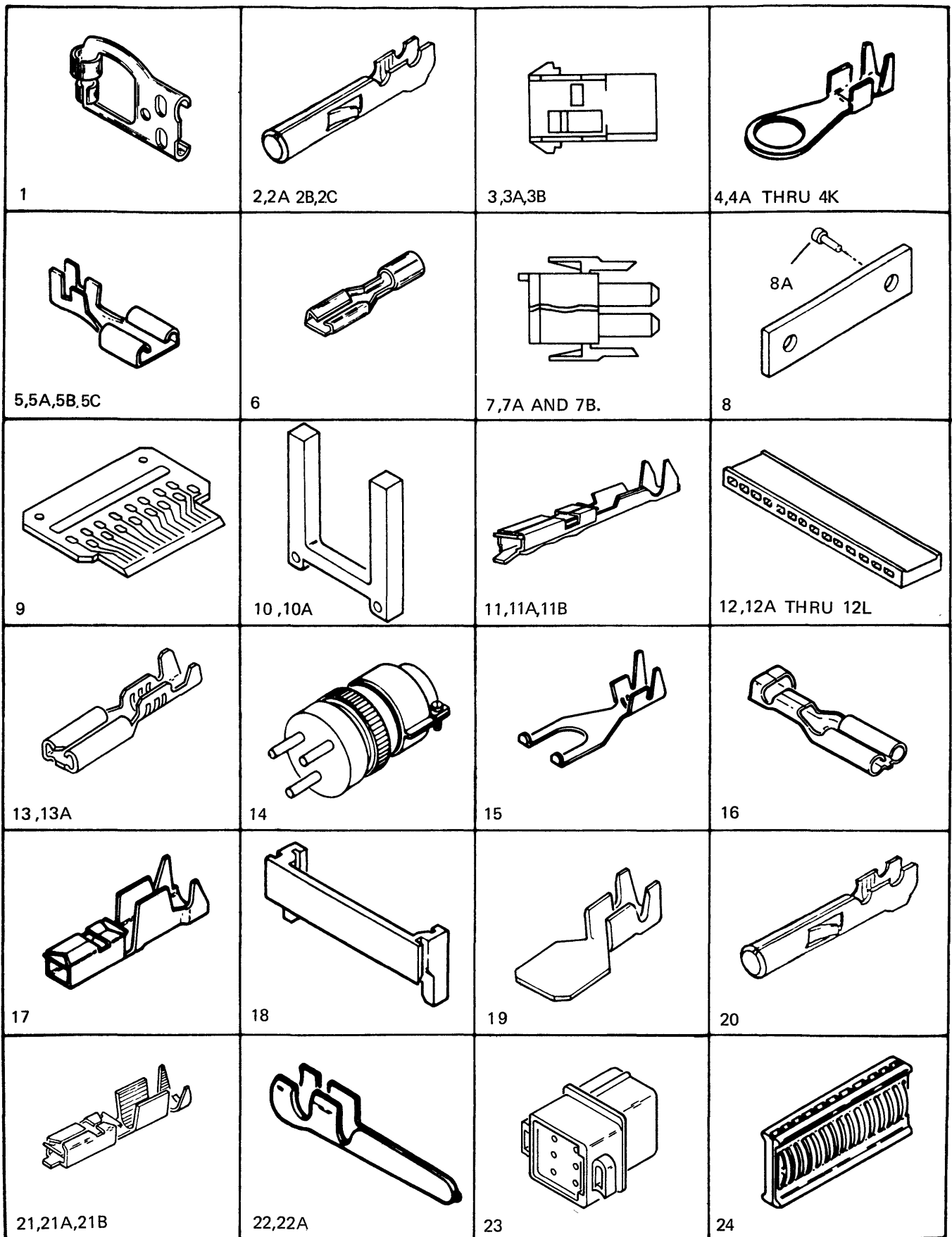


FIGURE 31. CABLE AND JUMPER ASM COMPONENT PARTS. SHEET 1 OF 5. SEE LIST 31

LIST AND INDEX	PART NUMBER	UNITS PER ASM	DESCRIPTION
31 -	1733383	REF	JUMPER ASM, POWER BLOCK- 5 V 47 AMP, FOR COMPONENT PARTS SEE INDEX 4E.
-	1733384	REF	JUMPER ASM, POWER BLOCK- 5 V 75 AMP, FOR COMPONENT PARTS SEE INDEX 4E.
-	1733399	REF	JUMPER ASM, SENSE IN BLOCK, FOR COMP PARTS SEE INDEXES 4 AND 22A.
-	1733413	REF	CABLE ASM, DISK, FOR COMPONENT PARTS SEE INDEXES 2,3,4,5 AND 62B.
-	1733413	REF	CABLE ASM, DISK, FOR COMPONENT PARTS SEE INDEXES 2,3,4 AND 5. USED AFTER EC A04606
-	1733413	REF	CABLE ASM, DISK
-	1733472	REF	LINE CORD- 50 HZ, FOR COMPONENT PARTS SEE INDEXES 4B AND 4E.
-	1733535	REF	CABLE ASM, 02E TO 02C-A1ZD, FOR COMPONENT PARTS SEE INDEXES 4E, 12B AND 21.
-	1733545	REF	JUMPER ASM, FOR COMPONENT PARTS SEE INDEXES 4B AND 5.
-	1733546	REF	CABLE ASM, FOR COMPONENT PARTS SEE INDEXES 4E, 5, 12B AND 21.
-	1733547	REF	JUMPER ASM, FOR COMPONENT PARTS SEE INDEX 4.
-	1733548	REF	JUMPER ASM, FOR COMPONENT PARTS SEE INDEXES 4A AND 5A.
-	1733549	REF	JUMPER ASM, FOR COMPONENT PARTS SEE INDEXES 4A AND 4C.
-	1733559	REF	CABLE ASM, 02J-A3 TO 02D-A2, FOR COMPONENT PARTS SEE INDEXES 8, 8A, 9, 18, 22A AND 61.
-	1733560	REF	CABLE ASM, 02J-A4 TO 02D-A1, FOR COMPONENT PARTS SEE INDEXES 8, 8A, 9, 18, 22A AND 61.
-	1733561	REF	CABLE ASM, 02J-YB TO 02D-A5, FOR COMPONENT PARTS SEE INDEXES 8, 8A, 9, 22A AND 61.
-	1733563	REF	CABLE ASM, 02J-A5 TO 02D-A6/EC1, FOR COMPONENT PARTS SEE INDEXES 8, 8A, 9, 11A, 12E, 18, 21B, 22, 24, 25 AND 61.
-	1733564	REF	CABLE ASM, 02J-A2 TO 02D-A3, FOR COMPONENT PARTS SEE INDEXES 8, 8A, 9, 11A, 12E, 18, 21B, 22, 24, 25, 26 AND 61.
-	1733567	REF	CABLE ASM, 02J-F5 TO 02C-E1, FOR COMPONENT PARTS SEE INDEXES 4, 8, 8A, 9, 11A, 12, 12K, 18, 21A, 25, 26, 27, AND 61.
-	1733568	REF	CABLE ASM, FOR COMPONENT PARTS SEE INDEXES 8, 8A, 9, 16, 18, 23, 61 AND 62.
-	1733570	REF	CABLE ASM, POWER BOARD, FOR COMPONENT PARTS SEE INDEXES 8, 8A, 9 AND 10A.

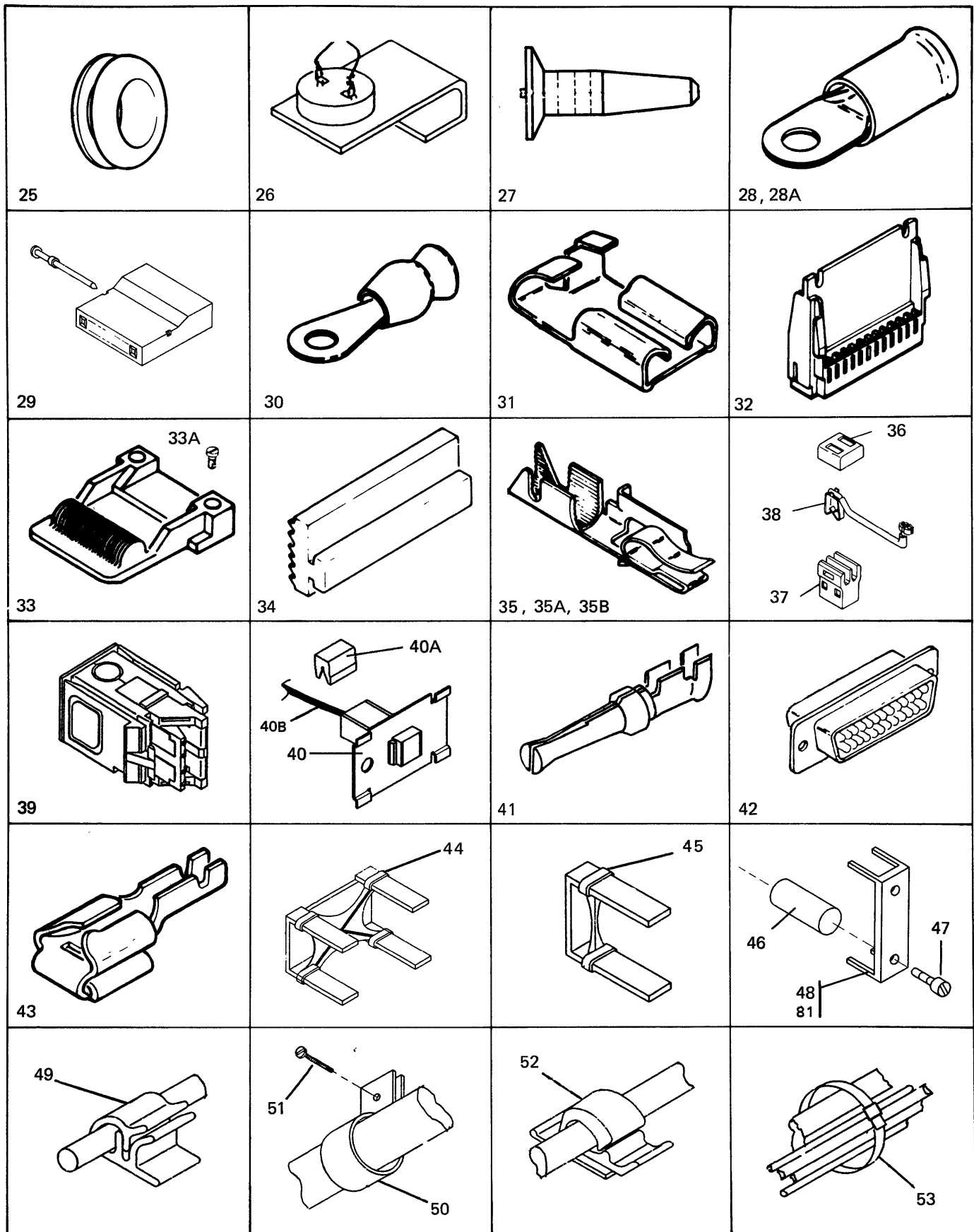


FIGURE 31. CABLE AND JUMPER ASM COMPONENT PARTS. SHEET 2 OF 5. SEE LIST 31A.

LIST AND INDEX	PART NUMBER	UNITS PER ASM	DESCRIPTION
31A-	1733572	REF	CABLE ASM, PRIMARY BOX TO PWR BRD, FOR COMPONENT PARTS SEE INDEXES 1, 2, 2A, 4B, 4D, 5B, 6, 7, 8, 8A, 9, 10, 62, 62A AND 62B.
-	1733575	REF	CABLE ASM, FOR COMPONENT PARTS SEE INDEXES 4, 4H, 5B, 11A AND 12.
-	1733661	REF	CABLE ASM, 02C- 50 HZ, FOR COMPONENT PARTS SEE INDEXES 4, 4D AND 5.
-	1733667	REF	CABLE ASM, CLOCK 01A-A1 TO 02B-A3, FOR COMPONENT PARTS SEE INDEXES 17 AND 12J.
-	1733682	REF	CABLE ASM, 01R A2 AND A3 TO 01 L-P4, FOR COMPONENT PARTS SEE INDEXES 8, 8A, 9, 10, 11A, 12D AND 18.
-	1733684	REF	CABLE ASM, 01R TO 01Q, FOR COMPONENT PARTS SEE INDEXES 5, 8, 8A, 9, 10, 11A, 12E, 12F, 18, 21B, 24, 25 AND 27.
-	1733686	REF	CABLE ASM, 01R TO 01H, FOR COMPONENT PARTS SEE INDEXES 8, 8A, 9, 10, 18, 22 AND 26.
-	1733687	REF	CABLE ASM, 01R TO 01H, FOR COMPONENT PARTS SEE INDEXES 8, 8A, 9, 10, 11A, 12E, 18, 22 AND 25.
-	1733688	REF	CABLE ASM, 01D TO 01R, FOR COMPONENT PARTS SEE INDEXES 8, 8A, 9, 16, 18, 23, 61 AND 62.
-	1733692	REF	JUMPER ASM, FOR COMPONENT PARTS SEE INDEX 35A.
-	1733741	REF	JUMPER ASM, FOR COMPONENT PARTS SEE INDEXES 12C, 21A AND 22.
-	1733834	REF	JUMPER ASM, FOR COMPONENT PARTS SEE INDEXES 35A AND 35B.
-	1733835	REF	CABLE ASM, POWER BLOCK DIST, FOR COMPONENT PARTS SEE INDEX 28
-	1733836	REF	CABLE ASM, POWER BLOCK DIST, FOR COMPONENT PARTS SEE INDEX 28
-	1733838	REF	CABLE ASM, POWER BLOCK DIST, FOR COMPONENT PARTS SEE INDEX 28
-	1733839	REF	CABLE ASM, POWER BLOCK DIST, FOR COMPONENT PARTS SEE INDEX 28
-	1733840	REF	CABLE ASM, POWER BLOCK DIST, FOR COMPONENT PARTS SEE INDEX 28
-	1733899	REF	CABLE ASM, 02G TO 02A/A2, FOR COMPONENT PARTS SEE INDEXES 5, 12B, 13 AND 21.
-	1733901	REF	CABLE ASM, FOR COMPONENT PARTS SEE INDEXES 5, 12B, 13 AND 21.
-	1733902	REF	CABLE ASM, FOR COMPONENT PARTS SEE INDEXES 5, 12B, 13 AND 21.
-	1733904	REF	CABLE ASM, BLOWER BASIC, FOR COMPONENT PARTS SEE IND 2B AND 3A.
-	1733919	REF	CABLE ASM, 50 HZ, PRIMARY POWER BOX, FOR COMPONENT PARTS SEE INDEXES 4B, 4E, 4F AND 5.

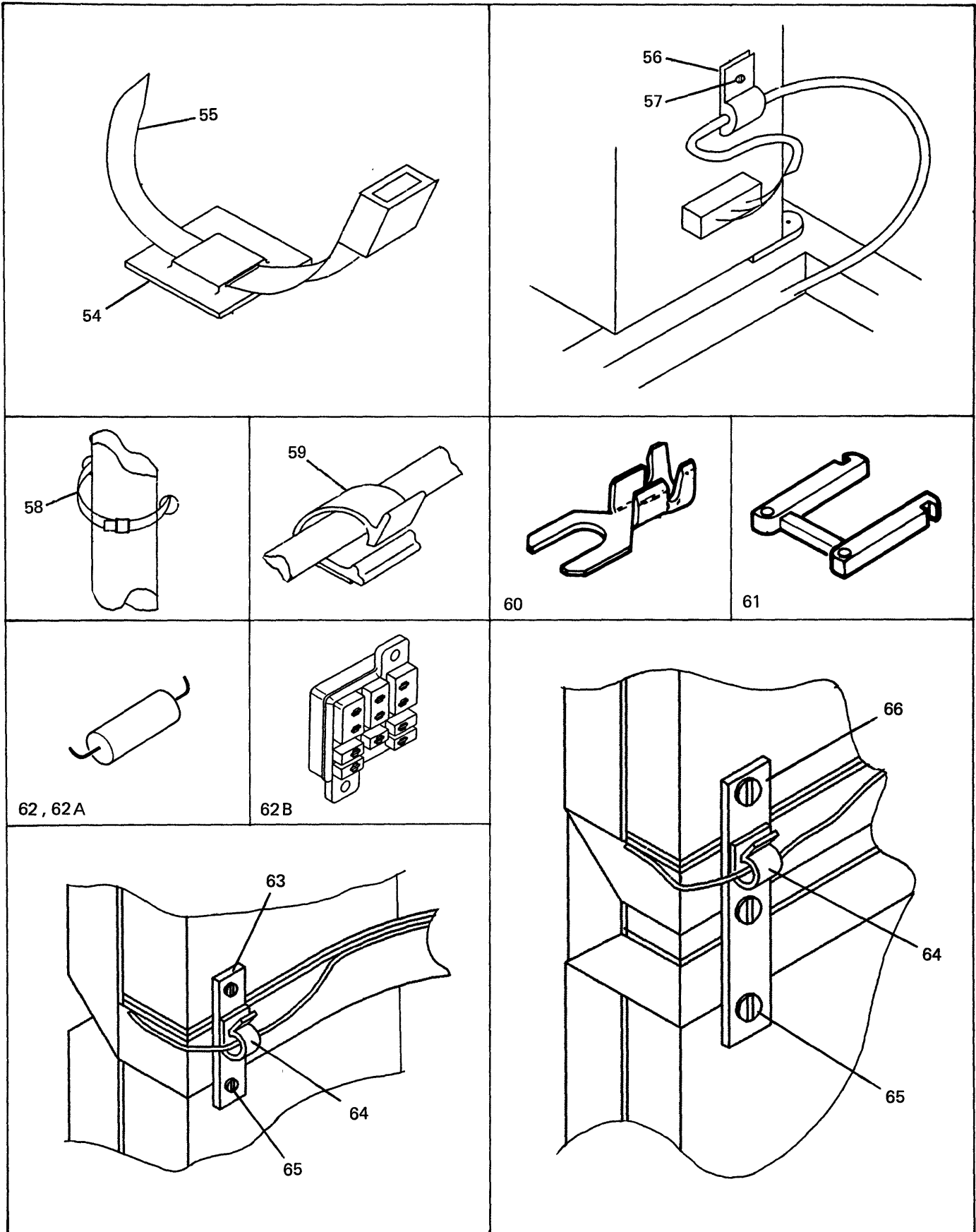


FIGURE 31. CABLE AND JUMPER ASM COMPONENT PARTS. SHEET 3 OF 5. SEE LIST 31B.

LIST AND INDEX	PART NUMBER	UNITS PER ASM	DESCRIPTION
31B-	1733920	REF	CABLE ASM,50 HZ,PRIMARY POWER BOX, FOR COMPONENT PARTS SEE INDEXES 4B,4E,4F AND 5.
-	1733950	REF	CABLE ASM,01Q TO 01A-A1, FOR COMPONENT PARTS SEE INDEXES 5,11B,12B,13,21,27 AND 29.
-	1733951	REF	CABLE ASM,01Q TO 01B-A1, FOR COMPONENT PARTS SEE INDEXES 5,12B,13 AND 21.
-	1733952	REF	CABLE ASM,01Q TO 01B-A2, FOR COMPONENT PARTS SEE INDEXES 5,12B,13 AND 21.
-	1733953	REF	CABLE ASM,01P TO 01H-A1, FOR COMPONENT PARTS SEE INDEXES 4J AND 30.
-	1733954	REF	CABLE ASM 50 HZ PRIMARY POWER BOX, FOR COMPONENT PARTS SEE INDEXES 4B,4E,4F AND 5.
-	1733995	REF	CABLE ASM, FOR COMPONENT PARTS SEE INDEXES 11B,27,29 AND 31.
-	1736655	REF	CABLE ASM,60 HZ PRIMARY POWER BOX, FOR COMPONENT PARTS SEE INDEXES 4B,4E,4F,4G AND 5.
-	1736656	REF	CABLE ASM,PRIMARY POWER BOX, FOR COMPONENT PARTS SEE INDEXES 4F AND 5.
-	1736659	REF	JUMPER ASM, FOR COMP. PARTS SEE INDEX 5
-	1736665	REF	CABLE ASM,CLOCK 01A-A1 TO 01A-A3, FOR COMPONENT PARTS SEE INDEXES 12J AND 17.
-	1736668	REF	CABLE ASM,CLOCK 01A-A1 TO 02C-A1, FOR COMPONENT PARTS SEE INDEXES 12J AND 17.
-	1736774	REF	CABLE ASM,UC BUS TERMINATOR TO BOARD, FOR COMPONENT PARTS SEE INDEXES 32,33,33A,34,35,36,37 AND 38.
-	1736775	REF	LINE CORD- 60 HZ, US, CANADA AND JAPAN FOR COMPONENT PARTS SEE INDEXES 4A,4B,4E AND 14.
-	1736819	REF	CABLE ASM 60 HZ AND JAPAN C/O, FOR COMPONENT PARTS SEE INDEXES 4B,4E AND 15.
-	1736835	REF	CABLE ASM 50 HZ,PRIMARY POWER BOX, FOR COMPONENT PARTS SEE INDEXES 4B,4E,4F, 4K AND 5.
-	1736836	REF	CABLE ASM,PRIMARY POWER BOX, FOR COMPONENT PARTS SEE INDEXES 4F,4K AND 5.
-	2666919	REF	CABLE AND ROTARY SWITCH ASM, FOR COMPONENT PARTS SEE INDEXES 11A,12A AND 13A. USED BEFORE EC A04596
-	2667063	REF	JUMPER ASM, FOR COMPONENT PARTS SEE INDEX 4A.

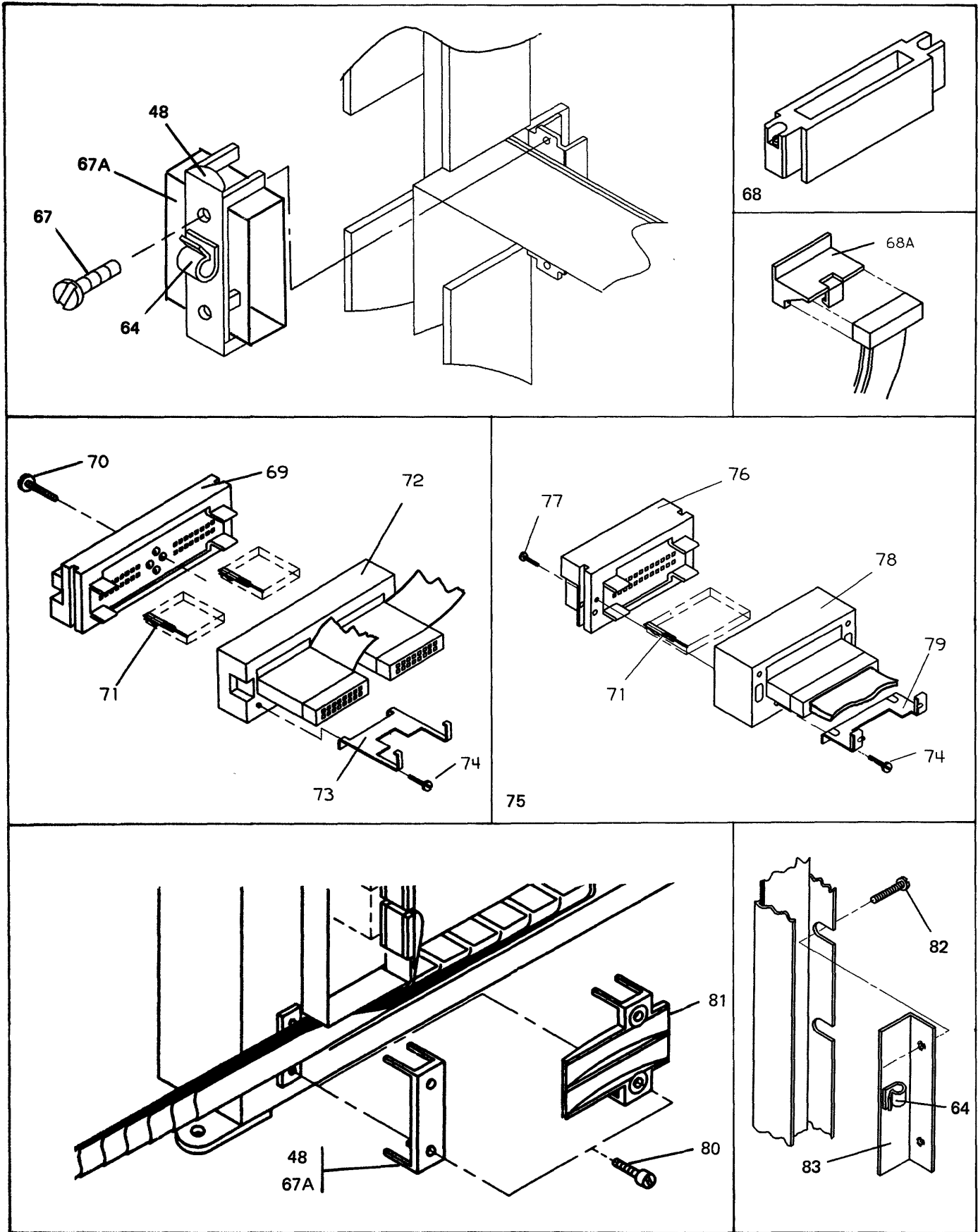


FIGURE 31. CABLE AND JUMPER ASM COMPONENT PARTS. SHEET 4 OF 5. SEE LIST 31C.



LIST AND INDEX	PART NUMBER	UNITS PER ASM	DESCRIPTION
31C-	2667074	REF	CABLE ASM, FOR COMPONENT PARTS SEE INDEXES 5,12B,13,21.
-	2667076	REF	CABLE ASM, GATE,01A, FOR COMPONENT PARTS SEE INDEXES 2,4D AND 7A.
-	2667077	REF	CABLE ASSEMBLY, FOR COMPONENT PARTS SEE INDEXES 2,2A,3B,4B,4D,4F,5C,5B,6,8,8A,9,10A AND 18.
-	2667077	REF	CABLE ASSEMBLY, FOR COMPONENT PARTS SEE INDEXES 2,2A,4B,4D,4F,5B,6,8,8A,9,10A AND 18. USED AFTER EC A04606
-	2667085	REF	CABLE ASM, PRIMARY POWER BOX, FOR COMPONENT PARTS SEE INDEXES 4E AND 4F.
-	2667086	REF	CABLE ASM, 50 HZ WTC PRIMARY POWER BOX, FOR COMPONENT PARTS SEE INDEXES 4B,4E,4F,4G AND 5.
-	2667088	REF	CABLE ASM, 50 HZ WTC C/O, FOR COMPONENT PARTS SEE INDEXES 4E,5 AND 60.
-	2667090	REF	CABLE ASM, GATE 02A, FOR COMPONENT PARTS SEE INDEXES 2,4D AND 7A.
-	2667091	REF	CABLE ASM, GATE 02B, FOR COMPONENT PARTS SEE INDEXES 2,4D AND 7A.
-	2667092	REF	CABLE ASM, JAPAN PRIMARY POWER BOX, FOR COMPONENT PARTS SEE INDEXES 4B,4E,4F,4G AND 5.
-	2667094	REF	JUMPER ASM, MECHANICAL GROUND, FOR COMPONENT PARTS SEE INDEX 4A.
-	2667095	REF	CABLE ASM, GATE 01B, FOR COMPONENT PARTS SEE INDEXES 2,4D AND 7A.
-	2667098	REF	CABLE ASM, PRIMARY POWER BOX, FOR COMPONENT PARTS SEE INDEXES 4B,4D,4E AND 5.
-	2667240	REF	CABLE ASM, 60HZ PRIMARY POWER BOX, FOR COMPONENT PARTS SEE INDEXES 4B,4F AND 5.
-	2667241	REF	CABLE ASM, PANEL CONSOLE, FOR COMPONENT PARTS SEE INDEXES 11A,12A,41 AND 42.
-	2667246	REF	CABLE ASM, TRIM 24 V, FOR COMPONENT PARTS SEE INDEXES 2A,3B AND 4D.
-	2667320	REF	LINE CORD 60 HZ WTC, FOR COMPONENT PARTS SEE INDEXES 4B,4E.
-	2667329	REF	CABLE ASM, PRIMARY POWER BOX, FOR COMPONENT PARTS SEE INDEXES 4,4E AND 5.
-	2667343	REF	CABLE ASM, POWER FACTOR CAPACITOR, FOR COMPONENT PARTS SEE INDEXES 1 AND 4B.


FIGURE 32. CABLE AND JUMPER ASM COMPONENT PARTS. SHEET 5 OF 5. SEE LIST 31D.

LIST AND INDEX	PART NUMBER	UNITS PER ASM	DESCRIPTION
31D-	2667344	REF	CABLE ASM, POWER FACTOR CAPACITOR, FOR COMPONENT PARTS SEE INDEXES 1 AND 4B.
-	2667654	REF	LINE CORD 60 HZ, ONLY FOR CHICAGO, FOR COMPONENT PARTS SEE INDEXES 4A, 4B, 4E AND 14.
-	2667667	REF	CABLE ASM, PRIMARY POWER BOX, FOR COMPONENT PARTS SEE INDEXES 4B AND 4E.
-	2667705	REF	CABLE ASM, 60 HZ PRIMARY POWER BOX, FOR COMPONENT PARTS SEE INDEXES 4B, 4F AND 5.
-	2667706	REF	CABLE ASM, 60 HZ PRIMARY POWER BOX, FOR COMPONENT PARTS SEE INDEXES 4B, 4F, 4K AND 5.
-	2667707	REF	CABLE ASM, 60 HZ PRIMARY POWER BOX, FOR COMPONENT PARTS SEE INDEXES 4B, 4F AND 5.
-	2667718	REF	CABLE ASM, 02C 60 HZ, FOR COMPONENT PARTS SEE INDEXES 4D AND 5.
-	2667763	REF	CABLE ASM, 01Q TO 01B-A1, FOR COMPONENT PARTS SEE INDEXES 5, 12B, 13 AND 21.
-	4712959	REF	CABLE ASM, FOR COMPONENT PARTS SEE INDEXES 11A AND 12L.
-	4712984	REF	JUMPER ASM, FOR COMPONENT PARTS SEE IND. 28 AND 28A.
-	4712991	REF	CABLE ASM, JAPAN 60 HZ PRIMARY BOX, FOR COMPONENT PARTS SEE INDEXES 4B, 4F, 4G AND 5.
-	6081140	REF	CABLE ASM, POWER BLOCK 5 V 75 AMP, FOR COMPONENT PARTS SEE INDEX 4E.
-	6081145	REF	CABLE ASM, TRIM, FOR COMPONENT PARTS SEE INDEXES 2C, 7C, 11A, 12G AND 27.
-	6081146	REF	CABLE ASM, MMB TP PANEL, FOR COMPONENT PARTS SEE INDEXES 11A, 12H AND 27.
-	6081147	REF	CABLE ASM, MMB TP PANEL (TOPAZ), FOR COMPONENT PARTS SEE INDEXES 11A AND 12A.
-	6081186	REF	CABLE ASM, CLOCK 01A-A1 TO 01B-A2 FOR COMPONENT PARTS SEE INDEXES 12J AND 17.
-	6081187	REF	CABLE ASM, BLOWER, FOR COMPONENT PARTS SEE INDEXES 4 AND 4D.
-	6081249	REF	CABLE ASM, FOR COMPONENT PARTS SEE INDEXES 1 AND 4F.
-	6081320	REF	LINE CORD 50 HZ, AUSTRALIA AND NEW ZEALAND, FOR COMPONENT PARTS SEE INDEXES 4E AND 4B.

LIST AND INDEX	PART NUMBER	UNITS PER ASM	DESCRIPTION
31E-	6081337	REF	JUMPER ASM,MECHANICAL GROUND, FOR COMPONENT PARTS SEE INDEX 4A.
-	6081340	REF	CABLE ASM,BLOWER BASIC, FOR COMPONENT PARTS SEE INDEXES 2,4,4D AND 7A.
-	6081341	REF	CABLE ASM, FOR COMPONENT PARTS SEE INDEXES 2,4,4D AND 7A.
-	6081389	REF	CABLE ASM,UC BUS TERMINATOR TO BOARD, FOR COMPONENT PARTS SEE INDEXES 32,33,33A,34,35,36,37 AND 38.
-	6406234	REF	CABLE AND ROTARY SWITCH ASM, FOR COMPONENT PARTS SEE INDEXES 11A,12A AND 13A. USED AFTER EC A04596
-	6406244	REF	JUMPER ASM, FOR COMPONENT PARTS SEE IND. 4D AND 19.
- 1	517913	AR	. TERMINAL,SLIP ON- 18-16 AWG
- 2	1847521	AR	. UNIVERSAL SOCKET
- 2A	1661132	AR	. TERMINAL DUAL LANCE SOCKET- 24-18 AWG
- 2B	1847520	AR	. UNIVERSAL, SPLIT PIN
- 2C	1661131	AR	. TERMINAL
- 3	1847531	AR	. HOUSING 6 CIRCUIT UNIVERSAL
- 3A	1847527	AR	. HOUSING 3 CIRCUIT UNIVERSAL
- 3B	1847525	AR	. HOUSING 2 CIRCUIT UNIVERSAL
- 4	483681	AR	. TERMINAL,RING 18-20 AWG #8 MTG HOLE BRASS
- 4A	483683	AR	. TERMINAL,RING 10-12 AWG #8 MTG HOLE BRASS
- 4B	483678	AR	. TERMINAL,RING 14-16 AWG #6 MTG STUD
- 4C	483679	AR	. TERMINAL,RING 10-12 AWG #6 MTG HOLE
- 4D	483677	AR	. TERMINAL,RING 18-20 AWG #6 MTG STUD
- 4E	483682	AR	. TERMINAL,RING 14-16 AWG #8 MTG HOLE BRASS
- 4F	483686	AR	. TERMINAL,RING 14-16 AWG #10 MTG HOLE BRASS
- 4G	483687	AR	. TERMINAL,RING 10-12 AWG #10 MTG HOLE BRASS
- 4H	483680	AR	. TERMINAL,RING 22-26 AWG #8 MTG HOLE BRASS
- 4J	483690	AR	. TERMINAL,RING 10-12 AWG #.250 MTG HOLE
- 4K	483689	AR	. TERMINAL,RING 14-16 AWG #.250 MTG HOLE
- 5	1127037	AR	. TERMINAL,SLIP ON-NONINS,18-14 AWG
- 5A	1249307	AR	. TERMINAL RECEPT SLIP ON NONINS 14-10 AWG
- 5B	430799	AR	. TERMINAL,SLIP ON 18-24 AWG
- 5C	430798	AR	. TERMINAL,QUICK DISCONNECT 18-20 AWG BRASS
- 6	2158688	AR	. TERMINAL,QUICK ON
- 7	1847532	AR	. PLUG 9 CIRCUIT UNIVERSAL
- 7A	1847526	AR	. PLUG 3 CIRCUIT UNIVERSAL
- 7B	1847524	AR	. PLUG 2 CIRCUIT UNIVERSAL
- 8	740459	AR	. STIFFENER,STRAIN RELIEF
- 8A	236550	AR	. SCREW,SLOT BIND HD 4/40 X 0.375 LG
- 9	5800634	AR	. CARD ASM
- 10	8482887	AR	. STRAIN RELIEF 1.37 DIA 20 STRANDS
- 10A	5352960	AR	. STRAIN RELIEF 1.82 LG X 1.61 WIDE
- 11	2637681	AR	. TERMINAL STRAP IN- 18-20 AWG
- 11A	2637682	AR	. TERMINAL, SNAP IN- 22-26 AWG
- 11B	2637690	AR	. CONTACT 18-20 AWG
- 12	2731853	AR	. CONNECTOR SNAP HOUSING 12 POS
- 12A	2731845	AR	. CONNECTOR SNAP HOUSING 2 X 12 POS
- 12B	1308687	AR	. HOUSING 10 POS
- 12C	2731850	AR	. CONNECTOR SNAP HOUSING 4 POS

LIST AND INDEX	PART NUMBER	UNITS PER ASM	DESCRIPTION
31F- 12D	2731863	AR	. CONNECTOR SNAP HOUSING 2 X 20 POS
- 12E	2732354	AR	. CONNECTOR SNAP HOUSING 5 POS
- 12F	2731394	AR	. CONNECTOR, PIN IN SOCKET- 8 POS
- 12G	8324648	AR	. CONNECTOR 2 X 18 POS
- 12H	2731386	AR	. CONNECTOR 2 X 20 POS
- 12J	1455358	AR	. HOUSING 3 POS
- 12K	2731731	AR	. HOUSING 6 POS
- 12L	2731400	AR	. CONNECTOR 2 X 12 POS
- 13	2502307	AR	. TERMINAL RECEPTACLE 10-14 AWG
- 13A	5213274	AR	. TERMINAL, SLIP ON 18-22 AWG
- 14	2133970	AR	. PLUG MALE 3 WIRE 20 AMP
- 15	483652	AR	. TERMINAL, SPADE, 16-14 AWG #8 MTG SLOT
- 16	5351177	AR	. TERMINAL RECEPTACLE 18-22 AWG
- 17	2426485	AR	. TERMINAL, DISCRETE WIRE 28-30-32 AWG
- 18	811802	AR	. GUIDE, CARD 1 SOCKET
- 19	433358	AR	. TERMINAL-TAB 22-18 AWG
- 20	1471671	AR	. PIN, TERMINAL, DUAL LANCE
- 21	815933	AR	. TERMINAL, DISCRETE WIRE, 20-18 AWG
- 21A	5452940	AR	. TERMINAL, DISCONNECT WIRE 22-26 AWG
- 21B	815934	AR	. TERMINAL, DISCRETE WIRE 22-26 AWG
- 22	483657	AR	. TERMINAL, TAPER PIN-NONINS 26-22 AWG
- 22A	483658	AR	. TERMINAL, TAPER PIN-NONINS 20-18 AWG
- 23	5351139	AR	. SOCKET, RELAY
- 24	2242704	AR	. CONNECTOR SNAP HOUSING 12 UP
- 25	1077722	AR	. GROMMET
- 26	4712925	AR	. THERMAL SWITCH
- 27	2637689	AR	. INSERT
- 28	335970	AR	. TERMINAL, LUG 8 AWG 1/4 MTG HOLE
- 28A	335327	AR	. TERMINAL, RING INS 8-10 AWG 7/32 MTG HOLE
- 29	2637694	AR	. CONNECTOR, PIN-IN-SOCKET MINI-ROD 4 POS
- 30	82725	AR	. TERMINAL, LUG INS 6 AWG 17/64 MTG HOLE
- 31	5761553	AR	. TERMINAL, SLIP ON 14-22 AWG
- 32	5447741	AR	. HOUSING SINGLE HI SERPENT 24 PIN POS.
- 33	5466397	AR	. STRAIN RELIEF 1.135 LG (WHITE)
- 33A	109918	AR	. SCREW, THD CUTTING, FLAT HD 4/40 X 1/2 LG
- 34	5466393	AR	. STRAIN RELIEF 0.38 X 1.12
- 35	5486851	AR	. TERMINAL, LARGE SERPENT 22-26 AWG
- 35A	5362301	AR	. TERMINAL, SMALL SERPENT 28-32 AWG
- 35B	5404480	AR	. TERMINAL, GREAT SERPENT 18-20 AWG
- 36	813802	AR	. COVER
- 37	813801	AR	. HOUSING-MINIATURE BUS DOUBLE CONTACT
- 38	813681	AR	. CONTACT
- 39	8642553	AR	. COPPER DATA CONNECTOR
- 40	6163095	AR	. PLATE
- 40A	8642526	AR	. LOCKING CLIP
- 40B	6163098	AR	. CABLE ASM, TO TAIL GATE
- 41	1655337	AR	. SOCKET CONTACT
- 42	1608648	AR	. CONNECTOR PLUG 15 POS
- 43	5312429	AR	. TERMINAL, SLIP ON 14-18 AWG
- 44	813519	AR	. STRAP CABLE
- 45	811427	AR	. STRAP CABLE
- 46	73430	AR	. TUBING
- 47	438570	AR	. SCREW, BIND HD- 6/32 X 1-1/2 LG
- 48	2194940	AR	. CLAMP
- 49	2513269	AR	. CABLE CLIP
- 50	2102364	AR	. CLAMP
- 51	1621181	AR	. SCREW, PAN HD- M3.5 X 6 LG

LIST AND INDEX	PART NUMBER	UNITS PER ASM	DESCRIPTION
----------------	-------------	---------------	-------------

31G-	52	2596291	AR . CABLE CLIP
-	53	556450	AR . CLAMP
-	54	2278668	AR . MOUNT
-	55	556450	AR . CLAMP
-	56	2102364	AR . CLAMP
-	57	1621181	AR . SCREW,PAN HD- M3.5 X 6 LG
-	58	556450	AR . CLAMP
-	59	2513270	AR . CABLE CLIP
-	60	483644	AR . TERMINAL,SPADE, 16-14 AWG #8 MTG SLOT
-	61	5352967	AR . STRAIN RELIEF, 1.82 LG X 1.61 WIDE
-	62	2111232	AR . RECTIFIER ASM
-	62A	477144	AR . RESISTOR
-	62B	2286907	AR . SOCKET RELAY
-	63	1733499	AR . CLAMP
			OR
-	63	4802914	AR . CLAMP
			AR THIS P/N REPLACES 1733499 AND 2596275
-	64	2596275	AR . CLAMP
-	65	1621183	AR . SCREW,PAN HD- M3.5 X 10 LG
-	66	1733543	AR . CLAMP
			OR
-	66	6406212	AR . CLAMP
			AR THIS P/N REPLACES 1733543 AND 2596275
-	67	322551	AR . SCREW,BIND HD- 6/32 X 3/4 LG
-	67A	5729007	AR . INSULATOR
-	68	1726285	AR . 18 PAC RETAINER ASM, 5 POS
-	68A	4138640	AR . RETAINER
-	69	5529190	AR . CONNECTOR LIGHT
-	69	5529191	AR . CONNECTOR DARK
-	70	109918	AR . SCREW,THD CUTTING FLAT HD- 4/40 X 1/2 LG
-	71	5362303	AR . PIN
-	72	1736904	AR . PIN GUIDE
-	73	1736905	AR . BRACKET
-	74	112628	AR . SCREW,PAN HEAD, SELF TAPPING 3/8 LG-
-	75	5393056	AR . TRANSITION ASM MACHINE HALF STYLE 'A' 24 POS
-	76	5393041	AR . CONNECTOR
-	77	438536	AR . SCREW
-	78	5393044	AR . CONNECTOR
-	79	5404468	AR . BRACKET
-	80	322552	AR . SCREW
-	81	6406233	AR . CLAMP
-	82	1621181	AR . SCREW,PAN HD- M3.5 X 6 LG
-	83	1733693	AR . CLAMP
-	84	56X3048	AR . BASE CLAMP
-	85	56X3047	AR . CLAMP
-	86	438567	AR . SCREW

# Numerical Index

PART NUMBER	LIST AND INDEX NO	PART NUMBER	LIST AND INDEX NO	PART NUMBER	LIST AND INDEX NO	PART NUMBER	LIST AND INDEX NO
221	9 - 19A		23 - 12		9 - 30	818002	29 - 7
	10 - 12		29 - 10		18 - 65	819408	29 - 6
	24 - 12	257976	3 - 16		19 - 8	819632	29 - 12
10170	4 - 22	302090	7 - 17		28 - 17	826102	4 - 58
	4 - 60		8 - 24	483619	19 - 14	845762	30A - 206
	4 - 65		23 - 19	483644	31G - 60	855231	4 - 41
	4 - 96	302131	7 - 16	483652	31F - 15		18 - 47
	4 - 98		8 - 23	483657	31F - 22	984124	30 - 204
	4 - 100		23 - 18	483658	31F - 22A	1077722	31F - 25
	4 - 102	310411	4 - 64	483677	31E - 4D	1127037	31E - 5
	18 - 22	317131	4 - 78	483678	31E - 4B	1145574	5 - 12
	18 - 61		18 - 31	483679	31E - 4C	1159255	2 - 6
11598	4 - 36	322266	4 - 77	483680	31E - 4H		9 - 13
	9 - 20		18 - 30	483681	31E - 4		10 - 23
	10 - 13	322551	31G - 67	483682	31E - 4E		24 - 23
	24 - 13	322552	31G - 80	483683	31E - 4A		25 - 11
22478	15 - 14	323840	4 - 72	483686	31E - 4F	1161692	4 - 27
	15 - 25		18 - 7	483687	31E - 4G		18 - 38
35229	15 - 14	332620	20 - 26	483689	31E - 4K	1203359	30 - 204
	15 - 20	335327	31F - 28A	483690	31E - 4J	1249307	31E - 5A
49374	13 - 15	335970	31F - 28	510316	20 - 40	1256071	15 - 24
65756	7 - 31	337193	2 - 26A	513271	1 - 12	1308687	31E - 12B
	8 - 14		4 - 81		1A - 11	1455358	31F - 12J
	23 - 10		17 - 14B		16 - 7	1471671	31F - 20
70078	6 - 4		17 - 69B		16A - 7	1550717	19 - 7
73430	31F - 46		18 - 34	517913	31E - 1	1597743	4 - 42
80651	3 - 9	337334	20 - 37	523269	27 - 3		18 - 48
81693	26 - 7	345116	7 - 35	526378	5 - 10	1608648	31F - 42
82370	30 - 202		8 - 19		21 - 10	1611051	1 - 38
82725	31F - 30		23 - 14		21 - 20		1 - 45
104294	2 - 57	350966	2 - 26A	556450	4 - 14		1 - 52
	17 - 44	350996	17 - 14B		18 - 16		1A - 39
104702	15 - 18		17 - 69B		18 - 50		16 - 30
109918	31F - 33A	357995	26 - 3		31G - 53		16 - 37
	31G - 70	363001	2 - 36		31G - 55	1621020	27 - 7
112628	31G - 74		4 - 29		31G - 58	1621021	27 - 4
138754	30 - 201		9 - 17	642307	2 - 44C	1621023	25 - 8
147297	15 - 23		10 - 10		17 - 26A	1621154	6 - 13
177946	6 - 11		15 - 4		17 - 89A		19 - 20
	19 - 16		17 - 22	737732	4 - 30		22 - 10
	19 - 19A		17 - 88		18 - 40	1621170	2 - 13B
	22 - 8		18 - 44	737858	30 - 205		2 - 78B
187479	2 - 32		20 - 18	740459	31E - 8		2 - 85B
	4 - 59		24 - 9	765073	7 - 34		2 - 93
	17 - 19	367115	4 - 80		8 - 17		4 - 9
	17 - 37		18 - 33		23 - 13		9 - 29
	17 - 80	418835	26 - 3	811427	31F - 45		10 - 18
194355	26 - 1	430798	31E - 5C	811802	31F - 18		14 - 5
236550	31E - 8A	430799	31E - 5B	813179	25 - 7		14 - 8
236849	23 - 26	433358	31F - 19	813519	31F - 44		14 - 11
237245	2 - 25	436972	20 - 4	813681	31F - 38		14 - 14
	2 - 60	438536	31G - 77	813801	31F - 37		17 - 34
	2 - 69	438567	31G - 86	813802	31F - 36		17 - 60B
	17 - 48	438570	31F - 47	815933	31F - 21		17 - 113B
	17 - 103	477144	31G - 62A	815934	31F - 21B		18 - 14
243087	7 - 33	480755	4 - 2	816983	29 - 12A		18 - 70
	8 - 16		4 - 70	817979	6 - 5		19 - 27

PART NUMBER	LIST AND INDEX NO	PART NUMBER	LIST AND INDEX NO	PART NUMBER	LIST AND INDEX NO	PART NUMBER	LIST AND INDEX NO
	19 - 29		31G - 82		2 - 3		1A - 35
	20 - 41	1621182	11 - 3		2 - 40	1621310	2 - 6A
	22 - 13	1621183	3 - 4		2 - 54	1621595	2 - 30
	24 - 18		4 - 31		2 - 70		17 - 16
	25 - 10		18 - 41		4 - 33		17 - 72
	25 - 12		31G - 65		4 - 40	1621719	15 - 5
	27 - 9	1621184	4 - 73		4 - 83	1621950	1 - 9
	27 - 11		18 - 8		4 - 86		1A - 8
	28 - 6	1621185	2 - 38		4 - 88		16 - 6
1621171	7 - 15		4 - 31		4 - 90		16A - 6
	8 - 22		18 - 41		4 - 92	1622302	14 - 7
	20 - 10		19 - 17		4 - 93	1622303	19 - 17A
	23 - 17		20 - 5		4 - 104	1622306	1 - 46
1621172	4 - 5	1621186	17 - 24		5 - 6		2 - 27
	18 - 5		17 - 86		9 - 12		16 - 31
1621173	7 - 18	1621190	1 - 11		10 - 8		17 - 17
	8 - 25		1 - 50		11 - 9		17 - 73
	23 - 20		1 - 55		11 - 10	1622308	2 - 24
1621174	19 - 21		1A - 10		11 - 13		2 - 68
	20 - 31		2 - 28		16 - 15		17 - 47
1621175	2 - 19		2 - 58		16 - 24		17 - 102
	2 - 81		2 - 91		16A - 15	1622335	20 - 27
	17 - 31		4 - 20		16A - 24	1622344	27 - 5
	17 - 63		6 - 7		17 - 6	1622345	3 - 22
	17 - 116		6 - 9		17 - 40	1622346	1 - 22
	28 - 12		6 - 15		17 - 76		1 - 31
1621176	7 - 23		6 - 17		17 - 104		1A - 21
	8 - 35		6 - 19		18 - 43		1A - 30
	20 - 21		7 - 5		18 - 52		2 - 4
	23 - 32		8 - 32		19 - 5		2 - 29
1621177	2 - 19B		16 - 35		19 - 11		2 - 55
	2 - 82		16 - 40		19 - 23		2 - 71
	17 - 64		17 - 15		20 - 17		4 - 7
	17 - 117		17 - 43		21 - 6		4 - 84
1621181	2 - 33		17 - 70		21 - 16		4 - 105
	2 - 88		22 - 5		22 - 14		6 - 18
	3 - 8		22 - 18		24 - 7		7 - 6
	3 - 19		23 - 30		25 - 15		8 - 31
	3 - 21	1621191	9 - 25		28 - 15		9 - 11
	4 - 15		18 - 19A	1621199	20 - 35		10 - 16
	4 - 50		20 - 28	1621205	7 - 29		11 - 8
	4 - 76	1621192	13 - 14		8 - 12		16 - 14
	9 - 7		15 - 13		23 - 8		16 - 25
	10 - 20		15 - 26	1621210	7 - 12		16A - 14
	17 - 20	1621193	13 - 10		8 - 9		16A - 25
	17 - 60		20 - 7		23 - 5		17 - 7
	17 - 81	1621194	5 - 7	1621213	1 - 20		17 - 41
	17 - 113		7 - 21		1A - 19		17 - 71
	18 - 18		8 - 29		16 - 12		17 - 105
	19 - 3		15 - 8		16A - 12		18 - 53
	20 - 46		21 - 7	1621230	1 - 13		19 - 24
	22 - 3		21 - 17		1A - 12		20 - 23
	24 - 20		23 - 23		4 - 61		23 - 29
	25 - 17	1621197	1 - 23		16 - 8		23 - 36
	31F - 51		1 - 30		16A - 8		24 - 16
	31G - 57		1A - 22	1621290	1 - 34		25 - 14
			1A - 29			1622347	2 - 9



PART NUMBER	LIST AND INDEX NO	PART NUMBER	LIST AND INDEX NO	PART NUMBER	LIST AND INDEX NO	PART NUMBER	LIST AND INDEX NO
	2 - 43		18 - 25	1733549	31 - REF	1733660	1A - 16
	2 - 76		20 - 12	1733550	20 - 9	1733661	31A - REF
	4 - 25		23 - 40	1733551	17 - 35	1733667	31A - REF
	4 - 47	1726285	31G - 68	1733553	19 - 1A	1733678	8 - 26
	7 - 4	1731480	30 - 202	1733559	31 - REF	1733679	23 - 19A
	8 - 3	1733005	9 - 24	1733560	31 - REF	1733682	31A - REF
	9 - 19	1733014	20 - 19	1733561	31 - REF	1733684	9 - 35
	10 - 11	1733265	29 - 11	1733563	24 - 26		31A - REF
	17 - 4	1733309	29 - 1		31 - REF	1733686	31A - REF
	17 - 56	1733351	2 - 14	1733564	24 - 26	1733687	10 - 32
	17 - 83	1733353	2 - 86		31 - REF		31A - REF
	17 - 108		17 - 61	1733567	19 - 25	1733688	27 - 8
	18 - 36		17 - 114		31 - REF		31A - REF
	20 - 13	1733355	20 - 36	1733568	27 - 8	1733692	31A - REF
	22 - 17	1733383	23 - 33		31 - REF	1733693	31G - 83
	23 - 25		31 - REF	1733570	31 - REF	1733697	2 - 17
	24 - 11	1733384	7 - 24	1733571	8 - 20	1733698	6 - 10
1622348	2 - 34		8 - 36	1733572	18 - 67		22 - 7
	4 - 62		31 - REF		31A - REF	1733699	17 - 46
1622401	6 - 14	1733385	23 - 24	1733575	31A - REF		17 - 101
	19 - 22	1733386	8 - 33	1733592	7 - 13	1733740	6 - 8
	22 - 11		23 - 28	1733596	2 - 59	1733741	31A - REF
1622402	2 - 39	1733388	7 - 37		11 - REF	1733812	2 - 65
	4 - 32	1733390	23 - 11	1733599	20 - 39		27 - REF
	11 - 4	1733396	7 - 9	1733601	17 - 32	1733813	17 - 95
	17 - 25	1733397	23 - 2		19 - REF		27 - REF
	17 - 87	1733398	8 - 6	1733605	1A - 13	1733834	31A - REF
	18 - 42	1733399	7 - 36	1733609	16A - 9	1733835	31A - REF
	19 - 18		8 - 30	1733611	16A - 10	1733836	31A - REF
	20 - 16		23 - 27	1733613	1A - 14	1733838	31A - REF
1622403	5 - 8		31 - REF	1733615	16A - 9	1733839	31A - REF
	21 - 8	1733401	17 - 77	1733617	16A - 10	1733840	31A - REF
	21 - 18		23 - REF	1733619	1A - 14	1733849	17 - 77
1624350	4 - 44	1733402	2 - 49	1733621	16A - 9		23 - REF
	18 - 27		8 - REF	1733623	16A - 10	1733850	2 - 49
1643894	1A - 26	1733413	4 - 53	1733625	1A - 14		8 - REF
	16A - 19		4 - 54	1733627	16A - 9	1733876	2 - 65
1646686	20 - 32		31 - REF	1733629	16A - 10	1733891	2 - 1
1655337	31F - 41		31 - REF	1733631	1A - 14		6 - REF
1661131	31E - 2C		31 - REF	1733633	16A - 9	1733899	31A - REF
1661132	31E - 2A	1733417	23 - 7	1733635	16A - 10	1733901	31A - REF
1673983	2 - 2	1733469	1 - 41	1733637	1A - 14	1733902	31A - REF
	8 - 4A		16 - 26	1733639	16A - 9	1733904	31A - REF
	17 - 2	1733472	31 - REF	1733641	16A - 10	1733915	17 - 1
	22 - 16	1733494	1 - 7	1733643	1A - 14		22 - REF
1673984	2 - 8		1A - 7	1733645	16A - 9	1733919	31A - REF
	2 - 42	1733495	20 - 38	1733647	16A - 10	1733920	31B - REF
	2 - 53	1733496	20 - 25	1733649	1A - 13	1733922	6 - 12
	2 - 74	1733498	20 - 43	1733650	1A - 13	1733930	2 - 59
	4 - 26	1733499	31G - 63	1733651	1A - 13		11 - REF
	4 - 46	1733535	31 - REF	1733652	1A - 13	1733950	31B - REF
	7 - 3	1733543	31G - 66	1733653	1A - 13	1733951	31B - REF
	8 - 4	1733544	20 - 44	1733655	1A - 16	1733952	31B - REF
	17 - 9	1733545	31 - REF	1733656	1A - 16	1733953	31B - REF
	17 - 50	1733546	31 - REF	1733657	1A - 16	1733954	31B - REF
	17 - 82	1733547	31 - REF	1733658	1A - 16	1733989	7 - 9
	17 - 107	1733548	31 - REF	1733659	1A - 16		

PART NUMBER	LIST AND INDEX NO	PART NUMBER	LIST AND INDEX NO	PART NUMBER	LIST AND INDEX NO	PART NUMBER	LIST AND INDEX NO
1733995	31B - REF		24 - 5	1994576	7 - 19	2462574	13 - 16
1736650	2 - 52	1736885	2 - 84	2100264	4 - 67	2462685	15 - 10
	4 - REF		10 - 27		18 - 49		15 - 19
1736655	31B - REF		17 - 58	2101380	4 - 71		15 - 27
1736656	31B - REF		17 - 119		18 - 6	2462686	12 - 4
1736659	31B - REF	1736886	9 - 21	2102364	17 - 124		13 - 2
1736665	31B - REF	1736887	2 - 85		19 - 15		13 - 4
1736668	31B - REF		9 - 22		27 - 10		15 - 2
1736675	16 - 17		10 - 26		31F - 50	2502115	26 - 6
1736676	18 - 56		17 - 57		31G - 56	2502307	31F - 13
1736677	1 - 24		17 - 111	2109294	22 - 15	2513268	4 - 106
1736678	1 - 25		19 - 4	2111232	31G - 62	2513269	3 - 10
	16 - 16	1736895	4 - 45	2133970	31F - 14		9 - 31
1736737	2 - 66		18 - 24	2158688	31E - 6		31F - 49
	10 - REF	1736896	4 - 43	2181741	7 - 14	2513270	31G - 59
1736739	2 - 22		18 - 26		8 - 21	2565125	18 - 48
	9 - REF	1736897	6 - 6		20 - 8	2574125	18 - 19B
1736740	6 - 1		22 - 4		23 - 16	2574138	4 - 23
1736741	2 - 23	1736900	17 - 8	2194615	6 - 3		18 - 23
	2 - 67	1736903	2 - 5A		9 - 8	2590010	9 - 5
1736746	2 - 7A		2 - 92		10 - 21	2596275	7 - 26
	2 - 51		10 - 31	2194940	31F - 48		8 - 38
	2 - 78	1736904	31G - 72	2194941	2 - 87		23 - 35
	17 - 53	1736905	31G - 73		6 - 2		31G - 64
	17 - 110	1736922	3 - 2		9 - 6	2596291	3 - 11
1736768	24 - 2	1736945	2 - 16		10 - 22		7 - 25
1736770	17 - 45	1736948	27 - 1		10 - 28		8 - 37
	17 - 100	1736949	17 - 3		17 - 59		9 - 18
	24 - REF	1743129	30 - 200		17 - 112		9 - 32
1736773	17 - 39	1743497	30 - 205		19 - 2		10 - 5
	18 - REF	1751307	2 - 32		24 - 19		11 - 11
1736774	31B - REF		4 - 27	2195636	7 - 22		14 - 15
1736775	31B - REF		17 - 19		8 - 34		19 - 9
1736782	4 - 38		17 - 37		23 - 31		23 - 34
	18 - 45		17 - 80	2242321	18 - 68		24 - 10
1736799	9 - 2		18 - 38	2242704	31F - 24		31G - 52
1736800	10 - 2		20 - 45	2278668	4 - 13	2633938	29 - 9
1736810	23 - 1	1770790	23 - 15		18 - 15	2637681	31E - 11
1736811	8 - 5	1794411	29 - 9		31G - 54	2637682	31E - 11A
1736819	26 - 4	1805224	4 - 63	2278766	4 - 55	2637689	31F - 27
	31B - REF		4 - 99	2286907	31G - 62B	2637690	31E - 11B
1736835	31B - REF		18 - 62	2305493	14 - 12	2637694	31F - 29
1736836	31B - REF	1842106	3 - 15	2306660	18 - 63	2644455	4 - 101
1736860	18 - 1	1847520	31E - 2B	2360072	28 - 4	2644456	4 - 21
1736861	18 - 59	1847521	31E - 2	2396445	18 - 19C		18 - 21
1736862	18 - 54	1847524	31E - 7B	2399086	29 - 8	2666915	1 - 17
1736863	18 - 57	1847525	31E - 3B	2410093	4 - 56		1A - 17
1736866	22 - 1	1847526	31E - 7A	2420943	15 - 21	2666918	2 - 63
1736871	22 - 9	1847527	31E - 3A	2420944	15 - 22		3 - REF
1736872	22 - 6	1847531	31E - 3	2420946	15 - 31	2666919	3 - 12
1736873	2 - 7B	1847532	31E - 7	2421551	15 - 28		31B - REF
	2 - 50	1851574	4 - 4	2426485	31F - 17	2666921	2 - 64
	2 - 77		18 - 4	2449882	5 - 4	2666922	2 - 64
	17 - 52	1859279	30A - 210		21 - 4	2666923	2 - 64
	17 - 109	1859339	4 - 58		21 - 14	2666927	29 - 11
1736874	9 - 14	1862652	18 - 13	2460645	14 - 18	2666929	29 - 11
	10 - 6	1994573	7 - 20			2666955	17 - 29

PART NUMBER	LIST AND INDEX NO	PART NUMBER	LIST AND INDEX NO	PART NUMBER	LIST AND INDEX NO	PART NUMBER	LIST AND INDEX NO
	17 - 92	2667098	31C - REF		5 - REF		18 - 40
2666959	4 - 17	2667100	30A - 207	2667356	2 - 41	2722510	17 - 23
	4 - 19	2667123	4 - 91		5 - REF		17 - 85
	18 - 20	2667130	1A - 18	2667357	17 - 38	2722511	2 - 37
2666965	7 - 30	2667132	1A - 18		17 - 93		20 - 15
	8 - 13	2667134	1A - 18		21 - REF	2722514	21 - 5
	23 - 9	2667136	1A - 18	2667358	17 - 38		21 - 15
2666971	9 - 33	2667138	1A - 18		17 - 93	2722515	5 - 5
	10 - 29	2667140	1A - 18		21 - REF	2731386	31F - 12H
	24 - 24	2667142	16A - 11	2667364	21 - 19	2731394	31F - 12F
2666972	9 - 28	2667144	16A - 11	2667627	17 - 74	2731400	31F - 12L
	10 - 17	2667146	16A - 11		21 - REF	2731731	31F - 12K
	24 - 17	2667148	16A - 11	2667628	17 - 74	2731845	31E - 12A
2667015	9 - 26	2667150	16A - 11		21 - REF	2731850	31E - 12C
	10 - 19	2667152	16A - 11	2667646	7 - 8	2731853	31E - 12
	17 - 68	2667154	16A - 11	2667648	7 - 8	2731863	31F - 12D
	17 - 121	2667156	2 - 52	2667651	19 - 19	2732354	31F - 12E
	19 - 6		4 - REF	2667652	7 - 32	2732785	29 - 3
2667016	2 - 7	2667157	2 - 52		8 - 18	3125575	1A - 34
	2 - 75		4 - REF	2667654	31D - REF		16A - 27
	17 - 54	2667158	2 - 52	2667662	4 - 66	4119740	8 - 1
	17 - 106		4 - REF		26 - REF		23 - 38
2667057	20 - 2	2667159	2 - 52	2667663	4 - 66	4119741	7 - 1
2667058	17 - 36		4 - REF		26 - REF	4119753	2 - 26
	20 - REF	2667201	17 - 39	2667667	4 - 11	4119754	17 - 14
2667059	26 - 5		18 - REF		18 - 11		17 - 69
2667060	20 - 30	2667202	17 - 39		31D - REF	4119755	8 - 2
2667063	6 - 16		18 - REF	2667668	2 - 61		23 - 39
	31B - REF	2667203	17 - 39		25 - REF	4119756	7 - 2
2667064	17 - 36		18 - REF	2667674	17 - 49	4119758	17 - 14
	20 - REF	2667212	25 - 9		25 - REF		17 - 69
2667069	11 - 12	2667215	18 - 58	2667694	30A - 207	4119759	2 - 26
2667074	31C - REF	2667233	25 - 2	2667695	30A - 208	4119760	20 - 22
2667076	31C - REF	2667240	31C - REF	2667704	2 - 12	4119761	20 - 22
2667077	4 - 51	2667241	31C - REF	2667705	31D - REF	4119829	20 - 11
	4 - 52	2667242	2 - 65A	2667706	31D - REF	4119830	2 - 31
	31C - REF	2667246	31C - REF	2667707	31D - REF	4119831	4 - 24
	31C - REF	2667248	30A - 207	2667718	31D - REF		18 - 35
2667085	31C - REF	2667297	17 - 78	2667723	20 - 3	4119832	17 - 18
2667086	31C - REF	2667298	2 - 90	2667724	22 - 12		17 - 79
2667088	26 - 4	2667299	17 - 75	2667749	1 - 16	4119841	20 - 11
	31C - REF	2667315	20 - 1		1A - 15	4119843	4 - 24
2667090	31C - REF	2667317	17 - 39	2667763	31D - REF		18 - 35
2667091	17 - 123		18 - REF	2667764	20 - 20	4119844	17 - 18
	31C - REF	2667320	31C - REF	2667765	28 - 16		17 - 79
2667092	31C - REF	2667329	31C - REF	2667771	2 - 26B	4120360	17 - 14C
2667094	3 - 20	2667333	17 - 5	2667788	20 - 24		17 - 69C
	4 - 82	2667334	17 - 10	2722507	2 - 36	4120361	17 - 14A
	4 - 103	2667340	2 - 46		4 - 29		17 - 69A
	11 - 6		17 - 28		5 - 11	4120456	4 - 75
	18 - 55		17 - 91		17 - 22		18 - 17
	18 - 64	2667343	5 - 9		17 - 88	4120571	4 - 79
	18 - 71		31C - REF		18 - 44		18 - 32
	20 - 47	2667344	21 - 9		20 - 18	4120572	4 - 74
	25 - 13		31D - REF		21 - 11		18 - 9
	31C - REF	2667348	18 - 12		21 - 21	4120595	9 - 15
2667095	31C - REF	2667355	2 - 41	2722509	4 - 30		10 - 7

PART NUMBER	LIST AND INDEX NO	PART NUMBER	LIST AND INDEX NO	PART NUMBER	LIST AND INDEX NO	PART NUMBER	LIST AND INDEX NO
	24 - 6	4240673	15 - 6		18 - 66		16A - 5
4120800	4 - 37	4240675	15 - 6	4712871	4 - 68	5213274	31F - 13A
4120815	21 - 3	4240679	15 - 1		18 - 2	5213913	23 - 22
	21 - 13	4240684	13 - 3	4712872	25 - 16	5214578	4 - 18
4120817	5 - 3	4240687	13 - 11	4712878	29 - 13	5236960	27 - 2
4120821	4 - 28	4240722	12 - 2	4712879	29 - 12	5252824	9 - 16
	18 - 39	4404222	19 - 13	4712900	30A - 210		10 - 9
4120824	17 - 21	4413711	30 - 205	4712901	30A - 210		24 - 8
	17 - 84	4413712	30A - 205	4712902	30A - 210	5252850	4 - 28
4120852	2 - 35	4413713	30A - 205	4712903	30A - 210		18 - 39
	20 - 14	4413734	30A - 205	4712904	30A - 210	5252966	20 - 33
4134831	29 - 11	4422117	30 - 203	4712905	30A - 210	5261460	8 - 28
4138523	28 - 3	4430000	7 - 27	4712906	30A - 210	5267931	1 - 29
4138524	28 - 5		8 - 10	4712907	30A - 210		1A - 28
4138552	29 - 9		23 - 6	4712908	30A - 210		9 - 10
4138559	28 - 7	4447206	30A - 209	4712909	30A - 210		10 - 25
4138564	28 - 9	4449220	10 - 4	4712910	30A - 210		16 - 23
4138587	28 - 8		19 - 1B	4712917	17 - 33		16A - 23
4138640	31G - 68A		24 - 4	4712920	22 - 2		17 - 13
4176575	7 - 28	4449221	9 - 3	4712925	20 - 48		24 - 22
	8 - 11		10 - 3		23 - 37	5271288	27 - 6
4240513	11 - 1		24 - 3		31F - 26	5276701	4 - 16
	12 - REF	4449222	9 - 4	4712959	31D - REF	5312429	31F - 43
4240517	11 - 1	4499612	2 - 13	4712984	31D - REF	5351139	31F - 23
	12 - REF		17 - 12	4712985	2 - 49A	5351156	27 - 12
4240563	15 - 17	4511727	1 - 28	4712991	31D - REF	5351163	27 - 13
4240568	15 - 32		1A - 27	4713008	2 - 52	5351177	31F - 16
4240573	14 - 6		16 - 22		4 - REF	5352960	31E - 10A
4240576	13 - 1		16A - 22	4713009	17 - 39	5352967	31G - 61
4240580	13 - 13	4521305	3 - 5		18 - REF	5362301	31F - 35A
4240583	13 - 17	4521307	3 - 6	4754410	19 - 26	5362303	31G - 71
4240584	12 - 3	4521357	3 - 3	4796840	3 - 7	5367888	23 - 21
4240589	13 - 8	4681518	9 - 23	4802892	2 - 14	5393041	31G - 76
4240592	13 - 18		10 - 14	4802914	31G - 63	5393044	31G - 78
4240593	14 - 17		24 - 14	4802923	1A - 1A	5393056	2 - 77A
4240594	14 - 2	4712522	2 - 64		16A - 5A		17 - 52A
4240596	14 - 1	4712523	2 - 64	4802949	9 - 9		17 - 109A
4240599	14 - 13	4712524	2 - 64		10 - 24		31G - 75
4240600	14 - 4	4712546	7 - 7		24 - 21	5404092	2 - 37
4240601	14 - 3	4712547	4 - 48	4802950	17 - 11		17 - 23
4240604	15 - 12		18 - 28	4802951	30A - 211		17 - 85
4240605	15 - 12	4712571	17 - 122	4802961	1 - 12		20 - 15
4240608	15 - 29	4712586	8 - 15		1A - 11	5404468	31G - 79
4240610	15 - 16	4712588	17 - 26		16 - 7	5404480	31F - 35B
4240614	13 - 12		17 - 89		16A - 7	5447741	31F - 32
4240620	14 - 9	4712804	2 - 19A	4802963	29 - 5	5452940	31F - 21A
4240625	14 - 20		2 - 83	4802965	7 - 10	5466393	31F - 34
4240631	13 - 7		17 - 65		8 - 7	5466397	31F - 33
4240632	13 - 6		17 - 118		23 - 3	5486851	31F - 35
4240635	15 - 3	4712824	10 - 15	4866793	1 - 3	5518550	4 - 63
4240638	12 - 1		24 - 15		1 - 8		4 - 95
4240646	14 - 19	4712825	9 - 27		1A - 4		4 - 97
4240648	14 - 10	4712827	7 - 11		16 - 2		18 - 60
4240661	13 - 9		8 - 8	4866794	1 - 5	5529190	31G - 69
4240663	13 - 5		23 - 4		1A - 6	5529191	31G - 69
4240666	15 - 9	4712870	4 - 69		16 - 4	5562019	15 - 15
4240671	15 - 7						

PART NUMBER	LIST AND INDEX NO	PART NUMBER	LIST AND INDEX NO	PART NUMBER	LIST AND INDEX NO	PART NUMBER	LIST AND INDEX NO
5562115	15 - 30	56X3071	16 - 10	6081026	30A - 208	6081214	11 - 7
5584626	1 - 6	56X3072	16 - 9	6081027	30A - 208	6081216	2 - 56
	16 - 5	56X3073	16 - 10	6081028	30A - 208		17 - 42
5584628	1 - 4	56X3074	16 - 9	6081029	30A - 208	6081217	1A - 13
	1A - 5	56X3075	16 - 10	6081030	30A - 208	6081218	1A - 14
	16 - 3	56X3076	16 - 9	6081031	30A - 208	6081219	1A - 16
	16A - 4	56X3077	16 - 10	6081032	30A - 208	6081220	1A - 18
5584630	1 - 1	56X3078	16 - 9	6081033	30A - 208	6081241	2 - 44
	1A - 1	56X3079	16 - 10	6081036	30 - 202	6081245	18 - 46
	16 - 1	5609843	1 - 44	6081037	30 - 202	6081249	31D - REF
	16A - 1		16 - 29	6081038	30 - 202	6081251	2 - 79
5584642	1 - 40	5609844	1 - 36	6081039	30 - 202	6081264	2 - 48
	1 - 54		1A - 37	6081040	30 - 202		2 - 48A
	1A - 41	5609845	1 - 37	6081041	30 - 202		7 - REF
	16 - 39		1A - 38	6081042	30 - 202	6081265	2 - 48
5584643	1 - 51	5609846	1 - 35	6081043	30 - 202		2 - 48A
	16 - 36		1A - 36	6081045	30 - 204		7 - REF
5584644	1 - 49	5609847	1 - 10	6081046	30 - 204	6081288	4 - 35
	16 - 34		1A - 9	6081047	30 - 204	6081290	5 - 1
5584646	1 - 48	5616013	3 - 18	6081048	30 - 205	6081291	4 - 49
	16 - 33	5646788	4 - 12	6081049	30A - 205		18 - 29
5584647	1 - 43	5646793	4 - 10	6081050	30A - 206	6081297	2 - 62
	16 - 28	5672267	1 - 39	6081051	30A - 207		17 - 51
5584649	1 - 47		1 - 53	6081052	30 - 200	6081320	31D - REF
	16 - 32		1A - 40	6081053	30A - 208	6081325	4 - 1
5584659	1 - 42		16 - 38	6081056	30 - 200	6081326	4 - 85
	1 - 56	5685242	30 - 203	6081058	30 - 200	6081327	4 - 94
	16 - 27	5688621	30A - 206	6081059	30 - 201	6081328	4 - 89
	16 - 41	5689628	4 - 57	6081060	30 - 202	6081329	4 - 87
5584697	1 - 2		18 - 69	6081062	30 - 204	6081332	2 - 15
	1A - 3	5703260	8 - 27	6081063	30A - 205	6081337	18 - 51
5590961	29 - 11	5719456	4 - 3	6081064	30A - 206		31E - REF
5590964	29 - 11		18 - 3	6081065	30A - 208	6081340	31E - REF
56X3047	31G - 85	5729007	31G - 67A	6081066	30A - 207	6081341	31E - REF
56X3048	2 - 87A	5761553	31F - 31	6081069	8 - 39	6081368	20 - 42
	17 - 59A	5800634	31E - 9	6081087	28 - 11	6081370	20 - 34
	17 - 112A	5975032	18 - 10	6081099	2 - 10	6081371	21 - 1
	31G - 84	5997533	29 - 4	6081101	2 - 5	6081372	29 - 9
56X3052	1 - 14	5997553	29 - 2	6081102	2 - 72	6081373	29 - 11
56X3053	1 - 15	6056538	17 - 55	6081103	25 - 1	6081389	31E - REF
56X3054	1 - 14	6056735	17 - 61A	6081104	2 - 11	6081391	1 - 33
56X3055	1 - 15	6081000	9 - 34	6081110	2 - 47		1A - 32
56X3056	1 - 14		10 - 30	6081118	29 - 11		16 - 21
56X3057	1 - 15		24 - 25	6081140	31D - REF		16A - 21
56X3058	1 - 14	6081011	30A - 207	6081144	2 - 31	6089087	4 - 6
56X3059	1 - 15	6081012	1 - 32	6081145	11 - 5	6089104	2 - 13A
56X3060	1 - 14		1A - 31		31D - REF	6089105	2 - 78A
56X3061	1 - 15		16 - 20	6081146	31D - REF		2 - 85A
56X3062	1 - 14		16A - 20	6081147	31D - REF		17 - 60A
56X3063	1 - 15	6081013	30A - 207	6081184	1 - 26		17 - 113A
56X3064	1 - 14	6081015	30A - 207		1A - 25	6089106	17 - 32A
56X3065	1 - 15	6081016	30 - 200	6081185	16 - 18		19 - 28
56X3066	16 - 9	6081017	30A - 207		16A - 18	6093278	30A - 205
56X3067	16 - 10	6081019	30A - 207	6081186	31D - REF	61X3186	2 - 48B
56X3068	16 - 9	6081021	30A - 207	6081187	19 - 12		7 - REF
56X3069	16 - 10	6081023	30A - 207		31D - REF	61X3188	2 - 48B
56X3070	16 - 9	6081025	30A - 208	6081188	19 - 10		

PART NUMBER	LIST AND INDEX NO	PART NUMBER	LIST AND INDEX NO	PART NUMBER	LIST AND INDEX NO	PART NUMBER	LIST AND INDEX NO
	7 - REF		16A - 3	6825840	30 - 201	8279075	5 - 2
61X3192	2 - 44B	6406244	31E - REF	6825864	30A - 206	8279076	21 - 2
61X3230	1A - 23	6406418	2 - 79	6825867	30A - 206		21 - 12
	16A - 17	6426317	2 - 86A	6825871	30 - 205	8323796	30A - 206
61X3231	1A - 24		17 - 61B	6834390	1 - 27	8323797	30 - 202
61X3232	16A - 16		17 - 114		16 - 19	8324648	31F - 12G
6124797	2 - 56	6426575	18 - 19	6841177	30 - 204	8324808	1 - 21
	17 - 42	6486234	3 - 12A	6841186	30 - 204		1A - 20
6124857	2 - 44A	6812825	30A - 206	6841187	30 - 204		16 - 13
6124869	1A - 1B	6814311	17 - 21	6841188	30 - 204		16A - 13
	16A - 2		17 - 84	6841189	30 - 204	8326722	30 - 200
6125294	29 - 11	6814312	2 - 35	6841193	30 - 204	8326797	30 - 200
6125296	29 - 11		20 - 14	6843726	30 - 201	8326798	30 - 200
6125298	29 - 11	6815184	30 - 201	6843729	30 - 201	8326799	30 - 200
6125300	29 - 11	6815187	30 - 201	7389045	4 - 8	8326800	30 - 200
6163085	3 - 1A	6815188	30 - 201	7837317	18 - 20A	8326801	30 - 200
6163094	26 - 2	6815190	30A - 206	7837321	1A - 2	8326802	30 - 200
6163095	31F - 40	6815191	30A - 206	7837328	19 - 1	8329449	30A - 206
6163098	29 - 6A	6815192	30A - 206	7837329	9 - 1	8482887	31E - 10
	31F - 40B	6815195	30A - 206	7837330	10 - 1	8543632	11 - 2
6406212	31G - 66	6819211	29 - 9	7837331	24 - 1		13 - 19
6406226	3 - 15A	6819214	29 - 11	8240000	29 - 3	8551903	30 - 201
6406233	31G - 81	6825818	30 - 201	8268914	28 - 13	8551934	30A - 205
6406234	31E - REF	6825819	30 - 201	8268915	28 - 14	8642526	31F - 40A
6406240	1A - 33	6825820	30 - 201	8278909	20 - 6	8642553	31F - 39
	16A - 26	6825821	30 - 201	8279060	4 - 34		
6406241	1A - 1C						







Order No. S135-2008-

You may use this form to communicate your comments about this publication, its organization, or subject matter, with the understanding that **IBM** may use or distribute whatever information you supply in any way it believes appropriate without incurring any obligation to you.

Your comments will be sent to the author's department for whatever review and action, if any, is deemed appropriate. Comments may be written in your own language; use of English is not required.

**Note:** *Copies of IBM publications are not stocked at the location to which this form is addressed. Please direct any requests for copies of publications, or for assistance in using your IBM system, to your IBM representative or to the IBM branch office serving your locality.*

Possible topics for comment are:

Clarity   Accuracy   Completeness   Organization   Coding   Retrieval   Legibility

If you wish a reply, give your name, company, mailing address, and date:

---

---

---

---

What is your occupation? \_\_\_\_\_

Number of latest Newsletter associated with this publication: \_\_\_\_\_

Thank you for your cooperation. No postage stamp necessary if mailed in the U.S.A. (Elsewhere, an IBM office or representative will be happy to forward your comments or you may mail directly to one of the addresses

Please use pressure sensitive or other gummed tape to seal this form.

Cut or Fold Along Line

Reader's Comment Form

Fold and tape

Please Do Not Staple

Fold and tape



NO POSTAGE  
NECESSARY  
IF MAILED  
IN THE  
UNITED STATES

**BUSINESS REPLY MAIL**  
FIRST CLASS PERMIT NO. 40 ARMONK, N.Y.



POSTAGE WILL BE PAID BY ADDRESSEE:

International Business Machines Corporation  
Departement 6R1LG  
180 Kost Road  
Mechanicsburg  
PA 17055

Fold and tape

Please Do Not Staple

Fold and tape

