

Systems

OS/VS2 System Logic Library Volume 7

VS2.03.804
VS2.03.805
VS2.03.807
VS2.03.810

IBM

Pages numbered as duplicates in this publication must be retained because each of these documents information specific to individual Selectable Units.

This minor revision incorporates the following Selectable Units:

Scheduler Improvements	VS2.03.804
Supervisor Performance #1	VS2.03.805
Supervisor Performance #2	VS2.03.807
IBM 3800 Printing Subsystem	VS2.03.810

The selectable unit to which the information applies, is noted in the upper corner of the page.

First Edition (July, 1976)

This is a reprint of SY28-0719-0 incorporating changes released in the following Selectable Unit Newsletters:

SN28-2685	(dated May 28, 1976)
SN28-2690	(dated May 28, 1976)
SN28-2696	(dated May 28, 1976)
SN28-2699	(dated May 28, 1976)

This edition applies to Release 3.7 of OS/VS2 and to all subsequent releases of OS/VS2 until otherwise indicated in new editions or Technical Newsletters. Changes are continually made to the information herein; before using this publication in connection with the operation of IBM systems, consult the latest *IBM System/370 Bibliography*, GC20-0001, for the editions that are applicable and current.

Requests for copies of IBM publications should be made to your IBM representative or to the IBM branch office serving your locality.

A form for readers' comments is provided at the back of this publication. If the form has been removed, comments may be addressed to IBM Corporation, Publications Development, Department D58, Building 706-2, PO Box 390, Poughkeepsie, N.Y. 12602. Comments become the property of IBM.

System Logic Library comprises seven volumes. Following is the content and order number for each volume.

OS/VS2 System Logic Library,

Volume 1 contents: SY28-0713

MVS logic introduction
Abbreviation list
Index for all volumes

Volume 2 contents: SY28-0714

Method of Operation diagrams for
Communications Task
Command Processing
Region Control Task (RCT)
Started Task Control (STC)
LOGON Scheduling

Volume 3 contents: SY28-0715

Method of Operation diagrams for
System Resources Manager (SRM)
System Activity Measurement Activity (MF/1)
JOB Scheduling
—Subsystem Interface
—Master Subsystem
—Initiator/Terminator
—SWA Create Interface
—Converter/Interpreter
—SWA Manager
—Allocation/Unallocation
—System Management Facilities (SMF)
—System Log
—Checkpoint/Restart

Volume 4 contents: SY28-0716

Method of Operation diagrams for
Timer Supervision
Supervisor Control
Task Management
Program Management
Recovery/Termination Management (R/TM)

Volume 5 contents: SY28-0717

Method of Operation diagrams for
Real Storage Management (RSM)
Virtual Storage Management (VSM)
Auxiliary Storage Management (ASM)

Volume 6 contents: SY28-0718

Program Organization

Volume 7 contents: SY28-0719

Directory
Data Areas
Diagnostic Aids

Please note that if you use only one order number, you will only receive that volume. To receive all seven volumes, you must either use all seven form numbers or, simply the following number: SBOF-8210. If you use SBOF-8210, you will receive all seven volumes.

The publication is intended for persons who are debugging or modifying the system. For general information about the use of the MVS system, refer to the publication *Introduction to OS/VS Release 2*, GC28-0661.

How This Publication is Organized

This publication contains six chapters. Following is a synopsis of the information in each section:

- *Introduction and Master Index* — an overview of each of the functions this publication documents, an abbreviation list of all acronyms used in the publication, and a complete index for all seven volumes.
- *Method of Operation* — a functional approach to each of the subcomponents, using both diagrams and text. Each subcomponent begins with an introduction; all the diagrams and text applying to that subcomponent follow.
- *Program Organization* — a description of module-to-module flow for each subcomponent; a description of each module's function, including entry and exit. The module-to-module flow is ordered by subcomponent. The module descriptions are in alphabetic order without regard to subcomponent.
- *Directory* — a cross-reference from names in the various subcomponents to their place in the source code and in the publication.
- *Data Areas* — a description of the major data areas used by the subcomponents (only those, however, that are not described in *OS/VS Data Areas*, SYB8-0606, which is on microfiche); a data area usage table, showing whether a module reads or updates a data area; a control block overview diagram for each subcomponent, showing the various pointer schemes for the control blocks applicable to each subcomponent; a table detailing data area acronyms, mapping macro instructions, common names, and symbol usage table.

- *Diagnostic Aids* — the messages issued, including the modules that issue, detect, and contain the message; register usage; return codes; wait state codes; and miscellaneous aids.

Corequisite Reading

The following publications are corequisites:

- *OS/VS2 JES2 Logic*, SY28-0622
- *OS/VS Data Areas*, SYB8-0606 (This document is on microfiche.)
- *OS/VS2 System Initialization Logic*, SY28-0623

Contents

Section 4: Directory	7-1
Section 5: Data Areas	7-271
Control Block Overviews (See Figure List)	
Communications Task	7-272
Command Processing (includes Reconfiguration Commands)	7-275
Region Control Task (RCT)	7-278
Started Task Control (STC)	7-279
LOGON Scheduling	7-281
System Resources Manager (SRM)	7-282
System Activity Measurement Facility (MF/1)	7-283
Job Scheduling:	
Subsystem Interface	7-285
Initiator/Terminator	7-286
SWA Create Interface	7-287
Converter/Interpreter	7-288
SWA Manager	7-290
Allocation/Unallocation	7-291
System Management Facilities (SMF)	7-299
System Log	7-300
Checkpoint/Restart	7-301
Timer Supervision	7-302
Supervisor Control	7-303
Task Management	7-304
Program Management	7-305
Recovery/Termination Management (R/TM)	7-306
Real Storage Management (RSM)	7-308
Virtual Storage Management (VSM)	7-310
Auxiliary Storage Management (ASM)	7-312
Acronym/Mapping Macro/Common Name Table	7-324
Data Area Usage Table	7-335
Symbol Usage Table	7-337
Section 6: Diagnostic Aids	7-339
ABEND Codes	7-341
Messages and Wait State Codes	7-345
Return Code Table	7-353
Register Usage Table	7-385
Communications Task Diagnostic Aids	7-471
Initial Check	7-471
Console Not Responding to Attention	7-471
Enabled Wait State	7-471
Disabled Wait State	7-472
No Messages on One Console	7-472
Messages Going to Wrong Console	7-472
Truncated Messages	7-472
Console Switching	7-472
Reply Command Problems	7-472
DIDOCS Trace Table	7-473
DIDOCS-In-Operation Bit	7-473
DIDOCS Locking	7-473
Started Task Control (STC) ABEND and Reason Codes	7-474
LOGON Scheduling Diagnostic Aids	7-475
LOGON Work Area Bits That Indicate the Currently Executing Module	7-475
LOGON Scheduling Post Codes	7-475
SWA Manager Reason Codes	7-476
0C4 Abend Code Occurring in IEFAB4FC	7-477
Allocation/Unallocation Reason Codes	7-478
Real Storage Management ABEND Reason Codes	7-484
Auxiliary Storage Management (ASM)	7-486
Recovery/Termination Manager	7-486
Recovery Routines	7-486
Functional Recovery Routines	7-487
ESTAE/ESTAI Routines	7-488
Mainline Communication	7-489
Monitor Calls	7-489

Dumps	7-489
Reading an ASM Dump	7-491
Locating the Audit Trail	7-493
ASM Modules, Macros, and Programs	7-476
Service Programs	7-482
Error Recovery Programs	7-483
Macros	7-485
Mapping Macros	7-486
Auxiliary Storage Management Diagnostic Aids (VS2.03.807)	7-476
Additional ASM Data Areas (VS2.03.807)	7-476
ASPCT and Locating LSIDs of VIO Data Sets (VS2.03.807)	7-478
Relating a Virtual Address to the PART, PAT, and Device (VS2.03.807)	7-479
COD Abend Meanings For ASM (VS2.03.807)	7-481
Recovery Control Blocks (VS2.03.807)	7-481
Serialization (VS2.03.807)	7-486
Page/Swap Data Set Error Action Matrix (VS2.03.807)	7-491
Index	I-1

Figures

Figure 5-1	Communication Task (without TSO) Control Block Overview . . .	7-272
Figure 5-2	Command Processing Control Block Overview	7-275
Figure 5-3	Region Control Task Control Block Overview	7-278
Figure 5-4	Started Task Control (STC) Control Block Overview	7-279
Figure 5-5	LOGON Scheduling Control Block Overview	7-281
Figure 5-6	System Resources Manager (SRM) Control Block Overview	7-282
Figure 5-7	System Activity Measurement Facility (MF/1) Control Block Overview	7-283
Figure 5-8	Subsystem Interface Control Block Overview	7-285
Figure 5-9	Initiator/Terminator Control Block Overview	7-286
Figure 5-10	SWA Create Interface Control Block Overview	7-287
Figure 5-11	Converter/Interpreter Control Block Overview	7-288
Figure 5-12	Typical Output of the Converter/Interpreter	7-289
Figure 5-13	SWA Manager Control Block Overview	7-290
Figure 5-14	Common Allocation Control Block Overview	7-291
Figure 5-15	Volume Mount and Verify (VM&V) Control Block Overview	7-292
Figure 5-16	Batch Unallocation and Common Unallocation Control Block Overview	7-293
Figure 5-17	Dynamic Allocation Control Block Overview	7-294
Figure 5-18	JFCB Housekeeping Control Block Overview	7-295
Figure 5-19	Eligible Devices Table (EDT)	7-296
Figure 5-20	Eligible Device List (EDL)	7-297
Figure 5-21	Algorithm Interface Tables	7-298
Figure 5-22	System Management Facilities (SMF) Control Block Overview	7-299
Figure 5-23	System Log Task Control Block Overview	7-300
Figure 5-24	Checkpoint/Restart Control Block Overview	7-301
Figure 5-25	Timer Supervision Control Block Overview	7-302
Figure 5-26	Supervisor Control Block Overview	7-303
Figure 5-27	Task Management Control Block Overview	7-304
Figure 5-28	Program Management Control Block Overview	7-305
Figure 5-29	Real Storage Management Control Block Overview	7-308
Figure 5-30	Virtual Storage Management Control Block Overview	7-310
Figure 5-31	Recovery/Termination Management Control Block Overview	7-306
Figure 5-32	Auxiliary Storage Management Control Block Overview (VS2.03.807)	7-311.0
Figure 6-1	DIDOCS Locking	7-473
Figure 6-2	LOGON Work Area Bits That Indicate the Currently Executing Module	7-475
Figure 6-3	LOGON Scheduling Post Codes	7-475
Figure 6-4	Locating the ASMVT	7-491
Figure 6-4	Locating an LSID from an LPID (VS2.03.807)	7-478
Figure 6-5	Locating the LGVT Entry	7-492
Figure 6-5	Relating the Virtual Address to the PART and PAT (VS2.03.807)	7-479.0
Figure 6-6	Locating EPATH in SRB Mode	7-493
Figure 6-6	Page/Swap Data Set Error Action Matrix (VS2.03.807)	7-491
Figure 6-7	Locating EPATH in Task Mode	7-494

VS2.03.804
VS2.03.805
VS2.03.807
VS2.03.810

Section 4: Directory

The Directory shows the relationships between:

- Load module names.
- Object (or assembly) module names (CSECT name, external name, or reference).
- Entry point names (the major entry point to a load module).
- Alias names (alternate entry points to load modules).

The first column, labeled *Names*, is in alphameric order; it shows all names noted above. Depending on the type of name, which is shown by the entry in the second column, different information is given:

- If the name is a load module, then all object modules contained in the load module are listed. With each of these object module names is listed any entry point name or alias name contained in that particular object module. If a load module has only one object module and no entry points are listed, then the object module name is also the entry point name.
- If the name is an object module, then the load module in which it is found is listed. Any entry points names or alias names contained in the object module are also listed.
- If the name is an alias or an entry point, the load module and object module in which they appear are shown.

The directory is on microfiche for all subsequent updates to Release 3.7. There will be no hard copy version of these updated pages.

Name	Type	Load	Object	Entry	Alias	System Library
\$1STBUF	Object	HASJES20				SYS1.LINKLIB
\$1STPBUF	Object	HASJES20				SYS1.LINKLIB
ABENDHDR	Object	IEFW21SD				SYS1.LPALIB
ACCOUNT	Load		ACCOUNT ANDXL IKJEFA00 IKJEFA01	IKJEFA00		SYS1.LINKLIB
ACCTEXTR	Object Object	ACCOUNT IKJEFA10 IKJEFA20 IKJEFA30 IKJEFA40		IKJEFA00		SYS1.LINKLIB
ACCUMDCB	Object	IFDOLT				SYS1.LINKLIB
ACRSTART	Object	IEANUC01				SYS1.NUCLEUS
ACTCCS	Object	IEBCOMPR IEBGENER IEBPTPCH				SYS1.LINKLIB
ACTGETN	Object	ILRTSK00				SYS1.LINKLIB
ACTION	Object	IEFW21SD				SYS1.LPALIB
ACTUPDT	Object	ILRTSK00				SYS1.LINKLIB
ADCON#	Object	IHCSP04				SYS1.LINKLIB
ADDERCLN	Object	IKJEFA10				SYS1.LINKLIB
ADDRERSC	Object	IKJPARS				SYS1.LPALIB
ADDR18I	Object	AMDSAPGE				SYS1.LINKLIB
AHLCTL2	Object	AHLGTF				SYS1.LINKLIB
AHLCWRIT	Load		AHLCWRIT AHLWRMSG AHL032 AHL033 AHL034 AHL035 AHL036 AHL037 AHL038 AHL039 M035NAME M036AF M038DD M039DD	AHLCWRIT		SYS1.LINKLIB
AHLDMPMD	Object Entry Object Entry Alias	AHLCWRIT AHLCWRIT AHLSETD AHLSETD AHLSETD	AHLCWRIT	AHLCWRIT	AHLDMPMD	SYS1.LPALIB
AHLDSP	Object Entry Alias	AHLTXSYS AHLTXSYS AHLTXSYS	AHLDSP AHLDSP	AHLDSP	AHLDSP	SYS1.LPALIB
AHLEXT	Object Entry Alias	AHLTSYSM AHLTSYSM AHLTSYSM	AHLEXT AHLEXT	AHLEXT	AHLEXT	SYS1.LPALIB
AHLFIO	Object Entry Alias	AHLTSYFL AHLTSYFL AHLTSYFL	AHLFIO AHLFIO	AHLFIO	AHLFIO	SYS1.LPALIB
AHLFPI	Object Entry Alias	AHLTSYFL AHLTSYFL AHLTSYFL	AHLFPI AHLFPI	AHLFPI	AHLFPI	SYS1.LPALIB
AHLFRR	Object Entry Alias	AHLTSYSM AHLTSYSM AHLTSYSM	AHLFRR AHLFRR	AHLFRR	AHLFRR	SYS1.LPALIB
AHLFSIO	Object Entry Alias	AHLTSYFL AHLTSYFL AHLTSYFL	AHLFSIO AHLFSIO	AHLFSIO	AHLFSIO	SYS1.LPALIB
AHLFSVC	Object Entry Alias	AHLTSYFL AHLTSYFL AHLTSYFL	AHLFSVC AHLFSVC	AHLFSVC	AHLFSVC	SYS1.LPALIB
AHLGTF	Load		AHLCTL2 AHLGTF AHLGTFI AHLQNAME AHLRNAME	AHLGTFI		SYS1.LINKLIB

Name	Type	Load	Object	Entry	Alias	System Library
			AHLRPL			
			AHLSCAN			
			AHLTCTL1			
			AHLTCTL2			
			AHLTIO			
			AHLTPMT			
			AHLTSCN			
			AHLTTAB			
			AHLT103			
			AHL001			
			AHL002			
			AHL003			
			AHL004			
			AHL006			
			AHL008			
			AHL013			
			AHL015			
			AHL016			
			AHL019			
			AHL024			
			AHL025			
			AHL039			
			AHL070			
			AHL071			
			AHL100			
			AHL101			
			AHL102			
			AHL103			
			AHL104			
			AHL105			
			AHL106			
			AHL107			
			AHL108			
			AHL109			
			AHL110			
			AHL111			
			AHL112			
			AHL113			
			AHL114			
			AHL115			
			AHL116			
			AHL117			
			AHL121			
			AHL122			
			AHL123			
			AHL124			
			AHL125			
			AHL126			
			AHL127			
			AHL128			
			AHL129			
			AHL130			
			AHL131			
			AHL135			
			AHL136			
			CTLSTEX			
			HHLGTF	AHLGTFI	HHLGTF	
			IHLGTF	AHLGTFI	IHLGTF	
			MSGTBL			
AHLGTFI	Object	AHLGTF		AHLGTFI		
	Object	AHLGTF				
	Entry	AHLGTF				SYS1.LINKLIB
			AHLGTF			
			HHLGTF			
			IHLGTF			
AHLHEAD	Object	IEANUC01				SYS1.NUCLEUS
AHLIO	Object	AHLTSYSM		AHLIO	AHLIO	SYS1.LPALIB
	Entry	AHLTSYSM	AHLIO			
	Alias	AHLTSYSM	AHLIO			
AHLIWRIT	Load		AHLIWRIT	AHLIWRIT		SYS1.LINKLIB
			AHLWRMSG			

Name	Type	Load	Object	Entry	Alias	System Library
			AHL032			
			AHL033			
			AHL034			
			AHL035			
			AHL036			
			AHL037			
			AHL038			
			AHL039			
			M035NAME			
			M036AF			
			M038DD			
			M039DD			
	Object	AHLIWRIT		AHLIWRIT		
	Entry	AHLIWRIT	AHLIWRIT			
AHLMCER	Object	AHLSETD		AHLMCER	AHLMCER	SYS1.LPALIB
	Entry	AHLSETD	AHLMCER			
	Alias	AHLSETD	AHLMCER			
AHLMCIH	Object	IEANUC01				SYS1.NUCLEUS
AHLMCIHB	Object	IEANUC01				SYS1.NUCLEUS
AHLMCMMSG	Object	AHLSETD				SYS1.LPALIB
AHLMPTCH	Object	AHLSETD				SYS1.LPALIB
AHLPINT	Object	AHLTSYSM		AHLPINT	AHLPINT	SYS1.LPALIB
	Entry	AHLTSYSM	AHLPINT			
	Alias	AHLTSYSM	AHLPINT			
AHLQNAME	Object	AHLGTF				SYS1.LINKLIB
		AHLTMON				
AHLRDCU3	Object	AHLREADR				SYS1.LPALIB
AHLRDFR	Object	AHLREADR				SYS1.LPALIB
AHLRDXP1	Object	AHLREADR				SYS1.LPALIB
AHLREADR	Load					SYS1.LPALIB
			AHLRDCU3			
			AHLRDFR			
			AHLRDXP1			
			AHLREADR	AHLREADR		
			AHLREAD2			
	Object	AHLREADR		AHLREADR		
	Entry	AHLREADR	AHLREADR			
AHLREAD2	Object	AHLREADR				SYS1.LPALIB
AHLRNAME	Object	AHLGTF				SYS1.LINKLIB
		AHLTMON				
AHLRNIO	Object	AHLTXSYS		AHLRNIO	AHLRNIO	SYS1.LPALIB
	Entry	AHLTXSYS	AHLRNIO			
	Alias	AHLTXSYS	AHLRNIO			
AHLRPL	Object	AHLGTF				SYS1.LINKLIB
AHLSBCU1	Object	AHLWSMOD		AHLSBCU1	AHLSBCU1	SYS1.LPALIB
	Entry	AHLWSMOD	AHLSBCU1			
	Alias	AHLWSMOD	AHLSBCU1			
AHLSBLOK	Object	AHLWSMOD		AHLSBLOK	AHLSBLOK	SYS1.LPALIB
	Entry	AHLWSMOD	AHLSBLOK			
			AHLWSMOD			
			AHLSBLOK			
AHLSBUF	Alias	AHLWSMOD		AHLSBUF	AHLSBUF	SYS1.LPALIB
	Object	AHLWSMOD				
	Entry	AHLWSMOD	AHLSBUF			
	Alias	AHLWSMOD	AHLSBUF			
AHLSCAN	Object	AHLGTF				SYS1.LINKLIB
AHLSETD	Load					SYS1.LPALIB
			AHLDMPMD	AHLDMPMD	AHLDMPMD	
			AHLMCER	AHLMCER	AHLMCER	
			AHLMCMMSG			
			AHLMPTCH			
			AHLSETD	AHLSETD		
			AHLTDIR	AHLTDIR	AHLTDIR	
			AHLWTO			
			AHLWTOMD	AHLWTOMD	AHLWTOMD	
	Object	AHLSETD				
	Entry	AHLSETD	AHLSETD			
AHLSETEV	Load		AHLSETD	AHLSETEV		SYS1.LPALIB
			AHLSETEV			
			AHLSETMG			
			AHLSPTCH			
			AHL132			

Name	Type	Load	Object	Entry	Alias	System Library
AHLTUSR	Load		AHLTUSR	AHLTUSR		SYS1.LPALIB
	Object	AHLTUSR				
	Entry	AHLTUSR		AHLTUSR		
AHLTXSYS	Load		AHLTUSR			
			AHLDSP	AHLDSP	AHLDSP	SYS1.LPALIB
			AHLRNIO	AHLRNIO	AHLRNIO	
			AHLSRB	AHLSRB	AHLSRB	
			AHLSRM	AHLSRM	AHLSRM	
			AHLTXSYS	AHLTXSYS		
			XSYSPTCH			
	Object	AHLTXSYS				
	Entry	AHLTXSYS		AHLTXSYS		
AHLT103	Object	AHLGTF				SYS1.LINKLIB
AHLUIO	Object	AHLTSYSM		AHLUIO	AHLUIO	SYS1.LPALIB
	Entry	AHLTSYSM		AHLUIO		
	Alias	AHLTSYSM		AHLUIO		
AHLVCCR8	Object	IEANUC01				SYS1.NUCLEUS
AHLVCOFF	Load		AHLVCOFF	AHLVCOFF		SYS1.LPALIB
	Object	AHLVCOFF		AHLVCOFF		
	Entry	AHLVCOFF		AHLVCOFF		
AHLVCON	Load		AHLVCON	AHLVCON		SYS1.LPALIB
	Object	AHLVCON		AHLVCON		
	Entry	AHLVCON		AHLVCON		
AHLWRMSG	Object	AHLCWRIT				SYS1.LINKLIB
		AHLIWRIT				
		AHLWWRIT				
AHLWSMOD	Load		AHLSBCU1	AHLSBCU1	AHLSBCU1	SYS1.LPALIB
			AHLSBLOK	AHLSBLOK	AHLSBLOK	
			AHLSBUF	AHLSBUF	AHLSBUF	
			AHLSFEOB	AHLSFEOB	AHLSFEOB	
			AHLWSMOD	AHLSBLOK		
				AHLSBLOK		
AHLWTASK	Object	AHLWSMOD				
	Load		AHLWTASK	AHLWTASK		SYS1.LINKLIB
			AHLWTMSG			
			AHL026			
			AHL027			
			AHL118			
			AHL119			
	Object	AHLWTASK		AHLWTASK		
	Entry	AHLWTASK		AHLWTASK		
AHLWTMSG	Object	AHLWTASK				SYS1.LINKLIB
AHLWTO	Object	AHLSETD				SYS1.LPALIB
AHLWTOMD	Object	AHLSETD		AHLWTOMD	AHLWTOMD	SYS1.LPALIB
	Entry	AHLSETD		AHLWTOMD		
	Alias	AHLSETD		AHLWTOMD		
AHLWWRIT	Load		AHLWTOMD			
			AHLWRMSG			SYS1.LINKLIB
			AHLWWRIT	AHLWWRIT		
			AHL032			
			AHL033			
			AHL034			
			AHL035			
			AHL036			
			AHL037			
			AHL038			
			AHL039			
			M035NAME			
			M036AF			
			M038DD			
			M039DD			
	Object	AHLWWRIT		AHLWWRIT		
	Entry	AHLWWRIT		AHLWWRIT		
AHL001	Object	AHLGTF				SYS1.LINKLIB
AHL002	Object	AHLGTF				SYS1.LINKLIB
AHL003	Object	AHLGTF				SYS1.LINKLIB
AHL004	Object	AHLGTF				SYS1.LINKLIB
AHL006	Object	AHLGTF				SYS1.LINKLIB
		AHLTMON				
AHL007	Object	AHLTMON				SYS1.LINKLIB
AHL008	Object	AHLGTF				SYS1.LINKLIB
AHL013	Object	AHLGTF				SYS1.LINKLIB

Name	Type	Load	Object	Entry	Alias	System Library
AHL015	Object	AHLGTF AHLTMON				SYS1.LINKLIB
AHL016	Object	AHLGTF AHLTMON				SYS1.LINKLIB
AHL018	Object	AHLTMON				SYS1.LINKLIB
AHL019	Object	AHLGTF AHLTMON				SYS1.LINKLIB
AHL024	Object	AHLGTF				SYS1.LINKLIB
AHL025	Object	AHLGTF				SYS1.LINKLIB
AHL026	Object	AHLWTASK				SYS1.LINKLIB
AHL027	Object	AHLWTASK				SYS1.LINKLIB
AHL031	Object	AHLTMON				SYS1.LINKLIB
AHL032	Object	AHLCWRIT AHLIWRIT AHLWWRIT				SYS1.LINKLIB
AHL033	Object	AHLCWRIT AHLIWRIT AHLWWRIT				SYS1.LINKLIB
AHL034	Object	AHLCWRIT AHLIWRIT AHLWWRIT				SYS1.LINKLIB
AHL035	Object	AHLCWRIT AHLIWRIT AHLWWRIT				SYS1.LINKLIB
AHL036	Object	AHLCWRIT AHLIWRIT AHLWWRIT				SYS1.LINKLIB
AHL037	Object	AHLCWRIT AHLIWRIT AHLWWRIT				SYS1.LINKLIB
AHL038	Object	AHLCWRIT AHLIWRIT AHLWWRIT				SYS1.LINKLIB
AHL039	Object	AHLCWRIT AHLGTF AHLIWRIT AHLWWRIT				SYS1.LINKLIB
AHL070	Object	AHLGTF				SYS1.LINKLIB
AHL071	Object	AHLGTF				SYS1.LINKLIB
AHL100	Object	AHLGTF				SYS1.LINKLIB
AHL101	Object	AHLGTF				SYS1.LINKLIB
AHL102	Object	AHLGTF				SYS1.LINKLIB
AHL103	Object	AHLGTF				SYS1.LINKLIB
AHL104	Object	AHLGTF				SYS1.LINKLIB
AHL105	Object	AHLGTF				SYS1.LINKLIB
AHL106	Object	AHLGTF				SYS1.LINKLIB
AHL107	Object	AHLGTF				SYS1.LINKLIB
AHL108	Object	AHLGTF				SYS1.LINKLIB
AHL109	Object	AHLGTF				SYS1.LINKLIB
AHL110	Object	AHLGTF				SYS1.LINKLIB
AHL111	Object	AHLGTF				SYS1.LINKLIB
AHL112	Object	AHLGTF				SYS1.LINKLIB
AHL113	Object	AHLGTF				SYS1.LINKLIB
AHL114	Object	AHLGTF				SYS1.LINKLIB
AHL115	Object	AHLGTF				SYS1.LINKLIB
AHL116	Object	AHLGTF				SYS1.LINKLIB
AHL117	Object	AHLGTF				SYS1.LINKLIB
AHL118	Object	AHLWTASK				SYS1.LINKLIB
AHL119	Object	AHLWTASK				SYS1.LINKLIB
AHL121	Object	AHLGTF				SYS1.LINKLIB
AHL122	Object	AHLGTF				SYS1.LINKLIB
AHL123	Object	AHLGTF				SYS1.LINKLIB
AHL124	Object	AHLGTF				SYS1.LINKLIB
AHL125	Object	AHLGTF				SYS1.LINKLIB
AHL126	Object	AHLGTF				SYS1.LINKLIB
AHL127	Object	AHLGTF				SYS1.LINKLIB
AHL128	Object	AHLGTF				SYS1.LINKLIB
AHL129	Object	AHLGTF				SYS1.LINKLIB
AHL130	Object	AHLGTF AHLTMON				SYS1.LINKLIB

Name	Type	Load	Object	Entry	Alias	System Library
AHL131	Object	AHLGTF				SYS1.LINKLIB
AHL132	Object	AHLSETEV				SYS1.LPALIB
AHL133	Object	AHLSETEV				SYS1.LPALIB
AHL135	Object	AHLGTF				SYS1.LINKLIB
AHL136	Object	AHLGTF				SYS1.LINKLIB
AHL4PTCH	Object	AHLTFOR				SYS1.LPALIB
AKJLKL01	Load		AKJLKL01	AKJLKL01		SYS1.CMDLIB
			AKJLKMSG			
			IKJLKL01	AKJLKL01	IKJLKL01	
			LDPARSE			
			LKPARSE			
	Object	AKJLKL01				
	Entry	AKJLKL01	AKJLKL01	AKJLKL01		
			IKJLKL01			
AKJLKL02	Load		AKJLKL02	AKJLKL02		SYS1.CMDLIB
	Object	AKJLKL02				
	Entry	AKJLKL02	AKJLKL02	AKJLKL02		
AKJLKMSG	Object	AKJLKL01				SYS1.CMDLIB
ALCESTAE	Object	IEFW21SD				SYS1.LPALIB
ALLCPROC	Object	IDCDE01				SYS1.LINKLIB
ALLOC	Object	ALLOCATE		IKJEFD30	ALLOC	SYS1.CMDLIB
	Alias	ALLOCATE	ALLOC			
ALLOCATE	Load		ALLOC	IKJEFD30	ALLOC	SYS1.CMDLIB
			ALLOCATE	IKJEFD30		
			IKJEFD3A			
			IKJEFD3B			
			IKJEFD3C			
			IKJEFD3D			
			IKJEFD3E			
			IKJEFD3F			
			IKJEFD3X			
			IKJEFD3Y			
			IKJEFD3Z			
			IKJEFD30			
			IKJEFD31			
			IKJEFD32			
			IKJEFD33			
			IKJEFD34			
			IKJEFD35			
			IKJEFD36			
			IKJEFD37			
	Object	ALLOCATE		IKJEFD30		
ALOCHDR	Object	IEFW21SD				SYS1.LPALIB
ALOCMSG	Object	IEFW21SD				SYS1.LPALIB
ALSO	Object	IKJPTGT				SYS1.LPALIB
ALTER	Object	IDCAM01		IDCAM01	ALTER	SYS1.CMDLIB
	Alias	IDCAM01	ALTER			
AMAPTFLE	Load		AMAPTFLE	AMAPTFLE		SYS1.LINKLIB
			HMAPTFLE	AMAPTFLE	HMAPTFLE	
			IMAPTFLE	AMAPTFLE	IMAPTFLE	
	Object	AMAPTFLE				
	Entry	AMAPTFLE	AMAPTFLE			
			HMAPTFLE			
			IMAPTFLE			
AMAPTF01	Load		AMAPTF01	AMAPTF01		SYS1.LINKLIB
	Object	AMAPTF01				
	Entry	AMAPTF01	AMAPTF01	AMAPTF01		
AMAPTF02	Load		AMAPTF02	AMAPTF02		SYS1.LINKLIB
	Object	AMAPTF02				
	Entry	AMAPTF02	AMAPTF02	AMAPTF02		
AMASPZAP	Load		AMAPTF02	AMASPZAP		SYS1.LINKLIB
			AMASPZAP			
			AMASZCON			
			AMASZDMP			
			AMASZIOR			
			IMASPZAP	AMASPZAP	IMASPZAP	
	Object	AMASPZAP		AMASPZAP		
	Entry	AMASPZAP	AMASPZAP	AMASPZAP		
			AMASPZAP			
			IMASPZAP			
AMASZCON	Object	AMASPZAP				SYS1.LINKLIB
AMASZDMP	Object	AMASPZAP				SYS1.LINKLIB

Name	Type	Load	Object	Entry	Alias	System Library
AMASZIOR	Object	AMASPZAP				SYS1.LINKLIB
AMBLIST	Load		AMBLIST	HMBLKCTL		SYS1.LINKLIB
			HMBLIST	HMBLKCTL	HMBLIST	
			HMBLKCTL			
			HMBLKERR			
			HMBLKIDR			
			HMBLKLDL			
			HMBLKLPA			
			HMBLKMSG			
			HMBLKOBJ			
			HMBLKSZE			
			HMBLKXRF			
			IMBLIST	HMBLKCTL	IMBLIST	
			MESSAGES			
			MSGLIST			
	Object	AMBLIST		HMBLKCTL		
AMCALRC	Object	IQAENVOO				SYS1.LPALIB
AMDELIM	Object	AMDPRSCN				SYS1.LINKLIB
AMDMSGTB	Object	AMDSALDR				SYS1.LINKLIB
AMDPDSP	Object	AMDPRSCN				SYS1.LINKLIB
AMDPEOC2	Object	AMDPRSCN				SYS1.LINKLIB
AMDPEOF	Object	AMDPRSCN				SYS1.LINKLIB
AMDPEXT	Object	AMDPRSCN				SYS1.LINKLIB
AMDPFIN	Object	AMDPRSCN				SYS1.LINKLIB
AMDPNAM	Object	AMDPRSCN				SYS1.LINKLIB
AMDPPGM	Object	AMDPRSCN				SYS1.LINKLIB
AMDPRAPP	Object	AMDPRXED				SYS1.LINKLIB
AMDPRCOM	Object	AMDPRDMP				SYS1.LINKLIB
AMDPRCON	Object	AMDPRXED				SYS1.LINKLIB
AMDPRCTL	Object	AMDPRDMP				SYS1.LINKLIB
	Entry	AMDPRDMP	AMDPRDMP			
AMDPRCVB	Object	AMDPRSCN				SYS1.LINKLIB
AMDPRCVT	Load		AMDPRCVT	AMDPRCVT		SYS1.LINKLIB
	Object	AMDPRCVT		AMDPRCVT		
	Entry	AMDPRCVT	AMDPRCVT			
AMDPRDMP	Load		AMDPRCVT			SYS1.LINKLIB
			AMDPRCOM			
			AMDPRCTL			
			AMDPRDMP	AMDPRCTL		
			AMDPREAD			
			AMDPREND			
			AMDPRGFR			
			AMDPRMSC			
			AMDPRMSG			
			AMDPRPMG			
			AMDPRP01			
			AMDPRRDA			
			AMDPRRDC			
			AMDPRRDD			
			AMDPRSEG			
			AMDPRSTP			
			AMDPRSYN			
			AMDPRTSV			
			AMDPRUIM			
			AMDPRWTR			
			AMDPRXIT			
			AMDRDCMG			
			AMDUIMMG			
			AMDUSRDL			
			AMDUSRXT			
			CVTSYN1			
			C72MSG			
			FILEMSG			
			GOSYN1			
			HMDPRDMP	AMDPRDMP	HMDPRDMP	
			IMDPRDMP	AMDPRDMP	IMDPRDMP	
			NEWSYN1			
			NODDMSG			
			PRTSYN1			
			PRTSYN2			
			PRTSYN3			

Name	Type	Load	Object	Entry	Alias	System Library
			PRTSYN4 SEGSYN1 TODCNVRT WRTSYN1 WRTSYN2 WRTSYN3			
	Object	AMDPRDMP		AMDPRCTL		
	Entry	AMDPRDMP	HMDPRDMP IMDPRDMP			
AMDPRDPS	Load		AMDPRDPS PCBRTN PRNTSTG	AMDPRDPS		SYS1.LINKLIB
	Object	AMDPRDPS		AMDPRDPS		
	Entry	AMDPRDPS	AMDPRDPS			
AMDPREAD	Object	AMDPRDMP				SYS1.LINKLIB
AMDRECT	Load		AMDRECT	AMDRECT		SYS1.LINKLIB
	Object	AMDRECT		AMDRECT		
	Entry	AMDRECT	AMDRECT			
AMDPREID	Object	AMDPRSCN				SYS1.LINKLIB
AMDPREND	Object	AMDPRDMP				SYS1.LINKLIB
AMDPREXT	Object	AMDPRXED				SYS1.LINKLIB
AMDPRFAR	Load		AMDPRFAR SRBRTN	AMDPRFAR		SYS1.LINKLIB
	Object	AMDPRFAR		AMDPRFAR		
	Entry	AMDPRFAR	AMDPRFAR			
AMDPRFDB	Object	AMDPRFSR				SYS1.LINKLIB
AMDPRFDS	Load		AMDPRFDS	AMDPRFDS		SYS1.LINKLIB
	Object	AMDPRFDS		AMDPRFDS		
	Entry	AMDPRFDS	AMDPRFDS			
AMDPRFIO	Object	AMDPRFSR				SYS1.LINKLIB
AMDPRFLD	Object	AMDPRFSR				SYS1.LINKLIB
AMDPRFLT	Object	AMDPRXED				SYS1.LINKLIB
AMDPRFMG	Object	AMDPRXED				SYS1.LINKLIB
AMDPRFMS	Object	AMDPRFSR				SYS1.LINKLIB
AMDPRFMT	Load		AMDPRFMT	AMDPRFMT		SYS1.LPALIB
	Object	AMDPRFMT		AMDPRFMT		
	Entry	AMDPRFMT	AMDPRFMT			
AMDPRFRB	Object	AMDPRFSR				SYS1.LINKLIB
AMDPRFRM	Object	AMDPRXED				SYS1.LINKLIB
	Entry	AMDPRXED	AMDPRXED			
AMDPRFSC	Object	AMDPRFSR				SYS1.LINKLIB
	Entry	AMDPRFSR	AMDPRFSR			
AMDPRFSR	Load		AMDPRFDB AMDPRFIO AMDPRFLD AMDPRFMS AMDPRFRB AMDPRFSC AMDPRFSR AMDPRFTC CURTCB FORMAT TCBSMRY	AMDPRFSC		SYS1.LINKLIB
	Object	AMDPRFSR		AMDPRFSC		
AMDPRFTC	Object	AMDPRFSR				SYS1.LINKLIB
AMDPRFUB	Load		AMDPRFUB MAINENT	AMDPRFUB		SYS1.LINKLIB
	Object	AMDPRFUB		AMDPRFUB		
	Entry	AMDPRFUB	AMDPRFUB			
AMDPRFXT	Load		AMDPRFXT	AMDPRFXT		SYS1.LINKLIB
	Object	AMDPRFXT		AMDPRFXT		
	Entry	AMDPRFXT	AMDPRFXT			
AMDPRGCD	Load		AMDPRGCD	AMDPRGCD		SYS1.LINKLIB
	Object	AMDPRGCD		AMDPRGCD		
	Entry	AMDPRGCD	AMDPRGCD			
AMDPRGET	Object	AMDPRXED				SYS1.LINKLIB
AMDPRGFR	Object	AMDPRDMP				SYS1.LINKLIB
AMDPRHEX	Object	AMDPRXED				SYS1.LINKLIB
AMDPRHX	Object	AMDPRSCN				SYS1.LINKLIB
AMDPRLOD	Load		AMDPRLOD	AMDPRLOD		SYS1.LINKLIB

Name	Type	Load	Object	Entry	Alias	System Library
	Object	AMDPRLOD		AMDPRLOD		
	Entry	AMDPRLOD	AMDPRLOD			
AMDPRLPA	Load		AMDPRLPA	AMDPRLPA		SYS1.LINKLIB
	Object	AMDPRLPA		AMDPRLPA		
	Entry	AMDPRLPA	AMDPRLPA	AMDPRLPA		
AMDPRMSC	Object	AMDPRDMP				SYS1.LINKLIB
AMDPRMSG	Object	AMDPRDMP				SYS1.LINKLIB
AMDPRMSM	Object	AMDPRMST				SYS1.LINKLIB
AMDPRMST	Load		AMDPRMSM	AMDPRMST		SYS1.LINKLIB
			AMDPRMST	AMDPRMST		
	Object	AMDPRMST				
	Entry	AMDPRMST	AMDPRMST			
AMDPRNIO	Object	AMDPRSCN				SYS1.LINKLIB
AMDPRNUC	Load		AMDPRNUC	AMDPRNUC		SYS1.LINKLIB
	Object	AMDPRNUC		AMDPRNUC		
AMDPROOT	Entry	AMDPRNUC	AMDPRNUC	AMDPROOT		SYS1.LINKLIB
	Load		AMDPROOT	AMDPROOT		
			AMDPROO1			
			AMDPRTAB			
			ROOTPTCH			
	Object	AMDPROOT		AMDPROOT		
	Entry	AMDPROOT	AMDPROOT			
AMDPROO1	Object	AMDPROOT				SYS1.LINKLIB
AMDPRPCR	Load		AMDPRPCR	AMDPRPCR		SYS1.LINKLIB
	Object	AMDPRPCR		AMDPRPCR		
	Entry	AMDPRPCR	AMDPRPCR	AMDPRPCR		
AMDPRPJB	Load		AMDPRPJB	AMDPRPJB		SYS1.LINKLIB
			AMDPRPJX			
	Object	AMDPRPJB		AMDPRPJB		
	Entry	AMDPRPJB	AMDPRPJB			
AMDPRPJX	Object	AMDPRPJB				SYS1.LINKLIB
AMDPRPMG	Object	AMDPRDMP				SYS1.LINKLIB
AMDPRPMS	Load		AMDPRPMS	AMDPRPMS		SYS1.LINKLIB
			AMDPRPMX			
	Object	AMDPRPMS		AMDPRPMS		
	Entry	AMDPRPMS	AMDPRPMS			
AMDPRPMX	Object	AMDPRPMS				SYS1.LINKLIB
AMDPRPO1	Object	AMDPRDMP				SYS1.LINKLIB
AMDPRQCB	Load		AMDPRQCB	AMDPRQCB		SYS1.LINKLIB
	Object	AMDPRQCB		AMDPRQCB		
	Entry	AMDPRQCB	AMDPRQCB			
AMDPRR	Object	AMDPRSCN				SYS1.LINKLIB
AMDPRRDA	Object	AMDPRDMP				SYS1.LINKLIB
AMDPRRDC	Object	AMDPRDMP				SYS1.LINKLIB
AMDPRRDD	Object	AMDPRDMP				SYS1.LINKLIB
AMDPRSCN	Load		AMDELIM			SYS1.LINKLIB
			AMDPSIO			
			AMDPSRM			
			AMDPSUM1			
			AMDPSVC			
			AMDPSYS			
			AMDPS01			
			AMDPS00			
			AMDPRSN3			
			AMDPRSN2			
			AMDPRSMG			
			AMDPRSCN	AMDPRSCN		
			AMDPRR			
			AMDPRNIO			
			AMDPRHX			
			AMDPREID			
			AMDPRCVB			
			AMDPPGM			
			AMDPNAM			
			AMDPFIN			
			AMDPEXT			
			AMDPEOF			
			AMDPEOC2			
			AMDPSD			

Name	Type	Load	Object	Entry	Alias	System Library
			AMDPTAJ			
			AMDSCNTB			
			AMDUMMG			
			AMDVLEN			
			AMDVLMG			
			SCNPTCH			
	Object	AMDPRSCN		AMDPRSCN		
	Entry	AMDPRSCN	AMDPRSCN			
AMDPRSEG	Object	AMDPRDMP				SYS1.LINKLIB
AMDPRSMG	Object	AMDPRSCN				SYS1.LINKLIB
AMDPRSN2	Object	AMDPRSCN				SYS1.LINKLIB
AMDPRSN3	Object	AMDPRSCN				SYS1.LINKLIB
AMDPRSPI	Object	AMDPRXED				SYS1.LINKLIB
AMDPRSTP	Object	AMDPRDMP				SYS1.LINKLIB
AMDPRSUM	Load		AMDPRSUM	AMDPRSUM		SYS1.LINKLIB
	Object	AMDPRSUM		AMDPRSUM		
	Entry	AMDPRSUM	AMDPRSUM			
AMDPRSYN	Object	AMDPRDMP				SYS1.LINKLIB
AMDPRS00	Object	AMDPRSCN				SYS1.LINKLIB
AMDPRS01	Object	AMDPRSCN				SYS1.LINKLIB
AMDPRTAB	Object	AMDPROOT				SYS1.LINKLIB
AMDPRTME	Object	AMDPRXED				SYS1.LINKLIB
AMDPRTSV	Object	AMDPRDMP				SYS1.LINKLIB
AMDPRUIM	Object	AMDPRDMP				SYS1.LINKLIB
AMDPRWTR	Object	AMDPRDMP				SYS1.LINKLIB
AMDPRXED	Load		AMDPRAPP			SYS1.LINKLIB
			AMDPRCON			
			AMDPREXT			
			AMDPRFLT			
			AMDPRFMG			
			AMDPRFRM			
			AMDPRGET			
			AMDPRHEX			
			AMDPRSPI			
			AMDPRTME			
			AMDPRXED	AMDPRFRM		
			APPPTCH			
			EXTPTCH			
			FLTPTCH			
			FRMPTCH			
			GETPTCH			
			NSISAVE			
			PICASAVE			
			RECPTCH			
			SPIESAVE			
	Object	AMDPRXED		AMDPRFRM		
AMDPRXIT	Object	AMDPRDMP				SYS1.LINKLIB
AMDPSIO	Object	AMDPRSCN				SYS1.LINKLIB
AMDPSRM	Object	AMDPRSCN				SYS1.LINKLIB
AMDPSUM1	Object	AMDPRSCN				SYS1.LINKLIB
AMDPSVC	Object	AMDPRSCN				SYS1.LINKLIB
AMDPSYS	Object	AMDPRSCN				SYS1.LINKLIB
AMDPTAJ	Object	AMDPRSCN				SYS1.LINKLIB
AMDRDCMG	Object	AMDPRDMP				SYS1.LINKLIB
AMDSAAID	Object	AMDSAPGE				SYS1.LINKLIB
AMDSAAMR	Object	AMDSAPGE				SYS1.LINKLIB
AMDSAARD	Object	AMDSAPGE				SYS1.LINKLIB
AMDSAASM	Object	AMDSAPGE				SYS1.LINKLIB
AMDSAAUD	Object	AMDSAPGE				SYS1.LINKLIB
AMDSABIN	Object	AMDSAPGE				SYS1.LINKLIB
AMDSABUF	Object	AMDSAPGE				SYS1.LINKLIB
AMDSACON	Object	AMDSAPGE				SYS1.LINKLIB
AMDSACSA	Object	AMDSAPGE				SYS1.LINKLIB
AMDSADER	Object	AMDSAPGE				SYS1.LINKLIB
AMDSAERB	Object	AMDSAPGE				SYS1.LINKLIB
AMDSAERI	Object	AMDSAPGE				SYS1.LINKLIB
AMDSAERM	Object	AMDSAPGE				SYS1.LINKLIB
AMDSAERP	Object	AMDSAPGE				SYS1.LINKLIB
AMDSAEXI	Object	AMDSAPGE				SYS1.LINKLIB
AMDSAFRM	Object	AMDSAPGE				SYS1.LINKLIB

Name	Type	Load	Object	Entry	Alias	System Library
AMDSAGTF	Object	AMDSAPGE				SYS1.LINKLIB
AMDSAGTM	Object	AMDSAPGE				SYS1.LINKLIB
AMDSAINR	Object	AMDSAPGE				SYS1.LINKLIB
AMDSAIOB	Object	AMDSAPGE				SYS1.LINKLIB
AMDSATIOI	Object	AMDSAPGE				SYS1.LINKLIB
AMDSALDR	Load		AMMSGTB			SYS1.LINKLIB
			AMDSALDR	AMDSALDR		
			AMDSAMSG			
	Object	AMDSALDR				
	Entry	AMDSALDR	AMDSALDR			
AMDSAMDM	Object	AMDSAPGE				SYS1.LINKLIB
AMDSAMSG	Object	AMDSALDR				SYS1.LINKLIB
AMDSAPGE	Load		ADDR18I			SYS1.LINKLIB
			AMDSAAID			
			AMDSAAMR			
			AMDSAARD			
			AMDSAASM			
			AMDSAAUD			
			AMDSABIN			
			AMDSABUF			
			AMDSACON			
			AMDSACSA			
			AMDSADER			
			AMDSAERB			
			AMDSAERI			
			AMDSAERM			
			AMDSAERP			
			AMDSAEXI			
			AMDSAFRM			
			AMDSAGTF			
			AMDSAGTM			
			AMDSAINR			
			AMDSAIOB			
			AMDSATIOI			
			AMDSAMDM			
			AMDSAPGE	AMDSAPGE		
			AMDSAPGI			
			AMDSARSM			
			AMDSASIN			
			AMDSASIO			
			AMDSASPQ			
			AMDSASVI			
			AMDSATAP			
			AMDSATER			
			AMDSATXT			
			AMDSAUCB			
			AMDSAUPD			
			AMDSAVCK			
			AMSAVRT			
			AMSAWAT			
			ARBH			
			ASCB10I			
			ASID10I			
			ASID17I			
			CBER18I			
			CBN18I			
			CMD33I			
			COMP23I			
			COND33I			
			DEV12D			
			DEV14A			
			DEV15I			
			DEV16I			
			DEV20A			
			DEV33I			
			DMP22I			
			ERR30I			
			FOR23I			
			IODBCON			
			IOBDA			

Name	Type	Load	Object	Entry	Alias	System Library
			IODBOUT			
			IODEWORK			
			JOBN10I			
			LNG17I			
			LNG22I			
			LNG23I			
			LNG33I			
			MOD17I			
			MSGTAB			
			OUTCCW			
			PATH16I			
			REPLY12D			
			REPLY29D			
			SADMPPGT			
			SDLH			
			SENS34I			
			STAT33I			
			SVCSADMP			
			TXTABLE			
			VCCT			
			WKDCT			
	Object	AMDSAPGE				
	Entry	AMDSAPGE	AMDSAPGE	AMDSAPGE		
AMDSAPGI	Object	AMDSAPGE				SYS1.LINKLIB
AMDSAPRO	Load		AMDSAPRO	AMDSAPRO		SYS1.LINKLIB
			PGERCDC			
	Object	AMDSAPRO				
	Entry	AMDSAPRO	AMDSAPRO	AMDSAPRO		
AMDSARSM	Object	AMDSAPGE				SYS1.LINKLIB
AMDSASIN	Object	AMDSAPGE				SYS1.LINKLIB
AMDSASIO	Object	AMDSAPGE				SYS1.LINKLIB
AMDSASPQ	Object	AMDSAPGE				SYS1.LINKLIB
AMDSASVI	Object	AMDSAPGE				SYS1.LINKLIB
AMDSATAP	Object	AMDSAPGE				SYS1.LINKLIB
AMDSATER	Object	AMDSAPGE				SYS1.LINKLIB
AMDSATXT	Object	AMDSAPGE				SYS1.LINKLIB
AMDSAUCB	Object	AMDSAPGE				SYS1.LINKLIB
AMDSAUPD	Object	AMDSAPGE				SYS1.LINKLIB
AMDSAVCK	Object	AMDSAPGE				SYS1.LINKLIB
AMDSAVRT	Object	AMDSAPGE				SYS1.LINKLIB
AMDSAWAT	Object	AMDSAPGE				SYS1.LINKLIB
AMDSCNTB	Object	AMDPRSCN				SYS1.LINKLIB
AMDSYS00	Load		AMDSYS00	AMDSYS00		SYS1.LPALIB
	Object	AMDSYS00				
	Entry	AMDSYS00	AMDSYS00	AMDSYS00		
AMDSYS01	Load		AMDSYS01	AMDSYS01		SYS1.LPALIB
	Object	AMDSYS01				
	Entry	AMDSYS01	AMDSYS01	AMDSYS01		
AMDSYS02	Load		AMDSYS02	AMDSYS02		SYS1.LPALIB
	Object	AMDSYS02				
	Entry	AMDSYS02	AMDSYS02	AMDSYS02		
AMDSYS03	Load		AMDSYS03	AMDSYS03		SYS1.LPALIB
			S03PTCH			
	Object	AMDSYS03				
	Entry	AMDSYS03	AMDSYS03	AMDSYS03		
AMDSYS04	Load		AMDSYS04	AMDSYS04		SYS1.LPALIB
			AMD4PTCH			
	Object	AMDSYS04				
	Entry	AMDSYS04	AMDSYS04	AMDSYS04		
AMDSYS05	Load		AMDSYS05	AMDSYS05		SYS1.LPALIB
	Object	AMDSYS05				
	Entry	AMDSYS05	AMDSYS05	AMDSYS05		
AMDUIIMG	Object	AMDPRDMP				SYS1.LINKLIB
AMDUMMG	Object	AMDPRSCN				SYS1.LINKLIB
AMDUSRDL	Object	AMDPRDMP				SYS1.LINKLIB
AMDUSRFD	Load		AMDUSRFD	AMDUSRFD		SYS1.LPALIB
	Object	AMDUSRFD				
	Entry	AMDUSRFD	AMDUSRFD	AMDUSRFD		
AMDUSRFE	Load		AMDUSRFE	AMDUSRFE		SYS1.LPALIB
	Object	AMDUSRFE				

Name	Type	Load	Object	Entry	Alias	System Library
AMDUSRFF	Entry Object	AMDUSRFE IMDUSRFF	AMDUSRFE	IMDUSRFF	AMDUSRFF	SYS1.LPALIB
AMDUSRFF	Alias	IMDUSRFF	AMDUSRFF			
AMDUSRF9	Load		AMDUSRF9 AMDUSRF9 IMDUSRF9	IMDUSRF9		SYS1.LPALIB
AMDUSRF9	Object	AMDUSRF9		IMDUSRF9		
AMDUSRXT	Object	AMDPRDMP				SYS1.LINKLIB
AMDVLEN	Object	AMDPRSCN				SYS1.LINKLIB
AMDVLMG	Object	AMDPRSCN				SYS1.LINKLIB
AMD4PTCH	Object	AMDSYS04				SYS1.LPALIB
ANALY	Object	IEBCOMPR				SYS1.LINKLIB
ANDXL	Object	ACCOUNT				SYS1.LINKLIB
		IKJEFA30				
		IKJRBBU0				
ANLZ	Object	IFFANA		IFFANA	ANLZ	SYS1.LINKLIB
	Entry	IFFANA	IFFANA			
	Alias	IFFANA	ANLZ			
ANSVPROC	Object	IDCLC01				SYS1.LINKLIB
APPPTCH	Object	AMDPRXED				SYS1.LINKLIB
APTEND	Object	HEWLF064				SYS1.LINKLIB
APTEXLST	Object	HEWLF064				SYS1.LINKLIB
APTXLIST	Object	HEWLF064				SYS1.LINKLIB
APT000	Object	HEWLF064				SYS1.LINKLIB
ARBH	Object	AMDSAPGE				SYS1.LINKLIB
ASCB10I	Object	AMDSAPGE				SYS1.LINKLIB
ASCRVER	Object	IEANUC01				SYS1.NUCLEUS
ASID10I	Object	AMDSAPGE				SYS1.LINKLIB
ASID17I	Object	AMDSAPGE				SYS1.LINKLIB
ASMBLR	Object	IFOX00		IFOX0A01	ASMBLR	SYS1.LINKLIB
	Alias	IFOX00	ASMBLR			
ATTRIBUTE	Object	IEFW21SD				SYS1.LPALIB
ATTACHIO	Object	TEST				SYS1.CMDLIB
ATTR	Object	ATTRIB		IKJEFATT	ATTR	SYS1.CMDLIB
	Alias	ATTRIB	ATTR			
ATTRIB	Load		ATTR ATTR ATTRIB IKJEFATT IKJEFAT1	IKJEFATT IKJEFATT	ATTR	SYS1.CMDLIB
	Object	ATTRIB		IKJEFATT		
ATTROTAB	Object	IEFW21SD				SYS1.LPALIB
AUPROC	Object	IDCLC01				SYS1.LINKLIB
BACKUP5C	Object	IGCT005C				SYS1.LPALIB
BACKUP5G	Object	IGCT005G				SYS1.LPALIB
BACRETRY	Object	IGCT005C				SYS1.LPALIB
BAIPL	Object	IEANUC01				SYS1.NUCLEUS
BCNV	Object	IHCGSP04		IHCGSP04	BCNV	SYS1.LINKLIB
	Alias	IHCGSP04	BCNV			
BCPARS1	Object	IKJEES73				SYS1.LINKLIB
		LISTBC				SYS1.CMDLIB
BEFNREND	Object	IEBCOMPR				SYS1.LINKLIB
BGSEQ	Object	IHCGSP03				SYS1.LINKLIB
		IHDGSP03				
		IHEGSP03				
BGSUB	Object	IHCGSP03				SYS1.LINKLIB
		IHDGSP03				
		IHEGSP03				
BGTRK	Object	IHCGSP03				SYS1.LINKLIB
		IHDGSP03				
		IHEGSP03				
BIX	Object	IDCAM02		IDCAM02	BIX	SYS1.CMDLIB
	Alias	IDCAM02	BIX			
BKUP1081	Object	IGCT1081				SYS1.LPALIB
BLDINDEX	Object	IDCAM02		IDCAM02	BLDINDEX	SYS1.CMDLIB
	Alias	IDCAM02	BLDINDEX			
BLKRTN	Object	IEBCOMPR				SYS1.LINKLIB
		IEBGENER				
		IEBPTPCH				
BLKSIZE	Object	ISTINM01				SYS1.LINKLIB
BLOCKID	Object	IEFQB550				SYS1.LPALIB
BLPRT	Object	IEBCOMPR				SYS1.LINKLIB

Name	Type	Load	Object	Entry	Alias	System Library
BUFRADR	Object	ISTINM01				SYS1.LINKLIB
B410MOFT	Object	IEFW21SD				SYS1.LPALIB
B410MSGT	Object	IEFW21SD				SYS1.LPALIB
CALL	Load		CALL	IKJEFG00		SYS1.CMDLIB
			IKJEFG00			
			IKJEFG01			
			IKJEFG02			
			IKJEFG03			
	Object	CALL		IKJEFG00		
CALLMT	Object	IEHMVESZ				SYS1.LINKLIB
CANCEL	Load		CANCEL	IKJEFF58		SYS1.CMDLIB
			IKJEFF58			
	Object	CANCEL		IKJEFF58		
CASRETRY	Object	IEANUC01				SYS1.NUCLEUS
CBBRANCH	Object	IEANUC01				SYS1.NUCLEUS
CBER18I	Object	AMDSAPGE				SYS1.LINKLIB
CBGETS	Object	IEANUC01				SYS1.NUCLEUS
CBN18I	Object	AMDSAPGE				SYS1.LINKLIB
CCA	Object	IEBGENER				SYS1.LINKLIB
CCFAIL	Object	IEFW21SD				SYS1.LPALIB
CCWRITE	Object	IEBPTPCH				SYS1.LINKLIB
CDEPILOG	Object	IEANUC01				SYS1.NUCLEUS
CDHKEEP	Object	IEANUC01				SYS1.NUCLEUS
CDIPROC	Object	IDCLC01				SYS1.LINKLIB
CDSSNOP	Object	IEANUC01				SYS1.NUCLEUS
CEAPPEND	Object	IGG0190B				SYS1.LPALIB
CECINP02	Object	IFDOLT				SYS1.LINKLIB
CECINP03	Object	IFDOLT				SYS1.LINKLIB
CHARCHEK	Object	PROFILE				SYS1.CMDLIB
CHECKRD	Object	HEWLF064				SYS1.LINKLIB
CHECKWRT	Object	HEWLF064				SYS1.LINKLIB
CHEKMPPG	Object	IDDWI				SYS1.LPALIB
CHMSG	Object	IKJEFA20				SYS1.LINKLIB
CIDFND	Object	ISTSDCCF				SYS1.LPALIB
	Entry	ISTSDCCF	ISTSDCCF			
CIROUTN	Object	IKJEHDS1				SYS1.CMDLIB
CITCHASV	Object	ISTINM01				SYS1.LINKLIB
CLOSEPRT	Object	IEBUPDTE				SYS1.LINKLIB
CMD33I	Object	AMDSAPGE				SYS1.LINKLIB
CMSASBF	Object	IEANUC01				SYS1.NUCLEUS
CMSASBL	Object	IEANUC01				SYS1.NUCLEUS
CMSCOBT	Object	IEANUC01				SYS1.NUCLEUS
CMSLOCK	Object	IEANUC01				SYS1.NUCLEUS
CMSREL	Object	IEANUC01				SYS1.NUCLEUS
CMSOQH	Object	IEANUC01				SYS1.NUCLEUS
CMSRBF	Object	IEANUC01				SYS1.NUCLEUS
CMSRBL	Object	IEANUC01				SYS1.NUCLEUS
CMSUOBT	Object	IEANUC01				SYS1.NUCLEUS
CNDMTMSG	Object	IEFW21SD				SYS1.LPALIB
CNTRLREC	Object	IFDOLT				SYS1.LINKLIB
CNVRT	Object	IHCGSP03				SYS1.LINKLIB
		IHDGSP03				
		IHEGSP03				
CNVTC	Object	IDCAM02		IDCAM02	CNVTC	SYS1.CMDLIB
	Alias	IDCAM02	CNVTC			
CNVTCAT	Object	IDCAM02		IDCAM02	CNVTCAT	SYS1.CMDLIB
	Alias	IDCAM02	CNVTCAT			
CODEMSG	Object	IKJEFT01				SYS1.LPALIB
		IKJEFT02				
		IKJEFT04				
		IKJEFT07				
COMPAR	Object	IEBCOMPR				SYS1.LINKLIB
COMPARE	Object	IEBCOMPR				SYS1.LINKLIB
	Entry	IEBCOMPR	IEBCOMPR			
COMP23I	Object	AMDSAPGE				SYS1.LINKLIB
COND33I	Object	AMDSAPGE				SYS1.LINKLIB
CONLIST	Object	IKJPTGT				SYS1.LPALIB
CONST	Object	IGC0009D				SYS1.LPALIB
CONTRLLG	Object	IDDWI				SYS1.LPALIB
COPYRTN	Object	IEHMVESX				SYS1.LINKLIB

Name	Type	Load	Object	Entry	Alias	System Library
CRATL	Object	IEHMOVESZ IHCSP03 IHDGSP03 IHEGSP03				SYS1.LINKLIB
CRBRANCH	Object	IEANUC01				SYS1.NUCLEUS
CRHSADDR	Object	IEANUC01				SYS1.NUCLEUS
CRRECBAD	Object	ISTINM01				SYS1.LINKLIB
CSECPVT	Object	IEANUC01				SYS1.NUCLEUS
CTDCBEX	Object	IEBUPDTE				SYS1.LINKLIB
CTERROUT	Object	IEBUPDTE				SYS1.LINKLIB
CTHDREXT	Object	IEBUPDTE				SYS1.LINKLIB
CTLOGRET	Object	IQAENV00				SYS1.LPALIB
CTLSAVBF	Object	IQAENV00				SYS1.LPALIB
CTLSTEX	Object	AHLGTF				SYS1.LINKLIB
CTTRLEXT	Object	IEBUPDTE				SYS1.LINKLIB
CURTCB	Object	AMDPRFSR				SYS1.LINKLIB
CVIPATCH	Object	ISTINM01				SYS1.LINKLIB
CVTSYN1	Object	AMDPRDMP				SYS1.LINKLIB
CWTOLIST	Object	IEFW21SD				SYS1.LPALIB
CWTRP	Object	IEANUC01				SYS1.NUCLEUS
C14C0020	Object	ISTOLTEP				SYS1.VTAMLIB
C14C0030	Object	ISTOLTEP				SYS1.VTAMLIB
C16C1000	Object	ISTOLTEP				SYS1.VTAMLIB
C72MSG	Object	AMDPRDMP				SYS1.LINKLIB
D	Object	IDCAM01		IDCAM01	D	SYS1.CMDLIB
	Alias	IDCAM01	D			
DASDI	Object	IBCDASDI			DASDI	SYS1.SAMPLIB
	Alias	IBCDASDI	DASDI			
DCBBUILD	Object	IEHMOVESY				SYS1.LINKLIB
DCMOD0	Object	DCM3E0		DCM3E0	DCMOD0	SYS1.LPALIB
	Alias	DCM3E0	DCMOD0			
DCMOD1	Object	DCM3E0		DCM3E0	DCMOD1	SYS1.LPALIB
	Alias	DCM3E0	DCMOD1			
DCMOD2	Object	DCM3E0		DCM3E0	DCMOD2	SYS1.LPALIB
	Entry	DCM3E0	DCM3E0			
	Alias	DCM3E0	DCMOD2			
DCM008	Load	DCM008		DCM008		SYS1.LPALIB
	Object	DCM008		DCM008		
	Entry	DCM008	DCM008			
DCM3A0	Load	DCM3A0		DCM3A0		SYS1.LPALIB
	Object	DCM3A0	DCM3D2			
	Entry	DCM3A0	DCM3D2		DCM3D2	
	Load	DCM3A0	DCM3D2			
DCM3B0	Load	DCM3B0		DCM3B0		SYS1.LPALIB
	Object	DCM3B0	DCM3B1		DCM3B1	
	Entry	DCM3B0	DCM3B1			
DCM3B1	Object	DCM3B0		DCM3B0	DCM3B1	SYS1.LPALIB
	Entry	DCM3B0	DCM3B0			
	Alias	DCM3B0	DCM3B1			
DCM3D2	Object	DCM3A0		DCM3A0	DCM3D2	SYS1.LPALIB
	Entry	DCM3A0	DCM3A0			
	Alias	DCM3A0	DCM3D2			
DCM3E0	Load	DCM3E0		DCM3E0	DCMOD0	SYS1.LPALIB
	Object	DCM3E0	DCMOD0		DCMOD0	
	Entry	DCM3E0	DCMOD1		DCMOD1	
	Object	DCM3E0	DCMOD2		DCMOD2	
	Entry	DCM3E0	DCM3E0			
	Object	DCM3E0	DCM3E1		DCM3E1	
	Entry	DCM3E0	DCMOD0			
	Object	DCM3E0	DCMOD1			
	Entry	DCM3E0	DCMOD2			
	Object	DCM3E0	DCM3E1			
DCM3E1	Object	DCM3E0		DCM3E0	DCM3E1	SYS1.LPALIB
	Alias	DCM3E0	DCM3E1			
DCM3E3	Load	DCM3E3		DCM3E3		SYS1.LPALIB
	Object	DCM3E3	DCM3E3		DCM3E3	
	Entry	DCM3E3	DCM3E3			
DDERROR1	Object	IEBCOMPR IEBGENER				SYS1.LINKLIB

Name	Type	Load	Object	Entry	Alias	System Library
DDERRTAB	Object	IEBPTPCH				
DDNPCL	Object	IEFW21SD				SYS1.LPALIB
DDRTN	Object	IDCRI04				SYS1.LINKLIB
		IEBCOMPR				SYS1.LINKLIB
		IEBGENER				
		IEBPTPCH				
DEACTV	Object	IEBUPDTE				SYS1.LINKLIB
DEDBUF	Object	IFDOLT				SYS1.LINKLIB
DEF	Object	IDCAM01		IDCAM01	DEF	SYS1.CMDLIB
	Alias	IDCAM01	DEF			
DEFINE	Object	IDCAM01		IDCAM01	DEFINE	SYS1.CMDLIB
	Alias	IDCAM01	DEFINE			
DEL	Object	IDCAM01		IDCAM01	DEL	SYS1.CMDLIB
	Alias	IDCAM01	DEL			
DELETE	Object	IDCAM01		IDCAM01	DELETE	SYS1.CMDLIB
	Alias	IDCAM01	DELETE			
DEQUEUE	Object	IEANUC01				SYS1.NUCLEUS
DEVMASKT	Load		DEVMASKT	DEVMASKT		SYS1.LPALIB
	Object	DEVMASKT		DEVMASKT		
	Entry	DEVMASKT	DEVMASKT			
DEVNAMET	Load		DEVNAMET	DEVNAMET		SYS1.LPALIB
	Object	DEVNAMET		DEVNAMET		
	Entry	DEVNAMET	DEVNAMET			
DEV12D	Object	AMDSAPGE				SYS1.LINKLIB
DEV14A	Object	AMDSAPGE				SYS1.LINKLIB
DEV15I	Object	AMDSAPGE				SYS1.LINKLIB
DEV16I	Object	AMDSAPGE				SYS1.LINKLIB
DEV20A	Object	AMDSAPGE				SYS1.LINKLIB
DEV33I	Object	AMDSAPGE				SYS1.LINKLIB
DFSTR	Object	IHCGSP03				SYS1.LINKLIB
		IHDGSP03				
		IHEGSP03				
DISMISS	Object	IEANUC01				SYS1.NUCLEUS
DISPLOCK	Object	IEANUC01				SYS1.NUCLEUS
DMP22I	Object	AMDSAPGE				SYS1.LINKLIB
DPRDCB	Object	IFDOLT				SYS1.LINKLIB
DPRPPOW	Object	IFDOLT				SYS1.LINKLIB
DPRXLATE	Object	IFDOLT				SYS1.LINKLIB
DSATN	Object	IHCGSP03				SYS1.LINKLIB
		IHDGSP03				
		IHEGSP03				
DSBASE	Object	IEANUC01				SYS1.NUCLEUS
DSGPCL	Object	IDCRI04				SYS1.LINKLIB
DSGPCL2	Object	IDCRI04				SYS1.LINKLIB
DSGVPCL	Object	IDCRI04				SYS1.LINKLIB
DSGVPCL2	Object	IDCRI04				SYS1.LINKLIB
DSJSTCSR	Object	IEANUC01				SYS1.NUCLEUS
DSNPCL	Object	IDCRI04				SYS1.LINKLIB
DSNPCL2	Object	IDCRI04				SYS1.LINKLIB
DSPIDTAB	Object	IEFW21SD				SYS1.LPALIB
DSPTAB	Object	IEFW21SD				SYS1.LPALIB
DSS06	Object	IEANUC01				SYS1.NUCLEUS
DSVPCL	Object	IDCRI04				SYS1.LINKLIB
DSVPCL2	Object	IDCRI04				SYS1.LINKLIB
DSWPSW	Object	IEANUC01				SYS1.NUCLEUS
DSOFRR	Object	IGFDIO				SYS1.LPALIB
DUMPREST	Object	IBCDMPRS			DUMPREST	SYS1.SAMPLIB
	Alias	IBCDMPRS	DUMPREST			
DVCBA	Object	ISTINM01				SYS1.LINKLIB
DVCR	Object	ISTINM01				SYS1.LINKLIB
E	Load		E	IKJEBEIN		SYS1.CMDLIB
			EDIT	IKJEBEIN	EDIT	
			IKJEBEIN	IKJEBEIN	IKJEBEIN	
			IKJEBIN0			
			IKJEBIN1			
			IKJEBIN2			
			IKJEBIN3			
			IKJEBIN4			
			IKJEBIN5			
			IKJEBIN6			

Name	Type	Load	Object	Entry	Alias	System Library
			IKJEBIN7 IKJEBIN8			
ECB	Object	E		IKJEBEIN		
ECB1	Object	IFDOLT				SYS1.LINKLIB
EDIT	Object	IFDOLT				SYS1.LINKLIB
	Alias	E		IKJEBEIN	EDIT	SYS1.COMDLIB
EDTTAB	Object	E	EDIT			SYS1.LPALIB
		IEFAB4E5				
		IEFIB600				
		IEFW21SD				
EEDFRERP	Object	IEANUC01				SYS1.NUCLEUS
EEDRP	Object	IEANUC01				SYS1.NUCLEUS
ELBUILD	Object	IEANUC01				SYS1.NUCLEUS
EMODVOL1	Load		EMODVOL1	IGG0550P		SYS1.LPALIB
			IFG0553C	IFG0553C	IFG0553C	
			IGG0550P			
	Object	EMODVOL1		IGG0550P		
		IFG0194A				
ENATL	Object	IHCGSP03				SYS1.LINKLIB
		IHDGSP03				
		IHEGSP03				
ENATN	Object	IHCGSP03				SYS1.LINKLIB
		IHDGSP03				
		IHEGSP03				
END	Object	IKJEFE11		IKJEFE11	END	SYS1.COMDLIB
	Alias	IKJEFE11	END			
ENDASQS	Object	IEANUC01				SYS1.NUCLEUS
ENDRN	Object	OPERATOR				SYS1.COMDLIB
ENQNAME	Object	HEWLF064				SYS1.LINKLIB
ENSEQ	Object	IHCGSP03				SYS1.LINKLIB
		IHDGSP03				
		IHEGSP03				
ENSUB	Object	IHCGSP03				SYS1.LINKLIB
		IHDGSP03				
		IHEGSP03				
ENTREAD	Object	IDAIIPM3				SYS1.LPALIB
ENTRK	Object	IHCGSP03				SYS1.LINKLIB
		IHDGSP03				
		IHEGSP03				
ENTRYPT3	Object	ILRTSK00				SYS1.LINKLIB
ENTWRITE	Object	IDAIIPM3				SYS1.LPALIB
EODCT	Object	IEBUPDTE				SYS1.LINKLIB
EOTCHK	Object	IEANUC01				SYS1.NUCLEUS
ERRMON	Object	IHCGSP04				SYS1.LINKLIB
	Entry	IHCGSP04	IHCGSP04			
ERRPROC	Object	IDCLC01				SYS1.LINKLIB
ERR30I	Object	AMDSAPGE				SYS1.LINKLIB
ESREND	Object	IEANUC01				SYS1.NUCLEUS
ESRTABLE	Object	IEANUC01				SYS1.NUCLEUS
ESTAEXIT	Object	IGGOCLCA				SYS1.LPALIB
EURATL	Object	IHCGSP03				SYS1.LINKLIB
		IHDGSP03				
		IHEGSP03				
EX	Object	EXEC		IKJCT430	EX	SYS1.COMDLIB
	Alias	EXEC	EX			
EXEC	Load		EX	IKJCT430	EX	SYS1.COMDLIB
			EXEC	IKJCT430		
			IKJCT430			
			IKJCT431			
			IKJCT432			
			IKJCT435			
			PARS			
	Object	EXEC		IKJCT430		SYS1.LINKLIB
		IHCGSP03				
		IHDGSP03				
		IHEGSP03				
EXITAMA1	Object	ISTRAMA1				SYS1.LPALIB
EXITAMA2	Object	ISTRAMA2				SYS1.LPALIB
EXITRP	Object	IEANUC01				SYS1.NUCLEUS
EXP	Object	IDCAM01		IDCAM01	EXP	SYS1.COMDLIB

Name	Type	Load	Object	Entry	Alias	System Library
EXPORT	Alias	IDCAM01	EXP			
	Object	IDCAM01		IDCAM01	EXPORT	SYS1.COMDLIB
	Alias	IDCAM01	EXPORT			
EXPORTRA	Object	IDCAM02		IDCAM02	EXPORTRA	SYS1.COMDLIB
	Alias	IDCAM02	EXPORTRA			
EXTBKOUT	Object	IQAENV00				SYS1.LPALIB
EXTEXTTR	Object	IQAENV00				SYS1.LPALIB
EXTLPSW	Object	IQAENV00				SYS1.LPALIB
EXTPTCH	Object	AMDPRXED				SYS1.LINKLIB
EXT01TR	Object	IQAENV00				SYS1.LPALIB
FASRETRY	Object	IEANUC01				SYS1.NUCLEUS
FEVECTOR	Object	IEDQFE				SYS1.TELCMLIB
	Entry	IEDQFE	IEDQFE			
FILERMSG	Object	AMDPRDMP				SYS1.LINKLIB
FINIS	Object	IEANUC01				SYS1.NUCLEUS
FISTERR	Object	IFDOLT				SYS1.LINKLIB
FLTPTCH	Object	AMDPRXED				SYS1.LINKLIB
FLUSH	Object	IKJPTGT				SYS1.LPALIB
FMBRANCH	Object	IEANUC01				SYS1.NUCLEUS
FMSMFCRE	Object	IEANUC01				SYS1.NUCLEUS
FOEDEL	Object	IEANUC01				SYS1.NUCLEUS
FORMAT	Object	AMDPRFSR				SYS1.LINKLIB
FORMAT1	Object	IFCE2860				SYS1.LINKLIB
FOR23I	Object	AMDSAPGE				SYS1.LINKLIB
FPLPROC	Object	IDCLC01				SYS1.LINKLIB
FRCCWCK	Object	IQAENV00				SYS1.LPALIB
FREE	Load		FREE	IKJEFD20		SYS1.COMDLIB
			IKJEFD20			
			IKJEFD21			
			IKJEFD22			
	Object	FREE		IKJEFD20		
FREEASQ	Object	IEANUC01				SYS1.NUCLEUS
FREEDCEL	Object	IEANUC01				SYS1.NUCLEUS
FREEDSPC	Object	IDDWI				SYS1.LPALIB
FREELGCB	Object	IDDWI				SYS1.LPALIB
FREEMAP	Object	IDDWI				SYS1.LPALIB
FREEMNRP	Object	IEANUC01				SYS1.NUCLEUS
FREEPAGE	Object	IDDWI				SYS1.LPALIB
FREEPART	Object	IEANUC01				SYS1.NUCLEUS
FREERSM	Object	IEANUC01				SYS1.NUCLEUS
FREESTG	Object	IDCDE01				SYS1.LINKLIB
		IDCLC01				
FRMPTCH	Object	AMDPRXED				SYS1.LINKLIB
FRRFRR	Object	IDDWI				SYS1.LPALIB
FRROPEND	Object	IDDWI				SYS1.LPALIB
FRRPGMMG	Object	IEANUC01				SYS1.NUCLEUS
FRRPGMX	Object	IEANUC01				SYS1.NUCLEUS
FSMOD	Object	IHCSP03				SYS1.LINKLIB
		IHDGSP03				
		IHEGSP03				
FSPACE	Object	IEESB601				SYS1.LINKLIB
		IEESB605				SYS1.LPALIB
		IEFAB4E5				
		IEFW21SD				
GARC	Object	IFFPCAAR		IFFPCAAR	GARC	SYS1.LINKLIB
	Entry	IFFPCAAR	IFFPCAAR			
	Alias	IFFPCAAR	GARC			
GCGRID	Object	IFFPEAGR		IFFPEAGR	GCGRID	SYS1.LINKLIB
	Entry	IFFPEAGR	IFFPEAGR			
	Alias	IFFPEAGR	GCGRID			
GCPRNT	Object	IFFPBAPR		IFFPBAPR	GCPRNT	SYS1.LINKLIB
	Entry	IFFPBAPR	IFFPBAPR			
	Alias	IFFPBAPR	GCPRNT			
GENA	Object	IECTSCAN				SYS1.TELCMLIB
GENERATE	Object	IEBGENER				SYS1.LINKLIB
	Entry	IEBGENER	IEBGENER			
GENLABEL	Object	IEBCOMPR				SYS1.LINKLIB
		IEBGENER				
		IEBTPCH				
GENSCAN	Object	IKJPARS				SYS1.LPALIB

Name	Type	Load	Object	Entry	Alias	System Library
GENS3COP	Object	IKJSCAN				
GENTRANS	Object	IEBGENER				SYS1.LINKLIB
	Entry	IKJCB831		IKJCB831	GENTRANS	SYS1.LPALIB
	Alias	IKJCB831	IKJCB831			
GETCORE	Object	IKJPARS				SYS1.LPALIB
GETIDMUL	Object	HEWLF064				SYS1.LINKLIB
GETMAING	Object	IEANUC01				SYS1.NUCLEUS
GETPTCH	Object	AMDPRXED				SYS1.LINKLIB
GIOCR	Object	IGG0190A				SYS1.LPALIB
	Entry	IGG0190A	IGG0190A			
GLABEL	Object	IFFPHALA		IFFPHALA	GLABEL	SYS1.LINKLIB
	Entry	IFFPHALA	IFFPHALA			
	Alias	IFFPHALA	GLABEL			
GLBRANCH	Object	IEANUC01				SYS1.NUCLEUS
GMBRANCH	Object	IEANUC01				SYS1.NUCLEUS
GMSMFCRE	Object	IEANUC01				SYS1.NUCLEUS
GOFFSG	Object	IFFPPASG		OFFSG	GOFFSG	SYS1.LINKLIB
	Alias	IFFPPASG	GOFFSG			
GOSYN1	Object	AMDPRDMP				SYS1.LINKLIB
GPGRID	Object	IFFPIAPG		IFFPIAPG	GPGRID	SYS1.LINKLIB
	Entry	IFFPIAPG	IFFPIAPG			
	Alias	IFFPIAPG	GPGRID			
GPRETRY	Object	IEANUC01				SYS1.NUCLEUS
GPRETURN	Object	IEANUC01				SYS1.NUCLEUS
GPVGRD	Object	IFFPJAPV		IFFPJAPV	GPVGRD	SYS1.LINKLIB
	Entry	IFFPJAPV	IFFPJAPV			
	Alias	IFFPJAPV	GPVGRD			
GSDPLT	Object	IFFPKADG		IFFPKADG	GSDPLT	SYS1.LINKLIB
	Entry	IFFPKADG	IFFPKADG			
	Alias	IFFPKADG	GSDPLT			
GSLMCOBT	Object	IEANUC01				SYS1.NUCLEUS
GSLMREL	Object	IEANUC01				SYS1.NUCLEUS
GSLMRELD	Object	IEANUC01				SYS1.NUCLEUS
GSLMUOBT	Object	IEANUC01				SYS1.NUCLEUS
GSLSCOBT	Object	IEANUC01				SYS1.NUCLEUS
GSLSDISP	Object	IEANUC01				SYS1.NUCLEUS
GSLSREL	Object	IEANUC01				SYS1.NUCLEUS
GSLSRELD	Object	IEANUC01				SYS1.NUCLEUS
GSLSUOBT	Object	IEANUC01				SYS1.NUCLEUS
GSPACE	Object	IEESB601				SYS1.LINKLIB
		IEESB605				SYS1.LPALIB
		IEFAB4E5				
		IEFW21SD				
GSPACE1	Object	IEESB601				SYS1.LINKLIB
		IEESB605				SYS1.LPALIB
		IEFAB4E5				
		IEFW21SD				
GSPLLOT	Object	IFFPDAPL		IFFPDAPL	GSPLLOT	SYS1.LINKLIB
	Entry	IFFPDAPL	IFFPDAPL			
	Alias	IFFPDAPL	GSPLLOT			
GSPRD	Object	IHCOSP03				SYS1.LINKLIB
		IHDOSP03				
		IHEOSP03				
GSPSAMP	Load		GSPSAMP			SYS1.SAMPLIB
	Object	GSPSAMP				
GSP01	Object	IFFAHA16		IFFAHA16	GSP01	SYS1.LINKLIB
	Entry	IFFAHA16	IFFAHA16			
	Alias	IFFAHA16	GSP01			
GSTOR	Object	IFFPAAST		IFFPAAST	GSTOR	SYS1.LINKLIB
	Entry	IFFPAAST	IFFPAAST			
	Alias	IFFPAAST	GSTOR			
GSVPLT	Object	IFFPGAVP		IFFPGAVP	GSVPLT	SYS1.LINKLIB
	Entry	IFFPGAVP	IFFPGAVP			
	Alias	IFFPGAVP	GSVPLT			
GVARC	Object	IFFPFAVA		IFFPFAVA	GVARC	SYS1.LINKLIB
	Entry	IFFPFAVA	IFFPFAVA			
	Alias	IFFPFAVA	GVARC			
H	Object	HELP		IKJEFH01	H	SYS1.CMDLIB
	Alias	HELP	H			

Name	Type	Load	Object	Entry	Alias	System Library
HASJES20	Load		\$#ADD \$#CAN \$#GET \$#JCTFRE \$#JCTRDR \$#JCTWTR \$#PUT \$#REM \$#WTR \$ABEND \$ACT \$ASYNCP \$BFRBLDR \$CAT \$CCA \$CKPTPCE \$COMMEND \$COMPCE \$CSA \$DCT1 \$DOMR \$DYN \$ERRORSA \$EXECPCE \$FRECELR \$FRECMBR \$FRELOKR \$GETCELR \$GETCMBR \$GETLOKR \$HASPWTO \$HEXIT \$HOLDPCE \$IOAPPEN \$JCANR \$JCLPCE \$JOBCKCN \$JOBQBUF \$JOBQR1 \$JOBQUE \$JOEBLDR \$JOT \$JOTCKCN \$KTIMES \$LNEDCT \$MCONPCE \$MLLMPCE \$MSPOOLQ \$OUTPCE \$PGRLSER \$PRGPCE \$PSOPCE \$QGETAFF \$QGETIND \$QINDEX \$QSE1 \$RDREND \$RDROEND \$REPTABL \$RMTSON \$SMFBUF1 \$TGMAP \$TIMEPCE \$WARMPCCE \$WTOCR \$WTOR \$XEQDCT \$XMPOSTR \$XTIMPCE \$1STBUF			SYS1.LINKLIB

Name	Type	Load	Object	Entry	Alias	System Library
			\$1STPBUF			
			HASJES20	HASP		
			HASP			
			HASPACCT			
			HASPATTN			
			HASPBLKS			
			HASPCKPT			
			HASPCNVT			
			HASPCOMA			
			HASPCOMM			
			HASPCON			
			HASPEXEC			
			HASPGPRC			
			HASPHOLD			
			HASPHOPE			
			HASPIMAG			
			HASPINGO			
			HASPINIT			
			HASPLIST			
			HASPMCLO			
			HASPMCON			
			HASPMGET			
			HASPMISC			
			HASPMLLM			
			HASPMOPE			
			HASPMPUT			
			HASPNUC			
			HASPPPI1			
			HASPPRPU			
			HASPPSO			
			HASPRCCS			
			HASPRDR			
			HASPRDRI			
			HASPRDRO			
			HASPRDRT			
			HASPRJCS			
			HASPRSCN			
			HASPRTAM			
			HASPTIME			
			HASPVPRG			
			HASPWARM			
			HASPXEQ			
			HOSCNAV			
			PCE1			
	Object	HASJES20		HASP		
HASP	Object	HASJES20				
	Entry	HASJES20	HASJES20			SYS1.LINKLIB
HASPACCT	Object	HASJES20				SYS1.LINKLIB
HASPATTN	Object	HASJES20				SYS1.LINKLIB
HASPBLKS	Object	HASJES20				SYS1.LINKLIB
HASPCKPT	Object	HASJES20				SYS1.LINKLIB
HASPCNVT	Object	HASJES20				SYS1.LINKLIB
HASPCOMA	Object	HASJES20				SYS1.LINKLIB
HASPCOMM	Object	HASJES20				SYS1.LINKLIB
HASPCON	Object	HASJES20				SYS1.LINKLIB
HASPEXEC	Object	HASJES20				SYS1.LINKLIB
HASPGPRC	Object	HASJES20				SYS1.LINKLIB
HASPHOLD	Object	HASJES20				SYS1.LINKLIB
HASPHOPE	Object	HASJES20				SYS1.LINKLIB
HASPIMAG	Object	HASJES20				SYS1.LINKLIB
HASPINGO	Object	HASJES20				SYS1.LINKLIB
HASPINIT	Object	HASJES20				SYS1.LINKLIB
HASPLIST	Object	HASJES20				SYS1.LINKLIB
HASPMCLO	Object	HASJES20				SYS1.LINKLIB
HASPMCON	Object	HASJES20				SYS1.LINKLIB
HASPMGET	Object	HASJES20				SYS1.LINKLIB
HASPMISC	Object	HASJES20				SYS1.LINKLIB
HASPMLLM	Object	HASJES20				SYS1.LINKLIB
HASPMOPE	Object	HASJES20				SYS1.LINKLIB
HASPMPUT	Object	HASJES20				SYS1.LINKLIB

Name	Type	Load	Object	Entry	Alias	System Library
HASPNUC	Object	HASJES20				SYS1.LINKLIB
HASPPPI1	Object	HASJES20				SYS1.LINKLIB
HASPPRPU	Object	HASJES20				SYS1.LINKLIB
HASPPSO	Object	HASJES20				SYS1.LINKLIB
HASPRCCS	Object	HASJES20				SYS1.LINKLIB
HASPRDR	Object	HASJES20				SYS1.LINKLIB
HASPRDRI	Object	HASJES20				SYS1.LINKLIB
HASPRDRO	Object	HASJES20				SYS1.LINKLIB
HASPRDRT	Object	HASJES20				SYS1.LINKLIB
HASPRJCS	Object	HASJES20				SYS1.LINKLIB
HASPRSCN	Object	HASJES20				SYS1.LINKLIB
HASPR TAM	Object	HASJES20				SYS1.LINKLIB
HASPSSSM	Load		HASPSSSM	HASPSSSM		SYS1.LPALIB
	Object	HASPSSSM		HASPSSSM		
	Entry	HASPSSSM	HASPSSSM			
HASPTIME	Object	HASJES20				SYS1.LINKLIB
HASPVPRG	Object	HASJES20				SYS1.LINKLIB
HASPWARM	Object	HASJES20				SYS1.LINKLIB
HASPXEQ	Object	HASJES20				SYS1.LINKLIB
HASPXSUB	Object	IFGORROA				SYS1.LPALIB
HCDWR	Object	IEBGENER				SYS1.LINKLIB
HDCBIN	Object	IEBGENER				SYS1.LINKLIB
HDCBOUT	Object	IEBGENER				SYS1.LINKLIB
HDRMSG1	Object	IEFW21SD				SYS1.LPALIB
HDRMSG2	Object	IEFW21SD				SYS1.LPALIB
HDR2OFFS	Object	IEFW21SD				SYS1.LPALIB
HEDIT	Object	IEBGENER				SYS1.LINKLIB
HELP	Load		H	IKJEFH01	H	SYS1.CMDLIB
			HELP	IKJEFH01		
			HELPPCL			
			IKJEFF02			
			IKJEFF2M			
			IKJEFH00			
			IKJEFH01			
			IKJEFH02			
			IKJEFH03			
	Object	HELP		IKJEFH01		
HELPPCL	Object	HELP				SYS1.CMDLIB
HEWACALL	Object	HEWLOADR				SYS1.LINKLIB
HEWBTMAP	Object	HEWLOADR				SYS1.LINKLIB
HEWBUFFR	Object	HEWLOADR				SYS1.LINKLIB
HEWERROR	Object	HEWLOADR				SYS1.LINKLIB
HEWL	Object	HEWLF064		HEWLFROU	HEWL	SYS1.LINKLIB
	Alias	HEWLF064	HEWL			
HEWLCADA	Object	HEWLF064				SYS1.LINKLIB
HEWLCAD1	Object	HEWLF064				SYS1.LINKLIB
HEWLCAUT	Object	HEWLF064				SYS1.LINKLIB
HEWLCDCN	Object	HEWLF064				SYS1.LINKLIB
HEWLCDLK	Object	HEWLF064				SYS1.LINKLIB
HEWLCEOD	Object	HEWLF064				SYS1.LINKLIB
HEWLCEOI	Object	HEWLF064				SYS1.LINKLIB
HEWLCE30	Object	HEWLF064				SYS1.LINKLIB
HEWLCFAB	Object	HEWLF064				SYS1.LINKLIB
HEWLCFNI	Object	HEWLF064				SYS1.LINKLIB
HEWLCICA	Object	HEWLF064				SYS1.LINKLIB
HEWLCIDR	Object	HEWLF064				SYS1.LINKLIB
HEWLCINP	Object	HEWLF064				SYS1.LINKLIB
HEWLCMDB	Object	HEWLF064				SYS1.LINKLIB
HEWLCNVT	Object	HEWLOADR				SYS1.LINKLIB
HEWLCPDB	Object	HEWLF064				SYS1.LINKLIB
HEWLCPTH	Object	HEWLF064				SYS1.LINKLIB
HEWLCRBB	Object	HEWLF064				SYS1.LINKLIB
HEWLCRBN	Object	HEWLF064				SYS1.LINKLIB
HEWLCRID	Object	HEWLF064				SYS1.LINKLIB
HEWLCRO1	Object	HEWLF064				SYS1.LINKLIB
HEWLCRO2	Object	HEWLF064				SYS1.LINKLIB
HEWLCRO3	Object	HEWLF064				SYS1.LINKLIB
HEWLCSDB	Object	HEWLF064				SYS1.LINKLIB
HEWLCSNX	Object	HEWLF064				SYS1.LINKLIB
HEWLCTRL	Object	HEWLD RGO				SYS1.LINKLIB

Name	Type	Load	Object	Entry	Alias	System Library
	Entry	HEWLDRGO	HEWLDRGO IEWLDRGO LOADER			
HEWLCTTY	Object	HEWLF064				SYS1.LINKLIB
HEWLCUDB	Object	HEWLF064				SYS1.LINKLIB
HEWLDDEF	Object	HEWLOADR				SYS1.LINKLIB
HEWLDRGO	Load		HEWLCTRL HEWLDRGO IEWLDRGO LOADER	HEWLCTRL HEWLCTRL HEWLCTRL HEWLCTRL	IEWLDRGO LOADER	SYS1.LINKLIB
	Object	HEWLDRGO				
HEWLEON	Object	HEWLF064				SYS1.LINKLIB
HEWLENAM	Object	HEWLF064				SYS1.LINKLIB
HEWLEND	Object	HEWLOADR				SYS1.LINKLIB
HEWLEPNT	Object	HEWLF064				SYS1.LINKLIB
HEWLERDM	Object	HEWLF064				SYS1.LINKLIB
HEWLER'TN	Object	HEWLOADR				SYS1.LINKLIB
HEWLESD	Object	HEWLOADR				SYS1.LINKLIB
HEWLFADA	Object	HEWLF064				SYS1.LINKLIB
HEWLFALK	Object	HEWLF064				SYS1.LINKLIB
HEWLFAPT	Object	HEWLF064				SYS1.LINKLIB
HEWLFAPX	Object	HEWLF064				SYS1.LINKLIB
HEWLFBTP	Object	HEWLF064				SYS1.LINKLIB
HEWLFDEF	Object	HEWLF064				SYS1.LINKLIB
HEWLFEND	Object	HEWLF064				SYS1.LINKLIB
HEWLFENS	Object	HEWLF064				SYS1.LINKLIB
HEWLFENT	Object	HEWLF064				SYS1.LINKLIB
HEWLFESD	Object	HEWLF064				SYS1.LINKLIB
HEWLFFFNL	Object	HEWLF064				SYS1.LINKLIB
HEWLFIDR	Object	HEWLF064				SYS1.LINKLIB
HEWLFINC	Object	HEWLF064				SYS1.LINKLIB
HEWLFINP	Object	HEWLF064				SYS1.LINKLIB
HEWLFINT	Object	HEWLF064				SYS1.LINKLIB
HEWLFldb	Object	HEWLF064				SYS1.LINKLIB
HEWLFLOG	Object	HEWLF064				SYS1.LINKLIB
HEWLFMAP	Object	HEWLF064				SYS1.LINKLIB
HEWLFopt	Object	HEWLF064				SYS1.LINKLIB
HEWLFOUT	Object	HEWLF064				SYS1.LINKLIB
HEWLFrat	Object	HEWLF064				SYS1.LINKLIB
HEWLFRCG	Object	HEWLF064				SYS1.LINKLIB
HEWLFREL	Object	HEWLF064				SYS1.LINKLIB
HEWLFROU	Object	HEWLF064				SYS1.LINKLIB
	Entry	HEWLF064	HEWL HEWLF064 IEWL IEWLF128 IEWLF440 IEWLF880 LINKEDIT			
HEWLFSCD	Object	HEWLF064				SYS1.LINKLIB
HEWLFSCN	Object	HEWLF064				SYS1.LINKLIB
HEWLFsIO	Object	HEWLF064				SYS1.LINKLIB
HEWLFsYM	Object	HEWLF064				SYS1.LINKLIB
HEWLFtXT	Object	HEWLF064				SYS1.LINKLIB
HEWLF064	Load		APTEND APTEXLST APTXLIST APT000 CHECKRD CHECKWRT ENQNAME GETIDMUL HEWL HEWLCADA HEWLCAD1 HEWLCAUT HEWLCDCN HEWLCDLK HEWLCEOD	HEWLFROU	HEWL	SYS1.LINKLIB

Name	Type	Load	Object	Entry	Alias	System Library
			HEWLCEOI			
			HEWLCE30			
			HEWLCFAB			
			HEWLCFNI			
			HEWLCICA			
			HEWLCIDR			
			HEWLCINP			
			HEWLCMDB			
			HEWLCMDB			
			HEWLCPTH			
			HEWLCRBB			
			HEWLCRBN			
			HEWLCRID			
			HEWLCRO1			
			HEWLCRO2			
			HEWLCRO3			
			HEWLCSDDB			
			HEWLCSNX			
			HEWLCTTY			
			HEWLCUDB			
			HEWLEEON			
			HEWLENAM			
			HEWLEPNT			
			HEWLERDM			
			HEWLFADA			
			HEWLFALK			
			HEWLFAPT			
			HEWLFAPX			
			HEWLFBTP			
			HEWLFDEF			
			HEWLFEND			
			HEWLFENS			
			HEWLFENT			
			HEWLFESD			
			HEWLFNLL			
			HEWLFIDR			
			HEWLFINC			
			HEWLFINP			
			HEWLFINT			
			HEWFLDB			
			HEWLFLOG			
			HEWLFMAP			
			HEWLFOUT			
			HEWLFOUT			
			HEWLFRAF			
			HEWLFRCG			
			HEWLFREL			
			HEWLFROU			
			HEWLFSCD			
			HEWLFSCN			
			HEWLFSSIO			
			HEWLFSSYM			
			HEWLFTEXT			
			HEWLF064	HEWLFROU		
			HEWLTMDB			
			HEWLXIT2			
			HEWVLDC			
			IEWL	HEWLFROU	IEWL	
			IEWLF128	HEWLFROU	IEWLF128	
			IEWLF440	HEWLFROU	IEWLF440	
			IEWLF880	HEWLFROU	IEWLF880	
			INDDNAME			
			INRLDCB1			
			INRLDCB2			
			JFCBADDR			
			LINKEDIT	HEWLFROU	LINKEDIT	
			MAINGOT			
			MINOR			
			MSGFOUR			
			OTRLDCB1			

Name	Type	Load	Object	Entry	Alias	System Library
			OTRLDCB2			
			OTRLDCB3			
			RELOCATE			
			SCDENTAB			
			SEGLNTAB			
			WRTCRRLD			
			WRTTXT			
HEWLIDEN	Object	HEWLF064		HEWLFROU		
HEWLIOCA	Object	HEWLOADR				SYS1.LINKLIB
	Object	HEWLOADR				SYS1.LINKLIB
	Entry	HEWLOADR	HEWLOADR			
			IEWLOAD			
			IEWLOADR			
HEWLLIBR	Object	HEWLOADR				SYS1.LINKLIB
HEWLMAP	Object	HEWLOADR				SYS1.LINKLIB
HEWLOAD	Object	HEWLOADR		HEWLOAD	HEWLOAD	SYS1.LINKLIB
	Entry	HEWLOADR	HEWLOAD			
	Alias	HEWLOADR	HEWLOAD			
HEWLOADR	Load		HEWLOAD			SYS1.LINKLIB
			HEWACALL			
			HEWBMAP			
			HEWBUFFER			
			HEWERROR			
			HEWLCNVT			
			HEWLDDEF			
			HEWLEND			
			HEWLERTN			
			HEWLESD			
			HEWLIDEN			
			HEWLIOCA			
			HEWLLIBR			
			HEWLMAP			
			HEWLOAD	HEWLOAD	HEWLOAD	
			HEWLOADR	HEWLOAD	HEWLOAD	
			HEWLODE			
			HEWLPRNT			
			HEWLREAD			
			HEWLRELO			
			HEWLRLD			
			HEWOPNLB			
			HEWPRIME			
			HEWTERM			
			IEWLOAD	HEWLIOCA	IEWLOAD	
			IEWLOADR	HEWLIOCA	IEWLOADR	
			TRANSID			
				HEWLIOCA		
HEWLODE	Object	HEWLOADR				SYS1.LINKLIB
HEWLPRNT	Object	HEWLOADR				SYS1.LINKLIB
HEWLREAD	Object	HEWLOADR				SYS1.LINKLIB
HEWLRELO	Object	HEWLOADR				SYS1.LINKLIB
HEWLRLD	Object	HEWLOADR				SYS1.LINKLIB
HEWLTMDB	Object	HEWLF064				SYS1.LINKLIB
HEWLXIT2	Object	HEWLF064				SYS1.LINKLIB
HEWOPNLB	Object	HEWLOADR				SYS1.LINKLIB
HEWPRIME	Object	HEWLOADR				SYS1.LINKLIB
HEWTERM	Object	HEWLOADR				SYS1.LINKLIB
HEWVLDCR	Object	HEWLF064				SYS1.LINKLIB
HGENP	Object	IEBGENER				SYS1.LINKLIB
HGENPS3	Object	IEBGENER				SYS1.LINKLIB
HHLGTF	Object	AHLGTF		AHLGTFI	HHLGTF	SYS1.LINKLIB
	Alias	AHLGTF	HHLGTF			
HMAPTFLE	Object	AMAPTFLE	HMAPTFLE	AMAPTFLE	HMAPTFLE	SYS1.LINKLIB
	Alias	AMAPTFLE	HMAPTFLE			
HMASMAPA	Object	HMASMP				SYS1.LINKLIB
HMASMASI	Object	HMASMP				SYS1.LINKLIB
HMASMASM	Object	HMASMP				SYS1.LINKLIB
HMASMCP	Object	HMASMP				SYS1.LINKLIB
HMASMCPY	Object	HMASMP				SYS1.LINKLIB
HMASMDRV	Object	HMASMP				SYS1.LINKLIB
	Entry	HMASMP	HMASMP			
HMASMEXT	Object	HMASMP				SYS1.LINKLIB

Name	Type	Load	Object	Entry	Alias	System Library
HMASMIC	Object	HMASMP				SYS1.LINKLIB
HMASMICB	Object	HMASMP				SYS1.LINKLIB
HMASMICC	Object	HMASMP				SYS1.LINKLIB
HMASMICF	Object	HMASMP				SYS1.LINKLIB
HMASMICI	Object	HMASMP				SYS1.LINKLIB
HMASMICS	Object	HMASMP				SYS1.LINKLIB
HMASMIO	Object	HMASMP				SYS1.LINKLIB
HMASMLCD	Object	HMASMP				SYS1.LINKLIB
HMASMLKD	Object	HMASMP				SYS1.LINKLIB
HMASMLKI	Object	HMASMP				SYS1.LINKLIB
HMASMLOG	Object	HMASMP				SYS1.LINKLIB
HMASMMSG	Object	HMASMP				SYS1.LINKLIB
HMASMP	Load					SYS1.LINKLIB
			HMASMAPA			
			HMASMASI			
			HMASMASM			
			HMASMCPI			
			HMASMCPY			
			HMASMDRV			
			HMASMEXT			
			HMASMIC			
			HMASMICB			
			HMASMICC			
			HMASMICF			
			HMASMICI			
			HMASMICS			
			HMASMIO			
			HMASMLCD			
			HMASMLKD			
			HMASMLKI			
			HMASMLOG			
			HMASMMSG			
			HMASMP	HMASMDRV		
			HMASMREC			
			HMASMRES			
			HMASMSCN			
			HMASMTBL			
			HMASMUCL			
			HMASMUPD			
			HMASMZAP			
	Object	HMASMP				
HMASMREC	Object	HMASMP				SYS1.LINKLIB
HMASMRES	Object	HMASMP				SYS1.LINKLIB
HMASMSCN	Object	HMASMP				SYS1.LINKLIB
HMASMTBL	Object	HMASMP				SYS1.LINKLIB
HMASMUCL	Object	HMASMP				SYS1.LINKLIB
HMASMUPD	Object	HMASMP				SYS1.LINKLIB
HMASMZAP	Object	HMASMP				SYS1.LINKLIB
HMBLIST	Object	AMBLIST				SYS1.LINKLIB
	Alias	AMBLIST	HMBLIST		HMBLIST	
HMBLKCTL	Object	AMBLIST				SYS1.LINKLIB
	Entry	AMBLIST	AMBLIST			
			HMBLIST			
			AMBLIST			
			HMBLIST			
			IMBLIST			
HMBLKERR	Object	AMBLIST				SYS1.LINKLIB
HMBLKIDR	Object	AMBLIST				SYS1.LINKLIB
HMBLKIDM	Object	AMBLIST				SYS1.LINKLIB
HMBLKLPA	Object	AMBLIST				SYS1.LINKLIB
HMBLKMSG	Object	AMBLIST				SYS1.LINKLIB
HMBLKOBJ	Object	AMBLIST				SYS1.LINKLIB
HMBLKSIZE	Object	AMBLIST				SYS1.LINKLIB
HMBLKXRF	Object	AMBLIST				SYS1.LINKLIB
HMDPRDMP	Object	AMDPRDMP				SYS1.LINKLIB
	Alias	AMDPRDMP	HMDPRDMP	AMDPRDMP	HMDPRDMP	
HMDUSRFF	Object	IMDUSRFF				SYS1.LPALIB
	Alias	IMDUSRFF	HMDUSRFF	IMDUSRFF	HMDUSRFF	
HMOVE	Object	IEBGENER				SYS1.LINKLIB
HMSGEXIT	Object	IEBGENER				SYS1.LINKLIB
HMSGIOER	Object	IEBGENER				SYS1.LINKLIB
HMSGMDL	Object	IEBGENER				SYS1.LINKLIB

Name	Type	Load	Object	Entry	Alias	System Library
HMSGRETC	Object	IEBGENER				SYS1.LINKLIB
HMSGTLR	Object	IEBGENER				SYS1.LINKLIB
HOSCNVT	Object	HASJES20				SYS1.LINKLIB
HPRL	Object	IEBGENER				SYS1.LINKLIB
HPZ	Object	IEBGENER				SYS1.LINKLIB
HSETR	Object	IEBGENER				SYS1.LINKLIB
HWRMSG	Object	IEBGENER				SYS1.LINKLIB
HZP	Object	IEBGENER				SYS1.LINKLIB
IASSD81M	Object	IASXWR00				SYS1.LPALIB
IASXSD81	Object	IASXWR00				SYS1.LPALIB
IASXSD82	Object	IASXWR00				SYS1.LPALIB
IASXS82A	Object	IASXWR00				SYS1.LPALIB
IASXS82M	Object	IASXWR00				SYS1.LPALIB
IASXWR00	Load		IASSD81M			SYS1.LPALIB
			IASXSD81			
			IASXSD82			
			IASXS82A			
			IASXS82M			
			IASXWR00	IASXWR00		
	Object	IASXWR00		IASXWR00		
	Entry	IASXWR00	IASXWR00			
IBCDASDI	Load		DASDI		DASDI	SYS1.SAMPLIB
			IBCDASDI			
	Object	IBCDASDI				
IBCDMPRS	Load		DUMPREST		DUMPREST	SYS1.SAMPLIB
			IBCDMPRS			
	Object	IBCDMPRS				
IBCOM#	Object	IHCOSP04				SYS1.LINKLIB
ICAPRTBL	Load		ICAPRTBL			SYS1.SAMPLIB
	Object	ICAPRTBL				
ICFBDE00	Object	IEANUC01				SYS1.NUCLEUS
ICFBIE00	Object	IEEMB860				SYS1.LINKLIB
ICFEND	Object	IEANUC01				SYS1.NUCLEUS
ICFEXT50	Object	IEANUC01				SYS1.NUCLEUS
ICFEXT99	Object	IEANUC01				SYS1.NUCLEUS
ICHRIN00	Object	IGC0013{				SYS1.LPALIB
	Entry	IGC0013{	IGC0013{			
ICHSEC00	Load		ICHSEC00	IEFBR14		SYS1.LINKLIB
			IEFBR14			
	Object	ICHSEC00		IEFBR14		
ICURS	Object	IHCOSP03				SYS1.LINKLIB
		IHDGSP03				
		IHEGSP03				
IDAABF	Object	IDA019L1				SYS1.LPALIB
IDAADSEG	Object	IDA019L1				SYS1.LPALIB
IDAADVPH	Object	IDA019L1				SYS1.LPALIB
IDAAIBF	Object	IDA019L1				SYS1.LPALIB
IDAAQR	Object	IDA019L1				SYS1.LPALIB
IDACAT11	Object	IEFW21SD				SYS1.LPALIB
IDACAT12	Object	IEFW21SD				SYS1.LPALIB
IDACAT13	Load		IDACAT13	IDACAT13		SYS1.LPALIB
	Object	IDACAT13		IDACAT13		
		IFGOTCOA				
	Entry	IDACAT13	IDACAT13			
IDACAT21	Load		IDACAT21	IDACAT21		SYS1.LINKLIB
	Object	IDACAT21		IDACAT21		
	Entry	IDACAT21	IDACAT21			
IDACHKKR	Object	IDA019L1				SYS1.LPALIB
IDACI96C	Object	IDA0192A				SYS1.LPALIB
IDACKRA1	Object	IDA0192A				SYS1.LPALIB
IDADARTV	Object	IDA019L1				SYS1.LPALIB
IDADRQ	Object	IDA019L1				SYS1.LPALIB
		IDA019L2				
IDAENDRQ	Object	IDA019L1				SYS1.LPALIB
IDAEOVIF	Object	IDA019L1				SYS1.LPALIB
		IDA019L2				
IDAER	Object	IDA019L1				SYS1.LPALIB
IDAERROR	Object	IDA019L1				SYS1.LPALIB
		IDA019L2				
IDAEXCL	Object	IDA019L1				SYS1.LPALIB

Name	Type	Load	Object	Entry	Alias	System Library
IDAEXEX	Object	IDA019L1				SYS1.LPALIB
		IDA019L2				
IDAEXITR	Object	IDA019L1				SYS1.LPALIB
		IDA019L2				
IDAFRBA	Object	IDA019L1				SYS1.LPALIB
IDAFREEB	Object	IDA019L1				SYS1.LPALIB
IDAGETWS	Object	IDA019L1				SYS1.LPALIB
IDAGNFL	Object	IDA019L1				SYS1.LPALIB
IDAGNNFL	Object	IDA019L1				SYS1.LPALIB
IDAGNXT	Object	IDA019L1				SYS1.LPALIB
IDAGOCMP	Object	IDA019L1				SYS1.LPALIB
		IDA019L2				
IDAGOIRB	Object	IDA019L1				SYS1.LPALIB
		IDA019L2				
IDAGOSRB	Object	IDA019L1				SYS1.LPALIB
		IDA019L2				
IDAGRB	Object	IDA019L1				SYS1.LPALIB
IDAGWSEG	Object	IDA019L1				SYS1.LPALIB
IDAGWSGW	Object	IDA019L1				SYS1.LPALIB
IDAGXCTL	Object	IDA019L1				SYS1.LPALIB
IDAHLINS	Object	IDA019L1				SYS1.LPALIB
IDAICIA1	Object	IFG0192A				SYS1.LPALIB
IDAIIFBF	Load		IDAIIFBF	IDAIIFBF		SYS1.LPALIB
	Object	IDAIIFBF		IDAIIFBF		
	Entry	IDAIIFBF	IDAIIFBF			
IDAIIPM1	Load		IDAIIPM1	IDAIIPM1		SYS1.LPALIB
	Object	IDAIIPM1		IDAIIPM1		
	Entry	IDAIIPM1	IDAIIPM1			
IDAIIPM2	Load		IDAIIPM2	IDAIIPM2		SYS1.LPALIB
	Object	IDAIIPM2		IDAIIPM2		
	Entry	IDAIIPM2	IDAIIPM2			
IDAIIPM3	Load		IDAIIPM3	ENTREAD		SYS1.LPALIB
				ENTWRITE		
				IDAIIPM3		
	Object	IDAIIPM3		IDAIIPM3		
	Entry	IDAIIPM3	IDAIIPM3			
IDAIISM1	Load		IDAIISM1	IDAIISM1		SYS1.LPALIB
	Object	IDAIISM1		IDAIISM1		
	Entry	IDAIISM1	IDAIISM1			
IDAIST	Object	IDA019L1				SYS1.LPALIB
IDAIVIXB	Object	IDA019L1				SYS1.LPALIB
IDAIXCHK	Object	IDA019L1				SYS1.LPALIB
IDAJRNSR	Object	IDA019L1				SYS1.LPALIB
IDAMRKBF	Object	IDA019L1				SYS1.LPALIB
IDAMVSEG	Object	IDA019L1				SYS1.LPALIB
IDANEWRD	Object	IDA019L1				SYS1.LPALIB
IDAOCEA1	Object	IFG0RR0A				SYS1.LPALIB
		IFG0192A				
	Entry	IFG0192A	IDAOCEA1	IDAOCEA1	IDAOCEA1	
	Alias	IFG0192A	IDAOCEA1			
IDAOCEA2	Object	IFG0TC0A				SYS1.LPALIB
		IFG0192A		IDAOCEA2	IDAOCEA2	
	Entry	IFG0192A	IDAOCEA2			
	Alias	IFG0192A	IDAOCEA2			
IDAOCEA4	Object	IFG0192A		IDAOCEA4	IDAOCEA4	SYS1.LPALIB
	Entry	IFG0192A	IDAOCEA4			
	Alias	IFG0192A	IDAOCEA4			
IDAPFREE	Object	IDA019L1				SYS1.LPALIB
IDAPGETM	Object	IDA019L1				SYS1.LPALIB
IDAPTCBV	Object	IDA019L1				SYS1.LPALIB
		IDA019L2				
IDAR	Object	IDA019L1				SYS1.LPALIB
IDARELWS	Object	IDA019L1				SYS1.LPALIB
IDAREPOS	Object	IDA019L1				SYS1.LPALIB
IDARRDRL	Object	IDA019L1				SYS1.LPALIB
IDARSTRT	Object	IDA019L1				SYS1.LPALIB
		IDA019L2				
IDARVRS1	Object	IDA019L1				SYS1.LPALIB
IDARXBD	Object	IDA019L1				SYS1.LPALIB
IDASBF	Object	IDA019L1				SYS1.LPALIB

Name	Type	Load	Object	Entry	Alias	System Library
IDASCHBF	Object	IDA019L1				SYS1.LPALIB
IDASPACE	Object	IDA019L1				SYS1.LPALIB
IDASPNPT	Object	IDA019L1				SYS1.LPALIB
IDATJXIT	Object	IDA019L1				SYS1.LPALIB
IDAVBPC1	Object	IDDWI				SYS1.LPALIB
IDAVBPJ1	Object	IDDWI				SYS1.LPALIB
IDAVBPJ2	Object	IEFIB600				SYS1.LPALIB
IDAVBPO1	Object	IDDWI				SYS1.LPALIB
IDAVBPR1	Object	IDDWI				SYS1.LPALIB
IDAVBPR2	Object	IDDWI				SYS1.LPALIB
IDAVBPS1	Object	IDDWI				SYS1.LPALIB
IDAVBPS2	Object	IDDWI				SYS1.LPALIB
		IFG0TC0A				
	Entry	IDDWI	IDAVBPS2			
	Alias	IDDWI	IDAVBPS2			
IDAVBP1	Object	IDDWI		IDAVBP1	IDAVBP1	SYS1.LPALIB
	Entry	IDDWI	IDAVBP1			
	Alias	IDDWI	IDAVBP1			
IDAWAIT	Object	IDA019L1				SYS1.LPALIB
		IDA019L2				
IDAWR	Object	IDA019L1				SYS1.LPALIB
IDAWRBFR	Object	IDA019L1				SYS1.LPALIB
IDAWRTBF	Object	IDA019L1				SYS1.LPALIB
IDAXGPLH	Object	IDA019L1				SYS1.LPALIB
IDA0A05B	Object	IDA0192A				SYS1.LPALIB
	Entry	IDA0192A	IDA0A05B			
	Alias	IDA0192A	IDA0A05B			
IDA0C05B	Object	IDA0192A				SYS1.LPALIB
	Entry	IDA0192A	IDA0C05B			
	Alias	IDA0192A	IDA0C05B			
IDA0C06C	Object	IDA0192A				SYS1.LPALIB
	Entry	IDA0192A	IDA0C06C			
	Alias	IDA0192A	IDA0C06C			
IDA0I96C	Object	IDA0192A				SYS1.LPALIB
	Entry	IDA0192A	IDA0I96C			
	Alias	IDA0192A	IDA0I96C			
IDA019C1	Load	IDA019C1				SYS1.LPALIB
	Object	IDA019C1				
	Entry	IDA019C1	IDA019C1			
IDA019L1	Load					SYS1.LPALIB
			IDAABF			
			IDAADSEG			
			IDAADVPH			
			IDAAIBF			
			IDAAQR			
			IDACHKKR			
			IDADARTV			
			IDADRQ			
			IDAENDRQ			
			IDAEOVIF			
			IDAER			
			IDAERROR			
			IDAEXCL			
			IDAEXEX			
			IDAEXITR			
			IDAFRBA			
			IDAFREEB			
			IDAGETWS			
			IDAGNFL			
			IDAGNNFL			
			IDAGNXT			
			IDAGOCMP			
			IDAGOIRB			
			IDAGOSRB			
			IDAGRB			
			IDAGWSEG			
			IDAGWSGW			
			IDAGXCTL			
			IDAHLINS			
			IDAIST			
			IDAIVIXB			

Name	Type	Load	Object	Entry	Alias	System Library
			IDAIXCHK			
			IDAJRNSR			
			IDAMRKBF			
			IDAMVSEG			
			IDANEWRD			
			IDAPFREE			
			IDAPGETM			
			IDAPTCBV			
			IDAR			
			IDARELWS			
			IDAREPOS			
			IDARRDRL			
			IDARSTRT			
			IDARVRS1			
			IDARXBD			
			IDASBF			
			IDASCHBF			
			IDASPACE			
			IDASPNPT			
			IDATJXIT			
			IDAWAIT			
			IDAWR			
			IDAWRBFR			
			IDAWRTBF			
			IDAXGPLH			
			IDA019L1	IDA019R1		
			IDA019RA			
			IDA019RB			
			IDA019RC			
			IDA019RE			
			IDA019RF			
			IDA019RG			
			IDA019RH			
			IDA019RI			
			IDA019RJ			
			IDA019RK			
			IDA019RL			
			IDA019RM			
			IDA019RN			
			IDA019RO			
			IDA019RP			
			IDA019RQ			
			IDA019RR			
			IDA019RS			
			IDA019RT			
			IDA019RU			
			IDA019RV			
			IDA019RW			
			IDA019RX			
			IDA019RY			
			IDA019RZ			
			IDA019R1			
			IDA019R2			
			IDA019R3			
			IDA019R4			
			IDA019R5			
			IDA019R8			
			IDA019SA			
			IDA019SF			
IDA019L2	Object Load	IDA019L1	IDADRQ	IDA019R1		SYS1.LPALIB
			IDAEOVIF			
			IDAERROR			
			IDAEXEX			
			IDAEXITR			
			IDAGOCMP			
			IDAGOIRB			
			IDAGOSRB			
			IDAPTCBV			
			IDARSTRT			

Name	Type	Load	Object	Entry	Alias	System Library
			IDAWAIT			
			IDA019L2	IDA019S1		
			IDA019R5			
			IDA019S1			
			IDA019S2			
	Object	IDA019L2		IDA019S1		
IDA019RA	Object	IDA019L1				SYS1.LPALIB
IDA019RB	Object	IDA019L1				SYS1.LPALIB
IDA019RC	Object	IDA019L1				SYS1.LPALIB
IDA019RD	Load		IDA019RD	IDA019RD		SYS1.LPALIB
	Object	IDA019RD		IDA019RD		
	Entry	IDA019RD	IDA019RD			
IDA019RE	Object	IDA019L1				SYS1.LPALIB
IDA019RF	Object	IDA019L1				SYS1.LPALIB
IDA019RG	Object	IDA019L1				SYS1.LPALIB
IDA019RH	Object	IDA019L1				SYS1.LPALIB
IDA019RI	Object	IDA019L1				SYS1.LPALIB
IDA019RJ	Object	IDA019L1				SYS1.LPALIB
IDA019RK	Object	IDA019L1				SYS1.LPALIB
IDA019RL	Object	IDA019L1				SYS1.LPALIB
IDA019RM	Object	IDA019L1				SYS1.LPALIB
IDA019RN	Object	IDA019L1				SYS1.LPALIB
IDA019RO	Object	IDA019L1				SYS1.LPALIB
IDA019RP	Object	IDA019L1				SYS1.LPALIB
IDA019RQ	Object	IDA019L1				SYS1.LPALIB
IDA019RR	Object	IDA019L1				SYS1.LPALIB
IDA019RS	Object	IDA019L1				SYS1.LPALIB
IDA019RT	Object	IDA019L1				SYS1.LPALIB
IDA019RU	Object	IDA019L1				SYS1.LPALIB
IDA019RV	Object	IDA019L1				SYS1.LPALIB
IDA019RW	Object	IDA019L1				SYS1.LPALIB
IDA019RX	Object	IDA019L1				SYS1.LPALIB
IDA019RY	Object	IDA019L1				SYS1.LPALIB
IDA019RZ	Object	IDA019L1				SYS1.LPALIB
IDA019R1	Object	IDA019L1				SYS1.LPALIB
	Entry	IDA019L1	IDA019L1			
IDA019R2	Object	IDA019L1				SYS1.LPALIB
IDA019R3	Object	IDA019L1				SYS1.LPALIB
IDA019R4	Object	IDA019L1				SYS1.LPALIB
IDA019R5	Object	IDA019L1				SYS1.LPALIB
		IDA019L2				
IDA019R7	Object	IDA121A5		IDA121A5	IDA019R7	SYS1.LPALIB
	Alias	IDA121A5	IDA019R7			
IDA019R8	Object	IDA019L1				SYS1.LPALIB
IDA019SA	Object	IDA019L1				SYS1.LPALIB
IDA019SB	Object	IEANUC01				SYS1.NUCLEUS
IDA019SF	Object	IDA019L1				SYS1.LPALIB
IDA019S1	Object	IDA019L2				SYS1.LPALIB
	Entry	IDA019L2	IDA019L2			
IDA019S2	Object	IDA019L2				SYS1.LPALIB
IDA019S4	Object	IEANUC01				SYS1.NUCLEUS
IDA0192A	Load		IDACI96C			SYS1.LPALIB
			IDACKRA1			
			IDA0A05B	IDA0A05B	IDA0A05B	
			IDA0C05B	IDA0C05B	IDA0C05B	
			IDA0C06C	IDA0C06C	IDA0C06C	
			IDA0I96C	IDA0I96C	IDA0I96C	
			IDA0192A	IDA0192A		
			IDA0192B			
			IDA0192C	IDA0192C	IDA0192C	
			IDA0192D			
			IDA0192F			
			IDA0192G	IDA0192G	IDA0192G	
			IDA0192I	IDA0192I	IDA0192I	
			IDA0192M			
			IDA0192P	IDA0192P	IDA0192P	
			IDA0192S			
			IDA0192V	IDA0192V	IDA0192V	
			IDA0192W			
			IDA0192Y	IDA0192Y	IDA0192Y	

Name	Type	Load	Object	Entry	Alias	System Library
			IDA0192Z			
			IDA0200B			
			IDA0200S	IDA0200S	IDA0200S	
			IDA0200T	IDA0200T	IDA0200T	
			IDA0231B			
			IDA0231T	IDA0231T	IDA0231T	
			IDA0557A	IDA0557A	IDA0557A	
	Object	IDA0192A				
	Entry	IDA0192A				
IDA0192B	Object	IDA0192A	IDA0192A			SYS1.LPALIB
IDA0192C	Object	IDA0192A		IDA0192C	IDA0192C	SYS1.LPALIB
	Entry	IDA0192A	IDA0192C			
	Alias	IDA0192A	IDA0192C			
IDA0192D	Object	IDA0192A				SYS1.LPALIB
IDA0192F	Object	IDA0192A				SYS1.LPALIB
IDA0192G	Object	IDA0192A		IDA0192G	IDA0192G	SYS1.LPALIB
		IGC0001I				
	Entry	IDA0192A	IDA0192G			
	Alias	IDA0192A	IDA0192G			
IDA0192I	Object	IDA0192A		IDA0192I	IDA0192I	SYS1.LPALIB
	Entry	IDA0192A	IDA0192I			
	Alias	IDA0192A	IDA0192I			
IDA0192M	Object	IDA0192A				SYS1.LPALIB
IDA0192P	Object	IDA0192A		IDA0192P	IDA0192P	SYS1.LPALIB
		IGC0001I				
		IGC00020				
	Entry	IDA0192A	IDA0192P			
	Alias	IDA0192A	IDA0192P			
IDA0192S	Object	IDA0192A				SYS1.LPALIB
IDA0192V	Object	IDA0192A		IDA0192V	IDA0192V	SYS1.LPALIB
	Entry	IDA0192A	IDA0192V			
	Alias	IDA0192A	IDA0192V			
IDA0192W	Object	IDA0192A				SYS1.LPALIB
IDA0192Y	Object	IDA0192A		IDA0192Y	IDA0192Y	SYS1.LPALIB
	Entry	IDA0192A	IDA0192Y			
	Alias	IDA0192A	IDA0192Y			
IDA0192Z	Object	IDA0192A				SYS1.LPALIB
IDA0200B	Object	IDA0192A				SYS1.LPALIB
IDA0200S	Object	IDA0192A		IDA0200S	IDA0200S	SYS1.LPALIB
	Entry	IDA0192A	IDA0200S			
	Alias	IDA0192A	IDA0200S			
IDA0200T	Object	IDA0192A		IDA0200T	IDA0200T	SYS1.LPALIB
	Entry	IDA0192A	IDA0200T			
	Alias	IDA0192A	IDA0200T			
IDA0231B	Object	IDA0192A				SYS1.LPALIB
IDA0231T	Object	IDA0192A		IDA0231T	IDA0231T	SYS1.LPALIB
	Entry	IDA0192A	IDA0231T			
	Alias	IDA0192A	IDA0231T			
IDA0557A	Object	IDA0192A		IDA0557A	IDA0557A	SYS1.LPALIB
	Entry	IDA0192A	IDA0557A			
	Alias	IDA0192A	IDA0557A			
IDA121A2	Object	IEANUC01				SYS1.NUCLEUS
IDA121A3	Object	IEANUC01				SYS1.NUCLEUS
IDA121A4	Object	IEANUC01				SYS1.NUCLEUS
IDA121A5	Load		IDA019R7	IDA121A5	IDA019R7	SYS1.LPALIB
			IDA121A5			
	Object	IDA121A5				
	Entry	IDA121A5	IDA019R7			
			IDA121A5			
IDA121A6	Object	IEANUC01				SYS1.NUCLEUS
IDA121CV	Object	IEANUC01				SYS1.NUCLEUS
IDCAL01	Load		IDCAL01	IDCAL01		SYS1.LINKLIB
	Object	IDCAL01		IDCAL01		
	Entry	IDCAL01	IDCAL01			
IDCAMS	Load		IDCAMS	IDCSA01		SYS1.LINKLIB
			IDCEX01			
			IDCEX02			
			IDCEX03			
			IDCIOCL			
			IDCIOCO			

Name	Type	Load	Object	Entry	Alias	System Library
			IDCIOGT			
			IDCIOIT			
			IDCIOOP			
			IDCIOPO			
			IDCIOPT			
			IDCIOSI			
			IDCIOST			
			IDC IOS1			
			IDC IOS5			
			IDC IOTM			
			IDC IOVY			
			IDC IO01			
			IDC IO02			
			IDC IO03			
			IDC IO05			
			IDCSAAL			
			IDCSACA			
			IDCSACL			
			IDCSACR			
			IDCSADE			
			IDCSADL			
			IDCSADQ			
			IDCSAEP			
			IDCSAFP			
			IDCSAFS			
			IDCSAGP			
			IDCSAGS			
			IDCSAID			
			IDCSALC			
			IDCSALD			
			IDCSALK			
			IDCSANQ			
			IDCSAPR			
			IDCSAPT			
			IDCSAQL			
			IDCSARC			
			IDCSARV			
			IDCSASC			
			IDCSASI			
			IDCSASN			
			IDCSASS			
			IDCSAST			
			IDCSAS10			
			IDCSAS2			
			IDCSAS3			
			IDCSAS6			
			IDCSAS7			
			IDCSAS8			
			IDCSAS9			
			IDCSATI			
			IDCSATO	IDCSATO	IDCSATO	
			IDCSAUC			
			IDCSAWO			
			IDCSA01			
			IDCSA02			
			IDCSA03			
			IDCSA05			
			IDCSA06			
			IDCSA07			
			IDCSA08			
			IDCSA09			
			IDCSA10			
			IDCTPEA			
			IDCTPER			
			IDCTPES			
			IDCTPPR			
			IDCTPRE			
			IDCTPRS			
			IDCTPS1			
			IDCTP01			

Name	Type	Load	Object	Entry	Alias	System Library			
IDCAM01	Object Load	IDCAMS	IDCTP04	IDCSA01					
			IDCTP05	IDCAM01	ALTER	SYS1.COMDLIB			
			IDCTP06	IDCAM01	D				
			ALTER	IDCAM01	DEF				
			D	IDCAM01	DEFINE				
			DEF	IDCAM01	DEL				
			DEFINE	IDCAM01	DELETE				
			DEL	IDCAM01	EXP				
			DELETE	IDCAM01	EXPORT				
			EXP	IDCAM01	IDCAM01				
			EXPORT	IDCAM01	IMP				
			IDCAM01	IDCAM01	IMPORT				
			IMP	IDCAM01	LISTC				
			IMPORT	IDCAM01	LISTCAT				
			LISTC	IDCAM01	PRINT				
			LISTCAT	IDCAM01	REPRO				
			PRINT	IDCAM01	VERIFY				
			REPRO	IDCAM01	VFY				
			VERIFY	IDCAM01					
			VFY	IDCAM01					
			IDCAM02	Object Load	IDCAM01 IDCAM01	ALTER			
						D			
						DEF			
DEFINE									
DEL									
DELETE									
EXP									
EXPORT									
IDCAM01									
IMP									
IMPORT									
LISTC									
LISTCAT									
PRINT									
REPRO									
VERIFY									
VFY									
IDCAM02	Object Load	IDCAM02 IDCAM02				BIX	IDCAM02	BIX	SYS1.COMDLIB
						BLDINDEX	IDCAM02	BLDINDEX	
						CNVTC	IDCAM02	CNVTC	
						CNVTCAT	IDCAM02	CNVTCAT	
						EXPORTRA	IDCAM02	EXPORTRA	
						IDCAM02	IDCAM02		
			IMPORTRA	IDCAM02	IMPORTRA				
			LISTCRA	IDCAM02	LISTCRA				
			LISTR	IDCAM02	LISTR				
			MPRA	IDCAM02	MPRA				
			XPra	IDCAM02	XPra				
			IDCBI01	Object Load	IDCAM02 IDCAM02	BIX			
						BLDINDEX			
						CNVTC			
						CNVTCAT			
						EXPORTRA			
						IDCAM02			
						IMPORTRA			
						LISTCRA			
						LISTR			
						MPRA			
						XPra			
						IDCBI01	IDCBI01		SYS1.LINKLIB
IDCBI01	IDCBI01								
IDCCC01	IDCCC01					SYS1.LINKLIB			
IDCCC01	IDCCC01								
IDCCDAL	IDCCDAL					SYS1.LINKLIB			
PAL00000									

Name	Type	Load	Object	Entry	Alias	System Library
IDCCDBI	Object	IDCCDAL	IDCCDAL	IDCCDAL		
	Entry Load	IDCCDAL	IDCCDBI PBI00000	IDCCDBI		SYS1.LINKLIB
IDCCDCC	Object	IDCCDBI	IDCCDBI	IDCCDBI		
	Entry Load	IDCCDBI	IDCCDCC PCC00000 PCC00006	IDCCDCC		SYS1.LINKLIB
IDCCDCK	Object	IDCCDCC	IDCCDCC	IDCCDCC		
	Entry Load	IDCCDCC	IDCCDCK PCK00000	IDCCDCK		SYS1.LINKLIB
IDCCDDE	Object	IDCCDCK	IDCCDCK	IDCCDCK		
	Entry Load	IDCCDCK	IDCCDDE PDE00000 PDE00006 PDE00119 PDE00122 PDE00141 PDE00145 PDE00215 PDE00248 PDE00369	IDCCDDE		SYS1.LINKLIB
IDCCDDL	Object	IDCCDDE	IDCCDDE	IDCCDDE		
	Entry Load	IDCCDDE	IDCCDDL PDL00000	IDCCDDL		SYS1.LINKLIB
IDCCDLC	Object	IDCCDDL	IDCCDDL	IDCCDDL		
	Entry Load	IDCCDDL	IDCCDLC PLC00000	IDCCDLC		SYS1.LINKLIB
IDCCDLR	Object	IDCCDLC	IDCCDLC	IDCCDLC		
	Entry Load	IDCCDLC	IDCCDLR PLR00000 PLR00006	IDCCDLR		SYS1.LINKLIB
IDCCDMP	Object	IDCCDLR	IDCCDLR	IDCCDLR		
	Entry Load	IDCCDLR	IDCCDMP PMP00000 PMP00003 PMP00008	IDCCDMP		SYS1.LINKLIB
IDCCDPM	Object	IDCCDMP	IDCCDMP	IDCCDMP		
	Entry Load	IDCCDMP	IDCCDPM PPM00000 PPM00001 PPM00005 PPM00010	IDCCDPM		SYS1.LINKLIB
IDCCDPR	Object	IDCCDPM	IDCCDPM	IDCCDPM		
	Entry Load	IDCCDPM	IDCCDPR PPR00000	IDCCDPR		SYS1.LINKLIB
IDCCDRC	Object	IDCCDPR	IDCCDPR	IDCCDPR		
	Entry Load	IDCCDPR	IDCCDRC PRC00000 PRC00003 PRC00004 PRC00008	IDCCDRC		SYS1.LINKLIB
IDCCDRM	Object	IDCCDRC	IDCCDRC	IDCCDRC		
	Entry Load	IDCCDRC	IDCCDRM PRM00000 PRM00001 PRM00003	IDCCDRM		SYS1.LINKLIB
	Object	IDCCDRM	IDCCDRM	IDCCDRM		
	Entry	IDCCDRM	IDCCDRM	IDCCDRM		

Name	Type	Load	Object	Entry	Alias	System Library
IDCCDRP	Load		IDCCDRP PRP00000	IDCCDRP		SYS1.LINKLIB
	Object	IDCCDRP		IDCCDRP		
IDCCDRS	Entry	IDCCDRP	IDCCDRP	IDCCDRS		SYS1.LINKLIB
	Load		IDCCDRS	IDCCDRS		
	Object	IDCCDRS		IDCCDRS		
IDCCDVY	Entry	IDCCDRS	IDCCDRS	IDCCDVY		SYS1.LINKLIB
	Load		IDCCDVY PVY00000	IDCCDVY		
	Object	IDCCDVY		IDCCDVY		
IDCCDXP	Entry	IDCCDVY	IDCCDVY	IDCCDXP		SYS1.LINKLIB
	Load		IDCCDXP PXP00000 PXP00003	IDCCDXP		
	Object	IDCCDXP		IDCCDXP		
IDCCK01	Entry	IDCCDXP	IDCCDXP	IDCCK01		SYS1.LINKLIB
	Load		IDCCK01	IDCCK01		
	Object	IDCCK01		IDCCK01		
IDCDB01	Entry	IDCCK01	IDCCK01	IDCDB01		SYS1.LINKLIB
	Load		IDCDB01	IDCDB01		
	Object	IDCDB01		IDCDB01		
IDCDB02	Entry	IDCDB01	IDCDB01	IDCDB02		SYS1.LINKLIB
	Load		IDCDB02	IDCDB02		
	Object	IDCDB02		IDCDB02		
IDCDE01	Entry	IDCDB02	IDCDB02			SYS1.LINKLIB
	Load		IDCDB02 ALLCPROC FREESTG IDCDE01 IDCDE02 IDCDE03 IXOPPROC KEYPROC NAMEPROC PROTPROC	IDCDE01		
	Object	IDCDE01		IDCDE01		
IDCDE02	Entry	IDCDE01	IDCDE01			SYS1.LINKLIB
IDCDE03	Object	IDCDE01				SYS1.LINKLIB
IDCDL01	Load		IDCDL01	IDCDL01		SYS1.LINKLIB
	Object	IDCDL01		IDCDL01		
	Entry	IDCDL01	IDCDL01			
IDCEX01	Object	IDCAMS				SYS1.LINKLIB
IDCEX02	Object	IDCAMS				SYS1.LINKLIB
IDCEX03	Object	IDCAMS				SYS1.LINKLIB
IDCIOCL	Object	IDCAMS				SYS1.LINKLIB
IDCIOC0	Object	IDCAMS				SYS1.LINKLIB
IDCIOGT	Object	IDCAMS				SYS1.LINKLIB
IDCIOIT	Object	IDCAMS				SYS1.LINKLIB
IDCIOOP	Object	IDCAMS				SYS1.LINKLIB
IDCIOPO	Object	IDCAMS				SYS1.LINKLIB
IDCIOPT	Object	IDCAMS				SYS1.LINKLIB
IDCIOSI	Object	IDCAMS				SYS1.LINKLIB
IDCIOST	Object	IDCAMS				SYS1.LINKLIB
IDCIOS1	Object	IDCAMS				SYS1.LINKLIB
IDCIOS5	Object	IDCAMS				SYS1.LINKLIB
IDCIOTM	Object	IDCAMS				SYS1.LINKLIB
IDCIOVY	Object	IDCAMS				SYS1.LINKLIB
IDCIO01	Object	IDCAMS				SYS1.LINKLIB
IDCIO02	Object	IDCAMS				SYS1.LINKLIB
IDCIO03	Object	IDCAMS				SYS1.LINKLIB
IDCIO04	Load		IDCIO04	IDCIO04		SYS1.LINKLIB
	Object	IDCIO04		IDCIO04		
	Entry	IDCIO04	IDCIO04			
IDCIO05	Object	IDCAMS				SYS1.LINKLIB
IDCLC01	Load		ANSVPROC AUPROC CDIPROC ERRPROC FPLPROC FREESTG			SYS1.LINKLIB

Name	Type	Load	Object	Entry	Alias	System Library
			IDCLC01	IDCLC01		
			IDCLC02			
			LISTPROC			
			LOCPROC			
			SHORTLST			
			VOLLIST			
			VPROC			
	Object	IDCLC01		IDCLC01		
	Entry	IDCLC01	IDCLC01			
IDCLC02	Object	IDCLC01				SYS1.LINKLIB
IDCLR01	Load		IDCLR01	IDCLR01		SYS1.LINKLIB
			IDCLR02			
			IDCRC04			
	Object	IDCLR01		IDCLR01		
	Entry	IDCLR01	IDCLR01			
IDCLR02	Object	IDCLR01				SYS1.LINKLIB
IDCMP01	Load		IDCMP01	IDCMP01		SYS1.LINKLIB
	Object	IDCMP01		IDCMP01		
	Entry	IDCMP01	IDCMP01			
IDCPM01	Load		IDCPM01	IDCPM01		SYS1.LINKLIB
	Object	IDCPM01		IDCPM01		
	Entry	IDCPM01	IDCPM01			
IDCPR01	Load		IDCPR01	IDCPR01		SYS1.LINKLIB
	Object	IDCPR01		IDCPR01		
	Entry	IDCPR01	IDCPR01			
IDCRC01	Load		IDCRC01	IDCRC01		SYS1.LINKLIB
			IDCRC02			
			IDCRC03			
			IDCRC04			
	Object	IDCRC01		IDCRC01		
	Entry	IDCRC01	IDCRC01			
IDCRC02	Object	IDCRC01				SYS1.LINKLIB
IDCRC03	Object	IDCRC01				SYS1.LINKLIB
IDCRC04	Object	IDCLR01				SYS1.LINKLIB
		IDCRC01				
IDCRIKT	Load		IDCRIKT	IDCRIKT		SYS1.LINKLIB
	Object	IDCRIKT		IDCRIKT		
	Entry	IDCRIKT	IDCRIKT			
IDCRILT	Load		IDCRILT	IDCRILT		SYS1.LINKLIB
	Object	IDCRILT		IDCRILT		
	Entry	IDCRILT	IDCRILT			
IDCRI01	Load		IDCRI01	IDCRI01		SYS1.LINKLIB
			IDCRI02			
			IDCRI03			
	Object	IDCRI01		IDCRI01		
	Entry	IDCRI01	IDCRI01			
IDCRI02	Object	IDCRI01				SYS1.LINKLIB
IDCRI03	Object	IDCRI01				SYS1.LINKLIB
IDCRI04	Load					SYS1.LINKLIB
			DDNPCL			
			DSGPCL			
			DSGPCL2			
			DSGVPCL			
			DSGVPCL2			
			DSNPCL			
			DSNPCL2			
			DSVPCL			
			DSVPCL2			
			IDCRI04	IDCRI04		
			NUMPCL			
			REPPCL			
			STRPCL			
	Object	IDCRI04		IDCRI04		
	Entry	IDCRI04	IDCRI04			
IDCRM01	Load		IDCRM01	IDCRM01		SYS1.LINKLIB
	Object	IDCRM01		IDCRM01		
	Entry	IDCRM01	IDCRM01			
IDCRP01	Load		IDCRP01	IDCRP01		SYS1.LINKLIB
	Object	IDCRP01		IDCRP01		
	Entry	IDCRP01	IDCRP01			
IDCRS01	Load		IDCRS01	IDCRS01		SYS1.LINKLIB

Name	Type	Load	Object	Entry	Alias	System Library
			IDCRS02			
			IDCRS03			
			IDCRS04			
			IDCRS05			
			IDCRS06			
			IDCRS07			
	Object	IDCRS01				
	Entry	IDCRS01	IDCRS01	IDCRS01		
IDCRS02	Object	IDCRS01				SYS1.LINKLIB
IDCRS03	Object	IDCRS01				SYS1.LINKLIB
IDCRS04	Object	IDCRS01				SYS1.LINKLIB
IDCRS05	Object	IDCRS01				SYS1.LINKLIB
IDCRS06	Object	IDCRS01				SYS1.LINKLIB
IDCRS07	Object	IDCRS01				SYS1.LINKLIB
IDCSAAL	Object	IDCAMS				SYS1.LINKLIB
IDCSACA	Object	IDCAMS				SYS1.LINKLIB
IDCSACL	Object	IDCAMS				SYS1.LINKLIB
IDCSACR	Object	IDCAMS				SYS1.LINKLIB
IDCSADE	Object	IDCAMS				SYS1.LINKLIB
IDCSADL	Object	IDCAMS				SYS1.LINKLIB
IDCSADQ	Object	IDCAMS				SYS1.LINKLIB
IDCSAEP	Object	IDCAMS				SYS1.LINKLIB
IDCSAFP	Object	IDCAMS				SYS1.LINKLIB
IDCSAFS	Object	IDCAMS				SYS1.LINKLIB
IDCSAGP	Object	IDCAMS				SYS1.LINKLIB
IDCSAGS	Object	IDCAMS				SYS1.LINKLIB
IDCSAID	Object	IDCAMS				SYS1.LINKLIB
IDCSALC	Object	IDCAMS				SYS1.LINKLIB
IDCSALD	Object	IDCAMS				SYS1.LINKLIB
IDCSALK	Object	IDCAMS				SYS1.LINKLIB
IDCSANQ	Object	IDCAMS				SYS1.LINKLIB
IDCSAPR	Object	IDCAMS				SYS1.LINKLIB
IDCSAPT	Object	IDCAMS				SYS1.LINKLIB
IDCSAQL	Object	IDCAMS				SYS1.LINKLIB
IDCSARC	Object	IDCAMS				SYS1.LINKLIB
IDCSARV	Object	IDCAMS				SYS1.LINKLIB
IDCSASC	Object	IDCAMS				SYS1.LINKLIB
IDCSASI	Object	IDCAMS				SYS1.LINKLIB
IDCSASN	Object	IDCAMS				SYS1.LINKLIB
IDCSASS	Object	IDCAMS				SYS1.LINKLIB
IDCSAST	Object	IDCAMS				SYS1.LINKLIB
IDCSAS10	Object	IDCAMS				SYS1.LINKLIB
IDCSAS2	Object	IDCAMS				SYS1.LINKLIB
IDCSAS3	Object	IDCAMS				SYS1.LINKLIB
IDCSAS6	Object	IDCAMS				SYS1.LINKLIB
IDCSAS7	Object	IDCAMS				SYS1.LINKLIB
IDCSAS8	Object	IDCAMS				SYS1.LINKLIB
IDCSAS9	Object	IDCAMS				SYS1.LINKLIB
IDCSATI	Object	IDCAMS				SYS1.LINKLIB
IDCSATO	Object	IDCAMS				SYS1.LINKLIB
	Entry	IDCAMS	IDCSATO	IDCSATO	IDCSATO	
	Alias	IDCAMS	IDCSATO			
IDCSAUC	Object	IDCAMS				SYS1.LINKLIB
IDCSAWO	Object	IDCAMS				SYS1.LINKLIB
IDCSA01	Object	IDCAMS				SYS1.LINKLIB
	Entry	IDCAMS	IDCAMS			
IDCSA02	Object	IDCAMS				SYS1.LINKLIB
IDCSA03	Object	IDCAMS				SYS1.LINKLIB
IDCSA05	Object	IDCAMS				SYS1.LINKLIB
IDCSA06	Object	IDCAMS				SYS1.LINKLIB
IDCSA07	Object	IDCAMS				SYS1.LINKLIB
IDCSA08	Object	IDCAMS				SYS1.LINKLIB
IDCSA09	Object	IDCAMS				SYS1.LINKLIB
IDCSA10	Object	IDCAMS				SYS1.LINKLIB
IDCTPEA	Object	IDCAMS				SYS1.LINKLIB
IDCTPER	Object	IDCAMS				SYS1.LINKLIB
IDCTPES	Object	IDCAMS				SYS1.LINKLIB
IDCTPPR	Object	IDCAMS				SYS1.LINKLIB
IDCTPRE	Object	IDCAMS				SYS1.LINKLIB
IDCTPRS	Object	IDCAMS				SYS1.LINKLIB

Name	Type	Load	Object	Entry	Alias	System Library
IDCTPS1	Object	IDCAMS				SYS1.LINKLIB
IDCTP01	Object	IDCAMS				SYS1.LINKLIB
IDCTP04	Object	IDCAMS				SYS1.LINKLIB
IDCTP05	Object	IDCAMS				SYS1.LINKLIB
IDCTP06	Object	IDCAMS				SYS1.LINKLIB
IDCTSALO	Load		IDCTSALO	IDCTSALO		SYS1.LINKLIB
	Object	IDCTSALO		IDCTSALO		
	Entry	IDCTSALO	IDCTSALO			
IDCTSBI0	Load		IDCTSBI0	IDCTSBI0		SYS1.LINKLIB
	Object	IDCTSBI0		IDCTSBI0		
	Entry	IDCTSBI0	IDCTSBI0			
IDCTSCC0	Load		IDCTSCC0	IDCTSCC0		SYS1.LINKLIB
	Object	IDCTSCC0		IDCTSCC0		
	Entry	IDCTSCC0	IDCTSCC0			
IDCTSCK0	Load		IDCTSCK0	IDCTSCK0		SYS1.LINKLIB
	Object	IDCTSCK0		IDCTSCK0		
	Entry	IDCTSCK0	IDCTSCK0			
IDCTSDE0	Load		IDCTSDE0	IDCTSDE0		SYS1.LINKLIB
	Object	IDCTSDE0		IDCTSDE0		
	Entry	IDCTSDE0	IDCTSDE0			
IDCTSDL0	Load		IDCTSDL0	IDCTSDL0		SYS1.LINKLIB
	Object	IDCTSDL0		IDCTSDL0		
	Entry	IDCTSDL0	IDCTSDL0			
IDCTSEX0	Load		IDCTSEX0	IDCTSEX0		SYS1.LINKLIB
	Object	IDCTSEX0		IDCTSEX0		
	Entry	IDCTSEX0	IDCTSEX0			
IDCTSI00	Load		IDCTSI00	IDCTSI00		SYS1.LINKLIB
	Object	IDCTSI00		IDCTSI00		
	Entry	IDCTSI00	IDCTSI00			
IDCTSLC0	Load		IDCTSLC0	IDCTSLC0		SYS1.LINKLIB
	Object	IDCTSLC0		IDCTSLC0		
	Entry	IDCTSLC0	IDCTSLC0			
IDCTSLC1	Load		IDCTSLC1	IDCTSLC1		SYS1.LINKLIB
	Object	IDCTSLC1		IDCTSLC1		
	Entry	IDCTSLC1	IDCTSLC1			
IDCTSLR0	Load		IDCTSLR0	IDCTSLR0		SYS1.LINKLIB
	Object	IDCTSLR0		IDCTSLR0		
	Entry	IDCTSLR0	IDCTSLR0			
IDCTSLR1	Load		IDCTSLR1	IDCTSLR1		SYS1.LINKLIB
	Object	IDCTSLR1		IDCTSLR1		
	Entry	IDCTSLR1	IDCTSLR1			
IDCTSMPO	Load		IDCTSMPO	IDCTSMPO		SYS1.LINKLIB
	Object	IDCTSMPO		IDCTSMPO		
	Entry	IDCTSMPO	IDCTSMPO			
IDCTSPRO	Load		IDCTSPRO	IDCTSPRO		SYS1.LINKLIB
	Object	IDCTSPRO		IDCTSPRO		
	Entry	IDCTSPRO	IDCTSPRO			
IDCTSRC0	Load		IDCTSRC0	IDCTSRC0		SYS1.LINKLIB
	Object	IDCTSRC0		IDCTSRC0		
	Entry	IDCTSRC0	IDCTSRC0			
IDCTSRI0	Load		IDCTSRI0	IDCTSRI0		SYS1.LINKLIB
	Object	IDCTSRI0		IDCTSRI0		
	Entry	IDCTSRI0	IDCTSRI0			
IDCTSRI1	Load		IDCTSRI1	IDCTSRI1		SYS1.LINKLIB
	Object	IDCTSRI1		IDCTSRI1		
	Entry	IDCTSRI1	IDCTSRI1			
IDCTRSO0	Load		IDCTRSO0	IDCTRSO0		SYS1.LINKLIB
	Object	IDCTRSO0		IDCTRSO0		
	Entry	IDCTRSO0	IDCTRSO0			
IDCTSTP0	Load		IDCTSTP0	IDCTSTP0		SYS1.LINKLIB
	Object	IDCTSTP0		IDCTSTP0		
	Entry	IDCTSTP0	IDCTSTP0			
IDCTSTP1	Load		IDCTSTP1	IDCTSTP1		SYS1.LINKLIB
	Object	IDCTSTP1		IDCTSTP1		
	Entry	IDCTSTP1	IDCTSTP1			
IDCTSTP6	Load		IDCTSTP6	IDCTSTP6		SYS1.LINKLIB
	Object	IDCTSTP6		IDCTSTP6		
	Entry	IDCTSTP6	IDCTSTP6			
IDCTSUV0	Load		IDCTSUV0	IDCTSUV0		SYS1.LINKLIB
	Object	IDCTSUV0		IDCTSUV0		

Name	Type	Load	Object	Entry	Alias	System Library
IDCTSXP0	Entry	IDCTSUV0	IDCTSUV0			
	Load		IDCTSXP0	IDCTSXP0		SYS1.LINKLIB
	Object	IDCTSXP0		IDCTSXP0		
IDCVY01	Entry	IDCTSXP0	IDCTSXP0			
	Load		IDCVY01	IDCVY01		SYS1.LINKLIB
	Object	IDCVY01		IDCVY01		
	Entry	IDCVY01	IDCVY01			
IDCXP01	Load		IDCXP01	IDCXP01		SYS1.LINKLIB
	Object	IDCXP01		IDCXP01		
	Entry	IDCXP01	IDCXP01			
IDDESTJR	Object	IDDWI				SYS1.LPALIB
IDDFRCL	Object	IDDWI				SYS1.LPALIB
IDDJREND	Object	IDDWI				SYS1.LPALIB
IDDWI	Load		CHEKMPPG			SYS1.LPALIB
			CONTRLLG			
			FREEDSPC			
			FRELGCB			
			FREEMAP			
			FREPAGE			
			FRRFRR			
			FRROPEND			
			IDAVBPC1			
			IDAVBPJ1			
			IDAVBPO1			
			IDAVBPR1			
			IDAVBPR2			
			IDAVBPS1			
			IDAVBPS2	IDAVBPS2	IDAVBPS2	
			IDAVBP1	IDAVBP1	IDAVBP1	
			IDDESTJR			
			IDDFRCL			
			IDDJREND			
			IDDWI	IDDWIAPP		
			IDDWIAPP			
			IDDWICLS			
			IDDWICPI			
			IDDWIFRR			
			IDDWIJRN			
			IDDWITRM			
			MONWINDO			
			PAGEFR			
			PAGEFX			
			SETVCB			
			S2RELLK			
			S2REMFRR			
			VBPJ1RT1			
			VBPJ1STA			
			VBPS1FRR			
			VBPS2FRR			
			VBPS2RET			
			VBPS2STA			
IDDWIAPP	Object	IDDWI		IDDWIAPP		
	Object	IDDWI				SYS1.LPALIB
	Entry	IDDWI	IDDWI			
IDDWICLS	Object	IDDWI				SYS1.LPALIB
IDDWICPI	Object	IDDWI				SYS1.LPALIB
IDDWIFRR	Object	IDDWI				SYS1.LPALIB
IDDWIJRN	Object	IDDWI				SYS1.LPALIB
IDDWIMRG	Object	IEFIB600				SYS1.LPALIB
IDDWITRM	Object	IDDWI				SYS1.LPALIB
IDPOS	Object	IHCGSP03				SYS1.LINKLIB
		IHDGSP03				
		IHEGSP03				
IEAAASCB	Object	IEANUC01				SYS1.NUCLEUS
IEAANIPO	Object	IEANUC01				SYS1.NUCLEUS
IEAAPRB1	Object	IEANUC01				SYS1.NUCLEUS
IEAAPRB2	Object	IEANUC01				SYS1.NUCLEUS
IEAASIRB	Object	IEANUC01				SYS1.NUCLEUS
IEAATCB1	Object	IEANUC01				SYS1.NUCLEUS
IEAATCB2	Object	IEANUC01				SYS1.NUCLEUS

Name	Type	Load	Object	Entry	Alias	System Library
IEABEND	Object	IEANUC01				SYS1.NUCLEUS
IEACVPRB	Object	IEANUC01				SYS1.NUCLEUS
IEACVT	Object	IEANUC01				SYS1.NUCLEUS
IEADQIQE	Object	IEANUC01				SYS1.NUCLEUS
IEADSPRB	Object	IEANUC01				SYS1.NUCLEUS
IEADSS01	Object	IEANUC01				SYS1.NUCLEUS
IEADSTCB	Object	IEANUC01				SYS1.NUCLEUS
IEAGSMQ	Object	IEANUC01				SYS1.NUCLEUS
IEAGSPL	Object	IEANUC01				SYS1.NUCLEUS
IEAIHASU	Object	IEANUC01				SYS1.NUCLEUS
IEAIPL00	Load		IEAIPL00			SYS1.SAMPLIB
	Object	IEAIPL00				
IEALIMIT	Object	IEANUC01				SYS1.NUCLEUS
IEALSMQ	Object	IEANUC01				SYS1.NUCLEUS
IEAMASCB	Object	IEANUC01				SYS1.NUCLEUS
IEAMPRB	Object	IEANUC01				SYS1.NUCLEUS
IEAMSIRB	Object	IEANUC01				SYS1.NUCLEUS
IEAMSLNK	Object	IEANUC01				SYS1.NUCLEUS
IEAMSPSA	Object	IEANUC01				SYS1.NUCLEUS
IEAMSTCB	Object	IEANUC01				SYS1.NUCLEUS
IEANUC01	Load		ACRSTART			SYS1.NUCLEUS
			AHLHEAD			
			AHLMCIH			
			AHLMCIHB			
			AHLSTCLS			
			AHLVCCR8			
			ASCRVER			
			BAIPL			
			CASRETRY			
			CBBRANCH			
			CBGETS			
			CDEPILOG			
			CDHKEEP			
			CDSSNOP			
			CMSASBF			
			CMSASBL			
			CMSCOBT			
			CMSLOCK			
			CMSREL			
			CMSSQH			
			CMSSRBF			
			CMSSRBL			
			CMSUOBT			
			CRBRANCH			
			CRHSADDR			
			CSECPVT			
			CWTRP			
			DEQUEUE			
			DISMISS			
			DISPLOCK			
			DSBASE			
			DSJSTCSR			
			DSS06			
			DSWPSW			
			EEDFRERP			
			EEDRP			
			ELBUILD			
			ENDASQS			
			EOTCHK			
			ESREND			
			ESRTABLE			
			EXITRP			
			FASRETRY			
			FINIS			
			FMBRANCH			
			FMSMFCRE			
			FOEDEL			
			FREEASQ			
			FREEDCEL			
			FREEMNRP			

Name	Type	Load	Object	Entry	Alias	System Library
			FREPART			
			FREERSM			
			FRRPGMMG			
			FRRPGMX			
			GETMAING			
			GLBRANCH			
			GMBRANCH			
			GMSMFCRE			
			GPRETRY			
			GPRETURN			
			GSLMCOBT			
			GSLMREL			
			GSLMRELD			
			GSLMUOBT			
			GSLSCOBT			
			GSLSDISP			
			GSLSREL			
			GSLSRELD			
			GLSUOBT			
			ICFBDE00			
			ICFEND			
			ICFEXT50			
			ICFEXT99			
			IDA019SB			
			IDA019S4			
			IDA121A2			
			IDA121A3			
			IDA121A4			
			IDA121A6			
			IDA121CV			
			IEAAASCB			
			IEAANIPO			
			IEAAPRB1			
			IEAAPRB2			
			IEAASIRB			
			IEAATCB1			
			IEAATCB2			
			IEABEND			
			IEACVPRB			
			IEACVT			
			IEADQIQE			
			IEADSPRB			
			IEADSS01			
			IEADSTCB			
			IEAGSMQ			
			IEAGSPL			
			IEAIHASU			
			IEALIMIT			
			IEALSMQ			
			IEAMASCB			
			IEAMPRB			
			IEAMSIRB			
			IEAMSLNK			
			IEAMSPSA			
			IEAMSTCB			
			IEANUC01	IECVDAV2		
			IEAPATCH			
			IEAPDSRT			
			IEAPDS2			
			IEAPDS6			
			IEAPDS7			
			IEAPPGMA			
			IEAPPGMX			
			IEAPSVC3			
			IEAPTRV			
			IEAQCDJR			
			IEAQCS01			
			IEAQCS02			
			IEAQCS03			
			IEAQCS04			

Name	Type	Load	Object	Entry	Alias	System Library
			IEAQEX00			
			IEAQIO00			
			IEAQLPAQ			
			IEAQMSG5			
			IEAQPGTM			
			IEAQPK00			
			IEAQSC00			
			IEAQSPET			
			IEAQTD00			
			IEAQTE00			
			IEAQWAIT			
			IEARESBL			
			IEARESBS			
			IEARPOST			
			IEASMFEX			
			IEASMFGF			
			IEASMNQ			
			IEASMSY			
			IEASPOST			
			IEASVDCB			
			IEATCBP			
			IEATLEXT			
			IEATPC			
			IEATRSCN			
			IEATSELM			
			IEAVAMSI			
			IEAVAR02			
			IEVAUTH			
			IEAVBK00			
			IEAVBLDP			
			IEAVCARR			
			IEAVCKEY			
			IEAVCKRR			
			IEAVCPBR			
			IEAVCSEG			
			IEAVCSGB			
			IEAVDELP			
			IEAVDLAS			
			IEAVDSEG			
			IEAVEABD			
			IEAVEACO			
			IEAVEADV			
			IEAVECAS			
			IEAVECBV			
			IEAVEDR			
			IEAVEDR2			
			IEAVEDR3			
			IEAVEDSR			
			IEAVEDS0			
			IEAVEDS1			
			IEAVEDS2			
			IEAVEEER			
			IEAVEES			
			IEAVEEXP			
			IEAVEEXT			
			IEAVEE1R			
			IEAVEE2R			
			IEAVEE3R			
			IEAVEFRE			
			IEAVEGAS			
			IEAVEIO			
			IEAVEIOI			
			IEAVEIOR			
			IEAVEIPR			
			IEAVEIP1			
			IEAVELCR			
			IEAVELIT			
			IEAVELK			
			IEAVELKE			
			IEAVELKR			

Name	Type	Load	Object	Entry	Alias	System Library
			IEAVELKT			
			IEAVELKW			
			IEAVELRM			
			IEAVEMSO			
			IEAVEMS1			
			IEAVENQQ			
			IEAVENQ1			
			IEAVENQ2			
			IEAVEPC			
			IEAVEPCR			
			IEAVEPDE			
			IEAVEPDF			
			IEAVEPDR			
			IEAVEPDS			
			IEAVEPXR			
			IEAVEQR			
			IEAVEQRC			
			IEAVEQRF			
			IEAVEQRI			
			IEAVEQRP			
			IEAVEQV1			
			IEAVEQV2			
			IEAVEQV3			
			IEAVERER			
			IEAVERES			
			IEAVERI			
			IEAVERP			
			IEAVERTN			
			IEAVESCR			
			IEAVESCO			
			IEAVESC1			
			IEAVESC2			
			IEAVESLA			
			IEAVESPR			
			IEAVESQV			
			IEAVESRB			
			IEAVESSS			
			IEAVESVC			
			IEAVESVR			
			IEAVETCB			
			IEAVEVAL			
			IEAVEVRR			
			IEAVEVTO			
			IEAVEVT1			
			IEAVEXPR			
			IEAVEXP1			
			IEAVEXS			
			IEAVEXSV			
			IEAVFARR			
			IEAVFP			
			IEAVFP1			
			IEAVFP2			
			IEAVFRCL			
			IEAVFREE			
			IEAVFRLK			
			IEAVFXL			
			IEAVFXLD			
			IEAVFX00			
			IEAVGCAS			
			IEAVGFA			
			IEAVGFAD			
			IEAVGFAS			
			IEAVGFRR			
			IEAVGM00			
			IEAVGM01			
			IEAVGPRR			
			IEAVGPRS			
			IEAVGTCL			
			IEAVGWSA			
			IEAVINV			

Name	Type	Load	Object	Entry	Alias	System Library
			IEAVINVA			
			IEAVIOCP			
			IEAVITAS			
			IEAVLKRR			
			IEAVLK00			
			IEAVLK01			
			IEAVLK02			
			IEAVLK03			
			IEAVMFA			
			IEAVMODE			
			IEAVNIPO			
			IEAVOPBR			
			IEAVOUT			
			IEAVPCB			
			IEAVPFTE			
			IEAVPIOI			
			IEAVPIOP			
			IEAVPIX			
			IEAVPREF			
			IEAVPRTO			
			IEAVPSI			
			IEAVPSIB			
			IEAVPSIF			
			IEAVPSII			
			IEAVPSIX			
			IEAVPSRB			
			IEAVRCF			
			IEAVRCFC			
			IEAVRCFI			
			IEAVRCKQ			
			IEAVRCLS			
			IEAVRCV			
			IEAVRELF			
			IEAVRELS			
			IEAVRELV			
			IEAVREP1			
			IEAVREP2			
			IEAVREP3			
			IEAVRFR			
			IEAVRFRR			
			IEAVRMT			
			IEAVRNEW			
			IEAVRQCK			
			IEAVRSET			
			IEAVRSM			
			IEAVRSPG			
			IEAVRSPN			
			IEAVRSTR			
			IEAVSORT			
			IEAVSOUT			
			IEAVSPCR			
			IEAVSQA			
			IEAVSRBP			
			IEAVSSNQ			
			IEAVSUSP			
			IEAVSWIN			
			IEAVTACR			
			IEAVTCR1			
			IEAVTERM			
			IEAVTEST			
			IEAVTRCE			
			IEAVTRER			
			IEAVTRTA			
			IEAVTRTH			
			IEAVTRTL			
			IEAVTRTM			
			IEAVTRTN			
			IEAVTRTR			
			IEAVTRTS			
			IEAVTRTX			

Name	Type	Load	Object	Entry	Alias	System Library
			IEAVTRTZ			
			IEAVTRT1			
			IEAVTRV			
			IEAVTSBP			
			IEAVTSDX			
			IEAVTST1			
			IEAVTTRR			
			IEAVVCRA			
			IEAVVCRX			
			IEAVVFRR			
			IEAVVMSR			
			IEAVWAIT			
			IEAVWSAC			
			IEAVWSAL			
			IEAWASCB			
			IEAWPRB			
			IEAWPSW			
			IEAWTCB			
			IEA0DS			
			IEA0EF00			
			IEA0EF03			
			IEA0PT0E			
			IEA0PT01			
			IEA0PT02			
			IEA0PT03			
			IEA0ST06			
			IEA0TI00			
			IEA0VL00			
			IEA0VL01			
			IECFRR			
			IECHK1			
			IECHK2			
			IECHK3			
			IECHK4			
			IECHK5			
			IECHK6			
			IECHK7			
			IECHK8			
			IECHNSCH			
			IECIHIO			
			IECILCH			
			IECILK1			
			IECILK2			
			IECINT			
			IECIOSCN			
			IECIPC			
			IECIXAVL			
			IEPCNVT			
			IECPRLTV			
			IECRCTBL			
			IECSTB			
			IECTATEN			
			IECTATRL			
			IECTCHAL			
			IECTCHMP			
			IECTCHSL			
			IECTRDIL			
			IECTRSTL			
			IECTSVC			
			IECVATTN			
			IECVCCWS			
			IECVCPRM			
			IECVDAVV			
			IECVDAV2			
			IECVDERP			
			IECVDIRQ			
			IECVDVT			
			IECVERPL			
			IECVEXCP			
			IECVEXPR			

Name	Type	Load	Object	Entry	Alias	System Library
			IECVEXP1			
			IECVEXP2			
			IECVEXTC			
			IECVGENA			
			IECVHHK1			
			IECVHHK2			
			IECVHK1A			
			IECVHK1B			
			IECVHK2A			
			IECVHK2B			
			IECVHK3A			
			IECVHK3B			
			IECVIHK1			
			IECVITRP			
			IECVLCH			
			IECVPRDQ			
			IECVPST			
			IECVQCNT			
			IECVRCHN			
			IECVRSTI			
			IECVRST1			
			IECVSEVR			
			IECVSGT			
			IECVSHDR			
			IECVSLCH			
			IECVSMFR			
			IECVSMGR			
			IECVSRB			
			IECVSTIO			
			IECVTCCW			
			IECVTCFR			
			IECVUCBM			
			IECVXFRR			
			IECVXPUR			
			IECVXRES			
			IECVXTRM			
			IECVX025			
			IECXAPG			
			IECXITP			
			IECXTLER			
			IECZDTAB			
			IEC0SCR1			
			IEDQATTN			
			IEEBA1			
			IEEBC1PE			
			IEECUCB			
			IEECVD1			
			IEECVE1			
			IEECVE2			
			IEECVF1			
			IEECVF2			
			IEECVG1			
			IEECVH1			
			IEECVH2			
			IEECVH3			
			IEECVH4			
			IEECVH5			
			IEECVK1			
			IEECVK11			
			IEECVK12			
			IEECVK5			
			IEECVK6			
			IEECVK7			
			IEECVSUB			
			IEECVTCB			
			IEECVUCM			
			IEEDSSRS			
			IEEDSSST			
			IEEMSER			
			IEEPFKEY			

Name	Type	Load	Object	Entry	Alias	System Library
			IEESTPRS			
			IEEUCMC			
			IEEVSTOP			
			IEFAB438			
			IEFAQTOP			
			IEFDPOST			
			IEFJESCT			
			IEFLINK			
			IEFQMR			
			IEWFTMIN			
			IEWFTPRG			
			IEWFTXCK			
			IEWMSEPT			
			IFBACTA			
			IFBCTA00			
			IFBDCB			
			IFBDCB00			
			IFBDEB			
			IFDOLTOA			
			IFFABA			
			IFFBDA			
			IFFB3A0			
			IFFB3D			
			IFFIOM			
			IFGDEBCK			
			IFGDEBVR			
			IGCERROR			
			IGC000			
			IGC001			
			IGC002			
			IGC003			
			IGC004			
			IGC005			
			IGC006			
			IGC007			
			IGC008			
			IGC009			
			IGC010			
			IGC012			
			IGC015			
			IGC018			
			IGC037			
			IGC043			
			IGC043BR			
			IGC044			
			IGC044R2			
			IGC045			
			IGC048			
			IGC056			
			IGC058			
			IGC062			
			IGC062R1			
			IGC070			
			IGC079			
			IGC07902			
			IGC07903			
			IGC084			
			IGC092			
			IGC095			
			IGC107			
			IGC109			
			IGC111			
			IGC112			
			IGC113			
			IGC114			
			IGC116			
			IGC117			
			IGC119			
			IGC120			
			IGC121			

Name	Type	Load	Object	Entry	Alias	System Library
			IGC122			
			IGC123			
			IGC124	ISTAPC22	IGC124	
			IGC125			
			IGC220			
			IGFCCHCR			
			IGFCHDA			
			IGFPBUCR			
			IGFPEXE2			
			IGFPEXIT			
			IGFPEXI2			
			IGFPKREF			
			IGFPMCE2			
			IGFPMCIH			
			IGFPMCLO			
			IGFPMCPC			
			IGFPMCRI			
			IGFPMFRS			
			IGFPMHCA			
			IGFPMKTA			
			IGFPMMSG			
			IGFMPPFX			
			IGFPMRDS			
			IGFPMRTM			
			IGFPMSCA			
			IGFPMTHA			
			IGFPTAIM			
			IGFPTCON			
			IGFPTEFR			
			IGFPTERM			
			IGFPTREC			
			IGFPTRHI			
			IGFPTSFR			
			IGFPTSIG			
			IGFPXMFA			
			IGFRVT			
			IGFRWA			
			IGFRWAC			
			IGFTMC00			
			IGFTMC01			
			IGXERROR			
			IGXHASP1			
			ILRAAL00			
			ILRDET00			
			ILREOT00			
			ILRETXR			
			ILRFRR00			
			ILRFRR01			
			ILRINT00			
			ILRINT01			
			ILRIOB01			
			ILRIOC00			
			ILRIOC01			
			ILRIOC02			
			ILRLXT00			
			ILRMON00			
			ILRMON01			
			ILRMON02			
			ILRPEX00			
			ILRPEX01			
			ILRPTM00			
			ILRRETRY			
			ILRRLP00			
			ILRSLOT			
			ILRSLOTV			
			ILRSRT00			
			ILRSSX00			
			ILRVCN00			
			INVRETRY			
			INVSRTY			

Name	Type	Load	Object	Entry	Alias	System Library
			IOCCATLK			
			IOCSYNCH			
			IORFRR			
			IQADSV00			
			IQARIH00			
			IQEVER			
			IRAPRCSR			
			IRARMADJ			
			IRARMAP1			
			IRARMASK			
			IRARMASM			
			IRARMCAN			
			IRARMCAP			
			IRARMCAS			
			IRARMCED			
			IRARMCET			
			IRARMCLO			
			IRARMCL1			
			IRARMCL2			
			IRARMCL3			
			IRARMCNS			
			IRARMCPM			
			IRARMCRL			
			IRARMCRN			
			IRARMCRY			
			IRARMCSI			
			IRARMCSO			
			IRARMCSR			
			IRARMCTL			
			IRARMDEL			
			IRARMEQ1			
			IRARMERR			
			IRARMEVT			
			IRARMHIT			
			IRARMILO			
			IRARMIL1			
			IRARMIL2			
			IRARMIL3			
			IRARMIL4			
			IRARMINT			
			IRARMIOM			
			IRARMIPS			
			IRARMIO0			
			IRARMIO1			
			IRARMIO2			
			IRARMIO3			
			IRARMIO4			
			IRARMIO5			
			IRARMIO6			
			IRARMIO7			
			IRARMIO9			
			IRARMIO10			
			IRARMIO48			
			IRARMMSG			
			IRARMMS1			
			IRARMMS2			
			IRARMMS3			
			IRARMMS6			
			IRARMNOP			
			IRARMPRO			
			IRARMPR1			
			IRARMPR2			
			IRARMPR4			
			IRARMPR5			
			IRARMRPS			
			IRARMRR1			
			IRARMRR2			
			IRARMSQA			
			IRARMSRE			
			IRARMSRV			

Name	Type	Load	Object	Entry	Alias	System Library
			IRARMSTM			
			IRARMTRC			
			IRARMUXB			
			IRARMWLM			
			IRARMWMK			
			IRARMWMN			
			IRARMWMO			
			IRARMWMQ			
			IRARMWMR			
			IRARMWMS			
			IRARMWMU			
			IRARMWMY			
			IRARMWM1			
			IRARMWM2			
			IRARMWM3			
			IRARMWM4			
			IRARMWM5			
			IRARMXPE			
			IRARMXPS			
			IRARMXTL			
			IRARMXVT			
			IRARM100			
			IRARM101			
			IRARM102			
			IRARM200			
			IRARM201			
			IRARM202			
			IRASECHT			
			ISTAPC22			
			ISTZFCAA			
			ISTZFCAB			
			ISTZFMAA			
			ISTZFMAB			
			LINKDCB			
			LISRBPSW			
			LLCOBT			
			LLCOSVCF			
			LLREL			
			LLSPVPSW			
			LLUOBT			
			LRELDISP			
			LRELEXP			
			LSSRBPSW			
			LTASKPSW			
			LWAITPSW			
			MINAPNDG			
			MRELEASE			
			MRELEASER			
			NEXTVSL			
			NIPOCPUI			
			NIPOMCHT			
			NIPOMFAT			
			NORTSRP			
			NOTAUTH			
			NPODSSHK			
			NPORTP01			
			NPORTP02			
			NPORTP03			
			NPORTP04			
			NPORTP05			
			NPORTP06			
			NPORTP07			
			NPORTP08			
			NPORTP09			
			NPORTP10			
			NPORTP11			
			NPORTP12			
			NPORTP13			
			NPORTP14			
			NPORTP15			

Name	Type	Load	Object	Entry	Alias	System Library
			OPTLOCK			
			OUT			
			PARMSRP			
			PINPSW			
			PIOPSW			
			POSTSRRP			
			PRTOERTN			
			PUGETM2			
			PVT			
			QCBRANCH			
			RCOVGETM			
			RCOVRCD			
			RCOVRGTF			
			RCOVSLP1			
			RECRDRP			
			RECVRRTM			
			RELGS			
			RESDSSNO			
			RMBRANCH			
			RQEVER			
			RSTRTX0			
			RSTRTX1			
			RSTRTOA			
			RSTRTOB			
			RSTRTO0			
			RSTRTO4			
			RSTRTO5			
			RSTRTO6			
			RSTRTO7			
			RSTRTO8			
			RSTRTO9			
			RTHFRR			
			RTHRETRN			
			RTHSTART			
			RTMRSFRR			
			RTMSMFRR			
			RTMSTART			
			RT1EEDRP			
			RT2EEDRP			
			SALCLOCK			
			SLIP			
			SLIP2FRR			
			SOFTWRP			
			SRBEEDRP			
			SRBVER			
			STRG1RP			
			STRG2RP			
			SUBAN19			
			SUBAN48			
			SUB2250			
			SUB2260			
			SUB3066			
			SUCVR			
			SVCDCB			
			SVCOPSW			
			SVCTABLE			
			SVC018			
			SVC070			
			SYNCR			
			TIMERP			
			TPCMFTQE			
			TRACE			
			TRDISP			
			TREX			
			TRIO			
			TRPI			
			TRSIO			
			TRSRB1			
			TRSRB2			
			TR SVC			

Name	Type	Load	Object	Entry	Alias	System Library
			TTRETRY UNCHAINP UNCHAINW UNL WAITTCB XMEEDRP ZEROPTRS			
				IECVDAV2		
IEAPATCH	Object	IEANUC01				SYS1.NUCLEUS
IEAPDSRT	Object	IEANUC01				SYS1.NUCLEUS
IEAPDS2	Object	IEANUC01				SYS1.NUCLEUS
IEAPDS6	Object	IEANUC01				SYS1.NUCLEUS
IEAPDS7	Object	IEANUC01				SYS1.NUCLEUS
IEAPPGMA	Object	IEANUC01				SYS1.NUCLEUS
IEAPPGMX	Object	IEANUC01				SYS1.NUCLEUS
IEAPSVC3	Object	IEANUC01				SYS1.NUCLEUS
IEAPTRV	Object	IEANUC01				SYS1.NUCLEUS
IEAQCDJR	Object	IEANUC01				SYS1.NUCLEUS
IEAQCS01	Object	IEANUC01				SYS1.NUCLEUS
IEAQCS02	Object	IEANUC01				SYS1.NUCLEUS
IEAQCS03	Object	IEANUC01				SYS1.NUCLEUS
IEAQCS04	Object	IEANUC01				SYS1.NUCLEUS
IEAQEX00	Object	IEANUC01				SYS1.NUCLEUS
IEAQIO00	Object	IEANUC01				SYS1.NUCLEUS
IEAQLPAQ	Object	IEANUC01				SYS1.NUCLEUS
IEAQMSG5	Object	IEANUC01				SYS1.NUCLEUS
IEAQPQTM	Object	IEANUC01				SYS1.NUCLEUS
IEAQPQ00	Object	IEANUC01				SYS1.NUCLEUS
IEAQSC00	Object	IEANUC01				SYS1.NUCLEUS
IEAQSPET	Object	IEANUC01				SYS1.NUCLEUS
IEAQTD00	Object	IEANUC01				SYS1.NUCLEUS
IEAQTE00	Object	IEANUC01				SYS1.NUCLEUS
IEAQWAIT	Object	IEANUC01				SYS1.NUCLEUS
IEARESBL	Object	IEANUC01				SYS1.NUCLEUS
IEARESBS	Object	IEANUC01				SYS1.NUCLEUS
IEARPOST	Object	IEANUC01				SYS1.NUCLEUS
IEASMFEX	Object	IEANUC01				SYS1.NUCLEUS
IEASMFGF	Object	IEANUC01				SYS1.NUCLEUS
IEASMNQ	Object	IEANUC01				SYS1.NUCLEUS
IEASMSY	Object	IEANUC01				SYS1.NUCLEUS
IEASPOST	Object	IEANUC01				SYS1.NUCLEUS
IEASVDCB	Object	IEANUC01				SYS1.NUCLEUS
IEATCBP	Object	IEANUC01				SYS1.NUCLEUS
IEATLEXT	Object	IEANUC01				SYS1.NUCLEUS
IEATPC	Object	IEANUC01				SYS1.NUCLEUS
IEATRSCN	Object	IEANUC01				SYS1.NUCLEUS
IEATSELM	Object	IEANUC01				SYS1.NUCLEUS
IEAVAD0A	Object	IGC0005A				SYS1.LPALIB
IEAVAD0B	Object	IGC0005A				SYS1.LPALIB
IEAVAD0C	Object	IGC0005A				SYS1.LPALIB
IEAVAD0D	Object	IGC0005A				SYS1.LPALIB
IEAVAD00	Object	IGC0005A				SYS1.LPALIB
	Entry	IGC0005A	IGC0005A			
IEAVAD01	Object	IGC0005A				SYS1.LPALIB
IEAVAD02	Object	IGC0005A				SYS1.LPALIB
IEAVAD03	Object	IGC0005A				SYS1.LPALIB
IEAVAD05	Object	IGC0005A				SYS1.LPALIB
IEAVAD06	Object	IGC0005A				SYS1.LPALIB
IEAVAD07	Object	IGC0005A				SYS1.LPALIB
IEAVAD08	Object	IGC0005A				SYS1.LPALIB
IEAVAD11	Object	IGC0005A				SYS1.LPALIB
IEAVAD21	Object	IGC0005A				SYS1.LPALIB
IEAVAD31	Object	IGC0005A				SYS1.LPALIB
IEAVAD41	Object	IGC0005A				SYS1.LPALIB
IEAVAD51	Object	IGC0005A				SYS1.LPALIB
IEAVAD61	Object	IGC0005A				SYS1.LPALIB
IEAVAD71	Object	IGC0005A				SYS1.LPALIB
IEAVAD81	Object	IGC0005A				SYS1.LPALIB
IEAVAERO	Object	IEAVAR00				SYS1.LPALIB
IEAVAMSI	Object	IEANUC01				SYS1.NUCLEUS

Name	Type	Load	Object	Entry	Alias	System Library
IEAVAP00	Object	IEAVNP15	IEAVNP15			SYS1.NUCLEUS
	Entry	IEAVNP15				
IEAVAR00	Load		IEAVAR00	IEAVAR00		SYS1.LPALIB
			IEAVAERO			
			IEAVAR01			
			IEAVAR03			
			IEAVAR04			
			IEAVAR05			
			IEAVAR06	IEAVAR06	IEAVAR06	
			IEAVAR1A			
			IEAVAR3A			
	Object	IEAVAR00				
	Entry	IEAVAR00	IEAVAR00	IEAVAR00		
IEAVAR01	Object	IEAVAR00				SYS1.LPALIB
IEAVAR02	Object	IEANUC01				SYS1.NUCLEUS
IEAVAR03	Object	IEAVAR00				SYS1.LPALIB
IEAVAR04	Object	IEAVAR00				SYS1.LPALIB
IEAVAR05	Object	IEAVAR00				SYS1.LPALIB
IEAVAR06	Object	IEAVAR00		IEAVAR06	IEAVAR06	SYS1.LPALIB
	Entry	IEAVAR00	IEAVAR06			
	Alias	IEAVAR00	IEAVAR06			
IEAVAR07	Object	IGC0001C				SYS1.LPALIB
IEAVAR1A	Object	IEAVAR00				SYS1.LPALIB
IEAVAR3A	Object	IEAVAR00				SYS1.LPALIB
IEAVAUTH	Object	IEANUC01				SYS1.NUCLEUS
IEAVBK00	Object	IEANUC01				SYS1.NUCLEUS
IEAVBLDP	Object	IEANUC01				SYS1.NUCLEUS
IEAVCARR	Object	IEANUC01				SYS1.NUCLEUS
IEAVCKEY	Object	IEANUC01				SYS1.NUCLEUS
IEAVCKRR	Object	IEANUC01				SYS1.NUCLEUS
IEAVCPBR	Object	IEANUC01				SYS1.NUCLEUS
IEAVCSEG	Object	IEANUC01				SYS1.NUCLEUS
IEAVCSGB	Object	IEANUC01				SYS1.NUCLEUS
IEAVCTSK	Load		IEAVCTSK	IEAVMQWR		SYS1.LPALIB
			IEAVMDOM			
			IEAVMDSV			
			IEAVMQWR	IEAVMQWR	IEAVMQWR	
			IEAVMWSV			
			IEAVSTAA	IEAVSTAA	IEAVSTAA	
			IEECMENQ	IEECMENQ	IEECMENQ	
			IEECMQCN			
			WRABXLE			
	Object	IEAVCTSK		IEAVMQWR		
IEAVDELP	Object	IEANUC01				SYS1.NUCLEUS
IEAVDLAS	Object	IEANUC01				SYS1.NUCLEUS
IEAVDSEG	Object	IEANUC01				SYS1.NUCLEUS
IEAVEABD	Object	IEANUC01				SYS1.NUCLEUS
IEAVEACO	Object	IEANUC01				SYS1.NUCLEUS
IEAVEADV	Object	IEANUC01				SYS1.NUCLEUS
IEAVECAS	Object	IEANUC01				SYS1.NUCLEUS
IEAVECBV	Object	IEANUC01				SYS1.NUCLEUS
IEAVEDR	Object	IEANUC01				SYS1.NUCLEUS
IEAVEDR2	Object	IEANUC01				SYS1.NUCLEUS
IEAVEDR3	Object	IEANUC01				SYS1.NUCLEUS
IEAVEDSR	Object	IEANUC01				SYS1.NUCLEUS
IEAVEDS0	Object	IEANUC01				SYS1.NUCLEUS
IEAVEDS1	Object	IEANUC01				SYS1.NUCLEUS
IEAVEDS2	Object	IEANUC01				SYS1.NUCLEUS
IEAVEEER	Object	IEANUC01				SYS1.NUCLEUS
IEAVEES	Object	IEANUC01				SYS1.NUCLEUS
IEAVEEXP	Object	IEANUC01				SYS1.NUCLEUS
IEAVEEXT	Object	IEANUC01				SYS1.NUCLEUS
IEAVEE1R	Object	IEANUC01				SYS1.NUCLEUS
IEAVEE2R	Object	IEANUC01				SYS1.NUCLEUS
IEAVEE3R	Object	IEANUC01				SYS1.NUCLEUS
IEAVEFRE	Object	IEANUC01				SYS1.NUCLEUS
IEAVEGAS	Object	IEANUC01				SYS1.NUCLEUS
IEAVEIO	Object	IEANUC01				SYS1.NUCLEUS
IEAVEIOI	Object	IEANUC01				SYS1.NUCLEUS
IEAVEIOR	Object	IEANUC01				SYS1.NUCLEUS

Name	Type	Load	Object	Entry	Alias	System Library
IEAVEIPR	Object	IEANUC01				SYS1.NUCLEUS
IEAVEIP1	Object	IEANUC01				SYS1.NUCLEUS
IEAVELCR	Object	IEANUC01				SYS1.NUCLEUS
IEAVELIT	Object	IEANUC01				SYS1.NUCLEUS
IEAVELK	Object	IEANUC01				SYS1.NUCLEUS
IEAVELKE	Object	IEANUC01				SYS1.NUCLEUS
IEAVELKR	Object	IEANUC01				SYS1.NUCLEUS
IEAVELKT	Object	IEANUC01				SYS1.NUCLEUS
IEAVELKW	Object	IEANUC01				SYS1.NUCLEUS
IEAVELRM	Object	IEANUC01				SYS1.NUCLEUS
IEAVEMCR	Load		IEAVEMCR	IEAVEMCR		SYS1.LPALIB
			IEAVEMIN			
			IEESB606			
			IEEVEMCR	IEAVEMCR	IEEVEMCR	
	Object	IEAVEMCR		IEAVEMCR		
	Entry	IEAVEMCR	IEAVEMCR			
			IEEVEMCR			
IEAVEMDL	Object	IGC0001C				SYS1.LPALIB
IEAVEMIN	Object	IEAVEMCR				SYS1.LPALIB
IEAVEMRQ	Object	IGC0003D				SYS1.LPALIB
IEAVEMS0	Object	IEANUC01				SYS1.NUCLEUS
IEAVEMS1	Object	IEANUC01				SYS1.NUCLEUS
IEAVENQQ	Object	IEANUC01				SYS1.NUCLEUS
IEAVENQ1	Object	IEANUC01				SYS1.NUCLEUS
IEAVENQ2	Object	IEANUC01				SYS1.NUCLEUS
IEAVEPC	Object	IEANUC01				SYS1.NUCLEUS
IEAVEPCR	Object	IEANUC01				SYS1.NUCLEUS
IEAVEPDE	Object	IEANUC01				SYS1.NUCLEUS
IEAVEPDF	Object	IEANUC01				SYS1.NUCLEUS
IEAVEPDR	Object	IEANUC01				SYS1.NUCLEUS
IEAVEPDS	Object	IEANUC01				SYS1.NUCLEUS
IEAVEPXR	Object	IEANUC01				SYS1.NUCLEUS
IEAVEQR	Object	IEANUC01				SYS1.NUCLEUS
IEAVEQRC	Object	IEANUC01				SYS1.NUCLEUS
IEAVEQRF	Object	IEANUC01				SYS1.NUCLEUS
IEAVEQRI	Object	IEANUC01				SYS1.NUCLEUS
IEAVEQRP	Object	IEANUC01				SYS1.NUCLEUS
IEAVEQV1	Object	IEANUC01				SYS1.NUCLEUS
IEAVEQV2	Object	IEANUC01				SYS1.NUCLEUS
IEAVEQV3	Object	IEANUC01				SYS1.NUCLEUS
IEAVERER	Object	IEANUC01				SYS1.NUCLEUS
IEAVERES	Object	IEANUC01				SYS1.NUCLEUS
IEAVERI	Object	IEANUC01				SYS1.NUCLEUS
IEAVERP	Object	IEANUC01				SYS1.NUCLEUS
IEAVERTN	Object	IEANUC01				SYS1.NUCLEUS
IEAVESCR	Object	IEANUC01				SYS1.NUCLEUS
IEAVESCO	Object	IEANUC01				SYS1.NUCLEUS
IEAVESC1	Object	IEANUC01				SYS1.NUCLEUS
IEAVESC2	Object	IEANUC01				SYS1.NUCLEUS
IEAVESLA	Object	IEANUC01				SYS1.NUCLEUS
IEAVESPR	Object	IEANUC01				SYS1.NUCLEUS
IEAVESQV	Object	IEANUC01				SYS1.NUCLEUS
IEAVESRB	Object	IEANUC01				SYS1.NUCLEUS
IEAVESSS	Object	IEANUC01				SYS1.NUCLEUS
IEAVESVC	Object	IEANUC01				SYS1.NUCLEUS
IEAVESVR	Object	IEANUC01				SYS1.NUCLEUS
IEAVETCB	Object	IEANUC01				SYS1.NUCLEUS
IEAVEVAL	Object	IEANUC01				SYS1.NUCLEUS
IEAVEVRR	Object	IEANUC01				SYS1.NUCLEUS
IEAVEVTO	Object	IEANUC01				SYS1.NUCLEUS
IEAVEVT1	Object	IEANUC01				SYS1.NUCLEUS
IEAVEXPR	Object	IEANUC01				SYS1.NUCLEUS
IEAVEXP1	Object	IEANUC01				SYS1.NUCLEUS
IEAVEXS	Object	IEANUC01				SYS1.NUCLEUS
IEAVEXSV	Object	IEANUC01				SYS1.NUCLEUS
IEAVFARR	Object	IEANUC01				SYS1.NUCLEUS
IEAVFP	Object	IEANUC01				SYS1.NUCLEUS
IEAVFP1	Object	IEANUC01				SYS1.NUCLEUS
IEAVFP2	Object	IEANUC01				SYS1.NUCLEUS
IEAVFRCL	Object	IEANUC01				SYS1.NUCLEUS

Name	Type	Load	Object	Entry	Alias	System Library
IEAVFREE	Object	IEANUC01				SYS1.NUCLEUS
IEAVFRLK	Object	IEANUC01				SYS1.NUCLEUS
IEAVFXL	Object	IEANUC01				SYS1.NUCLEUS
IEAVFXLD	Object	IEANUC01				SYS1.NUCLEUS
IEAVFX00	Object	IEANUC01				SYS1.NUCLEUS
IEAVGCAS	Object	IEANUC01				SYS1.NUCLEUS
IEAVGFA	Object	IEANUC01				SYS1.NUCLEUS
IEAVGFAD	Object	IEANUC01				SYS1.NUCLEUS
IEAVGFAS	Object	IEANUC01				SYS1.NUCLEUS
IEAVGFRR	Object	IEANUC01				SYS1.NUCLEUS
IEAVGM00	Object	IEANUC01				SYS1.NUCLEUS
IEAVGM01	Object	IEANUC01				SYS1.NUCLEUS
IEAVGPRR	Object	IEANUC01				SYS1.NUCLEUS
IEAVGPRS	Object	IEANUC01				SYS1.NUCLEUS
IEAVGTCL	Object	IEANUC01				SYS1.NUCLEUS
IEAVGWSA	Object	IEANUC01				SYS1.NUCLEUS
IEAVINV	Object	IEANUC01				SYS1.NUCLEUS
IEAVINVA	Object	IEANUC01				SYS1.NUCLEUS
IEAVIOCP	Object	IEANUC01				SYS1.NUCLEUS
IEAVITAS	Object	IEANUC01				SYS1.NUCLEUS
IEAVLKRR	Object	IEANUC01				SYS1.NUCLEUS
IEAVLK00	Object	IEANUC01				SYS1.NUCLEUS
IEAVLK01	Object	IEANUC01				SYS1.NUCLEUS
IEAVLK02	Object	IEANUC01				SYS1.NUCLEUS
IEAVLK03	Object	IEANUC01				SYS1.NUCLEUS
IEAVMASV	Load		IEAVMASV	IEAVTPUT		SYS1.LINKLIB
	Object	IEAVMASV	IEAVTPUT	IEAVTPUT	IEAVTPUT	
IEAVMDOM	Object	IEAVCTSK				SYS1.LPALIB
IEAVMDSV	Object	IEAVCTSK				SYS1.LPALIB
IEAVMED2	Load		IEAVMED2	IEECVPRG		SYS1.LPALIB
	Object	IEAVMED2	IEECVPRG	IEECVPRG	IEECVPRG	
IEAVMEST	Entry	IEAVMED2	IEECVPRG			
	Object	IEAVMFRR	IEAVMEST	IEAVMEST	IEAVMEST	SYS1.LPALIB
	Alias	IEAVMFRR	IEAVMEST			
IEAVMFA	Object	IEANUC01				SYS1.NUCLEUS
IEAVMFRR	Load		IEAVMEST	IEAVMEST	IEAVMEST	SYS1.LPALIB
	Object	IEAVMFRR	IEAVMFRR	IEAVMFRR		
IEAVMNTR	Entry	IEAVMFRR	IEAVMFRR			
	Load		IEAVMNTR	IEAVMNTR		SYS1.LPALIB
	Object	IEAVMNTR	IEAVMNTR	IEAVMNTR		
IEAVMODE	Entry	IEAVMNTR	IEAVMNTR			
IEAVMQR0	Object	IEANUC01				SYS1.NUCLEUS
	Load		IEAVMQR0	IEAVMQR0		SYS1.LINKLIB
	Object	IEAVMQR0	IEAVMQR0	IEAVMQR0		
IEAVMQWR	Entry	IEAVMQR0	IEAVMQR0			
	Object	IEAVCTSK	IEAVMQWR	IEAVMQWR	IEAVMQWR	SYS1.LPALIB
	Entry	IEAVCTSK	IEAVCTSK			
	Alias	IEAVCTSK	IEAVMQWR			
IEAVMWSV	Object	IEAVCTSK				SYS1.LPALIB
IEAVMWTL	Load		IEAVMWTL	IEAVMWTL		SYS1.LINKLIB
	Object	IEAVMWTL	IEAVMWTL	IEAVMWTL		
	Entry	IEAVMWTL	IEAVMWTL			
IEAVMWTO	Object	IEAVMWTL				SYS1.LPALIB
IEAVNIPM	Load	IGC0003E	IEAVNIPM	IEAVNIPM		SYS1.NUCLEUS
			IEAVNPM2			
			IEAVNPM3			
			NIPDCBIC			
			NIPDCBOC			
			NIPEBCDX			
			NIPMOUNT			
			NIPOPEN			
			NIPWTO			
			NIPWTOR			
			NIPWTOR2			
			NIPXCDIC			

Name	Type	Load	Object	Entry	Alias	System Library
	Object	IEAVNIPM		IEAVNIPM		
	Entry	IEAVNIPM	IEAVNIPM			
IEAVNIPX	Load		IEAVNIPX	IEAVNIPX		SYS1.NUCLEUS
	Object	IEAVNIPX		IEAVNIPX		
	Entry	IEAVNIPX	IEAVNIPX			
IEAVNIP0	Object	IEANUC01				SYS1.NUCLEUS
IEAVNPA1	Load		IEAVNPA1	IEAVNPA1		SYS1.NUCLEUS
	Object	IEAVNPA1		IEAVNPA1		
	Entry	IEAVNPA1	IEAVNPA1			
IEAVNPA2	Object	IEAVNP02		IEAVNPA2	IEAVNPA2	SYS1.NUCLEUS
	Entry	IEAVNP02	IEAVNPA2			
	Alias	IEAVNP02	IEAVNPA2			
IEAVNPA4	Load		IEAVNPA4	IEAVNPA4		SYS1.NUCLEUS
			ILRRIM02	IEAVNPA4	ILRRIM02	
	Object	IEAVNPA4		IEAVNPA4		
	Entry	IEAVNPA4	IEAVNPA4			
			ILRRIM02			
IEAVNPA5	Object	IEAVNP05				SYS1.NUCLEUS
IEAVNPA6	Load		IEAVNPA6	IEAVNPA6		SYS1.NUCLEUS
			IEAVTABI			
			IEAVTSDI			
	Object	IEAVNPA6		IEAVNPA6		
	Entry	IEAVNPA6	IEAVNPA6			
IEAVNPA8	Object	IEAVNP08		IEAVNP08	IEAVNPA8	SYS1.NUCLEUS
	Entry	IEAVNP08	IEAVNP08			
	Alias	IEAVNP08	IEAVNPA8			
IEAVNPB2	Object	IEAVNP02		IEAVNPB2	IEAVNPB2	SYS1.NUCLEUS
	Entry	IEAVNP02	IEAVNPB2			
	Alias	IEAVNP02	IEAVNPB2			
IEAVNPB4	Object	ILRRIM03		ILRRIM03	IEAVNPB4	SYS1.NUCLEUS
	Alias	ILRRIM03	IEAVNPB4			
IEAVNPB5	Load		IEAVNPB5	IEAVNPB5		SYS1.NUCLEUS
	Object	IEAVNPB5		IEAVNPB5		
	Entry	IEAVNPB5	IEAVNPB5			
IEAVNPB6	Load		IEAVNPB6	IEAVNPB6		SYS1.NUCLEUS
			XDDT			
	Object	IEAVNPB6		IEAVNPB6		
	Entry	IEAVNPB6	IEAVNPB6			
IEAVNPB8	Object	IEAVNP08		IEAVNPB8	IEAVNPB8	SYS1.NUCLEUS
	Entry	IEAVNP08	IEAVNPB8			
	Alias	IEAVNP08	IEAVNPB8			
IEAVNPC8	Object	IEAVNP08		IEAVNPC8	IEAVNPC8	SYS1.NUCLEUS
	Entry	IEAVNP08	IEAVNPC8			
	Alias	IEAVNP08	IEAVNPC8			
IEAVNPGP	Object	IEAVNP17				SYS1.NUCLEUS
IEAVNPM2	Object	IEAVNIPM				SYS1.NUCLEUS
IEAVNPM3	Object	IEAVNIPM				SYS1.NUCLEUS
IEAVNPS5	Object	IEAVNP05				SYS1.NUCLEUS
IEAVNP01	Load		IEAVNP01	IEAVNP01		SYS1.NUCLEUS
	Object	IEAVNP01		IEAVNP01		
	Entry	IEAVNP01	IEAVNP01			
IEAVNP02	Load		IEAVNPA2	IEAVNPA2	IEAVNPB2	SYS1.NUCLEUS
			IEAVNPB2			
			IEAVNP02	IEAVNP02		
			IECVNP02			
			IGC016			
	Object	IEAVNP02		IEAVNP02		
	Entry	IEAVNP02	IEAVNP02			
IEAVNP03	Load		IEAVNP03	IEAVNP03		SYS1.NUCLEUS
	Object	IEAVNP03		IEAVNP03		
	Entry	IEAVNP03	IEAVNP03			
IEAVNP04	Load		IEAVNP04	IEAVNP04		SYS1.NUCLEUS
			ILRIM00			
			ILRRIM01	IEAVNP04	ILRRIM01	
	Object	IEAVNP04		IEAVNP04		
	Entry	IEAVNP04	IEAVNP04			
			ILRRIM01			
IEAVNP05	Load		IEAVNPA5			SYS1.NUCLEUS
			IEAVNPS5			
			IEAVNP05	IEAVNP05		

Name	Type	Load	Object	Entry	Alias	System Library
			NPA5APF			
IEAVNP06	Object Entry Load	IEAVNP05 IEAVNP05	IEAVNP05 IEAVNP06 IGFCINIT IGFPINIT IGFRINIT	IEAVNP05 IGFRINIT		SYS1.NUCLEUS
IEAVNP07	Object Load	IEAVNP06	IEAVNP07	IGFRINIT IEAVNP07		SYS1.NUCLEUS
IEAVNP08	Object Entry Load	IEAVNP07 IEAVNP07	IEAVNP07 IEAVNPA8 IEAVNPB8 IEAVNPC8 IEAVNP08	IEAVNP08 IEAVNPB8 IEAVNPC8 IEAVNPA8	IEAVNPA8 IEAVNPB8 IEAVNPC8	SYS1.NUCLEUS
IEAVNP09	Object Entry Load	IEAVNP08 IEAVNP08	IEAVNP08 IEAVNPA8 IEAVNP09	IEAVNP09 IEAVNP09		SYS1.NUCLEUS
IEAVNP1A	Object Entry Load	IEAVNP09 IEAVNP09	IEAVNP09 IEAVNP1A	IEAVNP09 IEAVNP1A		SYS1.NUCLEUS
IEAVNP1B	Object Entry Load	IEAVNP1A IEAVNP1A	IEAVNP1A IEAVNP1B	IEAVNP1A IEAVNP1B		SYS1.NUCLEUS
IEAVNP10	Object Entry Load	IEAVNP1B IEAVNP1B	IEAVNP1B IEAVNP10 INFREBUF IRARMFRE IRARMIPS IRARMOPT IRARMRDR IRARMWTR IRBMFANL SIZDATD	IEAVNP1B IEAVNP10		SYS1.NUCLEUS
IEAVNP11	Object Entry Load	IEAVNP10 IEAVNP10	IEAVNP10 IEAVNP11	IEAVNP10 IEAVNP11		SYS1.NUCLEUS
IEAVNP12	Object Entry Load	IEAVNP11 IEAVNP11	IEAVNP11 IEAVNP12	IEAVNP11 IEAVNP12		SYS1.NUCLEUS
IEAVNP13	Object Entry Load	IEAVNP12 IEAVNP12	IEAVNP12 IEAVNP13	IEAVNP12 IEAVNP13		SYS1.NUCLEUS
IEAVNP14	Object Entry Load	IEAVNP13 IEAVNP13	IEAVNP13 IEAVNP14	IEAVNP13 IEAVNP14		SYS1.NUCLEUS
IEAVNP15	Object Entry Load	IEAVNP14 IEAVNP14	IEAVNP14 IEAVAP00 IEAVNP15 IEFDEVPT IEFSCAN UCBCONT UCBSCAN	IEAVNP14 IEAVAP00		SYS1.NUCLEUS
IEAVNP16	Object Load Object	IEAVNP15	IEAVNP16	IEAVAP00 IEAVNP16		SYS1.NUCLEUS
IEAVNP17	Object Entry Load	IEAVNP16 IEAVNP16	IEAVNP16 IEAVNPGP IEAVNP17 VNP17MSG	IEAVNP16 IEAVNP17		SYS1.NUCLEUS
IEAVNP19	Object Entry Load	IEAVNP17 IEAVNP17	IEAVNP17 IEAVNP19	IEAVNP17 IEAVNP19		SYS1.NUCLEUS
IEAVOPBR	Object	IEAVNP19	IEAVNP19	IEAVNP19		SYS1.NUCLEUS
IEAVOUT	Object	IEANUC01	IEANUC01			SYS1.NUCLEUS
IEAVPCB	Object	IEANUC01	IEANUC01			SYS1.NUCLEUS

Name	Type	Load	Object	Entry	Alias	System Library
IEAVPFTE	Object	IEANUC01				SYS1.NUCLEUS
IEAVPIOI	Object	IEANUC01				SYS1.NUCLEUS
IEAVPIOP	Object	IEANUC01				SYS1.NUCLEUS
IEAVPIX	Object	IEANUC01				SYS1.NUCLEUS
IEAVPREF	Object	IEANUC01				SYS1.NUCLEUS
IEAVPRTO	Object	IEANUC01				SYS1.NUCLEUS
IEAVPSI	Object	IEANUC01				SYS1.NUCLEUS
IEAVPSIB	Object	IEANUC01				SYS1.NUCLEUS
IEAVPSIF	Object	IEANUC01				SYS1.NUCLEUS
IEAVPSII	Object	IEANUC01				SYS1.NUCLEUS
IEAVPSIX	Object	IEANUC01				SYS1.NUCLEUS
IEAVPSRB	Object	IEANUC01				SYS1.NUCLEUS
IEAVRCAN	Object	IEAVRTOD		IEAVRCAN	IEAVRCAN	SYS1.LPALIB
	Entry	IEAVRTOD	IEAVRCAN			
	Alias	IEAVRTOD	IEAVRCAN			
IEAVRCF	Object	IEANUC01				SYS1.NUCLEUS
IEAVRCFC	Object	IEANUC01				SYS1.NUCLEUS
IEAVRCFI	Object	IEANUC01				SYS1.NUCLEUS
IEAVRCKQ	Object	IEANUC01				SYS1.NUCLEUS
IEAVRCLS	Object	IEANUC01				SYS1.NUCLEUS
IEAVRCV	Object	IEANUC01				SYS1.NUCLEUS
IEAVRELF	Object	IEANUC01				SYS1.NUCLEUS
IEAVRELS	Object	IEANUC01				SYS1.NUCLEUS
IEAVRELV	Object	IEANUC01				SYS1.NUCLEUS
IEAVREP1	Object	IEANUC01				SYS1.NUCLEUS
IEAVREP2	Object	IEANUC01				SYS1.NUCLEUS
IEAVREP3	Object	IEANUC01				SYS1.NUCLEUS
IEAVRFR	Object	IEANUC01				SYS1.NUCLEUS
IEAVRFRR	Object	IEANUC01				SYS1.NUCLEUS
IEAVRINT	Object	IEAVRTOD		IEAVRTOD	IEAVRINT	SYS1.LPALIB
	Entry	IEAVRTOD	IEAVRTOD			
	Alias	IEAVRTOD	IEAVRINT			
IEAVRMT	Object	IEANUC01				SYS1.NUCLEUS
IEAVRNEW	Object	IEANUC01				SYS1.NUCLEUS
IEAVRNOT	Object	IEAVRTOD		IEAVRNOT	IEAVRNOT	SYS1.LPALIB
	Entry	IEAVRTOD	IEAVRNOT			
	Alias	IEAVRTOD	IEAVRNOT			
IEAVRQCK	Object	IEANUC01				SYS1.NUCLEUS
IEAVRSET	Object	IEANUC01				SYS1.NUCLEUS
IEAVRSM	Object	IEANUC01				SYS1.NUCLEUS
IEAVRSPG	Object	IEANUC01				SYS1.NUCLEUS
IEAVRSPN	Object	IEANUC01				SYS1.NUCLEUS
IEAVRSSC	Object	IEAVRTOD		IEAVRSSC	IEAVRSSC	SYS1.LPALIB
	Entry	IEAVRTOD	IEAVRSSC			
	Alias	IEAVRTOD	IEAVRSSC			
IEAVRSTR	Object	IEANUC01				SYS1.NUCLEUS
IEAVRTOD	Load		IEAVRCAN	IEAVRCAN	IEAVRCAN	SYS1.LPALIB
			IEAVRINT	IEAVRTOD	IEAVRINT	
			IEAVRNOT	IEAVRNOT	IEAVRNOT	
			IEAVRSSC	IEAVRSSC	IEAVRSSC	
			IEAVRTOD	IEAVRINT	IEAVRINT	
	Object	IEAVRTOD				
	Entry	IEAVRTOD	IEAVRINT			
IEAVSORT	Object	IEANUC01				SYS1.NUCLEUS
IEAVSOUT	Object	IEANUC01				SYS1.NUCLEUS
IEAVSPCR	Object	IEANUC01				SYS1.NUCLEUS
IEAVSPI	Object	IGC0004{		IEAVSPI	IEAVSPI	SYS1.LPALIB
	Entry	IGC0004{	IEAVSPI			
	Alias	IGC0004{	IEAVSPI			
IEAVSPIE	Object	IGC0004{		IEAVSPIE	IEAVSPIE	SYS1.LPALIB
	Entry	IGC0004{	IEAVSPIE			
	Alias	IGC0004{	IEAVSPIE			
IEAVSQA	Object	IEANUC01				SYS1.NUCLEUS
IEAVSRBP	Object	IEANUC01				SYS1.NUCLEUS
IEAVSSNQ	Object	IEANUC01				SYS1.NUCLEUS
IEAVSTAA	Object	IEAVCTSK		IEAVSTAA	IEAVSTAA	SYS1.LPALIB
	Entry	IEAVCTSK	IEAVSTAA			
	Alias	IEAVCTSK	IEAVSTAA			
IEAVSUSP	Object	IEANUC01				SYS1.NUCLEUS
IEAVSWCH	Object	IGC0007B				SYS1.LPALIB

Name	Type	Load	Object	Entry	Alias	System Library
	Entry	IGC0007B	IGC0407B			
IEAVSWIN	Object	IEANUC01				SYS1.NUCLEUS
IEAVTABD	Object	IGC0001C				SYS1.LPALIB
IEAVTABI	Object	IEAVNPA6				SYS1.NUCLEUS
IEAVTACR	Object	IEANUC01				SYS1.NUCLEUS
IEAVTAS1	Object	IGC0001C				SYS1.LPALIB
IEAVTAS2	Object	IGC0001C				SYS1.LPALIB
IEAVTAS3	Object	IGC0001C				SYS1.LPALIB
IEAVTCR1	Object	IEANUC01				SYS1.NUCLEUS
IEAVTERM	Object	IEANUC01				SYS1.NUCLEUS
IEAVTEST	Object	IEANUC01				SYS1.NUCLEUS
IEAVTMMT	Object	IGC0001C				SYS1.LPALIB
IEAVTMRM	Object	IGC0001C				SYS1.LPALIB
IEAVTMSI	Load		IEAVTMSI	IEAVTMSI		SYS1.LINKLIB
	Object	IEAVTMSI		IEAVTMSI		
	Entry	IEAVTMSI	IEAVTMSI			
IEAVTMTC	Load		IEAVTMTC	IEAVTMTC		SYS1.LPALIB
	Object	IEAVTMTC		IEAVTMTC		
	Entry	IEAVTMTC	IEAVTMTC			
IEAVTMTR	Load		IEAVTMTR	IEAVTMTR		SYS1.LPALIB
	Object	IEAVTMTR		IEAVTMTR		
	Entry	IEAVTMTR	IEAVTMTR			
IEAVTPMT	Object	IGC0001C				SYS1.LPALIB
IEAVTPUT	Object	IEAVMASV		IEAVTPUT	IEAVTPUT	SYS1.LINKLIB
	Entry	IEAVMASV	IEAVMASV			
			IEAVTPUT			
	Alias	IEAVMASV	IEAVTPUT			
IEAVTRCE	Object	IEANUC01				SYS1.NUCLEUS
IEAVTRER	Object	IEANUC01				SYS1.NUCLEUS
IEAVTRET	Load		IEAVTRET	IEAVTRET		SYS1.LPALIB
			IGFPWMSG			
	Object	IEAVTRET		IEAVTRET		
	Entry	IEAVTRET	IEAVTRET			
IEAVTRML	Object	IGC0001C				SYS1.LPALIB
IEAVTRTA	Object	IEANUC01				SYS1.NUCLEUS
IEAVTRTC	Object	IGC0001C				SYS1.LPALIB
IEAVTRTE	Object	IGC0001C				SYS1.LPALIB
IEAVTRTH	Object	IEANUC01				SYS1.NUCLEUS
IEAVRTL	Object	IEANUC01				SYS1.NUCLEUS
IEAVTRTM	Object	IEANUC01				SYS1.NUCLEUS
IEAVTRTN	Object	IEANUC01				SYS1.NUCLEUS
IEAVTRTR	Object	IEANUC01				SYS1.NUCLEUS
IEAVTRTS	Object	IEANUC01				SYS1.NUCLEUS
IEAVTRTX	Object	IEANUC01				SYS1.NUCLEUS
IEAVTRTZ	Object	IEANUC01				SYS1.NUCLEUS
IEAVTRT1	Object	IEANUC01				SYS1.NUCLEUS
IEAVTRT2	Object	IGC0001C				SYS1.LPALIB
	Entry	IGC0001C	IGC0001C			
IEAVTRV	Object	IEANUC01				SYS1.NUCLEUS
IEAVTSBP	Object	IEANUC01				SYS1.NUCLEUS
IEAVTSDI	Object	IEAVNPA6				SYS1.NUCLEUS
IEAVTSDR	Load		IEAVTSDR	IEAVTSDR		SYS1.LPALIB
	Object	IEAVTSDR		IEAVTSDR		
	Entry	IEAVTSDR	IEAVTSDR			
IEAVTSDT	Load		IEAVTSDT	IEAVTSDT		SYS1.LPALIB
	Object	IEAVTSDT		IEAVTSDT		
	Entry	IEAVTSDT	IEAVTSDT			
IEAVTSDX	Object	IEANUC01				SYS1.NUCLEUS
IEAVTSKT	Object	IGC0001C				SYS1.LPALIB
IEAVTST1	Object	IEANUC01				SYS1.NUCLEUS
IEAVTTRR	Object	IEANUC01				SYS1.NUCLEUS
IEAVVCRA	Object	IEANUC01				SYS1.NUCLEUS
IEAVVCRX	Object	IEANUC01				SYS1.NUCLEUS
IEAVVCTR	Object	IGC0007B				SYS1.LPALIB
	Entry	IGC0007B	IGC0007B			
IEAVVFRR	Object	IEANUC01				SYS1.NUCLEUS
IEAVVINT	Load		IEAVVINT	IEAVVINT		SYS1.LINKLIB
	Object	IEAVVINT		IEAVVINT		
	Entry	IEAVVINT	IEAVVINT			
IEAVVMSR	Object	IEANUC01				SYS1.NUCLEUS

Name	Type	Load	Object	Entry	Alias	System Library
IEAVVRP1	Object	IGC0003D				SYS1.LPALIB
IEAVVRP2	Load		IEAVVRP2	IEAVVRP2		SYS1.LPALIB
	Object	IEAVVRP2		IEAVVRP2		
IEAVVWTO	Entry	IEAVVRP2	IEAVVRP2			
	Object	IGC0003E				SYS1.LPALIB
	Entry	IGC0003E	IGC0003E			
IEAVWAIT	Object	IEANUC01				SYS1.NUCLEUS
IEAVWSAC	Object	IEANUC01				SYS1.NUCLEUS
IEAVWSAL	Object	IEANUC01				SYS1.NUCLEUS
IEAVXDOM	Object	IGC0008G				SYS1.LPALIB
	Entry	IGC0008G	IGC0008G			
IEAV1052	Object	IGC0007B				SYS1.LPALIB
IEAWASCB	Object	IEANUC01				SYS1.NUCLEUS
IEAWPRB	Object	IEANUC01				SYS1.NUCLEUS
IEAWPSW	Object	IEANUC01				SYS1.NUCLEUS
IEAWTCB	Object	IEANUC01				SYS1.NUCLEUS
IEAXKALL	Object	IEAXPALL				SYS1.LINKLIB
IEAXKDXR	Object	IEAXPDXR				SYS1.LINKLIB
IEAXPALL	Load		IEAXKALL			SYS1.LINKLIB
			IEAXPALL			
	Object	IEAXPALL		IEAXPALL		
	Entry	IEAXPALL		IEAXPALL		
IEAXPDXR	Load		IEAXPALL			SYS1.LINKLIB
			IEAXKDXR			
			IEAXPDXR			
	Object	IEAXPDXR		IEAXPDXR		
	Entry	IEAXPDXR		IEAXPDXR		
IEAXPSIM	Load		IEAXPDXR			SYS1.LINKLIB
	Object	IEAXPSIM		IEAXPSIM		
	Entry	IEAXPSIM	IEAXPSIM			
IEA0DS	Object	IEANUC01				SYS1.NUCLEUS
IEA0EF00	Object	IEANUC01				SYS1.NUCLEUS
IEA0EF03	Object	IEANUC01				SYS1.NUCLEUS
IEA0PT0E	Object	IEANUC01				SYS1.NUCLEUS
IEA0PT01	Object	IEANUC01				SYS1.NUCLEUS
IEA0PT02	Object	IEANUC01				SYS1.NUCLEUS
IEA0PT03	Object	IEANUC01				SYS1.NUCLEUS
IEA0ST06	Object	IEANUC01				SYS1.NUCLEUS
IEA0TI00	Object	IEANUC01				SYS1.NUCLEUS
IEA0VL00	Object	IEANUC01				SYS1.NUCLEUS
IEA0VL01	Object	IEANUC01				SYS1.NUCLEUS
IEBASCAN	Object	IEBUPDTE				SYS1.LINKLIB
IEBBAM	Object	IEBCOPY				SYS1.LINKLIB
IEBBSCAN	Object	IEBUPDTE				SYS1.LINKLIB
IEBCCS02	Object	IEBCOMPR				SYS1.LINKLIB
		IEBGENER				
		IEBPTPCH				
IEBCNVT	Object	IEBCOPY				SYS1.LINKLIB
IEBCNVT1	Object	IEBCOPY				SYS1.LINKLIB
IEBCOMPR	Load		ACTCCS			SYS1.LINKLIB
			ANALY			
			BEFNREND			
			BLKRTN			
			BLPRT			
			COMPAR			
			COMPARE			
			DDERROR1			
			DDRTN			
			GENLABEL			
			IEBCCS02			
			IEBCOMPR	COMPARE		
			JPRINTRT			
			MAIN			
			MESSLIST			
			MSG31			
			NORMEND			
			QSAM			
			RDCARD			
			STARTP			
			USERLAB			
			ZZPR			

Name	Type	Load	Object	Entry	Alias	System Library
IEBCONH2	Object	IEBCOMPR		COMPARE		SYS1.LINKLIB
IEBCONP2	Object	IEBGENER				SYS1.LINKLIB
IEBCONZ2	Object	IEBGENER				SYS1.LINKLIB
IEBCOPY	Load	IEBGENER				SYS1.LINKLIB
			IEBBAM			
			IEBCNVT			
			IEBCNVT1			
			IEBCOPY	IEBDSCPY		
			IEBDRB			
			IEBDRD			
			IEBDRDR			
			IEBDSGBT			
			IEBDSGCE			
			IEBDSGCF			
			IEBDSGCG			
			IEBDSGCI			
			IEBDSCKO			
			IEBDSCTE			
			IEBDSCTM			
			IEBDSCTN			
			IEBDSCTO			
			IEBDSCTP			
			IEBDSCTQ			
			IEBDSCTR			
			IEBDSCTU			
			IEBDSCTV			
			IEBDSCTW			
			IEBDSCTX			
			IEBDSCTY			
			IEBDSCTZ			
			IEBDSCTA			
			IEBDSCTB			
			IEBDSCTC			
			IEBDSCTD			
			IEBDSCTE			
			IEBDSCTF			
			IEBDSCTG			
			IEBDSCTH			
			IEBDSCTI			
			IEBDSCTJ			
			IEBDSCTK			
			IEBDSCTL			
			IEBDSCTM			
			IEBDSCTN			
			IEBDSCTO			
			IEBDSCTP			
			IEBDSCTQ			
			IEBDSCTR			
			IEBDSCTU			
			IEBDSCTV			
			IEBDSCTW			
			IEBDSCTX			
			IEBDSCTY			
			IEBDSCTZ			
			IEBDSCTA			
			IEBDSCTB			
			IEBDSCTC			
			IEBDSCTD			
			IEBDSCTE			
			IEBDSCTF			
			IEBDSCTG			
			IEBDSCTH			
			IEBDSCTI			
			IEBDSCTJ			
			IEBDSCTK			
			IEBDSCTL			
			IEBDSCTM			
			IEBDSCTN			
			IEBDSCTO			
			IEBDSCTP			
			IEBDSCTQ			
			IEBDSCTR			
			IEBDSCTU			
			IEBDSCTV			
			IEBDSCTW			
			IEBDSCTX			
			IEBDSCTY			
			IEBDSCTZ			
			IEBDSCTA			
			IEBDSCTB			
			IEBDSCTC			
			IEBDSCTD			
			IEBDSCTE			
			IEBDSCTF			
			IEBDSCTG			
			IEBDSCTH			
			IEBDSCTI			
			IEBDSCTJ			
			IEBDSCTK			
			IEBDSCTL			
			IEBDSCTM			
			IEBDSCTN			
			IEBDSCTO			
			IEBDSCTP			
			IEBDSCTQ			
			IEBDSCTR			
			IEBDSCTU			
			IEBDSCTV			
			IEBDSCTW			
			IEBDSCTX			
			IEBDSCTY			
			IEBDSCTZ			
			IEBDSCTA			
			IEBDSCTB			
			IEBDSCTC			
			IEBDSCTD			
			IEBDSCTE			
			IEBDSCTF			
			IEBDSCTG			
			IEBDSCTH			
			IEBDSCTI			
			IEBDSCTJ			
			IEBDSCTK			
			IEBDSCTL			
			IEBDSCTM			
			IEBDSCTN			
			IEBDSCTO			
			IEBDSCTP			
			IEBDSCTQ			
			IEBDSCTR			
			IEBDSCTU			
			IEBDSCTV			
			IEBDSCTW			
			IEBDSCTX			
			IEBDSCTY			
			IEBDSCTZ			
			IEBDSCTA			
			IEBDSCTB			
			IEBDSCTC			
			IEBDSCTD			
			IEBDSCTE			
			IEBDSCTF			
			IEBDSCTG			
			IEBDSCTH			
			IEBDSCTI			
			IEBDSCTJ			
			IEBDSCTK			
			IEBDSCTL			
			IEBDSCTM			
			IEBDSCTN			
			IEBDSCTO			
			IEBDSCTP			
			IEBDSCTQ			
			IEBDSCTR			
			IEBDSCTU			
			IEBDSCTV			
			IEBDSCTW			
			IEBDSCTX			
			IEBDSCTY			
			IEBDSCTZ			
			IEBDSCTA			
			IEBDSCTB			
			IEBDSCTC			
			IEBDSCTD			
			IEBDSCTE			
			IEBDSCTF			
			IEBDSCTG			
			IEBDSCTH			
			IEBDSCTI			
			IEBDSCTJ			
			IEBDSCTK			
			IEBDSCTL			
			IEBDSCTM			
			IEBDSCTN			
			IEBDSCTO			
			IEBDSCTP			
			IEBDSCTQ			
			IEBDSCTR			
			IEBDSCTU			
			IEBDSCTV			
			IEBDSCTW			
			IEBDSCTX			
			IEBDSCTY			
			IEBDSCTZ			
			IEBDSCTA			
			IEBDSCTB			
			IEBDSCTC			
			IEBDSCTD			
			IEBDSCTE			
			IEBDSCTF			
			IEBDSCTG			
			IEBDSCTH			
			IEBDSCTI			
			IEBDSCTJ			
			IEBDSCTK			
			IEBDSCTL			
			IEBDSCTM			
			IEBDSCTN			
			IEBDSCTO			
			IEBDSCTP			
			IEBDSCTQ			
			IEBDSCTR			
			IEBDSCTU			
			IEBDSCTV			
			IEBDSCTW			
			IEBDSCTX			
			IEBDSCTY			
			IEBDSCTZ			
			IEBDSCTA			
			IEBDSCTB			
			IEBDSCTC			
			IEBDSCTD			
			IEBDSCTE			
			IEBDSCTF			
			IEBDSCTG			
			IEBDSCTH			
			IEBDSCTI			
			IEBDSCTJ			
			IEBDSCTK			
			IEBDSCTL			
			IEBDSCTM			
			IEBDSCTN			
			IEBDSCTO			
			IEBDSCTP			
			IEBDSCTQ			
			IEBDSCTR			
			IEBDSCTU			
			IEBDSCTV			
			IEBDSCTW			
			IEBDSCTX			
			IEBDSCTY			
			IEBDSCTZ			
			IEBDSCTA			
			IEBDSCTB			
			IEBDSCTC			
			IEBDSCTD			
			IEBDSCTE			
			IEBDSCTF			
			IEBDSCTG			
			IEBDSCTH			
			IEBDSCTI			
			IEBDSCTJ			
			IEBDSCTK			
			IEBDSCTL			
			IEBDSCTM			
			IEBDSCTN			
			IEBDSCTO			
			IEBDSCTP			
			IEBDSCTQ			
			IEBDSCTR			
			IEBDSCTU			
			IEBDSCTV			
			IEBDSCTW			
			IEBDSCTX			
			IEBDSCTY			
			IEBDSCTZ			
			IEBDSCTA			
			IEBDSCTB			
			IEBDSCTC			
			IEBDSCTD			
			IEBDSCTE			
			IEBDSCTF			
			IEBDSCTG			
			IEBDSCTH			
			IEBDSCTI			

Name	Type	Load	Object	Entry	Alias	System Library
	Object	IEBCRANL		IEBCRANL		
	Entry	IEBCRANL	IEBCRANL			
IEBCREAT	Load	IEBCREAT	IEBCREAT	IEBCREAT		SYS1.LINKLIB
	Object	IEBCREAT		IEBCREAT		
	Entry	IEBCREAT	IEBCREAT			
IEBDATGN	Load	IEBDATGN	IEBDATGN			SYS1.SAMPLIB
	Object	IEBDATGN				
IEBDG	Load	IEBDG	IEBDG	IEBDG		SYS1.LINKLIB
	Object	IEBDG		IEBDG		
	Entry	IEBDG	IEBDG			
IEBDGCUP	Load	IEBDGCUP	IEBDGCUP	IEBDGCUP		SYS1.LINKLIB
	Object	IEBDGCUP		IEBDGCUP		
	Entry	IEBDGCUP	IEBDGCUP			
IEBDGMSG	Load	IEBDGMSG	IEBDGMSG	IEBDGMSG		SYS1.LINKLIB
	Object	IEBDGMSG		IEBDGMSG		
	Entry	IEBDGMSG	IEBDGMSG			
IEBDRB	Object	IEBCOPY				SYS1.LINKLIB
IEBDRD	Object	IEBCOPY				SYS1.LINKLIB
IEBDRDR	Object	IEBCOPY				SYS1.LINKLIB
IEBDSGBT	Object	IEBCOPY				SYS1.LINKLIB
IEBDSCE	Object	IEBCOPY				SYS1.LINKLIB
IEBDSCEF	Object	IEBCOPY				SYS1.LINKLIB
IEBDSCGD	Object	IEBCOPY				SYS1.LINKLIB
IEBDSGCI	Object	IEBCOPY				SYS1.LINKLIB
IEBDSCKO	Object	IEBCOPY				SYS1.LINKLIB
IEBDSME	Object	IEBCOPY				SYS1.LINKLIB
IEBDSM4	Object	IEBCOPY				SYS1.LINKLIB
IEBDSNI	Object	IEBCOPY				SYS1.LINKLIB
IEBDSNM	Object	IEBCOPY				SYS1.LINKLIB
IEBDSOT	Object	IEBCOPY				SYS1.LINKLIB
IEBDSPE	Object	IEBCOPY				SYS1.LINKLIB
IEBSCPY	Object	IEBCOPY				SYS1.LINKLIB
	Entry	IEBCOPY	IEBCOPY			
IEBSCP2	Object	IEBCOPY				SYS1.LINKLIB
IEBSCSX	Object	IEBCOPY				SYS1.LINKLIB
IEBSFRC	Object	IEBCOPY				SYS1.LINKLIB
IEBSMCA	Object	IEBCOPY				SYS1.LINKLIB
IEBSOE2	Object	IEBCOPY				SYS1.LINKLIB
IEBSRE	Object	IEBCOPY				SYS1.LINKLIB
IEBSTOC	Object	IEBCOPY				SYS1.LINKLIB
IEBSU	Object	IEBCOPY				SYS1.LINKLIB
IEBSU1	Object	IEBCOPY				SYS1.LINKLIB
IEBSWE	Object	IEBCOPY				SYS1.LINKLIB
IEBDVJCB	Object	IEBCOPY				SYS1.LINKLIB
IEBDV0	Object	IEBCOPY				SYS1.LINKLIB
IEBDV1	Object	IEBCOPY				SYS1.LINKLIB
IEBDV1MG	Object	IEBCOPY				SYS1.LINKLIB
IEBDV2	Object	IEBCOPY				SYS1.LINKLIB
IEBDV3	Object	IEBCOPY				SYS1.LINKLIB
IEBDV4	Object	IEBCOPY				SYS1.LINKLIB
IEBDWR	Object	IEBCOPY				SYS1.LINKLIB
IEBDWRR	Object	IEBCOPY				SYS1.LINKLIB
IEBEDIT	Load		IEBEDIT	IEBEDIT		SYS1.LINKLIB
	Object	IEBEDIT		IEBEDIT		
	Entry	IEBEDIT	IEBEDIT			
IEBEDIT2	Object	IEBGENER				SYS1.LINKLIB
IEBFDANL	Load		IEBFDANL	IEBFDANL		SYS1.LINKLIB
	Object	IEBFDANL		IEBFDANL		
	Entry	IEBFDANL	IEBFDANL			
IEBFDTBL	Load		IEBFDTBL	IEBFDTBL		SYS1.LINKLIB
	Object	IEBFDTBL		IEBFDTBL		
	Entry	IEBFDTBL	IEBFDTBL			
IEBGENER	Load		ACTCCS			SYS1.LINKLIB
			BLKRTN			
			CCA			
			DDERROR1			
			DDRTN			
			GENERATE			
			GENLABEL			
			GENS3COP			

Name	Type	Load	Object	Entry	Alias	System Library
			HCDWR			
			HDCBIN			
			HDCBOUT			
			HEDIT			
			HGENP			
			HGENPS3			
			HMOVE			
			HMSGEXIT			
			HMSGIOER			
			HMSGMDL			
			HMSGRETC			
			HMSGTLR			
			HPRL			
			HPZ			
			HSETR			
			HWRMSG			
			HZP			
			IEBCCS02			
			IEBCONH2			
			IEBCONP2			
			IEBCONZ2			
			IEBEDIT2			
			IEBGENER	GENERATE		
			IEBGENR3			
			IEBGENS3			
			IEBGEN03			
			IEBGMESG			
			IEBGSCAN			
			IEBLENP2			
			IEBMOVE2			
			RDCARD			
			SYNADMSG			
	Object	IEBGENER		GENERATE		
IEBGENR3	Object	IEBGENER				SYS1.LINKLIB
IEBGENS3	Object	IEBGENER				SYS1.LINKLIB
IEBGEN03	Object	IEBGENER				SYS1.LINKLIB
IEBGMESG	Object	IEBGENER				SYS1.LINKLIB
IEBGSCAN	Object	IEBGENER				SYS1.LINKLIB
IEBIOE	Object	IEBCOPY				SYS1.LINKLIB
IEBIOEMG	Object	IEBCOPY				SYS1.LINKLIB
IEBIOE2	Object	IEBCOPY				SYS1.LINKLIB
IEBIOE3	Object	IEBCOPY				SYS1.LINKLIB
IEBIOE4	Object	IEBCOPY				SYS1.LINKLIB
IEBISAM	Load					SYS1.LINKLIB
			IEBISAM	IEBISAM		
	Object	IEBISAM		IEBISAM		
	Entry	IEBISAM		IEBISAM		
IEBISC	Load					SYS1.LINKLIB
			IEBISC	IEBISC		
	Object	IEBISC		IEBISC		
	Entry	IEBISC		IEBISC		
IEBISF	Load					SYS1.LINKLIB
			IEBISF	IEBISF		
			IEBISMES			
			MESSTBL			
	Object	IEBISF		IEBISF		
	Entry	IEBISF		IEBISF		
IEBISL	Load					SYS1.LINKLIB
			IEBISL	IEBISL		
			IEBISSI			
	Object	IEBISL		IEBISL		
	Entry	IEBISL		IEBISL		
IEBISMES	Object	IEBISF				SYS1.LINKLIB
IEBISPL	Load					SYS1.LINKLIB
			IEBISPL	IEBISPL		
	Object	IEBISPL		IEBISPL		
	Entry	IEBISPL		IEBISPL		
IEBISSI	Object	IEBISL				SYS1.LINKLIB
IEBISSO	Object	IEBISU				SYS1.LINKLIB
IEBISU	Load					SYS1.LINKLIB

Name	Type	Load	Object	Entry	Alias	System Library
			IEBISSO			
			IEBISU	IEBISU		
			IEBISU	IEBISU		
IEBLDUL	Object	IEBISU				
IEBLDUL1	Entry	IEBISU				
IEBLDUL2	Object	IEBCOPY				SYS1.LINKLIB
IEBLENP2	Object	IEBCOPY				SYS1.LINKLIB
IEBMCM	Object	IEBCOPY				SYS1.LINKLIB
IEBMOVE2	Object	IEBGENER				SYS1.LINKLIB
IEBPPAL1	Object	IEBGENER				SYS1.LINKLIB
IEBPPCH1	Object	IEBPTPCH				SYS1.LINKLIB
IEBPPMSG	Object	IEBPTPCH				SYS1.LINKLIB
IEBPTPCH	Load	IEBPTPCH				SYS1.LINKLIB
			ACTCCS			
			BLKRTN			
			CCWRITE			
			DDERROR1			
			DDRTN			
			GENLABEL			
			IEBCCS02			
			IEBPPAL1			
			IEBPPCH1			
			IEBPPMSG			
			IEBPTPCH	IEBPTPCH		
			MAXMSG			
			PPDDTERM			
			PPIKM			
			PPIPM			
			PPMCM			
			PPMKM			
			PPMMSG			
			PPMPM			
			PPMSGES			
			PPMSGWRT			
			PPOUT			
			PRPCH			
			RCERROR			
			RDCARD			
			ZZPR			
	Object	IEBPTPCH				
	Entry	IEBPTPCH	IEBPTPCH	IEBPTPCH		
IEBRSAM	Object	IEBCOPY				SYS1.LINKLIB
IEBRSAM1	Object	IEBCOPY				SYS1.LINKLIB
IEBSCF	Object	IEBCOPY				SYS1.LINKLIB
IEBSCN	Object	IEBCOPY				SYS1.LINKLIB
IEBUPDTE	Load					SYS1.LINKLIB
			CLOSEPRT			
			CTDCBEX			
			CTERRRUT			
			CTHDREXT			
			CTTRLEXT			
			DEACTV			
			EODCT			
			IEBASCAN			
			IEBBSCAN			
			IEBUPDTE	IEBUPDTE		
			IEBUPDT2			
			IEBUPLOG			
			IEBUPNIT			
			IEBUPXIT			
			NMDCBEX			
			NMERROUT			
			NMHDREXT			
			NMTRLEXT			
			OMDCBEX			
			OMEOD			
			OMERROUT			
			OMHDREXT			
			OMTRLEXT			
			SPSYNAD			

Name	Type	Load	Object	Entry	Alias	System Library
			SYNADMSG			
	Object	IEBUPDTE		IEBUPDTE		
	Entry	IEBUPDTE	IEBUPDTE			
IEBUPDT2	Object	IEBUPDTE				SYS1.LINKLIB
IEBUPLOG	Object	IEBUPDTE				SYS1.LINKLIB
IEBUPNIT	Object	IEBUPDTE				SYS1.LINKLIB
IEBUPXIT	Object	IEBUPDTE				SYS1.LINKLIB
IEBVCT	Object	IEBCOPY				SYS1.LINKLIB
IEBVDM	Object	IEBCOPY				SYS1.LINKLIB
IEBVDRTM	Object	IEBCOPY				SYS1.LINKLIB
IEBVMS	Object	IEBCOPY				SYS1.LINKLIB
IEBVMTXT	Object	IEBCOPY				SYS1.LINKLIB
IEBVMT	Object	IEBCOPY				SYS1.LINKLIB
IEBVTT	Object	IEBCOPY				SYS1.LINKLIB
IEBWSAM	Object	IEBCOPY				SYS1.LINKLIB
IEBWSAM1	Object	IEBCOPY				SYS1.LINKLIB
IEBWSU	Object	IEBCOPY				SYS1.LINKLIB
IEBWSUMG	Object	IEBCOPY				SYS1.LINKLIB
IECBBFB1	Load		IECBBFB1	IECBBFB1		SYS1.LPALIB
	Object	IECBBFB1		IECBBFB1		
	Entry	IECBBFB1	IECBBFB1			
IECFRR	Object	IEANUC01				SYS1.NUCLEUS
IECHK1	Object	IEANUC01				SYS1.NUCLEUS
IECHK2	Object	IEANUC01				SYS1.NUCLEUS
IECHK3	Object	IEANUC01				SYS1.NUCLEUS
IECHK4	Object	IEANUC01				SYS1.NUCLEUS
IECHK5	Object	IEANUC01				SYS1.NUCLEUS
IECHK6	Object	IEANUC01				SYS1.NUCLEUS
IECHK7	Object	IEANUC01				SYS1.NUCLEUS
IECHK8	Object	IEANUC01				SYS1.NUCLEUS
IECHNSCH	Object	IEANUC01				SYS1.NUCLEUS
IECIHIO	Object	IEANUC01				SYS1.NUCLEUS
IECILCH	Object	IEANUC01				SYS1.NUCLEUS
IECILK1	Object	IEANUC01				SYS1.NUCLEUS
IECILK2	Object	IEANUC01				SYS1.NUCLEUS
IECINT	Object	IEANUC01				SYS1.NUCLEUS
IECIOSCN	Object	IEANUC01				SYS1.NUCLEUS
IECIPC	Object	IEANUC01				SYS1.NUCLEUS
IECIXAVL	Object	IEANUC01				SYS1.NUCLEUS
IECPCNVT	Object	IEANUC01				SYS1.NUCLEUS
IECPRLTV	Object	IEANUC01				SYS1.NUCLEUS
IECQBF1	Load		IECQBF1	IECQBF1		SYS1.LPALIB
	Object	IECQBF1		IECQBF1		
	Entry	IECQBF1	IECQBF1			
IECRCTBL	Object	IEANUC01				SYS1.NUCLEUS
IECSTATA	Object	IGE0025D				SYS1.LPALIB
	Entry	IGE0025D	IGE0025D			
IECSTB	Object	IEANUC01				SYS1.NUCLEUS
IECTATEN	Object	IEANUC01				SYS1.NUCLEUS
IECTATRL	Object	IEANUC01				SYS1.NUCLEUS
IECTCHAL	Object	IEANUC01				SYS1.NUCLEUS
IECTCHGN	Load		IECTCHGN	IECTCHGN		SYS1.TELCMLIB
	Object	IECTCHGN		IECTCHGN		
	Entry	IECTCHGN	IECTCHGN			
IECTCHMP	Object	IEANUC01				SYS1.NUCLEUS
IECTCHSL	Object	IEANUC01				SYS1.NUCLEUS
IECTEDIT	Load		IECTEDIT	IECTEDIT		SYS1.TELCMLIB
	Object	IECTEDIT		IECTEDIT		
	Entry	IECTEDIT	IECTEDIT			
IECTLERP	Load		IECTLERP	IECTLERP		SYS1.TELCMLIB
	Object	IECTLERP		IECTLERP		
	Entry	IECTLERP	IECTLERP			
IECTLOPN	Load		IECTLOPN	IECTLOPN		SYS1.TELCMLIB
	Object	IECTLOPN		IECTLOPN		
	Entry	IECTLOPN	IECTLOPN			
IECTONLT	Load		IECTONLT	IECTONLT		SYS1.TELCMLIB
	Object	IECTONLT		IECTONLT		
	Entry	IECTONLT	IECTONLT			
IECTRDIL	Object	IEANUC01				SYS1.NUCLEUS
IECTRSTL	Object	IEANUC01				SYS1.NUCLEUS

Name	Type	Load	Object	Entry	Alias	System Library
IECTSCAN	Load		GENA			SYS1.TELCMLIB
	Object	IECTSCAN	IECTSCAN	IECTSCAN		
	Entry	IECTSCAN	IECTSCAN			
IECTSVC	Object	IEANUC01				SYS1.NUCLEUS
IECTTRNS	Load		IECTTRNS	IECTTRNS		SYS1.TELCMLIB
	Object	IECTTRNS				
	Entry	IECTTRNS	IECTTRNS			
IECVATTN	Object	IEANUC01				SYS1.NUCLEUS
IECVCCWS	Object	IEANUC01				SYS1.NUCLEUS
IECVCPRM	Object	IEANUC01				SYS1.NUCLEUS
IECVDAVV	Object	IEANUC01				SYS1.NUCLEUS
IECVDAV2	Object	IEANUC01				SYS1.NUCLEUS
	Entry	IEANUC01	IEANUC01			
IECVDERP	Object	IEANUC01				SYS1.NUCLEUS
IECVDIRQ	Object	IEANUC01				SYS1.NUCLEUS
IECVDVT	Object	IEANUC01				SYS1.NUCLEUS
IECVERPL	Object	IEANUC01				SYS1.NUCLEUS
IECVEXCP	Object	IEANUC01				SYS1.NUCLEUS
IECVEXPR	Object	IEANUC01				SYS1.NUCLEUS
IECVEXP1	Object	IEANUC01				SYS1.NUCLEUS
IECVEXP2	Object	IEANUC01				SYS1.NUCLEUS
IECVEXTC	Object	IEANUC01				SYS1.NUCLEUS
IECVGENA	Object	IEANUC01				SYS1.NUCLEUS
IECVHKK1	Object	IEANUC01				SYS1.NUCLEUS
IECVHKK2	Object	IEANUC01				SYS1.NUCLEUS
IECVHK1A	Object	IEANUC01				SYS1.NUCLEUS
IECVHK1B	Object	IEANUC01				SYS1.NUCLEUS
IECVHK2A	Object	IEANUC01				SYS1.NUCLEUS
IECVHK2B	Object	IEANUC01				SYS1.NUCLEUS
IECVHK3A	Object	IEANUC01				SYS1.NUCLEUS
IECVHK3B	Object	IEANUC01				SYS1.NUCLEUS
IECVIHK1	Object	IEANUC01				SYS1.NUCLEUS
IECVIOPM	Load		IECVIOPM	IECVIOPM		SYS1.LPALIB
	Object	IECVIOPM				
	Entry	IECVIOPM	IECVIOPM			
IECVITRP	Object	IEANUC01				SYS1.NUCLEUS
IECVLCH	Object	IEANUC01				SYS1.NUCLEUS
IECVNP02	Object	IEAVNP02				SYS1.NUCLEUS
		IGC0001F				SYS1.LPALIB
IECVPRDQ	Object	IEANUC01				SYS1.NUCLEUS
IECVPST	Object	IEANUC01				SYS1.NUCLEUS
IECVQCNT	Object	IEANUC01				SYS1.NUCLEUS
IECVRCHN	Object	IEANUC01				SYS1.NUCLEUS
IECVRSTI	Object	IEANUC01				SYS1.NUCLEUS
IECVRST1	Object	IEANUC01				SYS1.NUCLEUS
IECVSEVR	Object	IEANUC01				SYS1.NUCLEUS
IECVSGT	Object	IEANUC01				SYS1.NUCLEUS
IECVSHDR	Object	IEANUC01				SYS1.NUCLEUS
IECVSLCH	Object	IEANUC01				SYS1.NUCLEUS
IECVSMFR	Object	IEANUC01				SYS1.NUCLEUS
IECVSMGR	Object	IEANUC01				SYS1.NUCLEUS
IECVSRB	Object	IEANUC01				SYS1.NUCLEUS
IECVSTIO	Object	IEANUC01				SYS1.NUCLEUS
IECVTCCW	Object	IEANUC01				SYS1.NUCLEUS
IECVTCFR	Object	IEANUC01				SYS1.NUCLEUS
IECVUCBM	Object	IEANUC01				SYS1.NUCLEUS
IECVXFRR	Object	IEANUC01				SYS1.NUCLEUS
IECVXPUR	Object	IEANUC01				SYS1.NUCLEUS
IECVXRES	Object	IEANUC01				SYS1.NUCLEUS
IECVXTRM	Object	IEANUC01				SYS1.NUCLEUS
IECVX025	Object	IEANUC01				SYS1.NUCLEUS
IECXAPG	Object	IEANUC01				SYS1.NUCLEUS
IECXITP	Object	IEANUC01				SYS1.NUCLEUS
IECXTLER	Object	IEANUC01				SYS1.NUCLEUS
IECZDTAB	Object	IEANUC01				SYS1.NUCLEUS
IEC0SCR1	Object	IEANUC01				SYS1.NUCLEUS
IEC1052	Object	IGE0000D				SYS1.LPALIB
	Entry	IGE0000D	IGE0000D			
IEC1403A	Object	IGE0000G				SYS1.LPALIB

Name	Type	Load	Object	Entry	Alias	System Library
IEC2540A	Entry	IGE0000G	IGE0000G			
	Object	IGE0001C				SYS1.LPALIB
	Entry	IGE0001C	IGE0001C			
IEC3505A	Object	IGE0001A				SYS1.LPALIB
	Entry	IGE0001A	IGE0001A			
IEDAYA	Load		IEDAYA	IEDAYA		SYS1.TELCMLIB
	Object	IEDAYA		IEDAYA		
	Entry	IEDAYA	IEDAYA			
IEDAYAA	Object	IGC0010A				SYS1.LPALIB
IEDAYB	Load		IEDAYB	IEDAYB		SYS1.TELCMLIB
	Object	IEDAYB		IEDAYB		
	Entry	IEDAYB	IEDAYB			
IEDAYC	Load		IEDAYC	IEDAYC		SYS1.TELCMLIB
	Object	IEDAYC		IEDAYC		
	Entry	IEDAYC	IEDAYC			
IEDAYD	Load		IEDAYD	IEDAYD		SYS1.TELCMLIB
	Object	IEDAYD		IEDAYD		
	Entry	IEDAYD	IEDAYD			
IEDAYE	Load		IEDAYE	IEDAYE		SYS1.TELCMLIB
	Object	IEDAYE		IEDAYE		
	Entry	IEDAYE	IEDAYE			
IEDAYF	Load		IEDAYF	IEDAYF		SYS1.TELCMLIB
	Object	IEDAYF		IEDAYF		
	Entry	IEDAYF	IEDAYF			
IEDAYG	Load		IEDAYG	IEDAYG		SYS1.TELCMLIB
	Object	IEDAYG		IEDAYG		
	Entry	IEDAYG	IEDAYG			
IEDAYGP	Object	IGC0010A				SYS1.LPALIB
IEDAYH	Load		IEDAYH	IEDAYH		SYS1.TELCMLIB
	Object	IEDAYH		IEDAYH		
	Entry	IEDAYH	IEDAYH			
IEDAYHH	Object	IGC0010A				SYS1.LPALIB
IEDAYI	Load		IEDAYI	IEDAYI		SYS1.TELCMLIB
	Object	IEDAYI		IEDAYI		
	Entry	IEDAYI	IEDAYI			
IEDAYII	Object	IGC0010A				SYS1.LPALIB
IEDAYL	Load		IEDAYL	IEDAYL		SYS1.TELCMLIB
	Object	IEDAYL		IEDAYL		
	Entry	IEDAYL	IEDAYL			
IEDAYLL	Object	IGC0010A				SYS1.LPALIB
IEDAYM	Load		IEDAYM	IEDAYM		SYS1.TELCMLIB
	Object	IEDAYM		IEDAYM		
	Entry	IEDAYM	IEDAYM			
IEDAYO	Load		IEDAYO	IEDAYO		SYS1.TELCMLIB
	Object	IEDAYO		IEDAYO		
	Entry	IEDAYO	IEDAYO			
IEDAYOO	Object	IGC0010A				SYS1.LPALIB
IEDAYO02	Object	IEDAYO				SYS1.TELCMLIB
IEDAYP	Load		IEDAYP	IEDAYP		SYS1.TELCMLIB
	Object	IEDAYP		IEDAYP		
	Entry	IEDAYP	IEDAYP			
IEDAYQBA	Object	IGC0010A				SYS1.LPALIB
IEDAYQBR	Object	IGC0010A				SYS1.LPALIB
IEDAYQIO	Object	IGC0010A				SYS1.LPALIB
IEDAYQSO	Object	IGC0010A				SYS1.LPALIB
IEDAYQT	Object	IGC0010A				SYS1.LPALIB
	Entry	IGC0010A	IEDAYQT	IEDAYQT	IEDAYQT	
	Object	IGC0010A	IEDAYQT			
IEDAYQT1	Object	IGC0010A		IEDAYQT1	IEDAYQT1	SYS1.LPALIB
	Entry	IGC0010A	IEDAYQT1			
	Alias	IGC0010A	IEDAYQT1			
IEDAYR	Load		IEDAYR	IEDAYR		SYS1.TELCMLIB
	Object	IEDAYR		IEDAYR		
	Entry	IEDAYR	IEDAYR			
IEDAYS	Load		IEDAYS	IEDAYS		SYS1.TELCMLIB
	Object	IEDAYS		IEDAYS		
	Entry	IEDAYS	IEDAYS			
IEDAYT	Load		IEDAYT	IEDAYT		SYS1.TELCMLIB

Name	Type	Load	Object	Entry	Alias	System Library
	Object	IEDAYT		IEDAYT		
	Entry	IEDAYT	IEDAYT			
IEDAYTPQ	Object	IGC0010A				SYS1.LPALIB
IEDAYV	Load		IEDAYV	IEDAYV		SYS1.TELCMLIB
	Object	IEDAYV		IEDAYV		
	Entry	IEDAYV	IEDAYV			
IEDAYW	Load		IEDAYW	IEDAYW		SYS1.TELCMLIB
	Object	IEDAYW		IEDAYW		
	Entry	IEDAYW	IEDAYW			
IEDAYX	Load		IEDAYX	IEDAYX		SYS1.TELCMLIB
	Object	IEDAYX		IEDAYX		
	Entry	IEDAYX	IEDAYX			
IEDAYY	Load		IEDAYY	IEDAYY		SYS1.TELCMLIB
	Object	IEDAYY		IEDAYY		
	Entry	IEDAYY	IEDAYY			
IEDAYZ	Load		IEDAYZ	IEDAYZ		SYS1.TELCMLIB
	Object	IEDAYZ		IEDAYZ		
	Entry	IEDAYZ	IEDAYZ			
IEDAY1	Object	IGCMC10D				SYS1.LPALIB
	Entry	IGCMC10D	IGCMC10D			
IEDAY2	Object	IGCMC10D				SYS1.LPALIB
IEDAY3	Load		IEDAY3	IEDAY3		SYS1.LPALIB
			IEEDAY3	IEEDAY3	IEEDAY3	
	Object	IEDAY3		IEDAY3		
	Entry	IEDAY3	IEDAY3			
IEDAY8	Object	IGC0001C				SYS1.LPALIB
IEDAY802	Object	IGC0001C		IEDAY802	IEDAY802	SYS1.LPALIB
	Entry	IGC0001C	IEDAY802			
	Alias	IGC0001C	IEDAY802			
IEDAY88	Object	IGC0010A				SYS1.LPALIB
IEDIAA	Load		IEDIAA	IEDIAA		SYS1.LINKLIB
	Object	IEDIAA		IEDIAA		
	Entry	IEDIAA	IEDIAA			
IEDIAB	Load		IEDIAB	IEDIAB		SYS1.LINKLIB
	Object	IEDIAB		IEDIAB		
	Entry	IEDIAB	IEDIAB			
IEDIAC	Load		IEDIAC	IEDIAC		SYS1.TELCMLIB
	Object	IEDIAC		IEDIAC		
	Entry	IEDIAC	IEDIAC			
IEDIAD	Load		IEDIAD	IEDIAD		SYS1.TELCMLIB
	Object	IEDIAD		IEDIAD		
	Entry	IEDIAD	IEDIAD			
IEDIAE	Load		IEDIAE	IEDIAE		SYS1.LPALIB
	Object	IEDIAE		IEDIAE		
	Entry	IEDIAE	IEDIAE			
IEDIAF	Load		IEDIAF	IEDIAF		SYS1.TELCMLIB
	Object	IEDIAF		IEDIAF		
	Entry	IEDIAF	IEDIAF			
IEDIAG	Load		IEDIAG	IEDIAG		SYS1.TELCMLIB
	Object	IEDIAG		IEDIAG		
	Entry	IEDIAG	IEDIAG			
IEDIAH	Load		IEDIAH	IEDIAH		SYS1.TELCMLIB
	Object	IEDIAH		IEDIAH		
	Entry	IEDIAH	IEDIAH			
IEDIAJ	Load		IEDIAJ	IEDIAJ		SYS1.TELCMLIB
	Object	IEDIAJ		IEDIAJ		
	Entry	IEDIAJ	IEDIAJ			
IEDIAK	Load		IEDIAK	IEDIAK		SYS1.LPALIB
	Object	IEDIAK		IEDIAK		
	Entry	IEDIAK	IEDIAK			
IEDIAL	Load		IEDIAL	IEDIAL		SYS1.TELCMLIB
	Object	IEDIAL		IEDIAL		
	Entry	IEDIAL	IEDIAL			
IEDIAM	Load		IEDIAM	IEDIAM		SYS1.TELCMLIB
	Object	IEDIAM		IEDIAM		
	Entry	IEDIAM	IEDIAM			
IEDIAN	Load		IEDIAN	IEDIAN		SYS1.TELCMLIB
	Object	IEDIAN		IEDIAN		
	Entry	IEDIAN	IEDIAN			
IEDIAP	Load		IEDIAP	IEDIAP		SYS1.TELCMLIB

Name	Type	Load	Object	Entry	Alias	System Library
	Object	IEDIAP		IEDIAP		
	Entry	IEDIAP	IEDIAP			
IEDIAQ	Load		IEDIAQ	IEDIAQ		SYS1.TELCMLIB
	Object	IEDIAQ	IEDIAQ	IEDIAQ		
	Entry	IEDIAQ	IEDIAQ			
IEDIAT	Load		IEDIAT	IEDIAT		SYS1.LINKLIB
	Object	IEDIAT	IEDIAT	IEDIAT		
	Entry	IEDIAT	IEDIAT			
IEDIAU	Load		IEDIAU	IEDIAU		SYS1.TELCMLIB
	Object	IEDIAU	IEDIAU	IEDIAU		
	Entry	IEDIAU	IEDIAU			
IEDNMG	Load		IEDNMG	IEDNMG		SYS1.LINKLIB
	Object	IEDNMG	IEDNMG	IEDNMG		
	Entry	IEDNMG	IEDNMG			
IEDNSL	Load		IEDNSL	IEDNSL		SYS1.TELCMLIB
	Object	IEDNSL	IEDNSL	IEDNSL		
	Entry	IEDNSL	IEDNSL			
IEDN25	Load		IEDN25	IEDN25		SYS1.TELCMLIB
	Object	IEDN25	IEDN25	IEDN25		
	Entry	IEDN25	IEDN25			
IEDPMD	Load		IEDPMD	IEDPMD		SYS1.LINKLIB
	Object	IEDPMD	IEDPMD	IEDPMD		
	Entry	IEDPMD	IEDPMD			
IEDQAA	Load		IEDQAA	IEDQAA		SYS1.TELCMLIB
	Object	IEDQAA	IEDQAA	IEDQAA		
	Entry	IEDQAA	IEDQAA			
IEDQAB	Load		IEDQAB	IEDQAB		SYS1.TELCMLIB
	Object	IEDQAB	IEDQAB	IEDQAB		
	Entry	IEDQAB	IEDQAB			
IEDQAC	Load		IEDQAC	IEDQAC		SYS1.TELCMLIB
	Object	IEDQAC	IEDQAC	IEDQAC		
	Entry	IEDQAC	IEDQAC			
IEDQAD	Load		IEDQAD	IEDQAD		SYS1.TELCMLIB
	Object	IEDQAD	IEDQAD	IEDQAD		
	Entry	IEDQAD	IEDQAD			
IEDQAE	Load		IEDQAE	IEDQAE		SYS1.TELCMLIB
	Object	IEDQAE	IEDQAE	IEDQAE		
	Entry	IEDQAE	IEDQAE			
IEDQAF	Load		IEDQAF	IEDQAF		SYS1.TELCMLIB
	Object	IEDQAF	IEDQAF	IEDQAF		
	Entry	IEDQAF	IEDQAF			
IEDQAG	Load		IEDQAG	IEDQAG		SYS1.TELCMLIB
	Object	IEDQAG	IEDQAG	IEDQAG		
	Entry	IEDQAG	IEDQAG			
IEDQAH	Load		IEDQAH	IEDQAH		SYS1.TELCMLIB
	Object	IEDQAH	IEDQAH	IEDQAH		
	Entry	IEDQAH	IEDQAH			
IEDQAI	Load		IEDQAI	IEDQAI		SYS1.TELCMLIB
	Object	IEDQAI	IEDQAI	IEDQAI		
	Entry	IEDQAI	IEDQAI			
IEDQAJ	Load		IEDQAJ	IEDQAJ		SYS1.TELCMLIB
	Object	IEDQAJ	IEDQAJ	IEDQAJ		
	Entry	IEDQAJ	IEDQAJ			
IEDQAK	Load		IEDQAK	IEDQAK		SYS1.TELCMLIB
	Object	IEDQAK	IEDQAK	IEDQAK		
	Entry	IEDQAK	IEDQAK			
IEDQAL	Load		IEDQAL	IEDQAL		SYS1.TELCMLIB
	Object	IEDQAL	IEDQAL	IEDQAL		
	Entry	IEDQAL	IEDQAL			
IEDQAM	Load		IEDQAM	IEDQAM		SYS1.TELCMLIB
	Object	IEDQAM	IEDQAM	IEDQAM		
	Entry	IEDQAM	IEDQAM			
IEDQAN	Load		IEDQAN	IEDQAN		SYS1.TELCMLIB
	Object	IEDQAN	IEDQAN	IEDQAN		
	Entry	IEDQAN	IEDQAN			
IEDQAO	Load		IEDQAO	IEDQAO		SYS1.TELCMLIB
	Object	IEDQAO	IEDQAO	IEDQAO		
	Entry	IEDQAO	IEDQAO			
IEDQAP	Load		IEDQAP	IEDQAP		SYS1.TELCMLIB
	Object	IEDQAP	IEDQAP	IEDQAP		

Name	Type	Load	Object	Entry	Alias	System Library
IEDQAO	Entry	IEDQAP	IEDQAP			
	Load		IEDQAO	IEDQAO		SYS1.TELCMLIB
	Object	IEDQAO	IEDQAO	IEDQAO		
IEDQAR	Entry	IEDQAO	IEDQAO			
	Load		IEDQAR	IEDQAR		SYS1.TELCMLIB
	Object	IEDQAR	IEDQAR	IEDQAR		
IEDQAS	Entry	IEDQAR	IEDQAR			
	Load		IEDQAS	IEDQAS		SYS1.TELCMLIB
	Object	IEDQAS	IEDQAS01	IEDQAS		
IEDQAS01	Entry	IEDQAS	IEDQAS			
	Object	IEDQAS				SYS1.TELCMLIB
	Load		IEDQAT	IEDQAT		SYS1.TELCMLIB
IEDQAT	Object	IEDQAT	IEDQAT			
	Entry	IEDQAT	IEDQAT			
	Load	IEANUC01				SYS1.NUCLEUS
IEDQATTN	Object	IEANUC01				SYS1.TELCMLIB
	Load		IEDQAU	IEDQAU		
	Object	IEDQAU	IEDQAU	IEDQAU		
IEDQAV	Entry	IEDQAU	IEDQAU			
	Load		IEDQAV	IEDQAV		SYS1.TELCMLIB
	Object	IEDQAV	IEDQAV	IEDQAV		
IEDQAVT	Entry	IEDQAV	IEDQAV			
	Object	IEDQHG				SYS1.TELCMLIB
	Entry	IEDQHG	IEDQHG			
IEDQAW	Load		IEDQAW	IEDQAW		SYS1.TELCMLIB
	Object	IEDQAW		IEDQAW		
	Entry	IEDQAW	IEDQAW			
IEDQAX	Load		IEDQAX	IEDQAX		SYS1.TELCMLIB
	Object	IEDQAX		IEDQAX		
	Entry	IEDQAX	IEDQAX			
IEDQAY	Load		IEDQAY	IEDQAY		SYS1.TELCMLIB
	Object	IEDQAY		IEDQAY		
	Entry	IEDQAY	IEDQAY			
IEDQAZ	Load		IEDQAZ	IEDQBD		SYS1.TELCMLIB
	Object	IEDQAZ		IEDQBD		
	Load		IEDQA0	IEDQA0		SYS1.TELCMLIB
IEDQA0	Object	IEDQA0		IEDQA0		
	Entry	IEDQA0	IEDQA0			
	Load		IEDQA1	IEDQA1		SYS1.TELCMLIB
IEDQA1	Object	IEDQA1		IEDQA1		
	Entry	IEDQA1	IEDQA1			
	Load		IEDQA2	IEDQA2		SYS1.TELCMLIB
IEDQA2	Object	IEDQA2		IEDQA2		
	Entry	IEDQA2	IEDQA2			
	Load		IEDQA3	IEDQA3		SYS1.TELCMLIB
IEDQA3	Object	IEDQA3		IEDQA3		
	Entry	IEDQA3	IEDQA3			
	Load		IEDQA4	IEDQA4		SYS1.TELCMLIB
IEDQA4	Object	IEDQA4		IEDQA4		
	Entry	IEDQA4	IEDQA4			
	Load		IEDQA5	IEDQA5		SYS1.TELCMLIB
IEDQA5	Object	IEDQA5		IEDQA5		
	Entry	IEDQA5	IEDQA5			
	Load		IEDQA6	IEDQA6		SYS1.TELCMLIB
IEDQA6	Object	IEDQA6		IEDQA6		
	Entry	IEDQA6	IEDQA6			
	Load		IEDQA7	IEDQA7		SYS1.TELCMLIB
IEDQA7	Object	IEDQA7		IEDQA7		
	Entry	IEDQA7	IEDQA7			
	Load		IEDQA8	IEDQA8		SYS1.TELCMLIB
IEDQA8	Object	IEDQA8		IEDQA8		
	Entry	IEDQA8	IEDQA8			
	Load		IEDQA9	IEDQA9		SYS1.TELCMLIB
IEDQA9	Object	IEDQA9		IEDQA9		
	Entry	IEDQA9	IEDQA9			
	Load		IEDQBA	IEDQBA		SYS1.TELCMLIB
IEDQBA	Object	IEDQBA		IEDQBA		
	Entry	IEDQBA	IEDQBA			
	Load		IEDQBB	IEDQBB		SYS1.TELCMLIB

Name	Type	Load	Object	Entry	Alias	System Library
IEDQBC	Object	IEDQBB		IEDQBB		
	Entry	IEDQBB	IEDQBB			
	Load		IEDQBC	IEDQBC		SYS1.TELCMLIB
IEDQBD	Object	IEDQBC		IEDQBC		
	Entry	IEDQBC	IEDQBC			
IEDQBD	Load		IEDQBD	IEDQBD		SYS1.TELCMLIB
			IEDQBD01 IEDQBD02			
IEDQBD01	Object	IEDQAZ				SYS1.TELCMLIB
	Object	IEDQBD		IEDQBD		SYS1.TELCMLIB
	Object	IEDQBD				
IEDQBD02	Object	IEDQBH				
	Object	IEDQBO				
IEDQBE	Entry	IEDQBH	IEDQBH			
	Load	IEDQBO	IEDQBO	IEDQBE	IEDQBE	SYS1.TELCMLIB
IEDQBF	Object	IEDQBE		IEDQBE		
	Entry	IEDQBE	IEDQBE			
IEDQBG	Load		IEDQBF	IEDQBF		SYS1.TELCMLIB
	Object	IEDQBF		IEDQBF		
IEDQBH	Entry	IEDQBF	IEDQBF			
	Load		IEDQBG	IEDQBG		SYS1.TELCMLIB
IEDQBH	Object	IEDQBG		IEDQBG		
	Object	IEDQBG	IEDQBD IEDQBD02			SYS1.TELCMLIB
IEDQBL	Object	IEDQBH		IEDQBD02		
	Load		IEDQBL	IEDQBL		SYS1.TELCMLIB
IEDQBM	Object	IEDQBL		IEDQBL		
	Entry	IEDQBL	IEDQBL			
IEDQBN	Load		IEDQBM	IEDQBM		SYS1.TELCMLIB
	Object	IEDQBM		IEDQBM		
IEDQBO	Entry	IEDQBM	IEDQBM			
	Load		IEDQBN	IEDQBN		SYS1.TELCMLIB
IEDQBP	Object	IEDQBN		IEDQBN		
	Load	IEDQBN		IEDQBN		
IEDQBQ	Object	IEDQBN		IEDQBN		
	Entry	IEDQBN	IEDQBD02	IEDQBD02		SYS1.TELCMLIB
IEDQBQ02	Object	IEDQBO		IEDQBD02		
	Object	IEDQBO	IEDQBP	IEDQBP		SYS1.TELCMLIB
IEDQBR	Load		IEDQBP	IEDQBP		SYS1.TELCMLIB
	Object	IEDQBP		IEDQBP		
IEDQBT	Entry	IEDQBP	IEDQBP			
	Load		IEDQBD			
IEDQBU	Object	IEDQBD		IEDQBD		SYS1.TELCMLIB
	Entry	IEDQBD	IEDQBD			
IEDQBV	Load		IEDQBQ02	IEDQBD		
	Object	IEDQBQ		IEDQBD		SYS1.TELCMLIB
IEDQBX	Object	IEDQBQ	IEDQBR	IEDQBR		SYS1.TELCMLIB
	Load		IEDQBR	IEDQBR		SYS1.TELCMLIB
IEDQBY	Object	IEDQBR		IEDQBR		
	Entry	IEDQBR	IEDQBR			
IEDQBY	Load		IEDQBT	IEDQBT		SYS1.TELCMLIB
	Object	IEDQBT		IEDQBT		
IEDQBU	Entry	IEDQBT	IEDQBT			
	Load		IEDQBU	IEDQBU		SYS1.TELCMLIB
IEDQBV	Object	IEDQBU		IEDQBU		
	Entry	IEDQBU	IEDQBU			
IEDQBX	Load		IEDQBU	IEDQGP		SYS1.TELCMLIB
	Object	IEDQBU		IEDQGP		
IEDQBY	Object	IEDQBV		IEDQGP		
	Load	IEDQBV	IEDQBX	IEDQGP		SYS1.TELCMLIB
IEDQBY	Object	IEDQBX		IEDQBX		
	Entry	IEDQBX	IEDQBX			
IEDQBY	Load		IEDQBY	IEDQBY		SYS1.TELCMLIB
	Object	IEDQBY		IEDQBY		

Name	Type	Load	Object	Entry	Alias	System Library
	Object	IEDQBY		IEDQBY		
	Entry	IEDQBY	IEDQBY			
IEDQBZ	Load		IEDQBZ IEDQBZ01 IEDQBZ03	IEDQBZ03		SYS1.TELCMLIB
	Object	IEDQBZ		IEDQBZ03		
IEDQBZ01	Object	IEDQBZ				SYS1.TELCMLIB
IEDQBZ03	Object	IEDQBZ				SYS1.TELCMLIB
	Entry	IEDQBZ	IEDQBZ			
IEDQB1	Load		IEDQB1	IEDQB1		SYS1.TELCMLIB
	Object	IEDQB1		IEDQB1		
	Entry	IEDQB1	IEDQB1			
IEDQB2	Load		IEDQB2	IEDQB2		SYS1.TELCMLIB
	Object	IEDQB2		IEDQB2		
	Entry	IEDQB2	IEDQB2			
IEDQB3	Load		IEDQB3	IEDQB3		SYS1.TELCMLIB
	Object	IEDQB3		IEDQB3		
	Entry	IEDQB3	IEDQB3			
IEDQB4	Load		IEDQB4	IEDQB4		SYS1.TELCMLIB
	Object	IEDQB4		IEDQB4		
	Entry	IEDQB4	IEDQB4			
IEDQB7	Load		IEDQB7 IEDQB701	IEDQB7		SYS1.TELCMLIB
	Object	IEDQB7		IEDQB7		
	Entry	IEDQB7	IEDQB7			
IEDQB701	Object	IEDQB7				SYS1.TELCMLIB
IEDQCA	Load		IEDQCA	IEDQCA		SYS1.LINKLIB
	Object	IEDQCA		IEDQCA		
	Entry	IEDQCA	IEDQCA			
IEDQDA	Load		IEDQDA	IEDQDA		SYS1.LINKLIB
	Object	IEDQDA		IEDQDA		
	Entry	IEDQDA	IEDQDA			
IEDQEB	Object	IGC0010B				SYS1.LPALIB
	Entry	IGC0010B	IGC0010B			
IEDQEC	Load		IEDQEC	IEDQEC		SYS1.LINKLIB
	Object	IEDQEC		IEDQEC		
	Entry	IEDQEC	IEDQEC			
IEDQES	Load		IEDQES	IEDQES		SYS1.LINKLIB
	Object	IEDQES		IEDQES		
	Entry	IEDQES	IEDQES			
IEDQET	Load		IEDQET	IEDQET		SYS1.LINKLIB
	Object	IEDQET		IEDQET		
	Entry	IEDQET	IEDQET			
IEDQEU	Load		IEDQEU	IEDQEU		SYS1.TELCMLIB
	Object	IEDQEU		IEDQEU		
	Entry	IEDQEU	IEDQEU			
IEDQEW	Load		IEDQEW	IEDQEW		SYS1.LINKLIB
	Object	IEDQEW		IEDQEW		
	Entry	IEDQEW	IEDQEW			
IEDQE1	Load		IEDQE1	IEDQE1		SYS1.LINKLIB
	Object	IEDQE1		IEDQE1		
	Entry	IEDQE1	IEDQE1			
IEDQE2	Load		IEDQE2	IEDQE2		SYS1.LINKLIB
	Object	IEDQE2		IEDQE2		
	Entry	IEDQE2	IEDQE2			
IEDQE3	Load		IEDQE3	IEDQE3		SYS1.LINKLIB
	Object	IEDQE3		IEDQE3		
	Entry	IEDQE3	IEDQE3			
IEDQE4	Load		IEDQE4	IEDQE4		SYS1.LINKLIB
	Object	IEDQE4		IEDQE4		
	Entry	IEDQE4	IEDQE4			
IEDQFA	Load		IEDQFA IEDQFQ	IEDQFA		SYS1.TELCMLIB
	Object	IEDQFA		IEDQFA		
	Entry	IEDQFA	IEDQFA			
IEDQFA1	Load		IEDQFA1 IEDQFQ	IEDQFA1		SYS1.TELCMLIB
	Object	IEDQFA1		IEDQFA1		
	Entry	IEDQFA1	IEDQFA1			
IEDQFA2	Load		IEDQFA2	IEDQFA2		SYS1.TELCMLIB

Name	Type	Load	Object	Entry	Alias	System Library
			IEDQFQ			
	Object	IEDQFA2		IEDQFA2		
IEDQFE	Entry	IEDQFA2	IEDQFA2			SYS1.TELCMLIB
	Load		FEVECTOR			
			IEDQFE	FEVECTOR		
	Object	IEDQFE		FEVECTOR		
IEDQFE10	Load		IEDQFE10	IEDQFE10		SYS1.LINKLIB
	Object	IEDQFE10		IEDQFE10		
	Entry	IEDQFE10	IEDQFE10			
IEDQFE20	Load		IEDQFE20	IEDQFE20		SYS1.LINKLIB
	Object	IEDQFE20		IEDQFE20		
	Entry	IEDQFE20	IEDQFE20			
IEDQFE30	Load		IEDQFE30	IEDQFE30		SYS1.LINKLIB
	Object	IEDQFE30		IEDQFE30		
	Entry	IEDQFE30	IEDQFE30			
IEDQFQ	Object		IEDQFA			SYS1.TELCMLIB
			IEDQFA1			
			IEDQFA2			
IEDQFW	Load		IEDQFW	IEDQFW		SYS1.LINKLIB
			STAECLOS			
			STAERTNE			
	Object	IEDQFW		IEDQFW		
IEDQGA	Entry	IEDQFW	IEDQFW			SYS1.TELCMLIB
	Load		IEDQGA	IEDQGA		
			IEDQGB			
			IEDQGD			
	Object	IEDQGA		IEDQGA		
IEDQGB	Entry	IEDQGA	IEDQGA			SYS1.TELCMLIB
IEDQGD	Object	IEDQGA				SYS1.TELCMLIB
IEDQGH	Object	IEDQGA				SYS1.TELCMLIB
	Load		IEDQGH	IEDQGH		
	Object	IEDQGH		IEDQGH		
IEDQGP	Entry	IEDQGH	IEDQGH			SYS1.TELCMLIB
	Load		IEDQGP	IEDQGP		
	Object	IEDQBV				
		IEDQGP		IEDQGP		
	Entry	IEDQBV	IEDQBV			
		IEDQGP	IEDQGP			
IEDQGQ	Load		IEDQGQ	IEDQGQ		SYS1.LINKLIB
	Object	IEDQGQ		IEDQGQ		
IEDQGR	Entry	IEDQGQ	IEDQGQ			SYS1.TELCMLIB
	Load		IEDQGR	IEDQGR		
	Object	IEDQGR		IEDQGR		
IEDQGT	Entry	IEDQGR	IEDQGR			SYS1.TELCMLIB
	Load		IEDQGT	IEDQGT		
	Object	IEDQGT		IEDQGT		
IEDQHG	Entry	IEDQGT	IEDQGT			SYS1.TELCMLIB
	Load		IEDQAVT			
			IEDQHG	IEDQAVT		
			IEDQHG01			
			IEDQHG02			
			IEDQHG03			
IEDQHG01	Object	IEDQHG		IEDQAVT		SYS1.TELCMLIB
IEDQHG02	Object	IEDQHG				SYS1.TELCMLIB
IEDQHG03	Object	IEDQHG				SYS1.TELCMLIB
IEDQHI	Load		IEDQHI	IEDQHI		SYS1.LINKLIB
	Object	IEDQHI		IEDQHI		
IEDQHK	Entry	IEDQHI	IEDQHI			SYS1.TELCMLIB
	Load		IEDQHK	IEDQHK		
	Object	IEDQHK		IEDQHK		
IEDQHM	Entry	IEDQHK	IEDQHK			SYS1.TELCMLIB
	Load		IEDQHM	IEDQHM		
			IEDQHM02			
			IEDQHM03			
	Object	IEDQHM		IEDQHM		
IEDQHM02	Entry	IEDQHM	IEDQHM			SYS1.TELCMLIB
	Object	IEDQHM				
		IEDQHM1				
		IEDQHM2				

Name	Type	Load	Object	Entry	Alias	System Library
IEDQHM03	Object	IEDQHM IEDQHM1 IEDQHM2				SYS1.TELCMLIB
IEDQHM1	Load		IEDQHM02 IEDQHM03 IEDQHM1			SYS1.TELCMLIB
	Object	IEDQHM1		IEDQHM1		
IEDQHM2	Entry Load	IEDQHM1	IEDQHM1 IEDQHM02 IEDQHM03 IEDQHM2			SYS1.TELCMLIB
	Object	IEDQHM2		IEDQHM2		
IEDQKA	Entry Load	IEDQHM2	IEDQHM2 IEDQKA IEDQKA01 IEDQKA02	IEDQKA		SYS1.TELCMLIB
	Object	IEDQKA		IEDQKA		
IEDQKA01	Entry Object	IEDQKA IEDQKA IEDQKB IEDQKC IEDQKD IEDQKE	IEDQKA			SYS1.TELCMLIB
	Object	IEDQKA				
IEDQKA02	Object	IEDQKA IEDQKB IEDQKC IEDQKD IEDQKE				SYS1.TELCMLIB
IEDQKB	Load		IEDQKA01 IEDQKA02 IEDQKB			SYS1.TELCMLIB
	Object	IEDQKB		IEDQKB		
IEDQKC	Entry Load	IEDQKB	IEDQKB IEDQKA01 IEDQKA02 IEDQKC			SYS1.TELCMLIB
	Object	IEDQKC		IEDQKC		
IEDQKD	Entry Load	IEDQKC	IEDQKC IEDQKA01 IEDQKA02 IEDQKD			SYS1.TELCMLIB
	Object	IEDQKD		IEDQKD		
IEDQKE	Entry Load	IEDQKD	IEDQKD IEDQKA01 IEDQKA02 IEDQKE			SYS1.TELCMLIB
	Object	IEDQKE		IEDQKE		
IEDQNA	Entry Load	IEDQKE	IEDQKE IEDQNA	IEDQNA		SYS1.TELCMLIB
	Object	IEDQNA		IEDQNA		
IEDQNA2	Entry Load	IEDQNA	IEDQNA IEDQNA2	IEDQNA2		SYS1.LINKLIB
	Object	IEDQNA2		IEDQNA2		
IEDQNB	Entry Load	IEDQNA2	IEDQNA2 IEDQNB	IEDQNB		SYS1.LINKLIB
	Object	IEDQNB		IEDQNB		
IEDQND	Entry Load	IEDQNB	IEDQNB IEDQND	IEDQND		SYS1.LINKLIB
	Object	IEDQND		IEDQND		
IEDQNF	Entry Load	IEDQND	IEDQND IEDQNF	IEDQNF		SYS1.LINKLIB
	Object	IEDQNF		IEDQNF		
IEDQNG	Entry Load	IEDQNF	IEDQNF IEDQNG	IEDQNG		SYS1.LINKLIB
	Object	IEDQNG		IEDQNG		
IEDQNH	Entry Load	IEDQNG	IEDQNG IEDQNH	IEDQNH		SYS1.LINKLIB
	Object	IEDQNH		IEDQNH		
IEDQNJ	Entry Load	IEDQNH	IEDQNH IEDQNJ	IEDQNJ		SYS1.LINKLIB

Name	Type	Load	Object	Entry	Alias	System Library
	Object	IEDQNJ		IEDQNJ		
	Entry	IEDQNJ	IEDQNJ			
IEDQNK	Load		IEDQNK	IEDQNK		SYS1.LINKLIB
	Object	IEDQNK		IEDQNK		
	Entry	IEDQNK	IEDQNK			
IEDQNM	Load		IEDQNM	IEDQNM		SYS1.LINKLIB
	Object	IEDQNM		IEDQNM		
	Entry	IEDQNM	IEDQNM			
IEDQNO	Load		IEDQNO	IEDQNO		SYS1.LINKLIB
	Object	IEDQNO		IEDQNO		
	Entry	IEDQNO	IEDQNO			
IEDQNP	Load		IEDQNP	IEDQNP		SYS1.LINKLIB
	Object	IEDQNP		IEDQNP		
	Entry	IEDQNP	IEDQNP			
IEDQNQ	Load		IEDQNQ	IEDQNQ		SYS1.LINKLIB
	Object	IEDQNQ		IEDQNQ		
	Entry	IEDQNQ	IEDQNR	IEDQNR		SYS1.LINKLIB
IEDQNR	Load		IEDQNR	IEDQNR		SYS1.LINKLIB
	Object	IEDQNR		IEDQNR		
	Entry	IEDQNR	IEDQNS	IEDQNS		SYS1.LINKLIB
IEDQNS	Load		IEDQNS	IEDQNS		SYS1.LINKLIB
	Object	IEDQNS		IEDQNS		
	Entry	IEDQNS	IEDQNS			
IEDQNX	Load		IEDQNX	IEDQNX		SYS1.LINKLIB
	Object	IEDQNX		IEDQNX		
	Entry	IEDQNX	IEDQNX			
IEDQOA	Load		IEDQOA	IEDQOA		SYS1.LINKLIB
	Object	IEDQOA		IEDQOA		
	Entry	IEDQOA	IEDQOA			
IEDQOB	Load		IEDQOB	IEDQOB		SYS1.LINKLIB
			IED001I			
			IED002A			
			IED003A			
			IED004A			
			IED005A			
			IED006A			
			IED014I			
	Object	IEDQOB		IEDQOB		
	Entry	IEDQOB	IEDQOB			
IEDQOT01	Load		IEDQOT01	IEDQOT01		SYS1.LPALIB
	Object	IEDQOT01		IEDQOT01		
		IGC0001C				
	Entry	IEDQOT01	IEDQOT01			
IEDQUI	Load		IEDQUI	IEDQUI		SYS1.TELCMLIB
	Object	IEDQUI		IEDQUI		
	Entry	IEDQUI	IEDQUI			
IEDQWA	Load		IEDQWA	IEDQWA		SYS1.LINKLIB
	Object	IEDQWA		IEDQWA		
	Entry	IEDQWA	IEDQWA			
IEDQWAA	Load		IEDQWAA	IEDQWAA		SYS1.LINKLIB
	Object	IEDQWAA		IEDQWAA		
	Entry	IEDQWAA	IEDQWAA			
IEDQWAB	Load		IEDQWAB	IEDQWAB		SYS1.LINKLIB
	Object	IEDQWAB		IEDQWAB		
	Entry	IEDQWAB	IEDQWAB			
IEDQWAC	Load		IEDQWAC	IEDQWAC		SYS1.LINKLIB
			IEDQWV			
			IEDQW21			
	Object	IEDQWAC		IEDQWAC		
	Entry	IEDQWAC	IEDQWAC			
IEDQWAJ	Load		IEDQWAJ	IEDQWAJ		SYS1.LINKLIB
	Object	IEDQWAJ		IEDQWAJ		
	Entry	IEDQWAJ	IEDQWAJ			
IEDQWB	Load		IEDQWB	IEDQWB		SYS1.LINKLIB
	Object	IEDQWB		IEDQWB		
	Entry	IEDQWB	IEDQWB			
IEDQWB1	Load		IEDQWB1	IEDQWB1		SYS1.LINKLIB
	Object	IEDQWB1		IEDQWB1		
	Entry	IEDQWB1	IEDQWB1			
IEDQWB2	Load		IEDQWB2	IEDQWB2		SYS1.LINKLIB

Name	Type	Load	Object	Entry	Alias	System Library
IEDQWC	Object	IEDQWB2		IEDQWB2		
	Entry	IEDQWB2	IEDQWB2			
	Load		IEDQWC	IEDQWC		SYS1.LINKLIB
IEDQWC1	Object	IEDQWC	IEDQWC	IEDQWC		
	Entry	IEDQWC	IEDQWC1			
	Load		IEDQWC1	IEDQWC1		SYS1.LINKLIB
IEDQWC2	Object	IEDQWC1	IEDQWC1	IEDQWC1		
	Entry	IEDQWC1	IEDQWC2			
	Load		IEDQWC2	IEDQWC2		SYS1.LINKLIB
IEDQWD	Object	IEDQWC2	IEDQWC2	IEDQWC2		
	Entry	IEDQWC2	IEDQWD			
	Load		IEDQWD	IEDQWD		SYS1.LINKLIB
IEDQWE	Object	IEDQWD	IEDQWD	IEDQWD		
	Entry	IEDQWD	IEDQWE	IEDQWE		
	Load		IEDQWE1	IEDQWE1	IEDQWE1	SYS1.LINKLIB
IEDQWEC	Object	IEDQWE	IEDQWE	IEDQWE		
	Entry	IEDQWE	IEDQWEC			
	Load		IEDQWEC	IEDQWEC		SYS1.LINKLIB
IEDQWE1	Object	IEDQWEC	IEDQWEC	IEDQWEC		
	Entry	IEDQWEC	IEDQWE1			
	Load		IEDQWE1	IEDQWE1	IEDQWE1	SYS1.LINKLIB
IEDQWE2	Object	IEDQWE	IEDQWE1	IEDQWE1		
	Entry	IEDQWE	IEDQWE2			
	Load		IEDQWE2	IEDQWE2		SYS1.LINKLIB
IEDQWF	Object	IEDQWE2	IEDQWE2	IEDQWE2		
	Entry	IEDQWE2	IEDQWF			
	Load		IEDQWF	IEDQWF		SYS1.LINKLIB
IEDQWF1	Object	IEDQWF	IEDQWF	IEDQWF		
	Entry	IEDQWF	IEDQWF1			
	Load		IEDQWF1	IEDQWF1		SYS1.LINKLIB
IEDQWH	Object	IEDQWF1	IEDQWF1	IEDQWF1		
	Entry	IEDQWF1	IEDQWH			
	Load		IEDQWH	IEDQWH		SYS1.LINKLIB
IEDQWI	Object	IEDQWH	IEDQWH	IEDQWH		
	Entry	IEDQWH	IEDQWI	IEDQWI		
	Load		IEDQWI1	IEDQWI1	IEDQWI1	SYS1.LINKLIB
IEDQWIA	Object	IEDQWI	IEDQWI	IEDQWI		
	Entry	IEDQWI	IEDQWIA			
	Load		IEDQWIA	IEDQWIA		SYS1.LINKLIB
IEDQWID	Object	IEDQWIA	IEDQWIA	IEDQWIA		
	Entry	IEDQWIA	IEDQWID			
	Load		IEDQWID	IEDQWID		SYS1.LINKLIB
IEDQWIE	Object	IEDQWID	IEDQWID	IEDQWID		
	Entry	IEDQWID	IEDQWIE			
	Load		IEDQWIE	IEDQWIE		SYS1.LINKLIB
IEDQWI1	Object	IEDQWIE	IEDQWIE	IEDQWIE		
	Entry	IEDQWIE	IEDQWI1			
	Load		IEDQWI1	IEDQWI1	IEDQWI1	SYS1.LINKLIB
IEDQWI5U	Object	IEDQWI	IEDQWI1	IEDQWI1		
	Entry	IEDQWI	IEDQWI5U			
	Load		IEDQWI5U	IEDQWI5U		SYS1.LINKLIB
IEDQWI7	Object	IEDQWI5U	IEDQWI5U	IEDQWI5U		
	Entry	IEDQWI5U	IEDQWI7			
	Load		IEDQWI7	IEDQWI7		SYS1.LINKLIB
IEDQWI8	Object	IEDQWI7	IEDQWI7	IEDQWI7		
	Entry	IEDQWI7	IEDQWI8			
	Load		IEDQWI8	IEDQWI8		SYS1.LINKLIB
IEDQWI9	Object	IEDQWI8	IEDQWI8	IEDQWI8		
	Entry	IEDQWI8	IEDQWI9			
	Load		IEDQWI9	IEDQWI9		SYS1.LINKLIB
IEDQWJ	Object	IEDQWI9	IEDQWI9	IEDQWI9		
	Entry	IEDQWI9	IEDQWJ			
	Load		IEDQWJ	IEDQWJ		SYS1.LINKLIB
IEDQWJ1	Object	IEDQWJ	IEDQWJ	IEDQWJ		
	Entry	IEDQWJ	IEDQWJ1			
	Load		IEDQWJ1	IEDQWJ1		SYS1.LINKLIB
	Object	IEDQWJ1	IEDQWJ1	IEDQWJ1		
	Entry	IEDQWJ1	IEDQWJ1			

Name	Type	Load	Object	Entry	Alias	System Library
IEDQWJ2	Load		IEDQWJ2	IEDQWJ2		SYS1.LINKLIB
	Object	IEDQWJ2	IEDQWJ2	IEDQWJ2		
	Entry	IEDQWJ2	IEDQWJ2	IEDQWJ2		
IEDQWK	Load		IEDQWK	IEDQWK		SYS1.LINKLIB
			IEDQWK1	IEDQWK1	IEDQWK1	
	Object	IEDQWK	IEDQWK	IEDQWK		
	Entry	IEDQWK	IEDQWK	IEDQWK		
IEDQWK1	Object	IEDQWK	IEDQWK	IEDQWK1	IEDQWK1	SYS1.LINKLIB
	Entry	IEDQWK	IEDQWK1	IEDQWK1		
	Alias	IEDQWK	IEDQWK1			
IEDQWL	Load		IEDQWL	IEDQWL		SYS1.LINKLIB
	Object	IEDQWL	IEDQWL	IEDQWL		
	Entry	IEDQWL	IEDQWL	IEDQWL		
IEDQWL1	Load		IEDQWL1	IEDQWL1		SYS1.LINKLIB
	Object	IEDQWL1	IEDQWL1	IEDQWL1		
	Entry	IEDQWL1	IEDQWL1	IEDQWL1		
IEDQWL2	Load		IEDQWL2	IEDQWL2		SYS1.LINKLIB
	Object	IEDQWL2	IEDQWL2	IEDQWL2		
	Entry	IEDQWL2	IEDQWL2	IEDQWL2		
IEDQWL3	Load		IEDQWL3	IEDQWL3		SYS1.LINKLIB
	Object	IEDQWL3	IEDQWL3	IEDQWL3		
	Entry	IEDQWL3	IEDQWL3	IEDQWL3		
IEDQWM2	Load		IEDQWM2	IEDQWM2		SYS1.LINKLIB
	Object	IEDQWM2	IEDQWM2	IEDQWM2		
	Entry	IEDQWM2	IEDQWM2	IEDQWM2		
IEDQWN	Object	IEDQW35	IEDQW35			SYS1.LINKLIB
	Entry	IEDQW35	IEDQW35			
IEDQWO	Load		IEDQWO	IEDQWO		SYS1.LINKLIB
	Object	IEDQWO	IEDQWO	IEDQWO		
	Entry	IEDQWO	IEDQWO	IEDQWO		
IEDQWP	Object	IEDQW39				SYS1.LINKLIB
IEDQWP1	Load		IEDQWP1	IEDQWP1		SYS1.LINKLIB
	Object	IEDQWP1	IEDQWP1	IEDQWP1		
	Entry	IEDQWP1	IEDQWP1	IEDQWP1		
IEDQWP2	Load		IEDQWP2	IEDQWP2		SYS1.LINKLIB
	Object	IEDQWP2	IEDQWP2	IEDQWP2		
	Entry	IEDQWP2	IEDQWP2	IEDQWP2		
IEDQWQ	Object	IEDQW37				SYS1.LINKLIB
IEDQWR	Object	IEDQW28				SYS1.LINKLIB
IEDQWS	Object	IEDQW36				SYS1.LINKLIB
	Entry	IEDQW36	IEDQW36			
IEDQWV	Load		IEDQW21	IEDQWV	IEDQW21	SYS1.LINKLIB
	Object	IEDQWAC	IEDQW21			
	Entry	IEDQWV	IEDQW21			
IEDQWX	Object	IEDQW41				SYS1.LINKLIB
IEDQWY	Object	IEDQW16				SYS1.LINKLIB
IEDQW16	Load		IEDQW16	IEDQW16		SYS1.LINKLIB
	Object	IEDQW16	IEDQW16	IEDQW16		
	Entry	IEDQW16	IEDQW16	IEDQW16		
IEDQW21	Object	IEDQWAC		IEDQWV	IEDQW21	SYS1.LINKLIB
	Entry	IEDQWV		IEDQWV		
	Object	IEDQWV	IEDQW21			
IEDQW28	Alias		IEDQW21			SYS1.LINKLIB
	Load		IEDQWR			
			IEDQW28	IEDQW28		
	Object	IEDQW28	IEDQW28	IEDQW28		
	Entry	IEDQW28	IEDQW28	IEDQW28		
IEDQW35	Load		IEDQW35	IEDQWN		SYS1.LINKLIB
			IEDQW35	IEDQWN		
	Object	IEDQW35	IEDQWS	IEDQWN		
IEDQW36	Load		IEDQWS	IEDQWS		SYS1.LINKLIB
			IEDQW36	IEDQWS		
	Object	IEDQW36	IEDQWQ			
IEDQW37	Load		IEDQW37	IEDQW37		SYS1.LINKLIB
			IEDQW37	IEDQW37		
	Object	IEDQW37	IEDQW37	IEDQW37		
	Entry	IEDQW37	IEDQW37	IEDQW37		
IEDQW39	Load		IEDQWP			SYS1.LINKLIB
			IEDQW39	IEDQW39		
	Object	IEDQW39	IEDQW39	IEDQW39		

Name	Type	Load	Object	Entry	Alias	System Library
IEDQW41	Entry	IEDQW39	IEDQW39	IEDQW41		SYS1.LINKLIB
	Load		IEDQWX IEDQW41			
IEDQW42	Object	IEDQW41	IEDQW41	IEDQW41		SYS1.LINKLIB
	Entry		IEDQW42			
IEDQW43	Object	IEDQW42	IEDQW43	IEDQW42	IEDQW43	SYS1.LINKLIB
	Entry		IEDQW43			
IEDQW44	Object	IEDQW44	IEDQW44	IEDQW44		SYS1.LINKLIB
	Entry		IEDQW44			
IEDQW47	Object	IEDQW47	IEDQW47	IEDQW47		SYS1.LINKLIB
	Entry		IEDQW47			
IEDQXA	Load	IEDQXA	IEDQXA	IEDQXA		SYS1.LINKLIB
			IED067I			
			IED068I			
			IED069I			
			IED070I			
			IED071I			
			IED072I			
			IED074I			
			IED075I			
IEDQXB	Object	IEDQXB	IEDQXB	IEDQXB		SYS1.LINKLIB
	Entry		IEDQXB			
IEDQXC	Object	IEDQXC	IEDQXC	IEDQXC		SYS1.LINKLIB
	Entry		IEDQXC01			
IEDQXC01	Object	IEDQXC	IEDQXC	IEDQXC		SYS1.LINKLIB
	Entry		IEDQXC			
IEDQ10	Object	IEDQ10	IEDQ10	IEDQ10		SYS1.TELCMLIB
	Load		IEDQ10			
IEDQ11	Object	IEDQ11	IEDQ11	IEDQ11		SYS1.TELCMLIB
	Entry		IEDQ11			
IEDQ12	Object	IEDQ12	IEDQ12	IEDQ12		SYS1.TELCMLIB
	Entry		IEDQ12			
IEDQ13	Object	IEDQ13	IEDQ13	IEDQ13		SYS1.TELCMLIB
	Entry		IEDQ13			
IEDQ14	Object	IEDQ14	IEDQ14	IEDQ14	IEDQ15	SYS1.TELCMLIB
	Entry		IEDQ15			
IEDQ15	Object	IEDQ15	IEDQ15	IEDQ15	IEDQ15	SYS1.TELCMLIB
	Entry		IEDQ15			
IEDQ16	Object	IEDQ16	IEDQ16	IEDQ16		SYS1.TELCMLIB
	Entry		IEDQ16			
IEDQ17	Object	IEDQ17	IEDQ17	IEDQ17		SYS1.TELCMLIB
	Entry		IEDQ17			
IEDQ18	Object	IEDQ18	IEDQ18	IEDQ18		SYS1.TELCMLIB
	Entry		IEDQ18			
IEDQ19	Object	IEDQ19	IEDQ19	IEDQ19		SYS1.TELCMLIB
	Entry		IEDQ19			
IEDQ20	Object	IEDQ20	IEDQ20	IEDQ20		SYS1.TELCMLIB
	Entry		IEDQ20			

Name	Type	Load	Object	Entry	Alias	System Library
IEDQ21	Entry	IEDQ20	IEDQ20			
	Load		IEDQ21	IEDQ21		SYS1.TELCMLIB
	Object	IEDQ21	IEDQ21	IEDQ21		
IEDQ22	Entry	IEDQ21	IEDQ21			
	Load		IEDQ22	IEDQ22		SYS1.TELCMLIB
	Object	IEDQ22	IEDQ22	IEDQ22		
IEDQ23	Entry	IEDQ22	IEDQ22			
	Load		IEDQ23	IEDQ23		SYS1.TELCMLIB
	Object	IEDQ23	IEDQ23	IEDQ23		
IEDQ24	Entry	IEDQ23	IEDQ23			
	Load		IEDQ24	IEDQ24		SYS1.TELCMLIB
	Object	IEDQ24	IEDQ24	IEDQ24		
IEDQ25	Entry	IEDQ24	IEDQ24			
	Load		IEDQ25	IEDQ25		SYS1.TELCMLIB
	Object	IEDQ25	IEDQ25	IEDQ25		
IEDQ26	Entry	IEDQ25	IEDQ25			
	Load		IEDQ26	IEDQ26		SYS1.TELCMLIB
	Object	IEDQ26	IEDQ26	IEDQ26		
IEDQ27	Entry	IEDQ26	IEDQ26			
	Load		IEDQ27	IEDQ27		SYS1.TELCMLIB
	Object	IEDQ27	IEDQ27	IEDQ27		
IEDQ28	Entry	IEDQ27	IEDQ27			
	Load		IEDQ28	IEDQ28		SYS1.TELCMLIB
	Object	IEDQ28	IEDQ28	IEDQ28		
	Entry	IEDQ28	IEDQ28			
IED001I	Object	IEDQOB				SYS1.LINKLIB
IED002A	Object	IEDQOB				SYS1.LINKLIB
IED003A	Object	IEDQOB				SYS1.LINKLIB
IED004A	Object	IEDQOB				SYS1.LINKLIB
IED005A	Object	IEDQOB				SYS1.LINKLIB
IED006A	Object	IEDQOB				SYS1.LINKLIB
IED014I	Object	IEDQOB				SYS1.LINKLIB
IED067I	Object	IEDQXA				SYS1.LINKLIB
IED068I	Object	IEDQXA				SYS1.LINKLIB
IED069I	Object	IEDQXA				SYS1.LINKLIB
IED070I	Object	IEDQXA				SYS1.LINKLIB
IED071I	Object	IEDQXA				SYS1.LINKLIB
IED072I	Object	IEDQXA				SYS1.LINKLIB
IED074I	Object	IEDQXA				SYS1.LINKLIB
IED075I	Object	IEDQXA				SYS1.LINKLIB
IED076I	Object	IGG019RC				SYS1.SVCLIB
		IGG019RF				
IED1303D	Object	IGC0003D				SYS1.LPALIB
IED139I	Object	IGG019RC				SYS1.SVCLIB
		IGG019RF				
IED140I	Object	IGG019RC				SYS1.SVCLIB
		IGG019RF				
IEEAB400	Object	IEFW21SD				SYS1.LPALIB
IEEAB401	Object	IEFW21SD				SYS1.LPALIB
IEEBA1	Object	IEANUC01				SYS1.NUCLEUS
IEEBC1PE	Object	IEANUC01				SYS1.NUCLEUS
IEECB800	Load		IEECB800	IEECB800		SYS1.LPALIB
			IEECB801			
	Object	IEECB800		IEECB800		
	Entry	IEECB800	IEECB800			
IEECB801	Object	IEECB800				SYS1.LPALIB
IEECB860	Load		IEECB860	IEECB860		SYS1.LPALIB
			IEECB861			
	Object	IEECB860		IEECB860		
	Entry	IEECB860	IEECB860			
IEECB861	Object	IEECB860				SYS1.LPALIB
IEECB866	Load		IEECB866	IEECB866		SYS1.LPALIB
	Object	IEECB866		IEECB866		
	Entry	IEECB866	IEECB866			
IEECB900	Load		IEECB900	IEECB900		SYS1.LPALIB
			IEECB901			
	Object	IEECB900		IEECB900		
	Entry	IEECB900	IEECB900			
IEECB901	Object	IEECB900				SYS1.LPALIB
IEECB904	Object	IEE3603D				SYS1.LPALIB

Name	Type	Load	Object	Entry	Alias	System Library
IEECLEAN	Object	IEEVCPU				SYS1.LPALIB
IEECMENQ	Object	IEAVCTSK		IEECMENQ	IEECMENQ	SYS1.LPALIB
	Entry	IEAVCTSK	IEECMENQ			
	Alias	IEAVCTSK	IEECMENQ			
IEECMQCN	Object	IEAVCTSK				SYS1.LPALIB
IEECUCB	Object	IEANUC01				SYS1.NUCLEUS
IEECVD1	Object	IEANUC01				SYS1.NUCLEUS
IEECVETA	Object	IGC0007B				SYS1.LPALIB
IEECVETC	Object	IGC0007B				SYS1.LPALIB
IEECVETD	Object	IGC0007B				SYS1.LPALIB
IEECVETE	Object	IGC0007B				SYS1.LPALIB
IEECVETF	Object	IGC0007B				SYS1.LPALIB
IEECVETG	Object	IGC0007B				SYS1.LPALIB
IEECVETH	Object	IGC0007B				SYS1.LPALIB
IEECVETJ	Object	IGC0007B				SYS1.LPALIB
IEECVETK	Object	IGC0007B				SYS1.LPALIB
IEECVETP	Object	IGC0007B				SYS1.LPALIB
IEECVETQ	Object	IGC0007B				SYS1.LPALIB
IEECVETR	Object	IGC0007B				SYS1.LPALIB
IEECVETU	Object	IGC0007B				SYS1.LPALIB
IEECVETV	Object	IGC0007B				SYS1.LPALIB
IEECVETW	Object	IGC0007B				SYS1.LPALIB
	Entry	IGC0007B	IGC5W07B			
IEECVET1	Object	IGC0007B				SYS1.LPALIB
	Entry	IGC0007B	IGC5107B			
IEECVET2	Object	IGC0007B				SYS1.LPALIB
IEECVET3	Object	IGC0007B				SYS1.LPALIB
IEECVET4	Object	IGC0007B				SYS1.LPALIB
IEECVET6	Object	IGC0007B				SYS1.LPALIB
IEECVET7	Object	IGC0007B				SYS1.LPALIB
IEECVET8	Object	IGC0007B				SYS1.LPALIB
IEECVET9	Object	IGC0007B				SYS1.LPALIB
IEECVE1	Object	IEANUC01				SYS1.NUCLEUS
IEECVE2	Object	IEANUC01				SYS1.NUCLEUS
IEECVFTA	Object	IGC0007B				SYS1.LPALIB
IEECVFTB	Object	IGC0007B				SYS1.LPALIB
IEECVFTD	Object	IGC0007B				SYS1.LPALIB
IEECVFTG	Object	IGC0007B				SYS1.LPALIB
IEECVFTL	Object	IGC0007B				SYS1.LPALIB
IEECVFTM	Object	IGC0007B				SYS1.LPALIB
IEECVFTN	Object	IGC0007B				SYS1.LPALIB
IEECVFTO	Object	IGC0007B				SYS1.LPALIB
IEECVFTP	Object	IGC0007B				SYS1.LPALIB
IEECVFTQ	Object	IGC0007B				SYS1.LPALIB
IEECVFTR	Object	IGC0007B				SYS1.LPALIB
IEECVFTT	Object	IGC0007B				SYS1.LPALIB
IEECVFT1	Object	IGC0007B				SYS1.LPALIB
IEECVFT2	Object	IGC0007B				SYS1.LPALIB
IEECVF1	Object	IEANUC01				SYS1.NUCLEUS
IEECVF2	Object	IEANUC01				SYS1.NUCLEUS
IEECVGCI	Load		IEECVGCI	IEECVGCI		SYS1.LINKLIB
	Object	IEECVGCI			IEECVGCI	
	Entry	IEECVGCI	IEECVGCI			
IEECVG1	Object	IEANUC01				SYS1.NUCLEUS
IEECVH1	Object	IEANUC01				SYS1.NUCLEUS
IEECVH2	Object	IEANUC01				SYS1.NUCLEUS
IEECVH3	Object	IEANUC01				SYS1.NUCLEUS
IEECVH4	Object	IEANUC01				SYS1.NUCLEUS
IEECVH5	Object	IEANUC01				SYS1.NUCLEUS
IEECVK1	Object	IEANUC01				SYS1.NUCLEUS
IEECVK11	Object	IEANUC01				SYS1.NUCLEUS
IEECVK12	Object	IEANUC01				SYS1.NUCLEUS
IEECVK5	Object	IEANUC01				SYS1.NUCLEUS
IEECVK6	Object	IEANUC01				SYS1.NUCLEUS
IEECVK7	Object	IEANUC01				SYS1.NUCLEUS
IEECVPRG	Object	IEAVMED2		IEAVMED2	IEECVPRG	SYS1.LPALIB
	Entry	IEAVMED2	IEAVMED2			
	Alias	IEAVMED2	IEECVPRG			
IEECVSUB	Object	IEANUC01				SYS1.NUCLEUS
IEECVTCB	Object	IEANUC01				SYS1.NUCLEUS

Name	Type	Load	Object	Entry	Alias	System Library
IEECVUCM	Object	IEANUC01				SYS1.NUCLEUS
IEECVXIT	Object	IGC0003E				SYS1.LPALIB
IEEC2740	Object	IGC0007B				SYS1.LPALIB
	Entry	IGC0007B	IGCXX07B			
IEEDAY3	Object	IEDAY3		IEEDAY3	IEEDAY3	SYS1.LPALIB
	Entry	IEDAY3	IEEDAY3			
	Alias	IEDAY3	IEEDAY3			
IEEDSSRS	Object	IEANUC01				SYS1.NUCLEUS
IEEDSSST	Object	IEANUC01				SYS1.NUCLEUS
IEEMB803	Load		IEEMB803	IEEMB803		SYS1.LINKLIB
			IEEMB805			
			IEEMB806			
			IEEMB807			
			STACALL1			
			STAEREGS			
	Object	IEEMB803		IEEMB803		
	Entry	IEEMB803	IEEMB803			
IEEMB804	Object	IGC0003F				SYS1.LPALIB
	Entry	IGC0003F	IGC0003F			
IEEMB805	Object	IEEMB803				SYS1.LINKLIB
IEEMB806	Object	IEEMB803				SYS1.LINKLIB
IEEMB807	Object	IEEMB803				SYS1.LINKLIB
IEEMB810	Load		IEEMB810	IEEMB810		SYS1.LPALIB
	Object	IEEMB810		IEEMB810		
	Entry	IEEMB810	IEEMB810			
IEEMB811	Load		IEEMB811	IEEMB811		SYS1.LPALIB
			IEEMB812			
			IEEMB814			
			INFREBUF			
			IRBMFANL			
			SIZDATD			
	Object	IEEMB811		IEEMB811		
	Entry	IEEMB811	IEEMB811			
IEEMB812	Object	IEEMB811				SYS1.LPALIB
IEEMB813	Load		IEEMB813	IEEMB813		SYS1.LPALIB
	Object	IEEMB813		IEEMB813		
	Entry	IEEMB813	IEEMB813			
IEEMB814	Object	IEEMB811				SYS1.LPALIB
IEEMB815	Object	IGC0003D				SYS1.LPALIB
IEEMB820	Load		IEEMB820	IEEMB820		SYS1.LINKLIB
			IEEMB821			
			IEEMB822			
			IEEMB823			
			IEEMB824			
			IEEMB825			
			IEEMB826			
			IEEMB827			
			IEE351I			
			IEE352A			
			IEE353A			
			IEE354I			
			IEE354IX			
			IEE355IE			
			IEE355IK			
			IEE355IM			
			IEE355IV			
			IEE356A			
			IEE357A			
			IEE358I			
			IEE359I			
			IEE363I			
			IEE365I			
			IEE480I			
			SIEE050A			
			SIEE480I			
	Object	IEEMB820		IEEMB820		
	Entry	IEEMB820	IEEMB820			
IEEMB821	Object	IEEMB820				SYS1.LINKLIB
IEEMB822	Object	IEEMB820				SYS1.LINKLIB
IEEMB823	Object	IEEMB820				SYS1.LINKLIB

Name	Type	Load	Object	Entry	Alias	System Library
IEEMB824	Object	IEEMB820				SYS1.LINKLIB
IEEMB825	Object	IEEMB820				SYS1.LINKLIB
		IEEMB829				SYS1.LPALIB
IEEMB826	Object	IEEMB820				SYS1.LINKLIB
		IEEMB829				SYS1.LPALIB
IEEMB827	Object	IEEMB820				SYS1.LINKLIB
		IEEMB829				SYS1.LPALIB
		IGC0008C				SYS1.LPALIB
IEEMB828	Object	IEEMB829				SYS1.LPALIB
IEEMB829	Load		IEEMB825			SYS1.LPALIB
			IEEMB826			SYS1.LPALIB
			IEEMB827			
			IEEMB828			
			IEEMB829	IEEMB829		
			IEE360I			
			IEE361I			
			IEE362A			
			IEE364I			
			IEE480I			
			SIEE050A			
			SIEE480I			
	Object	IEEMB829		IEEMB829		
	Entry	IEEMB829	IEEMB829			
IEEMB830	Object	IGC0008C				SYS1.LPALIB
	Entry	IGC0008C	IGC0008C			
IEEMB850	Object	IEEVIPL				SYS1.LINKLIB
IEEMB860	Load		ICFBIE00			SYS1.LINKLIB
			IEEMB860	IEEMB860		
	Object	IEEMB860		IEEMB860		
	Entry	IEEMB860	IEEMB860	IEEMB860		
IEEMPDM	Load	IEEMPDM	IEEMPDM	IEEMPDM		SYS1.LPALIB
	Object	IEEMPDM	IEEMPDM	IEEMPDM		
	Entry	IEEMPDM	IEEMPDM	IEEMPDM		
IEEMPS03	Load	IEEMPS03	IEEMPS03	IEEMPS03		SYS1.LPALIB
	Object	IEEMPS03	IEEMPS03	IEEMPS03		
	Entry	IEEMPS03	IEEMPS03	IEEMPS03		
IEEMPVST	Load	IEEMPVST	IEEMPVST	IEEMPVST		SYS1.LPALIB
			IEEVALST			
	Object	IEEMPVST		IEEMPVST		
	Entry	IEEMPVST	IEEMPVST	IEEMPVST		
IEEMSER	Object	IEANUC01				SYS1.NUCLEUS
IEEPALTR	Load		IEEPALTR	IEEPSTP1		SYS1.LPALIB
			IEEPSTP1	IEEPSTP1		
IEEPFKEY	Object	IEEPALTR		IEEPSTP1		
IEEPRTN	Object	IEANUC01				SYS1.NUCLEUS
	Load		IEEPRTN	IEEPRTN2		SYS1.LPALIB
			IEEPRTN2	IEEPRTN2		
			IEERGN	IEEPRTN2	IEERGN	
IEEPRTN2	Object	IEEPRTN		IEEPRTN2		
	Object	IEEPRTN		IEEPRTN2		SYS1.LPALIB
	Entry	IEEPRTN	IEEPRTN	IEEPRTN2		
			IEERGN			
IEEPRWI2	Load		IEEPRWI2	IEEPRWI2		SYS1.LPALIB
	Object	IEEPRWI2	IEEPRWI2	IEEPRWI2		
	Entry	IEEPRWI2	IEEPRWI2			
IEEPSTP1	Object	IEEPALTR				SYS1.LPALIB
	Entry	IEEPALTR	IEEPALTR			
IEERGN	Object	IEEPRTN		IEEPRTN2	IEERGN	SYS1.LPALIB
	Alias	IEEPRTN	IEERGN			
IEESB601	Load		FSPACE			SYS1.LINKLIB
			GSPACE			
			GSPACE1			
			IEESB601	IEESB601		
			IEFAB4FC			
			IEFAB4F6			
	Object	IEESB601		IEESB601		
		IEESB605				SYS1.LPALIB
IEESB605	Entry	IEESB601	IEESB601			SYS1.LINKLIB
	Load		FSPACE			SYS1.LPALIB
			GSPACE			

Name	Type	Load	Object	Entry	Alias	System Library
			GSPACE1			
			IEESB601			
			IEESB605	IEESB605		
			IEEVIC	IEEVIC	IEEVIC	
			IEEVICER	IEEVICER	IEEVICER	
			IEEVSMMSG			
			IEFAB4FC			
			IEFAB4F6			
			IEFJSWT			
	Object	IEESB605		IEESB605		
	Entry	IEESB605	IEESB605			
IEESB606	Object	IEAVEMCR				SYS1.LPALIB
IEESB665	Load		IEESB665	IEESB665		SYS1.LPALIB
	Object	IEESB665		IEESB665		
	Entry	IEESB665	IEESB665			
IEESB670	Load		IEESB670	IEESB670		SYS1.LPALIB
	Object	IEESB670		IEESB670		
	Entry	IEESB670	IEESB670			
IEESTPRS	Object	IEANUC01				SYS1.NUCLEUS
IEEUCMC	Object	IEANUC01				SYS1.NUCLEUS
IEEVACR	Object	IEEVCPU				SYS1.LPALIB
IEEVALST	Object	IEEMPVST				SYS1.LPALIB
IEEVCH	Object	IEEVCPU		IEEVCPU	IEEVCH	SYS1.LPALIB
	Alias	IEEVCPU				
IEEVCPU	Load		IEEVCH			SYS1.LPALIB
			IEECLEAN			
			IEEVACR			
			IEEVCH	IEEVCPU	IEEVCH	
			IEEVCPU	IEEVCPU		
			IEEVDSS	IEEVDSS	IEEVDSS	
			IEEVQUIT			
			IEEVTCH			
			IEEVWKUP	IEEVWKUP	IEEVWKUP	
			WTORT			
	Object	IEEVCPU		IEEVCPU		
	Entry	IEEVCPU	IEEVCH			
			IEEVCPU			
IEEVDEV	Load		IEEVDEV	IEEVDEV		SYS1.LPALIB
	Object	IEEVDEV		IEEVDEV		
	Entry	IEEVDEV	IEEVDEV			
IEEVDSS	Object	IEEVCPU		IEEVDSS	IEEVDSS	SYS1.LPALIB
	Entry	IEEVCPU	IEEVDSS			
	Alias	IEEVCPU	IEEVDSS			
IEEVEMCR	Object	IEAVEMCR		IEAVEMCR	IEEVEMCR	SYS1.LPALIB
	Alias	IEAVEMCR	IEEVEMCR			
IEEVIC	Object	IEESB605		IEEVIC	IEEVIC	SYS1.LPALIB
	Entry	IEESB605	IEEVIC			
	Alias	IEESB605	IEEVIC			
IEEVICER	Object	IEESB605		IEEVICER	IEEVICER	SYS1.LPALIB
	Entry	IEESB605	IEEVICER			
	Alias	IEESB605	IEEVICER			
IEEVIPL	Load		IEEMB850			SYS1.LINKLIB
			IEEVIPL	IEEVIPL		
			IEFJESNM			
			IEFJSINT			
			IEFJTBNM			
	Object	IEEVIPL		IEEVIPL		
	Entry	IEEVIPL	IEEVIPL			
IEEVJCL	Object	IEEVMNT1				SYS1.LPALIB
		IEEVSTAR				
IEEVMNT1	Load		IEEVJCL			SYS1.LPALIB
			IEEVMNT1	IEEVMNT1		
	Object	IEEVMNT1		IEEVMNT1		
	Entry	IEEVMNT1	IEEVMNT1			
IEEVMNT2	Load		IEEVMNT2	IEEVMNT2		SYS1.LPALIB
			IEEVSMMSG			
	Object	IEEVMNT2		IEEVMNT2		
	Entry	IEEVMNT2	IEEVMNT2			
IEEVPTH	Load		IEEVPTH	IEEVPTH		SYS1.LPALIB
	Object	IEEVPTH		IEEVPTH		
	Entry	IEEVPTH	IEEVPTH			

Name	Type	Load	Object	Entry	Alias	System Library
IEEVQUIT	Object	IEEVCPU				SYS1.LPALIB
IEEVSDIO	Object	IEEVSEND IKJEES40 IKJRBB SEND				SYS1.LINKLIB
IEEVSEND	Load		IEEVSDIO IEEVSEND IEEVSND2 IEEVSND3 IEEVSND4 IEEVSND5 IEEVSND6 IEEVSND8 IEEVSND9 IKJEES20 MSGTABLE	IEEVSEND		SYS1.COMDLIB SYS1.LINKLIB
	Object	IEEVSEND		IEEVSEND		
	Entry	IEEVSEND	IEEVSEND			
IEEVMSG	Object	IEESB605 IEEVMT2				SYS1.LPALIB
IEEVSND2	Object	IEEVSEND				SYS1.LINKLIB
IEEVSND3	Object	IEEVSEND				SYS1.LINKLIB
IEEVSND4	Object	IEEVSEND				SYS1.LINKLIB
IEEVSND5	Object	IEEVSEND IKJEES40 IKJRBB SEND				SYS1.LINKLIB
IEEVSND6	Object	IEEVSEND				SYS1.COMDLIB
IEEVSND8	Object	IEEVSEND				SYS1.LINKLIB
IEEVSND9	Object	IEEVSEND				SYS1.LINKLIB
IEEVSTAR	Load		IEEVJCL IEEVSTAR	IEEVSTAR IEEVSTAR		SYS1.LPALIB
	Object	IEEVSTAR				
	Entry	IEEVSTAR	IEEVSTAR			
IEEVSTOP	Object	IEANUC01				SYS1.NUCLEUS
IEEVTCH	Object	IEEVCPU				SYS1.LPALIB
IEEVWAIT	Load		IEEVWAIT	IEEVWAIT		SYS1.LPALIB
	Object	IEEVWAIT		IEEVWAIT		
	Entry	IEEVWAIT	IEEVWAIT			
IEEVWKUP	Object	IEEVCPU		IEEVWKUP	IEEVWKUP	SYS1.LPALIB
	Entry	IEEVCPU	IEEVWKUP			
	Alias	IEEVCPU	IEEVWKUP			
IEEXEDNA	Load		IEEXEDNA	IEEXEDNA		SYS1.LPALIB
	Object	IEEXEDNA		IEEXEDNA		
	Entry	IEEXEDNA	IEEXEDNA			
IEE0003D	Object	IGC0003D				SYS1.LPALIB
	Entry	IGC0003D	IGC0003D			
IEE00110	Object	IGC0011{				SYS1.LPALIB
	Entry	IGC0011{	IGC0011{ IGC00110			
IEE0303D	Object	IGC0003D				SYS1.LPALIB
IEE0403D	Object	IGC0003D				SYS1.LPALIB
IEE0503D	Object	IGC0003D		IEE0503D	IEE0503D	SYS1.LPALIB
	Entry	IGC0003D	IEE0503D IEE2103D IGC0503D IGG2103D IEE0503D			
IEE0603D	Alias	IGC0003D				
IEE0603D	Object	IGC0003D				SYS1.LPALIB
IEE0703D	Object	IGC0003D				SYS1.LPALIB
IEE0803D	Object	IGC0003D				SYS1.LPALIB
IEE10110	Object	IGC10110				SYS1.LPALIB
	Entry	IGC10110	IGC10110			
IEE11110	Object	IGC11110				SYS1.LPALIB
	Entry	IGC11110	IGC11110			
IEE12110	Object	IGC12110				SYS1.LPALIB
	Entry	IGC12110	IGC12110			
IEE1403D	Object	IGC0003D				SYS1.LPALIB
IEE1603D	Object	IGC0003D				SYS1.LPALIB
IEE20110	Object	IGC20110				SYS1.LPALIB

Name	Type	Load	Object	Entry	Alias	System Library
IEE2103D	Entry	IGC20110	IGC20110			
	Object	IGC0003D		IEE0503D	IEE2103D	SYS1.LPALIB
	Alias	IGC0003D	IEE2103D			
IEE21110	Object	IGC21110				SYS1.LPALIB
	Entry	IGC21110	IGC21110			
IEE22110	Object	IGC22110				SYS1.LPALIB
	Entry	IGC22110	IGC22110			
IEE2303D	Object	IEE3603D				SYS1.LPALIB
IEE23110	Object	IGC23110				SYS1.LPALIB
	Entry	IGC23110	IGC23110			
IEE2903D	Object	IGC0003D				SYS1.LPALIB
IEE3103D	Object	IEE3603D				SYS1.LPALIB
IEE3203D	Object	IGC0003D				SYS1.LPALIB
IEE3303D	Object	IEE3603D				SYS1.LPALIB
IEE3503D	Object	IGC0003D				SYS1.LPALIB
IEE351I	Object	IEEMB820				SYS1.LINKLIB
IEE352A	Object	IEEMB820				SYS1.LINKLIB
IEE353A	Object	IEEMB820				SYS1.LINKLIB
IEE354I	Object	IEEMB820				SYS1.LINKLIB
IEE354IX	Object	IEEMB820				SYS1.LINKLIB
IEE355IE	Object	IEEMB820				SYS1.LINKLIB
IEE355IK	Object	IEEMB820				SYS1.LINKLIB
IEE355IM	Object	IEEMB820				SYS1.LINKLIB
IEE355IV	Object	IEEMB820				SYS1.LINKLIB
IEE356A	Object	IEEMB820				SYS1.LINKLIB
IEE357A	Object	IEEMB820				SYS1.LINKLIB
IEE358I	Object	IEEMB820				SYS1.LINKLIB
IEE359I	Object	IEEMB820				SYS1.LINKLIB
IEE36ENT	Object	IEE3603D				SYS1.LPALIB
IEE360I	Object	IEEMB829				SYS1.LPALIB
IEE3603D	Load		IEECB904			SYS1.LPALIB
			IEE2303D			
			IEE3103D			
			IEE3303D			
			IEE36ENT			
			IEE3603D	IEE3603D		
			IEE4203D			
			IEE4403D			
			IEE4603D			
			IEE4803D			
			IEE4903D			
			IEE7303D			
	Object	IEE3603D				IEE3603D
	Entry	IEE3603D	IEE3603D			
IEE361I	Object	IEEMB829				SYS1.LPALIB
IEE362A	Object	IEEMB829				SYS1.LPALIB
IEE363I	Object	IEEMB820				SYS1.LINKLIB
IEE364I	Object	IEEMB829				SYS1.LPALIB
IEE365I	Object	IEEMB820				SYS1.LINKLIB
IEE3703D	Object	IGC0003D				SYS1.LPALIB
IEE40110	Object	IGC40110				SYS1.LPALIB
	Entry	IGC40110	IGC40110			
IEE4103D	Object	IGC0003D				SYS1.LPALIB
IEE4203D	Object	IEE3603D				SYS1.LPALIB
IEE4303D	Object	IGC0003D				SYS1.LPALIB
IEE4403D	Object	IEE3603D				SYS1.LPALIB
IEE4603D	Object	IEE3603D				SYS1.LPALIB
IEE4703D	Object	IGC0003D				SYS1.LPALIB
IEE480I	Object	IEEMB820				SYS1.LINKLIB
		IEEMB829				SYS1.LPALIB
IEE4803D	Object	IEE3603D				SYS1.LPALIB
IEE4903D	Object	IEE3603D				SYS1.LPALIB
IEE5103D	Object	IGC0003D				SYS1.LPALIB
IEE5403D	Object	IGC0003D				SYS1.LPALIB
IEE5503D	Object	IGC0003D				SYS1.LPALIB
IEE5603D	Object	IGC0003D				SYS1.LPALIB
IEE5703D	Object	IGC0003D				SYS1.LPALIB
IEE5903D	Object	IGC0003D				SYS1.LPALIB
IEE6303D	Object	IGC0003D				SYS1.LPALIB
IEE6403D	Object	IGC0003D				SYS1.LPALIB

Name	Type	Load	Object	Entry	Alias	System Library
IEE6503D	Object	IGC0003D				SYS1.LPALIB
IEE6603D	Object	IGC0003D				SYS1.LPALIB
IEE6703D	Object	IGC0003D				SYS1.LPALIB
IEE6803D	Object	IGC0003D				SYS1.LPALIB
IEE6903D	Object	IGC0003D				SYS1.LPALIB
IEE70110	Load		IEE70110	IEE70110		SYS1.LPALIB
			IEE90110			
	Object	IEE70110		IEE70110		
	Entry	IEE70110	IEE70110			
IEE7103D	Object	IGC0003D				SYS1.LPALIB
IEE7203D	Object	IGC0003D				SYS1.LPALIB
IEE7303D	Object	IEE3603D				SYS1.LPALIB
IEE7503D	Object	IGC0003D				SYS1.LPALIB
	Entry	IGC0003D	IEE7603D			
IEE7603D	Object	IGC0003D		IEE7503D	IEE7603D	SYS1.LPALIB
	Alias	IGC0003D	IEE7603D			
IEE7703D	Object	IGC0003D				SYS1.LPALIB
IEE7803D	Object	IGC0003D				SYS1.LPALIB
IEE90110	Object	IEE70110				SYS1.LPALIB
IEE9403D	Object	IGC0003D				SYS1.LPALIB
IEFAB4A0	Object	IEFW21SD				SYS1.LPALIB
IEFAB4A2	Object	IEFW21SD				SYS1.LPALIB
IEFAB4A3	Object	IEFW21SD				SYS1.LPALIB
IEFAB4A4	Object	IEFW21SD				SYS1.LPALIB
IEFAB4A6	Object	IEFW21SD				SYS1.LPALIB
IEFAB4A8	Object	IEFW21SD				SYS1.LPALIB
IEFAB4B0	Object	IEFW21SD				SYS1.LPALIB
IEFAB4B2	Object	IEFW21SD				SYS1.LPALIB
IEFAB4DC	Object	IEFW21SD		IEFAB4DC	IEFAB4DC	SYS1.LPALIB
		IGC0001I				
	Entry	IEFW21SD	IEFAB4DC			
	Alias	IEFW21SD	IEFAB4DC			
IEFAB4DD	Object	IEFW21SD				SYS1.LPALIB
IEFAB4DE	Object	IEFW21SD				SYS1.LPALIB
IEFAB4EA	Object	IEFW21SD				SYS1.LPALIB
IEFAB4EB	Object	IEFW21SD				SYS1.LPALIB
IEFAB4EC	Object	IEFW21SD		IEFAB4EC	IEFAB4EC	SYS1.LPALIB
	Entry	IEFW21SD	IEFAB4EC			
	Alias	IEFW21SD	IEFAB4EC			
IEFAB4ED	Object	IEFW21SD				SYS1.LPALIB
IEFAB4EE	Object	IEFW21SD				SYS1.LPALIB
IEFAB4EF	Object	IEFW21SD				SYS1.LPALIB
IEFAB4E0	Object	IEFW21SD				SYS1.LPALIB
IEFAB4E1	Object	IEFAB4E5				SYS1.LPALIB
		IEFW21SD				
IEFAB4E2	Object	IEFW21SD				SYS1.LPALIB
IEFAB4E3	Object	IEFW21SD				SYS1.LPALIB
IEFAB4E4	Object	IEFW21SD				SYS1.LPALIB
IEFAB4E5	Load		EDTTAB			SYS1.LPALIB
			FSPACE			
			GSPACE			
			GSPACE1			
			IEFAB4E1			
			IEFAB4E5	IEFAB4E5		
			IEFAB4FA			
			IEFAB4F6			
			IEFAB498			
			PREFTAB			
	Object	IEFAB4E5		IEFAB4E5		
	Entry	IEFAB4E5	IEFAB4E5			
IEFAB4E6	Object	IEFW21SD				SYS1.LPALIB
IEFAB4E7	Object	IEFW21SD				SYS1.LPALIB
IEFAB4E8	Object	IEFW21SD				SYS1.LPALIB
IEFAB4E9	Object	IEFW21SD				SYS1.LPALIB
IEFAB4FA	Object	IEFAB4E5				SYS1.LPALIB
		IEFW21SD				
IEFAB4FC	Object	IEESB601				SYS1.LINKLIB
		IEESB605				SYS1.LPALIB
		IEFW21SD				
IEFAB4FD	Object	IEFW21SD				SYS1.LPALIB

Name	Type	Load	Object	Entry	Alias	System Library
IEFAB4FE	Object	IEFW21SD				SYS1.LPALIB
IEFAB4F0	Object	IEFW21SD				SYS1.LPALIB
IEFAB4F1	Object	IEFW21SD				SYS1.LPALIB
IEFAB4F2	Object	IEFW21SD				SYS1.LPALIB
IEFAB4F3	Object	IEFW21SD				SYS1.LPALIB
IEFAB4F4	Object	IEFW21SD		IEFAB4F4	IEFAB4F4	SYS1.LPALIB
	Entry	IEFW21SD	IEFAB4F4			
	Alias	IEFW21SD	IEFAB4F4			
IEFAB4F5	Object	IEFW21SD		IEFAB4F5	IEFAB4F5	SYS1.LPALIB
	Entry	IEFW21SD	IEFAB4F5			
	Alias	IEFW21SD	IEFAB4F5			
IEFAB4F6	Object	IEESB601				SYS1.LINKLIB
		IEESB605				SYS1.LPALIB
		IEFAB4E5				
		IEFW21SD				
IEFAB4F7	Object	IEFW21SD				SYS1.LPALIB
IEFAB4F8	Object	IEFW21SD				SYS1.LPALIB
IEFAB4F9	Object	IEFW21SD				SYS1.LPALIB
IEFAB4M4	Object	IEFW21SD				SYS1.LPALIB
IEFAB4M5	Object	IEFW21SD				SYS1.LPALIB
IEFAB4M6	Object	IEFW21SD				SYS1.LPALIB
IEFAB4M7	Object	IEFW21SD				SYS1.LPALIB
IEFAB4M9	Object	IEFW21SD				SYS1.LPALIB
IEFAB4UV	Object	IEFW21SD		IEFAB4UV	IEFAB4UV	SYS1.LPALIB
	Entry	IEFW21SD	IEFAB4UV			
	Alias	IEFW21SD	IEFAB4UV			
IEFAB421	Object	IEFW21SD				SYS1.LPALIB
IEFAB422	Object	IEFW21SD				SYS1.LPALIB
IEFAB423	Object	IEFW21SD				SYS1.LPALIB
IEFAB424	Object	IEFW21SD				SYS1.LPALIB
IEFAB425	Object	IEFW21SD				SYS1.LPALIB
IEFAB426	Object	IEFW21SD				SYS1.LPALIB
IEFAB427	Object	IEFW21SD				SYS1.LPALIB
IEFAB428	Object	IEFW21SD				SYS1.LPALIB
IEFAB430	Object	IEFW21SD				SYS1.LPALIB
IEFAB431	Object	IEFW21SD				SYS1.LPALIB
IEFAB432	Object	IEFW21SD				SYS1.LPALIB
IEFAB433	Object	IEFW21SD				SYS1.LPALIB
IEFAB434	Object	IEFW21SD				SYS1.LPALIB
IEFAB435	Object	IEFW21SD				SYS1.LPALIB
IEFAB436	Object	IEFW21SD				SYS1.LPALIB
IEFAB438	Object	IEANUC01				SYS1.NUCLEUS
IEFAB440	Object	IEFW21SD				SYS1.LPALIB
IEFAB441	Object	IEFW21SD				SYS1.LPALIB
IEFAB442	Object	IEFW21SD				SYS1.LPALIB
IEFAB445	Object	IEFW21SD		IEFAB445	IEFAB445	SYS1.LPALIB
	Entry	IEFW21SD	IEFAB445			
	Alias	IEFW21SD	IEFAB445			
IEFAB451	Object	IEFW21SD				SYS1.LPALIB
IEFAB452	Object	IEFW21SD				SYS1.LPALIB
IEFAB453	Object	IEFW21SD				SYS1.LPALIB
IEFAB454	Object	IEFW21SD				SYS1.LPALIB
IEFAB455	Object	IEFW21SD				SYS1.LPALIB
IEFAB456	Object	IEFW21SD				SYS1.LPALIB
IEFAB457	Object	IEFW21SD				SYS1.LPALIB
IEFAB458	Object	IEFW21SD				SYS1.LPALIB
IEFAB459	Object	IEFW21SD				SYS1.LPALIB
IEFAB461	Object	IEFW21SD				SYS1.LPALIB
IEFAB463	Object	IEFW21SD				SYS1.LPALIB
IEFAB464	Object	IEFW21SD				SYS1.LPALIB
IEFAB466	Object	IEFW21SD				SYS1.LPALIB
IEFAB469	Object	IEFW21SD				SYS1.LPALIB
IEFAB470	Object	IEFW21SD				SYS1.LPALIB
IEFAB471	Object	IEFW21SD				SYS1.LPALIB
IEFAB472	Object	IEFW21SD				SYS1.LPALIB
IEFAB473	Object	IEFW21SD				SYS1.LPALIB
IEFAB474	Object	IEFW21SD				SYS1.LPALIB
IEFAB475	Object	IEFW21SD				SYS1.LPALIB
IEFAB476	Object	IEFW21SD				SYS1.LPALIB
IEFAB477	Object	IEFW21SD				SYS1.LPALIB

Name	Type	Load	Object	Entry	Alias	System Library
IEFAB478	Object	IEFW21SD				SYS1.LPALIB
IEFAB479	Object	IEFW21SD				SYS1.LPALIB
IEFAB48A	Object	IEFW21SD				SYS1.LPALIB
IEFAB480	Object	IEFW21SD				SYS1.LPALIB
IEFAB481	Object	IEFW21SD				SYS1.LPALIB
IEFAB485	Object	IEFW21SD				SYS1.LPALIB
IEFAB486	Object	IEFW21SD				SYS1.LPALIB
IEFAB487	Object	IEFW21SD				SYS1.LPALIB
IEFAB488	Object	IEFW21SD				SYS1.LPALIB
IEFAB489	Object	IEFW21SD				SYS1.LPALIB
IEFAB49A	Object	IEFW21SD				SYS1.LPALIB
IEFAB49B	Object	IEFW21SD				SYS1.LPALIB
IEFAB49C	Object	IEFW21SD		IEFAB49C	IEFAB49C	SYS1.LPALIB
	Entry	IEFW21SD	IEFAB49C			
	Alias	IEFW21SD	IEFAB49C			
IEFAB490	Object	IEFW21SD				SYS1.LPALIB
IEFAB491	Object	IEFW21SD				SYS1.LPALIB
IEFAB492	Object	IEFW21SD				SYS1.LPALIB
IEFAB493	Object	IEFW21SD				SYS1.LPALIB
IEFAB494	Object	IEFW21SD				SYS1.LPALIB
IEFAB495	Object	IEFW21SD				SYS1.LPALIB
IEFAB496	Object	IEFW21SD				SYS1.LPALIB
IEFAB498	Object	IEFAB4E5				SYS1.LPALIB
		IEFW21SD				
IEFAB499	Object	IEFW21SD				SYS1.LPALIB
IEFAB820	Object	IEFSD060				SYS1.LPALIB
IEFACTRT	Object	IEFW21SD				SYS1.LPALIB
IEFAQTOP	Object	IEANUC01				SYS1.NUCLEUS
IEFBB4M1	Object	IEFW21SD				SYS1.LPALIB
IEFBB4M2	Object	IEFW21SD				SYS1.LPALIB
IEFBB4M3	Object	IEFW21SD				SYS1.LPALIB
IEFBB4M4	Object	IEFW21SD				SYS1.LPALIB
IEFBB4M5	Object	IEFW21SD				SYS1.LPALIB
IEFBB401	Object	IEFW21SD				SYS1.LPALIB
	Entry	IEFW21SD	IEFW21SD			
IEFBB402	Object	IEFW21SD				SYS1.LPALIB
IEFBB404	Object	IEFW21SD				SYS1.LPALIB
IEFBB410	Object	IEFW21SD		IEFBB410	IEFBB410	SYS1.LPALIB
	Entry	IEFW21SD	IEFBB410			
	Alias	IEFW21SD	IEFBB410			
IEFBB412	Object	IEFW21SD				SYS1.LPALIB
IEFBB414	Object	IEFW21SD				SYS1.LPALIB
IEFBB416	Object	IEFW21SD				SYS1.LPALIB
IEFBR14	Load		IEFBR14	IEFBR14		SYS1.LINKLIB
	Object	ICHSEC00		IEFBR14		SYS1.LINKLIB
		IEFBR14				
		IGC0905A				
	Entry	ICHSEC00	ICHSEC00			SYS1.LINKLIB
		IEFBR14	IEFBR14			
		IGC0905A	IGC0905A			
IEFDB4A0	Object	IEFW21SD				SYS1.LPALIB
IEFDB4A1	Object	IEFW21SD				SYS1.LPALIB
IEFDB4D0	Load		IEFDB4D0	IEFDB4D0		SYS1.LPALIB
			IKJDAIR	IEFDB4D0	IKJDAIR	
	Object	IEFDB4D0		IEFDB4D0		
	Entry	IEFDB4D0	IEFDB4D0			
			IKJDAIR			
IEFDB4FA	Object	IEFW21SD				SYS1.LPALIB
IEFDB4FB	Object	IEFW21SD				SYS1.LPALIB
IEFDB4FC	Object	IEFW21SD				SYS1.LPALIB
IEFDB4FD	Object	IEFW21SD				SYS1.LPALIB
IEFDB4FE	Object	IEFW21SD				SYS1.LPALIB
IEFDB4FF	Object	IEFW21SD				SYS1.LPALIB
IEFDB4F8	Object	IEFW21SD				SYS1.LPALIB
IEFDB4F9	Object	IEFW21SD				SYS1.LPALIB
IEFDB400	Object	IEFW21SD				SYS1.LPALIB
	Entry	IEFW21SD	IGC0009I			
IEFDB401	Object	IEFW21SD				SYS1.LPALIB
IEFDB402	Object	IEFW21SD				SYS1.LPALIB
IEFDB403	Object	IEFW21SD				SYS1.LPALIB

Name	Type	Load	Object	Entry	Alias	System Library
IEFDB410	Object	IEFW21SD				SYS1.LPALIB
IEFDB411	Object	IEFW21SD				SYS1.LPALIB
IEFDB412	Object	IEFW21SD				SYS1.LPALIB
IEFDB413	Object	IEFW21SD				SYS1.LPALIB
IEFDB414	Object	IEFW21SD				SYS1.LPALIB
IEFDB417	Object	IEFW21SD				SYS1.LPALIB
IEFDB418	Object	IEFW21SD				SYS1.LPALIB
IEFDB450	Object	IEFW21SD				SYS1.LPALIB
IEFDB460	Object	IEFW21SD				SYS1.LPALIB
IEFDB470	Object	IEFW21SD				SYS1.LPALIB
IEFDB480	Object	IEFW21SD				SYS1.LPALIB
IEFDB481	Object	IEFW21SD				SYS1.LPALIB
IEFDB490	Object	IEFW21SD				SYS1.LPALIB
IEFDEVPT	Object	IEAVNP15				SYS1.NUCLEUS
IEFDPOST	Object	IEANUC01				SYS1.NUCLEUS
IEFDLST	Object	IEFSD060				SYS1.LPALIB
IEFDSTBL	Object	IEFSD060				SYS1.LPALIB
IEFIB600	Load		EDTTAB			SYS1.LPALIB
			IDAVBPJ2			
			IDDWIMRG			
			IEFIB600	IEFIB600		
			IEFIB605			
			IEFIB645			
			IEFXB601			
			IEFXB603	IEFXB603	IEFXB603	
			IEFXB609			
			PREFTAB			
	Object	IEFIB600		IEFIB600		
	Entry	IEFIB600	IEFIB600			
IEFIB605	Object	IEFIB600				SYS1.LPALIB
IEFIB620	Object	IEFSD060				SYS1.LPALIB
IEFIB621	Object	IEFSD060				SYS1.LPALIB
IEFIB645	Object	IEFIB600				SYS1.LPALIB
IEFIB650	Object	IEFSD060				SYS1.LPALIB
IEFIB660	Object	IEFSD060				SYS1.LPALIB
IEFICATL	Object	IEFSD060				SYS1.LPALIB
IEFICPUA	Object	IEFSD060				SYS1.LPALIB
IEFIIC	Object	IEFSD060		IEFIIC	IEFIIC	SYS1.LPALIB
	Entry	IEFSD060	IEFIIC			
	Alias	IEFSD060	IEFIIC			
IEFIMASK	Object	IEFSD060				SYS1.LPALIB
IEFIRECM	Load		IEFIRECM	IEFIRECM		SYS1.LPALIB
			IEFISEXR			
	Object	IEFIRECM		IEFIRECM		
	Entry	IEFIRECM	IEFIRECM			
IEFISEXR	Object	IEFIRECM				SYS1.LPALIB
		IEFJRECM				
IEFI922B	Object	IEFSD060				SYS1.LPALIB
IEFJACTL	Object	IEFJSUBI				SYS1.LPALIB
IEFJCDLT	Object	IEFJSUBI				SYS1.LPALIB
IEFJCNTL	Object	IEFJSUBI				SYS1.LPALIB
IEFJDIRD	Object	IEFJSUBI				SYS1.LPALIB
IEFJDSNA	Load		IEFJDSNA	IEFJDSNA		SYS1.LPALIB
	Object	IEFJDSNA		IEFJDSNA		
	Entry	IEFJDSNA	IEFJDSNA			
IEFJDWRT	Object	IEFJSUBI				SYS1.LPALIB
IEFJESCT	Object	IEANUC01				SYS1.NUCLEUS
IEFJESNM	Object	IEEVIPL				SYS1.LINKLIB
IEFJJCLS	Object	IEFJSUBI				SYS1.LPALIB
IEFJJJOBS	Object	IEFJSUBI				SYS1.LPALIB
	Entry	IEFJSUBI	IEFJSUBI			
IEFJJTRM	Load		IEFJJTRM	IEFJJTRM		SYS1.LPALIB
	Object	IEFJJTRM		IEFJJTRM		
	Entry	IEFJJTRM	IEFJJTRM			
IEFJRASP	Load		IEFJRASP	IEFJRASP		SYS1.LPALIB
	Object	IEFJRASP		IEFJRASP		
	Entry	IEFJRASP	IEFJRASP			
IEFJREAD	Object	IEFJSUBI				SYS1.LPALIB
IEFJRECM	Load		IEFISEXR			SYS1.LPALIB
			IEFJRECM	IEFJRECM		

Name	Type	Load	Object	Entry	Alias	System Library
	Object	IEFJRECM		IEFJRECM		
	Entry	IEFJRECM	IEFJRECM			
IEFJSDTN	Load		IEFJSDTN	IEFJSDTN		SYS1.LPALIB
	Object	IEFJSDTN		IEFJSDTN		
	Entry	IEFJSDTN	IEFJSDTN			
IEFJSINT	Object	IEEVIPL				SYS1.LINKLIB
IEFJSREQ	Load		IEFJSREQ	IEFJSREQ		SYS1.LPALIB
	Object	IEFJSREQ		IEFJSREQ		
	Entry	IEFJSREQ	IEFJSREQ			
IEFJSUBI	Load		IEFJACTL			SYS1.LPALIB
			IEFJCDLT			
			IEFJCNTL			
			IEFJDIRD			
			IEFJDWRT			
			IEFJJCLS			
			IEFJJJOBS			
			IEFJREAD			
			IEFJSUBI	IEFJJJOBS		
			IEFJWRTE			
			IEFJWTOB			
	Object	IEFJSUBI		IEFJJJOBS		
IEFJSWT	Object	IEESB605				SYS1.LPALIB
IEFJTBNM	Object	IEEVIPL				SYS1.LINKLIB
IEFJWRTE	Object	IEFJSUBI				SYS1.LPALIB
IEFJWTOB	Object	IEFJSUBI				SYS1.LPALIB
IEFLINK	Object	IEANUC01				SYS1.NUCLEUS
IEFNB9CR	Object	IEFVH1				SYS1.LPALIB
IEFNB9CT	Object	IEFVH1				SYS1.LPALIB
IEFNB9IR	Object	IEFNB903				SYS1.LPALIB
IEFNB9IT	Object	IEFNB903				SYS1.LPALIB
IEFNB901	Object	IEFNB903				SYS1.LPALIB
IEFNB902	Object	IEFVAMP				SYS1.LPALIB
	Entry	IEFVAMP	IEFVAMP			
IEFNB903	Load		IEFNB9IR			SYS1.LPALIB
			IEFNB9IT			
			IEFNB901			
			IEFNB903	IEFNB903		
			IEFVDA			
			IEFVDBSD			
			IEFVEA			
			IEFVGI			
			IEFVGK			
			IEFVGM			
			IEFVGS			
			IEFVGT			
			IEFVHE			
			IEFVHH			
			IEFVHN			
			IEFVHQ			
			IEFVHR			
			IEFVJA			
			TRACE			
	Object	IEFNB903		IEFNB903		
	Entry	IEFNB903	IEFNB903			
IEFQAGST	Object	IEFQB585		IEFQAGST	IEFQAGST	SYS1.LPALIB
		IEFSD060				
	Entry	IEFQB585	IEFQAGST			
	Alias	IEFQB585	IEFQAGST			
IEFQASGN	Object	IEFQB585		IEFQASGN	IEFQASGN	SYS1.LPALIB
		IEFSD060				
	Entry	IEFQB585	IEFQASGN			
			IEFQASGQ			
IEFQASGQ	Alias	IEFQB585		IEFQASGN	IEFQASGQ	SYS1.LPALIB
	Object	IEFQB585				
		IEFSD060				
	Alias	IEFQB585	IEFQASGQ			
IEFQBVMS	Object	IEFQB585		IEFQMLK1	IEFQBVMS	SYS1.LPALIB
		IEFSD060				
	Alias	IEFQB585	IEFQBVMS			
IEFQB550	Load		BLOCKID			SYS1.LPALIB

Name	Type	Load	Object	Entry	Alias	System Library
			IEFQB550	IEFQB550		
			IEFQB555	IEFQB555	IEFQB555	
			IEFQB580	IEFQB580	IEFQB580	
			IEFXB500	IEFXB500	IEFXB500	
			SPSZ50L			
			SPSZ55L			
			TABLE			
	Object	IEFQB550		IEFQB550		
	Entry	IEFQB550	IEFQB550			
IEFQB555	Object	IEFQB550		IEFQB555	IEFQB555	SYS1.LPALIB
	Entry	IEFQB550	IEFQB555			
	Alias	IEFQB550	IEFQB555			
IEFQB580	Object	IEFQB550		IEFQB580	IEFQB580	SYS1.LPALIB
	Entry	IEFQB550	IEFQB580			
	Alias	IEFQB550	IEFQB580			
IEFQB585	Load		IEFQAGST	IEFQAGST	IEFQAGST	SYS1.LPALIB
			IEFQASGN	IEFQASGN	IEFQASGN	
			IEFQASGQ	IEFQASGN	IEFQASGQ	
			IEFQBVMs	IEFQMLK1	IEFQBVMs	
			IEFQB585	IEFQB585		
			IEFQDELE	IEFQDELE	IEFQDELE	
			IEFQDELQ	IEFQDELE	IEFQDELQ	
			IEFQMLK1	IEFQMLK1	IEFQMLK1	
			IEFQMRAW	IEFQMLK1	IEFQMRAW	
			IEFQMSSS	IEFQMLK1	IEFQMSSS	
	Object	IEFQB585		IEFQB585		
	Entry	IEFSD060				
IEFQDELE	Object	IEFQB585	IEFQB585	IEFQDELE	IEFQDELE	SYS1.LPALIB
	Entry	IEFQB585	IEFQDELE			
	Alias	IEFQB585	IEFQDELE			
IEFQDELQ	Object	IEFQB585		IEFQDELE	IEFQDELQ	SYS1.LPALIB
	Alias	IEFQB585	IEFQDELQ			
IEFQMLK1	Object	IEFQB585		IEFQMLK1	IEFQMLK1	SYS1.LPALIB
	Entry	IEFSD060	IEFQBVMs			
			IEFQMLK1			
			IEFQMRAW			
			IEFQMSSS			
	Alias	IEFQB585	IEFQMLK1			
IEFQMRAW	Object	IEFQB585		IEFQMLK1	IEFQMRAW	SYS1.LPALIB
	Alias	IEFSD060	IEFQMRAW			
IEFQMSSS	Object	IEFQB585		IEFQMLK1	IEFQMSSS	SYS1.LPALIB
	Alias	IEFSD060	IEFQMSSS			
IEFQMWR	Object	IEFQB585				SYS1.NUCLEUS
IEFRPREP	Object	IEANUC01				SYS1.LPALIB
IEFRSTRT	Load	IEFW21SD	IEFRSTRT	IEFRSTRT		SYS1.LPALIB
	Object	IEFRSTRT	IEFSMR	IEFRSTRT	IEFSMR	
	Entry	IEFRSTRT	IEFRSTRT	IEFRSTRT		
IEFSCAN	Object	IEAVNP15				SYS1.NUCLEUS
IEFSDPPT	Object	IEFSD060				SYS1.LPALIB
IEFSDTTE	Load		IEFSDTTE	IEFSDTTE		SYS1.LPALIB
	Object	IEFSDTTE		IEFSDTTE		
	Entry	IEFSDTTE	IEFSDTTE			
IEFSDXXX	Load		IEFSDXXX	IEFSDXXX		SYS1.LPALIB
	Object	IEFSDXXX		IEFSDXXX		
IEFSD060	Entry	IEFSDXXX	IEFSDXXX			SYS1.LPALIB
	Load		IEFAB820			
			IEFDSLST			
			IEFDSTBL			
			IEFIB620			
			IEFIB621			

Name	Type	Load	Object	Entry	Alias	System Library
			IEFIB650			
			IEFIB660			
			IEFICATL			
			IEFICPUA			
			IEFIIC	IEFIIC	IEFIIC	
			IEFIMASK			
			IEFI922B			
			IEFQAGST			
			IEFQASGN			
			IEFQASGQ			
			IEFQBVMS			
			IEFQB585			
			IEFQDELE			
			IEFQDELO			
			IEFQMLK1			
			IEFQMRAW			
			IEFQMSSS			
			IEFSDPPT			
			IEFSD060	IEFSD060		
			IEFSD061			
			IEFSD062			
			IEFSD064			
			IEFSD066			
			IEFSD101			
			IEFSD102			
			IEFSD103			
			IEFSD263			
			IEFSMFAT			
			IEFSMFIE			
			IEFUJI			
			IEFUSI			
			IEFUTL			
			IEFXB500			
			IEFXB604			
	Object	IEFSD060				
	Entry	IEFSD060	IEFSD060	IEFSD060		
IEFSD061	Object	IEFSD060				SYS1.LPALIB
IEFSD062	Object	IEFSD060				SYS1.LPALIB
IEFSD064	Object	IEFSD060				SYS1.LPALIB
IEFSD066	Object	IEFSD060				SYS1.LPALIB
IEFSD087	Load					SYS1.LPALIB
			IEFSD087	IEFSD087		
			IEFSD088			
			IEFSD089			
			IEFSD87M			
			IEFSD89M			
	Object	IEFSD087				
	Entry	IEFSD087	IEFSD087	IEFSD087		
IEFSD088	Object	IEFSD087				SYS1.LPALIB
		IEFSD094				
IEFSD089	Object	IEFSD087				SYS1.LPALIB
		IEFSD094				
IEFSD094	Load					SYS1.LPALIB
			IEFSD088			
			IEFSD089			
			IEFSD094	IEFSD094		
			IEFSD095			
			IEFSD89M			
	Object	IEFSD094				
	Entry	IEFSD094	IEFSD094	IEFSD094		
IEFSD095	Object	IEFSD094				SYS1.LPALIB
IEFSD101	Object	IEFSD060				SYS1.LPALIB
IEFSD102	Object	IEFSD060				SYS1.LPALIB
IEFSD103	Object	IEFSD060				SYS1.LPALIB
IEFSD263	Object	IEFSD060				SYS1.LPALIB
IEFSD87M	Object	IEFSD087				SYS1.LPALIB
IEFSD89M	Object	IEFSD087				SYS1.LPALIB
		IEFSD094				
IEFSGOPT	Object	IEFW21SD				SYS1.LPALIB
IEFSMFAT	Object	IEFSD060				SYS1.LPALIB

Name	Type	Load	Object	Entry	Alias	System Library
IEFSMFIE	Object	IEFSD060				SYS1.LPALIB
IEFSMR	Object	IEFRSTRT		IEFRSTRT	IEFSMR	SYS1.LPALIB
	Alias	IEFRSTRT	IEFSMR			
IEFTB720	Object	IEFW21SD				SYS1.LPALIB
IEFTB721	Object	IEFW21SD				SYS1.LPALIB
IEFTB722	Object	IEFW21SD				SYS1.LPALIB
IEFTB723	Object	IEFW21SD				SYS1.LPALIB
IEFUJI	Object	IEFSD060				SYS1.LPALIB
IEFUJP	Load		IEFUJP	IEFUJP		SYS1.LPALIB
	Object	IEFUJP		IEFUJP		
	Entry	IEFUJP	IEFUJP			
IEFUJV	Load		IEFUJV	IEFUJV		SYS1.LPALIB
	Object	IEFUJV		IEFUJV		
	Entry	IEFUJV	IEFUJV			
IEFUSI	Object	IEFSD060				SYS1.LPALIB
IEFUSO	Load		IEFUSO	IEFUSO		SYS1.LPALIB
	Object	IEFUSO		IEFUSO		
	Entry	IEFUSO	IEFUSO			
IEFUTL	Object	IEFSD060				SYS1.LPALIB
IEFU83	Load		IEFU83	IEFU83		SYS1.LPALIB
	Object	IEFU83		IEFU83		
	Entry	IEFU83	IEFU83			
IEFVAMP	Load		IEFNB902	IEFNB902		SYS1.LPALIB
	Object	IEFVAMP	IEFNB902	IEFNB902		
IEFVDA	Object	IEFNB903				SYS1.LPALIB
IEFVDBSD	Object	IEFNB903				SYS1.LPALIB
IEFVEA	Object	IEFNB903				SYS1.LPALIB
IEFVFA	Object	IEFVH1				SYS1.LPALIB
IEFVFB	Object	IEFVH1				SYS1.LPALIB
IEFVGI	Object	IEFNB903				SYS1.LPALIB
IEFVGK	Object	IEFNB903				SYS1.LPALIB
IEFVGM	Object	IEFNB903				SYS1.LPALIB
		IEFVH1				
IEFVGM1	Load		IEFVGM1	IEFVGM1		SYS1.LPALIB
	Object	IEFVGM1		IEFVGM1		
	Entry	IEFVGM1	IEFVGM1			
IEFVGM10	Load		IEFVGM10	IEFVGM10		SYS1.LPALIB
	Object	IEFVGM10		IEFVGM10		
	Entry	IEFVGM10	IEFVGM10			
IEFVGM11	Load		IEFVGM11	IEFVGM11		SYS1.LPALIB
	Object	IEFVGM11		IEFVGM11		
	Entry	IEFVGM11	IEFVGM11			
IEFVGM12	Load		IEFVGM12	IEFVGM12		SYS1.LPALIB
	Object	IEFVGM12		IEFVGM12		
	Entry	IEFVGM12	IEFVGM12			
IEFVGM13	Load		IEFVGM13	IEFVGM13		SYS1.LPALIB
	Object	IEFVGM13		IEFVGM13		
	Entry	IEFVGM13	IEFVGM13			
IEFVGM14	Load		IEFVGM14	IEFVGM14		SYS1.LPALIB
	Object	IEFVGM14		IEFVGM14		
	Entry	IEFVGM14	IEFVGM14			
IEFVGM15	Load		IEFVGM15	IEFVGM15		SYS1.LPALIB
	Object	IEFVGM15		IEFVGM15		
	Entry	IEFVGM15	IEFVGM15			
IEFVGM16	Load		IEFVGM16	IEFVGM16		SYS1.LPALIB
	Object	IEFVGM16		IEFVGM16		
	Entry	IEFVGM16	IEFVGM16			
IEFVGM17	Load		IEFVGM17	IEFVGM17		SYS1.LPALIB
	Object	IEFVGM17		IEFVGM17		
	Entry	IEFVGM17	IEFVGM17			
IEFVGM18	Load		IEFVGM18	IEFVGM18		SYS1.LPALIB
	Object	IEFVGM18		IEFVGM18		
	Entry	IEFVGM18	IEFVGM18			
IEFVGM19	Load		IEFVGM19	IEFVGM19		SYS1.LPALIB
	Object	IEFVGM19		IEFVGM19		
	Entry	IEFVGM19	IEFVGM19			
IEFVGM2	Load		IEFVGM2	IEFVGM2		SYS1.LPALIB
	Object	IEFVGM2		IEFVGM2		
	Entry	IEFVGM2	IEFVGM2			

Name	Type	Load	Object	Entry	Alias	System Library
IEFVGM3	Load		IEFVGM3	IEFVGM3		SYS1.LPALIB
	Object	IEFVGM3		IEFVGM3		
	Entry	IEFVGM3	IEFVGM3			
IEFVGM4	Load		IEFVGM4	IEFVGM4		SYS1.LPALIB
	Object	IEFVGM4		IEFVGM4		
	Entry	IEFVGM4	IEFVGM4			
IEFVGM5	Load		IEFVGM5	IEFVGM5		SYS1.LPALIB
	Object	IEFVGM5		IEFVGM5		
	Entry	IEFVGM5	IEFVGM5			
IEFVGM6	Load		IEFVGM6	IEFVGM6		SYS1.LPALIB
	Object	IEFVGM6		IEFVGM6		
	Entry	IEFVGM6	IEFVGM6			
IEFVGM67	Load		IEFVGM67	IEFVGM67		SYS1.LPALIB
	Object	IEFVGM67		IEFVGM67		
	Entry	IEFVGM67	IEFVGM67			
IEFVGM7	Load		IEFVGM7	IEFVGM7		SYS1.LPALIB
	Object	IEFVGM7		IEFVGM7		
	Entry	IEFVGM7	IEFVGM7			
IEFVGM70	Load		IEFVGM70	IEFVGM70		SYS1.LPALIB
	Object	IEFVGM70		IEFVGM70		
	Entry	IEFVGM70	IEFVGM70			
IEFVGM71	Load		IEFVGM71	IEFVGM71		SYS1.LPALIB
	Object	IEFVGM71		IEFVGM71		
	Entry	IEFVGM71	IEFVGM71			
IEFVGM76	Load		IEFVGM76	IEFVGM76		SYS1.LPALIB
	Object	IEFVGM76		IEFVGM76		
	Entry	IEFVGM76	IEFVGM76			
IEFVGM78	Load		IEFVGM78	IEFVGM78		SYS1.LPALIB
	Object	IEFVGM78		IEFVGM78		
	Entry	IEFVGM78	IEFVGM78			
IEFVGM8	Load		IEFVGM8	IEFVGM8		SYS1.LPALIB
	Object	IEFVGM8		IEFVGM8		
	Entry	IEFVGM8	IEFVGM8			
IEFVGM9	Load		IEFVGM9	IEFVGM9		SYS1.LPALIB
	Object	IEFVGM9		IEFVGM9		
	Entry	IEFVGM9	IEFVGM9			
IEFVGS	Object	IEFNB903				SYS1.LPALIB
IEFVGT	Object	IEFNB903				SYS1.LPALIB
IEFVHA	Object	IEFVH1				SYS1.LPALIB
IEFVHC	Object	IEFVH1				SYS1.LPALIB
IEFVHCB	Object	IEFVH1				SYS1.LPALIB
IEFVHE	Object	IEFNB903				SYS1.LPALIB
IEFVHEB	Object	IEFVH1				SYS1.LPALIB
IEFVHF	Object	IEFVH1				SYS1.LPALIB
IEFVHH	Object	IEFNB903				SYS1.LPALIB
IEFVHL	Object	IEFVH1				SYS1.LPALIB
IEFVHM	Object	IEFVH1				SYS1.LPALIB
IEFVHN	Object	IEFNB903				SYS1.LPALIB
IEFVHQ	Object	IEFNB903				SYS1.LPALIB
		IEFVH1				
IEFVHR	Object	IEFNB903				SYS1.LPALIB
		IEFVH1				
IEFVH1	Load		IEFNB9CR			SYS1.LPALIB
			IEFNB9CT			
			IEFVFA			
			IEFVFB			
			IEFVGM			
			IEFVHA			
			IEFVHC			
			IEFVHCB			
			IEFVHEB			
			IEFVHF			
			IEFVHL			
			IEFVHM			
			IEFVHQ			
			IEFVHR			
			IEFVH1	IEFVH1		
			IEFVINA			
			IEFVINB			
			IEFVINC			

Name	Type	Load	Object	Entry	Alias	System Library
			IEFVIND			
			IEFVINE			
			IEZDCODE			
			IEZNCODE			
			TRACE			
	Object	IEFVH1		IEFVH1		
	Entry	IEFVH1	IEFVH1			
IEFVINA	Object	IEFVH1				SYS1.LPALIB
IEFVINB	Object	IEFVH1				SYS1.LPALIB
IEFVINC	Object	IEFVH1				SYS1.LPALIB
IEFVIND	Object	IEFVH1				SYS1.LPALIB
IEFVINE	Object	IEFVH1				SYS1.LPALIB
IEFVJA	Object	IEFVH1				SYS1.LPALIB
IEFW21SD	Load	IEFN903				SYS1.LPALIB
			ABENDHDR			
			ACTION			
			ALCESTAE			
			ALOCHDR			
			ALOCMSG			
			ATTRIBUTE			
			ATTROTAB			
			B410MOFT			
			B410MSGT			
			CCFAIL			
			CNDMTMSG			
			CWTOLIST			
			DDERRTAB			
			DSPIDTAB			
			DSPTAB			
			EDTTAB			
			FSPACE			
			GSPACE			
			GSPACE1			
			HDRMSG1			
			HDRMSG2			
			HDR2OFFS			
			IDACAT11			
			IDACAT12			
			IEEAB400			
			IEEAB401			
			IEFAB4A0			
			IEFAB4A2			
			IEFAB4A3			
			IEFAB4A4			
			IEFAB4A6			
			IEFAB4A8			
			IEFAB4B0			
			IEFAB4B2			
			IEFAB4DC	IEFAB4DC	IEFAB4DC	
			IEFAB4DD			
			IEFAB4DE			
			IEFAB4EA			
			IEFAB4EB			
			IEFAB4EC	IEFAB4EC	IEFAB4EC	
			IEFAB4ED			
			IEFAB4EE			
			IEFAB4EF			
			IEFAB4E0			
			IEFAB4E1			
			IEFAB4E2			
			IEFAB4E3			
			IEFAB4E4			
			IEFAB4E6			
			IEFAB4E7			
			IEFAB4E8			
			IEFAB4E9			
			IEFAB4FA			
			IEFAB4FC			
			IEFAB4FD			
			IEFAB4FE			
			IEFAB4F0			

Name	Type	Load	Object	Entry	Alias	System Library
			IEFAB4F1			
			IEFAB4F2			
			IEFAB4F3			
			IEFAB4F4	IEFAB4F4	IEFAB4F4	
			IEFAB4F5	IEFAB4F5	IEFAB4F5	
			IEFAB4F6			
			IEFAB4F7			
			IEFAB4F8			
			IEFAB4F9			
			IEFAB4M4			
			IEFAB4M5			
			IEFAB4M6			
			IEFAB4M7			
			IEFAB4M9			
			IEFAB4UV	IEFAB4UV	IEFAB4UV	
			IEFAB421			
			IEFAB422			
			IEFAB423			
			IEFAB424			
			IEFAB425			
			IEFAB426			
			IEFAB427			
			IEFAB428			
			IEFAB430			
			IEFAB431			
			IEFAB432			
			IEFAB433			
			IEFAB434			
			IEFAB435			
			IEFAB436			
			IEFAB440			
			IEFAB441			
			IEFAB442			
			IEFAB445	IEFAB445	IEFAB445	
			IEFAB451			
			IEFAB452			
			IEFAB453			
			IEFAB454			
			IEFAB455			
			IEFAB456			
			IEFAB457			
			IEFAB458			
			IEFAB459			
			IEFAB461			
			IEFAB463			
			IEFAB464			
			IEFAB466			
			IEFAB469			
			IEFAB470			
			IEFAB471			
			IEFAB472			
			IEFAB473			
			IEFAB474			
			IEFAB475			
			IEFAB476			
			IEFAB477			
			IEFAB478			
			IEFAB479			
			IEFAB48A			
			IEFAB480			
			IEFAB481			
			IEFAB485			
			IEFAB486			
			IEFAB487			
			IEFAB488			
			IEFAB489			
			IEFAB49A			
			IEFAB49B			
			IEFAB49C	IEFAB49C	IEFAB49C	
			IEFAB490			

Name	Type	Load	Object	Entry	Alias	System Library
			IEFAB491			
			IEFAB492			
			IEFAB493			
			IEFAB494			
			IEFAB495			
			IEFAB496			
			IEFAB498			
			IEFAB499			
			IEFACTRT			
			IEFBB4M1			
			IEFBB4M2			
			IEFBB4M3			
			IEFBB4M4			
			IEFBB4M5			
			IEFBB401			
			IEFBB402			
			IEFBB404			
			IEFBB410	IEFBB410	IEFBB410	
			IEFBB412			
			IEFBB414			
			IEFBB416			
			IEFDB4A0			
			IEFDB4A1			
			IEFDB4FA			
			IEFDB4FB			
			IEFDB4FC			
			IEFDB4FD			
			IEFDB4FE			
			IEFDB4FF			
			IEFDB4F8			
			IEFDB4F9			
			IEFDB400			
			IEFDB401			
			IEFDB402			
			IEFDB403			
			IEFDB410			
			IEFDB411			
			IEFDB412			
			IEFDB413			
			IEFDB414			
			IEFDB417			
			IEFDB418			
			IEFDB450			
			IEFDB460			
			IEFDB470			
			IEFDB480			
			IEFDB481			
			IEFDB490			
			IEFRPREP			
			IEFSGOPT			
			IEFTB720			
			IEFTB721			
			IEFTB722			
			IEFTB723			
			IEFW21SD	IEFBB401		
			IEFXVNSL			
			IEFYRCDS			
			IEFYS			
			IEF373I			
			IEF374I			
			IEF375I			
			IEF376I			
			IEF458D			
			IEF502I			
			IEF503I			
			IEF510I			
			IGC0009I	IEFDB400	IGC0009I	
			INVMSG			
			INVROPT			
			INVWTMSG			

Name	Type	Load	Object	Entry	Alias	System Library
			JNOTRUN			
			JOBENDED			
			JOBFAILED			
			LOGGDOFF			
			LOGGEDON			
			MSGIDTAB			
			MSGNO			
			MSGTEXTT			
			MSGTTAB			
			MTREPLYM			
			OFFWTO			
			OFLHDR			
			OFLMOFS			
			OFLMSGID			
			OFLMSG			
			PGMABEND			
			PGMCFAIL			
			PREFTAB			
			PRIVAT			
			PVTMSG			
			RLSEHDR			
			RMSGID			
			RPLYOFFS			
			RPLYOPTS			
			RPLYWAIT			
			SCRATCH			
			STARTED			
			STEPMOT			
			STEPRUN			
			STNOTRUN			
			SWMSGID			
			SWMSGOFS			
			SWMSGOPS			
			UNAESTAE			
			UNERRMSG			
			UNLDMSG			
			VERINVLD			
			VLINENT			
			VMVERMSG			
			VVMNTMSG			
			VVUNLMSG			
			VWAITLST			
			WTOABEND			
IEFXB500	Object	IEFW21SD		IEFBB401		
	Object	IEFQB550		IEFXB500	IEFXB500	SYS1.LPALIB
		IEFSD060				
	Entry	IEFQB550	IEFXB500			
IEFXB601	Alias	IEFQB550	IEFXB500			
IEFXB602	Object	IEFIB600				SYS1.LPALIB
	Load		IEFXB602	IEFXB602		SYS1.LPALIB
			IEF602	IEF602	IEF602	
	Object	IEFXB602		IEFXB602		
IEFXB603	Entry	IEFXB602	IEFXB602			
	Object	IEFIB600		IEFXB603	IEFXB603	SYS1.LPALIB
	Entry	IEFIB600	IEFXB603			
	Alias	IEFIB600	IEFXB603			
IEFXB604	Object	IEFSD060				SYS1.LPALIB
IEFXB609	Object	IEFIB600				SYS1.LPALIB
IEFXB610	Load		IEFXB610	IEFXB610		SYS1.LPALIB
	Object	IEFXB610		IEFXB610		
	Entry	IEFXB610	IEFXB610			
IEFXVNSL	Object	IEFW21SD				SYS1.LPALIB
IEFYRCDS	Object	IEFW21SD				SYS1.LPALIB
IEFY	Object	IEFW21SD				SYS1.LPALIB
IEF373I	Object	IEFW21SD				SYS1.LPALIB
IEF374I	Object	IEFW21SD				SYS1.LPALIB
IEF375I	Object	IEFW21SD				SYS1.LPALIB
IEF376I	Object	IEFW21SD				SYS1.LPALIB
IEF458D	Object	IEFW21SD				SYS1.LPALIB
IEF502I	Object	IEFW21SD				SYS1.LPALIB

Name	Type	Load	Object	Entry	Alias	System Library
IEF503I	Object	IEFW21SD				SYS1.LPALIB
IEF510I	Object	IEFW21SD				SYS1.LPALIB
IEF602	Object	IEFXB602		IEF602	IEF602	SYS1.LPALIB
	Entry	IEFXB602	IEF602			
	Alias	IEFXB602	IEF602			
IEHATLAS	Load		IEHATLAS	IEHATLAS		SYS1.LINKLIB
			IEHMESS			
			MESSTBL			
	Object	IEHATLAS		IEHATLAS		
	Entry	IEHATLAS	IEHATLAS			
IEHCULAT	Object	IEHMVESZ				SYS1.LINKLIB
IEHDANAL	Load		IEHDANAL	IEHDANAL		SYS1.LINKLIB
	Object	IEHDANAL		IEHDANAL		
	Entry	IEHDANAL	IEHDANAL			
IEHDAOUT	Load		IEHDAOUT	IEHDAOUT		SYS1.LINKLIB
	Object	IEHDAOUT		IEHDAOUT		
	Entry	IEHDAOUT	IEHDAOUT			
IEHDASDR	Load		IEHDASDR	IEHDASDR		SYS1.LINKLIB
	Object	IEHDASDR		IEHDASDR		
	Entry	IEHDASDR	IEHDASDR			
IEHDASDS	Load		IEHDASDS	IEHDASDS		SYS1.LINKLIB
			IEHDASDS			
			IEHDCONS			
	Object	IEHDASDS		IEHDASDS		
	Entry	IEHDASDS	IEHDASDS			
IEHDCBDM	Object	IEHMVESY				SYS1.LINKLIB
IEHDCONS	Object	IEHDASDS				SYS1.LINKLIB
IEHDDATE	Object	IEHDP RNT				SYS1.LINKLIB
IEHDDOIO	Object	IEHDDUMP				SYS1.LINKLIB
IEHDDUMP	Load		IEHDDOIO			
			IEHDDUMP	IEHDDUMP		
			IEHDEXCP			
	Object	IEHDDUMP		IEHDDUMP		
	Entry	IEHDDUMP	IEHDDUMP			
IEHDEXCP	Object	IEHDDUMP				SYS1.LINKLIB
IEHDGETA	Load		IEHDGETA	IEHDGETA		SYS1.LINKLIB
	Object	IEHDGETA		IEHDGETA		
	Entry	IEHDGETA	IEHDGETA			
IEHDINIT	Object	IEHDREST				SYS1.LINKLIB
	Entry	IEHDREST	IEHDREST			
IEHDIPLI	Load		IEHDIPLI	IEHDIPLI		SYS1.LINKLIB
	Object	IEHDIPLI		IEHDIPLI		
	Entry	IEHDIPLI	IEHDIPLI			
IEHDLABL	Load		IEHDLABL	IEHDLABL		SYS1.LINKLIB
	Object	IEHDLABL		IEHDLABL		
	Entry	IEHDLABL	IEHDLABL			
IEHDMMSGB	Load		IEHDMMSGB	IEHDMMSGB		SYS1.LINKLIB
			IEHDMMSGS			
			MSGSTART			
			MSGTABLE			
	Object	IEHDMMSGB		IEHDMMSGB		
	Entry	IEHDMMSGB	IEHDMMSGB			
IEHDMMSGS	Object	IEHDMMSGB				SYS1.LINKLIB
IEHDPASS	Load		IEHDPASS	IEHDPASS		SYS1.LINKLIB
	Object	IEHDPASS		IEHDPASS		
	Entry	IEHDPASS	IEHDPASS			
IEHDP RNT	Load		IEHDP RNT	IEHDP RNT		SYS1.LINKLIB
			IEHDP RNT			
	Object	IEHDP RNT		IEHDP RNT		
	Entry	IEHDP RNT	IEHDP RNT			
IEHRCVR	Load		IEHRCVR	IEHRCVR		SYS1.LINKLIB
	Object	IEHRCVR		IEHRCVR		
	Entry	IEHRCVR	IEHRCVR			
IEHDREST	Load		IEHDINIT			SYS1.LINKLIB
			IEHDREST			
	Object	IEHDREST		IEHDINIT		
	Load		IEHDSCAN	IEHDSCAN		SYS1.LINKLIB
	Object	IEHDSCAN		IEHDSCAN		
	Entry	IEHDSCAN	IEHDSCAN			
IEHDVTOC	Load		IEHDVTOC	IEHDVTOC		SYS1.LINKLIB
	Object	IEHDVTOC		IEHDVTOC		

Name	Type	Load	Object	Entry	Alias	System Library
IEHINITT	Entry Load	IEHDVTOC	IEHDVTOC IEHINITT IEHINIT2	IEHINITT		SYS1.LINKLIB
IEHINIT2	Object Entry Object	IEHINITT IEHINITT IEHINITT	IEHINITT	IEHINITT		SYS1.LINKLIB
IEHLIST	Load		IEHLIST IEHLISTC IEHLISTD IEHLISTI IEHLISTM IEHLISTP IEHLISTR IEHLISTS IEHLISTU IEHMVESF IEHPSCAN IEHVOLMT KEOF RDCARD RONBACK	IEHLISTR		SYS1.LINKLIB SYS1.LINKLIB
IEHLISTC	Object	IEHLIST		IEHLISTR		SYS1.LINKLIB
IEHLISTD	Object	IEHLIST				SYS1.LINKLIB
IEHLISTI	Object	IEHLIST				SYS1.LINKLIB
IEHLISTM	Object	IEHLIST				SYS1.LINKLIB
IEHLISTP	Object	IEHLIST				SYS1.LINKLIB
IEHLISTR	Object	IEHLIST				SYS1.LINKLIB
IEHLISTS	Entry	IEHLIST	IEHLIST			
IEHLISTU	Object	IEHLIST				SYS1.LINKLIB
IEHMESS	Object	IEHATLAS				SYS1.LINKLIB
IEHMOVE	Load		IEHMOVE IEHMVESD IEHMOVSSD	IEHMVESD		SYS1.LINKLIB
IEHMSG	Object Load	IEHMOVE	IEHMSG	IEHMVESD		SYS1.SAMPLIB
IEHMSGSH	Object	IEHMSG				SYS1.LINKLIB
IEHMSGSO	Object	IEHMVESH				SYS1.LINKLIB
IEHMSGSP	Object	IEHMVESO				SYS1.LINKLIB
IEHMVERA	Load	IEHMOVESP	IEHMVERA IEHMVERK IEHVMVRK IEHMVSRA IEHMVSRK MSGTAB	IEHMVERA		SYS1.LINKLIB
IEHMVERD	Object Entry Load	IEHMVERA IEHMVERA	IEHMVERA IEHMVERD IEHMVERM IEHMVSRD IEHMSVRM MESSAGES	IEHMVERA IEHMVSRD		SYS1.LINKLIB
IEHMVERK	Object	IEHMVERD IEHMVERA IEHMOVESX IEHMOVETL		IEHMVSRD		SYS1.LINKLIB
IEHMVERM	Object	IEHMVERD IEHMVERD IEHMOVESY IEHMOVETL				SYS1.LINKLIB
IEHMOVESA	Load		IEHMOVESA IEHMOVSSA MESSAGE	IEHMOVESA		SYS1.LINKLIB
IEHMOVESD	Object Entry Object Entry	IEHMOVESA IEHMOVESA IEHMOVE IEHMOVE	IEHMOVESA IEHMOVE	IEHMOVESA		SYS1.LINKLIB

Name	Type	Load	Object	Entry	Alias	System Library
IEHMVESE	Object	IEHMOVXSE		IEHMVESE	IEHMVESE	SYS1.LINKLIB
	Entry	IEHMOVXSE	IEHMVESE			
	Alias	IEHMOVXSE	IEHMVESE			
IEHMOVESF	Object	IEHMLIST				SYS1.LINKLIB
		IEHMOVXSF				
		IEHPROGM				
IEHMOVESH	Load		IEHMSGSH			SYS1.LINKLIB
			IEHMOVESH			
	Object	IEHMOVESH		IEHMOVESH		
	Entry	IEHMOVESH	IEHMOVESH	IEHMOVESH		
IEHMOVESJ	Load		IEHMOVESJ	IEHMOVESJ		SYS1.LINKLIB
			IEHMOVSSJ			
			KEOF			
			RDCDRT			
	Object	IEHMOVESJ		IEHMOVESJ		
IEHMOVESK	Entry	IEHMOVESJ	IEHMOVESJ	IEHMOVESK		SYS1.LINKLIB
	Load		IEHMOVESK			
			IEHMOVSSK			
			MESS			
	Object	IEHMOVESK		IEHMOVESK		
IEHMOVESL	Entry	IEHMOVESK	IEHMOVESK	IEHMOVESL		SYS1.LINKLIB
	Load		IEHMOVESL			
			IEHMOVSSL			
			SPEAK			
	Object	IEHMOVESL		IEHMOVESL		
IEHMOVESM	Entry	IEHMOVESL	IEHMOVESL	IEHMOVESM		SYS1.LINKLIB
	Load		IEHMOVESM			
			IEHMOVSSM			
			MESSAGER			
	Object	IEHMOVESM		IEHMOVESM		
IEHMOVESN	Entry	IEHMOVESM	IEHMOVESM	IEHMOVSSN		SYS1.LINKLIB
	Load		IEHMOVESN			
			IEHMOVMSN			
			IEHMOVSSN			
	Object	IEHMOVESN		IEHMOVSSN		
IEHMOVESO	Load		IEHMSGSO			SYS1.LINKLIB
			IEHMOVESO	IEHMOVESO		
			IEHMOVSSO			
	Object	IEHMOVESO		IEHMOVESO		
IEHMOVESP	Entry	IEHMOVESO	IEHMOVESO			SYS1.LINKLIB
	Load		IEHMSGSP			
			IEHMOVESP	IEHMOVESP		
			IEHMOVSSP			
	Object	IEHMOVESP		IEHMOVESP		
IEHMOVESQ	Entry	IEHMOVESP	IEHMOVESP	IEHMOVSSQ		SYS1.LINKLIB
	Load		IEHMOVESQ			
			IEHMOVMSQ			
			IEHMOVSSQ			
	Object	IEHMOVESQ		IEHMOVSSQ		
IEHMOVESR	Load		IEHMOVESR			SYS1.LINKLIB
			IEHMOVSSR	IEHMOVESR		
	Object	IEHMOVESR		IEHMOVESR		
IEHMOVESS	Entry	IEHMOVESR	IEHMOVESR	IEHMOVESS		SYS1.LINKLIB
	Load		IEHMOVESS			
			IEHMOVSSS			
	Object	IEHMOVESS		IEHMOVESS		
IEHMOVEST	Entry	IEHMOVESS	IEHMOVESS	IEHMOVEST		SYS1.LINKLIB
	Load		IEHMOVEST			
			IEHMOVSSS			
	Object	IEHMOVEST		IEHMOVEST		
IEHMOVESU	Entry	IEHMOVEST	IEHMOVEST	IEHMOVESU		SYS1.LINKLIB
	Load		IEHMOVESU			
			IEHMOVSSU			
	Object	IEHMOVESU		IEHMOVESU		
IEHMOVESV	Entry	IEHMOVESU	IEHMOVESU			SYS1.LINKLIB
	Load		IEHMOVESV	IEHMOVESY		
			IEHMOVESX			
			IEHMOVESY			

Name	Type	Load	Object	Entry	Alias	System Library
			IEHMQVETC IEHMQVMRY IEHMQVSSX IEHMQVSSY IEHMQVSTC IEH4DD MSG MSGHEAD MSGSECT MSGSTART NORMALM PREABORT			
	Object	IEHMQVESV IEHMQVESX IEHMQVESZ		IEHMQVESY		
IEHMQVESX	Load		COPYRTN IEHMQVERK IEHMQVESV IEHMQVESX IEHMQVESZ IEHMQVMRK IEHMQVMRZ IEHMQVSRK IEHMQVSRV IEHMQVSRZ IEH4DD MSG MSGHEAD MSGSTART NORMALM PREABORT UNLREC1			SYS1.LINKLIB
	Object	IEHMQVESV IEHMQVESX IEHMQVESY		IEHMQVESZ		
IEHMQVESY	Load		DCBBUILD IEHDCBDM IEHMQVERM IEHMQVESX IEHMQVESY IEHMQVMSY IEHMQVSRM IEHMQVSSY IEH4DD MSG MSGHEAD MSGSTART NORMALM PREABORT UNLREC1			SYS1.LINKLIB
	Object	IEHMQVESV IEHMQVESY IEHMQVESV IEHMQVESY		IEHMQVESY		
	Entry		IEHMQVESV IEHMQVESY			
IEHMQVESZ	Load		CALLMT COPYRTN IEHCULAT IEHMQVESV IEHMQVESZ IEHMQVMRZ IEHMQVSSZ IEH4DD KK1 KK2 MSG MSGHEAD MSGSTART NORMALM PREABORT RTNVM			SYS1.LINKLIB
	Object			IEHMQVSSZ		

Name	Type	Load	Object	Entry	Alias	System Library
	Object	IEHMVESX				
		IEHMVESZ		IEHMVSSZ		
IEH MVETC	Entry	IEHMVESX	IEHMVESX			
IEH MVETG	Object	IEHMVESV				SYS1.LINKLIB
	Load		IEH MVETG	IEH MVETG		SYS1.LINKLIB
			IEH MVSTG			
			MESSAGES			
	Object	IEH MVETG				
IEH MVETJ	Entry	IEH MVETG	IEH MVETG			
	Load		IEH MVETJ	IEH MVETJ		SYS1.LINKLIB
			IEH MVSTJ			
			ORATOR			
	Object	IEH MVETJ				
IEH MVETL	Entry	IEH MVETJ	IEH MVETJ	IEH MVETJ		
	Load		IEH MVERK			SYS1.LINKLIB
			IEH MVERM			
			IEH MVETL	IEH MVSTL		
			IEH MVMRK			
			IEH MVMTL			
			IEH MVSrk			
			IEH MVSrm			
			IEH MVSTL			
			M01			
			M02			
			M03			
			M04			
			M05			
			M06			
			M07			
			M08			
IEH MVMRK	Object	IEH MVETL			IEH MVSTL	
	Object	IEH MVERA				SYS1.LINKLIB
		IEH MVESX				
		IEH MVETL				
IEH MVMRY	Object	IEH MVESV				SYS1.LINKLIB
IEH MVMRZ	Object	IEH MVESX				SYS1.LINKLIB
		IEH MVESZ				
IEH MVMSN	Object	IEH MVESN				SYS1.LINKLIB
IEH MVMSQ	Object	IEH MVESQ				SYS1.LINKLIB
IEH MVMSY	Object	IEH MVESY				SYS1.LINKLIB
IEH MVMTL	Object	IEH MVETL				SYS1.LINKLIB
IEH MVSR A	Object	IEH MVERA				SYS1.LINKLIB
IEH MVSR D	Object	IEH MVERD				SYS1.LINKLIB
	Entry	IEH MVERD	IEH MVERD			
IEH MVSRK	Object	IEH MVERA				SYS1.LINKLIB
		IEH MVESX				
		IEH MVETL				
IEH MVSRM	Object	IEH MVERD				SYS1.LINKLIB
		IEH MVESY				
		IEH MVETL				
IEH MVSRV	Object	IEH MVESX				SYS1.LINKLIB
IEH MVSRZ	Object	IEH MVESX				SYS1.LINKLIB
IEH MVSSA	Object	IEH MVESA				SYS1.LINKLIB
IEH MVSSD	Object	IEH MOVE				SYS1.LINKLIB
IEH MVSS E	Object	IEH MVXSE				SYS1.LINKLIB
IEH MVSSJ	Object	IEH MVESJ				SYS1.LINKLIB
IEH MVSSK	Object	IEH MVESK				SYS1.LINKLIB
IEH MVSSL	Object	IEH MVESL				SYS1.LINKLIB
IEH MVSSM	Object	IEH MVESM				SYS1.LINKLIB
IEH MVSSN	Object	IEH MVESN				SYS1.LINKLIB
	Entry	IEH MVESN	IEH MVESN			
IEH MVSSO	Object	IEH MVESO				SYS1.LINKLIB
IEH MVSSP	Object	IEH MVESP				SYS1.LINKLIB
IEH MVSSQ	Object	IEH MVESQ				SYS1.LINKLIB
	Entry	IEH MVESQ	IEH MVESQ			
IEH MVSSR	Object	IEH MVESR				SYS1.LINKLIB
IEH MVSSS	Object	IEH MVESS				SYS1.LINKLIB
IEH MVSS T	Object	IEH MVEST				SYS1.LINKLIB
IEH MVSSU	Object	IEH MVESU				SYS1.LINKLIB
IEH MVSSX	Object	IEH MVESV				SYS1.LINKLIB

Name	Type	Load	Object	Entry	Alias	System Library
IEHMOVSSY	Object	IEHMOVESV				SYS1.LINKLIB
IEHMOVSSZ	Object	IEHMOVESY				SYS1.LINKLIB
	Entry	IEHMOVESZ	IEHMOVESZ			
IEHMOVSTC	Object	IEHMOVESV				SYS1.LINKLIB
IEHMOVSTG	Object	IEHMOVETG				SYS1.LINKLIB
IEHMOVSTJ	Object	IEHMOVETJ				SYS1.LINKLIB
IEHMOVSTL	Object	IEHMOVETL				SYS1.LINKLIB
	Entry	IEHMOVETL	IEHMOVETL			
IEHMOVXSE	Load		IEHMOVETL	IEHMOVESV	IEHMOVESV	SYS1.LINKLIB
			IEHMOVESV			
			IEHMOVSE			
	Object	IEHMOVXSE				
	Entry	IEHMOVXSE	IEHMOVXSE			
IEHMOVXSF	Load		IEHMOVESF			SYS1.LINKLIB
			IEHMOVXSF			
			IEHMOVXSF			
			IEHVOLMT			
	Object	IEHMOVXSF				
	Entry	IEHMOVXSF	IEHMOVXSF			
IEHNLVZE	Load		IEHNLVZE			SYS1.SAMPLIB
	Object	IEHNLVZE				
IEHPRINT	Load		IEHPRINT			SYS1.SAMPLIB
	Object	IEHPRINT				
IEHPRNT	Load		IEHPRNT	IEHPRNT		SYS1.LINKLIB
	Object	IEHPRNT		IEHPRNT		
	Entry	IEHPRNT	IEHPRNT			
IEHPROGA	Object	IEHPROGM				SYS1.LINKLIB
IEHPROGB	Object	IEHPROGM				SYS1.LINKLIB
IEHPROGC	Object	IEHPROGM				SYS1.LINKLIB
IEHPROGD	Object	IEHPROGM				SYS1.LINKLIB
IEHPROGE	Object	IEHPROGM				SYS1.LINKLIB
IEHPROGM	Load		IEHMOVESF			SYS1.LINKLIB
			IEHPROGA			
			IEHPROGB			
			IEHPROGC			
			IEHPROGD			
			IEHPROGE			
			IEHPROGM	IEHPROG1		
			IEHPROG1			
			IEHPROG2			
			IEHPROG3			
			IEHPROG4			
			IEHPROG5			
			IEHPROG6			
			IEHPROG7			
			IEHPROG8			
			IEHPROG9			
			IEHVOLMT			
	Object	IEHPROGM				
IEHPROG1	Object	IEHPROGM		IEHPROG1		SYS1.LINKLIB
	Entry	IEHPROGM	IEHPROGM			
IEHPROG2	Object	IEHPROGM				SYS1.LINKLIB
IEHPROG3	Object	IEHPROGM				SYS1.LINKLIB
IEHPROG4	Object	IEHPROGM				SYS1.LINKLIB
IEHPROG5	Object	IEHPROGM				SYS1.LINKLIB
IEHPROG6	Object	IEHPROGM				SYS1.LINKLIB
IEHPROG7	Object	IEHPROGM				SYS1.LINKLIB
IEHPROG8	Object	IEHPROGM				SYS1.LINKLIB
IEHPROG9	Object	IEHPROGM				SYS1.LINKLIB
IEHPSCAN	Object	IEHLIST				SYS1.LINKLIB
IEHSCAN	Load		IEHSCAN	IEHSCAN		SYS1.LINKLIB
	Object	IEHSCAN		IEHSCAN		
	Entry	IEHSCAN	IEHSCAN			
IEHSETUP	Load		IEHSETUP			SYS1.SAMPLIB
	Object	IEHSETUP				
IEHVOLMT	Object	IEHLIST				SYS1.LINKLIB
		IEHMOVXSF				
		IEHPROGM				
IEH4DD	Object	IEHMOVESV				SYS1.LINKLIB
		IEHMOVESX				

Name	Type	Load	Object	Entry	Alias	System Library
		IEHMVESY				
		IEHMVESZ				
IEUASM	Object	IFOX00		IFOX0A01	IEUASM	SYS1.LINKLIB
	Alias	IFOX00	IEUASM			
IEWFBOSV	Object	IEWFETCH		IEWFETCH	IEWFBOSV	SYS1.LPALIB
	Alias	IEWFETCH				
IEWFETCH	Load		IEWFBOSV	IEWFETCH	IEWFBOSV	SYS1.LPALIB
			IEWFBOSV	IEWFETCH		
			IEWFETCH	IEWMSEPT		
			IEWFTPRG			
			IEWFTXCK			
			IEWMSEPT	IEWFETCH	IEWMSEPT	
	Object	IEWFETCH		IEWMSEPT		
	Entry	IEWFETCH	IEWFBOSV			
		IEWFETCH	IEWMSEPT			
IEWFTMIN	Object	IEANUC01				SYS1.NUCLEUS
IEWFTPRG	Object	IEANUC01				SYS1.NUCLEUS
		IEWFETCH				SYS1.LPALIB
IEWFTXCK	Object	IEANUC01				SYS1.NUCLEUS
		IEWFETCH				SYS1.LPALIB
IEWL	Object	HEWLF064		HEWLFROU	IEWL	SYS1.LINKLIB
	Alias	HEWLF064	IEWL			
IEWLDRGO	Object	HEWLDGRG		HEWLCTRL	IEWLDRGO	SYS1.LINKLIB
	Alias	HEWLDGRG	IEWLDRGO			
IEWLF128	Object	HEWLF064		HEWLFROU	IEWLF128	SYS1.LINKLIB
	Alias	HEWLF064	IEWLF128			
IEWLF440	Object	HEWLF064		HEWLFROU	IEWLF440	SYS1.LINKLIB
	Alias	HEWLF064	IEWLF440			
IEWLF880	Object	HEWLF064		HEWLFROU	IEWLF880	SYS1.LINKLIB
	Alias	HEWLF064	IEWLF880			
IEWLOAD	Object	HEWLOADR		HEWLIOCA	IEWLOAD	SYS1.LINKLIB
	Alias	HEWLOADR	IEWLOAD			
IEWLOADR	Object	HEWLOADR		HEWLIOCA	IEWLOADR	SYS1.LINKLIB
	Alias	HEWLOADR	IEWLOADR			
IEWMSEPT	Object	IEANUC01				SYS1.NUCLEUS
		IEWFETCH		IEWFETCH	IEWMSEPT	SYS1.LPALIB
	Entry	IEWFETCH	IEWFETCH			
	Alias	IEWFETCH	IEWMSEPT			
IEWSEGLD	Object	IEWSWOVR		IEWSWOVR	IEWSEGLD	SYS1.LPALIB
	Alias	IEWSWOVR	IEWSEGLD			
IEWSWOVR	Load		IEWSEGLD	IEWSWOVR	IEWSEGLD	SYS1.LPALIB
			IEWSWOVR	IEWSWOVR		
			IEWSZOVR	IEWSWOVR	IEWSZOVR	
	Object	IEWSWOVR		IEWSWOVR		
	Entry	IEWSWOVR	IEWSEGLD			
			IEWSWOVR			
			IEWSZOVR			
IEWSZOVR	Object	IEWSWOVR		IEWSWOVR	IEWSZOVR	SYS1.LPALIB
	Alias	IEWSWOVR	IEWSZOVR			
IEZDCODE	Object	IEFVH1				SYS1.LPALIB
IEZNCODE	Object	IEFVH1				SYS1.LPALIB
IFASMFDP	Load		IFASMFDP	IFASMFDP		SYS1.LINKLIB
			IFASMFDP			
	Object	IFASMFDP		IFASMFDP		
	Entry	IFASMFDP	IFASMFDP			
IFASMFDP	Object	IFASMFDP				SYS1.LINKLIB
IFBACTA	Object	IEANUC01				SYS1.NUCLEUS
IFBCTA00	Object	IEANUC01				SYS1.NUCLEUS
IFBDCB	Object	IEANUC01				SYS1.NUCLEUS
IFBDCB00	Object	IEANUC01				SYS1.NUCLEUS
IFBDEB	Object	IEANUC01				SYS1.NUCLEUS
IFBOBR00	Load					SYS1.LPALIB
			IFBOBR00	IGE0025F		
			IGE0025F			
			IGE0625F	IGE0025F	IGE0625F	
	Object	IFBOBR00		IGE0025F		
IFBSVC76	Load		IFBSVC76	IGC0007F		SYS1.LPALIB
			IGC0007F			
	Object	IFBSVC76		IGC0007F		
IFCANAPT	Load		IFCANAPT	IFCANAPT		SYS1.LINKLIB

Name	Type	Load	Object	Entry	Alias	System Library
	Object	IFCANAPT		IFCANAPT		
	Entry	IFCANAPT	IFCANAPT			
IFCDIP00	Load		IFCDIP00	IFCDIP00		SYS1.LINKLIB
	Object	IFCDIP00	IFCDIP00	IFCDIP00		
	Entry	IFCDIP00	IFCDIP00	IFCDIP00		
IFCEAXXX	Load		IFCEAXXX	IFCEAXXX		SYS1.LINKLIB
	Object	IFCEAXXX	IFCEAXXX	IFCEAXXX		
	Entry	IFCEAXXX	IFCEAXXX	IFCEAXXX		
IFCEA155	Load		IFCEA155	IFCEA155		SYS1.LINKLIB
			IFCEA158	IFCEA155	IFCEA158	
			IFCEA155	IFCEA155		
	Object	IFCEA155	IFCEA155			
	Entry	IFCEA155	IFCEA158			
IFCEA158	Object	IFCEA155	IFCEA155	IFCEA155	IFCEA158	SYS1.LINKLIB
	Alias	IFCEA155	IFCEA158			
IFCEA165	Load		IFCEA165	IFCEA165		SYS1.LINKLIB
			IFCEA168	IFCEA165	IFCEA168	
	Object	IFCEA165	IFCEA165	IFCEA165		
	Entry	IFCEA165	IFCEA168			
IFCEA168	Object	IFCEA165	IFCEA165	IFCEA165	IFCEA168	SYS1.LINKLIB
	Alias	IFCEA165	IFCEA168			
IFCEB155	Load		IFCEB155	IFCEB155		SYS1.LINKLIB
			IFCEB158	IFCEB155	IFCEB158	
	Object	IFCEB155	IFCEB155	IFCEB155		
	Entry	IFCEB155	IFCEB158			
IFCEB158	Object	IFCEB155	IFCEB155	IFCEB155	IFCEB158	SYS1.LINKLIB
	Alias	IFCEB155	IFCEB158			
IFCEB165	Load		IFCEB165	IFCEB165		SYS1.LINKLIB
			IFCEB168	IFCEB165	IFCEB168	
	Object	IFCEB165	IFCEB165	IFCEB165		
	Entry	IFCEB165	IFCEB168			
IFCEB168	Object	IFCEB165	IFCEB165	IFCEB165	IFCEB168	SYS1.LINKLIB
	Alias	IFCEB165	IFCEB168			
IFCECUA0	Load		IFCECUA0	IFCECUA0		SYS1.LINKLIB
	Object	IFCECUA0	IFCECUA0	IFCECUA0		
	Entry	IFCECUA0	IFCECUA0	IFCECUA0		
IFCECUA1	Load		IFCECUA1	IFCECUA1		SYS1.LINKLIB
	Object	IFCECUA1	IFCECUA1	IFCECUA1		
	Entry	IFCECUA1	IFCECUA1	IFCECUA1		
IFCEC155	Load		IFCEC155	IFCEC155		SYS1.LINKLIB
			IFCEC158	IFCEC155	IFCEC158	
	Object	IFCEC155	IFCEC155	IFCEC155		
	Entry	IFCEC155	IFCEC158			
IFCEC158	Object	IFCEC155	IFCEC155	IFCEC155	IFCEC158	SYS1.LINKLIB
	Alias	IFCEC155	IFCEC158			
IFCEC165	Load		IFCEC165	IFCEC165		SYS1.LINKLIB
			IFCEC168	IFCEC165	IFCEC168	
	Object	IFCEC165	IFCEC165	IFCEC165		
	Entry	IFCEC165	IFCEC168			
IFCEC168	Object	IFCEC165	IFCEC165	IFCEC165	IFCEC168	SYS1.LINKLIB
	Alias	IFCEC165	IFCEC168			
IFCEDDR0	Load		IFCEDDR0	IFCEDDR0		SYS1.LINKLIB
			IFCEMIH0	IFCEDDR0	IFCEMIH0	
	Object	IFCEDDR0	IFCEDDR0	IFCEDDR0		
	Entry	IFCEDDR0	IFCEMIH0			
IFCED155	Load		IFCED155	IFCED155		SYS1.LINKLIB
			IFCED158	IFCED155	IFCED158	
	Object	IFCED155	IFCED155	IFCED155		
	Entry	IFCED155	IFCED158			
IFCED158	Object	IFCED155	IFCED155	IFCED155	IFCED158	SYS1.LINKLIB
	Alias	IFCED155	IFCED158			
IFCED165	Load		IFCED165	IFCED165		SYS1.LINKLIB
			IFCED168	IFCED165	IFCED168	

Name	Type	Load	Object	Entry	Alias	System Library
	Object	IFCED165		IFCED165		
	Entry	IFCED165	IFCED165			
			IFCED168			
IFCED168	Object	IFCED165		IFCED165	IFCED168	SYS1.LINKLIB
	Alias	IFCED165	IFCED168			
IFCEEOD	Object	IFCEIPL		IFCEIPL	IFCEEOD	SYS1.LINKLIB
	Alias	IFCEIPL	IFCEEOD			
IFCEE155	Load		IFCEE155	IFCEE155		SYS1.LINKLIB
			IFCEE158	IFCEE155	IFCEE158	
				IFCEE155		
	Object	IFCEE155		IFCEE155		
	Entry	IFCEE155	IFCEE155			
			IFCEE158			
IFCEE158	Object	IFCEE155		IFCEE155	IFCEE158	SYS1.LINKLIB
	Alias	IFCEE155	IFCEE158			
IFCEE165	Load		IFCEE165	IFCEE165		SYS1.LINKLIB
			IFCEE168	IFCEE165	IFCEE168	
				IFCEE165		
	Object	IFCEE165		IFCEE165		
	Entry	IFCEE165	IFCEE165			
			IFCEE168			
IFCEE168	Object	IFCEE165		IFCEE165	IFCEE168	SYS1.LINKLIB
	Alias	IFCEE165	IFCEE168			
IFCEF155	Load		IFCEF155	IFCEF155		SYS1.LINKLIB
			IFCEF158	IFCEF155	IFCEF158	
				IFCEF155		
	Object	IFCEF155		IFCEF155		
	Entry	IFCEF155	IFCEF155			
			IFCEF158			
IFCEF158	Object	IFCEF155		IFCEF155	IFCEF158	SYS1.LINKLIB
	Alias	IFCEF155	IFCEF158			
IFCEF165	Load		IFCEF165	IFCEF165		SYS1.LINKLIB
			IFCEF168	IFCEF165	IFCEF168	
				IFCEF165		
	Object	IFCEF165		IFCEF165		
	Entry	IFCEF165	IFCEF165			
			IFCEF168			
IFCEF168	Object	IFCEF165		IFCEF165	IFCEF168	SYS1.LINKLIB
	Alias	IFCEF165	IFCEF168			
IFCEG155	Load		IFCEG155	IFCEG155		SYS1.LINKLIB
			IFCEG158	IFCEG155	IFCEG158	
				IFCEG155		
	Object	IFCEG155		IFCEG155		
	Entry	IFCEG155	IFCEG155			
			IFCEG158			
IFCEG158	Object	IFCEG155		IFCEG155	IFCEG158	SYS1.LINKLIB
	Alias	IFCEG155	IFCEG158			
IFCEIPL	Load		IFCEEOD	IFCEIPL	IFCEEOD	SYS1.LINKLIB
			IFCEIPL	IFCEIPL		
				IFCEIPL		
	Object	IFCEIPL		IFCEEOD		
	Entry	IFCEIPL	IFCEEOD			
			IFCEIPL			
IFCEI145	Load		IFCEI145	IFCEI145		SYS1.LINKLIB
	Object	IFCEI145		IFCEI145		
	Entry	IFCEI145	IFCEI145			
IFCEI155	Load		IFCEI155	IFCEI155		SYS1.LINKLIB
			IFCEI158	IFCEI155	IFCEI158	
				IFCEI155		
	Object	IFCEI155		IFCEI155		
	Entry	IFCEI155	IFCEI155			
			IFCEI158			
IFCEI158	Object	IFCEI155		IFCEI155	IFCEI158	SYS1.LINKLIB
	Alias	IFCEI155	IFCEI158			
IFCEJ145	Load		IFCEJ145	IFCEJ145		SYS1.LINKLIB
	Object	IFCEJ145		IFCEJ145		
	Entry	IFCEJ145	IFCEJ145			
IFCELEX1	Load		IFCELEX1	IFCELEX1		SYS1.LINKLIB
	Object	IFCELEX1		IFCELEX1		
	Entry	IFCELEX1	IFCELEX1			
IFCEL155	Load		IFCEL155	IFCEL155		SYS1.LINKLIB
			IFCEL158	IFCEL155	IFCEL158	
				IFCEL155		
	Object	IFCEL155		IFCEL155		
	Entry	IFCEL155	IFCEL155			
			IFCEL158			
IFCEL158	Object	IFCEL155		IFCEL155	IFCEL158	SYS1.LINKLIB
	Alias	IFCEL155	IFCEL158			

Name	Type	Load	Object	Entry	Alias	System Library
IFCEMAD1	Load		IFCEMAD1	IFCEMAD1		SYS1.LINKLIB
	Object	IFCEMAD1	IFCEMAD1	IFCEMAD1		
	Entry	IFCEMAD1	IFCEMAD1	IFCEMAD1		
IFCEMERO	Load		IFCEMERO	IFCEMERO		SYS1.LINKLIB
	Object	IFCEMERO	IFCEMERO	IFCEMERO		
	Entry	IFCEMERO	IFCEMERO	IFCEMERO		
IFCEMER1	Load		IFCEMER1	IFCEMER1		SYS1.LINKLIB
	Object	IFCEMER1	IFCEMER1	IFCEMER1		
	Entry	IFCEMER1	IFCEMER1	IFCEMER1		
IFCEMER2	Load		IFCEMER2	IFCEMER2		SYS1.LINKLIB
	Object	IFCEMER2	IFCEMER2	IFCEMER2		
	Entry	IFCEMER2	IFCEMER2	IFCEMER2		
IFCEMER3	Load		IFCEMER3	IFCEMER3		SYS1.LINKLIB
	Object	IFCEMER3	IFCEMER3	IFCEMER3		
	Entry	IFCEMER3	IFCEMER3	IFCEMER3		
IFCEMER4	Load		IFCEMER4	IFCEMER4		SYS1.LINKLIB
	Object	IFCEMER4	IFCEMER4	IFCEMER4		
	Entry	IFCEMER4	IFCEMER4	IFCEMER4		
IFCEMER5	Load		IFCEMER5	IFCEMER5		SYS1.LINKLIB
	Object	IFCEMER5	IFCEMER5	IFCEMER5		
	Entry	IFCEMER5	IFCEMER5	IFCEMER5		
IFCEMIH0	Object	IFCEDDR0	IFCEMIH0	IFCEDDR0	IFCEMIH0	SYS1.LINKLIB
	Alias	IFCEDDR0	IFCEMIH0	IFCEDDR0	IFCEMIH0	
IFCEM155	Load		IFCEM155	IFCEM155		SYS1.LINKLIB
	Object	IFCEM155	IFCEM155	IFCEM155	IFCEM158	
	Entry	IFCEM155	IFCEM155	IFCEM155	IFCEM158	
IFCEM158	Object	IFCEM155	IFCEM158	IFCEM155	IFCEM158	SYS1.LINKLIB
	Alias	IFCEM155	IFCEM158	IFCEM155	IFCEM158	
IFCEP005	Load		IFCEP005	IFCEP005		SYS1.LINKLIB
	Object	IFCEP005	IFCEP005	IFCEP005		
	Entry	IFCEP005	IFCEP005	IFCEP005		
IFCEP007	Load		IFCEP007	IFCEP007		SYS1.LINKLIB
	Object	IFCEP007	IFCEP007	IFCEP007		
	Entry	IFCEP007	IFCEP007	IFCEP007		
IFCEP008	Load		IFCEP008	IFCEP008		SYS1.LINKLIB
	Object	IFCEP008	IFCEP008	IFCEP008		
	Entry	IFCEP008	IFCEP008	IFCEP008		
IFCEP009	Load		IFCEP009	IFCEP009		SYS1.LINKLIB
	Object	IFCEP009	IFCEP009	IFCEP009		
	Entry	IFCEP009	IFCEP009	IFCEP009		
IFCEREPO	Load		IFCEREPO	IFCEREPO		SYS1.LINKLIB
	Object	IFCEREPO	IFCEREPO	IFCEREPO		
	Entry	IFCEREPO	IFCEREPO	IFCEREPO		
IFCESOFT	Load		IFCESOFT	IFCESOFT		SYS1.LINKLIB
	Object	IFCESOFT	IFCESOFT	IFCESOFT		
	Entry	IFCESOFT	IFCESOFT	IFCESOFT		
IFCESPOT	Load		IFCESPOT	IFCESPOT		SYS1.LINKLIB
	Object	IFCESPOT	IFCESPOT	IFCESPOT		
	Entry	IFCESPOT	IFCESPOT	IFCESPOT		
IFCETRNO	Load		IFCETRNO	IFCETRNO		SYS1.LINKLIB
	Object	IFCETRNO	IFCETRNO	IFCETRNO		
	Entry	IFCETRNO	IFCETRNO	IFCETRNO		
IFCETR1	Load		IFCETR1	IFCETR1		SYS1.LINKLIB
	Object	IFCETR1	IFCETR1	IFCETR1		
	Entry	IFCETR1	IFCETR1	IFCETR1		
IFCETR2	Load		IFCETR2	IFCETR2		SYS1.LINKLIB
	Object	IFCETR2	IFCETR2	IFCETR2		
	Entry	IFCETR2	IFCETR2	IFCETR2		
IFCETR3	Load		IFCETR3	IFCETR3		SYS1.LINKLIB
	Object	IFCETR3	IFCETR3	IFCETR3		
	Entry	IFCETR3	IFCETR3	IFCETR3		
IFCETR4	Load		IFCETR4	IFCETR4		SYS1.LINKLIB
	Object	IFCETR4	IFCETR4	IFCETR4		
	Entry	IFCETR4	IFCETR4	IFCETR4		
IFCETR5	Load		IFCETR5	IFCETR5		SYS1.LINKLIB
	Object	IFCETR5	IFCETR5	IFCETR5		
	Entry	IFCETR5	IFCETR5	IFCETR5		
IFCET00A	Object	IFCET001	IFCETR5	IFCET001	IFCET00A	SYS1.LINKLIB

Name	Type	Load	Object	Entry	Alias	System Library
IFCET00B	Alias	IFCET001	IFCET00A			
	Load		IFCET00B	IFCET00B		SYS1.LINKLIB
	Object	IFCET00B		IFCET00B		
IFCET001	Entry	IFCET00B				
	Load		IFCET00B	IFCET001	IFCET00A	SYS1.LINKLIB
			IFCET00A	IFCET001		
			IFCET001	IFCET001		
			IFCET009	IFCET001	IFCET009	
			IFCET011	IFCET001	IFCET011	
	Object	IFCET001		IFCET001		
	Entry	IFCET001				
			IFCET00A			
			IFCET001			
			IFCET009			
			IFCET011			
IFCET002	Load		IFCET002	IFCET002		SYS1.LINKLIB
			IFCET012	IFCET002	IFCET012	
	Object	IFCET002		IFCET002		
	Entry	IFCET002		IFCET002		
IFCET003	Load		IFCET003	IFCET003		SYS1.LINKLIB
	Object	IFCET003		IFCET003		
	Entry	IFCET003		IFCET003		
IFCET004	Load		IFCET004	IFCET004		SYS1.LINKLIB
	Object	IFCET004		IFCET004		
	Entry	IFCET004		IFCET004		
IFCET005	Load		IFCET005	IFCET005		SYS1.LINKLIB
	Object	IFCET005		IFCET005		
	Entry	IFCET005		IFCET005		
IFCET006	Load		IFCET006	IFCET006		SYS1.LINKLIB
	Object	IFCET006		IFCET006		
	Entry	IFCET006		IFCET006		
IFCET009	Object	IFCET001		IFCET001	IFCET009	SYS1.LINKLIB
	Alias	IFCET001		IFCET009		
IFCET011	Object	IFCET001		IFCET001	IFCET011	SYS1.LINKLIB
	Alias	IFCET001		IFCET011		
IFCET012	Object	IFCET002		IFCET002	IFCET012	SYS1.LINKLIB
	Alias	IFCET002		IFCET012		
IFCEUCCH	Object	IFCEUKNO		IFCEUKNO	IFCEUCCH	SYS1.LINKLIB
	Alias	IFCEUKNO		IFCEUCCH		
IFCEUCPU	Object	IFCEUKNO		IFCEUKNO	IFCEUCPU	SYS1.LINKLIB
	Alias	IFCEUKNO		IFCEUCPU		
IFCEUKNO	Load		IFCEUCPU	IFCEUKNO	IFCEUCCH	SYS1.LINKLIB
			IFCEUCCH	IFCEUKNO	IFCEUCPU	
			IFCEUCPU	IFCEUKNO		
			IFCEUKNO	IFCEUKNO		
			IFCEUOBR	IFCEUKNO	IFCEUOBR	
			IFCEUTYP	IFCEUKNO	IFCEUTYP	
	Object	IFCEUKNO		IFCEUKNO		
	Entry	IFCEUKNO				
			IFCEUCCH			
			IFCEUCPU			
			IFCEUKNO			
			IFCEUOBR			
			IFCEUTYP			
IFCEUOBR	Object	IFCEUKNO		IFCEUKNO	IFCEUOBR	SYS1.LINKLIB
	Alias	IFCEUKNO		IFCEUOBR		
IFCEUTYP	Object	IFCEUKNO		IFCEUKNO	IFCEUTYP	SYS1.LINKLIB
	Alias	IFCEUKNO		IFCEUTYP		
IFCEVOLO	Load		IFCEVOLO	IFCEVOLO		SYS1.LINKLIB
	Object	IFCEVOLO		IFCEVOLO		
	Entry	IFCEVOLO		IFCEVOLO		
IFCEWIN1	Load		IFCEWIN1	IFCEWIN1		SYS1.LINKLIB
	Object	IFCEWIN1		IFCEWIN1		
	Entry	IFCEWIN1		IFCEWIN1		
IFCEXXXA	Object	IFCE2400				SYS1.LINKLIB
	Entry	IFCE2400				
			IFCE2400			
			IFCE3211			
			IFCE3540			
IFCEXXXB	Object	IFCE3420				SYS1.LINKLIB
	Entry	IFCE3420		IFCE3420		
IFCEXXXE	Object	IFCE3886				SYS1.LINKLIB
	Entry	IFCE3886		IFCE3886		
IFCEXXXX	Load		IFCEXXXX	IFCEXXXX		SYS1.LINKLIB

Name	Type	Load	Object	Entry	Alias	System Library
IFCEXXX0	Object	IFCEXXX		IFCEXXX		
	Entry	IFCEXXX	IFCEXXX			
	Object	IFCE2701				SYS1.LINKLIB
	Entry	IFCE2701	IFCE2701 IFCE2702 IFCE2703 IFCE2955			
IFCEXXX1	Object	IFCE2540				SYS1.LINKLIB
	Entry	IFCE2540	IFCE1442 IFCE2495 IFCE2501 IFCE2520 IFCE2540 IFCE3890			
IFCEXXX2	Object	IFCE1403				SYS1.LINKLIB
	Entry	IFCE1403	IFCE1052 IFCE1053 IFCE1403 IFCE1445 IFCE2150 IFCE3210 IFCE3213 IFCE3215			
IFCEXXX3	Object	IFCE1443				SYS1.LINKLIB
	Entry	IFCE1443	IFCE1275 IFCE1285 IFCE1419 IFCE1443 IFCE2671			
IFCEXXX4	Object	IFCE2311				SYS1.LINKLIB
	Entry	IFCE2311	IFCE2302 IFCE2303 IFCE2311 IFCE2321			
IFCEXXX5	Object	IFCE2301				SYS1.LINKLIB
	Entry	IFCE2301	IFCE2301			
IFCEXXX6	Object	IFCE2314				SYS1.LINKLIB
	Entry	IFCE2314	IFCE2314			
IFCEXXX7	Object	IFCE1015				SYS1.LINKLIB
	Entry	IFCE1015	IFCE1015 IFCE2245 IFCE3158 IFCE3277 IFCE3284 IFCE3286			
IFCEXXX8	Object	IFCE1287				SYS1.LINKLIB
	Entry	IFCE1287	IFCE1287 IFCE1288 IFCE3066 IFCE5450			
IFCEXXX9	Object	IFCE2250				SYS1.LINKLIB
	Entry	IFCE2250	IFCE2250 IFCE2260 IFCE2280 IFCE2282 IFCE3505 IFCE3525 IFCE0145			
IFCE0145	Load			IFCE0145		SYS1.LINKLIB
	Object	IFCE0145		IFCE0145		
IFCE0155	Entry	IFCE0145	IFCE0145			
	Load		IFCE0155	IFCE0155		SYS1.LINKLIB
			IFCE0158	IFCE0158	IFCE0158	
			IFCE0155	IFCE0155		
IFCE0158	Object	IFCE0155	IFCE0155	IFCE0155	IFCE0158	SYS1.LINKLIB
	Alias	IFCE0155	IFCE0158			
IFCE0165	Load		IFCE0165	IFCE0165		SYS1.LINKLIB
			IFCE0168	IFCE0165	IFCE0168	
			IFCE0169	IFCE0165	IFCE0169	

Name	Type	Load	Object	Entry	Alias	System Library
	Object	IFCE0165		IFCE0165		
	Entry	IFCE0165	IFCE0165			
			IFCE0168			
			IFCE0169			
IFCE0168	Object	IFCE0165		IFCE0165	IFCE0168	SYS1.LINKLIB
	Alias	IFCE0165	IFCE0168			
IFCE0169	Object	IFCE0165		IFCE0165	IFCE0169	SYS1.LINKLIB
	Alias	IFCE0165	IFCE0169			
IFCE1015	Load		IFCEXXX7			SYS1.LINKLIB
			IFCE1015			
			IFCE2245	IFCEXXX7	IFCE2245	
			IFCE3158	IFCEXXX7	IFCE3158	
			IFCE3277	IFCEXXX7	IFCE3277	
			IFCE3284	IFCEXXX7	IFCE3284	
			IFCE3286	IFCEXXX7	IFCE3286	
	Object	IFCE1015		IFCEXXX7		
IFCE1052	Object	IFCE1403		IFCEXXX2	IFCE1052	SYS1.LINKLIB
	Alias	IFCE1403	IFCE1052			
IFCE1053	Object	IFCE1403		IFCEXXX2	IFCE1053	SYS1.LINKLIB
	Alias	IFCE1403	IFCE1053			
IFCE1275	Object	IFCE1443		IFCEXXX3	IFCE1275	SYS1.LINKLIB
	Alias	IFCE1443	IFCE1275			
IFCE1285	Object	IFCE1443		IFCEXXX3	IFCE1285	SYS1.LINKLIB
	Alias	IFCE1443	IFCE1285			
IFCE1287	Load		IFCEXXX8			SYS1.LINKLIB
			IFCE1287			
			IFCE1288	IFCEXXX8	IFCE1288	
			IFCE3066	IFCEXXX8	IFCE3066	
			IFCE5450	IFCEXXX8	IFCE5450	
	Object	IFCE1287		IFCEXXX8		
IFCE1288	Object	IFCE1287		IFCEXXX8	IFCE1288	SYS1.LINKLIB
	Alias	IFCE1287	IFCE1288			
IFCE1403	Load		IFCEXXX2			SYS1.LINKLIB
			IFCE1052	IFCEXXX2	IFCE1052	
			IFCE1053	IFCEXXX2	IFCE1053	
			IFCE1403	IFCEXXX2		
			IFCE1445	IFCEXXX2	IFCE1445	
			IFCE2150	IFCEXXX2	IFCE2150	
			IFCE3210	IFCEXXX2	IFCE3210	
			IFCE3213	IFCEXXX2	IFCE3213	
			IFCE3215	IFCEXXX2	IFCE3215	
	Object	IFCE1403		IFCEXXX2		
IFCE1419	Object	IFCE1443		IFCEXXX3	IFCE1419	SYS1.LINKLIB
	Alias	IFCE1443	IFCE1419			
IFCE1442	Object	IFCE2540		IFCEXXX1	IFCE1442	SYS1.LINKLIB
	Alias	IFCE2540	IFCE1442			
IFCE1443	Load		IFCEXXX3			SYS1.LINKLIB
			IFCE1275	IFCEXXX3	IFCE1275	
			IFCE1285	IFCEXXX3	IFCE1285	
			IFCE1419	IFCEXXX3	IFCE1419	
			IFCE1443	IFCEXXX3		
			IFCE2671	IFCEXXX3	IFCE2671	
	Object	IFCE1443		IFCEXXX3		
IFCE1445	Object	IFCE1403		IFCEXXX2	IFCE1445	SYS1.LINKLIB
	Alias	IFCE1403	IFCE1445			
IFCE2150	Object	IFCE1403		IFCEXXX2	IFCE2150	SYS1.LINKLIB
	Alias	IFCE1403	IFCE2150			
IFCE2245	Object	IFCE1015		IFCEXXX7	IFCE2245	SYS1.LINKLIB
	Alias	IFCE1015	IFCE2245			
IFCE2250	Load		IFCEXXX9			SYS1.LINKLIB
			IFCE2250	IFCEXXX9		
			IFCE2260	IFCEXXX9	IFCE2260	
			IFCE2280	IFCEXXX9	IFCE2280	
			IFCE2282	IFCEXXX9	IFCE2282	
			IFCE3505	IFCEXXX9	IFCE3505	
			IFCE3525	IFCEXXX9	IFCE3525	
	Object	IFCE2250		IFCEXXX9		
IFCE2260	Object	IFCE2250		IFCEXXX9	IFCE2260	SYS1.LINKLIB
	Alias	IFCE2250	IFCE2260			
IFCE2280	Object	IFCE2250		IFCEXXX9	IFCE2280	SYS1.LINKLIB

Name	Type	Load	Object	Entry	Alias	System Library
IFCE2282	Alias Object	IFCE2250 IFCE2250	IFCE2280 IFCE2282	IFCEXXX9	IFCE2282	SYS1.LINKLIB
IFCE2301	Alias Load	IFCE2250	IFCE2282 IFCEXXX5 IFCE2301			SYS1.LINKLIB
IFCE2302	Object Object	IFCE2301 IFCE2311		IFCEXXX5 IFCEXXX5 IFCEXXX4	IFCE2302	SYS1.LINKLIB
IFCE2303	Alias Object	IFCE2311	IFCE2302	IFCEXXX4	IFCE2303	SYS1.LINKLIB
IFCE2305	Alias Load	IFCE2311	IFCE2303	IFCE2305		SYS1.LINKLIB
IFCE2311	Object Entry Load	IFCE2305 IFCE2305	IFCE2305 IFCEXXX4 IFCE2302 IFCE2303 IFCE2311 IFCE2321	IFCE2305 IFCE2305		SYS1.LINKLIB
IFCE2314	Object Load	IFCE2311	IFCE2302 IFCE2303 IFCE2311 IFCE2321	IFCEXXX4 IFCEXXX4 IFCEXXX4 IFCEXXX4 IFCEXXX4	IFCE2302 IFCE2303 IFCE2321	SYS1.LINKLIB
IFCE2321	Object Object	IFCE2314 IFCE2311	IFCEXXX6 IFCE2314	IFCEXXX6 IFCEXXX6 IFCEXXX4	IFCE2321	SYS1.LINKLIB
IFCE2400	Alias Load	IFCE2311	IFCE2321 IFCEXXXA IFCE2400 IFCE3211 IFCE3540			SYS1.LINKLIB
IFCE2495	Object Object	IFCE2400 IFCE2540		IFCEXXXA IFCEXXXA IFCEXXXA IFCEXXX1	IFCE3211 IFCE3540	SYS1.LINKLIB
IFCE2501	Alias Object	IFCE2540	IFCE2495	IFCEXXX1	IFCE2501	SYS1.LINKLIB
IFCE2520	Alias Object	IFCE2540	IFCE2501	IFCEXXX1	IFCE2520	SYS1.LINKLIB
IFCE2540	Alias Load	IFCE2540	IFCE2520 IFCEXXX1 IFCE1442 IFCE2495 IFCE2501 IFCE2520 IFCE2540 IFCE3890	IFCEXXX1 IFCEXXX1 IFCEXXX1 IFCEXXX1 IFCEXXX1 IFCEXXX1 IFCEXXX1 IFCEXXX1	IFCE1442 IFCE2495 IFCE2501 IFCE2520	SYS1.LINKLIB
IFCE2671	Object Object	IFCE2540 IFCE1443		IFCEXXX1 IFCEXXX1 IFCEXXX3	IFCE1442 IFCE2495 IFCE2501 IFCE2520	SYS1.LINKLIB
IFCE2701	Alias Load	IFCE1443	IFCE2671 IFCEXXX0 IFCE2701 IFCE2702 IFCE2703 IFCE2955			SYS1.LINKLIB
IFCE2702	Object Object	IFCE2701		IFCEXXX0 IFCEXXX0 IFCEXXX0	IFCE2702	SYS1.LINKLIB
IFCE2703	Alias Object	IFCE2701	IFCE2702	IFCEXXX0	IFCE2703	SYS1.LINKLIB
IFCE2860	Alias Load	IFCE2701	IFCE2703 FORMAT1 IFCE2860			SYS1.LINKLIB
IFCE2870	Object Entry Load	IFCE2860 IFCE2860	IFCE2860 IFCE2860	IFCE2860 IFCE2860		SYS1.LINKLIB
IFCE2880	Object Entry Load	IFCE2870 IFCE2870	IFCE2870 IFCE2870	IFCE2870 IFCE2870		SYS1.LINKLIB
IFCE2955	Object Entry	IFCE2880 IFCE2880	IFCE2880 IFCE2880	IFCE2880 IFCE2880		SYS1.LINKLIB
IFCE3066	Object Alias	IFCE2701	IFCE2955	IFCEXXX0	IFCE2955	SYS1.LINKLIB
IFCE3158	Object	IFCE1287 IFCE1015	IFCE3066	IFCEXXX8 IFCEXXX7	IFCE3066 IFCE3158	SYS1.LINKLIB

Name	Type	Load	Object	Entry	Alias	System Library
IFCE3210	Alias	IFCE1015	IFCE3158			
	Object	IFCE1403		IFCEXXX2	IFCE3210	SYS1.LINKLIB
	Alias	IFCE1403	IFCE3210			
IFCE3211	Object	IFCE2400		IFCEXXXA	IFCE3211	SYS1.LINKLIB
	Alias	IFCE2400	IFCE3211			
IFCE3213	Object	IFCE1403		IFCEXXX2	IFCE3213	SYS1.LINKLIB
	Alias	IFCE1403	IFCE3213			
IFCE3215	Object	IFCE1403		IFCEXXX2	IFCE3215	SYS1.LINKLIB
	Alias	IFCE1403	IFCE3215			
IFCE3277	Object	IFCE1015		IFCEXXX7	IFCE3277	SYS1.LINKLIB
	Alias	IFCE1015	IFCE3277			
IFCE3284	Object	IFCE1015		IFCEXXX7	IFCE3284	SYS1.LINKLIB
	Alias	IFCE1015	IFCE3284			
IFCE3286	Object	IFCE1015		IFCEXXX7	IFCE3286	SYS1.LINKLIB
	Alias	IFCE1015	IFCE3286			
IFCE3330	Load		IFCE3286			
			IFCE3330	IFCE3330		SYS1.LINKLIB
			IFCE3340	IFCE3330	IFCE3340	
			IFCE3350	IFCE3330	IFCE3350	
	Object	IFCE3330		IFCE3330		
	Entry	IFCE3330	IFCE3330			
			IFCE3340			
			IFCE3350			
IFCE3340	Object	IFCE3330		IFCE3330	IFCE3340	SYS1.LINKLIB
	Alias	IFCE3330	IFCE3340			
IFCE3350	Object	IFCE3330		IFCE3330	IFCE3350	SYS1.LINKLIB
	Alias	IFCE3330	IFCE3350			
IFCE3420	Load		IFCEXXXB			SYS1.LINKLIB
			IFCE3420			
	Object	IFCE3420		IFCEXXXB		
IFCE3505	Object	IFCE2250		IFCEXXXB		
	Alias	IFCE2250	IFCE3505	IFCEXXX9	IFCE3505	SYS1.LINKLIB
IFCE3525	Object	IFCE2250		IFCEXXX9	IFCE3525	SYS1.LINKLIB
	Alias	IFCE2250	IFCE3525			
IFCE3540	Object	IFCE2400		IFCEXXXA	IFCE3540	SYS1.LINKLIB
	Alias	IFCE2400	IFCE3540			
IFCE3886	Load		IFCEXXXE			SYS1.LINKLIB
			IFCE3886			
	Object	IFCE3886		IFCEXXXE		
IFCE3890	Object	IFCE2540		IFCEXXX1	IFCE3890	SYS1.LINKLIB
	Alias	IFCE2540	IFCE3890			
IFCE5450	Object	IFCE1287		IFCEXXX8	IFCE5450	SYS1.LINKLIB
	Alias	IFCE1287	IFCE5450			
IFCMES00	Load		IFCMES00	IFCMES00		SYS1.LINKLIB
	Object	IFCMES00		IFCMES00		
IFCMES00	Entry	IFCMES00	IFCMES00			
IFCMES00	Load		IFCMES00	IFCMES00		SYS1.LINKLIB
	Object	IFCMES00		IFCMES00		
IFCMES00	Entry	IFCMES00	IFCMES00			
IFCRDESM	Load		IFCRDESM	IFCRDESM		SYS1.LINKLIB
	Object	IFCRDESM		IFCRDESM		
IFCRDE03	Entry	IFCRDESM	IFCRDESM			
	Load		IFCRDE03	IFCRDE03		SYS1.LINKLIB
	Object	IFCRDE03		IFCRDE03		
IFCRE002	Entry	IFCRDE03	IFCRDE03			
	Load		IFCRE002	IFCRE002		SYS1.LINKLIB
	Object	IFCRE002		IFCRE002		
IFCRE003	Entry	IFCRE002	IFCRE002			
	Load		IFCRE003	IFCRE003		SYS1.LINKLIB
	Object	IFCRE003		IFCRE003		
IFCSAXXC	Entry	IFCRE003	IFCRE003			
	Object	IFCS3340				SYS1.LINKLIB
	Entry	IFCS3340	IFCST009			
			IFCS3340			
IFCSAXXX	Load		IFCSAXXX	IFCSAXXX		SYS1.LINKLIB
	Object	IFCSAXXX		IFCSAXXX		
IFCSAXXX	Entry	IFCSAXXX	IFCSAXXX			
IFCSCUA0	Load		IFCSCUA0	IFCSCUA0		SYS1.LINKLIB
	Object	IFCSCUA0		IFCSCUA0		
IFCSCUA1	Entry	IFCSCUA0	IFCSCUA0			
	Load		IFCSCUA1	IFCSCUA1		SYS1.LINKLIB

Name	Type	Load	Object	Entry	Alias	System Library
	Object	IFCSCUA1		IFCSCUA1		
	Entry	IFCSCUA1	IFCSCUA1			
IFCSEOD	Object	IFCSIPL		IFCSIPL	IFCSEOD	SYS1.LINKLIB
	Alias	IFCSIPL	IFCSEOD			
IFCSIPL	Load		IFCSEOD	IFCSIPL	IFCSEOD	SYS1.LINKLIB
			IFCSIPL	IFCSIPL		
	Object	IFCSIPL		IFCSEOD		
	Entry	IFCSIPL	IFCSEOD			
			IFCSIPL			
IFCSI145	Load		IFCSI145	IFCSI145		SYS1.LINKLIB
	Object	IFCSI145		IFCSI145		
	Entry	IFCSI145	IFCSI145			
IFCSI155	Load		IFCSI155	IFCSI155		SYS1.LINKLIB
			IFCSI158	IFCSI155	IFCSI158	
	Object	IFCSI155		IFCSI155		
	Entry	IFCSI155	IFCSI155			
			IFCSI158			
IFCSI158	Object	IFCSI155		IFCSI155	IFCSI158	SYS1.LINKLIB
	Alias	IFCSI155	IFCSI158			
IFCSPTCK	Load		IFCSPTCK	IFCSPTCK		SYS1.LINKLIB
	Object	IFCSPTCK		IFCSPTCK		
	Entry	IFCSPTCK	IFCSPTCK			
IFCST00A	Object	IFCS3330		IFCS3330	IFCST00A	SYS1.LINKLIB
	Alias	IFCS3330	IFCST00A			
IFCST00B	Load		IFCST00B	IFCST00B		SYS1.LINKLIB
	Object	IFCST00B		IFCST00B		
	Entry	IFCST00B	IFCST00B			
IFCST001	Object	IFCS3330		IFCS3330	IFCST001	SYS1.LINKLIB
	Alias	IFCS3330	IFCST001			
IFCST002	Object	IFCS2305		IFCSXXXD	IFCST002	SYS1.LINKLIB
	Alias	IFCS2305	IFCST002			
IFCST003	Load		IFCST003	IFCST003		SYS1.LINKLIB
	Object	IFCST003		IFCST003		
	Entry	IFCST003	IFCST003			
IFCST005	Load		IFCST005	IFCST005		SYS1.LINKLIB
	Object	IFCST005		IFCST005		
	Entry	IFCST005	IFCST005			
IFCST006	Load		IFCST006	IFCST006		SYS1.LINKLIB
	Object	IFCST006		IFCST006		
	Entry	IFCST006	IFCST006			
IFCST009	Object	IFCS3340		IFCSAXXC	IFCST009	SYS1.LINKLIB
	Alias	IFCS3340	IFCST009			
IFCST011	Object	IFCS3350		IFCS3350	IFCST011	SYS1.LINKLIB
	Alias	IFCS3350	IFCST011			
IFCST012	Object	IFCS2305		IFCSXXXD	IFCST012	SYS1.LINKLIB
	Alias	IFCS2305	IFCST012			
IFCSUCCH	Object	IFCSUKNO		IFCSUKNO	IFCSUCCH	SYS1.LINKLIB
	Alias	IFCSUKNO	IFCSUCCH			
IFCSUCPU	Object	IFCSUKNO		IFCSUKNO	IFCSUCPU	SYS1.LINKLIB
	Alias	IFCSUKNO	IFCSUCPU			
IFCSUKNO	Load		IFCSUCPU	IFCSUKNO	IFCSUCCH	SYS1.LINKLIB
			IFCSUCCH	IFCSUKNO	IFCSUCPU	
			IFCSUKNO	IFCSUKNO		
			IFCSUKNO	IFCSUKNO		
			IFCSUOBR	IFCSUKNO	IFCSUOBR	
			IFCSUTYP	IFCSUKNO	IFCSUTYP	
	Object	IFCSUKNO		IFCSUKNO		
	Entry	IFCSUKNO	IFCSUCCH			
			IFCSUCPU			
			IFCSUKNO			
			IFCSUOBR			
			IFCSUTYP			
IFCSUOBR	Object	IFCSUKNO		IFCSUKNO	IFCSUOBR	SYS1.LINKLIB
	Alias	IFCSUKNO	IFCSUOBR			
IFCSUTYP	Object	IFCSUKNO		IFCSUKNO	IFCSUTYP	SYS1.LINKLIB
	Alias	IFCSUKNO	IFCSUTYP			
IFCSVOLO	Load		IFCSVOLO	IFCSVOLO		SYS1.LINKLIB
	Object	IFCSVOLO		IFCSVOLO		
	Entry	IFCSVOLO	IFCSVOLO			
IFCSXXXA	Object	IFCS2400				SYS1.LINKLIB
	Entry	IFCS2400	IFCS2400			

Name	Type	Load	Object	Entry	Alias	System Library
			IFCS3211			
			IFCS3540			
IFCSXXXB	Object	IFCS3420				SYS1.LINKLIB
	Entry	IFCS3420	IFCS3420			
IFCSXXXD	Object	IFCS2305				SYS1.LINKLIB
	Entry	IFCS2305	IFCST002			
			IFCST012			
			IFCS2305			
IFCSXXXE	Object	IFCS3886				SYS1.LINKLIB
	Entry	IFCS3886	IFCS3886			
IFCSXXXX	Load		IFCSXXXX	IFCSXXXX	IFCSXXXX	SYS1.LINKLIB
	Object	IFCSXXXX	IFCSXXXX			
	Entry	IFCSXXXX				
IFCSXXX0	Object	IFCS2701				SYS1.LINKLIB
	Entry	IFCS2701	IFCS2701			
			IFCS2702			
			IFCS2703			
			IFCS2955			
IFCSXXX1	Object	IFCS2540				SYS1.LINKLIB
	Entry	IFCS2540	IFCS1442			
			IFCS2495			
			IFCS2501			
			IFCS2520			
			IFCS2540			
			IFCS3890			
IFCSXXX2	Object	IFCS1403				SYS1.LINKLIB
	Entry	IFCS1403	IFCS1052			
			IFCS1053			
			IFCS1403			
			IFCS1445			
			IFCS2150			
			IFCS3210			
			IFCS3213			
			IFCS3215			
IFCSXXX3	Object	IFCS1443				SYS1.LINKLIB
	Entry	IFCS1443	IFCS1275			
			IFCS1285			
			IFCS1419			
			IFCS1443			
			IFCS2671			
IFCSXXX4	Object	IFCS2311				SYS1.LINKLIB
	Entry	IFCS2311	IFCS2302			
			IFCS2303			
			IFCS2311			
			IFCS2321			
IFCSXXX5	Object	IFCS2301				SYS1.LINKLIB
	Entry	IFCS2301	IFCS2301			
IFCSXXX6	Object	IFCS2314				SYS1.LINKLIB
	Entry	IFCS2314	IFCS2314			
IFCSXXX7	Object	IFCS1015				SYS1.LINKLIB
	Entry	IFCS1015	IFCS1015			
			IFCS2245			
			IFCS3158			
			IFCS3277			
			IFCS3284			
			IFCS3286			
IFCSXXX8	Object	IFCS1287				SYS1.LINKLIB
	Entry	IFCS1287	IFCS1287			
			IFCS1288			
			IFCS3066			
			IFCS5450			
IFCSXXX9	Object	IFCS2250				SYS1.LINKLIB
	Entry	IFCS2250	IFCS2250			
			IFCS2260			
			IFCS2280			
			IFCS2282			
			IFCS3505			
			IFCS3525			
IFCS0145	Load		IFCS0145	IFCS0145		SYS1.LINKLIB
	Object	IFCS0145		IFCS0145		

Name	Type	Load	Object	Entry	Alias	System Library
IFCS0155	Entry	IFCS0145	IFCS0145			
	Load		IFCS0155	IFCS0155		SYS1.LINKLIB
			IFCS0158	IFCS0155	IFCS0158	
	Object	IFCS0155		IFCS0155		
	Entry	IFCS0155	IFCS0155	IFCS0155		
IFCS0158	Object	IFCS0155	IFCS0158	IFCS0155	IFCS0158	SYS1.LINKLIB
	Alias	IFCS0155	IFCS0158			
IFCS0165	Load		IFCS0165	IFCS0165		SYS1.LINKLIB
			IFCS0168	IFCS0165	IFCS0168	
			IFCS0169	IFCS0165	IFCS0169	
	Object	IFCS0165		IFCS0165		
	Entry	IFCS0165	IFCS0165	IFCS0165		
			IFCS0168			
			IFCS0169			
IFCS0168	Object	IFCS0165		IFCS0165	IFCS0168	SYS1.LINKLIB
	Alias	IFCS0165	IFCS0168			
IFCS0169	Object	IFCS0165		IFCS0165	IFCS0169	SYS1.LINKLIB
	Alias	IFCS0165	IFCS0169			
IFCS1015	Load		IFCSXXX7			SYS1.LINKLIB
			IFCS1015	IFCSXXX7		
			IFCS2245	IFCSXXX7	IFCS2245	
			IFCS3158	IFCSXXX7	IFCS3158	
			IFCS3277	IFCSXXX7	IFCS3277	
			IFCS3284	IFCSXXX7	IFCS3284	
			IFCS3286	IFCSXXX7	IFCS3286	
	Object	IFCS1015		IFCSXXX7		
IFCS1052	Object	IFCS1403		IFCSXXX2	IFCS1052	SYS1.LINKLIB
	Alias	IFCS1403	IFCS1052			
IFCS1053	Object	IFCS1403		IFCSXXX2	IFCS1053	SYS1.LINKLIB
	Alias	IFCS1403	IFCS1053			
IFCS1275	Object	IFCS1443		IFCSXXX3	IFCS1275	SYS1.LINKLIB
	Alias	IFCS1443	IFCS1275			
IFCS1285	Object	IFCS1443		IFCSXXX3	IFCS1285	SYS1.LINKLIB
	Alias	IFCS1443	IFCS1285			
IFCS1287	Load		IFCSXXX8			SYS1.LINKLIB
			IFCS1287	IFCSXXX8		
			IFCS1288	IFCSXXX8	IFCS1288	
			IFCS3066	IFCSXXX8	IFCS3066	
			IFCS5450	IFCSXXX8	IFCS5450	
	Object	IFCS1287		IFCSXXX8		
IFCS1288	Object	IFCS1287		IFCSXXX8	IFCS1288	SYS1.LINKLIB
	Alias	IFCS1287	IFCS1288			
IFCS1403	Load		IFCSXXX2			SYS1.LINKLIB
			IFCS1052	IFCSXXX2	IFCS1052	
			IFCS1053	IFCSXXX2	IFCS1053	
			IFCS1403	IFCSXXX2		
			IFCS1445	IFCSXXX2	IFCS1445	
			IFCS2150	IFCSXXX2	IFCS2150	
			IFCS3210	IFCSXXX2	IFCS3210	
			IFCS3213	IFCSXXX2	IFCS3213	
			IFCS3215	IFCSXXX2	IFCS3215	
	Object	IFCS1403		IFCSXXX2		
IFCS1419	Object	IFCS1443		IFCSXXX3	IFCS1419	SYS1.LINKLIB
	Alias	IFCS1443	IFCS1419			
IFCS1442	Object	IFCS2540		IFCSXXX1	IFCS1442	SYS1.LINKLIB
	Alias	IFCS2540	IFCS1442			
IFCS1443	Load		IFCSXXX3			SYS1.LINKLIB
			IFCS1275	IFCSXXX3	IFCS1275	
			IFCS1285	IFCSXXX3	IFCS1285	
			IFCS1419	IFCSXXX3	IFCS1419	
			IFCS1443	IFCSXXX3		
			IFCS2671	IFCSXXX3	IFCS2671	
	Object	IFCS1443		IFCSXXX3		
IFCS1445	Object	IFCS1403		IFCSXXX2	IFCS1445	SYS1.LINKLIB
	Alias	IFCS1403	IFCS1445			
IFCS2150	Object	IFCS1403		IFCSXXX2	IFCS2150	SYS1.LINKLIB
	Alias	IFCS1403	IFCS2150			
IFCS2245	Object	IFCS1015		IFCSXXX7	IFCS2245	SYS1.LINKLIB
	Alias	IFCS1015	IFCS2245			

Name	Type	Load	Object	Entry	Alias	System Library
IFCS2250	Load		IFCSXXX9			SYS1.LINKLIB
			IFCS2250	IFCSXXX9		
			IFCS2260	IFCSXXX9	IFCS2260	
			IFCS2280	IFCSXXX9	IFCS2280	
			IFCS2282	IFCSXXX9	IFCS2282	
			IFCS3505	IFCSXXX9	IFCS3505	
			IFCS3525	IFCSXXX9	IFCS3525	
IFCS2260	Object	IFCS2250		IFCSXXX9		
	Object	IFCS2250		IFCSXXX9	IFCS2260	SYS1.LINKLIB
	Alias	IFCS2250	IFCS2260			
IFCS2280	Object	IFCS2250		IFCSXXX9		
	Alias	IFCS2250	IFCS2280		IFCS2280	SYS1.LINKLIB
IFCS2282	Object	IFCS2250		IFCSXXX9		
	Alias	IFCS2250	IFCS2282		IFCS2282	SYS1.LINKLIB
IFCS2301	Load	IFCS2250				
			IFCSXXX5			SYS1.LINKLIB
			IFCS2301	IFCSXXX5		
IFCS2302	Object	IFCS2301		IFCSXXX5		
	Object	IFCS2311		IFCSXXX4	IFCS2302	SYS1.LINKLIB
	Alias	IFCS2311	IFCS2302			
IFCS2303	Object	IFCS2311		IFCSXXX4		
	Alias	IFCS2311	IFCS2303		IFCS2303	SYS1.LINKLIB
IFCS2305	Load		IFCST002	IFCSXXXD	IFCST002	SYS1.LINKLIB
			IFCST012	IFCSXXXD	IFCST012	
			IFCSXXXD			
			IFCS2305	IFCSXXXD		
IFCS2311	Object	IFCS2305		IFCSXXXD		
	Load		IFCSXXX4			SYS1.LINKLIB
			IFCS2302	IFCSXXX4	IFCS2302	
			IFCS2303	IFCSXXX4	IFCS2303	
			IFCS2311	IFCSXXX4		
			IFCS2321	IFCSXXX4	IFCS2321	
IFCS2314	Object	IFCS2311		IFCSXXX4		
	Load		IFCSXXX6			SYS1.LINKLIB
			IFCS2314	IFCSXXX6		
IFCS2321	Object	IFCS2314		IFCSXXX6		
	Object	IFCS2311		IFCSXXX4	IFCS2321	SYS1.LINKLIB
	Alias	IFCS2311	IFCS2321			
IFCS2400	Load		IFCSXXXA			SYS1.LINKLIB
			IFCS2400	IFCSXXXA		
			IFCS3211	IFCSXXXA	IFCS3211	
			IFCS3540	IFCSXXXA	IFCS3540	
IFCS2495	Object	IFCS2400		IFCSXXXA		
	Object	IFCS2540		IFCSXXX1	IFCS2495	SYS1.LINKLIB
	Alias	IFCS2540	IFCS2495			
IFCS2501	Object	IFCS2540		IFCSXXX1		
	Alias	IFCS2540	IFCS2501		IFCS2501	SYS1.LINKLIB
IFCS2520	Object	IFCS2540		IFCSXXX1		
	Alias	IFCS2540	IFCS2520		IFCS2520	SYS1.LINKLIB
IFCS2540	Load		IFCSXXX1			SYS1.LINKLIB
			IFCS1442	IFCSXXX1	IFCS1442	
			IFCS2495	IFCSXXX1	IFCS2495	
			IFCS2501	IFCSXXX1	IFCS2501	
			IFCS2520	IFCSXXX1	IFCS2520	
			IFCS2540	IFCSXXX1		
			IFCS3890	IFCSXXX1	IFCS3890	
IFCS2671	Object	IFCS2540		IFCSXXX1		
	Object	IFCS1443		IFCSXXX3	IFCS2671	SYS1.LINKLIB
	Alias	IFCS1443	IFCS2671			
IFCS2701	Load		IFCSXXX0			SYS1.LINKLIB
			IFCS2701	IFCSXXX0		
			IFCS2702	IFCSXXX0	IFCS2702	
			IFCS2703	IFCSXXX0	IFCS2703	
			IFCS2955	IFCSXXX0	IFCS2955	
IFCS2702	Object	IFCS2701		IFCSXXX0		
	Object	IFCS2701		IFCSXXX0	IFCS2702	SYS1.LINKLIB
	Alias	IFCS2701	IFCS2702			
IFCS2703	Object	IFCS2701		IFCSXXX0		
	Alias	IFCS2701	IFCS2703		IFCS2703	SYS1.LINKLIB
IFCS2860	Load		IFCS2860	IFCS2860		SYS1.LINKLIB
	Object	IFCS2860	IFCS2860	IFCS2860		

Name	Type	Load	Object	Entry	Alias	System Library
IFCS2870	Entry	IFCS2860	IFCS2860			
	Load		IFCS2870	IFCS2870		SYS1.LINKLIB
	Object	IFCS2870		IFCS2870		
IFCS2880	Entry	IFCS2870	IFCS2870			
	Load		IFCS2880	IFCS2880		SYS1.LINKLIB
	Object	IFCS2880		IFCS2880		
IFCS2955	Entry	IFCS2880	IFCS2880			
	Object	IFCS2701		IFCSXXX0	IFCS2955	SYS1.LINKLIB
	Alias	IFCS2701	IFCS2955			
IFCS3066	Object	IFCS1287		IFCSXXX8	IFCS3066	SYS1.LINKLIB
	Alias	IFCS1287	IFCS3066			
IFCS3158	Object	IFCS1015		IFCSXXX7	IFCS3158	SYS1.LINKLIB
	Alias	IFCS1015	IFCS3158			
IFCS3210	Object	IFCS1403		IFCSXXX2	IFCS3210	SYS1.LINKLIB
	Alias	IFCS1403	IFCS3210			
IFCS3211	Object	IFCS2400		IFCSXXXA	IFCS3211	SYS1.LINKLIB
	Alias	IFCS2400	IFCS3211			
IFCS3213	Object	IFCS1403		IFCSXXX2	IFCS3213	SYS1.LINKLIB
	Alias	IFCS1403	IFCS3213			
IFCS3215	Object	IFCS1403		IFCSXXX2	IFCS3215	SYS1.LINKLIB
	Alias	IFCS1403	IFCS3215			
IFCS3277	Object	IFCS1015		IFCSXXX7	IFCS3277	SYS1.LINKLIB
	Alias	IFCS1015	IFCS3277			
IFCS3284	Object	IFCS1015		IFCSXXX7	IFCS3284	SYS1.LINKLIB
	Alias	IFCS1015	IFCS3284			
IFCS3286	Object	IFCS1015		IFCSXXX7	IFCS3286	SYS1.LINKLIB
	Alias	IFCS1015	IFCS3286			
IFCS3330	Load		IFCS3330	IFCS3330		
			IFCST00A	IFCS3330	IFCST00A	SYS1.LINKLIB
			IFCST001	IFCS3330	IFCST001	
			IFCS3330	IFCS3330		
	Object	IFCS3330		IFCS3330		
	Entry	IFCS3330	IFCST00A			
			IFCST001			
			IFCS3330			
IFCS3340	Load		IFCSAXXC			SYS1.LINKLIB
			IFCST009	IFCSAXXC	IFCST009	
			IFCS3340	IFCSAXXC		
IFCS3350	Object	IFCS3340		IFCSAXXC		
	Load		IFCST011	IFCS3350	IFCST011	SYS1.LINKLIB
			IFCS3350	IFCS3350		
	Object	IFCS3350		IFCS3350		
	Entry	IFCS3350	IFCST011			
			IFCS3350			
IFCS3420	Load		IFCSXXXB			SYS1.LINKLIB
			IFCS3420			
	Object	IFCS3420		IFCSXXXB		
IFCS3505	Object	IFCS2250		IFCSXXX9	IFCS3505	SYS1.LINKLIB
	Alias	IFCS2250	IFCS3505			
IFCS3525	Object	IFCS2250		IFCSXXX9	IFCS3525	SYS1.LINKLIB
	Alias	IFCS2250	IFCS3525			
IFCS3540	Object	IFCS2400		IFCSXXXA	IFCS3540	SYS1.LINKLIB
	Alias	IFCS2400	IFCS3540			
IFCS3886	Load		IFCSXXXE			SYS1.LINKLIB
			IFCS3886	IFCSXXXE		
	Object	IFCS3886		IFCSXXXE		
IFCS3890	Object	IFCS2540		IFCSXXX1	IFCS3890	SYS1.LINKLIB
	Alias	IFCS2540	IFCS3890			
IFCS5450	Object	IFCS1287		IFCSXXX8	IFCS5450	SYS1.LINKLIB
	Alias	IFCS1287	IFCS5450			
IFDMSGAJ	Object	IFDOLT				SYS1.LINKLIB
IFDMSG00	Object	IFDOLT				SYS1.LINKLIB
IFDMSG03	Object	IFDOLT03				SYS1.LINKLIB
IFDMSG04	Object	IFDOLT04				SYS1.LINKLIB
IFDMSG06	Object	IFDOLT				SYS1.LINKLIB
IFDMSG07	Object	IFDOLT07				SYS1.LINKLIB
IFDMSG08	Object	IFDOLT				SYS1.LINKLIB
IFDMSG13	Object	IFDOLT				SYS1.LINKLIB
IFDMSG22	Object	IFDOLT				SYS1.LINKLIB
IFDMSG31	Object	IFDOLT31				SYS1.LINKLIB
IFDMSG32	Object	IFDOLT32				SYS1.LINKLIB

Name	Type	Load	Object	Entry	Alias	System Library
IFDMSG33	Object	IFDOLT33				SYS1.LINKLIB
IFDMSG37	Object	IFDOLT				SYS1.LINKLIB
IFDMSG38	Object	IFDOLT38				SYS1.LINKLIB
IFDMSG50	Object	IFDOLT50				SYS1.LINKLIB
IFDMSG53	Object	IFDOLT53				SYS1.LINKLIB
IFDMSG61	Object	IFDOLT61				SYS1.LINKLIB
IFDMSG73	Object	IFDOLT73				SYS1.LINKLIB
IFDMSG74	Object	IFDOLT74				SYS1.LINKLIB
IFDOLT	Load					SYS1.LINKLIB
			ACCUMDCB			
			CECINP02			
			CECINP03			
			CNTRLREC			
			DEDBUF			
			DPRDCB			
			DPRPPOW			
			DPRXLATE			
			ECB			
			ECB1			
			FISTERR			
			IFDMSGAJ			
			IFDMSG00			
			IFDMSG06			
			IFDMSG08			
			IFDMSG13			
			IFDMSG22			
			IFDMSG37			
			IFDOLT	IFDOLT00		
			IFDOLTAA			
			IFDOLTAB			
			IFDOLTAJ			
			IFDOLT00	IFDOLT00	IFDOLT00	
			IFDOLT05			
			IFDOLT06			
			IFDOLT08			
			IFDOLT09			
			IFDOLT10			
			IFDOLT11			
			IFDOLT12			
			IFDOLT13			
			IFDOLT16			
			IFDOLT18			
			IFDOLT21			
			IFDOLT22			
			IFDOLT23			
			IFDOLT24			
			IFDOLT26			
			IFDOLT28			
			IFDOLT30			
			IFDOLT35			
			IFDOLT36			
			IFDOLT37			
			IFDOLT39			
			IFDOLT41			
			IFDOLT42			
			IFDOLT43			
			IFDOLT44			
			IFDOLT46			
			IFDOLT48			
			IFDOLT51			
			IFDOLT52			
			IFDOLT55			
			IFDOLT59			
			IFD46			
			IOEFFCTR			
			OLTDCB			
			READD CB			
			REIDCB			
			REIOB			
			REMINBUF			

Name	Type	Load	Object	Entry	Alias	System Library
			REPBFR1 REPBUR SYMLIB TMNT30 TRA130 XDCB			
IFDOLTAA	Object	IFDOLT		IFDOLT00		
IFDOLTAB	Object	IFDOLT				SYS1.LINKLIB
IFDOLTAJ	Object	IFDOLT				SYS1.LINKLIB
IFDOLT0A	Object	IEANUC01				SYS1.NUCLEUS
IFDOLT00	Object	IFDOLT		IFDOLT00	IFDOLT00	SYS1.LINKLIB
	Entry	IFDOLT	IFDOLT IFDOLT00 IFDOLT00			
IFDOLT03	Alias Load	IFDOLT				SYS1.LINKLIB
			IFDMSG03 IFDOLT03	IFDOLT03 IFDOLT03		
IFDOLT04	Object Entry Load	IFDOLT03 IFDOLT03	IFDOLT03			SYS1.LINKLIB
			IFDMSG04 IFDOLT04	IFDOLT04 IFDOLT04		
IFDOLT05	Object	IFDOLT04				SYS1.LINKLIB
IFDOLT06	Object	IFDOLT				SYS1.LINKLIB
IFDOLT07	Load	IFDOLT				SYS1.LINKLIB
			IFDMSG07 IFDOLT07	IFDOLT07 IFDOLT07		
IFDOLT08	Object	IFDOLT07				SYS1.LINKLIB
IFDOLT09	Object	IFDOLT				SYS1.LINKLIB
IFDOLT10	Object	IFDOLT				SYS1.LINKLIB
IFDOLT11	Object	IFDOLT				SYS1.LINKLIB
IFDOLT12	Object	IFDOLT				SYS1.LINKLIB
IFDOLT13	Object	IFDOLT				SYS1.LINKLIB
IFDOLT14	Load					SYS1.LINKLIB
			IFDOLT14	IFDOLT14 IFDOLT14		
IFDOLT15	Object Entry Load	IFDOLT14 IFDOLT14	IFDOLT14			SYS1.LINKLIB
			IFDOLT15	IFDOLT15 IFDOLT15		
IFDOLT16	Object	IFDOLT15				SYS1.LINKLIB
IFDOLT17	Load	IFDOLT				SYS1.LINKLIB
			IFDOLT17	IFDOLT17 IFDOLT17		
IFDOLT18	Object	IFDOLT17				SYS1.LINKLIB
IFDOLT21	Object	IFDOLT				SYS1.LINKLIB
IFDOLT22	Object	IFDOLT				SYS1.LINKLIB
IFDOLT23	Object	IFDOLT				SYS1.LINKLIB
IFDOLT24	Object	IFDOLT				SYS1.LINKLIB
IFDOLT26	Object	IFDOLT				SYS1.LINKLIB
IFDOLT28	Object	IFDOLT				SYS1.LINKLIB
IFDOLT30	Object	IFDOLT				SYS1.LINKLIB
IFDOLT31	Load					SYS1.LINKLIB
			IFDMSG31 IFDOLT31	IFDOLT31 IFDOLT31		
IFDOLT32	Object Entry Load	IFDOLT31 IFDOLT31	IFDOLT31			SYS1.LINKLIB
			IFDMSG32 IFDOLT32	IFDOLT32 IFDOLT32		
IFDOLT33	Object Entry Load	IFDOLT32 IFDOLT32	IFDOLT32			SYS1.LINKLIB

Name	Type	Load	Object	Entry	Alias	System Library
			IFDMSG33			
			IFDOLT33	IFDOLT33		
	Object	IFDOLT33		IFDOLT33		
IFDOLT35	Entry	IFDOLT33	IFDOLT33			
IFDOLT36	Object	IFDOLT				SYS1.LINKLIB
IFDOLT37	Object	IFDOLT				SYS1.LINKLIB
IFDOLT38	Load	IFDOLT				SYS1.LINKLIB
			IFDMSG38			
			IFDOLT38	IFDOLT38		
	Object	IFDOLT38		IFDOLT38		
IFDOLT39	Entry	IFDOLT38	IFDOLT38			
IFDOLT41	Object	IFDOLT				SYS1.LINKLIB
IFDOLT42	Object	IFDOLT				SYS1.LINKLIB
IFDOLT43	Object	IFDOLT				SYS1.LINKLIB
IFDOLT44	Object	IFDOLT				SYS1.LINKLIB
IFDOLT46	Object	IFDOLT				SYS1.LINKLIB
IFDOLT48	Object	IFDOLT				SYS1.LINKLIB
IFDOLT49	Load	IFDOLT				SYS1.LINKLIB
			IFDOLT49	IFDOLT49		
	Object	IFDOLT49		IFDOLT49		
IFDOLT50	Entry	IFDOLT49	IFDOLT49			
	Load					SYS1.LINKLIB
			IFDMSG50			
			IFDOLT50	IFDOLT50		
	Object	IFDOLT50		IFDOLT50		
IFDOLT51	Entry	IFDOLT50	IFDOLT50			
IFDOLT52	Object	IFDOLT				SYS1.LINKLIB
IFDOLT53	Load	IFDOLT				SYS1.LINKLIB
			IFDMSG53			
			IFDOLT53	IFDOLT53		
	Object	IFDOLT53		IFDOLT53		
IFDOLT55	Entry	IFDOLT53	IFDOLT53			
IFDOLT57	Object	IFDOLT				SYS1.LINKLIB
	Load					SYS1.LINKLIB
	Object	IFDOLT57	IFDOLT57	IFDOLT57		
IFDOLT58	Entry	IFDOLT57	IFDOLT57			
	Load					SYS1.LINKLIB
	Object	IFDOLT58	IFDOLT58	IFDOLT58		
IFDOLT59	Entry	IFDOLT58	IFDOLT58			
IFDOLT61	Object	IFDOLT				SYS1.LINKLIB
	Load					SYS1.LINKLIB
			IFDMSG61			
			IFDOLT61	IFDOLT61		
	Object	IFDOLT61		IFDOLT61		
IFDOLT62	Entry	IFDOLT61	IFDOLT61			
	Load					SYS1.LINKLIB
	Object	IFDOLT62	IFDOLT62	IFDOLT62		
IFDOLT67	Entry	IFDOLT62	IFDOLT62			
	Load					SYS1.LINKLIB
			IFDOLT67	IFDOLT67		
	Object	IFDOLT67		IFDOLT67		
IFDOLT73	Entry	IFDOLT67	IFDOLT67			
	Load					SYS1.LINKLIB
			IFDMSG73			
			IFDOLT73	IFDOLT73		
	Object	IFDOLT73		IFDOLT73		
IFDOLT74	Entry	IFDOLT73	IFDOLT73			
	Load					SYS1.LINKLIB
			IFDMSG74			
			IFDOLT74	IFDOLT74		
	Object	IFDOLT74		IFDOLT74		
IFDOLT98	Entry	IFDOLT74	IFDOLT74			
	Load					SYS1.LINKLIB
	Object	IFDOLT98	IFDOLT98	IFDOLT98		
IFDOLT99	Entry	IFDOLT98	IFDOLT98			
	Load					SYS1.LINKLIB
	Object	IFDOLT99	IFDOLT99	IFDOLT99		
						SYS1.LINKLIB

Name	Type	Load	Object	Entry	Alias	System Library
IFD46	Entry	IFDOLT99	IFDOLT99			
IFFAAA01	Object	IFDOLT				SYS1.LINKLIB
	Load					SYS1.LINKLIB
	Object	IFFAAA01	IFFAAA01	IFFAAA01		
	Entry	IFFAAA01	IFFAAA01	IFFAAA01		
IFFAAA02	Load					SYS1.LINKLIB
	Object	IFFAAA02	IFFAAA02	IFFAAA02		
	Entry	IFFAAA02	IFFAAA02	IFFAAA02		
IFFAAA03	Load					SYS1.LINKLIB
	Object	IFFAAA03	IFFAAA03	IFFAAA03		
	Entry	IFFAAA03	IFFAAA03	IFFAAA03		
IFFAAA04	Load					SYS1.LINKLIB
	Object	IFFAAA04	IFFAAA04	IFFAAA04		
	Entry	IFFAAA04	IFFAAA04	IFFAAA04		
IFFAAA05	Load					SYS1.LINKLIB
	Object	IFFAAA05	IFFAAA05	IFFAAA05		
	Entry	IFFAAA05	IFFAAA05	IFFAAA05		
IFFAAA06	Load					SYS1.LINKLIB
	Object	IFFAAA06	IFFAAA06	IFFAAA06		
	Entry	IFFAAA06	IFFAAA06	IFFAAA06		
IFFABA	Object	IEANUC01				SYS1.NUCLEUS
IFFACA00	Load					SYS1.LINKLIB
	Object	IFFACA00	IFFACA00	IFFACA00		
	Entry	IFFACA00	IFFACA00	IFFACA00		
IFFACA01	Load					SYS1.LINKLIB
	Object	IFFACA01	IFFACA01	IFFACA01		
	Entry	IFFACA01	IFFACA01	IFFACA01		
IFFACA02	Load					SYS1.LINKLIB
	Object	IFFACA02	IFFACA02	IFFACA02		
	Entry	IFFACA02	IFFACA02	IFFACA02		
IFFACA03	Load					SYS1.LINKLIB
	Object	IFFACA03	IFFACA03	IFFACA03		
	Entry	IFFACA03	IFFACA03	IFFACA03		
IFFACA04	Load					SYS1.LINKLIB
	Object	IFFACA04	IFFACA04	IFFACA04		
	Entry	IFFACA04	IFFACA04	IFFACA04		
IFFACA05	Load					SYS1.LINKLIB
	Object	IFFACA05	IFFACA05	IFFACA05		
	Entry	IFFACA05	IFFACA05	IFFACA05		
IFFACA06	Load					SYS1.LINKLIB
	Object	IFFACA06	IFFACA06	IFFACA06		
	Entry	IFFACA06	IFFACA06	IFFACA06		
IFFACA07	Load					SYS1.LINKLIB
	Object	IFFACA07	IFFACA07	IFFACA07		
	Entry	IFFACA07	IFFACA07	IFFACA07		
IFFACA08	Load					SYS1.LINKLIB
	Object	IFFACA08	IFFACA08	IFFACA08		
	Entry	IFFACA08	IFFACA08	IFFACA08		
IFFACA13	Load					SYS1.LINKLIB
	Object	IFFACA13	IFFACA13	IFFACA13		
	Entry	IFFACA13	IFFACA13	IFFACA13		
IFFACA50	Load					SYS1.LINKLIB
	Object	IFFACA50	IFFACA50	IFFACA50		
	Entry	IFFACA50	IFFACA50	IFFACA50		
IFFADA01	Load					SYS1.LINKLIB
	Object	IFFADA01	IFFADA01	IFFADA01		
	Entry	IFFADA01	IFFADA01	IFFADA01		
IFFADA02	Load					SYS1.LINKLIB
	Object	IFFADA02	IFFADA02	IFFADA02		

Name	Type	Load	Object	Entry	Alias	System Library
IFFADA03	Entry	IFFADA02	IFFADA02			
	Load		IFFADA03	IFFADA03		SYS1.LINKLIB
	Object	IFFADA03		IFFADA03		
IFFAEA01	Entry	IFFADA03	IFFADA03			
	Load		IFFAEA01	IFFAEA01		SYS1.LINKLIB
IFFAEA02	Object	IFFAEA01		IFFAEA01		
	Entry	IFFAEA01	IFFAEA01			
IFFAEA03	Load		IFFAEA02	IFFAEA02		SYS1.LINKLIB
	Object	IFFAEA02		IFFAEA02		
IFFAEA04	Entry	IFFAEA02	IFFAEA02			
	Load		IFFAEA03	IFFAEA03		SYS1.LINKLIB
IFFAEA06	Object	IFFAEA03		IFFAEA03		
	Entry	IFFAEA03	IFFAEA03			
IFFAEA07	Load		IFFAEA04	IFFAEA04		SYS1.LINKLIB
	Object	IFFAEA04		IFFAEA04		
IFFAFA01	Entry	IFFAEA06	IFFAEA06	IFFAEA06		SYS1.LINKLIB
	Load	IFFAEA06	IFFAEA06	IFFAEA06		
IFFAFA02	Object	IFFAEA07	IFFAEA07	IFFAEA07		
	Entry	IFFAEA07	IFFAEA07	IFFAEA07		
IFFAFA03	Load		IFFAFA01	IFFAFA01	IFFAFA16	SYS1.LINKLIB
	Object	IFFAFA01	IFFAFA01	IFFAFA01		
IFFAFA04	Entry	IFFAFA01	IFFAFA01	IFFAFA01		
	Load		IFFAFA02	IFFAFA02		SYS1.LINKLIB
IFFAFA05	Object	IFFAFA02		IFFAFA02		
	Entry	IFFAFA02	IFFAFA02	IFFAFA02		
IFFAFA06	Load		IFFAFA03	IFFAFA03		SYS1.LINKLIB
	Object	IFFAFA03		IFFAFA03		
IFFAFA07	Entry	IFFAFA03	IFFAFA03	IFFAFA03		
	Load		IFFAFA04	IFFAFA04		SYS1.LINKLIB
IFFAFA08	Object	IFFAFA04	IFFAFA04	IFFAFA04	IFFAFA17	
	Entry	IFFAFA04	IFFAFA04	IFFAFA04		
IFFAFA09	Load		IFFAFA05	IFFAFA05		SYS1.LINKLIB
	Object	IFFAFA05	IFFAFA05	IFFAFA05	IFFAFA18	
IFFAFA10	Entry	IFFAFA05	IFFAFA05	IFFAFA05		
	Load		IFFAFA06	IFFAFA06		SYS1.LINKLIB
IFFAFA11	Object	IFFAFA06	IFFAFA06	IFFAFA06		
	Entry	IFFAFA06	IFFAFA06	IFFAFA06		
IFFAFA12	Load		IFFAFA07	IFFAFA07		SYS1.LINKLIB
	Object	IFFAFA07		IFFAFA07		
IFFAFA13	Entry	IFFAFA07	IFFAFA07	IFFAFA07		
	Load		IFFAFA08	IFFAFA08		SYS1.LINKLIB
IFFAFA14	Object	IFFAFA08	IFFAFA08	IFFAFA08		
	Entry	IFFAFA08	IFFAFA08	IFFAFA08		
IFFAFA15	Load		IFFAFA09	IFFAFA09		SYS1.LINKLIB
	Object	IFFAFA09	IFFAFA09	IFFAFA09	IFFAFA10	
IFFAFA16	Entry	IFFAFA09	IFFAFA09	IFFAFA09		
	Load		IFFAFA10	IFFAFA10		SYS1.LINKLIB
IFFAFA17	Object	IFFAFA10		IFFAFA10	IFFAFA10	
	Entry	IFFAFA10	IFFAFA10	IFFAFA10		
IFFAFA18	Load		IFFAFA11	IFFAFA11		SYS1.LINKLIB
	Object	IFFAFA11		IFFAFA11		
IFFAFA19	Entry	IFFAFA11	IFFAFA11	IFFAFA11		
	Load		IFFAFA12	IFFAFA12		SYS1.LINKLIB
IFFAFA20	Object	IFFAFA12	IFFAFA12	IFFAFA12		
	Entry	IFFAFA12	IFFAFA12	IFFAFA12		
IFFAFA21	Load		IFFAFA13	IFFAFA13		SYS1.LINKLIB
	Object	IFFAFA13	IFFAFA13	IFFAFA13		
IFFAFA22	Entry	IFFAFA13	IFFAFA13	IFFAFA13		
	Load		IFFAFA13	IFFAFA13		

Name	Type	Load	Object	Entry	Alias	System Library
IFFAFA14	Load					SYS1.LINKLIB
	Object	IFFAFA14	IFFAFA14	IFFAFA14		
	Entry	IFFAFA14	IFFAFA14	IFFAFA14		
IFFAFA15	Load					SYS1.LINKLIB
	Object	IFFAFA15	IFFAFA15	IFFAFA15		
	Entry	IFFAFA15	IFFAFA15	IFFAFA15		
IFFAFA16	Object	IFFAFA01	IFFAFA16	IFFAFA16	IFFAFA16	SYS1.LINKLIB
	Entry	IFFAFA01	IFFAFA16	IFFAFA16		
	Alias	IFFAFA01	IFFAFA16			
IFFAFA17	Object	IFFAFA04	IFFAFA17	IFFAFA17	IFFAFA17	SYS1.LINKLIB
	Entry	IFFAFA04	IFFAFA17	IFFAFA17		
	Alias	IFFAFA04	IFFAFA17			
IFFAFA18	Object	IFFAFA05	IFFAFA18	IFFAFA18	IFFAFA18	SYS1.LINKLIB
	Entry	IFFAFA05	IFFAFA18	IFFAFA18		
	Alias	IFFAFA05	IFFAFA18			
IFFAFA19	Load					SYS1.LINKLIB
	Object	IFFAFA19	IFFAFA19	IFFAFA19		
	Entry	IFFAFA19	IFFAFA19	IFFAFA19		
IFFAGA01	Load					SYS1.LINKLIB
	Object	IFFAGA01	IFFAGA01	IFFAGA01		
	Entry	IFFAGA01	IFFAGA01	IFFAGA01		
IFFAGA02	Load					SYS1.LINKLIB
	Object	IFFAGA02	IFFAGA02	IFFAGA02		
	Entry	IFFAGA02	IFFAGA02	IFFAGA02		
IFFAGA03	Load					SYS1.LINKLIB
	Object	IFFAGA03	IFFAGA03	IFFAGA03		
	Entry	IFFAGA03	IFFAGA03	IFFAGA03		
IFFAGA04	Load					SYS1.LINKLIB
	Object	IFFAGA04	IFFAGA04	IFFAGA04		
	Entry	IFFAGA04	IFFAGA04	IFFAGA04		
IFFAGA05	Load					SYS1.LINKLIB
	Object	IFFAGA05	IFFAGA05	IFFAGA05		
	Entry	IFFAGA05	IFFAGA05	IFFAGA05		
IFFAGA06	Load					SYS1.LINKLIB
	Object	IFFAGA06	IFFAGA06	IFFAGA06		
	Entry	IFFAGA06	IFFAGA06	IFFAGA06		
IFFAGA07	Load					SYS1.LINKLIB
	Object	IFFAGA07	IFFAGA07	IFFAGA07		
	Entry	IFFAGA07	IFFAGA07	IFFAGA07		
IFFAGA08	Load					SYS1.LINKLIB
	Object	IFFAGA08	IFFAGA08	IFFAGA08		
	Entry	IFFAGA08	IFFAGA08	IFFAGA08		
IFFAHA01	Load					SYS1.LINKLIB
	Object	IFFAHA01	IFFAHA01	IFFAHA01		
	Entry	IFFAHA01	IFFAHA01	IFFAHA01		
IFFAHA02	Load					SYS1.LINKLIB
	Object	IFFAHA02	IFFAHA02	IFFAHA02		
	Entry	IFFAHA02	IFFAHA02	IFFAHA02		
IFFAHA03	Load					SYS1.LINKLIB
	Object	IFFAHA03	IFFAHA03	IFFAHA03		
	Entry	IFFAHA03	IFFAHA03	IFFAHA03		
IFFAHA04	Load					SYS1.LINKLIB
	Object	IFFAHA04	IFFAHA04	IFFAHA04		
	Entry	IFFAHA04	IFFAHA04	IFFAHA04		
IFFAHA05	Load					SYS1.LINKLIB
	Object	IFFAHA05	IFFAHA05	IFFAHA05		
	Entry	IFFAHA05	IFFAHA05	IFFAHA05		
IFFAHA06	Load					SYS1.LINKLIB
	Object	IFFAHA06	IFFAHA06	IFFAHA06	IFFAHA15	
	Entry	IFFAHA06	IFFAHA06	IFFAHA06		
IFFAHA07	Load					SYS1.LINKLIB
	Object	IFFAHA07	IFFAHA07	IFFAHA07		
	Entry	IFFAHA07	IFFAHA07	IFFAHA07		
IFFAHA11	Load					SYS1.LINKLIB
	Object	IFFAHA11	IFFAHA11	IFFAHA11		
	Entry	IFFAHA11	IFFAHA11	IFFAHA11		

Name	Type	Load	Object	Entry	Alias	System Library
IFFAHA12	Entry	IFFAHA11	IFFAHA11			
	Load		IFFAHA12	IFFAHA12		SYS1.LINKLIB
IFFAHA13	Object	IFFAHA12	IFFAHA12	IFFAHA12		
	Entry	IFFAHA12	IFFAHA12	IFFAHA12		
IFFAHA13	Load		IFFAHA13	IFFAHA13		SYS1.LINKLIB
			IFFAHA14	IFFAHA14	IFFAHA14	
IFFAHA14	Object	IFFAHA13	IFFAHA13			
	Entry	IFFAHA13	IFFAHA13			
IFFAHA14	Object	IFFAHA13	IFFAHA14	IFFAHA14	IFFAHA14	SYS1.LINKLIB
	Entry	IFFAHA13	IFFAHA14	IFFAHA14		
IFFAHA15	Alias	IFFAHA13	IFFAHA14			
	Object	IFFAHA06	IFFAHA15	IFFAHA15	IFFAHA15	SYS1.LINKLIB
IFFAHA16	Entry	IFFAHA06	IFFAHA15			
	Alias	IFFAHA06	IFFAHA15			
IFFAHA16	Load		GSP01	IFFAHA16	GSP01	SYS1.LINKLIB
			IFFAHA16	GSP01		
IFFAJA01	Object	IFFAHA16	GSP01	GSP01		
	Entry	IFFAHA16	GSP01	GSP01		
IFFAJA01	Load		IFFAJA01	IFFAJA01		SYS1.LINKLIB
	Object	IFFAJA01	IFFAJA01	IFFAJA01		
IFFAJA02	Entry	IFFAJA01	IFFAJA01			
	Load		IFFAJA02	IFFAJA02		SYS1.LINKLIB
IFFAJA03	Object	IFFAJA02	IFFAJA02	IFFAJA02		
	Entry	IFFAJA02	IFFAJA02	IFFAJA02		
IFFAJA03	Object	IFFAJA02	IFFAJA03	IFFAJA03	IFFAJA03	SYS1.LINKLIB
	Entry	IFFAJA02	IFFAJA03	IFFAJA03		
IFFAJA04	Alias	IFFAJA02	IFFAJA03			
	Load		IFFAJA04	IFFAJA04		SYS1.LINKLIB
IFFANA	Object	IFFAJA04	IFFAJA04	IFFAJA04		
	Entry	IFFAJA04	IFFAJA04	IFFAJA04		
IFFANA	Load		ANLZ	IFFANA	ANLZ	SYS1.LINKLIB
			IFFANA	ANLZ		
IFFBDA	Object	IFFANA	ANLZ			
	Entry	IFFANA	ANLZ			
IFFB3A0	Object	IEANUC01				SYS1.NUCLEUS
	Object	IEANUC01				SYS1.NUCLEUS
IFFB3D	Object	IEANUC01				SYS1.NUCLEUS
	Load		IFFCAN01	IFFCAN01		SYS1.LINKLIB
IFFCAN01	Object	IFFCAN01	IFFCAN01	IFFCAN01		
	Entry	IFFCAN01	IFFCAN01	IFFCAN01		
IFFCAN02	Load		IFFCAN02	IFFCAN02		SYS1.LINKLIB
	Object	IFFCAN02	IFFCAN02	IFFCAN02		
IFFCAN03	Entry	IFFCAN02	IFFCAN02			
	Load		IFFCAN03	IFFCAN03		SYS1.LINKLIB
IFFIOM	Object	IFFCAN03	IFFCAN03	IFFCAN03		
	Entry	IFFCAN03	IFFCAN03			
IFFPAAST	Object	IEANUC01				SYS1.NUCLEUS
	Load		GSTOR	IFFPAAST	GSTOR	SYS1.LINKLIB
IFFPBAPR	Object	IFFPAAST	IFFPAAST	GSTOR		
	Entry	IFFPAAST	IFFPAAST	GSTOR		
IFFPBAPR	Load		GCPRNT	IFFPBAPR	GCPRNT	SYS1.LINKLIB
			IFFPBAPR	GCPRNT		
IFFPCAAR	Object	IFFPBAPR	GCPRNT	GCPRNT		
	Entry	IFFPBAPR	GCPRNT	GCPRNT		
IFFPDAPL	Load		GARC	IFFPCAAR	GARC	SYS1.LINKLIB
			IFFPCAAR	GARC		
IFFPEAGR	Object	IFFPCAAR	GARC	GARC		
	Entry	IFFPCAAR	GARC	GARC		
IFFPEAGR	Load		GSPLIT	IFFPDAPL	GSPLIT	SYS1.LINKLIB
			IFFPDAPL	GSPLIT		
IFFPEAGR	Object	IFFPDAPL	GSPLIT	GSPLIT		
	Entry	IFFPDAPL	GSPLIT	GSPLIT		
IFFPEAGR	Load		GCGRID	IFFPEAGR	GCGRID	SYS1.LINKLIB
			IFFPEAGR	GCGRID		
IFFPEAGR	Object	IFFPEAGR	GCGRID	GCGRID		
	Entry	IFFPEAGR	GCGRID	GCGRID		

Name	Type	Load	Object	Entry	Alias	System Library
IFFPFAVA	Load		GVARC IFFPFAVA	IFFPFAVA GVARC GVARC	GVARC	SYS1.LINKLIB
IFFPGAVP	Object Entry Load	IFFPFAVA IFFPFAVA	GVARC GSVPLT IFFPGAVP	IFFPGAVP GSVPLT GSVPLT	GSVPLT	SYS1.LINKLIB
IFFPHALA	Object Entry Load	IFFPGAVP IFFPGAVP	GSVPLT GLABEL IFFPHALA	IFFPHALA GLABEL GLABEL	GLABEL	SYS1.LINKLIB
IFFPIAPG	Object Entry Load	IFFPHALA IFFPHALA	GLABEL GPGRID IFFPIAPG	IFFPIAPG GPGRID GPGRID	GPGRID	SYS1.LINKLIB
IFFPJAPV	Object Entry Load	IFFPIAPG IFFPIAPG	GPGRID GPVGRD IFFPJAPV	IFFPJAPV GPVGRD GPVGRD	GPVGRD	SYS1.LINKLIB
IFFPKADG	Object Entry Load	IFFPJAPV IFFPJAPV	GPVGRD GSDPLT IFFPKADG	IFFPKADG GSDPLT GSDPLT	GSDPLT	SYS1.LINKLIB
IFFPLARE	Object Entry Load	IFFPKADG IFFPKADG	GSDPLT IFFPLARE PENTRK	PENTRK IFFPLARE PENTRK	PENTRK	SYS1.LINKLIB
IFFPPASG	Object Entry Load	IFFPLARE IFFPLARE	PENTRK GOFFSG IFFPPASG GOFFSG	GOFFSG GOFFSG	GOFFSG	SYS1.LINKLIB
IFGDEBCK	Object	IFFPPASG		GOFFSG		SYS1.NUCLEUS
IFGDEBVR	Object	IEANUC01				SYS1.NUCLEUS
IFGORROA	Load	IEANUC01	HASPXSUB IDAOCEA1 IFGORROA IFGORROB IFGORROE IFGORROF IFG0202E IFG0553B IFG0554T IGG020FC IGG020T1 IGG0202B IGG0213Z	IFGORROA		SYS1.LPALIB
	Object	IFGORROA		IFGORROA		
IFGORROB	Entry Object	IFG019RA IFGORROA IFGORROA IGC00020 IGC0005E	IFGORROA			SYS1.LPALIB
IFGORROE	Object	IFGORROA				SYS1.LPALIB
IFGORROF	Object	IFGORROA IFG019RA		IFGORROF	IFGORROF	SYS1.LPALIB
IFG0TC0A	Entry Alias Load	IFGORROA IFGORROA	IFGORROF IFGORROF IDACAT13 IDAOCEA2 IDAVBPS2 IFG0TC0A IFG0TC4A IGG0202C IGG0203Z			SYS1.LPALIB
	Object	IFG0TC0A		IGG0203Z		
IFG0TC4A	Object	IFG019RA IFG0TC0A IFG019RA		IFG0TC4A	IFG0TC4A	SYS1.LPALIB

Name	Type	Load	Object	Entry	Alias	System Library
	Object	IFG0192F IGC0001I		IFG0192F		
IFG0192I	Entry Object	IFG0192F IFG0192A IGC0001I	IFG0192F		IFG0192A IFG0192I	SYS1.LPALIB
IFG0192Y	Alias Object	IFG0192A IFG0192A IGC0001I	IFG0192I	IFG0192Y	IFG0192Y	SYS1.LPALIB
IFG0193A	Entry Alias Object	IFG0192A IFG0192A IGC0001I	IFG0192Y IFG0192Y	IFG0193A	IFG0193A	SYS1.LPALIB
IFG0193C	Entry Alias Object	IGC0001I IGC0001I IFG0194A	IFG0193A IFG0193A			SYS1.LPALIB
IFG0193D	Object Entry	IFG0194A OMODVOL1 OMODVOL1 OMODVOL1 IFG0194A IFG0194A	IFG0193C IFG0193C IGG0190A IGG0550P	IFG0193C	IFG0193C	SYS1.LPALIB
IFG0193E IFG0194A	Object Load	IFG0194A	EMODVOL1 IFG0190P IFG0193C IFG0193D IFG0193E IFG0194A IFG0194C IFG0194F IFG0194J IFG0195A IFG0195G IFG0195T IFG0198N IFG0204A IFG0204J IFG0553D IFG0553E IFG0554A IFG0554C IFG0554F IFG0554J IFG0554P IFG0554T IGG0190A IGG0550P OMODVOL1	IFG0198N		SYS1.LPALIB SYS1.LPALIB
	Object	IFG0194A IGC0001I		IFG0194J	IFG0194J	
	Entry	IFG0194A	IFG0204A IFG0554A			
IFG0194C	Object	IFG0194A				SYS1.LPALIB
IFG0194F	Entry Object	IFG0194A IFG0194A	IFG0554C			SYS1.LPALIB
IFG0194J	Entry Object	IFG0194A IFG0194A IGC0001I IFG0194A	IFG0554F	IFG0194J	IFG0194J	SYS1.LPALIB
IFG0195A	Entry Alias Object	IFG0194A IFG0194A IGC0001I	IFG0194J IFG0204J IFG0554J IFG0194J			SYS1.LPALIB
IFG0195B	Object	IFG0194A IGC0001I				SYS1.LPALIB
IFG0195C	Object	IFG0194A IGC0001I				SYS1.LPALIB
IFG0195D	Object Entry	IFG0194A IGC0001I	IGG0190B			SYS1.LPALIB
IFG0195F	Object	IFG0194A IGC0001I				SYS1.LPALIB
IFG0195G	Object Entry	IFG0194A IFG0194A	IFG0195G	IFG0195G	IFG0195G	SYS1.LPALIB

Name	Type	Load	Object	Entry	Alias	System Library
IFG0195H	Alias	IFG0194A	IFG0195G			
IFG0195J	Object	IGC0001I				SYS1.LPALIB
IFG0195K	Object	IGC0001I				SYS1.LPALIB
IFG0195N	Object	IGC0001I				SYS1.LPALIB
IFG0195T	Object	IFG0194A				SYS1.LPALIB
	Entry	IGC0001I	IFG0195T	IFG0195T	IFG0195T	
	Alias	IGC0001I	IFG0195T			
IFG0195U	Object	IGC0001I		IFG0195U	IFG0195U	SYS1.LPALIB
	Entry	READPSWD	IFG0195U			
	Alias	IGC0001I	IFG0195U			
IFG0195V	Object	IGC0001I		IFG0195V	IFG0195V	SYS1.LPALIB
	Entry	SECLOADA	IFG0195V			
	Alias	IGC0001I	IFG0195V			
IFG0196J	Object	IGC0001I				SYS1.LPALIB
IFG0196K	Object	IGC0001I				SYS1.LPALIB
IFG0196L	Object	IGC0001I				SYS1.LPALIB
IFG0196M	Object	IGC0001I				SYS1.LPALIB
IFG0196N	Object	IGC0001I				SYS1.LPALIB
IFG0196O	Object	IGC0001I				SYS1.LPALIB
	Entry	IGC0001I	IGG0190R			
IFG0196P	Object	IGC0001I				SYS1.LPALIB
IFG0196Q	Object	IGC0001I				SYS1.LPALIB
IFG0196T	Object	IGC0001I				SYS1.LPALIB
IFG0196U	Object	IGC0001I				SYS1.LPALIB
IFG0196V	Object	IFG0199B				SYS1.LPALIB
	Entry	IGC0001I	IFG0196V	IFG0196V	IFG0196V	
	Alias	IGC0001I	IFG0196V			
IFG0196W	Object	IGC0001I				SYS1.LPALIB
	Entry	IGC0001I	IGG0190S			
IFG0196X	Object	IGC0001I				SYS1.LPALIB
IFG0198N	Object	IFG0190P				SYS1.LPALIB
		IFG0191X				
		IFG0192A				
		IFG0194A				
	Entry	IGC0001I	IFG0198N	IFG0198N	IFG0198N	
		IFG0192A	IFG0192A			
		IFG0194A	IFG0194A			
		IGC0001I	IFG0198N			
IFG0199B	Alias	IGC0001I	IFG0198N			
	Load		IFG0196V			SYS1.LPALIB
			IFG0199B	IFG0200W		
			IFG0199D			
			IFG0199E			
			IFG0200W			
			IFG0209B	IFG0199B	IFG0209B	
			IFG0209D	IFG0199D	IFG0209D	
			IFG0209E	IFG0199E	IFG0209E	
			IFG0239B	IFG0199B	IFG0239B	
			IFG0239D	IFG0199D	IFG0239D	
			IFG0239E	IFG0199E	IFG0239E	
			IFG0559B	IFG0199B	IFG0559B	
			IFG0559C			
			IFG0559D	IFG0199D	IFG0559D	
			IFG0559E	IFG0199E	IFG0559E	
	Object	IFG0190P				
		IFG0199B				
	Entry	IFG0199B	IFG0209B	IFG0200W		
			IFG0239B			
			IFG0559B			
IFG0199D	Object	IFG0199B				SYS1.LPALIB
	Entry	IFG0199B	IFG0209D			
			IFG0239D			
			IFG0559D			

Name	Type	Load	Object	Entry	Alias	System Library
IFG0199E	Object Entry	IFG0199B IFG0199B	IFG0209E IFG0239E IFG0559E			SYS1.LPALIB
IFG020TR	Object Alias	IFG019TR IFG019TR	IFG020TR IFG0190V IFG0191F IFG0200N IFG0550Y	IFG019TR	IFG020TR	SYS1.LPALIB
IFG0200N	Load					SYS1.LPALIB
	Object	IFG0200N IGC00020			IFG0191F IFG0200N IFG0191F	IFG0550Y
IFG0200P	Entry Object	IFG0200N IFG0190P IGC00020	IFG0550Y	IFG0200P	IFG0200P	SYS1.LPALIB
	Entry	IFG0190P	IFG0200P IGG0206M IFG0200P			
IFG0200S	Alias Object	IFG0190P IFG0192A IGC00020		IFG0192A	IFG0200S	SYS1.LPALIB
IFG0200T	Alias Object	IFG0192A IFG0192A IGC00020	IFG0200S	IFG0192A	IFG0200T	SYS1.LPALIB
IFG0200U	Alias Load	IFG0192A	IFG0200T IFG0200U ISTOCCCA	IFG0200U		SYS1.LPALIB
	Object	IFG0200U IGC00020		IFG0200U		
IFG0200V	Entry Object	IFG0200U IGC00020	IFG0200U	IFG0200V	IFG0200V	SYS1.LPALIB
	Entry	IGC00020	IFG0200V			
IFG0200W	Alias Object	IGC00020	IFG0200V			SYS1.LPALIB
	Object	IFG0199B IGC00020		IFG0200W	IFG0200W	
IFG0200Y	Entry Alias Object Entry	IFG0199B IFG0199B IGC00020 IGC00020 IGC00020	IFG0199B IFG0200W IFG0200W			SYS1.LPALIB
	Entry	IGC00020	IGG0200F IGG0200G			
IFG0200Z	Object	IGC00020				SYS1.LPALIB
IFG0201A	Object	IGC00020				SYS1.LPALIB
IFG0201R	Object	IGC00020				SYS1.LPALIB
IFG0202A	Object	IGC00020				SYS1.LPALIB
IFG0202B	Object	IGC00020				SYS1.LPALIB
	Entry	IGC00020	IFG0232Y IFG0556B IGG0200B			
IFG0202C	Object	IGC00020				SYS1.LPALIB
IFG0202D	Object	IGC00020				SYS1.LPALIB
IFG0202E	Object	IFG0RR0A IGC00020 IGG020P1		IFG0202E	IFG0202E	SYS1.LPALIB
	Entry	IGC00020 IGG020P1	IFG0202E IGG020P1 IFG0202E			
IFG0202F	Alias Object	IGC00020				SYS1.LPALIB
IFG0202H	Object	IGC00020				SYS1.LPALIB
	Entry	IGC00020	IFG0553B			
IFG0202I	Object	IGC00020				SYS1.LPALIB
IFG0202J	Object	IGC00020				SYS1.LPALIB
IFG0202K	Object	IGC00020				SYS1.LPALIB
IFG0202L	Object	IFG0190P IGC00020		IFG0202L	IFG0202L	SYS1.LPALIB
	Entry	IGC00020	IFG0202L			
IFG0202U	Alias Object	IGC00020 IGC00020	IFG0202L			SYS1.LPALIB
IFG0204A	Object	IFG0194A IGC00020		IFG0194A	IFG0204A	SYS1.LPALIB
	Alias	IFG0194A	IFG0204A			

Name	Type	Load	Object	Entry	Alias	System Library
IFG0204J	Object	IFG0194A		IFG0194J	IFG0204J	SYS1.LPALIB
	Alias	IFG0194A	IFG0204J			
IFG0209B	Object	IFG0190P				SYS1.LPALIB
	Alias	IFG0199B		IFG0199B	IFG0209B	
IFG0209D	Object	IFG0199B	IFG0209B			
	Alias	IFG0199B		IFG0199D	IFG0209D	SYS1.LPALIB
IFG0209E	Object	IFG0199B	IFG0209D			
	Alias	IFG0199B		IFG0199E	IFG0209E	SYS1.LPALIB
IFG0209L	Object	IGC00020				SYS1.LPALIB
IFG023TR	Object	IFG019TR		IFG019TR	IFG023TR	SYS1.LPALIB
	Alias	IFG019TR	IFG023TR			
IFG0230P	Object	IFG0190P		IFG0230P	IFG0230P	SYS1.LPALIB
	Entry	IGC00020				
	Alias	IFG0190P	IFG0230P			
IFG0231T	Object	IFG0192A		IFG0192A	IFG0231T	SYS1.LPALIB
	Alias	IGC00020				
	Alias	IFG0192A	IFG0231T			
IFG0232D	Object	IGC00020				SYS1.LPALIB
IFG0232G	Object	IGC00020				SYS1.LPALIB
IFG0232J	Object	IGC00020				SYS1.LPALIB
IFG0232M	Object	IGC00020				SYS1.LPALIB
IFG0232S	Object	IGC00020				SYS1.LPALIB
IFG0232Y	Object	IGC00020		IFG0202B	IFG0232Y	SYS1.LPALIB
	Alias	IGC00020	IFG0232Y			
IFG0232Z	Object	IFG0190P				SYS1.LPALIB
	Entry	IGC00020		IFG0232Z	IFG0232Z	
	Alias	IGC00020	IFG0232Z			
IFG0239B	Object	IFG0190P				SYS1.LPALIB
	Alias	IFG0199B		IFG0199B	IFG0239B	
IFG0239D	Object	IFG0199B	IFG0239B			
	Alias	IFG0199B		IFG0199D	IFG0239D	SYS1.LPALIB
IFG0239E	Object	IFG0199B	IFG0239D			
	Alias	IFG0199B		IFG0199E	IFG0239E	SYS1.LPALIB
IFG055TR	Object	IFG019TR		IFG019TR	IFG055TR	SYS1.LPALIB
	Entry	IFG019TR	IFG019TR			
	Alias	IFG019TR	IFG055TR			
IFG0550P	Object	IFG0190P		IFG0550P	IFG0550P	SYS1.LPALIB
	Entry	IGC0005E				
	Alias	IFG0190P	IFG0550P			
IFG0550Y	Object	IFG0200N		IFG0200N	IFG0550Y	SYS1.LPALIB
	Alias	IGC0005E				
	Alias	IFG0200N	IFG0550Y			
IFG0551B	Object	IGC0005E				SYS1.LPALIB
IFG0551D	Object	IGC0005E				SYS1.LPALIB
IFG0551F	Object	IGC0005E		IFG0551F	IFG0551F	SYS1.LPALIB
	Entry	IGC0005E	IFG0551F			
	Alias	IGC0005E	IFG0551F			
IFG0551H	Object	IGC0005E				SYS1.LPALIB
IFG0551L	Object	IGC0005E				SYS1.LPALIB
IFG0551N	Object	IGC0005E		IFG0551N	IFG0551N	SYS1.LPALIB
	Entry	IGC0005E				
	Alias	IGC0005E	IFG0551N			
IFG0551P	Object	IGC0005E				SYS1.LPALIB
IFG0551R	Object	IGC0005E				SYS1.LPALIB
IFG0551T	Object	IGC0005E				SYS1.LPALIB
	Entry	IGC0005E	IFG0550F			
IFG0552B	Object	IGC0005E				SYS1.LPALIB
IFG0552D	Object	IGC0005E				SYS1.LPALIB
IFG0552F	Object	IGC0005E				SYS1.LPALIB
IFG0552N	Object	IGC0005E				SYS1.LPALIB
	Entry	IGC0005E	IFG0550H			
IFG0552R	Object	IGC0005E				SYS1.LPALIB
	Entry	IGC0005E	IFG0550B			
IFG0552T	Object	IGC0005E				SYS1.LPALIB
IFG0552V	Object	IGC0005E				SYS1.LPALIB

Name	Type	Load	Object	Entry	Alias	System Library
IFG0552X	Object	IFG0190P				SYS1.LPALIB
	Entry	IGC0005E		IFG0552X	IFG0552X	
	Alias	IFG0190P	IFG0190P			
	Object	IGC0005E	IFG0552X			
IFG0553B	Object	IGC0005E	IFG0552X			
	Object	IFGORR0A				SYS1.LPALIB
	Object	IGC00020		IFG0202H	IFG0553B	
	Object	IGC0005E				
IFG0553C	Alias	IGC00020	IFG0553B			
	Object	EMODVOL1				SYS1.LPALIB
	Entry	EMODVOL1		IFG0553C	IFG0553C	
	Alias	EMODVOL1	IFG0553C			
IFG0553D	Object	IFG0194A				SYS1.LPALIB
IFG0553E	Object	IFG0194A				SYS1.LPALIB
IFG0553F	Object	IGC0005E				SYS1.LPALIB
IFG0553H	Object	IGC0005E				SYS1.LPALIB
	Entry	IGC0005E	IGG0550D			
IFG0553P	Object	IGC0005E				SYS1.LPALIB
IFG0553X	Object	IGC0005E				SYS1.LPALIB
IFG0553Z	Object	IGC0005E				SYS1.LPALIB
IFG0554A	Object	IFG0194A		IFG0194A	IFG0554A	SYS1.LPALIB
	Object	IGC0005E				
IFG0554B	Alias	IFG0194A	IFG0554A			
IFG0554C	Object	IGC0005E				SYS1.LPALIB
	Object	IFG0194A		IFG0194C	IFG0554C	SYS1.LPALIB
	Alias	IFG0194A	IFG0554C			
IFG0554F	Object	IFG0194A		IFG0194F	IFG0554F	SYS1.LPALIB
	Alias	IFG0194A	IFG0554F			
IFG0554J	Object	IFG0194A		IFG0194J	IFG0554J	SYS1.LPALIB
	Object	IGC0005E				
IFG0554L	Alias	IFG0194A	IFG0554J			
	Object	IGC0001I		IFG0554L	IFG0554L	SYS1.LPALIB
	Entry	IGC0005E				
	Entry	IGC0001I	IFG0554L			
	Alias	IGC0001I	IFG0554L			
IFG0554N	Object	IGC0005E				SYS1.LPALIB
IFG0554P	Object	IFG0194A				SYS1.LPALIB
	Object	IGC0005E		IFG0554P	IFG0554P	
	Object	IGG0553A				
	Entry	IGC0005E	IFG0554P			
	Alias	IGC0005E	IFG0554P			
IFG0554T	Object	IFGORR0A				SYS1.LPALIB
	Object	IFG0194A				
	Object	IGC0005E		IFG0554T	IFG0554T	
	Entry	IGC0005E	IFG0554T			
	Alias	IGC0005E	IFG0554T			
IFG0554Z	Object	IGC0005E				SYS1.LPALIB
IFG0555B	Object	IGC0005E				SYS1.LPALIB
IFG0555H	Object	IGC0005E				SYS1.LPALIB
IFG0555J	Object	IGC0001I		IFG0555J	IFG0555J	SYS1.LPALIB
	Object	IGC0005E				
	Entry	IGC0001I	IFG0555J			
	Alias	IGC0001I	IFG0555J			
IFG0555T	Object	IGC0001I		IFG0195T	IFG0555T	SYS1.LPALIB
	Object	IGC0005E				
	Alias	IGC0001I	IFG0555T			
IFG0556B	Object	IGC00020		IFG0202B	IFG0556B	SYS1.LPALIB
	Object	IGC0005E				
	Alias	IGC00020	IFG0556B			
IFG0557A	Object	IFG0192A		IFG0192A	IFG0557A	SYS1.LPALIB
	Object	IGC0005E				
	Alias	IFG0192A	IFG0557A			
IFG0558X	Object	IGC0005E				SYS1.LPALIB
IFG0559B	Object	IFG0190P				SYS1.LPALIB
	Object	IFG0199B		IFG0199B	IFG0559B	
	Object	IFG0199B	IFG0559B			
IFG0559C	Alias	IFG0199B	IFG0559B			
	Load		IFG0559C	IFG0559C		SYS1.LPALIB
	Object	IFG0199B				
	Object	IFG0559C		IFG0559C		
	Entry	IFG0559C	IFG0559C			

Name	Type	Load	Object	Entry	Alias	System Library
IFG0559D	Object	IFG0199B		IFG0199D	IFG0559D	SYS1.LPALIB
	Alias	IFG0199B	IFG0559D			
IFG0559E	Object	IFG0199B		IFG0199E	IFG0559E	SYS1.LPALIB
	Alias	IFG0199B	IFG0559E			
IFHSTATR	Load		IFHSTATR	IFHSTATR		SYS1.LINKLIB
	Object	IFHSTATR		IFHSTATR		
	Entry	IFHSTATR	IFHSTATR			
IFNX1A00	Object	IFOX11				SYS1.LINKLIB
IFNX1A01	Object	IFOX11				SYS1.LINKLIB
	Entry	IFOX11	IFOX11			
IFNX1A10	Object	IFOX11				SYS1.LINKLIB
IFNX1A20	Object	IFOX11				SYS1.LINKLIB
IFNX1A30	Object	IFOX11				SYS1.LINKLIB
IFNX1J00	Object	IFOX11				SYS1.LINKLIB
IFNX1J01	Object	IFOX11				SYS1.LINKLIB
IFNX1KUN	Object	IFOX11				SYS1.LINKLIB
IFNX1K01	Object	IFOX11				SYS1.LINKLIB
IFNX1S00	Object	IFOX11				SYS1.LINKLIB
IFNX1S01	Object	IFOX11				SYS1.LINKLIB
IFNX2A00	Object	IFOX21				SYS1.LINKLIB
IFNX2A01	Object	IFOX21				SYS1.LINKLIB
	Entry	IFOX21	IFOX21			
IFNX2A02	Object	IFOX21				SYS1.LINKLIB
IFNX3A00	Object	IFOX31				SYS1.LINKLIB
IFNX3A01	Object	IFOX31				SYS1.LINKLIB
	Entry	IFOX31	IFOX31			
IFNX3A02	Object	IFOX31				SYS1.LINKLIB
IFNX3A03	Object	IFOX31				SYS1.LINKLIB
IFNX3B00	Object	IFOX31				SYS1.LINKLIB
IFNX3B01	Object	IFOX31				SYS1.LINKLIB
IFNX3KUN	Object	IFOX31				SYS1.LINKLIB
IFNX3K01	Object	IFOX31				SYS1.LINKLIB
IFNX3N00	Object	IFOX31				SYS1.LINKLIB
IFNX3N01	Object	IFOX31				SYS1.LINKLIB
IFNX4D00	Object	IFOX41				SYS1.LINKLIB
IFNX4D01	Object	IFOX41				SYS1.LINKLIB
IFNX4E00	Object	IFOX41				SYS1.LINKLIB
		IFOX42				
IFNX4E01	Object	IFOX41				SYS1.LINKLIB
		IFOX42				
IFNX4M00	Object	IFOX41				SYS1.LINKLIB
IFNX4M01	Object	IFOX41				SYS1.LINKLIB
	Entry	IFOX41	IFOX41			
IFNX4N00	Object	IFOX42				SYS1.LINKLIB
IFNX4N01	Object	IFOX42				SYS1.LINKLIB
IFNX4S00	Object	IFOX41				SYS1.LINKLIB
		IFOX42				
IFNX4S01	Object	IFOX41				SYS1.LINKLIB
		IFOX42				
IFNX4T00	Object	IFOX42				SYS1.LINKLIB
IFNX4T01	Object	IFOX42				SYS1.LINKLIB
	Entry	IFOX42	IFOX42			
IFNX4V00	Object	IFOX41				SYS1.LINKLIB
		IFOX42				
IFNX4V01	Object	IFOX41				SYS1.LINKLIB
		IFOX42				
IFNX5A00	Object	IFOX51				SYS1.LINKLIB
IFNX5A01	Object	IFOX51				SYS1.LINKLIB
IFNX5A20	Object	IFOX51				SYS1.LINKLIB
IFNX5A21	Object	IFOX51				SYS1.LINKLIB
IFNX5A30	Object	IFOX51				SYS1.LINKLIB
IFNX5A31	Object	IFOX51				SYS1.LINKLIB
IFNX5A40	Object	IFOX51				SYS1.LINKLIB
IFNX5A41	Object	IFOX51				SYS1.LINKLIB
IFNX5A50	Object	IFOX51				SYS1.LINKLIB
IFNX5A51	Object	IFOX51				SYS1.LINKLIB
IFNX5C00	Object	IFOX51				SYS1.LINKLIB
IFNX5C01	Object	IFOX51				SYS1.LINKLIB
	Entry	IFOX51	IFOX51			
IFNX5D00	Object	IFOX51				SYS1.LINKLIB

Name	Type	Load	Object	Entry	Alias	System Library
IFNX5D01	Object	IFOX51				SYS1.LINKLIB
IFNX5F00	Object	IFOX51				SYS1.LINKLIB
IFNX5F01	Object	IFOX51				SYS1.LINKLIB
IFNX5L00	Object	IFOX51				SYS1.LINKLIB
IFNX5L01	Object	IFOX51				SYS1.LINKLIB
IFNX5M00	Object	IFOX51				SYS1.LINKLIB
IFNX5M01	Object	IFOX51				SYS1.LINKLIB
IFNX5P00	Object	IFOX51				SYS1.LINKLIB
IFNX5P01	Object	IFOX51				SYS1.LINKLIB
IFNX5V00	Object	IFOX51				SYS1.LINKLIB
IFNX5V01	Object	IFOX51				SYS1.LINKLIB
IFNX6A00	Object	IFOX61				SYS1.LINKLIB
IFNX6A01	Object	IFOX61				SYS1.LINKLIB
	Entry	IFOX61	IFOX61			
IFNX6A20	Object	IFOX61				SYS1.LINKLIB
IFNX6A21	Object	IFOX61				SYS1.LINKLIB
IFNX6B00	Object	IFOX62				SYS1.LINKLIB
IFNX6B01	Object	IFOX62				SYS1.LINKLIB
	Entry	IFOX62	IFOX62			
IFNX6B20	Object	IFOX62				SYS1.LINKLIB
IFNX6B21	Object	IFOX62				SYS1.LINKLIB
IFNX6C00	Object	IFOX62				SYS1.LINKLIB
IFNX6C01	Object	IFOX62				SYS1.LINKLIB
IFNX6C02	Object	IFOX62				SYS1.LINKLIB
IFOSAMP	Load		IFOSAMP			SYS1.SAMPLIB
	Object	IFOSAMP				
IFOX0A00	Object	IFOX00				SYS1.LINKLIB
IFOX0A01	Object	IFOX00				SYS1.LINKLIB
	Entry	IFOX00	ASMBLR IEUASM IFOX00			
IFOX0B00	Object	IFOX00				SYS1.LINKLIB
IFOX0B01	Object	IFOX00				SYS1.LINKLIB
IFOX0C00	Object	IFOX01				SYS1.LINKLIB
IFOX0C01	Object	IFOX01				SYS1.LINKLIB
	Entry	IFOX01	IFOX01			
IFOX0D00	Object	IFOX02				SYS1.LINKLIB
IFOX0D01	Object	IFOX02				SYS1.LINKLIB
	Entry	IFOX02	IFOX02			
IFOX0E00	Object	IFOX03				SYS1.LINKLIB
IFOX0E01	Object	IFOX03				SYS1.LINKLIB
	Entry	IFOX03	IFOX03			
IFOX0F00	Object	IFOX04				SYS1.LINKLIB
IFOX0F01	Object	IFOX04				SYS1.LINKLIB
	Entry	IFOX04	IFOX04			
IFOX0G00	Object	IFOX05				SYS1.LINKLIB
IFOX0G01	Object	IFOX05				SYS1.LINKLIB
	Entry	IFOX05	IFOX05			
IFOX0H00	Object	IFOX06				SYS1.LINKLIB
IFOX0H01	Object	IFOX06				SYS1.LINKLIB
	Entry	IFOX06	IFOX06			
IFOX0I00	Object	IFOX07				SYS1.LINKLIB
IFOX0I01	Object	IFOX07				SYS1.LINKLIB
	Entry	IFOX07	IFOX07			
IFOX0J00	Object	IFOX02				SYS1.LINKLIB
IFOX00	Load		ASMBLR IEUASM IFOX0A00 IFOX0A01 IFOX0B00 IFOX0B01 IFOX00	IFOX0A01 IFOX0A01	ASMBLR IEUASM	SYS1.LINKLIB
IFOX01	Object Load	IFOX00	IFOX0C00 IFOX0C01 IFOX01	IFOX0C01 IFOX0C01		SYS1.LINKLIB
IFOX02	Object Load	IFOX01	IFOX0D00 IFOX0D01 IFOX0J00			SYS1.LINKLIB

Name	Type	Load	Object	Entry	Alias	System Library				
IFOX03	Object Load	IFOX02	IFOX02	IFOX0D01		SYS1.LINKLIB				
			IFOX0E00	IFOX0D01						
			IFOX0E01							
IFOX04	Object Load	IFOX03	IFOX03	IFOX0E01		SYS1.LINKLIB				
			IFOX0F00	IFOX0E01						
			IFOX0F01							
IFOX05	Object Load	IFOX04	IFOX04	IFOX0F01		SYS1.LINKLIB				
			IFOX0G00	IFOX0F01						
			IFOX0G01							
IFOX06	Object Load	IFOX05	IFOX05	IFOX0G01		SYS1.LINKLIB				
			IFOX0H00	IFOX0G01						
			IFOX0H01							
IFOX07	Object Load	IFOX06	IFOX06	IFOX0H01		SYS1.LINKLIB				
			IFOX0I00	IFOX0H01						
			IFOX0I01							
IFOX11	Object Load	IFOX07	IFOX07	IFOX0I01		SYS1.LINKLIB				
			IFNX1A00							
			IFNX1A01							
			IFNX1A10							
			IFNX1A20							
			IFNX1A30							
			IFNX1J00							
			IFNX1J01							
			IFNX1KUN							
			IFNX1K01							
			IFNX1S00							
			IFNX1S01							
			IFOX11	IFNX1A01						
				IFNX1A01						
			IFOX21	Object Load	IFOX11		IFNX2A00			SYS1.LINKLIB
IFNX2A01										
IFNX2A02										
IFOX21	IFNX2A01									
IFOX31	Object Load	IFOX21	IFNX3A00	IFNX2A01		SYS1.LINKLIB				
			IFNX3A01	IFNX2A01						
			IFNX3A02							
			IFNX3A03							
			IFNX3B00							
			IFNX3B01							
			IFNX3KUN							
			IFNX3K01							
			IFNX3N00							
			IFNX3N01							
			IFOX31	IFNX3A01						
				IFNX3A01						
			IFOX41	Object Load	IFOX31		IFNX4D00			SYS1.LINKLIB
							IFNX4D01			
							IFNX4E00			
IFNX4E01										
IFNX4M00										
IFNX4M01										
IFNX4S00										
IFNX4S01										
IFNX4V00										
IFNX4V01										
IFOX41	IFNX4M01									
	IFNX4M01									
IFOX42	Object Load	IFOX41				IFNX4E00			SYS1.LINKLIB	
						IFNX4E01				
						IFNX4N00				
			IFNX4N01							
			IFNX4S00							
			IFNX4S01							

Name	Type	Load	Object	Entry	Alias	System Library
			IFNX4T00			
			IFNX4T01			
			IFNX4V00			
			IFNX4V01			
			IFOX42	IFNX4T01		
IFOX51	Object Load	IFOX42	IFNX4T01	IFNX4T01		
			IFNX5A00			SYS1.LINKLIB
			IFNX5A01			
			IFNX5A20			
			IFNX5A21			
			IFNX5A30			
			IFNX5A31			
			IFNX5A40			
			IFNX5A41			
			IFNX5A50			
			IFNX5A51			
			IFNX5C00			
			IFNX5C01			
			IFNX5D00			
			IFNX5D01			
			IFNX5F00			
			IFNX5F01			
			IFNX5L00			
			IFNX5L01			
			IFNX5M00			
			IFNX5M01			
			IFNX5P00			
			IFNX5P01			
			IFNX5V00			
			IFNX5V01			
			IFOX51	IFNX5C01		
				IFNX5C01		
IFOX61	Object Load	IFOX51	IFNX6A00			SYS1.LINKLIB
			IFNX6A01			
			IFNX6A20			
			IFNX6A21			
			IFOX61	IFNX6A01		
IFOX62	Object Load	IFOX61	IFNX6A01	IFNX6A01		
			IFNX6B00			SYS1.LINKLIB
			IFNX6B01			
			IFNX6B20			
			IFNX6B21			
			IFNX6C00			
			IFNX6C01			
			IFNX6C02			
			IFOX62	IFNX6B01		
				IFNX6B01		
IGARPT01	Object Load	IFOX62	IGARPT01	IGARPT01		SYS1.LPALIB
	Object Entry	IGARPT01	IGARPT01	IGARPT01		
IGCAT030	Object Alias	IGARPT01	IGARPT01			
	Load	IGC0003D		ISTCFF3D	IGCAT030	SYS1.LPALIB
IGCDA10D	Object Load	IGC0003D	IGCAT030			
	Entry	IGCDA10D	IGCDA10D	IGCDA10D		SYS1.LPALIB
IGCDD10D	Object Load	IGCDA10D	IGCDA10D	IGCDA10D		
	Entry	IGCDD10D	IGCDD10D	IGCDD10D		SYS1.LPALIB
IGCD010D	Object Load	IGCDD10D	IGCDD10D	IGCDD10D		
	Entry	IGCD010D	IGCD010D	IGCD010D		SYS1.LPALIB
IGCD110D	Object Load	IGCD010D	IGCD010D	IGCD010D		
	Entry	IGCD110D	IGCD110D	IGCD110D		SYS1.LPALIB
IGCD210D	Object Load	IGCD110D	IGCD110D	IGCD110D		
	Entry	IGCD210D	IGCD210D	IGCD210D		SYS1.LPALIB
IGCD310D	Object Load	IGCD210D	IGCD210D	IGCD210D		
	Entry	IGCD310D	IGCD310D	IGCD310D		SYS1.LPALIB
	Object Entry	IGCD310D	IGCD310D	IGCD310D		
		IGCD310D	IGCD310D			

Name	Type	Load	Object	Entry	Alias	System Library
IGCD410D	Load		IGCD410D	IGCD410D		SYS1.LPALIB
	Object	IGCD410D		IGCD410D		
	Entry	IGCD410D	IGCD410D			
IGCD510D	Load		IGCD510D	IGCD510D		SYS1.LPALIB
	Object	IGCD510D		IGCD510D		
	Entry	IGCD510D	IGCD510D			
IGCD610D	Load		IGCD610D	IGCD610D		SYS1.LPALIB
	Object	IGCD610D		IGCD610D		
	Entry	IGCD610D	IGCD610D			
IGCD710D	Load		IGCD710D	IGCD710D		SYS1.LPALIB
	Object	IGCD710D		IGCD710D		
	Entry	IGCD710D	IGCD710D			
IGCD810D	Load		IGCD810D	IGCD810D		SYS1.LPALIB
	Object	IGCD810D		IGCD810D		
	Entry	IGCD810D	IGCD810D			
IGCD910D	Load		IGCD910D	IGCD910D		SYS1.LPALIB
	Object	IGCD910D		IGCD910D		
	Entry	IGCD910D	IGCD910D			
IGCERROR	Object	IEANUC01				SYS1.NUCLEUS
IGCH010D	Load		IGCH010D	IGCH010D		SYS1.LPALIB
	Object	IGCH010D		IGCH010D		
	Entry	IGCH010D	IGCH010D			
IGCI010D	Load		IGCI010D	IGCI010D		SYS1.LPALIB
	Object	IGCI010D		IGCI010D		
	Entry	IGCI010D	IGCI010D			
IGCI110D	Load		IGCI110D	IGCI110D		SYS1.LPALIB
	Object	IGCI110D		IGCI110D		
	Entry	IGCI110D	IGCI110D			
IGCMA10D	Load		IGCMA10D	IGCMA10D		SYS1.LPALIB
	Object	IGCMA10D		IGCMA10D		
	Entry	IGCMA10D	IGCMA10D			
IGCMC10D	Load		IGCMA10D			SYS1.LPALIB
			IEDAY1			
			IEDAY2			
			IGCMC10D	IEDAY1		
			WTO005I			
			WTO006I			
			WTO007I			
			WTO019I			
			WTO021I			
			WTO024D			
			WTO402I			
			WTO404I			
			WTO407I			
			WTO408I			
			WTO414I			
IGCMM10D	Object	IGCMC10D		IEDAY1		
	Load		IGCMM10D	IGCMM10D		SYS1.LPALIB
	Object	IGCMM10D		IGCMM10D		
	Entry	IGCMM10D	IGCMM10D			
IGCMR10D	Load		IGCMR10D	IGCMR10D		SYS1.LPALIB
	Object	IGCMR10D		IGCMR10D		
	Entry	IGCMR10D	IGCMR10D			
IGCMS10D	Load		IGCMS10D	IGCMS10D		SYS1.LPALIB
	Object	IGCMS10D		IGCMS10D		
	Entry	IGCMS10D	IGCMS10D			
IGCMT10D	Load		IGCMT10D	IGCMT10D		SYS1.LPALIB
	Object	IGCMT10D		IGCMT10D		
	Entry	IGCMT10D	IGCMT10D			
IGCMU10D	Load		IGCMU10D	IGCMU10D		SYS1.LPALIB
	Object	IGCMU10D		IGCMU10D		
	Entry	IGCMU10D	IGCMU10D			
IGCM010D	Load		IGCM010D	IGCM010D		SYS1.LPALIB
	Object	IGCM010D		IGCM010D		
	Entry	IGCM010D	IGCM010D			
IGCM110D	Load		IGCM110D	IGCM110D		SYS1.LPALIB
	Object	IGCM110D		IGCM110D		
	Entry	IGCM110D	IGCM110D			
IGCM210D	Load		IGCM210D	IGCM210D		SYS1.LPALIB
	Object	IGCM210D		IGCM210D		
	Entry	IGCM210D	IGCM210D			

Name	Type	Load	Object	Entry	Alias	System Library
IGCM310D	Load		IGCM310D	IGCM310D		SYS1.LPALIB
	Object	IGCM310D		IGCM310D		
	Entry	IGCM310D	IGCM310D			
IGCM410D	Load		IGCM410D	IGCM410D		SYS1.LPALIB
	Object	IGCM410D		IGCM410D		
	Entry	IGCM410D	IGCM410D			
IGCM510D	Load		IGCM510D	IGCM510D		SYS1.LPALIB
	Object	IGCM510D		IGCM510D		
	Entry	IGCM510D	IGCM510D			
IGCM610D	Load		IGCM610D	IGCM610D		SYS1.LPALIB
	Object	IGCM610D		IGCM610D		
	Entry	IGCM610D	IGCM610D			
IGCM710D	Load		IGCM710D	IGCM710D		SYS1.LPALIB
	Object	IGCM710D		IGCM710D		
	Entry	IGCM710D	IGCM710D			
IGCM810D	Load		IGCM810D	IGCM810D		SYS1.LPALIB
	Object	IGCM810D		IGCM810D		
	Entry	IGCM810D	IGCM810D			
IGCM910D	Load		IGCM910D	IGCM910D		SYS1.LPALIB
	Object	IGCM910D		IGCM910D		
	Entry	IGCM910D	IGCM910D			
IGCR010D	Load		IGCR010D	IGCR010D		SYS1.LPALIB
	Object	IGCR010D		IGCR010D		
	Entry	IGCR010D	IGCR010D			
IGCTV10D	Load		IGCTV10D	IGCTV10D		SYS1.LPALIB
	Object	IGCTV10D		IGCTV10D		
	Entry	IGCTV10D	IGCTV10D			
IGCT0018	Load		IGCT0018	IGCT0018		SYS1.LPALIB
	Object	IGCT0018		IGCT0018		
	Entry	IGCT0018	IGCT0018			
IGCT002D	Load		IGCT002D	IGCT002D		SYS1.LPALIB
	Object	IGCT002D		IGCT002D		
	Entry	IGCT002D	IGCT002D			
IGCT002E	Load		IGCT002E	IGCT002E		SYS1.LPALIB
	Object	IGCT002E		IGCT002E		
	Entry	IGCT002E	IGCT002E			
IGCT0021	Load		IGCT0021	IGCT0021		SYS1.LPALIB
	Object	IGCT0021		IGCT0021		
	Entry	IGCT0021	IGCT0021			
IGCT005C	Load		IGCT0021 BACKUP5C BACRETRY IGCT005C IGCT105C			SYS1.LPALIB
	Object	IGCT005C		IGCT005C		
	Entry	IGCT005C	IGCT005C			
IGCT005G	Load		IGCT005C BACKUP5G IGCT005G			SYS1.LPALIB
	Object	IGCT005G		IGCT005G IGCT005G		
	Entry	IGCT005G	IGCT005G			
IGCT006H	Load		IGCT006H	IGCT006H		SYS1.LPALIB
	Object	IGCT006H		IGCT006H		
	Entry	IGCT006H	IGCT006H			
IGCT0069	Load		IGCT0069	IGCT0069		SYS1.LPALIB
	Object	IGCT0069		IGCT0069		
	Entry	IGCT0069	IGCT0069			
IGCT010D	Load		IGCT0069 IGCT010D			SYS1.LPALIB
	Object	IGCT010D		IGCT010D		
	Entry	IGCT010D	IGCT010D			
IGCT010E	Load		IGCT010E	IGCT010E		SYS1.LPALIB
	Object	IGCT010E		IGCT010E		
	Entry	IGCT010E	IGCT010E			
IGCT105C	Object	IGCT005C				SYS1.LPALIB
IGCT1081	Load		BKUP1081 IGCT1081			SYS1.LPALIB
	Object	IGCT1081		IGCT1081		
	Entry	IGCT1081	IGCT1081			
IGCT110D	Load		IGCT1081 IGCT110D			SYS1.LPALIB
	Object	IGCT110D		IGCT110D		
	Entry	IGCT110D	IGCT110D			
IGCT310D	Load		IGCT110D IGCT310D			SYS1.LPALIB

Name	Type	Load	Object	Entry	Alias	System Library
	Object	IGCT310D		IGCT310D		
	Entry	IGCT310D	IGCT310D			
IGCVE10D	Load	IGCT310D	IGCT310D	IGCVE10D		SYS1.LPALIB
	Object	IGCVE10D	IGCVE10D	IGCVE10D		
	Entry	IGCVE10D	IGCVE10D			
IGCVF10D	Load	IGCVE10D	IGCVE10D	IGCVF10D		SYS1.LPALIB
	Object	IGCVF10D	IGCVF10D	IGCVF10D		
	Entry	IGCVF10D	IGCVF10D			
IGCVG10D	Load	IGCVF10D	IGCVF10D	IGCVG10D		SYS1.LPALIB
	Object	IGCVG10D	IGCVG10D	IGCVG10D		
	Entry	IGCVG10D	IGCVG10D			
IGCV010D	Load	IGCVG10D	IGCVG10D	IGCV010D		SYS1.LPALIB
	Object	IGCV010D	IGCV010D	IGCV010D		
	Entry	IGCV010D	IGCV010D			
IGCV110D	Load	IGCV010D	IGCV010D	IGCV110D		SYS1.LPALIB
	Object	IGCV110D	IGCV110D	IGCV110D		
	Entry	IGCV110D	IGCV110D			
IGCV210D	Load	IGCV110D	IGCV110D	IGCV210D		SYS1.LPALIB
	Object	IGCV210D	IGCV210D	IGCV210D		
	Entry	IGCV210D	IGCV210D			
IGCV310D	Load	IGCV210D	IGCV210D	IGCV310D		SYS1.LPALIB
	Object	IGCV310D	IGCV310D	IGCV310D		
	Entry	IGCV310D	IGCV310D			
IGCV410D	Load	IGCV310D	IGCV310D	IGCV410D		SYS1.LPALIB
	Object	IGCV410D	IGCV410D	IGCV410D		
	Entry	IGCV410D	IGCV410D			
IGCV510D	Load	IGCV410D	IGCV410D	IGCV510D		SYS1.LPALIB
	Object	IGCV510D	IGCV510D	IGCV510D		
	Entry	IGCV510D	IGCV510D			
IGCV610D	Load	IGCV510D	IGCV510D	IGCV610D		SYS1.LPALIB
	Object	IGCV610D	IGCV610D	IGCV610D		
	Entry	IGCV610D	IGCV610D			
IGCV710D	Load	IGCV610D	IGCV610D	IGCV710D		SYS1.LPALIB
	Object	IGCV710D	IGCV710D	IGCV710D		
	Entry	IGCV710D	IGCV710D			
IGCV810D	Load	IGCV710D	IGCV710D	IGCV810D		SYS1.LPALIB
	Object	IGCV810D	IGCV810D	IGCV810D		
	Entry	IGCV810D	IGCV810D			
IGCV910D	Load	IGCV810D	IGCV810D	IGCV910D		SYS1.LPALIB
	Object	IGCV910D	IGCV910D	IGCV910D		
	Entry	IGCV910D	IGCV910D			
IGCXX07B	Object	IGC0007B	IGCXX07B	IEEC2740	IGCXX07B	SYS1.LPALIB
	Alias	IGC0007B	IGCXX07B			
IGCZ010D	Load	IGC0007B	IGCZ010D	IGCZ010D		SYS1.LPALIB
	Object	IGCZ010D	IGCZ010D	IGCZ010D		
	Entry	IGCZ010D	IGCZ010D			
IGCZ110D	Load	IGCZ010D	IGCZ010D	IGCZ110D		SYS1.LPALIB
	Object	IGCZ110D	IGCZ110D	IGCZ110D		
	Entry	IGCZ110D	IGCZ110D			
IGC0A06C	Load	IGCZ110D	IGCZ110D	IGC0A06C		SYS1.LPALIB
	Object	IGC0A06C	IGC0A06C	IGC0A06C		
	Entry	IGC0A06C	IGC0A06C			
IGC0A06F	Load	IGC0A06C	IGC0A06C	IGC0A06F		SYS1.LPALIB
	Object	IGC0A06F	IGC0A06F	IGC0A06F		
	Entry	IGC0A06F	IGC0A06F			
IGC0A10D	Load	IGC0A06F	IGC0A06F	IGC0A10D		SYS1.LPALIB
	Object	IGC0A10D	IGC0A10D	IGC0A10D		
	Entry	IGC0A10D	IGC0A10D			
IGC0B06F	Load	IGC0A10D	IGC0A10D	IGC0B06F		SYS1.LPALIB
	Object	IGC0B06F	IGC0B06F	IGC0B06F		
	Entry	IGC0B06F	IGC0B06F			
IGC0B10D	Load	IGC0B06F	IGC0B06F	IGC0B10D		SYS1.LPALIB
	Object	IGC0B10D	IGC0B10D	IGC0B10D		
	Entry	IGC0B10D	IGC0B10D			
IGC0C06F	Load	IGC0B10D	IGC0B10D	IGC0C06F		SYS1.LPALIB
	Object	IGC0C06F	IGC0C06F	IGC0C06F		
	Entry	IGC0C06F	IGC0C06F			
IGC0C10D	Load	IGC0C06F	IGC0C06F	IGC0C10D		SYS1.LPALIB
	Object	IGC0C10D	IGC0C10D	IGC0C10D		
	Entry	IGC0C10D	IGC0C10D			

Name	Type	Load	Object	Entry	Alias	System Library
IGC0D06C	Load		IGC0D06C	IGC0D06C		SYS1.LPALIB
	Object	IGC0D06C		IGC0D06C		
	Entry	IGC0D06C	IGC0D06C			
IGC0D06F	Load		IGC0D06F	IGC0D06F		SYS1.LPALIB
	Object	IGC0D06F		IGC0D06F		
	Entry	IGC0D06F	IGC0D06F			
IGC0D10D	Load		IGC0D10D	IGC0D10D		SYS1.LPALIB
	Object	IGC0D10D		IGC0D10D		
	Entry	IGC0D10D	IGC0D10D			
IGC0E05A	Load		IGC0E05A	IGC0E05A		SYS1.LPALIB
	Object	IGC0E05A		IGC0E05A		
	Entry	IGC0E05A	IGC0E05A			
IGC0E06F	Load		IGC0E06F	IGC0E06F		SYS1.LPALIB
	Object	IGC0E06F		IGC0E06F		
	Entry	IGC0E06F	IGC0E06F			
IGC0E10D	Load		IGC0E10D	IGC0E10D		SYS1.LPALIB
	Object	IGC0E10D		IGC0E10D		
	Entry	IGC0E10D	IGC0E10D			
IGC0F05A	Load		IGC0F05A	IGC0F05A		SYS1.LPALIB
	Object	IGC0F05A		IGC0F05A		
	Entry	IGC0F05A	IGC0F05A			
IGC0F06C	Load		IGC0F06C	IGC0F06C		SYS1.LPALIB
	Object	IGC0F06C		IGC0F06C		
	Entry	IGC0F06C	IGC0F06C			
IGC0F06F	Load		IGC0F06F	IGC0F06F		SYS1.LPALIB
	Object	IGC0F06F		IGC0F06F		
	Entry	IGC0F06F	IGC0F06F			
IGC0G05B	Load		IGC0G05B	IGC0G05B		SYS1.LPALIB
	Object	IGC0G05B		IGC0G05B		
	Entry	IGC0G05B	IGC0G05B			
IGC0G06C	Load		IGC0G06C	IGC0G06C		SYS1.LPALIB
	Object	IGC0G06C		IGC0G06C		
	Entry	IGC0G06C	IGC0G06C			
IGC0G95B	Load		IGC0G95B	IGC0G95B		SYS1.LPALIB
	Object	IGC0G95B		IGC0G95B		
	Entry	IGC0G95B	IGC0G95B			
IGC0H05B	Load		IGC0H05B	IGC0H05B		SYS1.LPALIB
	Object	IGC0H05B		IGC0H05B		
	Entry	IGC0H05B	IGC0H05B			
IGC0H06C	Load		IGC0H06C	IGC0H06C		SYS1.LPALIB
	Object	IGC0H06C		IGC0H06C		
	Entry	IGC0H06C	IGC0H06C			
IGC0I05B	Load		IGC0I05B	IGC0I05B		SYS1.LPALIB
	Object	IGC0I05B		IGC0I05B		
	Entry	IGC0I05B	IGC0I05B			
IGC0I07B	Object	IGC0007B		IGC0I07B	IGC0I07B	SYS1.LPALIB
	Entry	IGC0007B	IGC0I07B			
	Alias	IGC0007B	IGC0I07B			
IGC0J05B	Load		IGC0J05B	IGC0J05B		SYS1.LPALIB
	Object	IGC0J05B		IGC0J05B		
	Entry	IGC0J05B	IGC0J05B			
IGC0K05B	Load		IGC0K05B	IGC0K05B		SYS1.LPALIB
	Object	IGC0K05B		IGC0K05B		
	Entry	IGC0K05B	IGC0K05B			
IGC0L05B	Load		IGC0L05B	IGC0L05B		SYS1.LPALIB
	Object	IGC0L05B		IGC0L05B		
	Entry	IGC0L05B	IGC0L05B			
IGC0M05B	Load		IGC0M05B	IGC0M05B		SYS1.LPALIB
	Object	IGC0M05B		IGC0M05B		
	Entry	IGC0M05B	IGC0M05B			
IGC0N05B	Load		IGC0N05B	IGC0Q05B		SYS1.LPALIB
			IGC0Q05B			
			SECLOADA			
	Object	IGC0N05B		IGC0Q05B		
		SECLOADA				
		SECLOADA	SECLOADA			
IGC0N06C	Load		IGC0N06C	IGC0N06C		SYS1.LPALIB
	Object	IGC0N06C		IGC0N06C		
	Entry	IGC0N06C	IGC0N06C			
IGC0P05B	Load		IGC0P05B	IGC0P05B		SYS1.LPALIB

Name	Type	Load	Object	Entry	Alias	System Library
IGC0Q05B	Object	IGC0P05B		IGC0P05B		
	Entry	IGC0P05B	IGC0P05B			
	Load		IGC0Q05B	IGC0Q05B		SYS1.LPALIB
	Object	IGCON05B		IGC0Q05B		
IGC0Q06C	Object	IGC0S05B				
	Entry	IGCON05B	IGCON05B			
	Load	IGC0Q05B	IGC0Q05B			
	Object	IGC0S05B	IGC0S05B	IGC0Q06C		SYS1.LPALIB
IGC0R05B	Object	IGC0Q06C	IGC0Q06C	IGC0Q06C		
	Entry	IGC0Q06C	IGC0R05B	IGC0R05B		SYS1.LPALIB
IGC0S05B	Object	IGC0R05B	IGC0R05B	IGC0R05B		
	Entry	IGC0R05B	IGC0R05B	IGC0R05B		
IGC0S06C	Object		IGC0Q05B			
	Load	IGC0S05B	IGC0Q05B			SYS1.LPALIB
	Object	IGC0S06C	IGC0S06C	IGC0S06C		
	Entry	IGC0S06C	IGC0S06C	IGC0S06C		
IGC0T05B	Object	IGC0S06C	IGC0S06C	IGC0T05B		SYS1.LPALIB
	Entry	IGC0S06C	IGC0T05B	IGC0T05B		
IGC0U05B	Object	IGC0T05B	IGC0T05B	IGC0U05B		SYS1.LPALIB
	Entry	IGC0T05B	IGC0T05B	IGC0U05B		
IGC0V05B	Object	IGC0U05B	IGC0U05B	IGC0U05B		SYS1.LPALIB
	Entry	IGC0U05B	IGC0U05B	IGC0U05B		
IGC0W05B	Object	IGC0V05B	IGC0V05B	IGC0V05B		SYS1.LPALIB
	Entry	IGC0V05B	IGC0V05B	IGC0V05B		
IGC000	Object	IGC0W05B	IGC0W05B	IGC0W05B		SYS1.LPALIB
	Entry	IGC0W05B	IGC0W05B	IGC0W05B		
IGC0001A	Object	IGC0W05B	IGC0W05B	IGC0001A		SYS1.NUCLEUS
	Load	IEANUC01		IGC0001A		SYS1.LPALIB
IGC0001C	Object	IGC0001A	IGC0001A	IGC0001A		
	Entry	IGC0001A	IGC0001A	IGC0001A		
IGC0001D	Object		IEAVAR07			
	Object		IEAVEMDL			
	Object		IEAVTABD			
	Object		IEAVTAS1			
	Object		IEAVTAS2			
	Object		IEAVTAS3			
	Object		IEAVTMMT			
	Object		IEAVTMRM			
	Object		IEAVTPMT			
	Object		IEAVTRML			
	Object		IEAVTRTC			
	Object		IEAVTRTE			
	Object		IEAVTRT2			
	Object		IEAVTSKT			
	Object		IEDAY8			
	Object		IEDAY802	IEDAY802	IEDAY802	
	IGC0001E	Object		IEDQOT01		
Object			IGC0001C	IEAVTRT2		
IGC0001F	Object		IKTAY81			
	Object		RECURSE			
IGC0001G	Object		RTECVERR			
	Object	IGC0001C		IEAVTRT2		
IGC0001H	Object	IGC0004{		IGC0001D	IGC0001D	SYS1.LPALIB
	Object	IGC0004{		IGC0001D		
IGC0001I	Object	IGC0004{	IGC0001D			
	Object	IGC0004{	IECVNP02			SYS1.LPALIB
IGC0001J	Object		IGC0001F	IGC016		
	Object		IGC016			
IGC0001K	Object	IGC0001F	IGC0001G	IGC016		
	Object		IGC0001G	IGC017		SYS1.LPALIB
IGC0001L	Object		IGC017			
	Object	IGC0001G		IGC017		

Name	Type	Load	Object	Entry	Alias	System Library
IGC0001I	Load		IDA0192G			SYS1.LPALIB
			IDA0192P			
			IEFAB4DC			
			IFG0190P			
			IFG0191X			
			IFG0192A			
			IFG0192F			
			IFG0192I			
			IFG0192Y			
			IFG0193A	IFG0193A	IFG0193A	
			IFG0194A			
			IFG0194J			
			IFG0195A			
			IFG0195B			
			IFG0195C			
			IFG0195D			
			IFG0195F			
			IFG0195H			
			IFG0195J			
			IFG0195K			
			IFG0195N			
			IFG0195T	IFG0195T	IFG0195T	
			IFG0195U	IFG0195U	IFG0195U	
			IFG0195V	IFG0195V	IFG0195V	
			IFG0196J			
			IFG0196K			
			IFG0196L			
			IFG0196M			
			IFG0196N			
			IFG0196O			
			IFG0196P			
			IFG0196Q			
			IFG0196T			
			IFG0196U			
			IFG0196V	IFG0196V	IFG0196V	
			IFG0196W			
			IFG0196X			
			IFG0198N	IFG0198N	IFG0198N	
			IFG0554L	IFG0554L	IFG0554L	
			IFG0555J	IFG0555J	IFG0555J	
			IFG0555T	IFG0195T	IFG0555T	
			IGC0001I	IGC0001I		
			IGC0002B	IGC0002B	IGC0002B	
			IGC0101I	IGC0101I	IGC0101I	
			IGG019JD			
			IGG019SI			
			IGG0190B	IFG0195D	IGG0190B	
			IGG0190R	IFG0196O	IGG0190R	
			IGG0190S	IFG0196W	IGG0190S	
			IGG0191A			
			IGG0191C			
			IGG0192A			
			IGG0193A			
			IGG0193K	IGG0193K	IGG0193K	
			IGG0193M			
			IGG0193Y			
			IGG0193O			
			IGG01935			
			IGG01946			
			IGG0196M			
			IGG0198B			
			IGG0199F			
			NSLOHDRI			
			NSLOHDRO			
			READPSWD			
	Object	IGC0001I		IGC0001I		
	Entry	IGC0001I	IGC0001I			
IGC0002{	Object	IGC00020	IGC0002{	IGC00020	IGC0002{	SYS1.LPALIB
	Alias	IGC00020	IGC0002{			
IGC0002A	Load		IGC0002A	IGC0002A		SYS1.LPALIB

Name	Type	Load	Object	Entry	Alias	System Library
			IGG021AB			
			IGG0210A			
	Object	IGC0002A		IGC0002A		
	Entry	IGC0002A	IGC0002A			
IGC0002B	Object	IGC0001I		IGC0002B	IGC0002B	SYS1.LPALIB
	Entry	IGC0001I	IGC0002B			
	Alias	IGC0001I	IGC0002B			
IGC0002C	Object	IGC00020		IGC0002C	IGC0002C	SYS1.LPALIB
	Entry	IGC00020	IGC0002C			
	Alias	IGC00020	IGC0002C			
IGC0002D	Load	IGC0002D	IGC0002D	IGC0002D		SYS1.LPALIB
	Object	IGC0002D		IGC0002D		
	Entry	IGC0002D	IGC0002D			
IGC0002E	Load	IGC0002E	IGC0002E	IGC0002E		SYS1.LPALIB
	Object	IGC0002E		IGC0002E		
	Entry	IGC0002E	IGC0002E			
IGC0002F	Load	IGC0002F	IGG0102F	IGC0002F		SYS1.LPALIB
	Object	IGC0002F		IGC0002F		
		IGG0102F				
	Entry	IGC0002F	IGC0002F			
IGC0002G	Load	IGC0002G	IGC0002G	IGC0002G		SYS1.LPALIB
			IGC0102G			
	Object	IGC0002G		IGC0002G		
	Entry	IGC0002G	IGC0002G			
IGC0002H	Object	IGG0CLCA		IGC0002H	IGC0002H	SYS1.LPALIB
	Entry	IGG0CLCA	IGC0002H			
	Alias	IGG0CLCA	IGC0002H			
IGC0002I	Load		IGC0002I	IGG03002		SYS1.LPALIB
			IGG019EK			
			IGG0290A	IGG0290A	IGG0290A	
			IGG0290B			
			IGG0290C			
			IGG0290D			
			IGG0290E			
			IGG0290F			
			IGG0299A			
			IGG0300F	IGG0290F	IGG0300F	
			IGG03001			
			IGG03002			
			SECLOADA			
IGC00020	Object	IGC0002I		IGG03002		SYS1.LPALIB
	Load		IDA0192P			
			IFG0RR0B			
			IFG0200N			
			IFG0200P			
			IFG0200S			
			IFG0200T			
			IFG0200U			
			IFG0200V	IFG0200V	IFG0200V	
			IFG0200W	IFG0200W	IFG0200W	
			IFG0200Y			
			IFG0200Z			
			IFG0201A			
			IFG0201R			
			IFG0202A			
			IFG0202B			
			IFG0202C			
			IFG0202D			
			IFG0202E	IFG0202E	IFG0202E	
			IFG0202F			
			IFG0202H			
			IFG0202I			
			IFG0202J			
			IFG0202K			
			IFG0202L	IFG0202L	IFG0202L	
			IFG0202U			
			IFG0204A			
			IFG0209L			
			IFG0230P			

Name	Type	Load	Object	Entry	Alias	System Library
			IFG0231T			
			IFG0232D			
			IFG0232G			
			IFG0232J			
			IFG0232M			
			IFG0232S			
			IFG0232Y	IFG0202B	IFG0232Y	
			IFG0232Z	IFG0232Z	IFG0232Z	
			IFG0553B	IFG0202H	IFG0553B	
			IFG0556B	IFG0202B	IFG0556B	
			IGC0002{	IGC00020	IGC0002{	
			IGC0002C	IGC0002C	IGC0002C	
			IGC00020	IGG0206M		
			IGC0101I			
			IGC01020	IGC01020	IGC01020	
			IGG020P1			
			IGG0200B	IFG0202B	IGG0200B	
			IGG0200F	IFG0200Y	IGG0200F	
			IGG0200G	IFG0200Y	IGG0200G	
			IGG0201A			
			IGG0201D			
			IGG0201W			
			IGG0201Z			
			IGG0202A			
			IGG0202D			
			IGG0202I			
			IGG02028			
			IGG02029			
			IGG0203A			
			IGG0203B			
			IGG0203K	IGG0203K	IGG0203K	
			IGG0203M			
			IGG0203Y			
			IGG02030			
			IGG02035			
			IGG02046			
			IGG0206M			
			ISTOCMDC			
			NSLCTRLO			
			NSLETRLI			
	Object	IGC00020		IGG0206M		
	Entry	IGC00020	IGC0002{			
IGC0003{	Object	IGC00030	IGC0003{	IGC00030	IGC0003{	SYS1.LPALIB
	Alias	IGC00030	IGC0003{			
IGC0003A	Object	IGC0005E	IGC0003A	IGC0003A	IGC0003A	SYS1.LPALIB
	Entry	IGC0005E	IGC0003A			
	Alias	IGC0005E	IGC0003A			
IGC0003B	Load		IGC0003B	IGG0325Z		SYS1.LPALIB
			IGG0CLF2			
			IGG019EK			
			IGG032I1			
			IGG032I2			
			IGG032I3			
			IGG032I4			
			IGG032I5			
			IGG032I6			
			IGG032I7			
			IGG032I8			
			IGG0325A	IGG0325A	IGG0325A	
			IGG0325B			
			IGG0325C			
			IGG0325D			
			IGG0325E			
			IGG0325G			
			IGG0325H	IGG0325H	IGG0325H	
			IGG0325I			
			IGG0325K			
			IGG0325Z			
IGC0003C	Object	IGC0003B	IGC0003C	IGG0325Z		SYS1.LPALIB
	Load		IGC0003C	IGC0003C		

Name	Type	Load	Object	Entry	Alias	System Library
IGC0003D	Object Entry Load	IGC0003C IGC0003C	IGC0003C	IGC0003C		SYS1.LPALIB
			IEAVEMRQ			
			IEAVVRP1			
			IED1303D			
			IEEMB815			
			IEE0003D			
			IEE0303D			
			IEE0403D			
			IEE0503D	IEE0503D	IEE0503D	
			IEE0603D			
			IEE0703D			
			IEE0803D			
			IEE1403D			
			IEE1603D			
			IEE2103D	IEE0503D	IEE2103D	
			IEE2903D			
			IEE3203D			
			IEE3503D			
			IEE3703D			
			IEE4103D			
			IEE4303D			
			IEE4703D			
			IEE5103D			
			IEE5403D			
			IEE5503D			
			IEE5603D			
			IEE5703D			
			IEE5903D			
			IEE6303D			
			IEE6403D			
			IEE6503D			
			IEE6603D			
			IEE6703D			
			IEE6803D			
			IEE6903D			
			IEE7103D			
			IEE7203D			
			IEE7503D			
			IEE7603D	IEE7503D	IEE7603D	
			IEE7703D			
			IEE7803D			
			IEE9403D			
			IGCAT030	ISTCFF3D	IGCAT030	
			IGC0003D	IEE0003D		
			IGC0503D	IEE0503D	IGC0503D	
			IGC6503D			
			IGC6603D			
IGFDE0						
IGFDE1						
IGFDV1						
IGF2503D						
IGF2603D						
IGG2103D	IEE0503D	IGG2103D				
IKJ5803D						
ISTCFF3D						
IGC0003E	Object Load	IGC0003D	IEE0003D	IEE0003D		SYS1.LPALIB
			IEAVMWTO			
			IEAVVWTO			
			IEECVXIT			
IGC0003F	Object Load	IGC0003E	IGC0003E	IEAVVWTO		SYS1.LPALIB
			IGC0203E			
			IEEMB804	IEEMB804		
IGC0003I	Object Load	IGC0003F	IGC0003I	IEEMB804		SYS1.LPALIB
			IGC0003I	IGC0003I		
IGC00030	Object Entry Load	IGC0003I	IGC0003I	IGC0003I		SYS1.LPALIB
			IGC0003I	IGC0003I		
IGC00030	Object Entry Load	IGC0003I	IGC0003I	IGC00030	IGC0003{	SYS1.LPALIB
			IGC0003I	IGC00030	IGC0003{	

Name	Type	Load	Object	Entry	Alias	System Library
			IGC00030	SECLOADA		
			IGG0300F			
			IGG03001	IGG03001	IGG03001	
			IGG03002	IGG03002	IGG03002	
			SECLOADA			
IGC0004{	Object	IGC00030		SECLOADA		
	Entry	IGC00030	IGC0003{			
	Load					SYS1.LPALIB
			IEAVSPI	IEAVSPI	IEAVSPI	
			IEAVSPIE	IEAVSPIE	IEAVSPIE	
			IGC0001D	IGC0001D	IGC0001D	
			IGC0004{	IGC00040		
			IGC00040			
IGC0004A	Object	IGC0004{		IGC00040		
	Load		IGC0004A	IGC041		SYS1.LPALIB
			IGC041			
IGC0004B	Object	IGC0004A		IGC041		
	Load		IGC0004B	IGC0004B		SYS1.LPALIB
	Object	IGC0004B		IGC0004B		
	Entry	IGC0004B	IGC0004B			
	Load	IGC0004B	IGC0004B	IGC0004F		SYS1.LPALIB
IGC0004F	Object		IGC0004F	IGC0004G	IGC0004G	
	Entry	IGC0004F	IGC0004F	IGC0004F		
	Object	IGC0004F	IGC0004F	IGC0004G	IGC0004G	SYS1.LPALIB
IGC0004G	Object	IGC0004F	IGC0004G	IGC0004G	IGC0004G	
	Entry	IGC0004F	IGC0004G			
	Alias	IGC0004F	IGC0004G			
IGC00040	Object	IGC0004{				SYS1.LPALIB
	Entry	IGC0004{	IGC0004{			
IGC0005A	Load		IEAVAD0A			SYS1.LPALIB
			IEAVAD0B			
			IEAVAD0C			
			IEAVAD0D			
			IEAVAD00			
			IEAVAD01			
			IEAVAD02			
			IEAVAD03			
			IEAVAD05			
			IEAVAD06			
			IEAVAD07			
			IEAVAD08			
			IEAVAD11			
			IEAVAD21			
			IEAVAD31			
			IEAVAD41			
			IEAVAD51			
			IEAVAD61			
			IEAVAD71			
			IEAVAD81			
			IGC0005A	IEAVAD00		
IGC0005B	Object	IGC0005A		IEAVAD00		
	Load		IGC0005B	IGC0005B		SYS1.LPALIB
	Object	IGC0005B		IGC0005B		
	Entry	IGC0005B	IGC0005B			
IGC0005C	Load	IGC0005C	IGC0005C	IGC0005C		SYS1.LPALIB
	Object	IGC0005C		IGC0005C		
	Entry	IGC0005C	IGC0005C			
IGC0005D	Load	IGC0005D	IGC0005D	IGC0005D		SYS1.LPALIB
	Object	IGC0005D		IGC0005D		
	Entry	IGC0005D	IGC0005D			
IGC0005E	Load		IFG0RR0B			SYS1.LPALIB
			IFG0550P			
			IFG0550Y			
			IFG0551B			
			IFG0551D			
			IFG0551F	IFG0551F	IFG0551F	
			IFG0551H			
			IFG0551L			
			IFG0551N	IFG0551N	IFG0551N	
			IFG0551P			

Name	Type	Load	Object	Entry	Alias	System Library
			IFG0551R			
			IFG0551T			
			IFG0552B			
			IFG0552D			
			IFG0552F			
			IFG0552N			
			IFG0552R			
			IFG0552T			
			IFG0552V			
			IFG0552X	IFG0552X	IFG0552X	
			IFG0553B			
			IFG0553F			
			IFG0553H			
			IFG0553P			
			IFG0553X			
			IFG0553Z			
			IFG0554A			
			IFG0554B			
			IFG0554J			
			IFG0554L			
			IFG0554N			
			IFG0554P	IFG0554P	IFG0554P	
			IFG0554T	IFG0554T	IFG0554T	
			IFG0554Z			
			IFG0555B			
			IFG0555H			
			IFG0555J			
			IFG0555T			
			IFG0556B			
			IFG0557A			
			IFG0558X			
			IGC0003A	IGC0003A	IGC0003A	
			IGC0005E	IGC0005E		
			IGC01020			
			IGG0550B	IFG0552R	IGG0550B	
			IGG0550D	IFG0553H	IGG0550D	
			IGG0550F	IFG0551T	IGG0550F	
			IGG0550H	IFG0552N	IGG0550H	
			IGG0553A			
			NSLEHDRI			
			NSLEHDRO			
			NSLETRLI			
			NSLETRLO			
				IGC0005E		
IGC0005G	Object	IGC0005E		IGC0005E		
	Entry	IGC0005E	IGC0005E			
	Load		IGC0005G	IGC0005G		SYS1.LPALIB
	Object	IGC0005G		IGC0005G		
IGC0005I	Entry	IGC0005G	IGC0005G			
	Load		IGC0005I	IGC0005I		SYS1.LPALIB
			IGC0505I			
			IGC0905I			
	Object	IGC0005I		IGC0005I		
	Entry	IGC0005I	IGC0005I			
IGC0006{	Load		IGC0006{	IGC00060		SYS1.LPALIB
			IGC00060			
	Object	IGC0006{		IGC00060		
IGC0006A	Load		IGC0006A	IGC0006A		SYS1.LPALIB
	Object	IGC0006A		IGC0006A		
	Entry	IGC0006A	IGC0006A			
IGC0006C	Load		IGC0006C	IGC0006C		SYS1.LPALIB
	Object	IGC0006C		IGC0006C		
	Entry	IGC0006C	IGC0006C			
IGC0006D	Load		IGC0006D	IGG0196M		SYS1.LPALIB
			IGG0196M			
	Object	IGC0006D		IGG0196M		
IGC0006F	Load		IGC0006F	IGC0006F		SYS1.LPALIB
	Object	IGC0006F		IGC0006F		
	Entry	IGC0006F	IGC0006F			
IGC0006H	Load		IGC0006H	IGC0006H		SYS1.LPALIB
			IGC0106H			

Name	Type	Load	Object	Entry	Alias	System Library
			IGC0206H			
			IGC0306H			
			IGC0406H			
			IGC0506H			
			IGC0606H			
			IGC0706H			
			IGC0806H			
			IGC0906H			
	Object	IGC0006H		IGC0006H		
	Entry	IGC0006H	IGC0006H			
IGC0006I	Load		IGC0006I	IGC0006I		SYS1.LPALIB
	Object	IGC0006I		IGC0006I		
	Entry	IGC0006I	IGC0006I			
IGC00060	Object	IGC0006{				SYS1.LPALIB
	Entry	IGC0006{	IGC0006{			
IGC0007A	Load		IGC0007A	IGC0007A		SYS1.LPALIB
	Object	IGC0007A		IGC0007A		
	Entry	IGC0007A	IGC0007A			
IGC0007B	Load					SYS1.LPALIB
			IEAVSWCH			
			IEAVVCTR			
			IEAV1052			
			IEECVETA			
			IEECVETC			
			IEECVETD			
			IEECVETE			
			IEECVETF			
			IEECVETG			
			IEECVETH			
			IEECVETJ			
			IEECVETK			
			IEECVETP			
			IEECVETQ			
			IEECVETR			
			IEECVETU			
			IEECVETV			
			IEECVETW			
			IEECVET1			
			IEECVET2			
			IEECVET3			
			IEECVET4			
			IEECVET6			
			IEECVET7			
			IEECVET8			
			IEECVET9			
			IEECVFTA			
			IEECVFTB			
			IEECVFTD			
			IEECVFTG			
			IEECVFTL			
			IEECVFTM			
			IEECVFTN			
			IEECVFTO			
			IEECVFTP			
			IEECVFTQ			
			IEECVFTR			
			IEECVFTT			
			IEECVFT1			
			IEECVFT2			
			IEEC2740			
			IGCXX07B	IEEC2740	IGCXX07B	
			IGC0I07B	IGC0I07B	IGC0I07B	
			IGC0007B	IEAVVCTR		
			IGC0407B	IEAVSWCH	IGC0407B	
			IGC5W07B	IEECVETW	IGC5W07B	
			IGC5I07B	IEECVET1	IGC5I07B	
	Object	IGC0007B		IEAVVCTR		
IGC0007C	Load		IGC0007C	IGC0007C		SYS1.LPALIB
	Object	IGC0007C		IGC0007C		
	Entry	IGC0007C	IGC0007C			

Name	Type	Load	Object	Entry	Alias	System Library
IGC0007D	Load		IGC0007D	IGC0007D		SYS1.LPALIB
	Object	IGC0007D		IGC0007D		
	Entry	IGC0007D	IGC0007D			
IGC0007E	Load		IGC0007E	IGC0007E		SYS1.LPALIB
	Object	IGC0007E		IGC0007E		
	Entry	IGC0007E	IGC0007E			
IGC0007F	Load		IGC0007F	IGC0007F		SYS1.LPALIB
	Object	IFBSVC76		IGC0007F		
	Entry	IGC0007F	IFBSVC76	IGC0007F		
		IGC0007F	IGC0007F			
IGC0007H	Load		IGC0007H	IGC0007H		SYS1.LPALIB
	Object	IGC0007H		IGC0007H		
	Entry	IGC0007H	IGC0007H			
IGC0008A	Load		IGC0008A	IGC0008A		SYS1.LPALIB
	Object	IGC0008A		IGC0008A		
	Entry	IGC0008A	IGC0008A			
IGC0008B	Load		IGC0008B	IGC0008B		SYS1.LPALIB
	Object	IGC0008B		IGC0008B		
	Entry	IGC0008B	IGC0008B			
IGC0008C	Load		IEEMB827			SYS1.LPALIB
			IEEMB830			
			IGC0008C	IEEMB830		
	Object	IGC0008C		IEEMB830		
IGC0008E	Load		IGC0008E	IGC0008E		SYS1.LPALIB
			IGC0408E	IGC0408E	IGC0408E	
	Object	IGC0008E		IGC0008E		
	Entry	IGC0008E	IGC0008E			
IGC0008F	Load		IGC0008F	IGC0008F		SYS1.LPALIB
	Object	IGC0008F		IGC0008F		
	Entry	IGC0008F	IGC0008F			
IGC0008G	Load		IEAVXDOM			SYS1.LPALIB
			IGC0008G	IEAVXDOM		
	Object	IGC0008G		IEAVXDOM		
IGC0008H	Load		IGC0008H	IGC0008H		SYS1.LPALIB
			IGC0008H			
	Object	IGC0008H		IGC0008H		
	Object	IGC0008H		IGC0008H		
	Entry	IGC0008H	IGC0008H			
IGC0009A	Load		IGC0009A	IGC0009A		SYS1.LPALIB
	Object	IGC0009A		IGC0009A		
	Entry	IGC0009A	IGC0009A			
IGC0009C	Load		IGG09301			SYS1.LPALIB
			IGG09302			
			IGG09303			
	Object	IGC0009C		IGC0009C		
	Entry	IGC0009C	IGC0009C			
IGC0009D	Load		CONST			SYS1.LPALIB
			IGC0009D	IGC0009D		
			IGG0940A			
			IGG0940B			
			IGG0940C			
			IGG0940D			
			IGG0940E			
			IGG0940G			
			IGG09400			
			IGG09401			
			IGG09402			
			IGG09403			
			IGG09404			
			IGG09405			
			IGG09406			
			IGG09407			
			IGG09408			
			IGG09409			
			IKJ409I			
			MSGLIST			

Name	Type	Load	Object	Entry	Alias	System Library
			POSTTSB			
	Object	IGC0009D		IGC0009D		
	Entry	IGC0009D	IGC0009D			
IGC0009F	Load		IGC0009F	IGC0009F		SYS1.LPALIB
	Object	IGC0009F		IGC0009F		
	Entry	IGC0009F	IGC0009F			
IGC0009G	Load		IGC0009G	IGC0009G		SYS1.LPALIB
	Object	IGC0009G		IGC0009G		
	Entry	IGC0009G	IGC0009G			
IGC0009H	Load		IGC0009H	IGC0009H		SYS1.LPALIB
	Object	IGC0009H		IGC0009H		
	Entry	IGC0009H	IGC0009H			
IGC0009I	Object	IEFW21SD		IEFDB400	IGC0009I	SYS1.LPALIB
	Alias	IEFW21SD				
IGC001	Object	IEANUC01				SYS1.NUCLEUS
IGC0010{	Load		IGC0010{	IKJEFF00		SYS1.LPALIB
			IKJEFF00			
			IKJEFF20			
IGC0010A	Object	IGC0010{		IKJEFF00		SYS1.LPALIB
	Load		IEDAYAA			
			IEDAYGP			
			IEDAYHH			
			IEDAYII			
			IEDAYLL			
			IEDAYOO			
			IEDAYQBA			
			IEDAYQBR			
			IEDAYQIO			
			IEDAYQSO			
			IEDAYQT	IEDAYQT	IEDAYQT	
			IEDAYQT1	IEDAYQT1	IEDAYQT1	
			IEDAYTPQ			
			IEDAY88			
			IGC0010A	IEDAYQT		
			QTIP0000			
			QTIP0010			
			QTIP0030			
			QTIP0040			
			QTIP0050			
			QTIP0060			
			QTIP0070			
			QTIP0080			
			QTIP0090			
			QTIP0100			
			QTIP0110			
			QTIP0120			
			QTIP0130			
			QTIP0140			
			QTIP0150			
			QTIP0160			
			QTIP0180			
			QTIP0190			
			QTIP0210			
			QTIP0220			
			QTIP0230			
			QTIP0240			
			QTIP0270			
			QTIP0280			
			QTIP0290			
IGC0010B	Object	IGC0010A		IEDAYQT		SYS1.LPALIB
	Load		IEDQEB			
			IGC0010B	IEDQEB		
IGC0010C	Object	IGC0010B		IEDQEB		SYS1.LPALIB
	Load		IGC0010C	IGC0010C		
	Object	IGC0010C		IGC0010C		
	Entry	IGC0010C	IGC0010C			
IGC0010D	Load		IGC0010D	IGC0010D		SYS1.LPALIB
	Object	IGC0010D		IGC0010D		
	Entry	IGC0010D	IGC0010D			
IGC0010E	Load		IGC0010E	IGC0010E		SYS1.LPALIB

Name	Type	Load	Object	Entry	Alias	System Library
IGC0011{	Object	IGC0010E		IGC0010E		
	Entry	IGC0010E	IGC0010E			
	Load		IGC0011{ IEE00110 IGC0011{ IGC00110	IGC00110 IEE00110 IGC00110		SYS1.LPALIB
IGC00110	Object	IGC0011{			IGC00110	
	Object	IGC0011{			IGC00110	SYS1.LPALIB
IGC0013{	Alias	IGC0011{				
	Load		IGC00110 ICHRIN00 IGC0013{ IGC0013A IGC0013B IGC0013C	ICHRIN00 IGC0013A IGC0013B IGC0013C	IGC0013A IGC0013B IGC0013C	SYS1.LPALIB
IGC0013A	Object	IGC0013{				
	Object	IGC0013{			IGC0013A	SYS1.LPALIB
IGC0013B	Entry	IGC0013{	IGC0013A			
	Alias	IGC0013{	IGC0013A			
IGC0013C	Object	IGC0013{				
	Object	IGC0013{			IGC0013A	SYS1.LPALIB
IGC002	Object	IGC0013{				
	Object	IGC0013{				SYS1.LPALIB
IGC003	Object	IGC0013{				
	Object	IGC0013{				SYS1.LPALIB
IGC004	Object	IGC0013{				
	Object	IGC0013{				SYS1.LPALIB
IGC005	Object	IGC0013{				
	Object	IGC0013{				SYS1.LPALIB
IGC006	Object	IGC0013{				
	Object	IGC0013{				SYS1.LPALIB
IGC007	Object	IGC0013{				
	Object	IGC0013{				SYS1.LPALIB
IGC008	Object	IGC0013{				
	Object	IGC0013{				SYS1.LPALIB
IGC009	Object	IGC0013{				
	Object	IGC0013{				SYS1.LPALIB
IGC010	Object	IGC0013{				
	Object	IGC0013{				SYS1.LPALIB
IGC0101I	Object	IGC0001I				
	Object	IGC00020			IGC0101I	SYS1.LPALIB
IGC0102G	Entry	IGC0001I	IGC0101I			
	Alias	IGC0001I	IGC0101I			
IGC01020	Object	IGC0002G				SYS1.LPALIB
	Object	IGC00020			IGC01020	SYS1.LPALIB
IGC0106C	Object	IGC0005E				
	Object	IGC00020	IGC01020			
IGC0106F	Entry	IGC00020	IGC01020			
	Alias	IGC00020	IGC01020			
IGC0106H	Load	IGC00020	IGC0106C	IGC0106C		SYS1.LPALIB
	Object	IGC0106C	IGC0106C	IGC0106C		
IGC0107C	Entry	IGC0106C	IGC0106C	IGC0106F		SYS1.LPALIB
	Load	IGC0106F	IGC0106F	IGC0106F		
IGC0107D	Object	IGC0006H				SYS1.LPALIB
	Object	IGC0107C	IGC0107C	IGC0107C		SYS1.LPALIB
IGC0107H	Entry	IGC0107C	IGC0107C	IGC0107C		
	Load	IGC0107D	IGC0107D	IGC0107D		SYS1.LPALIB
IGC0108B	Object	IGC0007H				SYS1.LPALIB
	Object	IGC0107D	IGC0107D	IGC0107D		SYS1.LPALIB
IGC0109H	Entry	IGC0108B	IGC0108B	IGC0108B		
	Load	IGC0108B	IGC0108B	IGC0108B		SYS1.LPALIB
IGC0110D	Object	IGC0109H	IGC0109H	IGC0109H		SYS1.LPALIB
	Object	IGC0109H	IGC0109H	IGC0109H		SYS1.LPALIB
IGC012	Entry	IGC0109H	IGC0109H	IGC0109H		
	Object	IGC0110D	IGC0110D	IGC0110D		SYS1.LPALIB
IGC015	Object	IGC0110D	IGC0110D	IGC0110D		SYS1.LPALIB
	Object	IEANUC01				SYS1.NUCLEUS
IGC016	Object	IEANUC01				SYS1.NUCLEUS
	Object	IEAVNP02				SYS1.NUCLEUS
IGC017	Object	IGC0001F				SYS1.LPALIB
	Object	IGC0001G	IGC0001F			SYS1.LPALIB

Name	Type	Load	Object	Entry	Alias	System Library
IGC018	Entry	IGC0001G	IGC0001G			
IGC0203E	Object	IEANUC01				SYS1.NUCLEUS
IGC0205B	Object	IGC0003E				SYS1.LPALIB
	Load		IGC0205B	IGC0205B		SYS1.LPALIB
	Object	IGC0205B		IGC0205B		
	Entry	IGC0205B	IGC0205B			
IGC0206C	Load	IGC0206C	IGC0206C	IGC0206C		SYS1.LPALIB
	Object	IGC0206C		IGC0206C		
	Entry	IGC0206C	IGC0206C			
IGC0206F	Load	IGC0206F	IGC0206F	IGC0206F		SYS1.LPALIB
	Object	IGC0206F		IGC0206F		
	Entry	IGC0206F	IGC0206F			
IGC0206H	Object	IGC0006H				SYS1.LPALIB
IGC0207A	Load		IGC0207A	IGC0207A		SYS1.LPALIB
	Object	IGC0207A		IGC0207A		
	Entry	IGC0207A	IGC0207A			
IGC0208B	Load		IGC0208B	IGC0208B		SYS1.LPALIB
	Object	IGC0208B		IGC0208B		
	Entry	IGC0208B	IGC0208B			
IGC0209H	Load		IGC0209H	IGC0209H		SYS1.LPALIB
	Object	IGC0209H		IGC0209H		
	Entry	IGC0209H	IGC0209H			
IGC0306F	Load		IGC0306F	IGC0306F		SYS1.LPALIB
	Object	IGC0306F		IGC0306F		
	Entry	IGC0306F	IGC0306F			
IGC0306H	Object	IGC0006H				SYS1.LPALIB
IGC0308B	Load		IGC0308B	IGC0308B		SYS1.LPALIB
	Object	IGC0308B		IGC0308B		
	Entry	IGC0308B	IGC0308B			
IGC0310D	Load		IGC0310D	IGC0310D		SYS1.LPALIB
	Object	IGC0310D		IGC0310D		
	Entry	IGC0310D	IGC0310D			
IGC037	Object	IEANUC01				SYS1.NUCLEUS
IGC0406F	Load		IGC0406F	IGC0406F		SYS1.LPALIB
	Object	IGC0406F		IGC0406F		
	Entry	IGC0406F	IGC0406F			
IGC0406H	Object	IGC0006H				SYS1.LPALIB
IGC0407B	Object	IGC0007B		IEAVSWCH	IGC0407B	SYS1.LPALIB
	Alias	IGC0007B	IGC0407B			
IGC0408E	Object	IGC0008E		IGC0408E	IGC0408E	SYS1.LPALIB
	Entry	IGC0008E	IGC0408E			
	Alias	IGC0008E	IGC0408E			
IGC041	Object	IGC0004A				SYS1.LPALIB
	Entry	IGC0004A	IGC0004A			
IGC0410D	Load		IGC0410D	IGC0410D		SYS1.LPALIB
	Object	IGC0410D		IGC0410D		
	Entry	IGC0410D	IGC0410D			
IGC043	Object	IEANUC01				SYS1.NUCLEUS
IGC043BR	Object	IEANUC01				SYS1.NUCLEUS
IGC044	Object	IEANUC01				SYS1.NUCLEUS
IGC044R2	Object	IEANUC01				SYS1.NUCLEUS
IGC045	Object	IEANUC01				SYS1.NUCLEUS
IGC048	Object	IEANUC01				SYS1.NUCLEUS
IGC0503D	Object	IGC0003D		IEE0503D	IGC0503D	SYS1.LPALIB
	Alias	IGC0003D	IGC0503D			
IGC0505B	Load		IGC0505B	IGC0505B		SYS1.LPALIB
	Object	IGC0505B		IGC0505B		
	Entry	IGC0505B	IGC0505B			
IGC0505I	Object	IGC0005I				SYS1.LPALIB
IGC0506C	Load		IGC0506C	IGC0506C		SYS1.LPALIB
	Object	IGC0506C		IGC0506C		
	Entry	IGC0506C	IGC0506C			
IGC0506F	Load		IGC0506F	IGC0506F		SYS1.LPALIB
	Object	IGC0506F		IGC0506F		
	Entry	IGC0506F	IGC0506F			
IGC0506H	Object	IGC0006H				SYS1.LPALIB
IGC0510D	Load		IGC0510D	IGC0510D		SYS1.LPALIB
	Object	IGC0510D		IGC0510D		
	Entry	IGC0510D	IGC0510D			
IGC056	Object	IEANUC01				SYS1.NUCLEUS

Name	Type	Load	Object	Entry	Alias	System Library
IGC058	Object	IEANUC01				SYS1.NUCLEUS
IGC0605B	Load		IGC0605B	IGC0605B		SYS1.LPALIB
	Object	IGC0605B		IGC0605B		
	Entry	IGC0605B	IGC0605B			
IGC0606F	Load		IGC0606F	IGC0606F		SYS1.LPALIB
	Object	IGC0606F		IGC0606F		
	Entry	IGC0606F	IGC0606F			
IGC0606H	Object	IGC0006H				SYS1.LPALIB
IGC0610D	Load		IGC0610D	IGC0610D		SYS1.LPALIB
	Object	IGC0610D		IGC0610D		
	Entry	IGC0610D	IGC0610D			
IGC062	Object	IEANUC01				SYS1.NUCLEUS
IGC062R1	Object	IEANUC01				SYS1.NUCLEUS
IGC070	Object	IEANUC01				SYS1.NUCLEUS
IGC0705B	Load		IGC0705B	IGC0705B		SYS1.LPALIB
	Object	IGC0705B		IGC0705B		
	Entry	IGC0705B	IGC0705B			
IGC0706F	Load		IGC0706F	IGC0706F		SYS1.LPALIB
	Object	IGC0706F		IGC0706F		
	Entry	IGC0706F	IGC0706F			
IGC0706H	Object	IGC0006H				SYS1.LPALIB
IGC0710D	Load		IGC0710D	IGC0710D		SYS1.LPALIB
	Object	IGC0710D		IGC0710D		
	Entry	IGC0710D	IGC0710D			
IGC079	Object	IEANUC01				SYS1.NUCLEUS
IGC07902	Object	IEANUC01				SYS1.NUCLEUS
IGC07903	Object	IEANUC01				SYS1.NUCLEUS
IGC0805B	Load		IGC0805B	IGC0805B		SYS1.LPALIB
	Object	IGC0805B		IGC0805B		
	Entry	IGC0805B	IGC0805B			
IGC0806F	Load		IGC0806F	IGC0806F		SYS1.LPALIB
	Object	IGC0806F		IGC0806F		
	Entry	IGC0806F	IGC0806F			
IGC0806H	Object	IGC0006H				SYS1.LPALIB
IGC0810D	Load		IGC0810D	IGC0810D		SYS1.LPALIB
	Object	IGC0810D		IGC0810D		
	Entry	IGC0810D	IGC0810D			
IGC084	Object	IEANUC01				SYS1.NUCLEUS
IGC0905A	Load		IEFBR14			SYS1.LPALIB
	Object	IGC0905A	IGC0905A	IEFBR14		
	Load		IGC0905B	IEFBR14		
IGC0905B	Object	IGC0905B		IGC0905B		SYS1.LPALIB
	Entry	IGC0905B	IGC0905B			
IGC0905I	Object	IGC0005I				SYS1.LPALIB
IGC0906F	Load		IGC0906F	IGC0906F		SYS1.LPALIB
	Object	IGC0906F		IGC0906F		
	Entry	IGC0906F	IGC0906F			
IGC0906H	Object	IGC0006H				SYS1.LPALIB
IGC0910D	Load		IGC0910D	IGC0910D		SYS1.LPALIB
	Object	IGC0910D		IGC0910D		
	Entry	IGC0910D	IGC0910D			
IGC092	Object	IEANUC01				SYS1.NUCLEUS
IGC095	Object	IEANUC01				SYS1.NUCLEUS
IGC1E05A	Load		IGC1E05A	IGC1E05A		SYS1.LPALIB
	Object	IGC1E05A		IGC1E05A		
	Entry	IGC1E05A	IGC1E05A			
IGC1006F	Load		IGC1006F	IGC1006F		SYS1.LPALIB
	Object	IGC1006F		IGC1006F		
	Entry	IGC1006F	IGC1006F			
IGC10110	Load		IEE10110			SYS1.LPALIB
	Object	IGC10110	IGC10110	IEE10110		
	Object	IEANUC01		IEE10110		
IGC107	Object	IEANUC01				SYS1.NUCLEUS
IGC109	Object	IEANUC01				SYS1.NUCLEUS
IGC1106F	Load		IGC1106F	IGC1106F		SYS1.LPALIB
	Object	IGC1106F		IGC1106F		
	Entry	IGC1106F	IGC1106F			
IGC111	Object	IEANUC01				SYS1.NUCLEUS
IGC11110	Load		IEE11110			SYS1.LPALIB

Name	Type	Load	Object	Entry	Alias	System Library
			IGC11110	IEE11110		
				IEE11110		
IGC112	Object	IGC11110				SYS1.NUCLEUS
IGC113	Object	IEANUC01				SYS1.NUCLEUS
IGC114	Object	IEANUC01				SYS1.NUCLEUS
IGC116	Object	IEANUC01				SYS1.NUCLEUS
IGC117	Object	IEANUC01				SYS1.NUCLEUS
IGC119	Object	IEANUC01				SYS1.NUCLEUS
IGC120	Object	IEANUC01				SYS1.NUCLEUS
IGC1206F	Load		IGC1206F	IGC1206F		SYS1.LPALIB
	Object	IGC1206F				
	Entry	IGC1206F	IGC1206F	IGC1206F		
IGC121	Object	IEANUC01				SYS1.NUCLEUS
IGC12110	Load		IEE12110			SYS1.LPALIB
			IGC12110	IEE12110		
				IEE12110		
IGC122	Object	IGC12110				SYS1.NUCLEUS
IGC123	Object	IEANUC01				SYS1.NUCLEUS
IGC124	Object	IEANUC01				SYS1.NUCLEUS
	Alias	IEANUC01	IGC124	ISTAPC22	IGC124	
IGC125	Object	IEANUC01				SYS1.NUCLEUS
IGC1306F	Load		IGC1306F	IGC1306F		SYS1.LPALIB
	Object	IGC1306F				
	Entry	IGC1306F	IGC1306F	IGC1306F		
IGC1406F	Load		IGC1406F	IGC1406F		SYS1.LPALIB
	Object	IGC1406F				
	Entry	IGC1406F	IGC1406F	IGC1406F		
IGC20110	Load		IGC1406F			SYS1.LPALIB
			IEE20110			
			IGC20110	IEE20110		
IGC21110	Object	IGC20110				SYS1.LPALIB
	Load		IEE21110			
			IGC21110	IEE21110		
				IEE21110		
IGC220	Object	IGC21110				SYS1.NUCLEUS
IGC22110	Object	IEANUC01				SYS1.LPALIB
	Load		IEE22110			
			IGC22110	IEE22110		
				IEE22110		
IGC23110	Object	IGC22110				SYS1.LPALIB
	Load		IEE23110			
			IGC23110	IEE23110		
				IEE23110		
IGC40110	Object	IGC23110				SYS1.LPALIB
	Load		IEE40110			
			IGC40110	IEE40110		
				IEE40110		
IGC5W07B	Object	IGC40110				SYS1.LPALIB
	Object	IGC0007B				
	Alias	IGC0007B	IGC5W07B	IEECVETW	IGC5W07B	
IGC5107B	Object	IGC0007B				SYS1.LPALIB
	Alias	IGC0007B	IGC5107B	IEECVET1	IGC5107B	
IGC6503D	Object	IGC0003D				SYS1.LPALIB
IGC6603D	Object	IGC0003D				SYS1.LPALIB
IGE0000D	Load		IEC1052			SYS1.LPALIB
			IGE0000D	IEC1052		
IGE0000G	Object	IGE0000D				SYS1.LPALIB
	Load		IEC1403A	IEC1052		
			IGE0000G	IEC1403A		
				IEC1403A		
IGE0000I	Object	IGE0000G				SYS1.LPALIB
	Load		IGE0000I	IGE0000I		
	Object	IGE0000I				
	Entry	IGE0000I	IGE0000I	IGE0000I		
IGE0001A	Load		IEC3505A			SYS1.LPALIB
			IGE0001A	IEC3505A		
				IEC3505A		
IGE0001C	Object	IGE0001A				SYS1.LPALIB
	Load		IEC2540A	IEC3505A		
			IGE0001C	IEC2540A		
				IEC2540A		
IGE0004	Object	IGE0001C				SYS1.LPALIB
IGE0004{	Object	IGE0004{				SYS1.LPALIB
	Load		IGE0004			
			IGE0004{	ISTZBCOK		
			ISTZBCOK			
			ISTZBMOK			
	Object	IGE0004{				SYS1.LPALIB
				ISTZBCOK		

Name	Type	Load	Object	Entry	Alias	System Library
IGE0004A	Load		IGE0004A	IGE0004A		SYS1.LPALIB
	Object	IGE0004A	IGE0004A	IGE0004A		
	Entry	IGE0004A	IGE0004A	IGE0004A		
IGE0004B	Load		IGE0004B	IGE0004B		SYS1.LPALIB
	Object	IGE0004B	IGE0004B	IGE0004B		
	Entry	IGE0004B	IGE0004B	IGE0004B		
IGE0004C	Load		IGE0004C	IGE0004C		SYS1.LPALIB
	Object	IGE0004C	IGE0004C	IGE0004C		
	Entry	IGE0004C	IGE0004C	IGE0004C		
IGE0004G	Load		IGE0004G	IGE0004G		SYS1.LPALIB
	Object	IGE0004G	IGE0004G	IGE0004G		
	Entry	IGE0004G	IGE0004G	IGE0004G		
IGE0004H	Load		IGE0004H	IGE0004H		SYS1.LPALIB
	Object	IGE0004H	IGE0004H	IGE0004H		
	Entry	IGE0004H	IGE0004H	IGE0004H		
IGE0010A	Load		IGE0010A	IGE0010A		SYS1.LPALIB
	Object	IGE0010A	IGE0010A	IGE0010A		
	Entry	IGE0010A	IGE0010A	IGE0010A		
IGE0010B	Load		IGE0010B	IGE0010B		SYS1.LPALIB
	Object	IGE0010B	IGE0010B	IGE0010B		
	Entry	IGE0010B	IGE0010B	IGE0010B		
IGE0010D	Load		IGE0010D	IGE0010D		SYS1.LPALIB
	Object	IGE0010D	IGE0010D	IGE0010D		
	Entry	IGE0010D	IGE0010D	IGE0010D		
IGE0010E	Load		IGE0010E	IGE0010E		SYS1.LPALIB
	Object	IGE0010E	IGE0010E	IGE0010E		
	Entry	IGE0010E	IGE0010E	IGE0010E		
IGE0010F	Load		IGE0010F	ISTZBC0J		SYS1.LPALIB
			ISTZBC0J			
			ISTZBM0J			
	Object	IGE0010F	IGE0010F	ISTZBC0J		
IGE0025C	Load		IGE0025C	IGE0025C		SYS1.LPALIB
	Object	IGE0025C	IGE0025C	IGE0025C		
	Entry	IGE0025C	IGE0025C	IGE0025C		
IGE0025D	Load		IECSTATA			SYS1.LPALIB
			IGE0025D			
	Object	IGE0025D	IECSTATA	IECSTATA		
IGE0025F	Load		IGE0025F	IGE0025F		SYS1.LPALIB
	Object	IFBOBR00	IGE0025F	IGE0025F		
	Entry	IFBOBR00	IFBOBR00	IGE0025F		
		IGE0025F	IGE0625F			
			IGE0025F			
			IGE0100I			
IGE0100I	Load		IGE0100I	IGE0100I		SYS1.LPALIB
	Object	IGE0100I	IGE0100I	IGE0100I		
	Entry	IGE0100I	IGE0100I	IGE0100I		
IGE0104A	Load		IGE0104A	IGE0104A		SYS1.LPALIB
	Object	IGE0104A	IGE0104A	IGE0104A		
	Entry	IGE0104A	IGE0104A	IGE0104A		
IGE0104B	Load		IGE0104B	IGE0104B		SYS1.LPALIB
	Object	IGE0104B	IGE0104B	IGE0104B		
	Entry	IGE0104B	IGE0104B	IGE0104B		
IGE0104C	Load		IGE0104C	IGE0104C		SYS1.LPALIB
	Object	IGE0104C	IGE0104C	IGE0104C		
	Entry	IGE0104C	IGE0104C	IGE0104C		
IGE0104G	Load		IGE0104G	IGE0104G		SYS1.LPALIB
	Object	IGE0104G	IGE0104G	IGE0104G		
	Entry	IGE0104G	IGE0104G	IGE0104G		
IGE0104H	Load		IGE0104H	IGE0104H		SYS1.LPALIB
	Object	IGE0104H	IGE0104H	IGE0104H		
	Entry	IGE0104H	IGE0104H	IGE0104H		
IGE0125F	Load		IGE0125F	IGE0125F		SYS1.LPALIB
	Object	IGE0125F	IGE0125F	IGE0125F		
	Entry	IGE0125F	IGE0125F	IGE0125F		
IGE0204A	Load		IGE0204A	IGE0204A		SYS1.LPALIB
	Object	IGE0204A	IGE0204A	IGE0204A		
	Entry	IGE0204A	IGE0204A	IGE0204A		
IGE0204B	Load		IGE0204B	IGE0204B		SYS1.LPALIB

Name	Type	Load	Object	Entry	Alias	System Library
	Object	IGE0204B		IGE0204B		
	Entry	IGE0204B	IGE0204B			
IGE0204C	Load	IGE0204C	IGE0204C	IGE0204C		SYS1.LPALIB
	Object	IGE0204C		IGE0204C		
IGE0204G	Entry	IGE0204C	IGE0204C			
	Load	IGE0204G	IGE0204G	IGE0204G		SYS1.LPALIB
	Object	IGE0204G		IGE0204G		
IGE0204H	Entry	IGE0204G	IGE0204G			
	Load	IGE0204H	IGE0204H	IGE0204H		SYS1.LPALIB
	Object	IGE0204H		IGE0204H		
IGE0304A	Entry	IGE0204H	IGE0204H			
	Load	IGE0304A	IGE0304A	IGE0304A		SYS1.LPALIB
	Object	IGE0304A		IGE0304A		
IGE0304B	Entry	IGE0304A	IGE0304A			
	Load	IGE0304B	IGE0304B	IGE0304B		SYS1.LPALIB
	Object	IGE0304B		IGE0304B		
IGE0304C	Entry	IGE0304B	IGE0304B			
	Load	IGE0304C	IGE0304C	IGE0304C		SYS1.LPALIB
	Object	IGE0304C		IGE0304C		
IGE0304G	Entry	IGE0304C	IGE0304C			
	Load	IGE0304G	IGE0304G	IGE0304G		SYS1.LPALIB
	Object	IGE0304G		IGE0304G		
IGE0404A	Entry	IGE0304G	IGE0304G			
	Load	IGE0404A	IGE0404A	IGE0404A		SYS1.LPALIB
	Object	IGE0404A		IGE0404A		
IGE0404B	Entry	IGE0404A	IGE0404A			
	Load	IGE0404B	IGE0404B	IGE0404B		SYS1.LPALIB
	Object	IGE0404B		IGE0404B		
IGE0404C	Entry	IGE0404B	IGE0404B			
	Load	IGE0404C	IGE0404C	IGE0404C		SYS1.LPALIB
	Object	IGE0404C		IGE0404C		
IGE0404G	Entry	IGE0404C	IGE0404C			
	Load	IGE0404G	IGE0404G	IGE0404G		SYS1.LPALIB
	Object	IGE0404G		IGE0404G		
IGE0404H	Entry	IGE0404G	IGE0404G			
	Load	IGE0404H	IGE0404H	IGE0404H		SYS1.LPALIB
	Object	IGE0404H		IGE0404H		
IGE0504A	Entry	IGE0404H	IGE0404H			
	Load	IGE0504A	IGE0504A	IGE0504A		SYS1.LPALIB
	Object	IGE0504A		IGE0504A		
IGE0504B	Entry	IGE0504A	IGE0504A			
	Load	IGE0504B	IGE0504B	IGE0504B		SYS1.LPALIB
	Object	IGE0504B		IGE0504B		
IGE0504C	Entry	IGE0504B	IGE0504B			
	Load	IGE0504C	IGE0504C	IGE0504C		SYS1.LPALIB
	Object	IGE0504C		IGE0504C		
IGE0504G	Entry	IGE0504C	IGE0504C			
	Load	IGE0504G	IGE0504G	IGE0504G		SYS1.LPALIB
	Object	IGE0504G		IGE0504G		
IGE0504H	Entry	IGE0504G	IGE0504G			
	Load	IGE0504H	IGE0504H	IGE0504H		SYS1.LPALIB
	Object	IGE0504H		IGE0504H		
IGE0604A	Entry	IGE0504H	IGE0504H			
	Load	IGE0604A	IGE0604A	IGE0604A		SYS1.LPALIB
	Object	IGE0604A		IGE0604A		
IGE0604B	Entry	IGE0604A	IGE0604A			
	Load	IGE0604B	IGE0604B	IGE0604B		SYS1.LPALIB
	Object	IGE0604B		IGE0604B		
IGE0604C	Entry	IGE0604B	IGE0604B			
	Load	IGE0604C	IGE0604C	IGE0604C		SYS1.LPALIB
	Object	IGE0604C		IGE0604C		
IGE0604G	Entry	IGE0604C	IGE0604C			
	Load	IGE0604G	IGE0604G	IGE0604G		SYS1.LPALIB
	Object	IGE0604G		IGE0604G		
IGE0625F	Entry	IGE0604G	IGE0604G			
	Object	IFBOBRO0		IGE0025F	IGE0625F	SYS1.LPALIB
	Alias	IFBOBRO0	IGE0625F			
IGE0660A	Object	IGFDI0		IGE0660A	IGE0660A	SYS1.LPALIB
	Entry	IGFDI0	IGE0660A			
	Alias	IGFDI0	IGE0660A			

Name	Type	Load	Object	Entry	Alias	System Library
IGE0704A	Load		IGE0704A	IGE0704A		SYS1.LPALIB
	Object	IGE0704A	IGE0704A	IGE0704A		
	Entry	IGE0704A	IGE0704A	IGE0704A		
IGE0704B	Load		IGE0704B	IGE0704B		SYS1.LPALIB
	Object	IGE0704B	IGE0704B	IGE0704B		
	Entry	IGE0704B	IGE0704B	IGE0704B		
IGE0704C	Load		IGE0704C	IGE0704C		SYS1.LPALIB
	Object	IGE0704C	IGE0704C	IGE0704C		
	Entry	IGE0704C	IGE0704C	IGE0704C		
IGE0804A	Load		IGE0804A	IGE0804A		SYS1.LPALIB
	Object	IGE0804A	IGE0804A	IGE0804A		
	Entry	IGE0804A	IGE0804A	IGE0804A		
IGE0804B	Load		IGE0804B	IGE0804B		SYS1.LPALIB
	Object	IGE0804B	IGE0804B	IGE0804B		
	Entry	IGE0804B	IGE0804B	IGE0804B		
IGE0804C	Load		IGE0804C	IGE0804C		SYS1.LPALIB
	Object	IGE0804C	IGE0804C	IGE0804C		
	Entry	IGE0804C	IGE0804C	IGE0804C		
IGE0804G	Load		IGE0804G	IGE0804G		SYS1.LPALIB
	Object	IGE0804G	IGE0804G	IGE0804G		
	Entry	IGE0804G	IGE0804G	IGE0804G		
IGE0804H	Load		IGE0804H	IGE0804H		SYS1.LPALIB
	Object	IGE0804H	IGE0804H	IGE0804H		
	Entry	IGE0804H	IGE0804H	IGE0804H		
IGE0904A	Load		IGE0904A	IGE0904A		SYS1.LPALIB
	Object	IGE0904A	IGE0904A	IGE0904A		
	Entry	IGE0904A	IGE0904A	IGE0904A		
IGE0904B	Load		IGE0904B	IGE0904B		SYS1.LPALIB
	Object	IGE0904B	IGE0904B	IGE0904B		
	Entry	IGE0904B	IGE0904B	IGE0904B		
IGE0904C	Load		IGE0904C	IGE0904C		SYS1.LPALIB
	Object	IGE0904C	IGE0904C	IGE0904C		
	Entry	IGE0904C	IGE0904C	IGE0904C		
IGE0904G	Load		IGE0904G	IGE0904G		SYS1.LPALIB
	Object	IGE0904G	IGE0904G	IGE0904G		
	Entry	IGE0904G	IGE0904G	IGE0904G		
IGE0904H	Load		IGE0904H	IGE0904H		SYS1.LPALIB
	Object	IGE0904H	IGE0904H	IGE0904H		
	Entry	IGE0904H	IGE0904H	IGE0904H		
IGFCCHCR	Object	IEANUC01				SYS1.NUCLEUS
IGFCHDA	Object	IEANUC01				SYS1.NUCLEUS
IGFCIC	Load		IGFCIC	IGFCIC		SYS1.LINKLIB
	Object	IGFCIC	IGFCIC	IGFCIC		
	Entry	IGFCIC	IGFCIC	IGFCIC		
IGFCINIT	Object	IEAVNP06				SYS1.NUCLEUS
IGFC60	Load		IGFC60	IGFC60		SYS1.LINKLIB
	Object	IGFC60	IGFC60	IGFC60		
	Entry	IGFC60	IGFC60	IGFC60		
IGFC70	Load		IGFC70	IGFC70		SYS1.LINKLIB
	Object	IGFC70	IGFC70	IGFC70		
	Entry	IGFC70	IGFC70	IGFC70		
IGFC80	Load		IGFC80	IGFC80		SYS1.LINKLIB
	Object	IGFC80	IGFC80	IGFC80		
	Entry	IGFC80	IGFC80	IGFC80		
IGFDD0	Object	IGFDI0				SYS1.LPALIB
IGFDD1	Object	IGFDI0				SYS1.LPALIB
IGFDE0	Object	IGC0003D				SYS1.LPALIB
		IGFDI0				
IGFDE1	Object	IGC0003D				SYS1.LPALIB
		IGFDI0				
IGFDHIND	Object	IGFDI0				SYS1.LPALIB
IGFDIIND	Object	IGFDI0				SYS1.LPALIB
IGFDI0	Load		DS0FRR			SYS1.LPALIB
			IGE0660A	IGE0660A	IGE0660A	
			IGFDD0			
			IGFDD1			
			IGFDE0			
			IGFDE1			
			IGFDHIND			
			IGFDIIND			

Name	Type	Load	Object	Entry	Alias	System Library
			IGFDIO	IGFDIO		
			IGFDI1			
			IGFDL1			
			IGFDMIND			
			IGFDMTXT			
			IGFDM0			
			IGFDM1			
			IGFDR0			
			IGFDS0	IGFDS0	IGFDS0	
			IGFDS1			
			IGFDTIND			
			IGFDT0			
			IGFDT1			
			IGFDT2			
			IGFDU0			
			IGFDU1			
			IGFDV0			
			IGFDV1			
			IGFDW0			
			IGFINTVL			
			IGFTMCHK	IGFTMCHK	IGFTMCHK	
	Object	IGFDIO		IGFDIO		
	Entry	IGFDIO	IGFDIO			
IGFDI1	Object	IGFDIO				SYS1.LPALIB
IGFDL1	Object	IGFDIO				SYS1.LPALIB
IGFDMIND	Object	IGFDIO				SYS1.LPALIB
IGFDMTXT	Object	IGFDIO				SYS1.LPALIB
IGFDM0	Object	IGFDIO				SYS1.LPALIB
IGFDM1	Object	IGFDIO				SYS1.LPALIB
IGFDR0	Object	IGFDIO				SYS1.LPALIB
IGFDS0	Object	IGFDIO		IGFDS0	IGFDS0	SYS1.LPALIB
	Entry	IGFDIO	IGFDS0			
	Alias	IGFDIO	IGFDS0			
IGFDS1	Object	IGFDIO				SYS1.LPALIB
IGFDTIND	Object	IGFDIO				SYS1.LPALIB
IGFDT0	Object	IGFDIO				SYS1.LPALIB
IGFDT1	Object	IGFDIO				SYS1.LPALIB
IGFDT2	Object	IGFDIO				SYS1.LPALIB
IGFDU0	Object	IGFDIO				SYS1.LPALIB
IGFDU1	Object	IGFDIO				SYS1.LPALIB
IGFDV0	Object	IGFDIO				SYS1.LPALIB
IGFDV1	Object	IGC0003D				SYS1.LPALIB
		IGFDIO				
IGFDW0	Object	IGFDIO				SYS1.LPALIB
IGFINTVL	Object	IGFDIO				SYS1.LPALIB
IGFPBUCR	Object	IEANUC01				SYS1.NUCLEUS
IGFPPEXE2	Object	IEANUC01				SYS1.NUCLEUS
IGFPPEXIT	Object	IEANUC01				SYS1.NUCLEUS
IGFPPEXI2	Object	IEANUC01				SYS1.NUCLEUS
IGFPINIT	Object	IEAVNP06				SYS1.NUCLEUS
IGFPKREF	Object	IEANUC01				SYS1.NUCLEUS
IGFPMCE2	Object	IEANUC01				SYS1.NUCLEUS
IGFPMCIH	Object	IEANUC01				SYS1.NUCLEUS
IGFPMCLO	Object	IEANUC01				SYS1.NUCLEUS
IGFPMPCPC	Object	IEANUC01				SYS1.NUCLEUS
IGFPMCRI	Object	IEANUC01				SYS1.NUCLEUS
IGFPMFRS	Object	IEANUC01				SYS1.NUCLEUS
IGFPMHCA	Object	IEANUC01				SYS1.NUCLEUS
IGFPMKTA	Object	IEANUC01				SYS1.NUCLEUS
IGFPMMSG	Object	IEANUC01				SYS1.NUCLEUS
IGFPMPPFX	Object	IEANUC01				SYS1.NUCLEUS
IGFPMRDS	Object	IEANUC01				SYS1.NUCLEUS
IGFPMRTM	Object	IEANUC01				SYS1.NUCLEUS
IGFPMSCA	Object	IEANUC01				SYS1.NUCLEUS
IGFPMTHA	Object	IEANUC01				SYS1.NUCLEUS
IGFPPTAIM	Object	IEANUC01				SYS1.NUCLEUS
IGFPPTCON	Object	IEANUC01				SYS1.NUCLEUS
IGFPTEFR	Object	IEANUC01				SYS1.NUCLEUS
IGFPTERM	Object	IEANUC01				SYS1.NUCLEUS
IGFPPTREC	Object	IEANUC01				SYS1.NUCLEUS

Name	Type	Load	Object	Entry	Alias	System Library
IGGPDEFX	Object	IGG0CLA1				SYS1.LPALIB
IGGPDEIN	Object	IGG0CLA1				SYS1.LPALIB
IGGPDEL	Object	IGG0CLA1				SYS1.LPALIB
IGGPDELB	Object	IGG0CLA1				SYS1.LPALIB
IGGPDELC	Object	IGG0CLA1				SYS1.LPALIB
IGGPDELS	Object	IGG0CLA1				SYS1.LPALIB
IGGPDELX	Object	IGG0CLA1				SYS1.LPALIB
IGGPDEL2	Object	IGG0CLA1				SYS1.LPALIB
IGGPDEMV	Object	IGG0CLA1				SYS1.LPALIB
IGGPDEPT	Object	IGG0CLA1				SYS1.LPALIB
IGGPDEXA	Object	IGG0CLA1				SYS1.LPALIB
IGGPDFBO	Object	IGG0CLA1				SYS1.LPALIB
IGGPDFM1	Object	IGG0CLA1				SYS1.LPALIB
IGGPDFRS	Object	IGG0CLA1				SYS1.LPALIB
IGGPDFS2	Object	IGG0CLA1				SYS1.LPALIB
IGGPDF4T	Object	IGG0CLA1				SYS1.LPALIB
IGGPDGDS	Object	IGG0CLA1				SYS1.LPALIB
IGGPDGO	Object	IGG0CLA1				SYS1.LPALIB
IGGPDGOP	Object	IGG0CLA1				SYS1.LPALIB
IGGPDIAX	Object	IGG0CLA1				SYS1.LPALIB
IGGPDIPT	Object	IGG0CLA1				SYS1.LPALIB
IGGPDLET	Object	IGG0CLA1				SYS1.LPALIB
IGGPDLMV	Object	IGG0CLA1				SYS1.LPALIB
IGGPDLXT	Object	IGG0CLA1				SYS1.LPALIB
IGGPDOPN	Object	IGG0CLA1				SYS1.LPALIB
IGGPDPIBI	Object	IGG0CLA1				SYS1.LPALIB
IGGPDPRDA	Object	IGG0CLA1				SYS1.LPALIB
IGGPDPRSP	Object	IGG0CLA1				SYS1.LPALIB
IGGPDSCB	Object	IGG0CLA1				SYS1.LPALIB
IGGPDSPC	Object	IGG0CLA1				SYS1.LPALIB
IGGPDTIM	Object	IGG0CLA1				SYS1.LPALIB
IGGPDUCB	Object	IGG0CLA1				SYS1.LPALIB
IGGPDUND	Object	IGG0CLA1				SYS1.LPALIB
IGGPDUPG	Object	IGG0CLA1				SYS1.LPALIB
IGGPDUSC	Object	IGG0CLA1				SYS1.LPALIB
IGGPDVMV	Object	IGG0CLA1				SYS1.LPALIB
IGGPEMIO	Object	IGG0CLA1				SYS1.LPALIB
IGGPEMSG	Object	IGG0CLA1				SYS1.LPALIB
IGGPERUG	Object	IGG0CLA1				SYS1.LPALIB
IGGPEXPD	Object	IGG0CLA1				SYS1.LPALIB
IGGPEXT	Object	IGG0CLA1				SYS1.LPALIB
IGGPFDSP	Object	IGG0CLA1				SYS1.LPALIB
IGGPFPPDA	Object	IGG0CLA1				SYS1.LPALIB
IGGPF4DQ	Object	IGG0CLA1				SYS1.LPALIB
IGGPF4RD	Object	IGG0CLA1				SYS1.LPALIB
IGGPF4WR	Object	IGG0CLA1				SYS1.LPALIB
IGGPGALO	Object	IGG0CLA1				SYS1.LPALIB
IGGPGDGL	Object	IGG0CLA1				SYS1.LPALIB
IGGPGDSP	Object	IGG0CLA1				SYS1.LPALIB
IGGPGET	Object	IGG0CLA1				SYS1.LPALIB
IGGPGETC	Object	IGG0CLA1				SYS1.LPALIB
IGGPGLOC	Object	IGG0CLA1				SYS1.LPALIB
IGGPGNEX	Object	IGG0CLA1				SYS1.LPALIB
IGGPGRE	Object	IGG0CLA1				SYS1.LPALIB
IGGPGREC	Object	IGG0CLA1				SYS1.LPALIB
IGGPGREL	Object	IGG0CLA1				SYS1.LPALIB
IGGPGVAL	Object	IGG0CLA1				SYS1.LPALIB
IGGPIGOP	Object	IGG0CLA1				SYS1.LPALIB
IGGPINIT	Object	IGG0CLA1				SYS1.LPALIB
IGGPINMD	Object	IGG0CLA1				SYS1.LPALIB
IGGPIORA	Object	IGG0CLA1				SYS1.LPALIB
IGGPISCI	Object	IGG0CLA1				SYS1.LPALIB
IGGPITER	Object	IGG0CLA1				SYS1.LPALIB
IGGPLDCS	Object	IGG0CLA1				SYS1.LPALIB
IGGPLLOC	Object	IGG0CLA1				SYS1.LPALIB
IGGPLSP	Object	IGG0CLA1				SYS1.LPALIB
IGGPLSTC	Object	IGG0CLA1				SYS1.LPALIB
IGGPMCO	Object	IGG0CLA1				SYS1.LPALIB
IGGPMCO2	Object	IGG0CLA1				SYS1.LPALIB
IGGPMCRA	Object	IGG0CLA1				SYS1.LPALIB

Name	Type	Load	Object	Entry	Alias	System Library
IGGPMEBM	Object	IGG0CLA1				SYS1.LPALIB
IGGPMGO	Object	IGG0CLA1				SYS1.LPALIB
IGGPMOD	Object	IGG0CLA1				SYS1.LPALIB
IGGPMODI	Object	IGG0CLA1				SYS1.LPALIB
IGGPPAD	Object	IGG0CLA1				SYS1.LPALIB
IGGPPADC	Object	IGG0CLA1				SYS1.LPALIB
IGGPPAIX	Object	IGG0CLA1				SYS1.LPALIB
IGGPPATH	Object	IGG0CLA1				SYS1.LPALIB
IGGPPDE	Object	IGG0CLA1				SYS1.LPALIB
IGGPPDEC	Object	IGG0CLA1				SYS1.LPALIB
IGGPPREC	Object	IGG0CLA1				SYS1.LPALIB
IGGPPSEM	Object	IGG0CLA1				SYS1.LPALIB
IGGPPUPC	Object	IGG0CLA1				SYS1.LPALIB
IGGPQNC	Object	IGG0CLA1				SYS1.LPALIB
IGGPRAG	Object	IGG0CLA1				SYS1.LPALIB
IGGPRAOP	Object	IGG0CLA1				SYS1.LPALIB
IGGPRAPA	Object	IGG0CLA1				SYS1.LPALIB
IGGPRAPD	Object	IGG0CLA1				SYS1.LPALIB
IGGPRAPU	Object	IGG0CLA1				SYS1.LPALIB
IGGPRAPV	Object	IGG0CLA1				SYS1.LPALIB
IGGPRARC	Object	IGG0CLA1				SYS1.LPALIB
IGGPRASC	Object	IGG0CLA1				SYS1.LPALIB
IGGPRCCR	Object	IGG0CLA1				SYS1.LPALIB
IGGPRET1	Object	IGG0CLA1				SYS1.LPALIB
IGGPRPLF	Object	IGG0CLA1				SYS1.LPALIB
IGGPRPLM	Object	IGG0CLA1				SYS1.LPALIB
IGGPRUS	Object	IGG0CLA1				SYS1.LPALIB
IGGPSALL	Object	IGG0CLA1				SYS1.LPALIB
IGGPSALS	Object	IGG0CLA1				SYS1.LPALIB
IGGPSCAT	Object	IGG0CLA1				SYS1.LPALIB
IGGPSCNC	Object	IGG0CLA1				SYS1.LPALIB
IGGPSC2	Object	IGG0CLA1				SYS1.LPALIB
IGGPSGOP	Object	IGG0CLA1				SYS1.LPALIB
IGGPSHNK	Object	IGG0CLA1				SYS1.LPALIB
IGGPSLEI	Object	IGG0CLA1				SYS1.LPALIB
IGGPSLEL	Object	IGG0CLA1				SYS1.LPALIB
IGGPSLEN	Object	IGG0CLA1				SYS1.LPALIB
IGGPSLIV	Object	IGG0CLA1				SYS1.LPALIB
IGGPSLOC	Object	IGG0CLA1				SYS1.LPALIB
IGGPSMF	Object	IGG0CLA1				SYS1.LPALIB
IGGPSMFA	Object	IGG0CLA1				SYS1.LPALIB
IGGPSMFF	Object	IGG0CLA1				SYS1.LPALIB
IGGPSMFG	Object	IGG0CLA1				SYS1.LPALIB
IGGPSMFL	Object	IGG0CLA1				SYS1.LPALIB
IGGPSMFR	Object	IGG0CLA1				SYS1.LPALIB
IGGPSMFS	Object	IGG0CLA1				SYS1.LPALIB
IGGPSMFZ	Object	IGG0CLA1				SYS1.LPALIB
IGGPSPAC	Object	IGG0CLA1				SYS1.LPALIB
IGGPSPSC	Object	IGG0CLA1				SYS1.LPALIB
IGGPSSCR	Object	IGG0CLA1				SYS1.LPALIB
IGGPSVOL	Object	IGG0CLA1				SYS1.LPALIB
IGGPTIDQ	Object	IGG0CLA1				SYS1.LPALIB
IGGPTINQ	Object	IGG0CLA1				SYS1.LPALIB
IGGPTNXO	Object	IGG0CLA1				SYS1.LPALIB
IGGPTSTS	Object	IGG0CLA1				SYS1.LPALIB
IGGPTXO	Object	IGG0CLA1				SYS1.LPALIB
IGGPUADD	Object	IGG0CLA1				SYS1.LPALIB
IGGPUCRS	Object	IGG0CLA1				SYS1.LPALIB
IGGPUDEL	Object	IGG0CLA1				SYS1.LPALIB
IGGPUPD	Object	IGG0CLA1				SYS1.LPALIB
IGGPUPDE	Object	IGG0CLA1				SYS1.LPALIB
IGGPVALI	Object	IGG0CLA1				SYS1.LPALIB
IGGPVMSC	Object	IGG0CLA1				SYS1.LPALIB
IGGPVRD	Object	IGG0CLA1				SYS1.LPALIB
IGGPWCAT	Object	IGG0CLA1				SYS1.LPALIB
IGGPWCRA	Object	IGG0CLA1				SYS1.LPALIB
IGGPWTSO	Object	IGG0CLA1				SYS1.LPALIB
IGGPXDGO	Object	IGG0CLA1				SYS1.LPALIB
IGGPXEL2	Object	IGG0CLA1				SYS1.LPALIB
IGGPXEXT	Object	IGG0CLA1				SYS1.LPALIB

Name	Type	Load	Object	Entry	Alias	System Library
IGGPXIO	Object	IGG0CLA1				SYS1.LPALIB
IGGPXL2	Object	IGG0CLA1				SYS1.LPALIB
IGGPXMOD	Object	IGG0CLA1				SYS1.LPALIB
IGGPXRIO	Object	IGG0CLA1				SYS1.LPALIB
IGGPXVAL	Object	IGG0CLA1				SYS1.LPALIB
IGGR19CG	Object	IGG019CG				SYS1.LPALIB
	Entry	IGG019CG	IGG019CG			
IGG0CLAA	Object	IGG0CLA1				SYS1.LPALIB
IGG0CLAB	Object	IGG0CLA1				SYS1.LPALIB
IGG0CLAC	Object	IGG0CLA1				SYS1.LPALIB
IGG0CLAD	Object	IGG0CLA1				SYS1.LPALIB
IGG0CLAE	Object	IGG0CLA1				SYS1.LPALIB
IGG0CLAF	Object	IGG0CLA1				SYS1.LPALIB
IGG0CLAG	Object	IGG0CLA1				SYS1.LPALIB
IGG0CLAH	Object	IGG0CLA1				SYS1.LPALIB
IGG0CLAI	Object	IGG0CLA1				SYS1.LPALIB
IGG0CLAJ	Object	IGG0CLA1				SYS1.LPALIB
IGG0CLAK	Object	IGG0CLA1				SYS1.LPALIB
IGG0CLAL	Object	IGG0CLA1				SYS1.LPALIB
IGG0CLAM	Object	IGG0CLA1				SYS1.LPALIB
IGG0CLAN	Object	IGG0CLA1				SYS1.LPALIB
IGG0CLAO	Object	IGG0CLA1				SYS1.LPALIB
IGG0CLAP	Object	IGG0CLA1				SYS1.LPALIB
IGG0CLAQ	Object	IGG0CLA1				SYS1.LPALIB
IGG0CLAR	Object	IGG0CLA1				SYS1.LPALIB
IGG0CLAS	Object	IGG0CLA1				SYS1.LPALIB
IGG0CLAT	Object	IGG0CLA1				SYS1.LPALIB
IGG0CLAU	Object	IGG0CLA1				SYS1.LPALIB
IGG0CLAV	Object	IGG0CLA1				SYS1.LPALIB
IGG0CLAW	Object	IGG0CLA1				SYS1.LPALIB
IGG0CLAX	Object	IGG0CLA1				SYS1.LPALIB
IGG0CLAY	Object	IGG0CLA1				SYS1.LPALIB
IGG0CLAZ	Object	IGG0CLA1				SYS1.LPALIB
IGG0CLAO	Load		IGG0CLAO	IGG0CLAO		SYS1.LINKLIB
	Object	IGG0CLAO		IGG0CLAO		
	Entry	IGG0CLAO	IGG0CLAO			
IGG0CLA1	Load		IGG0CLAO			SYS1.LPALIB
			IGGPACDV			
			IGGPADGO			
			IGGPALEC			
			IGGPALMD			
			IGGPALSV			
			IGGPALT			
			IGGPALT2			
			IGGPALVL			
			IGGPALVR			
			IGGPANVV			
			IGGPAOCI			
			IGGPARFS			
			IGGPAUPG			
			IGGPAXCI			
			IGGPBJFB			
			IGGPBMR			
			IGGPBPT			
			IGGPCCBC			
			IGGPCCCR			
			IGGPCDVR			
			IGGPCKAU			
			IGGPCMKY			
			IGGPCMRR			
			IGGPCNBO			
			IGGPCONV			
			IGGPCRTC			
			IGGPDALL			
			IGGPDAVO			
			IGGPDBDI			
			IGGPDVC			
			IGGPDCE			
			IGGPDCCO			
			IGGPDCCA			
			IGGPDCCM			

Name	Type	Load	Object	Entry	Alias	System Library
			IGGPDCLS			
			IGGPDCMB			
			IGGPDCME			
			IGGPDCNV			
			IGGPDCRA			
			IGGPDCRC			
			IGGPDEAX			
			IGGPDEF			
			IGGPDEFA			
			IGGPDEFB			
			IGGPDEFC			
			IGGPDEFS			
			IGGPDEFX			
			IGGPDEIN			
			IGGPDEL			
			IGGPDELB			
			IGGPDELC			
			IGGPDELS			
			IGGPDELX			
			IGGPDEL2			
			IGGPDEMV			
			IGGPDEPT			
			IGGPDEXA			
			IGGPDFBO			
			IGGPDFM1			
			IGGPDFRS			
			IGGPDFS2			
			IGGPDF4T			
			IGGPDGDS			
			IGGPDGO			
			IGGPDGOP			
			IGGPDIAX			
			IGGPDIPT			
			IGGPDLET			
			IGGPDLVM			
			IGGPDLXT			
			IGGPDOPN			
			IGGPDPIBI			
			IGGPDPRDA			
			IGGPDPRSP			
			IGGPDSCB			
			IGGPDSPC			
			IGGPDTIM			
			IGGPDUCB			
			IGGPDUND			
			IGGPDUPG			
			IGGPDUSC			
			IGGPDVMV			
			IGGPEMIO			
			IGGPEMSG			
			IGGPERUG			
			IGGPEXPD			
			IGGPEXT			
			IGGPFDSP			
			IGGPFPPDA			
			IGGPF4DQ			
			IGGPF4RD			
			IGGPF4WR			
			IGGPGALO			
			IGGPGDGL			
			IGGPGDSP			
			IGGPGET			
			IGGPGETC			
			IGGPGLOC			
			IGGPGNEX			
			IGGPGRE			
			IGGPGREC			
			IGGPGREL			
			IGGPGVAL			
			IGGPIGOP			

Name	Type	Load	Object	Entry	Alias	System Library
			IGGPINIT			
			IGGPINMD			
			IGGPIORA			
			IGGPISCI			
			IGGPITER			
			IGGPLDCS			
			IGGPLOC			
			IGGPLSP			
			IGGPLSTC			
			IGGPMCO			
			IGGPMCO2			
			IGGPMCRA			
			IGGPMEBM			
			IGGPMGO			
			IGGPMOD			
			IGGPMODI			
			IGGPPAD			
			IGGPPADC			
			IGGPPAIX			
			IGGPPATH			
			IGGPPDE			
			IGGPPDEC			
			IGGPPREC			
			IGGPPSEM			
			IGGPPUPC			
			IGGPQONQC			
			IGGPRAG			
			IGGPRAOP			
			IGGPRAPA			
			IGGPRAPD			
			IGGPRAPU			
			IGGPRAPV			
			IGGPRARC			
			IGGPRASC			
			IGGPRCCR			
			IGGPRET1			
			IGGPRPLF			
			IGGPRPLM			
			IGGPRUS			
			IGGPSALL			
			IGGPSALS			
			IGGPSCAT			
			IGGPSCNC			
			IGGPSC2			
			IGGPSTGOP			
			IGGPSTHNC			
			IGGPSLEI			
			IGGPSLEL			
			IGGPSLEN			
			IGGPSLIV			
			IGGPSLOC			
			IGGPSMF			
			IGGPSMFA			
			IGGPSMFF			
			IGGPSMFG			
			IGGPSMFL			
			IGGPSMFR			
			IGGPSMFS			
			IGGPSMFZ			
			IGGPSPAC			
			IGGPSPSC			
			IGGPSSCR			
			IGGPSVOL			
			IGGPTIDQ			
			IGGPTINQ			
			IGGPTNXO			
			IGGPTSTS			
			IGGPTXO			
			IGGPUADD			
			IGGPUCRS			

Name	Type	Load	Object	Entry	Alias	System Library
			IGGPUDEL			
			IGGPUPD			
			IGGPUPDE			
			IGGPVALI			
			IGGPVMSC			
			IGGPVRD			
			IGGPWCAT			
			IGGPWCRA			
			IGGPWTSO			
			IGGPXDGO			
			IGGPXEL2			
			IGGPXEXT			
			IGGPXIO			
			IGGPXLT2			
			IGGPXMOD			
			IGGPXRIO			
			IGGPXVAL			
			IGGOCLAA			
			IGGOCLAB			
			IGGOCLAC			
			IGGOCLAD			
			IGGOCLAE			
			IGGOCLAF			
			IGGOCLAG			
			IGGOCLAH			
			IGGOCLAI			
			IGGOCLAJ			
			IGGOCLAK			
			IGGOCLAL			
			IGGOCLAM			
			IGGOCLAN			
			IGGOCLAO			
			IGGOCLAP			
			IGGOCLAQ			
			IGGOCLAR			
			IGGOCLAS			
			IGGOCLAT			
			IGGOCLAU			
			IGGOCLAV			
			IGGOCLAW			
			IGGOCLAX			
			IGGOCLAY			
			IGGOCLAZ			
			IGGOCLA1	IGGOCLA1		
			IGGOCLA2			
			IGGOCLA3			
			IGGOCLA4			
			IGGOCLA5			
			IGGOCLA6			
			IGGOCLA7			
			IGGOCLA8			
			IGGOCLA9			
			IGGOCLBA			
			IGGOCLBB			
			IGGOCLBC			
			IGGOCLBD			
			IGGOCLBE			
			IGGOCLBF			
			IGGOCLBG			
			IGGOCLBH			
			IGGOCLBI			
			IGGOCLBJ			
			IGGOCLBK			
			IGGOCLBL			
			IGGOCLBM			
			IGGOCLBN			
			IGGOCLBO			
			IGGOCLBP			
			IGGOCLBQ			
			IGGOCLBR			

Name	Type	Load	Object	Entry	Alias	System Library
			IGGOCLBS			
			IGGOCLBT			
			IGGOCLBU			
			IGGOCLBV			
			IGGOCLBW			
			IGGOCLBX			
			IGGOCLBY			
			IGGOCLBZ			
			IGGOCLB0			
			IGGOCLB1			
			IGGOCLB2			
			IGGOCLB3			
			IGGOCLB4			
			IGGOCLB5			
			IGGOCLB6			
			IGGOCLB7			
			IGGOCLB8			
			IGGOCLB9			
			IGGOCLC9			
			IGGOCLDA			
	Object	IGGOCLA1				
	Entry	IGGOCLA1	IGGOCLA1	IGGOCLA1		
IGGOCLA2	Object	IGGOCLA1				SYS1.LPALIB
IGGOCLA3	Object	IGGOCLA1				SYS1.LPALIB
IGGOCLA4	Object	IGGOCLA1				SYS1.LPALIB
IGGOCLA5	Object	IGGOCLA1				SYS1.LPALIB
IGGOCLA6	Object	IGGOCLA1				SYS1.LPALIB
IGGOCLA7	Object	IGGOCLA1				SYS1.LPALIB
IGGOCLA8	Object	IGGOCLA1				SYS1.LPALIB
IGGOCLA9	Object	IGGOCLA1				SYS1.LPALIB
IGGOCLBA	Object	IGGOCLA1				SYS1.LPALIB
IGGOCLBB	Object	IGGOCLA1				SYS1.LPALIB
IGGOCLBC	Object	IGGOCLA1				SYS1.LPALIB
IGGOCLBD	Object	IGGOCLA1				SYS1.LPALIB
IGGOCLBE	Object	IGGOCLA1				SYS1.LPALIB
IGGOCLBF	Object	IGGOCLA1				SYS1.LPALIB
IGGOCLBG	Object	IGGOCLA1				SYS1.LPALIB
IGGOCLBH	Object	IGGOCLA1				SYS1.LPALIB
IGGOCLBI	Object	IGGOCLA1				SYS1.LPALIB
IGGOCLBJ	Object	IGGOCLA1				SYS1.LPALIB
IGGOCLBK	Object	IGGOCLA1				SYS1.LPALIB
IGGOCLBL	Object	IGGOCLA1				SYS1.LPALIB
IGGOCLBM	Object	IGGOCLA1				SYS1.LPALIB
IGGOCLBN	Object	IGGOCLA1				SYS1.LPALIB
IGGOCLBO	Object	IGGOCLA1				SYS1.LPALIB
IGGOCLBP	Object	IGGOCLA1				SYS1.LPALIB
IGGOCLBQ	Object	IGGOCLA1				SYS1.LPALIB
IGGOCLBR	Object	IGGOCLA1				SYS1.LPALIB
IGGOCLBS	Object	IGGOCLA1				SYS1.LPALIB
IGGOCLBT	Object	IGGOCLA1				SYS1.LPALIB
IGGOCLBU	Object	IGGOCLA1				SYS1.LPALIB
IGGOCLBV	Object	IGGOCLA1				SYS1.LPALIB
IGGOCLBW	Object	IGGOCLA1				SYS1.LPALIB
IGGOCLBX	Object	IGGOCLA1				SYS1.LPALIB
IGGOCLBY	Object	IGGOCLA1				SYS1.LPALIB
IGGOCLBZ	Object	IGGOCLA1				SYS1.LPALIB
IGGOCLB0	Object	IGGOCLA1				SYS1.LPALIB
IGGOCLB1	Object	IGGOCLA1				SYS1.LPALIB
IGGOCLB2	Object	IGGOCLA1				SYS1.LPALIB
IGGOCLB3	Object	IGGOCLA1				SYS1.LPALIB
IGGOCLB4	Object	IGGOCLA1				SYS1.LPALIB
IGGOCLB5	Object	IGGOCLA1				SYS1.LPALIB
IGGOCLB6	Object	IGGOCLA1				SYS1.LPALIB
IGGOCLB7	Object	IGGOCLA1				SYS1.LPALIB
IGGOCLB8	Object	IGGOCLA1				SYS1.LPALIB
IGGOCLB9	Object	IGGOCLA1				SYS1.LPALIB
IGGOCLCA	Load		ESTAEXIT			SYS1.LPALIB
			IGC0002H	IGC0002H	IGC0002H	
			IGGOCLCA	IGGOCLCA		
			IGGOCLCB			

Name	Type	Load	Object	Entry	Alias	System Library
			IGGOCLCC			
			IGGOCLCD			
			IGGOCLCE			
			IGGOCLCF			
			IGGOCLC7			
	Object	IGGOCLCA		IGGOCLCA		
	Entry	IGGOCLCA	IGGOCLCA			
IGGOCLCB	Object	IGGOCLCA				SYS1.LPALIB
IGGOCLCC	Object	IGGOCLCA				SYS1.LPALIB
IGGOCLCD	Object	IGGOCLCA				SYS1.LPALIB
IGGOCLCE	Object	IGGOCLCA				SYS1.LPALIB
IGGOCLCF	Object	IGGOCLCA				SYS1.LPALIB
IGGOCLC7	Object	IGGOCLCA				SYS1.LPALIB
IGGOCLC9	Object	IGGOCLA1				SYS1.LPALIB
IGGOCLDA	Object	IGGOCLA1				SYS1.LPALIB
IGGOCLF2	Object	IGC0003B				SYS1.LPALIB
IGG0102F	Load		IGC0002F			SYS1.LPALIB
			IGG0102F	IGG0102F		
	Object	IGC0002F		IGG0102F		
		IGG0102F				
	Entry	IGG0102F	IGG0102F			
IGG019AA	Load		IGG019AA	IGG019AA		SYS1.LPALIB
	Object	IGG019AA		IGG019AA		
	Entry	IGG019AA	IGG019AA			
IGG019AB	Load		IGG019AB	IGG019AB		SYS1.LPALIB
	Object	IGG019AB		IGG019AB		
	Entry	IGG019AB	IGG019AB			
IGG019AC	Load		IGG019AC	IGG019AC		SYS1.LPALIB
	Object	IGG019AC		IGG019AC		
	Entry	IGG019AC	IGG019AC			
IGG019AD	Load		IGG019AD	IGG019AD		SYS1.LPALIB
	Object	IGG019AD		IGG019AD		
	Entry	IGG019AD	IGG019AD			
IGG019AE	Load		IGG019AE	IGG019AE		SYS1.LPALIB
	Object	IGG019AE		IGG019AE		
	Entry	IGG019AE	IGG019AE			
IGG019AF	Load		IGG019AF	IGG019AF		SYS1.LPALIB
	Object	IGG019AF		IGG019AF		
	Entry	IGG019AF	IGG019AF			
IGG019AG	Load		IGG019AG	IGG019AG		SYS1.LPALIB
	Object	IGG019AG		IGG019AG		
	Entry	IGG019AG	IGG019AG			
IGG019AH	Load		IGG019AH	IGG019AH		SYS1.LPALIB
			INTSYDAF			
	Object	IGG019AH		IGG019AH		
	Entry	IGG019AH	IGG019AH			
IGG019AI	Load		IGG019AI	IGG019AI		SYS1.LPALIB
			IGG019AI	IGG019AI		
	Object	IGG019AI		IGG019AI		
	Entry	IGG019AI	IGG019AI			
IGG019AJ	Load		IGG019AJ	IGG019AJ		SYS1.LPALIB
			IGG019AJ	IGG019AJ		
	Object	IGG019AJ		IGG019AJ		
	Entry	IGG019AJ	IGG019AJ			
IGG019AK	Load		IGG019AK	IGG019AK		SYS1.LPALIB
	Object	IGG019AK		IGG019AK		
	Entry	IGG019AK	IGG019AK			
IGG019AL	Load		IGG019AL	IGG019AL		SYS1.LPALIB
	Object	IGG019AL		IGG019AL		
	Entry	IGG019AL	IGG019AL			
IGG019AM	Load		IGG019AM	IGG019AM		SYS1.LPALIB
	Object	IGG019AM		IGG019AM		
	Entry	IGG019AM	IGG019AM			
IGG019AN	Load		IGG019AN	IGG019AN		SYS1.LPALIB
	Object	IGG019AN		IGG019AN		
	Entry	IGG019AN	IGG019AN			
IGG019AQ	Load		IGG019AQ	IGG019AQ		SYS1.LPALIB
	Object	IGG019AQ		IGG019AQ		
	Entry	IGG019AQ	IGG019AQ			
IGG019AR	Load		IGG019AR	IGG019AR		SYS1.LPALIB

Name	Type	Load	Object	Entry	Alias	System Library
	Object	IGG019AR		IGG019AR		
	Entry	IGG019AR	IGG019AR			
IGG019AT	Load	IGG019AT	IGG019AT	IGG019AT		SYS1.LPALIB
	Object	IGG019AT		IGG019AT		
	Entry	IGG019AT	IGG019AT			
IGG019AV	Load	IGG019AV	IGG019AV	IGG019AV		SYS1.LPALIB
	Object	IGG019AV		IGG019AV		
	Entry	IGG019AV	IGG019AV			
IGG019AW	Load	IGG019AW	IGG019AW	IGG019AW		SYS1.LPALIB
	Object	IGG019AW		IGG019AW		
	Entry	IGG019AW	IGG019AW			
IGG019AX	Load	IGG019AX	IGG019AX	IGG019AX		SYS1.LPALIB
	Object	IGG019AX		IGG019AX		
	Entry	IGG019AX	IGG019AX			
IGG019BA	Load	IGG019BA	IGG019BA	IGG019BA		SYS1.LPALIB
	Object	IGG019BA		IGG019BA		
	Entry	IGG019BA	IGG019BA			
IGG019BB	Load	IGG019BB	IGG019BB	IGG019BB		SYS1.LPALIB
	Object	IGG019BB		IGG019BB		
	Entry	IGG019BB	IGG019BB			
IGG019BC	Load	IGG019BC	IGG019BC	IGG019BC		SYS1.LPALIB
	Object	IGG019BC		IGG019BC		
	Entry	IGG019BC	IGG019BC			
IGG019BD	Load	IGG019BD	IGG019BD	IGG019BD		SYS1.LPALIB
	Object	IGG019BD		IGG019BD		
	Entry	IGG019BD	IGG019BD			
IGG019BE	Load	IGG019BE	IGG019BE	IGG019BE		SYS1.LPALIB
	Object	IGG019BE		IGG019BE		
	Entry	IGG019BE	IGG019BE			
IGG019BF	Load	IGG019BF	IGG019BF	IGG019BF		SYS1.LPALIB
	Object	IGG019BF		IGG019BF		
	Entry	IGG019BF	IGG019BF			
IGG019BG	Load	IGG019BG	IGG019BG	IGG019BG		SYS1.LPALIB
	Object	IGG019BG		IGG019BG		
	Entry	IGG019BG	IGG019BG			
IGG019BH	Load	IGG019BH	IGG019BH	IGG019BH		SYS1.LPALIB
	Object	IGG019BH		IGG019BH		
	Entry	IGG019BH	IGG019BH			
IGG019BI	Load	IGG019BI	IGG019BI	IGG019BI		SYS1.LPALIB
	Object	IGG019BI		IGG019BI		
	Entry	IGG019BI	IGG019BI			
IGG019BK	Load	IGG019BK	IGG019BK	IGG019BK		SYS1.LPALIB
	Object	IGG019BK		IGG019BK		
	Entry	IGG019BK	IGG019BK			
IGG019BL	Load		IGG019BL	IGG019BL		SYS1.LPALIB
	Object	IGG019BL		IGG019BL		
	Entry	IGG019BL	IGG019BL			
IGG019BM	Load	IGG019BM	IGG019BM	IGG019BM		SYS1.LPALIB
	Object	IGG019BM		IGG019BM		
	Entry	IGG019BM	IGG019BM			
IGG019BN	Load	IGG019BN	IGG019BN	IGG019BN		SYS1.LPALIB
	Object	IGG019BN		IGG019BN		
	Entry	IGG019BN	IGG019BN			
IGG019BO	Load	IGG019BO	IGG019BO	IGG019BO		SYS1.LPALIB
	Object	IGG019BO		IGG019BO		
	Entry	IGG019BO	IGG019BO			
IGG019BP	Load	IGG019BP	IGG019BP	IGG019BP		SYS1.LPALIB
	Object	IGG019BP		IGG019BP		
	Entry	IGG019BP	IGG019BP			
IGG019BQ	Load	IGG019BQ	IGG019BQ	IGG019BQ		SYS1.LPALIB
	Object	IGG019BQ		IGG019BQ		
	Entry	IGG019BQ	IGG019BQ			
IGG019BR	Load	IGG019BR	IGG019BR	IGG019BR		SYS1.LPALIB
	Object	IGG019BR		IGG019BR		
	Entry	IGG019BR	IGG019BR			
IGG019BS	Load	IGG019BS	IGG019BS	IGG019BS		SYS1.LPALIB
	Object	IGG019BS		IGG019BS		
	Entry	IGG019BS	IGG019BS			
IGG019BT	Load		IGG019BT	IGG019BT		SYS1.LPALIB

Name	Type	Load	Object	Entry	Alias	System Library
	Object	IGG019BT		IGG019BT		
	Entry	IGG019BT	IGG019BT			
IGG019BU	Load		IGG019BU	IGG019BU		SYS1.LPALIB
	Object	IGG019BU		IGG019BU		
	Entry	IGG019BU	IGG019BU			
IGG019BV	Load		IGG019BV	IGG019BV		SYS1.LPALIB
	Object	IGG019BV		IGG019BV		
	Entry	IGG019BV	IGG019BV			
IGG019B0	Load		IGG019B0	IGG019B0		SYS1.LPALIB
	Object	IGG019B0		IGG019B0		
	Entry	IGG019B0	IGG019B0			
IGG019CA	Load		IGG019CA	IGG019CA		SYS1.LPALIB
	Object	IGG019CA		IGG019CA		
	Entry	IGG019CA	IGG019CA			
IGG019CB	Load		IGG019CB	IGG019CB		SYS1.LPALIB
	Object	IGG019CB		IGG019CB		
	Entry	IGG019CB	IGG019CB			
IGG019CC	Load		IGG019CC	IGG019CC		SYS1.LPALIB
	Object	IGG019CC		IGG019CC		
	Entry	IGG019CC	IGG019CC			
IGG019CD	Load		IGG019CD	IGG019CD		SYS1.LPALIB
	Object	IGG019CD		IGG019CD		
	Entry	IGG019CD	IGG019CD			
IGG019CE	Load		IGG019CE	IGG019CE		SYS1.LPALIB
	Object	IGG019CE		IGG019CE		
	Entry	IGG019CE	IGG019CE			
IGG019CF	Load		IGG019CF	IGG019CF		SYS1.LPALIB
	Object	IGG019CF		IGG019CF		
	Entry	IGG019CF	IGG019CF			
IGG019CG	Load		IGGR19CG			SYS1.LPALIB
	Object	IGG019CG		IGGR19CG		
	Entry	IGG019CG	IGG019CH	IGGR19CG		
IGG019CH	Load		IGG019CH	IGG019CH		SYS1.LPALIB
	Object	IGG019CH		IGG019CH		
	Entry	IGG019CH	IGG019CI	IGG019CI		
IGG019CI	Load		IGG019CI	IGG019CI		SYS1.LPALIB
	Object	IGG019CI		IGG019CI		
	Entry	IGG019CI	IGG019CJ	IGG019CJ		
IGG019CJ	Load		IGG019CJ	IGG019CJ		SYS1.LPALIB
	Object	IGG019CJ		IGG019CJ		
	Entry	IGG019CJ	IGG019CL	IGG019CL		
IGG019CL	Load		IGG019CL	IGG019CL		SYS1.LPALIB
	Object	IGG019CL		IGG019CL		
	Entry	IGG019CL	IGG019CM	IGG019CM		
IGG019CM	Load		IGG019CM	IGG019CM		SYS1.LPALIB
	Object	IGG019CM		IGG019CM		
	Entry	IGG019CM	IGG019CN	IGG019CN		
IGG019CN	Load		IGG019CN	IGG019CN		SYS1.LPALIB
	Object	IGG019CN		IGG019CN		
	Entry	IGG019CN	IGG019CO	IGG019CO		
IGG019CO	Load		IGG019CO	IGG019CO		SYS1.LPALIB
	Object	IGG019CO		IGG019CO		
	Entry	IGG019CO	IGG019CP	IGG019CP		
IGG019CP	Load		IGG019CP	IGG019CP		SYS1.LPALIB
	Object	IGG019CP		IGG019CP		
	Entry	IGG019CP	IGG019CQ	IGG019CQ		
IGG019CQ	Load		IGG019CQ	IGG019CQ		SYS1.LPALIB
	Object	IGG019CQ		IGG019CQ		
	Entry	IGG019CQ	IGG019CR	IGG019CR		
IGG019CR	Load		IGG019CR	IGG019CR		SYS1.LPALIB
	Object	IGG019CR		IGG019CR		
	Entry	IGG019CR	IGG019CS	IGG019CS		
IGG019CS	Load		IGG019CS	IGG019CS		SYS1.LPALIB
	Object	IGG019CS		IGG019CS		
	Entry	IGG019CS	IGG019CT	IGG019CT		
IGG019CT	Load		IGG019CT	IGG019CT		SYS1.LPALIB
	Object	IGG019CT		IGG019CT		
	Entry	IGG019CT	IGG019CU	IGG019CU		
IGG019CU	Load		IGG019CU	IGG019CU		SYS1.LPALIB

Name	Type	Load	Object	Entry	Alias	System Library
IGG019CV	Object	IGG019CU		IGG019CU		
	Entry	IGG019CU	IGG019CU			
	Load	IGG019CV	IGG019CV	IGG019CV		SYS1.LPALIB
IGG019CW	Object	IGG019CV		IGG019CV		
	Entry	IGG019CV	IGG019CV			
	Load	IGG019CW	IGG019CW	IGG019CW		SYS1.LPALIB
IGG019CX	Object	IGG019CW		IGG019CW		
	Entry	IGG019CW	IGG019CW			
	Load	IGG019CX	IGG019CX	IGG019CX		SYS1.LPALIB
IGG019CY	Object	IGG019CX		IGG019CX		
	Entry	IGG019CX	IGG019CX			
	Load	IGG019CY	IGG019CY	IGG019CY		SYS1.LPALIB
IGG019CZ	Object	IGG019CY		IGG019CY		
	Entry	IGG019CY	IGG019CY			
	Load	IGG019CZ	IGG019CZ	IGG019CZ		SYS1.LPALIB
IGG019C0	Object	IGG019CZ		IGG019CZ		
	Entry	IGG019CZ	IGG019CZ			
	Load	IGG019C0	IGG019C0	IGG019C0		SYS1.LPALIB
IGG019C1	Object	IGG019C0		IGG019C0		
	Entry	IGG019C0	IGG019C0			
	Load		IGG019C1	IGG019C1		SYS1.LPALIB
IGG019C2	Object	IGG019C1		IGG019C1		
	Entry	IGG019C1	IGG019C1			
	Load	IGG019C2	IGG019C2	IGG019C2		SYS1.LPALIB
IGG019C3	Object	IGG019C2		IGG019C2		
	Entry	IGG019C2	IGG019C2			
	Load	IGG019C3	IGG019C3	IGG019C3		SYS1.LPALIB
IGG019C4	Object	IGG019C3		IGG019C3		
	Entry	IGG019C3	IGG019C3			
	Load	IGG019C4	IGG019C4	IGG019C4		SYS1.LPALIB
IGG019C8	Object	IGG019C4		IGG019C4		
	Entry	IGG019C4	IGG019C4			
	Load	IGG019C8	IGG019C8	IGG019C8		SYS1.LPALIB
IGG019DA	Object	IGG019C8		IGG019C8		
	Entry	IGG019C8	IGG019C8			
	Load	IGG019DA	IGG019DA	IGG019DA		SYS1.LPALIB
IGG019DB	Object	IGG019DA		IGG019DA		
	Entry	IGG019DA	IGG019DA			
	Load	IGG019DB	IGG019DB	IGG019DB		SYS1.LPALIB
IGG019DC	Object	IGG019DB		IGG019DB		
	Entry	IGG019DB	IGG019DB			
	Load	IGG019DC	IGG019DC	IGG019DC		SYS1.LPALIB
IGG019DD	Object	IGG019DC		IGG019DC		
	Entry	IGG019DC	IGG019DC			
	Load	IGG019DD	IGG019DD	IGG019DD		SYS1.LPALIB
IGG019DJ	Object	IGG019DD		IGG019DD		
	Entry	IGG019DD	IGG019DD			
	Load	IGG019DJ	IGG019DJ	IGG019DJ		SYS1.LPALIB
IGG019DK	Object	IGG019DJ		IGG019DJ		
	Entry	IGG019DJ	IGG019DJ			
	Load	IGG019DK	IGG019DK	IGG019DK		SYS1.LPALIB
IGG019EI	Object	IGG019DK		IGG019DK		
	Entry	IGG019DK	IGG019DK			
	Load	IGG019EI	IGG019EI	IGG019EI		SYS1.LPALIB
IGG019EJ	Object	IGG019EI		IGG019EI		
	Entry	IGG019EI	IGG019EI			
	Load	IGG019EJ	IGG019EJ	IGG019EJ		SYS1.LPALIB
IGG019EK	Object	IGG019EJ		IGG019EJ		
	Entry	IGG019EJ	IGG019EJ			
	Load	IGG019EK	IGG019EK	IGG019EK		SYS1.LPALIB
IGG019EM	Object	IGC0002I				
		IGC0003B				
		IGG019EK		IGG019EK		
		IGG020P1				
		IGG0553A				
	Entry	IGG019EK	IGG019EK			
	Load	IGG019EM	IGG019EM	IGG019EM		SYS1.SVCLIB
	Object	IGG019EM		IGG019EM		
	Entry	IGG019EM	IGG019EM			

Name	Type	Load	Object	Entry	Alias	System Library
IGG019FA	Load					SYS1.LPALIB
	Object		IGG019FA	IGG019FA		
	Entry		IGG019FA	IGG019FA		
IGG019FB	Load	IGG019FA	IGG019FA	IGG019FB		SYS1.LPALIB
	Object	IGG019FB	IGG019FB	IGG019FB		
	Entry	IGG019FB	IGG019FB	IGG019FB		
IGG019FD	Load	IGG019FB	IGG019FB	IGG019FD		SYS1.LPALIB
	Object	IGG019FD	IGG019FD	IGG019FD		
	Entry	IGG019FD	IGG019FD	IGG019FD		
IGG019FF	Load	IGG019FD	IGG019FD	IGG019FF		SYS1.LPALIB
	Object	IGG019FF	IGG019FF	IGG019FF		
	Entry	IGG019FF	IGG019FF	IGG019FF		
IGG019FG	Load	IGG019FF	IGG019FF	IGG019FG		SYS1.LPALIB
	Object	IGG019FG	IGG019FG	IGG019FG		
	Entry	IGG019FG	IGG019FG	IGG019FG		
IGG019FJ	Load	IGG019FG	IGG019FG	IGG019FJ		SYS1.LPALIB
	Object	IGG019FJ	IGG019FJ	IGG019FJ		
	Entry	IGG019FJ	IGG019FJ	IGG019FJ		
IGG019FK	Load	IGG019FJ	IGG019FJ			SYS1.LPALIB
	Object		IGG019FK	IGG019FK		
	Entry		IGG019FK	IGG019FK		
IGG019FL	Load	IGG019FK	IGG019FK	IGG019FL		SYS1.LPALIB
	Object	IGG019FL	IGG019FL	IGG019FL		
	Entry	IGG019FL	IGG019FL	IGG019FL		
IGG019FP	Load	IGG019FL	IGG019FL	IGG019FP		SYS1.LPALIB
	Object	IGG019FP	IGG019FP	IGG019FP		
	Entry	IGG019FP	IGG019FP	IGG019FP		
IGG019FQ	Load	IGG019FP	IGG019FP			SYS1.LPALIB
	Object		IGG019FQ	IGG019FQ		
	Entry		IGG019FQ	IGG019FQ		
IGG019FR	Load	IGG019FQ	IGG019FQ	IGG019FR		SYS1.LPALIB
	Object	IGG019FR	IGG019FR	IGG019FR		
	Entry	IGG019FR	IGG019FR	IGG019FR		
IGG019FS	Load	IGG019FR	IGG019FR	IGG019FS		SYS1.LPALIB
	Object	IGG019FS	IGG019FS	IGG019FS		
	Entry	IGG019FS	IGG019FS	IGG019FS		
IGG019FT	Load	IGG019FS	IGG019FS	IGG019FT		SYS1.LPALIB
	Object	IGG019FT	IGG019FT	IGG019FT		
	Entry	IGG019FT	IGG019FT	IGG019FT		
IGG019FU	Load	IGG019FT	IGG019FT			SYS1.LPALIB
	Object		IGG019FU	IGG019FU		
	Entry		IGG019FU	IGG019FU		
IGG019GA	Load	IGG019FU	IGG019FU	IGG019GA		SYS1.LPALIB
	Object	IGG019GA	IGG019GA	IGG019GA		
	Entry	IGG019GA	IGG019GA	IGG019GA		
IGG019GB	Load	IGG019GA	IGG019GA	IGG019GB		SYS1.LPALIB
	Object	IGG019GB	IGG019GB	IGG019GB		
	Entry	IGG019GB	IGG019GB	IGG019GB		
IGG019GC	Load	IGG019GB	IGG019GB	IGG019GC		SYS1.LPALIB
	Object	IGG019GC	IGG019GC	IGG019GC		
	Entry	IGG019GC	IGG019GC	IGG019GC		
IGG019GD	Load	IGG019GC	IGG019GC	IGG019GD		SYS1.LPALIB
	Object	IGG019GD	IGG019GD	IGG019GD		
	Entry	IGG019GD	IGG019GD	IGG019GD		
IGG019GE	Load	IGG019GD	IGG019GD	IGG019GE		SYS1.LPALIB
	Object	IGG019GE	IGG019GE	IGG019GE		
	Entry	IGG019GE	IGG019GE	IGG019GE		
IGG019GF	Load	IGG019GE	IGG019GE	IGG019GF		SYS1.LPALIB
	Object	IGG019GF	IGG019GF	IGG019GF		
	Entry	IGG019GF	IGG019GF	IGG019GF		
IGG019GG	Load	IGG019GF	IGG019GF	IGG019GG		SYS1.LPALIB
	Object	IGG019GG	IGG019GG	IGG019GG		
	Entry	IGG019GG	IGG019GG	IGG019GG		
IGG019GN	Load	IGG019GG	IGG019GG	IGG019GN		SYS1.LPALIB
	Object	IGG019GN	IGG019GN	IGG019GN		
	Entry	IGG019GN	IGG019GN	IGG019GN		

Name	Type	Load	Object	Entry	Alias	System Library
IGG019G0	Load		IGG019G0	IGG019G0		SYS1.LPALIB
	Object	IGG019G0		IGG019G0		
	Entry	IGG019G0	IGG019G0			
IGG019GW	Load		IGG019GW	IGG019GW		SYS1.LPALIB
	Object	IGG019GW		IGG019GW		
	Entry	IGG019GW	IGG019GW			
IGG019GZ	Load		IGG019GZ	IGG019GZ		SYS1.LPALIB
	Object	IGG019GZ		IGG019GZ		
	Entry	IGG019GZ	IGG019GZ			
IGG019G0	Load		IGG019G0	IGG019G0		SYS1.LPALIB
	Object	IGG019G0		IGG019G0		
	Entry	IGG019G0	IGG019G0			
IGG019G1	Load		IGG019G1	IGG019G1		SYS1.LPALIB
	Object	IGG019G1		IGG019G1		
	Entry	IGG019G1	IGG019G1			
IGG019G2	Load		IGG019G2	IGG019G2		SYS1.LPALIB
	Object	IGG019G2		IGG019G2		
	Entry	IGG019G2	IGG019G2			
IGG019G3	Load		IGG019G3	IGG019G3		SYS1.LPALIB
	Object	IGG019G3		IGG019G3		
	Entry	IGG019G3	IGG019G3			
IGG019G4	Load		IGG019G4	IGG019G4		SYS1.LPALIB
	Object	IGG019G4		IGG019G4		
	Entry	IGG019G4	IGG019G4			
IGG019G5	Load		IGG019G5	IGG019G5		SYS1.LPALIB
	Object	IGG019G5		IGG019G5		
	Entry	IGG019G5	IGG019G5			
IGG019G6	Load		IGG019G6	IGG019G6		SYS1.LPALIB
	Object	IGG019G6		IGG019G6		
	Entry	IGG019G6	IGG019G6			
IGG019G7	Load		IGG019G7	IGG019G7		SYS1.LPALIB
	Object	IGG019G7		IGG019G7		
	Entry	IGG019G7	IGG019G7			
IGG019G8	Load		IGG019G8	IGG019G8		SYS1.LPALIB
	Object	IGG019G8		IGG019G8		
	Entry	IGG019G8	IGG019G8			
IGG019G9	Load		IGG019G9	IGG019G9		SYS1.LPALIB
	Object	IGG019G9		IGG019G9		
	Entry	IGG019G9	IGG019G9			
IGG019HA	Load		IGG019HA	IGG019HA		SYS1.LPALIB
	Object	IGG019HA		IGG019HA		
	Entry	IGG019HA	IGG019HA			
IGG019HB	Load		IGG019HB	IGG019HB		SYS1.LPALIB
	Object	IGG019HB		IGG019HB		
	Entry	IGG019HB	IGG019HB			
IGG019HD	Load		IGG019HD	IGG019HD		SYS1.LPALIB
	Object	IGG019HD		IGG019HD		
	Entry	IGG019HD	IGG019HD			
IGG019HF	Load		IGG019HF	IGG019HF		SYS1.LPALIB
	Object	IGG019HF		IGG019HF		
	Entry	IGG019HF	IGG019HF			
IGG019HG	Load		IGG019HG	IGG019HG		SYS1.LPALIB
	Object	IGG019HG		IGG019HG		
	Entry	IGG019HG	IGG019HG			
IGG019HH	Load		IGG019HH	IGG019HH		SYS1.LPALIB
	Object	IGG019HH		IGG019HH		
	Entry	IGG019HH	IGG019HH			
IGG019HI	Load		IGG019HI	IGG019HI		SYS1.LPALIB
	Object	IGG019HI		IGG019HI		
	Entry	IGG019HI	IGG019HI			
IGG019HJ	Load		IGG019HJ	IGG019HJ		SYS1.LPALIB
	Object	IGG019HJ		IGG019HJ		
	Entry	IGG019HJ	IGG019HJ			
IGG019HK	Load		IGG019HK	IGG019HK		SYS1.LPALIB
	Object	IGG019HK		IGG019HK		
	Entry	IGG019HK	IGG019HK			
IGG019HL	Load		IGG019HL	IGG019HL		SYS1.LPALIB
	Object	IGG019HL		IGG019HL		
	Entry	IGG019HL	IGG019HL			
IGG019HN	Load		IGG019HN	IGG019HN		SYS1.LPALIB

Name	Type	Load	Object	Entry	Alias	System Library
	Object	IGG019HN		IGG019HN		
	Entry	IGG019HN	IGG019HN			
IGG019HP	Load		IGG019HP	IGG019HP		SYS1.LPALIB
	Object	IGG019HP		IGG019HP		
	Entry	IGG019HP	IGG019HP			
IGG019HT	Load		IGG019HT	IGG019HT		SYS1.LPALIB
	Object	IGG019HT		IGG019HT		
	Entry	IGG019HT	IGG019HT			
IGG019H3	Load		IGG019H3	IGG019H3		SYS1.LPALIB
	Object	IGG019H3		IGG019H3		
	Entry	IGG019H3	IGG019H3			
IGG019IA	Load		IGG019IA	IGG019IA		SYS1.LPALIB
	Object	IGG019IA		IGG019IA		
	Entry	IGG019IA	IGG019IA			
IGG019IB	Load		IGG019IB	IGG019IB		SYS1.LPALIB
	Object	IGG019IB		IGG019IB		
	Entry	IGG019IB	IGG019IB			
IGG019IE	Load		IGG019IE	IGG019IE		SYS1.LPALIB
	Object	IGG019IE		IGG019IE		
	Entry	IGG019IE	IGG019IE			
IGG019IF	Load		IGG019IF	IGG019IF		SYS1.LPALIB
	Object	IGG019IF		IGG019IF		
	Entry	IGG019IF	IGG019IF			
IGG019IN	Load		IGG019IN	IGG019IN		SYS1.LPALIB
	Object	IGG019IN		IGG019IN		
	Entry	IGG019IN	IGG019IN			
IGG019IO	Load		IGG019IO	IGG019IO		SYS1.LPALIB
	Object	IGG019IO		IGG019IO		
	Entry	IGG019IO	IGG019IO			
IGG019IZ	Load		IGG019IZ	IGG019IZ		SYS1.LPALIB
	Object	IGG019IZ		IGG019IZ		
	Entry	IGG019IZ	IGG019IZ			
IGG019I1	Load		IGG019I1	IGG019I1		SYS1.LPALIB
	Object	IGG019I1		IGG019I1		
	Entry	IGG019I1	IGG019I1			
IGG019I2	Load		IGG019I2	IGG019I2		SYS1.LPALIB
	Object	IGG019I2		IGG019I2		
	Entry	IGG019I2	IGG019I2			
IGG019I9	Load		IGG019I9	IGG019I9		SYS1.LPALIB
	Object	IGG019I9		IGG019I9		
	Entry	IGG019I9	IGG019I9			
IGG019JA	Load		IGG019JA	IGG019JA		SYS1.LPALIB
	Object	IGG019JA		IGG019JA		
	Entry	IGG019JA	IGG019JA			
IGG019JB	Load		IGG019JB	IGG019JB		SYS1.LPALIB
	Object	IGG019JB		IGG019JB		
	Entry	IGG019JB	IGG019JB			
IGG019JC	Load		IGG019JC	IGG019JC		SYS1.LPALIB
	Object	IGG019JC		IGG019JC		
	Entry	IGG019JC	IGG019JC			
IGG019JD	Load		IGG019JD	IGG019JD		SYS1.LPALIB
	Object	IGC0001I		IGG019JD		
	Entry	IGG019JD	IGG019JD			
IGG019JG	Load		IGG019JG	IGG019JG		SYS1.LPALIB
	Object	IGG019JG		IGG019JG		
	Entry	IGG019JG	IGG019JG			
IGG019JH	Load		IGG019JH	IGG019JH		SYS1.LPALIB
	Object	IGG019JH		IGG019JH		
	Entry	IGG019JH	IGG019JH			
IGG019JI	Load		IGG019JI	IGG019JI		SYS1.LPALIB
	Object	IGG019JI		IGG019JI		
	Entry	IGG019JI	IGG019JI			
IGG019JJ	Load		IGG019JJ	IGG019JJ		SYS1.LPALIB
	Object	IGG019JJ		IGG019JJ		
	Entry	IGG019JJ	IGG019JJ			
IGG019JK	Load		IGG019JK	IGG019JK		SYS1.LPALIB
	Object	IGG019JK		IGG019JK		
	Entry	IGG019JK	IGG019JK			

Name	Type	Load	Object	Entry	Alias	System Library
IGG019JL	Load Object Entry	IGG019JL IGG019JL IGG019JL	IGG019JL IGG019JL IGG019JL	IGG019JL IGG019JL IGG019JL		SYS1.LPALIB
IGG019JM	Load Object Entry	IGG019JM IGG019JM IGG019JM	IGG019JM IGG019JM IGG019JM	IGG019JM IGG019JM IGG019JM		SYS1.LPALIB
IGG019JN	Load Object Entry	IGG019JN IGG019JN IGG019JN	IGG019JN IGG019JN IGG019JN	IGG019JN IGG019JN IGG019JN		SYS1.LPALIB
IGG019JO	Load Object Entry	IGG019JO IGG019JO IGG019JO	IGG019JO IGG019JO IGG019JO	IGG019JO IGG019JO IGG019JO		SYS1.LPALIB
IGG019JP	Load Object Entry	IGG019JP IGG019JP IGG019JP	IGG019JP IGG019JP IGG019JP	IGG019JP IGG019JP IGG019JP		SYS1.LPALIB
IGG019JQ	Load Object Entry	IGG019JQ IGG019JQ IGG019JQ	IGG019JQ IGG019JQ IGG019JQ	IGG019JQ IGG019JQ IGG019JQ		SYS1.LPALIB
IGG019JR	Load Object Entry	IGG019JR IGG019JR IGG019JR	IGG019JR IGG019JR IGG019JR	IGG019JR IGG019JR IGG019JR		SYS1.LPALIB
IGG019JS	Load Object Entry	IGG019JS IGG019JS IGG019JS	IGG019JS IGG019JS IGG019JS	IGG019JS IGG019JS IGG019JS		SYS1.LPALIB
IGG019JT	Load Object Entry	IGG019JT IGG019JT IGG019JT	IGG019JT IGG019JT IGG019JT	IGG019JT IGG019JT IGG019JT		SYS1.LPALIB
IGG019JU	Load Object Entry	IGG019JU IGG019JU IGG019JU	IGG019JU IGG019JU IGG019JU	IGG019JU IGG019JU IGG019JU		SYS1.LPALIB
IGG019JV	Load Object Entry	IGG019JV IGG019JV IGG019JV	IGG019JV IGG019JV IGG019JV	IGG019JV IGG019JV IGG019JV		SYS1.LPALIB
IGG019JW	Load Object Entry	IGG019JW IGG019JW IGG019JW	IGG019JW IGG019JW IGG019JW	IGG019JW IGG019JW IGG019JW		SYS1.LPALIB
IGG019JX	Load Object Entry	IGG019JX IGG019JX IGG019JX	IGG019JX IGG019JX IGG019JX	IGG019JX IGG019JX IGG019JX		SYS1.LPALIB
IGG019J0	Load Object Entry	IGG019J0 IGG019J0 IGG019J0	IGG019J0 IGG019J0 IGG019J0	IGG019J0 IGG019J0 IGG019J0		SYS1.LPALIB
IGG019J3	Load Object Entry	IGG019J3 IGG019J3 IGG019J3	IGG019J3 IGG019J3 IGG019J3	IGG019J3 IGG019J3 IGG019J3		SYS1.LPALIB
IGG019KA	Load Object Entry Object	IGG019KA IGG019KA IGG019KA IGG019KA	IGG019KA IGG019KA IGG019KA IGG019KA IGG019KE IGG019KF IGG019KI IGG019KK IGG019KQ IGG019KW	IGG019KA IGG019KA IGG019KA IGG019KA	IGG019KA	SYS1.LPALIB
IGG019KC	Object Entry Object	IGG019KA IGG019KA IGG019KA IGG019KJ	IGG019KA IGG019KA IGG019KA IGG019KJ	IGG019KA IGG019KA IGG019KA IGG019KJ		SYS1.LPALIB
IGG019KE	Object	IGG019KA	IGG019KA			SYS1.LPALIB
IGG019KF	Object	IGG019KA	IGG019KA			SYS1.LPALIB
IGG019KG	Load Object Entry	IGG019KG IGG019KG IGG019KG	IGG019KG IGG019KG IGG019KG	IGG019KG IGG019KG IGG019KG		SYS1.LPALIB
IGG019KH	Load Object Entry	IGG019KH IGG019KH IGG019KH	IGG019KH IGG019KH IGG019KH	IGG019KH IGG019KH IGG019KH		SYS1.LPALIB
IGG019KI	Object	IGG019KA	IGG019KA			SYS1.LPALIB
IGG019KJ	Load	IGG019KA	IGG019KA			SYS1.LPALIB
			IGG019KC IGG019KJ IGG019KQ IGG019KR	IGG019KJ		SYS1.LPALIB

Name	Type	Load	Object	Entry	Alias	System Library
			IGG019KW			
	Object	IGG019KJ		IGG019KJ		
	Entry	IGG019KJ	IGG019KJ			
IGG019KK	Object	IGG019KA				SYS1.LPALIB
IGG019KL	Load		IGG019KL	IGG019KL		SYS1.LPALIB
	Object	IGG019KL		IGG019KL		
	Entry	IGG019KL	IGG019KL			
IGG019KM	Load		IGG019KM	IGG019KM		SYS1.LPALIB
			IGG019KY			
	Object	IGG019KM		IGG019KM		
	Entry	IGG019KM	IGG019KM			
IGG019KN	Load		IGG019KN	IGG019KN		SYS1.LPALIB
			IGG019KY			
	Object	IGG019KN		IGG019KN		
	Entry	IGG019KN	IGG019KN			
IGG019KO	Load		IGG019KO	IGG019KO		SYS1.LPALIB
			IGG019LA			
	Object	IGG019KO		IGG019KO		
	Entry	IGG019KO	IGG019KO			
IGG019KQ	Object	IGG019KA				SYS1.LPALIB
		IGG019KJ				
IGG019KR	Object	IGG019KJ				SYS1.LPALIB
IGG019KU	Load		IGG019KU	IGG019KU		SYS1.LPALIB
	Object	IGG019KU		IGG019KU		
IGG019KW	Entry	IGG019KA	IGG019KU			SYS1.LPALIB
	Object	IGG019KJ				
IGG019KY	Object	IGG019KM				SYS1.LPALIB
		IGG019KN				
IGG019LA	Object	IGG019KO				SYS1.LPALIB
IGG019LC	Load		IGG019LC	IGG019LC		SYS1.LPALIB
	Object	IGG019LC		IGG019LC		
	Entry	IGG019LC	IGG019LC			
IGG019LE	Load		IGG019LE	IGG019LE		SYS1.LPALIB
	Object	IGG019LE		IGG019LE		
	Entry	IGG019LE	IGG019LE			
IGG019LI	Load		IGG019LI	IGG019LI		SYS1.LPALIB
	Object	IGG019LI		IGG019LI		
	Entry	IGG019LI	IGG019LI			
IGG019LP	Load		IGG019LP	IGG019LP		SYS1.LPALIB
	Object	IGG019LP		IGG019LP		
IGG019MA	Entry	IGG019LP	IGG019LP			
	Load		IGG019MA	IGG019MA		SYS1.SVCLIB
	Object	IGG019MA		IGG019MA		
IGG019MB	Entry	IGG019MA	IGG019MA			
	Load		IGG019MB	IGG019MB		SYS1.SVCLIB
	Object	IGG019MB		IGG019MB		
	Entry	IGG019MB	IGG019MB			
IGG019MC	Load		IGG019MC	IGG019MC		SYS1.SVCLIB
	Object	IGG019MC		IGG019MC		
	Entry	IGG019MC	IGG019MC			
IGG019MD	Load		IGG019MD	IGG019MD		SYS1.LPALIB
	Object	IGG019MD		IGG019MD		
	Entry	IGG019MD	IGG019MD			
IGG019ME	Load		IGG019ME	IGG019ME		SYS1.LPALIB
	Object	IGG019ME		IGG019ME		
	Entry	IGG019ME	IGG019ME			
IGG019MF	Load		IGG019MF	IGG019MF		SYS1.LPALIB
	Object	IGG019MF		IGG019MF		
	Entry	IGG019MF	IGG019MF			
IGG019MI	Load		IGG019MI	IGG019MI		SYS1.LPALIB
	Object	IGG019MI		IGG019MI		
	Entry	IGG019MI	IGG019MI			
IGG019MJ	Load		IGG019MJ	IGG019MJ		SYS1.LPALIB
	Object	IGG019MJ		IGG019MJ		
	Entry	IGG019MJ	IGG019MJ			
IGG019MK	Load		IGG019MK	IGG019MK		SYS1.LPALIB
	Object	IGG019MK		IGG019MK		
	Entry	IGG019MK	IGG019MK			
IGG019ML	Load		IGG019ML	IGG019ML		SYS1.LPALIB

Name	Type	Load	Object	Entry	Alias	System Library
	Object	IGG019ML		IGG019ML		
	Entry	IGG019ML	IGG019ML			
IGG019MN	Load		IGG019MN	IGG019MN		SYS1.LPALIB
	Object	IGG019MN		IGG019MN		
	Entry	IGG019MN	IGG019MN			
IGG019MP	Load		IGG019MP	IGG019MP		SYS1.LPALIB
	Object	IGG019MP		IGG019MP		
	Entry	IGG019MP	IGG019MP			
IGG019MR	Load		IGG019MR	IGG019MR		SYS1.SVCLIB
	Object	IGG019MR		IGG019MR		
	Entry	IGG019MR	IGG019MR			
IGG019MS	Load		IGG019MS	IGG019MS		SYS1.SVCLIB
	Object	IGG019MS		IGG019MS		
	Entry	IGG019MS	IGG019MS			
IGG019MT	Load		IGG019MT	IGG019MT		SYS1.LPALIB
	Object	IGG019MT		IGG019MT		
	Entry	IGG019MT	IGG019MT			
IGG019MU	Load		IGG019MU	IGG019MU		SYS1.LPALIB
	Object	IGG019MU		IGG019MU		
	Entry	IGG019MU	IGG019MU			
IGG019MV	Load		IGG019MV	IGG019MV		SYS1.LPALIB
	Object	IGG019MV		IGG019MV		
	Entry	IGG019MV	IGG019MV			
IGG019MW	Load		IGG019MW	IGG019MW		SYS1.LPALIB
	Object	IGG019MW		IGG019MW		
	Entry	IGG019MW	IGG019MW			
IGG019MX	Load		IGG019MX	IGG019MX		SYS1.LPALIB
	Object	IGG019MX		IGG019MX		
	Entry	IGG019MX	IGG019MX			
IGG019MY	Load		IGG019MY	IGG019MY		SYS1.LPALIB
	Object	IGG019MY		IGG019MY		
	Entry	IGG019MY	IGG019MY			
IGG019MZ	Load		IGG019MZ	IGG019MZ		SYS1.LPALIB
	Object	IGG019MZ		IGG019MZ		
	Entry	IGG019MZ	IGG019MZ			
IGG019M0	Load		IGG019M0	IGG019M0		SYS1.LPALIB
	Object	IGG019M0		IGG019M0		
	Entry	IGG019M0	IGG019M0			
IGG019M1	Load		IGG019M1	IGG019M1		SYS1.LPALIB
	Object	IGG019M1		IGG019M1		
	Entry	IGG019M1	IGG019M1			
IGG019M2	Load		IGG019M2	IGG019M2		SYS1.LPALIB
	Object	IGG019M2		IGG019M2		
	Entry	IGG019M2	IGG019M2			
IGG019M3	Load		IGG019M3	IGG019M3		SYS1.LPALIB
	Object	IGG019M3		IGG019M3		
	Entry	IGG019M3	IGG019M3			
IGG019M4	Load		IGG019M4	IGG019M4		SYS1.LPALIB
	Object	IGG019M4		IGG019M4		
	Entry	IGG019M4	IGG019M4			
IGG019M5	Load		IGG019M5	IGG019M5		SYS1.LPALIB
	Object	IGG019M5		IGG019M5		
	Entry	IGG019M5	IGG019M5			
IGG019M6	Load		IGG019M6	IGG019M6		SYS1.LPALIB
	Object	IGG019M6		IGG019M6		
	Entry	IGG019M6	IGG019M6			
IGG0190A	Load					SYS1.LPALIB
			GIOCR			
			IGG0190A	GIOCR		
IGG0190B	Object	IGG0190A				SYS1.LPALIB
	Load					
			CEAPPEND			
			IGG0190B	IGG0190B		
				IGG0190B		
IGG0190C	Object	IGG0190B				SYS1.LPALIB
	Entry	IGG0190B	IGG0190B			
	Load					
			IGG0190C	IGG0190C		
				IGG0190C		
IGG0190E	Object	IGG0190C				SYS1.LPALIB
	Entry	IGG0190C	IGG0190C			
	Load		IGG0190E	IGG0190E		

Name	Type	Load	Object	Entry	Alias	System Library
	Object	IGG0190E		IGG0190E		
	Entry	IGG0190E	IGG0190E			
IGG0190J	Load		IGG0190J	IGG0190J		SYS1.LPALIB
	Object	IGG0190J		IGG0190J		
	Entry	IGG0190J	IGG0190J			
IGG0190K	Load		IGG0190K	IGG0190K		SYS1.LINKLIB
	Object	IGG0190K		IGG0190K		
	Entry	IGG0190K	IGG0190K			
IGG019PA	Load		IGG019PA	IGG019PA		SYS1.LPALIB
	Object	IGG019PA		IGG019PA		
	Entry	IGG019PA	IGG019PA			
IGG019PB	Load		IGG019PB	IGG019PB		SYS1.LPALIB
	Object	IGG019PB		IGG019PB		
	Entry	IGG019PB	IGG019PB			
IGG019PC	Load		IGG019PC	IGG019PC		SYS1.LPALIB
	Object	IGG019PC		IGG019PC		
	Entry	IGG019PC	IGG019PC			
IGG019PD	Load		IGG019PD	IGG019PD		SYS1.SVCLIB
	Object	IGG019PD		IGG019PD		
	Entry	IGG019PD	IGG019PD			
IGG019PE	Load		IGG019PE	IGG019PE		SYS1.LPALIB
	Object	IGG019PE		IGG019PE		
	Entry	IGG019PE	IGG019PE			
IGG019PF	Load		IGG019PF	IGG019PF		SYS1.LPALIB
	Object	IGG019PF		IGG019PF		
	Entry	IGG019PF	IGG019PF			
IGG019PG	Load		IGG019PG	IGG019PG		SYS1.LPALIB
	Object	IGG019PG		IGG019PG		
	Entry	IGG019PG	IGG019PG			
IGG019PH	Load		IGG019PH	IGG019PH		SYS1.LPALIB
	Object	IGG019PH		IGG019PH		
	Entry	IGG019PH	IGG019PH			
IGG019PI	Load		IGG019PI	IGG019PI		SYS1.LPALIB
	Object	IGG019PI		IGG019PI		
	Entry	IGG019PI	IGG019PI			
IGG019PK	Load		IGG019PK	IGG019PK		SYS1.LPALIB
	Object	IGG019PK		IGG019PK		
	Entry	IGG019PK	IGG019PK			
IGG019PL	Load		IGG019PL	IGG019PL		SYS1.LPALIB
	Object	IGG019PL		IGG019PL		
	Entry	IGG019PL	IGG019PL			
IGG019PM	Load		IGG019PM	IGG019PM		SYS1.LPALIB
	Object	IGG019PM		IGG019PM		
	Entry	IGG019PM	IGG019PM			
IGG019PN	Load		IGG019PN	IGG019PN		SYS1.LPALIB
	Object	IGG019PN		IGG019PN		
	Entry	IGG019PN	IGG019PN			
IGG019PO	Load		IGG019PO	IGG019PO		SYS1.LPALIB
	Object	IGG019PO		IGG019PO		
	Entry	IGG019PO	IGG019PO			
IGG019PP	Load		IGG019PP	IGG019PP		SYS1.LPALIB
	Object	IGG019PP		IGG019PP		
	Entry	IGG019PP	IGG019PP			
IGG019PQ	Load		IGG019PQ	IGG019PQ		SYS1.LPALIB
	Object	IGG019PQ		IGG019PQ		
	Entry	IGG019PQ	IGG019PQ			
IGG019P7	Load		IGG019P7	IGG019P7		SYS1.LPALIB
	Object	IGG019P7		IGG019P7		
	Entry	IGG019P7	IGG019P7			
IGG019P8	Load		IGG019P8	IGG019P8		SYS1.LPALIB
	Object	IGG019P8		IGG019P8		
	Entry	IGG019P8	IGG019P8			
IGG019P9	Load		IGG019P9	IGG019P9		SYS1.LPALIB
	Object	IGG019P9		IGG019P9		
	Entry	IGG019P9	IGG019P9			
IGG019QE	Load		IGG019QE	IGG019QE		SYS1.SVCLIB
	Object	IGG019QE		IGG019QE		
	Entry	IGG019QE	IGG019QE			
IGG019Q0	Load		IGG019Q0	IGG019Q0		SYS1.SVCLIB

Name	Type	Load	Object	Entry	Alias	System Library
IGG019Q0	Object	IGG019Q0		IGG019Q0		
	Entry	IGG019Q0	IGG019Q0			
	Load	IGG019Q0	IGG019Q0	IGG019Q0		SYS1.SVCLIB
IGG019Q1	Object	IGG019Q1		IGG019Q1		
	Entry	IGG019Q1	IGG019Q1			
	Load	IGG019Q1	IGG019Q1	IGG019Q1		SYS1.SVCLIB
IGG019Q2	Object	IGG019Q2		IGG019Q2		
	Entry	IGG019Q2	IGG019Q2			
	Load	IGG019Q2	IGG019Q2	IGG019Q2		SYS1.SVCLIB
IGG019Q3	Object	IGG019Q3		IGG019Q3		
	Entry	IGG019Q3	IGG019Q3			
	Load	IGG019Q3	IGG019Q3	IGG019Q3		SYS1.SVCLIB
IGG019Q4	Object	IGG019Q4		IGG019Q4		
	Entry	IGG019Q4	IGG019Q4			
	Load	IGG019Q4	IGG019Q4	IGG019Q4		SYS1.SVCLIB
IGG019Q5	Object	IGG019Q5		IGG019Q5		
	Entry	IGG019Q5	IGG019Q5			
	Load	IGG019Q5	IGG019Q5	IGG019Q5		SYS1.SVCLIB
IGG019Q6	Object	IGG019Q6		IGG019Q6		
	Entry	IGG019Q6	IGG019Q6			
	Load	IGG019Q6	IGG019Q6	IGG019Q6		SYS1.SVCLIB
IGG019Q7	Object	IGG019Q7		IGG019Q7		
	Entry	IGG019Q7	IGG019Q7			
	Load	IGG019Q7	IGG019Q7	IGG019Q7		SYS1.SVCLIB
IGG019Q8	Object	IGG019Q8		IGG019Q8		
	Entry	IGG019Q8	IGG019Q8			
	Load	IGG019Q8	IGG019Q8	IGG019Q8		SYS1.SVCLIB
IGG019Q9	Object	IGG019Q9		IGG019Q9		
	Entry	IGG019Q9	IGG019Q9			
	Load	IGG019Q9	IGG019Q9	IGG019Q9		SYS1.SVCLIB
IGG019RA	Object	IGG019RA		IGG019RA		
	Entry	IGG019RA	IGG019RA			
	Load	IGG019RA	IGG019RA	IGG019RA		SYS1.SVCLIB
IGG019RB	Object	IGG019RB		IGG019RB		
	Entry	IGG019RB	IGG019RB			
	Load	IGG019RB	IGG019RB	IGG019RB		SYS1.SVCLIB
IGG019RC	Object	IGG019RC		IGG019RC		
	Entry	IGG019RC	IGG019RC			
	Load	IGG019RC	IGG019RC	IGG019RC		SYS1.SVCLIB
IGG019RD	Object	IGG019RD		IGG019RD		
	Entry	IGG019RD	IGG019RD			
	Load	IGG019RD	IGG019RD	IGG019RD		SYS1.SVCLIB
IGG019RE	Object	IGG019RE		IGG019RE		
	Entry	IGG019RE	IGG019RE			
	Load	IGG019RE	IGG019RE	IGG019RE		SYS1.SVCLIB
IGG019RF	Object	IGG019RF		IGG019RF		
	Entry	IGG019RF	IGG019RF			
	Load	IGG019RF	IGG019RF	IGG019RF		SYS1.SVCLIB
IGG019RG	Object	IGG019RG		IGG019RG		
	Entry	IGG019RG	IGG019RG			
	Load	IGG019RG	IGG019RG	IGG019RG		SYS1.SVCLIB
IGG019RI	Object	IGG019RI		IGG019RI		
	Entry	IGG019RI	IGG019RI			
	Load	IGG019RI	IGG019RI	IGG019RI		SYS1.SVCLIB
IGG019RK	Object	IGG019RK		IGG019RK		
	Entry	IGG019RK	IGG019RK			
	Load	IGG019RK	IGG019RK	IGG019RK		SYS1.SVCLIB
IGG019RL	Object	IGG019RL		IGG019RL		
	Entry	IGG019RL	IGG019RL			
	Load	IGG019RL	IGG019RL	IGG019RL		SYS1.SVCLIB
IGG019RM	Object	IGG019RM		IGG019RM		
	Entry	IGG019RM	IGG019RM			
	Load	IGG019RM	IGG019RM	IGG019RM		SYS1.SVCLIB
IGG019RN	Object	IGG019RN		IGG019RN		
	Entry	IGG019RN	IGG019RN			
	Load	IGG019RN	IGG019RN	IGG019RN		SYS1.SVCLIB

Name	Type	Load	Object	Entry	Alias	System Library
IGG019RO	Entry	IGG019RN	IGG019RN			
	Load		IGG019RO	IGG019RO		SYS1.SVCLIB
	Object	IGG019RO	IGG019RO	IGG019RO		
IGG019RP	Entry	IGG019RO	IGG019RO			
	Load		IGG019RP	IGG019RP		SYS1.SVCLIB
	Object	IGG019RP	IGG019RP	IGG019RP		
IGG019RQ	Entry	IGG019RP	IGG019RP			
	Load		IGG019RQ	IGG019RQ		SYS1.SVCLIB
	Object	IGG019RQ	IGG019RQ	IGG019RQ		
IGG019RR	Entry	IGG019RQ	IGG019RQ			
	Load		IGG019RR	IGG019RR		SYS1.SVCLIB
	Object	IGG019RR	IGG019RR	IGG019RR		
IGG019RS	Entry	IGG019RR	IGG019RR			
	Load		IGG019RS	IGG019RS		SYS1.SVCLIB
	Object	IGG019RS	IGG019RS	IGG019RS		
IGG019RT	Entry	IGG019RS	IGG019RS			
	Load		IGG019RT	IGG019RT		SYS1.SVCLIB
	Object	IGG019RT	IGG019RT	IGG019RT		
IGG019RU	Entry	IGG019RT	IGG019RT			
	Load		IGG019RU	IGG019RU		SYS1.SVCLIB
	Object	IGG019RU	IGG019RU	IGG019RU		
IGG019RV	Entry	IGG019RU	IGG019RU			
	Load		IGG019RV	IGG019RV		SYS1.SVCLIB
	Object	IGG019RV	IGG019RV	IGG019RV		
IGG019RW	Entry	IGG019RV	IGG019RV			
	Load		IGG019RW	IGG019RW		SYS1.SVCLIB
	Object	IGG019RW	IGG019RW	IGG019RW		
IGG019RX	Entry	IGG019RW	IGG019RW			
	Load		IGG019RX	IGG019RX		SYS1.SVCLIB
	Object	IGG019RX	IGG019RX	IGG019RX		
IGG019RY	Entry	IGG019RX	IGG019RX			
	Load		IGG019RY	IGG019RY		SYS1.SVCLIB
	Object	IGG019RY	IGG019RY	IGG019RY		
IGG019R0	Entry	IGG019RY	IGG019RY			
	Load		IGG019R0	IGG019R0		SYS1.SVCLIB
	Object	IGG019R0	IGG019R0	IGG019R0		
IGG019R1	Entry	IGG019R0	IGG019R0			
	Load		IGG019R1	IGG019R1		SYS1.SVCLIB
	Object	IGG019R1	IGG019R1	IGG019R1		
IGG019R2	Entry	IGG019R1	IGG019R1			
	Load		IGG019R2	IGG019R2		SYS1.SVCLIB
	Object	IGG019R2	IGG019R2	IGG019R2		
IGG019R3	Entry	IGG019R2	IGG019R2			
	Load		IGG019R3	IGG019R3		SYS1.SVCLIB
	Object	IGG019R3	IGG019R3	IGG019R3		
IGG019R4	Entry	IGG019R3	IGG019R3			
	Load		IGG019R4	IGG019R4		SYS1.SVCLIB
	Object	IGG019R4	IGG019R4	IGG019R4		
IGG019R5	Entry	IGG019R4	IGG019R4			
	Load		IGG019R5	IGG019R5		SYS1.SVCLIB
	Object	IGG019R5	IGG019R5	IGG019R5		
IGG019R6	Entry	IGG019R5	IGG019R5			
	Load		IGG019R6	IGG019R6		SYS1.SVCLIB
	Object	IGG019R6	IGG019R6	IGG019R6		
IGG019R7	Entry	IGG019R6	IGG019R6			
	Load		IGG019R7	IGG019R7		SYS1.SVCLIB
	Object	IGG019R7	IGG019R7	IGG019R7		
IGG019R8	Entry	IGG019R7	IGG019R7			
	Load		IGG019R8	IGG019R8		SYS1.SVCLIB
	Object	IGG019R8	IGG019R8	IGG019R8		
IGG019R9	Entry	IGG019R8	IGG019R8			
	Load		IGG019R9	IGG019R9		SYS1.SVCLIB
	Object	IGG019R9	IGG019R9	IGG019R9		
IGG019SI	Entry	IGG019R9	IGG019R9			
	Load		IGG019SI	IGG019SI		SYS1.LPALIB
	Object	IGC0001I				
IGG019TC	Entry	IGG019SI	IGG019SI			
	Load		IGG019TC	IGG019TC		SYS1.LPALIB
	Object	IGG019TC	IGG019TC	IGG019TC		

Name	Type	Load	Object	Entry	Alias	System Library
IGG019TD	Entry	IGG019TC	IGG019TC			
	Load			IGG019TD		SYS1.LPALIB
IGG019TV	Object	IGG019TD	IGG019TD			
	Entry	IGG019TD	IGG019TD	IGG019TV		SYS1.LPALIB
IGG019TW	Load	IGG019TV	IGG019TV			
	Object	IGG019TV	IGG019TV	IGG019TW		SYS1.LPALIB
IGG019TX	Entry	IGG019TW	IGG019TW			
	Load	IGG019TW	IGG019TW	IGG019TX		SYS1.LPALIB
IGG019TY	Object	IGG019TX	IGG019TX			
	Entry	IGG019TX	IGG019TX	IGG019TY		SYS1.LPALIB
IGG019TZ	Load	IGG019TY	IGG019TY			
	Object	IGG019TY	IGG019TY	IGG019TZ		SYS1.LPALIB
IGG019T2	Entry	IGG019TZ	IGG019TZ			
	Load	IGG019TZ	IGG019TZ	IGG019T2		SYS1.LPALIB
IGG019T3	Object	IGG019T2	IGG019T2			
	Entry	IGG019T2	IGG019T2	IGG019T3		SYS1.LPALIB
IGG019T4	Load	IGG019T3	IGG019T3			
	Object	IGG019T3	IGG019T3	IGG019T4		SYS1.LPALIB
IGG019T5	Entry	IGG019T4	IGG019T4			
	Load	IGG019T4	IGG019T4	IGG019T5		SYS1.LPALIB
IGG019T6	Object	IGG019T5	IGG019T5			
	Entry	IGG019T5	IGG019T5	IGG019T6		SYS1.LPALIB
IGG019T7	Load	IGG019T6	IGG019T6			
	Object	IGG019T6	IGG019T6	IGG019T7		SYS1.LPALIB
IGG019T8	Entry	IGG019T7	IGG019T7			
	Load	IGG019T7	IGG019T7	IGG019T8		SYS1.LPALIB
IGG019UP	Object	IGG019T8	IGG019T8			
	Entry	IGG019T8	IGG019T8	IGG019UP		SYS1.LPALIB
IGG019V5	Load	IGG019UP	IGG019UP			
	Object	IGG019UP	IGG019UP	IGG019V5		SYS1.SVCLIB
IGG019V6	Entry	IGG019V5	IGG019V5			
	Load	IGG019V5	IGG019V5	IGG019V6		SYS1.SVCLIB
IGG0190A	Object	IGG019V6	IGG019V6			
	Entry	IGG019V6	IGG019V6	IFG0193D	IGG0190A	SYS1.LPALIB
IGG0190B	Alias	OMODVOL1	OMODVOL1			
	Object	IFG0194A	IGG0190A			
IGG0190R	Alias	IGC0001I		IFG0195D	IGG0190B	SYS1.LPALIB
	Object	IGC0001I	IGG0190B			
IGG0190S	Alias	IGC0001I		IFG01960	IGG0190R	SYS1.LPALIB
	Object	IGC0001I	IGG0190R			
IGG0191A	Alias	IGC0001I	IGG0190S	IFG0196W	IGG0190S	SYS1.LPALIB
	Load	IGC0001I	IGG0191A			
			IGG0191B	IGG0196R		SYS1.LPALIB
			IGG0191C	IGG0191B	IGG0191B	
			IGG0191D			
			IGG0191E			
			IGG0191F			
			IGG0191G			
			IGG0191H	IGG0191I	IGG0191I	
			IGG0191I			
			IGG0191J			
			IGG0191K			
			IGG0191L			
			IGG0191M	IGG0191N	IGG0191N	
			IGG0191N			
			IGG0191O			
			IGG0191P			
			IGG0191Q			

Name	Type	Load	Object	Entry	Alias	System Library
			IGG0191R			
			IGG0191S			
			IGG0191T	IGG0191T	IGG0191T	
			IGG0191U	IGG0191U	IGG0191U	
			IGG0191V	IGG0191V	IGG0191V	
			IGG0191W			
			IGG0191X			
			IGG0191Y	IGG0191Y	IGG0191Y	
			IGG01911			
			IGG0193I	IGG0193I	IGG0193I	
			IGG0196A	IGG0196A	IGG0196A	
			IGG0196B	IGG0196B	IGG0196B	
			IGG0196I	IGG0196I	IGG0196I	
			IGG0196M			
			IGG0196R			
			IGG0196S			
			IGG0197A			
			IGG0197C			
			IGG0197E	IGG0197E	IGG0197E	
			IGG0197F	IGG0197F	IGG0197F	
			IGG0197L			
			IGG0197N			
			IGG0197U	IGG0197U	IGG0197U	
			IGG0197V			
	Object	IGC0001I				
		IGG0191A				
IGG0191B	Object	IGG0191A		IGG0196R		
	Entry	IGG0191A	IGG0191B	IGG0191B	IGG0191B	SYS1.LPALIB
	Alias	IGG0191A	IGG0191B			
IGG0191C	Object	IGC0001I				SYS1.LPALIB
		IGG01911		IGG0191C	IGG0191C	
	Entry	IGG01911	IGG0191C			
	Alias	IGG01911	IGG0191C			
IGG0191D	Load		IGG0191D	IGG01918		SYS1.LPALIB
			IGG0191G	IGG0191G	IGG0191G	
			IGG0191J	IGG0191J	IGG0191J	
			IGG01910	IGG01910	IGG01910	
			IGG0191P	IGG0191P	IGG0191P	
			IGG0191Z	IGG0191Z	IGG0191Z	
			IGG01910	IGG01910	IGG01910	
			IGG01911			
			IGG01912	IGG01912	IGG01912	
			IGG01915	IGG01915	IGG01915	
			IGG01917	IGG01917	IGG01917	
			IGG01918			
			IGG01923	IGG01923	IGG01923	
			IGG0196K	IGG0196K	IGG0196K	
			IGG0196L	IGG0196L	IGG0196L	
			IGG0196M			
			IGG0196P	IGG0196P	IGG0196P	
			IGG01990	IGG01990	IGG01990	
			IGG01991	IGG01991	IGG01991	
			IGG01993	IGG01993	IGG01993	
	Object	IGG0191A				
		IGG0191D		IGG01918		
		IGG01911				
IGG0191G	Entry	IGG01911	IGG01911			
	Object	IGG0191A				SYS1.LPALIB
		IGG0191D		IGG0191G	IGG0191G	
		IGG01911				
	Entry	IGG0191D	IGG0191G			
	Alias	IGG0191D	IGG0191G			
IGG0191H	Object	IGG01911		IGG0191H	IGG0191H	SYS1.LPALIB
	Entry	IGG01911	IGG0191H			
	Alias	IGG01911	IGG0191H			
IGG0191I	Object	IGG0191A		IGG0191I	IGG0191I	SYS1.LPALIB
	Entry	IGG0191A	IGG0191I			
	Alias	IGG0191A	IGG0191I			
IGG0191J	Object	IGG0191A				SYS1.LPALIB
		IGG0191D		IGG0191J	IGG0191J	

Name	Type	Load	Object	Entry	Alias	System Library
		IGG01911				
	Entry	IGG0191D	IGG0191J			
	Alias	IGG0191D	IGG0191J			
IGG0191K	Object	IGG0191A				SYS1.LPALIB
		IGG01911		IGG0191K	IGG0191K	
	Entry	IGG01911	IGG0191K			
	Alias	IGG01911	IGG0191K			
IGG0191L	Load		IGG0191L	IGG0191L		SYS1.LPALIB
			IGG0191M	IGG0191M	IGG0191M	
			IGG0196M			
			IGG0199L	IGG0199L	IGG0199L	
	Object	IGG0191A				
		IGG0191L		IGG0191L		
	Entry	IGG0191L	IGG0191L			
IGG0191M	Object	IGG0191L		IGG0191M	IGG0191M	SYS1.LPALIB
	Entry	IGG0191L	IGG0191M			
	Alias	IGG0191L	IGG0191M			
IGG0191N	Object	IGG0191A		IGG0191N	IGG0191N	SYS1.LPALIB
	Entry	IGG0191A	IGG0191N			
	Alias	IGG0191A	IGG0191N			
IGG0191O	Object	IGG0191D		IGG0191O	IGG0191O	SYS1.LPALIB
	Entry	IGG0191D	IGG0191O			
	Alias	IGG0191D	IGG0191O			
IGG0191P	Object	IGG0191A				SYS1.LPALIB
		IGG0191D		IGG0191P	IGG0191P	
	Entry	IGG0191D	IGG0191P			
	Alias	IGG0191D	IGG0191P			
IGG0191Q	Object	IGG0191A				SYS1.LPALIB
		IGG01911		IGG0191Q	IGG0191Q	
	Entry	IGG01911	IGG0191Q			
	Alias	IGG01911	IGG0191Q			
IGG0191R	Object	IGG0191A				SYS1.LPALIB
		IGG01911		IGG0191R	IGG0191R	
	Entry	IGG01911	IGG0191R			
	Alias	IGG01911	IGG0191R			
IGG0191S	Object	IGG0191A				SYS1.LPALIB
		IGG01911		IGG0191S	IGG0191S	
	Entry	IGG01911	IGG0191S			
	Alias	IGG01911	IGG0191S			
IGG0191T	Object	IGG0191A		IGG0191T	IGG0191T	SYS1.LPALIB
	Entry	IGG0191A	IGG0191T			
	Alias	IGG0191A	IGG0191T			
IGG0191U	Object	IGG0191A		IGG0191U	IGG0191U	SYS1.LPALIB
	Entry	IGG0191A	IGG0191U			
	Alias	IGG0191A	IGG0191U			
IGG0191V	Object	IGG0191A		IGG0191V	IGG0191V	SYS1.LPALIB
	Entry	IGG0191A	IGG0191V			
	Alias	IGG0191A	IGG0191V			
IGG0191W	Object	IGG0191A				SYS1.LPALIB
		IGG01911		IGG0191W	IGG0191W	
	Entry	IGG01911	IGG0191W			
	Alias	IGG01911	IGG0191W			
IGG0191X	Object	IGG0191A				SYS1.LPALIB
		IGG01911		IGG0191X	IGG0191X	
	Entry	IGG01911	IGG0191X			
	Alias	IGG01911	IGG0191X			
IGG0191Y	Object	IGG0191A		IGG0191Y	IGG0191Y	SYS1.LPALIB
	Entry	IGG0191A	IGG0191Y			
	Alias	IGG0191A	IGG0191Y			
IGG0191Z	Object	IGG0191D		IGG0191Z	IGG0191Z	SYS1.LPALIB
	Entry	IGG0191D	IGG0191Z			
	Alias	IGG0191D	IGG0191Z			
IGG01910	Object	IGG0191D		IGG01910	IGG01910	SYS1.LPALIB
	Entry	IGG0191D	IGG01910			
	Alias	IGG0191D	IGG01910			
IGG01911	Load					SYS1.LPALIB
			IGG0191C	IGG0191C	IGG0191C	
			IGG0191D			
			IGG0191G			
			IGG0191H	IGG0191H	IGG0191H	

Name	Type	Load	Object	Entry	Alias	System Library
			IGG0191J			
			IGG0191K	IGG0191K	IGG0191K	
			IGG0191Q	IGG0191Q	IGG0191Q	
			IGG0191R	IGG0191R	IGG0191R	
			IGG0191S	IGG0191S	IGG0191S	
			IGG0191W	IGG0191W	IGG0191W	
			IGG0191X	IGG0191X	IGG0191X	
			IGG01911	IGG0191D		
			IGG01913	IGG01913	IGG01913	
			IGG01916	IGG01916	IGG01916	
			IGG01918	IGG01918	IGG01918	
			IGG01919	IGG01919	IGG01919	
			IGG01926	IGG01926	IGG01926	
			IGG0196M			
			IGG0199K	IGG0199K	IGG0199K	
			IGG01992	IGG01992	IGG01992	
			IGG01994	IGG01994	IGG01994	
	Object	IGG0191A				
		IGG0191D				
		IGG01911		IGG0191D		
IGG01912	Object	IGG0191D		IGG01912	IGG01912	SYS1.LPALIB
	Entry	IGG0191D	IGG01912			
	Alias	IGG0191D	IGG01912			
IGG01913	Object	IGG01911		IGG01913	IGG01913	SYS1.LPALIB
	Entry	IGG01911	IGG01913			
	Alias	IGG01911	IGG01913			
IGG01915	Object	IGG0191D		IGG01915	IGG01915	SYS1.LPALIB
	Entry	IGG0191D	IGG01915			
	Alias	IGG0191D	IGG01915			
IGG01916	Object	IGG01911		IGG01916	IGG01916	SYS1.LPALIB
	Entry	IGG01911	IGG01916			
	Alias	IGG01911	IGG01916			
IGG01917	Object	IGG0191D		IGG01917	IGG01917	SYS1.LPALIB
	Entry	IGG0191D	IGG01917			
	Alias	IGG0191D	IGG01917			
IGG01918	Object	IGG0191D				SYS1.LPALIB
		IGG01911		IGG01918	IGG01918	
	Entry	IGG0191D	IGG0191D			
		IGG01911	IGG01918			
	Alias	IGG01911	IGG01918			
IGG01919	Object	IGG01911		IGG01919	IGG01919	SYS1.LPALIB
	Entry	IGG01911	IGG01919			
	Alias	IGG01911	IGG01919			
IGG0192A	Load		IGG0192A	IGG0192A		SYS1.LPALIB
	Object	IGC0001I				
		IGG0192A		IGG0192A		
	Entry	IGG0192A	IGG0192A			
IGG0192B	Load		IGG0192B	IGG0192B		SYS1.LPALIB
	Object	IGG0192B	IGG0192B			
	Entry	IGG0192B	IGG0192B			
IGG0192C	Load		IGG0192C	IGG0192C		SYS1.LPALIB
	Object	IGG0192C	IGG0192C			
	Entry	IGG0192C	IGG0192C			
IGG0192D	Load		IGG0192D	IGG0192D		SYS1.LPALIB
	Object	IGG0192D	IGG0192D			
	Entry	IGG0192D	IGG0192D			
IGG0192E	Load		IGG0192E	IGG0192E		SYS1.LPALIB
	Object	IGG0192E	IGG0192E			
	Entry	IGG0192E	IGG0192E			
IGG0192F	Load		IGG0192F	IGG0192F		SYS1.LPALIB
	Object	IGG0192F	IGG0192F			
	Entry	IGG0192F	IGG0192F			
IGG0192G	Load		IGG0192G	IGG0192G		SYS1.LPALIB
	Object	IGG0192G	IGG0192G			
	Entry	IGG0192G	IGG0192G			
IGG0192H	Load		IGG0192H	IGG0192H		SYS1.LPALIB
	Object	IGG0192H	IGG0192H			
	Entry	IGG0192H	IGG0192H			
IGG0192I	Load		IGG0192I	IGG0192I		SYS1.LPALIB
	Object	IGG0192I	IGG0192I			

Name	Type	Load	Object	Entry	Alias	System Library
IGG0192J	Entry	IGG0192I	IGG0192I			
	Load		IGG0192J	IGG0192J		SYS1.LPALIB
IGG0192K	Object	IGG0192J	IGG0192J	IGG0192J		
	Entry	IGG0192J	IGG0192K	IGG0192K		SYS1.LPALIB
IGG0192L	Load	IGG0192K	IGG0192K	IGG0192K		
	Object	IGG0192K	IGG0192L	IGG0192L		SYS1.LPALIB
IGG0192M	Entry	IGG0192L	IGG0192L	IGG0192L		
	Load	IGG0192L	IGG0192M	IGG0192M		SYS1.LPALIB
IGG0192N	Object	IGG0192M	IGG0192M	IGG0192M		
	Entry	IGG0192M	IGG0192N	IGG0192N		SYS1.LPALIB
IGG0192O	Load	IGG0192N	IGG0192N	IGG0192N		
	Object	IGG0192N	IGG0192O	IGG0192O		SYS1.LPALIB
IGG0192P	Entry	IGG0192O	IGG0192O	IGG0192O		
	Load	IGG0192O	IGG0192P	IGG0192P		SYS1.LPALIB
IGG0192Q	Object	IGG0192P	IGG0192P	IGG0192P		
	Entry	IGG0192P	IGG0192Q	IGG0192Q		SYS1.LPALIB
IGG0192R	Load	IGG0192Q	IGG0192Q	IGG0192Q		
	Object	IGG0192Q	IGG0192R	IGG0192R		SYS1.LPALIB
IGG0192S	Entry	IGG0192R	IGG0192R	IGG0192R		
	Load	IGG0192R	IGG0192S	IGG0192S		SYS1.LPALIB
IGG0192T	Object	IGG0192S	IGG0192S	IGG0192S		
	Entry	IGG0192S	IGG0192T	IGG0192T		SYS1.LPALIB
IGG0192U	Load	IGG0192T	IGG0192T	IGG0192T		
	Object	IGG0192T	IGG0192U	IGG0192U		SYS1.LPALIB
IGG0192V	Entry	IGG0192U	IGG0192U	IGG0192U		
	Load	IGG0192U	IGG0192V	IGG0192V		SYS1.LPALIB
IGG0192W	Object	IGG0192V	IGG0192V	IGG0192V		
	Entry	IGG0192V	IGG0192W	IGG0192W		SYS1.LPALIB
IGG0192X	Load	IGG0192W	IGG0192W	IGG0192W		
	Object	IGG0192W	IGG0192X	IGG0192X		SYS1.LPALIB
IGG0192Z	Entry	IGG0192X	IGG0192X	IGG0192X		
	Load	IGG0192X	IGG0192Z	IGG0192Z		SYS1.LPALIB
IGG01920	Object	IGG0192Z	IGG0192Z	IGG0192Z		
	Entry	IGG0192Z	IGG01920	IGG01920		SYS1.LPALIB
IGG01921	Load	IGG01920	IGG01920	IGG01920		
	Object	IGG01920	IGG01921	IGG01921		SYS1.LPALIB
IGG01922	Entry	IGG01921	IGG01921	IGG01921		
	Load	IGG01921	IGG01922	IGG01922		SYS1.LPALIB
IGG01923	Object	IGG01922	IGG01922	IGG01922		
	Entry	IGG0191D	IGG01923	IGG01923	IGG01923	SYS1.LPALIB
IGG01924	Alias	IGG0191D	IGG01923			
	Load	IGG0191D	IGG01924	IGG01924		SYS1.LPALIB
IGG01926	Object	IGG01924	IGG01924	IGG01924		
	Entry	IGG01911	IGG01924	IGG01926	IGG01926	SYS1.LPALIB
IGG01928	Alias	IGG01911	IGG01926	IGG01926		
	Load	IGG01911	IGG01928	IGG01928		SYS1.LPALIB
	Object	IGG01928	IGG01928	IGG01928		
	Entry	IGG01928	IGG01928			

Name	Type	Load	Object	Entry	Alias	System Library
IGG01929	Load		IGG01929	IGG01929		SYS1.LPALIB
	Object	IGG01929		IGG01929		
	Entry	IGG01929	IGG01929			
IGG0193A	Load		IGG0193A	IGG0196M		SYS1.LPALIB
			IGG0196M			
	Object	IGC0001I				
		IGG0193A		IGG0196M		
IGG0193I	Object	IGG0191A		IGG0193I	IGG0193I	SYS1.LPALIB
	Entry	IGG0191A	IGG0193I			
	Alias	IGG0191A	IGG0193I			
IGG0193K	Object	IGC0001I		IGG0193K	IGG0193K	SYS1.LPALIB
	Entry	IGC0001I	IGG0193K			
	Alias	IGC0001I	IGG0193K			
IGG0193M	Load		IGG0193M	IGG0193M		SYS1.LPALIB
	Object	IGC0001I				
		IGG0193M		IGG0193M		
	Entry	IGG0193M	IGG0193M			
IGG0193Q	Load		IGG0193Q	IGG0193Q		SYS1.LPALIB
	Object	IGG0193Q		IGG0193Q		
	Entry	IGG0193Q	IGG0193Q			
IGG0193S	Load		IGG0193S	IGG0193S		SYS1.LPALIB
	Object	IGG0193S		IGG0193S		
	Entry	IGG0193S	IGG0193S			
IGG0193Y	Load		IGG0193Y	IGG0193Y		SYS1.LPALIB
	Object	IGC0001I				
		IGG0193Y		IGG0193Y		
	Entry	IGG0193Y	IGG0193Y			
IGG01930	Load		IGG01930	IGG01930		SYS1.LPALIB
	Object	IGC0001I				
		IGG01930		IGG01930		
	Entry	IGG01930	IGG01930			
IGG01931	Load		IGG01931	IGG01931		SYS1.LPALIB
	Object	IGG01931		IGG01931		
	Entry	IGG01931	IGG01931			
IGG01933	Load		IGG01933	IGG01933		SYS1.LPALIB
	Object	IGG01933		IGG01933		
	Entry	IGG01933	IGG01933			
IGG01934	Load		IGG01934	IGG01934		SYS1.LPALIB
	Object	IGG01934		IGG01934		
	Entry	IGG01934	IGG01934			
IGG01935	Load		IGG01935	IGG01935		SYS1.LPALIB
	Object	IGC0001I				
		IGG01935		IGG01935		
	Entry	IGG01935	IGG01935			
IGG01936	Load		IGG01936	IGG01936		SYS1.LPALIB
	Object	IGG01936		IGG01936		
	Entry	IGG01936	IGG01936			
IGG01937	Load		IGG01937	IGG01937		SYS1.LPALIB
	Object	IGG01937		IGG01937		
	Entry	IGG01937	IGG01937			
IGG01938	Load		IGG01938	IGG01938		SYS1.LPALIB
	Object	IGG01938		IGG01938		
	Entry	IGG01938	IGG01938			
IGG01939	Load		IGG01939	IGG01939		SYS1.LPALIB
	Object	IGG01939		IGG01939		
	Entry	IGG01939	IGG01939			
IGG0194B	Load		IGG0194B	IGG0194B		SYS1.LPALIB
	Object	IGG0194B		IGG0194B		
	Entry	IGG0194B	IGG0194B			
IGG0194N	Load		IGG0194N	IGG0194N		SYS1.LPALIB
	Object	IGG0194N		IGG0194N		
	Entry	IGG0194N	IGG0194N			
IGG0194P	Load		IGG0194P	IGG0194P		SYS1.LPALIB
	Object	IGG0194P		IGG0194P		
	Entry	IGG0194P	IGG0194P			
IGG0194Q	Load		IGG0194Q	IGG0194Q		SYS1.LPALIB
	Object	IGG0194Q		IGG0194Q		
	Entry	IGG0194Q	IGG0194Q			
IGG01940	Load		IGG01940	IGG01940		SYS1.LPALIB
	Object	IGG01940		IGG01940		

Name	Type	Load	Object	Entry	Alias	System Library
IGG01941	Entry	IGG01940	IGG01940			
	Load		IGG01941	IGG01941		SYS1.LPALIB
	Object	IGG01941	IGG01941	IGG01941		
IGG01942	Entry	IGG01941	IGG01941			
	Load		IGG01942	IGG01942		SYS1.LPALIB
	Object	IGG01942	IGG01942	IGG01942		
IGG01943	Entry	IGG01942	IGG01942			
	Load		IGG01943	IGG01943		SYS1.LPALIB
	Object	IGG01943	IGG01943	IGG01943		
IGG01944	Entry	IGG01943	IGG01943			
	Load		IGG01944	IGG01944		SYS1.LPALIB
	Object	IGG01944	IGG01944	IGG01944		
IGG01945	Entry	IGG01944	IGG01944			
	Load		IGG01945	IGG01945		SYS1.LPALIB
	Object	IGG01945	IGG01945	IGG01945		
IGG01946	Entry	IGG01945	IGG01945			
	Load		IGG01946	IGG01946		SYS1.LPALIB
	Object	IGC0001I				
IGG01948	Entry	IGG01946	IGG01946			
	Load		IGG01948	IGG01948		SYS1.LPALIB
	Object	IGG01948	IGG01948	IGG01948		
IGG01949	Entry	IGG01948	IGG01948			
	Load		IGG01949	IGG01949		SYS1.LPALIB
	Object	IGG01949	IGG01949	IGG01949		
IGG0195D	Entry	IGG01949	IGG01949			
	Load		IGG0195D	IGG0195D		SYS1.LPALIB
	Object	IGG0195D	IGG0195D	IGG0195D		
IGG0195G	Entry	IGG0195D	IGG0195D			
	Load		IGG0195G	IGG0195G		SYS1.LPALIB
	Object	IGG0195G	IGG0195G	IGG0195G		
IGG0195T	Entry	IGG0195G	IGG0195G			
	Load		IGG0195T	IGG0195T		SYS1.LPALIB
	Object	IGG0195T	IGG0195T	IGG0195T		
IGG0195U	Entry	IGG0195T	IGG0195T			
	Load		IGG0195U	IGG0195U		SYS1.LPALIB
	Object	IGG0195U	IGG0195U	IGG0195U		
IGG01950	Entry	IGG0195U	IGG0195U			
	Load		IGG01950	IGG01950		SYS1.LPALIB
	Object	IGG01950	IGG01950	IGG01950		
IGG0196A	Entry	IGG01950	IGG01950			
	Object	IGG0191A		IGG0196A	IGG0196A	SYS1.LPALIB
	Alias	IGG0191A	IGG0196A	IGG0196A		
IGG0196B	Entry	IGG0191A	IGG0196A			
	Object	IGG0191A	IGG0196A	IGG0196B	IGG0196B	SYS1.LPALIB
	Alias	IGG0191A	IGG0196B	IGG0196B		
IGG0196C	Entry	IGG0191A	IGG0196B			
	Load		IGG0196C	IGG0196C		SYS1.LPALIB
	Object	IGG0196C	IGG0196C	IGG0196C		
IGG0196D	Entry	IGG0196C	IGG0196C			
	Load		IGG0196D	IGG0196D		SYS1.LPALIB
	Object	IGG0196D	IGG0196D	IGG0196D		
IGG0196G	Entry	IGG0196D	IGG0196D			
	Load		IGG0196G	IGG0196G		SYS1.LPALIB
	Object	IGG0196G	IGG0196G	IGG0196G		
IGG0196I	Entry	IGG0196G	IGG0196G			
	Object	IGG0191A		IGG0196I	IGG0196I	SYS1.LPALIB
	Alias	IGG0191A	IGG0196I	IGG0196I		
IGG0196K	Entry	IGG0191A	IGG0196I			
	Object	IGG0191D	IGG0196I	IGG0196K	IGG0196K	SYS1.LPALIB
	Alias	IGG0191D	IGG0196K	IGG0196K		
IGG0196L	Entry	IGG0191D	IGG0196K			
	Object	IGG0191D	IGG0196L	IGG0196L	IGG0196L	SYS1.LPALIB
	Alias	IGG0191D	IGG0196L	IGG0196L		
IGG0196M	Entry	IGG0191D	IGG0196L			
	Object	IFG0190P		IGG0196M	IGG0196M	SYS1.LPALIB
		IGC0001I				
		IGC0006D				
		IGG0191A				

Name	Type	Load	Object	Entry	Alias	System Library
		IGG0191L				
		IGG01911				
		IGG0193A				
	Entry	IFG0190P	IGG0196M			
		IGC0006D	IGC0006D			
		IGG0193A	IGG0193A			
	Alias	IFG0190P	IGG0196M			
IGG0196P	Object	IGG0191D		IGG0196P	IGG0196P	SYS1.LPALIB
	Entry	IGG0191D	IGG0196P			
	Alias	IGG0191D	IGG0196P			
IGG0196R	Object	IGG0191A				SYS1.LPALIB
	Entry	IGG0191A	IGG0191A			
IGG0196S	Load		IGG0196S	IGG0196S		SYS1.LPALIB
	Object	IGG0191A				
		IGG0196S		IGG0196S		
	Entry	IGG0196S	IGG0196S			
IGG0197A	Object	IGG0191A				SYS1.LPALIB
IGG0197C	Object	IGG0191A				SYS1.LPALIB
IGG0197E	Object	IGG0191A		IGG0197E	IGG0197E	SYS1.LPALIB
	Entry	IGG0191A	IGG0197E			
	Alias	IGG0191A	IGG0197E			
IGG0197F	Object	IGG0191A		IGG0197F	IGG0197F	SYS1.LPALIB
	Entry	IGG0191A	IGG0197F			
	Alias	IGG0191A	IGG0197F			
IGG0197L	Load					SYS1.LPALIB
			IGG0197L	IGG0197L		
	Object	IGG0191A				
		IGG0197L		IGG0197L		
	Entry	IGG0197L	IGG0197L			
IGG0197M	Load					SYS1.LPALIB
			IGG0197M	IGG0197M		
	Object	IGG0197M		IGG0197M		
	Entry	IGG0197M	IGG0197M			
IGG0197N	Load					SYS1.LPALIB
			IGG0197N	IGG0197N		
	Object	IGG0191A				
		IGG0197N		IGG0197N		
	Entry	IGG0197N	IGG0197N			
IGG0197P	Load					SYS1.LPALIB
			IGG0197P	IGG0197P		
	Object	IGG0197P		IGG0197P		
	Entry	IGG0197P	IGG0197P			
IGG0197Q	Load					SYS1.LPALIB
			IGG0197Q	IGG0197Q		
	Object	IGG0197Q		IGG0197Q		
	Entry	IGG0197Q	IGG0197Q			
IGG0197U	Object	IGG0191A		IGG0197U	IGG0197U	SYS1.LPALIB
	Entry	IGG0191A	IGG0197U			
	Alias	IGG0191A	IGG0197U			
IGG0197V	Object	IGG0191A				SYS1.LPALIB
IGG0198B	Load		IGG0198B	IGG0198B		SYS1.LPALIB
	Object	IGC0001I				
		IGG0198B		IGG0198B		
	Entry	IGG0198B	IGG0198B			
IGG0198L	Load		IGG0198L	IGG0198L		SYS1.LPALIB
	Object	IGG0198L		IGG0198L		
	Entry	IGG0198L	IGG0198L			
IGG0199F	Load		IGG0199F	IGG0199F		SYS1.LPALIB
	Object	IGC0001I				
		IGG0199F		IGG0199F		
	Entry	IGG0199F	IGG0199F			
IGG0199G	Load		IGG0199G	IGG0199G		SYS1.LPALIB
	Object	IGG0199G		IGG0199G		
	Entry	IGG0199G	IGG0199G			
IGG0199K	Object	IGG01911		IGG0199K	IGG0199K	SYS1.LPALIB
	Entry	IGG01911	IGG0199K			
	Alias	IGG01911	IGG0199K			
IGG0199L	Object	IGG0191L		IGG0199L	IGG0199L	SYS1.LPALIB
	Entry	IGG0191L	IGG0199L			
	Alias	IGG0191L	IGG0199L			

Name	Type	Load	Object	Entry	Alias	System Library
IGG01990	Object	IGG0191D		IGG01990	IGG01990	SYS1.LPALIB
	Entry	IGG0191D	IGG01990			
	Alias	IGG0191D	IGG01990			
IGG0199W	Load		IGG0199W	IGG0199W		SYS1.LPALIB
	Object	IGG0199W		IGG0199W		
	Entry	IGG0199W	IGG0199W			
IGG01991	Object	IGG0191D		IGG01991	IGG01991	SYS1.LPALIB
	Entry	IGG0191D	IGG01991			
	Alias	IGG0191D	IGG01991			
IGG01992	Object	IGG01911		IGG01992	IGG01992	SYS1.LPALIB
	Entry	IGG01911	IGG01992			
	Alias	IGG01911	IGG01992			
IGG01993	Object	IGG0191D		IGG01993	IGG01993	SYS1.LPALIB
	Entry	IGG0191D	IGG01993			
	Alias	IGG0191D	IGG01993			
IGG01994	Object	IGG01911		IGG01994	IGG01994	SYS1.LPALIB
	Entry	IGG01911	IGG01994			
	Alias	IGG01911	IGG01994			
IGG020D0	Object	IGG020P1				SYS1.LPALIB
IGG020D1	Object	IGG020P1				SYS1.LPALIB
IGG020FC	Load		IGG020FC	IGG020FC		SYS1.LPALIB
	Object	IFGORROA				
		IGG020FC		IGG020FC		
	Entry	IGG020FC	IGG020FC			
IGG020P1	Load		IGG020FC			SYS1.LPALIB
			IFG0202E			
			IGG019EK			
			IGG020D0			
			IGG020D1			
			IGG020P1	IFG0202E		
			IGG020P2			
			IGG020P3			
	Object	IGC00020				
		IGG020P1		IFG0202E		
IGG020P2	Object	IGG020P1				SYS1.LPALIB
IGG020P3	Object	IGG020P1				SYS1.LPALIB
IGG020T1	Load		IGG020T1	IGG020T1		SYS1.LPALIB
	Object	IFGORROA				
		IGG020T1		IGG020T1		
	Entry	IGG020T1	IGG020T1			
IGG0200B	Object	IGC00020		IFG0202B	IGG0200B	SYS1.LPALIB
	Alias	IGC00020	IGG0200B			
IGG0200F	Object	IGC00020		IFG0200Y	IGG0200F	SYS1.LPALIB
	Alias	IGC00020	IGG0200F			
IGG0200G	Object	IGC00020		IFG0200Y	IGG0200G	SYS1.LPALIB
	Alias	IGC00020	IGG0200G			
IGG0201A	Object	IGC00020				SYS1.LPALIB
		IGG0201Z		IGG0201A	IGG0201A	
	Entry	IGG0201Z	IGG0201A			
	Alias	IGG0201Z	IGG0201A			
IGG0201B	Object	IGG0201Z		IGG0201B	IGG0201B	SYS1.LPALIB
	Entry	IGG0201Z	IGG0201B			
	Alias	IGG0201Z	IGG0201B			
IGG0201D	Object	IGC00020				SYS1.LPALIB
IGG0201P	Load		IGG0201P	IGG0201P		SYS1.LPALIB
			IGG0201P	IGG0201P		
	Object	IGG0201P				
		IGG0201Z				
	Entry	IGG0201P	IGG0201P			
IGG0201R	Load		IGG0201R			SYS1.LPALIB
			IGG0201R	IGG0201R		
	Object	IGG0201R		IGG0201R		
	Entry	IGG0201R	IGG0201R			
IGG0201W	Load		IGG0201W	IGG0201W		SYS1.LPALIB
	Object	IGC00020				
		IGG0201W		IGG0201W		
	Entry	IGG0201W	IGG0201W			
IGG0201X	Object	IGG0201Z		IGG0201X	IGG0201X	SYS1.LPALIB
	Entry	IGG0201Z	IGG0201X			
	Alias	IGG0201Z	IGG0201X			
IGG0201Y	Object	IGG0201Z		IGG0201Y	IGG0201Y	SYS1.LPALIB

Name	Type	Load	Object	Entry	Alias	System Library	
IGG0201Z	Entry	IGG0201Z	IGG0201Y				
	Alias	IGG0201Z	IGG0201Y				
	Load		IGG0201A	IGG0201A	IGG0201A	IGG0201A	SYS1.LPALIB
				IGG0201B	IGG0201B	IGG0201B	
			IGG0201P				
			IGG0201X	IGG0201X	IGG0201X	IGG0201X	
			IGG0201Y	IGG0201Y	IGG0201Y	IGG0201Y	
			IGG0201Z	IGG0201Z			
			IGG0206M				
		Object	IGC00020				
		IGG0201Z		IGG0201Z			
IGG0202A	Entry	IGG0201Z	IGG0201Z				
	Load	IGG0201Z	IGG0202A	IGG0202A		SYS1.LPALIB	
	Object	IGC00020		IGG0202A			
IGG0202B	Entry	IGG0202A	IGG0202A				
	Load	IGG0202A	IGG0202B	IGG0202B		SYS1.LPALIB	
			IGG0202C	IGG0202C	IGG0202C		
	Object	IFG0RR0A					
IGG0202C		IGG0202B		IGG0202B			
	Entry	IGG0202B	IGG0202B				
	Object	IFG0TC0A				SYS1.LPALIB	
	IGG0202B		IGG0202C	IGG0202C	IGG0202C		
IGG0202D	Entry	IGG0202B	IGG0202C				
	Alias	IGG0202B	IGG0202C				
	Load	IGG0202B	IGG0202D	IGG0202D		SYS1.LPALIB	
Object	IGC00020						
IGG0202I		IGG0202D		IGG0202D			
	Entry	IGG0202D	IGG0202D				
	Load	IGG0202D	IGG0202I	IGG0202I		SYS1.LPALIB	
Object	IGC00020						
IGG0202J		IGG0202I		IGG0202I			
	Entry	IGG0202I	IGG0202I				
	Load	IGG0202I	IGG0202J	IGG0202J		SYS1.LPALIB	
Object	IGG0202J		IGG0202J				
IGG0202K	Entry	IGG0202J	IGG0202J				
	Load	IGG0202J	IGG0202K	IGG0202K		SYS1.LPALIB	
	Object	IGG0202K		IGG0202K			
IGG0202L	Entry	IGG0202K	IGG0202K				
	Load	IGG0202K	IGG0202L	IGG0202L		SYS1.LPALIB	
	Object	IGG0202L		IGG0202L			
IGG0202M	Entry	IGG0202L	IGG0202L				
	Load	IGG0202L	IGG0202M	IGG0202M		SYS1.LPALIB	
	Object	IGG0202M		IGG0202M			
IGG0202N	Entry	IGG0202M	IGG0202M				
	Load	IGG0202M	IGG0202N	IGG0202N		SYS1.LPALIB	
	Object	IGG0202N		IGG0202N			
IGG02028	Entry	IGG0202N	IGG0202N				
	Load	IGG0202N	IGG02028	IGG02028		SYS1.LPALIB	
	Object	IGC00020					
IGG02029		IGG02028		IGG02028			
	Entry	IGG02028	IGG02028				
	Load	IGG02028	IGG02029	IGG02029		SYS1.LPALIB	
Object	IGC00020						
IGG0203A		IGG02029		IGG02029			
	Entry	IGG02029	IGG02029				
	Load	IGG02029	IGG0203A	IGG0203A		SYS1.LPALIB	
Object	IGC00020						
IGG0203B		IGG0203A		IGG0203A			
	Entry	IGG0203A	IGG0203A				
	Load	IGG0203A	IGG0203B	IGG0203B		SYS1.LPALIB	
Object	IGC00020						
IGG0203K		IGG0203B		IGG0203B			
	Entry	IGG0203B	IGG0203B				
	Object	IGC00020	IGG0203B	IGG0203K	IGG0203K	SYS1.LPALIB	
Entry	IGC00020	IGG0203K					
IGG0203M	Alias	IGC00020	IGG0203K				
	Load	IGC00020	IGG0203M	IGG0203M		SYS1.LPALIB	
	Object	IGC00020					
		IGG0203M		IGG0203M			

Name	Type	Load	Object	Entry	Alias	System Library
IGG0203Y	Entry	IGG0203M	IGG0203M			
	Load		IGG0203Y	IGG0203Y		SYS1.LPALIB
	Object	IGC00020				
IGG0203Z	Entry	IGG0203Y	IGG0203Y	IGG0203Y		
	Load	IGG0203Z	IGG0203Z	IGG0203Z		SYS1.LPALIB
	Object	IFG0TCOA	IGG0213Z	IGG0213Z	IGG0213Z	
IGG02030	Entry	IGG0203Z	IGG0203Z	IGG0203Z		
	Load	IFG0TCOA	IFG0TCOA			
	Object	IGG0203Z	IGG0203Z	IGG02030		SYS1.LPALIB
IGG02035	Entry	IGC00020				
	Load	IGG02030	IGG02030	IGG02030		
	Object	IGG02035	IGG02035	IGG02035		SYS1.LPALIB
IGG02036	Entry	IGG02035	IGG02035	IGG02035		
	Load	IGG02036	IGG02036	IGG02036		SYS1.LPALIB
	Object	IGG02036	IGG02036	IGG02036		
IGG02041	Entry	IGG02036	IGG02036	IGG02036		
	Load	IGG02041	IGG02041	IGG02041		SYS1.LPALIB
	Object	IGG02041	IGG02041	IGG02041		
IGG02046	Entry	IGG02041	IGG02041	IGG02041		
	Load	IGG02046	IGG02046	IGG02046		SYS1.LPALIB
	Object	IGC00020				
IGG0206M	Entry	IGG02046	IGG02046	IGG02046		
	Object	IFG0190P		IFG0200P	IGG0206M	SYS1.LPALIB
	Alias	IGC00020				
IGG021AB	Entry	IGG0201Z	IGC00020			
	Object	IFG0190P	IGG0206M			SYS1.LPALIB
	Object	IGC0002A				SYS1.LPALIB
IGG0210A	Object	IGC0002A				SYS1.LPALIB
	Object	IFG0RR0A				SYS1.LPALIB
	Object	IGG0203Z		IGG0213Z	IGG0213Z	
IGG0290A	Entry	IGG0203Z	IGG0213Z			
	Alias	IGG0203Z	IGG0213Z			
	Object	IGC0002I		IGG0290A	IGG0290A	SYS1.LPALIB
IGG0290B	Entry	SECLOADA				
	Alias	IGC0002I	IGG0290A			
	Object	IGC0002I	IGG0290A			SYS1.LPALIB
IGG0290C	Object	IGC0002I			SYS1.LPALIB	
IGG0290D	Object	IGC0002I			SYS1.LPALIB	
IGG0290E	Object	IGC0002I			SYS1.LPALIB	
IGG0290F	Object	IGC0002I			SYS1.LPALIB	
IGG0299A	Entry	IGC0002I	IGG0300F			
	Object	IGC0002I				SYS1.LPALIB
	Object	IGC0002I		IGG0290F	IGG0300F	SYS1.LPALIB
IGG03001	Alias	IGC00030				
	Object	IGC0002I	IGG0300F			SYS1.LPALIB
	Object	IGC00030		IGG03001	IGG03001	
IGG03002	Entry	SECLOADA				
	Alias	IGC00030	IGG03001			
	Object	IGC0002I	IGG03001			SYS1.LPALIB
IGG032I1	Entry	IGC00030	IGG03002	IGG03002	IGG03002	
	Alias	IGC00030	IGG03002			
	Object	IGC0003B	IGG03002			SYS1.LPALIB
IGG032I2	Object	IGC0003B			SYS1.LPALIB	
IGG032I3	Object	IGC0003B			SYS1.LPALIB	
IGG032I4	Object	IGC0003B			SYS1.LPALIB	
IGG032I5	Object	IGC0003B			SYS1.LPALIB	
IGG032I6	Object	IGC0003B			SYS1.LPALIB	

Name	Type	Load	Object	Entry	Alias	System Library
IGG032I7	Object	IGC0003B				SYS1.LPALIB
IGG032I8	Object	IGC0003B				SYS1.LPALIB
IGG0325A	Object	IGC0003B		IGG0325A	IGG0325A	SYS1.LPALIB
		IGG0325Z				
	Entry	IGC0003B	IGG0325A			
	Alias	IGC0003B	IGG0325A			
IGG0325B	Object	IGC0003B				SYS1.LPALIB
IGG0325C	Object	IGC0003B				SYS1.LPALIB
IGG0325D	Object	IGC0003B				SYS1.LPALIB
IGG0325E	Object	IGC0003B				SYS1.LPALIB
IGG0325G	Object	IGC0003B				SYS1.LPALIB
IGG0325H	Object	IGC0003B		IGG0325H	IGG0325H	SYS1.LPALIB
		IGG0325Z				
	Entry	IGC0003B	IGG0325H			
	Alias	IGC0003B	IGG0325H			
IGG0325I	Object	IGC0003B				SYS1.LPALIB
IGG0325K	Object	IGC0003B				SYS1.LPALIB
IGG0325P	Object	IGG0325Z				SYS1.LPALIB
IGG0325Q	Object	IGG0325Z				SYS1.LPALIB
IGG0325R	Object	IGG0325Z				SYS1.LPALIB
IGG0325T	Object	IGG0325Z				SYS1.LPALIB
IGG0325U	Object	IGG0325Z				SYS1.LPALIB
IGG0325V	Object	IGG0325Z				SYS1.LPALIB
IGG0325W	Object	IGG0325Z				SYS1.LPALIB
IGG0325Z	Load		IGG0325A			SYS1.LPALIB
			IGG0325H			
			IGG0325P			
			IGG0325Q			
			IGG0325R			
			IGG0325T			
			IGG0325U			
			IGG0325V			
			IGG0325W			
			IGG0325Z	IGG0553F		
			IGG0553F			
	Object	IGC0003B				
		IGG0325Z				
		IGG0553A				
	Entry	IGC0003B	IGC0003B			
		IGG0553A	IGG0553A			
IGG0550B	Object	IGC0005E		IFG0552R	IGG0550B	SYS1.LPALIB
	Alias	IGC0005E	IGG0550B			
IGG0550D	Object	IGC0005E		IFG0553H	IGG0550D	SYS1.LPALIB
	Alias	IGC0005E	IGG0550D			
IGG0550F	Object	IGC0005E		IFG0551T	IGG0550F	SYS1.LPALIB
	Alias	IGC0005E	IGG0550F			
IGG0550H	Object	IGC0005E		IFG0552N	IGG0550H	SYS1.LPALIB
	Alias	IGC0005E	IGG0550H			
IGG0550P	Object	EMODVOL1				SYS1.LPALIB
		IFG0194A		IFG0193D	IGG0550P	
	Entry	EMODVOL1	EMODVOL1			
	Alias	IFG0194A	IGG0550P			
IGG0553A	Load		IFG0554P			SYS1.LPALIB
			IGG019EK			
			IGG0325Z	IGG0325Z		
			IGG0553A			
			IGG0553B			
			IGG0553C			
			IGG0553D			
			IGG0553E			
			IGG0553F	IGG0553F	IGG0553F	
			IGG0553G			
	Object	IGC0005E				
		IGG0553A		IGG0325Z		
IGG0553B	Object	IGG0553A				SYS1.LPALIB
IGG0553C	Object	IGG0553A				SYS1.LPALIB
IGG0553D	Object	IGG0553A				SYS1.LPALIB
IGG0553E	Object	IGG0553A				SYS1.LPALIB
IGG0553F	Object	IGG0325Z				SYS1.LPALIB
		IGG0553A		IGG0553F	IGG0553F	

Name	Type	Load	Object	Entry	Alias	System Library
	Entry	IGG0325Z	IGG0325Z			
	Object	IGG0553A	IGG0553F			
IGG0553G	Alias	IGG0553A	IGG0553F			
IGG08101	Object	IGG0553A				SYS1.LPALIB
	Load		IGG08101	IGG08101		SYS1.LPALIB
	Object	IGG08101		IGG08101		
	Entry	IGG08101	IGG08101			
IGG08102	Load	IGG08102	IGG08102	IGG08102		SYS1.LPALIB
	Object	IGG08102		IGG08102		
	Entry	IGG08102	IGG08102			
IGG08103	Load	IGG08103	IGG08103	IGG08103		SYS1.LPALIB
	Object	IGG08103		IGG08103		
	Entry	IGG08103	IGG08103			
IGG08104	Load	IGG08104	IGG08104	IGG08104		SYS1.LPALIB
	Object	IGG08104		IGG08104		
	Entry	IGG08104	IGG08104			
IGG086AE	Load	IGG086AE	IGG086AE	IGG086AE		SYS1.LPALIB
	Object	IGG086AE		IGG086AE		
	Entry	IGG086AE	IGG086AE			
IGG0860A	Load	IGG0860A	IGG0860A	IGG0860A		SYS1.LPALIB
	Object	IGG0860A		IGG0860A		
	Entry	IGG0860A	IGG0860A			
IGG0860B	Load	IGG0860B	IGG0860B	IGG0860B		SYS1.LPALIB
	Object	IGG0860B		IGG0860B		
	Entry	IGG0860B	IGG0860B			
IGG0860C	Load	IGG0860C	IGG0860C	IGG0860C		SYS1.LPALIB
	Object	IGG0860C		IGG0860C		
	Entry	IGG0860C	IGG0860C			
IGG0860D	Load	IGG0860D	IGG0860D	IGG0860D		SYS1.LPALIB
	Object	IGG0860D		IGG0860D		
	Entry	IGG0860D	IGG0860D			
IGG09301	Object	IGC0009C				SYS1.LPALIB
IGG09302	Object	IGC0009C				SYS1.LPALIB
IGG09303	Object	IGC0009C				SYS1.LPALIB
IGG0940A	Object	IGC0009D				SYS1.LPALIB
IGG0940B	Object	IGC0009D				SYS1.LPALIB
IGG0940C	Object	IGC0009D				SYS1.LPALIB
IGG0940D	Object	IGC0009D				SYS1.LPALIB
IGG0940E	Object	IGC0009D				SYS1.LPALIB
IGG0940G	Object	IGC0009D				SYS1.LPALIB
IGG09400	Object	IGC0009D				SYS1.LPALIB
IGG09401	Object	IGC0009D				SYS1.LPALIB
IGG09402	Object	IGC0009D				SYS1.LPALIB
IGG09403	Object	IGC0009D				SYS1.LPALIB
IGG09404	Object	IGC0009D				SYS1.LPALIB
IGG09405	Object	IGC0009D				SYS1.LPALIB
IGG09406	Object	IGC0009D				SYS1.LPALIB
IGG09407	Object	IGC0009D				SYS1.LPALIB
IGG09408	Object	IGC0009D				SYS1.LPALIB
IGG09409	Object	IGC0009D				SYS1.LPALIB
IGG2103D	Object	IGC0003D				SYS1.LPALIB
	Alias	IGC0003D	IGG2103D	IEE0503D	IGG2103D	
IGNORMSG	Object	IKJEFLA				SYS1.LPALIB
IGXERROR	Object	IEANUC01				SYS1.NUCLEUS
IGXHASP1	Object	IEANUC01				SYS1.NUCLEUS
IGX00013	Load		IGX00013	IGX00013		SYS1.LPALIB
			IRBMFFUR			
			IRBMFIOI			
			IRBMFSDE			
			IRBMFTMA			
	Object	IGX00013		IGX00013		
	Entry	IGX00013	IGX00013			
IGX00014	Load	IGX00014	IGX00014	IGX00014		SYS1.LPALIB
	Object	IGX00014		IGX00014		
	Entry	IGX00014	IGX00014			
IGX00018	Load	IGX00018	IGX00018	IGX00018		SYS1.LPALIB
	Object	IGX00018		IGX00018		
	Entry	IGX00018	IGX00018			
IHCSP01	Load		IHCSP01	INGSP		SYS1.LINKLIB

Name	Type	Load	Object	Entry	Alias	System Library
			IHEGSP01	IHCSP01	IHEGSP01	
			INGSP			
IHCSP02	Object	IHCSP01				
	Entry	IHCSP01	IHEGSP01	INGSP		
	Load					SYS1.LINKLIB
			IHCSP02	TMGSP		
			IHDGSP02	IHCSP02	IHDGSP02	
			IHEGSP02	IHCSP02	IHEGSP02	
			TMGSP	IHCSP02	TMGSP	
	Object	IHCSP02				
	Entry	IHCSP02	IHDGSP02	TMGSP		
			IHEGSP02			
IHCSP03	Load		TMGSP			
			BGSEQ			SYS1.LINKLIB
			BGSUB			
			BGTRK			
			CNVRT			
			CRATL			
			DFSTR			
			DSATN			
			ENATL			
			ENATN			
			ENSEQ			
			ENSUB			
			ENTRK			
			EURATL			
			EXEC			
			FSMOD			
			GSPRD			
			ICURS			
			IDPOS			
			IHCSP03	INDEV		
			INCL			
			INDEV			
			INGDS			
			ITBP			
			ITRC			
			ITST			
			LKSUB			
			LOCPN			
			MLITS			
			MLPEO			
			MPATL			
			MVPOS			
			OMIT			
			ORGDS			
			ORGEN			
			PLINE			
			PLSTR			
			PPNT			
			PSGMT			
			PTEXT			
			RCURS			
			RDTRK			
			RESET			
			RQATN			
			RTBP			
			SALRM			
			SCHAM			
			SDATL			
			SDATM			
			SETATN			
			SGDSL			
			SGRAM			
			SLPAT			
			SPEC			
			SSCIS			
			STEOS			
			STPOS			
			TMDEV			

Name	Type	Load	Object	Entry	Alias	System Library
IHCGSP04	Object Load	IHCGSP03	TMGDS	INDEV		
			ADCON#			SYS1.LINKLIB
			BCNV	IHCGSP04	BCNV	
			ERRMON			
			IBCOM#			
			IHCGSP04	ERRMON		
				ERRMON		
IHDGSP01	Object Entry Load	IHCGSP04 IHCSP04	BCNV			SYS1.LINKLIB
			IHDGSP01	INGSP		
			INGSP	IHDGSP01	INGSP	
				INGSP		
IHDGSP02	Object Entry	IHDGSP01	INGSP			
	Object	IHCSP02				
	Alias	IHCSP02		IHCSP02	IHDGSP02	SYS1.LINKLIB
IHDGSP03	Load	IHCSP02	IHDGSP02			SYS1.LINKLIB
			BGSEQ			
			BGSUB			
			BGTRK			
			CNVRT			
			CRATL			
			DFSTR			
			DSATN			
			ENATL			
			ENATN			
			ENSEQ			
			ENSUB			
			ENTRK			
			EURATL			
			EXEC			
			FSMOD			
			GSPRD			
			ICURS			
			IDPOS			
			IHDGSP03	INDEV		
			INCL			
			INDEV			
			INGDS			
			ITBP			
			ITRC			
			ITST			
			LKSUB			
			LOCPN			
			MLITS			
			MLPEO			
			MPATL			
			MVPOS			
			OMIT			
			ORGDS			
			ORGEN			
			PLINE			
			PLSTR			
			PPNT			
			PSGMT			
			PTEXT			
			RCURS			
			RDTRK			
			RESET			
			RQATN			
			RTBP			
			SALRM			
			SCHAM			
			SDATL			
			SDATM			
			SETATN			
			SGDSL			
			SGRAM			
			SLPAT			
			SPEC			
			SSCIS			

Name	Type	Load	Object	Entry	Alias	System Library
			STEOS			
			STPOS			
			TMDEV			
			TMGDS			
IHEGSP01	Object	IHDGSP03		INDEV		
	Object	IHCSP01		IHCSP01	IHEGSP01	SYS1.LINKLIB
	Alias	IHCSP01	IHEGSP01			
IHEGSP02	Object	IHCSP02		IHCSP02	IHEGSP02	SYS1.LINKLIB
	Alias	IHCSP02	IHEGSP02			
IHEGSP03	Load		BGSEQ			SYS1.LINKLIB
			BGSUB			
			BGTRK			
			CNVRT			
			CRATL			
			DFSTR			
			DSATN			
			ENATL			
			ENATN			
			ENSEQ			
			ENSUB			
			ENTRK			
			EURATL			
			EXEC			
			FSMOD			
			GSPRD			
			ICURS			
			IDPOS			
			IHEGSP03	INDEV		
			INCL			
			INDEV			
			INGDS			
			ITBP			
			ITRC			
			ITST			
			LKSUB			
			LOCPN			
			MLITS			
			MLPEO			
			MPATL			
			MVPOS			
			OMIT			
			ORGDS			
			ORGEN			
			PLINE			
			PLSTR			
			PPNT			
			PSGMT			
			PTEXT			
			RCURS			
			RDTRK			
			RESET			
			RQATN			
			RTBP			
			SALRM			
			SCHAM			
			SDATL			
			SDATM			
			SETATN			
			SGDSL			
			SGRAM			
			SLPAT			
			SPEC			
			SSCIS			
			STEOS			
			STPOS			
			TMDEV			
			TMGDS			
IHLGTF	Object	IHEGSP03		INDEV		
	Object	AHLGTF		AHLGTFI	IHLGTF	SYS1.LINKLIB
	Alias	AHLGTF	IHLGTF			

Name	Type	Load	Object	Entry	Alias	System Library
IKJCB831	Load		GENTRANS IKJCB831	IKJCB831 GENTRANS GENTRANS	GENTRANS	SYS1.LPALIB
	Object	IKJCB831				
	Entry	IKJCB831	GENTRANS			
IKJCT4MC	Object	IKJCT469				SYS1.LINKLIB
IKJCT4PC	Object	IKJCT469				SYS1.LINKLIB
IKJCT4PO	Object	IKJCT469				SYS1.LINKLIB
IKJCT4PS	Object	IKJCT469				SYS1.LINKLIB
IKJCT430	Object	EXEC				SYS1.CMDLIB
	Entry	EXEC	EX EXEC			
IKJCT431	Object	EXEC				SYS1.CMDLIB
IKJCT432	Object	EXEC				SYS1.CMDLIB
IKJCT433	Object	IKJPTGT				SYS1.LPALIB
IKJCT434	Object	IKJPTGT				SYS1.LPALIB
IKJCT435	Object	EXEC				SYS1.CMDLIB
IKJCT436	Object	IKJPTGT				SYS1.LPALIB
IKJCT460	Object	IKJCT469				SYS1.LINKLIB
IKJCT462	Object	IKJCT469				SYS1.LINKLIB
IKJCT463	Object	IKJCT469				SYS1.LINKLIB
IKJCT464	Object	IKJCT469				SYS1.LINKLIB
IKJCT466	Object	OUTPUT				SYS1.CMDLIB
	Entry	OUTPUT	OUT OUTPUT			
IKJCT467	Object	IKJCT469		IKJCT467	IKJCT467	SYS1.LINKLIB
	Entry	IKJCT469	IKJCT467			
	Alias	IKJCT469	IKJCT467			
IKJCT469	Load		IKJCT4MC IKJCT4PC IKJCT4PO IKJCT4PS IKJCT460 IKJCT462 IKJCT463 IKJCT464 IKJCT467 IKJCT469 IKJCT470 IKJCT471 IKJCT472 IKJCT473	IKJCT467 IKJCT469	IKJCT467	SYS1.LINKLIB
	Object	IKJCT469		IKJCT467	IKJCT467	
	Entry	IKJCT469	IKJCT469			
IKJCT470	Object	IKJCT469				SYS1.LINKLIB
IKJCT471	Object	IKJCT469				SYS1.LINKLIB
IKJCT472	Object	IKJCT469				SYS1.LINKLIB
IKJCT473	Object	IKJCT469				SYS1.LINKLIB
IKJDAIR	Object	IEFDB4D0		IEFDB4D0	IKJDAIR	SYS1.LPALIB
	Alias	IEFDB4D0	IKJDAIR			
IKJDFLT	Load		IKJDFLT IKJEHCIR IKJEHDEF IKJEHMSG IKJEHSMG	IKJEHDEF		SYS1.LPALIB
	Object	IKJDFLT		IKJEHDEF		
	Entry	IKJEHDEF				
IKJEBCH1	Object	IKJEBECH				SYS1.CMDLIB
IKJEBCH2	Object	IKJEBECH				SYS1.CMDLIB
IKJEBCH3	Object	IKJEBECH				SYS1.CMDLIB
IKJEBCH4	Object	IKJEBECH				SYS1.CMDLIB
IKJEBCEIM	Object	IKJEBECI				SYS1.CMDLIB
IKJEBDE1	Object	IKJEBEDE				SYS1.CMDLIB
IKJEBDO0	Object	IKJEBEDO				SYS1.CMDLIB
IKJEBEAA	Load		IKJEBEAA IKJEBEAD IKJEBEAS IKJEBEDL IKJEBEDR IKJEBEDS IKJEBEDU	IKJEBEAA		SYS1.CMDLIB

Name	Type	Load	Object	Entry	Alias	System Library
			IKJEBELO			
			IKJEBEMV			
			IKJEBERB			
			IKJEBERR			
			IKJEBESY			
			IKJEBEWA			
			IKJEBEWB			
			IKJEBEWP			
			IKJEBEWR			
			IKJEBEWS			
	Object	IKJEBEAA		IKJEBEAA		
	Entry	IKJEBEAA	IKJEBEAA			
IKJEBEAD	Object	IKJEBEAA				SYS1.CMDLIB
IKJEBEAE	Object	IKJEBEMA				SYS1.CMDLIB
IKJEBEAR	Load		IKJEBEAR	IKJEBEAR		SYS1.CMDLIB
	Object	IKJEBEAR		IKJEBEAR		
	Entry	IKJEBEAR	IKJEBEAR			
IKJEBEAS	Object	IKJEBEAA				SYS1.CMDLIB
IKJEBEAT	Object	IKJEBEMA				SYS1.CMDLIB
IKJEBEBO	Load		IKJEBEBO	IKJEBEBO		SYS1.CMDLIB
	Object	IKJEBEBO		IKJEBEBO		
	Entry	IKJEBEBO	IKJEBEBO			
IKJEBECH	Load		IKJEBEBO			SYS1.CMDLIB
			IKJEBCH1			
			IKJEBCH2			
			IKJEBCH3			
			IKJEBCH4			
			IKJEBECH	IKJEBECH		
			IKJEBESE	IKJEBESE	IKJEBESE	
	Object	IKJEBECH		IKJEBECH		
IKJEBECI	Entry	IKJEBECH	IKJEBECH			
	Load		IKJEBECIM			SYS1.CMDLIB
			IKJEBECI	IKJEBECI		
	Object	IKJEBECI		IKJEBECI		
IKJEBECK	Entry	IKJEBECI	IKJEBECI			
	Load		IKJEBECK	IKJEBECK		SYS1.CMDLIB
	Object	IKJEBECK		IKJEBECK		
IKJEBECO	Entry	IKJEBECK	IKJEBECK			
	Load		IKJEBECO	IKJEBECO		SYS1.CMDLIB
	Object	IKJEBECO		IKJEBECO		
IKJEBEDA	Entry	IKJEBECO	IKJEBECO			
	Load		IKJEBEDA	IKJEBEDA		SYS1.CMDLIB
	Object	IKJEBEDA		IKJEBEDA		
IKJEBEDC	Entry	IKJEBEDA	IKJEBEDA			
	Object	IKJEBERE				SYS1.CMDLIB
		IKJEBERU		IKJEBEDC	IKJEBEDC	
	Entry	IKJEBERU	IKJEBEDC			
IKJEBEDE	Alias	IKJEBERU	IKJEBEDC			
	Load		IKJEBDE1			SYS1.CMDLIB
			IKJEBEDE	IKJEBEDE		
	Object	IKJEBEDE		IKJEBEDE		
	Entry	IKJEBEDE	IKJEBEDE			
IKJEBEDL	Object	IKJEBEAA				SYS1.CMDLIB
IKJEBEDO	Load		IKJEBDO0			SYS1.CMDLIB
			IKJEBEDO	IKJEBEDO		
	Object	IKJEBEDO		IKJEBEDO		
IKJEBEDR	Entry	IKJEBEDO	IKJEBEDO			
IKJEBEDS	Object	IKJEBEAA				SYS1.CMDLIB
IKJEBEDU	Object	IKJEBEAA				SYS1.CMDLIB
IKJEBEDX	Object	IKJEBEAA				SYS1.CMDLIB
	Object	IKJEBERE		IKJEBEDX	IKJEBEDX	SYS1.CMDLIB
	Entry	IKJEBERE	IKJEBEDX			
	Alias	IKJEBERE	IKJEBEDX			
IKJEBEEN	Object	IKJEBEMA		IKJEBEEN	IKJEBEEN	SYS1.CMDLIB
	Entry	IKJEBEMA	IKJEBEEN			
	Alias	IKJEBEMA	IKJEBEEN			
IKJEBEEX	Load		IKJEBEEX	IKJEBEEX		SYS1.CMDLIB
	Object	IKJEBEEX		IKJEBEEX		
	Entry	IKJEBEEX	IKJEBEEX			
IKJEBEFC	Load		IKJEBEFC	IKJEBEFC		SYS1.CMDLIB
	Object	IKJEBEFC		IKJEBEFC		

Name	Type	Load	Object	Entry	Alias	System Library
IKJEBEFI	Entry Load	IKJEBEFC	IKJEBEFC IKJEBEFI IKJEBESE IKJEBFIO IKJEBFI1	IKJEBEFI		SYS1.COMDLIB
IKJEBEFO	Object Entry Load	IKJEBEFI IKJEBEFI	IKJEBEFI IKJEBEFO IKJEBFOO	IKJEBEFI IKJEBEFO		SYS1.COMDLIB
IKJEBEHE	Object Entry Load	IKJEBEFO IKJEBEFO	IKJEBEFO IKJEBEHE	IKJEBEFO IKJEBEHE		SYS1.COMDLIB
IKJEBEIA	Object Entry Load	IKJEBEHE IKJEBEHE	IKJEBEHE IKJEBEIA	IKJEBEHE IKJEBEIA		SYS1.COMDLIB
IKJEBEIN	Object Entry	IKJEBEIA E E	IKJEBEIA E E EDIT IKJEBEIN IKJEBEIN IKJEBEIP IKJEBIP1 IKJEBXT1	IKJEBEIN	IKJEBEIN	SYS1.COMDLIB
IKJEBEIP	Alias Load	E	IKJEBEIN IKJEBEIN IKJEBEIP IKJEBIP1 IKJEBXT1	IKJEBEIP		SYS1.COMDLIB
IKJEBEIS	Object Entry Load	IKJEBEIP IKJEBEIP	IKJEBEIP IKJEBEIS IKJEBIS1	IKJEBEIP IKJEBEIS		SYS1.COMDLIB
IKJEBELE	Object Entry Load	IKJEBEIS IKJEBEIS	IKJEBEIS IKJEBELE	IKJEBEIS IKJEBELE		SYS1.COMDLIB
IKJEBELI	Object Entry Load	IKJEBELE IKJEBELE	IKJEBELE IKJEBELI IKJEBLI1	IKJEBELE IKJEBELI		SYS1.COMDLIB
IKJEBELO IKJEBELT	Object Entry Object Load	IKJEBELI IKJEBELI IKJEBEAA	IKJEBELI IKJEBELT IKJEBLT1	IKJEBELI IKJEBELT		SYS1.COMDLIB SYS1.COMDLIB
IKJEBEMA	Object Entry Load	IKJEBELT IKJEBELT	IKJEBELT IKJEBEAE IKJEBEAT IKJEBEEN IKJEBEMA IKJEBENO IKJEBEUT IKJEBEXT IKJEBMA1 IKJEBMA2 IKJEBMA3 IKJEBMA8 IKJEBMA9 IKJEBMSG MA8IP002 MA8LI002 PCL	IKJEBELT IKJEBEEN IKJEBEMA IKJEBEUT IKJEBEXT	IKJEBEEN IKJEBEUT IKJEBEXT	SYS1.COMDLIB
IKJEBEMC	Object Entry Load	IKJEBELT IKJEBELT	IKJEBELT IKJEBEAE IKJEBEAT IKJEBEEN IKJEBEMA IKJEBENO IKJEBEUT IKJEBEXT IKJEBMA1 IKJEBMA2 IKJEBMA3 IKJEBMA8 IKJEBMA9 IKJEBMSG MA8IP002 MA8LI002 PCL	IKJEBELT IKJEBEEN IKJEBEMA IKJEBEUT IKJEBEXT	IKJEBEEN IKJEBEUT IKJEBEXT	SYS1.COMDLIB
IKJEBEME	Object Entry Load	IKJEBEMA IKJEBEMA	IKJEBEMA IKJEBEMC IKJEBEMM IKJEBE1	IKJEBEMA IKJEBEMC IKJEBEMM	IKJEBEMM	SYS1.COMDLIB
IKJEBEME	Object Entry Load	IKJEBEMC IKJEBEMC	IKJEBEMC IKJEBEME IKJEBMEM IKJEBMEO	IKJEBEMC IKJEBEME		SYS1.COMDLIB
IKJEBEME	Object	IKJEBEME	IKJEBEME	IKJEBEME		

Name	Type	Load	Object	Entry	Alias	System Library
IKJEBEMM	Entry	IKJEBEME	IKJEBEME			
	Object	IKJEBEMC	IKJEBEMC	IKJEBEMM	IKJEBEMM	SYS1.COMDLIB
IKJEBEMR	Entry	IKJEBEMC	IKJEBEMM			
	Alias	IKJEBEMC	IKJEBEMM			
IKJEBEMR	Load		IKJEBEMR	IKJEBEMR		SYS1.COMDLIB
			IKJEBMRM			
IKJEBEMS	Object	IKJEBEMR	IKJEBEMR	IKJEBEMR		
	Entry	IKJEBEMR	IKJEBEMR	IKJEBEMR		
IKJEBEMS	Load		IKJEBEMS	IKJEBEMS		SYS1.COMDLIB
	Object	IKJEBEMS	IKJEBEMS	IKJEBEMS		
IKJEBEMV	Entry	IKJEBEMS	IKJEBEMS			
	Object	IKJEBEAA				SYS1.COMDLIB
IKJEBEM1	Load		IKJEBEM1	IKJEBEM1		SYS1.COMDLIB
	Object	IKJEBEM1	IKJEBEM1	IKJEBEM1		
IKJEBEM2	Entry	IKJEBEM1	IKJEBEM1			
	Load		IKJEBEM2	IKJEBEM2		SYS1.COMDLIB
IKJEBEM3	Object	IKJEBEM2	IKJEBEM2	IKJEBEM2		
	Entry	IKJEBEM2	IKJEBEM2	IKJEBEM2		
IKJEBEM3	Load		IKJEBEM3	IKJEBEM3		SYS1.COMDLIB
	Object	IKJEBEM3	IKJEBEM3	IKJEBEM3		
IKJEBEM4	Entry	IKJEBEM3	IKJEBEM3			
	Load		IKJEBEM4	IKJEBEM4		SYS1.COMDLIB
IKJEBEM5	Object	IKJEBEM4	IKJEBEM4	IKJEBEM4		
	Entry	IKJEBEM4	IKJEBEM4	IKJEBEM4		
IKJEBEM5	Load		IKJEBEM5	IKJEBEM5		SYS1.COMDLIB
	Object	IKJEBEM5	IKJEBEM5	IKJEBEM5		
IKJEBEM6	Entry	IKJEBEM5	IKJEBEM5			
	Load		IKJEBEM6	IKJEBEM6		SYS1.COMDLIB
IKJEBEM6	Object	IKJEBEM6	IKJEBEM6	IKJEBEM6		
	Entry	IKJEBEM6	IKJEBEM6	IKJEBEM6		
IKJEBEM7	Load		IKJEBEM7	IKJEBEM7		SYS1.COMDLIB
	Object	IKJEBEM7	IKJEBEM7	IKJEBEM7		
IKJEBEM7	Entry	IKJEBEM7	IKJEBEM7			
	Object	IKJEBEM7	IKJEBEM7			
IKJEBEN0	Object	IKJEBEMA				SYS1.COMDLIB
IKJEBEPD	Object	IKJEBEPS				SYS1.COMDLIB
IKJEBEPS	Load		IKJEBEPD			SYS1.COMDLIB
			IKJEBEPS	IKJEBEPS		
IKJEBERB	Object	IKJEBEPS	IKJEBEPS	IKJEBEPS		
	Entry	IKJEBEPS	IKJEBEPS	IKJEBEPS		
IKJEBERC	Object	IKJEBEAA				SYS1.COMDLIB
	Load		IKJEBERC	IKJEBERC		SYS1.COMDLIB
IKJEBERE	Object	IKJEBERC	IKJEBERC	IKJEBERC		
	Entry	IKJEBERC	IKJEBERC	IKJEBERC		
IKJEBERE	Load		IKJEBEDC			SYS1.COMDLIB
			IKJEBEDX	IKJEBEDX	IKJEBEDX	
IKJEBERE			IKJEBERE	IKJEBERE		
			IKJEBRE1			
IKJEBERE			IKJEBRE2			
			IKJEBRE4			
IKJEBERE	Object	IKJEBERE	IKJEBERE	IKJEBERE	IKJEBRE5	
	Entry	IKJEBERE	IKJEBERE	IKJEBERE		
IKJEBERN	Load		IKJEBRE5			
	Object	IKJEBERN	IKJEBERN	IKJEBERN		SYS1.COMDLIB
IKJEBERN	Entry	IKJEBERN	IKJEBERN	IKJEBERN		
	Object	IKJEBEAA				SYS1.COMDLIB
IKJEBERU	Load		IKJEBEDC	IKJEBEDC	IKJEBEDC	SYS1.COMDLIB
			IKJEBERU	IKJEBERU		
IKJEBERU			IKJEBRU0			
	Object	IKJEBERU	IKJEBERU	IKJEBERU		
IKJEBESA	Entry	IKJEBERU	IKJEBERU			
	Load		IKJEBESA	IKJEBESA		SYS1.COMDLIB
IKJEBESA			IKJESB1			
			IKJESB2			
			IKJESB3			
			IKJESB4			
			IKJESB6			
			IKJESB7			
			IKJESB8			
			IKJESB8			

Name	Type	Load	Object	Entry	Alias	System Library
			IKJEBSA9			
	Object	IKJEBESA		IKJEBESA		
	Entry	IKJEBESA	IKJEBESA			
IKJEBESC	Load		IKJEBESC	IKJEBESC		SYS1.CMDLIB
			IKJEBSC1			
	Object	IKJEBESC		IKJEBESC		
	Entry	IKJEBESC	IKJEBESC			
IKJEBESE	Object	IKJEBECH		IKJEBESE	IKJEBESE	SYS1.CMDLIB
		IKJEBEFI				
	Entry	IKJEBECH	IKJEBESE			
	Alias	IKJEBECH	IKJEBESE			
IKJEBESU	Load		IKJEBESU	IKJEBESU		SYS1.CMDLIB
			IKJESUO			
	Object	IKJEBESU		IKJEBESU		
	Entry	IKJEBESU	IKJEBESU			
IKJEBESY	Object	IKJEBEAA				SYS1.CMDLIB
IKJEBETA	Load		IKJEBETA	IKJEBETA		SYS1.CMDLIB
			IKJEBTAA			
	Object	IKJEBETA		IKJEBETA		
	Entry	IKJEBETA	IKJEBETA			
IKJEBETO	Load		IKJEBETO	IKJEBETO		SYS1.CMDLIB
	Object	IKJEBETO		IKJEBETO		
	Entry	IKJEBETO	IKJEBETO			
IKJEBEUI	Load		IKJEBEUI	IKJEBEUI		SYS1.CMDLIB
	Object	IKJEBEUI		IKJEBEUI		
	Entry	IKJEBEUI	IKJEBEUI			
IKJEBEUN	Load		IKJEBEUN	IKJEBEUN		SYS1.CMDLIB
	Object	IKJEBEUN		IKJEBEUN		
	Entry	IKJEBEUN	IKJEBEUN			
IKJEBEUP	Load		IKJEBEUP	IKJEBEUP		SYS1.CMDLIB
			IKJEBUPO			
	Object	IKJEBEUP		IKJEBEUP		
	Entry	IKJEBEUP	IKJEBEUP			
IKJEBEUT	Object	IKJEBEMA		IKJEBEUT	IKJEBEUT	SYS1.CMDLIB
	Entry	IKJEBEMA	IKJEBEUT			
	Alias	IKJEBEMA	IKJEBEUT			
IKJEBEVE	Load		IKJEBEVE	IKJEBEVE		SYS1.CMDLIB
			IKJEBVEO			
	Object	IKJEBEVE		IKJEBEVE		
	Entry	IKJEBEVE	IKJEBEVE			
IKJEBEWA	Object	IKJEBEAA				SYS1.CMDLIB
IKJEBEWB	Object	IKJEBEAA				SYS1.CMDLIB
IKJEBEWP	Object	IKJEBEAA				SYS1.CMDLIB
IKJEBEWR	Object	IKJEBEAA				SYS1.CMDLIB
IKJEBEWS	Object	IKJEBEAA				SYS1.CMDLIB
IKJEBEXT	Object	IKJEBEMA		IKJEBEXT	IKJEBEXT	SYS1.CMDLIB
	Entry	IKJEBEMA	IKJEBEXT			
	Alias	IKJEBEMA	IKJEBEXT			
IKJEBE1	Object	IKJEBEMC				SYS1.CMDLIB
IKJEBF10	Object	IKJEBEFI				SYS1.CMDLIB
IKJEBF11	Object	IKJEBEFI				SYS1.CMDLIB
IKJEBF00	Object	IKJEBEFO				SYS1.CMDLIB
IKJEBIN0	Object	E				SYS1.CMDLIB
IKJEBIN1	Object	E				SYS1.CMDLIB
IKJEBIN2	Object	E				SYS1.CMDLIB
IKJEBIN3	Object	E				SYS1.CMDLIB
IKJEBIN4	Object	E				SYS1.CMDLIB
IKJEBIN5	Object	E				SYS1.CMDLIB
IKJEBIN6	Object	E				SYS1.CMDLIB
IKJEBIN7	Object	E				SYS1.CMDLIB
IKJEBIN8	Object	E				SYS1.CMDLIB
IKJEBIP1	Object	IKJEBEIP				SYS1.CMDLIB
IKJEBIS1	Object	IKJEBEIS				SYS1.CMDLIB
IKJEBLI1	Object	IKJEBELI				SYS1.CMDLIB
IKJEBLT1	Object	IKJEBELT				SYS1.CMDLIB
IKJEBMA1	Object	IKJEBEMA				SYS1.CMDLIB
IKJEBMA2	Object	IKJEBEMA				SYS1.CMDLIB
IKJEBMA3	Object	IKJEBEMA				SYS1.CMDLIB
IKJEBMA8	Object	IKJEBEMA				SYS1.CMDLIB
IKJEBMA9	Object	IKJEBEMA				SYS1.CMDLIB

Name	Type	Load	Object	Entry	Alias	System Library
IKJEBMEM	Object	IKJEBEME				SYS1.CMDLIB
IKJEBME0	Object	IKJEBEME				SYS1.CMDLIB
IKJEBMRM	Object	IKJEBEMR				SYS1.CMDLIB
IKJEBMSG	Object	IKJEBEMA				SYS1.CMDLIB
IKJEBRE1	Object	IKJEBERE				SYS1.CMDLIB
IKJEBRE2	Object	IKJEBERE				SYS1.CMDLIB
IKJEBRE4	Object	IKJEBERE				SYS1.CMDLIB
IKJEBRE5	Object	IKJEBERE				SYS1.CMDLIB
	Alias	IKJEBERE	IKJEBRE5	IKJEBERE	IKJEBRE5	SYS1.CMDLIB
IKJEBRU0	Object	IKJEBERU				SYS1.CMDLIB
IKJEBSA1	Object	IKJEBESA				SYS1.CMDLIB
IKJEBSA2	Object	IKJEBESA				SYS1.CMDLIB
IKJEBSA3	Object	IKJEBESA				SYS1.CMDLIB
IKJEBSA4	Object	IKJEBESA				SYS1.CMDLIB
IKJEBSA6	Object	IKJEBESA				SYS1.CMDLIB
IKJEBSA7	Object	IKJEBESA				SYS1.CMDLIB
IKJEBSA8	Object	IKJEBESA				SYS1.CMDLIB
IKJEBSA9	Object	IKJEBESA				SYS1.CMDLIB
IKJEESC1	Object	IKJEBESC				SYS1.CMDLIB
IKJEBSIR	Object	IKJEHSIR				SYS1.CMDLIB
	Entry	IKJEHSIR	IKJEHSIR			SYS1.CMDLIB
IKJEBSU0	Object	IKJEBESU				SYS1.CMDLIB
IKJEBTA0	Object	IKJEBETA				SYS1.CMDLIB
IKJEBUP0	Object	IKJEBEUP				SYS1.CMDLIB
IKJEBVE0	Object	IKJEBEVE				SYS1.CMDLIB
IKJEBXT1	Object	IKJEBEIP				SYS1.CMDLIB
IKJEES10	Object	SEND				SYS1.CMDLIB
	Entry	SEND	SE			SYS1.CMDLIB
			SEND			SYS1.CMDLIB
IKJEES11	Object	SEND				SYS1.CMDLIB
IKJEES20	Object	IEEVSEND				SYS1.LINKLIB
		IKJEES40				SYS1.CMDLIB
		SEND				SYS1.LINKLIB
IKJEES40	Load		IEEVSDIO			SYS1.LINKLIB
			IEEVSND5			SYS1.LINKLIB
			IKJEES20			SYS1.LINKLIB
			IKJEES40	IKJEES40		SYS1.LINKLIB
			MSGTABLE			SYS1.LINKLIB
	Object	IKJEES40			IKJEES40	SYS1.LINKLIB
	Entry	IKJEES40	IKJEES40			SYS1.LINKLIB
IKJEES70	Object	IKJEES73				SYS1.LINKLIB
		LISTBC				SYS1.CMDLIB
	Entry	LISTBC	LISTB			SYS1.CMDLIB
			LISTBC			SYS1.CMDLIB
IKJEES73	Load		BCPARS1			SYS1.LINKLIB
			IKJEES70			SYS1.LINKLIB
			IKJEES73	IKJEES73		SYS1.LINKLIB
			IKJEES74			SYS1.LINKLIB
			IKJEES75			SYS1.LINKLIB
			LSTBMSG			SYS1.LINKLIB
	Object	IKJEES73			IKJEES73	SYS1.LINKLIB
		LISTBC				SYS1.CMDLIB
	Entry	IKJEES73	IKJEES73			SYS1.LINKLIB
IKJEES74	Object	IKJEES73				SYS1.LINKLIB
		LISTBC				SYS1.CMDLIB
IKJEES75	Object	IKJEES73				SYS1.LINKLIB
		LISTBC				SYS1.CMDLIB
IKJEE1A0	Object	OPERATOR				SYS1.CMDLIB
IKJEE1A2	Object	OPERATOR				SYS1.CMDLIB
IKJEE100	Object	OPERATOR				SYS1.CMDLIB
	Entry	OPERATOR	OPER			SYS1.CMDLIB
			OPERATOR			SYS1.CMDLIB
IKJEE101	Object	OPERATOR				SYS1.CMDLIB
IKJEE150	Object	OPERATOR				SYS1.CMDLIB
IKJEFATT	Object	ATTRIB				SYS1.CMDLIB
	Entry	ATTRIB	ATTR			SYS1.CMDLIB
			ATTRIB			SYS1.CMDLIB
IKJEFAT1	Object	ATTRIB				SYS1.CMDLIB
IKJEFA00	Object	ACCOUNT				SYS1.LINKLIB
	Entry	ACCOUNT	ACCOUNT			SYS1.LINKLIB

Name	Type	Load	Object	Entry	Alias	System Library
IKJEFA01	Object	ACCOUNT	ACCTEXTR			SYS1.LINKLIB
IKJEFA10	Load		ADDERCLN			SYS1.LINKLIB
			IKJEFA10	IKJEFA10		
			IKJEFA11			
			IKJEFA12			
			IKJEFA13			
			IKJEFA51			
			IKJEFA52			
			IKJEFA53			
			IKJEFA55			
			MSGTABLE			
			NODEPARS			
			PASSEXTR			
			PASSPARS			
			PCLMODEL			
			PERFEXIT			
			PROCEXTR			
			PROCPAR1			
			PROCPAR2			
			RDGETERR			
			SIZEEXIT			
			USDAEXIT			
			USIDEXTR			
			USIDPARS			
	Object	IKJEFA10			IKJEFA10	
	Entry	IKJEFA10	IKJEFA10			
IKJEFA11	Object	IKJEFA10				SYS1.LINKLIB
IKJEFA12	Object	IKJEFA10				SYS1.LINKLIB
IKJEFA13	Object	IKJEFA10				SYS1.LINKLIB
IKJEFA20	Load		ACCTEXTR			SYS1.LINKLIB
			CHMSG			
			IKJEFA20	IKJEFA20		
			IKJEFA21			
			IKJEFA22			
			IKJEFA23			
			IKJEFA24			
			IKJEFA51			
			IKJEFA52			
			IKJEFA53			
			IKJEFA54			
			IKJEFA55			
			NODEPARS			
			PASSEXTR			
			PASSPARS			
			PCLMODEL			
			PERFEXIT			
			PROCEXTR			
			PROCPAR1			
			PROCPAR2			
			SIZEEXIT			
			USDAEXIT			
			USIDEXTR			
			USIDPARS			
	Object	IKJEFA20			IKJEFA20	
	Entry	IKJEFA20	IKJEFA20			
IKJEFA21	Object	IKJEFA20				SYS1.LINKLIB
IKJEFA22	Object	IKJEFA20				SYS1.LINKLIB
IKJEFA23	Object	IKJEFA20				SYS1.LINKLIB
IKJEFA24	Object	IKJEFA20				SYS1.LINKLIB
IKJEFA30	Load		ACCTEXTR			SYS1.LINKLIB
			ANDXL			
			IKJEFA30	IKJEFA30		
			IKJEFA31			
			IKJEFA32			
			IKJEFA51			
			IKJEFA52			
			IKJEFA54			
			IKJEFA55			
			NODEPARS			

Name	Type	Load	Object	Entry	Alias	System Library
			PASSEXTR			
			PASSPARS			
			PCLMODEL			
			PERFEXIT			
			PROCEXTR			
			PROCPAR1			
			PROCPAR2			
			SIZEEXIT			
			USDAEXIT			
			USIDEXTR			
			USIDPARS			
	Object	IKJEFA30				
	Entry	IKJEFA30	IKJEFA30	IKJEFA30		
IKJEFA31	Object	IKJEFA30				SYS1.LINKLIB
IKJEFA32	Object	IKJEFA30				SYS1.LINKLIB
IKJEFA40	Load	IKJEFA30				SYS1.LINKLIB
			ACCTEXTR			
			IKJEFA40			
			IKJEFA41			
			IKJEFA42			
			IKJEFA51			
			IKJEFA52			
			IKJEFA55			
			LSTMSG			
			NODEPARS			
			PASSEXTR			
			PASSPARS			
			PCLMODEL			
			PERFEXIT			
			PROCEXTR			
			PROCPAR1			
			PROCPAR2			
			SIZEEXIT			
			USDAEXIT			
			USIDEXTR			
			USIDPARS			
	Object	IKJEFA40				
	Entry	IKJEFA40	IKJEFA40	IKJEFA40		
IKJEFA41	Object	IKJEFA40				SYS1.LINKLIB
IKJEFA42	Object	IKJEFA40				SYS1.LINKLIB
IKJEFA51	Object	IKJEFA10				SYS1.LINKLIB
		IKJEFA20				
		IKJEFA30				
		IKJEFA40				
		IKJRBBU0				
IKJEFA52	Object	IKJEFA10				SYS1.LINKLIB
		IKJEFA20				
		IKJEFA30				
		IKJEFA40				
		IKJRBBU0				
IKJEFA53	Object	IKJEFA10				SYS1.LINKLIB
		IKJEFA20				
		IKJRBBU0				
IKJEFA54	Object	IKJEFA20				SYS1.LINKLIB
		IKJEFA30				
IKJEFA55	Object	IKJEFA10				SYS1.LINKLIB
		IKJEFA20				
		IKJEFA30				
		IKJEFA40				
IKJEFD20	Object	FREE				SYS1.CMDLIB
	Entry	FREE	FREE			
IKJEFD21	Object	FREE				SYS1.CMDLIB
IKJEFD22	Object	FREE				SYS1.CMDLIB
IKJEFD3A	Object	ALLOCATE				SYS1.CMDLIB
IKJEFD3B	Object	ALLOCATE				SYS1.CMDLIB
IKJEFD3C	Object	ALLOCATE				SYS1.CMDLIB
IKJEFD3D	Object	ALLOCATE				SYS1.CMDLIB
IKJEFD3E	Object	ALLOCATE				SYS1.CMDLIB
IKJEFD3F	Object	ALLOCATE				SYS1.CMDLIB
IKJEFD3X	Object	ALLOCATE				SYS1.CMDLIB

Name	Type	Load	Object	Entry	Alias	System Library
IKJEFD3Y	Object	ALLOCATE				SYS1.COMDLIB
IKJEFD3Z	Object	ALLOCATE				SYS1.COMDLIB
IKJEFD30	Object	ALLOCATE				SYS1.COMDLIB
	Entry	ALLOCATE	ALLOC			
			ALLOCATE			
IKJEFD31	Object	ALLOCATE				SYS1.COMDLIB
IKJEFD32	Object	ALLOCATE				SYS1.COMDLIB
IKJEFD33	Object	ALLOCATE				SYS1.COMDLIB
IKJEFD34	Object	ALLOCATE				SYS1.COMDLIB
IKJEFD35	Object	ALLOCATE				SYS1.COMDLIB
IKJEFD36	Object	ALLOCATE				SYS1.COMDLIB
IKJEFD37	Object	ALLOCATE				SYS1.COMDLIB
IKJEFE11	Load		END	IKJEFE11	END	SYS1.COMDLIB
			IKJEFE11	IKJEFE11		
			IKJEFE15			
			IKJEFE16			
			IKJPARSE			
			WHEN	IKJEFE11	WHEN	
	Object	IKJEFE11		IKJEFE11		
	Entry	IKJEFE11	END			
			IKJEFE11			
			WHEN			
IKJEFE15	Object	IKJEFE11				SYS1.COMDLIB
IKJEFE16	Object	IKJEFE11				SYS1.COMDLIB
IKJEFFCA	Object	STATUS		IKJEFFCA	IKJEFFCA	SYS1.COMDLIB
	Entry	STATUS	IKJEFFCA			
	Alias	STATUS	IKJEFFCA			
IKJEFF00	Object	IGC0010{				SYS1.LPALIB
	Entry	IGC0010{	IGC0010{			
IKJEFF01	Object	SUBMIT				SYS1.COMDLIB
	Entry	SUBMIT	SUB			
			SUBMIT			
IKJEFF02	Load		IKJEFF02	IKJEFF02		SYS1.LPALIB
			IKJEFF2M			
	Object	HELP				SYS1.COMDLIB
		IKJEFF02		IKJEFF02		SYS1.LPALIB
		IKJEFF04				SYS1.LINKLIB
		IKJEFF50				
		IKJRBBCR				
IKJEFF03	Entry	IKJEFF02	IKJEFF02			SYS1.LPALIB
	Object	IKJEFF04		IKJEFF03	IKJEFF03	SYS1.LINKLIB
	Entry	IKJEFF04	IKJEFF03			
	Alias	IKJEFF04	IKJEFF03			
IKJEFF04	Load		IKJEFF02			SYS1.LINKLIB
			IKJEFF03	IKJEFF03	IKJEFF03	
			IKJEFF04	IKJEFF04		
			IKJEFF05			
			IKJEFF06			
			IKJEFF07			
			IKJEFF08			
			IKJEFF09			
			IKJEFF13			
			IKJEFF15	IKJEFF15	IKJEFF15	
			IKJEFF16			
			IKJEFF17			
			IKJEFF2M			
	Object	IKJEFF04		IKJEFF04		
	Entry	IKJEFF04	IKJEFF04			
IKJEFF05	Object	IKJEFF04				SYS1.LINKLIB
IKJEFF06	Object	IKJEFF04				SYS1.LINKLIB
IKJEFF07	Object	IKJEFF04				SYS1.LINKLIB
IKJEFF08	Object	IKJEFF04				SYS1.LINKLIB
IKJEFF09	Object	IKJEFF04				SYS1.LINKLIB
IKJEFF10	Load		IKJEFF10	IKJEFF10		SYS1.LINKLIB
	Object	IKJEFF10		IKJEFF10		
	Entry	IKJEFF10	IKJEFF10			
IKJEFF13	Object	IKJEFF04				SYS1.LINKLIB
IKJEFF15	Object	IKJEFF04		IKJEFF15	IKJEFF15	SYS1.LINKLIB
	Entry	IKJEFF04	IKJEFF15			
	Alias	IKJEFF04	IKJEFF15			

Name	Type	Load	Object	Entry	Alias	System Library
IKJEFF16	Object	IKJEFF04				SYS1.LINKLIB
IKJEFF17	Object	IKJEFF04				SYS1.LINKLIB
IKJEFF18	Load		IKJEFF18 TSMMSG	IKJEFF18		SYS1.LINKLIB
	Object	IKJEFF18		IKJEFF18		
IKJEFF19	Entry	IKJEFF18	IKJEFF18			
	Load		IKJEFF19 IKJEFF21	IKJEFF19		SYS1.LINKLIB
	Object	IKJEFF19		IKJEFF19		
IKJEFF2M	Entry	IKJEFF19	IKJEFF19			
	Object	HELP				SYS1.COMDLIB
		IKJEFF02				SYS1.LPALIB
		IKJEFF04				SYS1.LINKLIB
		IKJEFF50				
		IKJRBBBCR				
IKJEFF20	Object	IGC0010{				SYS1.LPALIB
IKJEFF21	Object	IKJEFF19				SYS1.LINKLIB
IKJEFF4A	Object	IKJEFF57				SYS1.LINKLIB
IKJEFF4B	Object	IKJEFF57				SYS1.LINKLIB
IKJEFF49	Object	IKJEFF57				SYS1.LINKLIB
IKJEFF5A	Object	IKJEFF50				SYS1.LINKLIB
IKJEFF50	Load		IKJEFF02 IKJEFF2M IKJEFF5A IKJEFF50 IKJEFF55	IKJEFF50 IKJEFF55	IKJEFF55	SYS1.LINKLIB
	Object	IKJEFF50		IKJEFF50		
IKJEFF51	Entry	IKJEFF50	IKJEFF50			
	Load		IKJEFF51 IKJEFF52 IKJEFF54	IKJEFF51		SYS1.LINKLIB
	Object	IKJEFF51		IKJEFF51		
IKJEFF52	Entry	IKJEFF51	IKJEFF51			
IKJEFF53	Object	IKJEFF51				SYS1.LINKLIB
	Load		IKJEFF53	IKJEFF53		SYS1.LINKLIB
	Object	IKJEFF53		IKJEFF53		
IKJEFF54	Entry	IKJEFF53	IKJEFF53			
IKJEFF55	Object	IKJEFF51				SYS1.LINKLIB
	Object	IKJEFF50		IKJEFF55	IKJEFF55	SYS1.LINKLIB
	Entry	IKJEFF50	IKJEFF55			
IKJEFF56	Alias	IKJEFF50	IKJEFF55			
	Object	STATUS				SYS1.COMDLIB
	Entry	STATUS	ST			
IKJEFF57	Load		STATUS IKJEFF4A IKJEFF4B IKJEFF49 IKJEFF57	IKJEFF57 IKJEFF57		SYS1.LINKLIB
	Object	IKJEFF57		IKJEFF57		
IKJEFF58	Entry	IKJEFF57	IKJEFF57			
	Object	CANCEL				SYS1.COMDLIB
	Entry	CANCEL	CANCEL			
IKJEFG00	Object	CALL				SYS1.COMDLIB
	Entry	CALL	CALL			
IKJEFG01	Object	CALL				SYS1.COMDLIB
IKJEFG02	Object	CALL				SYS1.COMDLIB
IKJEFG03	Object	CALL				SYS1.COMDLIB
IKJEFH00	Object	HELP				SYS1.COMDLIB
IKJEFH01	Object	HELP				SYS1.COMDLIB
	Entry	HELP	H HELP			
IKJEFH02	Object	HELP				SYS1.COMDLIB
IKJEFH03	Object	HELP				SYS1.COMDLIB
IKJEFLA	Load		IGNORMSG IKJEFLA IKJEFLB IKJEFLC IKJEFLCM IKJEFLCN IKJEFLD	IKJEFLD		SYS1.LPALIB
			IKJEFLC	IKJEFLC	IKJEFLC	

Name	Type	Load	Object	Entry	Alias	System Library
			IKJEFLE			
			IKJEFLEA			
			IKJEFLE1			
			IKJEFLE2			
			IKJEFLE3			
			IKJEFLE4			
			IKJEFLG			
			IKJEFLGB			
			IKJEFLGH			
			IKJEFLGM			
			IKJEFLGN			
			IKJEFLGZ			
			IKJEFLH			
			IKJEFLI			
			IKJEFLIM			
			IKJEFLJ			
			IKJEFLK			
			IKJEFLM			
			IKJEFLN			
			IKJEFLPA			
			IKJEFLPB			
			IKJEFLP0			
			IKJEFLS			
			IKJEFLS1			
			IKJLB1	IKJEFLB	IKJLB1	
			IKJLJ1	IKJEFLJ	IKJLJ1	
			IKJLK1	IKJEFLK	IKJLK1	
			IKJLM1	IKJLM1	IKJLM1	
			INVALID			
			LOGON			
				IKJEFLD		
IKJEFLB	Object	IKJEFLA				
	Entry	IKJEFLA	IKJLB1			SYS1.LPALIB
IKJEFLC	Object	IKJEFLA		IKJEFLC	IKJEFLC	SYS1.LPALIB
	Entry	IKJEFLA	IKJEFLC			
	Alias	IKJEFLA	IKJEFLC			
IKJEFLCM	Object	IKJEFLA				SYS1.LPALIB
IKJEFLCN	Object	IKJEFLA				SYS1.LPALIB
IKJEFLD	Object	IKJEFLA				SYS1.LPALIB
	Entry	IKJEFLA	IKJEFLA			
IKJEFLE	Object	IKJEFLA				SYS1.LPALIB
IKJEFLEA	Object	IKJEFLA				SYS1.LPALIB
IKJEFLE1	Object	IKJEFLA				SYS1.LPALIB
IKJEFLE2	Object	IKJEFLA				SYS1.LPALIB
IKJEFLE3	Object	IKJEFLA				SYS1.LPALIB
IKJEFLE4	Object	IKJEFLA				SYS1.LPALIB
IKJEFLF	Load		IKJEFLF	IKJEFLF		SYS1.LPALIB
			IKJL4T00			
			IKJL4T01			
	Object	IKJEFLF		IKJEFLF		
	Entry	IKJEFLF	IKJEFLF			
IKJEFLG	Object	IKJEFLA				SYS1.LPALIB
IKJEFLGB	Object	IKJEFLA				SYS1.LPALIB
IKJEFLGH	Object	IKJEFLA				SYS1.LPALIB
IKJEFLGM	Object	IKJEFLA				SYS1.LPALIB
IKJEFLGN	Object	IKJEFLA				SYS1.LPALIB
IKJEFLGZ	Object	IKJEFLA				SYS1.LPALIB
IKJEFLH	Object	IKJEFLA				SYS1.LPALIB
IKJEFLI	Object	IKJEFLA				SYS1.LPALIB
IKJEFLIM	Object	IKJEFLA				SYS1.LPALIB
IKJEFLJ	Object	IKJEFLA				SYS1.LPALIB
	Entry	IKJEFLA	IKJLJ1			
IKJEFLK	Object	IKJEFLA				SYS1.LPALIB
	Entry	IKJEFLA	IKJLK1			
IKJEFLM	Object	IKJEFLA				SYS1.LPALIB
IKJEFLN	Object	IKJEFLA				SYS1.LPALIB
IKJEFLPA	Object	IKJEFLA				SYS1.LPALIB
IKJEFLPB	Object	IKJEFLA				SYS1.LPALIB

Name	Type	Load	Object	Entry	Alias	System Library
IKJEFLP0	Object	IKJEFLA				SYS1.LPALIB
IKJEFLS	Object	IKJEFLA				SYS1.LPALIB
IKJEFLS1	Object	IKJEFLA				SYS1.LPALIB
IKJEFL00	Object	LOGOFF				SYS1.CMDLIB
	Entry	LOGOFF				
			LOGOFF			
			LOGON			
IKJEFP00	Object	IKJPARS				SYS1.LPALIB
IKJEFP01	Object	IKJPARS				SYS1.LPALIB
IKJEFP02	Object	IKJPARS				SYS1.LPALIB
IKJEFP03	Object	IKJPARS				SYS1.LPALIB
IKJEFP10	Object	IKJPARS				SYS1.LPALIB
IKJEFP20	Object	IKJPARS				SYS1.LPALIB
IKJEFP30	Object	IKJSCAN				SYS1.LPALIB
	Entry	IKJSCAN	IKJSCAN			
IKJEFP40	Object	IKJSCAN				SYS1.LPALIB
IKJEFR00	Object	RUN				SYS1.CMDLIB
	Entry	RUN				
			R			
			RUN			
IKJEFR01	Object	RUN				SYS1.CMDLIB
IKJEFR02	Object	RUN				SYS1.CMDLIB
IKJEFR03	Object	RUN				SYS1.CMDLIB
IKJEFT0A	Object	IKJEFT01		IKJEFT0A	IKJEFT0A	SYS1.LPALIB
	Entry	IKJEFT01	IKJEFT0A			
	Alias	IKJEFT01	IKJEFT0A			
IKJEFT0B	Object	IKJEFT02		IKJEFT0B	IKJEFT0B	SYS1.LPALIB
	Entry	IKJEFT02	IKJEFT0B			
	Alias	IKJEFT02	IKJEFT0B			
IKJEFT01	Load		CODEMSG			SYS1.LPALIB
			IKJEFT0A	IKJEFT0A	IKJEFT0A	
			IKJEFT01	IKJEFT01		
			IKJEFT06			
			MSG56600			
			MSG56601			
			MSG56602			
			MSG56603			
			MSG56604			
			MSG56621			
			MSG56622			
			MSG56641			
			RDYMSG			
			SYSTEMSG			
			USERMSG			
	Object	IKJEFT01		IKJEFT01		
	Entry	IKJEFT01	IKJEFT01			
IKJEFT02	Load		CODEMSG			SYS1.LPALIB
			IKJEFT0B	IKJEFT0B	IKJEFT0B	
			IKJEFT02	IKJEFT02		
			IKJEFT03	IKJEFT03	IKJEFT03	
			IKJEFT06			
			MSG56600			
			MSG56601			
			MSG56602			
			MSG56603			
			MSG56604			
			MSG56621			
			MSG56622			
			MSG56641			
			RDYMSG			
			SYSTEMSG			
			USERMSG			
	Object	IKJEFT02		IKJEFT02		
	Entry	IKJEFT02	IKJEFT02			
IKJEFT03	Object	IKJEFT02		IKJEFT03	IKJEFT03	SYS1.LPALIB
	Entry	IKJEFT02	IKJEFT03			
	Alias	IKJEFT02	IKJEFT03			
IKJEFT04	Load		CODEMSG			SYS1.LPALIB
			IKJEFT04	IKJEFT04		
			IKJEFT05	IKJEFT05	IKJEFT05	
			IKJEFT06			
			MSG56600			

Name	Type	Load	Object	Entry	Alias	System Library
			MSG56601			
			MSG56602			
			MSG56603			
			MSG56604			
			MSG56621			
			MSG56622			
			MSG56641			
			RDYMSG			
			SYSTMSG			
			USERMSG			
	Object	IKJEFT04		IKJEFT04		
	Entry	IKJEFT04	IKJEFT04			
IKJEFT05	Object	IKJEFT04		IKJEFT05	IKJEFT05	SYS1.LPALIB
	Entry	IKJEFT04	IKJEFT05			
	Alias	IKJEFT04	IKJEFT05			
IKJEFT06	Object	IKJEFT01				SYS1.LPALIB
		IKJEFT02				
		IKJEFT04				
		IKJEFT07				
IKJEFT07	Load		CODEMSG			SYS1.LPALIB
			IKJEFT06			
			IKJEFT07	IKJEFT07		
			MSG56600			
			MSG56601			
			MSG56602			
			MSG56603			
			MSG56604			
			MSG56621			
			MSG56622			
			MSG56641			
			RDYMSG			
			SYSTMSG			
			USERMSG			
	Object	IKJEFT07		IKJEFT07		
	Entry	IKJEFT07	IKJEFT07			
IKJEFT25	Load		IKJEFT25	IKJEFT25		SYS1.LINKLIB
			MSGMOD			
	Object	IKJEFT25		IKJEFT25		
	Entry	IKJEFT25	IKJEFT25			
IKJEFT30	Object	IKJPTGT				SYS1.LPALIB
	Entry	IKJPTGT	IKJSTCK			
IKJEFT35	Object	IKJPTGT				SYS1.LPALIB
IKJEFT40	Object	IKJPTGT				SYS1.LPALIB
	Entry	IKJPTGT	IKJPUTL			
IKJEFT45	Object	IKJPTGT				SYS1.LPALIB
IKJEFT52	Object	IKJPTGT				SYS1.LPALIB
IKJEFT53	Object	IKJPTGT				SYS1.LPALIB
IKJEFT54	Object	IKJPTGT				SYS1.LPALIB
IKJEFT55	Object	IKJPTGT				SYS1.LPALIB
IKJEFT56	Object	IKJPTGT				SYS1.LPALIB
IKJEFT80	Object	TERMINAL				SYS1.CMDLIB
	Entry	TERMINAL	TERM			
			TERMINAL			
IKJEFT82	Object	PROFILE				SYS1.CMDLIB
	Entry	PROFILE	PROF			
			PROFILE			
IKJEFXSR	Load		IKJEFXSR	IKJEFXSR		SYS1.LINKLIB
	Object	IKJEFXSR		IKJEFXSR		
	Entry	IKJEFXSR	IKJEFXSR			
IKJEGAID	Object	TEST				SYS1.CMDLIB
IKJEGAPL	Object	IKJEGAT				SYS1.CMDLIB
IKJEGASN	Object	IKJEGPCH				SYS1.CMDLIB
IKJEGAT	Load		IKJEGAPL			SYS1.CMDLIB
			IKJEGAT	IKJEGAT		
	Object	IKJEGAT		IKJEGAT		
	Entry	IKJEGAT	IKJEGAT			
IKJEGATD	Load		IKJEGATD	IKJEGATD		SYS1.CMDLIB
	Object	IKJEGATD		IKJEGATD		
	Entry	IKJEGATD	IKJEGATD			
IKJEGATM	Object	TEST				SYS1.CMDLIB

Name	Type	Load	Object	Entry	Alias	System Library
IKJEGATN	Object	TEST				SYS1.COMDLIB
IKJEGBFT	Object	TEST				SYS1.COMDLIB
IKJEGBIS	Object	TEST				SYS1.COMDLIB
IKJEGBLD	Object	TEST				SYS1.COMDLIB
IKJEGBL1	Object	TEST				SYS1.COMDLIB
IKJEGCAL	Object	IKJEGGO		IKJEGCAL	IKJEGCAL	SYS1.COMDLIB
	Entry	IKJEGGO	IKJEGCAL			
	Alias	IKJEGGO	IKJEGCAL			
IKJEGCD2	Object	TEST				SYS1.COMDLIB
IKJEGCIV	Load		IKJEGCIV	IKJEGCIV		SYS1.COMDLIB
	Object	IKJEGCIV		IKJEGCIV		
	Entry	IKJEGCIV	IKJEGCIV			
IKJEGCOP	Object	TEST				SYS1.COMDLIB
IKJEGCPY	Load					SYS1.COMDLIB
			IKJEGCPY	IKJEGCPY		
			IKJEGPRM			
	Object	IKJEGCPY		IKJEGCPY		
	Entry	IKJEGCPY	IKJEGCPY			
IKJEGCVT	Object	TEST				SYS1.COMDLIB
IKJEGCVX	Object	TEST				SYS1.COMDLIB
IKJEGDBP	Object	IKJEGDEB				SYS1.COMDLIB
IKJEGDCB	Load		IKJEGDCB	IKJEGDCB		SYS1.COMDLIB
			IKJEGPCL			
	Object	IKJEGDCB		IKJEGDCB		
	Entry	IKJEGDCB	IKJEGDCB			
IKJEGDEB	Load		IKJEGDBP			SYS1.COMDLIB
			IKJEGDEB	IKJEGDEB		
	Object	IKJEGDEB		IKJEGDEB		
	Entry	IKJEGDEB	IKJEGDEB			
IKJEGDEL	Object	IKJEGLDF		IKJEGDEL	IKJEGDEL	SYS1.COMDLIB
	Entry	IKJEGLDF	IKJEGDEL			
	Alias	IKJEGLDF	IKJEGDEL			
IKJEGDLT	Object	IKJEGLDF				SYS1.COMDLIB
IKJEGDRP	Object	IKJEGEQU		IKJEGDRP	IKJEGDRP	SYS1.COMDLIB
	Entry	IKJEGEQU	IKJEGDRP			
	Alias	IKJEGEQU	IKJEGDRP			
IKJEGEID	Object	TEST				SYS1.COMDLIB
IKJEGEND	Load		IKJEGEND	IKJEGEND		SYS1.COMDLIB
	Object	IKJEGEND		IKJEGEND		
	Entry	IKJEGEND	IKJEGEND			
IKJEGEQU	Load		IKJEGDRP	IKJEGDRP	IKJEGDRP	SYS1.COMDLIB
			IKJEGEQU	IKJEGEQU		
			IKJEGPAR			
			IKJEGPRS			
	Object	IKJEGEQU		IKJEGEQU		
IKJEGFLT	Entry	IKJEGEQU	IKJEGEQU			
IKJEGFRE	Object	TEST				SYS1.COMDLIB
	Object	IKJEGLDF		IKJEGLDF	IKJEGFRE	SYS1.COMDLIB
	Entry	IKJEGLDF	IKJEGLDF			
	Alias	IKJEGLDF	IKJEGFRE			
IKJEGFRL	Object	IKJEGLDF				SYS1.COMDLIB
IKJEGFTB	Object	TEST				SYS1.COMDLIB
IKJEGGET	Object	IKJEGLDF		IKJEGGET	IKJEGGET	SYS1.COMDLIB
	Entry	IKJEGLDF	IKJEGGET			
	Alias	IKJEGLDF	IKJEGGET			
IKJEGGO	Load		IKJEGCAL	IKJEGCAL	IKJEGCAL	SYS1.COMDLIB
			IKJEGGO	IKJEGGO		
			IKJEGPAR			
			IKJEGPAS			
			IKJEGRUN	IKJEGRUN	IKJEGRUN	
	Object	IKJEGGO		IKJEGGO		
IKJEGGTM	Entry	IKJEGGO	IKJEGGO			
IKJEGINT	Object	IKJEGLDF				SYS1.COMDLIB
	Object	TEST				SYS1.COMDLIB
	Entry	TEST	TEST			
IKJEGIO	Object	TEST				SYS1.COMDLIB
IKJEGIST	Object	TEST				SYS1.COMDLIB
IKJEGLDF	Load		IKJEGDEL	IKJEGDEL	IKJEGDEL	SYS1.COMDLIB
			IKJEGDLT			
			IKJEGFRE	IKJEGLDF	IKJEGFRE	

Name	Type	Load	Object	Entry	Alias	System Library
			IKJEGFRL			
			IKJEGGET	IKJEGGET	IKJEGGET	
			IKJEGGTM			
			IKJEGLDF	IKJEGFRE		
			IKJEGLDP			
			IKJEGLOD	IKJEGLOD	IKJEGLOD	
	Object	IKJEGLDF				
	Entry	IKJEGLDF	IKJEGFRE			
IKJEGLDP	Object	IKJEGLDF				SYS1.CMDLIB
IKJEGLDR	Load		IKJEGLDR	IKJEGLDR		SYS1.CMDLIB
			IKJEGYDR			
	Object	IKJEGLDR		IKJEGLDR		
	Entry	IKJEGLDR	IKJEGLDR			
IKJEGLOD	Object	IKJEGLDF		IKJEGLOD	IKJEGLOD	SYS1.CMDLIB
	Entry	IKJEGLDF	IKJEGLOD			
	Alias	IKJEGLDF	IKJEGLOD			
IKJEGLSA	Load		IKJEGLSA	IKJEGLSA		SYS1.CMDLIB
	Object	IKJEGLSA		IKJEGLSA		
	Entry	IKJEGLSA	IKJEGLSA			
IKJEGLST	Load		IKJEGLST	IKJEGLST		SYS1.CMDLIB
			IKJEGPMA			
	Object	IKJEGLST		IKJEGLST		
	Entry	IKJEGLST	IKJEGLST			
IKJEGMAP	Load		IKJEGMAP	IKJEGMAP		SYS1.CMDLIB
			IKJEGPCL			
	Object	IKJEGMAP		IKJEGMAP		
	Entry	IKJEGMAP	IKJEGMAP			
IKJEGMMD	Object	TEST				SYS1.CMDLIB
IKJEGMMG	Object	TEST				SYS1.CMDLIB
IKJEGMMT	Object	TEST				SYS1.CMDLIB
IKJEGMNL	Object	TEST				SYS1.CMDLIB
IKJEGMN1	Object	TEST				SYS1.CMDLIB
IKJEGMSG	Object	TEST				SYS1.CMDLIB
IKJEGMYS	Object	IKJEGSYM				SYS1.CMDLIB
IKJEGOFF	Load		IKJEGOFF	IKJEGOFF		SYS1.CMDLIB
			IKJEGPCL			
			IKJEGVCK			
	Object	IKJEGOFF		IKJEGOFF		
	Entry	IKJEGOFF	IKJEGOFF			
IKJEGPAR	Object	IKJEGEQU				SYS1.CMDLIB
		IKJEGGO				
IKJEGPAS	Object		IKJEGASN			SYS1.CMDLIB
IKJEGPCH	Load		IKJEGPCH	IKJEGPCH		SYS1.CMDLIB
			IKJEGPMB			
			PCHABND1			
	Object	IKJEGPCH		IKJEGPCH		
	Entry	IKJEGPCH	IKJEGPCH			
IKJEGPCL	Object	IKJEGDCB				SYS1.CMDLIB
		IKJEGMAP				
		IKJEGOFF				
		IKJEGQFY				
		IKJEGTCB				
IKJEGPID	Object	TEST				SYS1.CMDLIB
IKJEGPMA	Object	IKJEGLST				SYS1.CMDLIB
IKJEGPMB	Object	IKJEGPCH				SYS1.CMDLIB
IKJEGPRM	Object	IKJEGCPY				SYS1.CMDLIB
IKJEGPRS	Object	IKJEGEQU				SYS1.CMDLIB
		IKJEGWHR				
IKJEGPSW	Load		IKJEGPSW	IKJEGPSW		SYS1.CMDLIB
			IKJEGPWP			
	Object	IKJEGPSW		IKJEGPSW		
	Entry	IKJEGPSW	IKJEGPSW			
IKJEGPWP	Object	IKJEGPSW				SYS1.CMDLIB
IKJEGQFY	Load		IKJEGPCL	IKJEGQFY		SYS1.CMDLIB
			IKJEGQFY	IKJEGQFY		
	Object	IKJEGQFY		IKJEGQFY		
	Entry	IKJEGQFY	IKJEGQFY			
IKJEGRUN	Object	IKJEGGO		IKJEGRUN	IKJEGRUN	SYS1.CMDLIB
	Entry	IKJEGGO	IKJEGRUN			

Name	Type	Load	Object	Entry	Alias	System Library
IKJEGSCD	Alias	IKJEGGO	IKJEGRUN			
IKJEGSCU	Object	TEST				SYS1.COMDLIB
IKJEGSRH	Object	TEST				SYS1.COMDLIB
IKJEGSTA	Object	TEST				SYS1.COMDLIB
IKJEGSYM	Load		IKJEGMYS			SYS1.COMDLIB
			IKJEGSYM	IKJEGSYM		
	Object	IKJEGSYM		IKJEGSYM		
IKJEGTCB	Entry	IKJEGSYM	IKJEGSYM			
	Load		IKJEGPCL			SYS1.COMDLIB
			IKJEGTCB	IKJEGTCB		
	Object	IKJEGTCB		IKJEGTCB		
IKJEGVCK	Entry	IKJEGTCB	IKJEGTCB			
IKJEGVLC	Object	IKJEGOFF				SYS1.COMDLIB
IKJEGWHR	Object	IKJEGWHR				SYS1.COMDLIB
	Load		IKJEGPRS			SYS1.COMDLIB
			IKJEGVLC			
			IKJEGWHR	IKJEGWHR		
	Object	IKJEGWHR		IKJEGWHR		
IKJEGYDR	Entry	IKJEGWHR	IKJEGWHR			
IKJEGYNT	Object	IKJEGWHR				SYS1.COMDLIB
IKJEHALC	Object	TEST				SYS1.COMDLIB
IKJEHALM	Object	IKJEHDS1				SYS1.COMDLIB
IKJEHAL1	Object	IKJEHAL1				SYS1.COMDLIB
	Load		IKJEHALM			SYS1.COMDLIB
			IKJEHAL1	IKJEHAL1		
			IKJEHERR			
			IKJEHHST			
			IKJEHMMR			
			IKJEHPRM			
			IKJEHSTS			
			IKJEHVHS			
			IKJEHWRT			
			LISTA	IKJEHAL1	LISTA	
			LISTALC	IKJEHAL1	LISTALC	
	Object	IKJEHAL1		IKJEHAL1		
	Entry	IKJEHAL1	IKJEHAL1			
			LISTA			
			LISTALC			
IKJEHBSC	Object	IKJEHDS1				SYS1.COMDLIB
IKJEHBTX	Object	IKJEHDS1				SYS1.COMDLIB
IKJEHCIR	Object	IKJDFLT				SYS1.LPALIB
		IKJEHDEF		IKJEHCIR	IKJEHCIR	
	Entry	IKJEHDEF	IKJEHCIR			
IKJEHDEF	Alias	IKJEHDEF	IKJEHCIR			
	Load		IKJDFLT	IKJEHCIR	IKJEHCIR	SYS1.LPALIB
			IKJEHDEF	IKJEHDEF		
			IKJEHMSG			
	Object	IKJDFLT				
		IKJEHDEF		IKJEHDEF		
	Entry	IKJDFLT	IKJDFLT			
IKJEHDSM	Object	IKJEHDEF	IKJEHDEF			SYS1.COMDLIB
IKJEHDS1	Load	IKJEHDS1				SYS1.COMDLIB
			CIROUTN			
			IKJEHALC			
			IKJEHBSC			
			IKJEHBTX			
			IKJEHDSM			
			IKJEHDS1	IKJEHDS1		
			IKJEHDS2			
			IKJEHERR			
			IKJEHHIS			
			IKJEHLBL			
			IKJEHMBR			
			IKJEHPRM			
			IKJEHSTA			
			IKJEHSTI			
			IKJEHVSM			

Name	Type	Load	Object	Entry	Alias	System Library
			IKJEHWRT			
			LISTD	IKJEHDS1	LISTD	
			LISTDS	IKJEHDS1	LISTDS	
	Object Entry	IKJEHDS1	IKJEHDS1	IKJEHDS1		
IKJEHDS2	Object	IKJEHDS1				SYS1.CMDLIB
IKJEHERR	Object	IKJEHAL1				SYS1.CMDLIB
		IKJEHDS1				
IKJEHHIS	Object	IKJEHDS1				SYS1.CMDLIB
IKJEHHST	Object	IKJEHAL1				SYS1.CMDLIB
IKJEHLBL	Object	IKJEHDS1				SYS1.CMDLIB
IKJEHMBR	Object	IKJEHDS1				SYS1.CMDLIB
IKJEHMEM	Load		IKJEHMEM	IKJEHMEM		SYS1.CMDLIB
	Object Entry	IKJEHMEM	IKJEHMEM	IKJEHMEM		
	Entry	IKJEHMEM	IKJEHMEM			
IKJEHMMR	Object	IKJEHAL1				SYS1.CMDLIB
IKJEHMSG	Object	IKJDFLT				SYS1.LPALIB
		IKJEHDEF				
		IKJEHPRO				SYS1.CMDLIB
		IKJEHREN				
IKJEHPCD	Object	IKJEHPRO				SYS1.CMDLIB
IKJEHPDL	Object	IKJEHREN				SYS1.CMDLIB
IKJEHPRM	Object	IKJEHAL1				SYS1.CMDLIB
		IKJEHDS1				
IKJEHPRO	Load		IKJEHMSG			SYS1.CMDLIB
			IKJEHPCD			
			IKJEHPRO	IKJEHPRO		
			IKJEHPWP			
			IKJEHSMG			
			PROT	IKJEHPRO	PROT	
			PROTECT	IKJEHPRO	PROTECT	
	Object Entry	IKJEHPRO	IKJEHPRO	IKJEHPRO		
	Entry	IKJEHPRO	IKJEHPRO			
			PROT			
			PROTECT			
IKJEHPWP	Object	IKJEHPRO				SYS1.CMDLIB
IKJEHREN	Load		IKJEHMSG			SYS1.CMDLIB
			IKJEHPDL			
			IKJEHREN	IKJEHREN		
			IKJEHRN2			
			IKJEHRN3			
			IKJEHRN4			
			IKJEHSMG			
			IKJEHTST			
			IKJEH13			
			IKJEH713			
			IKJEH913			
			REN	IKJEHREN	REN	
			RENAME	IKJEHREN	RENAME	
	Object Entry	IKJEHREN	IKJEHREN	IKJEHREN		
	Entry	IKJEHREN	IKJEHREN			
			REN			
			RENAME			
IKJEHRN2	Object	IKJEHREN				SYS1.CMDLIB
IKJEHRN3	Object	IKJEHREN				SYS1.CMDLIB
IKJEHRN4	Object	IKJEHREN				SYS1.CMDLIB
IKJEHSIR	Load		IKJEBSIR			SYS1.CMDLIB
			IKJEHSIR	IKJEBSIR		
			STAPATCH			
			STASCON			
IKJEHSMG	Object	IKJEHSIR		IKJEBSIR		
	Object	IKJDFLT				SYS1.LPALIB
		IKJEHDEF				
		IKJEHPRO				SYS1.CMDLIB
		IKJEHREN				
IKJEHSTA	Object	IKJEHDS1				SYS1.CMDLIB
IKJEHSTI	Object	IKJEHDS1				SYS1.CMDLIB
IKJEHSTS	Object	IKJEHAL1				SYS1.CMDLIB

Name	Type	Load	Object	Entry	Alias	System Library
IKJEHTST	Object	IKJEHREN				SYS1.CMDLIB
IKJEHVHS	Object	IKJEHAL1				SYS1.CMDLIB
IKJEHVSM	Object	IKJEHDS1				SYS1.CMDLIB
IKJEHWRT	Object	IKJEHAL1				SYS1.CMDLIB
		IKJEHDS1				
IKJEH13	Object	IKJEHREN				SYS1.CMDLIB
IKJEH713	Object	IKJEHREN				SYS1.CMDLIB
IKJEH913	Object	IKJEHREN				SYS1.CMDLIB
IKJGETL	Object	IKJPTGT		IKJGETL	IKJGETL	SYS1.LPALIB
	Entry	IKJPTGT	IKJGETL			
	Alias	IKJPTGT	IKJGETL			
IKJLB1	Object	IKJEFLA		IKJEFLB	IKJLB1	SYS1.LPALIB
	Alias	IKJEFLA	IKJLB1			
IKJLJ1	Object	IKJEFLA		IKJEFLJ	IKJLJ1	SYS1.LPALIB
	Alias	IKJEFLA	IKJLJ1			
IKJLKL01	Object	AKJLKL01		AKJLKL01	IKJLKL01	SYS1.CMDLIB
	Alias	AKJLKL01	IKJLKL01			
IKJLK1	Object	IKJEFLA		IKJEFLK	IKJLK1	SYS1.LPALIB
	Alias	IKJEFLA	IKJLK1			
IKJLM1	Object	IKJEFLA		IKJLM1	IKJLM1	SYS1.LPALIB
	Entry	IKJEFLA	IKJLM1			
	Alias	IKJEFLA	IKJLM1			
IKJL4T00	Object	IKJEFLF				SYS1.LPALIB
IKJL4T01	Object	IKJEFLF				SYS1.LPALIB
IKJPARS	Load		ADDRERSC			SYS1.LPALIB
			GENSCAN			
			GETCORE			
			IKJEFP00			
			IKJEFP01			
			IKJEFP02			
			IKJEFP03			
			IKJEFP10			
			IKJEFP20			
			IKJPARS	IKJPARS		
			ILLADDR			
			LISTT			
			POSITX			
			POSITX1			
			PROMPTQ			
			QSTRO1			
			RANGE			
			SKIPB			
			STALOC			
			TRANSQ			
			TRANSX			
			TRTAB			
			TYPETEST			
			UPPERTAB			
	Object	IKJPARS		IKJPARS		
	Entry	IKJPARS	IKJPARS			
IKJPARSE	Object	IKJEFE11				SYS1.CMDLIB
IKJPARS2	Load		IKJPARS2	IKJPARS2		SYS1.LPALIB
	Object	IKJPARS2		IKJPARS2		
	Entry	IKJPARS2	IKJPARS2			
IKJPTGT	Load		ALSO			SYS1.LPALIB
			CONLIST			
			FLUSH			
			IKJCT433			
			IKJCT434			
			IKJCT436			
			IKJEFT30			
			IKJEFT35			
			IKJEFT40			
			IKJEFT45			
			IKJEFT52			
			IKJEFT53			
			IKJEFT54			
			IKJEFT55			
			IKJEFT56			
			IKJGETL	IKJGETL	IKJGETL	

Name	Type	Load	Object	Entry	Alias	System Library
			IKJPTGT	IKJPTGT		
			IKJPUTL	IKJEFT40	IKJPUTL	
			IKJRBBMC			
			IKJSTCK	IKJEFT30	IKJSTCK	
			IKJUPDT			
			INLEN			
			LISTBUF			
			MAINBUF			
			MASTER			
			MSGBUF			
			MSGTABL			
			MSTRLV2			
			NOBUF			
			NOIFRMSG			
			PAUSMSG			
			PRMPTMSG			
			PROMPT			
			ROUTINES			
			SYMLIST			
			TRTABUP			
				IKJPTGT		
IKJPUTL	Object	IKJPTGT	IKJPTGT	IKJPTGT		
	Entry	IKJPTGT	IKJPTGT			
	Object	IKJPTGT	IKJPTGT	IKJEFT40	IKJPUTL	SYS1.LPALIB
	Alias	IKJPTGT	IKJPUTL			
IKJRBBMC	Object	IKJRBBCR				SYS1.LINKLIB
IKJRBBCR	Load		IEEVSDIO			SYS1.LINKLIB
			IEEVSNDS5			
			IKJEFA51			
			IKJEFF02			
			IKJEFF2M			
			IKJRBBMC			
			IKJRBBCR	IKJRBBCR		
	Object	IKJRBBCR	IKJRBBCR	IKJRBBCR		
	Entry	IKJRBBCR	IKJRBBCR			
IKJRBBMC	Object	IKJPTGT				SYS1.LPALIB
IKJRBBUO	Load		ANDXL			SYS1.LINKLIB
			IKJEFA51			
			IKJEFA52			
			IKJEFA53			
			IKJRBBUO	IKJRBBUO		
			IKJREF			
			IKJRMSG			
			UADSREFM	IKJREF	UADSREFM	
	Object	IKJRBBUO	IKJRBBUO	IKJRBBUO		
IKJREF	Entry	IKJRBBUO	IKJRBBUO			
	Object	IKJRBBUO				SYS1.LINKLIB
	Entry	IKJRBBUO	UADSREFM			
IKJRMSG	Object	IKJRBBUO				SYS1.LINKLIB
IKJSCAN	Load		GENSCAN			SYS1.LPALIB
			IKJEFP30			
			IKJEFP40			
			IKJSCAN	IKJEFP30		
			TRANSQ			
			TRANSX			
			TRTAB			
			UPPERTAB			
	Object	IKJSCAN		IKJEFP30		
IKJSTCK	Object	IKJPTGT		IKJEFT30	IKJSTCK	SYS1.LPALIB
	Alias	IKJPTGT	IKJSTCK			
IKJUPDT	Object	IKJPTGT				SYS1.LPALIB
IKJ409I	Object	IGC0009D				SYS1.LPALIB
IKJ5803D	Object	IGC0003D				SYS1.LPALIB
IKTAY81	Object	IGC0001C				SYS1.LPALIB
ILLADDR	Object	IKJPARS				SYS1.LPALIB
ILRAAL00	Object	IEANUC01				SYS1.NUCLEUS
ILLRACT	Object	ILRRLG				SYS1.LPALIB
ILLRACT00	Object	ILRTSK00		ILLRACT00	ILLRACT00	SYS1.LINKLIB
	Entry	ILRTSK00	ILLRACT00			
	Alias	ILRTSK00	ILLRACT00			
ILLRACT01	Object	ILRTSK00				SYS1.LINKLIB

Name	Type	Load	Object	Entry	Alias	System Library
ILRASN00	Load		ILRASN00	ILRASN00		SYS1.LINKLIB
	Object	ILRASN00	ILRTRP00	ILRTRP00	ILRTRP00	
	Entry	ILRASN00	ILRASN00	ILRASN00		
ILRDET00	Object	IEANUC01				SYS1.NUCLEUS
ILREOT00	Object	IEANUC01				SYS1.NUCLEUS
ILRETXR	Object	IEANUC01				SYS1.NUCLEUS
ILRFMT00	Load		ILRFMT00	ILRFMT00		SYS1.LINKLIB
	Object	ILRFMT00		ILRFMT00		
	Entry	ILRFMT00	ILRFMT00			
ILRFRR00	Object	IEANUC01				SYS1.NUCLEUS
ILRFRR01	Object	IEANUC01				SYS1.NUCLEUS
ILRGROUP	Load		ILRSAV	ILRSAV	ILRSAV	SYS1.LPALIB
			ILRTMI01	ILRTMI01	ILRTMI01	
			ILRTMRLG	ILRTMRLG	ILRTMRLG	
			ILRVSAMI	ILRVSAMI	ILRVSAMI	
ILRIMM00	Object	IEAVNP04				SYS1.NUCLEUS
ILRINT00	Object	IEANUC01				SYS1.NUCLEUS
ILRINT01	Object	IEANUC01				SYS1.NUCLEUS
ILRIOB01	Object	IEANUC01				SYS1.NUCLEUS
ILRIOC00	Object	IEANUC01				SYS1.NUCLEUS
ILRIOC01	Object	IEANUC01				SYS1.NUCLEUS
ILRIOC02	Object	IEANUC01				SYS1.NUCLEUS
ILRLXT00	Object	IEANUC01				SYS1.NUCLEUS
ILRMON00	Object	IEANUC01				SYS1.NUCLEUS
ILRMON01	Object	IEANUC01				SYS1.NUCLEUS
ILRMON02	Object	IEANUC01				SYS1.NUCLEUS
ILRPEX00	Object	IEANUC01				SYS1.NUCLEUS
ILRPEX01	Object	IEANUC01				SYS1.NUCLEUS
ILRPTM00	Object	IEANUC01				SYS1.NUCLEUS
ILRRETRY	Object	IEANUC01				SYS1.NUCLEUS
ILRRIM01	Object	IEAVNP04		IEAVNP04	ILRRIM01	SYS1.NUCLEUS
	Alias	IEAVNP04	ILRRIM01			
ILRRIM02	Object	IEAVNPA4		IEAVNPA4	ILRRIM02	SYS1.NUCLEUS
	Alias	IEAVNPA4	ILRRIM02			
ILRRIM03	Load		IEAVNPB4	ILRRIM03	IEAVNPB4	SYS1.NUCLEUS
	Object	ILRRIM03	ILRRIM03	ILRRIM03		
	Entry	ILRRIM03	IEAVNPB4			
			ILRRIM03			
ILRRLG	Load		ILRACT			SYS1.LPALIB
			ILRRLG	ILRRLG		
			ILRSAV			
			ILRTMI01			
			ILRTMRLG			
			ILRVSAMI			
	Object	ILRRLG		ILRRLG		
	Entry	ILRRLG	ILRRLG			
ILRRLG00	Object	ILRTSK00		ILRRLG00	ILRRLG00	SYS1.LINKLIB
	Entry	ILRTSK00	ILRRLG00			
	Alias	ILRTSK00	ILRRLG00			
ILRRLP00	Object	IEANUC01				SYS1.NUCLEUS
ILRSAV	Object	ILRGROUP		ILRSAV	ILRSAV	SYS1.LPALIB
	Entry	ILRGROUP	ILRSAV			
	Alias	ILRGROUP	ILRSAV			
ILRSV00	Object	ILRTSK00		ILRSV00	ILRSV00	SYS1.LINKLIB
	Entry	ILRTSK00	ILRSV00			
	Alias	ILRTSK00	ILRSV00			
ILRSLOT	Object	IEANUC01				SYS1.NUCLEUS
ILRSLOTV	Object	IEANUC01				SYS1.NUCLEUS
ILRSRT00	Object	IEANUC01				SYS1.NUCLEUS
ILRSSX00	Object	IEANUC01				SYS1.NUCLEUS
ILRTMC00	Object	ILRTSK00		ILRTMC00	ILRTMC00	SYS1.LINKLIB
	Entry	ILRTSK00	ILRTMC00			
			ILRTSK00			
			ILRTMC00			
ILRTMI01	Alias	ILRTSK00				
	Object	ILRGROUP		ILRTMI01	ILRTMI01	SYS1.LPALIB
		ILRRLG				
	Entry	ILRGROUP	ILRTMI01			

Name	Type	Load	Object	Entry	Alias	System Library
ILRTMRLG	Alias Object	ILRGROUP	ILRTMI01			
		ILRGROUP		ILRTMRLG	ILRTMRLG	SYS1.LPALIB
		ILRRLG				
ILRTMR00	Entry Alias Load	ILRGROUP	ILRTMRLG			
		ILRGROUP	ILRTMRLG	ILRTMR00		SYS1.LINKLIB
		ILRGROUP	ILRTMR00	ILRTMR01	ILRTMR01	
			ILRTMR01	ILRTMR00		
ILRTMR01	Object Entry Object	ILRTMR00	ILRTMR00			
		ILRTMR00	ILRTMR00	ILRTMR01	ILRTMR01	SYS1.LINKLIB
		ILRTMR00	ILRTMR01			
ILRTRP00	Alias Object	ILRTMR00	ILRTMR01			
		ILRTMR00	ILRTMR01	ILRTRP00	ILRTRP00	SYS1.LINKLIB
ILRTSK00	Entry Alias Load	ILRASN00	ILRTRP00			
		ILRASN00	ILRTRP00			SYS1.LINKLIB
			ACTGETN			
			ACTUPDT			
			ENTRYPT3			
			ILRACT00	ILRACT00	ILRACT00	
			ILRACT01			
			ILRRLG00	ILRRLG00	ILRRLG00	
			ILRSV00	ILRSV00	ILRSV00	
			ILRTMC00	ILRTMC00	ILRTMC00	
			ILRTSK00	ILRTMC00		
			SAVEPUT			
			SVRLGGET			
ILRVCN00	Object	ILRTSK00		ILRTMC00		
ILRVSAAMI	Object Object	IEANUC01				SYS1.NUCLEUS
		ILRGROUP		ILRVSAAMI	ILRVSAAMI	SYS1.LPALIB
		ILRRLG				
		ILRGROUP	ILRVSAAMI			
IMAPTFLE	Entry Alias Object	ILRGROUP	ILRVSAAMI			
		ILRGROUP	ILRVSAAMI	AMAPTFLE	IMAPTFLE	SYS1.LINKLIB
IMASPZAP	Alias Object	AMAPTFLE	IMAPTFLE			
		AMAPTFLE	IMAPTFLE	AMASPZAP	IMASPZAP	SYS1.LINKLIB
IMBLIST	Alias Object	AMASPZAP	IMASPZAP			
		AMASPZAP	IMASPZAP	HMBLKCTL	IMBLIST	SYS1.LINKLIB
IMDPRDMP	Alias Object	AMBLIST	IMBLIST			
		AMBLIST	IMBLIST	AMDPRDMP	IMDPRDMP	SYS1.LINKLIB
IMDUSRFF	Object Alias Load	AMDPRDMP	IMDPRDMP			
		AMDPRDMP	IMDPRDMP	IMDUSRFF	AMDUSRFF	SYS1.LPALIB
			AMDUSRFF	IMDUSRFF	HMDUSRFF	
			AMDUSRFF	IMDUSRFF	HMDUSRFF	
			AMDUSRFF	IMDUSRFF	HMDUSRFF	
			AMDUSRFF	IMDUSRFF	HMDUSRFF	
IMDUSRF9	Object Entry	IMDUSRFF	AMDUSRFF			SYS1.LPALIB
		IMDUSRFF	AMDUSRFF	AMDUSRF9		
IMP	Object	AMDUSRF9	AMDUSRF9			
		IDCAM01		IDCAM01	IMP	SYS1.CMDLIB
IMPORT	Alias Object	IDCAM01	IMP			
		IDCAM01	IMP	IDCAM01	IMPORT	SYS1.CMDLIB
IMPORTRA	Alias Object	IDCAM01	IMPORT			
		IDCAM01	IMPORT	IDCAM02	IMPORTRA	SYS1.CMDLIB
INCL	Object	IDCAM02	IMPORTRA			
		IDCAM02	IMPORTRA			SYS1.LINKLIB
		IHCGSP03				
		IHDGSP03				
		IHEGSP03				
INDDNAME	Object	HEWLF064				SYS1.LINKLIB
INDEV	Object	IHCGSP03				SYS1.LINKLIB
		IHDGSP03				
		IHEGSP03				
		IHCGSP03	IHCGSP03			
		IHDGSP03	IHDGSP03			
		IHEGSP03	IHEGSP03			
INFREBUF	Object	IEAVNP10				SYS1.NUCLEUS
		IEEMB811				SYS1.LPALIB
INGDS	Object	IRBMFINP				SYS1.LINKLIB
		IHCGSP03				SYS1.LINKLIB
		IHDGSP03				

Name	Type	Load	Object	Entry	Alias	System Library
INGSP	Object	IHEGSP03				
		IHCGSP01				
	Entry	IHDGSP01	IHCSP01	IHDGSP01	INGSP	SYS1.LINKLIB
		IHCSP01	IHDGSP01			
	Alias	IHDGSP01	INGSP			
INLEN	Object	IKJPTGT				SYS1.LPALIB
INRLDCB1	Object	HEWLF064				SYS1.LINKLIB
INRLDCB2	Object	HEWLF064				SYS1.LINKLIB
INTERB	Object	IQAENV00				SYS1.LPALIB
INTEST10	Object	IQAENV00				SYS1.LPALIB
INTEST11	Object	IQAENV00				SYS1.LPALIB
INTSYDAF	Object	IGG019AH				SYS1.LPALIB
INTTEST1	Object	IQAENV00				SYS1.LPALIB
INTTEST2	Object	IQAENV00				SYS1.LPALIB
INTTEST3	Object	IQAENV00				SYS1.LPALIB
INTTEST5	Object	IQAENV00				SYS1.LPALIB
INTTEST6	Object	IQAENV00				SYS1.LPALIB
INTTEST7	Object	IQAENV00				SYS1.LPALIB
INTTEST8	Object	IQAENV00				SYS1.LPALIB
INTTEST9	Object	IQAENV00				SYS1.LPALIB
INVALID	Object	IKJEFLA				SYS1.LPALIB
INVRETRY	Object	IEANUC01				SYS1.NUCLEUS
INVRMSG	Object	IEFW21SD				SYS1.LPALIB
INVROPT	Object	IEFW21SD				SYS1.LPALIB
INVSRTY	Object	IEANUC01				SYS1.NUCLEUS
INVWTMSG	Object	IEFW21SD				SYS1.LPALIB
IOCCATLK	Object	IEANUC01				SYS1.NUCLEUS
IOCSYNCH	Object	IEANUC01				SYS1.NUCLEUS
IODBCON	Object	AMDSAPGE				SYS1.LINKLIB
IODBDA	Object	AMDSAPGE				SYS1.LINKLIB
IODBOUT	Object	AMDSAPGE				SYS1.LINKLIB
IODBWORK	Object	AMDSAPGE				SYS1.LINKLIB
IOEFFCTR	Object	IFDOLT				SYS1.LINKLIB
IORFRR	Object	IEANUC01				SYS1.NUCLEUS
IOTPDHD1	Object	IQAENV00				SYS1.LPALIB
IOTPDHD2	Object	IQAENV00				SYS1.LPALIB
IOT00	Object	IQAENV00				SYS1.LPALIB
IQAAC00	Object	IQAENV00				SYS1.LPALIB
IQAADRAS	Object	IQALAN00				SYS1.LINKLIB
IQAADRBF	Object	IQALAN00				SYS1.LINKLIB
IQAADRSA	Object	IQALAN00				SYS1.LINKLIB
IQAADRVD	Object	IQALAN00				SYS1.LINKLIB
IQAALL00	Object	IQALAN00				SYS1.LINKLIB
IQAAS0	Object	IQAENV00				SYS1.LPALIB
IQAAS00	Object	IQAENV00				SYS1.LPALIB
IQAAS1	Object	IQAENV00				SYS1.LPALIB
IQAARC00	Object	IQALAN00				SYS1.LINKLIB
IQAASG00	Object	IQALAN00				SYS1.LINKLIB
IQAATTN0	Object	IQALAN00				SYS1.LINKLIB
IQAATTN1	Object	IQALAN00				SYS1.LINKLIB
IQAAT000	Object	IQALAN00				SYS1.LINKLIB
IQAAU00	Object	IQALAN00				SYS1.LINKLIB
IQAAVT00	Object	IQAENV00				SYS1.LPALIB
IQABUFC0	Object	IQALAN00				SYS1.LINKLIB
IQABUFC1	Object	IQALAN00				SYS1.LINKLIB
IQABUFC2	Object	IQALAN00				SYS1.LINKLIB
IQABUFC3	Object	IQALAN00				SYS1.LINKLIB
IQABUFER	Object	IQALAN00				SYS1.LINKLIB
IQABUFMS	Object	IQALAN00				SYS1.LINKLIB
IQABUFPS	Object	IQALAN00				SYS1.LINKLIB
IQABUFTI	Object	IQALAN00				SYS1.LINKLIB
IQABUFTL	Object	IQALAN00				SYS1.LINKLIB
IQABUF00	Object	IQALAN00				SYS1.LINKLIB
IQABUF2A	Object	IQALAN00				SYS1.LINKLIB
IQABUF2B	Object	IQALAN00				SYS1.LINKLIB
IQABUF2C	Object	IQALAN00				SYS1.LINKLIB
IQABUF4A	Object	IQALAN00				SYS1.LINKLIB
IQABUF4K	Object	IQALAN00				SYS1.LINKLIB

Name	Type	Load	Object	Entry	Alias	System Library
IQACAM00	Object	IQAENV00				SYS1.LPALIB
IQACOL00	Object	IQALAN00				SYS1.LINKLIB
IQACONV0	Object	IQALAN00				SYS1.LINKLIB
IQACTL00	Object	IQAENV00				SYS1.LPALIB
IQADAL00	Object	IQALAN00				SYS1.LINKLIB
IQADAM00	Object	IQAENV00				SYS1.LPALIB
IQADAS00	Object	IQAENV00				SYS1.LPALIB
IQADDBC0	Object	IQALAN00				SYS1.LINKLIB
IQADDBHR	Object	IQALAN00				SYS1.LINKLIB
IQADDBLB	Object	IQALAN00				SYS1.LINKLIB
IQADDM00	Object	IQALAN00				SYS1.LINKLIB
IQADDM01	Object	IQALAN00				SYS1.LINKLIB
IQADDT00	Object	IQAENV00				SYS1.LPALIB
IQADFF00	Object	IQALAN00				SYS1.LINKLIB
IQADFF00	Object	IQALAN00				SYS1.LINKLIB
IQADIC00	Object	IQAENV00				SYS1.LPALIB
IQADIC02	Object	IQAENV00				SYS1.LPALIB
IQADSB00	Object	IQALAN00				SYS1.LINKLIB
IQADSB01	Object	IQALAN00				SYS1.LINKLIB
IQADSC00	Object	IQALAN00				SYS1.LINKLIB
IQADSV00	Object	IEANUC01				SYS1.NUCLEUS
IQADUM00	Object	IQAENV00				SYS1.LPALIB
IQADUM02	Object	IQAENV00				SYS1.LPALIB
IQADVE00	Object	IQAENV00				SYS1.LPALIB
	Entry	IQAENV00	IQAENV00			
IQADVL00	Object	IQALAN00				SYS1.LINKLIB
	Entry	IQALAN00	IQALAN00			
IQADVM00	Load		IQADVM00	IQADVM00		SYS1.LINKLIB
	Object	IQADVM00		IQADVM00		
	Entry	IQADVM00	IQADVM00			
IQADVT00	Object	IQALAN00				SYS1.LINKLIB
IQAEIH00	Object	IQAENV00				SYS1.LPALIB
IQAENB00	Object	IQALAN00				SYS1.LINKLIB
IQAENB01	Object	IQALAN00				SYS1.LINKLIB
IQAENB02	Object	IQALAN00				SYS1.LINKLIB
IQAEND00	Object	IQALAN00				SYS1.LINKLIB
IQAENV00	Load					SYS1.LPALIB

AMCALRC
 CTLOGRET
 CTLSAVBF
 EXTBKOUT
 EXTEXTTR
 EXTLPSW
 EXT01TR
 FRCCWCK
 INTERB
 INTTEST10
 INTTEST11
 INTTEST1
 INTTEST2
 INTTEST3
 INTTEST5
 INTTEST6
 INTTEST7
 INTTEST8
 INTTEST9
 IOTPDHD1
 IOTPDHD2
 IOT00
 IQAACT00
 IQAAOS0
 IQAAOS00
 IQAAOS1
 IQAAVT00
 IQACAM00
 IQACTL00
 IQADAM00
 IQADAS00
 IQADDT00
 IQADIC00

Name	Type	Load	Object	Entry	Alias	System Library
			IQADIC02			
			IQADUM00			
			IQADUM02			
			IQADVE00			
			IQAEIH00			
			IQAENV00	IQADVE00		
			IQAERDMP			
			IQAERDPF			
			IQAERM00			
			IQAERM01			
			IQAERP00			
			IQAERRLK			
			IQAERRSV			
			IQAERRS2			
			IQAERR00			
			IQAERR02			
			IQAEXSTK			
			IQAEXTTR			
			IQAEXT00			
			IQAEXT01			
			IQAFMQ00			
			IQAICC00			
			IQALIH00			
			IQAINIR1			
			IQAINIR2			
			IQAINI00	IQAINI00	IQAINI00	
			IQAINT00			
			IQAI0C00			
			IQAI0STK			
			IQAI0TCD			
			IQAI0TCE			
			IQAI0TCL			
			IQAI0TCO			
			IQAI0TCP			
			IQAI0TCR			
			IQAI0TCT			
			IQAI0TC1			
			IQAI0TC2			
			IQAI0TC3			
			IQAI0TDC			
			IQAI0TDP			
			IQAI0TER			
			IQAI0THA			
			IQAI0TLG			
			IQAI0TPU			
			IQAI0TP1			
			IQAI0TP2			
			IQAI0TRO			
			IQAI0TSC			
			IQAI0TSP			
			IQAI0TTI			
			IQAI0TT1			
			IQAI0TT2			
			IQAI0T00			
			IQALIC00			
			IQAOAM00			
			IQAOIE00			
			IQAOPBF1			
			IQAOPBF2			
			IQAPAG00			
			IQAPAG01			
			IQAPAG03			
			IQAPAM00			
			IQAPBK00			
			IQAPER00			
			IQAPER01			
			IQAPIH00			
			IQAPOS00			
			IQAPPR00			
			IQASBC00			

Name	Type	Load	Object	Entry	Alias	System Library
			IQASBC01			
			IQASBC02			
			IQASIH00			
			IQASNCCW			
			IQASSR00			
			IQASSR01			
			IQASTK00			
			IQASTTPF			
			IQASTTPO			
			IQASTTX0			
			IQASTT00			
			IQATRMR1			
			IQATRM00			
			IQATSSSV			
			IQATSS00			
			IQATSS01			
			IQAWQL0			
			IQAWQL00			
			IQAWQL1			
			LRACK			
			PAG01RC			
			PAG03RC			
			PPPINPAG			
				IQADVE00		
IQAEQU00	Object	IQAENV00	IQALAN00			SYS1.LINKLIB
IQAERDMP	Object	IQAENV00	IQAENV00			SYS1.LPALIB
IQAERDPF	Object	IQAENV00	IQAENV00			SYS1.LPALIB
IQAERM00	Object	IQAENV00	IQAENV00			SYS1.LPALIB
IQAERM01	Object	IQAENV00	IQAENV00			SYS1.LPALIB
IQAERP00	Object	IQAENV00	IQAENV00			SYS1.LPALIB
IQAERRLK	Object	IQAENV00	IQAENV00			SYS1.LPALIB
IQAERRSV	Object	IQAENV00	IQAENV00			SYS1.LPALIB
IQAERRS2	Object	IQAENV00	IQAENV00			SYS1.LPALIB
IQAERR00	Object	IQAENV00	IQAENV00			SYS1.LPALIB
IQAERR02	Object	IQAENV00	IQAENV00			SYS1.LPALIB
IQAEXSTK	Object	IQAENV00	IQAENV00			SYS1.LPALIB
IQAEXTTR	Object	IQAENV00	IQAENV00			SYS1.LPALIB
IQAEXT00	Object	IQAENV00	IQAENV00			SYS1.LPALIB
IQAEXT01	Object	IQAENV00	IQAENV00			SYS1.LPALIB
IQAFAB00	Object	IQALAN00	IQALAN00			SYS1.LINKLIB
IQAFAB01	Object	IQALAN00	IQALAN00			SYS1.LINKLIB
IQAFMQ00	Object	IQAENV00	IQAENV00			SYS1.LPALIB
IQAGOT00	Object	IQALAN00	IQALAN00			SYS1.LINKLIB
IQAGO000	Object	IQALAN00	IQALAN00			SYS1.LINKLIB
IQAICC00	Object	IQAENV00	IQAENV00			SYS1.LPALIB
IQAIF000	Object	IQALAN00	IQALAN00			SYS1.LINKLIB
IQAIIH00	Object	IQAENV00	IQAENV00			SYS1.LPALIB
IQAINIR1	Object	IQAENV00	IQAENV00			SYS1.LPALIB
IQAINIR2	Object	IQAENV00	IQAENV00			SYS1.LPALIB
IQAINI00	Object	IQAENV00	IQAENV00	IQAINI00	IQAINI00	SYS1.LPALIB
	Entry	IQAENV00	IQAINI00			
	Alias	IQAENV00	IQAINI00			
IQAINT00	Object	IQAENV00	IQAENV00			SYS1.LPALIB
IQAINV00	Object	IQALAN00	IQALAN00			SYS1.LINKLIB
IQAIOC00	Object	IQAENV00	IQAENV00			SYS1.LPALIB
IQAIOSTK	Object	IQAENV00	IQAENV00			SYS1.LPALIB
IQAIOTCD	Object	IQAENV00	IQAENV00			SYS1.LPALIB
IQAIOTCE	Object	IQAENV00	IQAENV00			SYS1.LPALIB
IQAIOTCL	Object	IQAENV00	IQAENV00			SYS1.LPALIB
IQAIOTCO	Object	IQAENV00	IQAENV00			SYS1.LPALIB
IQAIOTCP	Object	IQAENV00	IQAENV00			SYS1.LPALIB
IQAIOTCR	Object	IQAENV00	IQAENV00			SYS1.LPALIB
IQAIOTCT	Object	IQAENV00	IQAENV00			SYS1.LPALIB
IQAIOTC1	Object	IQAENV00	IQAENV00			SYS1.LPALIB
IQAIOTC2	Object	IQAENV00	IQAENV00			SYS1.LPALIB
IQAIOTC3	Object	IQAENV00	IQAENV00			SYS1.LPALIB
IQAIOTDC	Object	IQAENV00	IQAENV00			SYS1.LPALIB
IQAIOTDP	Object	IQAENV00	IQAENV00			SYS1.LPALIB
IQAIOTER	Object	IQAENV00	IQAENV00			SYS1.LPALIB
IQAIOTHA	Object	IQAENV00	IQAENV00			SYS1.LPALIB

Name	Type	Load	Object	Entry	Alias	System Library
IQAIOTLG	Object	IQAENV00				SYS1.LPALIB
IQAIOTPU	Object	IQAENV00				SYS1.LPALIB
IQAIOTP1	Object	IQAENV00				SYS1.LPALIB
IQAIOTP2	Object	IQAENV00				SYS1.LPALIB
IQAIOTR0	Object	IQAENV00				SYS1.LPALIB
IQAIOTSC	Object	IQAENV00				SYS1.LPALIB
IQAIOTSP	Object	IQAENV00				SYS1.LPALIB
IQAIOTTI	Object	IQAENV00				SYS1.LPALIB
IQAIOTT1	Object	IQAENV00				SYS1.LPALIB
IQAIOTT2	Object	IQAENV00				SYS1.LPALIB
IQAIOT00	Object	IQAENV00				SYS1.LPALIB
IQALAN00	Load					SYS1.LINKLIB
			IQAADRAS			
			IQAADRBF			
			IQAADRSA			
			IQAADRVD			
			IQAALL00			
			IQAARC00			
			IQAASG00			
			IQAATTNO			
			IQAATTN1			
			IQAAT000			
			IQAAUR00			
			IQABUFCD			
			IQABUF00			
			IQABUF01			
			IQABUF02			
			IQABUF03			
			IQABUF04			
			IQABUF05			
			IQABUF06			
			IQABUF07			
			IQABUF08			
			IQABUF09			
			IQABUF10			
			IQABUF11			
			IQABUF12			
			IQABUF13			
			IQABUF14			
			IQABUF15			
			IQABUF16			
			IQABUF17			
			IQABUF18			
			IQABUF19			
			IQABUF20			
			IQABUF21			
			IQABUF22			
			IQABUF23			
			IQABUF24			
			IQABUF25			
			IQABUF26			
			IQABUF27			
			IQABUF28			
			IQABUF29			
			IQABUF30			
			IQABUF31			
			IQABUF32			
			IQABUF33			
			IQABUF34			
			IQABUF35			
			IQABUF36			
			IQABUF37			
			IQABUF38			
			IQABUF39			
			IQABUF40			
			IQABUF41			
			IQABUF42			
			IQABUF43			
			IQABUF44			
			IQABUF45			
			IQABUF46			
			IQABUF47			
			IQABUF48			
			IQABUF49			
			IQABUF50			
			IQACOL00			
			IQACONV0			
			IQADAL00			
			IQADDBC0			
			IQADDBHR			
			IQADDBLB			
			IQADDM00			
			IQADDM01			
			IQADDEF00			
			IQADFF00			
			IQADSB00			
			IQADSB01			
			IQADSC00			
			IQADVL00			
			IQADVT00			
			IQAENB00			
			IQAENB01			
			IQAENB02			
			IQAEND00			
			IQAEQU00			
			IQAFAB00			
			IQAFAB01			
			IQAGOT00			
			IQAGO000			
			IQAIF000			
			IQAINV00			
			IQALAN00	IQADVL00		
			IQALCA00			
			IQALCTL0			
			IQALCTL1			
			IQALCTL2			
			IQALIT00			

Name	Type	Load	Object	Entry	Alias	System Library
			IQALIT01			
			IQALOG00			
			IQAMPF00			
			IQAMSG00			
			IQAMTP00			
			IQAMTX00			
			IQAON000			
			IQAOPF00			
			IQAOPF01			
			IQAPAT00			
			IQAPDMP0			
			IQAPRO00			
			IQAQAL00			
			IQARAM00			
			IQAREL00			
			IQAREL01			
			IQAREM00			
			IQARET00			
			IQARTR00			
			IQARVT00			
			IQASB000			
			IQASCBSF			
			IQASCTL0			
			IQASET00			
			IQASIBCD			
			IQASIBCO			
			IQASIBER			
			IQASIBTI			
			IQASTP00			
			IQASYM00			
			IQASYM01			
			IQATAM00			
			IQATBF00			
			IQATBF01			
			IQATBL00			
			IQATIB01			
			IQAVMTBL			
			IQAWSB00			
			IQAWSC00			
			IQAWSC01			
			IQAXPTE0			
			OPTABLE			
			OPTABLE2			
			TBLCPUID			
			TBLPRM			
			TBLRANGE			
			TBLTOD			
				IQADVL00		
IQALCA00	Object	IQALAN00				SYS1.LINKLIB
IQALCTL0	Object	IQALAN00				SYS1.LINKLIB
IQALCTL1	Object	IQALAN00				SYS1.LINKLIB
IQALCTL2	Object	IQALAN00				SYS1.LINKLIB
IQALIC00	Object	IQAENV00				SYS1.LPALIB
IQALIT00	Object	IQALAN00				SYS1.LINKLIB
IQALIT01	Object	IQALAN00				SYS1.LINKLIB
IQALOG00	Object	IQALAN00				SYS1.LINKLIB
IQAMPF00	Object	IQALAN00				SYS1.LINKLIB
IQAMSG00	Object	IQALAN00				SYS1.LINKLIB
IQAMTP00	Object	IQALAN00				SYS1.LINKLIB
IQAMTX00	Object	IQALAN00				SYS1.LINKLIB
IQAOAM00	Object	IQAENV00				SYS1.LPALIB
IQAOIE00	Object	IQAENV00				SYS1.LPALIB
IQAON000	Object	IQALAN00				SYS1.LINKLIB
IQAOPBF1	Object	IQAENV00				SYS1.LPALIB
IQAOPBF2	Object	IQAENV00				SYS1.LPALIB
IQAOPF00	Object	IQALAN00				SYS1.LINKLIB
IQAOPF01	Object	IQALAN00				SYS1.LINKLIB
IQAPAG00	Object	IQAENV00				SYS1.LPALIB
IQAPAG01	Object	IQAENV00				SYS1.LPALIB
IQAPAG03	Object	IQAENV00				SYS1.LPALIB

Name	Type	Load	Object	Entry	Alias	System Library
IQAPAM00	Object	IQAENV00				SYS1.LPALIB
IQAPAT00	Object	IQALAN00				SYS1.LINKLIB
IQAPBK00	Object	IQAENV00				SYS1.LPALIB
IQAPDMPO	Object	IQALAN00				SYS1.LINKLIB
IQAPER00	Object	IQAENV00				SYS1.LPALIB
IQAPER01	Object	IQAENV00				SYS1.LPALIB
IQAPIH00	Object	IQAENV00				SYS1.LPALIB
IQAPOS00	Object	IQAENV00				SYS1.LPALIB
IQAPPR00	Object	IQAENV00				SYS1.LPALIB
IQAPRO00	Object	IQALAN00				SYS1.LINKLIB
IQAQAL00	Object	IQALAN00				SYS1.LINKLIB
IQARAM00	Object	IQALAN00				SYS1.LINKLIB
IQAREL00	Object	IQALAN00				SYS1.LINKLIB
IQAREL01	Object	IQALAN00				SYS1.LINKLIB
IQAREM00	Object	IQALAN00				SYS1.LINKLIB
IQARET00	Object	IQALAN00				SYS1.LINKLIB
IQARIH00	Object	IEANUC01				SYS1.NUCLEUS
IQARTR00	Object	IQALAN00				SYS1.LINKLIB
IQARVT00	Object	IQALAN00				SYS1.LINKLIB
IQASBC00	Object	IQAENV00				SYS1.LPALIB
IQASBC01	Object	IQAENV00				SYS1.LPALIB
IQASBC02	Object	IQAENV00				SYS1.LPALIB
IQASBO00	Object	IQALAN00				SYS1.LINKLIB
IQASCBSF	Object	IQALAN00				SYS1.LINKLIB
IQASCTL0	Object	IQALAN00				SYS1.LINKLIB
IQASET00	Object	IQALAN00				SYS1.LINKLIB
IQASIBCD	Object	IQALAN00				SYS1.LINKLIB
IQASIBCO	Object	IQALAN00				SYS1.LINKLIB
IQASIBER	Object	IQALAN00				SYS1.LINKLIB
IQASIBTI	Object	IQALAN00				SYS1.LINKLIB
IQASIH00	Object	IQAENV00				SYS1.LPALIB
IQASNCCW	Object	IQAENV00				SYS1.LPALIB
IQASSR00	Object	IQAENV00				SYS1.LPALIB
IQASSR01	Object	IQAENV00				SYS1.LPALIB
IQASTK00	Object	IQAENV00				SYS1.LPALIB
IQASTP00	Object	IQALAN00				SYS1.LINKLIB
IQASTTPF	Object	IQAENV00				SYS1.LPALIB
IQASTTP0	Object	IQAENV00				SYS1.LPALIB
IQASTTX0	Object	IQAENV00				SYS1.LPALIB
IQASTT00	Object	IQAENV00				SYS1.LPALIB
IQASYM00	Object	IQALAN00				SYS1.LINKLIB
IQASYM01	Object	IQALAN00				SYS1.LINKLIB
IQATAM00	Object	IQALAN00				SYS1.LINKLIB
IQATBF00	Object	IQALAN00				SYS1.LINKLIB
IQATBF01	Object	IQALAN00				SYS1.LINKLIB
IQATBL00	Object	IQALAN00				SYS1.LINKLIB
IQATIB01	Object	IQALAN00				SYS1.LINKLIB
IQATRM01	Object	IQAENV00				SYS1.LPALIB
IQATRM00	Object	IQAENV00				SYS1.LPALIB
IQATSSSV	Object	IQAENV00				SYS1.LPALIB
IQATSS00	Object	IQAENV00				SYS1.LPALIB
IQATSS01	Object	IQAENV00				SYS1.LPALIB
IQAVMTBL	Object	IQALAN00				SYS1.LINKLIB
IQAWQL0	Object	IQAENV00				SYS1.LPALIB
IQAWQL00	Object	IQAENV00				SYS1.LPALIB
IQAWQL1	Object	IQAENV00				SYS1.LPALIB
IQAWSB00	Object	IQALAN00				SYS1.LINKLIB
IQAWSC00	Object	IQALAN00				SYS1.LINKLIB
IQAWSC01	Object	IQALAN00				SYS1.LINKLIB
IQAXPTE0	Object	IQALAN00				SYS1.LINKLIB
IQEVER	Object	IEANUC01				SYS1.NUCLEUS
IRAPRCR	Object	IEANUC01				SYS1.NUCLEUS
IRARMADJ	Object	IEANUC01				SYS1.NUCLEUS
IRARMAP1	Object	IEANUC01				SYS1.NUCLEUS
IRARMASK	Object	IEANUC01				SYS1.NUCLEUS
IRARMASM	Object	IEANUC01				SYS1.NUCLEUS
IRARMCAN	Object	IEANUC01				SYS1.NUCLEUS
IRARMCAP	Object	IEANUC01				SYS1.NUCLEUS
IRARMCAS	Object	IEANUC01				SYS1.NUCLEUS
IRARMCED	Object	IEANUC01				SYS1.NUCLEUS

Name	Type	Load	Object	Entry	Alias	System Library
IRARMCET	Object	IEANUC01				SYS1.NUCLEUS
IRARMCL0	Object	IEANUC01				SYS1.NUCLEUS
IRARMCL1	Object	IEANUC01				SYS1.NUCLEUS
IRARMCL2	Object	IEANUC01				SYS1.NUCLEUS
IRARMCL3	Object	IEANUC01				SYS1.NUCLEUS
IRARMCNS	Object	IEANUC01				SYS1.NUCLEUS
IRARMCPM	Object	IEANUC01				SYS1.NUCLEUS
IRARMCRL	Object	IEANUC01				SYS1.NUCLEUS
IRARMCRN	Object	IEANUC01				SYS1.NUCLEUS
IRARMCRY	Object	IEANUC01				SYS1.NUCLEUS
IRARMCSI	Object	IEANUC01				SYS1.NUCLEUS
IRARMCSO	Object	IEANUC01				SYS1.NUCLEUS
IRARMCSR	Object	IEANUC01				SYS1.NUCLEUS
IRARMCTL	Object	IEANUC01				SYS1.NUCLEUS
IRARMDEL	Object	IEANUC01				SYS1.NUCLEUS
IRARMEQ1	Object	IEANUC01				SYS1.NUCLEUS
IRARMERR	Object	IEANUC01				SYS1.NUCLEUS
IRARMEVT	Object	IEANUC01				SYS1.NUCLEUS
IRARMFRE	Object	IEAVNP10				SYS1.NUCLEUS
IRARMHIT	Object	IEANUC01				SYS1.NUCLEUS
IRARMIL0	Object	IEANUC01				SYS1.NUCLEUS
IRARMIL1	Object	IEANUC01				SYS1.NUCLEUS
IRARMIL2	Object	IEANUC01				SYS1.NUCLEUS
IRARMIL3	Object	IEANUC01				SYS1.NUCLEUS
IRARMIL4	Object	IEANUC01				SYS1.NUCLEUS
IRARMINT	Object	IEANUC01				SYS1.NUCLEUS
IRARMIOM	Object	IEANUC01				SYS1.NUCLEUS
IRARMIPS	Object	IEANUC01				SYS1.NUCLEUS
		IEAVNP10				
IRARMI00	Object	IEANUC01				SYS1.NUCLEUS
IRARMI01	Object	IEANUC01				SYS1.NUCLEUS
IRARMI02	Object	IEANUC01				SYS1.NUCLEUS
IRARMI03	Object	IEANUC01				SYS1.NUCLEUS
IRARMI04	Object	IEANUC01				SYS1.NUCLEUS
IRARMI05	Object	IEANUC01				SYS1.NUCLEUS
IRARMI06	Object	IEANUC01				SYS1.NUCLEUS
IRARMI07	Object	IEANUC01				SYS1.NUCLEUS
IRARMI09	Object	IEANUC01				SYS1.NUCLEUS
IRARMI10	Object	IEANUC01				SYS1.NUCLEUS
IRARMI48	Object	IEANUC01				SYS1.NUCLEUS
IRARMMSG	Object	IEANUC01				SYS1.NUCLEUS
IRARMMS1	Object	IEANUC01				SYS1.NUCLEUS
IRARMMS2	Object	IEANUC01				SYS1.NUCLEUS
IRARMMS3	Object	IEANUC01				SYS1.NUCLEUS
IRARMMS6	Object	IEANUC01				SYS1.NUCLEUS
IRARMNOP	Object	IEANUC01				SYS1.NUCLEUS
IRARMOPT	Object	IEAVNP10				SYS1.NUCLEUS
IRARMPR0	Object	IEANUC01				SYS1.NUCLEUS
IRARMPR1	Object	IEANUC01				SYS1.NUCLEUS
IRARMPR2	Object	IEANUC01				SYS1.NUCLEUS
IRARMPR4	Object	IEANUC01				SYS1.NUCLEUS
IRARMPR5	Object	IEANUC01				SYS1.NUCLEUS
IRARMRDR	Object	IEAVNP10				SYS1.NUCLEUS
IRARMRPS	Object	IEANUC01				SYS1.NUCLEUS
IRARMRR1	Object	IEANUC01				SYS1.NUCLEUS
IRARMRR2	Object	IEANUC01				SYS1.NUCLEUS
IRARMSET	Load		IRARMSET	IRARMSET		SYS1.LPALIB
	Object	IRARMSET			IRARMSET	
	Entry	IRARMSET	IRARMSET			
IRARMSQA	Object	IEANUC01				SYS1.NUCLEUS
IRARMSRE	Object	IEANUC01				SYS1.NUCLEUS
IRARMSRV	Object	IEANUC01				SYS1.NUCLEUS
IRARMSTM	Object	IEANUC01				SYS1.NUCLEUS
IRARMTRC	Object	IEANUC01				SYS1.NUCLEUS
IRARMUXB	Object	IEANUC01				SYS1.NUCLEUS
IRARMWAR	Load		IRARMWAR	WARTABLE		SYS1.LPALIB
			IRARMWR1			
			IRARMWR3			
			IRARMWR4			
			IRARMWR6			

Name	Type	Load	Object	Entry	Alias	System Library
			IRARMWR8 WARTABLE			
				WARTABLE		
IRARMWLM	Object	IRARMWAR				SYS1.NUCLEUS
IRARMWMK	Object	IEANUC01				SYS1.NUCLEUS
IRARMWMN	Object	IEANUC01				SYS1.NUCLEUS
IRARMWMO	Object	IEANUC01				SYS1.NUCLEUS
IRARMWMQ	Object	IEANUC01				SYS1.NUCLEUS
IRARMWMR	Object	IEANUC01				SYS1.NUCLEUS
IRARMWMS	Object	IEANUC01				SYS1.NUCLEUS
IRARMWMU	Object	IEANUC01				SYS1.NUCLEUS
IRARMWMY	Object	IEANUC01				SYS1.NUCLEUS
IRARMWM1	Object	IEANUC01				SYS1.NUCLEUS
IRARMWM2	Object	IEANUC01				SYS1.NUCLEUS
IRARMWM3	Object	IEANUC01				SYS1.NUCLEUS
IRARMWM4	Object	IEANUC01				SYS1.NUCLEUS
IRARMWM5	Object	IEANUC01				SYS1.NUCLEUS
IRARMWR1	Object	IRARMWAR				SYS1.LPALIB
IRARMWR3	Object	IRARMWAR				SYS1.LPALIB
IRARMWR4	Object	IRARMWAR				SYS1.LPALIB
IRARMWR6	Object	IRARMWAR				SYS1.LPALIB
IRARMWR8	Object	IRARMWAR				SYS1.LPALIB
IRARMWTR	Object	IEAVNP10				SYS1.NUCLEUS
IRARMXPE	Object	IEANUC01				SYS1.NUCLEUS
IRARMXPS	Object	IEANUC01				SYS1.NUCLEUS
IRARMXTL	Object	IEANUC01				SYS1.NUCLEUS
IRARMXVT	Object	IEANUC01				SYS1.NUCLEUS
IRARM100	Object	IEANUC01				SYS1.NUCLEUS
IRARM101	Object	IEANUC01				SYS1.NUCLEUS
IRARM102	Object	IEANUC01				SYS1.NUCLEUS
IRARM200	Object	IEANUC01				SYS1.NUCLEUS
IRARM201	Object	IEANUC01				SYS1.NUCLEUS
IRARM202	Object	IEANUC01				SYS1.NUCLEUS
IRASECHT	Object	IEANUC01				SYS1.NUCLEUS
IRBMFALL	Load		IRBMFALL	IRBMFALL		SYS1.LINKLIB
	Object	IRBMFALL		IRBMFALL		
	Entry	IRBMFALL	IRBMFALL			
IRBMFANL	Object	IEAVNP10 IEEMB811 IRBMFINP				SYS1.NUCLEUS SYS1.LPALIB SYS1.LINKLIB
IRBMFCNV	Load		IRBMFCNV	IRBMFCNV		SYS1.LINKLIB
	Object	IRBMFCNV		IRBMFCNV		
	Entry	IRBMFCNV	IRBMFCNV			
IRBMFDCP	Load		IRBMFDCP	IRBMFDCP		SYS1.LINKLIB
	Object	IRBMFDCP		IRBMFDCP		
	Entry	IRBMFDCP	IRBMFDCP			
IRBMFDDP	Load		IRBMFDDP	IRBMFDDP		SYS1.LINKLIB
	Object	IRBMFDDP		IRBMFDDP		
	Entry	IRBMFDDP	IRBMFDDP			
IRBMFDEA	Object	IRBMFMFC				SYS1.LINKLIB
IRBMFDHP	Load		IRBMFDHP	IRBMFDHP		SYS1.LINKLIB
	Object	IRBMFDHP		IRBMFDHP		
	Entry	IRBMFDHP	IRBMFDHP			
IRBMFDPP	Load		IRBMFDPP	IRBMFDPP		SYS1.LINKLIB
	Object	IRBMFDPP		IRBMFDPP		
	Entry	IRBMFDPP	IRBMFDPP			
IRBMFDSP	Load		IRBMFDSP	IRBMFDSP		SYS1.LINKLIB
	Object	IRBMFDSP		IRBMFDSP		
	Entry	IRBMFDSP	IRBMFDSP			
IRBMFDTA	Object	IRBMFMFC				SYS1.LINKLIB
IRBMFDTP	Load		IRBMFDTP	IRBMFDTP		SYS1.LINKLIB
	Object	IRBMFDTP		IRBMFDTP		
	Entry	IRBMFDTP	IRBMFDTP			
IRBMFDWP	Load		IRBMFDWP	IRBMFDWP		SYS1.LINKLIB
	Object	IRBMFDWP		IRBMFDWP		
	Entry	IRBMFDWP	IRBMFDWP			
IRBMFECH	Load		IRBMFECH	IRBMFECH		SYS1.LPALIB
	Object	IRBMFECH		IRBMFECH		
	Entry	IRBMFECH	IRBMFECH			
IRBMFEDV	Load		IRBMFEDV	IRBMFEDV		SYS1.LPALIB

Name	Type	Load	Object	Entry	Alias	System Library
	Object	IRBMFEDV		IRBMFEDV		
	Entry	IRBMFEDV	IRBMFEDV			
IRBMFEVE	Object	IRBMFEVT		IRBMFEVE	IRBMFEVE	SYS1.LPALIB
	Entry	IRBMFEVT	IRBMFEVE			
	Alias	IRBMFEVT	IRBMFEVE			
IRBMFEVL	Object	IRBMFEVT		IRBMFEVL	IRBMFEVL	SYS1.LPALIB
	Entry	IRBMFEVT	IRBMFEVL			
	Alias	IRBMFEVT	IRBMFEVL			
IRBMFEVT	Load					SYS1.LPALIB
			IRBMFEVE	IRBMFEVE	IRBMFEVE	
			IRBMFEVL	IRBMFEVL	IRBMFEVL	
			IRBMFEVT	IRBMFEVT		
			IRBMFEVT	IRBMFEVT		
	Object	IRBMFEVT				
	Entry	IRBMFEVT	IRBMFEVT			
IRBMFFUR	Object	IGX00013				SYS1.LPALIB
IRBMFICP	Load		IRBMFICP	IRBMFICP		SYS1.LINKLIB
	Object	IRBMFICP		IRBMFICP		
	Entry	IRBMFICP	IRBMFICP			
IRBMFIDV	Load		IRBMFIDV	IRBMFIDV		SYS1.LINKLIB
	Object	IRBMFIDV		IRBMFIDV		
	Entry	IRBMFIDV	IRBMFIDV			
IRBMFIHA	Load		IRBMFIHA	IRBMFIHA		SYS1.LINKLIB
	Object	IRBMFIHA		IRBMFIHA		
	Entry	IRBMFIHA	IRBMFIHA			
IRBMFINP	Load		IRBMFIHA			SYS1.LINKLIB
			INFREBUF			
			IRBMFANL			
			IRBMFINP	IRBMFINP		
			IRBMFTTB			
			SIZDATD			
	Object	IRBMFINP		IRBMFINP		
	Entry	IRBMFINP	IRBMFINP			
IRBMFIOI	Object	IGX00013				SYS1.LPALIB
IRBMFIPG	Load		IRBMFIPG	IRBMFIPG		SYS1.LINKLIB
	Object	IRBMFIPG		IRBMFIPG		
	Entry	IRBMFIPG	IRBMFIPG			
IRBMFISP	Load		IRBMFISP	IRBMFISP		SYS1.LINKLIB
	Object	IRBMFISP		IRBMFISP		
	Entry	IRBMFISP	IRBMFISP			
IRBMFITR	Load		IRBMFITR	IRBMFITR		SYS1.LINKLIB
	Object	IRBMFITR		IRBMFITR		
	Entry	IRBMFITR	IRBMFITR			
IRBMFIWK	Load		IRBMFIWK	IRBMFIWK		SYS1.LINKLIB
	Object	IRBMFIWK		IRBMFIWK		
	Entry	IRBMFIWK	IRBMFIWK			
IRBMFLAV	Object	IRBMFRTR				SYS1.LINKLIB
IRBMFLCP	Object	IRBMFRCR				SYS1.LINKLIB
IRBMFLCV	Object	IRBMFRCR				SYS1.LINKLIB
IRBMFLDP	Object	IRBMFRDR				SYS1.LINKLIB
IRBMFLDV	Object	IRBMFRDR				SYS1.LINKLIB
IRBMFLHP	Object	IRBMFRHR				SYS1.LINKLIB
IRBMFLHV	Object	IRBMFRHR				SYS1.LINKLIB
IRBMFLMP	Object	IRBMFMPR				SYS1.LINKLIB
IRBMFLMV	Object	IRBMFMPR				SYS1.LINKLIB
IRBMFLPP	Object	IRBMFRPR				SYS1.LINKLIB
IRBMFLPV	Object	IRBMFRPR				SYS1.LINKLIB
IRBMFLSV	Object	IRBMFRSR				SYS1.LINKLIB
IRBMFLTP	Object	IRBMFRGM				SYS1.LINKLIB
IRBMFLTV	Object	IRBMFRGM				SYS1.LINKLIB
IRBMFLWP	Object	IRBMFRWR				SYS1.LINKLIB
IRBMFLWV	Object	IRBMFRWR				SYS1.LINKLIB
IRBMFMFC	Load		IRBMFDEA			SYS1.LINKLIB
			IRBMFDTA			
			IRBMFMFC	IRBMFMFC		
			IRBMFMLN			
	Object	IRBMFMFC		IRBMFMFC		
	Entry	IRBMFMFC	IRBMFMFC			
IRBMFMLN	Object	IRBMFMFC				SYS1.LINKLIB
IRBMFMPR	Load					SYS1.LINKLIB
			IRBMFLMP			
			IRBMFLMV			

Name	Type	Load	Object	Entry	Alias	System Library
			IRBMFMMPR	IRBMFMMPR		
			IRBMFVPL			
IRBMFRCR	Object Entry Load	IRBMFMMPR IRBMFMMPR	IRBMFMMPR	IRBMFMMPR		SYS1.LINKLIB
			IRBMFLCP			
			IRBMFLCV			
			IRBMFRCR	IRBMFRCR		
IRBMFRDR	Object Entry Load	IRBMFRCR IRBMFRCR	IRBMFRCR	IRBMFRCR		SYS1.LINKLIB
			IRBMFLDP			
			IRBMFLDV			
			IRBMFRDR	IRBMFRDR		
IRBMFRGM	Object Entry Load	IRBMFRDR IRBMFRDR	IRBMFRDR	IRBMFRDR		SYS1.LINKLIB
			IRBMFLTP			
			IRBMFLTV			
			IRBMFRGM	IRBMFRGM		
			IRBMFSAR			
IRBMFRHR	Object Entry Load	IRBMFRGM IRBMFRGM	IRBMFRGM	IRBMFRGM		SYS1.LINKLIB
			IRBMFLHP			
			IRBMFLHV			
			IRBMFRHR	IRBMFRHR		
IRBMFRPR	Object Entry Load	IRBMFRHR IRBMFRHR	IRBMFRHR	IRBMFRHR		SYS1.LINKLIB
			IRBMFLPP			
			IRBMFLPV			
			IRBMFRPR	IRBMFRPR		
IRBMFRSR	Object Entry Load	IRBMFRPR IRBMFRPR	IRBMFRPR	IRBMFRPR		SYS1.LINKLIB
			IRBMFLSV			
			IRBMFRSR	IRBMFRSR		
IRBMFRTR	Object Entry Load	IRBMFRSR IRBMFRSR	IRBMFRSR	IRBMFRSR		SYS1.LINKLIB
			IRBMFLAV			
			IRBMFRTR	IRBMFRTR		
IRBMFRWR	Object Entry Load	IRBMFRTR IRBMFRTR	IRBMFRTR	IRBMFRTR		SYS1.LINKLIB
			IRBMFLWP			
			IRBMFLWV			
			IRBMFRWR	IRBMFRWR		
IRBMFSAR	Object Entry	IRBMFRWR IRBMFRWR	IRBMFRWR			SYS1.LINKLIB
IRBMFSDE	Object	IRBMFRGM				SYS1.LPALIB
IRBMFTCH	Object Load	IGX00013				SYS1.LPALIB
			IRBMFTCH	IRBMFTCH		
IRBMFTMA	Object Entry	IRBMFTCH IRBMFTCH	IRBMFTCH	IRBMFTCH		SYS1.LPALIB
IRBMFTRM	Object Load	IGX00013				SYS1.LINKLIB
			IRBMFTRM	IRBMFTRM		
			IRBMFTRM	IRBMFTRM		
IRBMFTTB	Object	IRBMFTRM	IRBMFTRM			SYS1.LINKLIB
IRBMFVPL	Object	IRBMFINP				SYS1.LINKLIB
ISTAICCK	Object	IRBMFMMPR				SYS1.LPALIB
ISTAICIR	Object Load	ISTAICIR				SYS1.LPALIB
			ISTAICCK			
			ISTAICIR	ISTAICIR		
ISTAICPT	Object Entry Load	ISTAICIR ISTAICIR	ISTAICIR	ISTAICIR		SYS1.LPALIB
			ISTAICPT	ISTAICPT		
ISTAICTN	Object Entry Load	ISTAICPT ISTAICPT	ISTAICPT	ISTAICPT		SYS1.LPALIB
			ISTAICTN	ISTAICTN		
			ISTAICTN	ISTAICTN		
ISTAICUE	Object Entry Load	ISTAICTN ISTAICTN	ISTAICTN	ISTAICTN		SYS1.LPALIB
			ISTAICUE	ISTAICUE		
			ISTAICUE	ISTAICUE		
			ISTAICUE	ISTAICUE		

Name	Type	Load	Object	Entry	Alias	System Library
ISTAPC11	Load		ISTAPC11	ISTAPC11		SYS1.LPALIB
	Object	ISTAPC11		ISTAPC11		
	Entry	ISTAPC11	ISTAPC11			
ISTAPC12	Load		ISTAPC12	ISTAPC12		SYS1.LPALIB
	Object	ISTAPC12		ISTAPC12		
	Entry	ISTAPC12	ISTAPC12			
ISTAPC22	Object	IEANUC01				SYS1.NUCLEUS
	Entry	IEANUC01	IGC124			
ISTAPC23	Load		ISTAPC23	ISTAPC23		SYS1.LPALIB
	Object	ISTAPC23		ISTAPC23		
	Entry	ISTAPC23	ISTAPC23			
ISTAPC25	Load		ISTAPC25	ISTAPC25		SYS1.LPALIB
	Object	ISTAPC25		ISTAPC25		
	Entry	ISTAPC25	ISTAPC25			
ISTAPC31	Load		ISTAPC31	ISTAPC31		SYS1.LPALIB
	Object	ISTAPC31		ISTAPC31		
	Entry	ISTAPC31	ISTAPC31			
ISTAPC32	Load		ISTAPC32	ISTAPC32		SYS1.LPALIB
	Object	ISTAPC32		ISTAPC32		
	Entry	ISTAPC32	ISTAPC32			
ISTAPC33	Load		ISTAPC33	ISTAPC33		SYS1.LPALIB
	Object	ISTAPC33		ISTAPC33		
	Entry	ISTAPC33	ISTAPC33			
ISTAPC34	Load		ISTAPC34	ISTAPC34		SYS1.LPALIB
	Object	ISTAPC34		ISTAPC34		
	Entry	ISTAPC34	ISTAPC34			
ISTAPC35	Load		ISTAPC35	ISTAPC35		SYS1.LPALIB
	Object	ISTAPC35		ISTAPC35		
	Entry	ISTAPC35	ISTAPC35			
ISTAPC36	Load		ISTAPC36	ISTAPC36		SYS1.LPALIB
	Object	ISTAPC36		ISTAPC36		
	Entry	ISTAPC36	ISTAPC36			
ISTAPC41	Load		ISTAPC41	ISTAPC41		SYS1.LPALIB
	Object	ISTAPC41		ISTAPC41		
	Entry	ISTAPC41	ISTAPC41			
ISTAPC51	Load		ISTAPC51	ISTAPC51		SYS1.LPALIB
	Object	ISTAPC51		ISTAPC51		
	Entry	ISTAPC51	ISTAPC51			
ISTAPC52	Load		ISTAPC52	ISTAPC52		SYS1.LPALIB
	Object	ISTAPC52		ISTAPC52		
	Entry	ISTAPC52	ISTAPC52			
ISTAPC53	Load		ISTAPC53	ISTAPC53		SYS1.LPALIB
	Object	ISTAPC53		ISTAPC53		
	Entry	ISTAPC53	ISTAPC53			
ISTAPC54	Load		ISTAPC54	ISTAPC54		SYS1.LPALIB
	Object	ISTAPC54		ISTAPC54		
	Entry	ISTAPC54	ISTAPC54			
ISTAPC55	Load		ISTAPC55	ISTAPC55		SYS1.LPALIB
	Object	ISTAPC55		ISTAPC55		
	Entry	ISTAPC55	ISTAPC55			
ISTAPC56	Load		ISTAPC56	ISTAPC56		SYS1.LPALIB
	Object	ISTAPC56		ISTAPC56		
	Entry	ISTAPC56	ISTAPC56			
ISTAPC57	Load		ISTAPC57	ISTAPC57		SYS1.LPALIB
	Object	ISTAPC57		ISTAPC57		
	Entry	ISTAPC57	ISTAPC57			
ISTAPC58	Load		ISTAPC58	ISTAPC58		SYS1.LPALIB
	Object	ISTAPC58		ISTAPC58		
	Entry	ISTAPC58	ISTAPC58			
ISTAPC59	Load		ISTAPC59	ISTAPC59		SYS1.LPALIB
	Object	ISTAPC59		ISTAPC59		
	Entry	ISTAPC59	ISTAPC59			
ISTAPC61	Load		ISTAPC61	ISTAPC61		SYS1.LPALIB
	Object	ISTAPC61		ISTAPC61		
	Entry	ISTAPC61	ISTAPC61			
ISTAPC62	Load		ISTAPC62	ISTAPC62		SYS1.LPALIB
	Object	ISTAPC62		ISTAPC62		
	Entry	ISTAPC62	ISTAPC62			
ISTAPC63	Load		ISTAPC63	ISTAPC63		SYS1.LPALIB
	Object	ISTAPC63		ISTAPC63		

Name	Type	Load	Object	Entry	Alias	System Library
ISTAPC64	Entry	ISTAPC63	ISTAPC63			
	Load		ISTAPC64	ISTAPC64		SYS1.LPALIB
ISTAPC66	Object	ISTAPC64	ISTAPC64	ISTAPC64		
	Entry	ISTAPC64	ISTAPC64	ISTAPC66		SYS1.LPALIB
ISTAPC83	Load	ISTAPC66	ISTAPC66	ISTAPC66		
	Object	ISTAPC66	ISTAPC66	ISTAPC83		SYS1.LPALIB
ISTAPC84	Entry	ISTAPC83	ISTAPC83	ISTAPC83		
	Load	ISTAPC83	ISTAPC84	ISTAPC84		SYS1.LPALIB
ISTAPM69	Object	ISTAPC84	ISTAPC84	ISTAPM69		
	Entry	ISTAPM69	ISTAPM69	ISTAPM69		SYS1.LPALIB
ISTAUCAG	Load	ISTAPM69	ISTAPM69	ISTAUCAG		
	Object	ISTAUCAG	ISTAUCAG	ISTAUCAG		SYS1.LPALIB
ISTAUCAT	Entry	ISTAUCAG	ISTAUCAG	ISTAUCAT		
	Load	ISTAUCAT	ISTAUCAT	ISTAUCAT		SYS1.LPALIB
ISTCC010	Object	ISTAUCAT	ISTAUCAT			SYS1.VTAMLIB
	Entry	ISTOLTEP	ISTOLTEP			SYS1.VTAMLIB
ISTCC011	Object	ISTOLTEP				SYS1.VTAMLIB
ISTCC012	Object	ISTOLTEP				SYS1.VTAMLIB
ISTCC013	Object	ISTOLTEP				SYS1.VTAMLIB
ISTCC014	Object	ISTOLTEP				SYS1.VTAMLIB
ISTCC015	Object	ISTOLTEP				SYS1.VTAMLIB
ISTCC016	Object	ISTOLTEP				SYS1.VTAMLIB
ISTCFCDP	Object	ISTINM01				SYS1.LINKLIB
ISTCFMCM	Load		ISTCFMCM	ISTCFMCM		SYS1.LPALIB
ISTCFCTM	Object	ISTCFMCM	ISTCFMCM	ISTCFMCM		
	Entry	ISTCFMCM	ISTCFMCM	ISTCFMCM	ISTCFCTM	SYS1.LPALIB
ISTCF3D	Object	ISTCFMCM	ISTCFMCM	ISTCFMCM		
	Entry	ISTCFMCM	ISTCFMCM	ISTCFMCM		SYS1.LPALIB
ISTCFMMI	Object	IGC0003D	IGCAT030			SYS1.LINKLIB
	Load	IGC0003D	IGCAT030			SYS1.LPALIB
ISTCFMTM	Object	ISTINM01	ISTCFCTM	ISTCFMCM	ISTCFCTM	SYS1.LINKLIB
	Entry		ISTCFMCM	ISTCFMCM		SYS1.LPALIB
ISTCR4	Object	ISTCFMCM	ISTCFMCM	ISTCFMCM		
	Entry	ISTCFMCM	ISTCFMCM	ISTCFMCM		SYS1.VTAMLIB
ISTCSCAC	Load	ISTCFMCM	ISTCFMCM	ISTCFMCM		
	Object	ISTCFMCM	ISTCFMCM	ISTCFMCM		SYS1.VTAMLIB
ISTCSCAQ	Object	ISTCSCMR	ISTCSCMR			SYS1.LPALIB
	Object	ISTCSCMR	ISTCSCMR			SYS1.LPALIB
ISTCSCCL	Object	ISTCSCMR			SYS1.LPALIB	
ISTCSCGB	Object	ISTCSCMR			SYS1.LPALIB	
ISTCSCLG	Object	ISTCSCMR			SYS1.LPALIB	
ISTCSCMR	Load		ISTCSCAC			SYS1.LPALIB
ISTCSCPS	Object		ISTCSCAQ			
	Entry		ISTCSCCL			
ISTCSCRL	Object		ISTCSCCL			SYS1.LPALIB
	Object		ISTCSCCL			SYS1.LPALIB
ISTDCC00	Load		ISTCSCGB			SYS1.LPALIB
	Object		ISTCSCLG			SYS1.LPALIB
ISTDCC02	Entry		ISTCSCMR	ISTCSCMR		SYS1.LPALIB
	Load		ISTCSCPS			SYS1.LPALIB
ISTDCC02	Object		ISTCSCRL			SYS1.LPALIB
	Entry		ISTDCC00	ISTDCC00		SYS1.LPALIB
ISTDCC02	Object		ISTDCC00	ISTDCC00		SYS1.LPALIB
	Entry		ISTDCC00	ISTDCC00		SYS1.LPALIB
ISTDCC02	Object		ISTDCC00	ISTDCC00		SYS1.LPALIB
	Entry		ISTDCC00	ISTDCC00		SYS1.LPALIB
ISTDCC02	Object		ISTDCC00	ISTDCC00		SYS1.LPALIB
	Entry		ISTDCC00	ISTDCC00		SYS1.LPALIB

Name	Type	Load	Object	Entry	Alias	System Library
ISTDCC10	Load		ISTDCC10	ISTDCC10		SYS1.LPALIB
	Object	ISTDCC10	ISTDCC10	ISTDCC10		
	Entry	ISTDCC10	ISTDCC10	ISTDCC10		
ISTDCC11	Load		ISTDCC11	ISTDCC11		SYS1.LPALIB
	Object	ISTDCC11	ISTDCC11	ISTDCC11		
	Entry	ISTDCC11	ISTDCC11	ISTDCC11		
ISTDCC12	Load		ISTDCC12	ISTDCC12		SYS1.LPALIB
	Object	ISTDCC12	ISTDCC12	ISTDCC12		
	Entry	ISTDCC12	ISTDCC12	ISTDCC12		
ISTDCC13	Load		ISTDCC13	ISTDCC13		SYS1.LPALIB
	Object	ISTDCC13	ISTDCC13	ISTDCC13		
	Entry	ISTDCC13	ISTDCC13	ISTDCC13		
ISTDCC20	Load		ISTDCC20	ISTDCC20		SYS1.LPALIB
	Object	ISTDCC20	ISTDCC20	ISTDCC20		
	Entry	ISTDCC20	ISTDCC20	ISTDCC20		
ISTDCC21	Load		ISTDCC21	ISTDCC21		SYS1.LPALIB
	Object	ISTDCC21	ISTDCC21	ISTDCC21		
	Entry	ISTDCC21	ISTDCC21	ISTDCC21		
ISTDCC22	Load		ISTDCC22	ISTDCC22		SYS1.LPALIB
	Object	ISTDCC22	ISTDCC22	ISTDCC22		
	Entry	ISTDCC22	ISTDCC22	ISTDCC22		
ISTDCC23	Load		ISTDCC23	ISTDCC23		SYS1.LPALIB
	Object	ISTDCC23	ISTDCC23	ISTDCC23		
	Entry	ISTDCC23	ISTDCC23	ISTDCC23		
ISTDCC24	Load		ISTDCC24	ISTDCC24		SYS1.LPALIB
	Object	ISTDCC24	ISTDCC24	ISTDCC24		
	Entry	ISTDCC24	ISTDCC24	ISTDCC24		
ISTDCC25	Load		ISTDCC25	ISTDCC25		SYS1.LPALIB
	Object	ISTDCC25	ISTDCC25	ISTDCC25		
	Entry	ISTDCC25	ISTDCC25	ISTDCC25		
ISTDCC30	Load		ISTDCC30	ISTDCC30		SYS1.LPALIB
	Object	ISTDCC30	ISTDCC30	ISTDCC30		
	Entry	ISTDCC30	ISTDCC30	ISTDCC30		
ISTDCC31	Load		ISTDCC31	ISTDCC31		SYS1.LPALIB
	Object	ISTDCC31	ISTDCC31	ISTDCC31		
	Entry	ISTDCC31	ISTDCC31	ISTDCC31		
ISTDCC32	Load		ISTDCC32	ISTDCC32		SYS1.LPALIB
	Object	ISTDCC32	ISTDCC32	ISTDCC32		
	Entry	ISTDCC32	ISTDCC32	ISTDCC32		
ISTDCC35	Load		ISTDCC35	ISTDCC35		SYS1.LPALIB
	Object	ISTDCC35	ISTDCC35	ISTDCC35		
	Entry	ISTDCC35	ISTDCC35	ISTDCC35		
ISTDCC40	Load		ISTDCC40	ISTDCC40		SYS1.LPALIB
	Object	ISTDCC40	ISTDCC40	ISTDCC40		
	Entry	ISTDCC40	ISTDCC40	ISTDCC40		
ISTDCC41	Load		ISTDCC41	ISTDCC41		SYS1.LPALIB
	Object	ISTDCC41	ISTDCC41	ISTDCC41		
	Entry	ISTDCC41	ISTDCC41	ISTDCC41		
ISTDCC42	Load		ISTDCC42	ISTDCC42		SYS1.LPALIB
	Object	ISTDCC42	ISTDCC42	ISTDCC42		
	Entry	ISTDCC42	ISTDCC42	ISTDCC42		
ISTDCC50	Load		ISTDCC50	ISTDCC50		SYS1.LPALIB
	Object	ISTDCC50	ISTDCC50	ISTDCC50		
	Entry	ISTDCC50	ISTDCC50	ISTDCC50		
ISTDCC51	Load		ISTDCC51	ISTDCC51		SYS1.LPALIB
	Object	ISTDCC51	ISTDCC51	ISTDCC51		
	Entry	ISTDCC51	ISTDCC51	ISTDCC51		
ISTDCC60	Load		ISTDCC60	ISTDCC60		SYS1.LPALIB
	Object	ISTDCC60	ISTDCC60	ISTDCC60		
	Entry	ISTDCC60	ISTDCC60	ISTDCC60		
ISTDCC61	Load		ISTDCC61	ISTDCC61		SYS1.LPALIB
	Object	ISTDCC61	ISTDCC61	ISTDCC61		
	Entry	ISTDCC61	ISTDCC61	ISTDCC61		
ISTDCC80	Load		ISTDCC80	ISTDCC80		SYS1.LPALIB
	Object	ISTDCC80	ISTDCC80	ISTDCC80		
	Entry	ISTDCC80	ISTDCC80	ISTDCC80		
ISTDCC81	Load		ISTDCC81	ISTDCC81		SYS1.LPALIB
	Object	ISTDCC81	ISTDCC81	ISTDCC81		
	Entry	ISTDCC81	ISTDCC81	ISTDCC81		
ISTDCC85	Load		ISTDCC85	ISTDCC85		SYS1.LPALIB

Name	Type	Load	Object	Entry	Alias	System Library
	Object	ISTDCC85		ISTDCC85		
	Entry	ISTDCC85	ISTDCC85			
ISTDVCBA	Load		ISTDVCBA	ISTDVCBA		SYS1.LPALIB
	Object	ISTDVCBA		ISTDVCBA		
	Entry	ISTDVCBA	ISTDVCBA			
ISTDVCRC	Load		ISTDVCRC	ISTDVCRC		SYS1.LPALIB
	Object	ISTDVCRC		ISTDVCRC		
	Entry	ISTDVCRC	ISTDVCRC			
ISTEC000	Object	ISTOLTEP				SYS1.VTAMLIB
ISTEC123	Object	ISTOLTEP				SYS1.VTAMLIB
ISTEC456	Object	ISTOLTEP				SYS1.VTAMLIB
ISTEC789	Object	ISTOLTEP				SYS1.VTAMLIB
ISTESCO1	Load		ISTESCO1	ISTESCO1		SYS1.LPALIB
	Object	ISTESCO1		ISTESCO1		
	Entry	ISTESCO1	ISTESCO1			
ISTESCO2	Load		ISTESCO2	ISTESCO2		SYS1.LPALIB
	Object	ISTESCO2		ISTESCO2		
	Entry	ISTESCO2	ISTESCO2			
ISTIC00A	Object	ISTOLTEP				SYS1.VTAMLIB
ISTIC000	Object	ISTOLTEP				SYS1.VTAMLIB
	Entry	ISTOLTEP	ISTOLTEP			
ISTIC001	Object	ISTOLTEP				SYS1.VTAMLIB
ISTIC002	Object	ISTOLTEP				SYS1.VTAMLIB
ISTIC003	Object	ISTOLTEP				SYS1.VTAMLIB
ISTIC004	Object	ISTOLTEP				SYS1.VTAMLIB
ISTIC005	Object	ISTOLTEP				SYS1.VTAMLIB
ISTIC006	Object	ISTOLTEP				SYS1.VTAMLIB
ISTIC007	Object	ISTOLTEP				SYS1.VTAMLIB
ISTIC008	Object	ISTOLTEP				SYS1.VTAMLIB
ISTIC009	Object	ISTOLTEP				SYS1.VTAMLIB
ISTINCAD	Object	ISTINM01				SYS1.LINKLIB
ISTINCAL	Object	ISTINM01				SYS1.LINKLIB
ISTINCAV	Object	ISTINM01				SYS1.LINKLIB
ISTINCAW	Object	ISTINM01				SYS1.LINKLIB
ISTINCA0	Object	ISTINM01				SYS1.LINKLIB
ISTINCBL	Object	ISTINM01				SYS1.LINKLIB
ISTINCCC	Object	ISTINM01				SYS1.LINKLIB
ISTINCCF	Object	ISTINM01				SYS1.LINKLIB
ISTINCCL	Object	ISTINM01				SYS1.LINKLIB
ISTINCDL	Object	ISTINM01				SYS1.LINKLIB
ISTINCDP	Load		ISTINCDP	ISTINCDP		SYS1.VTAMLIB
	Object	ISTINCDP		ISTINCDP		
	Entry	ISTINCDP	ISTINCDP			
ISTINCDU	Object	ISTINM01				SYS1.LINKLIB
ISTINCDO	Object	ISTINM01				SYS1.LINKLIB
ISTINCFE	Load		ISTINCFE	ISTINCFE		SYS1.VTAMLIB
	Object	ISTINCFE		ISTINCFE		
	Entry	ISTINCFE	ISTINCFE			
ISTINCFS	Object	ISTINM01				SYS1.LINKLIB
ISTINCF9	Object	ISTINM01				SYS1.LINKLIB
ISTINCHT	Object	ISTINM01				SYS1.LINKLIB
ISTINCIB	Object	ISTINM01				SYS1.LINKLIB
ISTINCIO	Object	ISTINM01				SYS1.LINKLIB
ISTINCIP	Load		ISTINCIP	ISTINCIP		SYS1.VTAMLIB
	Object	ISTINCIP		ISTINCIP		
	Entry	ISTINCIP	ISTINCIP			
ISTINCIT	Object	ISTINM01				SYS1.LINKLIB
ISTINCLF	Object	ISTINM01				SYS1.LINKLIB
ISTINCMR	Object	ISTINM01				SYS1.LINKLIB
ISTINCMS	Load		ISTINCMS	ISTINCMS		SYS1.VTAMLIB
	Object	ISTINCMS		ISTINCMS		
	Entry	ISTINCMS	ISTINCMS			
ISTINCMY	Object	ISTINM01				SYS1.LINKLIB
ISTINCNS	Object	ISTINM01				SYS1.LINKLIB
ISTINCN8	Object	ISTINCXI				SYS1.LINKLIB
		ISTINC05				
ISTINCOE	Object	ISTINM01				SYS1.LINKLIB
ISTINCOI	Object	ISTINM01				SYS1.LINKLIB
ISTINCOS	Object	ISTINM01				SYS1.LINKLIB
ISTINCPD	Object	ISTINM01				SYS1.LINKLIB

Name	Type	Load	Object	Entry	Alias	System Library
ISTINCPH	Object	ISTINM01				SYS1.LINKLIB
ISTINCQB	Object	ISTINM01				SYS1.LINKLIB
ISTINCQE	Object	ISTINM01				SYS1.LINKLIB
ISTINCRD	Object	ISTINM01				SYS1.LINKLIB
ISTINCRF	Object	ISTINM01				SYS1.LINKLIB
ISTINCRP	Load		ISTINCRP	ISTINCRP		SYS1.LINKLIB
	Object	ISTINCRP		ISTINCRP		
	Entry	ISTINCRP	ISTINCRP			
ISTINCRR	Object	ISTINM01				SYS1.LINKLIB
ISTINCRS	Object	ISTINM01				SYS1.LINKLIB
ISTINCRY	Object	ISTINM01				SYS1.LINKLIB
ISTINCR1	Object	ISTINM01				SYS1.LINKLIB
ISTINCR2	Object	ISTINM01				SYS1.LINKLIB
ISTINCSD	Object	ISTINM01				SYS1.LINKLIB
ISTINCSM	Object	ISTINM01				SYS1.LINKLIB
ISTINCST	Object	ISTINM01				SYS1.LINKLIB
ISTINCTE	Object	ISTINM01				SYS1.LINKLIB
ISTINCTM	Object	ISTINM01				SYS1.LINKLIB
ISTINCTR	Object	ISTINM01				SYS1.LINKLIB
ISTINCVA	Object	ISTINM01				SYS1.LINKLIB
ISTINCVI	Object	ISTINM01				SYS1.LINKLIB
ISTINCVO	Object	ISTINM01				SYS1.LINKLIB
ISTINCVP	Object	ISTINM01				SYS1.LINKLIB
ISTINCVS	Object	ISTINM01				SYS1.LINKLIB
ISTINCVX	Object	ISTINM01				SYS1.LINKLIB
ISTINCXI	Load		ISTINCN8			SYS1.LINKLIB
			ISTINCXI	ISTINCXI		
			ISTINFN8			
			ISTINFXI			
			ISTINMN8			
	Object	ISTINCXI			ISTINCXI	
	Entry	ISTINCXI	ISTINCXI			
ISTINCXM	Load		ISTINCXM	ISTINCXM		SYS1.LINKLIB
	Object	ISTINCXM		ISTINCXM		
	Entry	ISTINCXM	ISTINCXM			
ISTINCXR	Object	ISTINM01				SYS1.LINKLIB
ISTINC02	Object	ISTINM01				SYS1.LINKLIB
ISTINC05	Load		ISTINCN8			SYS1.LINKLIB
			ISTINC05	ISTINC05		
			ISTINFN8			
			ISTINMN8			
	Object	ISTINC05			ISTINC05	
	Entry	ISTINC05	ISTINC05			
ISTINC32	Load		ISTINC32	ISTINC32		SYS1.LINKLIB
	Object	ISTINC32		ISTINC32		
	Entry	ISTINC32	ISTINC32			
ISTINFBL	Object	ISTINM01				SYS1.LINKLIB
ISTINFIB	Object	ISTINM01				SYS1.LINKLIB
ISTINFIC	Object	ISTINM01				SYS1.LINKLIB
ISTINFN8	Object	ISTINCXI				SYS1.LINKLIB
		ISTINC05				
ISTINFOI	Object	ISTINM01				SYS1.LINKLIB
ISTINFRT	Object	ISTINM01				SYS1.LINKLIB
ISTINFRU	Object	ISTINM01				SYS1.LINKLIB
ISTINFXI	Object	ISTINCXI				SYS1.LINKLIB
ISTINMAD	Object	ISTINM01				SYS1.LINKLIB
ISTINMAL	Object	ISTINM01				SYS1.LINKLIB
ISTINMAV	Object	ISTINM01				SYS1.LINKLIB
ISTINMN8	Object	ISTINCXI				SYS1.LINKLIB
		ISTINC05				
ISTINM01	Load		BLKSIZE			SYS1.LINKLIB
			BUFRADR			
			CITCHASV			
			CRRECBAD			
			CVIPATCH			
			DVCBA			
			DVCRC			
			ISTCFCDP			
			ISTCFMMI			
			ISTINCAD			

Name	Type	Load	Object	Entry	Alias	System Library
			ISTINCAL			
			ISTINCAV			
			ISTINCAW			
			ISTINCA0			
			ISTINCBL			
			ISTINCCC			
			ISTINCCF			
			ISTINCCL			
			ISTINCDL			
			ISTINCDU			
			ISTINCDO			
			ISTINCFS			
			ISTINCF9			
			ISTINCHT			
			ISTINCIB			
			ISTINCIO			
			ISTINCIT			
			ISTINCLF			
			ISTINCMR			
			ISTINCMY			
			ISTINCNS			
			ISTINCOE			
			ISTINCOI			
			ISTINCOS			
			ISTINCPD			
			ISTINCPH			
			ISTINCQB			
			ISTINCQE			
			ISTINCRD			
			ISTINCRF			
			ISTINCRR			
			ISTINCRS			
			ISTINCRY			
			ISTINCR1			
			ISTINCR2			
			ISTINCSD			
			ISTINCSM			
			ISTINCST			
			ISTINCTE			
			ISTINCTM			
			ISTINCTR			
			ISTINCVA			
			ISTINCVI			
			ISTINCVO			
			ISTINCVP			
			ISTINCVS			
			ISTINCVX			
			ISTINCXR			
			ISTINC02			
			ISTINFBL			
			ISTINFIB			
			ISTINFIC			
			ISTINFOI			
			ISTINFRT			
			ISTINFRU			
			ISTINMAD			
			ISTINMAL			
			ISTINMAV			
			ISTINM01	ISTINM01		
			ISTSDCAP			
			ISTSDCBU			
			ISTSDCCB			
			ISTSDCCL			
			ISTSDCC1			
			ISTSDCC2			
			ISTSDCC3			
			ISTSDCC4			
			ISTSDCC5			
			ISTSDCC6			
			ISTSDCC7			

Name	Type	Load	Object	Entry	Alias	System Library
			ISTSDCDS			
			ISTSDCD1			
			ISTSDCD2			
			ISTSDCD3			
			ISTSDCGE			
			ISTSDCGP			
			ISTSDCHS			
			ISTSDCIN			
			ISTSDCI4			
			ISTSDCLC			
			ISTSDCLN			
			ISTSDCLU			
			ISTSDCML			
			ISTSDCMT			
			ISTSDCPC			
			ISTSDCP1			
			ISTSDCP2			
			ISTSDCP3			
			ISTSDCP4			
			ISTSDCP5			
			ISTSDCP6			
			ISTSDCRC			
			ISTSDCRN			
			ISTSDCRS			
			ISTSDCR1			
			ISTSDCSB			
			ISTSDCSC			
			ISTSDCSS			
			ISTSDCSU			
			ISTSDCTM			
			ISTSDCVI			
			ISTVTLOD			
			YCLUS			
			YCONT			
			YPSOL			
			YSSCP			
			YTCM1			
			YTCM2			
			YTCM3			
	Object	ISTINM01		ISTINM01		
ISTNMCCA	Entry	ISTINM01	ISTINM01			
	Load		ISTNMCCA	ISTNMCCA		SYS1.LPALIB
	Object	ISTNMCCA		ISTNMCCA		
ISTNMCCB	Entry	ISTNMCCA	ISTNMCCA			
	Load		ISTNMCCB	ISTNMCCB		SYS1.LPALIB
	Object	ISTNMCCB		ISTNMCCB		
ISTNMCCF	Entry	ISTNMCCB	ISTNMCCB			
	Load		ISTNMCCF	ISTNMCCF		SYS1.LPALIB
	Object	ISTNMCCF		ISTNMCCF		
ISTNMCCI	Entry	ISTNMCCF	ISTNMCCF			
	Load		ISTNMCCI	ISTNMCCI		SYS1.LPALIB
	Object	ISTNMCCI		ISTNMCCI		
ISTNMCCO	Entry	ISTNMCCI	ISTNMCCI			
	Load		ISTNMCCO	ISTNMCCO		SYS1.LPALIB
	Object	ISTNMCCO		ISTNMCCO		
ISTNMCCR	Entry	ISTNMCCO	ISTNMCCO			
	Load		ISTNMCCR	ISTNMCCR		SYS1.LPALIB
	Object	ISTNMCCR		ISTNMCCR		
ISTNMCCS	Entry	ISTNMCCR	ISTNMCCR			
	Load		ISTNMCCS	ISTNMCCS		SYS1.LPALIB
	Object	ISTNMCCS		ISTNMCCS		
ISTNM CCT	Entry	ISTNMCCS	ISTNMCCS			
	Load		ISTNM CCT	ISTNM CCT		SYS1.LPALIB
	Object	ISTNM CCT		ISTNM CCT		
ISTNMCCZ	Entry	ISTNM CCT	ISTNM CCT			
	Load		ISTNMCCZ	ISTNMCCZ		SYS1.LPALIB
	Object	ISTNMCCZ		ISTNMCCZ		
ISTNMC1S	Entry	ISTNMCCZ	ISTNMCCZ			
	Load		ISTNMC1S	ISTNMC1S		SYS1.LPALIB
	Object	ISTNMC1S		ISTNMC1S		

Name	Type	Load	Object	Entry	Alias	System Library
ISTNMC2S	Entry	ISTNMC1S	ISTNMC1S			
	Load		ISTNMC2S	ISTNMC2S		SYS1.LPALIB
ISTNMC3S	Object	ISTNMC2S	ISTNMC2S	ISTNMC2S		
	Entry	ISTNMC2S	ISTNMC2S	ISTNMC2S		
ISTNMC4P	Load		ISTNMC3S	ISTNMC3S		SYS1.LPALIB
	Object	ISTNMC3S	ISTNMC3S	ISTNMC3S		
ISTNMC4S	Entry	ISTNMC3S	ISTNMC3S	ISTNMC3S		
	Load	ISTNMC4P	ISTNMC4P	ISTNMC4P		SYS1.LPALIB
ISTNMC5P	Object	ISTNMC4P	ISTNMC4P	ISTNMC4P		
	Entry	ISTNMC4P	ISTNMC4P	ISTNMC4P		
ISTNMC5S	Load		ISTNMC4S	ISTNMC4S		SYS1.LPALIB
	Object	ISTNMC4S	ISTNMC4S	ISTNMC4S		
ISTNMC6P	Entry	ISTNMC4S	ISTNMC4S	ISTNMC4S		
	Load	ISTNMC5P	ISTNMC5P	ISTNMC5P		SYS1.LPALIB
ISTNMC6S	Object	ISTNMC5P	ISTNMC5P	ISTNMC5P		
	Entry	ISTNMC5P	ISTNMC5P	ISTNMC5P		
ISTNMC7P	Load		ISTNMC5S	ISTNMC5S		SYS1.LPALIB
	Object	ISTNMC5S	ISTNMC5S	ISTNMC5S		
ISTNMC7S	Entry	ISTNMC5S	ISTNMC5S	ISTNMC5S		
	Load	ISTNMC6P	ISTNMC6P	ISTNMC6P		SYS1.LPALIB
ISTNMC8P	Object	ISTNMC6P	ISTNMC6P	ISTNMC6P		
	Entry	ISTNMC6P	ISTNMC6P	ISTNMC6P		
ISTNMC9P	Load		ISTNMC6S	ISTNMC6S		SYS1.LPALIB
	Object	ISTNMC6S	ISTNMC6S	ISTNMC6S		
ISTNSC00	Entry	ISTNMC6S	ISTNMC6S	ISTNMC6S		
	Load		ISTNMC7P	ISTNMC7P		SYS1.LPALIB
ISTOCCCA	Object	ISTNMC7P	ISTNMC7P	ISTNMC7P		
	Object	ISTNMC7S	ISTNMC7S	ISTNMC7S		SYS1.LPALIB
ISTOCCCB	Entry	ISTNMC7S	ISTNMC7S	ISTNMC7S		
	Load	ISTNMC8P	ISTNMC8P	ISTNMC8P		SYS1.LPALIB
ISTOCCCB	Object	ISTNMC8P	ISTNMC8P	ISTNMC8P		
	Entry	ISTNMC8P	ISTNMC8P	ISTNMC8P		
ISTOCCCB	Load		ISTNMC8P	ISTNMC8P		SYS1.LPALIB
	Object	ISTNMC9P	ISTNMC9P	ISTNMC9P		
ISTOCCCB	Entry	ISTNMC9P	ISTNMC9P	ISTNMC9P		
	Load		ISTNMC9P	ISTNMC9P		SYS1.LPALIB
ISTOCCCB	Object	ISTNMC9P	ISTNMC9P	ISTNMC9P		
	Object	ISTNSC00	ISTNSC00	NETSOL		SYS1.VTAMLIB
ISTOCCCB	Object	IFG0200U	NETSOL	NETSOL		
	Load		ISTOCCCB	ISTOCCCB		SYS1.LPALIB
ISTOCCCB	Object	ISTOCCCB	ISTOCCCB	ISTOCCCB		
	Entry	ISTOCCCB	ISTOCCCB	ISTOCCCB		
ISTOCCCB	Object	ISTOCCCB	ISTOCCCB	ISTOCCCB		SYS1.LPALIB
	Object	ISTOCCRT	ISTOCCRT	ISTOCCRT		SYS1.LPALIB
ISTOCCCB	Object	ISTOCCRT	ISTOCCRT	ISTOCCRT		SYS1.LPALIB
	Object	ISTOCCRT	ISTOCCRT	ISTOCCRT		SYS1.LPALIB
ISTOCCCB	Object	ISTOCCRT	ISTOCCRT	ISTOCCRT		SYS1.LPALIB
	Object	ISTOCCRT	ISTOCCRT	ISTOCCRT		SYS1.LPALIB
ISTOCCCB	Object	ISTOCCRT	ISTOCCRT	ISTOCCRT		SYS1.LPALIB
	Object	ISTOCCRT	ISTOCCRT	ISTOCCRT		SYS1.LPALIB
ISTOCCCB	Object	ISTOCCRT	ISTOCCRT	ISTOCCRT		SYS1.LPALIB
	Object	IFG0192F	ISTOCCDF	ISTOCCDF		SYS1.LPALIB
ISTOCCCB	Load		ISTOCCDF	ISTOCCDF		SYS1.LPALIB
	Object	ISTOCCDF	ISTOCCDF	ISTOCCDF		
ISTOCCCB	Entry	ISTOCCDF	ISTOCCDF	ISTOCCDF		
	Object	ISTOCCRT	ISTOCCRT	ISTOCCRT		SYS1.LPALIB
ISTOCCCB	Object	ISTOCCRT	ISTOCCRT	ISTOCCRT		SYS1.LPALIB
	Object	ISTOCCRT	ISTOCCRT	ISTOCCRT		SYS1.LPALIB
ISTOCCCB	Object	ISTOCCRT	ISTOCCRT	ISTOCCRT		SYS1.LPALIB
	Object	ISTOCCRT	ISTOCCRT	ISTOCCRT		SYS1.LPALIB
ISTOCCCB	Object	ISTOCCRT	ISTOCCRT	ISTOCCRT		SYS1.LPALIB
	Object	IFG0192F	ISTOCCOB	ISTOCCOB		SYS1.LPALIB
ISTOCCCB	Load		ISTOCCOB	ISTOCCOB		SYS1.LPALIB
	Object	ISTOCCOB	ISTOCCOB	ISTOCCOB		
ISTOCCCB	Entry	ISTOCCOB	ISTOCCOB	ISTOCCOB		
	Object	ISTOCCOB	ISTOCCOB	ISTOCCOB		SYS1.LPALIB
ISTOCCCB	Object	ISTOCCOB	ISTOCCOB	ISTOCCOB		SYS1.LPALIB
	Object	ISTOCCRT	ISTOCCRT	ISTOCCRT		SYS1.LPALIB
ISTOCCCB	Object	ISTOCCRT	ISTOCCRT	ISTOCCRT		SYS1.LPALIB
	Object	ISTOCCRT	ISTOCCRT	ISTOCCRT		SYS1.LPALIB
ISTOCCCB	Object	ISTOCCRT	ISTOCCRT	ISTOCCRT		SYS1.LPALIB
	Object	ISTOCCRT	ISTOCCRT	ISTOCCRT		SYS1.LPALIB

Name	Type	Load	Object	Entry	Alias	System Library
ISTOCCRD	Object	ISTOCCRT				SYS1.LPALIB
ISTOCCRL	Object	ISTOCCRT				SYS1.LPALIB
ISTOCCRT	Load		ISTOCCCC			SYS1.LPALIB
			ISTOCCCH			
			ISTOCCCL			
			ISTOCCCM			
			ISTOCCCN			
			ISTOCCFB			
			ISTOCCFD			
			ISTOCCFO			
			ISTOCCFR			
			ISTOCCLD			
			ISTOCCMD			
			ISTOCCNV			
			ISTOCCOD			
			ISTOCCOE			
			ISTOCCOF			
			ISTOCCQU			
			ISTOCCRD			
			ISTOCCRL			
			ISTOCCRT	ISTOCCRT		
			ISTOCCSD			
			ISTOCCSL			
			ISTOCCUR			
			ISTSQC0A			
			ISTSQC00			
			ISTSQC01			
			ISTSQC02			
			ISTSQC03			
			ISTSQC04			
			ISTSQC05			
			ISTSQC06			
			ISTSQC07			
			ISTSQC08			
			ISTSQC09			
			ISTSTC00			
	Object	ISTOCCRT		ISTOCCRT		
	Entry	ISTOCCRT	ISTOCCRT			
ISTOCCSA	Load		ISTOCCSA	ISTOCCSA		SYS1.LPALIB
	Object	ISTOCCSA		ISTOCCSA		
	Entry	ISTOCCSA	ISTOCCSA			
ISTOCCSD	Object	ISTOCCRT				SYS1.LPALIB
ISTOCCSL	Object	ISTOCCRT				SYS1.LPALIB
ISTOCCUR	Object	ISTOCCRT				SYS1.LPALIB
ISTOCMDC	Load		ISTOCMDC	ISTOCMDC		SYS1.LPALIB
	Object	IGC00020				
		ISTOCMDC		ISTOCMDC		
	Entry	ISTOCMDC	ISTOCMDC			
ISTOLTEP	Load		C14C0020			SYS1.VTAMLIB
			C14C0030			
			C16C1000			
			ISTCC010			
			ISTCC011			
			ISTCC012			
			ISTCC013			
			ISTCC014			
			ISTCC015			
			ISTCC016			
			ISTEC000			
			ISTEC123			
			ISTEC456			
			ISTEC789			
			ISTIC00A			
			ISTIC000			
			ISTIC001			
			ISTIC002			
			ISTIC003			
			ISTIC004			
			ISTIC005			
			ISTIC006			

Name	Type	Load	Object	Entry	Alias	System Library
			ISTIC007			
			ISTIC008			
			ISTIC009			
			ISTOLTEP	ISTIC000		
			ISTSC02A			
			ISTSC02B			
			ISTSC02C			
			ISTSC02D			
			ISTSC02E			
			ISTSC02F			
			ISTSC020			
			ISTSC021			
			ISTSC022			
			ISTSC023			
			ISTSC024			
			ISTSC026			
			ISTSC027			
			ISTSC028			
			ISTSC029			
			ISTSC030			
			ISTSC031			
			ISTSC032			
			ISTTC035			
			ISTTC037			
			I00C0005			
			I00C0020			
			I00C0030			
			I00C0040			
			I00C0060			
			I00C0070			
			I00C0200			
			I00C0300			
			I01C0050			
			I01C0060			
			M080330			
			S2FC1000			
			S2FC2000			
			S20CEC03			
			S27C1000			
			S30C0010			
			S30C1000			
			S31C0480			
			S31C1000			
ISTORCBA	Object	ISTOLTEP		ISTIC000		
	Object	ISTORFBA				SYS1.LPALIB
	Entry	ISTORFBA	ISTORFBA			
ISTORCSR	Object	ISTORFSR				SYS1.LPALIB
	Entry	ISTORFSR	ISTORFSR			
ISTORFBA	Load		ISTORCBA			SYS1.LPALIB
			ISTORFBA			
	Object	ISTORFBA		ISTORCBA		
	Load		ISTORFBD	ISTORCBA		SYS1.LPALIB
ISTORFBD	Object	ISTORFBD	ISTORFBD	ISTORFBD		
	Entry	ISTORFBD	ISTORFBD	ISTORFBD		
ISTORFBQ	Load		ISTORFBQ	ISTORFBQ		SYS1.LPALIB
	Object	ISTORFBQ		ISTORFBQ		
	Entry	ISTORFBQ	ISTORFBQ			
ISTORFPO	Load		ISTORFPO	ISTORFPO		SYS1.VTAMLIB
	Object	ISTORFPO		ISTORFPO		
	Entry	ISTORFPO	ISTORFPO			
ISTORFSR	Load		ISTORCSR			SYS1.LPALIB
			ISTORFSR			
	Object	ISTORFSR		ISTORCSR		
	Load		ISTPATCH	ISTPATCH		SYS1.LPALIB
ISTPATCH	Object	ISTPATCH	ISTPATCH	ISTPATCH		
	Entry	ISTPATCH	ISTPATCH			
ISTRACCA	Load		ISTRACCA	ISTRACCA		SYS1.LPALIB
	Object	ISTRACCA		ISTRACCA		
	Entry	ISTRACCA	ISTRACCA			
ISTRACCR	Load		ISTRACCR	ISTRACCR		SYS1.VTAMLIB

Name	Type	Load	Object	Entry	Alias	System Library
	Object	ISTRACCR		ISTRACCR		
	Entry	ISTRACCR	ISTRACCR			
ISTRACCTB	Load		ISTRACCTB	ISTRACCTB		SYS1.LPALIB
	Object	ISTRACCTB		ISTRACCTB		
	Entry	ISTRACCTB	ISTRACCTB			
ISTRAFD1	Load		ISTRAFD1	ISTRAFD1		SYS1.LPALIB
	Object	ISTRAFD1		ISTRAFD1		
	Entry	ISTRAFD1	ISTRAFD1			
ISTRAFP	Load		ISTRAFP	ISTRAFP		SYS1.LPALIB
	Object	ISTRAFP		ISTRAFP		
	Entry	ISTRAFP	ISTRAFP			
ISTRAMA1	Load		ISTRAMA1 EXITAMA1 ISTRAMA1 ISTRAMA3	ISTRAMA1		SYS1.LPALIB
	Object	ISTRAMA1		ISTRAMA1		
	Entry	ISTRAMA1	ISTRAMA1			
ISTRAMA2	Load		ISTRAMA1 EXITAMA2 ISTRAMA2 ISTRAMA4	ISTRAMA2		SYS1.LPALIB
	Object	ISTRAMA2		ISTRAMA2		
	Entry	ISTRAMA2	ISTRAMA2			
ISTRAMA3	Object	ISTRAMA1				SYS1.LPALIB
ISTRAMA4	Object	ISTRAMA2				SYS1.LPALIB
ISTRCC21	Load		ISTRCC21	ISTRCC21		SYS1.LPALIB
	Object	ISTRCC21		ISTRCC21		
	Entry	ISTRCC21	ISTRCC21			
ISTRCC22	Load		ISTRCC22	ISTRCC22		SYS1.LPALIB
	Object	ISTRCC22		ISTRCC22		
	Entry	ISTRCC22	ISTRCC22			
ISTRCC23	Load		ISTRCC23	ISTRCC23		SYS1.LPALIB
	Object	ISTRCC23		ISTRCC23		
	Entry	ISTRCC23	ISTRCC23			
ISTRCC26	Load		ISTRCC26	ISTRCC26		SYS1.LPALIB
	Object	ISTRCC26		ISTRCC26		
	Entry	ISTRCC26	ISTRCC26			
ISTRCC30	Load		ISTRCC30	ISTRCC30		SYS1.LPALIB
	Object	ISTRCC30		ISTRCC30		
	Entry	ISTRCC30	ISTRCC30			
ISTRCC51	Load		ISTRCC51	ISTRCC51		SYS1.LPALIB
	Object	ISTRCC51		ISTRCC51		
	Entry	ISTRCC51	ISTRCC51			
ISTRCC52	Load		ISTRCC52	ISTRCC52		SYS1.LPALIB
	Object	ISTRCC52		ISTRCC52		
	Entry	ISTRCC52	ISTRCC52			
ISTRCC53	Load		ISTRCC53	ISTRCC53		SYS1.LPALIB
	Object	ISTRCC53		ISTRCC53		
	Entry	ISTRCC53	ISTRCC53			
ISTRCC54	Load		ISTRCC54	ISTRCC54		SYS1.LPALIB
	Object	ISTRCC54		ISTRCC54		
	Entry	ISTRCC54	ISTRCC54			
ISTRCC63	Load		ISTRCC63	ISTRCC63		SYS1.LPALIB
	Object	ISTRCC63		ISTRCC63		
	Entry	ISTRCC63	ISTRCC63			
ISTRCC65	Load		ISTRCC65	ISTRCC65		SYS1.LPALIB
	Object	ISTRCC65		ISTRCC65		
	Entry	ISTRCC65	ISTRCC65			
ISTRCC80	Load		ISTRCC80	ISTRCC80		SYS1.LPALIB
	Object	ISTRCC80		ISTRCC80		
	Entry	ISTRCC80	ISTRCC80			
ISTRCC81	Load		ISTRCC81	ISTRCC81		SYS1.LPALIB
	Object	ISTRCC81		ISTRCC81		
	Entry	ISTRCC81	ISTRCC81			
ISTRCFY0	Load		ISTRCFY0	ISTRCFY0		SYS1.LPALIB
	Object	ISTRCFY0		ISTRCFY0		
	Entry	ISTRCFY0	ISTRCFY0			
ISTSC02A	Object	ISTOLTEP				SYS1.VTAMLIB
ISTSC02B	Object	ISTOLTEP				SYS1.VTAMLIB
ISTSC02C	Object	ISTOLTEP				SYS1.VTAMLIB
ISTSC02D	Object	ISTOLTEP				SYS1.VTAMLIB
ISTSC02E	Object	ISTOLTEP				SYS1.VTAMLIB

Name	Type	Load	Object	Entry	Alias	System Library
ISTSC02F	Object	ISTOLTEP				SYS1.VTAMLIB
ISTSC020	Object	ISTOLTEP				SYS1.VTAMLIB
ISTSC021	Object	ISTOLTEP				SYS1.VTAMLIB
ISTSC022	Object	ISTOLTEP				SYS1.VTAMLIB
ISTSC023	Object	ISTOLTEP				SYS1.VTAMLIB
ISTSC024	Object	ISTOLTEP				SYS1.VTAMLIB
ISTSC026	Object	ISTOLTEP				SYS1.VTAMLIB
ISTSC027	Object	ISTOLTEP				SYS1.VTAMLIB
ISTSC028	Object	ISTOLTEP				SYS1.VTAMLIB
ISTSC029	Object	ISTOLTEP				SYS1.VTAMLIB
ISTSC030	Object	ISTOLTEP				SYS1.VTAMLIB
ISTSC031	Object	ISTOLTEP				SYS1.VTAMLIB
ISTSC032	Object	ISTOLTEP				SYS1.VTAMLIB
ISTSC034	Load		ISTSC034	ISTSC034		SYS1.VTAMLIB
	Object	ISTSC034		ISTSC034		
	Entry	ISTSC034	ISTSC034			
ISTSDCAL	Load		ISTSDCAL	ISTSDCAL		SYS1.LPALIB
	Object	ISTSDCAL		ISTSDCAL		
	Entry	ISTSDCAL	ISTSDCAL			
ISTSDCAP	Object	ISTINM01				SYS1.LINKLIB
ISTSDCBU	Object	ISTINM01				SYS1.LINKLIB
ISTSDCCA	Load		ISTSDCCA	ISTSDCCA		SYS1.LPALIB
	Object	ISTSDCCA		ISTSDCCA		
	Entry	ISTSDCCA	ISTSDCCA			
ISTSDCCB	Object	ISTINM01				SYS1.LINKLIB
ISTSDCCD	Load		ISTSDCCD	ISTSDCCD		SYS1.LPALIB
	Object	ISTSDCCD		ISTSDCCD		
	Entry	ISTSDCCD	ISTSDCCD			
ISTSDCCF	Load		ISTSDCCD CIDFND			SYS1.LPALIB
	Object	ISTSDCCF	ISTSDCCF	CIDFND		
ISTSDCCL	Object	ISTINM01				SYS1.LINKLIB
ISTSDCCN	Load		ISTSDCCN	ISTSDCCN		SYS1.LPALIB
	Object	ISTSDCCN		ISTSDCCN		
	Entry	ISTSDCCN	ISTSDCCN			
ISTSDCCR	Load		ISTSDCCR	ISTSDCCR		SYS1.LPALIB
	Object	ISTSDCCR		ISTSDCCR		
	Entry	ISTSDCCR	ISTSDCCR			
ISTSDCC1	Object	ISTINM01				SYS1.LINKLIB
ISTSDCC2	Object	ISTINM01				SYS1.LINKLIB
ISTSDCC3	Object	ISTINM01				SYS1.LINKLIB
ISTSDCC4	Object	ISTINM01				SYS1.LINKLIB
ISTSDCC5	Object	ISTINM01				SYS1.LINKLIB
ISTSDCC6	Object	ISTINM01				SYS1.LINKLIB
ISTSDCC7	Object	ISTINM01				SYS1.LINKLIB
ISTSDCDS	Object	ISTINM01				SYS1.LINKLIB
ISTSDCD1	Object	ISTINM01				SYS1.LINKLIB
ISTSDCD2	Object	ISTINM01				SYS1.LINKLIB
ISTSDCD3	Object	ISTINM01				SYS1.LINKLIB
ISTSDCGE	Object	ISTINM01				SYS1.LINKLIB
ISTSDCGP	Object	ISTINM01				SYS1.LINKLIB
ISTSDCHS	Object	ISTINM01				SYS1.LINKLIB
ISTSDCIN	Object	ISTINM01				SYS1.LINKLIB
ISTSDCI4	Object	ISTINM01				SYS1.LINKLIB
ISTSDCLC	Object	ISTINM01				SYS1.LINKLIB
ISTSDCLM	Load		ISTSDCLM	ISTSDCLM		SYS1.VTAMLIB
	Object	ISTSDCLM	SDCLMSTA			
	Entry	ISTSDCLM	ISTSDCLM			
ISTSDCLN	Object	ISTINM01				SYS1.LINKLIB
ISTSDCLU	Object	ISTINM01				SYS1.LINKLIB
ISTSDCML	Object	ISTINM01				SYS1.LINKLIB
ISTSDCMT	Object	ISTINM01				SYS1.LINKLIB
ISTSDCOD	Load		ISTSDCOD	ISTSDCOD		SYS1.LPALIB
	Object	ISTSDCOD		ISTSDCOD		
	Entry	ISTSDCOD	ISTSDCOD			
ISTSDCPC	Object	ISTINM01				SYS1.LINKLIB
ISTSDCP1	Object	ISTINM01				SYS1.LINKLIB
ISTSDCP2	Object	ISTINM01				SYS1.LINKLIB
ISTSDCP3	Object	ISTINM01				SYS1.LINKLIB

Name	Type	Load	Object	Entry	Alias	System Library
ISTSDCP4	Object	ISTINM01				SYS1.LINKLIB
ISTSDCP5	Object	ISTINM01				SYS1.LINKLIB
ISTSDCP6	Object	ISTINM01				SYS1.LINKLIB
ISTSDCRC	Object	ISTINM01				SYS1.LINKLIB
ISTSDCRN	Object	ISTINM01				SYS1.LINKLIB
ISTSDCRS	Object	ISTINM01				SYS1.LINKLIB
ISTSDCR1	Object	ISTINM01				SYS1.LINKLIB
ISTSDCSB	Object	ISTINM01				SYS1.LINKLIB
ISTSDCSC	Object	ISTINM01				SYS1.LINKLIB
ISTSDCSS	Object	ISTINM01				SYS1.LINKLIB
ISTSDCSU	Object	ISTINM01				SYS1.LINKLIB
ISTSDCTM	Object	ISTINM01				SYS1.LINKLIB
ISTSDCVI	Object	ISTINM01				SYS1.LINKLIB
ISTSEC01	Load					
	Object	ISTSEC01	ISTSEC01	ISTSEC01		SYS1.LPALIB
	Entry	ISTSEC01	ISTSEC01	ISTSEC01		
ISTSEC10	Load					
	Object	ISTSEC10	ISTSEC10	ISTSEC10		SYS1.LPALIB
	Entry	ISTSEC10	ISTSEC10	ISTSEC10		
ISTSEC21	Load					
	Object	ISTSEC21	ISTSEC21	ISTSEC21		SYS1.LPALIB
	Entry	ISTSEC21	ISTSEC21	ISTSEC21		
ISTSEC30	Load					
	Object	ISTSEC30	ISTSEC30	ISTSEC30		SYS1.LPALIB
	Entry	ISTSEC30	ISTSEC30	ISTSEC30		
ISTSEC40	Load					
	Object	ISTSEC40	ISTSEC40	ISTSEC40		SYS1.LPALIB
	Entry	ISTSEC40	ISTSEC40	ISTSEC40		
ISTSEC51	Load					
	Object	ISTSEC51	ISTSEC51	ISTSEC51		SYS1.LPALIB
	Entry	ISTSEC51	ISTSEC51	ISTSEC51		
ISTSQC0A	Object	ISTOCCRT				SYS1.LPALIB
ISTSQC00	Object	ISTOCCRT				SYS1.LPALIB
ISTSQC01	Object	ISTOCCRT				SYS1.LPALIB
ISTSQC02	Object	ISTOCCRT				SYS1.LPALIB
ISTSQC03	Object	ISTOCCRT				SYS1.LPALIB
ISTSQC04	Object	ISTOCCRT				SYS1.LPALIB
ISTSQC05	Object	ISTOCCRT				SYS1.LPALIB
ISTSQC06	Object	ISTOCCRT				SYS1.LPALIB
ISTSQC07	Object	ISTOCCRT				SYS1.LPALIB
ISTSQC08	Object	ISTOCCRT				SYS1.LPALIB
ISTSQC09	Object	ISTOCCRT				SYS1.LPALIB
ISTSTC00	Object	ISTOCCRT				SYS1.LPALIB
ISTTC035	Object	ISTOLTEP				SYS1.VTAMLIB
ISTTC037	Object	ISTOLTEP				SYS1.VTAMLIB
ISTVTLOD	Object	ISTINM01				SYS1.LINKLIB
ISTYCLUS	Load		ISTYCLUS	ISTYCLUS		SYS1.LPALIB
	Object	ISTYCLUS	ISTYCLUS	ISTYCLUS		
	Entry	ISTYCLUS	ISTYCLUS	ISTYCLUS		
ISTYCONT	Load					
	Object	ISTYCONT	ISTYCONT	ISTYCONT		SYS1.LPALIB
	Entry	ISTYCONT	ISTYCONT	ISTYCONT		
ISTYPSOL	Load					
	Object	ISTYPSOL	ISTYPSOL	ISTYPSOL		SYS1.LPALIB
	Entry	ISTYPSOL	ISTYPSOL	ISTYPSOL		
ISTYSSCP	Load					
	Object	ISTYSSCP	ISTYSSCP	ISTYSSCP		SYS1.LPALIB
	Entry	ISTYSSCP	ISTYSSCP	ISTYSSCP		
ISTYTCM1	Load					
	Object	ISTYTCM1	ISTYTCM1	ISTYTCM1		SYS1.LPALIB
	Entry	ISTYTCM1	ISTYTCM1	ISTYTCM1		
ISTYTCM2	Load					
	Object	ISTYTCM2	ISTYTCM2	ISTYTCM2		SYS1.LPALIB
	Entry	ISTYTCM2	ISTYTCM2	ISTYTCM2		
ISTYTCM3	Load					
	Object	ISTYTCM3	ISTYTCM3	ISTYTCM3		SYS1.LPALIB
	Entry	ISTYTCM3	ISTYTCM3	ISTYTCM3		
ISTZAC0A	Object	ISTZAF0A				SYS1.LPALIB
	Entry	ISTZAF0A	ISTZAF0A			
ISTZAC0B	Object	ISTZAF0B				SYS1.LPALIB

Name	Type	Load	Object	Entry	Alias	System Library
ISTZAC1A	Entry	ISTZAF0B	ISTZAF0B			
	Object	ISTZAF1A				SYS1.LPALIB
ISTZAC1B	Entry	ISTZAF1A	ISTZAF1A			
	Object	ISTZAF1B				SYS1.LPALIB
ISTZAC1R	Entry	ISTZAF1B	ISTZAF1B			
	Object	ISTZAF1R				SYS1.LPALIB
ISTZAF0A	Entry	ISTZAF1R	ISTZAF1R			
	Load		ISTZAC0A			SYS1.LPALIB
			ISTZAF0A	ISTZAC0A		
ISTZAF0B	Object	ISTZAF0A				
	Load		ISTZAC0B	ISTZAC0A		SYS1.LPALIB
			ISTZAF0B			
ISTZAF1A	Object	ISTZAF0B				
	Load		ISTZAC1A	ISTZAC0B		SYS1.LPALIB
			ISTZAF1A	ISTZAC0B		
ISTZAF1B	Object	ISTZAF1A				
	Load		ISTZAC1B	ISTZAC1A		SYS1.LPALIB
			ISTZAF1B	ISTZAC1A		
ISTZAF1R	Object	ISTZAF1B				
	Load		ISTZAC1R	ISTZAC1B		SYS1.LPALIB
			ISTZAF1R	ISTZAC1B		
ISTZBCAA	Object	ISTZAF1R				
	Object	ISTZBFAA				
	Entry	ISTZBFAA	ISTZBFAA			
	Alias	ISTZBFAA	ISTZBCAA		ISTZBCAA	SYS1.LPALIB
ISTZBCAB	Object	ISTZBFAB				SYS1.LPALIB
	Entry	ISTZBFAB	ISTZBFAB			
ISTZBCAE	Object	ISTZBFAE				
	Entry	ISTZBFAE	ISTZBFAE	ISTZBFAE	ISTZBCAE	SYS1.LPALIB
	Alias	ISTZBFAE	ISTZBCAE			
ISTZBCAG	Object	ISTZBFAG				
	Entry	ISTZBFAG	ISTZBFAG	ISTZBFAG	ISTZBCAG	SYS1.LPALIB
	Alias	ISTZBFAG	ISTZBCAG			
ISTZBCAI	Object	ISTZBFAI				SYS1.LPALIB
	Entry	ISTZBFAI	ISTZBFAI			
ISTZBCAL	Object	ISTZBFAL				SYS1.LPALIB
	Entry	ISTZBFAL	ISTZBFAL			
ISTZBCAM	Object	ISTZBFAM				SYS1.LPALIB
	Entry	ISTZBFAM	ISTZBFAM			
ISTZBCAR	Object	ISTZBFAR				SYS1.LPALIB
	Entry	ISTZBFAR	ISTZBFAR			
ISTZBCBA	Object	ISTZBFBA				
	Entry	ISTZBFBA	ISTZBFBA	ISTZBFBA	ISTZBCBA	SYS1.LPALIB
	Alias	ISTZBFBA	ISTZBCBA			
ISTZBCBB	Object	ISTZBFBB				SYS1.LPALIB
	Entry	ISTZBFBB	ISTZBFBB			
ISTZBCBI	Object	ISTZBFBI				SYS1.LPALIB
	Entry	ISTZBFBI	ISTZBFBI			
ISTZBCBR	Object	ISTZBFBR				SYS1.LPALIB
	Entry	ISTZBFBR	ISTZBFBR			
ISTZBCCB	Object	ISTZBFCEB				SYS1.LPALIB
	Entry	ISTZBFCEB	ISTZBFCEB			
ISTZBCDI	Object	ISTZBFDI				SYS1.LPALIB
	Entry	ISTZBFDI	ISTZBFDI			
ISTZBCDR	Object	ISTZBFDR				SYS1.LPALIB
	Entry	ISTZBFDR	ISTZBFDR			
ISTZBCEB	Object	ISTZBFEB				SYS1.LPALIB
	Entry	ISTZBFEB	ISTZBFEB			
ISTZBCFA	Object	ISTZBFFA				
	Entry	ISTZBFFA	ISTZBFFA	ISTZBFFA	ISTZBCFA	SYS1.LPALIB
	Alias	ISTZBFFA	ISTZBCFA			
ISTZBCFB	Object	ISTZBFFB				SYS1.LPALIB
	Entry	ISTZBFFB	ISTZBFFB			
ISTZBCGA	Object	ISTZBFGA				
	Entry	ISTZBFGA	ISTZBFGA	ISTZBFGA	ISTZBCGA	SYS1.LPALIB
	Alias	ISTZBFGA	ISTZBCGA			
ISTZBCGB	Object	ISTZBFGB				SYS1.LPALIB
	Entry	ISTZBFGB	ISTZBFGB			
ISTZBCHA	Object	ISTZBFHA				
	Entry	ISTZBFHA	ISTZBFHA	ISTZBFHA	ISTZBCHA	SYS1.LPALIB

Name	Type	Load	Object	Entry	Alias	System Library
ISTZBCHB	Alias	ISTZBFHA	ISTZBCHA			
	Object	ISTZBFHB		ISTZBFHB	ISTZBCHB	SYS1.LPALIB
ISTZBCIA	Entry	ISTZBFHB	ISTZBFHB			
	Alias	ISTZBFHB	ISTZBCHB			
ISTZBCIB	Object	ISTZBFIA		ISTZBFIA	ISTZBCIA	SYS1.LPALIB
	Entry	ISTZBFIA	ISTZBFIA			
ISTZBCID	Alias	ISTZBFIA	ISTZBCIA			
	Object	ISTZBFIB		ISTZBFIB	ISTZBCIB	SYS1.LPALIB
ISTZBCJA	Entry	ISTZBFIB	ISTZBFIB			
	Alias	ISTZBFIB	ISTZBCIB			
ISTZBCMB	Object	ISTZBFID				SYS1.LPALIB
	Entry	ISTZBFID	ISTZBFID			
ISTZBCNB	Object	ISTZBMJA				SYS1.LPALIB
	Entry	ISTZBMJA	ISTZBMJA			
ISTZBCND	Object	ISTZPSVB				SYS1.LPALIB
	Entry	ISTZPSVB				SYS1.LPALIB
ISTZBCNE	Object	ISTZBFNB				SYS1.LPALIB
	Entry	ISTZBFNB	ISTZBFNB			
ISTZBCOB	Object	ISTZBFND				SYS1.LPALIB
	Entry	ISTZBFND	ISTZBFND			
ISTZBCPB	Object	ISTZBFNE				SYS1.LPALIB
	Entry	ISTZBFNE	ISTZBFNE			
ISTZBCSC	Object	ISTZPSVB				SYS1.LPALIB
	Entry	ISTZPSVB				SYS1.LPALIB
ISTZBCXA	Object	ISTZBFPB				SYS1.LPALIB
	Entry	ISTZBFPB	ISTZBFPB			
ISTZBCX0	Object	ISTZBFSC				SYS1.LPALIB
	Entry	ISTZBFSC	ISTZBFSC			
ISTZBCY0	Object	ISTZBFXA				SYS1.LPALIB
	Entry	ISTZBFXA	ISTZBFXA			
ISTZBCZ0	Object	ISTZBFX0				SYS1.LPALIB
	Entry	ISTZBFX0	ISTZBFX0			
ISTZBC0A	Object	ISTZPSVB				SYS1.LPALIB
	Object	ISTZPSVB				SYS1.LPALIB
ISTZBC0B	Object	ISTZBF0A				SYS1.LPALIB
	Entry	ISTZBF0A	ISTZBF0A			
ISTZBC0J	Object	ISTZBF0B				SYS1.LPALIB
	Entry	ISTZBF0B	ISTZBF0B			
ISTZBC0K	Object	IGE0010F				SYS1.LPALIB
	Entry	IGE0010F	IGE0010F			
ISTZBC0L	Object	IGE0004{				SYS1.LPALIB
	Entry	IGE0004{	IGE0004{			
ISTZBF0L	Object	ISTZBF0L				SYS1.LPALIB
	Entry	ISTZBF0L	ISTZBF0L			
ISTZBF0A	Load		ISTZBFAA	ISTZBF0A	ISTZBFAA	SYS1.LPALIB
	Object	ISTZBFAA	ISTZBFAA	ISTZBFAA	ISTZBFAA	
ISTZBF0B	Entry	ISTZBFAA	ISTZBFAA			
	Load		ISTZBCAB	ISTZBF0B		SYS1.LPALIB
ISTZBF0C	Object	ISTZBFAB	ISTZBFAB	ISTZBCAB		
	Load		ISTZBFAB	ISTZBCAB	ISTZBF0C	SYS1.LPALIB
ISTZBF0D	Object	ISTZBFAB		ISTZBCAB		
	Load		ISTZBCAE	ISTZBF0D	ISTZBCAE	SYS1.LPALIB
ISTZBF0E	Object	ISTZBFAB		ISTZBCAB		
	Load		ISTZBF0E	ISTZBCAE	ISTZBF0E	SYS1.LPALIB
ISTZBF0F	Object	ISTZBF0E		ISTZBCAE		
	Entry	ISTZBF0E	ISTZBCAE	ISTZBF0F		
ISTZBF0G	Load		ISTZBCAG	ISTZBF0G	ISTZBCAG	SYS1.LPALIB
	Object	ISTZBF0G	ISTZBF0G	ISTZBCAG		
ISTZBF0H	Entry	ISTZBF0G	ISTZBCAG			
	Load		ISTZBCAI	ISTZBF0H		SYS1.LPALIB
ISTZBF0I	Object	ISTZBF0I	ISTZBCAI	ISTZBF0I		
	Load		ISTZBCAI	ISTZBF0I		SYS1.LPALIB
ISTZBF0J	Object	ISTZBF0I		ISTZBCAI		
	Load		ISTZBCAL	ISTZBF0J		SYS1.LPALIB
ISTZBF0K	Object	ISTZBF0J	ISTZBF0J	ISTZBCAL		
	Load		ISTZBF0K	ISTZBCAL		SYS1.LPALIB
ISTZBF0L	Object	ISTZBF0K		ISTZBCAM		
	Load		ISTZBF0L	ISTZBF0L		SYS1.LPALIB
ISTZBF0M	Object	ISTZBF0L	ISTZBF0L	ISTZBCAM		
	Load		ISTZBF0M	ISTZBF0M		SYS1.LPALIB
ISTZBF0N	Object	ISTZBF0M		ISTZBCAM		
	Load		ISTZBCAR	ISTZBF0N		SYS1.LPALIB
ISTZBF0O	Object	ISTZBF0M		ISTZBCAM		
	Load		ISTZBF0O	ISTZBF0O		SYS1.LPALIB
ISTZBF0P	Object	ISTZBF0O		ISTZBCAR		
	Load		ISTZBF0P	ISTZBF0P		SYS1.LPALIB
ISTZBF0Q	Object	ISTZBF0P		ISTZBCAR		
	Load		ISTZBF0Q	ISTZBF0Q	ISTZBCBA	SYS1.LPALIB

Name	Type	Load	Object	Entry	Alias	System Library
ISTZBFBB	Object	ISTZBFBA	ISTZBFBA	ISTZBCBA		
	Entry	ISTZBFBA	ISTZBCBA	ISTZBCBA		
	Load		ISTZBCBB	ISTZBCBB		SYS1.LPALIB
ISTZBFBI	Object	ISTZBFBB	ISTZBCBI	ISTZBCBB		
	Load		ISTZBFBI	ISTZBCBI		SYS1.LPALIB
ISTZBFBR	Object	ISTZBFBI	ISTZBCBR	ISTZBCBI		
	Load		ISTZBFBR	ISTZBCBR		SYS1.LPALIB
ISTZBFCEB	Object	ISTZBFBR	ISTZBCCB	ISTZBCBR		
	Load		ISTZBFCEB	ISTZBCCB		SYS1.LPALIB
ISTZBFDI	Object	ISTZBFCEB	ISTZBCDI	ISTZBCCB		
	Load		ISTZBFDI	ISTZBCDI		SYS1.LPALIB
ISTZBFDR	Object	ISTZBFDI	ISTZBCDR	ISTZBCDI		
	Load		ISTZBFDR	ISTZBCDR		SYS1.LPALIB
ISTZBFEB	Object	ISTZBFDR	ISTZBCEB	ISTZBCDR		
	Load		ISTZBFEB	ISTZBCEB		SYS1.LPALIB
ISTZBFFA	Object	ISTZBFEB	ISTZBCFA	ISTZBCEB		
	Entry	ISTZBFFA	ISTZBFFA	ISTZBFFA	ISTZBCFA	SYS1.LPALIB
	Load		ISTZBFFA	ISTZBCFA		
ISTZBFFB	Object	ISTZBFFA	ISTZBCFB	ISTZBCFA		
	Load		ISTZBFFB	ISTZBCFB		SYS1.LPALIB
ISTZBFGA	Object	ISTZBFFB	ISTZBCGA	ISTZBCFB		
	Load		ISTZBFGA	ISTZBFGA	ISTZBCGA	SYS1.LPALIB
ISTZBFGB	Object	ISTZBFGA	ISTZBCGB	ISTZBCGA		
	Entry	ISTZBFGB	ISTZBFGB	ISTZBCGB		SYS1.LPALIB
ISTZBFHA	Object	ISTZBFGB	ISTZBCHA	ISTZBCGB		
	Load		ISTZBFHA	ISTZBCHA	ISTZBCHA	SYS1.LPALIB
ISTZBFHB	Object	ISTZBFHA	ISTZBCHB	ISTZBCHA		
	Entry	ISTZBFHB	ISTZBFHB	ISTZBCHB	ISTZBCHB	SYS1.LPALIB
ISTZBFIA	Object	ISTZBFHB	ISTZBCIA	ISTZBCHB		
	Entry	ISTZBFIA	ISTZBFIA	ISTZBCIA	ISTZBCIA	SYS1.LPALIB
ISTZBFIB	Object	ISTZBFIA	ISTZBCIB	ISTZBCIA		
	Load		ISTZBFIB	ISTZBCIB	ISTZBCIB	SYS1.LPALIB
ISTZBFID	Object	ISTZBFIB	ISTZBCID	ISTZBCIB		
	Entry	ISTZBFID	ISTZBFID	ISTZBCID		SYS1.LPALIB
ISTZBFMB	Object	ISTZBFID		ISTZBCID		
	Object	ISTZPSVB				SYS1.LPALIB
ISTZBFNB	Object	ISTZBFNB	ISTZBCNB			
	Load		ISTZBFNB	ISTZBCNB		SYS1.LPALIB
ISTZBFND	Object	ISTZBFNB	ISTZBCND	ISTZBCNB		
	Load		ISTZBFND	ISTZBCND		SYS1.LPALIB
ISTZBFNE	Object	ISTZBFND	ISTZBCNE	ISTZBCND		
	Load		ISTZBFNE	ISTZBCNE		SYS1.LPALIB
ISTZBFNB	Object	ISTZBFNE		ISTZBCNE		
	Object	ISTZPSVB				SYS1.LPALIB
ISTZBFNB	Object		ISTZBCPB			
	Load		ISTZBFNB	ISTZBCPB		SYS1.LPALIB

Name	Type	Load	Object	Entry	Alias	System Library
ISTZBFSC	Object Load	ISTZBFPB	ISTZBCSC ISTZBFSC	ISTZBCPB ISTZBCSC ISTZBCSC		SYS1.LPALIB
ISTZBFXA	Object Load	ISTZBFSC	ISTZBCXA ISTZBFXA	ISTZBCXA ISTZBCXA		SYS1.LPALIB
ISTZBFX0	Object Load	ISTZBFXA	ISTZBCX0 ISTZBFX0	ISTZBCX0 ISTZBCX0		SYS1.LPALIB
ISTZBFY0	Object	ISTZBFX0				SYS1.LPALIB
ISTZBFZ0	Object	ISTZPSVB				SYS1.LPALIB
ISTZBF0A	Load	ISTZPSVB	ISTZBC0A ISTZBF0A	ISTZBC0A ISTZBC0A		SYS1.LPALIB
ISTZBF0B	Object Load	ISTZBF0A	ISTZBC0B ISTZBF0B	ISTZBC0B ISTZBC0B		SYS1.LPALIB
ISTZBF0L	Object Load	ISTZBF0B	ISTZBC0L ISTZBF0L	ISTZBC0L ISTZBC0L		SYS1.LPALIB
ISTZBMJA	Object Load	ISTZBF0L	ISTZBCJA ISTZBMJA	ISTZBCJA ISTZBCJA		SYS1.LPALIB
ISTZBM0J	Object	ISTZBMJA				SYS1.LPALIB
ISTZBMOK	Object	IGE0010F				SYS1.LPALIB
ISTZCCAI	Object	IGE0004 {				SYS1.LPALIB
ISTZCCBI	Object Entry	ISTZCFAI	ISTZCFAI	ISTZCFAI		SYS1.LPALIB
ISTZCCCI	Object Entry	ISTZCFBI	ISTZCFBI	ISTZCFBI		SYS1.LPALIB
ISTZCC0A	Object Entry	ISTZCFCI	ISTZCFCI	ISTZCFCI		SYS1.LPALIB
ISTZCC0B	Object Entry	ISTZCF0A	ISTZCF0A	ISTZCF0A		SYS1.LPALIB
ISTZCC1A	Object Entry	ISTZCF0B	ISTZCF0B	ISTZCF0B		SYS1.LPALIB
ISTZCC1B	Object Entry	ISTZCF1A	ISTZCF1A	ISTZCF1A		SYS1.LPALIB
ISTZCC2B	Object Entry	ISTZCF1B	ISTZCF1B	ISTZCF1B		SYS1.LPALIB
ISTZCEAB	Object Load	ISTZCF2B	ISTZCF2B ISTZCEAB ISTZFCBB ISTZFCBB ISTZFCDB ISTZFC0B ISTZFC1B ISTZFC2B ISTZFC3B ISTZFFCB ISTZFFDB ISTZFMBB ISTZFM0B ISTZFM1B ISTZFM2B ISTZFM3B	ISTZFC0B		SYS1.LPALIB
ISTZCFAI	Object Load	ISTZCEAB	ISTZCCAI ISTZCFAI	ISTZCCAI ISTZCCAI		SYS1.LPALIB
ISTZCFBI	Object Load	ISTZCFAI	ISTZCCBI ISTZCFBI	ISTZCCBI ISTZCCBI		SYS1.LPALIB
ISTZCFCI	Object Load	ISTZCFBI	ISTZCCCI ISTZCFCI	ISTZCCCI ISTZCCCI		SYS1.LPALIB
ISTZCF0A	Object Load	ISTZCFCI	ISTZCC0A ISTZCF0A	ISTZCC0A ISTZCC0A		SYS1.LPALIB
	Object	ISTZCF0A				

Name	Type	Load	Object	Entry	Alias	System Library
ISTZCF0B	Load		ISTZCC0B ISTZCF0B	ISTZCC0B ISTZCC0B		SYS1.LPALIB
ISTZCF1A	Object Load	ISTZCF0B	ISTZCC1A ISTZCF1A	ISTZCC1A ISTZCC1A		SYS1.LPALIB
ISTZCF1B	Object Load	ISTZCF1A	ISTZCC1B ISTZCF1B	ISTZCC1B ISTZCC1B		SYS1.LPALIB
ISTZCF2B	Object Load	ISTZCF1B	ISTZCC2B ISTZCF2B	ISTZCC2B ISTZCC2B		SYS1.LPALIB
ISTZDCA0	Object	ISTZCF2B				SYS1.LPALIB
ISTZDCB0	Object	ISTZPSVB				SYS1.LPALIB
ISTZDCC0	Object	ISTZPSVB				SYS1.LPALIB
ISTZDCD0	Object	ISTZPSVB				SYS1.LPALIB
ISTZDCE0	Object Entry Alias	ISTZDFE0		ISTZDFE0	ISTZDCE0	SYS1.LPALIB
ISTZDCF0	Object	ISTZPSVB				SYS1.LPALIB
ISTZDCH0	Object	ISTZPSVB				SYS1.LPALIB
ISTZDCI0	Object	ISTZPSVB				SYS1.LPALIB
ISTZDCJ0	Object	ISTZFSVB				SYS1.LPALIB
ISTZDCKA	Object Entry	ISTZDFKA		ISTZDFKA		SYS1.LPALIB
ISTZDCKB	Object Entry Alias	ISTZDFKB		ISTZDFKB	ISTZDCKB	SYS1.LPALIB
ISTZDCK0	Object	ISTZLFVA				SYS1.LPALIB
ISTZDCL0	Object Entry Alias	ISTZDFL0		ISTZDFL0	ISTZDCL0	SYS1.LPALIB
ISTZDCMB	Object	ISTZPSVB				SYS1.LPALIB
ISTZDCNB	Object	ISTZPSVB				SYS1.LPALIB
ISTZDCPR	Object	ISTZPSVB				SYS1.LPALIB
ISTZDCQR	Object	ISTZPSVB				SYS1.LPALIB
ISTZDCWB	Object Entry	ISTZDFWB		ISTZDFWB		SYS1.LPALIB
ISTZDCWR	Object Entry	ISTZDFWR		ISTZDFWR		SYS1.LPALIB
ISTZDCXR	Object	ISTZPSVB				SYS1.LPALIB
ISTZDFA0	Object	ISTZPSVB				SYS1.LPALIB
ISTZDFB0	Object	ISTZPSVB				SYS1.LPALIB
ISTZDFC0	Object	ISTZPSVB				SYS1.LPALIB
ISTZDFD0	Object	ISTZPSVB				SYS1.LPALIB
ISTZDFE0	Load		ISTZDCE0 ISTZDFE0	ISTZDFE0 ISTZDCE0 ISTZDCE0	ISTZDCE0	SYS1.LPALIB
ISTZDFF0	Object	ISTZDFE0				SYS1.LPALIB
ISTZDFH0	Object	ISTZPSVB				SYS1.LPALIB
ISTZDFI0	Object	ISTZPSVB				SYS1.LPALIB
ISTZDFJ0	Object	ISTZFSVB				SYS1.LPALIB
ISTZDFKA	Load		ISTZDCKA ISTZDFKA	ISTZDCKA ISTZDCKA		SYS1.LPALIB
ISTZDFKB	Object Load	ISTZDFKA	ISTZDCKB ISTZDFKB	ISTZDCKB ISTZDCKB	ISTZDCKB	SYS1.LPALIB
ISTZDFK0	Object	ISTZDFKB				SYS1.LPALIB
ISTZDFL0	Entry Object Load	ISTZDFKB ISTZLFVA		ISTZDCL0 ISTZDFL0	ISTZDCL0	SYS1.LPALIB
ISTZDFNB	Object	ISTZDFL0		ISTZDCL0		SYS1.LPALIB
ISTZDFPR	Object	ISTZPSVB				SYS1.LPALIB
ISTZDFQR	Object	ISTZPSVB				SYS1.LPALIB
ISTZDFWB	Load		ISTZDCWB ISTZDFWB	ISTZDCWB		SYS1.LPALIB

Name	Type	Load	Object	Entry	Alias	System Library
ISTZDFWR	Object Load	ISTZDFWB	ISTZDCWR ISTZDFWR	ISTZDCWB ISTZDCWR		SYS1.LPALIB
ISTZDFXR	Object	ISTZDFWR				SYS1.LPALIB
ISTZDMMB	Object	ISTZPSVB				SYS1.LPALIB
ISTZECAA	Object	ISTZPSVB				SYS1.LPALIB
ISTZECAB	Object	ISTZLFVA				SYS1.LPALIB
ISTZECBA	Object	ISTZFSVB				SYS1.LPALIB
ISTZECBB	Object	ISTZLFVA				SYS1.LPALIB
ISTZECDA	Object	ISTZFSVB				SYS1.LPALIB
ISTZECEA	Object	ISTZLPVA				SYS1.LPALIB
ISTZECEA	Object	ISTZLFVA				SYS1.LPALIB
ISTZECEFA	Object	ISTZLFVA				SYS1.LPALIB
ISTZECTA	Object	ISTZLFVA				SYS1.LPALIB
ISTZEFBA	Object	ISTZLFVA				SYS1.LPALIB
ISTZEFDA	Object	ISTZLPVA				SYS1.LPALIB
ISTZEMAA	Object	ISTZLFVA				SYS1.LPALIB
ISTZEMAB	Object	ISTZFSVB				SYS1.LPALIB
ISTZEMBB	Object	ISTZFSVB				SYS1.LPALIB
ISTZEMEA	Object	ISTZLFVA				SYS1.LPALIB
ISTZEMFA	Object	ISTZLFVA				SYS1.LPALIB
ISTZEMTA	Object	ISTZLFVA				SYS1.LPALIB
ISTZFCAA	Object	IEANUC01				SYS1.NUCLEUS
ISTZF CAB	Object	IEANUC01				SYS1.NUCLEUS
ISTZFCBB	Object	ISTZCEAB				SYS1.LPALIB
ISTZFC CB	Object	ISTZCEAB				SYS1.LPALIB
ISTZFCDB	Object	ISTZCEAB				SYS1.LPALIB
ISTZFC EA	Object	ISTZLFVA				SYS1.LPALIB
ISTZFCEB	Object	ISTZFSVB				SYS1.LPALIB
ISTZF CFA	Object	ISTZLFVA				SYS1.LPALIB
ISTZF CXA	Object	ISTZLFVA				SYS1.LPALIB
ISTZFCOA	Object	ISTZFM0A				SYS1.LPALIB
	Entry	ISTZFM0A	ISTZFM0A			
ISTZFC0B	Object	ISTZCEAB				SYS1.LPALIB
	Entry	ISTZCEAB	ISTZCEAB			
ISTZFC1B	Object	ISTZCEAB				SYS1.LPALIB
ISTZFC2B	Object	ISTZCEAB				SYS1.LPALIB
ISTZFC3B	Object	ISTZCEAB				SYS1.LPALIB
ISTZFFCB	Object	ISTZCEAB				SYS1.LPALIB
ISTZFFDB	Object	ISTZCEAB				SYS1.LPALIB
ISTZFFEA	Object	ISTZLFVA				SYS1.LPALIB
ISTZFFXA	Object	ISTZLFVA				SYS1.LPALIB
ISTZFM AA	Object	IEANUC01				SYS1.NUCLEUS
ISTZFM AB	Object	IEANUC01				SYS1.NUCLEUS
ISTZFM BB	Object	ISTZCEAB				SYS1.LPALIB
ISTZFM EB	Object	ISTZFSVB				SYS1.LPALIB
ISTZFM FA	Object	ISTZLFVA				SYS1.LPALIB
ISTZFM TA	Object	ISTZLFVA				SYS1.LPALIB
ISTZFM UA	Object	ISTZLFVA				SYS1.LPALIB
ISTZFM0A	Load		ISTZFC0A ISTZFM0A	ISTZFC0A ISTZFC0A		SYS1.LPALIB
	Object	ISTZFM0A				
ISTZFM0B	Object	ISTZCEAB				SYS1.LPALIB
ISTZFM1B	Object	ISTZCEAB				SYS1.LPALIB
ISTZFM2B	Object	ISTZCEAB				SYS1.LPALIB
ISTZFM3B	Object	ISTZCEAB				SYS1.LPALIB
ISTZFSVB	Load		ISTZDCJO ISTZDFJO ISTZECAB ISTZECBB ISTZEMAB ISTZEMBB ISTZFCEB ISTZFMEB ISTZFSVB ISTZFSVO	ISTZFSVO		SYS1.LPALIB
	Object	ISTZFSVB				
ISTZFSVO	Object	ISTZFSVB				SYS1.LPALIB
	Entry	ISTZFSVB	ISTZFSVB			
ISTZGCAB	Object	ISTZGFAB				SYS1.LPALIB

Name	Type	Load	Object	Entry	Alias	System Library
ISTZGCBB	Entry	ISTZGFAB	ISTZGFAB			
	Object	ISTZGFBB				SYS1.LPALIB
	Entry	ISTZGFBB	ISTZGFBB			
ISTZGCCB	Object	ISTZPSVB				SYS1.LPALIB
ISTZGCOA	Object	ISTZGFOA				SYS1.LPALIB
	Entry	ISTZGFOA	ISTZGFOA			
ISTZGCOB	Object	ISTZGFOB				SYS1.LPALIB
	Entry	ISTZGFOB	ISTZGFOB			
ISTZGC1A	Object	ISTZGF1A				SYS1.LPALIB
	Entry	ISTZGF1A	ISTZGF1A			
ISTZGFAB	Load		ISTZGCAB			SYS1.LPALIB
			ISTZGFAB	ISTZGCAB		
	Object	ISTZGFAB		ISTZGCAB		
ISTZGFBB	Load		ISTZGCBB			SYS1.LPALIB
			ISTZGFBB	ISTZGCBB		
	Object	ISTZGFBB		ISTZGCBB		
ISTZGFCB	Object	ISTZPSVB				SYS1.LPALIB
ISTZGFOA	Load		ISTZGCOA			SYS1.LPALIB
			ISTZGFOA	ISTZGCOA		
	Object	ISTZGFOA		ISTZGCOA		
ISTZGFOB	Load		ISTZGCOB			SYS1.LPALIB
			ISTZGFOB	ISTZGCOB		
	Object	ISTZGFOB		ISTZGCOB		
ISTZGF1A	Load		ISTZGC1A			SYS1.LPALIB
			ISTZGF1A	ISTZGC1A		
	Object	ISTZGF1A		ISTZGC1A		
ISTZHCAN	Object	ISTZHFAN		ISTZHFAN	ISTZHCAN	SYS1.LPALIB
	Entry	ISTZHFAN	ISTZHFAN			
	Alias	ISTZHFAN	ISTZHCAN			
ISTZHFAN	Load		ISTZHCAN	ISTZHFAN	ISTZHCAN	SYS1.LPALIB
			ISTZHFAN	ISTZHCAN		
	Object	ISTZHFAN		ISTZHCAN		
	Entry	ISTZHFAN	ISTZHCAN			
ISTZICAA	Object	ISTZIFAA				SYS1.LPALIB
	Entry	ISTZIFAA	ISTZIFAA			
ISTZICAB	Object	ISTZIFAB				SYS1.LPALIB
	Entry	ISTZIFAB	ISTZIFAB			
ISTZICBB	Object	ISTZIFBB				SYS1.LPALIB
	Entry	ISTZIFBB	ISTZIFBB			
ISTZICBI	Object	ISTZIFBI				SYS1.LPALIB
	Entry	ISTZIFBI	ISTZIFBI			
ISTZICCB	Object	ISTZIFCB				SYS1.LPALIB
	Entry	ISTZIFCB	ISTZIFCB			
ISTZICCI	Object	ISTZIFCI				SYS1.LPALIB
	Entry	ISTZIFCI	ISTZIFCI			
ISTZICDB	Object	ISTZIFDB				SYS1.LPALIB
	Entry	ISTZIFDB	ISTZIFDB			
ISTZICEB	Object	ISTZIFEB				SYS1.LPALIB
	Entry	ISTZIFEB	ISTZIFEB			
ISTZICGB	Object	ISTZIFGB				SYS1.LPALIB
	Entry	ISTZIFGB	ISTZIFGB			
ISTZICHB	Object	ISTZIFHB				SYS1.LPALIB
	Entry	ISTZIFHB	ISTZIFHB			
ISTZICIB	Object	ISTZIFIB				SYS1.LPALIB
	Entry	ISTZIFIB	ISTZIFIB			
ISTZICID	Object	ISTZIFID				SYS1.LPALIB
	Entry	ISTZIFID	ISTZIFID			
ISTZICJB	Object	ISTZIFJB				SYS1.LPALIB
	Entry	ISTZIFJB	ISTZIFJB			
ISTZICKB	Object	ISTZIFKB				SYS1.LPALIB
	Entry	ISTZIFKB	ISTZIFKB			
ISTZICKG	Object	ISTZIFKG				SYS1.LPALIB
	Entry	ISTZIFKG	ISTZIFKG			
ISTZICLB	Object	ISTZIFLB				SYS1.LPALIB
	Entry	ISTZIFLB	ISTZIFLB			
ISTZICMB	Object	ISTZIFMB				SYS1.LPALIB
	Entry	ISTZIFMB	ISTZIFMB			
ISTZICNA	Object	ISTZIFNA				SYS1.LPALIB
	Entry	ISTZIFNA	ISTZIFNA			
ISTZICNB	Object	ISTZIFNB				SYS1.LPALIB

Name	Type	Load	Object	Entry	Alias	System Library
ISTZICOA	Entry	ISTZIFNB	ISTZIFNB			
	Object	ISTZIFOA				SYS1.LPALIB
ISTZICOB	Entry	ISTZIFOB	ISTZIFOA			
	Object	ISTZIFOB				SYS1.LPALIB
ISTZICOE	Entry	ISTZIFOE	ISTZIFOB			
	Object	ISTZIFOE				SYS1.LPALIB
ISTZICQA	Entry	ISTZIMQA	ISTZIFOE			
	Object	ISTZIMQA				SYS1.LPALIB
ISTZICSB	Entry	ISTZIFSB	ISTZIMQA			
	Object	ISTZIFSB				SYS1.LPALIB
ISTZICSC	Entry	ISTZIFSC	ISTZIFSB			
	Object	ISTZIFSC				SYS1.LPALIB
ISTZICTB	Entry	ISTZIFTB	ISTZIFSC			
	Object	ISTZIFTB				SYS1.LPALIB
ISTZICUB	Entry	ISTZIFUB	ISTZIFTB			
	Object	ISTZIFUB				SYS1.LPALIB
ISTZICVB	Entry	ISTZIFVB	ISTZIFUB			
	Object	ISTZIFVB				SYS1.LPALIB
ISTZICWB	Entry	ISTZIFWB	ISTZIFVB			
	Object	ISTZIFWB				SYS1.LPALIB
ISTZICX0	Entry	ISTZIFX0	ISTZIFWB			
	Object	ISTZIFX0				SYS1.LPALIB
ISTZIC0B	Entry	ISTZIF0B	ISTZIFX0			
	Object	ISTZIF0B				SYS1.LPALIB
ISTZIC1B	Entry	ISTZIF1B	ISTZIF0B			
	Object	ISTZIF1B				SYS1.LPALIB
ISTZIFAA	Load		ISTZIF1B			
			ISTZICAA			SYS1.LPALIB
			ISTZIFAA	ISTZICAA		
ISTZIFAB	Object	ISTZIFAA		ISTZICAA		
	Load		ISTZICAB	ISTZICAA		SYS1.LPALIB
			ISTZIFAB			
ISTZIFBB	Object	ISTZIFAB		ISTZICAB		
	Load		ISTZICBB	ISTZICAB		SYS1.LPALIB
			ISTZIFBB			
ISTZIFBI	Object	ISTZIFBB		ISTZICBB		
	Load		ISTZICBI	ISTZICBB		SYS1.LPALIB
			ISTZIFBI			
ISTZIFCB	Object	ISTZIFBI		ISTZICBI		
	Load		ISTZICCB	ISTZICBI		SYS1.LPALIB
			ISTZIFCB			
ISTZIFCI	Object	ISTZIFCB		ISTZICCB		
	Load		ISTZICCI	ISTZICCB		SYS1.LPALIB
			ISTZIFCI			
ISTZIFDB	Object	ISTZIFCI		ISTZICCI		
	Load		ISTZICDB	ISTZICCI		SYS1.LPALIB
			ISTZIFDB			
ISTZIFEB	Object	ISTZIFDB		ISTZICDB		
	Load		ISTZICEB	ISTZICDB		SYS1.LPALIB
			ISTZIFEB			
ISTZIFGB	Object	ISTZIFEB		ISTZICEB		
	Load		ISTZICGB	ISTZICEB		SYS1.LPALIB
			ISTZIFGB			
ISTZIFHB	Object	ISTZIFGB		ISTZICGB		
	Load		ISTZICHB	ISTZICGB		SYS1.LPALIB
			ISTZIFHB			
ISTZIFIB	Object	ISTZIFHB		ISTZICHB		
	Load		ISTZICIB	ISTZICHB		SYS1.LPALIB
			ISTZIFIB			
ISTZIFID	Object	ISTZIFIB		ISTZICIB		
	Load		ISTZICID	ISTZICIB		SYS1.LPALIB
			ISTZIFID			
ISTZIFJB	Object	ISTZIFID		ISTZICID		
	Load		ISTZICJB	ISTZICID		SYS1.LPALIB
			ISTZIFJB			
ISTZIFKB	Object	ISTZIFJB		ISTZICJB		
	Load		ISTZICKB	ISTZICJB		SYS1.LPALIB
			ISTZIFKB			
ISTZIFKG	Object	ISTZIFKB		ISTZICKB		
	Load		ISTZICKG	ISTZICKB		SYS1.LPALIB

Name	Type	Load	Object	Entry	Alias	System Library
ISTZIFLB	Object	ISTZIFKG	ISTZIFKG	ISTZICKG		SYS1.LPALIB
	Load		ISTZICLB	ISTZICKG		
ISTZIFMB	Object	ISTZIFLB	ISTZIFLB	ISTZICLB		SYS1.LPALIB
	Load		ISTZICMB	ISTZICLB		
ISTZIFNA	Object	ISTZIFMB	ISTZIFMB	ISTZICMB		SYS1.LPALIB
	Load		ISTZICNA	ISTZICMB		
ISTZIFNB	Object	ISTZIFNA	ISTZIFNA	ISTZICNA		SYS1.LPALIB
	Load		ISTZICNB	ISTZICNA		
ISTZIFOA	Object	ISTZIFNB	ISTZIFNB	ISTZICNB		SYS1.LPALIB
	Load		ISTZICOA	ISTZICNB		
ISTZIFOB	Object	ISTZIFOA	ISTZIFOA	ISTZICOA		SYS1.LPALIB
	Load		ISTZICOB	ISTZICOA		
ISTZIFOE	Object	ISTZIFOB	ISTZIFOB	ISTZICOB		SYS1.LPALIB
	Load		ISTZICOE	ISTZICOB		
ISTZIFSB	Object	ISTZIFOE	ISTZIFOE	ISTZICOE		SYS1.LPALIB
	Load		ISTZICSB	ISTZICOE		
ISTZIFSC	Object	ISTZIFSB	ISTZIFSB	ISTZICSB		SYS1.LPALIB
	Load		ISTZICSC	ISTZICSB		
ISTZIFTB	Object	ISTZIFSC	ISTZIFSC	ISTZICSC		SYS1.LPALIB
	Load		ISTZICTB	ISTZICSC		
ISTZIFUB	Object	ISTZIFTB	ISTZIFTB	ISTZICTB		SYS1.LPALIB
	Load		ISTZICUB	ISTZICTB		
ISTZIFVB	Object	ISTZIFUB	ISTZIFUB	ISTZICUB		SYS1.LPALIB
	Load		ISTZICVB	ISTZICUB		
ISTZIFWB	Object	ISTZIFVB	ISTZIFVB	ISTZICVB		SYS1.LPALIB
	Load		ISTZICWB	ISTZICVB		
ISTZIFX0	Object	ISTZIFWB	ISTZIFWB	ISTZICWB		SYS1.LPALIB
	Load		ISTZICX0	ISTZICWB		
ISTZIF0B	Object	ISTZIFX0	ISTZIFX0	ISTZICX0		SYS1.LPALIB
	Load		ISTZIC0B	ISTZICX0		
ISTZIF1B	Object	ISTZIF0B	ISTZIF0B	ISTZIC0B		SYS1.LPALIB
	Load		ISTZIC1B	ISTZIC0B		
ISTZIMQA	Object	ISTZIF1B	ISTZIF1B	ISTZIC1B		SYS1.LPALIB
	Load		ISTZICQA	ISTZIC1B		
ISTZJCAB	Object	ISTZIMQA	ISTZIMQA	ISTZICQA		SYS1.LPALIB
	Object		ISTZJFAB	ISTZICQA		
ISTZJCBB	Object	ISTZJFAB	ISTZJFAB	ISTZJFAB		SYS1.LPALIB
	Entry		ISTZJFBB	ISTZJFAB		
ISTZJCCB	Object	ISTZJFBB	ISTZJFBB	ISTZJFBB		SYS1.LPALIB
	Entry		ISTZJFCB	ISTZJFBB		
ISTZJC0B	Object	ISTZJFCB	ISTZJFCB	ISTZJFCB		SYS1.LPALIB
	Entry		ISTZJF0B	ISTZJFCB		
ISTZJFAB	Object	ISTZJF0B	ISTZJF0B	ISTZJF0B		SYS1.LPALIB
	Load		ISTZJCAB	ISTZJF0B		
ISTZJFBB	Object	ISTZJFAB	ISTZJFAB	ISTZJCAB		SYS1.LPALIB
	Load		ISTZJFBB	ISTZJCAB		
ISTZJFCB	Object	ISTZJFBB	ISTZJFBB	ISTZJCBB		SYS1.LPALIB
	Load		ISTZJCCB	ISTZJCBB		
	Object	ISTZJFCB	ISTZJFCB	ISTZJCCB		SYS1.LPALIB
	Object		ISTZJFCB	ISTZJCCB		

Name	Type	Load	Object	Entry	Alias	System Library
ISTZJFOB	Load		ISTZJCOB ISTZJFOB	ISTZJCOB ISTZJCOB		SYS1.LPALIB
ISTZKCBB	Object Object Entry	ISTZJFOB ISTZKFBB ISTZKFBB	ISTZKFBB			SYS1.LPALIB
ISTZKCBN	Object Entry	ISTZKFBN ISTZKFBN	ISTZKFBN			SYS1.LPALIB
ISTZKCCB	Object Entry	ISTZKFCB ISTZKFCB	ISTZKFCB			SYS1.LPALIB
ISTZKCCN	Object Entry	ISTZKFCN ISTZKFCN	ISTZKFCN			SYS1.LPALIB
ISTZKFBB	Load		ISTZKFCN ISTZKCBB ISTZKFBB			SYS1.LPALIB
ISTZKFBN	Object Load	ISTZKFBB	ISTZKCBN ISTZKFBN	ISTZKCBB ISTZKCBB		SYS1.LPALIB
ISTZKFCB	Object Load	ISTZKFBN	ISTZKCCB ISTZKFCB	ISTZKCBN ISTZKCBN		SYS1.LPALIB
ISTZKFCN	Object Load	ISTZKFCB	ISTZKCCN ISTZKFCN	ISTZKCCB ISTZKCCB		SYS1.LPALIB
ISTZLFVA	Object Load	ISTZKFCN	ISTZDCK0 ISTZDFK0 ISTZECAA ISTZECBA ISTZECEA ISTZECFA ISTZECTA ISTZEFBA ISTZEMAA ISTZEMEA ISTZEMFA ISTZEMTA ISTZFCEA ISTZFCFA ISTZFCXA ISTZFFEA ISTZFFXA ISTZFMFA ISTZFMTA ISTZFMUA ISTZLFVA ISTZLFV0	ISTZKCCN ISTZKCCN		SYS1.LPALIB
ISTZLFV0	Object Object Entry	ISTZLFVA ISTZLFVA ISTZLFVA	ISTZLFVA	ISTZLFV0	ISTZLFV0	SYS1.LPALIB
ISTZLPVA	Load		ISTZECDA ISTZEFDA ISTZLPVA ISTZLPV0	ISTZLPV0		SYS1.LPALIB
ISTZLPV0	Object Object Entry	ISTZLPVA ISTZLPVA ISTZLPVA	ISTZLPVA	ISTZLPV0		SYS1.LPALIB
ISTZPSVB	Load		ISTZLPVA ISTZBCMB ISTZBCOB ISTZBCY0 ISTZBCZ0 ISTZBFMB ISTZBFOB ISTZBFY0 ISTZBFZ0 ISTZDCA0 ISTZDCB0 ISTZDCC0 ISTZDCD0 ISTZDCF0 ISTZDCH0 ISTZDCI0			SYS1.LPALIB

Name	Type	Load	Object	Entry	Alias	System Library
			ISTZDCMB			
			ISTZDCNB			
			ISTZDCPR			
			ISTZDCQR			
			ISTZDCXR			
			ISTZDFA0			
			ISTZDFB0			
			ISTZDFC0			
			ISTZDFD0			
			ISTZDFF0			
			ISTZDFH0			
			ISTZDFI0			
			ISTZDFNB			
			ISTZDFPR			
			ISTZDFQR			
			ISTZDFXR			
			ISTZDMMB			
			ISTZGCCB			
			ISTZGFCB			
			ISTZPSVB	ISTZPSV0		
			ISTZPSV0			
ISTZPSV0	Object	ISTZPSVB		ISTZPSV0		
	Object	ISTZPSVB				SYS1.LPALIB
	Entry	ISTZPSVB	ISTZPSVB			
ISTZRM01	Load		ISTZRM01	ISTZRM01		SYS1.LPALIB
	Object	ISTZRM01		ISTZRM01		
	Entry	ISTZRM01	ISTZRM01			
ITBP	Object		IHCGSP03			SYS1.LINKLIB
			IHDGSP03			
			IHEGSP03			
ITRC	Object		IHCGSP03			SYS1.LINKLIB
			IHDGSP03			
			IHEGSP03			
ITST	Object		IHCGSP03			SYS1.LINKLIB
			IHDGSP03			
			IHEGSP03			
IVPJ0BS	Load		IVPJ0BS			SYS1.SAMPLIB
	Object	IVPJ0BS				
IXOPPROC	Object	IDCDE01				SYS1.LINKLIB
I00C0005	Object	ISTOLTEP				SYS1.VTAMLIB
I00C0020	Object	ISTOLTEP				SYS1.VTAMLIB
I00C0030	Object	ISTOLTEP				SYS1.VTAMLIB
I00C0040	Object	ISTOLTEP				SYS1.VTAMLIB
I00C0060	Object	ISTOLTEP				SYS1.VTAMLIB
I00C0070	Object	ISTOLTEP				SYS1.VTAMLIB
I00C0200	Object	ISTOLTEP				SYS1.VTAMLIB
I00C0300	Object	ISTOLTEP				SYS1.VTAMLIB
I01C0050	Object	ISTOLTEP				SYS1.VTAMLIB
I01C0060	Object	ISTOLTEP				SYS1.VTAMLIB
JFCBADDR	Object	HEWLF064				SYS1.LINKLIB
JNOTRUN	Object	IEFW21SD				SYS1.LPALIB
JOBNDED	Object	IEFW21SD				SYS1.LPALIB
JOBFAILD	Object	IEFW21SD				SYS1.LPALIB
JOBN10I	Object	AMDSAPGE				SYS1.LINKLIB
JPRINTRT	Object	IEBCOMPR				SYS1.LINKLIB
KEOF	Object	IEHLIST				SYS1.LINKLIB
		IEHMVESJ				
KEYPROC	Object	IDCDE01				SYS1.LINKLIB
KK1	Object	IEHMVESZ				SYS1.LINKLIB
KK2	Object	IEHMVESZ				SYS1.LINKLIB
LDPARSE	Object	AKJLKL01				SYS1.CMDLIB
LINECHECK	Object	PROFILE				SYS1.CMDLIB
LINK	Load		LINK	LINK		SYS1.CMDLIB
	Object	LINK		LINK		
	Entry	LINK	LINK			
LINKDCB	Object	IEANUC01				SYS1.NUCLEUS
LINKEDIT	Object	HEWLF064		HEWLFROU	LINKEDIT	SYS1.LINKLIB
	Alias	HEWLF064	LINKEDIT			
LINNOCHK	Object	TERMINAL				SYS1.CMDLIB
LINSZCHK	Object	TERMINAL				SYS1.CMDLIB

Name	Type	Load	Object	Entry	Alias	System Library
LISRBPSW	Object	IEANUC01				SYS1.NUCLEUS
LISTA	Object	IKJEHAL1		IKJEHAL1	LISTA	SYS1.CMDLIB
	Alias	IKJEHAL1	LISTA			
LISTALC	Object	IKJEHAL1		IKJEHAL1	LISTALC	SYS1.CMDLIB
	Alias	IKJEHAL1	LISTALC			
LISTB	Object	LISTBC		IKJEES70	LISTB	SYS1.CMDLIB
	Alias	LISTBC	LISTB			
LISTBC	Load		BCPARS1			SYS1.CMDLIB
			IKJEES70			
			IKJEES73			
			IKJEES74			
			IKJEES75			
			LISTB	IKJEES70	LISTB	
			LISTBC	IKJEES70		
			LSTBMSG			
	Object	LISTBC		IKJEES70		
LISTBUF	Object	IKJPTGT				SYS1.LPALIB
LISTC	Object	IDCAM01		IDCAM01	LISTC	SYS1.CMDLIB
	Alias	IDCAM01	LISTC			
LISTCAT	Object	IDCAM01		IDCAM01	LISTCAT	SYS1.CMDLIB
	Alias	IDCAM01	LISTCAT			
LISTCRA	Object	IDCAM02		IDCAM02	LISTCRA	SYS1.CMDLIB
	Alias	IDCAM02	LISTCRA			
LISTCVOL	Load		LISTCVOL			SYS1.SAMPLIB
	Object	LISTCVOL				
LISTD	Object	IKJEHDS1		IKJEHDS1	LISTD	SYS1.CMDLIB
	Alias	IKJEHDS1	LISTD			
LISTDS	Object	IKJEHDS1		IKJEHDS1	LISTDS	SYS1.CMDLIB
	Alias	IKJEHDS1	LISTDS			
LISTPROC	Object	IDCLC01				SYS1.LINKLIB
LISTR	Object	IDCAM02		IDCAM02	LISTR	SYS1.CMDLIB
	Alias	IDCAM02	LISTR			
LISTT	Object	IKJPARS				SYS1.LPALIB
LKPARSE	Object	AKJLKL01				SYS1.CMDLIB
LKSUB	Object	IHCGSP03				SYS1.LINKLIB
		IHDGSP03				
		IHEGSP03				
LLCOBT	Object	IEANUC01				SYS1.NUCLEUS
LLCOSVCF	Object	IEANUC01				SYS1.NUCLEUS
LLREL	Object	IEANUC01				SYS1.NUCLEUS
LLSPVPSW	Object	IEANUC01				SYS1.NUCLEUS
LLUOBT	Object	IEANUC01				SYS1.NUCLEUS
LNG17I	Object	AMDSAPGE				SYS1.LINKLIB
LNG22I	Object	AMDSAPGE				SYS1.LINKLIB
LNG23I	Object	AMDSAPGE				SYS1.LINKLIB
LNG33I	Object	AMDSAPGE				SYS1.LINKLIB
LOAD	Object	LOADGO		LOADGO	LOAD	SYS1.CMDLIB
	Alias	LOADGO	LOAD			
LOADER	Object	HEWLDRGO		HEWLCTRL	LOADER	SYS1.LINKLIB
	Alias	HEWLDRGO	LOADER			
LOADGO	Load		LOAD	LOADGO	LOAD	SYS1.CMDLIB
			LOADGO	LOADGO		
	Object	LOADGO				
	Entry	LOADGO	LOAD			
			LOADGO			
LOCPN	Object	IHCGSP03				SYS1.LINKLIB
		IHDGSP03				
		IHEGSP03				
LOCPROC	Object	IDCLC01				SYS1.LINKLIB
LOGGDOFF	Object	IEFW21SD				SYS1.LPALIB
LOGGEDON	Object	IEFW21SD				SYS1.LPALIB
LOGOFF	Load		IKJEFL00			SYS1.CMDLIB
			LOGOFF	IKJEFL00		
			LOGON	IKJEFL00	LOGON	
	Object	LOGOFF				
LOGON	Object	IKJEFLA				SYS1.LPALIB
		LOGOFF		IKJEFL00	LOGON	SYS1.CMDLIB
	Alias	LOGOFF	LOGON			
LRACK	Object	IQAENV00				SYS1.LPALIB
LRELDISP	Object	IEANUC01				SYS1.NUCLEUS

Name	Type	Load	Object	Entry	Alias	System Library
LRELEXPR	Object	IEANUC01				SYS1.NUCLEUS
LSSRBPSW	Object	IEANUC01				SYS1.NUCLEUS
LSTBMSG	Object	IKJEES73				SYS1.LINKLIB
		LISTBC				SYS1.CMDLIB
LSTMSG	Object	IKJEFA40				SYS1.LINKLIB
LTASKPSW	Object	IEANUC01				SYS1.NUCLEUS
LWAITPSW	Object	IEANUC01				SYS1.NUCLEUS
MAIN	Object	IEBCOMPR				SYS1.LINKLIB
MAINBUF	Object	IKJPTGT				SYS1.LPALIB
MAINENT	Object	AMDPRFUB				SYS1.LINKLIB
MAINGOT	Object	HEWLF064				SYS1.LINKLIB
MASTER	Object	IKJPTGT				SYS1.LPALIB
MAXMSG	Object	IEBTPCH				SYS1.LINKLIB
MA8IP002	Object	IKJEBEMA				SYS1.CMDLIB
MA8LI002	Object	IKJEBEMA				SYS1.CMDLIB
MESS	Object	IEHMVESK				SYS1.LINKLIB
MESSAGE	Object	IEHMVESA				SYS1.LINKLIB
MESSAGER	Object	IEHMVESM				SYS1.LINKLIB
MESSAGES	Object	AMBLIST				SYS1.LINKLIB
		IEHMVERD				
		IEHMVETG				
MESLIST	Object	IEBCOMPR				SYS1.LINKLIB
MESSTBL	Object	IEBISF				SYS1.LINKLIB
		IEHATLAS				
MINAPNDG	Object	IEANUC01				SYS1.NUCLEUS
MINOR	Object	HEWLF064				SYS1.LINKLIB
MLITS	Object	IHCGSP03				SYS1.LINKLIB
		IHDGSP03				
		IHEGSP03				
MLPEO	Object	IHCGSP03				SYS1.LINKLIB
		IHDGSP03				
		IHEGSP03				
MOD17I	Object	AMDSAPGE				SYS1.LINKLIB
MONWINDO	Object	IDDWI				SYS1.LPALIB
MPATL	Object	IHCGSP03				SYS1.LINKLIB
		IHDGSP03				
		IHEGSP03				
MPRA	Object	IDCAM02		IDCAM02	MPRA	SYS1.CMDLIB
	Alias	IDCAM02	MPRA			
MRELEASEF	Object	IEANUC01				SYS1.NUCLEUS
MRELEASER	Object	IEANUC01				SYS1.NUCLEUS
MSG	Object	IEHMVESV				SYS1.LINKLIB
		IEHMVESX				
		IEHMVESY				
		IEHMVESZ				
MSGBUF	Object	IKJPTGT				SYS1.LPALIB
MSGCSECT	Object	ISTNSC00				SYS1.VTAMLIB
MSGFOUR	Object	HEWLF064				SYS1.LINKLIB
MSGHEAD	Object	IEHMVESV				SYS1.LINKLIB
		IEHMVESX				
		IEHMVESY				
		IEHMVESZ				
MSGIDTAB	Object	IEFW21SD				SYS1.LPALIB
MSGLIST	Object	AMBLIST				SYS1.LINKLIB
		IGC0009D				SYS1.LPALIB
MSGMOD	Object	IKJEFT25				SYS1.LINKLIB
MSGNO	Object	IEFW21SD				SYS1.LPALIB
MSGSECT	Object	IEHMVESV				SYS1.LINKLIB
MSGSTART	Object	IEHDMSGB				SYS1.LINKLIB
		IEHMVESV				
		IEHMVESX				
		IEHMVESY				
		IEHMVESZ				
MSGTAB	Object	AMDSAPGE				SYS1.LINKLIB
		IEHMVERA				
MSGTABL	Object	IKJPTGT				SYS1.LPALIB
MSGTABLE	Object	IEEVSEND				SYS1.LINKLIB
		IEHDMSGB				
		IKJEES40				
		IKJEFA10				

Name	Type	Load	Object	Entry	Alias	System Library
		SEND				SYS1.COMDLIB
MSGTBL	Object	AHLGTF				SYS1.LINKLIB
MSGTEXTT	Object	IEFW21SD				SYS1.LPALIB
MSGTTAB	Object	IEFW21SD				SYS1.LPALIB
MSG31	Object	IEBCOMPR				SYS1.LINKLIB
MSG56600	Object	IKJEFT01				SYS1.LPALIB
		IKJEFT02				
		IKJEFT04				
		IKJEFT07				
MSG56601	Object	IKJEFT01				SYS1.LPALIB
		IKJEFT02				
		IKJEFT04				
		IKJEFT07				
MSG56602	Object	IKJEFT01				SYS1.LPALIB
		IKJEFT02				
		IKJEFT04				
		IKJEFT07				
MSG56603	Object	IKJEFT01				SYS1.LPALIB
		IKJEFT02				
		IKJEFT04				
		IKJEFT07				
MSG56604	Object	IKJEFT01				SYS1.LPALIB
		IKJEFT02				
		IKJEFT04				
		IKJEFT07				
MSG56621	Object	IKJEFT01				SYS1.LPALIB
		IKJEFT02				
		IKJEFT04				
		IKJEFT07				
MSG56622	Object	IKJEFT01				SYS1.LPALIB
		IKJEFT02				
		IKJEFT04				
		IKJEFT07				
MSG56641	Object	IKJEFT01				SYS1.LPALIB
		IKJEFT02				
		IKJEFT04				
		IKJEFT07				
MSSCVXIT	Load		MSSCVXIT			SYS1.SAMPLIB
	Object	MSSCVXIT				
MSSIVP	Load		MSSIVP			SYS1.SAMPLIB
	Object	MSSIVP				
MSTRJCL	Load		MSTRJCL	MSTRJCL		SYS1.LINKLIB
	Object	MSTRJCL		MSTRJCL		
	Entry	MSTRJCL				
MSTRLV2	Object	IKJPTGT				SYS1.LPALIB
MSVIDEF	Load		MSVIDEF			SYS1.SAMPLIB
	Object	MSVIDEF				
MSVIRECV	Load		MSVIRECV			SYS1.SAMPLIB
	Object	MSVIRECV				
MTREPLYM	Object	IEFW21SD				SYS1.LPALIB
MVPOS	Object	IHCGSP03				SYS1.LINKLIB
		IHDGSP03				
		IHEGSP03				
M01	Object	IEHMOVETL				SYS1.LINKLIB
M02	Object	IEHMOVETL				SYS1.LINKLIB
M03	Object	IEHMOVETL				SYS1.LINKLIB
M035NAME	Object	AHLCWRIT				SYS1.LINKLIB
		AHLIWRIT				
		AHLWWRIT				
M036AF	Object	AHLCWRIT				SYS1.LINKLIB
		AHLIWRIT				
		AHLWWRIT				
M038DD	Object	AHLCWRIT				SYS1.LINKLIB
		AHLIWRIT				
		AHLWWRIT				
M039DD	Object	AHLCWRIT				SYS1.LINKLIB
		AHLIWRIT				
		AHLWWRIT				
M04	Object	IEHMOVETL				SYS1.LINKLIB
M05	Object	IEHMOVETL				SYS1.LINKLIB

Name	Type	Load	Object	Entry	Alias	System Library
M06	Object	IEHMVETL				SYS1.LINKLIB
M07	Object	IEHMVETL				SYS1.LINKLIB
M08	Object	IEHMVETL				SYS1.LINKLIB
M080330	Object	ISTOLTEP				SYS1.VTAMLIB
NAMEPROC	Object	IDCDE01				SYS1.LINKLIB
NETSOL	Object	ISTNSC00				SYS1.VTAMLIB
	Entry	ISTNSC00	ISTNSC00			
NEWSYN1	Object	AMDPRDMP				SYS1.LINKLIB
NEXTVSL	Object	IEANUC01				SYS1.NUCLEUS
NIPDCBIC	Object	IEAVNIPM				SYS1.NUCLEUS
NIPDCBOC	Object	IEAVNIPM				SYS1.NUCLEUS
NIPEBCDX	Object	IEAVNIPM				SYS1.NUCLEUS
NIPMOUNT	Object	IEAVNIPM				SYS1.NUCLEUS
NIPOPEN	Object	IEAVNIPM				SYS1.NUCLEUS
NIPWTO	Object	IEAVNIPM				SYS1.NUCLEUS
NIPWTOR	Object	IEAVNIPM				SYS1.NUCLEUS
NIPWTOR2	Object	IEAVNIPM				SYS1.NUCLEUS
NIPXCDIC	Object	IEAVNIPM				SYS1.NUCLEUS
NIPOCPU1	Object	IEANUC01				SYS1.NUCLEUS
NIPOMCHT	Object	IEANUC01				SYS1.NUCLEUS
NIPOMFAT	Object	IEANUC01				SYS1.NUCLEUS
NMDCBEX	Object	IEBUPDTE				SYS1.LINKLIB
NMERROUT	Object	IEBUPDTE				SYS1.LINKLIB
NMHDREXT	Object	IEBUPDTE				SYS1.LINKLIB
NMTRLEXT	Object	IEBUPDTE				SYS1.LINKLIB
NOBUF	Object	IKJPTGT				SYS1.LPALIB
NODDMSG	Object	AMDPRDMP				SYS1.LINKLIB
NODEPARS	Object	IKJEFA10				SYS1.LINKLIB
		IKJEFA20				
		IKJEFA30				
		IKJEFA40				
NOIFRMSG	Object	IKJPTGT				SYS1.LPALIB
NORMALM	Object	IEHMOVESV				SYS1.LINKLIB
		IEHMOVESX				
		IEHMOVESY				
		IEHMOVESZ				
NORMEND	Object	IEBCOMPR				SYS1.LINKLIB
NORTSRP	Object	IEANUC01				SYS1.NUCLEUS
NOTAUTH	Object	IEANUC01				SYS1.NUCLEUS
NPA5APF	Object	IEAVNP05				SYS1.NUCLEUS
NP0DSSHK	Object	IEANUC01				SYS1.NUCLEUS
NPORTP01	Object	IEANUC01				SYS1.NUCLEUS
NPORTP02	Object	IEANUC01				SYS1.NUCLEUS
NPORTP03	Object	IEANUC01				SYS1.NUCLEUS
NPORTP04	Object	IEANUC01				SYS1.NUCLEUS
NPORTP05	Object	IEANUC01				SYS1.NUCLEUS
NPORTP06	Object	IEANUC01				SYS1.NUCLEUS
NPORTP07	Object	IEANUC01				SYS1.NUCLEUS
NPORTP08	Object	IEANUC01				SYS1.NUCLEUS
NPORTP09	Object	IEANUC01				SYS1.NUCLEUS
NPORTP10	Object	IEANUC01				SYS1.NUCLEUS
NPORTP11	Object	IEANUC01				SYS1.NUCLEUS
NPORTP12	Object	IEANUC01				SYS1.NUCLEUS
NPORTP13	Object	IEANUC01				SYS1.NUCLEUS
NPORTP14	Object	IEANUC01				SYS1.NUCLEUS
NPORTP15	Object	IEANUC01				SYS1.NUCLEUS
NSISAVE	Object	AMDPRXED				SYS1.LINKLIB
NSLCTRLO	Object	IGC00020				SYS1.LPALIB
NSLEHDRI	Object	IGC0005E				SYS1.LPALIB
NSLEHDRO	Object	IGC0005E				SYS1.LPALIB
NSLETRLI	Object	IGC00020				SYS1.LPALIB
		IGC0005E				
NSLETRL0	Object	IGC0005E				SYS1.LPALIB
NSLOHDRI	Object	IGC0001I				SYS1.LPALIB
NSLOHDRO	Object	IGC0001I				SYS1.LPALIB
NUMPCL	Object	IDCRI04				SYS1.LINKLIB
OFFSG	Object	IFFPPASG				SYS1.LINKLIB
	Entry	IFFPPASG	GOFFSG			
			IFFPPASG			
OFFWTO	Object	IEFW21SD				SYS1.LPALIB

Name	Type	Load	Object	Entry	Alias	System Library
OFLHDR	Object	IEFW21SD				SYS1.LPALIB
OFLMOFS	Object	IEFW21SD				SYS1.LPALIB
OFLMSGID	Object	IEFW21SD				SYS1.LPALIB
OFLMSGGS	Object	IEFW21SD				SYS1.LPALIB
OLTDCB	Object	IFDOLT				SYS1.LINKLIB
OMDCBEX	Object	IEBUPDTE				SYS1.LINKLIB
OMEOD	Object	IEBUPDTE				SYS1.LINKLIB
OMERROUT	Object	IEBUPDTE				SYS1.LINKLIB
OMHDREXT	Object	IEBUPDTE				SYS1.LINKLIB
OMIT	Object	IHCGSP03 IHDGSP03 IHEGSP03				SYS1.LINKLIB
OMODVOL1	Load		IFG0193C IGG0190A OMODVOL1	IFG0193C IGG0190A	IFG0193C	SYS1.LPALIB
	Object	IFG0194A OMODVOL1		IGG0190A		
OMTRLEXT	Object	IEBUPDTE				SYS1.LINKLIB
OPER	Object	OPERATOR		IKJEE100	OPER	SYS1.CMDLIB
OPERATOR	Alias	OPERATOR	OPER ENDRN IKJEE1A0 IKJEE1A2 IKJEE100 IKJEE101 IKJEE150 OPER OPERATOR			SYS1.CMDLIB
	Load			IKJEE100 IKJEE100 IKJEE100	OPER	
	Object	OPERATOR				
OPTABLE	Object	IQALAN00				SYS1.LINKLIB
OPTABLE2	Object	IQALAN00				SYS1.LINKLIB
OPTLOCK	Object	IEANUC01				SYS1.NUCLEUS
ORATOR	Object	IEHMVETJ				SYS1.LINKLIB
ORGDS	Object	IHCGSP03 IHDGSP03 IHEGSP03				SYS1.LINKLIB
ORGEN	Object	IHCGSP03 IHDGSP03 IHEGSP03				SYS1.LINKLIB
OTRLDCB1	Object	HEWLF064				SYS1.LINKLIB
OTRLDCB2	Object	HEWLF064				SYS1.LINKLIB
OTRLDCB3	Object	HEWLF064				SYS1.LINKLIB
OUT	Object	IEANUC01 OUTPUT		IKJCT466	OUT	SYS1.NUCLEUS SYS1.CMDLIB
	Alias	OUTPUT	OUT			
OUTCCW	Object	AMDSAPGE				SYS1.LINKLIB
OUTPUT	Load		IKJCT466 OUT OUTPUT	IKJCT466 IKJCT466 IKJCT466	OUT	SYS1.CMDLIB
	Object	OUTPUT				
PAGEFR	Object	IDDWI				SYS1.LPALIB
PAGEFX	Object	IDDWI				SYS1.LPALIB
PAG01RC	Object	IQAENV00				SYS1.LPALIB
PAG03RC	Object	IQAENV00				SYS1.LPALIB
PAL00000	Object	IDCCDAL				SYS1.LINKLIB
PARMSRP	Object	IEANUC01				SYS1.NUCLEUS
PARS	Object	EXEC				SYS1.CMDLIB
PARSEPLS	Object	PROFILE				SYS1.CMDLIB
PASSEXTR	Object	IKJEFA10 IKJEFA20 IKJEFA30 IKJEFA40				SYS1.LINKLIB
PASSPARS	Object	IKJEFA10 IKJEFA20 IKJEFA30 IKJEFA40				SYS1.LINKLIB
PATH16I	Object	AMDSAPGE				SYS1.LINKLIB
PAUSMSG	Object	IKJPTGT				SYS1.LPALIB
PBI00000	Object	IDCCDBI				SYS1.LINKLIB
PCBRTN	Object	AMDPRDPS				SYS1.LINKLIB

Name	Type	Load	Object	Entry	Alias	System Library
PCC00000	Object	IDCCDCC				SYS1.LINKLIB
PCC00006	Object	IDCCDCC				SYS1.LINKLIB
PCE1	Object	HASJES20				SYS1.LINKLIB
PCHABND1	Object	IKJEGPCH				SYS1.COMDLIB
PCK00000	Object	IDCCDCK				SYS1.LINKLIB
PCL	Object	IKJEBEMA				SYS1.COMDLIB
PCLMODEL	Object	IKJEFA10				SYS1.LINKLIB
		IKJEFA20				
		IKJEFA30				
		IKJEFA40				
PDE00000	Object	IDCCDDE				SYS1.LINKLIB
PDE00006	Object	IDCCDDE				SYS1.LINKLIB
PDE00119	Object	IDCCDDE				SYS1.LINKLIB
PDE00122	Object	IDCCDDE				SYS1.LINKLIB
PDE00141	Object	IDCCDDE				SYS1.LINKLIB
PDE00145	Object	IDCCDDE				SYS1.LINKLIB
PDE00215	Object	IDCCDDE				SYS1.LINKLIB
PDE00248	Object	IDCCDDE				SYS1.LINKLIB
PDE00369	Object	IDCCDDE				SYS1.LINKLIB
PDL00000	Object	IDCCDDL				SYS1.LINKLIB
PENTRK	Object	IFFPLARE				SYS1.LINKLIB
	Entry	IFFPLARE	IFFPLARE	IFFPLARE	PENTRK	
	Alias	IFFPLARE	PENTRK			
PERFEXIT	Object	IKJEFA10				SYS1.LINKLIB
		IKJEFA20				
		IKJEFA30				
		IKJEFA40				
PGERCDC	Object	AMDSAPRO				SYS1.LINKLIB
PGMABEND	Object	IEFW21SD				SYS1.LPALIB
PGMCFAIL	Object	IEFW21SD				SYS1.LPALIB
PICASAVE	Object	AMDPRXED				SYS1.LINKLIB
PINPSW	Object	IEANUC01				SYS1.NUCLEUS
PIOPSW	Object	IEANUC01				SYS1.NUCLEUS
PLC00000	Object	IDCCDLC				SYS1.LINKLIB
PLINE	Object	IHCGSP03				SYS1.LINKLIB
		IHDGSP03				
		IHEGSP03				
PLR00000	Object	IDCCDLR				SYS1.LINKLIB
PLR00006	Object	IDCCDLR				SYS1.LINKLIB
PLSTR	Object	IHCGSP03				SYS1.LINKLIB
		IHDGSP03				
		IHEGSP03				
PMP00000	Object	IDCCDMP				SYS1.LINKLIB
PMP00003	Object	IDCCDMP				SYS1.LINKLIB
PMP00008	Object	IDCCDMP				SYS1.LINKLIB
POSITX	Object	IKJPARS				SYS1.LPALIB
POSITX1	Object	IKJPARS				SYS1.LPALIB
POSTSRRP	Object	IEANUC01				SYS1.NUCLEUS
POSTTSB	Object	IGC0009D				SYS1.LPALIB
PPDDTERM	Object	IEBTPCH				SYS1.LINKLIB
PPIKM	Object	IEBTPCH				SYS1.LINKLIB
PPIPM	Object	IEBTPCH				SYS1.LINKLIB
PPMCM	Object	IEBTPCH				SYS1.LINKLIB
PPMKM	Object	IEBTPCH				SYS1.LINKLIB
PPMMSG	Object	IEBTPCH				SYS1.LINKLIB
PPMPM	Object	IEBTPCH				SYS1.LINKLIB
PPMSGES	Object	IEBTPCH				SYS1.LINKLIB
PPMSGWRT	Object	IEBTPCH				SYS1.LINKLIB
PPM00000	Object	IDCCDPM				SYS1.LINKLIB
PPM00001	Object	IDCCDPM				SYS1.LINKLIB
PPM00005	Object	IDCCDPM				SYS1.LINKLIB
PPM00010	Object	IDCCDPM				SYS1.LINKLIB
PPNT	Object	IHCGSP03				SYS1.LINKLIB
		IHDGSP03				
		IHEGSP03				
PPOUT	Object	IEBTPCH				SYS1.LINKLIB
PPPINPAG	Object	IQAENV00				SYS1.LPALIB
PPR00000	Object	IDCCDPR				SYS1.LINKLIB
PRC00000	Object	IDCCDRC				SYS1.LINKLIB
PRC00003	Object	IDCCDRC				SYS1.LINKLIB

Name	Type	Load	Object	Entry	Alias	System Library
PRC00004	Object	IDCCDRC				SYS1.LINKLIB
PRC00008	Object	IDCCDRC				SYS1.LINKLIB
PREABORT	Object	IEHMVESV				SYS1.LINKLIB
		IEHMVESX				
		IEHMVESY				
		IEHMVESZ				
PREFTAB	Object	IEFAB4E5				SYS1.LPALIB
		IEFIB600				
		IEFW21SD				
PRINT	Object	IDCAM01		IDCAM01	PRINT	SYS1.CMDLIB
	Alias	IDCAM01	PRINT			
PRIVAT	Object	IEFW21SD				SYS1.LPALIB
PRMPTMSG	Object	IKJPTGT				SYS1.LPALIB
PRM00000	Object	IDCCDRM				SYS1.LINKLIB
PRM00001	Object	IDCCDRM				SYS1.LINKLIB
PRM00003	Object	IDCCDRM				SYS1.LINKLIB
PRNTSTG	Object	AMDPRDPS				SYS1.LINKLIB
PROCEXTR	Object	IKJEFA10				SYS1.LINKLIB
		IKJEFA20				
		IKJEFA30				
		IKJEFA40				
PROCPAR1	Object	IKJEFA10				SYS1.LINKLIB
		IKJEFA20				
		IKJEFA30				
		IKJEFA40				
PROCPAR2	Object	IKJEFA10				SYS1.LINKLIB
		IKJEFA20				
		IKJEFA30				
		IKJEFA40				
PROF	Object	PROFILE		IKJEFT82	PROF	SYS1.CMDLIB
	Alias	PROFILE	PROF			
PROFILE	Load		CHARCHEK			SYS1.CMDLIB
			IKJEFT82			
			LINECHEK			
			PARSEPLS			
			PROF	IKJEFT82	PROF	
			PROFILE	IKJEFT82		
			PROFMSG			
	Object	PROFILE		IKJEFT82		
PROFMSG	Object	PROFILE				SYS1.CMDLIB
PROMPT	Object	IKJPTGT				SYS1.LPALIB
PROMPTQ	Object	IKJPARS				SYS1.LPALIB
PROT	Object	IKJEHPRO		IKJEHPRO	PROT	SYS1.CMDLIB
	Alias	IKJEHPRO	PROT			
PROTECT	Object	IKJEHPRO		IKJEHPRO	PROTECT	SYS1.CMDLIB
	Alias	IKJEHPRO	PROTECT			
PROTPROC	Object	IDCDE01				SYS1.LINKLIB
PRPCH	Object	IEBPTPCH				SYS1.LINKLIB
PRP00000	Object	IDCCDRP				SYS1.LINKLIB
PRTSYN1	Object	AMDPRDMP				SYS1.LINKLIB
PRTSYN2	Object	AMDPRDMP				SYS1.LINKLIB
PRTSYN3	Object	AMDPRDMP				SYS1.LINKLIB
PRTSYN4	Object	AMDPRDMP				SYS1.LINKLIB
PRTOERTN	Object	IEANUC01				SYS1.NUCLEUS
PSGMT	Object	IHCOSP03				SYS1.LINKLIB
		IHDGSP03				
		IHEGSP03				
PTEXT	Object	IHCOSP03				SYS1.LINKLIB
		IHDGSP03				
		IHEGSP03				
PUGETM2	Object	IEANUC01				SYS1.NUCLEUS
PVT	Object	IEANUC01				SYS1.NUCLEUS
PVTMSG	Object	IEFW21SD				SYS1.LPALIB
PVY00000	Object	IDCCDVY				SYS1.LINKLIB
PXP00000	Object	IDCCDXP				SYS1.LINKLIB
PXP00003	Object	IDCCDXP				SYS1.LINKLIB
QCBRANCH	Object	IEANUC01				SYS1.NUCLEUS
QSAM	Object	IEBCOMPR				SYS1.LINKLIB
QSTR01	Object	IKJPARS				SYS1.LPALIB
QTIP0000	Object	IGC0010A				SYS1.LPALIB

Name	Type	Load	Object	Entry	Alias	System Library
QTIP0010	Object	IGC0010A				SYS1.LPALIB
QTIP0030	Object	IGC0010A				SYS1.LPALIB
QTIP0040	Object	IGC0010A				SYS1.LPALIB
QTIP0050	Object	IGC0010A				SYS1.LPALIB
QTIP0060	Object	IGC0010A				SYS1.LPALIB
QTIP0070	Object	IGC0010A				SYS1.LPALIB
QTIP0080	Object	IGC0010A				SYS1.LPALIB
QTIP0090	Object	IGC0010A				SYS1.LPALIB
QTIP0100	Object	IGC0010A				SYS1.LPALIB
QTIP0110	Object	IGC0010A				SYS1.LPALIB
QTIP0120	Object	IGC0010A				SYS1.LPALIB
QTIP0130	Object	IGC0010A				SYS1.LPALIB
QTIP0140	Object	IGC0010A				SYS1.LPALIB
QTIP0150	Object	IGC0010A				SYS1.LPALIB
QTIP0160	Object	IGC0010A				SYS1.LPALIB
QTIP0180	Object	IGC0010A				SYS1.LPALIB
QTIP0190	Object	IGC0010A				SYS1.LPALIB
QTIP0210	Object	IGC0010A				SYS1.LPALIB
QTIP0220	Object	IGC0010A				SYS1.LPALIB
QTIP0230	Object	IGC0010A				SYS1.LPALIB
QTIP0240	Object	IGC0010A				SYS1.LPALIB
QTIP0270	Object	IGC0010A				SYS1.LPALIB
QTIP0280	Object	IGC0010A				SYS1.LPALIB
QTIP0290	Object	IGC0010A				SYS1.LPALIB
R	Object	RUN		IKJEFR00	R	SYS1.CMDLIB
	Alias	RUN	R			
RANGE	Object	IKJPARS				SYS1.LPALIB
RCERROR	Object	IEBTPCH				SYS1.LINKLIB
RCOVGETM	Object	IEANUC01				SYS1.NUCLEUS
RCOVRCRD	Object	IEANUC01				SYS1.NUCLEUS
RCOVRGTF	Object	IEANUC01				SYS1.NUCLEUS
RCOVSLP1	Object	IEANUC01				SYS1.NUCLEUS
RCURS	Object	IHCGSP03				SYS1.LINKLIB
		IHDGSP03				
		IHEGSP03				
RDCARD	Object	IEBCOMPR				SYS1.LINKLIB
		IEBGENER				
		IEBTPCH				
		IEHLIST				
RDCDRT	Object	IEHMVESJ				SYS1.LINKLIB
RDGETERR	Object	IKJEFA10				SYS1.LINKLIB
RDTRK	Object	IHCGSP03				SYS1.LINKLIB
		IHDGSP03				
		IHEGSP03				
RDYMSG	Object	IKJEFT01				SYS1.LPALIB
		IKJEFT02				
		IKJEFT04				
		IKJEFT07				
READDCB	Object	IFDOLT				SYS1.LINKLIB
READPSWD	Load		IFG0195U			SYS1.LPALIB
	Object	IGC0001I	READPSWD	IFG0195U		
RECPTCH	Object	AMDPRXED				SYS1.LINKLIB
RECRDRP	Object	IEANUC01				SYS1.NUCLEUS
RECURSE	Object	IGC0001C				SYS1.LPALIB
RECVRRTM	Object	IEANUC01				SYS1.NUCLEUS
REIDCB	Object	IFDOLT				SYS1.LINKLIB
REIOB	Object	IFDOLT				SYS1.LINKLIB
RELGS	Object	IEANUC01				SYS1.NUCLEUS
RELOCATE	Object	HEWLF064				SYS1.LINKLIB
REMINBUF	Object	IFDOLT				SYS1.LINKLIB
REN	Object	IKJEHREN		IKJEHREN	REN	SYS1.CMDLIB
	Alias	IKJEHREN	REN			
RENAME	Object	IKJEHREN		IKJEHREN	RENAME	SYS1.CMDLIB
	Alias	IKJEHREN	RENAME			
REPBF1	Object	IFDOLT				SYS1.LINKLIB
REPBUF	Object	IFDOLT				SYS1.LINKLIB
REPLY12D	Object	AMDSAPGE				SYS1.LINKLIB
REPLY29D	Object	AMDSAPGE				SYS1.LINKLIB

Name	Type	Load	Object	Entry	Alias	System Library
REPPCL	Object	IDCRI04				SYS1.LINKLIB
REPRO	Object	IDCAM01		IDCAM01	REPRO	SYS1.COMDLIB
	Alias	IDCAM01	REPRO			
RESDSSNO	Object	IEANUC01				SYS1.NUCLEUS
RESET	Object	IHCGSP03				SYS1.LINKLIB
		IHDGSP03				
		IHEGSP03				
RLSEHDR	Object	IEFW21SD				SYS1.LPALIB
RMBRANCH	Object	IEANUC01				SYS1.NUCLEUS
RMSGID	Object	IEFW21SD				SYS1.LPALIB
RONBACK	Object	IEHLIST				SYS1.LINKLIB
ROOTPTCH	Object	AMDPROOT				SYS1.LINKLIB
ROUTINES	Object	IKJPTGT				SYS1.LPALIB
RPLYOFFS	Object	IEFW21SD				SYS1.LPALIB
RPLYOPTS	Object	IEFW21SD				SYS1.LPALIB
RPLYWAIT	Object	IEFW21SD				SYS1.LPALIB
RQATN	Object	IHCGSP03				SYS1.LINKLIB
		IHDGSP03				
		IHEGSP03				
RQEVER	Object	IEANUC01				SYS1.NUCLEUS
RSTRX0	Object	IEANUC01				SYS1.NUCLEUS
RSTRX1	Object	IEANUC01				SYS1.NUCLEUS
RSTRTOA	Object	IEANUC01				SYS1.NUCLEUS
RSTRTOB	Object	IEANUC01				SYS1.NUCLEUS
RSTRTO0	Object	IEANUC01				SYS1.NUCLEUS
RSTRTO4	Object	IEANUC01				SYS1.NUCLEUS
RSTRTO5	Object	IEANUC01				SYS1.NUCLEUS
RSTRTO6	Object	IEANUC01				SYS1.NUCLEUS
RSTRTO7	Object	IEANUC01				SYS1.NUCLEUS
RSTRTO8	Object	IEANUC01				SYS1.NUCLEUS
RSTRTO9	Object	IEANUC01				SYS1.NUCLEUS
RTBP	Object	IHCGSP03				SYS1.LINKLIB
		IHDGSP03				
		IHEGSP03				
RTECVERR	Object	IGC0001C				SYS1.LPALIB
RTHFRR	Object	IEANUC01				SYS1.NUCLEUS
RTHRETRN	Object	IEANUC01				SYS1.NUCLEUS
RTHSTART	Object	IEANUC01				SYS1.NUCLEUS
RTMRSFRR	Object	IEANUC01				SYS1.NUCLEUS
RTMSMFRR	Object	IEANUC01				SYS1.NUCLEUS
RTMSTART	Object	IEANUC01				SYS1.NUCLEUS
RTNVM	Object	IEHMVESZ				SYS1.LINKLIB
RT1EEDRP	Object	IEANUC01				SYS1.NUCLEUS
RT2EEDRP	Object	IEANUC01				SYS1.NUCLEUS
RUN	Load		IKJEFR00			SYS1.COMDLIB
			IKJEFR01			
			IKJEFR02			
			IKJEFR03			
			R	IKJEFR00	R	
			RUN	IKJEFR00		
				IKJEFR00		
SADMPPGT	Object	RUN				SYS1.LINKLIB
SALCLOCK	Object	AMDSAPGE				SYS1.NUCLEUS
SALRM	Object	IEANUC01				SYS1.LINKLIB
		IHCGSP03				
		IHDGSP03				
		IHEGSP03				
SAMP327L	Load		SAMP327L			SYS1.SAMPLIB
	Object	SAMP327L				
SAVEPUT	Object	ILRTSK00				SYS1.LINKLIB
SCDENTAB	Object	HEWLF064				SYS1.LINKLIB
SCHAM	Object	IHCGSP03				SYS1.LINKLIB
		IHDGSP03				
		IHEGSP03				
SCNCK1	Object	TERMINAL				SYS1.COMDLIB
SCNCK2	Object	TERMINAL				SYS1.COMDLIB
SCNPTCH	Object	AMDPRSCN				SYS1.LINKLIB
SCRTPCH	Object	IEFW21SD				SYS1.LPALIB
SDATL	Object	IHCGSP03				SYS1.LINKLIB
		IHDGSP03				
		IHEGSP03				

Name	Type	Load	Object	Entry	Alias	System Library
SDATM	Object	IHCGSP03 IHDGSP03 IHEGSP03				SYS1.LINKLIB
SDCLMSTA	Object	ISTSDCLM				SYS1.VTAMLIB
SDLH	Object	AMDSAPGE				SYS1.LINKLIB
SE	Object	SEND		IKJEES10	SE	SYS1.CMDLIB
	Alias	SEND	SE			
SECLOADA	Load		IFG0195V IGCON05B IGG0290A IGG03001 SECLOADA			SYS1.LPALIB
	Object	IGCON05B IGC0S05B IGC0002I IGC00030 SECLOADA		IGCON05B		
	Entry	IGC00030	IGC00030	IGCON05B		
SECNOCHK	Object	TERMINAL				SYS1.CMDLIB
SEGLNTAB	Object	HEWLF064				SYS1.LINKLIB
SEGSYN1	Object	AMDPRDMP				SYS1.LINKLIB
SEND	Load		IEEVSDIO IEEVSND5 IKJEES10 IKJEES11 IKJEES20 MSGTABLE			SYS1.CMDLIB
			SE SEND SENDPCL	IKJEES10 IKJEES10	SE	
	Object	SEND		IKJEES10		
SENDPCL	Object	SEND				SYS1.CMDLIB
SENS34I	Object	AMDSAPGE				SYS1.LINKLIB
SETATN	Object	IHCGSP03 IHDGSP03 IHEGSP03				SYS1.LINKLIB
SETVCB	Object	IDDWI				SYS1.LPALIB
SGDSL	Object	IHCGSP03 IHDGSP03 IHEGSP03				SYS1.LINKLIB
SGRAM	Object	IHCGSP03 IHDGSP03 IHEGSP03				SYS1.LINKLIB
SHORTLST	Object	IDCLC01				SYS1.LINKLIB
SIEE050A	Object	IEEMB820 IEEMB829				SYS1.LINKLIB SYS1.LPALIB
SIEE480I	Object	IEEMB820 IEEMB829				SYS1.LINKLIB SYS1.LPALIB
SIZDATD	Object	IEAVNP10 IEEMB811 IRBMFINP				SYS1.NUCLEUS SYS1.LPALIB SYS1.LINKLIB
SIZEEXIT	Object	IKJEFA10 IKJEFA20 IKJEFA30 IKJEFA40				SYS1.LINKLIB
SKIPB	Object	IKJPARS				SYS1.LPALIB
SLIP	Object	IEANUC01				SYS1.NUCLEUS
SLIP2FRR	Object	IEANUC01				SYS1.NUCLEUS
SLPAT	Object	IHCGSP03 IHDGSP03 IHEGSP03				SYS1.LINKLIB
SMFEXITS	Load		SMFEXITS			SYS1.SAMPLIB
	Object	SMFEXITS				
SMFE15	Load		SMFE15			SYS1.SAMPLIB
	Object	SMFE15				
SMFE35	Load		SMFE35			SYS1.SAMPLIB
	Object	SMFE35				
SMFFRMT	Load		SMFFRMT			SYS1.SAMPLIB
	Object	SMFFRMT				
SMFSORT	Load		SMFSORT			SYS1.SAMPLIB

Name	Type	Load	Object	Entry	Alias	System Library
	Object	SMFSORT				
SOFTWRP	Object	IEANUC01				SYS1.NUCLEUS
SPEAK	Object	IEHMOVESL				SYS1.LINKLIB
SPEC	Object	IHCGSP03				SYS1.LINKLIB
		IHDGSP03				
		IHEGSP03				
SPIESAVE	Object	AMDPRXED				SYS1.LINKLIB
SPSYNAD	Object	IEBUPDTE				SYS1.LINKLIB
SPSZ50L	Object	IEFQB550				SYS1.LPALIB
SPSZ55L	Object	IEFQB550				SYS1.LPALIB
SRBEEDRP	Object	IEANUC01				SYS1.NUCLEUS
SRBRTN	Object	AMDPRFAR				SYS1.LINKLIB
SRBVER	Object	IEANUC01				SYS1.NUCLEUS
SSCIS	Object	IHCGSP03				SYS1.LINKLIB
		IHDGSP03				
		IHEGSP03				
ST	Object	STATUS		IKJEFF56	ST	SYS1.CMDLIB
	Alias	STATUS	ST			
STACALL1	Object	IEEMB803				SYS1.LINKLIB
STAECLOS	Object	IEDQFW				SYS1.LINKLIB
STAEREGS	Object	IEEMB803				SYS1.LINKLIB
STAERTNE	Object	IEDQFW				SYS1.LINKLIB
STALOC	Object	IKJPARS				SYS1.LPALIB
STAPATCH	Object	IKJEHSIR				SYS1.CMDLIB
STARTED	Object	IEFW21SD				SYS1.LPALIB
STARTP	Object	IEBCOMPR				SYS1.LINKLIB
STASCON	Object	IKJEHSIR				SYS1.CMDLIB
STATUS	Load		IKJEFFCA	IKJEFFCA	IKJEFFCA	SYS1.CMDLIB
			IKJEFF56			
			ST	IKJEFF56	ST	
			STATUS	IKJEFF56		
				IKJEFF56		
	Object	STATUS				
STAT33I	Object	AMDSAPGE				SYS1.LINKLIB
STEOS	Object	IHCGSP03				SYS1.LINKLIB
		IHDGSP03				
		IHEGSP03				
STEPMOT	Object	IEFW21SD				SYS1.LPALIB
STEPRUN	Object	IEFW21SD				SYS1.LPALIB
STNOTRUN	Object	IEFW21SD				SYS1.LPALIB
STPOS	Object	IHCGSP03				SYS1.LINKLIB
		IHDGSP03				
		IHEGSP03				
STRG1RP	Object	IEANUC01				SYS1.NUCLEUS
STRG2RP	Object	IEANUC01				SYS1.NUCLEUS
STRPCL	Object	IDCRI04				SYS1.LINKLIB
SUB	Object	SUBMIT		IKJEFF01	SUB	SYS1.CMDLIB
	Alias	SUBMIT	SUB			
SUBAN19	Object	IEANUC01				SYS1.NUCLEUS
SUBAN48	Object	IEANUC01				SYS1.NUCLEUS
SUBMIT	Load		IKJEFF01			SYS1.CMDLIB
			SUB	IKJEFF01	SUB	
			SUBMIT	IKJEFF01		
				IKJEFF01		
SUB2250	Object	SUBMIT				SYS1.NUCLEUS
SUB2260	Object	IEANUC01				SYS1.NUCLEUS
SUB3066	Object	IEANUC01				SYS1.NUCLEUS
SUCVR	Object	IEANUC01				SYS1.NUCLEUS
SVCDCB	Object	IEANUC01				SYS1.NUCLEUS
SVCOPSW	Object	IEANUC01				SYS1.NUCLEUS
SVCSADMP	Object	AMDSAPGE				SYS1.LINKLIB
SVCTABLE	Object	IEANUC01				SYS1.NUCLEUS
SVC018	Object	IEANUC01				SYS1.NUCLEUS
SVC070	Object	IEANUC01				SYS1.NUCLEUS
SVRLGGET	Object	ILRTSK00				SYS1.LINKLIB
SWMSGID	Object	IEFW21SD				SYS1.LPALIB
SWMSGOFS	Object	IEFW21SD				SYS1.LPALIB
SWMSGOPS	Object	IEFW21SD				SYS1.LPALIB
SYMLIB	Object	IFDOLT				SYS1.LINKLIB
SYMLIST	Object	IKJPTGT				SYS1.LPALIB
SYNADMSG	Object	IEBGENER				SYS1.LINKLIB

Name	Type	Load	Object	Entry	Alias	System Library
SYNCR	Object	IEBUPDTE				SYS1.NUCLEUS
SYSCATLG	Load	IEANUC01	SYSCATLG			SYS1.NUCLEUS
	Object	SYSCATLG				
SYSMPTCH	Object	AHLTSYSM				SYS1.LPALIB
SYSTMSG	Object	IKJEFT01				SYS1.LPALIB
		IKJEFT02				
		IKJEFT04				
		IKJEFT07				
S03PTCH	Object	AMDSYS03				SYS1.LPALIB
S2FC1000	Object	ISTOLTEP				SYS1.VTAMLIB
S2FC2000	Object	ISTOLTEP				SYS1.VTAMLIB
S2RELLK	Object	IDDWI				SYS1.LPALIB
S2REMFRR	Object	IDDWI				SYS1.LPALIB
S20CEC03	Object	ISTOLTEP				SYS1.VTAMLIB
S27C1000	Object	ISTOLTEP				SYS1.VTAMLIB
S30C0010	Object	ISTOLTEP				SYS1.VTAMLIB
S30C1000	Object	ISTOLTEP				SYS1.VTAMLIB
S31C0480	Object	ISTOLTEP				SYS1.VTAMLIB
S31C1000	Object	ISTOLTEP				SYS1.VTAMLIB
TABLE	Object	IEFQB550				SYS1.LPALIB
TBLCPUID	Object	IQALAN00				SYS1.LINKLIB
TBLPRM	Object	IQALAN00				SYS1.LINKLIB
TBLRANGE	Object	IQALAN00				SYS1.LINKLIB
TBLTOD	Object	IQALAN00				SYS1.LINKLIB
TCBSMRY	Object	AMDPRFSR				SYS1.LINKLIB
TERM	Object	TERMINAL		IKJEFT80	TERM	SYS1.CMDLIB
	Alias	TERMINAL	TERM			
TERMINAL	Load		IKJEFT80			SYS1.CMDLIB
			LINNOCHK			
			LINSZCHK			
			SCNCK1			
			SCNCK2			
			SECNOCHK			
			TERM	IKJEFT80	TERM	
			TERMINAL	IKJEFT80		
			TERMMSGS			
			TERMPCL			
TERMMSGS	Object	TERMINAL		IKJEFT80		SYS1.CMDLIB
TERMPCL	Object	TERMINAL				SYS1.CMDLIB
TEST	Load	TERMINAL				SYS1.CMDLIB
			ATTACHIO			
			IKJEG AID			
			IKJEGATM			
			IKJEGATN			
			IKJEGBFT			
			IKJEGBIS			
			IKJEGBLD			
			IKJEGBL1			
			IKJEGCD2			
			IKJEGCOP			
			IKJEGCVT			
			IKJEGCVX			
			IKJEGEID			
			IKJEGFLT			
			IKJEGFTB			
			IKJEGINT			
			IKJEGIO			
			IKJEGIST			
			IKJEGMMD			
			IKJEGMMG			
			IKJEGMMT			
			IKJEGMNL			
			IKJEGMN1			
			IKJEGMSG			
			IKJEGPID			
			IKJEGSCD			
			IKJEGSCU			
			IKJEGSRH			
			IKJEGSTA			

Name	Type	Load	Object	Entry	Alias	System Library
			IKJEGYNT TEST			
				IKJEGINT IKJEGINT		
TESTEXIT	Object Load	TEST	TESTEXIT			SYS1.SAMPLIB
TIMERP	Object	TESTEXIT				SYS1.NUCLEUS
TMDEV	Object	IEANUC01				SYS1.LINKLIB
		IHCGSP03				
		IHDGSP03				
		IHEGSP03				
TMGDS	Object	IHCGSP03				SYS1.LINKLIB
		IHDGSP03				
		IHEGSP03				
TMGSP	Object Entry Alias	IHCGSP02	IHCGSP02	IHCGSP02	TMGSP	SYS1.LINKLIB
		IHCGSP02	TMGSP			
		IHCGSP02				
TMNT30	Object	IFDOLT				SYS1.LINKLIB
TODCNVRT	Object	AMDPRDMP				SYS1.LINKLIB
TPCMFTQE	Object	IEANUC01				SYS1.NUCLEUS
TRACE	Object	IEANUC01				SYS1.NUCLEUS
		IEFNB903				SYS1.LPALIB
		IEFVH1				
TRANSID	Object	HEWLOADR				SYS1.LINKLIB
TRANSQ	Object	IKJPARS				SYS1.LPALIB
		IKJSCAN				
TRANSX	Object	IKJPARS				SYS1.LPALIB
		IKJSCAN				
TRA130	Object	IFDOLT				SYS1.LINKLIB
TRDISP	Object	IEANUC01				SYS1.NUCLEUS
TREX	Object	IEANUC01				SYS1.NUCLEUS
TRIO	Object	IEANUC01				SYS1.NUCLEUS
TRPI	Object	IEANUC01				SYS1.NUCLEUS
TRSIO	Object	IEANUC01				SYS1.NUCLEUS
TRSRB1	Object	IEANUC01				SYS1.NUCLEUS
TRSRB2	Object	IEANUC01				SYS1.NUCLEUS
TR SVC	Object	IEANUC01				SYS1.NUCLEUS
TRTAB	Object	IKJPARS				SYS1.LPALIB
		IKJSCAN				
TRTABUP	Object	IKJPTGT				SYS1.LPALIB
TSIOPTCH	Object	AHLTSIO				SYS1.LPALIB
TSMMSG	Object	IKJEFF18				SYS1.LINKLIB
TTRETRY	Object	IEANUC01				SYS1.NUCLEUS
TXTABLE	Object	AMDSAPGE				SYS1.LINKLIB
TYPETEST	Object	IKJPARS				SYS1.LPALIB
UADSREFM	Object Alias	IKJRBBU0	UADSREFM	IKJREF	UADSREFM	SYS1.LINKLIB
		IKJRBBU0				
UCBCONT	Object	IEAVNP15				SYS1.NUCLEUS
UCBCAN	Object	IEAVNP15				SYS1.NUCLEUS
UNAESTAE	Object	IEFW21SD				SYS1.LPALIB
UNCHAINP	Object	IEANUC01				SYS1.NUCLEUS
UNCHAINW	Object	IEANUC01				SYS1.NUCLEUS
UNERRMSG	Object	IEFW21SD				SYS1.LPALIB
UNL	Object	IEANUC01				SYS1.NUCLEUS
UNLDMSG	Object	IEFW21SD				SYS1.LPALIB
UNLREC1	Object	IEHMVESX				SYS1.LINKLIB
		IEHMVESY				
UPPERTAB	Object	IKJPARS				SYS1.LPALIB
		IKJSCAN				
USDAEXIT	Object	IKJEFA10				SYS1.LINKLIB
		IKJEFA20				
		IKJEFA30				
		IKJEFA40				
USERLAB	Object	IEBCOMPR				SYS1.LINKLIB
USERLABL	Load Object		USERLABL			SYS1.SAMPLIB
USERMSG	Object	USERLABL				SYS1.LPALIB
		IKJEFT01				
		IKJEFT02				
		IKJEFT04				
		IKJEFT07				
USIDEXTR	Object	IKJEFA10				SYS1.LINKLIB
		IKJEFA20				

Name	Type	Load	Object	Entry	Alias	System Library
		IKJEFA30				
		IKJEFA40				
USIDPARS	Object	IKJEFA10				SYS1.LINKLIB
		IKJEFA20				
		IKJEFA30				
		IKJEFA40				
USRPTCH	Object	AHLTUSR				SYS1.LPALIB
VBPJ1RT1	Object	IDDWI				SYS1.LPALIB
VBPJ1STA	Object	IDDWI				SYS1.LPALIB
VBPS1FRR	Object	IDDWI				SYS1.LPALIB
VBPS2FRR	Object	IDDWI				SYS1.LPALIB
VBPS2RET	Object	IDDWI				SYS1.LPALIB
VBPS2STA	Object	IDDWI				SYS1.LPALIB
VCCT	Object	AMDSAPGE				SYS1.LINKLIB
VERIFY	Object	IDCAM01		IDCAM01	VERIFY	SYS1.CMDLIB
	Alias	IDCAM01	VERIFY			
VERINVL	Object	IEFW21SD				SYS1.LPALIB
VFY	Object	IDCAM01		IDCAM01	VFY	SYS1.CMDLIB
	Alias	IDCAM01	VFY			
VLINENT	Object	IEFW21SD				SYS1.LPALIB
VMVERMSG	Object	IEFW21SD				SYS1.LPALIB
VNP17MSG	Object	IEAVNP17				SYS1.NUCLEUS
VOLLIST	Object	IDCLC01				SYS1.LINKLIB
VPROC	Object	IDCLC01				SYS1.LINKLIB
VVMNTMSG	Object	IEFW21SD				SYS1.LPALIB
VVUNLMSG	Object	IEFW21SD				SYS1.LPALIB
WAITLST	Object	IEFW21SD				SYS1.LPALIB
WAITTCB	Object	IEANUC01				SYS1.NUCLEUS
WARTABLE	Object	IRARMWAR				SYS1.LPALIB
	Entry	IRARMWAR	IRARMWAR			
WHEN	Object	IKJEFE11		IKJEFE11	WHEN	SYS1.CMDLIB
	Alias	IKJEFE11	WHEN			
WKDCT	Object	AMDSAPGE				SYS1.LINKLIB
WRABXLE	Object	IEAVCTSK				SYS1.LPALIB
WRTCRRLD	Object	HEWLF064				SYS1.LINKLIB
WRTSYN1	Object	AMDPRDMP				SYS1.LINKLIB
WRTSYN2	Object	AMDPRDMP				SYS1.LINKLIB
WRTSYN3	Object	AMDPRDMP				SYS1.LINKLIB
WRTTXT	Object	HEWLF064				SYS1.LINKLIB
WTOABEND	Object	IEFW21SD				SYS1.LPALIB
WTORT	Object	IEEVCPU				SYS1.LPALIB
WTO005I	Object	IGCMC10D				SYS1.LPALIB
WTO006I	Object	IGCMC10D				SYS1.LPALIB
WTO007I	Object	IGCMC10D				SYS1.LPALIB
WTO019I	Object	IGCMC10D				SYS1.LPALIB
WTO021I	Object	IGCMC10D				SYS1.LPALIB
WTO024D	Object	IGCMC10D				SYS1.LPALIB
WTO402I	Object	IGCMC10D				SYS1.LPALIB
WTO404I	Object	IGCMC10D				SYS1.LPALIB
WTO407I	Object	IGCMC10D				SYS1.LPALIB
WTO408I	Object	IGCMC10D				SYS1.LPALIB
WTO414I	Object	IGCMC10D				SYS1.LPALIB
XDCB	Object	IFDOLT				SYS1.LINKLIB
XDDT	Object	IEAVNPB6				SYS1.NUCLEUS
XMEEDRP	Object	IEANUC01				SYS1.NUCLEUS
XPRA	Object	IDCAM02		IDCAM02	XPRA	SYS1.CMDLIB
	Alias	IDCAM02	XPRA			
XSYSPTCH	Object	AHLTXSYS				SYS1.LPALIB
YCLUS	Object	ISTINM01				SYS1.LINKLIB
YCONT	Object	ISTINM01				SYS1.LINKLIB
YPSOL	Object	ISTINM01				SYS1.LINKLIB
YSSCP	Object	ISTINM01				SYS1.LINKLIB
YTCM1	Object	ISTINM01				SYS1.LINKLIB
YTCM2	Object	ISTINM01				SYS1.LINKLIB
YTCM3	Object	ISTINM01				SYS1.LINKLIB
ZEROPTRS	Object	IEANUC01				SYS1.NUCLEUS
ZZPR	Object	IEBCOMPR				SYS1.LINKLIB
		IEBTPCH				

Section 5: Data Areas

This section describes the data areas that are used during the operation of scheduler and supervisor programs. It contains four parts:

- Control block overviews for each subcomponent.
- A table that relates the acronym for a data area to its mapping macro and to its common name.
- Data area descriptions arranged alphabetically by acronym. These descriptions show the

content of major data areas used by the scheduler and supervisor. (This part describes only data areas that are not in *OS/VS2 Data Areas*, SYB8-0606, which is on microfiche.)

- A data area usage table which is a cross reference between data area names and scheduler and supervisor modules.

DATA
AREAS

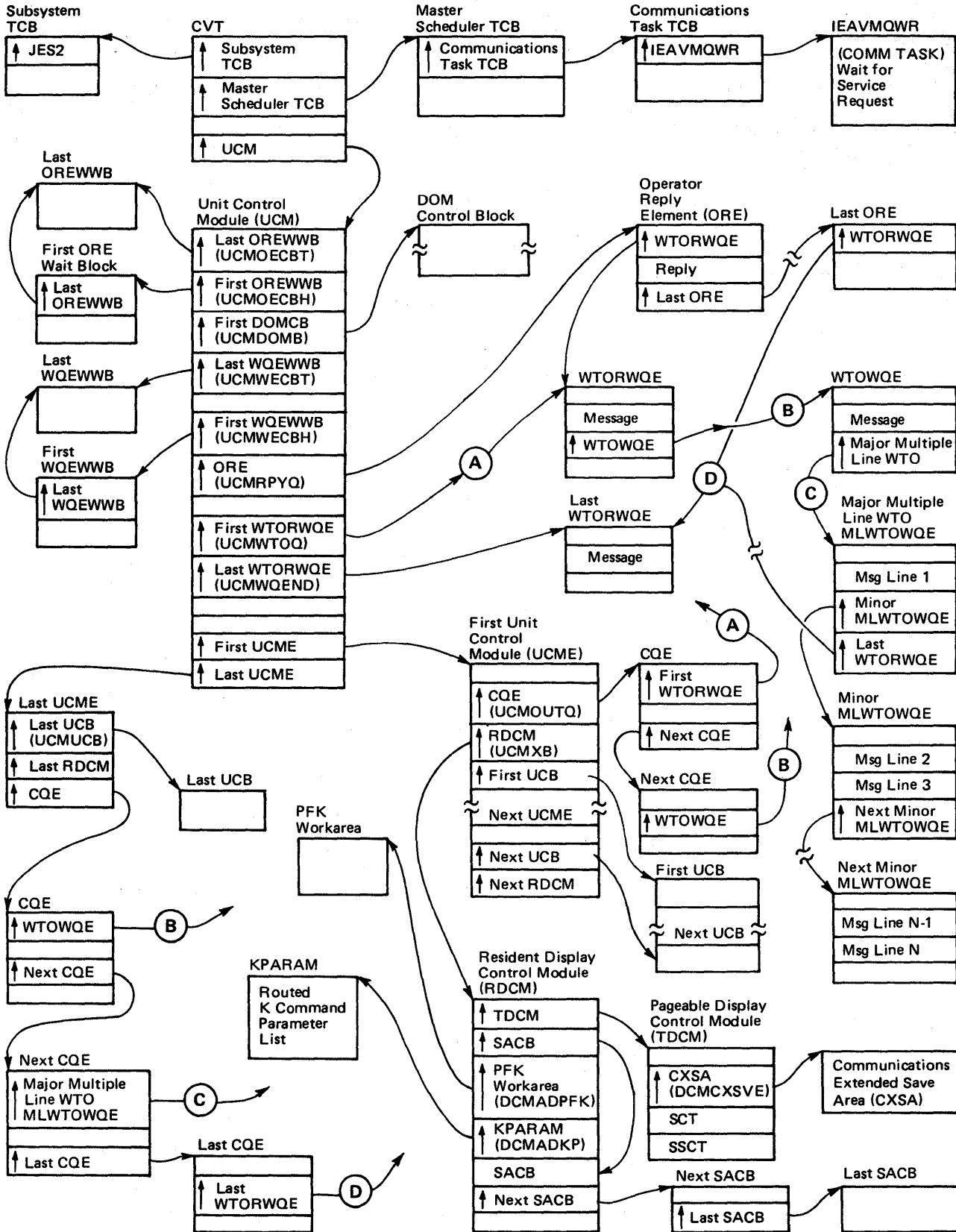


Figure 5-1. Communication Task (Without TSO) Control Block Overview (Part 1 of 3)

Control Block Definitions

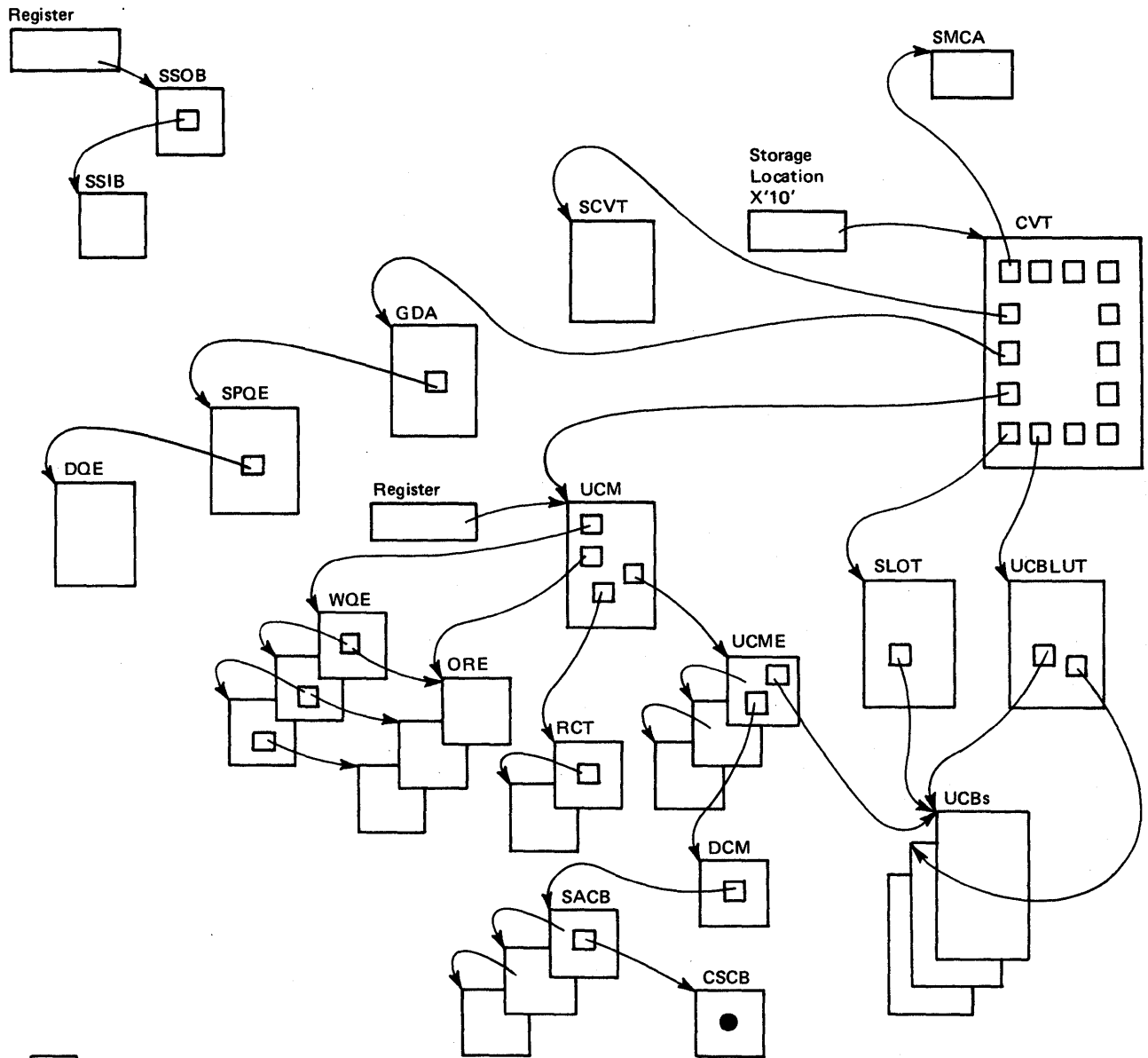
Name	Purpose	When Created	When Deleted	Macro Name
CQE	<p>Console Queue Element</p> <p>One or more for each active console that is to receive a message. Each CQE contains a pointer to one major WQE having the contents of the message destined for that particular console. CQEs are generated in groups of six with the sixth CQE pointing to the next group of CQEs rather than to a major WQE. Each group of CQEs or chain of CQE groups are assigned to one console.</p>	IEAVMWSV as needed.	Same as for WQE's. See WQE types.	IHACTM (CQE)
DOMC	<p>Delete Operator Message Control Block</p> <p>One for each DOM macro instruction.</p>	IEAVXDOM as needed.	IEAVMDOM after an attempt has been made to delete the WQEs, OREs, and graphic messages identified in the DOMC.	IHADOMC
MMB	<p>Monitor Message Block</p> <p>Contains message text queued for TSO terminals having an MQE.</p>	IEAVMWSV as needed.	IEAVMWSV after messages has been sent to the TSO terminals.	IEAMMB
MQE	<p>Monitor Queue Element</p> <p>One MQE is created for each TSO terminal that has issued the operator commands that places the terminal in operator console monitor mode.</p>	IEAVMNTR as a result of the terminal user entering the MONITOR SESS, STATUS or JOBNAMES command while in TSO OPERATOR mode.	IEAVMNTR as a result of the terminal user entering the STOPMN SESS, STATUS or JOBNAMES command or TSO END command.	IEAMQE
ORE	<p>Operator Reply Element</p> <p>One for each operator message reply expected.</p>	IEAVVWTO at the same time the WQE for a WTOR is created.	IEAVVRP2 after the reply has been received by the routine or program that issued the WTOR; or IEAVMDOM if DOM macro instruction was issued against a WTOR; or IEAVMED2 during task or memory termination.	IHAORE
ORE-WWB	<p>Write to Operator Wait Block</p> <p>See WWB.</p>			
UCM	<p>Unit Control Module</p> <p>Contains pointers to the control block chains and routines that support the communication task.</p>	System Generation.	Permanent	IIEECUM

Figure 5-1. Communication Task (Without TSO) Control Block Overview (Part 2 of 3)

Control Block Definitions (continued)

Name	Purpose	When Created	When Deleted	Macro Name
UCME	Unit Control Module Entry One per system generated console device including composite consoles. Identifies the attributes of each console as identified during system generation. The UCME's are sequentially adjacent, and therefore, do not need pointers from one to another.	System Generation	Permanent	IEECUCM
WQE-WWB	Write to Operator Wait Block See WWB.			
WQE Major for MLWTO	Write Queue Element One for each multiple line message regardless of the number of terminals receiving that message.	IEAVMWTO as needed.	IEAVMDSV after every line of the message has been sent to the consoles.	IHAWQE (MAJOR)
WQE Minor for MLWTO	Write Queue Element One for each additional two lines of a multiple line WTO message regardless of the number of terminals receiving that message.	IEAVMWTO as needed.	IEAVMDSV after both lines in this minor WQE have been sent to the console.	IHAWQE (MINOR)
WQE for WTO	Write Queue Element One for each message regardless of the number of terminals receiving that message.	IEAVVWTO as needed.	IEAVMDSV after the message has been sent to the consoles.	IHAWQE
WQE for WTOR	Write Queue Element One for each message regardless of the number of terminals receiving that message.	IEAVVWTO as needed.	IEAVMDSV after an operator has replied or the DOM macro has been issued by the routine that issued the WTOR.	IHAWQE
WWB	Write to Operator Wait Block Waited on by SVC 35 when either a WQE or ORE is unavailable. When the system limit has been reached and one more WQE or ORE has been requested, a WWB is placed on the appropriate WQE or ORE chain. A WAIT macro instruction is then issued against the ECB contained in the WWB.	IEAVVWTO or IEAVMWTO goes above the system limit.	IEAVVWTO or IEAVMWTO when the required WQE or ORE has been successfully obtained.	IHACTM (WWB)

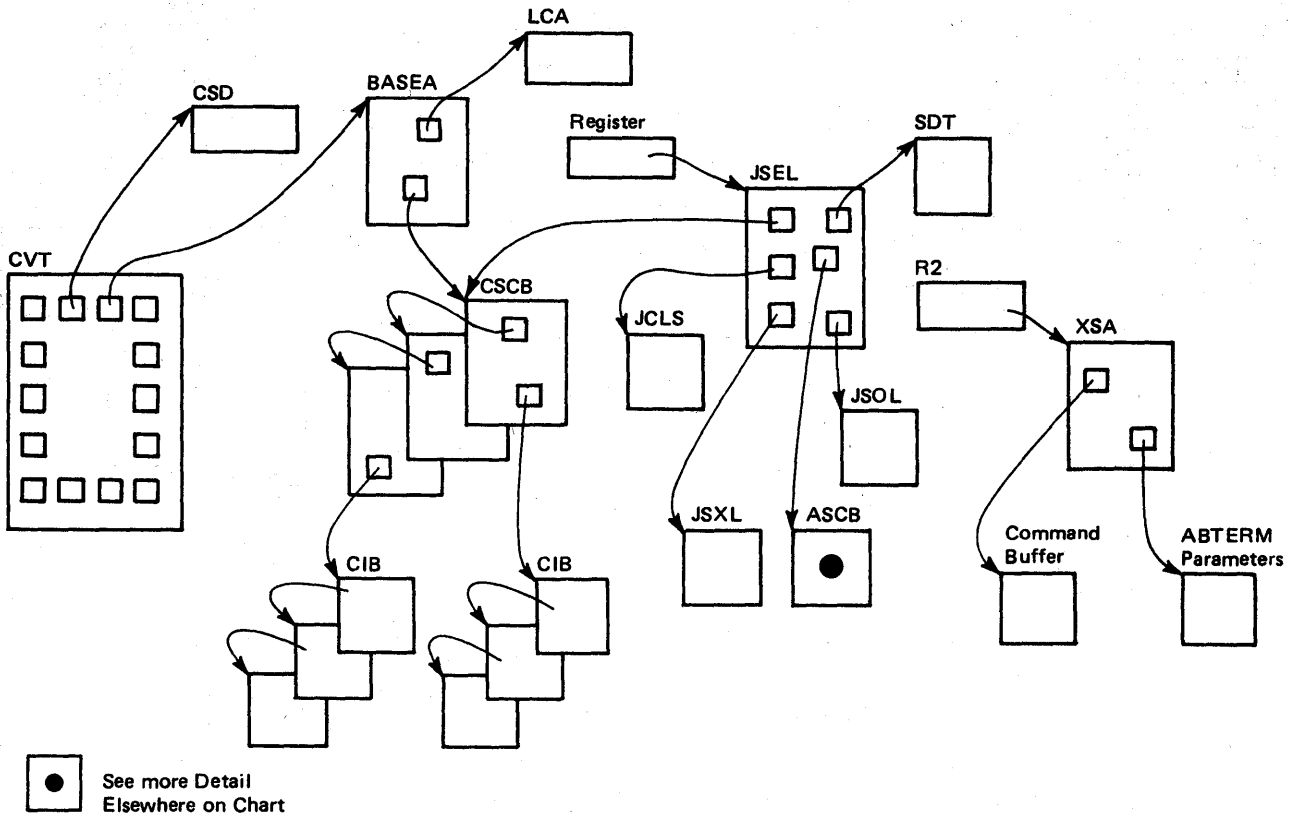
Figure 5-1. Communication Task (Without TSO) Control Block Overview (Part 3 of 3)



See more Detail
 Elsewhere on Chart

Acronym	Control Block Name	Acronym	Control Block Name
CSCB	Command Scheduling Control Block	SMCA	System Management Control Area
CVT	Communication Vector Table	SPQE	Subppol Queue Element
DCM	Display Control Module	SSIB	Subsystem Interface Block
DQE	Descriptor Queue Element	SSOB	Subsystem Options Block
GDA	Global Data Area	UCB	Unit Control Block
ORE	Operator Reply Element	UCBLUT	UCB Look-up Table
RCT	Routing Control Table	UCM	Unit Control Module
SACB	Screen Area Control Block	UCME	Unit Control Module Entry
SCVT	Secondary Communication Vector Table	WQE	Write Queue Element
SLOT	Scheduler Look-up Table		

Figure 5-2. Command Processing Control Block Overview (Part 1 of 3)



Acronym	Control Block Name	Acronym	Control Block Name
ASCB	Address Space Control Block	JSEL	Job Scheduling Entrance List
BASEA	Master Scheduler Resident Data Area (MSRDA)	JSOL	Job Scheduling Options List
CIB	Command Input Buffer	JSXL	Job Scheduling Exit List
CSCB	Command Scheduling Control Block	LCA	Log Control Area
CSD	Common System Data	SDT	Start Descriptor Table
CVT	Communication Vector Table	XSA	Extended Save Area
JCLS	Job Control Language Internal Text		

Figure 5-2. Command Processing Control Block Overview (Part 2 of 3)

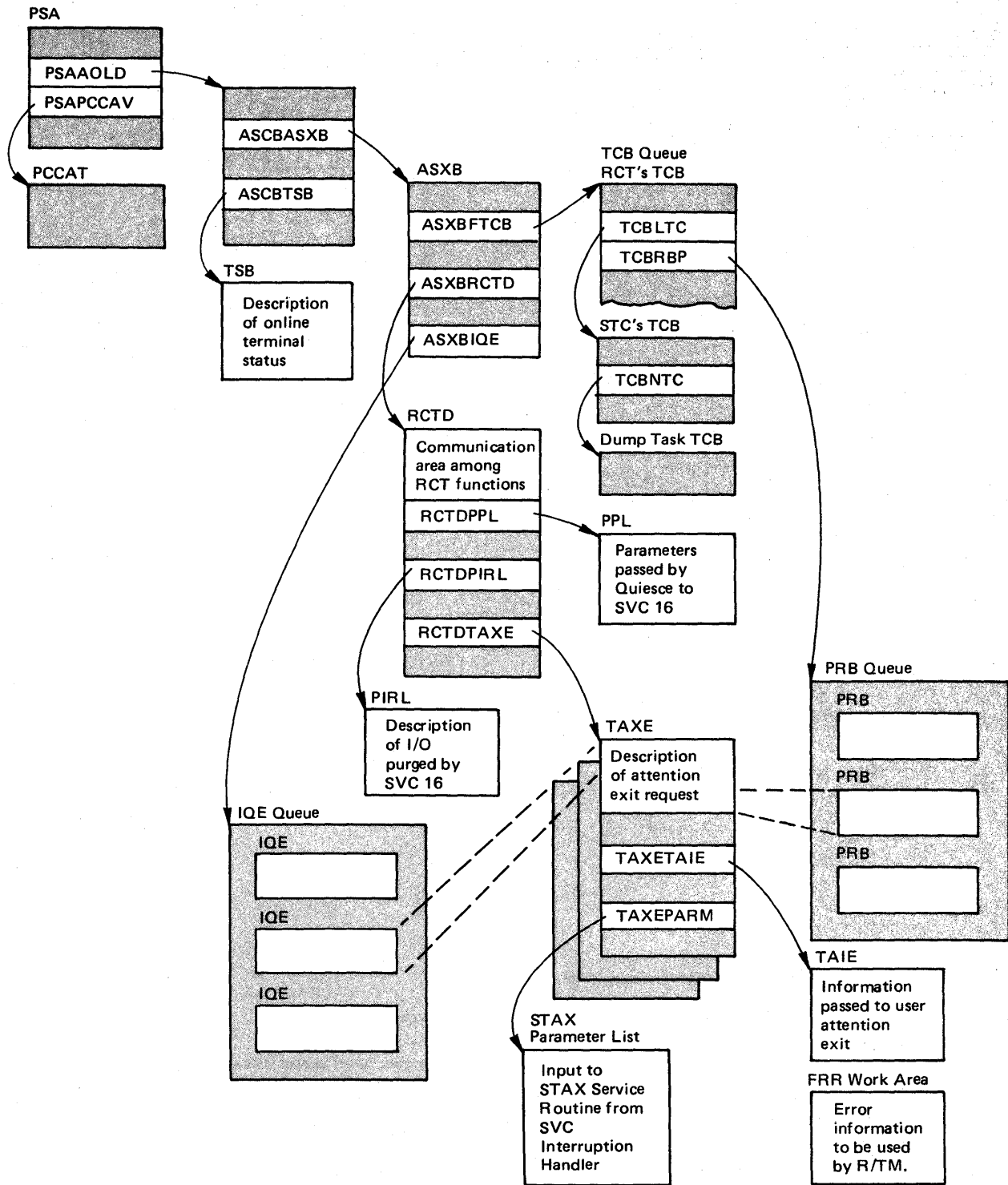


Figure 5-3. Region Control Task Control Block Overview

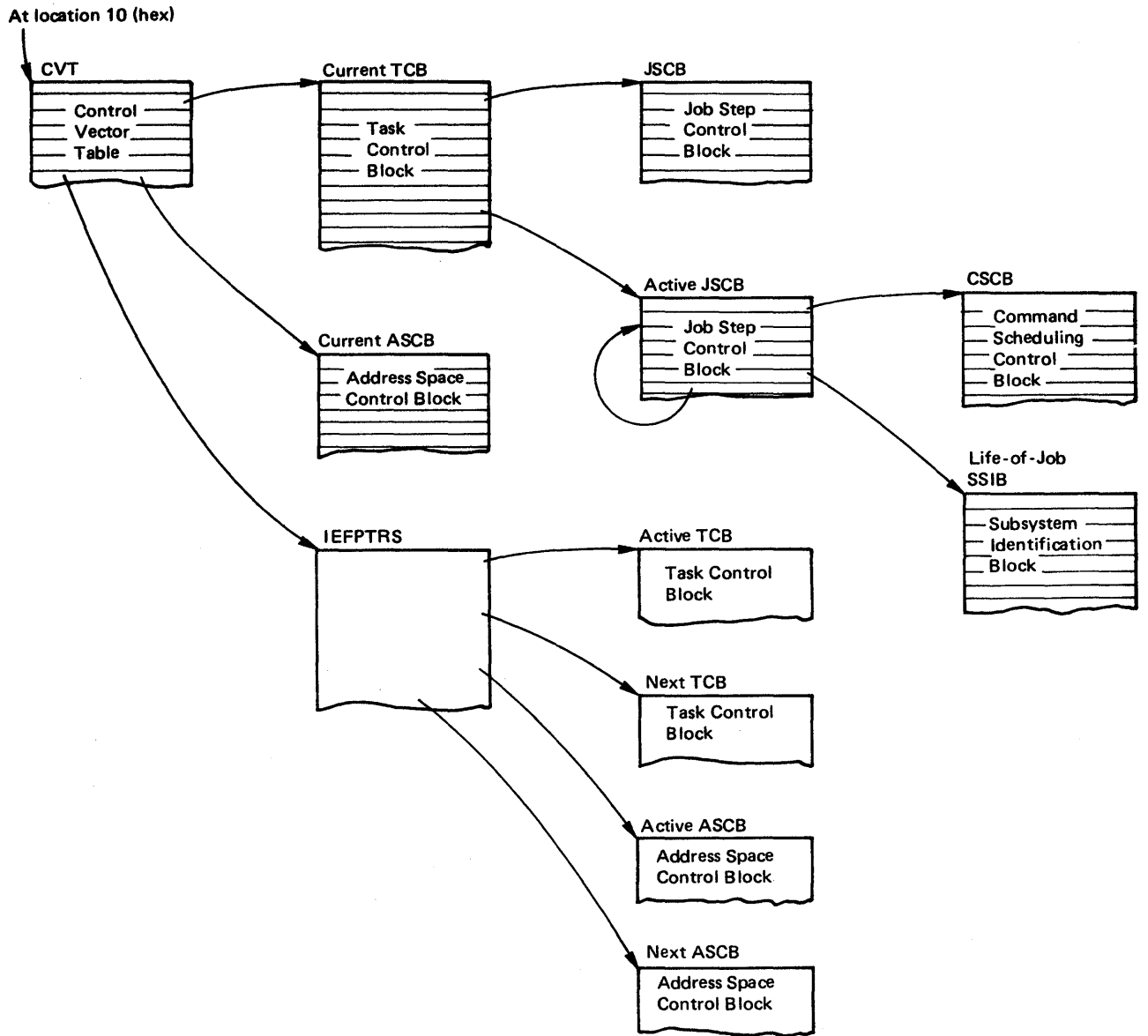
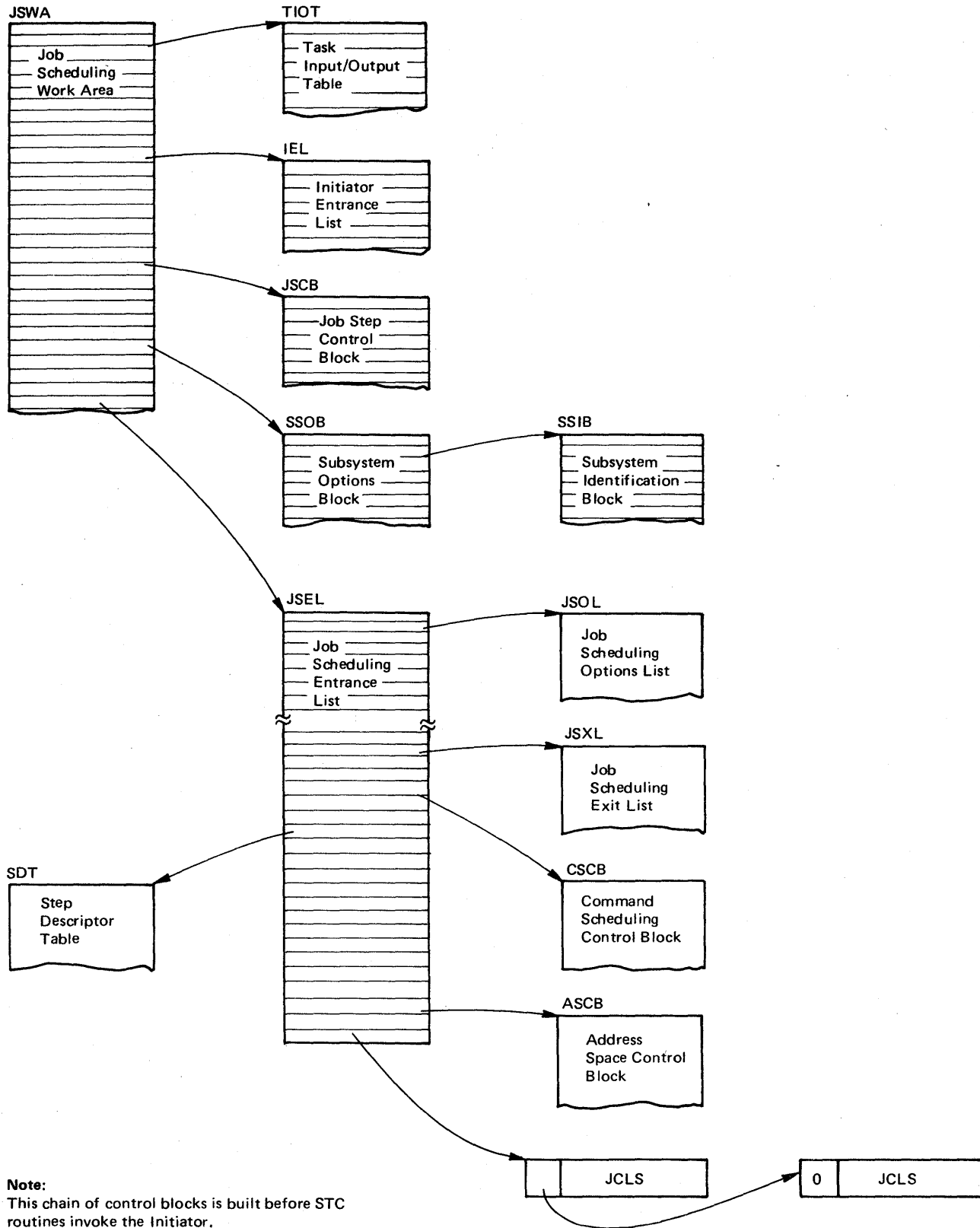


Figure 5-4. Started Task Control (STC) Control Block Overview (Part 1 of 2)



Note:
This chain of control blocks is built before STC routines invoke the Initiator.

Figure 5-4. Started Task Control (STC) Control Block Overview (Part 2 of 2)

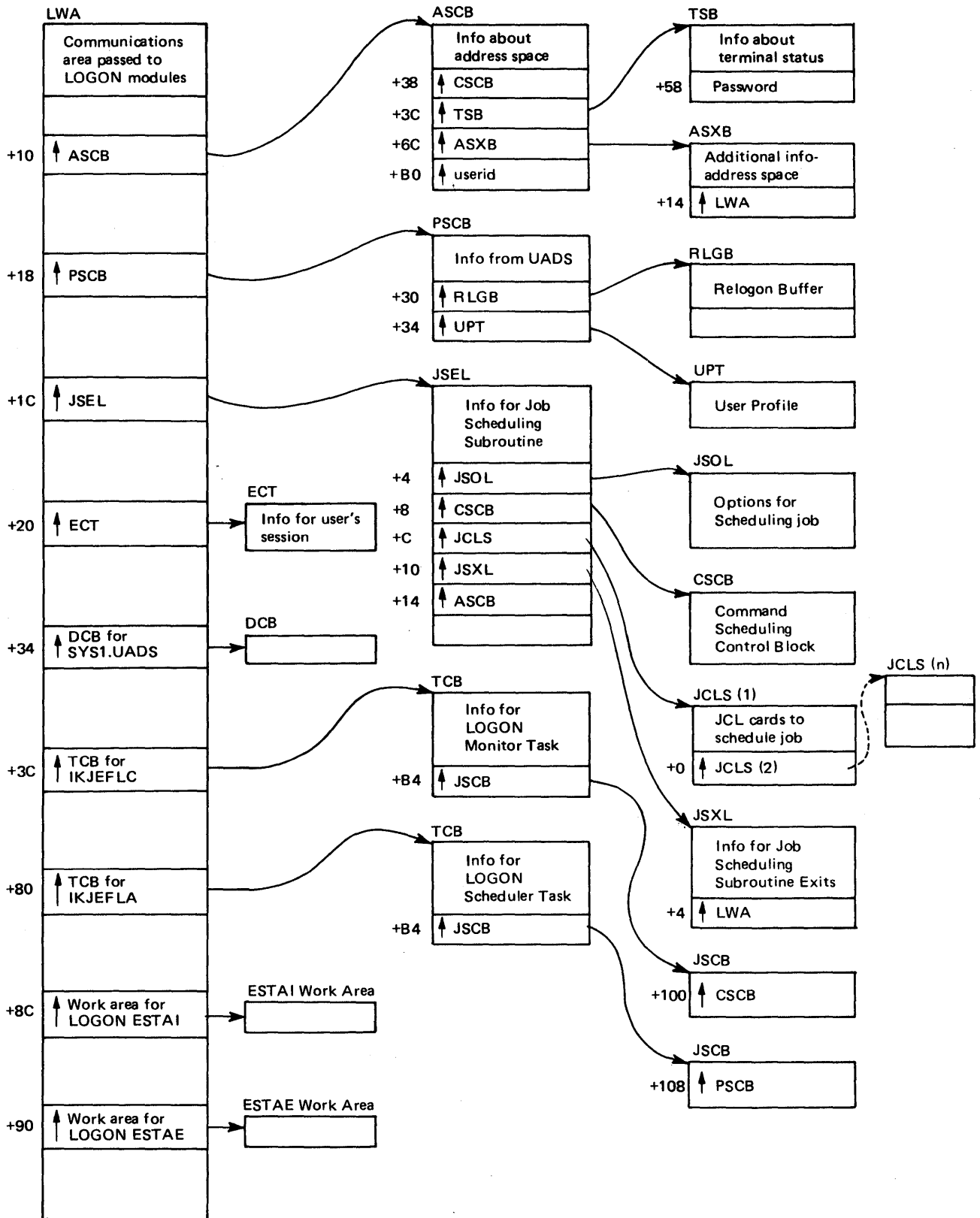


Figure 5-5. LOGON Scheduling Control Block Overview

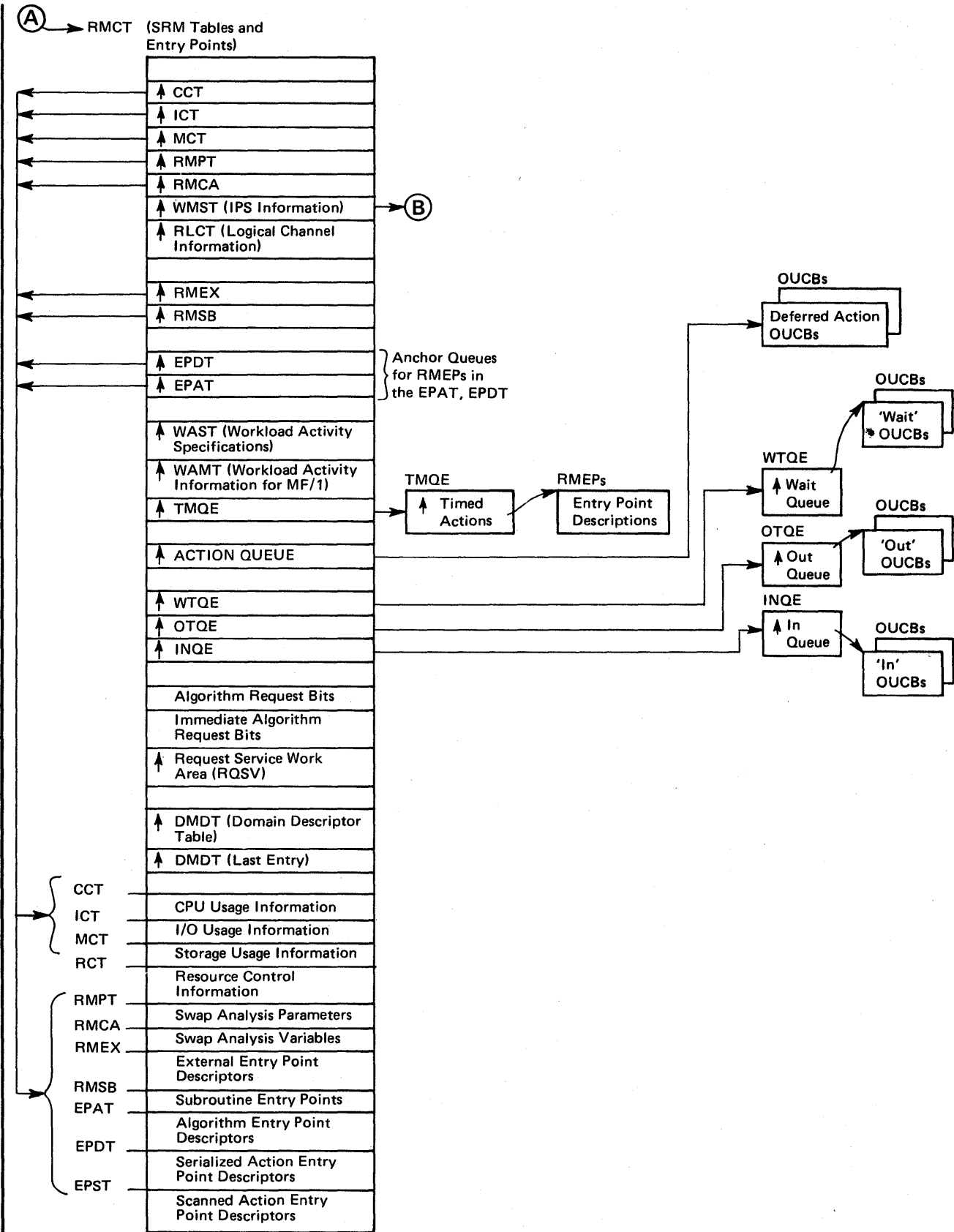


Figure 5-6. System Resources Manager (SRM) Control Block Overview (Part 1 of 2)

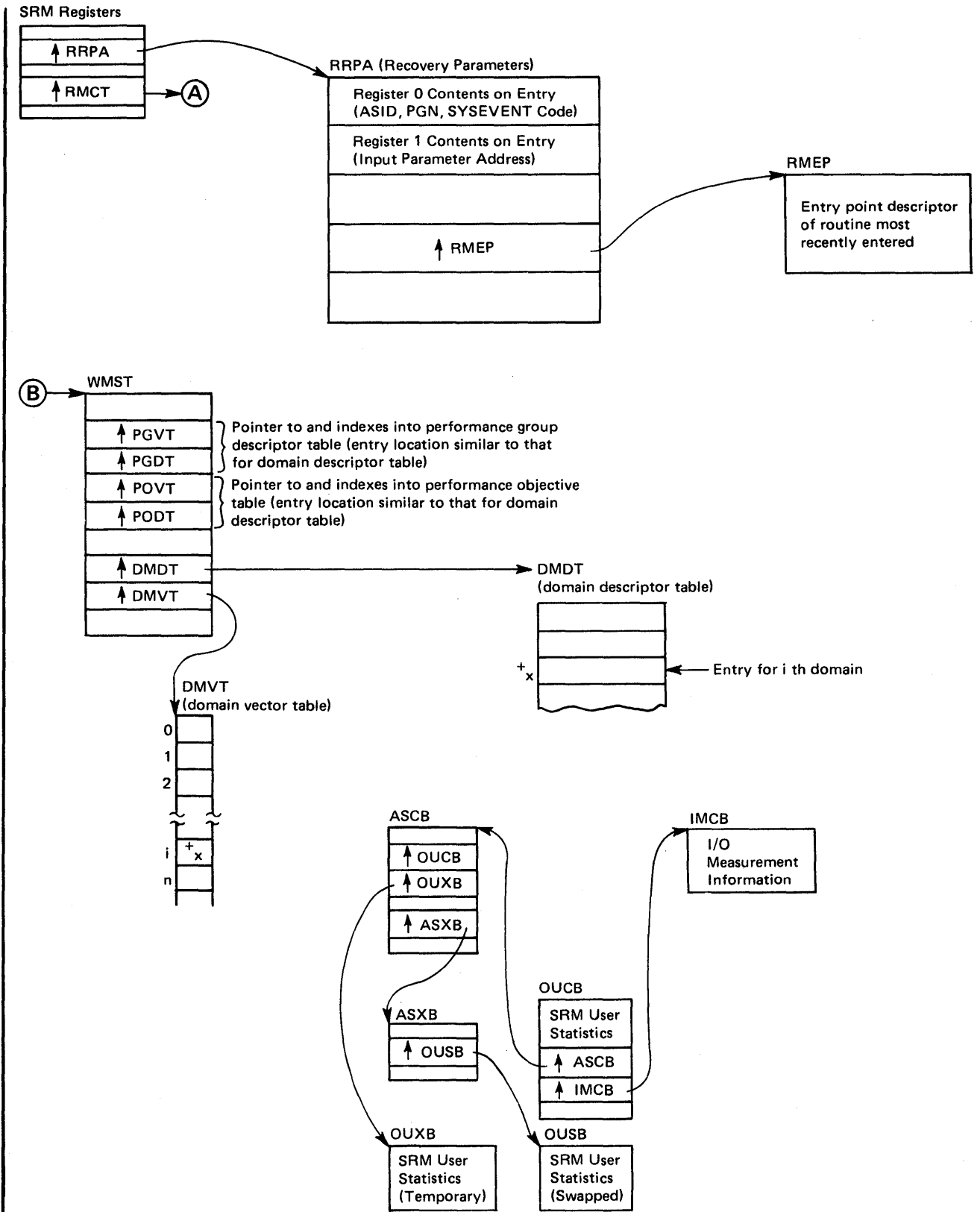


Figure 5-6. System Resources Manager (SRM) Control Block Overview (Part 2 of 2)

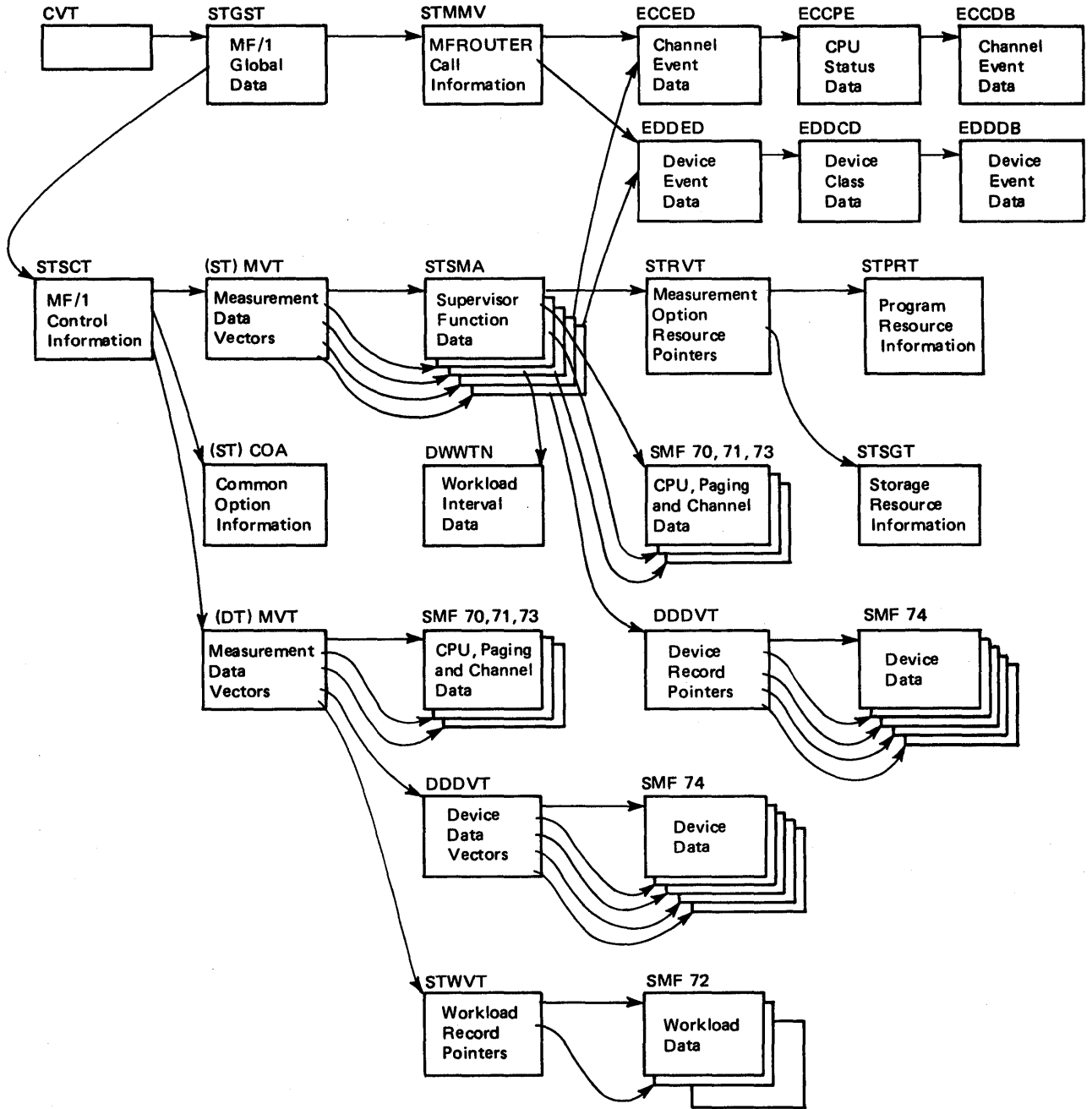


Figure 5-7. System Activity Measurement Facility (MF/1) Control Block Overview (Part 1 of 2)

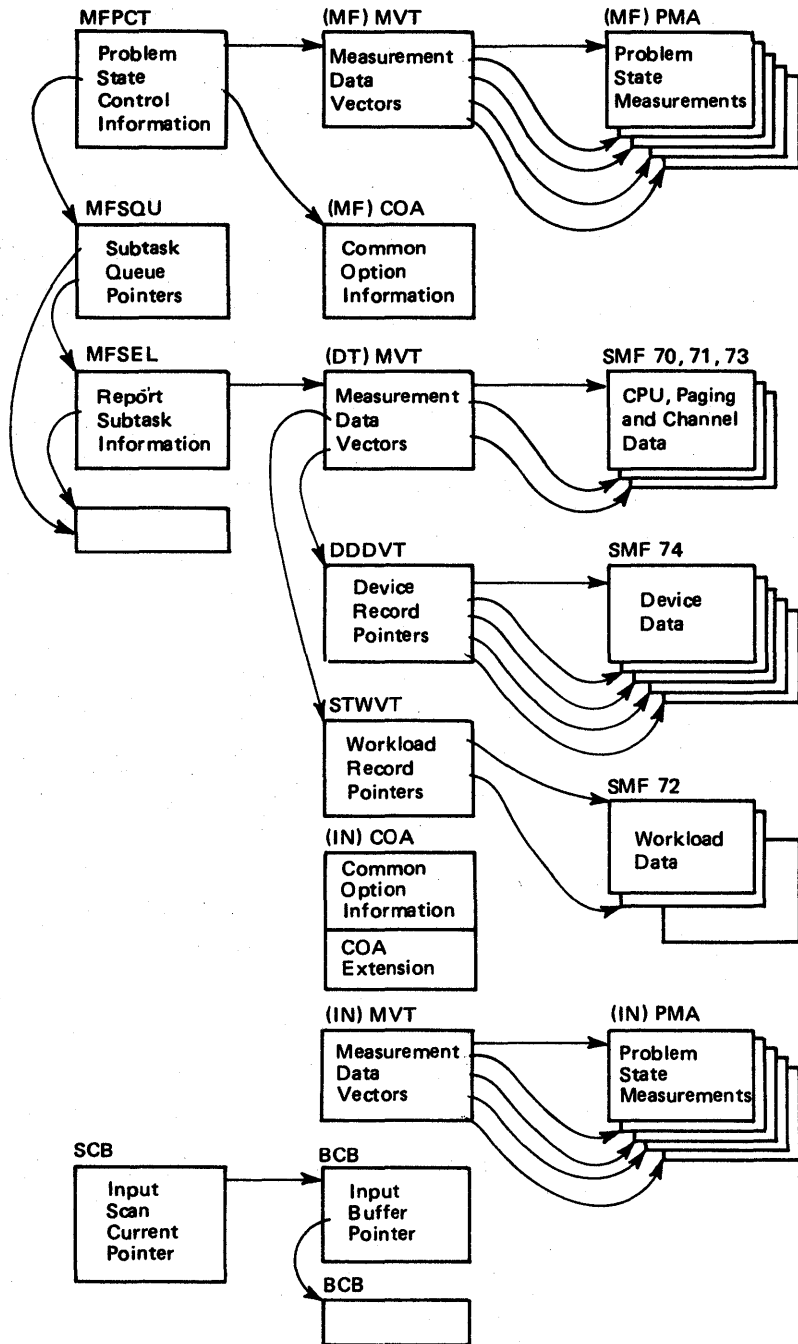


Figure 5-7. System Activity Measurement Facility (MF/1) Control Block Overview (Part 2 of 2)

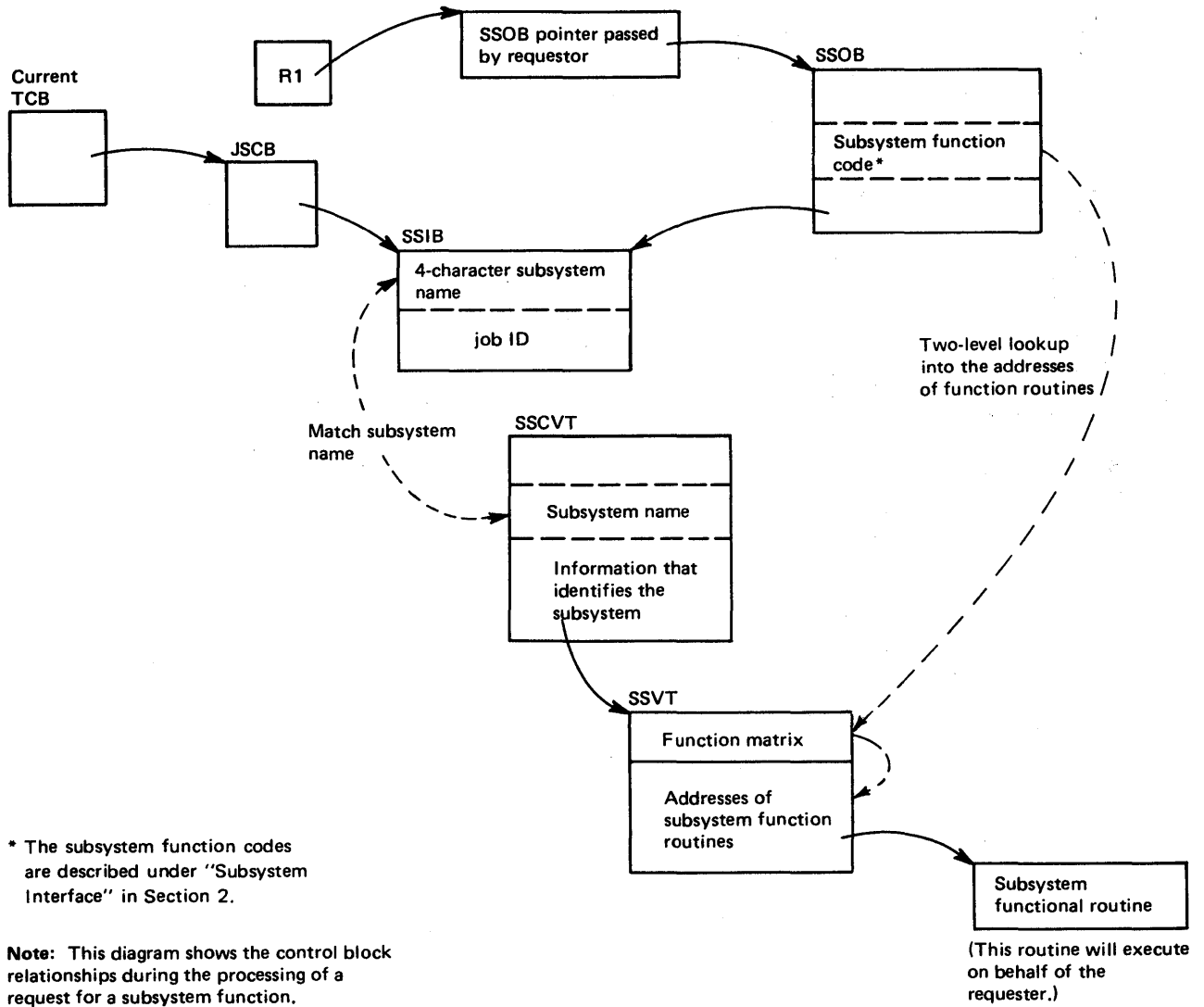


Figure 5-8. Subsystem Interface Control Block Overview

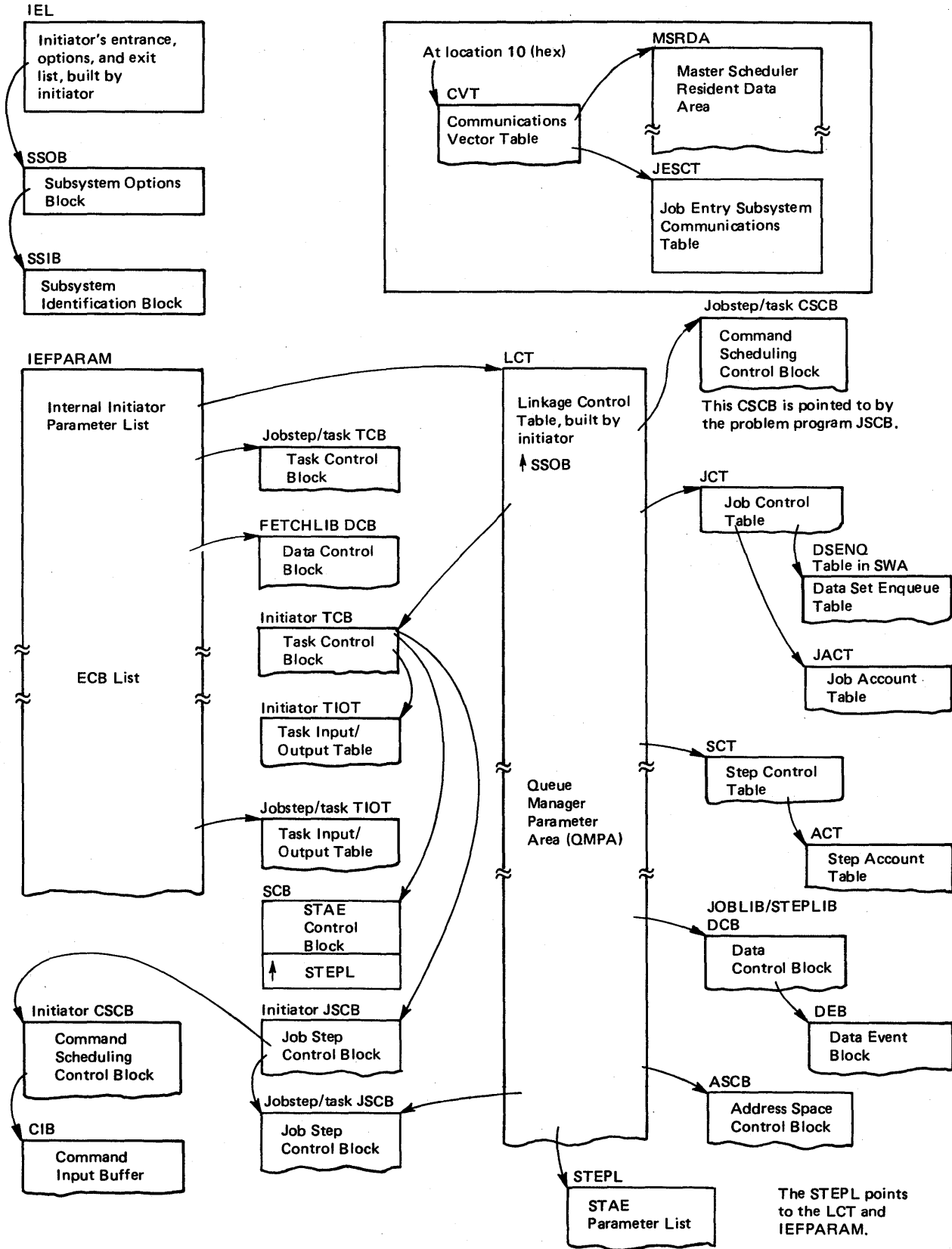


Figure 5-9. Initiator/Terminator Control Block Overview

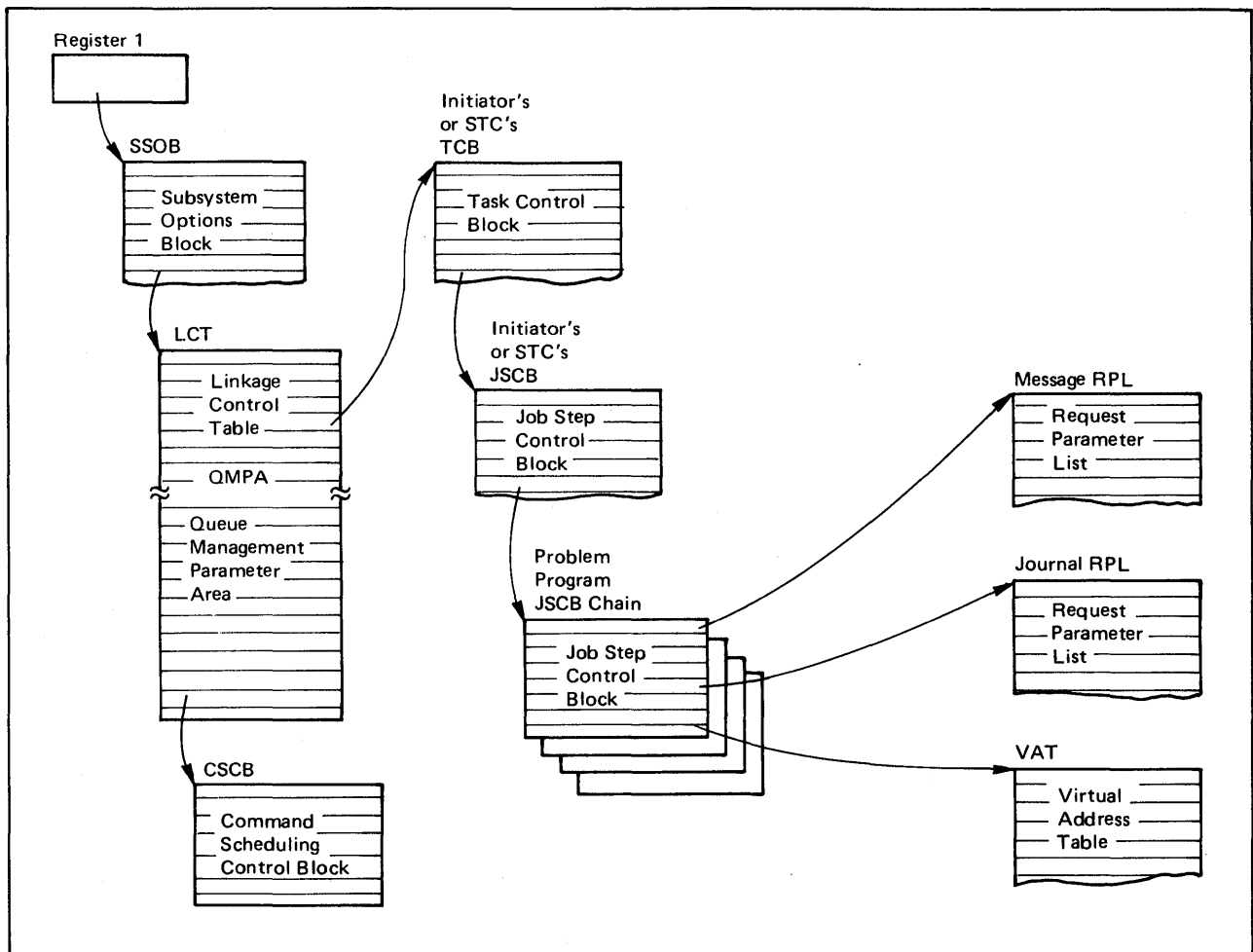
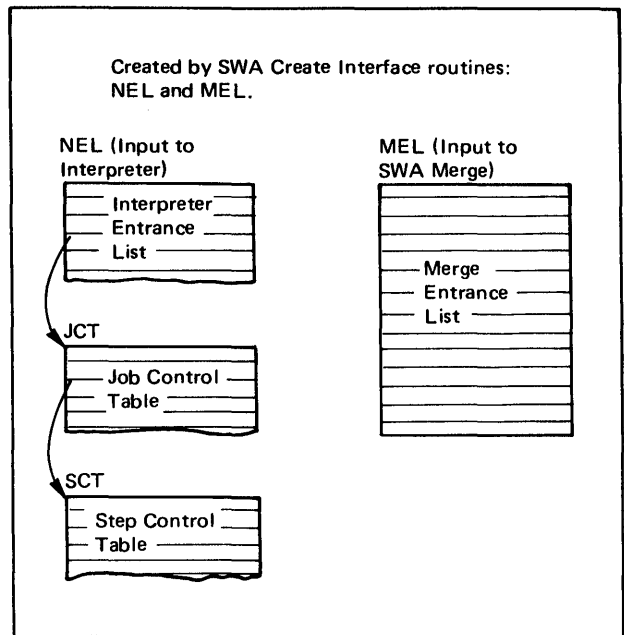
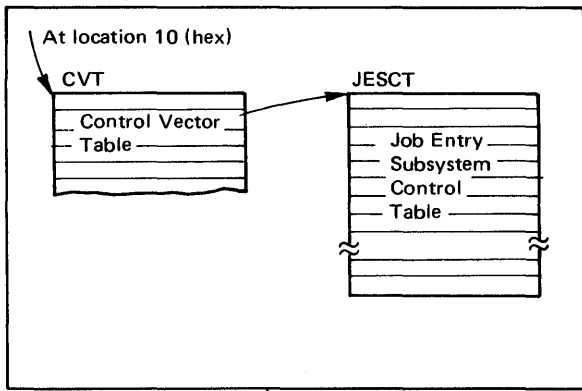


Figure 5-10. SWA Create Interface Control Block Overview

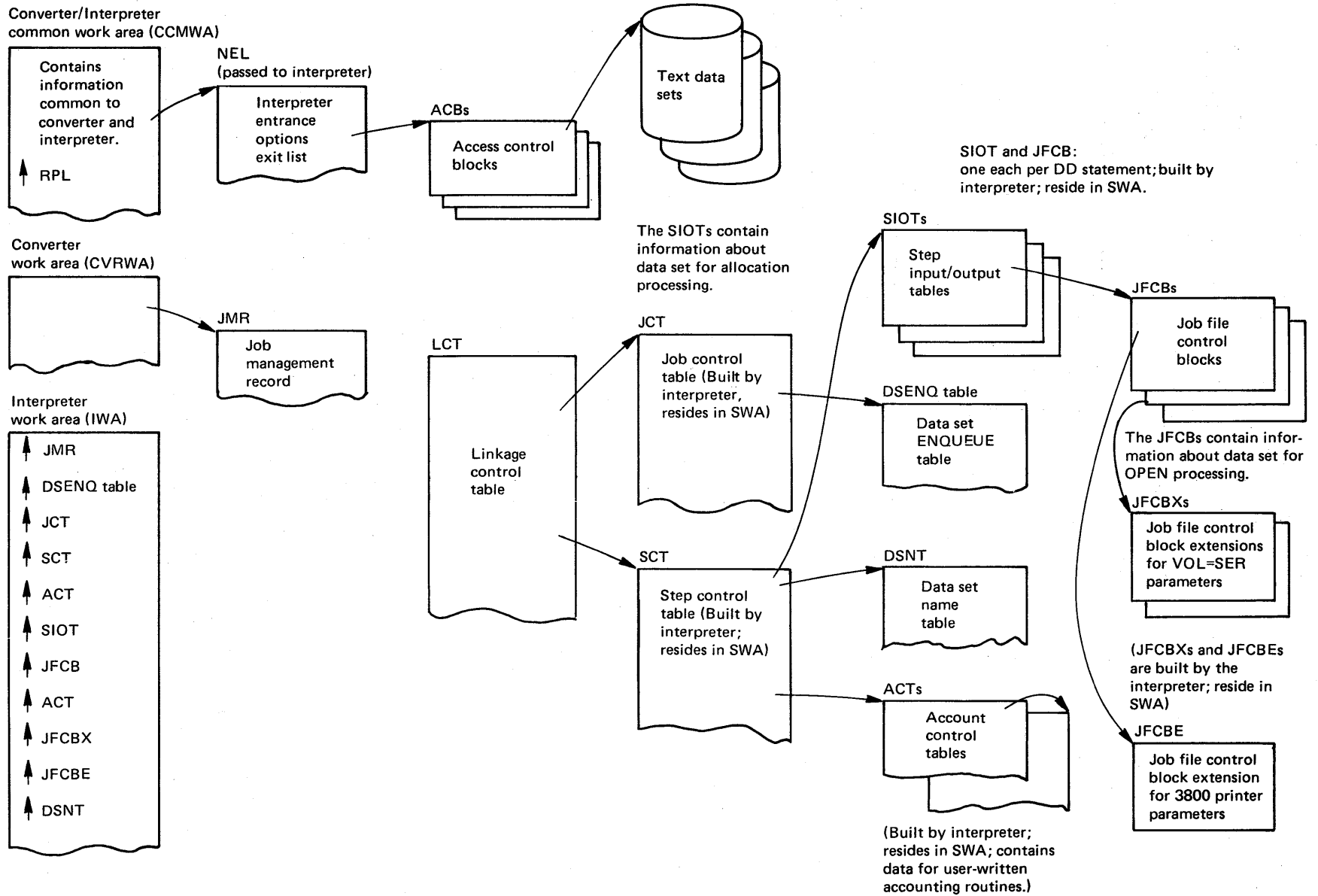
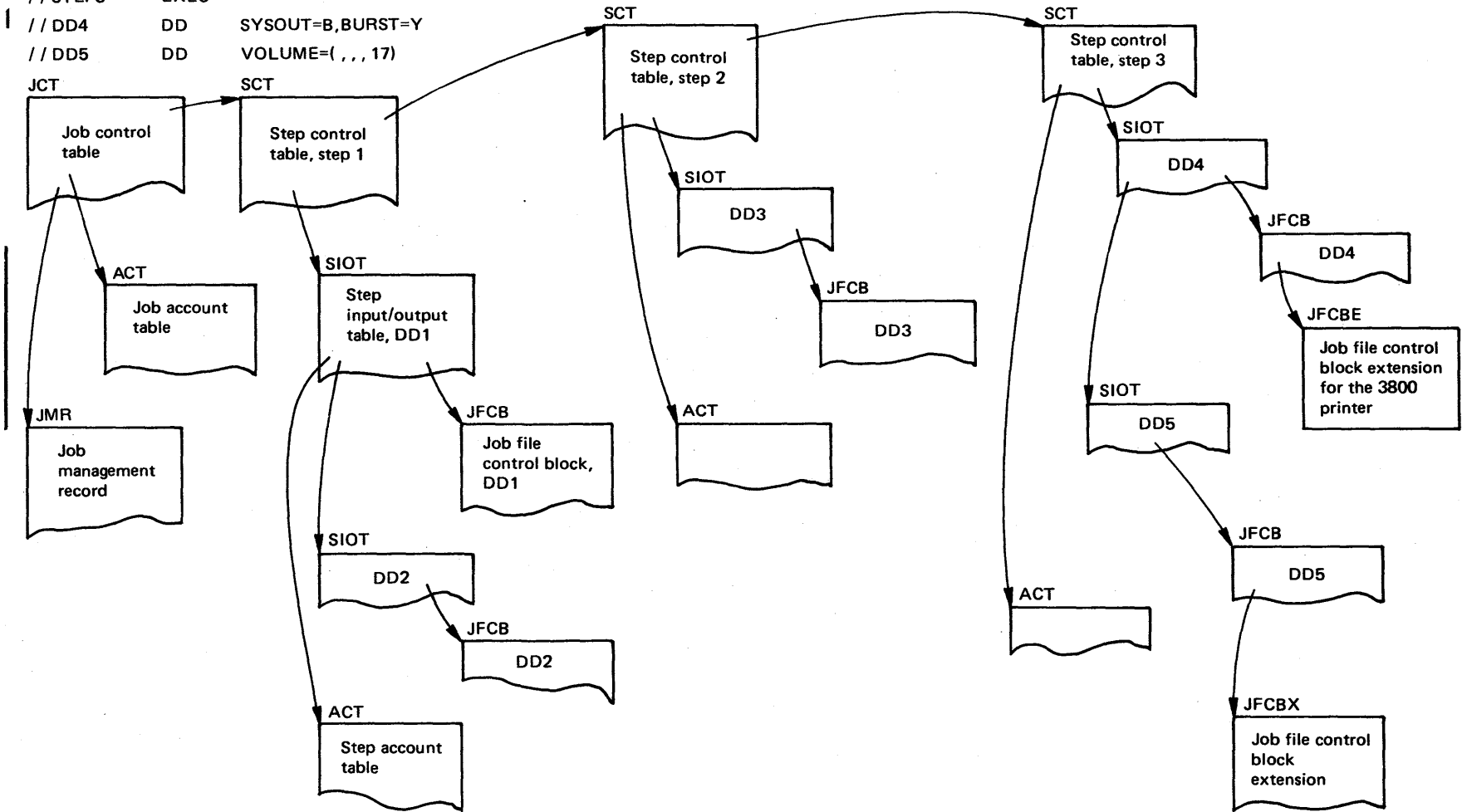


Figure 5-11. Converter/Interpreter Control Block Overview

```

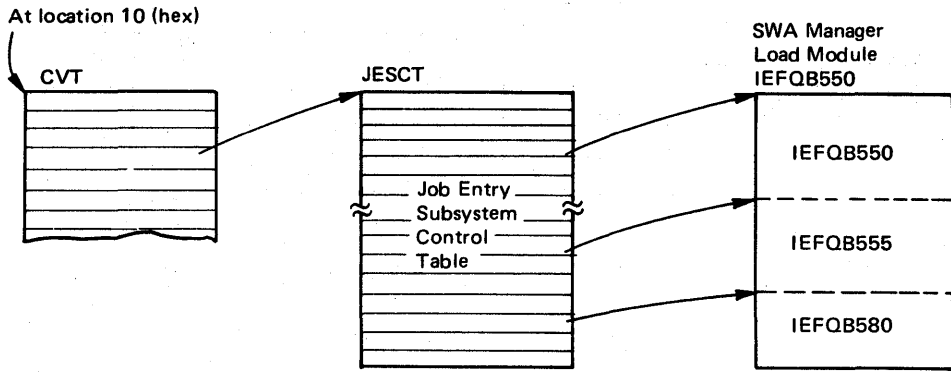
// JOBNAME  JOB
// STEP1    EXEC
// DD1      DD   SYSOUT=A
// DD2      DD   VOLUME=REF=name
// STEP2    EXEC
// DD3      DD   DSNAME=name
// STEP3    EXEC
// DD4      DD   SYSOUT=B,BURST=Y
// DD5      DD   VOLUME=( , , , 17)

```

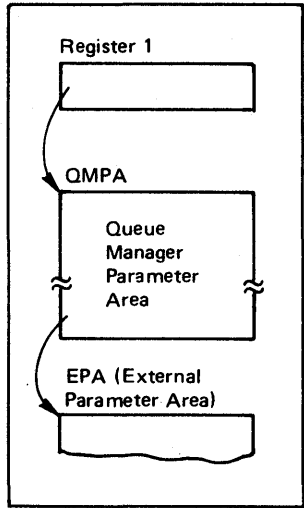


VS2.03.810

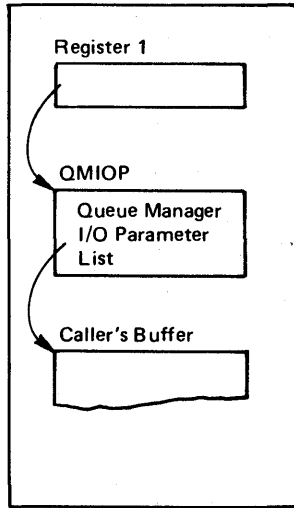
Figure 5-12. Typical Output of the Converter/Interpreter



For Move Mode Functions



For QMNGRIO Interfaces



For Locate Mode Functions

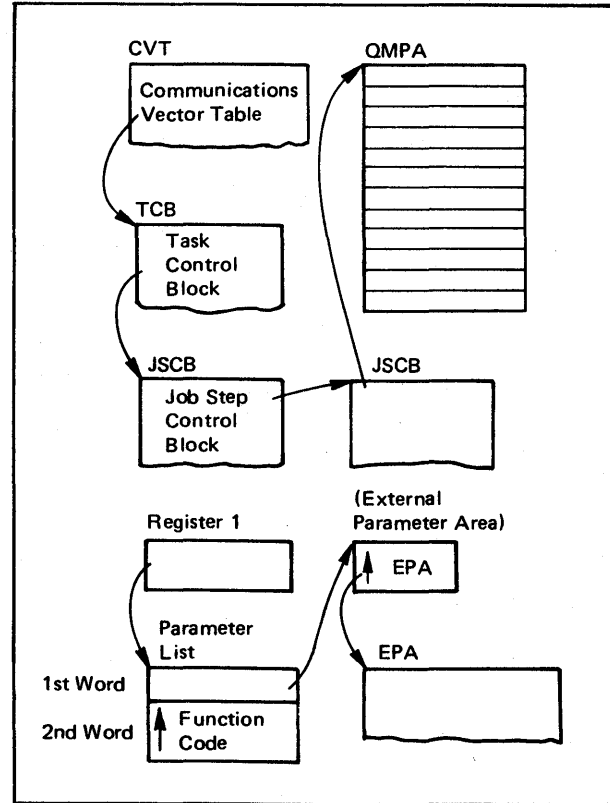


Figure 5-13. SWA Manager Control Block Overview

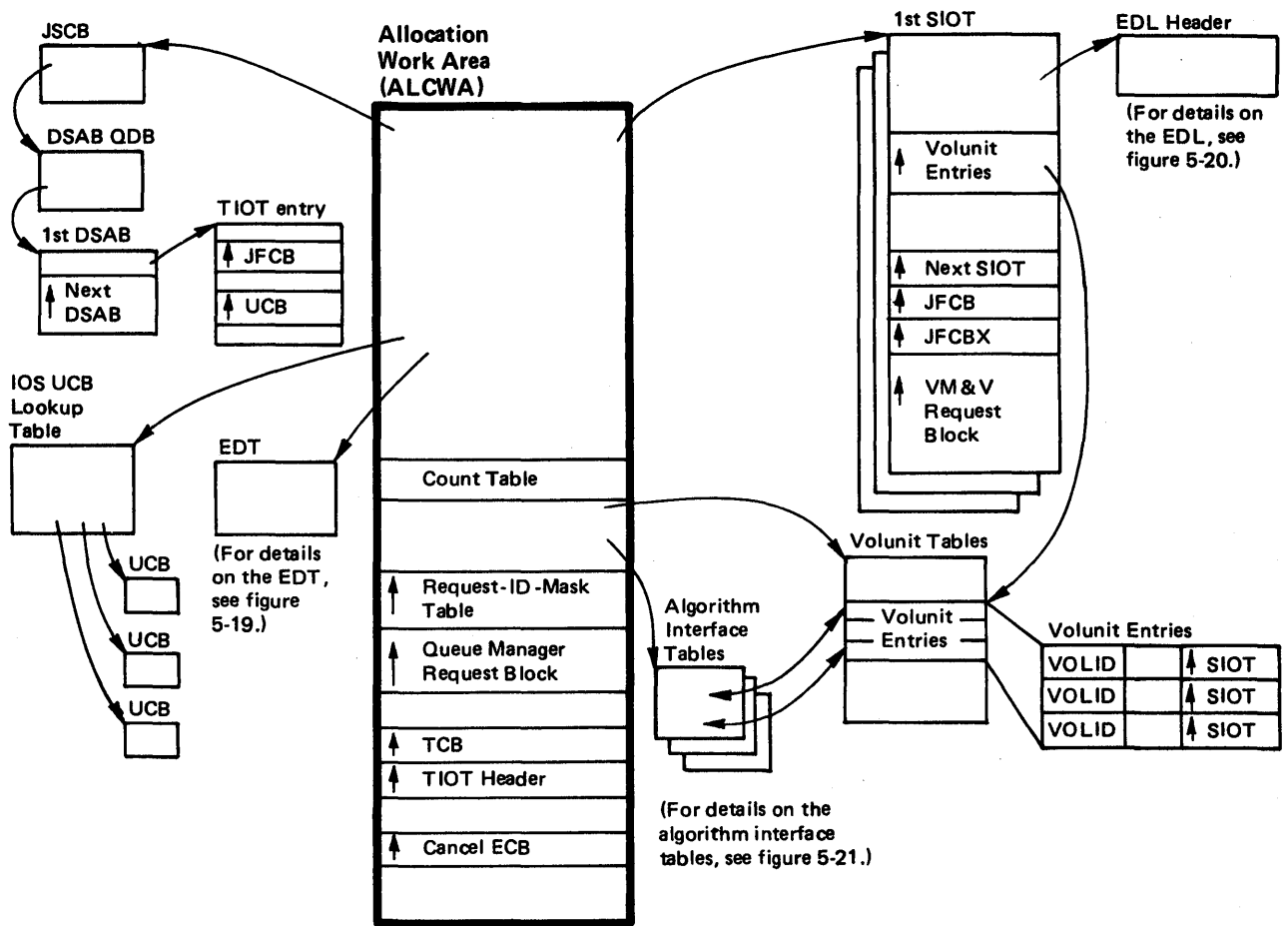
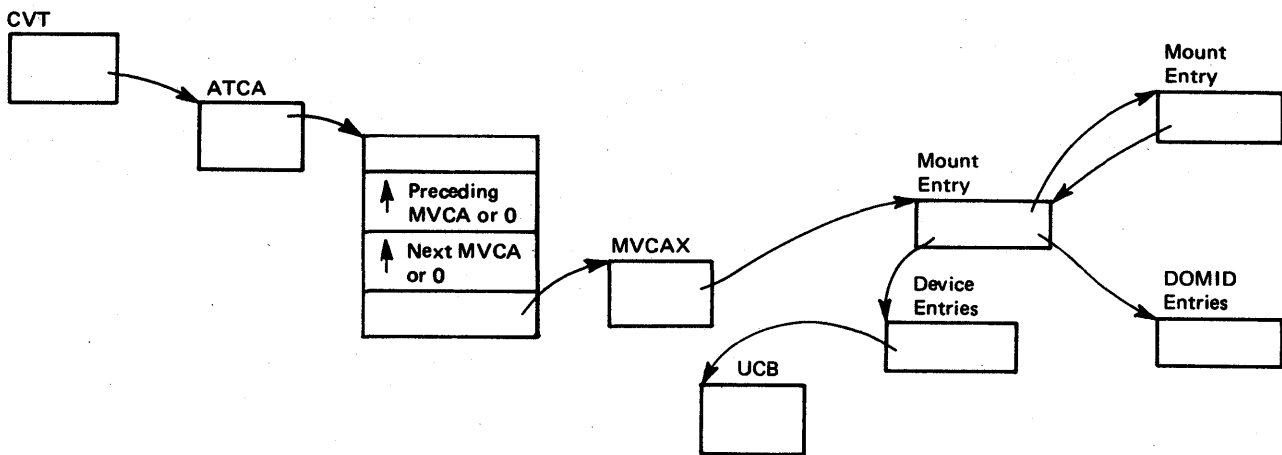
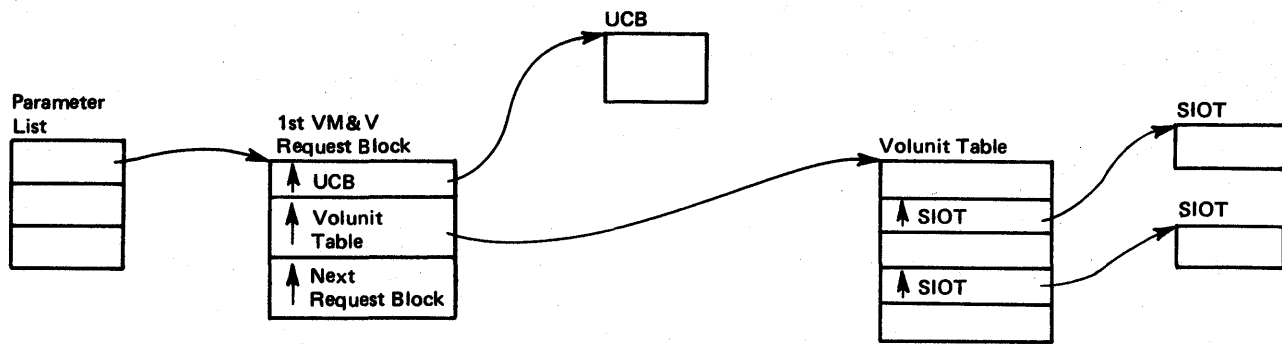
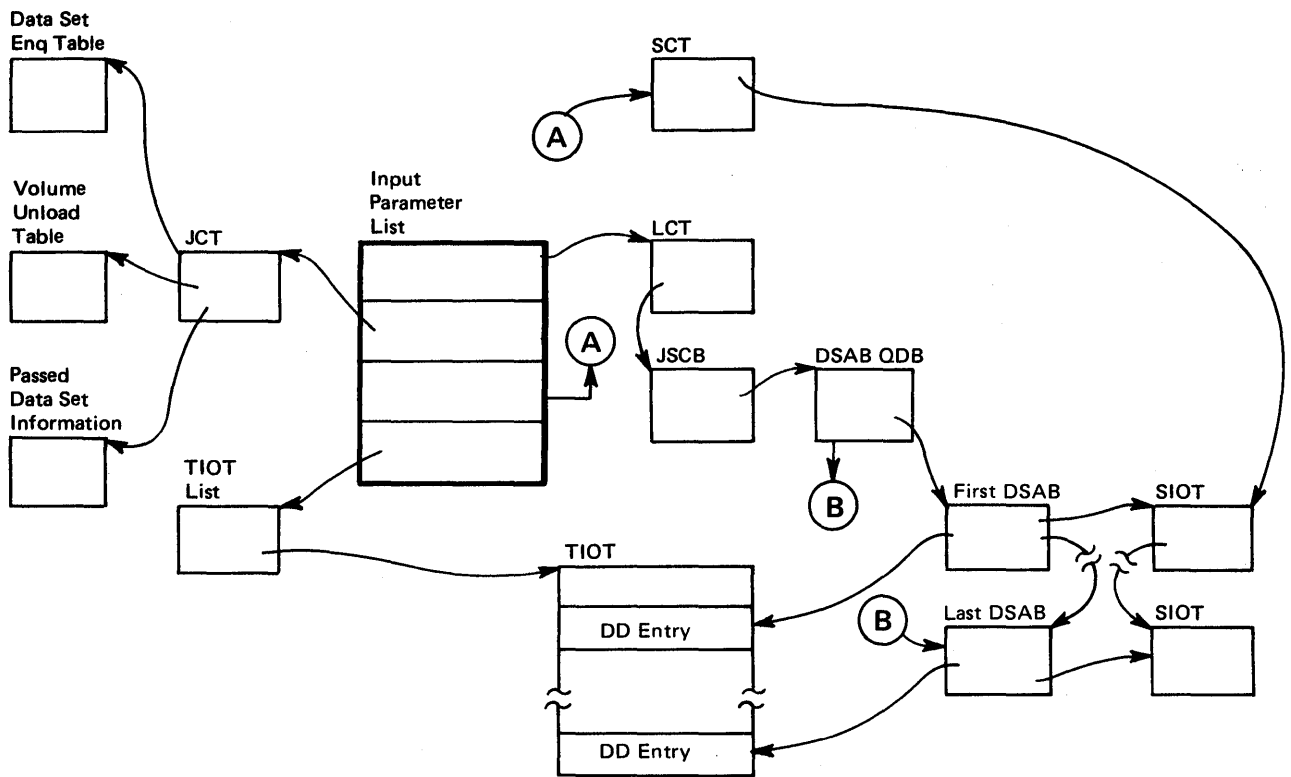


Figure 5-14. Common Allocation Control Block Overview



Note: SIOTs originally point to VM & V request blocks.

Figure 5-15. Volume Mount and Verify (VM&V) Control Block Overview



Batch Unallocation

Common Unallocation

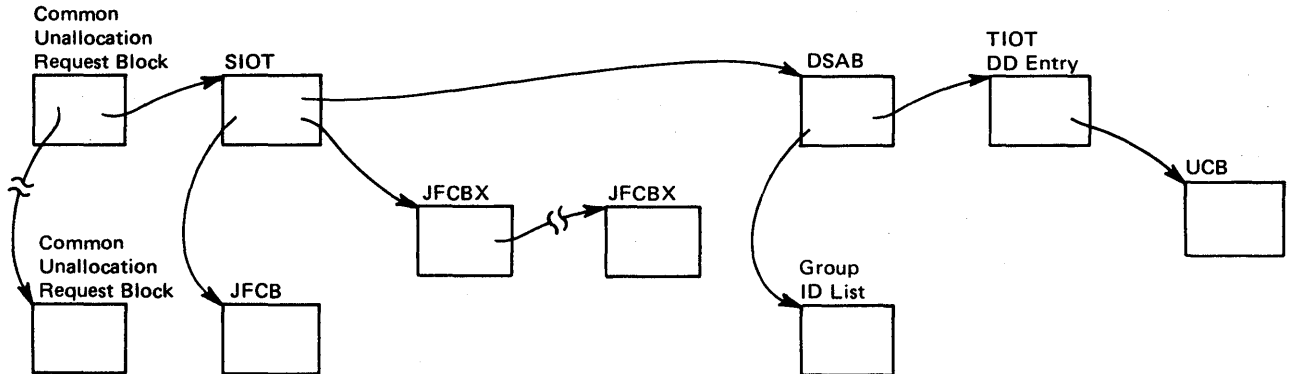


Figure 5-16. Batch Unallocation and Common Unallocation Control Block Overview

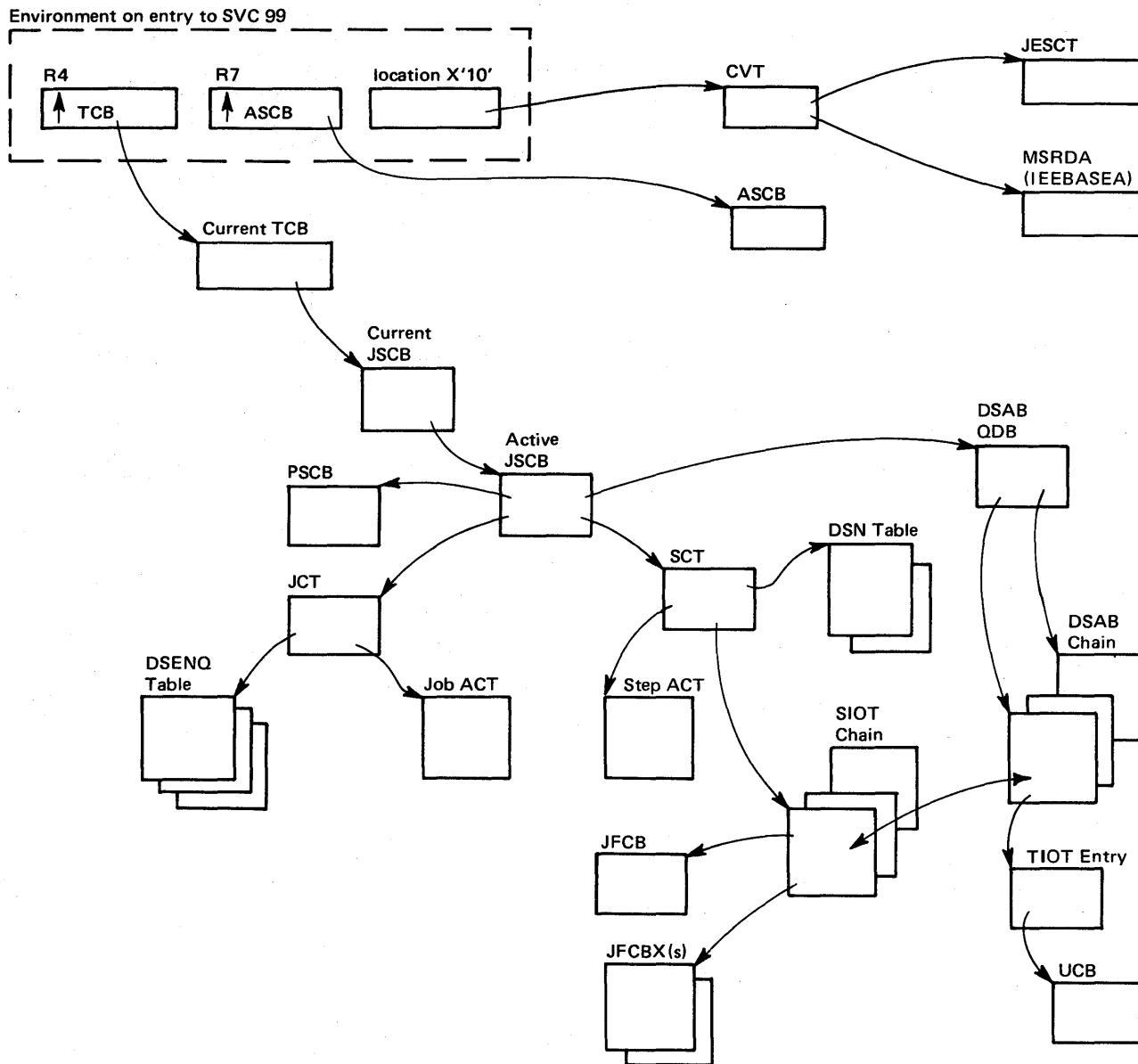
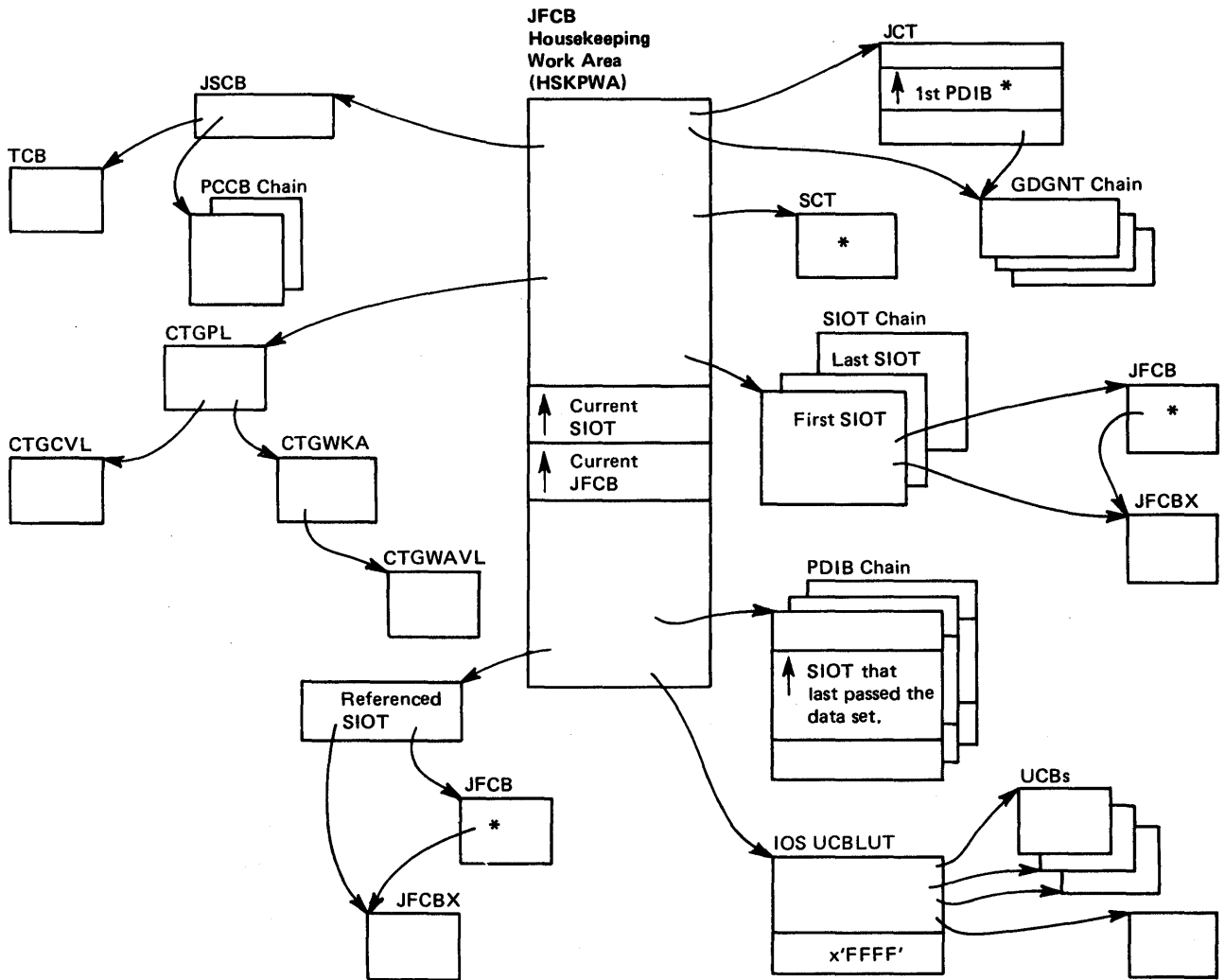


Figure 5-17. Dynamic Allocation Control Block Overview



* SWA virtual address

Figure 5-18. JFCB Housekeeping Control Block Overview

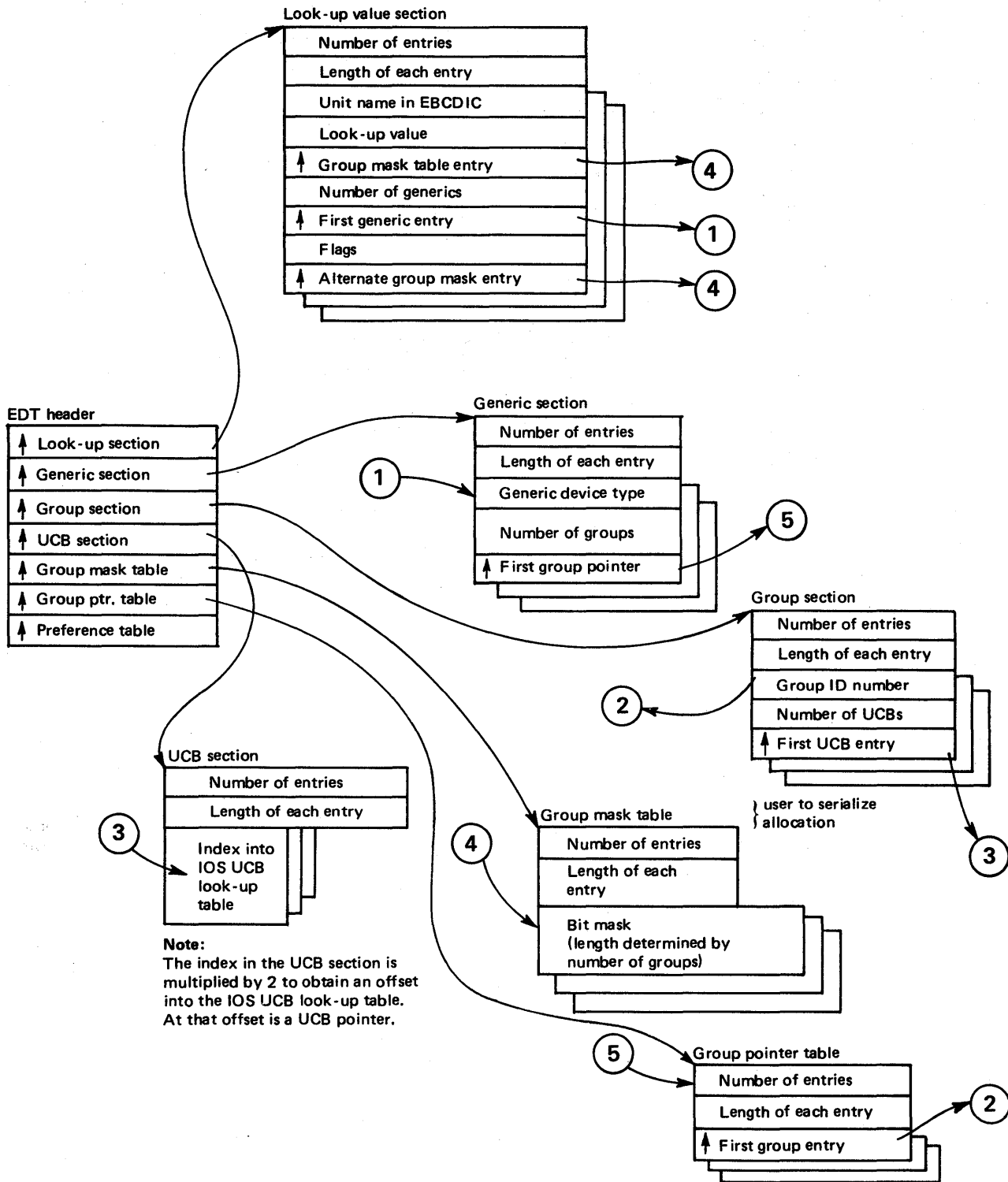


Figure 5-19. Eligible Devices Table (EDT). The EDT is built at SYSGEN time and link-edited into IEFW21SD.

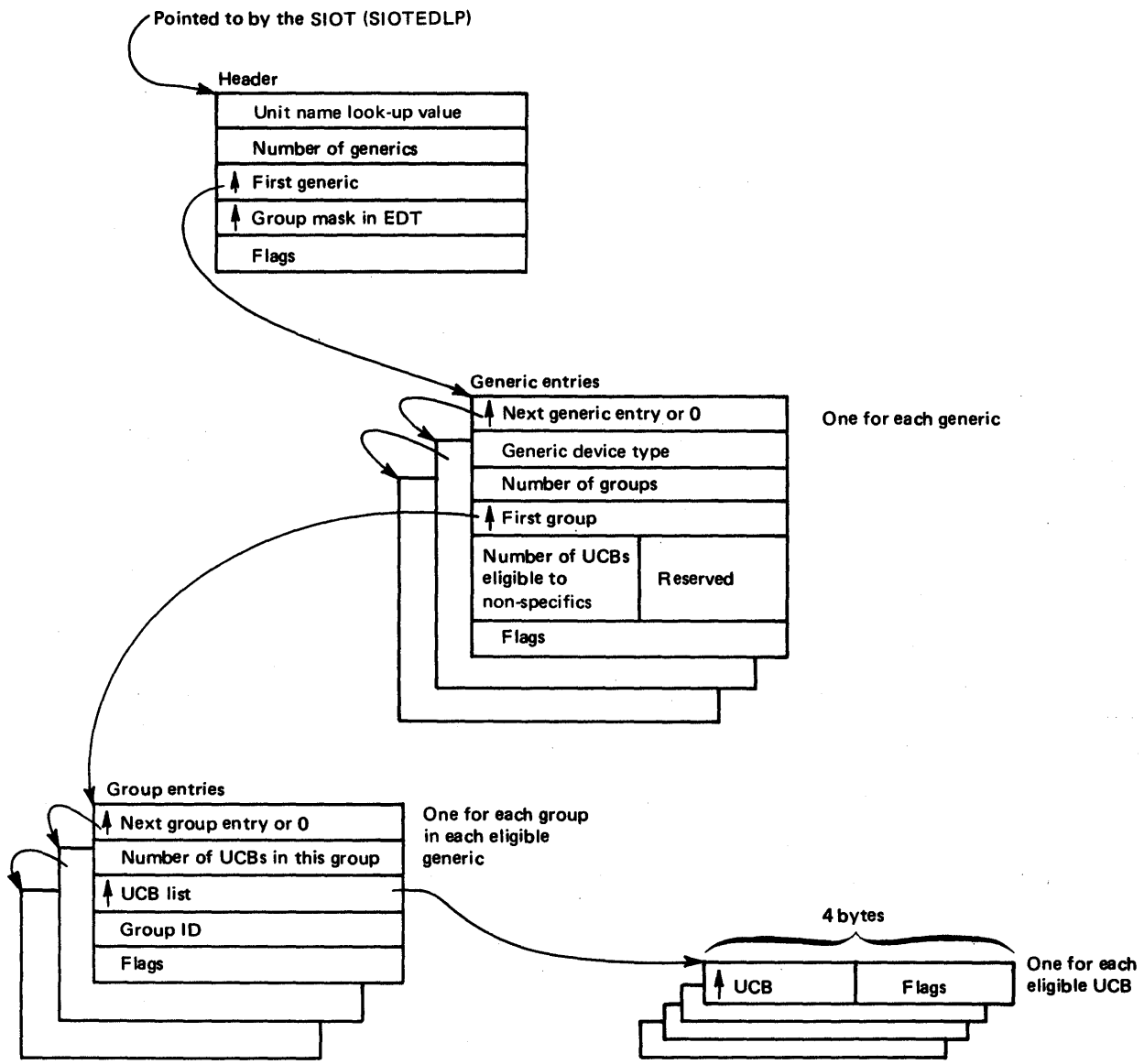


Figure 5-20. Eligible Device List (EDL)

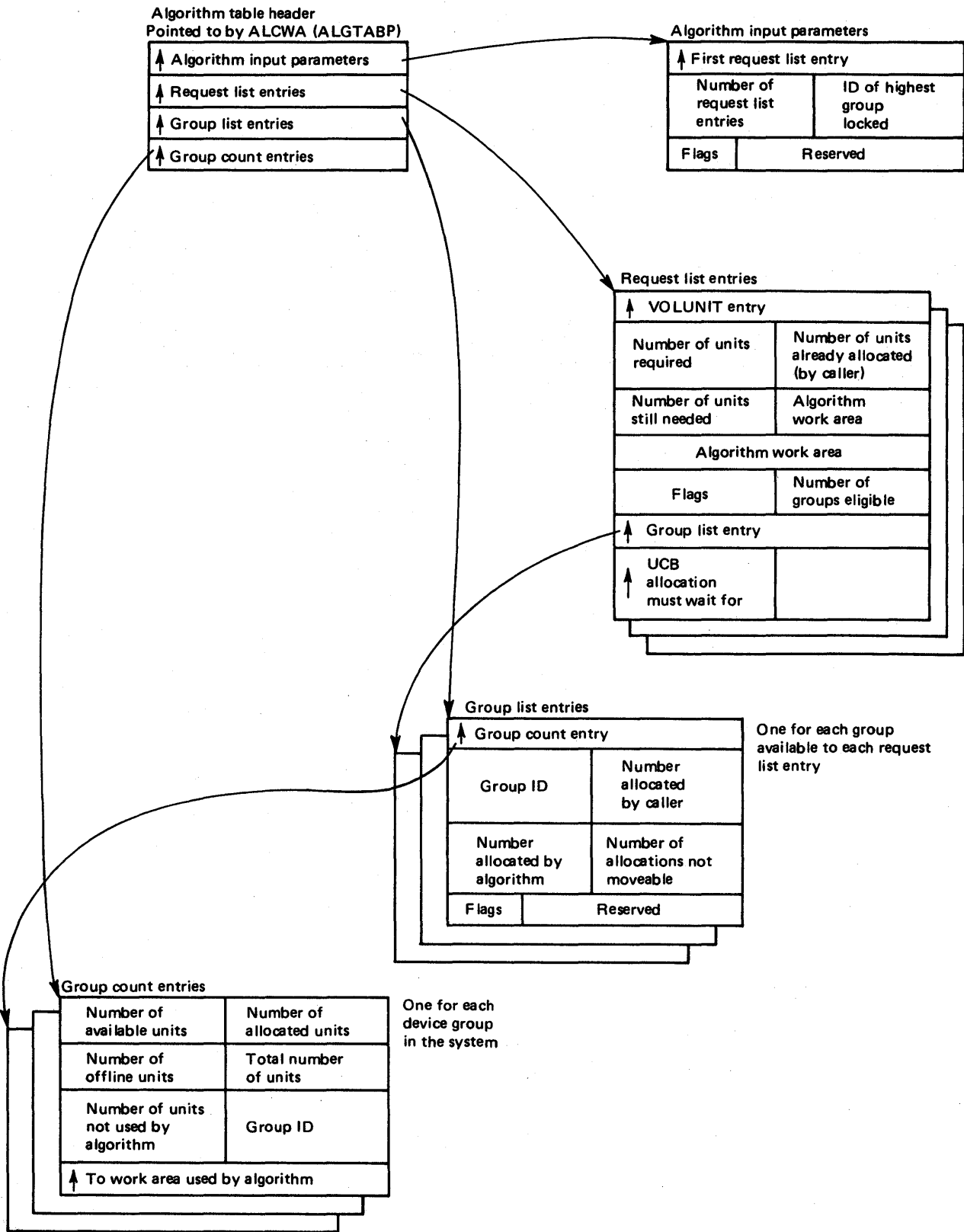
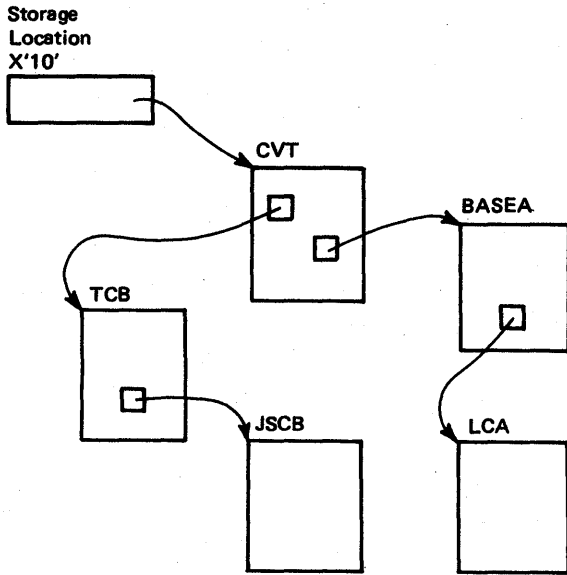
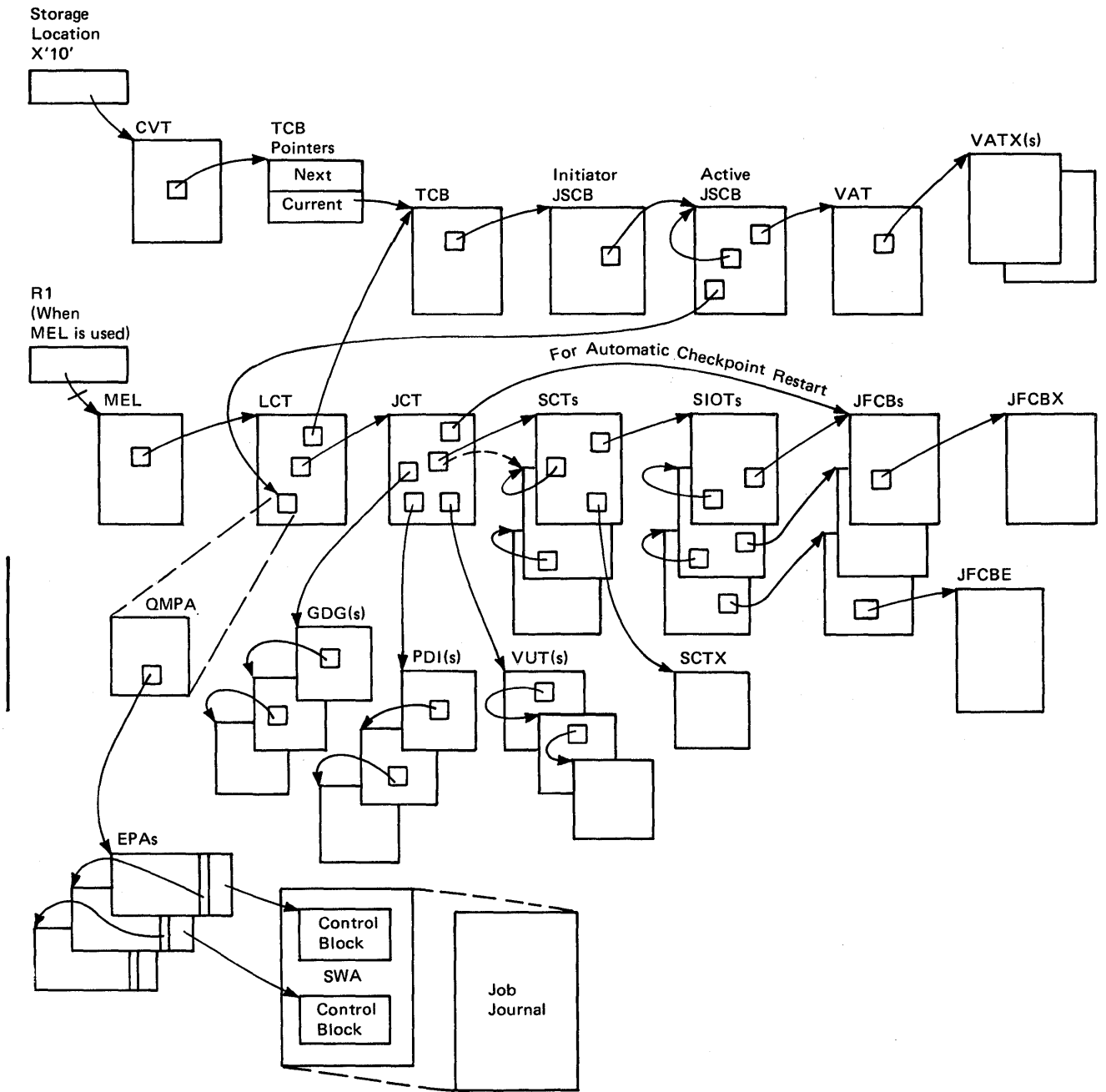


Figure 5-21. Algorithm Interface Tables



Acronym	Control Block Name
BASEA	Master Scheduler Resident Data Area
CVT	Communication Vector Table
JSCB	Job Scheduling Control Block
LCA	Log Control Area
TCB	Task Control Block

Figure 5-23. System Log Task Control Block Overview

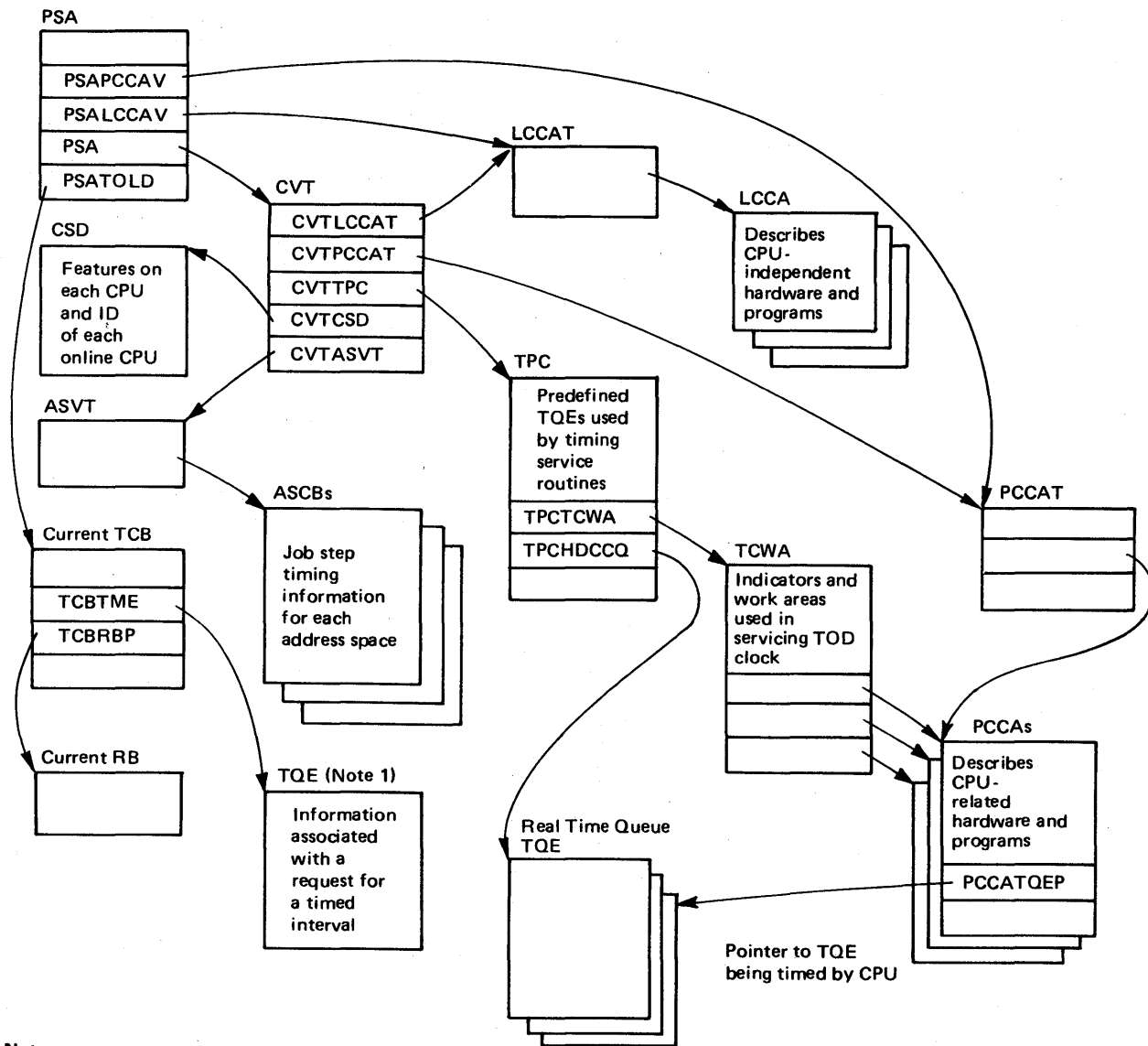


Legend:

—/—> = Indirect Pointer

Acronym	Control Block Name	Acronym	Control Block Name
CVT	Communications Vector Table	PDI	Passed Data Set Information
EPA	External Parameter Area	QMPA	Queue Manager Parameter Area
GDG	Generation Data Group	SCT	Step Control Table
JCT	Job Control Table	SCTX	Step Control Table Extension
JFCB	Job File Control Block	SIOT	Step Input/Output Table
JFCBE	Job File Control Block Extension for 3800	SWA	Scheduler Work Area
JFCBX	Job File Control Block Extension	TCB	Task Control Block
JSCB	Job Scheduling Control Block	VAT	Virtual Address Table
LCT	Linkage Control Table	VATX	Virtual Address Table Extension
MEL	Merge Entrance List	VUT	Volume Unload Table

Figure 5-24. Checkpoint/Restart Control Block Overview



Notes:

1. If real or wait type, this TQE is also on the real time queue.

Figure 5-25. Timer Supervision Control Block Overview

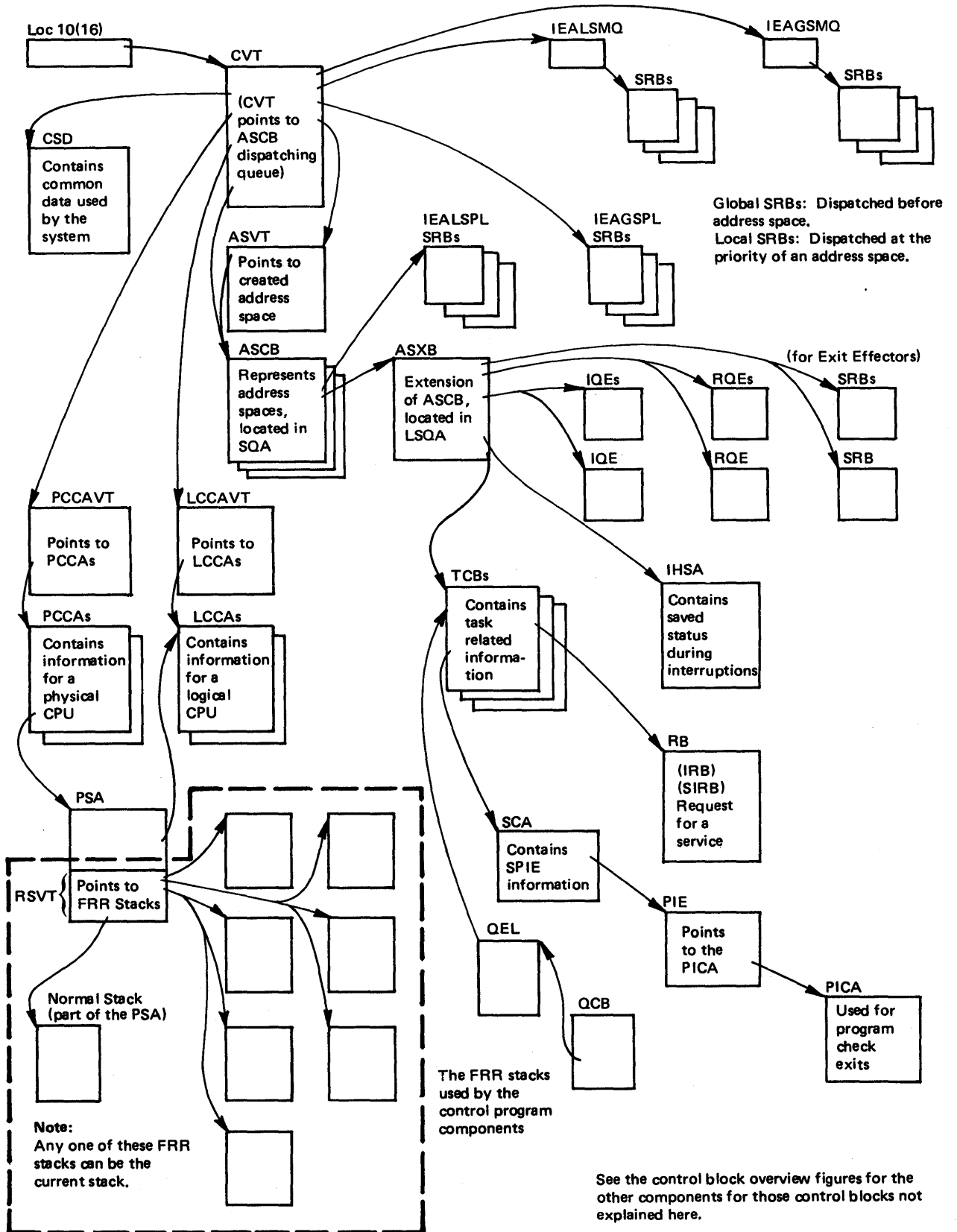
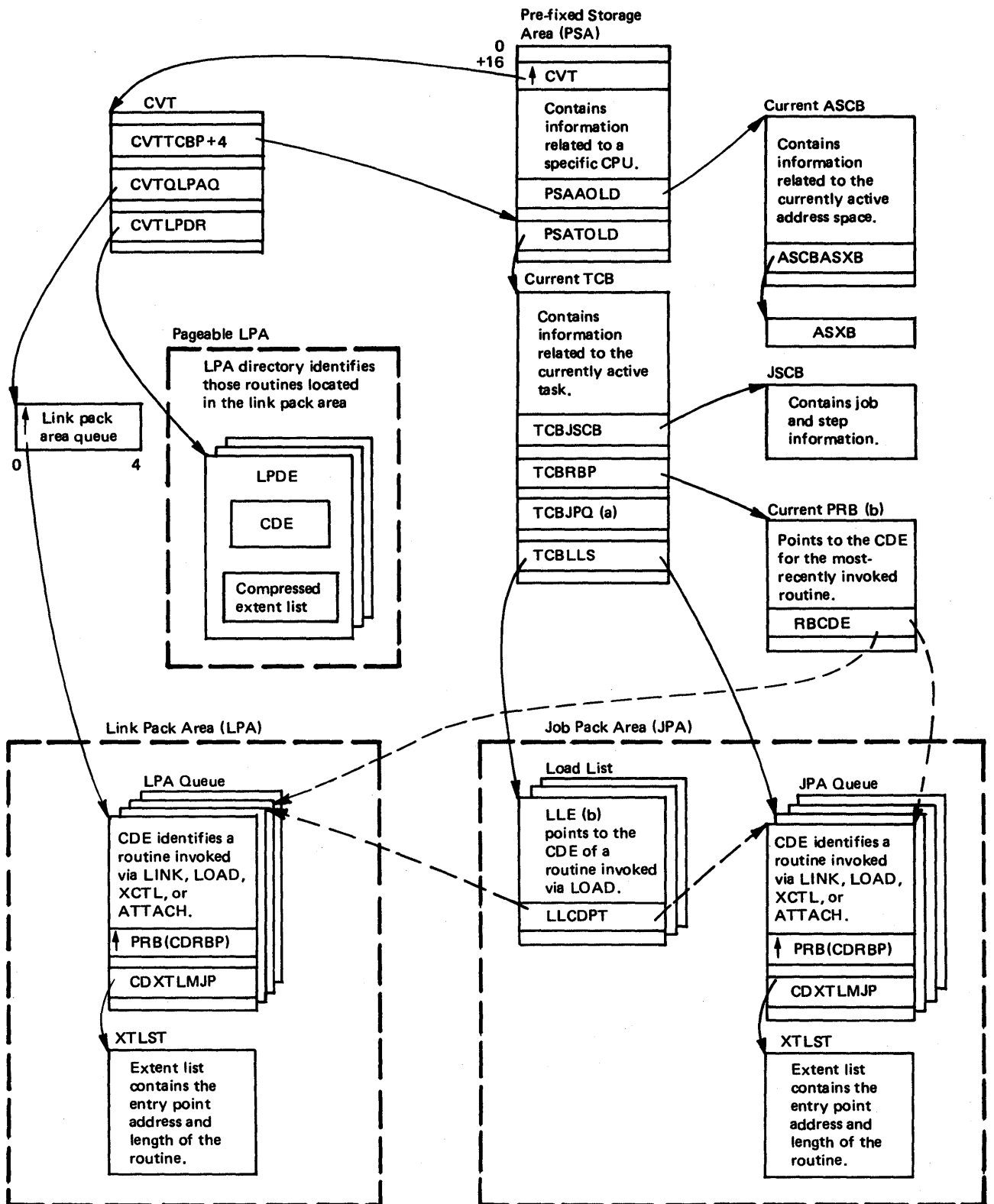


Figure 5-26. Supervisor Control Block Overview



Notes:

- (a) Only the job step TCB points to the JPA queue.
- (b) A PRB or a LLE may point to a CDE located in either the LPA queue or the JPA queue.

Figure 5-28. Program Management Control Block Overview

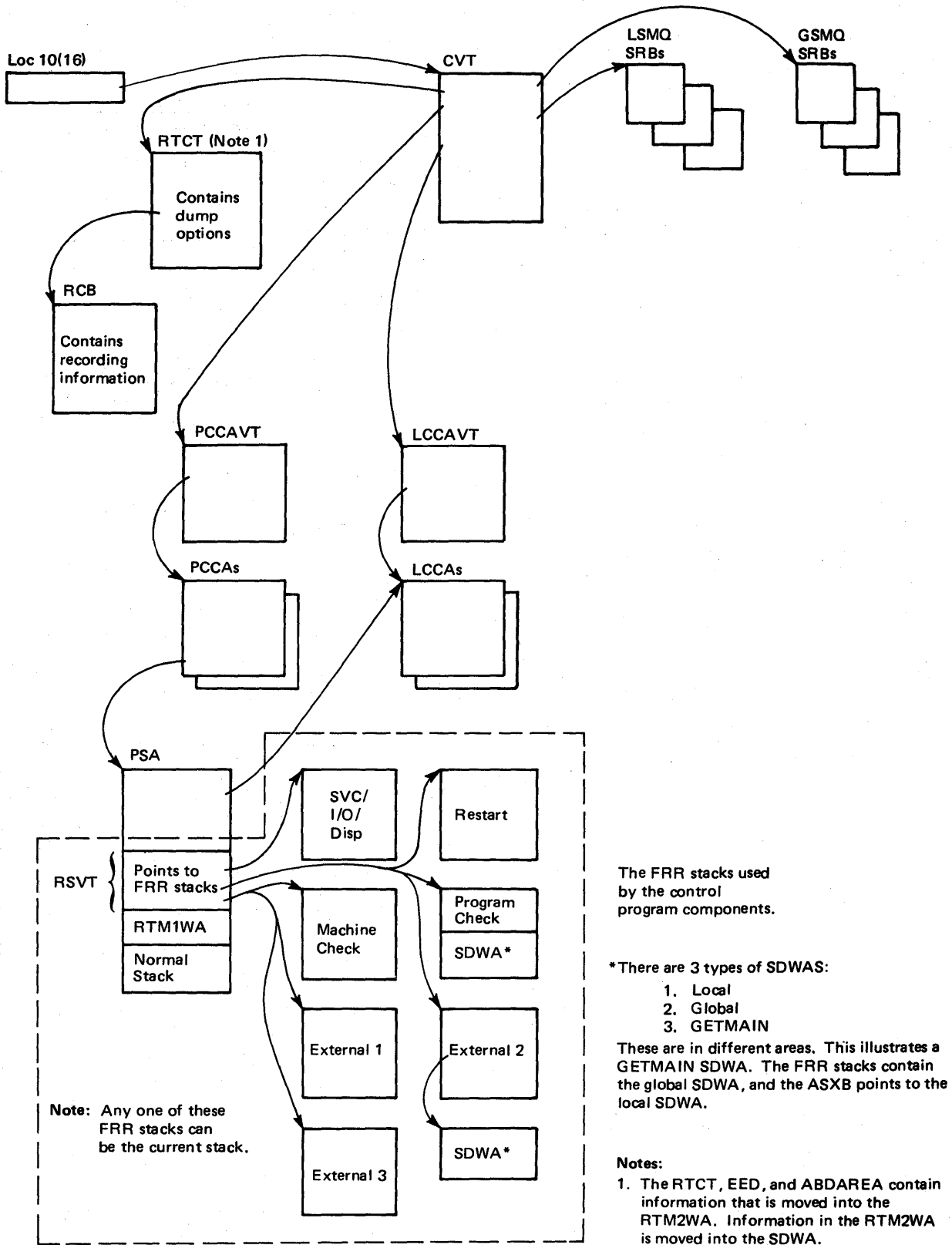
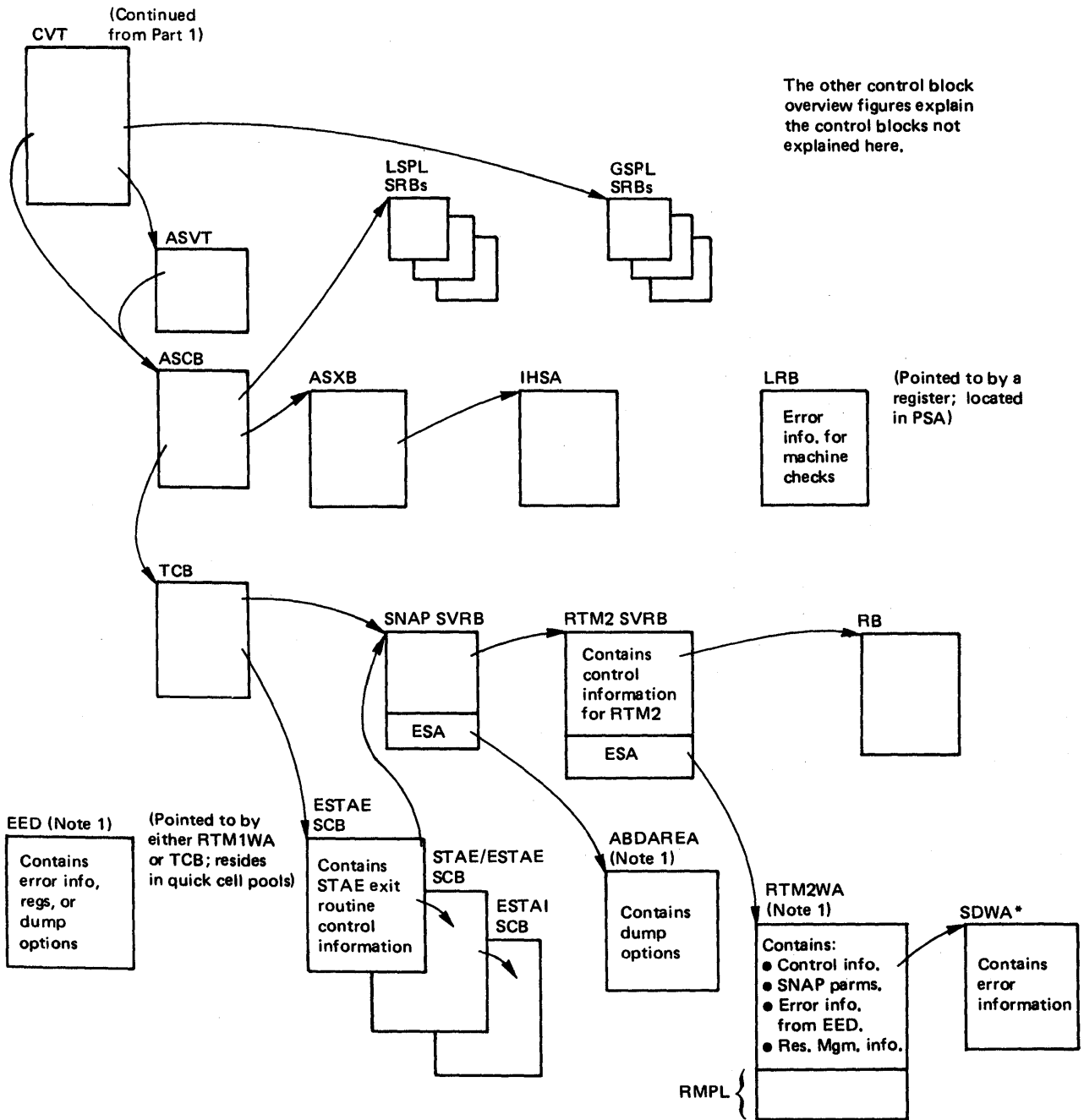


Figure 5-29. Recovery/Termination Management Control Block Overview (Part 1 of 2)



* There are 3 types of SDWAs:

1. Local
2. Global
3. GETMAIN

These are in different areas. This illustrates a GETMAIN SDWA. The FRR stacks contain the global SDWA, and the ASXB points to the local SDWA.

Notes:

1. The RTCT, EED, and ABDAREA contain information that is moved into the RTM2WA. Information in the RTM2WA is moved into the SDWA.

Figure 5-29. Recovery/Termination Management Control Block Overview (Part 2 of 2)

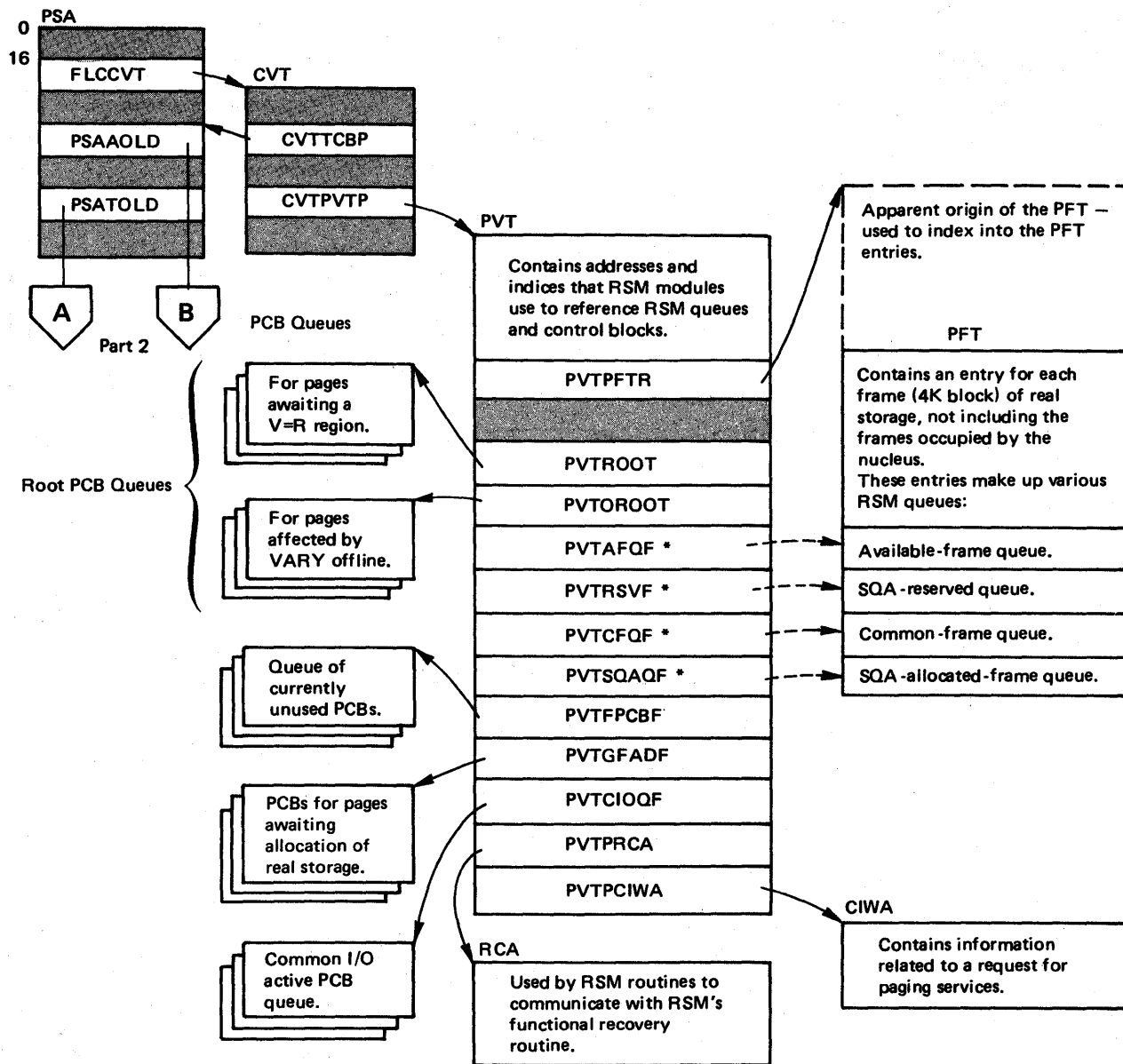
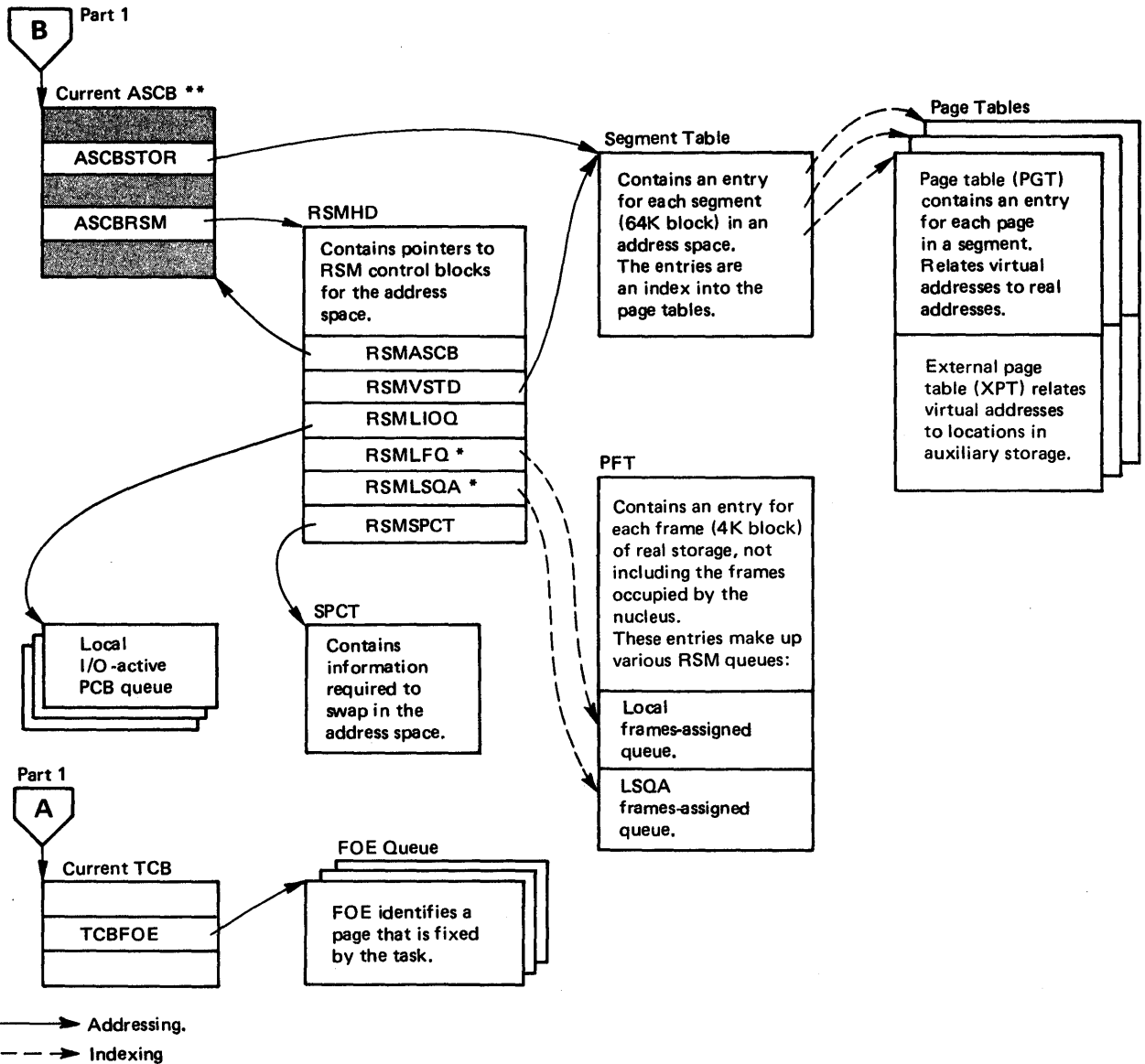


Figure 5-30. Real Storage Management Control Block Overview (Part 1 of 2)



* These fields contain real block numbers (RBNs) that are used as indices into the PFT.

** Each address space has a set of control blocks corresponding to those shown for the current address space.

Figure 5-30. Real Storage Management Control Block Overview (Part 2 of 2)

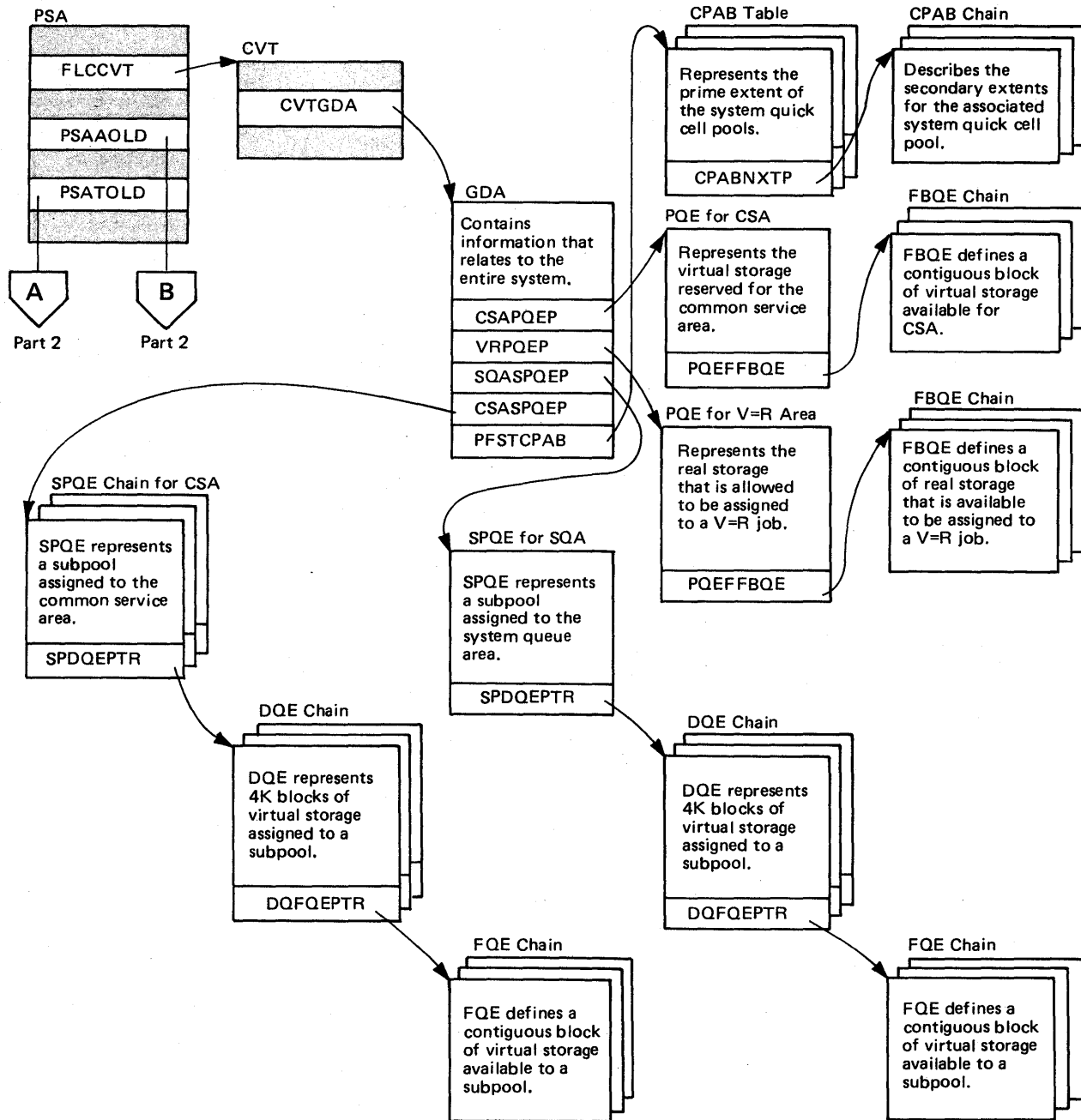


Figure 5-31. Virtual Storage Management Control Block Overview (Part 1 of 2)

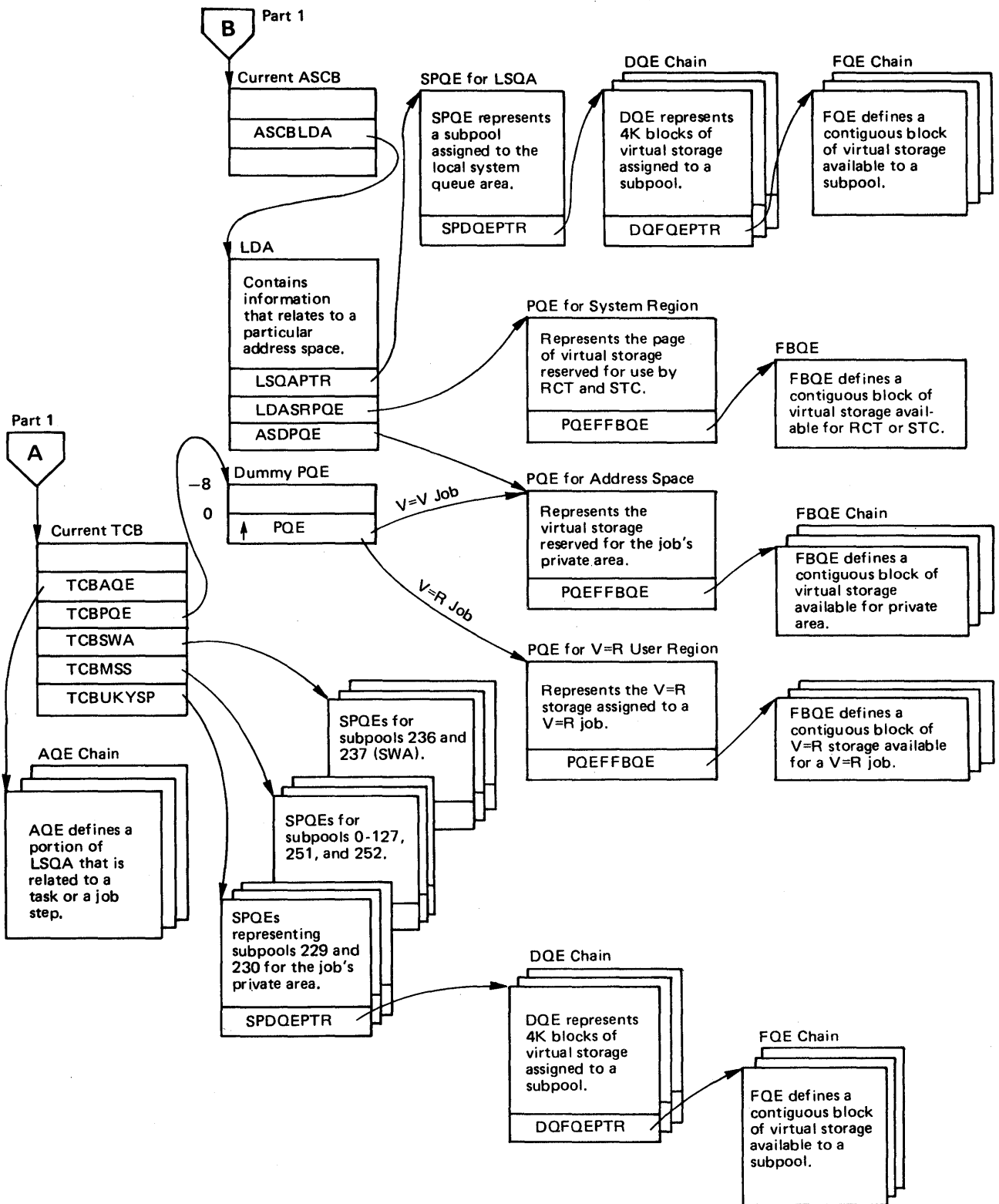


Figure 5-31. Virtual Storage Management Control Block Overview (Part 2 of 2)

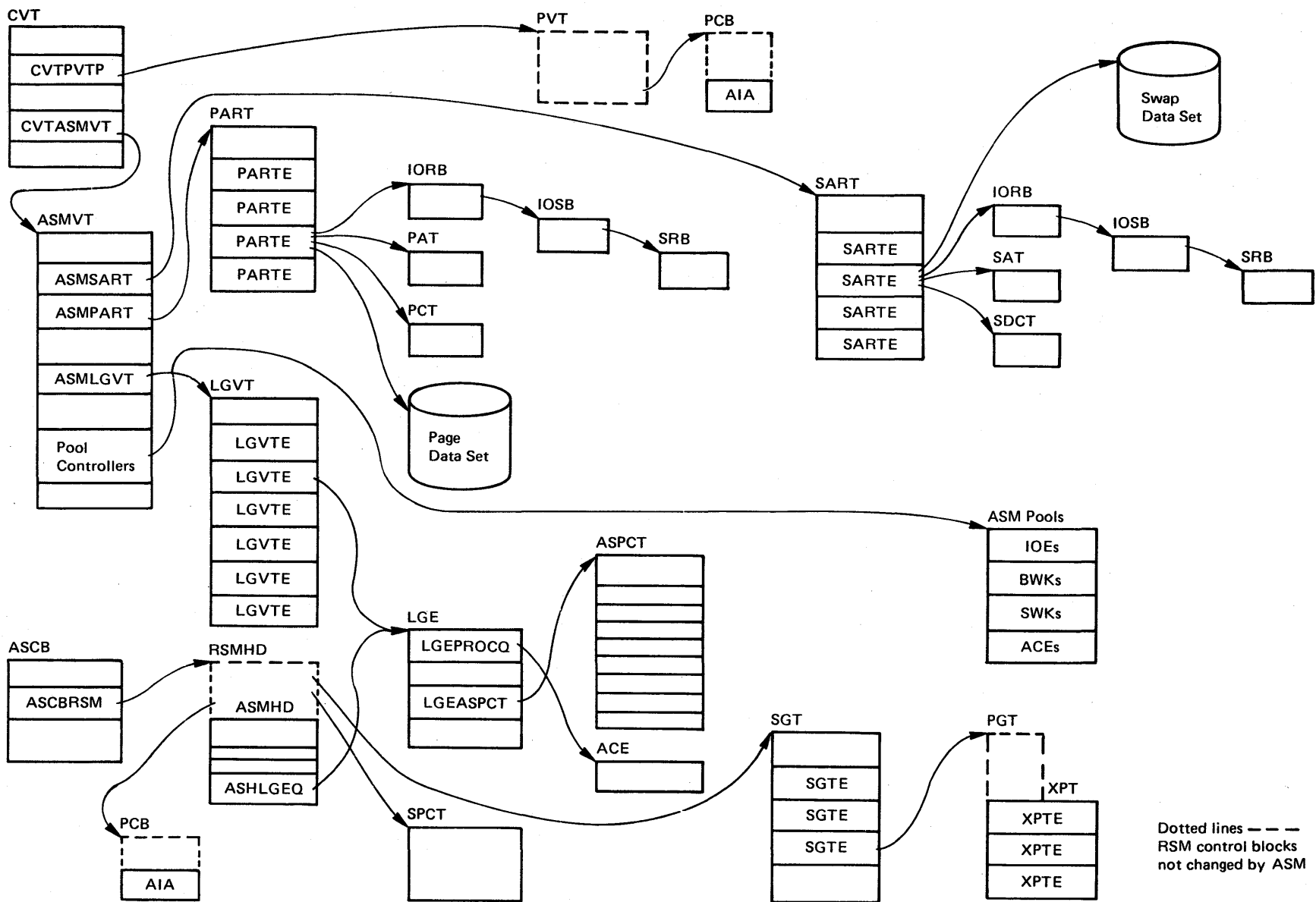


Figure 5-32. Auxiliary Storage Management Control Block Overview

Dotted lines ---
RSM control blocks
not changed by ASM

Data Areas

The data areas in this chapter are described in four columns. The columns are interpreted as follows:

Offset

The numeric address of the field relative to the beginning of the area. The first number is the offset in decimal, followed by the hexadecimal equivalent (in parentheses).

Bytes and Bit Pattern

The size (number of bytes) of the field and its alignment relative to the fullword boundary.

Examples:

- 4 A four-byte field beginning on a word boundary.
- ..3 A three-byte field beginning on a halfword boundary and running into the next word.

This column also shows the bit patterns of a byte when the patterns are significant (as in a flag byte). When the column is used to show the state of the bits (0 or 1) in a flag byte, it is shown as follows:

- The eight bit positions (0-7) in a byte. For ease of scanning, the high-order (leftmost) four bits are separated from the low-order four bits.
- x... A reference to bit 0.
- 1... Bit 0 is on.
- 0... Bit 0 is off.
-xx A reference to bits 6 and 7.

Bit settings that are significant are shown and described. Bit settings that are not shown are considered to be reserved and set to zero.

Field Name

A name that identifies the field and appears in the assembly listings. A sub-field or value name is indented from the field name.

Description: Content, Meaning, Use

A description of the use of the field.

EPTEPATH/EPATH Recovery Audit Trail Area

The ILREPATH is a mapping macro that defines the areas (EPTEPATH and EPATH) required by ASM modules to provide tracking information for the Functional Recovery Routines (FRR) and the Task Mode Recovery Routines. There are two structured areas defined by the ILREPATH macro. The first structure, EPTEPATH, defines the six-word parameter area passed to the ASM CSECT issuing the SETFRR macro, or a three-word area contained in the TME control block for task-mode CSECTS. This area contains pointers to each EPATH structure obtained by the chain of ASM programs currently performing the ASM function. The second structure, EPATH, defines a variable-length area containing the recovery audit-trail data required for recovery by ASM Recovery Routines.

There are variations in the structure definition and use of the EPATH structure locator contained in EPTEPATH and the EPATH structure definition. These variations are dependent on the CSECT identifier set before doing the %INCLUDE. Another variation is that EPATH is a non-based structure in ASM main-line routines but in Recovery Routines, EPATH is a based structure. Each ASM main-line routine has the EPATH structure included in its own work space. Each ASM recovery routine has access to EPATH via pointers in EPTEPATH which serves as bases for EPATHs in the chain.

For ASM main-line routines, the CSECT identifier is also used by ILREPATH to define a CSECT ID constant. The macro, ILRMARK START, places this CSECT ID, EPTPGNUM, in the program's EPATH during initialization. This CSECT ID constant is generated for recovery routines to identify the routine which issued the SETFRR. Also, for each main-line routine, a macro variable is established which points to its EPATH locator position in EPTEPATH. ILRMARK START/STOP uses this pointer, %EPTPTR, to add or remove the EPATH pointer to the list of active EPATH pointers in EPTEPATH.

The Recovery Routines are listed below with the program(s) that they cover and the program variables assigned to each:

Recovery Program	Programs Recovered	Program ID EPTPGNUM	EPTEPATH Locator-%EPTPTR
ILRINT01		'01'X	
	ILRINT00	'01'X	EPTEP1ST
	ILRLXT00	'02'X	EPTEP2ND
ILRMON01		'03'X	
	ILRMON00	'03'X	EPTEP1ST
	ILRASN00	'04'X	EPTEP2ND
	ILRRLP00	'05'X	EPTEP2ND
	ILRTRP00	'06'X	EPTEP2ND
	ILRPTM00	'08'X	EPTEP2ND
	ILRSRT00	'09'X	EPTEP3RD
	ILRAAL00	'0A'X	EPTEP3RD

Recovery Program	Programs Recovered	Program ID EPTPGNUM	EPTEPATH Locator-%EPTPTR
ILRIOC01		'0B'X	
	ILRIOC00	'0B'X	EPTEP1ST
ILRTMR00		'10'X	
	ILRTMC00	'10'X	
ILRTMR01		'11'X	
	ILRSV00	'11'X	EPTEP1ST
	ILRACT00	'12'X	EPTEP1ST
	ILRRLG00	'13'X	EPTEP1ST
	ILRACT01	'14'X	EPTEP2ND
	ILRAAL00	'0A'X	EPTEP3RD

Because of the variations of the EPATH definition, an EPATH area is shown for each CSECT identifier.

EPTEPATH Description

The ASM main-line routines ILRINT00, ILRMON00, ILRIOC00, and ILRPEX00 invoke the SETFRR macro to define the Functional Recovery Routine that is operational for any errors that occur during their execution. The PARMAD parameter is specified in SETFRR so that the location of a six-word parameter field is returned to the user. This area, EPTEPATH, is eventually passed to the FRR by Recovery/Termination Manager if an error occurs. ASM has chosen to use the area as its locator of recovery audit trails rather than to contain audit-trail data itself.

The ASM main-line routines, ILRSV00, ILRACT00, ILRRLG00, and ILRACT01 use a three-word area in the TME control block for EPTEPATH, because in task-mode operations, the SETFRR macro is not used. EPTEPATH is not required for the task-mode control program ILRTMC00.

<i>Offset</i>	<i>Bytes and Bit Pattern</i>	<i>Field Name</i>	<i>Description: Content, Meaning, Use</i>
0(0)	4	EPTEP1ST	The pointer to the EPATH of the CSECT issuing the SETFRR.
4(4)	4	EPTEP2ND	The pointer to the EPATH of the second CSECT in the CSECT chain for the existing FRR.
8(8)	4	EPTEP3RD	The pointer to the EPATH of the third CSECT in the CSECT chain for the existing FRR.
12(C)	4	EPTEP4TH	The pointer to the EPATH of the fourth CSECT in the CSECT chain for the existing FRR.
16(10)	4	EPTEP5TH	The pointer to the EPATH of the fifth CSECT in the CSECT chain for the existing FRR.
20(14)	4	EPTEPLEN	The length of the EPATHs to be processed by the recovery routine.

EPATH Description

The definition of EPATH is determined by the recovery routine that is covering the operation in process. There is a unique EPATH definition for each recovery routine, and there may be variations in the length of EPATH for each main-line routine. Each recovery routine containing recovery code for more than one routine must contain an EPATH definition that covers all of the routines for which it recovers.

Offset	Bytes and Bit Pattern	Field Name	Description: Content, Meaning, Use
EPATH Description for ILRAAL00:			
0(0)	1	EPAPROG	The program identifier.
1(1)	1	EPAFLG1	Not used by ILRAAL00.
2(2)	1	EPAFLG2	Not used by ILRAAL00.
3(3)	1	*	Not used by ILRAAL00.
4(4)	4	EPAWORK	The program work-area address.

EPATH Description for ILRACT00:

0(0)	1	EPAPROG	The program identifier.
1(1)	1	EPAFLG1	The flags for recovery.
	1... ..	EPAPOSTD	The ACE has been posted or marked complete.
	.1.. ..	EPASWACE	The second ACTIVATE operation is scheduled.
	..xx xxxx	*	Not used by ILRACT00.
2(2)	2	EPAWKLEN	The ACTIVATE work-area length.
4(4)	4	EPAWORK	The program work-area address.
8(8)	4	EPARASPC	The address of the retrieved ASPCT.
12(C)	4	EPALGV2	The address of the second LGVT entry.
16(10)	4	EPARPL	The address of the Request Parameter List.

EPATH Description for ILRACT01:

0(0)	1	EPAPROG	The program identifier.
1(1)	1	EPAFLG1	The flags for recovery.
	1... ..	EPAAPR	On = an error return from ILRAPR00.
	.xxx xxxx	*	Not used by ILRACT01.
2(2)	2	EPAWKLEN	The work area length.
4(4)	4	EPAWORK	The program work area address.
8(8)	4	EPARASPC	The address of the retrieved ASPCT.
12(C)	4	EPAPAGE	The address of the page obtained.
16(10)	4	EPARPL	The address of the Request Parameter List to indicate GET/PUT for UPDATE.

EPATH Description for ILRASN00:

0(0)	1	EPAPROG	The program identifier.
1(1)	1	EPAFLG1	Not used by this routine.
2(2)	1	EPAFLG2	Not used by this routine.
3(3)	1	*	Not used by this routine.
4(4)	4	EPAWORK	The program work-area address.
8(8)	4	EPAACE	The address of the ACE in process.

EPATH Description for ILRFRR00:

The EPATH for ILRFRR00 is defined for use in performing common services for the recovery of routines ILRINT01, ILRMON01, and ILRIOC01.

<i>Offset</i>	<i>Bytes and Bit Pattern</i>	<i>Field Name</i>	<i>Description: Content, Meaning, Use</i>
0(0)	1	EPAPROG	The program identifier.
1(1)	1	EPAFLG1	Not used by ILRFRR00.
2(2)	1	EPAFLG2	Not used by ILRFRR00.
3(3)	1	*	Not used by ILRFRR00.
4(4)	4	EPAWORK	The program work-area address.
8(8)	16	*	Not used by ILRFRR00.

EPATH Description for ILRINT00:

The EPATH for ILRINT01 is composed of the EPATH descriptions for ILRINT00, and ILRLXT00.

<i>Offset</i>	<i>Bytes and Bit Pattern</i>	<i>Field Name</i>	<i>Description: Content, Meaning, Use</i>
0(0)	1	EPAPROG	The CSECT identifier.
1(1)	1	EPAFLG1	The flags for recovery.
	1... ..	EPALOCKF	On = the local lock was set.
	.1... ..	EPAAIAF	On = an AIA is being processed.
	..1... ..	EPAACAF	On = an ACA is being processed.
	...x xxxx	*	Reserved.
2(2)	1	EPAFLG2	Not used by ILRINT00.
3(3)	1	*	Reserved.
4(4)	4	EPAWORK	The program work area address.
8(8)	4	EPAAIA	The address of the AIA in progress.
8(8)	4	EPAACA	The address of the ACA in progress.
12(C)	4	EPAAIASG	The address of the first AIA in a swap group.
16(10)	4	EPASAVE	The address of the ASMI save area.
20(14)	4	EPARCPTR	The address of ASMI's return code.

EPATH Description for ILRIOC00:

The EPATH for ILRIOC01 is composed of the EPATH descriptions for ILRIOC00.

<i>Offset</i>	<i>Bytes and Bit Pattern</i>	<i>Field Name</i>	<i>Description: Content, Meaning, Use</i>
0(0)	1	EPAPROG	The program identifier.
1(1)	1	EPAFLG1	The flags for recovery.
	1... ..	EPAIOSBF	On = the IOSB is in use. It cannot be added to the I/O SRB chain to be scheduled by ILREOT00.
	.1... ..	EPABADPF	On = bad page space detected.
	..1... ..	EPADOWNF	On = termination recovery.
	...1... ..	EPAMSGOF	On = message ILR009I issued.
 xxxx	*	Not used by ILRIDC00.
2(2)	1	EPAFLG2	Not used by ILRIOC00.
3(3)	1	*	Reserved.
4(4)	4	EPAWORK	The program work-area address.
8(8)	4	EPAIOSB	The address of the IOSB from which work is being processed.
12(C)	4	EPAAIAQ	The pointer to the anchor of the AIA chain.

<i>Offset</i>	<i>Bytes and Bit Pattern</i>	<i>Field Name</i>	<i>Description: Content, Meaning, Use</i>
16(10)	4	EPABUFC1	The address of the first BUFC which was contained in the IOMB.
20(14)	4	EPANXBUF	The address of the next BUFC which is to be processed.

EPATH Description for ILRLXT00:

0(0)	1	EPAPROG	The CSECT identifier.
1(1)	1	EPAFLG1	Not used by ILRLXT00.
2(2)	1	EPAFLG2	Not used by ILRLXT00.
3(3)	1	*	Reserved.
4(4)	4	EPAWORK	The program work-area address.

EPATH Description for ILRMON00:

The EPATH for ILRMON01 is composed of the EPATH descriptions for ILRMON00, ILRQIO00, ILRPTM00, ILRSRT00, ILRASN00, ILRRLP00, ILRTRP00, and ILRAAL00.

<i>Offset</i>	<i>Bytes and Bit Pattern</i>	<i>Field Name</i>	<i>Description: Content, Meaning, Use</i>
0(0)	1	EPAPROG	The CSECT identifier.
1(1)	1	EPAFLG1	Audit trail flags.
	1... ..	EPAFREV	On = Reverser routine is processing.
	.xxx xxxx	*	Reserved.
2(2)	1	EPAAALRC	The return code from ILRAAL00.
3(3)	1	*	Not used by ILRMON00.
4(4)	4	EPAWORK	The program work-area address.
8(8)	4	EPAAIE	The address of the AIE in process.
8(8)	4	EPAACE	The address of the ACE in process.
12(C)	4	EPALGVTE	The address of the LGVT entry in process.
16(10)	4	EPALGN	The LGN value for the LGVT entry addressed by EPALGVTE.
20(14)	4	EPAMIOE	The address of a list of items: includes master IOE address, secondary and slot used counts.

EPATH Description for ILRPTM00:

0(0)	1	EPAPROG	The CSECT identifier.
1(1)	1	EPAFLG1	Not used by ILRPTM00.
2(2)	2	EPACPUID	The CPU identifier.
4(4)	4	EPAWORK	The program work-area address.
8(8)	4	EPAPARM	The address of the parameter list passed to ILRSRT00.
12(C)	4	EPAPARTE	The address of the PART entry in process.
16(10)	4	EPAIOEIP	The address of an individual IOE in process.
20(14)	4	EPAMIOE	The address of a list of IOE pointers.

<i>Offset</i>	<i>Bytes and Bit Pattern</i>	<i>Field Name</i>	<i>Description: Content, Meaning, Use</i>
EPATH Description for ILRRLG00:			
0(0)	1	EPAPROG	The program identifier.
1(1)	1	EPAFLG1	The flags for recovery.
	1... ..	EPAPOSTD	On = the ACE has been marked complete.
	.xxx xxxx	*	Reserved.
2(2)	2	EPAWKLEN	The RLG work-area length.
4(4)	4	EPAWORK	The program work-area address.
8(8)	4	EPARASPC	The address of the retrieved ASPCT.

EPATH Description for ILRRLP00:

0(0)	1	EPAPROG	The program identifier.
1(1)	1	EPAFLG1	Not used by ILRRLP00.
2(2)	1	EPAFLG2	Not used by ILRRLP00.
3(3)	1	*	Not used by ILRRLP00.
4(4)	4	EPAWORK	The program work area address.
8(8)	4	EPAACE	The address of the ACE in process.

EPATH Description for ILRSAV00:

The EPATH for ILRTMR01 is composed of the EPATH definitions for ILRSAV00, ILRACT00, ILRRLG00, and ILRACT01.

<i>Offset</i>	<i>Bytes and Bit Pattern</i>	<i>Field Name</i>	<i>Description: Content, Meaning, Use</i>
0(0)	1	EPAPROG	The program identifier.
1(1)	1	EPAFLG1	The flags for recovery.
	1... ..	EPAPOSTD	On = the ACE has been posted or marked complete.
	.xxx xxxx	*	Reserved.
2(2)	2	EPAWKLEN	The SAVE work-area length.
4(4)	4	EPAWORK	The program work-area address.
8(8)	4	EPARASPC	The address of the retrieved ASPCT.

EPATH Description for ILRSRT00:

0(0)	1	EPAPROG	The CSECT identifier.
1(1)	1	EPAFLG1	Not used by ILRSRT00.
2(2)	1	EPAFLG2	Not used by ILRSRT00.
3(3)	1	*	Reserved.
4(4)	4	EPAWORK	The program work area address.
8(8)	4	EPAPARM	The address of the parameter list passed to ILRSRT00.
12(C)	4	EPAPARTE	The address of the PART entry in process.
16(10)	4	EPAIOEIP	The address of an individual IOE in process.
20(14)	4	EPAMIOE	The address of a list of IOE pointers.

EPATH Description for ILRTMC00:

The EPATH for ILRTMR00 is composed of the EPATH definition for ILRTMC00.

<i>Offset</i>	<i>Bytes and Bit Pattern</i>	<i>Field Name</i>	<i>Description: Content, Meaning, Use</i>
0(0)	1	EPAPROG	The program identifier.
1(1)	1	EPAFLG1	Not used by ILRTMC00
2(2)	1	EPAFLG2	The flags for ILRTMR00 use. These flags are present only for a ILRTMR00 failure.
	1...	EPATMCDP	On = a dump was taken by ILRTMR00.
	.1..	EPATMCRC	On = TME rechaining was attempted by ILRTMR00.
	..1.	EPATMCRP	On = the retry environment was set to return to ILRTMC00; re-entry permitted.
	...x xxxx	*	Reserved.
3(3)	1	*	Reserved.
4(4)	4	EPAWORK	The program work-area address.
8(8)	4	EPABASE	The ILRTMC00 program base address.
12(C)	4	EPARETRY	The ILRTMC00 retry address.
16(10)	4	EPASVARA	The ILRTMR00 save area address.

EPATH Description for ILRTRP00:

0(0)	1	EPAPROG	The program identifier.
1(1)	1	EPAFLG1	Not used by ILRTRP00.
2(2)	1	EPAAALRC	ILRAAL00 return code.
3(3)	1	*	Not used by ILRTRP00.
4(4)	4	EPAWORK	The program work area address.
8(8)	4	EPAACE	The address of the ACE in process.

PCT Performance Characteristics Table

The Performance Characteristics Table provides the characteristics of the paging I/O device required by ASM Slot Sort.

The PCT provides a single location for device-dependent information for ASM. The slot sort module, ILRSRT00, then uses the same algorithms for all devices and adjusts for device characteristics by using the numbers provided in the PCT.

The PCT is created and initialized in ASM's RIM1 (IEAVNP04). In RIM1 it is hardcoded as part of the structure HCDEVTAB. Any changes to the PCT must necessarily be reflected in HCDEVTAB.

<i>Offset</i>	<i>Bytes and Bit Pattern</i>	<i>Field Name</i>	<i>Description: Content, Meaning, Use</i>
0(0)	4	PCTID	The characters PCTID, which identify this table.
4(4)	6	PCTDTYPE	Device type (EBCDIC).
10(A)	2	PCTSMAX	Maximum slots per device type.
12(C)	2	PCTDTYPX	Device type.
14(E)	2	PCTCYLSZ	Slots per cylinder.
16(10)	4	PCTDSLCT	Slots on this device type.
20(14)	8	PCTDMASK	Mask to represent non-existing slots.
28(1C)	2	PCTDPGWT	Paging weight for this device type.
30(1E)	1	PCTFLGS	Types of pages written to this device type.
31(1F)	1	PCTFLG2	Reserved.
32(20)	4	PCTRQTIM	The time (in microseconds) to read or write a slot on this type of device.
36(24)	4	*	Reserved.

RECOMP SDWA Variable Recording Area

The SDWA (Stae Diagnostic Work Area) Variable Recording Area is used by ASM for error recording. The variable area is called RECOMP within ASM recovery routines. The format of this area is described below according to the failing ASM CSECT and error conditions within the CSECT. The "Code" in the descriptions is an ABEND code issued by the CSECT to cause control to be given to a recovery routine via Recovery/Termination Manager.

If a failure occurs during recovery processing, some of the mapped fields within RECOMP may not appear.

ILREOT00, ASM End-Of-Task ESTAE Routine

Offset	Bytes and Bit Pattern	Field Name	Description: Content, Meaning, Use
0(0)	1	RECFEOT	ILREOT00 recovery flags.
	1...xxx xxxx	RECFASM *	On = ASMT is invalid. Reserved.
1(1)	3	*	Reserved.
4(4)	104	*	Reserved.

ILRPEX00, ASM Pool Extender (Indeterminate errors.)

0(0)	108	*	Reserved.
------	-----	---	-----------

For the other failing CSECTS, the first 24 bytes of the failing module's EPATH control area is copied into the area RECEPATH.

ILRINT00, ASM Interface Routine

Code 083, ILRGMA GET Error.
Code 084, ILRGMA FREE Error.
(Indeterminate Error.)

Offset	Bytes and Bit Pattern	Field Name	Description: Content, Meaning, Use
0(0)	24	RECEPATH	The EPATH structure for CSECT ILRINT00 or IRLXT00.
24(18)	24	RECACIA	The input ACA or AIA
24(18)	24	RECAIA	The input ACA.
24(18)	24	RECAIA	The input AIA.
48(30)	24	RECAIA1	The first AIA in a swap group.
72(48)	36	*	Reserved.

ILRMON00, ASM Monitor

Invalid ASM environment (as determined by ILRMON01).

Offset	Bytes and Bit Pattern	Field Name	Description: Content, Meaning, Use
0(0)	24	RECEPATH	The EPATH structure for CSECT ILRMON00.
24(18)	64	RECP RTE	The PART entry if the PAT is invalid.
88(58)	4	RECIOMB	Pointer to IOMB.
92(5C)	4	RECPARTE	Pointer to PART entry.
96(60)	4	RECBUFCP	Pointer to BUFC.

<i>Offset</i>	<i>Bytes and Bit Pattern</i>	<i>Field Name</i>	<i>Description: Content, Meaning, Use</i>
100(64)	4	RECWRQT	Pointer to write queue.
104(68)	2	RECFENV	The ASM environment flags. These flags are present only if the ASM environment is invalid.
	1... ..	RECFLGVT	The LGVT is invalid.
	.1.. ..	RECFPART	The PART is invalid.
	..1.	RECFPAT	The PAT is invalid.
	...1	RECFSEERR	Severe error has occurred.
 xxxx	*	Reserved.
106(6A)	2	*	Reserved.

ILRMON00, ASM Monitor

Code 083, ILRGMA GET error.
Code 084, ILRGMA FREE error.
Code 085, ASM ILRAAL00 error.
(Indeterminate error.)

<i>Offset</i>	<i>Bytes and Bit Pattern</i>	<i>Field Name</i>	<i>Description: Content, Meaning, Use</i>
0(0)	24	RECEPATH	The EPATH structure for the CSECT (ILRMON00 or ILRAAL00).
24(18)	16	RECLGVE	The LGVT entry.
40(28)	40	RECACIE	The input ACE or AIE.
40(28)	40	RECACE	The input ACE.
40(28)	40	RECAIE	The input AIE.
80(50)	8	*	Reserved.
88(58)	20	*	Reserved.

ILRASN00, ASM Assign Operator.

ILRRLP00, ASM Release-Logical-Segment Operator.

ILRTRP00, ASM Transfer-Page Operator.

Code 083, ILRGMA GET error.
Code 084, ILRGMA FREE error.
Code 085, ILRAAL00/ILRAIN00 error (ILRASN00, ILRQI000 error only).
(Indeterminate error.)

<i>Offset</i>	<i>Bytes and Bit Pattern</i>	<i>Field Name</i>	<i>Description: Content, Meaning, Use</i>
0(0)	24	RECEPATH	The EPATH structure for the abending CSECT.
24(16)	16	RECLGVE	The LGVT entry.
40(28)	40	RECACIE	The input ACE or AIE.
80(50)	28	*	Reserved.

ILRSRT00, ASM Slot-Sort Module

0(0)	24	RECEPATH	The EPATH structure for CSECT ILRSRT00.
24(18)	64	RECP RTE	The PART entry if the PAT is invalid.
88(58)	4	RECIOMB	Pointer to IOMB.
92(5C)	4	RECPARTE	Pointer to PART entry.
96(60)	4	RECBUFCP	Pointer to BUFC.
100(64)	4	RECWRQT	Pointer to write queue.
104(68)	2	RECFENV	The ASM environment flags. These flags are present only if the ASM environment is invalid.
	1... ..	RECFLGVT	The LGVT is invalid.
	.1.. ..	RECFPART	The PART is invalid.
	..1.	RECFPAT	The PAT is invalid.
	...1	RECFSEERR	Severe error has occurred.
 xxxx	*	Reserved.
106(6A)	2	*	Reserved.

<i>Offset</i>	<i>Bytes and Bit Pattern</i>	<i>Field Name</i>	<i>Description: Content, Meaning, Use</i>
ILRPTM00, ASM PART Monitor			
0(0)	24	RECEPATH	The EPATH structure for CSECT ILRPTM00.
24(18)	64	RECP RTE	The PART entry.
88(58)	4	*	Reserved.
92(5C)	4	RECPARTE	Pointer to PARTE.
96(60)	4	RECBUF CP	Pointer to BUFC.
100(64)	4	RECWRTQ	Pointer to write queue.
104(68)	4	*	Reserved.

ILRIOC00, ASM I/O Complete Routine

0(0)	24	RECEPATH	The EPATH structure for CSECT ILRIOC00.
24(18)	84	*	Reserved.

ILRTMC00, ASM Task-Mode Controller

0(0)	24	RECEPATH	The EPATH structure for CSECT ILRTMC00.
24(18)	16	RECLGVE	The LGVT Entry.
40(28)	40	RECACE	The ACE.
80(50)	24	RECTME	The TME.
104(68)	4	*	Reserved.

ILRACT01, ASM Access ASPCTs Module.

ILRACT00, ASM ACTIVATE Operator.

ILRSV00, ASM SAVE Operator.

ILRRLG00, ASM RELEASE Logical Group Operator.

<i>Offset</i>	<i>Bytes and Bit Pattern</i>	<i>Field Name</i>	<i>Description: Content, Meaning, Use</i>
OPERATOR Failure			
0(0)	24	RECEPATH	The EPATH structure for the abending CSECT.
24(18)	16	RECLGVE	The LGVT Entry.
OPERATOR ESTAI Failure			
0(0)	24	RECEPATH	The EPATH structure for the abending CSECT.
24(18)	1	RECEFLG	Used by ILRTMR01.
	1...	RECEFIE	An invalid EPATH was detected.
	.1..	RECEFRO	Record-Only error in process.
	..1.	RECEFRE	Re-entry permitted. RETRY environment set by ESTAI, pre-error.
	...1	RECEFRE	Re-entry in progress. (ESTAI re-entered ESTAI.)
 xxxx	*	Reserved.
24(19)	3	*	Reserved.
28(1C)	12	*	Reserved.
40(28)	40	RECACE	The ACE.
80(50)	24	RECTME	The TME.
104(68)	4	*	Reserved.

Note: Bytes 24 to 40 contain a mapping of the LGVT in use during operator failure. If the ESTAI fails during clean-up for this operation, these bytes are remapped to contain ESTAI resource indicators. Bytes 40 to 108 remain constant.

Acronym/Mapping Macro/Common Macro

Acronym	Mapping Macro	Common Macro
ABDA	IHAABDA	Abdump Work Area
ABDPL	IHAABDPL	Snap Parameter List
ABP	IEZABP	ABP Communication Vector Table
ACA	ILRACA	ASM Control Area
ACB	IFGACB	Access Method Control Block
ACDEB	ISTACDEB	VTAM Data Extent Block
ACE	ILRACE	ASM Control Element
ACEV	ISTACE	VTAM Active Connection Element
AIA	ILRAIA	ASM I/O Request Area
AIB	TAIBD	Application Interface Block
AIE	ILRAIE	ASM I/O Request Element
AIT	IEFZB426	Algorithm Interface Tables
ALCA	IEFZB432	Allocation Communication Area
ALCC	IEFZB442	Allocate Catalog Controls
ALCWA	IEFZB425	Allocation Work Area
ALLOCDEF	IEFZB445	Device Allocation Defaults
ALLOCWA	IKJZT430	Work Area for Allocate
ALTIOSTB	IEFZB449	TIOT Status B Overlay
AMB	IDAAMB	Access Method Block
AMBL	IDAAMBL	Access Method Block List
AMBXN	IDAAMBXN	AMD Extension
AMCBS	AMCBS	Access Method Control Block Structure
AMDDATA	AMDDATA	Mapping of PRDMP Input Records
AMDSB	IDAAMDSB	Access Method Data Statistics Block
APCRR	ISTAPCRR	VTAM Component Recovery Record for Process Scheduling SVCs
AQE	IHA AQE	Allocated Queue Element
AQMRB	IEFZB427	Allocation Queue Manager Parameter/Communication Area
ARDB	IDAARDB	Address Range Definition Block
ASCB	IHAASCB	Address Space Control Block
ASCRR	ISTASCRR	VTAM Component Recovery Record for Storage Management
ASMVT	ILRASMT	ASM Vector Table
ASPCT	ILRASPCT	Auxiliary Storage Page Correspondence Table
ASVT	IHAASVT	Address Space Vector Table
ASWA	IEFZB453	Allocation STAE Work Area
ASXB	IHAASXB	Address Space Extension Block
ATCVT	ISTATCVT	VTAM Communication Vector Table
ATTCH	IEZATTCH	ATTACH Parameter List DSECT
AVT	TAVTD	TCAM Address Vector Block
AVTV	ISTAVT	VTAM Address Vector Table
AWA	IEFVMAWA	Interpreter Work Area
BASEA	IEEBASEA	Master Scheduler Resident Data Area
BCDIR	IKJZT302	Broadcast Notices Directory Record
BCMSG	IKJZT303	Broadcast Notices Message Record
BDU	ISTBDU	VTAM Basic Data Unit
BEB	IECDBEB	Beginning-End Block
BFHDR	ISTBFHDR	VTAM Buffer Header
BFPFX	ISTBFPFX	VTAM Buffer Prefix
BIB	IDABIB	Base Information Block
BLDO	ISTBLDO	VTAM BAL Version of LDO (Logical Device Order)
BLPRM	IDABLPRM	Resource Pool Parameter List
BPCB	ISTBPCB	VTAM Buffer Pool Control Block
BPDTY	ISTBPDTY	VTAM Buffer Pool Directory
BPENT	ISTBPENT	VTAM Buffer Pool Entry
BRKELEM	BRKELEM	Break Element

<i>Offset</i>	<i>Bytes and Bit Pattern</i>	<i>Field Name</i>	<i>Description: Content, Meaning, Use</i>
ILRPTM00, ASM PART Monitor			
0(0)	24	RECEPATH	The EPATH structure for CSECT ILRPTM00.
24(18)	64	RECP RTE	The PART entry.
88(58)	4	*	Reserved.
92(5C)	4	RECPARTE	Pointer to PARTE.
96(60)	4	RECBUF CP	Pointer to BUFC.
100(64)	4	RECWR TQ	Pointer to write queue.
104(68)	4	*	Reserved.

ILRIOC00, ASM I/O Complete Routine

0(0)	24	RECEPATH	The EPATH structure for CSECT ILRIOC00.
24(18)	84	*	Reserved.

ILRTMC00, ASM Task-Mode Controller

0(0)	24	RECEPATH	The EPATH structure for CSECT ILRTMC00.
24(18)	16	RECLGVE	The LGVT Entry.
40(28)	40	RECA CE	The ACE.
80(50)	24	RECTME	The TME.
104(68)	4	*	Reserved.

ILRACT01, ASM Access ASPCTS Module.
ILRACT00, ASM ACTIVATE Operator.
ILRSV00, ASM SAVE Operator.
ILRRLG00, ASM RELEASE Logical Group Operator.

<i>Offset</i>	<i>Bytes and Bit Pattern</i>	<i>Field Name</i>	<i>Description: Content, Meaning, Use</i>
OPERATOR Failure			
0(0)	24	RECEPATH	The EPATH structure for the abending CSECT.
24(18)	16	RECLGVE	The LGVT Entry.
OPERATOR ESTAI Failure			
0(0)	24	RECEPATH	The EPATH structure for the abending CSECT.
24(18)	1	RECEFLG	Used by ILRTMR01.
	1...	RECEFIE	An invalid EPATH was detected.
	.1...	RECEFRO	Record-Only error in process.
	..1.	RECEFRE	Re-entry permitted. RETRY environment set by ESTAI, pre-error.
	...1	RECEFRE	Re-entry in progress. (ESTAE re-entered ESTAI.)
 xxxx	*	Reserved.
24(19)	3	*	Reserved.
28(1C)	12	*	Reserved.
40(28)	40	RECA CE	The ACE.
80(50)	24	RECTME	The TME.
104(68)	4	*	Reserved.

Note: Bytes 24 to 40 contain a mapping of the LGVT in use during operator failure. If the ESTAI fails during clean-up for this operation, these bytes are remapped to contain ESTAI resource indicators. Bytes 40 to 108 remain constant.

Acronym/Mapping Macro/Common Macro

Acronym	Mapping Macro	Common Macro
ABDA	IHAABDA	Abdump Work Area
ABDPL	IHAABDPL	Snap Parameter List
ABP	IEZABP	ABP Communication Vector Table
ACA	ILRACA	ASM Control Area
ACB	IFGACB	Access Method Control Block
ACDEB	ISTACDEB	VTAM Data Extent Block
ACE	ILRACE	ASM Control Element
ACEV	ISTACE	VTAM Active Connection Element
AIA	ILRAIA	ASM I/O Request Area
AIB	TAIBD	Application Interface Block
AIE	ILRAIE	ASM I/O Request Element
AIT	IEFZB426	Algorithm Interface Tables
ALCA	IEFZB432	Allocation Communication Area
ALCC	IEFZB442	Allocate Catalog Controls
ALCWA	IEFZB425	Allocation Work Area
ALLOCDEF	IEFZB445	Device Allocation Defaults
ALLOCWA	IKJZT430	Work Area for Allocate
ALTIOSTB	IEFZB449	TIOT Status B Overlay
AMB	IDAAMB	Access Method Block
AMBL	IDAAMBL	Access Method Block List
AMBXN	IDAAMBXN	AMD Extension
AMCBS	AMCBS	Access Method Control Block Structure
AMDDATA	AMDDATA	Mapping of PRDMP Input Records
AMDSB	IDAAMDSB	Access Method Data Statistics Block
APCRR	ISTAPCRR	VTAM Component Recovery Record for Process Scheduling SVCs
AQE	IHAAQE	Allocated Queue Element
AQMRB	IEFZB427	Allocation Queue Manager Parameter/Communication Area
ARDB	IDAARDB	Address Range Definition Block
ASCB	IHAASCB	Address Space Control Block
ASCRR	ISTASCRR	VTAM Component Recovery Record for Storage Management
ASMHD	ILRASMHD	ASM Header
ASMVT	ILRASMVT	ASM Vector Table
ASPCT	ILRASPCT	Auxiliary Storage Page Correspondence Table
ASVT	IHAASVT	Address Space Vector Table
ASWA	IEFZB453	Allocation STAE Work Area
ASXB	IHAASXB	Address Space Extension Block
ATA	ILRATA	ASM Tracking Area
ATCVT	ISTATCVT	VTAM Communication Vector Table
ATTCH	IEZATTCH	ATTACH Parameter List DSECT
AVT	TAVTD	TCAM Address Vector Block
AVTV	ISTAVT	VTAM Address Vector Table
AWA	IEFVMAWA	Interpreter Work Area
BASEA	IEEBASEA	Master Scheduler Resident Data Area
BCDIR	IKJZT302	Broadcast Notices Directory Record
BCMSG	IKJZT303	Broadcast Notices Message Record
BDU	ISTBDU	VTAM Basic Data Unit
BEB	IECDBEB	Beginning-End Block
BFHDR	ISTBFHDR	VTAM Buffer Header
BFPFX	ISTBFPFX	VTAM Buffer Prefix
BIB	IDABIB	Base Information Block
BLDO	ISTBLDO	VTAM BAL Version of LDO (Logical Device Order)
BLPRM	IDABLPRM	Resource Pool Parameter List
BPCB	ISTBPCB	VTAM Buffer Pool Control Block
BPDTY	ISTBPDTY	VTAM Buffer Pool Directory
BPENT	ISTBPENT	VTAM Buffer Pool Entry
BRKELEM	BRKELEM	Break Element

Acronym	Mapping Macro	Common Macro
BSPH	IDABSPH	Buffer Subpool Header
BTUV	ISTBTU	VTAM Basic Transmission Unit
BUFC	IDABUFC	Buffer Control Block
BUILDTAB	ICGDSMA5	Build Communications Area
CA	IKJEBECA	TSO EDIT Communications Area
CAESTPA	IEFZB447	Common Allocation Estae Exit Parameter Area
CAFM	IEFZB428	Common Allocation Function Map
CAT	IECDCAT	Channel Availability Table
CAXWA	IGGCAXWA	Catalog Auxiliary Work Area
CBDA	IEDCBDA	TCAM Common Buffer Data Area
CCA	IGGCCA	Catalog Communications Area
CCNCB	ISTCCNCB	VTAM Cluster Controller Node Control Block
CCT	IRACCT	SRM CPU Management Control Table
CCW	TCCWD	TCAM Channel Command Word
CCWV	ISTCCW	VTAM Channel Command Word
CDA	IGFCDA	Channel Data Area
CDE	IHACDE	Contents Directory Entry
CHKWA	IEEVCHWA	Checkpoint Work Area
CIB	IEZCIB	Command Input Buffer
CICB	IFGJCIB	JES Compatibility Interface Control Block
CIWA	IEACIWA	Common Internal Work Area
CIX	IHACIX	CI SVC Exit List
CKP	TCKPD	Checkpoint Work Area
CLWRK	IDACLWRK	VSAM CLOSE and TCLOSE ACB Work Area
CMB	IEDCMB	TCAM Master QCB for Common Buffer Transmission
CNSTA	ISTCNSTA	VTAM Connection Services Component Recovery Record
COM	IEZCOM	Communications Parameter List
COMMON	COMMON	AMDPRDMP Common Area Macro
COMTAB	ICGDSMAC	Common Communications Area
COMWA	IEFCOMWA	Converter/Interpreter Common Work Area
CONF	ISTCONF	VTAM Configuration Table
CONTAB	IKJEFFCT	Internal Control Table for TSO SUBMIT Command
CPA	IDACPA	Channel Program Area
CPAB	IHACPAB	Cell Pool Anchor Block
CPB	TCPBD	TCAM Channel Program Block - 3330
CPPL	IKJCPPL	Command Processor Parameter List
CQE	IHACTM	Console Queue Element
CRA	ISTCRA	VTAM Component Recovery Area
CRPL	ISTCRPL	VTAM Copied Request Parameter List
CSCB	IEECHAIN	Command Scheduling Control Block
CSCBV	ISTCSCB	VTAM Command Scheduler Control Block
CSCRR	ISTCSCRR	VTAM Cluster Solicitor Component Recovery Record
CSD	IHACSD	Common System Data Area
CSL	IDACSL	Core Save List
CSOA	IKJCSOA	Command Scan Output Area
CSP	ISTCSP	VTAM Connection Services Parameter List
CSPL	IKJCSPL	Command Scan Parameter List
CSW	ISTCSW	VTAM Channel Status word
CTGCV	IEZCTGCV	VSAM Catalog Name/Volume Area
CTGFL	IEZCTGFL	VSAM Catalog Field Parameter List
CTGFV	IEZCTGFV	Catalog Field Vector Table
CTGPL	IEZCTGPL	VSAM Catalog Parameter List
CTGVL	IEZCTGVL	VSAM Catalog Volume List
CTGWA	IEZCTGWA	VSAM Catalog Scheduler Work Area
CUNESTPA	IEFZB441	Common Unallocation Estae Exit Parameter Area
CUNI	IEFZB439	Common Unallocation Interface
CVMAP	IEECVMAP	MP and K Command Parameter List
CVRWA	IEFCVRWA	Converter Work Area
CVT	CVT	Communications Vector Table
CXSA	IHACTM	SVC 72 Extended Save Area
DACB	IKJDACB	DAIR Attribute Control Block
DAFM	IEFZB4D7	Dynamic Allocation Function Map

Acronym	Mapping Macro	Common Macro
DAKEYDIC	IEFZB4D4	Dynamic Allocation Key Dictionary
DAKEYTAB	IEFZB4D3	Dynamic Allocation Key Table
DAPB0C	IKJDAP0C	DAIR Entry Code 0C Parm List
DAPB00	IKJDAP00	Dair Entry Code 00 Parm List
DAPB04	IKJDAP04	DAIR Entry Code 04 Parm List
DAPB08	IKJDAP08	DAIR Entry Code 08 Parm List
DAPB1C	IKJDAP1C	DAIR Entry Code 1C Parm List
DAPB10	IKJDAP10	DAIR Entry Code 10 Parm List
DAPB14	IKJDAP14	DAIR Entry Code 14 Parm List
DAPB18	IKJDAP18	DAIR Entry Code 18 Parm List
DAPB2C	IKJDAP2C	DAIR Entry Code 2C Parm List
DAPB24	IKJDAP24	DAIR Entry Code 24 Parm List
DAPB28	IKJDAP28	DAIR Entry Code 28 Parm List
DAPB30	IKJDAP30	DAIR Entry Code 30 Parm List
DAPB34	IKJDAP34	DAIR Entry Code 34 Parm List
DAPL	IKJDAPL	DAIR Parameter List
DATA	TDATAD	TCAM Disk Data Record Area
DCB1	DCBD	Data Control Block (EXCP, SAM, BPAM)
DCB2	DCBD	Data Control Block (ISAM)
DCB3	DCBD	Data Control Block (BDAM)
DCB4	DCBD	Data Control Block (BTAM)
DCB5	DCBD	Data Control Block (TCAM)
DCB6	DCBD	Data Control Block (GAM)
DCCRR	ISTDCCRR	VTAM Control Layer Component Recovery Record
DCE	ISTDCE	VTAM DEB Chain ELEMENT
DCLCP	ISTDCLCP	VTAM Control Layer Logical Channel Program Block
DDDV	IRBDDDV	MF/1 Device Vector Table
DDRCOM	IHADDR	Dynamic Device Reconfiguration Communication Table
DEB	IEZDEB	Data Extent Block
DEBAP	TDEBAPD	TCAM Application Program DEB
DECB	IHADECB	Data Event Control Block
DEVCH	ISTDEVCH	VTAM Device Characteristics Table
DEVTAB	IFDEVTAB	OLTEP Device Table
DFPARMS	IKJEFFDF	Parmlist to IKJEFF18 (DAIRFAIL)
DFPB	IKJDFPB	Default Parameter Block
DFPL	IKJDFPL	Default Parameter List
DISP	TDISPD	TCAM Dispatcher DSECT
DIVTH	ISTDIVTH	VTAM Dial-In Verification Table Header
DIWA	IDADIWA	Data Insert Work Area
DNCB	ISTDNCB	VTAM Destination Node Control Block
DNIB	ISTDNIB	VTAM Node Identification Block
DOMC	IHADOMC	Delete Operator Message Control Block
DOMPL	IHACTM	Parameter List For DOM - SVC 87
DPROC	ISTDPROC	VTAM Process Option Definition Block
DQE	IHADQE	Descriptor Queue Element
DRQ	TDRQD	Data Ready Queue
DSAB	IHADSAB	Data Set Association Block
DSABMASK	IEFZB4D8	Data Set Association Block Mask
DSABQDB	IEFZB4D5	DSAB Queue Descriptor Block
DSCB1	IECSDSL1	Format 1--Identifier Data Set Control Block
DSCB2	IECSDSL1	Format 2--Index Data Set Control Block
DSCB3	IECSDSL1	Format 3--Extension Data Set Control Block
DSCB4	IECSDSL1	Format 4--VTOC Data Set Control Block
DSCB5	IECSDSL1	Format 5--Available Space Data Set Control Block
DSCB6	IECSDSL1	Format 6 DSCB
DSENQT	IEFZB902	Data Set Enqueue Table
DSL	IDADSL	DEB Save List
DSNT	IEFDSNT	Data Set Name Table
DSPCT	IDAVBPH	Data Set Page Correspondence Table Header
DSPCTMAP	IDAVBPM	Data Set Page Correspondence Table Map Entry
DSRFM	IEFZB4D6	Data Set Reservation/Release Routine Function Map
DTE	ISTDTE	VTAM Dial-In Type Table Entry

Acronym	Mapping Macro	Common Macro
DUIDL	IKJEFUDL	User Data List
DVA	IHADVA	DEV TYP Output
DVCHR	ISTDVCHR	VTAM Device Characteristics Table
DVCIDT	TDVCIDTD	Device ID Table
DVCT	IHADVCT	Device Characteristics Table
DVE	ISTDVE	VTAM Dial-in Verification Table Entry
DVT	ISTDVT	VTAM Destination Vector Table
DVTAB	ILRDVTAB	ASM Hardcoded Device Table
DWWIN	IRBDWWIN	MF/1 Workload Interval Data Table
DYNSTPA	IEFZB4D9	Dynamic Allocation Estae Exit Parameter Area
DYNTCFRR	IEFZB451	Dynamic Allocation TCTIOT FRR Parameter Area
DYPAB	ISTDYPAB	VTAM Dynamic PAB
ECB	IHAECB	Event Control Block
ECCDB	IRBECCDB	MF/1 Channel Data Block
ECCEDT	IRBECCED	MF/1 Channel Event Data Table
ECCPE	IRBECCPE	MF/1 CPU Entry Table
ECT	IKJECT	Environment Control Table
EDB	IDAEDB	Extent Definition Block
EDDCDT	IRBEDDCD	MF/1 Device Class Data Table
EDDDDB	IRBEDDDDB	MF/1 Device Data Block
EDDEDT	IRBEDDED	MF/1 Device Event Data Table
EDL	IEFZB422	Eligible Device List
EDT	IEFZB421	Eligible Devices Table
EMM	IEEZB820	STC STAE Exit Parameter List
EPAL	IEFZB505	External Parameter Area, SWA Manager Locate Mode
EPAM	IEFZB506	External Parameter Area, SWA Manager, Move Mode
EPAT	IRAEPAT	System Resources Manager Algorithm Entry Point Descriptor Table
EPATH	ILREPATH	Recovery Audit Trail Area
EPDT	IRAEPDT	System Resources Manager Serialized Action Entry Point Descriptor Table
EPST	IRAEPST	System Resources Manager Scanned Action Entry Point Descriptor Table
EREPL	IEFZB9RD	Converter/Interpreter ESTAE Exit Parameter List
ERPIB	IGFERPIB	Error Recovery Procedure Information Block
ESA	RTM2ESA	Extended Save Area
ESL	IDAESL	Enqueue Save List
ESTA	IHAESTA	Extended Stae Parameter List
ETIORB	IEFZB430	DSAB/TIOT Entry Build Routine Request Block
EVNT	IHAEVNT	Event Table
EWA	EWAMAP	Common ERP Work Area
EWD	EWDMAP	DASD ERP Work Area
EWT	EWTMAP	Tape ERP Work Area
EWU	EWUMAP	Unit Record ERP Work Area
EXITL	IKJEFFIE	Parameter List to TSO SUBMIT Installation Exit
EXLSTA	IFGEXLST	User ACB Exit List
EXLSTD	IHAEXLST	EXITLIST
EXTWA	IECEXTWA	Extend Work Area
FBQE	IHAFBQE	Free Block Queue Element
FCAUD	IHAFCAUD	Audit Trail, OPEN/CLOSE Executors
FCBIM	IHAFCBIM	FCBIMAGE IN EXITLIST
FDB	ISTFDB	VTAM Feedback Data Block
FETWK	IHAFETWK	FETCH Work Area
FFB2	IKJEFFB2	Mapping Macro of SVC 100 Attach Interface
FFIB	IKJEFFIB	Mapping Macro of SVC 100 Interface
FMCB	ISTFMCB	VTAM Function Management Control Block
FOE	IHAFOE	Fixed Ownership Element
FPWA	IKJFPWA	Parse Work Area
FQE	IHAFQE	Free Queue Element
FRRS	IHAFRRS	FRR Stack
FSB	ISTFSB	VTAM Feedback Status Block
FTPT	IHACTM	Parm List for FRR/ESTAE (COMTASK)
GDA	IHAGDA	Global Data Area

VS2.03.807

Acronym	Mapping Macro	Common Macro
GDGNT	IEFZB429	Generation Data Group Name Table
GFPARMS	IKJEFFGF	Parameter List to TSO General Failure Service Routine
GTFBCB	GTFBCB	GTF Buffer Control Block
GTFBLOK	GTFBLOK	GTF Block Description
GTFPCT	GTFPCT	GTF Primary Control Block
GTPB	IKJGTPB	GETLINE
GWT	IEFZB600	GETPART Work Table
HCNCB	ISTHCNCB	VTAM Remote Cluster Node Control Block
HDR	IHAHDR	R/TM Mapping of the AR-149 Header
HEB	IDAHEB	Header Element Block
HISTORY	IKJEFFHT	Internal History Table for TSO SUBMIT Command
HSKSTPA	IEFZB444	JFCB Housekeeping Estae Exit Parameter Area
HSKPWA	IEFZB437	JFCB Housekeeping Work Area
ICB	IHAICB	Interrupt Control Block
ICB2	IEZSSC	Mass Storage System Communicator Control Block for VS2
ICE	ISTICE	VTAM Inactive Connection Element
ICFWORK	ICFWORK	PWF Communications Table
ICNCB	ISTICNCB	VTAM Intelligent Controller Node Control Block
ICT	IRAICT	SRM I/O Management Control Table
ICWA	IDAICWA	INDEX Create Work Area
ICX	ISTICX	VTAM ICE Extension
IECALLWA	IECALLWA	ALLWA Allocate Work Area
IECPRLWA	IECPRLWA	Partial Release Work Area
IECSCRWA	IECSCRWA	Scratch Work Area
IEL	IEZIEL	Initiator Entrance, Options Exit List
IFDCOM	IFDPFI	OLTEP Common Area
IHSA	IHAHSA	Interrupt Handler Save Area
IICB	IDAICB	ISAM Interface Control Block
IKJEFLWC	IKJEFLWC	Parameter List For IKJEFLGM
IKJEUAD	IKJEUAD	User Attribute Data Set
IMCB	IRAIMCB	SRM User I/O Management Control Block
IMWA	IDAIMWA	Index Modification Work Area
INF	IHAINF	Type 1 Message Table Entry
INITDATA	INITDATA	GTF Initialization Data Area
IOB	IEZIOB	Input/Output Block
IOBLOCKS	IOBLOCKS	TCAM I/O Control Blocks
IOE	ILRIOE	PART I/O Request Element
IOMB	IDAIOMB	I/O Management Block
IOMBXN	IDAAMBXN	IOMB Extension
IOPL	IKJIOPL	Input/Output Parameter List
IOQ	IECDIOQ	I/O Queue Element
IORB	ILRIORB	ASM I/O Request Block
IOSB	IECDIOSB	I/O Supervisor Block
IPIB	IECDIPIB	I/O Supervisor Purge Interface Block
IPLDATA	IEAPXNIP	IPLDATA
IQE	IHAIQE	Interrupt Queue Element
IRT	IECDIRT	I/O Supervisor Recovery Table
ITCRR	ISTITCRR	VTAM Initialization/Termination Component Recovery Record
IWA	IEFVMIWA	Interpreter Work Area
IXSPL	IDAIXSPL	Index Search Parm List
JCLS	IEFJCLS	Job Control Language Set
JCT	IEFAJCTB	Job Control Table
JESCT	IEFJESCT	JES Control Table
JFCB	IEFJFCBN	Job File Control Block
JFCBX	IEFJFCBX	Job File Control Block Extension
JMR	IEFJMR	Job Management Record
JNLPARM	IEFZB507	Journal Write Parameter List
JSCB	IEZJSCB	Job Step Control Block
JSEL	IEFVJSEL	Job Scheduling Entrance List
JSOL	IEFVJSOL	Job Scheduling Options List
JSUESTPA	IEFZB440	Job/Step Unallocation Estae Exit Parameter Area
JSWA	IEFVJSWA	Job Scheduling Work Area

Acronym	Mapping Macro	Common Macro
JXXL	IEFVJSXL	Job Scheduling Exit List
LCA	IEELCA	Log Control Area
LCB	TLCBD	T/P Line Control Block
LCCA	IHALCCA	Logical Configuration Communication Area
LCCAVT	IHALCCAT	Logical Configuration Communication Area Vector Table
LCCW	ISTLCCW	VTAM Logical Channel Command Word
LCH	IECDLCH	Logical Channel Queue Table
LCPB	ISTLCPB	VTAM Logical Channel Program Block
LCT	IEFALLCT	Linkage Control Table
LDA	IHALDA	Local Data Area
LDNCB	ISTLDNCB	VTAM Local Device Node Control Block
LDO	ISTLDO	VTAM Logical Device Order
LDPRM	ISTLDPRM	VTAM Attach/Load Parameter List
LGB	TLGBD	Line Group Block
LGCB	IDAVBPL	Logical Group Control Block
LGE	ILRLGE	Logical Group Entry
LGPFX	ISTLGPFX	VTAM Logon Data Prefix
LGVT	ILRLGVT	Logical Group Vector Table
LLE	IHALLE	Load List Element
LOK	ISTLOK	VTAM Lockword Format
LPDE	IHALPDE	Link Pack Directory Entry
LPMB	IDALPMB	Logical To Physical Mapping Block
LRB	IHALRB	LOGREC Buffer
LSCB	ISTLSCB	VTAM Logical Schedulable Control Block
LSD	IKJLSD	List Source Descriptor
LUNCB	ISTLUNCB	VTAM Logical Unit Node Control Block
LWA	IKJEFLWA	Logon Work Area
MB	IHAMB	Message Buffer DSECT
MCA	IEBMCA	IEBCOPY Communications Area
MCAWSA	MCAWSA	Monitor Call Application Work Save Area
MCCD	MCCD	Monitor Call Class Directory
MCCE	MCCE	Monitor Call Control Element
MCCLE	MCCLE	Monitor Call Class Element
MCEE	MCEE	Monitor Call Event Element
MCHEAD	MCHEAD	Monitor Call Routing Tables Head
MCQE	MCQE	Monitor Call Queue Element
MCRWSA	MCRWSA	Monitor Call Router Work Save Area
MCT	IRAMCT	SRM Storage Management Control Table
MFCOA	IRBMFCOA	MF/1 Common Options Area
MFMVT	IRBMFMVT	MF/1 Measurement Vector Table
MFPCT	IRBMFPCT	MF/1 Program Control Table
MFPMA	IRBMFPMA	MF/1 Program Measurement Area
MFSEL	IRBMFSEL	MF/1 Subtask Elements Table
MFSQU	IRBMFSQU	MF/1 Subtask Queue Anchor
MLCA	ISTMLCA	VTAM Main Line Communication Area
MMB	IEAMMB	Monitor Message Block
MNT	ISTMNT	VTAM Major Node Table
MPL	IEZMPL	Monitor Parameter List
MPST	ISTMPST	VTAM Memory Process Scheduling Table
MQE	IEAMQE	Monitor Queue Element
MLQ	ISTMQL	VTAM TPIO Request Queuing Block
MSG	IGFMSG	Message Content Block
MSGTABLE	IKJEFFMT	TSO Message Table Parmlist
MSSCCWB	IEZCWB	Mass Storage System Communicator Command Work Buffer
MSSCDRE	ICBRQUE	Mass Storage System Communicator Delayed Response Element
MSSCIOSB	ICB2IOBX	Mass Storage System Communicator I/O Supervisor Block Extension
MSSCMPL	IEZMSGRQ	Mass Storage System Communicator Message Parameter List
MSSCRBE1	IEZCOVCE	Mass Storage System Communicator SVC 126 Request Block Extension
MSSCRBE2	IEZDEFVE	Mass Storage System Communicator SVC 126 Request Block Extension

Acronym	Mapping Macro	Common Macro
MSSCRBE3	IEZMC RTE	Mass Storage System Communicator SVC 126 Request Block Extension
MSSCRB01	ICBACREL	Mass Storage System Communicator SVC 126 Request Block
MSSCRB02	ICBASDAS	Mass Storage System Communicator SVC 126 Request Block
MSSCRB03	ICBCOVC	Mass Storage System Communicator SVC 126 Request Block
MSSCRB04	ICBCOVC	Mass Storage System Communicator SVC 126 Request Block
MSSCRB05	ICBCOTB	Mass Storage System Communicator SVC 126 Request Block
MSSCRB06	ICBDEFV	Mass Storage System Communicator SVC 126 Request Block
MSSCRB07	ICBTUNE	Mass Storage System Communicator SVC 126 Request Block
MSSCRB08	ICBM CRT	Mass Storage System Communicator SVC 126 Request Block
MSSCRB09	ICBMNTDE	Mass Storage System Communicator SVC 126 Request Block
MSSCRB10	ICBMNTDE	Mass Storage System Communicator SVC 126 Request Block
MSSCRB11	ICBPAIR	Mass Storage System Communicator SVC 126 Request Block
MSSCRB12	ICBPAIR	Mass Storage System Communicator SVC 126 Request Block
MSSCRB13	ICBSUSP	Mass Storage System Communicator SVC 126 Request Block
MSSCRB14	ICBTRACE	Mass Storage System Communicator SVC 126 Request Block
MSSCRB15	ICBVARY	Mass Storage System Communicator SVC 126 Request Block
MSSCRB16	ICBVARY	Mass Storage System Communicator SVC 126 Request Block
MSSCRB17	IEZINIT	Mass Storage System Communicator SVC 126 Request Block
MSSCRB18	IEZMESG	Mass Storage System Communicator SVC 126 Request Block
MSSCRB19	IEZMGP	Mass Storage System Communicator SVC 126 Request Block
MSSCRB20	IEZMVR	Mass Storage System Communicator SVC 126 Request Block
MSSCRB21	IEZRVR	Mass Storage System Communicator SVC 126 Request Block
MSSCRB22	IEZRVVI	Mass Storage System Communicator SVC 126 Request Block
MSSCRB23	IEZSGP	Mass Storage System Communicator SVC 126 Request Block
MSSCVCE	IEZRPLV	Mass Storage System Communicator Volume Control Element
MSVC	IEZVICB	Mass Storage System Communicator Volume Control Block
MSVIBCDV	IEZBCDV	Mass Storage Volume Inventory Base, Copy, and Duplicate Volume Record Common Part
MSVIBV	IEZBASEV	Mass Storage Volume Inventory Base Volume Record
MSVIC	IEZINDEX	Mass Storage Volume Inventory Cartridge Record
MSVICPU	IEZCPUID	Mass Storage Volume Inventory CPU Record
MSVICV	IEZCOPYV	Mass Storage Volume Inventory Copy Volume Record
MSVIDV	IEZDUPV	Mass Storage Volume Inventory Duplicate Volume Record
MSVIG	IEZGROUP	Mass Storage Volume Inventory Group Record
MSVIGE	IEZGVSNE	Mass Storage Volume Inventory Group Extension Record
MSVIN	IEZNGVR	Mass Storage Volume Inventory Nongroup Record
MVCA	IEFZB433	Mount and Verify Communication Area
MVV	IEHMOVV	IEHMOVE Communications Area
NCB	ISTNCB	VTAM Node Control Block
NCSPL	ISTNCSPL	VTAM Network Configuration Services Control Block
NEL	IEFNEL	Interpreter Entrance List
NIB	ISTNIB	VTAM Node Identification Block
NIPMNTPL	IEAPMNIP	NIP Mount Parameter List
NIPOPNPL	IEAPMNIP	NIP Open Parameter List
NIPPAHDR	IEAPPNIP	NIP Parameter Area Header
NIPPAREA	IEAPPNIP	NIP Parameter Area
NIPPTA	IEAPPNIP	NIP Parameter Address Table Entry
NIPSCHDL	IEAPMNIP	NIP Schedule Parameter List
NIPSPE	IEAPMNIP	NIP System Parameter Queue Entry
NIR	ISTNIR	VTAM Node Information Record
NMLPB	ISTNMLPB	VTAM Network Manager Logical Channel Program Block
NSRU	ISTNSRU	VTAM Network Services Request/Response Unit
NVT	IHANVT	NIP Vector Table
NWTOHDR	IEAPMNIP	NIP Write-to-Operator Message Header
NWTORLST	IEAPMNIP	NIP WTOR Parameter List
OCA	ISTOCA	VTAM OPEN/CLOSE Work Area
OCCRR	ISTOCCRR	VTAM OPEN/CLOSE Component Recovery Record
OCEWA	IECDSECS	O/C/EOV Work Area
OCW	ISTOCW	VTAM OPEN/CLOSE Work Element
OLTCB	OLTCB	On-Line Test Control Block
OPCAVT	TOPCAVTD	Operator Control Address Vector Table

Acronym	Mapping Macro	Common Macro
OPCE	TOPCED	Operator Control Element
OPWRK	IDAOPWRK	VSAM OPEN ACB Work Area
ORE	IHAORE	Operator Reply Element
OUCB	IRAUCB	SRM User Control Block
OUSB	IHAOUSB	System Resources Manager User Swappable Block
OUXB	IHAOUSB	System Resources Manager User Extension Block
PAB	ISTPAB	VTAM Process Anchor Block
PAPL	IKJPPL	Parse Parameter List
PARAM	IEFZB630	Initiator Parameter List
PARMA	IKJPARMA	Parse Descriptor Element
PARML	IKJEFFIE	Parameter List to TSO FIB Installation Exit
PARMLIST	IKJEFFPT	Internal Parameter List for TSO CANCEL and STATUS Commands
PARMTAB	IEAPPNIP	NIP Parameter Address Table
PART	ILRPART	Paging Activity Reference Table
PAT	ILRPAT	Page Allocation Table
PCB	IHAPCB	Page Control Block
PCBR	IHAPCBR	Page Control Block Root
PCCA	IHAPCCA	Physical Configuration Communication Area
PCCA VT	IHAPCCAT	Physical Configuration Communication Area Vector Table
PCCB	IEFPCCB	Private Catalog Control Block
PCCNTRLS	IEFZB450	Private Catalog Control Block Routine Controls
PCCW	ILRPCCW	Page Channel Command Workarea
PCT	ILRPCT	Performance Characteristics Table
PDI	IEFZB435	Passed Data Set Information
PDS	IHAPDS	Partitioned Data Set Directory Entry
PEB	TPEBD	Process Element Block
PECB	TPECBD	Process Element Control Block
PEWA	TPEWAD	TCAM Process Entry Work Area
PFCRR	ISTPFCRR	VTAM Component Recovery Record Prefix
PFTE	IHAPFTE	Page Frame Table Entry
PFX	ISTPFX	VTAM Prefix for Queue Elements
PGPB	IKJGPB	PUTGET Parameter Block
PGTE	IHAPGTE	Page Table Entry
PHROA	ISTPHROA	VTAM Parameter Handler Output Area
PICA	IHAPICA	Program Interrupt Control Area
PIE	IHAPIE	Program Interrupt Element
PIRL	IECDPIRL	Purged I/O Restore List
PIU	ISTPIU	VTAM Path Information Unit
PLCPB	ISTPLCPB	VTAM Purge Request Logical Channel Program Block
PLH	IDAPLH	Place Holder Header and Entry
PPL	IECDPPL	Purge Parameter List
PPT	IEFZB610	Program Properties Table Entry
PQE	IHAPQE	Partition Queue Element
PRF	TPRFD	TCAM Buffer Prefix
PROCD	ISTPROCD	VTAM Process Option Definition Block
PSA	IHAPSA	Prefixed Save Area
PSCB	IKJPSCB	Protected Step Control Block
PSCRR	ISTPSCRR	VTAM Port Solicitor Component Recovery Record
PSL	IDAPSL	Page Save List
PST	ISTPST	VTAM Process Scheduling Table
PTPB	IKJPTPB	Putline Parameter Block
PTRS	IEFPTRS	TCB and ASCB Pointers
PVT	IHAPVT	Paging Vector Table
PWA	IGFPWA	Processor Work Area
QAB	ISTQAB	VTAM Queue Anchor Block
QCB	IHAQCB	Queue Control Block (MAJOR/MINOR)
QCBE	TQCBE	TCAM Queue Control Block Extension
QDB	IHAQDB	Queue Descriptor Block
QEL	IHAQEL	Queue Element
QIO	IHAQIO	QMNGRIO Work Area
QMIOP	IEFQMIOP	QMNGRIO Parameter List
QMPA	IEFQMNGR	Queue Manager Parameter Area

Acronym	Mapping Macro	Common Macro
QSR	ILRQSRCD	Quick Start Record
QVOD	IHAQVOD	Queue Verifier Output Data
QVPL	IHAQVPL	Queue Verifier Parameter List
RB	IHARB	Request Blocks
RCA	IHARCA	Recovery Control Area
RCB	RTMRCB	Recording Control Buffer
RCTD	IEARCTD	Region Control Task Data Area
RDCM	IEERDCM	Map Resident Display Control Modules
RDT	ISTRDT	VTAM Resource Definition Table
RECB	TRECB	TCAM Resource Element Control Block
RESPL	RESPL	Resident Module Parameter List
RH	ISTRH	VTAM Request Header
RIA	ISTRIA	VTAM Recovery Interface Area
RLGB	IKJRLGB	Relogon Buffer
RMCA	IRARMCA	SRM Control Area
RMCT	IRARMCT	SRM Control Table
RMEP	IRARMEP	SRM Entry Point Descriptor
RMEX	IRARMEX	SRM External Entry Point Descriptor Table
RMPL	IHARMPL	Resource Manager Parameter List
RMPT	IRARMPT	SRM Parameter Table
RMS	IGFRMS	RMS Initialization Parameter List
RMSB	IRARMSB	SRM Subroutine Vector Table
RNCA	ISTRNCA	VTAM RN Segment Build Communication Area
RPH	ISTRPH	VTAM Request Parameter List Header
RPL	IFGRPL	Request Parameter List
RPLE	IDARPLE	Request Parameter List Extension
RQE	IECDRQE	Request Queue Element
RRPA	IRARRPA	SRM Recovery Parameter Area
RRPL	IECDSECS	Recovery OPEN/CLOSE/EOV/DADSM Parameter List
RSMHD	IHARSMHD	Real Storage Management Header
RSTWA	IEEVRSWA	Restart Work Area
RTCT	IHARTCT	Recovery Termination Control Table
RTM2WA	IHARTM2A	RTM2 Work Area
RT1W	IHART1W	RT1W Work Area
RVT	IHARVT	Recovery Management Vector Table
RWA	IGFRWA	Recovery Work Area
RIBC	IKJZT301	Broadcast Data Set Record 1
SART	ILRSART	Swap Activity Reference Table
SAT	ILRSAT	Swap Allocation Table
SCA	IHASCA	SPIE Control Area
SCB	IHASCB	STAE Control Block
SCCW	ILRSCCW	Swap Channel Command Workarea
SCRA	IHASCRA	Supervisor Control Recovery Area
SCT	IEFASCTB	Step Control Table
SCVT	IHASCVT	Secondary Communication Vector Table
SDCT	ILRSDCT	Swap Device Characteristics Table
SDT	IEESDT	START Descriptor Table
SDUMP	IHASDUMP	SVC Dump Parameter List
SDVT	ISTSDVT	VTAM Skeletal Destination Vector Table
SDWA	IHASDWA	System Diagnostic Work Area
SGTE	IHASGTE	Segment Table Entry
SIOT	IEFASIOT	System Input/Output Table
SLE	SLE	Save List Elements
SMCA	IEESMCA	System Management Facilities Control Area
SNAP	IHASNP	Snap Parameter List
SNT	ISTSNT	VTAM Specific Node Table
SPCT	IHASPCT	Swap Communication Table
SPL	IHASPL	Service Priority List
SPP	IHASPP	SETPRT Parameter List
SPQE	IHASPQE	Subpool Queue Element
SRB	IHASRB	Service Request Block
SRU	ISTSRU	VTAM Standard Request/Response Unit

Acronym	Mapping Macro	Common Macro
SSCR	IHJSSCR	Subsystem Checkpoint Record
SSCVT	IEFJSCVT	Subsystem Communications Vector Table
SSIB	IEFJSSIB	Subsystem Identification Block
SSL	IDASSL	Swap Save List
SSOB	IEFJSSOB	Subsystem Options Block
SSRB	IHASSRB	Save Area for SRB
SSVT	IEFJSSVT	Subsystem Vector Table
STAES	STAES	STAE Parameter Table
STCB	TSTCBD	Subtask Control Block
STCPARM	IEEZB800	STC Internal Parameter Area
STEPL	IEFZB622	Initiator STAE Exit Parameter List
STGST	IRBSTGST	MF/1 Global Storage Table
STMMV	IRBSTMMV	MFROUTER Measurement Vector Table
STOWPARM	IHASTOW	STOW Parameter List
STPB	IKJSTPB	Stack Parameter Block
STPL	IKJSTPL	STACK Parameter List
STPRT	IRBSTPRT	MF/1 Program Resource Table
STRVT	IRBSTRVT	MF/1 Resource Vector Table
STSCT	IRBSTSCT	MF/1 Supervisor State Control Table
STSGT	IRBSTSGT	MF/1 Storage Resource Table
STSMA	IRBSTSMA	MF/1 Supervisor State Measurements Area
STWVT	IRBSTWVT	MF/1 Workload Vector Table
SVCTABLE	IHASVC	SVC Table Entry
SWAE	IEEZB801	STC Parameter List
SWAIC	IEFZB436	SWA Manager Interface Controls
S99PARMS	IEFZB4D0	Dynamic Allocation (SVC 99) Parameter List
TABL	IHJDSTAB	Data Set Table Entry
TAIE	IKJTAIE	Terminal Attention Interruption Element
TAXE	IKJTAXE	Terminal Attention Exit Element
TCB	IKJTCB	Task Control Block
TCCW	IECDTCCW	Translation Control Block
TCOMTAB	TCOMTAB	Test Communication Table
TCT	IEFTCT	SMF Timing Control Table
TCXD	TTCXD	TCAM CVT Extension
TDCM	IEETDCM	Pageable DCMs
TDEB	TDEBD	T/P Data Extent Block
TECB	TTECB	TCAM Test Event Control Block
TEXTUNIT	IEFZB4D1	Dynamic Allocation Text Unit
TH	ISTTH	VTAM Transmission Header
THB	IGFTHB	Threshold Block
TIE	ISTTIE	VTAM TOLTEP Interface Element
TIOB	TIOBD	T/P, I/O Block
TIOCBUF	IKJTIOCB	TIOC Buffer Prefix
TIOCRPT	IKJTIOCP	TIOC Reference Pointer Table
TIOT	IEFTIOT1	Task Input/Output Table
TME	ILRTME	Task-Mode Element
TMPWA	IKJTMPWA	Terminal Monitor Program Work Area
TMRB	IEFZB424	TIOT Manager Request Block
TNT	TTNTD	TCAM Terminal Name Table
TPARTBLE	ILRTPARB	Temporary Page Address Reference Table
TPC	IEAVVTPC	Timer Supervision Work Area
TPCB	TPCBD	TCAM Process Control Block
TPL	IKJTPL	TEST Parameter List
TQCB	TQCBD	TCAM Queue Control Block
TQE	IHATQE	Timer Queue Element
TRHDR	IEAPXNIP	System Trace Header
TRM	TTRMD	TCAM Terminal Table Entry
TSB	IKJTSB	TSB Terminal Status Block
TSCB	TSCBD	TCAM Station Control Block
TSTCWORK	TSTCWORK	TEST Work Area
TTCB	TTCBD	TCAM Task Control Block
TTE	NONE	Trace Table Entry

Acronym	Mapping Macro	Common Macro
TXTFT	IEFTXTFT	Internal Text Format
UCB	IEFUCBOB	Unit Control Block
UCBTYP	NONE	Unit Control Block Type Bytes
UCDX	IEEUCDX	Data Management and I/O Supervisor Control Blocks
UCM	IEECUCM	Unit Control Module
UECB	ISTUECB	VTAM User Exit Control Block
UNALCC	IEFZB443	Unallocate Catalog Controls
UNITTAB	IECDSECS	Unit Table Work Area (O/C/EOV)
UPCON	IEBUPCON	IEBUPDTE Communications Area
UPT	IKJUPT	User Profile Table
USDIR	IKJZT304	Broadcast Mail Directory Record
USERLAB	IECDSECS	User Label Work Area
USERTOT	IECDSECS	User Totaling Facility Save and Work Area
USMSG	IKJZT305	Broadcast Mail Message Record
UTILWORK	IKJEBEUW	EDIT Access Method Work Area
VAMBLT	IDAVAT	Valid AMBL Table
VAT	IEFZB611	Virtual Address Table
VBPPL	IDDVBPPL	VBP Parameter List
VCB	IHAVCB	Virtual I/O Control Block
VDSCB	IDDVDSCB	Virtual Data Set Control Block
VGTT	IDARTMAC	VSAM Global Termination Table
VIOT	IDAVIOT	Valid IOMB Table
VMT	IDAVMT	Volumes Mounted Table
VMVESTPA	IEFZB452	Volume Mount and Verify Estae Exit and FRR Parameter Area
VMVRB	IEFZB431	Volume Mount and Verify Request Block
VRWPQEL	IHAWPQEL	V=R Wait Post Queue Element
VSL	IHAVSL	Virtual Sub-area List
VSRT	IDAVSRT	VSAM Shared Resources Table
VTRACK	IDDTRACK	Virtual Track Buffer (also known as VIO buffer and window)
VUNT	IEFZB423	Volunit Table Entry
VUT	IEFZB438	Volume Unload Table
VYCRR	ISTVYCRR	VTAM VARY Component Recovery Record
WAMT	IRAWAMT	Workload Activity Measurement Table
WAX	IDAWAX	Work Area for AIX
WICB	IDDWICB	VIO Control Block
WKE	ISTWKE	VTAM Work Element Chain Field
WMST	IRAWMST	Workload Manager Specifications Table
WORKAREA	WORKAREA	OS/VS Catalog Management WORKAREA
WPL	IEZWPL	WTO/WTOR/MLWTO/WTP Parameter List Definition
WQE	IHAWQE	Write-To-Operator Queue Element
WSAVTC	IHAWSAVT	CPU Work/Save Area Vector Table
WSAVTG	IHAWSAVT	Global Work/Save Area Vector Table
WSAVTL	IHAWSAVT	Local Work/Save Area Vector Table
WWB	IHACTM	Write To Operator Wait Block
XDBA	IECDXDBA	IOS EXCP Debugging Area
XPTE	IHAXPTE	External Page Table Entry
XSA	IEEXSA	Extended Save Area
XTLST	IHAXTLST	Extent List
XV	IHACTM	SVC 35 Extended Save Area
YSTAK	IHAYSTAK	FRR Stack Attributes
ZB502	IEFZB502	SWA Block Prefix
ZB831	IKJZB831	Parmlist for IKJCB831
ZCRR	ISTZCRR	VTAM TPIOS Component Recovery Record
ZFSAV	ISTZFSAV	VTAM TPIOS Fixed Save Area for TPZLOCK
ZFSVT	ISTZFSVT	VTAM TPIOS Fixed Services Vector Table
ZIBUF	ISTZIBUF	VTAM TPIOS Inbound Buffer
ZLBUF	ISTZLBUF	VTAM TPIOS Local Buffer
ZLBVT	ISTZLBVT	VTAM LCCW/BTU Translation Vector Table
ZLFVT	ISTZLFVT	VTAM Local 3270 Fixed Services Vector Table
ZOBUF	ISTZOBUF	VTAM TPIOS Outbound Buffer
ZPSVT	ISTZPSVT	VTAM TPIOS Pageable Services Vector Table
ZRCVT	ISTZRCVT	VTAM Request Completion Vector Table

VS2.03.807

Acronym
ZSAVE
Z19SV

**Mapping
Macro**
ISTZSAVE
ISTZ19SV

**Common
Macro**
VTAM TPIOS Save Area Format
VTAM TPIOS 19-Word Save Area for TPZLOCK

Data Area Usage Table

The data area usage table is a cross-reference between data area names and scheduler and supervisor module names. All the data area and module names are listed in alphameric order on the left. Depending on whether the table entry is a module or a data area, the following information is given.

- For a data area, the table lists all the modules that use it.
- For a module, the table lists all the data areas the module uses.

The abbreviations for access are as follows:

- R - Read only.
- W - Write only.
- RW - Read and write.
- M - The data area is used in a macro instruction call as a positional or keyword parameter; the module may update the data area.
- P - The data area is passed as a parameter on a PL/S statement; the module may update the data area.
- C - The data area is referenced with a compare instruction, (equivalent to R).
- D - Definition.
- E - The data area name is used as an equate.
- F - Absolute.

The data area usage table is on microfiche for all subsequent updates to Release 3.7. There will be no hard copy version of these updated pages.

Symbol Usage Table

This table lists various data field symbolic names, giving for each one, the acronym of the data area in which it appears, and the object modules which update the field. The data area acronyms are listed with their common and mapping macro names in another table in this section.

The symbol usage table is on microfiche for all subsequent updates to release 3.7. There will be no hard copy version of these updated pages.

Section 6: Diagnostic Aids

This section contains information that can be used to diagnose problems in scheduler and supervisor programs:

- ABEND codes -- names the object modules related to each code.
- Message and wait state codes -- names the object modules related to each message or wait state code:
 - Modules that detect the condition requiring the message or wait state code.
 - Modules that issue the message or wait state code.
- Modules that contain the message text.
- Return code table -- lists the return codes set by each object module.
- Register usage table -- shows register contents at entry to and exit from each object module.
- Miscellaneous diagnostic aids -- contains various tables each associated with a particular subcomponent. The tables, arranged by subcomponent, contain information such as ABEND codes, reason codes, and post codes.

DIAG
AIDS

ABEND Codes List

The following ABEND codes are issued by components of the scheduler and supervisor. The table lists the object module that issues each code. For explanations, see *OS/VS Message Library: System Codes*.

Code	Module Detecting	Module Issuing	Code	Module Detecting	Module Issuing
028	IEAVAMSI	IEAVAMSI	0D2	IEAVEPC	IEAVEPC
	IEAVFXLD	IEAVFXLD	0D3	IEAVEPC	IEAVEPC
	IEAVPIOI	IEAVPIOI	0F8	IEAVESVC	IEAVESVC
	IEAVPSI	IEAVPSI	0F9	IEAVESVC	IEAVESVC
	IEAVRCF	IEAVRCF	0FA	IEAVESVC	IEAVESVC
	IEAVRCV	IEAVRCV	0FB	IEAVEPC	IEAVEPC
	IEAVSWIN	IEAVSWIN	101	IEAVGM00	IEAVGM00
	ILRIOCO0	IEAVEPC		IEAVSY50	IEAVSY50
047	IEAVESVC	IEAVESVC	102	IEAVGM00	IEAVGM00
	IGC109	IGC109		IEAVSY50	IEAVSY50
	IGC116	IGC116	104	IEAVGM00	IEAVGM00
	IGC122	IGC122	106	IEAVLK01	IEAVLK00
072	IEAVEDS0	IEAVEDS0	10A	IEAVGM00	IEAVGM00
073	IEAVELK	IEAVELK	10B	IEAVRTO1	IEAVRTO1
074	IEAVELKR	IEAVELKR	10D	IEAVTRTC	IEAVTRTC
076	IEAVEMCR	IEAVEMCR	10E	IEAVTB00	IEAVTB00
077	IEAVMNTR	IEAVMNTR	122	IEE3703D	IEE3703D
078	IEAVAR00	IEAVAR00	128	IEAVTB00	IEAVTB00
	IEAVAR02	IEAVAR02	12A	IEAVEATO	IEAVEATO
	IEAVAR03	IEAVAR03	12C	IEAVECHO	IEAVECHO
079	IEAVAR04	IEAVAR04	12E	IEAVRTO0	IEAVRTO0
07A	IEAVAR00	IEAVAR00	12F	IEAVRTO0	IEAVRTO0
	IEAVAR02	IEAVAR02	130	IEAVENQ1	IEAVENQ1
07B	IEAVEDR	IEAVEDR	133	IEAVAD00	IEAVAD00
	IEAVERI	IEAVERI		IEAVTSDX	IEAVTSDX
	IEAVERP	IEAVERP	138	IEAVENQ1	IEAVENQ1
07C	IEAVESPR	IEAVESPR	13C	IGC00060	IGC00060
07E	IEEVDEV	IEEVDEV	13E	IEAVEEDO	IEAVEEDO
081	IEAVEQR	IEAVEQR	14F	IEAVSETS	IEAVSETS
	IEAVSQA	IEAVSQA	153	IEEMB827	IEEMB827
082	IEAVPRT0	IEAVGPRR	157	IEAVXDOM	IEAVXDOM
083	ILRSLSQA	ILRSLSQA	15F	IRARMINT	IRARMINT
	ILRSRT	ILRSRT	16B	IEAVMODE	IEAVMODE
084	ILRCMP	ILRCMP	16D	IGC109	IGC109
	ILRPTM	ILRPTM		IGC116	IGC116
	ILRSWPDR	ILRSWPDR		IGC122	IGC122
085	ILRSAV	ILRSAV	171	IEAVFREE	IEAVPSI
086	ILRVSAMI	ILRVSAMI		IEAVFXLD	IEAVPSI
087	ILRSAV	ILRSAV		IEAVOUT	IEAVPSI
	ILRACT	ILRACT		IEAVPSI	IEAVPSI
	ILRRLG	ILRRLG		IEAVRELS	IEAVPSI
	ILRVSAMI	ILRVSAMI	177	IEAVTEST	IEAVTEST
	ILRTMRLG	ILRTMRLG	178	IEAVGM00	IEAVGM00
0B0	IEFQB550	IEFQB550	17A	IEAVEVTO	IEAVEVTO
	IEFQB555	IEFQB555	17B	IEAVEPDQ	IEAVEPDQ
	IEFQB580	IEFQB580	17D	IEAVEVTO	IEAVEVTO
0B1	IEFJCNTL	IEFJCNTL	1FC	IEAVESVR	IEAVESVR
	IEFJJCLS	IEFJJCLS	1FD	IRBMFEVT	IRBMFEVT
	IEFJACTL	IEFJACTL	201	IEAVSY50	IEAVSY50
	IEFJWTOM	IEFJWTOM	202	IEAVSY50	IEAVSY50
0B2	IEFJJCLS	IEFJJCLS	206	IEAVLK03	IEAVLK03
0B3	IEFJACTL	IEFJACTL	20B	IEAVRTO1	IEAVRTO1
0B4	IEFJJNCTL	IEFJJNCTL	20D	IEAVTRTE	IEAVTRTE
0B5	IEFJJNCTL	IEFJJNCTL	20E	IEAVTB00	IEAVTB00
0B7	IEEMPDM	IEEMPDM	222	IEE3703D	IEE3703D
	IEEMPS03	IEEMPS03	228	IEAVTB00	IEAVTB00
	IEEMPVST	IEEMPVST	22A	IEAVEATO	IEAVEATO
	IEEVPTH	IEEVPTH	22C	IEAVECHO	IEAVECHO
0B8	IEFJSWT	IEESB605	22E	IEAVRTO0	IEAVRTO0
	IEESB601	IEESB605	22F	IEAVRTO0	IEAVRTO0
0B9	IEESB605	IEESB605	230	IEAVENQ1	IEAVENQ1
0BA	IEFSD162	IEFSD162	233	IEAVAD00	IEAVAD00
	IEFSD166	IEFSD166		IEAVTSDX	IEAVTSDX
	IEFSD605	IEFSD605	238	IEAVENQ1	IEAVENQ1
0BB	IEFSD263	IEFSD263	23E	IEAVEEDO	IEAVEEDO
0Cx	IEAVEPC	IEAVEPC	25F	IRARMERR	IRARMINT
(where	IEFAB4FC	IEFAB4FC	260	IEAVAX00	IEAVAX00
x=1-F)					

Code	Module Detecting	Module Issuing	Code	Module Detecting	Module Issuing
26D	IRBMFDWP	IRBMFDWP	730	IEAVENQ1	IEAVENQ1
	IRBMFIWK	IRBMFIWK	738	IEAVENQ1	IEAVENQ1
271	IEAVPSI	IEAVPSI	778	IEAVGM00	IEAVGM00
2F3	IEFIB605	IEFIB605	77D	IEAVEVT0	IEAVEVT0
2FC	IEAVEIOR	IEAVEIOR	804	IEAVGM00	IEAVGM00
301	IEAVSY50	IEAVSY50	806	IEAVLK00	IEAVLK00
304	IEAVGPRR	IEAVGPRR		IEAVLK01	IEAVLK00
305	IEAVGM00	IEAVGM00	80A	IEAVGM00	IEAVGM00
306	IEAVLK00	IEAVLK00	822	IEFSD263	IEFSD263
	IEAVLK01	IEAVLK00	82A	IEAVEATO	IEAVEATO
30A	IEAVGM00	IEAVGM00	838	IEAVENQ1	IEAVENQ1
30E	IEAVTB00	IEAVTB00	878	IEAVGM00	IEAVGM00
322	IEATLEXT	IEATLEXT	87D	IEAVEVT0	IEAVEVT0
328	IEAVTB00	IEAVTB00	905	IEAVGM00	IEAVGM00
338	IEAVENQ1	IEAVENQ1	906	IEAVLK00	IEAVLK00
33E	IEAVEEDO	IEAVEEDO	90A	IEAVGM00	IEAVGM00
378	IEAVGM00	IEAVGM00	922	IEFIB621	N/A
37A	IEAVEVT0	IEAVEVT0	92A	IEAVEATO	IEAVEATO
37D	IEAVEVT0	IEAVEVT0	978	IEAVGM00	IEAVGM00
3FC	IEAVEE1R	IEAVEE1R	A03	IEAVTSKT	IEAVTSKT
	IEAVEE2R	IEAVEE2R	A05	IEAVGM00	IEAVGM00
	IEAVEE3R	IEAVEE3R	A06	IEAVLK00	IEAVLK00
402	IEAVSY50	IEAVSY50	A0A	IEAVGM00	IEAVGM00
406	IEAVLK00	IEAVLK00	A23	IEAVMFRR	IEAVMFRR
	IEAVLK01	IEAVLK00	A78	IEAVGM00	IEAVGM00
40A	IEAVGM00	IEAVGM00	B04	IEAVGM00	IEAVGM00
42A	IEAVEATO	IEAVEATO	B05	IEAVGM00	IEAVGM00
430	IEAVENQ1	IEAVENQ1	B0A	IEAVGM00	IEAVGM00
438	IEAVENQ1	IEAVENQ1	B23	IEAVSTAA	IEAVSTAA
43E	IEAVEEDO	IEAVEEDO	B78	IEAVGM00	IEAVGM00
478	IEAVGM00	IEAVGM00	COD	IEAVMSI	IEAVMSI
47A	IEAVEVT0	IEAVEVT0		IEAVCSEG	IEAVCSEG
47D	IEAVEVT0	IEAVEVT0		IEAVDLAS	IEAVDLAS
4FC	IEAVEPCR	IEAVEPCR		IEAVDSEG	IEAVDSEG
502	IEAVSY50	IEAVSY50		IEAVEQR	IEAVEQR
504	IEAVGM00	IEAVGM00		IEAVESCO	IEAVESCO
505	IEAVGM00	IEAVGM00		IEAVFREE	IEAVFREE
522	IEATLEXT	IEATLEXT		IEAVFXLD	IEAVFXLD
52A	IEAVEATO	IEAVEATO		IEAVGFA	IEAVGFA
530	IEAVENQ1	IEAVENQ1		IEAVINV	IEAVINV
53E	IEAVEEDO	IEAVEEDO		IEAVIOCP	IEAVIOCP
57D	IEAVEVT0	IEAVEVT0		IEAVOUT	IEAVOUT
5FC	IEAVERER	IEAVERER		IEAVPIOI	IEAVPIOI
604	IEAVGM00	IEAVGM00		IEAVPIOP	IEAVPIOP
605	IEAVGM00	IEAVGM00		IEAVPIX	IEAVPIX
622	IKJEFLJ	IEFSD263		IEAVPSI	IEAVPSI
(See reason #1 in VS2 System Codes.)				IEAVRCF	IEAVRCF
	IKJEFLG	IKJEFLG		IEAVRELS	IEAVRELS
(See reason #3 in VS2 System Codes.)				IEAVRFR	IEAVRFR
630	IEAVENQ1	IEAVENQ1		IEAVSOUT	IEAVSOUT
638	IEAVENQ1	IEAVENQ1		IEAVSQA	IEAVSQA
67D	IEAVEVT0	IEAVEVT0		IEAVSWIN	IEAVSWIN
6FC	IEAVEPC	IEAVEPC		IEAVTERM	IEAVTERM
700	IGC109	IGC109		ILRSLSQ	ILRSLSQ
	IGC116	IGC116		ILRGOS	ILRGOS
	IGC122	IGC122		ILRTERM	ILRTERM
(See also ABEND codes in Diagnostic Aids chapter of OS/VS2 I/O Supervisor Logic.)				ILRSRBC	ILRSRBC
702	IEAVSV50	IEAVSV50	D05	IEAVGM00	IEAVGM00
704	IEAVGM00	IEAVGM00	D0A	IEAVGM00	IEAVGM00
705	IEAVGM00	IEAVGM00	D0D	IEAVTRTE	IEAVTRTE
706	IEAVLK01	IEAVLK00	D23	IEAVVWTO	IEAVVWTO
70A	IEAVGM00	IEAVGM00	D78	IEAVGM00	IEAVGM00
72A	IEAVEATO	IEAVEATO	E03	IEAVTSKT	IEAVTSKT
			E23	IEAVVRP2	IEAVVRP2

Messages and Wait State Codes

The following messages and wait state codes are issued by components of the scheduler and supervisor. For an explanation of these codes, see *OS/VS Message Library: VS2 System Codes*, GC38-1008 For wait state codes issued during system initialization, refer to *OS/VS2 System Initialization Logic*, SY28-0623

Note: The wait state codes appear at the beginning of the following list of messages and codes.

Message ID	Module Detect	Module Issuing	Module Containing	Message ID	Module Detect	Module Issuing	Module Containing
X'014'	IEAVEPC	IGFPPTERM		IEA888A	IEAVRTOD	IEAVRTOD	IEAVRTOD
X'01A'	IEEVDUMY	IGFPPTERM		IEA889A	IEAVRTOD	IEAVRTOD	IEAVRTOD
X'01B'	IEAVTRTR	IEESTPRS		IEA890I	IEAVEMCR	IEAVEMCR	IEAVEMCR
X'01C'	IEAVESPR	IGFPPTERM			IEAVEMIN		
X'024'	IGFPPTREC	IGFPPTREC		IEA891I	IEAVNP09	IEAVNP09	IEAVNP09
X'02E'	ILRMSG00	ILRMSG00		IEA892I	IEAVNP09	IEAVNP09	IEAVNP09
X'03C'	ILRMSG00	ILRMSG00		IEA897I	IEAVNPA6	IEAVNPM2	IEAVNPA6
X'050'	IEAVTACR	IGFPPTERM		IEA898I	IEAVRTI1		
X'051'	IEAVTCR1	IGFPPTERM			IEAVRTOD	IEAVRTOD	IEAVRTOD
X'052'	IEAVTCR1	IGFPPTERM		IEA899I	IEE6503D	IEE6503D	IEE6503D
X'101'	IEAVGM00	IEAVGM00		IEA903A	IEE6603D	IEE6603D	IEE6603D
X'102'	IEAVM00	IEAVM00		IEA904I	IEAVNPA1	IEAVNPM2	IEAVNPA1
X'A01'	IGFPMCIH	IGFPMCIH		IEA905I	IEAVNPA1	IEAVNPM2	IEAVNPA1
X'A23'	IGFPMCIH	IGFPMCIH		IEA906A	IEAVNP08	IEAVNP08	IEAVNP08
X'A24'	IGFPMCIH	IGFPMCIH			IEAVNP13	IEAVNPM2	IEAVNP03
X'A25'	IGFPMCIH	IGFPMCIH		IEA907I	IEAVNP08	IEAVNP08	IEAVNP08
X'A26'	IGFPMCIH	IGFPMCIH		IEA908I	IEAVNP08	IEAVNP08	IEAVNP08
X'CCC'	IEEMPS03	IEESTPRS		IEA909A	IEAVNP08	IEAVNP08	IEAVNP08
IEA030I	IEAVTABD	IEAVTABD	IEAVTABD	IEA911I	IEAVAD00	IEAVAD00	IEAVAD00
IEA107I	IEAVNP05	IEAVNP05	IEAVNP05	IEA912I	IEAVTABD	IEAVTABD	IEAVTABD
IEA108I	IEAVNP05	IEAVNP05	IEAVNP05	IEA946W	IEAVGM00	IGFPPTERM	IEAVGM00
IEA109I	IEAVNP05	IEAVNP05	IEAVNP05	IEA959I	IEAVLK03	IEAVLK03	IEAVLK03
IEA152I	IEAVNPA1	IEAVNPM2	IEAVNPA1	IEA960I	IEAVENQ1	IEAVENQ1	IEAVENQ1
IEA153I	IEAVNPA1	IEAVNPM2	IEAVNPA1	IEA961I	IEAVENQ1	IEAVENQ1	IEAVENQ1
IEA208I	IEAVNP05	IEAVNP05	IEAVNP05	IEA962A	IEAVMQR0	IEAVMQR0	IEAVMQR0
	IEAVNP13	IEAVNPM2	IEAVNP13	IEA963A	IEAVMQR0	IEAVMQR0	IEAVMQR0
IEA300I	IEAVNP05	IEAVNP05	IEAVNP05	IEA964I	IEAVSWCH	IEAVSWCH	IEAVSWCH
	IEAVNP13	IEAVNPM2	IEAVNP13		IGC0007B	IGC0007B	IGC0007B
IEA301I	IEAVNP05	IEAVNP05	IEAVNP05	IEA988I	IEAVGFA	IEAVPREF	IEAVPREF
	IEAVNP13	IEAVNPM2	IEAVNP13	IEA999W	IEAVEPC	IEAVEPC	IEAVEPC
IEA322A	IEAVNPA1	IEAVNPM2	IEAVNPA1	IEE019I	IEE1603D	IEE0503D	IEE0503D
IEA326I	IEAVNP05	IEAVNP05	IEAVNP05	IEE023I	IEE1603D	IEE0503D	IEE0503D
IEA330A	IEAVNPA1	IEAVNPM2	IEAVNPA1	IEE026I	IEE1603D	IEE0503D	IEE0503D
IEA332A	IEAVNPA1	IEAVNPM2	IEAVNPA1		IEE5703D	IEE0503D	IEE0503D
IEA340I	IEAVNP05	IEAVNP05	IEAVNP05	IEE032I	IEE1603D	IEE0503D	IEE0503D
IEA350I	IEAVNP05	IEAVNP05	IEAVNP05	IEE033I	IEE1603D	IEE0503D	IEE0503D
IEA351I	IEAVNP05	IEAVNP05	IEAVNP05	IEE035I	IEE3603D	IEE3603D	IEE3603D
IEA352I	IEAVNP05	IEAVNP05	IEAVNP05	IEE037I	IEEMB803	IEEMB807	IEEMB807
IEA353I	IEAVNP05	IEAVNP05	IEAVNP05		IEEMB806	IEEMB807	IEEMB807
IEA354I	IEAVNP05	IEAVNP05	IEAVNP05	IEE041I	IEEMB803	IEEMB807	IEEMB807
IEA356I	IEAVNP05	IEAVNP05	IEAVNP05	IEE043I	IEEMB803	IEEMB807	IEEMB807
IEA357I	IEAVNP05	IEAVNP05	IEAVNP05	IEE050A	IEEMB825	IEEMB825	IEEMB826
IEA363I	IEAVNP05	IEAVNP05	IEAVNP05	IEE070I	IEEMPDM	IEEMPDM	IEEMPDM
IEA700I	IEAVGM00	IEAVTPMT	IEAVTPMT	IEE071I	IEEMPDM	IEEMPDM	IEEMPDM
IEA703I	IEAVLK00	IEAVLK00	IEAVLK00	IEE073I	IEEMPDM	IEEMPDM	IEEMPDM
IEA801I	IEAVENQ1	IEAVENQ1	IEAVENQ1	IEE078I	IEE9403D	IEE0503D	IEE0503D
IEA803I	IEAVENQ1	IEAVENQ1	IEAVENQ1	IEE084I	IEE1403D	IEE0503D	IEE0503D
IEA807I	IEAVLK00	IEAVLK00	IEAVLK00		IEE3103D	IEF3103D	IEE3103D
IEA856W	IEAVTACR	IEAVTACR	IEAVTACR		IEE3603D	IEE3603D	IEE3603D
IEA857W	IEAVTCR1	IGFPPTERM	IEAVTCR1	IEE102I	IEECB800	IEECB801	IEECB801
IEA862I	IEAVAR00	IEAVAR00	IEAVAR00	IEE110I	IEE2903D	IEE2903D	IEE2903D
IEA863I	IEAVNP13	IEAVNPM2	IEAVNP13	IEE111I	IEE2903D	IEE2903D	IEE2903D
IEA864I	IEAVNP13	IEAVNPM2	IEAVNP13	IEE121I	IEESB605	IEEVSMMSG	IEEVSMMSG
IEA865I	IEAVNP05	IEAVNP05	IEAVNP05	IEE122I	IEESB605	IEEVSMMSG	IEEVSMMSG
IEA868I	IEAVNP13	IEAVNPM2	IEAVNP13	IEE124I	IEESB605	IEEVSMMSG	IEEVSMMSG
IEA875I	IEAVTSDI	IEAVNPM2	IEAVTSDI	IEE132I	IEESB605	IEEVSMMSG	IEEVSMMSG
IEA876I	IEAVTSDI	IEAVNPM2	IEAVTSDI	IEE134I	IEESB605	IEEVSMMSG	IEEVSMMSG
IEA877A	IEAVTSDI	IEAVNPM2	IEAVTSDI	IEE135I	IEESB605	IEEVSMMSG	IEEVSMMSG
IEA878I	IEAVTSDI	IEAVNPM2	IEAVTSDI	IEE136I	IEE3503D	IEE3503D	IEE3503D
IEA879A	IEAVTSDI	IEAVNPM2	IEAVTSDI	IEE141A	IEAVSWCH	IEAVSWCH	IEAVSWCH
IEA880I	IEAVTSDI	IEAVNPM2	IEAVTSDI	IEE142I	IEAVSWCH	IEAVSWCH	IEAVSWCH
IEA881I	IEAVTSDI	IEAVNPM2	IEAVTSDI	IEE143I	IEAVSWCH	IEAVSWCH	IEAVSWCH
IEA882A	IEAVTSDI	IEAVNPM2	IEAVTSDI	IEE147I	IEEMB804	IEEMB804	IEEMB804
IEA883I	IEAVTSDI	IEAVNPM2	IEAVTSDI	IEE150I	IEECVETA	IEECVETA	IEECVETA
IEA884I	IEAVTABI	IEAVNPM2	IEAVTABI		IEE6903D	IEE5603D	IEE5603D
IEA885I	IEAVTABI	IEAVNPM2	IEAVTABI	IEE151I	IEECVET4	IEECVETE	IEECVETE
IEA886A	IEAVRTOD	IEAVRTOD	IEAVRTOD		IEECVET6	IEECVETE	IEECVETE
IEA887A	IEAVRTOD	IEAVRTOD	IEAVRTOD		IEECVET8	IEECVETE	IEECVETE

Message ID	Module Detect	Module Issuing	Module Containing	Message ID	Module Detect	Module Issuing	Module Containing
	IEE6703D	IEE5603D	IEE5603D		IEE0803D	IEE0503D	IEE0503D
	IEE6703D	IEE5903D	IEE5903D		IEE1403D	IEE0503D	IEE0503D
IEE152I	IEECVETP	IEECVETP	IEECVETP		IEE2903D	IEE0503D	IEE0503D
	IEECVETU	IEECVETU	IEECVETU		IEE3503D	IEE0503D	IEE0503D
IEE153I	IEECVET4	IEECVETE	IEECVETE		IEE3703D	IEE0503D	IEE0503D
IEE154I	IEECVETF	IEECVETD	IEECVETD		IEE5503D	IEE0503D	IEE0503D
IEE156I	IEECVETA	IEECVETD	IEECVETD		IEE7103D	IEE0503D	IEE0503D
	IEE6303D	IEE5603D	IEE5603D	IEE306I	IEE7503D	IEE0503D	IEE0503D
	IEE6303D	IEE5903D	IEE5903D		IEECB866	IEE0503D	IEE0503D
	IEE6403D	IEE5603D	IEE5603D		IEEMB810	IEE0503D	IEE0503D
	IEE6403D	OEE5903D	IEE5903D		IEE0603D	IEE0503D	IEE0503D
	IEE6703D	IEE5603D	IEE5603D		IEE4403D	IEE0503D	IEE0503D
	IEE6703D	IEE5903D	IEE5903D		IEE4703D	IEE0503D	IEE0503D
	IEE6803D	IEE5603D	IEE5603D		IEE5703D	IEE0503D	IEE0503D
	IEE6803D	IEE5903D	IEE5903D	IEE307I	IEE7203D	IEE0503D	IEE0503D
	IEE6903D	IEE5603D	IEE5603D		IEECB866	IEE0503D	IEE0503D
	IEE7503D	IEE5603D	IEE5603D		IEEMB815	IEE0503D	IEE0503D
	IEE7503D	IEE5903D	IEE5903D		IEEMPDM	IEEMPDM	IEEMPDM
	IEE7703D	IEE5603D	IEE5603D		IEE0603D	IEE0503D	IEE0503D
	IEE7803D	IEE5603D	IEE5603D		IEE1603D	IEE0503D	IEE0503D
	IEE7803D	IEE5903D	IEE5903D		IEE3203D	IEE0503D	IEE0503D
IEE157I	IEECVET6	IEECVETD	IEECVETD		IEE3303D	IEE0503D	IEE0503D
	IEECVET8	IEECVETD	IEECVETD		IEE3603D	IEE3603D	IEE3603D
IEE158I	IEECVET9	IEECVETD	IEECVETD		IEE4303D	IEE0503D	IEE0503D
	IEECVFTB	IEECVETD	IEECVETD	IEE308I	IEECB866	IEE0503D	IEE0503D
	IEE6703D	IEE5603D	IEE5603D		IEEMB810	IEE0503D	IEE0503D
	IEE6703D	IEE5903D	IEE5903D		IEEMB811	IEE0503D	IEE0503D
IEE159E	IEECVETJ	IEECVETH	IEECVETH		IEEMB815	IEE0503D	IEE0503D
		IEECVETP	IEECVETP		IEEVMNT1	IEEVSMMSG	IEEVSMMSG
		IEECVETR	IEECVETR		IEE0603D	IEE0503D	IEE0503D
		IEECVETU	IEECVETU		IEE0703D	IEE0503D	IEE0503D
	IEECVFTL	IEECVETH	IEECVETH		IEE3203D	IEE0503D	IEE0503D
		IEECVETP	IEECVETP		IEE3303D	IEE0503D	IEE0503D
		IEECVETR	IEECVETR		IEE3603D	IEE3603D	IEE3603D
		IEECVETU	IEECVETU	IEE309I	IEE3703D	IEE0503D	IEE0503D
	IEECVFT2	IEECVETH	IEECVETH		IEEMB810	IEE0503D	IEE0503D
		IEECVETP	IEECVETP		IEEMB811	IEE0503D	IEE0503D
		IEECVETR	IEECVETR		IEEMB815	IEE0503D	IEE0503D
		IEECVETU	IEECVETU		IEEMPDM	IEEMPDM	IEEMPDM
IEE160I	IEECVET1	IEECVETD	IEECVETD		IEEVMNT1	IEEVSMMSG	IEEVSMMSG
	IEECVET2	IEECVETD	IEECVETD		IEE0603D	IEE0503D	IEE0503D
	IEECVET3	IEECVETD	IEECVETD		IEE1403D	IEE0503D	IEE0503D
	IEECVET9	IEECVETD	IEECVETD		IEE3203D	IEE0503D	IEE0503D
	IEECVFTL	IEECVETD	IEECVETD		IEE3303D	IEE0503D	IEE0503D
	IEECVFT2	IEECVETD	IEECVETD		IEE4403D	IEE0503D	IEE0503D
IEE161I	IEECVETA	IEECVETD	IEECVETD		IEE4703D	IEE0503D	IEE0503D
IEE163I	IEECVETA	IEECVETD	IEECVETD		IEE5703D	IEE0503D	IEE0503D
	IEECVFTR	IEECVETD	IEECVETD		IEE7203D	IEE0503D	IEE0503D
IEE164I	IEECVETF	IEECVETE	IEECVETE	IEE310I	IEEMB815	IEE0503D	IEE0503D
IEE164E	IEECVETR	IEECVETR	IEECVETR		IEE0603D	IEE0503D	IEE0503D
IEE170I	IEECVETC	IEECVETE	IEECVETE	IEE311I	IEEMPDM	IEEMPDM	IEEMPDM
	IEEJB840	IEEJB840	IEEJB840		IEEVMNT1	IEEVSMMSG	IEEVSMMSG
IEE171I	IEECVETC	IEECVETE	IEECVETE		IEE0603D	IEE0503D	IEE0503D
IEE250I	IEEXEDNA	IEEXEDNA	IEEXEDNA		IEE0703D	IEE0503D	IEE0503D
IEE298I	IEE0403D	IEE0503D	IEE0503D		IEE0803D	IEE0503D	IEE0503D
IEE299I	IEE4203D	IEE4203D	IEE4203D		IEE1403D	IEE0503D	IEE0503D
	IEE5703D	IEE0503D	IEE0503D		IEE1603D	IEE0503D	IEE0503D
IEE300I	IEE4203D	IEE4203D	IEE4203D		IEE3203D	IEE0503D	IEE0503D
IEE301I	IEE3703D	IEE0503D	IEE0503D		IEE3503D	IEE0503D	IEE0503D
IEE302I	IEEVPTH	IEEVPTH	IEEVPTH		IEE3703D	IEE0503D	IEE0503D
	IEE3103D	IEE3103D	IEE3103D		IEE5503D	IEE0503D	IEE0503D
	IEE4603D	IEE4603D	IEE4603D	IEE312I	IEE7103D	IEE0503D	IEE0503D
IEE303I	IEEVPTH	IEEVPTH	IEEVPTH		IEEVMNT2	IEEVSMMSG	IEEVSMMSG
	IEE3103D	IEE3103D	IEE3103D		IEE0503D	IEE0503D	IEE0503D
	IEE4603D	IEE4603D	IEE4603D		IEE0603D	IEE0503D	IEE0503D
IEE304I	IEEMB810	IEE0503D	IEE0503D		IEE3103D	IEE0503D	IEE0503D
IEE305I	IEE0403D	IEE0503D	IEE0503D		IEE3203D	IEE0503D	IEE0503D
	IEE0603D	IEE0503D	IEE0503D		IEE3603D	IEE3603D	IEE3603D

Message ID	Module Detect	Module Issuing	Module Containing	Message ID	Module Detect	Module Issuing	Module Containing
	IEE4203D	IEE0503D	IEE0503D	IEE365I	IEEMB821	IEEMB821	IEEMB824
	IEE4403D	IEE0503D	IEE0503D		IEEMB822	IEEMB822	IEEMB824
	IEE5703D	IEE0503D	IEE0503D		IEEMB829	IEEMB822	IEEMB824
IEE313I	IEE7203D	IEE0503D	IEE0503D	IEE375I	IEE7203D	IEE0503D	IEE0503D
	IEECB904	IEECB904	IEECB904	IEE376I	IEEVPTH	IEEVPTH	IEEVPTH
	IEE3103D	IEE3103D	IEE3103D	IEE378I	IEEVPTH	IEEVPTH	IEEVPTH
	IEE3603D	IEE3603D	IEE3603D	IEE379I	IEEVPTH	IEEVPTH	IEEVPTH
	IEE4203D	IEE4203D	IEE4203D	IEE382I	IEE1603D	IEE0503D	IEE0503D
IEE324I	IEE3703D	IEE0503D	IEE0503D	IEE400I	IEAVMDOM	IEAVMDOM	IEAVMDOM
IEE328I	IEE0803D	IEE0503D	IEE0503D	IEE479W	IEEMB860	IEEMB860	IEEMB860
	IEE3603D	IEE3603D	IEE3603D		IEEVIPL	IEEVIPL	IEEVIPL
	IEE4903D	IEE4903D	IEE4903D		IEEVWAIT	IEEVWAIT	IEEVWAIT
	IEE5603D	IEE0503D	IEE0503D	IEE480I	IEECB860	IEECB860	IEECB860
	IEE7103D	IEE0503D	IEE0503D		IEEMB820	IEEMB820	IEEMB824
	IEE7203D	IEE0503D	IEE0503D		IEEMB822	IEEMB822	IEEMB824
IEE329I	IEE3103D	IEE3103D	IEE3103D		IEEMB825	IEEMB825	IEEMB826
	IEE3603D	IEE3603D	IEE3603D		IEE5103D	IEE5103D	IEE5103D
	IEE4203D	IEE4203D	IEE4203D	IEE481I	IEEVWAIT	IEEVWAIT	IEEVWAIT
	IEE4603D	IEE4603D	IEE4603D	IEE482I	IEEVWAIT	IEEVWAIT	IEEVWAIT
IEE334I	IEE40110	IEE90110	IEE90110	IEE500E	IEEVCPU	IEECLEAN	IEECLEAN
IEE335I	IEEVMT1	IEEVMSG	IEEVMSG	IEE502I	IEEVCPU	IEECLEAN	IEECLEAN
IEE338I	IEE5703D	IEE0503D	IEE0503D	IEE503I	IEEVCPU	IEECLEAN	IEECLEAN
IEE339I	IEE4203D	IEE4203D	IEE4203D	IEE504I	IEEVCPU	IEECLEAN	IEECLEAN
	IEE5703D	IEE0503D	IEE0503D	IEE505I	IEEVCPU	IEECLEAN	IEECLEAN
IEE340I	IEE4903D	IEE4903D	IEE4903D	IEE506E	IEEVCPU	IEECLEAN	IEECLEAN
IEE341I	IEECB866	IEE0503D	IEE0503D	IEE510I	IEEMPVST	IEEMPVST	IEEMPVST
	IEEMB810	IEE0503D	IEE0503D	IEE512I	IEEVCPU	IEECLEAN	IEECLEAN
	IEE0703D	IEE0503D	IEE0503D	IEE513I	IEEVWAIT	IEEVWAIT	IEEVWAIT
	IEE3703D	IEE0503D	IEE0503D		IEE5103D	IEE5103D	IEE5103D
IEE342I	IEECVETE	IEECVETE	IEECVETE	IEE515E	IEEMPVST	IEEMPVST	IEEMPVST
	IEE0703D	IEE0503D	IEE0503D	IEE517I	IEEMPVST	IEEMPVST	IEEMPVST
IEE345I	IEECB866	IEE0503D	IEE0503D	IEE519E	IEEMPVST	IEEMPVST	IEEMPVST
	IEEMPS03	IEEMPS03	IEEMPS03	IEE520I	IEEMPVST	IEEMPVST	IEEMPVST
	IEEMPVST	IEEMPVST	IEEMPVST	IEE523I	IEEVCPU	IEECLEAN	IEECLEAN
	IEEVCPU	IEECLEAN	IEECLEAN	IEE524I	IEEMPVST	IEEMPVST	IEEMPVST
	IEEVPTH	IEEVPTH	IEEVPTH	IEE527E	IEEVCPU	IEECLEAN	IEECLEAN
	IEE0403D	IEE0503D	IEE0503D	IEE528I	IEEMPVST	IEEMPVST	IEEMPVST
	IEE3303D	IEE0503D	IEE0503D	IEE532I	IEE1603D	IDD1603D	IEE1603D
	IEE3503D	IEE0503D	IEE0503D	IEE533I	IEEMB803	IEEMB807	IEEMB807
	IEE4203D	IEE4203D	IEE4203D	IEE534I	IEEMB803	IEEMB807	IEEMB807
	IEE4303D	IEE0503D	IEE0503D	IEE535I	IEECB866	IEE0503D	IEE0503D
	IEE4403D	IEE0503D	IEE0503D		IEEMB815	IEE0503D	IEE0503D
	IEE4703D	IEE0503D	IEE0503D		IEE0603D	IEE0503D	IEE0503D
	IEE5703D	IEE0503D	IEE0503D		IEE0803D	IEE0503D	IEE0503D
	IEE6303D	IEE5603D	IEE5603D	IEE536I	IEEMB811	IEEMB814	IEEMB814
	IEE6303D	IEE5903D	IEE5903D	IEE537I	IEEMB811	IEEMB814	IEEMB814
	IEE7503D	IEE5603D	IEE5603D	IEE538I	IEEMB811	IEEMB814	IEEMB814
	IEE7503D	IEE5903D	IEE5903D	IEE539I	IEEMB811	IEEMB814	IEEMB814
	IEE7703D	IEE5603D	IEE5603D	IEE540I	IEEMB811	IEEMB814	IEEMB814
IEE349I	IEE4103D	IEE4103D	IEE4103D	IEE541E	IEEVCPU	IEECLEAN	IEECLEAN
IEE351I	IEEMB820	IEEMB820	IEEMB824	IEE600I	IEAVVRP1	IEAVVRP1	IEAVVRP1
	IEEMB821	IEEMB820	IEEMB824	IEE699I	IEAVVRP1	IEAVVRP1	IEAVVRP1
	IEEMB822	IEEMB820	IEEMB824	IEE700I	IEAVVRP1	IEAVVRP1	IEAVVRP1
	IEEMB825	IEEMB820	IEEMB824	IEE701I	IEAVVRP1	IEAVVRP1	IEAVVRP1
	IEEMB829	IEEMB820	IEEMB824	IEE702I	IEAVVRP1	IEAVVRP1	IEAVVRP1
IEE352A	IEEMB821	IEEMB821	IEEMB824	IEE703I	IEAVVRP1	IEAVVRP1	IEAVVRP1
IEE353A	IEEMB821	IEEMB821	IEEMB824	IEE704I	IEAVVRP1	IEAVVRP1	IEAVVRP1
IEE354I	IEEMB821	IEEMB821	IEEMB824	IEE706I	IEE70110	IEE90110	IEE90110
IEE355I	IEEMB821	IEEMB821	IEEMB824	IEE708I	IEECB866	IEE0503D	IEE0503D
IEE356A	IEEMB821	IEEMB821	IEEMB824		IEEMB860	IEE0503D	IEE0503D
IEE357A	IEEMB821	IEEMB821	IEEMB824	IEE709I	IEE4903D	IEE4903D	IEE4903D
IEE358I	IEEMB829	IEEMB822	IEEMB824	IEE710I	IEE4903D	IEE4903D	IEE4903D
IEE359I	IEEMB821	IEEMB821	IEEMB824	IEE711I	IEECB866	IEE0503D	IEE0503D
IEE360I	IEEMB829	IEEMB829	IEEMB828	IEE712I	IEEMB815	IEE0503D	IEE0503D
IEE361I	IEEMB829	IEEMB829	IEEMB828	IEE713I	IEEMPDM	IEEMPDM	IEEMPDM
IEE362A	IEEMB829	IEEMB829	IEEMB828		IEEMPVST	IEEMPVST	IEEMPVST
IEE363I	IEEMB822	IEEMB822	IEEMB824		IEEVCPU	IEECLEAN	IEECLEAN
IEE364I	IEEMB829	IEEMB829	IEEMB828		IEEVPTH	IEEVPTH	IEEVPTH

Message ID	Module Detect	Module Issuing	Module Containing	Message ID	Module Detect	Module Issuing	Module Containing
IEE714I	IEEVPTH	IEEVPTH	IEEVPTH		IEE7503D	IEE5903D	IEE5903D
IEE715I	IEEMPVST	IEEMPVST	IEEMPVST	IEE926I	IEE6303D	IEE5603D	IEE5603D
	IEEVCPU	IEECLEAN	IEECLEAN		IEE6303D	IEE5903D	IEE5903D
	IEEVPTH	IEEVPTH	IEEVPTH		IEE6703D	IEE5603D	IEE5603D
IEE716I	IEEVPTH	IEEVPTH	IEEVPTH		IEE6703D	IEE5903D	IEE5903D
IEE717D	IEEVCPU	IEEVCPU	IEEVCPU		IEE6803D	IEE5603D	IEE5603D
IEE718D	IEEVCPU	IEEVCPU	IEEVCPU		IEE7503D	IEE5603D	IEE5603D
IEE718I	IEEVCPU	IEECLEAN	IEECLEAN		IEE7503D	IEE5903D	IEE5903D
IEE719I	IEEVCPU	IEECLEAN	IEECLEAN		IEE7703D	IEE5603D	IEE5603D
IEE720I	IEECVFTB	IEECVFTD	IEECVFTD		IEE7703D	IEE5903D	IEE5903D
IEE721I	IEECVFTA	IEECVFTD	IEECVFTD	IEE927I	IEE6703D	IEE5603D	IEE5603D
IEE722I	IEECVFTA	IEECVFTD	IEECVFTD		IEE6703D	IEE5903D	IEE5903D
IEE723I	IEECVFTA	IEECVFTD	IEECVFTD		IEE7503D	IEE5603D	IEE5603D
IEE734I	IEEMB813	IEEMB813	IEEMB813		IEE7503D	IEE5903D	IEE5903D
IEE751E	IEEMPS03	IEEMPS03	IEEMPS03		IEE7803D	IEE5603D	IEE5603D
IEE752I	IEEMPS03	IEEMPS03	IEEMPS03	IEE928I	IEE7803D	IEE5903D	IEE5903D
IEE753I	IEEMPS03	IEEMPS03	IEEMPS03		IEE6803D	IEE5603D	IEE5603D
IEE754I	IEEVCPU	IEECLEAN	IEECLEAN		IEE6803D	IEE5903D	IEE5903D
IEE755I	IEECLEAN	IEECLEAN	IEECLEAN		IEE6803D	IEE6803D	IEE6803D
IEE756I	IEEVCPU	IEECLEAN	IEECLEAN		IEE6903D	IEE6903D	IEE6903D
IEE757I	IEEVCPU	IEECLEAN	IEECLEAN	IEE929I	IEE6903D	IEE6903D	IEE6903D
IEE758I	IEEVCPU	IEECLEAN	IEECLEAN	IEE930I	IEE6403D	IEE6403D	IEE6403D
IEE759I	IEEVCPU	IEECLEAN	IEECLEAN	IEE931I	IEE6303D	IEE5603D	IEE5603D
IEE760I	IEEMPDM	IEEMPDM	IEEMPDM		IEE6303D	IEE5903D	IEE5903D
	IEEMPVST	IEEMPVST	IEEMPVST		IEE6403D	IEE5603D	IEE5603D
	IEEVCPU	IEECLEAN	IEECLEAN		IEE6403D	IEE5903D	IEE5903D
	IEEVPTH	IEEVPTH	IEEVPTH		IEE6903D	IEE5603D	IEE5603D
IEE761I	IEEVCPU	IEECLEAN	IEECLEAN	IEE934I	IEECVFT1	IEECVFT1	IEECVFT1
IEE762I	IEEVCPU	IEECLEAN	IEECLEAN	IEE966A	IEEVCPU	IEECLEAN	IEECLEAN
IEE763I	IEEVCPU	IEECLEAN	IEECLEAN	IEE980I	IEE3203D	IEE0503D	IEE0503D
IEE764I	IEEMPVST	IEEMPVST	IEEMPVST	IEF085I	IEFSD263	IEFSD263	IEFIB650
IEE765D	IEEMPVST	IEEMPVST	IEEMPVST	IEF086I	IEFXB601	IEFXB601	IEFXB603
IEE766I	IEEMPVST	IEEMPVST	IEEMPVST	IEF087I	IEFXB601	IEFXB601	IEFXB603
IEE767I	IEEMPDM	IEEMPDM	IEEMPDM	IEF089I	IEFXB500	IEFXB500	IEFXB603
IEE768I	IEEMPDM	IEEMPDM	IEEMPDM	IEF090E	IEFSD161	IEFSD161	IEFIB650
IEE770I	IEEMB807	IEEMB807	IEEMB807	IEF091I	IEFSD161	IEFSD161	IEFIB650
IEE779I	IEECB904	IEECB904	IEECB904	IEF092I	IEFSD263	IEFSD263	IEFIB650
IEE782I	ILRPGEXP	ILRPGEXP	ILRPGEXP	IEF099I	IEFSD102	IEFSD102	IEFIB650
IEE783I	ILRPGEXP	ILRPGEXP	ILRPGEXP	IEF125I	IEFBB401	IEFBB401	IEFBB4M1
IEE784I	ILRPGEXP	ILRPGEXP	ILRPGEXP	IEF126I	IEFAB410	IEFAB4FD	IEFBB4M4
IEE785I	ILRPGEXP	ILRPGEXP	ILRPGEXP	IEF127I	IEFAB431	IEFAB4FD	IEFBB4M3
IEE786I	ILRPGEXP	ILRPGEXP	ILRPGEXP		IEFAB434	IEFAB4FD	IEFBB4M3
IEE787I	ILRPGEXP	ILRPGEXP	ILRPGEXP		IEFAB492	IEFAB4FD	IEFBB4M3
IEE788I	ILRPGEXP	ILRPGEXP	ILRPGEXP	IEF128I	IEFAB431	IEFAB4FD	IEFBB4M3
IEE789I	ILRPGEXP	ILRPGEXP	ILRPGEXP		IEFAB434	IEFAB4FD	IEFBB4M3
IEE790I	ILRPGEXP	ILRPGEXP	ILRPGEXP		IEFAB492	IEFAB4FD	IEFBB4M3
IEE791I	ILRPGEXP	ILRPGEXP	ILRPGEXP	IEF129I	IEFAB431	IEFAB4FD	IEFBB4M3
IEE792I	ILRPGEXP	ILRPGEXP	ILRPGEXP		IEFAB434	IEFAB4FD	IEFBB4M3
IEE824A	IEAVSTAA	IEAVSTAA	IEAVSTAA		IEFAB492	IEFAB4FD	IEFBB4M3
IEE824I	IEEPRWI2	IEEVSMMSG	IEEVSMMSG	IEF130I	IEFAB431	IEFAB4FD	IEFBB4M3
	IEESB665	IEEVSMMSG	IEEVSMMSG		IEFAB434	IEFAB4FD	IEFBB4M3
IEE908I	IEE3203D	IEE0503D	IEE0503D		IEFAB492	IEFAB4FD	IEFBB4M3
IEE921I	IEE7503D	IEE5603D	IEE5603D	IEF131I	IEFAB431	IEFAB4FD	IEFBB4M3
	IEE7503D	IEE5903D	IEE5903D		IEFAB434	IEFAB4FD	IEFBB4M3
	IEE7703D	IEE5603D	IEE5603D		IEFAB492	IEFAB4FD	IEFBB4M3
	IEE7703D	IEE5903D	IEE5903D	IEF132I	IEFAB431	IEFAB4FD	IEFBB4M3
IEE922I	IEE6903D	IEE6903D	IEE6903D		IEFAB434	IEFAB4FD	IEFBB4M3
IEE924I	IEE6803D	IEE5603D	IEE5603D		IEFAB492	IEFAB4FD	IEFBB4M3
	IEE6803D	IEE5903D	IEE5903D	IEF133I	IEFAB431	IEFAB4FD	IEFBB4M3
	IEE6903D	IEE5603D	IEE5603D		IEFAB434	IEFAB4FD	IEFBB4M3
	IEE6903D	IEE5903D	IEE5903D		IEFAB492	IEFAB4FD	IEFBB4M3
IEE925I	IEE6303D	IEE5603D	IEE5603D	IEF134I	IEFAB431	IEFAB4FD	IEFBB4M3
	IEE6303D	IEE5903D	IEE5903D		IEFAB434	IEFAB4FD	IEFBB4M3
	IEE6703D	IEE5603D	IEE5603D		IEFAB492	IEFAB4FD	IEFBB4M3
	IEE6703D	IEE5903D	IEE5903D	IEF135I	IEFAB431	IEFAB4FD	IEFBB4M3
	IEE6803D	IEE5603D	IEE5603D		IEFAB434	IEFAB4FD	IEFBB4M3
	IEE6803D	IEE5903D	IEE5903D		IEFAB492	IEFAB4FD	IEFBB4M3
	IEE7503D	IEE5603D	IEE5603D	IEF136I	IEFAB431	IEFAB4FD	IEFBB4M3

Message ID	Module Detect	Module Issuing	Module Containing	Message ID	Module Detect	Module Issuing	Module Containing
	IEFAB434	IEFAB4FD	IEFBB4M3	IEF257I	IEFAB431	IEFAB4FD	IEFBB4M3
	IEFAB492	IEFAB4FD	IEFBB4M3		IEFAB434	IEFAB4FD	IEFBB4M3
IEF140I	IEFAB431	IEFAB4FD	IEFBB4M3		IEFAB492	IEFAB4FD	IEFBB4M3
	IEFAB434	IEFAB4FD	IEFBB4M3	IEF258I	IEFAB431	IEFAB4FD	IEFBB4M3
	IEFAB492	IEFAB4FD	IEFBB4M3		IEFAB434	IEFAB4FD	IEFBB4M3
IEF141I	IEFAB431	IEFAB4FD	IEFBB4M3		IEFAB492	IEFAB4FD	IEFBB4M3
	IEFAB434	IEFAB4FD	IEFBB4M3	IEF260I	IEFAB431	IEFAB4FD	IEFBB4M3
	IEFAB492	IEFAB4FD	IEFBB4M3		IEFAB434	IEFAB4FD	IEFBB4M3
IEF142I	IEFBB410	IEFAB4FD	IEFBB4M4		IEFAB492	IEFAB4FD	IEFBB4M3
IEF143I	IEFAB431	IEFAB4FD	IEFBB4M3	IEF261I	IEFAB431	IEFAB4FD	IEFBB4M3
	IEFAB434	IEFAB4FD	IEFBB4M3		IEFAB434	IEFAB4FD	IEFBB4M3
	IEFAB492	IEFAB4FD	IEFBB4M3		IEFAB492	IEFAB4FD	IEFBB4M3
IEF145I	IEFAB431	IEFAB4FD	IEFBB4M3	IEF262I	IEFAB431	IEFAB4FD	IEFBB4M3
	IEFAB434	IEFAB4FD	IEFBB4M3		IEFAB434	IEFAB4FD	IEFBB4M3
	IEFAB492	IEFAB4FD	IEFBB4M3		IEFAB492	IEFAB4FD	IEFBB4M3
IEF167I	IEFRPREP	IEFRPREP	IEFXB603	IEF263I	IEFAB431	IEFAB4FD	IEFBB4M3
IEF168I	IEFRPREP	IEFRPREP	IEFXB603		IEFAB434	IEFAB4FD	IEFBB4M3
IEF169I	IEFXB601	IEFXB601	IEFXB603		IEFAB492	IEFAB4FD	IEFBB4M3
IEF172E	IEFSD161	IEFSD161	IEFIB650	IEF264I	IEFAB431	IEFAB4FD	IEFBB4M3
IEF173I	IEFSD101	IEFSD101	IEFIB650		IEFAB434	IEFAB4FD	IEFBB4M3
	IEFSD161	IEFSD161	IEFIB650		IEFAB492	IEFAB4FD	IEFBB4M3
IEF174I	IEFIB645	IEFIB645	IEFIB645	IEF266I	IEFAB431	IEFAB4FD	IEFBB4M3
IEF180I	IEFBB401	IEFAB4FD	IEFBB4M2		IEFAB434	IEFAB4FD	IEFBB4M3
IEF181I	IEFBB401	IEFAB4FD	IEFBB4M2		IEFAB492	IEFAB4FD	IEFBB4M3
IEF186I	IEFSD263	IEFSD263	IEFIB650	IEF267I	IEFAB431	IEFAB4FD	IEFBB4M3
IEF187I	IEFIB621	IEFIB621	IEFIB650		IEFAB434	IEFAB4FD	IEFBB4M3
IEF188I	IEFSD101	IEFSD101	IEFIB650		IEFAB492	IEFAB4FD	IEFBB4M3
	IEFSD161	IEFSD162	IEFIB650	IEF272I	IEFBB410	IEFAB4FD	IEFBB4M4
IEF192I	IEFAB424	IEFAB4FD	IEFBB4M3	IEF273I	IEFAB431	IEFAB4FD	IEFBB4M3
IEF193I	IEFAB431	IEFAB4FD	IEFBB4M3		IEFAB434	IEFAB4FD	IEFBB4M3
	IEFAB434	IEFAB4FD	IEFBB4M3		IEFAB492	IEFAB4FD	IEFBB4M3
	IEFAB492	IEFAB4FD	IEFBB4M3	IEF281I	IEFAB421	IEFAB421	IEFAB4M5
IEF194I	IEFAB423	IEFAB4FD	IEFBB4M3	IEF282I	IEFAB421	IEFAB421	IEFAB4M5
IEF195I	IEFBB404	IEFAB4FD	IEFBB4M3	IEF283I	IEFAB4A2	IEFAB4FD	IEFAB4M6
IEF201I	IEFBB410	IEFAB4FD	IEFBB4M4	IEF285I	IEFAB4A2	IEFAB4FD	IEFAB4M6
IEF209I	IEFXB609	IEFXB609	IEFXB603	IEF286I	IEFAB461	IEFAB4FD	IEFBB4M3
IEF210I	IEFAB464	IEFAB4FD	IEFBB4M3	IEF287I	IEFAB4A2	IEFAB4FD	IEFAB4M6
	IEFAB470	IEFAB4FD	IEFBB4M3	IEF318I	IEFAB423	IEFAB4FD	IEFBB4M3
IEF211I	IEFAB459	IEFAB4FD	IEFBB4M3	IEF361I	IEFAB4F5	IEFAB4FD	IEFBB4M2
IEF212I	IEFAB469	IEFAB4FD	IEFBB4M3	IEF362I	IEFAB4F4	IEFAB4FD	IEFBB4M2
IEF213I	IEFAB469	IEFAB4FD	IEFBB4M3	IEF363I	IEFAB469	IEFAB4FD	IEFBB4M2
IEF217I	IEFAB458	IEFAB4FD	IEFBB4M3	IEF364I	IEFAB469	IEFAB4FD	IEFBB4M2
IEF218I	IEFAB458	IEFAB4FD	IEFBB4M3	IEF365I	IEFAB457	IEFAB4FD	IEFBB4M3
IEF219I	IEFAB461	IEFAB4FD	IEFBB4M3	IEF366I	IEFAB461	IEFAB4FD	IEFBB4M3
IEF221I	IEFAB453	IEFAB4FD	IEFBB4M3	IEF367I	IEFAB458	IEFAB4FD	IEFBB4M2
IEF225D	IEFRPREP	IEFRPREP	IEFRPREP	IEF369D	IEFAB496	IEFAB496	IEFBB4M3
IEF233A	IEFAB495	IEFAB495	IEFAB4M4	IEF373I	IEFTB722	IEFTB722	IEFTB720
IEF233D	IEFAB495	IEFAB495	IEFAB4M4	IEF374I	IEFTB722	IEFTB722	IEFTB720
IEF234E	IEFAB494	IEFAB494	IEFAB4M4	IEF375I	IEFTB722	IEFTB722	IEFTB720
IEF235D	IEFAB421	IEFAB421	IEFAB4M5	IEF376I	IEFTB722	IEFTB722	IEFTB720
IEF236I	IEFAB4EE	IEFAB4FD	IEFAB4M7	IEF402I	IEFIRECM	IEFIRECM	IEFIRECM
IEF237I	IEFAB4EE	IEFAB4FD	IEFAB4M7	IEF403I	IEFBB401	IEFBB401	IEFBB4M1
IEF238D	IEFAB488	IEFAB488	IEFAB4M9	IEF404I	IEFBB410	IEFBB410	IEFBB4M4
IEF240I	IEFAB4FC	IEFBB401	IEFBB4M2	IEF417I	IEFVHA	IEFVHR	IEFVHR
IEF242I	IEFAB4EE	IEFAB4FD	IEFAB4M7	IEF430I	IEFVHR	IEFVHR	IEFVHR
IEF244I	IEFAB487	IEFAB487	IEFAB4M9	IEF433D	IEFAB488	IEFAB487	IEFAB4M9
IEF245I	IEFBB404	IEFAB4FD	IEFBB4M3	IEF434D	IEFAB487	IEFAB487	IEFAB4M9
IEF247I	IEFAB48A	IEFAB48A	IEFAB4M9	IEF450I	IEFBB410	IEFBB410	IEFBB4M4
IEF251I	IEFBB401	IEFBB401	IEFBB4M1	IEF451I	IEFBB410	IEFBB410	IEFBB4M4
IEF253I	IEFAB431	IEFAB4FD	IEFBB4M3	IEF452I	IEFBB401	IEFBB401	IEFBB4M1
	IEFAB434	IEFAB4FD	IEFBB4M3		IEFVHF	IEFVHR	IEFVHR
	IEFAB492	IEFAB4FD	IEFBB4M3		IEFVHN	IEFVHR	IEFVHR
IEF254I	IEFAB431	IEFAB4FD	IEFBB4M3	IEF453I	IEFBB410	IEFBB410	IEFBB4M4
	IEFAB434	IEFAB4FD	IEFBB4M3	IEF456I	IEFAB4A0	IEFAB4FD	IEFBB4M2
	IEFAB492	IEFAB4FD	IEFBB4M3		IEFAB4F5	IEFAB4FD	IEFBB4M2
IEF256I	IEFAB431	IEFAB4FD	IEFBB4M3		IEFAB421	IEFAB4FD	IEFBB4M2
	IEFAB434	IEFAB4FD	IEFBB4M3		IEFAB451	IEFAB4FD	IEFBB4M2
	IEFAB492	IEFAB4FD	IEFBB4M3		IEFAB493	IEFAB4FD	IEFBB4M2

Message ID	Module Detect	Module Issuing	Module Containing	Message ID	Module Detect	Module Issuing	Module Containing
IEF474I	IEFBB404	IEFAB4FD	IEFBB4M3		IEFVEA	IEFVGM	IEFVGM5
IEF475I	IEFAB441	IEFAB4FD	IEFBB4M3		IEFVFA	IEFVGM	IEFVGM5
	IEFAB442	IEFAB4FD	IEFBB4M3		IEFVJA	IEFVGM	IEFVGM5
	IEFAB479	IEFAB4FD	IEFBB4M3	IEF633I	IEFVJA	IEFVGM	IEFVGM5
IEF476I	IEFAB431	IEFAB4FD	IEFBB4M3	IEF634I	IEFVJA	IEFVGM	IEFVGM5
	IEFAB434	IEFAB4FD	IEFBB4M3	IEF635I	IEFVJA	IEFVGM	IEFVGM5
	IEFAB492	IEFAB4FD	IEFBB4M3	IEF636I	IEFVDA	IEFVGM	IEFVGM5
IEF477I	IEFAB431	IEFAB4FD	IEFBB4M3	IEF637I	IEFVEA	IEFVGM	IEFVGM5
	IEFAB434	IEFAB4FD	IEFBB4M3		IEFVJA	IEFVGM	IEFVGM5
	IEFAB492	IEFAB4FD	IEFBB4M3	IEF638I	IEFVGS	IEFVGM	IEFVGM5
IEF478I	IEFAB431	IEFAB4FD	IEFBB4M3		IEFVGT	IEFVGM	IEFVGM5
	IEFAB434	IEFAB4FD	IEFBB4M3	IEF639I	IEFVGS	IEFVGM	IEFVGM5
	IEFAB492	IEFAB4FD	IEFBB4M3		IEFVGT	IEFVGM	IEFVGM5
IEF479I	IEFAB431	IEFAB4FD	IEFBB4M3	IEF640I	IEFVDA	IEFVGM	IEFVGM6
	IEFAB434	IEFAB4FD	IEFBB4M3		IEFVFA	IEFVGM	IEFVGM6
	IEFAB492	IEFAB4FD	IEFBB4M3		IEFVGK	IEFVGM	IEFVGM6
IEF480I	IEFAB427	IEFAB4FD	IEFBB4M3		IEFVGS	IEFVGM	IEFVGM6
IEF481I	IEFAB479	IEFAB4FD	IEFBB4M3		IEFVGT	IEFVGM	IEFVGM6
IEF482I	IEFAB479	IEFAB4FD	IEFBB4M3	IEF641I	IEFVGK	IEFVGM	IEFVGM6
IEF483I	IEFAB479	IEFAB4FD	IEFBB4M3	IEF642I	IEFVDA	IEFVGM	IEFVGM6
IEF484I	IEFAB479	IEFAB4FD	IEFBB4M3		IEFVEA	IEFVGM	IEFVGM6
IEF485I	IEFAB421	IEFAB4FD	IEFBB4M2		IEFVFB	IEFVGM	IEFVGM6
	IEFAB479	IEFAB4FD	IEFBB4M3		IEFVGT	IEFVGM	IEFVGM6
IEF488I	IEFAB487	IEFAB487	IEFAB4M9		IEFVHCB	IEFVGM	IEFVGM6
IEF489I	IEFAB48A	IEFAB48A	IEFAB4M9		IEFVJA	IEFVGM	IEFVGM6
IEF490I	IEFAB488	IEFAB488	IEFAB4M9	IEF643I	IEFVDA	IEFVGM	IEFVGM6
IEF491I	IEFAB466	IEFAB4FD	IEFBB4M2		IEFVGT	IEFVGM	IEFVGM6
IEF492I	IEFAB452	IEFAB4FD	IEFBB4M3	IEF644I	IEFVGT	IEFVGM	IEFVGM6
IEF493I	IEFAB452	IEFAB4FD	IEFBB4M3	IEF645I	IEFVDA	IEFVGM	IEFVGM6
IEF502I	IEFAB473	IEFAB473	IEFAB4M5		IEFVEA	IEFVGM	IEFVGM6
IEF503I	IEFAB473	IEFAB473	IEFAB4M5		IEFVGS	IEFVGM	IEFVGM6
IEF506I	IEFAB490	IEFAB4FD	IEFAB4M7	IEF646I	IEFVDA	IEFVGM	IEFVGM6
IEF510I	IEFAB473	IEFAB473	IEFAB4M5		IEFVEA	IEFVGM	IEFVGM6
IEF601I	IEFVFA	IEFVGM	IEFVGM1	IEF647I	IEFVJA	IEFVGM	IEFVGM6
	IEFVHA	IEFVGM	IEFVGM1		IEFVDA	IEFVGM	IEFVGM6
	IEFVHCB	IEFVGM	IEFVGM1		IEFVFB	IEFVGM	IEFVGM6
IEF603I	IEFVEA	IEFVGM	IEFVGM1		IEFVGT	IEFVGM	IEFVGM6
IEF605I	IEFVHCB	IEFVGM	IEFVGM1	IEF648I	IEFVDA	IEFVGM	IEFVGM7
	IEFVHM	IEFVGM	IEFVGM1	IEF649I	IEFVDA	IEFVGM	IEFVGM7
IEF606I	IEFVDA	IEFVGM	IEFVGM1	IEF650I	IEFVFA	IEFVGM	IEFVGM7
IEF607I	IEFVHCB	IEFVGM	IEFVGM1	IEF651I	IEFVFA	IEFVGM	IEFVGM7
IEF609I	IEFVEA	IEFVGM	IEFVGM2	IEF652I	IEFVFA	IEFVGM	IEFVGM7
IEF610I	IEFVHA	IEFVGM	IEFVGM2	IEF653I	IEFVFB	IEFVGM	IEFVFB
	IEFVHCB	IEFVGM	IEFVGM2	IEF654I	IEFVDA	IEFVGM	IEFVGM7
IEF611I	IEFVHEB	IEFVGM	IEFVGM2	IEF655I	IEFVDA	IEFVGM	IEFVGM7
	IEFVHCB	IEFVGM	IEFVGM2	IEF657I	IEFVHH	IEFVGM	IEFVGM70
	IEVVHH	IEFVGM	IEFVGM2	IEF658I	IEFVHCB	IEFVGM	IEFVGM70
IEF612I	IEFVFA	IEFVGM	IEFVGM2	IEF659I	IEFVHCB	IEFVGM	IEFVGM70
IEF613I	IEVFVA	IEFVGM	IEFVGM2	IEF660I	IEFVHCB	IEFVGM	IEFVGM70
IEF614I	IEFVEA	IEFVGM	IEFVGM2	IEF661I	IEFVHGM	IEFVGM	IEFVGM70
IEF615I	IEFVEA	IEFVGM	IEFVGM2	IEF662I	IEFVINA	IEFVGM	IEFVGM70
IEF616I	IEFVFA	IEFVGM	IEFVGM3	IEF663I	IEFVINA	IEFVGM	IEFVGM70
IEF617I	IEFVDA	IEFVGM	IEFVGM3	IEF664I	IEFVINA	IEFVGM	IEFVGM71
IEF618I	IEFVFA	IEFVGM	IEFVGM3	IEF665I	IEFVINA	IEFVGM	IEFVGM71
IEF621I	IEFVHC	IEFVGM	IEFVGM3	IEF668I	IEFVHCB	IEFVGM	IEFVGM71
IEF622I	IEFVFA	IEFVGM	IEFVGM3	IEF669I	IEFVDA	IEFVGM	IEFVGM71
IEF623I	IEFVFA	IEFVGM	IEFVGM3	IEF670I	IEFVEA	IEFVGM	IEFVGM71
IEF624I	IEFVDA	IEFVGM	IEFVGM4	IEF671I	IEFVDA	IEFVGM	IEFVGM71
	IEFVFA	IEFVGM	IEFVGM4	IEF672I	IEFVDA	IEFVGM	IEFVGM71
IEF625I	IEFVFA	IEFVGM	IEFVGM4	IEF673I	IEFVEA	IEFVGM	IEFVGM71
IEF626I	IEFVFA	IEFVGM	IEFVGM4		IEFVJA	IEFVGM	IEFVGM71
IEF627I	IEFVFA	IEFVGM	IEFVGM4	IEF674I	IEFVEA	IEFVGM	IEFVGM1
IEF628I	IEFVFA	IEFVGM	IEFVGM4	IEF675I	IEFVEA	IEFVGM	IEFVGM1
IEF629I	IEFVFA	IEFVGM	IEFVGM4	IEF676I	IEFVJA	IEFVGM	IEFVGM3
IEF630I	IEFVDA	IEFVGM	IEFVGM4	IEF677I	IEFVGM	IEFVHR	IEFVHR
	IEFVFA	IEFVGM	IEFVGM4	IEF678I	IEFVGM	IEFVGM	IEFVGM3
IEF631I	IEFVDA	IEFVGM	IEFVGM4		IEFVHA	IEFVGM	IEFVGM3
IEF632I	IEFVDA	IEFVGM	IEFVGM5		IEFVHCB	IEFVGM	IEFVGM3

Message ID	Module Detect	Module Issuing	Module Containing	Message ID	Module Detect	Module Issuing	Module Containing
IEF679I	IEFVHE	IEFVGM	IEFVGM3	IKJ56409I	IKJEFLEA	IKJEFGLM	IKJEFGLN
	IEFVHA	IEFVHR	IEFVHR	IKJ56410I	IKJEFLEA	IKJEFGLM	IKJEFGLN
	IEFVHCB	IEFVHR	IEFVHR	IKJ56411I	IKJEFLEA	IKJEFGLM	IKJEFGLN
	IEFVHE	IEFVHR	IEFVHR	IKJ56412I	IKJEFLE	IKJEFGLM	IKJEFGLN
	IEFVINA	IEFVHR	IEFVHR	IKJ56420I	IKJEFLE	IKJEFGLM	IKJEFGLN
IEF680I	IEFVGM	IEFVHR	IEFVHR	IKJ56421I	IKJEFLE	IKJEFGLM	IKJEFGLN
IEF681I	IEFVDA	IEFVGM	IEFVGM70	IKJ56422I	IKJEFLE	IKJEFGLM	IKJEFGLN
IEF684I	IEFVDA	IEFVGM	IEFVGM71	IKJ56423I	IKJEFLE	IKJEFGLM	IKJEFGLN
IEF685I	IEFVDA	IEFVGM	IEFVGM71	IKJ56424I	IKJEFLE	IKJEFGLM	IKJEFGLN
IEF687I	IEFAB441	IEFAB4FD	IEFBB4M3	IKJ56425I	IKJEFLE	IKJEFGLM	IKJEFGLN
IEF700I	IEFAB486	IEFAB4FD	IEFBB4M2		IKJEFLI		
	IEFAB489	IEFAB4FD	IEFBB4M2	IKJ56428I	IKJEFLEA	IKJEFGLM	IKJEFGLN
	IEFAB491	IEFAB4FD	IEFBB4M2	IKJ56429A	IKJEFLE	IKJEFGLM	IKJEFGLN
IEF701I	IEFAB477	IEFAB4FD	IEFBB4M2	IKJ56450I	IKJEFLH	IKJEFGLM	IKJEFGLN
	IEFAB490	IEFAB4FD	IEFBB4M2	IKJ56451I	IKJEFLI	IKJEFGLM	IKJEFGLN
IEF702I	IEFAB485	IEFAB4FD	IEFBB4M2		IKJEFLGB	IKJEFLGB	IKJEFLGB
IEF703I	IEFAB427	IEFAB4FD	IEFBB4M3	IKJ56452I	IKJEFLA	IKJEFLA	IKJEFLA
IEF710I	IEFAB495	IEFAB495	IEFAB4M4		IKJEFLE	IKJEFGLM	IKJEFGLN
IEF711I	IEFAB494	IEFAB494	IEFAB4M4		IKJEFLGB	IKJEFLGB	IKJEFLGB
IEF712I	IEFAB49B	IEFAB49B	IEFAB4M4	IKJ56453I	IKJEFLC	IKJEFGLM	IKJEFGLN
IEF713I	IEFAB495	IEFAB4FD	IEFBB4M2	IKJ56454I	IKJEFLA	IKJEFLA	IKJEFLA
IEF714I	IEFAB495	IEFAB4FD	IEFBB4M2		IKJEFLC	IKJEFGLM	IKJEFGLN
IEF715I	IEFAB495	IEFAB4FD	IEFBB4M2		IKJEFLE	IKJEFGLM	IKJEFGLN
IEF716I	IEFAB495	IEFAB4FD	IEFBB4M2		IKJEFLEA	IKJEFGLM	IKJEFGLN
	IEFAB49B				IKJEFLI	IKJEFGLM	IKJEFGLN
IEF717I	IEFAB495	IEFAB4FD	IEFBB4M2	IKJ56455I	IKJEFLE	IKJEFGLM	IKJEFGLN
IEF718I	IEFAB495	IEFAB4FD	IEFBB4M2	IKJ56456I	IKJEFLE	IKJEFGLM	IKJEFGLN
IEF719I	IEFAB434	IEFAB4FD	IEFBB4M3	IKJ56457I	IKJEFLI	IKJEFGLM	IKJEFGLN
	IEFAB492			IKJ56470I	IKJEFLI	IKJEFGLM	IKJEFGLN
IEF720I	IEFAB434	IEFAB4FD	IEFBB4M3	IRA100I	IRARMEVT	IRARMSRV	IRARMSG
	IEFAB492			IRA101I	IRARMEVT	IRARMSRV	IRARMSG
IEF721I	IEFAB490	IEFAB4FD	IEFBB4M3	IRA102I	IRARMEVT	IRARMSRV	IRARMSG
IEF722I	IEFIB600	IEFIB600	IEFIB650	IRA200I	IRARMSTM	IRARMSRV	IRARMSG
IEF861I	IEFSD102	IEFSD102	IEFIB650	IRA201I	IRARMSTM	IRARMSRV	IRARMSG
IEF863I	IEFSD102	IEFSD102	IEFIB650	IRA202I	IRARMSTM	IRARMSRV	IRARMSG
IKJ600I	IKJEFLE	IKJEFGLM	IKJEFGLN	IRA300I	IEEMB812	IEEMB812	IEEMB812
	IKJEFLI			IRA301I	IEEMB812	IEEMB812	IEEMB812
IKJ601I	IKJEFLGB	IKJEFLGB	IKJEFLGB	IRB100I	IRBMFDTA	IRBMFMPR	IRBMFLMV
	IKJEFLS	IKJEFLS	IKJEFLS	IRB101I	IRBMFMFC	IRBMFMPR	IRBMFLMV
IKJ602I	IKJEFLE	IKJEFGLM	IKJEFGLN	IRB102I	IRBMFMFC	IRBMFMPR	IRBMFLMV
IKJ603I	IKJEFLEA	IKJEFGLM	IKJEFGLN	IRB103I	IRBMFINP	IRBMFMPR	IRBMFLMV
	IKJEFLGB			IRB200I	IRBMFMFC	IRBMFMPR	IRBMFLMV
	IKJEFLI			IRB201I	IRBMFMLN	IRBMFMPR	IRBMFLMV
IKJ605I	IKJEFLEA	IKJEFGLM	IKJEFGLN	IRB202I	IRBMFMFC	IRBMFMPR	IRBMFLMV
IKJ606I	IKJEFLE	IKJEFGLM	IKJEFGLN	IRB300I	IRBMFINP	IRBMFMPR	IRBMFLMV
IKJ608I	IKJEFLC	IKJEFGLM	IKJEFGLN	IRB301I	IRBMFINP	IRBMFMPR	IRBMFLMV
	IKJEFLE			IRB302I	IRBMFINP	IRBMFMPR	IRBMFLMV
	IKJEFLEA			IRB303I	IRBMFINP	IRBMFMPR	IRBMFLMV
	IKJEFLI			IRB304I	IRBMFINP	IRBMFMPR	IRBMFLMV
IKJ609I	IKJEFLI			IRB305I	IRBMFINP	IRBMFMPR	IRBMFLMV
IKJ54050I	IEAVAR04	IEAVAR00	IEAVAR00	IRB306D	IRBMFINP	IRBMFMPR	IRBMFLMV
	IEAVAR00	IEAVAR00	IEAVAR00	IRB308A	IRBMFINP	IRBMFMPR	IRBMFLMV
	IEAVAR05	IEAVAR05	IEAVAR05	IRB309I	IRBMFINP	IRBMFMPR	IRBMFLMV
IKJ56400A	IKJEFLEA	IKJEFGLM	IKJEFGLN	IRB400I	IRBMFRGM	IRBMFMPR	IRBMFLMV
IKJ56401I	IKJEFLEA	IKJEFGLM	IKJEFGLN	IRB401I	IRBMFRGM	IRBMFMPR	IRBMFLMV
IKJ56402I	IKJEFLEA	IKJEFGLM	IKJEFGLN	IRB402I	IRBMFDTA	IRBMFMPR	IRBMFLMV
IKJ56403I	IKJEFLE	IKJEFGLM	IKJEFGLN		IRBMFSAR	IRBMFMPR	IRBMFLMV
IKJ56404I	IKJEFLE	IKJEFGLM	IKJEFGLN				
IKJ56405I	IKJEFLE	IKJEFGLM	IKJEFGLN				
IKJ56406I	IKJEFLGB	IKJEFLGB	IKJEFLGB				
IKJ56407I	IKJEFLEA	IKJEFGLM	IKJEFGLN				
IKJ56408I	IKJEFLEA	IKJEFGLM	IKJEGLN				

Message ID	Module Detect	Module Issuing	Module Containing	Message ID	Module Detect	Module Issuing	Module Containing
	IEFBB401	IEFAB4FD	IEFBB4M2	IEF622I	IEFVFA	IEFVGM	IEFVGM3
	IEFBB410	IEFAB4FD	IEFBB4M2	IEF623I	IEFVFA	IEFVGM	IEFVGM3
IEF458D	IEFAB4DC	IEFAB4DC	IEFBB4M5	IEF624I	IEFVDA	IEFVGM	IEFVGM4
IEF465I	IEFAB427	IEFAB4FD	IEFBB4M2		IEFVFA	IEFVGM	IEFVGM4
IEF467I	IEFAB479	IEFAB4FD	IEFBB4M3	IEF625I	IEFVFA	IEFVGM	IEFVGM4
IEF468I	IEFBB410	IEFAB4FD	IEFBB4M5	IEF626I	IEFVFA	IEFVGM	IEFVGM4
IEF469I	IEFBB410	IEFAB4FD	IEFBB4M5	IEF627I	IEFVFA	IEFVGM	IEFVGM4
IEF470I	IEFBB410	IEFBB410	IEFBB4M4	IEF628I	IEFVFA	IEFVGM	IEFVGM4
IEF471E	IEFBB410	IEFBB410	IEFBB4M4	IEF629I	IEFVFA	IEFVGM	IEFVGM4
IEF472I	IEFBB410	IEFAB4FD	IEFBB4M4	IEF630I	IEFVDA	IEFVGM	IEFVGM4
IEF473I	IEFAB436	IEFAB4FD	IEFBB4M2		IEFVFA	IEFVGM	IEFVGM4
	IEFAB478	IEFAB4FD	IEFBB4M2	IEF631I	IEFVDA	IEFVGM	IEFVGM4
	IEFAB489	IEFAB4FD	IEFBB4M2	IEF632I	IEFVDA	IEFVGM	IEFVGM5
IEF474I	IEFBB404	IEFAB4FD	IEFBB4M3		IEFVEA	IEFVGM	IEFVGM5
IEF475I	IEFAB441	IEFAB4FD	IEFBB4M3		IEFVFA	IEFVGM	IEFVGM5
	IEFAB442	IEFAB4FD	IEFBB4M3		IEFVJA	IEFVGM	IEFVGM5
	IEFAB479	IEFAB4FD	IEFBB4M3	IEF633I	IEFVJA	IEFVGM	IEFVGM5
IEF476I	IEFAB431	IEFAB4FD	IEFBB4M3	IEF634I	IEFVJA	IEFVGM	IEFVGM5
	IEFAB434	IEFAB4FD	IEFBB4M3	IEF635I	IEFVJA	IEFVGM	IEFVGM5
	IEFAB492	IEFAB4FD	IEFBB4M3	IEF636I	IEFVDA	IEFVGM	IEFVGM5
IEF477I	IEFAB431	IEFAB4FD	IEFBB4M3	IEF637I	IEFVEA	IEFVGM	IEFVGM5
	IEFAB434	IEFAB4FD	IEFBB4M3		IEFVJA	IEFVGM	IEFVGM5
	IEFAB492	IEFAB4FD	IEFBB4M3	IEF638I	IEFVGS	IEFVGM	IEFVGM5
IEF478I	IEFAB431	IEFAB4FD	IEFBB4M3		IEFVGT	IEFVGM	IEFVGM5
	IEFAB434	IEFAB4FD	IEFBB4M3	IEF639I	IEFVGS	IEFVGM	IEFVGM5
	IEFAB492	IEFAB4FD	IEFBB4M3		IEFVGT	IEFVGM	IEFVGM5
IEF479I	IEFAB431	IEFAB4FD	IEFBB4M3	IEF640I	IEFVDA	IEFVGM	IEFVGM6
	IEFAB434	IEFAB4FD	IEFBB4M3		IEFVFA	IEFVGM	IEFVGM6
	IEFAB492	IEFAB4FD	IEFBB4M3		IEFVGM	IEFVGM	IEFVGM6
IEF480I	IEFAB427	IEFAB4FD	IEFBB4M3		IEFVGS	IEFVGM	IEFVGM6
IEF481I	IEFAB479	IEFAB4FD	IEFBB4M3		IEFVGT	IEFVGM	IEFVGM6
IEF482I	IEFAB479	IEFAB4FD	IEFBB4M3	IEF641I	IEFVGM	IEFVGM	IEFVGM6
IEF483I	IEFAB479	IEFAB4FD	IEFBB4M3	IEF642I	IEFVDA	IEFVGM	IEFVGM6
IEF484I	IEFAB479	IEFAB4FD	IEFBB4M3		IEFVEA	IEFVGM	IEFVGM6
IEF485I	IEFAB421	IEFAB4FD	IEFBB4M2		IEFVFB	IEFVGM	IEFVGM6
	IEFAB479	IEFAB4FD	IEFBB4M3		IEFVGT	IEFVGM	IEFVGM6
IEF488I	IEFAB487	IEFAB487	IEFAB4M9		IEFVHCB	IEFVGM	IEFVGM6
IEF489I	IEFAB48A	IEFAB48A	IEFAB4M9		IEFVJA	IEFVGM	IEFVGM6
IEF490I	IEFAB488	IEFAB488	IEFAB4M9	IEF643I	IEFVDA	IEFVGM	IEFVGM6
IEF491I	IEFAB466	IEFAB4FD	IEFBB4M2		IEFVGT	IEFVGM	IEFVGM6
IEF492I	IEFAB452	IEFAB4FD	IEFBB4M3	IEF644I	IEFVGT	IEFVGM	IEFVGM6
IEF493I	IEFAB452	IEFAB4FD	IEFBB4M3	IEF645I	IEFVDA	IEFVGM	IEFVGM6
IEF502I	IEFAB473	IEFAB473	IEFAB4M5		IEFVEA	IEFVGM	IEFVGM6
IEF503I	IEFAB473	IEFAB473	IEFAB4M5		IEFVGS	IEFVGM	IEFVGM6
IEF506I	IEFAB490	IEFAB4FD	IEFAB4M7	IEF646I	IEFVDA	IEFVGM	IEFVGM6
IEF510I	IEFAB473	IEFAB473	IEFAB4M5		IEFVEA	IEFVGM	IEFVGM6
IEF601I	IEFVFA	IEFVGM	IEFVGM1		IEFVJA	IEFVGM	IEFVGM6
	IEFVHA	IEFVGM	IEFVGM1	IEF647I	IEFVDA	IEFVGM	IEFVGM6
	IEFVHCB	IEFVGM	IEFVGM1		IEFVFB	IEFVGM	IEFVGM6
IEF603I	IEFVEA	IEFVGM	IEFVGM1		IEFVGT	IEFVGM	IEFVGM6
IEF605I	IEFVHCB	IEFVGM	IEFVGM1	IEF648I	IEFVDA	IEFVGM	IEFVGM7
	IEFVHM	IEFVGM	IEFVGM1	IEF649I	IEFVDA	IEFVGM	IEFVGM7
IEF606I	IEFVDA	IEFVGM	IEFVGM1	IEF650I	IEFVFA	IEFVGM	IEFVGM7
IEF607I	IEFVHCB	IEFVGM	IEFVGM1	IEF651I	IEFVFA	IEFVGM	IEFVGM7
IEF609I	IEFVEA	IEFVGM	IEFVGM2	IEF652I	IEFVFA	IEFVGM	IEFVGM7
IEF610I	IEFVHA	IEFVGM	IEFVGM2	IEF653I	IEFVFB	IEFVGM	IEFVFB
	IEFVHCB	IEFVGM	IEFVGM2	IEF654I	IEFVDA	IEFVGM	IEFVGM7
IEF611I	IEFVHEB	IEFVGM	IEFVGM2	IEF655I	IEFVDA	IEFVGM	IEFVGM7
	IEFVHCB	IEFVGM	IEFVGM2	IEF657I	IEFVHH	IEFVGM	IEFVGM70
	IEFVHH	IEFVGM	IEFVGM2	IEF658I	IEFVHCB	IEFVGM	IEFVGM70
IEF612I	IEFVFA	IEFVGM	IEFVGM2	IEF659I	IEFVHCB	IEFVGM	IEFVGM70
IEF613I	IEVFEA	IEFVGM	IEFVGM2	IEF660I	IEFVHCB	IEFVGM	IEFVGM70
IEF614I	IEFVEA	IEFVGM	IEFVGM2	IEF661I	IEFVHGM	IEFVGM	IEFVGM70
IEF615I	IEFVEA	IEFVGM	IEFVGM2	IEF662I	IEFVINA	IEFVGM	IEFVGM70
IEF616I	IEFVFA	IEFVGM	IEFVGM3	IEF663I	IEFVINA	IEFVGM	IEFVGM70
IEF617I	IEFVDA	IEFVGM	IEFVGM3	IEF664I	IEFVINA	IEFVGM	IEFVGM71
IEF618I	IEFVFA	IEFVGM	IEFVGM3	IEF665I	IEFVINA	IEFVGM	IEFVGM71
IEF621I	IEFVHC	IEFVGM	IEFVGM3	IEF668I	IEFVHCB	IEFVGM	IEFVGM71

Message ID	Module Detect	Module Issuing	Module Containing	Message ID	Module Detect	Module Issuing	Module Containing
IEF669I	IEFVDA	IEFVGM	IEFVGM71	IKJ56401I	IKJEFLEA	IKJEFGLM	IKJEFGLN
IEF670I	IEFVEA	IEFVGM	IEFVGM71	IKJ56402I	IKJEFLEA	IKJEFGLM	IKJEFGLN
IEF671I	IEFVDA	IEFVGM	IEFVGM71	IKJ56403I	IKJEFLE	IKJEFGLM	IKJEFGLN
IEF672I	IEFVDA	IEFVGM	IEFVGM71	IKJ56404I	IKJEFLE	IKJEFGLM	IKJEFGLN
IEF673I	IEFVEA	IEFVGM	IEFVGM71	IKJ56405I	IKJEFLE	IKJEFGLM	IKJEFGLN
	IEFVJA	IEFVGM	IEFVGM71	IKJ56406I	IKJEFLEA	IKJEFGLM	IKJEFGLN
IEF674I	IEFVEA	IEFVGM	IEFVGM1	IKJ56407I	IKJEFLEA	IKJEFGLM	IKJEFGLN
IEF675I	IEFVEA	IEFVGM	IEFVGM1	IKJ56408I	IKJEFLEA	IKJEFGLM	IKJEFGLN
IEF676I	IEFVJA	IEFVGM	IEFVGM3	IKJ56409I	IKJEFLEA	IKJEFGLM	IKJEFGLN
IEF677I	IEFVGM	IEFVHR	IEFVHR	IKJ56410I	IKJEFLEA	IKJEFGLM	IKJEFGLN
IEF678I	IEFVGM	IEFVGM	IEFVGM3	IKJ56411I	IKJEFLEA	IKJEFGLM	IKJEFGLN
	IEFVHA	IEFVGM	IEFVGM3	IKJ56412I	IKJEFLE	IKJEFGLM	IKJEFGLN
	IEFVHCB	IEFVGM	IEFVGM3	IKJ56420I	IKJEFLE	IKJEFGLM	IKJEFGLN
	IEFVHE	IEFVGM	IEFVGM3	IKJ56421I	IKJEFLE	IKJEFGLM	IKJEFGLN
IEF679I	IEFVHA	IEFVHR	IEFVHR	IKJ56422I	IKJEFLE	IKJEFGLM	IKJEFGLN
	IEFVHCB	IEFVHR	IEFVHR	IKJ56423I	IKJEFLE	IKJEFGLM	IKJEFGLN
	IEFVHE	IEFVHR	IEFVHR	IKJ56424I	IKJEFLE	IKJEFGLM	IKJEFGLN
	IEFVINA	IEFVHR	IEFVHR	IKJ56425I	IKJEFLE	IKJEFGLM	IKJEFGLN
IEF680I	IEFVGM	IEFVHR	IEFVHR		IKJEFLE		
IEF681I	IEFVDA	IEFVGM	IEFVGM70	IKJ56428I	IKJEFLEA	IKJEFGLM	IKJEFGLN
IEF684I	IEFVDA	IEFVGM	IEFVGM71	IKJ56429A	IKJEFLE	IKJEFGLM	IKJEFGLN
IEF685I	IEFVDA	IEFVGM	IEFVGM71	IKJ56450I	IKJEFLE	IKJEFGLM	IKJEFGLN
IEF687I	IEFAB441	IEFAB4FD	IEFBB4M3	IKJ56450I	IKJEFLE	IKJEFGLM	IKJEFGLN
IEF700I	IEFAB486	IEFAB4FD	IEFBB4M2	IKJ56451I	IKJEFLE	IKJEFGLM	IKJEFGLN
	IEFAB489	IEFAB4FD	IEFBB4M2	IKJ56452I	IKJEFLE	IKJEFGLM	IKJEFGLN
	IEFAB491	IEFAB4FD	IEFBB4M2		IKJEFLE		
IEF701I	IEFAB477	IEFAB4FD	IEFBB4M2		IKJEFLE		
	IEFAB490	IEFAB4FD	IEFBB4M2	IKJ56453I	IKJEFLE	IKJEFGLM	IKJEFGLN
IEF702I	IEFAB485	IEFAB4FD	IEFBB4M2	IKJ56454I	IKJEFLE	IKJEFGLM	IKJEFGLN
IEF703I	IEFAB427	IEFAB4FD	IEFBB4M3		IKJEFLE		
IEF710I	IEFAB495	IEFAB495	IEFAB4M4		IKJEFLE		
IEF711I	IEFAB494	IEFAB494	IEFAB4M4		IKJEFLEA	IKJEFGLM	IKJEFGLN
IEF712I	IEFAB49B	IEFAB49B	IEFAB4M4		IKJEFLE	IKJEFGLM	IKJEFGLN
IEF713I	IEFAB495	IEFAB4FD	IEFBB4M2	IKJ56455I	IKJEFLE	IKJEFGLM	IKJEFGLN
IEF714I	IEFAB495	IEFAB4FD	IEFBB4M2	IKJ56456I	IKJEFLE	IKJEFGLM	IKJEFGLN
IEF715I	IEFAB495	IEFAB4FD	IEFBB4M2	IKJ56457I	IKJEFLL	IKJEFGLM	IKJEFGLN
IEF716I	IEFAB495	IEFAB4FD	IEFBB4M2	IKJ56470I	IKJEFLL	IKJEFGLM	IKJEFGLN
	IEFAB49B			ILR001I	ILRTMI00	ILRTMI00	ILRTMI00
IEF717I	IEFAB495	IEFAB4FD	IEFBB4M2	ILR002I	ILRTMI00	ILRTMI00	ILRTMI00
IEF718I	IEFAB495	IEFAB4FD	IEFBB4M2		ILRTMI01	ILRTMI01	ILRTMI01
IEF719I	IEFAB434	IEFAB4FD	IEFBB4M3	ILR003A	ILRTMI00	ILRTMI00	ILRTMI00
		IEFAB492			ILRTMI01	ILRTMI01	ILRTMI01
IEF720I	IEFAB434	IEFAB4FD	IEFBB4M3	ILR004I	ILRTMI00	ILRTMI00	ILRTMI00
	IEFAB492				ILRTMI01	ILRTMI01	ILRTMI01
IEF721I	IEFAB490	IEFAB4FD	IEFBB4M3	ILR005I	ILRPTM	ILRMSG00	ILRMSG00
IEF722I	IEFIB600	IEFIB600	IEFIB650		ILRMSG00		
IEF861I	IEFSD102	IEFSD102	IEFIB650	ILR006I	ILRPTM	ILRMSG00	ILRMSG00
IEF863I	IEFSD102	IEFSD102	IEFIB650		ILRMSG00		
IKJ600I	IKJEFLE	IKJEFGLM	IKJEFGLN	ILR007I	ILRPTM	ILRMSG00	ILRMSG00
	IKJEFLL				ILRMSG00		
IKJ601I	IKJEFLE	IKJEFGLM	IKJEFGLN		ILRMSG00		
	IKJEFLL			ILR008W	ILRMSG00	ILRMSG00	ILRMSG00
IKJ602I	IKJEFLE	IKJEFGLM	IKJEFGLN	ILR009I	ILRMSG00	ILRMSG00	ILRMSG00
IKJ603I	IKJEFLEA	IKJEFGLM	IKJEFGLN	ILR010I	ILRPTM	ILRMSG00	ILRMSG00
	IKJEFLE				ILRMSG00		
IKJ605I	IKJEFLEA	IKJEFGLM	IKJEFGLN	ILR020I	ILRTMI00	ILRTMI00	ILRTMI00
IKJ606I	IKJEFLE	IKJEFGLM	IKJEFGLN	ILR021I	ILRTMI01	ILRTMI01	ILRTMI01
IKJ608I	IKJEFLE	IKJEFGLM	IKJEFGLN	ILR022A	ILRTMI00	ILRTMI00	ILRTMI00
	IKJEFLE				ILRTMI01	ILRTMI01	ILRTMI01
	IKJEFLEA			IRA100I	IRARMEVT	IRARMSRV	IRARMSG
	IKJEFLL			IRA101I	IRARMEVT	IRARMSRV	IRARMSG
IKJ609I	IKJEFLE	IKJEFGLM	IKJEFGLN	IRA102I	IRARMEVT	IRARMSRV	IRARMSG
IKJ54050I	IEAVAR04	IEAVAR00	IEAVAR00	IRA200I	IRARMSTM	IRARMSRV	IRARMSG
	IEAVAR00	IEAVAR00	IEAVAR00	IRA201I	IRARMSTM	IRARMSRV	IRARMSG
	IEAVAR05	IEAVAR05	IEAVAR05	IRA202I	IRARMSTM	IRARMSRV	IRARMSG
IKJ56400A	IKJEFLEA	IKJEFGLM	IKJEFGLN	IRA300I	IEEMB812	IEEMB812	IEEMB812
				IRA301I	IEEMB812	IEEMB812	IEEMB812

Message ID	Module Detect	Module Issuing	Module Containing	Message ID	Module Detect	Module Issuing	Module Containing
IRB100I	IRBMFDTA	IRBMFMPR	IRBMFLMV	IRB304I	IRBMFINP	IRBMFMPR	IRBMFLMV
IRB101I	IRBMFMFC	IRBMFMPR	IRBMFLMV	IRB305I	IRBMFINP	IRBMFMPR	IRBMFLMV
IRB102I	IRBMFMFC	IRBMFMPR	IRBMFLMV	IRB306D	IRBMFINP	IRBMFMPR	IRBMFLMV
IRB103I	IRBMFINP	IRBMFMPR	IRBMFLMV	IRB308A	IRBMFINP	IRBMFMPR	IRBMFLMV
IRB200I	IRBMFMFC	IRBMFMPR	IRBMFLMV	IRB309I	IRBMFINP	IRBMFMPR	IRBMFLMV
IRB201I	IRBMFMLN	IRBMFMPR	IRBMFLMV	IRB400I	IRBMFRGM	IRBMFMPR	IRBMFLMV
IRB202I	IRBMFMFC	IRBMFMPR	IRBMFLMV	IRB401I	IRBMFRGM	IRBMFMPR	IRBMFLMV
IRB300I	IRBMFINP	IRBMFMPR	IRBMFLMV	IRB402I	IRBMFDTA	IRBMFMPR	IRBMFLMV
IRB301I	IRBMFINP	IRBMFMPR	IRBMFLMV		IRBMFSAR	IRBMFMPR	IRBMFLMV
IRB302I	IRBMFINP	IRBMFMPR	IRBMFLMV				
IRB303I	IRBMFINP	IRBMFMPR	IRBMFLMV				

Return Code Table

This table is an alphabetic list of scheduler, supervisor, MF/1, SRM, and ASM object modules and the return codes they set. Where more than one meaning is given for a single return code, the applicable meaning is sometimes indicated in the reason code set by the module. (See the lists of reason codes in 'Miscellaneous Diagnostic Aids,' Section 6.)

Object Module	Location of Code	Return Code	Meaning
IEAVADOA	register 15	0	Dump of nucleus, SQA, LSQA, and SVCs completed normally.
		4	Dump failed -- insufficient space.
IEAVADOB	register 15	0	Dump of registers, LPA, and JPA completed normally.
		8	Dump failed -- insufficient space.
IEAVADOC	register 15	0	Trace dump completed normally.
		4	GETMAIN failed.
		8	UPR unexpected.
		12	GETMAIN for save area failed.
		16	GTF failed.
IEAVADOD	register 15	0	Dump of user's subpools and SWA completed normally.
		8	Dump failed -- insufficient space.
IEAVAD00	register 15	0	Dump complete.
		4	Partial dump taken.
		8	Unable to dump.
IEAVAD01			
IEAVAD01	register 15	0	Snap dump successful.
		4	Snap dump failed: DCB not open or inconsistent with JCL.
		8	Snap dump failed: TCB not valid or read failed for JFCB or JFCBE.
		12	Snap dump failed: DCB type incorrect.
SNPRCUR	register 15	0	Valid snap parameter list
		4	UPR for DCB.
		8	UPR for TCB.
IEAVAD02	register 15	0	Dump of PSW completed normally.
		4	Dump failed -- insufficient space.
IEAVAD03	register 15	0	Dump of control blocks completed normally.
		4	Dump failed -- insufficient space.
IEAVAD05	register 15	0	Dump of control blocks completed normally.
		4	Dump failed -- insufficient space.
IEAVAD06	register 15	0	Dump of QCB and QEL completed normally.
		4	Dump failed -- insufficient space.
IEAVAD07	register 15	0	Dump of save areas completed normally.
		4	Dump failed -- insufficient space.
IEAVAD08	register 15	0	GTF or TCAM dump formatting routine was involved.
		8	Space for save area not available.
IEAVAD31	register 15	0	Dump formatting routine completed normally.
		8	Unexpected UPR.
IEAVAD51	register 15	0	Dump formatting routine completed normally.
		8	Unexpected UPR.
IEAVAD71	register 15	0	Dump formatting routine completed normally.
		8	Space for save area not available.
		12	Last VCB processed did not contain operation flag.
IEAVAR00	SDWARCDE	0	Continue with termination.
		4	Retry.
IEAVAR02			
IEAVAFR2	SDWARCDE	0	Continue with termination.
IEAVAR03			
IEAVAFR3	SDWARCDE	0	Continue with termination.
IEAVAR04			
IEAVAFR4	SDWARCDE	0	Continue with termination.
		4	Retry.

Object Module	Location of Code	Return Code	Meaning
IEAVAR05 IEAVFR5	SDWARCDE	0	Continue with termination.
		4	Retry.
IEAVAR06 IEAVFR6	SDWARCDE	0	Continue with termination.
IEAVAR07 IEAVFR7	register 15	0	Successful execution.
	SDWARCDE	0	Continue with termination.
IEAVAX00 IGC0009F	register 15	0	Successful execution of STAX routine.
		4	Defer has already been requested.
		8	Invalid parameter; STAX request is ignored.
		0	Successful formatting of the extent or pool.
		8	Invalid CPID or unformatted pool.
IEAVBLDP	register 15	0	Successful formatting of the extent or pool.
		8	Invalid CPID or unformatted pool.
		12	Invalid subpool.
		16	Invalid cell size.
		20	An incompatible request is in process concurrently against the specified pool.
IEAVCARR IEAVCARR IEAVTTRR IEAVFARR	SDWARCDE	0	Continue with termination.
		4	Retry.
		SDWARCRD	1
IEAVCKEY IEAVCKRR	register 15	0	Storage key for area has successfully been changed.
	SDWARCDE	0	Continue with termination.
IEAVCSEG	register 15	4	Retry.
		0	Successful creation.
		4	Creation request not satisfied.
IEAVCSGB	register 15	8	Segment is already valid - ID is in register 0.
		0	Successful creation.
		4	Creation request not satisfied.
IEAVDELP	register 15	8	Segment is already valid - ID is in register 0.
		0	Successful deletion.
		4	Error during FREEMAIN of a deleted extent.
		8	An attempt was made to delete a pool created by NIP.
IEAVEACO	register 15	12	An attempt was made to delete an unformatted pool or to delete an extent of a pool that has no extents.
		16	Invalid or null CPID passed.
		20	A mutually exclusive operation is taking place concurrently.
		0	Change in ASCB dispatching queue was successful.
IEAVEATO IGC0004B	register 15	4	Specified ASCB not on queue.
IGC044R2	register 15	0	ATTACH completed normally.
		4	ATTACH was issued from a STAE exit routine.
		8	Insufficient storage for STAE control block.
		12	Invalid address of exit routine or parameter list on STAI operand of ATTACH macro instruction.
		14	System task specified JSTCB = YES, but was not itself a job step task.
IGC044R2	register 15	18	New task cannot be created -- invalid combination (job-step tasks and non-job-step tasks would be subtasks of the same task).
		0	TCB queues of current address space are usable.
		4	TCB queues are not usable -- invalid ASCB or ASXB.
		8	TCB queues were not checked.
		12	TCB dispatching queue is empty after processing by queue verifier.

Object Module	Location of Code	Return Code	Meaning
IEAVECHO			
IGC044R1	register 15	0	Do not schedule retry.
IGC044R2	register 15	0	TCB queues of current address space are usable.
		4	TCB queues are not usable -- invalid ASCB or ASXB.
		8	TCB queues were not checked.
		12	TCB dispatching queue is empty after processing by queue verifier.
IEAVEDR	register 15	0	Signal to CPU (SIGP) successfully initiated.
		4	Specified CPU is not online.
		8	Signal failed.
		12	Specified CPU is not operating.
		16	Specified CPU is a uniprocessor -- signal failed.
IEAVEEDO			
IGC062	register 15	0	No 33E ABEND code.
		4	An incomplete subtask abnormally terminated with code 33E.
IEAVELK	register 13	0	Obtaining a lock was successful.
		4	The lock is already held by the caller.
		8	Lock was not obtained -- it is held by another CPU.
IEAVEMIN	Cross-memory- post ECB	0	Success.
		4	Failure.
IEAVEMRQ	register 15	0	Successful.
		4	No assignment by system resources manager.
		8	System overloaded.
		12	Unexpected ABEND.
IEAVENQ1	register 15	0	See ENQ/RESERVE Processing and DEQ Processing descriptions.
IEAVEQR	register 15	0	Real storage allocated or freed in behalf of a V = R region.
		4	Allocation delayed; wait on ECB.
		8	Real storage is available, but corresponding virtual space is not.
		16	Allocation was not possible or specified V = R region did not exist (for freeing).
IEAVERI	register 15	0	Signal to CPU (SIGP) was successfully initiated.
		4	Specified CPU is not online.
		8	Signal failed -- register 1 contains status bits.
		12	Specified CPU is not operating.
		16	Specified CPU is a uniprocessor -- signal failed.
		20	Specified CPU was taken offline during the spin routine.
IEAVERP	register 15	0	Signal to CPU was successfully initiated.
		4	Specified CPU is not online.
		8	Signal failed -- register 0 contains status bits.
		12	Specified CPU is not operating.
		16	Specified CPU is a uniprocessor -- signal failed.
IEAVEVTO	register 15		Irrelevant.
IEAVFP			
IEAVFP1	register 15	0	Successful location of page.
		4	Input virtual storage address resides in invalid segment.
		8	An internal RSM error was detected.
IEAVFP2	register 15	0	Successful location of page.
		4	Virtual storage address resides in invalid segment.
		8	An internal RSM error was detected.
IEAVFRCL	register 15	0	The cell has been returned to its pool.
		4	The cell was not allocated from this pool.
		8	The cell does not belong to any extent of this pool.
		12	The pool contains no extents or is unformatted.
		16	The CPID references an undefined pool.
IEAVFREE	CIWRETC	0	Successful PGFREE operation.
		4	PGFREE not successful.
		16	Input parameter error in a VSL entry address.

Object Module	Location of Code	Return Code	Meaning
IEAVFXLD	CIWRETC	0	Request satisfied immediately.
		4	Invalid page address in a VSL entry or internal RSM error.
		8	Request being processed; final completion of the request will occur when paging I/O is complete.
		16	Input parameter error in VSL entry.
		20	SQA or LSQA space not available for required GETMAIN operation.
IEAVGCAS	register 15	0	Successful create processing.
		4	Unsuccessful create processing; locking hierarchy violation.
IEAQSPET	register 15	0	Successful clean-up.
		4	Unsuccessful clean-up.
IEAVGFAS	register 15	0	Successful clean-up.
		4	Unsuccessful clean-up; locking hierarchy violation.
IEAVGFA	register 15	0	All pages allocated and available for immediate use.
		4	Request in process; asynchronous completion.
		8	Stage 1 Swap-In rejected due to lack of available frames.
IEAVGFRR	register 15	0	Continue termination.
		4	Retry.
IEAVGM00 GMBRANCH FMBRANCH RMBRANCH CRBRANCH GLBRANCH IGC004 IGC005 IGC010 IGC120 MRELEASR	register 15	0	Successful GETMAIN or FREEMAIN.
		4	Unsuccessful GETMAIN or FREEMAIN.
		8	For a GETMAIN for SQA or LSQA, a real frame is not available; for a FREEMAIN of a local page that is fixed, the TCBEOTFM bit is set to one.
		0	Continue with termination.
		4	Retry.
		1	Recording is desired.
		0	A cell has been allocated.
		4	No cells are available.
		8	The pool pointers to available cells have been destroyed.
		12	The pool has never been formatted.
16	The CPID specified has never been defined to the system with a IEAVBLDP operation.		
IEAVGPRR	SDWARCDE	0	Continue with termination.
		4	Retry.
IEAVGTCL	register 15	1	Recording is desired.
		0	A cell has been allocated.
IEAVID00 IGC041	register 15	4	No cells are available.
		8	The pool pointers to available cells have been destroyed.
		12	The pool has never been formatted.
		16	The CPID specified has never been defined to the system with a IEAVBLDP operation.
		0	Successful completion.
		4	Entry point name and address already exist.
		8	Entry point name duplicates the name of a load module currently available.
		12	Entry point address is not within an eligible load module.
		16	Caller is not operating with a PRB.
		20	An IDENTIFY macro instruction was previously issued using the same entry point name by a different address.
24	Invalid parameter list.		
32	Invalid extent list or module address.		
40	Unexpected system error.		
FRSVC41	register 15	0	Continue with termination of routine.
		4	Retry at error exit in IEAVID00.

Object Module	Location of Code	Return Code	Meaning
IEAVIOCP			
IEAVCPBR	register 15	0	All PCBs encountered were processed without having to schedule IEAVIOCP.
		4	IEAVIOCP had to be scheduled to process one or more PCBs found on either the input string or on the PCB I/O active queues.
IEAVITAS	register 15	0	Successful processing.
		4	Function not performed.
IEAVLK00			
IGC009	register 15	0	DELETE routine found module.
		4	DELETE routine could not find module.
IEAVLK02			
IEAPPGMX	register 15	0	Clean-up for EXIT, DELETE, ABEND, or EDT succeeded.
		4	Clean-up for EXIT, DELETE, ABEND, or EDT failed.
IEAPPGMA	register 15	0	Clean-up for EXIT, DELETE, ABEND, or EDT succeeded.
		4	Clean-up for EXIT, DELETE, ABEND, or EDT failed.
IEAVLK03			
FRRPGMMG	register 15	0	Continue with termination.
FRRPGMX	register 15	4	Request retry processing.
IEAVMASV			
IEAVTPUT	termination ECB		Posted to indicate that there are no more active monitoring terminals or consoles.
IEAVMFRR	register 15	0	Continue with termination.
		4	Attempt a retry of the failing module.
IEAVMWTO	SVRB (XVWQEID)	0	No message was put out.
	SVRB (XVRETCOD)	4	Number of lines in the write parameter list (WPL) was zero.
		8	The message identification passed in register 0 did not match any of the WQE message identifications currently on the WQE chain. This could result from : 1) register 0 not being zero for the first multiple line WTO(MLWTO) service request. 2) The multiple line message was going to a console that encountered an I/O error. The multiple line message was deleted when the console functions were switched from the failing console to another console. Multiple line messages are not switched. 3) The user lost the message identification passed to him in register 1 after the execution of the WTO or WTOR macro instruction.
		12	A new multiple line message (MLWTO) consists only of an end message.
		16	Routing code 11 (WTP) was the only routine code specified.
		20	The multiple line message (MLWTO) was sent only to hardcopy.
IEAVOUT	CIWRETC	0	Successful page-out.
		4	Invalid address in VSL.
		12	Page-out not done for one or more pages.
		16	Input parameter error in VSL entry.
		20	Internal error detected.
IEAVPCB	register 15	0	Successful processing.
		4	Not enough PCBs to satisfy build request.
IEAVPIX	register 15	0	Current user cannot be redispached; page-in is required or allocation is deferred.
		4	Current user may be redispached.
		8	A local protection exception has been detected.
		12	An internal error has occurred.
IEAVPREF	register 15	0	No frame was found that is eligible to be stolen.
		non-zero	Real block number (RBN) of a frame to be stolen.
IEAVPRTO	register 15	0	The region was successfully allocated.
		4	Insufficient virtual space is available to back up the V = R request.
		8	Invalid request.
		12	Insufficient contiguous real pages are available to immediately satisfy the V = R region request.
		16	The available allocatable V = R space has been decreased so that the V = R request cannot be honored.

Object Module	Location of Code	Return Code	Meaning
		20	The private area is fragmented with system space such that the region request cannot be honored.
IEAVPSI			
IGC112	register 15	0	Request was satisfied successfully.
		4	Request was not honored.
IGC113			
IEAVPSIB			
IEAVPSII	register 15	0	Operation was completed successfully; ECB has been posted if passed as input.
		4	Operation was not completed; invalid address in VSL entry or register. ECB has been posted complete. ABEND is issued for the requestor's TCB.
		8	Operation is proceeding; ECB will be posted when paging I/O completes.
		16	Input parameter error. Either an invalid combination of operation and option codes was specified on entry, or the VSL, ECB, or TCB addresses supplied were invalid. No ECB is posted. ABEND is issued for the requestor's TCB.
NEXTVSL	register 15	0	Successful validation.
		4	Input VSL invalid.
		8	There are no further VSL entries.
IEAVRCF			
IEAVRCF	register 15	0	Requested action completed. The ECB is not posted.
		4	Requested action in process; it will complete asynchronously. The ECB will be posted when all frames are offline.
		8	Unsuccessful action; either recovery could not be done or one or more frames requested to go offline contain permanently fixed data.
		12	A frame specified by RBN and count exceeds the known storage configuration. No action has been taken and no status is provided for any frame.
		16	An online or offline request incorrectly overlaps a pending offline request, i.e. the overlap is not exact.
		20	Parameter error; no request is indicated on the input parameter.
IEAVRCFI	register 1	0	Frame was accepted by interception. Unchanged frame was rejected by interception because no request existed for it in a root PCB.
IEAVRELS			
IEAVRELS	CIWARETC	0	Successful release.
		4	All pages not released successfully.
		16	Input parameter error in a VSL entry.
IEAVRELV	register 15	0	All pages were released successfully.
		4	All pages not released successfully.
		8	Release for page addressed in register 3 has been deferred.
IEAVRELF	register 15	0	The input page has been successfully released.
		4	The page has not been successfully released.
		8	The input page was not on deferred status but has been put on deferred status.
IEAVRTI1			
IEAQPSTM	register 15	0	Always set on return from this entry.
IEAVRTVR	register 15	0	TQE is valid.
		4	TQE contains some invalid data.
		8	Some part of the TQE cannot be accessed.
IEAVRTOD			
IEAVRINT	register 15	0	Successful operation.
		Not 0	Unsuccessful.
IEAVRSSC	register 15	0	Successful operation.
		Not 0	Unsuccessful.
IEAVRNOT	register 15	0	Successful operation.
		4	Failure.
IEAVRTO0			
IGC0004F	register 15	0	Successful operation.
		8	Unsuccessful; no usable TOD clocks in the system. Error return address specified.

Object Module	Location of Code	Return Code	Meaning
IGC0004G	register 15	0	Successful operation.
		8	Unsuccessful because: <ul style="list-style-type: none"> ● For task type requests, there exists no usable CPU timer in the system or the task has affinity to the executing CPU and the executing CPU has an unusable CPU timer. ● For real or wait type requests, there exists no usable TOD clock in the system or no CPU in the system has a usable clock comparator and TOD clock.
IEAVRT01 IGC0001A	register 15	0	Successful operation.
		8	Unsuccessful - no usable clock in the system and an error return address has been specified.
IEAVRT02 IEAVRDIE	register 15	0	TQE was successfully enqueued.
		4	Unsuccessful - necessary clocks not available.
IEAVSETS IGC079	register 15	0	STATUS routine completed normally.
		4	Specified task is not a subtask of the caller's task.
IGC07902	register 15	0	STATUS routine completed normally.
IGC07903	register 15	0	STATUS routine completed [normal exit].
IEAVSOUT IEAVSOUT	register 15	0	Successful swap-out.
		4	Swap not valid for this address space.
		8	Unable to swap out this address space at this time because: <ul style="list-style-type: none"> ● Changed bad page in user's LSQA. ● GETCELL for SRB to schedule IEAVPIOP failed. ● GETMAIN to obtain SQA for SPCT failed. ● Unable to get enough PCBs from IEAVPCB to swap out the address space. ● ASCBFMCT is in error.
IEAVSQA	register 15	0	Successful allocation.
		4	Allocation failed - No real storage available.
IEAVSTAA	register 15	0	Continue with termination.
		4	Retry at IEAVMQWR.
IEAVSTAO	register 15	0	STA or ESTA request was processed.
		4	ESTAE OV has been requested, but the last SCB is nonexistent, not owned by user's RB, or is not an ESTAE create is performed.
		8	A previous ESTAE create was issued with the BRANCH = YES option. The create was performed and previously-created SCB was eliminated. [Error exit following STAE or STAI request].
	register 15	4	Insufficient storage.
		8	STAE issued in a STAE exit or a cancel or overlay request was issued with no SCB on the queue.
		12	STAI was not issued by the ATTACH macro instruction or STAI was issued with no TCB operand.
		16	A cancel or overlay was requested but SCB is not a STAE SCB or is not owned by requestor's RB. or An unexpected error was encountered while processing the request. [Error exit following STAE, ESTAI, or ESTAR request.]
IEAVSWCH	register 15	12	Invalid cancel request.
		16	Unexpected error occurred.
		20	Insufficient storage.
		0	Operation completed normally.
IEAVSY50 IEAVTABD	register 15	4	No action. The request does not result in a message to either console or the hardcopy log.
		0	Irrelevant.
IEAVTABD	register 15	0	Snap processing was successful.
			or No dump options specified by CHNGDUMP, the requestor, or SYS1.PARMLIB. or No SYSABEND or SYSUDUMP DD was specified.

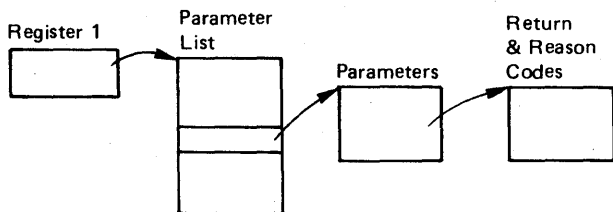
Object Module	Location of Code	Return Code	Meaning
		4	DCB not open or UPR on DCB.
		8	Invalid TCB, UPR, on TCB, or insufficient storage.
		12	Invalid TCB type.
IEAVTAS2	RTM2WA		
	RTM2RCDE	0	Continue with termination.
		4	Retry portion of recovery is requested.
IEAVTAS3	RTM2WA		
	RTM2RCDE	0	Percolation recovery has been set up. or Continue with termination (error exit).
		4	Retry recovery has been set up.
IEAVTERM	register 15	0	Successful termination services performed.
		4	Function not performed.
IEAVTEST			
IEAVTEST	register 15	0	Task authorized.
		4	Task not authorized.
		8	Invalid codes for authorization or function -- code not found in matrix.
IGC119	register 15	0	Task authorized.
		4	Task not authorized.
		8	Invalid codes for authorization or function -- code not found in matrix.
IEAVTMSI	register 15	0	R/T management initialization was successful.
		4	R/T management initialization failed.
IEAVTMTc	register 15	0	Address space termination controller is initialized.
		4	Initialization of address space termination controller failed.
IEAVTRER	register 15	0	Asynchronous recording request was successful.
		4	Request has been scheduled directly from caller's buffer -- no intermediate buffering.
		8	Record for LOGREC has been truncated to fit in available space.
		12	Record has been lost -- insufficient space.
		16	Record has been lost -- error in processing.
		20	Recording request facility is inactive.
IEAVTRET	register 15	0	Recording task successfully initialized.
		4	Initialization of recording task failed.
IEAVTRTE	register 15	0	Successful completion.
		4	Failure during subtask termination processing.
IEAVTRV	register 15	0	Successful translation.
		4	Unsuccessful translation.
IEAVTSBP	register 15	0	All SCBs properly purged and/or transferred.
		4	No TCB address specified. or Unexpected error occurred while processing request.
IEAVTSDR	register 15	0	SVC dump resource manager has completed.
IEAVTSDX	register 15	0	Dump scheduled.
IEAVTSKT	register 15	0	Successful completion.
		4	Failure during subtask termination processing.
IEAVVWTO	register 1 (SVRB (XVWQEID) register 15 SVRB (XVRETCOD)		Message identification or zero if no message sent.
			See IEAVMWTO above.
IEAVXDOM	register 15	0	Normal exit.
		4	Error in register 0 input value.
		8	Error in a message identification.
IEECB801	register 15	non-zero	Error in MLWTO or TPUT operation.

Object Module	Location of Code	Return Code	Meaning
IEECB860	register 15	0	STAE created.
		non-zero	STAE creation failed.
IEECB900	register 15		Irrelevant.
IEECB901	register 15		Irrelevant.
IEECB904	register 15		Irrelevant.
IEEMB803	register 15	0	Log initialized successfully.
		4	Return to ABEND/STAE processing for retry. Meaning depends on time of error: <ul style="list-style-type: none"> • After OPEN: log not initialized; log data set could not be opened. • After BLDCPOOL: log not initialized; storage not available. • After PUT: internal ABEND macro instruction is issued.
		non-zero	Log is not initialized: after issuing IEFSSREQ (JES2 interface) or SVC 99 (dynamic allocation interface).
IEEMB806	register 15	0	ESTAE environment created.
		4	ESTAE environment not created.
IEEMB812	register 15	0	The IPS has been changed.
		4	The IPS data in IEAIPsxx is invalid.
		8	IEAIPsxx list cannot be found in SYS1.PARMLIB.
		12	An I/O error occurred in reading IEAIPsxx.
		16	SYS1.PARMLIB cannot be opened.
IEEMB825	register 15	0	No retry necessary.
IEEMB830	register 15	0	Record moved to SMF buffer.
		4	Truncated record written.
		8	Attempting to write record that is less than 18 bytes.
		16	SMF not recording.
IEESTPRS	register 15	4	Subroutine can't stop system because one CPU is disabled for machine check interruption.
		8	Subroutine can't stop system because one online CPU was in check stop state.
		12	Error code received from IPC routine.
		16	Recovery routine has gotten control. System is restored to subroutine entry state.
		20	A CPU has failed to restart in the FLIH.
IEEVDEV	register 15	0	For function code x'00': an operational path to the device is available. For function code x'01': other paths exist; removing CPU does not remove last path. For function code x'02': other paths exist; removing channel does not remove last path.
		4	For function code x'00': the path, channel, or CPU needed to bring the device online is unavailable. For function code x'01': no other paths exist; the CPU is the last path to the device. For function code x'02': no other paths exist; the channel is the last path to the device.
		8	No working storage available; function has not been performed.
		12	No operational paths to the device are available.
		16	Device remains offline.
		20	Meaningless: If this appears, a 'processor failure' message is required.
IEEVPTH	register 15	0	Vary is successful (online request).
		8	Meaningless: If this appears, a 'processor failure' message is required.
		12	Same as for an offline request.
		16	Same as for an offline request.
IEEVPTH	register 15	20	Meaningless: If this appears, a 'processor failure' message is required.
		0	Vary is successful (offline request).
		4	Last path successfully varied offline.
		8	Cannot vary - would remove last path.
		12	Invalid path specified.
		16	Cannot find UCB for the device address.
20	UCB represents a shared DASD, and specified path is reserved.		

Object Module	Location of Code	Return Code	Meaning
IEE0303D	register 15	0	Chain manipulated successfully.
		4	CIB or CSCB pointers don't match.
		8	Error related to problem-program-issued situation.
IEE0703D	register 15	0	Successful processing.
		4	PROC name or TASK name length over 8 characters or invalid command operand or CSCB/CIB count limit reached.
IEE0803D	register 15	0	Successful completion of SVC 34 processing.
		8	ASID/ASCB failure in memory-creating LOGON command.
IEE1403D	register 15	4	Operand missing.
IEE3603D	register 15	0	Path to device is available.
		non-zero	Path to device is unavailable - device cannot be varied online.
IEE5103D	register 15	8	STAE processing successful.
IEE7103D	register 15	4	Error in obtaining storage in IEAVMNTR.
IEE9403D	register 15		Irrelevant.
IEFAB4A0	register 15	0	Successful completion.
		4	GETMAIN or ESTAE error (as indicated by the reason code).
		8	ESTAE error.
		12	ESTAE error.
			Note: No other return codes are explicitly set by this module; see the routines called by this module (listed in the module description for this module in Section 3, Program Organization) for other possible return codes.
IEFAB4A2	register 15	0	Successful completion.
		4	GETMAIN error.
IEFAB4A3	register 15	0	Successful completion.
		4	GETMAIN error.
IEFAB4A6	register 15	0	Successful completion.
		4	GETMAIN error.
IEFAB4A8	register 15	0	Successful completion.
		4	GETMAIN error.
IEFAB4B0	register 15	0	Successful completion.
IEFAB4B2	register 15	0	Successful completion.
IEFAB4DD	SDWA, if it exists; otherwise, register 15	0	Continue with termination.
IEFAB4DE	SDWA, if it exists; otherwise, register 15	0	Continue with termination.
IEFAB4EA	SDWA, if it exists; otherwise, register 15	0	Continue with termination.
IEFAB4EC	register 15	0	Lock or unlock successfully completed.
		4	ESTAE failure.
		8	Mask of groups to be locked is zero because none of the UCBs in the input list could be found.
		12	GETMAIN failure.

Object Module	Location of Code	Return Code	Meaning
IEFAB4ED	SDWA, if it exists; otherwise, register 15	0	Continue with termination.
IEFAB4EE	register 15	0	Successful completion.
IEFAB4EF	pointed to by second parameter ¹	0	Success.
		4	Failure.
		8	Failure.
IEFAB4E0			Irrelevant.
IEFAB4E1	SDWA, if it exists, otherwise, register 15	0	Continue with termination.
IEFAB4E2	SDWA, if it exists; otherwise, register 15	0	Continue with termination.
IEFAB4E3	register 15	4	Allocation failed.
IEFAB4E4	SDWA, if it exists; otherwise, register 15	4	Retry requested.
IEFAB4E6	SDWA, if it exists; otherwise, register 15	0	Continue with termination.
IEFAB4E8	SDWA, if it exists; otherwise, register 15	0	Continue with termination.
IEFAB4FA	register 15	0	Successful completion.
		4	GETMAIN error.
		16	Cancel ECB posted.
IEFAB4FB	register 15	0	Successful.
IEFAB4FC	register 15	0	Successful completion.
		4	GETMAIN error; or not enough space in TIOT for new entry (as indicated by the reason code).
IEFAB4FD	register 15	0	Successful completion.
IEFAB4FE	register 15	0	Successful completion.
IEFAB4F0	register 15	0	Successful completion.
		4	The job cannot ENQ on the resource.
		8	The job is already ENQ'd on the resource.
IEFAB4F1	register 15	0	Volume can be used.
		4	Volume cannot be used.
IEFAB4F2	register 15	0	Successful completion.
		4	Recall this module when affinity requests are allocated.
IEFAB4F4	pointed to by second parameter ¹	0	Success.
		4	Failure.
IEFAB4F5	pointed to by second parameter ¹	0	Success.
		8	Failure.

¹ The return code is located as follows:

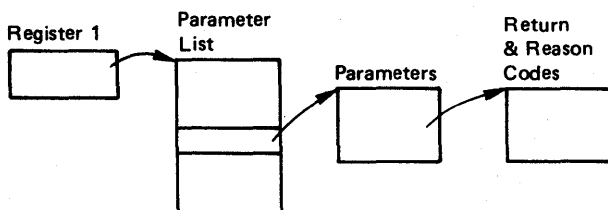


Object Module	Location of Code	Return Code	Meaning
IEFAB4F6			Irrelevant.
IEFAB4F8	register 15	0	Read successful.
		4	Read unsuccessful.
IEFAB4F9	register 15	0	Read successful.
		4	Read unsuccessful.

Object Module	Location of Code	Return Code	Meaning
IEFAB4UV	register 15	0	Successful completion.
		4	Input unit name invalid.
		8	Input unit address not associated with input unit name.
		12	Device group split.
		16	GETMAIN error.
IEFAB421	register 15	0	Successful completion.
		4	No requests allocated.
		8	Some requests allocated.
IEFAB422	register 15		Irrelevant.
IEFAB423	register 15	0	Successful completion.
		4	GETMAIN error; or too many units required; or invalid unit affinity; or invalid volume sequence count; or error in called routines (as indicated by the reason code).
IEFAB424	register 15	0	Successful completion.
		4	GETMAIN error; or invalid unit parameter; or not enough units to satisfy request (as indicated by the reason code).
IEFAB425	register 15	0	Successful completion.
		4	Line is ineligible; or GETMAIN error; or no eligible lines (as indicated by the reason code). Note: See the called routine, IEFAB434, for additional return codes.
IEFAB426	register 15	0	Successful completion.
		4	Too many units required.
IEFAB427	register 15	0	Successful completion.
		4	Subsystem failed request; or called routine (IEFAB428) detected error (as indicated by the reason code).
IEFAB428	register 15	0	Successful completion.
		4	GETMAIN error; or called routine (IEFAB4FC) detected error (as indicated by the reason code).
IEFAB430	register 15	0	Successful completion.
		4	GETMAIN error; or two requests for same unit is invalid (as indicated by the reason code). Note: No other return codes are explicitly set by this module; see the routines called by this module (listed in the module description for this module in Section 3, Program Organization) for other possible return codes.
IEFAB431	register 15	0	Successful completion.
		4	DADSM error; or error detected by called routine (IEFAB428) (as indicated by the reason code).
IEFAB432	register 15	0	Successful completion.
		20	Volume mounted on unit in unserialized group.
		32	Recoverable DADSM error.
		36	Nonrecoverable DADSM error; or volume mounted on ineligible device type (as indicated by the reason code).
		40	Volume mounted on unit in unserialized generic. Note: No other return codes are explicitly set by this module; see the routines called by this module (listed in the module description for this module in Section 3, Program Organization) for other possible return codes.
IEFAB433	register 15	0	Successful completion. Note: No other return codes are explicitly set by this module; see the routines called by this module (listed in the module description for this module in Section 3, Program Organization) for other possible return codes.
IEFAB434	register 15	0	Successful completion.
		12	Recoverable DADSM error.
		16	Nonrecoverable DADSM error. Note: No other return codes are explicitly set by this module; see the routines called by this module (listed in the module description for this module in Section 3, Program Organization) for other possible return codes.

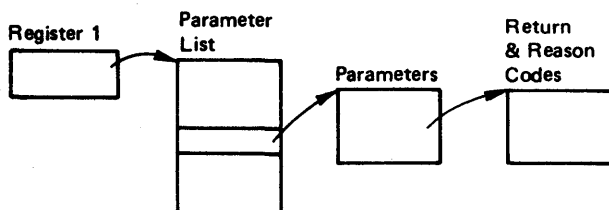
Object Module	Location of Code	Return Code	Meaning
IEFAB435	register 15	0	Successful completion.
		4	GETMAIN error.
		20	Volume mounted on unit in unserialized group.
		24	Volume mounted on unit in unserialized generic.
		28	Volume allocated on another unit.
			Note: No other return codes are explicitly set by this module; see the routines called by this module (listed in the module description for this module in Section 3, Program Organization) for other possible return codes.
IEFAB436	register 15	0	Successful completion.
		4	GETMAIN error; or no space on storage volumes (as indicated by the reason code).
		36	Failing error from IEFAB434.
			Note: No other return codes are explicitly set by this module; see the routines called by this module (listed in the module description for this module in Section 3, Program Organization) for other possible return codes.
IEFAB438	register 15		The DDR count is passed back in register 15 as a return code.
IEFAB440	register 15	0	Successful completion.
		4	GETMAIN error.
IEFAB441	register 15	0	Successful completion.
		4	Volume in use by system function; or volume mounted on incompatible device type; or volume allocated and waiting not allowed; or volume mounted on ineligible fixed device; or IEFAB434 detected an error; or IEFAB49C detected an error. The type of error is indicated by the reason code. (See description of IEFAB442 for other possible return codes.)
IEFAB442	register 15	0	Successful completion or non-failing error.
		4	Too many units required; or error from IEFAB428; or affinity request is a demand request and can't be changed to another unit (as indicated by the reason code).
IEFAB451	register 15	0	Success.
		4	Error.
IEFAB452	pointed to by third parameter ¹	0	Success.
		4	STEPCAT syntax or data-set-type error -- failure (as indicated by the reason code).
IEFAB453	pointed to by third parameter ¹	0	Success.
		4	Referenced DD not allocated -- failure.
IEFAB457	pointed to by third parameter ¹	0	Success.
		4	Volume reference to GDG--failure; or volume reference to DD in a step that was not executed -- failure (as indicated by the reason code).
IEFAB458	pointed to by third parameter ¹	0	Success.
		4	Failure.
IEFAB459	pointed to by third parameter ¹	8	Failure.
		4	Failure.
IEFAB461	pointed to by third parameter ¹	0	Success.
		4	Failure.

¹ The return code is located as follows:



Object Module	Location of Code	Return Code	Meaning
IEFAB464	pointed to by third parameter ¹	0	Success.
		4	Failure.
IEFAB466	pointed to by third parameter ¹	0	Success.
		8	Failure.
IEFAB469	pointed to by third parameter ¹	0	Success.
		4	Failure.
		8	Failure.
IEFAB470	pointed to by third parameter ¹	0	Success.
		4	Failure.
IEFAB471	register 15	0	Successful completion.
		4	GETMAIN error. Note: No other return codes are explicitly set by this module; see the routines called by this module (listed in the module description for this module in Section 3, Program Organization) for other possible return codes.
IEFAB472	register 15	0	Successful completion.
		4	GETMAIN error; or two demand requests in same multi-unit, multi-generic group want different generic device types; or error detected by IEFAB4FA (as indicated by the reason code).
IEFAB473	register 15	0	Successful completion.
		4	Error reading label.
		8	Tape with non-standard labels not handled.
		12	ANSI tape in non-ANSI system.
		16	Duplicate volume serial number.
IEFAB474	register 15	0	Successful completion.
IEFAB475	register 15	0	Successful completion; or non-failing error (as indicated by the reason code).
		4	Not enough eligible devices; or volume mounting not allowed; or GETMAIN error (as indicated by the reason code). Note: No other return codes are explicitly set by this module; see the routines called by this module (listed in the module description for this module in Section 3, Program Organization) for other possible return codes.
IEFAB476	register 15	0	Successful completion.
		4	GETMAIN error. Note: No other return codes are explicitly set by this module; see the routines called by this module (listed in the module description for this module in Section 3, Program Organization) for other possible return codes.
IEFAB477	register 15	0	Successful completion.
		4	GETMAIN error; or request not scratched (as indicated by the reason code). Note: No other return codes are explicitly set by this module; see the routines called by this module (listed in the module description for this module in Section 3, Program Organization) for other possible return codes.
IEFAB478	register 15	0	Successful completion; or non-failing error (as indicated by the reason code).
		4	GETMAIN error; or System Resources Manager error (as indicated by the reason code). Note: No other return codes are explicitly set by this module; see the routines called by this module (listed in the module description for this module in Section 3, Program Organization) for other possible return codes.

¹The return code is located as follows:



Object Module	Location of Code	Return Code	Meaning
IEFAB479	register 15	0	Successful completion; or non-failing error (as indicated by the reason code).
		4	More than one unit required for request; or unit in use by system function; or allocation can't consider offline units; or volumes cannot be mounted; or requested device is console; or volume mounted is permanently resident or reserved; or allocation cannot wait for allocated units (as indicated by the reason code). Note: No other return codes are explicitly set by this module; see the routines called by this module (listed in the module description for this module in Section 3, Program Organization) for other possible return codes.
IEFAB48A	register 15	0	Successful completion.
		4	Allocation environment changed. Note: No other return codes are explicitly set by this module; see the routines called by this module (listed in the module description for hits module in Section 3, Program Organization) for other possible return codes.
IEFAB480	register 15	0	Successful completion.
		4	Preliminary solution cannot be found.
		8	Required request not satisfied.
		12	Error in input flags.
IEFAB481	register 15	0	Successful completion.
		16	GETMAIN error.
IEFAB485	register 15	0	Successful completion.
		4	Volume mounting not allowed; or GETMAIN error; or cannot use offline or allocated units (as indicated by the reason code). Note: No other return codes are explicitly set by this module; see the routines called by this module (listed in the module description for this module in Section 3, Program Organization) for other possible return codes.
IEFAB486	register 15	0	Successful completion.
		4	GETMAIN error; or one generic cannot cover entire request (as indicated by the reason code). Note: No other return codes are explicitly set by this module; see the routines called by this module (listed in the module description for this module in Section 3, Program Organization) for other possible return codes.
IEFAB487	register 15	0	Successful completion; or non-failing errors (as indicated by the reason code). Note: No other return codes are explicitly set by this module; see the routines called by this module (listed in the module description for this module in Section 3, Program Organization) for other possible return codes.
IEFAB488	register 15	0	Successful completion.
		4	Job cancelled by operator; or GETMAIN error by called routine (as indicated by the reason code). Note: No other return codes are explicitly set by this module; see the routines called by this module (listed in the module description for this module in Section 3, Program Organization) for other possible return codes.
IEFAB489	register 15	0	Successful completion.
		4	GETMAIN error; or System Resources Manager error; or failing error from called routines (as indicated by the reason code).
IEFAB49A	register 15	20	Retry needed.
		0	Successful completion.
IEFAB49B	register 15	0	Successful completion.
		4	Unable to read label.
		24	Unable to mount MSS volume. Note: No other return codes are explicitly set by this module; see the routines called by this module (listed in the module description for this module in Section 3, Program Organization) for other possible return codes.
IEFAB49C	register 15	0	Note: No return codes are explicitly set by this module; see the routines called by this module (listed in the module description for this module in Section 3, Program Organization) for possible return codes.
IEFAB490	register 15	0	Successful completion.
		4	Wrong DSORG/DISP; or too many concatenated DDs; or GETMAIN error (as indicated by the reason code).

Object Module	Location of Code	Return Code	Meaning
IEFAB491	register 15	0	Successful completion or non-failing error (as indicated by the reason code). Allocation environment changed; or GETMAIN error; or operator cancelled (as indicated by the reason code). Note: No other return codes are explicitly set by this module; see the routines called by this module (listed in the module description for this module in Section 3, Program Organization) for other possible return codes.
		4	
IEFAB492	register 15	0	Successful completion. Error occurred.
		4	
IEFAB493	register 15	0	Successful completion. Error issuing ESTAE macro. Note: No other return codes are explicitly set by this module; see the routines called by this module (listed in the module description for this module in Section 3, Program Organization) for other possible return codes.
		44	
IEFAB494	register 15	0	Successful completion. Note: No other return codes are explicitly set by this module; see the routines called by this module (listed in the module description for this module in Section 3, Program Organization) for other possible return codes.
IEFAB495	register 15	0	Successful completion. GETMAIN error. MSS volume not available. MSS volume not defined. Unable to mount MSS volume. MSS volume inaccessible. The specified virtual volume group (VVGRP) name does not exist. Neither space nor virtual volume group (VVGRP) specified for nonspecific MSS request.
		4	
		8	
		20	
		24	
		28	
		32	
		36	
IEFAB496	register 15	0	Successful completion. Operator replied 'NO' to mount message. CANCEL ECB posted. Note: No other return codes are explicitly set by this module; see the routines called by this module (listed in the module description for this module in Section 3, Program Organization) for other possible return codes.
		12	
		16	
IEFAB498	register 15	0	Successful completion. MVCA with matching ASID found. MVCA with matching ASID not found.
		8	
		12	
IEFAB499	register 15	0	Successful completion. GETMAIN error.
		4	
IEFAB4UV	register 15	0	Successful completion. Input unit name invalid. Input unit address not associated with input unit name. Device group split. GETMAIN error.
		4	
		8	
		12	
		16	
IEFBB401	register 15	0	Successful completion. Step not successfully allocated.
		4	
IEFBB402	register 15	0	Step to be run. Job to be failed. Step to be bypassed.
		4	
		8	
IEFBB404	register 15	0	Successful completion. Note: No other return codes are explicitly set by this module; see the routines called by this module (listed in the module description for this module in Section 3, Program Organization) for other possible return codes.
IEFBB410	register 15	0	Successful completion. Note: No other return codes are explicitly set by this module; see the routines called by this module (listed in the module description for this module in Section 3, Program Organization) for other possible return codes.

Object Module	Location of Code	Return Code	Meaning
IEFBB412	register 15	0	Successful completion.
		4	Job to be failed.
IEFBB414	register 15	0	Successful completion.
			Note: No other return codes are explicitly set by this module; see the routines called by this module (listed in the module description for this module in Section 3, Program Organization) for other possible return codes.
IEFBB416	register 15	0	Successful completion.
		4	GETMAIN error.
IEFDB4A0	register 15	0	A zero is always returned; successful or unsuccessful completion is indicated in the reason code -- see the list of dynamic allocation reason codes in "Allocation/Unallocation Reason Codes" in Section 6, Diagnostic Aids.
IEFDB4A1	register 15	0	A zero is always returned; successful or unsuccessful completion is indicated in the reason code -- see the list of dynamic allocation reason codes in "Allocation/Unallocation Reason Codes" in Section 6, Diagnostic Aids.
IEFDB4D0	register 15	12	An error occurred in dynamic allocation. The DAIR function block contains the error reason code.
		16	No TIOT entries were available for use.
		20	The ddname requested is unavailable.
		24	The dsname requested is a member of a concatenated group.
		28	The ddname or dsname specified is not allocated.
		32	The requested data set was previously permanently allocated, or was allocated with a disposition of NEW and was not deleted. DISP = NEW cannot now be specified.
		36	Error in IKJEFCIR service routine.
		40	The return area provided for qualifiers was exhausted and more index blocks exist. A larger return area is needed.
		44	The previous allocation specified a disposition of DELETE for this non-permanently allocated data set.
		48	Reserved.
		52	Request denied by installation exit.
IEFDB4FB	register 15	0	Successful.
IEFDB4FD	register 15	0	A zero is always returned; successful or unsuccessful completion is indicated in the reason code -- see the list of dynamic allocation reason codes in "Allocation/Unallocation Reason Codes" in Section 6, Diagnostic Aids.
IEFDB4FE	register 15	0	Successful completion.
		4	Volume not mounted.
		8	DSCB not in VTOC.
		12	Permanent I/O error.
		16	Invalid work area pointer.
IEFDB4FF	register 15	0	A zero is always returned; successful or unsuccessful completion is indicated in the reason code -- see the list of dynamic allocation reason codes in "Allocation/Unallocation Reason Codes" in Section 6, Diagnostic Aids.
IEFDB4F8	register 15	0	A zero is always returned; successful or unsuccessful completion is indicated in the reason code -- see the list of dynamic allocation reason codes in "Allocation/Unallocation Reason Codes" in Section 6, Diagnostic Aids.
IEFDB4F9	register 15	0	Successful completion or GETMAIN error. (Success or error does not affect caller's processing.)
IEFDB400	register 15	0	Success.
		4	Environmental error; or resource unavailable; or I/O error.
		8	Request failed by user exit.
		12	Parameter list error. (Error reason code contains explanatory value.)
IEFDB401	register 15	0	A zero is always returned; successful or unsuccessful completion is indicated in the reason code -- see the list of dynamic allocation reason codes in "Allocation/Unallocation Reason Codes" in Section 6, Diagnostic Aids.
IEFDB402	SDWA, if it exists; otherwise, register 15	0	A zero is always returned; successful or unsuccessful completion is indicated in the reason code -- see the list of dynamic allocation reason codes in "Allocation/Unallocation Reason Codes" in Section 6, Diagnostic Aids.
IEFDB403	SDWA, if it exists; otherwise,	0	Continue with termination.

Object Module	Location of Code	Return Code	Meaning
IEFDB410	register 15	0	A zero is always returned; successful or unsuccessful completion is indicated in the reason code -- see the list of dynamic allocation reason codes in "Allocation/Unallocation Reason Codes" in Section 6, Diagnostic Aids.
IEFDB411	register 15	0	A zero is always returned; successful or unsuccessful completion is indicated in the reason code -- see the list of dynamic allocation reason codes in "Allocation/Unallocation Reason Codes" in Section 6, Diagnostic Aids.
IEFDB412	register 15	0	A zero is always returned; successful or unsuccessful completion is indicated in the reason code -- see the list of dynamic allocation reason codes in "Allocation/Unallocation Reason Codes" in Section 6, Diagnostic Aids.
IEFDB413	register 15	0	A zero is always returned; successful or unsuccessful completion is indicated in the reason code -- see the list of dynamic allocation reason codes in "Allocation/Unallocation Reason Codes" in Section 6, Diagnostic Aids.
IEFDB414	register 15	0	A zero is always returned; successful or unsuccessful completion is indicated in the reason code -- see the list of dynamic allocation reason codes in "Allocation/Unallocation Reason Codes" in Section 6, Diagnostic Aids.
IEFDB417	register 15	0	A zero is always returned; successful or unsuccessful completion is indicated in the reason code -- see the list of dynamic allocation reason codes in "Allocation/Unallocation Reason Codes" in Section 6, Diagnostic Aids.
IEFDB418	register 15	0	A zero is always returned; successful or unsuccessful completion is indicated in the reason code -- see the list of dynamic allocation reason codes in "Allocation/Unallocation Reason Codes" in Section 6, Diagnostic Aids.
IEFDB450	register 15	0	A zero is always returned; successful or unsuccessful completion is indicated in the reason code -- see the list of dynamic allocation reason codes in "Allocation/Unallocation Reason Codes" in Section 6, Diagnostic Aids.
IEFDB460	register 15	0	A zero is always returned; successful or unsuccessful completion is indicated in the reason code -- see the list of dynamic allocation reason codes in "Allocation/Unallocation Reason Codes" in Section 6, Diagnostic Aids.
IEFDB470	register 15	0	A zero is always returned; successful or unsuccessful completion is indicated in the reason code -- see the list of dynamic allocation reason codes in "Allocation/Unallocation Reason Codes" in Section 6, Diagnostic Aids.
IEFDB480	register 15	0	A zero is always returned; successful or unsuccessful completion is indicated in the reason code -- see the list of dynamic allocation reason codes in "Allocation/Unallocation Reason Codes" in Section 6, Diagnostic Aids.
IEFDB481	register 15	0	A zero is always returned; successful or unsuccessful completion is indicated in the reason code -- see the list of dynamic allocation reason codes in "Allocation/Unallocation Reason Codes" in Section 6, Diagnostic Aids.
IEFDB490	register 15	0	A zero is always returned; successful or unsuccessful completion is indicated in the reason code -- see the list of dynamic allocation reason codes in "Allocation/Unallocation Reason Codes" in Section 6, Diagnostic Aids.
IEFIB660	register 15	0	Successful completion.
IEFICATL	register 15	0	Catalogs were opened successfully.
		non-zero	Catalogs were not opened successfully.
IEFICPUA	register 15	0	One or more required CPUs are on-line.
		4	None of the required CPUs is on-line.
IEFIRECM	register 15		Irrelevant.
IEFISEXR	register 15		Irrelevant.
IEFJRECM	register 15		Irrelevant.
IEFJSREQ	register 15	4	The requested subsystem cannot perform the function indicated by the function code in the SSOB.
		8	The requested subsystem is inactive -- there is no SSVT for it.
		12	The subsystem name in the SSIB is invalid -- there is no SSCVT with that subsystem name in it.
		16	The request cannot be satisfied because: <ul style="list-style-type: none"> • The function code in the SSOB is larger than the number of functions supported by the subsystem. <ul style="list-style-type: none"> - or - • The SSOB pointer is zero. <ul style="list-style-type: none"> - or - • Both the SSIB pointers (one in the SSOB, the other in the JESCT) are zero.

Object Module	Location of Code	Return Code	Meaning
IEFQB550	register 15	20	Either the SSIB or SSOB have an invalid length of format.
		0	Success.
		4	Success.
		8	Success.
		12	Success.
		16	OBO ABEND was issued.
IEFQB555	register 15	20	OBO ABEND was issued.
		24	OBO ABEND was issued.
		0	Success.
		4	Success.
		8	Success.
		12	Success.
IEFSD161	register 15	16	OBO ABEND was issued.
		28	OBO ABEND was issued.
IEFSD162	register 15	32	OBO ABEND was issued.
IEFTB72I	register 15	0	Contents is irrelevant.
		4	Irrelevant.
IEFVHF	register 15	0	Successful completion.
		4	Cancel job.
		8	Interpreter processing successful.
IEFVHN	register 15	4	JCL error occurred.
		8	I/O error occurred.
		0	Converter processing successful.
IEFXB500	JNLPARM	4	JCL error occurred.
		8	I/O error occurred.
		64	Journal does not exist.
IEFXB601	register 15	128	Journal error.
		0	Successful SWA reconstruction.
IEFXB602	register 15	24	Error in accessing job journal or in SWA reconstruction.
		0	Successful processing of SWA manager function.
IEFXB604	register 15	0	Irrelevant.
		0	Successful completion.
IEFXB609	register 15	24	Unsuccessful open of checkpoint data set; or unexpected ABEND occurs.
		4	Always returned failure (user routine to read non-standard labels was not included in system).
IEFXVNSL	register 15	0	Requested options were valid and SYNCH was done to IRBMFDTA to collect MF/1 measurements.
		4	One or more invalid options were detected or no measurement options were detected. MF/1 measurements were not initialized and SYNCH to IRBMFDTA was not done.
		8	The ENQ name SYSZREMF.ACTIVE was not available and not held by the calling task, or MF/1 initialization has already been performed; and SYNCH to IRBMFDTA was not taken.
IGX00013	register 15	0	Normal Return.
		4	MFDATA SVC routine has not been previously executed; no interval data returned.
IKJEFLEA	register 15	0	Parse or command was successful.
		4	Parse unable to prompt because the no-prompt bit in the UPT is on.
		8	The cancel ECB in the CSCB has been posted, indicating an attention interruption, a disconnected line, or a cancel.
		12	Invalid parameters have been detected by parse, command scan, or IKJEFLGM.
		16	An attempt to obtain storage (via a GETMAIN) has failed.
IKJEFLG	register 15	20	The terminal user entered a LOGOFF command, or a LOGON RECONNECT has been entered and the user has been reinstated in his former address space.
		0	The attention exit was successful.
		non-zero	An error occurred in the attention exit.

Object Module	Location of Code	Return Code	Meaning
IKJEFLGB	register 15	0	Upon return to ABEND processing: Retry is not to be scheduled.
		4	Retry has been scheduled.
IKJEFLGM	register 15	0	The message handler was successful.
		4	A PUTGET was issued, but the UPT indicates that no prompting is to be done.
		8	The ECB passed to IKJEFLGM has been posted, indicating an attention interruption or a disconnected line.
ILRACT	register 15	0	Function successful.
		8	Record could not be found on SYS1.STGINDEX.
		20	I/O error accessing SYS1.STGINDEX.
		28	Storage could not be obtained for either a workarea, I/O buffer space, or LSQA space for rebuilding the ASPCT.
ILRFMT00	register 15	0	Function successful.
		4	Not enough storage.
ILRFMTCV ILRFMTC	register 15	0	Function successful.
		4	Unable to format blocks.
ILRFMTH	register 15	0	Function successful.
		4	Unable to format blocks.
ILRFMTV	register 15	0	Function successful.
		4	Unable to format blocks.
		8	LGVT inaccessible.
ILRFMTPG	register 15	0	All control blocks format.
		4	At least one error in format.
		8	Unable to locate or format the PART.
ILRFMTSW	register 15	0	All control blocks format.
		4	At least one error in format.
		8	Unable to locate or format the SART.
ILRFR01 ILRVACE	register 15	0	Element passed all tests.
		4	Element contains bad data.
		8	Element is not an ACE.
		0	No errors were detected.
ILRVACEQ	register 15	4	Elements with bad data were removed.
		8	Damaged queue was reconstructed.
		24	Input parameters were invalid.
		same as ILRVACEQ	
ILRVACQ2 ILRVAIA	register 15	0	Element passed all tests.
		4	Element contains bad data.
		8	Element is not an AIA.
ILRVAIAC	register 15	0	Element passed all tests.
		4	Element contains bad data.
		8	Element is not an AIA/ACE.
ILRVAIAQ	register 15	0	No errors were detected.
		4	Elements with bad data were removed.
		8	Damaged queue was reconstructed.
		24	Input parameters were invalid.
ILRVASGQ	register 15	0	No errors were detected.
		4	Elements with bad data were removed.
		8	Damaged queue was reconstructed.
		24	Input parameters were invalid.
ILRVIOE	register 15	0	Element passed all tests.
		4	Element contains bad data.
		8	Element is not an IOE.
ILRVIOEQ ILRVIORB	register 15	same as ILRVACEQ	
		0	Element passed all tests.
ILRVLGE	register 15	8	Element is not an IOE-IOE-SRB.
		0	Element passed all tests.
		4	Element contains bad data.
		8	Element is not an LGE.

VS2.03.807

Object Module	Location of Code	Return Code	Meaning
ILRFRR01 (continued)			
ILRVLPBG	register 15	0	No errors were detected.
		4	Elements with bad data were removed.
		8	Damaged queue was reconstructed.
		24	Input parameters were invalid, or register 0 did not point to a valid LGE.
ILRVPCB	register 15	0	Element passed all tests.
		4	Element contains bad data.
		8	Element is not a PCB.
ILRVPCBQ	register 15	0	No errors were detected.
		4	Elements with bad data were removed.
		8	Damaged queue was reconstructed.
		24	Input parameters were invalid.
ILRVPCCW	register 15	0	Element passed all tests.
		4	Element contains bad data.
		8	Element is not a PCCW.
ILRVPCWQ	register 15	0	No errors were detected.
		4	Elements with bad data were removed.
		8	Damaged queue was reconstructed.
		24	Input parameters were invalid.
ILRVSCCW	register 15	0	Element passed all tests.
		4	Element contains bad data.
		8	Element is not an SCCW.
ILRVSCWQ	register 15	0	No errors were detected.
		4	Elements with bad data were removed.
		8	Damaged queue was reconstructed.
		24	Input parameters were invalid.
ILRVSPAQ	register 15	0	No errors were detected.
		4	Elements with bad data were removed.
		8	Damaged queue was reconstructed.
		24	Input parameters were invalid.
ILRVSWTQ	register 15	0	No errors were detected.
		4	Elements with bad data were removed.
		8	Damaged queue was reconstructed.
		24	Input parameters were invalid.
ILRGOS			
ILRGOS	register 15	0	Function successful.
		4	Invalid LGN.
		8	Storage locator 'S' symbol is invalid.
		20	Unable to store in SYS1.STGINDEX.
		28	Unable to obtain storage.
		32	Op code in ACA invalid.
		40	Invalid identifier type.
		44	Indeterminate error.
		0	Freed the LGE.
4	LGE was not found.		
ILRGOS01			
ILRCGOSE	register 15	0	Continue with termination. Only used if no SDWA passed by RTM.
ILROPS00	Register 15	0	Function successful.
		8	Mount failed.
		12	Locate failed.
		16	SQA out of space.
		20	Nucleus buffer out of space.
ILRPAGIO	register 15	0	All AIAs were processed.
		4	Error found in an AIA. Register 1 contains address of error AIA (last one processed).
ILRPOS			
ILRPOS	register 15	0	Successful.
		4	Invalid LGN.
		28	Unable to obtain storage.

Object Module	Location of Code	Return Code	Meaning
ILRPOS (continued)			
ILRTRPAG	register 15	0	Successful.
		12	Invalid target LPID for a transfer page request.
		28	Unable to obtain storage.
ILRPREAD	register 15	0	Function successful.
		4	Conversion error or I/O error.
		8	Not enough storage to build control blocks.
ILRRLG	register 15	0	Function successful.
		20	SYS1.STGINDEX has not been opened.
		28	Workarea storage could not be obtained.
ILRSAV	register 15	0	Function successful.
		20	I/O error trying to write to SYS1.STGINDEX.
		28	Storage could not be obtained for a workarea or RPL.
		44	Freemain or I/O buffers failed.
ILRSRT	register 15	0	No work returning.
		4	Work returning.
		8	Data set full, no reads remaining.
		12	Data set full, reads remaining.
ILRSWAP	register 15	0	Function successful.
		4	Error chain being returned.
ILRTERMR	register 15	0	Adjusted ASMBKSLT and ASHBKSLT.
		4	Insufficient unreserved slots.
TERMRFR	SDWARCDE	0	Continue termination
		4	Retry.
ILRTMI01	register 15	0	Percolate.
		4	Retry.
ILRVSAMI	register 15	0	Successful.
		8	Record could not be found.
		20	I/O error processing SYS1.STGINDEX.
		28	Storage could not be obtained.
		48	Partially retrieved ASPCT for release.
IRARMEVT SYSEVENT			Note: All the following return codes are contained in the field of the RRPB corresponding to the indicated register.
6	register 1 byte 0	0	Proceed with address space creation.
		128	Do not create the address space, since a resource shortage exists.
7	register 1 byte 3	0	Proceed with address space deletion.
		4	Issue WAIT before deleting address space.
12	register 1 byte 3	0	Continue with quiesce processing.
		8	Restore the address space to its original status.
13	register 1 byte 0	0	The USERRDY SYSEVENT has just been received.
		128	No USERRDY has been received since QSCEST.
		1-10	Swap reason code (if byte 3 = 0).
			Irrelevant (if byte 3 ≠ 0).
28	register 15 byte 3	0	Swap out the address space.
		8	Restore the address space to its former status.
30	register 1 byte 2	0	The allocation selection was successful.
		8	The allocation selection was not successful.
30	register 1 byte 2	0	The performance group number was valid.
		1	The performance group number is not valid, and the ASID belongs to a non-TSO user.
		2	The performance group number is not valid, and the ASID belongs to a TSO user.

VS2.03.807

Object Module	Location of Code	Return Code	Meaning
31	register 1 byte 2	0	The reset request was honored.
		4	The new performance group number is not valid.
		8	The ASID is not currently assigned.
37	register 15 byte 3	0	The SETDMN is successful.
		4	The domain is undefined.
		8	The minimum value exceeds the maximum value.
38	register 15 byte 3	0	No data loss occurred.
		4	Data was lost due to an accumulation control block error.
39	register 15 byte 3	0	No data loss occurred.
		4	Data was lost due to an accumulation control block error.
41	register 1 byte 3	0	The request to mark the address space as non-swappable was honored.
		4	The request was not for the current address space.
		8	The requestor was not authorized to make the request.
42	register 1 byte 3	0	The request to mark the address space as non-swappable was honored.
		4	The request was not for the current address space.
		8	The requestor was not authorized to make the request.
43	register 1 byte 3	0	The swap-out request was honored.
		4	The request was ignored, since the address space is non-swappable.
		8	The request was ignored, since the address space was already being swapped.
45	register 1	0	Data collection was successfully initialized.
		non zero	Data collection was not initialized.
		register 15 byte 3	0
46	register 15 byte 3	8	The request to start data collection was rejected because of an incorrect buffer size.
		32	Data collection is already active.
		0	The request was honored.
47	register 15 byte 3	4	Data collection was stopped because of an IPS change.
		64	No data collection buffer has been established.
		0	The request was honored.
IRARMINT		64	No data collection buffer has been established.
			The return codes for this module are the same as those for IRARMEVT. Additionally, a '15F' ABEND will occur because of invalid invocation of this module. The codes passed with the ABEND are explained in "System Codes", form GC38-1008.
IRARMIOM	register 15		Irrelevant.
IRARMIPS	register 15	0	The IPS is valid.
		4	The IPS is invalid.

Object Module	Location of Code	Return Code	Meaning
IRARMSRV	register 15 byte 3	0	The requested function was performed.
		4	The requested function was not performed.
		12	No space was available for the requested function (entry IRARMIO9 only).
IRARMWAR	register 15 byte 3 (field of RRPA)	0	The requested function was successfully performed.
		4	Data collection was successful, but a IPS change has occurred (entry IRARMWR3 only).
		8	An incorrect length data area was specified (entry IRARMWR1 only).
		40	Data collection was not active, a data buffer was not in existence, or the copy buffer was of an incorrect size (entry IRARMWR3 only).
IRBMFANL	register 15	0	Syntax string found.
IRBMFCNV	register 15	4	Syntax string not found.
		0	Normal processing completed.
		4	Possible precision loss.
		8	Significant digits lost; field filled with asterisks.
IRBMFDEA	register 15 SDWARCDE	12	Bad input parameters.
		0	Continue with termination return to R/TM.
IRBMFEVT	SDWARCDE	0	Continue with termination return to R/TM.
IRBMFFUR	SDWARCDE	4	Retry return to R/TM.
IRBMFFCP	SDWARCDE	0	Continue with termination return to R/TM.
IRBMFICP	register 15	0	Normal Return. Requested options were valid.
IRBMFIDV	register 15	44	Activate MFROUTER, enqueue TQE, and activate I/O data collection.
IRBMFIHA	register 15	44	Activate MFROUTER, enqueue TQE, and activate I/O data collection.
IRBMFIOI	register 15 SDWARCDE	0	Continue with termination return to R/TM.
		0	Continue with termination return to R/TM.
		4	Retry return to R/TM.
IRBMFIPG	register 15	0	Normal Return. Requested options were valid.
IRBMFIWK	register 15	0	Normal Return. Requested options were valid.

Object Module	Location of Code	Return Code	Meaning
IRBMFMFC	register 15	0	Function successfully completed.
IRBMFMLN	register 15	0	Continue with termination return to R/TM.
	SDWARCDE	0	Continue with termination return to R/TM.
		4	Retry return to R/TM.
IRBMFRGM	register 15		Irrelevant.
IRBMFSAR	register 15	0	Continue with termination return to R/TM.
	SDWARCDE	0	Continue with termination return to R/TM.
		4	Retry return to R/TM.
IRBMFSDE	register 15	0	Continue with termination return to R/TM.
	SDWARCDE	0	Continue with termination return to R/TM.
IRBMFTMA	SDWARCDE	0	Continue with termination return to R/TM.
IRBMFTRM	register 15	0	Continue with termination return to R/TM.
	SDWARCDE	0	Continue with termination return to R/TM.

Register Usage Table

This table is an alphameric list of scheduler and supervisor object modules and their register contents upon entry and exit. Many modules use standard register usage or standard SVC register usage. These standards are as follows:

Standard Register Usage (also a PL/S standard)

Register	Contents at Entry	Contents at Exit
0	Irrelevant.	Irrelevant.
1	Address of a parameter list.	Address of a parameter list.
2-12	Irrelevant.	Irrelevant.
13	Address of register save area.	Address of register save area.
14	Return address.	Return address.
15	Address of module entry point.	Return code, if any.

Standard SVC Register Usage

Register	Contents at Entry	Contents at Exit
2	Irrelevant.	Unpredictable.
3	CVT address.	Unpredictable.
4	Caller's TCB address.	Unpredictable.
5	Caller's RB address.	Unpredictable.
6	Address of module entry point.	Unpredictable.
7	ASCB address.	Unpredictable.
8-13	Irrelevant.	Unpredictable.
14	Return address (exit prolog, (exit prolog, IEAVEXPR).	Unchanged.

Module Name	Register Number	Contents at Entry	Contents at Exit	
IEATLEXT	0-9,11-13,15	Irrelevant.	Irrelevant.	
	10	Irrelevant.	Return address.	
	14	Return address.	Irrelevant.	
IEAVAD0A	0	Irrelevant.	Irrelevant.	
	1	Address of SNAP work area.	Irrelevant.	
	2-12	Irrelevant.	Irrelevant.	
	13	Address of caller's save area.	Irrelevant.	
	14	Return address.	Unchanged.	
	15	Entry address.	Return code.	
IEAVAD0B	Same as IEAVAD0A for all registers.			
IEAVAD0C	0	Irrelevant.	Irrelevant.	
	1	Address of SNAP work area.	Irrelevant.	
	2-12	Irrelevant.	Irrelevant.	
	13	Address of caller's save area.	Irrelevant.	
	14	Return address.	Unchanged.	
	15	Entry point address.	Return codes 0, 8 depending on exit.	
IEAVAD0D	0	Irrelevant.	Irrelevant.	
	1	Address of abdarea.	Irrelevant.	
	2-12	Irrelevant.	Irrelevant.	
	13	Save area address.	Irrelevant.	
	14	Return address.	Irrelevant.	
	15	Address of IEAVAD0D.	Return code of 0 or 8, depending on exit.	
IEAVAD00	0	Irrelevant.	Irrelevant.	
	1	Address of snap or SVC dump parameter list.	Irrelevant.	
	2	Irrelevant.	Irrelevant.	
	3	CVT address.	Irrelevant.	
	4	SVC 51 TCB address.	Irrelevant.	
	5	SVC 51 SVRB address.	Irrelevant.	
	6	Irrelevant.	Irrelevant.	
	7	Current ASCB address.	Irrelevant.	
	8-13	Irrelevant.	Irrelevant.	
	14	Return address.	Irrelevant.	
	15	Entry point address.	Return code.	
	IEAVAD01	0	Irrelevant.	Irrelevant.
1		Caller's parameter list address.	Irrelevant.	
2		Irrelevant.	Irrelevant.	
3		CVT address.	Unchanged.	
4		Current TCB address.	Unchanged.	
5		SNAP's SVRB address.	Unchanged.	
6-7		Irrelevant.	Irrelevant.	
8		Base for IEAVAD00.	Unchanged.	
9-12		Irrelevant.	Irrelevant.	
13		Irrelevant.	Irrelevant.	
14		Return address.	Unchanged.	
15		Entry point address.	Return code.	
IEAVAD02		0	Irrelevant	Irrelevant
		1	SNAP work area address.	Irrelevant.
	2-12	Irrelevant.	Irrelevant.	
	13	Save area address.	Irrelevant.	
	14	Return address.	Unchanged.	
	15	Entry point address.	Return codes of 0 or 8, depending on the exit.	
IEAVAD03	0-15	Same as IEAVAD02 for all registers.		

Module Name	Register Number	Contents at Entry	Contents at Exit
IEAVAD05	0	Irrelevant.	Irrelevant.
	1	SNAP work area's address.	Irrelevant.
	2-12	Irrelevant.	Irrelevant.
	13	Caller's save area address.	Irrelevant.
	14	Return address.	Unchanged.
	15	Entry point address.	Return code of 0 or 8, depending on the exit.
IEAVAD06	0	Irrelevant.	Unchanged.
	1	SNAP work area address.	Unchanged.
	2-12	Irrelevant.	Unchanged.
	13	Caller's save area address.	Unchanged.
	14	Return address.	Unchanged.
	15	Entry point address.	0 or 8 depending on the exit.
IEAVAD07	0	Irrelevant.	Irrelevant.
	1	SNAP work area address.	Irrelevant.
	2-12	Irrelevant.	Irrelevant.
	13	Caller's save area address.	Irrelevant.
	14	Return address.	Irrelevant.
	15	Entry point address.	Return code of 0 or 8.
IEAVAD08	0	Irrelevant.	Irrelevant.
	1	SNAP work area address.	Irrelevant.
	2-12	Irrelevant.	Irrelevant.
	13	Caller's save area address.	Irrelevant.
	14	Return address.	Irrelevant.
	15	Entry point address.	Irrelevant.
IEAVAD11	0	Irrelevant.	Irrelevant.
	1	Snap work area's address.	Irrelevant.
	2-15	Irrelevant	Irrelevant.
	IEAVAD21	0-15	Same as IEAVAD11 except register 15 contains address of IEAVAD21.
IEAVAD81	0-15	Same as IEAVAD11 except R15 contains address of IEAVAD81. (ABLINEA in SNAP work area must contain data to be written.)	Irrelevant.
IEAVAD31	0	Irrelevant.	Unchanged.
	1	SNAP work area address.	Unchanged.
	2-12	Irrelevant.	Unchanged.
	13	Caller's save area address.	Unchanged.
	14	Return address.	Unchanged.
	15	IEAVAD31 address.	0 or 8, depending on exit.
IEAVAD41		Same as for IEAVAD31 except register 15 contains address of IEAVAD41.	Same as for IEAVAD31.
IEAVAD51	0	Irrelevant.	Irrelevant.
	1	Snap's work area address.	Irrelevant.
	2-13	Irrelevant.	Irrelevant.
	14	Return address.	Irrelevant.
	15	Address of IEAVAD51.	0 or 8, depending on exit.
IEAVAD61		Same as IEAVAD51 except register 15 contains address of IEAVAD51.	

Module Name	Register Number	Contents at Entry	Contents at Exit
IEAVAD71	0	Irrelevant.	Irrelevant.
	1	Address of SNAP work area.	Irrelevant.
	2-12	Irrelevant.	Irrelevant.
	13	Caller's save area address.	Irrelevant.
	14	Return address.	Irrelevant.
	15	Address of IEAVAD71.	Irrelevant.
IEAVAMSI	0	Address of TCB.	Unchanged.
	1	Address of first or only VCB to be processed.	Unchanged.
	2	Irrelevant.	In error case, address of VCB in error; otherwise, unchanged.
	3-13	Irrelevant.	Unchanged.
	14	Return address.	Unchanged.
	15	Entry point address.	Return code.
IEAVAR00	0-13	Irrelevant.	Unpredictable.
	14	Return address.	Unchanged.
IEAVAR00	15	Entry point address.	Unpredictable.
	0	12 (Dec) or irrelevant.	Unpredictable.
IEAVAERO	1	If reg. 0 is 12, system and user completion codes; otherwise, address of SDWA.	If reg. 0 input was 12, unpredictable; otherwise, unchanged.
	2	If reg. 0 is 12, address of ESTAE Parameter List; otherwise, irrelevant.	Unpredictable.
	3-12	Irrelevant.	Unpredictable.
	13	If reg. 0 is 12, irrelevant; otherwise, save area address.	Unpredictable.
	14	Return address.	Unchanged.
	15	Entry point address.	Return code.
IEAVAR01	0,1	Irrelevant.	Unpredictable.
	2	Address of ASXB.	Unchanged.
	3	Address of CVT.	Unchanged.
	4	Address of RCT's TCB.	Unchanged.
	5	Address of RCT's RB.	Unchanged.
	6	RCT Init/Term base register.	Unchanged.
	7	Address of ASCB.	Unchanged.
	8-12	Irrelevant.	Unpredictable.
	13	Address of RCT save area.	Unchanged.
	14	Return address.	Unchanged.
	15	Entry point address.	Unpredictable.
IEAVAR02	0,1	Irrelevant.	Unchanged.
	2	Address of ASXB.	Unchanged.
	3	Address of CVT.	Unchanged.
	4	Address of TCB.	Unchanged.
	5	Address of RB.	Unchanged.
	6	Irrelevant.	Unchanged.
	7	Address of ASCB.	Unchanged.
	8-12	Irrelevant.	Unchanged.
	13	Save area address.	Unchanged.
	14	Return address.	Unchanged.
	15	Entry point address.	Unchanged.
IEAVAFR2	0	Address of 200-byte work area.	Unpredictable.
	1	Address of SDWA.	Unpredictable.
	2-13	Irrelevant.	Unpredictable.
	14	Return address.	Unchanged.
	15	Entry point address.	Unpredictable.

Module Name	Register Number	Contents at Entry	Contents at Exit	
IEAVAR03				
IEAVAR03	0,1	Irrelevant.	Unchanged.	
	2	Address of ASXB.	Unchanged.	
	3	Address of CVT.	Unchanged.	
	4	Address of TCB.	Unchanged.	
	5	Address of RB.	Unchanged.	
	6	Irrelevant.	Unchanged.	
	7	Address of ASCB.	Unchanged.	
	8-12	Irrelevant.	Unchanged.	
	13	Save area address.	Unchanged.	
	14	Return address.	Unchanged.	
	15	Entry point address.	Unchanged.	
	IEAVAR3	0	Address of 200-byte work area.	Unpredictable.
		1	Address of SDWA.	Unpredictable.
		2-13	Irrelevant.	Unpredictable.
		14	Return address.	Unchanged.
15		Entry point address.	Unpredictable.	
IEAVAR3A	0, 1	Irrelevant.	Unpredictable.	
	2	Address of RCTD.	Address of ASXB.	
	3	Irrelevant.	Address of CVT.	
	4	Address of RCT's TCB.	Unchanged.	
	5	Irrelevant.	Address of RCT's RB.	
	6	Irrelevant.	Unpredictable.	
	7	Irrelevant.	Address of ASCB.	
	8,9	Irrelevant.	Unpredictable.	
	10	Base register.	Unpredictable.	
	11,12	Irrelevant.	Unpredictable.	
13	Irrelevant.	IEAVAR03 save area address.		
14	Irrelevant.	IEAVAR03 return address.		
15	Irrelevant.	IEAVAR03 entry point address.		
IEAVAR04				
IEAVAR04	0,1	Irrelevant.	Unchanged.	
	2	Address of ASXB.	Unchanged.	
	3	Address of CVT.	Unchanged.	
	4	Address of TCB.	Unchanged.	
	5	Address of RB.	Unchanged.	
	6	Irrelevant.	Unchanged.	
	7	Address of ASCB.	Unchanged.	
	8-12	Irrelevant.	Unchanged.	
	13	Address of save area.	Unchanged.	
	14	Return address.	Unchanged.	
	15	Entry point address.	Unchanged.	
	IEAVAFR4	0	Irrelevant.	Unpredictable.
		1	Address of SDWA.	Unpredictable.
		2-13	Irrelevant.	Unpredictable.
		14	Return address.	Unchanged.
15		Entry point address.	Unpredictable.	
IEAVAR05				
IEAVAR05	0	Address of IQE.	Unchanged.	
	1	Address of TAXE.	If user attention exit is to be scheduled, address of user parameter list; if user attention exit is cancelled or suppressed, unchanged.	
	2-12	Irrelevant.	Unchanged.	
	13	Save area address.	Unchanged.	
	14	Return address.	Unchanged.	
	15	Entry point address.	Unchanged.	

Module Name	Register Number	Contents at Entry	Contents at Exit	
IEAVAR05				
(continued)				
IEAVAFR5	0	Irrelevant.	Unpredictable.	
	1	Address of SDWA.	Unpredictable.	
	2-13	Irrelevant.	Unpredictable.	
	14	Return address.	Unpredictable.	
	15	Irrelevant.	Unpredictable.	
IEAVART5	0-13	Same as at time of error.	Unpredictable.	
	14	Same as at time of error.	Return address.	
	15	Same as at time of error.	Unpredictable.	
IEAVAR06				
IEAVAR06	0-2	Irrelevant.	Unchanged.	
	3	Address of CVT.	Unchanged.	
	4	Address of TCB.	Unchanged.	
	5	Address of RB.	Unchanged.	
	6	Irrelevant.	Unchanged.	
	7	Address of ASCB.	Unchanged.	
	8-12	Irrelevant.	Unchanged.	
	13	Address of save area.	Unchanged.	
	14	Return address.	Unchanged.	
	15	Entry point address.	Unchanged.	
IEAVAFR6	0	Irrelevant.	Unpredictable.	
	1	Address of SDWA.	Unpredictable.	
	2-13	Irrelevant.	Unpredictable.	
	14	Return address.	Unchanged.	
	15	Entry point address.	Unpredictable.	
IEAVAR07				
IEAVAR07	0	Irrelevant.	Unchanged.	
	1	Pointer to address of interface block.	Unchanged.	
	2-12	Irrelevant.	Unchanged.	
	13	Save area address.	Unchanged.	
	14	Return address.	Unchanged.	
	15	Entry point address.	Always zero.	
IEAVAFR7	0	Irrelevant.	Unpredictable.	
	1	Address of SDWA.	Unpredictable.	
	2-13	Irrelevant.	Unpredictable.	
	14	Return address.	Unchanged.	
	15	Entry point address.	Unpredictable.	
IEAVAX00				
IGC0009F	0	Irrelevant.	Irrelevant.	
	1	Address of parameter list or 0.	Address of previous attention exit or zero.	
	2	Irrelevant.	Irrelevant.	
	3	Address of CVT.	Irrelevant.	
	4	Address of TCB.	Irrelevant.	
	5	Address of SVRB.	Irrelevant.	
	6	Entry point address.	Irrelevant.	
	7	Address of ASCB.	Irrelevant.	
	8-13	Irrelevant.	Irrelevant.	
	14	Return address.	Irrelevant.	
	15	Irrelevant.	Return code.	
	STXFRR	0	Irrelevant.	Unpredictable.
		1	Address of SDWA.	Unpredictable.
		2-13	Irrelevant.	Unpredictable.
		14	Return address.	Unpredictable.
15		Entry point address.	Unpredictable.	

Module Name	Register Number	Contents at Entry	Contents at Exit
IEAVBLDP	0	Cell pool identifier or 0, for dynamic pool creation.	Unchanged ERROR—Subpool number and length of extent.
	1	Address of storage to be formatted or 0, for recovery of an entire pool.	Unpredictable ERROR—Address of extent in error.
	2	Unpredictable.	Unpredictable.
	3	Address of CVT.	Unpredictable.
	4-12	Unpredictable.	Unpredictable.
	13	Save area address.	Unchanged.
	14	Return address.	Unchanged.
	15	Entry point address.	Return code.
IEAVCARR IEAVCARR IEAVTTRR IEAVFARR	0	Address of work area.	Unpredictable.
	1	Address of SDWA.	Unchanged.
	2-13	Unpredictable.	Unpredictable.
	14	Return address.	Unchanged.
	15	Entry point address.	Unpredictable.
IEAVCKEY	0	Bit 0 = 0 indicates register type of request. Bit 0 = 1 indicates parameter list type of request. Bits 24-28 contains storage key and fetch protection.	Storage key and fetch protection of first virtual page changed.
	1	For register type requests, the address of the first virtual page to be changed. For parameter list type requests, the parameter list address.	Unchanged.
	2	For register type requests, the address of the last virtual page to be changed.	Unchanged.
	3-13	Irrelevant.	Unchanged.
	14	Return address.	Unchanged.
	15	Entry address.	Return code.
IEAVCSEG IEAVCSEG	0	Parameters.	Address of page table; if return code 8, segment ID of valid segment.
	1	Virtual Storage Address of area obtained by GETMAIN where control blocks are to be built.	Address of external page table, if one is created.
	2-12	Irrelevant.	Unchanged.
	13	Save area address.	Unchanged.
	14	Return address.	Unchanged.
	15	Entry point address.	Return code.
IEAVCSGB	0	Parameters.	Address of page table; if return code 8, segment ID of valid segment.
	1	Virtual Storage Address of area obtained by GETMAIN where control blocks are to be built.	Address of external page table, if one is created.
	2	Address of RSM Header.	Unchanged.
	3	Address of PVT.	Unchanged.
	4-12	Irrelevant.	Unchanged.
	13	Address of PVT save area.	Unchanged.
	14	Return address.	Unchanged.
	15	Entry point address.	Return code.

VS2.03.805

Module Name	Register Number	Contents at Entry	Contents at Exit
IEAVDELP	0	CPID of pool to be acted upon.	Unpredictable, unless a FREEMAIN error occurs; then, FREEMAIN error code.
	1	Option code.	Address of the first dequeued extent ERROR—Address of extent in error.
	2	Unpredictable.	Unpredictable.
	3	Address of CVT.	Unpredictable.
	4-12	Unpredictable.	Unpredictable.
	13	Save area address.	Unchanged.
	14	Return address.	Unchanged.
	15	Entry point address.	Return code.
IEAVDLAS			
IEAVDLAS	0	Irrelevant.	Irrelevant.
	1	Address of ASCB.	Unpredictable.
	2	Address of RSM Header.	Unchanged.
	3	Address of PVT.	Unchanged.
	4-13	Irrelevant.	Unchanged.
	14	Return address.	Unchanged.
	15	Entry point address.	Unpredictable.
IEAVDLAS (continued)			
IEAVSRBP	0	Irrelevant.	Unpredictable.
	1	Address of purged SRB.	Unpredictable.
	2	Value of SRBPARM for purged SRB.	Unpredictable.
	3-13	Irrelevant.	Irrelevant.
	14	Return address.	Unchanged.
	15	Entry point address.	Unpredictable.
IEAVDSEG			
IEAVDSEG	0	Parameters.	Unpredictable.
	1	Irrelevant.	Virtual Storage Address of destroyed page table or, in error case, zero.
	2	Address of RSM Header.	Unchanged.
	3	Address of PVT.	Unchanged.
	4-13	Irrelevant.	Irrelevant.
	14	Return address.	Unchanged.
	15	Entry point address.	Unchanged.
IEAVEACO			
IEAVEACO	0	Entry Code.	Unchanged.
	1	ASCB address or parameter list address.	Unchanged.
	2-12	Irrelevant.	Unchanged.
	13	Address of caller's save area.	Unchanged.
	14	Return address.	Return Code.
	15	Irrelevant.	Unchanged.
IEAVEATO			
IGC0004B	0	Irrelevant.	Irrelevant.
	1	User parameter list address.	Address of new TCB or 0 for error.
	2-14	SVC registers.	SVC registers.
	15	Address of input parameter list.	Return code or reason code.
IEAVECHO			
IEAVECHO	0	Change value for dispatching priority.	Irrelevant.
	1	Address of TCB pointer when CHAP applies to specified TCB or 0 when CHAP applies to current task.	Irrelevant.
	2-14	SVC registers.	SVC registers.
	15	Irrelevant.	Irrelevant.
IEAVEDR			
IEAVEDR	0	Function code.	Status indicators if condition code = 8, otherwise unpredictable.
	1	Receiving CPU PCCA address.	Unpredictable.
	2-13	Irrelevant.	Unchanged.
	14	Return address.	Return address.
	15	Entry point address.	Return code.

Module Name	Register Number	Contents at Entry	Contents at Exit
IEAVEDSO IEA0DS	0-12	n/a	Caller's register.
	13	Caller's save area address.	Caller's registers.
	14	Return address.	Caller's registers.
	15	Address of entry point.	Caller's registers.
			Same as IEA0DS.
IEAPDS2	0-15	Same as IEA0DS.	Same as IEA0DS.
IEAPDS6	0-15	Same as IEA0DS.	Same as IEA0DS.
IEAPDS7	0-15	Same as IEA0DS.	Same as IEA0DS.
IEAPDSRT	0-15	Same as IEA0DS.	Same as IEA0DS.
GSLSDISP	0-10	Irrelevant.	Unchanged.
	11-12	Irrelevant.	Irrelevant.
	13	Entry point address.	Return code.
	14	Return address.	Return address.
	15	Irrelevant.	Unchanged.

Module Name	Register Number	Contents at Entry	Contents at Exit	
LLCOSVCF	0-10	Irrelevant.	Unchanged.	
	11-12	Irrelevant.	Irrelevant.	
	13	Entry point address.	Return code.	
	14	Return address.	Return address.	
	15	Irrelevant.	Unchanged.	
LRELDISP	0-10	Irrelevant.	Unchanged.	
	11-12	Irrelevant.	Irrelevant.	
	13	LLREL address.	Return code.	
	14	Return address.	Return address.	
	15	Irrelevant.	Unchanged.	
LRELEXPR	0-10	Irrelevant.	Unchanged.	
	11	Entry point address.	Irrelevant.	
	12	Irrelevant.	Irrelevant.	
	13	LLREL address.	Return code.	
	14	Return address.	Return address.	
	15	Irrelevant.	Unchanged.	
IEAVELKW	0-5	Irrelevant.	Unchanged.	
	6	Entry point address.	Unchanged.	
	7	Return address.	Unchanged.	
	8	LCCA address.	Unchanged.	
	9	Irrelevant.	Unchanged.	
	10	Work register.	Irrelevant.	
	11-15	Irrelevant.	Unchanged.	
IEAVSPCR	0	Work register.	Irrelevant.	
	1	SSRB address or 0.	Irrelevant.	
	2-3	Work registers.	Irrelevant.	
	4-6	Irrelevant.	Unchanged.	
	7	LCCA address.	Unchanged.	
	8	ASCB address.	Unchanged.	
	9	Irrelevant.	Irrelevant.	
	10-11	Irrelevant.	Unchanged.	
	12	Entry point address.	Unchanged.	
	13	Irrelevant.	Unchanged.	
	14	Irrelevant.	Irrelevant.	
	15	Return address.	Unchanged.	
	DSJSTCSR	0-3	Work registers.	Irrelevant.
		4-6	Irrelevant.	Unchanged.
		7	LCCA address.	Unchanged.
8		ASCB address.	Unchanged.	
9		Entry point address.	Unchanged.	
10-13		Irrelevant.	Unchanged.	
14		Return address.	Unchanged.	
15		Irrelevant.	Unchanged.	

Module Name	Register Number	Contents at Entry	Contents at Exit
IEAVEDSR	0	Irrelevant.	Unpredictable.
	1	SDWA address.	SDWA address.
	2-14	Irrelevant.	Unpredictable.
	15	Irrelevant.	Return address to IEAVESPR.
IEAVEED0 IGC062	0	Irrelevant.	Unchanged.
	1	Address of pointer to subtask. TCB for DETACH— Bit 0: indicates STAE=NO 1: indicates STAE=UES.	Unchanged.
	2-14	SVC registers.	Unchanged.
	15	Irrelevant.	Return Code.
IGC062R1	0	Entry code. 0-Special DETACH processing for R/TM. 1-EOT processing.	Unchanged.
	1	Address if TCB to be detached.	Unchanged.
	2-12	Irrelevant.	Unchanged.
	13	Address of caller's save area.	Unchanged.
	14	Return address.	Unchanged.
	15	Entry point address of IGC062R1.	Unchanged.
IEAVEEE0 IEA0EF03	0-6	Irrelevant.	Changed.
	7	Current ASXB address.	Unchanged.
	8	Current ASCB address.	Unchanged.
	9	Irrelevant.	Unchanged.
	10-13	Irrelevant.	Changed.
	14	Return address.	Unchanged.
	15	Entry point address.	Changed.
IEAVEEEP	0	Irrelevant.	Irrelevant.
	1	Address of pointer to the resource manager parameter list.	Irrelevant.
	2-12	Irrelevant.	Irrelevant.
	13	Address of caller's save area.	Unchanged.
	14	Return Address.	Unchanged.
	15	Entry point address.	Irrelevant.
IEAVEEER	0	Address of 200 byte work area passed by RTM.	Unchanged
	1	Address SDWA.	Unchanged.
	2-6	Irrelevant.	Volatile.
	7-10	Irrelevant.	Unchanged.
	11-13	Irrelevant.	Volatile.
	14	Return address.	Volatile.
	15	Entry point address.	Volatile.
IEAVEEE2	0	Address of SRB, if one is passed; otherwise, irrelevant.	Unchanged.
	1	0 (if SRB is passes via register 0) or complemented address of IQE or address of RQE.	Unchanged.
	2-13	Irrelevant.	Irrelevant.
	14	Return address.	Unchanged.
	15	Irrelevant.	Irrelevant.

Module Name	Register Number	Contents at Entry	Contents at Exit	
IEAVEES	0-1	Irrelevant.	Irrelevant.	
	2	Return address.	Return address.	
	3-9	Irrelevant.	Irrelevant.	
	10	Address of entry point.	Irrelevant.	
	11-15	Irrelevant.	Irrelevant.	
IEAVEEXP IEAVEXPR	0-1	To be returned to issuer of SVC.	To TCBGRS.	
	2-14	Irrelevant.	Irrelevant.	
	15	To be returned to issuer of SVC.	To TCBGRS.	
IEAVEXP1 IEAVESV	Identical to IEAVEXPR.			
	0-1	Irrelevant.	To TCBGRS.	
	2-14	SVC registers	Irrelevant.	
	15	ESR code 8.	To TCBGRS.	
IEAVEEXT	0-15	n/a	n/a	
IEAVEE1R	0	Irrelevant.	Irrelevant.	
	1	Irrelevant.	ABEND code.	
	2-14	Irrelevant.	Irrelevant.	
	15	Entry point address.	IEAVEABD address (ABEND issuer).	
IEAVEE2R	0	Irrelevant.	Irrelevant.	
	1	Irrelevant.	ABEND code.	
	2-14	Irrelevant.	Irrelevant.	
	15	Entry point address.	IEAVEABD address (ABEND issuer).	
IEAVEE3R	0	Irrelevant.	Irrelevant.	
	1	Irrelevant.	ABEND code.	
	2-14	Irrelevant.	Irrelevant.	
	15	Entry point address.	IEAVEABD address (ABEND issuer).	
IEAVEF00 IGC043	0	Virtual address of asynchronous exit.	Irrelevant.	
	1	Bit indicators.	Irrelevant.	
	2-3	Irrelevant.	Irrelevant.	
	4	Current TCB address.	Irrelevant.	
	5-12	Irrelevant.	Irrelevant.	
	13	Caller's save area address.	Irrelevant.	
	14	Return address.	Irrelevant.	
	15	Address of entry point.	Irrelevant.	
	IGC043BR	0	Virtual address of entry point to asynchronous routine.	Caller's register.
		1	Bit indicators.	Caller's register.
		2-3	Irrelevant.	Caller's registers.
		4	Current TCB address.	Caller's registers.
		5-12	Irrelevant.	Caller's registers.
		13	Caller's save area address.	Caller's registers.
		14	Return address.	Caller's registers.
15		Address of entry point.	Caller's registers.	
IEAVEIO	0-15	Irrelevant.	Irrelevant.	
IEAVEIOR	0	Irrelevant.	Irrelevant.	
	1	Irrelevant.	ABEND code.	
	2-14	Irrelevant.	Irrelevant.	
	15	Entry point address.	IEAVEABD address (ABEND issuer).	

Module Name	Register Number	Contents at Entry	Contents at Exit
IEAVEIPR	0	Irrelevant.	Irrelevant.
	1	SDWA.	Irrelevant.
	2-13	Irrelevant.	Irrelevant.
	14	Return address.	Return address.
	15	Entry point address.	Irrelevant.
IEAVELCR	0-12	Irrelevant.	Irrelevant.
	13	Irrelevant.	Save area address.
	14	Return address.	Irrelevant.
	15	Entry point address.	SETLOCK recovery address.
IEAVELK			
GSLSCOBT	0-10	Irrelevant.	Irrelevant.
	11	Lock address.	Irrelevant.
	12	Mask to update CPUs locks-held string.	Irrelevant.
	13	Entry point address.	Return code.
	14	Return address.	Unchanged.
	15	Irrelevant.	Irrelevant.
GSLMUOBT	0-15	Same as entry GSLMCOBT.	
GSLSUOBT	0-15	Same as entry GSLSCOBT.	
GSLMREL	0-15	Same as entry GSLMCOBT.	
GSLSREL	0-15	Same as entry GSLSCOBT.	
GSLMRELD	0-15	Same as entry GSLMCOBT.	
GSLSRELD	0-15	Same as entry GSLSCOBT.	
LLCOBT	0-10	Irrelevant.	Irrelevant.
	11	Irrelevant.	Irrelevant.
	12	Irrelevant.	Irrelevant.
	13	Entry point address.	Return code.
	14	Return address.	Unchanged.
	15	Irrelevant.	Irrelevant.
GSLMCOBT	0-10	Irrelevant.	Irrelevant.
	11	Lock address.	Irrelevant.
	12	Offset of lock entry in table of locks held by CPU.	Irrelevant.
	13	Entry point address.	Return code.
	14	Return address.	Unchanged.
	15	Irrelevant.	Irrelevant.
LLREL	0-15	Same as entry LLCOBT.	Irrelevant.
	0-15	Same as entry LLCOBT.	Irrelevant.
	0-10	Same as entry LLCOBT.	Irrelevant.
CMSUOBT	11	Lock address.	Irrelevant.
	12	0	Irrelevant.
	13-15	Same as entry LLCOBT.	Register 13 contains return code.
			Irrelevant.
CMSCOBT	Same as CMSOUBT.		Irrelevant.
CMSREL	Same as CMSOUBT.		Irrelevant.
RELGS0	0-10	Irrelevant.	Irrelevant.
	11	String indicating which spin locks are to be released.	Irrelevant.
	12	Address of indirect address list for lockwords.	Irrelevant.
	13	Entry point address.	Irrelevant.
	14	Return address.	Unchanged.
	15	Irrelevant.	Irrelevant.
IEAVELRM	0	Irrelevant.	Irrelevant.
	1	Address of parameter list.	Irrelevant.
	2-12	Irrelevant.	Irrelevant.
	13	Address of caller's save area.	Unchanged.
	14	Return address.	Unchanged.
	15	Irrelevant.	Irrelevant.

Module Name	Register Number	Contents at Entry	Contents at Exit
IEAVELKR IEAVELKR	0-12	Irrelevant.	Irrelevant.
	13	Address of RTM saved registers.	Unchanged.
	14	Irrelevant.	Irrelevant.
	15	Irrelevant.	Entry address of IEAVEVRR.
IEAVELKR (continued) IEAVLKRR	0	Irrelevant.	Irrelevant.
	1	Address of SDWA.	Unchanged.
	2-13	Irrelevant.	Irrelevant.
	14	Return address.	Unchanged.
	15	Entry point address.	Irrelevant.
IEAVEMCR	0	Standard.	Standard.
	1	Address of ASID.	Standard.
	2-15	Standard.	Standard.
IEAVEMDL	0	Standard.	Standard.
	1	Address of Interface block.	Standard.
	2-15	Standard.	Standard.
IEAVEMIN	0	Address of SRB.	Standard.
	1	Address of ASCB or Address of Master Scheduler TIOT or Address of Master Scheduler JSCB.	Standard
	2-15	Standard.	Standard.
IEAVEMRQ	0	Standard.	Standard.
	1	Address of Parameter list containing address of CSCB.	Standard.
	2-15	Standard.	Standard.
IEAVEMSO	0	CPU affinity mask (if reg. 1 is complemented) or Irrelevant.	Irrelevant.
	1	Address of ASCB or complemented address of ASCB (reg 0 contains CPU affinity mask) or 0.	Irrelevant.
	2-13	Irrelevant.	Irrelevant.
	14	Return address.	Unchanged.
	15	Irrelevant.	0 (for IPC switch function).
IEAVENQ1 IGC048	0	Irrelevant.	Unpredictable.
	1	Address of parameter list.	Unpredictable.
	2-14	SVC Registers,	Irrelevant.
	15	Irrelevant.	0 or address parm list.
IGC056 IEAVENQ2	0-15	Same as IGC048. (Same as IEARPOST in module IEAVSY50).	Same as IGC048.
IEAVEOR	0-1	To be returned to caller.	To TCBGRS.
	2-14	SVC registers.	Irrelevant.
	15	To be returned to caller.	To TCBGRS.

Module Name	Register Number	Contents at Entry	Contents at Exit	
IEAVEPC				
IEAVPSRB	0	Address of SRB.	Irrelevant.	
	1	Address of parameters.	Irrelevant.	
	2-13	Irrelevant.	Irrelevant.	
	14	Return address.	Irrelevant.	
	15	Entry point address.	Irrelevant.	
IEAVSUSP	0-3	Irrelevant.	Irrelevant.	
	4	Irrelevant.	Address of TCB or SRB.	
	5	Irrelevant.	Address of RB or 0 if SRB.	
	6	Irrelevant.	0 if unlocked TCB 4 if locked, 8 if unlocked SRB.	
	7-12	Irrelevant.	Irrelevant.	
	13	Irrelevant.	Save area address.	
	14	Irrelevant.	Return address.	
	15	Irrelevant.	Irrelevant.	
	IEAVRSET	0-3	Irrelevant.	Irrelevant.
		4	Address of TCB or SRB.	Irrelevant.
5		Address of RB or 0 if SRB.	Irrelevant.	
6		0 if no error; non-0 if error.	Irrelevant.	
7-12		Irrelevant.	Irrelevant.	
SPIE processing	13	Save area address.	Irrelevant.	
	14	Return address.	Irrelevant.	
	15	Entry point address.	Irrelevant.	
	0	Irrelevant.	Exit to SPIE (paging exception).	
	1	Irrelevant.	Address of PIE.	
(all others at time of interrupt)	2-13	Irrelevant.	Irrelevant.	
	14	Irrelevant.	Return address = SVC3.	
	15	Irrelevant.	SPIE exit entry point address.	
	PROGCK entry	1	Irrelevant.	Exit to R/TM (PROGCK). Negative 1 indicates registers are in first location in LCCA. X' 0FB8' indicates control register zero is bad.
System termination entry	1	Irrelevant	Exit to IGFPTERM (system termination). address of two word parameter list, containing address of WTO message and address at logrec record.	
IEAVEPCR				
IEAVEPCR	0	Irrelevant.	Irrelevant.	
	1	Irrelevant.	ABEND code.	
	2-13	Irrelevant.	Irrelevant.	
	14	Return address (for suspended-SRB entry).	Unchanged.	
IEAVEPDR	15	Entry point address (entry point to RMTR for SRB entry).	Address of IEAVEABD.	
	15	Entry point address.	Address of IEAVEABD.	
IEAVEPDR				
IEAVEPDF	0	Address of 200 byte work area passed by RTM.	Unchanged.	
	1	SDWA.	Unchanged.	
	2-13	Irrelevant.	Irrelevant.	
	14	Return address.	Volatile.	
	15	Entry point address.	Volatile.	

Module Name	Register Number	Contents at Entry	Contents at exit	
IEAVEPDR (continued)				
IEAVEPDE	0	=12 is no SDWA; otherwise irrelevant.	Retry address if retry was specified and no SDWA.	
	1	Address of SDWA or ABEND code if no SDWA.	Irrelevant.	
	2	Address of PURGEDQ work area in SVRB extended save area (if there is no SDWA).	Irrelevant.	
	3-13	Irrelevant.	Irrelevant.	
	14	Return address.	Return address.	
	15	Entry point address.	0 if percolation specified 4 if retry specified.	
IEAVEPDS	0-4	Irrelevant.	Irrelevant.	
	5	Irrelevant.	SVRB address.	
	6-13	Irrelevant.	Irrelevant.	
	14	Irrelevant.	Return address.	
	15	Entry point address.	Irrelevant.	
IEAVEPDO	0	User parameter (passed to RMTR).	Irrelevant.	
	1	Address of parameter list.	ABEND code.	
	2-14	Standard for SVC interruption handler.	Unchanged.	
	15	Standard for SVC interruption handler.	Irrelevant.	
IEAVEQR, IEAVEQRF				
IEAVEQR IEAVEQRF	0	Irrelevant.	Irrelevant.	
	1	Address of parameter list.	Unchanged.	
	2-12	Irrelevant.	Irrelevant.	
	13	Save area address.	Unchanged.	
	14	Return address.	Unchanged.	
	15	Entry point address.	Return Code.	
IEAVEQRI	0	Irrelevant.	Irrelevant.	
	1	Real block number of available frame.	Zero, if frame taken for V=R space; unchanged, if frame not needed for V=R space.	
	2	Irrelevant.	Unchanged.	
	3	Address of PVT.	Unchanged.	
	4-5	Irrelevant.	Unchanged.	
	6	PFTE address.	Unchanged.	
	7-13	Irrelevant.	Irrelevant.	
	14	Return address.	Unchanged.	
	15	Entry point address.	Unpredictable.	
	IEAVEQRC	0	SRB address.	Unpredictable.
		1	Address of root PCB defining allocation request.	Unpredictable.
2-13		Irrelevant.	Unpredictable.	
14		Irrelevant.	Unchanged.	
IEAVEQRP	15	Entry point address.	Unpredictable.	
	0	SRB address.	Unpredictable.	
	1	PCBR address.	Unpredictable.	
IEAVRMTR	2-14	Irrelevant.	Unpredictable.	
	15	Entry point address.	Unpredictable.	
	0	Irrelevant.	Unpredictable.	
IEAVRMTR	1	SRB address.	Unpredictable.	
	2	PCBR address.	Unpredictable.	
	3-13	Irrelevant.	Irrelevant.	
	14	Return address.	Unchanged.	
	15	Entry point address.	Unpredictable.	

Module Name	Register Number	Contents at Entry	Contents at Exit
IEAVEQVO	0	Parameter for element verification routine.	Unchanged.
	1	Address of the parameter list.	Unchanged.
	2-12	Irrelevant.	Irrelevant.
	13	Address of register save area.	Unchanged.
	14	Return address.	Unchanged.
	15	Entry point address.	Return information: Bit 0 = 0 all error are recorded. = 1 more errors than could be recorded. Byte 1 count of errors recorded. Byte 2 count of errors detected. Byte 3 return code. 0 no errors detected. 4 no queue structure damage, bad data in elements removed. 8 possible queue damage.
IEAVERER	0	Irrelevant	Irrelevant.
	1	Irrelevant.	ABEND code.
	2-14	Irrelevant.	Irrelevant.
	15	Entry point address.	IEAVEABD address (ABEND issuer).
IEAVERES	0-15	Irrelevant.	Return to: DSS—registers 0-15 irrelevant. interrupted program—registers 0-15 restored. R/TM—register 1 contains X'90000000', registers 0-15 irrelevant.
IEAVERI	0	Function code.	Status indicators if condition code = 8; otherwise unpredictable.
	1	Receiving CPU PCCA.	Unpredictable.
	2-10	Irrelevant.	Irrelevant.
	11	Parameter address.	Unchanged.
	12	Entry point address.	Unchanged.
	13	Irrelevant.	Unchanged.
	14	Return address.	Return address.
15	Entry point address.	Return code.	
IEAVERP	0	Function code.	Status indicators if condition code = 8; otherwise unpredictable.
	1	Receiving CPU PCCA address.	Unpredictable.
	2-13	Irrelevant.	Unchanged.
	14	Return address.	Return address.
15	Entry point address.	Return code.	
IEAVESCR	0	Address of 200 byte work area passed by RTM.	Unchanged.
	1	SDWA.	Unchanged.
	2-13	Irrelevant.	Irrelevant.
	14	Return address.	Volatile.
	15	Entry point address.	Volatile.

Module Name	Register Number	Contents at Entry	Contents at Exit
IEAVESCO	0-2	Irrelevant.	Irrelevant.
	3	Return address.	Unchanged.
	4	Entry point address.	Irrelevant.
	5	Address of a queue of SRBs removed from GSMQ or LSMQ.	Irrelevant.
	6	Irrelevant.	Irrelevant.
	7	LCCA address.	Irrelevant.
	8-15	Irrelevant.	Irrelevant.
	IEAVESPR IEAVESPR	0	SDWA work area address.
1		SDWA address.	Parameter list is wait state.
2-13		Irrelevant.	Irrelevant.
14		Return address.	Irrelevant.
15		Entry point address.	Return code (4 or wait state code 01C).
IEAVERTN	0	Irrelevant.	Irrelevant.
	1	SDWA address.	Irrelevant.
	2-14	Irrelevant.	Irrelevant.
	15	Entry point address.	Irrelevant.
IEAVESCV IEAQSC00 IGCERROR	0-15	n/a	n/a
	0-12	n/a	n/a
	13	Caller's save area.	Irrelevant.
	14	Return address.	Irrelevant.
	15	Entry point of IEAVESVC.	Irrelevant.
IEAVESVR IEAVEABD	0	Irrelevant.	Irrelevant.
	1	ABEND code.	ABEND code to ABEND.
	2-15	Irrelevant.	Irrelevant.
IEAVESVR	0	Irrelevant.	Irrelevant.
	1	Irrelevant.	ABEND code.
	2-14	Irrelevant.	Irrelevant.
	15	Entry point address.	IEAVEABD address (ABEND issuer).
IEAVEVAL	0	Irrelevant.	Unchanged.
	1	Starting address.	Unchanged.
	2	Ending address or zero if no range specified.	Unchanged.
	3	Irrelevant.	Unchanged.
	4	TCB address or zero.	Unchanged if TCB address or zero specified; otherwise register contains address of current TCB.
	5-12	Irrelevant.	Unchanged.
	13	Save area address.	Unchanged.
	14	Return address.	Unchanged.
	15	Irrelevant.	Unpredictable.
	IEAVEVRR IEAVEVRR	0	Irrelevant.
1		FRR parameter address passed from IEAVELKR.	Irrelevant.
2-12		Irrelevant.	Irrelevant.
13		RTM save area address.	Irrelevant.
14		Return address.	Irrelevant.
15		Entry point address.	Irrelevant.

Module Name	Register Number	Contents at Entry	Contents at Exit
IEAVEVRR (continued)			
IEAVVFRR	0	SWDA work area address.	Irrelevant.
	1	SDWA pointer.	Parameter list if wait state.
	2-13	Irrelevant.	Irrelevant.
	14	Return address.	Irrelevant.
	15	Entry point address.	Irrelevant.
IEAVEVTO IEAVEVTO	0	Input parameters: bit 0: WAIT=YES bit 1: WAIT=NO bit 2: ECB= was specified bits 8-32: ECB=address or LAST=address.	Irrelevant.
	1	Table address.	Address of the first completed event; zero if WAIT=NO specified and no events were completed; the table address if ECB initialization alone was requested.
	2-13	Irrelevant.	Unchanged.
	14	Return Address.	Unchanged.
	15	Entry point address.	Irrelevant.
IGC125	0	Same as IEAVEVTO.	Same as IEAVEVTO.
	1	Same as IEAVEVTO.	Same as IEAVEVTO.
	2-3	Irrelevant.	Irrelevant.
	4	TCB address.	Irrelevant.
	5	RB address.	Irrelevant.
	6	Entry point address.	Unchanged.
	7	ASCB address.	Irrelevant.
	8-13	Irrelevant.	Irrelevant.
	14	Return address.	Unchanged.
	15	Irrelevant.	Zero.
IEAVEVT1	0	Input parameters: bit 0: if on, table create bits 15-32: number of entries (32,767 maximum).	Irrelevant.
	1	Table address or zero.	New table address if table create.
	2-3	Irrelevant.	Irrelevant.
	4	TCB address.	Irrelevant.
	5	RB address.	Irrelevant.
	6	Entry point address.	Unchanged.
	7	ASCB address.	Irrelevant.
	8-13	Irrelevant.	Irrelevant.
	14	Return address.	Unchanged.
	15	ESR code 5.	Zero.
EVENTFRR	0	Work area address.	Irrelevant.
	1	SDWA address.	Unchanged.
	2-13	Irrelevant.	Irrelevant.
	14	Return address.	Unchanged.
	15	Entry point address.	Irrelevant.
IEAVEXS	0-1	Unpredictable.	Unpredictable.
	2	Return address.	Return address.
	3-9	Unpredictable.	Unpredictable.
	10	Entry point address.	Unpredictable.
	11-15	Unpredictable.	Unpredictable.

Module Name	Register Number	Contents at Entry	Contents at Exit		
IEAVFP IEAVFP1	0	Irrelevant.	Virtual Storage Address of page table entry or, in error case, unpredictable.		
	1	Virtual Storage Address.	Virtual Storage Address of external page table or in error case, unpredictable.		
	2-13	Irrelevant.	Unchanged.		
	14	Return address.	Unchanged.		
	15	Irrelevant.	Return Code.		
	IEAVFP2	0	Irrelevant.	Virtual Storage Address of page table entry or, in error case, unpredictable.	
		1	Virtual Storage Address.	Virtual Storage Address of external page table entry or, in error case, unpredictable.	
		2	Address of RSM Header.	Unchanged.	
		3	Address of PVT.	Unchanged.	
		4-13	Irrelevant.	Unchanged.	
		14	Return address.	Unchanged.	
		15	Irrelevant.	Return Code.	
		IEAVFRCL	0	CPID of pool to be freed from.	Unchanged, except for extent deletion; in that case, subpool number and length of deleted extent.
			1	Address of cell to be freed.	Zero, except for extent deletion; in that case, address of deleted extent.
			2	Unpredictable.	Unpredictable.
3	Address of CVT.		Unpredictable.		
4-13	Unpredictable.		Unpredictable.		
14	Return Address.		Unchanged.		
15	Entry point address.		Return code.		
IEAVFREE	0		Irrelevant.	Irrelevant.	
	1	Irrelevant.	Irrelevant.		
	2	Address of RSM Header.	Unchanged.		
	3	Address of PVT.	Unchanged.		
	4	Address of CIWA.	Unchanged.		
	5-13	Irrelevant.	Irrelevant.		
	14	Return address.	Unchanged.		
	15	Entry point address.	Unpredictable.		
	IEAVFXLD IEAVFXLD	0-1	Irrelevant.	Unpredictable.	
2		Address of RSM Header.	Unchanged.		
3		Address of PVT.	Unchanged.		
4		Address of CIWA.	Unchanged.		
5-13		Irrelevant.	Unpredictable.		
14		Return address.	Unchanged.		
15		Entry point address.	Unpredictable.		

Module Name	Register Number	Contents at Entry	Contents at Exit
IEAVFXLD (continued)			
IEAVFXL	0	Irrelevant.	Unchanged.
	1	Address of the root PCB to be processed.	Unchanged.
	2	Address of the RSM Header.	Unchanged.
	3	Address of the PVT.	Unchanged.
	4-13	Irrelevant.	Unchanged.
	14	Return address.	Unchanged.
	15	Entry point address.	Unchanged.
IEAVGCAS			
IEAVGCAS	0	Irrelevant.	Irrelevant.
	1	Address of ASCB.	Unchanged.
	2-12	Irrelevant.	Irrelevant.
	13	Save area address.	Unchanged.
	14	Return address.	Unchanged.
	15	Entry point address.	Return code.
IEAVGFAS	0	Irrelevant.	Irrelevant.
	1	Address of parameter list.	Unchanged.
	2-12	Irrelevant.	Irrelevant.
	13	Save area address.	Unchanged.
	14	Return address.	Unchanged.
	15	Entry point address.	Return code.
IEAQPET	0-3	Irrelevant.	Irrelevant.
	4	Address of TCB.	Unchanged.
	5-6	Irrelevant.	Irrelevant.
	7	Address of ASCB.	Unchanged.
	8-12	Irrelevant.	Irrelevant.
	13	Address of save area.	Unchanged.
	14	Return address.	Unchanged.
	15	Entry point address.	Return code.
IEAVGFA			
IEAVGFA	0	Irrelevant.	Irrelevant.
	1	Address of PCB chain to be processed.	Unpredictable.
	2	Address of RSM Header.	Unchanged.
	3	Address of PVT.	Unchanged.
	4-13	Irrelevant.	Unchanged.
	14	Return address.	Unchanged.
	15	Entry point address.	Return Code.
IEAVGFAD	0	Address of SRB.	Unpredictable.
	1	Value of SRBPARAM, in this case the address of ASCB for address space in which retry is requested.	Unpredictable.
	2-13	Irrelevant.	Irrelevant.
	14	Return address.	Unchanged.
	15	Entry point address.	Unpredictable.
IEAVGM00			
IGC004	0	Irrelevant.	Irrelevant.
IGC005	1	Address of parameter list.	Unchanged.
	2,3	Irrelevant.	Irrelevant.
	4	Address of current TCB.	Irrelevant.
	5	Address of RB at top of the RB queue.	Irrelevant.
	6	Irrelevant.	Irrelevant.
	7	Address of current ASCB.	Irrelevant.
	8-13	Irrelevant.	Irrelevant.
	14	Return address.	Unchanged.
	15	Irrelevant.	Return code.
GMBRANCH	0	Irrelevant.	Irrelevant.

Module Name	Register Number	Contents at Entry	Contents at Exit	
IEAVGM00 (continued)				
FMBRANCH	1	Address of parameter list.	Unchanged.	
	2,3	Irrelevant.	Unchanged.	
	4	Address of TCB.	Unchanged.	
	5,6	Irrelevant.	Unchanged.	
	7	Address of current ASCB.	Unchanged.	
	8,13	Irrelevant.	Unchanged.	
	14	Return address.	Unchanged.	
	15	Irrelevant.	Return code.	
	IGC010	0	Subpool ID in byte 0, length in bytes 1-3; bytes 1-3 are zero for a subpool FREEMAIN.	Irrelevant.
		1	Negative value for GETMAIN, address to be freed for FREEMAIN, zero for subpool FREEMAIN.	Address of allocated area for GETMAIN, unchanged for FREEMAIN.
		2,3	Irrelevant.	Irrelevant.
		4	Address of current TCB.	Irrelevant.
		5	Address of RB at top of the RB queue.	Irrelevant.
		6	Irrelevant.	Irrelevant.
		7	Address of current ASCB.	Irrelevant.
8-13		Irrelevant.	Irrelevant.	
14		Return address.	Unchanged.	
15		Irrelevant.	Zero.	
RMBRANCH		0	Subpool ID in byte 0, length in bytes 1-3; bytes 1-3 are zero for a subpool FREEMAIN.	Unchanged.
QCBRANCH		1	Negative value for GETMAIN, address to be freed for FREEMAIN, zero for subpool FREEMAIN.	Address of allocated area for GETMAIN, unchanged for FREEMAIN.
		2,3	Irrelevant.	Unchanged.
		4	Address of TCB.	Unchanged.
		5,6	Irrelevant.	Unchanged.
	7	Address of current ASCB.	Unchanged.	
	8-13	Irrelevant.	Unchanged.	
	14	Return address.	Unchanged.	
	15	Irrelevant.	Zero.	
	IGC120	0	Length requested; zero for subpool FREEMAIN.	Irrelevant.
		1	Zero for GETMAIN, address to be freed for FREEMAIN, zero for subpool FREEMAIN.	Address of allocated area for GETMAIN, unchanged for FREEMAIN.
		2,3	Irrelevant.	Irrelevant.
		4	Address of current TCB.	Irrelevant.
		5	Address of RB at top of the RB queue.	Irrelevant.
		6	Irrelevant.	Irrelevant.
		7	Address of current ASCB.	Irrelevant.
8-13		Irrelevant.	Irrelevant.	
14		Return address.	Unchanged.	
15		Bytes 0,1=0; byte 2=SPID; byte 3=flags*	Return code.	
CRBRANCH		0	Length requested; zero for subpool FREEMAIN.	Unchanged.
		1	Zero for GETMAIN, address to be freed for FREEMAIN, zero for subpool FREEMAIN.	Address of allocated area for GETMAIN unchanged for FREEMAIN.
		2	Irrelevant.	Unchanged.
		3	Byte 0=0, byte 1=protect key, byte 2=SPID, byte 3=flags*.	Unchanged.
		4	Address of TCB.	Unchanged.
	5,6	Irrelevant.	Unchanged.	
	7	Address of current ASCB.	Unchanged.	
	8-13	Irrelevant.	Unchanged.	
	14	Return address.	Unchanged.	
	15	Irrelevant.	Return code.	

Module Name	Register Number	Contents at Entry	Contents at Exit
IEAVGM00 (continued)			
GLBRANCH	0	Length requested.	Unchanged.
	1	Zero for GETMAIN, address to be freed for FREEMAIN.	Address of allocated area for GETMAIN, unchanged for FREEMAIN.
	2	Irrelevant.	Unchanged.
	3	Byte 0=0, byte 1=protect key, byte 2=SPID, byte 3=flags*.	Unchanged.
	4	Address of global save area for GETMAIN.	Unchanged.
	5-13	Irrelevant.	Unchanged.
	14	Return address.	Unchanged.
	15	Irrelevant.	Return code.

*flags for the previous three entry points are:

- bits 0-4 (reserved)
- bit 5 =0 doubleword boundary
=1 page boundary
- bit 6 =0 conditions request
=1 unconditional request
- bit 7 =0 GETMAIN
=1 FREEMAIN

GETMAING	0	Irrelevant.	Unchanged.
	1	Subpool ID in byte 0, length in bytes 1-3.	Address of allocated area.
	2,3	Irrelevant.	Unchanged.
	4	Address of local data area (LDA).	Unchanged.
	5-7	Irrelevant.	Unchanged.
	8	First base register.	Unchanged.
	9-12	Irrelevant.	Unchanged.
	13	Second base register.	Unchanged.
MRELEASEF	14	Return address.	Unchanged.
	15	Entry address.	Unchanged.
	0,1	Irrelevant.	Irrelevant.
	2,3	Irrelevant.	Unchanged.
	4	Address of LDA.	Unchanged.
	5	Irrelevant.	Unchanged.
	6	Size of area to be returned to an FBQE.	Unchanged.
	7	Address of PQE that storage was obtained from.	Unchanged.
MRELEASER	8	First base register.	Unchanged.
	9	Address of area being returned to an FBQE.	Unchanged.
	10-12	Irrelevant.	Unchanged.
	13	Second base register.	Unchanged.
	14	Return address.	Unchanged.
	15	Entry address.	Irrelevant.
	0	Zero for local storage, one for global storage.	Unchanged.
	1	Virtual address of the page to be returned to an FBQE.	Unchanged.
IEAVGPRR	2-13	Irrelevant.	Unchanged.
	14	Return address.	Unchanged.
	15	Entry address.	Irrelevant.
	0	Address of work area.	Unpredictable.
1	Address of SDWA.	Unchanged.	
2-13	Irrelevant.	Irrelevant.	
14	Return address.	Unchanged.	
15	Entry point address.	Unpredictable.	

Module Name	Register Number	Contents at Entry	Contents at Exit
IEAVGTCL	0	Cell pool identifier.	Unchanged.
	1	Unpredictable.	Address of allocated cell.
	2	Unpredictable.	Unpredictable.
	3	Address of CVT.	Unpredictable.
	4-13	Unpredictable.	Unpredictable.
	14	Return address.	Unchanged.
	15	Entry point address.	Return code.
IEAVID00	0	Address of symbolic name or parameter list.	Unchanged from time SVC was issued.
	1	Address of entry point or zero.	Unchanged from time SVC was issued.
	2	Irrelevant.	Unchanged from time SVC was issued.
	3	Address of CVT.	Unchanged from time SVC was issued.
	4	Address of TCB.	Unchanged from time SVC was issued.
	5	Address of SVRB.	Unchanged from time SVC was issued.
	6	Entry point.	Unchanged from time SVC was issued.
	7	Address of ASCB.	Unchanged from time SVC was issued.
	8-13	Irrelevant.	Unchanged from time SVC was issued.
	14	Return address.	Unchanged from time SVC was issued.
	15	Irrelevant.	Return code.
IEAVINV IEAVINV	0	Irrelevant.	Irrelevant.
	1-1	Address of page table entry or zeros.	Unchanged.
	2	Address of RSM Header.	Unchanged.
	3	Address of PVT.	Unchanged.
	4-13	Irrelevant.	Irrelevant.
	14	Return address.	Unchanged.
IEAVINVA	15	Entry point address.	Unchanged.
	0-13	Irrelevant.	Irrelevant.
	14	Return address.	Unchanged.
	15	Entry point address.	Unpredictable.
IEAVIOCP IEAVCPBR	0	Bytes 0-2 Zero Byte 3: 01 if local lock held by caller; 00 if local lock not held by caller.	Unpredictable.
	1	Address of last PCB on PCB string or zero.	Unpredictable.
	2	Address of RSM Header.	Unchanged.
	3	Address of PVT.	Unchanged.
	4-13	Irrelevant.	Unchanged.
	14	Return address.	Unchanged.
IEAVIOCP	15	Entry point address.	Return code.
	0	Address of SRB.	Unpredictable.
	1	Value of SRBPARM.	Unpredictable.
	2-13	Irrelevant.	Unchanged.
	14	Return address.	Unchanged.
	15	Entry point address.	Unpredictable.
IEAVITAS	0	Address of ASCB for new address space.	Unpredictable.
	1	Virtual storage address of area obtained by GETMAIN from master address space.	Virtual storage address of beginning of RSM area (in master address space input page).
	2-12	Irrelevant.	Unchanged.
	13	Address of save area.	Unchanged.
	14	Return address.	Unchanged.
	15	Entry point address.	Return code.

Module Name	Register Number	Contents at Entry	Contents at Exit	
IEAVLK00 IGC006	0	Irrelevant	Changed	
	1	Address of user parameter list.	Transparent.	
	2	Irrelevant.	Transparent.	
	3	CVT address.	Transparent.	
	4	Current TCB address.	Transparent.	
	5	Current RB address.	Transparent.	
	6-13	Irrelevant.	Transparent.	
	14	Irrelevant.	Return address.	
	15	Parameter list.	Entry point address.	
	IGC007	0-15	Same as IGC006.	Same as IGC006.
		IGC008	0	Address of entry point name or address of DE in complemented form.
	1		DCB address of zero.	Authorization code in high order byte; size of module in low order three bytes.
	2		Irrelevant.	Transparent.
	3		Address of CVT.	Transparent.
	4		Address of current TCB.	Transparent.
5	Address of current RB.		Transparent.	
6-15	Irrelevant.		Transparent.	
IGC009	0-15		Same as IGC008.	Same as IGC008.
	IGC012		0-2	Irrelevant.
3			CVT address.	Unchanged.
4			TCB address.	Unchanged.
5			RB address.	Unchanged.
6-13			Irrelevant.	Unchanged.
14			Irrelevant.	Address of an SVC exit.
15			Address of entry point to get control.	Unchanged.
IEAQCS01		0	Address of requested module name or PDS DE (complemented).	Changed.
	1	DCB address.	Transparent.	
	2	Irrelevant.	Transparent.	
	3	CVT address.	Transparent.	
	4	TCB address.	Transparent.	
	5	SVRB address.	Transparent.	
	6-13	Irrelevant.	Transparent.	
	14	Irrelevant.	Return address.	
	15	Irrelevant.	Entry point address.	
	IEAQCS02	0	n/a	Changed.
		1-2	n/a	Transparent.
		3	CVT address.	Transparent.
		4	TCB address.	Transparent.
		5	RB address.	Transparent.
		6	Base address.	Transparent.
7		n/a	Transparent.	
8		CDE queue to search.	Transparent.	
9		Address of name requested.	Transparent.	
10		Address of DCB or zero.	Transparent.	
11-13		n/a	Transparent.	
14		n/a	Return address.	
15		n/a	Entry point address.	
IEAQCS03		0-10	Same as IEAQCS02.	Same as IGC006.
		11	Address of requested CDE.	
	12	Address of major CDE.		

Module Name	Register Number	Contents at Entry	Contents at Exit	
IEAVLK00 (continued)				
IEAVVMSR	0	Left half of name.	LPDE address if found.	
	1	Right half of name.	n/a	
	2	Irrelevant.	n/a	
	3	CVT address.	n/a	
	4,5	Irrelevant.	n/a	
	6	Irrelevant.	Changed.	
	7	Irrelevant.	n/a	
	8,9	Irrelevant.	Changed.	
	10-13	Irrelevant.	n/a	
	14	Return address.	n/a	
	15	Irrelevant.	n/a	
	IEAQCDR	0	Irrelevant.	Left half of name.
		1	Irrelevant.	Right half of name.
		2-7	Irrelevant.	n/a
		8	Address of pointer to first CDE on the queue.	n/a
9		Address of name.	n/a	
10		Irrelevant.	n/a	
11		Irrelevant.	CDE address or zero.	
12,13		Irrelevant.	n/a	
14		Return address.	n/a	
15		Irrelevant.	Changed.	
0-15		None.	None.	
IEAQCS04		(Exit to search LPAQ)		
		0	First 4 characters of module name.	Irrelevant.
		1	Last 4 characters of module name.	Irrelevant.
		2	Irrelevant.	Irrelevant.
	3	Irrelevant.	CVT address.	
	4	TCB address.	TCB address.	
	5	SVRB address.	SVRB address.	
	6	Address of IEAVLKO1 (base register).	Base register for IEAVLKO0.	
	7	Irrelevant.	Irrelevant.	
	8	Address of last CDE queue searched.	CDE queue origin to searched.	
	9	Address of name.	Address of name.	
	10	DCB address.	DCB address.	
	11-15	Irrelevant.	Irrelevant.	
	(Exit to found module).			
	0-7		Same as "Exit to search CPAQ" above.	
8-10		Irrelevant.		
11		Requested CDE.		
12		Major code for request.		
13-15		Irrelevant.		
(Exit to process alias request).				
0-10		Same as "Exit to search LPAQ" above.		
11		CDE for request.		
12		Major code for request.		
13-15		Irrelevant.		
(Exit to check usability of found major name).				
0		First 4 characters of module name.		
1		Last 4 characters of module name.		
2-10		Same as "Exit to search LPAQ" above.		
11		CDE for request.		
12		Major code for request.		
13-15		Irrelevant.		

Module Name	Register Number	Contents at Entry	Contents at Exit
IEAVLK01 (continued)		(Error exit).	
	0-12		Irrelevant.
	13		ABEND code.
	14		Irrelevant.
	15		Reason code for ABEND.
IEAVLK02 CDHKEEP	0-3	Irrelevant.	Changed.
	4	Current or terminating TCB address.	Changed.
	5	Irrelevant.	Unchanged.
	6-10	Irrelevant.	Irrelevant.
	11	Major CDE.	Unchanged.
	12	Terminating CDE address.	Unchanged.
	13	Irrelevant.	Unchanged.
	14	Return address.	Changed.
	15	Irrelevant.	Changed.
	IEAPPGMX	0-4	Irrelevant.
5		Terminating RB.	Irrelevant.
6-12		Irrelevant.	Irrelevant.
13		Save area of caller.	Irrelevant.
14		Return address.	Irrelevant.
15		Irrelevant.	Return code.
IEAPPGMA	0	Irrelevant.	Irrelevant.
	1	Pointer to parameter list pointer.	Irrelevant.
	2-12	Irrelevant.	Irrelevant.
	13	Save area of caller.	Irrelevant.
	14	Return address.	Irrelevant.
15	Irrelevant.	Return code.	
IEAVLK03	0	Irrelevant.	Unchanged.
	1	Pointer to SDWA.	Unchanged.
	2-13	Irrelevant.	Unchanged.
	14	Return address.	Return address.
	15	Irrelevant.	Unchanged.
IEAVMASV IEAVTPUT	0-12	Irrelevant.	Unchanged.
	13	Save area address.	Unchanged.
	14	Return address.	Unchanged.
	15	Entry point address.	Unchanged.
IEAVMDOM	0-3	Irrelevant.	Unchanged.
	4	UCM prefix address.	Unchanged.
	5-12	Irrelevant.	Unchanged.
	13	Irrelevant.	Irrelevant.
	14	Return address.	Unchanged.
	15	Entry point address.	Unchanged.

Module Name	Register Number	Contents at Entry	Contents at Exit	
IEAVMDSV	0	Irrelevant.	Irrelevant.	
	1	Input code. 0 = DEVSERVA 4 = DEVSERVB 8 = DQCLNUP	Irrelevant.	
	2	UCME address.	Irrelevant.	
	3	DEVSERVA and DQCLNUP only; address of next UCME.	Irrelevant.	
	4	UCM-prefix address.	Unchanged.	
	5	Irrelevant.	Unchanged.	
	6	DEVSEVB only; ECB address posted for I/O completion.	Unchanged.	
	7-10	Irrelevant.	Unchanged.	
	11	DEVSEVB only; UCME address posted for the console that received the I/O completion or attention.	Unchanged.	
	12-13	Irrelevant.	Unchanged.	
	14	Return address.	Unchanged.	
	15	Entry point address.	Irrelevant.	
	IEAVMFRR (From FRR)	0	200 byte work area address.	Irrelevant.
		1	SDWA address.	Irrelevant.
		2-13	Irrelevant.	Irrelevant.
14		Return address.	Unchanged.	
15		Entry point address.	Irrelevant.	
(From ESTAE)	0	SDWA indicator.	Irrelevant.	
	1	SDWA address or ABEND code.	Irrelevant.	
	2	Address of user's parameter list if there is no SDWA.	Irrelevant.	
	3-13	Irrelevant.	Irrelevant.	
	14	Return address.	Unchanged.	
	15	Entry point address.	Irrelevant.	
IEAVMNTR	0	Standard.	Standard.	
	1	Address of parameter list address.	Standard.	
	2-15	Standard.	Standard.	
IEAVMODE IGC107	0	Irrelevant.	Unpredictable.	
	1	Bits that define request.	Unpredictable.	
	2-14	SVC registers.	Irrelevant.	
	15	Irrelevant.	Irrelevant.	
IEAVMQR0	0	Irrelevant.	Unchanged.	
	1	Pointer to parameter list.	Unchanged.	
	2-12	Irrelevant.	Unchanged.	
	13	Save area address.	Unchanged.	
	14	Return address.	Unchanged.	
	15	Entry point address.	Irrelevant.	

Module Name	Register Number	Contents at Entry	Contents at Exit
IEAVMQWR (After first entry.)	0-1	Irrelevant.	n/a (permanent task)
	2	UCM address.	n/a (permanent task)
	3	Next UCME address.	n/a (permanent task)
	4	UCM-prefix address.	n/a (permanent task)
	5	EIL address. Irrelevant.	n/a (permanent task)
	6-7	Irrelevant.	n/a (permanent task)
	8	EIL address.	n/a (permanent task)
	9	Base register.	n/a (permanent task)
	10	Irrelevant.	n/a (permanent task)
	11	UCME-BXLE address-begin address.	n/a (permanent task)
	12	UCME-BXLE address-increment.	n/a (permanent task)
	13	UCME-BXLE address-end address.	n/a (permanent task)
	14-15	Irrelevant.	n/a (permanent task)
	IEAVMWSV	0-1	Irrelevant.
2		UCM address.	Irrelevant.
3		Irrelevant.	Irrelevant.
4		UCM prefix address.	Irrelevant.
5-13		Irrelevant.	Irrelevant.
14		Return address.	Unchanged.
15		Entry point address.	Irrelevant.
IEAVMWTO	0	Irrelevant.	Unchanged.
	1-2	Irrelevant.	Unchanged.
	3	CVT address.	Unchanged.
	4	TCB address.	Unchanged.
	5	SVRB address.	Unchanged.
	6	WPL address.	Unchanged.
	7	ASCB address.	Unchanged.
	8-9	Irrelevant.	Unchanged.
	10	UCM base address.	Unchanged.
	11	Irrelevant.	Unchanged.
	12	XVSAV area in SVRB.	Unchanged.
	13	Save area pointer.	Unchanged.
	14	Return address.	Unchanged.
	15	Irrelevant.	Unchanged.
	IEAVNPA6	0-1	Irrelevant.
2		NIP vector table address.	
3		CVT address.	
4-12		Irrelevant.	
13		A 72 byte register save area address.	
14		Return address.	
IEAVOUT	0,1	Irrelevant.	Irrelevant.
	2	Address of RSM Header.	Unchanged.
	3	Address of PVT.	Unchanged.
	4	Address of CIWA.	Unchanged.
	5-13	Irrelevant.	Irrelevant.
	14	Return address.	Unchanged.
	15	Irrelevant.	Irrelevant.
IEAVPCB	0	If build option, number of PCBs desired; otherwise, TQN of input PCBs.	Unchanged.
	1	If build option, 0; otherwise, address of PCB to be enqueued or dequeued or moved.	If build option, address of first PCB obtained for this request; otherwise, unchanged.
	2	Address of RSM Header.	Unchanged.
	3	Address of PVT.	Unchanged.
	4-13	Irrelevant.	Unchanged.
	14	Return address.	Unchanged.
	15	Entry point address.	Return code.

Module Name	Register Number	Contents at Entry	Contents at Exit	
IEAVPFTE	0	Queue flag, TQID, and RBN.	Unchanged.	
	1	Address of ASCB for TQID local frame queues.	Unchanged.	
	2	Address of RSM Header.	Unchanged.	
	3	Address of PVT.	Unchanged.	
	4-13	Irrelevant.	Unchanged.	
	14	Return address.	Unchanged.	
	15	Entry point address.	Unchanged.	
IEAVPIOI	0	Address of SRB.	Unpredictable.	
	1	Address of AIA.	Unpredictable.	
	2-13	Irrelevant.	Irrelevant.	
	14	Return address.	Return address.	
	15	Entry point address.	Unpredictable.	
IEAVPIOP IEAVPIOP	0	Irrelevant.	Irrelevant.	
	1	Address of AIA.	Unchanged.	
	2-12	Irrelevant.	Unchanged.	
	13	Save area address.	Unchanged.	
	14	Return address.	Unchanged.	
IEAVOPBR	15	Entry point address.	Unchanged.	
	0	Irrelevant.	Irrelevant.	
	1	Address of PCB with or without related PCBs.	Unchanged.	
	2	Irrelevant.	Unchanged.	
	3	Address of PVT.	Unchanged.	
	4-13	Irrelevant.	Unchanged.	
	14	Return address.	Unchanged.	
	15	Entry point address.	Unchanged.	
	IEAVPIX	0-13	Irrelevant.	Irrelevant.
		14	Return address.	Unchanged.
15		Entry point address.	Return code.	
IEAVPREF	0	Pass number (tells IEAVPREF which criteria to use).	Unchanged.	
	1	Real block number (RBN).	Unchanged.	
	2-13	Irrelevant.	Irrelevant.	
	14	Return address.	Unchanged.	
	15	Entry point address.	Return code.	
IEAVPRTO IEAVPRTO	0	For entry through SVC 10 or 120 and GETMAIN, region size; otherwise irrelevant.	Unpredictable.	
	1	For SVC 4 entry, address of parameter list; for SVC 10 or 120 entry, a negative value; for a FREEMAIN entry, a positive non-zero value.	Unpredictable.	
	2,3	Irrelevant.	Irrelevant.	
	4	Address of LDA.	Unpredictable.	
	5	Bytes 0-2: irrelevant byte 3: subpool ID.	Unpredictable.	
	6,7	Irrelevant.	Irrelevant.	
	8	Base register for IEAVGM00.	Unpredictable.	
	9-12	Irrelevant.	Irrelevant.	
	13	Base register for IEAVGM00.	Unpredictable.	
	14	Return address.	Unchanged.	
15	Entry point address.	Return code.		

Module Name	Register Number	Contents at Entry	Contents at Exit
IEAVPRTO (continued)			
IEALIMIT	0	Irrelevant.	Irrelevant.
	1	Number of bytes requested.	Limit size; zero if no limit.
	2-12	Irrelevant.	Irrelevant.
	13	Save area address.	Unpredictable.
	14	Return address.	Unchanged.
	15	Entry point address.	Unpredictable.
IEAVPSI			
IGC112	0	Low address of virtual storage area to be released.	Unpredictable.
	1	High address of virtual storage area to be released.	Unpredictable.
	2	Irrelevant.	Irrelevant.
	3	Address of CVT.	Unpredictable.
	4	Address of TCB.	Unpredictable.
	5	Address of RB.	Unpredictable.
	6	Address of entry point.	Unpredictable.
	7	Address of ASCB.	Unpredictable.
	8-13	Irrelevant.	Irrelevant.
	14	Return address.	Unchanged.
	15	Irrelevant.	Return code.
IGC113	0	Address of ECB or zero.	Unpredictable.
	1	If byte 0, bit 0 is one, address of VSL; if zero, first half of a VSL entry.	Unpredictable.
	2	Irrelevant.	Irrelevant.
	3	Address of CVT.	Unpredictable.
	4	Address of TCB.	Unpredictable.
	5	Address of RB.	Unpredictable.
	6	Entry point address.	Unpredictable.
	7	Address of ASCB.	Unpredictable.
	8-13	Irrelevant.	Irrelevant.
	14	Return address.	Unchanged.
	15	If register 1, byte 0, bit 0 is one, irrelevant; if zero, last half of a VSL entry.	Return code.
IEAVPSIB IEAVPSIX IEAVPSIF			
	0	Address of ECB or zero.	Unchanged.
	1	If byte 0, bit is one, address of VSL; if zero, first half of a VSL entry.	Unchanged.
	2	If register 1, byte 0, bit 0 is zero, last half of a VSL entry; if one, irrelevant.	Unchanged.
	3	Irrelevant.	Irrelevant.
	4	Address of TCB or zero.	Unchanged.
	5-13	Irrelevant.	Irrelevant.
	14	Return address.	Unchanged.
IEAVPSII	15	Entry point address.	Return Code.
	0	0 or address of ECB residing in fixed storage.	Unchanged.
	1	First half of VSL entry.	Unchanged.
	2	Last half of VSL entry.	Unchanged.
	3	Address of PVT.	Unchanged.
	4	Address of TCB or 0.	Unchanged.
	5-13	Irrelevant.	Irrelevant.
	14	Return address.	Unchanged.
	15	Entry point address.	Return code.

Module Name	Register Number	Contents at Entry	Contents at Exit	
IEAVPSI				
(continued)				
NEXTVSL	0,1	Irrelevant.	Irrelevant.	
	2	Address of RSM Header.	Unchanged.	
	3	Address of PVT.	Unchanged.	
	4	Address of CIWA.	Unchanged.	
	5-13	Irrelevant.	Irrelevant.	
	14	Return address.	Unchanged.	
	15	Entry point address.	Return code.	
IEAVRCF				
IEAVRCF	0	Irrelevant.	Irrelevant.	
	1	Address of parameter list.	Unchanged.	
	2-12	Irrelevant.	Irrelevant.	
	13	Save area address.	Unchanged.	
	14	Return address.	Unchanged.	
IEAVRCFI	15	Entry point address.	Return code.	
	0	Irrelevant.	Irrelevant.	
	1	Real Block Number of intercepted frame.	0, if the frame was accepted by the interception routine; unchanged, if the frame was rejected because no request existed for it in a root PCB.	
	2	Address of RSM Header.	Unchanged.	
	3	Address of PVT.	Unchanged.	
	4-5	Irrelevant.	Irrelevant.	
	6	PFTE address.	Unchanged.	
	7-13	Irrelevant.	Unchanged.	
	14	Return address.	Unchanged.	
	15	Entry point address.	Unchanged.	
	IEAVRCFC	0	Address of SRB.	Unchanged.
		1	Value of the SRBPARM field, in this case the address of the root PCB.	Unchanged.
		2-12	Irrelevant.	Irrelevant.
		13	Irrelevant.	Unchanged.
		14	Return address.	Unchanged.
15		Entry point address.	Unchanged.	
IEAVRCV				
IEAVRCV		0	Address of work area.	Unpredictable.
	1	Address of SDWA.	Unchanged.	
	2-13	Irrelevant.	Irrelevant.	
	14	Return address.	Unchanged.	
	15	Irrelevant.	Irrelevant.	
IEAVRCV2	0	Address of work area.	Unpredictable.	
	1	Address of SDWA.	Unchanged.	
	2-13	Irrelevant.	Irrelevant.	
	14	Return address.	Unchanged.	
	15	Irrelevant.	Irrelevant.	
IEAVRELS				
IEAVRELS	0,1	Irrelevant.	Irrelevant.	
	2	Address of RSM Header.	Unchanged.	
	3	Address of PVT.	Unchanged.	
	4	Address of CIWA.	Unchanged.	
	5-13	Irrelevant.	Unpredictable.	
	14	Return address.	Unchanged.	
	15	Entry point address.	Unpredictable.	

Module Name	Register Number	Contents at Entry	Contents at Exit	
IEAVRELS (continued)				
IEAVRELV	0	Low Address of Virtual Storage Area to be Released.	Unchanged.	
	1	High Address of Virtual Storage Area to be Released.	Unchanged.	
	2	Address of ASCB.	Address of first or only virtual storage area to be freed by FREEMAIN; if no FREEMAIN, zero;	
	3	Address of PVT.	If return code 8, Address of Virtual Page put into Deferred Release status; otherwise, unchanged.	
	4-13	Irrelevant.	Unchanged.	
	14	Return address.	Unchanged.	
	15	Entry point address.	Return code.	
IEAVRELF	0	Irrelevant.	Irrelevant.	
	1	Address of virtual page to be released.	Unchanged.	
	2	Address of RSM Header.	Unchanged.	
	3	Address of PVT.	Unchanged.	
	4-13	Irrelevant.	Unchanged.	
	14	Return address.	Unchanged.	
	15	Entry point address.	Return code.	
IEAVRFR				
IEAVRFR	0	Irrelevant.	Irrelevant.	
	1	Address of parameter list.	Unchanged.	
	2-12	Irrelevant.	Irrelevant.	
	13	Save area address.	Unchanged.	
	14	Return address.	Unchanged.	
	15	Entry point address.	Unpredictable.	
IEAVRFRA	0	SRB address.	Unpredictable.	
	1	Address of RSM Header.	Unpredictable.	
	2-13	Irrelevant.	Irrelevant.	
	14	Return address.	Unchanged.	
FREEPAGE	15	Entry point address.	Unpredictable.	
	0,1	Irrelevant.	Unchanged.	
	2	Address of RSM Header.	Unchanged.	
	3	Address of PVT.	Unchanged.	
IEAVRTIO	4	Address of PFTE.	Unchanged.	
	5	Address of parameter list.	Unchanged.	
	6	PFTE index.	Unchanged.	
	7,8	Irrelevant.	Unchanged.	
	9	Base register.	Unchanged.	
	10-13	Irrelevant.	Unchanged.	
	14	Return address.	Unchanged.	
	15	Entry point address.	Unpredictable.	
	IEA0T100	0,1	Irrelevant.	Irrelevant.
		2	Return address.	Unchanged.
IEAQTE00	3-15	Irrelevant.	Irrelevant.	
	0	Irrelevant.	Irrelevant.	
	1	Address of the subject TQE.	Unchanged.	
	2	Return address.	Unchanged.	
	3-12	Irrelevant.	Unchanged.	
	13	Irrelevant.	Unpredictable.	
	14	Irrelevant.	Unchanged.	
15	Irrelevant.	Unchanged.		

Module Name	Register Number	Contents at Entry	Contents at Exit
IEAVRTIO (continued)			
IEAQTD00	0	Irrelevant.	Unchanged.
	1	Address of subject TQE.	Unchanged.
	2	Return address.	Unchanged.
	3-12	Irrelevant.	Unchanged.
	13	Irrelevant.	Unpredictable.
	14	Irrelevant.	Unchanged.
IEAVRCKQ	15	Irrelevant.	Unpredictable.
	0,1	Irrelevant.	Unchanged.
	2	Return address.	Unchanged.
	3-12	Irrelevant.	Unchanged.
	13	Irrelevant.	Unpredictable.
	14	Irrelevant.	Unchanged.
IEAVRQCK	15	Irrelevant.	Unpredictable.
	0-13	Irrelevant.	Unchanged.
	14	Return address.	Unchanged.
IEAVRSAE	15	Irrelevant.	Unpredictable.
	0	Address of SRB.	Unpredictable.
	1	Value of SRBPARM; in this case, address of TQE.	Unpredictable.
	2-13	Irrelevant.	Unpredictable.
	14	Return address.	Unchanged.
	15	Irrelevant.	Unpredictable.
IEAVRTI1			
IEAQPGTM	0	Irrelevant.	Unchanged.
	1	Address of RMPL.	Unchanged.
	2-12	Irrelevant.	Unchanged.
	13	Save area address.	Unchanged.
	14	Return address.	Unchanged.
	15	Irrelevant.	Always zero.
IEAVRSPG	0	Address of SRB.	Unpredictable.
	1	Value of SRBPARM; in this case, address of TQE.	Unpredictable.
	2-13	Irrelevant.	Unpredictable.
	14	Return address.	Unchanged.
	15	Entry point address.	Unpredictable.
IEAVRCLS	0	If ACR error, physical address of failing CPU; otherwise, irrelevant.	Unchanged.
	1	If machine check error, address of LRB.	Unchanged.
	2-12	Irrelevant.	Unchanged.
	13	Save area address.	Unchanged.
	14	Return address.	Unchanged.
	15	Irrelevant.	Unchanged.
IEAVRCLX	0-13	Irrelevant.	Unpredictable.
	14	Return address.	Unchanged.
	15	Irrelevant.	Unpredictable.
IEAVRNEW	0-12	Irrelevant.	Unchanged.
	13	Save area address.	Unchanged.
	14	Return address.	Unchanged.
	15	Irrelevant.	Unchanged.
IEAVRSPN	0-15	Irrelevant.	Unpredictable.
IEAVRFRR	0	Irrelevant.	Unpredictable.
	1	Address of SDWA.	Unpredictable.
	2-13	Irrelevant.	Unpredictable.
	14	Return address.	Unchanged.
	15	Irrelevant.	Unpredictable.
IEAVRTVR	0	Address of TQE.	Unchanged.
	1	Address of SDWA.	Unchanged.
	2-13	Irrelevant.	Unpredictable.
	14	Return address.	Unchanged.
	15	Entry point address.	Return code.

Module Name	Register Number	Contents at Entry	Contents at Exit	
IEAVRTOD IEAVRSSC	0	If the caller is IEEVCPU, 0; if the caller is IEAVRCLA, 1.	Unchanged.	
	1	Address of fullword in storage containing address of PCCA.	Unchanged.	
	2-12	Irrelevant.	Unchanged.	
	13	Save area address.	Unchanged.	
	14	Return address.	Unchanged.	
	15	Entry point address.	Return Code.	
	IEAVRCLA	0-13	Irrelevant.	Unpredictable.
		14	Return address.	Unchanged.
		15	Irrelevant.	Unpredictable.
	IEAVRNOT	0	Irrelevant.	Unpredictable.
		1	Address of fullword in storage containing address of PCCA.	Unchanged.
		2-12	Irrelevant.	Unchanged.
		13	Save area address.	Unchanged.
		14	Return address.	Unchanged.
		15	Entry point address.	Return Code.
IEAVRCAN		0	Irrelevant.	Unpredictable.
	1	Address of fullword in storage containing address of PCCA.	Unchanged.	
	2-12	Irrelevant.	Unchanged.	
	13	Save area address.	Unchanged.	
	14	Return address.	Unchanged.	
	15	Entry point address.	Unchanged.	
IEAVRT00 IGC0004F	0	Address of area in which to store interval remaining if MIC is specified.	Unchanged, if MIC is specified; if TU is specified, remaining time interval in timer units.	
	1	Bytes 0-2: irrelevant Byte 3: if Bit 5 is one, ERRET is specified; if Bit 6 is one, MIC is specified; if bit 6 is zero, TU is specified; and if Bit 7 is one, CANCEL is specified.	Unchanged.	
	2	Irrelevant.	Irrelevant.	
	3	Address of CVT.	Unpredictable.	
	4	Address of requestor's TCB.	Unpredictable.	
	5	Address of SVRB.	Unpredictable.	
	6-13	Irrelevant.	Irrelevant.	
	14	Return address.	Unchanged.	
	15	Irrelevant.	0, if successful; 8, if unsuccessful and ERRET specified.	
	IGC0004G	0	Byte 1: bits 0-3 0000, TUINTVL 0001, BINTVL 0010, MICVL 0011, DINTVL 0110, GMT 0111, TOD specified on macro instruction; if bit 4 is one, ERRET has been specified; bits 5-7 indicate type of request: 000, task type; 001, = wait type 001, real type; Bytes 1-3 contain the address of the user's asynchronous exit routine.	Unchanged.

VS2.03.807

Module Name	Register Number	Contents at Entry	Contents at Exit
IEAVRT00			
(continued)			
IGC0004G	1	Address of desired time interval.	Unchanged.
(continued)	2	Irrelevant.	Unpredictable.
	3	Address of CVT.	Unpredictable.
	4	Address of requestor's TCB.	Unpredictable.
	5	Address of SVRB.	Unpredictable.
	6	Irrelevant.	Unpredictable.
	7	Address of requestor's ASCB.	Unpredictable.
	8-13	Irrelevant.	Unpredictable.
	14	Return address.	Unchanged.
	15	Irrelevant.	0, if successful; 8, if unsuccessful and ERRET is specified.
TTSTSTAE			
	0	12, if no SDWA is present; # 12 otherwise.	Unchanged.
	1	Address of SDWA, if one is supplied.	Unchanged.
	2-12	Irrelevant.	Unchanged.
	13	Save area address.	Unchanged.
	14	Return address.	Unchanged.
	15	Irrelevant.	Unchanged.
IEAVRT01			
IGC0001A	0	Address of area in which to store time if STCK or MIC is specified.	Requested time, if TU, BIN; or DEC is specified; otherwise, unchanged.
	1	Bytes 0-2: Irrelevant Byte 3: Type of units. specified: if bit 0 is 1, GMT is requested; if bit 1 is 1, ERRET has been specified; bits 4-7 indicate units—0000 for TU, 0001 for BIN, 0010 for DEC, 0011 for MIC, or 0100 for STCK.	Requested date, if TU, BIN, or DEC is specified; otherwise, unchanged.
	2	Irrelevant.	Unpredictable.
	3	Address of CVT.	Unpredictable.
	4	Address of requestor's TCB.	Unpredictable.
	5	Address of SVRB.	Unpredictable.
	6-13	Irrelevant.	Unpredictable.
	14	Return address.	Unchanged.
	15	Irrelevant.	0, if successful; 8, if no usable TOD clock was found; 12, terminated because key of storage passed by caller doesn't match TCB protect key.
IEAVRTME			
	0	Irrelevant.	Unpredictable.
	1	Address of TPC.	Unpredictable.
	2-13	Irrelevant.	Unpredictable.
	14	Return Address.	Unchanged.
	15	Irrelevant.	Unpredictable.
TIMESTAE			
	0	12, if no SDWA is present; # 12, otherwise.	Unchanged.
	1	Address of SDWA, if present.	Unchanged.
	2-12	Irrelevant.	Unchanged.
	13	Save area address.	Unchanged.
	14	Return address.	Unchanged.
	15	Irrelevant.	Unchanged.

VS2.03.807

Module Name	Register Number	Contents at Entry	Contents at Exit	
IEAVRT02 IEAVRDIE	0	Irrelevant.	Volatile.	
	1	TQE address.	Unchanged.	
	2-12	Parameters for input to DIE.	2-10 unchanged. 11-12 volatile.	
	13	Irrelevant.	Volatile.	
	14	Return address.	Volatile.	
	15	Irrelevant.	Volatile.	
	IEAVROCL	0-3	Irrelevant.	Volatile.
		4-10	Irrelevant.	Unchanged.
		11	Address of STCK area.	Unchanged.
		12-13	Irrelevant.	Volatile.
		14	Return address.	Volatile.
		15	Irrelevant.	Volatile.
	IEAVRTAP	0	Irrelevant.	Volatile.
		1	Address of STCK area.	Volatile.
		2-13	Irrelevant.	Volatile.
14		Return address.	Volatile.	
15		IEAVRTAP entry point address.	Volatile.	
IEAVSETS IGC079		0	Primary mask if ND, else ASID.	Unchanged.
	1	TCB address (optional); bit 0=1 (Reset); bit 0=0 (Set).		
	2-14	Standard SVC registers.	Standard SVC registers. 0—normal completion 4—stop-start failed.	
	15	Secondary mask if SD, else ASID (optional).		

Module Name	Register Number	Contents at Entry	Contents at Exit	
IEAVSETS				
(continued)				
IG07902	0	Primary mask if ND, else ASID. bit 0 = 1 Reset bit 0 = 0 Set.	Unchanged.	
	1	TCB address (optional).	Unchanged.	
	2-12	Irrelevant.	Unchanged.	
	13	Secondary mask if SD, else ASID (optional).	Unchanged.	
	14	Return address.	Unchanged.	
	15	Entry point address.	0-normal completion.	
IGC07903	0	ASID in high order two bytes. X'0D in low order byte.	Unchanged.	
	1	bit 0 = 1	Unchanged.	
	2-12	Irrelevant.	Unchanged.	
	13	Address of save area.	Unchanged.	
	14	Return address.	Unchanged.	
	15	Entry point address.	0-normal completion.	
IEAVESSS	0-3	Irrelevant.	Unchanged.	
	4	Address TCB	Unchanged.	
	5-6	Irrelevant.	Unchanged.	
	7	Address ASCB.	Unchanged.	
	8-13	Irrelevant.	Unchanged.	
	14	Return address.	Unchanged.	
	15	Entry point address.	Unpredictable.	
	0-10	Irrelevant.	Unchanged.	
IEAVSSNQ	11-13	Irrelevant.	Unpredictable.	
	14	Entry point address.	Unpredictable.	
	15	Return address.	Unchanged.	
	0-6	Irrelevant.	Unchanged.	
IEATRSCN	7	Irrelevant.	Unpredictable.	
	8	Address of highest level task in tree to be searched.	Unchanged.	
	9	Irrelevant.	Unpredictable.	
	10	Address of task from which search is to start.	Address of selected task (if found).	
	11	Return address (if no TCB found).	Unchanged.	
	12-13	Irrelevant.	Unchanged.	
	14	Return address (if TCB was found).	Unchanged.	
	15	Entry point address of IGC07902.	Unchanged.	
	IEAVSOUT	0	Irrelevant.	Irrelevant.
		1	Address of ASCB.	Unpredictable.
		2-12	Irrelevant.	Unchanged.
13		Save area address.	Unchanged.	
14		Return address.	Unchanged.	
15		Entry point address.	Return Code.	
IEAVSQA	0	Irrelevant.	Irrelevant.	
	1	0 or virtual storage address of page needing frame.	Frame Real Block Number.	
	2	Address of RSM Header.	Unchanged.	
	3	Address of PVT.	Unchanged.	
	4-13	Irrelevant.	Irrelevant.	
	14	Return address.	Unchanged.	
	15	Entry point address.	Return Code or, in error case, return code from IEAVFP.	

Module Name	Register Number	Contents at Entry	Contents at Exit	
IEAVSTAA	0	Situation indicator: 0 = I/O quiesce. 4 = I/O halted. 8 = I/O inactive. 12 = SDWA was not obtained. 16 = I/O processing was not performed.	Irrelevant.	
	1	If register 0: ≠ 12 then SDWA address. = 12 then ABEND completion code.	Irrelevant.	
	2	If register 0: = 12 then address of user supplied parameter list. ≠ 12 then irrelevant.	Irrelevant.	
	3-12	Irrelevant.	Irrelevant.	
	13	If register 0: ≠ 12 then address of the user supplied parameter list. = 12 the irrelevant.	Irrelevant.	
	14	Return address.	Unchanged.	
	15	Entry point address.	Irrelevant.	
	IEAVSTAO IGC00060	0	Action Code (create, overlay, etc.)	Irrelevant.
		1	Parameter list address.	Irrelevant.
		2	Irrelevant.	Irrelevant.
3		CVT address.	Irrelevant.	
4		Address of TCB under which SVC 60 will operate.	Irrelevant.	
5		SVC 60 SVRB address.	Irrelevant.	
6		Entry Point.	Irrelevant.	
7		ASCB address.	Irrelevant.	
8-13		Irrelevant.	Irrelevant.	
14		Return address.	Irrelevant.	
ESTAEBRE	15	Irrelevant.	Return Code (0,4,8,12,16,20).	
	0	Action Code (ct,ov,etc.).	Unchanged.	
	1	Parameter list address.	Unchanged.	
	2-12	Irrelevant.	Unchanged.	
	13	Register save area address.	Unchanged.	
	14	Return address.	Unchanged.	
ESTAFRR	15	Entry point address.	Return Code (same as SVC entry).	
	0	Irrelevant.	Irrelevant.	
	1	Pointer to RTCA.	Irrelevant.	
	2-13	Irrelevant.	Irrelevant.	
	14	Return address.	Irrelevant.	
IEAVSWCH	15	Irrelevant.	Irrelevant.	
	0	Irrelevant.	Irrelevant.	
	1	SVRB extended save area address.	Irrelevant.	
	2-13	Irrelevant.	Irrelevant.	
	14	Return address.	Unchanged.	
15	Entry point address.	Irrelevant.		

VS2.03.805

Module Name	Register Number	Contents at Entry	Contents at Exit	
IEAVSWIN	0	Address of SRB.	Unpredictable.	
	1	SRBPARM value, in this case the address of the ASCB.	Unpredictable.	
	2-13	Irrelevant.	Irrelevant.	
	14	Return address.	Unchanged.	
	15	Entry point address.	Unpredictable.	
IEAVSIRT	0	Irrelevant.	Irrelevant.	
	1	Address of root PCB.	Unchanged.	
	2	Irrelevant.	Irrelevant.	
	3	Address of PVT.	Unchanged.	
	4-13	Irrelevant.	Irrelevant.	
	14	Return address.	Unchanged.	
15	Entry point address.	Unchanged.		
IEAVSY50	IGC001	0	Number of events that must occur before the issuing task can continue in control. bit 0 = 1 long wait = 0 short wait.	Unchanged.
		1	ECB address or ECB list address in complemented form.	Unchanged.
		2-13	Irrelevant.	Irrelevant.
		14	Irrelevant.	Address of IEAVEXP1.
		15	Irrelevant.	Unpredictable.
IGC002	0	Completion code.	Unpredictable.	
	1	Address of ECB or XMPOST parameter list address.	Unpredictable.	
	2-13	Standard SVC registers.	Standard SVC register.	
	14	Standard SVC register.	Address of IEAVEXP1.	
	15	Irrelevant.	Unpredictable.	
IEAVWAIT	0	Same as IGC001	Set up by caller in TCBGRS.	
	1	Same as IGC001.	Unchanged.	
	2-14	Irrelevant.	Set up by caller in TCBGRS.	
	15	Address of IEAVWAIT.	Set up by caller in TCBGRS.	
IEAOPT0E	0	Function code.	Unpredictable.	
	1	Exit routine address.	Unpredictable.	
	2-13	Irrelevant.	Unchanged.	
	14	Return address.	Unchanged.	
	15	Entry point address.	Unpredictable.	
IEAOPT02	0-9	Irrelevant.	Unchanged.	
	10	Completion code.	Unpredictable.	
	11	Address ECB.	Unpredictable.	
	12-13	Irrelevant.	Unchanged.	
	14	Return address.	Unchanged.	
	15	Entry point address.	Unpredictable.	
IEAOPT01 Condition A	0-15	If reg 11 is non-zero, and bit 0=0: Same as IEAOPT02.	Same as IEAOPT02.	

Module Name	Register Number	Contents at Entry	Contents at Exit
IEAVSY50 (continued)			
IEAOPT01 (continued)			
Condition B	If reg 11, bit 0=1 and bits 1-31 non-zero:		Unpredictable or unchanged. If bit 0 of register 12=1, or local lock is not held, then registers 0-8 are unpredictable otherwise, registers 0-8 are unchanged.
	0-8	Irrelevant.	
	9	Irrelevant.	
	10	Completion code.	
	11	Address ECB.	
	12	ERRET address.	
	13	ASCB address.	
	14	Same as IEAOPT02.	
	15	Same as IEAOPT02.	
Condition C	If reg 11 is zero:		
	0-9	Same as IEAOPT02.	
	10	Address of RB being posted.	
	11	0.	
	12-15	Same as IEAOPT02.	
Condition D	If reg 11, bit 0=1 and bits 1-31=0:		
	0-9	Same as "C" above.	
	10	Address RB posted.	
	12-15	Same as "C" above.	
IEAOPT03			
Condition A	If reg 11 is non-zero and bit 0=0:		Unchanged. Unpredictable.
	0-14	Same as IEAOPT01 condition A.	
	15	Entry point address.	
Condition B	If reg 11, bit 0=1 and bits 1-31 are non-zero:		Unchanged. Unchanged. Unpredictable.
	0-9	Irrelevant.	
	10-14	Same as IEAOPT01 condition B.	
	15	Entry point address.	
Condition C	If reg 11 is zero:		Unchanged. Unpredictable.
	0-14	Same as IEAOPT01 condition C.	
	15	Entry point address.	
Condition D	If reg 11, bit 0=1 and bits 1-31 are zero:		Unchanged. Unpredictable.
	0-14	Same as IEAOPT01 condition D.	
	15	Entry point address.	
IEARPOST	0	Irrelevant.	Unchanged.
	1	Address of word containing address of RMPL.	Unchanged.
	2-12	Irrelevant.	Unchanged.
	13	Address save area.	Unchanged.
	14	Return address.	Unchanged.
	15	Entry point address.	Zero.
IEAVTABD	0	Irrelevant.	Irrelevant.
	1	RTM2WA address.	Irrelevant.
	2-12	Irrelevant.	Irrelevant.
	13	Caller's save area address.	Irrelevant.
	14	Return address.	Unchanged.
	15	Entry address.	Irrelevant.

VS2.03.805

Module Name	Register Number	Contents at Entry	Contents at Exit
IEAVTABI	0-1	Irrelevant.	Unchanged.
	2	NIP Vector Table (NVT)	Unchanged.
	3	CVT.	Unchanged.
	4-12	Irrelevant.	Unchanged.
	13	Save area address.	Unchanged.
	14	Return address.	Unchanged.
	15	Entry point.	Unchanged.
IEAVTACR	0	Irrelevant.	Irrelevant.
	1	Address of LOGREC buffer for the CPU requiring recovery.	Real address of system termination parameter list (error exit).
	2	Return address of interruption handler.	Irrelevant.
	3-9	Irrelevant.	Irrelevant.
	10	Irrelevant.	Address of current LCCA.
	11-15	Irrelevant.	Irrelevant.
IEAVTAS1	0	Irrelevant.	Irrelevant.
	1	RTM2 work area address.	Irrelevant.
	2-12	Irrelevant.	Irrelevant.
	13	Register save area address.	Irrelevant.
	14	Return address.	Irrelevant.
	15	Entry point address.	Irrelevant.
IEAVTAS2	0-2	Irrelevant.	Irrelevant.
	3	Address of RTM2 work area.	Irrelevant.
	4	Irrelevant.	Irrelevant.
	5	Address of SCB.	Irrelevant.
	6	Irrelevant.	Irrelevant.
	7	Address of SDWA.	Irrelevant.
	8-15	Irrelevant.	Irrelevant.

Module Name	Register Number	Contents at Entry	Contents at Exit
IEAVTAS3	0-2	Irrelevant.	Irrelevant.
	3	Address of RTM2 work area.	Irrelevant.
	4	Irrelevant.	Irrelevant.
	5	Address of SCB.	Irrelevant.
	6	Irrelevant.	Irrelevant.
	7	Address of SDWA.	Irrelevant.
	8-15	Irrelevant.	Irrelevant.
IEAVTB00			
	IGC0001D		
	0	Irrelevant.	Unpredictable.
	1	Address of PICA built by SPIE macro.	Address of previous PICA.
	2-14	Standard SVC registers.	Irrelevant.
	15	Irrelevant.	Unpredictable.
IGC00040			
	0	Irrelevant.	Unpredictable.
	1	Address of parm list.	Unpredictable.
	2-14	SVC registers.	Unpredictable.
	15	Irrelevant.	Unpredictable.
IGC00040+8			
	0	Irrelevant.	Unpredictable.
	1	Address of parm list.	Unpredictable.
	2	Irrelevant.	Unpredictable.
	3	Irrelevant.	Address of CVT.
	4	Address TCB.	Unchanged.
	5-13	Irrelevant.	Unpredictable.
	14	Return address.	Unchanged.
15	Entry point address.	Unpredictable.	
IEAVSPIE	0-15	(Same as IEARPOST).	
IEAVTCR1			
	0	If entered when PSAACR is on, contains RTM1 function code; otherwise, irrelevant.	If PSAACR on, restored to values set by mainline ACR; if PSAACR off, irrelevant.
	1	If entered when PSAACR is not on, contains pointer to SDWA; otherwise irrelevant.	If PSAACR on, restored to values set by mainline ACR; if PSAACR off, irrelevant.
	2-13	Irrelevant.	If PSAACR on, restored to values set by mainline ACR; if PSAACR off, irrelevant.
	14	If entered when PSAACR is not on, contains return address; otherwise, irrelevant.	If PSAACR on, restored to values set by mainline ACR; otherwise, return point.
15	Entry point address.	If PSAACR on, address of retry point within mainline, otherwise, irrelevant.	
IEAVTERM			
	0	Irrelevant.	Irrelevant.
	1	Virtual storage address of input parameter list, the RMPL.	Unpredictable.
	2-12	Irrelevant.	Unchanged.
	13	Save area address.	Unchanged.
14	Return address.	Unchanged.	
15	Entry point address.	Return code.	
IEAVTEST			
	IEAVTEST		
	0	Authorization code, if supplied; otherwise negative.	Unpredictable.
	1	Function code.	Unpredictable.
	2-3	Irrelevant.	Unpredictable.
	4-13	Irrelevant.	Unchanged.
14	Return address.	Unchanged.	
15	Entry point.	Return code: 0-task authorized 4-task not authorized.	

Module Name	Register Number	Contents at Entry	Contents at Exit
IEAVTEST (continued) IGC119	0	Authorization code, if supplied; otherwise negative.	Unpredictable.
	1	Function code.	Unpredictable.
	2-14	Standard SVC registers.	Standard SVC registers.
	15	Irrelevant.	Return code: 0-task authorized 4-task not authorized.
IEAVTMMT	0	Irrelevant.	All registers restored.
	1	RTM2WA address.	All registers restored.
	2-12	Irrelevant.	All registers restored.
	13	Pointer to register save area.	All registers restored.
	14	Return address.	All registers restored.
15	Entry point address.	All registers restored.	
IEAVTMRM	0	Irrelevant.	Unchanged.
	1	Pointer to RMPL address.	Unchanged.
	2-12	Irrelevant.	Unchanged.
	13	Register save area address.	Unchanged.
	14	Return address.	Unchanged.
15	Entry point address.	Unchanged.	
IEAVTMTC	0	Irrelevant.	n/a
	1	Address of an ECB to be posted.	n/a
	2-14	Irrelevant.	n/a
	15	Entry point address.	n/a
IEAVTMTR	0	Irrelevant.	Unchanged.
	1	Address of terminating ASCB.	Unchanged.
	2-12	Irrelevant.	Unchanged.
	13	Save area.	Unchanged.
	14	Return point.	Unchanged.
15	Entry point.	Unchanged.	
IEAVTPMT	0	Irrelevant.	Unchanged.
	1	Pointer to RMPL address.	Unchanged.
	2-12	Irrelevant.	Unchanged.
	13	Register save area address.	Unchanged.
	14	Return address.	Unchanged.
15	Entry point address.	Unchanged.	
IEAVTRCE TREX	0-1	Unchanged from time of interruption.	Unchanged.
	2-9	Irrelevant.	Unchanged.
	10	Entry point address of trace code.	Unpredictable.
	11	Return address.	Unchanged.
	12-14	Irrelevant.	Unchanged.
TRIO	15	Unchanged from time of interruption.	Unchanged.
	0-2	Unchanged from time of interruption.	Unchanged.
	3-4	Irrelevant.	Unchanged.
	5-9	Unchanged from time of interruption.	Unchanged.
	10	Entry point of address of trace code.	Unpredictable.
TRPI	11	Return address.	Unchanged.
	12-15	Unchanged from time of interruption.	Unchanged.
	0-9	Unchanged from time of interruption.	Unchanged.
	10	Entry point address of trace code.	Unpredictable.
	11	Return address.	Unchanged.
12-15	Unchanged from time of interruption.	Unchanged.	

Module Name	Register Number	Contents at Entry	Contents at Exit
IEAVTRCE (Continued)			
TR SVC	0-15	Same as entry point TRPI.	Same as entry point TRPI.
TR SIO	0	Irrelevant.	Irrelevant.
	1	16 bit address related to the SIO.	Irrelevant.
	2-5	Irrelevant.	Irrelevant.
	6	Address of device.	Irrelevant.
	7-8	Irrelevant.	Irrelevant.
	9	Condition code.	Irrelevant.
	10	Entry point address of trace code.	Irrelevant.
	11-15	Irrelevant.	Irrelevant.
TRDISP	0-9	Irrelevant.	Irrelevant.
	10	Entry point address of trace code.	Irrelevant.
	11	Return address.	Unchanged.
	12	New RB address.	Irrelevant.
	13	Irrelevant.	Irrelevant.
	14	New TCB address.	Irrelevant.
	15	Unchanged from time of dispatch.	Irrelevant.
IEAVTRER	0	Flags & length of data to be recorded.	Irrelevant.
	1	Address of parameter list address of data to be recorded.	Irrelevant.
	2-12	Irrelevant.	Irrelevant.
	13	Save area address.	Irrelevant.
	14	Return address.	Irrelevant.
	15	Entry point address.	Return code 0,4,8,12,16, or 20 depending on processing requested and performed.
IEAVTRET	0	Irrelevant.	n/a
	1	Address of ECB to be posted.	n/a
	2-15	Irrelevant.	n/a
IEAVTRTC	0-3	Irrelevant.	Irrelevant.
	4	Address of TCB.	Irrelevant.
	5-7	Irrelevant.	Irrelevant.
	8	Address of RTM2WA.	Irrelevant.
	9-13	Irrelevant.	Irrelevant.
	14	Return address.	Unchanged.
	15	Entry point address of IEAVTRTC.	Irrelevant.
IEAVTRTE	0-3	Irrelevant.	n/a
	4	TCB address.	n/a
	5	SVRB address.	n/a
	6-7	Irrelevant.	n/a
	8	RTM2WA address.	n/a
	9-12	Irrelevant.	n/a
	13	Register save area address.	n/a
	14	Return address.	n/a
	15	Entry point address.	n/a
IEAVTRTH	0	Entry point indicator for machck.	Entry point indicator for machck.
	1-3	Irrelevant.	Irrelevant.
	4	Address of FRR's parm. area.	Address of FRR's parm. area.
	5	Irrelevant.	Irrelevant.
	6	Address of logrec buffer.	Pointer to acquired EEDs.
	7-8	Irrelevant.	Irrelevant.
	9	IEAVTRTM's base reg.	IEAVTRTM's base reg.
	10	Irrelevant.	Pointer to RTM's WSAC.
	11-13	Irrelevant.	Irrelevant.
	14	Return address to IEAVTRTM.	Return address to IEAVTRTM.
	15	Entry point address.	Irrelevant.

Module Name	Register Number	Contents at Entry	Contents at Exit	
IEAVTRTM	0	Entry point indicator.	Exit type indicator.	
	1	CALLRTM flags and comp. code.	Exit parameter/meaningful only for retry and MACHCK exits.	
	2	ASID/abterm or memterm entries	Irrelevant.	
	3	address of 1st half of PSW/slih mode entries.	(con't some pages forward).	
		TCB addr/service routine entries	Irrelevant.	
	4	SRB addr/pgioerr entry if RB=0		
		address of 2nd half of PSW/slih mode entries.	Pointer to FRR's parm area/service routine entries.	
	5	Pointer to FRR's parm area/service Routine entries		
		Pointer to FRR stack to be used by IEAVTRTS for recovery.	Irrelevant.	
	6	Address of dump options/abterm entry repair status info./machck reentry.	Irrelevant.	
	7	Address of logrec buffer/MACHCK entry		
	8-12	Address of EEDS/RTM1 reentries.	Irrelevant.	
	13	RB addr/PGIOERR entry.	Irrelevant.	
	14	Irrelevant.	Irrelevant.	
	15	Address of registers at time of error.	Irrelevant.	
XMABTERM	0	Return address in IEATVRT1.	Return address in IEAVTRT1.	
	1	Entry point address.	Irrelevant.	
	2	Function code.	Exit code.	
	3	Completion code.	Unchanged.	
	4	ASID of address space into which RB is to be scheduled.	Unchanged.	
	5	Address of TCB to be serviced.	Unchanged.	
	6	Address of tracking area.	Unchanged.	
	7	Dump options or 0 (no dump options).	Unchanged.	
	8-12	Address of EED chain, if any, 0 if no EEDs acquired, or 1 if previous attempt to acquire EED all failed	0 (no EEDs are to be freed) or address of EEDs acquired	
	13	Irrelevant.	Irrelevant.	
	14-15	Address of register save area.	Unchanged.	
	MEMTERM	0	Irrelevant.	Irrelevant.
		1	Function code.	Altered if validity checks fail.
		2	Completion code.	Irrelevant.
3		ASID of address space to be terminated.	Irrelevant.	
4		Irrelevant.	Irrelevant.	
5		Address of tracking area.	Irrelevant.	
6		Irrelevant.	Irrelevant.	
7-15		Irrelevant.	Irrelevant.	
IEAVTRTR	0-5	Irrelevant.	Irrelevant.	
	6	Pointer to chain of EEDs to be freed.	Irrelevant.	
	7-13	Irrelevant.	Irrelevant.	
	14	Return address.	Return address.	
	15	Entry point.	Irrelevant.	
	RTMRSFRR	0	Pointer to 200 byte work area.	Irrelevant.
		1	Pointer to SDWA.	Pointer to SDWA.
		2-13	Irrelevant.	Irrelevant.
		14	Return address.	Return address.
	RTHFRR	15	Entry point address.	Irrelevant.
		0	Pointer to 200 byte work area.	Irrelevant.
		1	Pointer to SDWA.	Pointer to SDWA.
	RTMSMFRR	2-13	Irrelevant.	Irrelevant.
		14	Return address.	Return address.
		15	Entry point address.	Irrelevant.
0		Pointer to 200 byte work area.	Irrelevant.	
	1	Pointer to SDWA.	Pointer to SDWA.	
	2-13	Irrelevant.	Irrelevant.	
	14	Return address.	Return address.	
	15	Entry point address.	Irrelevant.	

Module Name	Register Number	Contents at Entry	Contents at Exit
IEAVTRTR (continued)			
RECVRRTM	0-13	Same as entry regs for slih mode entries to IEAVTRTM.	Internal register values to continue processing in either IEAVTRTM or IEAVTRTS.
	14	Return address.	Return address.
	15	Entry point address.	Irrelevant.
SLIP	0-1	Irrelevant.	Irrelevant.
	2	Pointer to stack for IEAVTRTS's recovery.	Pointer to stack for IEAVTRTS's recovery.
	3-4	Irrelevant.	Irrelevant.
	5	Pointer to SDWA.	Pointer to SDWA.
	6-7	Irrelevant.	Irrelevant.
	8	Pointer to interrupted stack.	Pointer to interrupted stack.
	9-12	Irrelevant.	Irrelevant.
	13	Address of save area passed by IEAVTRTS.	Address of save area passed by IEAVTRTS.
	14	Return address.	Return address.
	15	Entry point address.	Irrelevant.
RCOVGETM	0	Pointer to 200 byte work area.	Irrelevant.
	1	Pointer to SDWA.	Pointer to SDWA.
	2-13	Irrelevant.	Irrelevant.
	14	Return address.	Return address.
	15	Entry point address.	Irrelevant.
RCOVRCRD	0	Pointer to 200 byte work area.	Irrelevant.
	1	Pointer to SDWA.	Pointer to SDWA.
	2	Address of recovery stack used by IEAVTRTS to define its own FRR's.	Irrelevant.
	3-13	Irrelevant.	Irrelevant.
	14	Return address.	Return address.
	15	Entry point address.	Irrelevant.
RCOVRGTF	0	Pointer to 200 byte work area.	Irrelevant.
	1	Pointer to SDWA.	Pointer to SDWA.
	2	Address of recovery stack used by IEAVTRTS to define its own FRR's.	Irrelevant.
	3-13	Irrelevant.	Irrelevant.
	14	Return address.	Return address.
	15	Entry point address.	Irrelevant.
RCOVSLP1	0	Pointer to 200 byte work area.	Irrelevant.
	1	Pointer to SDWA.	Pointer to SDWA.
	2	Address of recovery stack used by IEAVTRTS to define its own FRR's.	Irrelevant.
	3-13	Irrelevant.	Irrelevant.
	14	Return address.	Return address.
	15	Entry point address.	Irrelevant.
IEAVTRTL	0-8	Irrelevant.	Same as input.
	9,10	Irrelevant.	Indeterminate.
	11	Irrelevant.	Irrelevant.
	12	Irrelevant.	Same as input.
	13	Address of reg save area.	Indeterminate.
	14	Return address.	Same as input.
	15	Entry point.	Same as input.
SLIP2FRR	0	Pointer to 200 byte work area.	Irrelevant.
	1	Pointer to SDWA.	Pointer to SDWA.
	2-13	Irrelevant.	Irrelevant.
	14	Return address.	Return address.
	15	Entry point.	Irrelevant.

Module Name	Register Number	Contents at Entry	Contents at Exit
IEAVTRTS	0	Irrelevant.	Irrelevant.
	1	Completion code for error.	Irrelevant.
	2	Irrelevant.	Irrelevant.
	3	Irrelevant.	Irrelevant.
	4	IEAVTRTS recovery FRR stack.	Irrelevant.
	5	Dumpopts/abbreviated mach check data.	Irrelevant.
	6	Complete machine check data.	Irrelevant.
	7	Irrelevant.	Irrelevant.
	8	Irrelevant.	Irrelevant.
	9	IEAVTRTM base register.	IEAVTRTM base register.
	10	Irrelevant.	Irrelevant.
	11	Irrelevant.	Irrelevant.
	12	Irrelevant.	Irrelevant.
	13	Registers at time of error.	Irrelevant.
	14	Return address to IEAVTRTM.	Return address to IEAVTRTM.
15	Entry point address.	Irrelevant.	

IEAVTRT1

Note: Exit values differ;
For retry, the registers contain the same values as at the time of error, or values updated by the FRRs.
For restart or resume, the registers contain the values as at the time of the restart interruption.
For return, the registers contain the restored values.
Retry register 0 if exit is retry, restart register 0 if exit is restart. Caller's register 0 if the exit is return to caller irrelevant for other exits.
Retry register 1. Restart register 1. Caller's register 1. Address of RTM's WSAC if entry is MACHCK, irrelevant for other exits.
Retry register 2. Restart register 2. Caller's register 2. Irrelevant for other exits.
Retry register 3. Restart register 3. Caller's register 3. Irrelevant for other exits.
Retry register 4. Restart register 4. Caller's register 4. Irrelevant for other exits.
Retry register 5. Restart register 5. Caller's register 5. Irrelevant for other exits.
Retry register 6. Restart register 6. Caller's register 6. Irrelevant for other exits.
Retry registers 7-12. Restart registers 7-12. Caller's register 7-12. Irrelevant for other exits.

0	TCB address or 0 for abterm entry. SRB address for cross MEMTERM or ABTERM reentry. Irrelevant for other entry points.
1	CALLRTM flags and completion code for ABTERM, DATERR, PGIOERR, MEMTERM, PROGCK, MACHCK reentry Address of logrec buffer for machck Irrelevant for other entry points.
2	ASID/ABTERM or MEMTERM entry address of first half of PSW for MACHCK reentry, irrelevant for other entry points.
3	Address of dumpopts for ABTERM entry Address of 2nd half of PSW for MACHCK reentry Irrelevant for other entry points.
4	TCB address or 0 for PGIOERR entry. Irrelevant for other entry points.
5	RB address or 0 for PGIOERR entry. Repair status info. for MACHCK reentry. Irrelevant for other entry points.
6	Pointer to acquired EEDS for MACHCK reentry. Irrelevant for other entry points.
7-12	Irrelevant.

continued

Module Name	Register Number	Contents at Entry	Contents at Exit	
IEAVTRT1 (continued)	13	Save area address for MACHCK, MEMTERM, PGIOERR, cross MEMTERM or ABTERM. Address of error regs for MACHCK reentry. Irrelevant for other entry points.	Retry register 13. Restart register 13. Caller's register 13. Irrelevant for other exits.	
	14	Return address for ABTERM, MACHCK, PGIOERR, MEMTERM entry points. Irrelevant for other entry points.	Retry register 14. Restart register 14. Return address if exit is return to caller. Irrelevant for other exits.	
	15	Entry point address.	Retry address if exit type is retry. Restart register 15. Address of dispatcher if exit is to dispatch address of SRB dispatched if exit is to SRB dispatcher. Address of exit prologue routine if exit is SVC exit. Caller's register 15.	
IEAVTRT2	0	ASCB address or dump option's address.	Irrelevant.	
	1	Completion code and flags indicating type of request and options.	Irrelevant.	
	2	Irrelevant.	Irrelevant.	
	3	CVT address.	Irrelevant.	
	4	TCB address.	Irrelevant.	
	5	SVRB address.	Irrelevant.	
	6	Entry point address.	Irrelevant.	
	7	ASCB address.	Irrelevant.	
	8-13	Irrelevant.	Irrelevant.	
	14	Address of exit prologue to be used for return.	Irrelevant.	
15	Irrelevant.	Irrelevant.		
IEAVTRV	0	Irrelevant.	Address space ID of translated virtual storage address, right-justified; in case of error, unpredictable.	
	1	Real storage address to be translated.	Virtual Storage Address corresponding to input real storage address; in case of error, unpredictable.	
	2-13	Irrelevant.	Unchanged.	
	14	Return address.	Unchanged.	
	15	Irrelevant.	Return code.	
IEAVTSBP	0,1	R0=0, R1 irrelevant. <i>or</i> R0=address of RB issuing XCTL R1=address of RB to get control as result of XCTL <i>or</i> R0=address of RB issuing EXIT R1=0.	Unchanged.	
	2,3	Irrelevant.	Unchanged.	
	4	TCB address.	Unchanged.	
	5-12	Irrelevant.	Unchanged.	
	13	Register save area address.	Unchanged.	
	14	Return address.	Unchanged.	
	15	Entry point address.	Return code, depending on the exit.	
	IEAVTSDI	0-1	Irrelevant.	Unchanged.
		2	NIP Vector Table.	Unchanged.
3		CVT address.	Unchanged.	
4-12		Irrelevant.	Unchanged.	
13		Save area address.	Unchanged.	
14		Return address.	Unchanged.	
15		Entry point.	0	

Module Name	Register Number	Contents at Entry	Contents at Exit
IEAVTSDR	0	Irrelevant.	Unchanged.
	1	Contains address of fullword which contains address of RMPC.	Unchanged.
	2-12	Irrelevant.	Unchanged.
	13	Save area.	Unchanged.
	14	Return address.	Unchanged.
	15	Entry point address.	0
IEAVTSDT	0	Irrelevant.	Irrelevant.
	1	If attached in MASTER address space, address of ECB to post.	Irrelevant.
	2-14	Irrelevant.	Irrelevant.
	15	Entry point.	Irrelevant.
IEAVTSDX	0	Irrelevant.	Unchanged.
	1	Address of SVC, DUMP, PARM LIST.	Unchanged.
	2-12	Irrelevant.	Unchanged.
	13	Address of save area.	Unchanged.
	14	Return address.	Unchanged.
	15	Entry point address.	Return code: 0-dump scheduled 8-not scheduled.
IEAVTSIN	0	Irrelevant.	Irrelevant.
	1	PSA address.	Unchanged.
	2-12	Irrelevant.	Irrelevant.
	13	Caller's save area address.	Unchanged.
	14	Irrelevant.	Irrelevant.
	15	Irrelevant.	Irrelevant.
IEAVTSKT	0	Irrelevant.	Irrelevant.
	1	RTM2WA address.	Irrelevant.
	2-12	Irrelevant.	Irrelevant.
	13	Save area address.	Irrelevant.
	14	Return address.	Irrelevant.
	15	Entry point address.	Return code.
IEAVVCRA	0	Irrelevant.	Unchanged.
	1	IOSB address.	Unchanged.
	2-12	Irrelevant.	Unchanged.
	13	Local lock save area address.	Unchanged.
	14	Return address.	Unchanged.
	15	Entry point address.	Unchanged.
IEAVVCRX	0-1	Irrelevant.	Irrelevant.
	2	Return address.	Unchanged.
	3-5	Irrelevant.	Irrelevant.
	6	Entry point address.	Irrelevant.
	7-15	Irrelevant.	Irrelevant.
IEAVVCTR	0	Passed from caller of SVC 72.	Unchanged.
	1	Address of parameter list.	Address of extended save area (XSA)
	2	Irrelevant.	Irrelevant.
	3	Address of CVT.	Unchanged.
	4	Address of the TCB.	Unchanged.
	5	Address of the SVRB.	Unchanged.
	6	Address of IEAVVCTR.	Unchanged.
	7	Address of ASCB.	Unchanged.
	8-12	Irrelevant.	Irrelevant.
	13	Passed from caller of SVC 72.	Unchanged.
	14	Exit address.	Unchanged.
	15	Passed from caller of SVC 72.	If XCTL exit, address of XSA; otherwise, address of IEAV1052.

Module Name	Register Number	Contents at Entry	Contents at Exit
IEAVVRP1	0-1	Standard.	Standard.
	2	Address of XSA.	Standard.
	3-15	Standard.	Standard.
IEAVVRP2	0	Address of SRB.	Standard.
	1-15	Standard.	Standard.
IEAVVWTO	0	Message identification, console identification, or zero.	Irrelevant.
	1	Write parameter list address.	WQE message identification.
	2	Irrelevant.	Irrelevant.
	3	CVT address.	Irrelevant.
	4	Current TCB address.	Irrelevant.
	5	Our SVRB address.	Irrelevant.
	6	Entry point address.	Irrelevant.
	7	Our ASCB address.	Irrelevant.
	8-13	Irrelevant.	Irrelevant.
	14	Return address.	Unchanged.
15	Irrelevant.	Irrelevant.	
IEAVXDOM	0	Type of DOM request: = 0 then single WTO identification. = 4 then single WTOR identification. = 12 then list of WTO/WTOR identifications. = negative value then list of WTO identifications.	Irrelevant.
	1	If register 0 = 0 or 4 then this is the WQE message identification. If register 0 = 12 or negative value this is a pointer to the parameter list containing the WQE message identifications.	Irrelevant.
	2	Irrelevant.	Unchanged.
	3	CVT address.	Unchanged.
	4	Caller's TCB address.	Unchanged.
	5	Our SVRB address.	Unchanged.
	6	Entry point address.	Unchanged.
	7	Caller's ASCB address.	Unchanged.
	8-13	Irrelevant.	Unchanged.
	14	Return address.	Unchanged.
15	Irrelevant.	Irrelevant.	
IEAV1052	0	Irrelevant.	Irrelevant.
	1	Address of XSA.	Unchanged.
	2-13	Irrelevant.	Irrelevant.
	14	Return address.	Unchanged.
	15	Entry point address of IEAV1052.	Irrelevant.
IEAV1443	0	Irrelevant.	Irrelevant.
	1	Address of CXSA.	If normal exit, irrelevant; if error exit, address of CXSA.
	2-13	Irrelevant.	Irrelevant.
	14	Return address.	Unchanged.
	15	Entry point address of IEAV1443.	If normal exit, irrelevant; if error exit, address of console switch routine (IEAVSWCH).
IEAV2540	0	Irrelevant.	Irrelevant.
	1	Address of parameter list.	Unchanged.
	2-13	Irrelevant.	Irrelevant.
	14	Return address.	Return address.
	15	Irrelevant.	If normal exit, irrelevant; if error exit, address of IEAVSWCH (console switch routine).

Module Name	Register Number	Contents at Entry	Contents at Exit
IEDAY3	0	Standard.	Standard.
	1	Address of new user's ASID.	Same as at entry.
	2-15	Standard.	Standard.
IEEAB400	0-15	Standard for PLS.	Standard for PLS.
IEEAB401	0-15	Standard for PLS.	Standard for PLS.
IEECB800	0	Standard.	Standard.
	1	Address of CSCB.	Address of Parameter List with address to CSCB and meg buffer.
	2-15	Standard.	Standard.
IEECB801	0	Standard.	Standard.
	1	Address of parameter list.	Standard.
	2-15	Standard.	Standard.
IEECB860	0	= 12 indicates no SDWA.	Standard.
	1	For STAE creation, address of CSCB, command name and length -or- For ABEND recovery, address of SDWA (RO≠12) or completion code (RO=12).	Standard.
	2 3-15	Address of parameter list (RO=12). Standard.	Standard. Standard.
IEECB866	0	Standard.	Standard.
	1	Address of CSCB.	Standard.
	2-15	Standard.	Standard.
IEECB900	0	Standard.	Standard.
	1	Address of CSCB.	Irrelevant.
	2-15	Standard.	Standard.
IEECB901	0	Standard.	Standard.
	1	Address of parameter list.	Standard.
	2-15	Standard.	Standard.
IEECB904	0-1	Standard.	Standard.
	2	Address of dummy XSA.	Same as at entry.
	3-9	Standard.	Standard.
	10	IEE3603D's return address.	Same as at entry.
	11	Standard.	Standard.
	12 13-15	IEE3603D's base address. Standard.	Same as at entry. Standard.
IEECLEAN	0-5	Standard.	Standard.
	6	Address of work area.	Standard.
	7-15	Standard.	Standard.
IEECMENQ	0	Irrelevant.	Irrelevant.
	1	WQE address.	Irrelevant.
	2	UCM address.	Irrelevant.
	3	Irrelevant.	Unchanged.
	4	UCM prefix address.	Unchanged.
	5-13	Irrelevant.	Unchanged.
	14	Return address.	Unchanged.
	15	Entry point address.	Irrelevant.

Module Name	Register Number	Contents at Entry	Contents at Exit
IEECMQCN	0-1	Irrelevant.	Irrelevant.
	2	UCM address.	Irrelevant.
	3	Irrelevant.	Unchanged.
	4	UCM prefix address.	Unchanged.
	5	Irrelevant.	Irrelevant.
	6	WQE address.	Irrelevant.
	7-8	Irrelevant.	Irrelevant.
	9	Return address.	Irrelevant.
	10	Irrelevant.	Irrelevant.
	11	UCME address.	Irrelevant.
	12-14	Irrelevant.	Irrelevant.
15	Entry point address.	Unchanged.	
IEECVETA	0	Irrelevant.	Irrelevant.
	1	Address of CXSA.	Unchanged.
	2-13	Irrelevant.	Irrelevant.
	14	Return address.	Unchanged.
	15	Entry point address.	Irrelevant.
IEECVETC	0-15	Same as IEECVETA.	Same as IEECVETA.
IEECVETD	0-15	Same as IEECVETA.	Same as IEECVETA.
IEECVETE	0-15	Same as IEECVETA.	Same as IEECVETA.
IEECVETF	0-15	Same as IEECVETA.	Same as IEECVETA.
IEECVETG	0-15	Same as IEECVETA.	Same as IEECVETA.
IEECVETH	0-15	Same as IEECVETA.	Same as IEECVETA.
IEECVETJ	0-15	Same as IEECVETA.	Same as IEECVETA.
IEECVETK	0-15	Same as IEECVETA.	Same as IEECVETA.
IEECVETP	0-15	Same as IEECVETA.	Same as IEECVETA.
IEECVETR	0-15	Same as IEECVETA.	Same as IEECVETA.
IEECVETU	0-15	Same as IEECVETA.	Same as IEECVETA.
IEECVETW	0-15	Same as IEECVETA.	Same as IEECVETA.
IEECVET1	0-15	Same as IEECVETA.	Same as IEECVETA.
IEECVET2	0-15	Same as IEECVETA.	Same as IEECVETA.
IEECVET3	0-15	Same as IEECVETA.	Same as IEECVETA.
IEECVET4	0-15	Same as IEECVETA.	Same as IEECVETA.
IEECVET6	0-15	Same as IEECVETA.	Same as IEECVETA.
IEECVET7	0-15	Same as IEECVETA.	Same as IEECVETA.
IEECVET8	0-15	Same as IEECVETA.	Same as IEECVETA.
IEECVET9	0-15	Same as IEECVETA.	Same as IEECVETA.
IEECVFTA	0	Irrelevant.	Irrelevant.
	1	Address of CXSA.	Unchanged.
	2-14	Irrelevant.	Irrelevant.
	15	Entry point address.	Irrelevant.

VS2.03.807

Module Name	Register Number	Contents at Entry	Contents at Exit
IIECVFTB	0-15	Same as IIECVETA.	Same as IIECVETA.
IIECVFTD	0-15	Same as IIECVETA.	Same as IIECVETA.
IIECVFTG	0-15	Same as IIECVETA.	Same as IIECVETA.
IIECVFTL	0	Irrelevant.	Irrelevant.
	1	Address of CXSA.	Unchanged.
	2-9	Irrelevant.	Irrelevant.
	10	Address of in-line multiple-line WTO message to be displayed.	Irrelevant.
	11-14	Irrelevant.	Irrelevant.
	15	Entry point address.	Irrelevant.
IIECVFTM	0	Irrelevant.	Irrelevant.
	1	Address of CXSA.	Unchanged.
	2-6	Irrelevant.	Irrelevant.
	7	Irrelevant.	Address of SACB for interface with IIECVFTO or IIECVFTQ.
	8-13	Irrelevant.	Irrelevant.
	14	Return address.	Unchanged.
	15	Entry point address.	Irrelevant.
IIECVFTN	0-15	Same as IIECVETA.	Same as IIECVETA.
IIECVFTO	0	Irrelevant.	Irrelevant.
	1	Address of CXSA.	Unchanged.
	2-6	Irrelevant.	Irrelevant.
	7	Address of SACB.	Irrelevant.
	8-13	Irrelevant.	Irrelevant.
	14	Return address.	Unchanged.
	15	Entry point address.	Irrelevant.
IIECVFTP	0-15	Same as IIECVETA.	Same as IIECVETA.
IIECVFTQ	0-15	Same as IIECVFTO.	Same as IIECVFTO.
IIECVFTT	0-15	Same as IIECVETA.	Same as IIECVETA.
IIECVFT1	0-15	Same as IIECVETA.	Same as IIECVETA.
IIECVFT2	0-15	Same as IIECVETA.	Same as IIECVETA.
IIEC2740	0-15	Same as IIECVETA.	Same as IIECVETA.
IIEEDISPD	0	Standard.	Standard.
	1	Address of CSCB.	Address of CSCB.
	2-15	Standard.	Standard.
IIEJB840	0	Irrelevant.	Unchanged.
	1	Irrelevant.	Unchanged.
	2	Irrelevant.	Unchanged.
	3	Irrelevant.	Unchanged.
	4	Address of the TCB.	Unchanged.
	5	Address of the SVRB.	Unchanged.
	6	Address of the WPL.	Unchanged.
	7	Address of the ASCB.	Unchanged.
	8	Irrelevant.	Unchanged.
	9	Irrelevant.	Unchanged.
	10	Address of the UCM.	Unchanged.
	11	Irrelevant.	Unchanged.
	12	Irrelevant.	Unchanged.
	13	Irrelevant.	Unchanged.
	14	Return address.	Unchanged.
15	Entry point address.	Unchanged.	
IIEEMB803	0-15	Standard.	Standard.

Module Name	Register Number	Contents at Entry	Contents at Exit
IEEMB804	0	Standard.	Standard.
	1	Address of record text.	Standard.
	2-15	Standard.	Standard.
IEEMB805	0	Standard.	Standard.
	1	Address of parameter list.	Standard.
	2-15	Standard.	Standard.
IEEMB806	0	=12 indicates no SDWA.	Address of retry routine.
	1	Address of SDWA (R0≠12) or completion code (R0=12).	Standard.
	2 3-15	Address of user's STAE parameter list (R0=12). Standard.	Standard. Standard.
IEEMB807	0	Standard.	Standard.
	1	Address of parameter list.	Standard.
	2-15	Standard.	Standard.
IEEMB810	0	Standard.	Standard.
	1	Address of CSCB	Standard.
	2	Standard.	Address of XSA.
	3-15	Standard.	Standard.
IEEMB811	0	Standard.	Standard.
	1	Address of CSCB.	Address of parameter list.
	2-15	Standard.	Standard.
IEEMB812	0	Irrelevant.	Unchanged.
	1	Address of IEAIPS suffix.	Unchanged.
	2-12	Irrelevant.	Unchanged.
	13	Address of save area.	Unchanged.
	14	Return address.	Unchanged.
	15	Irrelevant.	Return code.
IEEMB813	0	Standard.	Standard.
	1	Address of CSCB.	Address of parameter list.
	2-15	Standard.	Standard.
IEEMB814	0	Standard.	Standard.
	1	Address of parameter list.	Standard.
	2-5	Standard.	Standard.
	6 7-15	Address of CSCB. Standard.	Standard. Standard.
IEEMB815	0-1	Irrelevant.	Unchanged.
	2	Address of XSA.	Address of XSA.
	3-12	Irrelevant.	Unchanged.
	13	Save area address.	Unchanged.
	14 15	Return address to IEE0403D. Entry point address.	Return address. Unchanged.
IEEMB825	0	=indicates no SDWA.	Standard.
	1	Address of SDWA (R0≠12). -or- ABEND completion code (R0=12).	Standard.
	2-15	Standard.	Standard.
IEEMB826	0-15	Standard.	Standard.
IEEMB827	0	Posted ECB address.	Standard.
	1	Posted ASCB address.	Standard.
	2-15	Standard.	Standard.

Module Name	Register Number	Contents at Entry	Contents at Exit
IEEMB828	0-15	Standard.	Standard.
IEEMB829	0-15	Standard.	Standard.
IEEMB830	0	Standard.	Standard.
	1	Address of record to be transferred.	Standard.
	2-15	Standard.	Standard.
IEEMPDM	0	Standard.	Standard.
	1	Address of CSCB.	Standard.
	2-15	Standard.	Standard.
IEEMPS03	0	Standard.	Standard.
	1	Address of CSCB.	Standard.
	2-15	Standard.	Standard.
IEEMPVST	0	Standard.	Standard.
	1	Address of CSCB.	Standard.
	2-15	Standard.	Standard.
IEEPALTR	0	Parameter area length.	Standard.
	1	Address of parameter list.	Standard.
	2-15	Standard.	Standard.
IEEPRTN2	0	Standard.	Standard.
	1	Address of ASCB.	Standard.
	2-15	Standard.	Standard.
IEEPRWI2	0	Standard.	Standard.
	1	Address of ASCB.	Address of ASCB.
	2-15	Standard.	Standard.
IEESB601	0-15	Standard.	Standard.
IEESB605			
IEESB605	0	Standard.	Standard.
	1	Address of JSEL.	Address of IEL.
	2-15	Standard.	Standard.
IEEVIC	0	Standard.	Standard.
	1	Address of IEL.	Address of ASCB.
	2	Standard.	Standard.
	3	Standard.	Address of JSEL.
	4-15	Standard.	Standard.
IEEVICER	0	Standard.	Standard.
	1	Address of JSWA.	Standard.
	2-15	Standard.	Standard.
IEESB665			
IEESB665	0	12, if no RTCA exists.	Standard.
	1	Address of RTCA.	Standard.
	2-15	Standard.	Standard.
IEESB667	0-15	Standard.	Standard.
IEESB670			
IEESB670	0	12, if no RTCA exists.	Standard.
	1	Address of RTCA.	Standard.
	2-15	Standard.	Standard.
IEESTPRS	0	Wait State Code.	Standard.
	1	0 or address of status save area.	Standard.
	2-15	Standard.	Standard.
IEEVALST	0	Standard.	Standard.
	1	Address of parameter list.	Standard.
	2-15	Standard.	Standard.

Module Name	Register Number	Contents at Entry	Contents at Exit
IEEVCPU	0	Standard.	Standard.
	1	Address of CSCB.	Standard.
	2-15	Standard.	Standard.
IEEVDEV	0	Standard.	Standard.
	1	Address of parameter list.	Standard.
	2-15	Standard.	Standard.
IEEVIPL	0	=12 indicates no SDWA.	Standard.
	1	Address of SDWA (R0≠12).	Address of initiator entrance list.
	2	Address of ESTAE parameter list R0=12).	Standard.
	3-15	Standard.	Standard.
IEEVJCL	0	Standard.	Standard.
	1	Address of STC parameter area.	Address of JSEL.
	2-15	Standard.	Standard.
IEEVMNT1	0	Standard.	Standard.
	1	Address of ASCB.	Normal: (Address of parameter list). Error: Address of ASCB.
	2-15	Standard.	Standard.
IEEVMNT2	0-15	Standard.	Standard.
IEEVMSG	0-15	Standard.	Standard.
IEEVPTH	0	Standard.	Standard.
	1	Address of CSCB.	Standard.
	2-15	Standard.	Standard.
IEEVSEND	0	Standard.	Standard.
	1	Address of CSCB.	Standard.
	2-15	Standard.	Standard.
IEEVSND2	0	Standard.	Standard.
	1	Address of parameter list.	Standard.
	2-15	Standard.	Standard.
IEEVSND3	0	Standard.	Standard.
	1	Address of parameter list.	Standard.
	2-15	Standard.	Standard.
IEEVSND4	0	Standard.	Standard.
	1	Address of parameter list.	Standard.
	2-15	Standard.	Standard.
IEEVSND6	0	Standard.	Standard.
	1	Address of parameter list.	Standard.
	2-15	Standard.	Standard.
IEEVSND8	0	Standard.	Standard.
	1	Address of parameter list.	Standard.
	2-15	Standard.	Standard.
IEEVSND9	0	Standard.	Standard.
	1	Address of parameter list.	Standard.
	2-15	Standard.	Standard.

Module Name	Register Number	Contents at Entry	Contents at Exit	
IEEVSTAR	0	Standard.	Standard.	
	1	Address of ASCB.	Address of parameter list.	
	2-15	Standard.	Standard.	
IEEVSTOP	0-15	Standard.	Standard.	
IEEVWAIT	0	Irrelevant.	[Contents upon attaching a task.] Irrelevant.	
	1	Irrelevant.	Address of the CSCB if the task does not create an address space; address of an ASID if the task creates an address space (START, LOGON, or MOUNT).	
	2	Irrelevant.	Irrelevant.	
	3	Irrelevant.	Address of the name of the module to be attached.	
	4-8	Irrelevant.	Irrelevant.	
	9	Irrelevant.	Dispatching priority.	
	10	Irrelevant.	Irrelevant.	
	11	Irrelevant.	Limit priority.	
	12-14	Irrelevant.	Irrelevant.	
	15	Irrelevant.	Address of the ATTACH parameter list.	
	IEEVWKUP IEEVCPU	0	Standard.	Standard.
		1	Address of Master Memory Segment Table.	Standard.
		2-15	Standard.	Standard.
	IEEXEDNA	0	Standard.	Standard.
		1	Address of CSCB.	Standard.
2-15		Standard.	Standard.	
IEE0003D	0	Invoking routine.	Standard.	
	1	Information.	Standard.	
	2-4	Standard.	Standard.	
	5	Address of SVRB.	Standard.	
	6-14	Standard.	Standard.	
	15	Address of ABTERM parameter list.	Standard.	
IEE00110	0	Standard.	Standard.	
	1	Address of CSCB.	Standard.	
	2-15	Standard.	Standard.	
IEE0303D	0-1	Function action.	Standard.	
	2-15	Standard.	Standard.	
IEE0403D	0	Standard.	Standard.	
	1	Address of command input buffer.	Standard.	
	2	Address of XSA.	Address of XSA.	
	3-9	Standard.	Standard.	
	10	Standard.	Address of BASEA.	
	11-15	Standard.	Standard.	
	IEE0503D	0-1	Standard.	Standard.
2	Address of XSA.	Standard.		
3-15	Standard.	Standard.		

Module Name	Register Number	Contents at Entry	Contents at Exit
IEE0603D	0-1	Standard.	Standard.
	2	Address of XSA.	Address of XSA.
	3-9	Standard.	Standard.
	10	Address of BASEA.	Address of BASEA.
	11-15	Standard.	Standard.
IEE0703D	0-1	Standard.	Standard.
	2	Address of XSA.	Address of XSA.
	3-15	Standard.	Standard.
IEE0803D	0-1	Standard.	Standard.
	2	Address of XSA.	Address of XSA.
	3-15	Standard.	Standard.
IEE10110	0	Standard.	Standard.
	1	Address of XSA.	Standard.
	2	Address of CSCB.	Address of CSCB.
	3	Standard.	Address of XSA.
	4-15	Standard.	Standard.
IEE11110	0-1	Standard.	Standard.
	2	Address of CSCB.	Address of CSCB.
	3	Address of XSA.	Address of XSA.
	4-15	Standard.	Standard.
IEE12110	0-1	Standard.	Standard.
	2	Address of CSDB.	Address of CSCB.
	3	Address of XSA.	Standard.
	4-15	Standard.	Standard.
IEE1403D	0-1	Standard.	Standard.
	2	Address of XSA.	Address of XSA.
	3-15	Standard.	Standard.
IEE1603D	0-1	Standard.	Standard.
	2	Address of XSA.	Standard.
	3-15	Standard.	Standard.
IEE20110	0-1	Standard.	Standard.
	2	Address of CSCB.	Standard.
	3-8	Standard.	Standard.
	9	Standard.	Address of UCB.
	10	Standard.	Standard.
	11	Standard.	Address of CSCB.
	12-15	Standard.	Standard.
IEE21110	0-10	Standard.	Standard.
	11	Address of CSDB.	Address of CSCB.
	12-15	Standard.	Standard.
IEE22110	0-10	Standard.	Standard.
	11	Address of CSCB.	Address of CSCB.
	12-15	Standard.	Standard.
IEE2303D	0	Standard.	Standard.
	1	Standard.	XAD switches.
	2	Address of dummy XSA.	Address of dummy XSA.
	3-15	Standard.	Standard.

Module Name	Register Number	Contents at Entry	Contents at Exit
IEE23110	0-10	Standard.	Standard.
	11	Address of CSCB.	Address of CSCB.
	12-15	Standard.	Standard.
IEE2903D	0-1	Standard.	Standard.
	2	Address of XSA.	Standard.
	3-15	Standard.	Standard.
IEE3103D	0-1	Standard.	Standard.
	2	Address of dummy XSA.	Standard.
	3-15	Standard.	Standard.
IEE3203D	0-1	Standard.	Standard.
	2	Address of XSA.	Address of XSA.
	3-15	Standard.	Standard.
IEE3303D	0-1	Standard.	Standard.
	2	Address of dummy XSA.	Address of dummy XSA.
	3-15	Standard.	Standard.
IEE3503D	0-1	Standard.	Standard.
	2	Address of XSA.	Address of XSA.
	3-15	Standard.	Standard.
IEE3603D	0	Standard.	Standard.
	1	Address of CSCB.	Address of parameter list.
	2	Standard.	Address of dummy XSA.
	3-15	Standard.	Standard.
IEE3703D	0-1	Standard.	Standard.
	2	Address of XSA.	Address of XSA.
	3-15	Standard.	Standard.
IEE40110	0-1	Standard.	Standard.
	2	Address of CSCB.	Standard.
	3-15	Standard.	Standard.
IEE4103D	0	Standard.	Standard.
	1	Address of message area.	Standard.
	2	Address of XSA.	Address of XSA.
	3-11	Standard.	Standard.
	12	Zero or address of unit field.	Standard.
	13-15	Standard.	Standard.
IEE4203D	0-1	Standard.	Standard.
	2	Address of dummy XSA.	Address of XSA.
	3	Standard.	Standard.
	4	Standard.	Graphics indicator.
	5-15	Standard.	Standard.
IEE4303D	0-1	Standard.	Standard.
	2	Address of XSA.	Address of XSA.
	3-15	Standard.	Standard.
IEE4403D	0	Standard.	Standard.
	1	Command Authority	Unit flags.
	2	Address of XSA.	Address of dummy XSA.
	3-15	Standard.	Standard.
IEE4603D	0-1	Standard.	Standard.
	2	Address of XSA.	Address of XSA.
	3-15	Standard.	Standard.

Module Name	Register Number	Contents at Entry	Contents at Exit
IEE4703D	0-1	Standard.	Standard.
	2	Address of XSA.	Address of XSA.
	3-15	Standard.	Standard.
IEE4803D	0	Standard.	Address of UCM entry.
	1	Standard.	Standard.
	2	Address of XSA.	Address of XSA.
	3-8	Standard.	Standard.
	9	Address of current unit name.	Standard.
	10	Standard.	Standard.
	11	Message indicator.	Address of UCM entry.
	12-15	Standard.	Standard.
IEE4903D	0	Standard.	Standard.
	1	Address of buffer.	Address of buffer.
	2	Address of XSA.	Address of XSA.
	3-15	Standard.	Standard.
IEE5103D	0	Entry indicator.	Standard.
	1	Address of SDWA.	Standard.
	2	Address of parameter area.	Standard.
	3-15	Standard.	Standard.
IEE5403D	0	Address of UCM, Reader authority, ASID.	Standard.
	1	Address of command buffer.	Standard.
	2	Address of XSA.	Standard.
	3-15	Standard.	Standard.
IEE5503D	0-1	Standard.	Standard.
	2	Address of XSA.	Address of XSA.
	3-15	Standard.	Standard.
IEE5603D	0-1	Standard.	Standard.
	2	Address of XSA.	Address of XSA.
	3	Standard.	Current position in message buffer.
	4-5	Standard.	Standard.
	6	Standard.	Current message length.
	7	Standard.	Standard.
	8	Standard.	Address of transient DCM.
	9-15	Standard.	Standard.
IEE5703D	0-1	Standard.	Standard.
	2	Address of XSA.	Address of XSA.
	3-15	Standard.	Standard.
IEE5803D	0-1	Standard.	Standard.
	2	Address of XSA.	Standard.
	3-15	Standard.	Standard.
IEE5903D	0-1	Standard.	Standard.
	2	Address of XSA.	Standard.
	3	Current position in message buffer.	Standard.
	4-5	Standard.	Standard.
	6	Current message length.	Standard.
	7	Standard.	Standard.
	8	Address of transient DCM.	Standard.
	9-15	Standard.	Standard.

Module Name	Register Number	Contents at Entry	Contents at Exit
IEE6303D	0-1	Standard.	Standard.
	2	Address of XSA.	Address of XSA.
	3-10	Standard.	Standard.
	11	Standard.	Address of MSGRT verb.
	12-15	Standard.	Standard.
IEE6403D	0-1	Standard.	Standard.
	2	Address of XSA.	Address of XSA.
	3-10	Standard.	Standard.
	11	Address of First Operand.	Standard.
	12-15	Standard.	Standard.
IEE6503D	0-1	Standard.	Standard.
	2	Address of XSA.	Address of XSA.
	3-15	Standard.	Standard.
IEE6603D	0-1	Standard.	Standard.
	2	Address of XSA.	Address of XSA.
	3-15	Standard.	Standard.
IEE6703D	0-1	Standard.	Standard.
	2	Address of XSA.	Address of XSA.
	3-15	Standard.	Standard.
IEE6803D	0-1	Standard.	Standard.
	2	Address of XSA.	Address of XSA.
	3-15	Standard.	Standard.
IEE6903D	0-1	Standard.	Standard.
	2	Address of XSA.	Address of XSA.
	3-15	Standard.	Standard.
IEE70110	0	Standard.	Standard.
	1	Address of CSCB.	Standard.
	2-15	Standard.	Standard.
IEE7103D	0-1	Standard.	Standard.
	2	Address of XSA.	Address of XSA.
	3-15	Standard.	Standard.
IEE7203D	0-1	Standard.	Standard.
	2	Address of XSA.	Address of XSA.
	3-4	Standard.	Standard.
	5	Standard.	Address of message area.
	6-11	Standard.	Standard.
	12	Address of unit.	Standard.
	13-15	Standard.	Standard.
IEE7303D	0	Address of UCM entry.	Standard.
	1	Address of message storage area.	Address of message storage area.
	2	Address of XSA.	Address of XSA.
	3	Standard.	Standard.
	4	Process switches.	Process switches.
	5	Address of unit UCM entry.	Standard.
	6-10	Standard.	Standard.
	11	Address of hardcopy unit.	Address of hardcopy unit.
	12	Address of message area.	Standard.
	13-15	Standard.	Standard.

Module Name	Register Number	Contents at Entry	Contents at Exit
IEE7503D	0-1	Standard.	Standard.
	2	Address of XSA.	Address of XSA.
	3-14	Standard.	Standard.
	15	Standard.	For JES2 only, return code.
IEE7703D	0-1	Standard.	Standard.
	2	Address of XSA.	Standard.
	3-15	Standard.	Standard.
IEE7803D	0-1	Standard.	Standard.
	2	Address of XSA.	Standard.
	3-15	Standard.	Standard.
IEE90110	0	Standard.	Standard.
	1	Address of XSA.	Standard.
	2-15	Standard.	Standard.
IEE9403D	0-1	Standard.	Standard.
	2	Address of XSA.	Address of XSA.
	3-15	Standard.	Standard.
IEFAB4A0	0-15	Standard for PLS.	Standard for PLS.
IEFAB4A2	0-15	Standard for PLS.	Standard for PLS.
IEFAB4A3	0-15	Standard for PLS.	Standard for PLS.
IEFAB4A4	0-15	Standard for PLS.	Standard for PLS.
IEFAB4A6	0-15	Standard for PLS.	Standard for PLS.
IEFAB4A8	0-15	Standard for PLS.	Standard for PLS.
IEFAB4B0	0-15	Standard for PLS.	Standard for PLS.
IEFAB4B2	0-15	Standard for PLS.	Standard for PLS.
IEFAB4DC	0-15	Standard for PLS.	Standard for PLS.
IEFAB4DD	0	Indicates if SDWA exists.	Irrelevant.
	1	Pointer to SDWA, if one exists.	Pointer to SDWA, if one exists.
	2	Pointer to user parameters, if SDWA does not exist.	Irrelevant.
	3-13	Irrelevant.	Irrelevant.
	14	Return address (standard for PLS).	Return address (standard for PLS).
	15	Address of module entry point (standard for PLS).	Return code, if no SDWA exists.
IEAFAB4DE	0	Indicates if SDWA exists.	Irrelevant.
	1	Pointer to SDWA, if one exists.	Pointer to SDWA, if one exists.
	2	Pointer to user parameters, if SDWA does not exist.	Irrelevant.
	3-13	Irrelevant.	Irrelevant.
	14	Return address (standard for PLS).	Return address (standard for PLS).
	15	Address of module entry point (standard for PLS).	Return code, if no SDWA exists.

VS2.03.804

Module Name	Register Number	Contents at Entry	Contents at Exit
IEFAB4EA	0	Indicates if SDWA exists.	Irrelevant.
	1	Pointer to SDWA, if one exists.	Pointer to SDWA, if one exists.
	2	Pointer to user parameters, if SDWA does not exist.	Irrelevant.
	3-13	Irrelevant.	Irrelevant.
	14	Return address (standard for PLS).	Return address (standard for PLS).
	15	Address of module entry point (standard for PLS).	Return code, if no SDWA exists.
IEFAB4EB	0-15	Standard for PLS.	Standard for PLS.
IEFAB4EC	0-15	Standard for PLS.	Standard for PLS.
IEFAB4EE	0-15	Standard for PLS.	Standard for PLS.
IEFAB4EF	0-15	Standard for PLS.	Standard for PLS.
IEFAB4E0	0-15	Standard for PLS.	Standard for PLS.
IEFAB4E1	0	Irrelevant.	Irrelevant.
	1	Pointer to SDWA.	Pointer to SDWA.
	2-13	Irrelevant.	Irrelevant.
	14	Return address (standard for PLS).	Return address (standard for PLS).
	15	Address of module entry point (standard for PLS).	Irrelevant.
IEFAB4E2	0	Indicates if SDWA exists.	Irrelevant.
	1	Pointer to SDWA, if one exists.	Pointer to SDWA, if one exists.
	2	Pointer to user parameters, if SDWA does not exist.	Irrelevant.
	3-13	Irrelevant.	Irrelevant.
	14	Return address (standard for PLS).	Return address (standard for PLS).
IEFAB4E3	15	Address of module entry point (standard for PLS).	Return code, if no SDWA exists.
	0-15	Standard for PLS.	Standard for PLS.
	IEFAB4E4	(Input registers are those originally passed to allocation by IEFSD162).	
IEFAB4E4	0	Indicates if SDWA exists.	Irrelevant.
	1	Pointer to SDWA, if one exists.	Pointer to SDWA, if one exists.
	2	Pointer to user parameters, if SDWA does not exist.	Irrelevant.
	3-13	Irrelevant.	Irrelevant.
	14	Return address (standard for PLS).	Return address (standard for PLS).
	15	Address of module entry point (standard for PLS).	Return code, if no SDWA exists.
IEFAB4E5	0-15	Standard for PLS.	Standard for PLS.
IEFAB4E6	0	Irrelevant.	Irrelevant.
	1	Pointer to SDWA.	Pointer to SDWA.
	2-13	Irrelevant.	Irrelevant.
	14	Return address (standard for PLS).	Return address (standard for PLS).
	15	Address of module entry point (standard for PLS).	Irrelevant.

VS2.03.804

Module Name	Register Number	Contents at Entry	Contents at Exit
IEFAB4E7	0	Indicates if SDWA.	Irrelevant.
	1	Pointer to SDWA if one exists.	Pointer to SDWA if one exists.
	2	Pointer to user parameters if SDWA does not exist.	Irrelevant.
	3-13	Irrelevant.	Irrelevant.
	14	Return address (standard for PLS).	Return address.
	15	Address of module entry point (standard for PLS).	Irrelevant.
IEFAB4E8	0	Indicates if SDWA exists.	Irrelevant.
	1	Pointer to SDWA, if one exists.	Pointer to SDWA, if one exists.
	2	Pointer to user parameters, if SDWA does not exist.	Irrelevant.
	3-13	Irrelevant.	Irrelevant.
	14	Return address (standard for PLS).	Return address (standard for PLS).
	15	Address of module entry point (standard for PLS).	Return code, if no SDWA exists.

VS2.03.807

Module Name	Register Number	Contents at Entry	Contents at Exit
IEE7503D	0-1	Standard.	Standard.
	2	Address of XSA.	Address of XSA.
	3-14	Standard.	Standard.
	15	Standard.	For JES2 only, return code.
IEE7703D	0-1	Standard.	Standard.
	2	Address of XSA.	Standard.
	3-15	Standard.	Standard.
IEE7803D	0-1	Standard.	Standard.
	2	Address of XSA.	Standard.
	3-15	Standard.	Standard.
IEE8603D	0-1	Standard.	Standard.
	2	Address of XSA.	Address of XSA.
	3-15	Standard.	Standard.
IEE90110	0	Standard.	Standard.
	1	Address of XSA.	Standard.
	2-15	Standard.	Standard.
IEE9403D	0-1	Standard.	Standard.
	2	Address of XSA.	Address of XSA.
	3-15	Standard.	Standard.
IEFAB4A0	0-15	Standard for PLS.	Standard for PLS.
IEFAB4A2	0-15	Standard for PLS.	Standard for PLS.
IEFAB4A3	0-15	Standard for PLS.	Standard for PLS.
IEFAB4A4	0-15	Standard for PLS.	Standard for PLS.
IEFAB4A6	0-15	Standard for PLS.	Standard for PLS.
IEFAB4A8	0-15	Standard for PLS.	Standard for PLS.
IEFAB4B0	0-15	Standard for PLS.	Standard for PLS.
IEFAB4B2	0-15	Standard for PLS.	Standard for PLS.
IEFAB4DC	0-15	Standard for PLS.	Standard for PLS.
IEFAB4DD	0	Indicates if SDWA exists.	Irrelevant.
	1	Pointer to SDWA, if one exists.	Pointer to SDWA, if one exists.
	2	Pointer to user parameters, if SDWA does not exist.	Irrelevant.
	3-13	Irrelevant.	Irrelevant.
	14	Return address (standard for PLS).	Return address (standard for PLS).
	15	Address of module entry point (standard for PLS).	Return code, if no SDWA exists.
IEAFAB4DE	0	Indicates if SDWA exists.	Irrelevant.
	1	Pointer to SDWA, if one exists.	Pointer to SDWA, if one exists.
	2	Pointer to user parameters, if SDWA does not exist.	Irrelevant.
	3-13	Irrelevant.	Irrelevant.
	14	Return address (standard for PLS).	Return address (standard for PLS).
	15	Address of module entry point (standard for PLS).	Return code, if no SDWA exists.

Module Name	Register Number	Contents at Entry	Contents at Exit
IEFAB4EA	0	Indicates if SDWA exists.	Irrelevant.
	1	Pointer to SDWA, if one exists.	Pointer to SDWA, if one exists.
	2	Pointer to user parameters, if SDWA does not exist.	Irrelevant.
	3-13	Irrelevant.	Irrelevant.
	14	Return address (standard for PLS).	Return address (standard for PLS).
	15	Address of module entry point (standard for PLS).	Return code, if no SDWA exists.
IEFAB4EB	0-15	Standard for PLS.	Standard for PLS.
IEFAB4EE	0-15	Standard for PLS.	Standard for PLS.
IEFAB4EF	0-15	Standard for PLS.	Standard for PLS.
IEFAB4E0	0-15	Standard for PLS.	Standard for PLS.
IEFAB4E1	0	Irrelevant.	Irrelevant.
	1	Pointer to SDWA.	Pointer to SDWA.
	2-13	Irrelevant.	Irrelevant.
	14	Return address (standard for PLS).	Return address (standard for PLS).
	15	Address of module entry point (standard for PLS).	Irrelevant.
IEFAB4E2	0	Indicates if SDWA exists.	Irrelevant.
	1	Pointer to SDWA, if one exists.	Pointer to SDWA, if one exists.
	2	Pointer to user parameters, if SDWA does not exist.	Irrelevant.
	3-13	Irrelevant.	Irrelevant.
	14	Return address (standard for PLS).	Return address (standard for PLS).
15	Address of module entry point (standard for PLS).	Return code, if no SDWA exists.	
IEFAB4E3	0-15	Standard for PLS.	Standard for PLS.
IEFAB4E4		(Input registers are those originally passed to allocation by IEFSD162).	
	0	Indicates if SDWA exists.	Irrelevant.
	1	Pointer to SDWA, if one exists.	Pointer to SDWA, if one exists.
	2	Pointer to user parameters, if SDWA does not exist.	Irrelevant.
	3-13	Irrelevant.	Irrelevant.
	14	Return address (standard for PLS).	Return address (standard for PLS).
15	Address of module entry point (standard for PLS).	Return code, if no SDWA exists.	
IEFAB4E5	0-15	Standard for PLS.	Standard for PLS.
IEFAB4E6	0	Irrelevant.	Irrelevant.
	1	Pointer to SDWA.	Pointer to SDWA.
	2-13	Irrelevant.	Irrelevant.
	14	Return address (standard for PLS).	Return address (standard for PLS).
	15	Address of module entry point (standard for PLS).	Irrelevant.
IEFAB4E8	0	Indicates if SDWA exists.	Irrelevant.
	1	Pointer to SDWA, if one exists.	Pointer to SDWA, if one exists.
	2	Pointer to user parameters, if SDWA does not exist.	Irrelevant.
	3-13	Irrelevant.	Irrelevant.
	14	Return address (standard for PLS).	Return address (standard for PLS).
15	Address of module entry point (standard for PLS).	Return code, if no SDWA exists.	

Module Name	Register Number	Contents at Entry	Contents at Exit
IEFAB4E9	0-15	Standard for PLS.	Standard for PLS.
IEFAB4FA	0-15	Standard for PLS.	Standard for PLS.
IEFAB4FC	0-15	Standard for PLS.	Standard for PLS.
IEFAB4FD	0-15	Standard for PLS.	Standard for PLS.
IEFAB4FE	0-15	Standard for PLS.	Standard for PLS.
IEFAB4F0	0-15	Standard for PLS.	Standard for PLS.
IEFAB4F1	0-15	Standard for PLS.	Standard for PLS.
IEFAB4F2	0-15	Standard for PLS.	Standard for PLS.
IEFAB4F3	0-15	Standard for PLS.	Standard for PLS.
IEFAB4F4	0-15	Standard for PLS.	Standard for PLS.
IEFAB4F5	0-15	Standard for PLS.	Standard for PLS.
IEFAB4F6	0	Subpool and length.	Irrelevant.
	1	Address of storage to be freed or address of 4K block obtained or address of previous 4K block.	Address of storage.
	2-5	Irrelevant.	Unpredictable.
	6-13	Irrelevant.	Unchanged.
	14	Return address.	Unchanged.
	15	Entry point.	Unchanged.
IEFAB4F7	0-15	Standard for PLS.	Standard for PLS.
IEFAB4F8	0-15	Standard for PLS.	Standard for PLS.
IEFAB4F9	0-15	Standard for PLS.	Standard for PLS.
IEFAB4M4		Not applicable (non-executable module).	
IEFAB4M5		Not applicable (non-executable module).	
IEFAB4M6		Not applicable (non-executable module).	
IEFAB4M7		Not applicable (non-executable module).	
IEFAB4M9		Not applicable (non-executable module).	
IEFAB4UV	0-15	Standard for PLS.	Standard for PLS.
IEFAB421	0-15	Standard for PLS.	Standard for PLS.
IEFAB422	0-15	Standard for PLS.	Standard for PLS.
IEFAB423	0-15	Standard for PLS.	Standard for PLS.
IEFAB424	0-15	Standard for PLS.	Standard for PLS.
IEFAB425	0-15	Standard for PLS.	Standard for PLS.
IEFAB426	0-15	Standard for PLS.	Standard for PLS.
IEFAB427	0-15	Standard for PLS.	Standard for PLS.

Module Name	Register Number	Contents at Entry	Contents at Exit
IEFAB428	0-15	Standard for PLS.	Standard for PLS.
IEFAB430	0-15	Standard for PLS.	Standard for PLS.
IEFAB431	0-15	Standard for PLS.	Standard for PLS.
IEFAB432	0-15	Standard for PLS.	Standard for PLS.
IEFAB433	0-15	Standard for PLS.	Standard for PLS.
IEFAB434	0-15	Standard for PLS.	Standard for PLS.
IEFAB435	0-15	Standard for PLS.	Standard for PLS.
IEFAB436	0-15	Standard for PLS.	Standard for PLS.
IEFAB438	0-15	Standard for PLS.	Standard for PLS.
IEFAB440	0-15	Standard for PLS.	Standard for PLS.
IEFAB441	0-15	Standard for PLS.	Standard for PLS.
IEFAB442	0-15	Standard for PLS.	Standard for PLS.
IEFAB445		not applicable (non-executable module).	
IEFAB451	0-15	Standard for PLS.	Standard for PLS.
IEFAB452	0-15	Standard for PLS.	Standard for PLS.
IEFAB453	0-15	Standard for PLS.	Standard for PLS.
IEFAB454	0-15	Standard for PLS.	Standard for PLS.
IEFAB455	0-15	Standard for PLS.	Standard for PLS.
IEFAB456	0-15	Standard for PLS.	Standard for PLS.
IEFAB457	0-15	Standard for PLS.	Standard for PLS.
IEFAB458	0-15	Standard for PLS.	Standard for PLS.
IEFAB459	0-15	Standard for PLS.	Standard for PLS.
IEFAB461	0-15	Standard for PLS.	Standard for PLS.
IEFAB463	0-15	Standard for PLS.	Standard for PLS.
IEFAB464	0-15	Standard for PLS.	Standard for PLS.
IEFAB466	0-15	Standard for PLS.	Standard for PLS.
IEFAB469	0-15	Standard for PLS.	Standard for PLS.
IEFAB470	0-15	Standard for PLS.	Standard for PLS.
IEFAB471	0-15	Standard for PLS.	Standard for PLS.
IEFAB472	0-15	Standard for PLS.	Standard for PLS.
IEFAB473	0-15	Standard for PLS.	Standard for PLS.

Module Name	Register Number	Contents at Entry	Contents at Exit
IEFAB474	0-15	Standard for PLS.	Standard for PLS.
IEFAB475	0-15	Standard for PLS.	Standard for PLS.
IEFAB476	0-15	Standard for PLS.	Standard for PLS.
IEFAB477	0-15	Standard for PLS.	Standard for PLS.
IEFAB478	0-15	Standard for PLS.	Standard for PLS.
IEFAB479	0-15	Standard for PLS.	Standard for PLS.
IEFAB48A	0-15	Standard for PLS.	Standard for PLS.
IEFAB480	0-15	Standard for PLS.	Standard for PLS.
IEFAB481	0-15	Standard for PLS.	Standard for PLS.
IEFAB485	0-15	Standard for PLS.	Standard for PLS.
IEFAB486	0-15	Standard for PLS.	Standard for PLS.
IEFAB487	0-15	Standard for PLS.	Standard for PLS.
IEFAB488	0-15	Standard for PLS.	Standard for PLS.
IEFAB489	0-15	Standard for PLS.	Standard for PLS.
IEFAB49A	0-15	Standard for PLS.	Standard for PLS.
IEFAB49B	0-15	Standard for PLS.	Standard for PLS.
IEFAB49C	0-15	Standard for PLS.	Standard for PLS.
IEFAB490	0-15	Standard for PLS.	Standard for PLS.
IEFAB491	0-15	Standard for PLS.	Standard for PLS.
IEFAB492	0-15	Standard for PLS.	Standard for PLS.
IEFAB493	0-15	Standard for PLS.	Standard for PLS.
IEFAB494	0-15	Standard for PLS.	Standard for PLS.
IEFAB495	0-15	Standard for PLS.	Standard for PLS.
IEFAB496	0-15	Standard for PLS.	Standard for PLS.
IEFAB498	0-15	Standard for PLS.	Standard for PLS.
IEFAB499	0-15	Standard for PLS.	Standard for PLS.
IEFAB820		(See IEFSMFAT).	
IEFATECB		Not applicable (non-executable module).	
IEFBB4M1		Not applicable (non-executable module).	
IEFBB4M2		Not applicable (non-executable module).	
IEFBB4M3		Not applicable (non-executable module).	

Module Name	Register Number	Contents at Entry	Contents at Exit
IEFBB4M4		Not applicable (non-executable module).	
IEFBB4M5		Not applicable (non-executable module).	
IEFBB401	0-15	Standard for PLS.	Standard for PLS.
IEFBB402	0-15	Standard for PLS.	Standard for PLS.
IEFBB404	0-15	Standard for PLS.	Standard for PLS.
IEFBB410	0-15	Standard for PLS.	Standard for PLS.
IEFBB412	0-15	Standard for PLS.	Standard for PLS.
IEFBB414	0-15	Standard for PLS.	Standard for PLS.
IEFBB416	0-15	Standard for PLS.	Standard for PLS.
IEFDB4A0	0-15	Standard for PLS.	Standard for PLS.
IEFDB4A1	0-15	Standard for PLS.	Standard for PLS.
IEFDB4D0	0-15	Standard for PLS.	Standard for PLS.
IEFDB4FA	0-15	Standard for PLS.	Standard for PLS.
IEFDB4FB	0-15	Standard for PLS.	Standard for PLS.
IEFDB4FC	0-15	Standard for PLS.	Standard for PLS.
IEFDB4FD	0-15	Standard for PLS.	Standard for PLS.
IEFDB4FE	0-15	Standard for PLS.	Standard for PLS.
IEFDB4FF	0-15	Standard for PLS.	Standard for PLS.
IEFDB4F8	0-15	Standard for PLS.	Standard for PLS.
IEFDB4F9	0-15	Standard for PLS.	Standard for PLS.
IEFDB400	0-3 4 5-6 7 8-15	Standard for PLS. Pointer to TCB. Standard for PLS. Pointer to ASCB. Standard for PLS.	Standard for PLS. Pointer to TCB. Standard for PLS. Pointer to ASCB. Standard for PLS.
IEFDB401	0-15	Standard for PLS.	Standard for PLS.
IEFDB402	0 1 2 3-13 14 15	Indicates if SDWA exists. Pointer to SDWA, if one exists. Pointer to user parameters, if SDWA does not exist. Irrelevant. Return address (standard for PLS). Address of module entry point (standard for PLS).	Irrelevant. Pointer to SDWA, if one exists. Irrelevant. Irrelevant. Return address (standard for PLS). Return code, if no SDWA exists.
IEFDB403	0 1 2-13 14 15	Irrelevant. Pointer to SDWA. Irrelevant. Return address (standard for PLS). Address of module entry point (standard for PLS).	Irrelevant. Pointer to SDWA. Irrelevant. Return address (standard for PLS). Irrelevant.

Module Name	Register Number	Contents at Entry	Contents at Exit
IEFDB410	0-15	Standard for PLS.	Standard for PLS.
IEFDB411	0-15	Standard for PLS.	Standard for PLS.
IEFDB412	0-15	Standard for PLS.	Standard for PLS.
IEFDB413	0-15	Standard for PLS.	Standard for PLS.
IEFDB414	0-15	Standard for PLS.	Standard for PLS.
IEFDB417	0-15	Standard for PLS.	Standard for PLS.
IEFDB418	0-15	Standard for PLS.	Standard for PLS.
IEFDB450	0-15	Standard for PLS.	Standard for PLS.
IEFDB460	0-16	Standard for PLS.	Standard for PLS.
IEFDB470	0-15	Standard for PLS.	Standard for PLS.
IEFDB480	0-15	Standard for PLS.	Standard for PLS.
IEFDB490	0-15	Standard for PLS.	Standard for PLS.
IEFDB481	0-15	Standard for PLS.	Standard for PLS.
IEFDPOST	0-15	Standard for PLS.	Standard for PLS.
IEFDLST	0-15	Standard.	Standard.
IEFDSTB1	0-15	Standard.	Standard.
IEFIB600	0	Standard.	Standard.
	1	Address of SSOB.	Standard.
	2-15	Standard.	Standard.
IEFIB605	0	Standard.	Standard.
	1	Address of SSOB.	Standard.
	2-15	Standard.	Standard.
IEFIB620	0	Code indicating existence of RTCA.	Standard.
	1	Address of RTCA.	Standard.
	2-15	Standard.	Standard.
IEFIB621	0	Standard.	Standard.
	1	Address of RTCA.	Variable.
	2-15	Standard.	Standard.
IEFIB645	0	Standard.	Standard.
	1	Address of RTCA.	Standard.
	2-15	Standard.	Standard.
IEFIB660	0-15	Standard for PLS.	Standard for PLS.
IEFICATL	0-15	Standard.	Standard.
IEFICPUA	0-15	Standard.	Standard.

Module Name	Register Number	Contents at Entry	Contents at Exit
IEFIIC	0	Standard.	Standard.
	1	Address of pointer to initiator, start procedure parm field.	Address of IEL.
	2-15	Standard.	Standard.
IEFIMASK	0-15	Standard.	Standard.
IEFIRECM	0	Code indicating existence of RTCA.	Standard.
	1	Address of RTCA if one exists.	Irrelevant.
	2-15	Standard.	Standard.
IEFISEXR	0	Code indicating existence of RTCA.	Standard.
	1	Address of RTCA.	Irrelevant.
	2-15	Standard.	Standard.
IEFI922B	0-15	Standard.	Standard.
IEFJACTL	0	Irrelevant.	Irrelevant.
	1	Address of an RPL.	Irrelevant.
	2-12	Irrelevant.	Irrelevant.
	13	Address of caller's save area.	Unchanged.
	14	Return address.	Unchanged.
	15	Entry point address of IEFJACTL.	Return code.
IEFJCDLT	0	Irrelevant.	Irrelevant.
	1	Address of parameter list.	Irrelevant.
	2-12	Irrelevant.	Irrelevant.
	13	Address of caller's save area.	Unchanged.
	14	Return address.	Unchanged.
	15	Entry point address of IEFJCDLT.	Irrelevant.
IEFJCNTL	0	Irrelevant.	Irrelevant.
	1	Address of parameter list.	Irrelevant.
	2-12	Irrelevant.	Irrelevant.
	13	Address of caller's save area.	Unchanged.
	14	Return address.	Unchanged.
	15	Entry point address of IEFJCNTL.	Return code.
IEFJDIRD	0	Irrelevant.	Irrelevant.
	1	Address of RPL.	Irrelevant.
	2-12	Irrelevant.	Irrelevant.
	13	Address of caller's save area.	Unchanged.
	14	Return address.	Unchanged.
	15	Entry point address of IEFJDIRD.	Irrelevant.
IEFJDSNA	0	Address of SSCVT.	Irrelevant.
	1	Address of SSOB.	Irrelevant.
	2-12	Irrelevant.	Irrelevant.
	13	Address of caller's save area.	Unchanged.
	14	Return address.	Unchanged.
	15	Entry point address of IEFJDSNA.	Return code.
IEFJDWRT	0	Irrelevant.	Irrelevant.
	1	Address of RPL.	Irrelevant.
	2-12	Irrelevant.	Irrelevant.
	13	Address of caller's save area.	Irrelevant.
	14	Return address.	Unchanged.
	15	Entry point address of IEFJDWRT.	Irrelevant.

Module Name	Register Number	Contents at Entry	Contents at Exit
IEFJJCLS	0	Irrelevant.	Irrelevant.
	1	Address of parameter list.	Irrelevant.
	2-12	Irrelevant.	Irrelevant.
	13	Address of caller's save area.	Unchanged.
	14	Return address.	Unchanged.
	15	Entry point address of IEFJJCLS.	Return code.
IEFJJOBS	0	Irrelevant.	Irrelevant.
	1	Address of SSOB.	Unchanged.
	2-12	Irrelevant.	Irrelevant.
	13	Address of caller's save area.	Unchanged.
	14	Return address.	Unchanged.
	15	Entry point address of IEFJJOBS.	Irrelevant.
IEFJJTRM	0	Address of SSCVT.	Irrelevant.
	1	Address of SSOB.	Irrelevant.
	2-12	Irrelevant.	Irrelevant.
	13	Address of caller's save area.	Unchanged.
	14	Return address.	Unchanged.
	15	Entry point address of IEFJJTRM.	Return code.
IEFJRASP	0	Address of master subsystem's SSCVT.	Irrelevant.
	1	Address of SSOB.	Irrelevant.
	2-12	Irrelevant.	Irrelevant.
	13	Address of caller's save area.	Unchanged.
	14	Return address.	Unchanged.
	15	Entry point address of IEFJRASP.	Return code.
IEFJREAD	0	Irrelevant.	Irrelevant.
	1	Address of RPL.	Unchanged.
	2-12	Irrelevant.	Irrelevant.
	13	Address of caller's save area.	Unchanged.
	14	Return address.	Unchanged.
	15	Entry point address of IEFJREAD.	Irrelevant.
IEFJRECM	0	Code indicating existence of RTCA.	Standard.
	1	Address of RTCA.	Standard.
	2-15	Standard.	Standard.
IEFJSDTN	0	Address of SSCVT.	Irrelevant.
	1	Address of SSOB.	Irrelevant.
	2-12	Irrelevant.	Irrelevant.
	13	Address of caller's save area.	Unchanged.
	14	Return address.	Unchanged.
	15	Entry point address of IEFJSDTN.	Return code.
IEFJSREQ	0	Irrelevant.	Address of SSCVT.
	1	Address of SSOB pointer.	Address of SSOB.
	2-14	Standard.	Unchanged.
	15	Standard.	Address of function routine -or- return code if error exit.
IEFJWRTE	0	Irrelevant.	Irrelevant.
	1	Address of RPL.	Irrelevant.
	2-12	Irrelevant.	Irrelevant.
	13	Address of caller's save area.	Unchanged.
	14	Return address.	Unchanged.
	15	Entry point address of IEFJWRTE.	Irrelevant.
IEFJSWT	0-15	Standard.	Standard.

Module Name	Register Number	Contents at Entry	Contents at Exit
IEFJWTOM	0	Irrelevant.	Irrelevant.
	1	Address of RPL.	Irrelevant.
	2-12	Irrelevant.	Irrelevant.
	13	Address of caller's save area.	Unchanged.
	14	Return address.	Unchanged.
	15	Entry point address of IEFJWTOM.	Return code.
IEFNB901	0-9	Standard.	Standard.
	10	Address of local work area.	Standard.
	11	Standard.	Standard.
	12	Address of work area.	Address of work area.
	13-15	Standard.	Standard.
IEFNB903	0	Standard.	Standard.
	1	Address of NEL.	Standard.
	2-11	Standard.	Standard.
	12	Address of work area.	Address of work area.
	13-15	Standard.	Standard.
IEFQB550	0	Standard.	Standard.
	1	Address of QMPA.	Standard.
	2-15	Standard.	Standard.
IEFQB555	0	Standard.	Standard.
	1	Address of local parameter list.	Standard.
	2-15	Standard.	Standard.
IEFQB580	0	Standard.	Standard.
	1	Address of queue management I/O parameter list.	Standard.
	2-15	Standard.	Standard.
IEFQB585	0	Standard.	Standard.
	1	Address of QMPA.	Address of QMPA.
	2-15	Standard.	Standard.
IEFRPREP	0	Standard.	Standard.
	1	Address of LCT.	Standard.
	2-15	Standard.	Standard.
IEFSD060	0	Standard.	Standard.
	1	Address of IEL.	Address of LCT.
	2-15	Standard.	Standard.
IEFSD061	0	Standard.	Standard.
	1	Address of LCT.	Variable.
	2-15	Standard.	Standard.
IEFSD062	0	Standard.	Standard.
	1	Variable.	Address of IEFPARAM.
	2-15	Standard.	Standard.
IEFSD064	0	Standard.	Standard.
	1	Address of IEFPARAM.	Variable.
	2-15	Standard.	Standard.
IEFSD066	0	Standard.	Standard.
	1	Address of parm. list.	Address of LCT.
	2-15	Standard.	Standard.
IEFSD101	0	Standard.	Standard.
	1	Address of LCT.	Address of LCT.
	2-15	Standard.	Standard.

Module Name	Register Number	Contents at Entry	Contents at Exit
IEFSD102	0	Standard.	Standard.
	1	Address of LCT.	Address of LCT.
	2-15	Standard.	Standard.
IEFSD103	0	Standard.	Standard.
	1	Address of IEFPARAM.	Address of IEFPARAM.
	2-15	Standard.	Standard.
IEFSD160	(see IEFSD060)		
IEFSD161	(see IEFSD061)		
IEFSD162	(see IEFSD062)		
IEFSD164	(see IEFSD064)		
IEFSD166	(see IEFSD066)		
IEFSD263	0	Standard.	Standard.
	1	Address of IEFPARAM.	Address of IEFPARAM.
	2-15	Standard.	Standard.
IEFSMFAT	0	Address of initiator's TCB.	Standard.
	1	Address of TIOT pointer.	Standard.
	2-15	Standard.	Standard.
IEFSMFIE	0	Standard.	Standard.
	1	Address of LCT.	Standard.
	2-15	Standard.	Standard.
IEFVDA	0-11	Standard.	Standard.
	12	Address of work area.	Address of work area.
	13-15	Standard.	Standard.

Module Name	Register Number	Contents at Entry	Contents at Exit
IEFVDBSD	0-11	Standard.	Standard.
	12	Address of work area.	Address of work area.
	13-15	Standard.	Standard.
IEFVEA	0-11	Standard.	Standard.
	12	Address of work area.	Address of work area.
	13-15	Standard.	Standard.
IEFVFA	0-8	Standard.	Standard.
	9	Address of JCL statement.	Standard.
	10	Address of JCL statement parameter list.	Standard.
	11	Standard.	Standard.
	12	Address of work area.	Address of work area.
IEFVFB	13-15	Standard.	Standard.
	0	Standard.	Standard.
	1	Delimiter pointer.	Standard.
	2	Standard.	Error message code.
	3-7	Standard.	Standard.
	8	Address of local work area.	Standard.
	9-11	Standard.	Standard.
12	Address of work area.	Address of work area.	
IEFVGK	13-15	Standard.	Standard.
	0-1	Standard.	Standard.
	2	Standard.	Length of current parm. in text.
	3	Standard.	Address of length byte of current parm.
	4	Standard.	Address of PDT for Keyword parm.
	5-9	Standard.	Standard.
	10	Address of local work area.	Standard.
	11	Base register of calling routine.	Standard.
	12	Address of work area.	Standard.
	13-15	Standard.	Standard.
	IEFVGM	0-1	Standard.
2		0 for JCL statement.	Standard.
3-8		Error message code.	Standard.
9		Address of JCL statement.	Standard.
10-11		Standard.	Standard.
12		Address of work area.	Address of work area.
IEFVGT	13-15	Standard.	Standard.
	0-11	Standard.	Standard.
	12	Address of work area.	Address of work area.
IEFVHA	13-15	Standard.	Standard.
	0-8	Standard.	Standard.
	9	Address of input buffer.	Standard.
	10-11	Standard.	Standard.
	12	Address of work area.	Address of work area.

Module Name	Register Number	Contents at Entry	Contents at Exit
IEFVHC	0-8	Standard.	Standard.
	9	Address of JCL statement.	Standard.
	10	Address of JCL statement parameter list.	Standard.
	11	Standard.	Standard.
	12	Address of work area.	Address of work area.
	13-15	Standard.	Standard.
IEFVHCB	0-8	Standard.	Standard.
	9	Address of JCL statement.	Standard.
	10	Address of JCL statement parameter list.	Standard.
	11	Standard.	Standard.
	12	Address of work area.	Address of work area.
	13-15	Standard.	Standard.
IEFVHE	0-11	Standard.	Standard.
	12	Address of work area.	Address of work area.
	13-15	Standard.	Standard.
IEFVHEB	0-8	Standard.	Standard.
	9	Address of JCL statement.	Standard.
	10	Address of JCL statement parameter list.	Standard.
	11	Standard.	Standard.
	12	Address of work area.	Address of work area.
	13-15	Standard.	Standard.
IEFVHF	0-11	Standard.	Standard.
	12	Address of work area.	Address of work area.
	13-15	Standard.	Standard.
IEFVHH	0-11	Standard.	Standard.
	12	Address of work area.	Address of work area.
	13-15	Standard.	Standard.
IEFVHL	0-8	Standard.	Standard.
	9	Standard.	Address of procedure input buffer.
	10-11	Standard.	Standard.
	12	Address of work area.	Address of work area.
	13-15	Standard.	Standard.
IEFVHM	0-4	Standard.	Standard.
	5	Address of JCL statement verb.	Standard.
	6-8	Standard.	Standard.
	9	Address of JCL statement.	Standard.
	10	Address of JCL statement parameter list.	Standard.
	11	Standard.	Standard.
	12	Address of work area.	Address of work area.
	13-15	Standard.	Standard.
IEFVHN	0-11	Standard.	Standard.
	12	Address of work area.	Address of work area.
	13-15	Standard.	Standard.
IEFVHQ	0-11	Standard.	Standard.
	12	Address of work area.	Address of work area.
	13-15	Standard.	Standard.
IEFVHR	0-4	Standard.	Standard.
	5	Address of message.	Standard.
	6-11	Standard.	Standard.
	12	Address of work area.	Address of work area.
	13-15	Standard.	Standard.

Module Name	Register Number	Contents at Entry	Contents at Exit
IEFVH1	0-11	Standard.	Standard.
	12	Address of work area.	Address of work area.
	13-15	Standard.	Standard.
IEFVINA	0-11	Standard.	Standard.
	12	Address of work area.	Address of work area.
	13-15	Standard.	Standard.
IEFVINB	0-11	Standard.	Standard.
	12	Address of work area.	Address of work area.
	13-15	Standard.	Standard.
IEFVINC	0-11	Standard.	Standard.
	12	Address of work area.	Address of work area.
	13-15	Standard.	Standard.
IEFVIND	0-11	Standard.	Standard.
	12	Address of work area.	Address of work area.
	13-15	Standard.	Standard.
IEFVINE	0-11	Standard.	Standard.
	12	Address of work area.	Address of work area.
	13-15	Standard.	Standard.
IEFVJA	0-11	Standard.	Standard.
	12	Address of work area.	Address of work area.
	13-15	Standard.	Standard.
IEFVKMSG		Not applicable (non-executable module).	
IEFXB500	0	Standard.	Standard.
	1	Address of journal parameter list.	Standard.
	2-15	Standard.	Standard.
IEFXB601	0	Standard.	Standard.
	1	Address of MEL.	Standard.
	2-15	Standard.	Standard.
IEFXB602	0	Standard.	Standard.
	1	Address of QMPA.	Standard.
	2-15	Standard.	Standard.
IEFXB603	0-15	Standard.	Standard.
IEFXB604	0	Standard.	Standard.
	1	Address of LCT.	Standard.
	2-15	Standard.	Standard.
IEFXB609	0	Standard.	Standard.
	1	Address of LCT.	Standard.
	2-15	Standard.	Standard.
IEFXB610	0	Standard.	Standard.
	1	Address of parameter list.	Standard.
	2-15	Standard.	Standard.
IEFXVNSL	0-15	Standard for PLS.	Standard for PLS.

Module Name	Register Number	Contents at Entry	Contents at Exit
IEZDCODE	0-11	Standard.	Standard.
	12	Address of work area.	Address of work area.
	13-15	Standard.	Standard.
IEZNCODE	0-11	Standard.	Standard.
	12	Address of work area.	Address of work area.
	13-15	Standard.	Standard.
IGC07902	0-1	Same as IGC079.	Unchanged.
	2-12	Irrelevant.	Unchanged.
	13	Secondary mask or ASID.	Unchanged.
	14	Return address.	Unchanged.
	15	Entry point address of IGC07902.	Return code.
IGC07903	0	Bits 0-15: ASID Bits 16-31: code 13.	Unchanged
	1	Bit 0: B'1'.	Unchanged.
	2-12	Irrelevant.	Unchanged.
	13	Address of caller's save area.	Unchanged.
	14	Return address.	Unchanged.
	15	Entry point address of IGC07903.	Return code.
IGX00013	0	Irrelevant.	Unchanged.
	1	Parameter list address.	Unchanged.
	2	Irrelevant.	Unchanged.
	3	CVT address.	Unchanged.
	4	TCB address.	Unchanged.
	5	SVRB address.	Unchanged.
	6-12	Irrelevant.	Unchanged.
	13	Save area address.	Unchanged.
	14	Return address.	Unchanged.
	15	Entry address.	Return code.
IGX00014	0	Irrelevant.	Unchanged.
	1	Irrelevant.	DTMVT address.
	2	Irrelevant.	Unchanged.
	3	CVT address.	Unchanged.
	4	TCB address.	Unchanged.
	5	SVRB address.	Unchanged.
	6-13	Irrelevant.	Unchanged.
	14	Return address.	Unchanged.
	15	Entry address.	Return code.
IKJEFLA	0	Irrelevant.	Irrelevant.
	1	Address of ASCB.	Address of ASCB.
	2	Irrelevant.	Irrelevant.
	3	Irrelevant.	Address of JSEL.
	4-14	Irrelevant.	Irrelevant.
15	Entry point address of IKJEFLA.	Irrelevant.	
IKJEFLB	0	Irrelevant.	Irrelevant.
	1	Address of ASCB.	Address of JSEL.
	2	Irrelevant.	Irrelevant.
	3	Address of JSEL.	Irrelevant.
	4-13	Irrelevant.	Irrelevant.
	14	Return address.	Unchanged.
15	Entry point address of IKJEFLB.	Irrelevant.	

Module Name	Register Number	Contents at Entry	Contents at Exit
IKJEFLC	0-1	Irrelevant.	Irrelevant.
	2	Address of LWA.	Address of LWA.
	3-10	Irrelevant.	Irrelevant.
	11	Address of dynamic area.	Irrelevant.
	12	Address of code.	Irrelevant.
	13	Irrelevant.	Irrelevant.
	14	Return address.	Unchanged.
	15	Entry point address of IKJEFLC.	Irrelevant.
IKJEFLCM	Non-executable module containing message segments for IKJEFLC.		
IKJEFLE	0-1	Irrelevant.	Irrelevant.
	2	Address of the LOGON work area.	Irrelevant.
	3-10	Irrelevant.	Irrelevant.
	11	Address of dynamic area.	Irrelevant.
	12	Address of code.	Irrelevant.
	13	Address of caller's save area.	Unchanged.
	14	Return address.	Unchanged.
	15	Entry point address of IKJEFLE.	Irrelevant.
IKJEFLEA	0-1	Irrelevant.	Irrelevant.
	2	Address of the LOGON work area.	Irrelevant.
	3-10	Irrelevant.	Irrelevant.
	11	Address of dynamic area.	Irrelevant.
	12	Address of code.	Irrelevant.
	13	Address of caller's save area.	Unchanged.
	14	Return address.	Unchanged.
	15	Entry point address of IKJEFLEA.	Return code.
IKJEFLF	0	Post code.	Standard.
	1	Address of ASCB for cancellation.	Standard.
	2-15	Standard.	Standard.
IKJEFLG	0	Irrelevant.	Irrelevant.
	1	Address of parameter list.	Irrelevant.
	2-10	Irrelevant.	Irrelevant.
	11	Address of code.	Irrelevant.
	12	Address of dynamic area.	Irrelevant.
	13	Address of caller's save area.	Unchanged.
	14	Return address.	Unchanged.
	15	Entry point address of IKJEFLG.	Return code.
IKJEFLGB	0	Irrelevant.	Irrelevant.
	1	Address of SDWA.	Irrelevant.
	2-12	Irrelevant.	Irrelevant.
	13	Address of caller's save area.	Unchanged.
	14	Return address.	Unchanged.
	15	Entry point address of IKJEFLGB.	Retry or termination indicator.
IKJEFLGH	Non-executable module containing the message text for IKJEFLG.		
IKJEFLGM	0	Irrelevant.	Irrelevant.
	1	Address of parameter list.	Irrelevant.
	2-12	Irrelevant.	Irrelevant.
	13	Address of caller's save area.	Unchanged.
	14	Return address.	Unchanged.
	15	Entry point address of IKJEFLGH.	Return code.
IKJEFLGN	Non-executable module containing the message text for IKJEFLGM.		

Module Name	Register Number	Contents at Entry	Contents at Exit
IKJEFLH	0	Irrelevant.	Irrelevant.
	1	Address of LOGON work area.	Irrelevant.
	2-12	Irrelevant.	Irrelevant.
	13	Address of caller's save area.	Unchanged.
	14	Return address.	Unchanged.
	15	Entry point address of IKJEFLH.	Irrelevant.
IKJEFLI	0	Irrelevant.	Irrelevant.
	1	Address of LOGON work area.	Irrelevant.
	2-12	Irrelevant.	Irrelevant.
	13	Address of caller's save area.	Unchanged.
	14	Return address.	Unchanged.
	15	Entry point address of IKJEFLI.	Irrelevant.
IKJEFLJ	0	Irrelevant.	Irrelevant.
	1	Address of a pointer to LCT.	Irrelevant.
	2-12	Irrelevant.	Irrelevant.
	13	Address of caller's save area.	Unchanged.
	14	Return address.	Unchanged.
	15	Entry point address of IKJEFLJ.	Return code.
IKJEFLK	0	Irrelevant.	Irrelevant.
	1	Address of LCT.	Irrelevant.
	2-12	Irrelevant.	Irrelevant.
	13	Address of caller's save area.	Unchanged.
	14	Return address.	Unchanged.
	15	Entry point address of IKJEFLK.	Return code.
IKJEFLM	0	Irrelevant.	Irrelevant.
	1	Address of LOGON work area.	Irrelevant.
	2-12	Irrelevant.	Irrelevant.
	13	Address of caller's save area.	Unchanged.
	14	Return address.	Unchanged.
	15	Entry point address of IKJEFLM.	Irrelevant.
IKJEFLLM	Non-executable module containing message text for IKJEFLM.		
IKJEFLPA	0	Irrelevant.	Irrelevant.
	1	Address of parameter list.	Unchanged.
	2-12	Irrelevant.	Irrelevant.
	13	Address of caller's save area.	Unchanged.
	14	Return address.	Unchanged.
	15	Entry point address of IKJEFLPA.	Irrelevant.
IKJEFLP0	Non-executable module containing SYSGEN-dependent LOGON values.		
IKJEFLS	0	Irrelevant.	Retry address, if it is a retry.
	1	Address of SDWA.	Address of ASCB.
	2-6	Irrelevant.	Irrelevant.
	7	Address of the LOGON work area.	Irrelevant.
	8-12	Irrelevant.	Irrelevant.
	13	Address of caller's save area.	Unchanged.
	14	Return address.	Unchanged.
	15	Entry point address of IKJEFLS.	Return code.
IKJL4T00	0	Address of SRB.	Standard.
	1	SRBPARM field contents.	Standard.
	2-15	Standard.	Standard.

VS2.03.807

Module Name	Register Number	Contents at Entry	Contents at Exit
IKJ5803D	0-1	Standard.	Standard.
	2	Address of XSA.	Standard.
	3-15	Standard.	Standard.
ILRACT	0	Irrelevant.	Unchanged.
	1	Address of ACE.	Unchanged.
	2	Address of RSMHD.	Unchanged.
	3	Address of ASMVT.	Unchanged.
	4	Address of EPATH.	Unchanged.
	5-12	Irrelevant.	Unchanged.
	13	Address of save area.	Unchanged.
	14	Return address.	Unchanged.
15	Entry point address.	Return code.	
ILRCMP ILRCMP	0	Address of SRB.	If R12=0 on entry. Unpredictable.
	1	Address of IOSB.	Unpredictable.
	2-13	Irrelevant.	Unpredictable.
	14	Return address.	Unchanged.
	15	Entry point address.	Unpredictable.
ILRCMPAE	0	Address of SRB.	Unchanged.
	1	Address of IOSB.	Unchanged.
	2-6	Irrelevant.	Unchanged.
	7	Irrelevant.	Unpredictable.
	8-13	Irrelevant.	Unchanged.
	14	Return address.	Unchanged.
15	Entry point address.	Unpredictable.	
ILRCMPDI	0, 1	Irrelevant.	Unchanged.
	2	Address of IOSB.	Unchanged.
	3-6	Irrelevant.	Unchanged.
	7	UCB address (not used).	Unchanged.
	8-12	Irrelevant.	Unchanged.
	13	Address of save area.	Unchanged.
	14	Return address.	Unchanged.
	15	Entry point address.	Unchanged.
ILRCMPNE	0	Address of SRB.	Unchanged.
	1	Address of IOSB.	Unchanged.
	2-13	Irrelevant.	Unchanged.
	14	Return address.	Unchanged.
	15	Entry point address.	Unchanged.
ILRCMP01	0	Address of 200-byte work area.	Unpredictable.
	1	Address of SDWA.	Unpredictable.
	2-13	Irrelevant.	Unpredictable.
	14	Return address.	Unchanged.
	15	Entry point address.	Unpredictable.
ILRFMT00	0	Irrelevant.	Unchanged.
	1	Address of parameter list.	Unchanged.
	2-12	Irrelevant.	Unchanged.
	13	Address of save area.	Unchanged.
	14	Return address.	Unchanged.
	15	Entry point address.	Return code.

VS2.03.807

Module Name	Register Number	Contents at Entry	Contents at Exit
ILRFMTCV ILRFMTC	0	Irrelevant.	Unchanged.
	1	Address of parameter list.	Unchanged.
	2-12	Irrelevant.	Unchanged.
	13	Address of save area.	Unchanged.
	14	Return address.	Unchanged.
	15	Entry point address.	Return code.
ILRFMTH	0	Irrelevant.	Unchanged.
	1	Address of parameter list.	Unchanged.
	2	Irrelevant.	Unchanged.
	3	Address of RSMHD.	Unchanged.
	4-12	Irrelevant.	Unchanged.
	13	Address of save area.	Unchanged.
	14	Return address.	Unchanged.
15	Entry point address.	Return code.	
ILRFMTV	0	Irrelevant.	Unchanged.
	1	Address of parameter list.	Unchanged.
	2	Irrelevant.	Unchanged.
	3	Address of ASMVT.	Unchanged.
	4-12	Irrelevant.	Unchanged.
	13	Address of save area.	Unchanged.
	14	Return address.	Unchanged.
15	Entry point address.	Return code.	
ILRFMTPG	0-15	Same as entry ILRFMTV of ILRFMTCV.	
ILRFMTSW	0-15	Same as entry ILRFMTV of ILRFMTCV.	
ILRFRR01 ILRPSRMT	0	Address of purged SRB.	Unpredictable.
	1-13	Irrelevant.	Unpredictable.
	14	Return address.	Unchanged.
	15	Entry point address.	Unpredictable.
ILRVACE	0	Address of potential ACE.	Unchanged.
	1-15	Same as entry ILRVAIAC.	
ILRVACEQ	0	Address of first ACE.	Unchanged.
	1-15	Same as entry ILRVLPRQ.	
ILRVACQ2	0	Address of first ACE.	Unchanged.
	1-15	Same as entry ILRVLPRQ.	
ILRVAIA	0	Address of potential AIA.	Unchanged.
	1-15	Same as entry ILRVAIAC.	
ILRVAIAC	0	Address of potential AIA/ACE.	Unchanged.
	1	Address of SDWA.	Unchanged.
	2-7	Irrelevant.	Unchanged.
	8-13	Irrelevant.	Unchanged.
	14	Return address.	Unchanged.
	15	Entry point address.	Return code.
ILRVAIAQ	0	Address of first AIA.	Unchanged.
	1-15	Same as entry ILRVLPRQ.	

VS2.03.807

Module Name	Register Number	Contents at Entry	Contents at Exit
ILRFR01 (continued)			
ILRVIOE	0	Address of potential IOE.	Unchanged.
	1	Address of SDWA.	Unchanged.
	2-13	Irrelevant.	Unpredictable.
	14	Return address.	Unchanged.
	15	Entry point address.	Return code.
ILRVIOEQ	0	Address of address of first IOE.	Unchanged.
	1	Address of SDWA.	Unchanged.
	2-7	Irrelevant.	Unpredictable.
	8	Address of work area.	Unchanged.
	9-12	Irrelevant.	Unchanged.
	13	Address of save area.	Unchanged.
	14	Return address.	Unchanged.
	15	Entry point address.	Return code.
ILRVIORB	0	Address of potential IORB.	Unchanged.
	1-15	Same as entry ILRVAIAC.	
ILRVLGE	0	Address of potential LGE.	Unchanged.
	1-15	Same as entry ILRVAIAC.	
ILRVLPRO	0	Address of LGE.	Unchanged.
	1	Address of SDWA.	Unchanged.
	2-4	Irrelevant.	Unchanged.
	5-7	Irrelevant.	Unpredictable.
	8	Address of 92-byte work area.	Unchanged.
	9-12	Irrelevant.	Unchanged.
	13	Address of save area.	Unchanged.
	14	Return address.	Unchanged.
	15	Entry point address.	Return code.
ILRVPCB	0	Address of potential PCB.	Unchanged.
	1-15	Same as entry ILRVAIAC.	
ILRVPCBQ	0	Irrelevant.	Unchanged.
	1	Address of SDWA.	Unchanged.
	2	Address of RSMHD.	Unchanged.
	3, 4	Irrelevant.	Unchanged.
	5-7	Irrelevant.	Unpredictable.
	8	Address of 92-byte work area.	Unchanged.
	9-12	Irrelevant.	Unchanged.
	13	Address of save area.	Unchanged.
	14	Return address.	Unchanged.
	15	Entry point address.	Return code.
ILRVPCCW	0	Address of potential PCCW.	Unchanged.
	1-15	Same as entry ILRVAIAC.	
ILRVPCWQ	0	Address of first PCCW.	Unchanged.
	1-15	Same as entry ILRVLPRO.	
ILRVSCCW	0	Address of potential SCCW.	Unchanged.
	1-15	Same as entry ILRVAIAC.	
ILRVSCWQ	0	Address of first SCCW.	Unchanged.
	1-15	Same as entry ILRVLPRO.	
ILRVSPAQ	0-15	Same as entry ILRVAIAQ.	

VS2.03.807

Module Name	Register Number	Contents at Entry	Contents at Exit
ILRFRR01 (continued)			
ILRVSWTQ	0-15	Same as entry ILRVASGQ.	
ILRFRSLT			
ILRFRSLT	0	Non-zero for private area pages.	Unchanged.
	1	XPTE address.	Unchanged.
	2	RSMHD address.	Unchanged.
	3-12	Irrelevant.	Unchanged.
	13	Address of save area.	Unchanged.
	14	Return address.	Unchanged.
	15	Entry point address.	Unchanged.
ILRFRSL1	Same as ILRFRSW1.		
ILRFRSW1			
	0	Irrelevant.	Unchanged.
	1	LSID.	Unchanged.
	2	Irrelevant.	Unchanged.
	3	Address of ASMVT.	Unchanged.
	4-12	Irrelevant.	Unchanged.
	13	Address of save area.	Unchanged.
	14	Return address.	Unchanged.
	15	Entry point address.	Unchanged.
ILRGOS			
ILRGOS	0	Irrelevant.	Unchanged.
	1	Address of ACA.	Unchanged.
	2-12	Irrelevant.	Unchanged.
	13	Address of save area.	Unchanged.
	14	Return address.	Unchanged.
	15	Entry point address.	Return code.
ILRFRELG			
	0	Irrelevant.	Unchanged.
	1	Address of LGE.	Unchanged.
	2	Irrelevant.	Unchanged.
	3	Address of ASMVT.	Unchanged.
	4-12	Irrelevant.	Unchanged.
	13	Address of save area.	Unchanged.
	14	Return address.	Unchanged.
	15	Entry point address.	Return code.
ILRGOS01			
ILRGOS01	0	Address of 200-byte work area.	Unpredictable.
	1	Address of SDWA.	Unpredictable.
	2-13	Irrelevant.	Unpredictable.
	14	Return address.	Unchanged.
	15	Entry point address.	Unpredictable.
ILRCGOSE			
	0	Indicate if SDWA exists.	Unchanged, if save area in reg. 13. Unpredictable otherwise.
	1	Address of SDWA, if reg. 0 is not 12.	
	2	Address of parameter list, if reg. 0 is 12.	
	3-12	Irrelevant.	Unpredictable otherwise.
	13	Address of save area, if reg. 0 is not 12.	
	14	Return address.	
	15	Entry point address.	Return code.

Module Name	Register Number	Contents at Entry	Contents at Exit
ILRIOFRR	0	Address of 200-byte work area.	Unpredictable.
	1	Address of SDWA.	Unpredictable.
	2-13	Irrelevant.	Unpredictable.
	14	Return address.	Unchanged.
	15	Entry point address.	Unpredictable.
ILRCQIOE	0	Irrelevant.	Unpredictable.
	1	Address of SDWA.	Unpredictable.
	2	Irrelevant.	Unpredictable.
	3	Address of ASMVT.	Unpredictable.
	4	Address of ATA.	Unpredictable.
	5-7	Irrelevant.	Unpredictable.
	8	Address of 92-byte work area.	Unpredictable.
	9	Address this routine's work area.	Unpredictable.
	10-13	Irrelevant.	
	14	Return address.	Unchanged.
15	Entry point address.	Unpredictable.	
ILRJTERM	0-12	Irrelevant.	Unchanged.
	13	Address of save area.	Unchanged.
	14	Return address.	Unchanged.
	15	Entry point address.	Unpredictable.
ILRJTM01	0	Address of 200-byte work area.	Unpredictable.
	1	Address of SDWA.	Unpredictable.
	2-13	Irrelevant.	Unpredictable.
	14	Return address.	Unchanged.
	15	Entry point address.	Unpredictable.
ILRMSG00	0	Irrelevant.	Unchanged.
	1	Address of parameter list.	Unchanged.
	2-12	Irrelevant.	Unchanged.
	13	Address of save area.	Unchanged.
	14	Return address.	Unchanged.
	15	Entry point address.	Unpredictable.
ILRMSGSP	0-12	Irrelevant.	Unchanged.
	13	Address of save area.	Unchanged.
	14	Return address.	Unchanged.
	15	Entry point address.	Unchanged.
ILROPS00	0	Irrelevant.	Unchanged.
	1	Address of parameter list.	Unchanged but are return parameters.
	2	Address of NVT (at NIP time).	Unchanged.
	3	Address of CVT (at NIP time).	Unchanged.
	4-12	Irrelevant.	Unchanged.
	13	Address of save area.	Unchanged.
	14	Return address.	Unchanged.
	15	Entry point address.	Return code.
ILRPAGCM	0	Irrelevant.	Unchanged.
	1	Address of first AIA.	Unchanged.
	2-12	Irrelevant.	Unchanged.
	13	Address of 18-word save area.	Unchanged.
	14	Return address.	Unchanged.
	15	Entry point address.	Unchanged.

VS2.03.807

Module Name	Register Number	Contents at Entry	Contents at Exit
ILRPAGIO	0	Irrelevant.	Unpredictable.
	1	Address of first AIA.	Unpredictable.
	2	Address of RSMHD.	Unchanged.
	3-13	Irrelevant.	Unchanged.
	14	Return address.	Unchanged.
	15	Entry point address.	Return code.
ILRQIOE	0, 1	Irrelevant.	Unpredictable.
	2	Irrelevant.	Unchanged.
	3	Address of ASMVT.	Unchanged.
	4	Address of AIA.	Unchanged.
	5-13	Irrelevant.	Unchanged.
	14	Return address.	Unchanged.
15	Entry point address.	Unpredictable.	
ILRPEX	0	Irrelevant.	Unchanged.
	1	Address of pool controller to be extended.	0 or address of a cell.
	2-10	Irrelevant.	Unchanged.
	11, 12	Irrelevant.	Unpredictable.
	13	Irrelevant.	Unchanged.
	14	Return address.	Unchanged.
15	Entry point address.	Unchanged.	
ILRPGEXP	0	Irrelevant.	Unpredictable.
	1	Address of CSCB.	Unpredictable.
	2-13	Irrelevant.	Unpredictable.
	14	Return address.	Unchanged.
15	Entry point address.	Unpredictable.	
ESTAER	0	Irrelevant.	Unpredictable.
	1	Address of parameter list.	Unpredictable.
	2	Address of parameter list if SDWA not available.	Unpredictable.
	3-13	Irrelevant.	Unpredictable.
	14	Return address.	Unchanged.
15	Entry point address.	Unpredictable.	
ILRPOS	0, 1	Irrelevant.	Unchanged.
	2	Address of RSMHD.	Unchanged.
	3	Address of ASMVT.	Unchanged.
	4	Address of ATA.	Unchanged.
	5-13	Irrelevant.	Unchanged.
	14	Return address.	Unchanged.
15	Entry point address.	Return code.	
ILRESTRT	0	Irrelevant.	Unchanged.
	1	Address of AIA.	Unchanged.
	2	Address of RSMHD.	Unchanged.
	3	Address of ASMVT.	Unchanged.
	4	Address of ATA.	Unchanged.
	5-12	Irrelevant.	Unchanged.
	13	Address of save area.	Unchanged.
	14	Return address.	Unchanged.
15	Entry point address.	Unchanged.	

VS2.03.807

Module Name	Register Number	Contents at Entry	Contents at Exit
ILRPOS (continued)			
ILRTRANS	0	Address of save area for free slot.	Unchanged.
	1	Address of ACE.	Unchanged.
	2	Address of RSMHD.	Unchanged.
	3	Address of ASMVT.	Unchanged.
	4	Address of ATA.	Unchanged.
	5-12	Irrelevant.	Unchanged.
	13	Address of save area.	Unchanged.
	14	Return address.	Unchanged.
	15	Entry point address.	Unchanged.
ILRTRPAG	0	Irrelevant.	Unchanged.
	1	Address of ACA.	Unchanged.
	2-12	Irrelevant.	Unchanged.
	13	Address of save area.	Unchanged.
	14	Return address.	Unchanged.
	15	Entry point address.	Return code.
ILRPREAD			
ILRPREAD	0	Irrelevant.	Unchanged.
	1	Address of parameter list.	Unchanged.
	2-12	Irrelevant.	Unchanged.
	13	Address of save area.	Unchanged.
	14	Return code.	Unchanged.
	15	Entry point address.	Return code.
PREADABN	0	Irrelevant.	Unchanged.
	1	Address of IOSB (not used).	Unchanged.
	2-13	Irrelevant.	Unchanged.
	14	Return address.	Unchanged.
	15	Entry point address.	Unchanged.
PREADNRM	0-15	Same as entry PREADABN.	
PREADTRM	0	Irrelevant.	Unpredictable.
	1	Address of IOSB.	Unpredictable.
	2-13	Irrelevant.	Unpredictable.
	14	Return address.	Unchanged.
	15	Entry point address.	Unpredictable.
ESTAEXIT	0	Indicate SDWA existence.	Unpredictable.
	1	Address of SDWA, if reg. 0 is not 12.	Unpredictable.
	2	Address of parameter list, if reg. 0 is 12.	Unpredictable.
	3-13	Irrelevant.	Unpredictable.
	14	Return address.	Unpredictable.
	15	Entry point address.	Unpredictable.
ILRPTM	0	Address of SRB.	Unpredictable.
	1-13	Irrelevant.	Unpredictable.
	14	Return address.	Unchanged.
	15	Entry point address.	Unpredictable.

VS2.03.807

Module Name	Register Number	Contents at Entry	Contents at Exit
ILRRLG	0	Irrelevant.	Unchanged.
	1	Address of ACE.	Unchanged.
	2	Address of RSMHD.	Unchanged.
	3	Address of ASMVT.	Unchanged.
	4	Address of EPATH.	Unchanged.
	5-12	Irrelevant.	Unchanged.
	13	Address of save area.	Unchanged.
	14	Return address.	Unchanged.
	15	Entry point address.	Return code.
ILRSV	0	Irrelevant.	Unchanged.
	1	Address of ACE.	Unchanged.
	2	Address of RSMHD.	Unchanged.
	3	Address of ASMVT.	Unchanged.
	4	Address of EPATH.	Unchanged.
	5-12	Irrelevant.	Unchanged.
	13	Address of save area.	Unchanged.
	14	Return address.	Unchanged.
	15	Entry point address.	Return code.
ILRSRBC	0	Address of SRB.	Unpredictable.
	1-13	Irrelevant.	Unpredictable.
	14	Return address.	Unchanged.
	15	Entry point address.	Unpredictable.
ILRSBRM	0	Irrelevant.	Unpredictable.
	1	Address of SRB.	Unpredictable.
	2-13	Irrelevant.	Unpredictable.
	14	Return address.	Unchanged.
	15	Entry point address.	Unpredictable.
ILRSR01	0	Address of FRR work area.	Unpredictable.
	1	Address of SDWA.	Unpredictable.
	2-13	Irrelevant.	Unpredictable.
	14	Return address.	Unchanged.
	15	Entry point address.	Unpredictable.
ILRSRT	0	Irrelevant.	Unchanged.
	1	Address of parameter list.	Unchanged.
	2, 3	Irrelevant.	Unchanged.
	4	Address of ATA.	Unchanged.
	5-12	Irrelevant.	Unchanged.
	13	Address of save area.	Unchanged.
	14	Return address.	Unchanged.
	15	Entry point address.	Return code.
ILRSRT01	0	Address of 200-byte work area.	Unpredictable.
	1	Address of SDWA.	Unpredictable.
	2-13	Irrelevant.	Unpredictable.
	14	Return address.	Unchanged.
	15	Entry point address.	Unpredictable.

VS2.03.807

Module Name	Register Number	Contents at Entry	Contents at Exit
ILRSWAP	0	Irrelevant.	Unpredictable.
	1	Address of ATA.	Unpredictable.
	2	Address of RSMHD.	Unchanged.
	3-13	Irrelevant.	Unchanged.
	14	Return address.	Unchanged.
	15	Entry point address.	Return code.
ILRSLSQA	0, 1	Irrelevant.	Unpredictable.
	2	Address of RSMHD.	Unchanged.
	3	Address of ASMVT.	Unchanged.
	4	Address of ATA.	Unchanged.
	5-13	Irrelevant.	Unchanged.
	14	Return address.	Unchanged.
15	Entry point address.	Unpredictable.	
ILRSWPDR	0-13	Irrelevant.	Unpredictable.
	14	Return address.	Unchanged.
	15	Entry point address.	Unpredictable.
ILRSWP01	0	Irrelevant.	Unpredictable.
	1	Address of SDWA.	Unpredictable.
	2	Irrelevant.	Unpredictable.
	3	Address of ASMVT.	Unpredictable.
	4	Address of ATA.	Unpredictable.
	5-7	Irrelevant.	Unpredictable.
	8	Address of 92-byte work area.	Unpredictable.
	9	Address of this routine's work area.	Unpredictable.
	10-13	Irrelevant.	Unpredictable.
	14	Return address.	Unchanged.
15	Entry point address.	Unpredictable.	
ILRCSWAP	0-15	Same as entry ILRSWP01.	
ILRCLSQ	0-15	Same as entry ILRSWP01.	
ILRTERMR	0	Irrelevant.	Unchanged.
	1	Address of parameter.	Unchanged.
	2-12	Irrelevant.	Unchanged.
	13	Address of save area.	Unchanged.
	14	Return address.	Unchanged.
	15	Entry point address.	Unchanged.
ILRSLTRV	0, 1	Irrelevant.	Unchanged.
	2	Address of RSMHD.	Unchanged.
	3	Address of PVT.	Unchanged.
	4-12	Irrelevant.	Unchanged.
	13	Address of save area.	Unchanged.
	14	Return address.	Unchanged.
15	Entry point address.	Return code.	
TERMFRR	0	Address of FRR work area.	Unpredictable.
	1	Address of SDWA.	Unchanged.
	2-13	Irrelevant.	Unpredictable.
	14	Return address.	Unchanged.
15	Entry point address.	Unpredictable.	

VS2.03.807

Module Name	Register Number	Contents at Entry	Contents at Exit		
ILRTMI01	0	SDWA indicator.	Unchanged if save area in reg. 13 otherwise reg. 2 = address of EPATH. Reg. 0 = address of ILRCRTMX when reg. 15 is 4. Return code.		
	1	Address of SDWA, if reg. 0 is not 12.			
	2	Address of EPATH, if reg. 0 is 12.			
	3-12	Irrelevant.			
	13	Save address reg, if reg. 0 is not 12.			
	14	Return address.			
ILRTMRLG	0	Irrelevant.	Unpredictable.		
	1	Address of ECB (Master Sched. Init.'s)	Unpredictable.		
	2-13	Irrelevant.	Unpredictable.		
	14	Return address.	Unchanged.		
ILRVIOCM	0, 1	Irrelevant.	Unchanged.		
	2	Address of RSMHD.	Unchanged.		
	3	Address of ASMVT.	Unchanged.		
	4	Address of ATA.	Unchanged.		
	5-12	Irrelevant.	Unchanged.		
	13	Address of save area.	Unchanged.		
	14	Return address.	Unchanged.		
ILRVSAMI	0	Irrelevant.	Unchanged.		
	1	Address of parameter list.	Unchanged.		
	2	Irrelevant.	Unchanged.		
	3	Address of ASMVT.	Unchanged.		
	4-12	Irrelevant.	Unchanged.		
	13	Address of save area.	Unchanged.		
	14	Return address.	Unchanged.		
IRARMCNS	15	Entry point address.	Return code.		
	Non-executable module containing pre-assembled SRM tables.				
	IRARMCPM	0	Irrelevant.	Unchanged.	
		1	Address of RMEP.	Unchanged.	
		2	Address of RMCT.	Unchanged.	
		3	Address of RRPA.	Unchanged.	
		4	Address of OUCB.	Unchanged.	
		5	Address of ASCB.	Unchanged.	
		6-12	Irrelevant.	Unchanged.	
		13	Address of save area.	Unchanged.	
		14	Return address.	Unchanged.	
		15	Entry point address.	Unchanged.	
		IRARMCTL	0	Irrelevant.	Unchanged (if exit by BR 14).
			1	Address of RMEP (certain functions).	Unchanged (if exit by BR 14).
			2	Address of RMCT.	Unchanged (if exit by BR 14).
3			Address of RRPA.	Unchanged (if exit by BR 14).	
4			Address of OUCB (certain functions).	Unchanged (if exit by BR 14).	
5-12	Irrelevant.		Unchanged (if exit by BR 14).		
13	Address of SRM save area (certain functions).		Unchanged (if exit by BR14).		
14	Return address (certain functions).		Unchanged (if exit by BR 14).		
15	Entry point address.		Return code (certain functions).		
IRARMERR	0		Address of 200 byte save area.	Irrelevant.	
	1	Address of SDWA.	Irrelevant.		
	2-13	Irrelevant.	Irrelevant.		
	14	Return address.	Unchanged.		
	15	Irrelevant.	Irrelevant.		

Module Name	Register Number	Contents at Entry	Contents at Exit
IRARMEVT	0	Irrelevant.	Irrelevant.
	1	Irrelevant.	Irrelevant.
	2	Address of RMCT.	Irrelevant.
	3	Address of RRPA.	Irrelevant.
	4	Address of OUCB.	Irrelevant.
	5	Address of ASCB.	Irrelevant.
	6-12	Irrelevant.	Irrelevant.
	13	Address of save area.	Irrelevant.
	14	Irrelevant.	Irrelevant.
	15	Irrelevant.	Irrelevant.
IRARMINT	0	SYSEVENT code and ASID of associated address space.	Irrelevant.
	1	Input parameters.	Return indicators (some SYSEVENTs).
	2-12	Irrelevant.	Unchanged (for branch entry).
	13	Address of save area (branch entry only).	Unchanged (for branch entry).
	14	Address of type 1 SVC exit routine (SVC entry), or return address (branch entry).	Unchanged (for branch entry).
	15	Entry point address (branch entry).	Return code (some SYSEVENTs).

VS2.03.807

Module Name	Register Number	Contents at Entry	Contents at Exit	
IRARMIOM	0	Irrelevant.	Unchanged.	
	1	Address of RMEP.	Unchanged.	
	2	Address of RMCT.	Unchanged.	
	3	Address of RRPA.	Unchanged.	
	4	Address of OUCB.	Unchanged.	
	5	Address of ASCB.	Unchanged.	
	6-12	Irrelevant.	Unchanged.	
	13	Save area address.	Unchanged.	
	14	Return address.	Unchanged.	
	15	Entry point address.	Unchanged.	
	IRARMIPS	0	Standard.	Standard.
		1	Address of Parameter List.	Address of Parameter List.
		2-15	Standard.	Standard.
IRARMMSG	Non-executable module containing SRM messages.			
IRARRMR	0-1	Irrelevant.	Unchanged.	
	2	Address of RMCT.	Unchanged.	
	3	Address of RRPA.	Unchanged.	
	4-12	Irrelevant.	Unchanged.	
	13	Address of save area.	Unchanged.	
	14	Return address.	Unchanged.	
	15	Entry point address.	Irrelevant.	
IRARMSET	0-1	Irrelevant.	Unchanged.	
	2	Address of RMCT.	Unchanged.	
	3	Address of RRPA.	Unchanged.	
	4-12	Irrelevant.	Unchanged.	
	13	Address of save area.	Unchanged.	
	14	Return address.	Unchanged.	
IRARMSRV	15	Address of IRARMSET.	Irrelevant.	
	0	Length of storage request (entry IRARMIO4 only).	Unchanged.	
	1	Address of parameter list (and next SRM timer interruption for XMPOST) (or address of any storage to be freed - entry IRARMIO4 only).	Address of storage obtained (entry IRARMIO4 only).	
	2-4	Irrelevant.	Unchanged.	
	5	Address of ASCB (for IRARMIO6 and IRARMIO7 entries only).	Unchanged.	
	6-12	Irrelevant.	Unchanged.	
	13	Save area address.	Unchanged.	
	14	Return address.	Unchanged.	
	15	Entry point address.	Return code.	
	IRARMSTM	0	Irrelevant.	Unchanged.
1		Address of RMEP.	Unchanged.	
2		Address of RMCT.	Unchanged.	
3		Address of RRPA.	Unchanged.	
4		Address of OUCB.	Unchanged.	
5		Address of ASCB.	Unchanged.	
6-12		Irrelevant.	Unchanged.	
13		Address of save area.	Unchanged.	
14		Return address.	Unchanged.	
15		Entry point address.	Unchanged.	

Module Name	Register Number	Contents at Entry	Contents at Exit
IRARMWAR	0-1	Irrelevant.	Unchanged.
	2	Address of RMCT.	Unchanged.
	3	Address of RRPA.	Unchanged.
	4	Address of OUCB (certain functions).	Unchanged.
	5	Address of WMST (certain functions).	Unchanged.
	6	Address of WAMT (certain functions).	Unchanged.
	7-12	Irrelevant.	Unchanged.
	13	Address of save area.	Unchanged.
	14	Return address.	Unchanged.
	15	Entry point address.	Irrelevant.

Module Name	Register Number	Contents at Entry	Contents at Exit	
IRARMWLM	0	Service rate (entry IRARMWM4 only).	Workload level (entry IRARMWM4 only).	
	1	Performance objective (entry IRARMWM4 only).	Plateau (entry IRARMWM4 only).	
	2	Address of RMCT.	Unchanged.	
	3	Address of RRPA.	Unchanged.	
	4	Address of OUCB.	Unchanged.	
	5	Address of ASCB (certain functions).	Unchanged.	
	6	Address of OUXB (certain functions).	Unchanged.	
	7-12	Irrelevant.	Unchanged.	
	13	Save area address.	Unchanged.	
	14	Return address.	Unchanged.	
	15	Entry point address.	Irrelevant.	
	IRBMFALL	0	Irrelevant.	Unchanged.
		1	Parameter list address.	Unchanged.
		2-12	Irrelevant.	Unchanged.
		13	Save area address.	Unchanged.
14		Return address.	Unchanged.	
15		Irrelevant.	Unchanged.	
IRBMFANL	0	Irrelevant.	Unchanged.	
	1	Parameter list address.	Unchanged.	
	2-12	Irrelevant.	Unchanged.	
	13	Save area address.	Unchanged.	
	14	Return address.	Unchanged.	
	15	Entry point address.	Return code.	
IRBMFCNV	0	Irrelevant.	Unchanged.	
	1	Parameter list address.	Parameter list address.	
	2-12	Irrelevant.	Unchanged.	
	13	Save area address.	Unchanged.	
	14	Return address.	Unchanged.	
	15	Entry address.	Return code.	
IRBMFDCP*	0	Irrelevant.	Unchanged.	
	1	Parameter list address.	Parameter list address.	
	2-12	Irrelevant.	Unchanged.	
	13	Save area address.	Unchanged.	
	14	Return address.	Unchanged.	
	15	Irrelevant.	Unchanged.	
IRBMFDDP*	0	Irrelevant.	Unchanged.	
	1	Parameter list address.	Parameter list address.	
	2-12	Irrelevant.	Unchanged.	
	13	Save area address.	Unchanged.	
	14	Return address.	Unchanged.	
	15	Irrelevant.	Unchanged.	
IRBMFDEA	0	Identifies existence of SDWA (not exist if = 12).	Unchanged.	
	1	SDWA address.	Unchanged.	
	2	Parameter list address if SDWA not exist.	Unchanged.	
	3-11	Irrelevant.	Irrelevant.	
	12	Unspecified.	Destroyed.	
	13	Save area address.	Unchanged.	
	14	Return address.	Unchanged.	
	15	Irrelevant.	Destroyed; return code if reg=12 on entry.	

*These modules' usage shows most common entry usage and exit usage.

Module Name	Register Number	Contents at Entry	Contents at Exit
IRBMFDHP*	0	Irrelevant.	Unchanged.
	1	Parameter list address.	Parameter list address.
	2-12	Irrelevant.	Unchanged.
	13	Save area address.	Unchanged.
	14	Return address.	Unchanged.
	15	Irrelevant.	Unchanged.
IRBMFDPP*	0	Irrelevant.	Unchanged.
	1	Parameter list address.	Parameter list address.
	2-12	Irrelevant.	Unchanged.
	13	Save area address.	Unchanged.
	14	Return address.	Unchanged.
	15	Irrelevant.	Unchanged.
IRBMFDTA	0	Irrelevant.	Unchanged.
	1	Parameter list address.	Unchanged.
	2-12	Irrelevant.	Unchanged.
	13	Save area address.	Unchanged.
	14	Return address.	Unchanged.
	15	Irrelevant.	Unchanged.
IRBMFDWP*	0	Irrelevant.	Unchanged.
	1	Parameter list address.	Parameter list address.
	2-12	Irrelevant.	Unchanged.
	13	Save area address.	Unchanged.
	14	Return address.	Unchanged.
	15	Irrelevant.	Unchanged.
IRBMFECH	0	Irrelevant.	Unchanged.
	1	Parameter register from MFROUTER measurement vector table.	Unchanged.
	2	Address of save area containing regs 0-14 at point of MFROUTER invocation.	Unchanged.
	3-12	Irrelevant.	Unchanged.
	13	Save area address.	Unchanged.
	14	Return address.	Unchanged.
	15	Irrelevant.	Unchanged.
IRBMFEDV	0	Irrelevant.	Unchanged.
	1	Parameter reg from MFROUTER measurement vector table.	Unchanged.
	2	Address of area containing contents of regs 0-14 at point of MFROUTER macro invocation.	Unchanged.
	3-12	Irrelevant.	Unchanged.
	13	Save area address.	Unchanged.
	14	Return address.	Unchanged.
	15	Entry address.	Unchanged.
IRBMFEVT*	0	MFROUTER entry code.	Unchanged.
	1-13	Irrelevant.	Unchanged.
	14	Return address.	Unchanged.
	15	Entry address.	Irrelevant.
IRBMFFUR	0	Irrelevant.	Irrelevant.
	1	Parameter address.	Unchanged.
	3-11	Irrelevant.	Irrelevant.
	12	Unspecified.	Irrelevant.
	13	Irrelevant.	Irrelevant.
	14	Return address.	Unchanged.
	15	Irrelevant.	Irrelevant.

*These modules' usage shows most common entry usage and exit usage.

Module Name	Register Number	Contents at Entry	Contents at Exit
IRBMFICP	0	Irrelevant.	Unchanged.
	1	Parameter list address.	Unchanged.
	2-12	Irrelevant.	Unchanged.
	13	Save area address.	Unchanged.
	14	Return address.	Unchanged.
	15	Entry point address.	Return code.
IRBMFIDV	0	Irrelevant.	Unchanged.
	1	Parameter list address.	Unchanged.
	2-12	Irrelevant.	Unchanged.
	13	Save area address.	Unchanged.
	14	Return address.	Unchanged.
	15	Entry address.	Return code.
IRBMFIHA	0	Irrelevant.	Unchanged.
	1	Parameter list address.	Unchanged.
	2-12	Irrelevant.	Unchanged.
	13	Save area address.	Unchanged.
	14	Return address.	Unchanged.
	15	Entry address.	Return code.
IRBMFINP	0	Irrelevant.	Unchanged.
	1	Parameter list address.	Unchanged.
	2-12	Irrelevant.	Unchanged.
	13	Save area address.	Unchanged.
	14	Return address.	Unchanged.
	15	Entry address.	Unchanged.
IRBMFIOI*	0	Irrelevant.	Unchanged.
	1	Parameter list address.	Unchanged.
	2-12	Irrelevant.	Unchanged.
	13	Save area address.	Unchanged.
	14	Return address.	Unchanged.
	15	Entry point address.	Unchanged.
IRBMFIPG	0	Irrelevant.	Unchanged.
	1	Parameter list address.	Unchanged.
	2-12	Irrelevant.	Unchanged.
	13	Save area address.	Unchanged.
	14	Return address.	Unchanged.
	15	Entry point address.	Return code.
IRBMFIWK	0	Irrelevant.	Unchanged.
	1	Parameter list address.	Unchanged.
	2-12	Irrelevant.	Unchanged.
	13	Save area address.	Unchanged.
	14	Return address.	Unchanged.
	15	Entry address.	Return code.
IRBMFLCV	Non-executable.		
IRBMFLDV	Non-executable.		
IRBMFLDH	Non-executable.		
IRBMFLMV	Non-executable.		
IRBMFLPV	Non-executable.		

*These modules' usage shows most common entry usage and exit usage.

Module Name	Register Number	Contents at Entry	Contents at Exit
IRBMFLTV		Non-executable.	
IRBMFLWV		Non-executable.	
IRBMFMFC	0	Irrelevant.	Unchanged.
	1	Exec statement parameter address.	Unchanged.
	2-12	Irrelevant.	Unchanged.
	13	Save area address.	Unchanged.
	14	Return address.	Unchanged.
	15	Entry address.	Return code.
IRBMFMLN	0	12 if SDWA exists; otherwise not equal to 12.	Unchanged.
	1	SDWA address if Reg 0=12.	Unchanged.
	2	Parameter list address when ESTAE invoked if Reg 0≠12.	Unchanged.
	3-11	Irrelevant.	Irrelevant.
	12	Irrelevant.	Irrelevant.
	13	Save area address.	Unchanged.
	14	Return address.	Unchanged.
	15	Irrelevant.	Irrelevant; return code if reg 0=12 on entry.
	IRBMFMPR	0	Irrelevant.
1		Parameter list address.	Unchanged.
2-12		Irrelevant.	Unchanged.
13		Save area address.	Unchanged.
14		Return address.	Unchanged.
15		Entry address.	Unchanged.
IRBMFRCR	0	Irrelevant.	Unchanged.
	1	Parameter list address.	Unchanged.
	2-12	Irrelevant.	Unchanged.
	13	Save area address.	Unchanged.
	14	Return address.	Unchanged.
	15	Entry address.	Unchanged.
IRBMFRDR	0	Irrelevant.	Unchanged.
	1	Parameter list address.	Unchanged.
	2-12	Irrelevant.	Unchanged.
	13	Save area address.	Unchanged.
	14	Return address.	Unchanged.
	15	Irrelevant.	Unchanged.
IRBMFRGM	0	Irrelevant.	Unchanged.
	1	Parameter list address.	Unchanged.
	2-12	Irrelevant.	Unchanged.
	13	Save area address.	Unchanged.
	14	Return address.	Unchanged.
	15	Irrelevant.	Unchanged.
IRBMFRHR	0	Irrelevant.	Unchanged.
	1	Parameter list address.	Unchanged.
	2-12	Irrelevant.	Unchanged.
	13	Save area address.	Unchanged.
	14	Return address.	Unchanged.
	15	Irrelevant.	Unchanged.

Module Name	Register Number	Contents at Entry	Contents at Entry	
IRBMFRPR	0	Irrelevant.	Unchanged.	
	1	Parameter list address.	Unchanged.	
	2-12	Irrelevant.	Unchanged.	
	13	Save area address.	Unchanged.	
	14	Return address.	Unchanged.	
	15	Entry address.	Unchanged.	
IRBMFRWR	0	Irrelevant.	Unchanged.	
	1	Parameter list address.	Unchanged.	
	2-12	Irrelevant.	Unchanged.	
	13	Save area address.	Unchanged.	
	14	Return address.	Unchanged.	
	15	Irrelevant.	Unchanged.	
IRBMFSAR	0	=12 indicates no SDWA, #12 indicates SDWA exists. 0 - Active I/O quiesced and restorable. 4 - Active I/O halted and not restorable. 8 - No active I/O. 16 - No I/O processing performed.	Unchanged.	
	1	SDWAPARM address (R0#12) or completion code (R0=12).	Irrelevant.	
	2	Address of user parameter list (R0=12) or irrelevant (R0#12).	Irrelevant.	
	3-12	Irrelevant.	Irrelevant.	
	13	Address of caller's save area (R0#12) or irrelevant (R0=12).	Irrelevant.	
	14	Return address.	Unchanged.	
	15	Irrelevant.	Return code (R0=12 on entry).	
	IRBMFSDE*	0	12 if SDWA exists, otherwise not equal to 12.	Unchanged.
		1	SDWA address if Reg 0 = 12.	Unchanged.
2		Address of parameters passed when ESTAE invoked if Reg 0 not equal to 12.	Unchanged.	
3-11		Irrelevant.	Irrelevant.	
12		Irrelevant.	Irrelevant.	
13		Save area address.	Unchanged.	
14		Return address.	Unchanged.	
15		Irrelevant.	Irrelevant; return code of reg 0 = 12 on entry.	
IRBMFTCH		0	Irrelevant.	Unchanged.
	1	Parameter register from MFROUTER measurement vector table.	Unchanged.	
	2	Address of save area containing reg 0-14 at point of MFROUTER invocation.	Unchanged.	
	3-12	Irrelevant.	Unchanged.	
	13	Save area address.	Unchanged.	
	14	Return address.	Unchanged.	
	15	Irrelevant.	Unchanged.	
IRBMFTMA				
IRBMFTMA	0-12	Irrelevant.	Unchanged.	
	13	Address of caller's save area.	Unchanged.	
	14	Return address.	Unchanged.	
	15	Irrelevant.	Unchanged.	

*These modules' usage shows most common entry usage and exit usage.

Module Name	Register Number	Contents at Entry	Contents at Entry
IRBMFTMA			
(continued)			
IRBMFTXR	0	=12 indicates no SDWA; otherwise, SDWA exists.	Irrelevant.
	1	Address of SDWA (R0≠12).	Irrelevant.
	2	Address of parameters passed when ESTAE was invoked (R0=12).	Irrelevant.
	3-12	Irrelevant.	Irrelevant.
	13	Address of caller's save area (R0≠12).	Irrelevant.
	14	Return address.	Unchanged.
	15	Irrelevant.	Irrelevant or return code (R0=12 on entry).
	IRBMFTRM*		
0	Irrelevant.	Unchanged.	
1	Parameter list address.	Unchanged.	
2-12	Irrelevant.	Unchanged.	
13	Save area address.	Unchanged.	
14	Return address.	Unchanged.	
15	Irrelevant.	Unchanged.	

*These modules' usage shows most common entry usage and exit usage.

Communications Task Diagnostic Aids

For a diagram showing the relationship of the control blocks and the respective pointers that are used by the communication task, see Figure 5-1.

Initial Check

Determine if the write queue element (WQE) chain is intact. Check the following:

- In the unit control module (UCM):
 - UCMWTOQ--The pointer to the first WQE on the WQE chain.
 - UCMWQEND--The pointer to the last WQE on the WQE chain.
- In the WQE:
 - WQELKPA--The pointer to the next WQE on the WQE chain.

Console Not Responding to Attention

Check the following:

- IEAVVCRA may not be posting the UCMAECB attention event control block (ECB) in the unit control module (UCM) base. The communication task will not process the attention interruption until this ECB is posted.
- UCMAF in the unit control module entry (UCME) for the console causing the attention interruption. UCMAF indicates an attention pending for this device. It is turned on after the UCMAECB event control block has been posted. (Also note the next paragraph.)
- UCMBF in the unit control module entry (UCME) is the device busy indicator; if UCMBF is also on, the attention interruption will not be processed until an I/O complete interruption is received from the console device. This processing is done by the specific device processor module in load module IGC0007B. It is turned on while the console device is waiting for the completion of some I/O operation. It is turned off when the I/O completion operation is processed.

Enabled Wait State

Check the following:

Normal Case: There is no work for the communication task. Check the following event control blocks (ECBs):

- UCMXECB--The external interrupt ECB in the unit control module (UCM); used to switch the master console to its alternate.

UCMAECB--Attention interrupt ECB in the UCM; used to prepare the console to receive an operator command.

UCMOECB--WTO or WTOR output ECB in the UCM; used to process WTO and WTOR messages.

UCMDECB--DOM processing ECB in the UCM; used to eliminate WTOR messages from the WQE chain and to delete messages from graphic devices.

UCMARECB--Alternate CPU recovery ECB in the UCM; used when switching multiprocessing systems.

UCMNPECB--NIP message processing ECB in the UCM prefix; used to write NIP messages to the hardcopy log.

UCMECB--I/O completion ECB in the unit control module entry (UCME); used to indicate that a console I/O operation has finished.

The system limit for write queue elements (WQEs) or operator reply elements (ORES) has been reached. Check the following fields:

UCMSYSI--System cleanup needed. This bit in the unit control module (UCM) prefix is checked by IEAVMQWR and IEAVMDSV. This bit is set by IEAVMDOM, IEAVMQWR, IEAVMWSV, IEAVMWTO, and IEAVVWTO.

UCMSYSJ--This bit in the UCM prefix indicates that at least one message needs to be sent to the hardcopy log. Possibly the WQE space is filled with WQEs that need to be sent to the hardcopy log. This bit is referenced by IEQVMQWR and IEAVMDSV. This bit is set by IEQVMQWR or IEAVSWCH.

UCMSYSM--This bit in the UCM prefix indicates a failure in a composite console. This bit is used by IEAVSWCH.

UCMSYSO--This bit in the UCM prefix is a dummy attention interrupt. It is checked by IEAVMQWR, and it is set by IEAVVWTO.

UCMWQNR--This halfword in the UCM base indicates the current number of WQEs in the system. The UCMWQLM field in the UCM has the count of how many WQEs can be built.

UCMRQNR--This halfword in the UCM base indicates the current number of ORES in the system. The UCMRQLM field in the UCM has the count of how many ORES can be built.

Disabled Wait State

The communication task issues only one wait state code, code 07. This code is issued by IEAVNP01 during NIP when the system is without a master console. See wait state code 07 in the *OS/VS2 System Initialization Logic*, SY28-0623.

No Messages on One Console

Check the following:

- UCMBF in the unit control module entry (UCME) is the device-busy indicator; if UCMBF is one, the message will not be processed until an I/O complete interruption is received from the console device. This processing is done by the specific device processor module in load module IGC0007B. It is turned on while the console device is waiting for the completion of some I/O operation. It is turned off when the I/O completion operation is processed.
- If the console is not busy, check the console queue element (CQE) chain starting at each unit control module entry (UCME). The pointer to the first CQE is UCMOUTQ. Each CQE is one word; one byte for control bits, and three bytes for a pointer to a WQE. The CQEs are built in groups of six. The first five CQEs point to WQEs and the last CQE points to the next group of CQEs in the CQE chain.
- If the CQE chain is valid, then check the general condition of the UCME, the WQE chain, and the unit control block (UCB) for this console.

Messages Going to Wrong Console

IEAVMWSV queues the messages for the consoles.

Check the following:

- Check the console queue element (CQE) chain starting at the unit control module entry (UCME). The pointer to the first CQE is UCMOUTQ. Each CQE is one word; one byte for control bits, and three bytes for a pointer to a WQE. The CQEs are built in groups of six. The first five CQEs point to WQEs and the last CQE points to the next group of CQEs in the CQE chain.
- Check the routing codes for each console. UCMRTCD in each console's unit control module entry (UCME) defines the routing codes for the respective consoles.
- Check the routing codes for the messages that are being incorrectly routed:

- In the regular WTO and WTOR write queue element (WQE), check the WQEROUT field.
- In the major multiple-line write queue element (WQE), check the WMJMRTC field.

Truncated Messages

When the length of the message text is being shortened, then either:

- The messages exceed the maximum allowable number of bytes for console messages.
- The console operator may have requested either that messages be time stamped or for jobnames to appear with the messages. Check the following:

UCMDISPI--This bit in the unit control module entry (UCME) for the console indicates that messages are to appear with both jobnames and time stamps.

UCMIDSPJ--This bit in the unit control module entry (UCME) for the console indicates that only jobnames are to appear with the messages, no time stamps.

Console Switching

Console switched by IEAVSWCH as a result of the following indications:

- An I/O error from the console device. Check the UCMECB in the unit control module entry (UCME) for the failing console. '7F' is a successful completion.
- An external interrupt is usually caused by the master console operator pressing the external interrupt key. Check the UCMXECB event control block (ECB) in the unit control module (UCM) base.
- An abnormal termination in the device processor that supports the failing console. Check the appropriate device processor in load module IGC0007B.

Reply Command Problems

When reply commands are not accepted, reply is not outstanding, and so forth, check the following:

- The console queue element (CQE) chain starting at the unit control module entry (UCME). The pointer to the first CQE is UCMOUTQ. Each CQE is one word; one byte for control bits, and three bytes for a pointer to a WQE. The CQEs are built in groups of six. The first five CQEs point to WQEs and

the last CQE points to the next group of CQEs in the CQE chain.

- All of the control bits in the first byte of the CQEs.
- The WQE and its associated ORE.

DIDOCS Trace Table

A DIDOCS trace table exists beginning at field DCMTRACE in the pageable DCM (IEETDCM). The trace table contains the IDs of up to 16 of the last DIDOCS modules to receive control on the console represented by the pageable DCM.

After each DIDOCS module receives control, it places a two-byte identifier in the trace table. The first byte of the identifier states whether the module is an "E" module (for example IEECVETA) or an "F" module (for example IEECVFTA). The second byte of the identifier is the last character in the module name. For example, the ID for IEECVETA is "EA"; the ID for IEECVFTI is "FI". Whenever DIDOCS is entered for the first time to perform an operation, the first DIDOCS module to receive control (module IEECVETI) places two bytes of asterisks in the trace table before it stores its ID. The asterisks signal the beginning of a DIDOCS operation.

DIDOCS-In-Operation Bit

At offset X'11F' in a console's pageable DCM (IEETDCM) is a field labeled DCMMCSST. When DIDOCS is processing, bit DCMUSE (X'80') in

DCMMCSST is set on. This bit remains on during any SVC processing initiated by DIDOCS (SVC34, GETMAIN, FREEMAIN, EXCP). DIDOCS turns the bit off when DIDOCS exits (BR14).

DIDOCS Locking

DIDOCS uses two fields in the communications extended save area (CXSA) to control locking during DIDOCS. Figure 6-1 summarizes the use of the two fields.

If the lock is available, field CSAXB contains the address of a subroutine that obtains the lock; field CSAXC contains the address of a BR14 instruction. After a DIDOCS module obtains the lock, the obtain subroutine sets the address of the release subroutine in field CSAXC and sets field CSAXB to the address of a BR14 instruction; therefore, if any other DIDOCS module attempts to obtain the lock, the attempt results in a NOP.

After the DIDOCS module releases the lock, the release subroutine resets field CSAXB to the address of the obtain subroutine and resets field CSAXC to the address of a BR14 instruction.

	If lock is available	If lock is already held
Field CSAXB contains	Address of obtain subroutine	Address of a BR14 instruction
Field CSAXC contains	Address of a BR14 instruction	Address of a release subroutine

Figure 6-1. DIDOCS Locking

Started Task Control ABEND and Reason Codes

In case of an irreparable error, the started task control (STC) routines issue these ABEND codes:

- OB8 — An error occurred while STC routines were processing a START, MOUNT, or LOGON command.
- In each case, the command task is terminated; for a START or MOUNT command, the STC routines issue message IEE824I.
- The following error codes can appear in register 15 at the time of the ABEND:
- 04 — Module IEFPRWI2 or IEFJSWT detected an invalid command code in the CSCB; the command code was incorrect for a START, MOUNT, or LOGON command.
 - 08 — Module IEESB605 invoked IEFAB4FC (an Allocation routine) to build a TIOT for the START, MOUNT, or LOGON task; IEFAB4FC returned control to IEESB605 with a return code indicating failure.
 - 12 — Module IEESB605 invoked IEFJSWT (an STC routine) to write the internal JCL text for the START, MOUNT, or LOGON command into system data set; IEFJSWT returned control to IEESB605 with a return code indicating that it failed in its attempt to open the data set.
- OB9 — Module IEESB605 invoked the Master Subsystem via the Subsystem Interface to determine whether a START command was issued to start a subsystem; an error occurred during Master Subsystem processing.
- The command task is terminated; for a START or MOUNT command, IEESB605 issues message IEE824I.
- OBA — Module IEESB605 invoked the Master Subsystem via the Subsystem Interface to determine whether a START command was issued to start a subsystem; an error occurred during Subsystem Interface processing.
- The command task is terminated; for a START or MOUNT command, IEESB605 issues message IEE824I.

LOGON Scheduling Diagnostic Aids

The following two tables contain information that can be used for diagnosing problems that occur during LOGON scheduling.

Field Name and Contents	Name of Executing Module	Common Name of Module
LWAINX1 =1	IKJEFLD	Installation Exit (written by installation)
LWALA =1	IKJEFLA	LOGON Initialization
LWALB =1	IKJEFLB	LOGON Scheduling
LWALC =1	IKJEFLC	LOGON Monitor
LWALE =1	IKJEFLA	LOGON/LOGOFF Verification
LWALEA =1	IKJEFLEA	Parse/Scan Interface
LWALI =1	IKJEFLI	Installation Interface
LWALH =1	IKJEFLH	LOGON Synchronizer
LWALL =1	IKJEFLA	LOGOFF Processing
LWALGM =1	IKJEFLGM	LOGON Message Handler
LWALJ =1	IKJEFLJ	Pre-attach Exit
LWALK =1	IKJEFLK	Post-attach Exit
LWALG =1	IKJEFLG	Attention Exit
LWALGB =1	IKJEFLGB	LOGON Monitor Recovery
LWALS =1	IKJEFLS	LOGON Scheduling Recovery and Retry
LWALTBC =1	IKJEFLH	Mail and Notices Processing
LWAMCK	IKJEFLGB	ABEND was a machine check
LWAPCK	IKJEFLGB	ABEND was a program check
LWAPHASE =0	Any LOGON module except IKJEFLH	LOGON/LOGOFF Verification
LWAPHASE =1	IKJEFLH	LOGON Synchronizer
LWAPSW	IKJEFLGB	Console Restart key depressed
LWATNBT	IKJEFLG	Attention Routine

Figure 6-2. LOGON Work Area Bits That Indicate the Currently Executing Module

Module Issuing POST	Module Being Posted	Location of ECB	Post Code	Condition of Module Issuing POST	Action Taken by Module Being Posted
IKJEFLB	IKJEFLC	field LWASECB in LWA	16	Ready to invoke job scheduling subroutine (IEESB605).	Invoke LOGON information routine (IKJEFLH).
			24	Terminating for LOGOFF or for unusual termination of LOGON monitor (IKJEFLC).	Perform clean-up operations and terminate.
IKJEFLC	IKJEFLB	field LWAPECB in LWA	12	Termination or attention requested.	Issue DEQ on user identification.
			16	Verified and processed the LOGON parameters.	Schedule a terminal session.
			24	Processing a LOGOFF command.	Terminate.
IKJEFLE	IKJEFLB	field LWAPECB in LWA	8	Authorized the user identification.	Issue ENQ on user identification.
			12	Error processing.	Issue DEQ on user identification.
IKJEFLJ	IKJEFLH	field LWASECB in LWA	20	Detects that the initiator is ready to attach the TMP.	Finish LISTBC processing; return to caller.
IKJEFLH	IKJEFLJ	field LWAPECB in LWA	20	Finished LISTBC processing.	Terminate so the initiator can attach the TMP.

Figure 6-3. LOGON Scheduling Post Codes

SWA Manager Reason Codes

In case of an irreparable error, the SWA manager routines issue a 0B0 ABEND. Before abending, both object modules IEFQB550 and IEFQB555 place a code in register 15 indicating the exact cause of the error.

These are the error codes that can appear in register 15:

- 04 — The routine that called SWA manager requested an invalid function.
- 08 — The routine that called SWA manager passed an invalid SWA virtual address (SVA). Either the SVA does not point to the beginning of a SWA prefix or the SWA prefix has been destroyed.
- 0C — A SWA manager routine has attempted to read a record not yet written into SWA.
- 10 — Either IEFQB550 (move mode module) has attempted to read or write a block which is not 176 bytes or IEFQB555 (locate mode module) has attempted to assign a block with a specified length of 0 or a negative number.
- 14 — The routine that called SWA manager has specified an invalid count field. For move mode, an invalid count is 0 for a READ, WRITE, or ASSIGN function; an invalid count for WRITE/ASSIGN is 00.
- 18 — The routine that called SWA manager by issuing the QMNGRIO macro instruction specified both or neither of the READ or WRITE options.
- 1C — The routine that called SWA manager was attempting to write into a SWA block for the first time; it either passed a nonexistent ID or failed to pass one at all.
- 20 — IEFQB555 has attempted to write a block using an invalid pointer to the block.

0C4 Abend Code Occurring in IEFAB4FC

An 0C4 abend code can occur when all the following conditions are true:

- A specific unit request was being processed by allocation.
- Module IEFAB4FC was executing.

- The SIOT DSAB pointer is 0.

The reason is probably because the device-type field in the UCB does not match the device-type field in the EDT; that is, the device-type field in the UCB was changed -- for example, by the installation or because of a failure in the system.

Allocation/Unallocation Reason Codes

The reason codes listed here are divided into three groups:

- Reason codes set by batch and common allocation modules and by JFCB housekeeping modules.
- Reason codes set by unallocation modules.
- Reason codes set by dynamic allocation modules.

Common and Batch Allocation and JFCB Housekeeping Reason Codes

The reason codes set by common and batch allocation and by JFCB Housekeeping are divided into step-related reason codes and DD-related reason codes.

The following are DD-related error reason codes set by allocation and JFCB housekeeping modules and placed in the SIOTRSNC field of the SIOT. The reason codes serve as an index into message module IEFBB4M3, except for reason codes 56, 70, and 78. (Reason codes 56, 70, and 78 do not result in messages; they are returned to dynamic allocation.) The prologue of IEFBB4M3 lists the modules which detect the error conditions.

Reason Code	Message	Meaning
1	IEF212I	Data set not found.
3	IEF211I	Unable to ENQ on data set name.
4	IEF211I	Unable to ENQ on data set name.
5	IEF365I	Referenced data set name is GDG ALL.
7	IEF221I	Invalid backward reference to a step.
8	IEF210I	Invalid UNIT parameter.
9	IEF195I	Maximum number of devices for statement exceeded.
10	IEF192I	Not enough eligible devices.
11	IEF194I	Volume sequence number incorrect.
12	IEF246I	Insufficient space on storage volumes.
14	IEF372I	VOL=REF to unresolved DD.
15	IEF318I	UNIT=AFF to new direct data set.
20	IEF245I	Inconsistent unit name and volsr.
21	IEF474I	Unit or volume in use by system task.
22	IEF253I	Duplicate data set name on direct access volume.
23	IEF254I	Insufficient space in VTOC.
24	IEF193I	Space not obtained because of I/O error.
25	IEF256I	Absolute track not available.
26	IEF257I	Space requested not available.
27	IEF258I	Invalid record length in SPACE parameter.
28	IEF260I	Incorrect DSORG or DISP.
29	IEF261I	No prime area request for ISAM data set.
30	IEF262I	Prime area must be requested before overflow area.
31	IEF263I	Space request not on cylinder boundary.
32	IEF264I	Duplication of DSNAME element.
33	IEF266I	Invalid JFCB or partial DSCB pointer.
34	IEF140I	Directory space request too large.
36	IEF273I	Invalid user label request.
37	IEF454I	DOS VTOC can't be converted to OS VTOC.
38	IEF127I	No SPACE parameter or zero space request at ABSTR 0.
39	IEF128I	Invalid request for ISAM index.
40	IEF129I	Multivolume index request.
41	IEF130I	DSNAME element wrong.
42	IEF131I	Multivolume OVFLOW request.
43	IEF132I	CYL and ABSTR conflict in SPACE parameter.
44	IEF133I	CYL and CONTIG conflict in SPACE parameter.
45	IEF134I	Subparameter wrong in SPACE parameter.
46	IEF135I	Zero primary space request.
47	IEF136I	Index area requested twice.
48	IEF267I	Space request for directory larger than primary space request.

Reason Code	Message	Meaning
49	IEF145I	Space request not ABSTR for DOS volume.
50	IEF141I	Index request did not precede prime request.
51	IEF143I	Last concatenated DD card unnecessary or invalid.
52	IEF366I	Relative GDG generation number contains syntax error.
53	IEF219I	GDG group name exceeds 35 characters.
54	IEF286I	DISP field incompatible with data set name.
55	IEF466I	Unable to recover from DADSM failure.
56		Mounting required but not allowed.
57	IEF704I	Can't access SYSCATLG data set on CVOL.
58	IEF475I	Volume on ineligible permanently resident or reserved device.
59	IEF467I	Units required not available – waiting not allowed.
60	IEF485I	Volumes required not available – waiting not allowed.
61	IEF476I	Data sets overlap in VTOC.
62	IEF477I	DOS split cylinder data sets overlap.
63	IEF478I	Possible VTOC error.
64	IEF479I	VTOC error on second or later volume of ISAM prime data set.
65	IEF481I	Same unit request twice – conflicts exist.
66	IEF482I	Permanently resident or reserved volume on requested unit.
67	IEF217I	Volume containing pattern DSCB not mounted.
68	IEF218I	Pattern DSCB record not found in VTOC.
69	IEF703I	New data set requested on DOS stacked pack format volume.
70		Can't wait for offline devices.
71	IEF483I	Requested device is a console.
74	IEF484I	More units required for demand request.
75	IEF493I	Invalid JOBCAT or STEPCAT parameters.
76	IEF492I	Invalid data set name for JOBCAT or STEPCAT.
78		Unauthorized requestor of subsystem data set.
79	IEF480I	Invalid destination requested.
81	IEF701I	Error changing allocation assignments.
82	IEF213I	Error processing cataloged data set.

The following are step-related error reason codes set by allocation and JFCB housekeeping modules in an area pointed to by the allocation work area (ALCWA). With the exception of reason code 1, the reason codes serve as an index into message module IEFBB4M2. The prologue of IEFBB4M2 lists the modules which detect the error condition. Reason code 1 is set by IEFAB469 and is returned to dynamic allocation.

Reason Code	Message	Meaning
1		Catalog not mounted.
2	IEF180I	GETMAIN error.
3	IEF713I	MSS volume not available.
4	IEF702I	Unable to allocate.
5	IEF251I	Job cancelled.
6	IEF240I	No space in TIOT.
7	IEF485I	Volumes not available and waiting not allowed.
8	IEF714I	MSS volume not defined.
9	IEF473I	System Resources Manager error.
10	IEF716I	Unable to mount MSS volume.
11	IEF491I	Number of DDs exceeds 1635.
12	IEF363I	Not enough storage for processing cataloged data set.
13	IEF364I	Permanent I/O error processing cataloged data set.
14	IEF367I	I/O error obtaining pattern DSCB.
15	IEF465I	Unable to allocate subsystem data set.
16	IEF456I	Error issuing ESTAE macro.
17	IEF700I	Environment changed – no longer able to allocate.
18	IEF701I	Error changing allocation assignments.
19	IEF361I	Unable to allocate private catalog.
20	IEF362I	Unable to unallocate private catalog.
23	IEF715I	MSS volume inaccessible.
24	IEF717I	Specified virtual volume group (VVGRP) name does not exist.
25	IEF718I	Space or virtual volume group (VVGRP) required for nonspecific MSS request.

Common and Batch Unallocation Reason Codes

The following reason codes are set by common and batch unallocation modules. Reason codes 1, 2, and 4 serve as an index into message module IEFBB4M5. Reason code 3 does not result in a message; it is returned to dynamic allocation.

Reason Code	Message	Meaning	Module Setting
1	IEF468I	GETMAIN error.	IEFBB410, IEFBB414, IEFBB416, IEFAB4A0
2	IEF469I	Data sets not released.	IEFAB4A0, IEFAB4A6
3	-----	Volumes not released.	IEFAB4A0, IEFAB4A8
4	IEF456I	Error issuing ESTAE macro.	IEFBB410, IEFAB4A0

In addition, IEFAB4A2 (Disposition Processor) receives return codes returned by the data management catalog and scratch functions (called by IEFAB4A2 to perform disposition processing). If the allocation is dynamic, these return codes are returned to dynamic allocation as reason codes in a field in the unallocation request block. For batch allocation, the return code is converted to a code for a disposition message.

Dynamic Allocation Reason Codes

Reason codes set by dynamic allocation modules are four bytes long and include two fields – a two-byte error reason code followed by a two-byte information reason code. Error reason codes are divided into error classes; the second hexadecimal digit of the error reason code defines the class, as follows:

- class 1 – reserved
- class 2 – unavailable system resource
- class 3 – invalid parameter list
- class 4 – environment error
- class 5 – reserved
- class 6 – reserved
- class 7 – system routine error.

Information reason codes convey additional information about the error, or, if the function was successful, information about a special situation. Either field (error reason code or information reason code) might be zero.

All dynamic allocation reason codes are hexadecimal.

Dynamic Allocation Information Reason Codes

Reason Code	Meaning	Dynamic Functions Related to Reason Code
0004	Reserved	
0008	Overriding disposition ignored.	Unallocation
000C-001C	Reserved.	
002w	Data set was successfully unallocated but completion of the requested CATLG or UNCATLG disposition was unsuccessful. The digit "w" is a code representing the reason for the failure. The meaning of each possible code is the same as that for the "w" in message IEF287I.	Unallocation

Reason Code	Meaning	Dynamic Functions Related to Reason Code
003x	Data set was successfully unallocated but completion of requested DELETE disposition was unsuccessful, or in-use attribute removed from data set but VIO paging space not released. The digit "x" is a code representing the reason for the failure. The meaning of each possible code is the same as that for the "x" in message IEF2831.	Unallocation

Dynamic Allocation Error Reason Codes

Reason Code	Meaning	Dynamic Functions Related to Reason Code
Class 2		
0204	Storage unavailable.	dsname allocation
0208	Reserved.	
020C	Request for exclusive use of a shared data set cannot be honored.	dsname allocation
0210	Requested data set unavailable. The data set is allocated to another job and its usage attribute conflicts with this request.	dsname allocation
0214	Unit(s) not available.	dsname allocation
0218	Specified volume not mounted, and user does not have volume mounting authorization.	dsname allocation
021C	Unit name specified is undefined.	dsname allocation
0220	Requested volume not available.	dsname allocation
0224	Eligible device types do not contain enough units.	dsname allocation
0228	Specified volume or unit in use by system.	dsname allocation
022C	Volume mounted on ineligible permanently resident or reserved unit.	dsname allocation
0230	Permanently resident or reserved volume on required unit.	dsname allocation
0234	More than one device required for a request specifying a specific unit.	dsname allocation
0238	Space unavailable in Task Input/Output Table (TIOT).	dsname allocation, concatenation
023C	Required catalog not mounted, and user does not have volume mounting authorization.	dsname allocation
0240	Requested device is a console.	dsname allocation
0248	Unable to mount volume for 3850 Mass Storage System (MSS).	dsname allocation
Class 3		
0304-0354	Reserved	
0358	Overriding disposition of DELETE invalid for data set allocated as SHR.	unallocation
035C	Invalid PARM specified in text unit.	all functions
0360	Invalid KEY specified in text unit.	all functions
0364	JOBLIB/STEPLIB/JOBCAT/STEP CAT specified as ddname, or associated with specified dsname.	dsname allocation, unallocation, concatenation, deconcatenation
0368	Authorized function requested by unauthorized user.	all functions
036C	Invalid parameter list format.	all functions
0370	Reserved.	
0374	Invalid number specified in text unit.	all functions
0378	Duplicate KEY specified in text unit.	all functions
037C	Invalid LEN specified in text unit.	all functions
0380	Mutually exclusive KEY specified in text unit.	dsname allocation, unallocation, information retrieval, remove In-Use

Reason Code	Meaning	Dynamic Functions Related to Reason Code
Class 3 (contd)		
0384	Mutually inclusive KEY not specified.	unallocation, dsname allocation
0388	Required key not specified.	ddname allocation, information retrieval, concatenation, deconcatenation, remove In-Use, unallocation
038C	Duplicate ddnames specified for concatenation.	concatenation
0390	GDG group name specified with relative generation number exceeds 35 characters.	dsname allocation
0394	Status and relative generation number are incompatible.	dsname allocation
0398	Volume sequence number exceeds the number of volumes.	dsname allocation
039C	Device type and volume are incompatible.	dsname allocation
Class 4		
0404-040C	Reserved.	
0410	Specified ddname unavailable.	dsname allocation, ddname allocation
0414-041C	Reserved.	
0420	Specified ddname associated with an open data set.	ddname allocation, concatenation, deconcatenation, unallocation, dsname allocation
0424	Deconcatenation would result in duplicate ddnames.	deconcatenation
0428-0430	Reserved.	
0434	Ddname specified in ddname allocation request is associated with a convertible or non-permanently allocated resource.	ddname allocation
0438	Specified ddname not found.	information retrieval, ddname allocation, concatenation, deconcatenation, unallocation
043C	Resources could not be unallocated to decrease the number of resources held in anticipation of reuse; control value exceeded.	dsname allocation
0440	Specified dsname not found.	information retrieval, unallocation
0444	Relative entry number specified in information retrieval request not found.	information retrieval
0448	Data set requested NEW found allocated	dsname allocation
044C	Existing data set request; data set found allocated as eligible for deletion.	dsname allocation
0450	Request would cause the limit of 1635 concurrent allocations to be exceeded.	dsname allocation
0454	Ddname in DCB reference not found.	dsname allocation
0458	Dsname in DCB reference or volume reference is a GDG group name.	dsname allocation
045C	Specified dsname to be unallocated is a member of permanently concatenated group.	unallocation
0460	Specified dsname or member to be unallocated is not associated with specified ddname.	unallocation
0464	Specified dsname to be unallocated is a private catalog.	unallocation

Reason Code	Meaning	Dynamic Functions Related to Reason Code
Class 4 (contd)		
0468	Error while allocating or OPENing a private catalog.	dsname allocation
046C	Remote work station not defined to Job Entry Subsystem.	dsname allocation, unallocation
0470	User unauthorized for Job Entry Subsystem request.	dsname allocation
0474	Error while attempting to select optimum device.	dsname allocation
0478	Unable to process Job Entry Subsystem request.	dsname allocation, unallocation
047C	Unable to establish ESTAE environment.	dsname allocation
0480	The number of units needed to satisfy the request exceeds the limit.	dsname allocation
0484	Request denied by operator.	dsname allocation
0488	GDG pattern DSCB not mounted.	dsname allocation
048C	GDG pattern DSCB not found.	dsname allocation
0490	Error changing allocation assignments.	dsname allocation
0494	Error processing OS CVOL.	dsname allocation
0498	MSS volume inaccessible.	dsname allocation
049C	MSS volume not defined.	dsname allocation
04A0	Specified virtual volume group (VVGRP) name does not exist.	dsname allocation
Class 7 (zz in these codes is the return code returned by the failing system routine.)		
17zz	LOCATE error. (Note: Hexadecimal '08', '18', and '2C' are the only expected LOCATE return codes. 'FF' is returned as the value of zz if an unexpected return code is returned by LOCATE.)	dsname allocation
27zz	Reserved.	
37zz	Reserved.	
47zz	DADSM error.	dsname allocation
57zz	CATALOG error.	dsname allocation
67zz	OBTAIN error.	dsname allocation, information retrieval
77zz	SCRATCH error.	dsname allocation

Notes:

For error reason codes 358, 364, 420, 424, 45C, and 464, the information reason code field will be 0004 if an occurrence of a specified data set has been unallocated, although an error was encountered processing another occurrence of the data set, as indicated in the error reason code field.

For error reason codes 35C, 360, 374, 378, 37C, 380, and 384, the information reason code field will contain the value of the text unit KEY causing the error.

Real Storage Management ABEND Reason Codes

The following reason codes are put into the RCARCRD field when Real Storage Management issues ABEND with a code of COD.

Code (hex)	Meaning
01	Findpage, Translate Real to Virtual, or the LRA instruction returned an unexpected code for a segment, page, or frame whose existence was implied by some RSM control block or function. Findpage, Translate Real to Virtual, or LRA is assumed to be correct.
02	A GETCELL or FREECELL for the RSM cell pool failed. If FREECELL, the error is ignored; if GETCELL, asynchronous retry is attempted where possible.
03	A FREEMAIN failed for space originally obtained by RSM or VSM using GETMAIN. The error is ignored.
04	The return code from ASM (ILRSWAP or ILRPAGIO) indicates an invalid request. The recovery action taken by RSM varies with the type of request, but the RSM function being performed is usually terminated if ASM resources were being requested, or continued if ASM resources were being returned.
05	A GETMAIN for RSM control block space was unsuccessful. The function for which the space was required is terminated.
06	An attempt was made to release a lock which was not held. RSM tables may be damaged due to the loss of serialization. RSM attempts to continue normal operation.
07	RSM control information indicated a PCB for a page should exist on an I/O Active Queue or on the Defer Queue, but searching of the queue(s) failed to find the PCB. It is assumed the control information is in error and no such PCB exists.
08	The existence of a V=R or Offline root PCB was implied but no appropriate PCB could be found on the V=R or Offline root queue. The error is ignored and indicators are reset.
09	Swap-in's XMPOST error exit was entered, so Restore will not run. The target address space is terminated.
0A	An incorrect fix count was detected in a PFTE. The count is adjusted to the expected value.
0B	The Interprocessor Communication service routine (RISIGNL) could not signal another CPU as requested by IEAVINV. The condition is ignored and normal operation continues.
0C	IEAVPIOP has discovered an undefined combination of I/O completion status flags in the AIA after a page-in or page-out. The condition is treated as an I/O error.
0D	IEAVDSEG was requested to destroy a non-existent or common area segment. The request is denied.
0E	A PCB was required but none were available. The routine needing a PCB is terminated.
0F	The attempt to complete processing of a previously deferred FREEMAIN Release has failed.
10	An FOE could not be found on the specified TCB's Fix Ownership List.
11	An internal RSM invocation of the PGOUT function was unsuccessful. The page remains in real storage.
12	A swap (in or out) was requested for an address that already has a swap in progress or no SPCT exists for the address space to be swapped. The request is denied.
13	Swap-In could not re-establish the address space due to missing or incorrect control information (SPCT or PCBs). The address space is abnormally terminated.

Code (hex)	Meaning
14	An internal invocation of PGFREE failed. The error is ignored.
15	Swap-Out has detected an inconsistency in the SPCT fix entries it has created. The error is suppressed and recovery attempted.
16	ASCBCHAP could not enqueue or dequeue an ASCB during a Swap-in or Swap-out operation. The address space is terminated.
17	Swap-out has detected an error in the allocated frame count (ASCBFMCT) for the address space. If possible, the count is corrected and the swap-out continued; otherwise, the swap-out is suppressed.
18	No SPCT segment entry could be found for a segment whose existence was implied by other RSM control information. The error is ignored and the SPCT update is skipped.
19	An internal RSM function issued a return code which was either invalid or not applicable. System action depends on the nature of the function.
1A	Swap-in detected a common area page that was not obtained using GETMAIN among the input working set. The page is not made available to the incoming address space. Some other address space must have freed the page using FREEMAIN while the current one was swapped-out. Probable user error.
1B	Reserved
1C	IEAVPSI attempted to fix the ECB for a page service that will complete asynchronously, but IEAVFXLD returned a code indicating the fix was not accomplished.
1D	A PCB that has already been marked I/O complete indicating that it was previously processed by IEAVPIOP has been passed to IEAVPIOP from ASM.
1E	A software error in the AIA passed from ASM to RSM for an I/O request has been found. Either the AIA contains data inconsistent with previous AIAs on the original input chain to ASM or the LSID or LPID in the XPTE was invalid. Also, a hardware I/O error could have occurred to a page-out PCB.

Auxiliary Storage Management Diagnostic Aids**Additional ASM Data Areas**

The following four ASM data areas are not contained in *OS/VS2 Data Areas*, SYB8-0606. For debugging ASM, BSHEADER (bad slot record) may be especially helpful.

BSHEADER

Acronym: BSHEADER
Full Name: ASM error record (bad slots) .
Macro ID: None.
Size: 1024 bytes.
Function: Trace table of the last 253 slots that ASM has found to be bad. Patterns of bad LSIDs can indicate where and what paging data sets are having difficulties.
Location: Pointed to by ASMVT (ASMEREC).

<i>Offset</i>	<i>Length</i>	<i>Name</i>	<i>Description</i>
0 (0)	4	BSCURR	Current bad slot entry filled.
4 (4)	4	BSFIRST	Beginning address of table.
8 (8)	4	BSLAST	End address of table.
12 (C)	1012	BSLIST	253 four-byte bad slot identifiers (LSIDs).

BSLIST entry

0 (0)	1	BSFLAG	
1		BSSPLSID	if 1, LSID entry is swap. if 0, LSID entry is page.
. . . . 1 . . .		BSRDLSID	if 1, LSID entry is for a read error. if 0, LSID entry is for a write error.
1 (1)	3	BSTABNTY	LSID that is bad.

BUFCONBK

Acronym: BUFCONBK
Full Name: VSAM Buffer Control Block.
Macro ID: None.
Size: 12 bytes.
Function: Queue VIO Group operation for later processing until VSAM resources are available.
Location: Pointed to by ASMVT (ASMGOSQS).

<i>Offset</i>	<i>Length</i>	<i>Name</i>	<i>Description</i>
0 (0)	4	BUFCHAIN	Pointer to next BUFCONBK.
4 (4)	4	BUFASCB	Pointer to ASCB.
8 (8)	4	BUFACE	Pointer to ACE.

DSNLIST

Acronym: DSNLIST.

Full Name: Data Set Name List (ASM).

Macro ID: None.

Size: 44 times number of possible page/swap data sets. There are two DSNLISTs, one for page data sets and one for swap data sets.

Function: Make data set names available in non-fixed (pageable) storage.

Location: Pointed to by PART (PARTDSNL) for page data sets, and by SART (SARDSNL) for swap data sets.

<i>Offset</i>	<i>Length</i>	<i>Name</i>	<i>Description</i>
0 (0)	44	DSNENTRY	Data set name left-justified and padded with blanks.

MSGBUFFER

Acronym: MSGBUFFER.

Full Name: ASM message buffer.

Macro ID: None.

Size: 376 bytes.

Function: Ensure that WTOR with LOGREC request will have a buffer to use.

Location: Pointed to by ASMVT (ASMMSGBF).

<i>Offset</i>	<i>Length</i>	<i>Name</i>	<i>Description</i>
0 (0)	4	MSGCURR	Pointer to current buffer used.
4 (4)	4	MSGFIRST	Pointer to first buffer.
8 (8)	4	MSGLAST	Pointer to last buffer.
12 (C)	4	MSGTERM	Pointer to special termination buffer.
16 (10)	240	MSGBFRS	Three 80-byte buffers.
256 (100)	120	MSGTBFR	Special termination buffer.

ASPCT and Locating LSIDs of VIO Data Sets

Locate ASPCT

The ASCB (of the desired address space) points to the RSMHD. Included in RSMHD is the ASMHD. ASHLGEQ in ASMHD is the queue of LGEs (active VIO data sets) related to this address space. LGEASPCT in the LGE is the address of the ASPCT for this VIO data set.

ASPCT Expansion

The ASPCT is used to record the auxiliary storage locations (LSIDs) of VIO data set pages. Only a 1088 byte base ASPCT is created at ASSIGN LGN time. This ASPCT can handle up to 1 megabyte of VIO data set space. If more than 1 megabyte of VIO space is used, the ASPCT is expanded as follows:

1. For each 256 megabytes of space up to 1 billion bytes, an ASST extension is built.
2. For each megabyte of space, a LMPE extension is built.

Each ASST or LPME extension requires 1088 bytes of storage. Each ASST extension contains a vector table of LPME extension addresses. The ASPCT (base and all extensions) resides in the LSQA of the associated address space.

Locating an LSID from an LPID

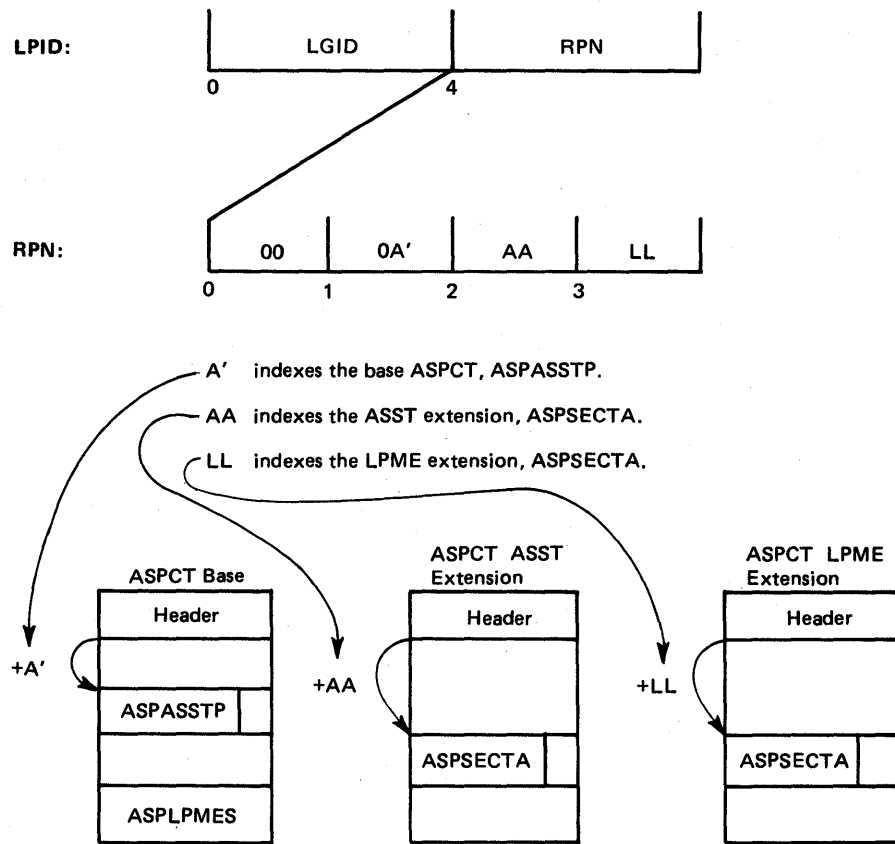


Figure 6-4. Locating An LSID From An LPID

Figure 6-4 illustrates the pointers and control blocks discussed below.

The LPID is 8 bytes. The first 4 bytes contain an LGID, LG (VIO data set) identifier. The last 4 bytes contain an RPN, relative page number.

Searching through the address space's ASHLGE queue, one of the LGEs will have an LGELGID field that matches this LGID. This same LGE has the address of the needed ASPCT (LGEASPCT).

Another way to locate an ASPCT from an LGID is to follow the CVT to the LGVT (CVTASMVT, ASMLGVT). Using the LGID as an index, locate the appropriate LGVT entry. The LGVT entry contains the address of the LGE that contains the address of the needed ASPCT.

With the appropriate ASPCT, now use the RPN portion of the LPID as an index to locate the LPME containing the associated LSID.

If A' and AA are both zero, use the LL to index ASPLPMES in the ASPCT base for the LPME containing the LSID.

Otherwise, use A' to index ASPASSTP for the address of the appropriate ASST extension. Use AA to index the ASPSECTA of the ASST extension for the address of the appropriate LPME extension. And use LL to index the ASPSECTA of the LPME extension for the LPME containing the LSID.

The LSID is the slot identifier for this page of the VIO data set. This LSID can be related to the ASM control blocks PART and PAT and to the actual paging device. See "Relating A Virtual Address to the PART, PAT and DEVICE", the next section.

Relating A Virtual Address to the PART, PAT, and DEVICE

Given a virtual address = 07A12C:

segment number is 07

page number is A

location within page is 12C.

Locate XPTE

Obtain the current ASCB or desired ASCB (memory) in which the problem occurred. Finding the segment tables (SGT), take the segment number and multiply it by the length of SGTE to locate the appropriate segment table entry. The real address of the PGT, page table for this segment, is in this SGTE. Convert this address to a virtual address, then calculate the address of the XPTE as follows:

Address of XPTE for this page = (virtual address of PGT) + 16 • (length PGTE)
+ page number • (length XPTE)

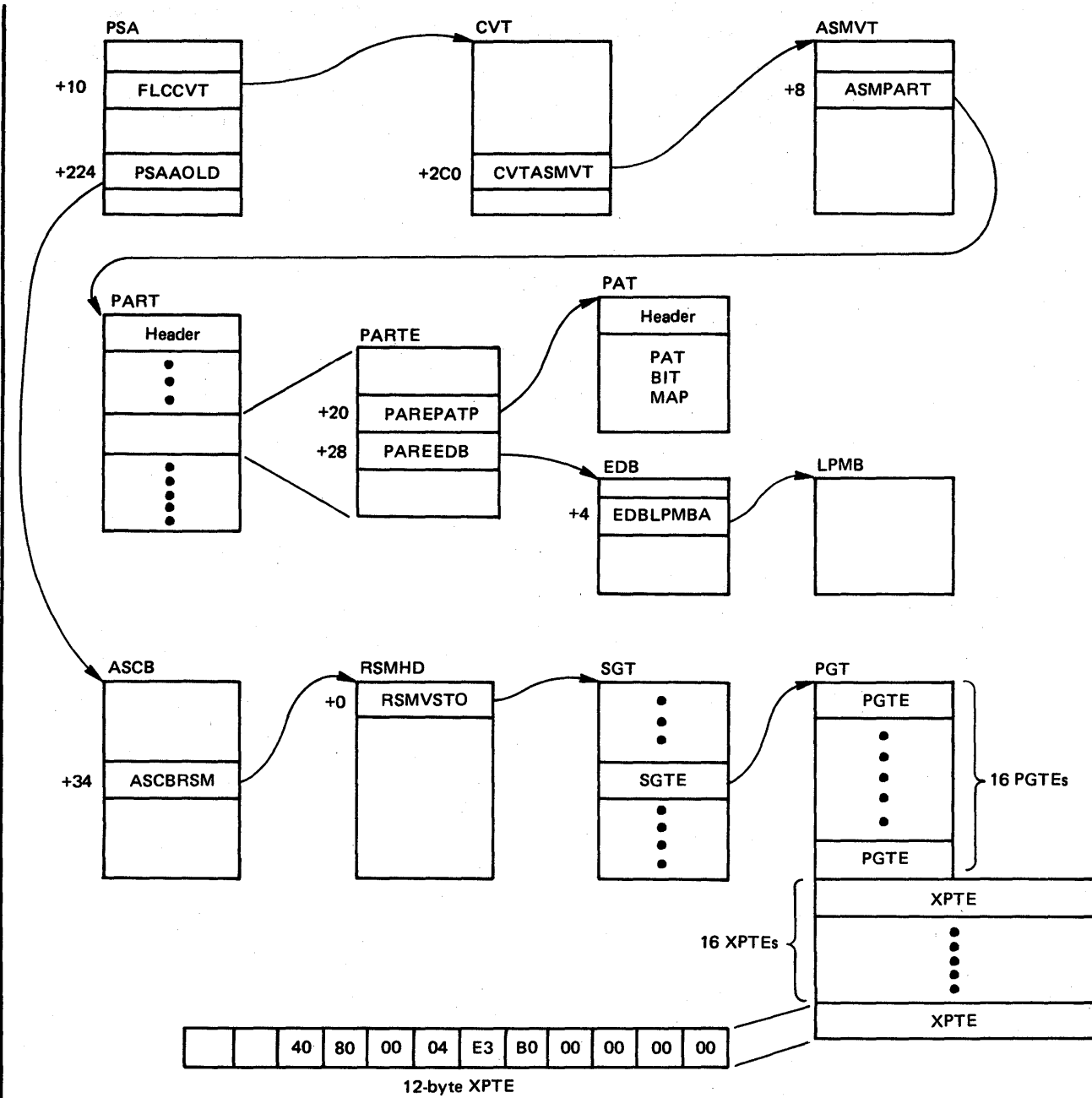


Figure 6-5. Relating the Virtual Address to the PART and PAT

Inside the XPTE is information about this page. If either XPTVALID or XPTVIOLP flags are on, there is a slot for this page. If XPTVALID is on, the LSID (slot identifier) is in the XPTE. If the page is duplexed, two LSID's will be in the XPTE (one for each slot). If XPTVIOLP flag is on, instead of an LSID, a LPID is in the XPTE. To relate the LPID to an LSID, see "ASPCT and Locating LSIDs of VIO Data Sets" Diagnostic Aids Section.

Locate PAT Bit

Suppose LSID 0004E3B0 was found in the XPTE that represents the sample address 07A12C:

PART entry index is 04.

Relative byte address (RBA) is E3B0.

The PART has one entry for each page data set, each having a pointer to its PAT. The PAT is a cylinder bit mapping of this page data set. PATCYLMW is the number of words that map a cylinder. PATCYLSZ, slots per cylinder, is the number of significant bits in each cylinder mapping.

For device 2305-2:

PATCYLMW is 1

PATCYLSZ is 1A (26).

To locate the bit in the PAT map for slot E3B0(58288):

1. address of map word = (address of PATMAP) + 8964 = (address of PATMAP) + (58288/26) • PATCYLMW • (bytes in a word)
2. bit in the map word (origin 0) = 58288//26 = 22.

Calculate MBBCCHHR For Device 2305-2

(Reference IDAEDB and IDALPMB macros for fields) M = extent number = 0
 RBA = E3B0₁₆ = 58288₁₀ BB = return code = 00

Relative CC = (RBA - EDBLORBA)/LPMAUSZ
 = 58,288 - 0/53,248 = 1

Relative HH = (RBA - EDBLORBA)//LPMAUSZ/LPMBPTRK
 = 5040/13,312 = 0

CC = (Rel CC * LPMTRRAU + Rel HH + EDBSTTRK)/LPMTPC
 = (1 * 4 + 0 + 8)/8 = 1st cylinder

HH = (Rel CC * LPMTRRAU + Rel HH + EDBSTTRK)//LPMTPC
 = 12//8 = 4th track

R = [((((RBA - EDBLORBA)//LPMAUSZ)//LPMBPTRK) + LPMBLKSZ-1)/LPMBLKSZ] + 1

$$= ((5040 + 4095)/4096) + 1 = 3\text{rd record}$$

•• MBBCCCHR = 0000000001000403

COD ABEND Meanings for ASM

An ASM routine has found one of the following conditions which should not occur:

- RC 4 – The count of available swap sets for a specific swap data set is non-zero but no available swap sets could be found.
- RC 8 – The total count of available swap sets is non-zero but none of the swap data sets contain available swap sets.
- RC 12 – The group operations starter has returned from one of the group operators but the ACE is not the first one on the LGE queue.
- RC 16 – The memory termination resource manager for ASM has found that LSQA is not available for a memory abnormally terminating for one of the following reasons:
 1. memory is not swapped in
 2. memory is in process of being swapped in
 3. RSMLSQA frame queue is unusable.
- RC 20 – The ASM SRB controller has found an AIA or ACE on the LGE process queue which does not have the LPID converted flag on.

System Action: A software error record is written to SYS1.LOGREC and processing continues.

Operator Response: None.

Programmer Response: Probable system error, notify your IBM programming support representative.

ASM Recovery Control Blocks

ASM Tracking Area (ATA)

The ATA contains information necessary for the recovery or cleanup processing performed by the ASM recovery routines. The ATA is mapped to the six word work area returned by SETFRR when an FRR is established. For task mode routines, the ATA is mapped to the parameter area that is passed via the ESTAE macro.

The mapping macro name is: ILRATA.

<i>Disp</i>	<i>Name</i>	<i>Size</i>	<i>Description</i>
0	ATA	24	ASM Tracking Area
0	ATAMODID	1	ID of module establishing recovery routine.
	ATAMPGIO	01	ILRPAGIO module ID.
	ATAMPGCM	02	ILRPAGCM module ID.
	ATAMSWAP	03	ILRSWAP module ID.
	ATAMTRPG	04	ILRTRPAG module ID.
	ATAMSWPD	05	ILRSWPDR module ID.
	ATAMGOS	06	ILRGOS module ID.
	ATAMPTM	07	ILRPTM module ID.
	ATAMSRBC	08	ILRSRBC module ID.
	ATAMCMPD	09	ILRCMPDI module ID.
	ATAMCMPN	0A	ILRCMPNE module ID.
	ATAMCMPA	0B	ILRCMPAE module ID.
	ATAMCMP	0C	ILRCMP module ID.
1	ATASFLGS	3	Bit map representing logical sections of ASM routines; set to 1 on entry, set to 0 on exit.
	ATAQIOE	800000	ILRQIOE flag.
	ATASLSQA	400000	ILRSLSQA flag.
	ATASCOMP	200000	SWAPCOMP flag.
	ATAVIOCM	100000	ILRVIOCM flag.
	ATAPCOMP	080000	PAGECOMP flag.
	ATAPOS	040000	ILRPOS flag.
	ATAPAGIO	020000	ILRPAGIO flag.
	ATAPAGCM	010000	ILRPAGCM flag.
	ATASWAP	008000	ILRSWAP flag.
	ATATRPAG	004000	ILRTRPAG flag.
	ATASWPDR	002000	ILRSWPDR flag.
	ATASRT	001000	ILRSRT flag.

The remaining flags are reserved:

ATARFLGS	2	Other recovery flags.
ATACNVRT	8000	ILRSLSQA flag-converting between forward chained AIA's and lateral chained ATA's.
ATASGNST	4000	ILRSLSQA flag-in ASSIGNSET subroutine.
ATASCCWP	2000	ILRSLSQA flag-in SCCWPROC subroutine.
ATABADPK	1000	ILRCMPAE flag-in BADPACK subroutine.

The remaining flags are reserved:

6	ATARCRSN	1	Recursion flags.
	ATARCRF1	80	Recursion flag-function 1.
	ATARCRF2	40	Recursion flag-function 2.
	ATARCRF3	20	Recursion flag-function 3.
	ATARCRF4	10	Recursion flag-function 4.
	ATARCRF5	08	Recursion flag-function 5.
	ATARCRF6	04	Recursion flag-function 6.
	ATARCRF7	02	Recursion flag-function 7.
	ATARCRF8	01	Recursion flag-function 8.
7	ATARCODE	1	Reason code for ASM-issued ABEND's.

<i>Disp</i>	<i>Name</i>	<i>Size</i>	<i>Description</i>
-------------	-------------	-------------	--------------------

The mapping of the remaining four words is dependent on the recovery routine involved.

For the recovery routine ILRIOFRR:

8	ATAWORDS	16	Maximum size of four-word area.
8	ATAAIA	4	Address of in-process AIA.
8	ATAACE	4	Address of in-process ACE.
C	ATAASCB	4	Address of in-process ASCB, or TRAS'd-to address space.
C	ATALGE	4	Address of in-process LGE.
C	ATAAIAQ	4	Address of AIA queue.

For the recovery routine ILRSWP01:

8	ATACLEAR	16	Definition allowing next four words to be cleared.
8	ATAAIA	4	Address of in-process AIA.
C	ATASARTE	4	Address of SART entry.
10	ATASCCW	4	Address of in-process SCCW.
14	ATAIORB	4	Address of in-process IORB.

For the recovery routine ILRGOS01:

8	ATAWORKA	4	Address of work-area cell.
C	ATAEPATH	4	Address of EPATH.

For the recovery routine ILRSRT01:

8	ATAWORKA	4	Address of PTM work-area cell.
C	ATAEPATH	4	Address of EPATH.

For the recovery routine ILRSRB01:

8	ATAAIACE	4	Address of in-process AIA/ACE.
C	ATAAIAQ	4	Address of AIA queue.
10	ATAACEQ	4	Address of ACE queue.
14	ATAEPATH	4	Address of EPATH.

For the recovery routine ILRCMP01:

8	ATAIOSB	4	Address of in-process IOSB.
C	ATAPCCWQ	4	Queue of PCCWs to be put back on PCCW available queue.
10	ATACOMPQ	4	Queue of AIAs to be returned to ILRPAGCM.
14	ATACPCW	4	Address of in-process PCCW, not on IORB queue and not on ATAPCCWQ.

<i>Disp</i>	<i>Name</i>	<i>Size</i>	<i>Description</i>
-------------	-------------	-------------	--------------------

For the recovery routine ILRJTM01:

8	ATASAVE	4	Address of register save area.
8	ATAACEQ	4	Address of ACE queue.

For the recovery routine TERMRFR:

8	ATARMPL	4	Address of RMPL, resource manager parameter list.
C	ATAWORKA	4	Address of work-area.

Recovery Audit Trail Area (EPATH)

The EPATH is a communication area between the mainline routine and its corresponding recovery routine. The EPATH is necessary when the 6 word ATA is not large enough to accommodate the data to be tracked. The mapping of the EPATH is dependent on the recovery routine or mainline routine including the macro.

EPATH for ILRPTM, ILRSRT, and recovery routine ILRSRT01:

<i>Disp</i>	<i>Name</i>	<i>Size</i>	<i>Description</i>
0	EPAPARM	4	Address of parameter list.
4	EPAIOEIP	4	Address of IOE currently being processed.
8	EPAIOEQP	4	Address of first IOE on 'WORK' read IOE queue.
C	EPAFFIOE	4	Address of first IOE on free IOE internal queue.
10	EPALFIOE	4	Address of last IOE on free IOE internal queue.
14	EPAWRTQ	4	Address of write queue from which last write IOEs removed.
18	EPAWTPAT	4	Address of SCYLWRT which is used to update current CYL Map.
1C	EPACYLA	4	Address of current CYL Map.
20	EPAMSPAD	4	Address of 2 word parameter list for ILRMSG00. Also serves as a switch for ILRPTM.
24	EPAWRTCT	2	Number of writes prepared for current CYL.
26	EPACPUID	2	CPU locking count for current Part Monitor processing.

EPATH for VIO Group Operators and their recovery routines – ILRGOS, ILRSV, ILRRLG, ILRACT, ILRVSAMI, ILRGOS01, ILRTMRLG, ILRTMIO0, ILRTMIO1, ILRSRBC, and ILRSRB01. ILRGOS01 is the recovery routine for ILRGOS which calls ILRSV, ILRRLG, and ILRACT which call ILRVSAMI. ILRTMIO1 is the recovery routine for ILRTMRLG which calls ILRVSAMI and ILRTMIO0. ILRSRB01 is the recovery routine for ILRSRBC which calls ILRRLG. The first section is common because of the use of ILRVSAMI. The second section is dependent on the recovery routine involved.

<i>Disp</i>	<i>Name</i>	<i>Size</i>	<i>Description</i>
0	EPAOWKA	4	Group Operator's or ILRTMRLG's work-area address.
4	EPAVWKA	4	ILRVSAWI workarea address also points to RPL in workarea.
4	EPATMWKA	4	ILRTMI00 workarea address.
4	EPASWKA	4	ILRSRBC workarea address.
8	EPAAASP	4	Address of active ASPCT.
8	EPADSLST	4	Address of data set name list storage.
C	EPABASP	4	Address of buffer ASPCT.
C	EPATMIBA	4	Base address value for ILRTMI00.
10	EPARASP	4	Address of retrieved ASPCT.
10	EPATMACB	4	Address of storage used to build ACB for STGINDEX in ILRTMI00.
14	EPARTYRG	4	Address of 15 word save area containing retry registers R0-R14 for record-only abends.
14	EPABKSLT	4	Backing slots, only used for assign processing.
18	EPAFLAG1	1	Recovery flags.
	EPAVSAMI	X'80'	ILRVSAWI currently processing.
	EPAGRPOP	X'70'	One of group operators processing.
	EPARLG	X'40'	ILRRLG is currently processing.
	EPASAVE	X'20'	ILRSAV is currently processing.
	EPAACT	X'10'	ILRACT is currently processing.
	EPAACASR	X'08'	Activate or assign request.
	EPAASGN	X'04'	Assign processing – backing slots count (ASMBKSLT) has been updated.
	EPAUNSAV	X'02'	Mark slots unsaved in active ASPCT.
	*	X'01'	Reserved.
19	EPAFLAG2	1	Recovery Flags.
	EPATMXIT	X'80'	ILRTMI00 completed processing.
	EPAWARM	X'40'	ILRTMI00 warm start is processing.
	EPACOLD	X'20'	ILRTMI00 CVIOSTRT is processing.
	EPABUILD	X'10'	ILRTMI00 BUILDSNL is processing.
	EPAMAST	X'08'	Master Scheduler initialization has been posted.
	EPATMI	X'04'	ILRTMI00 is currently processing.
	EPARECUR	X'02'	Recursion indicator for retry into mainline ILRTMRLG.
	*	X'01'	Reserved.

For ILRGOS01, ILRSAV, ILRACT, ILRRLG, ILRSRBC, and ILRSRB01:

<i>Disp</i>	<i>Name</i>	<i>Size</i>	<i>Description</i>
1A	EPALSIZE	2	Size of LGVT expansion.
1C	EPALGVTP	4	New LGVT address for LGVT expansion in ILRGOS.
20	EPALGEP	4	Logical group entry for request being processed.
24	EPASRB	4	Address of SRB for SRB Controller.

<i>Disp</i>	<i>Name</i>	<i>Size</i>	<i>Description</i>
28	EPAACE	4	Address of current ACE being processed.
2C	EPARBASP	4	Address of rebuilt ASPCT (LSQA).
30	EPARSIZE	2	LSQA block storage size for rebuilt ASPCT.
32	*	2	Reserved.

For ILRTMI01 and ILRTMRLG, and ILRTMI00:

<i>Disp</i>	<i>Name</i>	<i>Size</i>	<i>Description</i>
1A	*	2	Reserved.
1C	EPAACE	4	Address of ACE currently being processed.
1C	EPAMSECB	4	Address of Master Scheduler initialization ECB.
20	EPATMRSV	4	Address of ILRTMRLG save area.
24	EPAABEND	4	Retry address for record-only abends.
24	EPATMIRT	4	Current retry address for failure in ILRTMI00.
28	EPATPART	4	Address of TPARTBLE while in ILRTMI00.

ASM Serialization

Serialization of ASM processing is done using the SALLOC and ASM global locks, the local lock of the current address, compare-and-swap (CS) logic and control block queueing.

SALLOC Lock

ASM uses the SALLOC lock to serialize most page and swap processing in I/O control. The I/O control modules interface directly with RSM, the principle user of SALLOC, either as the called routine or the calling routine. The SALLOC is held throughout processing including calls to the VIO ILRPOS and completion routines. The SALLOC is used to serialize most processing of:

- XPTes — complete coverage.
- PCB/AIAs — complete coverage, except AIA noted below.
- SPCTs — complete coverage.
- SART — complete coverage, except where noted below.
- SATs — complete coverage.

Specific areas of other control blocks serialized by the SALLOC lock are:

- ASMVT — Work save areas.
I/O control section fields:
Flags —
 - ASMDUPLX
 - ASMNOCWQ
 - ASMCALLQ
 - ASMNODPX
 - ASMLPAF
 - ASMMOMF

ASMVT (continued)	– Non-VIO slot allocated count. Expansion of ASM pools.
ASMHD	– I/O control flags. Swap and page counters. Swap queue .
ASCB	– Non-VIO slot allocated count.
LGVT	– Available LGVTE queue. Expansion of the LGVT.
PART	– Count of local page data sets.

Modules whose processing is serialized by the SALLOC lock are:

ILRPAGIO	– complete coverage, held by caller.
ILRPAGCM	– complete coverage, obtained at entry.
ILRFRSLT	– complete coverage, except ILRFRSL1 entry point where caller may or may not hold the lock. The lock is not obtained by this module, held only if by caller.
ILRSWAP	– complete coverage, held by caller.
ILRPTM	– only obtained to process data set full conditions for non-local page data sets.
ILRCMP	– only obtained to process I/O completion error conditions that may require operator notification.
ILRMSG00	– complete coverage for main entry point, held by caller.
ILRPOS	– complete coverage, held by caller.
ILRVIOCM	– complete coverage, held by caller.
ILRGOS	– only obtained for LGVT processing and GETMAIN/FREEMAIN requests.
IRLPGEXP	– only obtained to adjust the SART to reflect addition of a new swap set data and update the count of local page data sets on the PART .
ILRTERMR	– obtained when referencing above control blocks.
ILRPEX	– obtained when expanding an ASM pool.

ASM Class Locks

The ASM lock is a global spin class lock. A lockword must be provided when obtaining or releasing an ASM class lock. A class lock exists for each active address space. The lockword is in the ASMHD. It is used by the VIO controller modules. A class lock is also defined for the PART write queues with its lock word in the PART header. This lock serializes the four FIFO IOE write queues in the PART. The address space class locks serialize processing of the following control blocks:

- AIA – VIO Controller flags, LPID field.
- ASMHD – VIO Controller flags, LGE queue base pointer.
- ASCB – VIO slot allocation count.
- LGE – complete coverage.
- ACE – complete coverage.
- ASPCT – complete coverage while group operations are in progress. Group operations and page operations can be executed in parallel. VIO controller processing of the LGE process queue provides this serialization.

The address space class locks serialize processing in the following modules:

- ILRGOS – partial, obtained where processing above control blocks.
- ILRPOS – complete coverage.
- ILRSRBC – partial, obtained when searching LGE queue and LGE process queues.
- ILRVIOCM – complete coverage.
- ILRJTERM – partial, obtained when adding ACEs to LGE process queue.

Local Lock of Current Address Space

The local lock is used by VIO Controller and VIO Group Operator modules to serialize certain VIO related operations. It is used by ILRGOS (held on entry) and ILRJTERM (obtained) to serialize Release LG requests with the internal ASM Deactivate function used to clean up VIO logical groups for a terminating job. The local lock is also used by most VIO-related modules to allow use of branch entry GETMAIN, rather than the SVC route.

Compare and Swap (CS) Serialization

Certain modules of ASM run without locks, requiring CS serialization of pointers, flags, and counts. Where routines running with the locks change fields used by unlocked routines, CS must be used. The I/O subsystem and VIO group operators run unlocked and are the principle users of compare and swap. Control blocks serialized via CS include:

- PART – a special CS lock exists for each PARTE controlled by PART monitor. This lock is used mainly for execution control. Most fields are still serialized by CS. The IOE write queues are the exception described above.
- PATs – complete coverage .
- ASMVT – I/O subsystem and Group operator sections .
I/O error count.
unreserved slot count.
pool controllers.
- SART – A special CS lock exists in each SARTE to serialize swap driver processing of the swap data sets. Other fields updated by swap driver or I/O completion processing of the I/O subsystem are updated with CS.

The ASM modules that run without locks, using CS to serialize control block fields are:

ILRSWPDR
ILRPTM
ILRSRT
ILRCMP
ILRSV
ILRACT
ILRRLG
ILRTMLG
ILRVASMI

Serialization via Control Block Queues

Certain ASM control blocks are serialized via their available queues. The blocks are kept on available queues and removed when needed. While in use the block is so marked and associated with a specific operation and/or control block. Control blocks included in this category are PCCWs, IORBs, and SCCWs.

The ASPCT is a special case. VIO Control enforces the rule that page and group operations cannot be performed in parallel for a given logical group and its ASPCT. This is controlled by the LGE process queue. While paging operations are being performed, the ASPCT is serialized via the ASM class lock of the owning address space. While a group operation is in progress, ASPCT serialization is maintained by the ACE for the group operation that is on the LGE process. This ACE prevents any other processing of ASPCT until the group operation completes.

ASM modules adhere to the following register conventions when calling other ASM modules. There are some exceptions where certain addresses are not required.

- REGISTER:
- 0 — Parameter register, if required.
 - 1 — Parameter register, if required.
 - 2 — RSMHD address for the current address space or the address space identified by an input parameter in register 0 or 1. The ASMHD is addressable as part of the RSMHD.
 - 3 — ASMVT address.
 - 4 — Address of ATA or EPATH currently active for recovery tracking.
 - 13 — Address of register save area, if required.
 - 14 — Return address.
 - 15 — Entry point address.

The I/O subsystem does not use the ASMHD and therefore does not maintain register 2 convention.

Duplex Status	Error Conditions	Message(s) Issued	ASM Action Taken
Duplexing Active	PLPA Full	Common *Available	ILR005I Spill to Common
		Common **Unavailable	ILR010I Duplex Only
	PLPA Bad	ILR009I, ILR010I	Duplex Only
	Common Full	PLPA Available	ILR006I Spill to PLPA
		PLPA Unavailable	ILR010I Duplex Only
	Common Bad	ILR009I, ILR010I	Duplex Only
	Duplex Full	PLPA or Common Available	ILR007I Suspend Duplexing
		PLPA and Common Unavailable	ILR008W Wait X'03C'
	Duplex Bad	PLPA and Common Available	ILR007I Suspend Duplexing
		PLPA or Common Full	ILR007I Suspend Duplexing
		PLPA or Common Bad	ILR008W Wait X'02E'
		PLPA and Common Unavailable	ILR008W Wait X'02E'
Duplexing Not Active	PLPA Full	ILR005I Spill to Common	
	PLPA Bad	ILR008W Wait X'02E'	
	Common Full	ILR006I Spill to PLPA	
	Common Bad	ILR008W Wait X'02E'	
	PLPA and Common Full	ILR008W Wait X'03C'	
In Either Case	Local Bad	ILR009I Stop Writes to Bad Data Set	
	Last Local Bad	ILR008W Wait X'02E'	
	Swap Bad	ILR009I Stop Swap-outs to Bad Data Set	
	Last Swap Bad	ILR009I All Swap-outs Done to Page Data Sets	

*Available – Data Set Neither Full Nor Bad

**Unavailable – Data Set Either Full or Bad

Figure 6-6. Page/Swap Data Set Error Action Matrix

Service Programs

Module Name	Entry Point	Module Description	Control Blocks					MO Diagram
			Name	Type	C	R	U	
ILRAAL00	ILRAAL00	Obtains the address of the Address Space Correspondence Table (ASPCT) and the Logical Page Mapping Entries (LPMEs) corresponding to an LPID. ILRAAL00 also automatically expands the ASPCT or its Auxiliary Storage Sector Table (ASST).	ACE	ASM		x	x	
			AIA	ASM		x	x	
			AIE	ASM		x	x	
			ASMVT	ASM		x		
			ASPCT	ASM		x	x	
			CVT	System		x		
			EPATH	ASM	x		x	
			LGVT	ASM		x		
			PSA	System		x	x	
			SRB	System	x		x	
ILRLXT00	ILRLXT00	ILRLXT00 extends the Logical Group Vector Table (LGVT).	ASMVT	ASM		x	x	
			CVT	System		x		
			EPATH	ASM	x		x	
			LGVT	ASM		x	x	
			PSA	System		x		
ILRPEX00	ILRPEX00	ILRPEX00 extends virtual storage pools.	ASMVT	ASM		x	x	
			CVT	System		x		
			FRRS	System		x	x	
			PSA	System		x		
ILRSSX00	ILRSSX00	ILRSSX00 schedules Service Request Blocks for ILRPEX00.	ASMVT	ASM		x	x	
			CVT	System		x		
			SRB	System	x		x	

Error Recovery Programs

Module Name	Entry Point	Module Description	Control Blocks					MO Diagram	
			Name	Type	C	R	U		
ILREOT00	ILREOT00	ILREOT00 provides the final error recovery for the ASM address space and the ASM Task Mode environment.	ASMVT	ASM		x	x	4.5	
			CVT	System		x			
			SDWA	System		x	x		
			SRB	System		x	x		
ILRFRR00		ILRFRR00 contains functional recovery service routines that are common to ASM.	ASMVT	ASM		x	x		
	ILRDET00	Determines whether an error is determinate or indeterminate.	CVT	System		x		4.1.2	
	ILRFRR01	Frees module work areas.	EPATH	ASM		x		4.1.3	
	ILRIOB00	Checks the IOMB, IOSB and the SRB for correct addressability.	EPTEPATH	ASM		x	x	4.2.1	
	ILRPEX01	Records all indeterminate errors in ILRPEX00.		IOMB	System		x		4.6.1
				IOSB	System		x		
SDWA				System		x	x		
SRB				System		x			
ILRIOC01	ILRIOC01	ILRIOC01 processes an error if the ASM I/O Complete (ILRIOC00) fails.	ASMVT	ASM		x	x	4.3	
			BUFC	System		x	x		
			CPA	System		x	x		
			CVT	System		x			
			EPATH	ASM		x			
			EPTEPATH	ASM		x			
			IOMB	System		x	x		
			IOSB	System		x			
			SDWA	System		x	x		
			SRB	System		x	x		
ILRINT01	ILRINT01	ILRINT01 processes an error when ASMI (ILRINT00), or a routine called by ASMI, fails.	ACA	ASM		x		4.1	
			AIA	ASM		x			
			ASMVT	ASM		x	x		
			CVT	System		x			
			EPATH	ASM		x			
			FRRS	System		x	x		
			PSA	System		x			
			SDWA	System		x	x		

Module Name	Entry Point	Module Description	Control Blocks					MO Diagram
			Name	Type	C	R	U	
ILRMON01	ILRMON01	ILRMON01 processes the error when the ASMM (ILRMON00), or any of the routines called by ASMM, fail.	ACE	ASM		x	x	4.2
			AIA	ASM		x	x	
			AIE	ASM		x	x	
			ASMVT	ASM		x	x	
			ASPCT	ASM			x	
			BUFC	System		x	x	
			CPA	System		x	x	
			CVT	System		x		
			EPATH	ASM		x		
			EPTEPATH	ASM		x		
			IOE	ASM		x	x	
			IOMB	System		x	x	
			IOSB	System		x	x	
			LGVT	ASM		x	x	
			PART	ASM		x	x	
			PLH	System		x	x	
			SDWA	System		x	x	
SRB	System		x	x				
ILRTMR00	ILRTMR00	ILRTMR00 processes an error if the Task-Mode Controller (ILRTMC00) fails.	ACE	ASM		x		4.7
			ASMVT	ASM		x	x	
			CVT	System		x		
			EPATH	ASM		x		
			LGVT	ASM		x		
			SDWA	System		x	x	
TME	ASM		x					
ILRTMR01	ILRTMR01	ILRTMR01 provides error recovery for the ASM functions that execute in the Task-Mode environment.	ACE	ASM		x	x	4.4
			ASCB	System		x		
			ASMVT	ASM		x		
			ASPCT	ASM		x	x	
			ASVT	System		x		
			CVT	System		x		
			EPATH	ASM		x	x	
			EPTEPATH	ASM		x	x	
			LGVT	ASM		x	x	
			SDWA	System		x	x	
			TCB	System		x		
TME	ASM		x	x				

Macros

Macro Name	Entry Point	Macro Description	Control Blocks					MO Diagram
			Name	Type	C	R	U	
ILRAFS00	ILRAFS00	ILRAFS00 frees the Auxiliary Storage Page Correspondence Table (ASPCT).	ASPCT	ASM		x	x	
ILRAIN00	ILRAIN00	ILRAIN00 gets the storage for and initializes an Auxiliary Storage Page Correspondence Table (ASPCT) for the base or extension.	ASMVT	ASM		x		
			ASPCT	ASM	x	x	x	
			CVT	System		x	x	
			PSA	System		x	x	
ILRALS00	ILRALS00	ILRALS00 searches for all valid Logical Slot Identifiers (LSID) within a given Auxiliary Storage Page Correspondence Table (ASPCT), and passes each entry to the ALSPROC routine.	ASPCT	ASM		x		3.5
ILRAPR00	ILRAPR00	ILRAPR00 resets Auxiliary Storage Page Correspondence Table (ASPCT) Extension Queue and Auxiliary Storage Sector Table (ASST) pointers when a Logical Group's ASPCT is being read from SYS1.STGINDEX.	ASPCT	ASM		x	x	
ILRBITMM	ILRBITMM	ILRBITMM tests if a bit is on or off, sets a bit on or off, or scans for a bit that is on or off.						
ILRCALL	ILRCALL	ILRCALL preforms the linkage between Real Storage Manager (RSM) or the Virtual Block Processor (VBP) and ASM Interface (ILRINT00).	ACA	ASM		x	x	
			AIA	ASM		x	x	
			ASMVT	ASM		x		
			CVT	System		x		
ILRCEP00	ILRCEP00	ILRCEP00 chains work requests (ACE) to the LGVT.	ACE	ASM		x	x	1.0.1.3
			LGVT	ASM		x	x	
ILREPATH	ILREPATH	ILREPATH provides areas (EPATH and EPTEPATH) for tracking resources for recovery and clean up routines.						
ILRGMA	ILRGMA	ILRGMA obtains and releases cells in ASM-managed cell pools and requests a pool extension when the reserve threshold value is exceeded.	ASMVT	ASM		x	x	
ILRLFA00	ILRLFA00	ILRLFA00 provides an available Logical Group Vector Table (LGVT) entry.	LGVT	ASM		x	x	
ILRLFE00	ILRLFE00	ILRLFE00 finds the Logical Group Vector Table (LGVT) entry address of an existing Logical Group.	LGVT	ASM		x	x	
ILRLIN00	ILRLIN00	ILRLIN00 initializes the Logical Group Vector Table (LGVT) sectors.	LGVT	ASM	x	x	x	
ILRLNX00	ILRLNX00	ILRLNX00 finds the next function for ASM Monitor (ILRMON00) to process.	LGVT	ASM		x	x	
ILRLSW00	ILRLSW00	ILRLSW00 sets a work flag in the ASM Request List (ASMRL) corresponding to a given Logical Group.	LGVT	ASM		x	x	
ILRMARK	ILRMARK	ILRMARK establishes an area as a recovery audit trail.	EPATH	ASM			x	
			EPTEPATH	ASM			x	

Macro Name	Entry Point	Macro Description	Control Blocks					MO Diagram
			Name	Type	C	R	U	
ILRPAR00	ILRPAR00	ILRPAR00 sets a bit off in the Page Allocation Table (PAT) to indicate a paging space slot is available.	ASMVT	ASM		x		
			PART	ASM		x	x	
			PAT	ASM		x	x	
ILRREC	ILRREC	ILRREC is the recording macro for error recovery.	SDWA	System			x	
ILRSMN	ILRSMN	ILRSMN determines when to invoke the ASM Monitor (ILRMON00), either by CALL or by SCHEDULE.	SRB	System	x	x	x	

Mapping Macros

Macro Name	Entry Point	Macro Description	Control Blocks					MO Diagram
			Name	Type	C	R	U	
ILRACA	ILRACA	Auxiliary Storage Management Control Area (ACA) is the input for non-I/O functions.	ACA	ASM	x			
ILRACE	ILRACE	Auxiliary Storage Management Control Element (ACE) contains information from an Auxiliary Storage Management Control Area (ACA) and can be modified during execution of non I/O functions in ASM's address space.	ACE	ASM	x			
ILRAIA	ILRAIA	ASM I/O Request Area (AIA) is the mechanism for identifying in or out paging for a single ASM page.	AIA	ASM	x			
ILRAIE	ILRAIE	ASM I/O Element (AIE) contains information from an ASM I/O area (AIA) and can be modified during I/O operations in ASM's address space.	AIE	ASM	x			
ILRASMVT	ILRASMVT	ASM Vector Table (ASMVT) contains general ASM information: ASM's address space ID; pointers to LGVT, ILRINT00 and ILRMON00; the opened ACB for SYS1.STGINDEX.	ASMVT	ASM	x			
ILRASPCT	ILRASPCT	Auxiliary Storage Page Correspondence Table (ASPCT) describes portions of a Logical Group that have been written to Auxiliary Storage.	ASPCT	ASM	x			
ILRIOE	ILRIOE	The PART I/O Request Element (IOE) identifies an I/O request that ILRQIO00 has queued to the PART.	IOE	ASM	x			
ILRLGVT	ILRLGVT	The Logical Group Vector Table (LGVT) is used by ASM Interface and ASM Monitor to locate, select, serialize, execute and indicate completion of ASM functions.	LGVT	ASM	x			
ILRPART	ILRPART	The Paging Activity Reference Table (PART) is the map relating the collection of logical slots of auxiliary storage to identifiable units in VSAM data spaces.	PART	ASM	x			
ILRPAT	ILRPAT	The Page Allocation Table (PAT) is a concise representation of the allocation of slots within a paging data set.	PAT	ASM	x			
ILRPCT	ILRPCT	The Performance Characteristics Table (PCT) contains performance information.	PCT	ASM	x			
ILRRECOMP	ILRRECOMP	ILRRECOMP maps the SDWA variable recording area for ASM.	SDWA	System		x		
			RECOMP	ASM	x		x	
ILRTME	ILRTME	ASM Task Mode Controller Element (TME) is the communication link between ILRMON00 and ILRTMC00 and the ASM Task Mode functions.	TME	ASM	x			

- ABDUMP initialization (See **OS/VS2 System Initialization Logic**)
- ABEND
 codes, list of 7-341
 ABEND function 7-487
 access control block (see ACB)
 access method, pseudo (see pseudo access method)
 account tables (see ACT)
 acronym/mapping macro/common name table 7-324
 affinity (see CPU affinity)
 allocate from groups picked by algorithm (see IEFAB478 object module)
 allocate function control (see IEFDB410 object module)
 allocation queue manager (see IEFAB4FA object module)
 allocation queue manager request block (see AQMRB)
 allocation/unallocation 3-269
 reason codes 7-478
 0C4 ABEND code occurring in IEFAB4FC 7-477
 allocation work area (see ALCWA)
 AMDPRDM program 7-489
 Appendix B: Abbreviations used in ASM PLM 7-1
 APF (see authorized program facility)
 ASM (see auxiliary storage manager)
 ASPCT (auxiliary storage page correspondence table) (VS2.03.807)
 use in locating LSIDs of VIO data sets 7-478 (VS2.03.807)
 asynchronous exits (see exit asynchronous)
 attributes, user (see VAPS)
 automatic priority group (see APG)
 auxiliary storage management (ASM) (VS2.03.807)
 ABEND COD meanings 7-481 (VS2.03.807)
 control block overview diagram 7-311.0 (VS2.03.807)
 diagnostic aids 7-476 (VS2.03.807)
 recovery control blocks 7-481 (VS2.03.807)
 serialization and lock usage 7-486 (VS2.03.807)
 auxiliary storage manager I/O request area (see AIA)
 available queue element (see AQE)
- BASEA (see MSRDA)
 broadcast data set (see SYS1.BROADCAST)
- channel availability table (see CAT)
 clock, TOD (see TOD clock)
 COD ABEND meanings for ASM 7-481 (VS2.03.807)
 codes
 ABEND, list of 7-341
 wait state, list of 7-345
 coefficients, resource (see resource factor coefficient)
 command, reconfiguration (see reconfiguration commands)
 common page data set (ASM) (VS2.03.807)
 error matrix 7-491 (VS2.03.807)
 communications task
 diagnostic aids for 7-471
 comparator, clock (see clock comparator)
 control, common allocation (see common allocation control)
 control block overviews 7-272
 control blocks (see data areas)
 control vector table (CVT) 7-491
 corequisite publications iv (preface)
- Data Area section 7-271
 acronym/mapping macro/common name table 7-324
 control block overviews 7-272
 data area usage table 7-335
 DEQ macro instruction (see ENQ/DEQ/RESERVE routine)
 determinate errors 7-487
 device allocation/unallocation (see allocation/unallocation)
 devices, generic (see generic allocation control)
 diagnostic aids 7-486
 diagnostic aids section 7-339
 DIDOCS (device independent display operator console support)
 diagnostic aids 7-473
 register usage table 7-353
 return codes table 7-385
 direct access data set (see DADSM)
 directory, module 7-1
 DOM (delete operator message) ID entries
 dumps 7-489
 ILREOT00 7-490
 ILRTMR00 7-490
 ILRTMR01 7-490
 dump reading 7-491
 duplex page data set (ASM) (VS2.03.807)
 error matrix 7-491 (VS2.03.807)
 DWWIN
 dynamic support system (see DSS)
- ECCDB
 EDIT verb 7-489
 end of task (see EOT)
 end-of-task/address space ESTAE routine (ILREOT00) 7-1
 ENQ macro instruction (see ENQ/DEQ/RESERVE routine)
 EPAL (external parameter area locate mode, see EPA)
 EPAM (external parameter area move mode, see EPA)
 EPATH (recovery audit trail area) (VS2.03.807)
 contents description 7-484 (VS2.03.807)
 error recovery (FRRs) 7-487
 description 7-487
 error recursion (see recursion processing of errors)
 ESTAE/ESTAI routines 7-488
 chaining in task management control block overview 7-304
 exclusive control (see XCTL routine)
 exit, attention (see attention exit)
 exit handling (see EXIT routine)
 external parameter area (see EPA)
 external parameter area locate mode (see EPA)
 external parameter area move mode (see EPA)
- faults (see page faults)
 fetch (see program fetch)
 frame (see page frame)
 FRR 7-487
 FRR (see functional recovery routine)
 full analysis (see system resources manager)
 functional recovery routines 7-487
- general trace facility (GTF) 7-489
 generation data group (see GDG)
- HIPO (see Method-of-Operation section)
 housekeeping (see JFCB housekeeping)

IEAVPFTE object module
 IEEMSER (see MSRDA)
 indeterminate errors 7-487
 input stream (see converter)
 input options for MF/1 (see options, MF/1)
 installation performance specifications (see IPS values)
 in-stream procedures (see JCL statements)
 instructions (see also macro instructions)
 integrity (see data set integrity processing)

job control language (see JCL)
 job step allocation (see step allocation)
 journal (see job journal)

link pack area (see LPA)
 local page data sets (ASM) (VS2.03.807)
 error matrix 7-491 (VS2.03.807)
 locating the audit trail 7-493
 lock manager (see SETLOCK)
 log data set (see system log)
 log hardcopy (see hardcopy of system log)
 log, system (see system log)
 logical reconfiguration (see reconfiguration commands)
 LOGON (see also LOGOFF)
 data areas 7-281
 diagnostic aids 7-475
 LSID (logical slot identifier) (VS2.03.807)
 locating via the LPID 7-478 (VS2.03.807)

mainline communication 7-489
 master JCL
 messages
 list of 7-345
 module directory 7-1
 monitor calls 7-489
 mounting a volume (see volume mount & verify)
 MP (see multi-processor system)
 MSRDA or BASEA (master scheduler resident data area)
 in its module relationships (see IEEMSER) 7-1
 MSS
 multi-unit generic (see MUG)

new address space (see address space)

Operation (see Method of Operation Section)
 operator console (see console)
 Organization (see Program Organization Section)

page data sets (ASM) (VS2.03.807)
 error matrix 7-491 (VS2.03.807)
 page free request (see PGFREE)
 page load (see PGLOAD)
 PARMAD parameter in SETFRR 7-489
 parse (see IKJPARSE)
 PART (page activity reference table) (VS2.03.807)
 relating to a virtual address 7-479 (VS2.03.807)
 path, device (see device path)
 PFK (see program function key)
 PLPA page data set (ASM) (VS2.03.807)
 error matrix 7-491 (VS2.03.807)
 pool (see quick cell)
 processors, command (see command processing)
 programmer, writing to (see WTP)
 prompting exit (see pre-prompt exit, LOGON)

QMPA (queue management parameter area)

in SWA manager control block overview 7-290

reading on ASM dump 7-491
 real frame (see page frame)
 real storage manager
 ABEND reason codes 7-484
 recording, error (see error recording)
 recovery, error (see error recovery ESTAI)
 recovery, FRR (see functional recovery routine)
 recovery function table 7-495
 recovery routines 7-487
 recovery/termination manager 7-486
 recovery/termination manager 1 7-486
 recovery/termination manager 2 7-487
 register usage table 7-385
 release LPID (RELLP)
 MO diagram 7-493
 requests, allocation
 requests, region (see region requests)
 resources manager (see system resources manager)
 restarting (see restart)
 return code table 7-353
 RSM (see real storage manager)
 R/TM (see recovery termination)

scheduler (see job scheduler)
 screen image buffer (see SIB)
 SDUMPS 7-489
 second level interrupt handler (see SLIH)
 serialization of ASM processing 7-486 (VS2.03.807)
 SETFRR macro 7-487
 SIB (screen image buffer)
 signal processor (see SIGP instruction)
 single line message (see WTO)
 space, address (see address space)
 SRB mode 7-493
 SRB mode error 7-493
 stack, FRR (see FRR stack)
 statement (see JCL statement)
 status, console (see console status)
 STC (started task control)
 ABEND and reason codes 7-474
 STEPL (STAE exit parameter list)
 STOP MONITOR command
 storage management (see real storage manager, virtual
 storage management, system resources manager)
 stream, input (see converter)
 SVC interruptions (see supervisor interruptions handler)
 SVC 109 (see extended SVC routing)
 SVC 116 (see extended SVC routing)
 SVC 122 (see extended SVC routing)
 SVCIH (see supervisor interruption handler)
 SWA manager
 reason codes 7-478
 swap data sets (ASM) (VS2.03.807)
 error matrix 7-491 (VS2.03.807)
 symbol usage table for data area usage by modules 7-337
 System Activities Measurement Facility (see MF/1)
 system log data set (see system log)
 System Measurement Facility (see SMF)
 system parameter library (see SYS1.PARMLIB)
 system reconfiguration (see reconfiguration commands)
 system, stopping (see stopping)
 system trace (see trace, system)
 system trace termination (see trace termination)

task mode 7-494
 task mode error 7-494
 task recovery routines 7-486, 7-488

terminal messages, during LOGON (see IKJ... IDs in message list) 7-345

terminator (see initiator/terminator)

text, internal (see converter, internal text)

timer second level interrupt handler (see timer SLIH)

TIOT manager control routine

TPCA (see TPC)

TSO LOGON (see LOGON)

unit affinity (see allocating affinity requests)

unit, allocating request to (see allocating requests to units)

user, swapping (see swap-in, swap-out)

values, IPS (see IPS values)

volume serial number (see VOLSER)

volume, specific allocation (see specific volume allocation control)

volume unload control (see IEFAB494 object module)

volunit table

VSM (see virtual storage management)

wait state codes, list of 7-345

write-to-programmer (see WTP)

XPTE (external page table entry) (VS2.03.807)

calculating the address of 7-479 (VS2.03.807)

OS/VS2
System Logic Library
Volume 7
SY28-0767-0

**READER'S
COMMENT
FORM**

Your views about this publication may help improve its usefulness; this form will be sent to the author's department for appropriate action. Using this form to request system assistance or additional publications will delay response, however. For more direct handling of such requests, please contact your IBM representative or the IBM Branch Office serving your locality.

Possible topics for comment are:

Clarity Accuracy Completeness Organization Index Figures Examples Legibility

Cut or Fold Along Line

What is your occupation? _____

Number of latest Technical Newsletter (if any) concerning this publication: _____

Please indicate your name and address in the space below if you wish a reply.

Thank you for your cooperation. No postage stamp necessary if mailed in the U.S.A.
(Elsewhere, an IBM office or representative will be happy to forward your comments.)

Cut or Fold Along Line

Your comments, please . . .

This manual is part of a library that serves as a reference source for system analysts, programmers, and operators of IBM systems. Your comments on the other side of this form will be carefully reviewed by the persons responsible for writing and publishing this material. All comments and suggestions become the property of IBM.

Fold

Fold

First Class
Permit 81
Poughkeepsie
New York

Business Reply Mail
No postage stamp necessary if mailed in the U.S.A.



Postage will be paid by:

International Business Machines Corporation
Department D58, Building 706-2
PO Box 390
Poughkeepsie, New York 12602

Fold

Fold

OS/VS2 System Logic Library Volume 7 (S370-36) Printed in U.S.A. SY28-0767-0



International Business Machines Corporation
Data Processing Division
1133 Westchester Avenue, White Plains, New York 10604
(U.S.A. only)

IBM World Trade Corporation
821 United Nations Plaza, New York, New York 10017
(International)