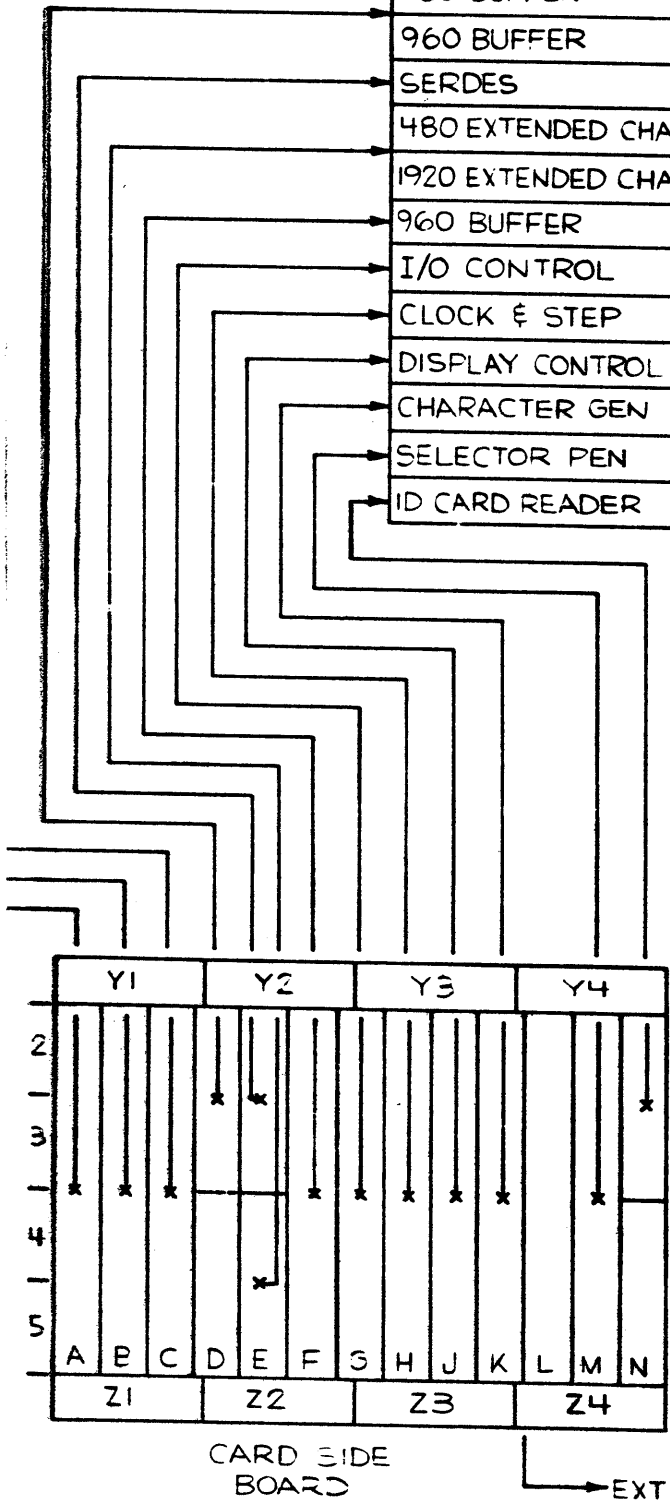
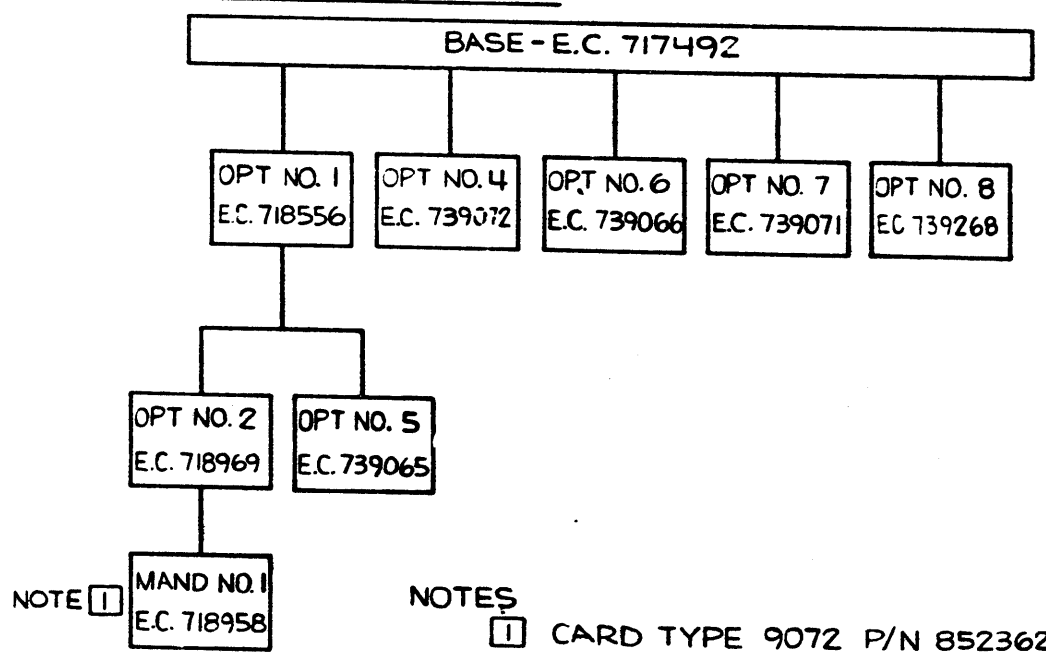


CARD DESCRIPTION	WHERE USED	CARD TYPE	LOGIC PAGE GROUP	CARD LOC	CARD PART NUMBERS										PRODUCTION PRACTICE		
					BASE E.C. 717492	OPT #1 E.C. 718556	MAND NO. 1 (CARD READER FEATURE ONLY) E.C. 718958	OPT NO. 2 E.C. 718969	OPT NO. 4 E.C. 739072	OPT NO. 5 E.C. 739065	OPT NO. 6 E.C. 739066	OPT NO. 7 E.C. 739071	OPT NO. 8 E.C. 739268	OPT NO.			
KEYBOARD CONTROL #2	KEYBOARD ADAPTER	9072	KMIXX	A2 *	8522128	8522001	NOTE 1	8523616									
KEYBOARD CONTROL #1	KEYBOARD ADAPTER	9069	KMOXX	B2 *	8521178	8522852											8527296
I/O GATING & PARITY	ALL MACHINES	9066	MGOXX	C2	8521992	←				8524282							8524282
480 BUFFER	MOD 1 ONLY	9057	MBXXX	D2	8521862	←							8523648				8523648
960 BUFFER	MOD 2 ONLY	9065			8521863	←											
SERDES	ALL MACHINES	L514	KAIXX	E2 *	8522013	←											8521863
480 EXTENDED CHAR	MOD 1 EXT CHAR	2231	MCXXX	E4	8521437	←											8527302
1920 EXTENDED CHAR	MOD 2 EXT CHAR	2227			8521436	←										8524314	
960 BUFFER	MOD 2 ONLY	9065	MBYXX	F2	8521863	←											8524301
I/O CONTROL	ALL MACHINES	9068	KA0XX	G2 *	8522109	8522151	←			8523664							8521863
CLOCK & STEP	ALL MACHINES	9071	KFOXX	H2 *	8521981	8522825	←										8523664
DISPLAY CONTROL	ALL MACHINES	9067	KFIXX	J2 *	8522014	8522836	←						8523649				8524604
CHARACTER GEN	SEE PAGE ZZ101		MCXXX	K2 *													8522836
SELECTOR PEN	EXTENDED BOARD	9088	KTOXX	M2	8521505	←									*		*
ID CARD READER	EXTENDED BOARD	2229	KROXX	N2	8522108	←	8523257	←									8521505
																	8523257

* REFER TO "ZZ" PAGES FOR INTERCHANGEABLE CARDS FOR FEATURES AND RPQ'S



E.C. SEQUENCE STRUCTURE



NOTE 1

NOTES

1 CARD TYPE 9072 P/N 8523623 (FOR W.T. ONLY) OR EC 718969 INSTALLED

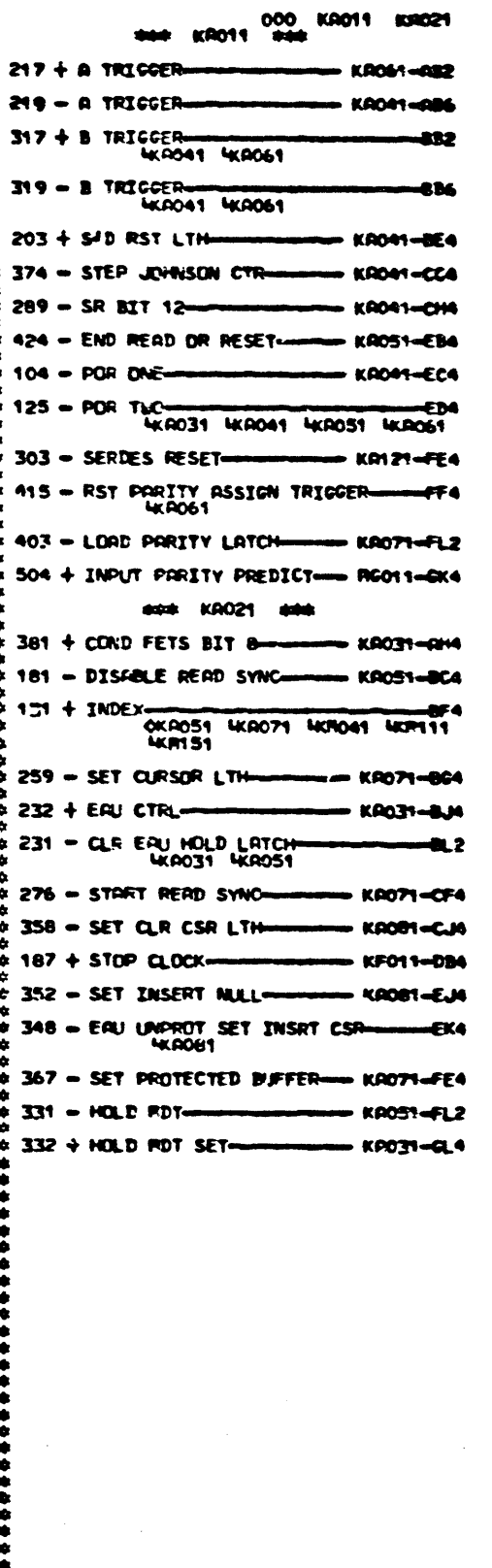
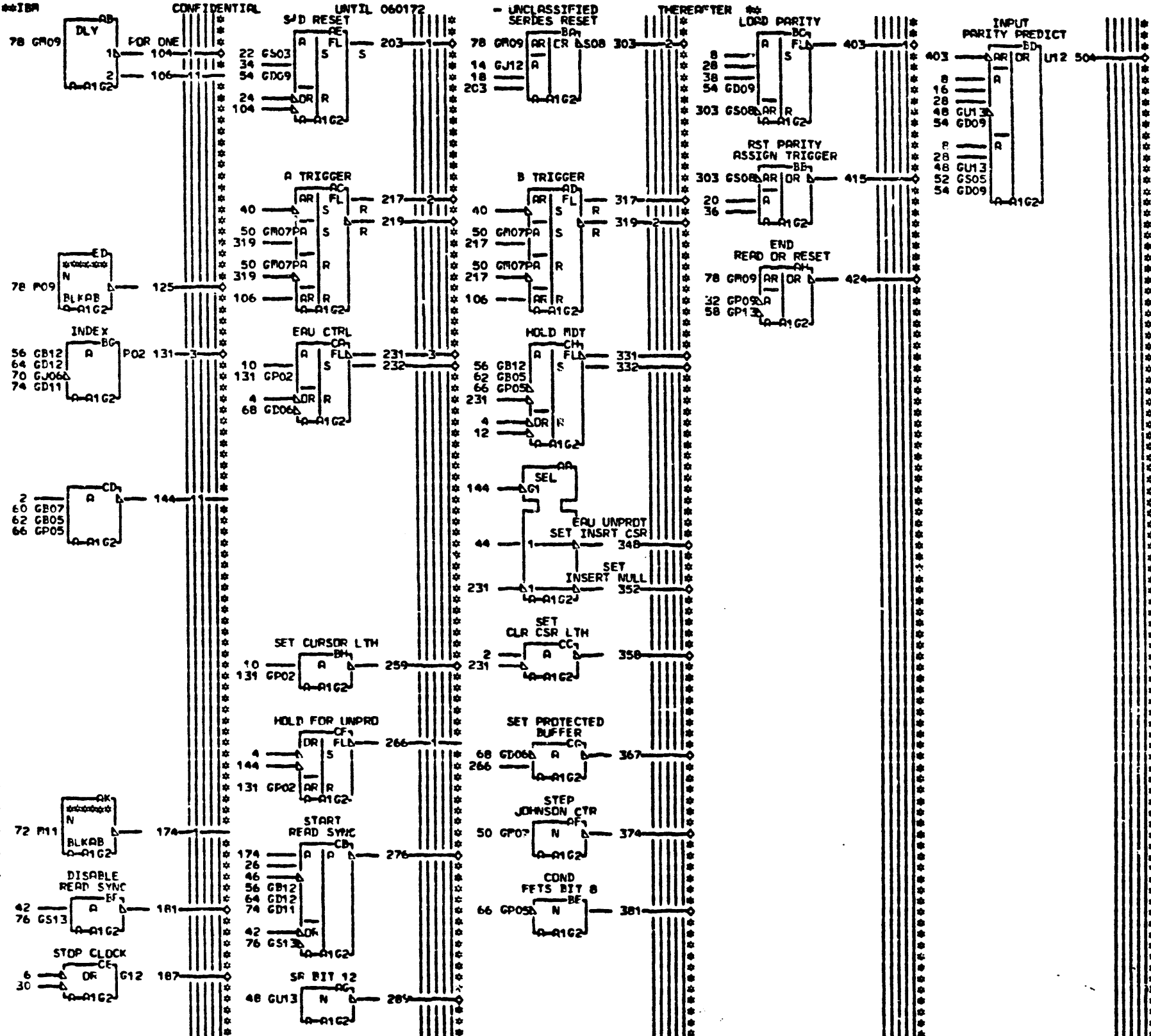
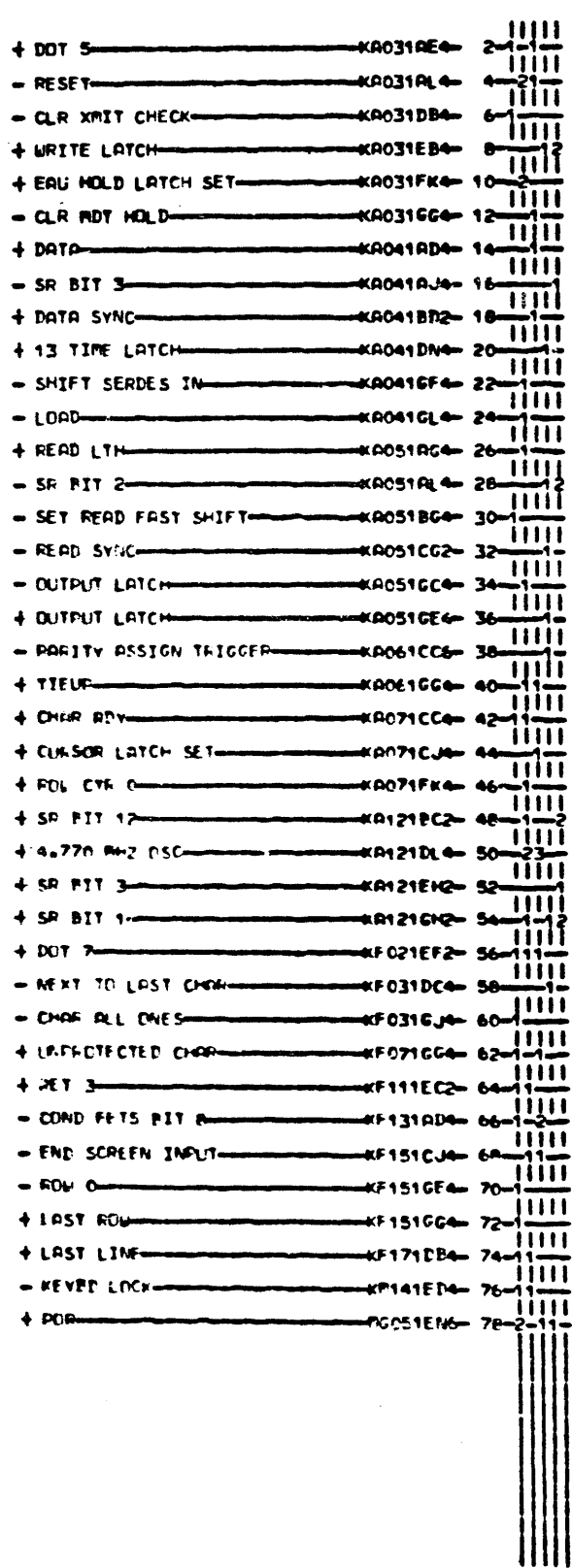
EXPLANATION OF LOGIC USE

THIS SYSTEMS DIAGRAMS VOLUME CONTAINS ALL THE LOGIC REQUIRED FOR ANY FEATURE COMBINATION OF 3277 DISPLAYS. THE VOLUME IS BROKEN DOWN INTO THE LOGIC GROUPS SHOWN ABOVE. THE WHITE PAGES ARE BASE MOD 2. IF A CARD READER OR SELECTOR PEN IS IN THE MACHINE, THE BLUE KR & KT PAGES SHOULD BE CONSIDERED PART OF THE LOGIC. IF THE MACHINE IS A MOD 1, THE YELLOW MB PAGES SHOULD BE CONSIDERED A REPLACEMENT FOR THE WHITE MB PAGES. IF THE MACHINE HAS AN EXTENDED CHARACTER SET, THE GREEN MC PAGES SHOULD BE CONSIDERED A REPLACEMENT FOR THE WHITE MC PAGES.

BOARD PART NO.	BOARD DESCRIPTION
2625204	BASE W/O FEAT EXT
2625206	BASE WITH FEAT EXT
2625208	EXT CHAR SET W/O FEAT
2625210	EXT CHAR SET WITH FEAT

SEE EC HISTORY		DRAWING TITLE	
JUL74	740382	3277 SOCKET LIST	
JAN75	741246	MACH 3277	
MAR75	741258	PART NO 1832870	
D		CLASSIFICATION	
		IBM CORP	

AA115

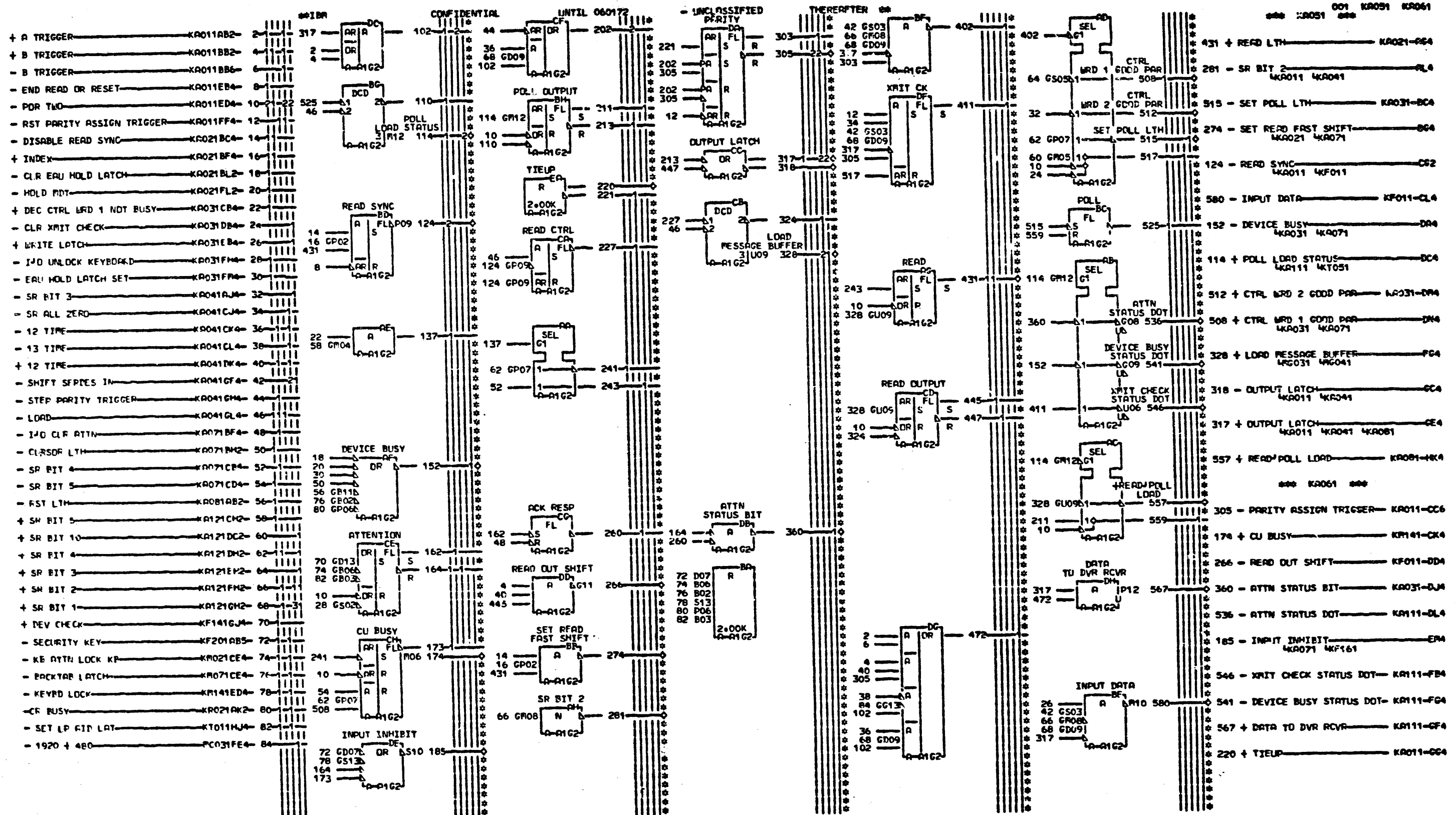


KA011
 KA021
 000

LOC. TYPE
 A-1G2 9068

PAGE VER EC LEV
 KA011 000 717946
 KA021 000 717946

I/O CONTROL	
E-C-HISTORY	FRCH-3277
717473	FRAME 01 KA011
716959	IBR COMP.SDD KA021
717492	
DATE LAST EC	P.No. 1823849 000
08-05-72 717946	



A.SIM TO PN 1563734 EC 717946
 B.SIM TO PN 1563735 EC 717946

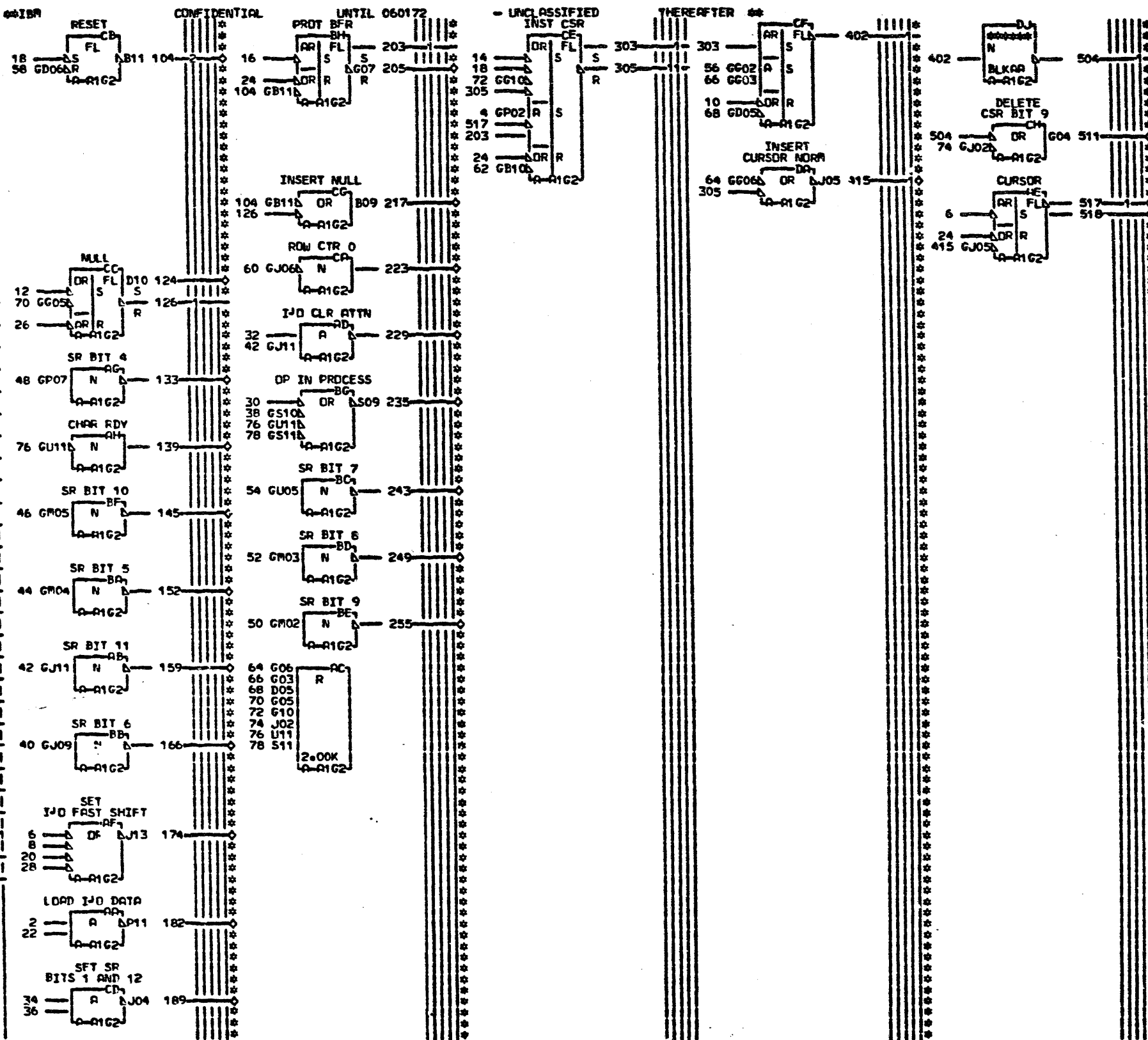
LOC. TYPE
 A-A1G2 9068

PAGE VER EC LEV
 KA051 001 717946
 KA061 001 717946

I/O CONTROL			
E-C-HISTORY	B-PACK-3277		
717473		FRAME	01 KA051
716959			
717492		IBM CORP.SDD	KA061
DATE	LAST EC	P.No.	1823095 001
08-05-72	717946		

KA051
 KA061
 001

- LOAD PARITY LATCH KA011FL2- 2
- + INDEX KA021BF4- 4
- SET CURSOR LTH KA021BG4- 6
- START READ SYNC KA021CF4- 8
- SET CLR CSR LTH KA021CJ4- 10
- SET INSERT NULL KA021EJ4- 12
- ERJ UNPROT SET INSRT CSR KA021EK4- 14
- SET PROTECTED BUFFER KA021FE4- 16
- RESET KA031AL4- 18
- CLR XMIT CHECK KA031BB4- 20
- + WRITE LATCH KA031EB4- 22
- WRITE LATCH SET KA031ED4- 24
- DOT CTR 2 KA031FG4- 26
- SET READ FAST SHIFT KA051EG4- 28
- DEVICE BUSY KA051DA4- 30
- + CTRL WRD 1 GOOD PAR KA051DM4- 32
- + OUTPUT LATCH KA051GE4- 34
- + READ/POLL LOAD KA051HK4- 36
- INPUT INHIBIT KA061EM4- 38
- + SR BIT 6 KA121BM2- 40
- + SR BIT 11 KA121CC2- 42
- + SR BIT 5 KA121CH2- 44
- + SR BIT 10 KA121DC2- 46
- + SR BIT 4 KA121DM2- 48
- + SR BIT 9 KA121EC2- 50
- + SR BIT 8 KA121FC2- 52
- + SR BIT 7 KA121GC2- 54
- + BIT 1 KF021CB2- 56
- END SCREEN INPLT KF151CJ4- 58
- ROW 0 KF151GE4- 60
- CLR INSERT CSR LATCH KF161BM4- 62
- INSERT CSR BIT 9 KM011DF4- 64
- TAB + SKIP KM061DF4- 66
- SET CLR CSR LTH KM061FE4- 68
- SET INSERT NULL LTH KM111AY4- 70
- SET INSERT CSR LTH KM131AZ4- 72
- DELETE CSR BIT 9 KM131BL4- 74
- CHAR RDY LTH KM141EH4- 76
- L/F BUSY KT051AJ4- 78



- 182 - LOAD I/O DATA R0011-RE4
- 159 - SR BIT 11 KA041-AF4
- 229 - I/O CLR ATTN KA061-BF4
- 517 - CURSOR LTH KA051-BH2
- 133 - SR BIT 4 KA041 KA051 CB4
- 139 + CHAR RDY KA021-CCA
- 152 - SR BIT 5 KA041 KA061 CD4
- 166 - SR BIT 6 KA041-CE4
- 243 - SR BIT 7 KA041-CF4
- 249 - SR BIT 8 KA041-CH4
- 518 + CURSOR LATCH SET KA021-CJ4
- 255 - SR BIT 9 KA041-CK4
- 145 - SR BIT 10 KA041-CR4
- 174 - SET I/O FAST SHIFT KF051-DN4
- 235 - OP IN PROCESS EBA
KA141 KA021 KT051
- 205 - PROTECTED BFR EJA
KA061 KA131 KA151
- 223 + ROW CTR 0 KA021-FK4
- 104 - RST LTH AS2
KA051 KA071 KA131 KA141 KA021
- 124 + NULL KA111-AD4
- 189 - SET SR BITS 1 AND 12 KA121-BA4
- 217 + INSERT NULL DB4
KA051 KA011
- 511 + DELETE CSR BIT 9 R0021-DG4
- 415 - INSERT CURSOR NORM EFA
KA071 KA131 KA161 KA021

A-SIM TO PN 1563736 EC 717492

LOC. TYPE
A-1G2 9068

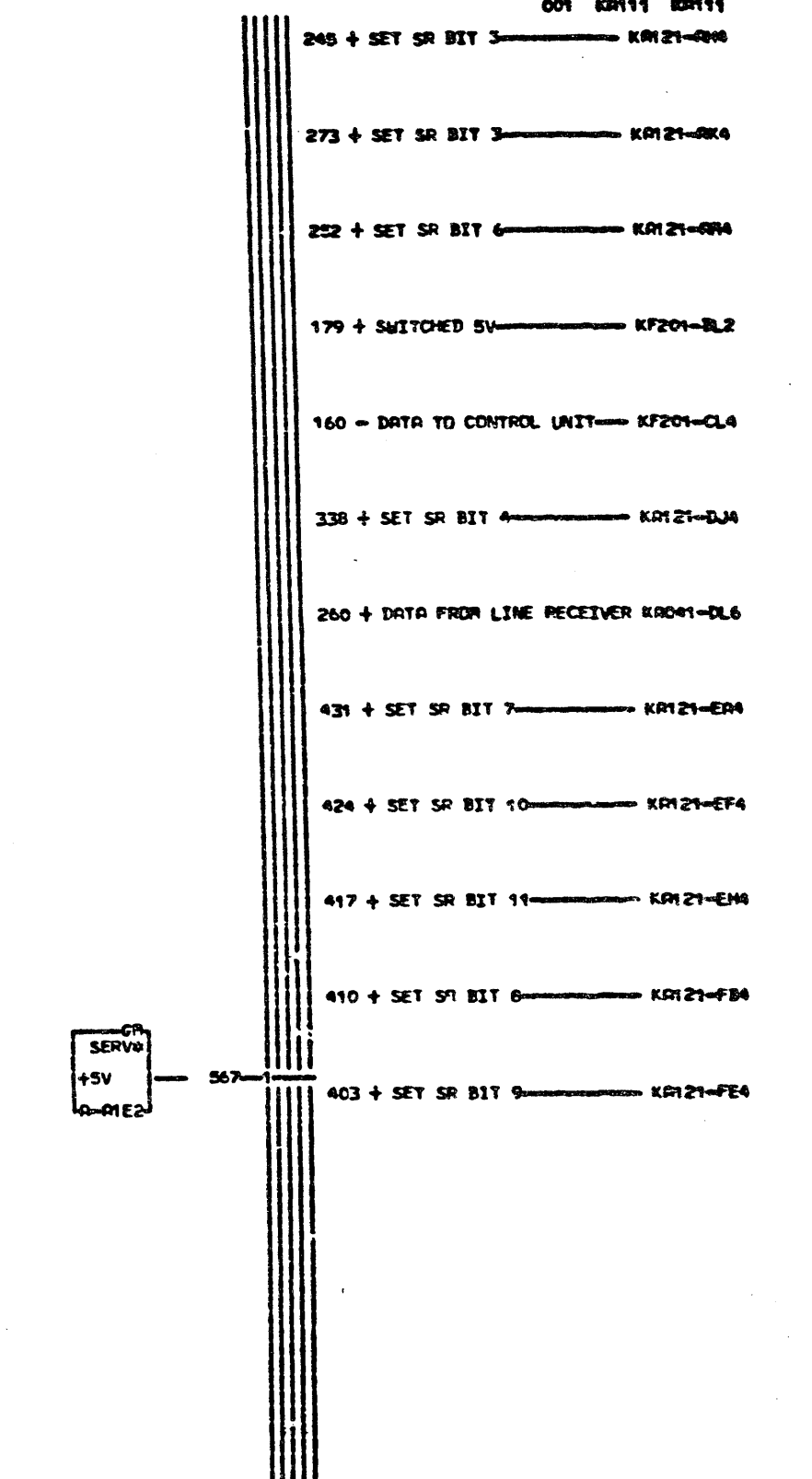
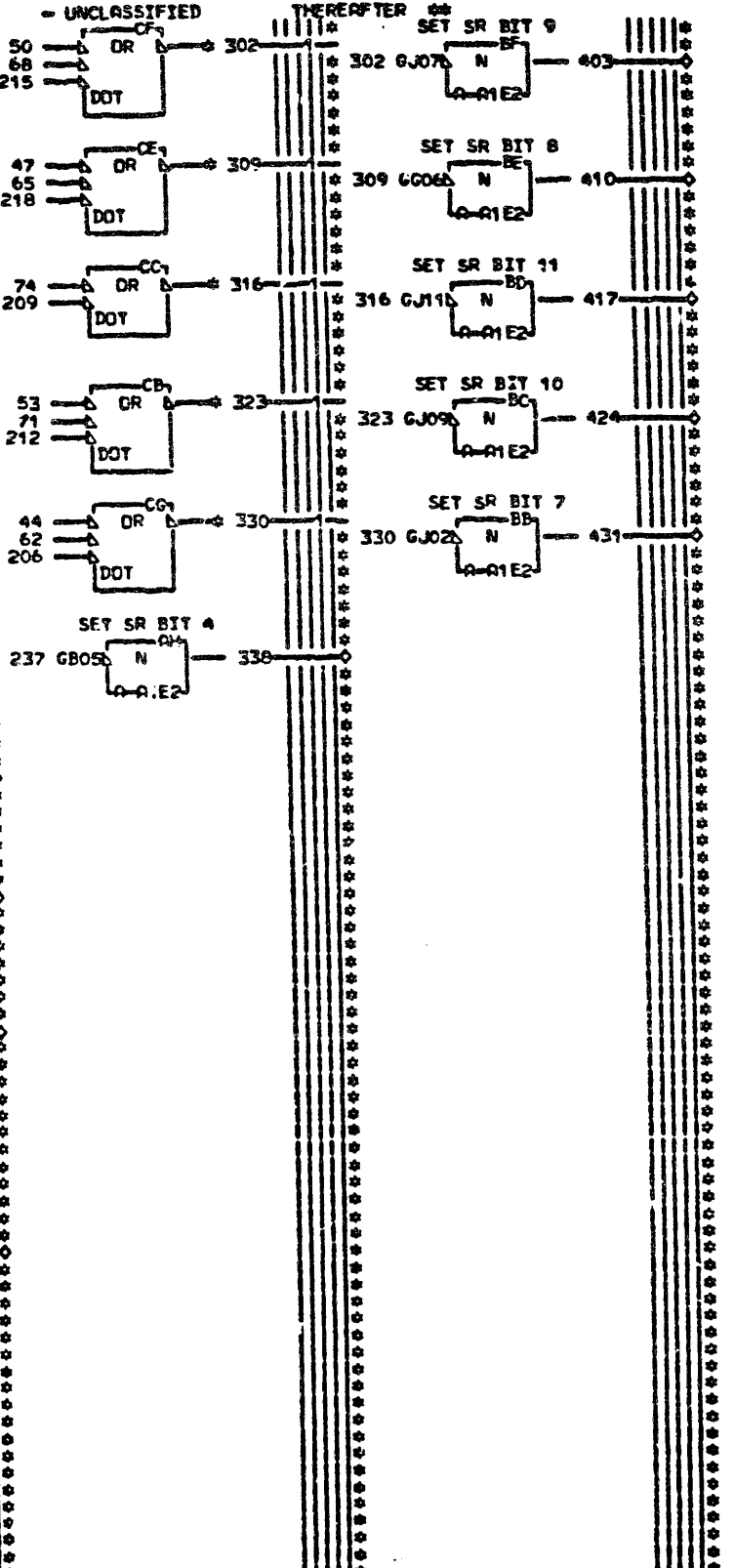
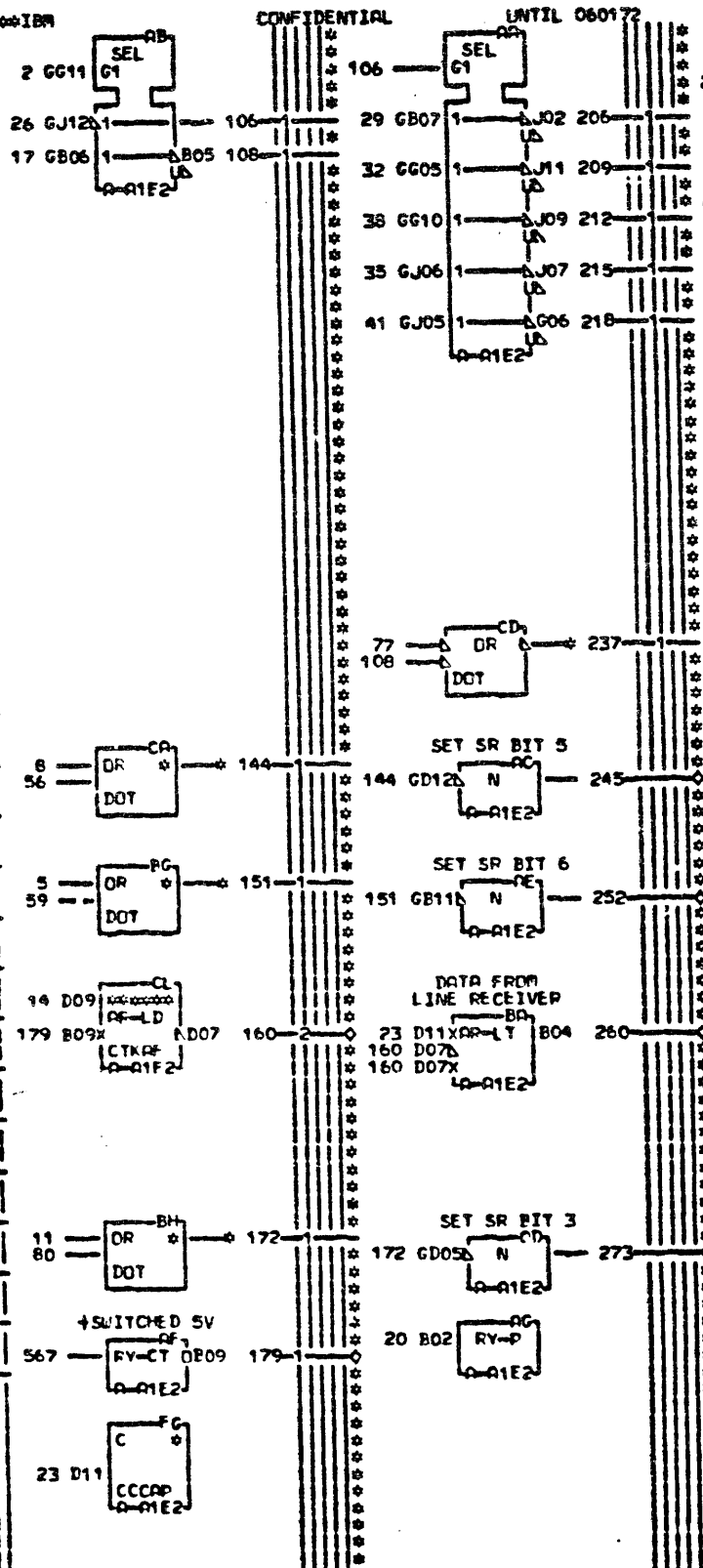
PAGE VER EC LEV
KA071 001 717492
KA081 000 717946

KA071
KA081
00

I/O CONTROL			
E-C-HISTORY	B	PNCH-3277	
717473			
716959		FRAME 01	KA071
717492		IBM CORP-SDD	KA081
DATE LAST EC		P.No 1623100	001
08-05-72	717946		

IBM

+ POLL LOAD STATUS KA051DC4- 2
 - ATTN STATUS DOT KA061DL4- 5
 - XMIT CHECK STATUS DOT KA061FB4- 8
 - DEVICE BUSY STATUS DOT KA061FC4- 11
 + DATA TO DVR RCVR KA061GF4- 14
 + DEV CHECK KF141GJ4- 17
 + RELAY COIL KF201AR1- 20
 + 8 VOLTS KF201AB4- 23
 - AID 001 KFC21AD4- 26
 + KEYBD BIT 3 KP021BS4- 29
 + KEYB BIT 7 KP031BF4- 32
 + KEYB BIT 5 KP031BC4- 35
 + KEYBD BIT 6 KP031BH4- 38
 + KEYBD BIT 4 KP031BJ4- 41
 - LF AID BIT 3 DOT XT051AQ4- 44
 - LF AID BIT 4 DOT XT051AR4- 47
 - LF AID BIT 5 DOT XT051AS4- 50
 - LF AID BIT 6 DOT XT051AT4- 53
 - RESG BFR BIT 1 PGO31BA4- 56
 - RESG BFR BIT 2 PGO31BB4- 59
 - RESG BFR BIT 3 PGO31BC4- 62
 - RESG BFR BIT 4 PGO31BD4- 65
 - RESG BFR BIT 5 PGO31BE4- 68
 - RESG BFR BIT 6 PGO31BF4- 71
 - RESG BFR BIT 7 PGO41CA4- 74
 - RESG BFR BIT 8 PGO41CB4- 77
 - RESG BFR BIT 9 PGO41CD4- 80



EDGE CONN.

26	RESISTOR	A-1E2J12
144	RESISTOR	A-1E2D12
151	RESISTOR	A-1E2E11
172	RESISTOR	A-1E2F05
237	RESISTOR	A-1E2G05
302	RESISTOR	A-1E2J07
309	RESISTOR	A-1E2G06
316	RESISTOR	A-1E2J11
323	RESISTOR	A-1E2J09
330	RESISTOR	A-1E2J09

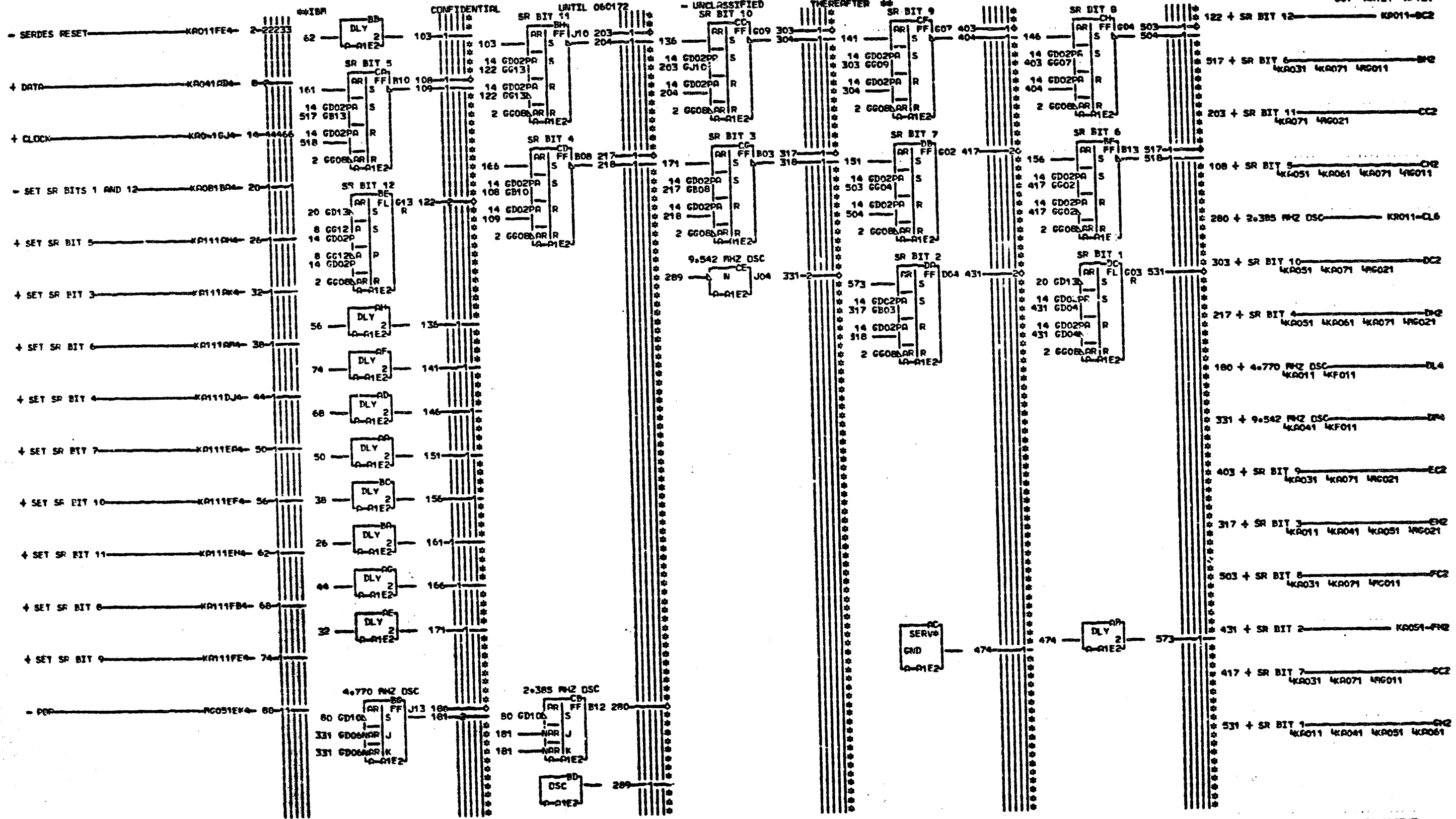
LDC TYPE A-1E2 LS14

PAGE VER EC LEV KR111 001 717946

001 LIA TO PN 1563738 EC 717946

E.C. HISTORY

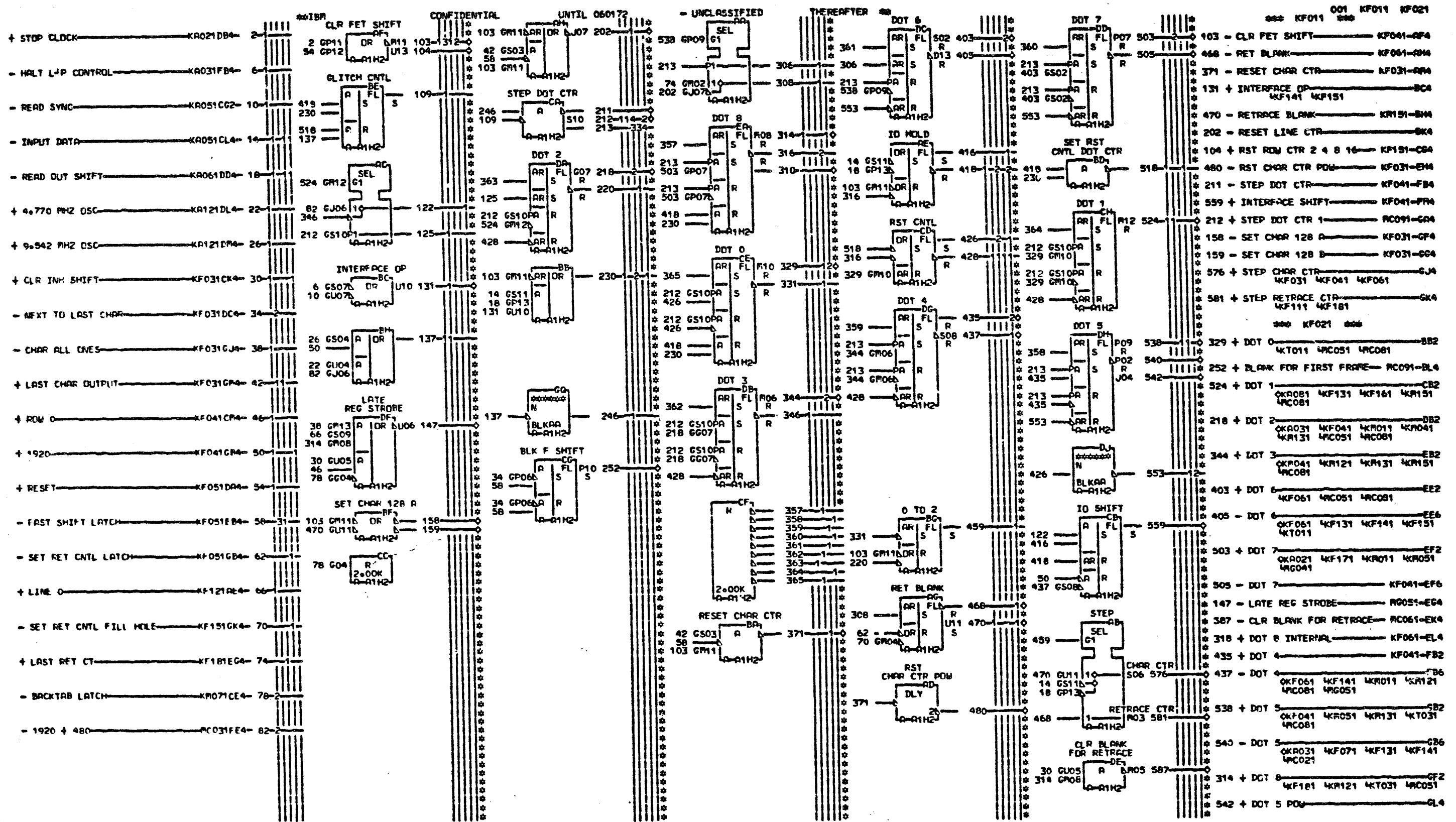
717473	FRAME	01	KR111
716959	IBR CORP.	KN	KR111
717492	DATE	LAST EC	08-05-72 717946
	P.No.	1824194	001



LDC TYPE A-1E2 L514

PAGE VER FC LEV KA121 001 717492

SERDES SPECIAL CIRCUITS			
E-CO-HISTORY	717473	716959	
DATE	06-01-72	LAST EC	717492
FRAME	01	IBR CORP-KN	KA121
PoNo	1623103		001



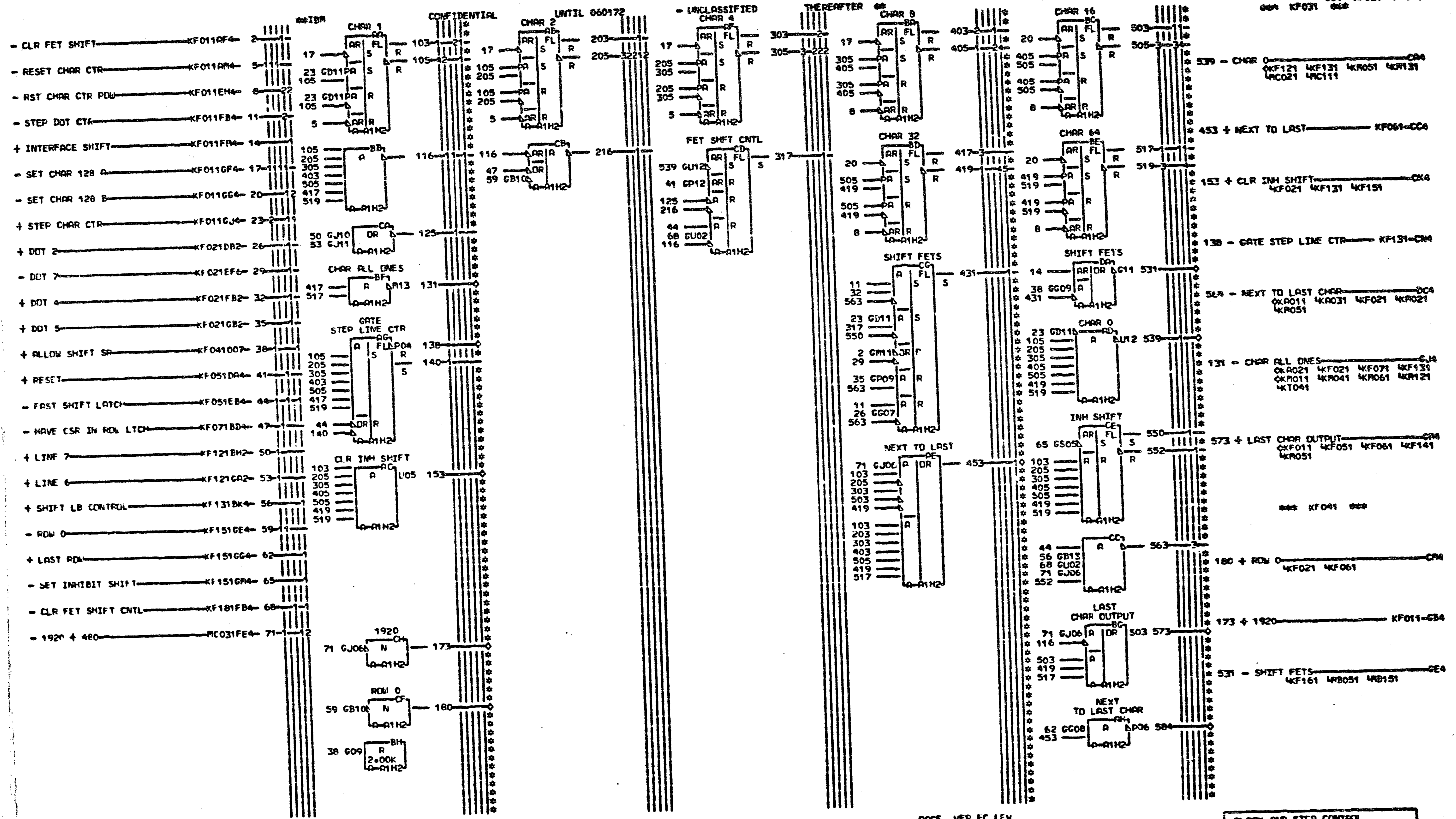
A-SIP TO PN 1563740 EC 717946
 B-SIP TO PN 1563741 EC 717946

LDC TYPE
 A-A1H2 9071

PAGE VER EC LEV
 KF011 001 717946
 KF021 001 717946

CLOCK AND STEP CONTROL			
-E-C-HISTORY-	B-RACH-3277		
71 7473		FRAME 01	KF011
71 6959			
71 7492		IBR CORR-KN	KF021
DATE LAST EC			
08-05-72 717946		P.No 1823105	001

KF011
 KF021
 001



A-SIM TO PN 1563742 FC 717946

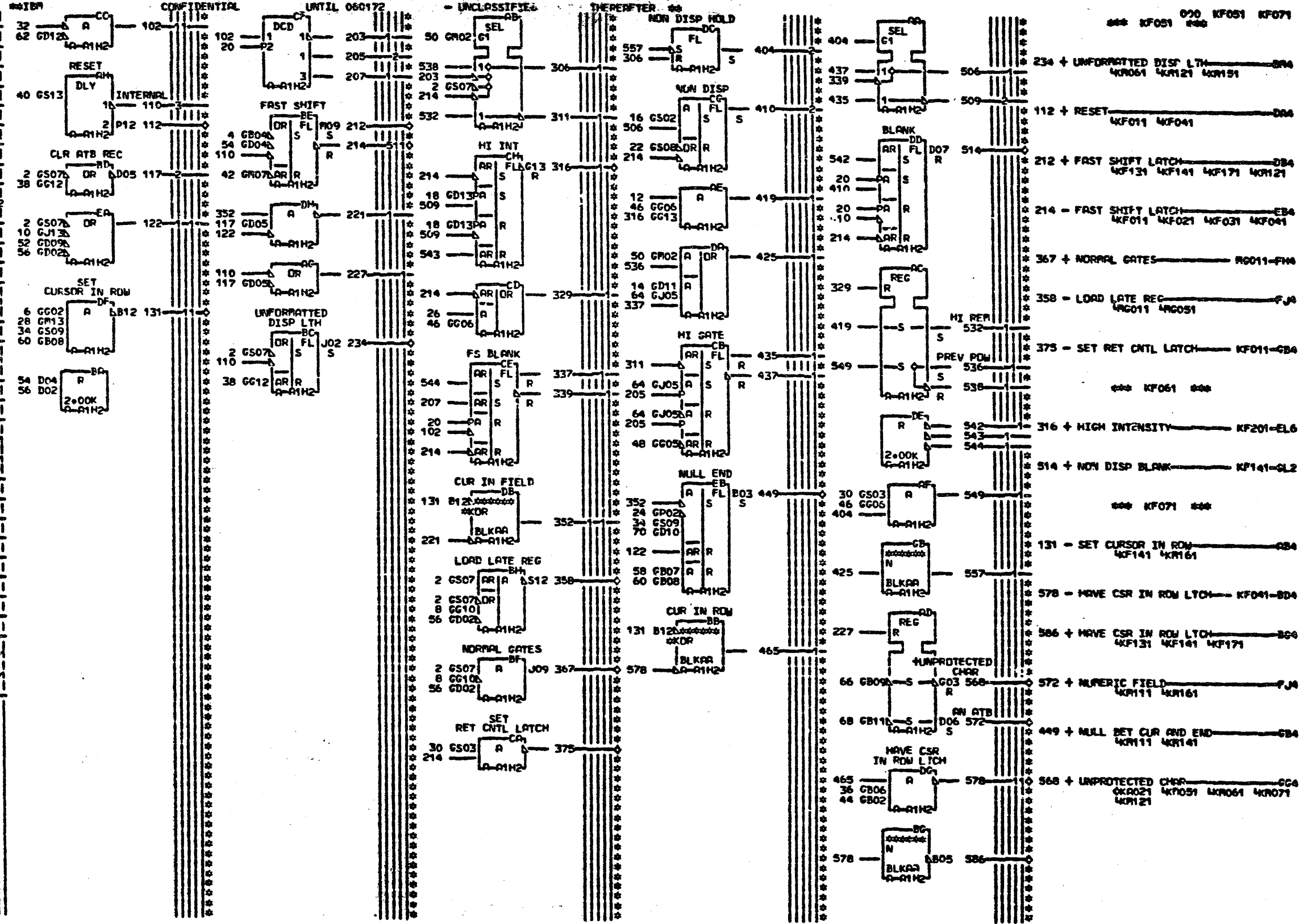
LOC. TYPE
A-01H2 9071

PAGE VEP EC LEV
KF031 001 717946
KF041 000 717946

CLOCK AND STEP CONTROL			
- E.C. HISTORY	- S. FRAC# 3277		
717473		FRAME 01	KF031
716959			
717492		IBR CORP. IN	KF041
DATE LAST EC		P. No. 1823112	001
08-05-72 717946			

KF031
KF041
001

- WRITE LATCH SET - KA031FB4 - 2-21
- SET I/O FAST SHIFT - KA071DB4 - 4
- RST LTH - KA081BE2 - 6
- + INSERT NULL - KA081DB4 - 8
- INSERT CURSOR NORR - KA081EF4 - 10
- RET BLANK - KF011AM4 - 12
- + STEP CHAR CTR - KF011GJ4 - 14
- + DOT 6 - KF021EE2 - 16
- DOT 6 - KF021EE6 - 18
- + DOT 8 INTERNAL - KF021EL4 - 20
- DOT 4 - KF021FB6 - 22
- DOT 5 - KF021GB6 - 24
- + NEXT TO LAST - KF031CC4 - 26
- CHAR ALL ONES - KF031GJ4 - 28
- + LAST CHAR OUTPUT - KF031G4 - 30
- + ROW 0 - KF041CF4 - 32
- + LINE 0 - KF121FE4 - 34
- + LINE CTR CYCLE - KF131DB4 - 36
- + CLR ATB REG - KF131DE4 - 38
- + RESET - KF131DK4 - 40
- END SCREEN INPUT - KF151CJ4 - 42
- COND ROW CTR CLR - KF151DL4 - 44
- + LAST LINE - KF171DB4 - 46
- RETRACE 6 - KF181BE4 - 48
- + LAST RET CT - KF181ED4 - 50
- P. 0 INSERT BIT - KP011AC4 - 52
- SET KB FAST SHIFT - KA041GM4 - 54
- LOAD LATE REG CT - KP131BM4 - 56
- + FEYS OUT BIT 8 - AB141BD4 - 58
- + FEYS OUT BIT 9 - AB141CD4 - 60
- BIT 8 FROM LINE BUFFER - PC021BL4 - 62
- + NON DIS OR HI INTEN - PC081GM4 - 64
- ATTB REG BIT 2 - PC031CA4 - 66
- ATTB REG BIT 3 - PC031CB4 - 68
- + NULL IN FEYS - PC041ER4 - 70

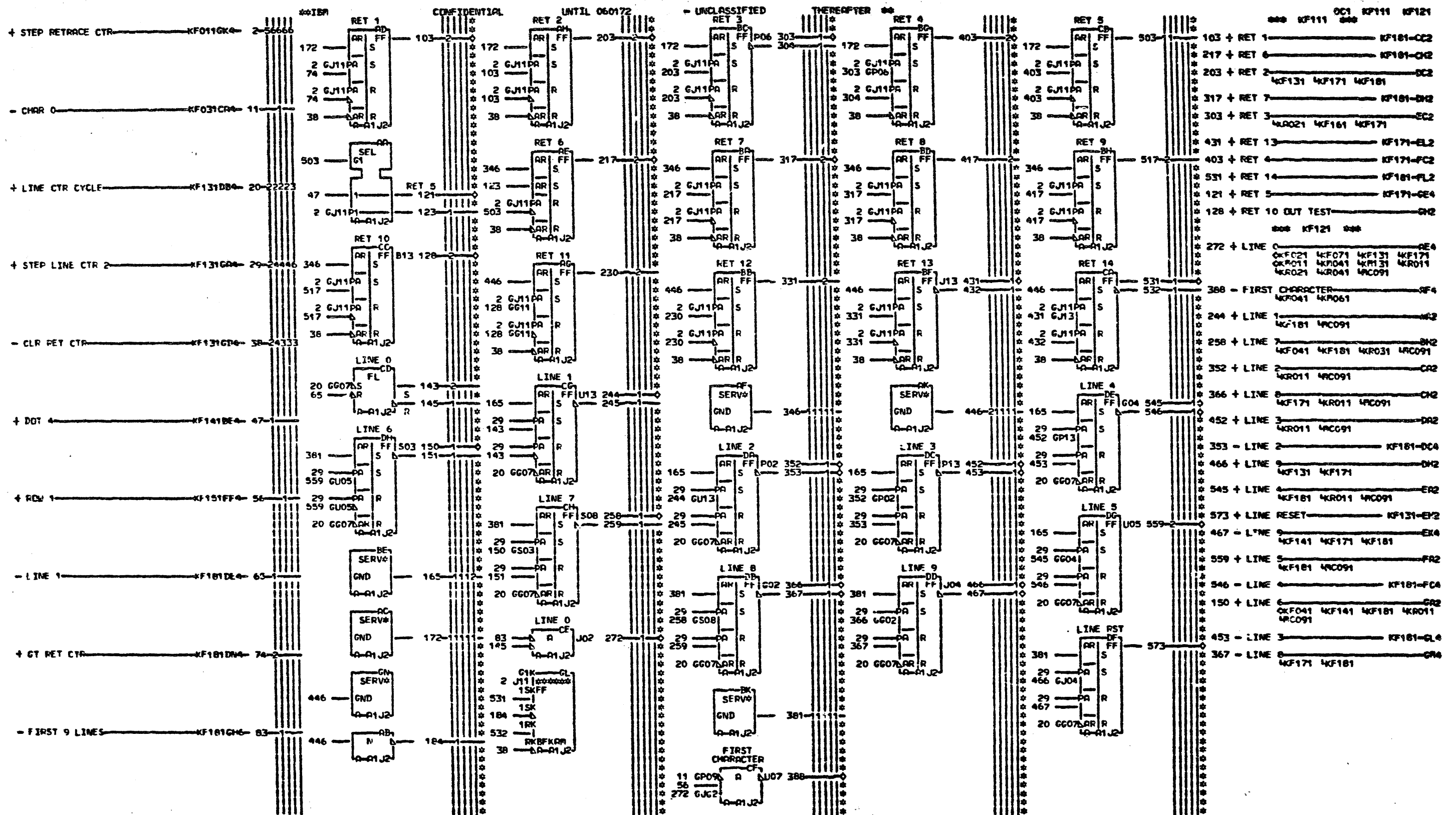


LDC TYPE
A-A1H2 9071

PAGE VER EC LEV
KF051 000 717946
KF061 000 717946
KF071 000 717946

CLOCK AND STEP CONTROL	
E-C-HISTORY	B-RACH3277
717473	FRARE 01 KF051
716959	
717452	
DATE LAST EC	IBM CORP-KN KF071
08-05-72 717946	PoNo 1823118 000

KF051
KF071
000



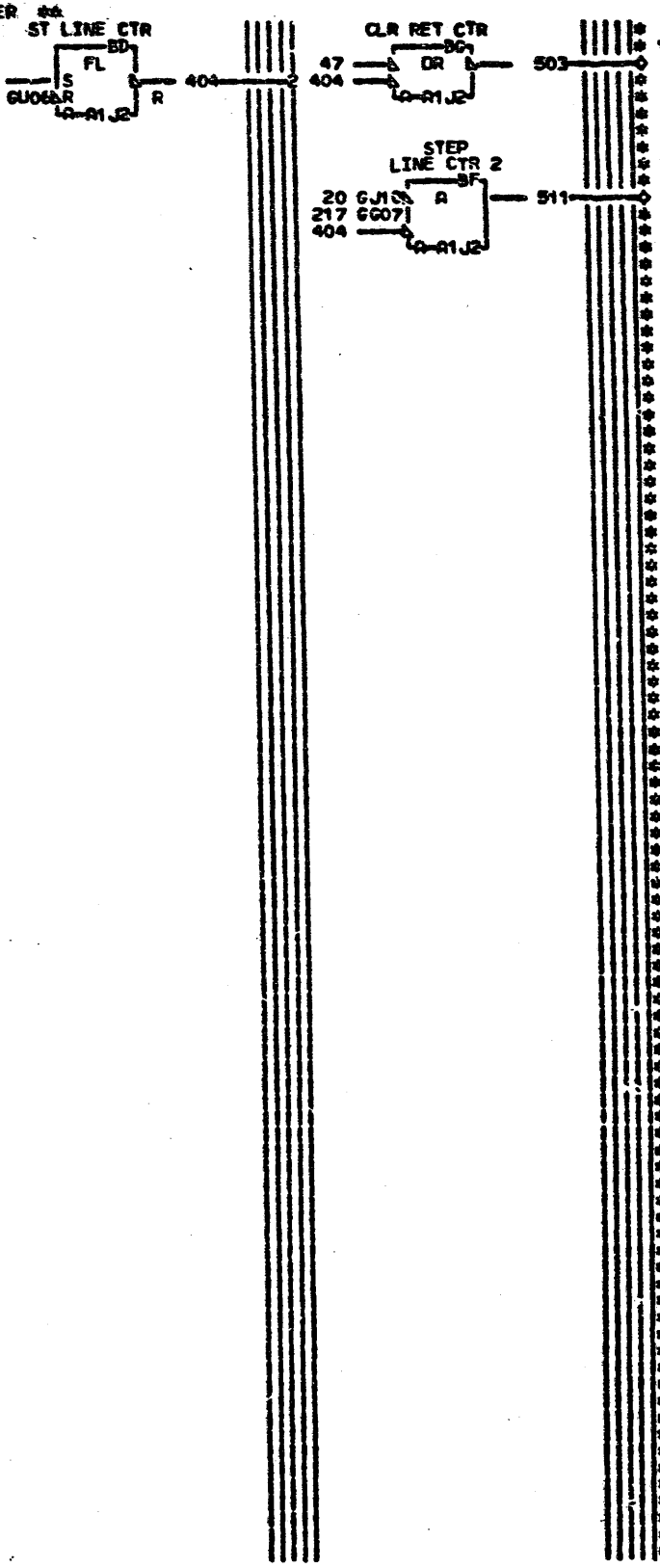
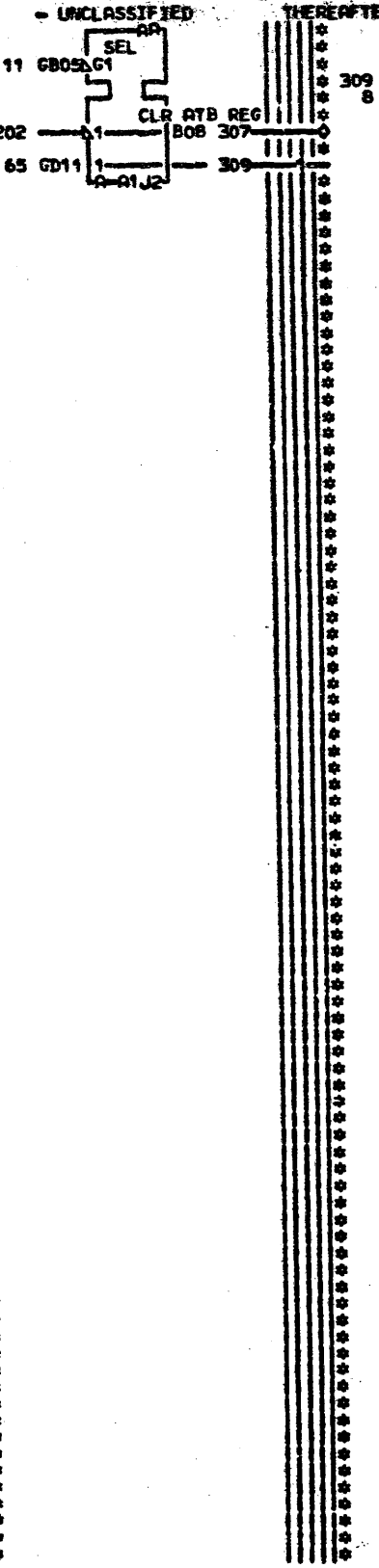
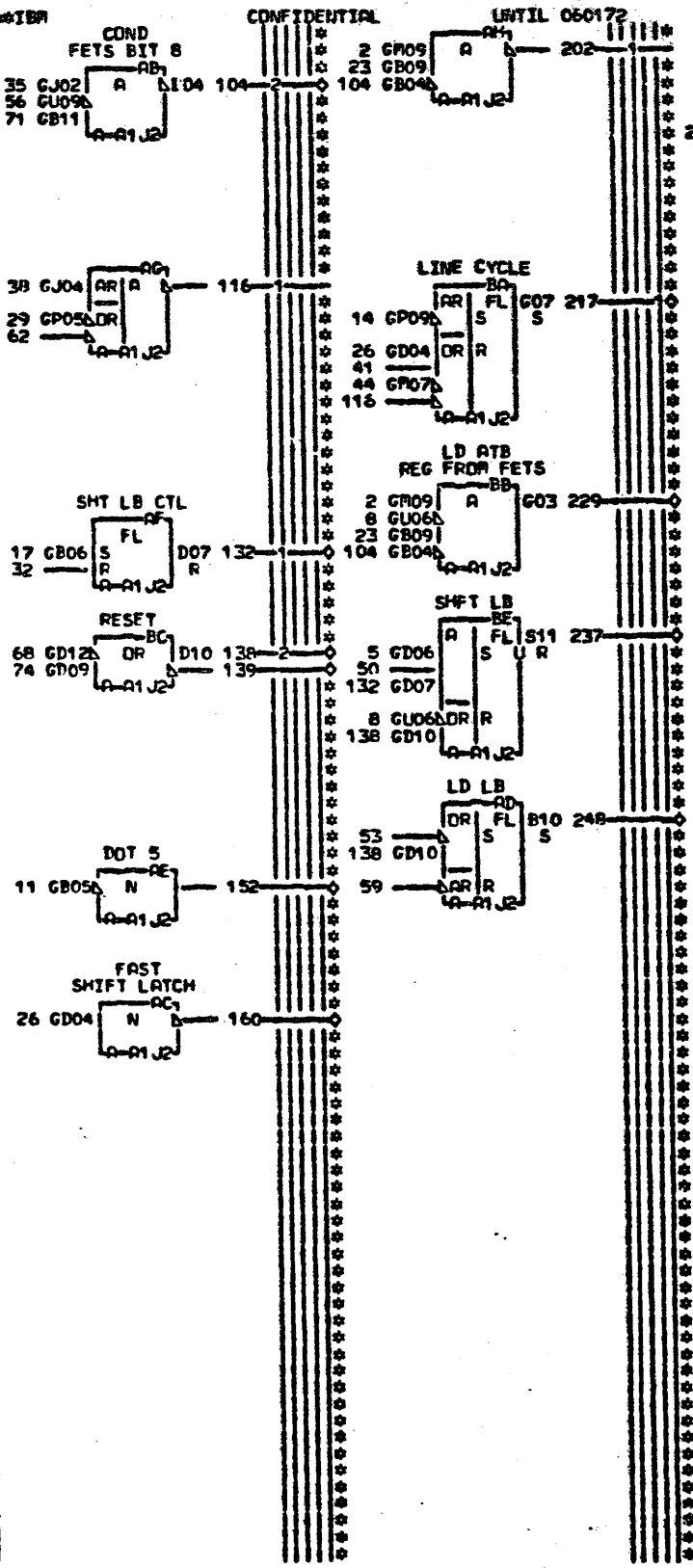
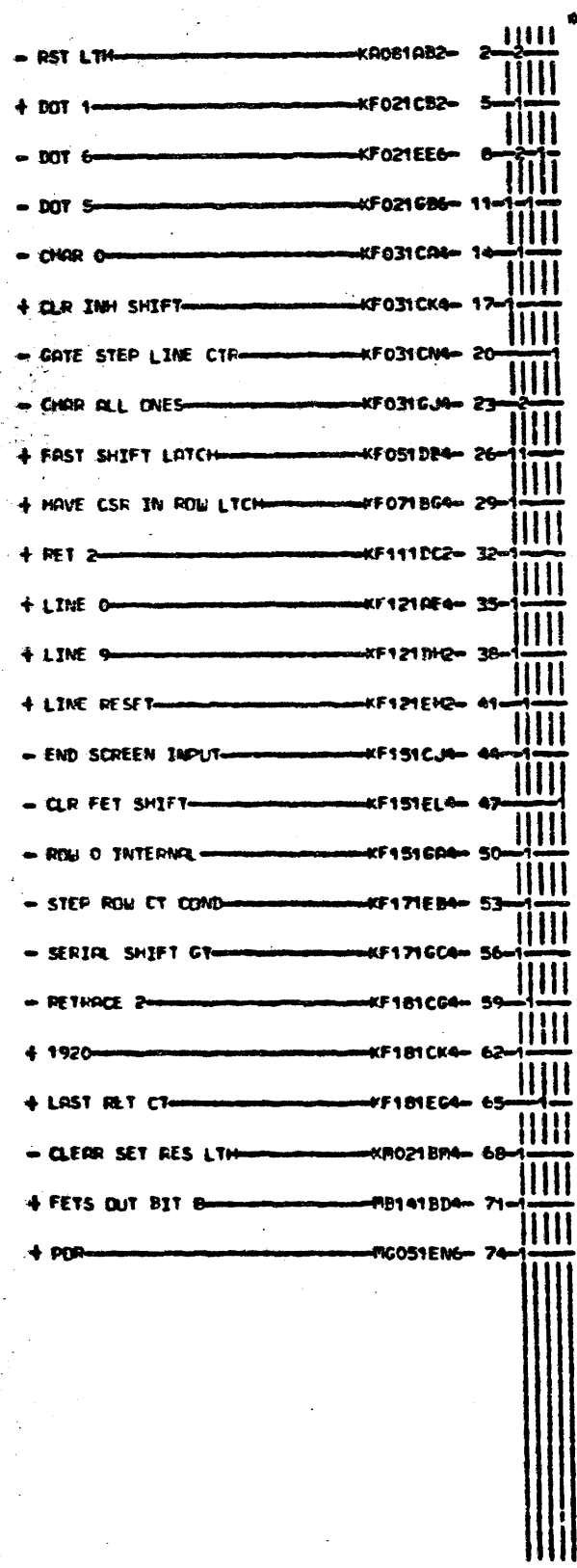
ReSIP TO PN 1563748 EC 717948

LOC. TYPE
A-A1J2 9067

PAGE VER EC LEV
KF111 000 717942
KF121 001 717946

KF111
KF121
001

DISPLAY CONTROL			
E-C-HISTORY	B-RACH-3277		
717473		FRAME 01	KF111
717492		IBN CORP-KN	KF121
DATE LAST EC	P-#-1823123		001
08-03-72 717946			



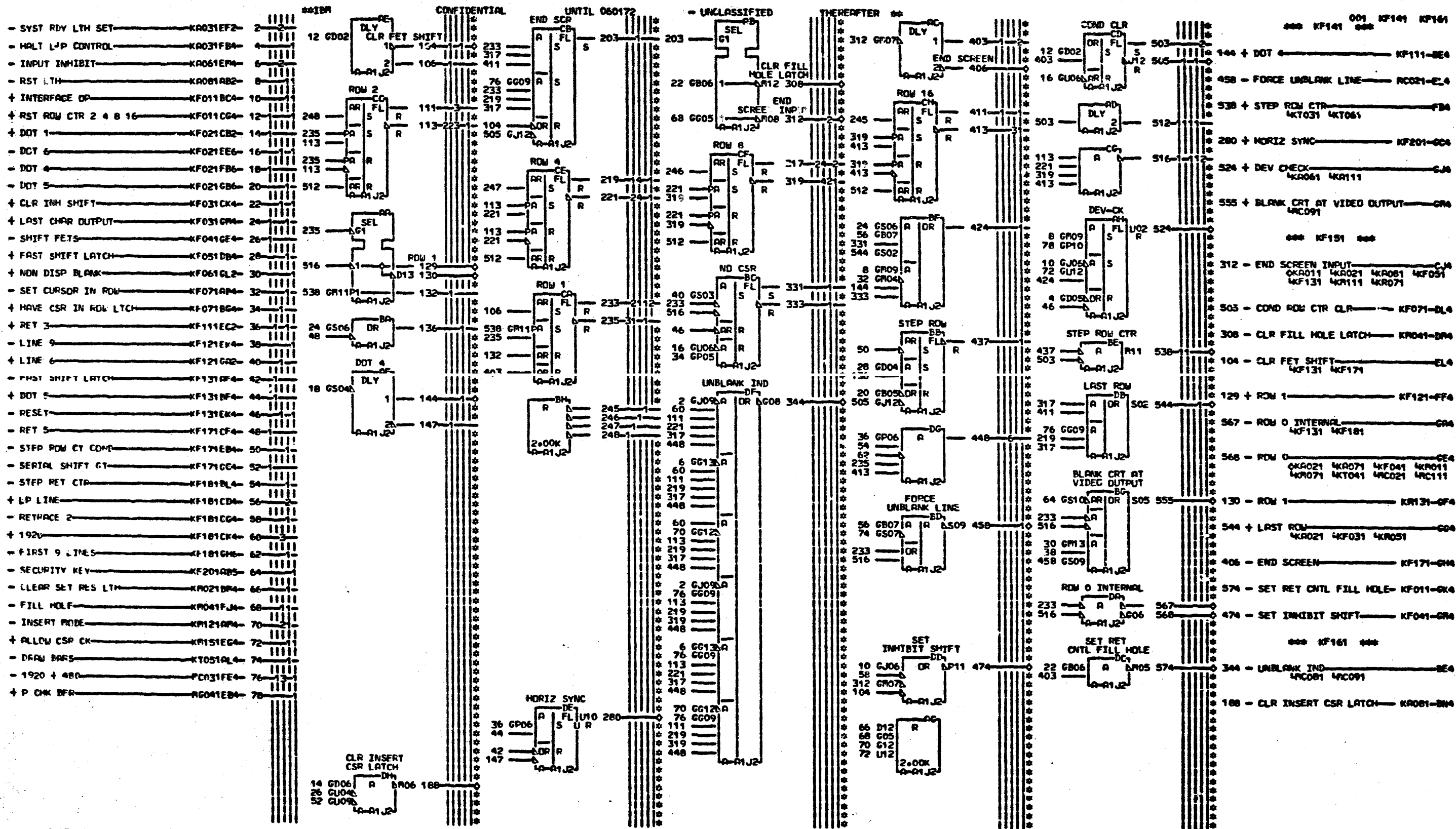
LDC TYPE
A-A1J2 9087

PAGE VER EC LEV
KF131 000 717946

DISPLAY CONTROL		
E-C-HISTORY	0	ACH#3277
717473		
717492		
DATE	LAST EC	IBR CORR-OKN
08-05-72	717946	P#N# 1823127 000

KF131
KF131
100

KF131
KF131
000



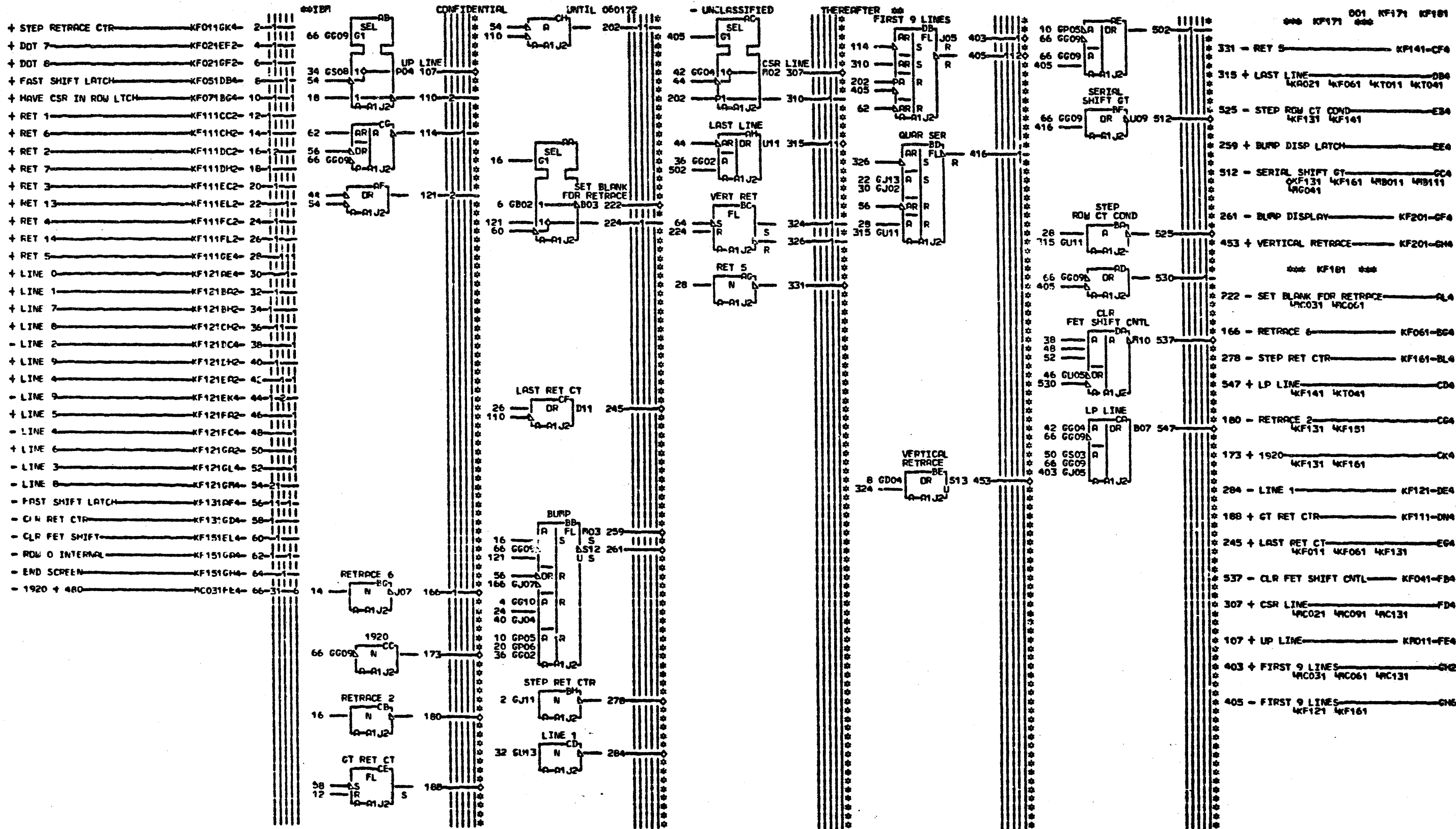
A.SIR TO PN 1563750 EC 717492
 B.SIR TO PN 1563751 EC 717946

LOC. TYPE
 R-A1J2 9067

PAGE VER EC LEV
 KF141 001 717492
 KF151 001 717946
 KF161 001 717473

DISPLAY CONTROL			
E-C-HISTORY	B-ARCH	3277	
717473	FRAME	01	KF141
716959			
717492			
DATE	LAST EC	IBN CORP-NN	KF161
08-05-72	717946	PN# 1823132	001

KF141
 KF161
 001



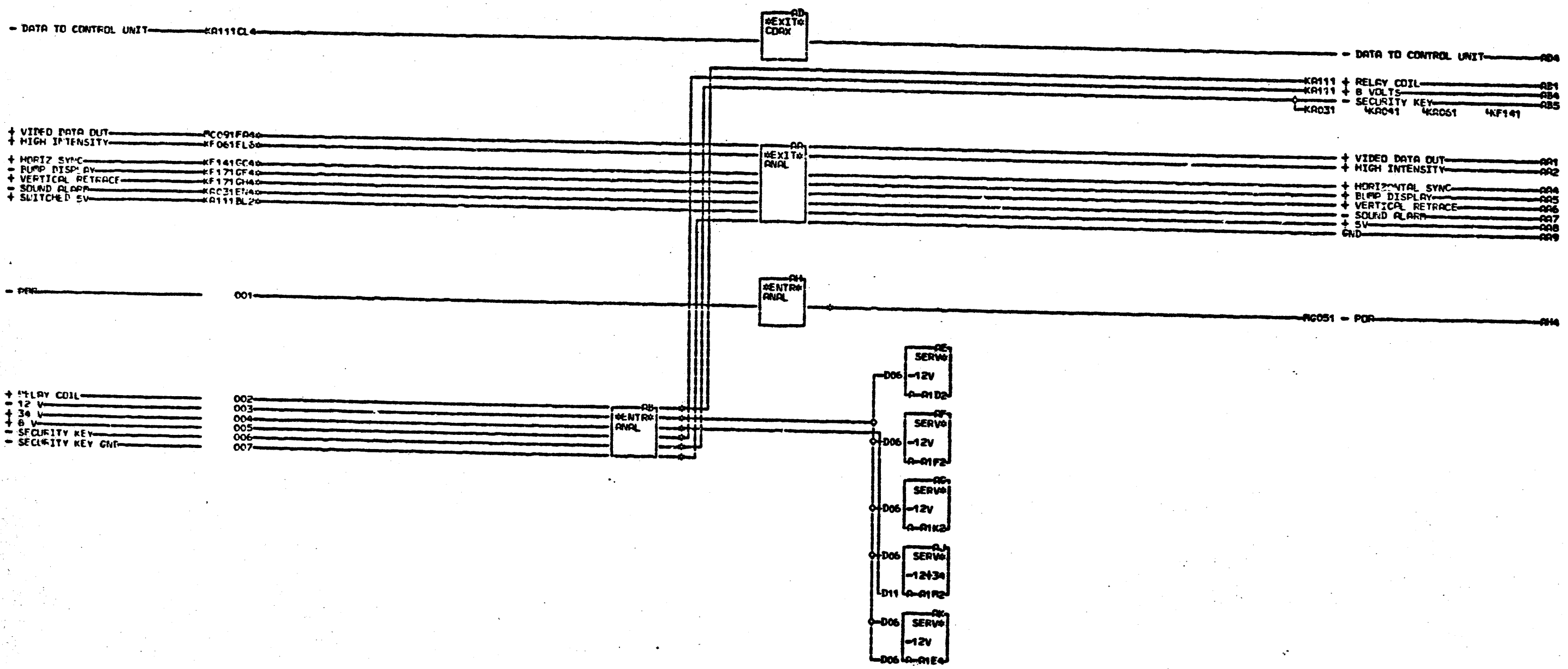
A-SIR TO PN 1563753 EC 717946
 B-SIR TO PN 1563754 EC 717473

LOC. TYPE
 A-A1J2 9067

PAGE VER EC LEV
 KF171 001 717946
 KF181 001 717473

DISPLAY CONTROL			
E.C.	HISTORY	B. PACH	3277
717473		FRAME	01 KF171
717492		IBN CORP.	KN KF181
DATE	LAST EC	P.No.	1623139 001
08-05-72	717946		

KF171
 KF181
 001



+ RELAY COIL
 - 12 V
 + 34 V
 + 8 V
 - SECURITY KEY
 - SECURITY KEY GND

002
 003
 004
 005
 006
 007

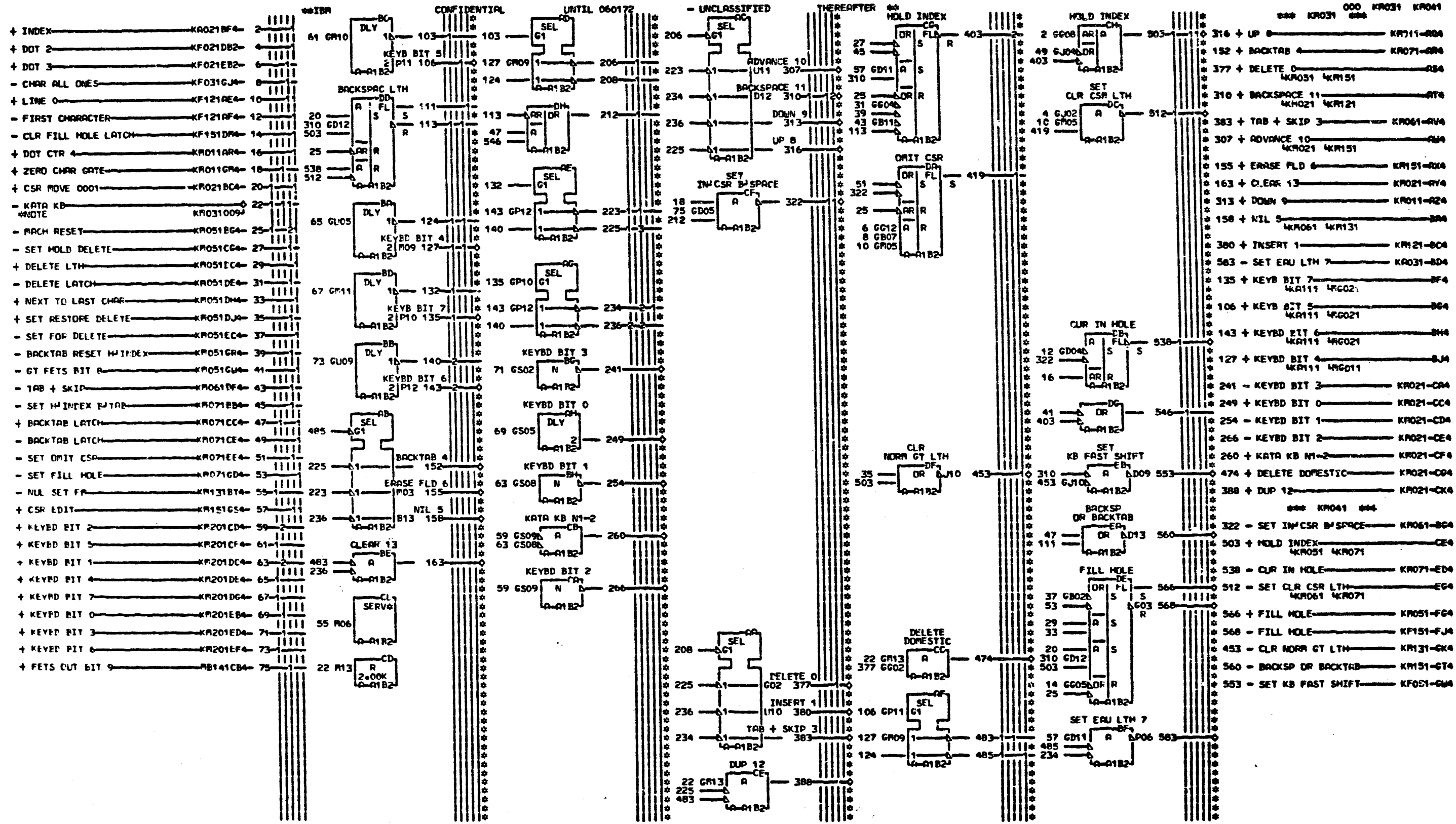
KR031E4 01A-A1M6E04 AB5 A-01M6A02
 01A-A1K6A04 KF171GH4 AB6 A-01J6B02
 KR111RL2 01A-A1J6E04 AB6 A-01J6B02
 01A-A1M6B02 RC091FA4 AB4 A-01M6C02
 KF061EL6 01A-A1M6C04
 01A-A1J6E02 AB1 A-01J6E04
 KF141GC4 AB2 A-01J6C04
 01A-A1J6D04 AB3 A-01K6B04
 KF171GF4 AB4 A-01J6A04

LOC. TYPE

CONNECTOR PAGE	
E.C. HISTORY	FROM 3277
717473	
716959	FRAME 01
717492	
DATE	LAST EC
08-05-72	717946
IBR CORP. SDD	P.No 1823146

001

001



NOTE SEE REFERENCE PAGE
22101 FOR KEYBOARD FEATURE
JUMPER

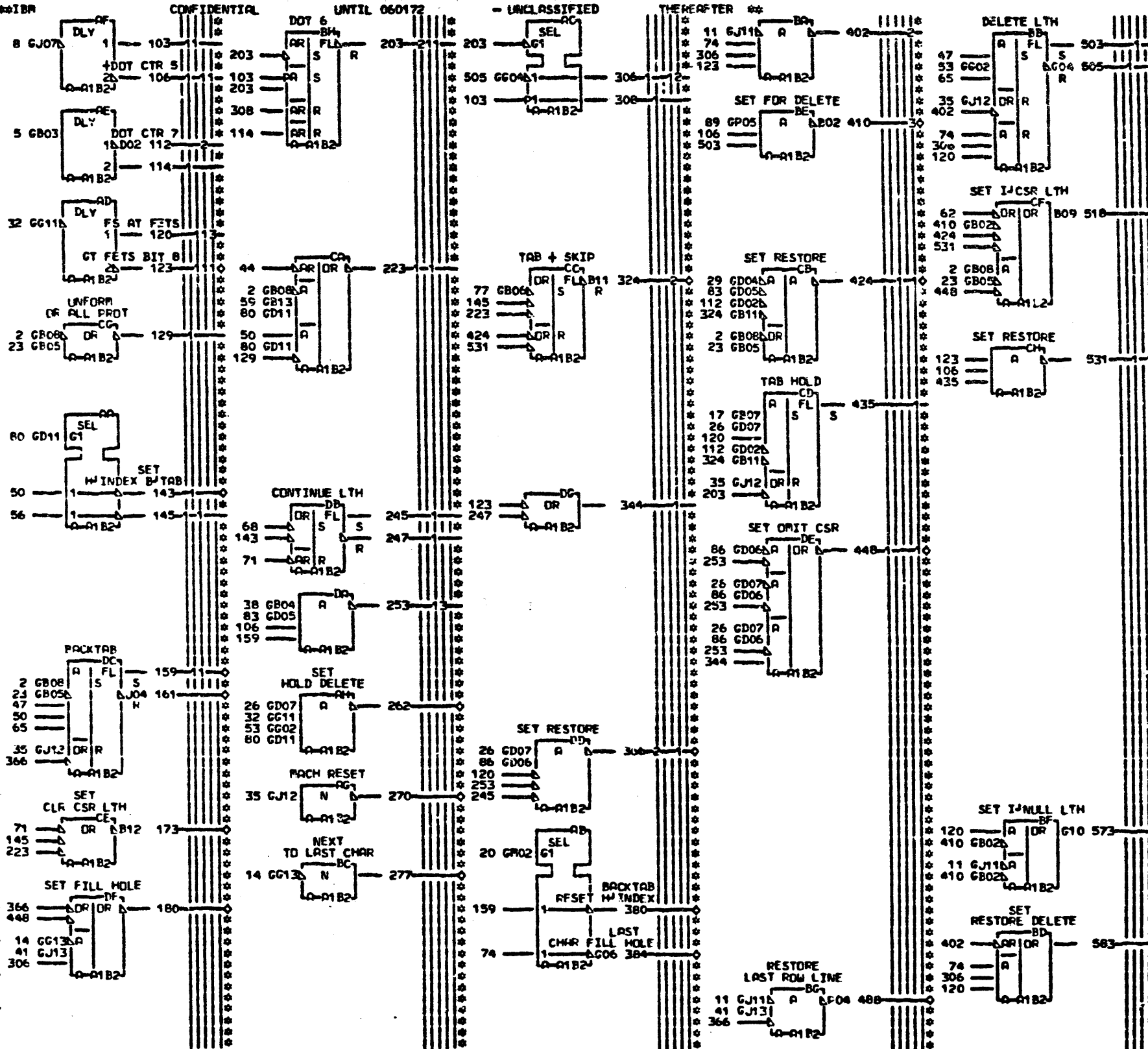
LDC TYPE
A-A1B2 9069

PAGE VER EC LEV
KRO31 000 717946
KRO41 000 717946

KEYBOARD CONTROLS #1			
E-C-HISTORY	B-PACH-3277		
717473	FRAME 01	KRO31	
717492			
DATE	LAST EC	IBR CORP-KN	KRO41
08-05-72	717946	P.No 1823756	000

KRO31
KRO41
000

- PROTECTED BFR — KPO71EJ4 — 2-2-11
 + DOT 7 — KFO21EF2 — 5-1-1
 + DOT 5 — KFO21GB2 — 8-1-1
 - CHAR 0 — KFO31CA4 — 11-1-1
 - NEXT TO LAST CHAR — KFO31DC4 — 14-1-1
 - CHAR ALL ONES — KFO31J4 — 17-1-1
 + LAST CHAR OUTPUT — KFO31GR4 — 20-1-1
 + UNFORMATTED DISP LTH — KFO51BP4 — 23-2-1
 + UNPROTECTED CHAR — KFO71GC4 — 26-1-13
 - FIRST CHARACTER — KF121CF4 — 29-1-1
 - COND FETS BIT 8 — KF131AD4 — 32-1-1
 + RESET — KF131DK4 — 35-1-1
 - ROW 0 — KF151GE4 — 36-1-1
 + LAST ROW — KF151GG4 — 41-1-1
 - DUP DEC KEY — KPO21AG4 — 44-1-1
 + CSR MOVE 0001 — KPO21BC4 — 47-1-1
 + BACKTAB 4 — KPO31AP4 — 50-2-1
 + DELETE 0 — KPO31AS4 — 53-1-1
 + TAB + SKIP 3 — KPO31AV4 — 56-1-1
 + NIL 5 — KPO31BA4 — 59-1-1
 - SET IM CSR MSPACE — KPO41BC4 — 62-1-1
 + OLD INDEX — KPO41CE4 — 65-1-1
 - CLR IN MOLE — KPO41ED4 — 68-1-1
 - SET CLR CSR LTH — KPO41EG4 — 71-1-1
 + FILL MOLE — KPO41FG4 — 74-1-12
 - SET TAB NUM SKIP — KP111HE4 — 77-1-1
 + CSR EDIT — KP151GS4 — 80-1-1
 + FETS OUT BIT 9 — KP141CB4 — 83-1-1
 + LATE REG BIT 8 — KPO61CF2 — 86-1-1
 + LATE REG BIT 9 — KPO61CH2 — 89-1-1



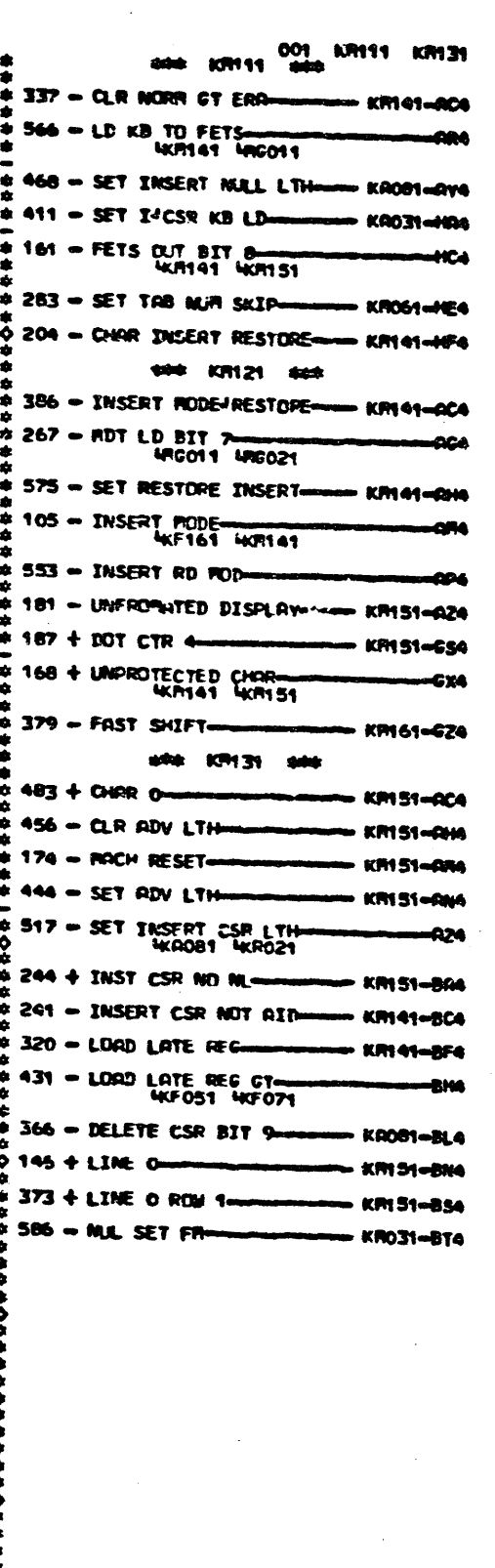
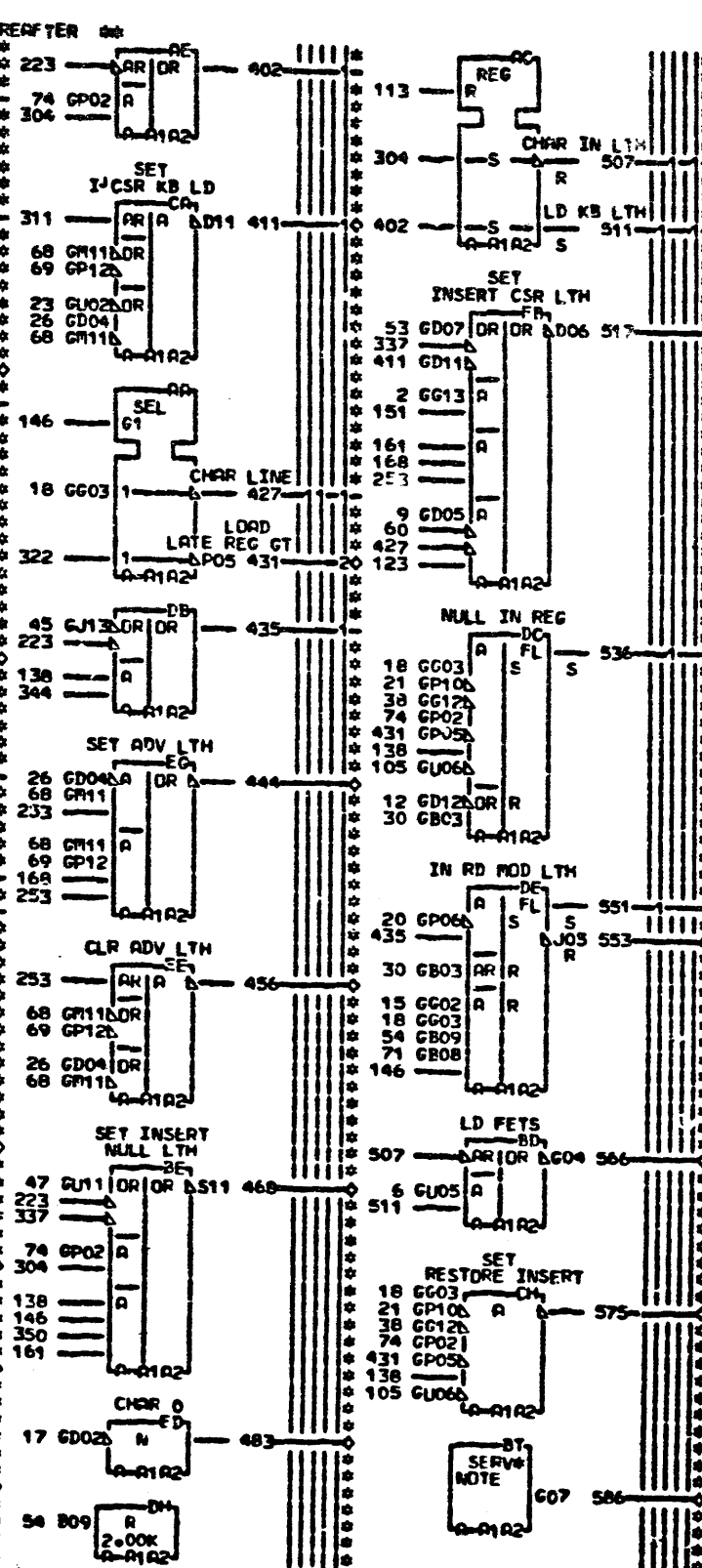
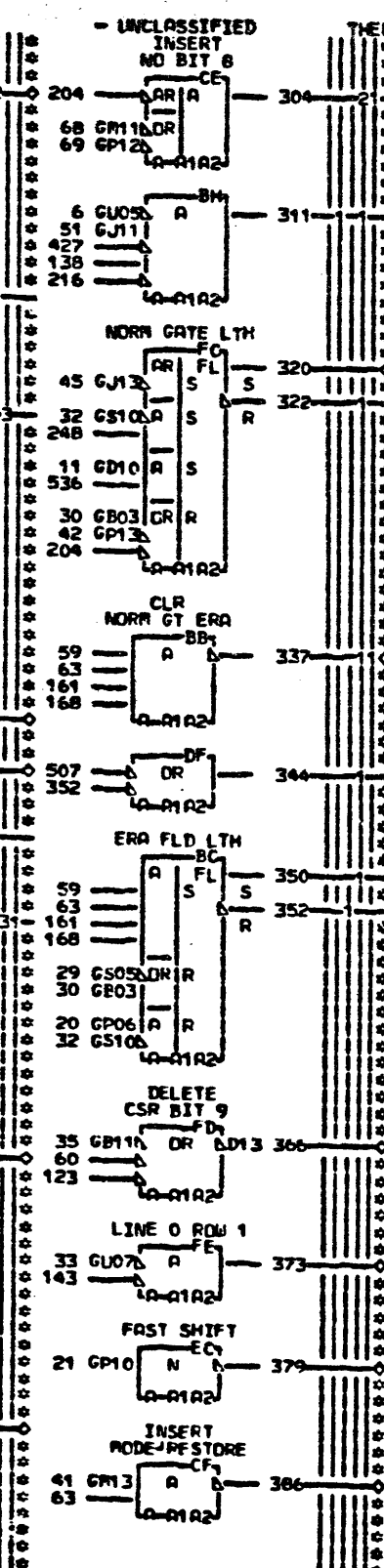
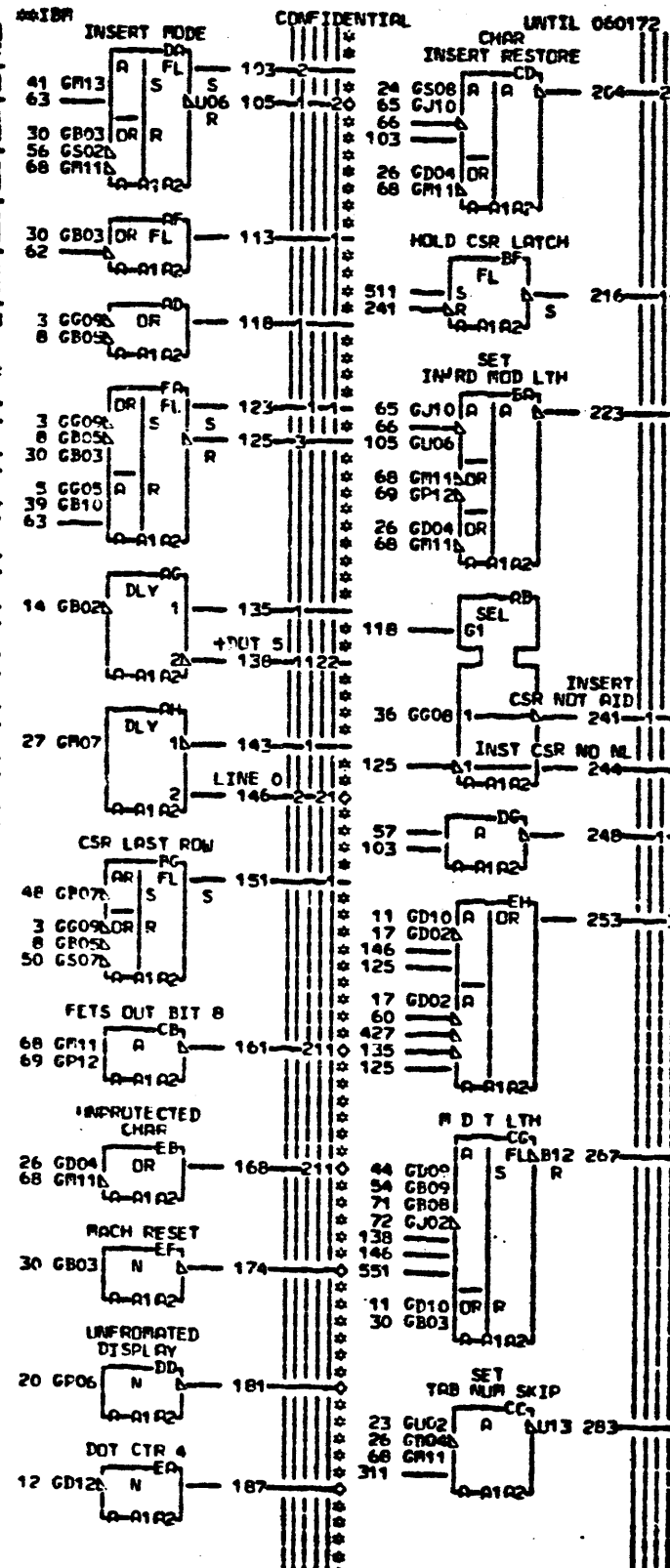
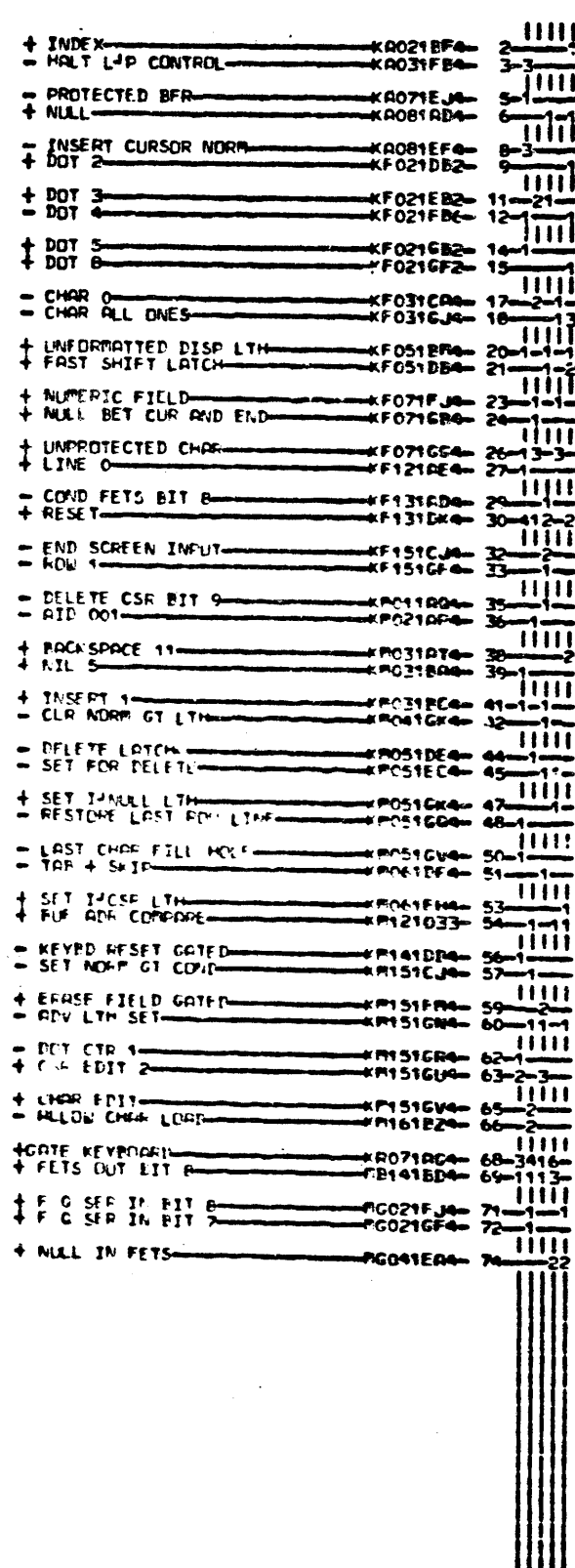
000 KRO51 KRO71
 270 - RACH RESET — KRO41 — B04
 262 - SET HOLD DELETE — KRO41-CE4
 503 + DELETE LTH — KRO41-DC4
 505 - DELETE LATCH — KRO41 — DE4
 277 + NEXT TO LAST CHAR — KRO41-DH4
 583 + SET RESTORE DELETE — KRO41 — DJ4
 410 - SET FOR DELETE — KRO41 — EC4
 573 + SET I^NULL LTH — KRO41 — GK4
 488 - RESTORE LAST ROW LINE — KRO41 — GG4
 380 - BACKTAB RESET M^INDEX — KRO41 — GR4
 384 - LAST CHAR FILL MOLE — KRO41 — GV4
 123 - GT FETS BIT 8 — KRO41 — GW4
 *** KRO61 ***
 424 - SET RESTORE — KRO41 — BX4
 324 - TAB + SKIP — KRO41 — DP4
 173 - SET CLR CSR LTH — KRO41 — FE4
 518 + SET I^CSR LTH — KRO41 — FM4
 531 - SET RESTORE — KRO41 — GW4
 *** KRO71 ***
 143 - SET M^INDEX B^TAB — KRO41 — BH4
 159 + BACKTAB LATCH — KRO41 — CC4
 161 - BACKTAB LATCH — KRO41 — CE4
 366 - SET RESTORE — KRO41 — DX4
 448 - SET OMIT CSR — KRO41 — EE4
 180 - SET FILL MOLE — KRO41 — GD4

LOC. TYPE
A-A1B2 9069

PAGE VER EC LEV
KRO51 000 717946
KRO61 000 717946
KRO71 000 717946

KEYBOARD CONTROLS 41			
E-C-HISTORY	B-RACH#3277		
717473		FRAME 01	KRO51
716959			
717492		IBR CORP-KN	KRO71
DATE LAST EC		Po# 1823758	000
08-05-72	717946		

KRO51
KRO71
000

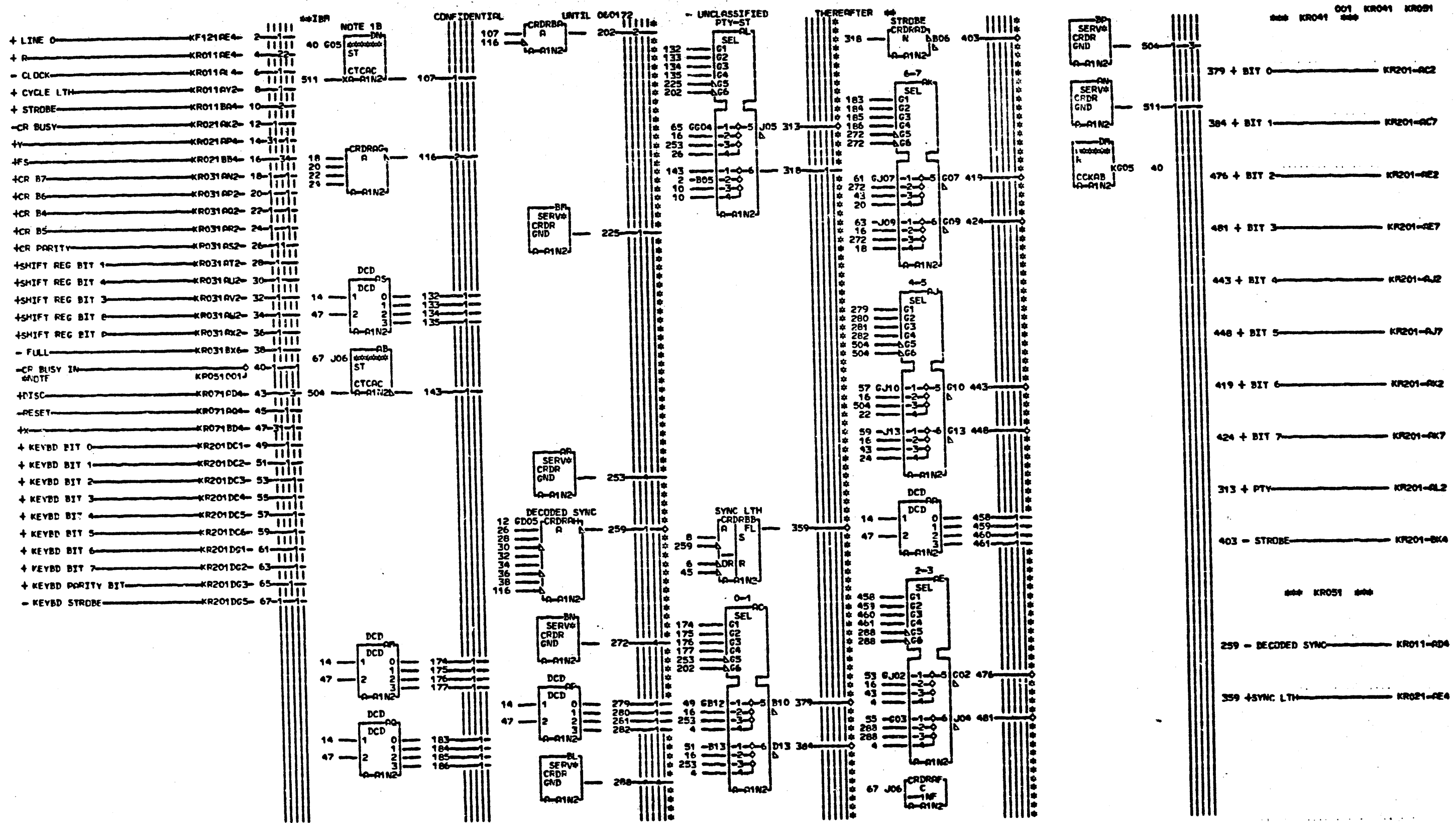


A-SIM TO PN 1563763 EC 717946
 B-SIM TO PN 1563764 EC 717946
 C-NOTE SEE REFERENCE PAGE 22102
 IF RFG 03353 INSTALLED
 SIM TO PN 1563765 EC 717946
 KR111
 KR131
 001

LOC. TYPE
A-A1A2 9072

PAGE VER EC LEV
 KR111 001 717946
 KR121 001 717946
 KR131 001 717946

KEYBOARD CONTROLS J2			
E-C-HISTORY	B-RACH-3277		
717473		FRAME	01 KR111
716959			
717492		IBR CORP-KN	KR131
DATE	LAST EC		
08-05-72	717946	PN#	1823761 001



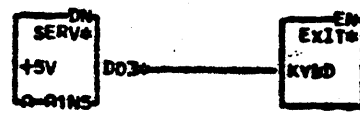
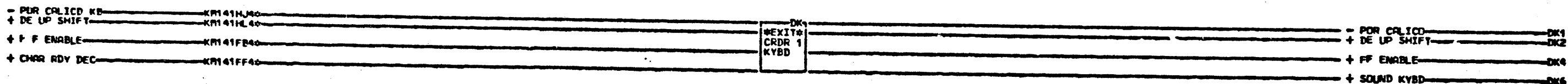
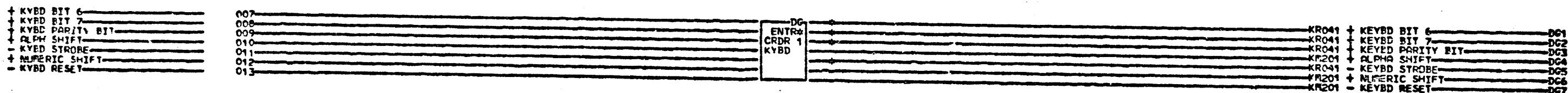
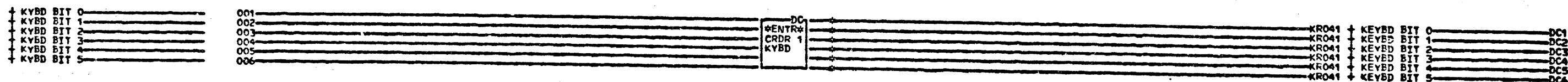
B-NOTE SEE REFERENCE PAGE 22101 FOR CARD READER FEATURE JUMPER

LDC TYPE 0-A1N2 2229

PGCE VER EC LEV KRO41 001 717492 KRC91 001 717492

CARD READER	
E.C. HISTORY	FRAG# 01 KRO41
717473	IBN CORP. SDD KRO51
716959	P.No. 1823770 001
DATE LAST EC	
06-01-72 717492	

KY 41
KRO51
001



LOC. TYPE

NOTE 1 24 SOCKET FOR KYBD WITH CARD READER

KR141FB4	DC2	A-21L6C04	01A-01R6E02
01A-01R6A02	DC3	A-01L6D04	DN4 A-01N6A02
KR141FF4	DC4	A-01L6E04	
01A-01N6C02	DC5	A-01R6A04	
KR141H40	DC6	A-01R6B04	
01A-01R6D02	DC1	A-01R6C04	
KR141HL40	DC2	A-01R6D04	
01A-01L6D02	DC3	A-01R6E04	
DC1 A-01L6B04	DC5	A-01N6A04	

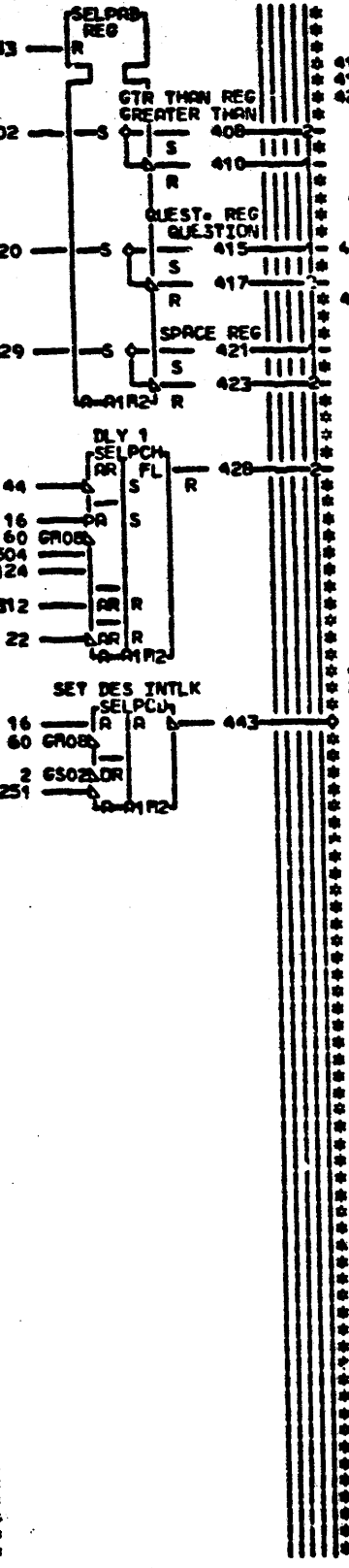
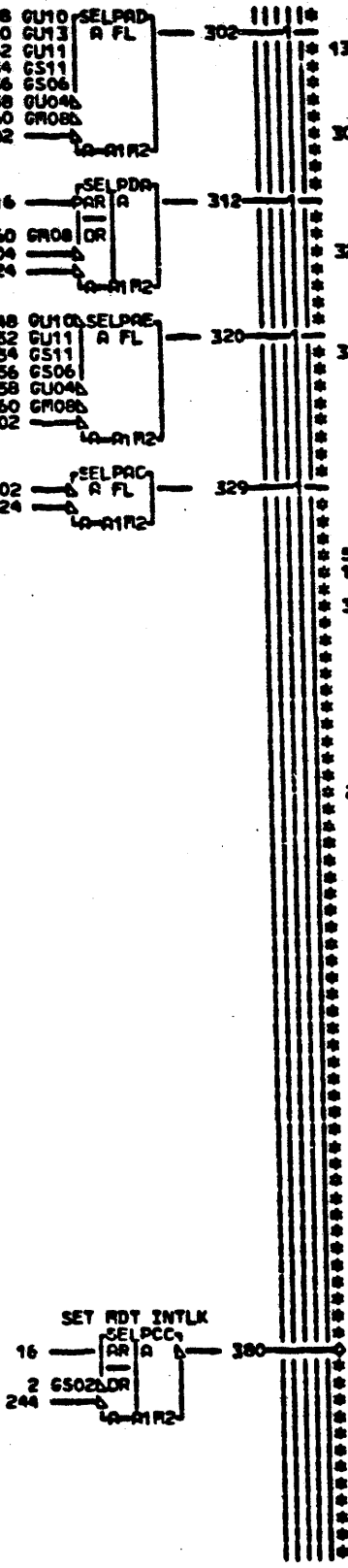
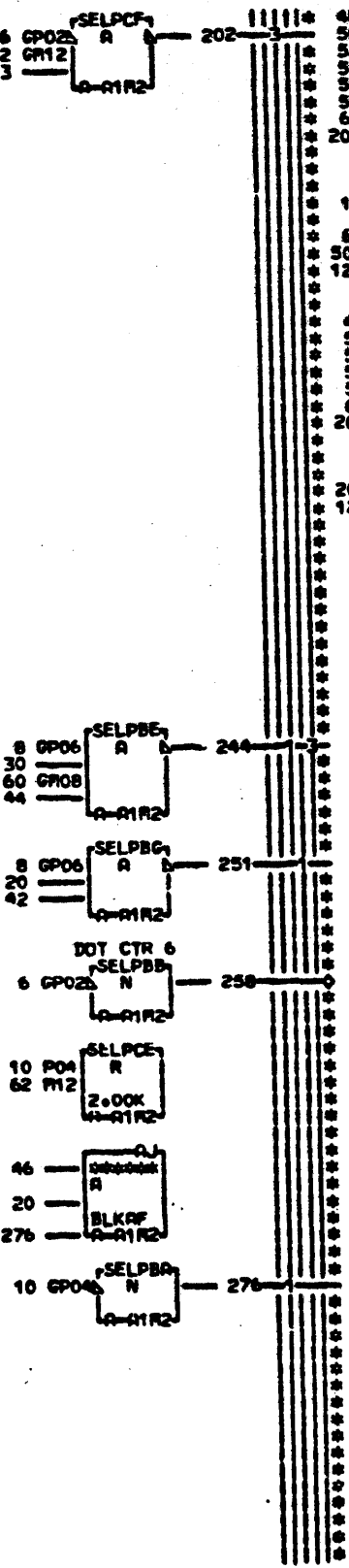
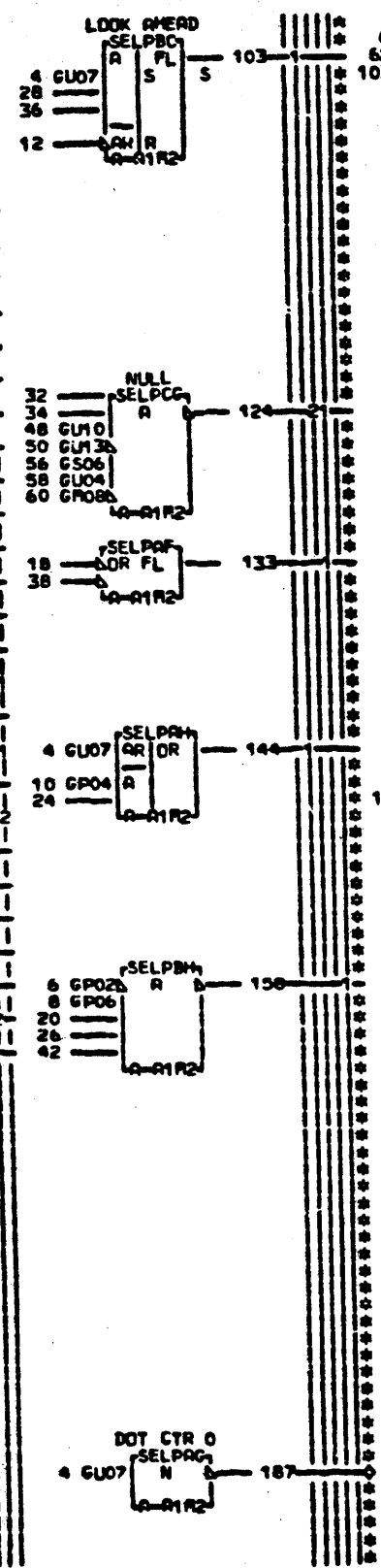
KEYBOARD INTERFACE FOR CR

E-Co-HISTORY A PACH 3277
717473

FRAME 01

DATE LAST EC IBM CORP. KN
02-18-72 716859 P.No. 1823772

- HALT LP CONTROLS - KA031FB4- 2
- + DOT 0 - KF021BB2- 4
- DOT 6 - KF021EE6- 6
- + LAST LINE - KF171BB4- 8
- 19SR DR 48 SR CONN - KT011002- 10
- DOT CTR 8 - KT031AC4- 12
- RDT INTLK SET - KT031BB4- 14
- + DOT CTR 8 - KT031BC4- 16
- ADD 1 FS - KT041BP4- 18
- + STRIKE LAT - KT041BR4- 20
- STRIKE LAT - KT041BS4- 22
- + DES INTLK SET - KT041RT4- 24
- DES INTLK SET - KT041RU4- 26
- + FS ON LINE 5 - KT041TB4- 28
- CHAR ALL ONES OR ROW 0 - KT041TB4- 30
- BIT 4 LB - KT051RB4- 32
- BIT 5 LB - KT051RE4- 34
- + BITS 4 AND 5 SPD - KT051RE4- 36
- RESET - KT051RZ4- 38
- LP CTR 0 - KT061RS4- 40
- + LP CTR 0 - KT061RT4- 42
- + V - KT061RU4- 44
- + LP CTR 1 - KT061RV4- 46
- PRE RUS BIT 7 - KC021BA4- 48
- + BIT 6 FROM LINE BUFFER - KC021BB4- 50
- + BIT 5 FROM LINE BUFFER - KC021BC4- 52
- + BIT 4 FROM LINE BUFFER - KC021BD4- 54
- PRE RUS BIT 3 - KC021BE4- 56
- PRE RUS BIT 2 - KC021BF4- 58
- + BIT 8 FROM LINE BUFFER - KC021BG4- 60
- + LWR CASE BIT 1 LB - KC111BL6- 62



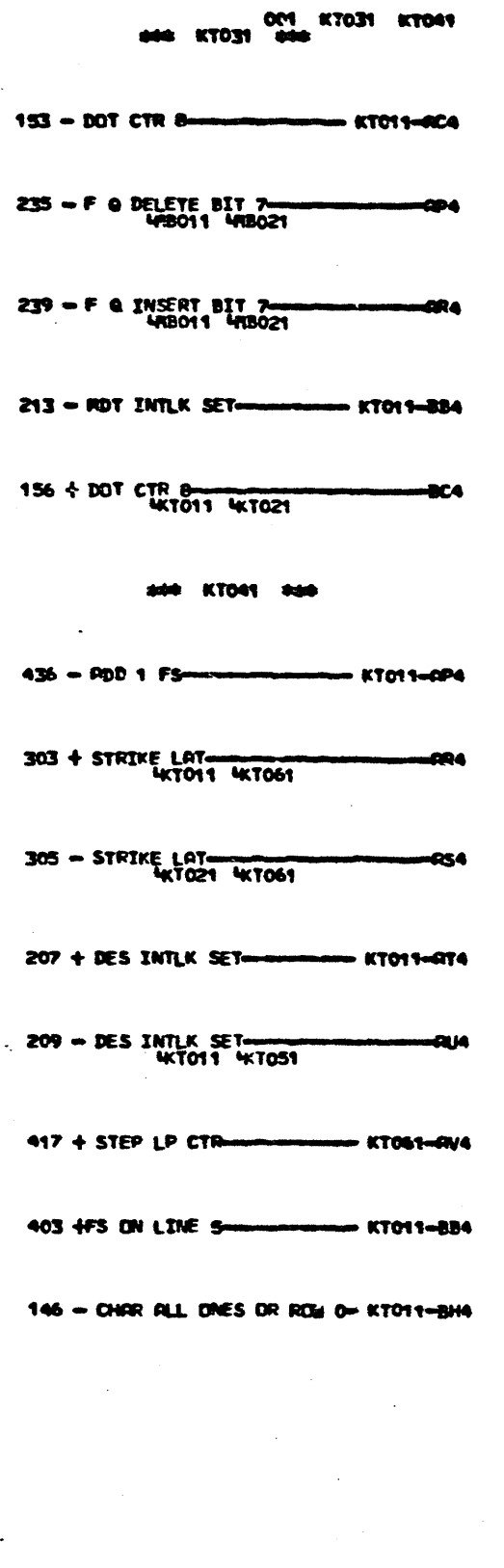
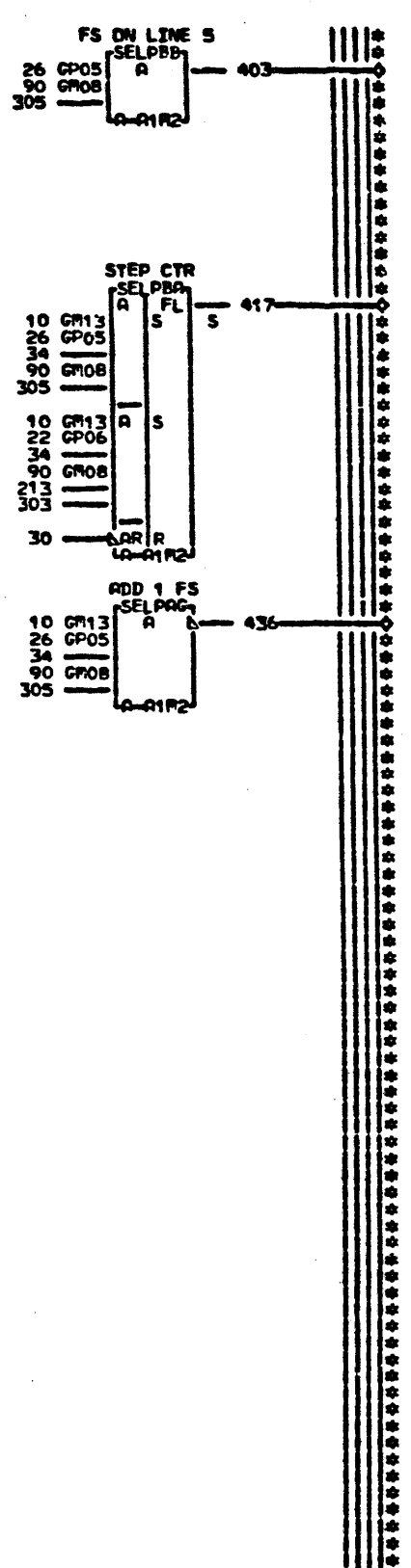
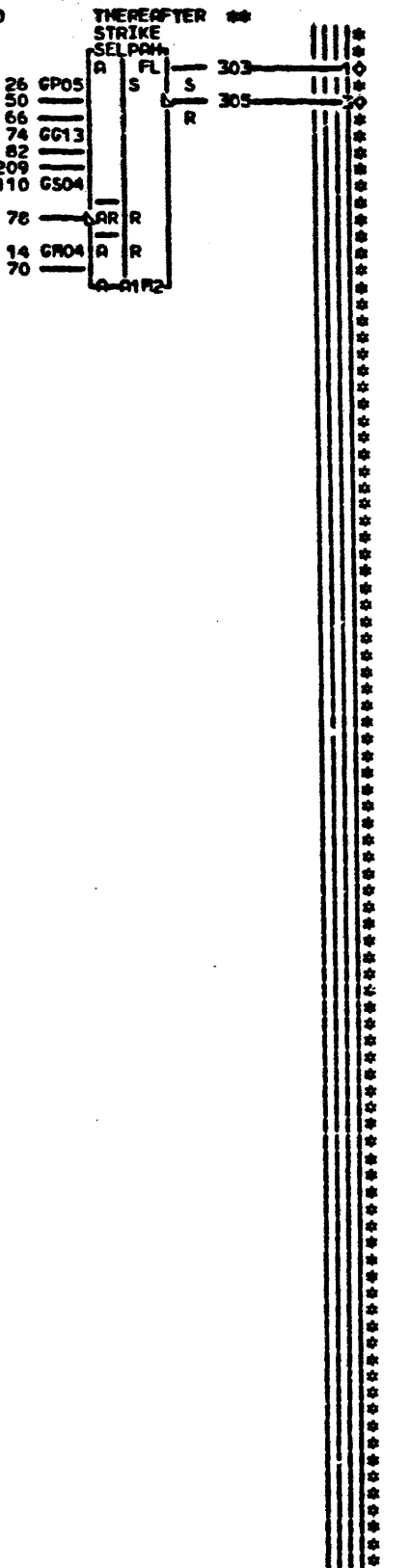
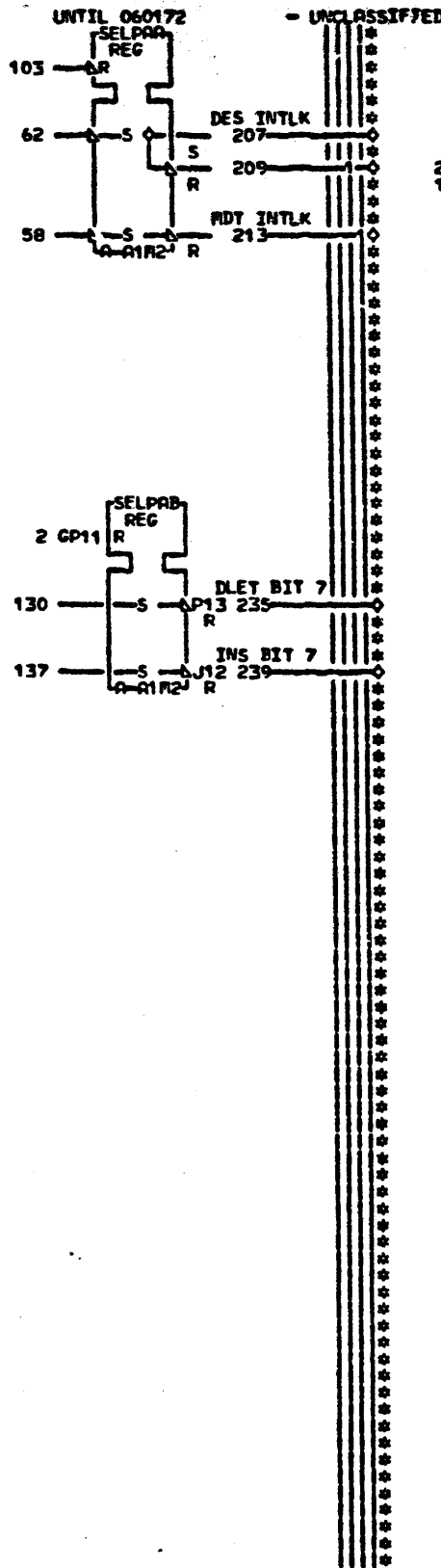
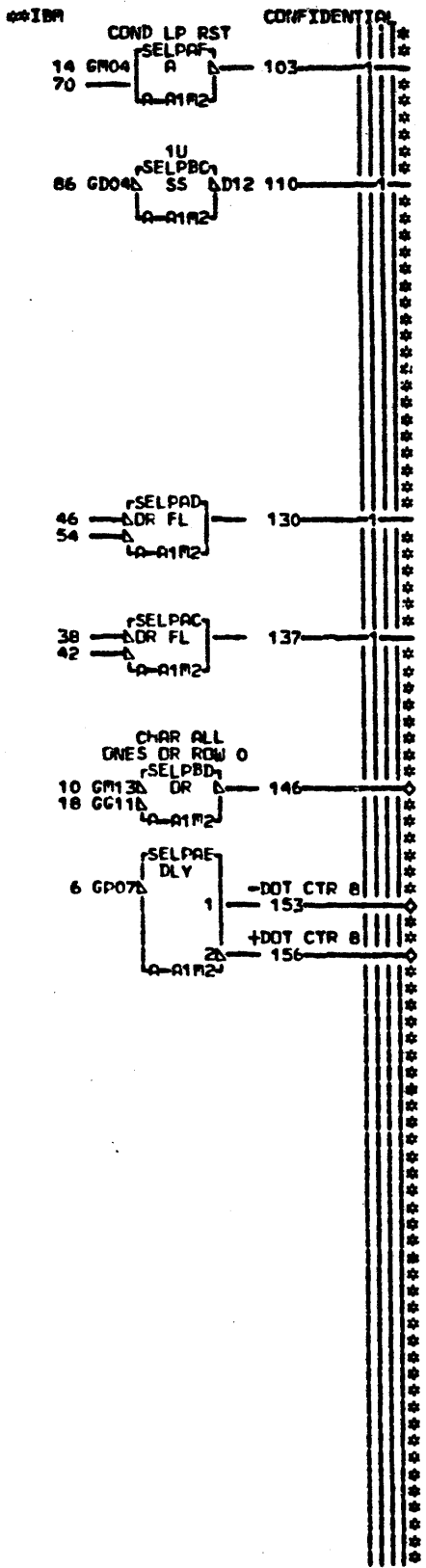
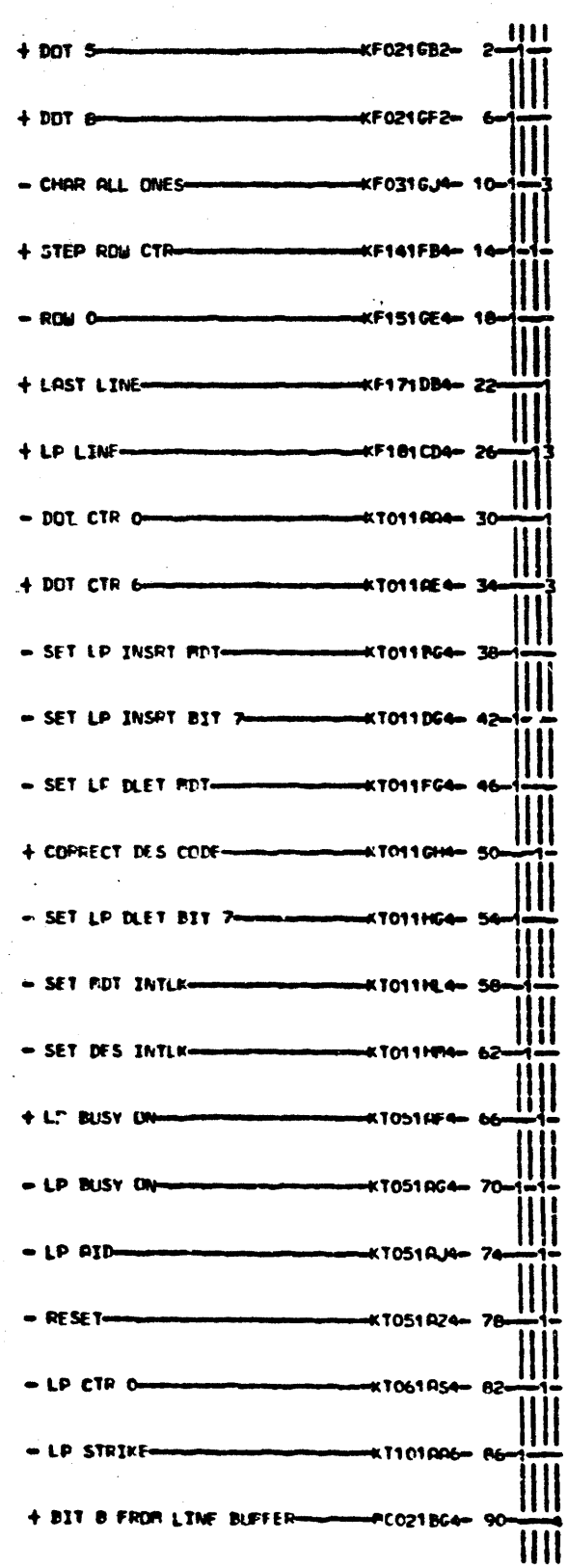
- 187 - DOT CTR 0 - KT041-004
- 258 + DOT CTR 6 - KT041-004
- 577 - SET LP INSRT RDT - KT031-004
- 560 - SET LP INSRT BIT 7 - KT031-004
- 567 - SET LP DLET RDT - KT031-004
- 504 + CORRECT DES CODE - KT061-004
- 557 - SET LP DLET BIT 7 - KT031-004
- 538 - SET LP RID LAT - KAO61 KT051
- 380 - SET RDT INTLK - KT031-004
- 443 - SET DES INTLK - KT041-004
- 511 + DRAW BAR SR 1 - KT051-002

LOC. TYPE
R-11R2 9088

PAGE VER EC LEV
KT011 R15 71796
KT021 P15 71796

RNR 1948 LP CTRL			
E.C. HISTORY	717473	FRAME 01	KT011
716959		IBM CORP. KN	KT021
DATE LAST EC	08-09-72 71796	P.O. 1823774	R15

KT011
KT021
R15

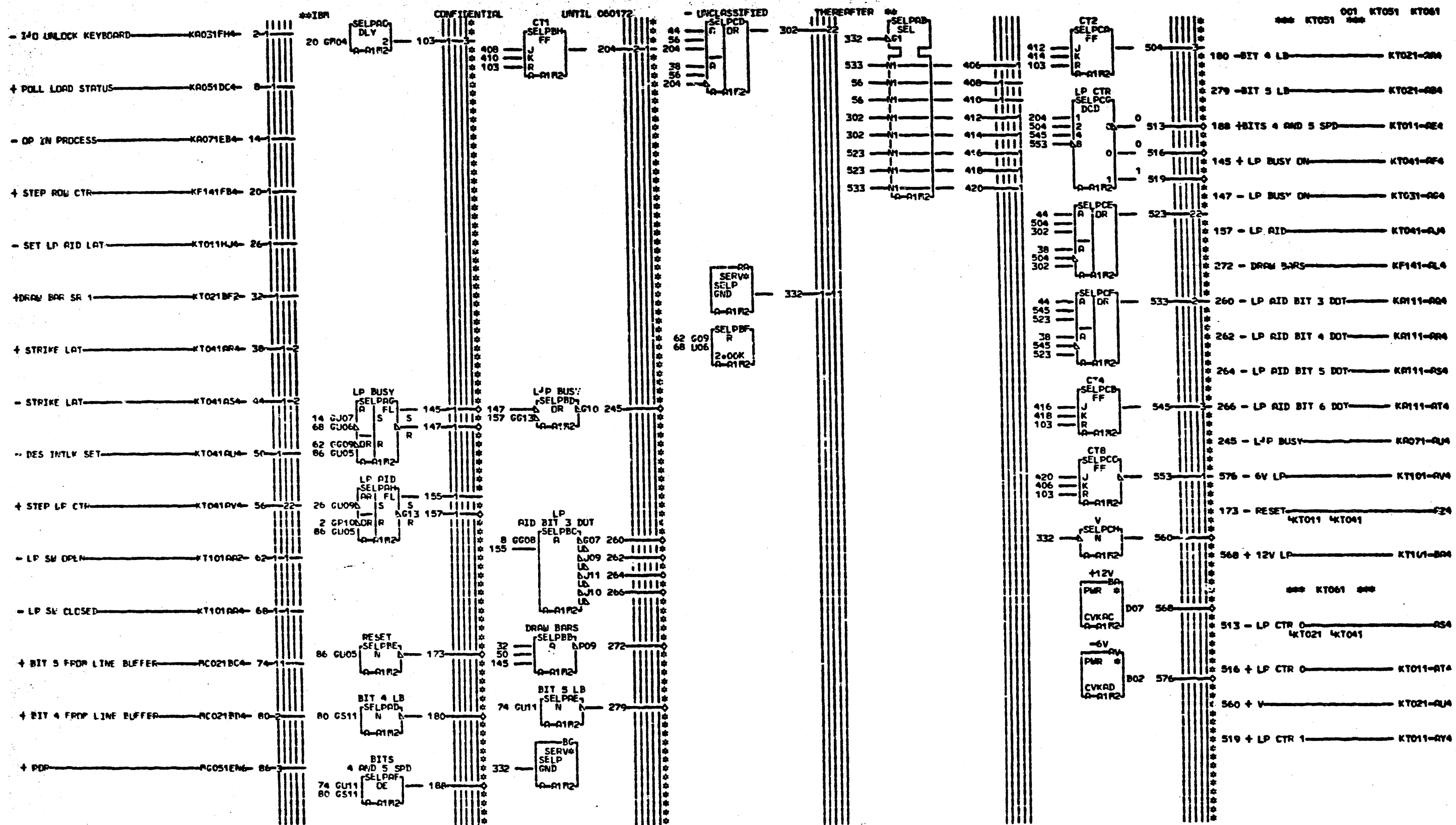


LDC TYPE
A-A1A2 9088

PAGE VER EC LEV
KT031 001 717473
KT041 001 717946

KT031
KT041
001

RNR 19748 LP CTRL	
E-C-HISTORY 717473	B-RAC-3277 717473
DATE 08-05-72	LAST EC 717946
FRAME IBN CORP-KN	01 KT031
P.No 1823776	001 KT041

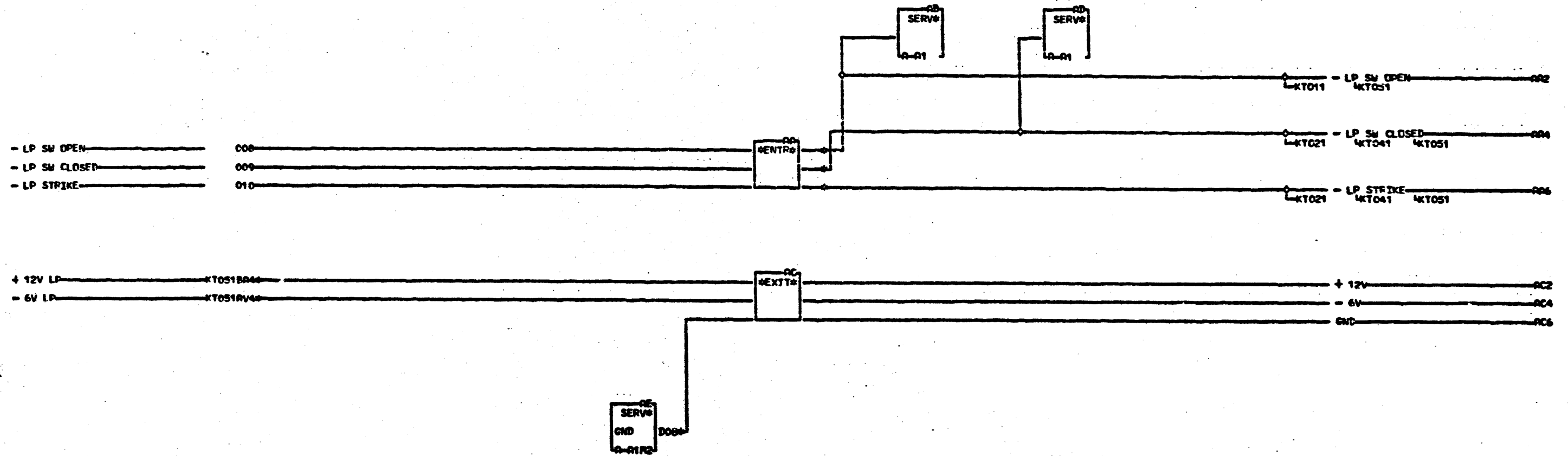


LOC. TYPE
A-11R2 9088

PAGE VFR EC LEV
KT051 001 717946
KT061 001 717473

RAR 1948 LP CTRL			
E.C. HISTORY	B. RACH. 3277		
717473			
716959	FRAME 01		KT051
717492			
DATE LAST EC	IBR CORP. KN		KT061
08-05-72 717946	P.N. 1823780		001

KT051
KT061
001



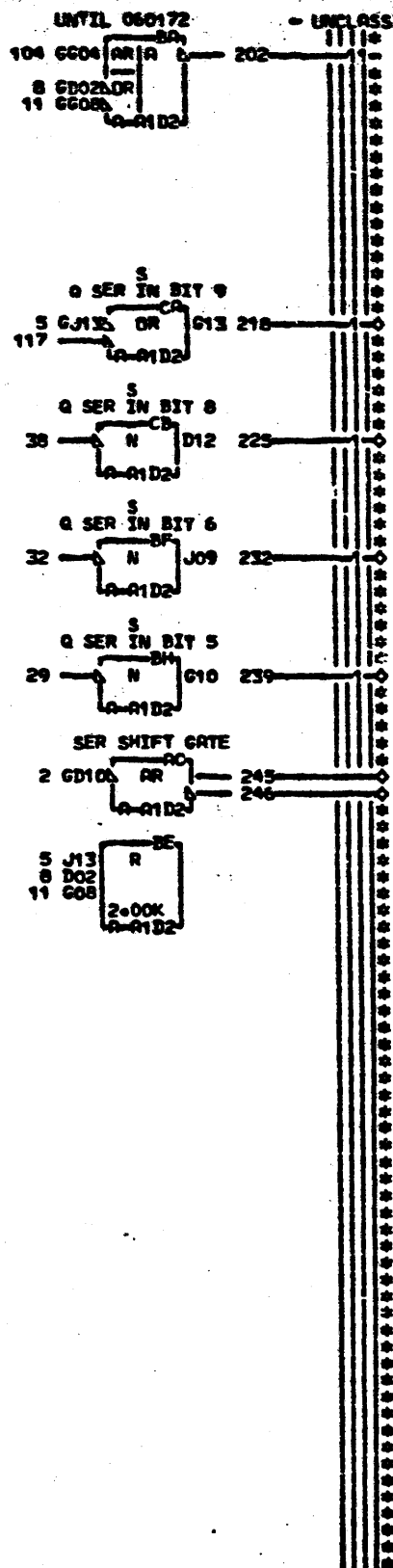
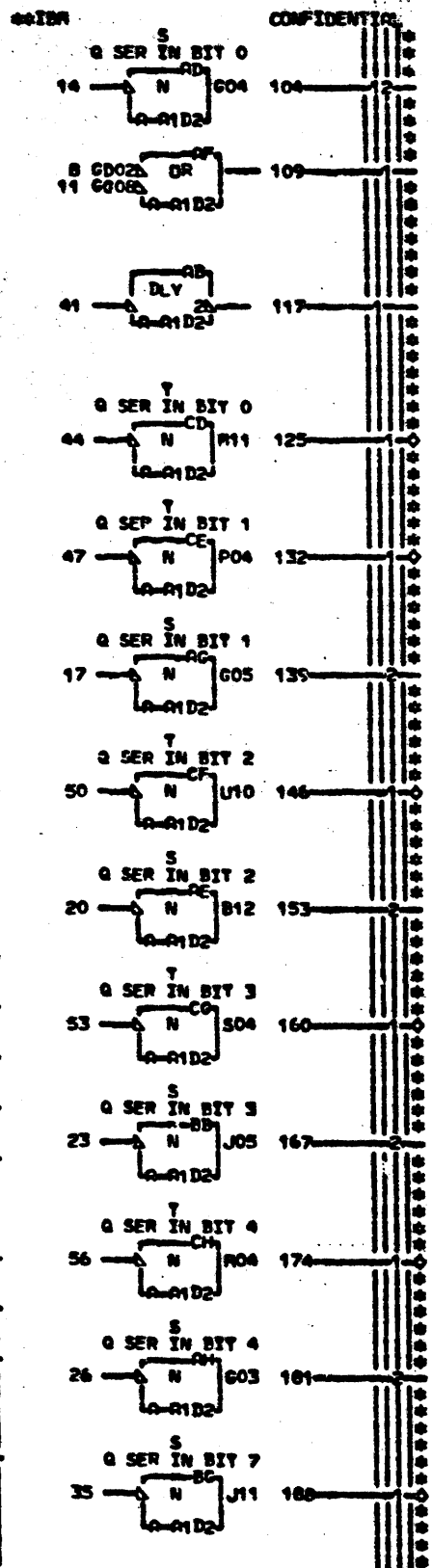
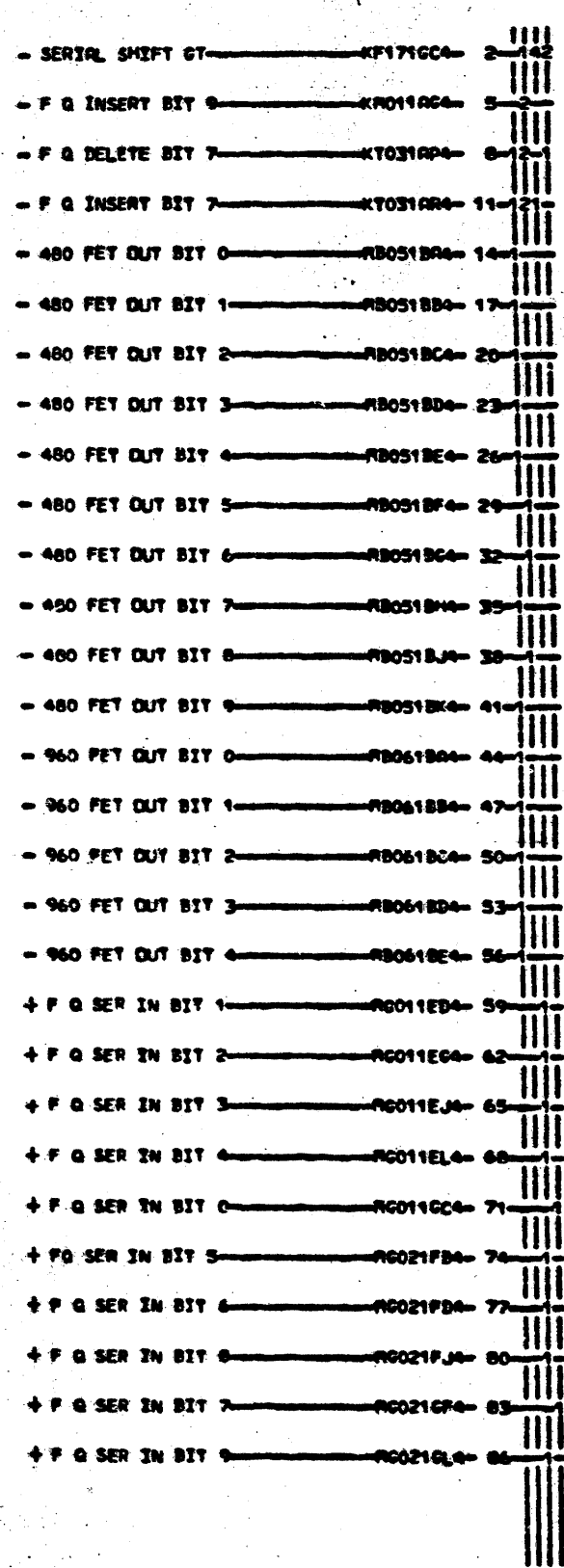
KT101

KT051AV4 RE4 A-0171B13
 01A-0171D13 01A-0171A11
 KT051B04
 01A-0171C13
 002 A-0171C13
 01A-0171B11
 004 A-0171E13
 01A-0171B11
 006 A-0171B13

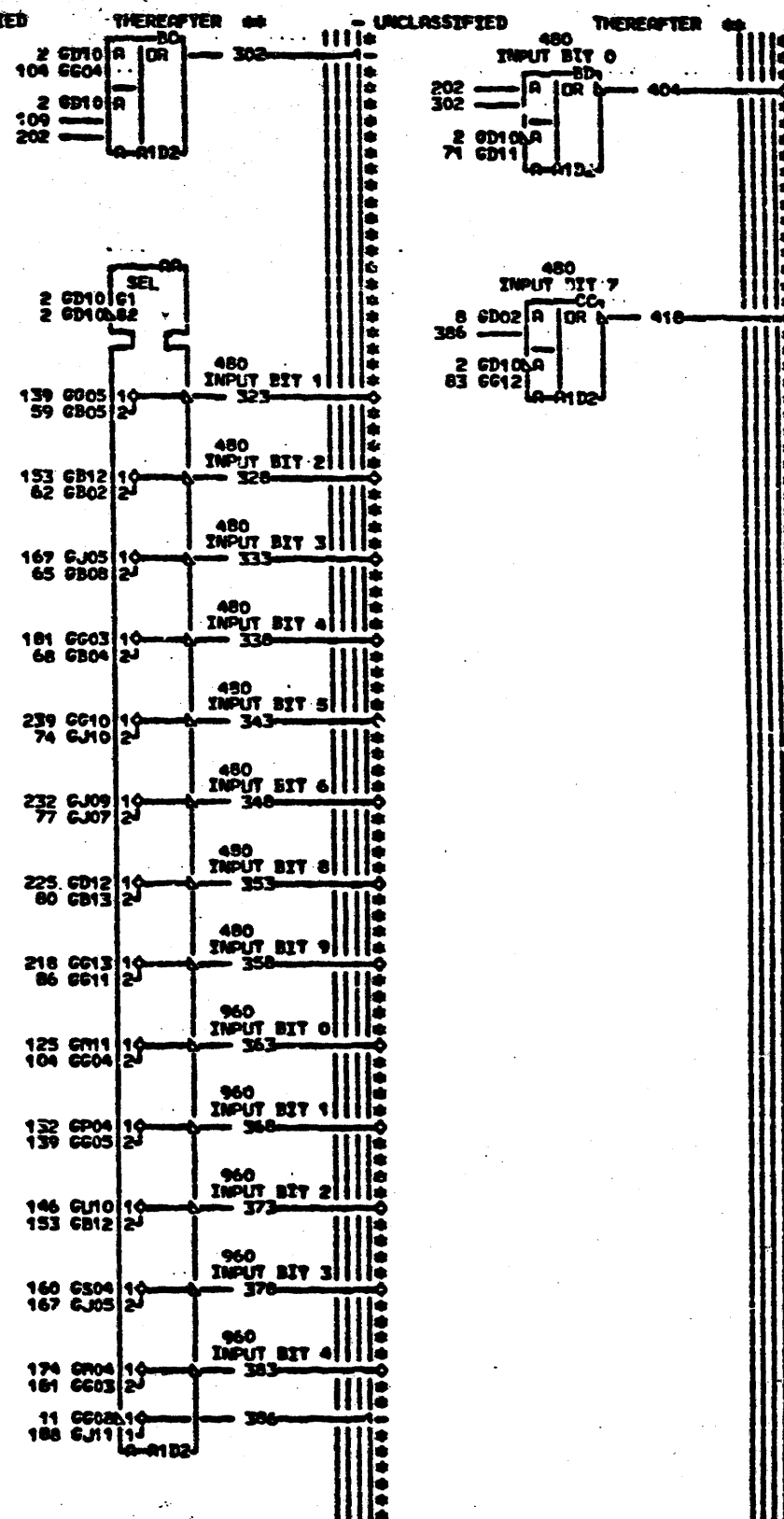
LOC. TYPE

SELECTOR PEN INTERFACE LINES	
E.C. HISTORY 717473	D. PACH 3277
DATE 06-01-72	LAST EC 717492
FRMPE 01	IBM CORP. SDD
	PoNo 1823783

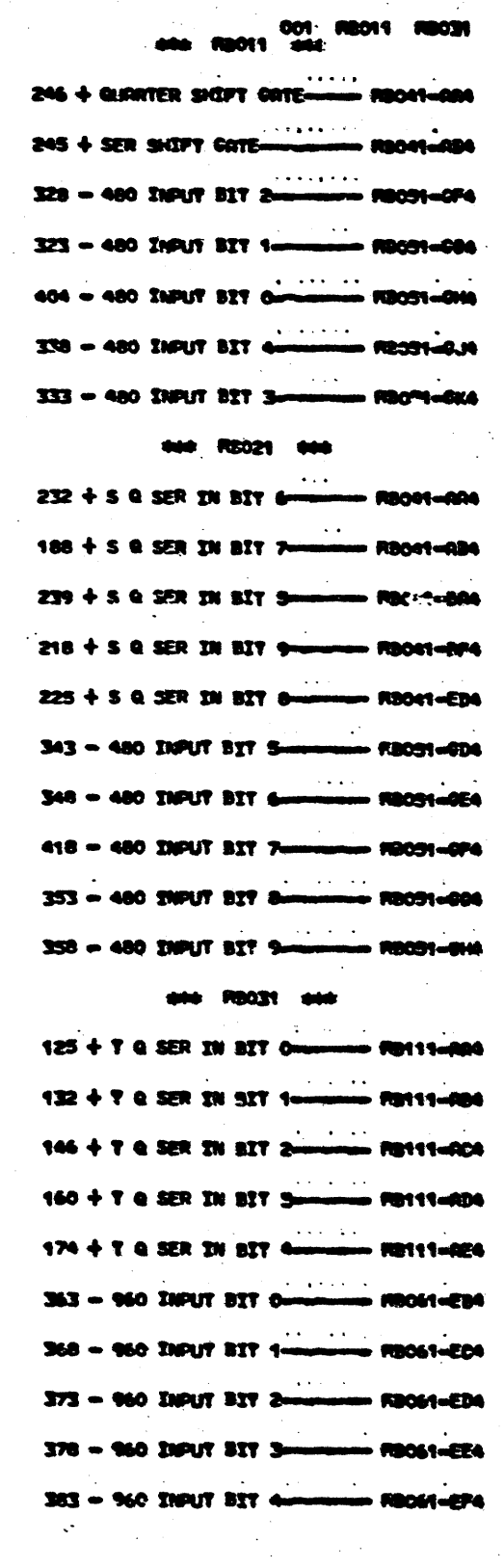
KT101



LOC. TYPE
A-01D2 9065



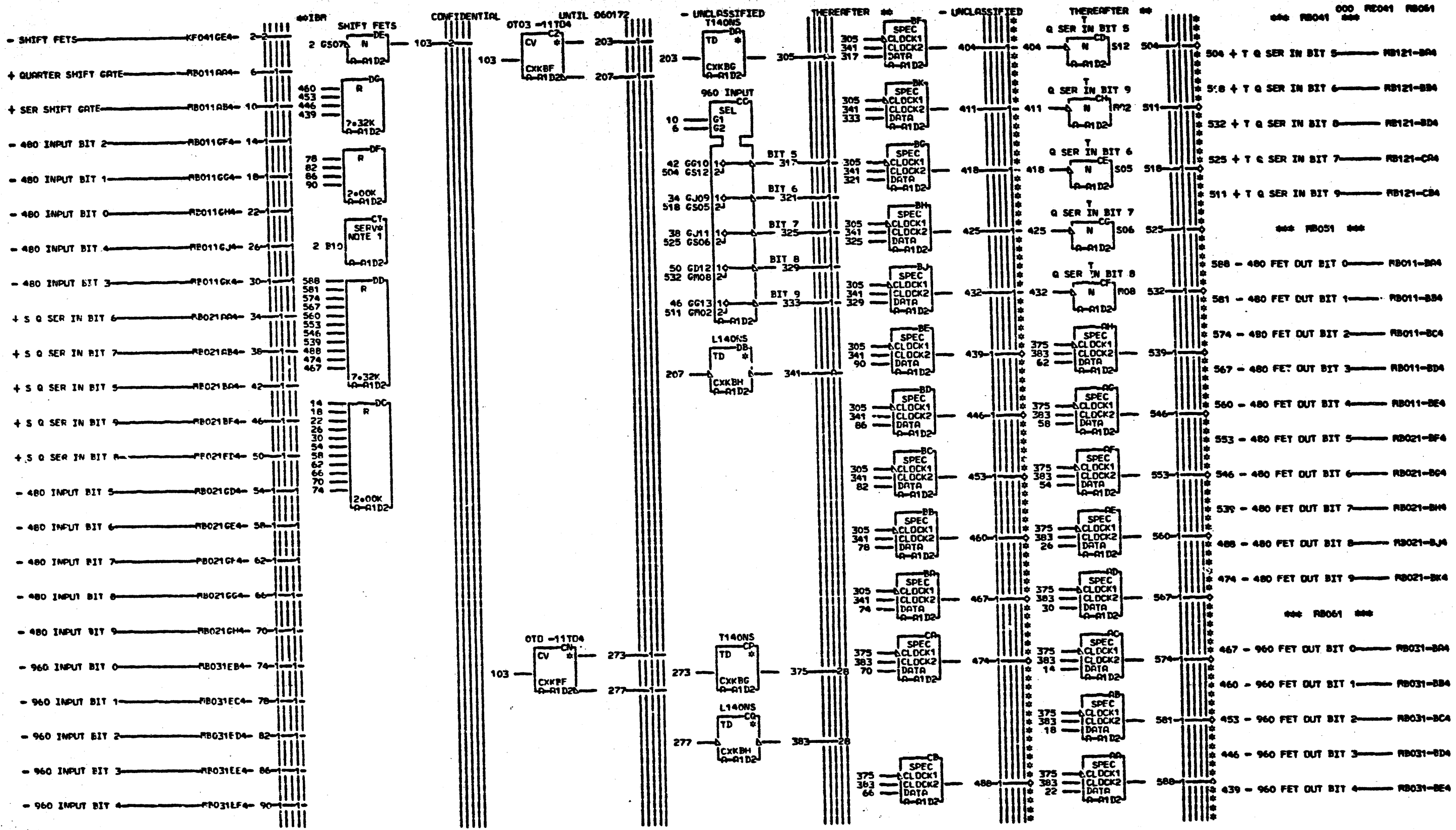
PAGE VER EC LEV
 RB011 001 717473
 RB021 001 717473
 RB031 000 717473



8-SIR TO PN 1563770 EC 717473
 8-SIR TO PN 1563771 EC 717473

RB011
 RB031
 001

960 STDR + GATE	
E-C-HISTORY	RA003277
FRAME 01	RB011
DATE LAST EC	13M COMP-JCN RB031
01-21-72 717473	Pa. No. 1823785 001

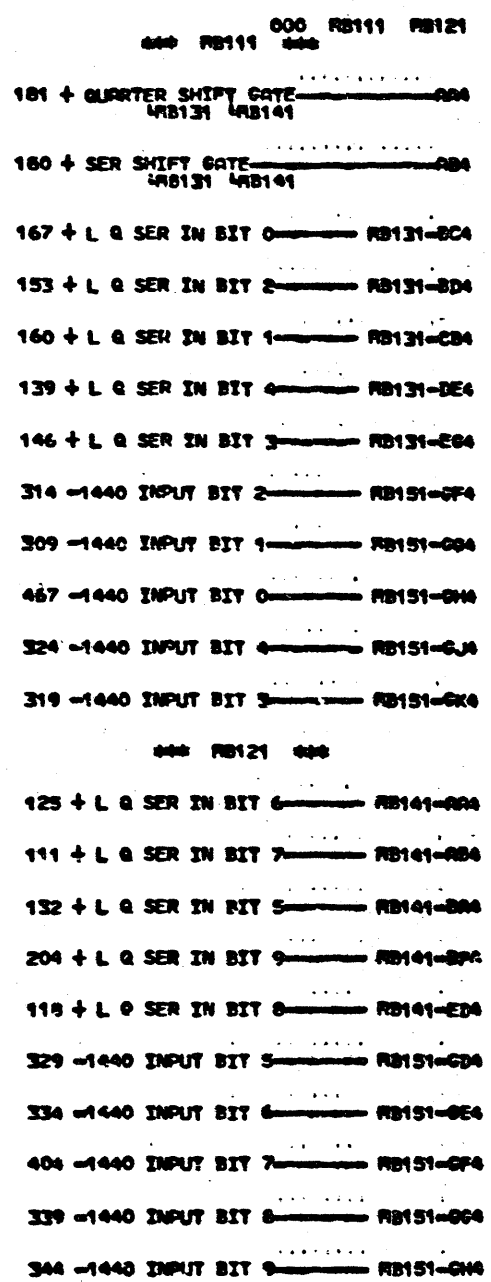
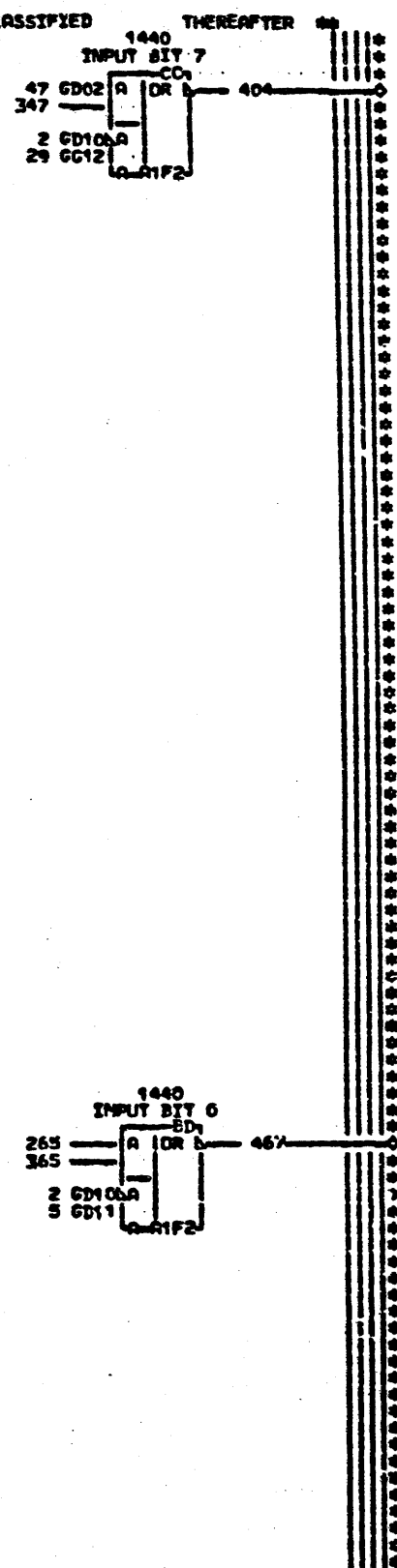
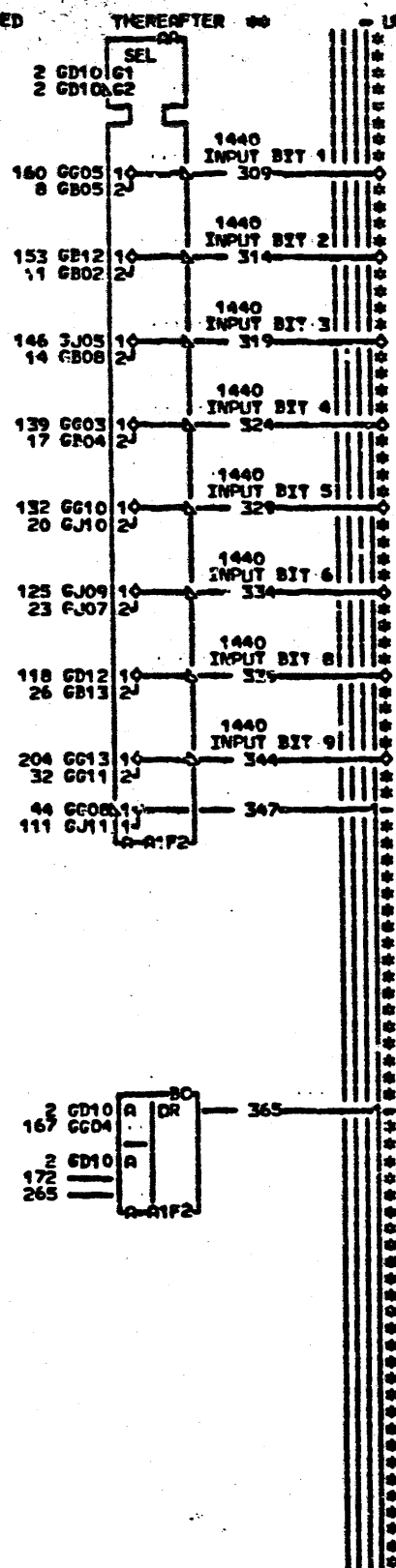
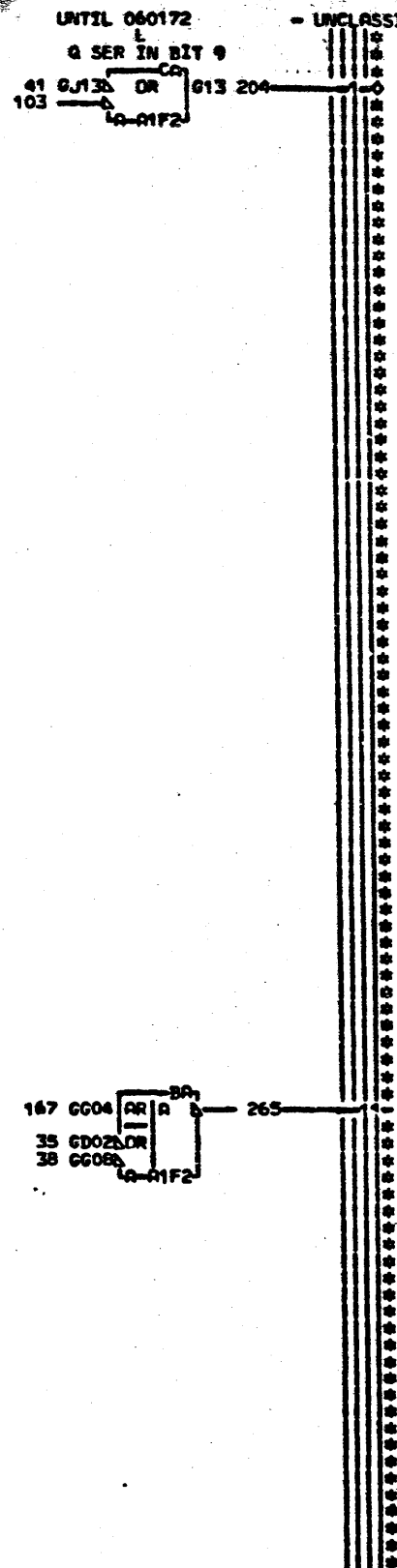
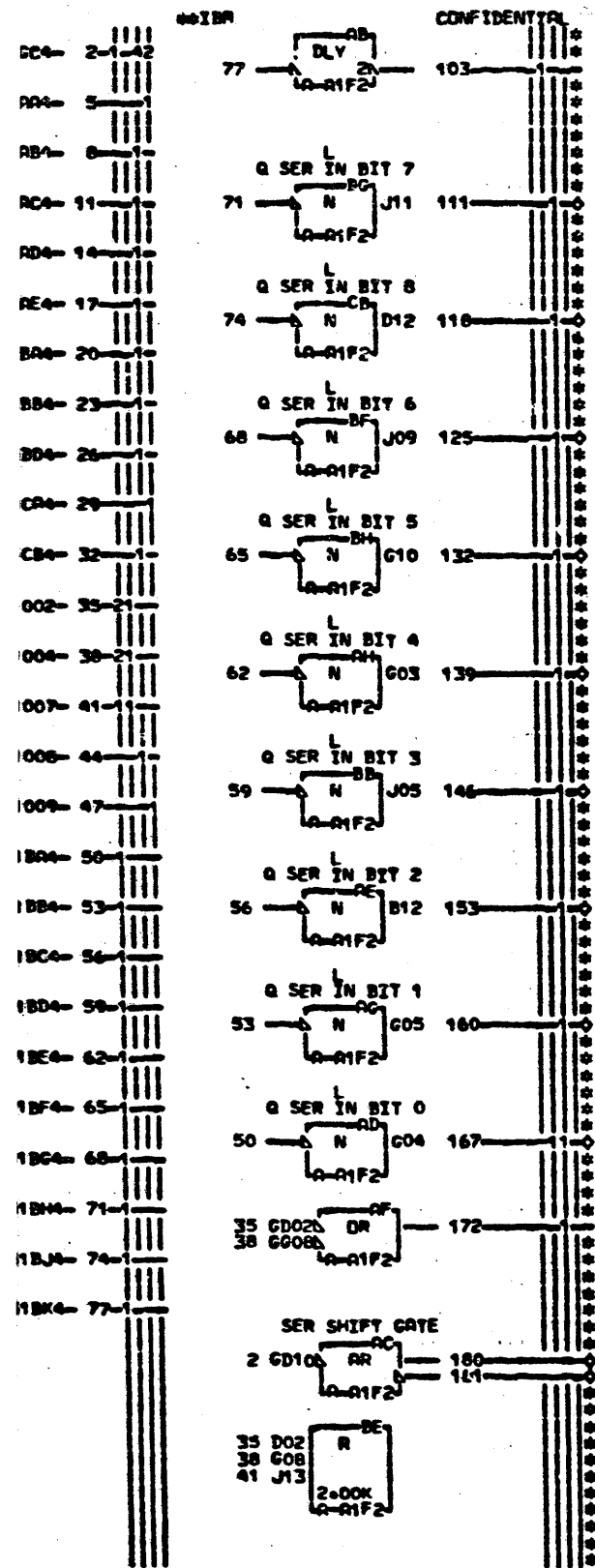


RB041
RB061
000

LOC. TYPE
A-1D2 9065

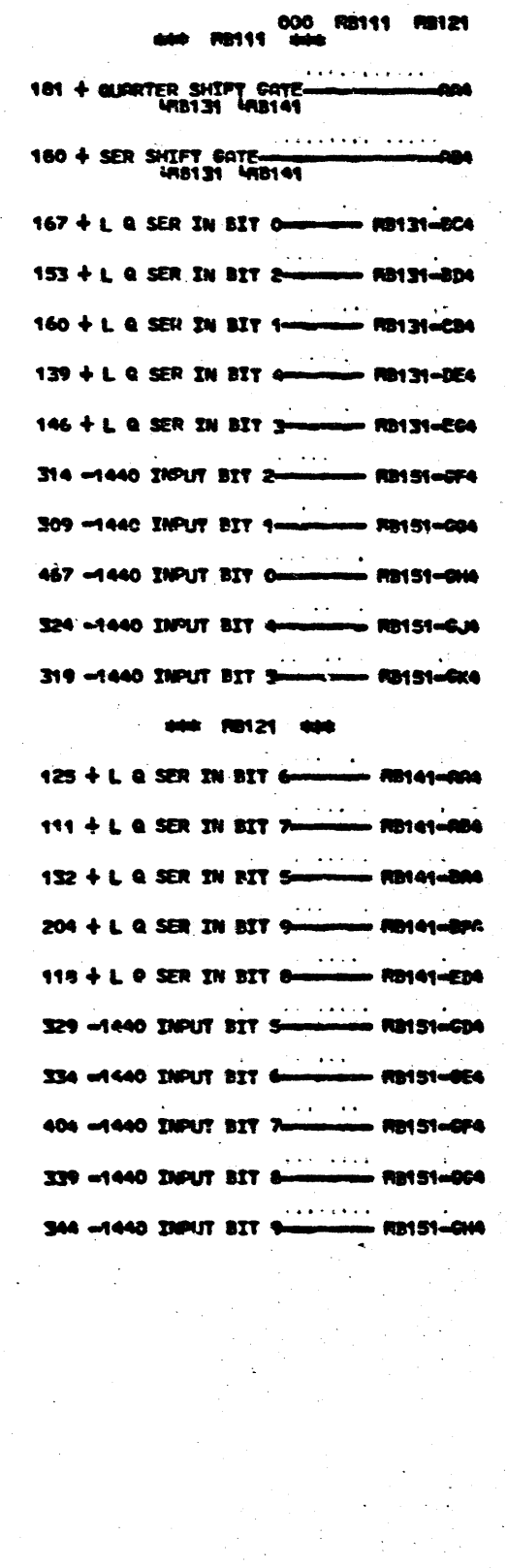
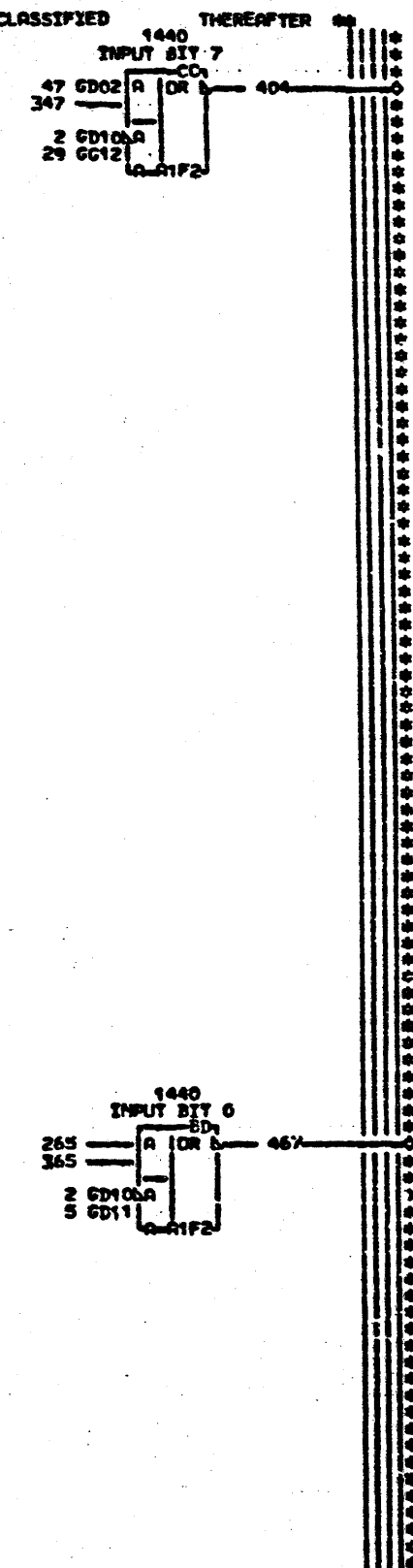
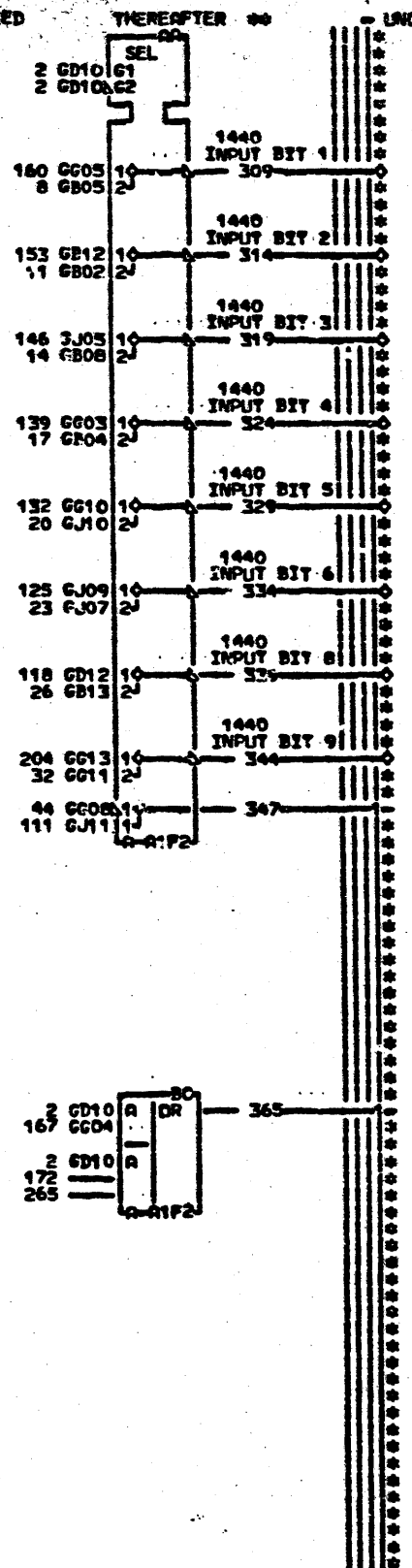
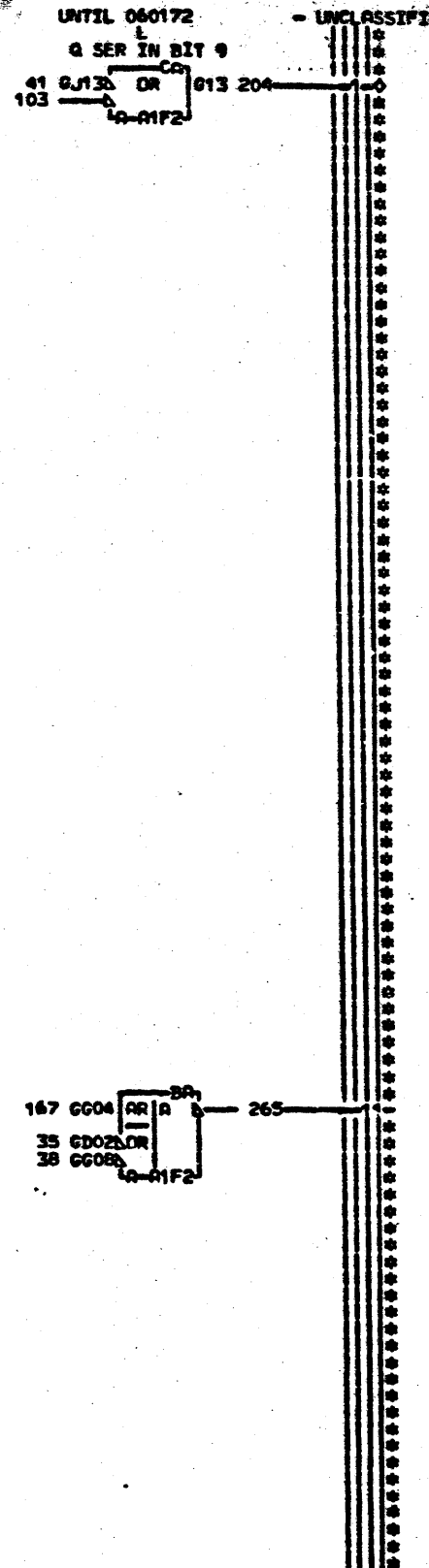
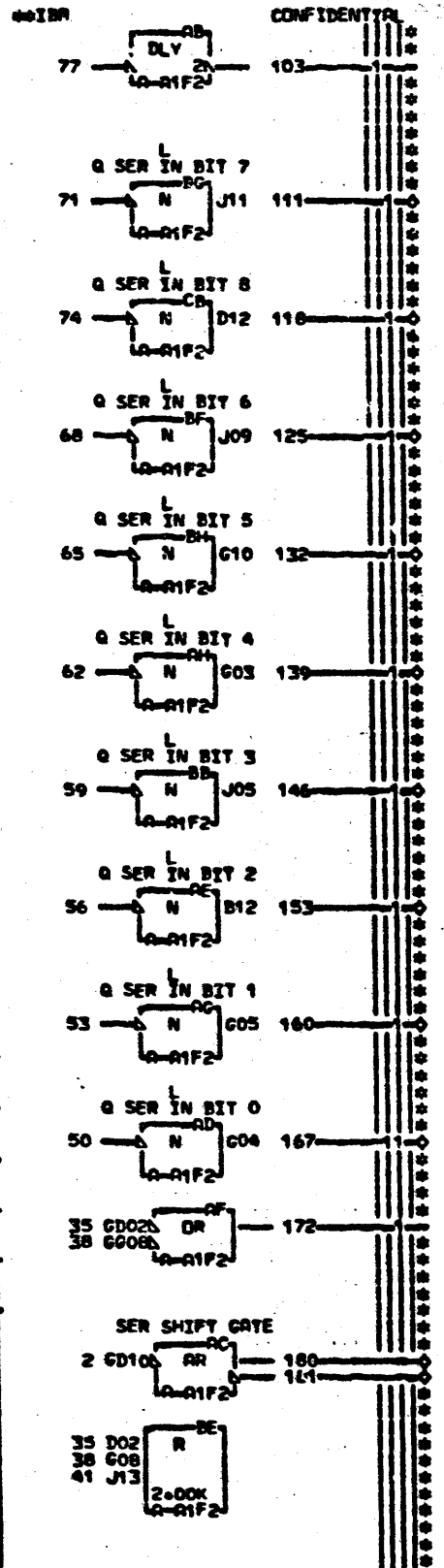
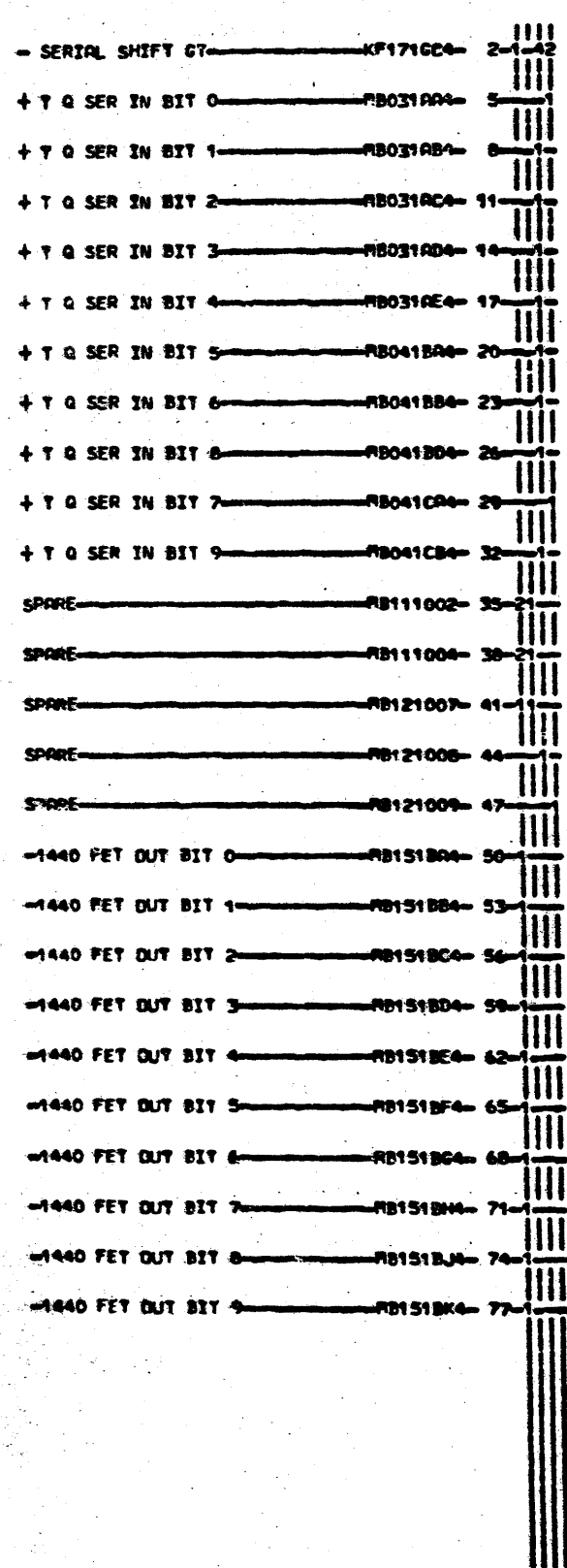
PAGE VER EC LEV
RB041 000 717492
RB051 000 717946
RB061 000 717492

960 STOR + GATE			
E ₀ C ₀ -HISTORY	B	WACH-3277	
717473		FRONE	01 RB041
717492			
DATE	LAST EC	TBR CORP-KN	RB061
08-05-72	717946	PN# 1823789	000



PAGE VER EC LEV
RB111 000 717473
RB121 000 717473

960 STOR + GATE	
E.C. HISTORY	ARCH 3277
DATE LAST EC	FRAME 01 RB111
01-21-72 717473	IBR CORP. ION RB121
	P.No. 1823782 000

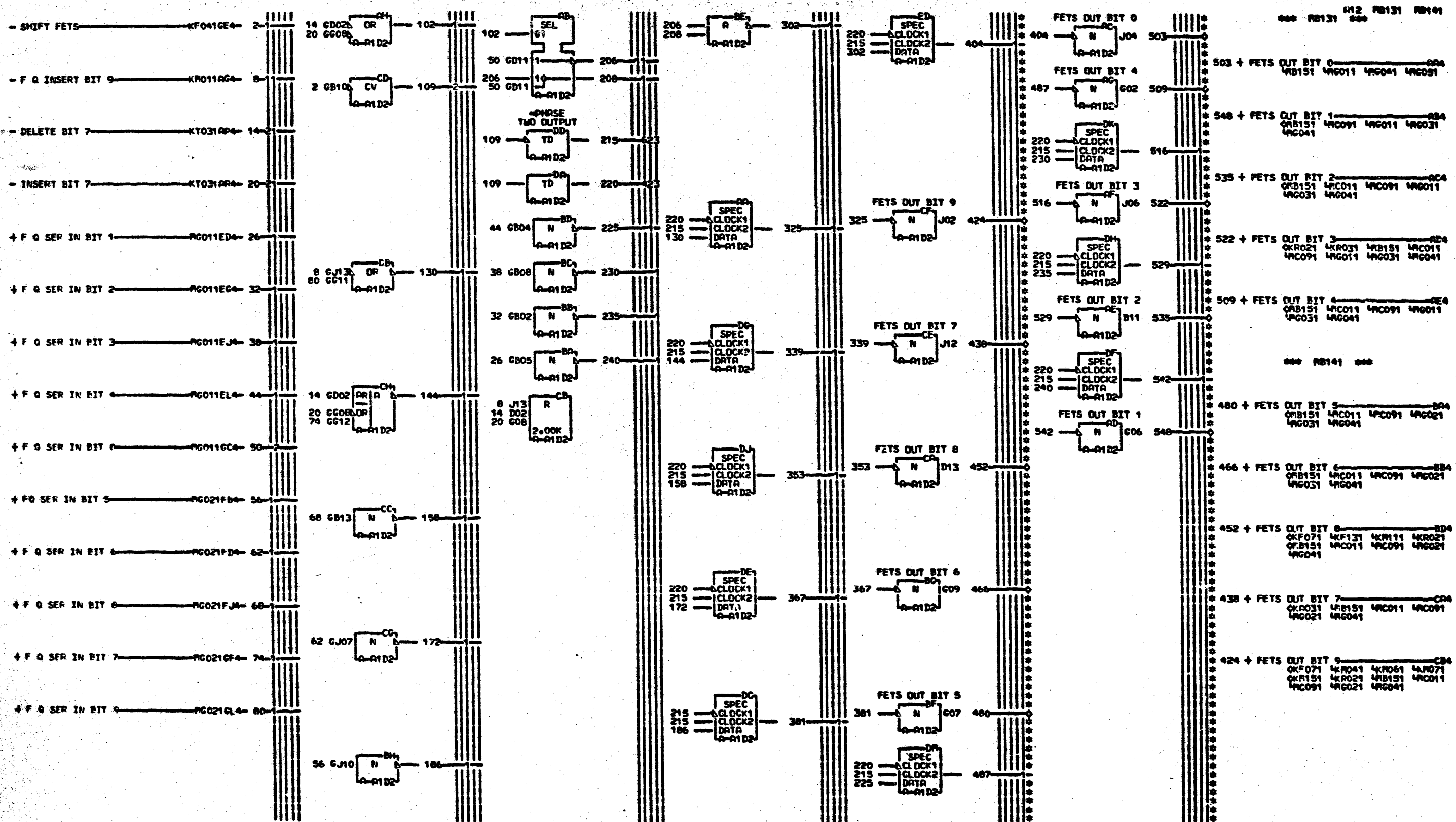


RB111
RB121
000

LOC. TYPE
A-R1F2 9065

PAGE VER EC LEV
RB111 000 717473
RB121 000 717473

960 STOR + GATE
E-C-HISTORY P-RACH-3277
FRAME 01 RB111
IBR CORP. INC RB121
DATE LAST EC
01-21-72 717473 P.No. 1823782 000



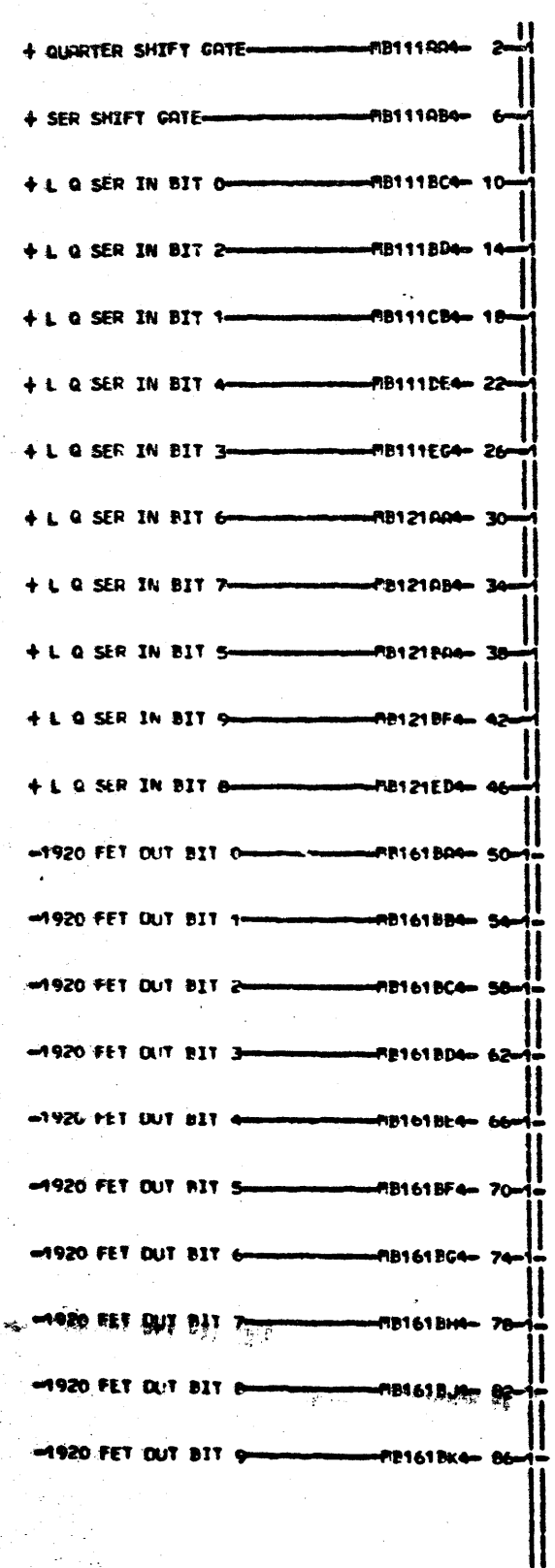
A-SIA TO PN 1563778 EC 717473
 B-SIA TO PN 1563779 EC 717946

LOC. TYPE
 A-A1D2 9057

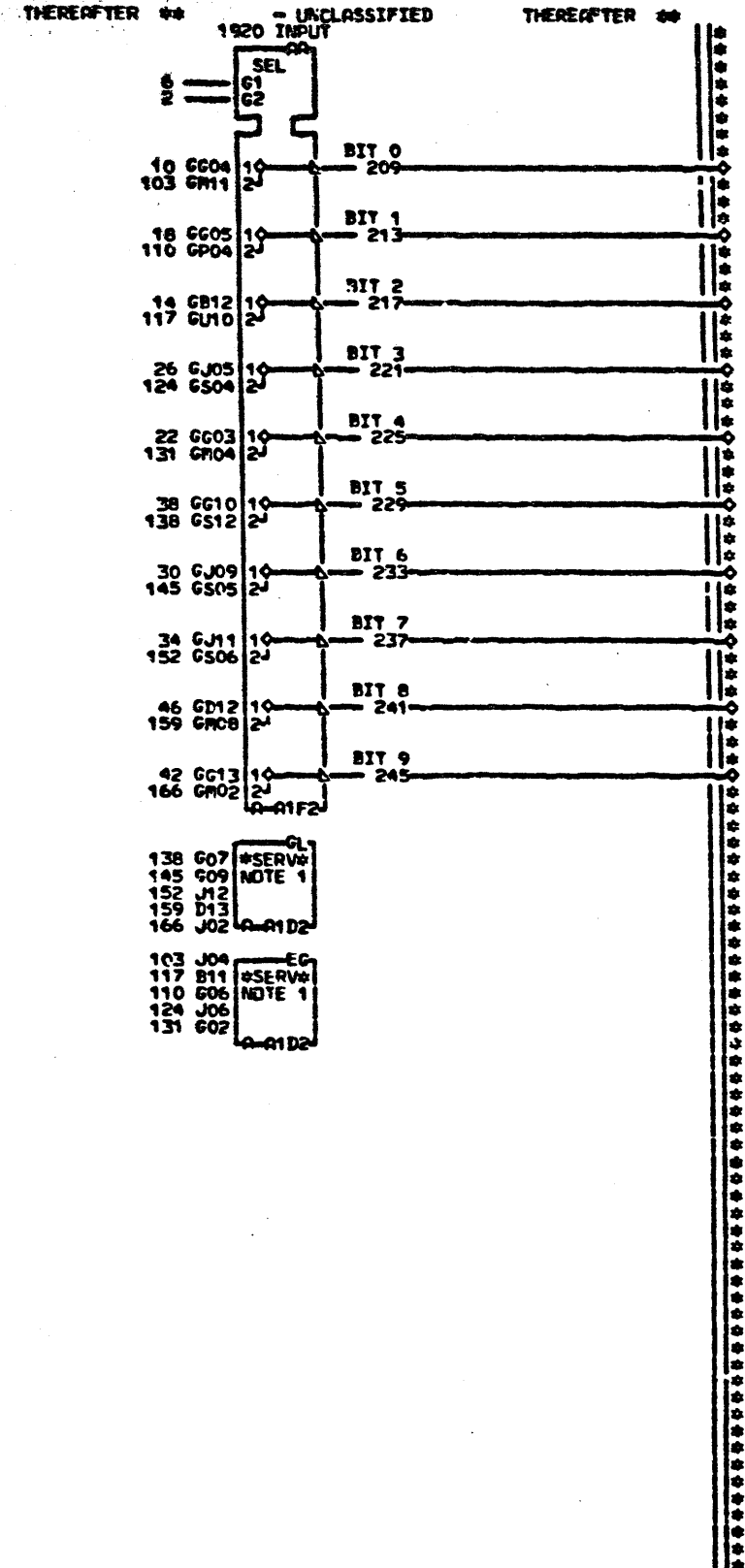
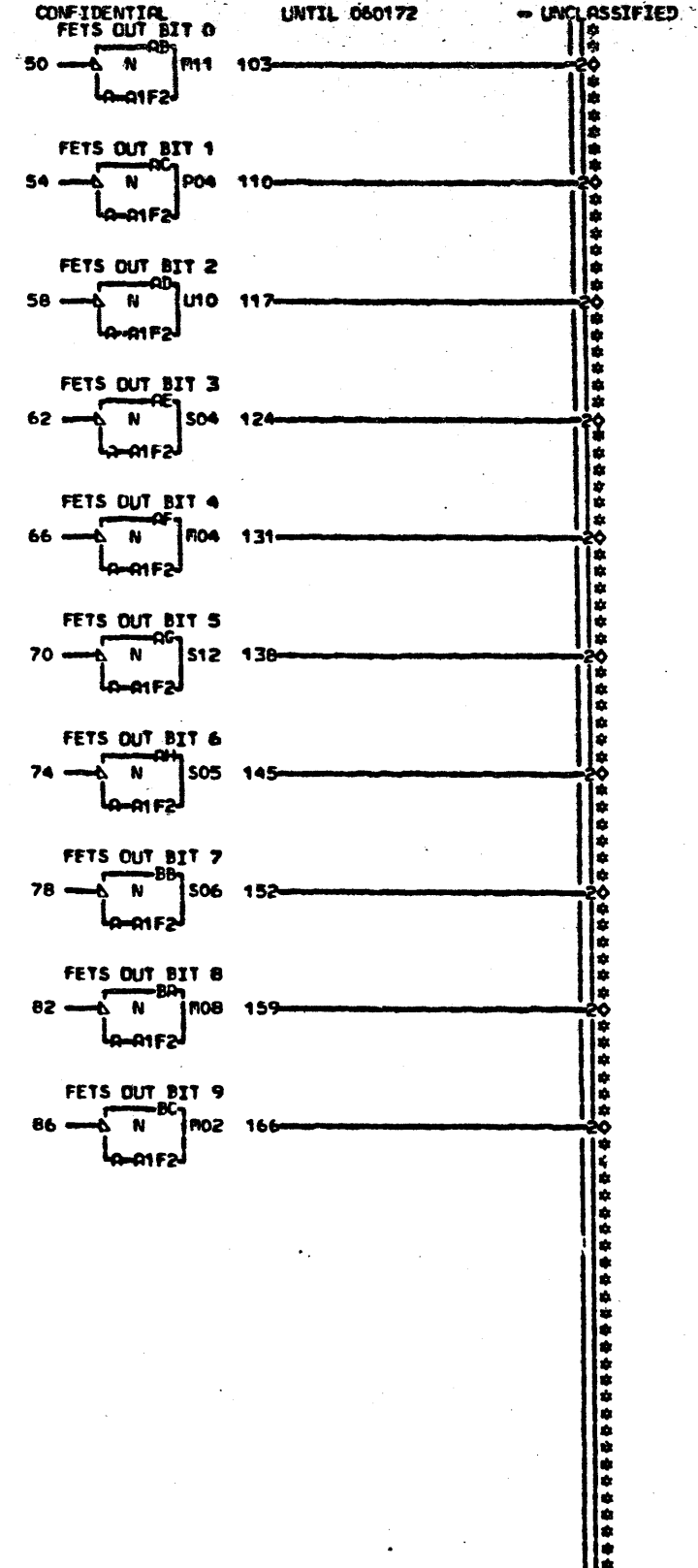
PAGE VER EC LEV
 RB131 A12 717946
 RB141 A12 717946

480 STORAGE BITS 0-4			
E-C-HISTORY	FRCH	3277	
717473	FRAGE	01	RB131
717492			
DATE	LAST EC	ISB CORP-KN	RB141
08-05-72	717946	P.No. 1821799	A12

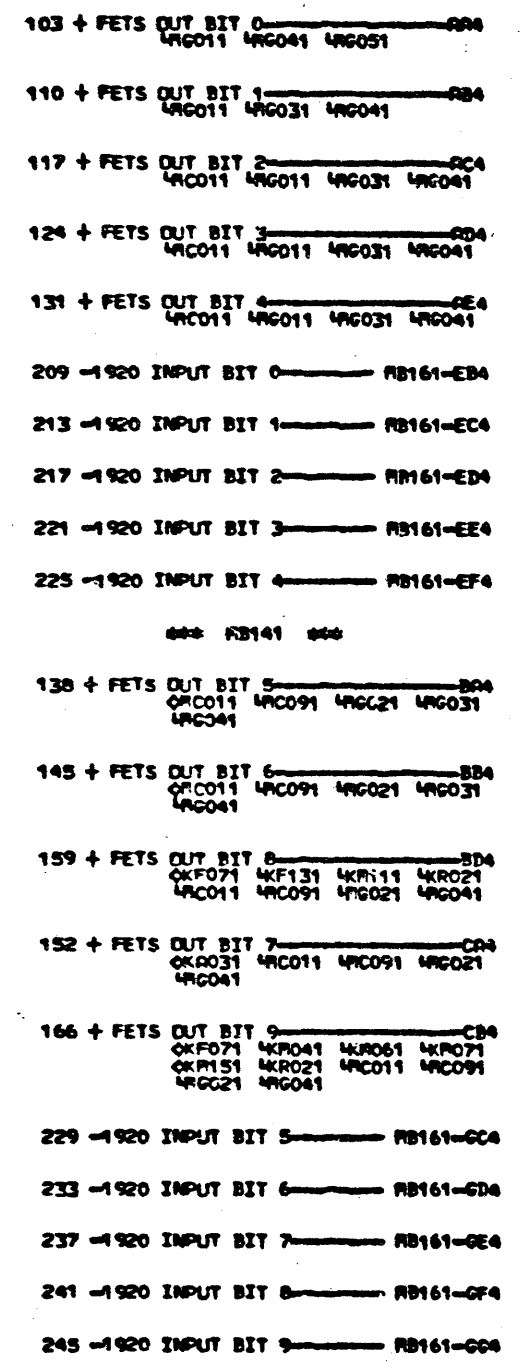
RB131
 RB141
 A12



##IBR



001 RB131 RB141



A-NOTE 1 FOR 480 FORMAT
 SIM TO PN 1563778 EC 717473
 B-NOTE 1 FOR 480 FORMAT

LOC. TYPE
 A-R1F2 9065

PAGE VER FC LEV
 RB131 001 717473
 RB141 000 717946

RB131
 RB141
 001

960 STORE + GATE	
---EoC---HISTORY---S	RACH#3277
717473	
DATE LAST EC	IBR CORP-PD
08-05-72 717946	PoN# 1823795
FRAME 01	RB131
	RB141
	001

IBR

CONFIDENTIAL

UNTIL 060172

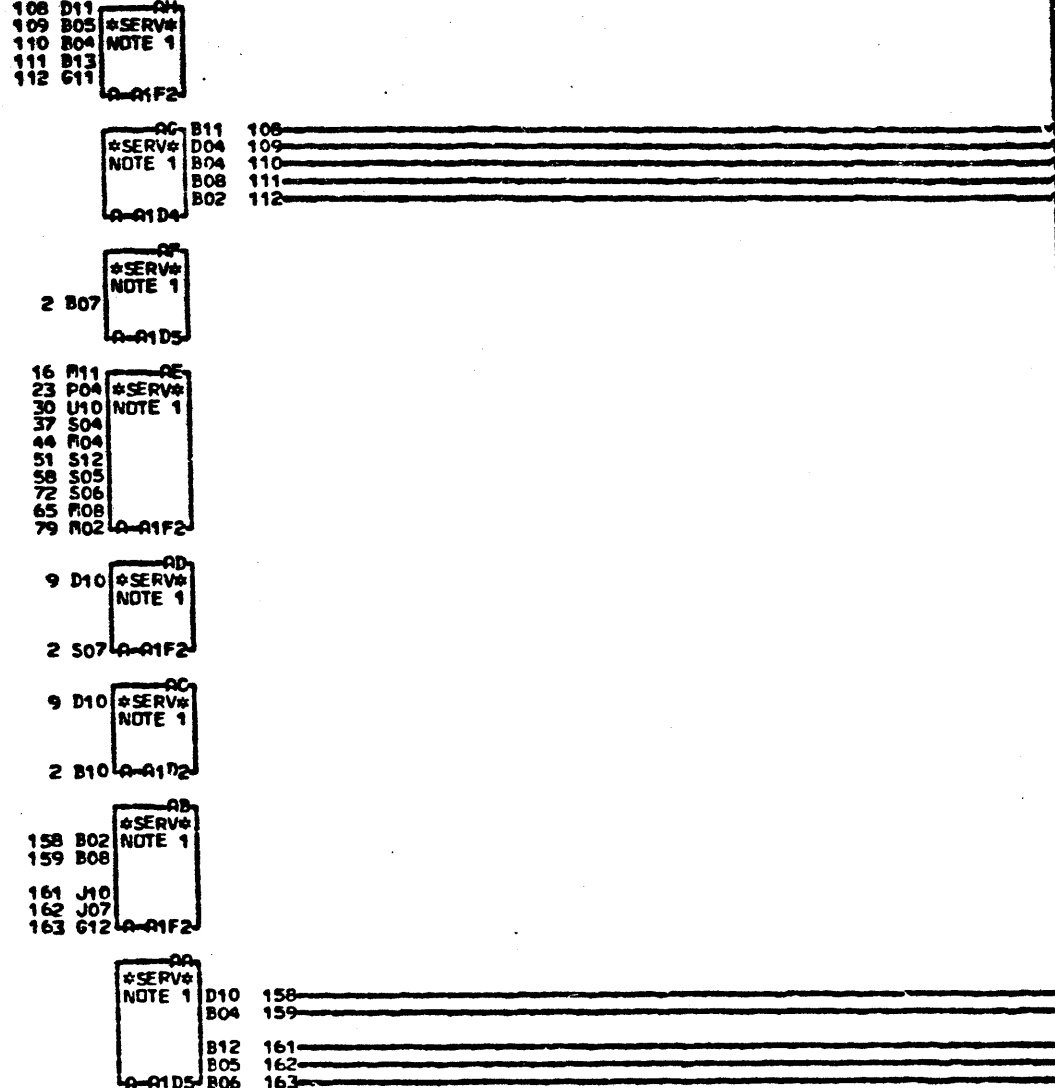
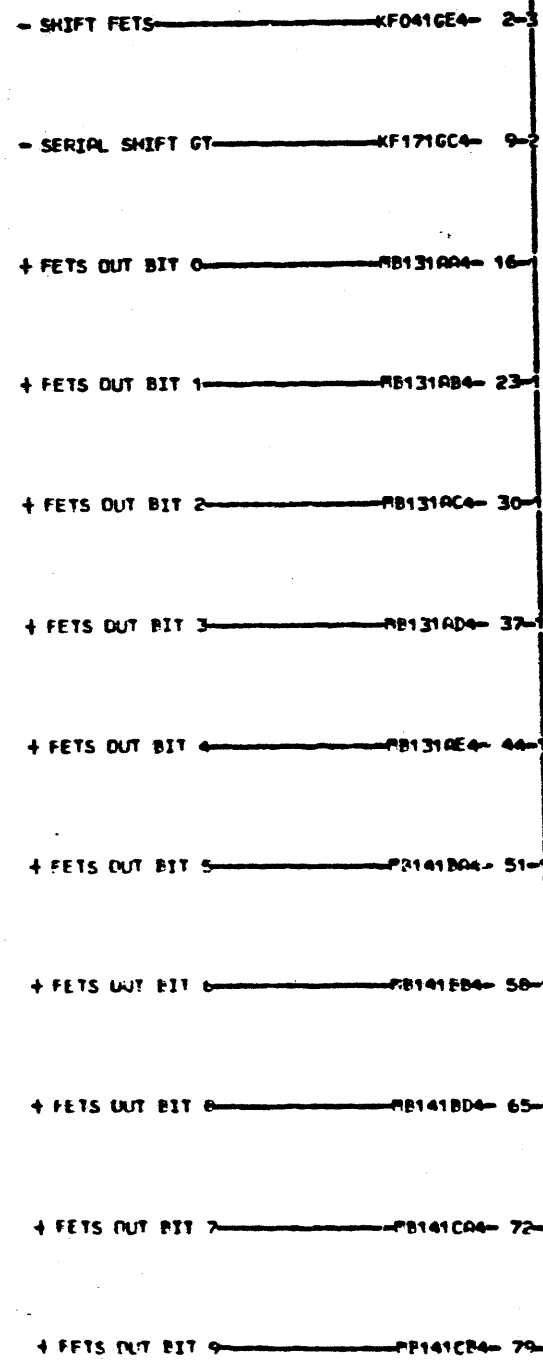
UNCLASSIFIED

THEREAFTER

UNCLASSIFIED

THEREAFTER

002 RB151 RB161



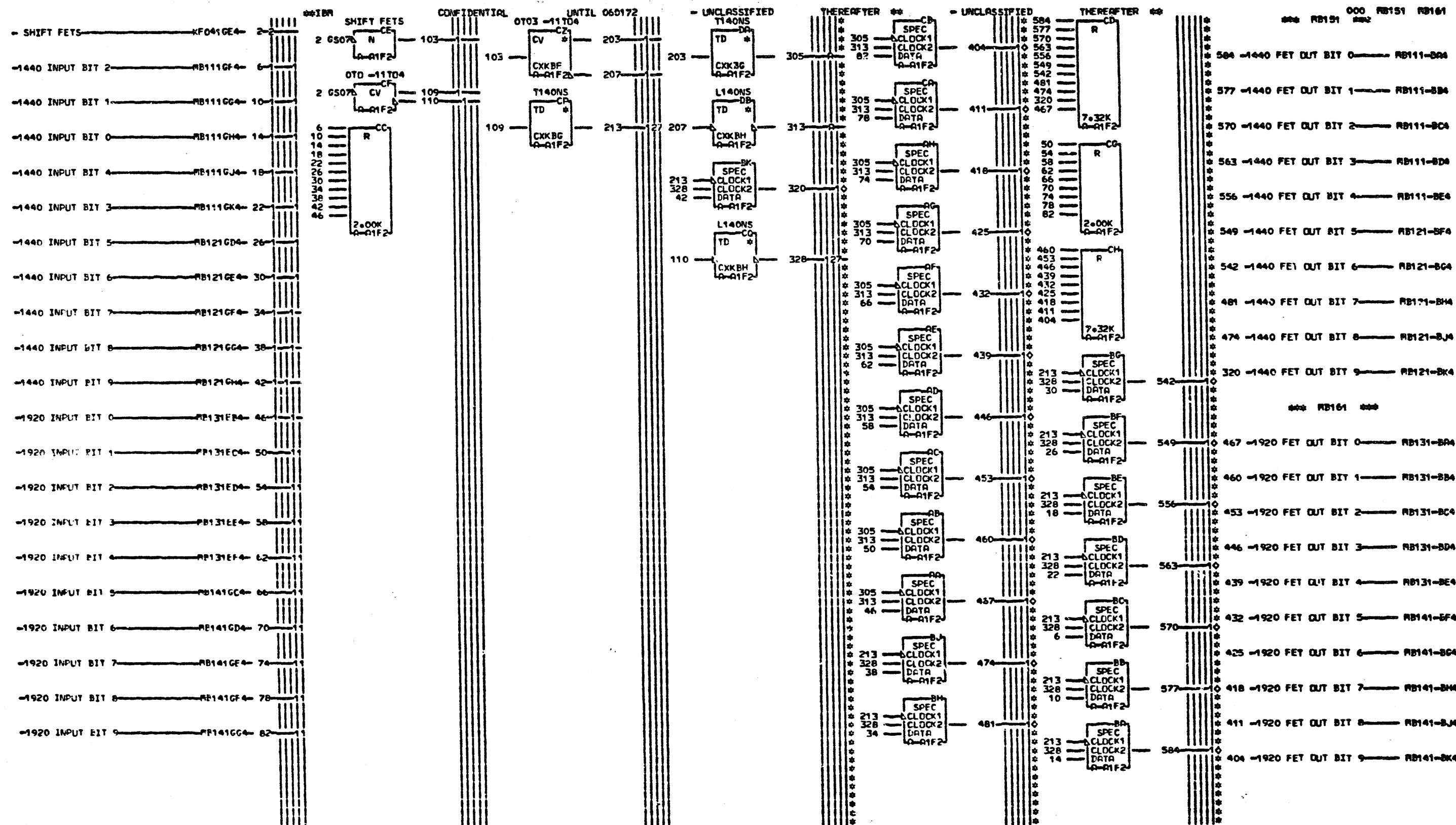
A-NOTE 1 FOR 1920 FOPRAT
 SIR TO PN 1563760 EC 717946
 B-SIR TO PN 1563761 EC 717473

LOC. TYPE

PAGE VER EC LEV
 RB151 002 717946
 RB161 002 717473

RB151
 RB161
 002

REF 1920 BOARD WIRING			
E-C-HISTORY		ROCH. 3277	
717473	FRAP	01	RB151
DATE	LAST EC	IBR CORP. SDD	RB161
08-11-72	717946	P.No. 1823802	002

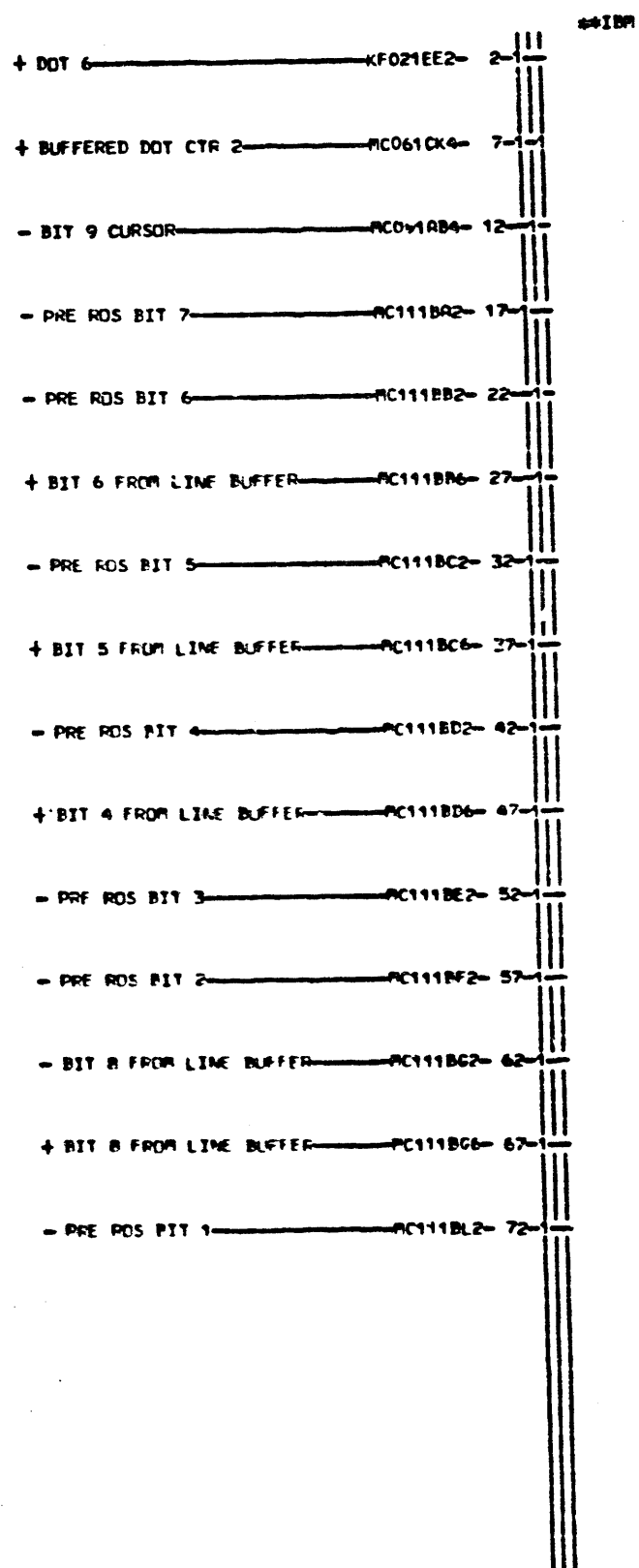


RB151
RB161
000

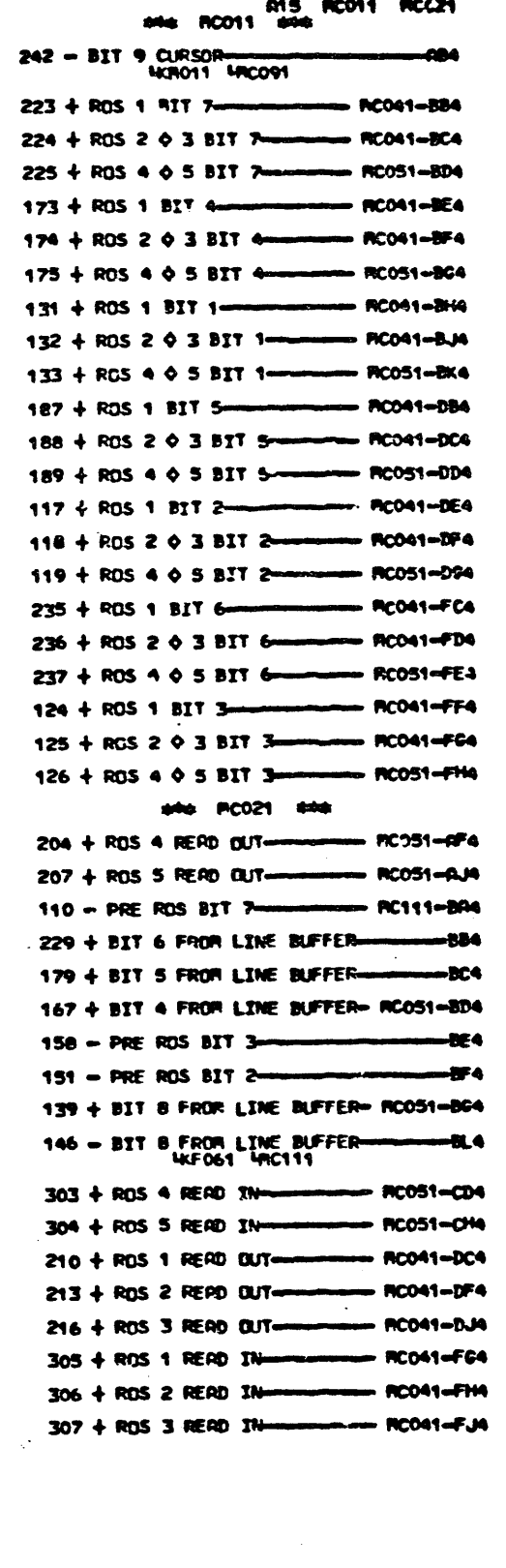
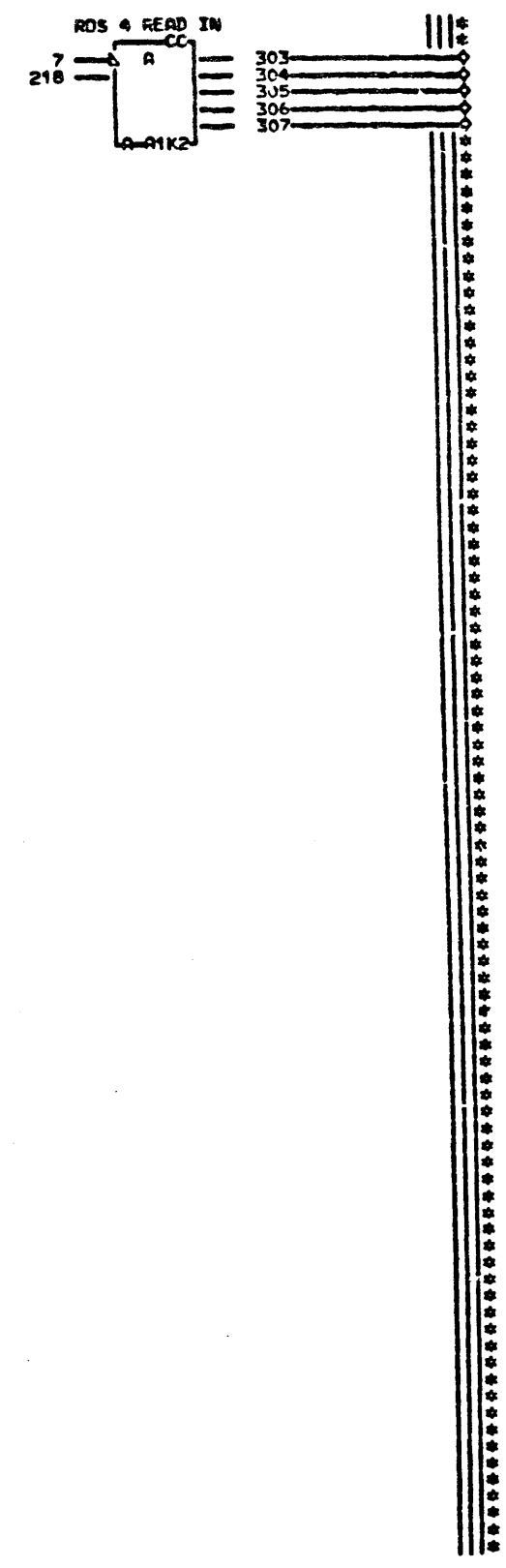
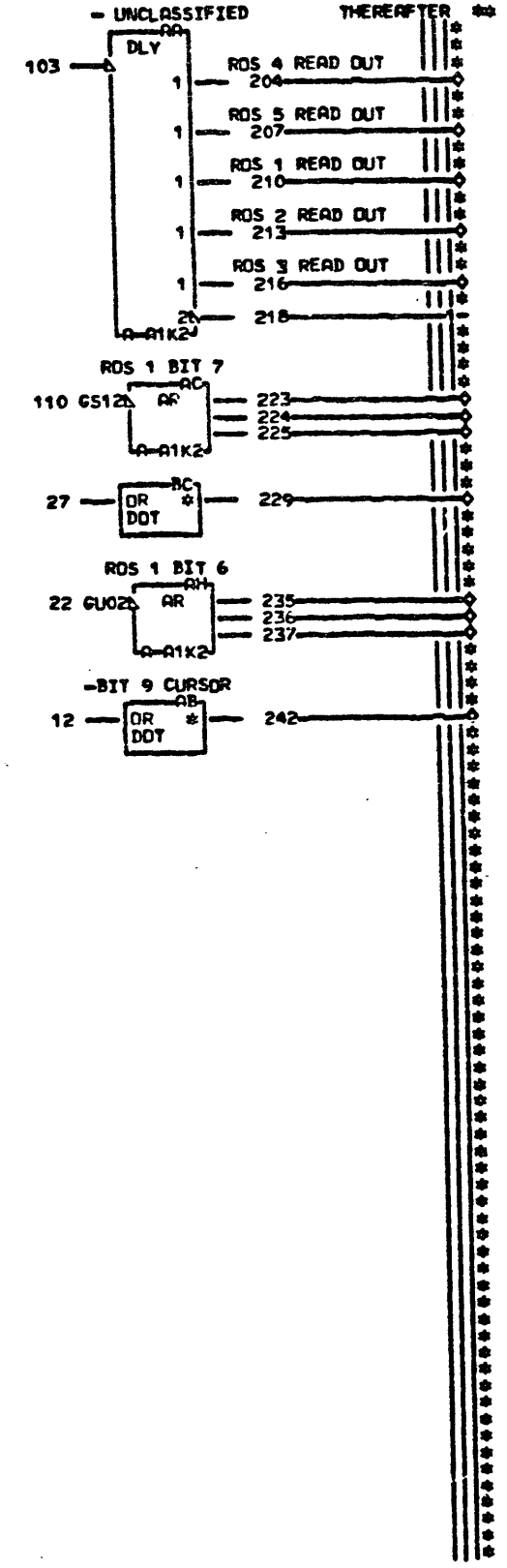
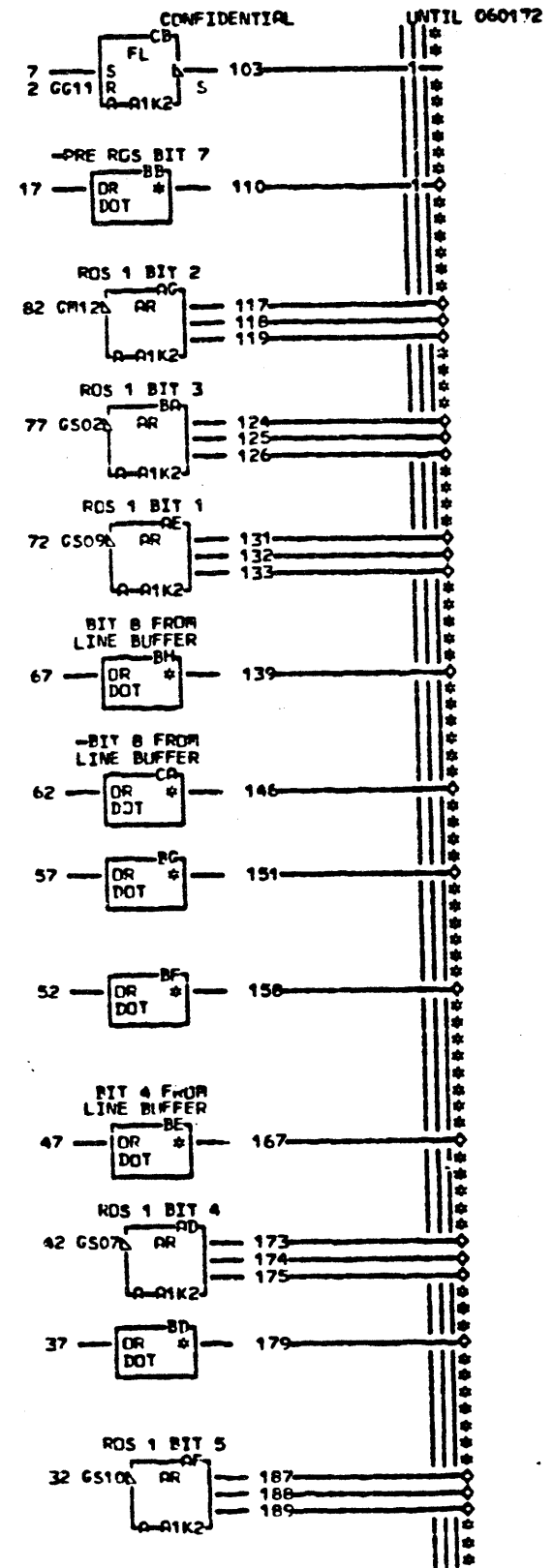
LOC. TYPE
A-A1F2 9065

PAGE VER EC LEV
RB151 000 717946
RB161 000 717992

960 STOR + GATE	
E-C-HISTORY	RACK# 3277
717473	FRM# 01 RB151
717492	IBP CORP-PD RB161
DATE LAST EC	P-N# 1623801 000
08-05-72 717946	



IBM

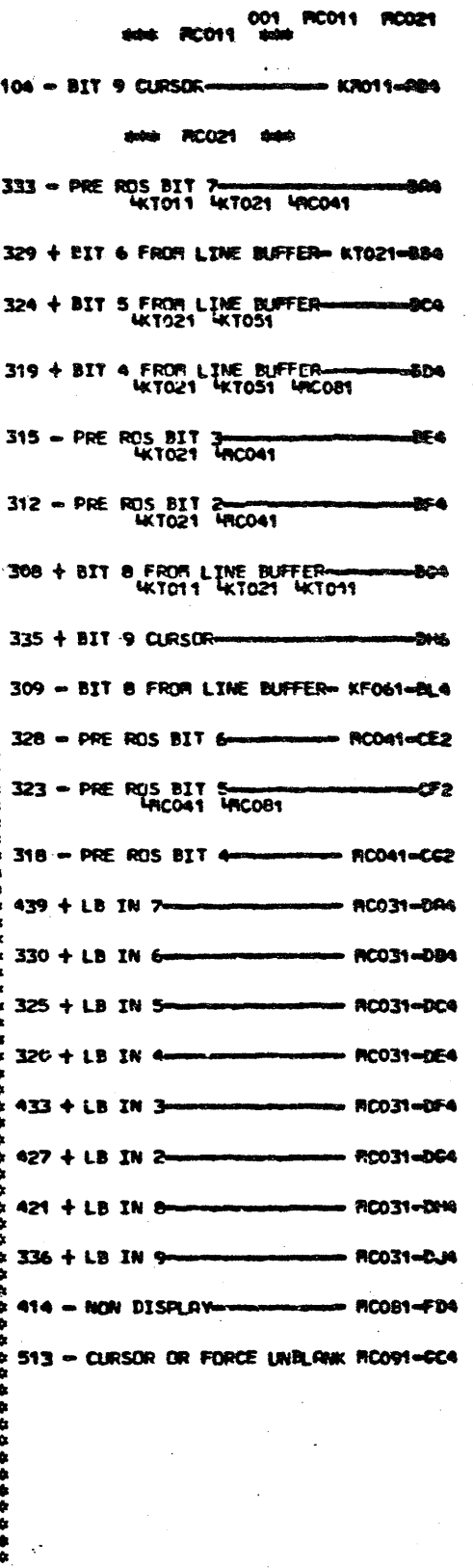
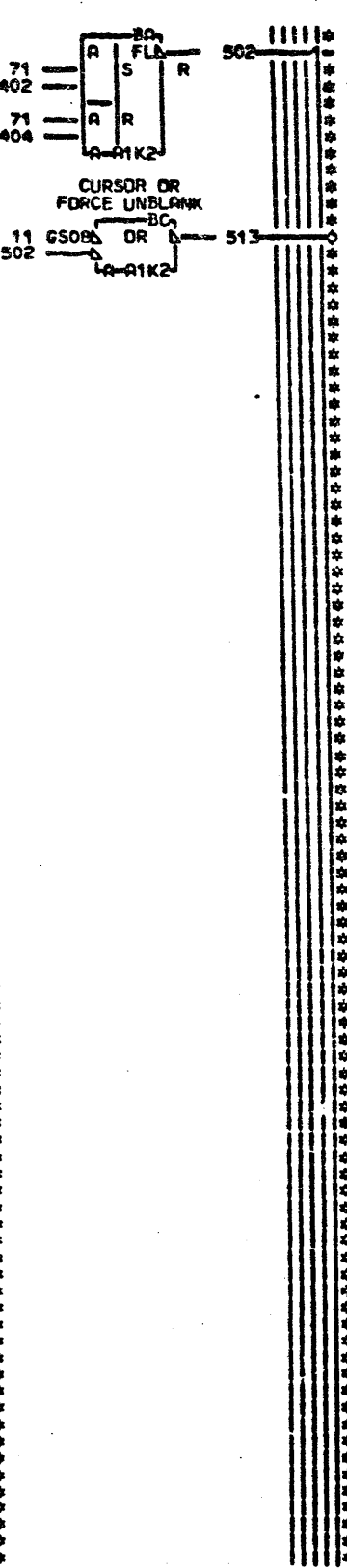
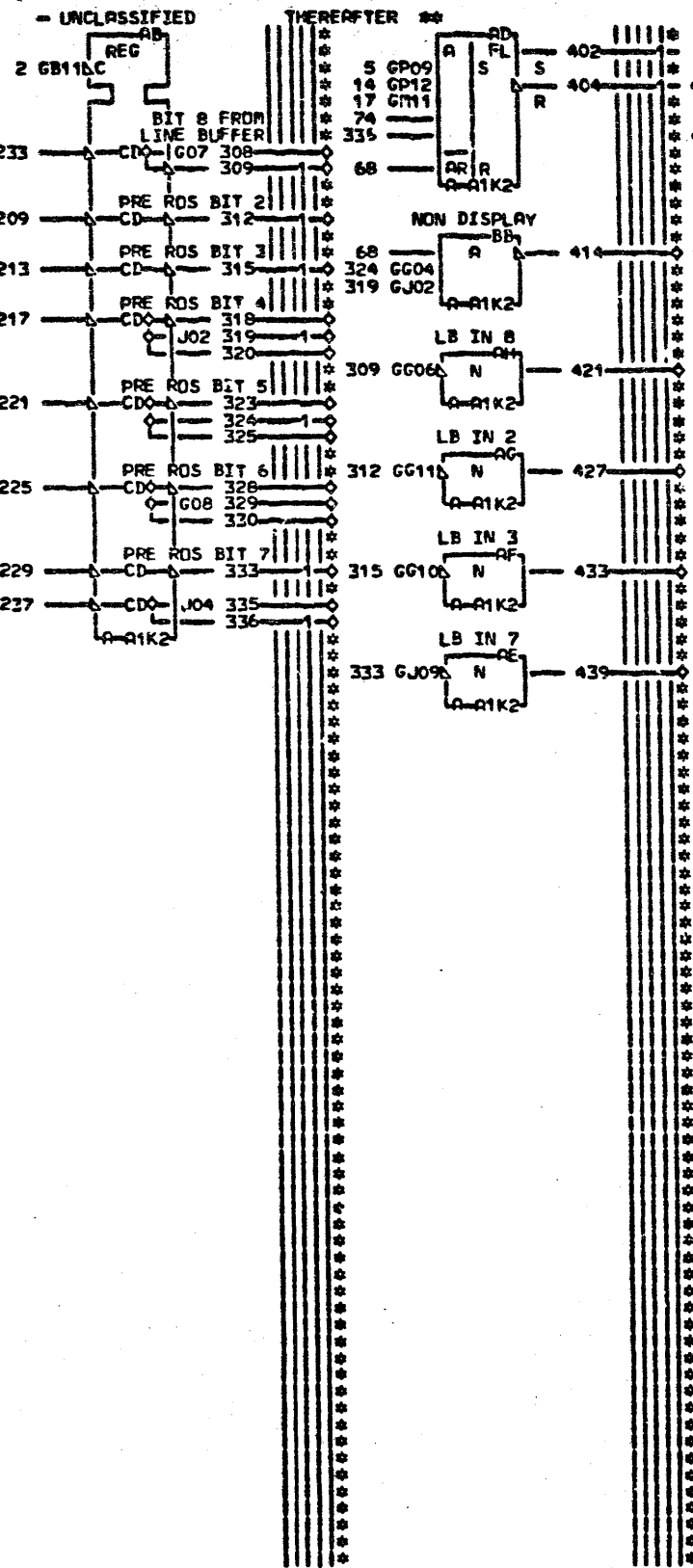
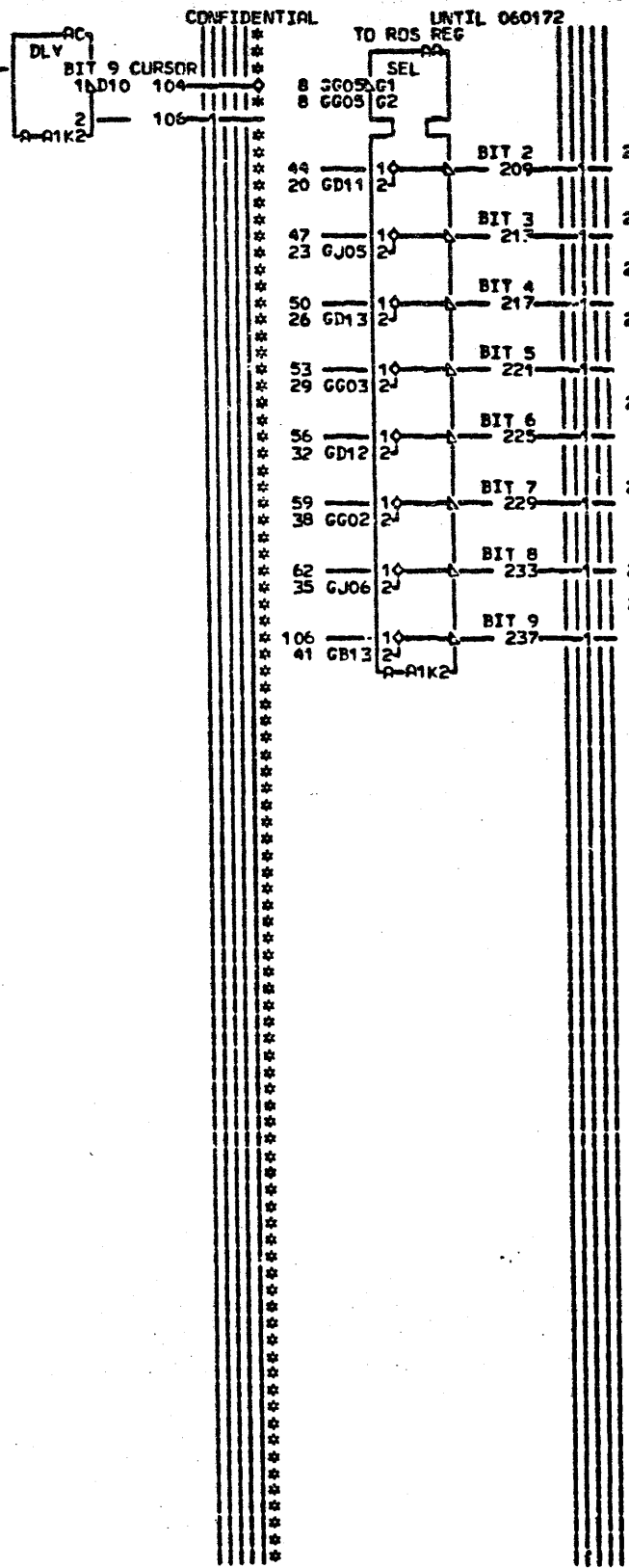
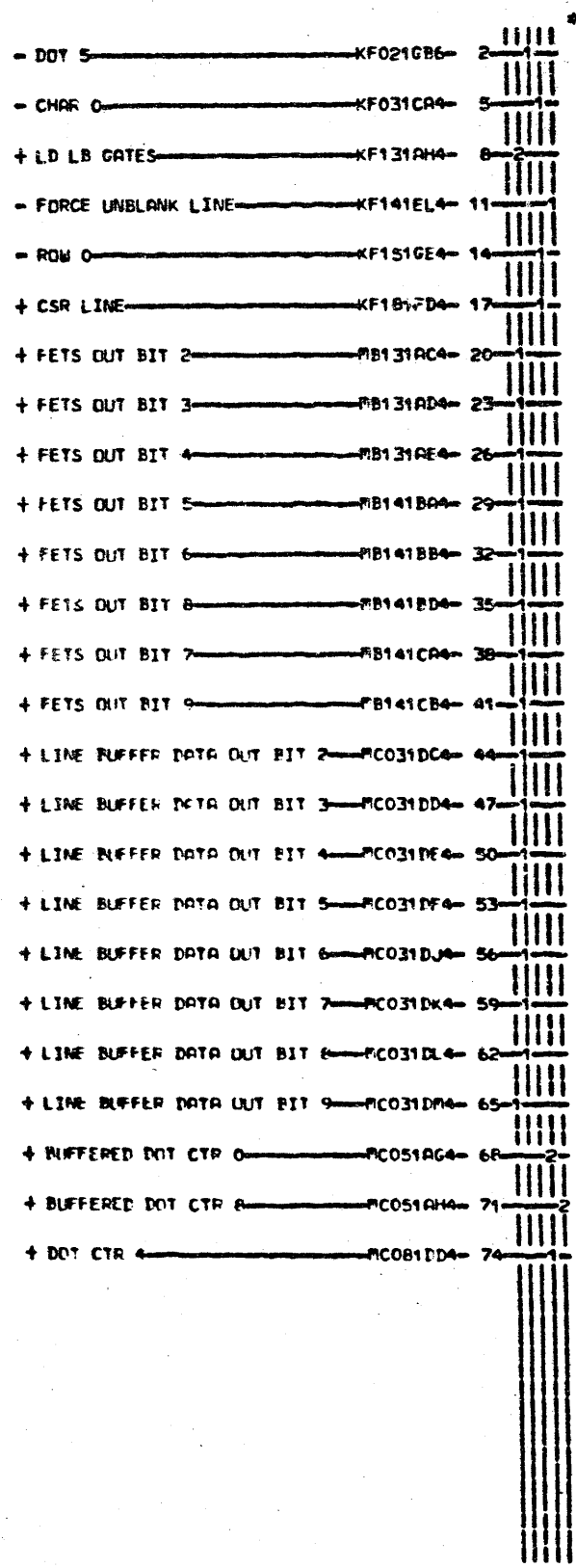


A. NOTE SEE REFERENCE PAGE 22101 FOR CHARACTER GENERATOR CARDS.
 SIM TO P. 1563782 EC 717457
 B. SEE REFERENCE PAGE 22101 FOR CHARACTER GENERATOR CARDS.
 SIM TO P. 1563783 EC 717546
 AC011
 ACC21
 A15

LOC. TYPE
 A-A1K2 0123

PAGE VER EC LEV
 AC011 005 718541
 AC021 A15 718541

480 + 1920 CHAR. GEN.
 KATAKANA OR EXTENDED CHAR SET
 -E.C.-HISTORY- B. PACH. 3277
 717473
 717492
 717946
 DATE LAST EC 10-02-72 718541
 FRAPR 01 AC011
 IBP CORP. STD AC021
 P.No 1823810 A15



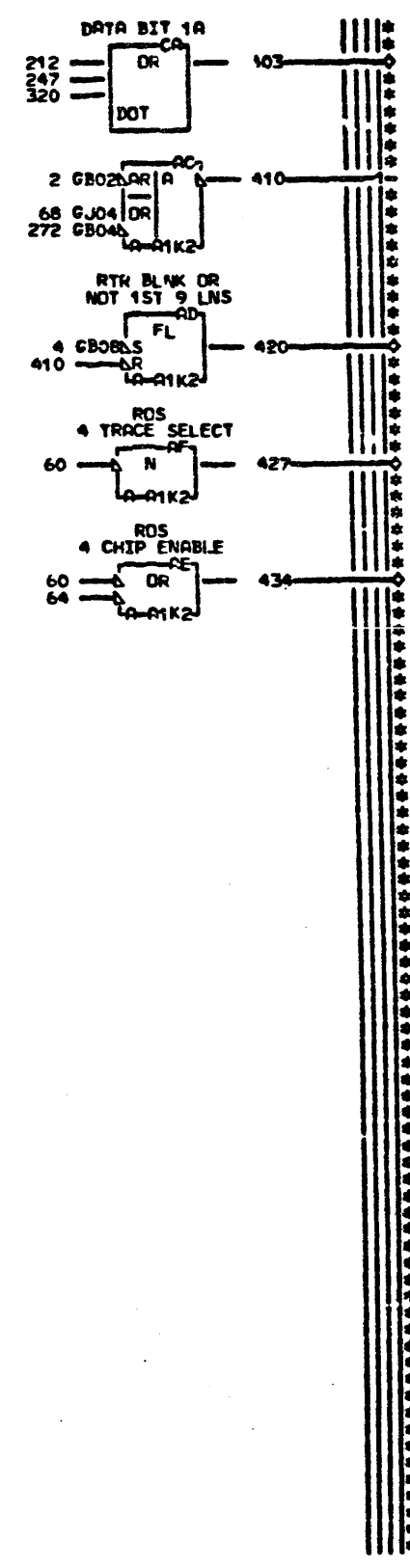
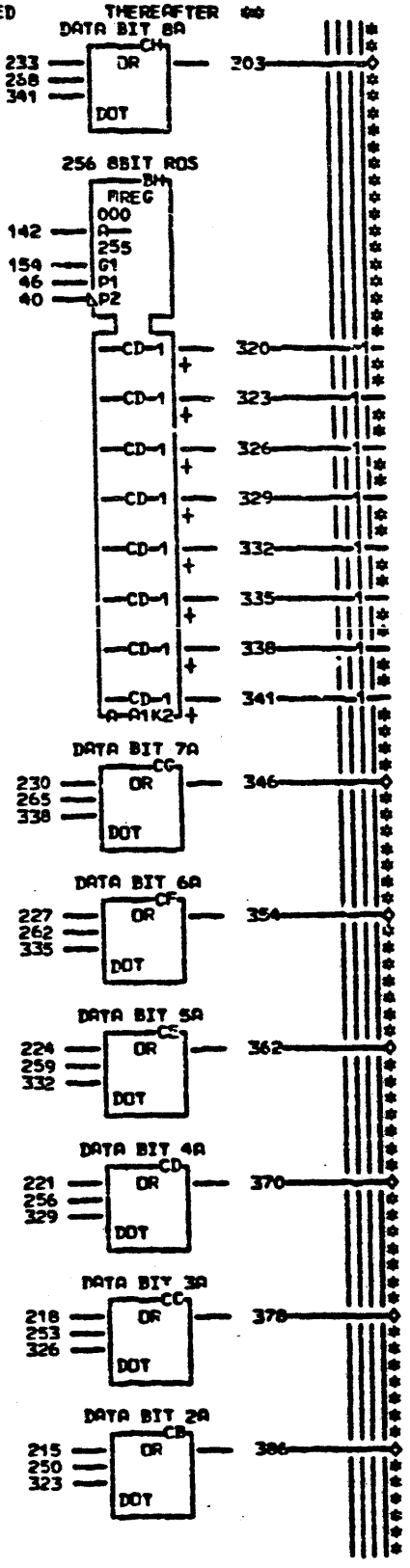
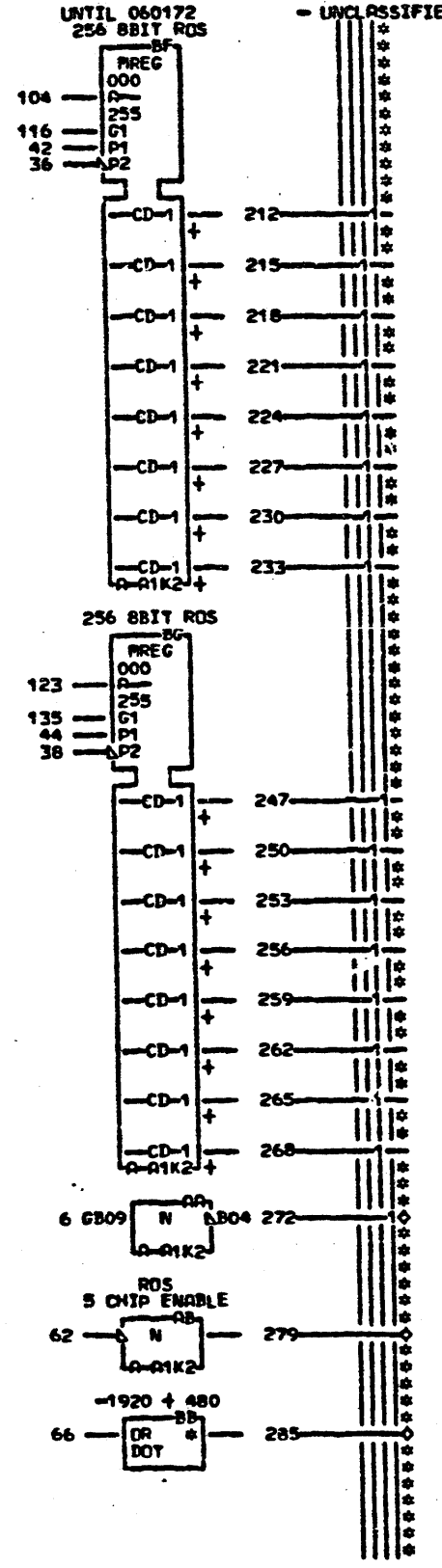
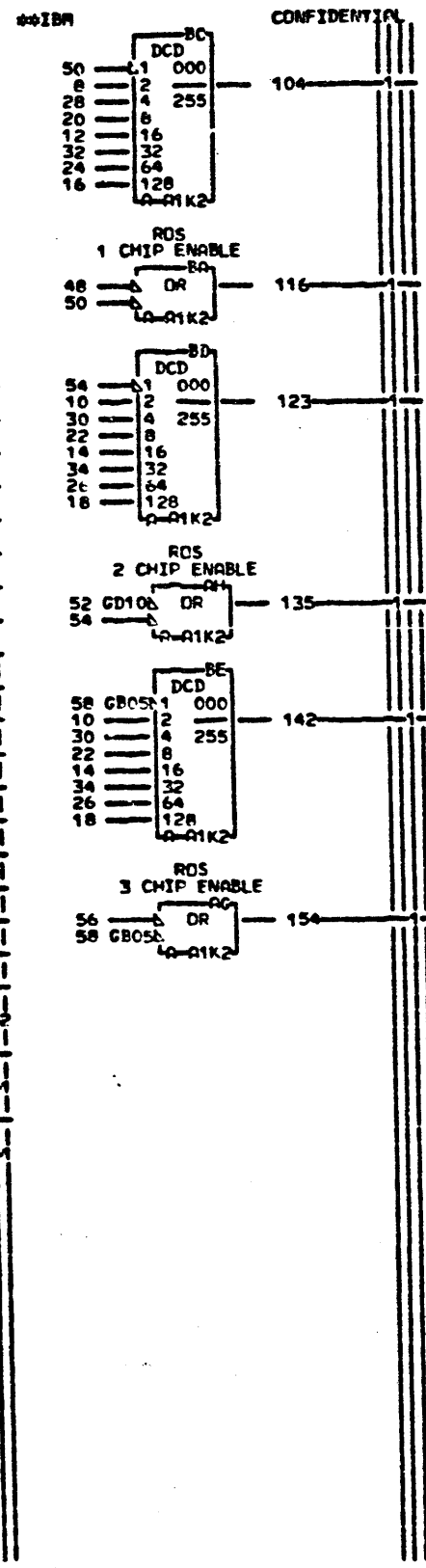
A. NOTE SEE REFERENCE PAGE 22101 FOR CHARACTER GENERATOR CARDS
 B. NOTE SEE REFERENCE PAGE 22101 FOR CHARACTER GENERATOR CARDS
 PC011 SIM TO PN 1563783 EC 717946

LOC. TYPE
 A-1K2 9070

PAGE VER EC LEV
 PC011 000 717942
 PC021 001 717946

LINE BUFFER + CHAR. GEN.	
E-C-HISTORY 717473 717492	RACH#3277 FRAME 01 IBR CORP-KN PoNo 1823804
DATE 08-03-72	LAST EC 717946
PC011	PC021
001	001

- CLR BLANK FOR RETRACE — KF021EK4 — 2
 - SET BLANK FOR RETRACE — KF181AL4 — 4
 + FIRST 9 LINES — KF181GH2 — 6
 + RDS 1 BIT 7 — AC011BB4 — 8
 + RDS 2 0 3 BIT 7 — AC011BC4 — 10
 + RDS 1 BIT 4 — AC011BE4 — 12
 + RDS 2 0 3 BIT 4 — AC011BF4 — 14
 + RDS 1 BIT 1 — AC011BH4 — 16
 + RDS 2 0 3 BIT 1 — AC011BJ4 — 18
 + RDS 1 BIT 5 — AC011BD4 — 20
 + RDS 2 0 3 BIT 5 — AC011DC4 — 22
 + RDS 1 BIT 2 — AC011DE4 — 24
 + RDS 2 0 3 BIT 2 — AC011DF4 — 26
 + RDS 1 BIT 6 — AC011FE4 — 28
 + RDS 2 0 3 BIT 6 — AC011FD4 — 30
 + RDS 1 BIT 3 — AC011FF4 — 32
 + RDS 2 0 3 BIT 3 — AC011FG4 — 34
 + RDS 1 READ OUT — AC021DC4 — 36
 + RDS 2 READ OUT — AC021DF4 — 38
 + RDS 3 READ OUT — AC021DJ4 — 40
 + RDS 1 READ IN — AC021FG4 — 42
 + RDS 2 READ IN — AC021FH4 — 44
 + RDS 3 READ IN — AC021FJ4 — 46
 - LINE CTR 0 — AC081EC4 — 48
 - LINE CTR 1 — AC081ED4 — 50
 - LINE CTR 2 — AC081EE4 — 52
 - LINE CTR 3 — AC081EF4 — 54
 - LINE CTR 4 — AC081EG4 — 56
 - LINE CTR 5 — AC081GA4 — 58
 - LINE CTR 7 — AC081GC4 — 60
 - LINE CTR 8 — AC081GD4 — 62
 - LINE CTR 6 — AC081GE4 — 64
 - 1920 + 480 — AC121FE4 — 66
 + CSR LN FROM LB — AC131AA4 — 68



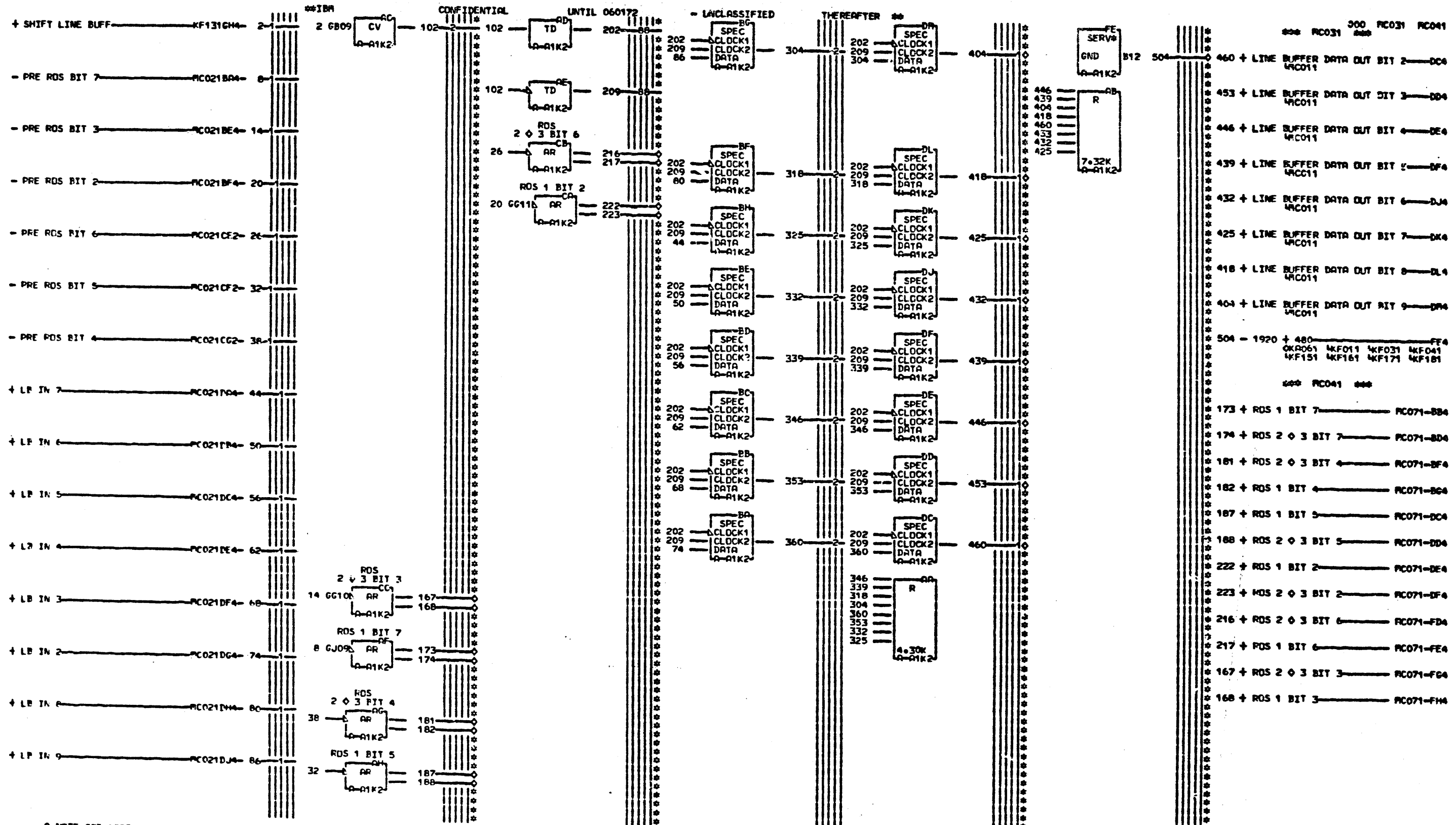
272 - FIRST 9 LINES — ACJ
 279 + RDS 5 CHIP ENABLE — AC051-BB4
 434 + RDS 4 CHIP ENABLE — AC051-CB4
 427 + RDS 4 TRACE SELECT — AC051-CA4
 420 + RTR BLNK OR NOT 1ST 9 LNS — CA4
 AC081
 285 - 1920 + 480 — FE4
 AKR061 AKF011 AKF031 AKF041
 AKF151 AKF161 AKF171 AKF181
 AC041
 403 + DATA BIT 1A — AC061-GH4
 386 + DATA BIT 2A — AC061-GJ4
 378 + DATA BIT 3A — AC061-GK4
 370 + DATA BIT 4A — AC061-GL4
 362 + DATA BIT 5A — AC061-GM4
 354 + DATA BIT 6A — AC061-GN4
 346 + DATA BIT 7A — AC061-CP4
 303 + DATA BIT 8A — AC061-CQ4

A-NOTE SEE REFERENCE PAGE
 Z2101 FOR CHARACTER
 GENERATOR CARDS.
 SIM TO PN 1563784 EC 717492
 B-NOTE SEE REFERENCE PAGE
 Z2101 FOR CHARACTER
 GENERATOR CARDS.
 SIM TO PN 1563785 EC 717494
 AC031
 AC041
 005

LCC TYPE
A-A1K2 9123

PAGE VER EC LEV
AC031 005 718541
AC041 005 718541

480 + 1920 CHAR. GEN.
 KATAKANA OR EXTENDED CHAR SET
 C.C.—HISTORY—B—PACH-3277
 717473
 717492
 717946
 DATE LAST EC
 10-02-72 718541
 FRAME 01 AC031
 IBA CORP. SDD AC041
 P.No. 1823813 005

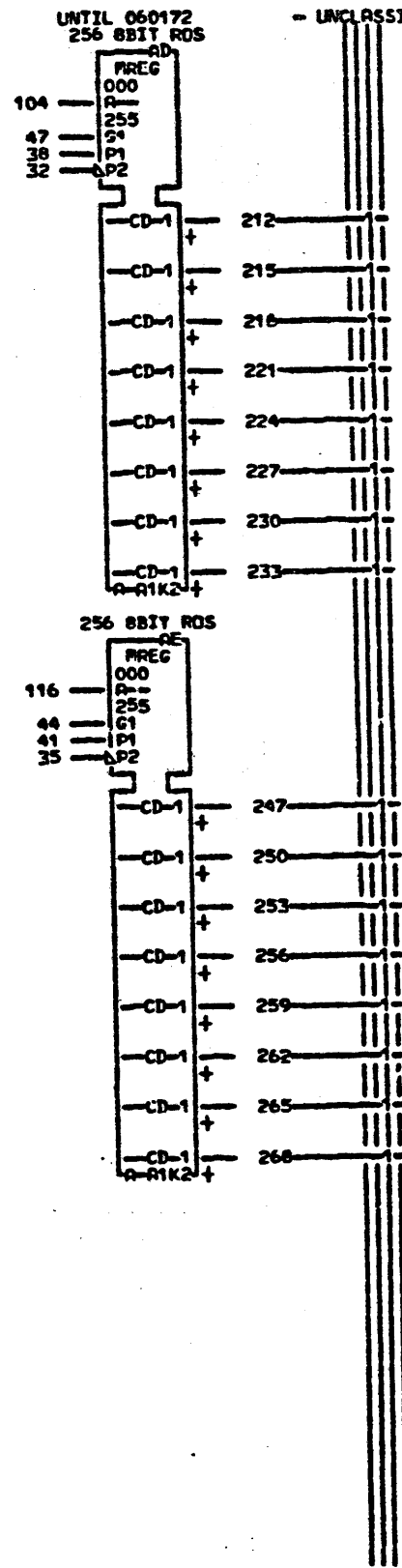
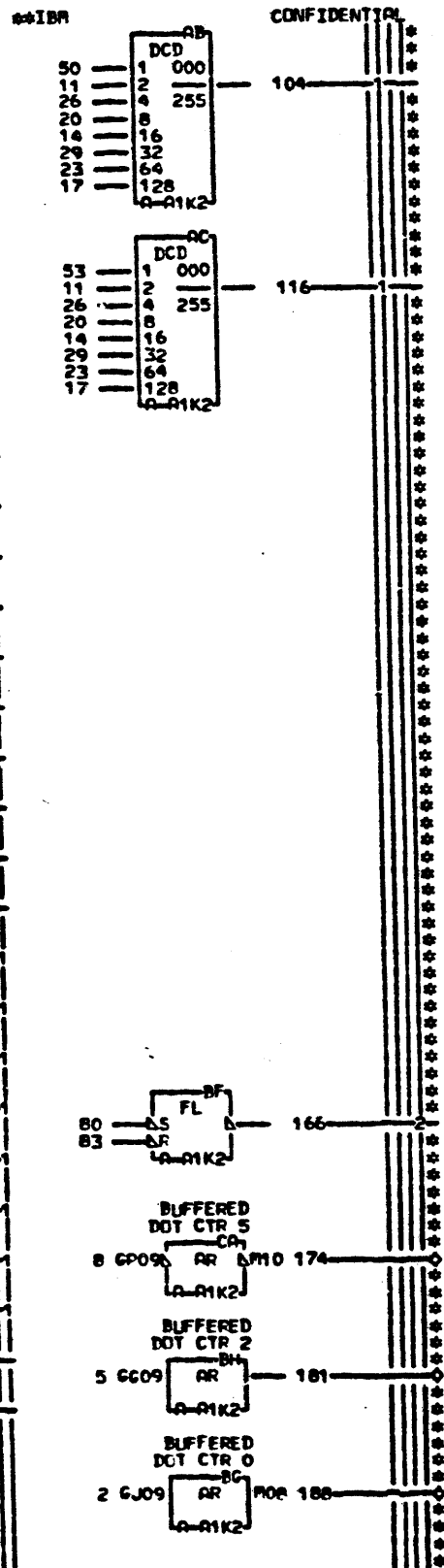
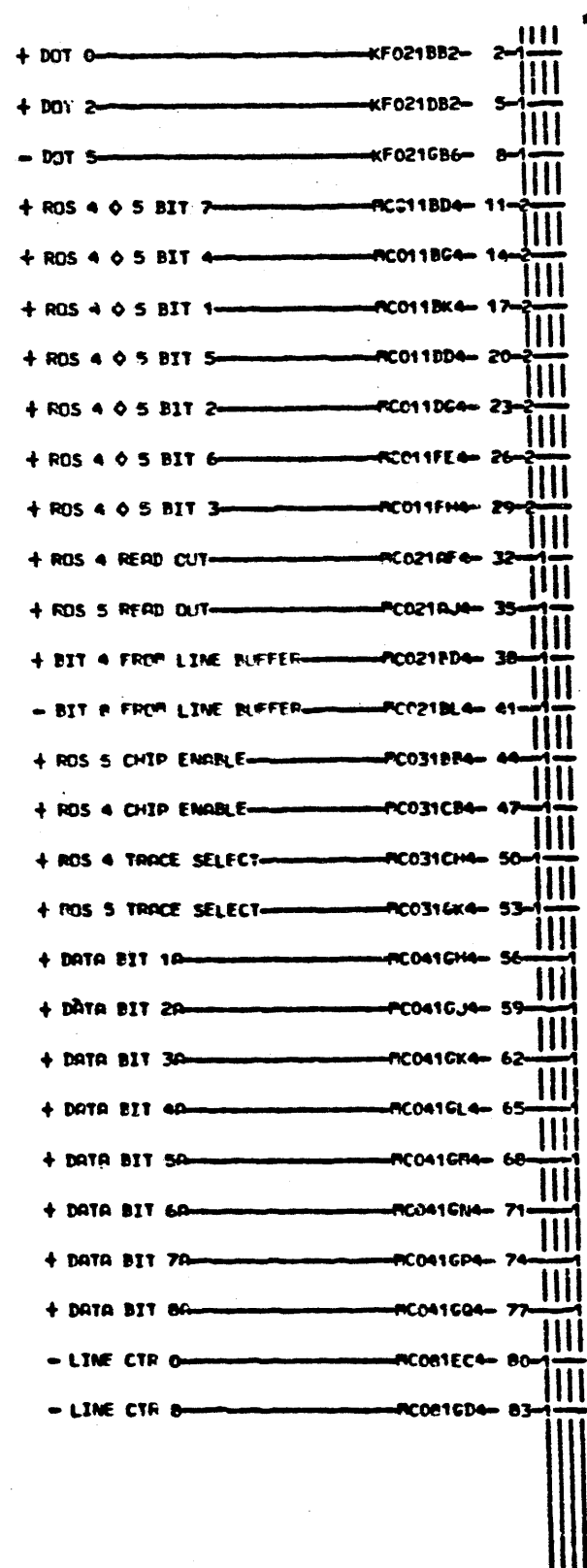


A-NOTE SEE REFERENCE PAGE 22101 FOR CHARACTER GENERATOR CARDS
 B-NOTE SEE REFERENCE PAGE 22101 FOR CHARACTER GENERATOR CARDS
 PC031
 PC041
 000

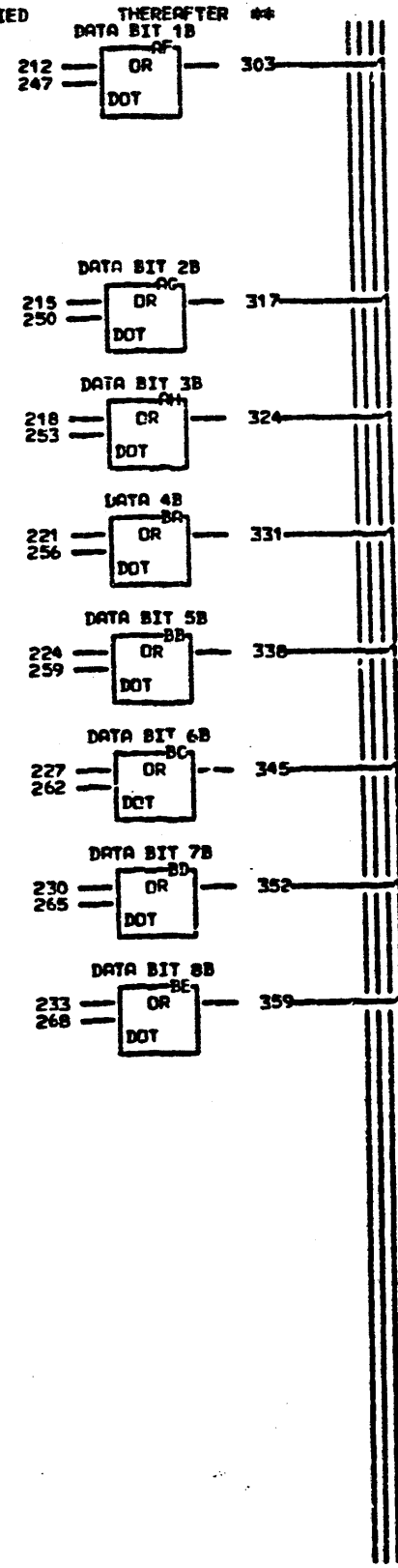
LOC. TYPE
 A-A1K2 9070

PAGE VER EC LEV
 PC031 000 717492
 PC041 000 717946

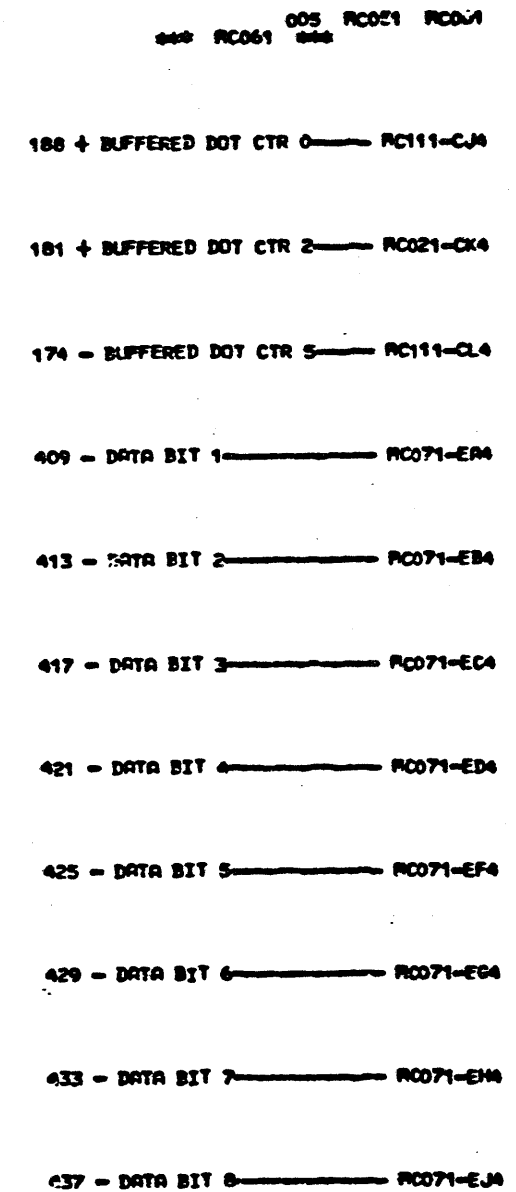
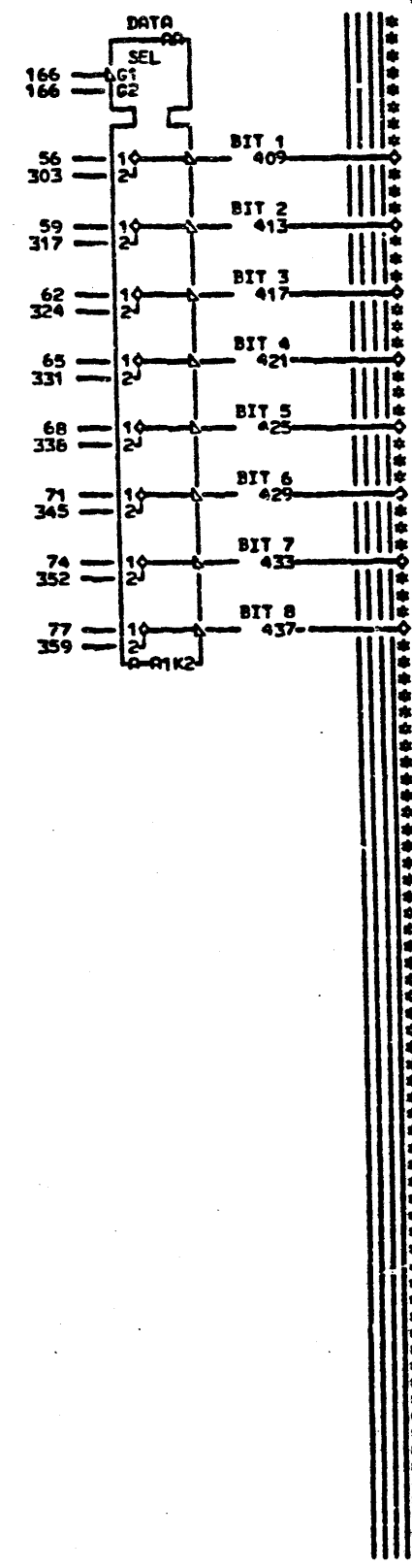
LINE BUFFER + CHAR. GEN.		
-E-C-HISTORY-	B-PACK#3277	
717473		
717492	FRAME 01	PC031
DATE LAST EC	IBM CORP. KN	PC041
08-05-72 717946	PoN# 1823611	000



LDC TYPE
A-R1K2 9123

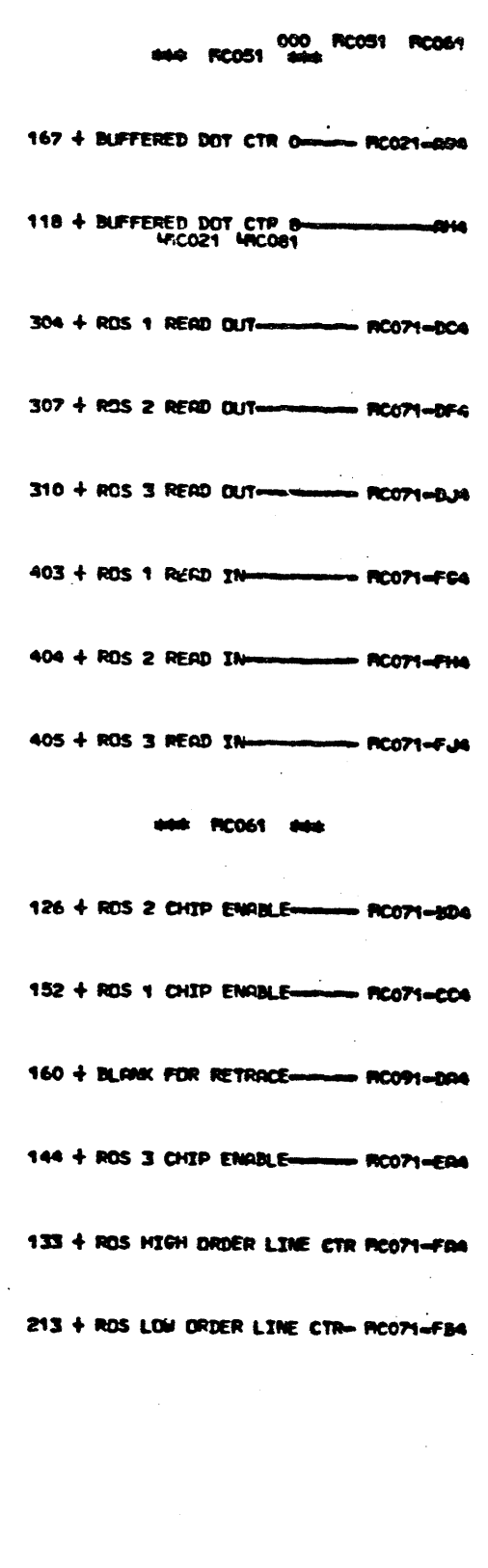
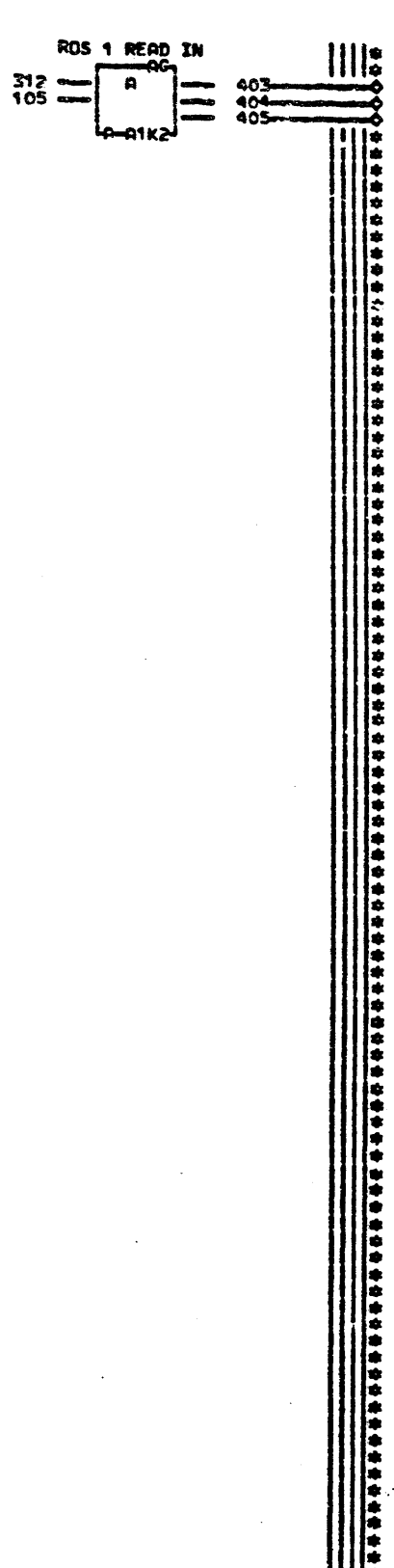
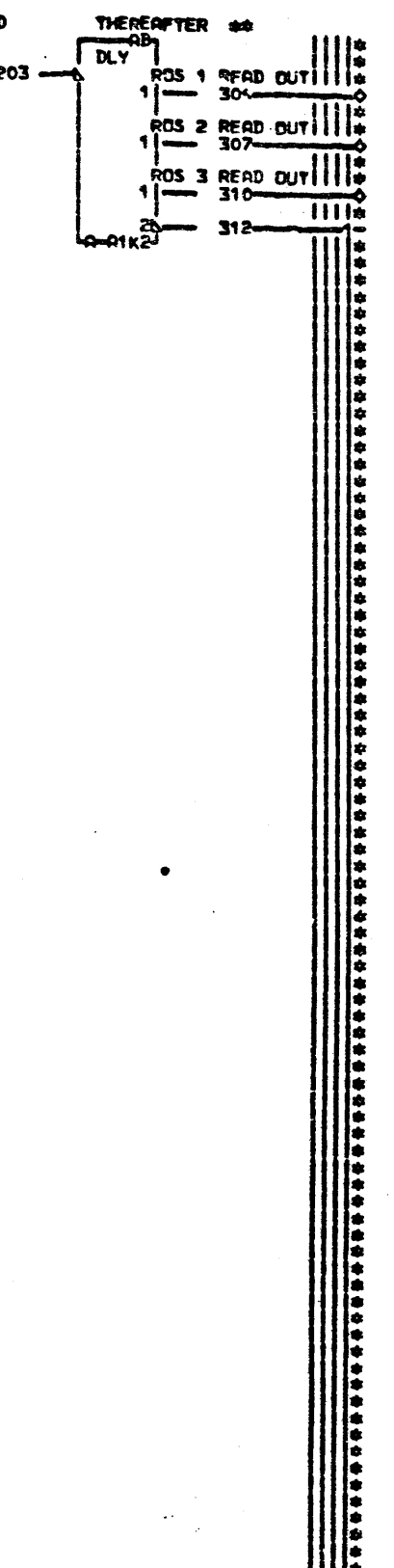
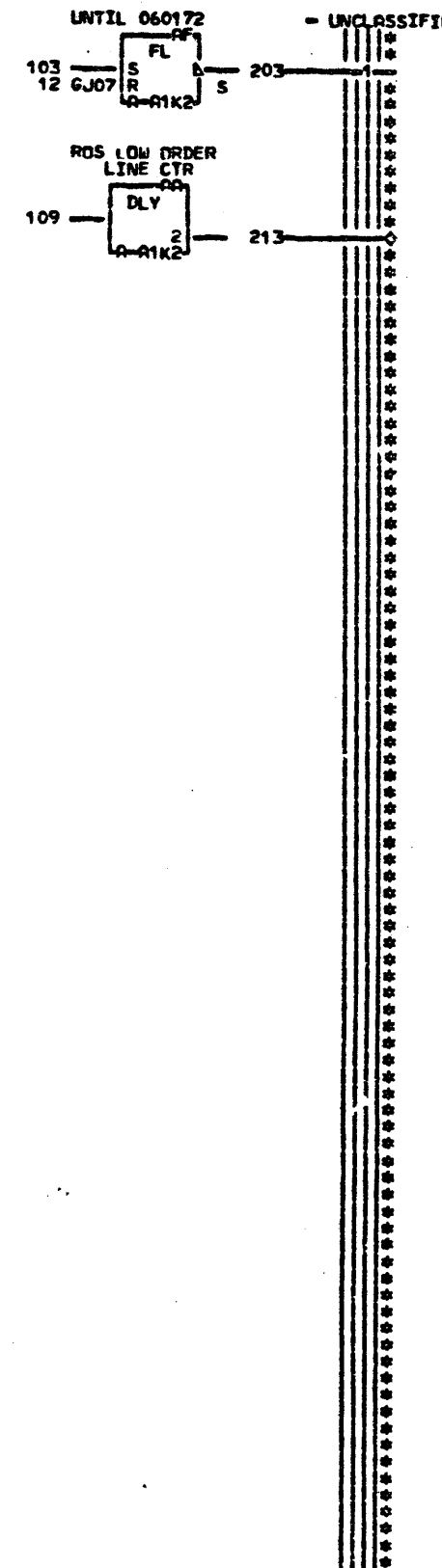
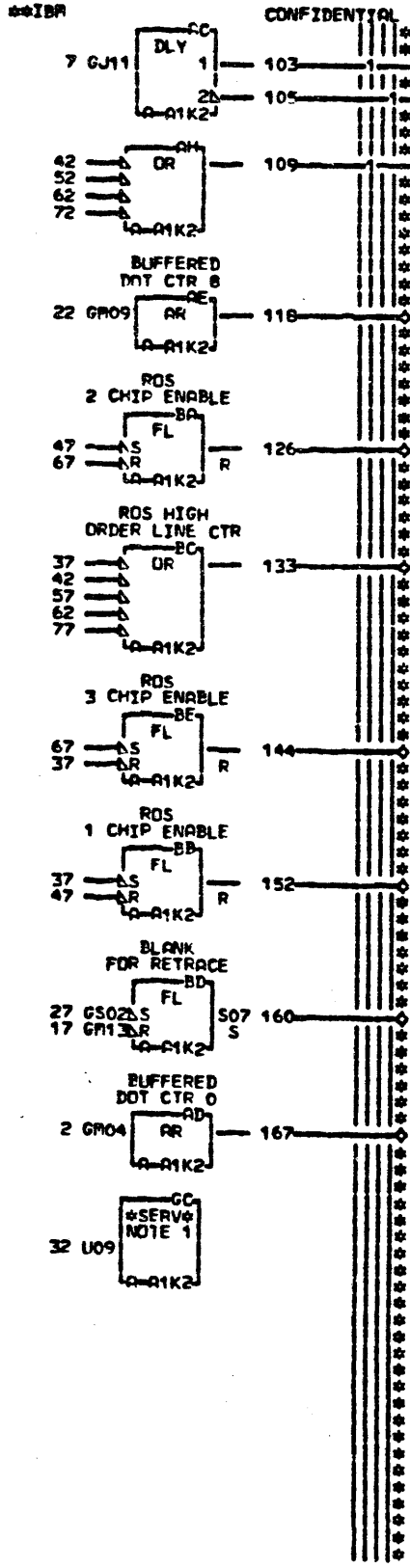
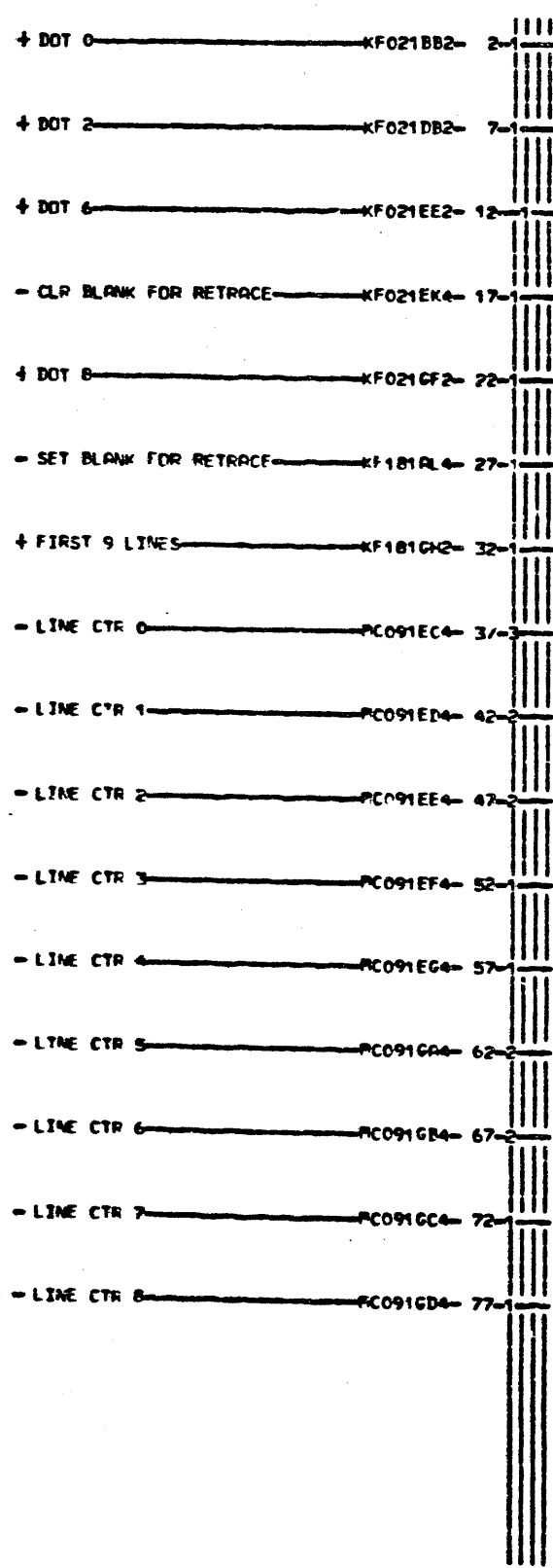


PAGE VER EC LEV
RC051 005 718541
RC061 005 718541



420 + 1520 CHAR. GEN.
KATAKANA OR EXTENDED CHAR SET
E.C. HISTORY — B. PACH. 3277
717473
717492
717946
FRAME 01 RC051
IBM CORP. SDD RC061
DATE LAST EC
10-02-72 718541 Pch 1823818 005

A NOTE SEE REFERENCE PAGE
22101 FOR CHARACTER
GENERATOR CARDS.
IP TO PN 1563786 EC 717492
B NOTE SEE REFERENCE PAGE
22101 FOR CHARACTER
GENERATOR CARDS.
RC051
RC061 SIM TO PN 1563787 EC 717492
005

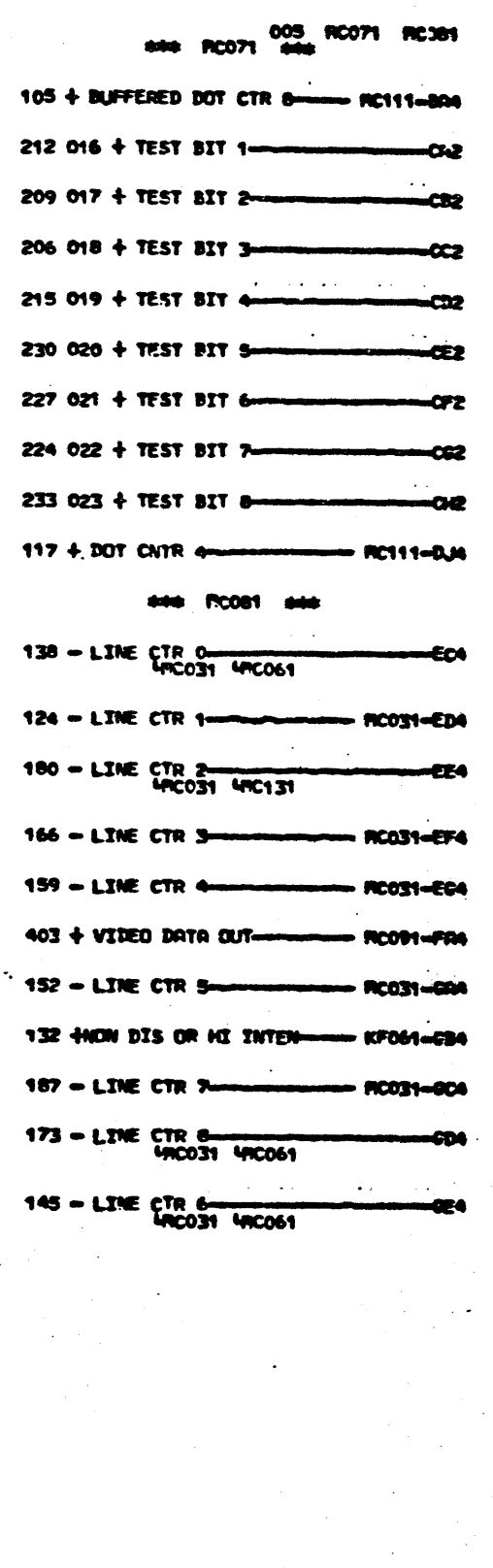
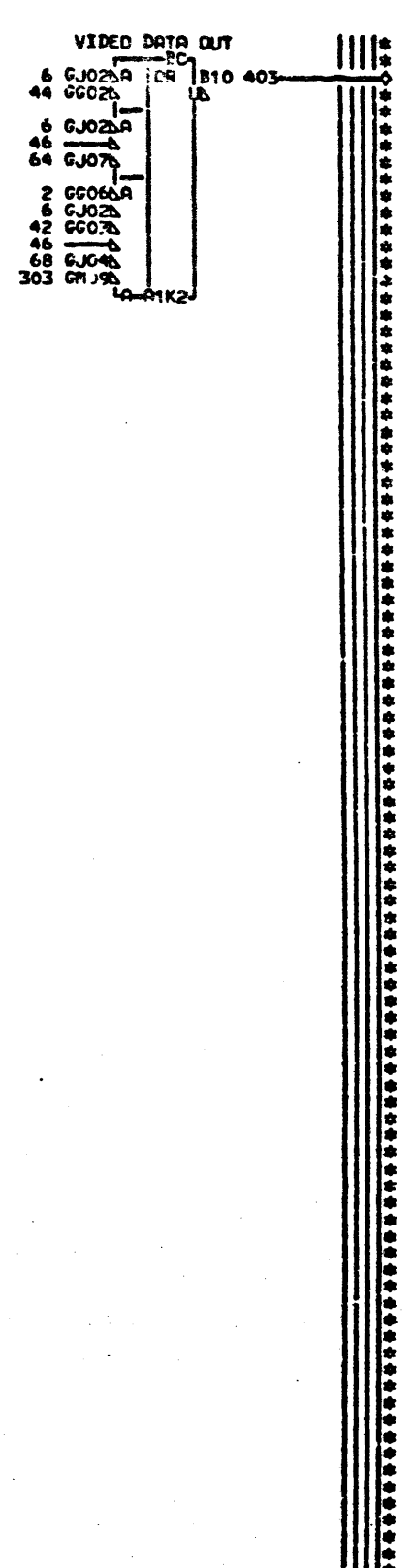
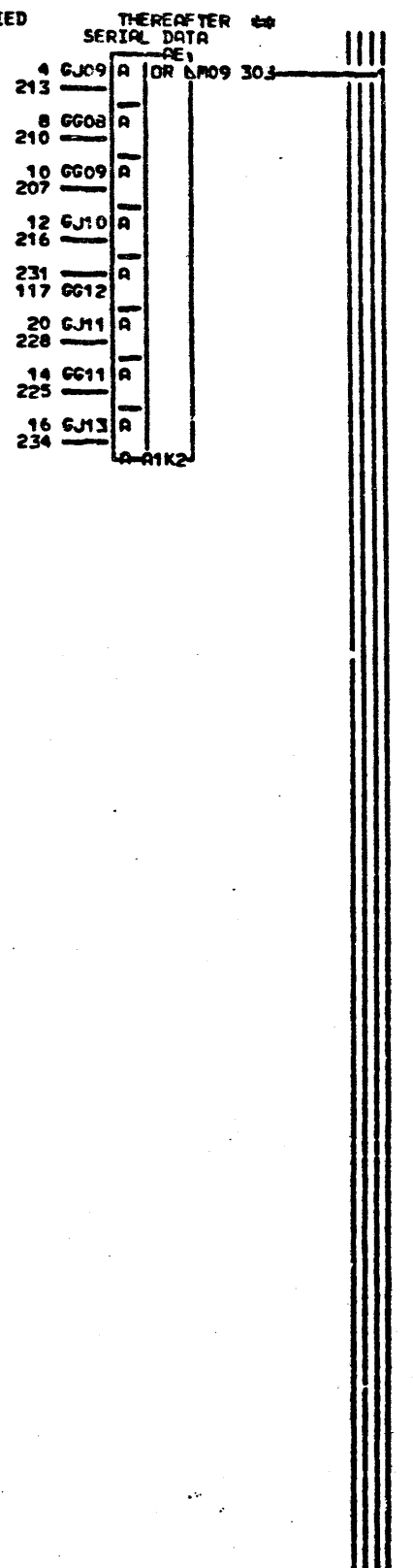
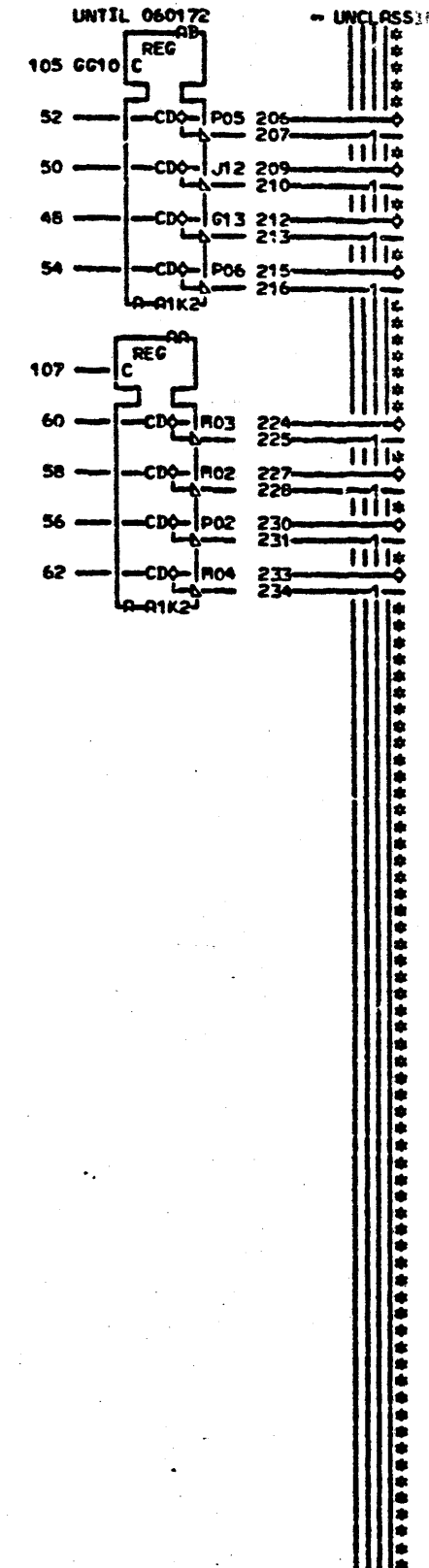
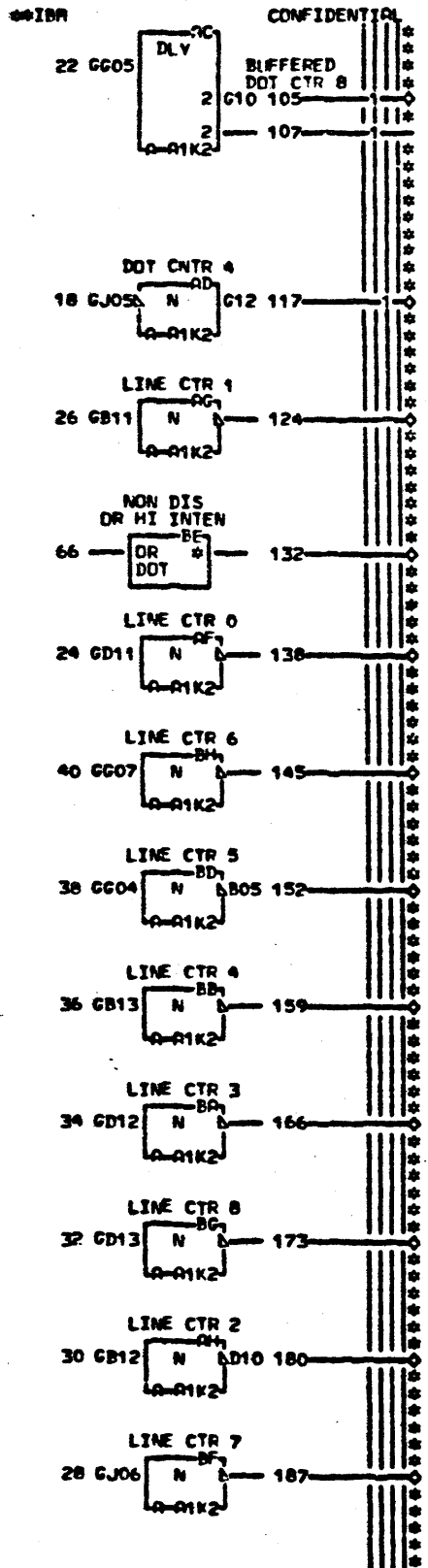
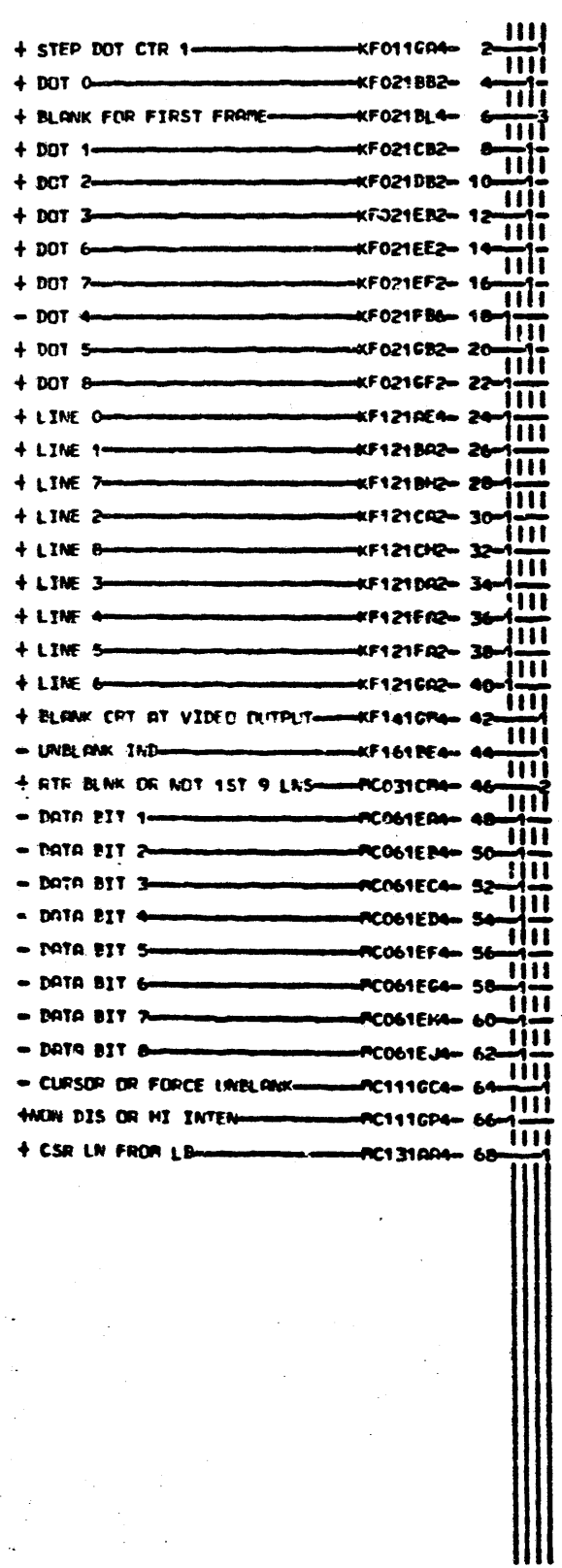


A NOTE SEE REFERENCE PAGE 27101 FOR CHARACTER GENERATOR CARDS
 B NOTE 2 SEE REFERENCE PAGE 27101 FOR CHARACTER GENERATOR CARDS
 PC 1
 RC061
 00C

LOC. TYPE
 A-A1K2 9070

PAGE VER EC LEV
 RC051 000 717492
 RC061 000 717492

LINE BUFFER + CHAR. GEN.			
E-C-HISTORY	B-RCH-3277	717473	
FRAME	01		RC051
DATE	LAST EC	IBM CORP. KN	RC061
06-01-72	717492	PoN: 1823816	000

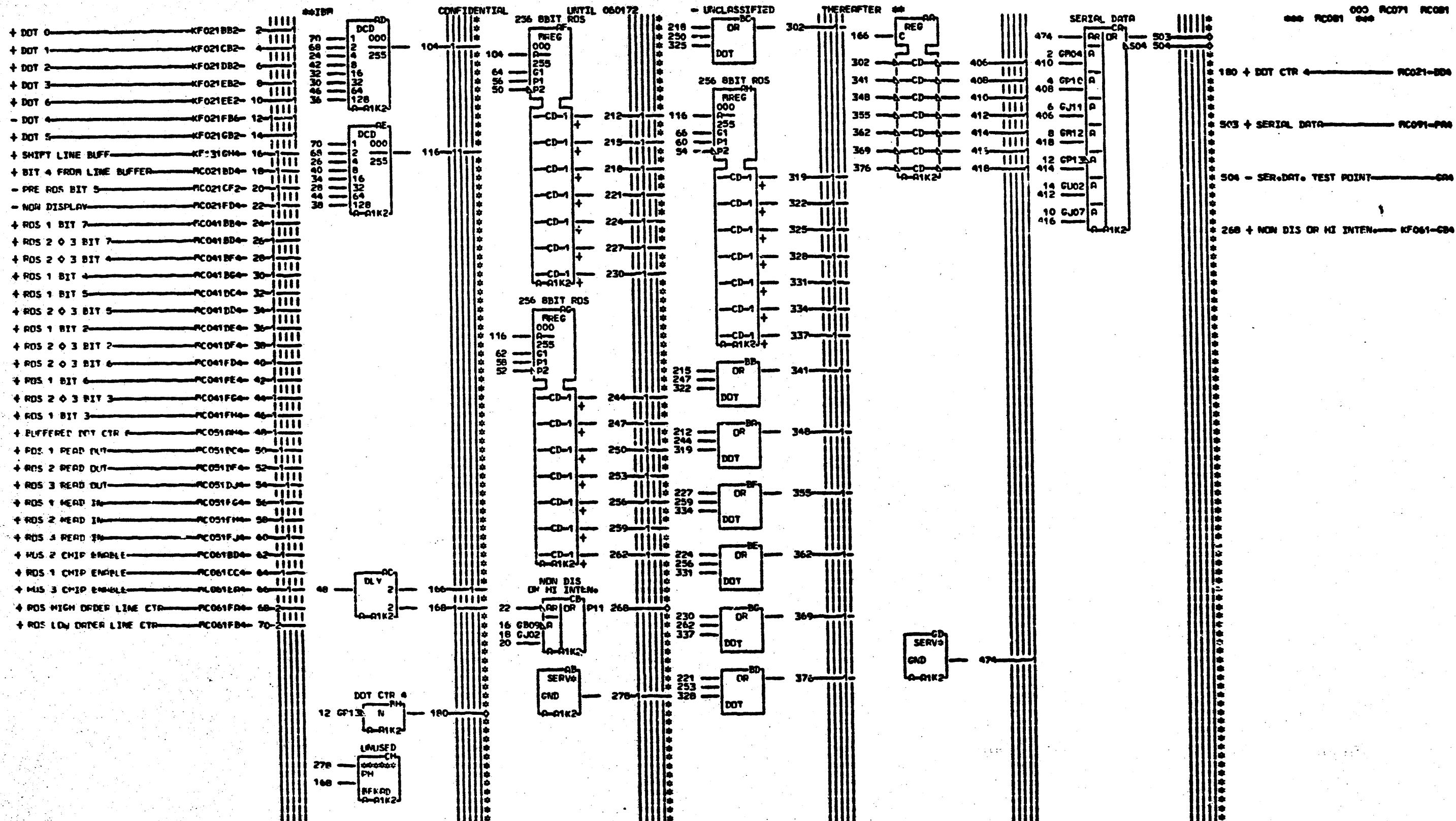


A-NOTE SEE REFERENCE PAGE 22101 FOR CHARACTER GENERATOR CARDS.
 SIM TO PN 156378A EC 717492
 B-NOTE SEE REFERENCE PAGE 22101 FOR CHARACTER GENERATOR CARDS.
 SIM TO PN 1563769 EC 717946
 PC071
 PC081
 005

LOC. TYPE
 A-R1K2 9123

PAGE VER EC LEV
 PC071 005 718541
 PC081 005 718541

480 + 1920 CHAR. GEN.
 KATAKANA OR EXTENDED CHAR SET
 E-C-HISTORY B-RACH-3277
 717473
 716959
 717492
 717946
 DATE LAST EC
 10-02-72 718541
 FRAME 01 PC071
 IBM CORP-KN PC081
 P.No 1823823 005



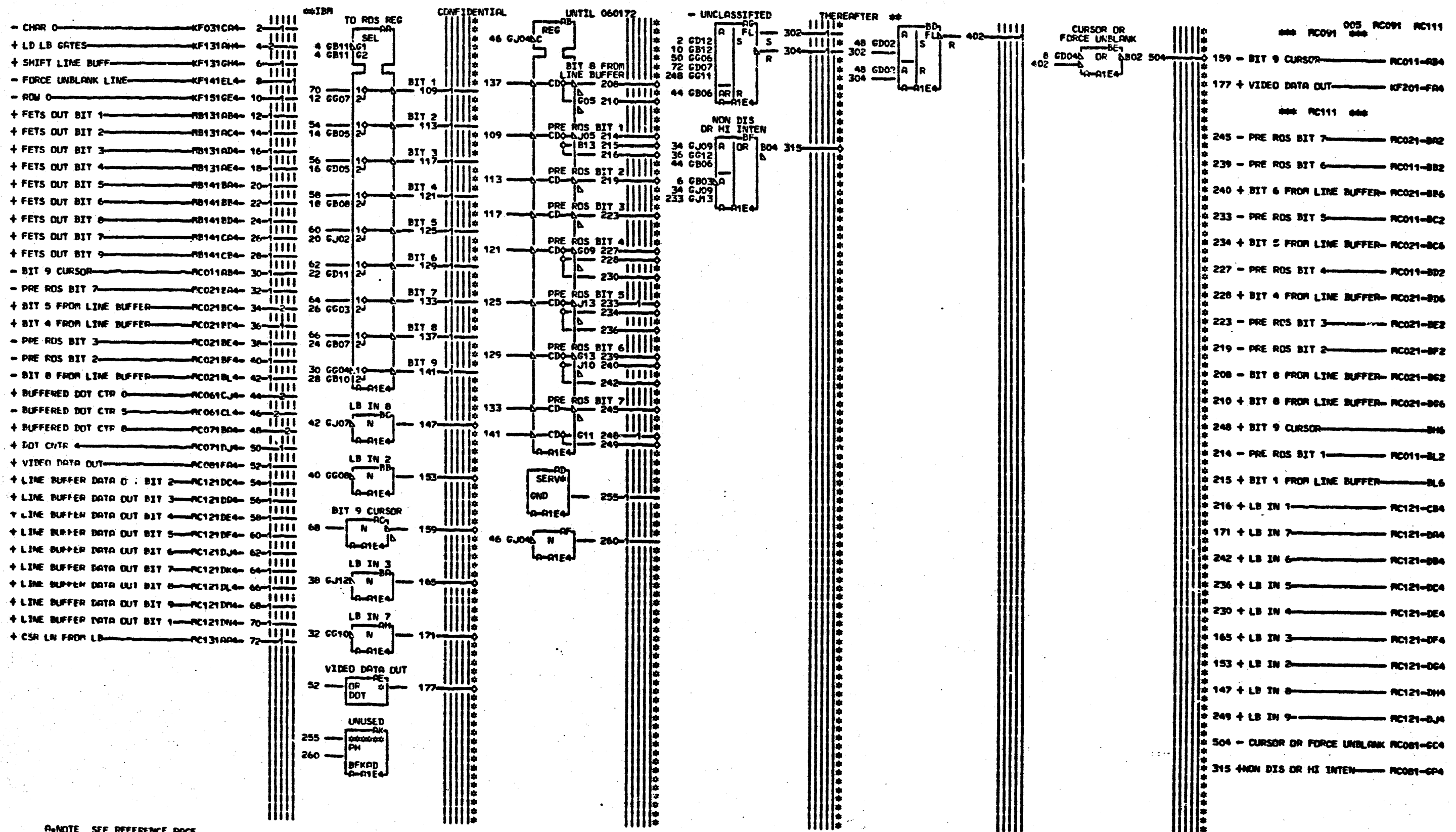
000 AC071 AC081

A-NOTE SEE REFERENCE PAGE Z2101 FOR CHARACTER GENERATOR CARDS
 B-NOTE SEE REFERENCE PAGE Z2101 FOR CHARACTER GENERATOR CARDS
 AC071
 AC081
 000

LOC. TYPE
 A-01K2 9070

PAGE VER EC LEV
 AC071 000 717492
 AC081 000 717946

LINE BUFFER + CHAR. GEN.			
E-C-HISTORY		B-RACH-3277	
717473		FRAME	01 AC071
717492		IBR CORP. IN	AC081
DATE	LAST EC	P. No.	1823821 000
08-05-72	717946		



A NOTE SEE REFERENCE PAGE 22101 FOR CHARACTER GENERATOR CARDS.
 SIM TO PN 152790 EC 717946
 B NOTE SEE REFERENCE PAGE 22101 FOR CHARACTER GENERATOR CARDS.

RC091
 RC111
 005

LOC. TYPE
 A-1E4 2227

PAGE VFR EC LEV
 RC091 005 717946
 RC111 005 717946

1920 LINE BUFFER EXTENDED CHAR SETS		E.C. HISTORY		PACH-3277	
717473	716959	717492	FRAME	01	RC091
DATE	LAST EC	IBR	CORP.	SDD	RC111
08-05-72	717946	PN.	1823028		005

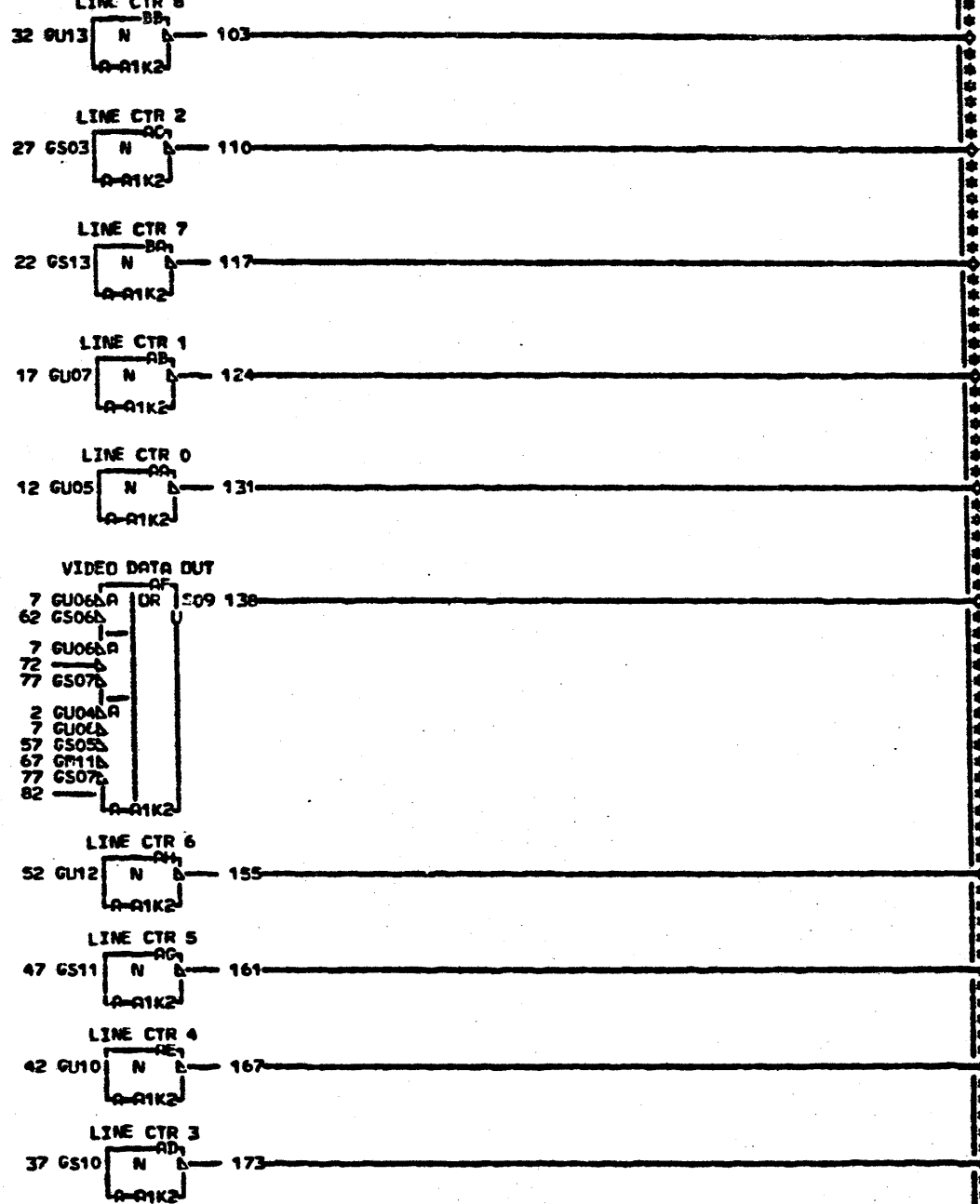
+ STEP DOT CTR 1 — KF011CA4 — 2—
 + BLANK FOR FIRST FRAME — KF021BL4 — 7—
 + LINE 0 — KF121AE4 — 12—
 + LINE 1 — KF121BA2 — 17—
 + LINE 7 — KF121BH2 — 22—
 + LINE 2 — KF121CA2 — 27—
 + LINE 8 — KF121CE2 — 32—
 + LINE 3 — KF121DA2 — 37—
 + LINE 4 — KF121EA2 — 42—
 + LINE 5 — KF121FA2 — 47—
 + LINE 6 — KF121GA2 — 52—
 + BLANK CRT AT VIDEO OUTPUT — KF141SP4 — 57—
 - UNBLANK IAD — KF161BE4 — 62—
 + CSR LINE — KF181FD4 — 67—
 - CURSOR OR FORCE INBLANK — KC021CC4 — 72—
 + BLANK FOR RETRACE — KC061DA4 — 77—
 + SERIAL DATA — KC081FA4 — 82—

##IBR

CONFIDENTIAL

UNTIL 060172

- UNCLASSIFIED THEREAFTER ##



000 RC091 RC091
 131 - LINE CTR 0 — RC061-ED4
 124 - LINE CTR 1 — RC061-ED4
 110 - LINE CTR 2 — RC061-EE4
 173 - LINE CTR 3 — RC061-EF4
 167 - LINE CTR 4 — RC061-EG4
 138 + VIDEO DATA OUT — KF201-FA4
 161 - LINE CTR 5 — RC061-GB4
 155 - LINE CTR 6 — RC061-GB4
 117 - LINE CTR 7 — RC061-GC4
 103 - LINE CTR 8 — RC061-GD4

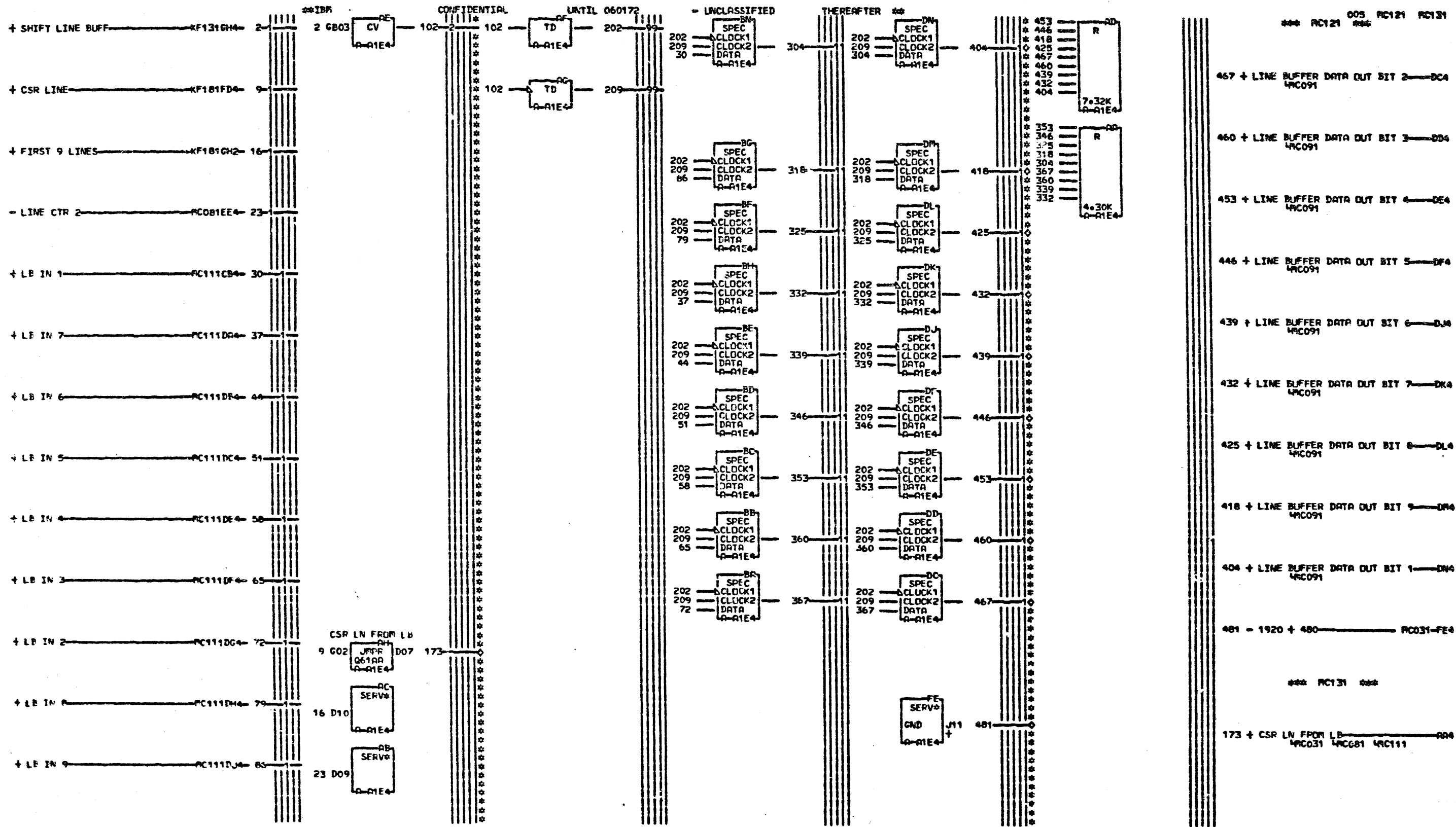
NOTE SEE REFERENCE PAGE
 Z2101 FOR CHARACTER GENERATOR
 CARDS

LOC. TYPE
 A-A1K2 9070

PAGE VER EC LEV
 RC091 000 717946

RC091
 RC091
 000

LINE BUFFER + CHAR. GEN.			
E.C. HISTORY	FRAM# 3277		
717473		FRAME 01	RC091
717492		IBR CDAP-KN	RC091
DATE LAST EC	P.No 1823826		000
08-05-72 717946			



A NOTE SEE REFERENCE PAGE 22101 FOR CHARACTER GENERATOR CARDS.
 B NOTE SEE REFERENCE PAGE 22101 FOR CHARACTER GENERATOR CARDS.

PC121
 PC131

C

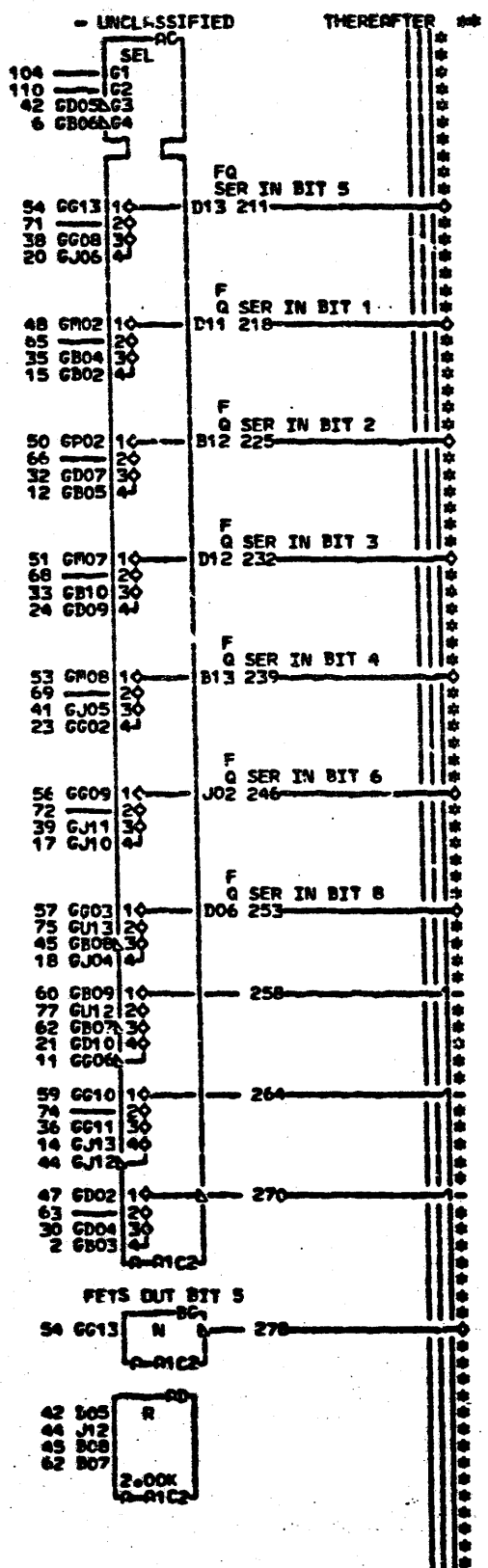
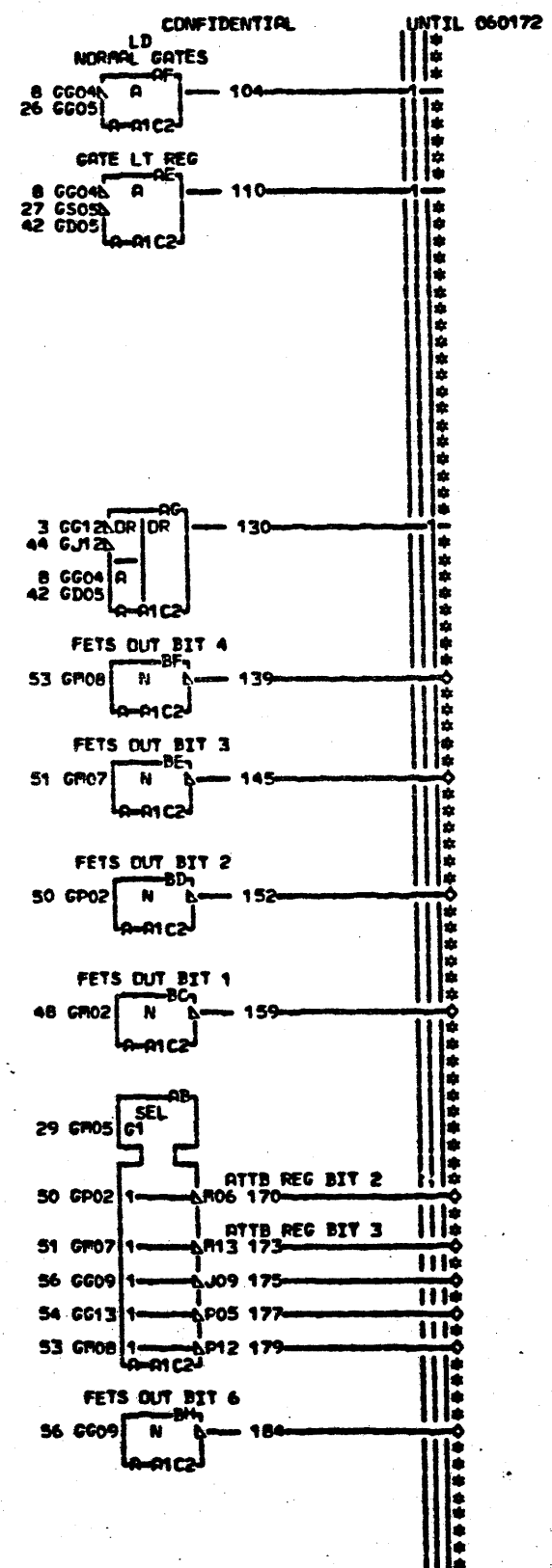
LDC TYPE
 A-A1E4 2227

PAGE VER EC LEV
 PC121 005 717946
 PC131 005 717492

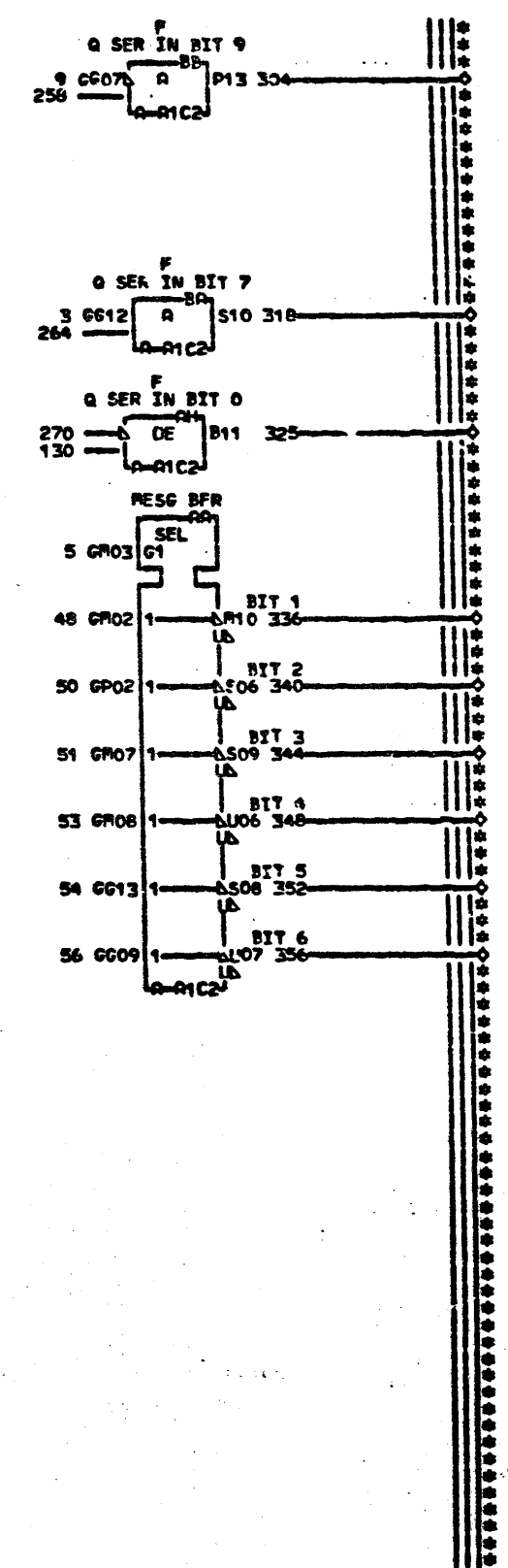
1920 LINE BUFFER EXTENDED CHAR SETS E.C.-HISTORY-B, RACH-3277		
717473	FRAME 01	PC121
716959	IBR CORP.SDD	PC131
717492		
DATE LAST EC	PoNo 1823831	005
06-05-72 717946		

+ INPUT PARITY PREDICT KA011GK4 2-1-1
 - DELETE RDT BIT 7 KA031GH4 3-1-1
 + LOAD MESSAGE BUFFER KA051FG4 5-1-1
 - LOAD I/O DATA KA071AE4 6-1-1
 + INSERT NULL KA081DB4 8-3-1
 - DELETE CSR BIT 9 KA081DG4 9-1-1
 - INSERT CURSOR NORP KA081EF4 11-1-1
 + SR BIT 6 KA121BH2 12-1-1
 + SR BIT 11 KA121CC2 14-1-1
 + SR BIT 5 KA121CH2 15-1-1
 + SR BIT 10 KA121DC2 17-1-1
 + SR BIT 4 KA121DH2 18-1-1
 + SR BIT 9 KA121EC2 20-1-1
 + SR BIT 3 KA121EH2 21-1-1
 + SR BIT 8 KA121FC2 23-1-1
 + SR BIT 7 KA121GC2 24-1-1
 + NORMAL GATES KF051FH4 26-1-1
 - LOAD LATE REG KF051FJ4 27-1-1
 + LD ATB REG FROM FETS KF131DE4 29-1-1
 - KB P BIT TO SUFF KA021AR4 30-1-1
 + KEYBD BIT 2 KAC21BR4 32-1-1
 + KEYBD BIT 3 KAC21BS4 33-1-1
 + KEYBD BIT 1 KAC21BT4 35-1-1
 + KEYBD BIT 7 KAC31BF4 36-1-1
 + KEYBD BIT 5 KAC31BG4 38-1-1
 + KEYBD BIT 6 KAC31BH4 39-1-1
 + KEYBD BIT 4 KAC31BJ4 41-1-1
 - LD KB TO FETS KA111AR4 42-2-1
 - RDT LD BIT 7 KA121AC4 44-1-1
 + FETS OUT BIT 0 KF131AA4 47-1-1
 + FETS OUT BIT 1 KF131AB4 48-1-1
 + FETS OUT BIT 2 KF131AC4 50-2-1
 + FETS OUT BIT 3 KF131AD4 51-2-1
 + FETS OUT BIT 4 KF131AE4 53-2-1
 + FETS OUT BIT 5 KF141BA4 54-1-1
 + FETS OUT BIT 6 KF141BB4 56-2-1
 + FETS OUT BIT 8 KF141BD4 57-1-1
 + FETS OUT BIT 7 KF141CA4 59-1-1
 + FETS OUT BIT 9 KF141CB4 60-1-1
 + S PC021032 62-1-1
 + LATE REG BIT 0 PC051EA2 63-1-1
 + LATE REG BIT 1 PC051EB2 65-1-1
 + LATE REG BIT 2 PC051EC2 66-1-1
 + LATE REG BIT 3 PC051ED2 68-1-1
 + LATE REG BIT 4 PC061EA2 69-1-1
 + LATE REG BIT 5 PC061EB2 71-1-1
 + LATE REG BIT 6 PC061EC2 72-1-1
 + LATE REG BIT 7 PC061ED2 74-1-1
 + LATE REG BIT 8 PC061EF2 75-1-1
 + LATE REG BIT 9 PC061CH2 77-1-1

IBM



LDC TYPE A-1C2 9086



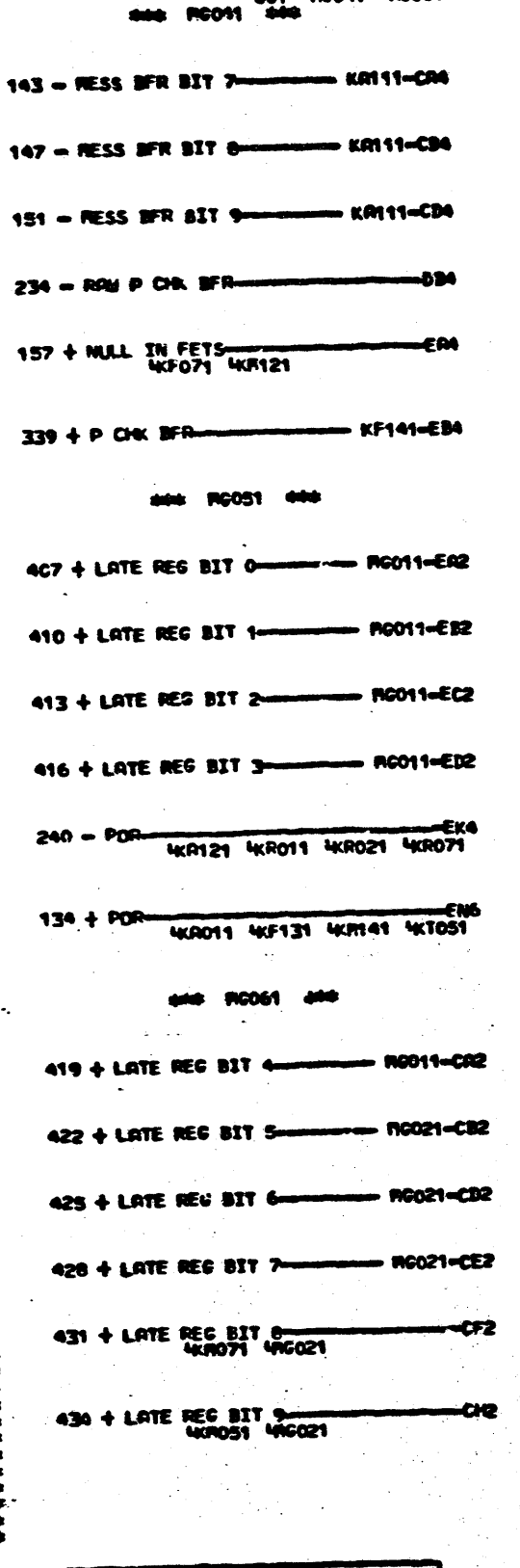
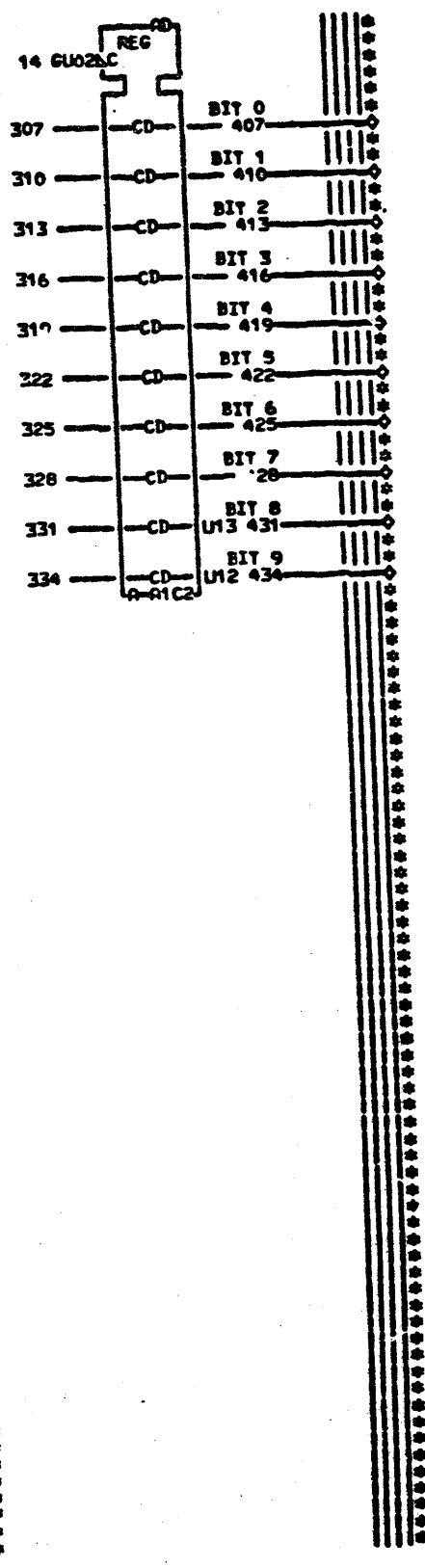
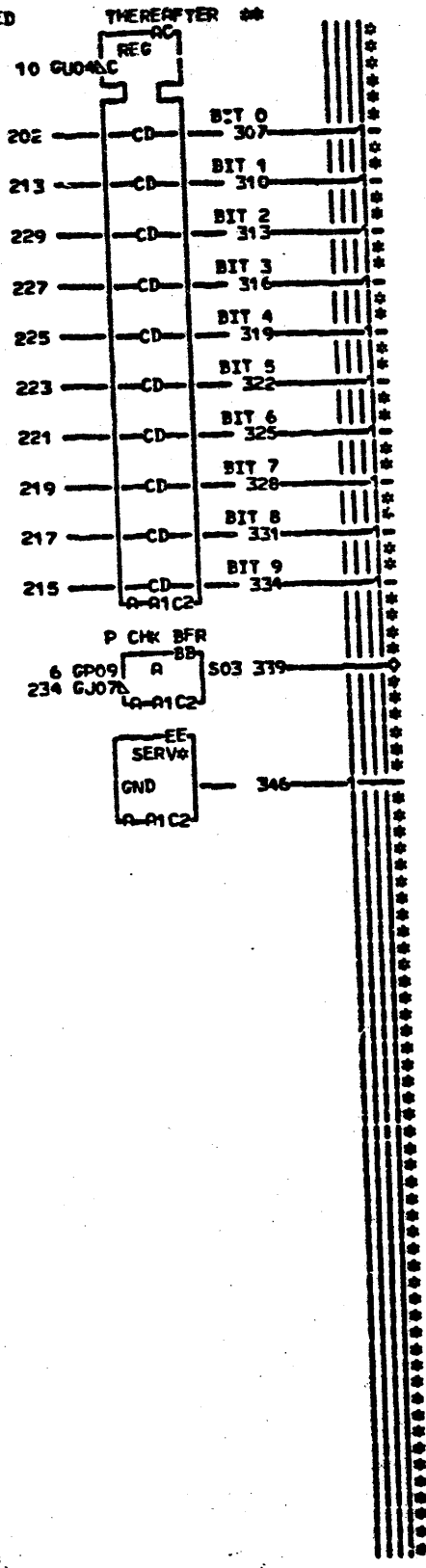
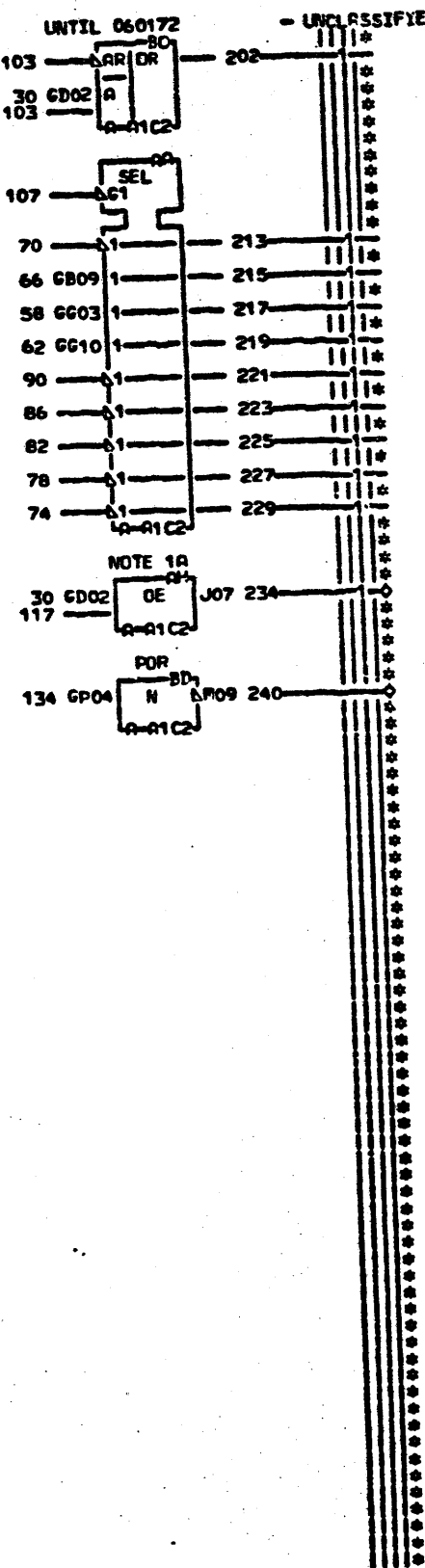
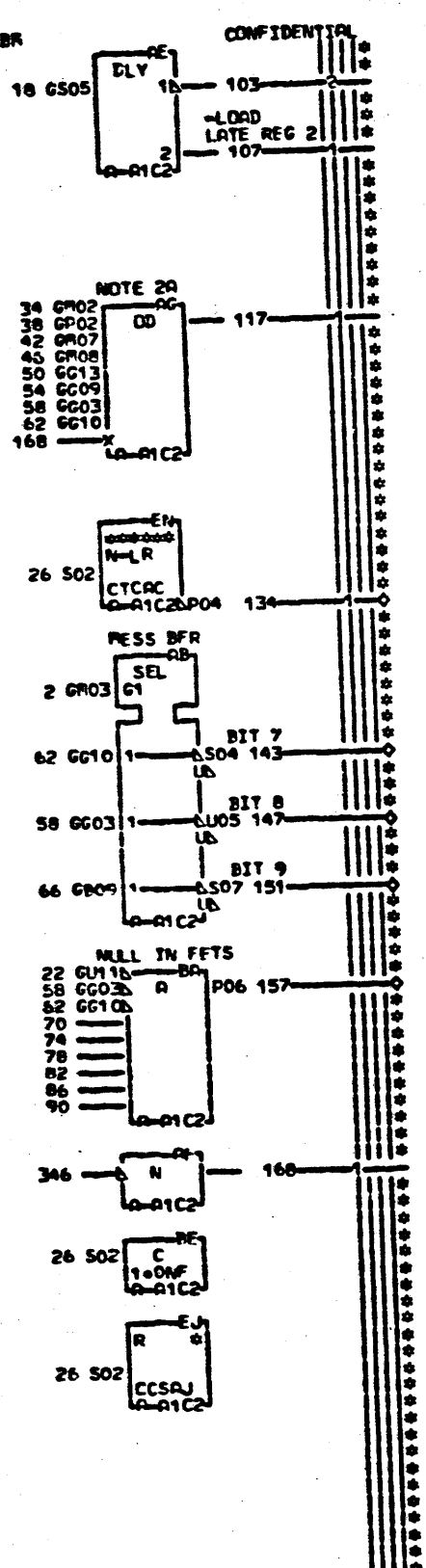
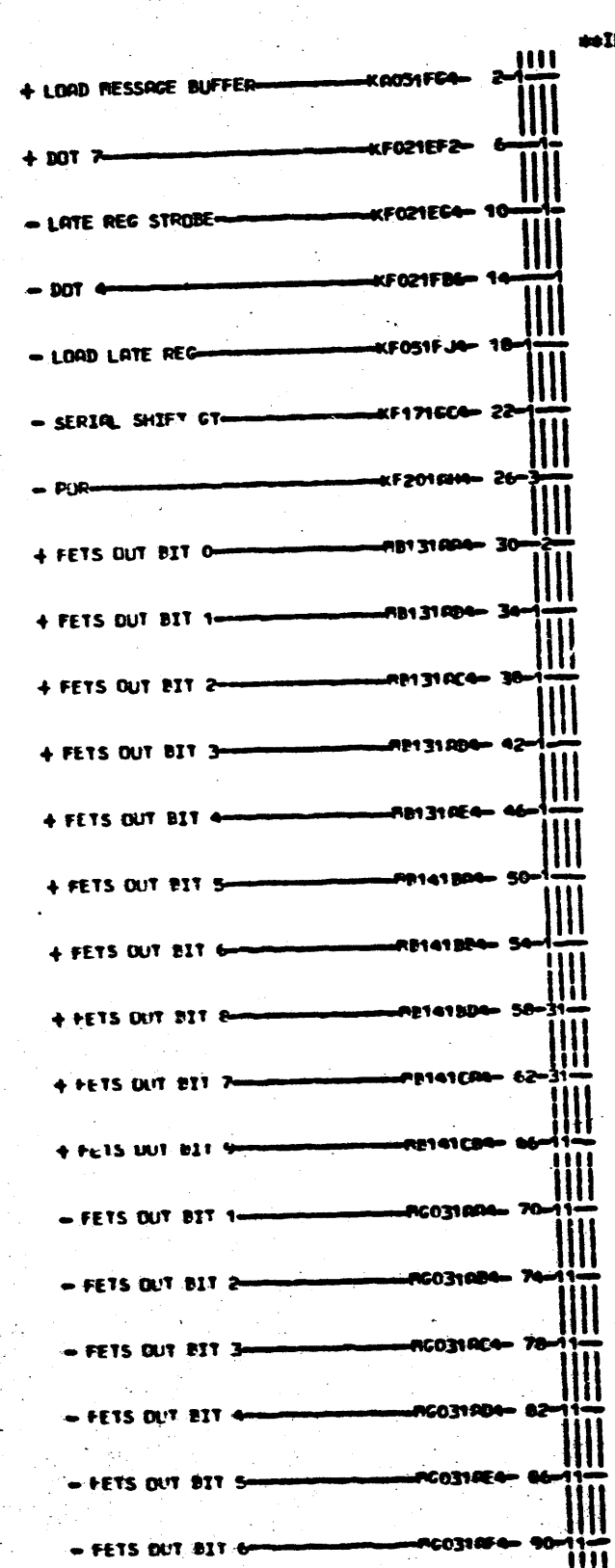
218 + F Q SER IN BIT 1 AB011-ED4
 225 + F Q SER IN BIT 2 AB011-EG4
 232 + F Q SER IN BIT 3 AB011-EJ4
 239 + F Q SER IN BIT 4 AB011-EL4
 325 + F Q SER IN BIT 0 AB011-GC4
 211 + F Q SER IN BIT 5 AB021-FB4
 246 + F Q SER IN BIT 6 AB021-FD4
 253 + F Q SER IN BIT 8 FJ4
 KR121 KR021
 318 + F Q SER IN BIT 7 GF4
 KR121 KR021
 304 + F Q SER IN BIT 9 RB021-GL4
 159 - FETS OUT BIT 1 GR4
 KR041 KR051
 152 - FETS OUT BIT 2 AB4
 KR041 KR051
 145 - FETS OUT BIT 3 AC4
 KR041 KR051
 139 - FETS OUT BIT 4 AD4
 KR041 KR061
 278 - FETS OUT BIT 5 AE4
 KR041 KR061
 184 - FETS OUT BIT 6 AF4
 KR041 KR051
 336 - RESG BFR BIT 1 KR111-BA4
 340 - RESG BFR BIT 2 KR111-BB4
 344 - RESG BFR BIT 3 KR111-BC4
 348 - RESG BFR BIT 4 KR111-BD4
 352 - RESG BFR BIT 5 KR111-BE4
 356 - RESG BFR BIT 6 KR111-BF4
 170 - ATTB REG BIT 2 KF071-CA4
 173 - ATTB REG BIT 3 KF071-CB4
 179 - ATTB REG BIT 4 CD4
 177 - ATTB REG BIT 5 CE4
 175 - ATTB REG BIT 6 CF4

DSIA TO PN 1563742 EC 717473

PAGE VER EC LEV
 PG011 001 717492
 PG021 001 717492
 PG031 000 717473

PG011
 PG031
 001

I/O GATING AND PARITY	
EC-HISTORY	8-PACK-3277
717473	
DATE LAST EC	IBN COMP-KN
06-01-72 717492	PoNo 1623835
	001



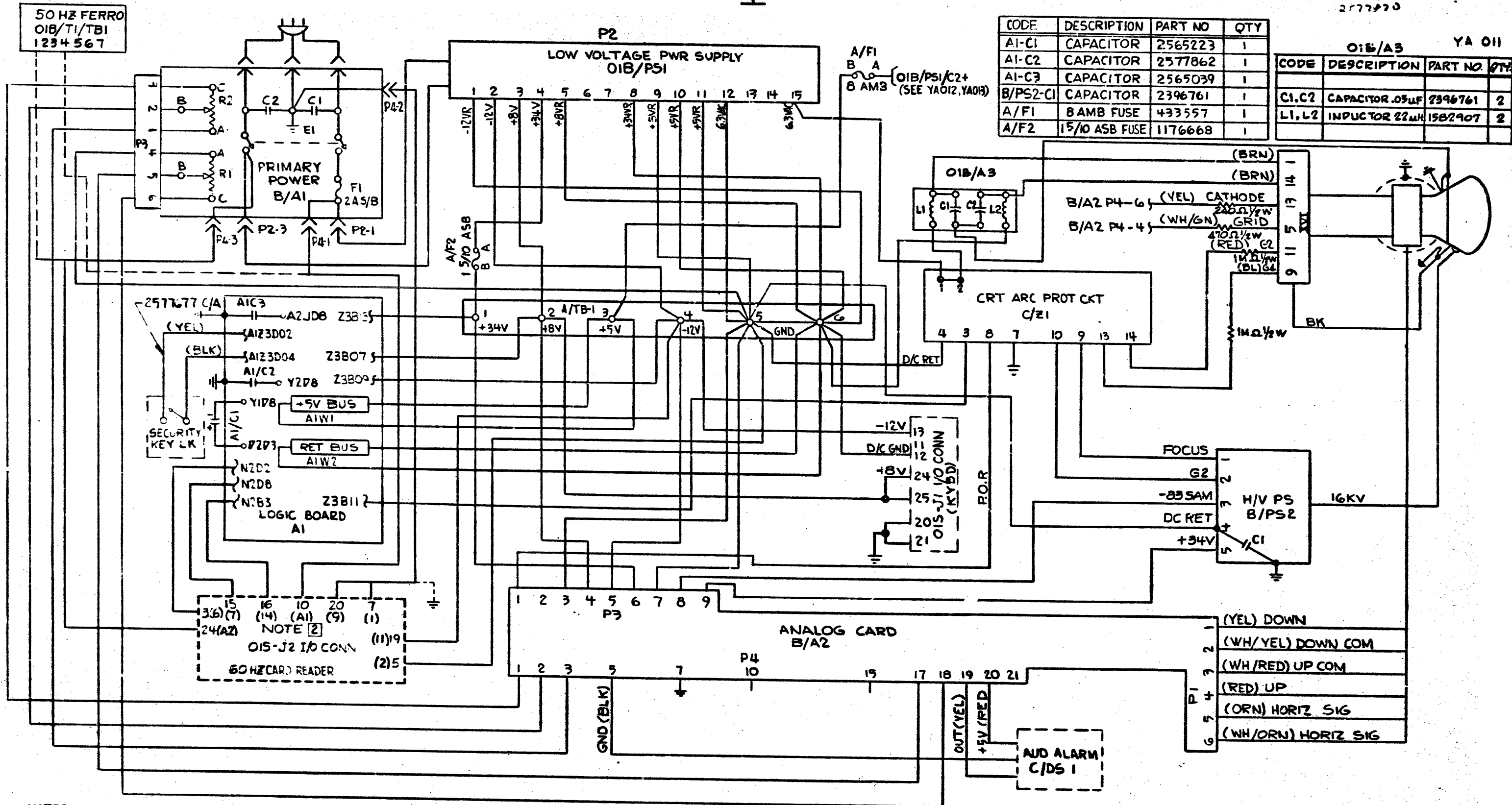
ASIR TO PN 1563794 EC 717946
 BSIR TO PN 1563795 EC 717946

LOC. TYPE
 A-11C2 9066

PAGE VER FC LEV
 RG041 001 717946
 RG051 001 717946
 RG061 000 717947

RG041
 RG061
 191

I/O GATING AND PARITY			
E-C-HISTORY		B-RACH-3277	
717473	716959	FRAME 01	RG041
717492		IBR CORP-SDD	RG061
DATE	LAST EC	P-#	1823840 001
08-05-72	717946		



CODE	DESCRIPTION	PART NO	QTY
A1-C1	CAPACITOR	2565223	1
A1-C2	CAPACITOR	2577862	1
A1-C3	CAPACITOR	2565039	1
B/PS2-C1	CAPACITOR	2396761	1
A/F1	8 AMB FUSE	433557	1
A/F2	15/10 ASB FUSE	1176668	1

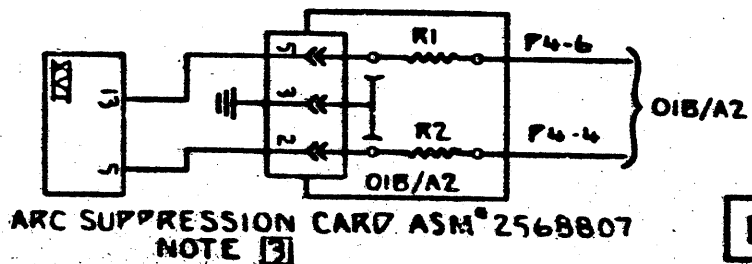
OIB/A3		YA O11	
CODE	DESCRIPTION	PART NO	QTY
C1, C2	CAPACITOR .05UF	2396761	2
L1, L2	INDUCTOR 22uH	1582907	2

NOTES:

1 WHEN KEY'D FEAT IS NOT ATTACHED TO DISPLAY LOAD RESIS 7577676 REF MOUNTS TO B/TBI-2&6; AND 2577679 REF MOUNTS TO B/TBI-3&6

2 THE 50 HZ CARD READER RECEIVES ITS POWER FROM FERRO OIB/TI/TBI-1&4 NOT THRU PRIME POWER OIB/A1/P4 CONN POS 1 & 9 TIE DIRECTLY TO FR GND ON GUSSET. NUMBERS IN PARENTHESIS REPRESENT THE 50 HZ CONNECTOR POSITIONS

3 ARC SUPPRESSION CARD ASM IS ONLY USED ON UNITS WITH 2565236 ANALOG CARD ASM.



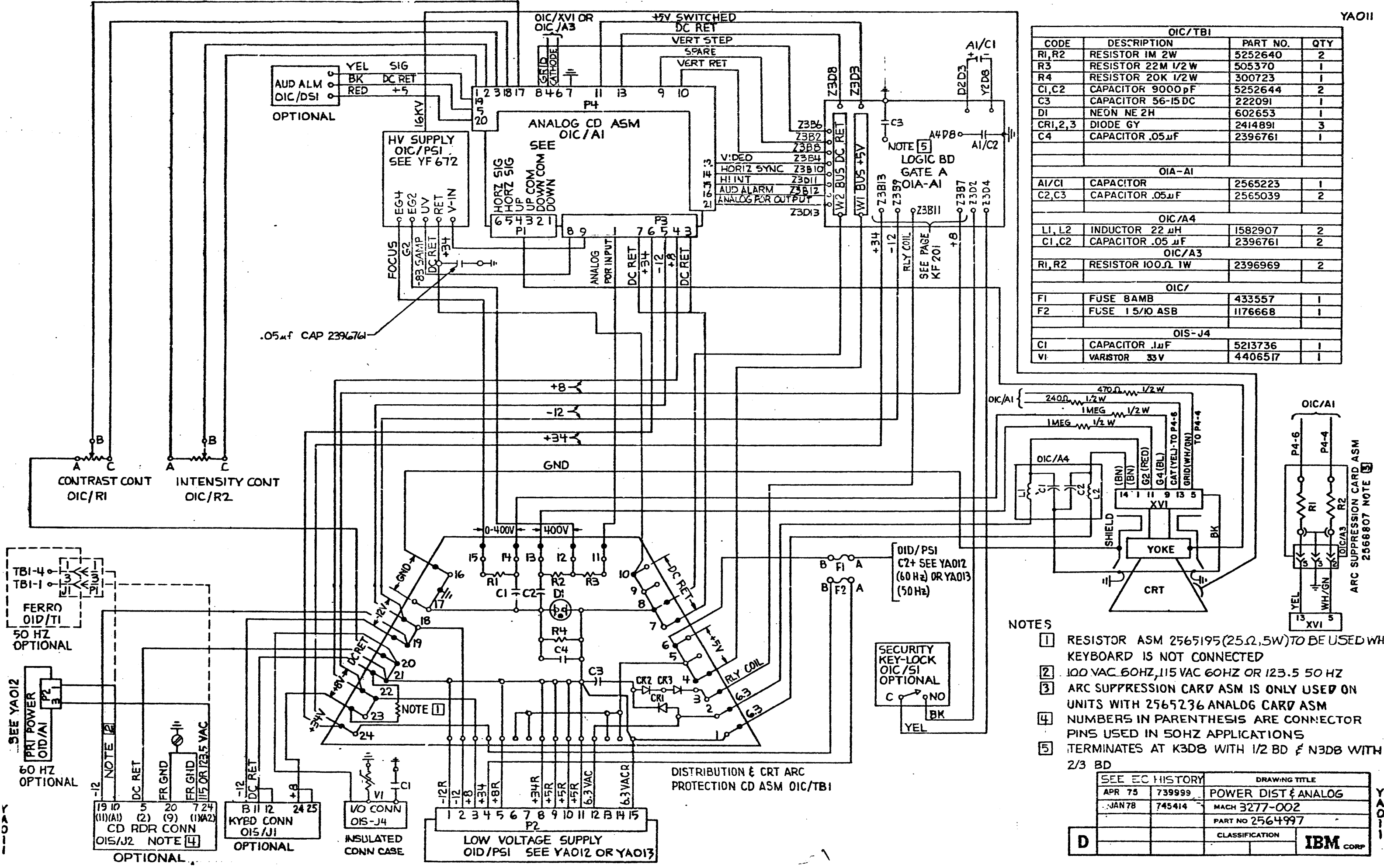
THIS DOCUMENT IS THE PROPERTY OF IBM. ITS USE IS AUTHORIZED ONLY FOR RESPONSE TO A REQUEST FOR QUOTATION OR FOR THE PERFORMANCE OF WORK FOR IBM. ALL QUESTIONS MUST BE REFERRED TO THE IBM PURCHASING DEPARTMENT.

SEE EC HISTORY	DRAWING TITLE
2JG73 733401	POWER DIST
MAR74 739992	MACH
3FEB75 741722	PART NO 2577870
MAY75 741690	CLASSIFICATION

D **IBM** corp

Y A O 11

Y A O 11



OIC/TB1			
CODE	DESCRIPTION	PART NO.	QTY
R1,R2	RESISTOR 1M 2W	5252640	2
R3	RESISTOR 22M 1/2W	505370	1
R4	RESISTOR 20K 1/2W	300723	1
C1,C2	CAPACITOR 9000pF	5252644	2
C3	CAPACITOR 56-15 DC	222091	1
D1	NEON NE 2H	602653	1
CR1,2,3	DIODE GY	2414891	3
C4	CAPACITOR .05μF	2396761	1

OIA-A1			
A1/C1	CAPACITOR	2565223	1
C2,C3	CAPACITOR .05μF	2565039	2

OIC/A4			
L1, L2	INDUCTOR 22 μH	1582907	2
C1, C2	CAPACITOR .05 μF	2396761	2

OIC/A3			
R1, R2	RESISTOR 100.Ω 1W	2396969	2

OIC/			
F1	FUSE 8AMB	433557	1
F2	FUSE 15/10 ASB	1176668	1

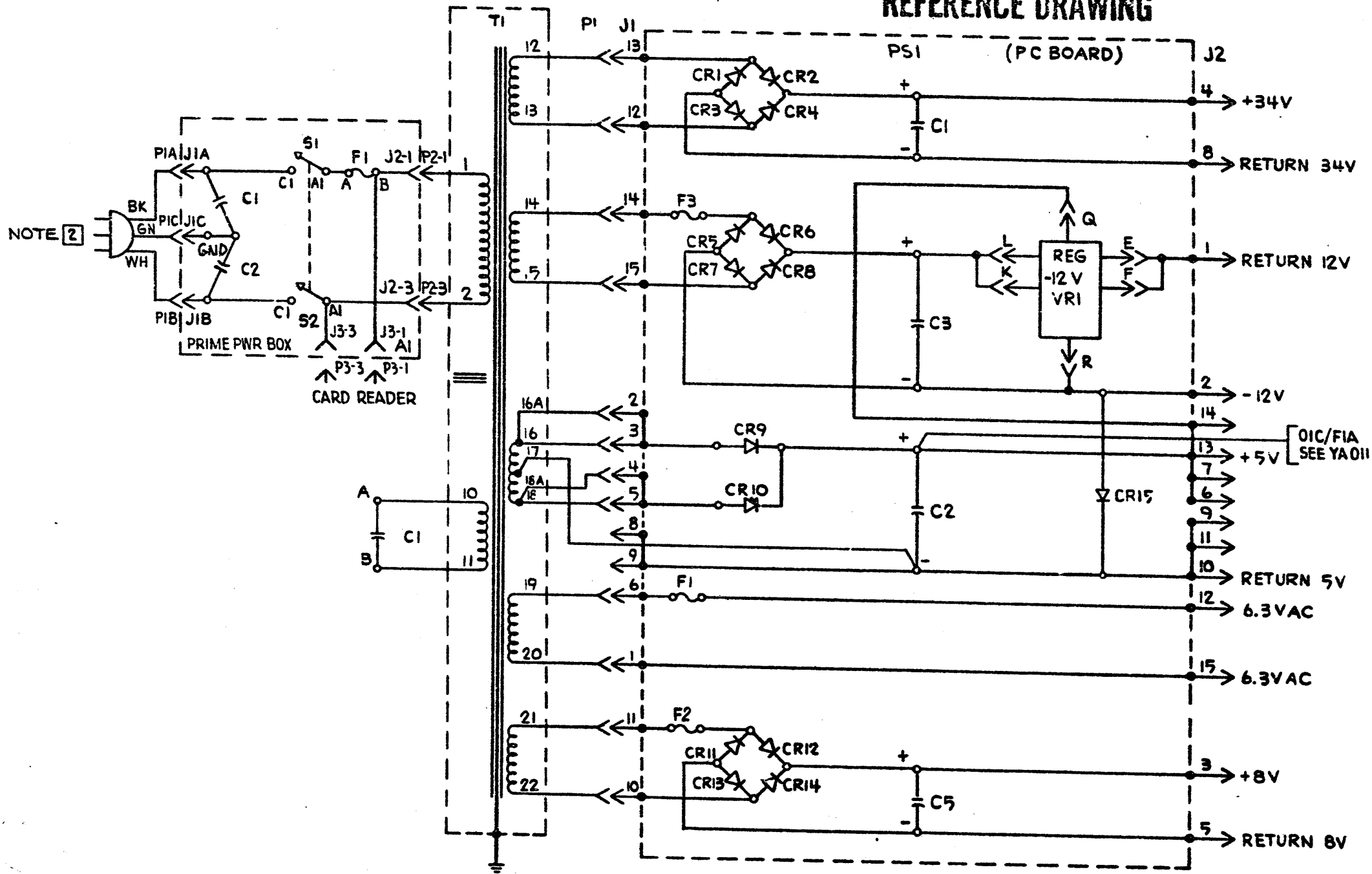
OIS-J4			
C1	CAPACITOR .1μF	5213736	1
V1	VARIATOR 33V	4406517	1

- NOTES
- RESISTOR ASM 2565195 (25Ω, .5W) TO BE USED WHEN KEYBOARD IS NOT CONNECTED
 - 100 VAC 60HZ, 115 VAC 60HZ OR 123.5 50 HZ
 - ARC SUPPRESSION CARD ASM IS ONLY USED ON UNITS WITH 2565236 ANALOG CARD ASM
 - NUMBERS IN PARENTHESIS ARE CONNECTOR PINS USED IN 50HZ APPLICATIONS
 - TERMINATES AT K3DB WITH 1/2 BD & N3DB WITH 2/3 BD

SEE EC HISTORY		DRAWING TITLE
APR 75	739999	POWER DIST & ANALOG
JAN 78	745414	MACH 3277-002
		PART NO 2564997
		CLASSIFICATION
		IBM CORP

COPY

REFERENCE DRAWING



CODE	DESCRIPTION	PART NO
PS1	PRINTED CIRCUIT BOARD ASM	2481185
VR1	REGULATOR CARD-12V	2481207
PSIC1	CAPACITOR, 7.2K μ F 40V	5712125
PSIC2	CAPACITOR, 240K μ F 75V	5252526
PSIC3	CAPACITOR, 3.1K μ F 25V	483107
PSIC5	CAPACITOR, 60K μ F 10V	5252514
AIC1/AIC2	CAPACITOR, FILTER .01 μ F	737805
C1	CAPACITOR, 4 μ F 660VAC	2582939
CR1-CR8 CR15	DIODE, 1AMP 180V	5214324
CR9/CR10	DIODE, 10AMP 150V	598479
CR11-CR14	DIODE, 3AMP 100V	1149212
AIF1, PSIF1	FUSE, 2AMP SB 125 V	332009
PSIF2	FUSE, 5AMP SB 125 V	512137
PSIF3	FUSE, 2AMP SB 125 V	332009
S1/S2	SWITCH, 10AMP 125/250V	5252566
T1	FERRO, 60 HZ	NOTE [2]

NOTES

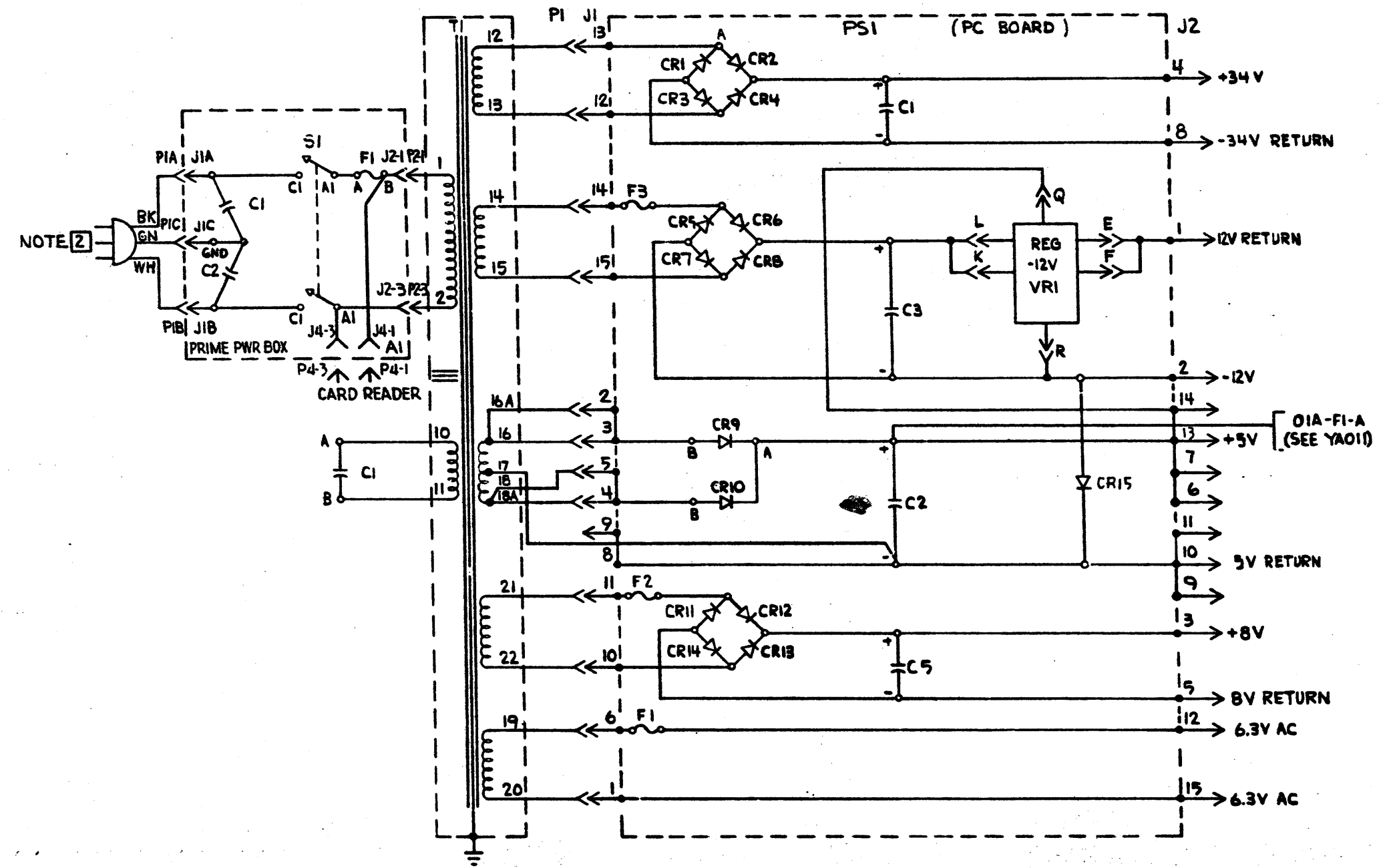
- 1 ALL POWER UNITS IN O1D/ ZONE
- 2 THIS WIRING DIAGRAM PERTAINS TO 115 VAC 1 ϕ 60HZ UNITS (FERRO P/N 2582999), OR 100VAC 1 ϕ 60HZ JAPAN UNITS (FERRO P/N 4119307).

EC HISTORY		DRAWING TITLE	
SEE EC HISTORY	16JUL75	739021	CKT. DIAG. 19C DISPL. UNIT 60HZ
3 FEB 75	741722	MACH	PART NO 2481235
CLASSIFICATION		IBM CORP	

YA012

YA012

REFERENCE DRAWING



CODE	DESCRIPTION	PART NO
PSI	PRINTED CIRCUIT BOARD ASM	2481185
VR1	REGULATOR CARD -12V	2481207
PSIC1	CAPACITOR 7.2K μ F 40V	5712125
PSIC2	CAPACITOR 240K μ F 7.5V	5252526
PSIC3	CAPACITOR 3.1K μ F 25V	483107
PSIC5	CAPACITOR 60K μ F 10V	5252514
AIC1&AIC2	CAPACITOR, FILTER .01 μ F	737809
CI	CAPACITOR AC 4 μ F 660VAC	2522939
CR1-CR8, CR15	DIODE 1AMP 180V	5214324
CR9&CR10	DIODE 10AMP 150V	598479
CR11-CR14	DIODE 3AMP 100V	1149212
AIF1, PSIF1	FUSE 2AMP SB 125V	332009
PSIF2	FUSE 5AMP SB 125V	512137
PSIF3	FUSE 2AMP SB 125V	332009
S1	SWITCH	5252626
TI	FERRO, 60 HZ	NOTE 2

NOTES

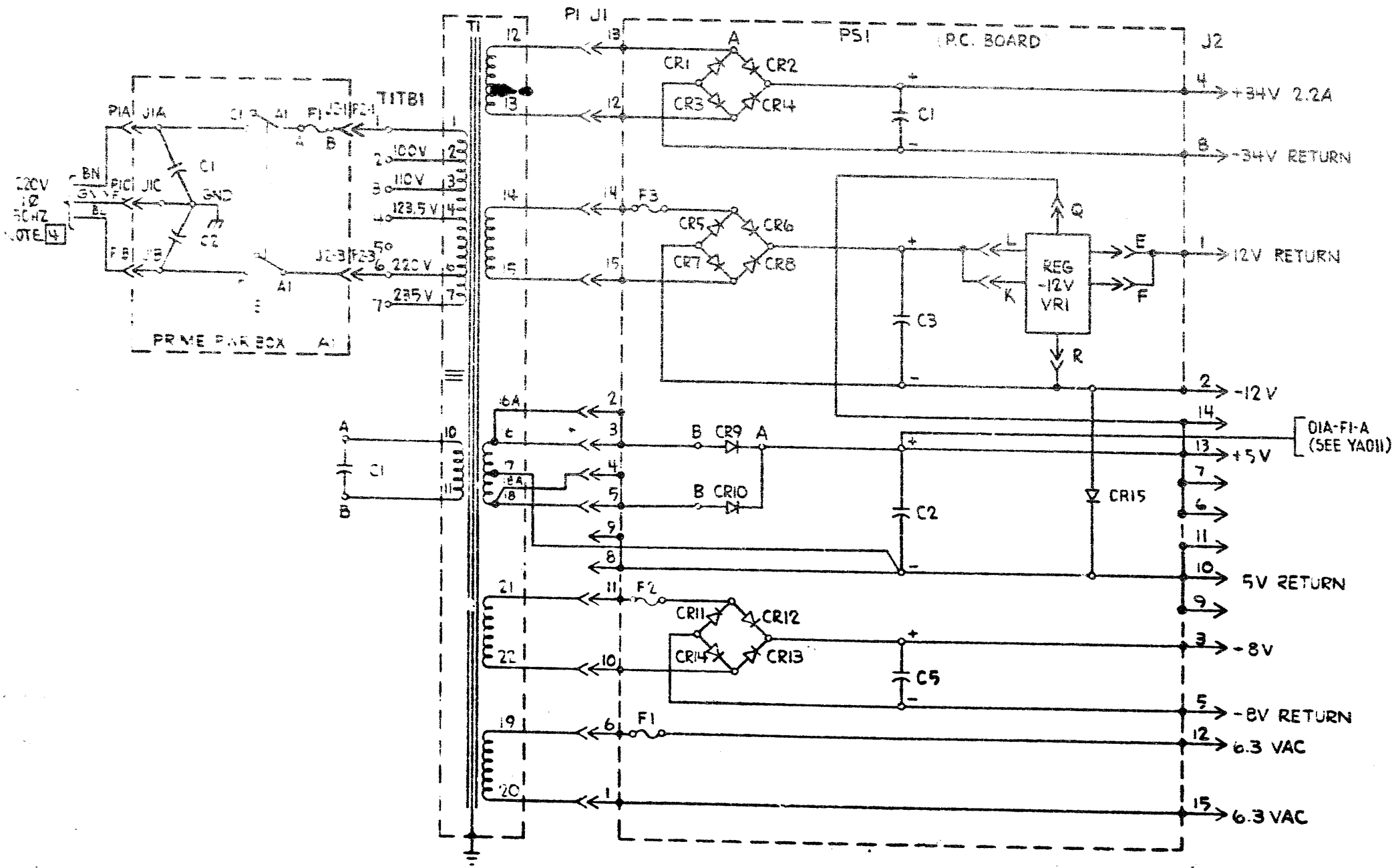
- 1 ALL POWER UNITS IN 01D/ ZONE
- 2 THIS WIRING DIAGRAM PERTAINS TO 115 VAC 1 ϕ 60HZ UNITS (FERRO P/N 2582999), OR 100 VAC 1 ϕ 60HZ JAPAN UNITS (FERRO P/N 4119307).

EC HISTORY		DRAWING TITLE	
SEE EC	HISTORY	5YS DIAG 48C DISPL UNIT 60HZ	
16 JUL 73	739 021	MACH	
3 FEB 75	741722	PART NO 2481234	
D	CLASSIFICATION		IBM CORP
	M/JL 10/70 K/LL 02/70		

YAO12

YAO12

REFERENCE DRAWING



CODE	DESCRIPTION	PART NO
PSI	PRINTED CIRCUIT BOARD 15W	2481238
VRI	REGULATOR CARD - 2V	2481207
PSIC1	CAPACITOR 7.2K UF 40V	5712125
PSIC2	CAPACITOR 240K UF 7.5V	5252526
PSIC3	CAPACITOR 3.1K UF 25V	483107
PSIC5	CAPACITOR 60K UF 10V	5252514
AIC1AIC2	CAPACITOR FILTER .01UF	737805
C1	CAPACITOR 40 UF 660VAC	2582939
CR1-CR8 CR15	DIODE 1AMP 180V	5214324
CR9&CR10	DIODE 2AMP 150V	598479
CR11-CR14	DIODE 3AMP 100V	1149212
PSIF1	FUSE 2AMP SB125 V	332009
PSIF2	FUSE 5AMP SB 125 V	51237
PSIF3	FUSE 2AMP SB125 V	332009
AIF1	FUSE 1AMP SB 250 V	NOTE 2
	FUSE 2AMP SB 125 V	NOTE 3
SI	SWITCH	5252626
TI	FERRO, 5CHZ	4119272

NOTES

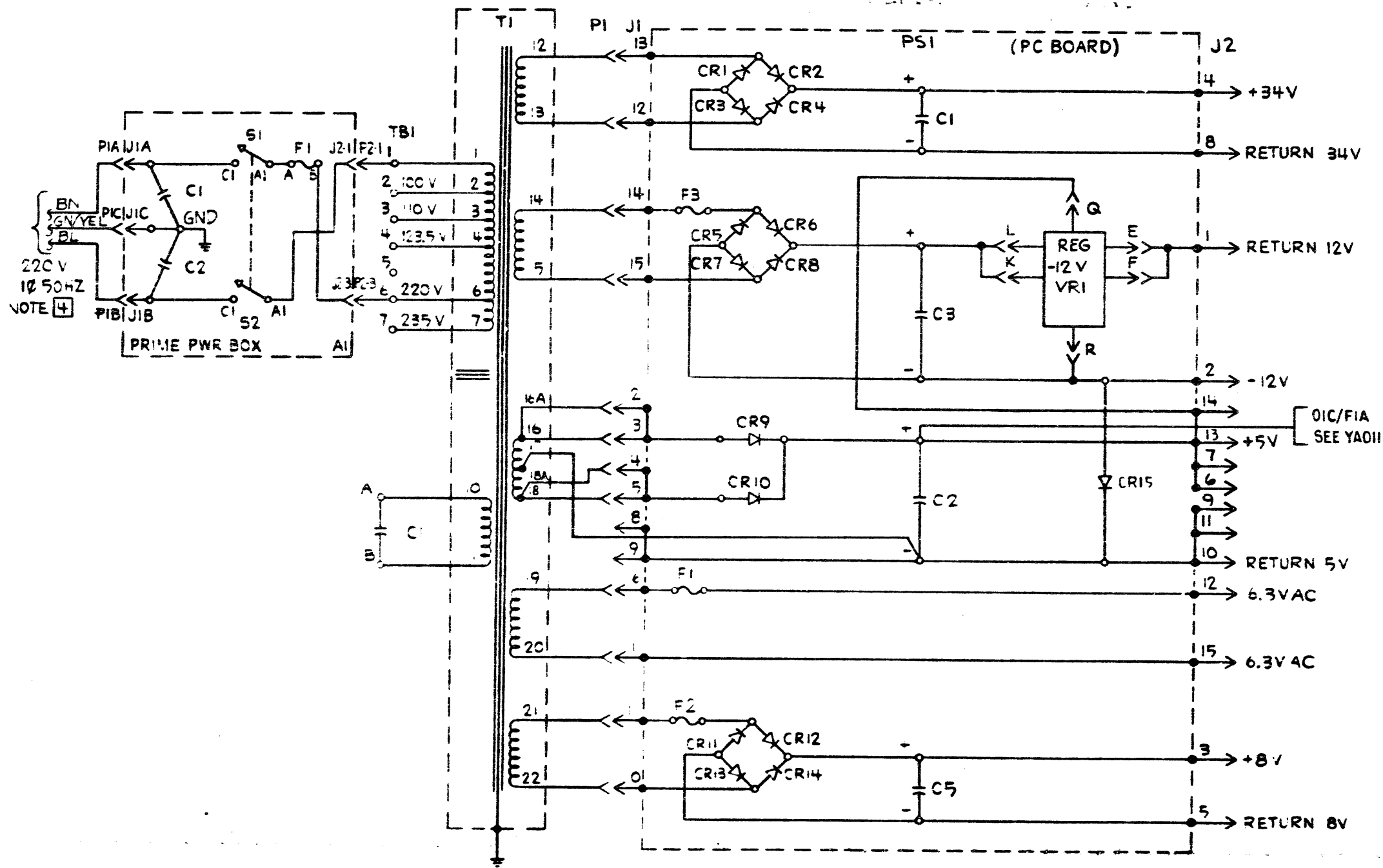
- 1 ALL POWER UNITS IN O1D/ZONE
- 2 FUSE 303549 IS REQUIRED WHEN THE UNIT IS WIRED FOR 220V OR 235 V
- 3 FUSE 332009 IS REQUIRED WHEN THE UNIT IS WIRED FOR 100V, 110V OR 123.5 V

- 4 THE INPUT COLOR CODING FOR 100 VAC 10 50HZ JAPAN UNITS IS BK,WH,GN/YEL

EC HISTORY		DRAWING TITLE	
10 OCT 71	716727	SYS DIAG 4RC (NSPL UNIT 50HZ)	
5 MAY 72	717675	MACH	
9 FEB 73	738312	PART NO 2481238	
16 JUL 73	739021	CLASSIFICATION	
3 FEB 75	741782	IBM COMP	

YA013

YA013



CODE	DESCRIPTION	PART NO
PSI	PRINTED CIRCUIT BOARD ASM	2481185
VRI	REGULATOR CARD -12V	2481207
PSIC1	CAPACITOR, 7.2K UF 40V	5712125
PSIC2	CAPACITOR, 240K UF 7.5V	5252526
PSIC3	CAPACITOR, 3.1K UF 25V	483107
PSIC5	CAPACITOR, 60 K UF 10V	5252514
AIC1 #AIC2	CAPACITOR, FILTER .01UF	737805
C1	CAPACITOR, 4 UF 660VAC	2582939
CR1-CR8, CR15	DIODE, 1AMP 180 V	5214324
CR9 & CR10	DIODE, 10AMP 150V	598479
CR11-CR14	DIODE, 3AMP 100V	449212
PSIF1	FUSE, 2AMP SB 125 V	332009
PSIF2	FUSE, 5AMP SB 125 V	512137
PSIF3	FUSE, 2AMP SB 125 V	332009
AIF1	FUSE, 1AMP SB 250 V	NOTE 2
	FUSE, 2AMP SB 125 V	NOTE 3
S1 & S2	SWITCH, 10AMP 125/250V	5252566
T1	FERRO, 50 HZ	4119272

NOTES

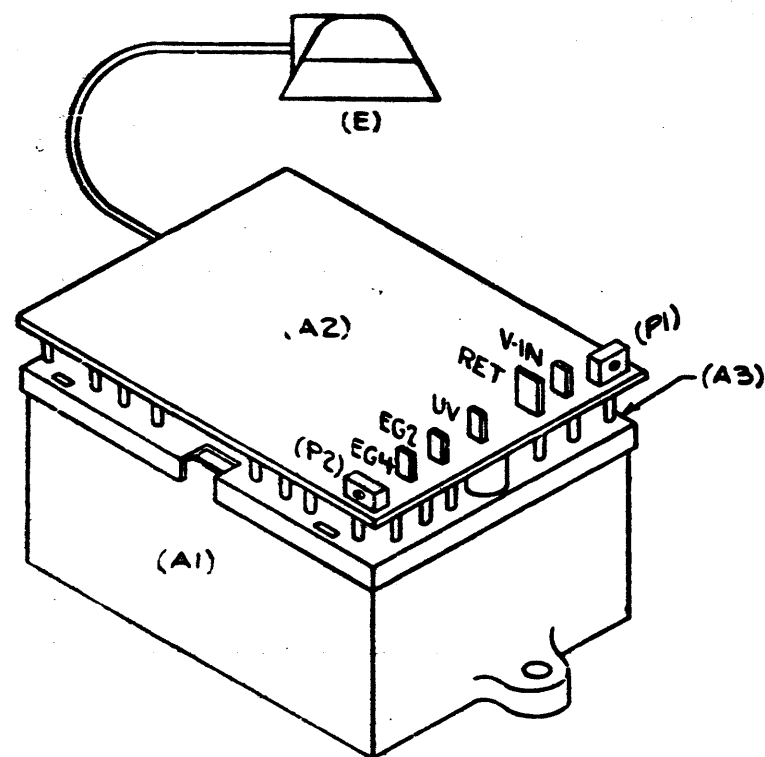
- 1 ALL POWER UNITS IN 01D/ZONE
- 2 FUSE 303549 IS REQUIRED WHEN THE UNIT IS WIRED FOR 220V OR 235V
- 3 FUSE 332009 IS REQUIRED WHEN THE UNIT IS WIRED FOR 100V, 110V, OR 235V

4 THE INPUT CABLE COLOR CODING FOR 100VAC 10 50HZ JAPAN UNITS IS BK, WH, GN/YEL

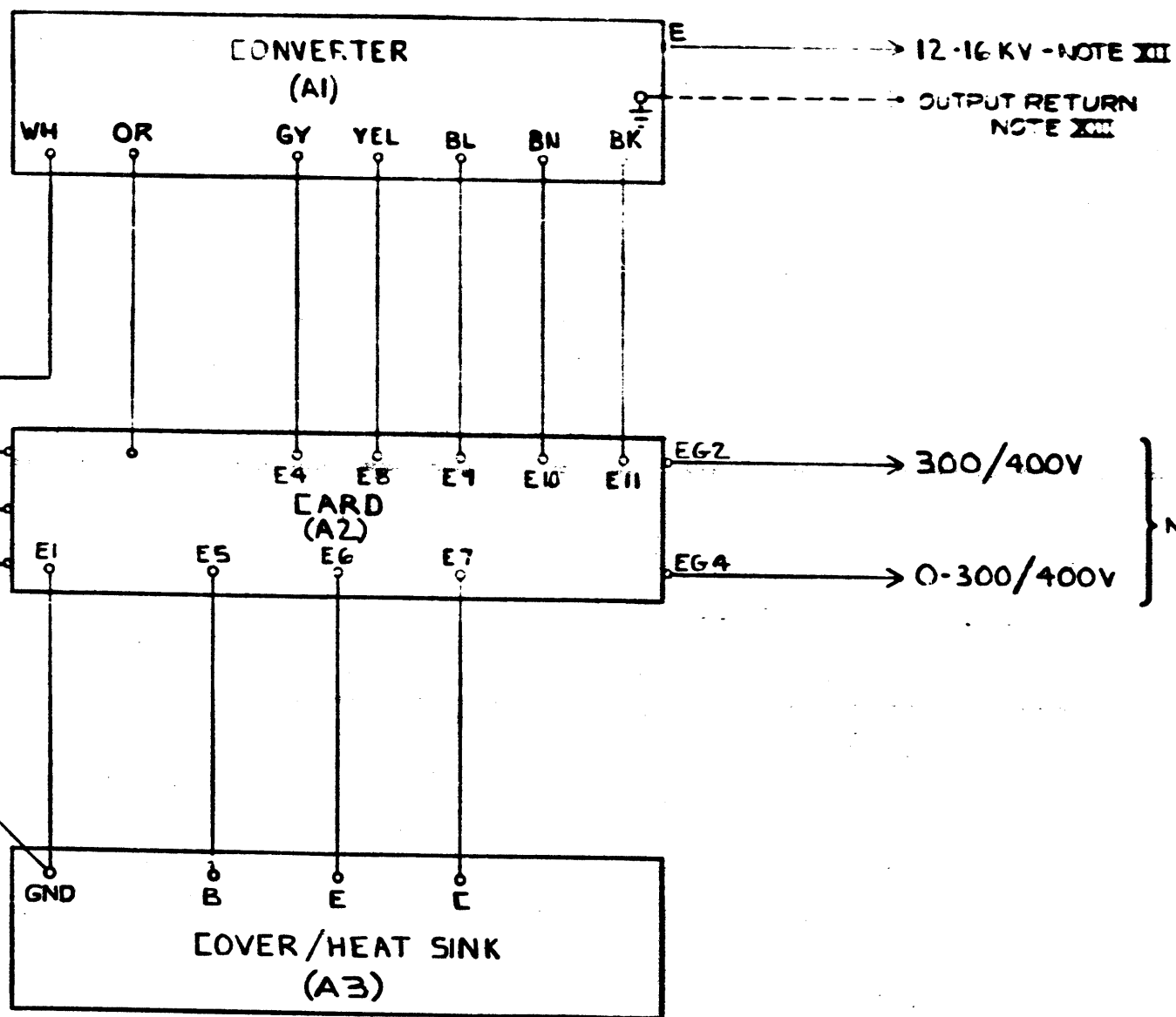
EC HISTORY		DRAWING TITLE	
SEE EC	HISTORY	CKT DIAG 19C DISPL UNIT 50HZ	
16 JUL 79	739021	MACH	
3 FEB 75	741722	PART NO 2481236	
D		CLASSIFICATION	IBM Corp
		INT 1/4/71/4/1/5/7/8	

12-16 KV/300-400 VOLT POWER SUPPLY

REFERENCE DWG



(INPUT) V-IN
RET
UV



→ 12-16 KV - NOTE XII
→ OUTPUT RETURN NOTE XIII

→ 300/400V

→ 0-300/400V

NOTE II & XII

COMPONENT CHART		
CODE	DESCRIPTION	PART NO.
A1	CONVERTER	2582937
A2	CARD ASM	2582934
A3	COVER/HEAT SINK	2611058

NOTE:

- X THIS SUPPLY IS NOT TO BE REPAIRED IN THE FIELD
- XI EXTERNAL SUPPRESSION NETWORKS MUST BE PROVIDED BY USER TO PREVENT SUPPLY DAMAGE IN CASE OF THE LOAD (CRT) ARCING BETWEEN THE HIGH & LOW VOLTAGE LEVELS

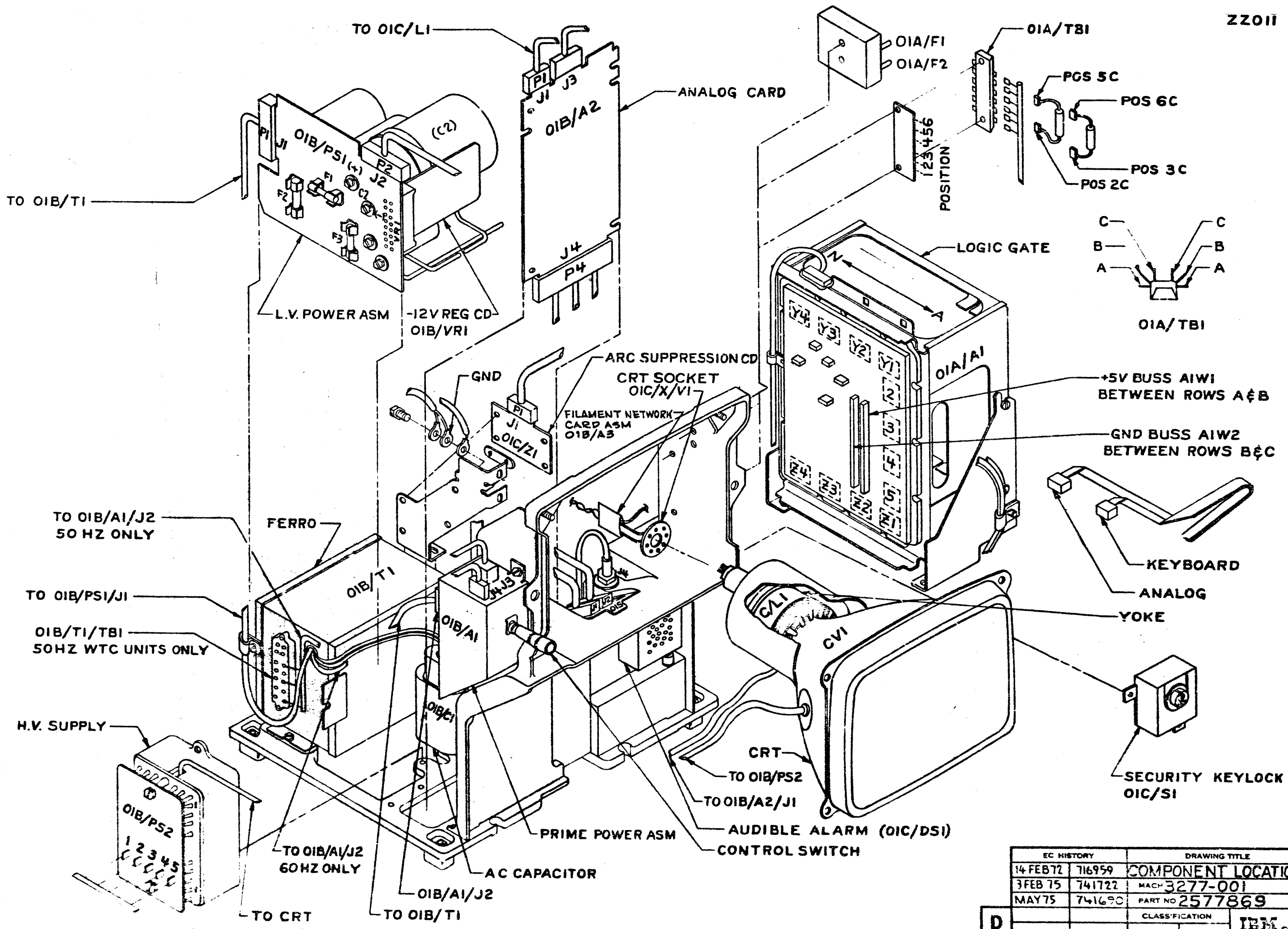
- XII P1-HIGH VOLTAGE ADJUSTMENT (12-16KV) - DO NOT FIELD AJUST.
- P2-EG4 VOLTAGE ADJUSTMENT (0-300/400V) - FOCUS ADJUSTMENT.
- XIII OUTPUT RETURN PATH IS THRU CHASSIS OF SUPPLY. CONVERTER CASE MUST BE GROUNDED

THIS DOCUMENT IS THE PROPERTY OF IBM. ITS USE IS AUTHORIZED ONLY FOR RESPONSE TO A REQUEST FOR QUOTATION OR FOR THE PERFORMANCE OF WORK FOR IBM. ALL QUESTIONS MUST BE REFERRED TO THE IBM PURCHASING DEPARTMENT.

RELEASED FOR ASM 2611025(REF.)

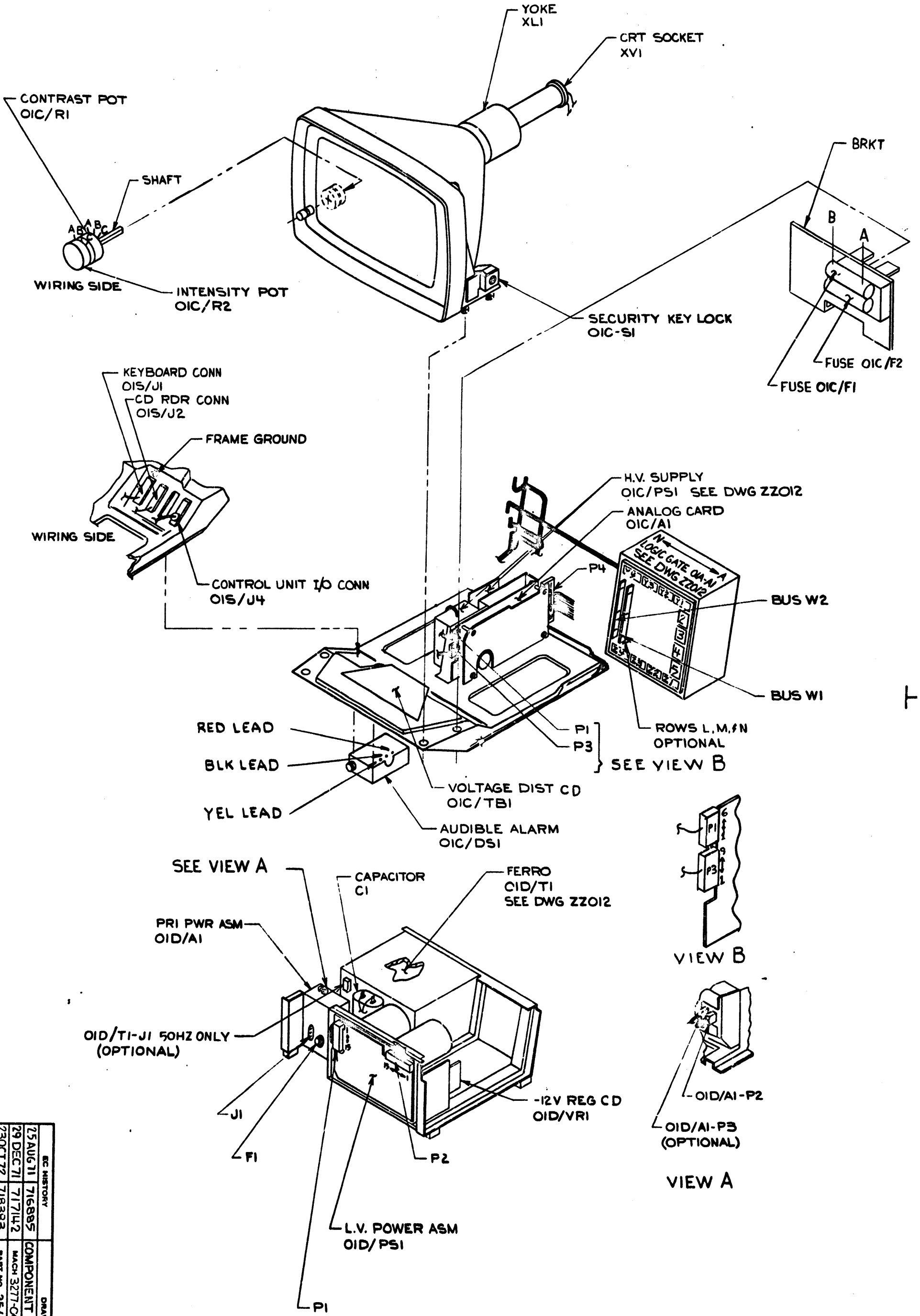
SEE EC HISTORY	DRAWING TITLE
3 OCT 72 718306	SYSTEMS DIAGRAM
29 OCT 72 718307	MACH
11 JAN 73 738051	PART NO 2611043
D	CLASSIFICATION 0-1043 IBM corp

Y
F
6
7
2



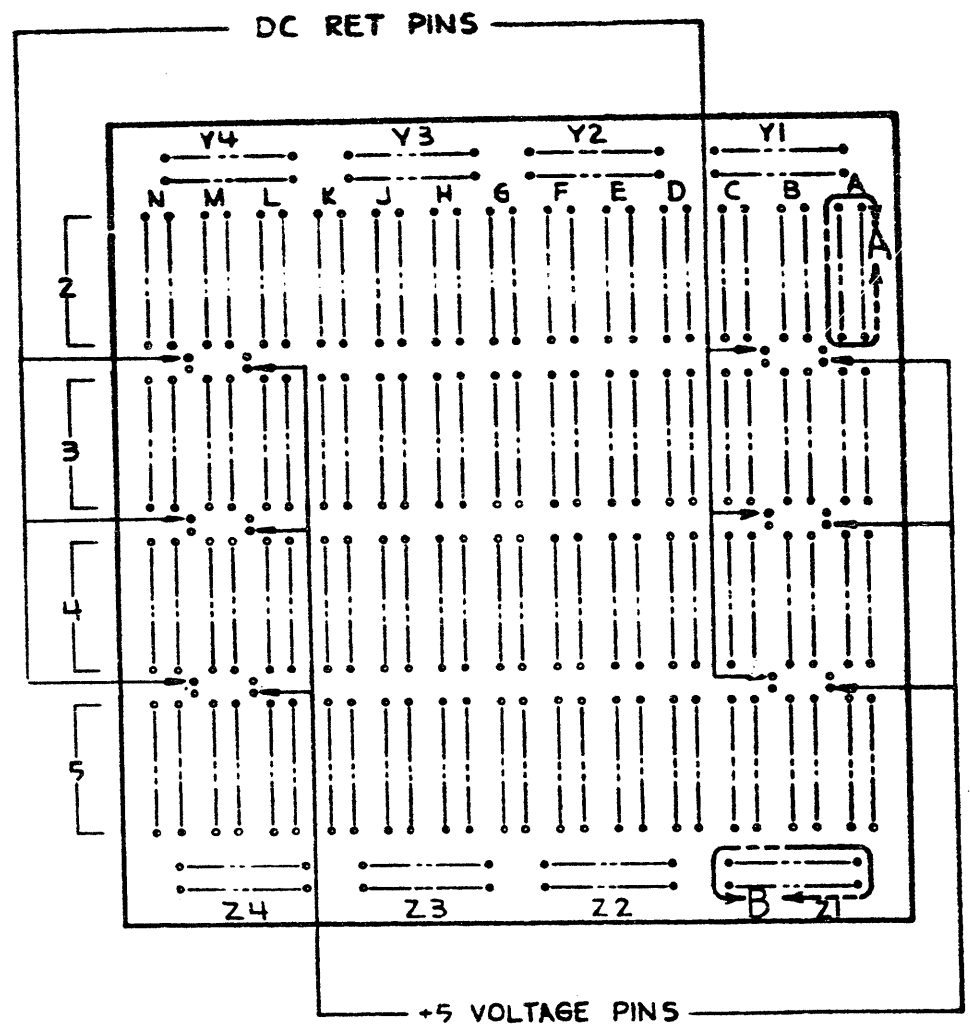
EC HISTORY		DRAWING TITLE	
14 FEB 72	716959	COMPONENT LOCATION	
3 FEB 75	741722	MACH 3277-001	
MAY 75	741690	PART NO 2577869	
D		CLASSIFICATION	IBM CORP

ZZ011

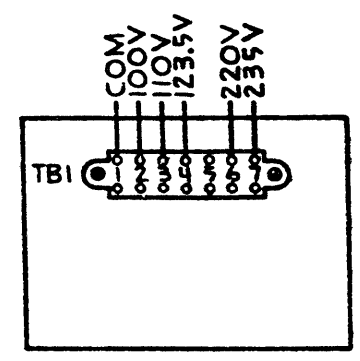


D	3 FEB 75	741722	CLASSIFICATION
	23 OCT 72	718383	PART NO 2564995
	29 DEC 71	717142	MACH 3277-002
	25 AUG 71	716885	COMPONENT LOCATION
EC HISTORY		DRAWING TITLE	
FOR 3277-002 ONLY			
IBM Corp			

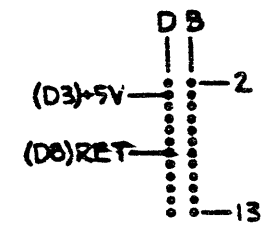
FOR 3277-002 ONLY



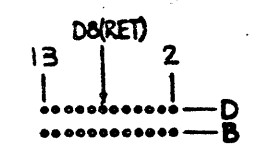
2/3 BD PIN SIDE LAYOUT



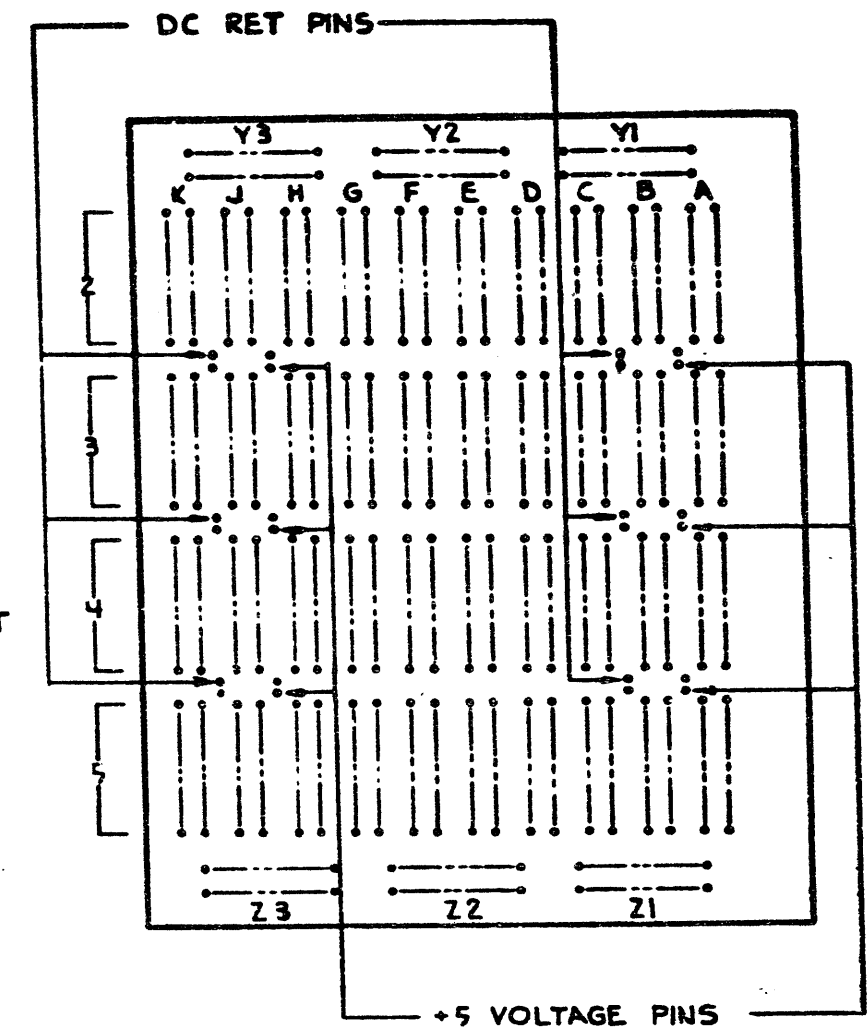
50 HZ FERRO
SEE ZZ 011



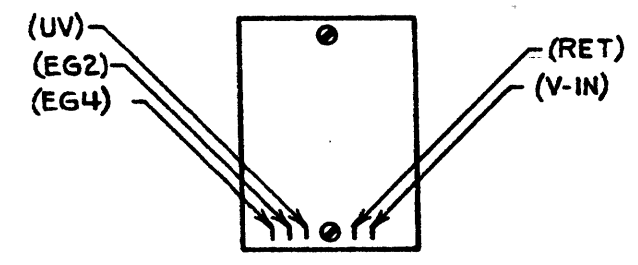
DETAIL A
VERTICAL SOCKET
TYP PIN LAYOUT



DETAIL B
HORIZONTAL SOCKET
TYP PIN LAYOUT



1/2 BD PIN SIDE LAYOUT



HV SUPPLY
(CABLE SIDE)
SEE ZZ 011

Z
Z
0
1
2

Z
Z
0
1
2

EC HISTORY		DRAWING TITLE
25 AUG 71	716885	COMPONENT LOCATION
29 DEC 71	717142	MACH 3275 # 3277
7 AUG 72	718098	PART NO 2564993
D		CLASSIFICATION
		IBM CORP

TABLE 1

CHARACTER GENERATOR CARD

THE FOLLOWING LIST DESCRIBES THE PART NUMBER CARD TO BE IN THE A-A1 K2 CARD SOCKET DEPENDING ON THE FEATURE OR RPQ REQUIRED:

MACHINE TYPE	LANGUAGE	CARD TYPE	LATEST P/N (852)	EQUIVALENT P/N (852)
MOD I MONO CASE	US ENGLISH	9058	4302	0576
	USAC II A	9103	4305	0584
	USAC II B	9104	4306	0585
	U.K. ENGLISH	9102	4304	0583
	GERMAN	9101	4303	0582
	SWD/FIN	W068	4307	1455
	NOR/DEN	W069	4308	1456
	SPANISH	W070	4309	1457
	PORT/BRAZIL	W072	4311	1459
MOD II MONO CASE	US ENGLISH	9070	4289	0577
	USAC II A	9098	4292	0580
	USAC II B	9099	4293	0581
	U.K. ENGLISH	9097	4291	0579
	GERMAN	9096	4290	0578
	SWD/FIN	W075	4294	1462
	NOR/DEN	W076	4295	1463
	SPANISH	W077	4296	1464
	PORT/BRAZIL	W079	4298	1466
MOD I & II DUAL CASE	U.S. ENGLISH	4710	1708	-----
	U.K. ENGLISH	4711	1709	-----
	KATA KANA	9123	1707	-----
	AUS/GER	4712	1710	-----
	BEL/FRANCE	4713	1711	-----
	DEN/NOR	X415	1854	-----
	FIN/SWD	X416	1855	-----
	ITALY	X417	1858	-----
	SPANISH	X418	1859	-----
PORT/BRAZIL	X419	1857	-----	

TABLE 2

INTERCHANGEABLE CARDS

THE FOLLOWING CARDS CAN BE USED INTERCHANGEABLY ONLY THE LATEST P/N IS SHOWN IN THE LOGIC. THESE CARDS ARE IDENTICAL IN LOGIC

TYPE NO.	LATEST P/N	EQUIVALENT P/N	EQUIVALENT P/N
9067	8522836	8522014	-----
9068	8523664	8522151	8522109
L514	8527302	8522013	-----
9069	8524282	8522852	-----
9069	-----	8524282	8523647
9072	8527296	8522001	-----
9072	8527296	8523633	8523616
9066	8523648	8521992	-----
9071	8524604	8523649	-----
9071	8524604	8523617	-----
9071	8524604	8522825	8521981

NOTE 1
 NOTES 1 & 2
 NOTE 1
 NOTE 1
 NOTE 2
 NOTE 1
 NOTE 2
 NOTE 1
 NOTE 1
 NOTE 1
 NOTES 1 & 2

TABLE 3

KEYBOARD FEATURE JUMPER

THE FOLLOWING LIST DESCRIBES THE JUMPERS REQUIRED ON THE A-A1 BOARD DEPENDING ON THE PARTICULAR KEYBOARD CONFIGURATION. THESE JUMPERS ARE NO. 30 BLACK WIRE (P/N 811695)

FEATURE NAME	FEATURE B/M	JUMPER REQUIRED
KATAKANA LANG	2568804	ADD A2B06 TO A2D08 B4B13 TO B3D08
NUMERIC LOCK FOR: U.S. ENGLISH U.K. ENGLISH KATAKANA	2568694	ADD B4B12 TO B4D08 REMOVE (IF IN)- B5B03 TO B5D08
NUMERIC LOCK FOR: GERMAN FRENCH ITALIAN	2568696	ADD B4B12 TO B4D08 B5B03 TO B5D08

CARD READER FEATURE JUMPERS

[FEATURE NO. 4600 WITH 2706]
 IF A CARD READER IS INSTALLED IN A MACHINE WITH THE KATAKANA LANGUAGE FEATURE, A JUMPER IS REQUIRED ON THE A-A1 BOARD BETWEEN N2D05 AND N3B05 USING NO. 30 BLACK WIRE (P/N 811695)

[FEATURE NO. 4600 IN ANY 3277 MACHINE]
 IF A CARD READER IS INSTALLED IN ANY 3277 MACHINE, A RESISTOR ASM. P/N 2568741 IS REQUIRED ON THE A-A1 BOARD BETWEEN N2D03 AND N2J06

NOTES

- 1 THE "LATEST" P/N IS INTERCHANGEABLE FOR THE "EQUIVALENT" P/N, BUT THE "EQUIVALENT" IS NOT INTERCHANGEABLE FOR THE "LATEST"
- 2 EQUIVALENT PART NO. ARE INTERCHANGEABLE

EC HISTORY		DRAWING TITLE	
JUL74	740382	3277 MOD I & 2 FEATURE	
JAN75	741246	REACH E 870	
MAR75	741258	PART NO 1564041	
CLASSIFICATION		IDM CORP	