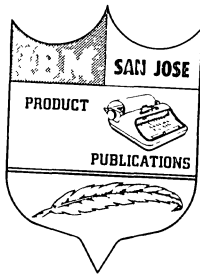


1801/1802 Processor Controller



We are pleased to send you this complimentary copy of a newly printed publication. Additional copies are available from the Distribution Center, Mechanicsburg.

*G.W. Goesch, Manager
Department G24*

Author: A.R. Desimone

123-0483-2

IBM Illustrated Parts Catalog

1801/1802 Processor Controller

123-0483-2

PREFACE

This Illustrated Parts Catalog (IPC) contains listings and illustrations of all replaceable assemblies, subassemblies, and detail parts released to Production Control on or before June 16, 1969 for the 1801/1802 Processor Controller.

Second Edition (June 1969)

This is a major revision of and makes obsolete 123-0483-1.

Significant changes or additions to the specifications contained in this publication are continually being made. When using this publication in connection with the operation of IBM equipment, check the latest FE Publications Systems Sequence Listing, Form Y20-0073, for revisions or contact the local IBM Branch Office.

Copies of this and other IBM publications can be obtained through IBM Branch Offices.

A form for reader's comments is provided at the back of this publication. If the form has been removed, send your comments to the address below.

This manual was prepared by the IBM Systems Development Division, Product Publications, Department G24, San Jose, California 95114.

Figure	Page	Figure	Page
HOW TO USE THIS ILLUSTRATED PARTS CATALOG	ii	13 3V, 16A power supply assembly	32
VISUAL INDEX		14 6V, 18A power supply assembly	34
MASTER VISUAL	iv	15 9-12V, 10A power supply assembly	36
VISUAL INDEX I	v	16 12V, 2.5A power supply assembly	39
VISUAL INDEX II	vi	17 12V, 5A power supply assembly	41
VISUAL INDEX III	vii	18 15V, 2.5A power supply assembly	43
VISUAL INDEX IV	viii	19 30V, 2A power supply assembly	46
PROCESSOR CONTROLLER FINAL ASSEMBLY		20 36V, 3A power supply assembly	48
1 Cover group	1	21 48V, 6A power supply assembly	50
2 Final assembly, basic (3 sheets)	4	22 7.25V, 25A power supply assembly	52
3 Connector panel and cable assemblies	14	23 Storage protection device assembly	54
4 Tailgate assembly	16	24 Blower assembly (power supplies)	55
5 Console assembly	18	25 A, B, C, D gate assemblies	56
6 DC distribution assembly	21	26 Cooling unit assembly (gates)	60
7 Interface panel assembly	22	27 Power sequence assembly, 60 Hz	62
8 Left and right hand bay tower assemblies	24	28 Power sequence assembly, 50 Hz	65
9 I/O monitor assembly	25	29 Customer termination block assembly	68
10 Overvoltage assembly	27	30 Cable routing group (2 sheets)	70
11 Relay panel assembly	28	31 Cable component group (4 sheets)	76
12 3V, 12A power supply assembly	30	NUMERICAL INDEX	X-1

HOW TO USE THIS ILLUSTRATED PARTS CATALOG (IPC)

PART I

To find parts quickly, a general understanding of the structure of this catalog is necessary. The catalog is divided into three major sections:

- The Visual Index, containing overall views of the machine, with call-outs pointing to detailed figures.
- The Catalog Section, containing a pictorial breakdown of assemblies and subassemblies.
- The Numerical Index, which is a numerical list of all parts used in the machine, with cross-references to the figure on which the part is found.

VISUAL INDEX

The Visual Index, located before the Catalog Section, contains a reduced illustration of every figure in the Catalog Section. The reduced illustrations are tied together with flow arrows to form a natural progression from large assemblies to small assemblies and possibly subassemblies. In effect, a visual table of contents is formed by the Visual Index illustrations.

CATALOG SECTION

The Catalog Section contains the full-sized illustrations previously noted in the Visual Index. Index numbers on figures refer to corresponding entries in the Group Assembly Parts List accompanying each figure. Refer to part II for explanation of terms used in the Group Assembly Parts List.

NUMERICAL INDEX

The Numerical Index is located after the Catalog Section and contains a complete list, in numerical order, of all part numbers used on the machine. Listed with the part number is the index and figure number on which the part is illustrated. The numerical index makes it possible to locate a part when only the part number is known.

STACKED INDEX NUMBERS

Stacked Index numbers are used when showing a part and its attaching hardware. The sequence of a typical stack is shown at the right. The circled index number indicates the assembly is broken down within the figure.

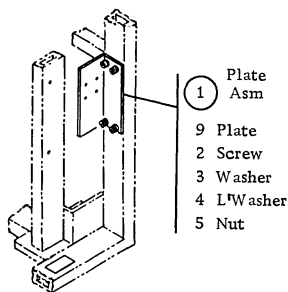


ILLUSTRATION NOTES

Cross-reference notes are directly on the illustration. The illustration's next higher assembly reference, normally located in the upper left corner of the page will read: "For Parts Not Shown See Figure X". If an assembly is referenced to a lower level figure, the note located next to the index number will read: "See Figure X."

DOUBLE LINED DETAIL BOX

The double lined box differentiates between parts shown on the basic model and parts related to a level and/or feature difference. An explanation of the level or feature difference is given in the double lined box.

FINDING A PART

The Visual Index is the starting point for locating a part. The illustrations in the Visual Index are reduced versions of all illustrations in the Catalog Section; therefore, the illustrations can be used to find the assembly containing the desired part. Use references to the detailed figure in the Catalog Section, or to another Visual Index illustration, to determine location of part number.

Once the detailed figure in the catalog section is determined, finding the part on the figure and referring to the listing for the part number and description is all that is required in most cases. If the first catalog section figure referenced shows the assembly containing the required part, the index number for the assembly will reference a lower-level figure where the assembly is broken down to its component parts. If the figure referenced by the Visual Index contains neither the part nor an assembly containing the part, it is then necessary to go to the next higher assembly figure. This figure should then contain the part or an assembly containing the part; if not, an even higher level figure must be used. Refer back to the Visual Index for some other figure that could show the desired part.

Note: Many detailed parts are unavailable, because they are part of an inseparable assembly (two or more parts welded or bonded together), or because they are part of an assembly purchased as a unit. If parts are found on a welded or bonded assembly, the following note follows the description of the assembly: "Assembly components are not replaceable!" If the part is found on a purchased assembly, and the detail parts of this assembly do not have IBM part numbers, the note following the assembly description will read: "Assembly components are not available." In either case, you need to obtain the part number of the assembly, rather than the detailed part.

EXAMPLE FOR ORDERING PARTS

4 -	5726422	FAN ASM-P/S ENCLOSURE	REF
		FOR NEXT HIGHER ASSEMBLY SEE FIGURE 1-184	
		FOR ILLUSTRATION SEE FIGURE 4	
- 1	334921	. TERMINAL RING- 18-22 AWG, #6 HOLE, INS	2
- 2	187854	. SHIELD, TERMINAL BLOCK- 2 POS	1
- 3	210984	. SCREW, RD HD MACH-6-32 X .250 LG	ATT PT
- 4	5357050	. FAN ASM-NO CONNECTOR	1
- 5	32042	. SCREW, MACH BIND. HD 10-32 X .375 LG	ATT PT
- 6	5357066	. . BLADE	2
- 7	5357067	. . MOTOR 208V/230V 60CY 220V 50CY	1
- 8	130434	. . SCREW, MACH-SLOTTED HEX HD 10-32 X .375 LG	ATT PT
- 9	56079	. . WASHER, LOCK-EXT T .195ID .410 OD	ATT PT
- 10	5726436	. HEADER-POWER SUPPLY FAN	1

If the entire fan is required, part number 5726422 should be ordered (all one dot items will be received). If only the subassembly is required, part number 5357050 should be ordered (all two dot items will be received). Each part may be ordered individually.

HOW TO USE THIS ILLUSTRATED PARTS CATALOG (IPC)

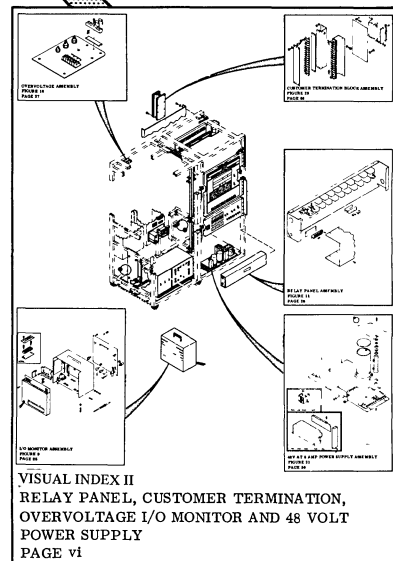
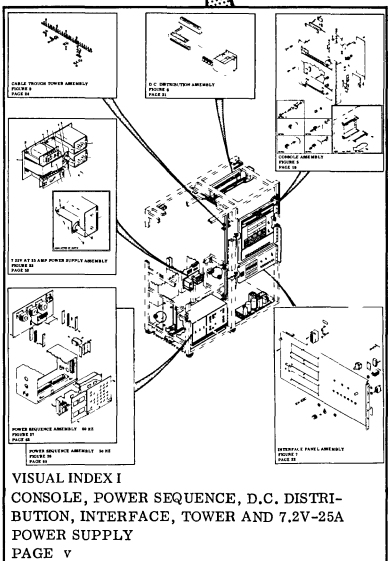
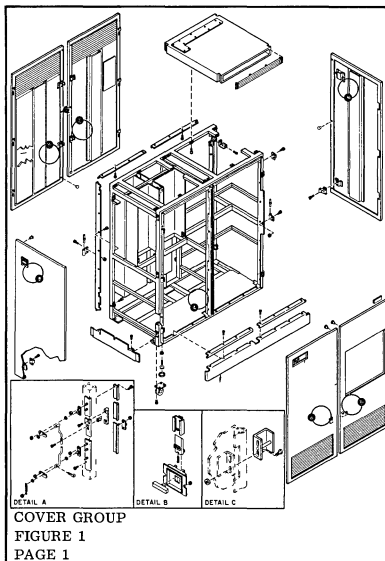
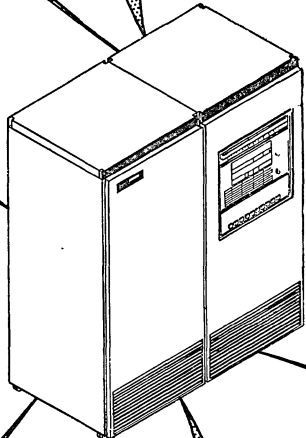
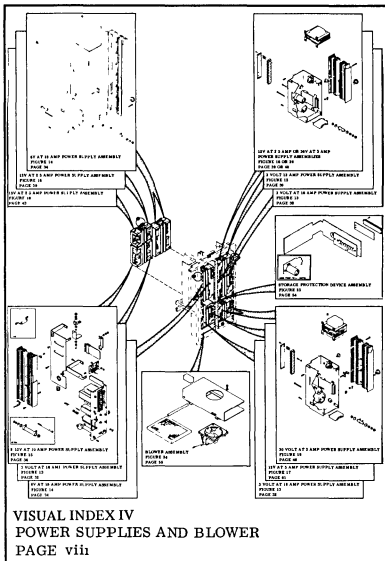
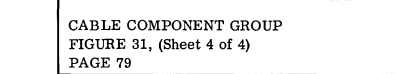
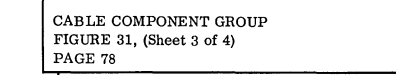
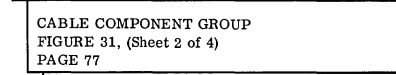
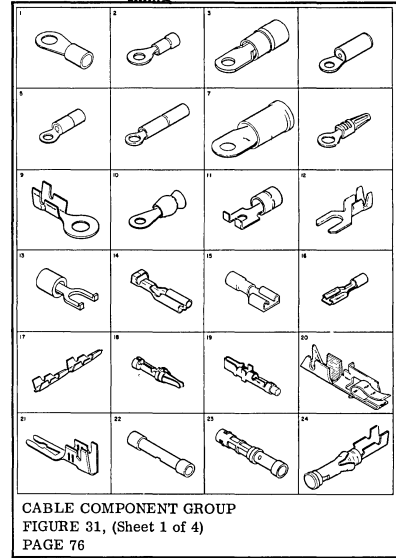
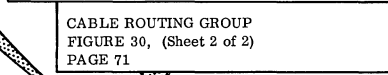
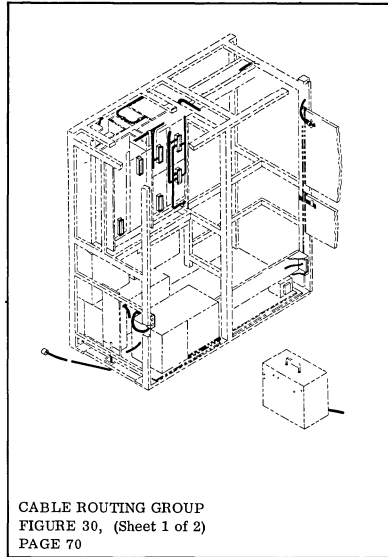
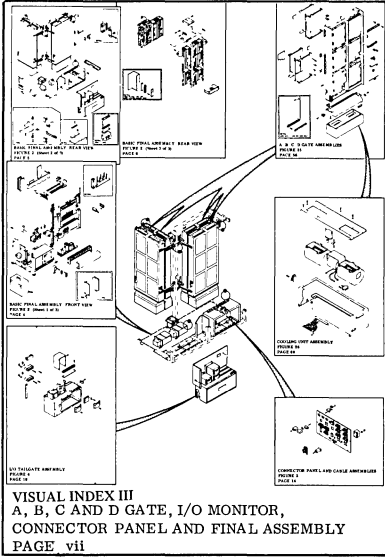
PART II

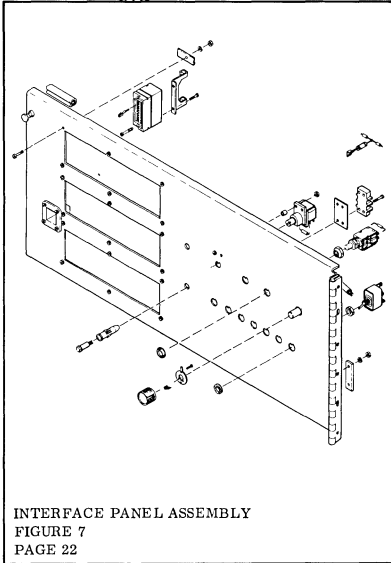
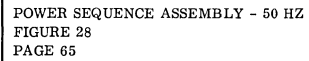
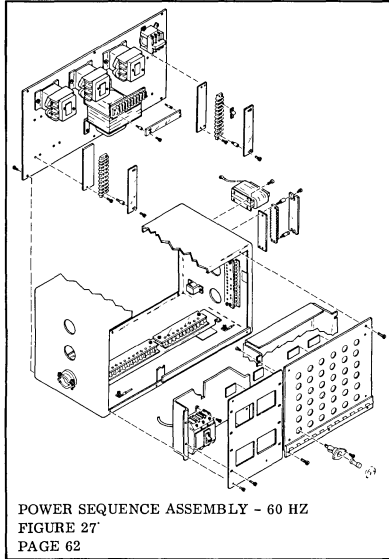
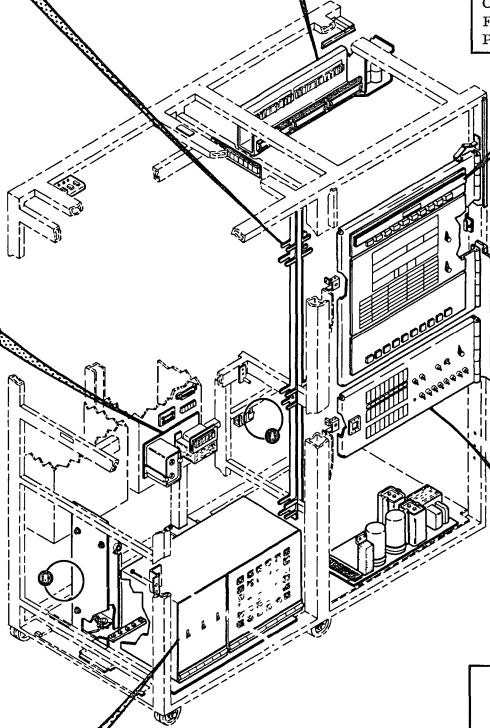
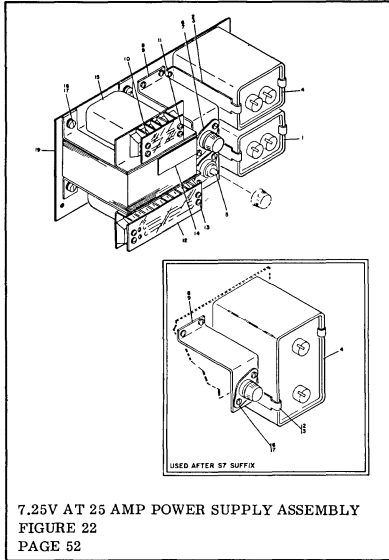
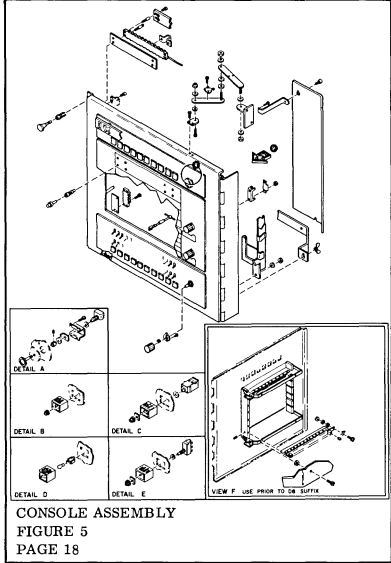
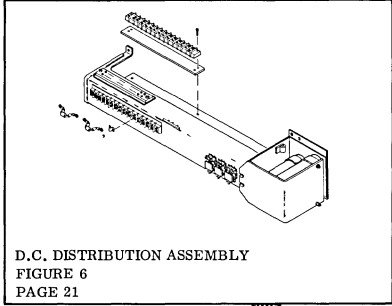
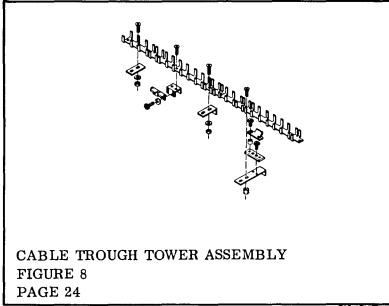
- ① AR
As Required (AR) in the units per assembly column denotes that the quantity is used as required.
- ② ATT PT
Attaching Parts: These parts are used to attach a subassembly to an assembly. The attaching parts are listed immediately following the part to be attached.
- ③ "COMM"
Commercial hardware: When this indication appears in the part number column, it denotes hardware procurable from normal commercial sources and not identified by an IBM part number.
- ④ INDENTURE
The relationship of a part to its next higher assembly is indicated by indentures. For example:

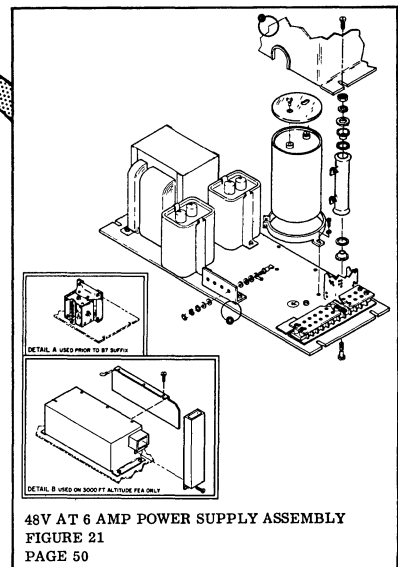
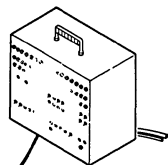
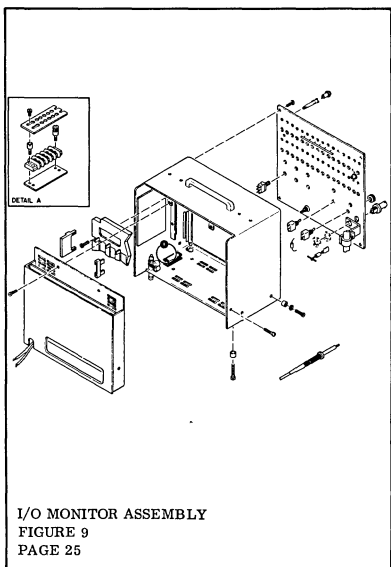
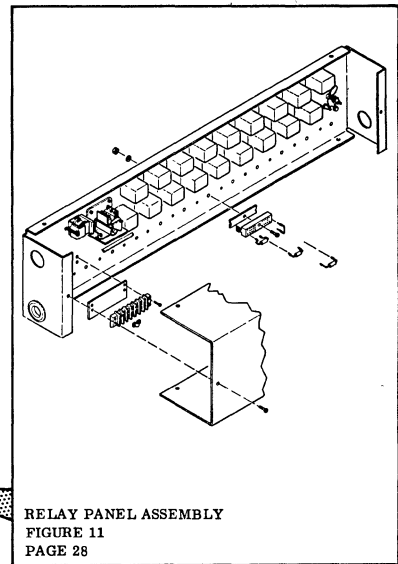
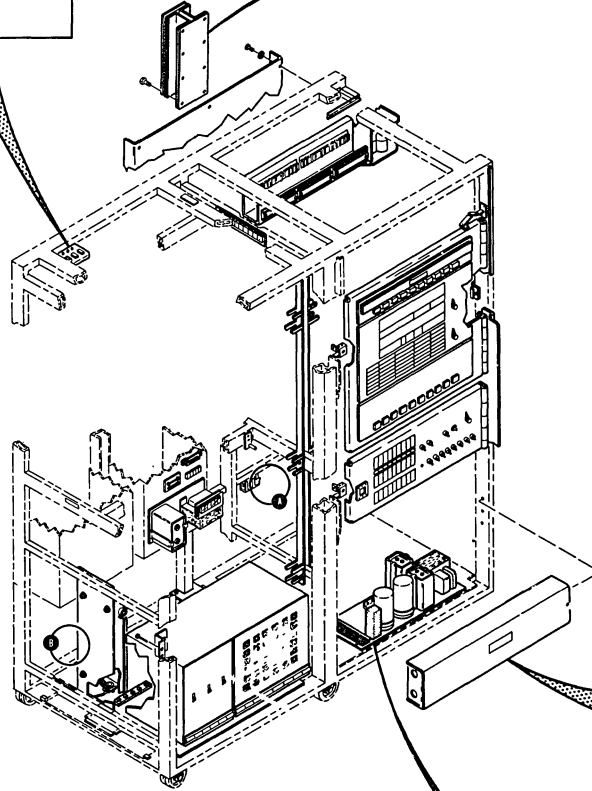
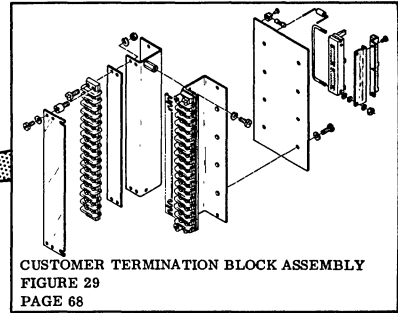
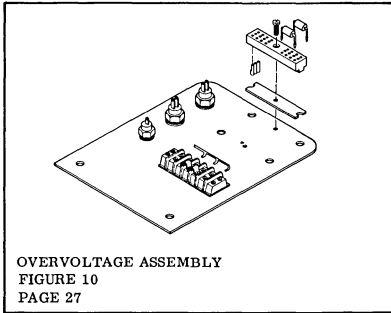
1	2	3	4
Unit			
. Assemblies and Detail Parts of Unit			
. Attaching Parts for Assemblies & Detail Parts			
. . Subassemblies			
. . Attaching Parts for Subassemblies			
. . . Detail Parts for Subassemblies, etc.			
- ⑤ LOZENGE
The lozenge in the part number column denotes the part is procurable but not recommended for field replacement, and that the next higher assembly should be ordered.
- ⑥ NP
The entry NP in the part number column denotes the assembly is non-procurable and the detail parts should be ordered separately.
- ⑦ NO NO.
When this indication appears in the part number column, it denotes a group of parts for which no assembly part number has been assigned, and the detail parts should be ordered separately.
- ⑧ REF
This entry in the units per assembly column denotes an assembly which is completely assembled on a preceding illustration. Quantities for such items are found in its next higher assembly.
- ⑨ SIMILAR ASSEMBLIES
If two assemblies contain a majority of identical parts, they are broken down on the same list. Common parts are shown by one index number. Parts peculiar to one or the other of the assemblies are listed separately and identified by Usable On Code.
- ⑩ USABLE ON CODE
Part application and interchangeability is indicated by the usable on code. If this column is blank, the parts pertain to all equipment(s) covered. Two types of codes are used. The alphabetic code denotes similar assemblies and/or features; the numeric code denotes level. Refer to the beginning of each list for the explanation of the code(s).
- ⑪ SUFFIX CODE
The suffix code indicates the month (alphabetic) and the year (numeric) of the engineering change which affected interchangeability of the part.

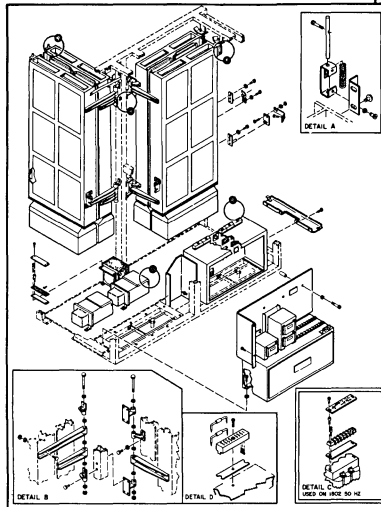
EXAMPLE OF PARTS LIST

LIST AND INDEX NO.	PART NO.	DESCRIPTION	UNITS PER ASM.	USABLE ON CODE
		1 2 3 4		
2-		DRIVE MOTOR ASSEMBLY		
	⑨	⑩ CODE A USED ON 60 CYCLE ONLY CODE B USED ON 50 CYCLE ONLY CODE 1 USED ON ASM PRIOR TO B6 SUFFIX		⑩
-	2199376 NP ⑥	MOTOR ASM,DRIVE-115/220 VOLTS 60 CYCLE	⑧ REF	1A
-	2199386 NP	MOTOR ASM,DRIVE-220 VOLTS 50 CYCLE	REF	1B
		FOR NEXT HIGHER ASM SEE FIGURE 1-92 FOR ILLUSTRATION SEE FIGURE 2		
- 1	2204176 ④	. PULLEY, 60 CYCLE	① 1	A
- 1	2199255	. PULLEY, 50 CYCLE	1	B
- 2	79842	. SETSCREW, SPLINE DR CUP PT 8-32 X 3/8 LG	② ATT PT	
- 3	2204116 ⑦	. MOTOR ASM, 220V AC 60 CYCLE	1	A
- 4	NO NO.	. MOTOR ASM, 220V AC 50 CYCLE	1	B
- 5	5526	. SCREW, MACH BIND HD 8-32 X 0.625 LG	ATT PT	
- 6	2204082	. . FERRULE, OUTER	1	
- 7	2204033	. . FERRULE, INNER	1	
- 8	"COMM"	. . MOTOR, 1/12 HP-220V 60CPS	1	
- 8	2199258 ③	. . MOTOR, DRIVE - 220V 50CPS	1	
- 9	2199401 ⑤	. PLATE, MOTOR MT-115/220 VOLTS 60 CYCLE	1	A
- 9	2199402 ⑤	. PLATE, MOTOR MT-220 VOLTS 50 CYCLE	1	B

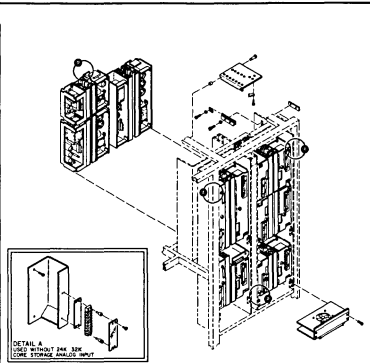




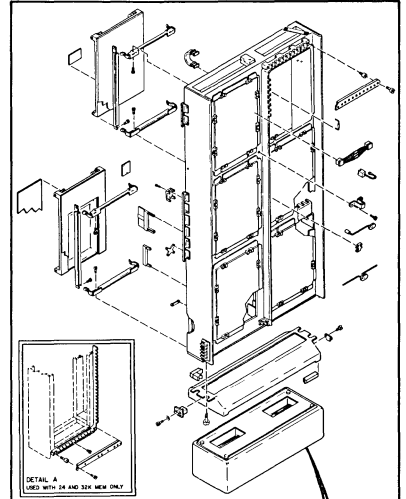




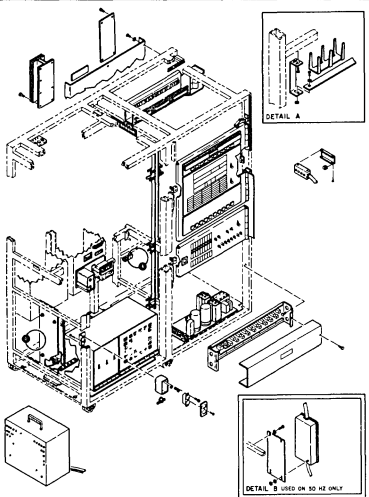
BASIC FINAL ASSEMBLY, REAR VIEW
FIGURE 2, (Sheet 2 of 3)
PAGE 5



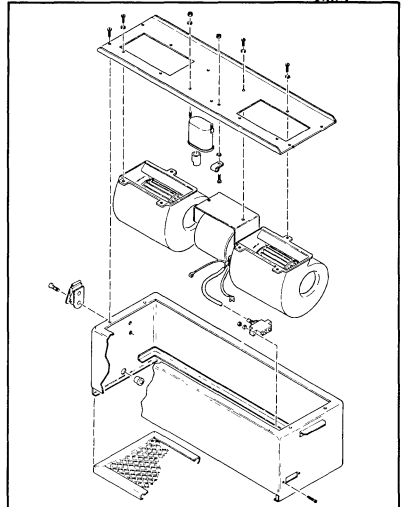
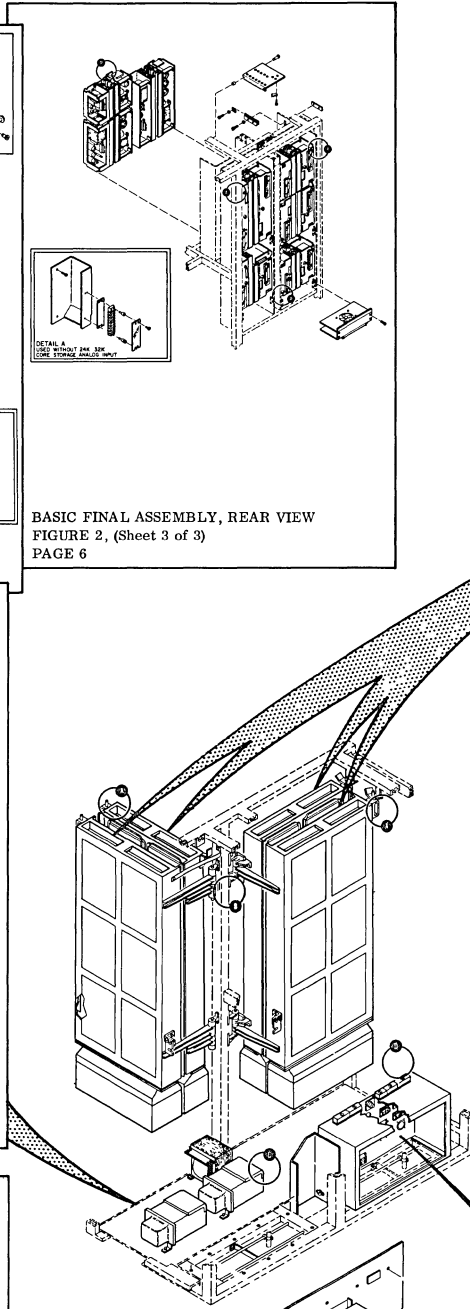
BASIC FINAL ASSEMBLY, REAR VIEW
FIGURE 2, (Sheet 3 of 3)
PAGE 6



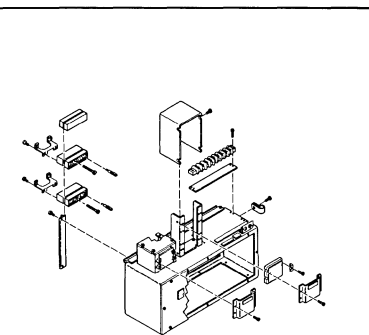
A, B, C, D GATE ASSEMBLIES
FIGURE 25
PAGE 56



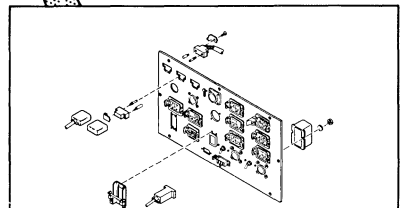
BASIC FINAL ASSEMBLY, FRONT VIEW
FIGURE 2, (Sheet 1 of 3)
PAGE 4



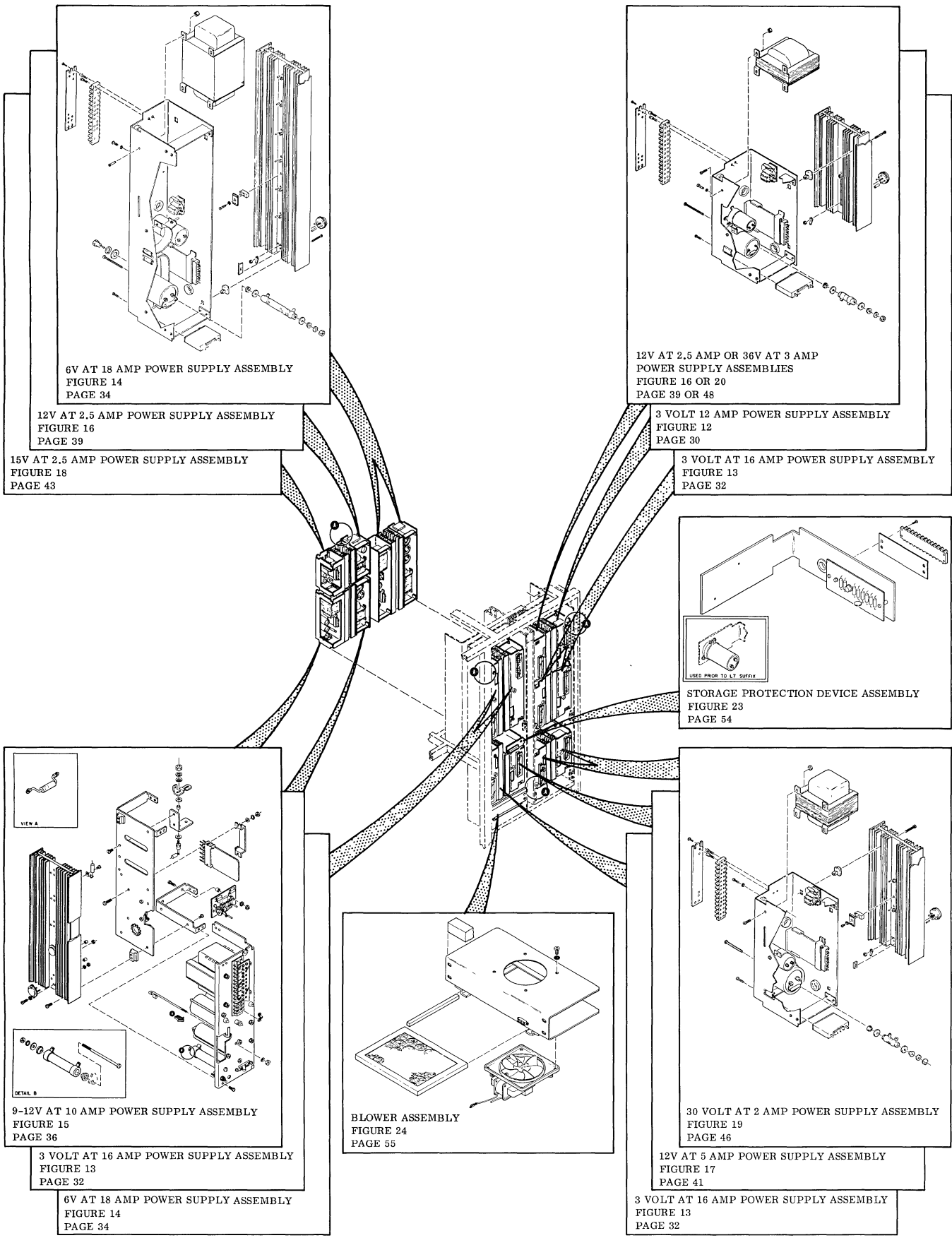
COOLING UNIT ASSEMBLY
FIGURE 26
PAGE 60



I/O TAILGATE ASSEMBLY
FIGURE 4
PAGE 16



CONNECTOR PANEL AND CABLE ASSEMBLIES
FIGURE 3
PAGE 14



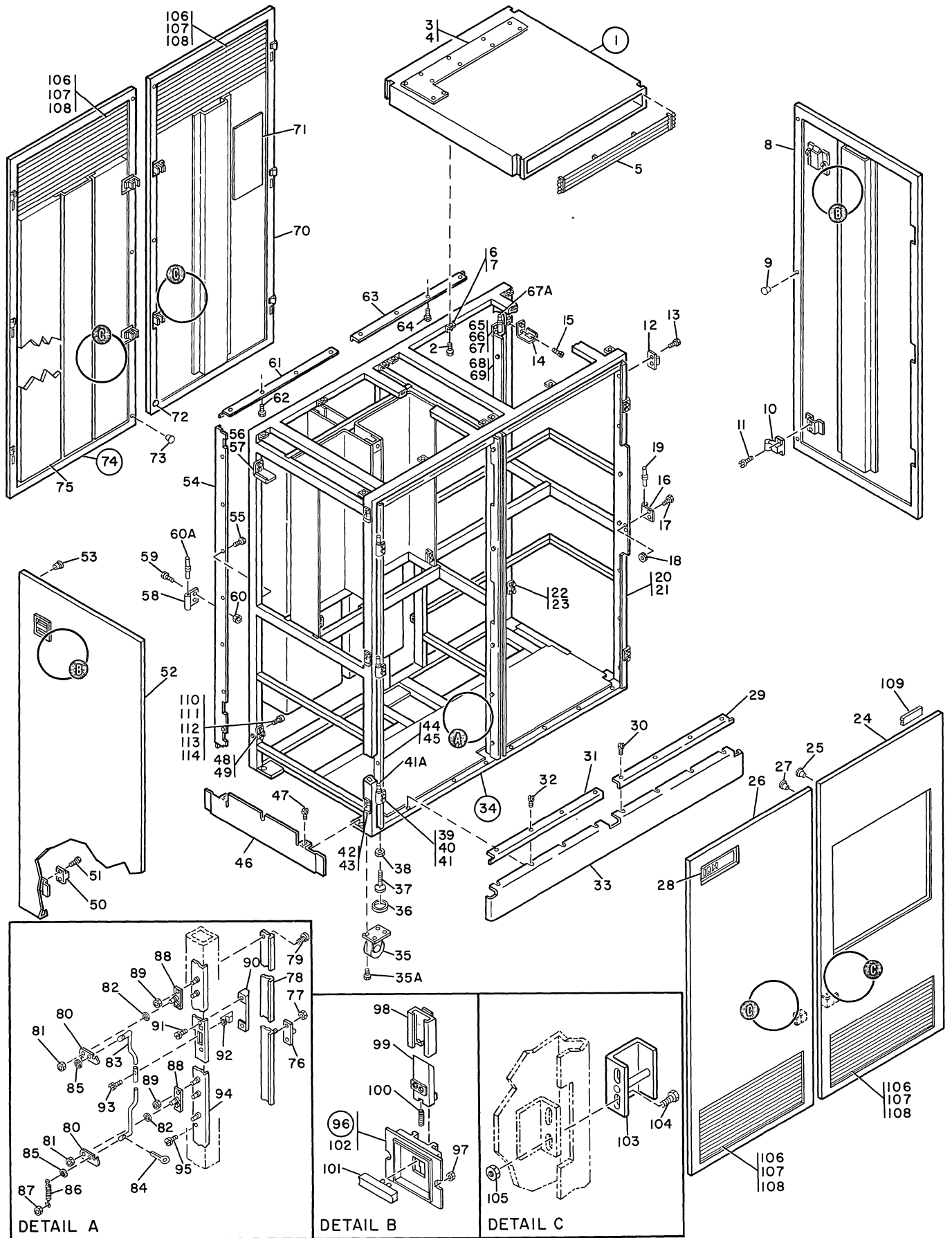


FIGURE 1. FRAME AND COVER GROUP. SEE LIST 1.

LIST AND INDEX NUMBER	PART NUMBER	DESCRIPTION	UNITS PER ASM.	USABLE ON CODE
		1 2 3 4		
		FRAME AND COVER GROUP		
		CODE A USED ON END MACHINE ONLY CODE B USED WITH ANALOG CNVTR ATT MOD II CODE 1 USED PRIOR TO H6 SUFFIX ONLY		
1 - -	NO NO.	FRAME AND COVER GROUP FOR ILLUSTRATION SEE FIGURE 1	NP	
- 1	2195096	. COVER ASM, TOP	2	
- 2	5319854	. SCREW, SELF TAPPING, 8-32 X .375 LONG ATT PT	12	
- 3	2195212	. . FILLER, TOP COVER	1	
- 4	731626	. . SCREW, PAN HEAD, 6-32 X .25 LONG ATT PT	11	
- 5	2195385	. . LOUVER-TOP REAR	2	
- 6	2195392	. BRACKET	12	
- 7	2181004	. SCREW, THREAD FORMING, 10-32 X 0.38 LG ATT PT	12	
- 8	2194603	. COVER ASSEMBLY, RH HAND END ASSEMBLY COMPONENTS ARE NOT REPLACEABLE	1	
- 9	208529	. BUMPER, RUBBER-FOR 3/16 HOLE	3	
- 10	513668	. CATCH, FRICTION LATCH	1	
- 11	731626	. SCREW, PAN HEAD, 6-32 X .25 LONG ATT PT	2	
- 12	2194951	. HINGE	3	
- 13	2181004	. SCREW, THREAD FORMING, 10-32 X 0.38 LG ATT PT	6	
- 14	2194948	. STRIKER, RH END	1	
- 15	2181004	. SCREW, THREAD FORMING, 10-32 X 0.38 LG ATT PT	2	
- 16	2194984	. HINGE, FRAME	3	
- 17	32042	. SCREW, MACH BIND. HD 10-32 X 3/8 LG. ATT PT	6	
- 18	11598	. NUT, HEX, 10-32 X 0.375 FL W ATT PT	6	
- 19	2194989	. PIN, DOOR HINGE	3	
- 20	2194853	. SPACER, RH FRONT	1	
- 21	2181004	. SCREW, THREAD FORMING, 10-32 X 0.38 LG ATT PT	7	
- 22	513669	. STRIKE-FRICTION LATCH	1	
- 23	731626	. SCREW, PAN HEAD, 6-32 X .25 LONG ATT PT	2	
- 24	2194638	. COVER ASM, RIGHT FRONT, BLUE	1	
- 24	2194979	. COVER ASSEMBLY-RIGHT FRONT RED	1	
- 24	2194980	. COVER ASSEMBLY-RIGHT FRONT YELLOW	1	
- 24	2194981	. COVER ASSEMBLY-RIGHT FRONT GRAY ASSEMBLY COMPONENTS ARE NOT REPLACEABLE	1	
- 25	208529	. BUMPER, RUBBER-FOR 3/16 HOLE	3	
- 26	2194971	. COVER ASM, LEFT FRONT, BLUE	1	
- 26	2194972	. COVER ASSEMBLY-LEFT FRONT RED	1	
- 26	2194973	. COVER ASSEMBLY-LEFT FRONT YELLOW	1	
- 26	2194974	. COVER ASSEMBLY-LEFT FRONT GRAY ASSEMBLY COMPONENTS ARE NOT REPLACEABLE	1	
- 27	208529	. BUMPER, RUBBER-FOR 3/16 HOLE	3	
- 28	2196142	. NAMEPLATE, PROCESSOR CONTROLLER-1801	1	
- 28	2196144	. NAMEPLATE, PROCESSOR CONTROLLER-1802	1	
- 29	2194970	. SPACER, RIGHT FRONT-LEFT REAR	2	
- 30	2181004	. SCREW, THREAD FORMING, 10-32 X 0.38 LG ATT PT	8	
- 31	2194969	. SPACER, LEFT FRONT-RIGHT REAR	2	
- 32	2181004	. SCREW, THREAD FORMING, 10-32 X 0.38 LG ATT PT	8	
- 33	2194639	. KICKSTRIP-DOUBLE BAY	2	
- 34	2183341	. FRAME ASSEMBLY, DOUBLE BAY	1	
- 35	587814	. . CASTER, SWIVEL- 3 IN. WHL W/MTG PLATE	6	
- 35A	5350092	. . SCREW, THREAD FORMING, 0.25-20 X 0.75 LG ATT PT	24	
- 36	2162666	. . CUP	6	
- 37	2194679	. . JACK, LEVELING	6	
- 38	186950	. . NUT, PLAIN, HEX- 1/2-13 X 3/4 FL W	6	
- 39	2194984	. HINGE, FRAME	3	
- 40	32042	. SCREW, MACH BIND. HD 10-32 X 3/8 LG. ATT PT	6	
- 41	11598	. NUT, HEX, 10-32 X 0.375 FL W ATT PT	6	
- 41A	2194989	. PIN, DOOR HINGE	3	
- 42	2194950	. HINGE	3	A
- 43	2181004	. SCREW, THREAD FORMING, 10-32 X 0.38 LG ATT PT	6	A
- 44	2194967	. SPACER, DOOR, LEFT FRONT-RIGHT REAR	1	
- 45	2181004	. SCREW, THREAD FORMING, 10-32 X 0.38 LG ATT PT	7	
- 46	2195314	. KICKSTRIP-SIDE	2	A
- 47	2181004	. SCREW, THREAD FORMING, 10-32 X 0.38 LG ATT PT	2	A
- 48	513669	. STRIKE-FRICTION LATCH	1	A
- 49	731626	. SCREW, PAN HEAD, 6-32 X .25 LONG ATT PT	2	A
- 50	513668	. CATCH, FRICTION LATCH	1	A
- 51	731626	. SCREW, PAN HEAD, 6-32 X .25 LONG ATT PT	2	A
- 52	2194637	. COVER ASSEMBLY, LH END ASSEMBLY COMPONENTS ARE NOT REPLACEABLE	1	A
- 53	208529	. BUMPER, RUBBER-FOR 3/16 HOLE	3	A
- 54	2194968	. SPACER, DOOR, LEFT REAR	1	
- 55	2181004	. SCREW, THREAD FORMING, 10-32 X 0.38 LG ATT PT	7	

LIST AND INDEX NUMBER	PART NUMBER	DESCRIPTION	UNITS PER ASM.	USABLE ON CODE
FRAME AND COVER GROUP -CONT				
1 - 56	2194949	. STRIKER,LH END	1	A
- 57	2181004	. SCREW,THREAD FORMING,10-32 X 0.38 LG	2	A
- 58	2194984	. HINGE,FRAME	3	
- 59	32042	. SCREW, MACH BIND. HD 10-32 X 3/8 LG.	6	
- 60	11598	. NUT,HEX,10-32 X 0.375 FL W	6	
- 60A	2194989	. PIN,DOOR HINGE	3	
- 61	2194970	. SPACER,RIGHT FRONT-LEFT REAR	2	
- 62	2181004	. SCREW,THREAD FORMING,10-32 X 0.38 LG	8	
- 63	2194969	. SPACER,LEFT FRONT-RIGHT REAR	2	
- 64	2181004	. SCREW,THREAD FORMING,10-32 X 0.38 LG	8	
- 65	2194984	. HINGE,FRAME	3	
- 66	32042	. SCREW, MACH BIND. HD 10-32 X 3/8 LG.	6	
- 67	11598	. NUT,HEX,10-32 X 0.375 FL W	6	
- 67A	2194989	. PIN,DOOR HINGE	3	
- 68	2194967	. SPACER,DOOR,LEFT FRONT-RIGHT REAR	1	
- 69	2181004	. SCREW,THREAD FORMING,10-32 X 0.38 LG	7	
- 70	2194748	. COVER ASM,RIGHT REAR,BLUE	1	
- 70	2194960	. COVER ASM RIGHT REAR,RED	1	
- 70	2194961	. COVER ASM,RIGHT REAR,YELLOW	1	
- 70	2194962	. COVER ASM,RIGHT REAR,GRAY ASSEMBLY COMPONENTS ARE NOT REPLACEABLE	1	
- 71	2183467	. LABEL USED ON 1801 ONLY	1	
- 72	208529	. BUMPER,RUBBER-FOR 3/16 HOLE	3	
- 73	208529	. BUMPER,RUBBER-FOR 3/16 HOLE	3	
- 74	2194749	. COVER ASM,LEFT REAR,BLUE	1	
- 74	2194957	. COVER,LEFT REAR,RED	1	
- 74	2194958	. COVER ASM,LEFT REAR,YELLOW	1	
- 74	2194959	. COVER ASM,LEFT REAR,GRAY	1	
- 75	2195427	. LINER-ACCOUSTICAL	2	
- 76	2194657	. PLATE ASM,RIGHT FRONT-LEFT REAR ASSEMBLY COMPONENTS ARE NOT REPLACEABLE	4	
- 77	257187	. NUT,HEX 6-32 NC	8	
- 78	2194985	. SPACER ASM,COVER,CENTER FRONT,RIGHT	1	
- 78	2195381	. SPACER ASM,COVER,CENTER REAR,LEFT ASSEMBLY COMPONENTS ARE NOT REPLACEABLE	1	
- 79	2181004	. SCREW,THREAD FORMING,10-32 X 0.38 LG	14	
- 80	2194641	. STRIKER,LATCH	8	
- 81	125930	. NUT,PLAIN HEX 10/32	8	
- 82	45690	. WASHER, FL - NO.10 X 7/16 OD X 1/32 THK	8	
- 83	2194642	. ARM,LATCH	4	
- 84	33345	. PIN,COTTER- 0.060 DIA X 5/16 LG	4	
- 85	45690	. WASHER, FL - NO.10 X 7/16 OD X 1/32 THK	8	
- 86	2194643	. SPRING,EXTENSION	4	
- 87	257187	. NUT,HEX 6-32 NC	4	
- 88	2194656	. PLATE ASM,LEFT FRONT-RIGHT REAR ASSEMBLY COMPONENTS ARE NOT REPLACEABLE	4	
- 89	257187	. NUT,HEX 6-32 NC	8	
- 90	2195756	. COVER-LATCH	4	
- 91	731626	USED ON WTC ONLY . SCREW, PAN HEAD, 6-32 X .25 LONG	8	
- 92	2195757	USED ON WTC ONLY . HANDLE,LATCH	4	
- 93	251970	. SCREW,BD HD 4-40 X 0.250 LG	4	
- 94	2194955	. SPACER ASM,COVER,CENTER FRONT,LEFT	1	
- 94	2195380	. SPACER ASM,COVER,CENTER REAR,RIGHT ASSEMBLY COMPONENTS ARE NOT REPLACEABLE	1	
- 95	2181004	. SCREW,THREAD FORMING,10-32 X 0.38 LG	14	
- 96	2191006	. LATCH ASM, DOMESTIC	2	
- 96	2191014	. LATCH ASM, WTC	2	
- 97	257189	. NUT, HEX 8-32	4	
- 98	2190973	. RETAINER,LATCH	1	
- 99	2190972	. BOLT,LATCH	1	
-100	2191007	. SPRING-COMPRESSION	1	
-101	2190974	. HANDLE,LATCH	1	
-102	2190971	USED ON 2191006 ONLY . HOUSING,LATCH	1	
-103	2194640	. BAR,LATCH	8	
-104	236849	. SCREW,MACH-BIND HD 10-32 X 1/4 LG	16	
-105	11598	. NUT,HEX,10-32 X 0.375 FL W	16	
-106	2194752	. DOOR,LOUVER	4	1
-107	2181011	. SCREW, SELF TAPPING, 6-32 X .50 LG.	16	1
-108	740501	. SCREW,MACH-HEX HD 6-32 X 1/4 LG	16	1
-109	2157614	. GASKET, SET-GLASS COVER, RUBBER	AR	1
-110	2232011	. SCREW,MACH HEX HD 0.375-16 X 3.50 LG	4	B
-111	453	. WASHER,FLAT 0.406 ID X 0.06 THK	8	B
-112	2195646	. BUSHING,0.437 ID X 0.19 THK	8	B
-113	10309	. WASHER,LOCK SPLIT NO. 0.375 X 0.688 OD	4	B
-114	24107	. NUT,0.375-16	4	B

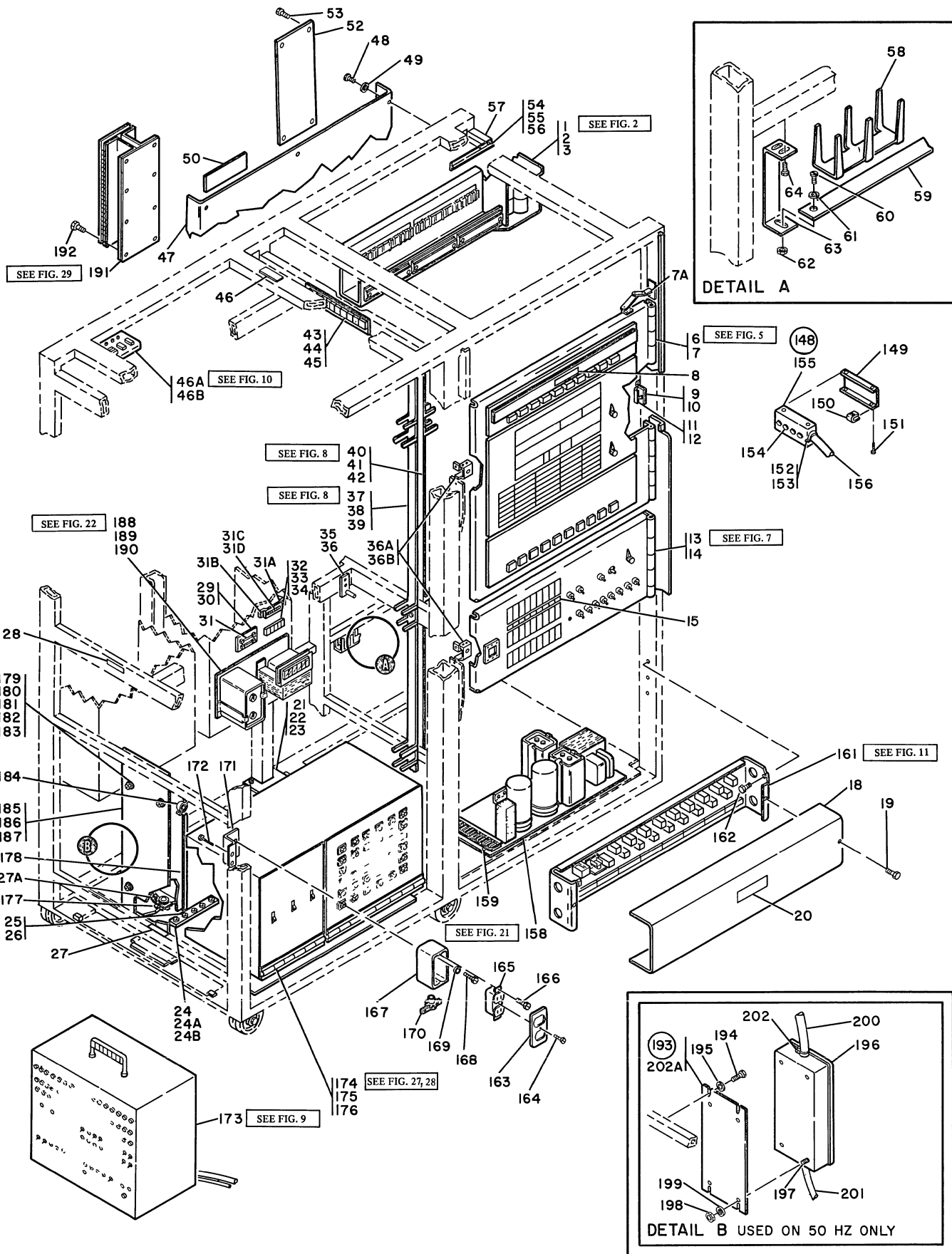


FIGURE 2. BASIC FINAL ASSEMBLY, FRONT VIEW. SHEET 1 OF 3. INDEX NOS. 1-64 AND 148-202 A. SEE LIST 2

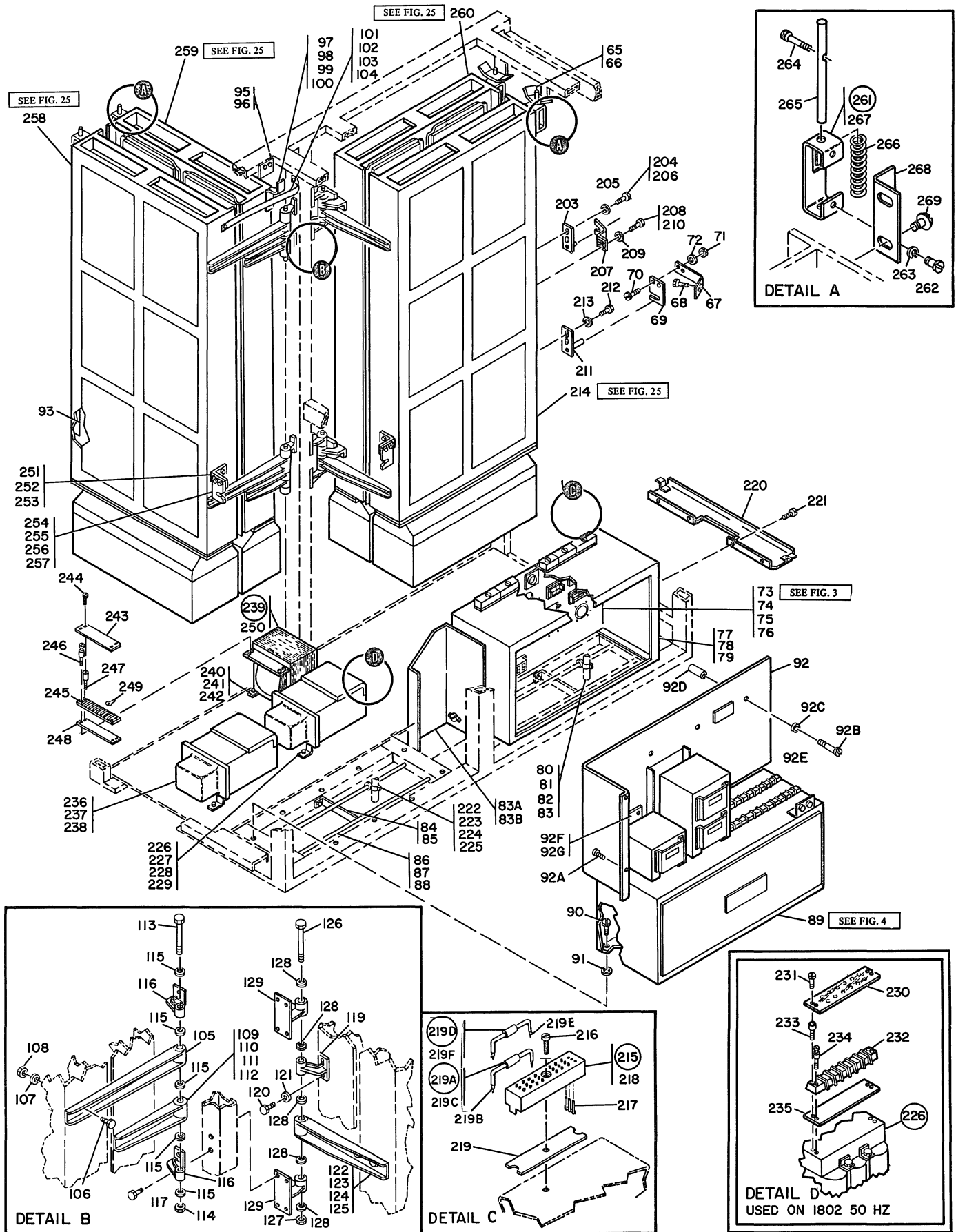


FIGURE 2. BASIC FINAL ASSEMBLY, REAR VIEW. SHEET 2 OF 3. INDEX NOS. 65-129 AND 203-269. SEE LIST 2.

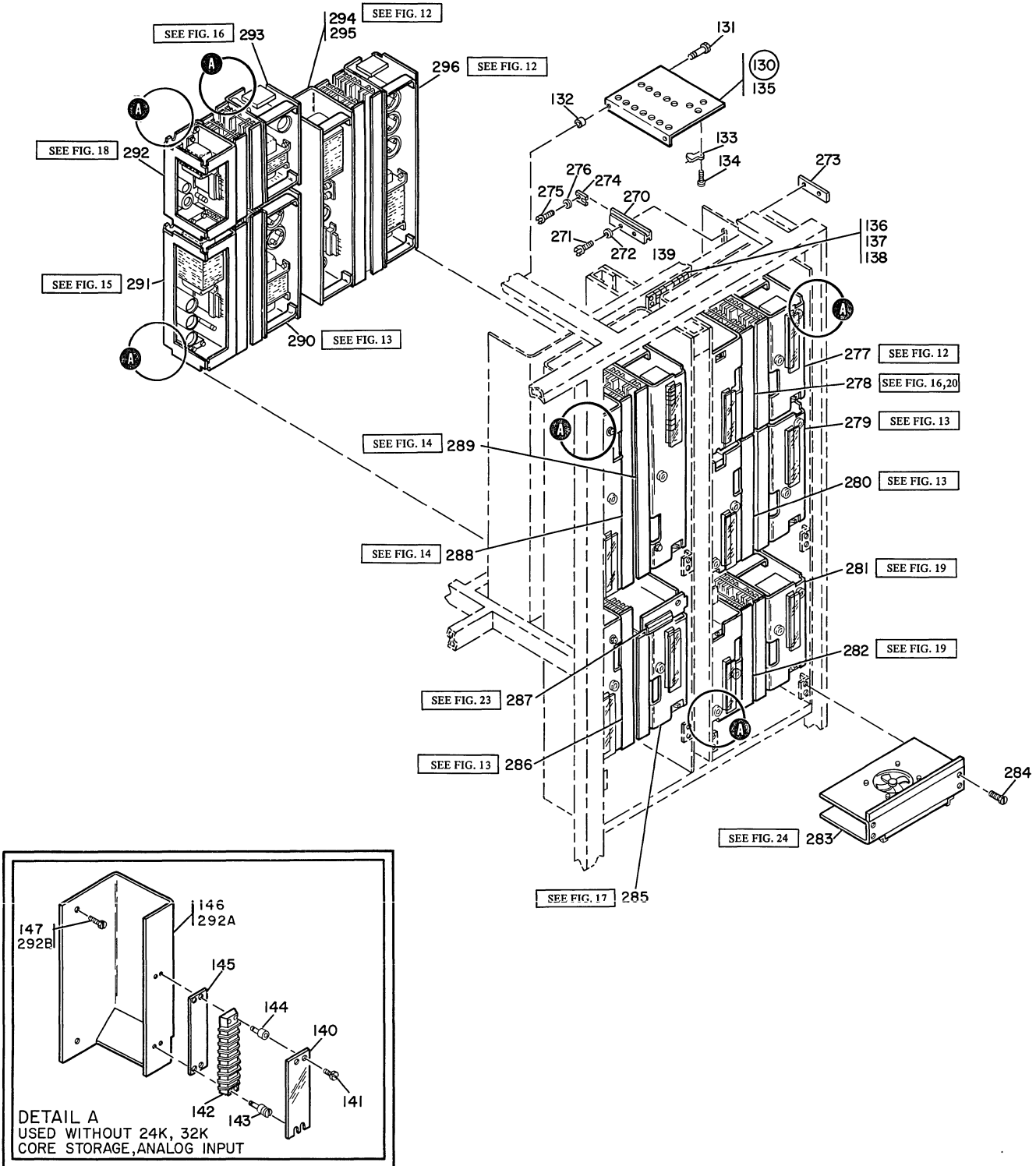


FIGURE 2. BASIC FINAL ASSEMBLY, REAR VIEW. SHEET 3 OF 3. INDEX NOS. 130-147 AND 270-296. SEE LIST 2.

LIST AND INDEX NUMBER	PART NUMBER		DESCRIPTION	UNITS PER ASM.	USABLE ON CODE
			FINAL ASSEMBLY,BASIC		
2 -			CODE A USED ON 1801 60 HZ ONLY CODE B USED ON 1801 50 HZ ONLY CODE C USED ON 1802 60 HZ ONLY CODE D USED ON 1802 50 HZ ONLY CODE E USED ON 1801/1802 60 HZ CODE F USED ON 1801/1802 50 HZ CODE G USED ON 1801 ONLY CODE H USED ON 1802 ONLY CODE J USED WITH 2 MICROSEC CODE K USED WITH 4 MICROSEC CODE L USED ON 24K,32K AND ANALOG INPUT FEATURE CODE M WITHOUT 24K,32K AND ANALOG INPUT FEATURE CODE 1 USED PRIOR TO E7 SUFFIX CODE 2 USED FROM E7 TO CURRENT CODE 3 USED PRIOR TO D8 SUFFIX CODE 4 USED FROM D8 TO CURRENT CODE 5 USED PRIOR TO H7 SUFFIX CODE 6 USED FROM H7 TO CURRENT		
-	2194600	NP	FINAL ASM,1801 PROCESSOR CONTROLLER	1	
-	2195000	NP	FINAL ASM,1802 PROCESSOR CONTROLLER FOR ILLUSTRATION SEE FIGURE 2	1	
- 1	2194857		. DISTRIBUTION ASM,DC-2 MICROSEC FOR DETAIL BREAKDOWN SEE FIG 6	1	
- 2	2181004		. SCREW,THREAD FORMING,10-32 X 0.38 LG ATT PT	6	
- 3	56079		. WASHER-LOCK,EXT T .204 ID .410 OD ATT PT	1	
- 6	2195225		. CONSOLE ASSEMBLY	1	3
- 6	2242700		. CONSOLE ASSEMBLY	1	4
- 7	2181004		FOR DETAIL BREAKDOWN SEE FIG 5 . SCREW,THREAD FORMING,10-32 X 0.38 LG ATT PT	5	
- 7A	5319888		. SCREW, SELF TAPPING, 10-32 X .625 LONG ATT PT	2	
- 8	124943		. LABEL-HAZARDOUS AREA	1	
- 9	2183214		. BRACKET,CLAMP	4	
- 10	2242394		. RIVET ATT PT	8	
- 11	2194941		. CLAMP,BASE,SINGLE	4	
- 12	2181005		. SCREW, SELF TAPPING, 6-32 X .375 LG. ATT PT	8	
- 13	2194896		. PANEL ASSEMBLY,INTERFACE I/O-CE	1	
- 14	2181004		FOR DETAIL BREAKDOWN SEE FIG 7 . SCREW,THREAD FORMING,10-32 X 0.38 LG ATT PT	6	
- 15	2195578		. LABEL-D1 DAO TCU A1	1	
- 18	2195288		. COVER-RELAY PANEL	1	5
- 18	2242804		. COVER,RELAY PANEL	1	6
- 19	5319854		. SCREW, SELF TAPPING, 8-32 X .375 LONG ATT PT	6	
- 20	369209		. LABEL,HAZARDOUS AREA	2	
- 21	2182920		. PLATE,COVER	1	H
- 22	2181004		. SCREW,THREAD FORMING,10-32 X 0.38 LG ATT PT	4	H
- 23	56079		. WASHER-LOCK,EXT T .204 ID .410 OD	1	
- 24	2114596		. BAR,GROUND,8 POS,DOUBLE ROW	1	
- 24A	5353301		. SCREW,THREAD FORMING,0.25-20 X 0.62 LG	2	
- 24B	56079		. WASHER-LOCK,EXT T .204 ID .410 OD ATT PT	1	
- 25	58207		. SCREW, BD HD MACH-8-32 NC-2A X .250 LG	16	
- 26	55901		. LOCKWASHER	16	
- 27	845762		. DECAL-VOLTAGE	1	
- 27A	2157384		. STRAP, GROUND	1	
- 28	369207		. LABEL,HAZARDOUS AREA	3	
- 29	3063		. FUSEHOLDER-PHENOLIC 2 POS 30 AMP 250V	1	
- 30	731629		. SCREW,PAN HD- 10-32 X 0.380 LG ATT PT	2	
- 31	237395		. FUSE	1	
- 31A	2242301		. BRACKET,RESISTOR MTG	1	
- 31B	338238		. SCREW, MACH-BD HD 4-40 NC X .3125 LG ATT PT	2	
- 31C	837683		. RESISTOR, FIXED HW-350 OHM 5% 25W	1	
- 31D	2181005		. SCREW, SELF TAPPING, 6-32 X .375 LG. ATT PT	2	
- 32	91469		. TERMINAL BOARD- 4 DBL SCREW TERMINALS	1	
- 33	322271		. MARKER STRIP-4 POSITION	1	
- 34	5319888		. SCREW, SELF TAPPING, 10-32 X .625 LONG ATT PT	4	
- 35	2194689		. PIN, GUIDE -1.75 PIN LENGTH	2	
- 36	5353301		. SCREW,THREAD FORMING,0.25-20 X 0.62 LG ATT PT	4	

LIST AND INDEX NUMBER	PART NUMBER	DESCRIPTION	UNITS PER ASM.	USABLE ON CODE
		1 2 3 4		
		FINAL ASSEMBLY,BASIC -CONT		
2 - 36A	2194712	. BRACKET ASM,STOP	4	
- 36B	2181004	. SCREW,THREAD FORMING,10-32 X 0.38 LG ATT PT	8	
- 37	2195216	. TOWER ASM,LEFT TROUGH FOR DETAIL BREAKDOWN SEE FIG 8	1	
- 38	2181000	. SCREW, FLATHEAD UNDERCUT, 8-32 X .297 LG ATT PT	3	
- 39	2181004	. SCREW,THREAD FORMING,10-32 X 0.38 LG ATT PT	1	
- 40	2195217	. TOWER ASM,RIGHT TROUGH FOR DETAIL BREAKDOWN SEE FIG 8	1	
- 41	2181000	. SCREW, FLATHEAD UNDERCUT, 8-32 X .297 LG ATT PT	3	
- 42	2181004	. SCREW,THREAD FORMING,10-32 X 0.38 LG ATT PT	1	
- 43	253220	. TERMINAL BLOCK,20 POS,DBL SCREW TERMINAL	1	
- 44	365323	. MARKER STRIP,20 POS NOS.1 THRU 20	1	
- 45	2181007	. SCREW, SELF TAPPING, 6-32 X .625 LG. ATT PT	4	
- 46	1141554	. LABEL,WARNING HIGH TEMPERATURE	2	
- 46A	2195402	. OVERVOLTAGE ASSEMBLY 36 VOLTS FOR DETAIL BREAKDOWN SEE FIG 10	1	G
- 46B	2181004	. SCREW,THREAD FORMING,10-32 X 0.38 LG ATT PT	2	G
- 47	2183513	. COVER,INNER RIGHT REAR	1	H
- 48	32042	. SCREW, MACH BIND. HD 10-32 X 3/8 LG. ATT PT	9	H
- 49	56079	. WASHER-LOCK,EXT T .204 ID .410 OD ATT PT	3	H
- 50	461017	. PLATE,INSTRUCTION-WARNING	1	
- 50	2163358	. LABEL, CUSTOMER ACCESS	2	
- 50	2163738	. LABEL, VOLTAGE	1	
- 52	2194787	. COVER-SINGLE STEEL 4-5/8 X 10.06 LG	24	G
- 53	2181004	. SCREW,THREAD FORMING,10-32 X 0.38 LG ATT PT	96	G
- 53	2181004	. SCREW,THREAD FORMING,10-32 X 0.38 LG ATT PT	4	H
- 54	2194786	. SUPPORT,TERMINATION	3	H
- 54	2194786	. SUPPORT,TERMINATION	5	G
- 55	340195	. SCREW,MACH-RD HD 10-32 X 2-1/2 LG ATT PT	AR	
- 56	9092	. WASHER-LOCK,SPLIT RING, .194 ID .3370D ATT PT	AR	
- 57	2194834	. SPACER,TERM PANEL	3	H
- 57	2194834	. SPACER,TERM PANEL	10	G
- 58	2242323	. TROUGH,FLAT CABLES	AR	
- 59	2242390	. TROUGH SUPPORT, 11.12 LG	2	
- 59	2242391	. TROUGH SUPPORT, 12.88 LG	3	
- 59	2242392	. TROUGH SUPPORT, 15.25 LG	1	
- 59	2242393	. TROUGH SUPPORT, 27.75 LG	2	
- 60	438573	. SCREW,MACH-FH 6-32 X 7/16 LG ATT PT	AR	
- 61	45677	. WASHER,FL- 5/32 X 7/16 OD X 0.040 THK ATT PT	14	
- 62	344015	. NUT,SELF LKG,HEX- 6-32 X 5/16 FL W ATT PT	14	
- 63	2194882	. TROUGH SUPPORT,HORIZONTAL	9	
- 64	2181004	. SCREW,THREAD FORMING,10-32 X 0.38 LG ATT PT	9	
- 65	2194683	. STOP,GATE LATCH	4	
- 66	2181004	. SCREW,THREAD FORMING,10-32 X 0.38 LG ATT PT	8	
- 67	2194745	. SUPPORT,REAR GATE STABILIZER	2	
- 68	5353301	. SCREW,THREAD FORMING,0.25-20 X 0.62 LG ATT PT	4	
- 69	2194732	. RECEIVER,GUIDE PIN	2	
- 70	129147	. SCREW,MACH-HEX HD 1/4-20 X 7/8 LG ATT PT	4	
- 71	3960	. NUT,PLAIN,HEX- 1/4-20 X 7/16 FL W ATT PT	4	
- 72	6935	. WASHER,LOCK-SPLIT 1/4 X 0.493 OD ATT PT	4	
- 73	NO NO.	. CONNECTOR PANEL AND CABLE ASM FOR DETAIL BREAKDOWN SEE FIG 3	1	
- 74	332620	. SCREW,MACH-BIND HD 10-32 X 1/2 LG ATT PT	8	
- 75	9092	. WASHER-LOCK,SPLIT RING, .194 ID .3370D ATT PT	8	
- 76	11598	. NUT,HEX,10-32 X 0.375 FL W	8	
- 77	2194646	. HOUSING,TAILGATE	1	
- 78	2181004	. SCREW,THREAD FORMING,10-32 X 0.38 LG ATT PT	10	
- 79	56079	. WASHER-LOCK,EXT T .204 ID .410 OD ATT PT	1	
- 80	2191879	. CLAMP, CABLE 0.234	4	
- 80	2191880	. CLAMP, CABLE 0.281 ID	4	
- 80	2191881	. CLAMP, CABLE 0.421 ID	4	
- 80	2191882	. CLAMP, CABLE 0.484 ID	2	
- 81	322551	. SCREW,BIND HD 6-32 X 0.75 LONG ATT PT	14	
- 82	56722	. WASHER-LOCK,EXT T, .150 ID ATT PT	14	
- 83	257187	. NUT,HEX 6-32 NC ATT PT	14	
- 83A	2194894	. DUCT	1	G
- 83B	2181004	. SCREW,THREAD FORMING,10-32 X 0.38 LG ATT PT	3	G
- 84	2195284	. BRACKET-STUD SUPPORT	2	
- 85	2181004	. SCREW,THREAD FORMING,10-32 X 0.38 LG ATT PT	4	
- 86	2195283	. STUD-CABLE CLAMP	4	
- 87	76574	. WASHER, LOCK-EXT. TEETH .250 ATT PT	8	
- 88	3960	. NUT,PLAIN,HEX- 1/4-20 X 7/16 FL W ATT PT	8	

LIST AND INDEX NUMBER	PART NUMBER	DESCRIPTION	UNITS PER ASM.	USABLE ON CODE
		1 2 3 4		
		FINAL ASSEMBLY,BASIC -CONT		
2 - 89	NO NO.	TAIL GATE ASM,I/O FOR DETAIL BREAKDOWN SEE FIG 4	1	
- 90	2181004	• SCREW,THREAD FORMING,10-32 X 0.38 LG ATT PT	10	
- 91	56079	• WASHER-LOCK,EXT T .204 ID .410 OD ATT PT	1	
- 92	2242385	• COVER,F AND H GATE CABLE SUPPORT	1	2
- 92	2183202	• COVER,F AND H GATE CABLE SUPPORT	1	1
- 92A	2181004	• SCREW,THREAD FORMING,10-32 X 0.38 LG ATT PT	2	
- 92B	438603	• SCREW,MACH-UNDRCT BIND HD 10-32 X 2-1/4 ATT PT	4	
- 92C	56079	• WASHER-LOCK,EXT T .204 ID .410 OD ATT PT	4	
- 92D	597941	• SPACER-VOLT ADJUST TRANSFORMER MOUNTING	4	
- 92E	461017	• PLATE,INSTRUCTION-WARNING	1	H
- 92E	2163357	• LABEL, IBM ACCESS	4	
- 92F	2183201	• COVER,G GATE,REAR	1	
- 92G	731626	• SCREW, PAN HEAD, 6-32 X .25 LONG ATT PT	5	
- 93	2242314	• LABEL,CORE STORAGE	1	
- 95	2183328	• STOP,GATE	1	
- 96	5353301	• SCREW,THREAD FORMING,0.25-20 X 0.62 LG ATT PT	2	
- 97	2183329	• STOP,GATE	1	
- 98	59647	• SCREW,MACH-HEX HD 1/4-20 X 1 LG ATT PT	2	
- 99	3550	• WASHER,FLAT 1/4 ID-9/16-OD-0.05 THICK ATT PT	2	
-100	36109	• NUT,PLAIN,HEX- 1/4-20 X 7/16 FL W ATT PT	2	
-101	2101840	• STRAP,GROUND	2	
-101	2129396	• STRAP,GROUND,1 INCH X 14 1/2 INCHES	2	
-102	304931	• SLEEVEING	4	
-103	5353301	• SCREW,THREAD FORMING,0.25-20 X 0.62 LG ATT PT	6	
-104	76574	• WASHER, LOCK-EXT. TEETH .250 ATT PT	6	
-105	2194607	• HINGE-REAR,RH BAY	2	
-106	38686	• SCREW,HEX HD,0.250-20 X 0.750 LG ATT PT	4	
-107	6935	• WASHER,LOCK-SPLIT 1/4 X 0.493 OD ATT PT	4	
-108	3960	• NUT,PLAIN,HEX- 1/4-20 X 7/16 FL W ATT PT	4	
-109	2194605	• HINGE-FRONT,RH BAY	2	
-110	38688	• SCREW,HEX HD,0.250-20 X 0.750 LG ATT PT	4	
-111	6935	• WASHER,LOCK-SPLIT 1/4 X 0.493 OD ATT PT	4	
-112	3960	• NUT,PLAIN,HEX- 1/4-20 X 7/16 FL W ATT PT	4	
-113	7321292	• BOLT-HINGE ATT PT	4	
-114	7320365	• NUT,LOCK,0.50-13 ATT PT	2	
-115	130985	• WASHER,FL- 0.531 ID 1-1/16 OD 0.095 THK	10	
-116	2194604	• HINGE	4	
-117	5353301	• SCREW,THREAD FORMING,0.25-20 X 0.62 LG ATT PT	16	
-119	2194604	• HINGE	4	
-120	129147	• SCREW,MACH-HEX HD 1/4-20 X 7/8 LG ATT PT	4	
-121	6935	• WASHER,LOCK-SPLIT 1/4 X 0.493 OD ATT PT	4	
-122	2194606	• HINGE	2	
-123	38688	• SCREW,HEX HD,0.250-20 X 0.750 LG ATT PT	4	
-124	6935	• WASHER,LOCK-SPLIT 1/4 X 0.493 OD ATT PT	4	
-125	3960	• NUT,PLAIN,HEX- 1/4-20 X 7/16 FL W ATT PT	4	
-126	7321292	• BOLT-HINGE ATT PT	2	
-127	7320365	• NUT,LOCK,0.50-13 ATT PT	2	
-128	130985	• WASHER,FL- 0.531 ID 1-1/16 OD 0.095 THK	10	
-129	300693	• HINGE-GATE UPPER	4	
-130	2195635	• BRACKET ASM,RESISTOR	1	
-131	2181001	• SCREW,THD FORMING-HEX WASH HD 10-32X 3/4 ATT PT	2	
-132	2183198	• SPACER,0.196 ID X 0.28 LG ATT PT	2	
-133	801615	• RESISTOR,FXD,WW- 50 OHMS P/M 5% 50W	1	
-133	813233	• RESISTOR	2	
-133	2194889	• RESISTOR,WIREWOUND,4.0 OHMS 50 WATTS	1	
-133	2195636	• RESISTOR,FIXED-WW 1 OHM P/M 5 PCT 50W	4	
-133	5240459	• RESISTOR,FIXED 250HM 25WATT	3	
-133	5261815	• RESISTOR,100HMS,25W	1	
-134	5700484	• SCREW, SELF TAPPING, 4-40 X .375 LG. ATT PT	24	
-135	2195637	• BRACKET,RESISTOR	1	
-136	323842	• TERMINAL BLOCK, 12 POSITION	1	
-137	322065	• SCREW,MACH-BIND HD 6-32 X 5/8 LG ATT PT	4	
-138	589814	• MARKER STRIP,12 POS NOS.1 THRU 12	1	
-139	472187	• JUMPER-BRASS	8	
-140	210990	• SHIELD- 13 POSITION	4	
-141	210984	• SCREW,ROUND HD 6-32 X 0.25 LG ATT PT	4	M
-142	320461	• TERMINAL BOARD-13 POS	4	M
-143	210884	• STUD, SLOTTED 6-32 X 1/2 LONG THREAD ATT PT	12	M
-144	210883	• STUD, EXT 6-32 X 1/2 INT 6-32 X 0.19 DP ATT PT	4	M
-145	2101325	• MARKER STRIP,13 POSITION	1	M
-146	2183474	• DEFLECTOR,AIR,9.50 LG	1	M
-146	2183475	• DEFLECTOR,AIR,20.00 LG	1	M
-146	2183477	• DEFLECTOR,AIR,12.00 LG	1	M
-146	2242302	• DEFLECTOR,AIR,9.50 IN. HIGH,POS 14	1	M
-147	2181004	• SCREW,THREAD FORMING,10-32 X 0.38 LG ATT PT	8	M

LIST AND INDEX NUMBER	PART NUMBER	DESCRIPTION	UNITS PER ASM.	USABLE ON CODE
		FINAL ASSEMBLY,BASIC -CONT		
2-		THE FOLLOWING PARTS ARE FEATURES ONLY		
-148	2195671	CE BOX ASM,REMOTE START	1	
-149	2114389	. BASE,CONTROL BOX 100UF P/M 10%	1	
-150	2109834	. SPRING,CLIP ATT PT	4	
-151	322550	. SCREW,BD HD 6-32 X 0.500 LG ATT PT	4	
-152	2100264	. RELIEF,CABLE STRAIN	1	
-153	478375	. WASHER,FLAT,0.86 ID X 0.03 TAK ATT PT	1	
-154	156848	. SWITCH,PUSH-DPDT 125V AC 6 AMP	4	
-155	2183330	. COVER,CONTROL BOX	1	
-156	2195666	. CABLE ASM,CONTROL BOX	1	
-158	196403	SEE CABLE ROUTING FIG 30-24 POWER SUPPLY ASM,48V 6A 60HZ	1	E
-158	5709490	POWER SUPPLY ASM,48V 6A 50HZ	1	F
-159	2181004	FOR DETAIL BREAKDOWN SEE FIG 21 SCREW,THREAD FORMING,10-32 X 0.38 LG ATT PT	4	
-161	2195285	RELAY PANEL ASM,2 MICROSEC	1	J
-161	2195286	RELAY PANEL ASM,4 MICROSEC	1	K
-162	2181004	FOR DETAIL BREAKDOWN SEE FIG 11 SCREW,THREAD FORMING,10-32 X 0.38 LG ATT PT	6	
-163	359018	COVER, CONVENIENCE OUTLET	1	
-164	38442	SCREW,FL HD 6-32 X 0.250 LG ATT PT	1	
-165	357995	OUTLET,CONVENIENCE ,125V 60 HZ	1	E
-165	418835	OUTLET,CONVENIENCE,220V 50 HZ	1	F
-166	81693	SCREW,MACH-BIND HD 6-32 X 3/8 LG ATT PT	2	
-167	2102151	BOX,CONVENIENCE OUTLET	1	
-168	32042	SCREW, MACH BIND. HD 10-32 X 3/8 LG. ATT PT	4	
-169	56079	WASHER-LOCK,EXT T .204 ID .410 OD ATT PT	4	
-170	2100264	RELIEF,CABLE STRAIN	1	
-171	2195794	MOUNT,CONVENIENCE OUTLET	1	
-172	2181004	SCREW,THREAD FORMING,10-32 X 0.38 LG ATT PT	2	
-173	2194933	I/O MONITOR ASSEMBLY FOR DETAIL BREAKDOWN SEE FIG 9	1	
-174	2194613	POWER SEQUENCE ASSEMBLY,60 HZ	1	G
-174	2194827	POWER SEQUENCE ASSEMBLY,50 HZ	1	G
-174	2195002	POWER SEQUENCE ASSEMBLY,60 HZ	1	H
-174	2195005	POWER SEQUENCE ASSEMBLY,50 HZ	1	H
-175	2181004	FOR DETAIL BREAKDOWN SEE FIG 27 AND 28 SCREW,THREAD FORMING,10-32 X 0.38 LG ATT PT	4	
-176	56079	WASHER-LOCK,EXT T .204 ID .410 OD ATT PT	2	
-177	2100837	CLAMP,CABLE	1	E
-178	2194655	LINE FILTER,60HZ	1	E
-179	55918	SCREW,MACH-BIND HD 10-32 X 5/8 LG ATT PT	4	E
-180	45690	WASHER, FL - NO.10 X 7/16 OD X 1/32 THK ATT PT	4	E
-181	9092	WASHER-LOCK,SPLIT RING, .194 ID .337OD ATT PT	3	E
-182	56079	WASHER-LOCK,EXT T .204 ID .410 OD ATT PT	1	E
-183	11598	NUT,HEX,10-32 X 0.375 FL W ATT PT	4	E
-184	2198217	CONNECTOR-1.5 FITTING	1	E
-185	2194634	PLATE,LINE FILTER MTG	1	E
-186	5319888	SCREW, SELF TAPPING, 10-32 X .625 LONG ATT PT	4	E
-187	2125974	LOCKWASHER,DISHED,EXT,INT,NO. 10 ATT PT	4	E
-188	5708960	POWER SUPPLY ASM, 7.25V AT 25A 60HZ	1	E
-188	5708992	POWER SUPPLY ASM, 7.25V AT 25A 50HZ	1	F
-189	2181004	FOR DETAIL BREAKDOWN SEE FIG 22 SCREW,THREAD FORMING,10-32 X 0.38 LG ATT PT	3	
-190	56079	WASHER-LOCK,EXT T .204 ID .410 OD ATT PT	3	
-191	2194808	CUSTOMER TERM BLOCK ASM DI,PI,PC	5	G
-191	2194809	CUSTOMER TERM BLOCK ASM REG OUT	1	G
-191	2194810	CUSTOMER TERM BLOCK ASM ECD AND PG	2	G
-192	2181004	FOR DETAIL BREAKDOWN SEE FIG 29 SCREW,THREAD FORMING,10-32 X 0.38 LG ATT PT	AR	G
-193	2183204	FILTER ASM- 50 CY	1	F
-194	5319888	SCREW, SELF TAPPING, 10-32 X .625 LONG ATT PT	4	F
-195	2125974	LOCKWASHER,DISHED,EXT,INT,NO. 10 ATT PT	4	F
-196	2195240	. LINE FILTER,50HZ	1	
-197	234331	. SCREW,ASMD WASHER-FIL H 10-32 X 1/2 LG ATT PT	4	
-198	11598	. NUT,HEX,10-32 X 0.375 FL W ATT PT	4	
-199	45690	. WASHER, FL - NO.10 X 7/16 OD X 1/32 THK ATT PT	4	

LIST AND INDEX NUMBER	PART NUMBER	DESCRIPTION	UNITS PER ASM.	USABLE ON CODE
		FINAL ASSEMBLY,BASIC -CONT		
2 -200	2195476	. CABLE ASSEMBLY-FILTER TO SEQUENCE BOX	1	
-201	2195448	SEE CABLE ROUTING FIG 30-11 . CABLE ASM,FILTER BOX TO PWR SOURCE, 50HZ SEE CABLE ROUTING FIG 30-9	1	
-202	2196353	. CLAMP	2	
-202A	2183197	. PLATE-FILTER MOUNTING	1	
-203	2196222	PIN, GUIDE -1.00 PIN LENGTH	1	
-203	2194689	PIN, GUIDE -1.75 PIN LENGTH	3	
-204	36844	SCREW,CAP-SLOT HD 1/4-20 X 1/2 LG	2	ATT PT
-205	6935	WASHER,LOCK-SPLIT 1/4 X 0.493 OD	2	ATT PT
-206	2194814	PLATE,NUT 0.25-20	1	ATT PT
-207	2194743	STABILIZER,GATE	2	
-208	38688	SCREW,HEX HD,0.250-20 X 0.750 LG	4	ATT PT
-209	36109	NUT,PLAIN,HEX- 1/4-20 X 7/16 FL W	4	ATT PT
-210	6935	WASHER,LOCK-SPLIT 1/4 X 0.493 OD	4	ATT PT
-211	2194689	PIN, GUIDE -1.75 PIN LENGTH USED ON B AND D GATES	2	
-212	36844	SCREW,CAP-SLOT HD 1/4-20 X 1/2 LG	2	ATT PT
-213	2125656	LOCKWASHER,DISHED,EXT,INT,NO. 0.250	2	ATT PT
-214	2194909	B GATE ASSEMBLY,60 HZ	1	E
-214	2194915	B GATE ASSEMBLY,50 HZ	1	F
-215	302090	FOR DETAIL BREAKDOWN SEE FIG 25 TERMINAL BLOCK ASM-24 FEMALE CONTACTS USED WITH 1054/1055 ADAPTER ONLY	6	
-216	2191846	SCREW, PAN HD 4-40 X 0.500 LONG	6	ATT PT
-217	302089	. SPRING-TERMINAL BOARD CONTACT	8	
-218	302088	. BLOCK,TERMINAL	1	
-219	302131	STRIP-TERMINAL BLOCK INSULATOR USED WITH 1054/1055 ADAPTER ONLY	6	
-219A	2106954	DIODE ASSEMBLY	16	
-219B	187243	. TERMINAL, SMALL TAPER 20-22-24 OR 26 AWG	2	
-219C	2111232	. DIODE SILICON TYPE AM USED WITH 1054/1055 ONLY	1	
-219D	2123791	RESISTOR ASM,FIXED 470.OHM PM5 0.5W	2	
-219E	320167	. TERMINAL,QUICK DISCONNECT-NONINS 16AWG	2	
-219F	317011	. RESISTOR,FXD,COMP- 470 OHMS P/M 5% 1/2W USED WITH 1054/1055 ONLY	1	
-220	2195239	COVER ASSEMBLY- L.H FLOOR	1	
-221	2181004	SCREW,THREAD FORMING,10-32 X 0.38 LG	4	ATT PT
-222	2183357	CLAMP, CABLE 0.55 ID	1	
-223	322551	USED ON 1442 FEATURE ONLY SCREW,BIND HD 6-32 X 0.75 LONG	2	ATT PT
-224	56722	WASHER-LOCK,EXT T, .150 ID	2	ATT PT
-225	257187	NUT,HEX 6-32 NC	2	ATT PT
-226	2194932	TRANSFORMER,220/115V 50 HZ	1	E
-226	4116423	TRANSFORMER,220/115V 60 HZ	1	D
-227	5353301	SCREW,THREAD FORMING,0.25-20 X 0.62 LG	3	ATT PT
-228	56079	WASHER-LOCK,EXT T .204 ID .410 OD	1	ATT PT
-229	76574	WASHER, LOCK-EXT. TEETH .250	1	ATT PT
-230	4121397	. SHIELD	1	L
-231	210984	. SCREW,ROUND HD 6-32 X 0.25 LG	1	L
-232	317450	. TERMINAL BOARD- 15 DBL SCREW TERMINALS	1	L
-233	210883	. STUD, EXT 6-32 X 1/2 INT 6-32 X 0.19 DP	1	L
-234	210884	. STUD, SLOTTED 6-32 X 1/2 LONG THREAD	3	L
-235	4121398	. STRIP, MARKER	1	L
-236	2194932	TRANSFORMER,220/115V 50 HZ	1	E
-236	4116433	TRANSFORMER,VARIABLE POWER	1	F
-237	5353301	SCREW,THREAD FORMING,0.25-20 X 0.62 LG	3	ATT PT
-238	56079	WASHER-LOCK,EXT T .204 ID .410 OD	1	ATT PT
-239	907651	TRANSFORMER ASSEMBLY- 50 CYCLE	1	
-240	5353301	SCREW,THREAD FORMING,0.25-20 X 0.62 LG	4	ATT PT
-241	2125656	LOCKWASHER,DISHED,EXT,INT,NO. 0.250	4	ATT PT
-242	56079	WASHER-LOCK,EXT T .204 ID .410 OD	1	ATT PT
-243	603683	. SHIELD,TERMINAL BLOCK- 14 POSITION	1	F
-244	210984	. SCREW,ROUND HD 6-32 X 0.25 LG	1	ATT PT
-245	603248	. TERMINAL BOARD- 14 DBL SCREW TERMINALS	1	
-246	210986	. STUD, SLOTTED 8-32 X 1/2 LG THREAD	3	
-247	210985	. STUD, EXT 8-32 X 1/2 INT 6-32 X 0.19 DP	1	
-248	907652	. TERMINAL STRIP	1	
-249	186968	. TERMINAL,LUG-INS 10/12AWG NO. 8 MTG HOLE	7	
-250	906841	. TRANSFORMER,50 HZ	1	
-251	2194744	SUPPORT,GATE STABILIZER	2	
-252	129147	SCREW,MACH-HEX HD 1/4-20 X 7/8 LG	4	ATT PT

LIST AND INDEX NUMBER	PART NUMBER	DESCRIPTION	UNITS PER ASM.	USABLE ON CODE
		FINAL ASSEMBLY,BASIC -CONT		
2 -253	6935	WASHER,LOCK-SPLIT 1/4 X 0.493 OD ATT PT	4	
-254	2194732	RECEIVER,GUIDE PIN	2	
-255	129147	SCREW,MACH-HEX HD 1/4-20 X 7/8 LG ATT PT	4	
-256	6935	WASHER,LOCK-SPLIT 1/4 X 0.493 OD ATT PT	4	
-257	3960	NUT,PLAIN,HEX- 1/4-20 X 7/16 FL W ATT PT	4	
-258	2194912	D GATE ASSEMBLY,1801,60 HZ	1	A
-258	2194917	D GATE ASSEMBLY,1801,50 HZ	1	B
-258	2195018	D GATE ASSEMBLY,1802,60 HZ	1	C
-258	2195024	D GATE ASSEMBLY,1802,50 HZ FOR DETAIL BREAKDOWN SEE FIG 25	1	D
-259	2194910	C GATE ASSEMBLY,60 HZ	1	E
-259	2194916	C GATE ASSEMBLY,50 HZ FOR DETAIL BREAKDOWN SEE FIG 25	1	F
-260	2194908	A GATE ASSEMBLY 60 HZ	1	E
-260	2194914	A GATE ASSEMBLY,50 HZ FOR DETAIL BREAKDOWN SEE FIG 25	1	F
-261	2172092	LATCH ASSEMBLY-GATE	4	
-262	10170	SCREW-MACH,BIND HD NO. 6-32 X .250 LG ATT PT	8	
-263	6364	WASHER,LOCK-SPLIT NO. 6 X 1/4 OD ATT PT	8	
-264	528013	. STUD-LATCH	1	
-265	528014	. PIN-LATCH	1	
-266	528012	. SPRING,HELICAL,COMPR	1	
-267	528011	. BRACKET-LATCH	1	
-268	2194684	BRACKET,LATCH MTG-GATE	4	
-269	2181005	SCREW, SELF TAPPING, 6-32 X .375 LG. ATT PT	8	
-270	207382	RAIL-POWER SUPPLY MOUNTING	AR	
-271	438601	SCREW,MACH-UNDRCT BIND HD 10-32 X 7/8 LG ATT PT	AR	
-272	56079	WASHER-LOCK,EXT T .204 ID .410 OD ATT PT	AR	
-273	2193932	OUTER RAIL,POWER SUPPLY MOUNTING ATT PT	AR	
-274	207293	KEEPER-POWER SUPPLY	AR	
-275	2300	SCREW,MACH-FIL H 8-32 X 1/4 LG ATT PT	AR	
-276	2125963	LOCKWASHER,DISHED,EXT.INT,NO. 8 ATT PT	AR	
-277	5261020	POWER SUPPLY, 3V AT 12A 60 HZ	1	L
-277	5261620	POWER SUPPLY, 3V AT 12A 50 HZ	1	L
		USED WITH 24/32K MEM AND/OR A.I. BASIC FOR DETAIL BREAKDOWN SEE FIG 12		
-278	5261160	POWER SUPPLY,36V AT 3A 60 HZ	1	A
-278	5261760	POWER SUPPLY,36V AT 3A 50 HZ FOR DETAIL BREAKDOWN SEE FIG 20	1	B
-278	5261070	POWER SUPPLY,12V AT 2.5A 60 HZ	1	C
-278	5261670	POWER SUPPLY,12V AT 2.5A 50 HZ FOR DETAIL BREAKDOWN SEE FIG 16	1	D
-279	5261030	POWER SUPPLY ASM,3V AT 16A 60 HZ	1	E
-279	5261630	POWER SUPPLY ASM,3V AT 16A 50 HZ FOR DETAIL BREAKDOWN SEE FIG 13	1	F
-280	5261030	POWER SUPPLY ASM,3V AT 16A 60 HZ	1	E
-280	5261630	POWER SUPPLY ASM,3V AT 16A 50 HZ FOR DETAIL BREAKDOWN SEE FIG 13	1	F
-281	5261090	POWER SUPPLY, 30V AT 2A 60 HZ	1	E
-281	5261690	POWER SUPPLY, 30V AT 2A 50 HZ FOR DETAIL BREAKDOWN SEE FIG 19	1	E
-282	5261090	POWER SUPPLY, 30V AT 2A 60 HZ	1	L
-282	5261690	POWER SUPPLY, 30V AT 2A 50 HZ FOR DETAIL BREAKDOWN SEE FIG 19	1	L
		USED WITH A.I. BASIC ONLY FOR DETAIL BREAKDOWN SEE FIG 19		
-283	2194665	BLOWER ASSEMBLY 60HZ	6	E
-283	2194750	BLOWER ASSEMBLY 50HZ FOR DETAIL BREAKDOWN SEE FIG 24	6	F
-284	2181004	SCREW,THREAD FORMING,10-32 X 0.38 LG ATT PT	24	

LIST AND INDEX NUMBER	PART NUMBER	DESCRIPTION				UNITS PER ASM.	USABLE ON CODE	
		1	2	3	4			
		FINAL ASSEMBLY,BASIC -CONT						
2 -285	5261140	POWER SUPPLY,12V AT 5A 60 HZ					1	E
-285	5261740	POWER SUPPLY,12V AT 5A 50 HZ FOR DETAIL BREAKDOWN SEE FIG 17					1	F
-286	5261030	POWER SUPPLY ASM,3V AT 16A 60 HZ					1	E
-286	5261630	POWER SUPPLY ASM,3V AT 16A 50 HZ FOR DETAIL BREAKDOWN SEE FIG 13					1	F
-287	2194681	PROTECTION DEVICE ASM.STORAGE FOR DETAIL BREAKDOWN SEE FIGURE 23					1	
-288	5261060	POWER SUPPLY,6V AT 18A 60 HZ					1	
-288	5261660	POWER SUPPLY,6V AT 18A 50 HZ USED WITH 23/32K MEM AND/OR A.I. BASIC FOR DETAIL BREAKDOWN SEE FIG 14					1	
-289	5261060	POWER SUPPLY,6V AT 18A 60 HZ					1	E
-289	5261660	POWER SUPPLY,6V AT 18A 50 HZ FOR DETAIL BREAKDOWN SEE FIG 14					1	F
-290	5261030	POWER SUPPLY ASM,3V AT 16A 60 HZ					1	E
-290	5261630	POWER SUPPLY ASM,3V AT 16A 50 HZ FOR DETAIL BREAKDOWN SEE FIG 13					1	F
-291	5709440	POWER SUPPLY,12VDC AT 10A 60 HZ					1	J
-291	5709480	POWER SUPPLY,12VDC AT 10A 50 HZ FOR DETAIL BREAKDOWN SEE FIG 15					1	J
-292	5709430	POWER SUPPLY,15V AT 2.5A 60 HZ					1	J
-292	5709470	POWER SUPPLY,15V AT 2.5A 50 HZ FOR DETAIL BREAKDOWN SEE FIG 18					1	J
-292A	2195280	DIVERTER,AIR					1	K
-292B	2181004	SCREW,THD FORMING 10-32 X 0.375 LG ATT PT					2	K
-293	5261070	POWER SUPPLY,12V AT 2.5A 60 HZ					1	
-293	5261670	POWER SUPPLY,12V AT 2.54 50 HZ USED WITH A.I. BASIC ONLY FOR DETAIL BREAKDOWN SEE FIG 16					1	
-294	5261060	POWER SUPPLY,6V AT 18A 60 HZ					1	A
-294	5261660	POWER SUPPLY,6V AT 18A 50 HZ FOR DETAIL BREAKDOWN SEE FIG 14					1	B
-294	2195280	DIVERTER-AIR					1	H
-295	2181004	SCREW,THREAD FORMING,10-32 X 0.38 LG ATT PT					2	
-296	5261060	POWER SUPPLY,6V AT 18A 60 HZ					1	E
-296	5261660	POWER SUPPLY,6V AT 18A 50 HZ FOR DETAIL BREAKDOWN SEE FIG 14					1	F

FOR PARTS
NOT SHOWN
SEE FIG. 2

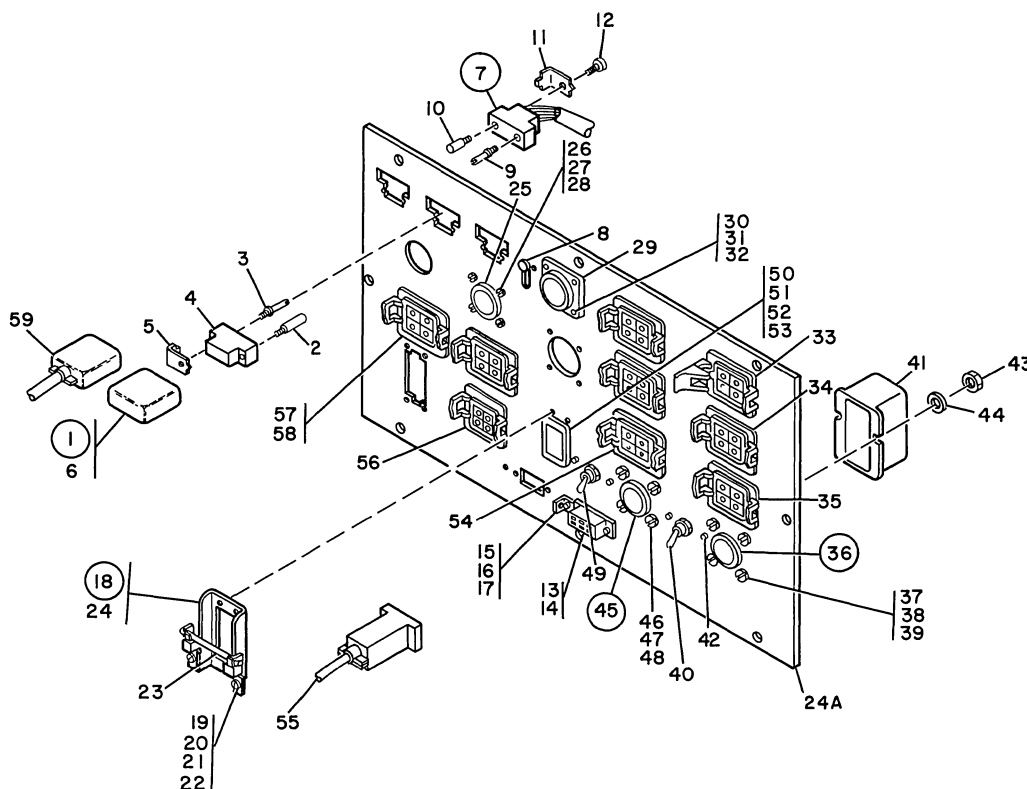


FIGURE 3. CONNECTOR PANEL AND CABLE ASSEMBLIES. SEE LIST 3.

LIST AND INDEX NUMBER	PART NUMBER	DESCRIPTION				UNITS PER ASM.	USABLE ON CODE
		1	2	3	4		
		CONNECTOR PANEL AND CABLE ASSEMBLIES					
3 -	NO NO.	CONNECTOR PANEL AND CABLE ASM FOR ILLUSTRATION SEE FIGURE 3 FOR NEXT HIGHER ASM SEE FIGURE 2-73				REF	
- 1	2195670	. PLUG ASM,DUMMY				1	
- 2	2122202	. . SOCKET,CENTER GUIDE				1	
- 3	2122203	. . PIN,CENTER GUIDE				1	
- 4	2122255	. . CONNECTOR, 20 PLACE MALE				1	
- 5	2127984	. . SPRING,LOCK				2	
- 6	2130443	. . HOOD				1	
- 7	2195667	. CABLE ASM,CONSOLE TO REMOTE START SEE CABLE ROUTING FIGURE 30-22				1	
- 8	5052426	. . CONNECTOR-2 PIN FEMALE				1	
- 9	2122203	. PIN,CENTER GUIDE				3	
- 10	2122202	. SOCKET,CENTER GUIDE				3	
- 11	2127985	. CATCH,LOCKING SPRING- 14 AND 20 PDS CONN				6	
- 12	731626	. SCREW,PAN HEAD,6-32 X 0.25 LONG				2	ATT PT
- 13	2196247	. CABLE ASM, EPO RECP TO EPO SWITCH				1	
- 14	731631	. SCREW,PAN HD- 4-40 X 1/4 LG				2	ATT PT
- 15	5271288	. TERMINAL				1	
- 16	438548	. SCREW,MACH-BIND HD 4-40 X 0.1875 LG				1	ATT PT
- 17	338169	. WASHER,LOCK-EXT TEETH NO. 4 X 9/32 OD				1	ATT PT
- 18	526522	. LATCH ASSEMBLY-CONNECTOR USED ON 1802 ONLY				1	
- 19	526520	. . SPRING-LATCH				2	
- 20	186759	. . SCREW,MACH-BIND HD 8-32 X 5/16 LG				2	ATT PT
- 21	1090873	. . WASHER, LOCK - .168 ID X .296 OD				2	ATT PT
- 22	257189	. . NUT, HEX 8-32				2	ATT PT
- 23	526521	. . ROLLER-CONNECTOR LATCH				2	
- 24	526519	. . BRACKET-CONNECTOR MOUNTING				1	
- 24A	2194666	. PANEL,CONNECTOR				1	

LIST AND INDEX NUMBER	PART NUMBER	DESCRIPTION	UNITS PER ASM.	USABLE ON CODE
		1 2 3 4 CONNECTOR PANEL AND CABLE ASSEMBLIES -CONT		
		THE FOLLOWING COMPONENTS ARE FEATURES ONLY		
3 - 25	2196023	CABLE ASM,GATE TO 1627 RECEPTACLE SEE CABLE ROUTING FIG 30-22	1	
- 26	38352	SCREW,MACH-FIL H 6-32 X 3/8 LG	ATT PT	4
- 27	6364	WASHER,LOCK-SPLIT NO. 6 X 1/4 OD	ATT PT	4
- 28	257187	NUT,HEX 6-32 NC	ATT PT	4
- 29	2196063	CABLE ASM,TB3-5,TB6-5 TO 1443 RECPT,60HZ	1	
- 29	2195473	CABLE ASM,TB68 TO 1443 SEQ RECPT,50HZ SEE CABLE ROUTING FIG 30-22	1	
- 30	38352	SCREW,MACH-FIL H 6-32 X 3/8 LG	ATT PT	4
- 31	6364	WASHER,LOCK-SPLIT NO. 6 X 1/4 OD	ATT PT	4
- 32	257187	NUT,HEX 6-32 NC	ATT PT	4
- 33	2196066	CABLE ASM,TB2,6,9 TO 1826 RECPT,6/HZ	2	
- 33	2195451	CABLE ASM,TB4 AND 9 TO 1826 RECPT 50HZ SEE CABLE ROUTING FIG 30-22	2	
- 34	2196067	CABLE ASM,TB2,5,9 TO 1828 RECPT,60HZ	2	
- 34	2195452	CABLE ASM,TB4 AND 9 TO 1828 RECPT,50HZ SEE CABLE ROUTING FIG 30-22	2	
- 35	2196068	CABLE ASM,TB6 AND 9 TO 2310 RECPT,60HZ	1	
- 35	2195474	CABLE ASM,TB6 AND 9 TO 2310 RECPT,50HZ SEE CABLE ROUTING FIG 30-22	1	
- 36	2196024	CABLE ASM,EC18,19,20 TO 1054 RECEPTACLE SEE CABLE ROUTING FIG 30-22	1	
- 37	38352	SCREW,MACH-FIL H 6-32 X 3/8 LG	ATT PT	4
- 38	6364	WASHER,LOCK-SPLIT NO. 6 X 1/4 OD	ATT PT	4
- 39	257187	NUT,HEX 6-32 NC	ATT PT	4
- 40	309749	. SWITCH,TOGGLE-DPST 250V AC 3 AMP	1	
- 41	2195614	COVER,SAFETY-TOGGLE SWITCH USED WITH 1054/1055 ONLY	2	
- 42	35739	SCREW,MACH-BIND HD 6-32 X 15/16 LG	ATT PT	4
- 43	6364	WASHER,LOCK-SPLIT NO. 6 X 1/4 OD	ATT PT	4
- 44	257187	NUT,HEX 6-32 NC	ATT PT	4
- 45	2196025	CABLE ASM,EC15,16,17 TO 1055 RECEPTACLE	1	
- 46	38352	SCREW,MACH-FIL H 6-32 X 3/8 LG	ATT PT	1
- 47	6364	WASHER,LOCK-SPLIT NO. 6 X 1/4 OD	ATT PT	1
- 48	257187	NUT,HEX 6-32 NC	ATT PT	1
- 49	309749	. SWITCH,TOGGLE-DPST 250V AC 3 AMP	1	
- 50	2196064	CABLE ASM, TB9,2 TO 2400 RECPT, 60HZ	1	
- 50	2195475	CABLE ASM, TB9-CB4 TO 2400 RECPT,50HZ SEE CABLE ROUTING FIG 30-22 USED WITH 1802 ONLY	4	
- 51	438549	SCREW,MACH-BIND HD 4-40 X 7/16 LG	ATT PT	4
- 52	257984	WASHER,LOCK-SPRING MEDIUM	ATT PT	4
- 53	37913	NUT, HEX 4-40 NC	ATT PT	4
- 54	2279085	CABLE ASM,1803 RECPT, 50 HZ	1	
- 54	2279086	CABLE ASM,1803 RECPT, 60 HZ SEE CABLE ROUTING FIG 30-22	1	
- 55	2196097	CABLE ASM, INTER CONN, 1828 PWR SEE CABLE ROUTING FIG 30-23 USED WITH 1828 UU	1	
- 55	2196097	CABLE ASM, INTER CONN, 1828 PWR SEE CABLE ROUTING FIG 30-23 USED WITH 1828 1	1	
- 55	2196098	CABLE ASM, INTER CONN, 1826 PWR SEE CABLE ROUTING FIG 30-23 USED WITH 1826 11	1	
- 55	2196098	CABLE ASM, INTER CONN, 1826 PWR SEE CABLE ROUTING FIG 30-23 USED WITH 1826 1	1	
- 55	2196098	CABLE ASM, INTER CONN, 1826 PWR SEE CABLE ROUTING FIG 30-23 USED WITH 1803	1	
- 56	2195450	CABLE ASSEMBLY-1801/2 TO 1443 MOD 1,2 SEE CABLE ROUTING FIG 30-	1	
- 57	2196065	CABLE ASM, DIST PNL TO 1442 RECPT,60HZ	1	
- 57	2195472	CABLE ASM, DIST PNL TO 1442 RECPT,50HZ	1	
- 58	2192539	CLIP, SPRING USED WITH 1442 ONLY	2	
- 59	2195665	CABLE ASM INTER CONN, 1826 AND 1828 SEE CABLE ROUTING FIG 30-22	1	

FOR PARTS NOT SHOWN SEE FIG. 2

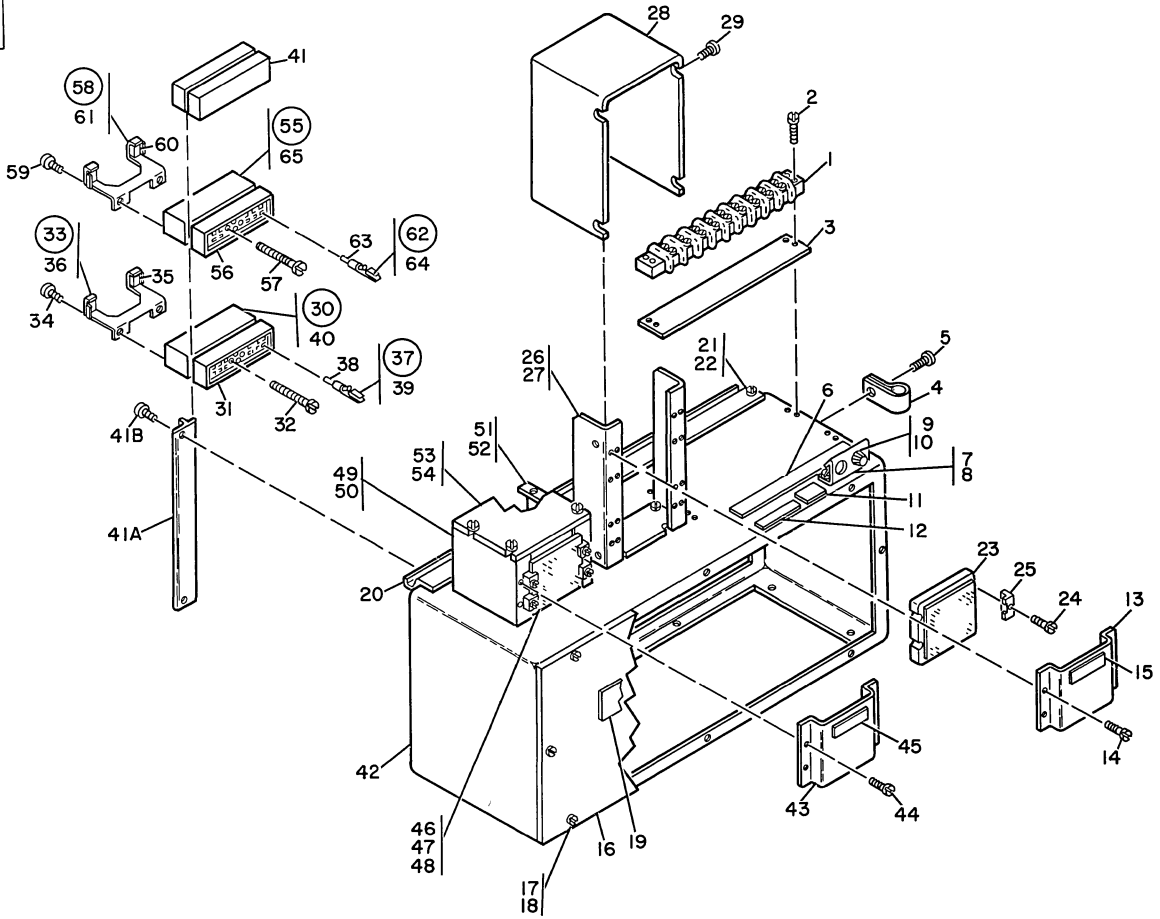


FIGURE 4. I/O TAILGATE ASSEMBLY. SEE LIST 4.

LIST AND INDEX NUMBER	PART NUMBER	DESCRIPTION				UNITS PER ASM.	USABLE ON CODE
		1	2	3	4		
		I/O TAILGATE ASSEMBLY					
4 -		CODE A USED WITH OUTPUT PRINTER FEATURE					
-	NO NO.	TAILGATE ASM, I/O FOR ILLUSTRATION SEE FIGURE 4 FOR NEXT HIGHER ASM SEE FIGURE 2-89					REF
- 1	91892	• TERMINAL BOARD- 16 DBL SCREW TERMINALS				2	
- 2	2181002	• SCREW, THREAD FORMING- 8-32 X 3/4 LG				8	ATT PT
- 3	2194785	• STRIP, ID				2	
- 4	2102366	• CLAMP, LOOP- 0.470 ID 0.170 DIA MTG HOLE				2	
- 5	5319854	• SCREW, SELF TAPPING, 8-32 X .375 LONG				2	ATT PT
- 6	2195414	• LABEL-EXTERNAL SYNCHRONIZING TERMINAL				1	
- 7	2194907	• SUPPORT-FUSE HOLDER				1	
- 8	5350012	• SCREW, THREAD FORMING, 8-32 X 0.25 LG				2	ATT PT
- 9	179946	• HOLDER-FUSE				1	
- 10	303549	• FUSE, CARTRIDGE-SLOW BLOW 1.0 AMP 250V				1	
- 11	2183675	• LABEL, FUSE				1	
- 12	2163358	• LABEL, CUSTOMER ACCESS				1	
- 13	2195243	• COVER-FRONT TRANSITION BOARD				2	
- 14	2181005	• SCREW, SELF TAPPING, 6-32 X .375 LG.				4	ATT PT
- 15	2163357	• LABEL, IBM ACCESS				2	

LIST AND INDEX NUMBER	PART NUMBER	DESCRIPTION	UNITS PER ASM.	USABLE ON CODE
I/O TAILGATE ASSEMBLY -CONT				
4 - 16	2194651	. COVER, I/O TAILGATE	1	
- 17	2183678	. GROMMET, NYLON- FOR 5/16 HOLE	8	
- 18	2183679	. PLUNGER, NYLON- FOR 3/16 HOLE	8	
- 19	2163357	. LABEL, IBM ACCESS	1	
- 20	2194653	. SUPPORT, UPPER T BAR	1	
- 21	5349929	. SCREW, THD FORMING HEX- 8-32 X 1/2 LG	4	
- 22	5350012	. SCREW, THD FORMING, 8-32 X 0.25 LG	2	
- 23	2202926	. BOARD ASSEMBLY-F GATE	1	
- 23	2202932	. BOARD ASSEMBLY-H GATE	1	
ASSEMBLY COMPONENTS ARE NOT REPLACEABLE				
- 24	811417	. SCREW, HEX SOCKET H- 6-32 X 1/2 LG	8	
- 25	813179	. CLAMP-BOARD	8	
- 26	2242383	. SUPPORT, SLT BOARD	1	
- 27	5319854	. SCREW, SELF TAPPING, 8-32 X .375 LONG	2	
- 28	2242384	. COVER, SLT	1	
- 29	2181005	. SCREW, SELF TAPPING, 6-32 X .375 LG.	4	
- 30	2183686	. CONNECTOR ASM, STYLE A	2	
- 31	5353867	. . CONNECTOR BLOCK - STYLE A	1	
- 32	109918	. . SCREW, THD FORMING, FH 4-40 X 0.50 LG	2	
- 33	5353895	. . BRACKET ASSEMBLY	2	
- 34	112628	. . SCREW, THD FORMING, PAN HD, 4-40 X 0.38 LG	4	
- 35	5353894	. . . PAD-PRESSURE	2	
- 36	5404466	. . . CLAMP, CABLE	1	
- 37	5362303	. . CONTACT AND PIN ASSEMBLY	48	
- 38	811727	. . . PIN-CONNECTOR	1	
- 39	5362301	. . . CONTACT, LARGE SERPENT	1	
- 40	5353902	. . GUIDE-PIN	1	
- 41	2195038	. DUMMY-SERPENT CONNECTOR	AR	
- 41A	2194654	. T BAR	6	
- 41B	740501	. SCREW, MACH-HEX HD 6-32 X 1/4 LG	12	
- 42	2194661	. HOUSING, TAIL GATE I/D	1	
FOLLOWING COMPONENTS ARE FEATURES ONLY				
- 43	2195243	COVER-FRONT TRANSITION BOARD	1	A
- 44	2181005	SCREW, SELF TAPPING, 6-32 X .375 LG.	1	A
- 45	2163357	LABEL, IBM ACCESS	1	A
- 46	2202926	BOARD ASSEMBLY-G GATE	1	A
ASSEMBLY COMPONENTS ARE NOT REPLACEABLE USED WITH OUTPUT PRINTER EXPANDER ONLY				
- 47	813179	CLAMP-BOARD	4	A
- 48	811417	SCREW, HEX SOCKET H- 6-32 X 1/2 LG	4	A
- 49	2195241	SUPPORT-LH TRANSITION BOARD	1	A
- 50	5319854	SCREW, SELF TAPPING, 8-32 X .375 LONG	2	A
- 51	2195242	SUPPORT-RH TRANSITION BOARD	1	A
- 52	5319854	SCREW, SELF TAPPING, 8-32 X .375 LONG	2	A
- 53	2195244	COVER-TOP	1	A
- 54	5319854	SCREW, SELF TAPPING, 8-32 X .375 LONG	4	A
- 55	2183686	CONNECTOR ASM, STYLE A	AR	A
- 55	5362304	USED W/1053 ADAPT AND OUTPUT PRNTR FEA CONNECTOR ASSEMBLY - HALF STYLE A	AR	A
USED WITH DIGITAL INPUT ADAPT, PULSE CNTR ADAPT, AND 1443 PRNTR CONTROLS FEA				
- 56	5353867	. CONNECTOR BLOCK - STYLE A	1	
- 57	109918	. SCREW, THD FORMING, FH 4-40 X 0.50 LG	2	
- 58	5353895	. BRACKET ASSEMBLY	2	
USED ON ASM 2183686 ONLY				
- 58	5404468	. BRACKET ASSEMBLY	2	
USED ON ASM 5362304 ONLY				
- 59	112628	. SCREW, THD FORMING, PAN HD, 4-40 X 0.38 LG	4	
- 60	5353894	. . PAD-PRESSURE	2	
USED ON ASM 5353895 ONLY				
- 60	5404467	. . PAD, PRESSURE	2	
USED ON ASM 5404468 ONLY				
- 61	5404466	. . CLAMP, CABLE	1	
- 62	5362303	. CONTACT AND PIN ASSEMBLY	48	
- 63	811727	. . PIN-CONNECTOR	1	
- 64	5362301	. . CONTACT, LARGE SERPENT	1	
- 65	5353902	. GUIDE-PIN	1	

FOR PARTS
NOT SHOWN
SEE FIG. 2

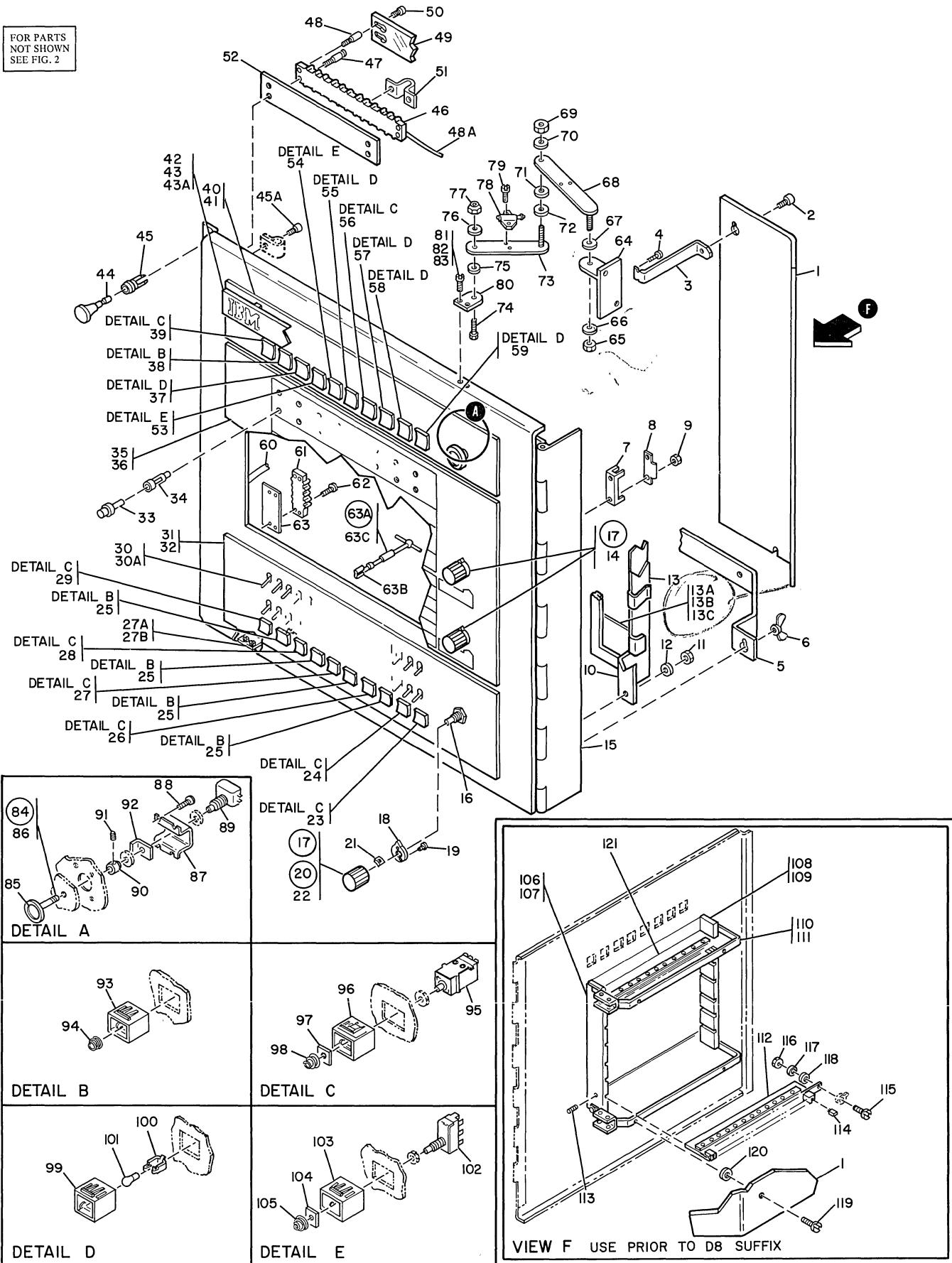


FIGURE 5. CONSOLE ASSEMBLY. SEE LIST 5.

LIST AND INDEX NUMBER	PART NUMBER	DESCRIPTION	UNITS PER ASM.	USABLE ON CODE
		CONSOLE ASSEMBLY		
5 -		CODE 1 USED PRIOR TO D8 SUFFIX CODE 2 USED FROM D8 TO CURRENT		
-	2195225 NP	CONSOLE ASM	REF	1
-	2242700	CONSOLE ASSEMBLY	REF	2
		FOR ILLUSTRATION SEE FIGURE 5 FOR NEXT HIGHER ASM SEE FIGURE 2-6		
- 1	2246282	. SHIELD, CONSOLE	1	2
- 1	2195279	. SHIELD, CONSOLE	1	1
- 2	236849	. SCREW, MACH-BIND HD 10-32 X 1/4 LG ATT PT	2	2
- 3	2246285	. BRACKET, CONSOLE SHIELD	1	2
- 4	10170	. SCREW-MACH, BIND HD NO. 6-32 X .250 LG ATT PT	2	2
- 5	2246281	. BUMPER, CONSOLE	1	2
- 6	184522	. WING NUT, 10-32 X 13/16 WG SPREAD ATT PT	2	2
- 7	2194940	. CLAMP, ADJ.	2	2
- 8	2194891	. CAP, CLAMP	2	4
- 9	257187	. NUT, HEX 6-32 NC ATT PT	2	4
- 10	2242718	. BRACKET, SCRID CARD MTG	1	2
- 11	257187	. NUT, HEX 6-32 NC ATT PT	3	3
- 12	6364	. WASHER, LOCK-SPLIT NO. 6 X 1/4 OD ATT PT	3	3
- 13	825373	. SUPPORT, CABLE	2	2
- 13A	5800325	. SCRID CARD	AR	AR
- 13B	438548	. SCREW, BH 4-40 X 0.188 LG ATT PT	AR	AR
- 13C	257984	. WASHER, LOCK 0.115 ID X 0.025 THK ATT PT	AR	AR
- 14	2242318	. SWITCH, ROTARY-OPEN WAFER	2	
- 15	2195236	. CONSOLE-SUB PANEL	1	
		ASSEMBLY COMPONENTS ARE NOT REPLACEABLE		
- 16	2242317	. SWITCH, ROTARY-OPEN WAFER	1	
- 17	727454	. KNOB ASSEMBLY-MODE SWITCH	3	
- 18	725379	. . POINTER	1	
- 19	1090623	. . PIN ATT PT	2	
- 20	482221	. . KNOB ASSEMBLY, ROTARY	1	
- 21	482195	. . . SPRING-CONTROL KNOB	1	
- 22	482217	. . . KNOB ASSEMBLY, ROTARY	1	
- 23	749033	. BUTTON-STOP	1	2
- 23	2194730	. PUSHBUTTON, STOP	1	1
- 24	5350020	. BUTTON-ENGLISH	1	2
- 24	2194731	. PUSHBUTTON, START	1	1
- 25	5311420	. BUTTON, BLANK	4	
- 26	2194729	. PUSHBUTTON, IMMEDIATE STOP	1	
- 27	2194728	. PUSHBUTTON, RESET	1	
- 27A	2182914	. BRACKET, RETAINER	1	2
- 27B	5319854	. SCREW, SELF TAPPING, 8-32 X .375 LONG ATT PT	2	
- 28	2194726	. PUSHBUTTON, LOAD 1	1	
- 29	2194725	. PUSHBUTTON, CONSOLE INTERRUPT	1	
- 30	738826	. SWITCH, TOGGLE- SPDT MAINTAINED	28	2
- 30	738827	. SWITCH-TOGGLE DPDT 20V 0.02A	28	1
- 30A	179743	. NUT, PLAIN, HEX- 15/32-32 X 9/16 FL W ATT PT	28	
- 31	2195230	. PANEL, LOWER	1	
- 32	38235	. SCREW, BIND HD, 6-32 X 0.312 LG ATT PT	6	
- 33	5372183	. INDICATOR ASSEMBLY, 4.5V	169	
- 33	5372848	. INDICATOR ASSEMBLY, RED, 4.5 VOLTS, CLEAR ASSEMBLY COMPONENTS ARE NOT REPLACEABLE	3	
- 34	5353888	. HOUSING, PANEL	172	
- 35	2195231	. PANEL, CENTER	1	
- 36	38235	. SCREW, BIND HD, 6-32 X 0.312 LG ATT PT	6	
- 37	2194737	. LENS, READY	1	
- 38	2194727	. BUTTON, PUSH, PROGRAM LOAD, ENGLISH	1	
- 39	2194736	. PUSHBUTTON, CLEAR STOR	1	
- 40	2195229	. PANEL, TOP	1	
- 41	38235	. SCREW, BIND HD, 6-32 X 0.312 LG ATT PT	6	
- 42	2194811	. NAME PLATE-IBM 1800	1	
- 43	257189	. NUT, HEX 8-32 ATT PT	4	2
- 43A	55901	. LOCKWASHER ATT PT	4	2
- 44	2178597	. PLUNGER, NYLATCH	2	2
- 45	2178596	. GROMMET, NYLATCH	2	2
- 45A	38235	. SCREW, BIND HD, 6-32 X 0.312 LG	2	
- 46	301731	. TERMINAL BOARD- 16 DBL SCREW TERMINALS	2	
		SEE CABLE ROUTING FIG 30-4		
- 47	210986	. STUD, SLOTTED 8-32 X 1/2 LG THREAD ATT PT	6	
- 48	210985	. STUD, EXT 8-32 X 1/2 INT 6-32 X 0.19 DP ATT PT	2	
- 48A	2242705	. CABLE ASM, CONSOLE JUMPER	1	
- 49	191478	. SHIELD 16 POS	2	
- 50	210984	. SCREW, ROUND HD 6-32 X 0.25 LG ATT PT	2	
- 51	472187	. JUMPER-BRASS	6	
- 52	322269	. MARKER STRIP- 16 POS. NOS. 1 THRU 16	2	

LIST AND INDEX NUMBER	PART NUMBER	DESCRIPTION	UNITS PER ASM.	USABLE ON CODE
		CONSOLE ASSEMBLY		
5 - 53	2194963	• PUSHBUTTON,POWER ON	1	
- 54	2194964	• PUSHBUTTON,POWER OFF	1	
- 55	2194965	• LENS,POWER ON	1	
- 56	2194966	• PUSHBUTTON,LAMP TEST	1	
- 57	2194738	• LENS,WAIT	1	
- 58	2194739	• LENS,RUN	1	
- 59	2194740	• LENS,ALARM	1	
- 60	2242716	• CABLE ASM,LAMP TEST AC COM,AC GND	1	
- 60	2242717	• CABLE ASM,SCRID TO CONSOLE LIGHTS SEE CABLE ROUTING FIG 30-4	1	
- 61	317485	• TERMINAL BLOCK, 4 POSITION	1	
- 62	35739	• SCREW,MACH-BIND HD 6-32 X 15/16 LG	4	ATT PT
- 63	527916	• MARKER STRIP- 4 POS NOS. 1 THRU 4	1	
- 63A	2183481	• RESISTOR ASM,NETWORK OF 16	1	2
- 63A	2183482	• RESISTOR ASM,NETWORK OF 11	1	2
- 63B	236915	• TERMINAL-CONTACT FEMALE 20-18 AWG	AR	
- 63C	317011	• RESISTOR,FXD,COMP- 470 OHMS P/M 5% 1/2W	AR	
- 64	2183224	• BRACE MTG	1	
- 65	117281	• NUT-STOP, 1/4-20	1	ATT PT
- 66	3550	• WASHER,FLAT 1/4 ID-9/16-OD-0.05 THICK	1	ATT PT
- 67	3550	• WASHER,FLAT 1/4 ID-9/16-OD-0.05 THICK	1	ATT PT
- 68	2183223	• BRACE,CONSOLE	1	
- 69	117281	• NUT-STOP, 1/4-20	1	ATT PT
- 70	3550	• WASHER,FLAT 1/4 ID-9/16-OD-0.05 THICK	1	ATT PT
- 71	3550	• WASHER,FLAT 1/4 ID-9/16-OD-0.05 THICK	1	ATT PT
- 72	3550	• WASHER,FLAT 1/4 ID-9/16-OD-0.05 THICK	1	ATT PT
- 73	2183223	• BRACE,CONSOLE	1	
- 74	129147	• SCREW,MACH-HEX HD 1/4-20 X 7/8 LG	1	ATT PT
- 75	3550	• WASHER,FLAT 1/4 ID-9/16-OD-0.05 THICK	1	ATT PT
- 76	3550	• WASHER,FLAT 1/4 ID-9/16-OD-0.05 THICK	1	ATT PT
- 77	117281	• NUT-STOP, 1/4-20	1	ATT PT
- 78	2183692	• STOP,SPRING	1	
- 79	5700484	• SCREW, SELF TAPPING, 4-40 X .375 LG.	2	ATT PT
- 80	2183222	• SUPPOT MTG	1	
- 81	5349929	• SCREW,THD FORMING HEX- 8-32 X 1/2 LG	2	ATT PT
- 82	257187	• NUT,HEX 6-32 NC	2	ATT PT
- 83	55901	• LOCKWASHER	2	ATT PT
- 84	482192	• STEM AND FLANGE ASSEMBLY	1	
- 85	482201	• INSERT,PULL KNOB,EMERGENCY PULL,ENGLISH	1	
- 86	482191	• STEM AND FLANGE ASM	1	
- 87	2194713	• BRACKET,SWITCH	1	
- 88	10170	• SCREW-MACH,BIND HD NO. 6-32 X .250 LG	4	ATT PT
- 89	482219	• SWITCH,PUSH PULL-DPDT	1	
- 90	482188	• COLLAR	1	
- 91	257961	• SETSCREW-SPLINE DR CUP PT 4-40 X 1/4 LG	1	ATT PT
- 92	479999	• SPRING, SAFETY	1	
- 93	5373660	• HOUSING-SWITCH AND LIGHT	4	
- 94	5311440	• SPRING,BUTTON	4	
- 95	367182	• SWITCH,PUSH- 2 SPDT 125/250V AC 5 AMP	9	
- 96	5373660	• HOUSING-SWITCH AND LIGHT	9	
- 97	5311437	• NUT,SWITCH 0.469-32	9	
- 98	5311440	• SPRING,BUTTON	9	
- 99	5373660	• HOUSING-SWITCH AND LIGHT	5	
-100	827840	• SOCKET, SINGLE CONTACT, BAYONET BASE	5	
-101	2129665	• LAMP,INCANDESCENT- 14V 0.2 AMP	4	
-101	2414970	• LAMP,INCANDESCENT	1	2
-101	2125534	• BULB,MINIATURE,BAYONET BASE- 28V 6W	1	1
-102	553380	• SWITCH,PUSH-DPDT	2	
-103	5373660	• HOUSING-SWITCH AND LIGHT	2	
-104	5311437	• NUT,SWITCH 0.469-32	2	
-105	5311440	• SPRING,BUTTON	2	
-106	2195234	• SUPPOT-COVER	1	1
-107	438572	• SCREW,MACH-UNDRCT BIND HD 6-32 X 2 LG	3	1
-108	2195233	• SUPPOT-COVER	1	1
-109	438572	• SCREW,MACH-UNDRCT BIND HD 6-32 X 2 LG	3	1
-110	2195232	• BRACKET-COVER	2	1
-111	81693	• SCREW,MACH-BIND HD 6-32 X 3/8 LG	8	1
-112	2195223	• SCR-ID CARD ASSEMBLY ASSEMBLY COMPONENTS ARE NOT REPLACEABLE	5	1
-113	257966	• SETSCREW,SPLINE DRV FLAT PT 4-40 X 1/2	12	1
-114	813234	• DRIVER	163	1
-115	81693	• SCREW,MACH-BIND HD 6-32 X 3/8 LG	6	1
-116	257187	• NUT,HEX 6-32 NC	6	1
-117	257986	• WASHER,0.156 ID X 0.035 THK	6	1
-118	62031	• WASHER,LOCK-INT TEETH NO. 6 X 0.295 OD	6	1
-119	2192889	• STUD-CAMLOC	4	1
-120	2194735	• WASHER,RETAINING 0.150ID 0.265OD 0.014TH	4	1
-121	2242388	• SCR-ID CARD ASSEMBLY ASSEMBLY COMPONENTS ARE NOT REPLACEABLE	1	1

FOR PARTS
NOT SHOWN
SEE FIG. 2

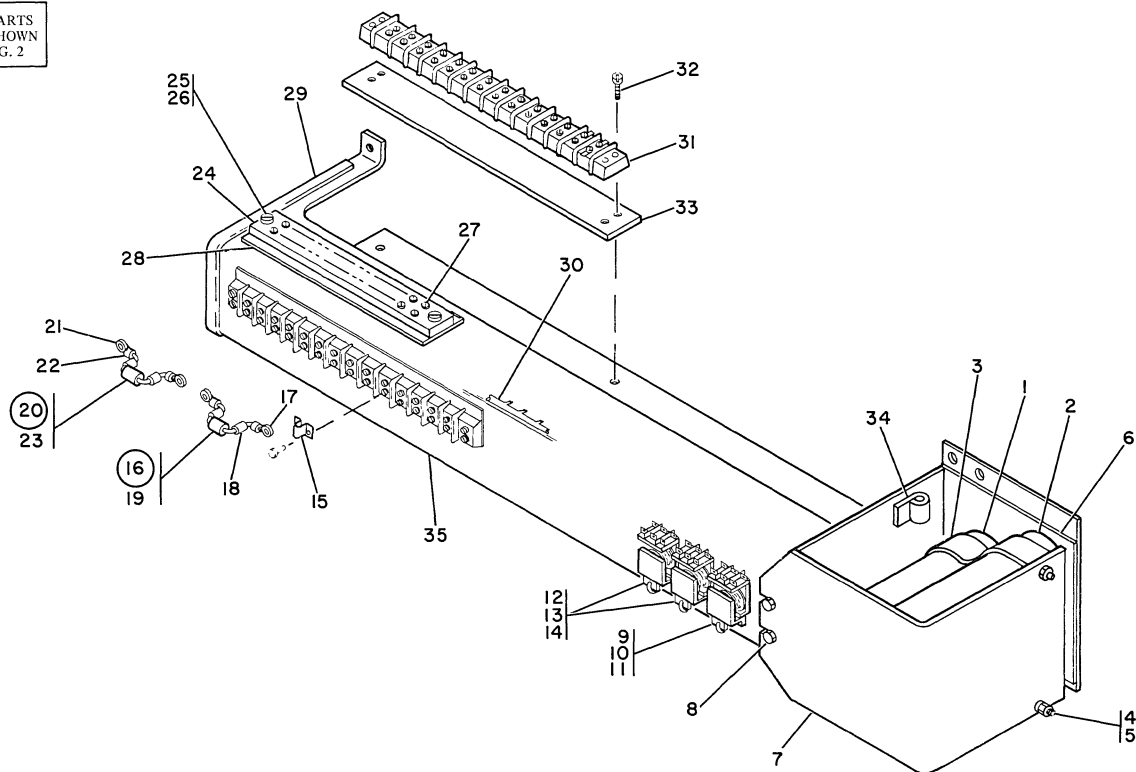


FIGURE 6. DC DISTRIBUTION ASSEMBLY. SEE LIST 6.

LIST AND INDEX NUMBER	PART NUMBER	DESCRIPTION				UNITS PER ASM.	USABLE ON CODE
		1	2	3	4		
		DC DISTRIBUTION ASSEMBLY					
6 -	2194857	DISTRIBUTION ASM,DC-2 MICROSEC FOR ILLUSTRATION SEE FIGURE 6 FOR NEXT HIGHER ASM SEE FIGURE 2-1				REF	
- 1	598341	. CAPACITOR,FXD,ELECT- 1000UF P150M10X15V				1	
- 2	208238	. CAPACITOR,ELE 10,000 MFD P 100 M 10 PCT				2	
- 3	2194858	. CLAMP ASM,CAPACITOR				1	
		ASSEMBLY COMPONENTS ARE NOT REPLACEABLE					
- 4	11598	. NUT,HEX,10-32 X 0.375 FL W				2	ATT PT
- 5	9092	. WASHER-LOCK,SPLIT RING, .194 ID .337OD				2	ATT PT
- 6	2195246	. PLATE-INSULATING				1	
- 7	2242473	. BRACKET,CAPACITOR CLAMP				1	
- 8	5319854	. SCREW, SELF TAPPING, 8-32 X .375 LONG				2	ATT PT
- 9	2158694	. RELAY,3PDT 24V AC COIL				1	
- 10	257187	. NUT,HEX 6-32 NC				1	ATT PT
- 11	6364	. WASHER,LOCK-SPLIT NO. 6 X 1/4 OD				1	ATT PT
- 12	2145046	. RELAY,3POLE DT 24VOLT COIL				2	
- 13	257187	. NUT,HEX 6-32 NC				2	ATT PT
- 14	6364	. WASHER,LOCK-SPLIT NO. 6 X 1/4 OD				2	ATT PT
- 15	730468	. JUMPER-TERMINAL STRIP				4	
- 16	2194883	. RESISTOR ASM, 13 OHMS 2W 1 LUG EA END				3	
- 17	92784	. . TERMINAL,LUG-INS 18-20AWG NO.8 MTG HOLE				2	
- 18	207713	. . TUBING				2	
- 19	216793	. . RESISTOR,FXD,COMP- 13 OHMS P/M 5% 2W				1	
- 20	2194884	. RESISTOR ASM, 220 OHMS 2W 1 LUG EA END				2	
- 21	92784	. . TERMINAL,LUG-INS 18-20AWG NO.8 MTG HOLE				2	
- 22	192797	. . TUBE-VINYL				2	
- 23	322911	. . RESISTOR, FXD COMP,220 OHMS P/M 5 PCT 2W				1	
- 24	2114596	. BAR,GROUND,8 POS,DOUBLE ROW				3	
- 25	5319888	. SCREW, SELF TAPPING, 10-32 X .625 LONG				6	ATT PT
- 26	333386	. BUSHING,PHENOLIC,.219 I.D.-SHOULDER				6	ATT PT
- 27	58207	. SCREW, BD HD MACH-8-32 NC-2A X .250 LG				48	
- 28	2114597	. MARKER STRIP,8POS,DOUBLE ROW				3	
- 29	2195215	. CHANNEL,RUBBER				1	
- 30	2195950	. CABLE ASM,DISTRIBUTION PANEL SEE CABLE ROUTING FIG 30-3				1	
- 31	2102457	. TERMINAL BOARD- 14 DBL SCREW TERMINALS				3	
- 32	5319888	. SCREW, SELF TAPPING, 10-32 X .625 LONG				12	ATT PT
- 33	725740	. MARKER STRIP				3	
- 34	2162907	. CLAMP, BLACK, BLACK-FASTENER, 5/8 DIA.				1	
- 35	2194859	. SUPPRT,DC-DISTRIBUTION				1	

FOR PARTS
NOT SHOWN
SEE FIG. 2

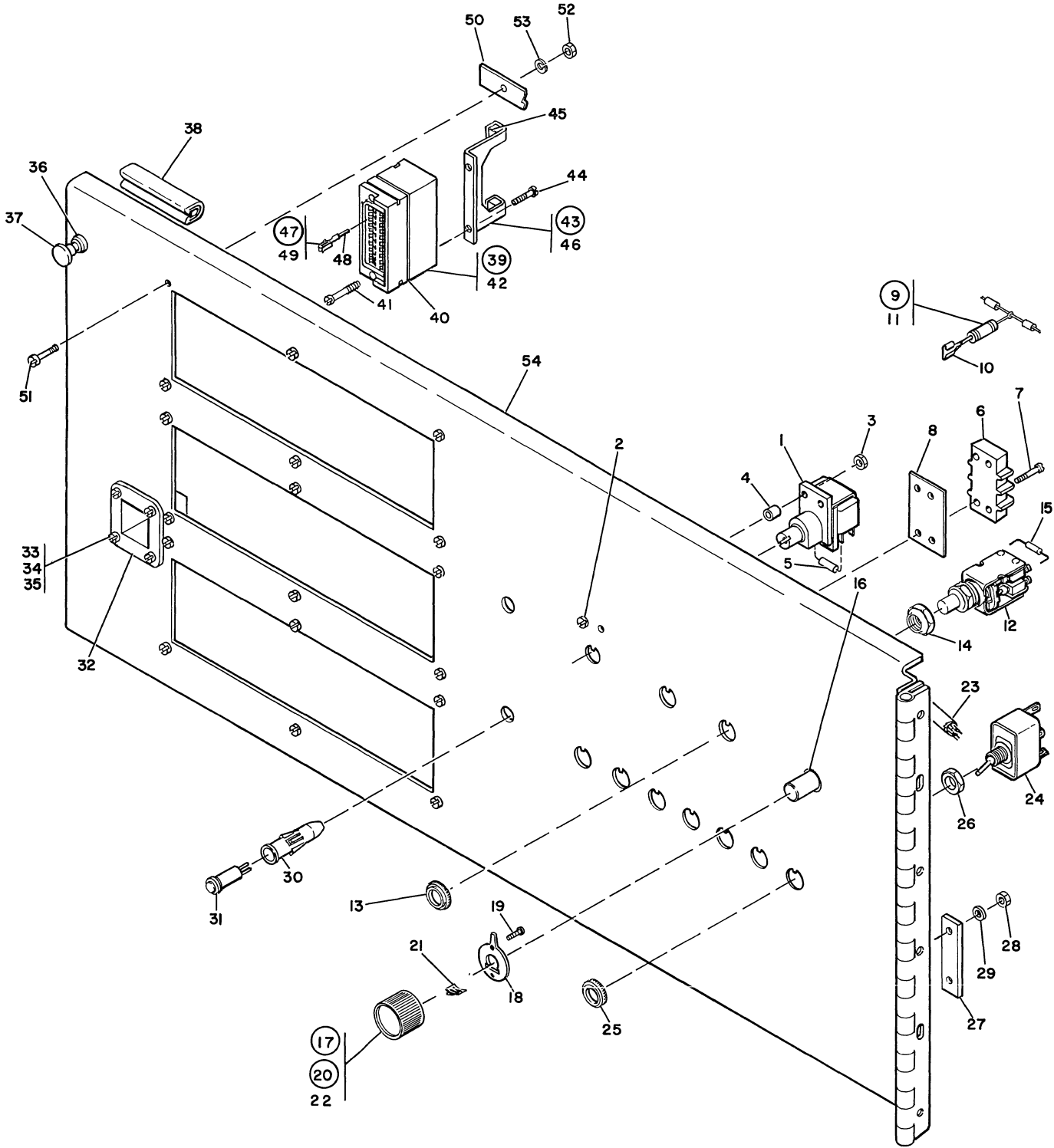


FIGURE 7. INTERFACE PANEL ASSEMBLY. SEE LIST 7.

LIST AND INDEX NUMBER	PART NUMBER	DESCRIPTION	UNITS PER ASM.	USABLE ON CODE
		INTERFACE PANEL ASSEMBLY		
7 -	2194896	PANEL ASSEMBLY, INTERFACE I/O-CE FOR ILLUSTRATION SEE FIG 7 FOR NEXT HIGHER ASM SEE FIGURE 2-13	REF	
- 1	740513	• SWITCH,PUSH-DPDT 250V AC 1 AMP	1	
- 2	170260	• SCREW,FH W/WASHER 6-32 X 1.00 LG ATT PT	2	
- 3	257187	• NUT,HEX 6-32 NC ATT PT	2	
- 4	2183198	• SPACER,0.196 ID X 0.28 LG	4	
- 5	550050	• RESISTOR, CARBON, 240 OHM, 1/4W, 5%	1	
- 6	323840	• TERMINAL BOARD- 2 DBL SCREW TERMINALS	1	
- 7	35739	• SCREW,MACH-BIND HD 6-32 X 15/16 LG ATT PT	4	
- 8	2101380	• MARKER STRIP- 2 POS NOS. 1 AND 2	1	
- 9	2183484	• RESISTOR ASM,NETWORK OF 8	1	
- 9	2183492	• RESISTOR ASM,NETWORK OF 1	2	
- 10	236916	• . . . TERMINAL-CONTACT FEMALE 24-22 AWG	AR	
- 11	550050	• . . . RESISTOR, CARBON, 240 OHM, 1/4W, 5%	AR	
- 12	367182	• SWITCH,PUSH- 2 SPDT 125/250V AC 5 AMP	1	
- 13	179744	• NUT,PLAIN,RD- 15/32-32 X 39/64 DIA ATT PT	1	
- 14	179743	• NUT,PLAIN,HEX- 15/32-32 X 9/16 FL W ATT PT	1	
- 15	550050	• RESISTOR, CARBON, 240 OHM, 1/4W, 5%	1	
- 16	2242318	• SWITCH,ROTARY-OPEN WAFER	1	
- 17	727454	• KNOB ASSEMBLY-MODE SWITCH	1	
- 18	725379	• . . . POINTER	1	
- 19	1090623	• . . . PIN	2	
- 20	482221	• . . . KNOB ASSEMBLY,ROTARY	1	
- 21	482195	• . . . SPRING-CONTROL KNOB	1	
- 22	482217	• . . . KNOB ASSEMBLY,ROTARY	1	
- 23	2196020	• CABLE ASM,CE INTERFACE-SIGNAL SEE CABLE ROUTING FIG 30-5	1	
- 24	738826	• SWITCH,TOGGLE- SPDT MAINTAINED	10	
- 25	179744	• NUT,PLAIN,RD- 15/32-32 X 39/64 DIA ATT PT	10	
- 26	179743	• NUT,PLAIN,HEX- 15/32-32 X 9/16 FL W ATT PT	10	
- 27	2194711	• BAR,CLAMP	7	
- 28	257187	• NUT,HEX 6-32 NC ATT PT	14	
- 29	257986	• WASHER,0.156 ID X 0.035 THK ATT PT	14	
- 30	5353887	• HOUSING, LAMP	1	
- 31	5376713	• INDICATOR ASSEMBLY,24 VOLT-RED ASSEMBLY COMPONENTS ARE NOT REPLACEABLE	1	
- 32	2195982	• CABLE ASM,I/O MONITOR RECEPTABLE SEE CABLE ROUTING FIG 30-7	1	
- 33	38263	• SCREW,MACH-FIL H 4-40 X 5/16 LG ATT PT	4	
- 34	37913	• NUT, HEX 4-40 NC ATT PT	4	
- 35	257984	• WASHER,LOCK-SPRING MEDIUM ATT PT	4	
- 36	2178596	• GROMMET, NYLATCH	2	
- 37	2178597	• PLUNGER, NYLATCH	2	
- 38	2175867	• GROMMET,NYLON	AR	
- 39	5393056	• TRANSITION ASSEMBLY,STYLE A	16	
- 39	5393057	• TRANSITION ASSEMBLY,STYLE B	8	
- 40	5393041	• BLOCK,CONNECTOR-24 POSITION USED WITH ASSEMBLY 5393056	1	
- 40	5393042	• . . . BLOCK USED WITH ASM 5393057	1	
- 41	438536	• . . . SCREW-MACH-FLAT H 2-56 X 1/2 LG	2	
- 42	5393044	• . . . GUIDE-PIN	1	
- 43	5404468	• . . . BRACKET ASSEMBLY	1	
- 44	112628	• . . . SCREW,THD FORMING,PAN HD,4-40 X 0.38 LG ATT PT	2	
- 45	5404467	• PAD,PRESSURE	1	
- 46	5404466	• CLAMP,CABLE	1	
- 47	5362303	• . . . CONTACT AND PIN ASSEMBLY	24	
- 48	811727	• PIN-CONNECTOR	1	
- 49	5362301	• CONTACT,LARGE SERPENT	1	
- 50	2194849	• RETAINER	6	
- 51	38235	• SCREW,BIND HD,6-32 X 0.312 LG ATT PT	18	
- 52	257187	• NUT,HEX 6-32 NC ATT PT	18	
- 53	62031	• WASHER,LOCK-INT TEETH NO. 6 X 0.295 OD ATT PT	18	
- 54	2194844	• PANEL ASM,INTERFACE	1	
		ASSEMBLY COMPONENTS ARE NOT REPLACEABLE		

FOR PARTS
NOT SHOWN
SEE FIG. 2

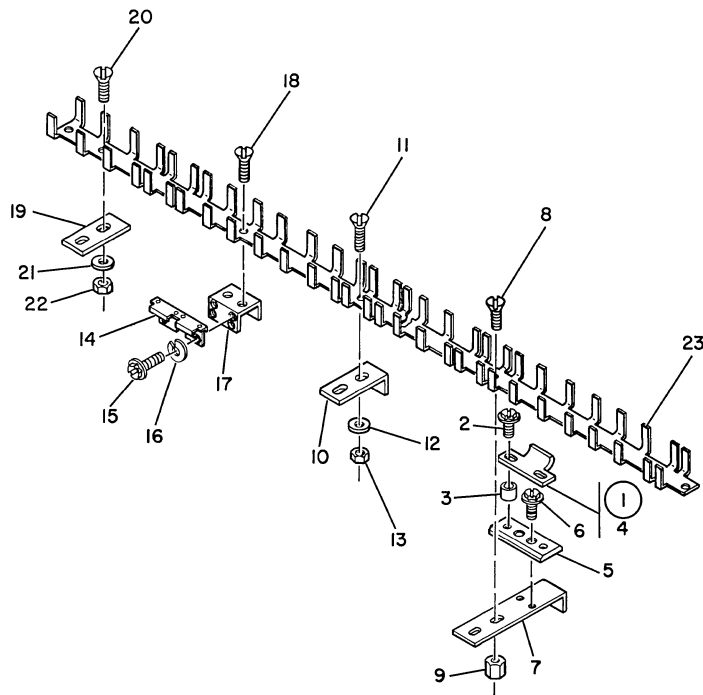
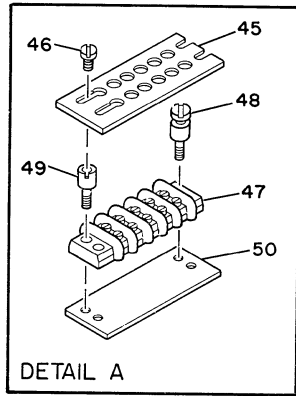


FIGURE 8. CABLE TROUGH TOWER ASSEMBLY. SEE LIST 8.

LIST AND INDEX NUMBER	PART NUMBER	DESCRIPTION				UNITS PER ASM.	USABLE ON CODE
		1	2	3	4		
		CABLE TROUGH TOWER ASSEMBLY					
		CODE A USED WITH LEFT HAND TOWER ASM CODE B USED WITH RIGHT HAND TOWER ASM					
8 -							
-	2195216	TOWER ASM, LEFT TROUGH				REF	A
-	2195217	TOWER ASM, RIGHT TROUGH FOR ILLUSTRATION SEE FIGURE 8				REF	B
		FOR NEXT HIGHER ASM SEE FIG 2-37,40					
- 1	2196351	• CLAMP-CABLE				1	B
- 2	5349929	• • SCREW, THD FORMING HEX- 8-32 X 1/2 LG ATT PT				2	
- 3	2196352	• • TUBING, 0.13 ID X BULK				1	
- 4	2194891	• • CAP, CLAMP				1	
- 5	2183343	• CLAMP, BRACKET				1	B
- 6	2181000	• SCREW, FLATHEAD UNDERCUT, 8-32 X .297 LG ATT PT				2	
- 7	2194861	• BRACKET, TROUGH SUPPORT				1	B
- 8	38443	• SCREW, MACH-FL CSK HD 6-32 X 5/16 LG ATT PT				1	
- 9	2194898	• SPACER, HEX 6-32 X 0.94 LG ATT PT				1	B
- 10	2194919	• TIE, CLAMP SUPPORT				1	A
- 11	38443	• SCREW, MACH-FL CSK HD 6-32 X 5/16 LG ATT PT				1	
- 12	22478	• WASHER, FL- 0.170 ID 0.375 OD 0.032 THK ATT PT				7	B
- 13	344015	• NUT, SELF LKG, HEX- 6-32 X 5/16 FL W ATT PT				2	
- 14	2194615	• CLAMP, BASE, DOUBLE				4	A
- 14	2194941	• CLAMP, BASE, SINGLE				12	A
- 14	2194941	• CLAMP, BASE, SINGLE				5	B
- 14	2194994	• CLAMP, BASE, SIX SEGMENT				4	A
- 14	2194994	• CLAMP, BASE, SIX SEGMENT				2	B
- 15	2181005	• SCREW, SELF TAPPING, 6-32 X .375 LG. ATT PT				AR	
- 16	6364	• WASHER, LOCK-SPLIT NO. 6 X 1/4 OD ATT PT				AR	
- 17	2195222	• SUPPORT-TOWER CABLE				7	A
- 17	2195222	• SUPPORT-TOWER CABLE				8	B
- 18	2181000	• SCREW, FLATHEAD UNDERCUT, 8-32 X .297 LG ATT PT				AR	
- 19	2194360	• TIE, CABLE TROUGH				2	B
- 19	2194860	• TIE, CABLE TROUGH				1	A
- 20	38443	• SCREW, MACH-FL CSK HD 6-32 X 5/16 LG ATT PT				1	B
- 21	22478	• WASHER, FL- 0.170 ID 0.375 OD 0.032 THK ATT PT				2	
- 22	344015	• NUT, SELF LKG, HEX- 6-32 X 5/16 FL W ATT PT				2	
- 23	2194864	• TROUGH, STEEL 47.75 X 1.25 X 1.50				1	A
- 23	2194863	• TROUGH, STEEL 47.75 X 1.25 X 2.00				1	B



FOR PARTS
NOT SHOWN
SEE FIG. 2

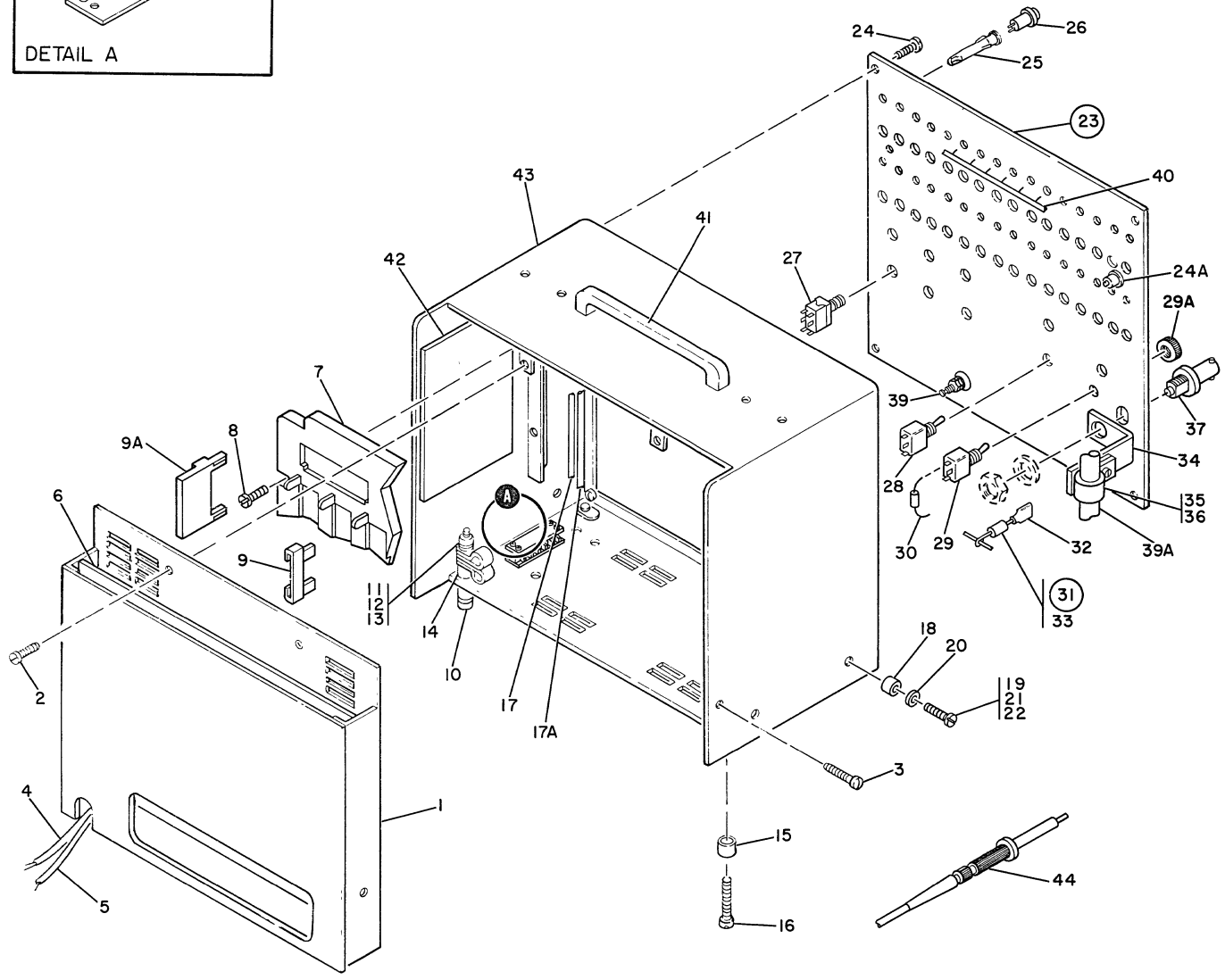


FIGURE 9. I/O MONITOR ASSEMBLY. SEE LIST 9.

LIST AND INDEX NUMBER	PART NUMBER	DESCRIPTION	UNITS PER ASM.	USABLE ON CODE
		I/O MONITOR ASSEMBLY		
9 -	2194933	I/O MONITOR ASSEMBLY FOR ILLUSTRATION SEE FIGURE 9 FOR NEXT HIGHER ASM SEE FIGURE 2-173	REF	
- 1	2194839	. COVER, REAR MONITOR	1	
- 2	58207	. SCREW, BD HD MACH-8-32 NC-2A X .250 LG ATT PT	2	
- 3	731626	. SCREW, PAN HEAD, 6-32 X .25 LONG ATT PT	2	
- 4	2195981	. CABLE ASM, I/O MONITOR POWER	1	
- 5	2195978	. CABLE ASM, CONN. A, B, C TO I/O BOX SEE CABLE ROUTING FIG 30-7	1	
- 6	2183672	. OVERLAY, PANEL, CPU AND 360	1	
- 6	2186290	. OVERLAY, PANEL, SELECTOR CHANNEL	1	
- 6	2195607	. OVERLAY, PANEL, AI AND DAO	1	
- 6	2195608	. OVERLAY, PANEL, 1442 AND DI	1	
- 6	2195609	. OVERLAY, PANEL, 1054-1055 AND 2401-2402	1	
- 6	2195610	. OVERLAY, PANEL, 2310 AND 1443	1	
- 6	2242454	. OVERLAY, PANEL, 1810B	1	
- 7	2202920	. BOARD ASM, CUSTOMIZED ASSEMBLY COMPONENTS ARE NOT REPLACEABLE	1	
- 8	35739	. SCREW, MACH-BIND HD 6-32 X 15/16 LG ATT PT	4	
- 9	811802	. GUIDE-CARD, 6 PAC	20	
- 9A	811363	. EXTENDER, CARD, 6 PAC	22	
- 10	731037	. FOOT, CUSHION	1	
- 11	438589	. SCREW, MACH-BIND HD 8-32 X 1-1/2 LG ATT PT	1	
- 12	257189	. NUT, HEX 8-32 ATT PT	1	
- 13	1090873	. WASHER, LOCK - .168 ID X .296 OD ATT PT	1	
- 14	54291	. SPACER- 0.191 ID X 3/8 OD X 3/8 THK	1	
- 15	731037	. FOOT, CUSHION	3	
- 16	186758	. SCREW, MACH-BIND HD 8-32 X 7/16 LG ATT PT	3	
- 17	2195977	. CABLE ASM, I/O MONITOR	1	
- 17A	2182908	. CABLE ASM, EXT SYNC	1	
		SEE CABLE ROUTING FIG 30-7		
- 18	597671	. BUMPER	4	
- 19	236550	. SCREW, MACH-BIND HD 4-40 X 0.375 LG ATT PT	4	
- 20	257985	. WASHER, FL-NO. 4 0.25 OD X 0.028 TH ATT PT	4	
- 21	37913	. NUT, HEX 4-40 NC ATT PT	4	
- 22	338169	. WASHER, LOCK-EXT TEETH NO. 4 X 9/32 OD ATT PT	4	
- 23	2194841	. PANEL ASM, GRAPHIC, I/O MONITOR	1	
- 24	38235	. SCREW, BIND HD, 6-32 X 0.312 LG ATT PT	4	
- 24A	2195453	. FASTENER, BRASS	2	
- 25	5353887	. HOUSING, LAMP	48	
- 26	5353889	. INDICATOR ASSEMBLY-3 VOLT ASSEMBLY COMPONENTS ARE NOT REPLACEABLE	48	
- 27	367182	. SWITCH, PUSH- 2 SPDT 125/250V AC 5 AMP	3	
- 28	738826	. SWITCH, TOGGLE- SPDT MAINTAINED	6	
- 29	2183494	. SWITCH, TOGGLE, DT CENTER OFF	32	
- 29A	179744	. NUT, PLAIN, RD- 15/32-32 X 39/64 DIA ATT PT	41	
- 30	216435	. RESISTOR-360 OHM	2	
- 30	217052	. CAPACITOR, FILM, 0.039UF P/M 5	2	
- 30	550050	. RESISTOR, CARBON, 240 OHM, 1/4W, 5%	1	
- 31	2183479	. RESISTOR ASM, NETWORK OF 18	1	
- 31	2183480	. RESISTOR ASM, NETWORK OF 10	1	
- 31	2183483	. RESISTOR ASM, NETWORK OF 4	1	
- 31	2183485	. RESISTOR ASM, NETWORK OF 4	1	
- 31	2183486	. RESISTOR ASM, NETWORK OF 2	1	
- 32	236916	. TERMINAL-CONTACT FEMALE 24-22 AWG	AR	
- 33	550050	. RESISTOR, CARBON, 240 OHM, 1/4W, 5%	AR	
- 34	2183354	. BRACKET, CABLE CLAMP	1	
- 35	2102367	. CLAMP, LOOP- 0.700 ID 0.200 DIA MTG HOLE	1	
- 36	5349929	. SCREW, THD FORMING HEX- 8-32 X 1/2 LG ATT PT	1	
- 37	2194934	. CONNECTOR, COAX	1	
- 39	320570	. POST, BINDING-BLACK	1	
- 39A	2195979	. CABLE ASM, TBI TO I/O PANEL	1	
- 40	2195980	. CABLE ASM, LIGHTS, COMMON	1	
		SEE CABLE ROUTING FIG 30-7		
- 41	2183496	. HANDLE ASM, WITH MTG HARDWARE	1	
- 42	2182615	. LABEL, MACHINE HISTORY	1	
- 43	2194840	. HOUSING, TEST BOX	1	
- 44	452805	. PROBE, ATTENUATOR, 10 TO 1 ATTENUATION	1	
- 45	186944	. SHIELD, TERMINAL BOARD- 6 POSITION	1	
- 46	210984	. SCREW, ROUND HD 6-32 X 0.25 LG ATT PT	1	
- 47	317131	. TERMINAL BLOCK, 6 POSITION	1	
- 48	210884	. STUD, SLOTTED 6-32 X 1/2 LONG THREAD ATT PT	3	
- 49	210883	. STUD, EXT 6-32 X 1/2 INT 6-32 X 0.19 DP ATT PT	1	
- 50	322266	. MARKER STRIP- 6 POS NOS. 1 THRU 6	1	

FOR PARTS
NOT SHOWN
SEE FIG. 2

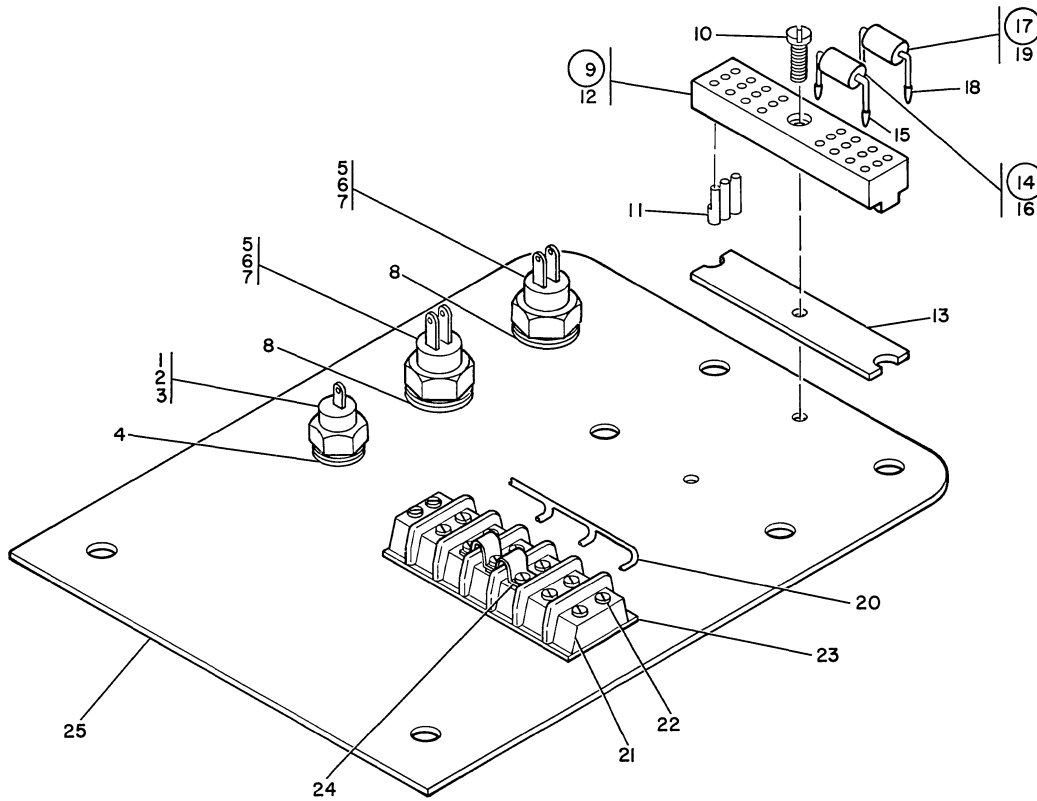


FIGURE 10. OVERVOLTAGE ASSEMBLY. SEE LIST 10.

LIST AND INDEX NUMBER	PART NUMBER	DESCRIPTION				UNITS PER ASM.	USABLE ON CODE
		1	2	3	4		
		OVERVOLTAGE ASSEMBLY					
10 -	2195402	OVERVOLTAGE ASSEMBLY 36 VOLTS FOR ILLUSTRATION SEE FIGURE 10 FOR NEXT HIGHER ASM SEE FIGURE 2-46A				REF	
- 1	598479	• SEMICONDUCTOR DEVICE, D10- 150V 10 AMP				1	
- 2	11598	• NUT, HEX, 10-32 X 0.375 FL W		ATT PT	1		
- 3	356290	• WASHER, 0.218 ID X 0.06 THK		ATT PT	2		
- 4	473582	• INSULATOR				1	
- 5	5213349	• SEMICONDUCTOR DEVICE-CONTROLLED RECT				2	
- 6	83462	• NUT LOCK 1/4-28 UNF		ATT PT	2		
- 7	2195362	• WASHER-.281 ID .625 OD .06 TAK		ATT PT	4		
- 8	473592	• INSULATOR				2	
- 9	302090	• TERMINAL BLOCK ASM-24 FEMALE CONTACTS				2	
- 10	2191846	• SCREW, PAN HD 4-40 X 0.500 LONG		ATT PT	2		
- 11	302089	• SPRING-TERMINAL BOARD CONTACT				8	
- 12	302088	• BLOCK, TERMINAL				1	
- 13	302131	• STRIP-TERMINAL BLOCK INSULATOR				2	
- 14	2195403	• RESISTOR ASM, FIXED 430.OHM PM5 2W				2	
- 14	2195404	• RESISTOR ASM, FIXED 560.OHM PM5 2W				2	
- 15	187243	• TERMINAL, SMALL TAPER 20-22-24 OR 26 AWG				2	
- 16	332585	• RESISTOR, FXD, COMP- 560.OHM PM5 2W USED ON ASM 2195404				1	
- 16	492644	• RESISTOR, FXD, COMP- 430 OHMS P/M 5% 2W USED ON ASM 2195403				3	
- 17	2195405	• DIODE ASM, SILICON TYPE FE				2	
- 18	187243	• TERMINAL, SMALL TAPER 20-22-24 OR 26 AWG				2	
- 19	369633	• SEMICONDUCTOR DEVICE, DIODE				1	
- 20	2196029	• CABLE ASM, OVERVOLTAGE JUMPER SEE CABLE ROUTING FIG 30-14				1	
- 21	317485	• TERMINAL BLOCK, 4 POSITION				1	
- 22	80652	• SCREW, THD CTG-BIND HD 6-32 X 5/8 LG		ATT PT	4		
- 23	322280	• STRIP				1	
- 24	205331	• JUMPER-RELAY GATES UNIT 1/8 BRASS				5	
- 24	472187	• JUMPER-BRASS				1	
- 25	2195401	• PLATE, OVERVOLTAGE				1	

FOR PARTS
NOT SHOWN
SEE FIG. 2

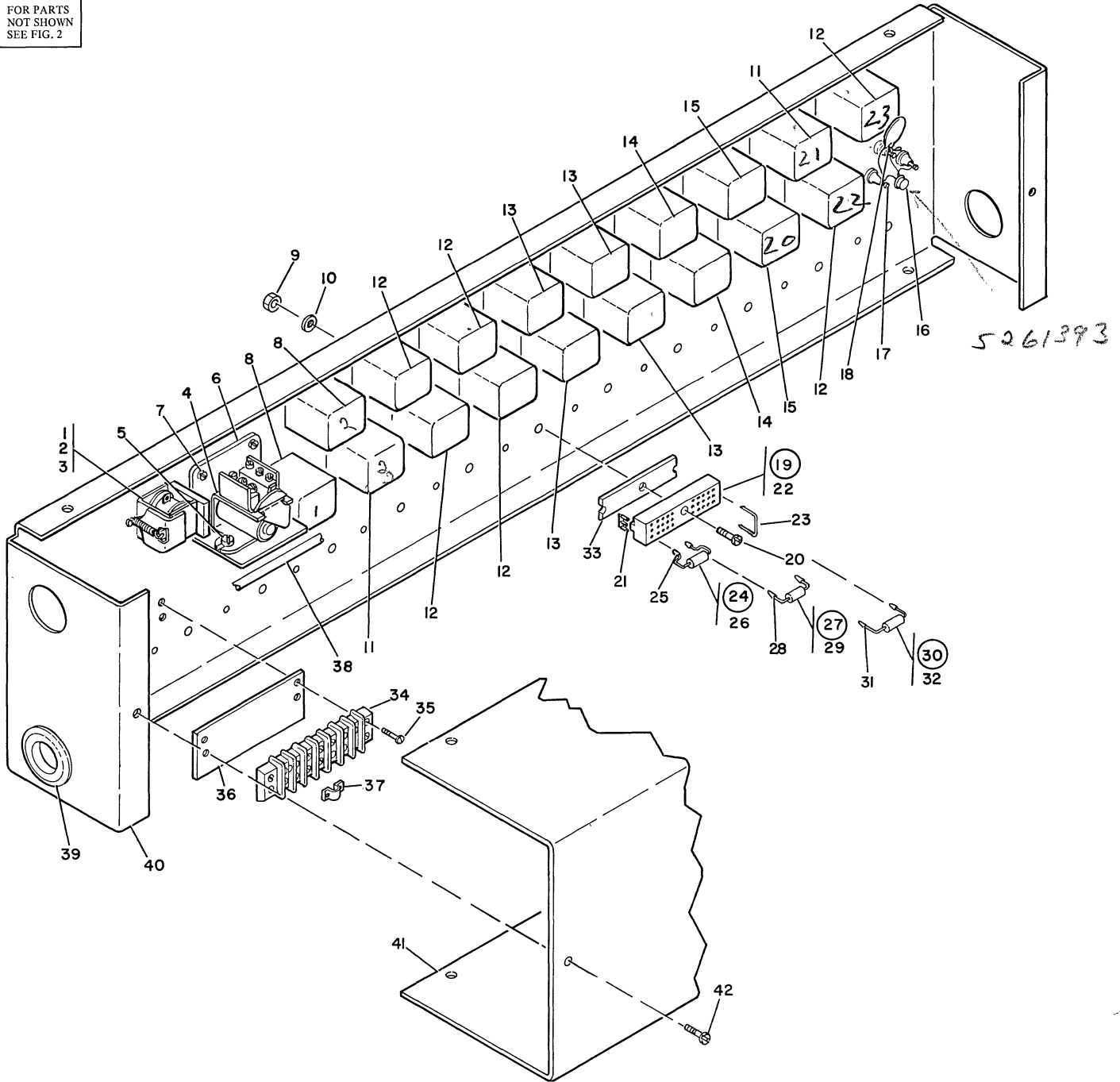


FIGURE 11. RELAY PANEL ASSEMBLY. SEE LIST 11.

LIST AND INDEX NUMBER	PART NUMBER	DESCRIPTION				UNITS PER ASM.	USABLE ON CODE
		1	2	3	4		
		RELAY PANEL ASSEMBLY					
11 -		CODE A USED WITH 2 MICRO SEC CORE STORAGE CODE B USED WITH 4 MICRO SEC CORE STORAGE CODE 1 USED PRIOR TO H7 SUFFIX CODE 2 USED FROM H7 TO CURRENT					
-	2195285	RELAY PANEL ASM,2 MICROSEC				REF	A
-	2195286	RELAY PANEL ASM,4 MICROSEC				REF	B
		FOR ILLUSTRATION SEE FIGURE 11 FOR NEXT HIGHER ASM SEE FIGURE 2-161					
- 1	2242319	• RELAY,3PDT 24VAC COIL				1	
- 2	257187	• NUT,HEX 6-32 NC				1	
- 3	6364	• WASHER,LOCK-SPLIT NO. 6 X 1/4 OD				1	
- 4	824347	• RELAY, TD 24VDC, 2 SEC DELAY				1	
- 5	5350012	• SCREW,THREAD FORMING,8-32 X 0.25 LG				2	
- 6	2242353	• BRACKET,RELAY				1	
- 7	5350012	• SCREW,THREAD FORMING,8-32 X 0.25 LG				2	
- 8	2125514	• RELAY,24V-4PDT				2	
- 9	8506	• NUT,PLAIN,HEX- 3-48 X 3/16 FL W				AR	
- 10	338169	• WASHER,LOCK-EXT TEETH NO. 4 X 9/32 OD				AR	
- 11	2172104	• RELAY,24VAC-4PDT				1	
- 12	2195640	• RELAY,3V-2PDT				6	
- 13	2195639	• RELAY,6V-2PDT				4	
- 14	2122194	• RELAY,12V-4PDT				2	A
- 15	2122194	• RELAY,12V-4PDT				2	
- 16	5261393	• SEMICONDUCTOR DEVICE,DIODE				1	
- 17	323925	• TERMINAL				3	
- 18	357993	• CAPACITOR, CERAMIC DISK,.01 UF				1	
- 19	302090	• TERMINAL BLOCK ASM-24 FEMALE CONTACTS				12	
- 20	2191846	• SCREW, PAN HD 4-40 X 0.500 LONG				12	
- 21	302089	• SPRING-TERMINAL BOARD CONTACT				8	
- 22	302088	• BLOCK,TERMINAL				1	
- 23	205329	• JUMPER-BRASS,3/16				30	
- 24	2183602	• RESISTOR ASM,FIXED 7.5 OHM PM5 1W				1	
- 24	2132043	• RESISTOR ASM,FIXED 13.OHM PM5 2W				1	
- 24	2194816	• RESISTOR ASM,FIXED 20.OHM PM5 1W				1	A
- 24	2162405	• RESISTOR ASM,FIXED 39.OHM PM5 2W				3	
- 24	5323493	• RESISTOR ASSEMBLY- 100 OHMS 0.5W 2 PINS				1	
- 24	2123791	• RESISTOR ASM,FIXED 470.OHM PM5 0.5W				1	
- 24	2129357	• RESISTOR ASM,FIXED 560.OHM PM5 0.5W				1	
- 25	187243	• TERMINAL, SMALL TAPER 20-22-24 OR 26 AWG				2	
- 25	320167	• TERMINAL,QUICK DISCONNECT-NONINS 16AWG				2	
- 25	360433	• TERMINAL-TAPER PIN 16/18AWG 0.073 NOM OD				2	
- 26	483073	• RESISTOR,FXD COMP,7.5 OHMS P/M 5% 1W				1	
- 26	216793	• RESISTOR,FXD,COMP- 13 OHMS P/M 5% 2W				1	
- 26	132769	• RESISTOR,FXD 20 OHMS P/M 5% 1W				1	
- 26	334927	• RESISTOR,FXD 39 OHMS P/M 5% 2W				1	
- 26	213536	• RESISTOR,100 OHMS 0.5W				1	
- 26	317011	• RESISTOR,FXD,COMP- 470 OHMS P/M 5% 1/2W				1	
- 26	322347	• RESISTOR,FXD COMP,560 OHMS P/M 5% 0.5W				1	
- 27	359511	• CAPACITOR ASM,PAPER 0.1MFD PM20 400VDCW				1	
- 27	603090	• CAPACITOR ASM,50MFD				2	
- 27	2129302	• CAPACITOR ASM,PAPER 100MFD +100-10 50VDC				1	
- 27	2194886	• CAPACITOR ASM,EIEC.500MFD +100-10 25VDCW				1	
- 28	320167	• TERMINAL,QUICK DISCONNECT-NONINS 16AWG				2	
- 28	360433	• TERMINAL-TAPER PIN 16/18AWG 0.073 NOM OD				2	
- 29	326367	• CAPACITOR,FXD,PAPER- 0.1 UF P/M 10% 400V				1	
- 29	603107	• CAPACITOR,FXD-50MFD				1	
- 29	2114057	• CAPACITOR,PAPER,100 MFD PM10 50VDC				1	
- 29	609391	• CAPACITOR,500MF,25V				1	
- 30	615354	• DIODE ASM, SILICON TYPE AM				4	
- 31	187243	• TERMINAL, SMALL TAPER 20-22-24 OR 26 AWG				2	
- 32	2111232	• DIODE SILICON TYPE AM				1	
- 33	302131	• STRIP-TERMINAL BLOCK INSULATOR				12	
- 34	317131	• TERMINAL BLOCK, 6 POSITION				1	
- 35	35739	• SCREW,MACH-BIND HD 6-32 X 15/16 LG				4	
- 36	322266	• MARKER STRIP- 6 POS NOS. 1 THRU 6				1	
- 37	472187	• JUMPER-BRASS				3	
- 38	2195457	• CABLE ASM,RELAY PANEL, 60 HZ				1	
- 38	2195943	• CABLE ASSEMBLY				1	A
		SEE CABLE ROUTING FIG 30-6					
- 39	198981	• GROMMET,RUBBER				3	
- 40	2242803	• PANEL,RELAY				1	2
- 40	2195287	• PANEL,RELAY COMPONENTS NOT INCLUDED WITH ASSEMBLY				1	1
- 41	2195288	COVER-RELAY PANEL				1	1
- 41	2242304	COVER,RELAY PANEL				1	2
- 42	5319854	SCREW, SELF TAPPING, 8-32 X .375 LONG				2	

FOR PARTS
NOT SHOWN
SEE FIG. 2

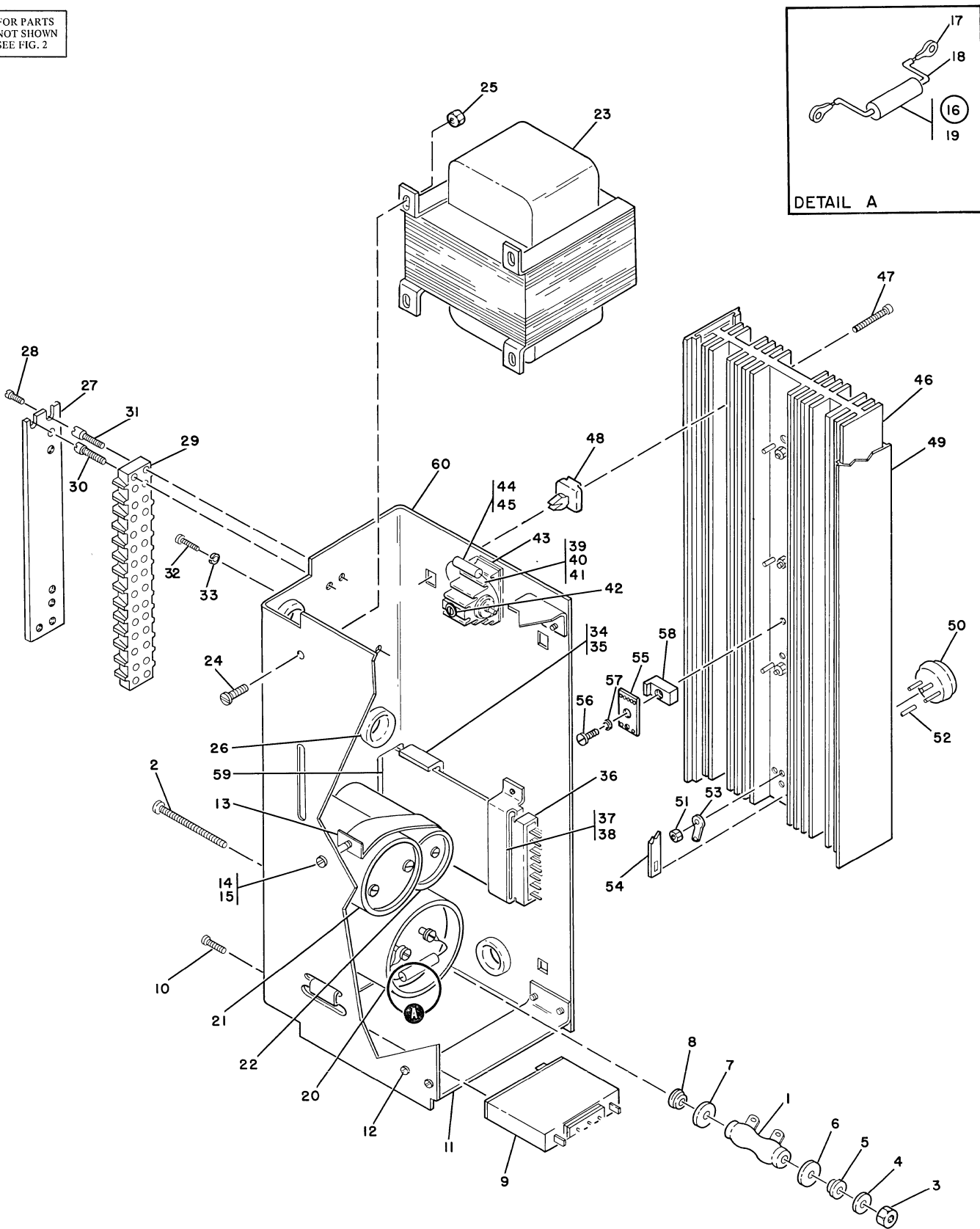
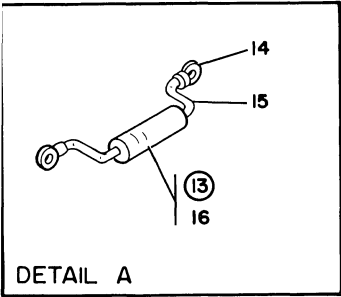


FIGURE 12. 3 VOLT 12 AMP POWER SUPPLY ASSEMBLY. SEE LIST 12.

LIST AND INDEX NUMBER	PART NUMBER	DESCRIPTION				UNITS PER ASM.	USABLE ON CODE
		1	2	3	4		
		3 VOLT 12 AMP POWER SUPPLY ASSEMBLY					
12 -	5261020	POWER SUPPLY,3V AT 12A 60 HZ				REF	
-	5261620	POWER SUPPLY,3V AT 12A 50 HZ				REF	
		FOR ILLUSTRATION SEE FIGURE 12 FOR NEXT HIGHER ASM SEE FIGURE 2-277					
- 1	5261098	. RESISTOR,FXD,WW- 0.04 OHMS P/M 10% 25W				1	
- 2	438593	. SCREW-MACH-BIND HD NO. 8-32 X 2 1/2 LG				ATT PT	1
- 3	5761938	. NUT,8-32 SHA				ATT PT	1
- 4	2903	. WASHER,FL-NO. 6 X 1/2 OD X 1/32 THK				ATT PT	1
- 5	510468	. WASHER,CUPPED				ATT PT	1
- 6	5761935	. WASHER				ATT PT	1
- 7	5761935	. WASHER				ATT PT	1
- 8	510468	. WASHER,CUPPED				ATT PT	1
- 9	5214548	. PROTECTOR					1
- 10	38235	. SCREW,BIND HD,6-32 X 0.312 LG				ATT PT	2
- 11	5761779	. BRACKET,CHASSIS					2
- 12	731629	. SCREW,PAN HD- 10-32 X 0.380 LG				ATT PT	8
- 13	5761793	. STRAP, CAPACITOR					1
- 14	438570	. SCREW,MACH-BIND HD 6-32 X 1-1/2 LG				ATT PT	1
- 15	5761943	. NUT,6-32 SHA				ATT PT	1
- 16	5261935	. RESISTOR ASSEMBLY-330 OHMS 2W					1
- 17	359695	. . TERMINAL-RING LUG NO.10 STUD					2
- 18	113819	. . TUBING					2
- 19	317080	. . RESISTOR,FXD 330 OHM 2W					1
- 20	5214368	. CAPACITOR					1
- 21	5261067	. CAPACITOR, ELECT., 24000 MF 10VDC					1
- 22	5261089	. CAPACITOR,ELECTROLYTIC- 10000 UF 6VDC					1
- 23	5761725	. TRANSFORMER,60 HZ					1
- 23	4116496	. TRANSFORMER,50 HZ					1
- 24	332620	. SCREW,MACH-BIND HD 10-32 X 1/2 LG				ATT PT	4
- 25	5761908	. NUT,10-32 SHA				ATT PT	4
- 26	5761936	. GROMMET,SELF LOCKING-1.0 IN OD					3
- 27	210990	. SHIELD- 13 POSITION					1
- 28	210984	. SCREW,ROUND HD 6-32 X 0.25 LG				ATT PT	1
- 29	5214556	. TERMINAL BLOCK,13 POS DBL ROW					1
- 30	5261165	. STUD,SHLDR- 8-32 X 0.438 LG THD				ATT PT	3
- 31	5261167	. STUD- 8-32 X 0.438 LG W/6-32 TAPPED HOLE				ATT PT	1
- 32	10170	. SCREW-MACH,BIND HD NO. 6-32 X .250 LG					1
- 33	56722	. WASHER-LOCK,EXT T, .150 ID					1
- 34	5712309	. GUIDE					1
- 35	5761907	. RIVET				ATT PT	2
- 36	216076	. TERMINAL BLOCK AND CONTACT ASSEMBLY FOR COMPONENTS SEE FIG 31-53					1
- 37	5761904	. BRACKET					1
- 38	5761907	. RIVET				ATT PT	2
- 39	5761977	. RECTIFIER ASSEMBLY					1
- 40	734483	. SCREW,PAN HD- 6-32 X 0.380 LG				ATT PT	3
- 41	5762215	. WASHER,INSULATING				ATT PT	2
- 42	5762156	. WASHER, .144 ID 1.12 OD USED ON 60 HZ ONLY					1
- 43	5761979	. INSULATOR					1
- 44	491228	. CAPACITOR, .010 UF					1
- 45	113819	. TUBING					2
- 46	5761766	. HEAT SINK					1
- 47	5761913	. SCREW,PAN,6-20 X 1.250 LG				ATT PT	4
- 48	5761796	. INSULATOR,HEAT SINK				ATT PT	4
- 49	473536	. SEAL					AR
- 50	369214	. TRANSISTOR,TYPE 108					4
- 51	11598	. NUT,HEX,10-32 X 0.375 FL W				ATT PT	4
- 52	5761976	. TUBING					AR
- 53	316996	. TERMINAL,LUG-NONINS 9AWG NO. 8 MTG HOLE					4
- 54	5761967	. BUS STRIP					1
- 55	5761909	. TERMINAL, BRASS					1
- 56	2181002	. SCREW,THREAD FORMING-8-32 X 3/4 LG				ATT PT	1
- 57	5374689	. BUSHING				ATT PT	1
- 58	5761909	. TERMINAL, BRASS					1
- 59	375200	. CARD ASSEMBLY					1
- 60	5761765	. ASSEMBLY COMPONENTS ARE NOT REPLACEABLE . CHASSIS					1

FOR PARTS
NOT SHOWN
SEE FIG. 2



DETAIL A

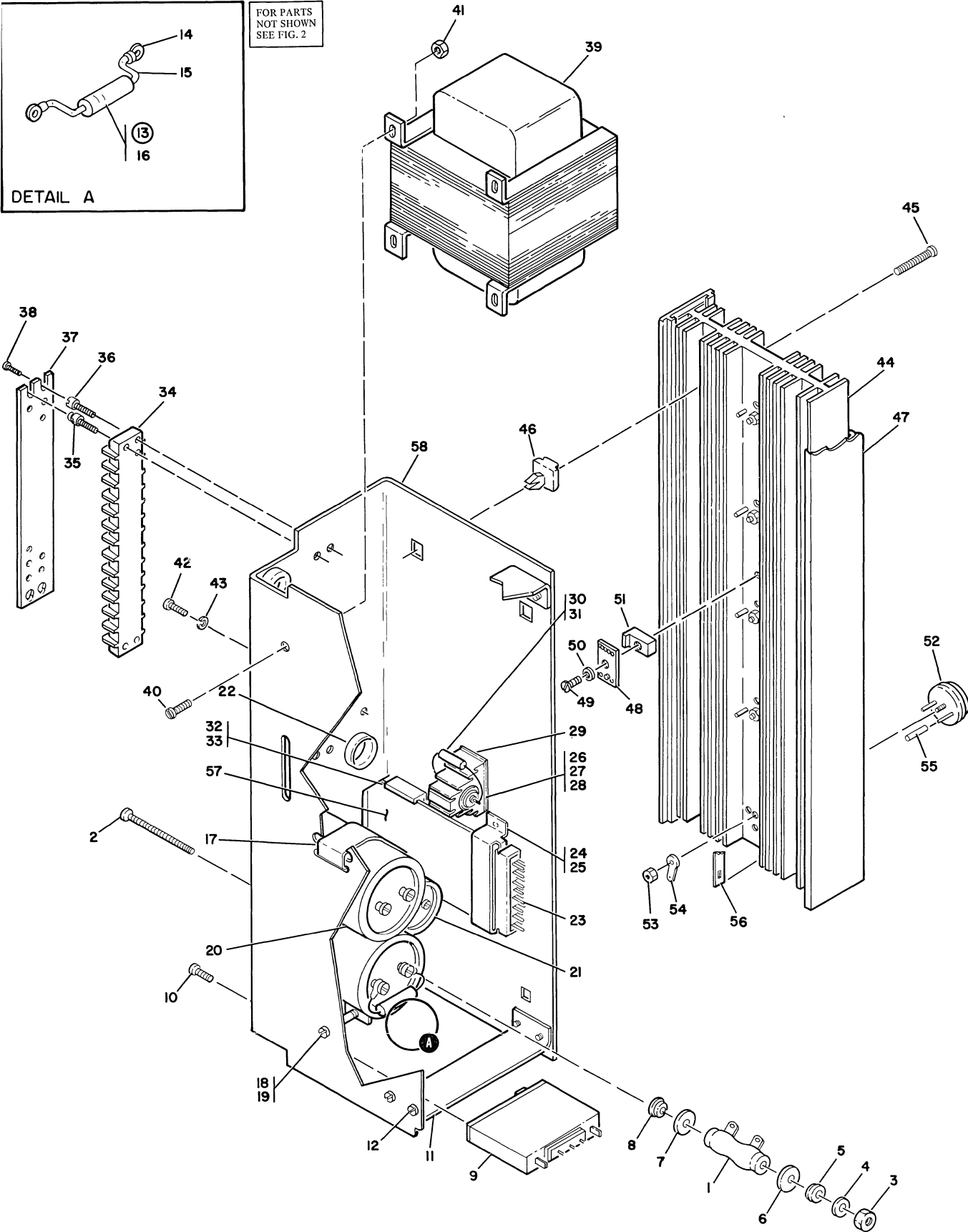


FIGURE 13. 3V AT 16AMP POWER SUPPLY ASSEMBLY. SEE LIST 13.

LIST AND INDEX NUMBER	PART NUMBER	DESCRIPTION				UNITS PER ASM.	USABLE ON CODE
		1	2	3	4		
		3V AT 16AMP POWER SUPPLY ASSEMBLY					
13 -							
-	5261030					REF	
-	5261630					REF	
		FOR ILLUSTRATION SEE FIGURE 7 FOR NEXT HIGHER ASM SEE FIG 2-279,280,286,290					
- 1	5261098					1	
- 2	438593				ATT PT	1	
- 3	5761938				ATT PT	1	
- 4	2903				ATT PT	1	
- 5	510468				ATT PT	2	
- 6	5761935				ATT PT	2	
- 7	5761935				ATT PT	2	
- 8	510468				ATT PT	2	
- 9	5214552					1	
- 10	38235				ATT PT	2	
- 11	5761779					2	
- 12	731629				ATT PT	8	
- 13	5261935					1	
- 14	359695					2	
- 15	113819					2	
- 16	317080					1	
- 17	5761794					1	
- 18	438571				ATT PT	1	
- 19	5761943				ATT PT	1	
- 20	5214368					2	
- 21	5261089					1	
- 22	5761936					3	
- 23	216076					1	
		FOR COMPONENTS SEE FIG 31-53					
- 24	5761904					1	
- 25	5761907				ATT PT	2	
- 26	5761977					1	
		RECTIFIER ASSEMBLY ASSEMBLY COMPONENTS ARE NOT REPLACEABLE					
- 27	734483				ATT PT	3	
- 28	2156037				ATT PT	2	
- 29	5761979					1	
- 30	491228					1	
- 31	113819					2	
- 32	5712309					1	
- 33	5761907				ATT PT	2	
- 34	5214556					1	
- 35	5261165				ATT PT	3	
- 36	5261167				ATT PT	1	
- 37	210990					1	
- 38	210984				ATT PT	1	
- 39	5761726					1	
- 39	4116483					1	
- 40	332620				ATT PT	4	
- 41	5761908				ATT PT	4	
- 42	10170					1	
- 43	56722					1	
- 44	5761768					1	
- 45	5761913				ATT PT	4	
- 46	5761796					4	
- 47	473536					30	
- 48	5761909					1	
- 49	2181002				ATT PT	1	
- 50	5374689				ATT PT	1	
- 51	5761798					1	
- 52	369214					5	
- 53	11598				ATT PT	5	
- 54	316996					1	
- 55	5761976					10	
- 56	5761968					1	
- 57	375200					1	
		CARD ASSEMBLY ASSEMBLY COMPONENTS ARE NOT REPLACEABLE					
- 58	5761767					1	

FOR PARTS
NOT SHOWN
SEE FIG. 2

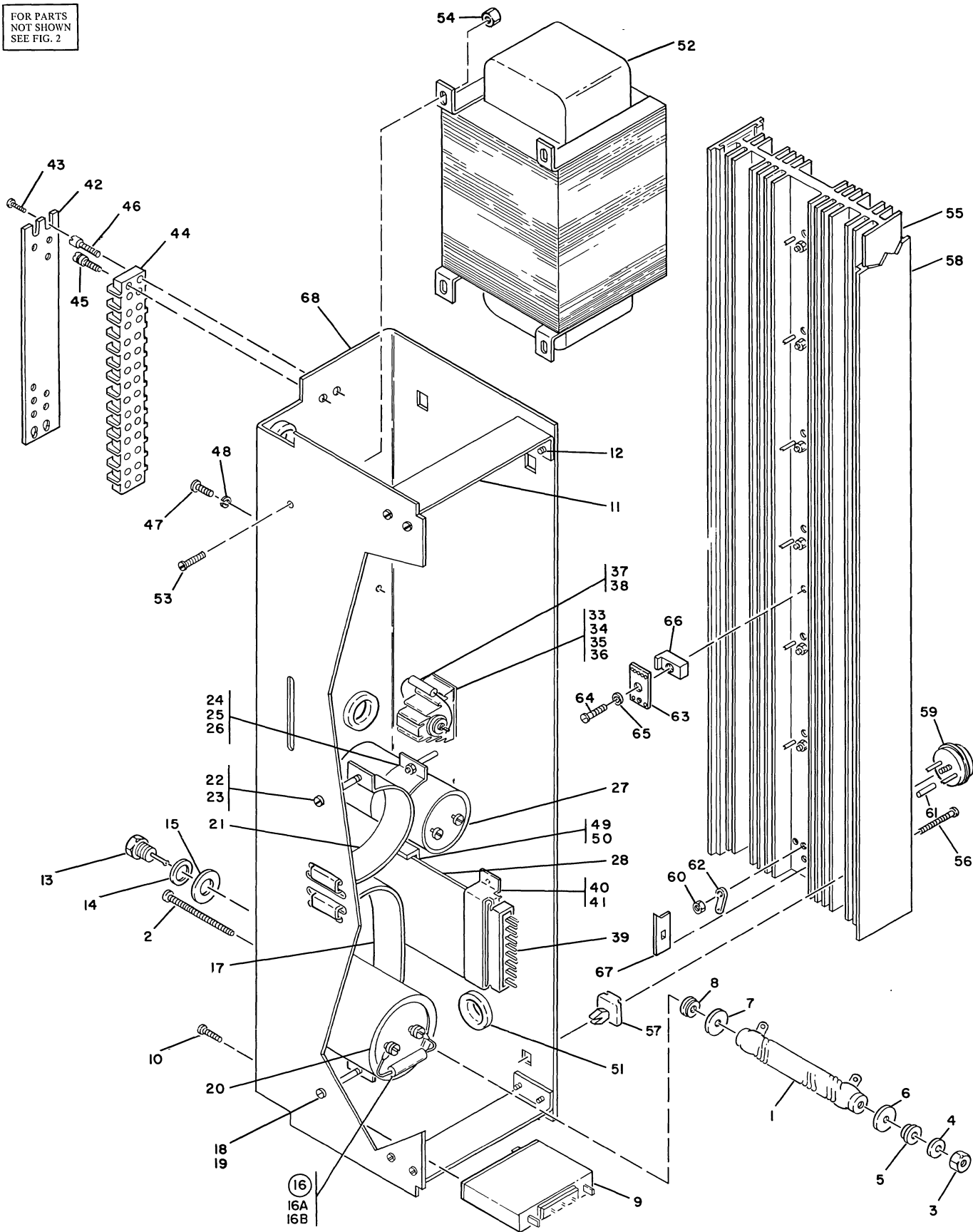
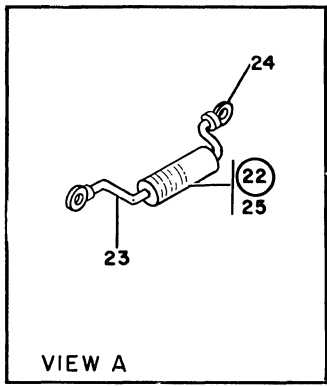


FIGURE 14. 6V AT 18AMP POWER SUPPLY ASSEMBLY. SEE LIST 14.

LIST AND INDEX NUMBER	PART NUMBER	DESCRIPTION				UNITS PER ASM.	USABLE ON CODE
		1	2	3	4		
		6V AT 18AMP POWER SUPPLY ASSEMBLY					
14 -							
-	5261060	POWER SUPPLY,6V AT 18A 60 HZ				REF	
-	5261660	POWER SUPPLY,6V AT 18A 50 HZ FOR ILLUSTRATION SEE FIGURE 14 FOR NEXT HIGHER ASM SEE FIG 2-288,289,29				REF	
- 1	730483	. RESISTOR,FXD-WW-0.06 OHM P/M 10PCT 90W				1	
- 2	331982	. SCREW,MACH RD HD 8-32 X 1-1/4 LG				ATT PT	1
- 3	5761938	. NUT,8-32 SHA				ATT PT	1
- 4	2903	. WASHER,FL-NO. 6 X 1/2 OD X 1/32 THK					1
- 5	510468	. WASHER,CUPPED					1
- 6	5761935	. WASHER					1
- 7	5761935	. WASHER					1
- 8	510468	. WASHER,CUPPED					1
- 9	5214553	. PROTECTOR					1
- 10	38235	. SCREW,BIND HD,6-32 X 0.312 LG				ATT PT	2
- 11	5761779	. BRACKET,CHASSIS					2
- 12	731629	. SCREW,PAN HD- 10-32 X 0.380 LG				ATT PT	8
- 13	1134451	. JACK,AUX PWR- .44 OD					1
- 14	529691	. WASHER, MICA					2
- 15	473592	. INSULATOR					1
- 16	5261899	. RESISTOR ASSEMBLY- 100 OHMS 5W					1
- 16A	207338	. . RESISTOR					1
- 16B	334932	. . TERMINAL-LUG NO.18 THRU NO.22 WIRE INSUL					2
- 17	5761784	. STRAP, CAPACITOR					1
- 18	438571	. SCREW, BINDING HEAD, 6-32 NC X 1-3/4 LG.				ATT PT	1
- 19	5761943	. NUT,6-32 SHA				ATT PT	1
- 20	5214367	. CAPACITOR					3
- 21	5761788	. STRAP, CAPACITOR					1
- 22	438571	. SCREW, BINDING HEAD, 6-32 NC X 1-3/4 LG.				ATT PT	1
- 23	5761943	. NUT,6-32 SHA				ATT PT	1
- 24	5761786	. STRAP,CAPACITOR					1
- 25	438570	. SCREW,MACH-BIND HD 6-32 X 1-1/2 LG				ATT PT	1
- 26	5761943	. NUT,6-32 SHA				ATT PT	1
- 27	5261067	. CAPACITOR, ELECT., 24000 MF 10VDC					1
- 28	375203	. CARD ASSEMBLY ASM COMPONENTS ARE NOT REPLACEABLE					1
- 33	5761977	. RECTIFIER ASSEMBLY					1
- 34	734483	. SCREW,PAN HD- 6-32 X 0.380 LG				ATT PT	3
- 35	2156037	. WASHER,INSULATING				ATT PT	2
- 36	5761979	. INSULATOR					1
- 37	491228	. CAPACITOR, .010 UF					1
- 38	113819	. TUBING					AR
- 39	216076	. TERMINAL BLOCK AND CONTACT ASSEMBLY FOR COMPONENT SEE FIG 31-53					1
- 40	5761904	. BRACKET					1
- 41	5761907	. RIVET				ATT PT	2
- 42	210990	. SHIELD- 13 POSITION					1
- 43	210984	. SCREW,ROUND HD 6-32 X 0.25 LG				ATT PT	1
- 44	5214556	. TERMINAL BLOCK,13 POS DBL ROW					1
- 45	5261165	. STUD,SHLDR- 8-32 X 0.438 LG THD				ATT PT	3
- 46	5261167	. STUD- 8-32 X 0.438 LG W/6-32 TAPPED HOLE				ATT PT	1
- 47	10170	. SCREW-MACH,BIND HD NO. 6-32 X .250 LG					1
- 48	56722	. WASHER-LOCK,EXT T, .150 ID					1
- 49	5712309	. GUIDE					1
- 50	5761907	. RIVET				ATT PT	2
- 51	5761936	. GROMMET,SELF LOCKING-1.0 IN OD					3
- 52	5761734	. TRANSFORMER,60 HZ					1
- 52	4116485	. TRANSFORMER-50 HZ					1
- 53	332620	. SCREW,MACH-BIND HD 10-32 X 1/2 LG				ATT PT	4
- 54	5761908	. NUT,10-32 SHA				ATT PT	4
- 55	5761775	. HEAT SINK					1
- 56	5761913	. SCREW,PAN,6-20 X 1.250 LG				ATT PT	4
- 57	5761796	. INSULATOR,HEAT SINK					6
- 58	473536	. SEAL					AR
- 59	369214	. TRANSISTOR,TYPE 108					7
- 60	11598	. NUT,HEX,10-32 X 0.375 FL W				ATT PT	7
- 61	5761976	. TUBING					14
- 62	316996	. TERMINAL,LUG-NONINS 9AWG NO. 8 MTG HOLE					1
- 63	5761909	. TERMINAL, BRASS					1
- 64	2181002	. SCREW,THREAD FORMING-8-32 X 3/4 LG				ATT PT	1
- 65	5374689	. BUSHING				ATT PT	1
- 66	5761798	. INSULATOR, PHENOLIC - .38W X .75 LG					1
- 67	5761973	. BUS STRIP					1
- 68	5761774	. CHASSIS					1



FOR PARTS NOT SHOWN SEE FIG. 2

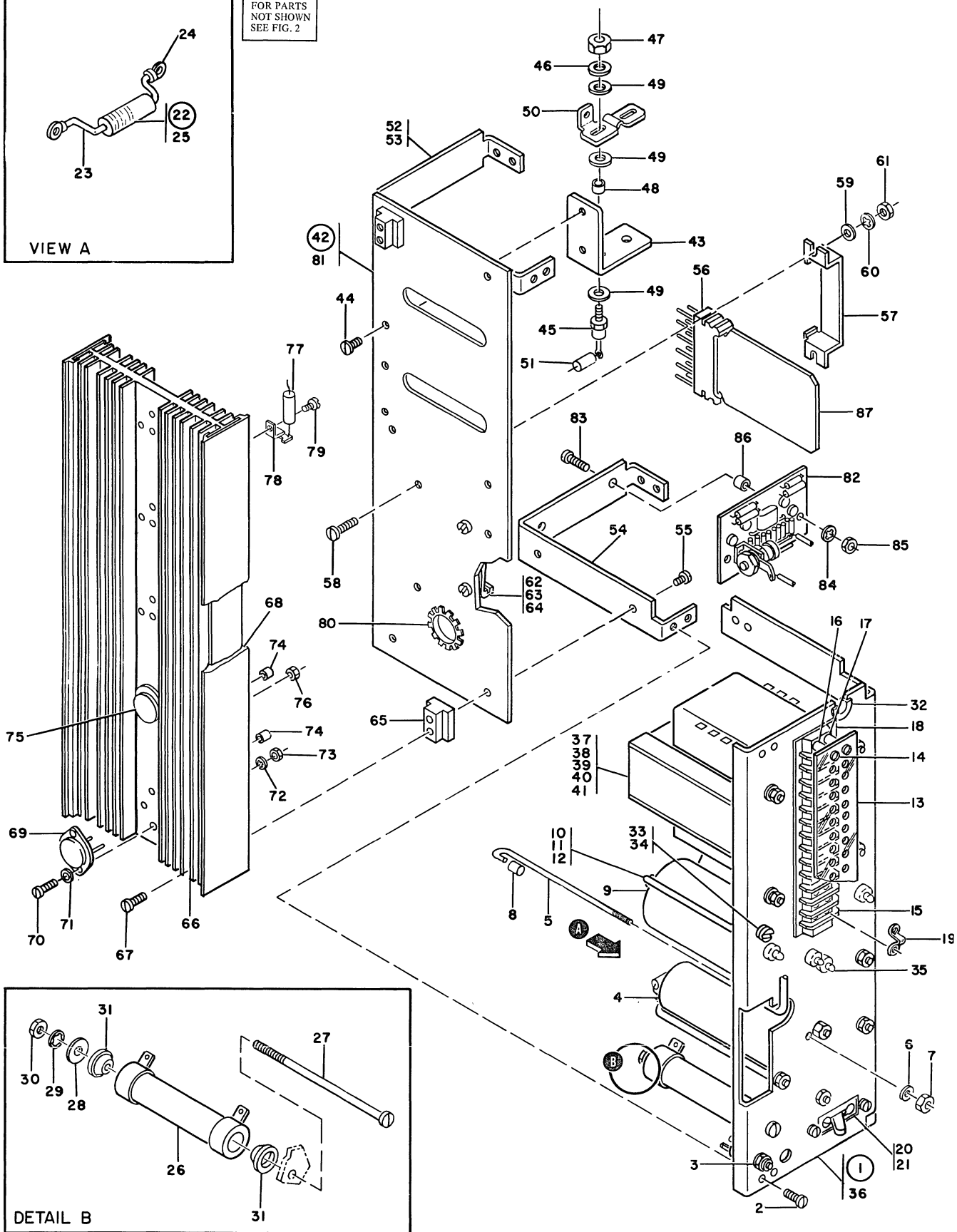


FIGURE 15. 9-12V AT 10AMP POWER SUPPLY ASSEMBLY. SEE LIST 15.

LIST AND INDEX NUMBER	PART NUMBER	DESCRIPTION	UNITS PER ASM.	USABLE ON CODE
		9-12V AT 10AMP POWER SUPPLY ASSEMBLY		
15 -	5709440	POWER SUPPLY,9-12V AT 10A 60 HZ	REF	
-	5709480	POWER SUPPLY,9-12V AT 10A 50 HZ FOR ILLUSTRATION SEE FIGURE 15 FOR NEXT HIGHER ASM SEE FIGURE 2-291	REF	
- 1	5709444	. COMPONENT MOUNTING PLATE ASSEMBLY	1	
- 2	28413	. SCREW,MACH-BIND HD 10-32 X 5/16 LG ATT PT	8	
- 3	441181	. . POTENTIOMETER	1	
- 4	5261127	. . CAPACITOR-ELECTROLYTIC	1	
- 5	473432	. . CLAMP	2	
- 6	62031	. . WASHER,LOCK-INT TEETH NO. 6 X 0.295 OD ATT PT	2	
- 7	38051	. . NUT,PLAIN HEX 6-32 X 1/4 FL W ATT PT	2	
- 8	473412	. . INSULATOR,CAPACITOR CLAMP	12	
- 9	5261077	. . CAPACITOR-ELECTROLYTIC	4	
- 10	5247112	. . CLAMP,CAPACITOR	8	
- 11	62031	. . WASHER,LOCK-INT TEETH NO. 6 X 0.295 OD ATT PT	8	
- 12	38051	. . NUT,PLAIN HEX 6-32 X 1/4 FL W ATT PT	8	
- 13	187470	. . SHIELD,TERMINAL BOARD	1	
- 14	210984	. . SCREW,ROUND HD 6-32 X 0.25 LG ATT PT	1	
- 15	82353	. . TERMINAL BOARD- 14 DBL SCREW TERMINALS	1	
- 16	5261167	. . STUD- 8-32 X 0.438 LG W/6-32 TAPPED HOLE ATT PT	1	
- 17	5261165	. . STUD,SHLDR- 8-32 X 0.438 LG THD ATT PT	3	
- 18	620240	. . INSULATOR	1	
- 19	472187	. . JUMPER-BRASS	2	
- 20	207351	. . CIRCUIT BREAKER- 1 POLE 60V DC 12 AMP	1	
- 21	10170	. . SCREW-MACH,BIND HD NO. 6-32 X .250 LG ATT PT	2	
- 22	5261936	. . RESISTOR ASSEMBLY,200 OHMS 5W	1	
- 23	113819	. . . TUBING	3	
- 24	334932	. . . TERMINAL-LUG NO.18 THRU NO.22 WIRE INSUL	2	
- 25	477144	. . . RESISTOR, WIREWOUND - 200 OHM 5W	1	
- 26	730452	. . . RESISTOR,FXD	1	
- 27	331982	. . SCREW,MACH RD HD 8-32 X 1-1/4 LG ATT PT	1	
- 28	22478	. . WASHER,FL- 0.170 ID 0.375 OD 0.032 THK ATT PT	1	
- 29	60646	. . WASHER,LOCK-INT TEETH NO. 8 X 0.340 OD ATT PT	1	
- 30	257189	. . NUT, HEX 8-32 ATT PT	1	
- 31	510468	. . WASHER,CUPPED	2	
- 32	730432	. . GROMMET,CATERPILLAR	1	
- 33	55726	. . SCREW,MACH-BIND HD 6-32 X .188 LG	1	
- 34	55722	. . SCREW	1	
- 35	5353894	. . PAD-PRESSURE	4	
- 36	5709429	. . CHASSIS-UNIT 4 SPECIAL	1	
- 37	5261083	. . TRANSFORMER,60 HZ	1	
- 37	4116411	. . TRANSFORMER,50 HZ	1	
- 38	332620	. . SCREW,MACH-BIND HD 10-32 X 1/2 LG ATT PT	4	
- 39	45690	. . WASHER, FL - NO.10 X 7/16 OD X 1/32 THK ATT PT	4	
- 40	9092	. . WASHER-LOCK,SPLIT RING, .194 ID .3370D ATT PT	4	
- 41	11598	. . NUT,HEX,10-32 X 0.375 FL W ATT PT	4	
- 42	5261037	. . HEATSINK ASSEMBLY	1	
- 43	5261009	. . BRACKET-DIODE MOUNTING	1	
- 44	10170	. . SCREW-MACH,BIND HD NO. 6-32 X .250 LG ATT PT	2	
- 45	127324	. . SEMICONDUCTOR DEVICE,D10- 150V 30 AMP	2	
- 46	3550	. . WASHER,FLAT 1/4 ID-9/16-OD-0.05 THICK ATT PT	2	
- 47	160017	. . NUT,PLAIN,HEX- 1/4-28 X 7/16 FL W ATT PT	2	
- 48	473592	. . INSULATOR	2	
- 49	217017	. . WASHER-INSULATING	8	
- 50	5261606	. . JUMPER PLATE	1	
- 51	491228	. . CAPACITOR, .010 UF	1	
- 52	730176	. . BRACKET-UNIT SUPPORT	1	
- 53	473544	. . SCREW,BINDING HEAD SELF TAP NO 6 1/2 IN ATT PT	2	
- 54	5261159	. . BRACKET-UNIT SUPPORT	1	
- 55	473544	. . SCREW,BINDING HEAD SELF TAP NO 6 1/2 IN ATT PT	2	
- 56	216076	. . TERMINAL BLOCK AND CONTACT ASSEMBLY FOR COMPONENTS SEE FIG 31-53	1	
- 57	477203	. . BRACKET	1	
- 58	38235	. . SCREW,BIND HD,6-32 X 0.312 LG ATT PT	2	
- 59	257986	. . WASHER,0.156 ID X 0.035 THK ATT PT	2	
- 60	62031	. . WASHER,LOCK-INT TEETH NO. 6 X 0.295 OD ATT PT	2	
- 61	38051	. . NUT,PLAIN HEX 6-32 X 1/4 FL W ATT PT	2	
- 62	5712309	. . GUIDE	1	
- 63	38235	. . SCREW,BIND HD,6-32 X 0.312 LG ATT PT	2	
- 64	257187	. . NUT,HEX 6-32 NC ATT PT	2	
- 65	473531	. . INSULATOR	6	
- 66	5261079	. . HEAT SINK	1	
- 67	79779	. . SCREW,THD CTG-BIND HD NO. 6 X 3/4 LG ATT PT	6	
- 68	473536	. . SEAL	AR	

LIST AND INDEX NUMBER	PART NUMBER	DESCRIPTION	UNITS PER ASM.	USABLE ON CODE
		1 2 3 4		
		9-12V AT 10AMP POWER SUPPLY ASSEMBLY -CONT		
15 - 69	369616	• • TRANSISTOR-TYPE 119	1	
- 70	322550	• • SCREW,BD HD 6-32 X 0.500 LG ATT PT	2	
- 71	257986	• • WASHER,0.156 ID X 0.035 THK ATT PT	2	
- 72	6364	• • WASHER,LOCK-SPLIT NO. 6 X 1/4 OD ATT PT	2	
- 73	38051	• • NUT,PLAIN HEX 6-32 X 1/4 FL W ATT PT	2	
- 74	219423	• • TUBE,RUBBER- 0.085 ID X 0.120 OD X 2 LG	10	
- 75	369214	• • TRANSISTOR,TYPE 108	4	
- 76	11891	• • NUT,PLAIN,HEX- 10-32 X 3/8 FL W BRS ATT PT	4	
- 77	207324	• • RESISTOR,FXD,WW- 0.1 OHM P/M 5% 5W	4	
- 78	478045	• • TERMINAL - SOLDER	4	
- 79	70078	• • SCREW,THD FORMING-BIND HD ATT PT	4	
- 80	473533	• • GROMMET	1	
- 81	5261058	• • COVER	1	
- 82	5253897	• • CARD ASSEMBLY-OVERVOLTAGE CKT 12V	1	
		ASSEMBLY COMPONENTS ARE NOT REPLACEABLE		
- 83	1091173	• SCREW,MACH-FL CSK HD 4-40 X 5/8 LG ATT PT	2	
- 84	257985	• WASHER,FL-NO. 4 0.25 OD X 0.028 TH ATT PT	2	
- 85	37913	• NUT, HEX 4-40 NC ATT PT	2	
- 86	483111	• SPACER,SLEEVE- 0.12 ID 0.25 OD X 0.19 LG	2	
- 87	375249	• CARD ASM	1	
		ASSEMBLY COMPONENTS ARE NOT REPLACEABLE		

FOR PARTS
NOT SHOWN
SEE FIG. 2

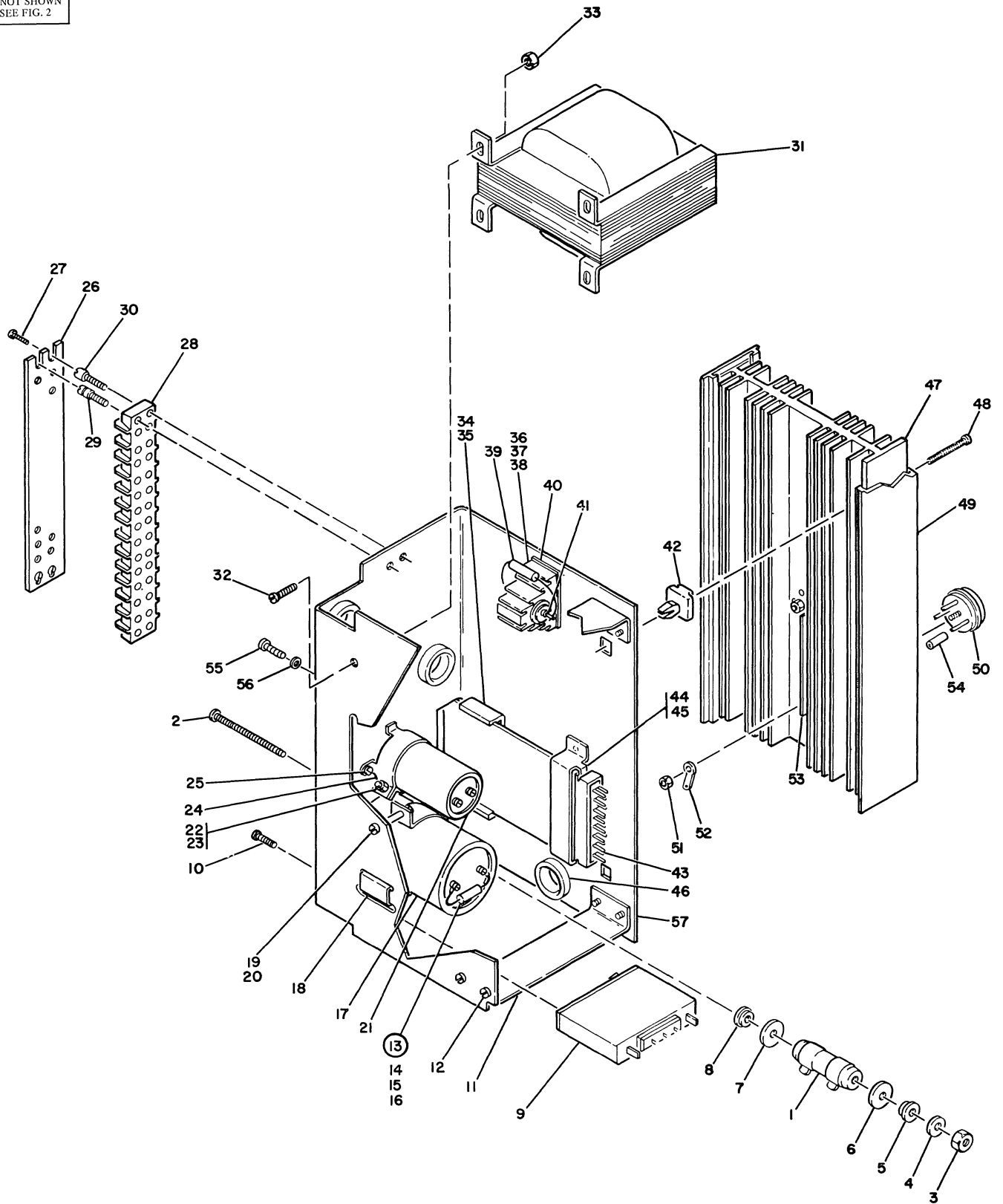


FIGURE 16. 12V AT 2.5AMP POWER SUPPLY ASSEMBLY. SEE LIST :16.

LIST AND INDEX NUMBER	PART NUMBER	DESCRIPTION	UNITS PER ASM.	USABLE ON CODE
		1 2 3 4		
		12V AT 2.5AMP POWER SUPPLY ASSEMBLY		
16 -				
-	5261070	POWER SUPPLY,12V AT 2.5A 60 HZ	REF	
-	5261670	POWER SUPPLY,12V AT 2.54 50 HZ FOR ILLUSTRATION SEE FIGURE 16 FOR NEXT HIGHER ASM SEE FIG 2-278,293	REF	
- 1	5261117	. RESISTOR,FXD,WW- 0.5 OHMS P/M 10% 25W	1	
- 2	438593	. SCREW-MACH-BIND HD NO. 8-32 X 2 1/2 LG ATT PT	1	
- 3	5761938	. NUT,8-32 SHA ATT PT	1	
- 4	2903	. WASHER,FL-NO. 6 X 1/2 OD X 1/32 THK	1	
- 5	510468	. WASHER,CUPPED	1	
- 6	5761935	. WASHER	1	
- 7	5761935	. WASHER	1	
- 8	510468	. WASHER,CUPPED	1	
- 9	5214544	. CIRCUIT BREAKER	1	
- 10	38235	. SCREW,BIND HD,6-32 X 0.312 LG ATT PT	2	
- 11	5761779	. BRACKET,CHASSIS	2	
- 12	731629	. SCREW,PAN HD- 10-32 X 0.380 LG ATT PT	8	
- 13	5761937	. RESISTOR ASM,1,1K OHMS 2W	1	
- 14	359695	. . TERMINAL-RING LUG NO.10 STUD	2	
- 15	113819	. . TUBING	2	
- 16	492568	. . RESISTOR,FXD 1,100 OHMS P/M 5% 2W	1	
- 17	5261077	. CAPACITOR-ELECTROLYTIC	1	
- 18	5761786	. STRAP,CAPACITOR	1	
- 19	438570	. SCREW,MACH-BIND HD 6-32 X 1-1/2 LG ATT PT	1	
- 20	5761943	. NUT,6-32 SHA ATT PT	1	
- 21	5261127	. CAPACITOR-ELECTROLYTIC	1	
- 22	322550	. SCREW,BD HD 6-32 X 0.500 LG ATT PT	1	
- 23	5761943	. NUT,6-32 SHA ATT PT	1	
- 24	301768	. BRACKET	1	
- 25	10170	. SCREW-MACH,BIND HD NO. 6-32 X .250 LG ATT PT	2	
- 26	210990	. SHIELD- 13 POSITION	1	
- 27	210984	. SCREW,ROUND HD 6-32 X 0.25 LG ATT PT	1	
- 28	5214556	. TERMINAL BLOCK,13 POS DBL ROW	1	
- 29	5261167	. STUD- 8-32 X 0.438 LG W/6-32 TAPPED HOLE ATT PT	1	
- 30	5261165	. STUD,SHLDR- 8-32 X 0.438 LG THD ATT PT	3	
- 31	5761735	. TRANSFORMER,60 HZ	1	
- 31	4116493	. TRANSFORMER,50 HZ	1	
- 32	332620	. SCREW,MACH-BIND HD 10-32 X 1/2 LG ATT PT	4	
- 33	5761908	. NUT,10-32 SHA ATT PT	4	
- 34	5712309	. GUIDE	1	
- 35	5761907	. RIVET ATT PT	2	
- 36	5761977	. RECTIFIER ASSEMBLY	1	
- 37	734483	. SCREW,PAN HD- 6-32 X 0.380 LG ATT PT	3	
- 38	2156037	. WASHER,INSULATING ATT PT	2	
- 39	491228	. CAPACITOR, .010 UF	1	
- 40	5761979	. INSULATOR	1	
- 41	113819	. TUBING	AR	
- 42	5761796	. INSULATOR,HEAT SINK	4	
- 43	216076	. TERMINAL BLOCK AND CONTACT ASSEMBLY	1	
		FOR COMPONENTS SEE FIG 31-53		
- 44	5761904	. BRACKET	1	
- 45	5761907	. RIVET ATT PT	2	
- 46	5761936	. GROMMET,SELF LOCKING-1.0 IN OD	2	
- 47	5761759	. HEAT SINK	1	
- 48	5761913	. SCREW,PAN,6-20 X 1.250 LG ATT PT	4	
- 49	473536	. SEAL	AR	
- 50	369214	. TRANSISTOR,TYPE 108	2	
- 51	11598	. NUT,HEX,10-32 X 0.375 FL W ATT PT	2	
- 52	316996	. TERMINAL,LUG-NONINS 9AWG NO. 8 MTG HOLE	1	
- 53	5761965	. BUS STRIP	1	
- 54	5761976	. TUBING	4	
- 55	10170	. SCREW-MACH,BIND HD NO. 6-32 X .250 LG	1	
- 56	57622	. WASHER,LOCK EXT TOOTH,0.15 ID	1	
- 57	5761758	. CHASSIS	1	

FOR PARTS
NOT SHOWN
SEE FIG 2

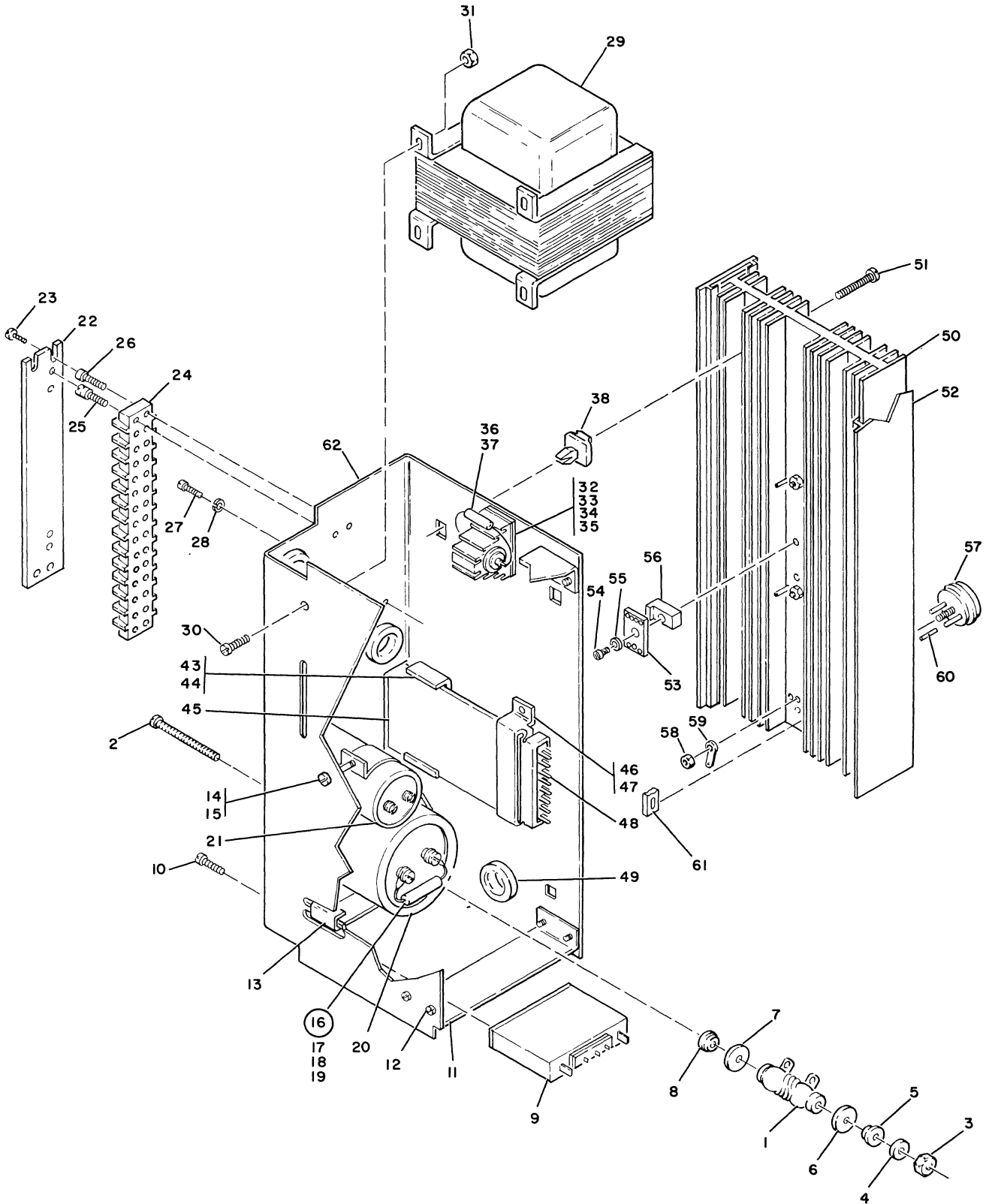
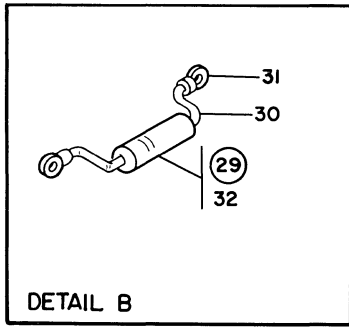


FIGURE 17. 12V AT 5AMP POWER SUPPLY ASSEMBLY. SEE LIST 17

LIST AND INDEX NUMBER	PART NUMBER	DESCRIPTION	UNITS PER ASM.	USABLE ON CODE
		1 2 3 4		
		12V AT 5AMP POWER SUPPLY ASSEMBLY		
17 -	5261140	POWER SUPPLY,12V AT 5A 60 HZ	REF	
-	5261740	POWER SUPPLY,12V AT 5A 50 HZ	REF	
		FOR ILLUSTRATION SEE FIGURE 17 FOR NEXT HIGHER ASM SEE FIGURE 2-285		
- 1	5213405	. RESISTOR-.3 OHMS,25W PM 10%	1	
- 2	438593	. SCREW-MACH-BIND HD NO. 8-32 X 2 1/2 LG ATT PT	1	
- 3	5761938	. NUT,8-32 SHA ATT PT	1	
- 4	2903	. WASHER,FL-NO. 6 X 1/2 OD X 1/32 THK	1	
- 5	510468	. WASHER,CUPPED	1	
- 6	5761935	. WASHER	1	
- 7	5761935	. WASHER	1	
- 8	510468	. WASHER,CUPPED	1	
- 9	5214545	. PROTECTOR	1	
- 10	38235	. SCREW,BIND HD,6-32 X 0.312 LG ATT PT	2	
- 11	5761779	. BRACKET,CHASSIS	2	
- 12	731629	. SCREW,PAN HD- 10-32 X 0.380 LG ATT PT	8	
- 13	5761789	. STRAP,CAPACITOR	1	
- 14	438567	. SCREW,MACH-UNDRCT BIND HD 6-32 X 1 LG ATT PT	1	
- 15	5761943	. NUT,6-32 SHA ATT PT	1	
- 16	5261937	. RESISTOR ASM- 1.1K OHMS 2W	1	
- 17	359695	. . TERMINAL-RING LUG NO.10 STUD	2	
- 18	113819	. . TUBING	2	
- 19	492568	. . RESISTOR,FXD 1,100 OHMS P/M 5% 2W	1	
- 20	5214372	. CAPACITOR	1	
- 21	5261127	. CAPACITOR-ELECTROLYTIC	1	
- 22	210990	. SHIELD- 13 POSITION	1	
- 23	210984	. SCREW,ROUND HD 6-32 X 0.25 LG ATT PT	1	
- 24	5214556	. TERMINAL BLOCK,13 POS DBL ROW	1	
- 25	5261165	. STUD,SHLDR- 8-32 X 0.438 LG THD ATT PT	3	
- 26	5261167	. STUD- 8-32 X 0.438 LG W/6-32 TAPPED HOLE ATT PT	1	
- 27	10170	. SCREW-MACH,BIND HD NO. 6-32 X .250 LG	1	
- 28	56722	. WASHER-LOCK,EXT T, .150 ID	1	
- 29	5761736	. TRANSFORMER,60 HZ	1	
29	4118364	. TRANSFORMER,50 HZ	1	
- 30	332620	. SCREW,MACH-BIND HD 10-32 X 1/2 LG ATT PT	4	
- 31	5761908	. NUT,10-32 SHA ATT PT	4	
- 32	5761977	. RECTIFIER ASSEMBLY	1	
- 33	734483	. SCREW,PAN HD- 6-32 X 0.380 LG ATT PT	3	
- 34	2156037	. WASHER,INSULATING	2	
- 35	5761979	. INSULATOR	1	
- 36	491228	. CAPACITOR, .010 UF	1	
- 37	113819	. TUBING	AR	
- 38	5761796	. INSULATOR,HEAT SINK	4	
- 43	5712309	. GUIDE	1	
- 44	5761907	. RIVET ATT PT	2	
- 45	375161	. CARD ASSEMBLY	1	
		ASSEMBLY COMPONENTS ARE NOT REPLACEABLE		
- 46	5761904	. BRACKET	1	
- 47	5761907	. RIVET ATT PT	2	
- 48	216076	. TERMINAL BLOCK AND CONTACT ASSEMBLY FOR COMPONENTS SEE LIST 31-53	1	
- 49	5761936	. GROMMET,SELF LOCKING-1.0 IN OD	3	
- 50	5761764	. HEAT SINK	1	
- 51	5761913	. SCREW,PAN,6-20 X 1.250 LG ATT PT	4	
- 52	473536	. SEAL	AR	
- 53	5761909	. TERMINAL, BRASS	1	
- 54	2181002	. SCREW,THREAD FORMING-8-32 X 3/4 LG ATT PT	1	
- 55	5374689	. BUSHING	1	
- 56	5761798	. INSULATOR, PHENOLIC - .38W X .75 LG	1	
- 57	369214	. TRANSISTOR,TYPE 108	3	
- 58	11598	. NUT,HEX,10-32 X 0.375 FL W ATT PT	3	
- 59	316996	. TERMINAL, LUG-NONINS 9AWG NO. 8 MTG HOLE	1	
- 60	5761976	. TUBING	6	
- 61	5761966	. BUS STRIP	1	
- 62	5761763	. CHASSIS	1	



FOR PARTS
NOT SHOWN
SEE FIG. 2

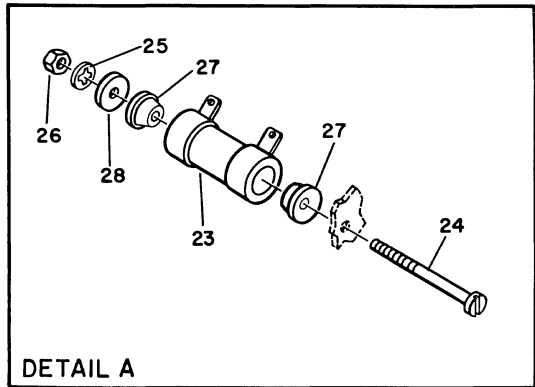
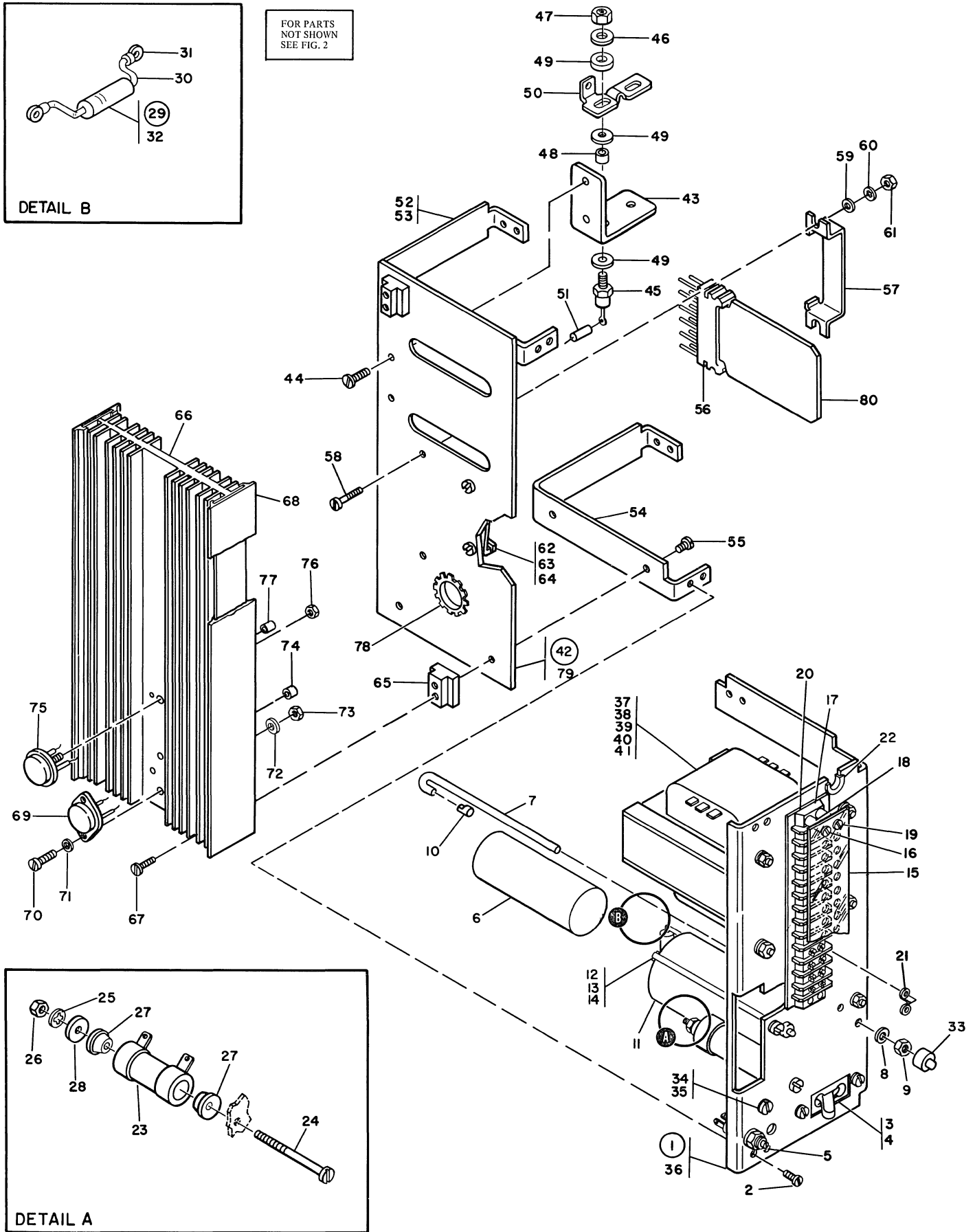
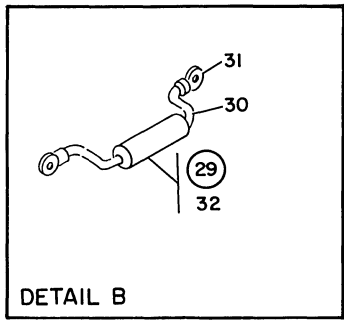


FIGURE 18. 15V AT 2.5AMP POWER SUPPLY ASSEMBLY. SEE LIST 18.

LIST AND INDEX NUMBER	PART NUMBER	DESCRIPTION				UNITS PER ASM.	USABLE ON CODE
		1	2	3	4		
		15V AT 2.5AMP POWER SUPPLY ASSEMBLY					
18 -	5709430	POWER SUPPLY,15V AT 2.5A 60 HZ				REF	
-	5709470	POWER SUPPLY,15V AT 2.5A 50 HZ FOR ILLUSTRATION SEE FIGURE 18 FOR NEXT HIGHER ASM SEE FIGURE 2-292				REF	
- 1	5709434	. COMPONENT MOUNTING PLATE ASSEMBLY				1	
- 2	28413	. SCREW,MACH-BIND HD 10-32 X 5/16 LG ATT PT				8	
- 3	538830	. . CIRCUIT BREAKER- 1 POLE 50V DC 5 AMP				1	
- 4	10170	. . SCREW-MACH,BIND HD NO. 6-32 X .250 LG ATT PT				2	
- 5	441181	. . POTENTIOMETER				1	
- 6	208228	. . CAPACITOR,FXD,ELECT- 5500 UF 19V				1	
- 7	473422	. . CLAMP,CAPACITOR				2	
- 8	62031	. . WASHER,LOCK-INT TEETH NO. 6 X 0.295 OD ATT PT				4	
- 9	38051	. . NUT,PLAIN HEX 6-32 X 1/4 FL W ATT PT				4	
- 10	473412	. . INSULATOR,CAPACITOR CLAMP				4	
- 11	5261077	. . CAPACITOR-ELECTROLYTIC				1	
- 12	5247112	. . CLAMP,CAPACITOR				2	
- 13	62031	. . WASHER,LOCK-INT TEETH NO. 6 X 0.295 OD ATT PT				4	
- 14	38051	. . NUT,PLAIN HEX 6-32 X 1/4 FL W ATT PT				4	
- 15	210990	. . SHIELD- 13 POSITION				1	
- 16	210984	. . SCREW,ROUND HD 6-32 X 0.25 LG ATT PT				1	
- 17	320461	. . TERMINAL BOARD-13 POS				1	
- 18	5261167	. . STUD- 8-32 X 0.438 LG W/6-32 TAPPED HOLE ATT PT				1	
- 19	5261165	. . STUD,SHLDR- 8-32 X 0.438 LG THD ATT PT				3	
- 20	2101325	. . MARKER STRIP,13 POSITION				1	
- 21	472187	. . JUMPER-BRASS				2	
- 22	730432	. . GROMMET,CATERPILLAR				1	
- 23	5261117	. . RESISTOR,FXD,WW- 0.5 OHMS P/M 10% 25W				1	
- 24	438593	. . SCREW-MACH-BIND HD NO. 8-32 X 2 1/2 LG ATT PT				1	
- 25	60646	. . WASHER,LOCK-INT TEETH NO. 8 X 0.340 OD ATT PT				1	
- 26	257189	. . NUT, HEX 8-32 ATT PT				1	
- 27	510468	. . WASHER,CUPPED				2	
- 28	22478	. . WASHER,FL- 0.170 ID 0.375 OD 0.032 THK				1	
- 29	5261937	. . RESISTOR ASM- 1.1K OHMS 2W				1	
- 30	113819	. . TUBING				2	
- 31	359695	. . TERMINAL-RING LUG NO.10 STUD				2	
- 32	492568	. . RESISTOR,FXD 1,100 OHMS P/M 5% 2W				1	
- 33	5253894	. . CAP,SCREW- .280 ID				4	
- 34	55726	. . SCREW,MACH-BIND HD 6-32 X .188 LG				1	
- 35	56722	. . WASHER-LOCK,EXT T, .150 ID				1	
- 36	5261018	. . CHASSIS				1	
- 37	5261483	. . TRANSFORMER,60 HZ				2	
- 37	4116461	. . TRANSFORMER,50 HZ				2	
- 38	332620	. . SCREW,MACH-BIND HD 10-32 X 1/2 LG ATT PT				4	
- 39	45690	. . WASHER, FL - NO.10 X 7/16 OD X 1/32 THK ATT PT				4	
- 40	9092	. . WASHER-LOCK,SPLIT RING, .194 ID .337OD ATT PT				4	
- 41	11598	. . NUT,HEX,10-32 X 0.375 FL W ATT PT				4	
- 42	5261007	. . HEATSINK ASSEMBLY				1	
- 43	5261008	. . BRACKET				1	
- 44	10170	. . SCREW-MACH,BIND HD NO. 6-32 X .250 LG ATT PT				2	
- 45	598479	. . SEMICONDUCTOR DEVICE,D10- 150V 10 AMP				2	
- 46	45690	. . WASHER, FL - NO.10 X 7/16 OD X 1/32 THK ATT PT				2	
- 47	11891	. . NUT,PLAIN,HEX- 10-32 X 3/8 FL W BRS ATT PT				3	
- 48	473582	. . INSULATOR				2	
- 49	217019	. . WASHER,INSULATING .199 ID 1.00 OD				8	
- 50	5261606	. . JUMPER PLATE				1	
- 51	491228	. . CAPACITOR, .010 UF				1	
- 52	730176	. . BRACKET-UNIT SUPPORT				1	
- 53	473544	. . SCREW,BINDING HEAD SELF TAP NO 6 1/2 IN ATT PT				2	
- 54	5261159	. . BRACKET-UNIT SUPPORT				1	
- 55	473544	. . SCREW,BINDING HEAD SELF TAP NO 6 1/2 IN ATT PT				2	
- 56	216076	. . TERMINAL BLOCK AND CONTACT ASSEMBLY				1	
		FOR COMPONENTS SEE FIGURE 31-53					
- 57	477203	. . BRACKET				1	
- 58	38235	. . SCREW,BIND HD,6-32 X 0.312 LG ATT PT				2	
- 59	257986	. . WASHER,0.156 ID X 0.035 THK ATT PT				2	
- 60	62031	. . WASHER,LOCK-INT TEETH NO. 6 X 0.295 OD ATT PT				2	
- 61	38051	. . NUT,PLAIN HEX 6-32 X 1/4 FL W ATT PT				2	
- 62	5712309	. . GUIDE				1	
- 63	38235	. . SCREW,BIND HD,6-32 X 0.312 LG ATT PT				2	
- 64	257187	. . NUT,HEX 6-32 NC ATT PT				2	
- 65	473531	. . INSULATOR				4	
- 66	5261068	. . HEATSINK				1	
- 67	79779	. . SCREW,THD CTG-BIND HD NO. 6 X 3/4 LG ATT PT				4	
- 68	473536	. . SEAL				19	

LIST AND INDEX NUMBER	PART NUMBER	DESCRIPTION 1 2 3 4	UNITS PER ASM.	USABLE ON CODE
		15V AT 2.5AMP POWER SUPPLY ASSEMBLY -CONT		
18 - 69	369616	. . TRANSISTOR-TYPE 119	1	
- 70	322550	. . SCREW,BD HD 6-32 X 0.500 LG ATT PT	2	
- 71	257986	. . WASHER,0.156 ID X 0.035 THK ATT PT	2	
- 72	6364	. . WASHER,LOCK-SPLIT NO. 6 X 1/4 OD ATT PT	2	
- 73	38051	. . NUT,PLAIN HEX 6-32 X 1/4 FL W ATT PT	2	
- 74	219423	. . TUBE,RUBBER- 0.085 ID X 0.120 OD X 2 LG	2	
- 75	369214	. . TRANSISTOR,TYPE 108	1	
- 76	11891	. . NUT,PLAIN,HEX- 10-32 X 3/8 FL W BRS ATT PT	1	
- 77	219423	. . TUBE,RUBBER- 0.085 ID X 0.120 OD X 2 LG	2	
- 78	473442	. . GROMMET - CATERPILLAR	1	
- 79	5261039	. . COVER	1	
- 80	374923	. CARD ASM,REGULATOR	1	
		ASSEMBLY COMPONENTS ARE NOT REPLACEABLE		

LIST AND INDEX NUMBER	PART NUMBER	DESCRIPTION	UNITS PER ASM.	USABLE ON CODE
		30V AT 2 AMP POWER SUPPLY ASSEMBLY		
19 -	5261090	POWER SUPPLY, 30V AT 2A 60 HZ		
-	5261690	POWER SUPPLY, 30V AT 2A 50 HZ FOR ILLUSTRATION SEE FIGURE 19 FOR NEXT HIGHER ASM SEE FIGURE 2-281,282		
- 1	5261117	. RESISTOR,FXD,WW- 0.5 OHMS P/M 10% 25W	1	
- 2	438593	. SCREW-MACH-BIND HD NO. 8-32 X 2 1/2 LG ATT PT	1	
- 3	5761938	. NUT,8-32 SHA ATT PT	1	
- 4	2903	. WASHER,FL-NO. 6 X 1/2 OD X 1/32 THK	1	
- 5	510468	. WASHER,CUPPED	1	
- 6	5761935	. WASHER	1	
- 7	5761935	. WASHER	1	
- 8	510468	. WASHER,CUPPED	1	
- 9	5214543	. PROTECTOR	1	
- 10	38235	. SCREW,BIND HD,6-32 X 0.312 LG ATT PT	2	
- 11	5761779	. BRACKET,CHASSIS	2	
- 12	731629	. SCREW,PAN HD- 10-32 X 0.380 LG ATT PT	8	
- 13	5761795	. STRAP, CAPACITOR	1	
- 14	438567	. SCREW,MACH-UNDRCT BIND HD 6-32 X 1 LG ATT PT	1	
- 15	5761943	. NUT,6-32 SHA ATT PT	1	
- 16	5261940	. RESISTOR ASM	1	
- 17	359695	. . TERMINAL-RING LUG NO.10 STUD ATT PT	2	
- 18	113819	. . TUBING	2	
- 19	320658	. . RESISTOR	1	
- 20	5214365	. CAPACITOR	1	
- 21	5261129	. CAPACITOR-ELECTROLYTIC	1	
- 22	210990	. SHIELD- 13 POSITION	1	
- 23	210984	. SCREW,ROUND HD 6-32 X 0.25 LG ATT PT	1	
- 24	5214556	. TERMINAL BLOCK,13 POS DBL ROW	1	
- 25	5261165	. STUD,SHLDR- 8-32 X 0.438 LG THD ATT PT	3	
- 26	5261167	. STUD- 8-32 X 0.438 LG W/6-32 TAPPED HOLE ATT PT	1	
- 27	10170	. SCREW-MACH,BIND HD NO. 6-32 X .250 LG	1	
- 28	56722	. WASHER-LOCK,EXT T, .150 ID	1	
- 29	5761745	. TRANSFORMER,60 HZ	1	
- 29	4116497	. TRANSFORMER,50 HZ	1	
- 30	332620	. SCREW,MACH-BIND HD 10-32 X 1/2 LG ATT PT	4	
- 31	5761908	. NUT,10-32 SHA ATT PT	4	
- 32	5761977	. RECTIFIER ASSEMBLY	1	
- 33	734483	. SCREW,PAN HD- 6-32 X 0.380 LG ATT PT	3	
- 34	2156037	. WASHER,INSULATING	2	
- 35	5761979	. INSULATOR	1	
- 36	491228	. CAPACITOR, .010 UF	1	
- 37	113819	. TUBING	AR	
- 38	5761796	. INSULATOR,HEAT SINK	4	
- 43	5712309	. GUIDE	1	
- 44	5761907	. RIVET ATT PT	2	
- 45	375206	. CARD ASSEMBLY	1	
		ASSEMBLY COMPONENTS ARE NOT REPLACEABLE		
- 46	5761904	. BRACKET	1	
- 47	5761907	. RIVET ATT PT	2	
- 48	216076	. TERMINAL BLOCK AND CONTACT ASSEMBLY FOR COMPONENTS SEE FIGURE 31-53	1	
- 49	5761936	. GROMMET,SELF LOCKING-1.0 IN OD	3	
- 50	5761764	. HEAT SINK	1	
- 51	5761913	. SCREW,PAN,6-20 X 1.250 LG ATT PT	4	
- 52	473536	. SEAL	AR	
- 53	5761909	. TERMINAL, BRASS	1	
- 54	2181002	. SCREW,THREAD FORMING-8-32 X 3/4 LG ATT PT	1	
- 55	5374689	. BUSHING	1	
- 56	5761798	. INSULATOR, PHENOLIC - .38W X .75 LG	1	
- 57	369214	. TRANSISTOR,TYPE 108	3	
- 58	11598	. NUT,HEX,10-32 X 0.375 FL W ATT PT	3	
- 59	316996	. TERMINAL,LUG-NONINS 9AWG NO. 8 MTG HOLE	1	
- 60	5761976	. TUBING	6	
- 61	5761966	. BUS STRIP	1	
- 62	5761763	. CHASSIS	1	



FOR PARTS
NOT SHOWN
SEE FIG. 2

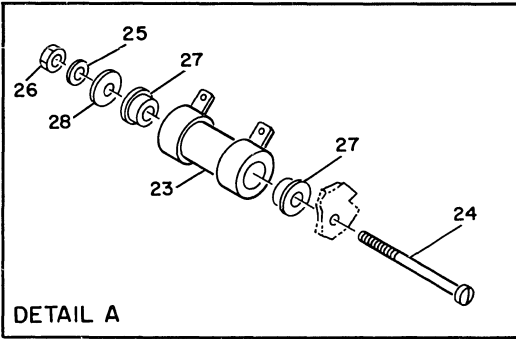
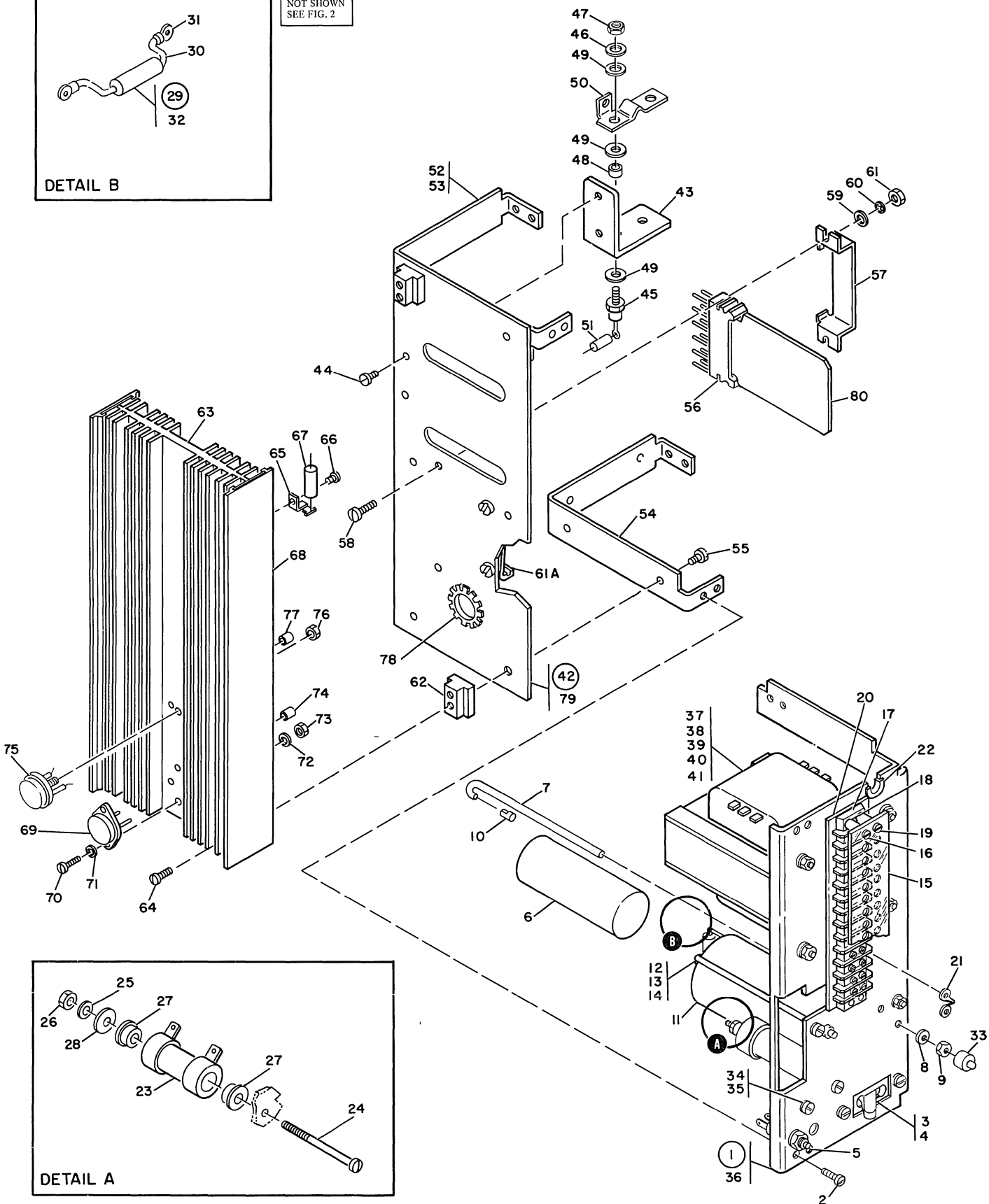


FIGURE 20. 36 VOLT AT 3 AMP POWER SUPPLY ASSEMBLY. SEE LIST 20.

		36 VOLT AT 3 AMP POWER SUPPLY ASSEMBLY	
20	5261160	POWER SUPPLY, 36V AT 3A 60 HZ	REF
-	5261760	POWER SUPPLY, 36V AT 3A 50 HZ FOR ILLUSTRATION SEE FIGURE 20 FOR NEXT HIGHER ASM SEE FIGURE 2-278	REF
-	1 5261164	• COMPONENT MOUNTING PLATE ASSEMBLY	1
-	2 28413	• SCREW, MACH-BIND HD 10-32 X 5/16 LG ATT PT	8
-	3 538830	• CIRCUIT BREAKER- 1 POLE 50V DC 5 AMP	1
-	4 10170	• SCREW-MACH, BIND HD NO. 6-32 X .250 LG ATT PT	4
-	5 441181	• POTENTIOMETER	1
-	6 5261089	• CAPACITOR, ELECTROLYTIC- 10000 UF 6VDC	1
-	7 473432	• CLAMP	2
-	8 62031	• WASHER, LOCK-INT TEETH NO. 6 X 0.295 OD ATT PT	8
-	9 38051	• NUT, PLAIN HEX 6-32 X 1/4 FL W ATT PT	8
-	10 473412	• INSULATOR, CAPACITOR CLAMP	8
-	11 5261087	• CAPACITOR, FXD, ELECT- 3100 UF P75M10% 75V	3
-	12 5247112	• CLAMP, CAPACITOR	6
-	13 62031	• WASHER, LOCK-INT TEETH NO. 6 X 0.295 OD ATT PT	1
-	14 38051	• NUT, PLAIN HEX 6-32 X 1/4 FL W ATT PT	1
-	15 210990	• SHIELD- 13 POSITION	1
-	16 210984	• SCREW, ROUND HD 6-32 X 0.25 LG ATT PT	1
-	17 320461	• TERMINAL BOARD-13 POS	1
-	18 5261167	• STUD- 8-32 X 0.438 LG W/6-32 TAPPED HOLE ATT PT	1
-	19 5261165	• STUD, SHLDR- 8-32 X 0.438 LG THD ATT PT	3
-	20 2101325	• MARKER STRIP, 13 POSITION	1
-	21 472187	• JUMPER-BRASS	2
-	22 730432	• GROMMET, CATERPILLAR	1
-	23 5261099	• RESISTOR, FIXED-WW 0.09 OHMS P/M 10% 25W	1
-	24 438593	• SCREW-MACH-BIND HD NO. 8-32 X 2 1/2 LG ATT PT	1
-	25 60646	• WASHER, LOCK-INT TEETH NO. 8 X 0.340 OD ATT PT	1
-	26 257189	• NUT, HEX 8-32 ATT PT	1
-	27 510468	• WASHER, CUPPED ATT PT	2
-	28 22478	• WASHER, FL- 0.170 ID 0.375 OD 0.032 THK ATT PT	1
-	29 5261185	• RESISTOR ASSEMBLY	1
-	30 113819	• TUBING	2
-	31 334932	• TERMINAL-LUG NO. 18 THRU NO. 22 WIRE INSUL	2
-	32 2102425	• RESISTOR, FIXED, WIREWOUND	1
-	33 5253894	• CAP, SCREW- .280 ID	4
-	34 55726	• SCREW, MACH-BIND HD 6-32 X .188 LG	1
-	35 56722	• WASHER-LOCK, EXT T, .150 ID	1
-	36 5261028	• CHASSIS	1
-	37 5261163	• TRANSFORMER, POWER STEP DOWN 48.2VDC 60HZ	1
-	37 4116427	• TRANSFORMER, 50 HZ	1
-	38 332620	• SCREW, MACH-BIND HD 10-32 X 1/2 LG ATT PT	4
-	39 45690	• WASHER, FL - NO. 10 X 7/16 OD X 1/32 THK ATT PT	4
-	40 9092	• WASHER-LOCK, SPLIT RING, .194 ID .337OD ATT PT	4
-	41 11598	• NUT, HEX, 10-32 X 0.375 FL W ATT PT	4
-	42 5261187	• HEATSINK ASSEMBLY	1
-	43 5261009	• BRACKET-DIODE MOUNTING	1
-	44 10170	• SCREW-MACH, BIND HD NO. 6-32 X .250 LG ATT PT	2
-	45 598479	• SEMICONDUCTOR DEVICE, D10- 150V 10 AMP	2
-	46 3550	• WASHER, FLAT 1/4 ID-9/16-OD-0.05 THICK ATT PT	2
-	47 160017	• NUT, PLAIN, HEX- 1/4-28 X 7/16 FL W ATT PT	2
-	48 473592	• INSULATOR	2
-	49 217017	• WASHER-INSULATING ATT PT	8
-	50 5261606	• JUMPER PLATE	1
-	51 491228	• CAPACITOR, .010 UF	1
-	52 730176	• BRACKET-UNIT SUPPORT	1
-	53 473544	• SCREW, BINDING HEAD SELF TAP NO 6 1/2 IN ATT PT	2
-	54 5261159	• BRACKET-UNIT SUPPORT	1
-	55 473544	• SCREW, BINDING HEAD SELF TAP NO 6 1/2 IN ATT PT	2
-	56 216076	• TERMINAL BLOCK AND CONTACT ASSEMBLY FOR COMPONENT SEE FIG 31-53	1
-	57 477203	• BRACKET	1
-	58 38235	• SCREW, BIND HD, 6-32 X 0.312 LG ATT PT	2
-	59 257986	• WASHER, 0.156 ID X 0.035 THK ATT PT	2
-	60 62031	• WASHER, LOCK-INT TEETH NO. 6 X 0.295 OD ATT PT	2
-	61 38051	• NUT, PLAIN HEX 6-32 X 1/4 FL W ATT PT	2
-	61A 216206	• GUIDE-SINGLE CARD LONG	1
-	62 473531	• INSULATOR	6
-	63 5261078	• HEAT SINK	1
-	64 79779	• SCREW, THD CTG-BIND HD NO. 6 X 3/4 LG ATT PT	6
-	65 478045	• TERMINAL - SOLDER	3
-	66 70078	• SCREW, THD FORMING-BIND HD ATT PT	3
-	67 483247	• RESISTOR, FXD WW-0.75 OHMS P/M 5% 5W	3
-	68 473536	• SEAL	AR
-	69 369616	• TRANSISTOR-TYPE 119	1
-	70 322550	• SCREW, BD HD 6-32 X 0.500 LG ATT PT	2
-	71 257986	• WASHER, 0.156 ID X 0.035 THK ATT PT	2
-	72 6364	• WASHER, LOCK-SPLIT NO. 6 X 1/4 OD ATT PT	2
-	73 38051	• NUT, PLAIN HEX 6-32 X 1/4 FL W ATT PT	2
-	74 219423	• TUBE, RUBBER- 0.085 ID X 0.120 OD X 2 LG	2
-	75 369214	• TRANSISTOR, TYPE 108	3
-	76 11891	• NUT, PLAIN, HEX- 10-32 X 3/8 FL W BRS ATT PT	3
-	77 219423	• TUBE, RUBBER- 0.085 ID X 0.120 OD X 2 LG	6
-	78 473533	• GROMMET	1
-	79 5261049	• COVER-AIR SEAL	1
-	80 374568	• CARD ASM	1
ASSEMBLY COMPONENTS ARE NOT REPLACEABLE			

FOR PARTS
NOT SHOWN
SEE FIG. 2

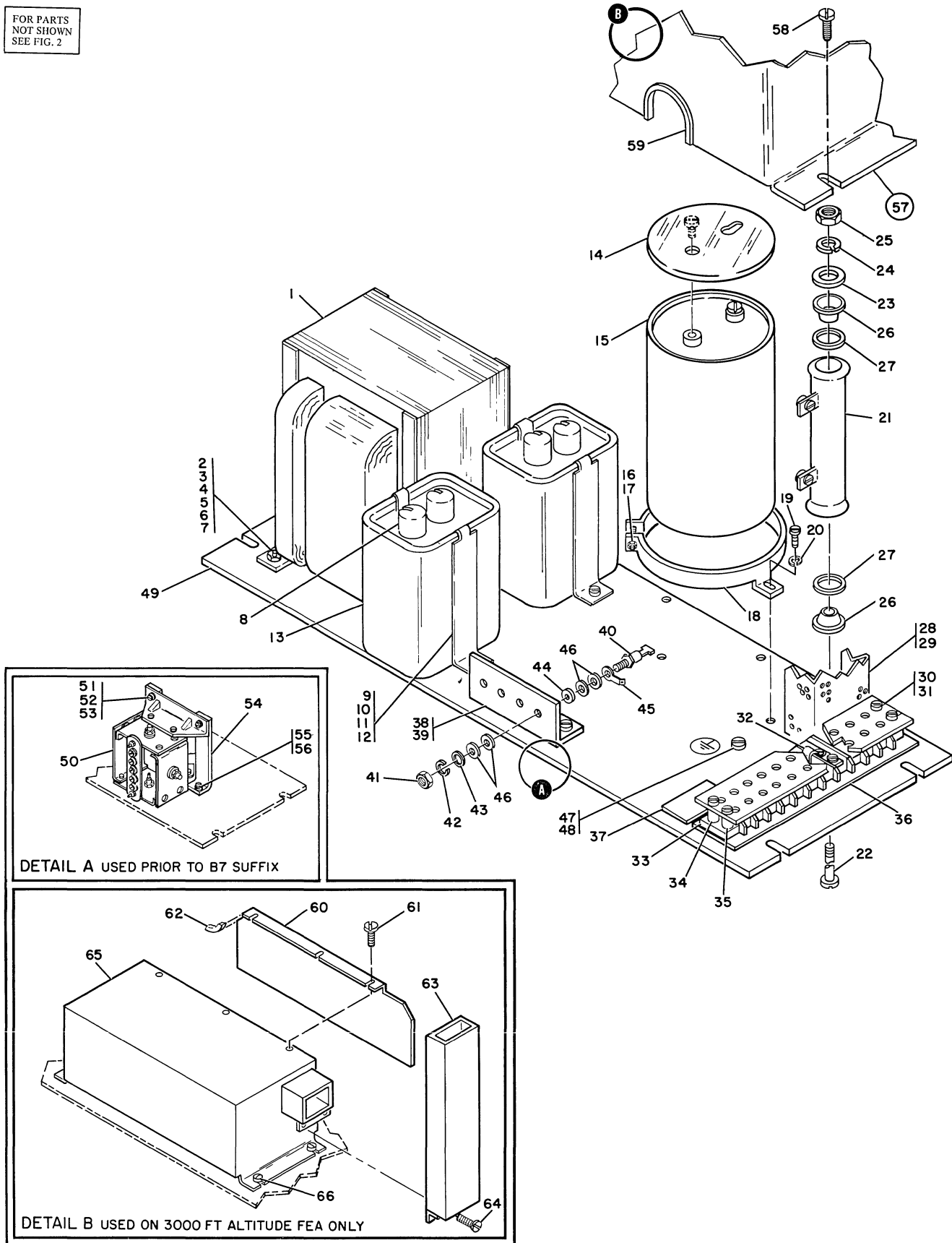
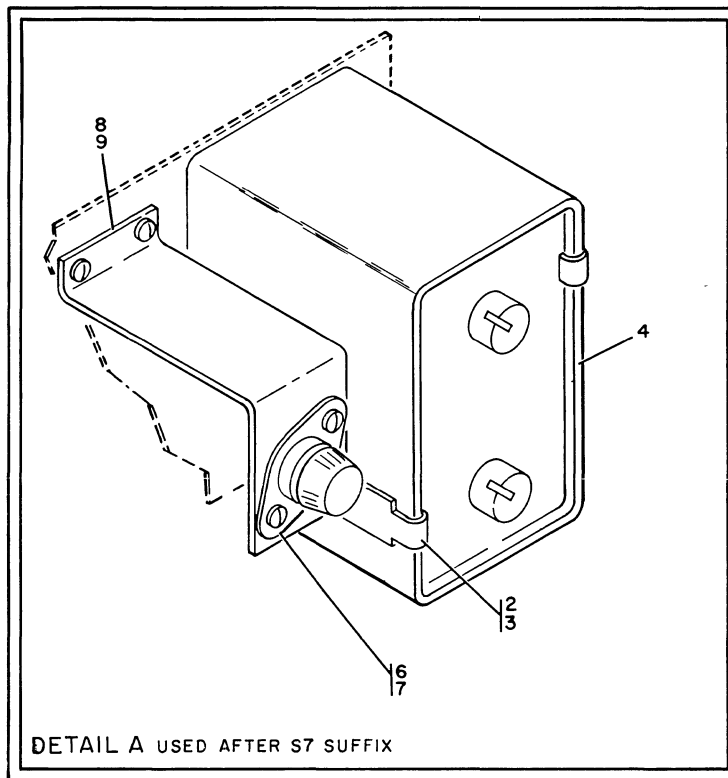
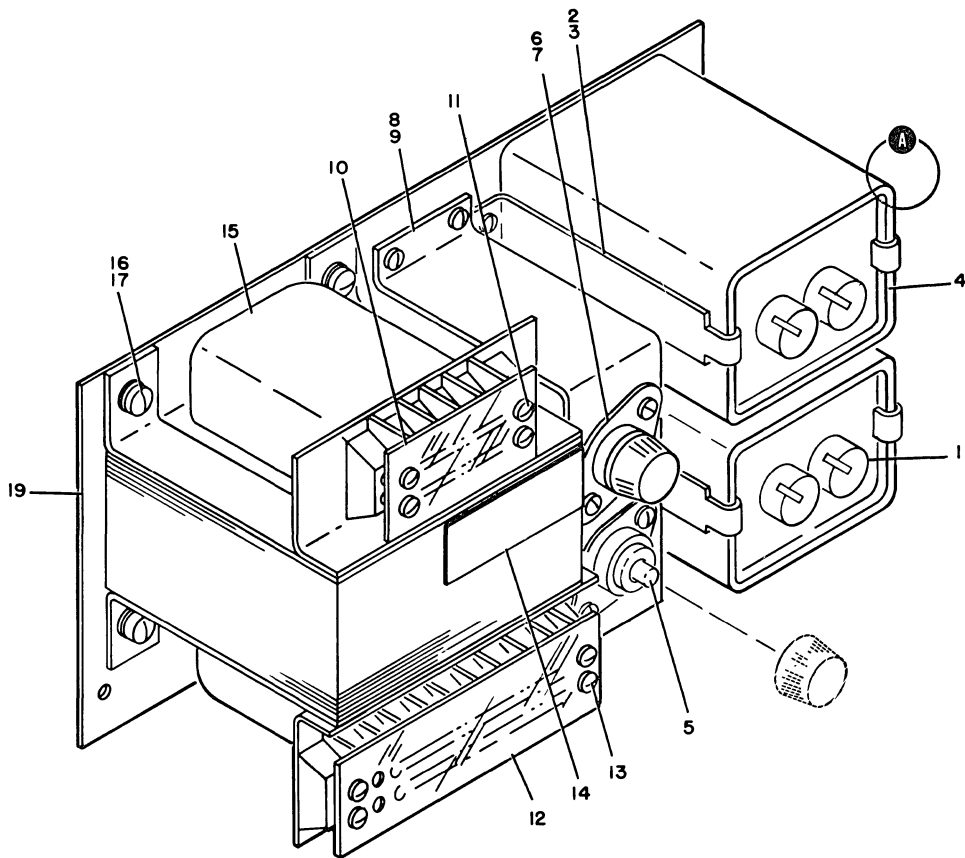


FIGURE 21. 48V AT 6AMP POWER SUPPLY ASSEMBLY. SEE LIST 21.

LIST AND INDEX NUMBER	PART NUMBER	DESCRIPTION	UNITS PER ASM.	USABLE ON CODE
		48V AT 6AMP POWER SUPPLY ASSEMBLY		
21 -		CODE A USED ON 60 HZ CODE B USED ON 50 HZ CODE C USED ON OVER 3,000 FT ALTITUDE ATT		
-	196403	CODE 1 USED PRIOR TO B7 SUFFIX CODE 2 USED FROM B7 TO CURRENT POWER SUPPLY ASM,48V 6A 60HZ	REF	
-	5709490	POWER SUPPLY ASM,48V 6A 50HZ FOR ILLUSTRATION SEE FIGURE 21 FOR NEXT HIGHER ASM SEE FIGURE 2-158	REF	
- 1	196489	• REGULATOR,FERRORESONANT-306VA,60HZ	1	
- 1	361687	• REGULATOR,FERRORESONANT-306VA,50HZ	1	
- 2	367	• SCREW,MACH-FL CSK HD 10-32 X 5/8 LG	4	
- 3	45690	• WASHER, FL - NO.10 X 7/16 OD X 1/32 THK	4	B
- 3	1071644	• WASHER,FL- 3/16 ID X 5/8 OD X 3/64 THK	4	A
- 4	3550	• WASHER,FLAT 1/4 ID-9/16-OD-0.05 THICK	4	B
- 5	56079	• WASHER-LOCK,EXT T .204 ID .410 OD	1	B
- 6	9092	• WASHER-LOCK,SPLIT RING, .194 ID .3370D	AR	
- 7	11598	• NUT,HEX,10-32 X 0.375 FL W	4	
- 8	526378	• CAP	4	
- 9	524928	• BRACKET,CAPACITOR MTG	4	
- 10	38457	• SCREW,MACH-FH 8-32 X 3/4 LG	4	
- 11	1090873	• WASHER, LOCK - .168 ID X .296 OD	4	
- 12	6503	• NUT,PLAIN,HEX- 8-32 X 1/4 FL W	4	
- 13	207361	• CAPACITOR	2	
- 14	631769	• SHIELD,CAPACITOR	2	
- 15	140470	• CAPACITOR,FXD,ELECT- 8000 UF P75M10% 55V	1	
- 15	5708947	• CAPACITOR, ELECTROLYTIC, 15,000MFD 55VDC	1	
- 16	55726	• SCREW,MACH-BIND HD 6-32 X .188 LG	2	
- 17	6364	• WASHER,LOCK-SPLIT NO. 6 X 1/4 OD	2	
- 18	2156757	• CLAMP,CAPACITOR	1	
- 19	55726	• SCREW,MACH-BIND HD 6-32 X .188 LG	2	
- 20	6364	• WASHER,LOCK-SPLIT NO. 6 X 1/4 OD	2	
- 21	222553	• RESISTOR,FXD,WW- 100 OHMS P/M 10% 50W	1	
- 22	361938	• SCREW,MACH-CSK FH 8-32 X 4-1/2 LG	1	
- 23	131713	• WASHER,FL- 3/16 ID X 11/16 OD X 1/16 THK	1	
- 24	1090873	• WASHER, LOCK - .168 ID X .296 OD	1	
- 25	257189	• NUT, HEX 8-32	1	
- 26	507144	• WASHER-CENTERING 0.173 ID X 5/8 OD	2	
- 27	442958	• INSULATOR,WASH- 7/16 ID 3/4 OD 1/32 THK	2	
- 28	5762445	• SHIELD,RESISTOR	1	
- 29	221790	• SCREW,MACH-BIND HD 8-32 X 3/16 LG	2	
- 30	210990	• SHIELD- 13 POSITION	1	
- 31	210984	• SCREW,ROUND HD 6-32 X 0.25 LG	1	
- 32	472187	• JUMPER-BRASS	1	A
- 33	320461	• TERMINAL BOARD-13 POS	1	
- 34	210985	• STUD, EXT 8-32 X 1/2 INT 6-32 X 0.19 DP	1	
- 35	210986	• STUD, SLOTTED 8-32 X 1/2 LG THREAD	3	
- 36	2101325	• MARKER STRIP,13 POSITION	1	
- 37	801652	• LABEL	1	A
- 38	5762093	• BRACKET,SEMICONDUCTOR MTG	2	
- 39	186759	• SCREW,MACH-BIND HD 8-32 X 5/16 LG	2	2
- 40	598479	• SEMICONDUCTOR DEVICE,D10- 150V 10 AMP	4	2
- 41	11598	• NUT,HEX,10-32 X 0.375 FL W	4	2
- 42	9092	• WASHER-LOCK,SPLIT RING, .194 ID .3370D	2	2
- 43	45690	• WASHER, FL - NO.10 X 7/16 OD X 1/32 THK	4	2
- 44	473582	• INSULATOR	4	2
- 45	316996	• TERMINAL,LUG-NONINS 9AWG NO. 8 MTG HOLE	4	2
- 46	533372	• WASHER,INSUL	16	2
- 47	10170	• SCREW-MACH,BIND HD NO. 6-32 X .250 LG	1	
- 48	6364	• WASHER,LOCK-SPLIT NO. 6 X 1/4 OD	1	
- 49	196444	• CHASSIS,POWER SUPPLY	1	
- 50	196642	• RECTIFIER,SILICON- 4-1-1 BRIDGE	1	1
- 51	32042	• SCREW, MACH BIND. HD 10-32 X 3/8 LG.	2	1
- 52	45690	• WASHER, FL - NO.10 X 7/16 OD X 1/32 THK	2	1
- 53	9092	• WASHER-LOCK,SPLIT RING, .194 ID .3370D	2	1
- 54	196466	• BRACKET-RECTIFIER MTG	2	1
- 55	38235	• SCREW,BIND HD,6-32 X 0.312 LG	2	1
- 56	6364	• WASHER,LOCK-SPLIT NO. 6 X 1/4 OD	2	1
		COMPONENTS NOT INCLUDED WITH ASSEMBLY		
- 57	2194630	SHIELD,48V POWER SUPPLY	1	A
- 57	2195098	SHIELD,48V POWER SUPPLY USED UNDER 3,000 FT ALTITUDE	1	B
- 58	2181004	SCREW,THREAD FORMING,10-32 X 0.38 LG	4	
- 59	2175867	• GROMMET,NYLON	1	A
- 60	2183664	COVER,REAR	1	C
- 61	731626	SCREW, PAN HEAD, 6-32 X .25 LONG	3	C
- 62	2175867	GROMMET,NYLON	1	C
- 63	2183661	DUCT,AIR	1	C
- 64	731626	SCREW, PAN HEAD, 6-32 X .25 LONG	4	C
- 65	2183663	SHIELD,POWER SUPPLY 60 HZ	1	C
- 65	2183662	SHIELD,POWER SUPPLY 50 HZ	1	C
- 66	2181004	SCREW,THREAD FORMING,10-32 X 0.38 LG	4	C

FOR PARTS
NOT SHOWN
SEE FIG. 2



DETAIL A USED AFTER S7 SUFFIX

FIGURE 22. 7.25V AT 25AMP POWER SUPPLY ASSEMBLY. SEE LIST 22.

LIST AND INDEX NUMBER	PART NUMBER	DESCRIPTION				UNITS PER ASM.	USABLE ON CODE
		1	2	3	4		
		7.25V AT 25AMP POWER SUPPLY ASSEMBLY					
22 -		CODE A USED ON 60 HZ CODE B USED ON 50 HZ CODE 1 USED PRIOR TO S7 SUFFIX CODE 2 USED FROM S7 TO CURRENT					
-	5708960	POWER SUPPLY ASM, 7.25V AT 25A 60HZ				REF	
-	5708992	POWER SUPPLY ASM, 7.25V AT 25A 50HZ				REF	
		FOR ILLUSTRATION SEE FIGURE 22 FOR NEXT HIGHER ASM SEE FIGURE 2-188					
- 1	526378	. CAP				AR	
- 2	524928	. BRACKET,CAPACITOR MTG				4	1
- 2	517197	. BRACKET-CAPACITOR MOUNTING				2	2
- 3	322550	. SCREW,BD HD 6-32 X 0.500 LG				4	1
- 3	10170	. SCREW-MACH,BIND HD NO. 6-32 X .250 LG				2	2
- 4	477202	. CAPACITOR,15MFD P/M 6 PCT 330V AC				2	1
- 4	361536	. CAPACITOR, PAPER-30 UF 330VAC				1	2
- 5	107664	. FUSE,3.2 AMP, LONG TIME LAG,				AR	B
- 6	104615	. FUSEHOLDER				AR	B
- 7	38235	. SCREW,BIND HD,6-32 X 0.312 LG				AR	
- 8	5708924	. BRACKET, FUSE MTG				1	B
- 9	10170	. SCREW-MACH,BIND HD NO. 6-32 X .250 LG				AR	
- 10	187858	. SHIELD,TERMINAL BLOCK- 4 POSITION				1	B
- 11	210984	. SCREW,ROUND HD 6-32 X 0.25 LG				AR	
- 12	603683	. SHIELD,TERMINAL BLOCK- 14 POSITION				1	A
- 12	186945	. SHIELD,TERMINAL BLOCK- 8 POSITION				1	B
- 13	210984	. SCREW,ROUND HD 6-32 X 0.25 LG				1	
- 14	801652	. LABEL				1	A
- 14	5240513	. LABEL				1	B
- 15	5708922	. TRANSFORMER,208V/230V 60 HZ				1	A
- 15	5708991	. TRANSFORMER,FERRORESONANT REG. 50 HZ				1	B
- 16	28413	. SCREW,MACH-BIND HD 10-32 X 5/16 LG				4	
- 17	56079	. WASHER-LOCK,EXT T .204 ID .410 OD				4	
- 19	5708923	. CHASSIS, POWER SUPPLY				1	

FOR PARTS
NOT SHOWN
SEE FIG. 2

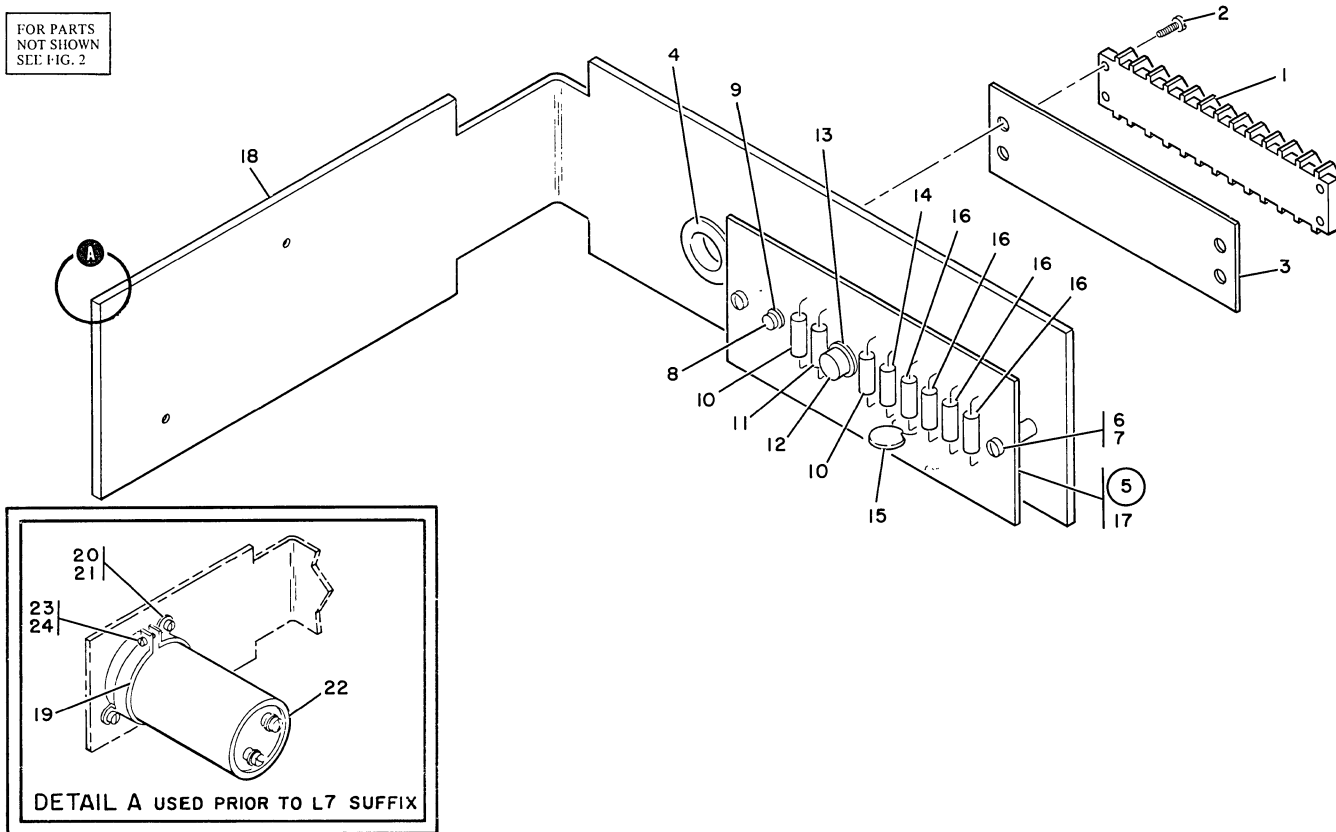


FIGURE 23. STORAGE PROTECTION DEVICE ASSEMBLY. SEE LIST 23.

LIST AND INDEX NUMBER	PART NUMBER	DESCRIPTION	UNITS PER ASM.				USABLE ON CODE
			1	2	3	4	
		STORAGE PROTECTION DEVICE ASSEMBLY					
23 -		CODE 1 USED PRIOR TO L7 SUFFIX CODE 2 USED FROM L7 TO CURRENT					
-	2194681	PROTECTION DEVICE ASM.STORAGE FOR ILLUSTRATION SEE FIGURE 23 FOR NEXT HIGHER ASM SEE FIGURE 2-287					REF
- 1	317232	• TERMINAL BOARD- 6 DBL SCREW TERMINALS					1
- 2	35739	• SCREW,MACH-BIND HD 6-32 X 15/16 LG					4
- 3	589715	• STRIP-MARKER					1
- 4	317138	• GROMMET,RUB-FOR 7/16 HOLE X 1/8 PNL					1
- 5	2194782	• CARD ASSEMBLY					1
- 6	438551	• SCREW,MACH-BIND HD 4-40 X 5/8 LG					2
- 7	1106361	• SPACER,0.14 ID X 0.37 LG					2
- 8	369194	• TRANSISTOR					1
- 9	483070	• SPACER, TRANSISTOR					1
- 10	216460	• RESISTOR, 4.7K OHM, 1/4W, 5%					2
- 11	216445	• RESISTOR,FXD COMP-1.0K OHMS P/M 5% 0.25W					1
- 12	318325	• TRANSISTOR,TYPE 083					1
- 13	811399	• INSULATOR					1
- 14	216472	• RESISTOR,FXD COMP-15K OHMS P/M 5% 0.25W					1
- 15	492447	• CAPACITOR,DISC 0.1 MED P 70 M30 PCT					1 2
- 16	2111232	• DIODE SILICON TYPE AM					4
- 17	2194783	• CARD-ETCHED STORAGE PROTECT					1
- 18	2194682	• CHASSIS,STORAGE THE FOLLOWING PARTS ARE FEATURES ONLY					1
- 18		BRACKET					
- 19	301768	SCREW-MACH,BIND HD NO. 6-32 X .250 LG					1 1
- 20	10170	WASHER-LOCK,EXT T, .150 ID					2
- 21	56722	WASHER-LOCK,EXT T, .150 ID					4
- 22	2173920	CAPACITOR,ELECT- 10,000 UF 6V DC,ALUM					1 1
- 23	322065	SCREW,MACH-BIND HD 6-32 X 5/8 LG					1
- 24	257187	NUT,HEX 6-32 NC					1

FOR PARTS
NOT SHOWN
SEE FIG 2

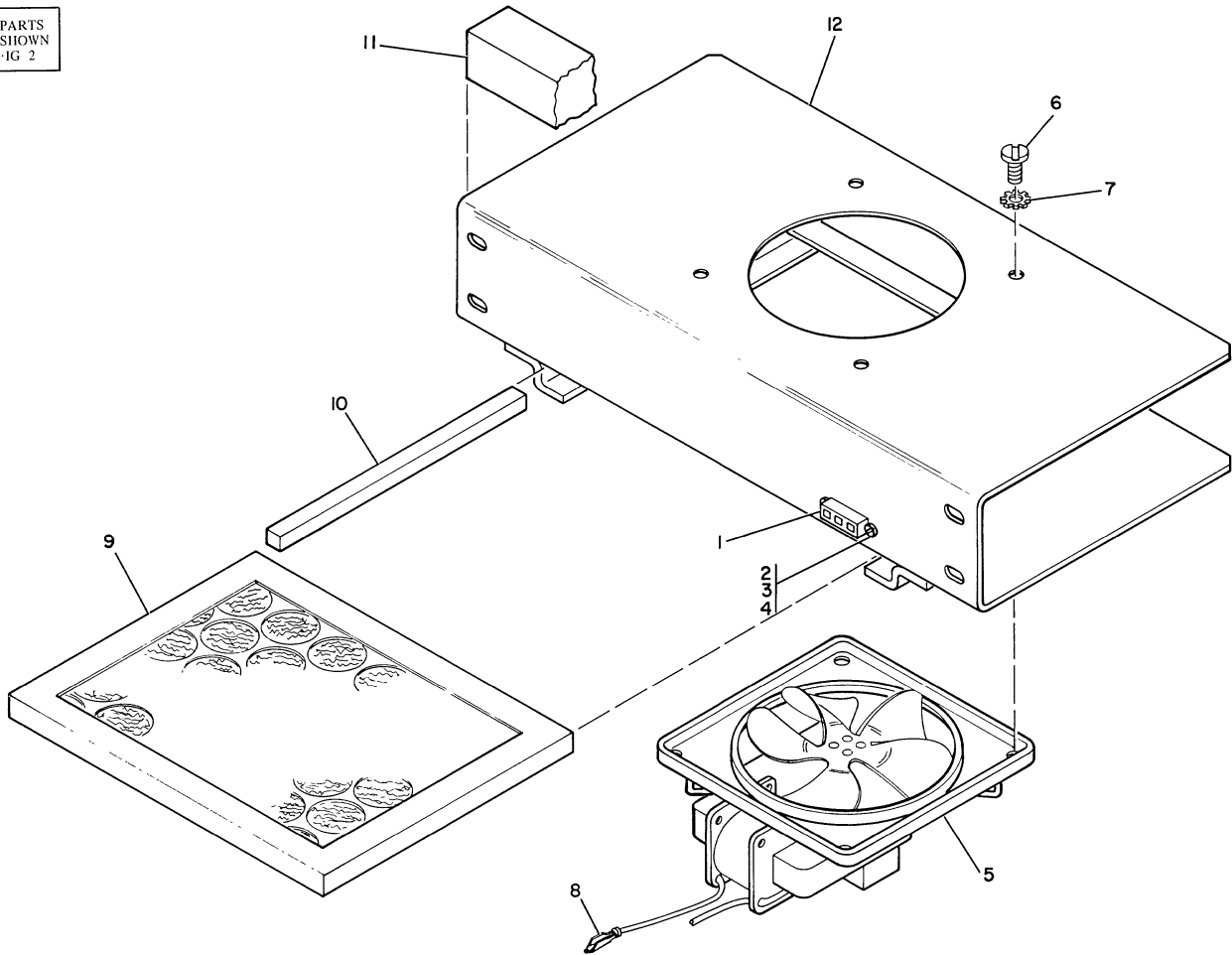
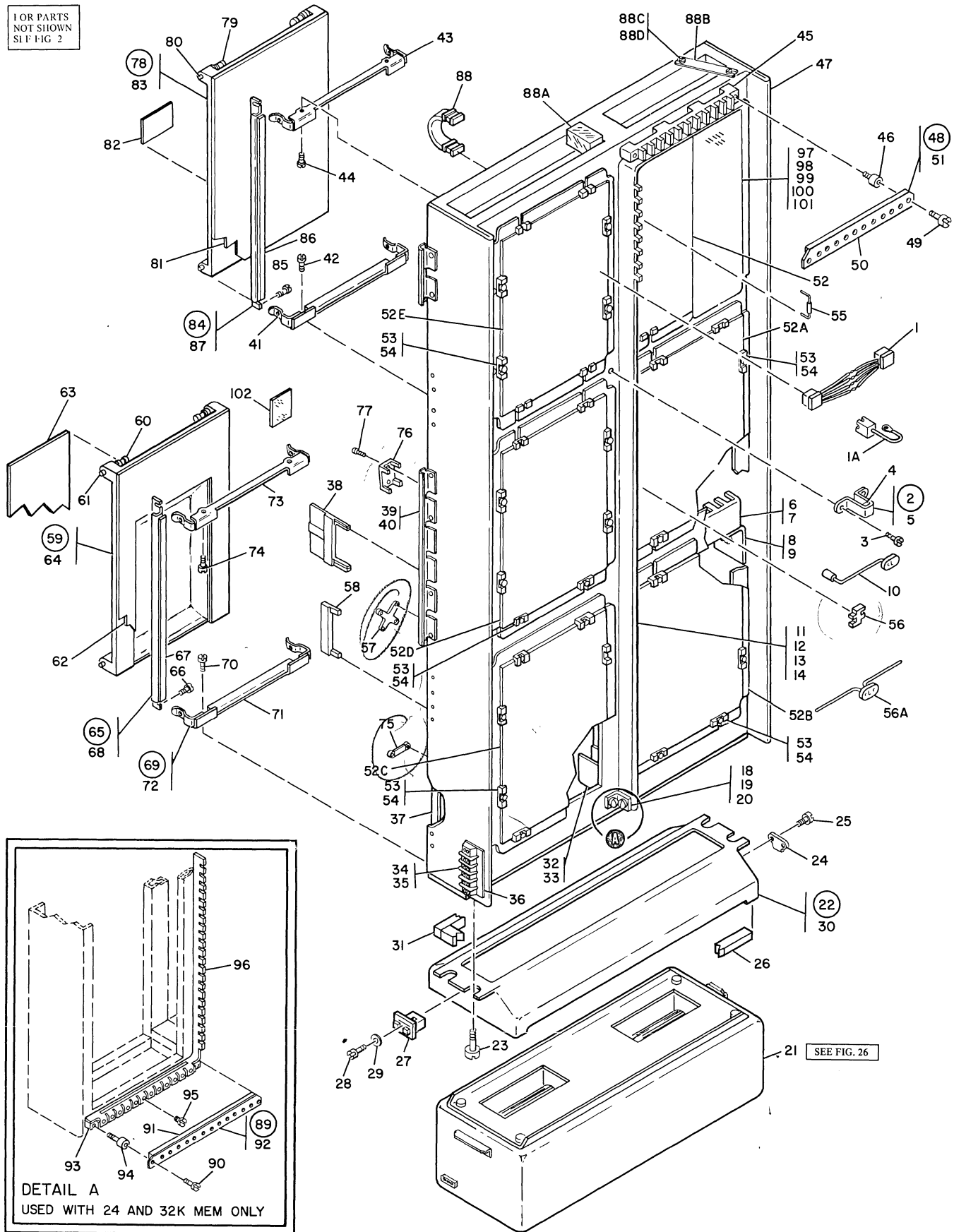


FIGURE 24. BLOWER ASSEMBLY. SEE LIST 24.

LIST AND INDEX NUMBER	PART NUMBER	DESCRIPTION				UNITS PER ASM.	USABLE ON CODE
		1	2	3	4		
		BLOWER ASSEMBLY					
24 -	2194665	BLOWER ASSEMBLY 60HZ				REF	
-	2194750	BLOWER ASSEMBLY 50HZ				REF	
		FOR ILLUSTRATION SEE FIGURE 24					
		FOR NEXT HIGHER ASM SEE FIG 2-283					
- 1	5353853	• HOUSING				1	
- 2	322065	• SCREW,MACH-BIND HD 6-32 X 5/8 LG				2	ATT PT
- 3	257187	• NUT,HEX 6-32 NC				2	ATT PT
- 4	62031	• WASHER,LOCK-INT TEETH NO. 6 X 0.295 OD				2	ATT PT
- 5	5353877	• MOTOR,FAN,60HZ				1	
- 5	4120171	• MOTOR,FAN,50HZ				1	
- 6	322550	• SCREW,BD HD 6-32 X 0.500 LG				4	ATT PT
		USED ON ASM 2194665					
- 6	322551	• SCREW,BIND HD 6-32 X 0.75 LONG				4	ATT PT
		USED ON ASM 2194750					
- 7	56722	• WASHER-LOCK,EXT T, .150 ID				4	ATT PT
- 8	5353854	• CONTACT, MALE 16-20 WIRE				2	
- 9	5357064	• FILTER,AIR,8.30 X 5.91				1	
- 10	2157643	• SEAL				1	
- 11	2195292	• SEAL-POWER SUPPLY				1	
- 12	2194610	• HOUSING,FAN				1	

FOR PARTS
NOT SHOWN
SEE FIG. 2



DETAIL A
USED WITH 24 AND 32K MEM ONLY

FIGURE 25. A,B,C,D GATE ASSEMBLIES. SEE LIST 25.

LIST AND INDEX NUMBER	PART NUMBER	DESCRIPTION				UNITS PER ASM.	USABLE ON CODE
		1	2	3	4		
		A,B,C,D GATE ASSEMBLIES					
25 -		CODE A USED ON GATE A					
		CODE B USED ON GATE B					
		CODE C USED ON GATE C					
		CODE D USED ON GATE D					
		CODE E USED ON GATES A,B AND 1802 D GATE ONLY					
		CODE F-24K,32K-2,4 MICRO SEC. CORE STORAGE					
		CODE G-24K,32K CORE STORAGE ONLY					
		CODE H USED ON GATE A W/ANALOG DGTL CNVTR FEA					
-	2194908	A GATE ASSEMBLY 60 HZ				REF	
-	2194914	A GATE ASSEMBLY,50 HZ				REF	
		FOR NEXT HIGHER ASM SEE FIGURE 2-260					
-	2194909	B GATE ASSEMBLY,60 HZ				REF	
-	2194915	B GATE ASSEMBLY,50 HZ				REF	
		FOR NEXT HIGHER ASM SEE FIGURE 2-214					
-	2194910	C GATE ASSEMBLY,60 HZ				REF	
-	2194916	C GATE ASSEMBLY,50 HZ				REF	
		FOR NEXT HIGHER ASM SEE FIGURE 2-259					
-	2194912	D GATE ASSEMBLY,1801,60 HZ				REF	
-	2195018	D GATE ASSEMBLY,1802,60 HZ				REF	
-	2194917	D GATE ASSEMBLY,1801,50 HZ				REF	
-	2195024	D GATE ASSEMBLY,1802,50 HZ				REF	
		FOR NEXT HIGHER ASM SEE FIGURE 2-258					
		FOR ILLUSTRATION SEE FIGURE 25					
- 1	811621	. CROSSOVER ASM,BUS TO BOARD,DOUBLE				AR	
- 1	815082	. VOLTAGE CROSSOVER				AR	
		FOR COMPONENTS SEE FIG 31-21, 33,37,59A,61A					
- 1A	2196049	. JUMPER ASM, GATE SINGLE				AR	
- 1A	2196050	. JUMPER ASM,VOLTAGE CONNECTOR				AR	
- 1A	2196051	. JUMPER ASM,VOLTAGE CONNECTOR				4	C
- 1A	2196052	. JUMPER ASM, GATE DOUBLE				AR	D
- 2	811554	. STRAP ASSEMBLY,BUS				AR	
- 3	731626	. SCREW, PAN HEAD, 6-32 X .25 LONG				ATT PT	
- 4	811553	. . PAD. FOAM				1	
- 5	811423	. . STRAP				1	
- 6	2195209	. RACEWAY				AR	
- 7	38433	. SCREW,MACH-FH 4-40 X 1/4 LG				ATT PT	
- 8	811541	. BAFFLE-END				AR	
		USED ON GATES A AND B					
- 9	251970	. SCREW,BD HD 4-40 X 0.250 LG				ATT PT	2
- 10	2196053	. JUMPER ASM,VOLTAGE CONNECTOR				1	
		FOR COMPONENTS SEE FIG 31-21,33,37					
		USED ON GATES A AND C					
- 10	2196047	. JUMPER ASM,VOLTAGE CONNECTOR				2	C
		FOR COMPONENTS SEE FIG 31-20,21,33					
- 10	2196048	. JUMPER ASM,VOLTAGE CONNECTOR				2	C
		FOR COMPONENTS SEE FIG 31-20,21,33					
- 10	2196054	. JUMPER ASM,VOLTAGE CONNECTOR				AR	
		FOR COMPONENTS SEE FIG 31-21,33,37					
		USED ON GATES C AND D					
- 10	2196056	. JUMPER ASM,VOLTAGE CONNECTOR				1	C
		FOR COMPONENTS SEE FIG 31-21,33,37					
- 10	2196055	. JUMPER ASM, GATE DOUBLE				AR	D
		FOR COMPONENTS SEE FIG 31-37					
- 11	811520	. BUS BAR ASM-VERTICAL				1	A
		ASSEMBLY COMPONENTS ARE NOT REPLACEABLE					
- 11	811530	. BUS ASSEMBLY,VERTICAL				1	
		USED ON GATES B,C AND D					
		ASSEMBLY COMPONENTS ARE NOT REPLACEABLE					
- 12	438550	. SCREW,MACH-BIND HD 4-40 X 1/2 LG				ATT PT	1
- 13	37913	. NUT, HEX 4-40 NC				ATT PT	1
- 14	257985	. WASHER,FL-NO. 4 0.25 OD X 0.028 TH				ATT PT	1
- 18	811742	. SUPPORT				1	
- 19	2181005	. SCREW, SELF TAPPING, 6-32 X .375 LG.				ATT PT	AR
- 20	257986	. WASHER,0.156 ID X 0.035 THK				ATT PT	1
- 21	5357002	. COOLING UNIT ASM,60 HZ				1	
- 21	5468301	. COOLING UNIT ASM,50 HZ				1	
		FOR DETAIL BREAKDOWN SEE FIG 26					
- 22	5357034	. HEADER ASSEMBLY				1	
- 23	2181012	. SCREW, SELF TAPPING, 8-32 X .437 LG.				ATT PT	4
- 24	5349887	. . STRIKE-FAN HOUSING				1	
- 25	5357136	. . SCREW,PAN HD 4-40 X 0.187 THK				ATT PT	2
- 26	5313928	. . GASKET				AR	
- 27	472168	. . CLAMP-CABLE				1	
- 28	112628	. . SCREW,THD FORMING,PAN HD,4-40 X 0.38 LG				ATT PT	1
- 29	338169	. . WASHER,LOCK-EXT TEETH NO. 4 X 9/32 OD				ATT PT	1
- 30	5357038	. . HEADER				1	
- 31	2157643	. SEAL				AR	
- 32	2195291	. BAFFLE-CENTER GATE STEEL				1	E
- 33	5350006	. SCREW, SELF TAPPING, 6-32 X .250 LONG				ATT PT	2

LIST AND INDEX NUMBER	PART NUMBER	DESCRIPTION				UNITS PER ASM.	USABLE ON CODE
		1	2	3	4		
A,B,C,D GATE ASSEMBLIES -CONT							
25 - 34	317485	. TERMINAL BLOCK, 4 POSITION				1	D
- 34	323840	. TERMINAL BOARD- 2 DBL SCREW TERMINALS				1	C
- 35	527916	. MARKER STRIP- 4 POS NOS. 1 THRU 4 ATT PT				4	
- 36	527916	. MARKER STRIP- 4 POS NOS. 1 THRU 4				1	D
- 36	322278	. STRIP				1	C
- 37	811442	. SEAL,FOAM,0.38 X 0.25 X 12.25 LG				AR	
- 38	811363	. EXTENDER, CARD, 6 PAC				AR	A
- 39	2194941	. CLAMP,BASE,SINGLE				5	
- 39	2194994	. CLAMP,BASE,SIX SEGMENT				1	
- 39	2194615	. CLAMP,BASE,DOUBLE USED ON GATES B,C AND D				1	
- 40	2181005	. SCREW, SELF TAPPING, 6-32 X .375 LG. ATT PT				AR	
- 41	811852	. BRACKET-HINGE				AR	E
- 41	811854	. BRACKET-HINGE				AR	C
- 41	2194921	. BRACKET ASM,HINGE LOWER-MEMORY 1.25				1	B
- 41	2194921	. BRACKET ASM,HINGE LOWER-MEMORY 1.25				1	
- 42	811426	. SCREW,MACH-PAN HD 6-32 X 3/8 IN. LG ATT PT				AR	
- 43	811853	. BRACKET-HINGE				AR	E
- 43	811855	. BRACKET-HINGE				AR	C
- 44	811426	. SCREW,MACH-PAN HD 6-32 X 3/8 IN. LG ATT PT				AR	
- 45	811476	. TERMINAL BLOCK,12 POS. SINGLE SCREW				1	
- 46	811536	. STANDOFF				2	
- 47	2194619	. GATE ASSEMBLY-WELDMENT 3X2 ASSEMBLY COMPONENTS ARE NOT REPLACEABLE				1	
THE FOLLOWING PARTS ARE FEATURES ONLY							
- 48	811556	SHIELD ASM, 12 POS				1	
- 49	10170	SCREW-MACH,BIND HD NO. 6-32 X .250 LG ATT PT				2	
- 50	811555	. SEAL,FOAM,0.31 X 0.38 X 7.63 LG				1	
- 51	811534	. SHIELD,12 POS				1	
- 52	2202896	BOARD ASM,ANALOG DGTL CNVTR,MOD I AND II				1	A
- 52	2202903	BOARD ASM,60B-A1				1	B
- 52	2202911	BOARD ASM,60C-A1				1	C
- 52	2202916	BOARD ASM,1054/1055 ADAPTER.				1	D
- 52	2202924	BOARD ASM,1442 ADPT,(60C-B2 OR 60D-A1) ASSEMBLY COMPONENTS ARE NOT REPLACEABLE				AR	
- 52	2227451	CHIMNEY				AR	
- 52A	2202915	BOARD ASM,ANALOG INPUT				1	A
- 52A	2202893	BOARD ASM,60B-A2				1	B
- 52A	2181871	BOARD ASM,60C-A2-411898,DI/DAO BASIC				1	C
- 52A	2181786	BOARD ASM,PULSE CNTR ADPT-1801 ONLY				1	D
- 52A	2181864	BOARD ASM,PROC INT,(60D-A2 OR 60D-B3) 1801 ONLY				AR	D
- 52A	2181851	BOARD ASM,02D-A2,1802 ONLY ASSEMBLY COMPONENTS ARE NOT REPLACEABLE				1	D
- 52A	2227451	CHIMNEY,1801 ONLY				AR	
- 52B	5442421	CORE STORAGE,8K,16K,24K,32K-2 MICRO SEC.				1	A
- 52B	5442423	CORE STORAGE,8K,16K,24K,32K-4 MICRO SEC.				1	A
- 52B	5442442	CORE STORAGE,4K-4 MICRO SEC.				1	B
- 52B	2510230	CORE STORAGE,4K-2 MICRO SEC.				1	B
- 52B	5442421	CORE STORAGE,8K,16K,24K,32K-2 MICRO SEC.				1	B
- 52B	5442423	CORE STORAGE,8K,16K,24K,32K-4 MICRO SEC.				1	B
- 52B	2182609	BOARD ASM,60C-A3,415198,DI/DAO BASIC				1	C
- 52B	2181778	BOARD ASM,DGTL OUTPUT ADPT,(60D-A3 OR 60D-B3)1801 ONLY				1	D
- 52B	2181853	BOARD ASM,02D-A3,1802 ONLY ASSEMBLY COMPONENTS ARE NOT REPLACEABLE				1	D
- 52B	2227451	CHIMNEY,1801 ONLY				AR	
- 52C	5442421	CORE STORAGE,8K,16K,24K,32K-2 MICRO SEC.				1	
- 52C	5442423	CORE STORAGE,8K,16K,24K,32K-4 MICRO SEC. USED ON GATES A AND B				1	
- 52C	2181869	BOARD ASM,60C-B3,411926,DI/DAO BASIC				1	C
- 52C	2181778	BOARD ASM,DGTL OUTPUT ADPT,(60D-A3 OR 60D-B3)1801 ONLY				1	D
- 52C	2181786	BOARD ASM,PULSE COUNTER ADPT,1801 ONLY				1	D
- 52C	2181864	BOARD ASM,PROC INT,(60D-A2 OR 60D-B3)1801 ONLY				1	D
- 52C	2181866	BOARD ASM,DGTL INPUT ADPT,(60D-B2 OR 60D-B3)1801 ONLY				1	D
- 52C	2181857	BOARD ASM,02D-B3,1802 ONLY ASSEMBLY COMPONENTS ARE NOT REPLACEABLE				1	D
- 52C	2227451	CHIMNEY,1801 ONLY				AR	
- 52D	2202913	BOARD ASM,ANALOG INPUT				1	A
- 52D	2202895	BOARD ASM,60B-B2				1	B
- 52D	2202924	BOARD ASM,1442 ADPT,(60C-B2 OR 60D-A1)				1	C
- 52D	2181866	BOARD ASM,DGTL INPUT ADPT(60D-B2 OR 60D-B3)1801 ONLY				1	D
- 52D	2181855	BOARD ASM,60D-B2,1802 ONLY ASSEMBLY COMPONENTS ARE NOT REPLACEABLE				1	D
- 52D	2227451	CHIMNEY,1801 ONLY				AR	

LIST AND INDEX NUMBER	PART NUMBER	DESCRIPTION	UNITS PER ASM.	USABLE ON CODE
1	2	3	4	
		A,B,C,D GATE ASSEMBLIES -CONT		
25 - 52E	2202900	BOARD ASM,60A-B1	1	A
- 52E	2202905	BOARD ASM,60B-B1	1	B
- 52E	2202908	BOARD ASM,1443/1627 ADPT	1	C
- 52E	2202911	BOARD ASM,OUTPUT PRINTER ASSEMBLY COMPONENTS ARE NOT REPLACEABLE	1	D
- 52E	2227451	CHIMNEY	AR	
- 53	813179	CLAMP-BOARD	AR	
- 54	811417	SCREW,HEX SOCKET H- 6-32 X 1/2 LG	ATT PT	
- 55	492566	CAPACITOR,TANTALUM,100 MFD 10% 10VOLTS USED WITH DIGITAL OUTPUT ADAPTER	3	
- 56	811600	COUPLING CAPACITOR ASM	AR	
- 56A	2195466	ASSEMBLY COMPONENTS ARE NOT REPLACEABLE JUMPER ASM, GATE DOUBLE FOR COMPONENTS SEE FIG 31-37	AR	
- 57	813519	RETAINER,CABLE	AR	
- 58	811802	GUIDE-CARD,6 PAC	AR	
- 58	811804	GUIDE, CARD	AR	
- 59	2194920	CARD COVER ASSEMBLY-MEMORY 1.25	AR	
- 60	815963	. CATCH-PULL	4	
- 61	815964	. CATCH	4	
- 62	2190834	. BACKING,FOAM	1	
- 63	2500254	. LABEL,ADJ.SETTING	1	
- 63	2500255	. LABEL,ADJ.SETTING	1	
- 64	2194930	. COVER,CORE STORAGE,1.25 RACEWAY ASSEMBLY COMPONENTS ARE NOT REPLACEABLE	1	
- 65	2194975	RETAINER ASM	AR	
- 66	55726	SCREW,MACH-BIND HD 6-32 X .188 LG	ATT PT	
- 67	811441	. SEAL	2	
- 68	2194976	. BAR,CABLE RETAINER-MEMORY	1	
- 69	2194921	BRACKET ASM,HINGE LOWER-MEMORY 1 25	AR	
- 70	811426	SCREW,MACH-PAN HD 6-32 X 3/8 IN. LG	ATT PT	
- 71	2194938	. SEAL,LOWER HINGE-MEMORY	1	
- 72	2194936	. BRACKET,HINGE LOWER-MEMORY	1	
- 73	811853	BRACKET-HINGE	AR	
- 74	811426	SCREW,MACH-PAN HD 6-32 X 3/8 IN. LG	ATT PT	
- 75	811427	RETAINER	AR	
- 76	2194940	CLAMP,ADJ.	AR	
- 77	5644	SCREW,MACH-FIL H 6-32 X 5/8 LG	ATT PT	
- 78	2183171	CARD COVER ASM USED WITH ANALOG DIGITAL CONVERTER ONLY	AR	
- 78	811867	CARD COVER ASSEMBLY	AR	E
- 78	811869	COVER ASSEMBLY-CARD	AR	C
- 79	815963	. CATCH-PULL	4	
- 80	815964	. CATCH	4	
- 81	815263	. BACKING, FOAM	1	
- 82	2183172	. LABEL,CARD COVER USED ON ASM 2183171 ONLY	1	
- 83	811866	. COVER	1	
- 84	811881	RETAINER ASM	AR	
- 85	55726	SCREW,MACH-BIND HD 6-32 X .188 LG	ATT PT	
- 86	811441	. SEAL	1	
- 87	811896	. RETAINER	1	
- 88	5802216	CROSSOVER ASM-SIGNAL FOR COMPONENTS SEE FIG 31-112	AR	
- 88A	2175867	. GROMMET,NYLON USED ON GATES A AND D		
- 88B	2183491	. STRAP,CABLE GUIDE	1	
- 88C	5349929	. SCREW,THD FORMING HEX- 8-32 X 1/2 LG	ATT PT	
- 88D	22478	. WASHER,FL- 0.170 ID 0.375 OD 0.032 THK	ATT PT	
- 89	811556	SHIELD ASM, 12 POS	1	G
- 90	10170	SCREW-MACH,BIND HD NO. 6-32 X .250 LG	ATT PT	G
- 91	811555	. SEAL,FOAM,0.31 X 0.38 X 7.63 LG	1	
- 92	811534	. SHIELD,12 POS	1	
- 93	811476	TERMINAL BLOCK,12 POS. SINGLE SCREW	1	G
- 94	811536	STANDOFF	2	G
- 95	811481	SCREW,FILL HD,8-32 X 0.250 LG	12	G
- 96	811525	BUS ASSEMBLY	1	G
- 97	2182515	ASSEMBLY COMPONENTS ARE NOT REPLACEABLE ANALOG BOARD ASM,MOD 1	1	H
- 97	2182527	ASSEMBLY COMPONENTS ARE NOT REPLACEABLE ANALOG BOARD ASM,MOD 2	1	H
- 98	5528	SCREW,BH 8-32 X 0.625 LG	1	
- 99	731627	SCREW,THD FORMING,PH 6-32 X 0.75 LG	4	
-100	257189	NUT,HEX 8-32	1	
-101	2182560	SPACER,ANALOG BOARD	1	
-102	2242726	CARD,CABLE JUMPER	AR	

FOR PARTS
NOT SHOWN
SEE FIG 25

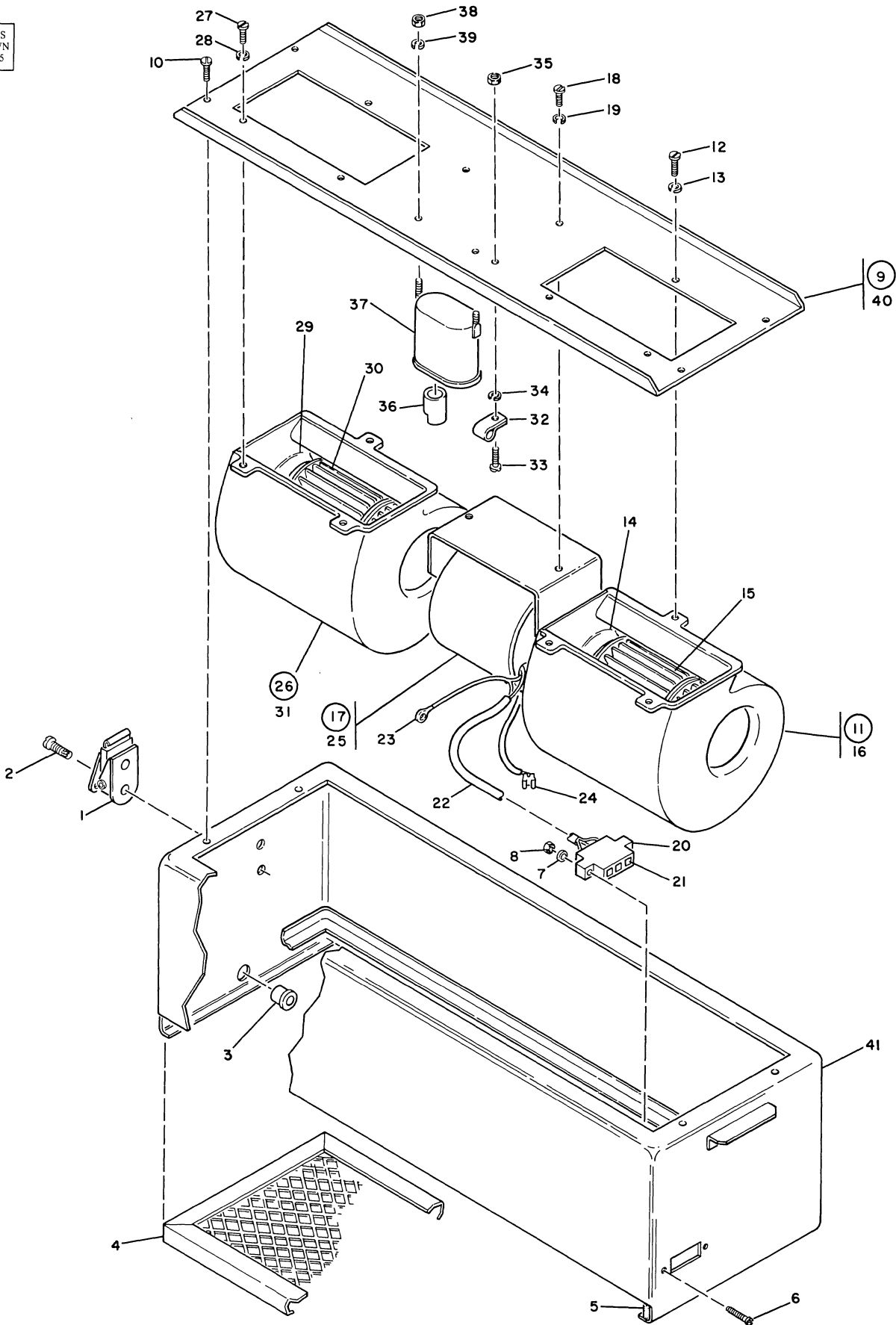


FIGURE 26. COOLING UNIT ASSEMBLY. SEE LIST 26.

LIST AND INDEX NUMBER	PART NUMBER	DESCRIPTION				UNITS PER ASM.	USABLE ON CODE
		1	2	3	4		
		COOLING UNIT ASSEMBLY					
26 -		CODE A USED WITH 60 HZ CODE B USED WITH 50 HZ					
-	5357002	COOLING UNIT ASM,60 HZ					A
-	5468301	COOLING UNIT ASM,50 HZ FOR ILLUSTRATION SEE FIGURE 26 FOR NEXT HIGHER ASM SEE FIGURE 25-21					B
- 1	5349888	• LATCH				1	
- 2	5357136	• SCREW,PAN HD 4-40 X 0.187 THK				2	
- 3	5357135	• CATCH				1	
- 4	5357013	• FILTER-AIR				1	
- 5	599557	• SEAL				AR	
- 6	322065	• SCREW,MACH-BIND HD 6-32 X 5/8 LG				2	
- 7	56722	• WASHER-LOCK,EXT T, .150 ID				2	
- 8	257187	• NUT,HEX 6-32 NC				2	
- 9	5357005	• BLOWER ASM,60 HZ				1	A
- 9	5468302	• BLOWER ASM,50 HZ				1	B
- 10	740501	• SCREW,MACH-HEX HD 6-32 X 1/4 LG				4	
- 11	5357144	• SCROLL AND WHEEL ASSEMBLY				1	A
- 11	5468305	• SCROLL AND WHEEL ASSEMBLY				1	B
- 12	81693	• SCREW,MACH-BIND HD 6-32 X 3/8 LG				3	
- 13	56722	• WASHER-LOCK,EXT T, .150 ID				3	
- 14	5357141	• BELL MOUTH-SCROLL MOUNTING				1	
- 14	5468303	• BELL MOUTH,SCROLL MOUNTING USED ON ASM 5357144 ONLY				1	
- 15	5357025	• WHEEL ASSEMBLY-BLOWER FAN USED ON ASM 5357144 ONLY				1	
- 15	5468307	• WHEEL ASSEMBLY,BLOWER FAN USED ON ASM 5468305 ONLY				1	
- 16	5357140	• SCROLL USED ON ASM 5357144 ONLY				1	
- 16	5468304	• SCROLL USED ON ASM 5468305 ONLY				1	
- 17	5357020	• MOTOR AND CONNECTOR ASSEMBLY				1	
- 18	130434	• SCREW-MACH,SLOTTED HEX HD NO.10-32 X.375				3	
- 19	56722	• WASHER-LOCK,EXT T, .150 ID				3	
- 20	5353853	• HOUSING				1	
- 21	5353854	• CONTACT, MALE 16-20 WIRE				3	
- 22	253569	• INSULATION SLEEVING,ELEC- 0.375 ID				AR	
- 23	253740	• TERMINAL,LUG-INS 10-12AWG NO.6 MTG HOLE				1	
- 24	517913	• CLIP, SLIP ON NO 18-16 AWG				3	
- 25	5357021	• MOTOR ASM,3350RPM,0.06 HP SP 50/60 HZ				1	
- 26	5357145	• SCROLL AND WHEEL ASSEMBLY				1	A
- 26	5468306	• SCROLL AND WHEEL ASSEMBLY				1	B
- 27	81693	• SCREW,MACH-BIND HD 6-32 X 3/8 LG				3	
- 28	56722	• WASHER-LOCK,EXT T, .150 ID				3	
- 29	5357141	• BELL MOUTH-SCROLL MOUNTING USED ON ASM 5357144 ONLY				1	
- 29	5468303	• BELL MOUTH,SCROLL MOUNTING USED ON ASM 5468305 ONLY				1	
- 30	5357024	• WHEEL ASSEMBLY-BLOWER FAN USED ON ASM 5357145 ONLY				1	
- 30	5468308	• WHEEL ASSEMBLY,BLOWER FAN USED ON ASM 5468306 ONLY				1	
- 31	5357140	• SCROLL USED ON ASM 5357145 ONLY				1	
- 31	5468304	• SCROLL USED ON ASM 5468306 ONLY				1	
- 32	804109	• CLAMP,LOOP- 3/8 ID 0.173 DIA MTG HOLE				1	
- 33	81693	• SCREW,MACH-BIND HD 6-32 X 3/8 LG				1	
- 34	56722	• WASHER-LOCK,EXT T, .150 ID				1	
- 35	257187	• NUT,HEX 6-32 NC				1	
- 36	526378	• CAP				2	
- 37	5357137	• CAPACITOR,P DIELEC- 3UUF PM 10% 370V AC				1	
- 38	11598	• NUT,HEX,10-32 X 0.375 FL W				2	
- 39	56079	• WASHER-LOCK,EXT T .204 ID .410 OD				2	
- 40	5357012	• PLATE-DUPLEX MOUNTING				1	
- 41	5357011	• HOUSING-DUPLEX BLOWER				1	

FOR PARTS
NOT SHOWN
SEE FIG. 2

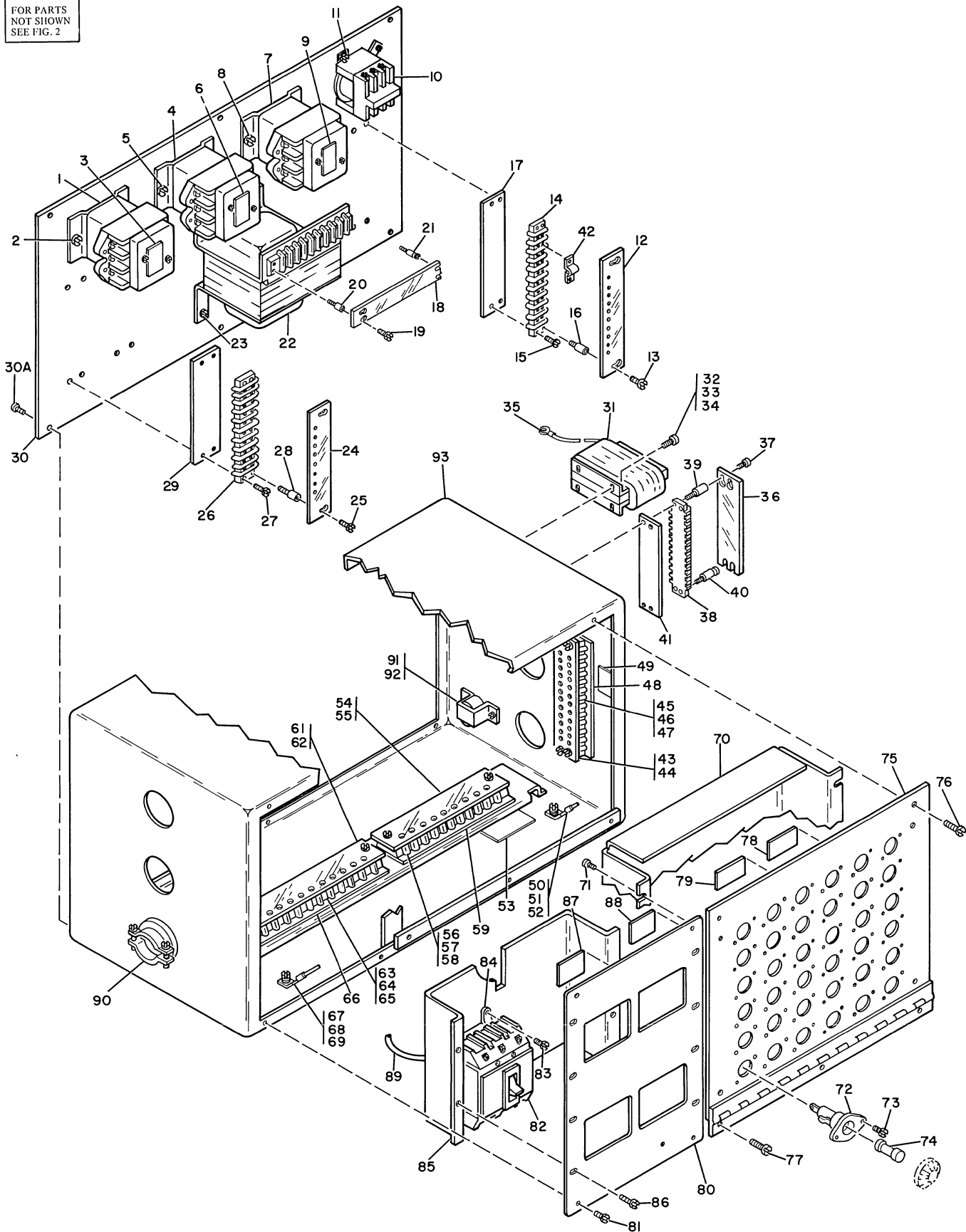


FIGURE 27. POWER SEQUENCE ASSEMBLY-60 HZ. SEE LIST 27.

LIST AND INDEX NUMBER	PART NUMBER	DESCRIPTION				UNITS PER ASM.	USABLE ON CODE
		1	2	3	4		
27 -		POWER SEQUENCE ASSEMBLY-60 HZ.					
		CODE A USED ON 1801 ONLY CODE B USED ON 1802 ONLY CODE 1 USED PRIOR TO B6 SUFFIX CODE 2 USED FROM B6 TO CURRENT					
-	2194613	POWER SEQUENCE ASSEMBLY,60 HZ				REF	A
-	2195002	POWER SEQUENCE ASSEMBLY,60 HZ FOR ILLUSTRATION SEE FIGURE 27 FOR NEXT HIGHER ASM SEE FIGURE 2-174				REF	B
1	2130334	• MAGNETIC CONTACTOR, 3-POLE 40A 24V COIL				1	
2	2181004	• SCREW,THREAD FORMING,10-32 X 0.38 LG				2	
3	138754	• LABEL,VOLTAGE WARNING				1	
4	2130334	• MAGNETIC CONTACTOR, 3-POLE 40A 24V COIL				1	
5	2181004	• SCREW,THREAD FORMING,10-32 X 0.38 LG				2	
6	138746	• LABEL,WARNING				1	
7	2130334	• MAGNETIC CONTACTOR, 3-POLE 40A 24V COIL				1	
8	2181004	• SCREW,THREAD FORMING,10-32 X 0.38 LG				2	
9	138754	• LABEL,VOLTAGE WARNING				1	
10	588396	• CONTACTOR 15A 24V COIL 60 CY				1	
11	2181005	• SCREW, SELF TAPPING, 6-32 X .375 LG.				2	
12	352826	• SHIELD,12 POSITION TERMINAL BLOCK				2	
13	1127733	• SCREW,MACH-SLTD HD 6-32 X 1/4 LG				2	
14	323842	• TERMINAL BLOCK, 12 POSITION				2	
15	35739	• SCREW,MACH-BIND HD 6-32 X 15/16 LG				4	
16	210883	• STUD, EXT 6-32 X 1/2 INT 6-32 X 0.19 DP				4	
17	589814	• MARKER STRIP,12 POS NOS.1 THRU 12				2	
18	186945	• SHIELD,TERMINAL BLOCK- 8 POSITION				1	
19	210984	• SCREW,ROUND HD 6-32 X 0.25 LG				1	A
20	210883	• STUD, EXT 6-32 X 1/2 INT 6-32 X 0.19 DP				1	
21	210884	• STUD, SLOTTED 6-32 X 1/2 LONG THREAD				1	
22	2184098	• TRANSFORMER,ISOLATION CONTROL				1	
23	2181004	• SCREW,THREAD FORMING,10-32 X 0.38 LG				4	
24	582444	• SHIELD,10 POSITION TERMINAL BLOCK				2	
25	1127733	• SCREW,MACH-SLTD HD 6-32 X 1/4 LG				4	
26	322767	• TERMINAL BLOCK, 10 POSITION				2	
27	322550	• SCREW,BD HD 6-32 X 0.500 LG				4	
28	210883	• STUD, EXT 6-32 X 1/2 INT 6-32 X 0.19 DP				4	
29	363434	• MARKER STRIP- 10 POS NOS. 1 THRU 10				2	
30	2194649	• COVER,REAR				1	
30A	5350012	• SCREW,THREAD FORMING,8-32 X 0.25 LG				6	
31	2183345	• TRANSFMR,STEP DN,SEC 18V RMS AT 0.25A				1	
32	322550	• SCREW,BD HD 6-32 X 0.500 LG				4	
33	257187	• NUT,HEX 6-32 NC				4	
34	56722	• WASHER-LOCK,EXT T, .150 ID				4	
35	334921	• TERMINAL-LUG NO.22 THRU NO.18 WIRE INSUL				23	
36	187475	• SHIELD-TERMINAL BLOCK 20 POS				1	
37	210984	• SCREW,ROUND HD 6-32 X 0.25 LG				1	
38	253220	• TERMINAL BLOCK,20 POS,DBL SCREW TERMINAL				1	
39	210985	• STUD, EXT 8-32 X 1/2 INT 6-32 X 0.19 DP				1	
40	210986	• STUD, SLOTTED 8-32 X 1/2 LG THREAD				3	
41	365323	• MARKER STRIP,20 POS NOS.1 THRU 20				1	
42	472187	• JUMPER-BRASS				19	
42	639328	• JUMPER				3	
43	352826	• SHIELD,12 POSITION TERMINAL BLOCK				1	
44	1127733	• SCREW,MACH-SLTD HD 6-32 X 1/4 LG				2	
45	323842	• TERMINAL BLOCK, 12 POSITION				1	
46	35739	• SCREW,MACH-BIND HD 6-32 X 15/16 LG				2	
47	210883	• STUD, EXT 6-32 X 1/2 INT 6-32 X 0.19 DP				2	
48	589814	• MARKER STRIP,12 POS NOS.1 THRU 12				1	
49	138754	• LABEL,VOLTAGE WARNING				1	
50	2101089	• STRAP,GROUND,518 X 7 IN.				2	
51	236849	• SCREW,MACH-BIND HD 10-32 X 1/4 LG				2	
52	56079	• WASHER-LOCK,EXT T .204 ID .410 OD				2	
53	138755	• DECAL,INST-LINE V PRESENT W/HACH PWR OFF				1	
54	533342	• SHIELD,10 POS				1	
55	1127733	• SCREW,MACH-SLTD HD 6-32 X 1/4 LG				2	
56	320451	• TERMINAL BOARD- 10 DBL SCREW TERMINALS				1	
57	210883	• STUD, EXT 6-32 X 1/2 INT 6-32 X 0.19 DP				2	
58	322065	• SCREW,MACH-BIND HD 6-32 X 5/8 LG				2	
59	550578	• MARKER STRIP- 10 POS NOS. 1 THRU 10				1	
61	438894	• SHIELD,10 POS				1	
62	1127733	• SCREW,MACH-SLTD HD 6-32 X 1/4 LG				2	
63	283003	• TERMINAL BLOCK,10 DBL SCREW POS				1	
64	2125898	• STUD, TAPPED MOUNTING, 6-32 X 1.087 LG				2	
65	322065	• SCREW,MACH-BIND HD 6-32 X 5/8 LG				2	
66	2194988	• STRIP,MARKER-TERMINAL,10 POS-L-R				1	

LIST AND INDEX NUMBER	PART NUMBER	DESCRIPTION	UNITS PER ASM.	USABLE ON CODE
		1 2 3 4		
		POWER SEQUENCE ASSEMBLY-60 HZ. -CONT		
27 - 67	2101089	• STRAP,GROUND,518 X 7 IN.	2	
- 68	236849	• SCREW,MACH-BIND HD 10-32 X 1/4 LG ATT PT	2	
- 69	56079	• WASHER-LOCK,EXT T .204 ID .410 OD ATT PT	2	
- 70	2194625	• SHIELD,CB	1	
- 71	5350012	• SCREW,THREAD FORMING,8-32 X 0.25 LG ATT PT	4	
- 72	104615	• FUSEHOLDER	36	
- 73	811426	• SCREW,MACH-PAN HD 6-32 X 3/8 IN. LG ATT PT	72	
- 74	92734	• FUSE,2.0 AMP,LONG TIME LAG,NON-INDICATE	6	
- 74	107664	• FUSE,3.2 AMP,LONG TIME LAG,	7	
- 74	107666	• FUSE,5 AMP	2	
- 74	107667	• FUSE,6.25 AMP,LONG TIME LAG,NON-INDICATE	3	
- 74	107668	• FUSE,CARTRIDGE-TIME DELAY 8 AMP 250V	2	
- 74	107669	• FUSE,CRTRGE-LONG TIME DELAY 10 AMP 250V	3	
- 74	107670	• FUSE,CRTRGE-LONG TIME DELAY 15 AMP 125V	3	
- 74	252588	• FUSE,.1 AMP TYPE FNM	3	
- 74	252591	• FUSE,1.0 AMP,FUSETRON TYPE FNM 1	7	
- 75	2194626	• PANEL,FUSE ASSEMBLY COMPONENTS ARE NOT REPLACEABLE	1	
- 76	5350012	• SCREW,THREAD FORMING,8-32 X 0.25 LG ATT PT	2	
- 77	5350012	• SCREW,THREAD FORMING,8-32 X 0.25 LG ATT PT	3	
- 78	138746	• LABEL,WARNING	1	
- 79	138755	• DECAL,INST-LINE V PRESENT W/MACH PWR OFF	1	
- 80	2194627	• COVER,FRONT	1	A
- 80	2194628	• COVER,FRONT	1	B
- 81	5350012	• SCREW,THREAD FORMING,8-32 X 0.25 LG ATT PT	4	
- 82	725019	• CIRCUIT BREAKER-50AMP	1	2
- 82	2130338	• CIRCUIT BREAKER- 3 POLE 50 AMP 240V	1	1
- 82	5719453	• CIRCUIT BREAKER,30 AMP,240 VOLT,3 POLE	3	2A
- 82	2130338	• CIRCUIT BREAKER- 3 POLE 50 AMP 240V	3	1A
- 82	5719453	• CIRCUIT BREAKER,30 AMP,240 VOLT,3 POLE	2	2B
- 82	2130338	• CIRCUIT BREAKER- 3 POLE 50 AMP 240V	2	1B
- 83	740501	• SCREW,MACH-HEX HD 6-32 X 1/4 LG ATT PT	4	
- 84	2183337	• CLAMP-CIRCUIT BREAKER	AR	
- 85	2183514	• BRACKET,CB MTG	2	
- 86	2181004	• SCREW,THREAD FORMING,10-32 X 0.38 LG ATT PT	8	
- 87	138755	• DECAL,INST-LINE V PRESENT W/MACH PWR OFF	1	
- 88	138746	• LABEL,WARNING	1	
- 89	2195937	• CABLE ASM,CB2 JUMPER SEE CABLE ROUTING FIG 30-8	1	
- 89	2195938	• CABLE ASM,CB3 JUMPER, 60 HZ SEE CABLE ROUTING FIG 30-8	1	
- 89	2195941	• CABLE ASM,CB1, 60 HZ	1	
- 89	2195954	• CABLE ASM,CB4 JUMPER, 60 HZ SEE CABLE ROUTING FIG 30-8	1	A
- 90	2100837	• CLAMP,CABLE	6	
- 91	2183331	• TRANSFORMER-ISOLATION 24 VAC 1/2 AMP	1	2
- 91	5313144	• TRANSFORMER,104/115/208/230V	1	1
- 92	2181005	• SCREW, SELF TAPPING, 6-32 X .375 LG. ATT PT	2	
- 93	2194624	• CHASSIS-WELDMENT	1	

FOR PARTS
NOT SHOWN
SEE FIG 2

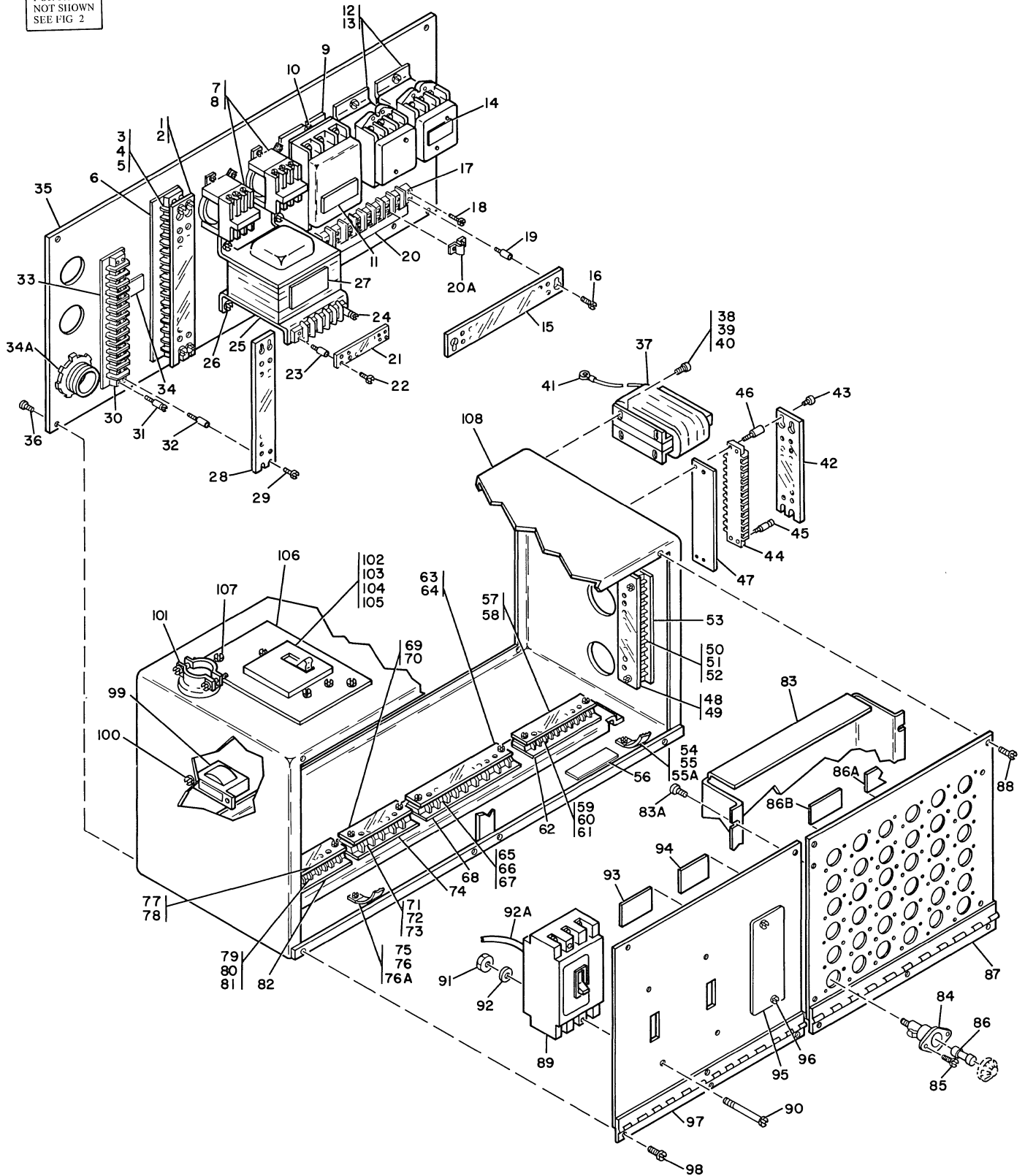


FIGURE 28. POWER SEQUENCE ASSEMBLY, 50 HZ. SEE LIST 28.

LIST AND INDEX NUMBER	PART NUMBER	DESCRIPTION	UNITS PER ASM.	USABLE ON CODE
		1 2 3 4		
28 -		POWER SEQUENCE ASSEMBLY 50 HZ.		
		CODE A USED ON 1801 ONLY CODE B USED ON 1802 ONLY CODE 1 USED PRIOR TO B6 SUFFIX CODE 2 USED FROM B6 TO CURRENT CODE 3 USED PRIOR TO C6 SUFFIX CODE 4 USED FROM C6 TO CURRENT		
-	2194827	POWER SEQUENCE ASSEMBLY,50 HZ	REF	A
-	2195005	POWER SEQUENCE ASSEMBLY,50 HZ	REF	B
		FOR ILLUSTRATION SEE FIGURE 28 FOR NEXT HIGHER ASM SEE FIGURE 2-174		
- 1	187475	• SHIELD-TERMINAL BLOCK 20 POS		1
- 2	210984	• SCREW,ROUND HD 6-32 X 0.25 LG	ATT PT	1
- 3	253220	• TERMINAL BLOCK,20 POS,DBL SCREW TERMINAL		1
- 4	210884	• STUD, SLOTTED 6-32 X 1/2 LONG THREAD	ATT PT	3
- 5	210883	• STUD, EXT 6-32 X 1/2 INT 6-32 X 0.19 DP	ATT PT	1
- 6	365323	• MARKER STRIP,20 POS NOS.1 THRU 20		1
- 7	588396	• CONTACTOR 15A 24V COIL 60 CY		2
- 8	2181005	• SCREW, SELF TAPPING, 6-32 X .375 LG.	ATT PT	4
- 9	760261	• MAGNETIC CONTACTOR		1
- 10	5319854	• SCREW, SELF TAPPING, 8-32 X .375 LONG	ATT PT	3
- 11	138754	• LABEL,VOLTAGE WARNING		1
- 12	2130334	• MAGNETIC CONTACTOR, 3-POLE 40A 24V COIL		2
- 13	2181004	• SCREW,THREAD FORMING,10-32 X 0.38 LG	ATT PT	4
- 14	138746	• LABEL,WARNING		1
- 15	438894	• SHIELD,10 POS		1
- 16	1127733	• SCREW,MACH-SLTD HD 6-32 X 1/4 LG	ATT PT	2
- 17	283003	• TERMINAL BLOCK,10 DBL SCREW POS		1
- 18	322065	• SCREW,MACH-BIND HD 6-32 X 5/8 LG	ATT PT	2
- 19	2125898	• STUD, TAPPED MOUNTING, 6-32 X 1.087 LG	ATT PT	2
- 20	2194988	• STRIP,MARKER-TERMINAL,10 POS-L-R		1
- 20A	472187	• JUMPER-BRASS		18
- 20A	639328	• JUMPER		6
- 21	186945	• SHIELD,TERMINAL BLOCK- 8 POSITION		1
- 22	210984	• SCREW,ROUND HD 6-32 X 0.25 LG	ATT PT	1
- 23	210884	• STUD, SLOTTED 6-32 X 1/2 LONG THREAD		3
- 24	210883	• STUD, EXT 6-32 X 1/2 INT 6-32 X 0.19 DP		1
- 25	2184098	• TRANSFORMER,ISOLATION CONTROL		1
- 26	2181004	• SCREW,THREAD FORMING,10-32 X 0.38 LG	ATT PT	4
- 27	369207	• LABEL,HAZARDOUS AREA		1
- 28	191478	• SHIELD 16 POS		1
- 29	210984	• SCREW,ROUND HD 6-32 X 0.25 LG	ATT PT	1
- 30	352249	• TERMINAL BOARD- 16 DBL SCREW TERMINALS		1
- 31	210884	• STUD, SLOTTED 6-32 X 1/2 LONG THREAD	ATT PT	3
- 32	210883	• STUD, EXT 6-32 X 1/2 INT 6-32 X 0.19 DP	ATT PT	1
- 33	322269	• MARKER STRIP- 16 POS. NOS. 1 THRU 16		1
- 34	138746	• LABEL,WARNING		2
- 34A	2100837	• CLAMP,CABLE		3
- 35	2195089	• COVER,REAR		1
- 36	5350012	• SCREW,THREAD FORMING,8-32 X 0.25 LG	ATT PT	8
- 37	2183345	• TRANSFMR,STEP DN,SEC 18V RMS AT 0.25A		1
- 38	322550	• SCREW,BD HD 6-32 X 0.500 LG	ATT PT	4
- 39	257187	• NUT,HEX 6-32 NC	ATT PT	4
- 40	56722	• WASHER-LOCK,EXT T, .150 ID	ATT PT	4
- 41	334921	• TERMINAL-LUG NO.22 THRU NO.18 WIRE INSUL		2
- 42	187475	• SHIELD-TERMINAL BLOCK 20 POS		1
- 43	210984	• SCREW,ROUND HD 6-32 X 0.25 LG	ATT PT	1
- 44	253220	• TERMINAL BLOCK,20 POS,DBL SCREW TERMINAL		1
- 45	210986	• STUD, SLOTTED 8-32 X 1/2 LG THREAD	ATT PT	3
- 46	210985	• STUD, EXT 8-32 X 1/2 INT 6-32 X 0.19 DP	ATT PT	1
- 47	365323	• MARKER STRIP,20 POS NOS.1 THRU 20		1
- 48	352826	• SHIELD,12 POSITION TERMINAL BLOCK		1
- 49	1127733	• SCREW,MACH-SLTD HD 6-32 X 1/4 LG	ATT PT	2
- 50	323842	• TERMINAL BLOCK, 12 POSITION		1
- 51	35739	• SCREW,MACH-BIND HD 6-32 X 15/16 LG	ATT PT	2
- 52	210883	• STUD, EXT 6-32 X 1/2 INT 6-32 X 0.19 DP	ATT PT	2
- 53	589814	• MARKER STRIP,12 POS NOS.1 THRU 12		1
- 54	2101089	• STRAP,GROUND,518 X 7 IN.		2
- 55	236849	• SCREW,MACH-BIND HD 10-32 X 1/4 LG	ATT PT	2
- 55A	56079	• WASHER-LOCK,EXT T .204 ID .410 OD	ATT PT	2
- 56	138750	• LABEL - VOLTAGE		1
- 57	582444	• SHIELD,10 POSITION TERMINAL BLOCK		1
- 58	1127733	• SCREW,MACH-SLTD HD 6-32 X 1/4 LG	ATT PT	2
- 59	322767	• TERMINAL BLOCK, 10 POSITION		1
- 60	210883	• STUD, EXT 6-32 X 1/2 INT 6-32 X 0.19 DP	ATT PT	2
- 61	322550	• SCREW,BD HD 6-32 X 0.500 LG	ATT PT	2

LIST AND INDEX NUMBER	PART NUMBER	DESCRIPTION	UNITS PER ASM.	USABLE ON CODE
		POWER SEQUENCE ASSEMBLY 50 HZ. -CONT		
28 - 62	363434	. MARKER STRIP- 10 POS NOS. 1 THRU 10	1	
- 63	533342	. SHIELD,10 POS	1	
- 64	1127733	. SCREW,MACH-SLTD HD 6-32 X 1/4 LG ATT PT	2	
- 65	320451	. TERMINAL BOARD- 10 DBL SCREW TERMINALS	1	
- 66	210883	. STUD, EXT 6-32 X 1/2 INT 6-32 X 0.19 DP ATT PT	2	
- 67	322550	. SCREW,BD HD 6-32 X 0.500 LG ATT PT	2	
- 68	550578	. MARKER STRIP- 10 POS NOS. 1 THRU 10	1	
- 69	438891	. SHIELD, CLEAR SAFETY, 4 POSITION	1	
- 70	1127733	. SCREW,MACH-SLTD HD 6-32 X 1/4 LG ATT PT	2	
- 71	323845	. TERMINAL BOARD- 4 DBL SCREW TERMINALS	1	
- 72	2125898	. STUD, TAPPED MOUNTING, 6-32 X 1.087 LG	1	
- 73	322065	. SCREW,MACH-BIND HD 6-32 X 5/8 LG ATT PT	2	
- 74	2101392	. MARKER,TERMINAL	1	
- 75	236849	. SCREW,MACH-BIND HD 10-32 X 1/4 LG	2	
- 76	236849	. SCREW,MACH-BIND HD 10-32 X 1/4 LG ATT PT	2	
- 76A	56079	. WASHER-LOCK,EXT T .204 ID .410 OD ATT PT	2	
- 77	535506	. COVER,8 POSITION	1	
- 78	1127733	. SCREW,MACH-SLTD HD 6-32 X 1/4 LG ATT PT	2	
- 79	317315	. BLOCK-BARRIER TERMINAL 8 TERM	1	
- 80	2125898	. STUD, TAPPED MOUNTING, 6-32 X 1.087 LG ATT PT	2	
- 81	322065	. SCREW,MACH-BIND HD 6-32 X 5/8 LG ATT PT	2	
- 82	2101342	. MARKER STRIP	1	
- 83	2194625	. SHIELD,CB	1	
- 83A	5350012	. SCREW,THREAD FORMING,8-32 X 0.25 LG ATT PT	4	
- 84	104615	. FUSEHOLDER	36	
- 85	811426	. SCREW,MACH-PAN HD 6-32 X 3/8 IN. LG ATT PT	72	
- 86	92734	. FUSE,2.0 AMP, LONG TIME LAG, NON-INDICATE	7	
- 86	107664	. FUSE,3.2 AMP, LONG TIME LAG	7	A
- 86	107664	. FUSE,3.2 AMP, LONG TIME LAG	6	B
- 86	107666	. FUSE,5 AMP	3	
- 86	107667	. FUSE,6.25 AMP, LONG TIME LAG, NON-INDICATE	2	
- 86	107668	. FUSE,CARTRIDGE-TIME DELAY 8 AMP 250V	1	
- 86	107669	. FUSE,CRTGRGE-LONG TIME DELAY 10 AMP 250V	2	
- 86	107670	. FUSE,CRTGRGE-LONG TIME DELAY 15 AMP 125V	3	
- 86	252588	. FUSE,.1 AMP TYPE FNM	3	
- 86	252591	. FUSE,1.0 AMP,FUSETRON TYPE FNM 1	7	
- 86A	369207	. LABEL,HAZARDOUS AREA	1	
- 86B	138755	. DECAL,INST-LINE V PRESENT W/MACH PWR OFF	1	
- 87	2195094	. PANEL ASSEMBLY,FUSE ASSEMBLY COMPONENTS ARE NOT REPLACEABLE	1	
- 88	5350012	. SCREW,THREAD FORMING,8-32 X 0.25 LG ATT PT	5	
- 89	8026896	. CIRCUIT BREAKER	2	A
- 89	8026896	. CIRCUIT BREAKER	3	B
- 90	440945	. SCREW,MACH-RH 10-32 X 1-3/4 LG ATT PT	AR	
- 91	125930	. NUT,PLAIN HEX 10/32 ATT PT	AR	
- 92	45690	. WASHER, FL - NO.10 X 7/16 OD X 1/32 THK ATT PT	AR	
- 92A	2195486	. CABLE ASM,SEQUENCE BOX JUMPER, 50 HZ SEE CABLE ROUTING FIG 30-8	1	
- 92A	2195490	. CABLE ASM,CB 2 JUMPER,50 HZ SEE CABLE ROUTING FIG 30-8	1	1
- 92A	2195491	. CABLE ASM,CB3 JUMPER, 50 HZ SEE CABLE ROUTING FIG 30-8	1	
- 92A	2195491	. CABLE ASM,CB3 JUMPER, 50 HZ SEE CABLE ROUTING FIG 30-8	1	2
- 93	369207	. LABEL,HAZARDOUS AREA	1	
- 94	138755	. DECAL,INST-LINE V PRESENT W/MACH PWR OFF	1	
- 95	2183353	. COVER,PLATE	1	A
- 96	32042	. SCREW, MACH BIND. HD 10-32 X 3/8 LG. ATT PT	2	
- 97	2195091	. COVER-SWITCH ASSEMBLY COMPONENTS ARE NOT REPLACEABLE	1	
- 98	5350012	. SCREW,THREAD FORMING,8-32 X 0.25 LG ATT PT	5	
- 99	2183331	. TRANSFORMER-ISOLATION 24 VAC 1/2 AMP	1	4
- 99	5313144	. TRANSFORMER,104/115/208/230V	1	3
-100	5350006	. SCREW, SELF TAPPING, 6-32 X .250 LONG ATT PT	2	
-101	2100837	. CLAMP,CABLE	4	
-102	8023798	. CIRCUIT BREAKER- 4 POLE 50 AMP	1	
-103	440945	. SCREW,MACH-RH 10-32 X 1-3/4 LG ATT PT	3	
-104	125930	. NUT,PLAIN HEX 10/32 ATT PT	3	
-105	45690	. WASHER, FL - NO.10 X 7/16 OD X 1/32 THK ATT PT	3	
-106	2195092	. COVER,SWITCH	1	
-107	5350012	. SCREW,THREAD FORMING,8-32 X 0.25 LG ATT PT	2	
-108	2195088	. CHASSIS,WELDMENT 50 CYCLE	1	

FOR PARTS NOT SHOWN SEE FIG. 2

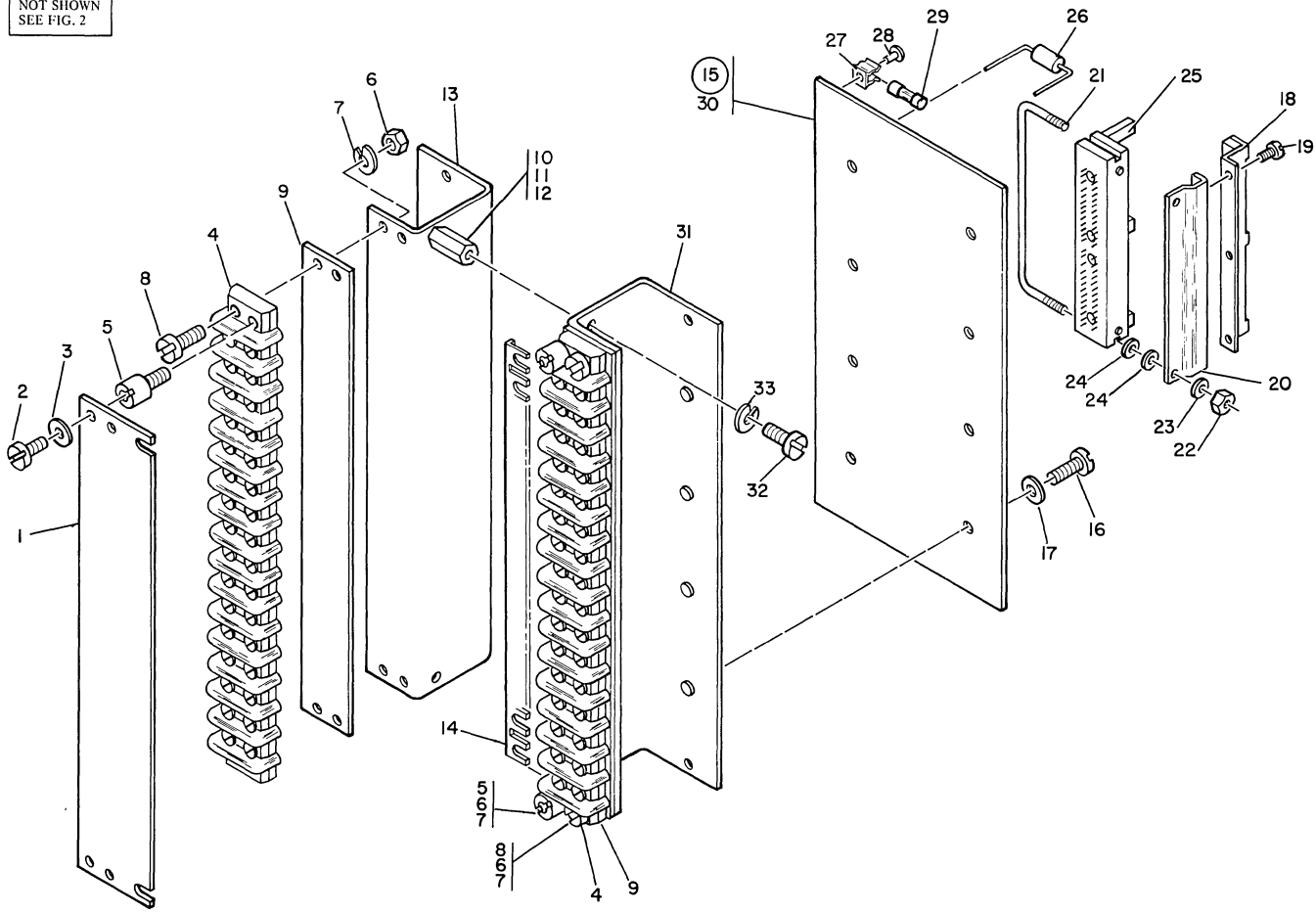


FIGURE 29. CUSTOMER TERMINATION BLOCK ASSEMBLY. SEE LIST 29.

LIST AND INDEX NUMBER	PART NUMBER	DESCRIPTION				UNITS PER ASM.	USABLE ON CODE
		1	2	3	4		
		CUSTOMER TERMINATION BLOCK ASSEMBLY					
29 -		CODE A USED ON ASM 2194808 ONLY CODE B USED ON ASM 2194809 ONLY CODE C USED ON ASM 2194810 ONLY					
-	2194808	CUSTOMER TERM BLOCK ASM DI,PI,PC				REF	
-	2194809	CUSTOMER TERM BLOCK ASM REG OUT				REF	
-	2194810	CUSTOMER TERM BLOCK ASM ECO AND PO FOR ILLUSTRATION SEE FIGURE 29 FOR NEXT HIGHER ASM SEE FIGURE 2-191				REF	
- 1	2194785	• STRIP, ID				1	
- 2	38235	• SCREW, BIND HD, 6-32 X 0.312 LG				4	ATT PT
- 3	257986	• WASHER, 0.156 ID X 0.035 THK				4	ATT PT
- 4	91892	• TERMINAL BOARD- 16 DBL SCREW TERMINALS				2	
- 5	2194830	• STUD, TAPPED MTG				4	ATT PT
- 6	257189	• NUT, HEX 8-32				4	ATT PT
- 7	1090873	• WASHER, LOCK - .168 ID X .296 DD				4	ATT PT
- 8	5528	• SCREW, MACH-BIND HD 8-32 X 0.625 LG				4	ATT PT
- 9	2194784	• INSULATOR				2	

M08-1351-1

LIST AND INDEX NUMBER	PART NUMBER	DESCRIPTION	UNITS	USABLE
			PER ASM.	ON CODE
		1 2 3 4		
		CUSTOMER TERMINATION BLOCK ASSEMBLY-CONT		•
- 10	11116	. STANDOFF, 8-32 X 0.75 LG	2	
- 11	34512	. SCREW, MACH-BIND HD 8-32 X 3/8 LG ATT PT	2	
- 12	1090873	. WASHER, LOCK - .168 ID X .296 OD ATT PT	2	
- 13	2194788	. CHANNEL ASM, TERM BLOCK SUPPORT ASSEMBLY COMPONENTS ARE NOT REPLACEABLE	1	
- 14	2194793	. JUMPER, COMMON	1	A
- 14	2194828	. JUMPER, 3 TERMINAL	4	C
- 15	2194835	. BOARD ASM, DI-PI-PC	1	A
- 15	2194836	. BOARD ASM, REG OUT	1	B
- 15	2194837	. BOARD ASM, ECO-PO	1	C
- 16	35739	. SCREW, MACH-BIND HD 6-32 X 15/16 LG ATT PT	8	
- 17	257986	. WASHER, 0.156 ID X 0.035 THK ATT PT	8	
- 18	2195626	. . RETAINER, CONNECTOR	1	
- 19	251970	. . SCREW, BD HD 4-40 X 0.250 LG ATT PT	3	
- 20	2194905	. . BRACKET, CONNECTOR RETAINER	1	
- 21	2194906	. . CLAMP, CONNECTOR RETAINER	1	
- 22	598201	. . NUT, PLAIN, HEX- 0-80 X 3/64 THK ATT PT	2	
- 23	257985	. . WASHER, FL-NO. 4 0.25 OD X 0.028 TH ATT PT	3	
- 24	257985	. . WASHER, FL-NO. 4 0.25 OD X 0.028 TH ATT PT	3	
- 25	813329	. . CARD, INTERFACE ASM	1	
- 26	326998	. . RESISTOR, FXD, COMP- 7500 OHMS P/M 5% 2W	32	B
- 27	308789	. . CLIP, SPRING TENSION-STYLUS HOLDER	40	C
- 27	308789	. . CLIP, SPRING TENSION-STYLUS HOLDER	4	B
- 28	442974	. . RIVET-BRASS 0.120 DIA X 7/32 LG ATT PT	40	
- 28	442974	. . RIVET-BRASS 0.120 DIA X 7/32 LG ATT PT	4	
- 29	3577	. . FUSE, 0.5 AMP	16	C
- 29	6325	. . FUSE, 1 AMP	4	C
- 30	2194795	. . CARD-ETCHED REGISTER OUTPUT ASSEMBLY COMPONENTS ARE NOT REPLACEABLE	1	A
- 30	2194796	. . CARD-ETCHED ECO PO	1	
- 30	2194794	. . CARD-ETCHED DI PI PC	1	A
- 31	2194788	. CHANNEL ASM, TERM BLOCK SUPPORT ASSEMBLY COMPONENTS ARE NOT REPLACEABLE	1	
- 32	34512	. SCREW, MACH-BIND HD 8-32 X 3/8 LG ATT PT	2	
- 33	1090873	. WASHER, LOCK - .168 ID X .296 OD ATT PT	2	

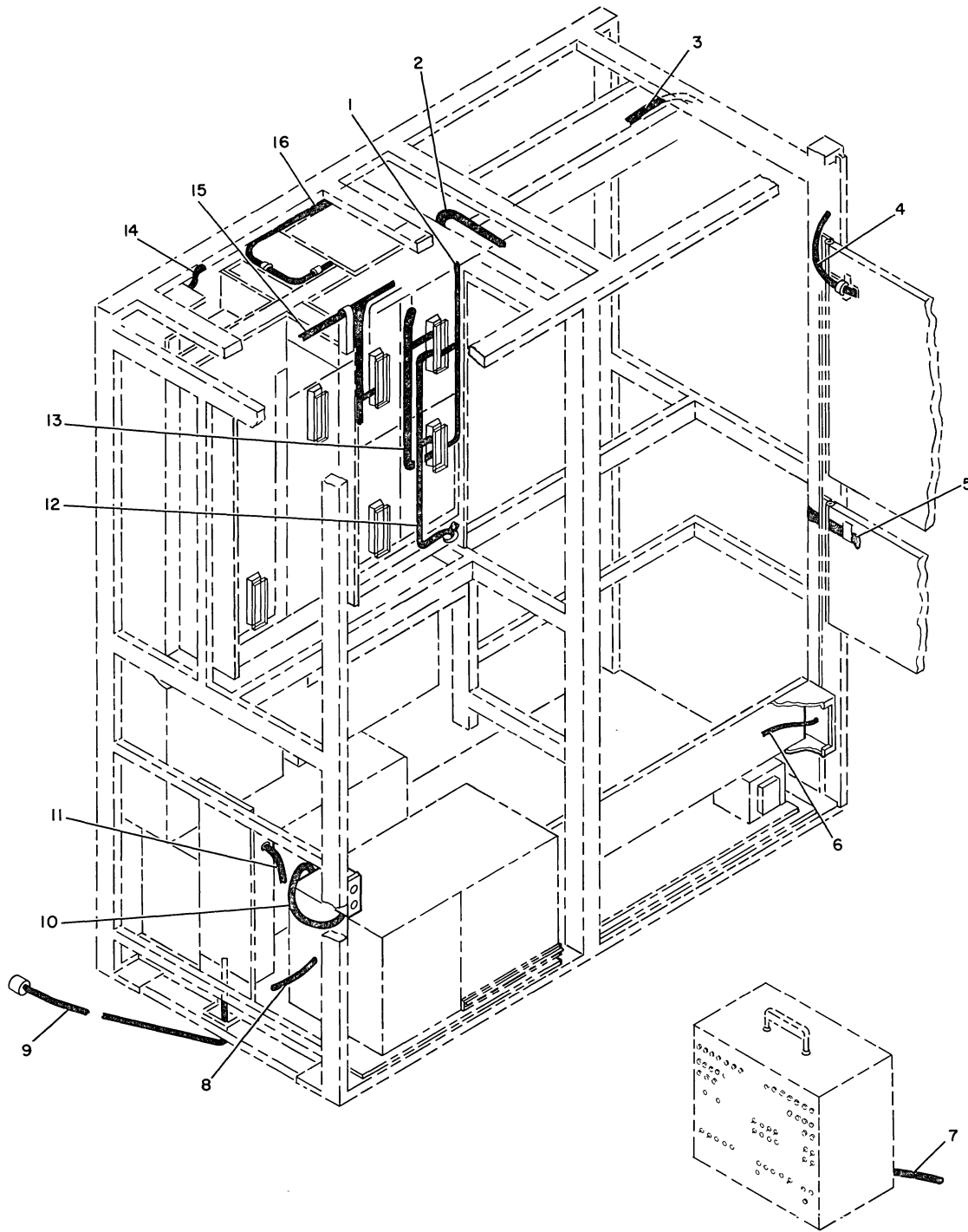


FIGURE 30. CABLE ROUTING GROUP. SHEET 1 OF 2, INDEX NOS. 17-36. SEE LIST 30.

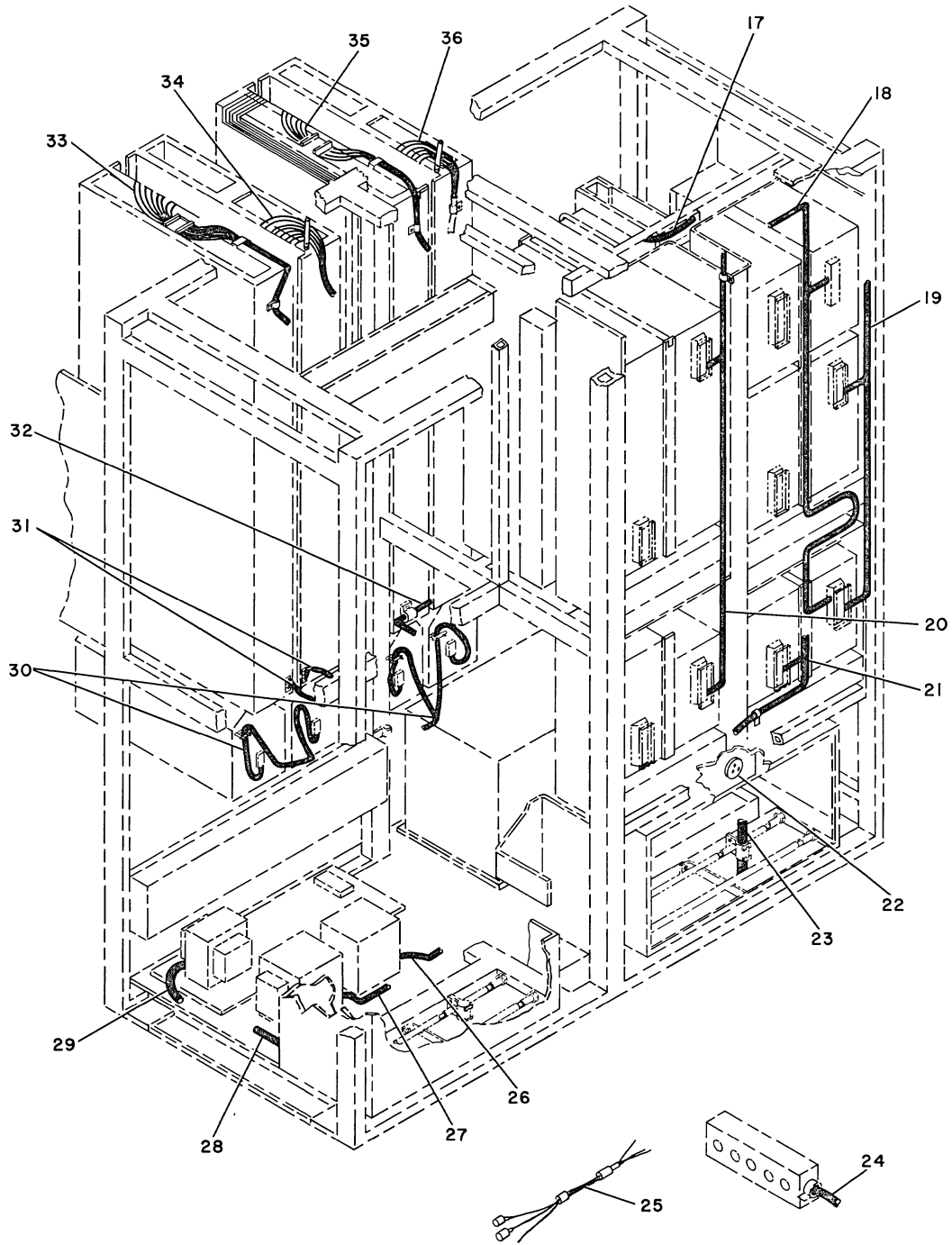


FIGURE 30. CABLE ROUTING GROUP. SHEET 2 OF 2 INDEX NOS. 17-36. SEE LIST 30.

LIST AND INDEX NUMBER	PART NUMBER	DESCRIPTION				UNITS PER ASM.	USABLE ON CODE
		1	2	3	4		
		CABLE ROUTING GROUP					
30 -		CODE A USED ON 1801 ONLY CODE B USED ON 1802 ONLY CODE C USED WITH 2 MSEC-24K CORE STORAGE CODE D USED WITH OUTPUT PRINTER CODE E USED WITH 1053 CODE 1 USED PRIOR TO D8 SUFFIX CODE 2 USED FROM D8 TO CURRENT					
-	NO NO.	CABLE ROUTING GROUP FOR ILLUSTRATION SEE FIGURE 30				NP	
- 1	2195947	. CABLE ASM, MEM SUPPLIES-DC DISTRIBUTION FOR COMPONENTS SEE FIG 31-2A, 2D,5,59,60,61				2	
- 2	2195449	. CABLE ASM, 1801 RESISTOR, 50 HZ FOR COMPONENTS SEE FIG 31-2F				1	
- 2	2195467	. CABLE ASSEMBLY-MEMORY UNIT FOR COMPONENTS SEE FIG 31-2F, 11A				1	
- 2	2195958	. CABLE ASM, R15, R16 JUMPER FOR COMPONENTS SEE FIG 31-2F, 8, 11A				1	
- 3	2195932	. CABLE ASM, DISTRIBUTION PNL TO RELAY PNL FOR COMPONENTS SEE FIG 31-1, 2, 2C, 2F, 17				1	
- 3	2195949	. CABLE ASM, MEM RELAY COIL DISTRIBUTION FOR COMPONENTS SEE FIG 31-1, 17				2	
- 3	2195950	. CABLE ASM, DISTRIBUTION PANEL FOR COMPONENTS SEE FIG 31-1, 2F				1	
- 4	2195561	. CABLE ASM, CONSOLE-DATA ENTRY SWITCH FOR COMPONENTS SEE FIG 31-15, 35, 36				1	
- 4	2195562	. CABLE ASM, CONSOLE-SENSE PROG OP MONITOR FOR COMPONENTS SEE FIG 31-6, 15, 35, 36				1	
- 4	2195567	. CABLE ASM, CONSOLE-MOP STOR RST FOR COMPONENTS SEE FIG 31-6, 5, 36				1	
- 4	2195572	. CABLE ASM, CONSOLE-RUN WAIT PWR RST FOR COMPONENTS SEE FIG 31-6, 15, 34A, 35, 36				1	
- 4	2195573	. CABLE ASM, CONSOLE-CAR X DISPLAY FOR COMPONENTS SEE FI G31-35, 36				1	
- 4	2195926	. CABLE ASM, CONSOLE-POWER DISTRIBUTION FOR COMPONENTS SEE FI G31-2A, 2C, 2D, 2F, 5				1	
- 4	2195560	. CABLE ASM, 1801/1802 CONSOLE JUMPER				1	1
- 4	2242705	. CABLE ASM, CONSOLE JUMPER FOR COMPONENTS SEE FIG 31-2D, 5, 16A, 34, 34A				1	2
- 4	2242706	. CABLE ASM, CONSOLE				1	
- 4	2242708	. CABLE ASM, CONSOLE, INT 0-17				1	
- 4	2242709	. CABLE ASM, CONSOLE, B REG				1	
- 4	2242710	. CABLE ASM, CONSOLE, INT 18-23				1	
- 4	2242711	. CABLE ASM, CONSOLE, FLAG, TAG, GO				1	
- 4	2242712	. CABLE ASM, CONSOLE, ADD D15				1	
- 4	2242713	. CABLE ASM, CONSOLE, I AND D REG				1	
- 4	2242714	. CABLE ASM, CONSOLE, A AND D REG				1	
- 4	2242715	. CABLE ASM, CONSOLE, DATA REG. 3D FOR COMPONENTS SEE FIG 31-26, 35, 36, 62				1	
- 4	2242707	. CABLE ASM, CONSOLE, X AND T CLOCK FOR COMPONENTS SEE FIG 31-26, 26A, 35, 36				1	
- 4	2242716	. CABLE ASM, LAMP TEST AC COM, AC GND FOR COMPONENTS SEE FIG 31-2D, 9B, 20, 20A, 50, 51, 52				1	
- 4	2242717	. CABLE ASM, SCRIB TO CONSOLE LIGHTS FOR COMPONENTS SEE FIG 31-20, 26, 62				1	
- 5	2195928	. CABLE ASM, DC DISTRIBUTION-GATE B FOR COMPONENTS SEE FIG 31-2A, 2F				1	
- 5	2196020	. CABLE ASM, CE INTERFACE-SIGNAL FOR COMPONENTS SEE FIG 31-6, 15, 73				1	
- 6	2195457	. CABLE ASM, RELAY PANEL, 60HZ FOR COMPONENTS SEE FIG 31-2C, 2D, 16A, 17				2	C
- 6	2195943	. CABLE ASSEMBLY FOR COMPONENTS SEE FIG 31-17				2	C
- 6	2195951	. CABLE ASM, CONSOLE-SEQUENCE DISTRIBUTION FOR COMPONENTS SEE FIG 31-2A, 2D, 4, 5, 17				1	

LIST AND INDEX NUMBER	PART NUMBER	DESCRIPTION	UNITS PER ASM.	USABLE ON CODE
		CABLE ROUTING GROUP-CONT		
30 - 7	2182908	. CABLE ASM,EXT SYNC FOR COMPONENTS SEE FIG 31-2H,21,33	2	
- 7	2195977	. CABLE ASM,I/O MONITOR FOR COMPONENTS SEE FIG 31-2C, 2D,59A,60,61A	2	
- 7	2195978	. CABLE ASM,CONN. A,B,C TO I/O BOX FOR COMPONENTS SEE FIG 31-20, 34,36A,38,47,57,57A,67	2	
- 7	2195979	. CABLE ASM,TB1 TO I/O PANEL FOR COMPONENTS SEE FIG 31-2D,15,20,36A	2	
- 7	2195980	. CABLE ASM,LIGHTS,COMMON FOR COMPONENTS SEE FIG 31-20	2	
- 7	2195981	. CABLE ASM,I/O MONITOR POWER FOR COMPONENTS SEE FIG 31 2D,25A,75A, 76D,78B,79B,80B,81A,82A,83A,84A,85	2	
- 7	2195982	. CABLE ASM,I/O MONITOR RECEPTABLE FOR COMPONENTS SEE FIG 31-1,104, 105,106,107,108,109,110,111	1	
- 8	2195477	. CABLE ASM,SEQUENCE BOX TO RELAY PNL,50HZ FOR COMPONENTS SEE FIG 31-2D,17	1	
- 8	2195479	. CABLE ASM,SEQUENCE BOX TO T3,50HZ FOR COMPONENTS SEE FIG 31-2C,8	1	
- 8	2195486	. CABLE ASM,SEQUENCE BOX JUMPER, 50 HZ FOR COMPONENTS SEE FIG 31-2C, 2D,2E,3,3A,4,5,7A,7B,8	1	
- 8	2195489	. CABLE ASM,CB 4 JUMPER, 50 HZ FOR COMPONENTS SEE FIG 31-4,4A,5	1	B
- 8	2195491	. CABLE ASM,CB3 JUMPER, 50 HZ	2	2
- 8	2195490	. CABLE ASM,CB 2 JUMPER,50 HZ FOR COMPONENTS SEE FIG 31-2A,4,7D	1	1
- 8	2195925	. CABLE ASM,SEQUENCE BOX TO RELAY PNL,60HZ FOR COMPONENTS SEE FIG 31-2D,17	1	
- 8	2195937	. CABLE ASM,CB2 JUMPER	1	
- 8	2195938	. CABLE ASM,CB3 JUMPER, 60 HZ FOR COMPONENTS SEE FIG 31-2A,4	1	
- 8	2195941	. CABLE ASM,CB1, 60 HZ FOR COMPONENTS SEE FIG 31-1,2, 2A,2C,2D,4,5,8	1	
- 8	2195954	. CABLE ASM,CB4 JUMPER, 60 HZ FOR COMPONENTS SEE FIG 31-2A,4	1	A
- 9	2195448	. CABLE ASM,FILTER BOX TO PWR SOURCE, 50HZ FOR COMPONENTS SEE FIG 31-7B	3	
- 9	2196099	. CABLE ASSEMBLY,POWER ATTACHMENT	2	
- 9	2242308	. CABLE ASM,7FT POWER ATTACHMENT, 60 HZ FOR COMPONENTS SEE FIG 31-4A,7,7B,30	2	
- 10	2195942	. CABLE ASM,CONVENIENCE OUTLET FOR COMPONENTS SEE FIG 31-2C,2F,11	1	
- 11	2195476	. CABLE ASSEMBLY-FILTER TO SEQUENCE BOX FOR COMPONENTS SEE FIG 31-7,7B,7C	2	
- 11	2195936	. CABLE ASM,FILTER TO SEQUENCE BOX, 60 HZ FOR COMPONENTS SEE FIG 31-2,2G,7A,10	1	
- 12	2195948	. CABLE ASM,MEM SUPPLIES-AC DISTRIBUTION FOR COMPONENTS SEE FIG 31-1,2D	2	
- 13	2195652	. CABLE ASM,PWR SPLY 16 AND 17 TO DC BRKR FOR COMPONENTS SEE FIG 31-2D	2	
- 14	2195485	. CABLE ASM,36 VOLT OVERVOLTAGE ASM FOR COMPONENTS SEE FIG 31-2C,2F	1	A
- 14	2196029	. CABLE ASM,OVERVOLTAGE JUMPER FOR COMPONENTS SEE FIG 31-2B,2D,2E,17	1	
- 15	2195957	. CABLE ASM,DC DISTRIBUTION-PS 12 TO 15 FOR COMPONENTS SEE FIG 31-2A,2C,2F,5	1	
- 16	2195444	. CABLE ASM,TB 23 TO RESISTOR PANEL FOR COMPONENTS SEE FIG 31-11A	1	
- 17	2195653	. CABLE ASM,DC BREAKER TRIP IND. LITE FOR COMPONENTS SEE FIG 31-2D,20,17	1	
- 18	2195651	. CABLE ASM,PWR SPLY TO DC BREAKER FOR COMPONENTS SEE FIG 31-2D	1	
- 19	2195956	. CABLE ASM,DC DISTRIBUTION-PS 6,7,8,10,11 FOR COMPONENTS SEE FIG 31-2A,2C,2F,5	1	
- 20	2195955	. CABLE ASM,DC DISTRIBUTION-PS 1 TO 5 FOR COMPONENTS SEE FIG 31-1,2D,4,5	1	

LIST AND INDEX NUMBER	PART NUMBER	DESCRIPTION	UNITS PER ASM.	USABLE ON CODE
		CABLE ROUTING GROUP -CONT		
30 - 21	2195480	• CABLE ASM, AC POWER DISTR, 50 HZ FOR COMPONENTS SEE FIG 31-1, 2C, 2D, 8, 14A, 17A, 40	1	
- 21	2195934	• CABLE ASM, AC POWER DISTR, 60 HZ FOR COMPONENTS SEE FIG 31-1, 2D, 2E, 2F, 8, 14A, 17, 40	1	
- 22	2195450	• CABLE ASSEMBLY-1801/2 TO 1443 MOD 1, 2 FOR COMPONENTS SEE FIG 31-2F, 97, 98	2	
- 22	2195451	• CABLE ASM, TB4 AND 9 TO 1826 RECPT 50HZ FOR COMPONENTS SEE FIG 31-2A, 2C, 76A, 76E, 78A, 79, 80, 81, 82, 83, 84, 84A, 85	4	
- 22	2195452	• CABLE ASM, TB4 AND 9 TO 1828 RECPT, 50HZ FOR COMPONENTS SEE FIG 31-2A, 2C, 76A, 76E, 78A, 79, 80, 81, 82E, 83, 84, 84A, 85	4	
- 22	2195472	• CABLE ASM, DIST PNL TO 1442 RECPT, 50HZ FOR COMPONENTS SEE FIG 31-2A, 2C, 9, 9A, 9E 24A, 76A, 76C, 78, 79, 80, 80C, 82	4	
- 22	2195473	• CABLE ASM, TB68 TO 1443 SEQ RECPT, 50HZ FOR COMPONENTS SEE FIG 31-2D, 29	2	
- 22	2195474	• CABLE ASM, TB6 AND 9 TO 2310 RECPT, 50HZ FOR COMPONENTS SEE FIG 31-2A, 2C, 5, 76A, 78C, 79, 80, 82, 83, 84A, 85	1	
- 22	2195475	• CABLE ASM, TB9-CB4 TO 2400 RECPT, 50HZ FOR COMPONENTS SEE FIG 31-2C, 2F, 4A, 23, 23A, 39	1	B
- 22	2195667	• CABLE ASM, CONSOLE TO REMOTE START FOR COMPONENTS SEE FIG 31-2D, 24, 24A, 39A, 45, 46	1	
- 22	2196023	• CABLE ASM, GATE TO 1627 RECEPTACLE FOR COMPONENTS SEE FIG 31-1, 2D, 29A, 73	2	
- 22	2196024	• CABLE ASM, EC18, 19, 20 TO 1054 RECEPTACLE FOR COMPONENTS SEE FIG 31-1, 2D, 17, 29B	2	
- 22	2196025	• CABLE ASM, EC15, 16, 17 TO 1055 RECEPTACLE FOR COMPONENTS SEE FIG 31-1, 2D, 17, 29C	2	
- 22	2196063	• CABLE ASM, TB3-5, TB6-5 TO 1443 RECPT, 60HZ FOR COMPONENTS SEE FIG 31-2D, 29	2	
- 22	2196064	• CABLE ASM, TB9, 2 TO 2400 RECPT, 60HZ FOR COMPONENTS SEE FIG 31-2C, 2F, 4, 23, 23A, 39	1	B
- 22	2196065	• CABLE ASM, DIST PNL TO 1442 RECPT, 60HZ FOR COMPONENTS SEE FIG 31-2A, 2C, 9, 9A, 9E, 76A, 76B, 76C, 78, 79, 80, 80C, 82	4	
22	2196066	• CABLE ASM, TB2, 6, 9 TO 1826 RECPT, 6/HZ FOR COMPONENTS SEE FIG 31-2A, 2C, 76A, 76E, 78A, 79, 80, 81, 82, 83, 84, 85	4	
- 22	2196067	• CABLE ASM, TB2, 5, 9 TO 1828 RECPT, 60HZ FOR COMPONENTS SEE FIG 31-2A, 2C, 76A, 76D, 78, 79, 80, 81, 82E, 83, 84, 85	4	
- 22	2196068	• CABLE ASM, TB6 AND 9 TO 2310 RECPT, 60HZ FOR COMPONENTS SEE FIG 31-2A, 2C, 5, 76A, 78A, 79, 80, 81, 82F, 83, 84, 85	1	
- 22	2196247	• CABLE ASM, EPO RECPT TO EPO SWITCH	1	
- 22	2279085	• CABLE ASM, 1803 RECPT, 50 HZ FOR COMPONENTS SEE FIG 31-2D, 14, 17, 41	1	
- 22	2279086	• CABLE ASM, 1803 RECPT, 60 HZ FOR COMPONENTS SEE FIG 31-2A, 2C 76A, 76E, 78A, 79, 80, 81, 82C, 83, 84, 85	1	
- 23	2195665	• CABLE ASM INTER CONN, 1826 AND 1828 FOR COMPONENTS SEE FIG 31-25, 27, 28, 64, 65, 66	2	
- 23	2196097	• CABLE ASM, INTER CONV, 1828 PWR FOR COMPONENTS SEE FIG 31-75, 76, 76A, 76D, 76E, 76F, 77, 78B, 78C, 79, 79A, 80, 80A, 81, 81A, 82D, 82E	4	
- 23	2196098	• CABLE ASM, INTER CONN, 1826 PWR FOR COMPONENTS SEE FIG 31-75, 76, 76A, 76D, 76E, 76F, 77, 78B, 78C, 79, 79A, 80, 80A, 81, 81A, 82B, 82C	2	
- 24	2195666	• CABLE ASM, CONTROL BOX FOR COMPONENTS SEE FIG 31-1, 25, 27, 28, 64, 65, 66	1	
- 25	2182907	• CABLE ASM, DIFFERENTIAL, SCOPE LEADS FOR COMPONENTS SEE FIG 31-26, 43, 48	1	
- 26	2195945	• CABLE ASM, SEQUENCE BOX TO T3, 60 HZ FOR COMPONENTS SEE FIG 31-2C, 22	1	

LIST AND INDEX NUMBER	PART NUMBER	DESCRIPTION	UNITS PER ASM.	USABLE ON CODE
		CABLE ROUTING GROUP -CONT		
30 - 27	2195492	• CABLE ASM,T2 POWER INPUT, 50 HZ	1	
- 27	2195493	• CABLE ASM,T2 POWER, 50 HZ FOR COMPONENTS SEE FIG 31-2G,3A	1	
- 27	2195935	• CABLE ASM,T2 TO SEQUENCE BOX, 60 HZ FOR COMPONENTS SEE FIG 31-2C,8,22	1	
- 28	2195462	• CABLE ASM,D1/DO EXTERNAL SYNC FOR COMPONENTS SEE FIG 31-2J,17,36	1	
- 28	2195696	• CABLE ASM,FIRST DIGITAL OUTPUT FOR COMPONENTS SEE FIG 31-44,86 USED WITH DIGITAL OUTPUT	1	A
- 28	2195959	• CABLE ASM,GATE T TO GATE F OR G	2	
- 28	2195959	• CABLE ASM,GATE T TO GATE F OR G	4	D
- 28	2195959	• CABLE ASM,GATE T TO GATE F OR G FOR COMPONENTS SEE FIG 31-44A	2	E
- 28	2195993	• CABLE ASM,CUSTOMER ALARM FOR COMPONENTS SEE FIG 31-1,17A	1	
- 28	2196021	• CABLE ASM,1054 SIGNAL TO TAILGATE ECS	2	
- 28	2196022	• CABLE ASM,1055 SIGNAL TO TAILGATE ECS FOR COMPONENTS SEE FIG 31-17,73	2	
- 28	2196057	• CABLE ASM,TYPEWRITER SIG GATE TO I/O	1	
- 28	2196057	• CABLE ASM,TYPEWRITER SIG GATE TO I/O	2	D
- 28	2196057	• CABLE ASM,TYPEWRITER SIG GATE TO I/O FOR COMPONENTS SEE FIG 31-36A,44A	2	E
- 28	2196058	• CABLE ASM,1816 KEYBOARD-GATE TO I/O	2	
- 28	2196058	• CABLE ASM,1816 KEYBOARD-GATE TO I/O	2	D
- 28	2196058	• CABLE ASM,1816 KEYBOARD-GATE TO I/O FOR COMPONENTS SEE FIG 31-44A	1	E
- 28	2196061	• CABLE ASM,SPECIAL VOLTAGE F AND G GATE	1	
- 28	2196061	• CABLE ASM,SPECIAL VOLTAGE F AND G GATE FOR COMPONENTS SEE FIG 31-1,2C,21,33,68	2	D
- 29	2195933	• CABLE ASM,48V POWER DISTRIBUTION,AC DC FOR COMPONENTS SEE FIG 31-1,2D,5	1	
- 30	2195939	• CABLE ASM,SEQUENCE BOX TO A-B GATES,50HZ	2	
- 30	2195940	• CABLE ASM,SEQUENCE BOX TO C-D GATES,60HZ FOR COMPONENTS SEE FIG 31-2D, 2E,14A,32C,40	2	
- 31	2195924	• CABLE ASM,+48V TO GATE C AND GATE D FOR COMPONENTS SEE FIG 31-5	1	
- 32	2195459	• CABLE ASM,1801/1802 GATE A BOTTOM BUS FOR COMPONENTS SEE FIG 31-2A,2F USED WITH 24K AND 32K MEMORY	2	
- 33	2195930	• CABLE ASSEMBLY-DC DISTR TO GATE D	1	A
- 33	2195931	• CABLE ASM,DC DISTRIBUTION-GATE D FOR COMPONENTS SEE FIG 31-2A,2F	1	B
- 33	2196044	• CABLE ASM,SPECIAL VOLTAGE JUMPER		
- 33	2196046	• CABLE ASM,SPECIAL VOLTAGE JUMPER FOR COMPONENTS SEE FIG 31-37,68A		
- 34	2195929	• CABLE ASM,DC DISTRIBUTION-GATE C FOR COMPONENTS SEE FIG 31-2A,2F	1	
- 35	2182509	• CABLE ASM,ANALOG TO DIGITAL BOARDS FOR COMPONENTS SEE FIG 31-42,36A USED WITH ANALOG DGTL CONVERTER,MOD I	2	
- 35	2182727	• CABLE ASM,SAMPLE/HOLD FOR COMPONENTS SEE FIG 31-32,32B USED WITH ANALOG DGTL CONVERTER,MOD II	2	
- 35	2183023	• CABLE ASM,CALIBRATION SW DRIVE FOR COMPONENTS SEE FIG 31-12, 13,21A,31,32A,33	2	
- 35	2195927	• CABLE ASM,DC DISTRIBUTION-GATE A FOR COMPONENTS SEE FIG 31-2A,2F,8	1	
- 35	2196059	• CABLE ASM,16K MEMORY SIGNAL JUMPER FOR COMPONENTS SEE FIG 31-36,44A USED WITH 16K,24K,32K MEMORY	2	
- 35	2196076	• CABLE ASSEMBLY,EXTERNAL SYNC FOR COMPONENTS SEE FIG 31-9D,26	1	
- 36	2195294	• JUMPER ASM, GATE DOUBLE FOR COMPONENTS SEE FIG 31-37,50,51,52 USED WITH 4 MSEC MEM	4	

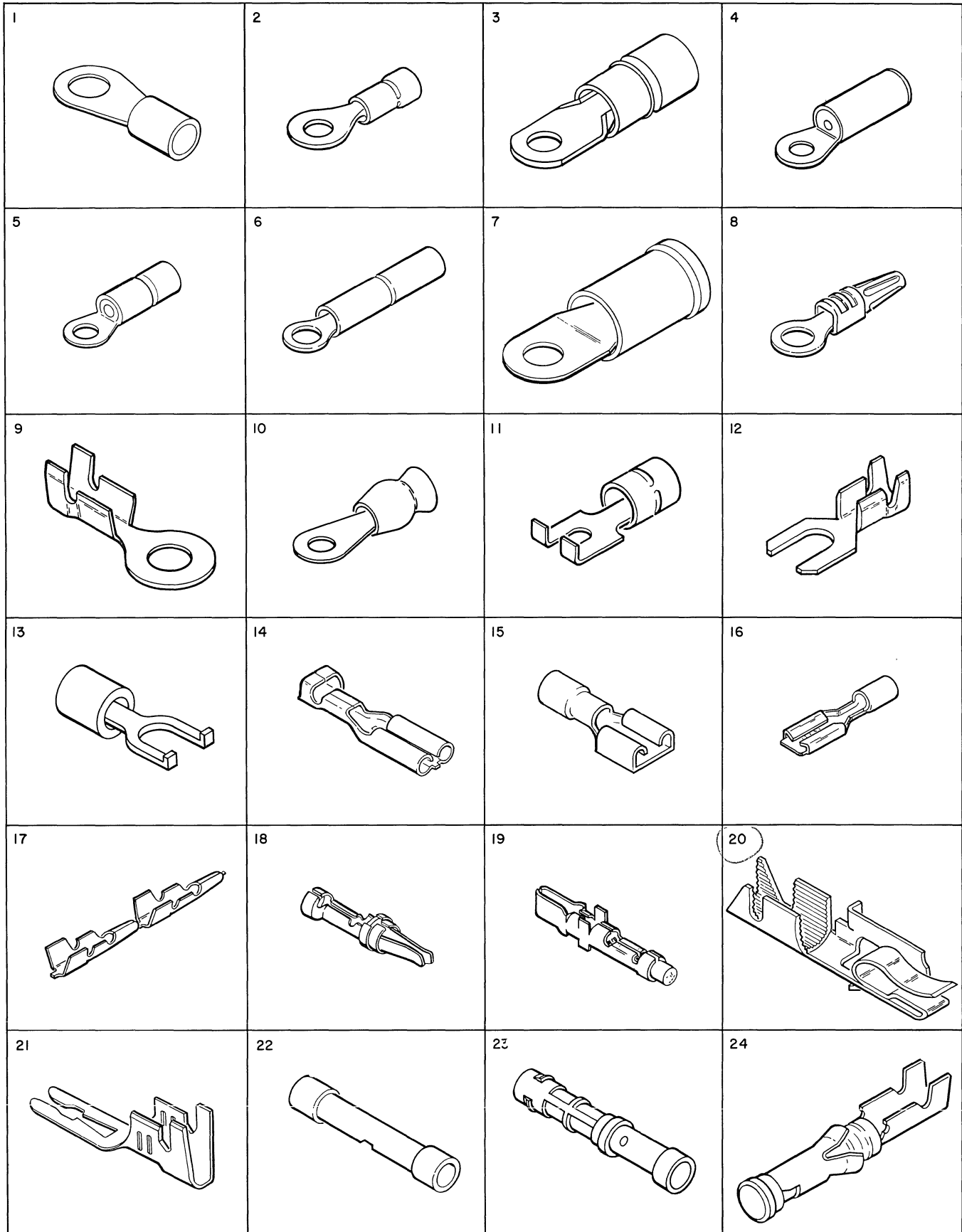


FIGURE 31. CABLE COMPONENT GROUP. SHEET 1 OF 4, INDEX NOS. 1-24. SEE LIST 31.

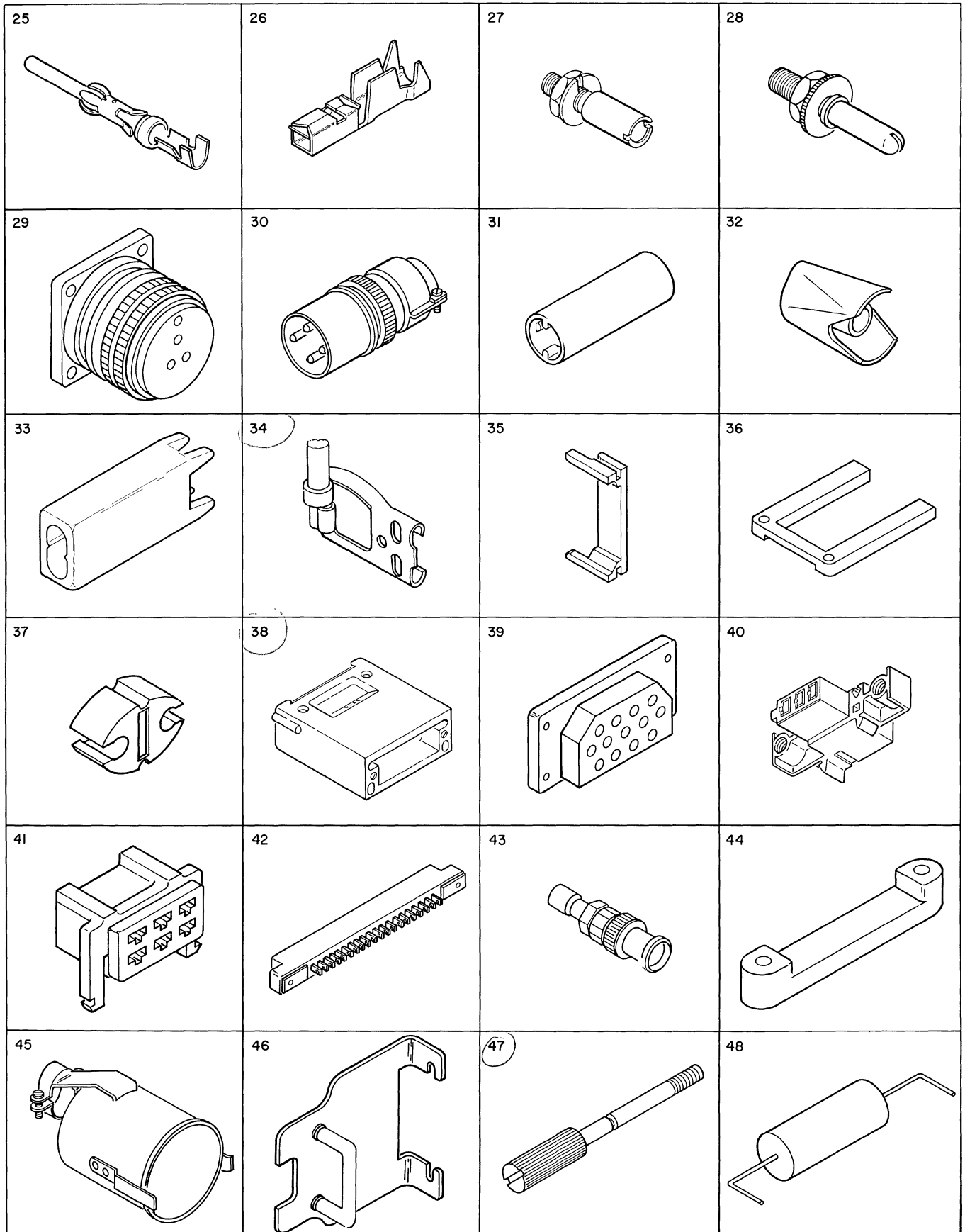


FIGURE 31. CABLE COMPONENT GROUP. SHEET 2 OF 4, INDEX NOS. 25-48. SEE LIST 31

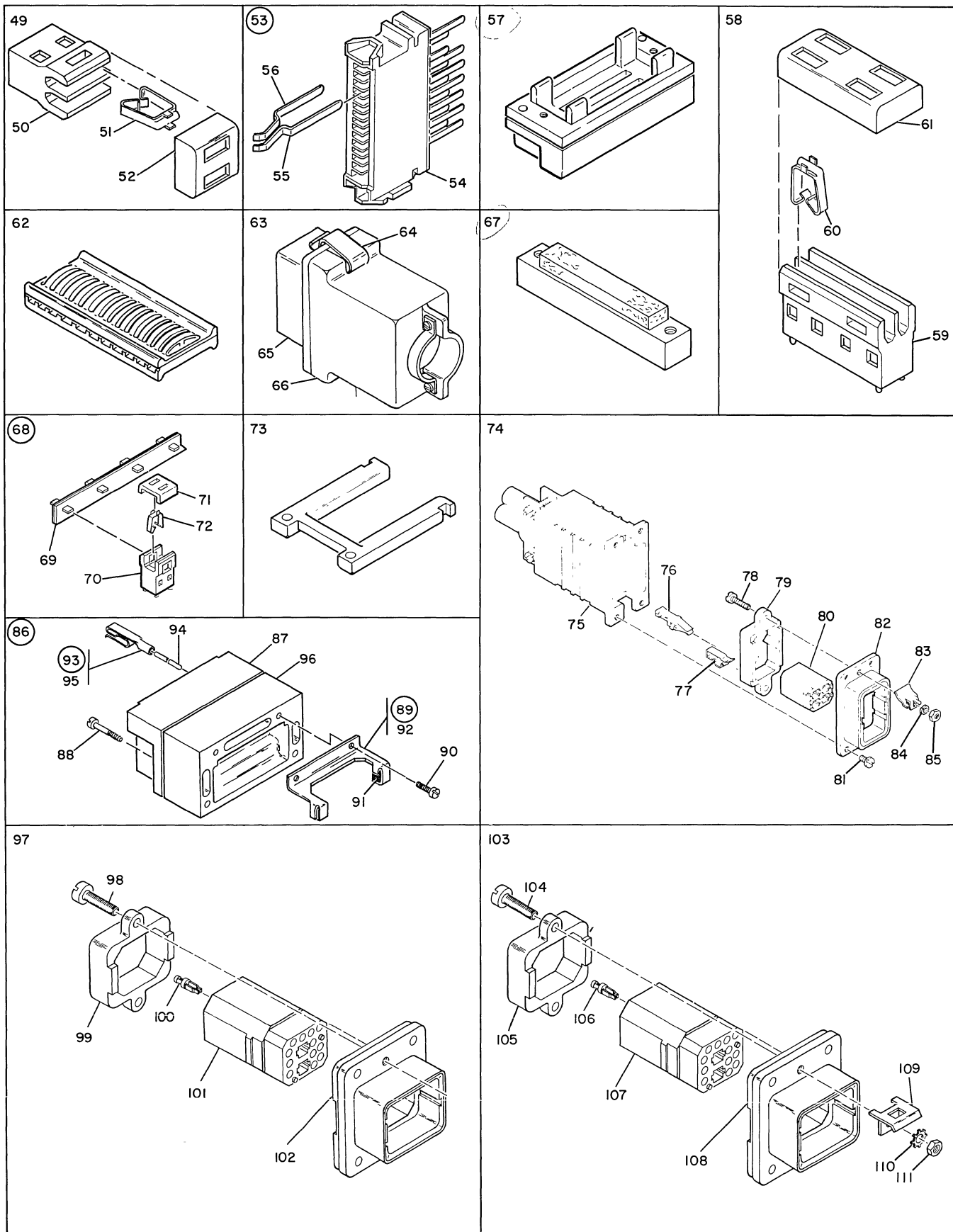


FIGURE 31. CABLE COMPONENT GROUP. SHEET 3 OF 4, INDEX NOS. 49-111. SEE LIST 31.

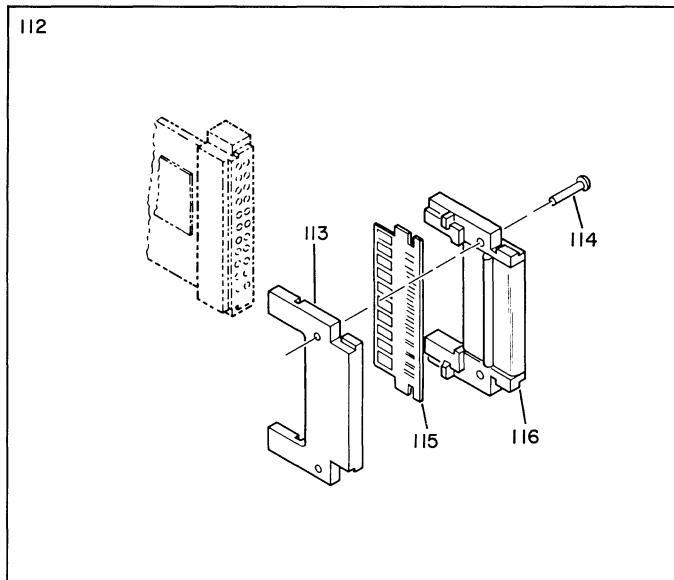


FIGURE 31. CABLE COMPONENT GROUP. SHEET 4 OF 4, INDEX NOS. 112-116. SEE LIST 31

LIST AND INDEX NUMBER	PART NUMBER	DESCRIPTION				UNITS PER ASM.	USABLE ON CODE
		1	2	3	4		
		CABLE COMPONENT GROUP					
31 -	NO NO.	CABLE COMPONENT GROUP					
		FOR ILLUSTRATION SEE FIGURE 31					
- 1	92784	• TERMINAL,LUG-INS 18-20AWG NO.8 MTG HOLE				AR	
- 2	124439	• TERMINAL,NO 10 RING				AR	
- 2A	186968	• TERMINAL,LUG-INS 10/12AWG NO. 8 MTG HOLE				AR	
- 2B	334768	• TERMINAL,LUG-INS 16-22AWG NO.1/4MTG HOLE				AR	
- 2C	334910	• TERMINAL-LUG NO.16 THRU NO.14 WIRE				AR	
- 2D	334921	• TERMINAL-LUG NO.22 THRU NO.18 WIRE INSUL				AR	
- 2E	334932	• TERMINAL-LUG NO.18 THRU NO.22 WIRE INSUL				AR	
- 2F	360370	• TERMINAL-RING TOUNGUE NO.14-16 WIRE				AR	
- 2G	504879	• TERMINAL,LUG-INS 6/10AWG NO. 10 MTG HOLE				AR	
- 2H	523276	• TERMINAL,LUG				AR	
- 2J	806715	• TERMINAL,LUG-INS 22/26AWG NO. 8 MTG HOLE				AR	
- 2K	2102617	• TERMINAL-LUG NO.10 STUD				AR	
- 3	335327	• TERMINAL,LUG- SCREW SIZES 8 THRU 10				AR	
- 3A	501092	• TERMINAL-LUG				AR	
- 4	2101326	• TERMINAL-CLIP,BARREL NO.12-10 WIRE INSUL				AR	
- 4A	2101327	• TERMINAL,LUG-INS 10/12AWG 1/4 MTG HOLE				AR	
- 5	253740	• TERMINAL,LUG-INS 10-12AWG NO.6 MTG HOLE				AR	
- 6	253453	• TERMINAL, RING INS NO 22 AWG 0.140 ID				AR	
- 7	335383	• TERMINAL,LUG- 4 AWG NO. 10 MTG HOLE				AR	
- 7A	335970	• TERMINAL,LUG- 8 AWG 1/4 MTG HOLE				AR	
- 7B	502523	• TERMINAL,LUG- 4 AWG 1/4 MTG HOLE				AR	
- 7C	839526	• TERMINAL,LUG-4 AWG 0.265 MTG HOLE				AR	
- 7D	2196223	• RING,TERMINAL				AR	
- 8	359695	• TERMINAL-RING LUG NO.10 STUD				AR	
- 9	186959	• TERMINAL-RING,6 STUD				AR	
- 9A	186961	• TERMINAL-RING,NO.6 STUD NON INSULATED				AR	
- 9B	186962	• TERMINAL-RING,6 STUD				AR	
- 9C	186967	• TERMINAL,LUG-NONINS 20AWG NO.6 MTG SLOT				AR	
- 9D	187459	• TERMINAL,LUG-NONINS 20AWG NO.8 MTG HOLE				AR	
- 9E	2101657	• TERMINAL-RING NO.8 STUD				AR	
- 10	82725	• TERMINAL, LUG-INS 6AWG 17/64 MTG HOLE				AR	
- 11	368222	• TERMINAL-NO.8 STUD 16-14 WIRE				AR	
- 11A	1119009	• LUG, TERMINAL				AR	
- 12	186967	• TERMINAL,LUG-NONINS 20AWG NO.6 MTG SLOT				AR	
- 13	92786	• TERMINAL,LUG-INS 18-20AWG NO.4 MTG SLOT				AR	
- 14	5351177	• TERMINAL-RECEPTACLE				AR	
- 14A	5353852	• CONTACT-FEMALE,NO.16-20 WIRE				AR	
- 15	236916	• TERMINAL-CONTACT FEMALE 24-22 AWG				AR	
- 16	236916	• TERMINAL-CONTACT FEMALE 24-22 AWG				AR	
- 16A	236915	• TERMINAL-CONTACT FEMALE 20-18 AWG				AR	
- 17	187243	• TERMINAL, SMALL TAPER 20-22-24 OR 26 AWG				AR	
- 17A	360433	• TERMINAL-TAPER PIN 16/18AWG 0.073 NOM OD				AR	
- 20	5362301	• CONTACT,LARGE SERPENT				AR	
- 20A	5404480	• CONTACT,GREAT SERPENT				AR	
- 21	813194	• TERMINAL-AWG,20-18				AR	
- 21A	813195	• TERMINAL-DISCRETE WIRE,22/24/26				AR	
- 22	360363	• CONN,BUTT- 14AWG BLUE INS				AR	
- 23	535084	• SOCKET,CONTACT 14 AWG				AR	
- 23A	535086	• SOCKET,CONTACT 10 AWG				AR	
- 24	2122259	• SOCKET,CONTACT-AWG 20-22				AR	
- 24A	2122261	• SOCKET,CONTACT				AR	
- 25	2122258	• PIN-CONTACT MALE 20/22AWG				AR	
- 25A	2122260	• PIN-CONTACT,AWG 18-16				AR	
- 26	815934	• CONNECTOR,DISCRETE WIRE 22-26 AWG				AR	
- 26A	815933	• CONNECTOR,DISCRETE WIRE				AR	
- 27	2122202	• SOCKET,CENTER GUIDE				AR	
- 28	2122203	• PIN,CENTER GUIDE				AR	
- 29	2162485	• RECEPTACLE,FEMALE				AR	
- 29A	2194770	• RECEPTACLE,FEMALE-19 POSITION - CANNON				AR	
- 29B	2194926	• RECEPTACLE,FEMALE				AR	
- 29C	2194928	• RECEPTACLE,FEMALE				AR	
- 30	832957	• PLUG- POWER				AR	
- 31	2178470	• SLEEVE,INSULATING 0.308 DIA X 0.75 LG				AR	

LIST AND INDEX NUMBER	PART NUMBER	DESCRIPTION	UNITS PER ASM.	USABLE ON CODE
		1 2 3 4		
		CABLE COMPONENT GROUP -CONT		
31 - 32	188609	• FERRULE-SHIELDED WIRE	AR	
- 32A	2178469	• FERRULE-SHIELDED WIRE 0.150 ID	AR	
- 32B	2182732	• FERRULE,SHIELDED WIRE,0.05 ID	AR	
- 32C	2184182	• FERRULE-SHIELDED WIRE	AR	
- 33	813197	• HOUSING-TERMINAL	AR	
- 34	517913	• CLIP, SLIP ON NO 18-16 AWG	AR	
- 34A	2162590	• TERMINAL-FLAG FAST	AR	
- 35	811802	• GUIDE-CARD,6 PAC	AR	
- 36	5352958	• STRAIN RELIEF	AR	
- 36A	5352960	• STRAIN RELIEF	AR	
- 37	813827	• BUS CONNECTOR	AR	
- 38	5393043	• COVER, CONNECTOR BLOCK	AR	
- 39	526516	• CONNECTOR,RECP,ELEC-13 FEMALE CONTACTS	AR	
- 39A	2122254	• CONNECTOR, 20 PLACE FEMALE	AR	
- 40	5353851	• HOUSING-CONNECTOR RECEPTACLE, 3 POS	AR	
- 41	523269	• INSERT,ELECTRICAL CONNECTOR- 6 POS	AR	
- 42	2182488	• CONNECTOR-FEMALE BRASS 22 PINS	AR	
- 43	2246295	• CONNECTOR	AR	
- 44	2182915	• CLAMP,STRAIN RELIEF	AR	
- 44A	5353922	• CLAMP	AR	
- 45	560472	• SOCKET,KEEPER TYPE	AR	
- 46	2123032	• CLAMP, CABLE 20 PLACE BLOCK	AR	
- 47	5393054	• SCREW,JACK,4-40	AR	
- 48	216429	• RESISTOR, FIXED,COMP	AR	
- 49	NO NO.	• CABLE GROUP	NP	
- 50	813550	• • HOUSING- 2 PIN GRN USES COVER P/N 813549	AR	
- 51	813681	• • CONTACT, MINIATURE BUS	AR	
- 52	813549	• • COVER- 2 PIN NAT FOR HOUSING P/N 813550	AR	
- 53	216076	• TERMINAL BLOCK AND CONTACT ASSEMBLY	AR	
- 54	216087	• • SPRING-CONTACT	AR	
- 55	216088	• • SPRING-CONTACT	AR	
- 56	216073	• • CARD RECEPTACLE- 1 POSITION	AR	
- 57	5393041	• BLOCK CONNECTOR-24 POS	AR	
- 57A	5393042	• BLOCK	AR	
- 58	NO NO.	• CABLE GROUP	NP	
- 59	813550	• • HOUSING- 2 PIN GRN USES COVER P/N 813549	AR	
- 59A	813801	• • HOUSING	AR	
- 59B	811601	• • BODY, COUPLING	AR	
- 60	813681	• • CONTACT, MINIATURE BUS	AR	
- 61	813549	• • COVER- 2 PIN NAT FOR HOUSING P/N 813550	AR	
- 61A	813802	• • CAP	AR	
- 62	2242704	• HOUSING,SNAP 12 UP	AR	
- 62A	2242719	• HOUSING,9 POSITION	AR	
- 63	NO NO.	• CABLE GROUP	NP	
- 64	2127984	• • SPRING,LOCK	AR	
- 65	2122255	• • CONNECTOR, 20 PLACE MALE	AR	
- 66	2130443	• • HOOD	AR	
- 67	5353896	• STRAIN RELIEF ASSEMBLY	AR	
- 68	813265	• BUS ASSEMBLY, MINIATURE	AR	
- 68A	813263	• BUS ASM,MINIATURE- 2 POS	AR	
- 69	813255	• • BUS	1	
- 69A	813253	• • BUS-2 POS	AR	
- 70	813703	• • HOUSING	4	
- 71	813549	• • COVER- 2 PIN NAT FOR HOUSING P/N 813550	4	
- 72	813681	• • CONTACT, MINIATURE BUS	8	
- 73	5352967	• STRAIN RELIEF	AR	
- 74	NO NO.	• CABLE GROUP	AR	
- 75	738256	• • HOOD- 2 MODULE	AR	
- 75A	2196081	• • HOOD- 1 MODULE	AR	
- 76	738254	• • TERMINAL ASM, MALE 12 AND 14 AWG	AR	
- 76A	738255	• • TERMINAL ASM, FEMALE 12 AND 14 AWG	AR	
- 76B	2122261	• SOCKET,CONTACT	AR	
- 76C	2192503	• • TERMINAL ASM, FEMALE 12-14 AWG	AR	
- 76D	2192504	• • TERMINAL ASM-MALE 8/10 AWG	AR	
- 76E	2192505	• • TERMINAL ASM-FEMALE 8/10 AWG	AR	
- 76F	2192506	• • TERMINAL ASM-MALE 8/10 AWG LONG	AR	
- 77	2195482	• • CLIP,GROUNDING	AR	
- 78	38264	• • SCREW,MACH-FIL H 4-40 X 3/8 LG	AR	
- 78A	38265	• • SCREW,MACH-FIL H 4-40 X 7/16 LG	AR	
- 78B	38266	• • SCREW,MACH-FIL H 4-40 X 1/2 LG	AR	
- 78C	52523	• • SCREW,MACH-FIL H 4-40 X 5/8 LG	AR	
- 79	738166	• • RETAINER- 2 FEMALE MODULES	AR	
- 79A	738199	• • RETAINER- 2 MALE MODULES	AR	
- 79B	2196080	• • RETAINER- 1 MALE MODULE	AR	

LIST AND INDEX NUMBER	PART NUMBER	DESCRIPTION	UNITS PER ASM.	USABLE ON CODE
		1 2 3 4		
		CABLE COMPONENT GROUP -CONT		
31 - 80	738257	. . MODULE BLOCK-4 POS FEMALE	AR	
- 80A	738259	. . MODULE BLOCK-MALE 4 POSITION	AR	
- 80B	2190715	. . MODULE BLOCK-MALE 14 POSITION	AR	
- 80C	2190716	. . MODULE BLOCK-FEMALE 14 POSITION	AR	
- 81	236550	. . SCREW,MACH-BIND HD 4-40 X 0.375 LG	AR	
- 81A	438551	. . SCREW,MACH-BIND HD 4-40 X 5/8 LG	AR	
- 82	738196	. . RECEPTACLE- 2 BLOCK MODULE	AR	
- 82A	2196078	. . SHELL,PLUG- 1 MALE MODULE	AR	
- 82B	2196084	. . PLUG,TWO BLOCK MODULE A	AR	
- 82C	2196085	. . RECEPTABLE,TWO BLOCK MODULE A	AR	
- 82D	2196086	. . PLUG,TWO BLOCK MODULE B	AR	
- 82E	2196087	. . RECEPTABLE,TWO BLOCK MODULE B	AR	
- 82F	2196089	. . SHELL,RECEPTACLE- 2 FEMALE MODULES	AR	
- 83	2192539	. . CLIP, SPRING	AR	
- 83A	738197	. . LOCKING SPRING,MODULE CONN	AR	
- 84	257984	. . WASHER,LOCK-SPRING MEDIUM	AR	
- 84A	338169	. . WASHER,LOCK-EXT TEETH NO. 4 X 9/32 OD	AR	
- 85	37913	. . NUT, HEX 4-40 NC	AR	
- 86	2183687	. . CONNECT OR	AR	
- 87	5393041	. . BLOCK CONNECTOR-24 POS	1	
- 88	438536	. . SCREW-MACH-FLAT H 2-56 X 1/2 LG	2	
- 89	5353895	. . BRACKET ASSEMBLY	1	
- 90	112628	. . . SCREW,THD FORMING,PAN HD,4-40 X 0.38 LG	2	
- 91	5353894	. . . PAD-PRESSURE	2	
- 92	5353899	. . BRACKET	1	
- 93	5362303	. . CONTACT AND PIN ASSEMBLY	24	
- 94	811727	. . . PIN-CONNECTOR	AR	
- 95	5362301	. . . CONTACT,LARGE SERPENT	1	
- 96	5393044	. . GUIDE-PIN	1	
- 97	NO NO.	. . CABLE GROUP	NP	
- 98	38266	. . SCREW,MACH-FIL H 4-40 X 1/2 LG	2	
- 99	2196079	. . RETAINER- 1 FEMALE MODULE	1	
-100	738255	. . TERMINAL ASM, FEMALE 12 AND 14 AWG	3	
-101	738257	. . MODULE BLOCK-4 POS FEMALE	1	
-102	2196077	. . SHELL,RECEPTACLE- 1 FEMALE MODULE	1	
-103	NO NO.	. . CABLE GROUP	NP	
-104	52523	. . SCREW,MACH-FIL H 4-40 X 5/8 LG	2	
-105	2196079	. . RETAINER- 1 FEMALE MODULE	1	
-106	2122261	. . SOCKET,CONTACT	4	
-107	2190716	. . MODULE BLOCK-FEMALE 14 POSITION	1	
-108	2196077	. . SHELL,RECEPTACLE- 1 FEMALE MODULE	1	
-109	738198	. . CATCH,LOCKING SPRING-MODULE CONN	2	
-110	338169	. . WASHER,LOCK-EXT TEETH NO. 4 X 9/32 OD	2	
-111	37913	. . NUT, HEX 4-40 NC	2	
-112	5802216	. . CROSSOVER ASM-SIGNAL	AR	
-113	813803	. . STRAIN RELIEF	2	
-114	813338	. . RIVET	4	
-115	5800671	. . CARD ASSEMBLY	2	
-116	813804	. . STRAIN RELIEF	2	

NUMERICAL INDEX

PART NO.	LIST AND INDEX NO.	PART NO.	LIST AND INDEX NO.	PART NO.	LIST AND INDEX NO.
367	1- 21 - 2	9092-CONT	1- 2 - 75	22478-CONT	1- 15 - 28
2300	1- 2 -275		1- 2 -181		1- 18 - 28
2903	1- 12 - 4		1- 6 - 5		1- 20 - 28
	1- 13 - 4		1- 15 - 40	28413	1- 25 - 88D
	1- 14 - 4		1- 18 - 40		1- 15 - 2
	1- 16 - 4		1- 20 - 40		1- 18 - 2
	1- 17 - 4		1- 21 - 6		1- 20 - 2
	1- 19 - 4		1- 21 - 42		1- 22 - 16
3063	1- 2 - 29		1- 21 - 53	32042	1- 1 - 17
3550	1- 2 - 99	10170	1- 2 -262		1- 1 - 40
	1- 5 - 66		1- 5 - 4		1- 1 - 59
	1- 5 - 67		1- 5 - 88		1- 1 - 66
	1- 5 - 70		1- 12 - 32		1- 2 - 48
	1- 5 - 71		1- 13 - 42		1- 2 -168
	1- 5 - 72		1- 14 - 47		1- 21 - 51
	1- 5 - 75		1- 15 - 21		1- 28 - 96
	1- 5 - 76		1- 15 - 44	33345	1- 1 - 84
	1- 15 - 46		1- 16 - 25	34512	1- 29 - 11
	1- 20 - 46		1- 16 - 55		1- 29 - 32
	1- 21 - 4		1- 17 - 27	35739	1- 3 - 42
3577	1- 29 - 29		1- 18 - 4		1- 5 - 62
3960	1- 2 - 71		1- 18 - 44		1- 7 - 7
	1- 2 - 88		1- 19 - 27		1- 9 - 8
	1- 2 -108		1- 20 - 4		1- 11 - 35
	1- 2 -112		1- 20 - 44		1- 23 - 2
	1- 2 -125		1- 21 - 47		1- 27 - 15
	1- 2 -257		1- 22 - 3		1- 27 - 46
5528	1- 29 - 8		1- 22 - 9		1- 28 - 51
5644	1- 25 - 77		1- 23 - 20		1- 29 - 16
6325	1- 29 - 29		1- 25 - 49	36109	1- 2 -100
6364	1- 2 -263		1- 25 - 90		1- 2 -209
	1- 3 - 27	11116	1- 29 - 10	36844	1- 2 -204
	1- 3 - 31	11598	1- 1 - 18		1- 2 -212
	1- 3 - 38		1- 1 - 41	37913	1- 3 - 53
	1- 3 - 43		1- 1 - 60		1- 7 - 34
	1- 3 - 47		1- 1 - 67		1- 9 - 21
	1- 5 - 12		1- 1 -105		1- 15 - 85
	1- 6 - 11		1- 2 - 76		1- 25 - 13
	1- 6 - 14		1- 2 -183		1- 31 - 85
	1- 8 - 16		1- 2 -198		1- 31 -111
	1- 11 - 3		1- 6 - 4	38051	1- 15 - 7
	1- 15 - 72		1- 10 - 2		1- 15 - 12
	1- 18 - 72		1- 12 - 51		1- 15 - 61
	1- 20 - 72		1- 13 - 53		1- 15 - 73
	1- 21 - 17		1- 14 - 60		1- 18 - 9
	1- 21 - 20		1- 15 - 41		1- 18 - 14
	1- 21 - 48		1- 16 - 51		1- 18 - 61
	1- 21 - 56		1- 17 - 58		1- 18 - 73
6503	1- 21 - 12		1- 18 - 41		1- 20 - 9
6935	1- 2 - 72		1- 19 - 58		1- 20 - 14
	1- 2 -107		1- 20 - 41		1- 20 - 61
	1- 2 -111		1- 21 - 7		1- 20 - 73
	1- 2 -121		1- 21 - 41		1- 5 - 32
	1- 2 -124		1- 26 - 38	38235	1- 5 - 36
	1- 2 -205	11891	1- 15 - 76		1- 5 - 41
	1- 2 -210		1- 18 - 47		1- 5 - 45A
	1- 2 -253		1- 18 - 76		1- 7 - 51
	1- 2 -256		1- 20 - 76		1- 9 - 24
8506	1- 11 - 9	22478	1- 8 - 12		1- 12 - 10
9092	1- 2 - 56		1- 8 - 21		1- 13 - 10

PART NO.	LIST AND INDEX NO.	PART NO.	LIST AND INDEX NO.	PART NO.	LIST AND INDEX NO.
38235-CONT	1- 14 - 10	56079-CONT	1- 28 - 55A	107669	1- 27 - 74
	1- 15 - 58		1- 28 - 76A		1- 28 - 86
	1- 15 - 63	56722	1- 2 - 82	107670	1- 27 - 74
	1- 16 - 10		1- 2 -224		1- 28 - 86
	1- 17 - 10		1- 12 - 33	109918	1- 4 - 32
	1- 18 - 58		1- 13 - 43		1- 4 - 57
	1- 18 - 63		1- 14 - 48	112628	1- 4 - 34
	1- 19 - 10		1- 17 - 28		1- 4 - 59
	1- 20 - 58		1- 18 - 35		1- 7 - 44
	1- 21 - 55		1- 19 - 28		1- 25 - 28
	1- 22 - 7		1- 20 - 35		1- 31 - 90
	1- 29 - 2		1- 23 - 21	113819	1- 12 - 18
38263	1- 7 - 33		1- 24 - 7		1- 12 - 45
38264	1- 31 - 78		1- 26 - 7		1- 13 - 15
38265	1- 31 - 78A		1- 26 - 13		1- 13 - 31
38266	1- 31 - 78B		1- 26 - 19		1- 14 - 38
	1- 31 - 98		1- 26 - 28		1- 15 - 23
38352	1- 3 - 26		1- 26 - 34		1- 16 - 15
	1- 3 - 30		1- 27 - 34		1- 16 - 41
	1- 3 - 37		1- 28 - 40		1- 17 - 18
	1- 3 - 46	57622	1- 16 - 56		1- 17 - 37
38433	1- 25 - 7	58207	1- 2 - 25		1- 18 - 30
38442	1- 2 -164		1- 6 - 27		1- 19 - 18
38443	1- 8 - 8		1- 9 - 2		1- 19 - 37
	1- 8 - 11	59647	1- 2 - 98		1- 20 - 30
	1- 8 - 20	60646	1- 15 - 29	117281	1- 5 - 65
38457	1- 21 - 10		1- 18 - 25		1- 5 - 69
38688	1- 2 -106		1- 20 - 25		1- 5 - 77
	1- 2 -110	62031	1- 5 -118	124439	1- 31 - 2
	1- 2 -123		1- 7 - 53	124943	1- 2 - 8
	1- 2 -208		1- 15 - 6	125930	1- 1 - 81
45677	1- 2 - 61		1- 15 - 11		1- 28 - 91
45690	1- 1 - 82		1- 15 - 60		1- 28 -104
	1- 1 - 85		1- 18 - 8	127324	1- 15 - 45
	1- 2 -180		1- 18 - 13	129147	1- 2 - 70
	1- 2 -199		1- 18 - 60		1- 2 -120
	1- 15 - 39		1- 20 - 8		1- 2 -252
	1- 18 - 39		1- 20 - 13		1- 2 -255
	1- 18 - 46		1- 20 - 60		1- 5 - 74
	1- 20 - 39		1- 24 - 4	130434	1- 26 - 18
	1- 21 - 3	70078	1- 15 - 79	130985	1- 2 -115
	1- 21 - 43		1- 20 - 66		1- 2 -128
	1- 21 - 52	76574	1- 2 - 87	131713	1- 21 - 23
	1- 28 - 92		1- 2 -104	132769	1- 11 - 26
	1- 28 -105		1- 2 -229	138746	1- 27 - 6
52523	1- 31 - 78C	79779	1- 15 - 67		1- 27 - 78
	1- 31 -104		1- 18 - 67		1- 27 - 88
54291	1- 9 - 14		1- 20 - 64		1- 28 - 14
55722	1- 15 - 34	80652	1- 10 - 22		1- 28 - 34
55726	1- 15 - 33	81693	1- 2 -166	138750	1- 28 - 56
	1- 18 - 34		1- 5 -111	138754	1- 27 - 3
	1- 20 - 34		1- 5 -115		1- 27 - 9
	1- 21 - 16		1- 26 - 12		1- 27 - 49
	1- 21 - 19		1- 26 - 27		1- 28 - 11
	1- 25 - 66		1- 26 - 33	138755	1- 27 - 53
	1- 25 - 85	82353	1- 15 - 15		1- 27 - 79
55901	1- 2 - 26	82725	1- 31 - 10		1- 27 - 87
	1- 5 - 43A	83462	1- 10 - 6		1- 28 - 86B
	1- 5 - 83	91469	1- 2 - 32		1- 28 - 94
55918	1- 2 -179	91892	1- 4 - 1	140470	1- 21 - 15
56079	1- 2 - 3		1- 29 - 4	156848	1- 2 -154
	1- 2 - 23	92734	1- 27 - 74	160017	1- 15 - 47
	1- 2 - 24B		1- 28 - 86		1- 20 - 47
	1- 2 - 49	92784	1- 6 - 17	170260	1- 7 - 2
	1- 2 - 79		1- 6 - 21	179743	1- 5 - 30A
	1- 2 - 91		1- 31 - 1		1- 7 - 14
	1- 2 - 92C	92786	1- 31 - 13		1- 7 - 26
	1- 2 -169	104615	1- 22 - 6	179744	1- 7 - 13
	1- 2 -176		1- 27 - 72		1- 7 - 25
	1- 2 -182		1- 28 - 84		1- 9 - 29A
	1- 2 -190	107664	1- 22 - 5	179946	1- 4 - 9
	1- 2 -228		1- 27 - 74	184522	1- 5 - 6
	1- 2 -238		1- 28 - 86	186758	1- 9 - 16
	1- 2 -242		1- 28 - 86	186759	1- 3 - 20
	1- 2 -272	107666	1- 27 - 74		1- 21 - 39
	1- 21 - 5		1- 28 - 86	186944	1- 9 - 47
	1- 22 - 17	107667	1- 27 - 74	186945	1- 22 - 12
	1- 26 - 39		1- 28 - 86		1- 27 - 18
	1- 27 - 52	107668	1- 27 - 74		1- 28 - 21
	1- 27 - 69		1- 28 - 86	186950	1- 1 - 38

PART NO.	LIST AND INDEX NO.
186959	1- 31 - 9
186961	1- 31 - 9A
186962	1- 31 - 9B
186967	1- 31 - 9C
	1- 31 - 12
186968	1- 2 -249
	1- 31 - 2A
187243	1- 2 -219B
	1- 10 - 15
	1- 10 - 18
	1- 11 - 25
	1- 11 - 31
	1- 31 - 17
187459	1- 31 - 9D
187470	1- 15 - 13
187475	1- 27 - 36
	1- 28 - 1
	1- 28 - 42
187858	1- 22 - 10
188609	1- 31 - 32
191478	1- 5 - 49
	1- 28 - 28
192797	1- 6 - 22
196403	1- 2 -158
	1- 21 -REF
196444	1- 21 - 49
196466	1- 21 - 54
196489	1- 21 - 1
196642	1- 21 - 50
198981	1- 11 - 39
205329	1- 11 - 23
205331	1- 10 - 24
207293	1- 2 -274
207324	1- 15 - 77
207338	1- 14 - 16A
207351	1- 15 - 20
207361	1- 21 - 13
207382	1- 2 -270
207713	1- 6 - 18
208228	1- 18 - 6
208238	1- 6 - 2
208529	1- 1 - 9
	1- 1 - 25
	1- 1 - 27
	1- 1 - 53
	1- 1 - 72
	1- 1 - 73
210883	1- 2 -144
	1- 2 -233
	1- 9 - 49
	1- 27 - 16
	1- 27 - 20
	1- 27 - 28
	1- 27 - 47
	1- 27 - 57
	1- 28 - 5
	1- 28 - 24
	1- 28 - 32
	1- 28 - 52
	1- 28 - 60
	1- 28 - 66
210884	1- 2 -143
	1- 2 -234
	1- 9 - 48
	1- 27 - 21
	1- 28 - 4
	1- 28 - 23
	1- 28 - 31
210984	1- 2 -141
	1- 2 -231
	1- 2 -244
	1- 5 - 50
	1- 9 - 46
	1- 12 - 28
	1- 13 - 38
	1- 14 - 43
	1- 15 - 14
	1- 16 - 27
	1- 17 - 23
	1- 18 - 16

PART NO.	LIST AND INDEX NO.
210984-CONT	1- 19 - 23
	1- 20 - 16
	1- 21 - 31
	1- 22 - 11
	1- 22 - 13
	1- 27 - 19
	1- 27 - 37
	1- 28 - 2
	1- 28 - 22
	1- 28 - 29
	1- 28 - 43
210985	1- 2 -247
	1- 5 - 48
	1- 21 - 34
	1- 27 - 39
	1- 28 - 46
210986	1- 2 -246
	1- 5 - 47
	1- 21 - 35
	1- 27 - 40
	1- 28 - 45
210990	1- 2 -140
	1- 12 - 27
	1- 13 - 37
	1- 14 - 42
	1- 16 - 26
	1- 17 - 22
	1- 18 - 15
	1- 19 - 22
	1- 20 - 15
	1- 21 - 30
216073	1- 31 - 56
216076	1- 12 - 36
	1- 13 - 23
	1- 14 - 39
	1- 15 - 56
	1- 16 - 43
	1- 17 - 48
	1- 18 - 56
	1- 19 - 48
	1- 20 - 56
	1- 31 - 53
216087	1- 31 - 54
216088	1- 31 - 55
216206	1- 20 - 61A
216429	1- 31 - 48
216435	1- 9 - 30
216445	1- 23 - 11
216460	1- 23 - 10
216472	1- 23 - 14
216793	1- 6 - 19
	1- 11 - 26
	1- 15 - 49
217017	1- 20 - 49
	1- 18 - 49
217019	1- 9 - 30
217052	1- 15 - 74
219423	1- 18 - 74
	1- 18 - 77
	1- 20 - 74
	1- 20 - 77
	1- 21 - 29
221790	1- 21 - 21
222553	1- 2 -197
234331	1- 9 - 19
236550	1- 31 - 81
	1- 1 -104
236849	1- 5 - 2
	1- 27 - 51
	1- 27 - 68
	1- 28 - 55
	1- 28 - 75
	1- 28 - 76
236915	1- 5 - 63B
	1- 31 - 16A
236916	1- 7 - 10
	1- 9 - 32
	1- 31 - 15
	1- 31 - 16
237395	1- 2 - 31

PART NO.	LIST AND INDEX NO.
251970	1- 1 - 93
	1- 25 - 9
	1- 29 - 19
252588	1- 27 - 74
	1- 28 - 86
252591	1- 27 - 74
	1- 28 - 86
253220	1- 2 - 43
	1- 27 - 38
	1- 28 - 3
	1- 28 - 44
253453	1- 31 - 6
253569	1- 26 - 22
253740	1- 26 - 23
	1- 31 - 5
257187	1- 1 - 77
	1- 1 - 87
	1- 1 - 89
	1- 2 - 83
	1- 2 -225
	1- 3 - 28
	1- 3 - 32
	1- 3 - 39
	1- 3 - 44
	1- 3 - 48
	1- 5 - 9
	1- 5 - 11
	1- 5 - 82
	1- 5 -116
	1- 6 - 10
	1- 6 - 13
	1- 7 - 3
	1- 7 - 28
	1- 7 - 52
	1- 11 - 2
	1- 15 - 64
	1- 18 - 64
	1- 23 - 24
	1- 24 - 3
	1- 26 - 8
	1- 26 - 35
	1- 27 - 33
	1- 28 - 39
257189	1- 1 - 97
	1- 3 - 22
	1- 5 - 43
	1- 9 - 12
	1- 15 - 30
	1- 18 - 26
	1- 20 - 26
	1- 21 - 25
	1- 29 - 6
257961	1- 5 - 91
257966	1- 5 -113
257984	1- 3 - 52
	1- 7 - 35
	1- 31 - 84
257985	1- 9 - 20
	1- 15 - 84
	1- 25 - 14
	1- 29 - 23
	1- 29 - 24
257986	1- 5 -117
	1- 7 - 29
	1- 15 - 59
	1- 15 - 71
	1- 18 - 59
	1- 18 - 71
	1- 20 - 59
	1- 20 - 71
	1- 25 - 20
	1- 29 - 3
	1- 29 - 17
283003	1- 27 - 63
	1- 28 - 17
300693	1- 2 -129
301731	1- 5 - 46
301768	1- 16 - 24
	1- 23 - 19
302088	1- 2 -218

PART NO.	LIST AND INDEX NO.	PART NO.	LIST AND INDEX NO.	PART NO.	LIST AND INDEX NO.
302088-CONT	1- 10 - 12	322551-CONT	1- 24 - 6	365323-CONT	1- 28 - 6
	1- 11 - 22	322767	1- 27 - 26		1- 28 - 47
302089	1- 2 -217		1- 28 - 59	367182	1- 5 - 95
	1- 10 - 11	322911	1- 6 - 23		1- 7 - 12
	1- 11 - 21	323840	1- 7 - 6		1- 9 - 27
302090	1- 2 -215		1- 25 - 34	368222	1- 31 - 11
	1- 10 - 9	323842	1- 2 -136	369194	1- 23 - 8
	1- 11 - 19		1- 27 - 14	369207	1- 2 - 28
302131	1- 2 -219		1- 27 - 45		1- 28 - 27
	1- 10 - 13		1- 28 - 50		1- 28 - 86A
	1- 11 - 33	323845	1- 28 - 71		1- 28 - 93
303549	1- 4 - 10	323925	1- 11 - 17	369209	1- 2 - 20
304931	1- 2 -102	326367	1- 11 - 29	369214	1- 12 - 50
308789	1- 29 - 27	326998	1- 29 - 26		1- 13 - 52
	1- 29 - 27	331982	1- 14 - 2		1- 14 - 59
309749	1- 3 - 40		1- 15 - 27		1- 15 - 75
	1- 3 - 49	332585	1- 10 - 16		1- 16 - 50
316996	1- 12 - 53	332620	1- 2 - 74		1- 17 - 57
	1- 13 - 54		1- 12 - 24		1- 18 - 75
	1- 14 - 62		1- 13 - 40		1- 19 - 57
	1- 16 - 52		1- 14 - 53		1- 20 - 75
	1- 17 - 59		1- 15 - 38	369616	1- 15 - 69
	1- 19 - 59		1- 16 - 32		1- 18 - 69
	1- 21 - 45		1- 17 - 30		1- 20 - 69
317011	1- 2 -219F		1- 18 - 38	369633	1- 10 - 19
	1- 5 - 63C		1- 19 - 30	374568	1- 20 - 80
	1- 11 - 26		1- 20 - 38	374923	1- 18 - 80
317080	1- 12 - 19	333586	1- 6 - 26	375161	1- 17 - 45
	1- 13 - 16	334768	1- 31 - 2B	375200	1- 12 - 59
317131	1- 11 - 34	334910	1- 31 - 2C		1- 13 - 57
317138	1- 23 - 4	334921	1- 27 - 35	375203	1- 14 - 28
317232	1- 23 - 1		1- 28 - 41	375206	1- 19 - 45
317315	1- 28 - 79		1- 31 - 2D	375249	1- 15 - 87
317450	1- 2 -232	334927	1- 11 - 26	418835	1- 2 -165
317485	1- 5 - 61	334932	1- 14 - 16B	438536	1- 7 - 40
	1- 10 - 21		1- 15 - 24		1- 31 - 88
	1- 25 - 34		1- 20 - 31	438548	1- 3 - 16
318325	1- 23 - 12		1- 31 - 2E	438549	1- 3 - 51
320167	1- 2 -219E	335327	1- 31 - 3	438550	1- 25 - 12
	1- 11 - 25	335383	1- 31 - 7	438551	1- 23 - 6
	1- 11 - 28	335970	1- 31 - 7A		1- 31 - 81A
320451	1- 27 - 56	338169	1- 3 - 17	438567	1- 17 - 14
	1- 28 - 65		1- 9 - 22		1- 19 - 14
320461	1- 2 -142		1- 11 - 10	438570	1- 12 - 14
	1- 18 - 17		1- 25 - 29		1- 14 - 25
	1- 20 - 17		1- 31 - 84A		1- 16 - 19
	1- 21 - 33		1- 31 -110	438571	1- 13 - 18
320570	1- 9 - 39	338238	1- 2 - 31B		1- 14 - 18
320658	1- 19 - 19	340195	1- 2 - 55		1- 14 - 22
322065	1- 2 -137	344015	1- 2 - 62	438572	1- 5 -107
	1- 23 - 23		1- 8 - 13		1- 5 -109
	1- 24 - 2		1- 8 - 22	438573	1- 2 - 60
	1- 26 - 6	352249	1- 28 - 30	438589	1- 9 - 11
	1- 27 - 58	352826	1- 27 - 12	438593	1- 12 - 2
	1- 27 - 65		1- 27 - 43		1- 13 - 2
	1- 28 - 18		1- 28 - 48		1- 16 - 2
	1- 28 - 73	356290	1- 10 - 3		1- 17 - 2
	1- 28 - 81	357993	1- 11 - 18		1- 18 - 24
322266	1- 9 - 50	357995	1- 2 -165		1- 19 - 2
	1- 11 - 36	359018	1- 2 -163		1- 20 - 24
322269	1- 5 - 52	359511	1- 11 - 27	438601	1- 2 -271
	1- 28 - 33	359695	1- 12 - 17	438603	1- 2 - 92B
322271	1- 2 - 33		1- 13 - 14	438891	1- 28 - 69
322278	1- 25 - 36		1- 16 - 14	438894	1- 27 - 61
322280	1- 10 - 23		1- 17 - 17		1- 28 - 15
322347	1- 11 - 26		1- 18 - 31	440945	1- 28 - 90
322550	1- 2 -151		1- 19 - 17		1- 28 -103
	1- 15 - 70		1- 31 - 8	441181	1- 15 - 3
	1- 16 - 22		1- 31 - 22		1- 18 - 5
	1- 18 - 70	360363	1- 31 - 2F		1- 20 - 5
	1- 20 - 70	360433	1- 11 - 25	442958	1- 21 - 27
	1- 22 - 3		1- 11 - 28	442974	1- 29 - 28
	1- 24 - 6		1- 31 - 17A		1- 29 - 28
	1- 27 - 27	361536	1- 22 - 4	452805	1- 9 - 44
	1- 27 - 32	361687	1- 21 - 1	461017	1- 2 - 50
	1- 28 - 38	361938	1- 21 - 22		1- 2 - 92E
	1- 28 - 61	363434	1- 27 - 29	472168	1- 25 - 27
	1- 28 - 67		1- 28 - 62	472187	1- 2 -139
322551	1- 2 - 81	365323	1- 2 - 44		1- 5 - 51
	1- 2 -223		1- 27 - 41		1- 10 - 24

PART NO.	LIST AND INDEX NO.
472187-CONT	1- 11 - 37
	1- 15 - 19
	1- 18 - 21
	1- 20 - 21
	1- 21 - 32
	1- 27 - 42
	1- 28 - 20A
473412	1- 15 - 8
	1- 18 - 10
	1- 20 - 10
473422	1- 18 - 7
473432	1- 15 - 5
	1- 20 - 7
473442	1- 18 - 78
473531	1- 15 - 65
	1- 18 - 65
	1- 20 - 62
473533	1- 15 - 80
	1- 20 - 78
473536	1- 12 - 49
	1- 13 - 47
	1- 14 - 58
	1- 15 - 68
	1- 16 - 49
	1- 17 - 52
	1- 18 - 68
	1- 19 - 52
	1- 20 - 68
473544	1- 15 - 53
	1- 15 - 55
	1- 18 - 53
	1- 18 - 55
	1- 20 - 53
	1- 20 - 55
473582	1- 10 - 4
	1- 18 - 48
	1- 21 - 44
473592	1- 10 - 8
	1- 14 - 15
	1- 15 - 48
	1- 20 - 48
477144	1- 15 - 25
477202	1- 22 - 4
477203	1- 15 - 57
	1- 18 - 57
	1- 20 - 57
478045	1- 15 - 78
	1- 20 - 65
478375	1- 2 - 153
479999	1- 5 - 92
482188	1- 5 - 90
482191	1- 5 - 86
482192	1- 5 - 84
482195	1- 5 - 21
	1- 7 - 21
482201	1- 5 - 85
482217	1- 5 - 22
	1- 7 - 22
482219	1- 5 - 89
482221	1- 5 - 20
	1- 7 - 20
483070	1- 23 - 9
483073	1- 11 - 26
483111	1- 15 - 86
483247	1- 20 - 67
491228	1- 12 - 44
	1- 13 - 30
	1- 14 - 37
	1- 15 - 51
	1- 16 - 39
	1- 17 - 36
	1- 18 - 51
	1- 19 - 36
	1- 20 - 51
492447	1- 23 - 15
492566	1- 25 - 55
492568	1- 16 - 16
	1- 17 - 19
	1- 18 - 32
492644	1- 10 - 16

PART NO.	LIST AND INDEX NO.
501092	1- 31 - 3A
502523	1- 31 - 7B
504879	1- 31 - 2G
507144	1- 21 - 26
510468	1- 12 - 5
	1- 12 - 8
	1- 13 - 5
	1- 13 - 8
	1- 14 - 5
	1- 14 - 8
	1- 15 - 31
	1- 16 - 5
	1- 16 - 8
	1- 17 - 5
	1- 17 - 8
	1- 18 - 27
	1- 19 - 5
	1- 19 - 8
	1- 20 - 27
513668	1- 1 - 10
	1- 1 - 50
513669	1- 1 - 22
	1- 1 - 48
517197	1- 22 - 2
517913	1- 26 - 24
	1- 31 - 34
523269	1- 31 - 41
523276	1- 31 - 2H
524928	1- 21 - 9
	1- 22 - 2
526378	1- 21 - 8
	1- 22 - 1
	1- 26 - 36
526516	1- 31 - 39
526519	1- 3 - 24
526520	1- 3 - 19
526521	1- 3 - 23
526522	1- 3 - 18
527916	1- 5 - 63
	1- 25 - 35
	1- 25 - 36
528011	1- 2 - 267
528012	1- 2 - 266
528013	1- 2 - 264
528014	1- 2 - 265
529691	1- 14 - 14
533342	1- 27 - 54
	1- 28 - 63
533372	1- 21 - 46
535084	1- 31 - 23
535086	1- 31 - 23A
535506	1- 28 - 77
538830	1- 18 - 3
	1- 20 - 3
550050	1- 7 - 5
	1- 7 - 11
	1- 7 - 15
	1- 9 - 30
	1- 9 - 33
550578	1- 27 - 59
	1- 28 - 68
553380	1- 5 - 102
560472	1- 31 - 45
582444	1- 27 - 24
	1- 28 - 57
587814	1- 1 - 35
588396	1- 27 - 10
	1- 28 - 7
589715	1- 23 - 3
589814	1- 2 - 138
	1- 27 - 17
	1- 27 - 48
	1- 28 - 53
597671	1- 9 - 18
597941	1- 2 - 92D
598201	1- 29 - 22
598341	1- 6 - 1
598479	1- 10 - 1
	1- 18 - 45
	1- 20 - 45

PART NO.	LIST AND INDEX NO.
598479-CONT	1- 21 - 40
599557	1- 26 - 5
603090	1- 11 - 27
603107	1- 11 - 29
603248	1- 2 - 245
603683	1- 2 - 243
	1- 22 - 12
609391	1- 11 - 29
615354	1- 11 - 30
620240	1- 15 - 18
631769	1- 21 - 14
639328	1- 27 - 42
	1- 28 - 20A
725019	1- 27 - 82
725379	1- 5 - 18
	1- 7 - 18
725740	1- 6 - 33
727454	1- 5 - 17
	1- 7 - 17
730176	1- 15 - 52
	1- 18 - 52
	1- 20 - 52
730432	1- 15 - 32
	1- 18 - 22
	1- 20 - 22
730452	1- 15 - 26
730468	1- 6 - 15
730483	1- 14 - 1
731037	1- 9 - 10
	1- 9 - 15
731626	1- 1 - 4
	1- 1 - 11
	1- 1 - 23
	1- 1 - 49
	1- 1 - 51
	1- 1 - 91
	1- 2 - 92G
	1- 3 - 10
	1- 9 - 3
	1- 21 - 61
	1- 21 - 64
	1- 25 - 3
731629	1- 2 - 30
	1- 12 - 12
	1- 13 - 12
	1- 14 - 12
	1- 16 - 12
	1- 17 - 12
	1- 19 - 12
731631	1- 3 - 14
734483	1- 12 - 40
	1- 13 - 27
	1- 14 - 34
	1- 16 - 37
	1- 17 - 33
	1- 19 - 33
738166	1- 31 - 79
738196	1- 31 - 82
738197	1- 31 - 83A
738198	1- 31 - 109
738199	1- 31 - 79A
738254	1- 31 - 76
738255	1- 31 - 76A
	1- 31 - 100
738256	1- 31 - 75
738257	1- 31 - 80
	1- 31 - 101
738259	1- 31 - 80A
738826	1- 5 - 30
	1- 7 - 24
	1- 9 - 28
	1- 5 - 30
738827	1- 9 - 30
740501	1- 1 - 108
	1- 4 - 41B
	1- 26 - 10
	1- 27 - 83
740513	1- 7 - 1
749033	1- 5 - 23
760261	1- 28 - 9
801615	1- 2 - 133

PART NO.	LIST AND INDEX NO.	PART NO.	LIST AND INDEX NO.	PART NO.	LIST AND INDEX NO.
801652	1- 21 - 37	813681	1- 31 - 51	2109834	1- 2 -150
	1- 22 - 14		1- 31 - 60	2111232	1- 2 -219C
804109	1- 26 - 32		1- 31 - 72		1- 11 - 32
806715	1- 31 - 2J	813703	1- 31 - 70		1- 23 - 16
811363	1- 9 - 9A	813801	1- 31 - 59A	2114057	1- 11 - 29
	1- 25 - 38	813802	1- 31 - 61A	2114389	1- 2 -149
811399	1- 23 - 13	813803	1- 31 -113	2114596	1- 2 - 24
811417	1- 4 - 24	813804	1- 31 -116		1- 6 - 24
	1- 4 - 48	813827	1- 31 - 37	2114597	1- 6 - 28
	1- 25 - 54	815082	1- 25 - 1	2122194	1- 11 - 14
811423	1- 25 - 5	815263	1- 25 - 81		1- 11 - 15
811426	1- 25 - 42	815933	1- 31 - 26A	2122202	1- 3 - 2
	1- 25 - 44	815934	1- 31 - 26		1- 31 - 27
	1- 25 - 70	815963	1- 25 - 60	2122203	1- 3 - 3
	1- 25 - 74		1- 25 - 79		1- 3 - 9
	1- 27 - 73	815964	1- 25 - 61		1- 31 - 28
	1- 28 - 85		1- 25 - 80	2122254	1- 31 - 39A
811427	1- 25 - 75	824347	1- 11 - 4	2122255	1- 3 - 4
811441	1- 25 - 67	825373	1- 5 - 13		1- 31 - 65
	1- 25 - 86	827840	1- 5 -100	2122258	1- 31 - 25
811442	1- 25 - 37	832957	1- 31 - 30	2122259	1- 31 - 24
811476	1- 25 - 45	837683	1- 2 - 31C	2122260	1- 31 - 25A
	1- 25 - 93	839526	1- 31 - 7C	2122261	1- 31 - 24A
811481	1- 25 - 95	845762	1- 2 - 27		1- 31 - 76B
811520	1- 25 - 11	906841	1- 2 -250		1- 31 -106
811525	1- 25 - 96	907651	1- 2 -239	2123032	1- 31 - 46
811530	1- 25 - 11	907652	1- 2 -248	2123791	1- 2 -219D
811534	1- 25 - 51	1071644	1- 21 - 3		1- 11 - 24
	1- 25 - 92	1090623	1- 5 - 19	2125514	1- 11 - 8
811536	1- 25 - 46		1- 7 - 19	2125534	1- 5 -101
	1- 25 - 94	1090873	1- 3 - 21	2125656	1- 2 -213
811541	1- 25 - 8		1- 9 - 13		1- 2 -241
811553	1- 25 - 4		1- 21 - 11	2125898	1- 27 - 64
811554	1- 25 - 2		1- 21 - 24		1- 28 - 19
811555	1- 25 - 50		1- 29 - 7		1- 28 - 72
	1- 25 - 91		1- 29 - 12		1- 28 - 80
811556	1- 25 - 48		1- 29 - 33	2125963	1- 2 -276
	1- 25 - 89	1091173	1- 15 - 83	2125974	1- 2 -187
811600	1- 25 - 56	1106361	1- 23 - 7		1- 2 -195
811601	1- 31 - 59B	1119009	1- 31 - 11A	2127984	1- 3 - 5
811621	1- 25 - 1	1127733	1- 27 - 13		1- 31 - 64
811727	1- 4 - 38		1- 27 - 25	2127985	1- 3 - 12
	1- 4 - 63		1- 27 - 44	2129302	1- 11 - 27
	1- 7 - 48		1- 27 - 55	2129357	1- 11 - 24
	1- 31 - 94		1- 27 - 62	2129396	1- 2 -101
811742	1- 25 - 18		1- 28 - 16	2129665	1- 5 -101
811802	1- 9 - 9		1- 28 - 49	2130334	1- 27 - 1
	1- 25 - 58		1- 28 - 58		1- 27 - 4
	1- 31 - 35		1- 28 - 64		1- 27 - 7
811804	1- 25 - 58		1- 28 - 70		1- 28 - 12
811852	1- 25 - 41		1- 28 - 78	2130338	1- 27 - 82
811853	1- 25 - 43	1134451	1- 14 - 13		1- 27 - 82
	1- 25 - 73	1141554	1- 2 - 46		1- 27 - 82
811854	1- 25 - 41	2100264	1- 2 -152	2130443	1- 3 - 6
811855	1- 25 - 43		1- 2 -170		1- 31 - 66
811866	1- 25 - 83	2100837	1- 2 -177	2132043	1- 11 - 24
811867	1- 25 - 78		1- 27 - 90	2145046	1- 6 - 12
811869	1- 25 - 78		1- 28 - 34A	2156037	1- 13 - 28
811881	1- 25 - 84		1- 28 -101		1- 14 - 35
811896	1- 25 - 87	2101089	1- 27 - 50		1- 16 - 38
813179	1- 4 - 25		1- 27 - 67		1- 17 - 34
	1- 4 - 47		1- 28 - 54		1- 19 - 34
	1- 25 - 53	2101325	1- 2 -145	2156757	1- 21 - 18
813194	1- 31 - 21		1- 18 - 20	2157384	1- 2 - 27A
813195	1- 31 - 21A		1- 20 - 20	2157614	1- 1 -109
813197	1- 31 - 33		1- 21 - 36	2157643	1- 24 - 10
813233	1- 2 -133	2101326	1- 31 - 4		1- 25 - 31
813234	1- 5 -114	2101327	1- 31 - 4A	2158694	1- 6 - 9
813253	1- 31 - 69A	2101342	1- 28 - 82	2162405	1- 11 - 24
813255	1- 31 - 69	2101380	1- 7 - 8	2162485	1- 31 - 29
813263	1- 31 - 68A	2101392	1- 28 - 74	2162590	1- 31 - 34A
813265	1- 31 - 68	2101657	1- 31 - 9E	2162666	1- 1 - 36
813329	1- 29 - 25	2101840	1- 2 -101	2162907	1- 6 - 34
813338	1- 31 -114	2102151	1- 2 -167	2163357	1- 2 - 92E
813519	1- 25 - 57	2102366	1- 4 - 4		1- 4 - 15
813549	1- 31 - 52	2102367	1- 9 - 35		1- 4 - 19
	1- 31 - 61	2102425	1- 20 - 32		1- 4 - 45
	1- 31 - 71	2102457	1- 6 - 31	2163358	1- 2 - 50
813550	1- 31 - 50	2102617	1- 31 - 2K		1- 4 - 12
	1- 31 - 59	2106954	1- 2 -219A	2163738	1- 2 - 50

PART NO.	LIST AND INDEX NO.
2172092	1- 2 -261
2172104	1- 11 - 11
2173920	1- 23 - 22
2175867	1- 7 - 38
	1- 21 - 59
	1- 21 - 62
	1- 25 - 88A
2178469	1- 31 - 32A
2178470	1- 31 - 31
2178596	1- 5 - 45
	1- 7 - 36
2178597	1- 5 - 44
	1- 7 - 37
2181000	1- 2 - 38
	1- 2 - 41
	1- 8 - 6
	1- 8 - 18
2181001	1- 2 -131
2181002	1- 4 - 2
	1- 12 - 56
	1- 13 - 49
	1- 14 - 64
	1- 17 - 54
	1- 19 - 54
2181004	1- 1 - 7
	1- 1 - 13
	1- 1 - 15
	1- 1 - 21
	1- 1 - 30
	1- 1 - 32
	1- 1 - 43
	1- 1 - 45
	1- 1 - 47
	1- 1 - 55
	1- 1 - 57
	1- 1 - 62
	1- 1 - 64
	1- 1 - 69
	1- 1 - 79
	1- 1 - 95
	1- 2 - 2
	1- 2 - 7
	1- 2 - 14
	1- 2 - 22
	1- 2 - 36B
	1- 2 - 39
	1- 2 - 42
	1- 2 - 46B
	1- 2 - 53
	1- 2 - 53
	1- 2 - 64
	1- 2 - 66
	1- 2 - 78
	1- 2 - 83B
	1- 2 - 85
	1- 2 - 90
	1- 2 - 92A
	1- 2 -147
	1- 2 -159
	1- 2 -162
	1- 2 -172
	1- 2 -175
	1- 2 -189
	1- 2 -192
	1- 2 -221
	1- 2 -284
	1- 2 -295
	1- 21 - 58
	1- 21 - 66
	1- 27 - 2
	1- 27 - 5
	1- 27 - 8
	1- 27 - 23
	1- 27 - 86
	1- 28 - 13
	1- 28 - 26
2181005	1- 2 - 12
	1- 2 - 31D
	1- 2 -269
	1- 4 - 14

PART NO.	LIST AND INDEX NO.
2181005-CONT	1- 4 - 29
	1- 4 - 44
	1- 8 - 15
	1- 25 - 19
	1- 25 - 40
	1- 27 - 11
	1- 27 - 92
	1- 28 - 8
2181007	1- 2 - 45
2181011	1- 1 -107
2181012	1- 25 - 23
2182488	1- 31 - 42
2182509	1- 30 - 35
2182615	1- 9 - 42
2182727	1- 30 - 35
2182732	1- 31 - 32B
2182907	1- 30 - 25
2182908	1- 9 - 17A
	1- 30 - 7
2182914	1- 5 - 27A
2182915	1- 31 - 44
2182920	1- 2 - 21
2183023	1- 30 - 35
2183171	1- 25 - 78
2183172	1- 25 - 82
2183197	1- 2 -202A
2183198	1- 2 -132
	1- 7 - 4
2183201	1- 2 - 92F
2183202	1- 2 - 92
2183204	1- 2 -193
2183214	1- 2 - 9
2183222	1- 5 - 80
2183223	1- 5 - 68
	1- 5 - 73
2183224	1- 5 - 64
2183328	1- 2 - 95
2183329	1- 2 - 97
2183330	1- 2 -155
2183331	1- 27 - 91
	1- 28 - 99
2183337	1- 27 - 84
2183341	1- 1 - 34
2183343	1- 8 - 5
2183345	1- 27 - 31
	1- 28 - 37
2183353	1- 28 - 95
2183354	1- 9 - 34
2183357	1- 2 -222
2183467	1- 1 - 71
2183474	1- 2 -146
2183475	1- 2 -146
2183477	1- 2 -146
2183479	1- 9 - 31
2183480	1- 9 - 31
2183481	1- 5 - 63A
2183482	1- 5 - 63A
2183483	1- 9 - 31
2183484	1- 7 - 9
2183485	1- 9 - 31
2183486	1- 9 - 31
2183491	1- 25 - 88B
2183492	1- 7 - 9
2183494	1- 9 - 29
2183496	1- 9 - 41
2183513	1- 2 - 47
2183514	1- 27 - 85
2183602	1- 11 - 24
2183661	1- 21 - 63
2183662	1- 21 - 65
2183663	1- 21 - 65
2183664	1- 21 - 60
2183672	1- 9 - 6
2183675	1- 4 - 11
2183678	1- 4 - 17
2183679	1- 4 - 18
2183686	1- 4 - 30
	1- 4 - 55
2183687	1- 31 - 86
2183692	1- 5 - 78

PART NO.	LIST AND INDEX NO.
2184098	1- 27 - 22
	1- 28 - 25
2184182	1- 31 - 32C
2190715	1- 31 - 80B
2190716	1- 31 - 80C
	1- 31 -107
2190834	1- 25 - 62
2190971	1- 1 -102
2190972	1- 1 - 99
2190973	1- 1 - 98
2190974	1- 1 -101
2191006	1- 1 - 96
2191007	1- 1 -100
2191014	1- 1 - 96
2191846	1- 2 -216
	1- 10 - 10
	1- 11 - 20
2191879	1- 2 - 80
2191880	1- 2 - 80
2191881	1- 2 - 80
2191882	1- 2 - 80
2192503	1- 31 - 76C
2192504	1- 31 - 76D
2192505	1- 31 - 76E
2192506	1- 31 - 76F
2192539	1- 3 - 58
	1- 31 - 83
2192889	1- 5 -119
2193932	1- 2 -273
2194600	1- 2 -REF
2194603	1- 1 - 8
2194604	1- 2 -116
	1- 2 -119
2194605	1- 2 -109
2194606	1- 2 -122
2194607	1- 2 -105
2194610	1- 24 - 12
2194613	1- 2 -174
	1- 27 -REF
2194615	1- 8 - 14
	1- 25 - 39
2194619	1- 25 - 47
2194624	1- 27 - 93
2194625	1- 27 - 70
	1- 28 - 83
2194626	1- 27 - 75
2194627	1- 27 - 80
2194628	1- 27 - 80
2194630	1- 21 - 57
2194634	1- 2 -185
2194637	1- 1 - 52
2194638	1- 1 - 24
2194639	1- 1 - 33
2194640	1- 1 -103
2194641	1- 1 - 80
2194642	1- 1 - 83
2194643	1- 1 - 86
2194646	1- 2 - 77
2194649	1- 27 - 30
2194651	1- 4 - 16
2194653	1- 4 - 20
2194654	1- 4 - 41A
2194655	1- 2 -178
2194656	1- 1 - 88
2194657	1- 1 - 76
2194661	1- 4 - 42
2194665	1- 2 -283
	1- 24 -REF
2194679	1- 1 - 37
2194681	1- 2 -287
	1- 23 -REF
2194682	1- 23 - 18
2194683	1- 2 - 65
2194684	1- 2 -268
2194689	1- 2 - 35
	1- 2 -203
	1- 2 -211
2194711	1- 7 - 27
2194712	1- 2 - 36A
2194713	1- 5 - 87

PART NO.	LIST AND INDEX NO.	PART NO.	LIST AND INDEX NO.	PART NO.	LIST AND INDEX NO.
2194725	1- 5 - 29	2194896-CONT	1- 7 -REF	2194989	1- 1 - 19
2194726	1- 5 - 28	2194898	1- 8 - 9		1- 1 - 41A
2194727	1- 5 - 38	2194905	1- 29 - 20		1- 1 - 60A
2194728	1- 5 - 27	2194906	1- 29 - 21		1- 1 - 67A
2194729	1- 5 - 26	2194907	1- 4 - 7	2194992	1- 7 - 16
2194730	1- 5 - 23	2194908	1- 2 -260	2194994	1- 8 - 14
2194731	1- 5 - 24		1- 25 -REF		1- 8 - 14
2194732	1- 2 - 69	2194909	1- 2 -214		1- 25 - 39
	1- 2 -254		1- 25 -REF	2195000	1- 2 -REF
2194735	1- 5 -120	2194910	1- 2 -259	2195002	1- 2 -174
2194736	1- 5 - 39		1- 25 -REF		1- 27 -REF
2194737	1- 5 - 37	2194912	1- 2 -258	2195005	1- 2 -174
2194738	1- 5 - 57		1- 25 -REF		1- 28 -REF
2194739	1- 5 - 58	2194914	1- 2 -260	2195018	1- 2 -258
2194740	1- 5 - 59		1- 25 -REF		1- 25 -REF
2194743	1- 2 -207	2194915	1- 2 -214	2195024	1- 2 -258
2194744	1- 2 -251		1- 25 -REF		1- 25 -REF
2194745	1- 2 - 67	2194916	1- 2 -259	2195038	1- 4 - 41
2194748	1- 1 - 70		1- 25 -REF	2195088	1- 28 -108
2194749	1- 1 - 74	2194917	1- 2 -258	2195089	1- 28 - 35
2194750	1- 2 -283		1- 25 -REF	2195091	1- 28 - 97
	1- 24 -REF	2194919	1- 8 - 10	2195092	1- 28 -106
2194752	1- 1 -106	2194920	1- 25 - 59	2195094	1- 28 - 87
2194770	1- 31 - 29A	2194921	1- 25 - 41	2195096	1- 1 - 1
2194782	1- 23 - 5		1- 25 - 41	2195098	1- 21 - 57
2194783	1- 23 - 17		1- 25 - 69	2195209	1- 25 - 6
2194784	1- 29 - 9	2194926	1- 31 - 29B	2195212	1- 1 - 3
2194785	1- 4 - 3	2194928	1- 31 - 29C	2195215	1- 6 - 29
	1- 29 - 1	2194930	1- 25 - 64	2195216	1- 2 - 37
2194786	1- 2 - 54	2194932	1- 2 -226		1- 8 -REF
	1- 2 - 54		1- 2 -236	2195217	1- 2 - 40
2194787	1- 2 - 52		1- 2 -173		1- 8 -REF
2194788	1- 29 - 13	2194933	1- 9 -REF	2195222	1- 8 - 17
	1- 29 - 31		1- 9 - 37		1- 8 - 17
2194793	1- 29 - 14	2194934	1- 9 - 37	2195223	1- 5 -112
2194794	1- 29 - 30	2194936	1- 25 - 72	2195225	1- 2 - 6
2194795	1- 29 - 30	2194938	1- 25 - 71		1- 5 -REF
2194796	1- 29 - 30	2194940	1- 5 - 7	2195229	1- 5 - 40
2194808	1- 2 -191		1- 25 - 76	2195230	1- 5 - 31
	1- 29 -REF	2194941	1- 2 - 11	2195231	1- 5 - 35
2194809	1- 2 -191		1- 8 - 14	2195232	1- 5 -110
	1- 29 -REF		1- 25 - 39	2195233	1- 5 -108
2194810	1- 2 -191	2194948	1- 1 - 14	2195234	1- 5 -106
	1- 29 -REF	2194949	1- 1 - 56	2195236	1- 5 - 15
2194811	1- 5 - 42	2194950	1- 1 - 42	2195239	1- 2 -220
2194814	1- 2 -206	2194951	1- 1 - 12	2195240	1- 2 -196
2194816	1- 11 - 24	2194955	1- 1 - 94	2195241	1- 4 - 49
2194827	1- 2 -174	2194957	1- 1 - 74	2195242	1- 4 - 51
	1- 28 -REF	2194958	1- 1 - 74	2195243	1- 4 - 13
2194828	1- 29 - 14	2194959	1- 1 - 74		1- 4 - 43
2194830	1- 29 - 5	2194960	1- 1 - 70	2195244	1- 4 - 53
2194834	1- 2 - 57	2194961	1- 1 - 70	2195246	1- 6 - 6
	1- 2 - 57	2194962	1- 1 - 70	2195279	1- 5 - 1
2194835	1- 29 - 15	2194963	1- 5 - 53	2195280	1- 2 -294
2194836	1- 29 - 15	2194964	1- 5 - 54	2195283	1- 2 - 86
2194837	1- 29 - 15	2194965	1- 5 - 55	2195284	1- 2 - 84
2194839	1- 9 - 1	2194966	1- 5 - 56	2195285	1- 2 -161
2194840	1- 9 - 43	2194967	1- 1 - 44		1- 11 -REF
2194841	1- 9 - 23		1- 1 - 68	2195286	1- 2 -161
2194844	1- 7 - 54		1- 1 - 54		1- 11 -REF
2194849	1- 7 - 50	2194968	1- 1 - 31	2195287	1- 11 - 40
2194853	1- 1 - 20	2194969	1- 1 - 63	2195288	1- 2 - 18
2194857	1- 2 - 1		1- 1 - 29		1- 11 - 41
	1- 6 -REF	2194970	1- 1 - 61	2195291	1- 25 - 32
2194858	1- 6 - 3		1- 1 - 26	2195292	1- 24 - 11
2194859	1- 6 - 35	2194971	1- 1 - 26	2195294	1- 30 - 36
2194860	1- 8 - 19	2194972	1- 1 - 26	2195314	1- 1 - 46
	1- 8 - 19	2194974	1- 1 - 26	2195362	1- 10 - 7
2194861	1- 8 - 7	2194975	1- 25 - 65	2195380	1- 1 - 94
2194863	1- 8 - 23	2194976	1- 25 - 68	2195381	1- 1 - 78
2194864	1- 8 - 23	2194979	1- 1 - 24	2195385	1- 1 - 5
2194882	1- 2 - 63	2194980	1- 1 - 24	2195392	1- 1 - 6
2194883	1- 6 - 16	2194981	1- 1 - 24	2195401	1- 10 - 25
2194884	1- 6 - 20	2194984	1- 1 - 16	2195402	1- 2 - 46A
2194886	1- 11 - 27		1- 1 - 39		1- 10 -REF
2194889	1- 2 -133		1- 1 - 58	2195403	1- 10 - 14
2194891	1- 5 - 8		1- 1 - 65	2195404	1- 10 - 14
	1- 8 - 4	2194985	1- 1 - 78	2195405	1- 10 - 17
2194894	1- 2 - 83A	2194988	1- 27 - 66	2195414	1- 4 - 6
2194896	1- 2 - 13		1- 28 - 20	2195427	1- 1 - 75

PART NO.	LIST AND INDEX NO.	PART NO.	LIST AND INDEX NO.	PART NO.	LIST AND INDEX NO.
2195444	1- 30 - 16	2195929	1- 30 - 34	2196061-CONT	1- 30 - 28
2195448	1- 2 -201	2195930	1- 30 - 33	2196063	1- 3 - 29
	1- 30 - 9	2195931	1- 30 - 33		1- 30 - 22
2195449	1- 30 - 2	2195932	1- 30 - 3	2196064	1- 3 - 50
2195450	1- 3 - 56	2195933	1- 30 - 29		1- 30 - 22
	1- 30 - 22	2195934	1- 30 - 21	2196065	1- 3 - 57
2195451	1- 3 - 33	2195935	1- 30 - 27		1- 30 - 22
	1- 30 - 22	2195936	1- 30 - 11	2196066	1- 3 - 33
2195452	1- 3 - 34	2195937	1- 27 - 89		1- 30 - 22
	1- 30 - 22		1- 30 - 8	2196067	1- 3 - 34
2195453	1- 9 - 24A	2195938	1- 27 - 89		1- 30 - 22
2195457	1- 11 - 38		1- 30 - 8	2196068	1- 3 - 35
	1- 30 - 6	2195939	1- 30 - 30		1- 30 - 22
2195459	1- 30 - 32	2195940	1- 30 - 30	2196076	1- 30 - 35
2195462	1- 30 - 28	2195941	1- 27 - 89	2196077	1- 31 -102
2195466	1- 25 - 56A		1- 30 - 8		1- 31 -108
2195467	1- 30 - 2	2195942	1- 30 - 10	2196078	1- 31 - 82A
2195472	1- 3 - 57	2195943	1- 11 - 38	2196079	1- 31 - 99
	1- 30 - 22		1- 30 - 6		1- 31 -105
2195473	1- 3 - 29	2195945	1- 30 - 26	2196080	1- 31 - 79B
	1- 30 - 22	2195947	1- 30 - 1	2196081	1- 31 - 75A
2195474	1- 3 - 35	2195948	1- 30 - 12	2196084	1- 31 - 82B
	1- 30 - 22	2195949	1- 30 - 3	2196085	1- 31 - 82C
2195475	1- 3 - 50	2195950	1- 6 - 30	2196086	1- 31 - 82D
	1- 30 - 22		1- 30 - 3	2196087	1- 31 - 82E
2195476	1- 2 -200	2195951	1- 30 - 6	2196089	1- 31 - 82F
	1- 30 - 11	2195954	1- 27 - 89	2196097	1- 3 - 55
2195477	1- 30 - 8		1- 30 - 8		1- 3 - 55
2195479	1- 30 - 8	2195955	1- 30 - 20		1- 30 - 23
2195480	1- 30 - 21	2195956	1- 30 - 19	2196098	1- 3 - 55
2195482	1- 31 - 77	2195957	1- 30 - 15		1- 3 - 55
2195485	1- 30 - 14	2195958	1- 30 - 2		1- 3 - 55
2195486	1- 28 - 92A	2195959	1- 30 - 28		1- 30 - 23
	1- 30 - 8		1- 30 - 28	2196099	1- 30 - 9
2195489	1- 30 - 8		1- 30 - 28	2196142	1- 1 - 28
2195490	1- 28 - 92A	2195977	1- 9 - 17	2196144	1- 1 - 28
	1- 30 - 8		1- 30 - 7	2196222	1- 2 -203
2195491	1- 28 - 92A	2195978	1- 9 - 5	2196223	1- 31 - 7D
	1- 28 - 92A		1- 30 - 7	2196224	1- 3 - 13
	1- 30 - 8	2195979	1- 9 - 39A		1- 30 - 22
2195492	1- 30 - 27		1- 30 - 7	2196351	1- 8 - 1
2195493	1- 30 - 27	2195980	1- 9 - 40	2196352	1- 8 - 3
2195560	1- 30 - 4		1- 30 - 7	2196353	1- 2 -202
2195561	1- 30 - 4	2195981	1- 9 - 4	2198217	1- 2 -184
2195562	1- 30 - 4		1- 30 - 7	2202920	1- 9 - 7
2195567	1- 30 - 4	2195982	1- 7 - 32	2202926	1- 4 - 23
2195572	1- 30 - 4		1- 30 - 7		1- 4 - 46
2195573	1- 30 - 4	2195993	1- 30 - 28	2202932	1- 4 - 23
2195578	1- 2 - 15	2196020	1- 7 - 23	2242301	1- 2 - 31A
2195607	1- 9 - 6		1- 30 - 5	2242302	1- 2 -146
2195608	1- 9 - 6	2196021	1- 30 - 28	2242308	1- 30 - 9
2195609	1- 9 - 6	2196022	1- 30 - 28	2242314	1- 2 - 93
2195610	1- 9 - 6	2196023	1- 3 - 25	2242317	1- 5 - 16
2195614	1- 3 - 41		1- 30 - 22	2242318	1- 5 - 14
2195626	1- 29 - 18	2196024	1- 3 - 36	2242319	1- 11 - 1
2195635	1- 2 -130		1- 30 - 22	2242323	1- 2 - 58
2195636	1- 2 -133	2196025	1- 3 - 45	2242353	1- 11 - 6
2195637	1- 2 -135		1- 30 - 22	2242383	1- 4 - 26
2195639	1- 11 - 13	2196029	1- 10 - 20	2242384	1- 4 - 28
2195640	1- 11 - 12		1- 30 - 14	2242385	1- 2 - 92
2195651	1- 30 - 18	2196044	1- 30 - 33	2242388	1- 5 -121
2195652	1- 30 - 13	2196046	1- 30 - 33	2242390	1- 2 - 59
2195653	1- 30 - 17	2196047	1- 25 - 10	2242391	1- 2 - 59
2195665	1- 3 - 59	2196048	1- 25 - 10	2242392	1- 2 - 59
	1- 30 - 23	2196049	1- 25 - 1A	2242393	1- 2 - 59
2195666	1- 2 -156	2196050	1- 25 - 1A	2242394	1- 2 - 10
	1- 30 - 24	2196051	1- 25 - 1A	2242473	1- 6 - 7
2195667	1- 3 - 7	2196052	1- 25 - 1A	2242700	1- 2 - 6
	1- 30 - 22	2196053	1- 25 - 10		1- 5 -REF
2195670	1- 3 - 1	2196054	1- 25 - 10	2242704	1- 31 - 62
2195671	1- 2 -148	2196055	1- 25 - 10	2242705	1- 5 - 46A
2195696	1- 30 - 28	2196056	1- 25 - 10		1- 30 - 4
2195756	1- 1 - 90	2196057	1- 30 - 28	2242706	1- 30 - 4
2195757	1- 1 - 92		1- 30 - 28	2242707	1- 30 - 4
2195794	1- 2 -171		1- 30 - 28	2242708	1- 30 - 4
2195924	1- 30 - 31	2196058	1- 30 - 28	2242709	1- 30 - 4
2195925	1- 30 - 8		1- 30 - 28	2242710	1- 30 - 4
2195926	1- 30 - 4		1- 30 - 28	2242711	1- 30 - 4
2195927	1- 30 - 35		1- 30 - 35	2242712	1- 30 - 4
2195928	1- 30 - 5		1- 30 - 28		

PART NO.	LIST AND INDEX NO.
2242713	1- 30 - 4
2242714	1- 30 - 4
2242715	1- 30 - 4
2242716	1- 5 - 60
	1- 30 - 4
2242717	1- 5 - 60
	1- 30 - 4
2242718	1- 5 - 10
2242719	1- 31 - 62A
2242803	1- 11 - 40
2242804	1- 2 - 18
	1- 11 - 41
2246281	1- 5 - 5
2246282	1- 5 - 1
2246285	1- 5 - 3
2246295	1- 31 - 43
2279085	1- 3 - 54
	1- 30 - 22
2279086	1- 3 - 54
	1- 30 - 22
2414970	1- 5 -101
2500254	1- 25 - 63
2500255	1- 25 - 63
4116411	1- 15 - 37
4116423	1- 2 -226
4116427	1- 20 - 37
4116433	1- 2 -236
4116461	1- 18 - 37
4116483	1- 13 - 39
4116485	1- 14 - 52
4116493	1- 16 - 31
4116496	1- 12 - 23
4116497	1- 19 - 29
4118364	1- 17 - 54
4120171	1- 24 - 5
4121397	1- 2 -230
4121398	1- 2 -235
5052426	1- 3 - 8
5213349	1- 10 - 5
5213405	1- 17 - 1
5214365	1- 19 - 20
5214367	1- 14 - 20
5214368	1- 12 - 20
	1- 13 - 20
5214372	1- 17 - 20
5214543	1- 19 - 9
5214544	1- 16 - 9
5214545	1- 17 - 9
5214548	1- 12 - 9
5214552	1- 13 - 9
5214553	1- 14 - 9
5214556	1- 12 - 29
	1- 13 - 34
	1- 14 - 44
	1- 16 - 28
	1- 17 - 24
	1- 19 - 24
5240459	1- 2 -133
5240513	1- 22 - 14
5247112	1- 15 - 10
	1- 18 - 12
	1- 20 - 12
5253894	1- 18 - 33
	1- 20 - 33
5253897	1- 15 - 82
5261007	1- 18 - 42
5261008	1- 18 - 43
5261009	1- 15 - 43
	1- 20 - 43
5261018	1- 18 - 36
5261020	1- 2 -277
	1- 12 -REF
5261028	1- 20 - 36
5261030	1- 2 -279
	1- 2 -280
	1- 2 -286
	1- 2 -290
	1- 13 -REF
5261037	1- 15 - 42
5261039	1- 18 - 79

PART NO.	LIST AND INDEX NO.
5261049	1- 20 - 79
5261058	1- 15 - 81
5261060	1- 2 -288
	1- 2 -289
	1- 2 -294
	1- 2 -296
	1- 14 -REF
5261067	1- 12 - 21
	1- 14 - 27
5261068	1- 18 - 66
5261070	1- 2 -278
	1- 2 -293
	1- 16 -REF
5261077	1- 15 - 9
	1- 16 - 17
	1- 18 - 11
5261078	1- 20 - 63
5261079	1- 15 - 66
5261083	1- 15 - 37
5261087	1- 20 - 11
5261089	1- 12 - 22
	1- 13 - 21
	1- 20 - 6
5261090	1- 2 -281
	1- 2 -282
	1- 19 -REF
5261098	1- 12 - 1
	1- 13 - 1
5261099	1- 20 - 23
5261117	1- 16 - 1
	1- 18 - 23
	1- 19 - 1
5261127	1- 15 - 4
	1- 16 - 21
	1- 17 - 21
5261129	1- 19 - 21
5261140	1- 2 -285
	1- 17 -REF
5261159	1- 15 - 54
	1- 18 - 54
	1- 20 - 54
5261160	1- 2 -278
	1- 20 -REF
5261163	1- 20 - 37
5261164	1- 20 - 1
5261165	1- 12 - 30
	1- 13 - 35
	1- 14 - 45
	1- 15 - 17
	1- 16 - 30
	1- 17 - 25
	1- 18 - 19
	1- 19 - 25
	1- 20 - 19
5261167	1- 12 - 31
	1- 13 - 36
	1- 14 - 46
	1- 15 - 16
	1- 16 - 29
	1- 17 - 26
	1- 18 - 18
	1- 19 - 26
	1- 20 - 18
5261185	1- 20 - 29
5261187	1- 20 - 42
5261393	1- 11 - 16
5261483	1- 18 - 37
5261606	1- 15 - 50
	1- 18 - 50
	1- 20 - 50
5261620	1- 2 -277
	1- 12 -REF
5261630	1- 2 -279
	1- 2 -280
	1- 2 -286
	1- 2 -290
	1- 13 -REF
5261660	1- 2 -288
	1- 2 -289
	1- 2 -294

PART NO.	LIST AND INDEX NO.
5261660-CONT	1- 2 -296
	1- 14 -REF
5261670	1- 2 -278
	1- 2 -293
	1- 16 -REF
5261690	1- 2 -281
	1- 2 -282
	1- 19 -REF
5261740	1- 2 -285
	1- 17 -REF
5261760	1- 2 -278
	1- 20 -REF
5261815	1- 2 -133
5261899	1- 14 - 16
5261935	1- 12 - 16
	1- 13 - 13
5261936	1- 15 - 22
5261937	1- 17 - 16
	1- 18 - 29
5261940	1- 19 - 16
5271288	1- 3 - 15
5311420	1- 5 - 25
5311437	1- 5 - 97
	1- 5 -104
5311440	1- 5 - 94
	1- 5 - 98
	1- 5 -105
5313144	1- 27 - 91
	1- 28 - 99
5313928	1- 25 - 26
5319854	1- 1 - 2
	1- 2 - 19
	1- 4 - 5
	1- 4 - 27
	1- 4 - 50
	1- 4 - 52
	1- 4 - 54
	1- 5 - 27B
	1- 6 - 8
	1- 11 - 42
	1- 28 - 10
5319888	1- 2 - 7A
	1- 2 - 34
	1- 2 -186
	1- 2 -194
	1- 6 - 25
	1- 6 - 32
5323493	1- 11 - 24
5349887	1- 25 - 24
5349888	1- 26 - 1
5349929	1- 4 - 21
	1- 5 - 81
	1- 8 - 2
	1- 9 - 36
	1- 25 - 88C
5350006	1- 25 - 33
	1- 28 -100
5350012	1- 4 - 8
	1- 4 - 22
	1- 11 - 5
	1- 11 - 7
	1- 27 - 30A
	1- 27 - 71
	1- 27 - 76
	1- 27 - 77
	1- 27 - 81
	1- 28 - 36
	1- 28 - 83A
	1- 28 - 88
	1- 28 - 98
	1- 28 -107
5350020	1- 5 - 24
5350092	1- 1 - 35A
5351177	1- 31 - 14
5352958	1- 31 - 36
5352960	1- 31 - 36A
5352967	1- 31 - 73
5353301	1- 2 - 24A
	1- 2 - 36
	1- 2 - 68

PART NO.	LIST AND INDEX NO.
5353301-CONT	1- 2 - 96
	1- 2 -103
	1- 2 -117
	1- 2 -227
	1- 2 -237
	1- 2 -240
5353851	1- 31 - 40
5353852	1- 31 - 14A
5353853	1- 24 - 1
	1- 26 - 20
5353854	1- 24 - 8
	1- 26 - 21
5353867	1- 4 - 31
	1- 4 - 56
5353877	1- 24 - 5
5353887	1- 7 - 30
	1- 9 - 25
5353888	1- 5 - 34
5353889	1- 9 - 26
5353894	1- 4 - 35
	1- 4 - 60
	1- 15 - 35
	1- 31 - 91
5353895	1- 4 - 33
	1- 4 - 58
	1- 31 - 89
5353896	1- 31 - 67
5353899	1- 31 - 92
5353902	1- 4 - 40
	1- 4 - 65
5353922	1- 31 - 44A
5357002	1- 25 - 21
	1- 26 -REF
5357005	1- 26 - 9
5357011	1- 26 - 41
5357012	1- 26 - 40
5357013	1- 26 - 4
5357020	1- 26 - 17
5357021	1- 26 - 25
5357024	1- 26 - 30
5357025	1- 26 - 15
5357034	1- 25 - 22
5357038	1- 25 - 30
5357064	1- 24 - 9
5357135	1- 26 - 3
5357136	1- 25 - 25
	1- 26 - 2
5357137	1- 26 - 37
5357140	1- 26 - 16
	1- 26 - 31
5357141	1- 26 - 14
	1- 26 - 29
5357144	1- 26 - 11
5357145	1- 26 - 26
5362301	1- 4 - 39
	1- 4 - 64
	1- 7 - 49
	1- 31 - 20
	1- 31 - 95
5362303	1- 4 - 37
	1- 4 - 62
	1- 7 - 47
	1- 31 - 93
5362304	1- 4 - 55
5372183	1- 5 - 33
5372848	1- 5 - 33
5373660	1- 5 - 93
	1- 5 - 96
	1- 5 - 99
	1- 5 -103
5374689	1- 12 - 57
	1- 13 - 50
	1- 14 - 65
	1- 17 - 55
	1- 19 - 55
	1- 7 - 31
5376713	1- 31 - 57
5393041	1- 31 - 87
	1- 7 - 40
5393042	1- 31 - 57A

PART NO.	LIST AND INDEX NO.
5393043	1- 31 - 38
5393044	1- 7 - 42
	1- 31 - 96
5393054	1- 31 - 47
5393056	1- 7 - 39
5393057	1- 7 - 39
5404466	1- 4 - 36
	1- 4 - 61
	1- 7 - 46
5404467	1- 4 - 60
	1- 7 - 45
5404468	1- 4 - 58
	1- 7 - 43
5404480	1- 31 - 20A
5468301	1- 25 - 21
	1- 26 -REF
5468302	1- 26 - 9
5468303	1- 26 - 14
	1- 26 - 29
5468304	1- 26 - 16
	1- 26 - 31
5468305	1- 26 - 11
5468306	1- 26 - 26
5468307	1- 26 - 15
5468308	1- 26 - 30
5700484	1- 2 -134
	1- 5 - 79
5708922	1- 22 - 15
5708923	1- 22 - 19
5708924	1- 22 - 8
5708947	1- 21 - 15
5708960	1- 2 -188
	1- 22 -REF
5708991	1- 22 - 15
5708992	1- 2 -188
	1- 22 -REF
5709429	1- 15 - 36
5709430	1- 2 -292
	1- 18 -REF
5709434	1- 18 - 1
5709440	1- 2 -291
	1- 15 -REF
5709444	1- 15 - 1
5709470	1- 2 -292
	1- 18 -REF
5709480	1- 2 -291
	1- 15 -REF
5709490	1- 2 -158
	1- 21 -REF
5712309	1- 12 - 34
	1- 13 - 32
	1- 14 - 49
	1- 15 - 62
	1- 16 - 34
	1- 17 - 43
	1- 18 - 62
	1- 19 - 43
5719453	1- 27 - 82
	1- 27 - 82
5761725	1- 12 - 23
5761726	1- 13 - 39
5761734	1- 14 - 52
5761735	1- 16 - 31
5761736	1- 17 - 29
5761745	1- 19 - 29
5761758	1- 16 - 57
5761759	1- 16 - 47
5761763	1- 17 - 62
	1- 19 - 62
5761764	1- 17 - 50
	1- 19 - 50
5761765	1- 12 - 60
5761766	1- 12 - 46
5761767	1- 13 - 58
5761768	1- 13 - 44
5761774	1- 14 - 68
5761775	1- 14 - 55
5761779	1- 12 - 11
	1- 13 - 11
	1- 14 - 11

PART NO.	LIST AND INDEX NO.
5761779-CONT	1- 16 - 11
	1- 17 - 11
	1- 19 - 11
5761784	1- 14 - 17
5761786	1- 14 - 24
	1- 16 - 18
5761788	1- 14 - 21
5761789	1- 17 - 13
5761793	1- 12 - 13
5761794	1- 13 - 17
5761795	1- 19 - 13
5761796	1- 12 - 48
	1- 13 - 46
	1- 14 - 57
	1- 16 - 42
	1- 17 - 38
	1- 19 - 38
5761798	1- 13 - 51
	1- 14 - 66
	1- 17 - 56
	1- 19 - 56
5761904	1- 12 - 37
	1- 13 - 24
	1- 14 - 40
	1- 16 - 44
	1- 17 - 46
	1- 19 - 46
5761907	1- 12 - 35
	1- 12 - 38
	1- 13 - 25
	1- 13 - 33
	1- 14 - 41
	1- 14 - 50
	1- 16 - 35
	1- 16 - 45
	1- 17 - 44
	1- 17 - 47
	1- 19 - 44
	1- 19 - 47
5761908	1- 12 - 25
	1- 13 - 41
	1- 14 - 54
	1- 16 - 33
	1- 17 - 31
	1- 19 - 31
5761909	1- 12 - 55
	1- 12 - 58
	1- 13 - 48
	1- 14 - 63
	1- 17 - 53
	1- 19 - 53
5761913	1- 12 - 47
	1- 13 - 45
	1- 14 - 56
	1- 16 - 48
	1- 17 - 51
	1- 19 - 51
5761935	1- 12 - 6
	1- 12 - 7
	1- 13 - 6
	1- 13 - 7
	1- 14 - 6
	1- 14 - 7
	1- 16 - 6
	1- 16 - 7
	1- 17 - 6
	1- 17 - 7
	1- 19 - 6
	1- 19 - 7
5761936	1- 12 - 26
	1- 13 - 22
	1- 14 - 51
	1- 16 - 46
	1- 17 - 49
	1- 19 - 49
5761937	1- 16 - 13
5761938	1- 12 - 3
	1- 13 - 3
	1- 14 - 3
	1- 16 - 3

PART NO.	LIST AND INDEX NO.
5761938-CONT	1- 17 - 3
	1- 19 - 3
5761943	1- 12 - 15
	1- 13 - 19
	1- 14 - 19
	1- 14 - 23
	1- 14 - 26
	1- 16 - 20
	1- 16 - 23
	1- 17 - 15
	1- 19 - 15
5761965	1- 16 - 53
5761966	1- 17 - 61
	1- 19 - 61
5761967	1- 12 - 54
5761968	1- 13 - 56
5761973	1- 14 - 67

PART NO.	LIST AND INDEX NO.
5761976	1- 12 - 52
	1- 13 - 55
	1- 14 - 61
	1- 16 - 54
	1- 17 - 60
	1- 19 - 60
5761977	1- 12 - 39
	1- 13 - 26
	1- 14 - 33
	1- 16 - 36
	1- 17 - 32
	1- 19 - 32
5761979	1- 12 - 43
	1- 13 - 29
	1- 14 - 36
	1- 16 - 40
	1- 17 - 35

PART NO.	LIST AND INDEX NO.
5761979-CONT	1- 19 - 35
5762093	1- 21 - 38
5762156	1- 12 - 42
5762215	1- 12 - 41
5762445	1- 21 - 28
5800671	1- 31 -115
5802216	1- 25 - 88
	1- 31 -112
7320365	1- 2 -114
	1- 2 -127
7321292	1- 2 -113
	1- 2 -126
8023798	1- 28 -102
8026896	1- 28 - 89
	1- 28 - 89

PART NO.	LIST AND INDEX NO.

PART NO.	LIST AND INDEX NO.

PART NO.	LIST AND INDEX NO.

PART NO.	LIST AND INDEX NO.

PART NO.	LIST AND INDEX NO.

PART NO.	LIST AND INDEX NO.

IBM**FE Supplement**

System/Unit 1801/1802

Re: Form No. 123-0483-2

This Supplement No. S27-0655

Date August 8, 1969

Previous Supplement Nos. None

CORE STORAGE PART NUMBER CORRECTIONS

This publication, Form S27-0655, supplements the IBM 1801/1802 Illustrated Parts Catalog, Form 123-0483-2. Pages to be inserted and removed are listed below:

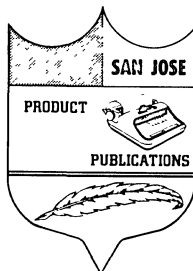
57 and 58

A change to the list is indicated by a vertical bar in the left margin.

Summary of Amendment

The 2- and 4- μ s core storage part numbers, 5442421 and 5442423, were transposed. This supplement corrects the error. This supplement is for correction purposes only and does not update the parent manual to a higher E/C level.

File this cover letter at the back of the manual to provide a record of changes.



Author: A.R. Desimone

We are pleased to send you this complimentary copy of a newly printed publication. Additional copies are available from the Distribution Center, Mechanicsburg.

*G.W. Goesch, Manager
Department G24*

IBM Corporation, Product Publications, Dept. G24, San Jose, California 95114

PRINTED IN U.S.A.

Restricted Distribution

READER'S COMMENT FORM

1801/1802 IPC

Form 123-0483-2

● Based on your own experience, rate this publication...

.....
Very	Good	Fair	Poor	Very
Good				Poor

● What is your occupation?

● We would appreciate your other comments; please give specific page and line references where appropriate. If you wish a reply, be sure to include your name and address.

● Thank you for your cooperation. No postage necessary if mailed in the U.S.A.

YOUR COMMENTS PLEASE . . .

Your answers to the questions on the back of this form, together with your comments, will help us produce better publications for your use. Each reply will be carefully reviewed by the persons responsible for writing and publishing this material. All comments and suggestions become the property of IBM.

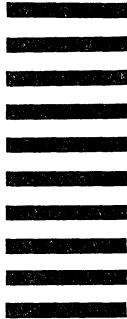
Please note: Requests for copies of publications and for assistance in utilizing your IBM system should be directed to your IBM representative or to the IBM sales office serving your locality.

fold

fold

BUSINESS REPLY MAIL
NO POSTAGE STAMP NECESSARY IF MAILED IN U. S. A.

FIRST CLASS
PERMIT NO. 2078
SAN JOSE, CALIF.



POSTAGE WILL BE PAID BY . . .

IBM Corporation
Monterey & Cottle Rds.
San Jose, California
95114

Attention: Product Publications, Dept. G24

fold

fold



International Business Machines Corporation
Field Engineering Division
112 East Post Road, White Plains, N.Y. 10601

2081/1081

1801/1802

AB INSERT FOR FRONT COVER

123-0483-2

IBM 1801/1802 PRINTED IN U.S.A. 123-0483-2

IBM

International Business Machines Corporation
Field Engineering Division
112 East Post Road, White Plains, N. Y. 10601