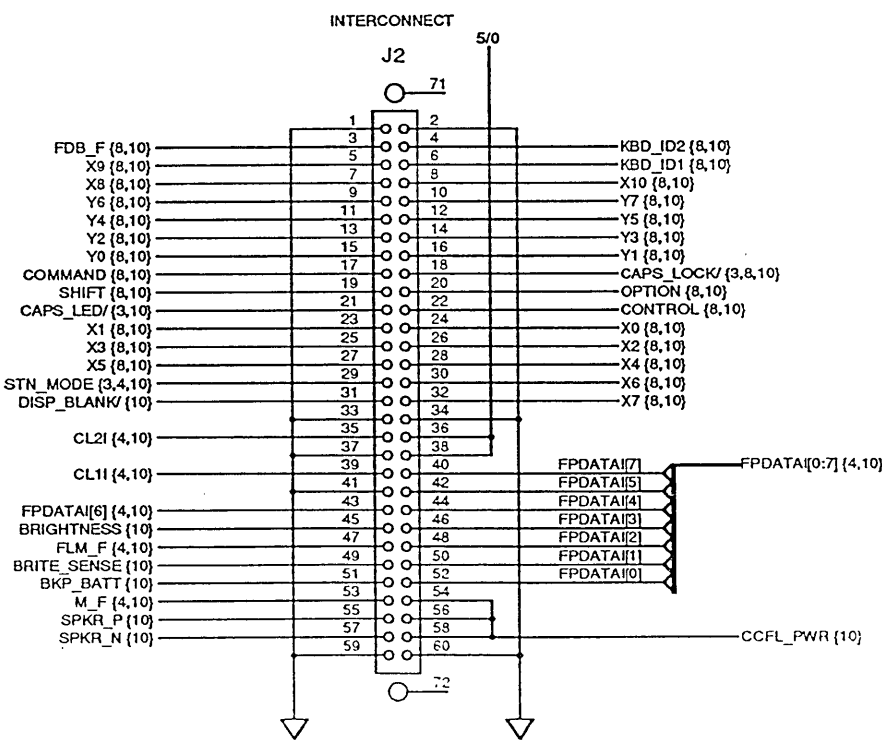
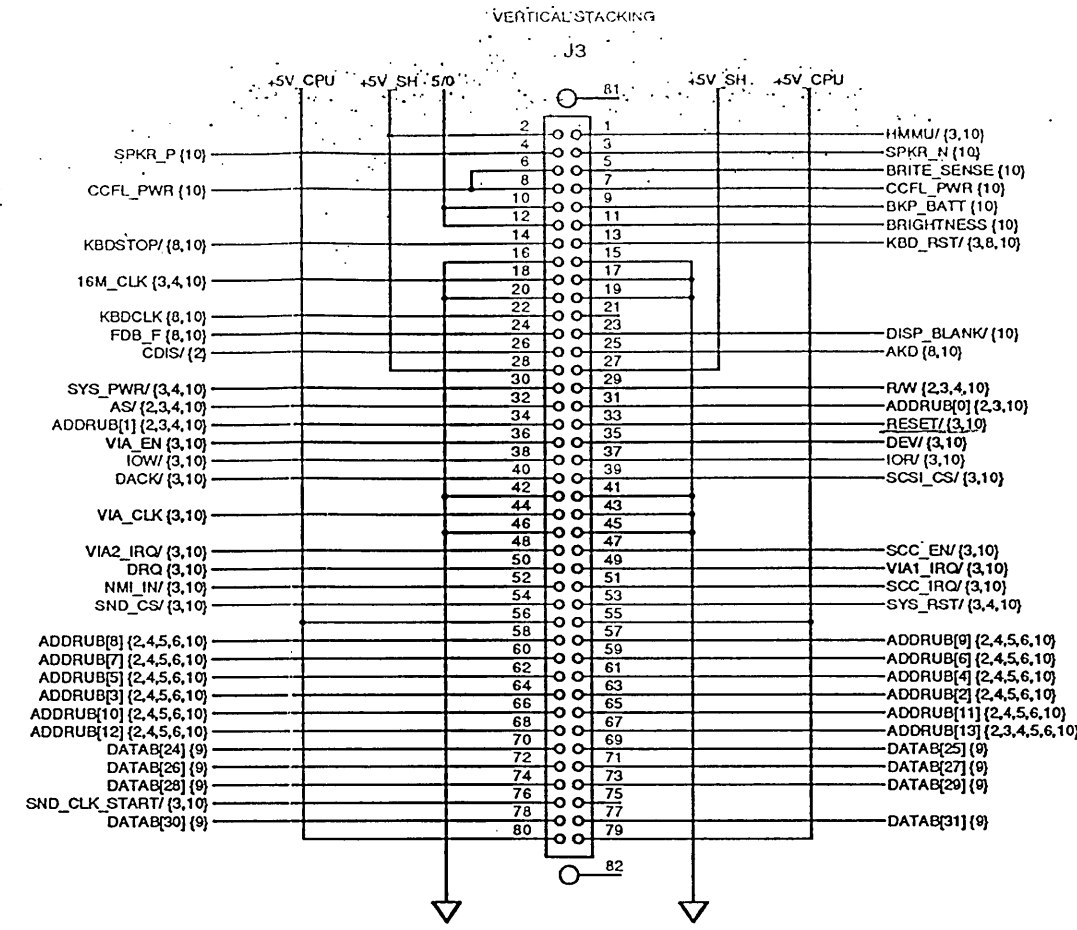
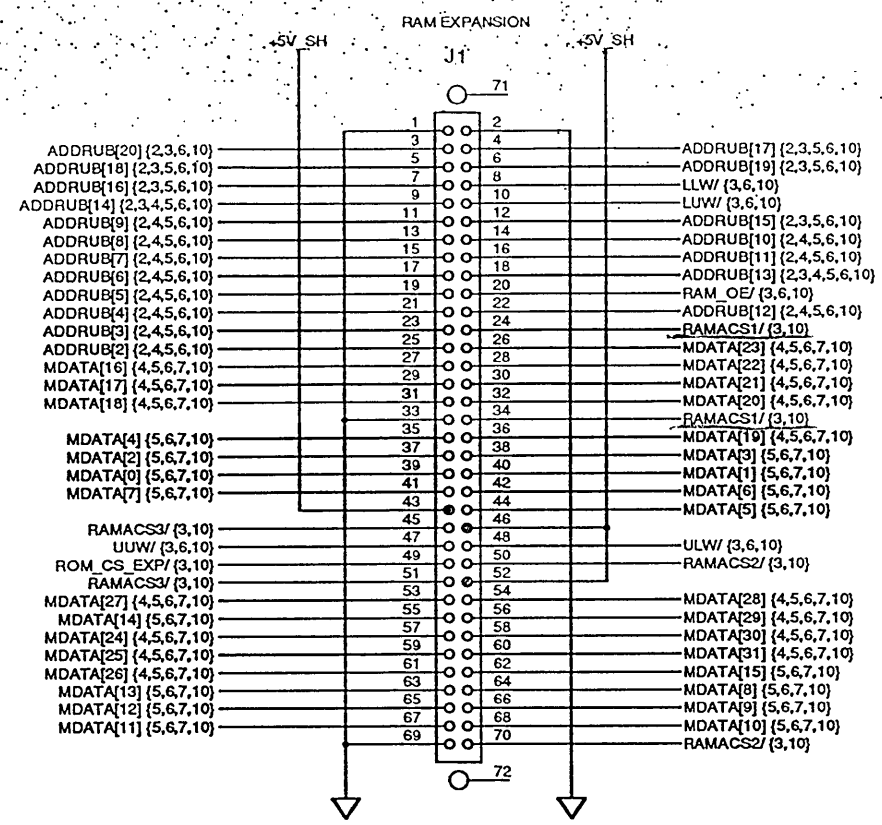


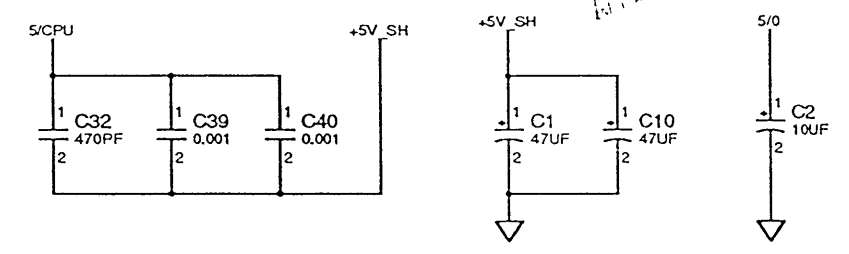
NOTE: (UNLESS OTHERWISE NOTED)

1. ALL RESISTANCE VALUES ARE IN OHMS, 0.1W, 5%.
2. ALL CAPACITANCE VALUES ARE IN MICROFARADS.
3. ALL CRYSTAL & OSCILLATOR VALUES ARE IN HERTZ.

REV	ZONE	ECN	DESCRIPTION OF REVISION	CK APPD	ENG APPD
				DATE	DATE
01		V0581	ENGINEERING RELEASE		



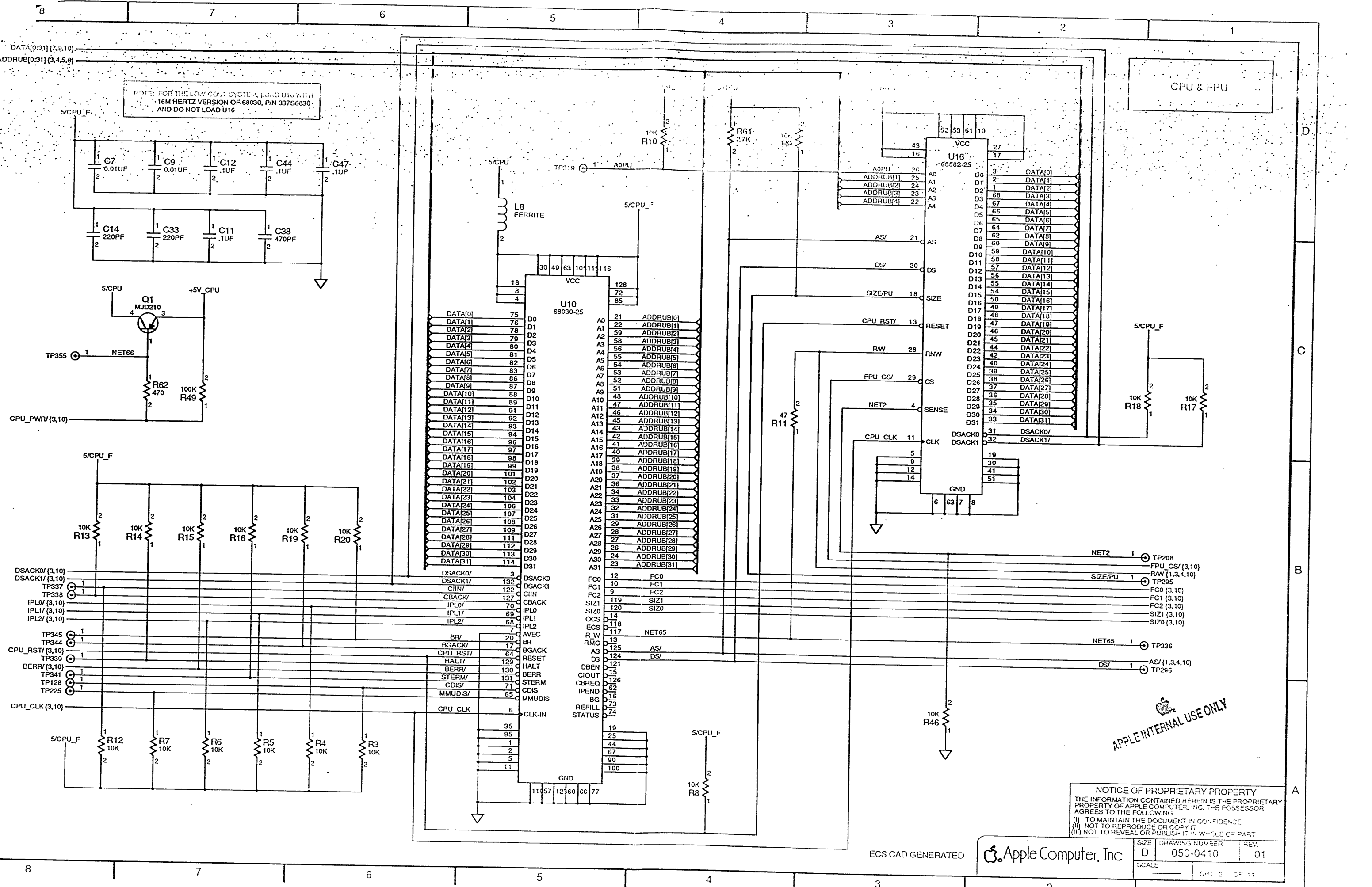
REFERENCE DESIGNATIONS	
LAST USED	NOT USED
C48	ZG1
G3	
L3	
C2	
R63	
RP7	
ZG3	



APPLE INTERNAL USE ONLY

DIMENSIONS ARE IN MILLIMETERS		METRIC		Apple Computer, Inc	
XX * _____		DRAFTER	DESIGN CK	NOTICE OF PROPRIETARY PROPERTY THE INFORMATION CONTAINED HEREIN IS THE PROPRIETARY PROPERTY OF APPLE COMPUTER, INC. THE POSSESSOR AGREES TO THE FOLLOWING: (i) TO MAINTAIN THE DOCUMENT IN CONFIDENCE (ii) NOT TO REPRODUCE OR COPY IT (iii) NOT TO REVEAL OR PUBLISH IT IN WHOLE OR PART TITLE SCHEMATIC, DAUGHTER BOARD, MAC POWERBOOK	
XXX * _____		ENG APPD	MFG APPD		
XXXX * _____		QA APPD	DESIGNER		
ANGLES * _____		RELEASE	SCALE NONE		
DO NOT SCALE DRAWINGS		MATERIAL FINISH NOTED AS APPLICABLE		SIZE D	DRAWING NUMBER 050-0410
THIRD ANGLE PROJECTION					REV 01

ECS CAD GENERATED



NOTE: FOR THE LOW-COST SYSTEM, LOAD U10 WITH A 16M HERTZ VERSION OF 68030, P/N 33756830, AND DO NOT LOAD U16

CPU & FPU

DATA[0]	75	D0	21	ADDRUB[0]
DATA[1]	76	D1	22	ADDRUB[1]
DATA[2]	78	D2	59	ADDRUB[2]
DATA[3]	79	D3	58	ADDRUB[3]
DATA[4]	80	D4	56	ADDRUB[4]
DATA[5]	81	D5	55	ADDRUB[5]
DATA[6]	82	D6	54	ADDRUB[6]
DATA[7]	83	D7	53	ADDRUB[7]
DATA[8]	86	D8	52	ADDRUB[8]
DATA[9]	87	D9	51	ADDRUB[9]
DATA[10]	88	D10	48	ADDRUB[10]
DATA[11]	89	D11	47	ADDRUB[11]
DATA[12]	91	D12	46	ADDRUB[12]
DATA[13]	92	D13	45	ADDRUB[13]
DATA[14]	93	D14	43	ADDRUB[14]
DATA[15]	94	D15	42	ADDRUB[15]
DATA[16]	96	D16	41	ADDRUB[16]
DATA[17]	97	D17	40	ADDRUB[17]
DATA[18]	98	D18	39	ADDRUB[18]
DATA[19]	99	D19	38	ADDRUB[19]
DATA[20]	101	D20	37	ADDRUB[20]
DATA[21]	102	D21	36	ADDRUB[21]
DATA[22]	103	D22	34	ADDRUB[22]
DATA[23]	104	D23	33	ADDRUB[23]
DATA[24]	106	D24	32	ADDRUB[24]
DATA[25]	107	D25	31	ADDRUB[25]
DATA[26]	108	D26	29	ADDRUB[26]
DATA[27]	109	D27	28	ADDRUB[27]
DATA[28]	111	D28	27	ADDRUB[28]
DATA[29]	112	D29	26	ADDRUB[29]
DATA[30]	113	D30	24	ADDRUB[30]
DATA[31]	114	D31	23	ADDRUB[31]

FC0	12	FC0
FC1	10	FC1
FC2	9	FC2
SIZ1	119	SIZ1
SIZ0	120	SIZ0
OCS	14	
ECS	118	
R/W	117	NET65
RMC	13	
AS	125	AS/
DS	124	DS/
DBEN	121	
CIOUT	15	
CBREQ	126	
IPEND	62	
BG	16	
REFILL	73	
STATUS	74	
	19	
	25	
	44	
	67	
	90	
	100	

NOTICE OF PROPRIETARY PROPERTY
THE INFORMATION CONTAINED HEREIN IS THE PROPRIETARY PROPERTY OF APPLE COMPUTER, INC. THE POSSESSOR AGREES TO THE FOLLOWING:
(i) TO MAINTAIN THE DOCUMENT IN CONFIDENCE
(ii) NOT TO REPRODUCE OR COPY IT
(iii) NOT TO REVEAL OR PUBLISH IT IN WHOLE OR PART

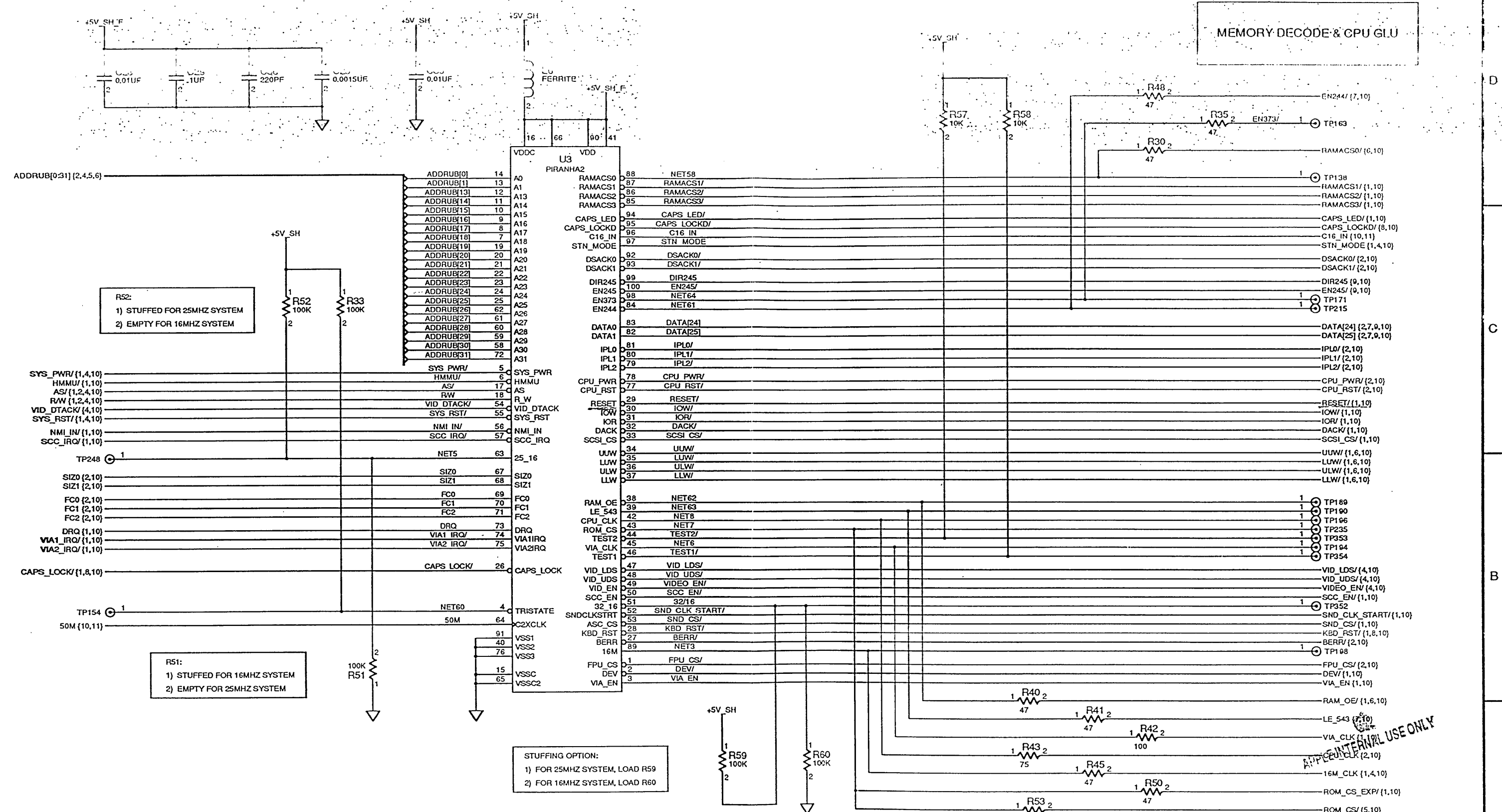
SIZE	DRAWING NUMBER	REV.
D	050-0410	01
SCALE	SHEET 2 OF 11	

ECS CAD GENERATED



APPLE INTERNAL USE ONLY

MEMORY DECODE & CPU GLU



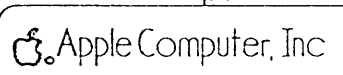
R52:
1) STUFFED FOR 25MHZ SYSTEM
2) EMPTY FOR 16MHZ SYSTEM

R51:
1) STUFFED FOR 16MHZ SYSTEM
2) EMPTY FOR 25MHZ SYSTEM

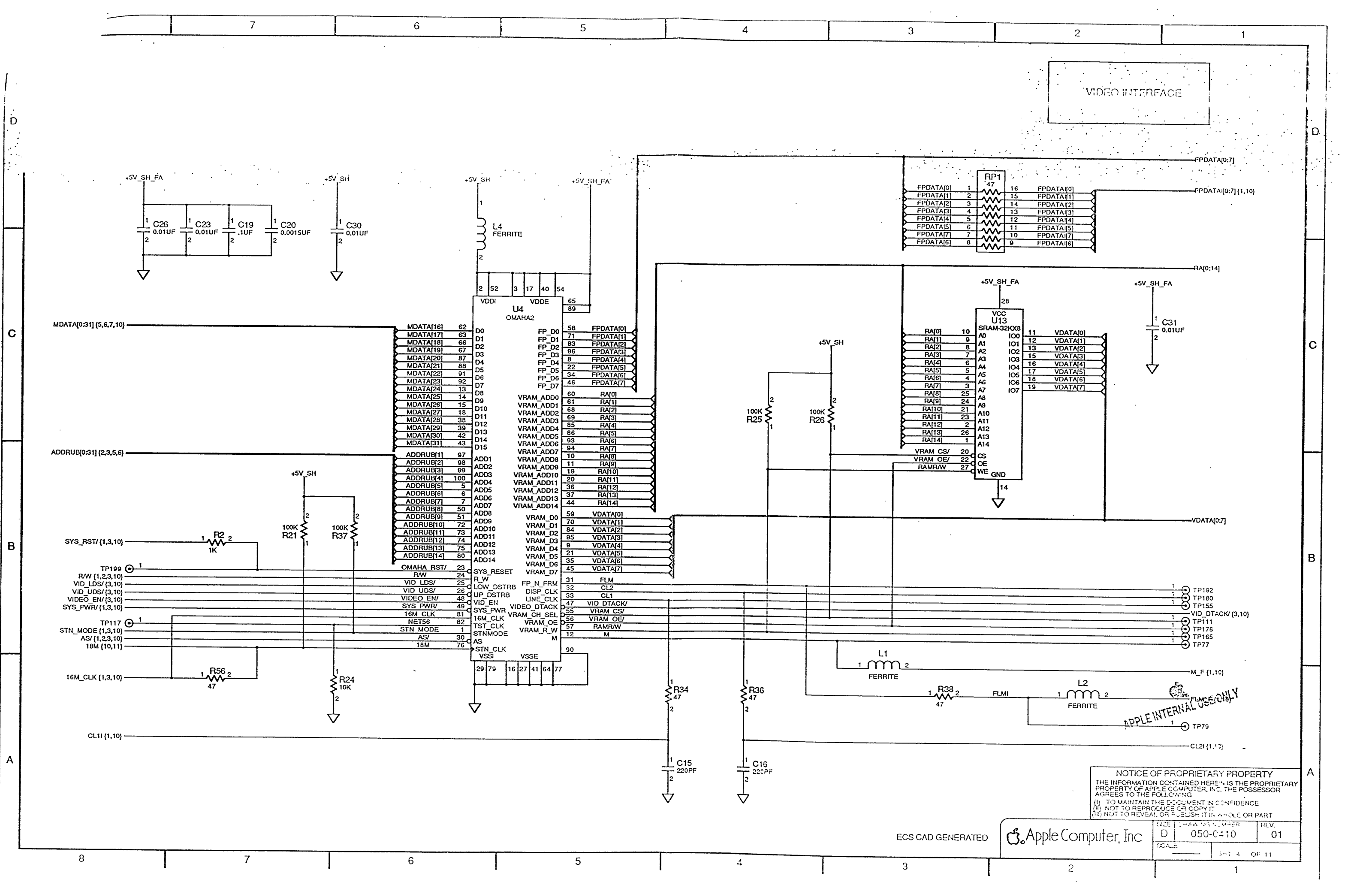
STUFFING OPTION:
1) FOR 25MHZ SYSTEM, LOAD R59
2) FOR 16MHZ SYSTEM, LOAD R60

NOTICE OF PROPRIETARY PROPERTY
THE INFORMATION CONTAINED HEREIN IS THE PROPRIETARY PROPERTY OF APPLE COMPUTER, INC. THE POSSESSOR AGREES TO THE FOLLOWING
(i) TO MAINTAIN THE DOCUMENT IN CONFIDENCE
(ii) NOT TO REPRODUCE OR COPY IT
(iii) NOT TO REVEAL OR PUBLISH IT IN WHOLE OR PART

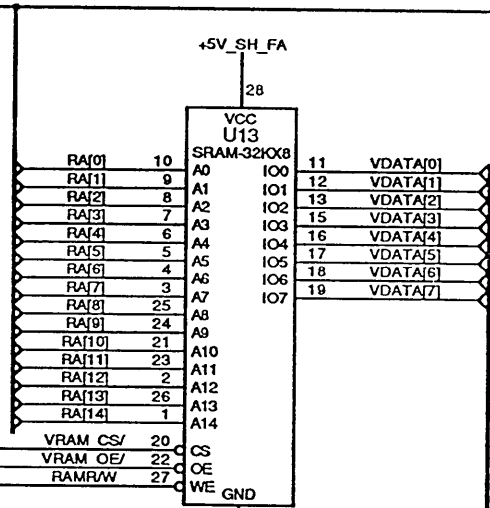
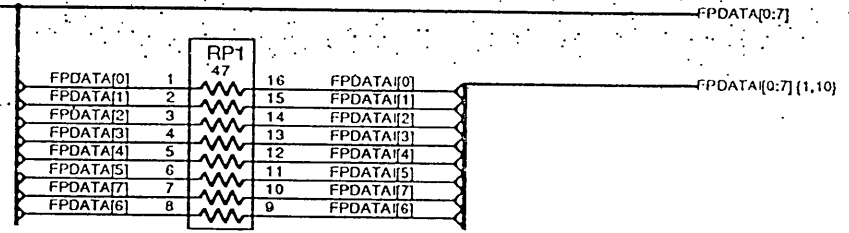
ECS CAD GENERATED



SIZE	DRAWING NUMBER	REV.
D	050-0410	01
SCALE	SHT 3 OF 11	

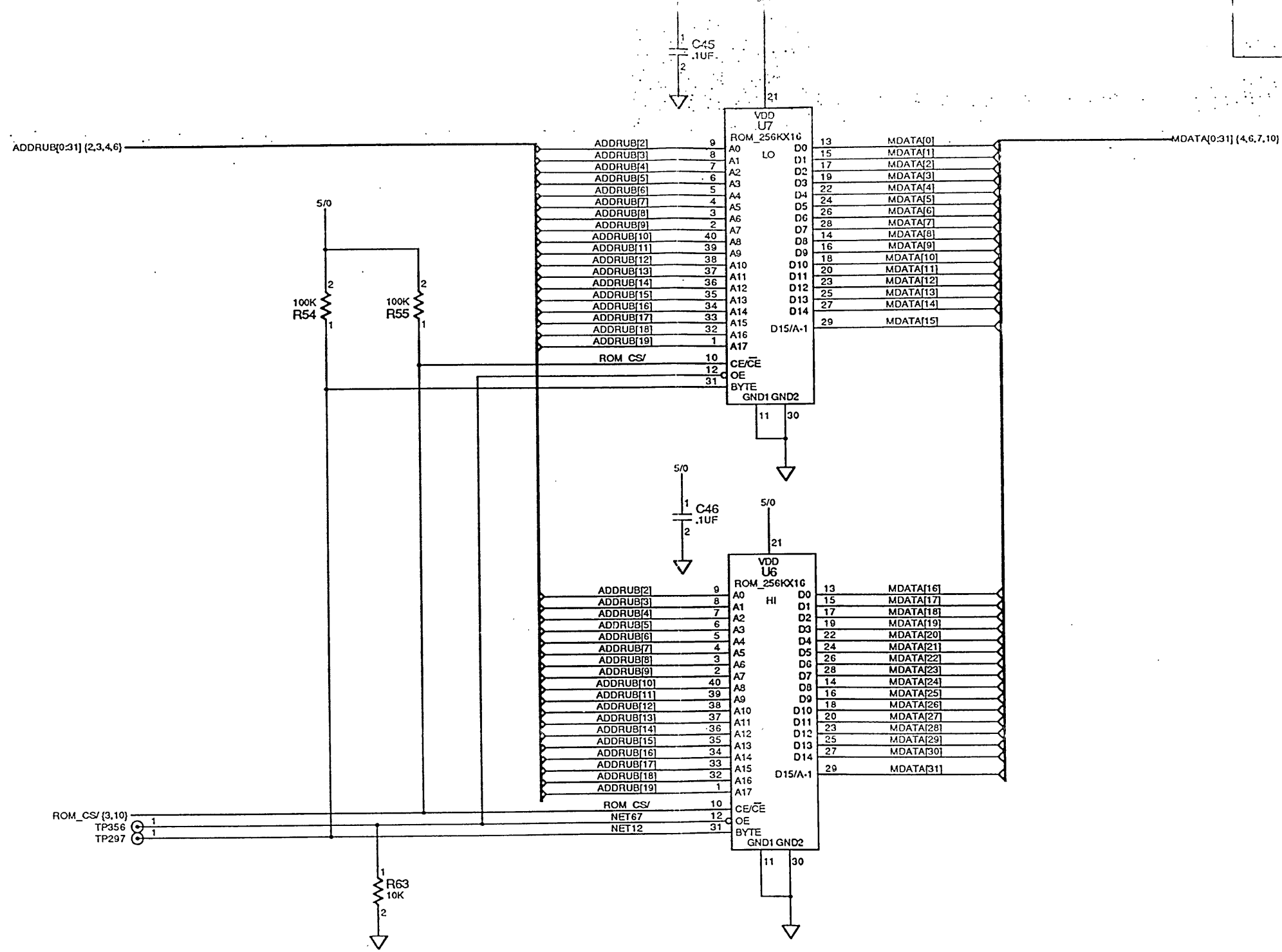


VIDEO INTERFACE



NOTICE OF PROPRIETARY PROPERTY
 THE INFORMATION CONTAINED HEREIN IS THE PROPRIETARY PROPERTY OF APPLE COMPUTER, INC. THE POSSESSOR AGREES TO THE FOLLOWING:
 (1) TO MAINTAIN THE DOCUMENT IN CONFIDENCE
 (2) NOT TO REPRODUCE OR COPY IT
 (3) NOT TO REVEAL OR PUBLISH IT IN WHOLE OR PART

ROM



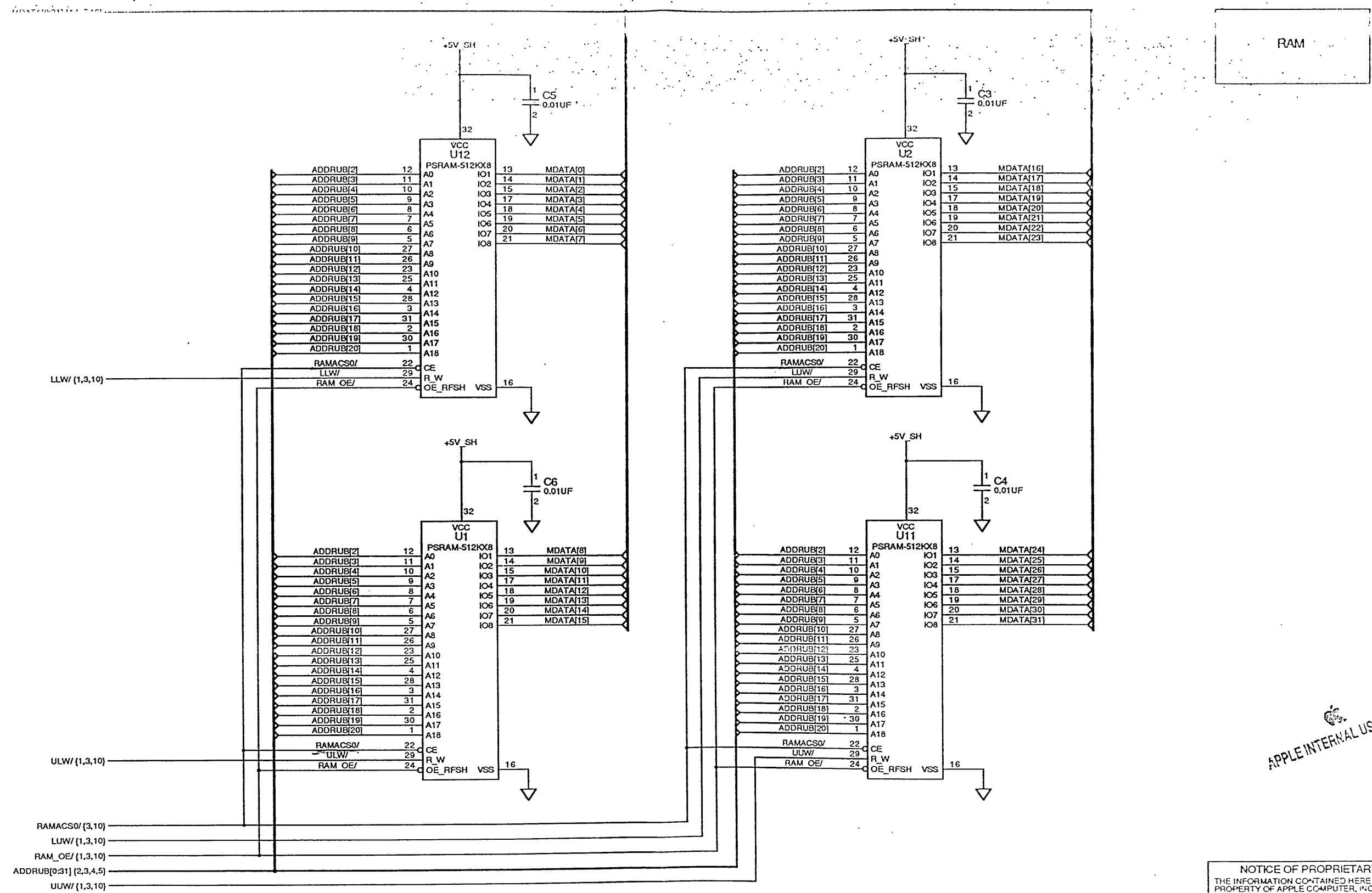
APPLE INTERNAL USE ONLY

NOTICE OF PROPRIETARY PROPERTY
 THE INFORMATION CONTAINED HEREIN IS THE PROPRIETARY PROPERTY OF APPLE COMPUTER, INC. THE POSSESSOR AGREES TO THE FOLLOWING:
 (I) TO MAINTAIN THE DOCUMENT IN CONFIDENCE
 (II) NOT TO REPRODUCE OR COPY IT
 (III) NOT TO REVEAL OR PUBLISH IT IN WHOLE OR PART

ECS CAD GENERATED

Apple Computer, Inc

SIZE	DRAWING NUMBER	REV.
D	050-0410	01
SCALE	SHEET 5 OF 11	



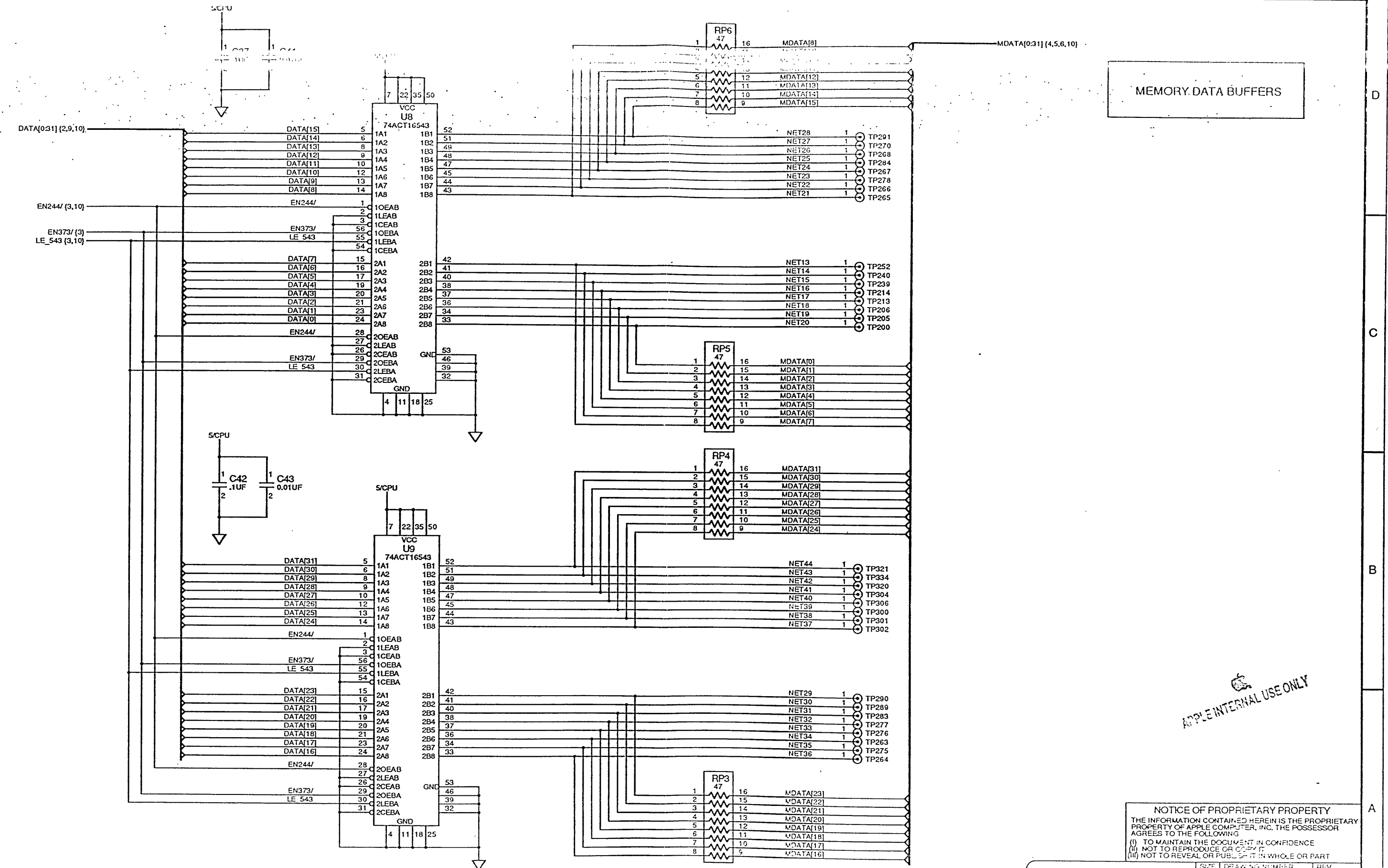
APPLE INTERNAL USE ONLY

NOTICE OF PROPRIETARY PROPERTY
 THE INFORMATION CONTAINED HEREIN IS THE PROPRIETARY PROPERTY OF APPLE COMPUTER, INC. THE POSSESSOR AGREES TO THE FOLLOWING:
 (i) TO MAINTAIN THE DOCUMENT IN CONFIDENCE
 (ii) NOT TO REPRODUCE OR COPY IT
 (iii) NOT TO REVEAL OR PUBLISH IT IN WHOLE OR PART

ECS CAD GENERATED

Apple Computer, Inc

SIZE	DRAWING NUMBER	REV.
D	050-0410	01
SCALE	SHT 6 OF 11	



MEMORY DATA BUFFERS

APPLE INTERNAL USE ONLY

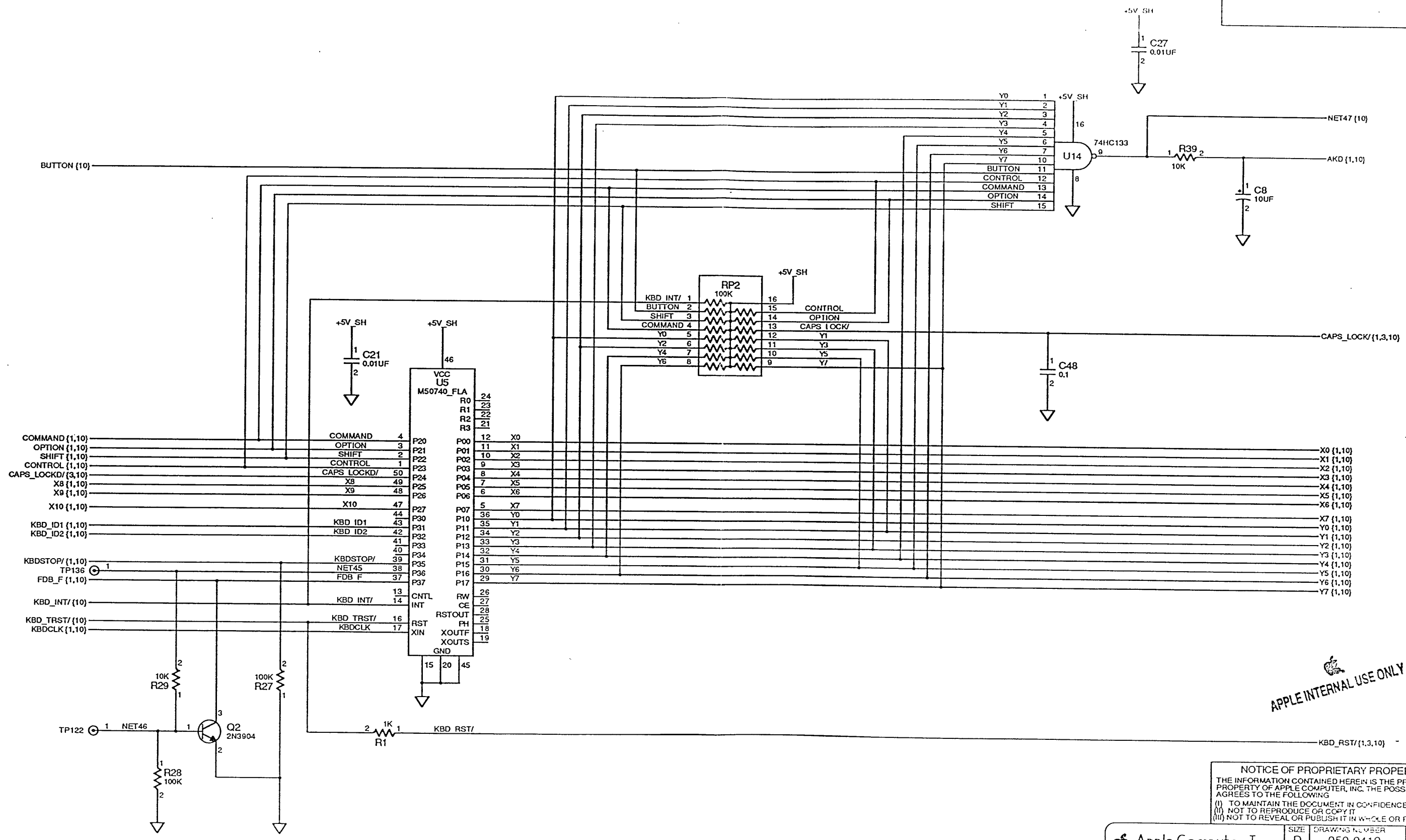
NOTICE OF PROPRIETARY PROPERTY
 THE INFORMATION CONTAINED HEREIN IS THE PROPRIETARY PROPERTY OF APPLE COMPUTER, INC. THE POSSESSOR AGREES TO THE FOLLOWING:
 (I) TO MAINTAIN THE DOCUMENT IN CONFIDENCE
 (II) NOT TO REPRODUCE OR COPY IT
 (III) NOT TO REVEAL OR PUBLISH IT IN WHOLE OR PART

SIZE	DRAWING NUMBER	REV.
D	050-0410	01
SCALE	SHT 7 OF 11	

ECS CAD GENERATED

Apple Computer, Inc

KEYBOARD INTERFACE



APPLE INTERNAL USE ONLY

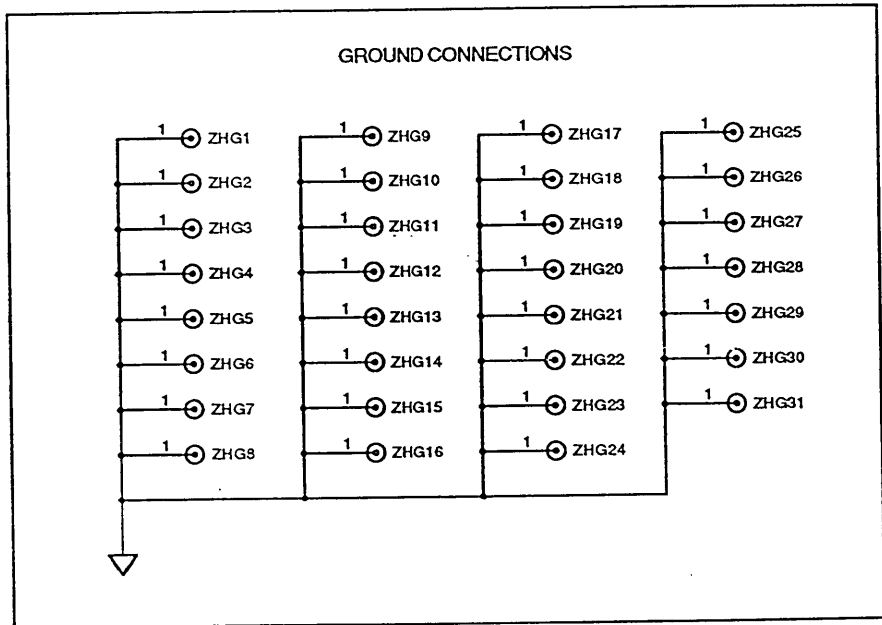
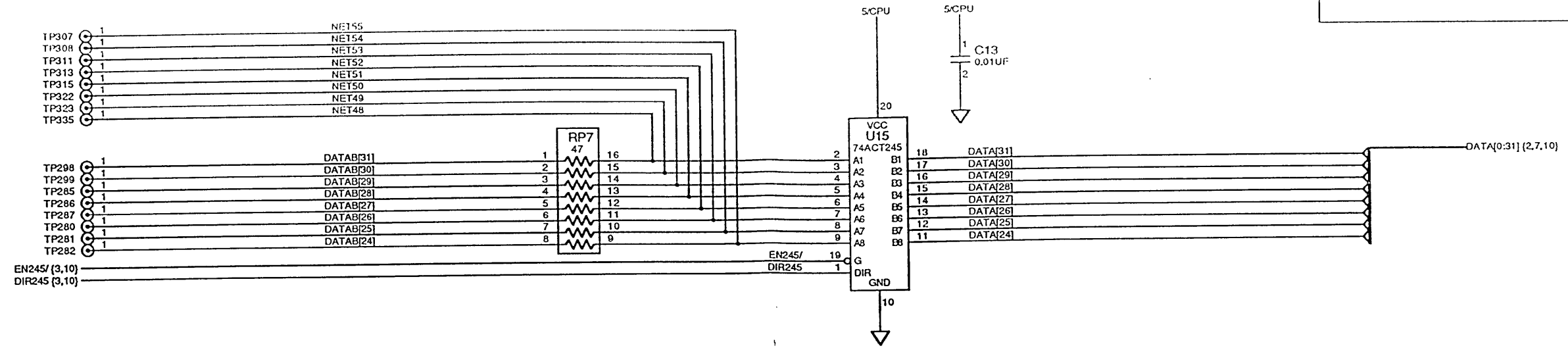
NOTICE OF PROPRIETARY PROPERTY
 THE INFORMATION CONTAINED HEREIN IS THE PROPRIETARY PROPERTY OF APPLE COMPUTER, INC. THE POSSESSOR AGREES TO THE FOLLOWING:
 (I) TO MAINTAIN THE DOCUMENT IN CONFIDENCE
 (II) NOT TO REPRODUCE OR COPY IT
 (III) NOT TO REVEAL OR PUBLISH IT IN WHOLE OR PART

ECS CAD GENERATED

Apple Computer, Inc

SIZE	DRAWING NUMBER	REV.
D	050-0410	01
SCALE	SHEET 8 OF 11	

NO DATA BUFFERS & MISC



APPLE INTERNAL USE ONLY

NOTICE OF PROPRIETARY PROPERTY
 THE INFORMATION CONTAINED HEREIN IS THE PROPRIETARY PROPERTY OF APPLE COMPUTER, INC. THE POSSESSOR AGREES TO THE FOLLOWING:
 (i) TO MAINTAIN THE DOCUMENT IN CONFIDENCE
 (ii) NOT TO REPRODUCE OR COPY IT
 (iii) NOT TO REVEAL OR PUBLISH IT IN WHOLE OR PART

ECS CAD GENERATED

Apple Computer, Inc.		
SIZE	DRAWING NUMBER	REV.
D	050-0410	01
SCALE	SHT 9 OF 11	

TESTPOINTS

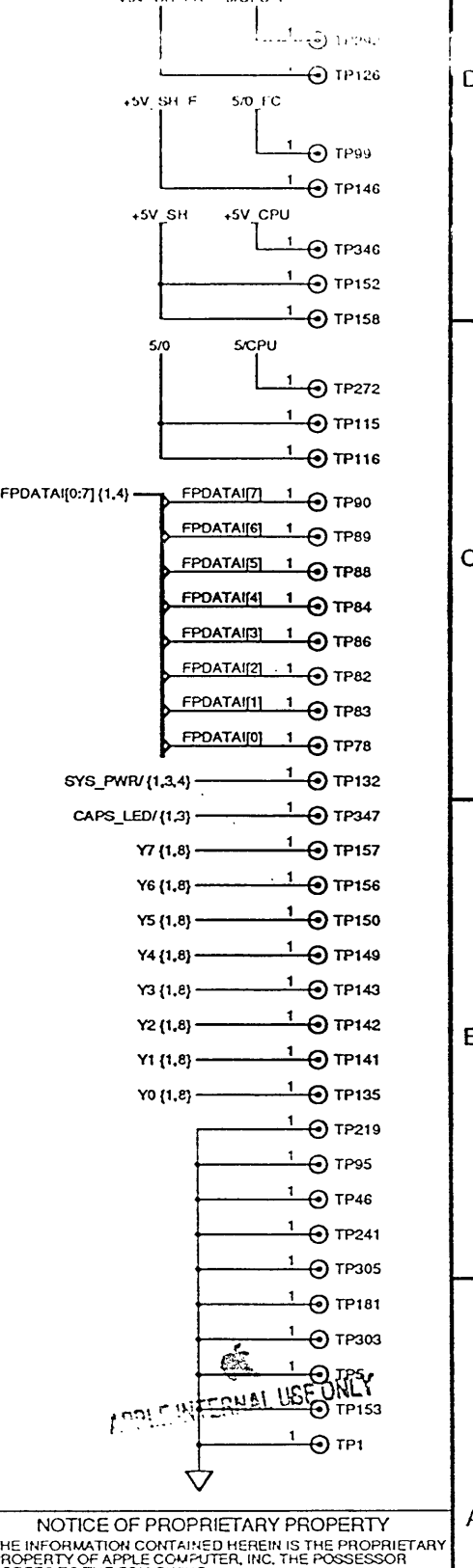
- RAMACS3/ (1,3) — 1 — TP36
- DISP_IN_ANK/ (1) — 1 — TP144
- M_F (1,4) — 1 — TP27
- BKP_BATT (1) — 1 — TP16
- SPKR_N (1) — 1 — TP102
- CCFL_PWR (1) — 1 — TP47
- SPKR_P (1) — 1 — TP8
- BRIGHTNESS (1) — 1 — TP123
- BRITE_SENSE (1) — 1 — TP107
- CPU_CLK (2,3) — 1 — TP197
- DSACK1/ (2,3) — 1 — TP342
- DSACK0/ (2,3) — 1 — TP343
- RAMACS0/ (3,6) — 1 — TP69
- RAMACS1/ (1,3) — 1 — TP71
- RAMACS2/ (1,3) — 1 — TP66
- IPL0/ (2,3) — 1 — TP207
- IPL1/ (2,3) — 1 — TP254
- IPL2/ (2,3) — 1 — TP255
- CPU_PWR/ (2,3) — 1 — TP238
- CPU_RST/ (2,3) — 1 — TP258
- VIA2_IRQ/ (1,3) — 1 — TP204
- VIA1_IRQ/ (1,3) — 1 — TP228
- DRQ (1,3) — 1 — TP209
- ADDRUB[31] (2,3) — 1 — TP251
- FC2 (2,3) — 1 — TP262
- FC1 (2,3) — 1 — TP250
- FC0 (2,3) — 1 — TP261
- SIZ1 (2,3) — 1 — TP249
- SIZ0 (2,3) — 1 — TP260
- SCC_IRQ/ (1,3) — 1 — TP212
- NMI_INV (1,3) — 1 — TP227
- SND_CS/ (1,3) — 1 — TP230
- SCC_EN/ (1,3) — 1 — TP202
- RAM_OE/ (1,3,6) — 1 — TP11
- LLW/ (1,3,6) — 1 — TP74
- ULW/ (1,3,6) — 1 — TP54
- LWU/ (1,3,6) — 1 — TP56
- UWU/ (1,3,6) — 1 — TP37
- SCSI_CS/ (1,3) — 1 — TP188
- DACK/ (1,3) — 1 — TP159
- IOR/ (1,3) — 1 — TP186
- X7 (1,8) — 1 — TP49
- CAPS_LOCKD/ (3,8) — 1 — TP348
- CL2/ (1,4) — 1 — TP29
- AKD (1,8) — 1 — TP145

- VIDEO_EN/ (3,4) — 1 — TP211
- VID_DATA[0] (1,4) — 1 — TP214
- IOW (1,3) — 1 — TP160
- BERIV (2,3) — 1 — TP340
- HMMU/ (1,3) — 1 — TP162
- VIA_EN (1,3) — 1 — TP161
- DEV (1,3) — 1 — TP170
- FPU_CS/ (2,3) — 1 — TP332
- SYS_RST/ (1,3,4) — 1 — TP236
- FLM_F (1,4) — 1 — TP28
- ADDRUB[0] (1,2,3) — 1 — TP184
- ADDRUB[1] (1,2,3,4) — 1 — TP317
- ADDRUB[2] (1,2,4,5,6) — 1 — TP38
- ADDRUB[3] (1,2,4,5,6) — 1 — TP26
- ADDRUB[4] (1,2,4,5,6) — 1 — TP40
- ADDRUB[5] (1,2,4,5,6) — 1 — TP39
- ADDRUB[6] (1,2,4,5,6) — 1 — TP42
- ADDRUB[7] (1,2,4,5,6) — 1 — TP41
- ADDRUB[8] (1,2,4,5,6) — 1 — TP13
- ADDRUB[9] (1,2,4,5,6) — 1 — TP43
- ADDRUB[10] (1,2,4,5,6) — 1 — TP72
- ADDRUB[11] (1,2,4,5,6) — 1 — TP12
- ADDRUB[12] (1,2,4,5,6) — 1 — TP6
- ADDRUB[13] (1,2,3,4,5,6) — 1 — TP7
- ADDRUB[14] (1,2,3,4,5,6) — 1 — TP14
- ADDRUB[15] (1,2,3,5,6) — 1 — TP73
- ADDRUB[16] (1,2,3,5,6) — 1 — TP44
- ADDRUB[17] (1,2,3,5,6) — 1 — TP75
- ADDRUB[18] (1,2,3,5,6) — 1 — TP15
- ADDRUB[19] (1,2,3,5,6) — 1 — TP57
- ADDRUB[20] (1,2,3,6) — 1 — TP45
- ADDRUB[21] (2,3) — 1 — TP226
- ADDRUB[22] (2,3) — 1 — TP183
- ADDRUB[23] (2,3) — 1 — TP232
- ADDRUB[24] (2,3) — 1 — TP185
- ADDRUB[25] (2,3) — 1 — TP187
- ADDRUB[26] (2,3) — 1 — TP237
- ADDRUB[27] (2,3) — 1 — TP231
- ADDRUB[28] (2,3) — 1 — TP234
- ADDRUB[29] (2,3) — 1 — TP233
- ADDRUB[30] (2,3) — 1 — TP247
- SHIFT (1,8) — 1 — TP134
- RESET/ (1,3) — 1 — TP350
- CL1/ (1,4) — 1 — TP48
- NET47 (8) — 1 — TP167

- AS/ (1,2,3,4) — 1 — TP310
- FPDATA[7] (4) — 1 — TP310
- FPDATA[6] (4) — 1 — TP93
- FPDATA[5] (4) — 1 — TP92
- FPDATA[4] (4) — 1 — TP100
- FPDATA[3] (4) — 1 — TP80
- FPDATA[2] (4) — 1 — TP87
- FPDATA[1] (4) — 1 — TP81
- FPDATA[0] (4) — 1 — TP85
- VDATA[7] (4) — 1 — TP177
- VDATA[6] (4) — 1 — TP179
- VDATA[5] (4) — 1 — TP178
- VDATA[4] (4) — 1 — TP182
- VDATA[3] (4) — 1 — TP164
- VDATA[2] (4) — 1 — TP131
- VDATA[1] (4) — 1 — TP104
- VDATA[0] (4) — 1 — TP110
- RA[14] (4) — 1 — TP119
- RA[13] (4) — 1 — TP172
- RA[12] (4) — 1 — TP118
- RA[11] (4) — 1 — TP173
- RA[10] (4) — 1 — TP175
- RA[9] (4) — 1 — TP174
- RA[8] (4) — 1 — TP166
- RA[7] (4) — 1 — TP108
- RA[6] (4) — 1 — TP103
- RA[5] (4) — 1 — TP124
- RA[4] (4) — 1 — TP130
- RA[3] (4) — 1 — TP98
- RA[2] (4) — 1 — TP120
- RA[1] (4) — 1 — TP109
- RA[0] (4) — 1 — TP121
- VID_UDS/ (3,4) — 1 — TP210
- VID_LDS/ (3,4) — 1 — TP203
- RW (1,2,3,4) — 1 — TP333
- STN_MODE (1,3,4) — 1 — TP191
- 16M_CLK (1,3,4) — 1 — TP125
- ROM_CS_EXP/ (1,3) — 1 — TP21
- LE_543 (3,7) — 1 — TP195
- EN244/ (3,7) — 1 — TP256
- KBD_RST/ (1,3,8) — 1 — TP137
- OPTION (1,8) — 1 — TP133
- BUTTON (8) — 1 — TP148
- C16_IN (3,11) — 1 — TP349
- DIR245 (3,9) — 1 — TP253

- DATA[0:31] (2,7,9) — 1 — TP224
- DATA[0] — 1 — TP224
- DATA[1] — 1 — TP223
- DATA[2] — 1 — TP223
- DATA[3] — 1 — TP223
- DATA[4] — 1 — TP222
- DATA[5] — 1 — TP220
- DATA[6] — 1 — TP221
- DATA[7] — 1 — TP218
- DATA[8] — 1 — TP217
- DATA[9] — 1 — TP245
- DATA[10] — 1 — TP243
- DATA[11] — 1 — TP257
- DATA[12] — 1 — TP244
- DATA[13] — 1 — TP269
- DATA[14] — 1 — TP271
- DATA[15] — 1 — TP279
- DATA[16] — 1 — TP294
- DATA[17] — 1 — TP293
- DATA[18] — 1 — TP309
- DATA[19] — 1 — TP312
- DATA[20] — 1 — TP314
- DATA[21] — 1 — TP316
- DATA[22] — 1 — TP318
- DATA[23] — 1 — TP324
- DATA[24] — 1 — TP325
- DATA[25] — 1 — TP326
- DATA[26] — 1 — TP329
- DATA[27] — 1 — TP327
- DATA[28] — 1 — TP328
- DATA[29] — 1 — TP147
- DATA[30] — 1 — TP330
- DATA[31] — 1 — TP331
- CAPS_LOCK/ (1,3,8) — 1 — TP32
- X8 (1,8) — 1 — TP112
- X9 (1,8) — 1 — TP105
- X10 (1,8) — 1 — TP113
- KBD_ID1 (1,8) — 1 — TP106
- KBD_ID2 (1,8) — 1 — TP114
- KBDSTOP/ (1,8) — 1 — TP129
- FDB_F (1,8) — 1 — TP151
- KBDCLK (1,8) — 1 — TP127
- COMMAND (1,8) — 1 — TP140
- SND_CLK_START/ (1,3) — 1 — TP351
- 50M (3,11) — 1 — TP169
- EN245/ (3,9) — 1 — TP201

- MDATA[0:31] (4,5,6,7) — 1 — TP2
- MDATA[0] — 1 — TP2
- MDATA[1] — 1 — TP23
- MDATA[2] — 1 — TP9
- MDATA[3] — 1 — TP4
- MDATA[4] — 1 — TP10
- MDATA[5] — 1 — TP67
- MDATA[6] — 1 — TP68
- MDATA[7] — 1 — TP22
- MDATA[8] — 1 — TP53
- MDATA[9] — 1 — TP62
- MDATA[10] — 1 — TP52
- MDATA[11] — 1 — TP3
- MDATA[12] — 1 — TP17
- MDATA[13] — 1 — TP33
- MDATA[14] — 1 — TP35
- MDATA[15] — 1 — TP63
- MDATA[16] — 1 — TP259
- MDATA[17] — 1 — TP273
- MDATA[18] — 1 — TP274
- MDATA[19] — 1 — TP24
- MDATA[20] — 1 — TP25
- MDATA[21] — 1 — TP288
- MDATA[22] — 1 — TP70
- MDATA[23] — 1 — TP55
- MDATA[24] — 1 — TP19
- MDATA[25] — 1 — TP34
- MDATA[26] — 1 — TP18
- MDATA[27] — 1 — TP20
- MDATA[28] — 1 — TP65
- MDATA[29] — 1 — TP60
- MDATA[30] — 1 — TP64
- MDATA[31] — 1 — TP61
- KBD_TRST/ (8) — 1 — TP168
- KBD_INT/ (8) — 1 — TP94
- X0 (1,8) — 1 — TP51
- X1 (1,8) — 1 — TP31
- X2 (1,8) — 1 — TP59
- X3 (1,8) — 1 — TP30
- X4 (1,8) — 1 — TP50
- X5 (1,8) — 1 — TP91
- X6 (1,8) — 1 — TP58
- CONTROL (1,8) — 1 — TP139
- 18M (4,11) — 1 — TP96
- VIA_CLK (1,3) — 1 — TP193
- ROM_CS/ (3,5) — 1 — TP246



NOTICE OF PROPRIETARY PROPERTY
 THE INFORMATION CONTAINED HEREIN IS THE PROPRIETARY PROPERTY OF APPLE COMPUTER, INC. THE POSSESSOR AGREES TO THE FOLLOWING:
 (i) TO MAINTAIN THE DOCUMENT IN CONFIDENCE
 (ii) NOT TO REPRODUCE OR COPY IT
 (iii) NOT TO REVEAL OR PUBLISH IT IN WHOLE OR PART

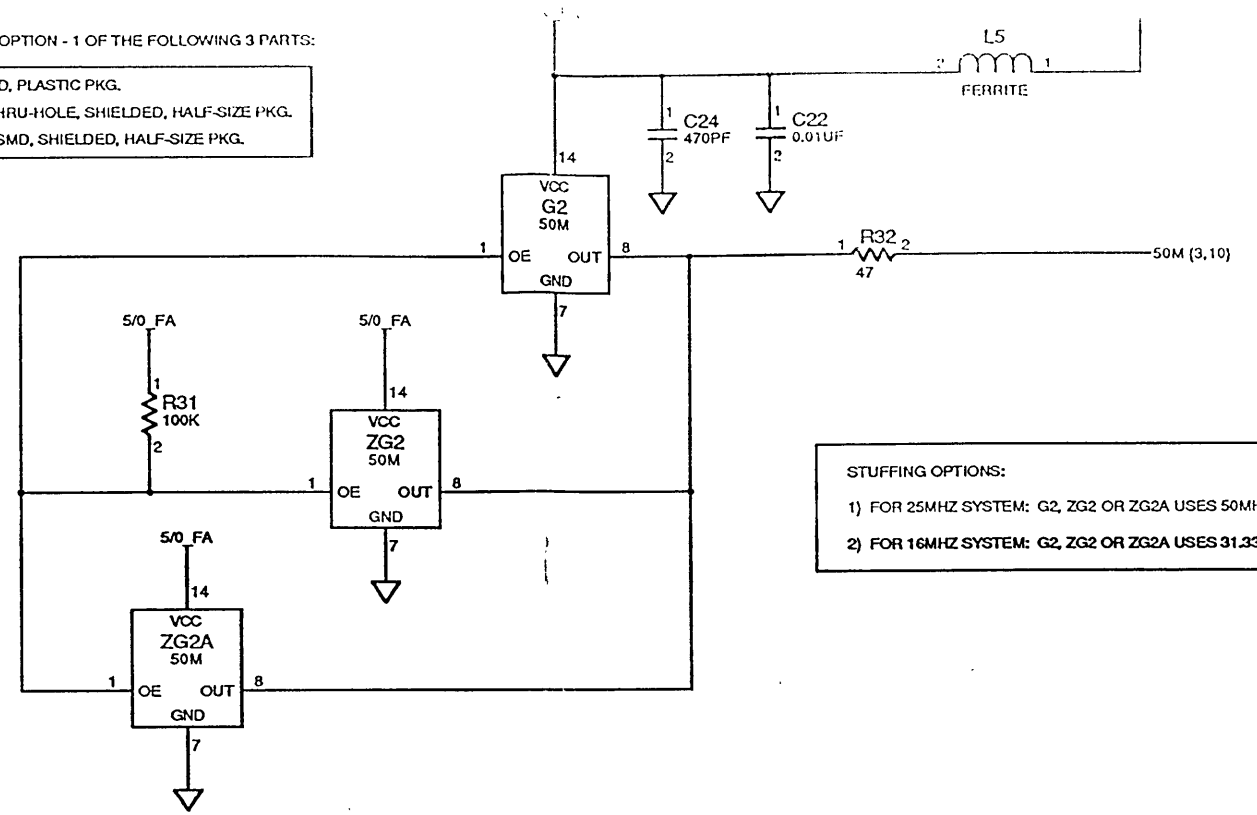
ECS CAD GENERATED

Apple Computer, Inc

SIZE	DRAWING NUMBER	REV.
D	050-0410	01
SCALE	SPT 12 OF 11	

LOADING OPTION - 1 OF THE FOLLOWING 3 PARTS:

- G2: SMD, PLASTIC PKG.
- ZG2: THRU-HOLE, SHIELDED, HALF-SIZE PKG.
- ZG2A: SMD, SHIELDED, HALF-SIZE PKG.

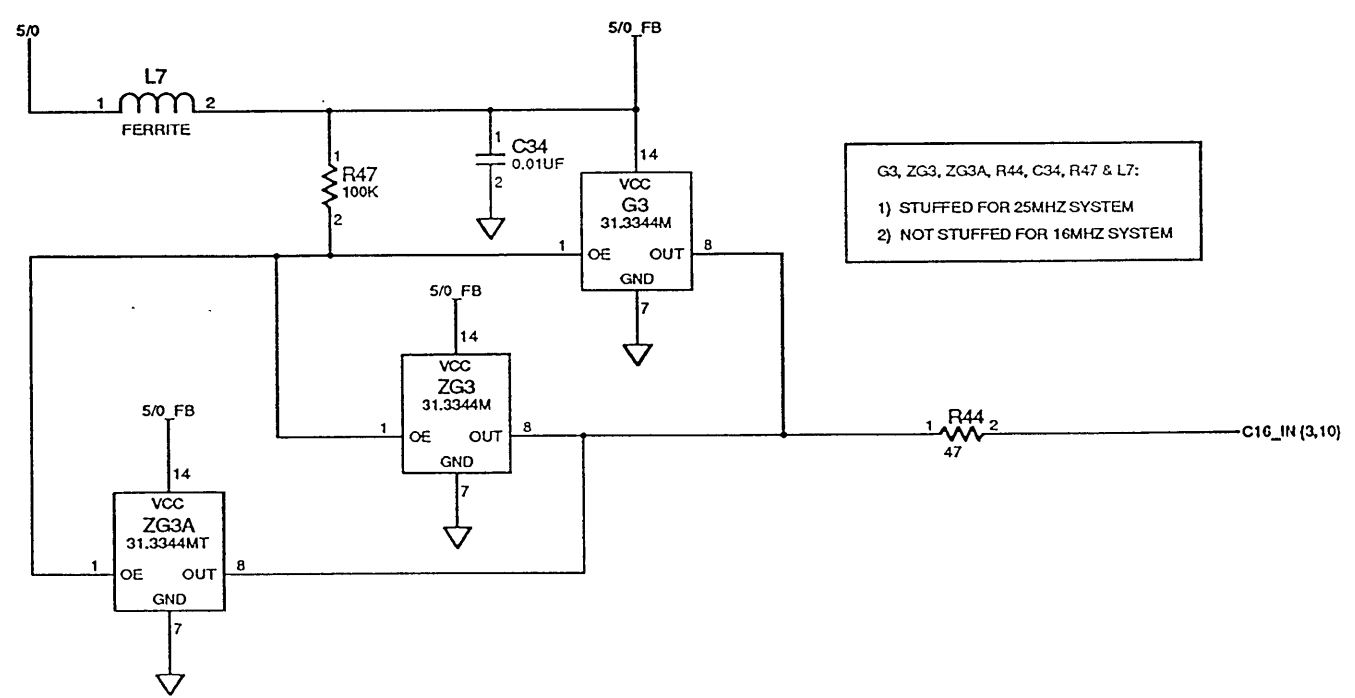


STUFFING OPTIONS:

- 1) FOR 25MHZ SYSTEM: G2, ZG2 OR ZG2A USES 50MHZ PART
- 2) FOR 16MHZ SYSTEM: G2, ZG2 OR ZG2A USES 31.3344MHZ PART

LOADING OPTION - 1 OF THE FOLLOWING 3 PARTS:

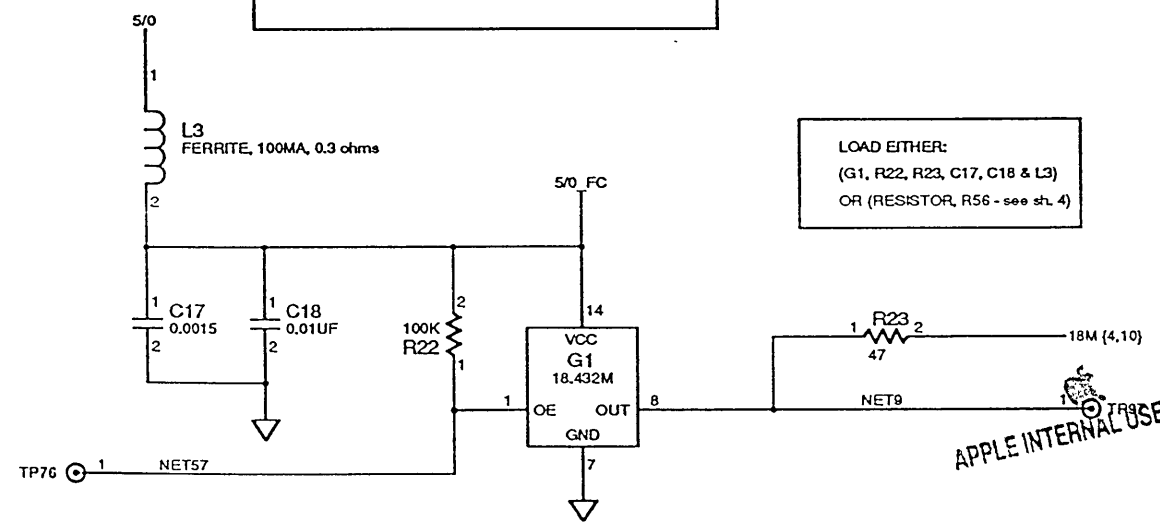
- G3: SMD, PLASTIC PKG.
- ZG3: THRU-HOLE, SHIELDED, HALF-SIZE PKG.
- ZG3A: SMD, SHIELDED, HALF-SIZE PKG.



G3, ZG3, ZG3A, R44, C34, R47 & L7:

- 1) STUFFED FOR 25MHZ SYSTEM
- 2) NOT STUFFED FOR 16MHZ SYSTEM

OPTIONAL CLOCK CIRCUIT FOR DISPLAY DRIVER
NORMALLY NOT STUFFED



LOAD EITHER:
(G1, R22, R23, C17, C18 & L3)
OR (RESISTOR, R56 - see shl. 4)

APPLE INTERNAL USE ONLY

NOTICE OF PROPRIETARY PROPERTY
THE INFORMATION CONTAINED HEREIN IS THE PROPRIETARY PROPERTY OF APPLE COMPUTER, INC. THE POSSESSOR AGREES TO THE FOLLOWING

- TO MAINTAIN THE DOCUMENT IN CONFIDENCE
- NOT TO REPRODUCE OR COPY IT
- NOT TO REVEAL OR PUBLISH IT IN WHOLE OR PART

ECS CAD GENERATED



SIZE	DRAWING NUMBER	REV.
D	050-0410	01
SCALE	SHEET 11 OF 11	