



PRELIMINARY PRODUCT SPECIFICATION

Z80230
Z-BUS™ ESCC™
ENHANCED SERIAL
COMMUNICATION
CONTROLLER



Z80230

Z-BUS™ ESCC™ ENHANCED SERIAL COMMUNICATION CONTROLLER

FEATURES

- Deeper Data FIFOs
 - 4-byte transmit FIFO
 - 8-byte receive FIFO
- Programmable FIFO interrupt levels provide flexible interrupt response
- Pin and function compatible to CMOS and NMOS Z80C30 SCC
- Many improvements to support SDLC/HDLC transfers:
 - Deactivation of /RTS pin after closing flag
 - Automatic transmission of the opening flag
 - Automatic reset of Tx Underrun/EOM latch
 - Complete CRC reception
 - TxD pin automatically forced High with NRZI encoding when using mark idle.
 - Receive FIFO automatically unlocked for special receive interrupts when using the SDLC status FIFO.
 - Back-to-back frame transmission simplified
- Easier interface to popular CPUs
- Fast speeds:
 - 10.0 MHz for data rates up to 2.5 Mbit/sec.
 - 16.384 MHz for data rates up to 4.096 Mbit/sec.
- Improved SDLC frame status FIFO
- Low power CMOS
- New programmable features added with Write Register 7'
- Write registers: WR3, WR4, WR5, and WR10 are now readable
- Read Register 0 latched during access
- Software Interrupt Acknowledge Mode
- DPLL counter output available as jitter-free clock source
- /DTR//REQ pin deactivation time reduced
- Two independent full-duplex channels, each with a crystal oscillator, baud rate generator, and digital phase-locked loop.
- Multi-protocol operation under program control
- Asynchronous mode with five to eight bits, and one, one-and-one-half, or two stop bits per character; programmable clock factor; break detection and generation; parity, overrun, and framing error detection.
- Synchronous mode with internal or external character synchronization on one or two synchronous characters and CRC generation and checking with programmable CRC preset values.

GENERAL DESCRIPTION

The Zilog Enhanced Serial Communications Controller, Z80230 Z-Bus™ ESCC, is a pin and software compatible CMOS member of the SCC family (The SCC was introduced by Zilog in 1981.). The ESCC is a dual-channel, full-duplex datacommunications controller capable of supporting a wide range of popular protocols. The ESCC is built from Zilog's industry standard SCC core and is compatible with

designs using Zilog's SCC to receive and transmit data. It has many improvements that significantly reduce CPU overhead. The addition of a 4-byte transmit FIFO and an 8-byte receive FIFO significantly reduces the overhead required to provide data to, and get data from, the transmitters and receivers.

GENERAL DESCRIPTION (Continued)

The ESCC also has many features that improve packet handling in SDLC mode. The ESCC will automatically: transmit a flag before the data, reset the Tx Underrun/EOM latch, force the TxD pin High at the appropriate time when using NRZI encoding, deassert the /RTS pin after the closing flag, and better handle ABORTed frames when using the 10x19 status FIFO. The combination of these features along with the deeper data FIFOs significantly simplifies SDLC driver software.

The CPU hardware interface has been simplified by relieving the databus setup time requirement and supporting the software generation of the interrupt acknowledge signal (/INTACK). These changes allow an interface with less external logic to many microprocessor families while maintaining compatibility with existing designs. I/O handling of the ESCC is improved over the SCC with faster response of the /INT and /DTR//REQ pins.

The many enhancements added to the ESCC permits a system design that increases overall system performance with better data handling and less interface logic (Figure 1).

Notes:

All Signals with a preceding front slash, "/", are active Low, e.g.: B//W (WORD is active Low); /B/W (BYTE is active Low, only).

Power connections follow conventional descriptions below:

Connection	Circuit	Device
Power Ground	V _{CC} GND	V _{DD} V _{SS}

Channel A
Exploded View

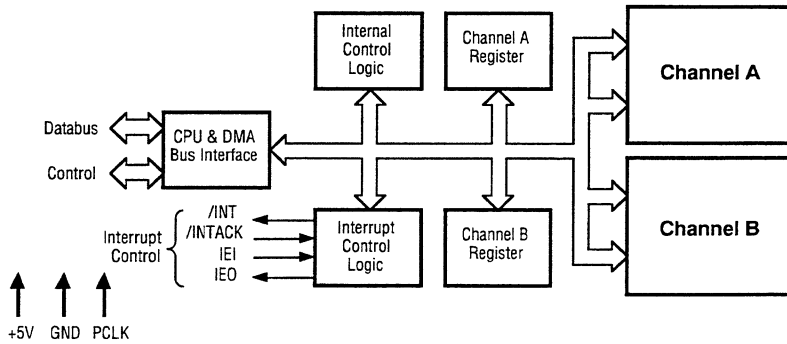
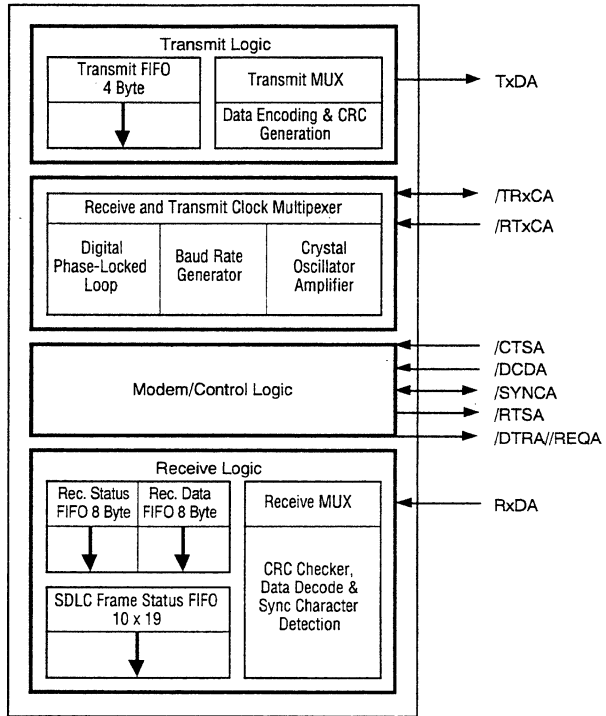


Figure 1. ESCC Block Diagram

PIN DESCRIPTIONS

The following section describes the Z80230 pin functions. Figures 2 and 3 detail the pin assignments for the 40-pin DIP and 44-pin PLCC packages. The Z80230 ESCC is socket compatible with the Zilog Z8030 and Z80230 as the

pin electrical characteristics and pin assignments are the same. Any unused input pins should be pulled up to the +5V supply.

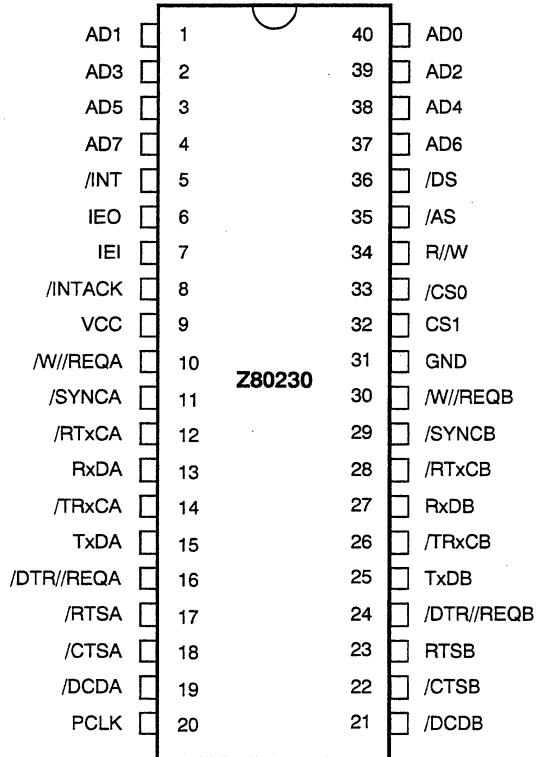


Figure 2. Z80230 DIP Pin Assignments

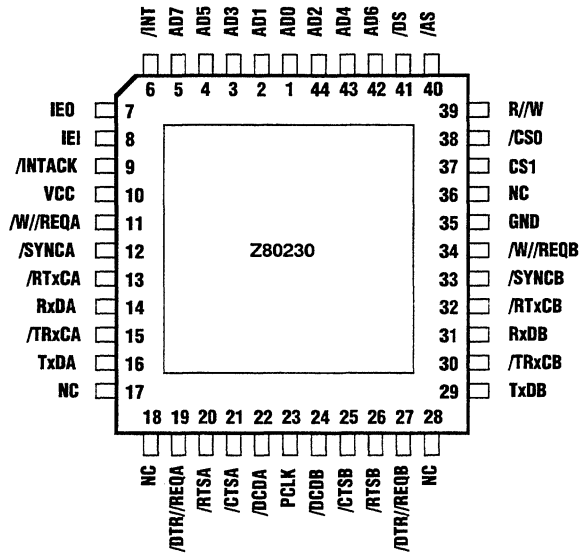


Figure 3. Z80230 PLCC Pin Assignments

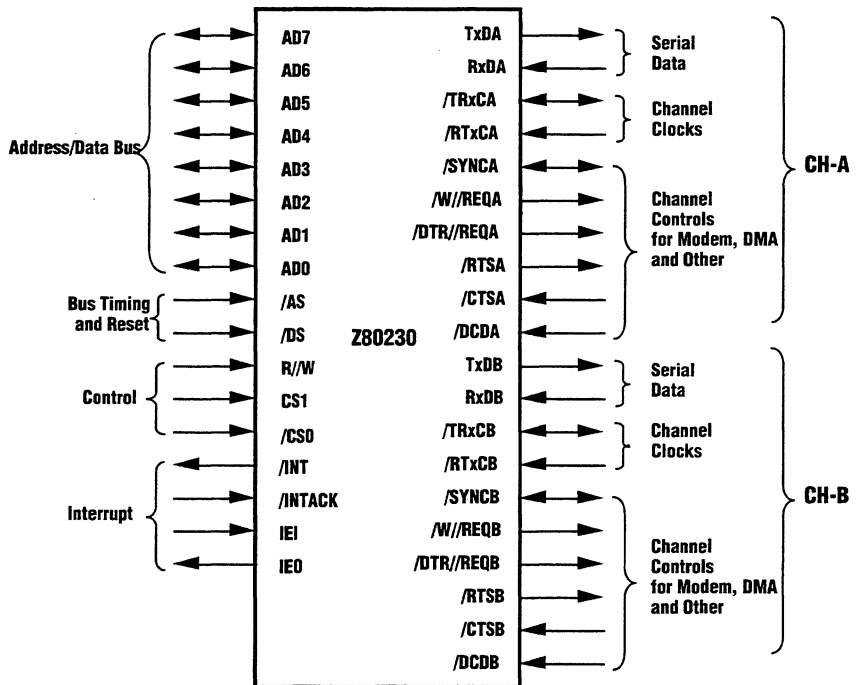


Figure 4. Z80230 Pin Functions

PIN DESCRIPTIONS

/CTSA, /CTSB. *Clear To Send* (inputs, active Low). These pins function as transmitter enables if they are programmed for Auto Enables (WR3, D5=1). A Low on the inputs enables the respective transmitters. If not programmed as Auto Enables, they may be used as general-purpose inputs. Both inputs are Schmitt-trigger buffered to accommodate slow rise-time inputs. The ESCC detects pulses on these inputs and can interrupt the CPU on both logic level transitions.

/DCDA, /DCDB. *Data Carrier Detect* (inputs, active Low). These pins function as receiver enables if they are programmed for Auto Enables (WR3, D5=1); otherwise they are used as general-purpose input pins. Both pins are Schmitt-trigger buffered to accommodate slow rise-time signals. The ESCC detects pulses on these pins and can interrupt the CPU on both logic level transitions.

/RTSA, /RTSB. *Request To Send* (outputs, active Low). The /RTS pins can be used as general-purpose outputs or with the Auto Enables feature. When used with Auto Enables ON (WR3, D5=1) in asynchronous mode, the /RTS pin goes High after the transmitter is empty. When Auto Enable is OFF, the /RTS pins can be used as general-purpose outputs and they strictly follow the inverse state of the RTS bit (WR5 bit D1).

In SDLC mode, the /RTS pins can be programmed to be deasserted when the closing flag of the message clears the TxD pin if WR7' D2 is set.

/SYNCA, /SYNCB. *Synchronization* (inputs or outputs, active Low). These pins can act either as inputs, outputs, or part of the crystal oscillator circuit. In the Asynchronous Receive mode (crystal oscillator option not selected), these pins are inputs similar to CTS and DCD. In this mode, transitions on these lines affect the state of the Synchronous/Hunt status bits in Read Register 0 but have no other function.

In External Synchronization mode with the crystal oscillator not selected, these lines also act as inputs. In this mode, /SYNC must be driven Low for two receive clock cycles after the last bit in the synchronous character is received. Character assembly begins on the rising edge of the receive clock immediately preceding the activation of /SYNC.

In the Internal Synchronization mode (Monosync and Bisync) with the crystal oscillator not selected, these pins act as outputs and are active only during the part of the receive clock cycle in which synchronous condition is latched. These outputs are active each time a synchronization pattern is recognized (regardless of character boundaries). In SDLC mode, the pins act as outputs and are valid on receipt of a flag. The /SYNC pins switch from input to output when monosync, bisync, or SDLC is programmed in WR4 and sync modes are enabled.

/DTR//REQA, /DTR//REQB. *Data Terminal Ready/Request* (outputs, active Low). These pins are programmed (WR14, D2) to serve either as general-purpose outputs or as DMA Request lines. When programmed for the DTR function (WR14, D2=0), these outputs follow the state programmed into the DTR bit of Write Register 5 (WR5, D7). When programmed for Request mode (WR14, D2=1), these pins serve as DMA Requests for the transmitter.

When used as DMA request lines, the timing for the deactivation Request can be programmed in the added register Write Register 7' (WR7') bit D4. If this bit is set, the /DTR//Request pin will be deactivated with the same timing as the /W//REQ pin. If WR7' D4 is reset, the deactivation timing of /DTR//Req pin will be the same as in the Z85C30.

W//REQA, W//REQB. *Wait/Request* (outputs, open drain when programmed for Wait function, driven High or Low when programmed for Ready function). These dual-purpose outputs may be programmed as Request lines for a DMA controller or as Wait lines which synchronize the CPU to the ESCC data rate. The reset state is Wait.

RxDA, RxDB. *Receive Data* (inputs, active High). These input signals receive serial data at standard TTL levels.

/RTxCA, /RTxCB. *Receive/Transmit Clocks* (inputs, active Low). These pins can be programmed to several modes of operation. In each channel, RTxC may supply the receive clock, the transmit clock, the clock for the baud rate generator, or the clock for the digital phase-locked loop. These pins can also be programmed for use with the respective SYNC pins as a crystal oscillator. The receive clock may be 1, 16, 32, or 64 times the data rate in asynchronous modes.

TxDA, TxDB. *Transmit Data* (outputs, active High). These output signals transmit serial data at standard TTL levels.

/TRxCA, /TRxCB. *Transmit/Receive Clocks* (inputs or outputs, active Low). These pins can be programmed in several different modes of operation. TRxC may supply the receive clock or the transmit clock in the input mode or supply the output of the digital phase-locked loop, the crystal oscillator, the baud rate generator, or the transmit clock in the output mode.

PCLK. *Clock* (input). This is the master ESCC clock used to synchronize internal signals. PCLK is a TTL level signal. PCLK is not required to have any phase relationship with the master system clock.

IEI. *Interrupt Enable In* (input, active High). IEI is used with IEO to form an interrupt daisy chain when there is more than one interrupt driven device. A High IEI indicates that no other higher priority device has an interrupt under service or is requesting an interrupt.

IEO. *Interrupt Enable Out* (output, active High). IEO is High only if IEI is High and the CPU is not servicing the ESCC interrupt, or the ESCC is not requesting an interrupt (Interrupt Acknowledge cycle only). IEO is connected to the next lower priority device's IEI input and thus inhibits interrupts from lower priority devices.

/INT. *Interrupt* (output, open drain, active Low). This signal is activated when the ESCC requests an interrupt. Note that /INT is an open drain output.

/INTACK. *Interrupt Acknowledge* (input, active Low). This is a strobe which indicates that an interrupt acknowledge cycle is in progress. During this cycle, the ESCC interrupt

daisy chain is resolved. The device is capable of returning an interrupt vector that may be encoded with the type of interrupt pending. During the acknowledge cycle, if IEI is High the ESCC places the interrupt vector on the databus when /RD goes active. /INTACK is latched by the rising edge of PCLK.

Z80230

AD7-AD0. *Address/Data Bus* (bidirectional, active High, tri-state) These multiplexed lines carry register addresses to the SCC as well as data or control information.

/AS. *Address Strobe* (input, active Low). Addresses on AD7-AD0 are latched by the rising edge of this signal.

/CS0. *Chip Select 0* (input, active Low). This signal is latched concurrently with the addresses on AD7-AD0 and must be active for the intended bus transaction to occur.

CS1. *Chip Select 1* (input, active High). This second select signal must also be active before the intended bus transaction can occur. CS1 must remain active throughout the transaction.

/DS. *Data Strobe* (input, active Low). This signal provides timing for the transfer of data into and out of the SCC. If /AS and /DS coincide, this is interpreted as a reset.

R/W. *Read/Write* (input). This signal specifies whether the operation to be performed is a read or a write.

FUNCTIONAL DESCRIPTION

Architecture. The architecture of the ESCC is described from two points of view: as a datacommunications device which transmits and receives data in a wide variety of protocols; and as a microprocessor peripheral in which the ESCC offers valuable features such as vectored interrupts and DMA support.

The ESCC's peripheral and datacommunication functions are described in the following sections. A block diagram is shown in Figure 1. The details of the communications between the receive and transmit logic to the system bus are shown in Figures 5 and 6. The features and data path for each of the ESCC's A and B channels is identical. See the ESCC Technical Manual for full details on using the ESCC.

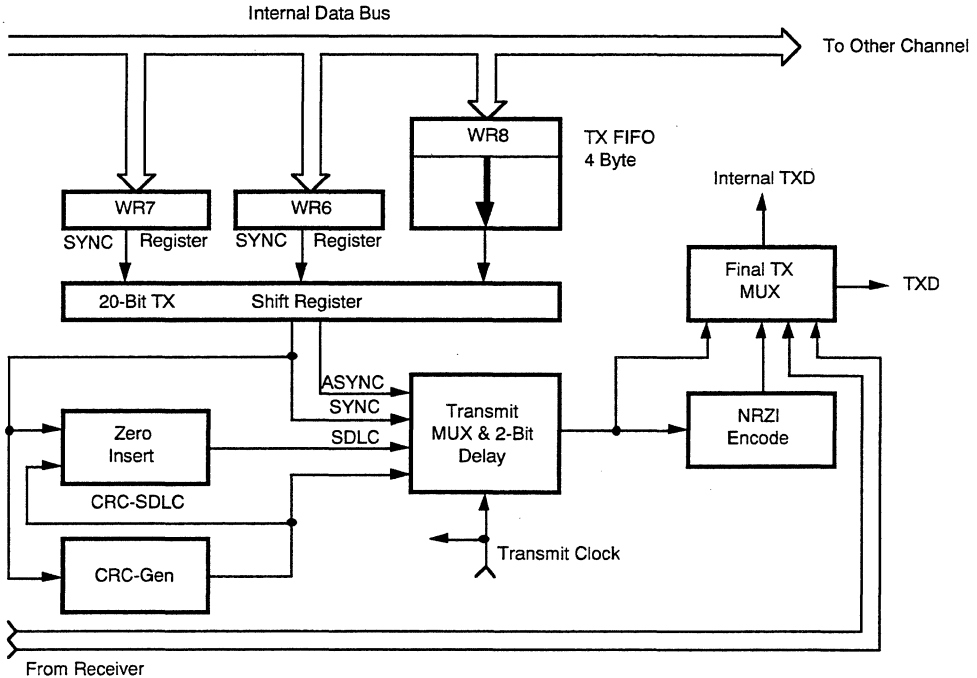


Figure 5. ESCC Transmit Data Path

I/O INTERFACE CAPABILITIES

System communication to and from the ESCC is done through the ESCC's register set. There are 17 write registers and 15 read registers. Many of the new features on the ESCC are enabled through a new register in the ESCC: Write Register 7 Prime (WR7'). This new register can be accessed if bit D0 of WR15 is set. Table 1 lists all of the ESCC's registers and a brief description of their functions.

Throughout this document, the write and read registers are referenced with the following notation: "WR" for Write Register and "RR" for Read Register. For example:

WR4A Write Register 4 for channel A
 RR3 Read Register 3 for either/both channels

Table 1. ESCC Write and Read Registers

Write Register	Functions
WR0	Command Register: Select Shift Left/Right Mode, CRC initialization, and resets for various modes.
WR1	Interrupt conditions, Wait/DMA request control.
WR2	Interrupt Vector (accessed through either channel).
WR3	Receive and miscellaneous control parameters.
WR4	Transmit and Receive parameters and modes.
WR5	Transmit parameters and controls.
WR6	Sync character or SDLC address field.
WR7	Sync character or SDLC flag.
WR7'	SDLC enhancements enable (accessed if WR15 D0 is 1).
WR8	Transmit FIFO (4 bytes deep).
WR9	Reset commands and Master INT enable (accessed through either channel).
WR10	Miscellaneous transmit and receive controls.
WR11	Clock mode control.
WR12	Lower byte of BRG time constant.
WR13	Upper byte of BRG time constant.
WR14	Miscellaneous controls and DPLL commands.
WR15	External interrupt control.
Read Register	Functions
RR0	Transmit, Receive and external status.
RR1	Special Receive Condition status bits.
RR2A	Unmodified interrupt vector.
RR2B	Modified interrupt vector.
RR3A	Interrupt Pending bits.
RR4	WR4 status (if WR7' D6=1).
RR5	WR5 status (if WR7' D6=1).
RR6	SDLC Frame LSB Byte Count (if WR15 D2=1).
RR7	SDLC Frame 10x19 FIFO Status and MSB Byte Count (if WR15 D2=1).
RR8	Receive Data FIFO (8 Deep).
RR9	WR3 status (if WR7' D6=1).
RR10	Miscellaneous status bits.
RR11	WR10 status (if WR7' D6=1).
RR12	Lower Byte of BRG time constant.
RR13	Upper byte of BRG time constant.
RR14	WR7' status (if WR7' D6=1).

There are three choices to move data into and out of the ESCC: Polling, Interrupt (Vectored and Non-Vectored), and Block Transfer. The Block Transfer mode can be implemented under CPU or DMA control.

Polling. When polling, all interrupts are disabled. Three status registers in the ESCC are automatically updated whenever any function is performed. For example, end-of-frame in SDLC mode sets a bit in one of these status registers. The purpose of polling is for the CPU to periodically read a status register until the register contents indicate the need for data to be transferred. Only one register needs to be read; depending on its contents, the CPU either writes data, reads data, or continues. Two bits in the register indicate the need for data transfer. An alternative is a poll of the Interrupt Pending register to determine the source of an interrupt. The status for both channels resides in one register.

Interrupts. The ESCC's interrupt structure supports vectored and nested interrupts. The fill levels where the transmit and receive FIFOs interrupt the CPU are programmable. This allows the ESCC's requests for data transfers to be tuned to the system interrupt response time.

Nested interrupts are supported with the interrupt acknowledge feature (/INTACK pin) of the ESCC. This allows the CPU to recognize the occurrence of an interrupt, and

re-enable higher priority interrupts. Because an INTACK cycle will release the /INT pin from the active state, a higher priority ESCC interrupt or another higher priority device can interrupt the CPU. When an ESCC responds to an Interrupt Acknowledge signal (INTACK) from the CPU, an interrupt vector may be placed on the data bus. This vector is written in WR2 and may be read in RR2. To speed interrupt response time, the ESCC can modify three bits in this vector to indicate status. If the vector is read in Channel A, status is never included; if it is read in Channel B, status is always included.

Each of the six sources of interrupts in the ESCC (Transmit, Receive, and External/Status interrupts in both channels) has three bits associated with the interrupt source: Interrupt Pending (IP), Interrupt Under Service (IUS), and Interrupt Enable (IE). Operation of the IE bit is straightforward. If the IE bit is set for a given interrupt source, then that source can request interrupts. The exception is when the MIE (Master Interrupt Enable) bit in WR9 is reset and no interrupts can be requested. The IE bits are write only. The other two bits are related to the interrupt priority chain (Figure 7). As a microprocessor peripheral, the ESCC may request an interrupt only when no higher priority device is requesting one, e.g., when IEI is High. If the device in question requests an interrupt, it pulls down /INT. The CPU then responds with /INTACK, and the interrupting device places the vector on the data bus.

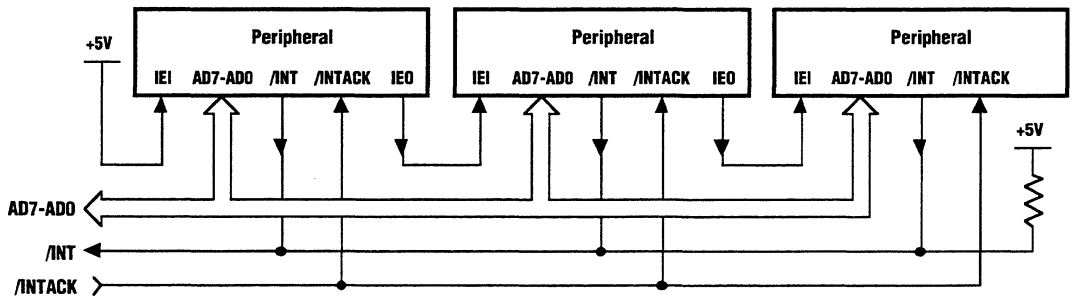


Figure 7. ESCC Interrupt Priority Schedule

I/O INTERFACE CAPABILITIES (Continued)

The ESCC can also execute an interrupt acknowledge cycle through software. In some CPU environments it is difficult to create the /INTACK signal with the necessary timing to acknowledge interrupts and allow the nesting of interrupts. In these cases, the /INTACK signal can be created with a software command to the ESCC. See the Z80230 Enhancements section for more details on this enhancement.

In the ESCC, the Interrupt Pending (IP) bit signals a need for interrupt servicing. When an IP bit is 1 and the IEI input is High, the /INT output is pulled Low, requesting an interrupt. In the ESCC, if the IE bit isn't set by enabling interrupts, then the IP for that source is never set. The IP bits are readable in RR3A.

The IUS bits signal that an interrupt request is being serviced. If an IUS is set, all interrupt sources of lower priority in the ESCC and external to the ESCC are prevented from requesting interrupts. The internal interrupt sources are inhibited by the state of the internal daisy chain, while lower priority devices are inhibited by the IEO output of the ESCC being pulled Low and propagated to subsequent peripherals. An IUS bit is set during an Interrupt Acknowledge cycle if there are no higher priority devices requesting interrupts.

There are three types of interrupts: Transmit, Receive, and External/Status. Each interrupt type is enabled under program control with Channel A having higher priority than Channel B, and with Receiver, Transmit, and External/Status interrupts prioritized in that order within each channel. When the Transmit interrupt is enabled (WR1 D1=1), the occurrence of the interrupt depends on the state of WR7' D5. If this bit is reset, the CPU is interrupted when the top byte of the transmit FIFO becomes empty. If WR7' D5 is set, the CPU is interrupted when the transmit FIFO is completely empty. (This implies that the transmitter must have had a data character written into it so that it can become empty.)

When enabled, the receiver can interrupt the CPU in one of three ways:

1. Interrupt on First Receive Character or Special Receive Condition.
2. Interrupt on All Receive Characters or Special Receive Conditions.
3. Interrupt on Special Receive Conditions Only.

If WR7' bit D3 is set, the Receive character interrupt occurs when there are four bytes available in the receive FIFO. This is most useful in synchronous applications as the data is in consecutive bytes. Interrupt on First Character or Special Condition and Interrupt on Special Condition Only are typically used with the Block Transfer mode. A special Receive Condition is one of the following: receiver overrun, framing error in Asynchronous mode, end-of-frame in SDLC mode and, optionally, a parity error. The Special Receive Condition interrupt is different from an ordinary receive character available interrupt only by the status placed in the vector during the Interrupt Acknowledge cycle. In Interrupt on First Receive Character, an interrupt occurs from Special Receive Conditions any time after the first receive character interrupt.

The main function of the External/Status interrupt is to monitor the signal transitions of the /CTS, /DCD, and /SYNC pins, however, an External/Status interrupt is also caused by a Transmit Underrun condition; a zero count in the baud rate generator; by the detection of a Break (Asynchronous mode), ABORT (SDLC mode) or EOP (SDLC Loop mode) sequence in the data stream. The interrupt caused by the ABORT or EOP has a special feature allowing the ESCC to interrupt when the ABORT or EOP sequence is detected or terminated. This feature facilitates the proper termination of the current message, correct initialization of the next message, and the accurate timing of the ABORT condition by external logic in SDLC mode. In SDLC Loop mode, this feature allows secondary stations to recognize the primary station wishes to regain control of the loop during a poll sequence.

CPU/DMA Block Transfer. The ESCC provides a Block Transfer mode to accommodate CPU block transfer functions and DMA controllers. The Block Transfer mode uses the /WAIT//REQUEST output in conjunction with the Wait/Request bits in WR1. The /WAIT//REQUEST output can be defined under software control as a WAIT line in the CPU Block Transfer mode or as a REQUEST line in the DMA Block Transfer mode.

To a DMA controller, the ESCC REQUEST output indicates that the ESCC is ready to transfer data to or from memory. To the CPU, the WAIT line indicates that the ESCC is not ready to transfer data, thereby requesting that the CPU extend the I/O cycle. The /DTR//REQUEST line allows full-duplex operation under DMA control. The ESCC can be programmed to deassert the /DTR//REQUEST pin with the same timing as the /WAIT//REQUEST pin if WR7' D4 is set.

ESCC DATA COMMUNICATIONS CAPABILITIES

The ESCC provides two independent full-duplex programmable channels for use in any common asynchronous or synchronous datacommunication

protocols (Figure 8). Each of the datacommunication channels has identical features and capabilities.

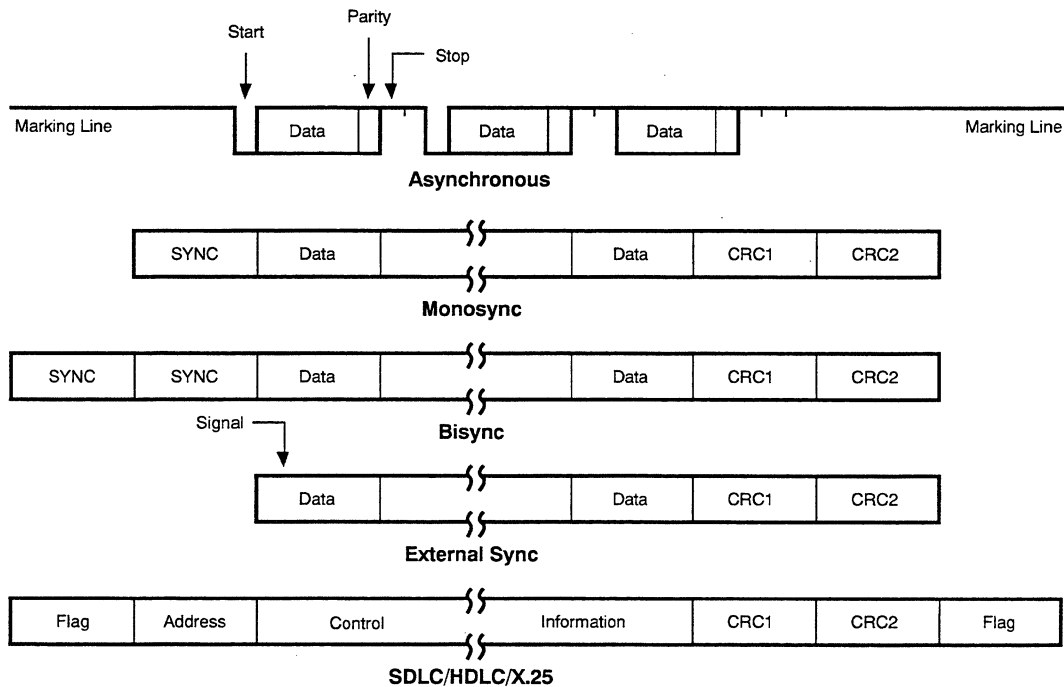


Figure 8. Some ESCC Protocols

The ESCC has significant improvements to its data communications capacity over that of the standard SCC. The addition of the deeper data FIFOs allows for data to be moved in strings instead of on a byte-by-byte basis. The ability to handle data in strings allows for significant improvements in data handling, and consequently, more efficient use of bus bandwidth. The programmability of the INT/DMA level of the FIFOs allows the system designer to determine fill levels as the FIFOs request the system to move data. The deeper data FIFOs are accessible regardless of the protocol used. They do not need to be enabled. For more details on these improvements, see the Z80230 Enhancements section of this specification.

Asynchronous Modes. Send and Receive is accomplished independently on each channel with five to eight bits per character, plus optional even or odd parity. The transmitters can supply one, one-and-a-half, or two stop bits per

character and can provide a break output at any time. The receiver break-detection logic interrupts the CPU both at the start and at the end of a received break. Reception is protected from spikes by a transient spike-rejection mechanism that checks the signal one-half a bit time after a Low level is detected on the receive data input (RxD A or RxD B pins). If the Low does not persist (e.g., a transient), the character assembly process does not start.

Framing errors and overrun errors are detected and buffered together with the partial character on which they occur. Vectored interrupts allow fast servicing or error conditions using dedicated routines. Furthermore, a built-in checking process avoids the interpretation of a framing error as a new start bit: a framing error results in the addition of one-half a bit time to the point at which the search for the next start bit begins.

ESCC DATA COMMUNICATIONS CAPABILITIES (Continued)

The ESCC does not require symmetric transmit and receive clock signals - a feature allowing use of the wide variety of clock sources. The transmitter and receiver handle data at a rate supplied to the receive and transmit clock inputs. In Asynchronous modes, the SYNC pin may be programmed as an input used for functions such as monitoring a ring indicator.

Synchronous Modes. The ESCC supports both byte-oriented and bit-oriented synchronous communication. Synchronous byte-oriented protocols are handled in several

modes. They allow character synchronization with a 6-bit or 8-bit sync character (Monosync), and a 12-bit or 16-bit synchronization pattern (Bisync), or with an external sync signal. Leading sync characters are removed without interrupting the CPU.

Five or 7-bit synchronous characters are detected with 8- or 16-bit patterns in the ESCC by overlapping the larger pattern across multiple incoming synchronous characters as shown in Figure 9.

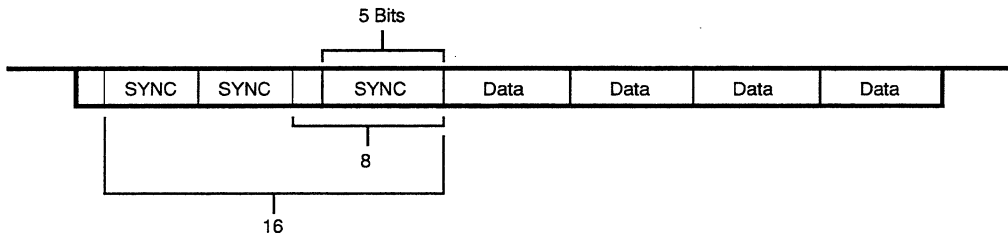


Figure 9. Detecting 5- or 7-Bit Synchronous Characters

CRC checking for Synchronous byte oriented modes is delayed by one character time so that the CPU may disable CRC checking on specific characters. This permits the implementation of protocols such as IBM Bisync.

Both CRC-16 ($X^{16} + X^{15} + X^2 + 1$) and CCITT ($X^{16} + X^{12} + X^5 + 1$) error checking polynomials are supported. Either polynomial may be selected in all Synchronous modes. Users may preset the CRC generator and checker to all 1s or all 0s. The ESCC also provides a feature that automatically transmits CRC data when no other data is available for transmission. This allows for high-speed transmissions under DMA control, with no need for CPU intervention at the end of a message. When there is no data or CRC to send in Synchronous modes, the transmitter inserts 6-, 8-, or 16-bit sync characters, regardless of the programmed character length.

SDLC Mode. The ESCC supports Synchronous bit-oriented protocols, such as SDLC and HDLC, by performing automatic flag sending, zero insertion, and CRC generation. A special command is used to abort a frame in transmission. At the end of a message, the ESCC automatically transmits the CRC and trailing flag when the transmitter underruns. The transmitter may also be programmed to send an idle line consisting of continuous flag characters or a steady marking condition.

If a transmit underrun occurs in the middle of a message, an external/status interrupt warns the CPU of this status change so that an abort can be issued. The ESCC may also be programmed to send an ABORT itself in case of an underrun, relieving the CPU of this task. One to eight bits per character can be sent, allowing reception of a message with no prior information about the character structure in the information field of a frame.

The receiver automatically acquires synchronization on the leading flag of a frame in SDLC or HDLC and provides a synchronization signal on the /SYNC pin (an interrupt can also be programmed). The receiver can be programmed to search for frames addressed by a single byte (or four bits within a byte) of a user-selected address or to a global broadcast address. In this mode, frames not matching either the user-selected or broadcast address are ignored.

The number of address bytes are extended under software control. For receiving data, an interrupt on the first received character, or an interrupt on every character, or on special condition only (end-of-frame) can be selected. The receiver automatically deletes all 0s inserted by the transmitter during character assembly. CRC is also calculated and is automatically checked to validate frame transmission. At the end of transmission, the status of a received frame is available in the status registers. In SDLC mode, the ESCC

must be programmed to use the SDLC CRC polynomial, but the generator and checker may be preset to all 1s or all 0s. The CRC is inverted before transmission and the receiver checks against the bit pattern 0001110100001111.

NRZ, NRZI or FM coding may be used in any 1x mode. The parity options available in Asynchronous modes are available in Synchronous modes.

SDLC Loop Mode. The ESCC supports SDLC Loop mode in addition to normal SDLC. In an SDLC Loop, there is a primary controller station that manages the message traffic flow on the loop and any number of secondary stations. In SDLC Loop mode, the ESCC performs the functions of a secondary station while an ESCC operating in regular SDLC mode acts as a controller (Figure 10). SDLC loop mode can be selected by setting WR10 bit D1.

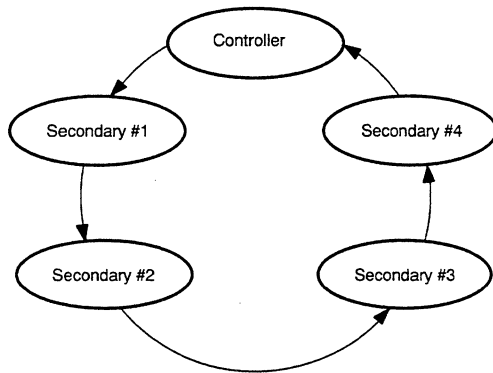


Figure 10. An SDLC Loop

A secondary station in an SDLC Loop is always listening to the messages being sent around the loop and, in fact, passes these messages to the rest of the loop by retransmitting them with a one-bit time delay. The secondary station places its own message on the loop only at specific times. The controller signals that secondary stations can transmit messages by sending a special character, called an EOP (End Of Poll), around the loop. The EOP character is the bit pattern 11111110. Because of zero insertion during messages, this bit pattern is unique and easily recognized.

When a secondary station has a message to transmit and recognizes an EOP on the line, it changes the last binary 1 of the EOP to a 0 before transmission. This has the effect of turning the EOP into a flag sequence. The secondary station now places its message on the loop and terminates the message with an EOP. Any secondary stations further down the loop with messages to transmit append their

messages to the message of the first secondary station by the same process. Any secondary stations without messages to send merely echo the incoming message and are prohibited from placing messages on the loop (except upon recognizing an EOP). In SDLC Loop mode, NRZ, NRZI, and FM coding may all be used.

SDLC FIFO. The ESCC's ability to receive high speed back-to-back SDLC frames is maximized by a 10-bit deep by 19-bit wide status FIFO. When enabled (through WR15, bit D2), it provides the DMA the ability to continue to transfer data into memory so that the CPU can examine the message later. For each SDLC frame, a 14-bit byte count and 5 status/error bits are stored. The byte count and status bits are accessed through Read Registers 6 and 7. Read Registers 6 and 7 are only accessible when the SDLC FIFO is enabled. The 10x19 status FIFO is separate from the 8-byte receive data FIFO.

Baud Rate Generator. Each channel in the ESCC contains a programmable baud rate generator. Each generator consists of two 8-bit time constant registers that form a 16-bit time constant, a 16-bit down counter, and a flip-flop on the output producing a square wave. On startup, the flip-flop on the output is set in a High state, the value in the time constant register is loaded into the counter, and the counter starts counting down. The output of the baud rate generator toggles upon reaching 0, the value in the time constant register is loaded into the counter, and the process is repeated. The time constant may be changed at any time, but the new value does not take effect until the next load of the counter.

The output of the baud rate generator may be used as either the transmit clock, the receive clock, or both. It can also drive the digital phase-locked loop (see next section).

If the receive clock or transmit clock is not programmed to come from the TRxC pin, the output of the baud rate generator may be echoed out via the TRxC pin.

The following formula relates the time constant to the baud rate where PCLK or RTxC is the baud rate generator input frequency in Hertz. The clock mode is 1, 16, 32, or 64, as selected in Write Register 4, bits D6 and D7. Synchronous operation modes should select 1 and Asynchronous should select 16, 32 or 64.

$$\text{Time Constant} = \frac{\text{PCLK or RTxC Frequency}}{2(\text{Baud Rate}) (\text{Clock Mode})} - 2$$

ESCC DATA COMMUNICATIONS CAPABILITIES (Continued)

Digital Phase-Locked Loop. The ESCC contains a Digital Phase-Locked Loop (DPLL) to recover clock information from a data stream with NRZI or FM encoding. The DPLL is driven by a clock that is nominally 32 (NRZI) or 16 (FM) times the data rate. The DPLL uses this clock, along with the data stream, to construct a clock for the data. This clock is then used as the ESCC receive clock, the transmit clock, or both. When the DPLL is selected as the transmit clock source, it will provide a jitter free clock output that is the DPLL input frequency divided by the appropriate divisor for the selected encoding technique.

For NRZI encoding, the DPLL counts the 32x clock to create nominal bit times. As the 32x clock is counted, the DPLL is searching the incoming data stream for edges (either 1 to 0, or 0 to 1). Whenever an edge is detected, the DPLL makes a count adjustment (during the next counting cycle), producing a terminal count closer to the center of the bit cell.

For FM encoding, the DPLL still counts from 0 to 31, but with a cycle corresponding to two bit times. When the DPLL is locked, the clock edges in the data stream should occur between counts 15 and 16 and between counts 31 and 0. The DPLL looks for edges only during a time centered on the 15 to 16 counting transition.

The 32x clock for the DPLL can be programmed to come from either the RTxC input or the output of the baud rate generator. The DPLL output may be programmed to be echoed out of the ESCC via the TRxC pin (if this pin is not being used as an input).

Data Encoding. The ESCC may be programmed to encode and decode the serial data in four different ways (Figure 11). In NRZ encoding, a 1 is represented by a High level and a 0 is represented by a Low level. In NRZI encoding, a 1 is represented by no change in level and a 0 is represented by a change in level. In FM1 (more properly, bi-phase mark), a transition occurs at the beginning of every bit cell. A 1 is represented by an additional transition at the center of the bit cell and a 0 is represented by no additional transition at the center of the bit cell. In FM0 (bi-phase space), a transition occurs at the beginning of every bit cell. A 0 is represented by an additional transition at the center of the bit cell, and a 1 is represented by no additional transition at the center of the bit cell. In addition to these four methods, the ESCC can be used to decode

Manchester (bi-phase level) data by using the DPLL in the FM mode and programming the receiver for NRZ data. Manchester encoding always produces a transition at the center of the bit cell. If the transition is 0 to 1, the bit is a 0. If the transition is 1 to 0, the bit is a 1.

Auto Echo and Local Loopback. The ESCC is capable of automatically echoing everything it receives. This feature is useful mainly in Asynchronous modes, but works in Synchronous and SDLC modes as well. Auto Echo mode (TxD is RxD) is used with NRZI or FM encoding with no additional delay because the data stream is not decoded before retransmission. In Auto Echo mode, the /CTS input is ignored as a transmitter enable (although transitions on this input can still cause interrupts if programmed to do so). In this mode, the transmitter is actually bypassed and the programmer is responsible for disabling transmitter interrupts and /WAIT//REQUEST on transmit.

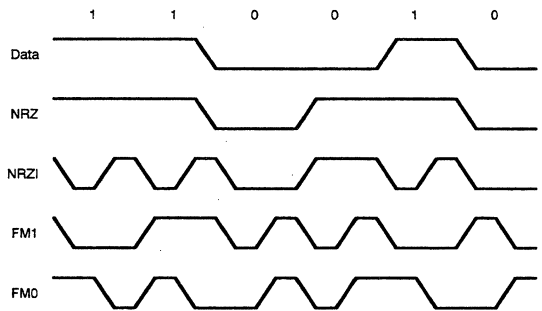


Figure 11. Data Encoding Methods

The ESCC is also capable of Local Loopback. In this mode, TxD or RxD is just like Auto Echo mode. However, in Local Loopback mode the internal transmit data is tied to the internal receive data and RxD is ignored (except to be echoed out via TxD). The /CTS and /DCD inputs are also ignored as transmit and receive enables. However, transitions on these inputs can still cause interrupts. Local Loopback works in Asynchronous, Synchronous and SDLC modes with NRZ, NRZI or FM coding of the data stream.

Z80230 ENHANCEMENTS

The following is a detailed description of the enhancements to the Z80230, ESCC from the standard SCC.

4-Byte Deep Transmit FIFO

The ESCC has a 4-byte transmit buffer with programmable interrupt and DMA request levels. It is not necessary to enable the FIFO as it is always available. The user can choose to have the Transmit Buffer Empty (TBE) interrupt and DMA Request on Transmit be generated either when the top byte of transmit FIFO is empty or only when the FIFO is completely empty. A hardware or channel reset will reset the transmit shift register, flush the transmit FIFO, and set WR7' D5=1.

If the transmitter generates the Interrupt or DMA request for data when the top byte of the FIFO is empty (WR7' D5=0), the system can allow for a long response time to the data request without underflowing. The interrupt service routine can write one byte and then test RR0 D2 if more data may be written. The DMA Request in this mode will go inactive after each data write and then go active again until the FIFO is filled. The Transmit Buffer Empty status bit (TBE), RR0 bit D2, is set when the top byte of the FIFO is empty. Note that this IS NOT the reset state.

For applications where the frequency of interrupts is important, the transmit interrupt service routine can be optimized by programming the ESCC to generate the TBE interrupt only when the FIFO is completely empty (WR7' D5=1) and then writing four bytes to fill the FIFO. When WR7' D5=1, only one DMA request is generated (filling the bottom of the FIFO). However, this may be preferred for some applications where the possible reassertion of the DMA request is not desired. The Transmit Buffer Empty status bit (TBE), RR0 bit D2, is set when the top byte of the FIFO is empty. (Note that WR7' D5=1 after a hardware or channel reset).

8-Byte Receive FIFO

The ESCC has an 8-byte receive FIFO with programmable interrupt levels. The receive character available interrupt is generated as selected by WR7' bit D3. The Receive Character Available bit, RR0 D0, is set when at least one byte is available in the top of the FIFO (independent of WR7' D3). It is not necessary to enable the 8-byte FIFO as it is always available. A hardware or channel reset resets the receive shift register and flushes the receive FIFO.

A DMA Request on Receive, if enabled, is generated whenever one byte is available in the receive FIFO independent of WR7' D3. If more than one byte is available in the FIFO, the /Wait/Request pin goes inactive and then goes active again until the FIFO is emptied.

By resetting WR7' D3=0, applications which have a long latency to interrupts can generate the request to read data from the FIFO when one byte is available, and then test the Receive Character Available bit to determine if more data is available.

By setting WR7 D3=1, the ESCC can be programmed to interrupt when the receive FIFO is half full (4 bytes available) and, therefore, allowing the frequency of receive interrupt to be reduced. If WR7' D3 is set, the receive character available interrupt is generated when there are 4 bytes available. Therefore, if the interrupt service routine reads 4 bytes during each routine, the frequency of interrupts is reduced.

If WR7' D3=1 and "Receive Interrupt on All Characters and Special Conditions" is enabled, the receive character available interrupt is generated when four characters are available. However, when a character is detected to have a special condition, a special condition interrupt is generated when the character is loaded into the top four bytes of the FIFO. Therefore, the special condition interrupt service routine should read RR1 before reading the data to determine which byte has the special condition.

Write Register 7' (7 prime)

A new register, WR7', has been added to the ESCC to facilitate the programming of six new features. The format of this register is shown in Figure 12.

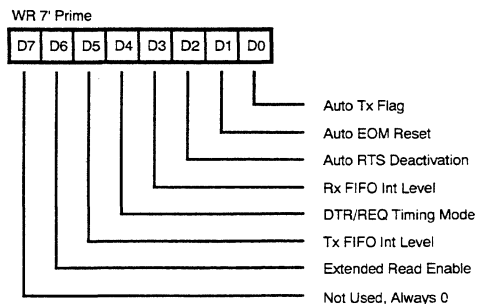


Figure 12. Write Register 7' (7 prime)

WR7' is written to by first setting bit D0 of Write Register 15 (WR15 D0) to one, and then addressing WR7 as normal. All writes to register 7 are to WR7' while WR15 D0 is set. WR15 bit D0 must be reset to 0 to address the sync character register WR7. If bit D6 of WR7' is set, then WR7' can be read by doing a read cycle to RR14. The WR7' features remain enabled until specifically disabled or by a hardware or software reset. Note that bit D5 is set after a reset. All other bits are reset to zero following reset.

Z85230 ENHANCEMENTS (Continued)

For applications which may use either the Zilog Z80C30 or Z80230, these two device types can be identified in software with the following test. Write a 01 hex to Write Register 15. Then read Read Register 15 and if D0 is reset it is a Z80C30 and, if D0 is set it is a Z80230. Note that if the device is Z80C30, a write to WR15 resetting D0 should be done before proceeding. Also, if the device is Z80230, the result in all writes to address seven will be to WR7 until WR15 D0 is reset.

Bit 7. Not used. This bit must always be written zero (0).

Bit 6. Extended Read Enable. Setting this bit enables the ability to read WR3, WR4, WR5, WR7 and WR10. These registers are read by reading RR9 (WR3), RR4, RR5, RR14 (WR7), and RR11 (WR10), respectively.

Bit 5. Transmit FIFO Interrupt Level. If this bit is set, the transmit buffer empty interrupt is generated when the

transmit FIFO is completely empty. If this bit is reset, the transmit buffer empty interrupt is generated when the top byte of the transmit FIFO is empty. This bit is set following a hardware or channel reset.

In DMA Request on Transmit mode, when using either the /W//REQ or /DTR//REQ pins, the request is asserted when the Tx FIFO is completely empty if WR7 D5 is set. The request is asserted when the top byte of the FIFO is empty if D5 is reset.

Bit 4. /DTR//REQ timing. If this bit is set and the /DTR//REQ pin is used for Request mode (WR14 D2=1), the deactivation of the /DTR//REQ pin will be identical to the /W//REQ pin as shown in Figure 13. If this bit is reset, the deactivation time is 4TcPc.

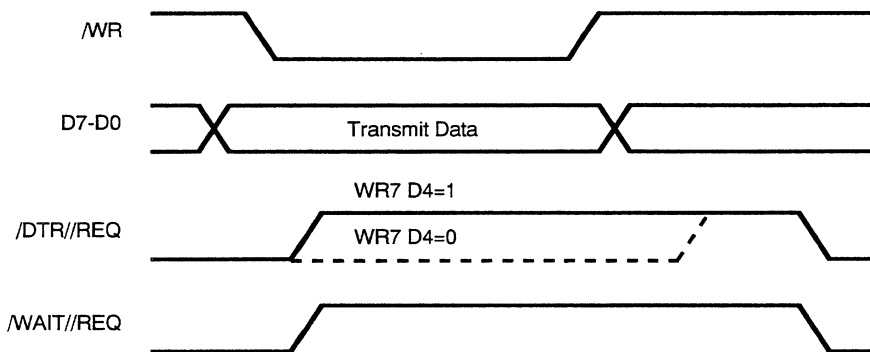


Figure 13. DMA Request on Transmit Deactivation Timing

Bit 3. Receive FIFO Interrupt Level. This bit sets the interrupt level of the receive FIFO. If this bit is set, the receive data available bit is asserted when the receive FIFO is half full (4 bytes available). If the RFF bit is reset, the receive data available interrupt is generated when a byte reaches the top of the FIFO. See the description of the 8-byte receive FIFO for more details.

Bit 2. Automatic /RTS Pin Deassertion. This bit controls the timing of the deassertion of the /RTS pin in SDLC mode. If this bit is set and WR5 D1 is reset during the transmission of a SDLC frame, the deassertion of the /RTS pin is delayed until the last bit of the closing flag clears the TxD pin. The /RTS pin is pulled high after the rising edge of the transmit clock cycle from the last bit of the closing flag. This implies

that the ESCC should be programmed for "Flag on Underrun" (WR10 D2=0) for the /RTS pin to deassert at the end of the frame. This feature works independently of the programmed transmitter idle state. In synchronous modes other than SDLC, the /RTS pin will immediately follow the state programmed into WR5 D1. When WR7 D2 is reset, the /RTS follows the state of WR5 D1.

Bit 1. Automatic EOM Reset. If this bit is set, the ESCC automatically resets the Tx Underrun/EOM latch and pre-sets the transmit CRC generator to its programmed preset state (per values set in WR5 D2 and WR10 D7). Therefore, it is not necessary to issue the Reset Tx Underrun/EOM latch command when this feature is enabled.

Bit 0. Automatic Tx SDLC Flag. If this bit is set, the ESCC will automatically transmit an SDLC flag before transmitting data. This removes the requirement to reset the mark idle bit (WR10 D3) before writing data to the transmitter.

Historically, the SCC has latched the databus on the falling edge of /WR. However, as many CPUs do not guarantee that the databus is valid when the /WR pin goes low, Zilog has modified the databus timing to allow a maximum delay from the /WR signal going active Low to the latching of the databus.

Complete CRC Reception in SDLC Mode

In SDLC mode, the entire CRC is clocked into the receive FIFO. The ESCC completes clocking in the CRC to allow it to be retransmitted, unaltered, or manipulated in software. In the SCC when the closing flag is recognized, the contents of the receive shift register are immediately transferred to the receive FIFO resulting in the last two bits of the CRC being lost. In the ESCC, it is not necessary to program this feature. When the closing flag is detected, the last two bits of the CRC are clocked into the receive FIFO. In all other synchronous modes, the ESCC does not clock in the last two CRC bits (same as SCC).

TxD Forced High in SDLC with NRZI Encoding When Marking Idle

When the ESCC is programmed for SDLC mode with NRZI data encoding and mark idle (WR10 D6=0, D5=1, D3=1), the TxD pin is automatically forced high when the transmitter goes to the mark idle state. There are several different

ways for the transmitter to go into the idle state. In each of the following cases the TxD pin is forced high when the mark idle condition is reached: data, CRC, flag and idle; data, flag and idle; data, abort (on underrun) and idle; data, abort (command) and idle; idle flag and command to idle mark. The force high feature is disabled when the mark idle bit is reset.

This feature is used in combination with the automatic SDLC opening flag transmission feature, WR7' D0=1, to assure that data packets are properly formatted. Therefore, when these features are used together, it is not necessary for the CPU to issue any commands when using the force idle mode in combination with NRZI data encoding. If WR7' D0 is reset, like in the SCC, it is necessary to reset the mark idle bit (WR10 D3) to enable flag transmission before an SDLC packet is transmitted.

Improved Transmit Interrupt Handling in Synchronous Modes

The ESCC latches the Transmit Buffer Empty (TBE) interrupt due to the CRC being loaded to the transmit shift register even if the TBE interrupt, due at the last data byte, has not yet been reset. Therefore, the end of a synchronous frame is guaranteed to generate two TBE interrupts even if a reset transmit buffer interrupt command for the data created interrupt is issued after (time "A" in Figure 14) the CRC interrupt had occurred. In this case, two reset TBE commands are required. The TxIP is latched if the EOM latch has been reset before the end of the frame.

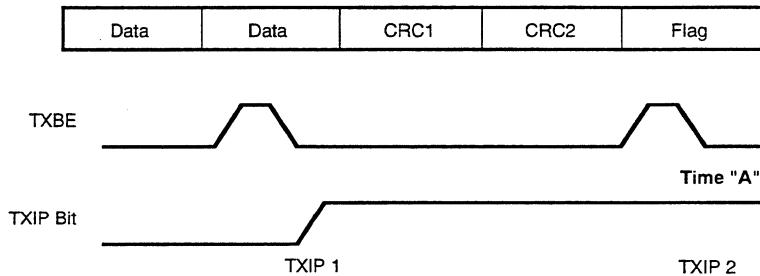


Figure 14. TxIP Latching

NEW FEATURE DESCRIPTION (Continued)

DPLL Counter Tx Clock Source

When DPLL output is selected as the transmit clock source, the DPLL counter output is the DPLL source clock divided by the appropriate divisor for the programmed data encoding format. Therefore, in FM mode (FM0 or FM1), the DPLL counter output is the input frequency divided by 16.

In NRZI mode, the DPLL counter frequency is the input divided by 32. This feature provides a jitter-free output and replaces the DPLL transmit clock output being available as the transmit clock source. This has no effect on the use of the DPLL as the receive clock source (Figure 15).

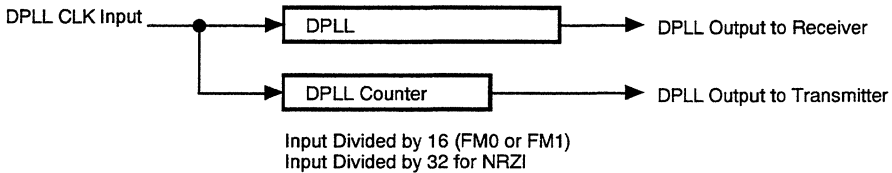


Figure 15. DPLL Outputs

Read Register 0 Status Latched During Read Cycle

The contents of Read Register 0, RR0, are latched during a read to this register. The ESCC prevents the contents of RR0 to change while the Read cycle is active. The SCC allows the status of RR0 to change while reading the register and, therefore, it is necessary to read RR0 twice to detect changes that otherwise may be missed. The contents of RR0 are updated after the rising edge of /RD.

Software Interrupt Acknowledge

The Z80230 interrupt acknowledge cycle can be initiated through software. If Write Register 9 (WR9) bit D5 is set, reading register 2 (RR2) results in an interrupt acknowledge cycle to be executed internally. Like a hardware INTACK cycle, a software acknowledge causes the INT pin to return high, the IEO pin to go Low and set the IUS latch for the highest priority interrupt pending.

Similar to when the hardware INTACK signal can be used, a software acknowledge cycle requires that a Reset Highest IUS command be issued in the interrupt service routine. Whenever an interrupt acknowledge cycle is used, hardware or software, a reset highest IUS command is required. If RR2 is read from channel A, the unmodified vector is returned. If RR2 is read from channel B, then the vector is modified to indicate the source of the interrupt. The Vector Includes Status (VIS) and No Vector (NV) bits in WR9 are ignored when bit D5 is set to 1.

When the INTACK and IEI pins are not being used, they should be pulled up to V_{cc} through a resistor (2.2k Ohm typical).

Fast SDLC Transmit Data Interrupt Response

To more easily facilitate the transmission of back-to-back SDLC frames with a single shared flag between frames, the ESCC allows data for a second frame to be written to the transmit FIFO after the Tx Underrun/EOM interrupt has occurred. This allows application software more time to write the data to the transmitter while allowing the current frame to be properly concluded with CRC and flag. The SCC historically has required that data not be written to the transmitter until a transmit buffer empty interrupt was generated after the CRC has completed transmission. If data is written to the transmit FIFO after the Transmit Underrun/EOM interrupt and before the transmit buffer empty interrupt, the Automatic EOM Reset feature should be enabled (WR7' D1=1). Consequently, the commands "Reset Tx/Underrun EOM" latch and "Reset Tx CRC Generator" should not be used.

SDLC FIFO Frame Status FIFO Enhancement

When used with a DMA controller, the Z80230 SDLC Frame Status FIFO enhancement maximizes the ESCC's ability to receive high speed, back-to-back SDLC messages. It minimizes frame overruns due to CPU latencies in responding to interrupts. Additional logic was added to the industry standard SCC consisting of a 10-bit deep by 19-bit wide status FIFO, 14-bit receive byte counter, and control logic as shown in Figure 16. The 10 x 19 bits status FIFO is separate from the 8-byte receive data FIFO.

When the enhancement is enabled, the status in Read Register 1 (RR1) and byte count for the SDLC frame are stored in the 10 x 19-bit status FIFO. This allows the DMA controller to transfer the next frame into memory while the CPU verifies that the message was properly received.

Summarizing the operation; data is received, assembled, and loaded into the 8-byte FIFO before being transferred to memory by the DMA controller. When a flag is received at the end of an SDLC frame, the frame byte count from the 14-bit counter and five status bits are loaded into the status FIFO for verification by the CPU. The CRC checker is automatically reset in preparation for the next frame which can begin immediately. Since the byte count and status are saved for each frame, the message integrity is verified at a later time. Status information for up to 10 frames is stored before a status FIFO overrun can occur.

If a frame is terminated with an ABORT, the byte count and status will be loaded to the status FIFO and the counter reset for the next frame.

FIFO Detail. For a better understanding of details of the FIFO operation, refer to the block diagram in Figure 16.

Enable/Disable. This FIFO is implemented so that it is enabled when WR15, bit D2, is set and the ESCC is in the SDLC/HDLC mode. Otherwise, the status register contents bypass the FIFO and go directly to the bus interface (the FIFO pointer logic is reset either when disabled or via a channel or power-on reset). When the FIFO mode is disabled, the ESCC is completely downward compatible with the NMOS Z8030. The FIFO mode is disabled on power-up (WR15 D2 is set to 0 on reset). The effects of backward compatibility on the register set are that RR4 is an image of RR0, RR5 is an image of RR1, RR6 is an image of RR2 and RR7 is an image of RR3. For details on the added registers, refer to Figure 18. The status of the FIFO Enable signal is obtained by reading RR15, bit D2. If the FIFO is enabled, the bit will be set to 1; otherwise, it will be reset.

Read Operation. When WR15 bit D2 is set and the FIFO is not empty, the next read to status register RR1 or the additional registers RR7 and RR6, are from the FIFO. Reading status register RR1 causes one location of the FIFO to be emptied, so status is read after reading the byte count, otherwise the count is incorrect. Before the FIFO underflows, it is disabled. In this case, the multiplexer is switched to allow status to read directly from the status register. Reads from RR7 and RR6 contain bits that are undefined. Bit D6 of RR7 (FIFO Data Available) is used to determine if status data is coming from the FIFO or directly from the status register, since it is set to 1 whenever the FIFO is not empty.

Since not all status bits are stored in the FIFO, the All Sent, Parity, and EOF bits bypass the FIFO. The status bits sent through the FIFO are Residue Bits (3), Overrun, and CRC Error.

The sequence for proper operation of the byte count and FIFO logic is to read the registers in the following order: RR7, RR6, and RR1 (reading RR6 is optional). Additional logic prevents the FIFO from being emptied by multiple reads from RR1. The read from RR7 latches the FIFO empty/full status bit (D6) and steers the status multiplexer to read from the ESCC megacell instead of the status FIFO (since the status FIFO is empty). The read from RR1 allows an entry to be read from the FIFO (if the FIFO was empty, logic was added to prevent a FIFO underflow condition).

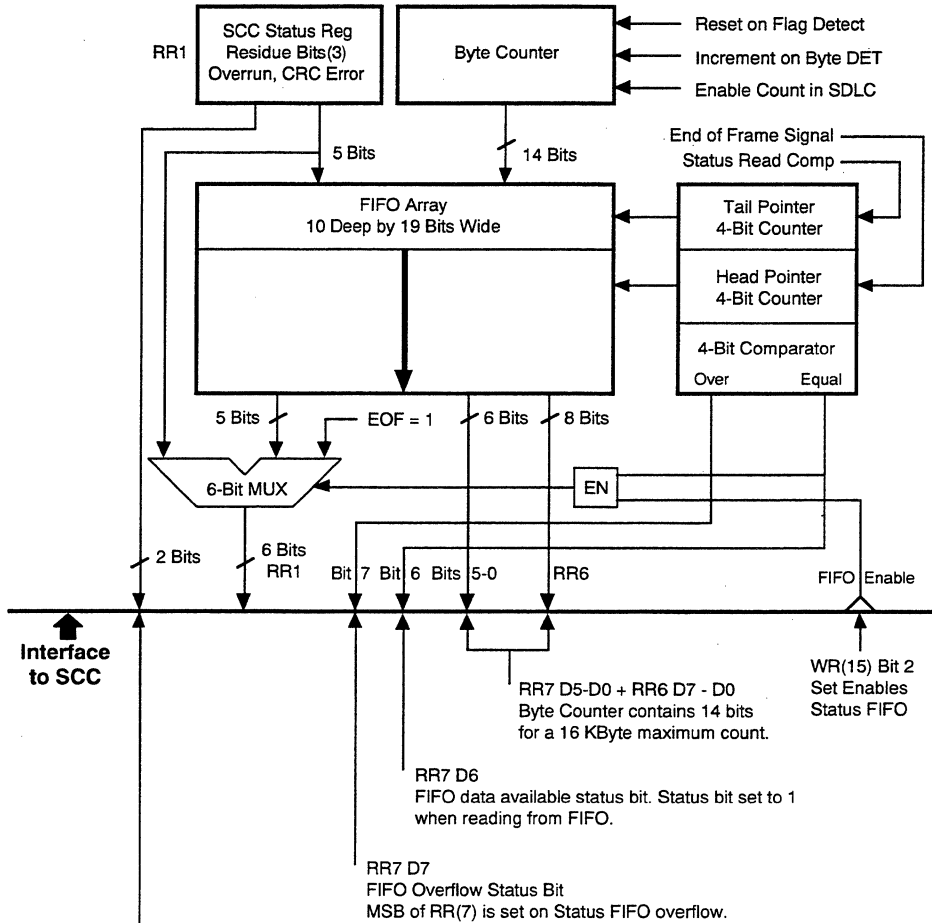
Write Operation. When the end of an SDLC frame (EOF) has been received and the FIFO is enabled, the contents of the status and byte-count registers are loaded into the FIFO. The EOF signal is used to increment the FIFO. If the FIFO overflows, the RR7 bit D7 (FIFO Overflow) is set to indicate the overflow. This bit and the FIFO control logic is reset by disabling and re-enabling the FIFO control bit (WR15 bit D2). For details of FIFO control timing during an SDLC frame, refer to Figure 17.

SDLC Status FIFO Anti-Lock Feature. When the Frame Status FIFO is enabled and the ESCC is programmed for "Special Receive Condition Only" (WR1 D4=D3=1), the data FIFO is not locked when a character with End of Frame status is read (Figure 16). When a character with the EOF status is at the top of the FIFO, an interrupt with a vector for receive data is generated. The command "Reset Highest IUS" must be issued at the end of the interrupt service routine regardless if an interrupt acknowledge cycle had been executed (hardware or software). This allows a DMA to complete transfer of the received frame to memory and then interrupt the CPU that a frame has been completed without locking the FIFO. Since in the "Receive Interrupt on Special Condition Only" mode the interrupt vector for receive data is not used, it is used to indicate that the last byte of a frame has been read out the receive FIFO. Reading the frame status (CRC, byte count and other status stored in the status FIFO) to determine EOF is not required.

When a character with a special receive condition other than EOF is received (receiver overrun, or parity), a special receive condition interrupt is generated after the character is read from the FIFO and the receive FIFO is locked until the "Error Reset" command is issued.

NEW FEATURE DESCRIPTION (Continued)

Frame Status FIFO Circuitry



In SDLC Mode, the following definitions apply.

- All Sent bypasses MUX and equals contents of SCC Status Register.
- Parity Bits bypass MUX and does the same.
- EOF is set to 1 whenever reading from the FIFO.

Figure 16. SDLC Frame Status FIFO

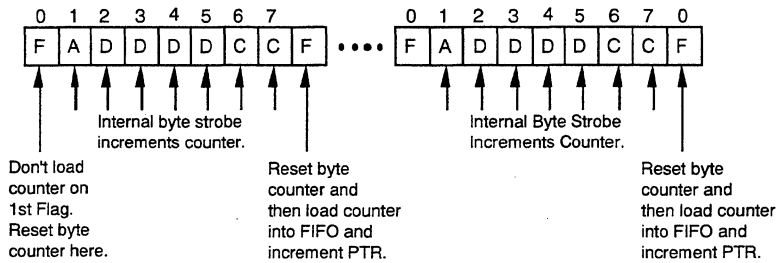


Figure 17. SDLC Byte Counting Detail

PROGRAMMING

The ESCC contains write registers in each channel that are programmed by the system separately to configure the functional uniqueness of the channels.

In the ESCC, the data registers are directly addressed by selecting a High on the D//C pin. With all other registers (with the exception of WR0 and RR0), programming the write registers requires two write operations and reading the read registers requires both a write and a read operation. The first write is to WR0 and contains three bits that point to the selected register. The second write is the actual control word for the selected register, and if the second operation is read, the selected read register is accessed. All of the ESCC registers, including the data registers, may be accessed in this fashion. The pointer bits are automatically cleared after the read or write operation so that WR0 (or RR0) is addressed again.

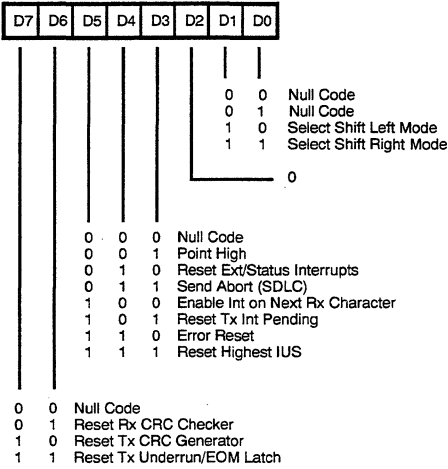
Initialization. The system program first issues a series of commands to initialize the basic mode of operation. This is followed by other commands to qualify conditions within the selected mode. For example, in the Asynchronous mode, character length, clock rate, number of stop bits, and even or odd parity should be set first. Then the interrupt mode is set, and finally, the receiver and transmitter are enabled.

Write Registers. The ESCC contains 16 write registers (17 counting the transmit buffer) in each channel. These write registers are programmed separately to configure the functional "personality" of the channels. There are two registers (WR2 and WR9) shared by the two channels that are accessed through either of them. WR2 contains the interrupt vector for both channels, while WR9 contains the interrupt control bits and reset commands. A new register, WR7', was added to the ESCC and may be written to if WR15 D0 is set. Figure 18 shows the format of each write register.

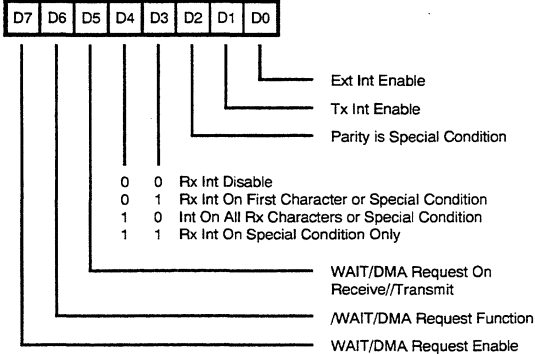
Read Registers. The ESCC contains ten read registers (eleven, counting the receive buffer (RR8) in each channel). Four of these may be read to obtain status information (RR0, RR1, RR10, and RR15). Two registers (RR12 and RR13) are read to learn the baud rate generator time constant. RR2 contains either the unmodified interrupt vector (Channel A) or the vector modified by status information (Channel B). RR3 contains the Interrupt Pending (IP) bits (Channel A only). RR6 and RR7 contain the information in the SDLC Frame Status FIFO, but is only read when WR15 D2 is set. If WR7' D6 is set, Write Registers WR3, WR4, WR5, WR7', and WR10 can be read as RR9, RR4, RR5, and RR14, respectively. Figure 19 shows the format of each Read register.

CONTROL REGISTERS

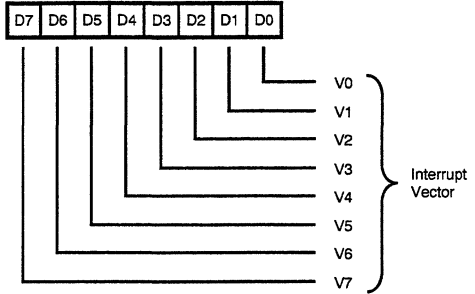
Write Register 0



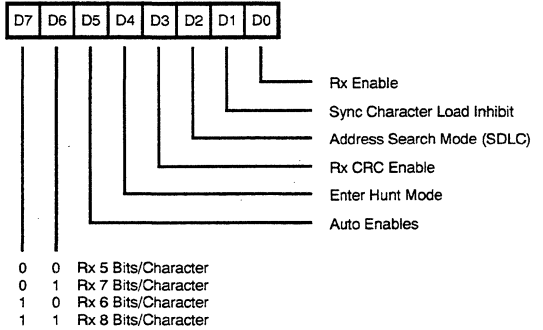
Write Register 1



Write Register 2



Write Register 3



Write Register 4

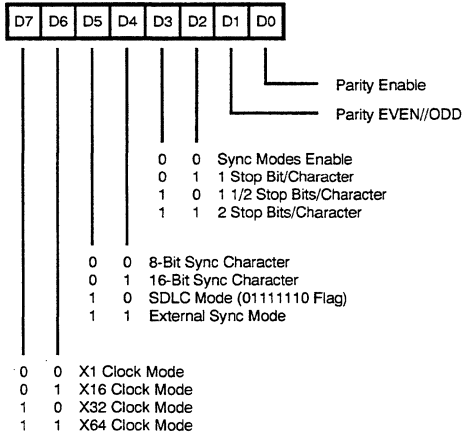
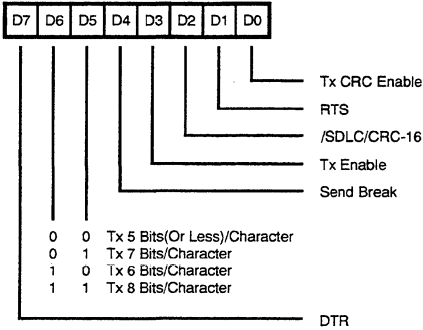
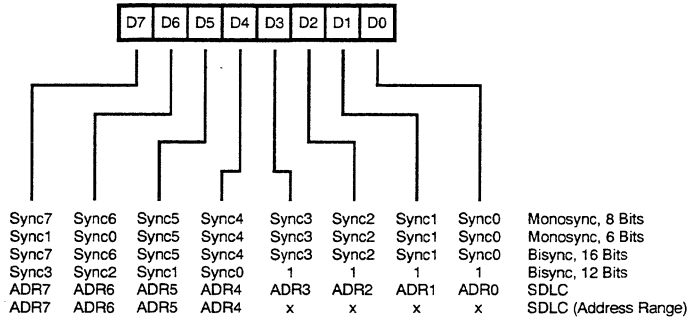


Figure 18. Write Register Bit Functions

Write Register 5



Write Register 6



Write Register 7

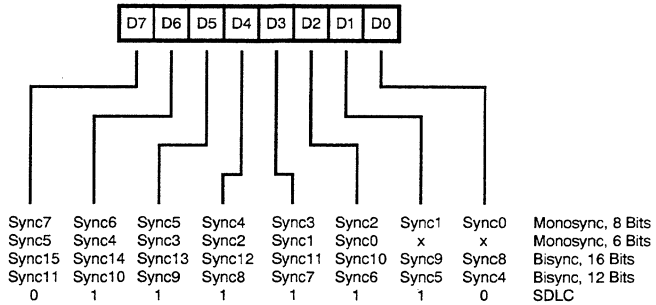


Figure 18. Write Register Bit Functions (Continued)

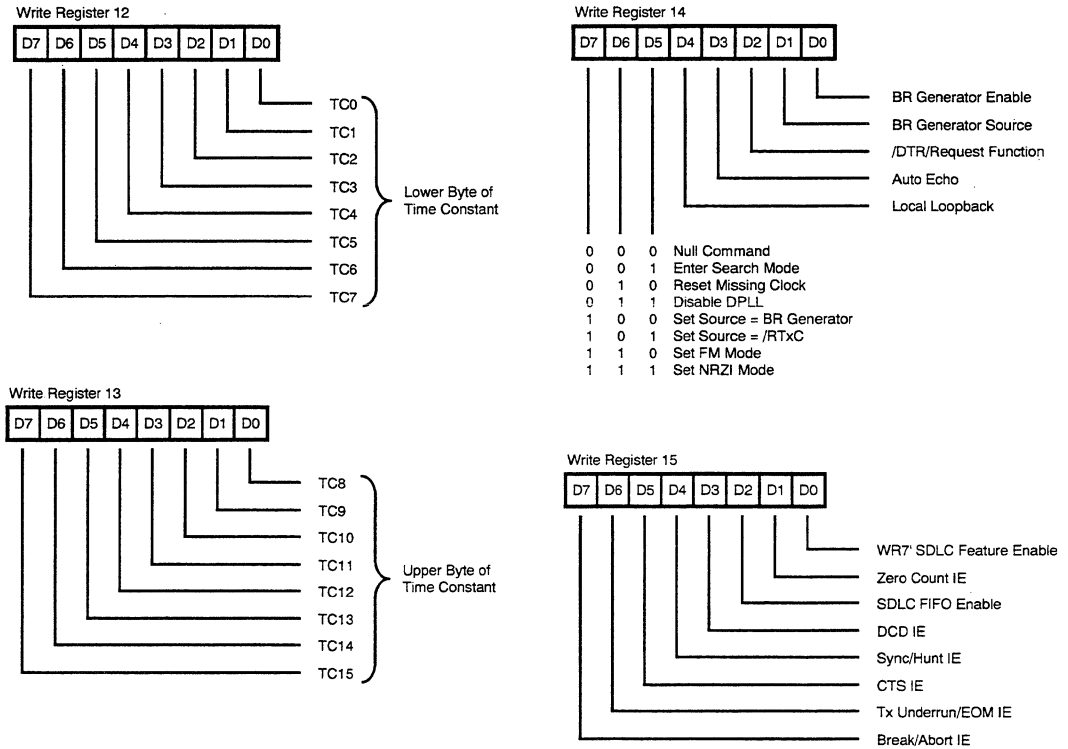
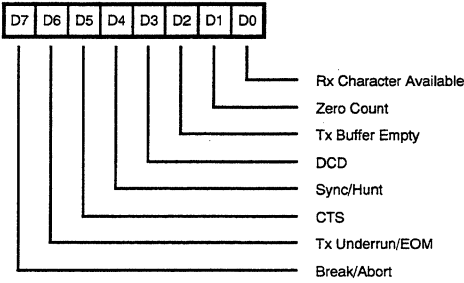


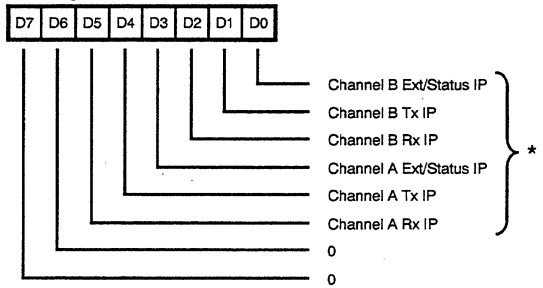
Figure 18. Write Register Bit Functions (Continued)

CONTROL REGISTERS (Continued)

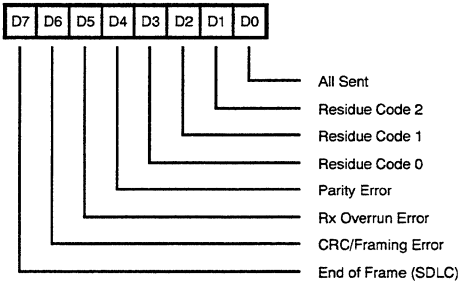
Read Register 0



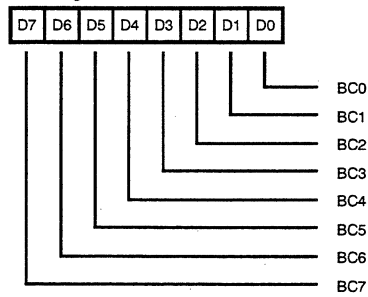
Read Register 3



Read Register 1



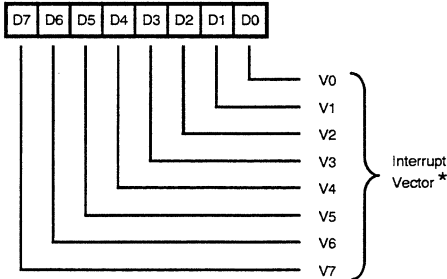
Read Register 6 *



* Can only be accessed if the SDLC FIFO enhancement is enabled (WR15 bit D2 set to 1)

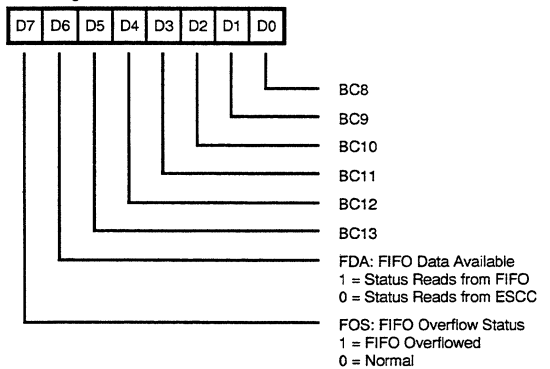
SDLC FIFO Status and Byte Count (LSB)

Read Register 2



* Modified in B Channel

Read Register 7 *

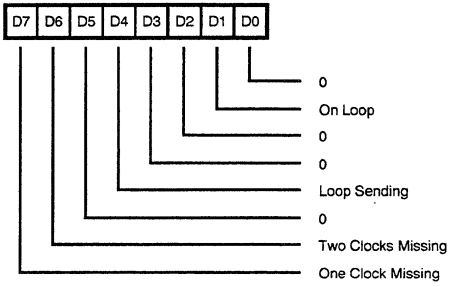


* Can only be accessed if the SDLC FIFO enhancement is enabled (WR15 bit D2 set to 1)

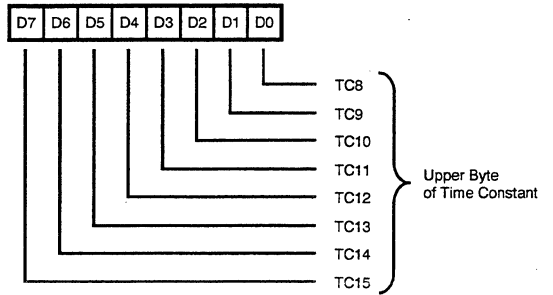
SDLC FIFO Status and Byte Count (MSB)

Figure 19. Read Register Bit Functions

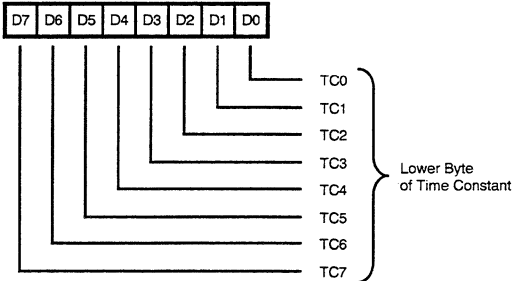
Read Register 10



Read Register 13



Read Register 12



Read Register 15

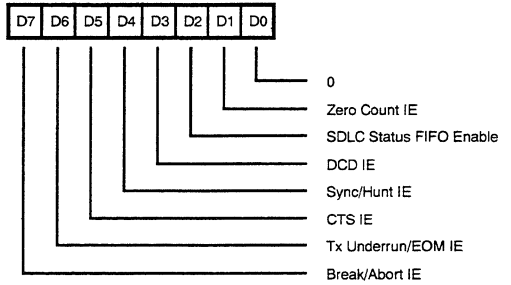


Figure 19. Read Register Bit Functions (Continued)

Z80230 INTERFACE TIMING

The Z-Bus compatible ESCC is suited for system applications with multiplexed address/data buses similar to the Z8[®], Z8000[®], Z280[®].

Two control signals, /AS and /DS, are used by the Z80230 to time bus transactions. In addition, four other control signals (/CS0, CS1, R/W, and /INTACK) are used to control the type of bus transaction that occurs. A bus transaction is initiated by /AS; the rising edge latches the register address on the Address/Data bus and the state of /INTACK and /CS0.

In addition to timing bus transactions, /AS is used by the interrupt section to set the Interrupt Pending (IP) bits. Because of this, /AS must be kept cycling for the interrupt section to function properly.

The Z80230 generates internal control signals in response to a register access. Since /AS and /DS have no phase

relationship with PCLK, the circuitry generating these internal control signals provide time for metastable condition to disappear. This results in a recovery time related to PCLK.

This recovery time applies only to transactions involving the Z80230, and any intervening transactions are ignored. This recovery time is four PCLK cycles, measure from the falling edge of /DS of one access to the ESCC, to the falling edge of /DS for a subsequent access.

Z80230 Read Cycle Timing

The Read cycle timing for the Z80230 is shown in Figure 20. The register address on AD7-AD0, as well as the state of /CS0 and /INTACK, are latched by the rising edge of /AS. R/W must be HIGH before /DS falls to indicate a Read cycle. The Z80230 data bus drivers are enabled while CS1 is HIGH and /DS is LOW.

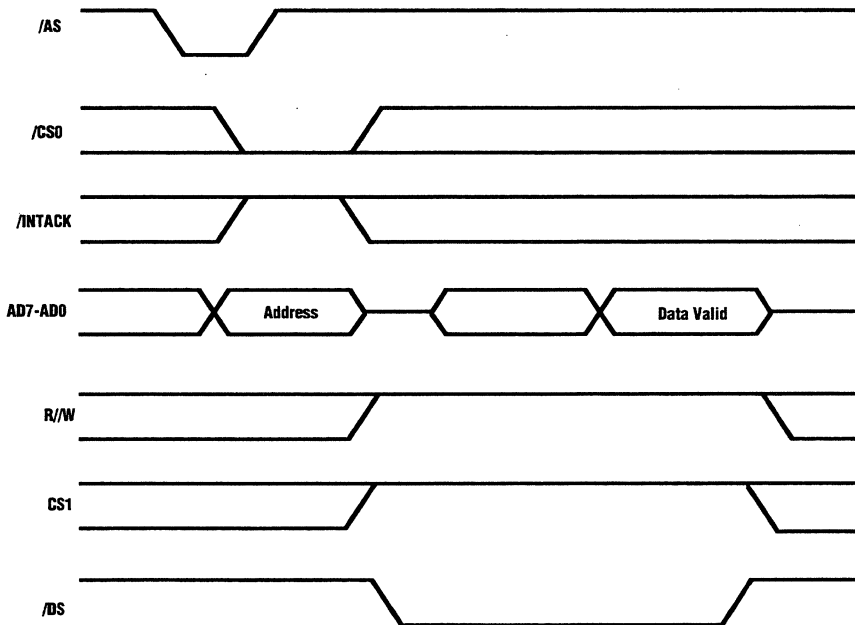


Figure 20. Read Cycle Timing

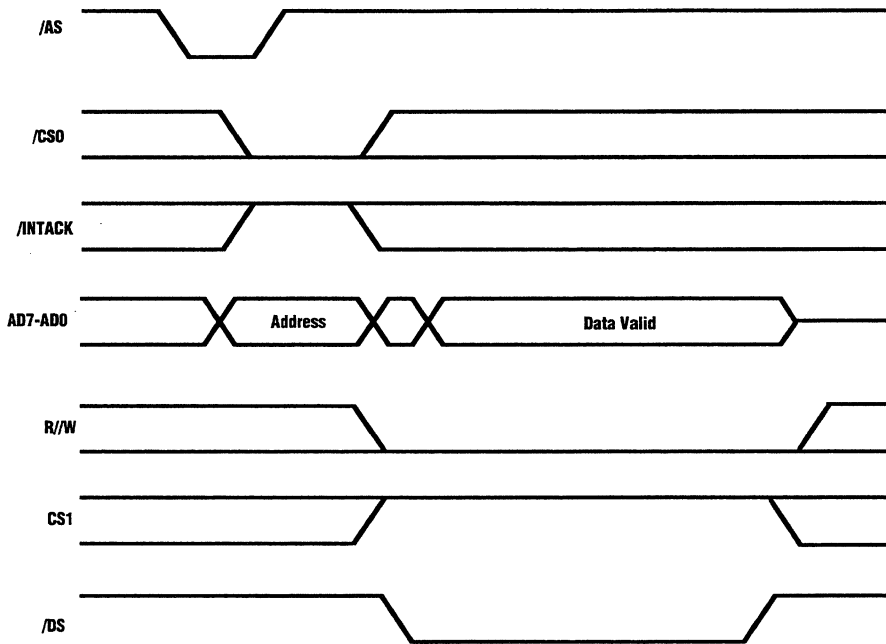


Figure 21. Write Cycle Timing

Z80230 Interrupt Acknowledge Cycle Timing

The Interrupt Acknowledge cycle timing for the Z80230 is shown in Figure 22. The address on AD7-AD0 and the state of /CS0 and /INTACK are latched by the rising edge of /AS. However, if /INTACK is LOW, the address /CS0, CS1 and R/W are ignored for the duration of the interrupt acknowledge cycle.

The Z80230 samples the state of /INTACK on the rising edge of /AS and AC parameters #7 and #8 specify the setup and hold time requirements. Between the rising edge of /AS and the falling edge of /DS, the internal and external daisy chains settle (AC parameter #29). A system with no external daisy chain should provide the time priority internal to the ESCC. Systems using an external daisy chain should refer to Note 5 referenced in the Z80230

Read/Write and Interrupt Acknowledge Timing for the time required to settle the daisy chain.

If there is an interrupt pending in the ESCC, and IEI is HIGH when /DS falls, the acknowledge cycle was intended for the ESCC. This being the case, the Z80230 sets the Interrupt Under Service (IUS) latch for the highest priority pending interrupt, as well as placing an interrupt vector on AD7-AD0. The placing of a vector on the bus also can be disabled by setting WR9, D1=1. The /INT pin also goes inactive in response to the falling edge of /DS. Note that there should be only one /DS per acknowledge cycle. Another important fact is that the IP bits in the Z80230 are updated by /AS, which may delay interrupt requests if the processor does not supply /AS strobes during the time between accesses of the Z80230.

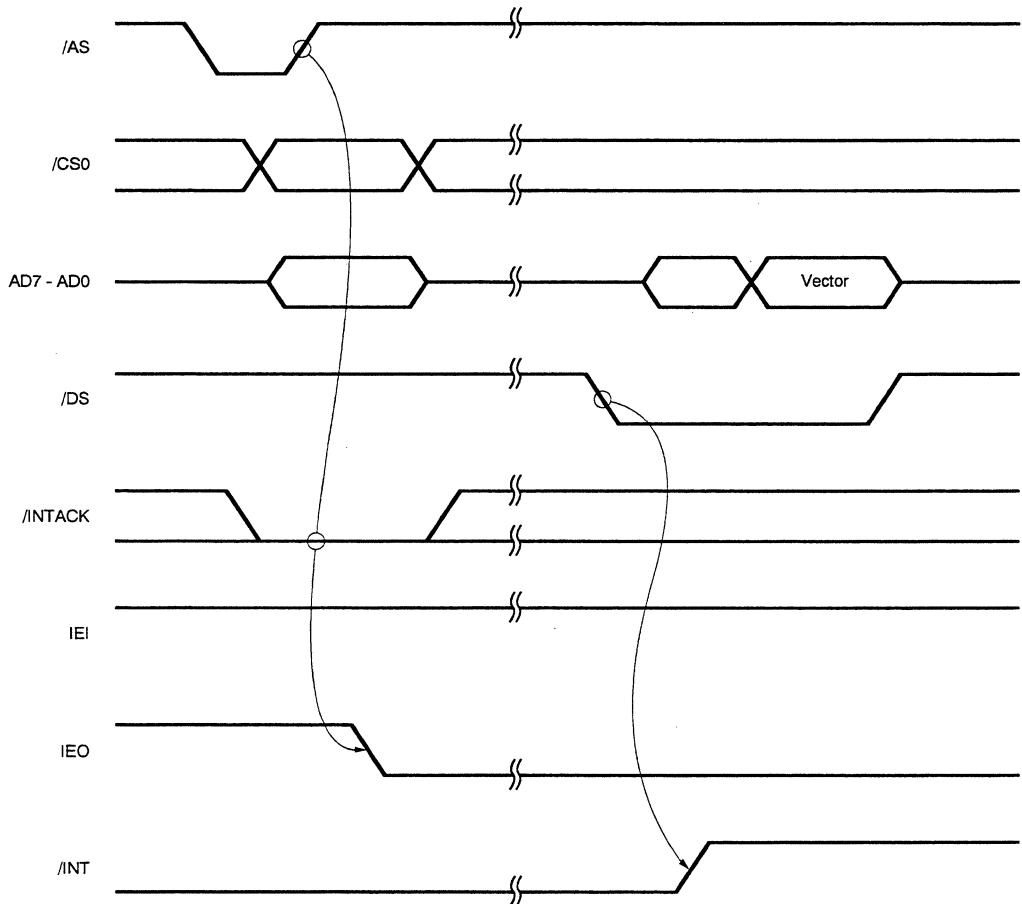


Figure 22. Interrupt Acknowledge Cycle Timing

OTHER ZILOG DATA COMMUNICATIONS PRODUCTS

SIO Family

Z84C40 SIO	Dual channel multiprotocol USART.
Z84C13 IPC	Z80 CPU with integrated SIO, CTC and WDT.
Z84C15 IPC	Z80 CPU with integrated SIO, CTC, WDT and PIO.

SCC Family

Z08530 SCC	NMOS SCC low cost with speeds up to 8 MHz.
Z08030 SCC	NMOS SCC for multiplexed buses.
Z85C30 SCC	CMOS SCC at speeds up to 16 MHz. NMOS compatible.
Z80C30 SCC	CMOS SCC for multiplexed buses.
Z85230 ESCC™	CMOS ESCC for non-multiplexed buses.
Z16C35 ISCC™	SCC with 4 channel DMA and advanced CPU interface.
Z80181 SAC™	Z180 CPU with integrated single channel SCC.

USC Family

Z16C30 USC™	Dual channel high performance multi-protocol data communications up to 10 Megabits/second.
Z16C33 MUSC™	Single channel USC with ISDN Time Slot Assigner.
Z16C31 IUSC™	MUSC with high performance dual channel DMA.
Z16C50 DDPLL™	Dual channel DPLL cell from the USC.

ABSOLUTE MAXIMUM RATINGS

V_{CC} Supply Voltage range -0.3V to +7.0V
 Voltages on all pins
 with respect to GND -0.3V to V_{CC} +0.3V
 Operating Ambient
 Temperature See Ordering Information
 Storage Temperature -65°C to +150°C

Stresses greater than those listed under Absolute Maximum Ratings may cause permanent damage to the device. This is a stress rating only; operation of the device at any condition above those indicated in the operational sections of these specifications is not implied. Exposure to absolute maximum rating conditions for extended periods may affect device reliability.

STANDARD TEST CONDITIONS

The DC Characteristics and capacitance sections below apply for the following standard test conditions, unless otherwise noted. All voltages are referenced to GND. Positive current flows into the referenced pin.

Standard conditions are as follows:

- $+4.50\text{ V} \leq V_{CC} \leq +5.50\text{ V}$
- $\text{GND} = 0\text{ V}$
- T_A as specified in Ordering Information

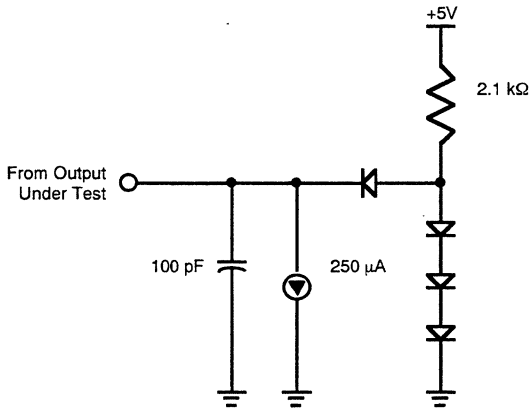


Figure 23. Standard Test Load

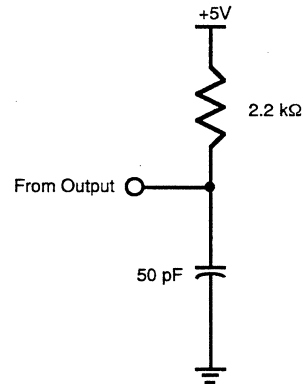


Figure 24. Open-Drain Test Load

CAPACITANCE

Symbol	Parameter	Min	Max	Unit	Test Condition
C_{IN}	Input Capacitance		10	pF	Unmeasured pins
C_{OUT}	Output Capacitance		15	pF	returned to Ground.
$C_{I/O}$	Bidirectional Capacitance		20	pF	

Note:

$f = 1\text{ MHz}$, over specified temperature range.

MISCELLANEOUS

Gate Count - 11,000

DC CHARACTERISTICS

Z80230

Symbol	Parameter	Min	Typ	Max	Unit	Condition
V_{IH}	Input High Voltage	2.2		$V_{CC}+0.3$	V	
V_{IL}	Input Low Voltage	-0.3		0.8	V	
V_{OH1}	Output High Voltage	2.4			V	$I_{OH} = -1.6 \text{ mA}$
V_{OH2}	Output High Voltage	$V_{CC}-0.8$			V	$I_{OH} = -250 \mu\text{A}$
V_{OL}	Output Low Voltage			0.4	V	$i_{OL} = 2.0 \text{ mA}$
I_{IL}	Input Leakage			± 10.0	μA	$0.4 \leq V_{IN} \leq +2.4\text{V}$
I_{OL}	Output Leakage			± 10.0	μA	$0.4 \leq V_{OUT} \leq +2.4\text{V}$
I_{CC1}	V_{CC} Supply Current		4 5 7 9	10 (8.5 MHz) 12 (10 MHz) 15 (16 MHz) 20 (20 MHz)	mA mA mA mA	$V_{CC}=5\text{V}$ $V_{IH}=4.8$ $V_{IL}=0.2\text{V}$ Crystal Oscillators off
$I_{CC(OSC)}$	Crystal OSC Current		6		mA	Current for each osc. in addition to I_{CC1}

Notes:

[1] $V_{CC} = 5\text{V} \pm 10\%$ unless otherwise specified, over specified temperature range.

[2] Typical I_{CC} was measured with oscillator off.

[3] No $I_{CC(OSC)}$ max is specified due to dependency on the external circuit.

AC CHARACTERISTICS

Z80230 Read and Write Timing Diagrams

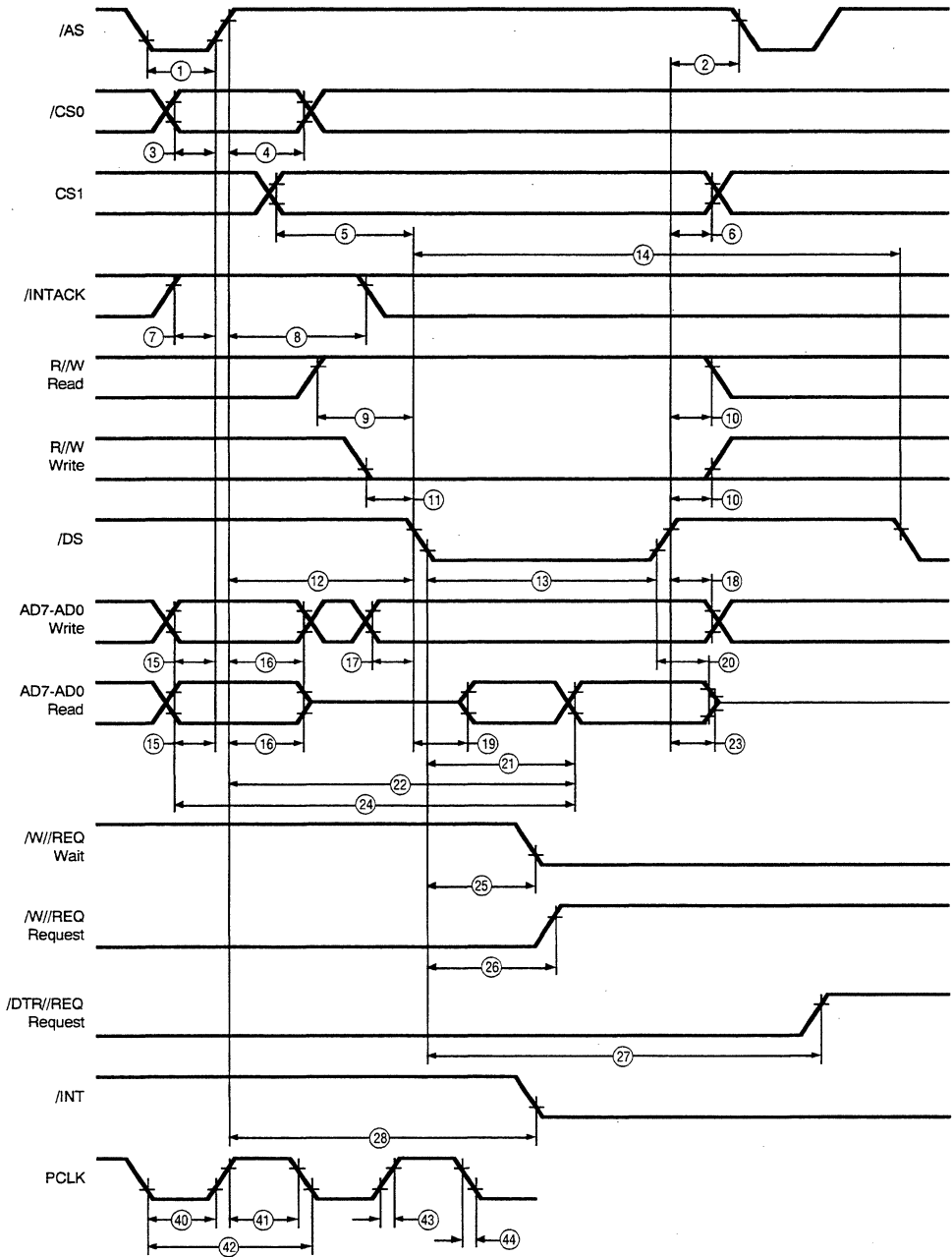


Figure 25. Read and Write Timing Diagram

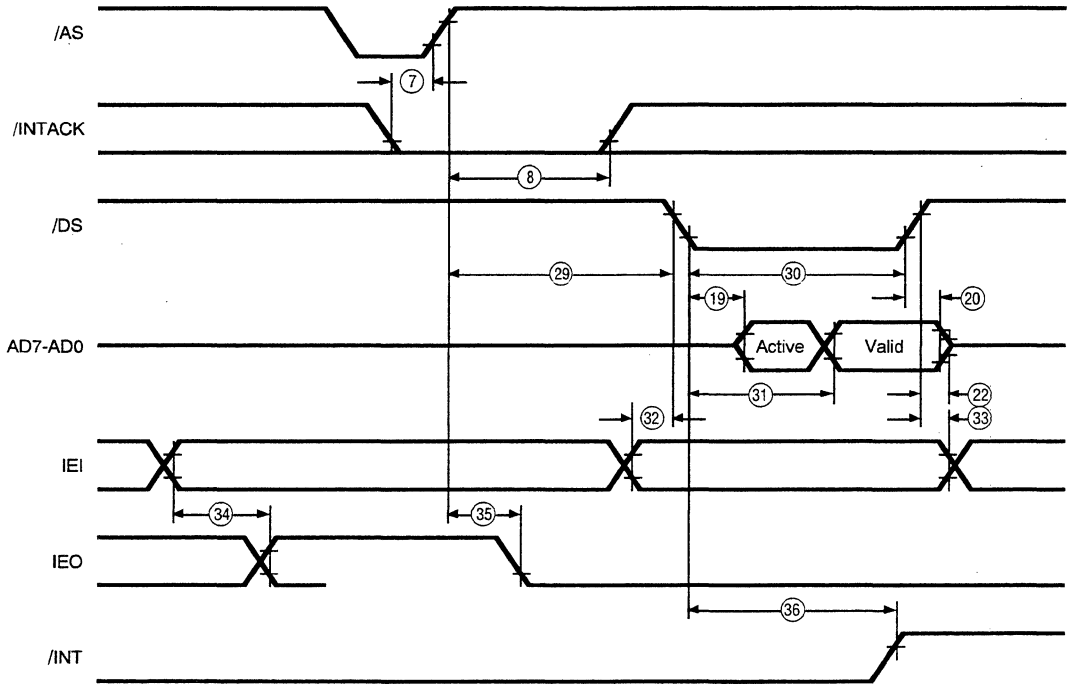


Figure 26. Interrupt Acknowledge Timing Diagram

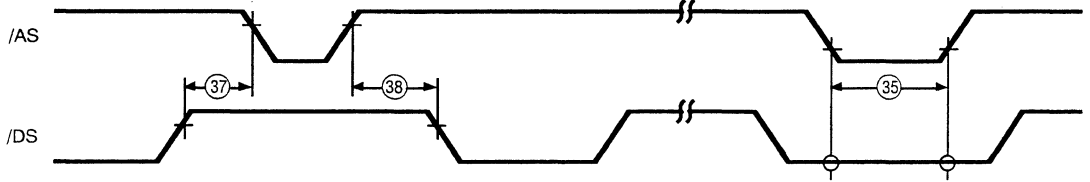


Figure 27. Reset Timing Diagram

AC CHARACTERISTICS

Z80230 Read/Write Timing Table

No	Symbol	Parameter	10 MHz		16 MHz		Notes*
			Min	Max	Min	Max	
1	TwAS	/AS Low Width	30		20		
2	TdDS(AS)	/DS Rise to /AS Fall Delay	10		10		[1]
3	TsCSO(AS)	/CS0 to /AS Rise Setup Time	0		0		[1]
4	ThCSO(AS)	/CS0 to /AS Rise Hold Time	20		15		[1]
5	TsCS1(DS)	CS1 to /DS Fall Setup Time	50		35		[1]
6	ThCS1(DS)	CS1 to /DS Rise Hold Time	20		10		[1]
7	TsIA(AS)	/INTACK to /AS Rise Setup Time	10		10		
8	ThIA(AS)	/INTACK to /AS Rise Hold Time	125		100		
9	TsRWR(DS)	R/W (Read) to /DS Fall Setup Time	50		30		
10	ThRW(DS)	R/W to /DS Rise Hold Time	0		0		
11	TsRWW(DS)	R/W (Write) to /DS Fall Setup Time	0		0		
12	TdAS(DS)	/AS Rise to /DS Fall Delay	20		15		
13	TwDSI	/DS Low Width	125		80		
14	TrC	Valid Access Recovery Time	4TcPc		4TcPc		[2]
15	TsA(AS)	Address to /AS Rise Setup Time	10		10		[1]
16	ThA(AS)	Address to /AS Rise Hold Time	20		10		[1]
17	TsDW(DS)	Write Data to /DS Fall Setup Time	10		10		
18	ThDW(DS)	Write Data to /DS Rise Hold Time	0		0		
19	TdDS(DA)	/DS Fall to Data Active Delay	0		0		
20	TdDSr(DR)	/DS Rise to Read Data Not Valid Delay	0		0		
21	TdDSf(DR)	/DS Fall to Read Data Valid Delay		120		70	
22	TdAS(DR)	/AS Rise to Read Data Valid Delay		190		110	
23	TdDS(DRz)	/DS Rise to Read Data Float Delay		35		20	[3]
24	TdA(DR)	Address Required Valid to Read Data Valid Delay		210		100	
25	TdDS(W)	/DS Fall to Wait Valid Delay		160		60	[4]
26	TdDSf(REQ)	/DS Fall to /W//REQ Not Valid Delay		160		60	
27	TdDSr(REQ)	/DS Fall to /DTR//REQ Not Valid Delay		4TcPc		4TcPc	
28	TdAS(INT)	/AS Rise to /INT Valid Delay		500		175	[4]
29	TdAS(DSA)	/AS Rise to /DS Fall (Acknowledge) Delay	225		50		[5]
30	TwDSA	/DS (Acknowledge) Low Width	125		75		
31	TdDSA(DR)	/DS Fall (Acknowledge) to Read Data Valid Delay	120		70		
32	TsIEI(DSA)	IEI to /DS Fall (Acknowledge) Setup Time	80		50		
33	ThIEI(DSA)	IEI to /DS Rise (Acknowledge) Hold Time	0		0		
34	TdIEI(IEO)	IEI to IEO Delay		90		45	
35	TdAS(IEO)	/AS Rise to IEO Delay		175		80	[6]
36	TdDSA(INT)	/DS Fall (Acknowledge) to /INT Inactive Delay		450		200	[4]
37	TdDS(ASQ)	/DS Rise to /AS Fall Delay for No Reset	15		10		
38	TdASQ(DS)	/AS Rise to /DS Fall Delay for No Reset	15		10		
39	TwRES	/AS and /DS Coincident Low for Reset	100		75		[7]
40	TwPCI	PCLK Low Width	40	100	26	1000	

AC CHARACTERISTICS

Z80230 Read/Write Timing Table (Continued)

No	Symbol	Parameter	10 MHz		16 MHz		Notes*
			Min	Max	Min	Max	
41	TwPCh	PCLK High Width	40	1000	26	1000	
42	TcPC	PCLK Cycle Time	100	2000	61	2000	
43	TrPC	PCLK Rise Time		10		5	
44	TfPC	PCLK Fall Time		10		5	

Notes:

- [1] Parameter does not apply to Interrupt Acknowledge transactions.
- [2] Parameter applies only between transactions involving the ESCC.
- [3] Float delay is defined as the time required for a $\pm 0.5V$ change in the output with a maximum DC load and a minimum AC load.
- [4] Open-drain output, measured with open-drain test load.
- [5] Parameter is system dependent. For any Zilog ESCC in the daisy chain, TdAS(DSA) must be greater than the sum of TdAS(IEO) for the highest priority device in the daisy chain, TslEI(DSA) for the Zilog ESCC, and TdIEI(IEO) for each device separating them in the daisy chain.
- [6] Parameter applies only to a Zilog ESCC pulling INT Low at the beginning of the Interrupt Acknowledge transaction.
- [7] Internal circuitry allows for the reset provided by the Z8* to be recognized as a reset by the Z-ESCC. All timing references assume 2.0V for a logic 1 and 0.8V for a logic 0.

* Units in nanoseconds (ns).

AC CHARACTERISTICS
Z80230 General Timing Diagram

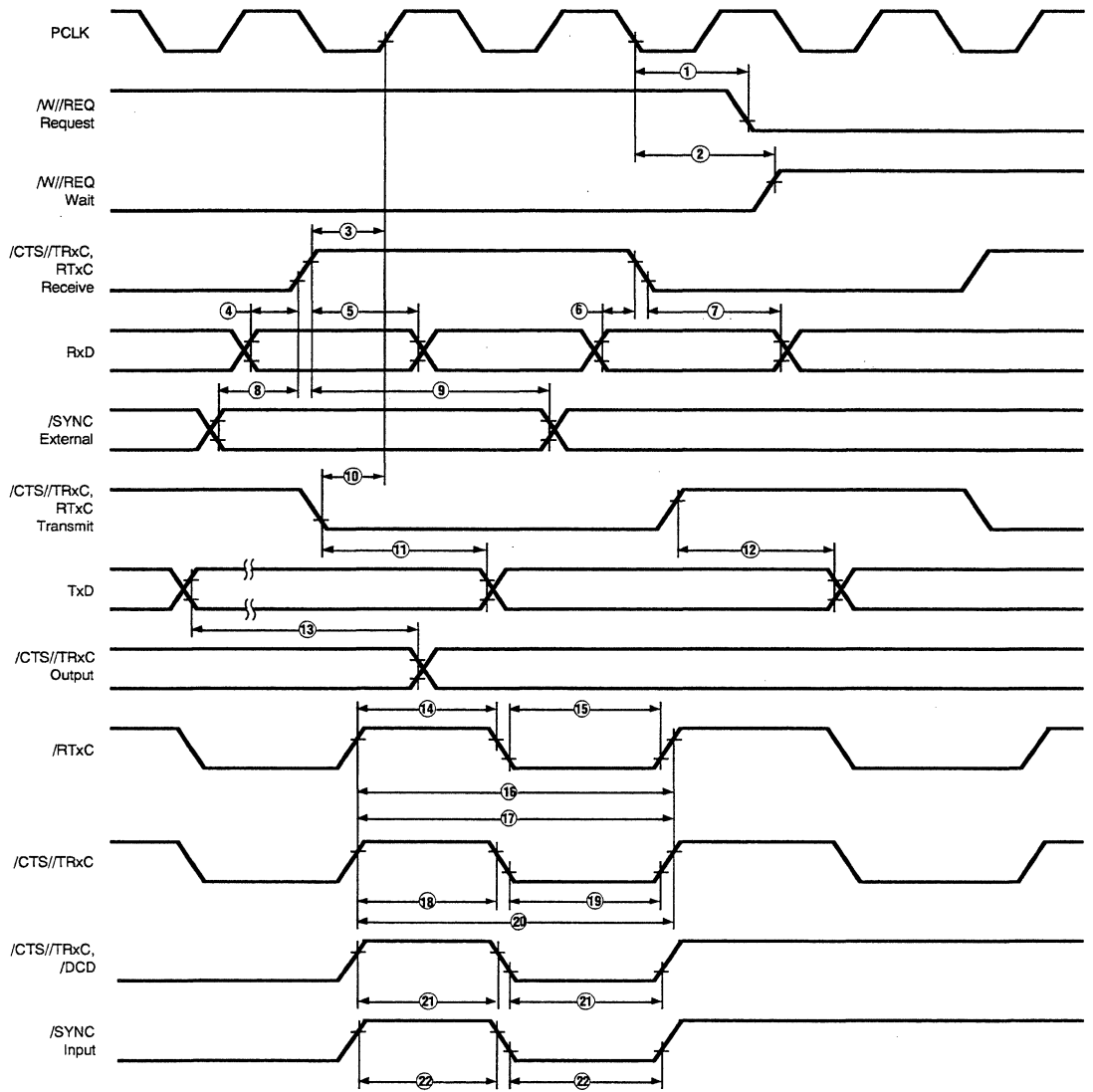


Figure 28. General Timing Diagram

AC CHARACTERISTICS

Z80230 General Timing Table

No	Symbol	Parameter	10 MHz		16 MHz		Notes*
			Min	Max	Min	Max	
1	TdPC(REQ)	/PCLK Low to W/REQ Valid		200		110	
2	TsPC(W)	/PCLK Low to Wait Inactive		300		180	
3	TsRXC(PC)	/RxC High to /PCLK High Setup Time	NA		NA		[1,4]
4	TsRXD(RXCr)	RxD to /RxC High Setup Time	0		0		[1]
5	ThRXD(RxCr)	RxD to /RxC High Hold Time	125		60		[1]
6	TsRXD(RXCf)	RxD to /RxC Low Setup Time	0		0		[1,5]
7	ThRXD(RXCf)	RxD to /RxC Low Hold Time	125		60		[1,5]
8	TsSY(RXC)	SYNC to /RxC High Setup Time	-150		-100		[1]
9	ThSY(RXC)	SYNC to /RxC High Hold Time	5TcPc		5TcPc		[1]
10	TsTXC(PC)	/TxC Low to /PCLK High Setup Time	NA		NA		[2,4]
11	TdTXCf(TXD)	/TxC Low to TxD Delay		150		85	[2]
12	TdTxCr(TXD)	/TxC High to TxD Delay		150		85	[2,5]
13	TdTXD(TRX)	TxD to TRxC Delay		140		80	
14	TwRTXh	RTxC High Width	120		80		[6]
15	TwRTXl	TRxC Low Width	120		80		[6]
16a	TcRTX	RTxC Cycle Time	400		244		[6,7]
16b	TxRX(DPLL)	DPLL Cycle Time Min	50		31		[7,8]
17	TcRTXX	Crystal Osc. Period	100	1000	100	1000	[3]
18	TwTRXh	TRxC High Width	120		80		[6]
19	TwTRXl	TRxC Low Width	120		80		[6]
20	TcTRX	TRxC Cycle Time	400		244		[6,7]
21	TwEXT	DCD or CTS Pulse Width	120		70		
22	TwSY	SYNC Pulse Width	120		70		

Notes:

- [1] RxC is /RTxC or /TRxC, whichever is supplying the receive clock.
- [2] TxC is /TRxC or /RTxC, whichever is supplying the transmit clock.
- [3] Both /RTxC and /SYNC have 30 pF capacitors to ground connected to them.
- [4] Synchronization of RxC to PCLK is eliminated in divide-by-four operation.
- [5] Parameter applies only to FM encoding/decoding.
- [6] Parameter applies only for transmitter and receiver; DPLL and baud rate generator timing requirements are identical to case PCLK requirements.
- [7] The maximum receive or transmit data rate is 1/4 PCLK.
- [8] Applies to DPLL clock source only. Maximum data rate of 1/4 PCLK still applies. DPLL clock should have a 50% duty cycle.

* Units in nanoseconds (ns).

AC CHARACTERISTICS

Z80230 System Timing Table

No	Symbol	Parameter	10 MHz		16 MHz		Notes*
			Min	Max	Min	Max	
1	TdRXC(REQ)	/RxC High to W/REQ Valid	13	17	13	17	[2]
2	TdRXC(W)	/RxC High to Wait Inactive	13	19	13	19	[1,2]
3	TdRdXC(SY)	/RxC High to SYNC Valid	9	12	9	12	[2]
4b	TdRXC(INT), Z80230	/RxC High to INT Valid	13	17	13	17	[1,2]
			2	3	+2	+3	[4]
5	TdTXC(REQ)	/TxC Low to W/REQ Valid	8	11	8	11	[3]
6	TdTXC(W)	/TxC Low to Wait Inactive	8	14	8	14	[1,3]
7	TdTXC(DRQ)	/Txc Low to DTR/REQ Valid	7	10	7	10	[3]
8b	TdTXC(INT), Z80230	/TxC Low to /INT Valid	7	9	7	9	[1,3]
			+2	+3	+2	+3	[4]
9a	TdSY(INT)	SYNC to INT Valid	2	6	2	6	[1]
9b	TdSY(INT)	SYNC to INT Valid	2	3	2	3	[1,4]
10b	TdEXT(INT), Z80230		2	3	3	8	[1,4]

Notes:

[1] Open drain-output, measured with open-drain test load.

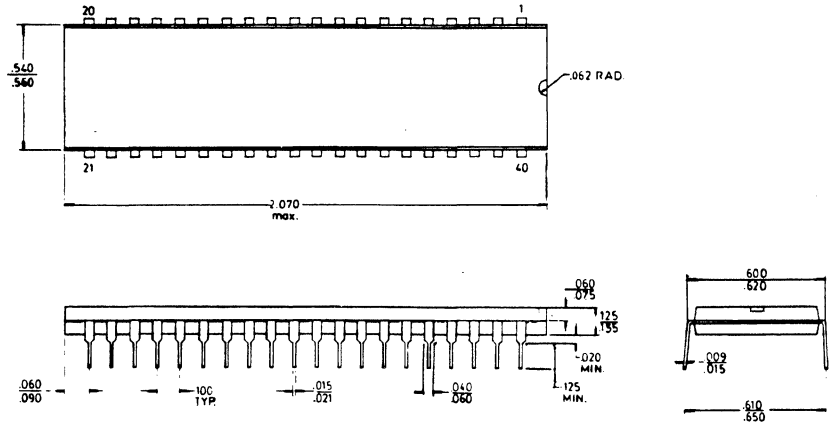
[2] /RxC is /RTxC or /TRxC, whichever is supplying the receive clock.

[3] /TxC is /TRxC or /RTxC, whichever is supplying the transmit clock.

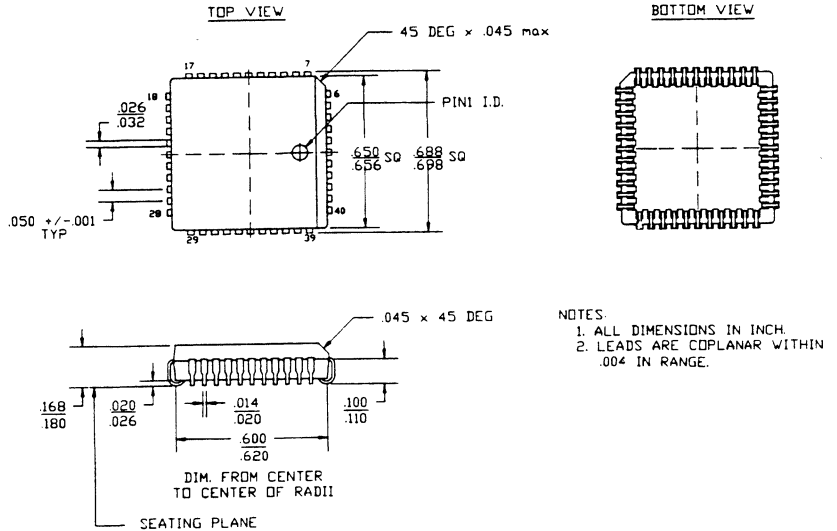
[4] Units equal to /AS.

* Units equal to TcPc.

PACKAGE INFORMATION



40-Pin DIP Package Diagram



44-Pin PLCC Package Diagram

ORDERING INFORMATION

Z80230

10 MHz	16 MHz
Z8023010PSC	Z8023016PSC
Z8023010VSC	Z8023016VSC

Package

P = Plastic DIP
V = Plastic LCC
C = Ceramic DIP

Temperature

E = -40°C to +100°C
S = 0°C to +70°C

Speeds

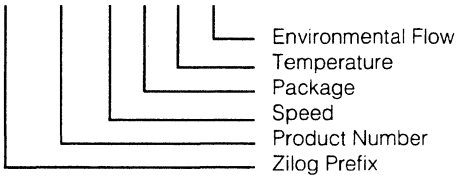
10 = 10.0 MHz
16 = 16.384 MHz

Environmental

C = Plastic Standard
D = Plastic Stressed
E = Hermetic Standard

Example:

Z 80230 16 P S C is a Z80230, 16 MHz, DIP, 0°C to +70°C, Plastic Standard Flow.



C

C

C

C

**ZILOG DOMESTIC SALES OFFICES
AND TECHNICAL CENTERS**

CALIFORNIA	
Agoura	818-707-2160
Campbell	408-370-8120
Tustin	714-838-7800
COLORADO	
Boulder	303-494-2905
FLORIDA	
Largo	813-585-2533
GEORGIA	
Norcross	404-448-9370
ILLINOIS	
Schaumburg	708-517-8080
MINNESOTA	
Minneapolis	612-944-0737
NEW HAMPSHIRE	
Nashua	603-888-8590
NORTH CAROLINA	
Raleigh	919-790-7706
OHIO	
Independence	216-447-1480
PENNSYLVANIA	
Ambler	215-653-0230
TEXAS	
Dallas	214-987-9987
WASHINGTON	
Seattle	206-523-3591

INTERNATIONAL SALES OFFICES

CANADA	
Toronto	416-673-0634
GERMANY	
Munich	49-89-672-045
Sömmerda	37-626-23906
JAPAN	
Tokyo	81-3-3587-0528
HONG KONG	
Kowloon	852-7238979
KOREA	
Seoul	82-2-552-5401
SINGAPORE	
Singapore	65-2357155
TAIWAN	
Taipei	886-2-741-3125
UNITED KINGDOM	
Maidenhead	44-628-392-00

© 1992 by Zilog, Inc. All rights reserved. No part of this document may be copied or reproduced in any form or by any means without the prior written consent of Zilog, Inc. The information in this document is subject to change without notice. Devices sold by Zilog, Inc. are covered by warranty and patent indemnification provisions appearing in Zilog, Inc. Terms and Conditions of Sale only. Zilog, Inc. makes no warranty, express, statutory, implied or by description, regarding the information set forth herein or regarding the freedom of the described devices from intellectual property infringement. Zilog, Inc. makes no warranty of mer-

chantability or fitness for any purpose. Zilog, Inc. shall not be responsible for any errors that may appear in this document. Zilog, Inc. makes no commitment to update or keep current the information contained in this document.

Zilog, Inc. 210 East Hacienda Ave.
Campbell, CA 95008-6600
Telephone (408) 370-8000
Telex 910-338-7621
FAX 408 370-8056