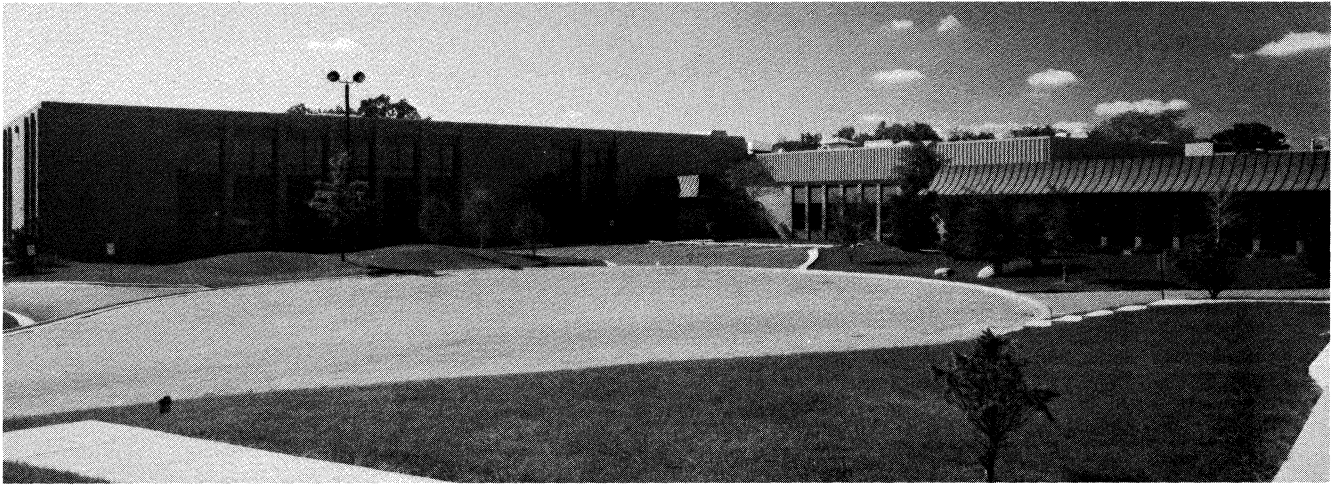




Full Line Catalog

No. 810



Molex Is

Molex Incorporated, established in 1938, is a leading worldwide producer of electrical, electronic components and interconnecting systems used in the computer, telecommunication, medical and household appliance industries. Molex connectors, cables, sockets and switches are used in business machines, hospital equipment, washers and dryers, major kitchen appliances, heating and air conditioning systems, home entertainment units, automobiles and vending machines.

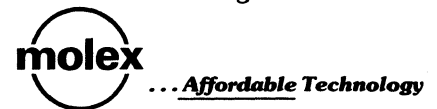
Our products save time, money, and man-hours. Products which make assembly, testing and servicing easier, faster, and less costly. This is what sets Molex apart from others in the field. It's the ability to understand our customer's objectives and

to translate into products ... Products which are responsible for considerable applied savings.

Molex products are sold through a nationwide distributor network, direct-sales offices and independent sales representatives in the U.S. and Canada, and through sales offices, distributors and representatives in 37 foreign countries.

Molex manufacturing facilities include eleven plants; three in the U.S., four in the Far East, one in Europe, one in Brazil, and two in Mexico.

Molex creates components to simplify circuitry ... to lower applied costs ... to increase product reliability ... We look forward to being of service.



Notes

Agency Approvals - The basic products shown in this catalog carry Underwriters' Laboratories and Canadian Standards Association recognition. Because of the large number of minor variations in the product lines, it becomes impractical to submit each variation to the agencies for recognition. However, because of the basic similarity, it is an easy matter to obtain end application approval of these variations. U.L. inspects the product under the recognized component program. The part numbers of recognized products are listed on yellow cards and are still subjectable to end application review and approval.

Returns - We hope you will be completely satisfied with every item received from Molex, but should it become necessary to return merchandise, please contact us first for authorization and shipping instructions. This will expedite the handling and credit adjustments.

Damaged Goods - Although every effort is made to insure safe delivery of merchandise, sometimes shipping damage does occur. Since all claims for shipping damage must be made against the common carrier, it is imperative that you adhere to the following steps in filing a claim:

FIRST - If the shipment is **visibly** damaged on arrival or the carton count disagrees, **do not accept it** until the truck driver has made an endorsement on the bill of lading as to the nature and extent of the damage or loss. **Do not sign** a clear receipt for damaged or missing cartons or there will be no basis for a claim.

SECOND - **Open all cartons as soon as possible** and inspect the merchandise. In case of damage, even if it was acknowledged in writing by the driver, you must **request an inspection** by the carrier, and **retain the merchandise, carton and packing materials** at the address to which shipment was made until the carrier authorizes movement. The carrier must provide you with an inspection report. In case of concealed damage, inspection must be requested **WITHIN FIFTEEN DAYS** of receipt.

THIRD - Advise Molex of the problem.

FOURTH - File your claim with the carrier enclosing copies of the bill of lading (signed by the driver) and the inspection report as support.

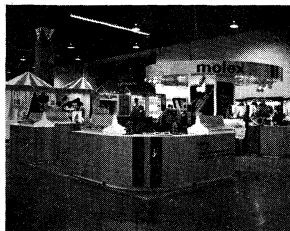
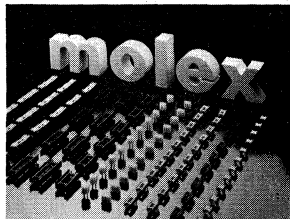
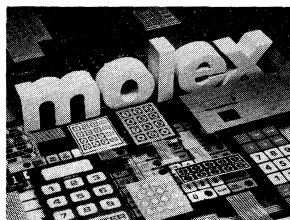
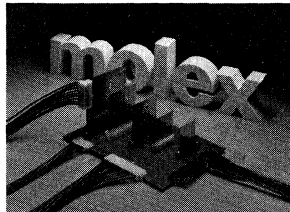
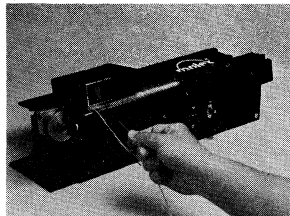
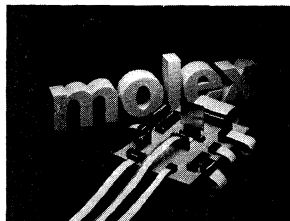
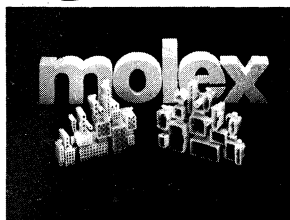
Trademarks

Molex*, MX*, Inconect*, Edgecon*, Claspcn*, Wafercon*, Postcon*, Trans-Kon, Pinsetter*, KK*, IDT, Complus, Molex-A-Matic*, Lo-Pro, Zipcon, Soldercon, Crimpcon*, Dualcon, Jet-Flecs*, Zifcon, and I-D Con.

*Registered trademarks of Molex Incorporated.



Standard Products Contents



Pin and Socket Connectors _____ Section

High Current Components

- .062" (1,58 mm) Connectors and Terminals - Relay and Switch Connectors 1A-34A
- .093" (2,36 mm) Connectors and Terminals - Relay and Switch Connectors
 - Receptacles

Printed Circuit Board Components _____ Section

KK® Interconnection Systems

- .098" (2,5 mm) .100" (2,54 mm) .156" (3,96 mm) .197"/.295" (5,00/7,49 mm) .200" (5,08 mm) center 1B-78B
- Wafers • Connectors
- Housings • Pins
- Terminals • Soldering and Plating Specifications

Insulation Displacement Products _____ Section

- .050" (1,27 mm) .100" (2,54 mm) .156" (3,96 mm) .200" (5,08 mm) .098" (2,5 mm)
- Cable • Headers 1C-98C
- Connectors • Assemblies

Application Tooling _____ Section

- Pinsetting Equipment • Insulation Displacement
- Connector Assembly • Stripping and Crimping Tooling
- Tooling Cross Reference 1D-18D

Edge Connectors _____ Section

- Single and Double Sided
- .100" (2,54 mm) .156" (3,96 mm) 1E-16E

Switches _____ Section

- Lighted Pushbutton • Pushbutton
- Membrane • Neon 1F-12F

Sockets _____ Section

- Audiotone • I.C.
- LSI • Transistor
- Memory Module • Shunt 1G-16G

Miscellaneous _____ Section

- Trade Show Schedule
- Customer Incoming Goods Inspection Procedure 1H-14H
- Van Demonstrations
- Custom Products
- Abbreviations Used
- Cross-Reference

Molex Part No. Index . . . Next Page

For Molex USA's International Representatives and Distributors, see inside back cover.



Molex Part No. Index



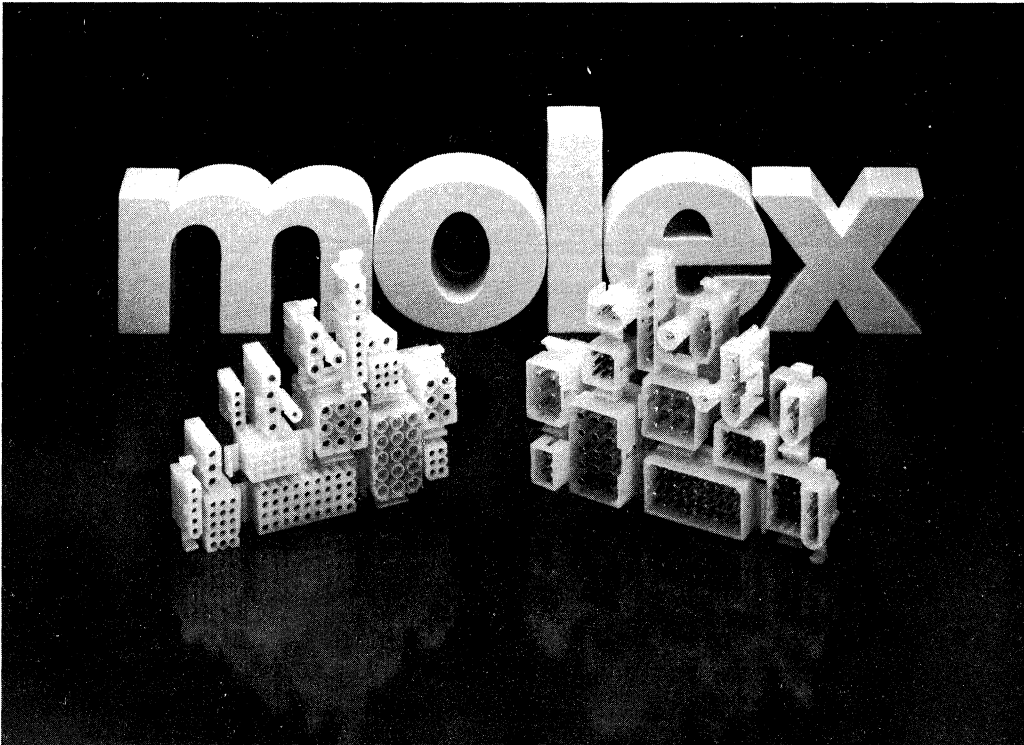
A

1055	27A	2184	15E	3192NA	27B	5207	56B	7517	6C
1175	6F	2189	17A	3197	19B	5219	14A	7534A	51B
1189	18A	2190	17A	3202	53B	5229NAPB	92C	7534C	51B
1190	18A	2191	22A, 23A	3215A	25B	5229NAPB	93C	7560	4C, 5C
1261	10A, 11A	2192	19A	3215B	25B	5230	63B	7580	83C
1292	10A, 11A	2193	23A	3215C	26B	5231	60B, 63B	7583	88C, 89C
1360	10A, 11A	2211	22A, 23A	3239	28B	5233	61B	7660	67C
1375	10A, 11A	2220	36B	3243	37B	5234	62B	7664	68C
1376	20A	2269	19A	3243NBV	37B	5240	58B	7674	65C
1377	20A	2273	19A	3246	29B	5241	59B	7675	66C
1380	18A	2328	23A	3266	29B	5320NA	36C	7690	73C
1381	18A	2373	29B	3279	28B	5320NB	37C	7713	71C
1396	10A, 11A	2391	31B	3406	11G	5321NA	38C	7720	72C
1433	18A, 19A	2402	27B	3428	64C	5321NB	39C	7723	5D
1434	18A	2403	34B	3475	79C	5328	40C	7777	60C
1450	19A	2420	32B	4018	66B	5330NA	41C	7789	16C, 17C
1451	19A	2420-1	32B	4025	6G	5330NB	42C	7790	77C
1457	31A	2460	9G	4030	44B	5331NA	43C	7791	24C, 25C
1461	30A	2461	28B	4038	7G	5331NB	44C	7792	27C
1490	10A, 11A	2478	66B, 12E	A4042	33B	5332	49C	7793	27C
1545	10A, 11A	2481	34A	4044	28B	5333	50C	7794	26C
1560	16A, 17A	2507	22A, 23A	4094	45B	5340NA	45C	7795	26C
1561	16A	2512	7G	4161	64B	5340NB	46C	7796	28C
1619	10A, 11A	2534	37B	4166	75B, 77B	5341NA	47C	7822	74C, 75C
1625	5A-7A	2534-NBV	37B	4180	44B	5341NB	48C	7823	57C
1649	5A-7A	2539	6G	4272	19A	5342	51C	7824	59C
1653	10A, 11A	2560	64B	4274	32A	5343	52C	7832	47B
1725	26A	2574	11E	4295	8E	6151	9D	7840	85C
1772	5A-7A	2576	23A	4296	33A	6345	23B	7841	85C
1778	20A	2578	66B, 12E	4313	34B	6373	46B	7842	83C
1779	20A	2589	34A	4338	4E	6393	38B	7859	12F
1786	17A	A2599	14B	4351	75B	6410	46B	7879	65B
1787	17A	2605	20A	4366	5E	6420	36B	7880	41B
1796	6E	2606	20A	4380	44B	6422	10E	7881	28C
1797	8E	2629	10A, 11A	4447	7A	6442	22B	7882	29C, 30C
1799	14E	2630	30B	4449	75B	6470	40B	7883	29C, 30C
1800M	13E	2673	15B	4455A	42B	6471	39B	7894	84C
1815	7A	2690	16E	4455B	42B	6472	40B	7895	84C
1816	10A, 11A	2695	39B	4455C	43B	6482	34A	7896	84C
1820	4F	2696	7E	4484	16E	6494	54B	7933	63C
1820RL	4F	2698	23A	4494	45B	6511	3E	7935	62C
1840	28A, 29A	2759	65B	4529	17A	6523	4E	7991	69C, 70C
1852	22A	2766	75B, 77B	4550	19A	6742	24A, 25A	8023	61C
1854	16A, 17A	2799	23A	4559	17A	6777	2E	8100	7D
1855	16A, 17A	2803	27B	4573	5E	6778	66B, 12E	8160	81C
1864	7A	2870	18A	4574	5E	6800	3C	8160	81C
1881	70B	2871	18A	4575	4E	6838	68B	8205	6D
1917	8E	2878	66B, 12E	4700	12C, 15C	6874	31C, 32C	8207	6D
1929	71B	2973	29B	4706	72B	6952	58C	8209	6D
1938-4	8G	3001	7B, 9B	4737	35B	7213	6C	8210	6D
1938-8	10G	3002A	10B	4785	21A	7224	97C	8211	6D
1943	22A	3002B	10B	4787	21A	7234	4C, 5C	8246	71C
1951	10A, 11A	3002C	11B	4809	65B	7238	25A	8600	3D
1991	8A-9A	3003	12B, 13B	4811	72B	7239	25A	8620	2D
2004	5A-7A	3007	8B	4837	5E	7241	69C, 70C	8630	3D
2012	8E	3008	12B	4848	31B	7258	68B	8675	16B
2014	8E	3011	9B	4850	86C, 87C	7275	5D	8680	16B
2107	71B	3018	18B	5005	4A	A7295	4G	8799	71C
2123	71B	3020	20B	5006	4A	7298	96C	8863	3C
2125	71B	3022	53B	5025	3A	7303	5C	8867	4C, 5C
2139	21B	3061	15B	5045	55B	7307	4C, 5C	8868	6C
2145A	25B	3069	24B	5046	55B	7319	21A	8996	4C, 5C
2145B	25B	3071	48B	5051M	49B	ATM-7373	2G	8997	4C, 5C
2145C	26B	3072	50B	5102	57B	7382	6C	9154	78C
2146	6F	3074	9E	5103	59B	7401	18C, 19C	9171	17B
2151	19A	3094	54B	5124B	52B	7402	20C, 21C	10400	2F
2152	19A	3099	28A	5138NAPB	94C	7403	25C, 26C	10410	2F
2161	75B, 78B	3100	8E	5138NCPB	95C	7404	22C, 23C	10420	2F
2163	10A, 11A	3180	48B	5143NAPB	89C	7405	22C, 23C	10900	8F
2169	7G	3190	34B	5143NCPB	90C	7445	5G		
2176	23A	3191	12A - 14A	5204	82C	7457	21A		
2177	22A, 23A	3192	27B	5206	4A	7478	47B		

This index is for Molex part, model, or engineering numbers, NOT order number.

Pin and Socket Connectors High Current Components

A



Contents

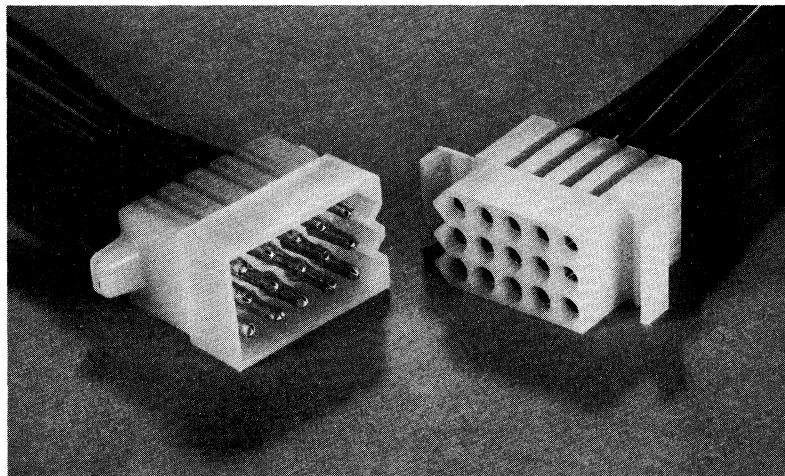


Pin and Socket Connector Overview	2A
.062" (1,58 mm) Connectors	3A-7A
.093" (2,36 mm) Connectors	8A-13A
.093" (2,36 mm) Headers	14A
Pin and Socket Terminal Overview	15A
.062" (1,58 mm) Diameter Terminals	16A-17A
.093" (2,36 mm) Diameter Terminals	18A-19A
P.C. Tail Terminals	20A
Push-On Terminals	21A
Relay and Switch Connectors	22A-23A
Zero Force Connectors	24A-25A
Phenolic Connectors	26A-27A
Pin and Socket Wafers	28A-29A
Commoning Connectors	30A-31A
A.C. Receptacles	32A-33A
Range Receptacles	34A

A

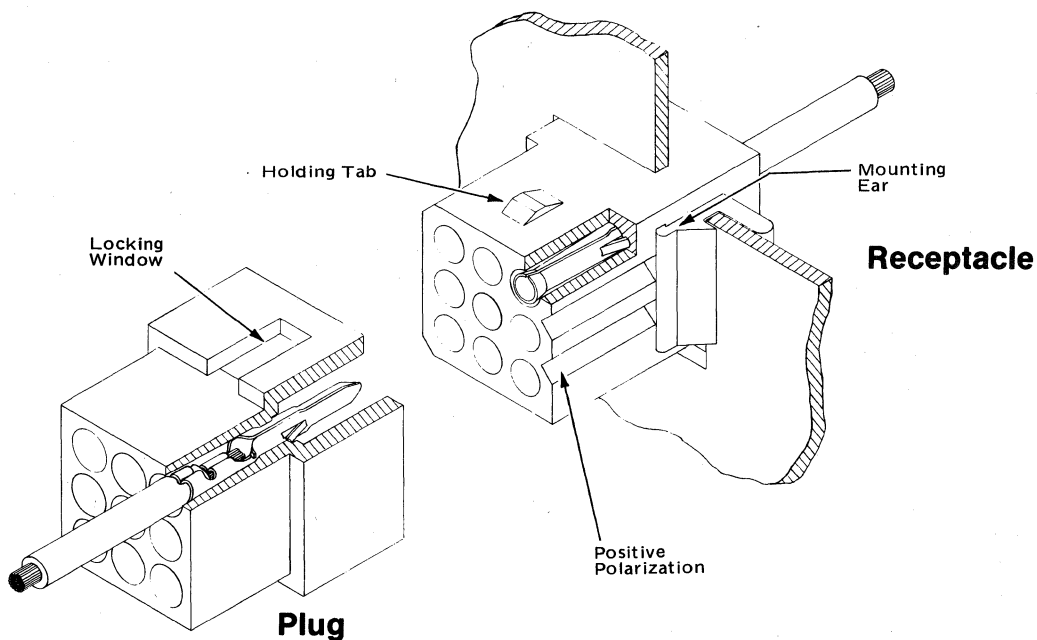
features/dimensions

- .062" (1,58 mm), .093" (2,36 mm) diameter pin variations
- Positive polarization
- Friction lock
- With or without mtg. ears
- Pull tabs available
- Meets international specifications of UL (USA), CSA (Canada), VDE (Germany) and EAMCL (Japan)
- Housings are standard natural also available dyed black, blue, brown, green, grey, orange, amber, red or yellow



Molex's nylon connectors and crimp terminals have long been thought of as the standard of the industry. For years they have been specified for applications ranging from home appliances to computers.

These versatile, reliable, low cost connectors allow the production of subassemblies more economically in remote locations. Later, when assembly is completed, wiring is accomplished by simply putting two housings together.





.062" (1,58 mm) Connectors

5025 Mini-Fit Pin & Socket Connectors

Positive Lock features/dimensions

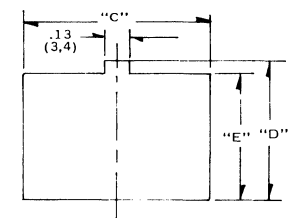
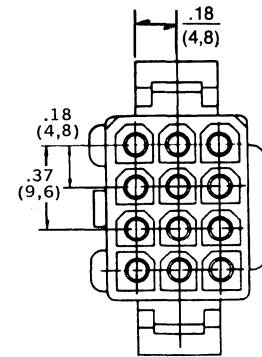
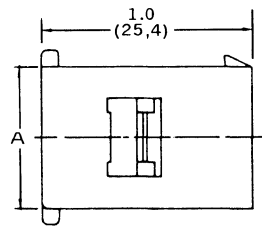
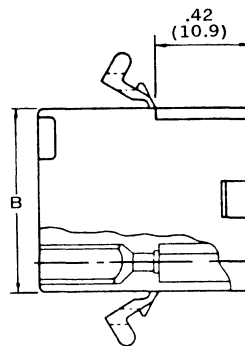
- .062" (1,58 mm) diameter pin and socket * 5 amps
- 2, 3, 4, 6, 9, 12, 15 circuits
- Positive lock
- Can mate with 3191 (2, 3, 4, 6 circuit)
- Nylon 6/6, UL 94V-2 material natural color; can be color coded
- Meets international specifications of UL (USA), CSA (Canada), VDE (Germany) and EAMCL (Japan)

These connectors are molded of 94 V-2 rated nylon 6/6 material. Their shielding sleeve design on both plug and receptacle isolates each terminal and assures a .16" (4 mm) over-surface and .12" (3 mm) through-air spacing between terminals. In addition, spacing between the back of the terminals' crimped section and the closest point to which it could meet a metal panel is .16" (4 mm). Terminals used are the standard .062" (1,58 mm) diameter pin and socket, except for the P.C. tail version, which is not adaptable.

The 5025 Mini-Fit connectors are available with integrally molded mounting ears for fast snap-lock panel mounting. They are designed so that the connectors cannot be mis-connected. For additional polarity, the pin and socket terminals can be inserted in either the plug or receptacle.

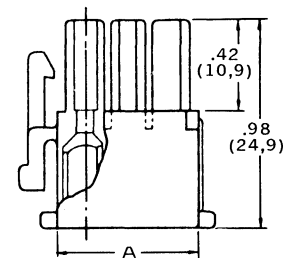
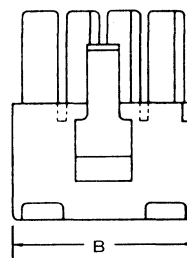
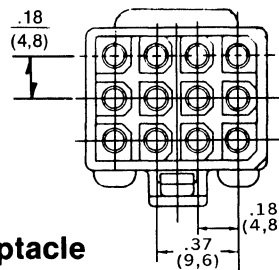
5025 Mini-Fit connectors have been developed to meet the demands of miniaturization, high reliability and safety requirements. *

Plug



Recommended Panel .079 (2 mm) Max. Thickness

Receptacle



inches
mm

Dimensional and Ordering Information — Plug

Circuits	Order No.	Eng. No.	Dim. A	Dim. B	Dim. C	Dim. D	Dim. E
2	15-31-1021	5025-02P	.28 7,2	.47 12,0	.62 15,8	.35 8,9	.30 7,8
3	15-31-1031	5025-03P	.28 7,2	.66 16,8	.81 20,6	.35 8,9	.30 7,8
4	15-31-1041	5025-04P	.28 7,2	.85 21,6	1.0 25,4	.35 8,9	.30 7,8
6	15-31-1061	5025-06P	.47 12,0	.66 16,8	.81 20,6	.53 13,7	.50 12,6
9	15-31-1091	5025-09P	.66 16,8	.66 16,8	.81 20,6	.72 18,5	.68 17,4
12	15-31-1121	5025-12P	.66 16,8	.85 21,6	1.0 25,4	.72 18,5	.68 17,4
15	15-31-1151	5025-15P	.66 16,8	1.03 26,4	1.18 30,2	.72 18,5	.68 17,4

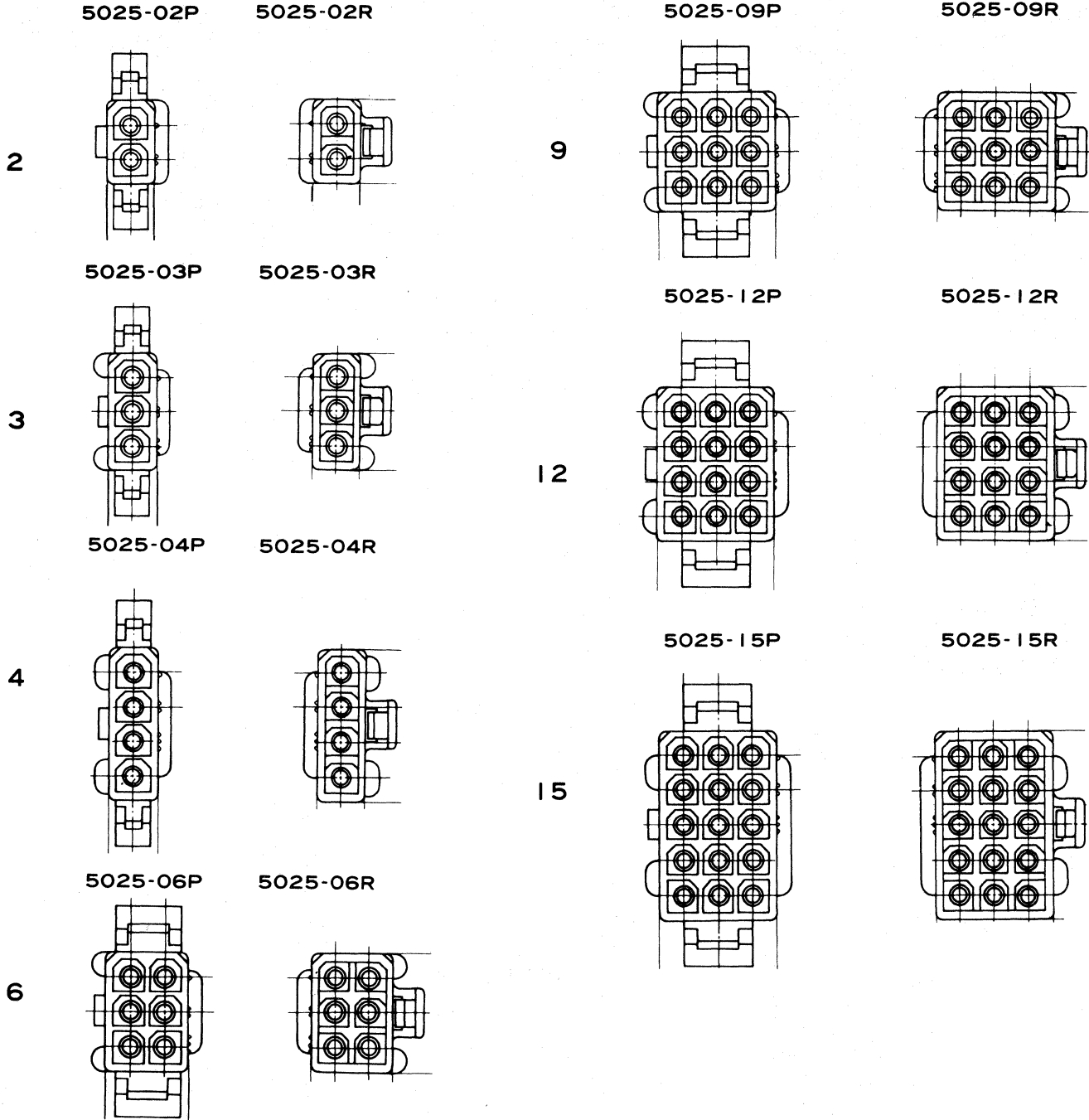
Receptacle

Circuits	Order No.	Eng. No.	Dim. A	Dim. B
2	15-31-1022	5025-02R1	.28 7,2	.47 12,0
3	15-31-1032	5025-03-R1	.28 7,2	.66 16,8
4	15-31-1042	5025-04R1	.28 7,2	.85 21,6
6	15-31-1062	5025-06R1	.47 12,0	.66 16,8
9	15-31-1092	5025-09R1	.66 16,8	.66 16,8
12	15-31-1122	5025-12R1	.66 16,8	.85 21,6
15	15-31-1152	5025-15R1	.66 16,8	1.03 26,4

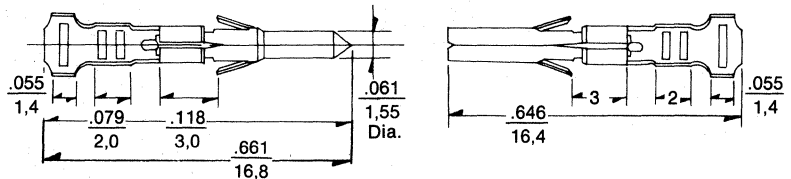
.062" (1,58 mm) Connectors



A



Mini Fit Series Terminals 5005/5006/5206



Tin Plated Brass Terminal

Chained Terminal				Loose Terminal				Wire Size	Insulation Diameter
Male		Female		Male		Female			
Order No.	Eng. No.	Order No.	Eng. No.	Order No.	Eng. No.	Order No.	Eng. No.		
08-70-0002	5006T	08-70-0001	5005T	08-70-0043	5006TL	08-70-0042	5005TL	AWG #18-24	φ3.0 Max.
08-70-0003	5008T	08-70-0004	5009T	08-70-0050	5008TL	08-70-0051	5009TL	AWG #24-28	φ2.4 Max.
08-70-0054	5206T	08-70-0052	5205T	08-70-0055	5206TL	08-70-0053	5205TL	AWG #14-16	φ3.4 Max.

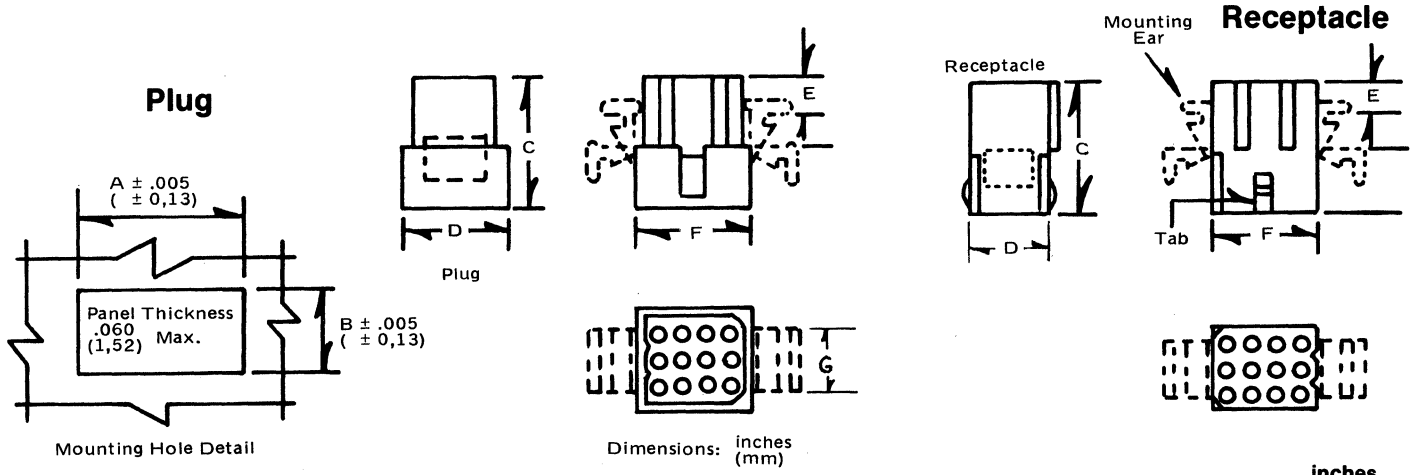
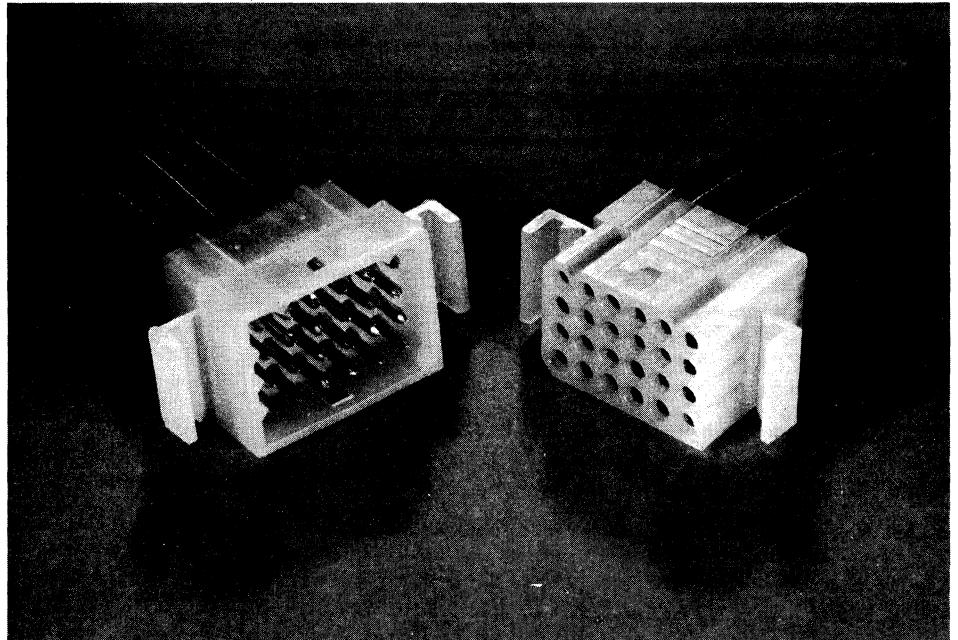


.062" (1,58mm) Connectors

1625, 1649, 1772 & 2004 Series

features/dimensions

- Integrally molded polarization
- 94V-2 rated nylon
- Accept Molex .062" (1,58 mm) crimp type or P.C. terminals
- U.L. and C.S.A. approvals
- 1, 2, 3, 4, 5, 6, 8, 9, 12, 15, 24, 36 circuit
- Friction lock
- Integrally molded mounting ears available
- Standard color natural can be color coded in black, brown, green, grey, orange, amber, red or yellow
- .145" (3,96 mm) spacing in a grid pattern .165" (4,20 mm) grid pattern on 36 circuit version
- Strain reliefs available for 15, 24 & 36 circuit configurations
- 5 Amps



Dimensional Information

Circuits	Model No.	Receptacle Dimensions						Plug Dimensions							
		A	B	C	D	E	F	A	B	C	D	E	F	G	
1	1625-1	—	—	.78 (19,8)	—	—	.193 (4,90) dia.	—	—	.75 (19,1)	—	—	—	—	—
2	1625-2	.505 (12,83)	.265 (6,73)	.81 (20,6)	.192 (4,88)	.21 (5,3)	.340 (8,64)	.609 (15,47)	.318 (8,08)	.78 (19,8)	.30 (7,6)	.21 (5,3)	.44 (11,2)	.19 (4,8)	
3	1625-3	.650 (16,51)	.265 (6,73)	.78 (19,8)	.192 (4,88)	.21 (5,3)	.484 (12,30)	.754 (19,15)	.318 (8,08)	.75 (19,1)	.30 (7,6)	.21 (5,3)	.59 (15,0)	.19 (4,8)	
4	1625-4	.785 (19,94)	.260 (6,60)	.78 (19,8)	.192 (4,88)	.21 (5,3)	.630 (16,00)	.865 (21,97)	.312 (7,93)	.75 (19,1)	.295 (7,49*)	.21 (5,3)	.73 (18,5)	.19 (4,8)	
4	2004	.506 (12,85)	.400 (10,16)	.750 (19,05)	.339 (8,61)	.21 (5,3)	.339 (8,61)	.615 (15,63)	.465 (11,80)	.75 (19,1)	.442 (11,23)	.21 (5,3)	.44 (11,2)	.25 (6,4)	
5	1625-5	.940 (23,88)	.265 (6,73)	.78 (19,8)	.192 (4,88)	.21 (5,3)	.775 (19,69)	1.044 (26,52)	.318 (8,08)	.75 (19,1)	.89 (22,6)	.21 (5,3)	.89 (22,6)	.19 (4,8)	
6	1625-6	.552 (14,02)	.505 (12,83)	.78 (19,8)	.494 (12,55)	.21 (5,3)	.344 (8,74)	.615 (15,62)	.607 (15,42)	.75 (19,1)	.60 (15,2)	.21 (5,3)	.45 (11,4)	.38 (9,7)	
8	1649	1.715 (43,56)	.330 (8,38)	.78 (19,8)	.220 (5,58)	.21 (5,3)	1.509 (38,33)	—	—	.75 (19,1)	.308 (7,82)	.21 (5,3)	1.601 (40,67)	—	
9	1625-9	.650 (16,51)	.552 (14,02)	.78 (19,8)	.494 (12,55)	.21 (5,3)	.489 (12,42)	.752 (19,10)	.615 (15,62)	.75 (19,1)	.590 (15,00)	.21 (5,3)	.59 (15,0)	.38 (9,7)	
12	1625-12	.795 (20,19)	.563 (14,30)	.78 (19,8)	.494 (12,55)	.21 (5,3)	.634 (16,10)	.903 (22,94)	.614 (15,60)	.75 (19,1)	.590 (15,00)	.21 (5,3)	.74 (18,8)	.38 (9,7)	
15	1625-15	.934 (23,72)	.563 (14,30)	.78 (19,8)	.487 (12,34)	.21 (5,3)	.776 (19,71)	1.042 (26,47)	.614 (15,60)	.75 (19,1)	.590 (15,00)	.21 (5,3)	.88 (22,4)	.38 (9,7)	
24	1625-24	1.079 (27,41)	.715 (18,16)	.750 (19,05)	.634 (16,10)	.21 (5,3)	.918 (23,32)	1.182 (30,02)	.765 (19,43)	.75 (19,1)	.74 (18,8)	.21 (5,3)	1.04 (26,4)	.50 (12,7)	
36	1772	1.677 (42,60)	.707 (17,96)	.781 (19,84)	.689 (17,50)	.21 (5,3)	1.505 (38,23)	1.795 (45,59)	.825 (20,96)	.75 (19,1)	.802 (20,37)	.21 (5,3)	1.618 (41,1)	.63 (15,9)	
36	1772-3*	1.677 (42,60)	.786 (19,10)	.781 (19,84)	.689 (17,50)	.21 (5,3)	1.505 (38,23)	1.795 (45,59)	.825 (20,96)	.75 (19,1)	.802 (20,37)	.21 (5,3)	1.618 (41,1)	.63 (15,9)	

A

.062" (1,58 mm) Connectors



A

Specifications

Electrical:

Resistance - MV voltage drop per amp, $\pm 10\%$: • 1st engagement 3.2
• 10th engagement 3.4 Probe about 1" (2,54 cm) from crimp barrel on 18 AWG stranded wire. Voltage drop includes mated terminals and both crimps.

High Voltage Test - Withstands 1500 volts RMS applied between adjacent terminals for 60 seconds mounted in housing.

Temperature Rise/Operating Range - 30° maximum for all connectors at maximum rated current.

Temperature range -40°C to 105°C

Current Rating - Amperage rating UL recognized.

Mechanical:

Terminal Crimp Strength -

Minimum pull-out force in pounds (kilograms) for AWG wire sizes:

18—20 (9,07)	26—5 (2,27)
20—15 (6,80)	28—3 (1,36)
22—10 (4,54)	30—2 (0,91)
24— 8 (3,63)	

Engage/Disengage Forces -

Miniature terminal of .008" (0,20 mm) stock 70/30 brass. Average engage/disengage forces in plug/receptacle connector with +30% tolerance in pounds (kilograms) by circuit:

1-circuit	2.3/ 0.8 (1,04/ 0,36)
2-circuit	4.6/ 1.6 (2,09/ 0,73)
3-circuit	6.9/ 2.4 (3,13/ 1,09)
4-circuit	9.2/ 3.2 (4,17/ 1,45)

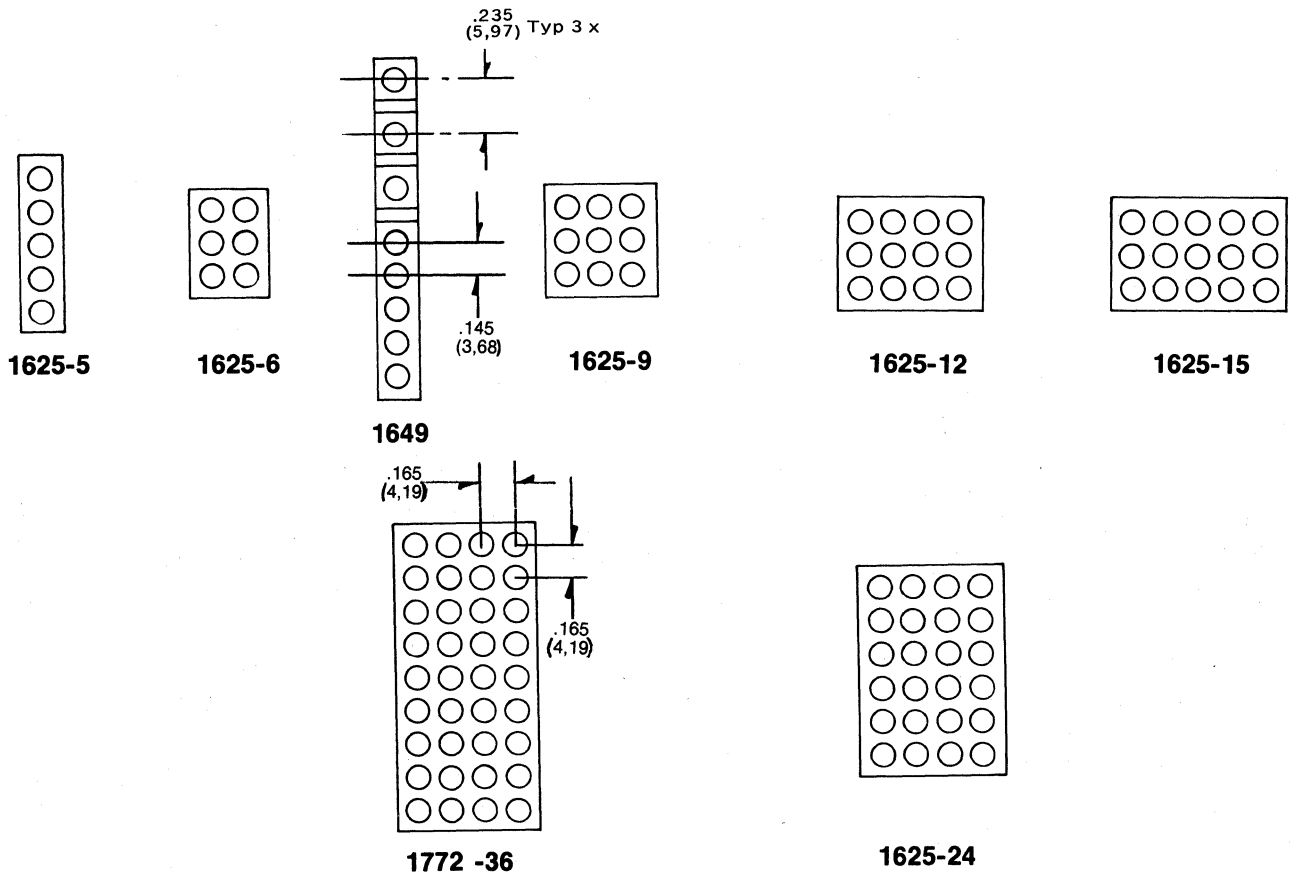
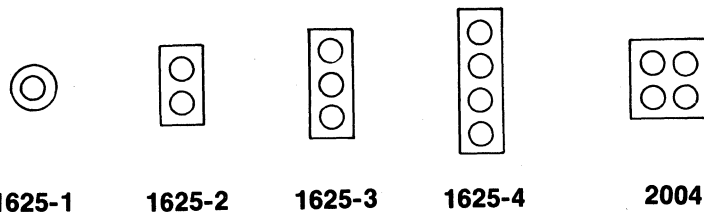
5-circuit	11.5/ 4.0 (5,22/ 1,81)
6-circuit	13.8/ 4.8 (6,26/ 2,18)
8-circuit	18.4/ 6.4 (8,35/ 2,90)
9-circuit	20.7/ 7.2 (9,39/ 3,27)
12-circuit	27.4/ 9.6 (12,43/ 4,35)
15-circuit	34.5/12.0 (15,65/ 5,44)
24-circuit	55.2/19.2 (25,04/ 8,71)
36-circuit	82.8/28.8 (37,56/13,06)

Recommended over 15 circuits .006" stock.

Grid Patterns

.145 grid pattern except where noted.

inches
mm





.062" (1,58 mm) Connectors

1625, 1649, 1772 & 2004 Series

Specification and Ordering Information

A

Specifications and Order Numbers							
Circuits (a)	Max. Amps	Max. Volts	Model No.	Receptacle Order Numbers		Plug Order Numbers	
				With Ears And Tabs	W/O Ears, With Tabs	With Mounting Ears	W/O Mtg. Ears
1	5	250	1625-1	—	03-06-1011	—	03-06-2011
2	5	250	1625-2	03-06-1022	03-06-1023	03-06-2022	03-06-2023
3	5	250	1625-3	03-06-1031	03-06-1032	03-06-2031	03-06-2032
4	5	250	1625-4	03-06-1041	03-06-1042	03-06-2041	03-06-2042
4(b)	5	250	2004	03-06-1043	—	03-06-2043	—
5	5	250	1625-5	03-06-1055	03-06-1056	03-06-2054	03-06-2055
6	5	250	1625-6	03-06-1061	03-06-1062	03-06-2062	03-06-2061
8(c)	5	250	1649	03-06-1081	—	—	03-06-2081
9	5	250	1625-9	03-06-1091	03-06-1092	03-06-2091	03-06-2092
12	5	250	1625-12	03-06-1121	03-06-1122	03-06-2121	03-06-2122
15	5	250	1625-15	03-06-1151	03-06-1152	03-06-2151	03-06-2152
24	5	250	1625-24	03-06-1241	03-06-1242	03-06-2241	03-06-2242
36 (d)	5	250	1772	03-06-1361	03-06-1362	03-06-2361	03-06-2362

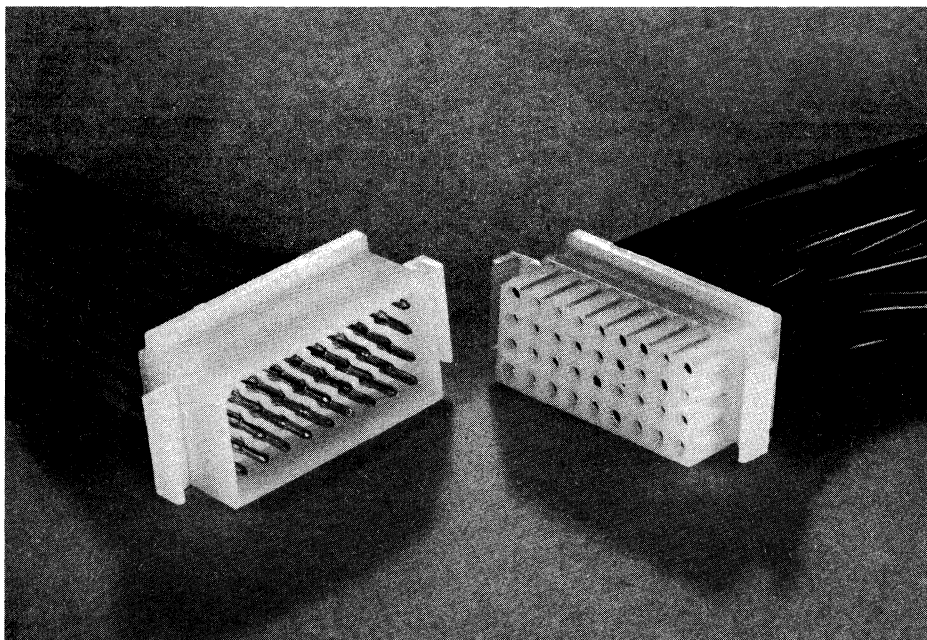
- (a) Electrical ratings are per circuit; UL and CSA recognized. Molex UL File Card No. E29179, CSA File Card No. 19980.
- (b) 4 Circuits in square grid pattern.
- (c) Terminal center spacings —
Circuits 1,2,3,4 — .235"
Circuits 5,6,7,8 — .145"
- (d) Center spacing (Grid Pattern) .165" has no holding tabs available with mounting ears and positive lock. See chart below for ordering data.

Description	Model No.	Receptacle	Plug
With Mounting Ears and Lock	1772-3	03-06-1363	03-06-2364
With Lock Only	1772-31	03-06-1364	03-06-2365
With Mounting Ears Only	1772-32	03-06-1365	N/A
Without Ears or Lock	1772-33	03-06-1366	N/A

STRAIN RELIEF ORDERING NO'S.

Connector Model	Collar Dia.	Strain Relief Part No.	Strain Relief Model
1625-15	.230	15-04-0201	1815
	.342	15-04-0206	1815-1
	.280	15-04-0208	1815-2
1625-24	.415	15-04-0230	4447-415
	.500	15-04-0231	4447-500
1772	.415	15-04-0202	1864-415
	.500	15-04-0203	1864-500

NOTE: Strain Reliefs to be used only with receptacles and plugs with mounting ears.



.093" (2,36 mm) Connectors

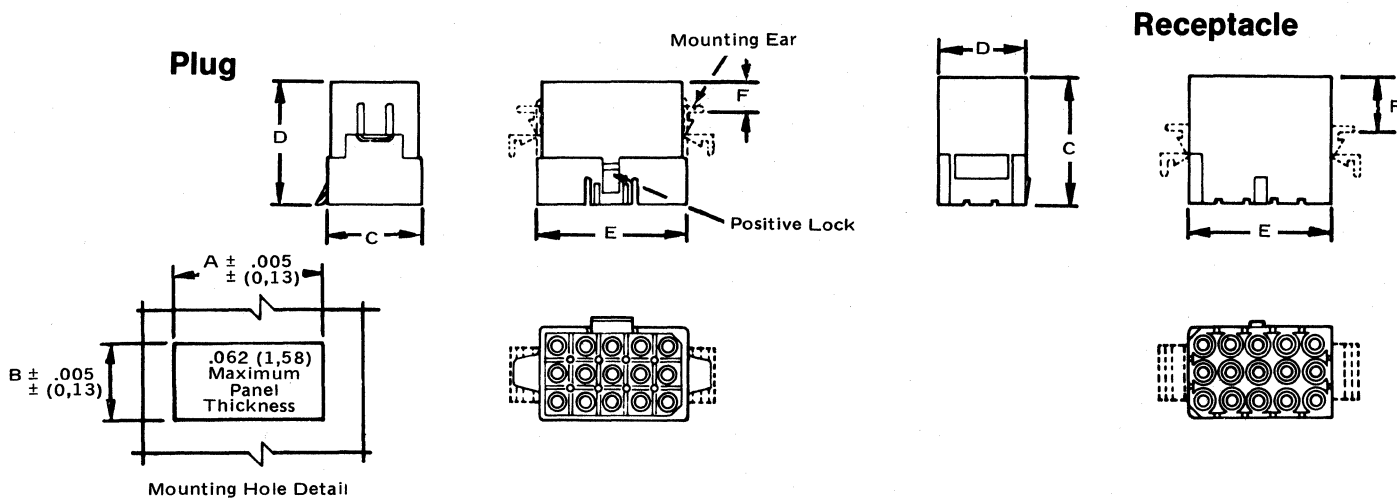
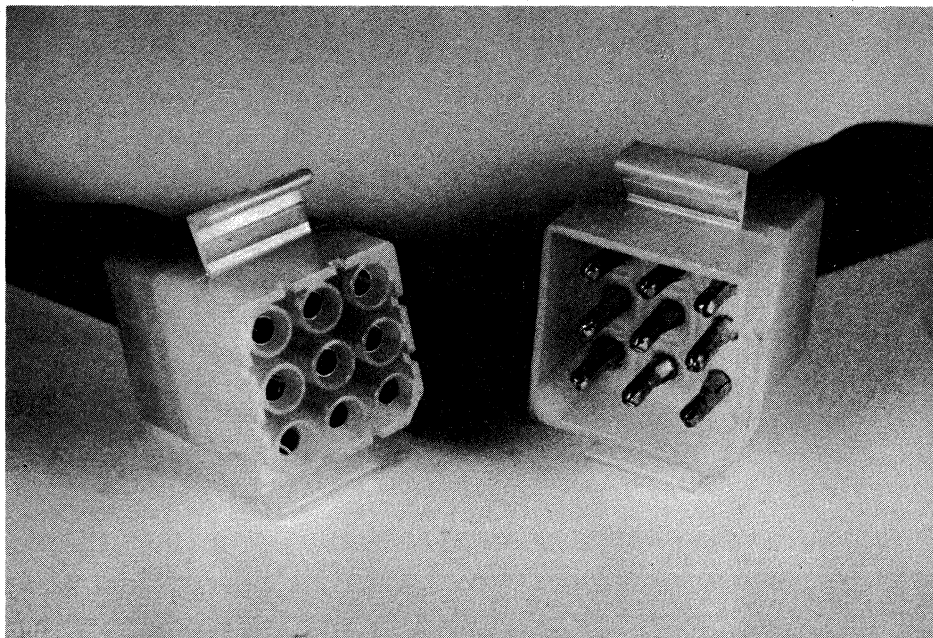


1991 Series

A

features/dimensions

- Integrally molded polarization
- 94V-2 rated nylon
- Accept Molex .093" (2,36 mm) crimp type or P.C. tail terminals
- Meet European, Japanese and American specifications
- .25" (6,3 mm) spacing in a grid pattern
- .16" (4 mm) over surface .12" (3 mm) through air spacing between terminals
- .16" (4 mm) spacing between the back of the terminal and the end of the housing
- 3, 4, 6, 9, 12, and 15 circuit versions
- Available with integrally molded mounting ears



Dimensional Information

inches
mm

Circuits	Model No.	Receptacle Dimensions						Plug Dimensions					
		A	B	C	D	E	F	A	B	C	D	E	F
3	1991-3	.920 (23,37)	.310 (7,87)	1.14 (28,95)	.25 (6,35)	.760 (19,30)	.51 (12,95)	1.022 (25,95)	.365 (9,27)	.35 (8,89)	1.100 (27,94)	.862 (21,89)	.52 (13,20)
4	1991-4	1.168 (29,67)	.311 (7,90)	1.14 (28,95)	.25 (6,35)	1.010 (25,65)	.51 (12,95)	1.270 (32,26)	.365 (9,27)	.35 (8,89)	1.100 (27,94)	1.110 (28,19)	.52 (13,20)
6	1991-6	.946 (24,03)	.608 (15,44)	1.14 (28,95)	.54 (13,67)	.79 (20,06)	.54 (13,70)	1.048 (26,62)	.658 (16,71)	.64 (16,25)	1.100 (27,94)	.886 (22,50)	.52 (13,20)
9	1991-9	.946 (24,03)	.850 (21,59)	1.14 (28,95)	.79 (20,06)	.79 (20,06)	.54 (13,70)	1.048 (26,62)	.910 (23,11)	.89 (22,60)	1.100 (27,94)	.886 (22,50)	.52 (13,20)
12	1991-12	1.194 (30,33)	.850 (21,59)	1.14 (28,95)	.79 (20,06)	1.034 (26,26)	.54 (13,70)	1.300 (33,02)	.910 (23,11)	.89 (22,60)	1.100 (27,94)	1.14 (28,95)	.31 (7,87)
15	1991-15	1.442 (36,63)	.850 (21,59)	1.14 (28,95)	.79 (20,06)	1.282 (32,56)	.54 (13,70)	1.552 (39,42)	.910 (23,11)	.89 (22,60)	1.100 (27,94)	1.388 (35,26)	.31 (7,87)



.093 (2,36 mm) Connectors

A

1991 Series

Specifications:

Electrical:

Resistance - MV voltage drop per amp, $\pm 10\%$:
 • 1st engagement 3.0
 • 10th engagement 3.1
 Probe about 1" (2,54 cm) from crimp barrel on 18 AWG stranded wire. Voltage drop includes mated terminals and both crimps.

High Voltage Test - Withstands 1500 volts RMS applied between adjacent terminals for 60 seconds mounted in housing.

Temperature Rise/Operating

Range - 30° maximum for all connectors at maximum rated current.

Temperature range -40°C to 105°C

Current Rating - Amperage rating UL recognized.

Mechanical:

Terminal Crimp Strength -

Minimum pull-out force in pounds (kilograms) for AWG wire sizes:

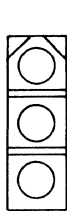
14—35 (15,88)	24—8 (3,63)
16—30 (13,61)	26—5 (2,27)
18—25 (11,34)	28—3 (1,36)
20—15 (6,80)	30—2 (0,91)
22—10 (4,54)	

Engage/Disengage Forces -

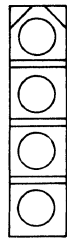
Standard terminal of .010" (0,25 mm) stock 70/30 brass. Average engage/disengage forces in plug/receptacle connector with $\pm 30\%$ tolerance in pounds (kilograms) by circuit:

3-circuit	9.5/ 8.26 (4,77/ 3,75)
4-circuit	14.0/11.02 (6,36/ 5,00)
6-circuit	21.0/16.5 (9,53/ 7,50)
9-circuit	31.5/24.8 (14,30/11,24)
12-circuit	42.0/33.07 (19,06/15,00)
15-circuit	52.5/41.3 (23.84/18,73)

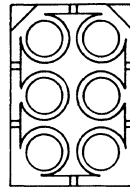
Grid Patterns



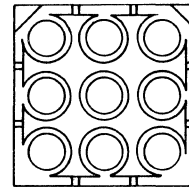
1991-3



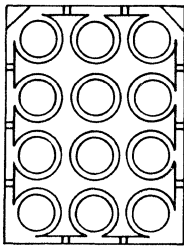
1991-4



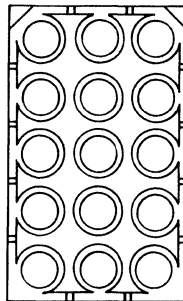
1991-6



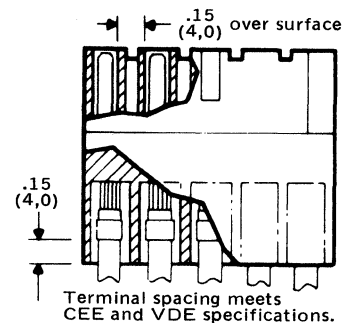
1991-9



1991-12



1991-15



Ordering Information 1991

No. of Circuits	Max. Amps	Max. Volts	Model No.	Receptacle		Plug	
				With Mounting Ears	Without Mounting Ears	With Mounting Ears	Without Mounting Ears
3	11	600	1991-3	19-09-1031	19-09-1032	19-09-2031	19-09-2032
4	9	600	1991-4	19-09-1041	19-09-1042	19-09-2041	19-09-2042
6	9	600	1991-6	19-09-1061	19-09-1062	19-09-2061	19-09-2062
9	8	600	1991-9	19-09-1091	19-09-1092	19-09-2091	19-09-2092
12	6	600	1991-12	19-09-1121	19-09-1122	19-09-2121	19-09-2122 (b)
15	6	600	1991-15	19-09-1151	19-09-1152	19-09-2151	19-09-2152 (b)

• Electrical ratings are per circuit, UL card No. E29179; CSA card No. 19980. Also meet CEE and VDE requirements.

(b) Model 1991-12 Plug without mounting ears has pull tabs; Model 1991-15 plug without mounting ears has pull tabs.

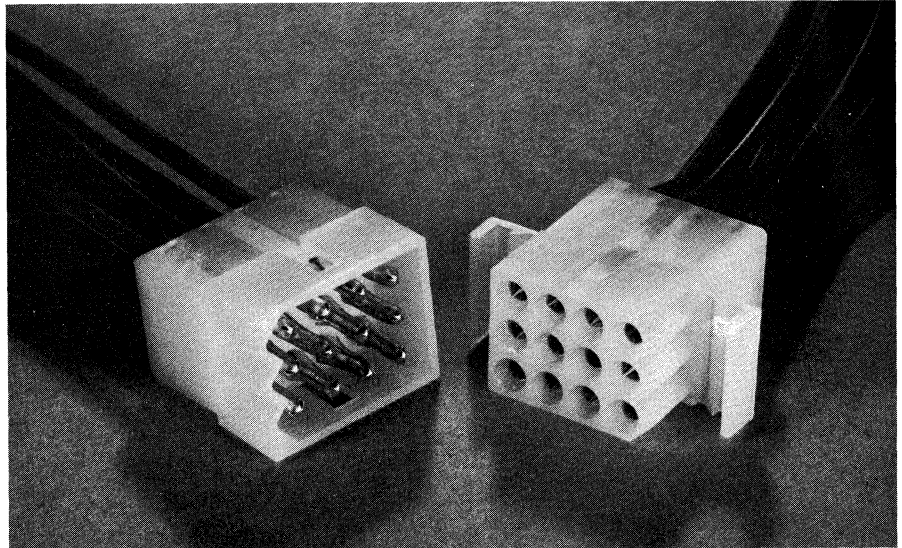
.093" (2,36 mm) Connectors



A

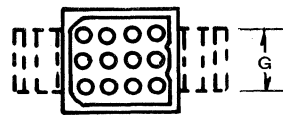
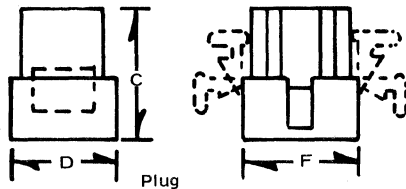
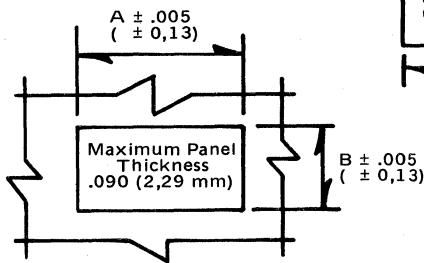
features/dimensions

- Integrally molded polarization
- 94V-2 rated nylon
- Accept Molex .093" (2.36 mm) diameter crimp type or P.C terminals
- .198" (5,03 mm) spacing in a grid pattern
- U.L. and C.S.A. approvals
- Integrally molded mounting ears available
- Friction lock
- Standard color natural can be color coded in black, brown, green, gray, orange, amber, red or yellow
- 1, 2, 3, 4, 5, 6, 9, 12, 15 circuit versions



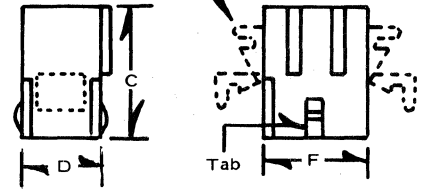
Plug

Mounting Hole Detail

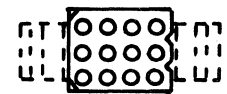


Receptacle

Mounting Ear



Receptacle



Dimensional Information

inches
mm

Circuits	Model No.	Receptacle Dimensions					Plug Dimensions						
		A	B	C	D	F	A	B	C	D	F	G	
1	1951	—	—	1.859 (47,27)	.312 (*7,92)	—	—	—	2.25 (57,15)	.437 (*18,10)	—	—	
1	1619	—	—	1.00 (25,40)	.234 (5,94)	—	—	—	.968 (24,59)	.358 (9,09)	—	—	
2	1545	.725 (18,42)	.312 (7,92)	1.00 (25,40)	.250 (6,35)	.536 (13,61)	.800 (20,32)	.375 (9,53)	.968 (24,59)	.352 (8,94)	.639 (16,23)	.250 (6,35)	
2	1816	—	—	1.063 (27,00)	.265 (6,73)	.531 (13,49)	—	—	1.031 (26,19)	.359 (9,12)	.656 (16,66)	—	
3	1396	.84 (21,34)	.312 (7,92)	1.015 (25,78)	.236 (5,99)	.670 (17,02)	.933 (23,70)	.375 (9,52)	.97 (24,64)	.34 (8,64)	.77 (14,56)	.250 (6,35)	
3	1816	—	—	1.063 (27,00)	.265 (6,73)	.784 (19,91)	—	—	1.031 (26,19)	.359 (9,12)	.921 (23,29)	—	
4	1490	1.038 (26,37)	.312 (7,92)	1.000 (25,40)	.236 (5,99)	.868 (22,05)	1.131 (28,73)	.375 (9,53)	.969 (24,61)	.338 (8,59)	.971 (24,66)	.240 (6,10)	
4	2163	.50 (12,70)	.60 (15,24)	1.000 (25,40)	.434 (11,02)	.434 (11,02)	.555 (14,10)	.695 (17,65)	.969 (24,61)	.538 (13,67)	.538 (13,67)	.312 (7,92)	
4	1816	—	—	1.063 (27,00)	.265 (6,73)	1.032 (26,21)	—	—	1.031 (26,19)	.359 (9,12)	1.156 (29,36)	—	
5	1653	1.238 (31,45)	.312 (7,92)	1.000 (25,40)	.243 (6,17)	1.066 (27,08)	1.331 (33,81)	.375 (9,53)	.969 (24,61)	.338 (8,59)	1.169 (29,69)	.252 (6,40)	
5	2629	—	—	1.000 (25,40)	.24 (6,10)	1.07 (27,18)	—	—	.969 (24,61)	.35 (8,89)	1.17 (29,72)	—	
6	1261	.718 (18,24)	.600 (15,24)	1.015 (25,78)	.632 (16,05)	.434 (11,02)	.750 (19,05)	.695 (17,65)	.969 (24,61)	.733 (18,62)	.536 (13,61)	.563 (14,30)	
9†	1292	.828 (21,03)	.725 (18,42)	1.015 (25,78)	.625 (15,93)	.666 (16,92)	.937 (23,80)	.660 (17,65)	.970 (24,64)	.730 (18,54)	.770 (19,56)	.56 (14,0)	
12(a)	1360	1.05 (26,67)	.655 (16,64)	1.015 (25,78)	.633 (16,08)	.871 (22,12)	1.155 (29,34)	.760 (19,30)	.969 (24,61)	.737 (18,72)	.975 (24,77)	.563 (14,30)	
15(b)	1375	1.240 (31,50)	.655 (16,64)	1.015 (25,78)	.632 (16,05)	1.066 (27,08)	1.343 (34,11)	.760 (19,30)	.969 (24,61)	.734 (18,64)	1.169 (29,69)	.563 (14,30)	

*Diameter

†NOTE: For panel mounting 9-circuit plug only —: wire harness must pull through mounting-ear panel cutout so that mounting ears can engage panel edge, if crimped terminal leads are pre-inserted in plug housing.

(a) 12 cir. recep. with mtg. ears and lock tabs (03-09-1125) mtg. hole Dim. "B" is .725 min.

(b) 15 cir. recep. with mtg. ears and lock tabs (03-09-1154) mtg. hole Dim. "B" is .725 min.

molex® .093" (2,36 mm) Connectors



Specifications:

Electrical:

Resistance - MV voltage drop per amp, +10%: • 1st engagement 3.0
• 10th engagement 3.1 Probe about 1" (2,54 cm) from crimp barrel on 18 AWG stranded wire. Voltage drop includes mated terminals and both crimps.

High Voltage Test - Withstands 1500 volts RMS applied between adjacent terminals for 60 seconds mounted in housing.

Temperature Rise/Operating Range - 30° maximum for all connectors at maximum rated current.

Temperature range -40°C to 105°C
Current Rating - Amperage rating UL recognized.

Mechanical:

Terminal Crimp Strength - Minimum pull-out force in pounds (kilograms) for AWG wire sizes:

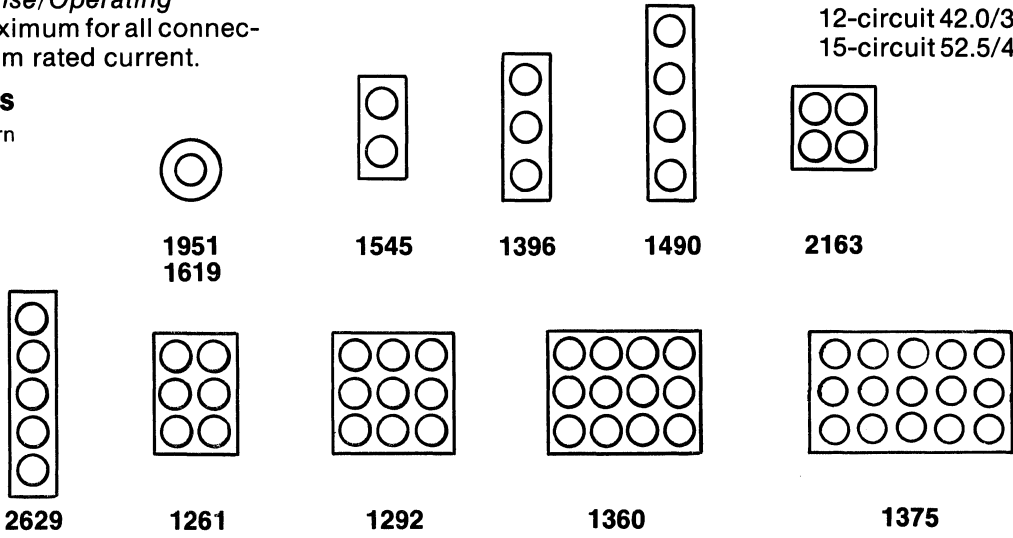
14—35 (15,88)	24—8 (3,63)
16—30 (13,61)	26—5 (2,27)
18—25 (11,34)	28—3 (1,36)
20—15 (6,80)	30—2 (0,91)
22—10 (4,54)	

Engage/Disengage Forces - Standard terminal of .010" (0,25 mm) stock 70/30 brass. Average engage/disengage forces in plug/receptacle connector with +30% tolerance in pounds (kilograms) by circuit:

1-circuit	3.5/ 2.75 (1,59/ 1,25)
2-circuit	7.0/ 5.5 (3,18/ 2,50)
3-circuit	9.5/ 8.26 (4,77/ 3,75)
4-circuit	14.0/11.02 (6,36/ 5,00)
5-circuit	17.5/13.7 (7,95/ 6,24)
6-circuit	21.0/16.5 (9,53/ 7,50)
9-circuit	31.5/24.8 (14,30/11,24)
12-circuit	42.0/33.07 (19,06/15,00)
15-circuit	52.5/41.3 (23,84/18,73)

Grid Patterns

.198 Grid Pattern



Ordering Information

Style		Electrical		Receptacle Order Numbers				Plug Order Numbers	
Circuits (a)	Model No.	Max. Amps	Max. Volts	With Mtg. Ears Only	With Holding Tabs Only	With Ears And Tabs	Without Ears Or Tabs	With Mtg. Ears	Without Mtg. Ears
1 (a)	1951	12	5,000	N/A	03-09-1014	N/A	N/A	N/A	03-09-2014
1	1619	12	250	N/A	03-09-1011	N/A	N/A	N/A	03-09-2011
2 (b)	1545	12	250	N/A	03-09-1022	03-09-1021	03-09-1023	03-09-2021	03-09-2022
3	1396	12	250	N/A	03-09-1032	03-09-1031	03-09-1033	03-09-2031	03-09-2032
4	1490	9	250	N/A	03-09-1042	03-09-1041	N/A	03-09-2041	03-09-2042
4 (c)	2163	9	250	N/A	03-09-1049	03-09-1040	N/A	03-09-2040	03-09-2049
5	1653	9	250	N/A	03-09-1052	N/A	N/A	N/A	03-09-2052
5 (d)	2629	9	250	N/A	03-09-1057	N/A	N/A	N/A	03-09-2057 (d)
6	1261	9	250	03-09-1062	03-09-1064	03-09-1061	03-09-1063	03-09-2061	03-09-2062
9	1292	9	250	03-09-1092	03-09-1094	03-09-1091	03-09-1093	03-09-2091	03-09-2092
12 (g)	1360	7.5	250	03-09-1121	03-09-1126	03-09-1125	03-09-1122	03-09-2122	03-09-2121
15 (e,f)	1375	7.5	250	03-09-1151	N/A	03-09-1154 (e)	03-09-1152	03-09-2152	03-09-2153 (f)

Ordering Information 1816

Style		Electrical		Receptacle Order Numbers				Plug Order Numbers	
Circuits (a)	Model No.	Max. Amps	Max. Volts	With Mtg. Ears Only	With Holding Tabs Only	With Ears And Tabs	Without Ears Or Tabs	With Mtg. Ears	Without Mtg. Ears
2 (b)	1816	12	600	N/A	03-09-1028	N/A	N/A	N/A	03-09-2028
3 (b)	1816	9	600	N/A	03-09-1038	N/A	N/A	N/A	03-09-2038
4 (b)	1816	9	600	N/A	03-09-1047	N/A	N/A	N/A	03-09-2048

- (a) Electrical ratings are per circuit; UL and CSA recognized; except for Model 1951. Molex UL file card No. E29179; CSA file card No. 19980.
- (b) Center spacing .248". Will accommodate: 14, 16 and 18 AWG with 1/32" insulation — 16 with 18 AWG (double crimp), each with 1/32" insulation. Model 1816 housings have positive lock rather than holding tabs.
- (c) 4 circuits in square grid pattern.
- (d) Has positive lock rather than holding tabs; plug 03-09-2057 will mate also with 5-circuit receptacle Model 1653, part 03-09-1051, and 4-circuit receptacle Model 1490, part 03-09-1042.
- (e) To order mating plug for receptacle part 03-09-1154 (with ears and locking tabs) specify only plug part 03-09-2154 (has pull tabs, no mounting ears).
- (f) Plug also is available with pull tabs without mounting ears. Order part 03-09-2151.
- (g) Strain relief, Model 6760, available Model 1360 plugs and receptacles with ears. (See chart at right)

Collar Dia.	Order No.
.280	15-04-9218
.374	15-04-0241
.600	15-04-0255

.093" (2,36 mm) Connectors

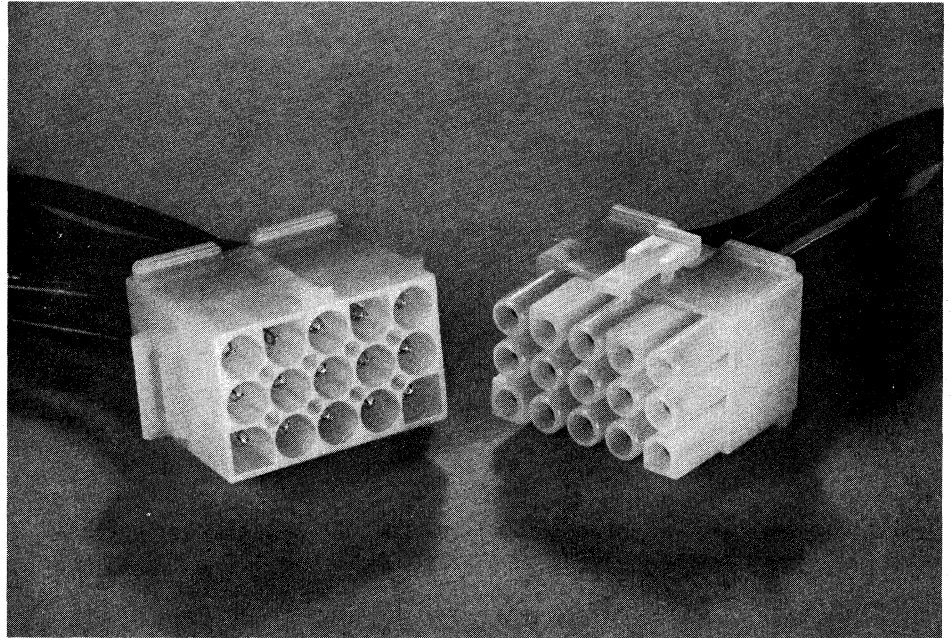


A

3191 Series

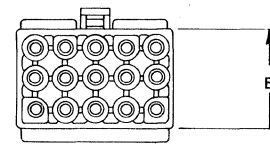
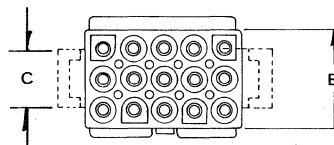
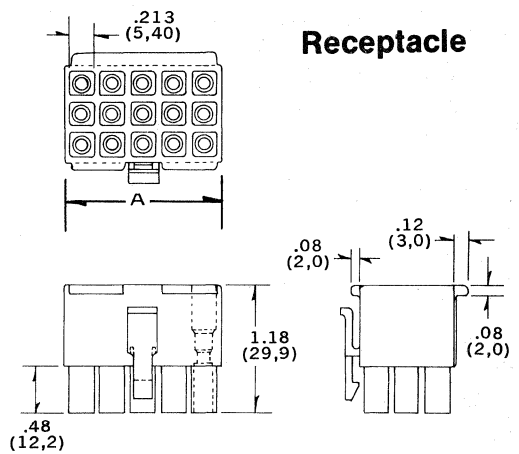
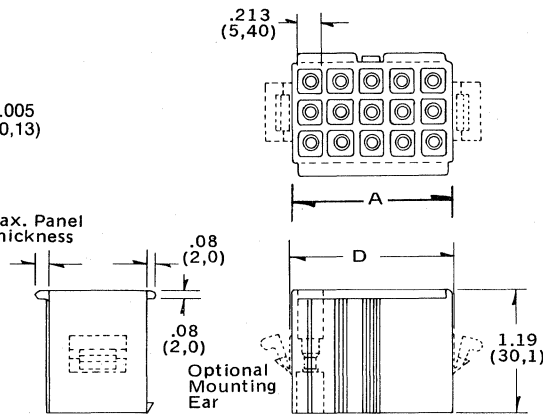
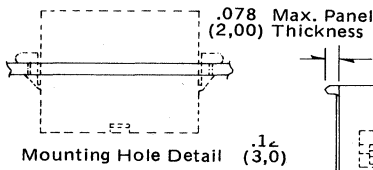
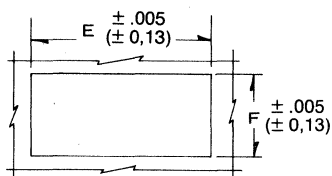
features/dimensions

- Integrally molded polarization
- 94V-2 rated nylon
- Accepts Molex .093" (2,36 mm) crimp type or P.C. tail terminals
- Meet current and future European, Japanese and American specifications
- 2, 3, 4, 6, 9, 12, 15 circuit versions
- Positive locking
- Integrally molded mounting ears available
- .16" (4 mm) over surface and .12" (3 mm) through air spacing between terminals
- Standard color white can be color coded in black, brown, green, gray, orange, amber, red or yellow
- .264" (6,71 mm) grid pattern
- 3191-K Polarizing key



Plug

Receptacle



Dimensional Information

Circuits	Receptacle		Plug					
	A	B	A	B	C	D	E	F
2	.56 (14,3)	.300 (7,60)	.58 (14,7)	.32 (8,1)	.32 (8,1)	.635 (16,13)	.800 (20,32)	.365 (9,27)
3	.83 (21,0)	.300 (7,60)	.85 (21,59)	.32 (8,1)	.32 (8,1)	.858 (21,80)	1.022 (25,96)	.365 (9,27)
4	1.09 (27,7)	.300 (7,60)	1.11 (28,2)	.32 (8,1)	.32 (8,1)	1.109 (28,17)	1.270 (32,26)	.365 (9,27)
6	.83 (21,0)	.56 (14,3)	.85 (21,6)	.60 (15,2)	.58 (14,7)	.888 (22,55)	1.048 (26,62)	.658 (16,71)
9	.83 (21,0)	.83 (21,0)	.85 (21,6)	.87 (22,1)	.58 (14,7)	.883 (22,43)	1.048 (26,62)	.910 (23,11)
12	1.09 (27,7)	.83 (21,0)	1.11 (28,3)	.87 (22,1)	.58 (14,7)	1.140 (28,96)	1.300 (33,02)	.910 (23,11)
15	1.35 (34,4)	.83 (21,0)	1.38 (35,0)	.87 (22,1)	.58 (14,7)	1.392 (35,36)	1.552 (39,42)	.910 (23,11)

NOTE: Applicable dimensions are common for all housings, except as shown.



.093 (2,36 mm) Connectors

3191 Series

A

Specifications:

Electrical:

Resistance - MV voltage drop per amp, $\pm 10\%$:
 • 1st engagement 3.0
 • 10th engagement 3.1 Probe about 1" (2,54 cm) from crimp barrel on 18 AWG stranded wire. Voltage drop includes mated terminals and both crimps.

High Voltage Test - Withstands 1500 volts RMS applied between adjacent terminals for 60 seconds mounted in housing.

Temperature Rise/Operating Range - 30° maximum for all connectors at maximum rated current. Temperature range -40°C to 105°C

Current Rating - Amperage rating UL recognized.

Mechanical:

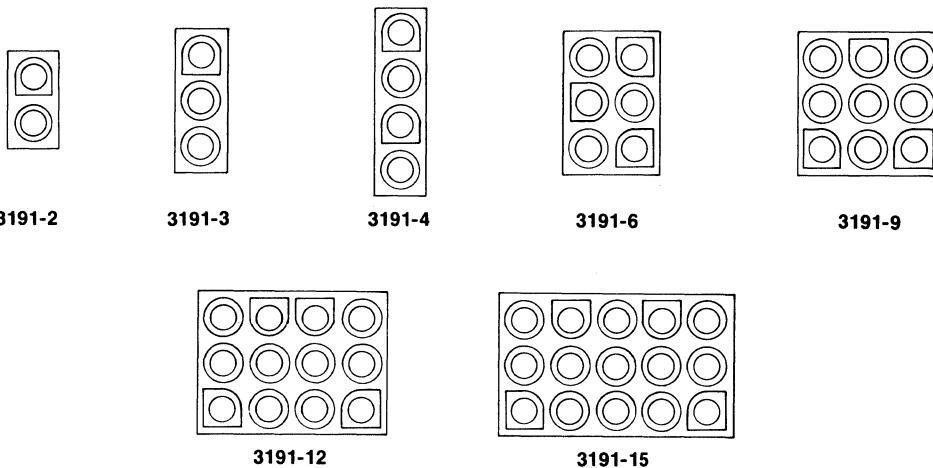
Terminal Crimp Strength - Minimum pull-out force in pounds (kilograms) for AWG wire sizes:

14—35 (15,88)	24—8 (3,63)
16—30 (13,61)	26—5 (2,27)
18—25 (11,34)	28—3 (1,36)
20—15 (6,80)	30—2 (0,91)
22—10 (4,54)	

Engage/Disengage Forces - Standard terminal of .010" (0,25 mm) stock 70/30 brass. Average engage/disengage forces in plug/receptacle connector with $+30\%$ tolerance in pounds (kilograms) by circuit:

1-circuit	3.5/ 2.75 (1,59/ 1,25)
2-circuit	7.0/ 5.5 (3,18/ 2,50)
3-circuit	9.5/ 8.26 (4,77/ 3,75)
4-circuit	14.0/11.02 (6,36/ 5,00)
5-circuit	17.5/13.7 (7,95/ 6,24)
6-circuit	21.0/16.5 (9,53/ 7,50)
9-circuit	31.5/24.8 (14,30/11,24)
12-circuit	42.0/33.07 (19,06/15,00)
15-circuit	52.5/41.3 (23,84/18,73)

Grid Patterns



Ordering Information 3191

No. of Circuits	Receptacle		Plug		Electrical	
	Available only Without Mounting Ears	With Mounting Ears	Without Mounting Ears	Without Mounting Ears	Max. Amps.	Max. Volts
2	19-09-1029	19-09-2028	19-09-2029	19-09-2029	12	600
3	19-09-1039	19-09-2038	19-09-2039	19-09-2039	11	600
4	19-09-1049	19-09-2048	19-09-2049	19-09-2049	9	600
6	19-09-1069	19-09-2068	19-09-2069	19-09-2069	9	600
9	19-09-1099	19-09-2098	19-09-2099	19-09-2099	8	600
12	19-09-1129	19-09-2128	19-09-2129	19-09-2129	7	600
15	19-09-1159	19-09-2158	19-09-2159	19-09-2159	6	600

NOTE: Above order numbers are for 94V-2 material. Should you require 94V-0 material enter circuit size in order system outlined below.

For 1 circuit version contact factory.

No. of Circuits	Order No.	Order No.	Order No.
xx	19-09-1xx6	19-09-2xx7	19-09-2xx6

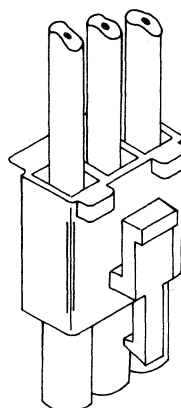
.093" (2,36 mm) Header



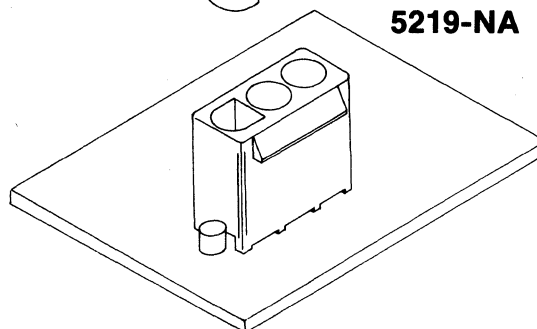
5219 Series

Features/Dimensions:

- 2, 3, 4, 6 Circuits available
- Locks with PCB for flow soldering
- Polarization to PCB mounting
- Locking ramp for 3191 positive locking
- Integrally molded polarization to 3191
- Terminal material tin plated brass
- .264" (6,71 mm) grid pattern



3191-NR1



5219-NA

The 5219 has been developed to meet the market need to use the 3191 for wire to PCB applications.

2, 3, 4, and 6 Circuits are available. Larger circuit sizes, i.e. 9 and 15, are not tooled due to very high mating/unmating force.

Ordering Information

Circuits	Rating	Order No.
2	12A 600V	15-31-1026
3	11A 600V	15-31-1036
4	9A 600V	15-31-1046
6	9A 600V	15-31-1066

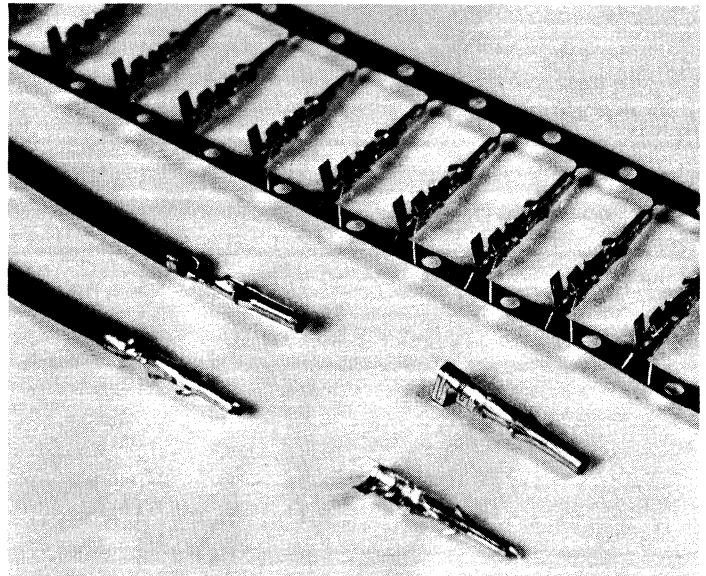


Pin and Socket Terminals

A

features/dimensions

- Accept various wire gauges
- Various platings available
- Crimp and P.C. tail versions
- Terminals manufactured from various alloys
- Available in chain or loose form



These pin and socket terminals snap into Molex's connector housings and are held securely by two mounting tangs. These tangs stabilize the terminal and help insure contact.

It is important when ordering these terminals that you order the proper style best suited for your application.

Terminal Variations:

With dimple - without dimple (female terminal) - Most applications are met by the terminal version without a dimple. The dimple version should be used in a high vibration environment as the dimple increases the retention force. This dimple also increases the engage and disengaging forces.

Differences in material thickness (female) - The thinner the material, the lower the insertion and withdrawal forces.

Chain or loose form - The chain form is needed when using a crimp press and is supplied on a reel; the loose when using a hand crimper.

Crimp or solder tail - Crimp terminals are designed to be crimped directly to wires. The solder tail version is made to be inserted in the connector and soldered directly to the P.C. Board.

Modified Copper-Tin Plated - Where high current is employed and insertion withdrawal cycles are low, tin plated modified copper terminals are recommended. (Conductivity is 65%)

Brass, tin plated - This 260 alloy material is tin plated prior to forming and will meet most applications. (Conductivity is 28 percent).

Brass, gold plated - Gold plating is best suited for low current use where excessive corrosion is a factor or when storage of two years or more is expected.

Phosphor bronze, tin plated - This 510 alloy material improves mechanical characteristics. (Conductivity is 15 percent.) Suggested for applications where a high number of insertion/withdrawal cycles are required.

.062" (1,58 mm) Diameter



Terminals

A

Specifications:

Electrical:

Resistance - MV voltage drop per amp, $\pm 10\%$: • 1st engagement 3.2
• 10th engagement 3.3 Probe about 1" (2,54 cm) from crimp barrel on 18 AWG stranded wire. Voltage drop includes mated terminals and both crimps. Brass material and tin plating.
High Voltage Test - Withstands 1500 volts RMS applied between adjacent terminals for 60 seconds mounted in housing.

Temperature Rise/Operating

Range - 30°C maximum for all connectors at maximum rated current.

Temperature range -40°C to 105°C

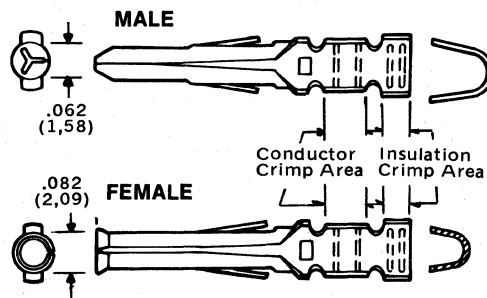
Current Rating - Amperage rating UL recognized.

Mechanical:

Terminal Crimp Strength -

Minimum pull-out force in pounds (kilograms) for AWG wire sizes:

18—20 (9,07)	26—5 (2,27)
20—15 (6,80)	28—3 (1,36)
22—10 (4,54)	30—2 (0,91)
24— 8 (3,63)	



Molex tools for crimping include hand operated, semi-automatic, and fully automatic equipment.

Ratchet hand crimping tools are recommended for prototype, repair work, or small production runs. When using these sturdy tools, loose (individual) terminals must be specified.

Molex bench crimping machines crimp terminals fed in chain form up to 3,000 terminals per hour, depending upon the length of the wire lead and the operator's skill. The bench machines are available for purchase, or on a lease or a lease-purchase basis.

For high volume users, the fully automatic Artos machine—which cuts and strips wire leads, and then crimps them to the terminals—is suggested. Artos machines will attach up to 8,000 terminals per hour, depending upon wire length and the machine model specified.

Molex also has a complete range of terminal extractor tools designed for fast terminal removal, and an insertion tool for the smaller diameter terminals.

.062" (1,58 mm) Diameter Terminals, .008 Brass, Crimp Type

Terminal Information		
Wire Size	Insulation Diameter	Model No.
18-24	.060/.120 (1,52/3,05)	1560 - Male 1561 - Female
24-30	.040/.090 (1,02/2,29)	1854 - Male 1855 - Female

inches
mm

Ordering Numbers					
Finish	Form	1560-M	1561-F	1854-M	1855-F
Tin	Chain(b)	02-06-2101	02-06-1101	02-06-2131	02-06-1131
	Loose	02-06-2103	02-06-1103	02-06-2132	02-06-1132
Gold	Chain(b)	02-06-6100	02-06-5100	02-06-6130	02-06-5130
	(a) Loose	02-06-6103	02-06-5103	02-06-6135	02-06-5135

(a) .000020 gold over .000030 nickel terminals overall gold plated after forming. Special platings available upon request.

(b) 7,000 terminals per reel. All chain form order rounded to nearest full reel. Chain form reels for Model 1854 and 1855 contain 20,000 terminals.



.062" (1,58mm) Diameter Terminals



.062" (1,58 mm) Diameter Terminals .008 Phos-Bronze, Crimp Type

Terminal Information		
Wire Size	Insulation Diameter	Model No.
18-24	.060/.120 (1,52/3,05)	1786 - Male
		1787 - Female
24-30	.040/.090 (1,02/2,29)	2190 - Male
		2189 - Female

inches
mm

Ordering Numbers					
Finish	Form	1786-M	1787-F	2190-M	2189-F
Tin	Chain(b)	02-06-2201	02-06-1201	02-06-2231	02-06-1231
	Loose	02-06-2202	02-06-1202	02-06-2232	02-06-1232
Gold	Chain(b)	02-06-6201	02-06-5201		
	Loose	02-06-6202	02-06-5202		

- (a) .000020 gold over .000030 nickel terminals overall gold plated after forming. Special platings available upon request.
- (b) 7,000 terminals per reel. All chain form order rounded to nearest full reel. Chain form reels for Model 2189 and 2190 contain 20,000 terminals.

.062" (1,58 mm) Diameter Terminals .006 Phos-Bronze, Crimp Type

Terminal Information		
Wire Size	Insulation Diameter	Model No.
18-24	.060/.120 (1,52/3,05)	N/A - Male
		4529 - Female
24-30	.040/.090 (1,02/2,29)	N/A - Male
		4559 - Female

Ordering Numbers			
Finish	Form	4529-F	4559-F
Tin	Chain	02-06-1104	02-06-1109
	Loose	02-06-1105	02-06-1110
Gold	Chain	02-06-5207	
	Loose	02-06-5208	

- (a) .000020 gold over .000030 nickel terminals overall gold plated after forming. Special platings available upon request.
- (b) 3,000 terminals per reel. All chain forms rounded to nearest full reel.

Tooling for .062" (1,58 mm) Diameter Terminals

Terminal Model No.	Hand Tools			Crimping Machine	
	Crimping	Insertion	Extractor	Bench	Automatic
1560-1561	11-01-0008	11-02-0001	11-03-0002 (a) 11-03-0009	11-04-0013	Artos
1786-1787	11-01-0008	11-02-0001	11-03-0002 (a) 11-03-0009	11-04-0013	Artos
1854-1855	11-01-0006	11-02-0001	11-03-0002 (a) 11-03-0009	11-04-0013	Artos
2189-2190	11-01-0006	11-02-0001	11-03-0002 (a) 11-03-0009	11-04-0013	Artos
4529	11-01-0008	11-02-0001	11-03-0002 (a) 11-03-0009	11-04-0013	Artos
4559	11-01-0006	11-02-0001	11-03-0002 (a) 11-03-0009	11-04-0013	Artos

(a) Spring-loaded for automatic ejection.

.093" (2,36mm) Diameter Terminals



A

Specifications:

Electrical:

Resistance - MV voltage drop per amp, $\pm 10\%$:
 • 1st engagement 3.0
 • 10th engagement 3.1
 Probe about 1" (2,54 cm) from crimp barrel on 18 AWG stranded wire. Voltage drop includes mated terminals and both crimps. Brass material and tin plating.

High Voltage Test - Withstands 1500 volts RMS applied between adjacent terminals for 60 seconds mounted in all housings.

Temperature Rise/Operating

Range - 30° maximum for all connectors at maximum rated current.

Temperature range -40°C to 105°C

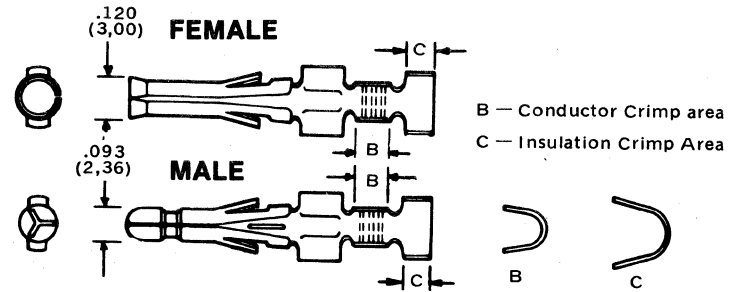
Current Rating - Amperage rating UL recognized.

Mechanical:

Terminal Crimp Strength -

Minimum pull-out force in pounds (kilograms) for AWG wire sizes:

14—35 (15,9)	24—8 (3,63)
16—30 (13,6)	26—5 (2,27)
18—25 (9,07)	28—3 (1,36)
20—15 (6,80)	30—2 (0,91)
22—10 (4,54)	



.093" (2,36 mm) Diameter, .010 Brass, Crimp Type

inches
mm

Terminal Information		
Wire Size	Insulation Diameter	Model No.
14-20	.065/.160 (1,65/4,06)	1189 - Female
		1190 - Male
18-22	.060/.120 (1,52/3,05)	1381 - Female
		1380 - Male
22-24(a)	.050/.070 (1,27/1,78)	2871 - Female
		2870 - Male
24-30	.030/.060 (0,76/1,52)	1433 - Female
		1434 - Male

(a) For Fire Retardant Insulated Wire

Ordering Numbers — Male Terminals					
Finish	Form	1190-M	1380-M	2870-M	1434-M
Tin	Chain(b)	02-09-2101	02-09-2116	02-09-2136	02-09-2141
	Loose	02-09-2103	02-09-2118	02-09-2137	02-09-2143
Gold	Chain(b)	02-09-6100	02-09-6122		02-09-6144
	(a) Loose	02-09-6106	02-09-6123		02-09-6145

(a) .00002 Gold over .00003 Nickel. Terminals overall Gold Plated after forming. Special platings available upon request.

(b) 7,000 terminals per reel - all chain form orders rounded to nearest full reel. Chain form reels for Models 1433, 1434, 2870 and 2871 contain 8,000 terminals.

Ordering Numbers — Female Terminals						
Finish	Form	Dimple	1189-F	1381-F	2871-F	1433-F
Tin	Chain (b)	Yes	02-09-1101	02-09-1116	02-09-1136	02-09-1141
		No	02-09-1102	02-09-1117	02-09-1138	02-09-1142
	Loose	Yes	02-09-1103	02-09-1118	02-09-1137	02-09-1143
		No	02-09-1104	02-09-1119	02-09-1139	02-09-1144
Gold (a)	Chain (b)	Yes	02-09-5100	02-09-5122		02-09-5144
		No	02-09-5103			02-09-5146
	Loose	Yes	02-09-5106	02-09-5123		02-09-5145
		No	02-09-5109			02-09-5147

(a) .00002 Gold over .00003 Nickel. Terminals overall Gold Plated after forming. Special platings available upon request.

(b) 7,000 terminals per reel - all chain form orders rounded to nearest full reel. Chain form reels for Models 1433, 1434, 2870 and 2871 contain 8,000 terminals.



.093" (2,36 mm) Diameter Terminals

.093" (2,36 mm) Diameter, .010 Phos-Bronze, Crimp Type

Terminal Information		
Wire Size	Insulation Diameter	Model No.
14-20	.065/.160 (1,65/4,06)	N/A - Male 4550 - Female
18-22	.060/.120 (1,52/3,05)	2152 - Male 2151 - Female

inches
mm

Ordering Numbers — Terminals					
Finish	Form	Dimple	4550-F	2151-F	2152-M
Tin	Chain (b)	Yes	02-09-1205	02-09-1201	
		No		02-09-1203	02-09-2201
	Loose	Yes	02-09-1206	02-09-1202	
		No		02-09-1204	02-09-2202
Gold (a)	Chain (b)	Yes		02-09-5201	
		No			
	Loose	Yes		02-09-5202	
		No			

(a) .000020 Gold over .000030 Nickel. Terminals overall Gold Plated after forming. Special Platings available

(b) 7,000 terminals per reel. All chain form orders rounded to nearest full reel.

.093" (2,36 mm) Diameter, .008 Brass, Crimp Type

Terminal Information		
Wire Size	Insulation Diameter	Model No.
14-20	.065/.160 (1,65/4,06)	N/A - Male 2269 - Female
18-22	.060/.120 (1,52/3,05)	4272 - Male 2273 - Female
24-30	.030/.060 (0,76/1,52)	N/A - Male 2192 - Female

Ordering Numbers — Terminals						
Finish	Form	Dimple	2269-F	2273-F	2192-F	4272-M
Tin	Chain	Yes		02-09-1135		
		No	02-09-1105	02-09-1122	02-09-1121	02-09-1117
	Loose	Yes		02-09-1140		
		No	02-09-1106	02-09-1123	02-09-1120	02-09-1147

Special Platings Available Upon Request.

(a) 2269 contains 7,000 terminals per reel. 2273 and 1433 contains 8,000 terminals per reel. All chain orders rounded to nearest reel.

.093" (2,36 mm) Diameter, .010 Modified Copper, Crimp Type

Terminal Information		
Wire Size	Insulation Diameter	Model No.
14-20	.065/.160 (1,65/4,06)	1450 - Male 1451 - Female

Ordering Numbers — Male Terminal		
Finish	Form	1450-M
Tin	Chain(a)	02-09-2301
	Loose	02-09-2303

Special Plating Available Upon Request.

Ordering Numbers — Female Terminal			
Finish	Form	Dimple	1451-F
Tin	Chain(a)	Yes	02-09-1301
		No	02-09-1302
	Loose	Yes	02-09-1303
		No	02-09-1304

Special Platings Available Upon Request

(a) 7,000 terminals per reel - all chain form orders rounded to nearest full reel.

Tooling For .093" (2,36 mm) Diameter Terminals

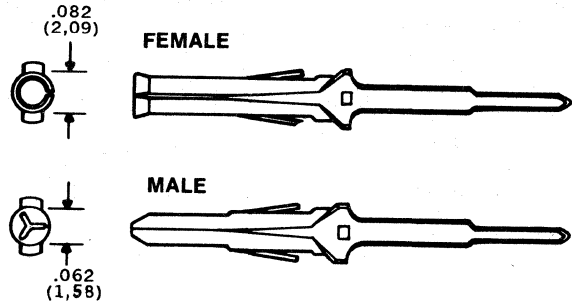
Terminal Model No.	Hand Tools			Crimping Machine	
	Crimping	Insertion	Extractor	Bench	Automatic
1189-1190	11-01-0002	Not Required	11-03-0006(a) 11-03-0015	11-04-0006	Artos
1380-1381	11-01-0002	Not Required	11-03-0006(a) 11-03-0015	11-04-0006	Artos
1433-1434	11-01-0006	11-02-0003	11-03-0006(a) 11-03-0015	11-04-0006	Artos
1450-1451	11-02-0002	Not Required	11-03-0006(a) 11-03-0015	11-04-0006	Artos
2151-2152	11-01-0002	Not Required	11-03-0006(a) 11-03-0015	11-04-0006	Artos
2870-2871	11-01-0026	Not Required	11-03-0006(a) 11-03-0015	11-04-0006	Artos

(a) Spring-loaded for automatic terminal ejection.

A

.062" (1,58 mm) P.C. Tail

**.062" (1,58 mm) Diameter,
.008 Brass, Solder Tail**

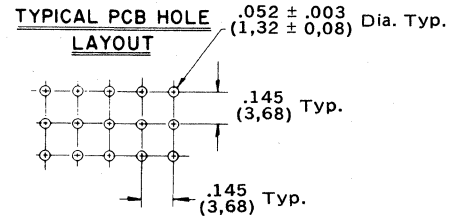


Terminal Information		
Used With Connector Model	Terminal Model No.	P.C.B. Thickness
Std. .062" Dia. Connectors	1778 - Male 1779 - Female	.062"

Ordering Numbers			
Finish	Form	1778-M	1779-F
Tin	Loose	02-06-8103	02-06-7103
Gold(a)	Loose	02-06-6122	02-06-7104

(a) .000020 Gold over .000030 Nickel. Terminals overall plated after forming. Special Platings available upon request.

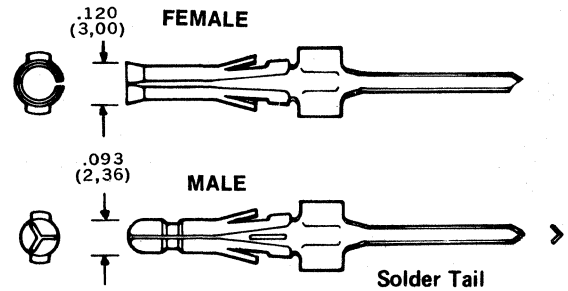
(b) Available only in loose form.



inches
mm

.093" (2,36 mm) P.C. Tail

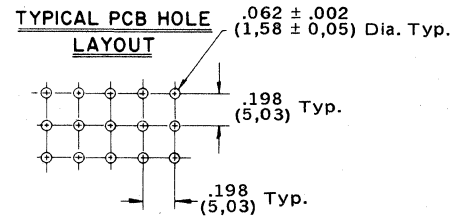
**.093" (2,36 mm) Diameter,
.010 Brass, Solder Tail**



Ordering Numbers — Female Terminals				
Finish	Form	Dimple	1377-F	2605-F
Tin	Loose	Yes	02-09-1133	02-09-1146
		No	02-09-1134	02-09-1145
Gold(a)	Loose	Yes	02-09-5131	
		No	02-09-5132	

(a) .000030 Gold over .000030 Nickel. Terminals overall plated after forming. Special Platings available upon request.

(b) Available only in loose form.



inches
mm

Terminal Information		
Used With Connector Model	Terminal Model No.	P.C.B. Thickness
Std. .062" Dia. Connectors	1778 - Male 1779 - Female	.062"
Models 3191, 1991	2605 - Female 2606 - Male	.062"

Ordering Numbers — Male Terminals			
Finish	Form	1376-M	2606-M
Tin	Loose	02-09-2133	02-09-8113
Gold(a)	Loose	02-09-6132	

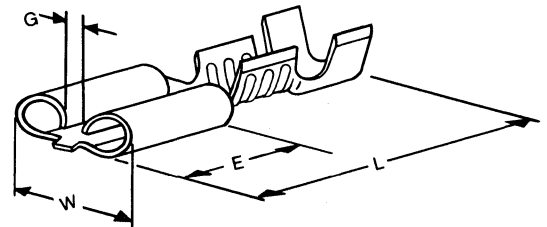
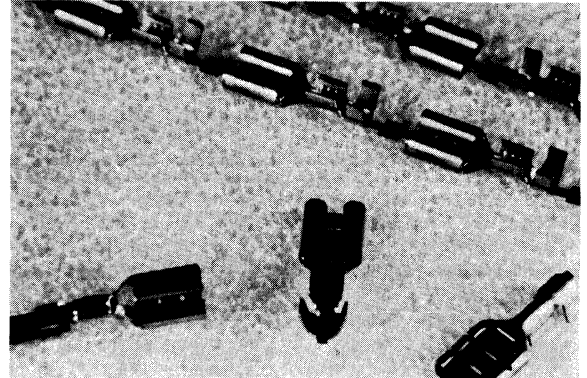


4785, 7319, 4787 & 7457 Models

Push On Terminals

features/dimensions

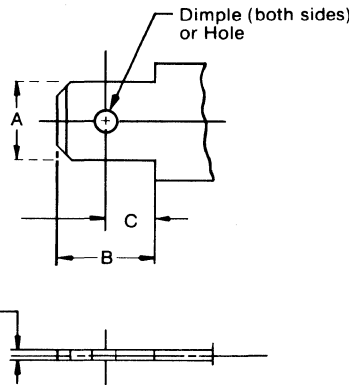
- .110 (2,97 mm) Terminal fits Tab .020 (0,51 mm), .187 (4,75 mm)
- .250 (6,35 mm) Terminal fits Tab .020 (0,51 mm), .250 (6,35 mm)
- .032 (0,81 mm)
- Crimp type terminal for stable electric and mechanical performance
- Dimple detent assures a good connection and resistance to vibration
- Available in plain brass or tin plated brass
- Complete crimping equipment from hand tools and bench machines to highly automatic wire cut, strip and terminating machines
- The terminals side feed design assures a better crimp than with conventional push on terminals



Dimensional Information

inches
mm

Mating Tab	Tab Dimensions			
	A	B	C	T
.250 x .032 (6,35 x 0,81)	.250 (6,35)	.315 (8,00)	.160 (4,06)	.032 (0,81)
.187 x .020 (4,75 x 0,51)	.187 (4,75)	.250 (6,35)	.125 (3,18)	.020 (0,51)
.110 x .020 (2,79 x 0,51)	.110 (2,79)	.280 (7,11)	.218 (5,54)	.020 (0,51)



Ordering Information

Mating Tab	Eng. No.	Order No.	Wire Range AWG (Metric)	Insulation Dia. Range	Stock Thick- ness	Material and Finish	W	L	E	G	Crimp Tool	
											Hand	Bench
.250 x .032 (6,35 x 0,81) TAB	4785-1	05-07-0204	14-18 (18-10)	.120/.170 (3,05/4,32)	.016 (0,41)	Brass	.296 (7,52)	.750 (19,05)	.300 (7,62)	.080 (2,03)	HTR-6143	Module M7082A
	4785-1PT	05-08-0204	14-18 (18-10)	.120/.170 (3,05/4,32)	.016 (0,41)	Tin Plated Brass	.296 (7,52)	.750 (19,05)	.300 (7,62)	.080 (2,03)	HTR-6143	Module M7082A
	7319	05-07-0206	18-22 (10-6)	.060/.100 (1,52/2,54)	.016 (0,41)	Brass	.296 (7,52)	.750 (19,05)	.300 (7,62)	.080 (2,03)	HTR-7093	Module M7082B
	7319-PT	05-08-0206	18-22 (10-6)	.060/.100 (1,52/2,54)	.016 (0,41)	Tin Plated Brass	.296 (7,52)	.750 (19,05)	.300 (7,62)	.080 (2,03)	HTR-7093	Module M7082B
.187 x .020 (4,75 x 0,51) TAB	4787	05-07-0209	16-20 (14-8)	.090/.130 (2,29/3,30)	.012 (0,30)	Brass	.220 (5,59)	.600 (15,24)	.250 (6,35)	.060 (1,52)	HTR-1031E	Module M7083A
	4787-PT	05-08-0209	16-20 (14-8)	.090/.130 (2,29/3,30)	.012 (0,30)	Tin Plated Brass	.220 (5,59)	.600 (15,24)	.250 (6,35)	.060 (1,52)	HTR-1031E	Module M7083A
.110 x .020 (2,79 x 0,51) TAB	7457	05-05-0601	18-22 (10-6)	.060/.100 (1,52/2,54)	.010 (0,25)	Brass	.145 (3,68)	.590 (14,99)	.250 (6,35)	.035 (0,89)	HTR-1031E	Module M7090A
	7457-PT	05-06-0601	18-22 (10-6)	.060/.100 (1,52/2,54)	.010 (0,25)	Tin Plated Brass	.145 (3,68)	.590 (14,99)	.250 (6,35)	.035 (0,89)	HTR-1031E	Module M7090A

Relay and Switch Connectors

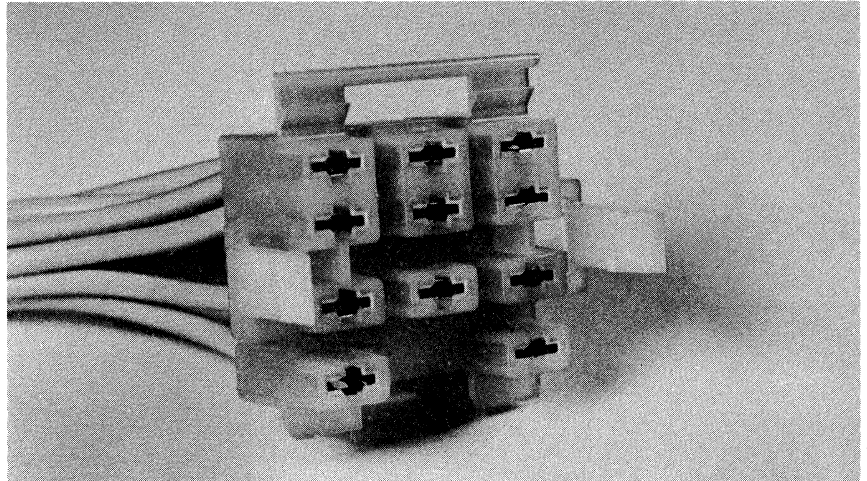


1852, 2211, 2191, 2507 & 2177 Models

A

features/dimensions

- 7 circuit leaf spring relay version (2507)
- 11 circuit standard relay version (2177)
- 14 circuit miniature relay version 1852
- 94 V-2 nylon
- 1 & 3 circuit switch connectors (2211 & 2191)
- U.L. approved

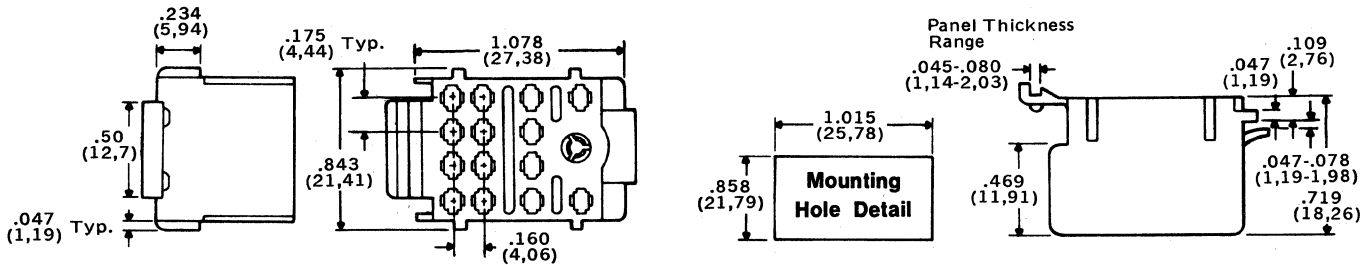


These connectors utilize Molex open end terminals. These terminals will accept 14 through 28 AWG wire and an optional detent for increased holding action is available.

Molex relay connectors are designed to lower assembly, testing and service cost.

Dimensions & Ordering Information:

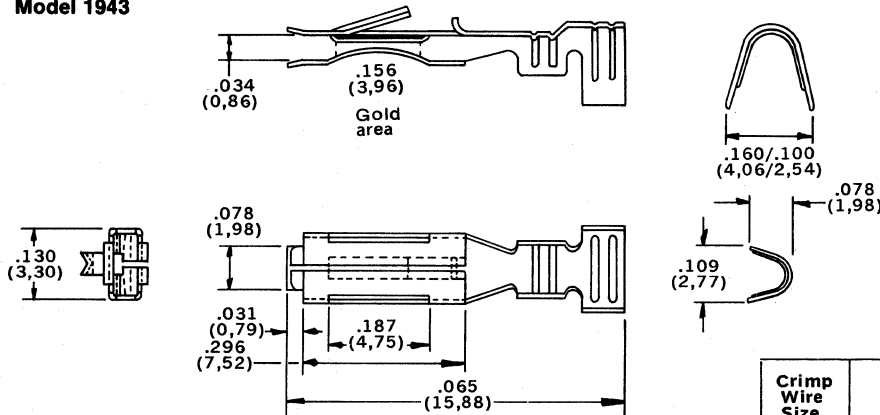
MODEL 1852 RELAY CONNECTOR



No. of Circuits	With Mtg. Ears		Without Mtg. Ears	Uses Terminal
	for .08" (2,03) Max. Panel Thickness	for .050" (1,3) Max. Panel Thickness		
14	06-02-3141	06-02-3143	06-02-3142	1943

5 amps per circuit 250 VAC

Model 1943



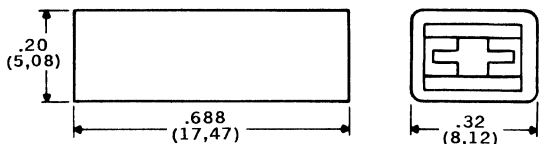
inches
mm

Crimp Wire Size	Insulation Diameter	Chain Form	Loose Form
18-24	.060 - .105 (1,52 - 2,67)	05-06-0200	05-06-0201



Relay & Switch Connectors

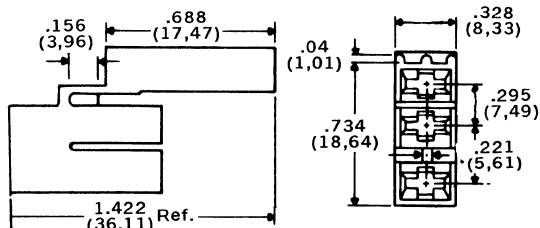
MODEL 2211 SWITCH CONNECTOR



Circuits	Order No.	Electrical	
		Max. Amps	Max. Volts
1	06-02-3011	10	250

Uses 2176, 2328, 2576, 2698, and 2799 terminals.

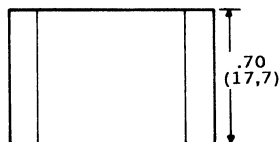
MODEL 2191-3 SWITCH CONNECTOR



Circuits	Order No.	Electrical Per Circuit	
		Max. Amps	Max. Volts
3	06-02-3031	10	250

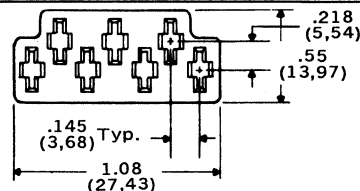
Uses 2176, 2328, 2576, 2698, and 2799 terminals.

MODEL 2507 RELAY CONNECTOR

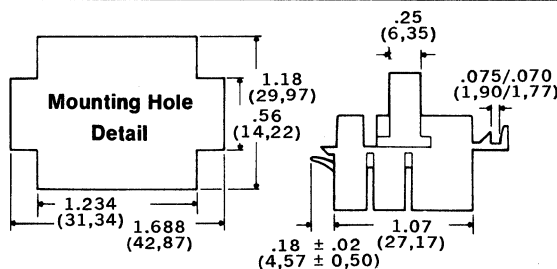
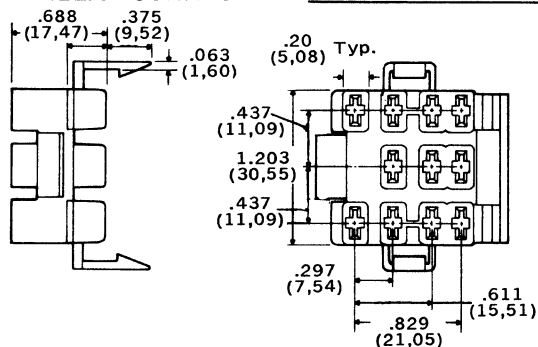


Circuits	Order No.
7	15-04-0209

5 Amps/250 VAC
Uses 2176, 2328, 2576, 2618, and 2799 terminals.

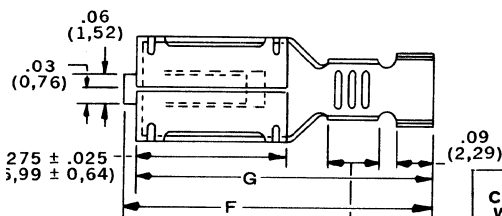
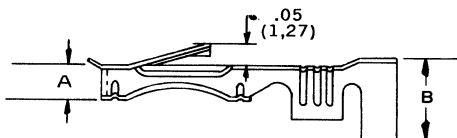


MODEL 2177-1 RELAY CONNECTOR



Circuits	Order No.	Electrical Per Circuit		With Mtg. Ears
		Max. Amps	Max. Volts	
11	06-02-3111	8	125	.50" Panel

MODELS 2176, 2328, 2576, 2698, and 2799 TERMINALS.



inches
mm

Model	DIMENSIONS						
	A	B	C	D	E	F	G
2176	.074 (1,88)	.187 (4,75)	.210 ± .035 (5,33 ± 0,09)	.120 ± .025 (3,05 ± 0,64)	.13 (3,3)	.625 (15,88)	.610 ± .015 (15,49 ± 0,38)
2388	.074 (1,88)	.156 (3,96)	.165 ± .030 (4,19 ± 0,76)	.120 ± .025 (3,05 ± 0,64)	.13 (3,3)	.640 (16,26)	.620 (15,75)
2576	.080 (2,03)	.156 (3,96)	.210 ± .035 (5,33 ± 0,09)	.120 ± .025 (3,05 ± 0,64)	.13 (3,3)	.625 (15,88)	.610 ± .015 (15,49 ± 0,38)
2698	.080 (2,03)	.156 (3,96)	.165 ± .030 (4,19 ± 0,76)	.120 ± .025 (3,05 ± 0,64)	.13 (3,3)	.625 (15,88)	.610 ± .015 (15,49 ± 0,38)
2799	.080 (2,03)	.090 (2,29)	.100 (2,54)	.085 (2,16)	.07 (1,8)	.620 (15,75)	.610 ± .015 (15,49 ± 0,38)

Crimp Wire Size	Insulation Diameter	Material Thickness	Model No.	Chain Form Order No.		Loose Form Order No.	
				W/Detent	W/O Detent	W/Detent	W/O Detent
14-22	.085 - .135	.010	2176	05-06-0301	05-06-0303	05-06-0302	05-06-0304
14-22	.085 - .125	.010	2328	05-06-0401	05-06-0402	05-06-0403	05-06-0404
14-22	.085 - .135	.012	2576	—	05-06-0305	—	05-06-0306
14-22	.085 - .125	.012	2698	—	05-06-0405	—	05-06-0406
24-28	.034 - .060	.012	2799	—	05-06-0307	—	05-06-0308

Reel Quantities: Models 1943 and 2799-6,000; Models 2328-4,000; Models 2176 and 2698-3,000; and Model 2576-2,500. All chain form orders rounded to the nearest full reel.

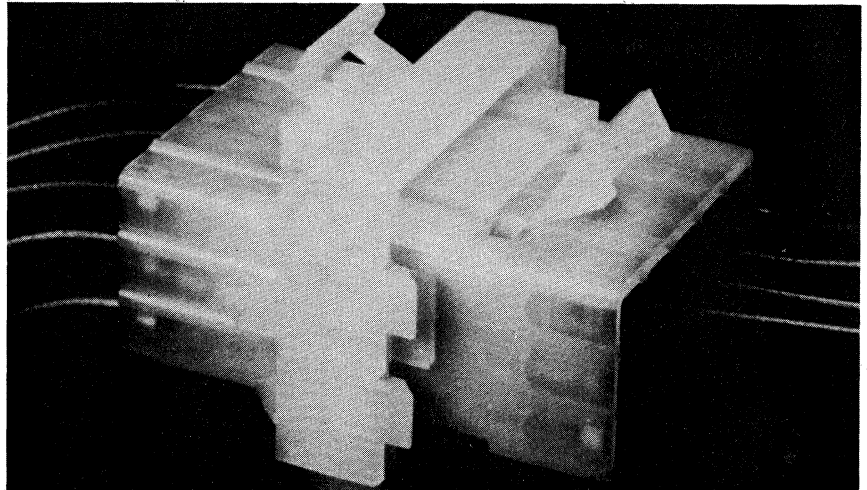
All Terminals are brass alloy, tin plated

A

6742 Series

features/dimensions

- Zero insertion force
- Available with or without mounting ears
- Can be unmated using only one hand
- Can be used in high current application
- Accommodates #14 thru #18 AWG wire
- When mated ramp acts as positive lock
- Great for applications where numerous mating and unmating cycles are required

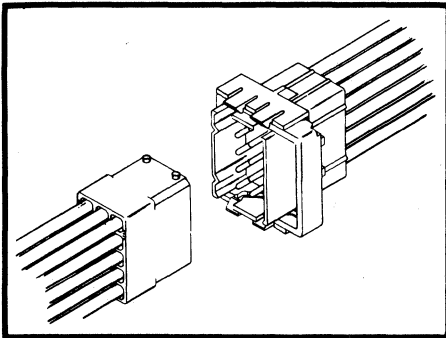


How It Works:

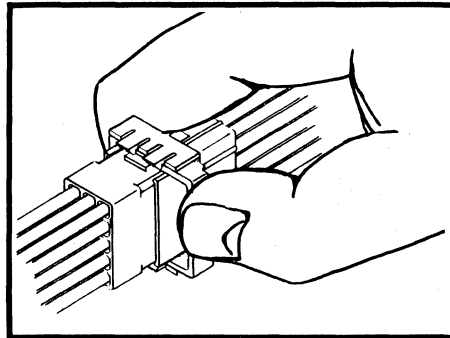
- Plug is inserted into receptacle until it bottoms on the actuator ramp.
- The connector is then mated by sliding the actuator ramp to the locked position.

Design Features:

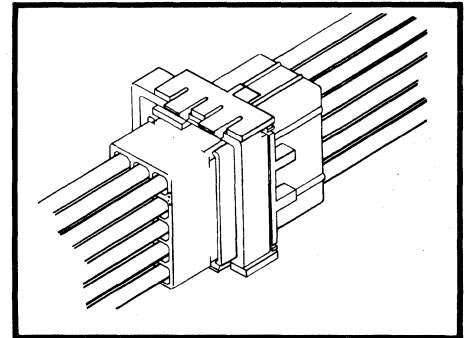
Unmated



Mating Cycle



Mated



Specifications:

Mechanical:

Operating Temperature - -40°C to +105°C

Terminals - material - CDA alloy #260 brass

Housings - material - 94V-2 nylon

Ramp activation force - 14 pounds (6.35 KG)

Ramp deactivation force - 8 pounds (3.95 KG)

Electrical:

Insulation resistance - Greater than 500K megohms

Dielectric withstanding voltage - Greater than 2.5 KV R.M.S.

Millivolt drop - (includes 2 inch ? wire)

#18 AWG 3.2 milliohms

#16 AWG 2.6 milliohms

#14 AWG 2.1 milliohms

Current rating - 15 amps at 36°C heat rise

Voltage rating - 250 volt max.

Environmental:

Humidity - passes MIL - STD - 202 method 103B condition A

Salt Spray - passes MIL - STD - 202 method 101 condition A

Corrosive atmosphere - .4 milliohm resistance change after 12 hours in flowers of sulphur atmosphere

Vibration - passes MIL - STD - 202 method 201

Shock - passes MIL - STD - 202 method 213B Condition A

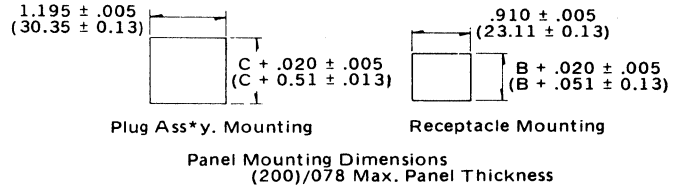
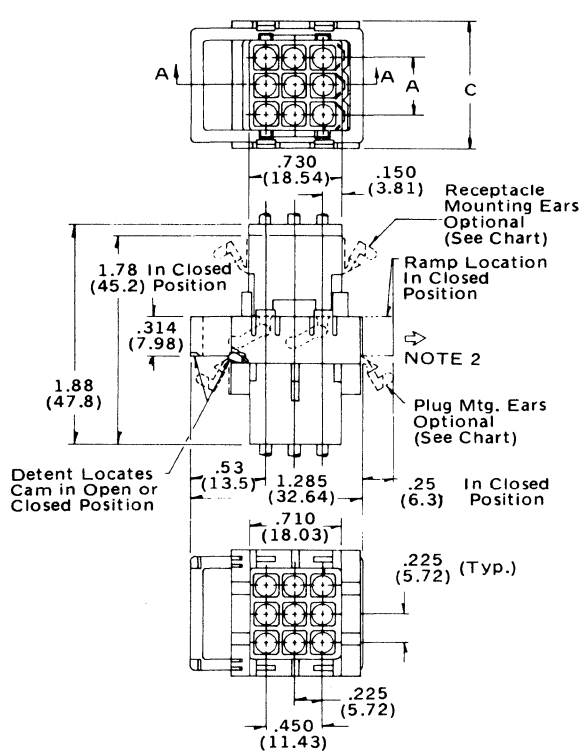


6742 Series

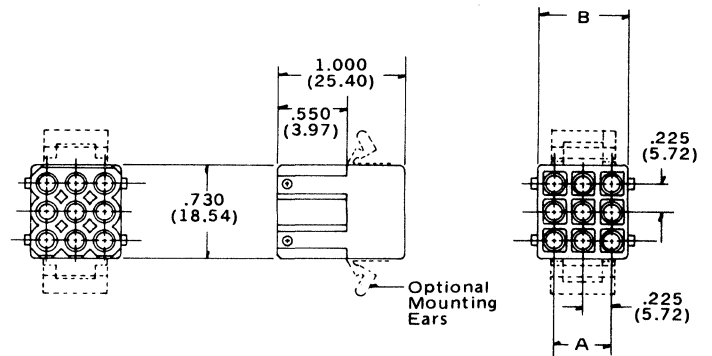
Dimensions

A

STANDARD 6742 PLUG AND RECEPTACLE ASSEMBLY



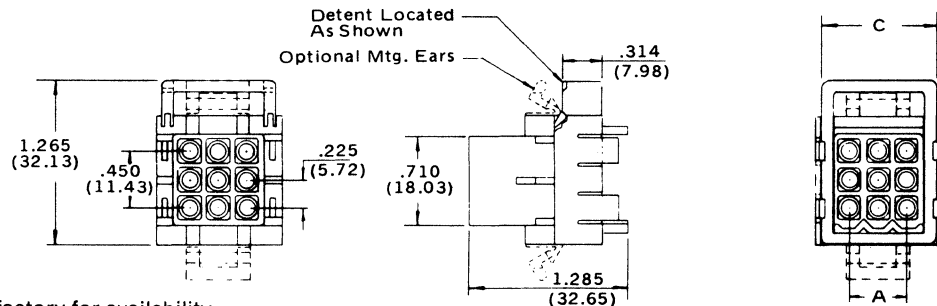
6742 RECEPTACLE HOUSING (Order Separately)



NOTES:

1. Crimp Section of Terminal to accept #14 thru #18 Ga. Wire with a maximum insulation thickness of .032.
2. Connector Activated by sliding ramp in direction indicated.
3. Connector will accept a double crimped #18 Ga. Wire.

6742 PLUG AND RAMP ASSEMBLY (Order Separately)



New P.C. version available. Contact factory for availability.

Ordering Information

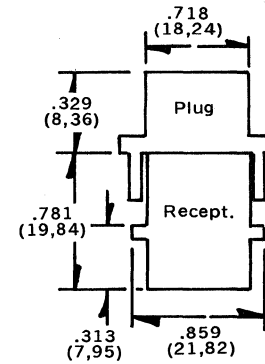
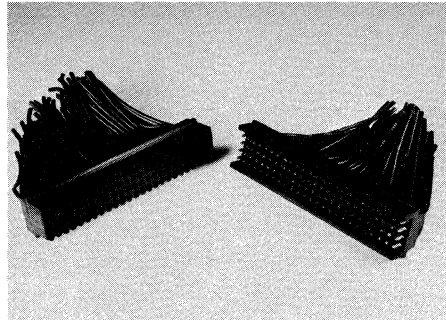
No. of Circuits	Receptacle Housing		Plug & Ramp Assembly		Dim. A	Dim. B	Dim. C	Mounting Ears
	Female Terminal		Male Terminal					
	7238	02-09-1111	7239	02-09-2111				
9	6742-9R-1	Not Tooled	A-6742-9P-1	Not Tooled	.450	.710	1.020	Yes
	6742-9R	Not Tooled	A-6742-9P	Not Tooled	(11.43)	(18.03)	(25.91)	No
12	6742-12R-1	Not Tooled	A-6742-12P-1	Not Tooled	.675	.935	1.245	Yes
	6742-12R	Not Tooled	A-6742-12P	Not Tooled	(17.15)	(23.75)	(17.15)	No
15	6742-15R-1	03-12-1152	A-6742-15P-1	15-24-5152	.900	1.160	1.470	Yes
	6742-15R	03-12-1151	A-6742-15P	15-24-5151	(22.86)	(29.46)	(37.33)	No
18	6742-18R-1	Not Tooled	A-6742-18P-1	Not Tooled	1.125	1.385	1.695	Yes
	6742-18R	Not Tooled	A-6742-18P	Not Tooled	(28.58)	(35.18)	(43.05)	No

Consult Factory for Release of Not Tooled Connectors

Model 1725

features/dimensions

- Miniature phenolic connectors
- .062" (1,58 mm) diameter terminals
- .165" (4,19 mm) grid patterns



Dimensions subject to nominal variation $\pm .010$ (0,25 mm)

Molex miniature phenolic housings are available in from 4 through 104 circuits, in multiples of 4.

These rugged phenolic connectors are rated at 4 or 5 amps, 250 VAC per circuit, depending upon the number of circuits in the connector.

The housings accept Molex .062" (1,58 mm) crimp-type terminals on .165" (4,19 mm) grid-pattern centers. The terminals and crimp tooling used are identical with those for miniature nylon connectors.

Molex phenolic connectors can be panel-mounted in three different ways. The first is with a metal clip, the second a bracket, and the third, a jack screw assembly. The jack screw assembly is recommended for mountings from 28 through 100 circuits

Phenolic housings can be ink-stamped for easy circuit identification.

Ordering/ Dimensional Information

Inches
mm

				Mounting Data										
Circuits	Max. Amps	Max. Volts	Model No.	Order No.		Receptacle and Plug Length $\pm .005$ (0,13)		Mounting Method	Clip				Jack	
				Receptacle	Plug	in.	mm		Dim. A $\pm .005$ (0,13)		Dim. B $\pm .016$ (0,40)		Dim. A	
									in.	mm	in.	mm	in.	mm
4	5	250	1725- 4	04-06-1041	04-06-2041	.190	(4,83)	Clip, Bracket	.225	(5,72)	.187	(4,75)	—	—
8	5	250	1725- 8	04-06-1081	04-06-2081	.355	(9,02)	Clip, Bracket	.370	(9,40)	.187	(4,75)	—	—
12	5	250	1725- 12	04-06-1121	04-06-2121	.520	(13,21)	Clip, Bracket	.555	(14,10)	.187	(4,75)	—	—
16	4.5	250	1725- 16	04-06-1161	04-06-2161	.685	(17,40)	Clip, Bracket	.720	(18,29)	.187	(4,75)	—	—
20	4.5	250	1725- 20	04-06-1201	04-06-2201	.850	(21,59)	Clip, Bracket	.885	(22,48)	.187	(4,75)	—	—
24	4.5	250	1725- 24	04-06-1241	04-06-2241	1.015	(25,78)	Clip, Bracket	1.050	(26,27)	.187	(4,75)	—	—
28	4	250	1725- 28	04-06-1281	04-06-2281	1.180	(29,97)	Clip,Brkt.,Jack	1.215	(30,86)	.187	(4,75)	2.010	(51,05)
32	4	250	1725- 32	04-06-1321	04-06-2321	1.345	(34,16)	Clip,Brkt.,Jack	1.380	(35,05)	.187	(4,75)	2.175	(55,25)
36	4	250	1725- 36	04-06-1361	04-06-2361	1.515	(38,48)	Clip,Brkt.,Jack	1.550	(39,37)	.187	(4,75)	2.340	(59,44)
40	4	250	1725- 40	04-06-1401	04-06-2401	1.680	(42,67)	Clip,Brkt.,Jack	1.715	(43,56)	.187	(4,75)	2.505	(63,63)
44	4	250	1725- 44	04-06-1441	04-06-2441	1.845	(46,86)	Clip,Brkt.,Jack	1.880	(47,75)	.187	(4,75)	2.670	(67,82)
48	4	250	1725- 48	04-06-1481	04-06-2481	2.010	(51,05)	Clip,Brkt.,Jack	2.045	(51,94)	.187	(4,75)	2.835	(72,01)
52	4	250	1725- 52	04-06-1521	04-06-2521	2.175	(55,25)	Clip,Brkt.,Jack	2.210	(56,13)	.187	(4,75)	3.000	(76,20)
56	4	250	1725- 56	04-06-1561	04-06-2561	2.340	(59,44)	Clip,Brkt.,Jack	2.375	(60,33)	.187	(4,75)	3.165	(80,39)
60	4	250	1725- 60	04-06-1601	04-06-2601	2.505	(63,63)	Clip,Brkt.,Jack	2.540	(64,52)	.203	(5,16)	3.330	(84,58)
64	4	250	1725- 64	04-06-1641	04-06-2641	2.670	(67,82)	Clip,Brkt.,Jack	2.705	(68,71)	.203	(5,16)	3.495	(88,77)
68	4	250	1725- 68	04-06-1681	04-06-2681	2.835	(72,01)	Clip,Brkt.,Jack	2.870	(72,90)	.203	(5,16)	3.660	(92,96)
72	4	250	1725- 72	04-06-1721	04-06-2721	3.000	(76,20)	Clip,Brkt.,Jack	3.035	(77,09)	.203	(5,16)	3.825	(97,16)
76	4	250	1725- 76	04-06-1761	04-06-2761	3.165	(80,39)	Clip,Brkt.,Jack	3.200	(81,28)	.203	(5,16)	3.990	(101,35)
80	4	250	1725- 80	04-06-1801	04-06-2801	3.330	(84,58)	Clip,Brkt.,Jack	3.365	(85,47)	.203	(5,16)	4.155	(105,54)
84	4	250	1725- 84	04-06-1841	04-06-2841	3.495	(88,77)	Clip,Brkt.,Jack	3.530	(89,66)	.203	(5,16)	4.320	(109,73)
88	4	250	1725- 88	04-06-1881	04-06-2881	3.660	(92,96)	Clip,Brkt.,Jack	3.695	(93,85)	.203	(5,16)	4.485	(113,92)
92	4	250	1725- 92	04-06-1921	04-06-2921	3.825	(97,16)	Clip,Brkt.,Jack	3.860	(98,04)	.203	(5,16)	4.650	(118,11)
96	4	250	1725- 96	04-06-1961	04-06-2961	3.990	(101,35)	Clip,Brkt.,Jack	4.025	(102,24)	.203	(5,16)	4.815	(122,30)
100	4	250	1725-100	04-06-1971	04-06-2971	4.155	(105,54)	Clip,Brkt.,Jack	4.190	(106,93)	.203	(5,16)	4.980	(126,99)

FOR MOUNTING DATA ORDERING INFORMATION CONTACT FACTORY.

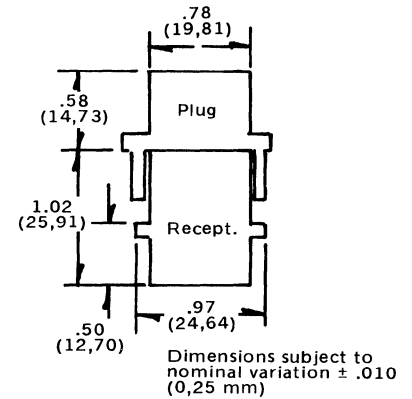
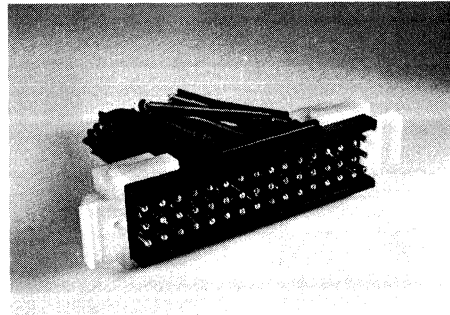


Phenolic Connectors

Model 1055

features/dimensions

- STD phenolic connectors
- .093" (2,36 mm) diameter terminals
- .235" (5,97 mm) grid pattern



Molex standard phenolic housings are available in from 3 through 60 circuits, in multiples of 3. They accept the Molex .093" (2,36 mm) diameter crimp-type terminals.

These UL and CSA listed molded phenolic connectors have a rating of 3 amps maximum per circuit, 250 VAC, if all circuits are used at the same amperage. However, every other circuit - horizontally and vertically - is capable of 10 amps, and 250 VAC maximum.

The connector spacing between terminals is .235" (5,97 mm). Terminals and tooling used are identical with those for standard nylon connectors.

Panel mounted installations are made by using Molex mounting clips for either plug or receptacle for up to 45-circuit configurations. For connectors of 21 through 60 circuits, the Molex jack assembly is recommended. A metal bracket mount also is available that can be used for all housings.

All housings can be ink-stamped for circuit identification.

Ordering/ Dimensional Information

				Mounting Data										
Circuits	Max. Amps	Max. Volts	Model No.	Order No.		Receptacle and Plug Length $\pm .03$ (0,76)		Mounting Method	Clip				Jack	
				Receptacle	Plug	in.	mm		Dim. A $\pm .010$ (0,25)		Dim. B $\pm .010$ (0,25)		Dim. A	
									in.	mm	in.	mm	in.	mm
3	3/10	250	1055-3	04-09-1031	04-09-2031	.28	(7,10)	Bracket, Clip	.31	(7,87)	.187	(4,75)	—	—
6	3/10	250	1055-6	04-09-1061	04-09-2061	.52	(13,21)	Bracket, Clip	.55	(13,97)	.187	(4,75)	—	—
9	3/10	250	1055-9	04-09-1091	04-09-2091	.75	(19,05)	Bracket, Clip	.78	(19,81)	.187	(4,75)	—	—
12	3/10	250	1055-12	04-09-1121	04-09-2121	.99	(25,15)	Bracket, Clip	1.02	(25,90)	.187	(4,75)	—	—
15	3/10	250	1055-15	04-09-1151	04-09-2151	1.22	(30,99)	Bracket, Clip	1.25	(31,75)	.187	(4,75)	—	—
18	3/10	250	1055-18	04-09-1181	04-09-2181	1.46	(37,08)	Bracket, Clip	1.49	(37,85)	.187	(4,75)	—	—
21	3/10	250	1055-21	04-09-1211	04-09-2211	1.69	(42,93)	Brkt.,Clip,Jack	1.72	(43,69)	.187	(4,75)	2.523	(64,08)
24	3/10	250	1055-24	04-09-1241	04-09-2241	1.93	(49,02)	Brkt.,Clip,Jack	1.96	(49,78)	.187	(4,75)	2.758	(70,05)
27	3/10	250	1055-27	04-09-1271	04-09-2271	2.16	(54,86)	Brkt.,Clip,Jack	2.19	(55,63)	.203	(5,16)	2.993	(76,02)
30	3/10	250	1055-30	04-09-1301	04-09-2301	2.40	(60,96)	Brkt.,Clip,Jack	2.43	(61,72)	.203	(5,16)	3.228	(81,99)
33	3/10	250	1055-33	04-09-1331	04-09-2331	2.63	(66,80)	Brkt.,Clip,Jack	2.66	(67,56)	.203	(5,16)	3.463	(87,96)
36	3/10	250	1055-36	04-09-1361	04-09-2361	2.87	(72,90)	Brkt.,Clip,Jack	2.90	(73,66)	.203	(5,16)	3.698	(93,93)
39	3/10	250	1055-39	04-09-1391	04-09-2391	3.10	(78,74)	Brkt.,Clip,Jack	3.13	(79,50)	.203	(5,16)	3.933	(99,90)
42	3/10	250	1055-42	04-09-1421	04-09-2421	3.34	(84,84)	Brkt.,Clip,Jack	3.37	(85,60)	.203	(5,16)	4.168	(105,87)
45	3/10	250	1055-45	04-09-1451	04-09-2451	3.57	(90,68)	Bracket, Jack	—	—	—	—	4.403	(111,84)
48	3/10	250	1055-48	04-09-1481	04-09-2481	3.81	(96,77)	Bracket, Jack	—	—	—	—	4.638	(117,81)
51	3/10	250	1055-51	04-09-1511	04-09-2511	4.04	(102,62)	Bracket, Jack	—	—	—	—	4.873	(123,77)
54	3/10	250	1055-54	04-09-1541	04-09-2541	4.28	(108,71)	Bracket, Jack	—	—	—	—	5.108	(129,74)
57	3/10	250	1055-57	04-09-1571	04-09-2571	4.51	(114,55)	Bracket, Jack	—	—	—	—	5.343	(135,71)
60	3/10	250	1055-60	04-09-1601	04-09-2601	4.77	(121,16)	Bracket, Jack	—	—	—	—	5.578	(141,68)

FOR MOUNTING DATA ORDERING INFORMATION CONTACT FACTORY.

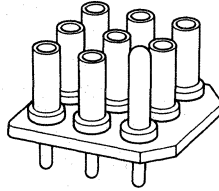
Pin & Socket Wafers



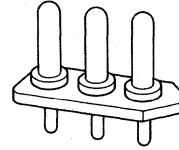
1840 Series Wafercon® Base & Terminal Assemblies

features/dimensions

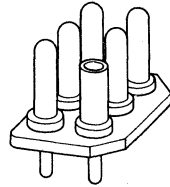
- 3, 5, 6, 9 & 12 circuits available
- Mates with Molex standard .093" (2,36 mm) connectors
- Wafers pre-assembled with male, female or voids in any pattern
- Tin or gold plated terminals*



1840-9

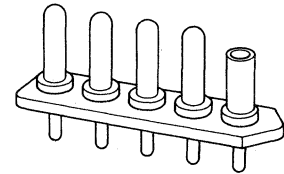
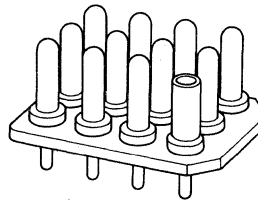


1840-3



1840-6

1840-12



1840-5

3099 Series

features/dimensions

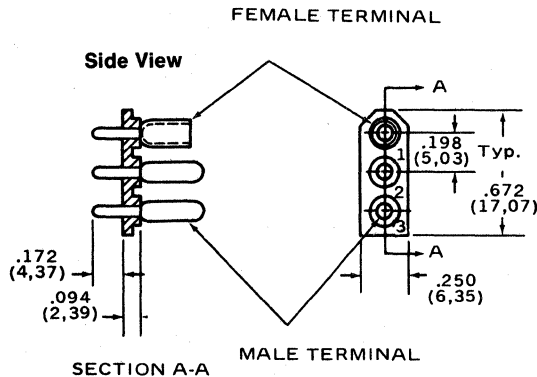
- 3, 4 & 6 circuits available
- Shrouded wafer housing
- Mates with Molex standard .093" (2,36 mm) connectors
- 94V-0 nylon
- Contact factory for ordering information

These pre-assembled wafers help save time and labor in production testing and servicing.

The assembly is ready to be placed on the printed circuit boards and soldered. An intermix of male and female terminals assures error-free connections and positive polarity. *Recommend .008 stock without dimple 1st or dimple 2nd.

1840-3

Mates with 1396R-1 Connector
Order No.
03-09-1032



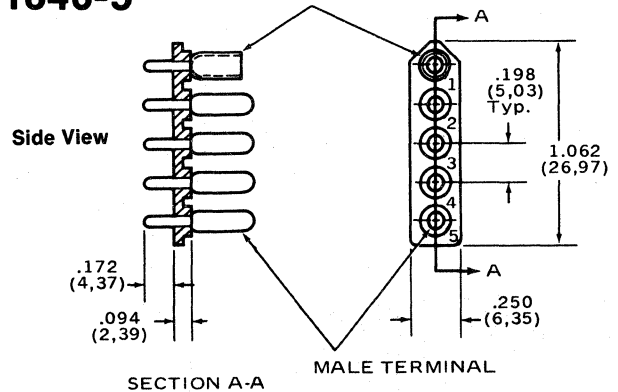
Eng. No.	Order No.	TERMINAL PATTERN*		
		1	2	3
A-1840-3-1	09-18-5032	M	M	M
A-1840-3-2	09-18-5031	F	M	M
A-1840-3-3	09-18-5033	F	F	M
A-1840-3-4	09-18-5034	F	F	F
A-1840-3-5	09-18-5035	M	F	F
A-1840-3-6	09-18-5038	M	M	F
A-1840-3-7	09-18-5037	M	F	M
A-1840-3-8	09-18-5039	M	B	F
A-1840-3-9	09-18-5930	M	B	M
A-1840-3-10	09-18-5036	F	F	B
A-1840-3-11	09-18-5030	M	M	B
A-1840-3-12	09-18-5131	M	F	B

*M — Male terminal Polarization accomplished through
F — Female terminal intermix of male and female terminals
B — No terminal

All dimensions: (mm)
inches

1840-5

FEMALE TERMINAL



Eng. No.	Order No.	TERMINAL PATTERN*				
		1	2	3	4	5
A-1840-5-0	09-18-5051	F	M	M	M	M
A-1840-5-1	09-18-5052	F	F	F	B	B
A-1840-5-2	09-18-5053	F	F	M	B	B
A-1840-5-3	09-18-5054	F	F	F	M	B
A-1840-5-4	09-18-5055	M	F	M	M	M
A-1840-5-5	09-18-5056	M	M	F	M	M
A-1840-5-6	09-18-5057	M	M	M	F	M
A-1840-5-7	09-18-5058	M	M	M	M	F
A-1840-5-8	09-18-5059	F	F	M	M	M
A-1840-5-9	09-18-5950	F	M	F	M	M
A-1840-5-10	09-18-5951	F	M	M	F	M
A-1840-5-11	09-18-5952	F	M	M	M	F
A-1840-5-12	09-18-5953	M	M	M	M	B
A-1840-5-13	09-18-5954	F	B	M	B	M
A-1840-5-15	09-18-5955	M	M	F	F	F
A-1840-5-16	09-18-5956	F	M	M	M	B
A-1840-5-17	09-18-5957	F	F	F	F	B

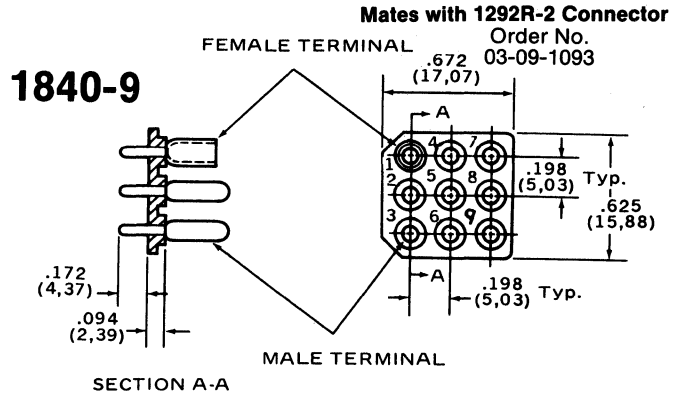
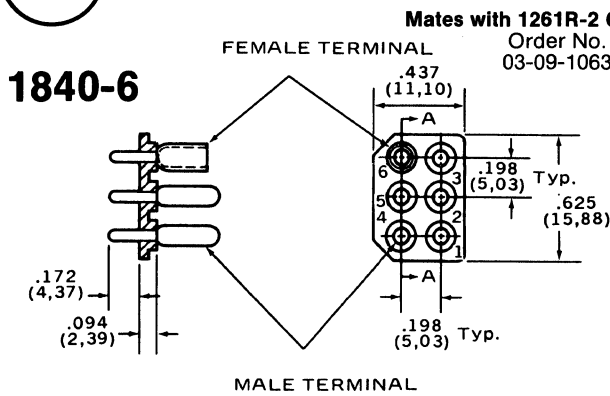
*M — Male terminal Polarization accomplished through
F — Female terminal intermix of male and female terminals.
B — No terminal

All dimensions: (mm)
inches

Mates with 1653R-1 Connector
Order No.
03-09-1052

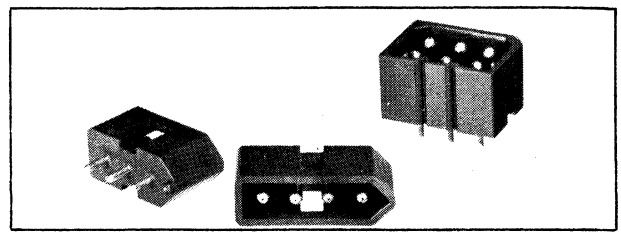
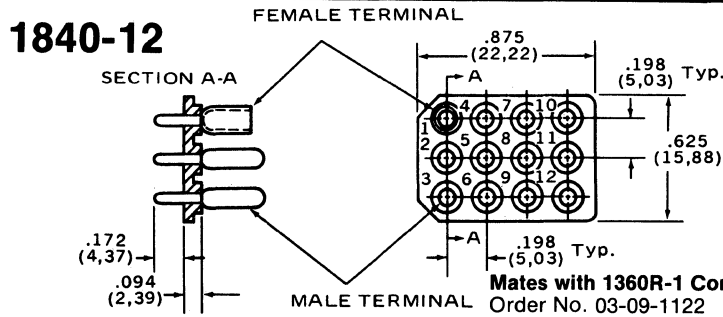


Pin & Socket Wafers



Eng. No.	Order No.	TERMINAL PATTERN*					
		1	2	3	4	5	6
A-1840-6-1	09-18-5063	M	F	M	M	F	M
A-1840-6-2	09-18-5060	M	M	F	M	F	M
A-1840-6-3	09-18-5068	F	M	M	M	F	M
A-1840-6-4	09-18-5061	M	M	M	M	M	F
A-1840-6-5	09-18-5062	M	M	M	M	F	M
A-1840-6-6	09-18-5064	M	M	M	F	M	M
A-1840-6-7	09-18-5065	B	M	B	M	B	M
A-1840-6-8	09-18-5066	F	F	M	M	B	M
A-1840-6-9	09-18-5067	M	M	M	F	F	M
A-1840-6-10	09-18-5069	F	M	M	M	M	M
A-1840-6-11	09-18-5960	M	M	F	M	M	M
A-1840-6-12	09-18-5961	M	M	M	M	M	M
A-1840-6-13	09-18-5962	M	B	M	M	M	M
A-1840-6-14	09-18-5963	B	M	M	M	M	M
A-1840-6-15	09-18-5964	B	B	M	F	M	M
A-1840-6-16	09-18-5965	F	B	M	M	B	M
A-1840-6-17	09-18-5966	M	M	M	F	F	F
A-1840-6-18	09-18-5967	M	M	M	M	F	F
A-1840-6-20	09-18-5969	M	F	M	M	M	M
A-1840-6-21	09-18-5970	F	F	M	M	M	M

Eng. No.	Order No.	TERMINAL PATTERN*								
		1	2	3	4	5	6	7	8	9
A-1840-9-1	09-18-5090	M	M	F	F	M	M	M	M	F
A-1840-9-2	09-18-5091	M	M	F	M	M	M	M	M	M
A-1840-9-3	09-18-5096	F	M	M	F	M	M	M	M	M
A-1840-9-4	09-18-5097	F	M	M	F	M	M	F	M	M
A-1840-9-5	09-18-5098	F	M	M	M	M	M	F	M	M
A-1840-9-6	09-18-5099	M	M	M	F	M	M	F	M	M
A-1840-9-7	09-18-5990	M	M	M	M	F	M	F	M	M
A-1840-9-8	09-18-5092	M	F	M	M	M	M	M	M	M
A-1840-9-9	09-18-5991	M	M	M	M	F	M	M	F	M
A-1840-9-10	09-18-5992	M	M	M	M	M	M	M	M	M
A-1840-9-11	09-18-5093	M	M	M	M	F	M	M	M	F
A-1840-9-12	09-18-5094	F	M	M	M	M	M	M	M	M
A-1840-9-13	09-18-5095	M	M	M	M	M	M	F	M	M
A-1840-9-15	09-18-5994	M	M	M	F	M	M	M	M	M
A-1840-9-16	09-18-5995	M	M	M	M	F	M	M	M	M
A-1840-9-17	09-18-5996	M	M	M	M	M	F	M	M	M
A-1840-9-18	09-18-5997	M	M	M	M	M	M	M	F	M
A-1840-9-19	09-18-5998	M	M	M	M	M	M	M	M	F
A-1840-9-20	09-18-5999	F	F	M	M	M	M	M	M	M
A-1840-9-21	09-18-5890	F	M	F	M	M	M	M	M	M



Eng. No.	Order No.	TERMINAL PATTERN*											
		1	2	3	4	5	6	7	8	9	10	11	12
A-1840-12-1	09-18-5126	M	M	F	M	M	M	F	M	M	M	M	F
A-1840-12-2	09-18-5121	F	M	M	M	M	M	M	M	M	M	M	M
A-1840-12-3	09-18-5127	M	M	M	F	M	M	M	M	M	M	M	M
A-1840-12-4	09-18-5128	M	M	M	M	M	M	F	M	M	M	M	M
A-1840-12-5	09-18-5129	M	M	M	M	M	M	M	M	F	M	M	M
A-1840-12-6	09-18-5920	M	M	M	F	M	M	M	F	M	M	M	M
A-1840-12-7	09-18-5921	M	M	M	M	F	M	F	M	M	M	M	M
A-1840-12-8	09-18-5922	M	M	M	F	F	M	M	M	M	M	M	M
A-1840-12-9	09-18-5923	M	M	M	M	M	M	M	F	M	M	F	M
A-1840-12-10	09-18-5924	M	M	M	M	M	M	M	M	M	M	M	M
A-1840-12-11	09-18-5122	M	M	M	M	M	M	M	M	F	M	M	M
A-1840-12-12	09-18-5123	M	M	M	M	F	M	M	M	M	M	M	M
A-1840-12-13	09-18-5124	F	M	M	M	B	M	M	B	M	M	M	M
A-1840-12-14	09-18-5125	M	M	F	M	M	M	M	M	B	M	M	M
A-1840-12-15	09-18-5925	M	F	M	M	M	M	M	M	M	M	M	M
A-1840-12-16	09-18-5926	F	F	M	M	B	M	M	B	M	M	M	M
A-1840-12-17	09-18-5927	M	M	F	M	M	M	M	M	M	M	M	M
A-1840-12-18	09-18-5928	B	F	M	M	M	M	M	M	M	M	M	M
A-1840-12-19	09-18-5929	F	F	F	F	F	F	F	M	F	F	F	F
A-1840-12-20	09-18-5820	B	M	M	M	B	M	M	B	M	M	M	M
A-1840-12-21	09-18-5821	B	M	M	M	B	M	F	F	M	M	M	M
A-1840-12-22	09-18-5822	M	F	B	M	B	B	B	B	M	M	M	M
A-1840-12-23	09-18-5823	F	B	M	B	M	M	M	B	M	M	F	M
A-1840-12-24	09-18-5824	B	M	M	M	B	M	F	F	B	M	M	B
A-1840-12-25	09-18-5825	M	B	M	B	M	M	M	B	F	M	M	M
A-1840-12-26	09-18-5826	M	M	M	M	F	M	M	F	M	M	M	M
A-1840-12-27	09-18-5827	M	F	F	F	F	F	F	F	F	F	F	F

1840 Technical Data: 3099

Electrical Characteristics
 Contact Resistance - 3 MV @ 1 amp.
 Temperature Range - -40°F to 221°F (-40°C to 105°C)
 Rated Voltage, Currents - Maximum voltage: 250V, A-C, 5 amp per circuit. Current rating varies somewhat in the particular variations.

Mechanical Characteristics

Crimp Strength					
Wire Gage (AWG)	18	20	22	24	26
Pullout Force (lb (kg))	(9.07) 20	(6.80) 15	(5.44) 12	(3.63) 8	(2.27) 5

3099 Ordering Information:
 Due to many options of terminal patterns contact factory for order number and correct mating terminal and connector.

Commoning Connectors

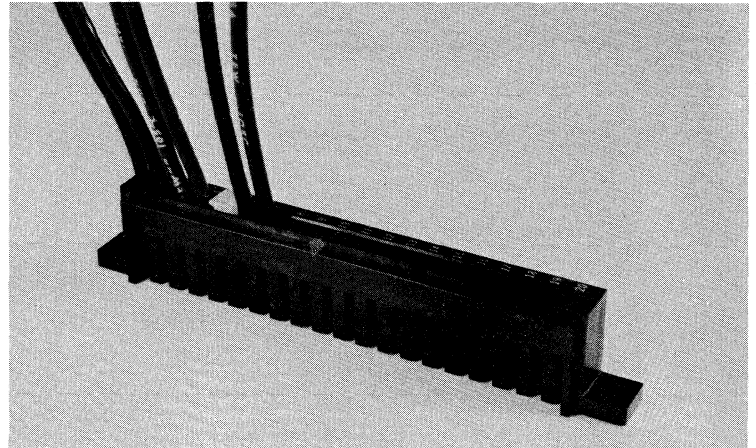


A

1461 Series

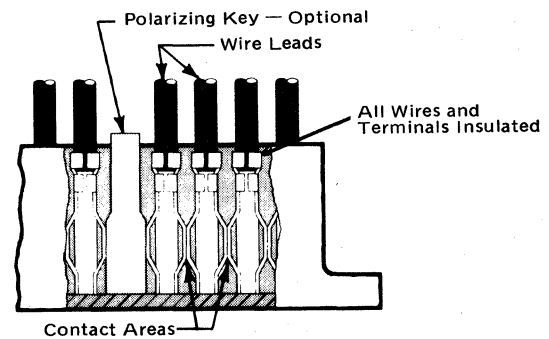
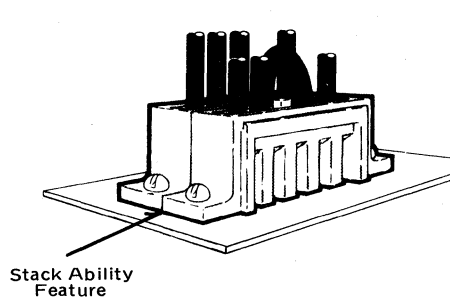
General Features:

- Replaces terminal blocks
- Fewer parts for inventory
- Low cost housing
- Low cost crimp type terminals
- Low assembly cost
- Simplified service
- Stackable
- Polarizing keys
- Circuit number identification
- 12 Amps

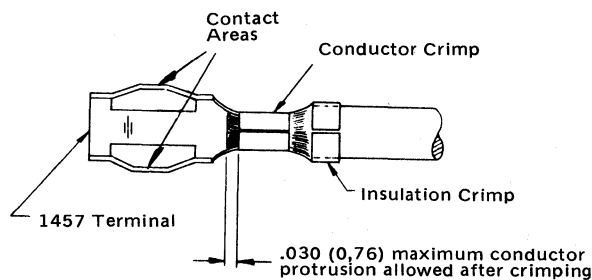


This product brings all bussing requirements to a common denominator, thus becoming a true "Commoner." The Molex Commoning Connector replaces terminal blocks and associated buss wiring systems at a fraction of the cost. The interconnection is accomplished with only one plastic and 2 metal parts, additional branch circuit requires only on additional metal part per branch added. This lowers your component costs plus reducing your inventory requirements.

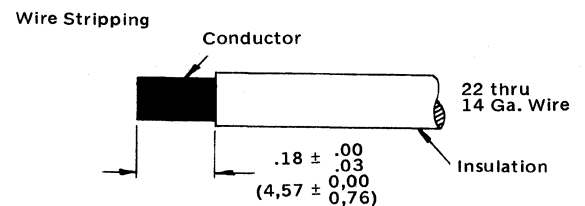
Housing features:



Terminal Features:



Crimp Tools
Crimp Die No. CD4610
Hand Crimp Tool HTR 1031C

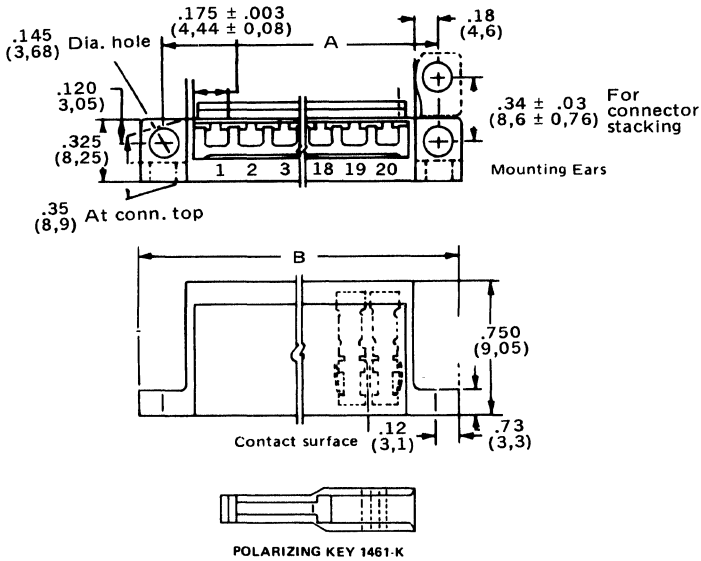




Commoning Connectors



Housing Dimensions/Ordering Information: _____



Dimensional Information

No. of Circuits	Dim. A	Dim. B
5	1.375 (34,93)	1.620 (41,14)
10	2.250 (57,15)	2.490 (63,20)
15	3.130 (79,50)	3.370 (85,60)
20	4.000 (101,6)	4.240 (107,7)

inches
mm

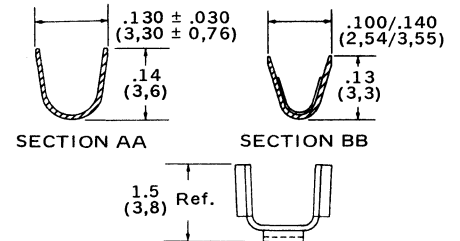
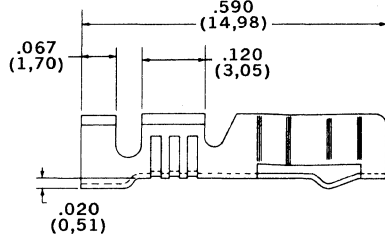
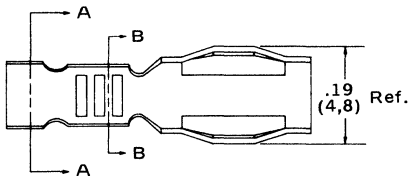
Ordering Information

No. of Circuits	Order No.
5	07-01-7051
10	07-01-7101
15	07-01-7151
20	07-01-7201

POLARIZING KEY Ordering Information: 1461-K 15-04-0200

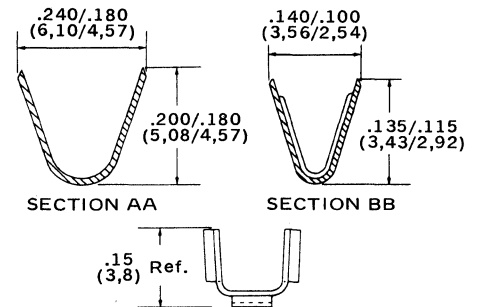
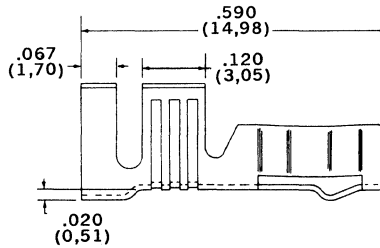
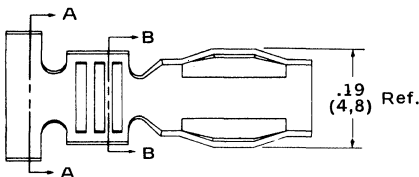
Terminals: Dimensions/Ordering Information: _____

1457-1 for No. 18 to No. 22 Gauge Wire Insulation Diameter .102 to .061 (2,59) to (1,55)



Material: Brass Plating
Pretinned, 20 micro inches minimum

1457-2 for No. 14 to No. 16 Gauge Wire Insulation Diameter .140 maximum (3,56)



Terminal	Order No.	
	Chain	Loose
1457-1	05-02-0047	05-02-0048
1457-2	05-02-0049	05-02-0050

Ordering Information: _____

APPLICATION TOOLING

Standard Crimp Tooling available
Hand Crimp Tool - Molex No. HRT-1031E
Crimp Die No. CD4610

A.C. Receptacle

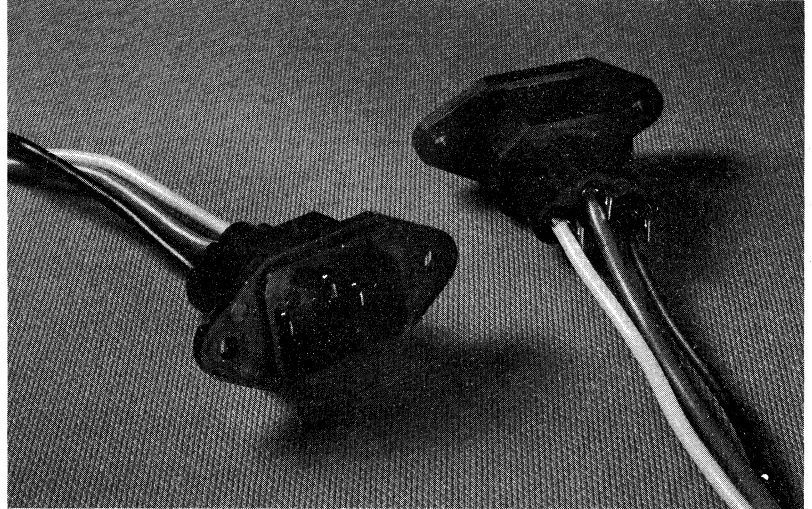


4274 Series A.C. Receptacle

A

General Features:

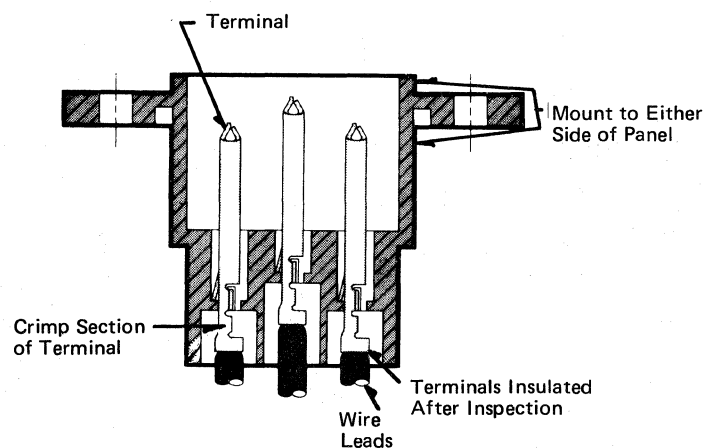
- Low cost
- Insulated terminals when inserted
- Mount on either side of mounting hole
- crimp type terminals for lower installed cost
- Excellent mating characteristics
- Available with solder loops on terminals for filter components
- UL, CSA, & VDE approvals
- 94V-0 nylon
- 15 Amps

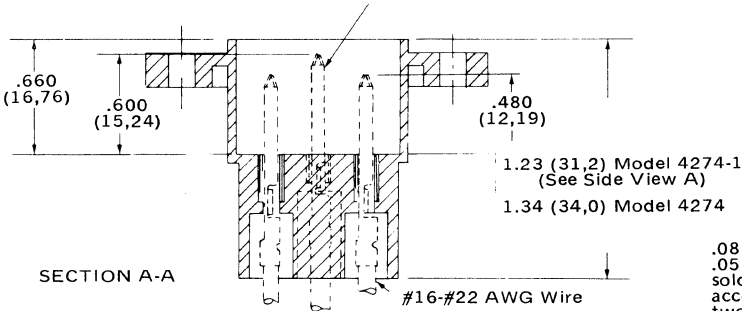
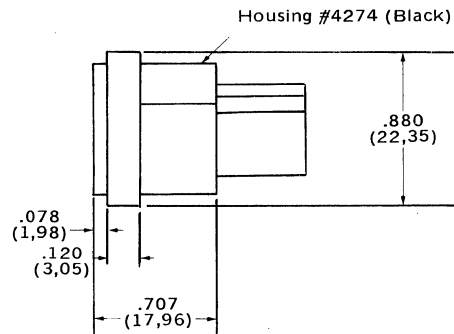
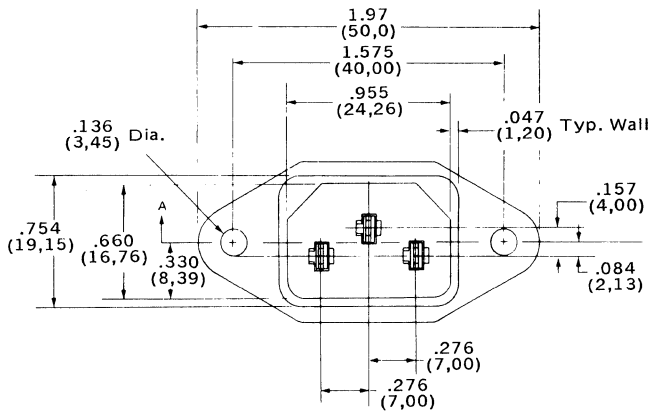


These 3 prong AC connector assemblies are designed for equipment using a power line cord which is plugable to the equipment.

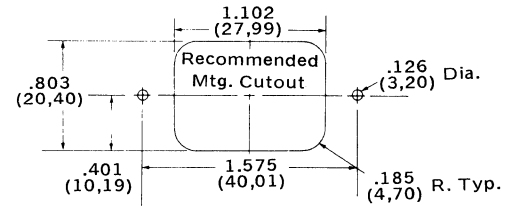
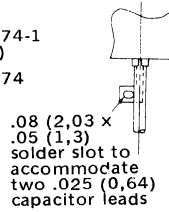
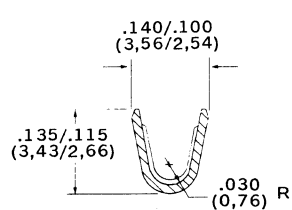
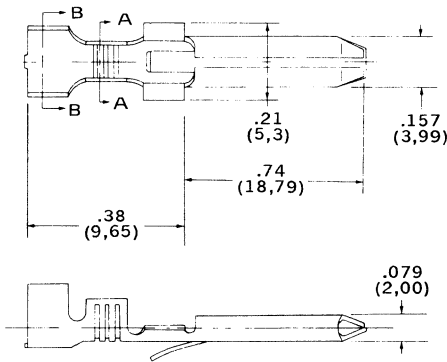
The key design feature is the crimp-type rectangular pin, Model 4296. This terminal allows the assemblies to be constructed outside the final assembly area. Thus reducing applied costs.

Design Features:

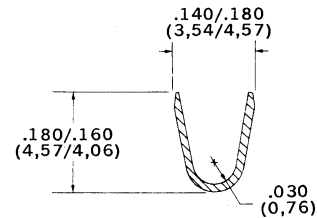


Dimensions:


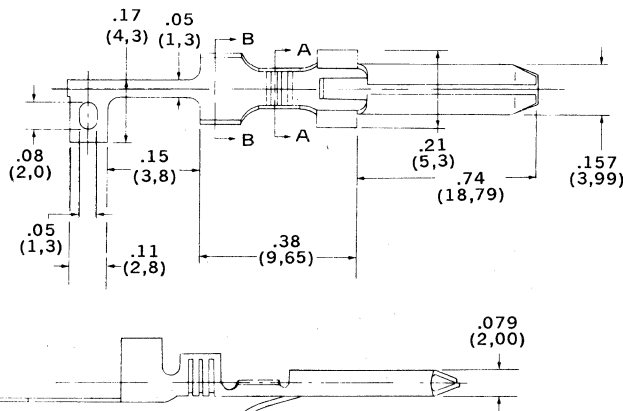
VIEW A (Ref.)


4296 Standard Terminal


SECTION A-A



SECTION B-B

Terminal with Solder Loop

Ordering Information:

Feature	Housing Number		Terminal Number	
	Order No.	Eng. No.	Order No.	Eng. No.
Standard - 3 Prong	15-04-0703	4274	16-02-1103	4296
With Solder Loops for Filter Components	15-04-0603	4274-1	16-02-1104	4296-1

Terminals Pre-Tinned Brass.

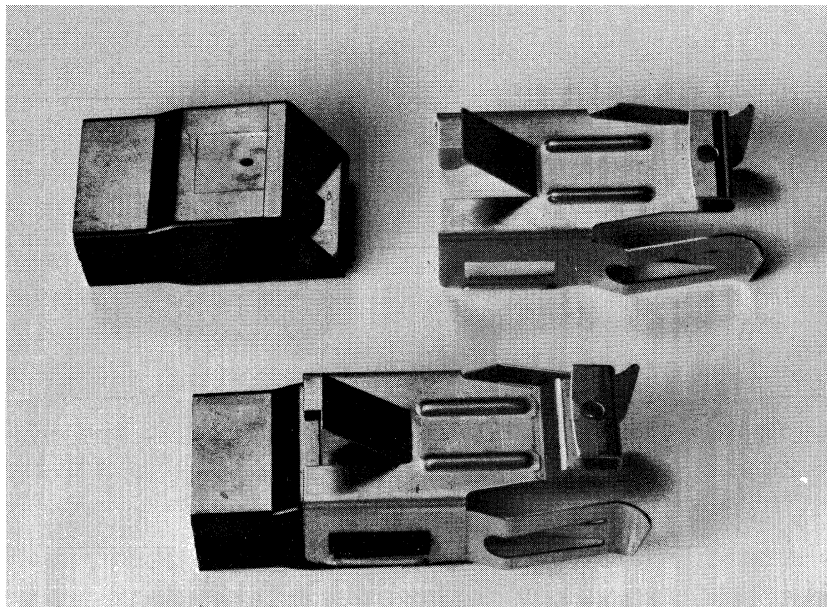
 inches
mm

A

Range Receptacle

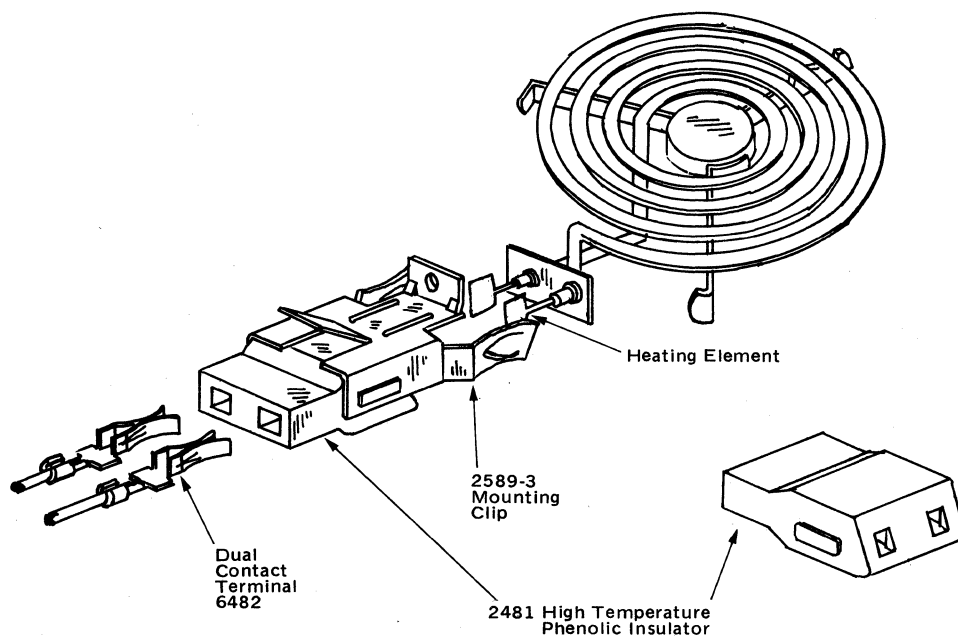
General Features

- U.L. approved
- Trouble free assembly
- Long product life
- Three types of mounting brackets
- Molded from high temperature phenolic



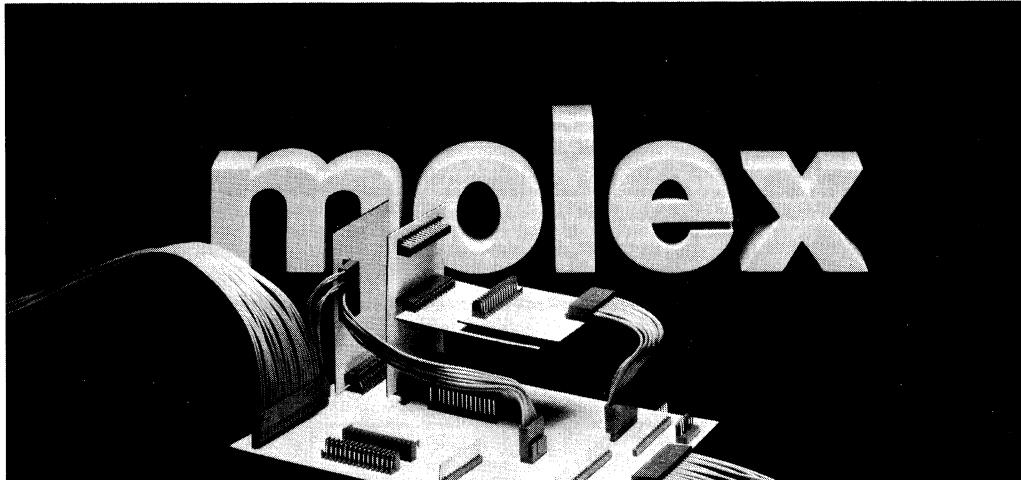
These range receptacles provide an easy electrical connect-disconnect to the heating element on the surface of the stove. This allows the burner to be removed giving easy access to the area underneath for cleaning.

Terminals are fabricated from high temperature spring brass in a two-sided contact configuration for maximum current reliability and lower operating temperatures.



For ordering information contact factory.

P.C. Board Components



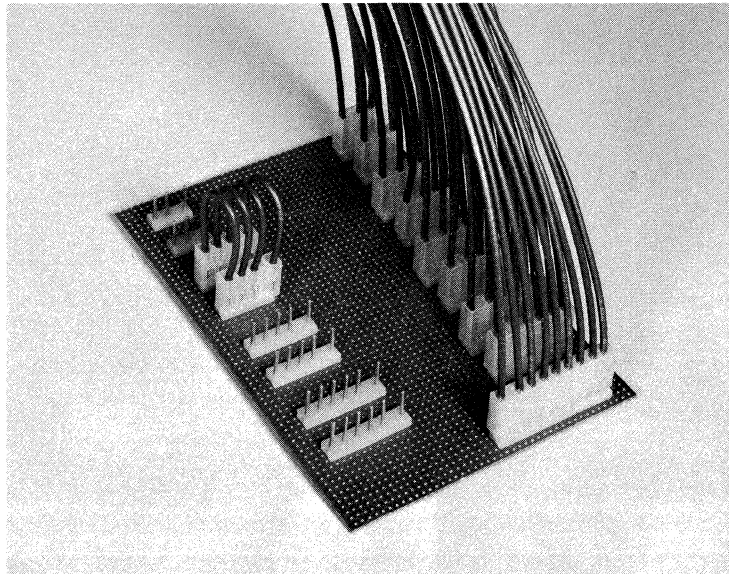
B

Contents



KK® Introduction	2B-3B
Crimp Terminal Housings	4B
Wafers	5B
Printed Circuit Board Connectors	6B
.200" (5,08 mm) Center Crimp Terminal Housings	7B-9B
.200" (5,08 mm) Center P.C. Board Connectors	10B-11B
.200" (5,08 mm) Center Wafers	12B-15B
.200" (5,08 mm) Center Connectors	16B
.200" (5,08 mm) Shrouded Wafers	17B
.197" (5,0 mm)/.295" (7,5 mm) Center Housings	18B
.197" (5,0 mm)/.295" (7,5 mm) Center Wafers	19B-20B
.156" (3,96 mm) Center Crimp Terminal Housings	21B-24B
.156" (3,96 mm) Center P.C. Board Connectors	25B-26B
.156" (3,96 mm) Center Wafers	27B-38B
.100" (2,54 mm) Center Crimp Terminal Housing	39B-41B
.100" (2,54 mm) Center P.C. Board Connectors	42B-43B
.100" (2,54 mm) Center Wafers	44B-47B
.098" (2,5 mm) Center Crimp Terminal Housings	48B-50B
.098" (2,5 mm) Center P.C. Board Connector	51B-52B
.098" (2,5 mm) Center Wafers	53B-55B
Mini Spox .098" (2,5 mm) Crimp Terminal Housings	56B-59B
Micro Spox Series	
.079" (2,0 mm) Crimp Terminal Housings	60B
.079" (2,0 mm) Wafers	61B-62B
.079" (2,0 mm) Crimp Terminal	63B
Polarizing Keys	64B
Crimp Terminals for .098" (2,5 mm)/.100" (2,54 mm) Center Housings	65B
Crimp Terminals	66B, 70B-72B
Trifurcon Terminals	67B-68B
Bead Pins and Crimp Terminals	69B-72B
.025" (0,63 mm) and .045" (1,14 mm) Square Wire Pins	73B-74B
Standard Pins	75B
Plating - Soldering Specifications	76B
KK® Technical Data	77B, 78B

Molex KK[®] Modular Interconnection



Introduction

The Molex KK Interconnect System

The KK system is one of the major reasons that Molex is the fastest growing name in printed circuit board interconnectors. This modular system consists of connectors designed to mate with rigid wire pins either inserted into a P.C. board or assembled in a nylon carrier strip "wafer" for a reliable contact interface.

The system offers interconnection in a number of modes: cable-to-board, board-to-board, both parallel and perpendicular, and board or cable to chassis. The KK system provides many housing and wafer

variations to accommodate a particular interconnection requirement in polarization or mounting. Features include a friction lock to secure connectors to wafer; polarizing wall or location pegs to assure correct assembly; and a chassis mount option for mounting to sheet metal panels. Various methods of securely holding the connectors to a P.C. board are available. Types of board hooks, retention locks, and snap fits adequately maintain a secure interface with the P.C. board.

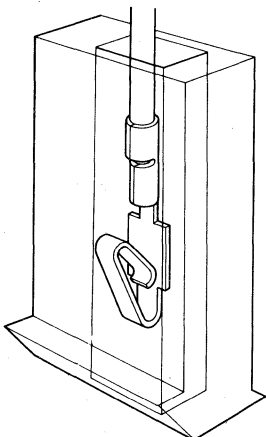
The Molex connectors shown in this catalog carry Underwriter's Lab-

oratories and Canadian Standards Association recognition. Products are inspected under the recognized component program.

The Molex KK interconnect system can provide all the options necessary to complement the P.C. board interconnection design requirements. For this reason KK has become known as a versatile interconnecting system developed to meet the challenge of modularization. For any design information required for P.C. board layout, please contact a Molex representative for assistance.

Molex KK[®] Concept

We're With You All The Way



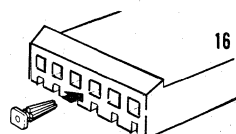
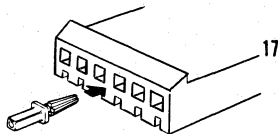
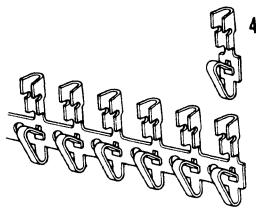
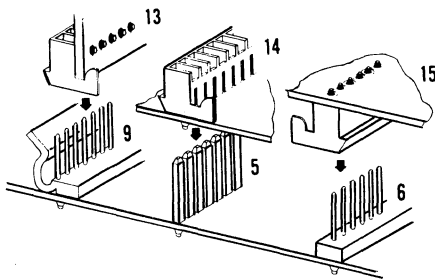
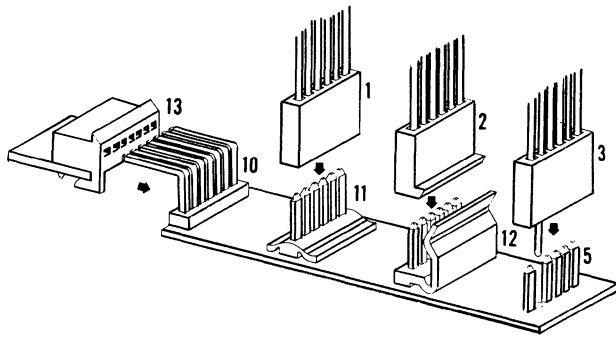
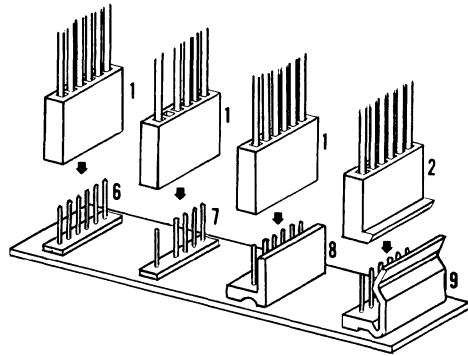
The Molex KK concept utilizes a double cantilever contact design in mating with P.C.-board pins. The time proven double cantilever design provides a high uniform contact pressure for a reliable connector interface. The high pressure creates more contact points at a microscopic level, thereby providing a lower contact resistance. The wiping action of the double cantilever design tends to clean oxides and film when the connector is mated.

Molex crimp terminals are available in a number of crimp variations to accommodate various wire specifications. A number of plating options are also available to meet customer requirements in tin and gold specifications. Molex terminals will meet solderability specifications as noted in this catalog.

The Molex KK concept provides a durable connector interface at an affordable price... a totally engineered product.



Molex KK[®] Modular Interconnection



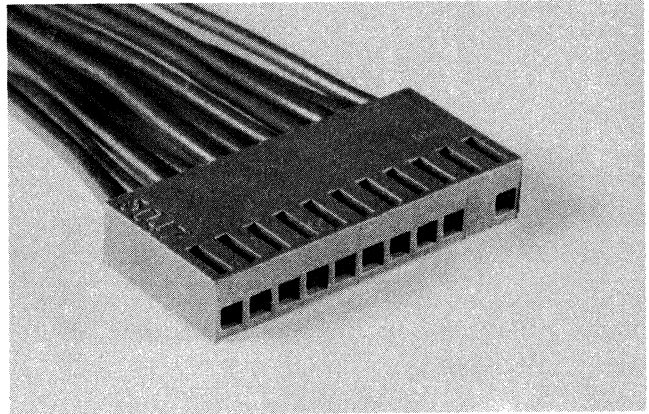
No.	Description	Center Spacing				
		.200 (5,08)	.156 (3,96)	.100 (2,54)	.098 (2,50)	1.97 (5,00)
1	Connector housing for use with crimp-type terminals	3001	2139 3069 6442	6471 2695	3071 3180	3018
2	Connector with locking ramp	—	2139 3069	6471	5051	
3	Connector with polarizing peg	3007/3011	3069	6472 6470	3072	
4	Terminals for use with above housings	2578 2478	2578 2478 6838 7528	2759 4809	2759 4809 5659	
5	Male Pins	2161	2161	2766/4166	2766/4166	
6	Standard wafer	3003 3008	2461 3279 3192 2402 A2402 A3192	4030	3022 3197	
7	Standard wafer with pin omitted for polarization	3003	2802 4044 2803 3239 3192	4180	3202	3020/3197
8	Polarizing wafer	2599	2403 3190	6410	—	
9	Polarizing and locking wafer round pins	2599	2391	6410 6373	5045	
10	Right angle wafer	2673 3061	2373 3246	4094	3094	
11	Chassis mount wafer	2419	2220 4737			
12	Polarizing and locking wafer with square pins	—	2630 6393	6410	5045 5046	
13	(Right angle) connector to interconnect perpendicular P.C. boards	3002	3243 2420 2534 2145	7478	3024	
14	Connector to interconnect parallel bottom entry P.C. boards	2002	2145	4455	5124	
15	Connector to interconnect parallel P.C. boards	2002	2145	4455	3024	
16	Polarizing key without peg	2560-1	2560-1	4161-1	4161-1	
17	Polarizing key with peg	2560-2	2560-2	4161-2	4161-2	



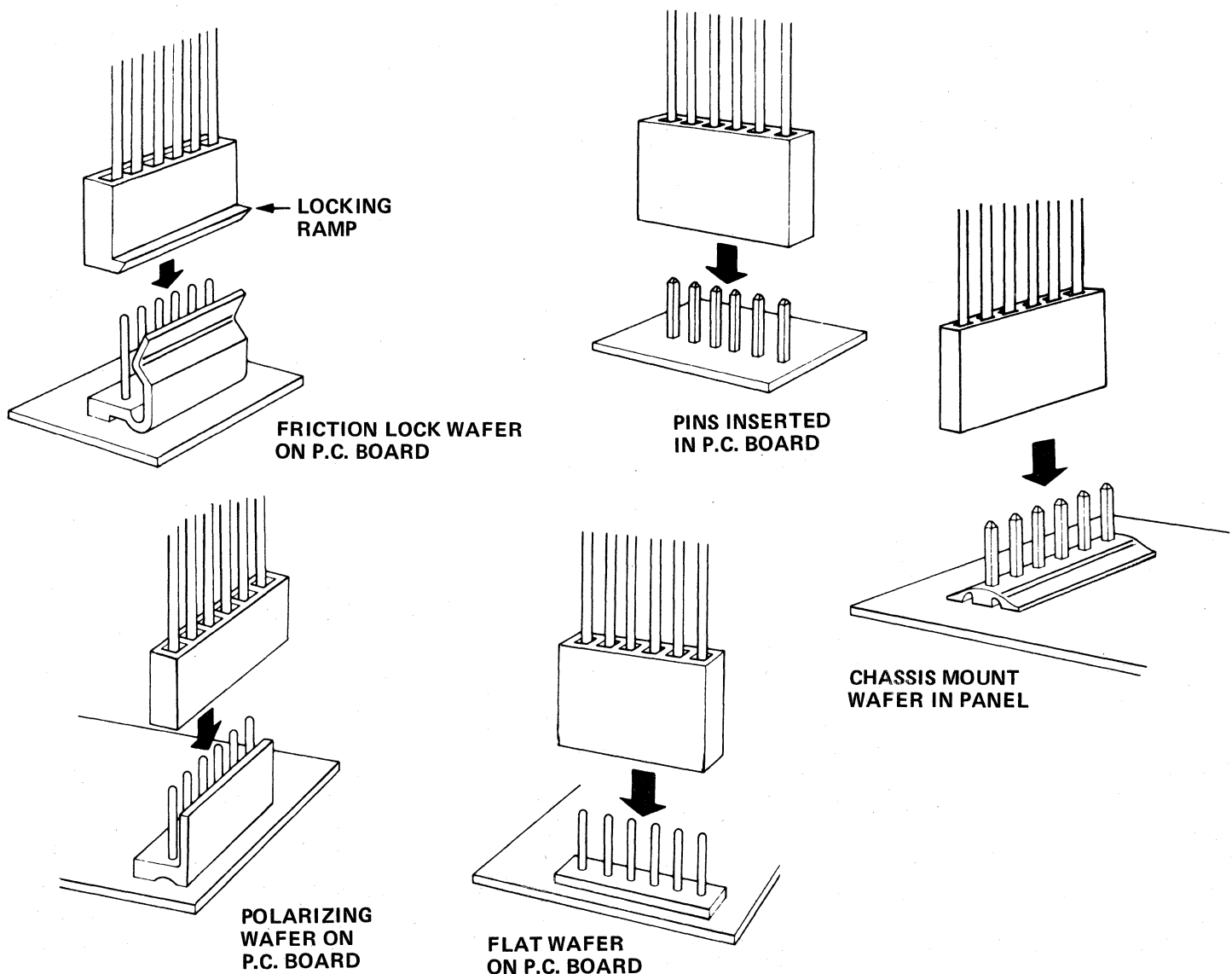
Crimp Terminal Housings

General Features:

- With or without locking ramp
- Connect to square or round pins
- Polarizing keys and pegs available
- Uses Molex double cantilever crimp type terminals
- 105° C rated material (nylon)
- Stackable end to end
- Various circuit sizes available

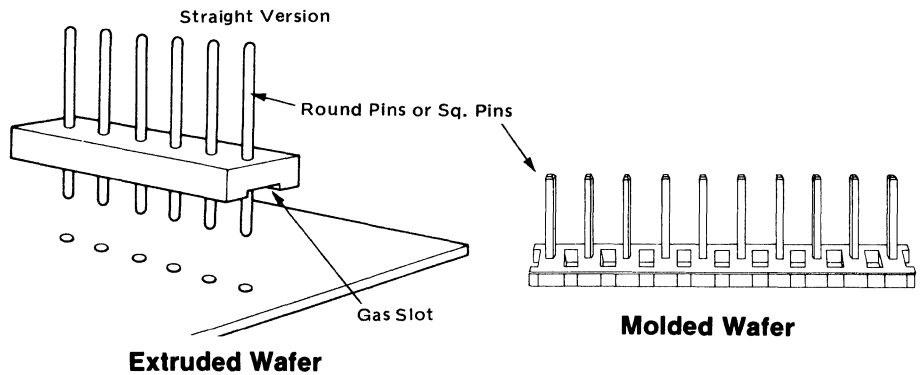


These housings accommodate the double cantilever crimp type terminals to provide interconnections to pins or wafers without soldering. A locking ramp for positive retention is available, as well as polarizing pegs for selective assembly. The combination of these housings, terminals and wafers complements the versatility of the KK system.



General Features

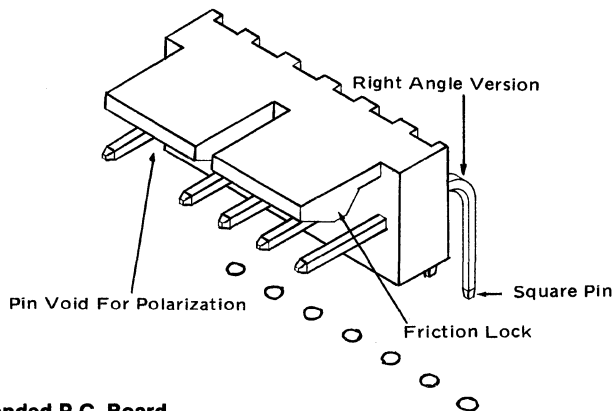
- Compatible with cable to board, or board to board applications
- Various circuit sizes available
- option of friction lock or polarizing wall.
- Polarization
- Various platings available
- Round or square pins
- Stackable end to end
- Gas slot to relieve flux gas pressure
- U.L. listed nylon material



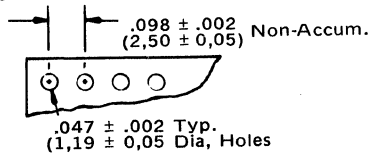
These preassembled wafers are a quick low cost and effective method of supplying the male end to an interconnection. No additional tooling is required for assembling the wafers into the board for soldering.

The flexibility of this product allows mating with printed circuit board mounted connectors, crimp type connectors, or insulation displacement type connectors. Wafers are ready to be installed on the board for wave solder and can be adapted for use with wire wrap equipment.

The assembly order numbers listed in this section are designed to mate with standard crimp and P.C. Tail connectors. Other assembly options are available to meet your requirements using pin length options on page 62B and plating options on page 63B. Contact factory for ordering information.

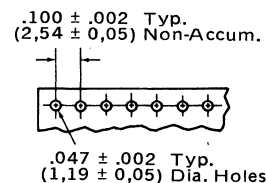


Recommended P.C. Board Layout for .098" (2,5 mm) Wafers

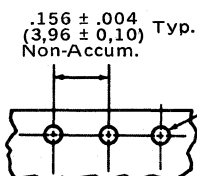


Recommended P.C. Board Hole Dimensions
For Std. .062 ± .008 (1,57 ± 0,20) P.C. Board

Recommended P.C. Board Layout for .100" (2,54 mm) Wafers



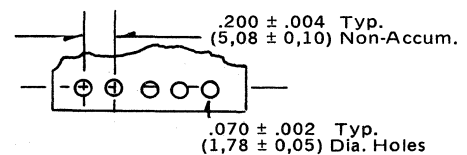
Recommended P.C. Board Layout for .156" (3,96 mm) Wafers



Recommended Hole Dimensions
For Std. .062 ± .008 (1,57 ± 0,20) P.C. Board

inches
mm

Recommended P.C. Board Layout for .200" (5,08 mm) Wafers



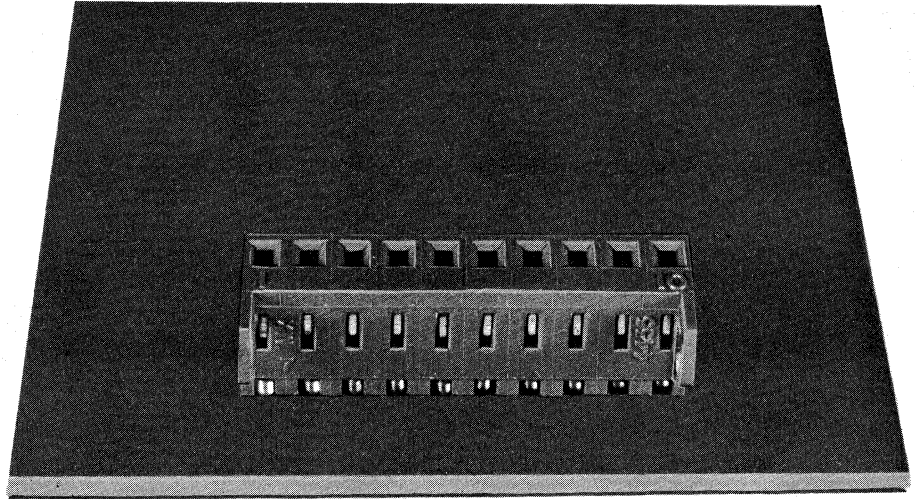
Recommended Hole For Std. .062 Board

B

Printed Circuit Board Connectors

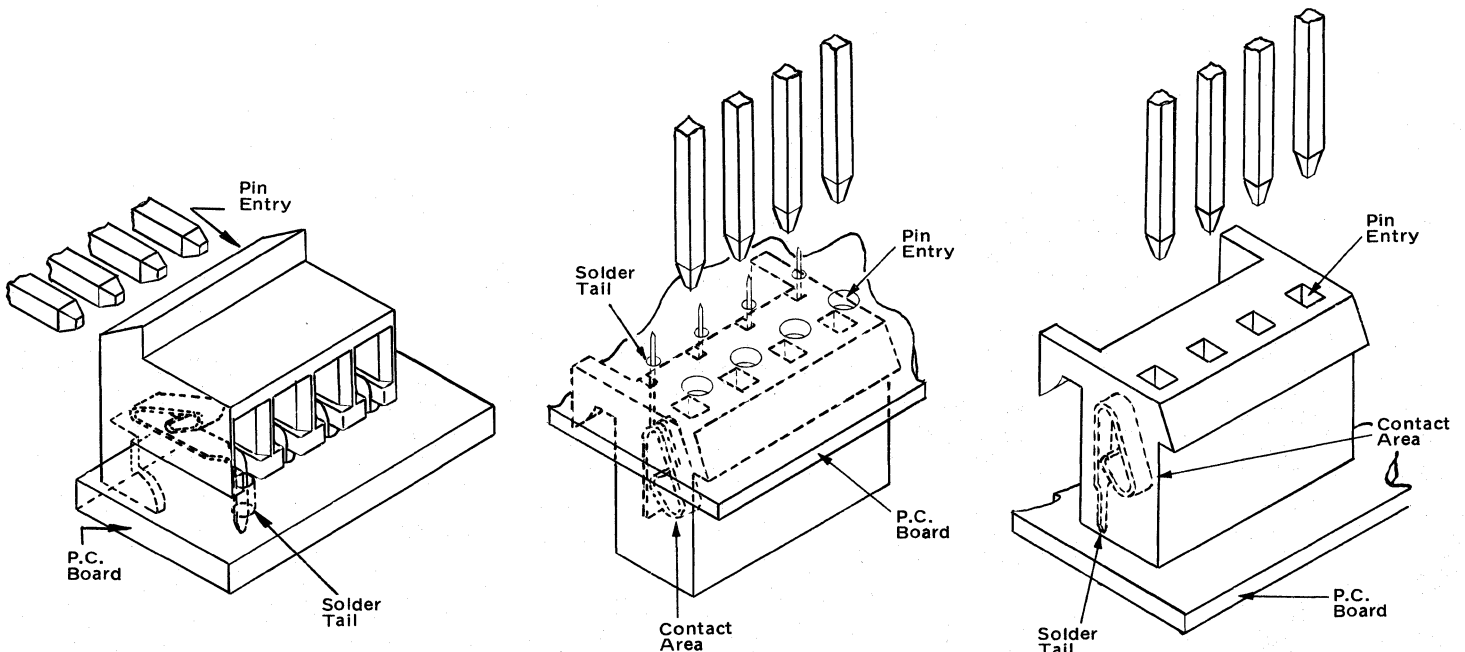
features/dimensions

- Right angle entry version
- Bottom entry version
- Top entry version
- Mates with wafer or staked pin
- Various platings available
- Various circuit sizes available
- Polarizing keys and pegs available
- E-Z solder P.C.-tail
- Housing preassembled with terminals
- Optional locking ramp for use with friction lock wafers



These printed circuit board connectors allow you to utilize the advantages of modular concept while designing your printed circuit boards. Many mother-daughter board combinations can be made when these connectors are mated with the proper pins. Connectors are put in place using recommended hole size and soldered to the printed circuit board.

The connector uses the time proven highly reliable double cantilever terminal design, "The KK Concept", which provides an excellent electrical interface.



RIGHT ANGLE

BOTTOM ENTRY

TOP ENTRY

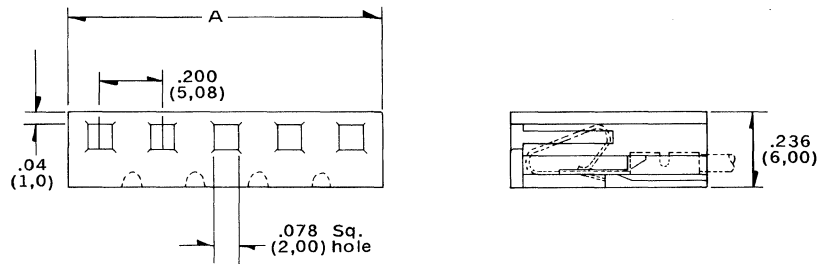
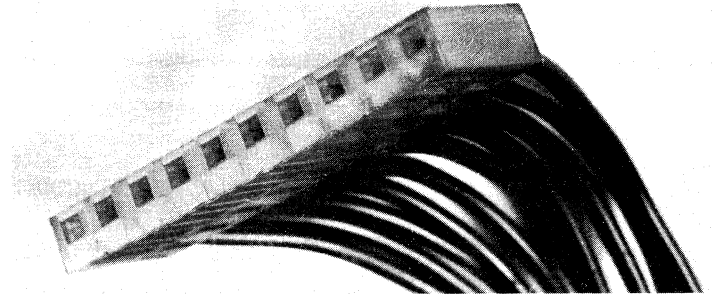


.200" (5,08 mm) Center Crimp Terminal Housing

3001 Series

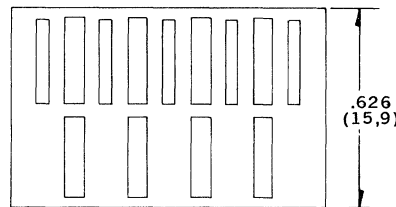
features/dimensions

- Mates with .045" round or square pins
- Accepts Molex double cantilever crimp terminals
- 94V-2 nylon standard, 94V-0 optional
- 1 - 20 circuits available
- Mates with Molex KK .200" (5,08 mm) center wafers or staked pins



Dimensional Information

No. of Circuits	Dim. A		No. of Circuits	Dim. A	
	inches	mm		inches	mm
1	.200	(5,08)	11	2.200	(55,88)
2	.400	(10,16)	12	2.400	(60,96)
3	.600	(15,24)	13	2.600	(66,04)
4	.800	(20,32)	14	2.800	(71,12)
5	1.000	(25,40)	15	3.000	(76,20)
6	1.200	(30,48)	16	3.200	(81,28)
7	1.400	(35,56)	17	3.400	(86,36)
8	1.600	(40,64)	18	3.600	(91,44)
9	1.800	(45,72)	19	3.800	(96,52)
10	2.000	(50,80)	20	4.000	(101,60)



inches
mm

Ordering Information

No. of Circuits	Order No.	No. of Circuits	Order No.	No. of Circuits	Order No.
1	10-01-1014	8	10-01-1084	15	10-01-1154
2	10-01-1024	9	10-01-1094	16	10-01-1164
3	10-01-1034	10	10-01-1104	17	10-01-1174
4	10-01-1044	11	10-01-1114	18	10-01-1184
5	10-01-1054	12	10-01-1124	19	10-01-1194
6	10-01-1064	13	10-01-1134	20	10-01-1284
7	10-01-1074	14	10-01-1144		

.200" (5,08 mm) Center Crimp

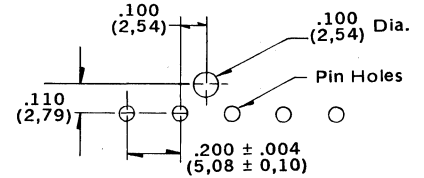
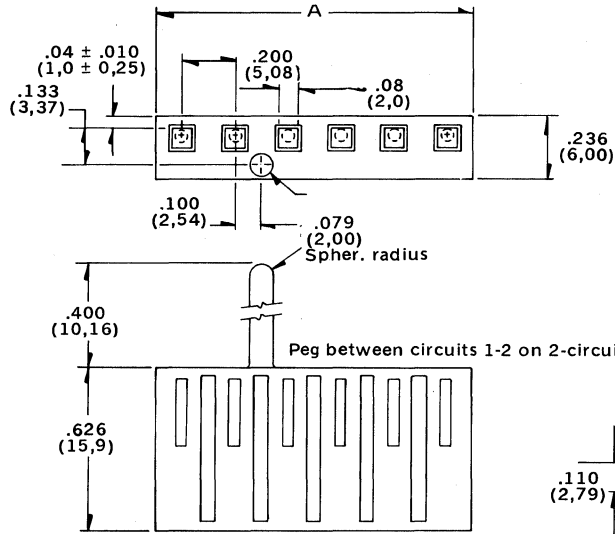


Terminal Housing 3007 Series

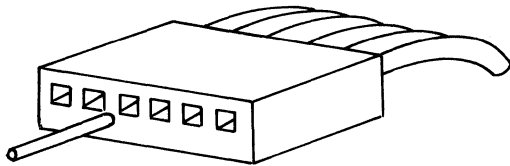
Polarizing Housings

features/dimensions

- Molded in polarizing peg between circuit 2 & 3
- 2 - 20 circuits available
- 94V-2 nylon or 94V-1 materials
- Mates with Molex KK .200" (5,08 mm) center wafer or staked pins
- Mates with .045" square or round pins
- Accepts Molex double cantilever crimp terminals



P.C. Board Hole Dimensions



Dimensional Information

inches
mm

No. of Circuits	Dim. A	No. of Circuits	Dim. A	No. of Circuits	Dim. A
2	.200 (5,08)	9	1.600 (40,64)	15	2.800 (71,12)
3	.400 (10,16)	10	1.800 (45,72)	16	3.000 (76,20)
4	.600 (15,24)	11	2.000 (50,80)	17	3.200 (81,28)
5	.800 (20,32)	12	2.200 (55,88)	18	3.400 (86,36)
6	1.000 (25,40)	13	2.400 (60,96)	19	3.600 (91,44)
7	1.200 (30,48)	14	2.600 (66,04)	20	3.800 (96,52)
8	1.400 (35,56)				

Ordering Information

No. of Circuits	Order No.	No. of Circuits	Order No.	No. of Circuits	Order No.
2	10-11-1024	9	10-11-1094	15	10-11-1154
3	10-11-1034	10	10-11-1104	16	10-11-1164
4	10-11-1044	11	10-11-1114	17	10-11-1174
5	10-11-1054	12	10-11-1124	18	10-11-1184
6	10-11-1064	13	10-11-1134	19	10-11-1194
7	10-11-1074	14	10-11-1144	20	10-11-1204
8	10-11-1084				

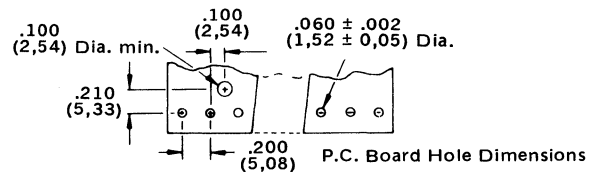
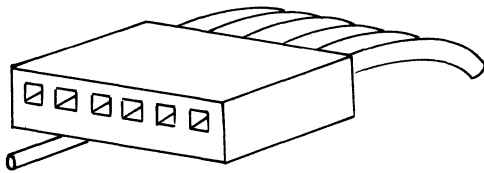
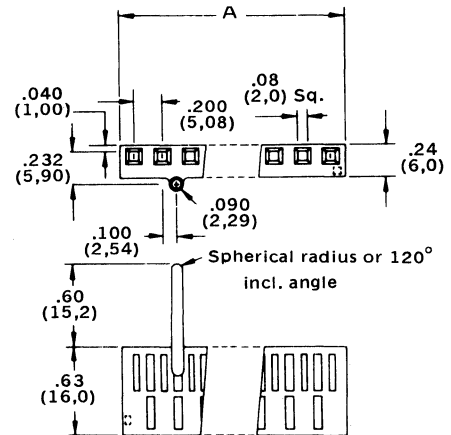
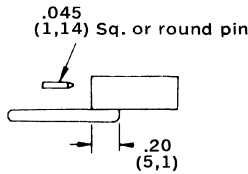


.200" (5,08 mm) Center Crimp Terminal Housing

3011 Series Polarizing Housing

features/dimensions

- Molded in polarizing peg on side of housing
- Designed to be used with Molex series 3003 and 3008 wafers
- 94V-2 nylon standard, 94V-1 or 94V-0 flame retardent material are optional
- Accepts Molex crimp type terminals 2478, 2578, and 2878
- Mates with .045" pins



Dimensional Information

No. of Circuits	Dim. A		No. of Circuits	Dim. A	
	inches	mm		inches	mm
2	.400	(10,16)	12	2.400	(60,96)
3	.600	(15,24)	13	2.600	(66,04)
4	.800	(20,32)	14	2.800	(71,12)
5	1.000	(25,40)	15	3.000	(76,20)
6	1.200	(30,48)	16	3.200	(81,28)
7	1.400	(35,56)	17	3.400	(86,36)
8	1.600	(40,64)	18	3.600	(91,44)
9	1.800	(45,72)	19	3.800	(96,52)
10	2.000	(50,80)	20	4.000	(101,60)
11	2.200	(55,88)			

Ordering Information

No. of Circuits	Order No.	No. of Circuits	Order No.	No. of Circuits	Order No.
2	10-13-1024	9	10-13-1094	15	10-13-1154
3	10-13-1034	10	10-13-1106	16	10-13-1164
4	10-13-1044	11	10-13-1114	17	10-13-1174
5	10-13-1055	12	10-13-1125	18	10-13-1184
6	10-13-1064	13	10-13-1134	19	10-13-1194
7	10-13-1075	14	10-13-1144	20	10-13-1204
8	10-13-1085				



.200" (5,08 mm) Center P.C.



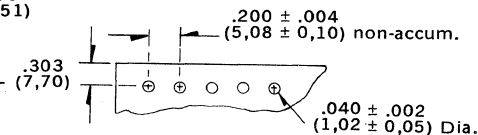
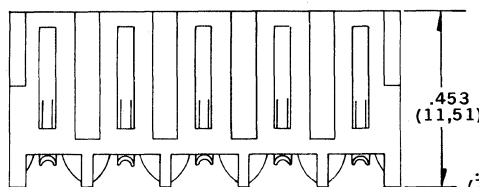
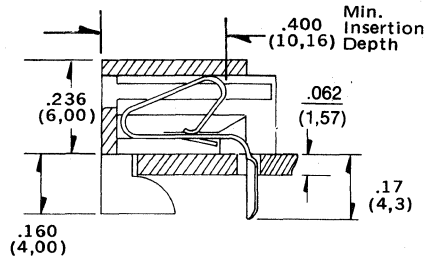
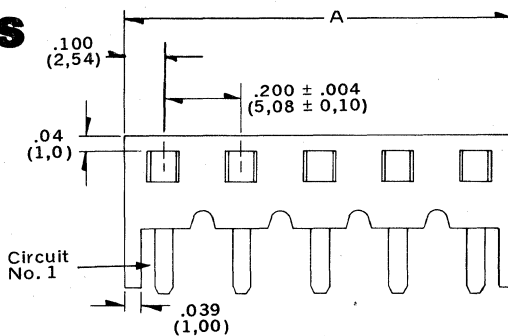
Board Connectors

3002-A Series

Right Angle Mount Type A

features/dimensions

- 2 - 20 circuits
- Right angle mount
- Various platings available
See page 76B
- See Molex soldering specifications page 76B
- 94V-2 Nylon
- Mates with Molex .200" (5,08 mm) wafers Part #3003, 3008, 2599



P.C. Board Hole Dimensions

Ordering Information

No. of Circuits	Tin Plating Per Code 901*	Gold Plating Per Code 501*	No. of Circuits	Tin Plating Per Code 901*	Gold Plating Per Code 501*
2	10-10-1021	10-10-1024	12	10-10-1121	10-10-1124
3	10-10-1031	10-10-1034	13	10-10-1131	10-10-1134
4	10-10-1041	10-10-1044	14	10-10-1141	10-10-1144
5	10-10-1051	10-10-1054	15	10-10-1151	10-10-1154
6	10-10-1061	10-10-1064	16	10-10-1161	10-10-1164
7	10-10-1071	10-10-1074	17	10-10-1171	10-10-1174
8	10-10-1081	10-10-1084	18	10-10-1181	10-10-1184
9	10-10-1091	10-10-1094	19	10-10-1191	10-10-1194
10	10-10-1101	10-10-1104	20	10-10-1201	10-10-1204
11	10-10-1111	10-10-1114			

**For Dimensional Information
Use Table on Page 11B
(Under 3002C)**

inches
mm

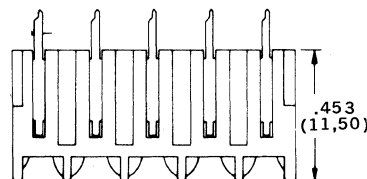
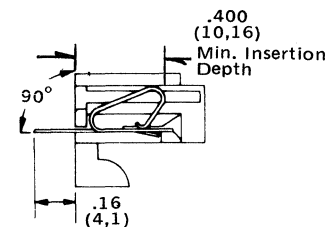
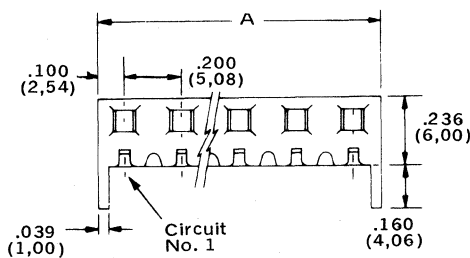
*Molex Plating Codes. See page 76B

3002-B Series

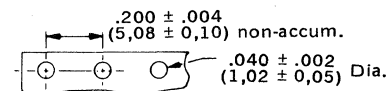
Bottom Entry Connectors Style B

features/dimensions

- 2 - 20 circuits
- Bottom entry connectors
- Various platings available
See page 63B
- See Molex soldering specifications
See page 66B
- 94V-2 Nylon
- Mates with Molex .200" (5,08 mm) wafers Part #3003, 3008, 2599



P.C. Board Hole Dimensions



Ordering Information

No. of Circuits	Tin Plating Per Code 901	No. of Circuits	Tin Plating Per Code 901	No. of Circuits	Tin Plating Per Code 901
2	10-02-1022	9	10-02-1092	15	10-02-1152
3	10-02-1032	10	10-02-1102	16	10-02-1162
4	10-02-1042	11	10-02-1112	17	10-02-1172
5	10-02-1052	12	10-02-1122	18	10-02-1182
6	10-02-1062	13	10-02-1132	19	10-02-1192
7	10-02-1072	14	10-02-1142	20	10-02-1202
8	10-02-1082				

inches
mm

**For Dimensional Information
Use Table on Page 11B
(Under 3002C)**

*Molex Plating Codes. See page 76B



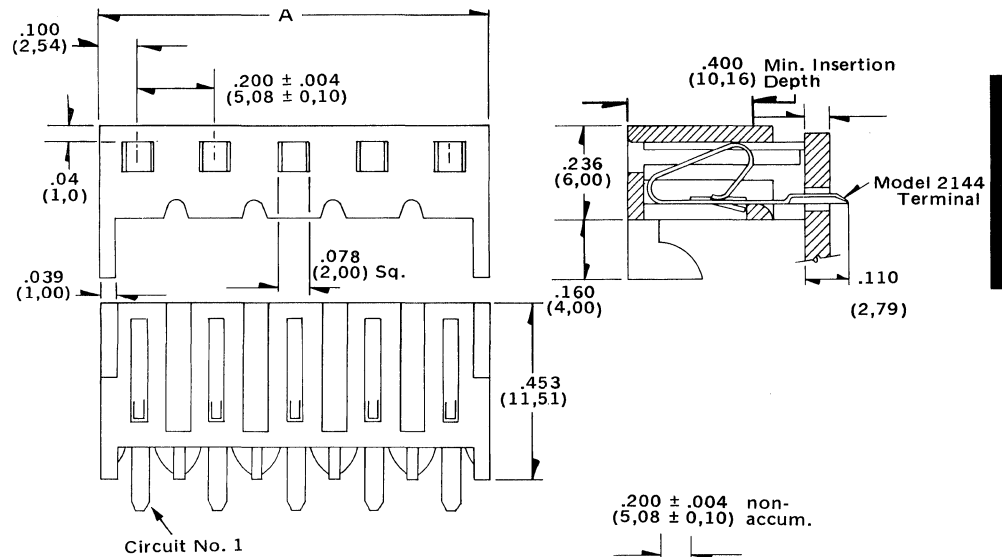
.200" (5,08 mm) Center P.C. Board Connectors

3002-C Series

Top Entry Connectors Style C

features/dimensions

- 2 - 20 circuits
- Top entry mount
- Various platings available
See page 76B
- See Molex soldering specifications page 76B
- 94V-2 Nylon
- Mates with Molex .200" (5,08 mm) wafers Part #3003, 3008, 2599



Ordering Information

No. of Circuits	Tin Plating Per Code 901*	No. of Circuits	Tin Plating Per Code 901*	No. of Circuits	Tin Plating Per Code 901*
2	10-10-1023	9	10-10-1093	15	10-10-1153
3	10-10-1033	10	10-10-1103	16	10-10-1163
4	10-10-1043	11	10-10-1113	17	10-10-1173
5	10-10-1053	12	10-10-1123	18	10-10-1183
6	10-10-1063	13	10-10-1133	19	10-10-1193
7	10-10-1073	14	10-10-1143	20	10-10-1203
8	10-10-1083				

*Molex Plating Code 901. See page 76B

Dimensional Information for 3002-A-B-C Versions

No. of Circuits	Dim. A	No. of Circuits	Dim. A	No. of Circuits	Dim. A
2	.400 (10,16)	9	1.800 (45,72)	15	3.000 (76,20)
3	.600 (15,24)	10	2.000 (50,80)	16	3.200 (81,28)
4	.800 (20,32)	11	2.200 (55,88)	17	3.400 (86,36)
5	1.000 (25,40)	12	2.400 (60,96)	18	3.600 (91,44)
6	1.200 (30,40)	13	2.600 (66,04)	19	3.800 (96,52)
7	1.400 (35,56)	14	2.800 (71,12)	20	4.000 (101,60)
8	1.600 (40,64)				

inches
mm

P.C. Board Hole Dimensions

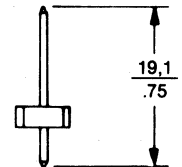
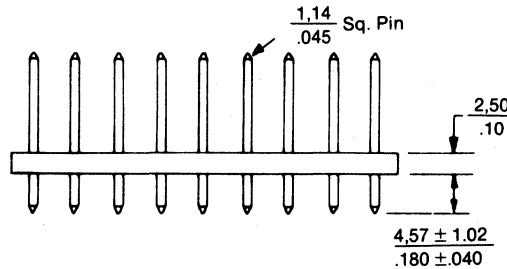
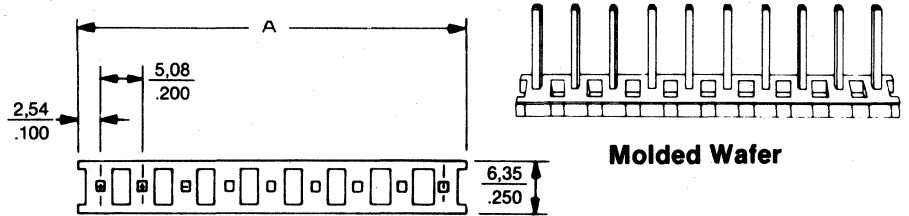


.200" (5,08 mm) Center Wafers

Square Wire Straight Wafer 3008 Series

Features/Dimensions:

- 2-15 Circuits
- Various pin lengths available 75B
- 1,14mm straight square wire pins
- Various platings available 76B
- 94V-2 Nylon, V-1 or V-0
- See Molex soldering specification
- Mates with Molex 5,08mm connectors



Pin push-out force 1,36 kg (3 lbs.) minimum

Dimensional Information

Circuits	Dim. A	Circuits	Dim. A
2	10,16 .400	9	45,72 1.800
3	15,24 .600	10	50,80 2.000
4	20,32 .800	11	55,88 2.200
5	25,40 1.00	12	60,96 2.400
6	30,48 1.200	13	66,04 2.600
7	35,56 1.400	14	71,12 2.800
8	40,64 1.600	15	76,20 3.000

Ordering Information

Circuits	Tin Plating Per Code 102*	Gold Plating Per Code 501*	Circuits	Tin Plating Per Code 102*	Gold Plating Per Code 501*
2	10-16-1021	10-51-1021	9	10-16-1091	10-51-1091
3	10-16-1031	10-51-1031	10	10-16-1101	10-51-1001
4	10-16-1041	10-51-1041	11	10-16-1111	10-51-1101
5	10-16-1051	10-51-1051	12	10-16-1121	10-51-1121
6	10-16-1061	10-51-1961	13	10-16-1131	10-51-1131
7	10-16-1071	10-51-1071	14	10-16-1141	10-15-1141
8	10-16-1081	10-51-1081	15	10-16-1151	10-15-1151

*Molex Plating Codes 901 and 501

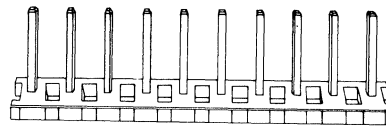
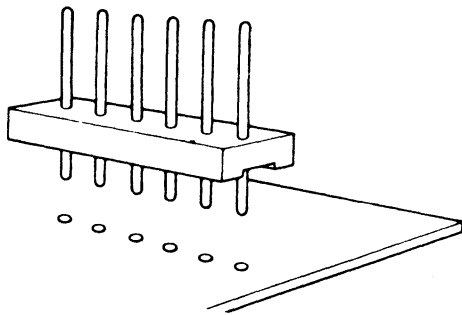
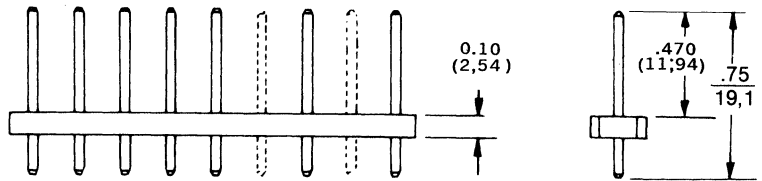
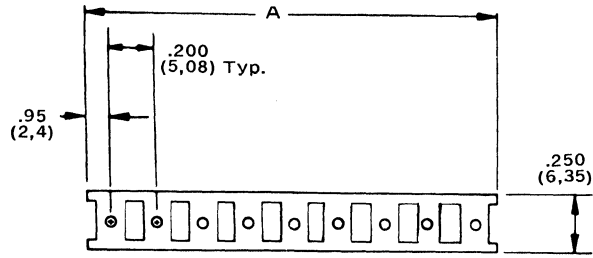
mm
inches

molex® .200" (5,08 mm) Center Wafers

3003 Series Round Wire Straight Wafer

features/dimensions

- 2 - 15 circuits
- Various pin lengths available
See page 75B
- .045" straight round wire pins
- Various platings available
See page 76B
- 94V-2 nylon - V-1 or V-0
- See Molex soldering specification page 76B
- Mates with Molex .200" (5,08 mm) center connectors
- Available with voids
Contact factory
- Molded wafer



Molded Wafer

Pin push-out force
1,36 kg (3 lb.) minimum

Dimensional Information

No. of Circuits	Dim. A	No. of Circuits	Dim. A
2	.390 (9,91)	9	1.790 (45,47)
3	.590 (14,99)	10	1.990 (50,55)
4	.790 (20,07)	11	2.190 (55,63)
5	.990 (25,15)	12	2.390 (60,71)
6	1.190 (30,23)	13	2.590 (65,79)
7	1.390 (35,31)	14	2.790 (70,87)
8	1.590 (40,39)	15	2.990 (75,95)

inches
mm

Ordering Information

No. of Circuits	Tin Plating Per Code 102*	Gold Plating Per Code 501*	No. of Circuits	Tin Plating Per Code 102*	Gold Plating Per Code 501*
2	10-08-1021	10-45-1021	9	10-08-1091	10-45-1091
3	10-08-1031	10-45-1031	10	10-08-1101	10-45-1101
4	10-08-1041	10-45-1041	11	10-08-1111	10-45-1111
5	10-08-1051	10-45-1051	12	10-08-1121	10-45-1121
6	10-08-1061	10-45-1061	13	10-08-1131	10-45-1131
7	10-08-1071	10-45-1071	14	10-08-1141	10-45-1141
8	10-08-1081	10-45-1081	15	10-08-1151	10-45-1151

• Available with voids. Contact Factory for ordering information.

*Molex Plating Codes. See page 76B

B

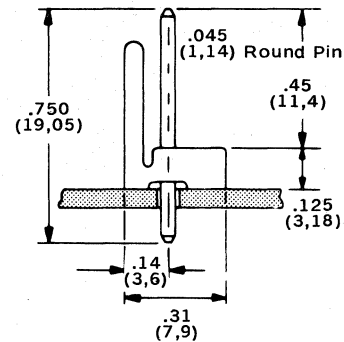
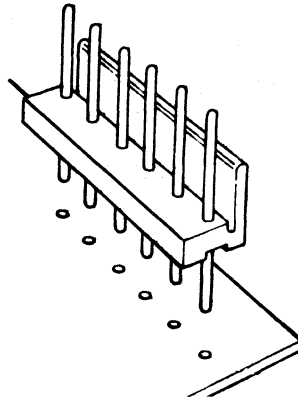
.200" (5,08 mm) Center Wafers

A-2599 Series

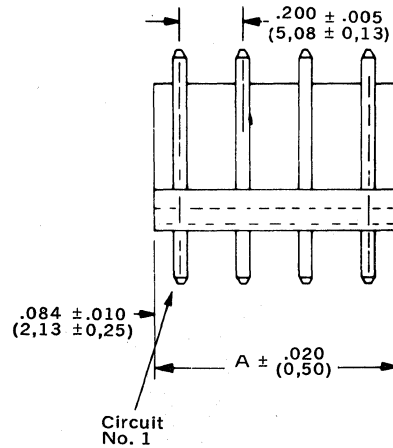
Round Wire Polarizing Wall

features/dimensions

- 2 - 18 circuits
- Various pin lengths available
See Page 75B
- Polarizing wall
- .045 round wire pins
- 94V-2 Nylon
- See Molex soldering specification page 76B
- Mates with 3001 and 3002 series housing assemblies



Pin push-out force 1,36 kg (3 lbs.) minimum



Dimensional Information

inches
mm

No. of Circuits	Dim. A	No. of Circuits	Dim. A	No. of Circuits	Dim. A
2	.368 (9,35)	9	1.768 (44,91)	16	3.168 (80,46)
3	.568 (14,43)	10	1.968 (49,99)	17	3.368 (85,54)
4	.768 (19,51)	11	2.168 (55,07)	18	3.568 (90,62)
5	.968 (24,59)	12	2.368 (60,15)		
6	1.168 (29,67)	13	2.568 (65,23)		
7	1.368 (34,75)	14	2.768 (70,31)		
8	1.568 (39,83)	15	2.968 (75,38)		

Ordering Information

No. of Circuits	Tin Plating Per Code 901*	Gold Plating Per Code 501*	No. of Circuits	Tin Plating Per Code 901*	Gold Plating Per Code 501*
2	10-19-1021	10-44-1021	11	10-19-1111	10-44-1111
3	10-19-1031	10-44-1031	12	10-19-1121	10-44-1121
4	10-19-1041	10-44-1041	13	10-19-1131	10-44-1131
5	10-19-1051	10-44-1051	14	10-19-1141	10-44-1141
6	10-19-1061	10-44-1061	15	10-19-1151	10-44-1151
7	10-19-1071	10-44-1071	16	10-19-1161	10-44-1161
8	10-19-1081	10-44-1081	17	10-19-1171	10-44-1171
9	10-19-1091	10-44-1091	18	10-19-1181	10-44-1181
10	10-19-1101	10-44-1101			

*Molex Plating Codes. See page 76B

Check Factory for Lead Times on 15, 16, 17 and 18 circuits.

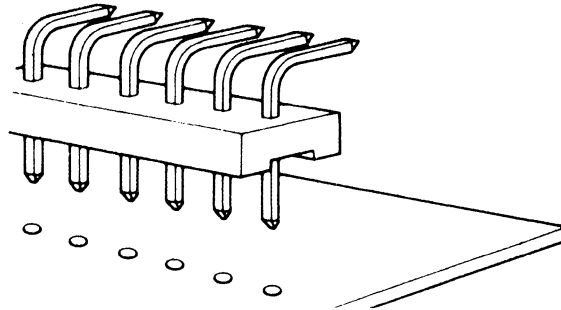


.200" (5,08 mm) Center Wafers

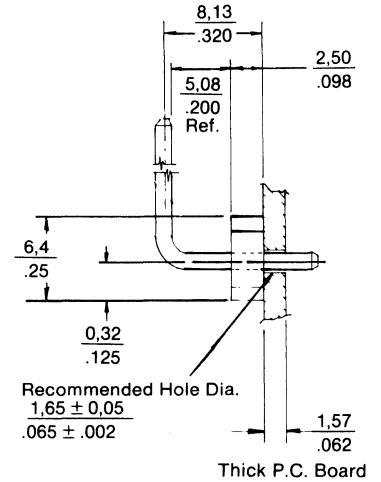
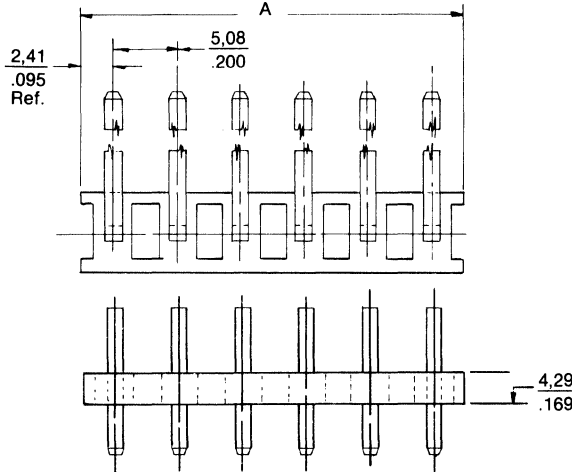
Square Wire Right Angle Wafers 3061/2673 Series

Features/Dimensions:

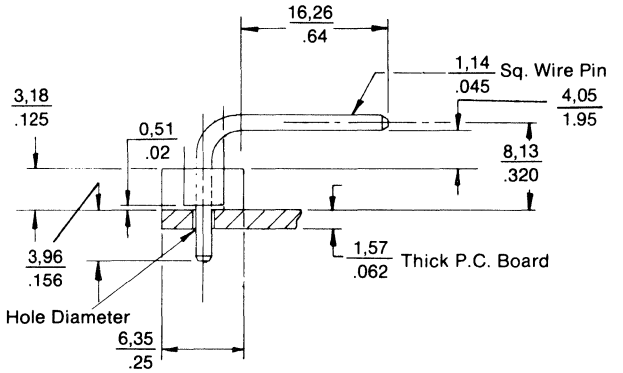
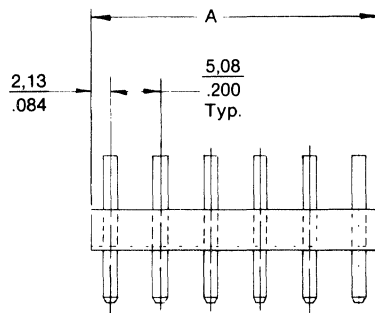
- 2-15 Circuits
- 1,14mm/.045" Square pins
- 94V-2 Nylon
- Mates with 5,08 mm Molex I.D.T. connectors
- Pin material brass



3061
Molded
Wafer



2673
Extruded
Wafer



Dimensional Information 3061

mm
inches

Circuits	Dim. A	Circuits	Dim. A	Circuits	Dim. A
2	9,91 .390	7	35,31 1.390	12	60,71 2.390
3	14,99 .590	8	40,39 1.590	13	65,79 2.590
4	20,07 .790	9	45,47 1.790	14	70,89 2.790
5	25,15 .990	10	50,55 1.990	15	75,95 2.990
6	30,23 1.190	11	55,63 2.190		

Dimensional Information 2673

mm
inches

Circuits	Dim. A	Circuits	Dim. A	Circuits	Dim. A
2	9,35 .368	8	38,83 1.568	13	65,23 2.568
3	14,43 .568	9	44,91 1.768	14	70,31 2.600
4	19,51 .768	10	49,99 1.800	15	75,39 2.968
5	24,59 .968	11	55,07 2.168		
6	29,67 1.168	12	60,15 2.368		
7	34,75 1.368				

Ordering Information 3061

Circuits	Order No.	Circuits	Order No.	Circuits	Order No.
2	10-06-1025	7	10-06-1075	12	10-06-1125
3	10-06-1035	8	10-06-1085	13	10-06-1135
4	10-06-1045	9	10-06-1095	14	10-06-1145
5	10-06-1055	10	10-06-1105	15	10-06-1155
6	10-06-1065	11	10-06-1115		

Ordering Information 2673

Circuits	Order No.	Circuits	Order No.	Circuits	Order No.
2	10-06-1021	8	10-06-1081	13	10-06-1131
3	10-06-1031	9	10-06-1091	14	10-06-1141
4	10-06-1041	10	10-06-1101	15	10-06-1151
5	10-06-1051	11	10-06-1111		
6	10-06-1061	12	10-06-1121		
7	10-06-1071				

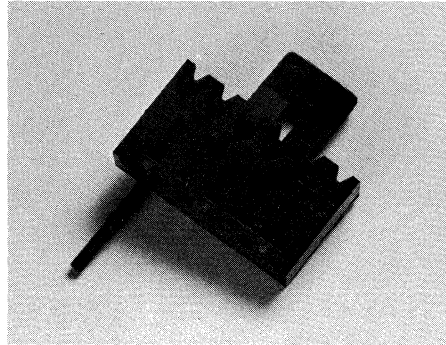
.200" (5,08 mm) Center Connectors

3 Point

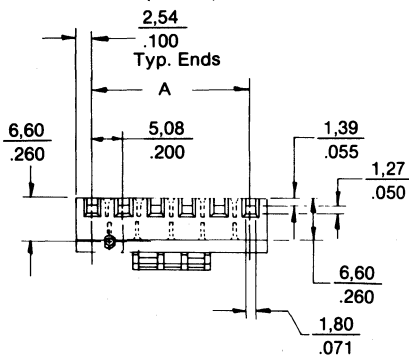
Trifurcon Contact 8680 & Double Cantilever Contact 8675 EURO 508 Series

Features/Dimensions:

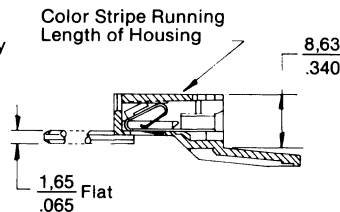
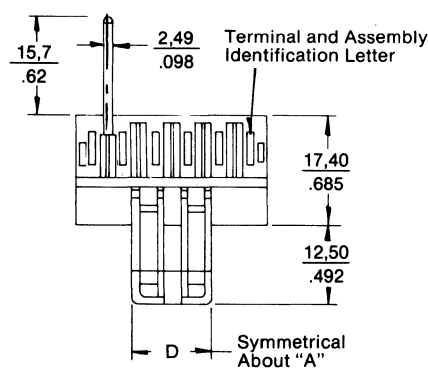
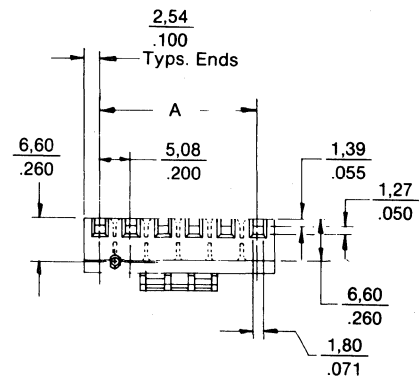
- With polarizing peg and handle
- 3, 4, 5, 6, 10, 16 and 18 circuits
- 3 Point contact (8680)
- Accepts wire O.D. from 1,14mm to 2,41mm Max.
- Optional platings 76B
- Mates with 9171 wafers
- Accepts crimp terminals 6838, 7258 (8680)
- Also accepts crimp terminals 2478, 2578 (8675)



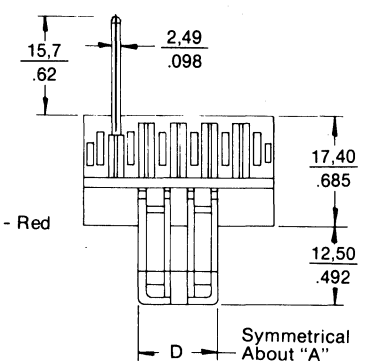
B



Wires Applied Mini-Cam III
8716-1 — 220V
8716-1A — 110V
50 or 60 Hz
Contact factory for ordering data. See Section D



Material:
Housing: Monsanto, 94V-O, Color - Red
Terminal: Brass, Post Plated



Dimensional Information for 8680 and 8675

Ckts.	Dim. A	Dim. D	Peg Location Between Ckts.	Ckts.	Dim. A	Dim. D	Peg Location Between Ckts.
3	10,16 .400	7,62 .300	2 & 3	10	45,72 1.800	22,86 .900	1 & 2
4	15,24 .600	12,70 .500	1 & 2	16	76,20 3.000	33,02 1.300	13 & 14
5	20,32 .800	17,78 .700	1 & 2	16*	—	—	3 & 4, 15 & 16
6	25,40 1.000	12,70 .500	1 & 2	18	86,36 3.400	33,02 1.300	1 & 2

*Contact factory for dimension/ordering information.

Ordering Information

ORDERING NUMBER FORMULA

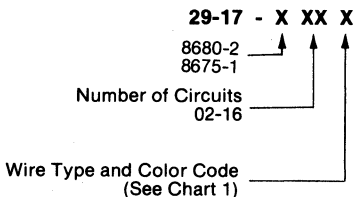


CHART 1

Ordering Suffix No.	Identification Letter	Type of Wire Terminated (All Wires have a maximum Insulation Diameter of 2,41/.095)
29-17-XXX1	A	#18 GA Solid or Fused Stranded
29-17-XXX2	B	#20 GA Solid or Fused Stranded and #18 GA Stranded Wire
29-17-XXX3	C	#20 GA Stranded Wire
29-17-XXX4	D	#26 and #27 GA Stranded, Fused Stranded and Solid Wire or #24 GA Stranded Wire
29-17-XXX5	E	#28 GA Solid Wire
29-17-XXX6	F	#24 and #22 GA Solid or Fused Stranded and #22 GA Stranded Wire

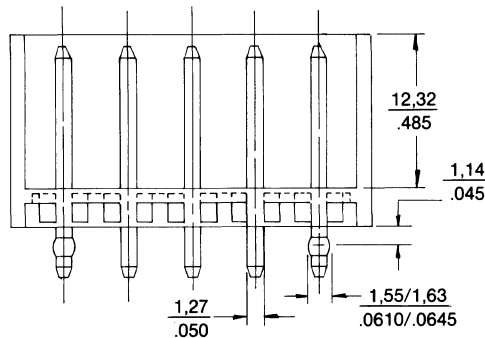
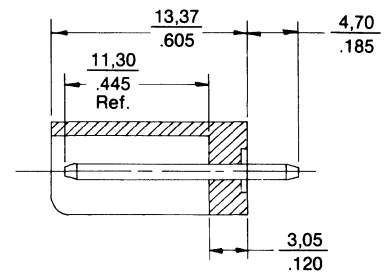
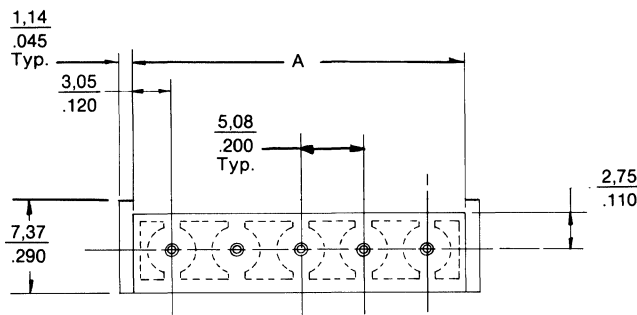
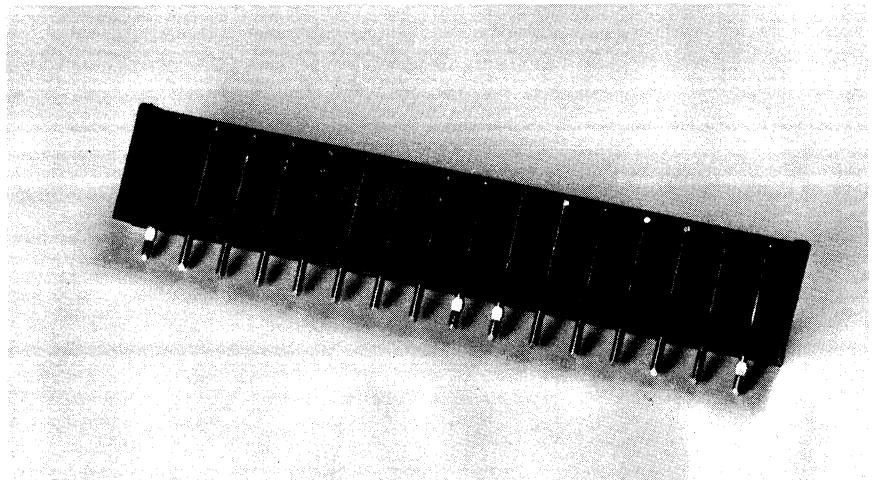


.200 (5,08 mm) Shrouded Wafer

Straight Round Wire Shrouded Wafer 9171 Series

Features/Dimensions:

- 3-18 Circuits
- PCB Swaged Retention Pin
- 1,14mm Straight Round Wire Pin
- Tin Plated 76B
- 94V-0 Nylon
- Mates with Molex 5,08mm center connectors 8680 and 8675.



Material:
Housing: Nylon 94V-0
Color Red
Terminal: Brass, Tin-Plated

Dimensional Information

mm
inches

Circuits	Dim. A	Circuits	Dim. A	Circuits	Dim. A
3	16,26 .640	9	46,74 1.840	14	72,14 2.840
4	21,34 .840	10	51,82 2.040	15	77,22 3.040
5	26,42 1.040	11	56,90 2.240	16	82,30 3.240
6	31,50 1.240	12	61,98 2.440	17	87,38 3.440
7	36,58 1.440	13	67,06 2.640	18	92,46 3.640
8	41,66 1.640				

Ordering Information

Circuits	Order No.	Circuits	Order No.	Circuits	Order No.
3	10-16-2035	9	10-16-2095	14	10-16-2145
4	10-16-2045	10	10-16-2105	15	10-16-2155
5	10-16-2055	11	10-16-2115	16	10-16-2165
6	10-16-2065	12	10-16-2125	17	10-16-2175
7	10-16-2075	13	10-16-2135	18	10-16-2185
8	10-16-2088				

Plating Code 122 See page 76B.

.295" (7,5 mm) / .197" (5,0 mm) Center Housing

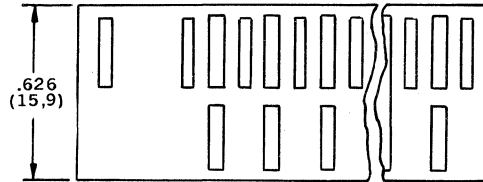
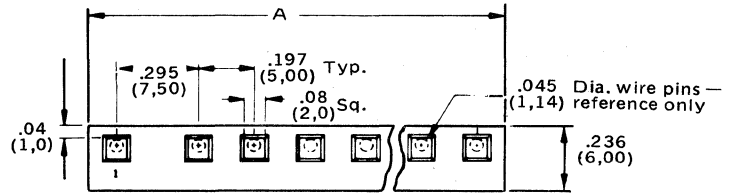
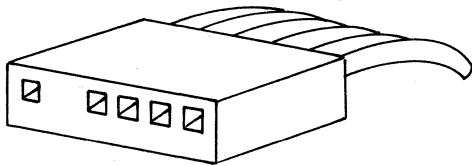


3018 Series Polarizing Housing

features/dimensions

- Mates with .045" (1,14 mm) round or square pins
- Accepts Molex double cantilever terminals
- 94V-2 nylon standard 94V-0 nylon optional
- Polarization through varied center spacing between circuits 1 & 2
- 2 - 15 circuits available
- Mates with 3020 series wafer assemblies

B



Dimensional Information

inches
mm

No. of Circuits	Dim. A	No. of Circuits	Dim. A
2	.484 ± .008 (12,3 ± 0,20)	12	2,454 ± .011 (62,30 ± 0,28)
3	.681 ± .008 (17,3 ± 0,20)	13	2,651 ± .012 (67,30 ± 0,30)
4	.878 ± .008 (22,3 ± 0,20)	14	2,848 ± .013 (72,30 ± 0,33)
5	1,075 ± .008 (27,30 ± 0,20)	15	3,045 ± .013 (77,30 ± 0,33)
6	1,272 ± .009 (32,30 ± 0,23)		
7	1,469 ± .010 (37,30 ± 0,25)		
8	1,666 ± .010 (42,30 ± 0,25)		
9	1,863 ± .010 (47,30 ± 0,25)		
10	2,060 ± .011 (52,30 ± 0,28)		
11	2,257 ± .011 (57,30 ± 0,28)		

Ordering Information

No. of Circuits	Order No.	No. of Circuits	Order No.
2	10-17-3021	12	10-17-3121
3	10-17-3031	13	10-17-3131
4	10-17-3041	14	10-17-3141
5	10-17-3051	15	10-17-3151
6	10-17-3061		
7	10-17-3071		
8	10-17-3081		
9	10-17-3091		
10	10-17-3101		
11	10-17-3111		



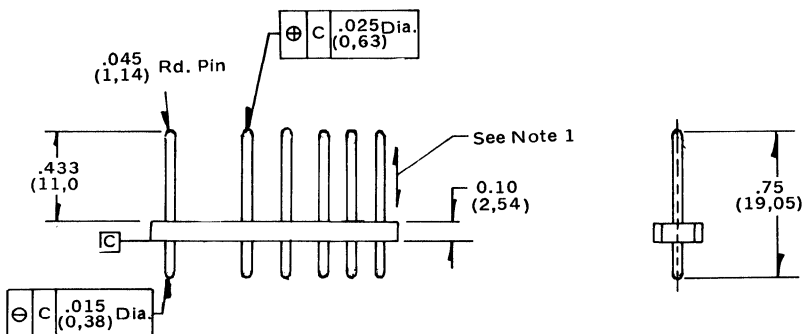
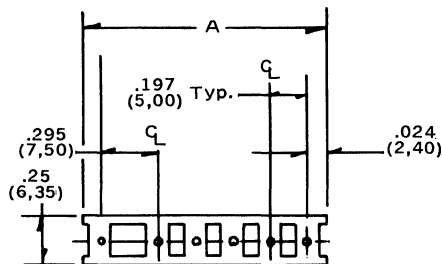
.295" (7,5 mm) / .197" (5,0 mm) Center Wafers

3197 Series

Round Wire Polarizing Wafer

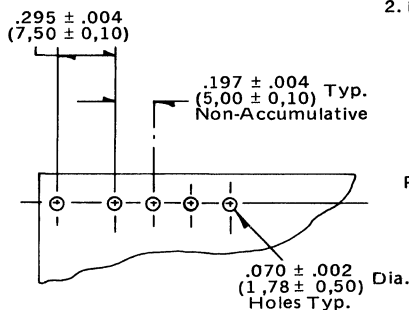
features/dimensions

- 3 - 15 circuits
- Various pin lengths available
See page 75B
- .045" round wire pins
- 94V-2 nylon standard
- See Molex soldering specifications page 76B
- Mates with 3018 series housings
- Various platings available



NOTE:

1. Force required to push pin out of wafer - 3 lbs. min.
2. Dimensions shown are inches (millimeters)



Recommended P.C. Board
Hole Dimensions

inches
mm

Dimensional Information

No. of Circuits	Dim. A	No. of Circuits	Dim. A	No. of Circuits	Dim. A
3	.681 ± .008 (17,30 ± 0,20)	9	1.863 ± .010 (47,30 ± 0,25)	15	3.045 ± .013 (77,30 ± 0,33)
4	.879 ± .008 (22,30 ± 0,20)	10	2.060 ± .010 (52,30 ± 0,25)		
5	1.075 ± .008 (27,30 ± 0,20)	11	2.257 ± .011 (57,30 ± 0,28)		
6	1.272 ± .009 (32,30 ± 0,23)	12	2.454 ± .011 (62,30 ± 0,28)		
7	1.469 ± .009 (37,30 ± 0,23)	13	2.651 ± .012 (67,30 ± 0,30)		
8	1.666 ± .010 (42,30 ± 0,25)	14	2.848 ± .013 (72,30 ± 0,33)		

Ordering Information

No. of Circuits	Order No.	No. of Circuits	Order No.
3	10-08-3031	12	10-08-3121
4	10-08-3041	13	10-08-3131
5	10-08-3051	14	10-08-3141
6	10-08-3061	15	10-08-3151
7	10-08-3071		
8	10-08-3081		
9	10-08-3091		
10	10-08-3101		
11	10-08-3111		

Molex Plating Code 102. See page 76B



.295" (7,5 mm) / .197" (5,0 mm) Center Wafer

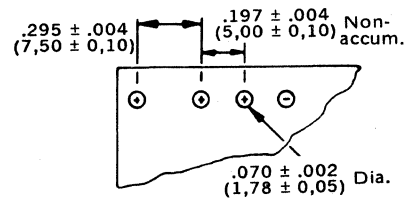
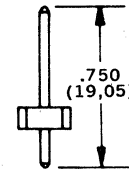
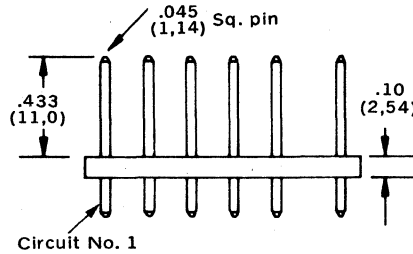
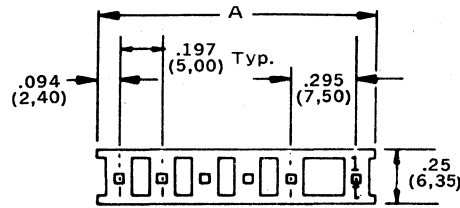


3020 Series

Square Wire Polarizing Wafers

features/dimensions

- 3 - 15 circuits
- Various pin lengths available
See page 75B
- .045" straight square wire pins
- 94V-2 nylon standard 94V-0 nylon optional
- See Molex soldering specifications page 76B
- Mates with 3018 series housings
- Molded wafer



P.C. Board Hole Dimensions

Pin push-out force 1,36 kg (3 lbs.) minimum

Dimensional Information

inches
mm

No. of Circuits	Dim. A	No. of Circuits	Dim. A	No. of Circuits	Dim. A
3	.681 ± .008 (17,30 ± 0,20)	8	1.666 ± .010 (42,32 ± 0,25)	13	2.651 ± .012 (67,30 ± 0,30)
4	.879 ± .008 (22,30 ± 0,20)	9	1.863 ± .010 (47,32 ± 0,25)	14	2.848 ± .013 (72,30 ± 0,33)
5	1.075 ± .008 (27,31 ± 0,20)	10	2.060 ± .010 (52,32 ± 0,25)	15	3.045 ± .013 (77,30 ± 0,33)
6	1.272 ± .009 (32,31 ± 0,23)	11	2.257 ± .011 (57,33 ± 0,28)		
7	1.469 ± .009 (37,31 ± 0,23)	12	2.454 ± .011 (62,33 ± 0,28)		

Ordering Information

No. of Circuits	Order No.	No. of Circuits	Order No.	No. of Circuits	Order No.
3	10-16-3037	9	10-16-3097	15	10-08-3157
4	10-16-3047	10	10-16-3107		
5	10-16-3057	11	10-16-3117		
6	10-16-3067	12	10-16-3127		
7	10-16-3077	13	10-16-3137		
8	10-16-3087	14	10-16-3147		

Molex Plating Code 102. See page 76B

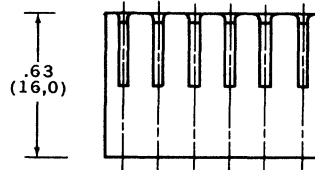
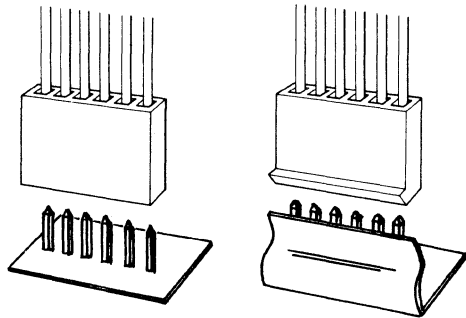
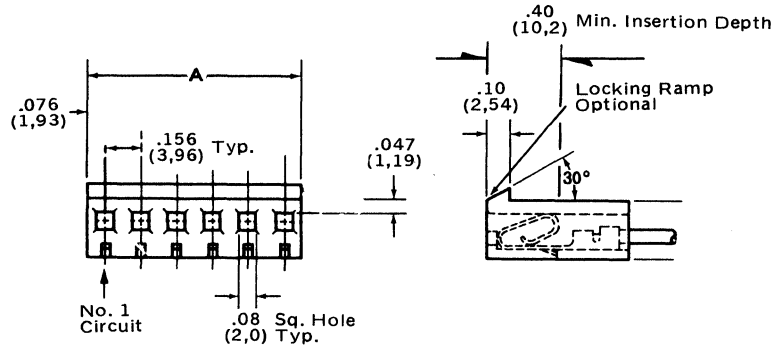


.156" (3,96 mm) Center Crimp Terminal Housing

2139 Series

features/dimensions

- With or without locking ramp.
- Mates with .045" round or square pins
- Accepts Molex double cantilever crimp terminals
- 94V-2 Nylon
- 2 - 24 circuits available
- Housing available with integrally molded polarizing keys and pegs contact factory for model 2939
- Mates with Molex KK .156" (3,96 mm) center wafers or staked pins



Dimensional Information

inches
mm

No. of Circuits	Dim. A	No. of Circuits	Dim. A	No. of Circuits	Dim. A
2	.31 ± .007 (7,82 ± 0,18)	10	1.56 ± .012 (39,52 ± 0,30)	18	2.804 ± .009 (71,22 ± 0,23)
3	.46 ± .010 (11,79 ± 0,25)	11	1.71 ± .012 (43,48 ± 0,30)	19	2.960 ± .014 (65,18 ± 0,36)
4	.62 ± .010 (15,75 ± 0,25)	12	1.87 ± .012 (47,45 ± 0,30)	20	3.116 ± .018 (79,15 ± 0,46)
5	.78 ± .010 (19,71 ± 0,25)	13	2.02 ± .014 (51,41 ± 0,36)	21	3.272 ± .018 (83,11 ± 0,46)
6	.93 ± .010 (23,67 ± 0,25)	14	2.18 ± .014 (55,37 ± 0,36)	22	3.428 ± .018 (87,07 ± 0,46)
7	1.09 ± .012 (27,64 ± 0,30)	15	2.34 ± .014 (59,33 ± 0,36)	23	3.584 ± .018 (91,03 ± 0,46)
8	1.24 ± .012 (31,60 ± 0,30)	16	2.492 ± .007 (63,30 ± 0,18)	24	3.740 ± .018 (95,00 ± 0,46)
9	1.40 ± .012 (35,56 ± 0,38)	17	2.648 ± .008 (67,26 ± 0,20)		

Ordering Information

No. of Circuits	With Locking Ramp	Without Locking Ramp	No. of Circuits	With Locking Ramp	Without Locking Ramp	No. of Circuits	With Locking Ramp	Without Locking Ramp
2	09-50-3021	09-50-7021	10	09-50-3101	09-50-7101	18	09-50-3181	09-50-7181
3	09-50-3031	09-50-7031	11	09-50-3111	09-50-7111	19	09-50-3191	09-50-7191
4	09-50-3041	09-50-7041	12	09-50-3121	09-50-7121	20	09-50-3201	09-50-7201
5	09-50-3051	09-50-7051	13	09-50-3131	09-50-7131	21	09-50-3211	09-50-7211
6	09-50-3061	09-50-7061	14	09-50-3141	09-50-7141	22	09-50-3221	09-50-7221
7	09-50-3071	09-50-7071	15	09-50-3151	09-50-7151	23	09-50-3231	09-50-7231
8	09-50-3081	09-50-7081	16	09-50-3161	09-50-7161	24	09-50-3241	09-50-7241
9	09-50-3091	09-50-7091	17	09-50-3171	09-50-7171			

.156" (3,96 mm) Center Crimp Terminal Housing



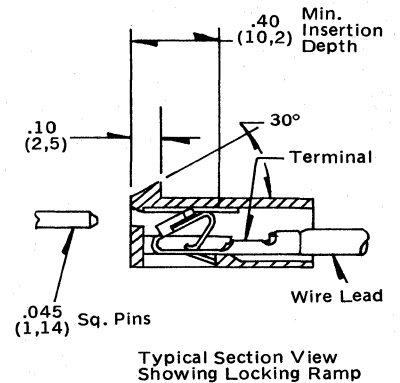
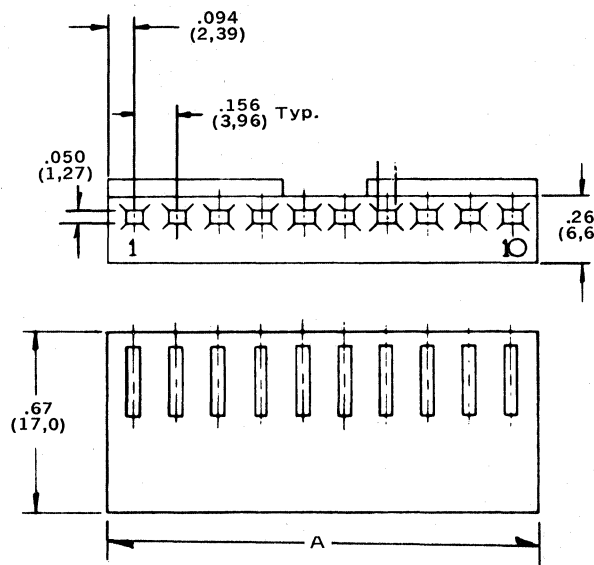
6442

Housing for Trifurcon Terminals

B

features/dimensions

- 1 - 24 circuits
- Available with optional ramp
- Voided circuits available with various locations-Contact factory
- Accepts crimp type 6838 and 7258 Trifurcon terminals
- Mates with .156" (3,96 mm) center wafers
- Accepts .045 square pins
- Use 7580 polarizing key or peg



Dimensional Information

inches
mm

No. of Circuits	Dim. A	No. of Circuits	Dim. A
2	.344 ± .007 (8,74 ± 0,18)	14	2.216 ± .016 (56,29 ± 0,41)
3	.500 ± .007 (12,70 ± 0,18)	15	2.372 ± .016 (60,25 ± 0,41)
4	.656 ± .007 (16,66 ± 0,18)	16	2.528 ± .016 (64,21 ± 0,41)
5	.812 ± .007 (20,62 ± 0,18)	17	2.684 ± .016 (68,17 ± 0,41)
6	.968 ± .007 (24,59 ± 0,18)	18	2.840 ± .016 (72,14 ± 0,41)
7	1.124 ± .007 (28,55 ± 0,18)	19	2.996 ± .016 (76,10 ± 0,41)
8	1.280 ± .012 (32,51 ± 0,31)	20	3.152 ± .020 (80,06 ± 0,51)
9	1.436 ± .012 (36,47 ± 0,31)	21	3.308 ± .020 (84,02 ± 0,51)
10	1.592 ± .012 (40,44 ± 0,31)	22	3.464 ± .020 (87,99 ± 0,51)
11	1.748 ± .012 (44,40 ± 0,31)	23	3.620 ± .020 (91,95 ± 0,51)
12	1.904 ± .012 (48,36 ± 0,31)	24	3.776 ± .020 (95,91 ± 0,51)
13	2.060 ± .014 (52,31 ± 0,36)		

Ordering Information

No. of Circuits	With Ramp	W/O Ramp	No. of Circuits	With Ramp	W/O Ramp
2	26-03-4020	26-03-3021	14	26-03-4141	26-03-3141
3	26-03-4030	26-03-3031	15	26-03-4151	26-03-3151
4	26-03-4041	26-03-3041	16	26-03-4161	26-03-3161
5	26-03-4050	26-03-3051	17	26-03-4171	26-03-3171
6	26-03-4061	26-03-3061	18	26-03-4181	26-03-3181
7	26-03-4070	26-03-3071	19	26-03-4191	26-03-3191
8	26-03-4081	26-03-3081	20	26-03-4201	26-03-3201
9	26-03-4090	26-03-3091	21	26-03-4211	26-03-3211
10	26-03-4101	26-03-3101	22	26-03-4221	26-03-3221
11	26-03-4111	26-03-3111	23	26-03-4231	26-03-3231
12	26-03-4121	26-03-3121	24	26-03-4241	26-03-3241
13	26-03-4131	26-03-3131			

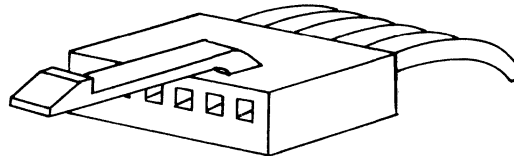


.156" (3,96 mm) Center Crimp Terminal Housing

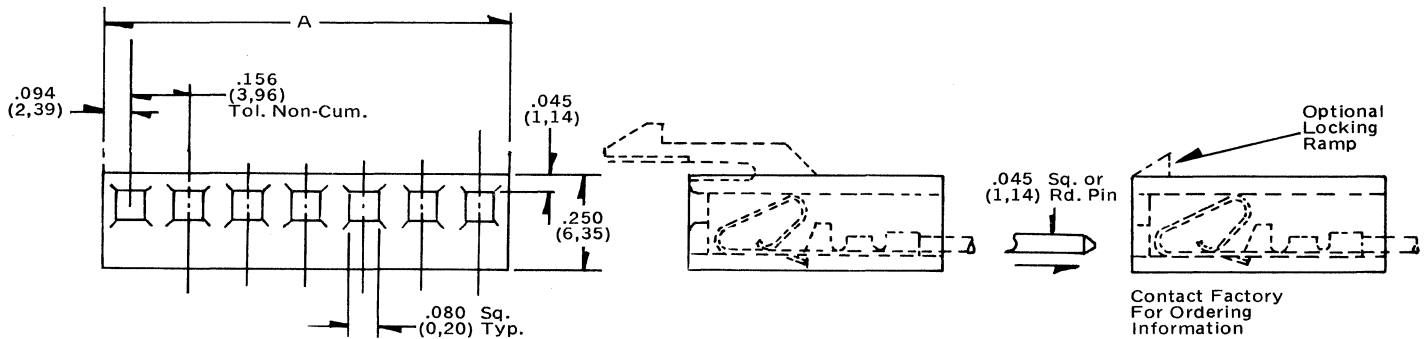
6345 Series

features/dimensions

- Mates with .045" square or round pins
- Mates with Molex KK .156" (3,96 mm) center flat wafers
- Accepts Molex 4018 KK crimp terminal
- Locks directly to P.C. Board (without special wafer)
- 2 - 24 circuits
- Optional locking ramp Contact factory



This series of connector housings is designed to lock onto the pins without the use of a locking wafer, lowering your total assembly cost. The connector will lock using a flat wafer or pins set directly into a P.C. Board.



Dimensional Information

				inches mm	
No. of Circuits	Hook Location Between Circuits	Dim. A	No. of Circuits	Hook Location Between Circuits	Dim. A
			13	2 & 3 and 11 & 12	2.060 ± .014 (52.32 ± 0.36)
2	1 & 2	.344 ± .007 (8.74 ± 0.18)	14	3 & 4 and 11 & 12	2.216 ± .014 (56.29 ± 0.36)
3	1 & 2	.500 ± .010 (12.10 ± 0.25)	15	3 & 4 and 12 & 13	2.372 ± .014 (60.25 ± 0.36)
4	2 & 3	.656 ± .010 (16.66 ± 0.25)	16	4 & 5 and 12 & 13	2.528 ± .014 (64.21 ± 0.36)
5	2 & 3	.812 ± .010 (20.62 ± 0.25)	17	4 & 5 and 13 & 14	2.684 ± .014 (68.17 ± 0.36)
6	3 & 4	.968 ± .010 (24.59 ± 0.25)	18	4 & 5 and 14 & 15	2.840 ± .014 (72.14 ± 0.36)
7	3 & 4	1.124 ± .012 (28.55 ± 0.30)	19	4 & 5 and 15 & 16	2.996 ± .014 (76.10 ± 0.36)
8	4 & 5	1.280 ± .012 (32.51 ± 0.30)	20	4 & 5 and 16 & 17	3.152 ± .018 (80.06 ± 0.46)
9	1 & 2 and 8 & 9	1.436 ± .012 (36.47 ± 0.30)	21	4 & 5 and 17 & 18	3.308 ± .018 (84.02 ± 0.46)
10	1 & 2 and 9 & 10	1.592 ± .012 (40.44 ± 0.30)	22	4 & 5 and 18 & 19	3.464 ± .018 (87.99 ± 0.46)
11	1 & 2 and 10 & 11	1.748 ± .012 (44.40 ± 0.30)	23	4 & 5 and 19 & 20	3.620 ± .018 (91.95 ± 0.46)
12	2 & 3 and 10 & 11	1.904 ± .012 (48.36 ± 0.30)	24	4 & 5 and 20 & 21	3.776 ± .018 (95.91 ± 0.46)

Ordering Information

No. of Circuits	Order No.	No. of Circuits	Order No.	No. of Circuits	Order No.
		9	15-05-5093	17	15-05-5173
2	15-05-5023	10	15-05-5103	18	15-05-5183
3	15-05-5033	11	15-05-5113	19	15-05-5193
4	15-05-5043	12	15-05-5123	20	15-05-5203
5	15-05-5053	13	15-05-5133	21	15-05-5213
6	15-05-5063	14	15-05-5143	22	15-05-5223
7	15-05-5073	15	15-05-5153	23	15-05-5233
8	15-05-5083	16	15-05-5163	24	15-05-5243

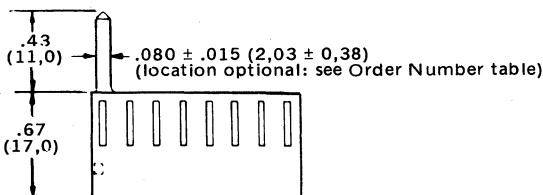
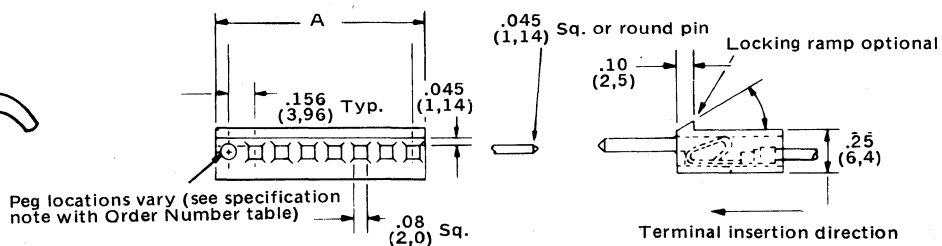
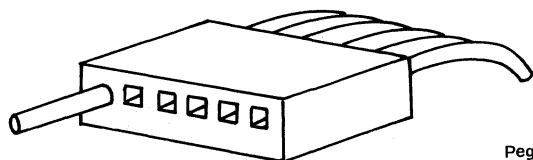
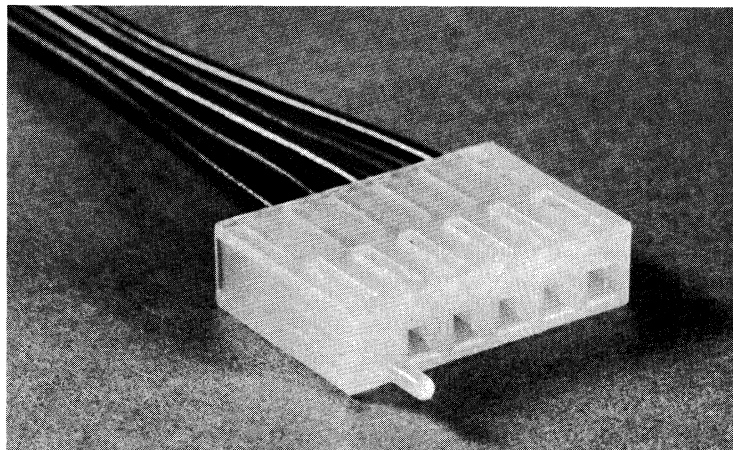
.156" (3,96 mm) Center Crimp Terminal Housing



3069 Series

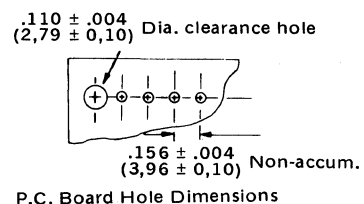
features/dimensions

- With or without locking ramp
- Mates with .045" round or square pins
- Accepts Molex double cantilever crimp terminals
- 94V-2 nylon
- Housing available with integrally molded polarizing pegs
- Mates with Molex KK .156" (3,96 mm) center wafers or staked pins



Dimensional Information

No. of Circuits	Dim. A	No. of Circuits	Dim. A	No. of Circuits	Dim. A
2	.308 ± .010 (7,82 ± 0,25)	9	1.400 ± .012 (35,67 ± 0,31)	16	2.492 ± .014 (63,30 ± 0,36)
3	.464 ± .010 (11,79 ± 0,25)	10	1.556 ± .012 (39,52 ± 0,31)	17	2.648 ± .014 (67,26 ± 0,36)
4	.620 ± .010 (15,75 ± 0,25)	11	1.712 ± .012 (43,48 ± 0,31)	18	2.804 ± .014 (71,22 ± 0,36)
5	.776 ± .010 (19,71 ± 0,25)	12	1.868 ± .012 (47,45 ± 0,31)	19	2.960 ± .014 (75,18 ± 0,36)
6	.932 ± .010 (23,67 ± 0,25)	13	2.024 ± .014 (51,41 ± 0,36)	20	3.116 ± .018 (79,15 ± 0,46)
7	1.088 ± .012 (27,64 ± 0,31)	14	2.180 ± .014 (55,37 ± 0,36)		
8	1.244 ± .012 (31,60 ± 0,31)	15	2.336 ± .014 (59,33 ± 0,36)		



Ordering Information

No. of Circuits	With Locking Ramp	W/O Locking Ramp	No. of Circuits	With Locking Ramp	W/O Locking Ramp
2	09-91-02xx	09-92-02xx	12	09-91-12xx	09-92-12xx
3	09-91-03xx	09-92-03xx	13	09-91-13xx	09-92-13xx
4	09-91-04xx	09-92-04xx	14	09-91-14xx	09-92-14xx
5	09-91-05xx	09-92-05xx	15	09-91-15xx	09-92-15xx
6	09-91-06xx	09-92-06xx	16	09-91-16xx	09-92-16xx
7	09-91-07xx	09-92-07xx	17	09-91-17xx	09-92-17xx
8	09-91-08xx	09-92-08xx	18	09-91-18xx	09-92-18xx
9	09-91-09xx	09-92-09xx	19	09-91-19xx	09-92-19xx
10	09-91-10xx	09-92-10xx	20	09-91-20xx	09-92-20xx
11	09-91-11xx	09-92-11xx			

IMPORTANT

"xx" in Order Numbers denotes location of polarizing peg. Insert number to indicate desired location, i.e., 01 specifies peg location at circuit No. 1; 10 specifies peg location at circuit No. 10, etc. INSERT "00" IF NO POLARIZING PEG IS DESIRED.

Example:

If 8 circuits are desired, order 9 circuit connector.

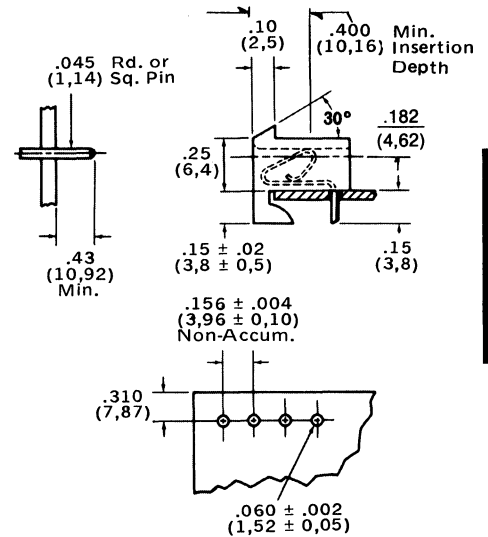
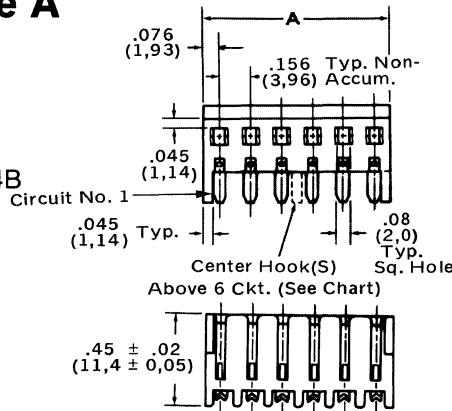


.156" (3,96 mm) Center P.C. Board Connectors

2145-A/3215-A Series Right Angle Mount Type A

features/dimensions:

- 3-15 circuits
- Various platings available see page 76B
- Polarizing keys and pegs see page 64B
- Optional locking ramp
- See Molex soldering specifications page 76B
- 94V-2 Material
- Mates with Molex KK .156" (3,96 mm) center wafers



For Dimensional Information Use Table on Page 26B (Under 2145C)

Recommended Hole Dimensions For Std. .062 ± .008 (1,57 ± 0,20) P.C. Board

inches
mm

Ordering Information 3215-A

No. of Circuits	Tin Plating Per Code 901	No. of Circuits	Tin Plating Per Code 901	No. of Circuits	Tin Plating Per Code 901
3	26-11-6034	8	26-11-6084	12	26-11-6124
4	26-11-6044	9	26-11-6094	13	26-11-6134
5	26-11-6054	10	26-11-6104	14	26-11-6144
6	26-11-6064	11	26-11-6114	15	26-11-6154
7	26-11-6074				

*For Gold Plating Contact Factory Representative.

Ordering Information 2145-A

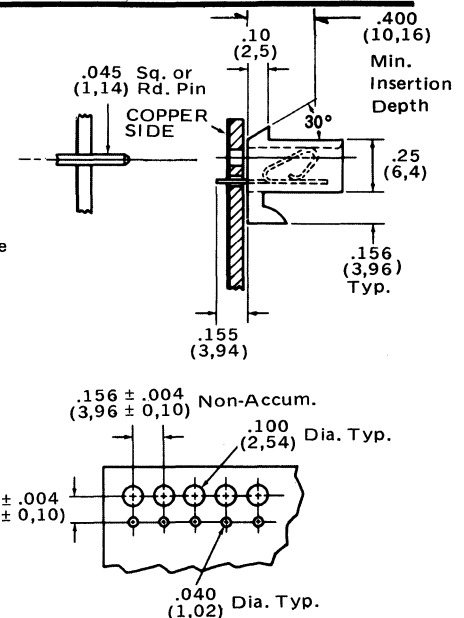
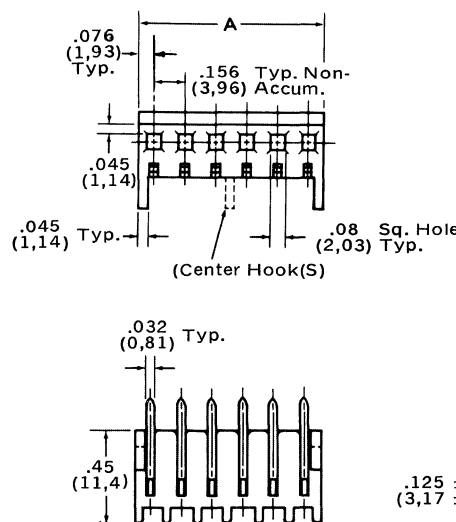
No. of Circuits	Tin Plating Per Molex Code No. 901*	Gold Plating Per Molex Code No. 501*	No. of Circuits	Tin Plating Per Molex Code No. 901*	Gold Plating Per Molex Code No. 501*	No. of Circuits	Tin Plating Per Molex Code No. 901*	Gold Plating Per Molex Code No. 501*
3	09-52-3031	09-62-3031	6	09-52-3061	09-62-3061	10	09-52-3101	09-62-3101
4	09-52-3041	09-62-3041	8	09-52-3081	09-62-3081	12	09-52-3121	09-62-3121
5	09-52-3051	09-62-3051	9	09-52-3091	09-62-3091	15	09-52-3151	09-62-3151

*Molex Plating Codes. See page 76B

2145-B/3215-B Series Bottom Entry Connector Type B

features/dimensions:

- 3-15 circuits
- Various platings available 76B
- See Molex soldering specifications page 76B
- 94V-2 Material
- Mates with Molex KK .156" (3,96 mm) center flat wafers



For Dimensional Information Use Table on Page 26B (Under 2145C)

Recommended Hole Dimensions For Std. .062 ± .008 (1,57 ± 0,20) P.C. Board

inches
mm

Ordering Information 3215-B

No. of Circuits	Tin Plating Per Code 901	No. of Circuits	Tin Plating Per Code 901	No. of Circuits	Tin Plating Per Code 901
3	26-11-6035	8	26-11-6085	12	26-11-6125
4	26-11-6045	9	26-11-6095	13	26-11-6135
5	26-11-6055	10	26-11-6105	14	26-11-6145
6	26-11-6065	11	26-11-6115	15	26-11-6155
7	26-11-6075				

*For Gold Plating Contact Factory Representative.

Ordering Information 2145-B

No. of Circuits	Tin Plating Per Molex Code No. 901*	Gold Plating Per Molex Code No. 501*	No. of Circuits	Tin Plating Per Molex Code No. 901*	Gold Plating Per Molex Code No. 501*	No. of Circuits	Tin Plating Per Molex Code No. 901*	Gold Plating Per Molex Code No. 501*
3	09-52-3032	09-62-3032	6	09-52-3062	09-62-3062	10	09-52-3102	09-62-3102
4	09-52-3042	09-62-3042	8	09-52-3082	09-62-3082	12	09-52-3122	09-62-3122
5	09-52-3052	09-62-3052	9	09-52-3092	09-62-3092	15	09-52-3152	09-62-3152

*Molex Plating Codes. See page 76B

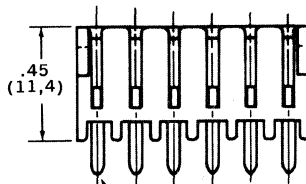
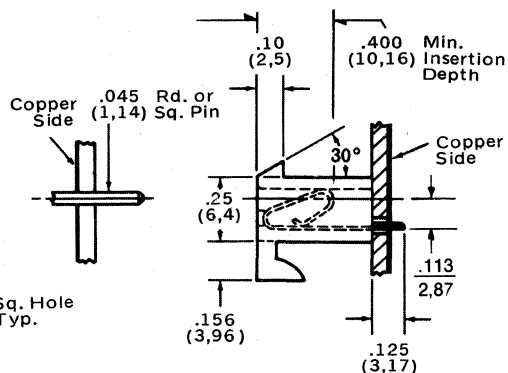
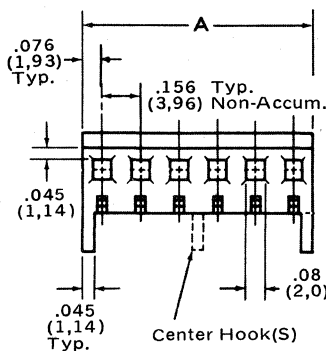
.156" (3,96 mm) Center P.C. Board Connectors



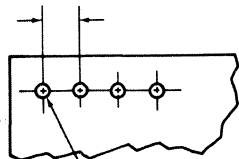
2145-C/3215-C Series Top Entry Connector Style C

features/dimensions:

- 3-15 circuits
- Top entry mount
- Various platings available see page 76B
- Polarizing pegs/keys available see page 64B
- Optional locking ramp
- See Molex soldering specifications page 76B
- 94V-2 Material
- Mates with Molex KK .156" (3,96 mm) center wafers



.156 ± .004
(3,96 ± 0,10) Typ.
Non-Accum.



.060 ± .002
- .003
(1,52 ± 0,05) Dia.

Recommended Hole Dimensions
For Std. .062 ± .008 P.C. Board
(1,57 ± 0,20)

Dimensional Information 3215-A-B-C Version and 2145-A-B-C Version

inches
mm

No. of Circuits	Dim. A	Center Hook (s) Location	No. of Circuits	Dim. A	Center Hook (s) Location	No. of Circuits	Dim. A	Center Hook (s) Location
3	.46 ± .010 (11,7 ± 0,25)	—	6	.93 ± .010 (23,6 ± 0,25)	—	10	1.56 ± .012 (39,6 ± 0,30)	(1) Between Ckts. 5-6
4	.62 ± .010 (15,8 ± 0,25)	—	8	1.24 ± .012 (31,5 ± 0,30)	(1) Between Ckts. 4-5	12	1.87 ± .012 (47,5 ± 0,30)	(2) Between Ckts. 4-5 & 8-9
5	.78 ± .010 (19,8 ± 0,25)	—	9	1.40 ± .012 (35,6 ± 0,30)	(1) Between Ckts. 4-5	15	2.34 ± .014 (59,4 ± 0,36)	(2) Between Ckts. 5-6 & 10-11

Ordering Information 2145-C

No. of Circuits	Tin Plating Per Molex Code No. 901*	Gold Plating Per Molex Code No. 501*	No. of Circuits	Tin Plating Per Molex Code No. 901*	Gold Plating Per Molex Code No. 501*	No. of Circuits	Tin Plating Per Molex Code No. 901*	Gold Plating Per Molex Code No. 501*
3	09-52-3033	09-62-3033	6	09-52-3063	09-62-3063	10	09-52-3103	09-62-3103
4	09-52-3043	09-62-3043	8	09-52-3083	09-62-3083	12	09-52-3123	09-62-3123
5	09-52-3053	09-62-3053	9	09-52-3093	09-62-3093	15	09-52-3153	09-62-3153

*Molex Plating Codes 901 and 501.

Ordering Information 3215-C

No. of Circuits	Tin Plating Per Code 901	No. of Circuits	Tin Plating Per Code 901	No. of Circuits	Tin Plating Per Code 901
3	26-11-6033	8	26-11-6083	12	26-11-6123
4	26-11-6043	9	26-11-6093	13	26-11-6133
5	26-11-6053	10	26-11-6103	14	26-11-6143
6	26-11-6063	11	26-11-6113	15	26-11-6153
7	26-11-6073				

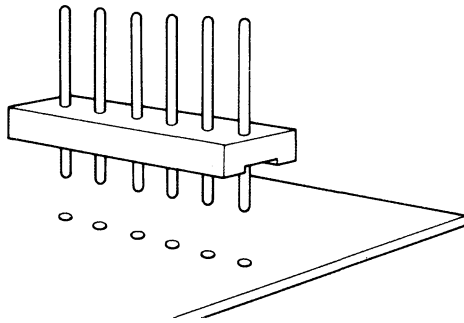
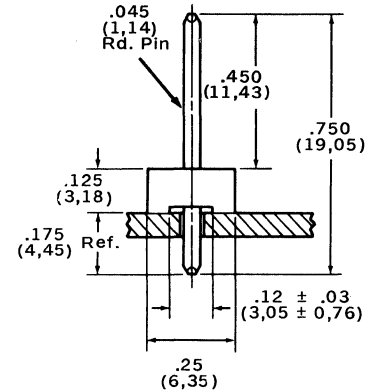
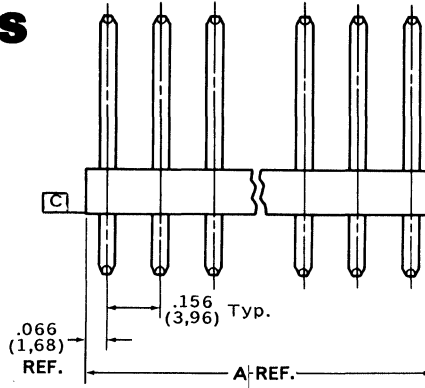
*Molex Plating Codes. See page 76B

molex® .156" (3,96 mm) Center Wafers

2402/3192 Series Round Wire Straight Wafer

features/dimensions

- 2402 series extruded wafer
- 3192 series molded wafer
- 2-18 Circuits
- Various pin lengths available see page 75B
- .045" straight round wire pins
- Various platings available see page 76B
- 94V-2 Nylon
- See Molex soldering specifications page 76B
- Mates with Molex .156" (3,96 mm) center connectors
- Stackable end-to-end



Dimensional Information 2402/3192

						inches mm	
No. of Circuits	Dim. A	No. of Circuits	Dim. A	No. of Circuits	Dim. A	No. of Circuits	Dim. A
2	.288 (7,32)	7	1.068 (27,13)	11	1.692 (42,98)	15	2.316 (58,83)
3	.444 (11,28)	8	1.224 (31,09)	12	1.848 (46,94)	16	2.472 (62,79)
4	.600 (15,24)	9	1.380 (35,05)	13	2.004 (50,90)	17	2.628 (66,75)
5	.756 (19,20)	10	1.536 (39,01)	14	2.160 (54,86)	18	2.784 (70,71)
6	.912 (23,17)						

Ordering Information 2402

No. of Circuits	Tin Plating Per Code 102*	Gold Plating Per Code 501*	No. of Circuits	Tin Plating Per Code 102*	Gold Plating Per Code 501*
2	09-64-1021	09-70-1021	11	09-64-1111	09-70-1111
3	09-64-1031	09-70-1031	12	09-64-1121	09-70-1121
4	09-64-1041	09-70-1041	13	09-64-1131	09-70-1131
5	09-64-1051	09-70-1051	14	09-64-1141	09-70-1141
6	09-64-1061	09-70-1061	15	09-64-1151	09-70-1151
7	09-64-1071	09-70-1071	16	09-64-1161	09-70-1161
8	09-64-1081	09-70-1081	17	09-64-1171	09-70-1171
9	09-64-1091	09-70-1091	18	09-64-1181	09-70-1181
10	09-64-1101	09-70-1101			

*Molex Plating Codes. See page 76B

Ordering Information 3192

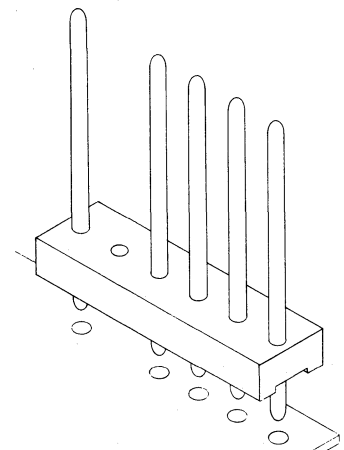
No. of Circuits	Tin Plating Per Code 102*	Gold Plating Per Code 501*	No. of Circuits	Tin Plating Per Code 102*	Gold Plating Per Code 501*
2	26-20-2021	26-23-2021	11	26-20-2111	26-23-2111
3	26-20-2031	26-23-2031	12	26-20-2121	26-23-2121
4	26-20-2041	26-23-2041	13	26-20-2131	26-23-2131
5	26-20-2051	26-23-2051	14	26-20-2141	26-23-2141
6	26-20-2061	26-23-2061	15	26-20-2151	26-23-2151
7	26-20-2071	26-23-2071	16	26-20-2161	26-23-2161
8	26-20-2081	26-23-2081	17	26-20-2171	26-23-2171
9	26-20-2091	26-23-2091	18	26-20-2181	26-23-2181
10	26-20-2101	26-23-2101			

2803/3192NA Series

features/dimensions

- 2803 series extruded wafer
- 3192NA series molded wafer
- Same as 2402 & 3192 with pin void
- Void available in various locations Contact factory
- 3 - 18 circuits

This wafer series is available with voids in **any** circuit location. More than one pin can be voided, per customer requirements. Contact factory representative for ordering information.

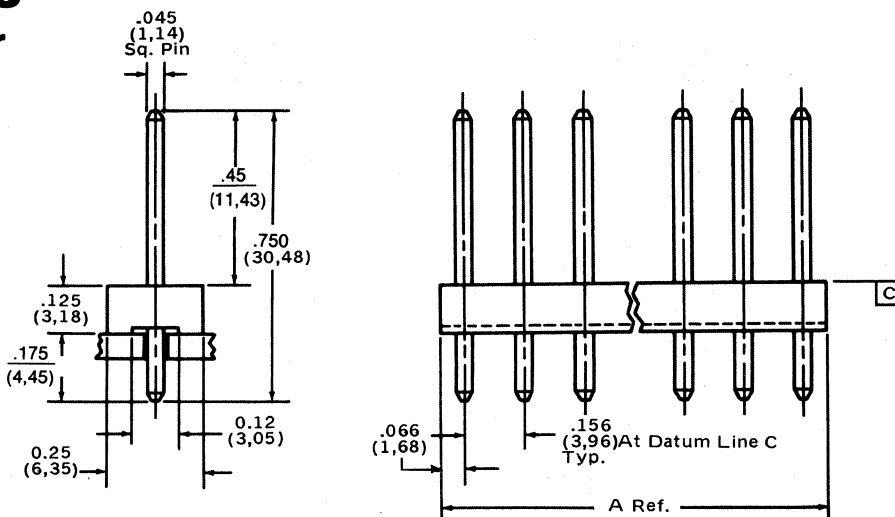


.156" (3,96 mm) Center Wafers

2461/3279 Series Square Wire Straight Wafer

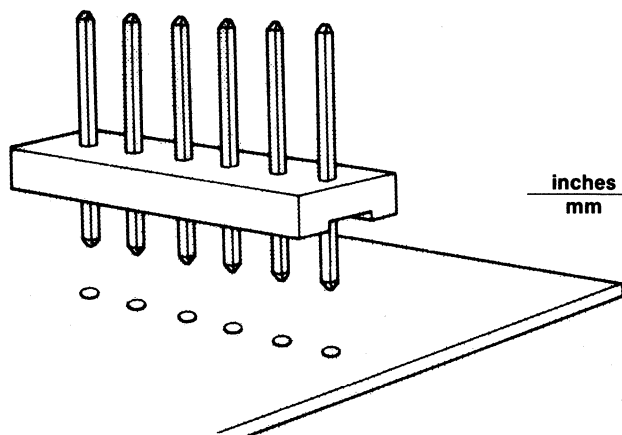
features/dimensions

- 2461 series extruded wafer
- 3279 series molded wafer
- 2-18 Circuits
- Various pin lengths available see page 75B
- .045" Straight square wire pins
- Various platings available see page 76B
- 94V-2 Nylon
- See Molex soldering specifications page 76B
- Mates with Molex .156" (3,96 mm) center connectors



Dimensional Information

No. of Circuits	Dim. A	No. of Circuits	Dim. A	No. of Circuits	Dim. A	No. of Circuits	Dim. A
2	.288 (7,32)	7	1,068 (27,13)	11	1,692 (42,98)	15	2,316 (58,83)
3	.444 (11,28)	8	1,224 (31,09)	12	1,848 (46,94)	16	2,472 (62,79)
4	.600 (15,24)	9	1,380 (35,05)	13	2,004 (50,90)	17	2,628 (66,75)
5	.756 (19,20)	10	1,536 (39,01)	14	2,160 (54,86)	18	2,784 (70,71)
6	.912 (23,17)						



Ordering Information 2461

No. of Circuits	Tin Plating Per Code 102*	Gold Plating Per Code 501*	No. of Circuits	Tin Plating Per Code 102*	Gold Plating Per Code 501*
2	09-67-1023	09-80-1023	11	09-67-1113	09-80-1113
3	09-67-1033	09-80-1033	12	09-67-1123	09-80-1123
4	09-67-1043	09-80-1043	13	09-67-1133	09-80-1133
5	09-67-1053	09-80-1053	14	09-67-1143	09-80-1143
6	09-67-1063	09-80-1063	15	09-67-1153	09-80-1153
7	09-67-1073	09-80-1073	16	09-67-1163	09-80-1163
8	09-67-1083	09-80-1083	17	09-67-1173	09-80-1173
9	09-67-1093	09-80-1093	18	09-67-1183	09-80-1183
10	09-67-1103	09-80-1103			

"C" Version is Standard

Contact Factory for Dimension and Ordering Information.

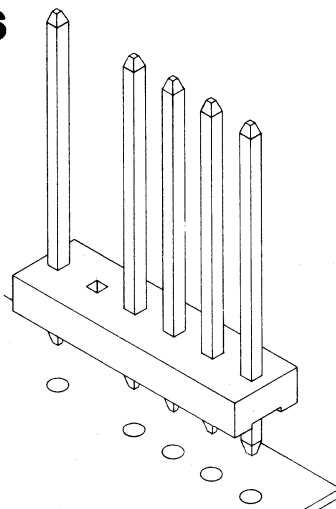
*Molex Plating Codes. See page 76B

NOTE: For 3279 Ordering Information, Contact Factory Representative.

4044/3239 Series

features/dimensions

- 4044 series extruded wafer
- 3239 series molded wafer
- Same as 2461 & 3279 with pin void
- Void available in various locations contact factory
- 3-18 Circuits



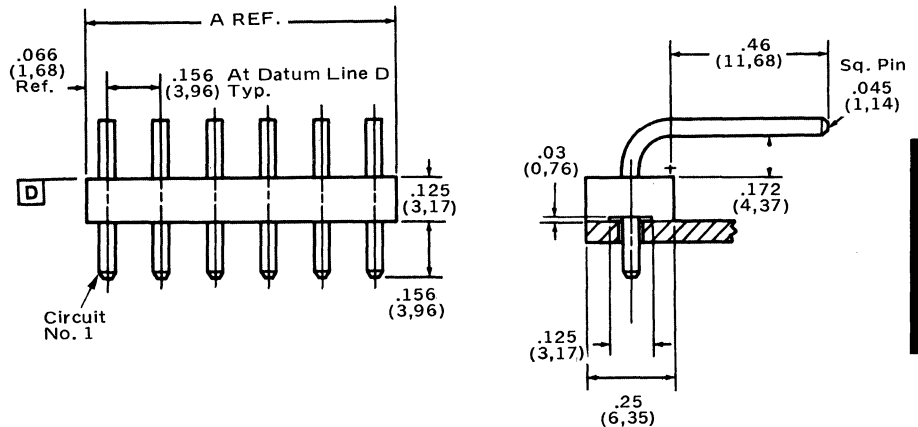
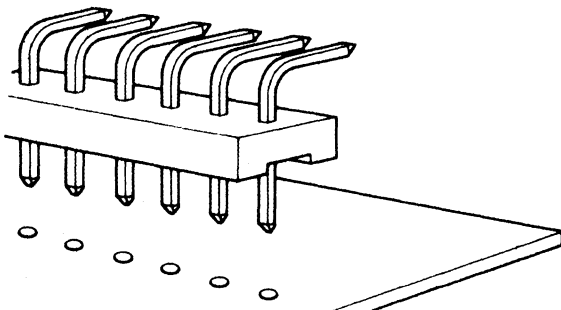
This wafer series is available with voids in **any** circuit location. More than one pin can be voided, per customer requirements. Contact factory representative for ordering information.

molex® .156" (3,96 mm) Center Wafer

2373/3246 Series Square Wire Right Angle Wafer

features/dimensions

- 2373 series extruded wafer
- 3246 series molded wafer
- 2-18 Circuits
- Various pin lengths available see page 75B
- .045" right angle square wire pins
- Various platings available see page 76B
- 94V-2 Nylon
- See Molex soldering specifications page 76B
- Mates with Molex .156" (3,96 mm) center connectors



Dimensional Information

		inches				mm	
No. of Circuits	Dim. A	No. of Circuits	Dim. A	No. of Circuits	Dim. A	No. of Circuits	Dim. A
2	.288 (7,32)	7	1.068 (27,13)	11	1.692 (42,98)	15	2.316 (58,83)
3	.444 (11,28)	8	1.224 (31,09)	12	1.848 (46,94)	16	2.472 (62,79)
4	.600 (15,24)	9	1.380 (35,05)	13	2.004 (50,90)	17	2.628 (66,75)
5	.756 (19,20)	10	1.536 (39,01)	14	2.160 (54,86)	18	2.784 (70,71)
6	.912 (23,17)						

Ordering Information 2373

No. of Circuits	Tin Plating Per Code 102*	Gold Plating Per Code 501*	No. of Circuits	Tin Plating Per Code 102*	Gold Plating Per Code 501*
2	09-66-1021	09-71-1021	11	09-66-1111	09-71-1111
3	09-66-1031	09-71-1031	12	09-66-1121	09-71-1121
4	09-66-1041	09-71-1041	13	09-66-1131	09-71-1131
5	09-66-1051	09-71-1051	14	09-66-1141	09-71-1141
6	09-66-1061	09-71-1061	15	09-66-1151	09-71-1151
7	09-66-1071	09-71-1071	16	09-66-1161	09-71-1161
8	09-66-1081	09-71-1081	17	09-66-1171	09-71-1171
9	09-66-1091	09-71-1091	18	09-66-1181	09-71-1181
10	09-66-1101	09-71-1101			

*Molex Plating Codes. See page 76B

Ordering Information 3246

No. of Circuits	Tin Plating Per Code 102*	No. of Circuits	Tin Plating Per Code 102*	No. of Circuits	Tin Plating Per Code 102*
2	26-10-2021	8	26-10-2081	14	26-10-2141
3	26-10-2031	9	26-10-2091	15	26-10-2151
4	26-10-2041	10	26-10-2101	16	26-10-2161
5	26-10-2051	11	26-10-2111	17	26-10-2171
6	26-10-2061	12	26-10-2121	18	26-10-2181
7	26-10-2071	13	26-10-2131		

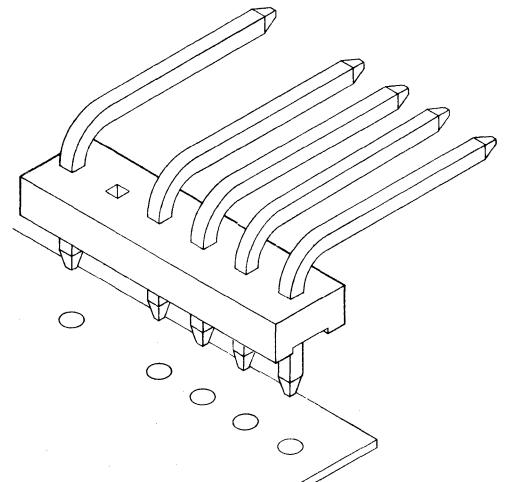
Contact Factory Representative For Gold Plated 3246 Information.

2973/3266 Series Polarizing Assembly

features/dimensions

- 2973 series extruded wafer
- 3266 series molded wafer
- Same as 2373 & 3246 with pin void
- Void available in various locations Contact factory
- 3-18 Circuits

This wafer series is available with voids in **any** circuit location. More than one pin can be voided, per customer requirements. Contact factory representative for ordering information.



.156" (3,96 mm) Center Wafers

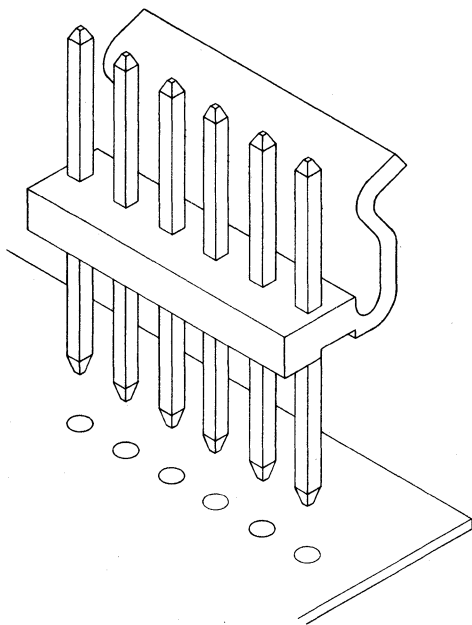
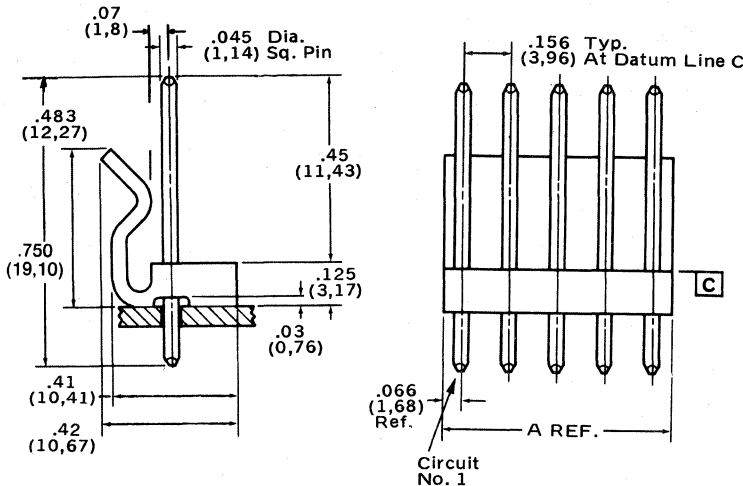


2630 Series

Square Wire Friction Lock

features/dimensions

- 2-18 Circuits
- Various pin lengths available see page 75B
- Friction lock
- .045" square wire pins
- Various platings available 76B
- 94V-2 Nylon
- See Molex soldering specifications page 76B
- Mates with 2139-NR, 2134-NA, 2145-NC
- Mates with Molex .156" (3,96 mm) insulation displacement connectors



Dimensional Information

inches
mm

No. of Circuits	Dim. A	No. of Circuits	Dim. A	No. of Circuits	Dim. A	No. of Circuits	Dim. A
2	.288 (7,32)	7	1.068 (27,13)	11	1.692 (42,98)	15	2.316 (58,83)
3	.444 (11,28)	8	1.224 (31,09)	12	1.848 (46,94)	16	2.472 (62,79)
4	.600 (15,24)	9	1.380 (35,05)	13	2.004 (50,90)	17	2.628 (66,75)
5	.756 (19,20)	10	1.536 (39,01)	14	2.160 (54,86)	18	2.784 (70,71)
6	.912 (23,17)						

Ordering Information 2630

No. of Circuits	Tin Plating Per Code 102*	Gold Plating Per Code 501*	No. of Circuits	Tin Plating Per Code 102*	Gold Plating Per Code 501*
2	09-74-1021	09-72-2021	11	09-74-1111	09-72-2111
3	09-74-1031	09-72-2031	12	09-74-1121	09-72-2121
4	09-74-1041	09-72-2041	13	09-74-1131	09-72-2131
5	09-74-1051	09-72-2051	14	09-74-1141	09-72-2141
6	09-74-1061	09-72-2061	15	09-74-1151	09-72-2151
7	09-74-1071	09-72-2071	16	09-74-1161	09-72-2161
8	09-74-1081	09-72-2081	17	09-74-1171	09-72-2171
9	09-74-1091	09-72-2091	18	09-74-1181	09-72-2181
10	09-74-1101	09-72-2101			

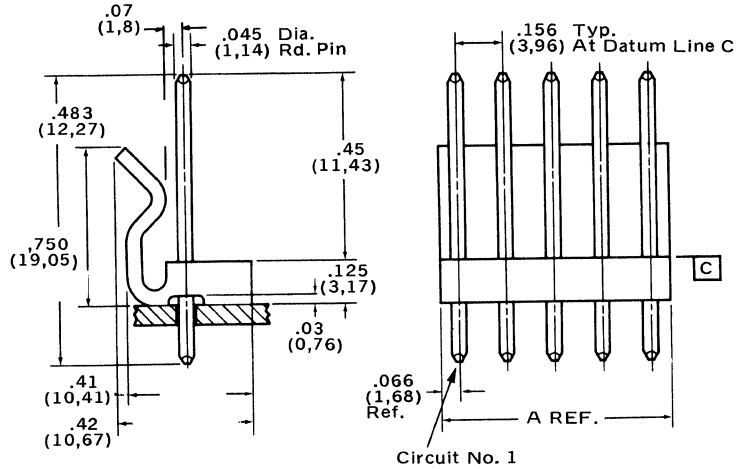
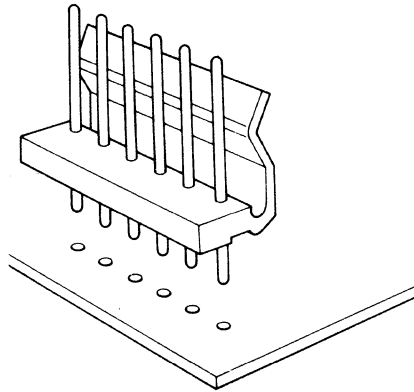
*Molex Plating Codes. See Page 76B.

molex® .156" (3,96 mm) Center Wafers

2391 Series Round Pin Friction Lock

features/dimensions

- 2-18 Circuits
- Various pin lengths available see page 75B
- Friction lock
- Various platings available see page 76B
- 94V-2 Nylon
- See Molex soldering specifications page 76B
- .045" round wire pins
- Mates with 2139-NR 2145-NA and 2145-C and 3069
- Mates with Molex .156" (3,96 mm) insulation displacement connectors



Dimensional Information

		Inches mm				Inches mm	
No. of Circuits	Dim. A	No. of Circuits	Dim. A	No. of Circuits	Dim. A	No. of Circuits	Dim. A
2	.288 (7,32)	7	1.068 (27,13)	11	1.692 (42,98)	15	2.316 (58,83)
3	.444 (11,28)	8	1.224 (31,09)	12	1.848 (46,94)	16	2.472 (62,79)
4	.600 (15,24)	9	1.380 (35,05)	13	2.004 (50,90)	17	2.628 (66,75)
5	.756 (19,20)	10	1.536 (39,01)	14	2.160 (54,86)	18	2.784 (70,71)
6	.912 (23,17)						

Ordering Information 2391

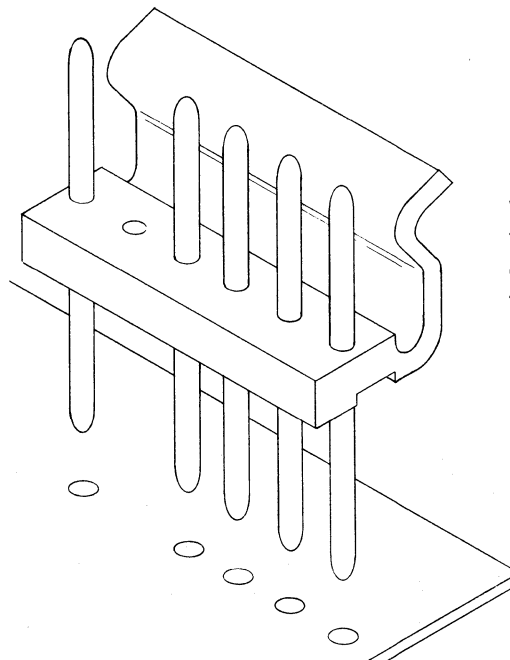
No. of Circuits	Tin Plating Per Code 102*	Gold Plating Per Code 501*	No. of Circuits	Tin Plating Per Code 102*	Gold Plating Per Code 501*
2	09-65-1021	09-72-1021	11	09-65-1111	09-72-1111
3	09-65-1031	09-72-1031	12	09-65-1121	09-72-1121
4	09-65-1041	09-72-1041	13	09-65-1131	09-72-1131
5	09-65-1051	09-72-1051	14	09-65-1141	09-72-1141
6	09-65-1061	09-72-1061	15	09-65-1151	09-72-1151
7	09-65-1071	09-72-1071	16	09-65-1161	09-72-1161
8	09-65-1081	09-72-1081	17	09-65-1171	09-72-1171
9	09-65-1091	09-72-1091	18	09-65-1181	09-72-1181
10	09-65-1101	09-72-1101			

*Molex Plating Codes. See page 76B

4848 Series

features/dimensions

- Same as 2391 with pin void
- Void available in various locations Contact factory
- 3-18 Circuits



This wafer series is available with voids in **any** circuit location. More than one pin can be voided, per customer requirements. Contact factory representative for ordering information.

B

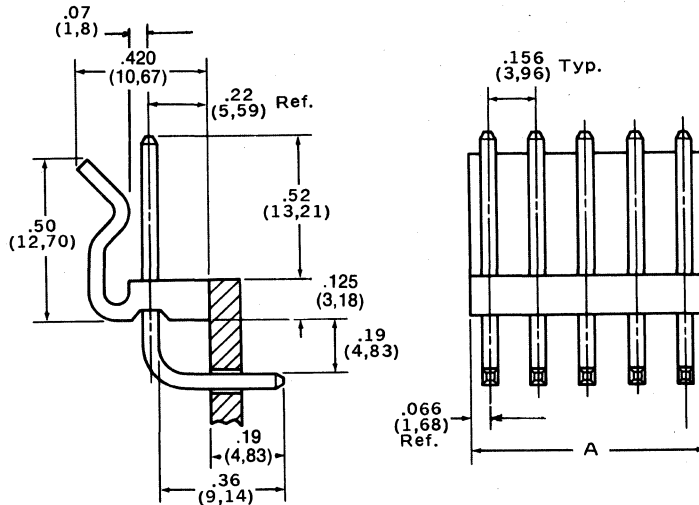
.156" (3,96 mm) Center Wafers



2420 Series Square Wire Right Angle Friction Lock

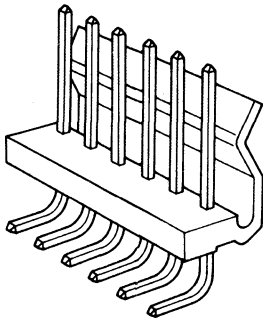
features/dimensions

- 2-18 Circuits
- Various pin lengths available see page 75B
- Friction lock
- .045" right angle square wire pins
- Various platings available see page 76B
- 94V-2 Nylon
- See Molex soldering specifications page 76B
- Mates with 2139-R, 2145-A, 2145-C
- Mates with Molex .156" (3,96 mm) centerline crimp connectors



Dimensional Information

No. of Circuits	Dim. A	No. of Circuits	Dim. A	No. of Circuits	Dim. A	No. of Circuits	Dim. A
2	.288 (7,32)	7	1.068 (27,13)	11	1.692 (42,98)	15	2.316 (58,83)
3	.444 (11,28)	8	1.224 (31,09)	12	1.848 (46,94)	16	2.472 (62,79)
4	.600 (15,24)	9	1.380 (35,05)	13	2.004 (50,90)	17	2.628 (66,75)
5	.756 (19,20)	10	1.536 (39,01)	14	2.160 (54,86)	18	2.784 (70,71)
6	.912 (23,17)						



Ordering Information

No. of Circuits	Tin Plating Per Code 102*	No. of Circuits	Tin Plating per Code 102*	No. of Circuits	Tin Plating Per Code 102*
2	09-75-1021	8	09-75-1081	14	09-75-1141
3	09-75-1031	9	09-75-1091	15	09-75-1151
4	09-75-1041	10	09-75-1101	16	09-75-1161
5	09-75-1051	11	09-75-1111	17	09-75-1171
6	09-75-1061	12	09-75-1121	18	09-75-1181
7	09-75-1071	13	09-75-1131		

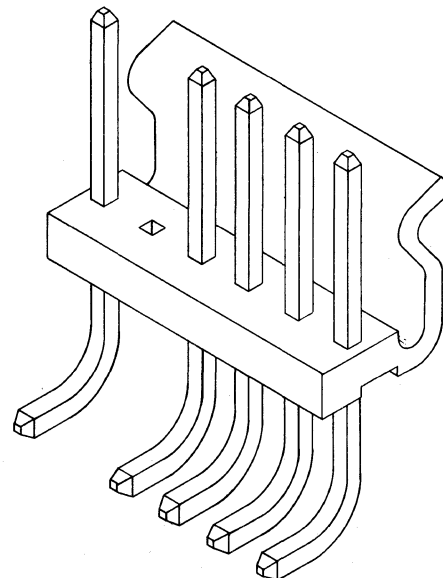
*Molex Plating Codes. See page 76B

2420-1 Series

features/dimensions

- Same as 2420 with pin void
- Void available in various locations Contact factory
- 3-18 Circuits

This wafer series is available with voids in **any** circuit location. More than one pin can be voided, per customer requirements. Contact factory representative for ordering information.

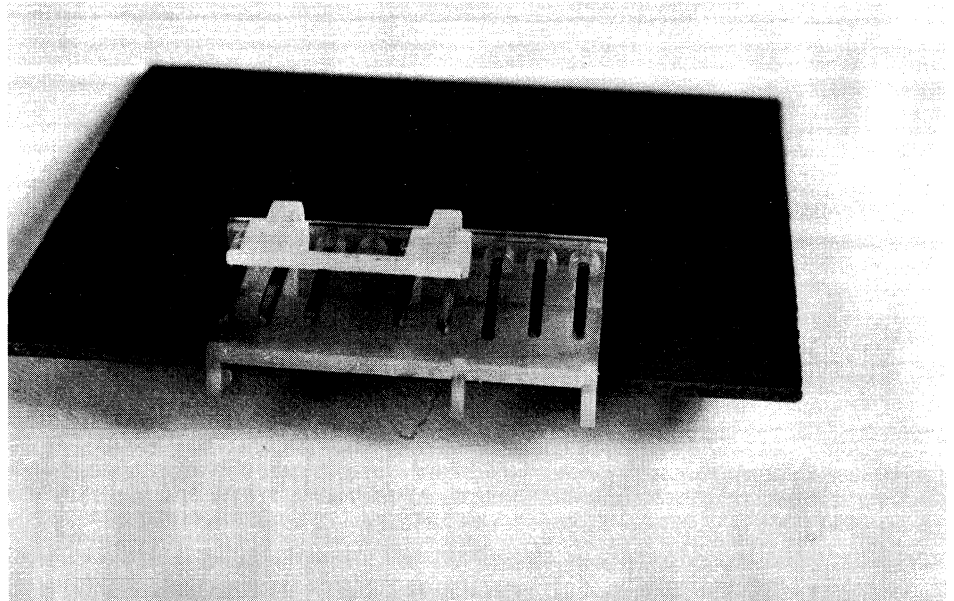


molex® **.156" (3,96 mm) Center Wafers**

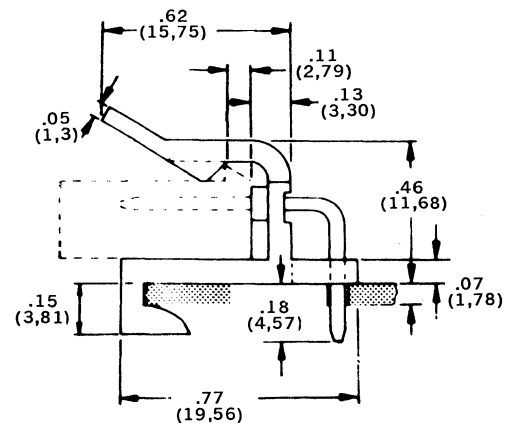
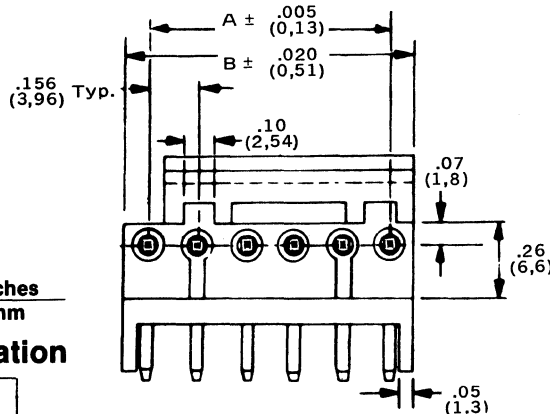
A-4042 Series **Right Angle Friction** **Lock Assembly**

features/dimensions

- 6, 7, & 9 circuits
- 94 V-2 Nylon
- Various platings available see page 76B
- Mates with 2139 & 3069
- .045" square wire pin
- See Molex soldering specifications page 76B
- Voids available in various locations contact factory



B

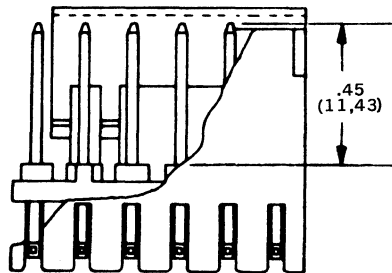


inches
mm

Dimensional Information

No. of Circuits	Dim. A	Dim. B
6	.780 (19,81)	.93 (23,6)
7	.936 (23,77)	1.09 (27,7)
9	1.248 (31,70)	1.40 (35,6)
9(a)	1.248 (31,70)	1.40 (35,6)

(a) Number four circuit void.

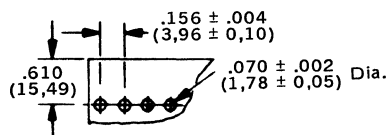


Ordering Information

No. of Circuits	Tin Order No.	Gold Order No.
6	09-81-1061	FOR GOLD NUMBERS
7	09-81-1071	
9	09-81-1091	CONTACT FACTORY
9(a)	09-81-1094	

(a) Number four circuit void.

P.C. Board Hole Dimensions



.156" (3,96 mm) Center Wafers

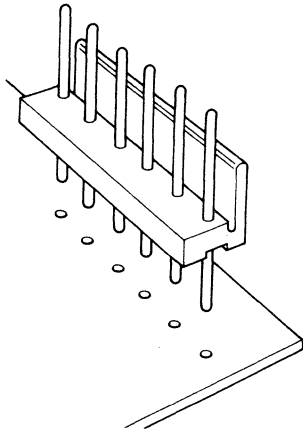
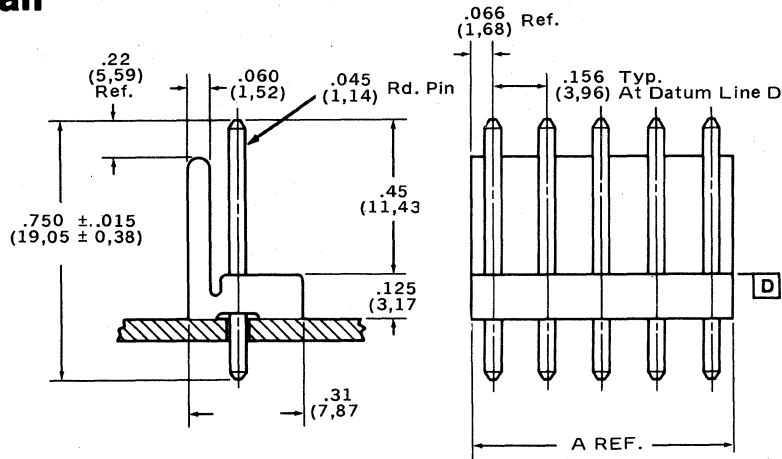


2403/3190 Series

Round Wire Polarizing Wall

features/dimensions

- 2403 series extruded wafer
- 3190 series molded wafer
- 2-18 Circuits
- Various pin lengths available see page 75B
- Polarizing wall
- .045" round wire pins
- Various platings available see page 76B
- 94V-2 Nylon
- See Molex soldering specifications page 76B
- Mates with 2139 & 3069



Dimensional Information

inches
mm

No. of Circuits	Dim. A	No. of Circuits	Dim. A	No. of Circuits	Dim. A	No. of Circuits	Dim. A
2	.288 (7,32)	7	1.068 (27,13)	11	1.692 (42,98)	15	2.316 (58,83)
3	.444 (11,28)	8	1.224 (31,09)	12	1.848 (46,94)	16	2.472 (62,79)
4	.600 (15,24)	9	1.380 (35,05)	13	2.004 (50,90)	17	2.628 (66,75)
5	.756 (19,20)	10	1.536 (39,01)	14	2.160 (54,86)	18	2.784 (70,71)
6	.912 (23,17)						

Ordering Information 2403

No. of Circuits	Tin Plating Per Code 102*	Gold Plating Per Code 501*	No. of Circuits	Tin Plating Per Code 102*	Gold Plating Per Code 501*
2	09-60-1021	09-61-1021	11	09-60-1111	09-61-1111
3	09-60-1031	09-61-1031	12	09-60-1121	09-61-1121
4	09-60-1041	09-61-1041	13	09-60-1131	09-61-1131
5	09-60-1051	09-61-1051	14	09-60-1141	09-61-1141
6	09-60-1061	09-61-1061	15	09-60-1151	09-61-1151
7	09-60-1071	09-61-1071	16	09-60-1161	09-61-1161
8	09-60-1081	09-61-1081	17	09-60-1171	09-61-1171
9	09-60-1091	09-61-1091	18	09-60-1181	09-61-1181
10	09-60-1101	09-61-1101			

*Molex Plating Codes. See page 76B

Ordering Information 3190

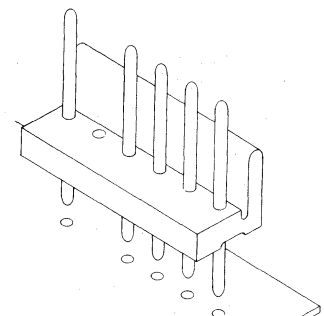
No. of Circuits	Tin Plating Per Code 102*	Gold Plating Per Code 501*	No. of Circuits	Tin Plating Per Code 102*	Gold Plating Per Code 501*
2	26-19-2021	26-22-2021	11	26-19-2111	26-22-2111
3	26-19-2031	26-22-2031	12	26-19-2121	26-22-2121
4	26-19-2041	26-22-2041	13	26-19-2131	26-22-2131
5	26-19-2051	26-22-2051	14	26-19-2141	26-22-2141
6	26-19-2061	26-22-2061	15	26-19-2151	26-22-2151
7	26-19-2071	26-22-2071	16	26-19-2161	26-22-2161
8	26-19-2081	26-22-2081	17	26-19-2171	26-22-2171
9	26-19-2091	26-22-2091	18	26-19-2181	26-22-2181
10	26-19-2101	26-22-2101			

4313 Series

features/dimensions

- Same as 2403 with pin void
- Void available in various locations Contact factory
- 3-18 Circuits

This wafer series is available with voids in **any** circuit location. More than one pin can be voided, per customer requirements. Contact factory representative for ordering information.





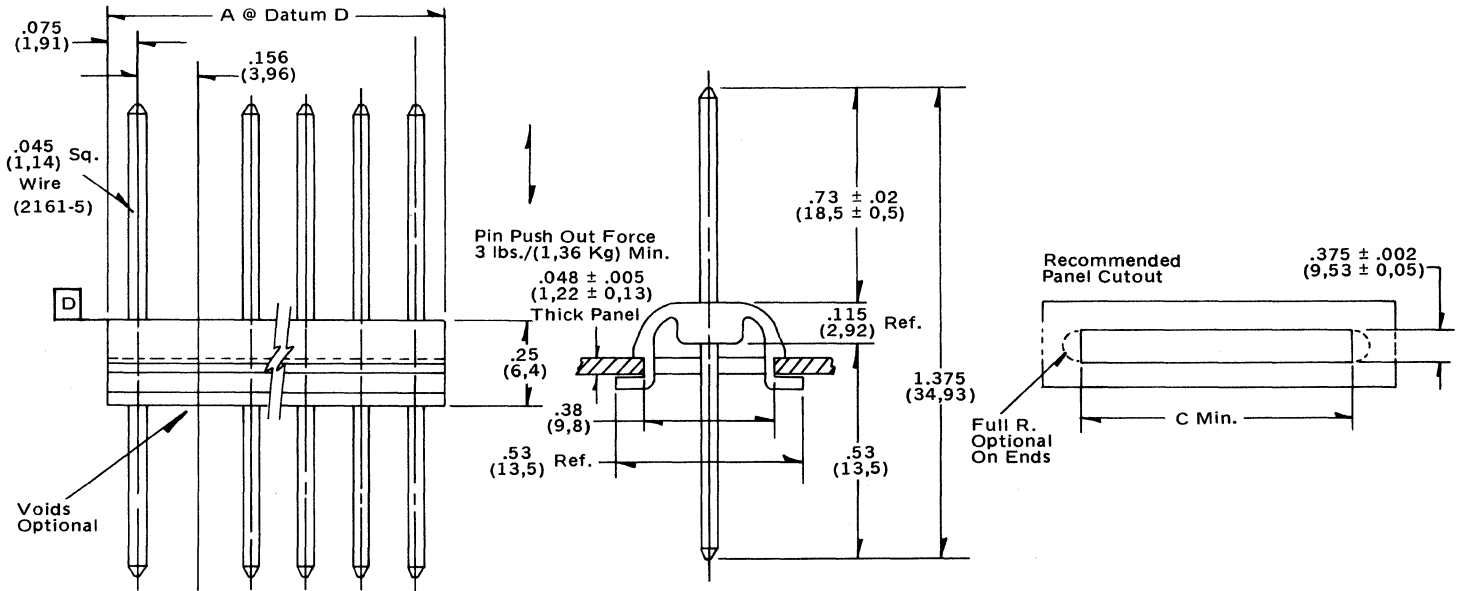
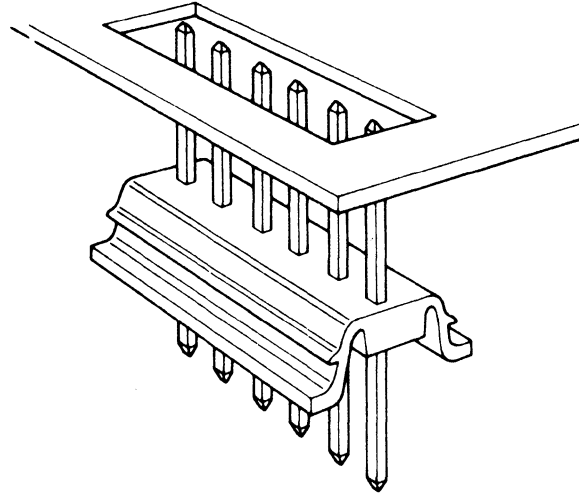
.156" (3,96 mm) Center Wafers

4737 Series

Chassis Mount Wafer

features/dimensions

- 3, 6, 8 circuits
- Various pin lengths available
See page 75B
- Mounts in .048" panels
- .045" square wire pins
- Various platings available
See page 76B
- 94V-2 nylon
- Mates with Molex .156" (3,96 mm) centerline connectors
- Voids available in various locations
Contact factory



Dimensional Information

No. of Circuits	Dim. A	Dim. C
3	.462 (11,73)	.492 (12,50)
6	.930 (23,62)	.960 (24,38)
8	1.242 (31,55)	1.272 (32,31)

inches
mm

Ordering Information

No. of Circuits	Order No.
3	09-57-3031
6	09-57-3061
8	09-57-3081

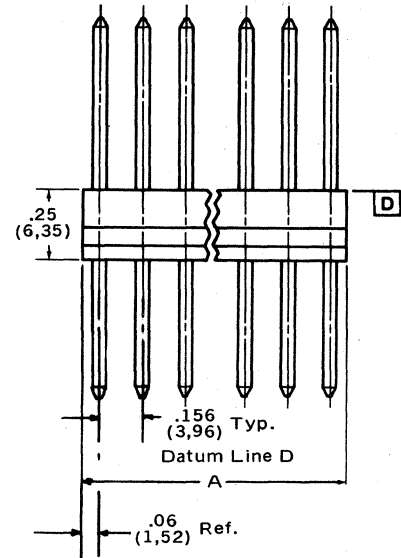
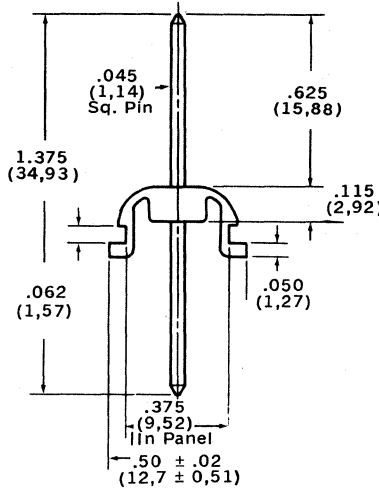
.156" (3,96 mm) Center Wafers



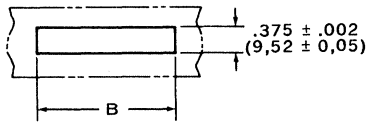
2220 Series Chassis Mount Wafer

features/dimensions

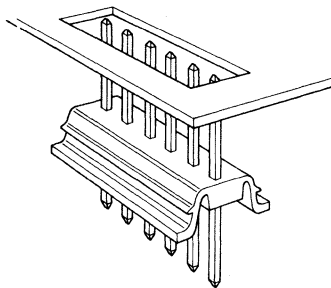
- 2-18 Circuits
- Various pin lengths available see page 75B
- Mounts in chassis .062" thick
- .045" square wire pins
- Various platings available see page 76B
- 94V-2 Nylon
- Mates with Molex .156" (3,96 mm) centerline connectors



Panel Opening



Panel Thickness: .062 ± .008 (1,57 ± 0,20)



2220 Series
Chassis Mount Wafer:

Dimensional Information

inches
mm

No. of Circuits	Dim. A	Dim. B	No. of Circuits	Dim. A	Dim. B	No. of Circuits	Dim. A	Dim. B
2	.272 (6,91)	.292 (7,42)	8	1.208 (30,68)	1.228 (31,19)	14	2.144 (54,46)	2.164 (54,97)
3	.428 (10,87)	.448 (11,38)	9	1.364 (34,65)	1.384 (35,15)	15	2.300 (58,42)	2.320 (58,93)
4	.584 (14,83)	.604 (15,34)	10	1.520 (38,61)	1.540 (39,12)	16	2.456 (62,38)	2.476 (62,89)
5	.740 (18,80)	.760 (19,30)	11	1.676 (42,57)	1.696 (43,08)	17	2.612 (66,34)	2.632 (66,89)
6	.896 (22,76)	.916 (23,27)	12	1.832 (46,53)	1.852 (47,04)	18	2.768 (70,31)	2.788 (70,81)
7	1.052 (26,72)	1.072 (27,23)	13	1.988 (50,50)	2.008 (51,00)			

Ordering Information 2220

No. of Circuits	Tin Plating Per Code 102*	Gold Plating Per Code 501*	No. of Circuits	Tin Plating Per Code 102*	Gold Plating Per Code 501*
2	09-57-1025	09-78-1025	11	09-57-1115	09-78-1115
3	09-57-1035	09-78-1035	12	09-57-1125	09-78-1125
4	09-57-1045	09-78-1045	13	09-57-1135	09-78-1135
5	09-57-1055	09-78-1055	14	09-57-1145	09-78-1145
6	09-57-1065	09-78-1065	15	09-57-1155	09-78-1155
7	09-57-1075	09-78-1075	16	09-57-1165	09-78-1165
8	09-57-1085	09-78-1085	17	09-57-1175	09-78-1175
9	09-57-1095	09-78-1095	18	09-57-1185	09-78-1185
10	09-57-1105	09-78-1105			

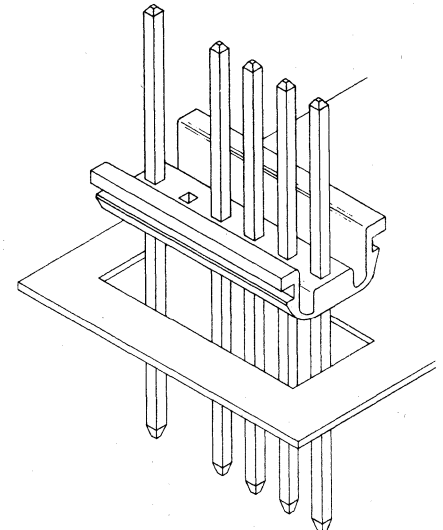
*Molex Plating Codes 102 and 501. See Page 76B.

6420 Series

features/dimensions

- Same as 2220 with void
- Void available in various locations Contact factory
- 3-18 Circuits

This wafer series is available with voids in **any** circuit location. More than one pin can be voided, per customer requirements. Contact factory representative for ordering information.



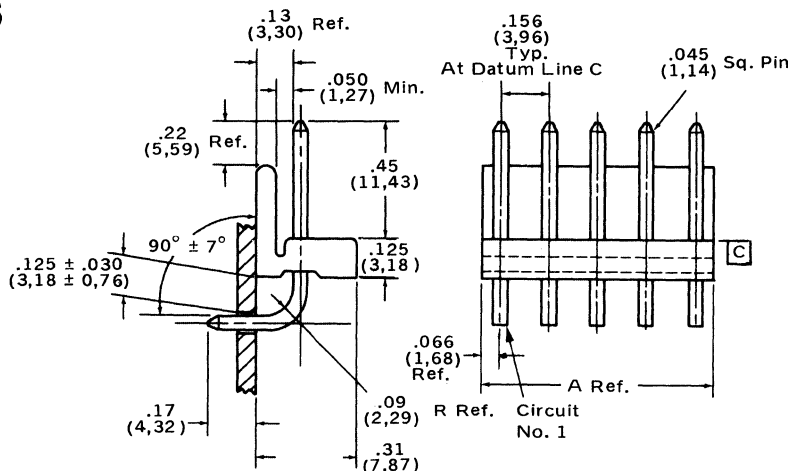
molex® .156" (3,96 mm) Center Wafers

2534/3243 Series

Square Wire Right Angle Polarizing Wall

features/dimensions

- 2534 series extruded wafers
- 3243 series molded wafer
- 2-18 Circuits
- Various pin lengths available see page 75B
- Polarizing wall
- .045" square wire pins
- Various platings available see page 76B
- 94V-2 Nylon
- See Molex soldering specifications page 76B
- Mates with 2139



Dimensional Information

No. of Circuits	Dim. A	No. of Circuits	Dim. A	No. of Circuits	Dim. A	No. of Circuits	Dim. A
2	.288 (7,32)	7	1.068 (27,13)	11	1.692 (42,98)	15	2.316 (58,83)
3	.444 (11,28)	8	1.224 (31,09)	12	1.848 (46,94)	16	2.472 (62,79)
4	.600 (15,24)	9	1.380 (35,05)	13	2.004 (50,90)	17	2.628 (66,75)
5	.756 (19,20)	10	1.536 (39,01)	14	2.160 (54,86)	18	2.784 (70,71)
6	.912 (23,17)						

Ordering Information 3243

No. of Circuits	Tin Plating Per Code 102*	No. of Circuits	Tin Plating Per Code 102*	No. of Circuits	Tin Plating Per Code 102*
2	26-17-1021	8	26-17-1081	14	26-17-1141
3	26-17-1031	9	26-17-1091	15	26-17-1151
4	26-17-1041	10	26-17-1101	16	26-17-1161
5	26-17-1051	11	26-17-1111	17	26-17-1171
6	26-17-1061	12	26-17-1121	18	26-17-1181
7	26-17-1071	13	26-17-1131		

Ordering Information 2534

No. of Circuits	Tin Plating Per Code 102*	No. of Circuits	Tin Plating Per Code 102*	No. of Circuits	Tin Plating Per Code 102*
2	09-88-2021	8	09-88-2081	14	09-88-2141
3	09-88-2031	9	09-88-2091	15	09-88-2151
4	09-88-2041	10	09-88-2101	16	09-88-2161
5	09-88-2051	11	09-88-2111	17	09-88-2171
6	09-88-2061	12	09-88-2121	18	09-88-2181
7	09-88-2071	13	09-88-2131		

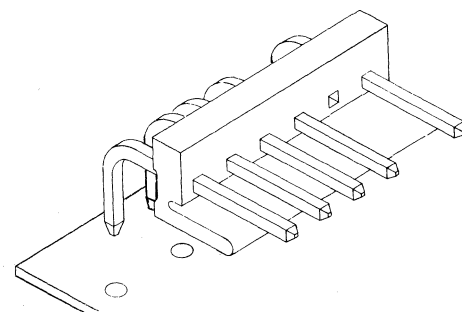
*Molex Plating Codes. See page 76B

2534-NBV/3243-NBV Series

features/dimensions

- Same as 2534 & 3243 with pin void
- Void available in various locations Contact factory
- 3-18 Circuits

This wafer series is available with voids in **any** circuit location. More than one pin can be voided, per customer requirements. Contact factory representative for ordering information.



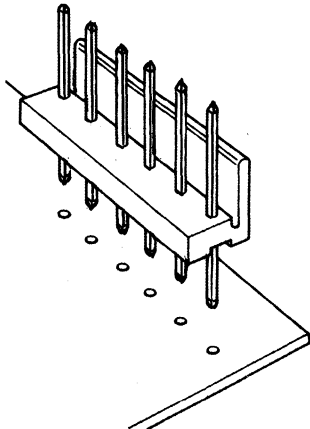
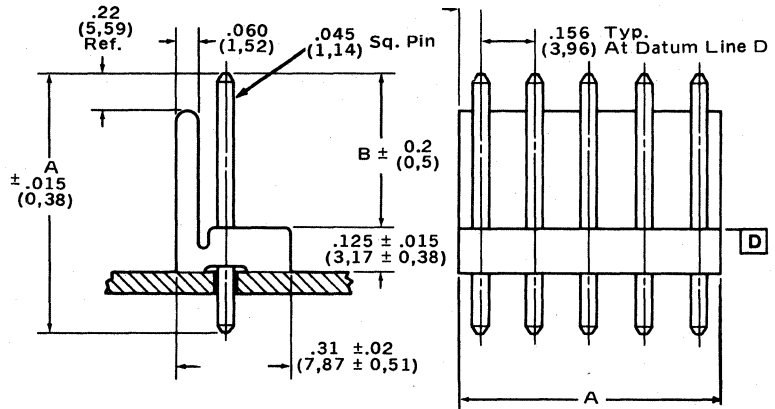
.156" (3,96 mm) Center Wafers

6393 Series

Square Wire Polarizing Wall

features/dimensions

- 2-18 Circuits
- Various pin lengths available 75B Polarizing wall
- .045" square wire pins
- Various platings available see page 76B
- 94V-2 Nylon
- See Molex soldering specifications page 76B



Dimensional Information

						inches mm	
No. of Circuits	Dim. A	No. of Circuits	Dim. A	No. of Circuits	Dim. A	No. of Circuits	Dim. A
2	.288 (7,32)	7	1.068 (27,13)	11	1.692 (42,98)	15	2.316 (58,83)
3	.444 (11,28)	8	1.224 (31,09)	12	1.848 (46,94)	16	2.472 (62,79)
4	.600 (15,24)	9	1.380 (35,05)	13	2.004 (50,90)	17	2.628 (66,75)
5	.756 (19,20)	10	1.536 (39,01)	14	2.160 (54,86)	18	2.784 (70,71)
6	.912 (23,17)						

For ordering information contact factory



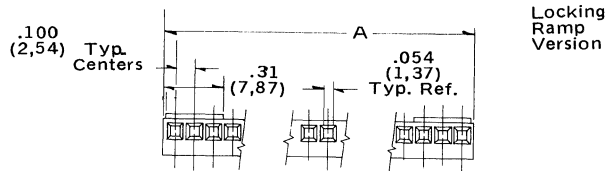
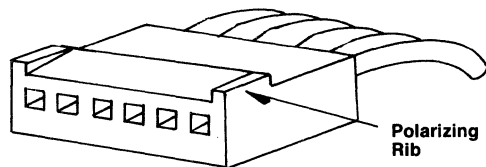
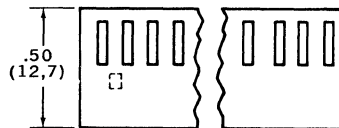
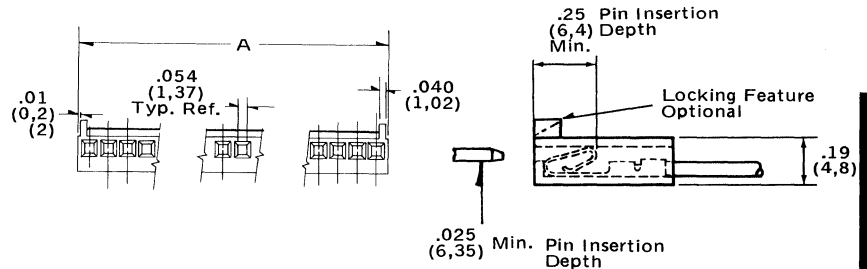
.100" (2,54 mm) Center Crimp Terminal Housing

2695/6471 Series

Anti-Fishhooking Terminal Option

features/dimensions

- 2695 Series uses 2759 terminal only
- 6471 Series uses 4809 anti-fish hooking terminal or 2759
- With or without locking ramp
- Mates with .025" pins
- 94V-0 Nylon
- Polarizing keys or pegs available page 64B
- 2 - 25 circuits available
- Optional polarization or locking ramp version
- Mates with Molex KK .100" (2,54 mm) center wafers or pins



Dimensional Information 2695/6471

		inches mm									
No. of Circuits	Dim. A	No. of Circuits	Dim. A	No. of Circuits	Dim. A	No. of Circuits	Dim. A	No. of Circuits	Dim. A	No. of Circuits	Dim. A
2	.22 (5,6)	6	.62 (15,8)	10	1.02 (25,9)	14	1.42 (36,1)	18	1.82 (46,2)	22	2.22 (56,4)
3	.32 (8,1)	7	.72 (18,3)	11	1.12 (28,5)	15	1.52 (38,6)	19	1.92 (48,8)	23	2.32 (59,9)
4	.42 (10,7)	8	.82 (20,9)	12	1.22 (31,0)	16	1.62 (41,2)	20	2.02 (51,3)	24	2.42 (61,5)
5	.52 (13,2)	9	.92 (23,4)	13	1.32 (33,5)	17	1.72 (43,7)	21	2.12 (53,9)	25	2.52 (64,0)

Ordering Information 6471

No. of Circuits	With Locking Ramp	Without Locking Ramp	No. of Circuits	With Locking Ramp	Without Locking Ramp
2	22-01-2025	22-01-2026	14	22-01-2145	22-01-2146
3	22-01-2035	22-01-2036	15	22-01-2155	22-01-2156
4	22-01-2045	22-01-2046	16	22-01-2165	22-01-2166
5	22-01-2055	22-01-2056	17	22-01-2175	22-01-2176
6	22-01-2065	22-01-2066	18	22-01-2185	22-01-2186
7	22-01-2075	22-01-2076	19	22-01-2195	22-01-2196
8	22-01-2085	22-01-2086	20	22-01-2205	22-01-2206
9	22-01-2095	22-01-2096	21	22-01-2215	22-01-2216
10	22-01-2105	22-01-2106	22	22-01-2225	22-01-2226
11	22-01-2115	22-01-2116	23	22-01-2235	22-01-2236
12	22-01-2125	22-01-2126	24	22-01-2245	22-01-2246
13	22-01-2135	22-01-2136	25	22-01-2255	22-01-2256

For Circuits 26, 27 and 28,
Contact Factory

Ordering Information 2695

No. of Circuits	With Locking Ramp	With Locking Ramp and Polarizing Rib	Without Locking Ramp	No. of Circuits	With Locking Ramp	With Locking Ramp and Polarizing Rib	Without Locking Ramp
2	22-01-2027	22-01-3027	22-01-2021	14	22-01-2147	22-01-3147	22-01-2141
3	22-01-2037	22-01-3037	22-01-2031	15	22-01-2157	22-01-3157	22-01-2151
4	22-01-2047	22-01-3047	22-01-2041	16	22-01-2167	22-01-3167	22-01-2161
5	22-01-2057	22-01-3057	22-01-2051	17	22-01-2177	22-01-3177	22-01-2171
6	22-01-2067	22-01-3067	22-01-2061	18	22-01-2187	22-01-3187	22-01-2181
7	22-01-2077	22-01-3077	22-01-2071	19	22-01-2197	22-01-3197	22-01-2191
8	22-01-2087	22-01-3087	22-01-2081	20	22-01-2207	22-01-3207	22-01-2201
9	22-01-2097	22-01-3097	22-01-2091	21	22-01-2217	22-01-3217	22-01-2211
10	22-01-2107	22-01-3107	22-01-2101	22	22-01-2227	22-01-3227	22-01-2221
11	22-01-2117	22-01-3117	22-01-2111	23	22-01-2237	22-01-3237	22-01-2231
12	22-01-2127	22-01-3127	22-01-2121	24	22-01-2247	22-01-3247	22-01-2241
13	22-01-2137	22-01-3137	22-01-2131	25	22-01-2257	22-01-3257	22-01-2251

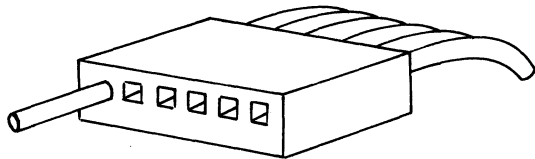
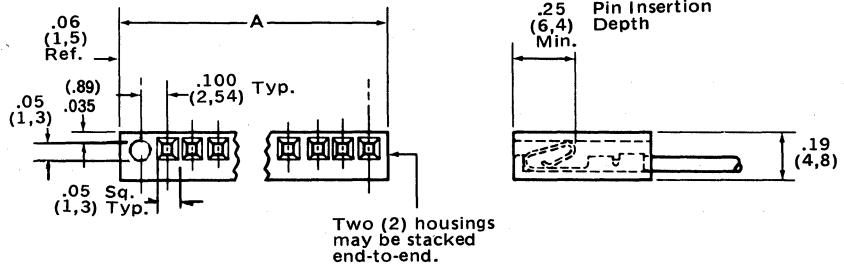
.100" (2,54 mm) Center Crimp Terminal Housing



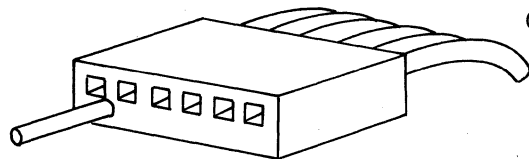
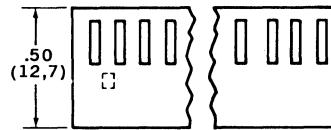
6470/6472 Series Housing with Polarizing Peg

features/dimensions

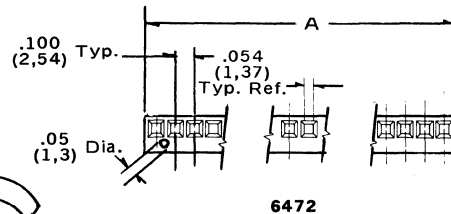
- Mates with .025" pins
- Accepts 2759 & 4809 series crimp terminals
- 94V-0 Nylon
- 6470 polarizing peg integrally molded in circuit 1
- 6472 polarizing peg molded between circuits
- Mates with Molex KK .100" (2,54 mm) center wafers or staked pins
- Similar to 6471



6470



6472



6472

Ordering Information 6470

No. of Circuits	Order No.	No. of Circuits	Order No.	No. of Circuits	Order No.
2	22-06-2022	11	22-06-2112	20	22-06-2202
3	22-06-2032	12	22-06-2122	21	22-06-2212
4	22-06-2042	13	22-06-2132	22	22-06-2222
5	22-06-2052	14	22-06-2142	23	22-06-2232
6	22-06-2062	15	22-06-2152	24	22-06-2242
7	22-06-2072	16	22-06-2162	25	22-06-2252
8	22-06-2082	17	22-06-2172	26	22-06-2262
9	22-06-2092	18	22-06-2182	27	22-06-2272
10	22-06-2102	19	22-06-2192	28	22-06-2282

Inches
mm

6470 and 6472
For "A" Dimension
See 2695/6471 Dimension Information
Page 39B

Ordering Information 6472

No. of Circuits	Order No.	No. of Circuits	Order No.	No. of Circuits	Order No.
2	22-06-2021	11	22-06-2111	20	22-06-2201
3	22-06-2031	12	22-06-2121	21	22-06-2211
4	22-06-2041	13	22-06-2131	22	22-06-2221
5	22-06-2051	14	22-06-2141	23	22-06-2231
6	22-06-2061	15	22-06-2151	24	22-06-2241
7	22-06-2081	16	22-06-2161	25	22-06-2251
8	22-06-2081	17	22-06-2171	26	22-06-2261
9	22-06-2091	18	22-06-2181	27	22-06-2271
10	22-06-2101	19	22-06-2191	28	22-06-2281

Example:
If 8 electric circuits
are desired, order 9
circuit connector.

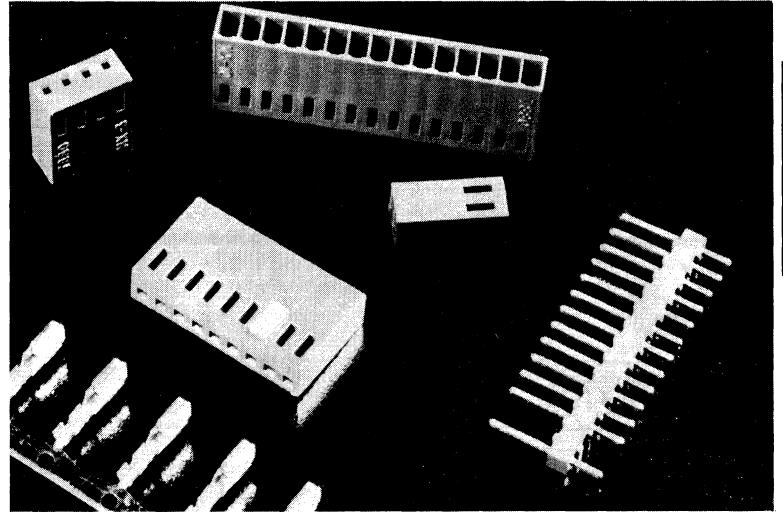
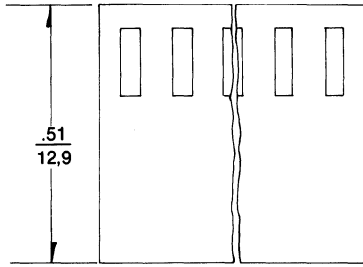
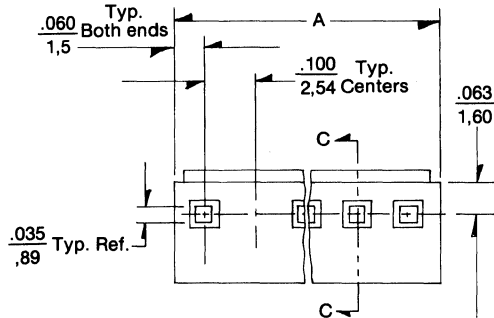


.100" (2,54 mm) Center Crimp Terminal Housing

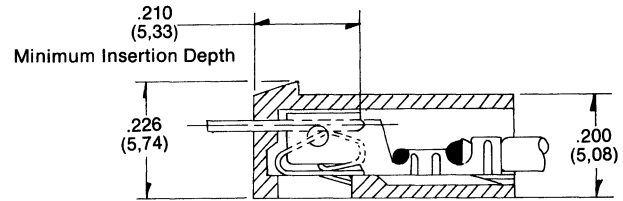
7880 Series High Pressure Terminal Housing

Features/Dimensions:

- Use with 7879 series terminal only
- 1-28 Circuits
- Standard with locking ramp
- 94V-O material
- Side insertable polarizing key 8780-1



B



Dimensional Information

inches
mm

Circuits	Dim. A	Circuits	Dim. A	Circuits	Dim. A
1	.12 3,0	11	1.12 28,5	21	2.12 53,9
2	.22 5,6	12	1.22 31,0	22	2.22 56,4
3	.32 8,1	13	1.32 33,5	23	2.32 59,9
4	.42 10,7	14	1.42 36,1	24	2.42 61,5
5	.52 13,2	15	1.52 38,6	25	2.52 64,0
6	.62 15,8	16	1.62 41,2	26	2.62 66,6
7	.72 18,3	17	1.72 43,7	27	2.72 69,1
8	.82 20,8	18	1.82 46,2	28	2.82 71,6
9	.92 23,4	19	1.92 48,8		
10	1.02 25,9	20	2.02 51,3		

Mates with

Wafers: Series 4030, 4180, 4380, 4094, 6373, 6410 and 7478

Pins*: Series 2231, 2766, 4166 and 6641

*Pins require .100" spacing on printed board

Ordering Information - Tin plating - Molex Code 102. See page 63B

Circuits	Order No.	Circuits	Order No.	Circuits	Order No.
1	10-11-2013	11	10-11-2113	21	10-11-2213
2	10-11-2023	12	10-11-2123	22	10-11-2223
3	10-11-2033	13	10-11-2133	23	10-11-2233
4	10-11-2043	14	10-11-2143	24	10-11-2243
5	10-11-2053	15	10-11-2153	25	10-11-2253
6	10-11-2063	16	10-11-2163	26	10-11-2263
7	10-11-2073	17	10-11-2173	27	10-11-2273
8	10-11-2083	18	10-11-2183	28	10-11-2283
9	10-11-2093	19	10-11-2193		
10	10-11-2103	20	10-11-2203		

Polarizing Key: 89-00-0422 Order No.
Series 8780-1

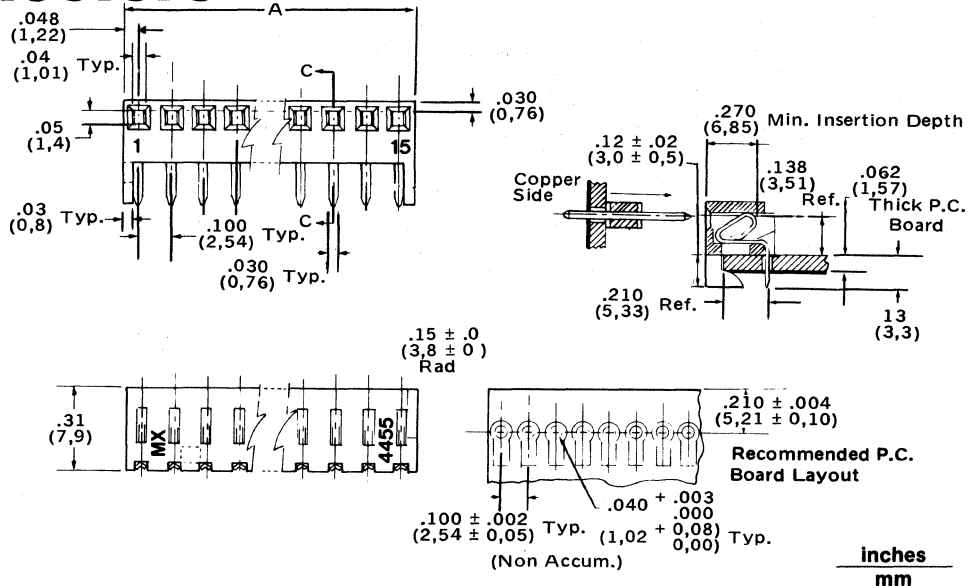
.100" (2,54 mm) Center P.C. Board Connectors



4455-A Series Right Angle Type A

features/dimensions:

- 2-25 circuits
- Right angle mount
- Polarizing keys & pegs see page 64B
- Various platings available see page 76B
- Optional locking ramp
- See Molex soldering specifications page 76B
- 94V-0 Material
- Mates with Molex 4030, 4180 & 4094 wafers



For Dimensional Information Use Table on Page 43B (Under 4455-C)

Ordering Information 4455-A

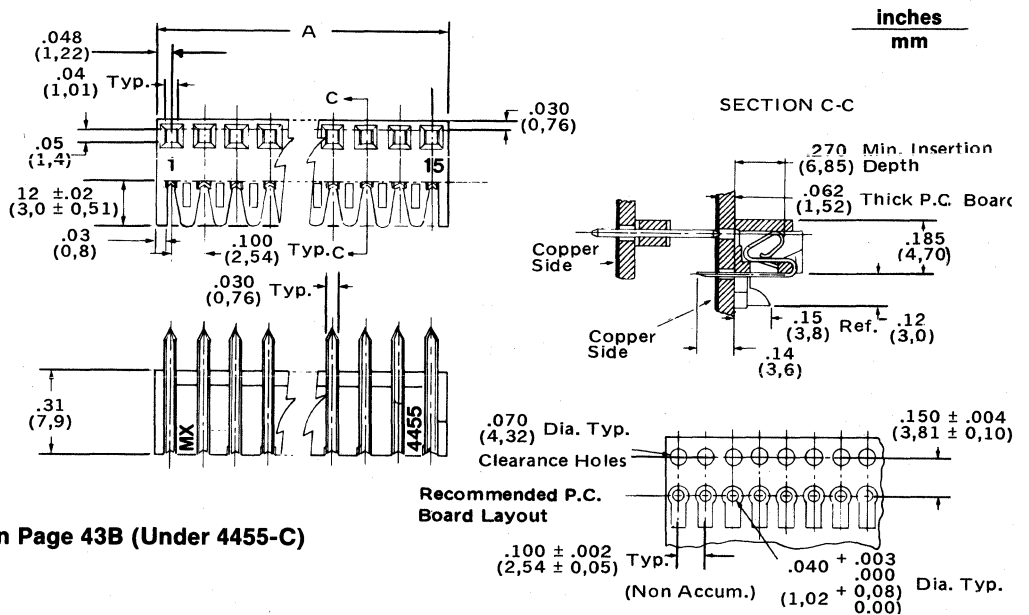
No. of Circuits	Tin Plating Per Molex Code No. 901*	Gold Plating Per Molex Code No. 501*	No. of Circuits	Tin Plating Per Molex Code No. 901*	Gold Plating Per Molex Code No. 501*	No. of Circuits	Tin Plating Per Molex Code No. 901*	Gold Plating Per Molex Code No. 501*
2	22-15-2021	22-16-2021	10	22-15-2101	22-16-2111	18	22-15-2181	22-16-2181
3	22-15-2031	22-16-2031	11	22-15-2111	22-16-2111	19	22-15-2191	22-16-2191
4	22-15-2041	22-16-2041	12	22-15-2121	22-16-2121	20	22-15-2201	22-16-2201
5	22-15-2051	22-16-2051	13	22-15-2131	22-16-2131	21	22-15-2211	22-16-2211
6	22-15-2061	22-16-2061	14	22-15-2141	22-16-2141	22	22-15-2221	22-16-2221
7	22-15-2071	22-16-2071	15	22-15-2151	22-16-2151	23	22-15-2231	22-16-2231
8	22-15-2081	22-16-2081	16	22-15-2161	22-16-2161	24	22-15-2241	22-16-2241
9	22-15-2091	22-16-2091	17	22-15-2171	22-16-2171	25	22-15-2251	22-16-2251

*Molex Plating Codes. See page 76B

4455-B Series Bottom Entry Type B

features/dimensions:

- 2-25 circuits
- Bottom entry mount
- Various platings available See page 76B
- See Molex soldering specification page 76B
- 94V-0 Material



For Dimensional Information Use Table on Page 43B (Under 4455-C)

Ordering Information 4455-B

No. of Circuits	Tin Plating Per Molex Code No. 901*	Gold Plating Per Molex Code No. 501*	No. of Circuits	Tin Plating Per Molex Code No. 901*	Gold Plating Per Molex Code No. 501*	No. of Circuits	Tin Plating Per Molex Code No. 901*	Gold Plating Per Molex Code No. 501*
2	22-14-2021	22-17-2022	10	22-14-2101	22-17-2102	18	22-14-2181	22-17-2182
3	22-14-2031	22-17-2032	11	22-14-2111	22-17-2112	19	22-14-2191	22-17-2192
4	22-14-2041	22-17-2042	12	22-14-2121	22-17-2122	20	22-14-2201	22-17-2202
5	22-14-2051	22-17-2052	13	22-14-2131	22-17-2132	21	22-14-2211	22-17-2212
6	22-14-2061	22-17-2062	14	22-14-2141	22-17-2142	22	22-14-2221	22-17-2222
7	22-14-2071	22-17-2072	15	22-14-2151	22-17-2152	23	22-14-2231	22-17-2232
8	22-14-2081	22-17-2082	16	22-14-2161	22-17-2162	24	22-14-2241	22-17-2242
9	22-14-2091	22-17-2092	17	22-14-2171	22-17-2172	25	22-14-2251	22-17-2252

*Molex Plating Codes. See page 76B



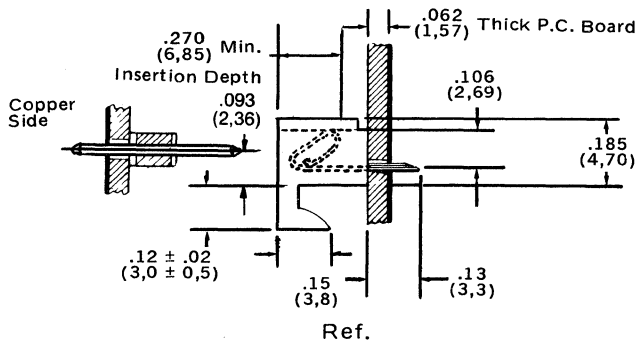
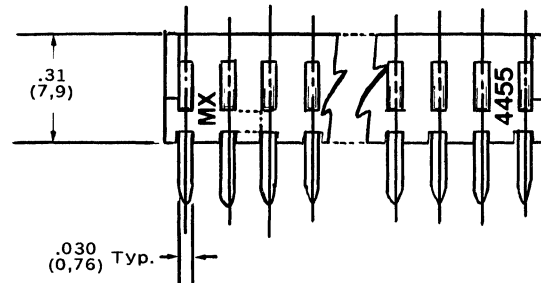
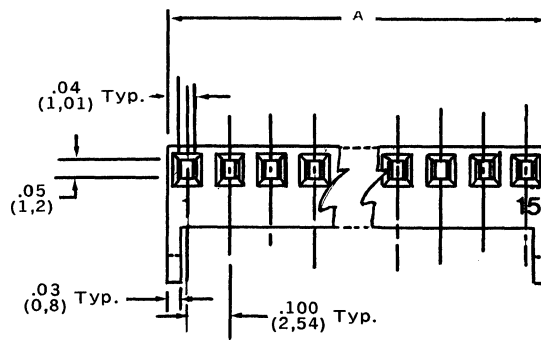
.100" (2,54 mm) Center P.C. Board Connectors

4455-C Series

Top Entry Type C

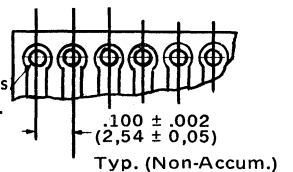
features/dimensions

- 2-25 circuits
- Top entry mount
- Various platings available
see page 76B
- Optional locking ramp
- Polarizing keys/pegs see page 64B
- See Molex soldering specifications page 76B
- 94V-0 Material
- Mates with Molex 4030 or 4094 wafers



Recommended P.C. Board Layout

.040 + .003 Dia.
- .000 Holes
(1,02 ± 0,08
- 0,00) Typ.



Dimensional Information 4455-A, B, and C Series

				inches		mm	
No. of Circuits	Dim. A	No. of Circuits	Dim. A	No. of Circuits	Dim. A	No. of Circuits	Dim. A
2	.196 (4,98)	8	.796 (19,53)	14	1.396 (35,46)	20	1.996 (50,70)
3	.296 (7,52)	9	.896 (22,76)	15	1.496 (38,00)	21	2.096 (53,24)
4	.396 (10,06)	10	.996 (25,30)	16	1.596 (40,54)	22	2.196 (55,78)
5	.496 (12,60)	11	1.096 (27,84)	17	1.696 (43,08)	23	2.296 (58,32)
6	.596 (15,14)	12	1.196 (30,38)	18	1.796 (45,62)	24	2.396 (60,86)
7	.696 (17,68)	13	1.296 (32,92)	19	1.896 (48,16)	25	2.496 (63,40)

Ordering Information 4455-C

No. of Circuits	Tin Plating Per Molex Code No. 901*	Gold Plating Per Molex Code No. 501*	No. of Circuits	Tin Plating Per Molex Code No. 901*	Gold Plating Per Molex Code No. 501*	No. of Circuits	Tin Plating Per Molex Code No. 901*	Gold Plating Per Molex Code No. 501*
2	22-02-2021	22-18-2023	10	22-02-2101	22-18-2103	18	22-02-2181	22-18-2183
3	22-02-2031	22-18-2033	11	22-02-2111	22-18-2113	19	22-02-2191	22-18-2193
4	22-02-2041	22-18-2043	12	22-02-2121	22-18-2123	20	22-02-2201	22-18-2203
5	22-02-2051	22-18-2053	13	22-02-2131	22-18-2133	21	22-02-2211	22-18-2213
6	22-02-2061	22-18-2063	14	22-02-2141	22-18-2143	22	22-02-2221	22-18-2223
7	22-02-2071	22-18-2073	15	22-02-2151	22-18-2153	23	22-02-2231	22-18-2233
8	22-02-2081	22-18-2083	16	22-02-2161	22-18-2163	24	22-02-2241	22-18-2243
9	22-02-2091	22-18-2093	17	22-02-2171	22-18-2173	25	22-02-2251	22-18-2253

*Molex Plating Codes. See page 76B

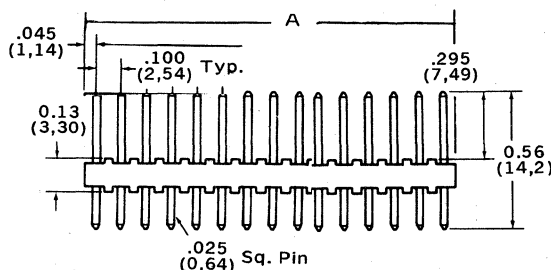
.100" (2,54 mm) Center Wafers



4030 Series Square Pin Straight Wafer

features/dimensions

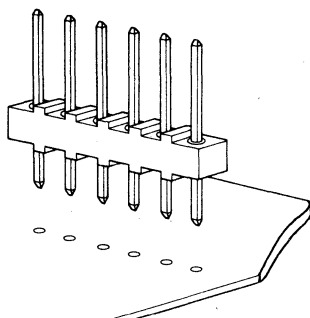
- 2 - 20 circuits
- Various pin lengths available see page 75B
- .025" square wire pins
- Various platings available see page 76B
- 94V-0 Nylon
- See Molex soldering specifications page 76B
- Mates with Molex .100" (2,54 mm) centerline connectors
- Stackable end-to-end



Dimensional Information

No. of Circuits	Dim. A	No. of Circuits	Dim. A	No. of Circuits	Dim. A
2	.19 (4,8)	9	.89 (22,6)	16	1.59 (40,4)
3	.29 (7,4)	10	.89 (22,6)	17	1.69 (42,9)
4	.39 (9,9)	11	1.09 (27,7)	18	1.79 (45,5)
5	.49 (12,5)	12	1.19 (30,2)	19	1.89 (48,0)
6	.59 (15,0)	13	1.29 (32,8)	20	1.99 (50,6)
7	.69 (17,5)	14	1.39 (35,3)		
8	.79 (20,1)	15	1.49 (37,9)		

inches
mm



Ordering Information

No. of Circuits	Tin Plating Per Code 102*	Gold Plating Per Code 501*	No. of Circuits	Tin Plating Per Code 102*	Gold Plating Per Code 501*
2	22-03-2021	22-10-2021	16	22-03-2161	22-10-2161
3	22-03-2031	22-10-2031	17	22-03-2171	22-10-2171
4	22-03-2041	22-10-2041	18	22-03-2181	22-10-2181
5	22-03-2051	22-10-2051	19	22-03-2191	22-10-2191
6	22-03-2061	22-10-2061	20	22-03-2201	22-10-2201
7	22-03-2071	22-10-2071			
8	22-03-2081	22-10-2081			
9	22-03-2091	22-10-2091			
10	22-03-2101	22-10-2101			
11	22-03-2111	22-10-2111			
12	22-03-2121	22-10-2121			
13	22-03-2131	22-10-2131			
14	22-03-2141	22-10-2141			
15	22-03-2151	22-10-2151			

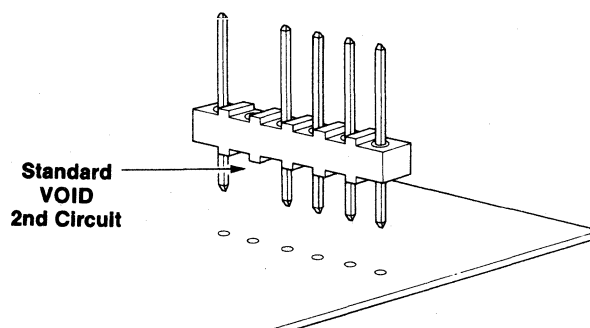
*Molex Plating Codes. See page 76B

4180 & 4380 Series Polarizing Wafer Assembly

features/dimensions

- Same as 4030 with pin void in 2nd circuit
- 3 - 20 circuits
- See Molex soldering specifications page 76B
- For wafers with pin void locations other than 2nd circuit contact factory, model 4380
- Various platings available see page 76B
- Various pin lengths available see page 75B
- Stackable end-to-end

This 4380 series is available with voids in **any** circuit location. More than one pin can be voided, per customer requirements. Contact factory representative for ordering information.



Ordering Information 4180

No. of Circuits	Tin Plating Per Code 102*	Gold Plating Per Code 501*	No. of Circuits	Tin Plating Per Code 102*	Gold Plating Per Code 501*
3	22-04-2031	22-11-2031	12	22-04-2121	22-11-2121
4	22-04-2041	22-11-2041	13	22-04-2131	22-11-2131
5	22-04-2051	22-11-2051	14	22-04-2141	22-11-2141
6	22-04-2061	22-11-2061	15	22-04-2151	22-11-2151
7	22-04-2071	22-11-2071	16	22-04-2161	22-11-2161
8	22-04-2081	22-11-2081	17	22-04-2171	22-11-2171
9	22-04-2091	22-11-2091	18	22-04-2181	22-11-2181
10	22-04-2101	22-11-2101	19	22-04-2191	22-11-2191
11	22-04-2111	22-11-2111	20	22-04-2201	22-11-2201

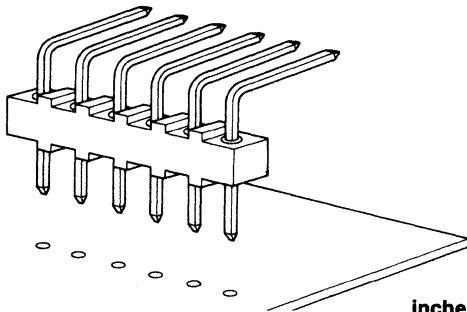
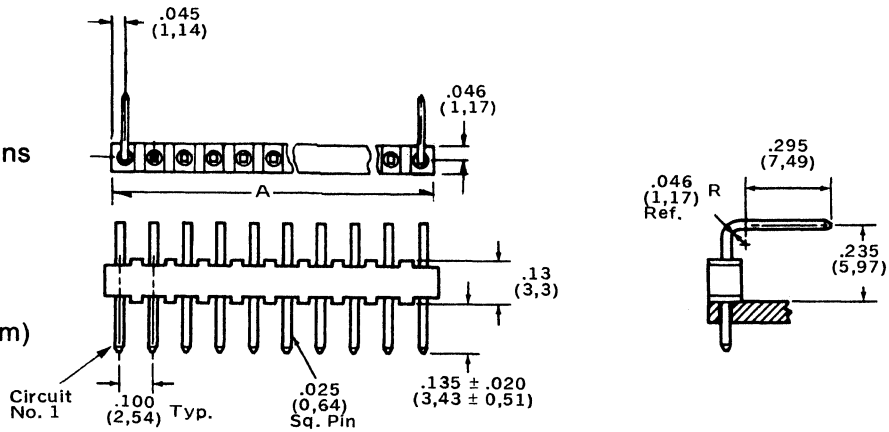
*Molex Plating Codes. See Page 76B.

4094 Series

Square Pin Right Angle Wafer

features/dimensions

- 2 - 20 circuits
- Various pin lengths available see page 75B
- .025" right angle square wire pins
- Various platings available see page 76B
- 94V-0 Nylon
- See Molex soldering specifications page 76B
- Mates with Molex .100" (2,54 mm) center connectors
- Stackable end-to-end



Dimensional Information

inches		mm	
No. of Circuits	Dim. A	No. of Circuits	Dim. A
2	.19 (4,8)	9	.89 (22,6)
3	.29 (7,4)	10	.99 (25,1)
4	.39 (9,9)	11	1.09 (27,7)
5	.49 (12,5)	12	1.19 (30,2)
6	.59 (15,0)	13	1.29 (32,8)
7	.69 (17,5)	14	1.39 (35,3)
8	.79 (20,1)	15	1.49 (37,9)

Ordering Information 4094

No. of Circuits	Tin Plating Per Code 102*	Gold Plating Per Code 501*	No. of Circuits	Tin Plating Per Code 102*	Gold Plating Per Code 501*
2	22-05-2021	22-12-2021	16	22-05-2161	22-12-2161
3	22-05-2031	22-12-2031	17	22-05-2171	22-12-2171
4	22-05-2041	22-12-2041	18	22-05-2181	22-12-2181
5	22-05-2051	22-12-2051	19	22-05-2191	22-12-2191
6	22-05-2061	22-12-2061	20	22-05-2201	22-12-2201
7	22-05-2071	22-12-2071			
8	22-05-2081	22-12-2081			
9	22-05-2091	22-12-2091			
10	22-05-2101	22-12-2101			
11	22-05-2111	22-12-2111			
12	22-05-2121	22-12-2121			
13	22-05-2131	22-12-2131			
14	22-05-2141	22-12-2141			
15	22-05-2151	22-12-2151			

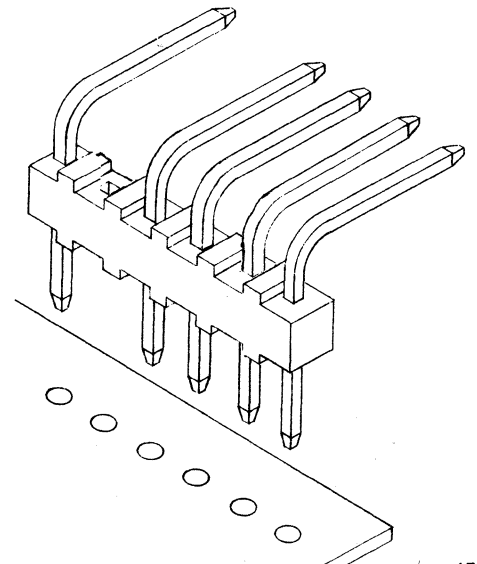
*Molex Plating Codes. See 76B

4494 Series

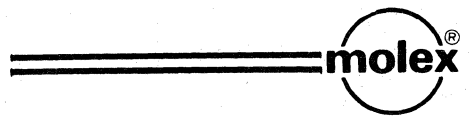
features/dimensions

- Same as 4094 with pin void
- Void available in various locations Contact factory
- 3 - 20 circuits
- See Molex soldering specifications page 76B
- Various platings available see page 76B
- Various pin lengths available see page 75B
- Stackable end-to-end

This wafer series is available with voids in **any** circuit location. More than one pin can be voided, per customer requirements. Contact factory representative for ordering information.



.100" (2,54 mm) Center Wafers

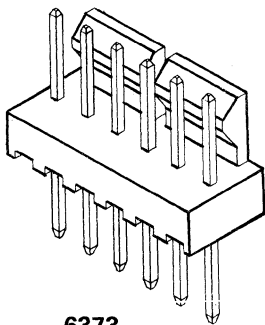
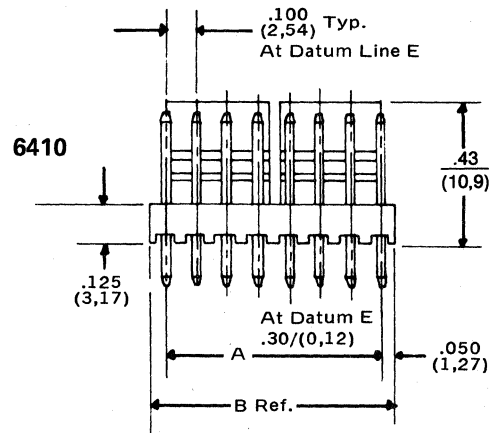
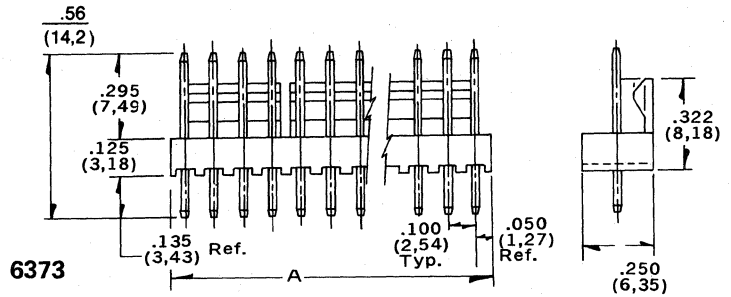


6373/6410 Series

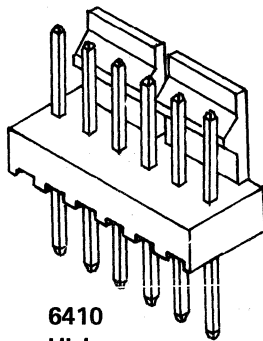
Square Pin Friction Lock Wafer

features/dimensions

- 2-28 Circuits
- .025" square wire pins
- Friction lock
- Various pin lengths available see page 75B
- Various platings available see page 76B
- 94V-0 Nylon
- See Molex soldering specifications page 76B
- Mates with 2695 and 4455 (6373)
- Mates with KK .100" (2,54 mm) insulation displacement connectors
- Mates with 6471 (6410)



6373



6410
Higher Backwall

Dimensional Information

						inches mm	
No. of Circuits	Dim. A	No. of Circuits	Dim. A	No. of Circuits	Dim. A		
2	.200 ± .004 (5,08 ± 0,10)	11	1.100 ± .007 (27,94 ± 0,18)	20	2.000 ± .009 (50,80 ± 0,23)		
3	.300 ± .004 (7,62 ± 0,10)	12	1.200 ± .007 (30,48 ± 0,18)	21	2.100 ± .009 (53,34 ± 0,23)		
4	.400 ± .005 (10,16 ± 0,13)	13	1.300 ± .007 (33,02 ± 0,18)	22	2.200 ± .009 (55,88 ± 0,23)		
5	.500 ± .005 (12,70 ± 0,13)	14	1.400 ± .007 (35,56 ± 0,18)	23	2.300 ± .009 (58,42 ± 0,23)		
6	.600 ± .003 (15,24 ± 0,13)	15	1.500 ± .008 (38,10 ± 0,20)	24	2.400 ± .010 (60,96 ± 0,25)		
7	.700 ± .005 (17,78 ± 0,13)	16	1.600 ± .008 (40,64 ± 0,20)	25	2.500 ± .010 (63,50 ± 0,25)		
8	.800 ± .006 (20,32 ± 0,15)	17	1.700 ± .008 (43,18 ± 0,20)	26	2.600 ± .010 (66,04 ± 0,25)		
9	.900 ± .006 (22,86 ± 0,15)	18	1.800 ± .008 (45,72 ± 0,20)	27	2.700 ± .010 (68,58 ± 0,25)		
10	1.000 ± .006 (25,40 ± 0,15)	19	1.900 ± .009 (48,26 ± 0,23)	28	2.800 ± .010 (71,12 ± 0,25)		

Ordering Information 6373

No. of Circuits	Tin Plating Per Code 102*	Gold Plating Per Code 501*	No. of Circuits	Tin Plating Per Code 102*	Gold Plating Per Code 501*
2	22-23-2021	22-11-2022	16	22-23-2161	22-11-2162
3	22-23-2031	22-11-2032	17	22-23-2171	22-11-2172
4	22-23-2041	22-11-2042	18	22-23-2181	22-11-2182
5	22-23-2051	22-11-2052	19	22-23-2191	22-11-2192
6	22-23-2061	22-11-2062	20	22-23-2201	22-11-2202
7	22-23-2071	22-11-2072	21	22-23-2211	22-11-2212
8	22-23-2081	22-11-2082	22	22-23-2221	22-11-2222
9	22-23-2091	22-11-2092	23	22-23-2231	22-11-2232
10	22-23-2101	22-11-2102	24	22-23-2241	22-11-2242
11	22-23-2111	22-11-2112	25	22-23-2251	22-11-2252
12	22-23-2121	22-11-2122	26	22-23-2261	22-11-2262
13	22-23-2131	22-11-2132	27	22-23-2271	22-11-2272
14	22-23-2141	22-11-2142	28	22-23-2281	22-11-2282
15	22-23-2151	22-11-2152			

Ordering Information 6410

No. of Circuits	Tin Plating Per Code 102*	Gold Plating Per Code 501*	No. of Circuits	Tin Plating Per Code 102*	Gold Plating Per Code 501*
2	22-27-2021	22-29-2021	16	22-27-2161	22-29-2161
3	22-27-2031	22-29-2031	17	22-27-2171	22-29-2171
4	22-27-2041	22-29-2041	18	22-27-2181	22-29-2181
5	22-27-2051	22-29-2051	19	22-27-2191	22-29-2191
6	22-27-2061	22-29-2061	20	22-27-2201	22-29-2201
7	22-27-2071	22-29-2071	21	22-27-2211	22-29-2211
8	22-27-2081	22-29-2081	22	22-27-2221	22-29-2221
9	22-27-2091	22-29-2091	23	22-27-2231	22-29-2231
10	22-27-2101	22-29-2101	24	22-27-2241	22-29-2241
11	22-27-2111	22-29-2111	25	22-27-2251	22-29-2251
12	22-27-2121	22-29-2121	26	22-27-2261	22-29-2261
13	22-27-2131	22-29-2131	27	22-27-2271	22-29-2271
14	22-27-2141	22-29-2141	28	22-27-2281	22-29-2281
15	22-27-2151	22-29-2151			

*Molex Plating Codes. See page 76B

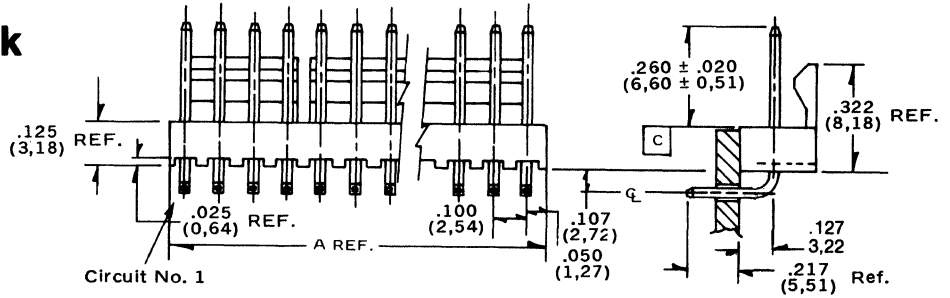
molex® .100" (2,54 mm) Center Wafers

7478 right angle version

Square Pin Friction Lock

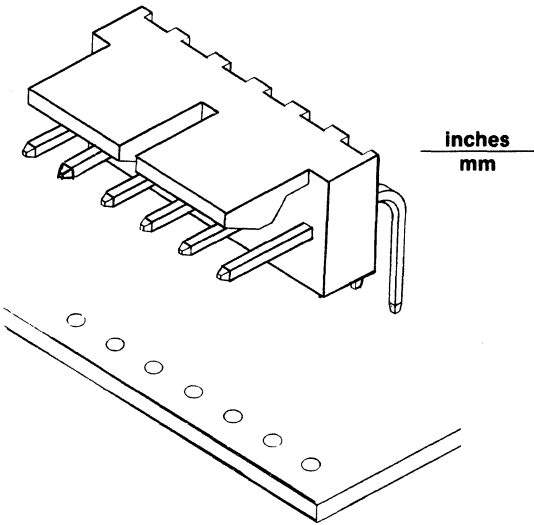
features/dimensions

- 2-25 Circuits
- .025" Right angle square wire pins
- Friction lock
- Various pin lengths available see page 75B
- Various platings available see page 76B
- 94V-0 Nylon
- See Molex soldering specifications page 76B
- Mates with 2695
- Mates with .100" (2,54 mm) insulation displacement connectors



Dimensional Information

No. of Circuits	Dim. A	No. of Circuits	Dim. A	No. of Circuits	Dim. A
2	.200 ± .004 (5,08 ± 0,10)	11	1.100 ± .007 (27,94 ± 0,18)	20	2.000 ± .009 (50,80 ± 0,23)
3	.300 ± .004 (7,62 ± 0,10)	12	1.200 ± .007 (30,48 ± 0,18)	21	2.100 ± .009 (53,34 ± 0,23)
4	.400 ± .005 (10,16 ± 0,13)	13	1.300 ± .007 (33,02 ± 0,18)	22	2.200 ± .009 (55,88 ± 0,23)
5	.500 ± .005 (12,70 ± 0,13)	14	1.400 ± .007 (35,56 ± 0,18)	23	2.300 ± .009 (58,42 ± 0,23)
6	.600 ± .005 (15,24 ± 0,13)	15	1.500 ± .008 (38,10 ± 0,20)	24	2.400 ± .009 (60,96 ± 0,23)
7	.700 ± .005 (17,78 ± 0,13)	16	1.600 ± .008 (40,64 ± 0,20)	25	2.500 ± .010 (63,50 ± 0,25)
8	.800 ± .006 (20,32 ± 0,15)	17	1.700 ± .008 (43,18 ± 0,20)		
9	.900 ± .006 (22,86 ± 0,15)	18	1.800 ± .008 (45,72 ± 0,20)		
10	1.000 ± .006 (25,40 ± 0,15)	19	1.900 ± .009 (48,26 ± 0,23)		



Ordering Information

No. of Circuits	Tin Plating Per Code 102*	Gold Plating Per Code 501*	No. of Circuits	Tin Plating Per Code 102*	Gold Plating Per Code 501*
2	22-05-3021	22-12-2024	16	22-05-3161	22-12-2164
3	22-05-3031	22-12-2034	17	22-05-3171	22-12-2174
4	22-05-3041	22-12-2044	18	22-05-3181	22-12-2184
5	22-05-3051	22-12-2054	19	22-05-3191	22-12-2194
6	22-05-3061	22-12-2054	20	22-05-3201	22-12-2204
7	22-05-3071	22-12-2074	21	22-05-3211	22-12-2214
8	22-05-3081	22-12-2084	22	22-05-3221	22-12-2224
9	22-05-3091	22-12-2094	23	22-05-3231	22-12-2234
10	22-05-3101	22-12-2104	24	22-05-3241	22-12-2244
11	22-05-3111	22-12-2114	25	22-05-3251	22-12-2254
12	22-05-3121	22-12-2124			
13	22-05-3131	22-12-2134			
14	22-05-3141	22-12-2144			
15	22-05-3151	22-12-2154			

*Molex Plating Codes. See page 76B

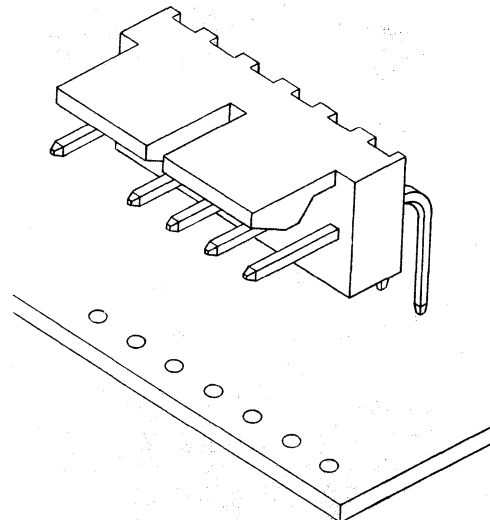
7832 right angle version

With Voided Pin (s)

features/dimensions

- Same as 7478 with pin void
- Void available in various locations contact factory
- 2-25 Circuits

This wafer series is available with voids in **any** circuit location. More than one pin can be voided, per customer requirements. Contact factory representative for ordering information.



.098" (2,5 mm) Center Crimp

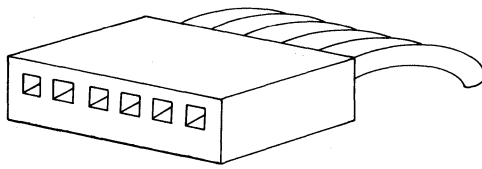
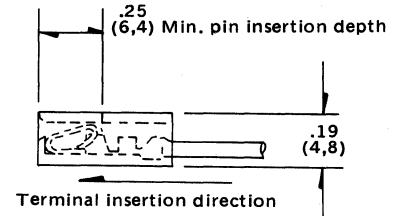
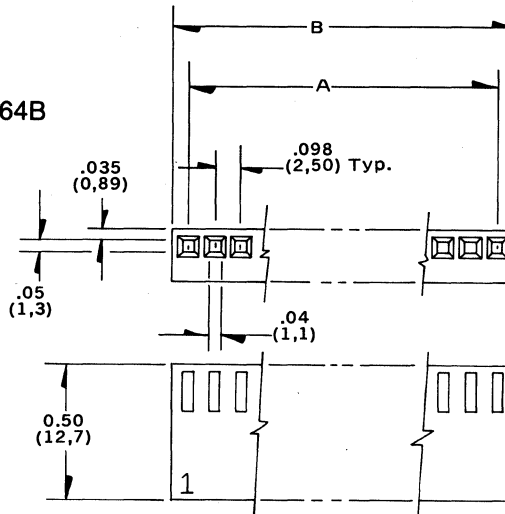


Terminal Housing

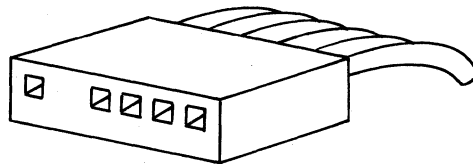
3071 Series 3180 Series

features/dimensions

- Accepts Molex double cantilever crimp terminals 4809/2759
- 94V-0 Nylon
- Polarizing keys or pegs available page 64B
- 2-20 circuits available
- Optional polarization or locking ramp version
- Mates with Molex KK .098" (2,5 mm) center wafers or staked pins
- 3180 series provide blanked No. 2 circuit.
- Stackable end-to-end



3071



3180 2nd circuit blanked for polarization

Dimensional Information

inches
mm

No. of Circuits	Dim. A	Dim. B	No. of Circuits	Dim. A	Dim. B
2	.098 ± .004 (2,50 ± 0,10)	.217 ± .008 (5,50 ± 0,20)	12	1.083 ± .007 (27,50 ± 0,18)	1.201 ± .011 (30,50 ± 0,28)
3	.197 ± .004 (5,00 ± 0,10)	.315 ± .008 (8,00 ± 0,20)	13	1.181 ± .007 (30,00 ± 0,18)	1.299 ± .011 (33,00 ± 0,28)
4	.295 ± .004 (7,50 ± 0,10)	.413 ± .008 (10,5 ± 0,20)	14	1.280 ± .007 (32,50 ± 0,18)	1.398 ± .011 (35,50 ± 0,28)
5	.394 ± .004 (10,0 ± 0,10)	.512 ± .008 (13,0 ± 0,20)	15	1.378 ± .008 (35,00 ± 0,20)	1.496 ± .012 (38,00 ± 0,30)
6	.492 ± .004 (12,5 ± 0,10)	.611 ± .009 (15,5 ± 0,23)	16	1.477 ± .008 (37,50 ± 0,20)	1.595 ± .012 (40,50 ± 0,30)
7	.591 ± .005 (15,0 ± 0,13)	.709 ± .009 (18,0 ± 0,23)	17	1.575 ± .008 (40,00 ± 0,20)	1.693 ± .012 (43,00 ± 0,30)
8	.689 ± .005 (17,5 ± 0,13)	.807 ± .009 (20,5 ± 0,23)	18	1.674 ± .009 (42,50 ± 0,23)	1.791 ± .013 (45,50 ± 0,33)
9	.787 ± .005 (20,0 ± 0,13)	.906 ± .009 (23,0 ± 0,23)	19	1.772 ± .009 (45,00 ± 0,23)	1.890 ± .013 (48,00 ± 0,33)
10	.886 ± .006 (22,5 ± 0,15)	1.004 ± .010 (25,50 ± 0,25)	20	1.870 ± .010 (47,50 ± 0,25)	1.988 ± .014 (50,50 ± 0,36)
11	.984 ± .006 (25,0 ± 0,15)	1.102 ± .010 (28,00 ± 0,25)			

Ordering Information 3071

No. of Circuits	Order No.	No. of Circuits	Order No.	No. of Circuits	Order No.
2	10-30-2021	9	10-30-2091	16	10-30-2161
3	10-30-2031	10	10-30-2101	17	10-30-2171
4	10-30-2041	11	10-30-2111	18	10-30-2181
5	10-30-2051	12	10-30-2121	19	10-30-2191
6	10-30-2061	13	10-30-2131	20	10-30-2201
7	10-30-2071	14	10-30-2141		
8	10-30-2081	15	10-30-2151		

Ordering Information 3180

No. of Circuits	Order No.	No. of Circuits	Order No.	No. of Circuits	Order No.
2	10-13-2026	9	10-13-2096	16	10-13-2166
3	10-13-2036	10	10-13-2106	17	10-13-2176
4	10-13-2046	11	10-13-2116	18	10-13-2186
5	10-13-2056	12	10-13-2126	19	10-13-2196
6	10-13-2066	13	10-13-2136	20	10-13-2206
7	10-13-2076	14	10-13-2146		
8	10-13-2086	15	10-13-2156		

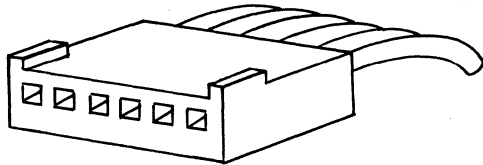
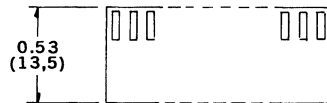
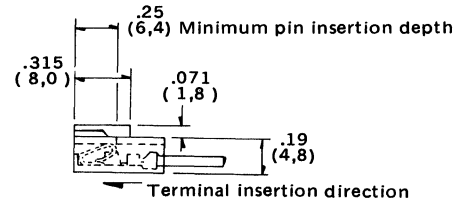
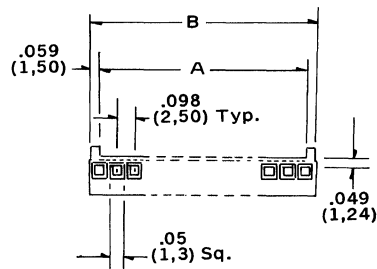


.098" (2,5 mm) Center Crimp Terminal Housing

5051M Series Polarizing Housings

features/dimensions

- Mates with .025" pins
- Accepts Molex double cantilever crimp terminals. Models 4809/2759
- 94V-0 Nylon
- Molded friction lock
- 2-20 circuits available
- Optional polarization or locking ramp version
- Mates with Molex KK .098" (2,5 mm) center wafers or staked pins
- Polarizing keys and pegs available page 64B
- Housing may be stacked end to end



Dimensional Information

inches
mm

No. of Circuits	Dim. A	Dim. B	No. of Circuits	Dim. A	Dim. B
2	.098 ± .004 (2,50 ± 0,10)	.217 ± .008 (5,50 ± 0,20)	12	1.083 ± .007 (27,50 ± 0,18)	1.201 ± .011 (30,50 ± 0,28)
3	.197 ± .004 (5,00 ± 0,10)	.315 ± .008 (8,00 ± 0,20)	13	1.181 ± .007 (30,00 ± 0,18)	1.299 ± .011 (33,00 ± 0,28)
4	.295 ± .004 (7,50 ± 0,10)	.413 ± .008 (10,5 ± 0,20)	14	1.280 ± .007 (32,50 ± 0,18)	1.398 ± .011 (35,50 ± 0,28)
5	.394 ± .004 (10,0 ± 0,10)	.512 ± .008 (13,0 ± 0,20)	15	1.378 ± .008 (35,00 ± 0,20)	1.496 ± .012 (38,00 ± 0,30)
6	.492 ± .004 (12,5 ± 0,10)	.611 ± .009 (15,5 ± 0,23)	16	1.477 ± .008 (37,50 ± 0,20)	1.595 ± .012 (40,50 ± 0,30)
7	.591 ± .005 (15,0 ± 0,13)	.709 ± .009 (18,0 ± 0,23)	17	1.575 ± .008 (40,00 ± 0,20)	1.693 ± .012 (43,00 ± 0,30)
8	.689 ± .005 (17,5 ± 0,13)	.807 ± .009 (20,5 ± 0,23)	18	1.674 ± .009 (42,50 ± 0,23)	1.791 ± .013 (45,50 ± 0,33)
9	.787 ± .005 (20,0 ± 0,13)	.906 ± .009 (23,0 ± 0,23)	19	1.772 ± .009 (45,00 ± 0,23)	1.890 ± .013 (48,00 ± 0,33)
10	.886 ± .006 (22,5 ± 0,15)	1.004 ± .010 (25,50 ± 0,25)	20	1.870 ± .010 (47,50 ± 0,25)	1.988 ± .014 (50,50 ± 0,36)
11	.984 ± .006 (25,0 ± 0,15)	1.102 ± .010 (28,00 ± 0,25)			

Ordering Information

No. of Circuits	Order No.	No. of Circuits	Order No.	No. of Circuits	Order No.
2	22-01-1023	9	22-01-1093	16	22-01-1163
3	22-01-1033	10	22-01-1103	17	22-01-1173
4	22-01-1043	11	22-01-1113	18	22-01-1183
5	22-01-1053	12	22-01-1123	19	22-01-1193
6	22-01-1063	13	22-01-1133	20	22-01-1203
7	22-01-1073	14	22-01-1143		
8	22-01-1083	15	22-01-1153		

.098" (2,5 mm) Center Crimp

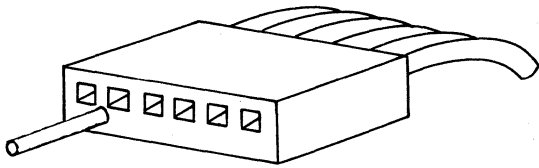
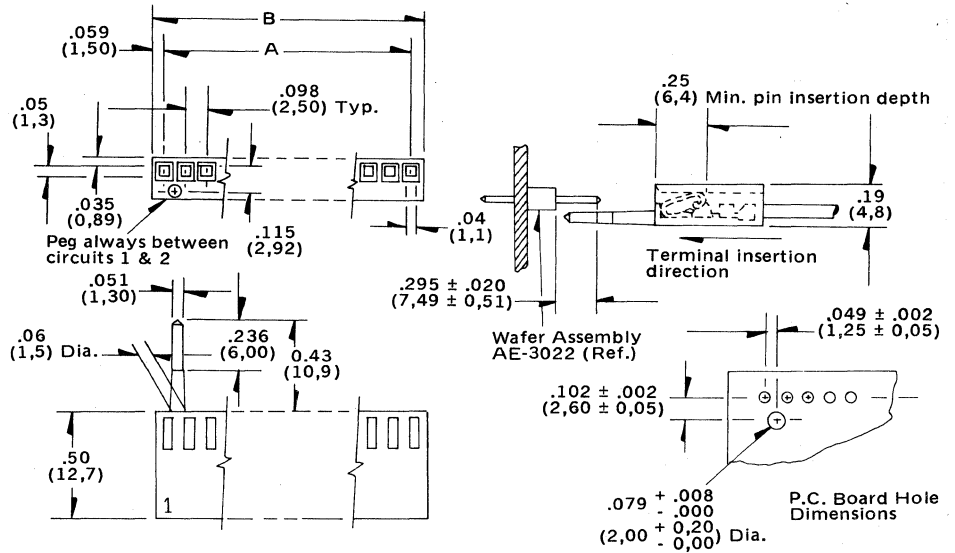


Terminal Housing

3072 Series

features/dimensions

- Mates with .025" pins
- Accepts Molex double cantilever crimp terminals Models 4809/2759
- 94V-0 Nylon
- Molded in polarizing peg between circuits 1 and 2
- 2-20 circuits available
- Optional polarization or locking ramp version
- Mates with Molex KK .098" (2,5 mm) center wafers or staked pins
- Stackable end-to-end



Dimensional Information

No. of Circuits	inches		No. of Circuits	mm	
	Dim. A	Dim. B		Dim. A	Dim. B
2	.098 ± .004 (2,50 ± 0,10)	.217 ± .008 (5,50 ± 0,20)	12	1.083 ± .007 (27,50 ± 0,18)	1.201 ± .011 (30,50 ± 0,28)
3	.197 ± .004 (5,00 ± 0,10)	.315 ± .008 (8,00 ± 0,20)	13	1.181 ± .007 (30,00 ± 0,18)	1.299 ± .011 (33,00 ± 0,28)
4	.295 ± .004 (7,50 ± 0,10)	.413 ± .008 (10,5 ± 0,20)	14	1.280 ± .007 (32,50 ± 0,18)	1.398 ± .011 (35,50 ± 0,28)
5	.394 ± .004 (10,0 ± 0,10)	.512 ± .008 (13,0 ± 0,20)	15	1.378 ± .008 (35,00 ± 0,20)	1.496 ± .012 (38,00 ± 0,30)
6	.492 ± .004 (12,5 ± 0,10)	.611 ± .009 (15,5 ± 0,23)	16	1.477 ± .008 (37,50 ± 0,20)	1.595 ± .012 (40,50 ± 0,30)
7	.591 ± .005 (15,0 ± 0,13)	.709 ± .009 (18,0 ± 0,23)	17	1.575 ± .008 (40,00 ± 0,20)	1.693 ± .012 (43,00 ± 0,30)
8	.689 ± .005 (17,5 ± 0,13)	.807 ± .009 (20,5 ± 0,23)	18	1.674 ± .009 (42,50 ± 0,23)	1.791 ± .013 (45,50 ± 0,33)
9	.787 ± .005 (20,0 ± 0,13)	.906 ± .009 (23,0 ± 0,23)	19	1.772 ± .009 (45,00 ± 0,23)	1.890 ± .013 (48,00 ± 0,33)
10	.886 ± .006 (22,5 ± 0,15)	1.004 ± .010 (25,50 ± 0,25)	20	1.870 ± .010 (47,50 ± 0,25)	1.988 ± .014 (50,50 ± 0,36)
11	.984 ± .006 (25,0 ± 0,15)	1.102 ± .010 (28,00 ± 0,25)			

Ordering Information

No. of Circuits	Order No.	No. of Circuits	Order No.	No. of Circuits	Order No.
2	10-30-2022	9	10-30-2092	16	10-30-2162
3	10-30-2032	10	10-30-2102	17	10-30-2172
4	10-30-2042	11	10-30-2112	18	10-30-2182
5	10-30-2052	12	10-30-2122	19	10-30-2192
6	10-30-2062	13	10-30-2132	20	10-30-2202
7	10-30-2072	14	10-30-2142		
8	10-30-2082	15	10-30-2152		



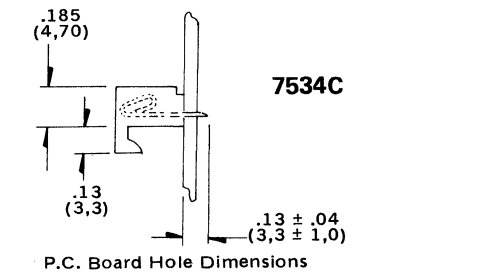
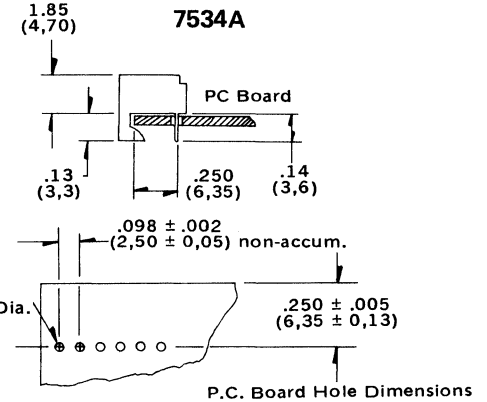
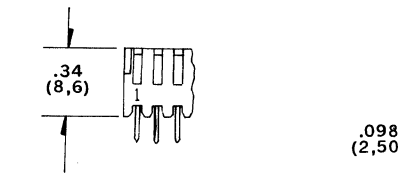
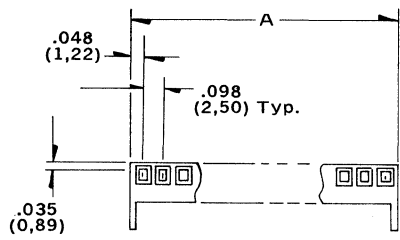
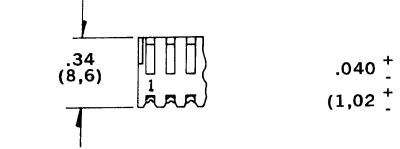
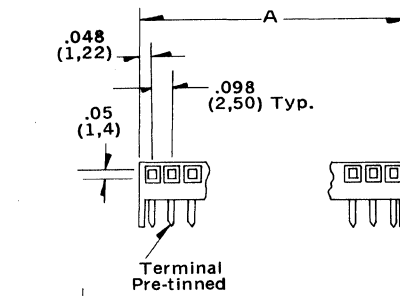
.098" (2,5 mm) Center P.C. Board Connector

7534A Series Right Angle P.C. Board Connector

Model 7534C Top Entry P.C. Board Connector

features/dimensions

- Mates with .025" wafers or pins
- 94V-0 Nylon
- 2-20 circuits available
- Mates with Molex KK .098" (2,5 mm) center wafers or staked pins
- Housings are supplied with Pre-Inserted double cantilever terminals
- Gold or tin plated terminals
- PC Board locking Hooks
- Mates with Molex 3022 or 3094 wafers



Dimensional Information

No. of Circuits	Dim. A	No. of Circuits	Dim. A
2	.194 ± .008 (4.94 ± 0.20)	12	1.179 ± .011 (29.94 ± 0.28)
3	.293 ± .008 (7.44 ± 0.20)	13	1.278 ± .011 (32.44 ± 0.28)
4	.392 ± .008 (9.94 ± 0.20)	14	1.376 ± .011 (34.94 ± 0.28)
5	.490 ± .008 (12.44 ± 0.20)	15	1.475 ± .012 (37.44 ± 0.30)
6	.589 ± .009 (14.94 ± 0.23)	16	1.572 ± .012 (39.94 ± 0.30)
7	.687 ± .009 (17.44 ± 0.23)	17	1.672 ± .012 (42.44 ± 0.30)
8	.785 ± .009 (19.94 ± 0.23)	18	1.769 ± .013 (44.94 ± 0.33)
9	.884 ± .009 (22.44 ± 0.23)	19	1.860 ± .013 (47.44 ± 0.33)
10	.982 ± .010 (24.94 ± 0.25)	20	1.966 ± .014 (49.94 ± 0.36)
11	1.081 ± .010 (27.44 ± 0.25)		

.040 ± .003
.000
Dia.
(1,02 ± 0,08)
non-accum.
For .062" P.C.B. Thickness
1,57

inches
mm

Ordering Information 7534A

No. of Circuits	Tin Plating Per Code 901*	Gold Plating Per Code 501*	No. of Circuits	Tin Plating Per Code 901*	Gold Plating Per Code 501*
2	22-02-1024	22-18-1024	12	22-02-1124	22-18-1124
3	22-02-1034	22-18-1034	13	22-02-1134	22-18-1134
4	22-02-1044	22-18-1044	14	22-02-1144	22-18-1144
5	22-02-1054	22-18-1054	15	22-02-1154	22-18-1154
6	22-02-1064	22-18-1064	16	22-02-1164	22-18-1164
7	22-02-1074	22-18-1074	17	22-02-1174	22-18-1174
8	22-02-1084	22-18-1084	18	22-02-1184	22-18-1184
9	22-02-1094	22-18-1094	19	22-02-1194	22-18-1194
10	22-02-1104	22-18-1104	20	22-02-1204	22-18-1204
11	22-02-1114	22-18-1114			

Ordering Information 7534C

No. of Circuits	Tin Plating Per Code 901*	No. of Circuits	Tin Plating Per Code 901*	No. of Circuits	Tin Plating Per Code 901*
2	22-02-1025	9	22-02-1095	16	22-02-1165
3	22-02-1035	10	22-02-1105	17	22-02-1175
4	22-02-1045	11	22-02-1115	18	22-02-1185
5	22-02-1055	12	22-02-1125	19	22-02-1195
6	22-02-1065	13	22-02-1135	20	22-02-1205
7	22-02-1075	14	22-02-1145		
8	22-02-1085	15	22-02-1155		

*Molex Plating Codes. See page 76B

.098" (2,5 mm) Center P.C. Board Connector

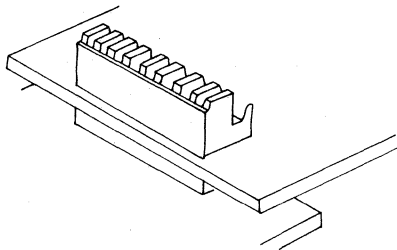
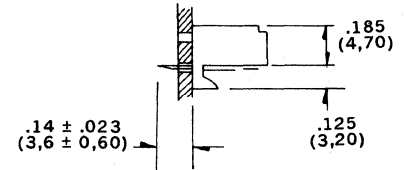
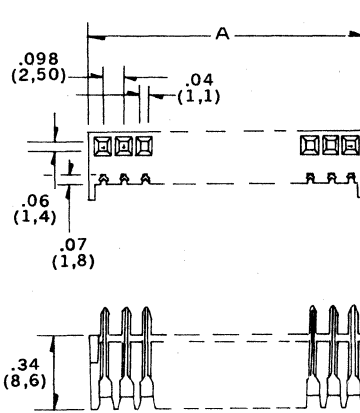


Model 5124B

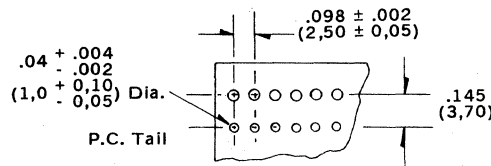
Bottom Entry P.C. Board Connector

features/dimensions

- Mates with .025" wafers or pins
- 94V-0 Nylon
- 2-20 circuits available
- Mates with Molex KK .098" (2,5 mm) center wafers or staked pins
- Housings are supplied with Pre-Inserted double cantilever terminals
- Gold or tin plated terminals
- Mates with Molex 3022 wafers



Pin Entry



P.C. Board Hole Dimensions

For .062" P.C.B. Thickness
1,57

Dimensional Information

inches
mm

No. of Circuits	Dim. A	No. of Circuits	Dim. A
2	.194 ± .008 (4,94 ± 0,20)	12	1.179 ± .011 (29,94 ± 0,28)
3	.293 ± .008 (7,44 ± 0,20)	13	1.278 ± .011 (32,44 ± 0,28)
4	.392 ± .008 (9,94 ± 0,20)	14	1.376 ± .011 (34,94 ± 0,28)
5	.490 ± .008 (12,44 ± 0,20)	15	1.475 ± .012 (37,44 ± 0,30)
6	.589 ± .009 (14,94 ± 0,23)	16	1.572 ± .012 (39,94 ± 0,30)
7	.687 ± .009 (17,44 ± 0,23)	17	1.672 ± .012 (42,44 ± 0,30)
8	.785 ± .009 (19,94 ± 0,23)	18	1.769 ± .013 (44,94 ± 0,33)
9	.884 ± .009 (22,44 ± 0,23)	19	1.860 ± .013 (47,44 ± 0,33)
10	.982 ± .010 (24,94 ± 0,25)	20	1.966 ± .014 (49,94 ± 0,36)
11	1.081 ± .010 (27,44 ± 0,25)		

Ordering Information

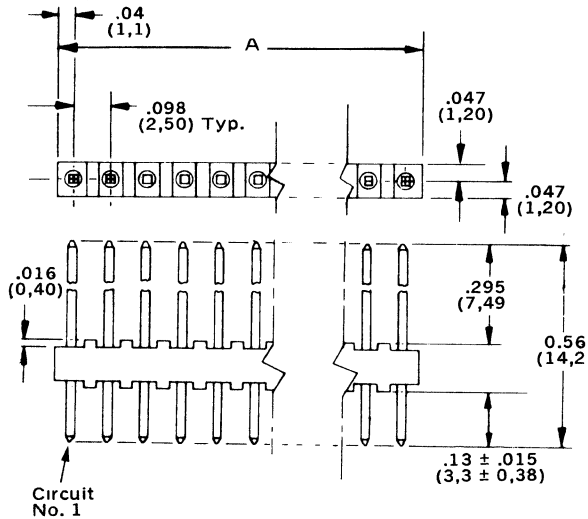
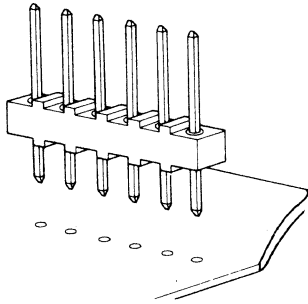
No. of Circuits	Tin Plating Per Code 901*	No. of Circuits	Tin Plating Per Code 901*	No. of Circuits	Tin Plating Per Code 901*
2	10-05-8021	9	10-05-8091	16	10-05-8161
3	10-05-8031	10	10-05-8101	17	10-05-8171
4	10-05-8041	11	10-05-8111	18	10-05-8181
5	10-05-8051	12	10-05-8121	19	10-05-8191
6	10-05-8061	13	10-05-8131	20	10-05-8201
7	10-05-8071	14	10-05-8141		
8	10-05-8081	15	10-05-8151		

*Molex Plating Codes. See page 76B

3022/3202 Series
Square Pin Straight Wafer

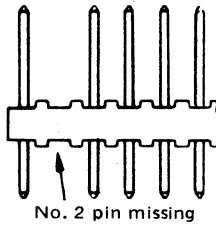
features/dimensions

- 2-20 Circuits
- Various pin lengths available
See page 75B
- .025" square wire pins
- Various platings available
see page 76B
- 94V-0 Nylon
- See Molex soldering specifications page 76B
- Mates with Molex .098 (2,5 mm) centerline connector
- Stackable side to side and end to end

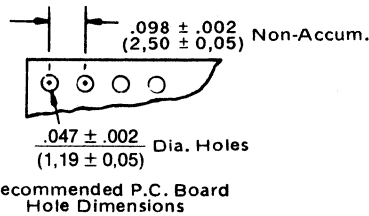


3022

Stackable side-by-side
Stackable end-to-end



3202



Dimensional Information

Inches
mm

No. of Circuits	Dim. A	No. of Circuits	Dim. A
2	.185 ± .008 (4,70 ± 0,20)	12	1.169 ± .011 (29,70 ± 0,28)
3	.284 ± .008 (7,20 ± 0,20)	13	1.268 ± .011 (32,20 ± 0,28)
4	.382 ± .008 (9,70 ± 0,20)	14	1.367 ± .011 (34,70 ± 0,28)
5	.480 ± .008 (12,20 ± 0,20)	15	1.462 ± .012 (37,20 ± 0,30)
6	.578 ± .009 (14,70 ± 0,23)	16	1.563 ± .012 (39,70 ± 0,30)
7	.677 ± .009 (17,20 ± 0,23)	17	1.662 ± .012 (42,20 ± 0,30)
8	.776 ± .009 (19,70 ± 0,23)	18	1.760 ± .013 (44,70 ± 0,33)
9	.874 ± .009 (22,20 ± 0,23)	19	1.858 ± .013 (47,20 ± 0,32)
10	.972 ± .010 (24,70 ± 0,25)	20	1.957 ± .014 (49,70 ± 0,36)
11	1.071 ± .010 (27,20 ± 0,25)		

Ordering Information 3022

No. of Circuits	Tin Plating Per Code 102*	Gold Plating Per Code 501*	No. of Circuits	Tin Plating Per Code 102*	Gold Plating Per Code 501*
2	22-03-1021	22-10-1021	12	22-02-1121	22-10-1121
3	22-03-1031	22-10-1031	13	22-03-1131	22-10-1131
4	22-03-1041	22-10-1041	14	22-03-1141	22-10-1141
5	22-03-1051	22-10-1051	15	22-03-1151	22-10-1151
6	22-03-1061	22-10-1061	16	22-03-1161	22-10-1161
7	22-03-1071	22-10-1071	17	22-03-1171	22-10-1171
8	22-03-1081	22-10-1081	18	22-03-1181	22-10-1181
9	22-03-1091	22-10-1091	19	22-03-1191	22-10-1191
10	22-03-1101	22-10-1101	20	22-03-1201	22-10-1201
11	22-03-1111	22-10-1111			

Ordering Information 3202

No. of Circuits	Order No.	No. of Circuits	Order No.
2	22-03-1025	12	22-03-1125
3	22-03-1035	13	22-03-1135
4	22-03-1045	14	22-03-1145
5	22-03-1055	15	22-03-1155
6	22-03-1065	16	22-03-1165
7	22-03-1075	17	22-03-1175
8	22-03-1085	18	22-03-1185
9	22-03-1095	19	22-03-1195
10	22-03-1105	20	22-03-2205
11	22-03-1115		

*Molex Plating Codes. See page 76B

.098" (2,5 mm) Center Wafers

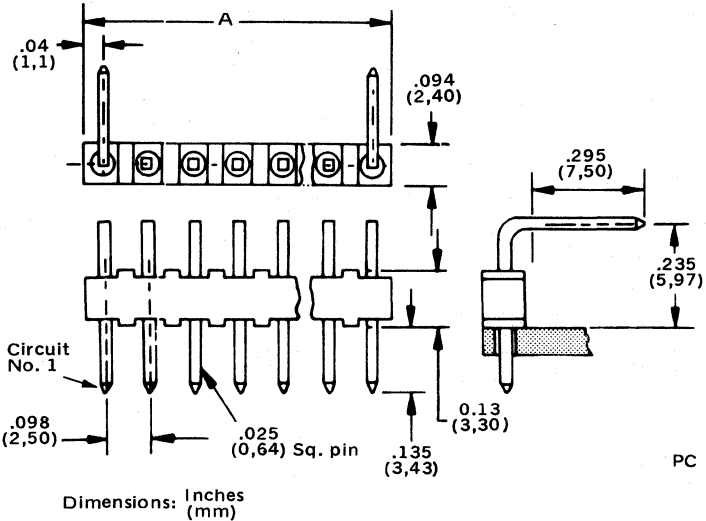


3094/6494 Series

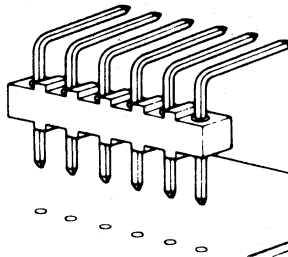
Square Pin Right Angle Wafer

features/dimensions

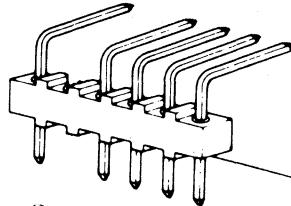
- 2-20 circuits
- Various Pin lengths available
See page 75B
- .025" right angle square wire pins
- Various platings available
see page 76B
- 94V-0 Nylon
- See Molex soldering specifications page 76B
- Mates with Molex .098" (2,5 mm) center connectors
- Stackable end to end



Dimensions: Inches (mm)



3094



6494

Dimensional Information

No. of Circuits	Dim. A	No. of Circuits	Dim. A
2	.185 ± .008 (4,70 ± 0,20)	12	1.169 ± .011 (29,70 ± 0,28)
3	.284 ± .008 (7,20 ± 0,20)	13	1.268 ± .011 (32,20 ± 0,28)
4	.382 ± .008 (9,70 ± 0,20)	14	1.367 ± .011 (34,70 ± 0,28)
5	.480 ± .008 (12,20 ± 0,20)	15	1.462 ± .012 (37,20 ± 0,30)
6	.578 ± .009 (14,70 ± 0,23)	16	1.563 ± .012 (39,70 ± 0,30)
7	.677 ± .009 (17,20 ± 0,23)	17	1.662 ± .012 (42,20 ± 0,30)
8	.776 ± .009 (19,70 ± 0,23)	18	1.760 ± .013 (44,70 ± 0,33)
9	.874 ± .009 (22,20 ± 0,23)	19	1.858 ± .013 (47,20 ± 0,32)
10	.972 ± .010 (24,70 ± 0,25)	20	1.957 ± .014 (49,70 ± 0,36)
11	1.071 ± .010 (27,20 ± 0,25)		

inches
mm

Ordering Information 3094

No. of Circuits	Tin Plating Per Code 102*	Gold Plating Per Code 501*	No. of Circuits	Tin Plating Per Code 102*	Gold Plating Per Code 501*
2	22-05-1021	22-12-1021	12	22-05-1121	22-12-1121
3	22-05-1031	22-12-1031	13	22-05-1131	22-12-1131
4	22-05-1041	22-12-1041	14	22-05-1141	22-12-1141
5	22-05-1051	22-12-1051	15	22-05-1151	22-12-1151
6	22-05-1061	22-12-1061	16	22-05-1161	22-12-1161
7	22-05-1071	22-12-1071	17	22-05-1171	22-12-1171
8	22-05-1081	22-12-1081	18	22-05-1181	22-12-1181
9	22-05-1091	22-12-1091	19	22-05-1191	22-12-1191
10	22-05-1101	22-12-1101	20	22-05-1201	22-12-1201
11	22-05-1111	22-12-1111			

*Molex Plating Codes. See page 76B

6494

Standard Void 2nd Circuit.
For Ordering Information Contact Factory.

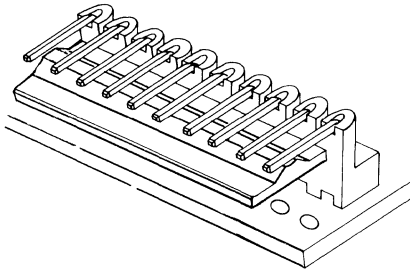


.098" (2,5 mm) Center Wafers

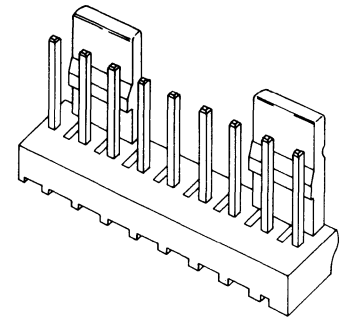
Square Pin Friction Lock 5046/5045 Series

Features/Dimensions:

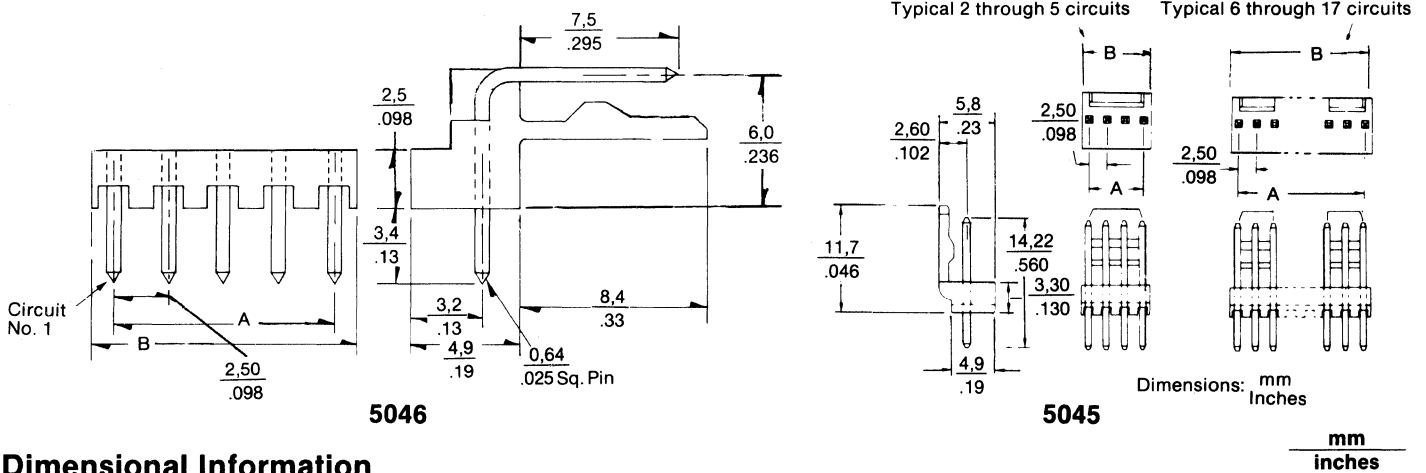
- 2-20 Circuits
- 0,65mm Right angle square wire pins
- Friction lock
- Various pin lengths available 75B
- Various platings available 76B
- 94V-O Nylon
- See Molex soldering specifications page 76B
- Mates with 5051 Housing
- Mates with KK 2,5mm insulation displacement connectors



**5046 Series
Right Angle Friction-Lock
Wafer Assembly**



**5045 Series
Polarizing Locking Wafer
Assembly**



Dimensional Information

Circuits	Dim. A	Dim. B	Circuits	Dim. A	Dim. B	Circuits	Dim. A	Dim. B
2	2,50 ± 0,10 .098 ± .010	3,50 .177	9	22,0 ± 0,30 .787 ± .012	22,0 ± 0,30 .866 ± .012	15	35,00 ± 0,35 1,378 ± .014	37,00 ± 0,35 1,457 ± .014
3	5,00 ± 0,15 .197 ± .006	7,00 .276	10	22,5 ± 0,35 .886 ± .014	24,5 ± 0,35 .964 ± .014	16	37,50 ± 0,35 1,476 ± .014	39,50 ± 0,35 1,555 ± .014
4	7,50 ± 0,15 .295 ± .006	9,50 .374	11	25,0 ± 0,35 .984 ± .014	27,0 ± 0,35 1,063 ± .014	17	40,00 ± 0,35 1,574 ± .014	42,00 ± 0,35 1,653 ± .014
5	10,0 ± 0,25 .394 ± .010	12,0 .472	12	27,50 ± 0,35 1,083 ± .014	29,50 ± 0,35 1,161 ± .014	18	42,50 ± 0,35 1,673 ± .014	44,50 ± 0,35 1,752 ± .014
6	12,5 ± 0,25 .492 ± .010	14,0 .571	13	30,00 ± 0,35 1,181 ± .014	32,00 ± 0,35 1,260 ± .014	19	45,00 ± 0,35 1,772 ± .014	47,00 ± 0,35 1,850 ± .014
7	15,0 ± 0,30 .591 ± .012	17,0 ± 0,30 .669 ± .012	14	32,50 ± 0,35 1,279 ± .014	34,50 ± 0,35 1,358 ± .014	20	47,50 ± 0,35 1,870 ± .014	49,50 ± 0,35 1,949 ± .014
8	17,5 ± 0,30 .689 ± .012	19,5 ± 0,30 .768 ± .012						

Ordering Information 5046

Circuits	Tin Plating Per Code 102*	Gold Plating Per Code 501*	Circuits	Tin Plating Per Code 102*	Gold Plating Per Code 501*
2	22-05-1022	22-12-1022	12	22-05-1122	22-12-1122
3	22-05-1032	22-12-1032	13	22-05-1132	22-12-1132
4	22-05-1042	22-12-1042	14	22-05-1142	22-12-1142
5	22-05-1052	22-12-1052	15	22-05-1152	22-12-1152
6	22-05-1062	22-12-1062	16	22-05-1162	22-12-1162
7	22-05-1072	22-12-1072	17	22-05-1172	22-12-1172
8	22-05-1082	22-12-1082	18	22-05-1182	22-12-1182
9	22-05-1092	22-12-1092	19	22-05-1192	22-12-1192
10	22-05-1102	22-12-1102	20	22-05-1202	22-12-1202
11	22-05-1112	22-12-1112			

Ordering Information 5045

Circuits	Tin Plating Per Code 102*	Gold Plating Per Code 501*	Circuits	Tin Plating Per Code 102*	Gold Plating Per Code 501*
2	22-04-1021	22-11-1021	12	22-04-1121	22-11-1121
3	22-04-1031	22-11-1031	13	22-04-1131	22-11-1131
4	22-04-1041	22-11-1041	14	22-04-1141	22-11-1141
5	22-04-1051	22-11-1051	15	22-04-1151	22-11-1151
6	22-04-1061	22-11-1061	16	22-04-1161	22-11-1161
7	22-04-1071	22-11-1071	17	22-04-1171	22-11-1171
8	22-04-1081	22-11-1081	18	22-04-1181	22-11-1181
9	22-04-1091	22-11-1091	19	22-04-1191	22-11-1191
10	22-04-1101	22-11-1101	20	22-04-1201	22-11-1201
11	22-04-1111	22-11-1111			

*Molex Plating Codes 102 and 501. See Page 76B.

Mini Spox .098" (2,5 mm)

Crimp Terminal Housing

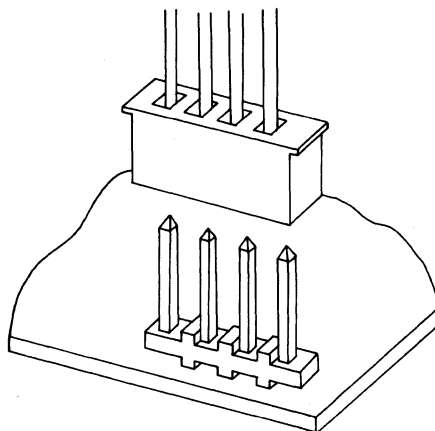


5207 Series

C.T. Housing

Features/Dimensions:

- 2-20 Circuits
- Low profile
- UL 94V-0, nylon 6/6
- Molded pull tabs
- Accepts Molex 5103 terminal
- Mates with Molex 3022, 3094, 6494 wafers



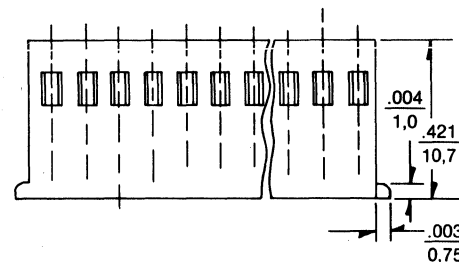
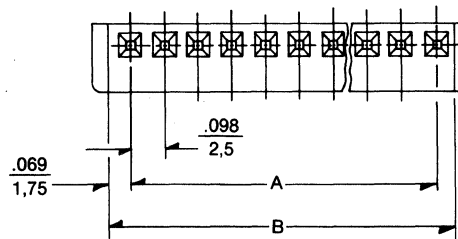
B

Inches
mm

inches
mm

Dimensional Information

Circuits	Dim. A	Dim. B	Circuits	Dim. A	Dim. B
2	.098 2,5	.236 6,0	12	1.082 27,5	1.220 31,0
3	.196 5,0	.334 8,5	13	1.181 30,0	1.318 33,5
4	.295 .295	.433 .433	14	1.279 32,5	1.417 36,0
5	.393 10,0	.531 13,5	15	1.377 35,0	1.515 38,5
6	.492 12,5	.629 16,0	16	1.476 37,5	1.614 41,0
7	.590 15,0	.728 18,5	17	1.574 40,0	1.712 43,5
8	.688 17,5	.826 21,0	18	1.673 42,5	1.811 46,0
9	.787 20,0	.925 23,5	19	1.771 45,0	1.909 48,5
10	.885 22,5	1.023 26,0	20	1.948 49,5	2.008 51,0
11	.984 25,0	1.122 28,5			



Ordering Information

Circuits	Order No.	Circuits	Order No.
2	10-30-8021	12	10-30-8121
3	10-30-8031	13	10-30-8131
4	10-30-8041	14	10-30-8141
5	10-30-8051	15	10-30-8151
6	10-30-8061	16	10-30-8161
7	10-30-8071	17	10-30-8171
8	10-30-8081	18	10-30-8181
9	10-30-8091	19	10-30-8191
10	10-30-8101	20	10-30-8201
11	10-30-8111		



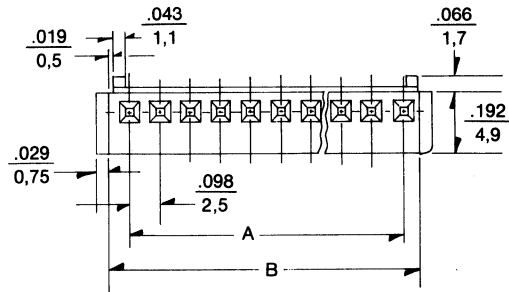
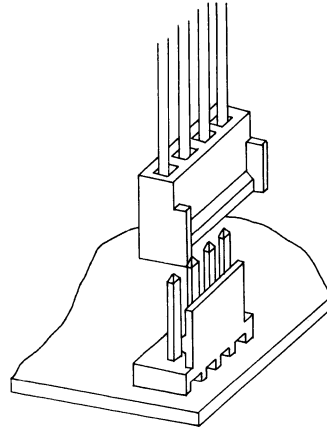
Mini Spox .098" (2,5 mm) Crimp Terminal Housing

5102 Series

Friction Lock Polarized Housing

Features/Dimensions:

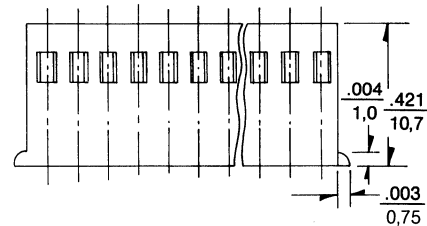
- 2-20 Circuits
- UL 94V-O nylon 6/6
- Molded in pull tabs
- Polarizing features
- Friction lock
- Accepts Molex 5103 terminal
- Mates with Molex 5045, 5046 wafer



Dimensional Information

inches
mm

Circuits	Dim. A	Dim. B	Circuits	Dim. A	Dim. B
2	.098 2,5	.236 6,6	9	.787 20,0	.925 23,5
3	.196 5,0	.334 8,5	10	.885 22,5	1.023 26,0
4	.295 7,5	.433 11,0	11	.984 25,0	1.122 28,5
5	.393 10,0	.531 13,5	12	1.082 27,5	1.220 31,0
6	.492 12,5	.629 16,0	13	1.181 30,0	1.318 33,5
7	.590 15,0	.728 18,5	14	1.279 32,5	1.417 36,0
8	.688 17,5	.826 21,0	15	1.377 35,0	1.515 38,5



Ordering Information

Circuits	Order No.	Circuits	Order No.
2	22-01-1024	9	22-01-1094
3	22-01-1034	10	22-01-1104
4	22-01-1044	11	22-01-1114
5	22-01-1054	12	22-01-1124
6	22-01-1064	13	22-01-1134
7	22-01-1074	14	22-01-1144
8	22-01-1084	15	22-01-1154

B

Mini Spox .098" (2,5 mm)

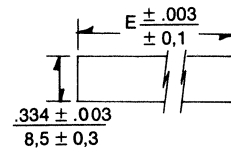
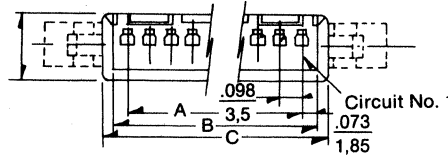
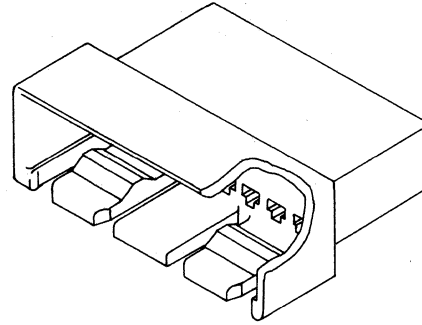


Crimp Terminal Housing

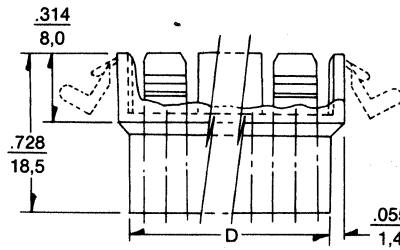
5240 Series Plug Housing

Features/Dimensions:

- 2-12 Circuits
- Wire to wire application
- Mounting ears (5240-N)
- Without mounting ears (5240-N1)
- UL 94V-O, nylon 6/6
- Accepts Molex 5241 terminal
- Mates with Molex 5102 housing



Recommended Panel Slot



Dimensional Information

Circuits											inches		
	Dim. A	Dim. B	Dim. C	Dim. D	Dim. E	Circuits	Dim. A	Dim. B	Dim. C	Dim. D	Dim. E	mm	
2	.098 2,5	.244 6,2	.338 8,6	.228 5,8	.488 12,4	8	.688 17,5	.834 21,2	.929 23,6	.818 20,8	1.078 27,4		
3	.196 15,0	.342 8,7	.437 11,1	.326 8,3	.586 14,9	9	.787 20,0	.933 23,7	1.027 26,1	.917 23,3	1.177 29,9		
4	.295 7,5	.440 11,2	.535 13,6	.425 10,8	.685 17,4	10	.885 22,5	1.031 26,2	1.125 28,6	1.015 25,8	1.275 32,4		
5	.393 10,0	.539 13,7	.633 16,1	.523 13,3	.783 19,9	11	.984 25,0	1.129 28,7	1.224 31,1	1.114 28,3	1.374 34,9		
6	.492 12,5	.637 16,2	.732 18,6	.622 5,8	.881 22,4	12	1.082 27,5	1.228 31,2	1.322 33,6	1.212 30,8	1.472 37,4		
7	.590 15,0	.736 18,7	.830 21,1	.720 18,3	.980 24,9								

Ordering Information

Circuits	w/ears	w/o ears	Circuits	w/ears	w/o ears
	Order No.	Order No.		Order No.	Order No.
2	29-11-0022	29-11-0023	8	29-11-0082	29-11-0083
3	29-11-0032	29-11-0033	9	29-11-0092	29-11-0093
4	29-11-0042	29-11-0043	10	29-11-0102	29-11-0103
5	29-11-0052	29-11-0053	11	29-11-0112	29-11-0113
6	29-11-0062	29-11-0063	12	29-11-0122	29-11-0123
7	29-11-0072	29-11-0073			

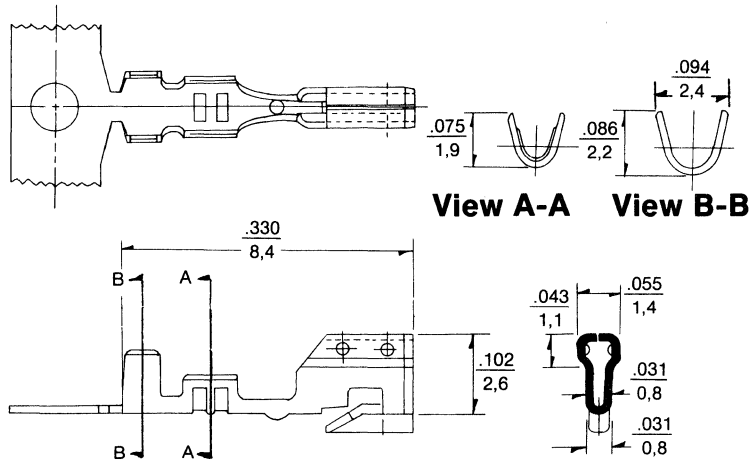
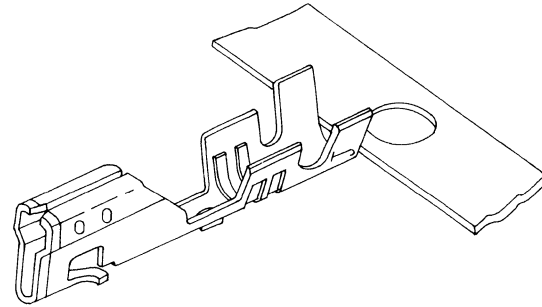


Mini Spox .098" (2,5 mm) Crimp Terminal

5103 Series

Features/Dimensions:

- Low profile
- 4 Point contact
- Pretinned brass
- Used in Molex 5102, 5207 housing series
- Wire range: 22 - 28 AWG
- 3 Amps



Ordering Information

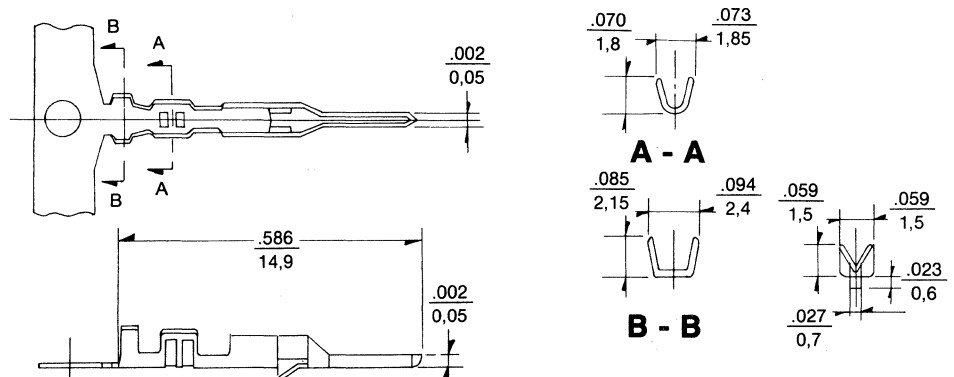
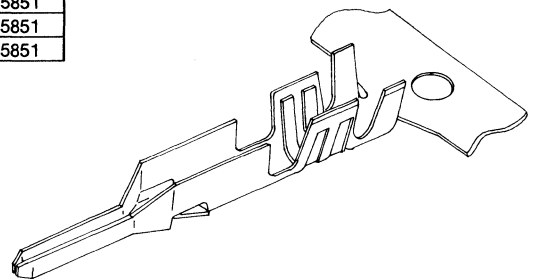
Order No.	Wire	Ins. Dia.	Terminal	Mat'l Plating	Crimping Tools	
					Hand Tool	Bench Press
08-70-0056	AWG #22-#28	φ1,7mm Max.	Chained	Brass	JHTR2262A	JCM5851
08-70-0057	AWG #22-#28	φ1,7mm Max.	Loose	Tin	JHTR2262A	JCM5851
08-70-0058	AWG #22-#28	φ1,7mm Max.	Chained	Phos. Bronze	JHTR2262A	JCM5851
08-70-0059	AWG #22-#28	φ1,7mm Max.	Loose	Tin	JHTR2262A	JCM5851

inches
mm

5241 Series Crimp Terminal, Male

Features/Dimensions:

- Rigid Contact
- Pre-tinned brass
- Used in Molex 5241 housing
- Wire Range - 22-28 AWG
- Mates with Molex 5103 terminal
- 3 Amps



Specifications and Ordering Information

Order No.	Wire	Insulation Diameter	Terminal	Material Plating	Crimp Tool	
					Hand Tool	Machine
08-70-0102	AWG #22-#28	φ.075/1,7 Max.	Chained	Brass Tin	HTR2262A	JM5860A
08-70-0103			Loose		(11-01-0037)	

inches
mm

Micro Spox Series

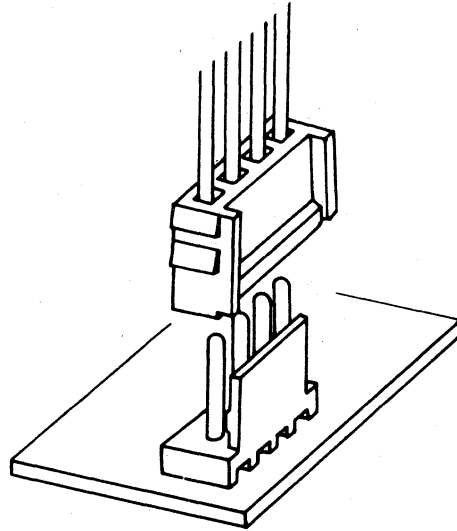
.079" (2,0 mm) Crimp Terminal Housing



5231 Series

Features/Dimensions:

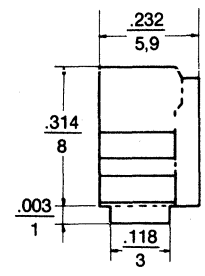
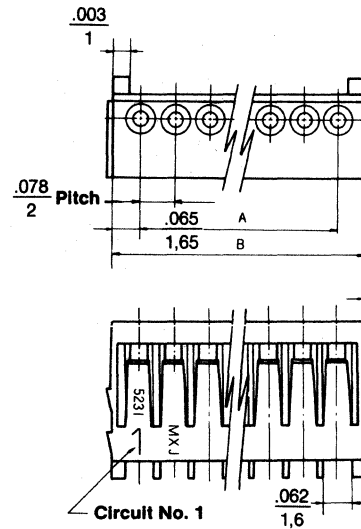
- 2-20 Circuits
- Extremely low profile
- UL 94V-0 nylon 6/6
- Friction lock
- Polarized
- Terminal: Molex 5230 terminal
- Mating Wafer: Molex 5233/5234



Dimensional Information

inches
mm

Circuits	Dim. A	Dim. B	Circuits	Dim. A	Dim. B
2	.079 2,0	.208 5,3	12	.866 22,0	.966 25,3
3	.157 4,0	.287 7,3	13	.944 24,0	1,074 27,3
4	.236 6,0	.366 9,3	14	1,023 26,0	1,153 29,3
5	.314 8,0	.444 11,3	15	1,102 28,0	1,232 31,3
6	.393 10,0	.523 13,3	16	1,181 30,0	1,311 33,3
7	.472 12,0	.602 15,3	17	1,259 32,0	1,389 35,3
8	.551 14,0	.681 17,3	18	1,338 34,0	1,468 37,2
9	.629 16,0	.759 19,3	19	1,417 36,0	1,547 39,3
10	.708 18,0	.838 21,3	20	1,496 38,0	1,625 41,3
11	.787 20,0	.917 23,3			



Ordering Information

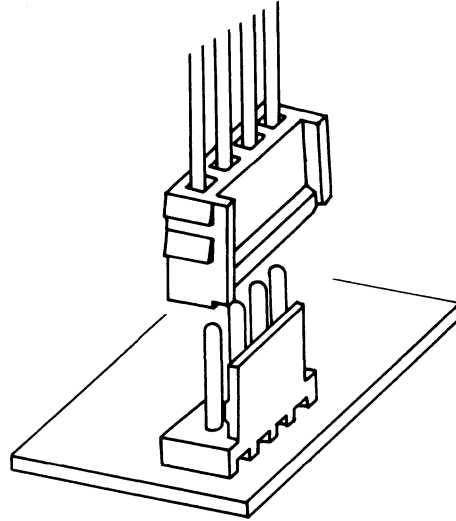
Circuits	Order No.	Circuits	Order No.	Eng. No.
2	10-01-4024	12	10-01-4124	5231-12
3	10-01-4034	13	10-01-4134	5231-13
4	10-01-4044	14	10-01-4144	5231-14
5	10-01-4054	15	10-01-4154	5231-15
6	10-01-4064	16	10-01-4164	5231-16
7	10-01-4074	17	10-01-4174	5231-17
8	10-01-4084	18	10-01-4184	5231-18
9	10-01-4094	19	10-01-4194	5231-19
10	10-01-4104	20	10-01-4204	5231-20
11	10-01-4114			

molex® Micro Spox .079" (2,0 mm) Wafer

5233 Series Straight Pin Friction Lock

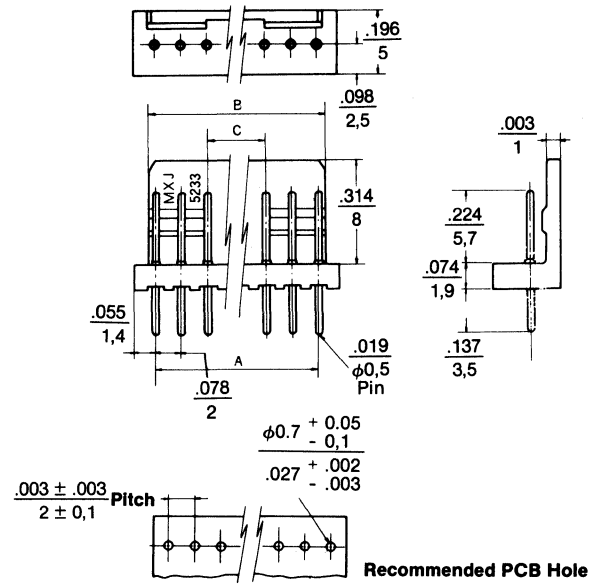
Features/Dimensions:

- 2-20 Circuits
- Low profile
- UL 94V-O nylon 6/6
- Friction lock
- .02" (0,5mm) Tin-plated brass pin
- Mates with Molex 5231 housing



Dimensional Information

inches					
mm					
Circuits	Dim. A	Dim. B	Circuits	Dim. A	Dim. B
2	.079 2,0	.125 3,2	12	.866 22,0	.913 23,2
3	.157 4,0	.204 5,2	13	.944 24,0	.992 25,2
4	.236 6,0	.283 7,2	14	1.023 26,0	1.070 27,2
5	.314 8,0	.362 9,2	15	1.102 28,0	1.149 29,2
6	.393 10,0	.440 11,2	16	1.181 30,0	1.228 31,2
7	.472 12,0	.519 13,2	17	1.259 32,0	1.307 33,2
8	.551 14,0	.598 15,2	18	1.338 34,0	1.385 35,2
9	.629 16,0	.677 17,2	19	1.417 36,0	1.464 37,2
10	.708 18,0	.755 19,2	20	1.496 38,0	1.543 39,2
11	.787 20,0	.834 21,2			



Ordering Information

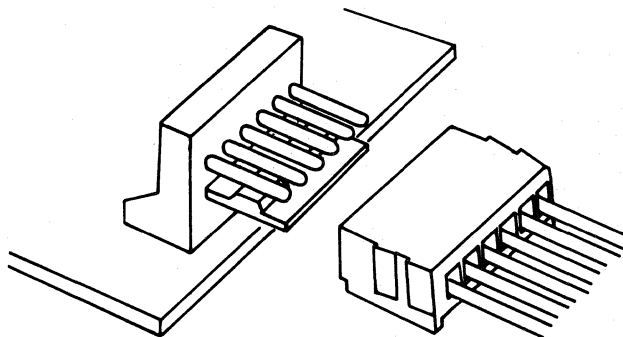
Circuits	Order No.	Circuits	Order No.
2	10-32-1023	12	10-32-1123
3	10-32-1033	13	10-32-1133
4	10-32-1043	14	10-32-1143
5	10-32-1053	15	10-32-1153
6	10-32-1063	16	10-32-1163
7	10-32-1073	17	10-32-1173
8	10-32-1083	18	10-32-1183
9	10-32-1093	19	10-32-1193
10	10-32-1103	20	10-32-1203
11	10-32-1113		

Micro Spox .079" (2,0 mm) Wafer

5234 Series Right Angle Friction Lock

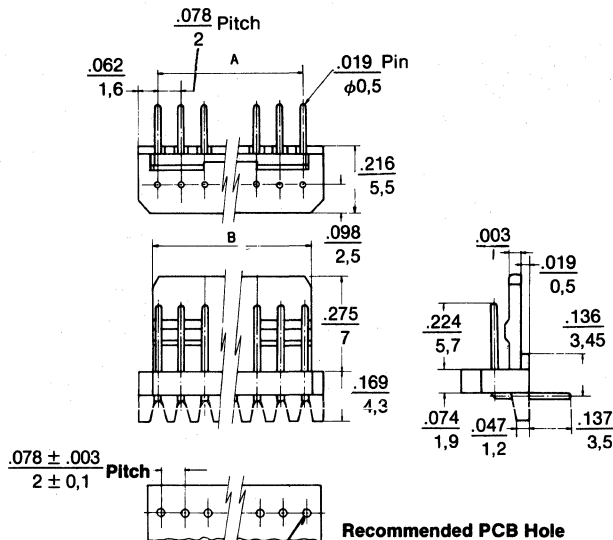
Features/Dimensions:

- 2-20 Circuits
- Low profile
- UL 94V-0 nylon 6/6
- Friction lock
- .02" (5,0 mm) Tin-plated brass
- Mates with Molex 5231 housing



Dimensional Information

Circuits	inches		Circuits	mm	
	Dim. A	Dim. B		Dim. A	Dim. B
2	.079 2,0	.125 3,2	12	.866 22,0	.913 23,2
3	.157 4,0	.204 5,2	13	.944 24,0	.992 25,2
4	.236 6,0	.283 7,2	14	1.023 26,0	1.070 27,2
5	.314 8,0	.362 9,2	15	1.102 28,0	1.149 29,2
6	.393 10,0	.440 11,2	16	1.181 30,0	1.228 31,2
7	.472 12,0	.519 13,2	17	1.259 32,0	1.307 33,2
8	.551 14,0	.598 15,2	18	1.338 34,0	1.385 35,2
9	.629 16,0	.677 17,2	19	1.417 36,0	1.464 37,2
10	.708 18,0	.755 19,2	20	1.496 38,0	1.543 39,2
11	.787 20,0	.834 21,2			



Ordering Information

Circuits	Order No.	Circuits	Order No.
2	10-33-1024	12	10-33-1124
3	10-33-1034	13	10-33-1134
4	10-33-1044	14	10-33-1144
5	10-33-1054	15	10-33-1154
6	10-33-1064	16	10-33-1164
7	10-33-1074	17	10-33-1174
8	10-33-1084	18	10-33-1184
9	10-33-1094	19	10-33-1194
10	10-33-1104	20	10-33-1204
11	10-33-1114		

Recommended PCB Hole
 $\frac{.027 + .002}{-.003}$
 $\frac{\phi 0,7 + 0,05}{- 0,1}$

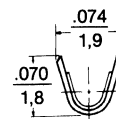
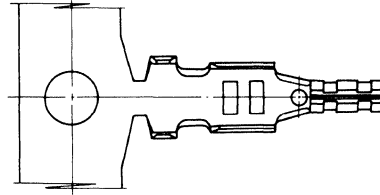
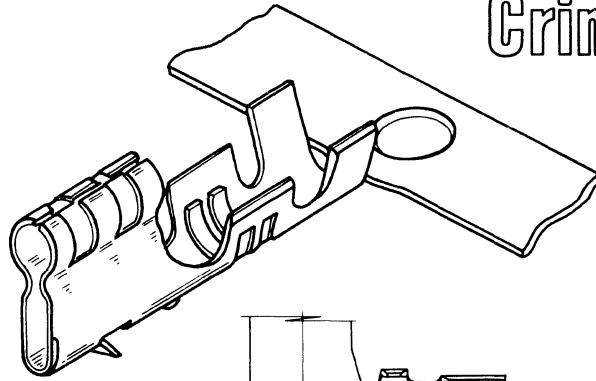


Micro Spox .079" (2,0 mm) Crimp Terminal

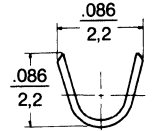
5230 Series

Features/Dimensions:

- Low profile
- Smallest crimp terminal available
- 4 Point contact
- Material: pre-tinned, phosphor bronze
- Mates with Molex 5231 housing
- Accepts 22-30 AWG wire
- 1 Amp



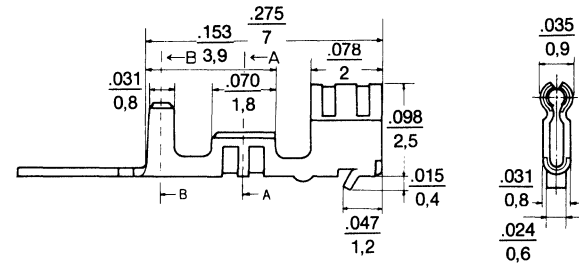
View A-A



View B-B

Specifications

Wire Range	#22-#30 AWG
Insulation	
Diameter O.D.	ϕ .059" (1,5 mm) max.
Terminal	Chained or Loose
Material & Plating	Phos. Bronze, Tin
Hand Tool	11-26-0070
Bench Press	Die Set 11-26-0056 Machine 11-26-0001
Extraction Tool	11-26-0059



Ordering Information

Order No.	
08-70-0072	Chain
08-70-0073	Loose



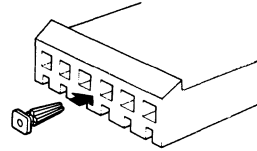
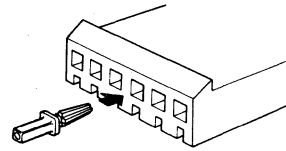
Polarizing Keys



.098" (2,50 mm)
.100" (2,54 mm)

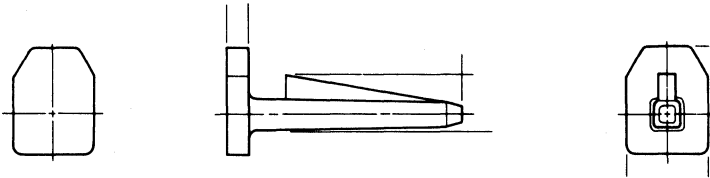
General Features:

- Snap fit into KK Series Housings
- Polarizing peg or key
- 94V-2 Nylon



B

Polarizing Key

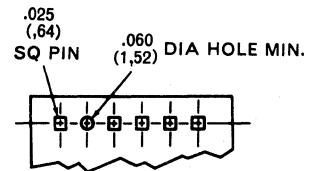
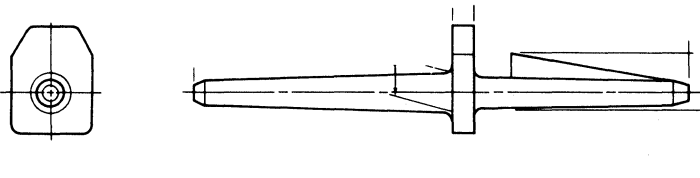


ENG. NO.
4161-1

ORDER NO.
15-04-9209

inches
mm

Polarizing Peg



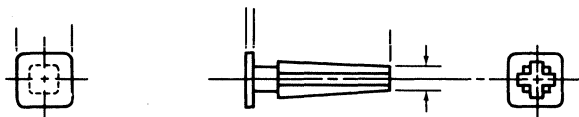
ENG. NO.
4161-2

ORDER NO.
15-04-9210

.200" (5,08 mm)
.156" (3,96 mm)

inches
mm

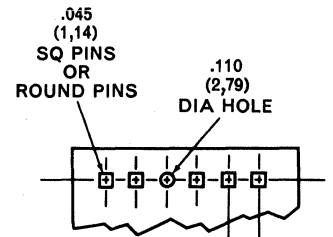
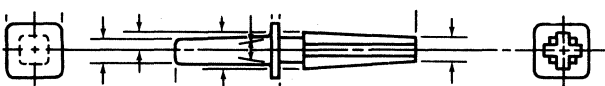
Polarizing Key



ENG. NO.
2560-1

ORDER NO.
15-04-0219

Polarizing Peg



P.C. BOARD RECOMMENDED
 CLEARANCE HOLE
 DIMENSIONS
 (FOR POLARIZING KEY)

ENG. NO.
2560-2

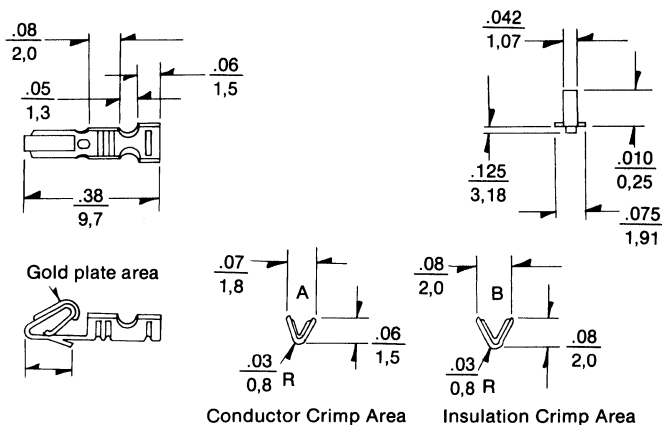
ORDER NO.
15-04-0220

molex® Crimp Terminals for .098" (2,5 mm) .100" (2,54 mm) Center Housings

2759 Series Crimp Terminals

Features/Dimensions:

- Use with 2695, 3071, 3072, 3180, 5051M, 6470, 6471, or 6472 series housing
- Patented double cantilever
- Accepts 22 to 30 AWG wire
- Optional plating
See page 76B
- Full line of application tooling available



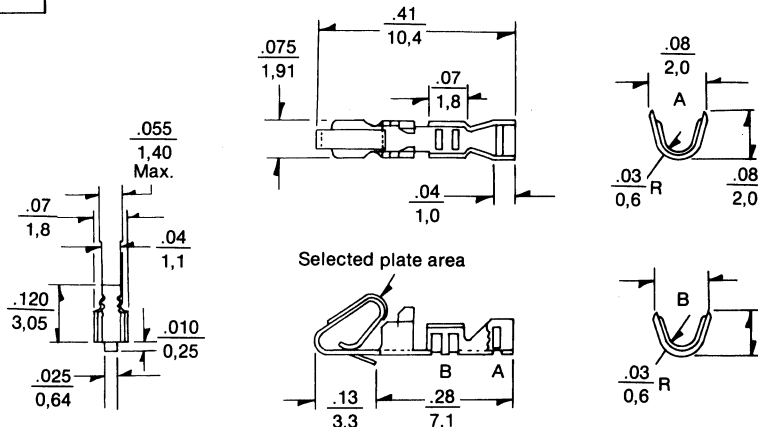
Ordering Information 2759

Wire Size	Insulation O.D.	Model No.	Tin Plating Per Code 901		Gold Plating Per Code 501		
			Loose	Chain	Loose	Chain	
22-30	.062 1,57	Max.	2759	08-50-1114	08-50-0113	08-56-0110	08-56-0109

4809 Series Anti-Fishhooking Crimp Terminal

Features/Dimensions:

- Avoids tangling at preassembly
- Use with 2695, 3071, 3072, 3180, 5051M, 6470, 6471, or 6472 series housings
- Patented double cantilever
- Accepts #22 to 30 AWG wire
- Optional plating
See page 76B
- Full line application tooling available



Ordering Information 4809

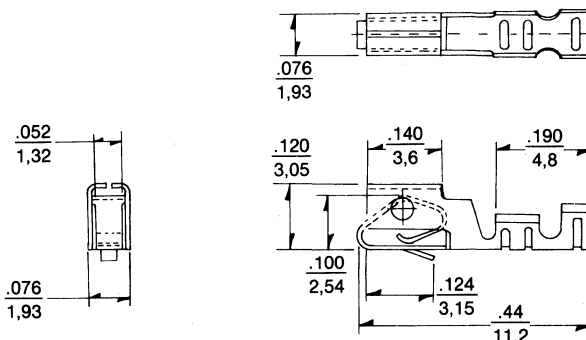
Crimp Wire Size	Insulation Diameter	Model No.	Order No.		
			Loose Form	Chain Form	
22-30	.062 1,57	Max.	4809	08-50-0136	08-50-0135

Tin Plating Per Code 901

7879 Series High Pressure Crimp Terminal

Features/Dimensions:

- Use with 7880 series housings
- Up to 425 grams normal force
- Multiple contacting points
- Patented double cantilever with box shroud
- Accepts #24 to 30 AWG wire
- Crimping die or hand tool available



Ordering Information 7879

Wire Size	Insulation Diameter	Plating Code 102	Loose	Reels	Crimp Die	Hand Crimp Tool	
24-30	.062 1,57	Max.	Tin/Copper	08-50-0005	08-05-0004	11-07-0209	11-01-0037

For Tooling See Section D

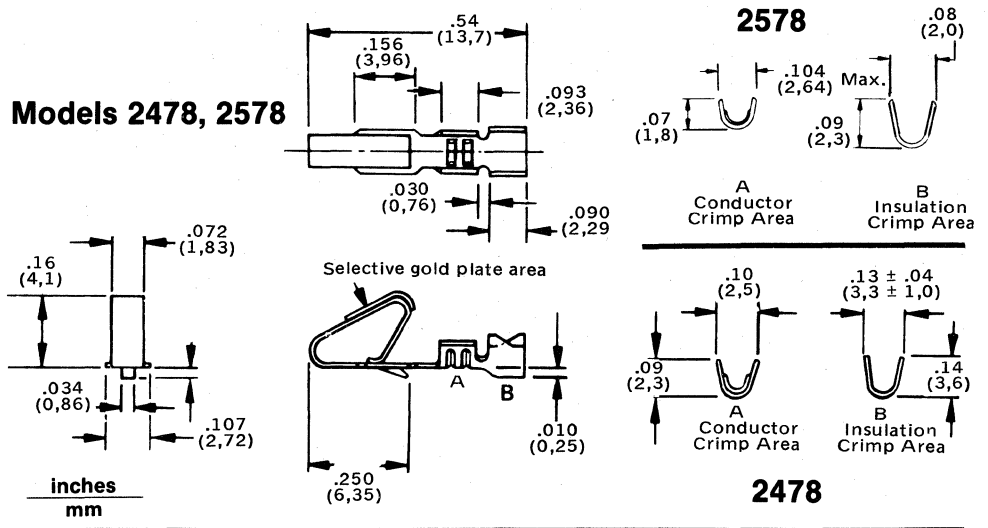
For Current Rating see Page 78B.

2478, 2578, 2878, 6778, 4018 Series

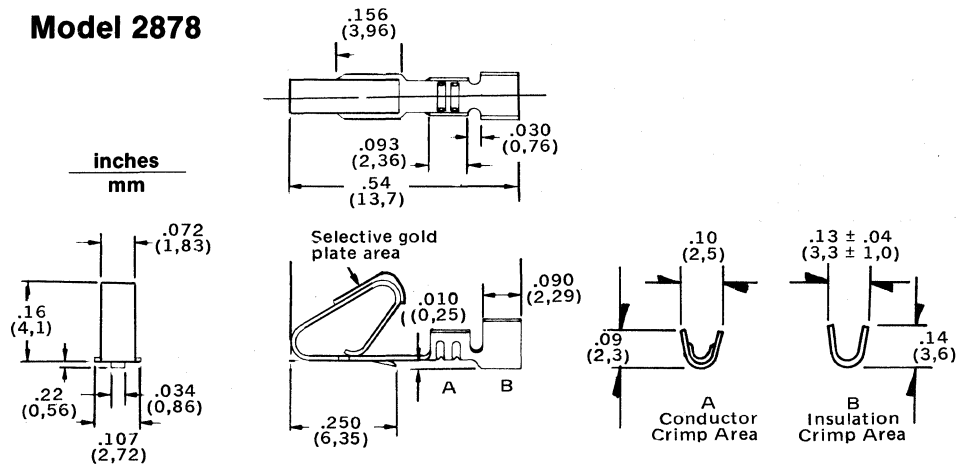
features/dimensions

- patented double cantilever design
- Accepts AWG 18 through 30 wire leads
- Various platings available see page 76B
- Complete line of terminal crimping equipment available
- For use with 2139 and 3069 series housings
- For .156" (3,96 mm) & .200" (5,08 mm) application
- 4018 Anti-fishhooking terminal
- For current rating see pg. 77B

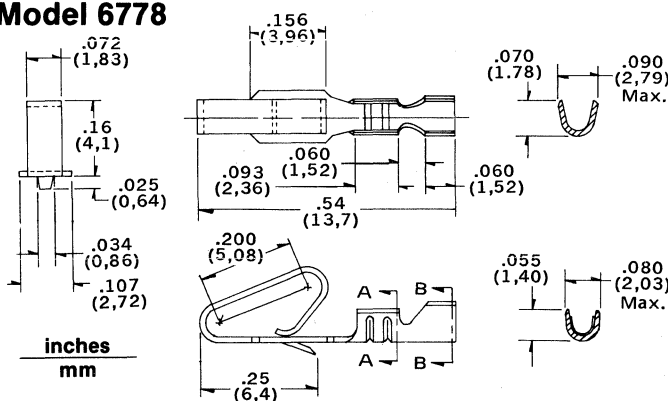
Models 2478, 2578



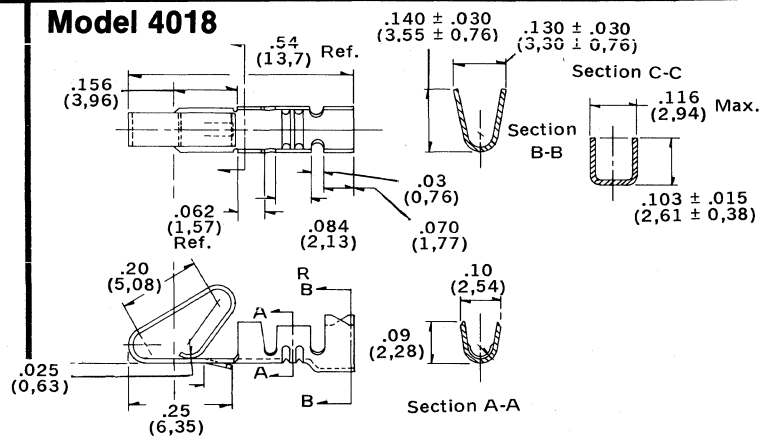
Model 2878



Model 6778

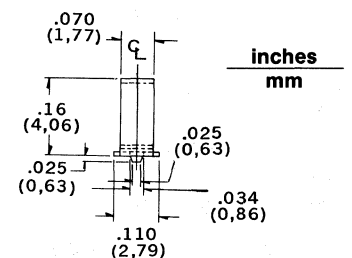


Model 4018



Ordering Information

Wire Size	Insulation O.D.	Model No.	Tin Plating Per Code 901		Gold Plating Per Code 501	
			Chain	Loose	Chain	Loose
18-24	.100 (2,54) Max.	2478	08-50-0106	08-50-0105	08-56-0106	08-56-0105
22-26	.065 (1,65) Max.	2578	08-50-0108	08-50-0107	08-56-0108	08-56-0107
18-24	.110 (2,79) Max.	2878	08-50-0115	08-50-0116		
28-30	.062 (1,57)	6778T	08-50-0155	08-50-0156	Contact Factory For Gold Plating	
18-24	.110 (2,79) Max.	4018	08-50-0117	08-50-0118		08-56-0150



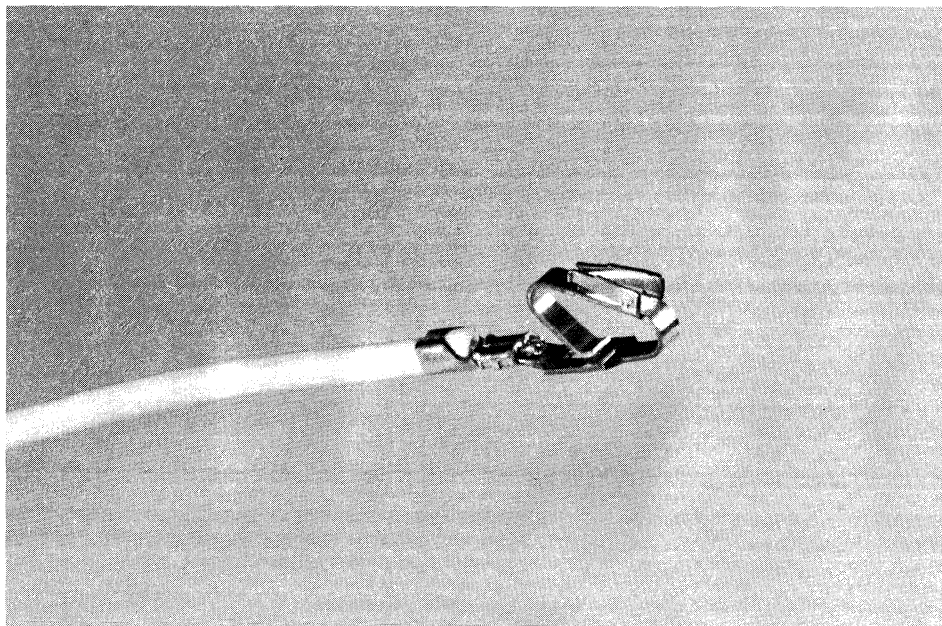
For Tooling See Section D



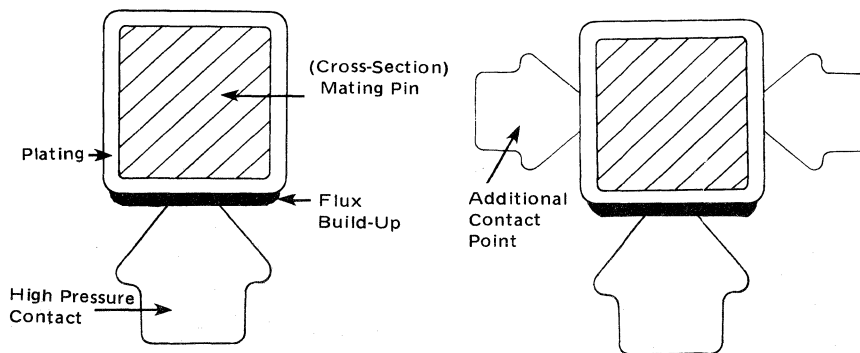
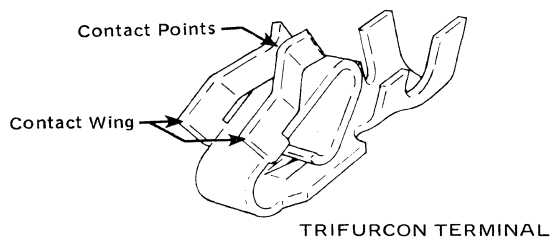
Trifurcon Terminals

General Features:

- 3 distinct points of contact
- Available in crimp version
- Available in a preassembled PC Mount version
- Helps maintain contact integrity under shock and vibration conditions
- Overcomes stubborn contaminant such as flux build-up



The "Trifurcon" connector series has been designed to combat the problems of overcoming oxides and environmentally induced films to provide a good contact interface. In order to pierce stubborn contaminants such as flux build-up, additional contact wings have been added in a vertical plane to the double cantilever terminal. As a result, more contact is made at three distinct points on the mating pin. While the insertion force of this combination is slightly increased, extraction forces are substantially increased and maintained consistently through disconnect cycling due to the torque action created by the design. This "Trifurcon" connector series offers a distinct advantage in maintaining contact integrity under industrial environment or shock and vibration conditions.

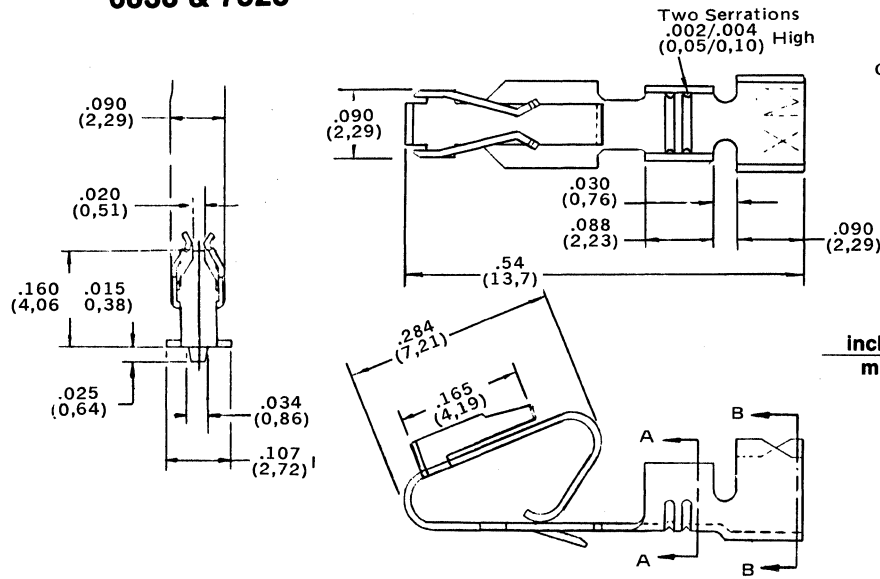


6838, 7258 Series

feature/dimensions

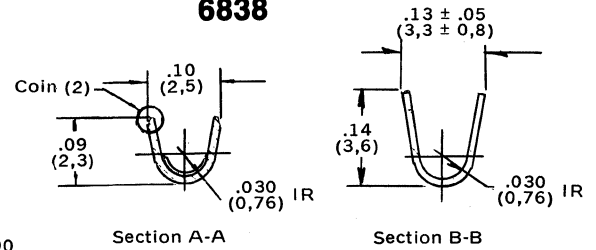
- 3 distinct points of contact
- 6838 terminal accepts AWG 18 to 24 wire leads
- 7258 terminal accepts AWG 22 to 26 wire leads
- Various platings available see page 76B
- Complete line of terminal crimping equipment available Contact factory See section D
- For use with 6442 series housing
- For current rating see pg. 77B

6838 & 7258



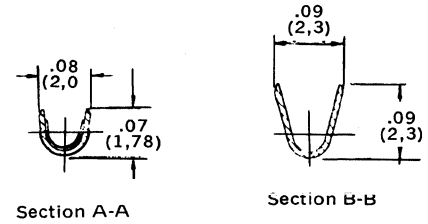
Crimp Dimensions

6838



inches
mm

7258



Ordering Information 6838

Gold Plating Per Code 501		Tin Plating Per Code 901	
Chain	Loose	Chain	Loose
08-50-0187	08-50-0189	08-58-0187	08-58-0189

*Molex Plating Codes. See Page 76B.

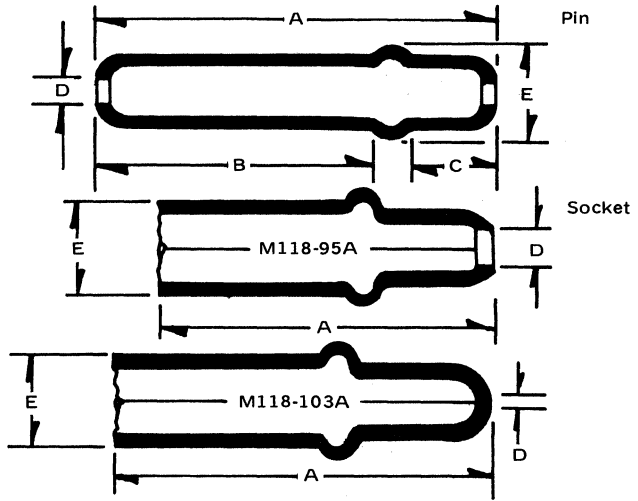
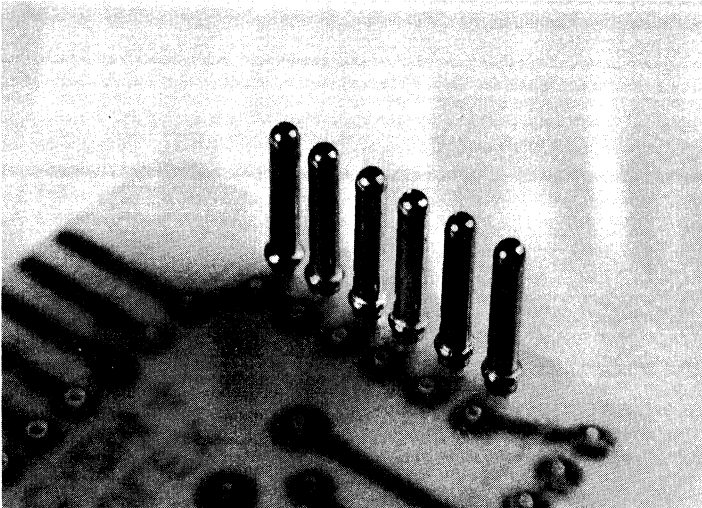
7258

Tin Plating Per Code 901	Form
08-50-0183	Chain
08-50-0185	Loose

For Tooling See Section D

Bead Pins

Pins and Sockets,
for P.C. Boards



Molex "Bead" pin terminals provide fast, low-cost printed circuit connections. The Bead terminals are multi-swaged pins. The 70/30 brass is drawn into a tubular form, and then swaged to the required size and shape. The terminals are tin-plated.

Bead pins are first staked to the P.C. Board and then soldered in place. They are designed to connect to Molex standard connectors and terminals. Molex 1881-2 terminals and Molex miniature connectors and terminals.

Ordering Information

inches
mm

PIN BEAD TERMINAL		Dimensions [1]					Order No.
Diameter	Eng. No.	A	B	C	D	E	
.062 [2] (1,58)	R62-3A	.435 (11,05)	.280 (7,10)	.125 (3,18)	.022 (0,55)	.083 (2,10)	Contact Factory for Plating & Order No.
	R62-3	.435 (11,05)	.280 (7,10)	.125 (3,18)	.022 (0,55)	.090 (2,28)	
	R62-5	.455 (11,55)	.280 (7,10)	.145 (3,68)	.022 (0,55)	.100 (2,55)	
	R62-4	.555 (14,10)	.400 (10,15)	.125 (3,18)	.022 (0,55)	.090 (2,28)	
	R62-13	.560 (14,23)	.280 (7,10)	.250 (6,35)	.022 (0,55)	.100 (2,55)	
.093 [2] (2,35)	R93-12	.592 (15,03)	.437 (11,10)	.109 (2,78)	.042 (1,08)	.125 (3,18)	16-06-0005
	R93-31	.652 (16,55)	.437 (11,10)	.169 (4,30)	.042 (1,08)	.125 (3,18)	16-06-0012
	R93-24	.862 (21,89)	.459 (11,65)	.372 (9,45)	.045 (1,15)	.125 (3,18)	16-06-0003
SOCKET BEAD TERMINAL							
.090 [3] (2,29)	M118-95A [4]	.420 (10,67)	—	—	.052 (1,32)	.118 (3,00)	16-06-0006
	M118-103A [5]	.475 (12,07)	—	—	.015 (0,38)	.118 (3,00)	16-06-0031

[1] A—Overall length B—Contact length C—Staking length
D—Hole diameter E—Pin bead diameter/Socket outside diameter

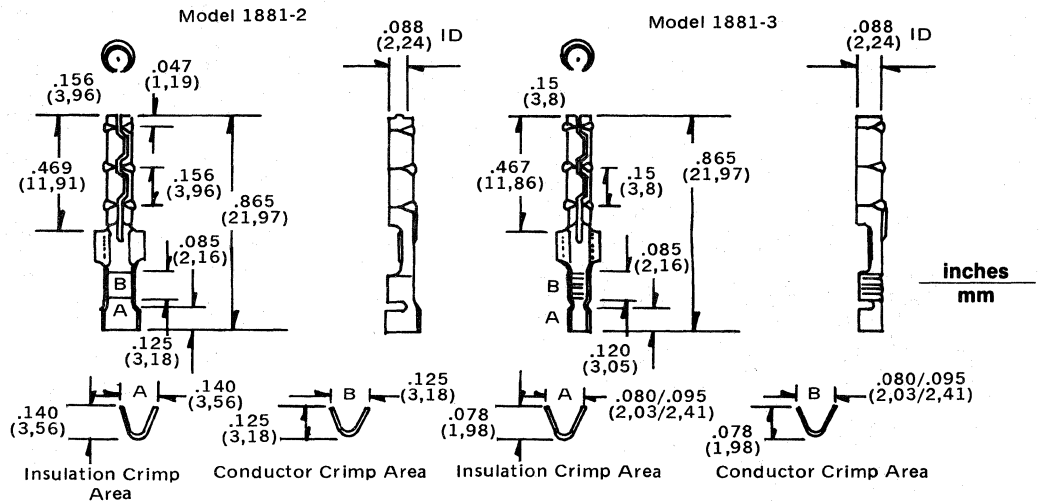
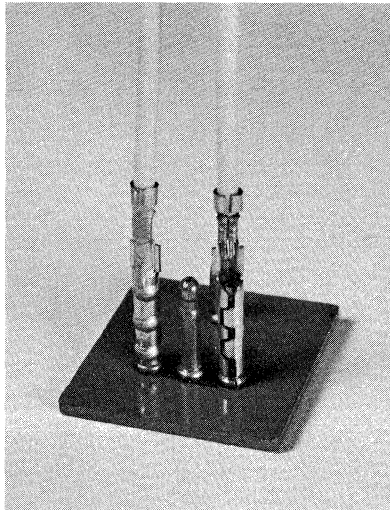
[2] Contact and staking diameter

[3] Diameter of mating Pin contact

[4] Stake in .093 (2,36) thick board

[5] Stake in .125 (3,18) thick board

Model 1881 Clascon, Crimp Terminal Socket, for Round Pins



Molex 1881 Clascon crimp-type terminals are designed for a single contact connection to a "Bead"-type pin which has been inserted to a P.C. Board. This type of interconnection is especially useful for test set-ups or side connections, which must be made on the P.C. Board. Two sizes are available, depending upon specified wire size, both with tin-plated brass finish.

Ordering Information

Crimp Wire Size	Insulation Diameter	Model No.	Order Number	
			Chain Form	Loose Form
16-28	.138 (3.50) Max.	1881-2	02-08-1101	02-08-1102
24-30	.030-.060 (0.76-1.52)	1881-3	02-08-1103	02-08-1104

Tooling Specifications and Order Numbers				
Terminal Model	Hand Tools		Crimp Machine	
	Crimping	Insertion	Bench	Automatic
	Order and [Model] No.	Order and [Model] No.	Order and [Model] No.	Model
1881-2	[HTR-1031-C]	[HT-1353]	[CM-1487]	Artos [a]
	11-01-0002	11-02-0003	11-04-0010	
1881-3	[HTR-2262]	—	11-04-0008	
	11-01-0006	—	11-04-0008	

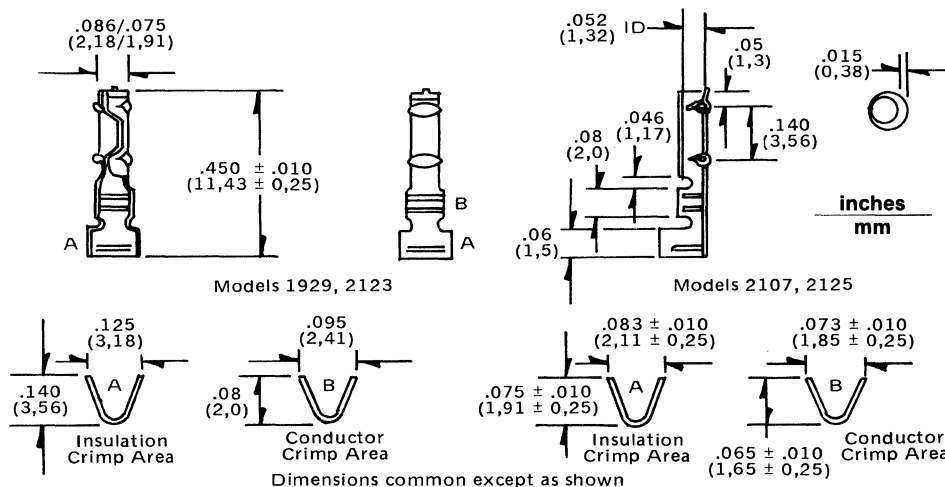
6 AMPS

(a) Contact Molex Representative for Combined Molex/Artos Specifications.



Models 1929, 2107, 2123 and 2125

Claspcn, Crimp Terminal Sockets, for Square Pins



Molex 1929 Claspcn crimp-type terminals connect to a single circuit .045" (1,14 mm) square wire pin. The pin may be positioned anywhere on a P.C. Board, thus eliminating the need to run a circuit to the P.C. Board edge. The terminal may be specified in either chain or loose form for automatic or single crimping.

Molex has a complete range of crimping equipment for the 1929, with hand tools, or semi-automatic crimping machine and fully automated Artos wire cut, strip, and crimp machines.

Both tin-plated and phosphor bronze terminal finishes may be specified, with gold plating overall or on a selective basis also available.

Ordering Information

Crimp Wire Size	Insulation Diameter	Model No.	Order Number			
			Tin-Plated Brass		Phosphor Bronze	
			Chain Form	Loose Form	Chain Form	Loose Form
18-22	.060-.120 (1,52-3,05)	1929	02-05-1104	02-05-1105		
		2123[c]			02-05-1204	02-05-1205
		1929[a]	02-05-5104	02-05-5117		
		2123			02-05-3204	02-05-3205
		1929[b]	02-05-5118	02-05-5119		
24-30	.003-.060 (0,76-1,52)	2107	02-05-1116	02-05-1117		
		2125[c]			02-05-1216	02-05-1217
		2125			02-05-3216	02-05-3217

6 AMPS

[a] Selective gold plating.

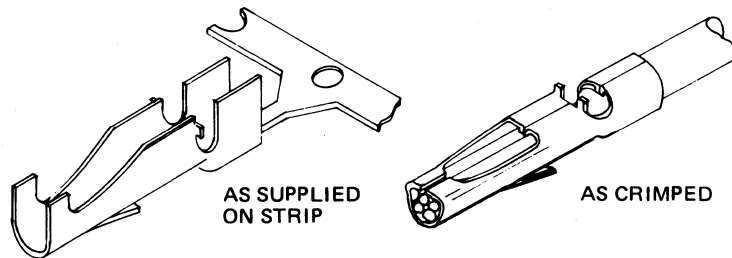
[b] Overall gold plating, .00002 (0,00005) minimum gold plate over .00003 (0,00008) minimum nickel-plated brass.

[c] Tin-plated.

Strain Relief P.C. Board Terminals 4706 & 4811 Series

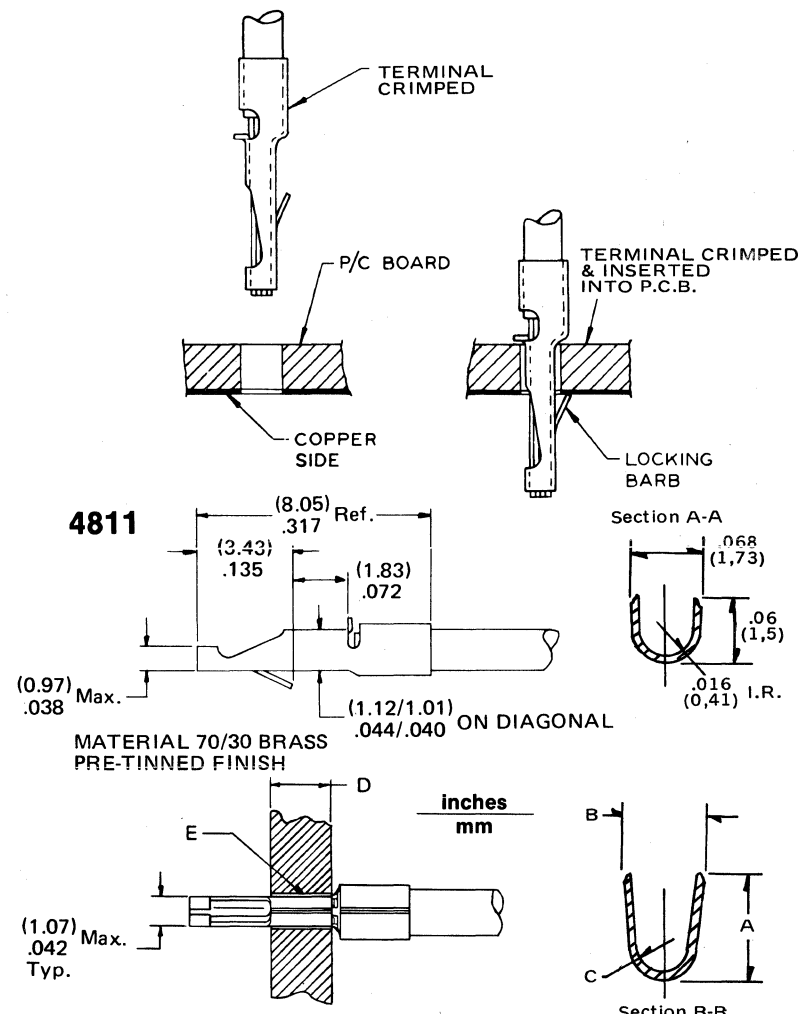
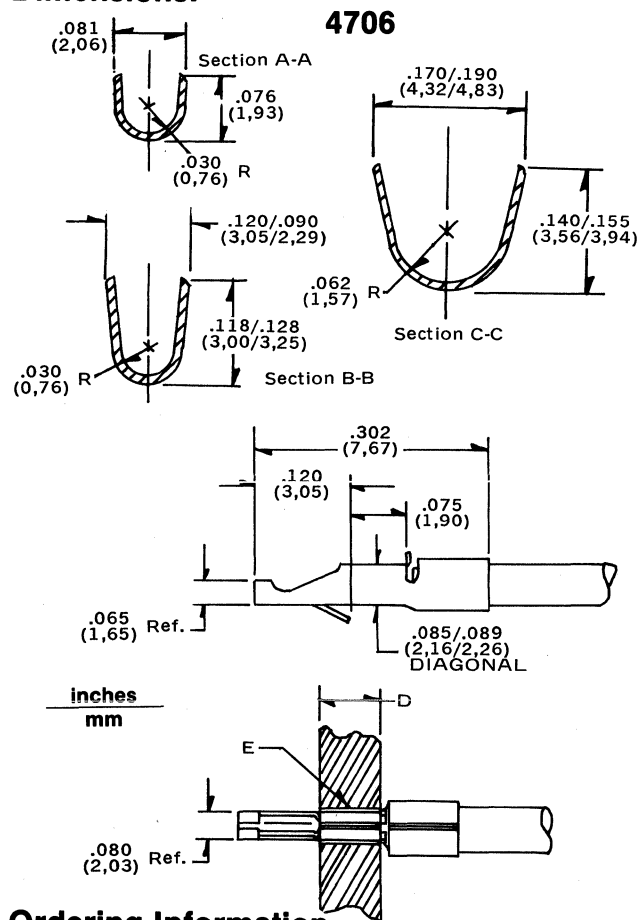
General Features:

- Secures wire to P.C. Board before wave soldering
- No additional contact resistance
- Wire soldering directly to board
- Rapid and economical means of hand-wiring boards
- Eliminates eyelets on P.C. board



These series of strain relief terminals are designed to aid in the use of soldering wires directly to printed circuit boards. These crimp-type terminals which will snap-lock into the P.C. board are self-gripping. They can be connected at any assembly stage without intermediate soldering, and after soldering the conductor wires are in direct solder contact.

Dimensions:



Ordering Information

Eng. No.	Tin 901 Order No.	Form	Wire Size	Max. Dia. of Insulation	Dim. D Max. Board Thickness	Dim. E P.C. Board Hole Size	Section B-B Dimensions		
							A	B	C
4706-0	02-09-2105	Chain	16 - 22	.120 (3,04)	.070 (1,77)	.093 ± .003 (2,36 ± 0,08)			
4706-1	02-10-2106	Chain	16 - 22	.120 (3,04)	.056 (1,42)	.101 ± .003 (2,56 ± 0,08)			
4706-3	02-07-2101	Chain	18 - 24	.120 (3,04)	.070 (1,77)	.073 ± .003 (1,85 ± 0,08)			
4811	16-02-0037	Chain	22 - 24 AWG	.100 (2,54) Dia.	.062 ± .008 (1,57 ± 0,20)	.049 ± .003 (1,245 ± 0,08)	.140 (3,56)	.170 (4,32)	.062 (1,57)
4811-1	16-02-0034	Chain	22 - 26 AWG	.060 (1,52) Dia.			.075 (1,91)	.080 (2,03)	.031 (0,78)

inches
mm

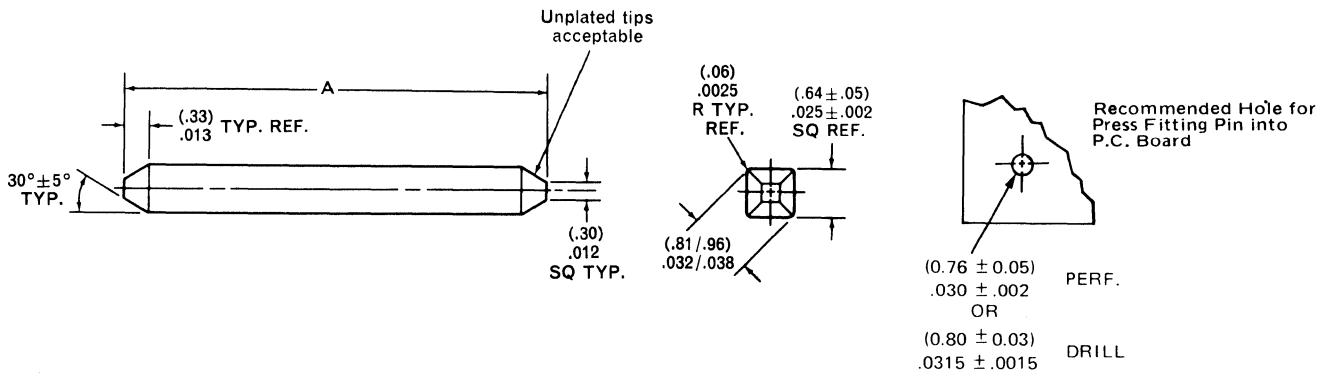
Tin Plating Code 906 Also Available.

For Tooling See Section D

molex® .025" (0,63 mm) Square Pins

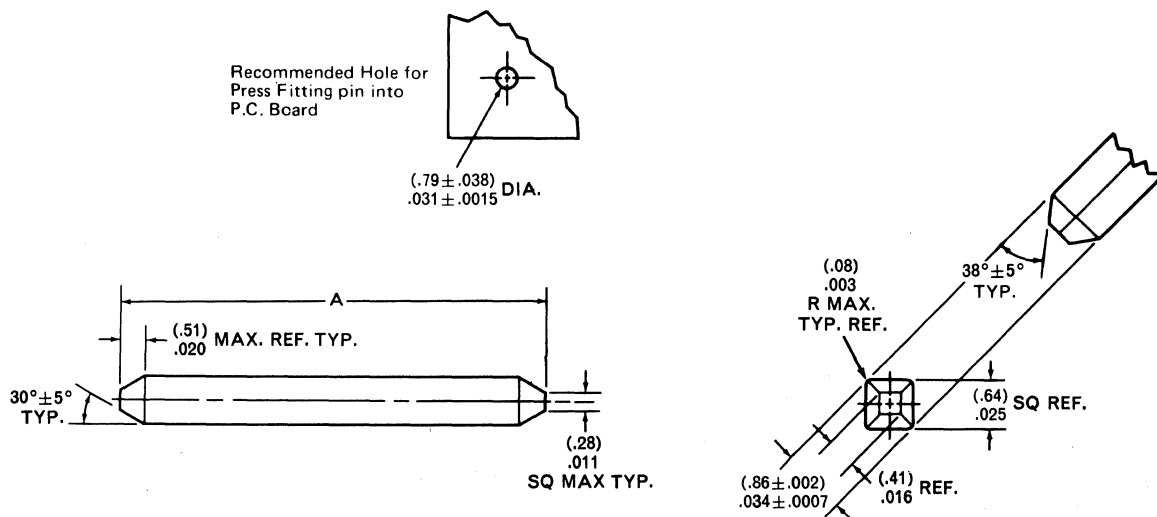
2766 Series

.025" Square Wire;
Hard Drawn Brass,
Various Finishes



4166 Series

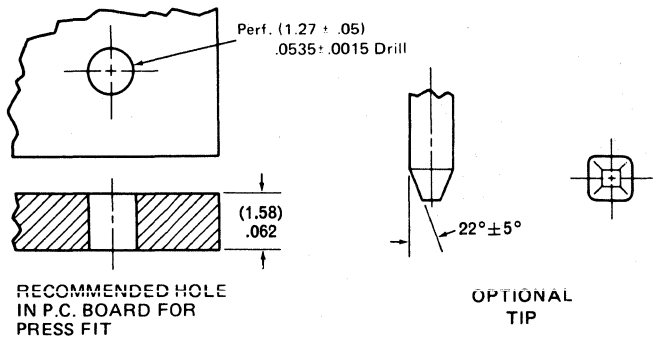
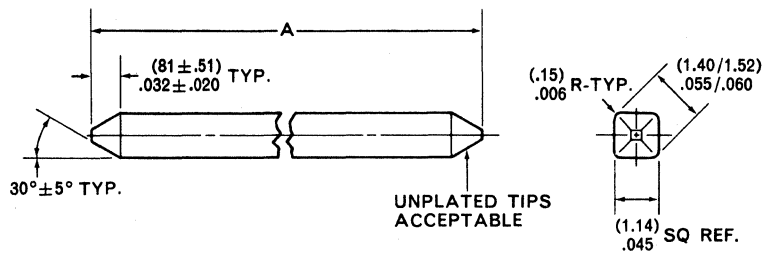
.025" Square Wire;
Phosphor Bronze,
Various Finishes



.045" (1,14 mm) Square Pins

2161 Series

.045" Square Wire Pin;
Gold-Plated or Tin-Plated
Hard Drawn Brass



B

Tin Plating

AVAILABLE MOLEX PLATINGS PER ENG. STD. 5D-88
(Not Available on All Products)

Tin Platings	
Plating Code	Description
(101)	Electro Tin Plate 0.00200 Over 0.00060 0.00100 0.00050 Copper [Post Plate]
(102)	Electro Tin Plate 0.00300 Over 0.00110 0.00200 0.00100 Copper [Post Plate]
(103)	Electro Tin Plate 0.00300 Over 0.00060 0.00200 0.00050 Copper [Post Plate]
(122)	Bright Acid Tin 0.00250 Over 0.00040 0.00150 0.00030 Nickel [Post Plate]
(125)	Bright Acid Tin 0.00300 Over 0.00200 0.00200 [Post Plate]
(132)	Bright Acid Tin 0.00300 Over 0.00210 0.00200 0.00200 Copper [Post Plate]
(150)	Bright Acid Tin 0.00200 Over 0.00060 0.00100 0.00050 Copper [Post Plate]
(142)	Electro Tin/Lead (60/40) 0.00300 Over 0.00200 0.00200 0.00100 Copper [Post Plate]
(P102)	Electro Tin Plate 0.00300 Over 0.00110 0.00200 0.00100 Copper [Pre-Plate]
(P122)	Bright Acid Tin Plate 0.00250 Over 0.00040 0.00150 0.00030 Nickel [Pre-Plate]
(P142)	Electro Tin/lead (60/40) 0.00300 Over 0.00200 0.00200 0.00100 Copper [Pre-Plate]
(P901)	Hot Tin Dip 0.00080 0.00020 [Pre-Plate]
(P903)	Hot Tin/Lead Dip (60/40) 0.00150 0.00050 [Pre-Plate]
(P904)	Hot Tin/Lead Dip (60/40) 0.00080 0.00020 [Pre-Plate]
(P905)	Hot Tin Lead Dip (60/40) 0.00300 0.00100 [Pre-Plate]
(P906)	Hot Tin Dip 0.00150 0.00050 [Pre-Plate]
(P907)	Hot Tin Dip 0.00300 0.00100 [Pre-Plate]

Gold Plating

Gold Platings	
Plating Code	Description
(501)	Gold Plate 0.00030 Over 0.00040 0.00020 0.00030 Nickel [Post Plate]
(503)	Gold Plate 0.00040 Over 0.00060 0.00030 0.00050 Nickel [Post Plate]
(504)	Gold Plate 0.00050 Over 0.00060 0.00040 0.00050 Nickel [Post Plate]
(509)	Gold Plate 0.00060 Over 0.00040 0.00050 0.00030 Nickel [Post Plate]
(514)	Gold Plate 0.00040 Over 0.00040 0.00030 0.00030 Nickel [Post Plate]
(520)	Gold Plate 0.00030 Over 0.00040 0.00020 0.00030 Copper [Post Plate]
(521)	Gold Plate 0.00060 Over 0.00060 0.00050 0.00050 Copper [Post Plate]

Selective Gold Plating	
(550)	Gold Plate 0.00015 Over 0.00040 0.00025 0.00030 Nickel in contact area with Gold Flash 0.00005 min. all over [Post Plate]
(552)	Gold 0.00030 Min. over 0.00050 Nickel. Bright Acid Tin select areas.
(558)	Gold Plate 0.00040 Over 0.00060 0.00030 0.00050 Nickel in contact area with Gold Flash 0.00005 min. all over [Post Plate]
(567)	Gold Plate 0.00025 Over 0.00060 0.00015 0.00050 Nickel in contact area

MOLEX SOLDERING SPECIFICATIONS*

To assure the integrity of Molex printed circuit connections, it is recommended that the following Soldering Standards be used for all Molex printed circuit terminals and pins.

This Standard covers the requirements and tests for the solderability of component terminals intended for soldering into plated or etched electrical circuits by automatic equipment.

It is applicable **only** to the solderability of terminals of PC components, and is **not** applicable, in any way, to the electrical or mechanical performance of the component itself.

1. Manufacturer's Requirements

The manufacturer shall plate the terminal as specified on the Molex component document. Plating shall be such that the terminals meet the requirements of this standard.

2. Equipment

a. Solder pot having a 2-pound minimum solder capacity, thermostatically controlled to maintain the solder at the specified temperature +3°C, and a power capacity so that the solder temperature will not drop more than 3°C during immersion of the terminal.

b. Dipping device capable of vertically immersing and removing the terminal at 1" +1/4" (2,54 cm +0,64) per second and of holding it steady in the solder bath to the specified depth for the specified time.

c. Optical device having a 10 diameter magnification.

d. Razorblade or equivalent instrument.

3. Materials

a. Activated flux RA with 35% by weight of water-white rosin.

b. Tin-lead bar solder consisting of 60% virgin grade tin and 40% desilverized lead.

4. Procedure

a. Fluxing. Immerse the terminal, to the minimum depth necessary to cover the surface to be soldered, into the flux at room temperature for 5 to 10 seconds and then remove.

b. Soldering. Immediately after fluxing, use the dipping device to immerse the terminal into freshly skim-cleaned molten solder at 232°C +3°C for 3 seconds. Immerse the terminal (1) to the mounting plane of the component, or (2) to

the solderable length specified on the part document, or (3) when not otherwise indicated, to 1/16" (1,59 mm) from component. After removal, let the terminal cool to room temperature.

c. Cleaning. Remove residue flux by dipping in isopropyl alcohol. If necessary, remove all remaining flux with a soft, clean cloth dampened with isopropyl alcohol.

d. Inspection. Within 5 to 10 minutes after cleaning, use the 10X optical device and the razor blade to inspect the terminal for conformance to the following requirements.

5. Requirements

a. Coating. Each solder-immersed surface shall be at least 95% covered with a smooth, continuous, adherent coating of new solder. The remaining 5% shall be solder-coated, but may show small pinholes or voids, provided these are not concentrated in one area.

b. Adhesion shall be such that the new solder cannot be easily lifted nor peeled from the "as received" surface with the razor blade.

Notes:

*For connections to be made using water soluble fluxes non-activated. Contact factory for plating requirements.

*For solder connections to be made using mildly activated fluxes (RMA) or non-activated fluxes (R). Please contact factory for plating requirements.



KK® .156" (3,96 mm) & .200" (5,08 mm) Technical Data

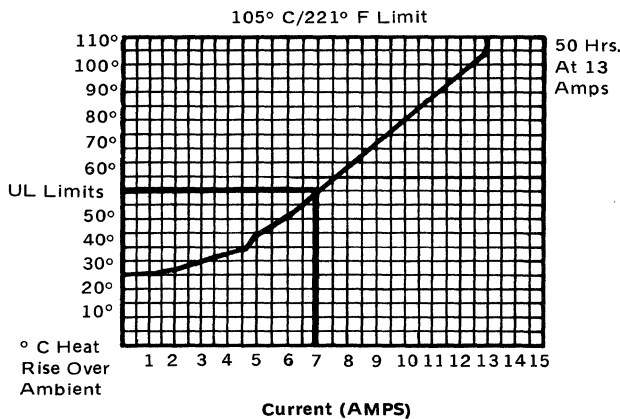
Electrical Characteristics:

Resistance - For a rigid wire, double cantilever, MV drop at 1 amp will be 3.5 MV average.

Probes are placed as close as possible to the PC board termination. Probe on a crimp-type terminal is placed 1" (25,4 mm) from the crimp barrel (#22 AWG wire should be used).

High Voltage Dielectric Test - Terminals mounted in connector withstand 1500 volts RMS applied between adjacent terminals for 60 seconds.

Temperature Rise/Operating Range - Heat rise vs. current to 105° C/221°:

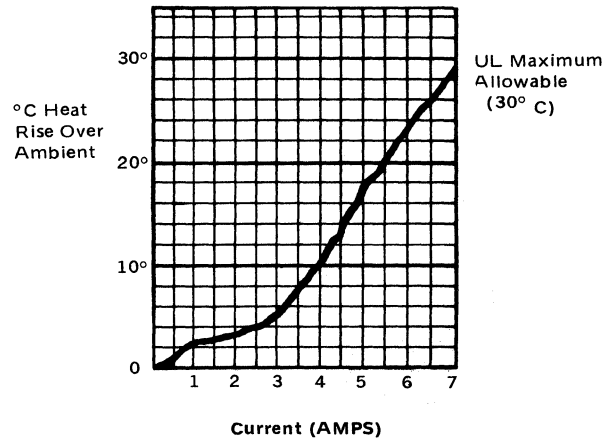


Maximum temperature rise is 30°C at rated current. Temperature range, ambient - nylon wafers and housings -40° to +105°C, vinyl wafers -40° to +60°C.

Recognized Agency Approvals - Underwriters' Laboratories application approval or File No. 29179 on most components.

Canadian Standards Association application approval.

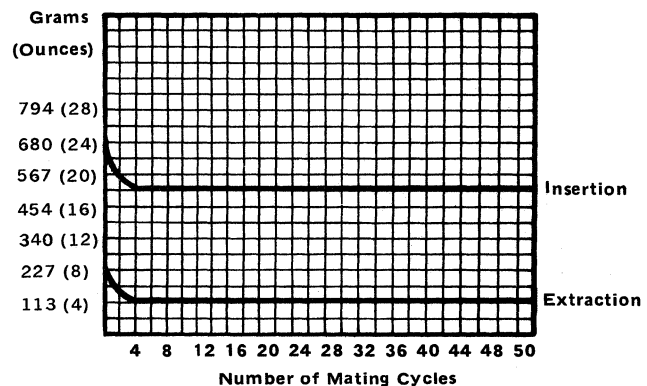
Rated Voltage, Currents - Maximum voltage: 250 VAC. Current rating varies somewhat in the particular variations. Typical current-temperature curve for a rigid wire, double cantilever termination is shown in the following chart:



Mechanical Characteristics:

Engage/Disengage Forces - Initial engage forces for mating .045" (1,14 mm) diameter round or .45" (1,14 mm) square wire pin with a harness connector shall not exceed 24 oz. (680 g) per circuit. Disengage force shall not be more than 4 oz. (113 g) per circuit after 5 cycles. Exception: The disengage force of Model 2145-B is 2 oz. (57 g) minimum.

Typical engage/disengage forces for multiple insertions:



Terminals - Insertion and retention: Minimum retention of 8 lbs. (3,63 kg) in the connector housing. Crimp-type terminals have maximum insertion force of 4 lbs. (1,81 kg).

Crimp Strength - Minimum pull-out force in pounds (kilograms) for AWG wire sizes:

18—20 (9,07)	24—8 (3,63)
20—15 (6,81)	26—5 (2,27)
22—12 (5,45)	

KK® .100" (2,54 mm) & .098" (2,48mm) Technical Data

Electrical Characteristics:

Resistance - Resistance is approximately 7.0 MV for a rigid tin-plated wire, double-cantilever termination (24 AWG). The probe on a crimp-type terminal is placed 1" (2,54 mm) from the crimp barrel. Gold-plated termination is about 2 mm higher.

High Voltage Dielectric Test - Terminals mounted in connector withstand 1500 volts RMS applied between adjacent terminals for 60 seconds. Capacitance when measuring adjacent terminals in housings at 1 KHZ and 120 HZ is 1.5 Pico-Farads average.

Temperature Rise/Operating Range -

30°C maximum rise for all connectors at rated current. Temperature range -40° to +105°C ambient.

Recognized Agency Approvals - Underwriters' Laboratories recognizes the majority of components under File No. E29179.

Canadian Standards Association application approval.

Rated Voltages, Currents

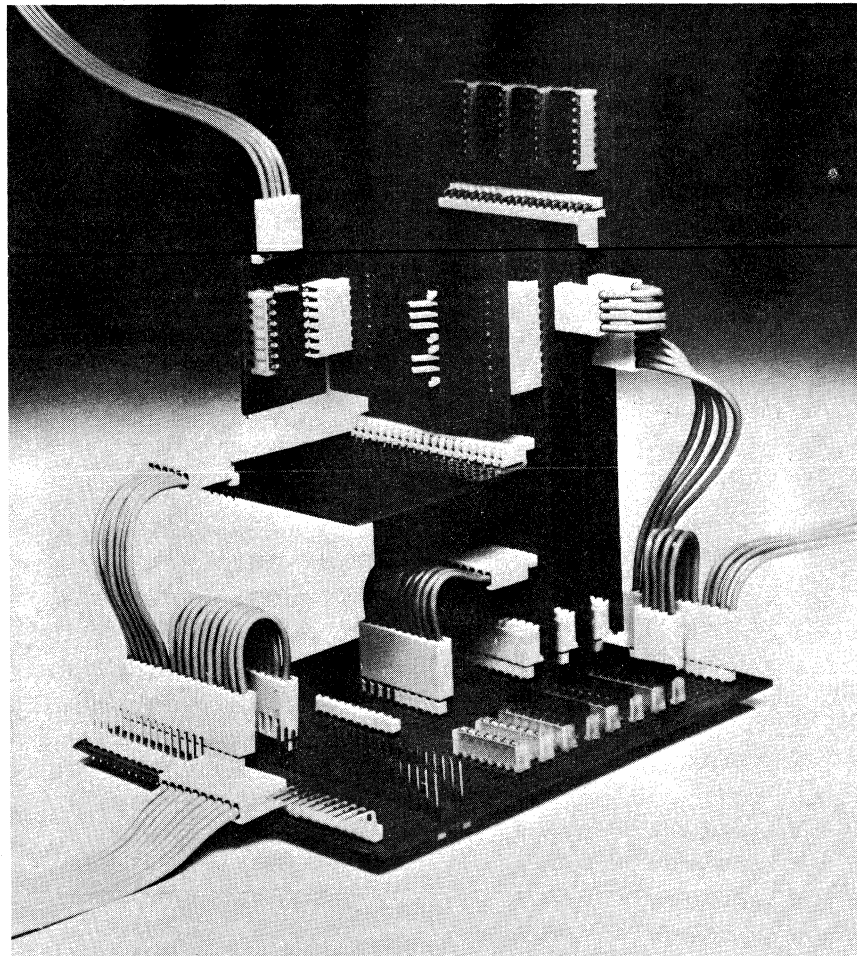
Recommended 2.5 amps at 30°C temperature rise over ambient. Contact factory for higher values. Maximum voltage 250 VAC.

Mechanical Characteristics:

Engage/Disengage Forces - For connectors with tin-plated termination mating with .025" (0,64 mm) square wire, initial engage forces are 7 oz. (0,199 kg) average per circuit. Disengage force is 2.5 oz. (0,07 kg) minimum for the first cycle.

Crimp Strength - Minimum pull-out force in pounds (kilograms) for AWG wire sizes:

22—10 (4,54)	28—4 (1,81)
24— 8 (3,63)	30—3 (1,36)
26— 6 (2,72)	



Insulation Displacement

Contents



Cable and Cable Systems

Cable Jumpers	2C
.050" (1,27 mm) Round Conductor Flat Cable	3C
.100" (2,54 mm) Round Conductor Flat Cable	4C-5C
.156" (3,96 mm) Round Conductor Flat Cable	6C
Cable Systems	7C-9C
Cable Systems Worksheet	10C

.050" (1,27 mm) Components

.050" (1,27 mm) Products	11C
.050" (1,27 mm) Connectors	12C-17C
Dual Row .100" (2,54 mm) Headers	18C-24C
Straight Headers	25C-28C
Right Angle Headers	29C-30C
Edge Card Connectors	31C-32C
Qik Flecs Overview	33C-35C
Qik Flecs .050" (1,27 mm) Ribbon Cable Connectors	36C-40C
Qik Flecs PCB Header Assembly	41C-48C
Qik Flecs PCB Wafer Assembly	49C-52C

IDT ... Insulation Displacement Technology

Insulation Displacement Connectors	53C-54C
Contact Design	55C
Insulation Displacement Connector Design	56C
.200" (5,08 mm) Center Standard Connectors	57C-58C
.200" (5,08 mm) Center Harness Board Connectors	59C-60C
.200" (5,08 mm) Center Wafers	61C
.197" (5,00 mm) Center Standard Connectors	62C-63C
.197" (5,00 mm) Center Wafers	64C
.156" (3,96 mm) Center Standard Connectors	65C-66C
.156" (3,96 mm) Center Harness Board Connectors	67C-68C
.156" (3,96 mm) Edge Connectors	69C-71C
.100" (2,54 mm) Center Standard Connectors	72C
.100" (2,54 mm) Center Harness Board Connectors	73C
.100" (2,54 mm) Edge Connectors	74C-75C
.098" (2,50 mm) Center Standard Connectors	76C
.098" (2,50 mm) Center Harness Board Connectors	77C
.098" (2,50 mm) Center Wafers	78C-79C
.098" (2,50 mm) Connectors	80C-82C
Polarizing Keys and Pegs	83C
.156" (3,96 mm), .197" (5,00 mm) and .200" (5,08 mm) Covers	84C
.098" (2,50 mm) and .100" (2,54 mm) Covers	85C

Miscellaneous

Flat Flex Connectors	86C-95C
D-Sub	96C-97C
Connector/Cable Matrix	98C



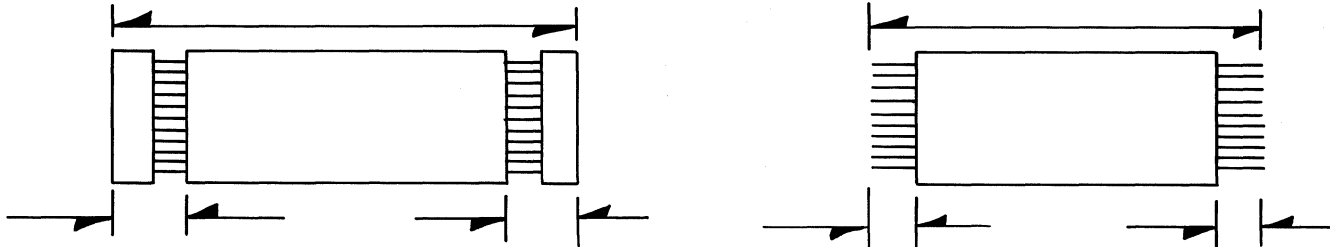
Cable Jumpers



Cable Jumpers can be supplied in both partial strip and full strip styles, using any standard Molex JF .050", JF .100", or JF .156" cable.

Partial Strip

Full Strip



Specifications:

Circuit Sizes: JF .050" 10-50
 JF .100" 2-24
 JF .156" 2-15

Millimeters:

Length	Length Increments	Tolerance of Length	Full Strip Length	Partial Strip Length	Tolerance of Strip Length
25,4 - 38,1	1	± 1	2,5, 3,5	3,5	± .5
38,2 - 304,8	1	± 1	2,5 - 8,5*	3,5 - 8,5*	± .5
304,9 - 622,3	1	± 1	2,5 - 8,5*	3,5 - 8,5*	± .5
622,4 and over	1	± 1	2,5 - 8,5*	3,5 - 8,5*	± .5

*In 1 mm increments

Contact Factory for Ordering Information.

Pre-Notched Cable

Molex JF .100" and JF .156" cable can be supplied pre-notched for termination on 100 ft. reels.

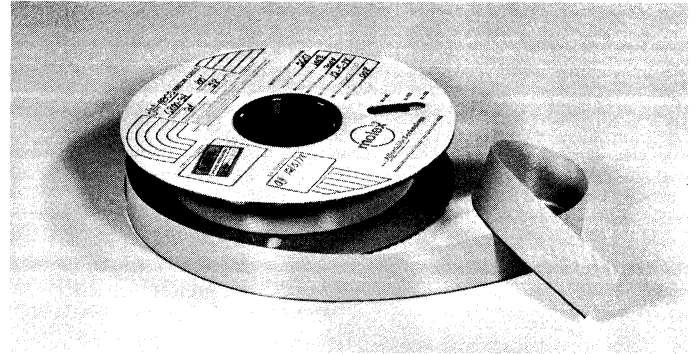
Contact Factory for Specifications and Ordering Information.

molex® .050" (1,27 mm) Round Conductor Flat Cable

6800 and 8863 Series

General Features:

- Error free wiring
- High flexibility
- Symmetrical cable
- Zippable
- Up to 64 circuits
- #28 AWG stranded - 6800
#26 AWG stranded - 8863
- Industry compatible
- 300V 1 amp
- UL listed



The versatile Molex Jet-Flecs™ .050", flat cable is manufactured under controlled techniques which produces a precision center-to-center controlled cable of predictable and consistent electrical characteristics.

The grey flat cable is available with a first strand color key marking. The flat cable design allows individual or groups of conductors to be separated from the cable through a zipping process.

Jet-Flecs™ flat cables are designed to mate with the Molex 4700 & 7789 series Jet Flecs™ connector, and compatible industry standard insulation displacement systems.

Specifications:

Physical:

<i>UL Style No.</i>	2651
<i>Insulation Material</i>	Polyvinyl chloride (PVC)
<i>Flammability Rating</i>	UL rated FR-1/VW-1
<i>Color</i>	Gray
<i>Wire Gauge</i>	28 AWG - stranded tinned - 6800 26 AWG - stranded tinned - 8863 Check w/Molex for other sizes
<i>Dimensions</i>	See chart
<i>Conductor Spacing</i>	.050" (1.27 mm) center-to-center
<i>Length</i>	100' reels — no reel with more than 3 splices 300' and 500' reels available. Contact factory.

<i>Impedance</i>	- 105 ground/signal/ ground
<i>Propagation Delay</i>	- 1.4 ns/ft. NOM
<i>Nom. Characteristic Impedance</i>	- GS 123Ω GSG 100Ω
<i>Nom. Capacitance</i>	- GS 9.1 pf/ft. GSG 17.0 pf/ft.
<i>Nom. Conductor DCR</i>	- 6.2 ohms/100ft.

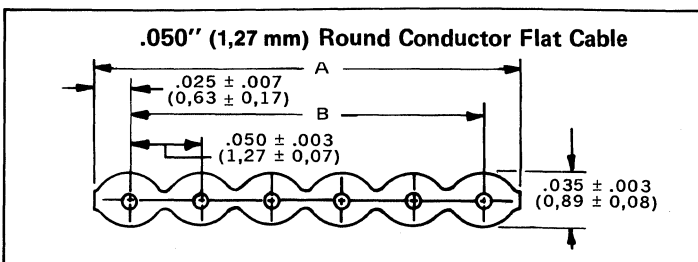
Electrical:

<i>Voltage rating</i>	- 300 V Max.
<i>Insulation resistance</i>	- 10 ⁴ MΩ (10 ft. sample)
<i>Dielectric withstand voltage</i>	- 1500 VRMS

Environmental:

<i>Temperature rating</i>	- -.20° C to 105° C
---------------------------	---------------------

Dimensions:



.050" Round Conductor Ribbon Cable		
Circuits	Dimensions Chart	
	A (Overall Width)	B (First Cond. To Last Cond.)
10	.500 ± .010 (12.70 ± 0.25)	.450 ± .007 (11.43 ± 0.18)
14	.700 ± .010 (17.78 ± 0.25)	.650 ± .007 (16.51 ± 0.18)
16	.800 ± .010 (20.32 ± 0.25)	.750 ± .009 (19.05 ± 0.23)
20	1.000 ± .015 (25.40 ± 0.38)	.950 ± .009 (24.13 ± 0.23)
26	1.300 ± .015 (33.02 ± 0.38)	1.250 ± .009 (31.75 ± 0.23)
34	1.700 ± .015 (43.18 ± 0.38)	1.650 ± .009 (41.91 ± 0.23)
40	2.000 ± .015 (50.80 ± 0.38)	1.950 ± .011 (49.53 ± 0.28)
50	2.500 ± .015 (63.50 ± 0.38)	2.450 ± .011 (62.23 ± 0.28)
60	3.000 ± .015 (76.20 ± 0.38)	2.950 ± .011 (74.93 ± 0.28)
64	3.200 ± .015 (81.28 ± 0.38)	3.150 ± .011 (80.01 ± 0.28)

inches
mm

Ordering Information 6800

Circuits	Order No.	Circuits	Order No.	Circuits	Order No.
10	82-28-5710	26	82-28-5726	60	82-28-5760
14	82-28-5714	34	82-28-5734	64	82-28-5764
16	82-28-5716	40	82-28-5740		
20	82-28-5720	50	82-28-5750		

Ordering Information 8863

Circuits	Order No.	Circuits	Order No.	Circuits	Order No.
10	82-26-6810	26	82-26-6826	60	82-26-6860
14	82-26-6814	34	82-26-6834	64	82-26-6864
16	82-26-6816	40	82-26-6840		
20	82-26-6820	50	82-26-6850		

.100" (2,54 mm) Round Conductor Flat Cable



7234, 7307, 7560, 8867 8996 and 8997 Series

Features/Dimensions:

- Error free wiring
- High flexibility
- Symmetrical cable
- Zippable
- Up to 28 circuits
- Industry compatible
- UL listed 300V,

Specifications:

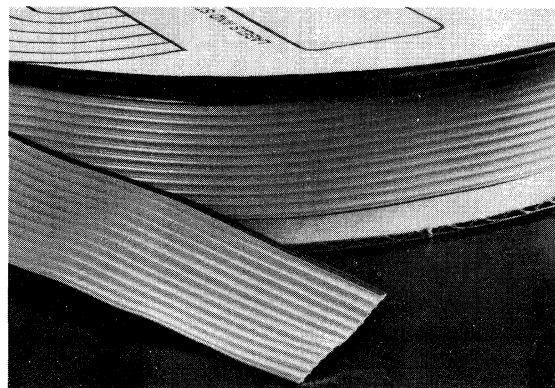
Physical:

UL Style No. 2651
Insulation Material Polyvinyl Chloride (PVC)
Flammability Rating UL Rated FR-1/VW-1
Color Grey w/black edge mark
Wire Gauge 22 AWG* - Stranded (Top Coat) for 8867
 26 AWG - Stranded (Top Coat) for 8996
 24 AWG - Stranded (Top Coat) for 8997
 22 AWG - Stranded (Tinned) for 7560
 28 AWG - Stranded (Tinned) for 7307
 26 AWG - Solid (Tinned) for 7234
Dimensions See Chart
Conductor Spacing 2,54mm/.100" Center-to-Center
Length 100' reels - no reel with more than 3 splices
 1st strand color keyed

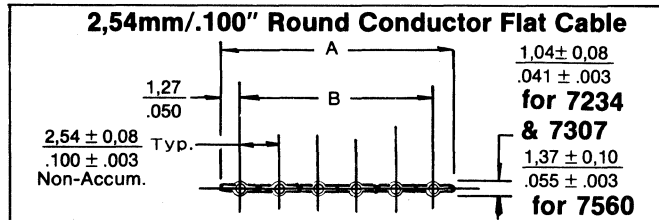
*Soon to be available (Contact Factory).

Electrical:

Voltage Rating 300V Max.
Insulation Resistance >10⁴M (10 ft. sample)
Dielectric Withstand Voltage Impedance



**Environmental
Temperature
Rating** -20°C to 105°C



Cable	AWG	Characteristic Impedance (ohms.)		Capacitance pf/ft.		Conductor DCR ohms/100 ft.
		GS	GSG	GS	GSG	
7234	26	150	128	5.2	9.24	4.1
7307	28	150	128	5.0	9.12	6.2
7560	22	128	104	7.2	13.4	1.5
8996	26	145	123	5.6	10.3	3.7
8997	24	134	114	6.6	12.0	2.3

Cable	Conductor Types
7234	26 AWG Solid Tinned Copper
7307	28 AWG (7 x 36) Stranded Tinned Copper
7560	22 AWG (7 x 30) Stranded Tinned Copper
8996	26 AWG (7 x 34) Stranded Topcoated Copper
8997	24 AWG (7 x 32) Stranded Topcoated Copper
8867	22 AWG (7 x 30) Stranded Topcoated Copper

Dimensional Information

Circuits	mm		Circuits	mm		Circuits	inches	
	Dim. A	Dim. B		Dim. A	Dim. B		Dim. A	Dim. B
2	5,08 ± 0,18 .200 ± .007	2,54 ± 0,13 .100 ± .005	11	27,94 ± 0,23 1.100 ± .009	25,40 ± 0,18 1.000 ± .007	20	50,80 ± 0,33 2.000 ± .013	48,26 ± 0,28 1.900 ± .011
3	7,62 ± 0,18 .300 ± .007	5,08 ± 0,13 .200 ± .005	12	30,48 ± 0,28 1.200 ± .011	27,94 ± 0,23 1.100 ± .009	21	53,34 ± 0,33 2.100 ± .013	50,80 ± 0,28 2.000 ± .011
4	10,16 ± 0,18 .400 ± .007	7,62 ± 0,13 .300 ± .005	13	33,02 ± 0,28 1.300 ± .011	30,48 ± 0,23 1.200 ± .009	22	55,88 ± 0,33 2.200 ± .013	53,34 ± 0,28 2.100 ± .011
5	12,70 ± 0,18 .500 ± .007	10,16 ± 0,13 .400 ± .005	14	35,56 ± 0,28 1.400 ± .011	33,02 ± 0,23 1.300 ± .009	23	58,42 ± 0,33 2.300 ± .013	55,88 ± 0,28 2.200 ± .011
6	15,24 ± 0,18 .600 ± .007	12,70 ± 0,13 .500 ± .005	15	38,10 ± 0,28 1.500 ± .011	35,56 ± 0,23 1.400 ± .009	24	60,96 ± 0,33 2.400 ± .013	58,42 ± 0,28 2.300 ± .011
7	17,78 ± 0,23 .700 ± .009	15,24 ± 0,18 .600 ± .007	16	40,64 ± 0,28 1.600 ± .011	38,10 ± 0,23 1.500 ± .009	25	63,50 ± 0,38 2.500 ± .015	60,96 ± 0,33 2.400 ± .013
8	20,37 ± 0,23 .800 ± .009	17,78 ± 0,18 .700 ± .007	17	43,18 ± 0,28 1.700 ± .011	40,64 ± 0,23 1.600 ± .009	26	66,04 ± 0,38 2.600 ± .015	63,50 ± 0,33 2.500 ± .013
9	22,86 ± 0,23 .900 ± .009	20,32 ± 0,18 .800 ± .007	18	45,72 ± 0,28 1.800 ± .011	43,18 ± 0,23 1.700 ± .009	27	68,58 ± 0,38 2.700 ± .015	66,04 ± 0,33 2.600 ± .013
10	25,40 ± 0,23 1.000 ± .009	22,86 ± 0,18 .900 ± .007	19	48,26 ± 0,33 1.900 ± .013	45,72 ± 0,28 1.800 ± .011	28	71,12 ± 0,38 2.800 ± .015	68,58 ± 0,33 2.700 ± .013



.100" (2,54 mm) Round Conductor Flat Cable

Ordering Information

7307

#28 AWG Stranded Tinned			
Circuits	Order No.	Circuits	Order No.
2	82-28-5802	16	82-28-5816
3	82-28-5803	17	82-28-5817
4	82-28-5804	18	82-28-5818
5	82-28-5805	19	82-28-5819
6	82-28-5806	20	82-28-5820
7	82-28-5807	21	82-28-5821
8	82-28-5808	22	82-28-5822
9	82-28-5809	23	82-28-5823
10	82-28-5810	24	82-28-5824
11	82-28-5811	25	82-28-5825
12	82-28-5812	26	82-28-5826
13	82-28-5813	27	82-28-5827
14	82-28-5814	28	82-28-5828
15	82-28-5815		

7234

#26 AWG Solid Tinned			
Circuits	Order No.	Circuits	Order No.
2	82-26-5702	16	82-26-5716
3	82-26-5703	17	82-26-5717
4	82-26-5704	18	82-26-5718
5	82-26-5705	19	82-26-5719
6	82-26-5706	20	82-26-5720
7	82-26-5707	21	82-26-5721
8	82-26-5708	22	82-26-5722
9	82-26-5709	23	82-26-5723
10	82-26-5710	24	82-26-5724
11	82-26-5711	25	82-26-5725
12	82-26-5712	26	82-26-5726
13	82-26-5713	27	82-26-5727
14	82-26-5714	28	82-26-5728
15	82-26-5715		

7560

#22 AWG Stranded Tinned			
Circuits	Order No.	Circuits	Order No.
2	82-22-4023	16	82-22-4161
3	82-22-4033	17	82-22-4173
4	82-22-4043	18	82-22-4183
5	82-22-4053	19	82-22-4193
6	82-22-4063	20	82-22-4203
7	82-22-4073	21	82-22-4213
8	82-22-4083	22	82-22-4223
9	82-22-4093	23	82-22-4233
10	82-22-4103	24	82-22-4243
11	82-22-4113	25	82-22-4253
12	82-22-4123	26	82-22-4263
13	82-22-4133	27	82-22-4273
14	82-22-4143	28	82-22-4283
15	82-22-4153		

8997

#24 AWG Stranded Top Coated			
Circuits	Order No.	Circuits	Order No.
2	82-24-5902	16	82-24-5916
3	82-24-5903	17	82-24-5917
4	82-24-5904	18	82-24-5918
5	82-24-5905	19	82-24-5919
6	82-24-5906	20	82-24-5920
7	82-24-5907	21	82-24-5921
8	82-24-5908	22	82-24-5922
9	82-24-5909	23	82-24-5923
10	82-24-5910	24	82-24-5924
11	82-24-5911	25	82-24-5925
12	82-24-5912	26	82-24-5926
13	82-24-5913	27	82-24-5927
14	82-24-5914	28	82-24-5928
15	82-24-5915		

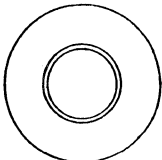
8996

#26 AWG Stranded Top Coated			
Circuits	Order No.	Circuits	Order No.
2	82-26-5802	16	82-26-5816
3	82-26-5803	17	82-26-5817
4	82-26-5804	18	82-26-5818
5	82-26-5805	19	82-26-5819
6	82-26-5806	20	82-26-5820
7	82-26-5807	21	82-26-5821
8	82-26-5808	22	82-26-5822
9	82-26-5809	23	82-26-5823
10	82-26-5810	24	82-26-5824
11	82-26-5811	25	82-26-5825
12	82-26-5812	26	82-26-5826
13	82-26-5813	27	82-26-5827
14	82-26-5814	28	82-26-5828
15	82-26-5815		

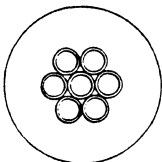
8867

#22 AWG Stranded Top Coated			
Circuits	Order No.	Circuits	Order No.
2		16	
3		17	
4		18	
5		19	
6		20	
7	Contact Factory	21	Contact Factory
8		22	
9		23	
10		24	
11		25	
12		26	
13		27	
14		28	
15			

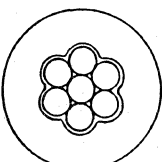
Wire Types



Solid Tinned
One tinned copper wire conductor



Stranded Tinned
Individual tinned copper wires, twisted together



Fused Topcoated
Bare copper wires twisted together, then coated with pure tin.

JF .050" (1,27 mm) Specifications:

- 8863** 26 AWG - Stranded (Tinned)
- 6800** 28 AWG - Stranded (Tinned)
- 7973** 30 AWG - Stranded Top Coat

JF .100" (2,54 mm) Specifications:

- 8867** 22 AWG - Top Coat
- 8996** 26 AWG - Top Coat
- 8997** 24 AWG - Top Coat
- 7560** 22 AWG - Stranded (Tinned)
- 7307** 28 AWG - Stranded (Tinned)
- 7234** 26 AWG - Solid (Tinned)

JF .156" (3,96 mm) Specifications:

- 7382** 22 AWG - Stranded (Tinned) 300V
- 7213** 22 AWG - Stranded (Tinned) 600V
- 7517** 18 AWG - Stranded (Tinned) 19/30 AWG, 300V
- 8868** 22 AWG - Top Coat

.156" (3,96 mm) Round



Conductor Flat Cable

7213, 7382, 8868 and 7517 Series

Features/Dimensions:

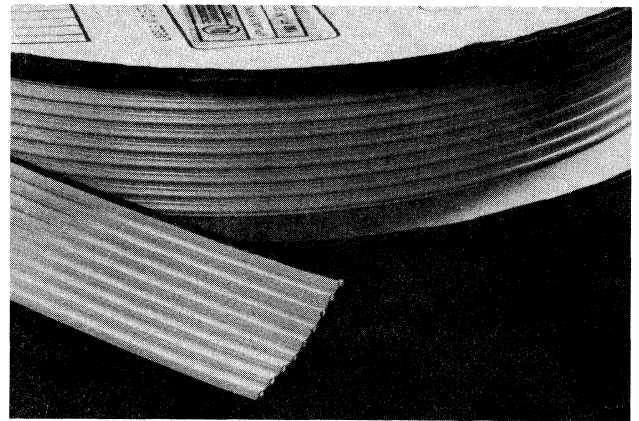
- Error free wiring
- High flexibility
- Symmetrical cable
- Zippable
- Up to 24 circuits
- Industry compatible
- UL listed 300V, FR-1 (File #E61522)

Specifications:

Physical:

UL Style No. 2000 for 600V
UL Style No. 2651 for 300V
Insulation Material Polyvinyl Chloride (PVC)
Flammability Rating UL Rated FR-1/VW-1
Color Grey w/black edge mark
Wire Gauge 22 AWG - Stranded (Tinned) 300V for 7382
 600V for 7213
 18 AWG - Stranded (Tinned) 19/30 AWG 300V for 7517
 22 AWG - Stranded (Top Coat) 300V for 8868

Dimensions See Chart
Conductor Spacing 3,96mm/.156" Center-to-Center
Length 100' reels - no reel with more than 3 splices
 1st strand color key marked

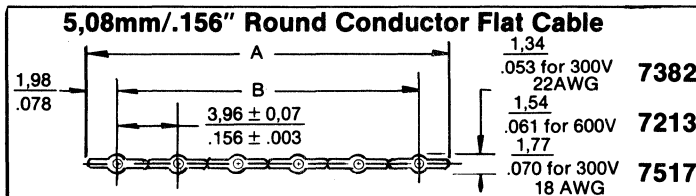


Electrical:

Voltage Rating 300V or 600V
Insulation Resistance >10⁴MΩ (10 ft. sample)

Dielectric Withstand Voltage Impedance

Cable	AWG	Characteristic Impedance (ohms.)		Capacitance pf/ft.		Conductor DCR ohms/100 ft.
		GS	GSG	GS	GSG	
7213	22	140	118	5.2	9.50	1.5
7382	22	140	123	4.7	8.50	1.5
7517	18	128	105	5.9	10.9	0.6



Environmental:

Temperature Rating -20°C to 105°C

inches
 mm

Dimensional Information

Circuits	Dim. A	Dim. B	Circuits	Dim. A	Dim. B	Circuits	Dim. A	Dim. B
2	7.93 ± 0.18 .312 ± .007	3.96 ± 0.13 .156 ± .005	10	39.62 ± 0.23 1.560 ± .009	35.66 ± 0.18 1.404 ± .007	18	71.32 ± 0.38 2.808 ± .015	67.36 ± 0.33 2.652 ± .013
3	11.89 ± 0.18 .468 ± .007	7.93 ± 0.13 .312 ± .005	11	43.59 ± 0.28 1.716 ± .011	39.62 ± 0.23 1.560 ± .009	19	75.29 ± 0.38 2.964 ± .015	71.32 ± 0.33 2.808 ± .013
4	15.85 ± 0.18 .624 ± .007	11.89 ± 0.13 .468 ± .005	12	47.55 ± 0.28 1.872 ± .011	43.59 ± 0.23 1.716 ± .009	20	79.25 ± 0.38 3.120 ± .015	75.29 ± 0.33 2.964 ± .013
5	19.81 ± 0.18 .780 ± .007	15.85 ± 0.13 .624 ± .005	13	51.51 ± 0.28 2.028 ± .011	47.55 ± 0.23 1.872 ± .009	21	83.21 ± 0.38 3.276 ± .015	79.25 ± 0.33 3.120 ± .013
6	23.77 ± 0.18 .936 ± .007	19.81 ± 0.13 .780 ± .005	14	55.47 ± 0.33 2.184 ± .013	51.51 ± 0.28 2.028 ± .011	22	87.17 ± 0.38 3.432 ± .015	83.21 ± 0.33 3.276 ± .013
7	27.74 ± 0.23 1.092 ± .009	23.77 ± 0.18 .936 ± .007	15	59.44 ± 0.33 2.340 ± .013	55.47 ± 0.28 2.184 ± .011	23	91.14 ± 0.38 3.588 ± .015	87.17 ± 0.33 3.432 ± .013
8	31.70 ± 0.23 1.248 ± .009	27.74 ± 0.18 1.092 ± .007	16	63.40 ± 0.33 2.496 ± .013	59.44 ± 0.28 2.340 ± .011	24	95.10 ± 0.38 3.744 ± .015	91.14 ± 0.33 3.588 ± .013
9	35.66 ± 0.23 1.404 ± .009	31.70 ± 0.18 1.248 ± .007	17	67.36 ± 0.33 2.652 ± .013	63.40 ± 0.28 2.496 ± .011			

Ordering Information: Contact Factory for 8868 ordering numbers.

7517

300V - 18 AWG Stranded Tinned			
Circuits	Order No.	Circuits	Order No.
2	82-18-4021	14	82-18-4141
3	82-18-4031	15	82-18-4151
4	82-18-4041	16	82-18-4161
5	82-18-4051	17	82-18-4171
6	82-18-4061	18	82-18-4181
7	82-18-4071	19	82-18-4191
8	82-18-4081	20	82-18-4201
9	82-18-4091	21	82-18-4211
10	82-18-4101	22	82-18-4221
11	82-18-4111	23	82-18-4231
12	82-18-4121	24	82-18-4241
13	82-18-4131		

7382

300V - 22 AWG Stranded Tinned			
Circuits	Order No.	Circuits	Order No.
2	82-22-5802	14	82-22-5814
3	82-22-5803	15	82-22-5815
4	82-22-5804	16	82-22-5816
5	82-22-5805	17	82-22-5817
6	82-22-5806	18	82-22-5818
7	82-22-5807	19	82-22-5819
8	82-22-5808	20	82-22-5820
9	82-22-5809	21	82-22-5821
10	82-22-5810	22	82-22-5822
11	82-22-5811	23	82-22-5823
12	82-22-5812	24	82-22-5824
13	82-22-5813		

7213

600V - 22 AWG Stranded Tinned			
Circuits	Order No.	Circuits	Order No.
2	82-22-1702	14	82-22-1714
3	82-22-1703	15	82-22-1715
4	82-22-1704	16	82-22-1716
5	82-22-1705	17	82-22-1717
6	82-22-1706	18	82-22-1718
7	82-22-1707	19	82-22-1719
8	82-22-1708	20	82-22-1720
9	82-22-1709	21	82-22-1721
10	82-22-1710	22	82-22-1722
11	82-22-1711	23	82-22-1723
12	82-22-1712	24	82-22-1724
13	82-22-1713		



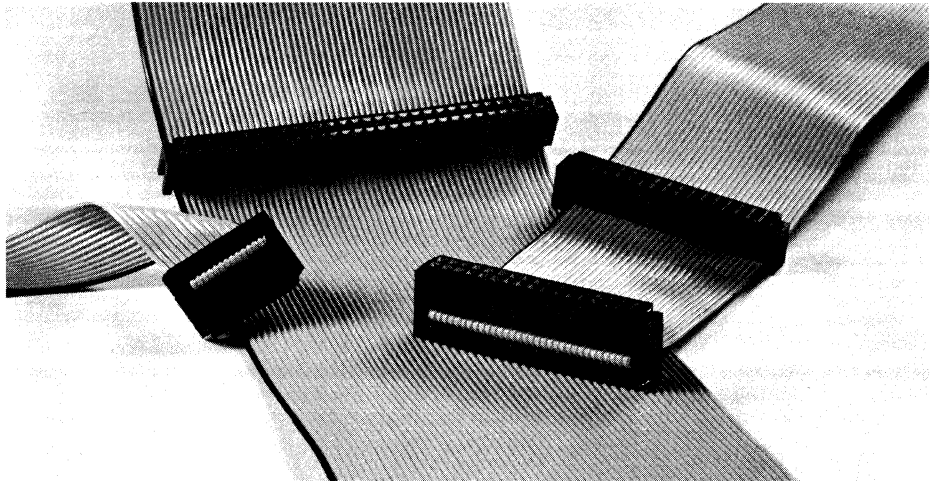
General Features:

Molex cable assemblies can be constructed utilizing the following products:

JF.050''

Features/Dimensions:

- 4700 and 7789 Female IDC
- 6874 or 8173 Edge Card IDC
- 6800 Cable - 28 AWG tinned/stranded
- 8863 Cable - 26 AWG stranded (tinned)
- Mating headers can be shipped with each assembly



Molex, has formed a Special Products Division to produce cable assemblies. These assemblies will be manufactured using Molex JF .050'' products.

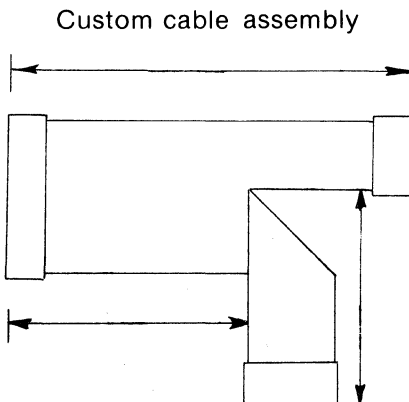
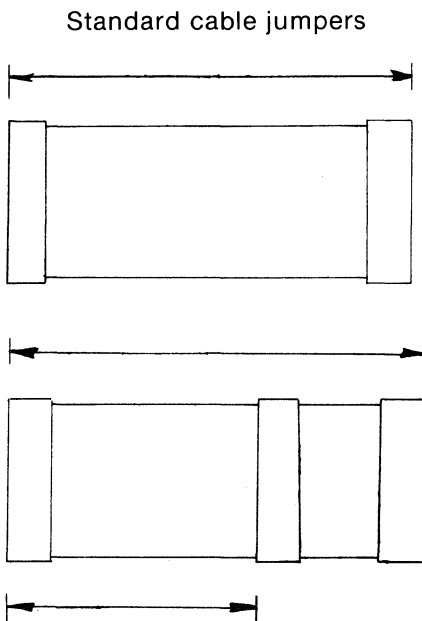
The cable assemblies are classified as standard and custom. Each assembly will be 100% electrically tested (continuity) and shipped ready for customer use. Cable Hi-Pot testing is performed on line in the cable manufacturing process.

Specifications/Dimensions for Standard Assemblies:

Length			Length Increments		Tolerance	
Inches		Millimeters	Inches	Millimeters	Inches	Millimeters
1'' - 12''		25,4 - 304,8	.100''	2,54	± 1/16''	± 1,58
12.1'' - 36''		307,3 - 914,4	.100''	2,54	± 1/8''	± 3,18
36.1'' - 99.9''		916,9 - 2537	.100''	2,54	± 5% T.O.L.*	± 5% T.O.L.*
100'' - 999''		2540 - 25374	1''	25,4	± 10% T.O.L.*	± 10% T.O.L.*

*T.O.L. = Total Overall Length

The length dimensions will be determined from outside of the connector as shown below.



The dimensions and specifications for Molex standard cable assemblies are outlined in the above tables. All other assemblies are considered custom and blueprints and specifications will be needed to process a request for quotation. Your local Molex sales representative is available to assist you with your specific needs.

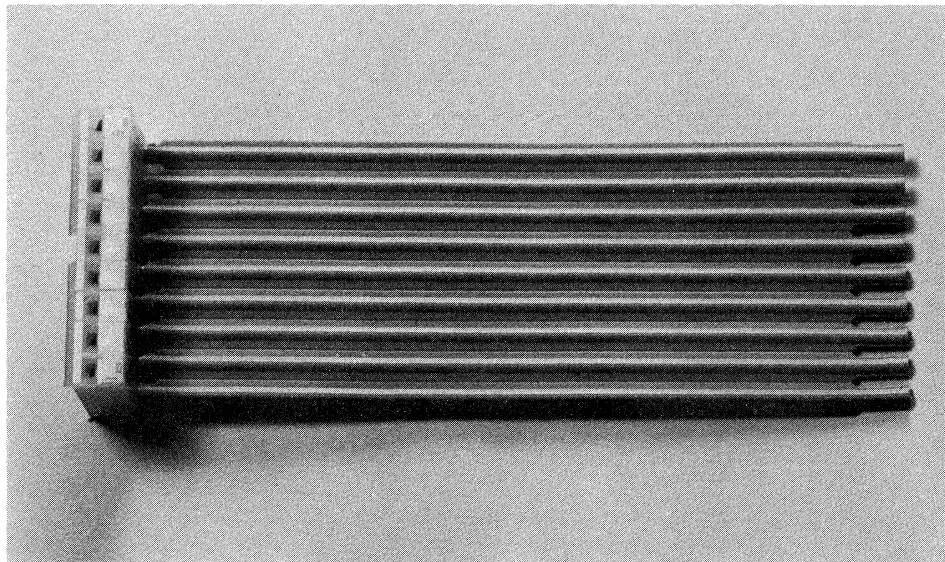
The following cable systems worksheet is provided as an aid to processing a request for quotation on standard cable assemblies. Simply submit the completed form to Molex, Incorporated or your local representative for a quick RFQ reply.

General Features:

Molex cable system assemblies can be constructed utilizing the following products:

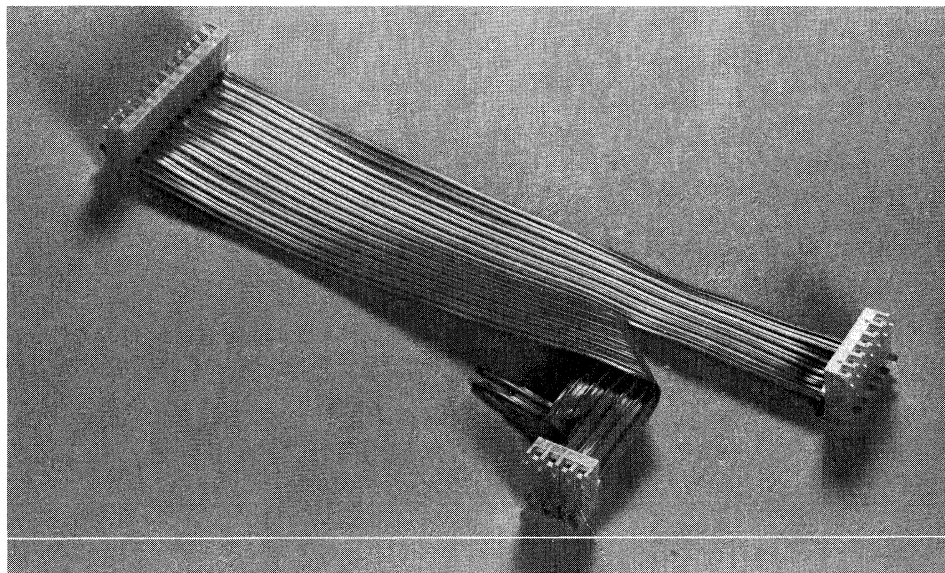
JFKK .156"

- 7674 Trifurcon female connector
- 7675 Non-Trifurcon female connector
- 7213 600V 22 AWG cable
- 7382 300V 22 AWG cable
- 7313 600V 22 AWG cable
- 7517 300V 18 AWG cable
- 7241 Edge Card Connector Single Row
- Mating wafer can be shipped with each assembly



JFKK .100"

- 7720 Female connector
- 7307 300V 28 AWG cable
- 7234 300V 26 AWG cable
- 7560 300V 22 AWG cable
- 8996 300V 26 AWG (Topcoated) cable
- .8997 300V 24 AWG (Topcoated) cable
- Cable jumpers
- Mating wafer can be shipped with each assembly



Molex has formed a Special Products Division to produce cable assemblies. These assemblies will be manufactured using both .100" center and .156" center Molex JFKK products. The cable assemblies are classified as standard and custom. Each assembly will be 100% electrically tested (continuity) and shipped ready for customer use. Cable Hi-Pot testing is performed on line in the cable manufacturing process.

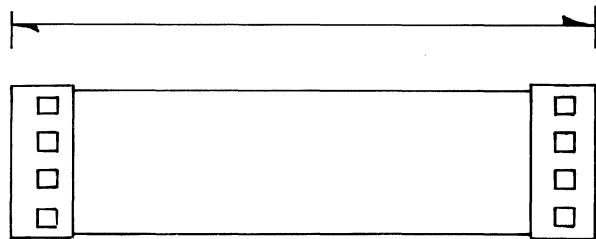
Connector Jumper Assemblies

Specifications/Dimensions for Standard Assemblies:

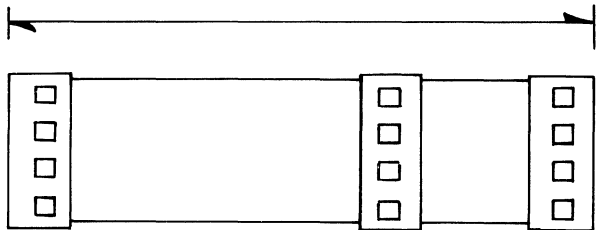
Length		Length Increments		Tolerance	
Inches	Millimeters	Inches	Millimeters	Inches	Millimeters
1" - 12"	25,4 - 304,8	.100"	2,54	± 1/16"	± 1,58
12.1" - 36"	307,3 - 914,4	.100"	2,54	± 1/8"	± 3,18
36.1" - 99.9"	916,9 - 2537	.100"	2,54	± 5% T.O.L.*	± 5% T.O.L.*
100" - 999"	2540 - 25374	1"	25,4	± 10% T.O.L.*	± 10% T.O.L.*

*T.O.L. = Total Overall Length

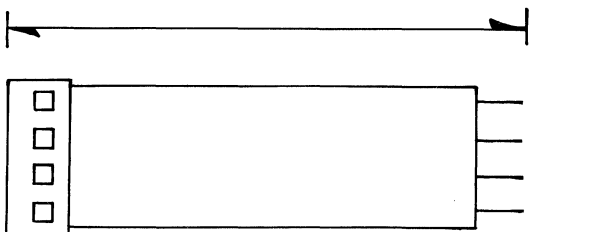
Design Features:



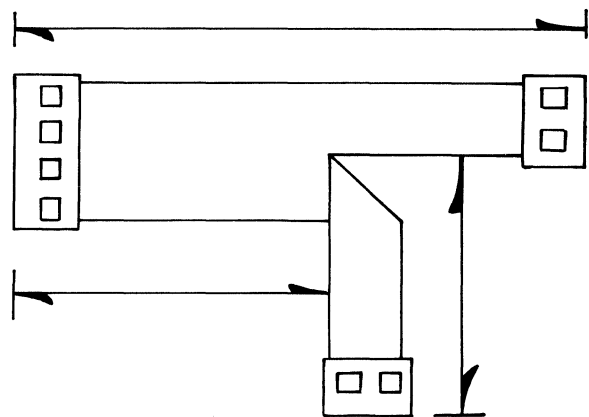
Standard Jumper Assembly



Standard Jumper Assembly



Standard Jumper Assembly

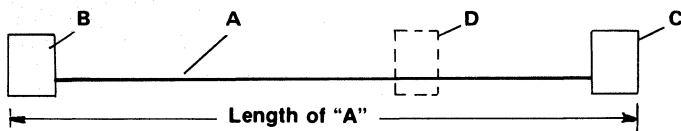


Custom Cable Assembly

NOTE: All dimensions to be from outside of connector to outside of connector.



Cable Systems Worksheet



Date _____

Type of Assembly _____

A. Cable (P/N) _____
 # of conductors _____
 Length _____
 Gauge and type _____

B. Left end of assembly
 Type _____
 P/N _____
 # of circuits _____
 Mating Direction Up _____ Down _____
 Notched _____ Stripped _____

C. Right end of assembly
 Type _____
 P/N _____
 # of circuits _____
 Mating Direction Up _____ Down _____
 Notched _____ Stripped _____

D. Daisy Chain Length of "D" position from "B" for each
daisy chain connector
 Type _____ 1) _____ 4) _____
 P/N _____ 2) _____ 5) _____
 Number of Connectors _____ 3) _____

Headers _____

If headers are required, please note part number for each _____

For custom cable assemblies contact your local Molex Sales Representative

Name _____ Title _____

Company _____

Address _____

Phone _____



.050" (1,27 mm) Products

Introduction Molex *jet-flecs*™

Whether your interconnection requirements are for signal level voltage or if you are having packaging density problems ... Molex's Jet Flecs system offers you a solution.

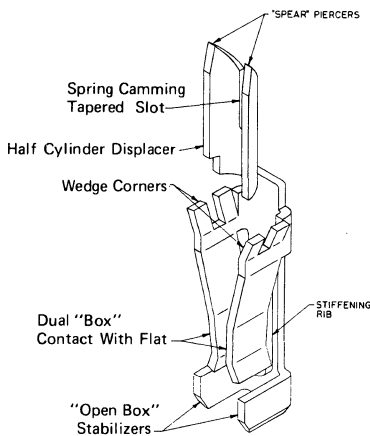
The electric/electronic manufacturer today bases terminal connections on the following requirements:

1. Space saving (density)
2. Flexibility
3. Potential, lower installed cost
4. Reliability
5. Performance
6. Versatility

These goals can be accomplished with the Molex Flat Cable Connector System.

Space saving is the end result when specifying a flat cable on .050" centers with a suitable sized terminal.

The Molex Concept



The proper design of housing, terminal and assembly method provides a flexible system. Any quality manufactured flat cable on .050" centers can be terminated.

Sound concepts of terminal design and assembly techniques for mass termination lowers the installed costs.

An "engineered" terminal, with properly supported cable, results in a performance of (a) low contact resistance values, (b) non-overstressed contacts (dual), (c) suitable insertion/withdrawal forces and (d) the reliability of no shorts or cut strands. All components are tested to mil. standard 202 for shock, vibration, environmental conditions, insulation resistance and dielectric withstanding voltage.

Connectors are available in shielded (blind) or daisy-chain (thru) cable

Molex . . . affordable technology . . . we're with you all the way.

Design calculations for non-overstressed, cantilever contacts, within the space limitations, dictated a thin gauge stock material for the "box" contacts. The same gauge material forms a strong, resilient, half-cylinder pierce displacer at the insulation displacement end of the terminal. The half cylinder and slot are tapered for a spring camming contact against the exposed con-

ductor wire. The spring camming slot, in combination with the "box" contacts with flats, provide a terminal with low contact resistance values and no severed strands of stranded wire conductors.

. . . a totally engineered product.

The Connectors and Cable are only half the system. The big advantage Molex offers to you is the application tooling; the tooling which applies the cable to the connectors. A brief description of each of the various tools is included in this catalog.

Many of these unique application tools are available for demonstration in your manufacturing facility. Or, if you choose, one of the Molex equipment demonstration vans can visit any of your facilities and show the complete array of tooling which is available to help you lower your costs.

ducter wire. The spring camming slot, in combination with the "box" contacts with flats, provide a terminal with low contact resistance values and no severed strands of stranded wire conductors.

. . . a totally engineered product.

Special Molex Features

Reinforced Upper Housing

The unique Molex reinforced upper housings, available as an option for both 4700 and 7789 connectors, virtually eliminates the need of an additional strain relief clip type part. Cost savings can be realized by not having to purchase the extra strain relief part plus eliminating the tedious handling and installation of the additional part. The extreme rigidity of this reinforced upper housing holds

the cable firmly in place even when much higher than normal forces are exerted between the cable and connector in any direction. Variations of this special upper housing, include feed thru (daisy chain), feed to (blind), and a fed thru version for thicker types of cable such as twist and flat.

In the event you insist on a separate strain relief part, instead of the reinforced upper housing, it is available for all Molex connector types.

Upper Housings with Cable Locator Ridges on Both Top and Bottom

This Molex design features insures positive placement of the connector with respect to the cable prior to terminating. As well as maintaining error free connector cable interface, complex fixturing and tedious part handling is minimized. This feature is available in both non-reinforced and reinforced type upper housings.



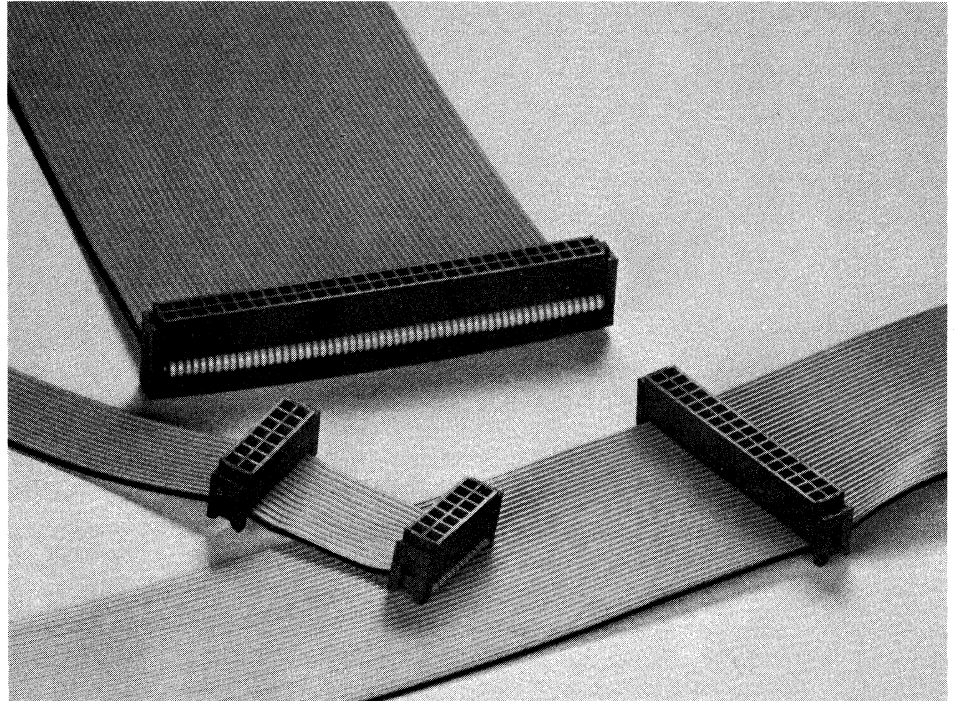
.050" (1,27 mm) Connectors



4700 Series

General Features:

- No insulation stripping or soldering
- Simultaneous (gang) termination technique
- Reduced labor costs
- Terminals accept cable on .050" centers - No. 30 AWG solid, No. 30 AWG, No. 28 AWG and No. 26 AWG.
- Terminate either side of cable - avoids bend in cable
- Consistent electrical characteristics
- High reliability
- Broad line of sizes
- Industry compatible assembly tooling
- UL approved



The new 4700 INSULATION DISPLACEMENT CONNECTOR SYSTEM was designed for mass termination of ribbon cable with conductors on .050" (1.27mm) centers. The simultaneous termination technique displaces the cable insulation, cleans the conductor through wiping force, and terminates the conductor without severing the wire or strands. There is no pre-stripping of the flat cable required. The gas tight contact has dual wiping cantilever beams that provides redundant electrical contact with either a square or round .025" (0.64 mm) pin header in use throughout the electronic industry.

Design Features:

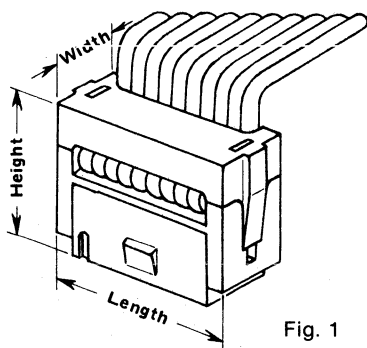


Fig. 1

Overall Assembly (Figure 1)

- Minimum height and length
- Width to provide stackability
- Industry compatibility

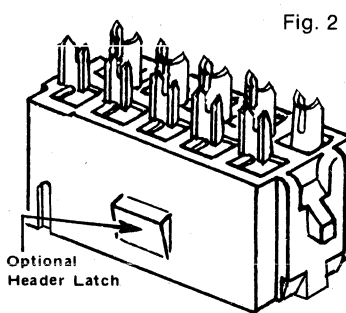


Fig. 2

Housing/Terminals Sub-Assembly (Figure 2)

- Index for error free wiring
- Header latch option

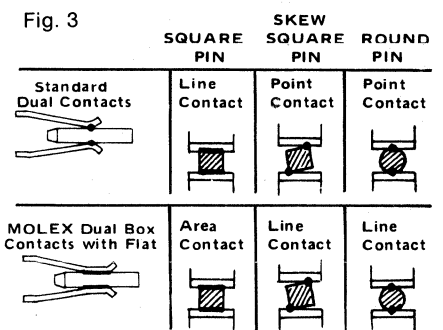


Fig. 3

Terminal (Figure 3)

- Mates with .025" square or round wire pins
- Flat contact provides maximum contact area especially for skewed square pins and round pins
- Dual wiping pin contact
- Minimum size piercer prohibits short to adjacent conductor
- Positive wedge-corner retention



.050" (1,27 mm) Connectors

4700 Series

Design Features:

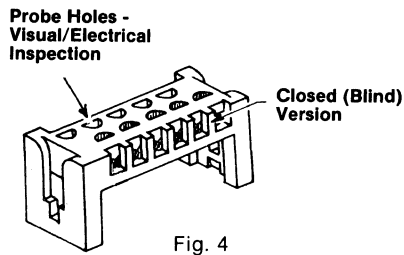
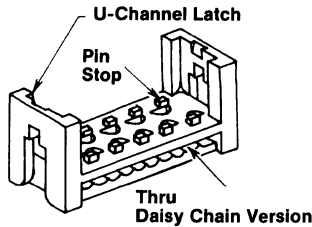
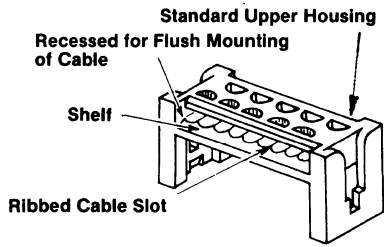


Fig. 4

Standard Upper Housing (Figure 4)

- Accommodates .043 max. insulation thickness
- Full ribbed cable slot for positive alignment
- Recessed shelf for easy cable insertion
- Recessed U-channel provides strong latch to housing
- Optional closed (blind) or thru (daisy chain) cable mounting
- Recess for flush cable bend (stackability)
- Probe holes for visual inspection
- Built-in pin stop

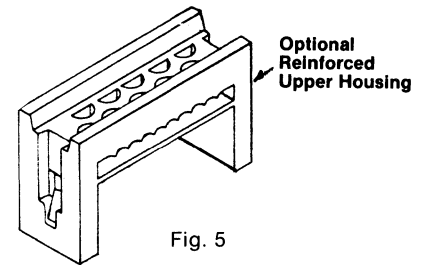


Fig. 5

Reinforced Upper Housing (Figure 5)

- Accommodates either .043 max. (standard) or .053 max. (twist & flat) insulation
- Provides integral strain relief
- Reinforced glass filled polyester with strengthened ribs
- Daisy chain version only

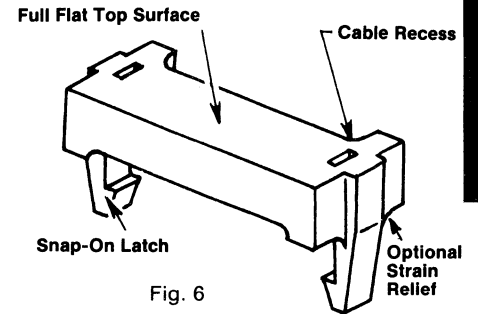


Fig. 6

Strain Relief (Figure 6)

- Snap-on, recessed latch
- Cable recess for stackability
- Full top surface for customer location identification

Specifications:

Product Description

I.D. - Flat Cable/.025" Square-Round Pin Connector

Housing

Rated - 94V-O Polyester

Color - Black

Nomenclature - Index Mark on Housing

Terminal

Type - Insulation Displacement/Dual (Box) Contact

Material - Phosphor Bronze

Plating - .000030" (.00076mm) Gold over .000050" (.00127mm) min. or .0002/.0004" (.0050/.0101mm) Tin

Wire Accommodation:

- No.26 AWG Stranded Conductor
- No.28 AWG Stranded Conductor
- No. 30 AWG Solid and Stranded Conductor

Connection - .025" Square or Diameter Round Pins on .100" x .100" Grid
Check Molex for availability of other plating types.

Electrical:

Current Rating - 1 (one) ampere (continuous)

Net Terminal Resistance:

No. 26 AWG Stranded Conductor	- 2.7 milliohms
No. 28 AWG Stranded Conductor	- 2.7 to 2.9 milliohms
No. 30 AWG Stranded & Solid Conductor	- 3.6 milliohms

Withstanding Voltage

Breakdown Voltage - greater than 1000 volts RMS

Insulation Resistance - greater than 10¹² Ohms

Mechanical:

TERMINAL INSERTION/WITHDRAWAL FORCES —

Initial Engagement Force is 5 ozs. per circuit (average)

Initial Withdrawal Force is 3.7 ozs. per circuit (average)

After 100 Cycles - Minimum Withdrawal Force is 3.0 ozs. per circuit (average)

Environmental:

Vibration - per Mil Std. 202, Method 204, Cond. A

Shock - per Mil. Std. 202, Method 213B, Cond. A

Humidity - per Mil. Std. 202, Method 103, Cond. A

Salt Spray - per Mil. Std. 202, Method 101, Cond. A

Current Cycling - 50 Cycles at 125% Current, 30 minutes on, 15 minutes off per cycle

Corrosive Atmosphere - Nitric Acid Vapor - 1 hr @ amb.

Thermal - Operating Temperature Range. -40°C to +120°C

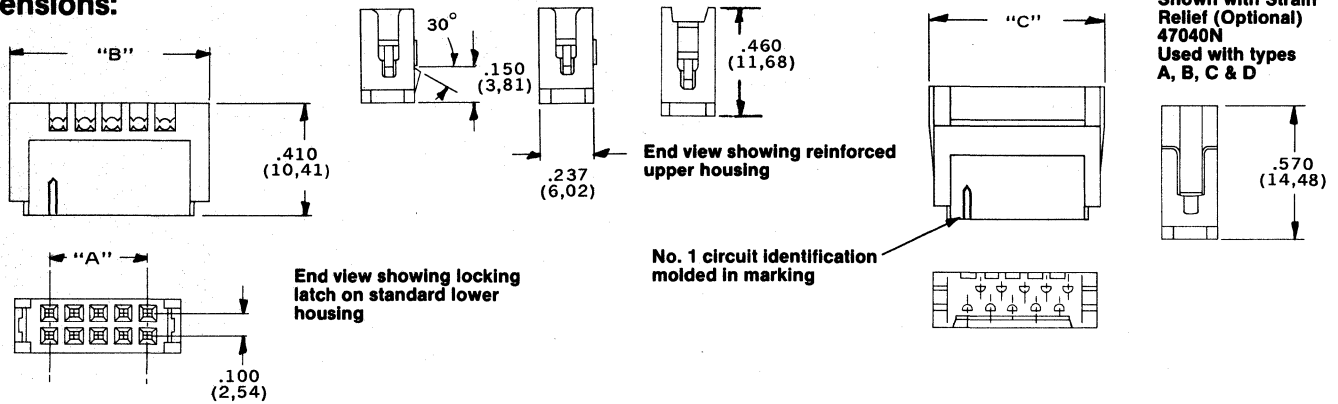
Heat Life - 300 hrs @ 105° C

.050" (1,27 mm) Connectors



4700 Series Dimensional Information

Dimensions:



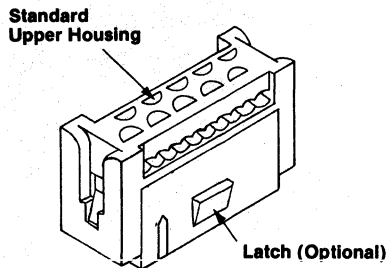
Shown with Strain Relief (Optional)
47040N
Used with types
A, B, C & D

Dimensional Information

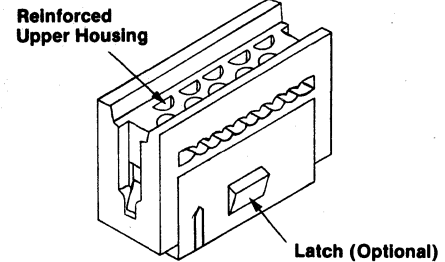
Circuits	"A"	"B"	"C" Optional Strain Relief
10	.400 ± .010 (10,16 ± 0,25)	.673 ± .010 (17,09 ± 0,25)	.713 ± .010 (18,11 ± 0,25)
14	.600 ± .010 (15,24 ± 0,25)	.873 ± .010 (22,17 ± 0,25)	.913 ± .010 (23,19 ± 0,25)
16	.700 ± .010 (17,78 ± 0,25)	.973 ± .010 (24,71 ± 0,25)	1.013 ± .010 (25,73 ± 0,25)
20	.900 ± .010 (22,86 ± 0,25)	1.173 ± .010 (29,79 ± 0,25)	1.213 ± .010 (30,81 ± 0,25)
26	1.200 ± .010 (30,48 ± 0,25)	1.473 ± .010 (37,41 ± 0,25)	1.513 ± .010 (38,43 ± 0,25)

Circuits	"A"	"B"	"C" Optional Strain Relief
34	1.600 ± .010 (40,64 ± 0,25)	1.873 ± .010 (47,57 ± 0,25)	1.913 ± .010 (48,59 ± 0,25)
40	1.900 ± .010 (48,26 ± 0,25)	2.173 ± .010 (55,19 ± 0,25)	2.213 ± .010 (56,21 ± 0,25)
50	2.400 ± .010 (60,96 ± 0,25)	2.673 ± .010 (67,89 ± 0,25)	2.713 ± .010 (68,91 ± 0,25)
60	2.900 ± .010 (73,66 ± 0,25)	3.173 ± .010 (80,59 ± 0,25)	3.213 ± .010 (81,61 ± 0,25)
64	3.100 ± .010 (78,74 ± 0,25)	3.373 ± .010 (85,67 ± 0,25)	3.413 ± .010 (86,69 ± 0,25)

Standard Housing



Reinforced Housing



Type A

- Without Locking Latch
- Blind Feed

Cir. Size	Order No.	
	Tin Plated Terminals	Gold Plated Terminals
10	15-25-6101	15-25-5101
14	15-25-6141	15-25-5141
16	15-25-6161	15-25-5161
20	15-25-6201	15-25-5201
26	15-25-6261	15-25-5261
34	15-25-6341	15-25-5341
40	15-25-6401	15-25-5401
50	15-25-6501	15-25-5501
60	15-25-6601	15-25-5601
64	15-25-6641	15-25-5641

Type G

- Without Locking Latch
- Thru Feed (Daisy Chain)

Cir. Size	Order No.	
	Tin Plated Terminals	Gold Plated Terminals
10	15-25-6105	15-25-4104
14	15-25-6145	15-25-4144
16	15-25-6165	15-25-4164
20	15-25-6205	15-25-4204
26	15-25-6265	15-25-4264
34	15-25-6345	15-25-4344
40	15-25-6405	15-25-4404
50	15-25-6505	15-25-4504
60	15-25-6605	15-25-4604
64	15-25-6645	15-25-4644

Type B

- With Locking Latch
- Blind Feed

Cir. Size	Order No.	
	Tin Plated Terminals	Gold Plated Terminals
10	15-25-6102	15-25-5102
14	15-25-6142	15-25-5142
16	15-25-6162	15-25-5162
20	15-25-6202	15-25-5202
26	15-25-6262	15-25-5262
34	15-25-6342	15-25-5342
40	15-25-6402	15-25-5402
50	15-25-6502	15-25-5502
60	15-25-6602	15-25-5602
64	15-25-6642	15-25-5642

Type H

- With Locking Latch
- Thru Feed (Daisy Chain)

Cir. Size	Order No.	
	Tin Plated Terminals	Gold Plated Terminals
10	15-25-6100	15-25-4105
14	15-25-6140	15-25-4145
16	15-25-6160	15-25-4165
20	15-25-6200	15-25-4205
26	15-25-6260	15-25-4265
34	15-25-6340	15-25-4345
40	15-25-6400	15-25-4405
50	15-25-6500	15-25-4505
60	15-25-6600	15-25-4605
64	15-25-6640	15-25-4645



.050 (1,27 mm) Connectors

4700 Series Ordering Information

Standard Housing

Type C

- Without Locking Latch
- Thru Feed (Daisy Chain)

Cir. Size	Order No.	
	Tin Plated Terminals	Gold Plated Terminals
10	15-25-6103	15-25-5103
14	15-25-6143	15-25-5143
16	15-25-6163	15-25-5163
20	15-25-6203	15-25-5203
26	15-25-6263	15-25-5263
34	15-25-6343	15-25-5343
40	15-25-6403	15-25-5403
50	15-25-6503	15-25-5503
60	15-25-6603	15-25-5603
64	15-25-6643	15-25-5643

Type D

- With Locking Latch
- Thru Feed (Daisy Chain)

Cir. Size	Order No.	
	Tin Plated Terminals	Gold Plated Terminals
10	15-25-6104	15-25-5104
14	15-25-6144	15-25-5144
16	15-25-6164	15-25-5164
20	15-25-6204	15-25-5204
26	15-25-6264	15-25-5264
34	15-25-6344	15-25-5344
40	15-25-6404	15-25-5404
50	15-25-6504	15-25-5504
60	15-25-6604	15-25-5604
64	15-25-6644	15-25-5644

Strain Relief Optional for Non-Reinforced Upper Housing Versions Only of Both 4700 and 7789 Connectors

Ordering Information

Strain Relief Clip (Optional)					
Cir. Size	Order No.	Cir. Size	Order No.	Cir. Size	Order No.
10	15-05-6101	26	15-05-6261	60	15-05-6601
14	15-05-6141	34	15-05-6341	64	15-05-6641
16	15-05-6161	40	15-05-6401		
20	15-05-6201	50	15-05-6501		

Reinforced Housing

Type J

- Without Locking Latch
- Thru Feed (Daisy Chain)
- For Twist and Flat Type Cable

Cir. Size	Order No.	
	Tin Plated Terminals	Gold Plated Terminals
10	15-25-6108	15-25-4106
14	15-25-6148	15-25-4146
16	15-25-6168	15-25-4166
20	15-25-6208	15-25-4206
26	15-25-6268	15-25-4266
34	15-25-6348	15-25-4346
40	15-25-6408	15-25-4406
50	15-25-6508	15-25-4506
60	15-25-6608	15-25-4606
64	15-25-6648	15-25-4646

Type K

- With Locking Latch
- Thru Feed (Daisy Chain)
- For Twist and Flat Type Cable

Cir. Size	Order No.	
	Tin Plated Terminals	Gold Plated Terminals
10	15-25-6109	15-25-4107
14	15-25-6149	15-25-4147
16	15-25-6169	15-25-4167
20	15-25-6209	15-25-4207
26	15-25-6269	15-25-4267
34	15-25-6349	15-25-4347
40	15-25-6409	15-25-4407
50	15-25-6509	15-25-4507
60	15-25-6609	15-25-4607
64	15-25-6649	15-25-4647

Type S

- Without Locking Latch
- Blind Feed

Cir. Size	Order No.	
	Tin Plated Terminals	Gold Plated Terminals
10	15-25-8108	15-35-8108
14	15-25-8148	15-35-8148
16	15-25-8168	15-35-8168
20	15-25-8208	15-35-8208
26	15-25-8268	15-35-8268
34	15-25-8348	15-35-8348
40	15-25-8408	15-35-8408
50	15-25-8508	15-35-8508
60	15-25-8608	15-35-8608
64	15-25-8648	15-35-8648

Type T

- With Locking Latch
- Blind Feed

Cir. Size	Order No.	
	Tin Plated Terminals	Gold Plated Terminals
10	15-25-8109	15-35-8109
14	15-25-8149	15-35-8149
16	15-25-8169	15-35-8169
20	15-25-8209	15-35-8209
26	15-25-8269	15-35-8269
34	15-25-8349	15-35-8349
40	15-25-8409	15-35-8409
50	15-25-8509	15-35-8509
60	15-25-8609	15-35-8609
64	15-25-8649	15-35-8649

Note: Types J and K are to be used with the thicker types of cable such as the twist and flat type.

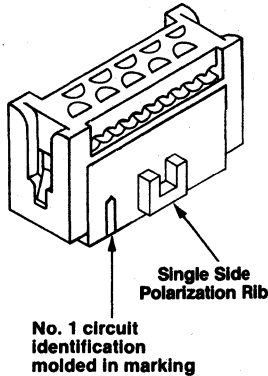
.050" (1,27 mm) Connectors



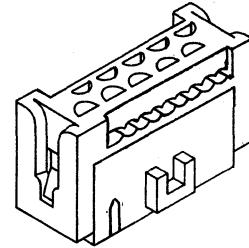
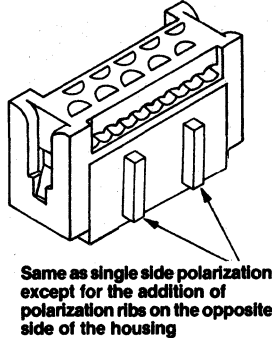
7789 Fully Polarized Connector

Same features and specifications as the 4700 but with the addition of full polarization.

Single Side Polarization



Double Side Polarization



Features/Dimensions:

- Positive polarization to fully shrouded headers
- Positive polarization to right angle 3-sided shrouded headers when mounted flush to the PC Board
- Positive polarization to 3-sided shrouded headers
- Ribs are positioned to prevent single row mating in correct or 180° reversed position
- Polarizing RB projection: .040" (1,02mm)

The 7789 series accepts all of Molex's upper housings including blind fee, thru feed and reinforced styles.

Single Side Polarization

Type A

- Blind Feed
- Std. Upper Housing

Cir. Size	Order No.	
	Tin Plated Terminals	Gold Plated Terminals
10	15-25-2101	15-27-2101
14	15-25-2141	15-27-2141
16	15-25-2161	15-27-2161
20	15-25-2201	15-27-2201
26	15-25-2261	15-27-2261
34	15-25-2341	15-27-2341
40	15-25-2401	15-27-2401
50	15-25-2501	15-27-2501
60	15-25-2601	15-27-2601
64	15-25-2641	15-27-2641

Type B

- Thru Feed (Daisy Chain)
- Std. Upper Housing

Cir. Size	Order No.	
	Tin Plated Terminals	Gold Plated Terminals
10	15-25-2102	15-27-2102
14	15-25-2142	15-27-2142
16	15-25-2162	15-27-2162
20	15-25-2202	15-27-2202
26	15-25-2262	15-27-2262
34	15-25-2342	15-27-2342
40	15-25-2402	15-27-2402
50	15-25-2502	15-27-2502
60	15-25-2602	15-27-2602
64	15-25-2642	15-27-2642

Double Side Polarization

Type E

- Blind Feed
- Std. Upper Housing

Cir. Size	Order No.	
	Tin Plated Terminals	Gold Plated Terminals
10	15-25-2105	15-27-2105
14	15-25-2145	15-27-2145
16	15-25-2165	15-27-2165
20	15-25-2205	15-27-2205
26	15-25-2265	15-27-2265
34	15-25-2345	15-27-2345
40	15-25-2405	15-27-2405
50	15-25-2505	15-27-2505
60	15-25-2605	15-27-2605
64	15-25-2645	15-27-2645

Type F

- Thru Feed (Daisy Chain)
- Std. Upper Housing

Cir. Size	Order No.	
	Tin Plated Terminals	Gold Plated Terminals
10	15-25-2106	15-27-2106
14	15-25-2146	15-27-2146
16	15-25-2166	15-27-2166
20	15-25-2206	15-27-2206
26	15-25-2266	15-27-2266
34	15-25-2346	15-27-2346
40	15-25-2406	15-27-2406
50	15-25-2506	15-27-2506
60	15-25-2606	15-27-2606
64	15-25-2646	15-27-2646



.050" (1,27 mm) Connectors

Single Side Polarization

Type C

- Thru Feed Daisy Chain
- Reinforced Upper Housing

Order No.		
Cir. Size	Tin Plated Terminals	Gold Plated Terminals
10	15-25-2103	15-27-2103
14	15-25-2143	15-27-2143
16	15-25-2163	15-27-2163
20	15-25-2203	15-27-2203
26	15-25-2263	15-27-2263
34	15-25-2343	15-27-2343
40	15-25-2403	15-27-2403
50	15-25-2503	15-27-2503
60	15-25-2603	15-27-2603
64	15-25-2643	15-27-2643

Type D

- Thru Feed (Daisy Chain)
- For Twist and Flat Type Cable
- Reinforced Upper Housing

Order No.		
Cir. Size	Tin Plated Terminals	Gold Plated Terminals
10	15-25-2104	15-27-2104
14	15-25-2144	15-27-2144
16	15-25-2164	15-27-2164
20	15-25-2204	15-27-2204
26	15-25-2264	15-27-2264
34	15-25-2344	15-27-2344
40	15-25-2404	15-27-2404
50	15-25-2504	15-27-2504
60	15-25-2604	15-27-2604
64	15-25-2644	15-27-2644

Type J

- Blind Feed
- Reinforced Upper Housing

Order No.		
Cir. Size	Tin Plated Terminals	Gold Plated Terminals
10	15-25-2109	15-27-2109
14	15-25-2149	15-27-2149
16	15-25-2169	15-27-2169
20	15-25-2209	15-27-2209
26	15-25-2269	15-27-2269
34	15-25-2349	15-27-2349
40	15-25-2409	15-27-2409
50	15-25-2509	15-27-2509
60	15-25-2609	15-27-2609
64	15-25-2649	15-27-2649

Double Side Polarization

Type G

- Thru Feed (Daisy Chain)
- Reinforced Upper Housing

Order No.		
Cir. Size	Tin Plated Terminals	Gold Plated Terminals
10	15-25-2107	15-27-2107
14	15-25-2147	15-27-2147
16	15-25-2167	15-27-2167
20	15-25-2207	15-27-2207
26	15-25-2267	15-27-2267
34	15-25-2347	15-27-2347
40	15-25-2407	15-27-2407
50	15-25-2507	15-27-2507
60	15-25-2607	15-27-2607
64	15-25-2647	15-27-2647

Type H

- Thru Feed (Daisy Chain)
- For Twist and Flat Type Cable
- Reinforced Upper Housing

Order No.		
Cir. Size	Tin Plated Terminals	Gold Plated Terminals
10	15-25-2108	15-27-2108
14	15-25-2148	15-27-2148
16	15-25-2168	15-27-2168
20	15-25-2208	15-27-2208
26	15-25-2268	15-27-2268
34	15-25-2348	15-27-2348
40	15-25-2408	15-27-2408
50	15-25-2508	15-27-2508
60	15-25-2608	15-27-2608
64	15-25-2648	15-27-2648

Type K

- Blind Feed
- Reinforced Upper Housing

Order No.		
Cir. Size	Tin Plated Terminals	Gold Plated Terminals
10	15-25-2100	15-27-2100
14	15-25-2140	15-27-2140
16	15-25-2160	15-27-2160
20	15-25-2200	15-27-2200
26	15-25-2260	15-27-2260
34	15-25-2340	15-27-2340
40	15-25-2400	15-27-2400
50	15-25-2500	15-27-2500
60	15-25-2600	15-27-2600
64	15-25-2640	15-27-2640

Strain Relief Optional for Non-Reinforced Upper Housing Versions Only of Both 4700 and 7789 Connectors

Ordering Information

Strain Relief Clip (Optional)					
Cir. Size	Order No.	Cir. Size	Order No.	Cir. Size	Order No.
10	15-05-6101	26	15-05-6261	60	15-05-6601
14	15-05-6141	34	15-05-6341	64	15-05-6641
16	15-05-6161	40	15-05-6401		
20	15-05-6201	50	15-05-6501		

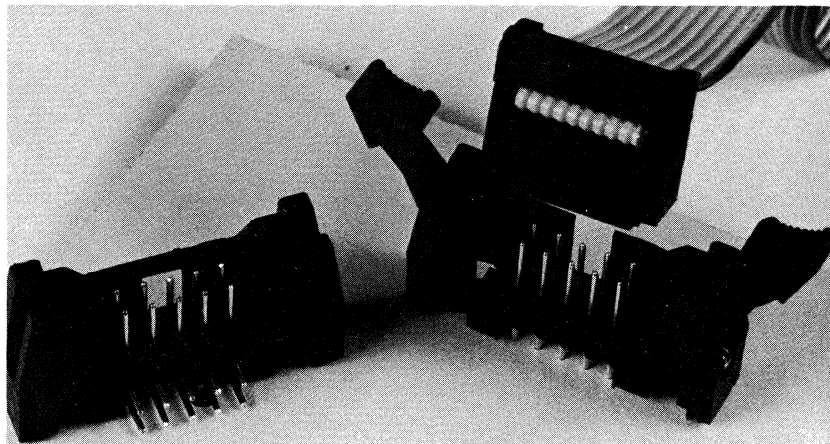
Note: Types J and K are to be used with the thicker types of cable such as the twist and flat type.

Dual Row .100" (2,54 mm) Headers

7401 Series Straight and Right Angle Shrouded Headers

General Features:

- .025" round (.63 mm) round nose tip pins
- Various pin length
- Circuit sizes 10 to 64
- Latch eject levers
- Latching window
- Industry compatibility
- UL approved



Molex's straight and right angle shrouded wafer assemblies are form fit and function interchangeable with the industry standard connectors.

This shrouded wafer series is available with latching window for mating with latching ramp on 4700 connectors or slot version to be used with the latch/eject lever option. The slotted version only will mate with the 7789 polarized connector series.

The black housing is made of glass filled polyester and an indexing mark is provided on the housing to define the first terminal.

The .025" round copper alloy pins are available in various lengths for use with .062" and .093"/.125" printed circuit board thicknesses. The nose tip is a rounded bullet shape for easy mating with the connector and insertion to the PC board for wave soldering.

Specifications:

Physical:

<i>Insulator material</i>	94 V-0 polyester 15% glass filled
<i>Color</i>	Black
<i>Pin material</i>	Brass
<i>Pin plating</i>	.000030 gold over .000050 nickel or tin plate

Electrical:

Current rating - 1 ampere (D.C.)

Dielectric strength - Withstand voltage greater than 500V

Insulation resistance - Greater than 5×10^6 Ohms

Thermal:

Operating Temperature — -40° to +120°C

Design Note:

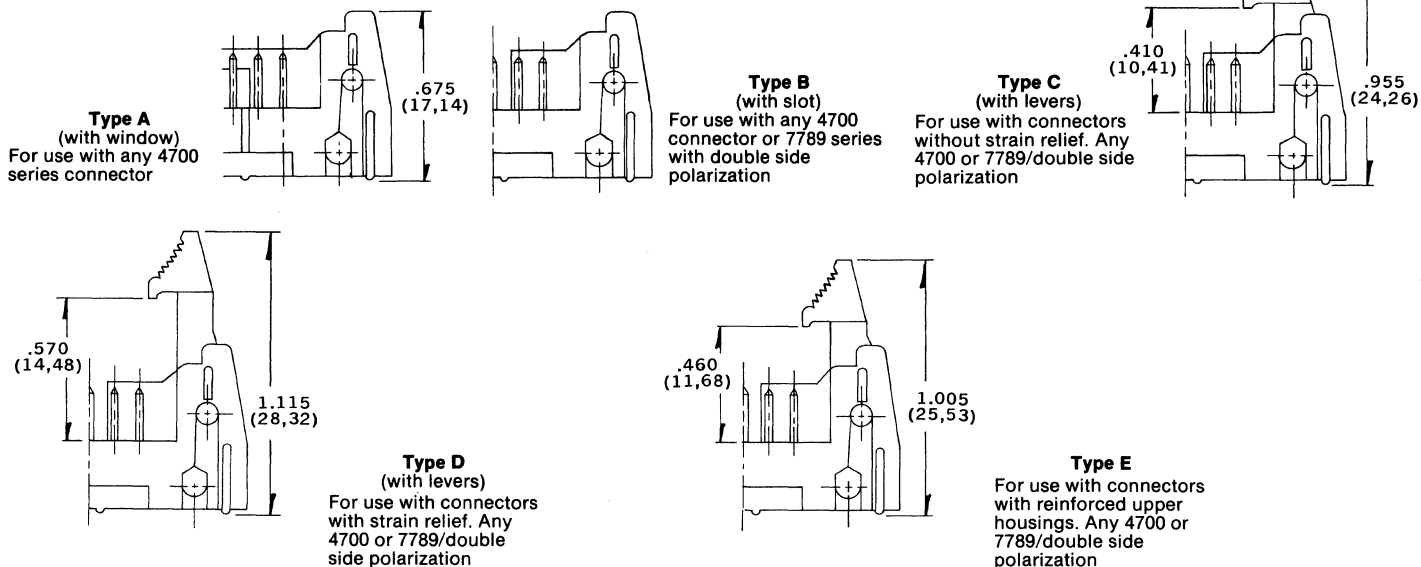
The Molex 7401 Series Header System is available in several variations and 2 styles (straight & right angle). All types and styles are meant to be flow-soldered directly to the printed circuit board without additional mechanical fastening. If mechanical fastening is necessary, a feature has been provided to use #2-56 filister head screws for either straight or right angle mounting.

However, if mechanical mounting is necessary for the straight pin style header (7402 & 7403) the appropriate latch/eject lever for the desired header type must be ordered separately. The latch/eject levers must be post-assembled after the mechanical fastening has been performed.

molex® Dual Row 100" (2,54 mm) Headers

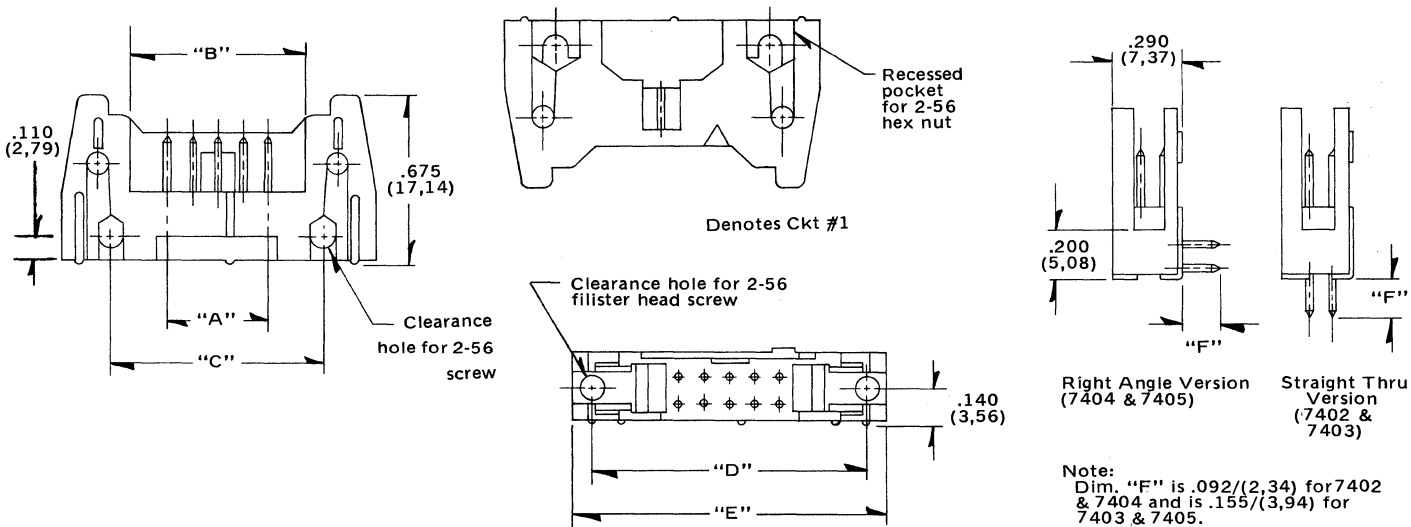
7401 Series

Straight and Right Angle Shrouded Headers



Dimensions:

*See Page for ordering information on Latch/Eject Levers



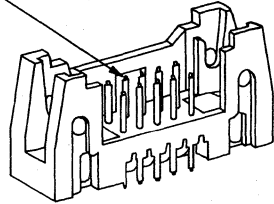
Dimensional Information

inches
mm

No. of Circuits	"A"	"B"	"C"	"D"	"E"
10	.400 ± .007 (10,16 ± 0,18)	.710 ± .008 (18,03 ± 0,20)	.860 ± .008 (21,84 ± 0,20)	1.100 ± .009 (27,94 ± 0,23)	1.260 ± .009 (32,00 ± 0,23)
14	.600 ± .008 (15,24 ± 0,20)	.910 ± .009 (23,11 ± 0,23)	1.060 ± .009 (26,92 ± 0,23)	1.300 ± .009 (33,02 ± 0,23)	1.460 ± .009 (37,08 ± 0,23)
16	.700 ± .008 (17,78 ± 0,20)	1.010 ± .009 (25,65 ± 0,23)	1.160 ± .009 (29,46 ± 0,23)	1.400 ± .009 (35,56 ± 0,23)	1.560 ± .010 (39,62 ± 0,25)
20	.900 ± .009 (22,86 ± 0,23)	1.210 ± .009 (30,73 ± 0,23)	1.360 ± .009 (34,54 ± 0,23)	1.600 ± .010 (40,64 ± 0,25)	1.760 ± .010 (44,70 ± 0,25)
26	1.200 ± .009 (30,48 ± 0,23)	1.510 ± .010 (38,35 ± 0,25)	1.660 ± .010 (41,26 ± 0,25)	1.900 ± .011 (48,26 ± 0,28)	2.060 ± .011 (53,32 ± 0,28)
34	1.600 ± .010 (48,26 ± 0,28)	1.910 ± .011 (56,13 ± 0,30)	2.060 ± .011 (59,94 ± 0,30)	2.300 ± .012 (66,04 ± 0,30)	2.460 ± .012 (70,10 ± 0,30)
40	1.900 ± .011 (48,76 ± 0,28)	2.210 ± .012 (56,13 ± 0,30)	2.360 ± .012 (59,94 ± 0,30)	2.600 ± .012 (66,04 ± 0,30)	2.760 ± .012 (70,10 ± 0,30)
50	2.400 ± .012 (60,96 ± 0,30)	2.710 ± .012 (68,83 ± 0,30)	2.860 ± .012 (72,64 ± 0,30)	3.100 ± .014 (78,74 ± 0,36)	3.260 ± .014 (82,80 ± 0,36)
60	2.900 ± .012 (73,66 ± 0,30)	3.210 ± .014 (81,53 ± 0,36)	3.360 ± .014 (85,34 ± 0,36)	3.600 ± .014 (91,44 ± 0,36)	3.760 ± .014 (95,50 ± 0,36)
64	3.100 ± .013 (78,74 ± 0,33)	3.410 ± .014 (86,61 ± 0,36)	3.560 ± .015 (90,42 ± 0,38)	3.800 ± .015 (96,52 ± 0,38)	3.960 ± .015 (100,68 ± 0,38)

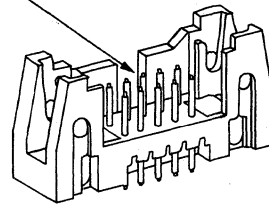
7402 and 7403 Series Ordering Information

Latching Window

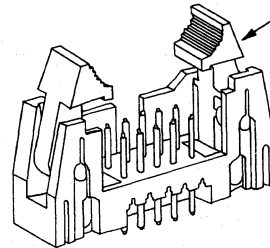


Latch/eject levers not available for latching window versions

Slot



Latch/eject levers for slotted versions only



7402

For .062" (1,57mm) P.C. Board

7403

For .093" (2,36mm) and .125" (3,17mm) P.C. Board

Order No.		
Cir. Size	Gold Plated Pins	Tin Plated Pins
10	10-56-3101	10-52-3101
14	10-56-3141	10-52-3141
16	10-56-3161	10-52-3161
20	10-56-3201	10-52-3201
26	10-56-3261	10-52-3261
34	10-56-3341	10-52-3341
40	10-56-3401	10-52-3401
50	10-56-3501	10-52-3501
60	10-56-3601	10-52-3601
64	10-56-3641	10-52-3641

Type A

- With Latching Window
- For use with 4700 connector series only

Order No.		
Cir. Size	Gold Plated Pins	Tin Plated Pins
10	10-56-4101	10-52-4101
14	10-56-4141	10-52-4141
16	10-56-4161	10-52-4161
20	10-56-4201	10-52-4201
26	10-56-4261	10-52-4261
34	10-56-4341	10-52-4341
40	10-56-4401	10-52-4401
50	10-56-4501	10-52-4501
60	10-56-4601	10-52-4601
64	10-56-4641	10-52-4641

Order No.		
Cir. Size	Gold Plated Pins	Tin Plated Pins
10	10-56-3102	10-52-3102
14	10-56-3142	10-52-3142
16	10-56-3162	10-52-3162
20	10-56-3202	10-52-3202
26	10-56-3262	10-52-3262
34	10-56-3342	10-52-3342
40	10-56-3402	10-52-3402
50	10-56-3502	10-52-3502
60	10-56-3602	10-52-3602
64	10-56-3642	10-52-3642

Type B

- With Slot
- To mate with 4700 (non polarized) or 7789 with double side polarization

Order No.		
Cir. Size	Gold Plated Pins	Tin Plated Pins
10	10-56-4102	10-52-4102
14	10-56-4142	10-52-4142
16	10-56-4162	10-52-4162
20	10-56-4202	10-52-4202
26	10-56-4262	10-52-4262
34	10-56-4342	10-52-4342
40	10-56-4402	10-52-4402
50	10-56-4502	10-52-4502
60	10-56-4602	10-52-4602
64	10-56-4642	10-52-4642



Ordering Information

7402

For .062" (1,57mm) P.C. Board

7403

For .093" (2,36 mm) and .125" (3,17mm) P.C. Board

Order No.		
Cir. Size	Gold Plated Pins	Tin Plated Pins
10	10-56-3103	10-52-3103
14	10-56-3143	10-52-3143
16	10-56-3163	10-52-3163
20	10-56-3203	10-52-3203
26	10-56-3263	10-52-3263
34	10-56-3343	10-52-3343
40	10-56-3403	10-52-3403
50	10-56-3503	10-52-3503
60	10-56-3603	10-52-3603
64	10-56-3643	10-52-3643

Type C

- With Slot
- With Latch/Eject Levers
- To mate with 4700 (non polarized) or 7789 with double side polarization
- Only mate with connectors without strain relief

Order No.		
Cir. Size	Gold Plated Pins	Tin Plated Pins
10	10-56-4103	10-52-4103
14	10-56-4143	10-52-4143
16	10-56-4163	10-52-4163
20	10-56-4203	10-52-4203
26	10-56-4263	10-52-4263
34	10-56-4343	10-52-4343
40	10-56-4403	10-52-4403
50	10-56-4503	10-52-4503
60	10-56-4603	10-52-4603
64	10-56-4643	10-52-4643

Order No.		
Cir. Size	Gold Plated Pins	Tin Plated Pins
10	10-56-3104	10-52-3104
14	10-56-3144	10-52-3144
16	10-56-3164	10-52-3164
20	10-56-3204	10-52-3204
26	10-56-3264	10-52-3264
34	10-56-3344	10-52-3344
40	10-56-3404	10-52-3404
50	10-56-3504	10-52-3504
60	10-56-3604	10-52-3604
64	10-56-3644	10-52-3644

Type D

- Same as Type "C" but only mates with connectors with strain relief

Order No.		
Cir. Size	Gold Plated Pins	Tin Plated Pins
10	10-56-4104	10-52-4104
14	10-56-4144	10-52-4144
16	10-56-4164	10-52-4164
20	10-56-4204	10-52-4204
26	10-56-4264	10-52-4264
34	10-56-4344	10-52-4344
40	10-56-4404	10-52-4404
50	10-56-4504	10-52-4504
60	10-56-4604	10-52-4604
64	10-56-4644	10-52-4644

Order No.		
Cir. Size	Gold Plated Pins	Tin Plated Pins
10	10-56-3105	10-52-3105
14	10-56-3145	10-52-3145
16	10-56-3165	10-52-3165
20	10-56-3205	10-52-3205
26	10-56-3265	10-52-3265
34	10-56-3345	10-52-3345
40	10-56-3405	10-52-3405
50	10-56-3505	10-52-3505
60	10-56-3605	10-52-3605
64	10-56-3645	10-52-3645

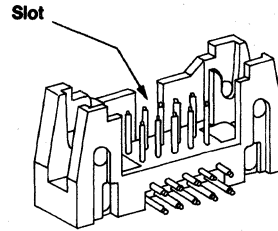
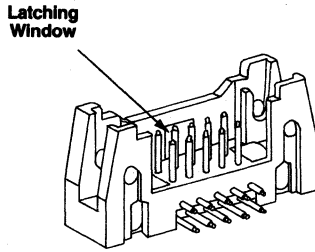
Type E

- Same as Type "C" but only mates with connectors with reinforced upper housing

Order No.		
Cir. Size	Gold Plated Pins	Tin Plated Pins
10	10-56-4105	10-52-4105
14	10-56-4145	10-52-4145
16	10-56-4165	10-52-4165
20	10-56-4205	10-52-4205
26	10-56-4265	10-52-4265
34	10-56-4345	10-52-4345
40	10-56-4405	10-52-4405
50	10-56-4505	10-52-4505
60	10-56-4605	10-52-4605
64	10-56-4645	10-52-4645

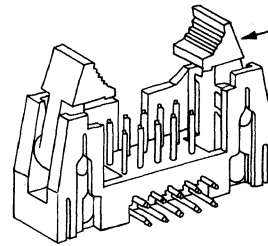


7404 and 7405 Series



Latch/Eject Levers Not Available for Latching Window Versions

Latch/Eject Levers for Slotted Versions Only



7404
For .062" (1,57mm) P.C. Boards

7405
For .093" (2,36mm) and .125" (3,17mm) P.C. Boards

Order No.		
Cir. Size	Gold Plated Pins	Tin Plated Pins
10	10-55-3101	10-33-2101
14	10-55-3141	10-33-2141
16	10-55-3161	10-33-2161
20	10-55-3201	10-33-2201
26	10-55-3261	10-33-2261
34	10-55-3341	10-33-2341
40	10-55-3401	10-33-2401
50	10-55-3501	10-33-2501
60	10-55-3601	10-33-2601
64	10-55-3641	10-33-2641

Type A

- With Latching Window
- For use with 4700 connector series only

Order No.		
Cir. Size	Gold Plated Pins	Tin Plated Pins
10	10-55-4101	10-33-4101
14	10-55-4141	10-33-4141
16	10-55-4161	10-33-4161
20	10-55-4201	10-33-4201
26	10-55-4261	10-33-4261
34	10-55-4341	10-33-4341
40	10-55-4401	10-33-4401
50	10-55-4501	10-33-4501
60	10-55-4601	10-33-4601
64	10-55-4641	10-33-4641

Type B

- With Slot
- To mate with 4700 (non polarized) or 7789 with double side polarization

Order No.		
Cir. Size	Gold Plated Pins	Tin Plated Pins
10	10-55-3102	10-33-2102
14	10-55-3142	10-33-2142
16	10-55-3162	10-33-2162
20	10-55-3202	10-33-2202
26	10-55-3262	10-33-2262
34	10-55-3342	10-33-2342
40	10-55-3402	10-33-2402
50	10-55-3502	10-33-2502
60	10-55-3602	10-33-2602
64	10-55-3642	10-33-2642

Order No.		
Cir. Size	Gold Plated Pins	Tin Plated Pins
10	10-55-4102	10-33-4102
14	10-55-4142	10-33-4142
16	10-55-4162	10-33-4162
20	10-55-4202	10-33-4202
26	10-55-4262	10-33-4262
34	10-55-4342	10-33-4342
40	10-55-4402	10-33-4402
50	10-55-4502	10-33-4502
60	10-55-4602	10-33-4602
64	10-55-4642	10-33-4642



7404 and 7405 Series

7404

For .062" (1,57mm) P.C. Boards

7405

For .093" (2,36mm) and .125" (3,17mm) P.C. Boards

Order No.		
Cir. Size	Gold Plated Pins	Tin Plated Pins
10	10-55-3103	10-33-2103
14	10-55-3143	10-33-2143
16	10-55-3163	10-33-2163
20	10-55-3203	10-33-2203
26	10-55-3263	10-33-2263
34	10-55-3343	10-33-2343
40	10-55-3403	10-33-2403
50	10-55-3503	10-33-2503
60	10-55-3603	10-33-2603
64	10-55-3643	10-33-2643

Type C

- With Slot
- With Latch/Eject Levers
- To mate with 4700 (non polarized) or 7789 with double side polarization
- Only mates with connectors without strain relief

Order No.		
Cir. Size	Gold Plated Pins	Tin Plated Pins
10	10-55-4103	10-33-4103
14	10-55-4143	10-33-4143
16	10-55-4163	10-33-4163
20	10-55-4203	10-33-4203
26	10-55-4263	10-33-4263
34	10-55-4343	10-33-4343
40	10-55-4403	10-33-4403
50	10-55-4503	10-33-4503
60	10-55-4603	10-33-4603
64	10-55-4643	10-33-4643

Order No.		
Cir. Size	Gold Plated Pins	Tin Plated Pins
10	10-55-3104	10-33-2104
14	10-55-3144	10-33-2144
16	10-55-3164	10-33-2164
20	10-55-3204	10-33-2204
26	10-55-3264	10-33-2264
34	10-55-3344	10-33-2344
40	10-55-3404	10-33-2404
50	10-55-3504	10-33-2504
60	10-55-3604	10-33-2604
64	10-55-3644	10-33-2644

Type D

- Same as Type "C" but only mates with connectors with reinforced upper housing

Order No.		
Cir. Size	Gold Plated Pins	Tin Plated Pins
10	10-55-4104	10-33-4104
14	10-55-4144	10-33-4144
16	10-55-4164	10-33-4164
20	10-55-4204	10-33-4204
26	10-55-4264	10-33-4264
34	10-55-4344	10-33-4344
40	10-55-4404	10-33-4404
50	10-55-4504	10-33-4504
60	10-55-4604	10-33-4604
64	10-55-4644	10-33-4644

Order No.		
Cir. Size	Gold Plated Pins	Tin Plated Pins
10	10-55-3105	10-33-2105
14	10-55-3145	10-33-2145
16	10-55-3165	10-33-2165
20	10-55-3205	10-33-2205
26	10-55-3265	10-33-2265
34	10-55-3345	10-33-2345
40	10-55-3405	10-33-2405
50	10-55-3505	10-33-2505
60	10-55-3605	10-33-2605
64	10-55-3645	10-33-2645

Type E

- Same as Type "C" but only mates with connectors with reinforced upper housing

Order No.		
Cir. Size	Gold Plated Pins	Tin Plated Pins
10	10-55-4105	10-33-4105
14	10-55-4145	10-33-4145
16	10-55-4165	10-33-4165
20	10-55-4205	10-33-4205
26	10-55-4265	10-33-4265
34	10-55-4345	10-33-4345
40	10-55-4405	10-33-4405
50	10-55-4505	10-33-4505
60	10-55-4605	10-33-4605
64	10-55-4645	10-33-4645

Ordering Information for Latch/Eject Levers

For mechanical header fastening applications where latch/eject levers are desired, the levers must be ordered separately and installed after header mounting. This applies to straight pin styles only.

Used On:	Order No.	Eng. No.
4700 & 7789 w/o Strain Relief	15-25-0101	7279-01
4700 & 7789 with Reinforced Upper Housing	15-25-0102	7279-02
4700 & 7780 with Strain Relief	15-25-0103	7279-03

Dual Row .100" (2,54 mm) Headers

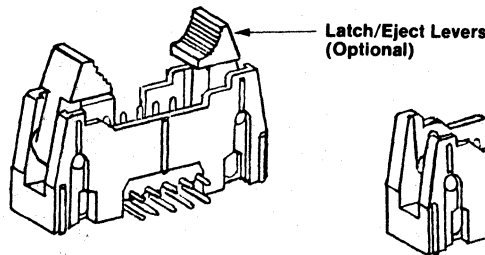
7791 Series Polarized Header

Straight & Right Angle

Fully Shrouded

General Features

- Shrouded on four sides
- Pin lengths to accommodate .062" (1,57 mm) and .093"/.125" (2,36/3,17 mm) printed circuit boards
- 10 - 64 circuits available
- Latch/eject lever option
- Polarizing slot
- .025" (6,3 mm) diameter round nose pin
- Industry compatible



To be used with all 4700 and single sided polarized 7789 connectors

Molex's straight and right angle fully shrouded headers mate with Molex's 7789 Series Single Sided Polarized Connectors as well as industry standard connectors.

These headers provide positive polarization and protect the pins when the connectors are unmated.

The black housing is made of glass filled polyester, and the .025" round copper alloy pins are available in two lengths to mate with .062" and .093"/.125" thick painted circuit board.

Specifications:

Physical:

<i>Insulator material</i>	94V-0 polyester 15% glass filled
<i>Color</i>	Black
<i>Pin material</i>	Brass
<i>Pin plating</i>	.000030 gold over .000050 nickel

Electrical

<i>Current rating</i>	- 1 ampere (D.C)
<i>Dielectric strength</i>	- Withstand voltage greater than 500V
<i>Insulation resistance</i>	- Greater than 5×10^6 Ohms

Thermal:

<i>Temperature</i>	- -40° to +105°C
--------------------	------------------

Design Note:

The Molex 7791 Series Header System is available in several variations and 2 styles (straight & right angle). All types and styles are meant to be flow-soldered directly to the printed circuit board without additional mechanical fastening. If mechanical fastening is necessary, a feature has been provided to use #2-56 filister head screws for either straight or right angle mounting.

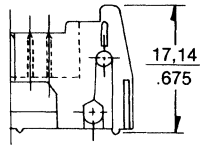
However, if mechanical mounting is necessary for the straight pin style header (7792 & 7793), the appropriate latch/eject lever for the desired header type must be ordered separately. The latch/eject levers must then be post-assembled after the mechanical fastening has been performed.



Dual Row 100" (2,54 mm) Headers

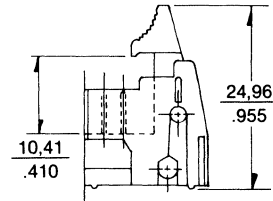
7791 Series

Straight and Right Angle Shrouded Headers



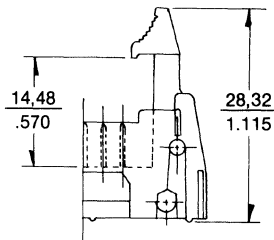
Type A

- For use with any 4700 connector or 7789 series/single side polarization



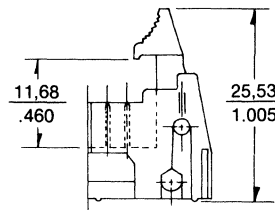
Type B

- For use with connectors without strain relief and with std. upper housing. 4700 or 7789/single side polarization



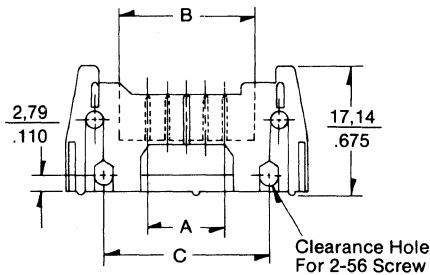
Type C

- For use with connectors with strain relief. Any 4700 or 7789/single side polarization

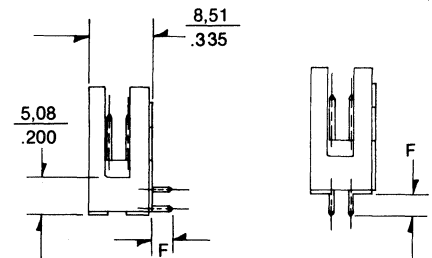
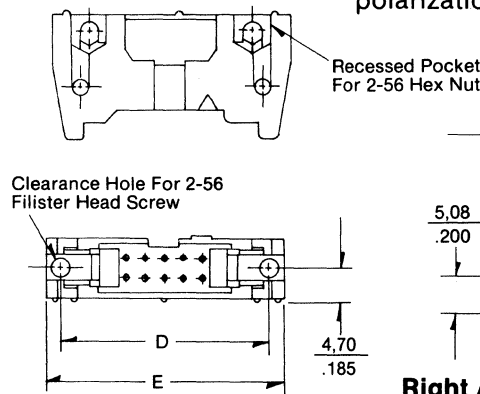


Type D

- For use with connectors with reinforced upper housing. Any 4700 or 7789/single side polarization



NOTE:
Dim. "F" is 2.34/.092 for 7792 & 7794
and is 3.94/.155 for 7793 and 7796



Right Angle Version Straight Version

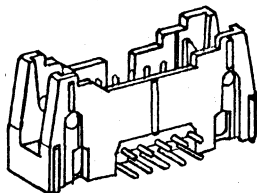
Dimensional Information

No. of Ckts.	mm		inches		mm		inches	
	A	B	C	D	E	F		
10	10.16 ± 0.08 .400 ± .003	18.03 ± 0.10 .710 ± .004	21.84 ± 0.10 .860 ± .004	27.94 ± 0.13 1.100 ± .005	32.00 ± 0.13 1.260 ± .005	24.38 .960		
14	15.24 ± 0.10 .600 ± .004	23.11 ± 0.13 .910 ± .005	26.92 ± 0.13 1.060 ± .005	33.02 ± 0.13 1.300 ± .005	37.08 ± 0.13 1.460 ± .005	29.46 1.160		
16	17.78 ± 0.10 .700 ± .004	25.65 ± 0.13 1.010 ± .005	29.46 ± 0.13 1.160 ± .005	35.56 ± 0.13 1.400 ± .005	39.62 ± 0.15 1.560 ± .006	32.00 1.260		
20	22.86 ± 0.13 .900 ± .005	30.73 ± 0.13 1.210 ± .005	34.54 ± 0.13 1.360 ± .005	40.64 ± 0.15 1.600 ± .006	44.70 ± 0.15 1.760 ± .006	37.08 1.460		
26	30.48 ± 0.13 1.200 ± .005	38.35 ± 0.15 1.510 ± .006	42.16 ± 0.15 1.660 ± .006	48.26 ± 0.18 1.900 ± .007	53.32 ± 0.18 2.060 ± .007	44.70 1.760		
34	40.64 ± 0.15 1.600 ± .006	48.51 ± 0.18 1.910 ± .007	52.32 ± 0.18 2.060 ± .007	58.42 ± 0.20 2.300 ± .008	62.48 ± 0.20 2.460 ± .008	54.86 2.160		
40	48.26 ± 0.18 1.900 ± .007	56.13 ± 0.20 2.210 ± .008	59.94 ± 0.20 2.360 ± .008	66.04 ± 0.20 2.600 ± .008	70.10 ± 0.20 2.760 ± .008	62.48 2.460		
50	60.96 ± 0.20 2.400 ± .008	68.83 ± 0.20 2.710 ± .008	72.64 ± 0.20 2.860 ± .008	78.74 ± 0.25 3.100 ± .010	82.80 ± 0.25 3.260 ± .010	75.18 2.960		
60	73.66 ± 0.20 2.900 ± .008	81.53 ± 0.25 3.210 ± .010	85.34 ± 0.25 3.360 ± .010	91.44 ± 0.25 3.600 ± .010	95.50 ± 0.25 3.760 ± .010	87.88 3.460		
64	78.84 ± 0.23 3.100 ± .009	86.61 ± 0.28 3.410 ± .011	90.42 ± 0.28 3.560 ± .011	96.52 ± 0.28 3.800 ± .011	100.58 ± 0.28 3.960 ± .011	92.64 3.660		

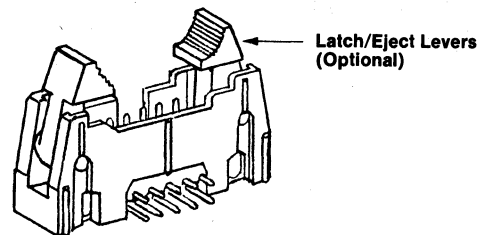
Right Angle Headers



Ordering Information 7794 and 7796 Series



To be used with all 4700 and single sided polarized 7789 connectors



Latch/Eject Levers (Optional)

Without Latch/Eject Levers or with Latch/Eject Levers
Pin Length Option on Both

7794

For .062" (1,57mm) P.C. Board

7796

For .093" (2,36mm) and .125" (3,17mm) P.C. Board

Cir. Size	Gold Plated Pins	Tin Plated Pins
10	10-55-8101	10-33-5101
14	10-55-8141	10-33-5141
16	10-55-8161	10-33-5161
20	10-55-8201	10-33-5201
26	10-55-8261	10-33-5261
34	10-55-8341	10-33-5341
40	10-55-8401	10-33-5401
50	10-55-8501	10-33-5501
60	10-55-8601	10-33-5601
64	10-55-8641	10-33-5641

Type A

- Without Latch/Eject Levers
- Will Mate with all 4700 and Single Sided 7789 Polarized Connectors only

Cir. Size	Gold Plated Pins	Tin Plated Pins
10	10-55-9101	10-33-6101
14	10-55-9141	10-33-6141
16	10-55-9161	10-33-6161
20	10-55-9201	10-33-6201
26	10-55-9261	10-33-6261
34	10-55-9341	10-33-6341
40	10-55-9401	10-33-6401
50	10-55-9501	10-33-6501
60	10-55-9601	10-33-6601
64	10-55-9641	10-33-6641

Cir. Size	Gold Plated Pins	Tin Plated Pins
10	10-55-8102	10-33-5102
14	10-55-8142	10-33-5142
16	10-55-8162	10-33-5162
20	10-55-8202	10-33-5202
26	10-55-8262	10-33-5262
34	10-55-8342	10-33-5342
40	10-55-8402	10-33-5402
50	10-55-8502	10-33-5502
60	10-55-8602	10-33-5602
64	10-55-8642	10-33-5642

Type B

- With Latch/Eject Levers
- Will Mate with 4700 and Single Sided 7789 Polarized Connectors **without** Strain Relief and **without** Reinforced Upper Housing

Cir. Size	Gold Plated Pins	Tin Plated Pins
10	10-55-9102	10-33-6102
14	10-55-9142	10-33-6142
16	10-55-9162	10-33-6162
20	10-55-9202	10-33-6202
26	10-55-9262	10-33-6262
34	10-55-9342	10-33-6342
40	10-55-9402	10-33-6402
50	10-55-9502	10-33-6502
60	10-55-9602	10-33-6602
64	10-55-9642	10-33-6642

Cir. Size	Gold Plated Pins	Tin Plated Pins
10	10-55-8103	10-33-5103
14	10-55-8143	10-33-5143
16	10-55-8163	10-33-5163
20	10-55-8203	10-33-5203
26	10-55-8263	10-33-5263
34	10-55-8343	10-33-5343
40	10-55-8403	10-33-5403
50	10-55-8503	10-33-5503
60	10-55-8603	10-33-5603
64	10-55-8643	10-33-5643

Type C

- With Latch/Eject Levers
- Will Mate with 4700 and Single Sided 7789 Polarized Connectors **with** Strain Relief

Cir. Size	Gold Plated Pins	Tin Plated Pins
10	10-55-9103	10-33-6103
14	10-55-9143	10-33-6143
16	10-55-9163	10-33-6163
20	10-55-9203	10-33-6203
26	10-55-9263	10-33-6263
34	10-55-9343	10-33-6343
40	10-55-9403	10-33-6403
50	10-55-9503	10-33-6503
60	10-55-9603	10-33-6603
64	10-55-9643	10-33-6643

Cir. Size	Gold Plated Pins	Tin Plated Pins
10	10-55-8104	10-33-5104
14	10-55-8144	10-33-5144
16	10-55-8164	10-33-5164
20	10-55-8204	10-33-5204
26	10-55-8264	10-33-5264
34	10-55-8344	10-33-5344
40	10-55-8404	10-33-5404
50	10-55-8504	10-33-5504
60	10-55-8604	10-33-5604
64	10-55-8644	10-33-5644

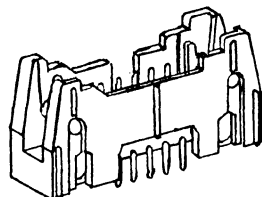
Type D

- With Latch/Eject Levers
- Will Mate with 4700 and Single Sided 7789 Polarized Connectors **with** Reinforced Upper Housing

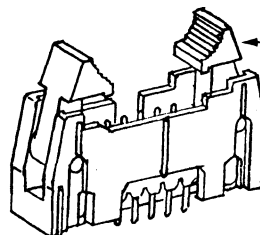
Cir. Size	Gold Plated Pins	Tin Plated Pins
10	10-55-9104	10-33-6104
14	10-55-9144	10-33-6144
16	10-55-9164	10-33-6164
20	10-55-9204	10-33-6204
26	10-55-9264	10-33-6264
34	10-55-9344	10-33-6344
40	10-55-9404	10-33-6404
50	10-55-9504	10-33-6504
60	10-55-9604	10-33-6604
64	10-55-9644	10-33-6644



Ordering Information 7792 and 7793 Series



To be used with all 4700 and single sided polarized 7789 connectors



Latch/Eject Levers (Optional)

Without Latch/Eject Levers or with Latch/Eject Levers
Pin Length Option on Both

7792

For .062" (1,57mm) P.C. Board

7793

For .093" (2,36mm) and .125" (3,17mm) P.C. Board

Cir. Size	Gold Plated Pins	Tin Plated Pins
10	10-56-6101	10-52-6101
14	10-56-6141	10-52-6141
16	10-56-6161	10-52-6161
20	10-56-6201	10-52-6201
26	10-56-6261	10-52-6261
34	10-56-6341	10-52-6341
40	10-56-6401	10-52-6401
50	10-56-6501	10-52-6501
60	10-56-6601	10-52-6601
64	10-56-6641	10-52-6641

Type A

- Without Latch/Eject Levers
- Will Mate with all 4700 and Single Sided 7789 Polarized Connectors only

Cir. Size	Gold Plated Pins	Tin Plated Pins
10	10-56-7101	10-52-7101
14	10-56-7141	10-52-7141
16	10-56-7161	10-52-7161
20	10-56-7201	10-52-7201
26	10-56-7261	10-52-7261
34	10-56-7341	10-52-7341
40	10-56-7401	10-52-7401
50	10-56-7501	10-52-7501
60	10-56-7601	10-52-7601
64	10-56-7641	10-52-7641

Cir. Size	Gold Plated Pins	Tin Plated Pins
10	10-56-6102	10-52-6102
14	10-56-6142	10-52-6142
16	10-56-6162	10-52-6162
20	10-56-6202	10-52-6202
26	10-56-6262	10-52-6262
34	10-56-6342	10-52-6342
40	10-56-6402	10-52-6402
50	10-56-6502	10-52-6502
60	10-56-6602	10-52-6602
64	10-56-6642	10-52-6642

Type B

- With Latch/Eject Levers
- Will Mate with 4700 and Single Sided 7789 Polarized Connectors **without** Strain Relief and **without** Reinforced Upper Housing

Cir. Size	Gold Plated Pins	Tin Plated Pins
10	10-56-7102	10-52-7102
14	10-56-7142	10-52-7142
16	10-56-7162	10-52-7162
20	10-56-7202	10-52-7202
26	10-56-7262	10-52-7262
34	10-56-7342	10-52-7342
40	10-56-7402	10-52-7402
50	10-56-7502	10-52-7502
60	10-56-7602	10-52-7602
64	10-56-7642	10-52-7642

Cir. Size	Gold Plated Pins	Tin Plated Pins
10	10-56-6103	10-52-6103
14	10-56-6143	10-52-6143
16	10-56-6163	10-52-6163
20	10-56-6203	10-52-6203
26	10-56-6263	10-52-6263
34	10-56-6343	10-52-6343
40	10-56-6403	10-52-6403
50	10-56-6503	10-52-6503
60	10-56-6603	10-52-6603
64	10-56-6643	10-52-6643

Type C

- With Latch/Eject Levers
- Will Mate with 4700 and Single Sided 7789 Polarized Connectors **with** Strain Relief

Cir. Size	Gold Plated Pins	Tin Plated Pins
10	10-56-7103	10-52-7103
14	10-56-7143	10-52-7143
16	10-56-7163	10-52-7163
20	10-56-7203	10-52-7203
26	10-56-7263	10-52-7263
34	10-56-7343	10-52-7343
40	10-56-7403	10-52-7403
50	10-56-7503	10-52-7503
60	10-56-7603	10-52-7603
64	10-56-7643	10-52-7643

Cir. Size	Gold Plated Pins	Tin Plated Pins
10	10-56-6104	10-52-6104
14	10-56-6144	10-52-6144
16	10-56-6164	10-52-6164
20	10-56-6204	10-52-6204
26	10-56-6264	10-52-6264
34	10-56-6344	10-52-6344
40	10-56-6404	10-52-6404
50	10-56-6504	10-52-6504
60	10-56-6604	10-52-6604
64	10-56-6644	10-52-6644

Type D

- With Latch/Eject Levers
- Will Mate with 4700 and Single Sided 7789 Polarized Connectors **with** Reinforced Upper Housing

Cir. Size	Gold Plated Pins	Tin Plated Pins
10	10-56-7104	10-52-7104
14	10-56-7144	10-52-7144
16	10-56-7164	10-52-7164
20	10-56-7204	10-52-7204
26	10-56-7264	10-52-7264
34	10-56-7344	10-52-7344
40	10-56-7404	10-52-7404
50	10-56-7504	10-52-7504
60	10-56-7604	10-52-7604
64	10-56-7644	10-52-7644

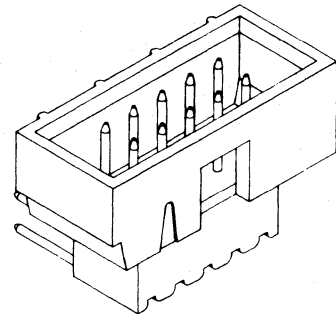
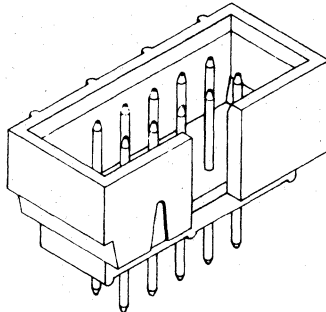
C

Dual Row .100" (2,54 mm) Header

7881 Series Fully Shrouded Header

Features/Dimensions:

- Straight or right angle pin termination
- Compact, low profile (requires minimum P.C. Board area)
- Polarization with mating connectors
- Four sided shrouded
- 10-64 Circuit sizes
- .025" (0,63mm) round nose tip terminal pin
- Optional terminal pin lengths
- Gold and tin plating options
- Latching window to accept the Molex 4700 connector latching ramp



The 7881 header series will mate with all 4700 series connectors and to 7789 connectors with **single** sided polarization. It is interchangeable with industry standard headers and will also mate with other available connectors.

Specifications

Materials:

- Housing* - 94 V-O polyester glass reinforced
Color - black
- Terminal Pins* - Brass
- Terminal Pin Plating* - .000030 gold over
.000050 nickel with optional tin plating

Electrical:

- Current Rating* - 1 amp (D.C.) max.
- Dielectric Strength* - Withstanding voltage greater than 500 V

Insulation Resistance -

Greater than 5×10^6 OHMS

Environmental:

Temperature - 40°C to +120°C

Dimension Information 7882

Circuits	Dim. A	Dim. B	Dim. C	Dim. D
10	.400 ± .007 10,16 ± 0,18	.680 ± .008 17,27 ± 0,20	.700 ± .008 17,78 ± 0,20	.800 20,32
14	.600 ± .008 15,24 ± 0,20	.880 ± .009 22,35 ± 0,23	.900 ± .009 22,86 ± 0,23	1.00 25,40
16	.700 ± .008 17,78 ± 0,20	.980 ± .009 24,89 ± 0,23	1.000 ± .009 25,40 ± 0,23	1.100 27,90
20	.900 ± .009 22,86 ± 0,23	1.180 ± .009 29,97 ± 0,23	1.200 ± .009 30,48 ± 0,23	1.300 33,02
20	.900 ± .009 22,86 ± 0,23	1.180 ± .009 29,97 ± 0,23	1.200 ± .009 20,48 ± 0,23	1.300 33,02
26	1.200 ± .009 30,48 ± 0,23	1.480 ± .010 37,59 ± 0,25	1.500 ± .010 38,10 ± 0,25	1.600 40,64
34	1.600 ± .010 40,64 ± 0,25	1.880 ± .011 47,75 ± 0,28	1.900 ± .011 48,26 ± 0,28	2.000 50,80
40	1.900 ± .011 48,26 ± 0,28	2.180 ± .012 55,37 ± 0,30	2.200 ± .012 55,88 ± 0,30	2.300 58,42
50	2.400 ± .012 60,96 ± 0,30	2.680 ± .012 68,07 ± 0,30	2.700 ± .012 68,58 ± 0,30	2.800 71,12
60	2.900 ± .012 73,66 ± 0,30	3.180 ± .014 80,77 ± 0,36	3.200 ± .014 81,28 ± 0,36	3.300 84,54
64	3.100 ± .013 78,74 ± 0,33	3.380 ± .015 85,85 ± 0,38	3.400 ± .015 86,36 ± 0,38	3.500 88,90

Dimensional Information 7883

Circuits	Dim. A	Dim. B	Dim. C	Dim. D
10	.400 ± .007 10,16 ± 0,18	.500 ± .008 12,70 ± 0,20	.700 ± .008 17,78 ± 0,20	.800 20,32
14	.600 ± .008 15,24 ± 0,20	.700 ± .009 17,78 ± 0,23	.900 ± .009 22,86 ± 0,23	1.000 25,40
16	.700 ± .008 17,78 ± 0,20	.800 ± .009 20,32 ± 0,23	1.000 ± .009 25,40 ± 0,23	1.100 27,90
20	.900 ± .009 22,86 ± 0,23	1.00 ± .010 25,40 ± 0,25	1.200 ± .009 30,48 ± 0,23	1.300 33,02
26	1.200 ± .009 30,48 ± 0,23	1.300 ± .010 33,02 ± 0,25	1.500 ± .010 38,10 ± 0,25	1.600 40,64
34	1.600 ± .010 40,64 ± 0,25	1.700 ± .011 43,18 ± 0,28	1.900 ± .011 48,26 ± 0,28	2.000 50,80
40	1.900 ± .011 48,26 ± 0,28	2.000 ± .012 50,80 ± 0,30	2.200 ± .012 55,88 ± 0,30	2.300 58,42
50	2.400 ± .012 60,96 ± 0,30	2.500 ± .013 63,50 ± 0,33	2.700 ± .012 68,58 ± 0,30	2.800 71,12
60	2.900 ± .012 73,66 ± 0,30	3.000 ± .013 76,20 ± 0,33	3.200 ± .014 81,28 ± 0,36	3.300 84,54
64	3.100 ± .013 78,74 ± 0,33	3.200 ± .014 81,82 ± 0,36	3.400 ± .015 86,36 ± 0,38	3.500 88,90

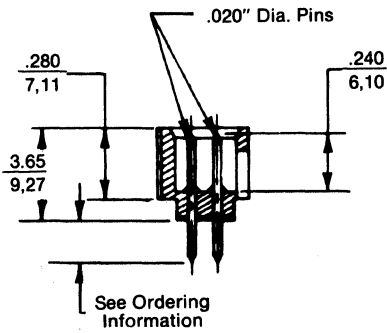
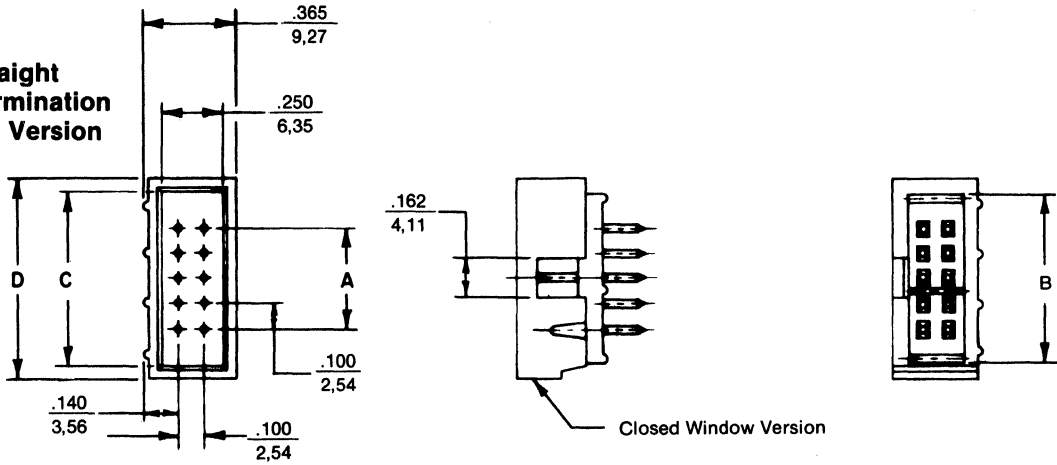
inches
mm



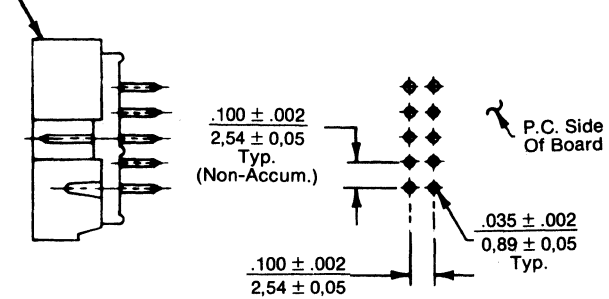
Dual Row .100" (2,54 mm) Header

7882

Straight Termination Pin Version



Open Slot Version

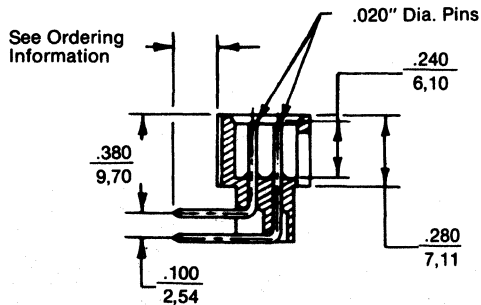
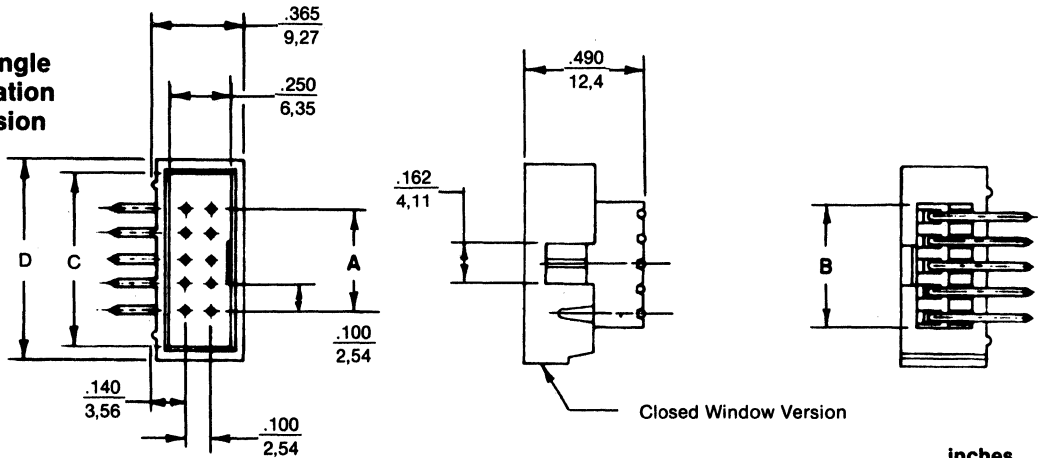


inches
mm

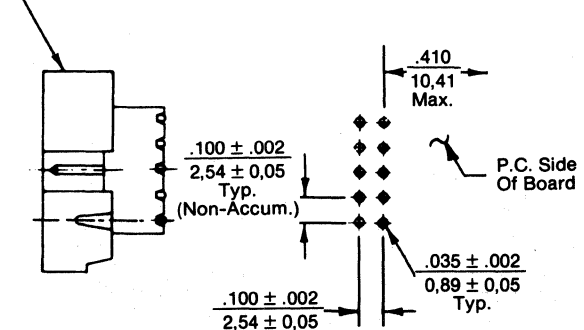
Recommended P.C. Board Pattern

7883

Right Angle Termination Pin Version



Open Slot Version



inches
mm

Recommended P.C. Board Pattern

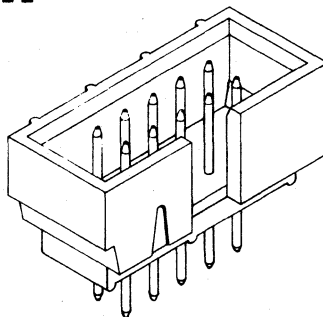


Dual Row .100" (2,54 mm) Header

Ordering Information

7882 with Open Slot
For .062" (1,57mm) Thk. P.C. Board (Straight Pin Termination)

Order No.		
Cir. Size	Gold Plated Pins	Tin Plated Pins
10	10-56-1102	10-16-3103
14	10-56-1142	10-16-3143
16	10-56-1162	10-16-3163
20	10-56-1202	10-16-3203
26	10-56-1262	10-16-3263
34	10-56-1342	10-16-3343
40	10-56-1402	10-16-3403
50	10-56-1502	10-16-3503
60	10-56-1602	10-16-3603
64	10-56-1642	10-16-3643



- Mates with any 4700 series connector and 7789 with single side polarization

7882 with Open Slot
For .093"/.125" (2,36mm/3,17mm) Thk. P.C. Board (Straight Pin Termination)

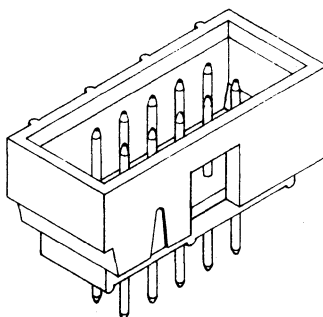
Order No.		
Cir. Size	Gold Plated Pins	Tin Plated Pins
10	10-56-1104	10-16-3105
14	10-56-1144	10-16-3145
16	10-56-1164	10-16-3165
20	10-56-1204	10-16-3205
26	10-56-1264	10-16-3265
34	10-56-1344	10-16-3345
40	10-56-1404	10-16-3405
50	10-56-1504	10-16-3505
60	10-56-1604	10-16-3605

7882 with Latching Window
For .093"/.125" (2,36mm/3,17mm) Thk. P.C. Board

Order No.		
Cir. Size	Gold Plated Pins	Tin Plated Pins
10	10-56-1103	10-16-3104
14	10-56-1143	10-16-3144
16	10-56-1163	10-16-3164
20	10-56-1203	10-16-3204
26	10-56-1263	10-16-3264
34	10-56-1343	10-16-3344
40	10-56-1403	10-16-3404
50	10-56-1503	10-16-3504
60	10-56-1603	10-16-3604
64	10-56-1643	10-16-3644

7882 with Latching Window
For .062" (1,57mm) Thk. P.C. Board (Straight Pin Termination)

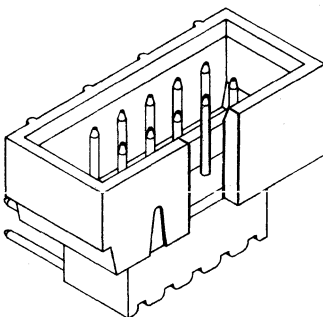
Order No.		
Cir. Size	Gold Plated Pins	Tin Plated Pins
10	10-56-1101	10-16-3102
14	10-56-1141	10-16-3142
16	10-56-1161	10-16-3162
20	10-56-1201	10-16-3202
26	10-56-1261	10-16-3262
34	10-56-1341	10-16-3342
40	10-56-1401	10-16-3402
50	10-56-1501	10-16-3502
60	10-56-1601	10-16-3602
64	10-56-1641	10-16-3642



- Mates with any 4700 series connector
- Achieves Passive Locking with Latching Ramp Connector

7883 with Open Slot
For .062" (1,57mm) Thk. P.C. Board (Right Angle Pin Termination)

Order No.		
Cir. Size	Gold Plated Pins	Tin Plated Pins
10	10-55-5102	10-33-3102
14	10-55-5142	10-33-3142
16	10-55-5162	10-33-3162
20	10-55-5202	10-33-3202
26	10-55-5262	10-33-3262
34	10-55-5342	10-33-3342
40	10-55-5402	10-33-3402
50	10-55-5502	10-33-3502
60	10-55-5602	10-33-3602
64	10-55-5642	10-33-3642



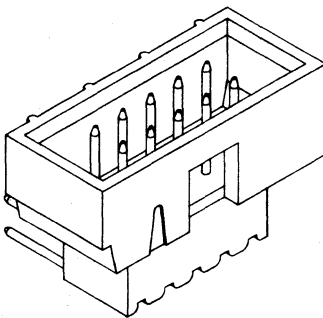
- Mates with any 4700 series connector and 7789 with single side polarization

7883 with Open Slot
For .093"/.195" (2,36mm/3,17mm) Thk. P.C. Board (Right Angle Pin Termination)

Order No.		
Cir. Size	Gold Plated Pins	Tin Plated Pins
10	10-55-5104	10-33-3104
14	10-55-5144	10-33-3144
16	10-55-5164	10-33-3164
20	10-55-5204	10-33-3204
26	10-55-5264	10-33-3264
34	10-55-5344	10-33-3344
40	10-55-5404	10-33-3404
50	10-55-5504	10-33-3504
60	10-55-5604	10-33-3604

7883 with Latching Window
For .062" (1,57mm) Thk. P.C. Board (Right Angle Pin Termination)

Order No.		
Cir. Size	Gold Plated Pins	Tin Plated Pins
10	10-55-5101	10-33-3101
14	10-55-5141	10-33-3141
16	10-55-5161	10-33-3161
20	10-55-5201	10-33-3201
26	10-55-5261	10-33-3261
34	10-55-5341	10-33-3341
40	10-55-5401	10-33-3401
50	10-55-5501	10-33-3501
60	10-55-5601	10-33-3601
64	10-55-5641	10-33-3641



- Mates with any 4700 series connector
- Achieves Passive Locking with Latching Ramp

7883 with Latching Window
For .093"/.125" (2,36mm/3,17mm) Thk. P.C. Board (Right Angle Pin Termination)

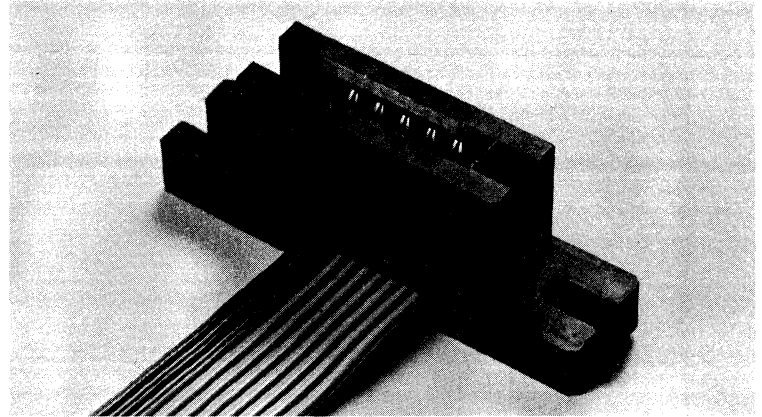
Order No.		
Cir. Size	Gold Plated Pins	Tin Plated Pins
10	10-55-5103	10-33-3103
14	10-55-5143	10-33-3143
16	10-55-5163	10-33-3163
20	10-55-5203	10-33-3203
26	10-55-5263	10-33-3263
34	10-55-5343	10-33-3343
40	10-55-5403	10-33-3403
50	10-55-5503	10-33-3503
60	10-55-5603	10-33-3603
64	10-55-5643	10-33-3643



6874 Dual Row .100" (2,54 mm) Center Edge Card Connectors

General Features:

- Insulation displacement at .050" (1,27 mm) flat cable
- Circuit sizes from 10 to 64
- Terminate to either side of cable - avoids bend in cable
- Error free wiring
- Preeassembled upper and lower housing
- Molded in polarization option



The dual row edge board connector series when mated with .062" thick printed circuit board provides a very reliable, low cost, high density interconnect.

The connector design is in keeping with the Molex concept of the half cylinder displacer section and dual ribbed upper housing.

This connector meets all edge board industry standards and mates with industry standard flat cables including single and double contour, and bonded profiles.

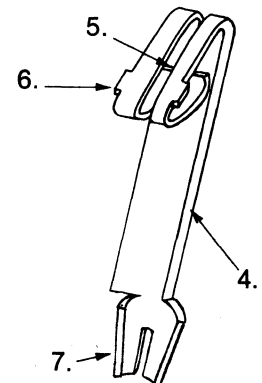
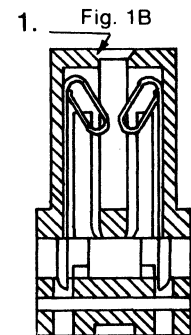
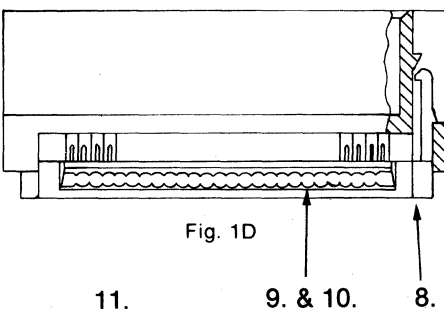
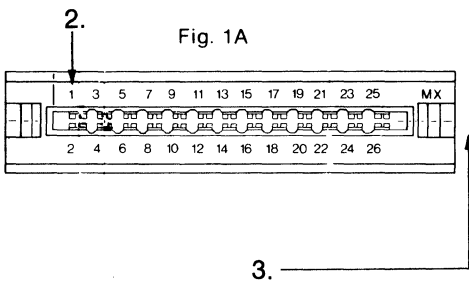
Design Features:

Housing and Terminal (Figure 1)

1. Has chamfered lead in throat for ease of circuit board entry
2. Circuit number identity at PCB entry
3. Comes with no mounting ears round hole and slot mounting ear versions
4. Double cantilever terminal for a constant and high pressure contact
5. Bifurcated terminal for two-point contact on P.C. board
6. Tabs on terminal provide a pre-load condition, prevent row to row shorting and establishes precise fixed PCB gap
7. Proven half cylinder insulation displacement terminal

Upper Housing

8. Preloaded to housing (no assembly required. Also upper housing protects displacement section of terminal)
9. Molex's unique double ribbed upper housing design
10. Chamfered lead in edge for rapid cable insertion
11. Probe holes for visual/electrical inspection



Edge Card Connectors

6874 Series

Specifications:

Insulator material Glass filled polyester 94V-O rated
Color Black
Contact material Phosphor bronze
Contact Plating .000030" (.00076mm) gold over .000050" (.00127mm) nickel
 Tin plating also available (Contact factory)
Wire accommodation 26 and 28 AWG stranded — 30 AWG solid and stranded
PCB Insertion force 7.2 oz. per contact pair
PCB Withdrawal force 4 oz. per contact pair

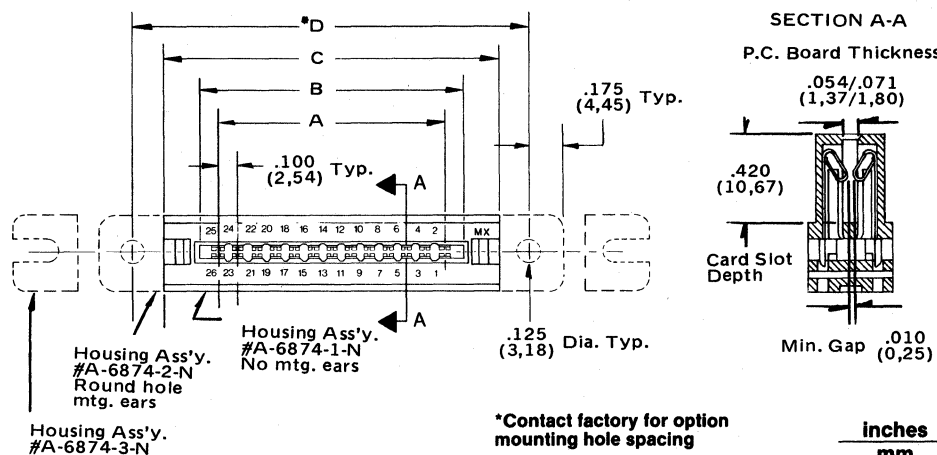
Electrical:

Current rating - 1 ampere
Insulation resistance - Greater than 200K megohms
Dielectric withstand voltage - greater than 1.0K volts

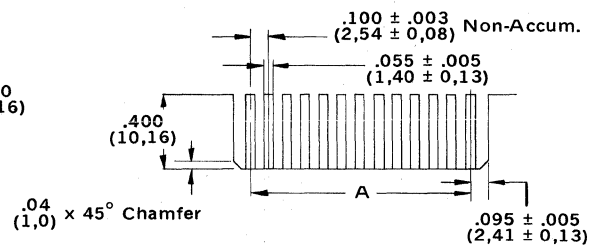
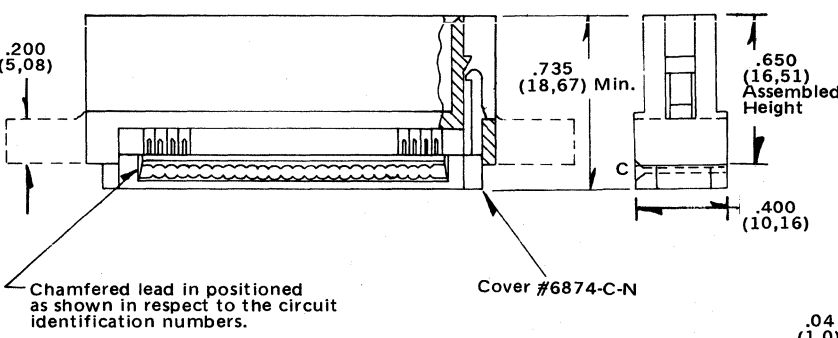
Environmental:

Temperature rating - -40°C to 105°C

Dimensions:



No. of Circ.	A	B	C	*D
10	.400 (10,16)	.600 (15,24)	1.000 (25,40)	1.300 (33,02)
14	.600 (15,24)	.800 (20,32)	1.200 (30,42)	1.50 (38,10)
16	.700 (17,78)	.900 (22,86)	1.300 (33,02)	1.60 (40,64)
20	.900 (22,86)	1.100 (27,94)	1.500 (38,1)	1.80 (45,72)
26	1.200 (30,42)	1.40 (35,56)	1.80 (45,7)	2.10 (53,3)
34	1.60 (40,6)	1.80 (45,7)	2.20 (55,9)	2.50 (63,50)
40	1.90 (48,3)	2.10 (53,3)	2.50 (63,50)	2.80 (71,12)
50	2.40 (61,0)	2.60 (66,04)	3.00 (76,2)	3.30 (83,82)
60	2.90 (73,7)	3.10 (78,74)	3.50 (88,9)	3.80 (96,52)
64	3.10 (78,7)	3.30 (83,82)	3.70 (94,0)	4.0 (101,6)

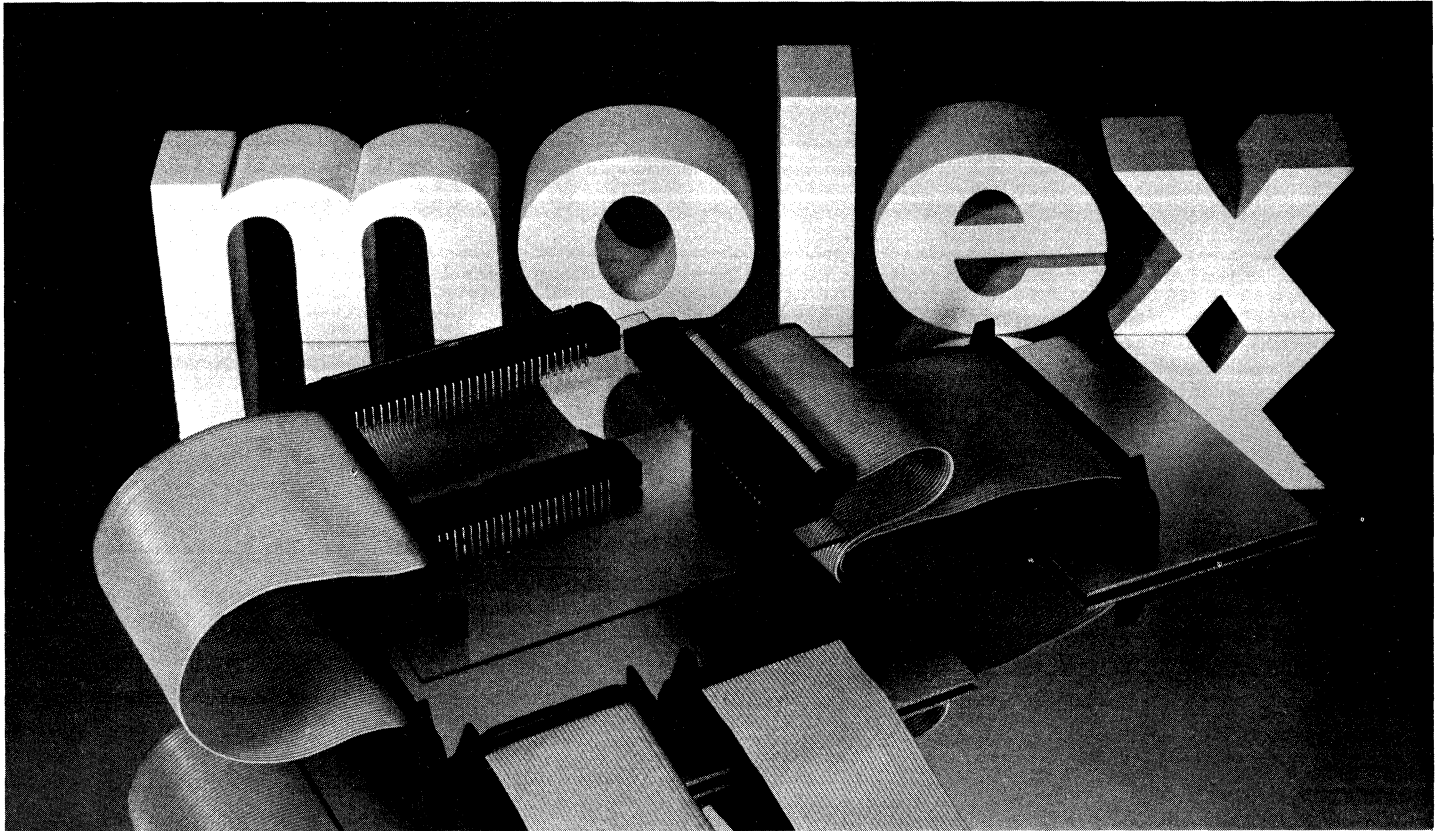


Suggested P.C. Board Layout

Ordering Information

No. of Circuits	No Mtg. Ears	Round Hole Mtg. Ears	Slotted Mtg. Ears
10	15-25-8101	15-25-8102	15-25-8103
14	15-25-8141	15-25-8142	15-25-8143
16	15-25-8161	15-25-8162	15-25-8163
20	15-25-8201	15-25-8202	15-25-8203
26	15-25-8261	15-25-8262	15-25-8263
34	15-25-8341	15-25-8342	15-25-8343
40	15-25-8401	15-25-8402	15-25-8403
50	15-25-8501	15-25-8502	15-25-8503
60	15-25-8601	15-25-8602	15-25-8603
64	15-25-8641	15-25-8642	15-25-8643

Molded in P.C.B. polarization available. Designated as 8173 product. Contact factory for ordering information.



Qik Flecs (QF50) ...

Molex .050 Ribbon Cable Connector Series

The new **Qik Flecs IDT™** (Insulation Displacement Technology) System was designed for quick and easy mass termination while maintaining the highest standards of

reliability. Molex has a versatile line of mass terminated connector products and systems on 1,27 mm (.050) center ribbon cable.

Whether your interconnection requirements are for high reliability and high density transmission cable or you have packaging density problems ... Molex **Qik Flecs (QF50)** offers you a positive solution.

The electric/electronic manufacturers today base terminal connections on the following requirements:

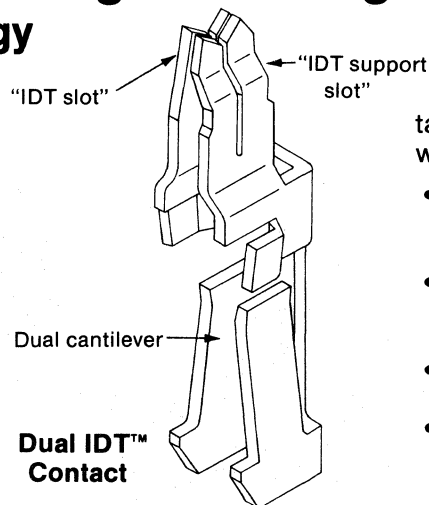
- Reliability
- Performance
- Space Saving (High Density)
- Lower Installed Cost
- Flexibility
- Versatility

You can accomplish these goals with the Molex **Qik Flecs (QF50)** System. We incorporate sound concepts in terminal design and assembly techniques to lower your installation costs and meet industry specifications.

QF50 Contact Terminal Design Advantage

... Molex Affordable Technology

We're with you all the way ... the new QF50 terminal is a carefully engineered design. **The dual IDT™ slot design ensures four (4) contact points on cable conductors.** The "ID slot" provides firm contacts while the "support slot" acts as a strain relief for the terminal itself as well as the contacts with cable conductor. In addition, the "support slot" forms a friction lock with the individual hole of upper housing so as to offer firm termination.



The dual cantilever terminal maintains reliable two (2) point contact with the mating post.

- Dual IDT™ slots
Four (4) point contact on each conductor
- Dual cantilever
Two (2) point contact with mating post
- Tough terminal design for rough handling
- Positioner for upper housing depth

QF50 Connector Design Advantage ...

Molex Affordable Technology

Qik Flecs (QF50) connector assemblies are designed for reliable simultaneous mass termination. The connector is available in "Un-loaded" Upper Housing (5320-NA Series, 5321-NA Dual Polarization) or in "Pre-loaded" Upper Housing with Lower Housing Assembly (5320-NB Series, 5321-NBS Dual Polarization). You can choose the series to meet your specific needs.

Qik Flecs (QF50) connector to cable installation is always fast, simple and virtually error-proof. The connector and header have positive polarization which is completely compatible with industry standards.

Strain Relief

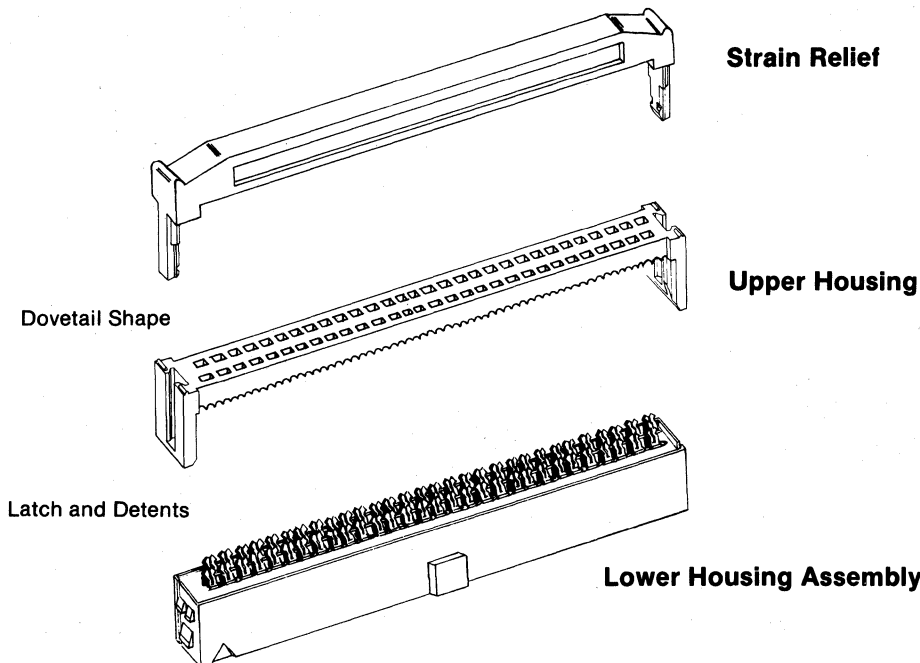
- Locks to Lower Housing
- Firm locking — dovetail shape
- Symmetrical

Upper Housing

- Detents to latch with Header
- Symmetrical
- Guide to slip into Lower Housing

Lower Housing Assembly

- Latches for both Upper Housing and Strain Relief
- Polarization projection
- Firm fit contact



QF50 Header Design Advantage ...

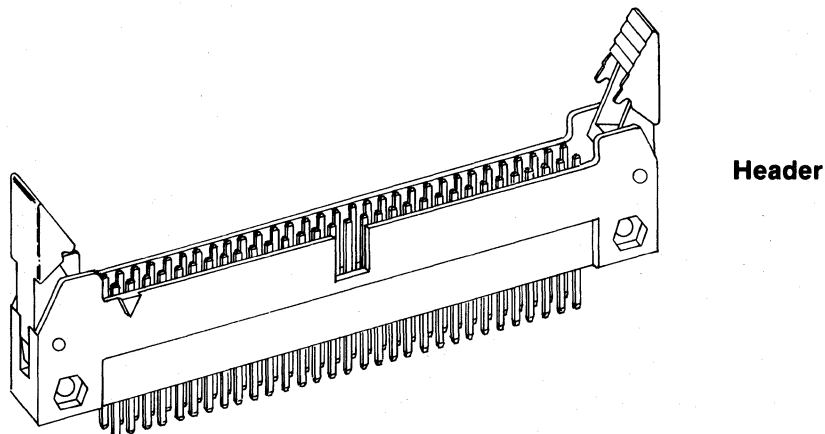
Molex Affordable Technology

The new **Qik Flecs (QF50)** Header has a "big advantage feature" which only Molex provides for the world. The new Header will mate and latch with the QF50 connector *with* Strain Relief or *without* Strain Relief. (See photograph on page 4.)

In addition the eject lever after ejecting the connector assembly is flush with the edge of the Header. This allows for the stacking of headers side by side while saving space on your printed circuit board.

Header with Eject/Latch Lever

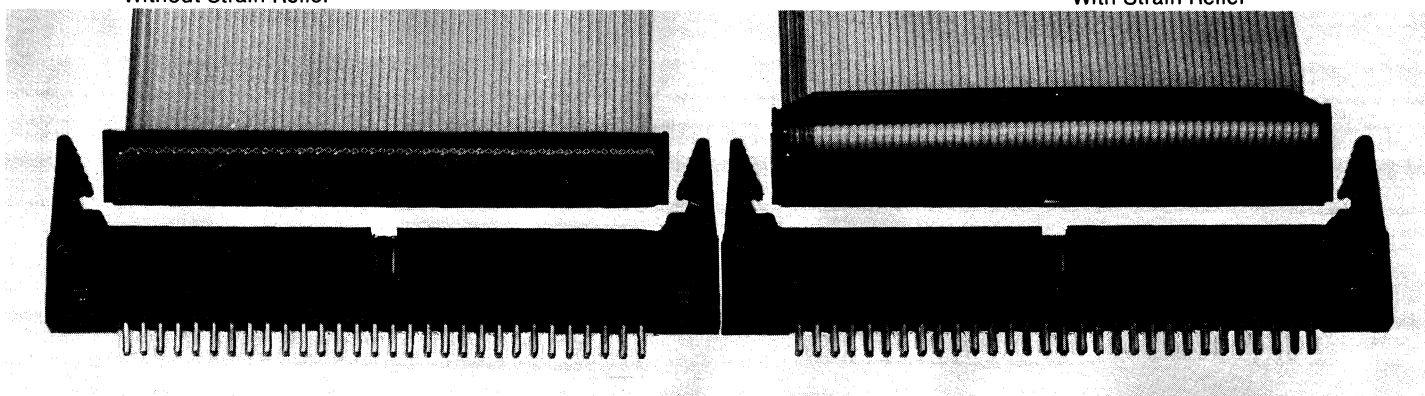
- Mate and latch the connector assembly with Strain Relief or without Strain Relief
- Eject/Latch Lever is flush with the edge of Header
- Stackable side by side
- Fully shrouded
- 2,54 mm (.100) Dual Row
- 0,635 mm (.025) Square Post



Ejected

Without Strain Relief

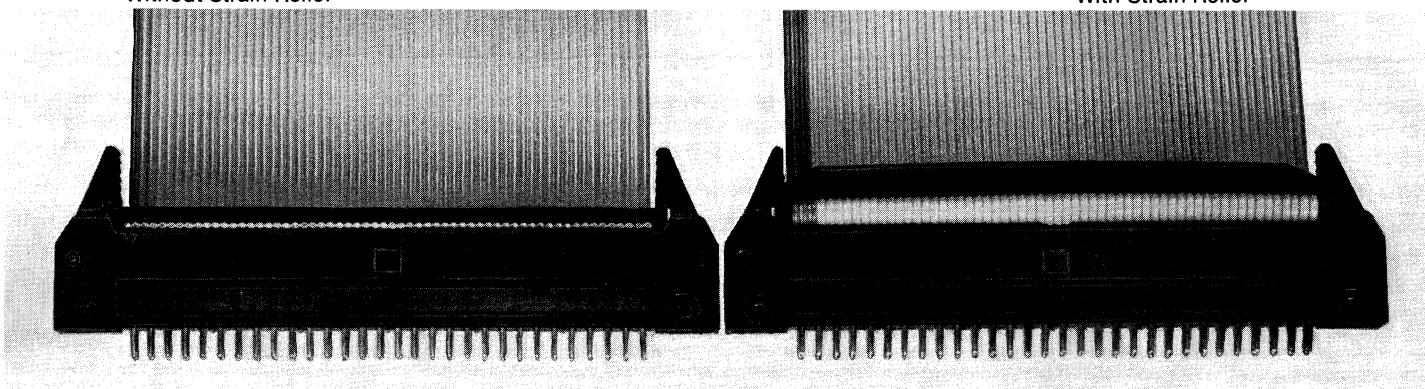
With Strain Relief



Latched

Without Strain Relief

With Strain Relief



Specifications:

	Ribbon Cable Connector	Header and Wafers
Physical		
<i>Cable Accommodation</i>	1,27mm (.050") Center Ribbon Cable 26 AWG stranded 28 AWG stranded and solid 30 AWG solid	N/A
<i>Housing Material</i>	UL 94V-O Glass Filled Polyester	UL 94V-O Glass Filled Polyester
<i>Color</i>	Black	Black
<i>Contact Material</i>	Phosphor Bronze	Brass
<i>Contact Plating (Standard)</i>	Contact Area 0,00076mm (.000030") Gold over 0,00127mm (.000050") Nickel	0,00076mm (.000030") Gold over 0,00127mm (.000050") Nickel
<i>Grid Pattern</i>	Other Area .00010mm (.000004") Gold over .00127mm (.000050") Nickel 2,54mm (.100") x 2,54mm (.100")	2,54mm (.100") x 2,54mm (.100") 0,635mm (.025") square post
Electrical		
<i>Current Rating</i>	1 amp	1 amp
<i>Insulation Resistance</i>	>x 10 ⁹ Ω	>x 10 ⁹ Ω
<i>Dielectric Strength</i>	1000 V RMS	1000 V RMS
Environmental		
<i>Temperature</i>	-55°C to 105°C (-67° to 221°F)	-55° to 105°C (-67°F to 221°F)

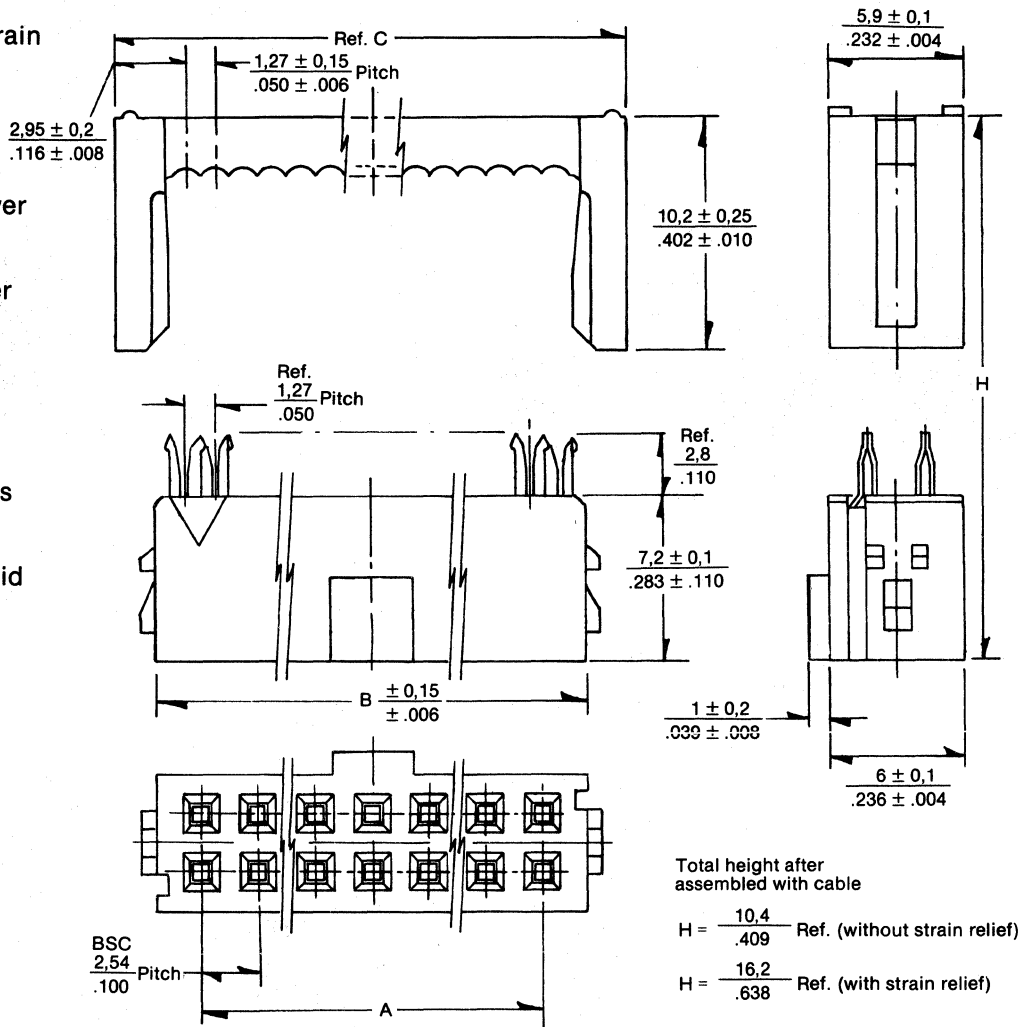
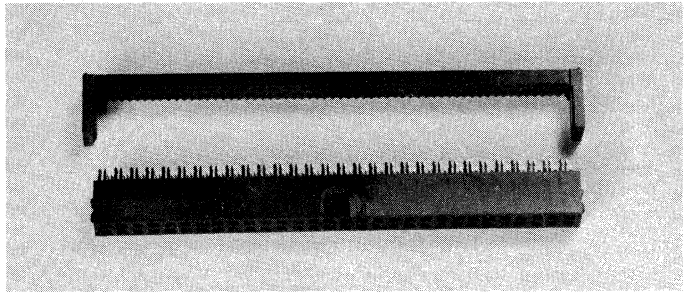
Ribbon Cable Connectors

5320 NA Series

Unloaded

Features/Dimensions:

- 10-60 Circuits
- Polarized
- 94V-0 Glass filled polyester
- Color - black
- Unloaded upper housing
- Symmetrical upper housing
- Dovetail locking grooves to strain relief
- Contact material: phosphor bronze
- Plating:
 Contact area -
 0,00076 mm (.000030) gold over
 0,00127 mm (.000050) nickel
 Other area -
 0,0001 mm (.000004) gold over
 0,00127 mm (.000050) nickel
- Optional plating available (see ordering information)
- Mates with Molex 5328 strain relief
- Mates with Molex 5330, 5340 headers and 5332, 5342 wafers
- Cable accommodation:
 AWG #26, stranded
 AWG #28, stranded and solid
 AWG #30, solid



Dimensional Information

Circuits	Dim. A	Dim. B	Dim. C	Circuits	Dim. A	Dim. B	Dim. C	Circuits	Dim. A	Dim. B	Dim. C
10	10,16 .400	13,96 .550	17,33 .682	20	22,86 .900	26,66 1,050	30,03 1,182	40	48,26 1,900	52,06 2,050	55,43 2,182
14	15,24 .600	19,04 .750	22,41 .882	26	30,48 1,200	34,28 1,350	37,65 1,482	50	60,96 2,400	64,76 2,550	68,13 2,682
16	17,78 .700	21,58 .850	24,95 .982	34	40,64 1,600	44,44 1,750	47,81 1,882	60	73,66 2,900	77,46 3,050	80,83 3,182

Ordering Information

Circuits	Order No.	Eng. No.	Circuits	Order No.	Eng. No.
10	15-29-3102	5320-10AG2	34	15-29-3342	5320-34AG2
14	15-29-3142	5320-14AG2	40	15-29-3402	5320-40AG2
16	15-29-3162	5320-16AG2	50	15-29-3502	5320-50AG2
20	15-29-3202	5320-20AG2	60	15-29-3602	5320-60AG2
26	15-29-3262	5320-26AG2			

Optional Plating

Circuits	Order No.	Eng. No.	Circuits	Order No.	Eng. No.
10	15-29-3101	5320-10AG1	34	15-29-3341	5320-34AG1
14	15-29-3141	5320-14AG1	40	15-29-3401	5320-40AG1
16	15-29-3161	5320-16AG1	50	15-29-3501	5320-50AG1
20	15-29-3201	5320-20AG1	60	15-29-3601	5320-60AG1
26	15-29-3261	5320-26AG1			

[Contact area 0,0001 mm (.000004) gold over ,00127 mm (.000050) nickel.]

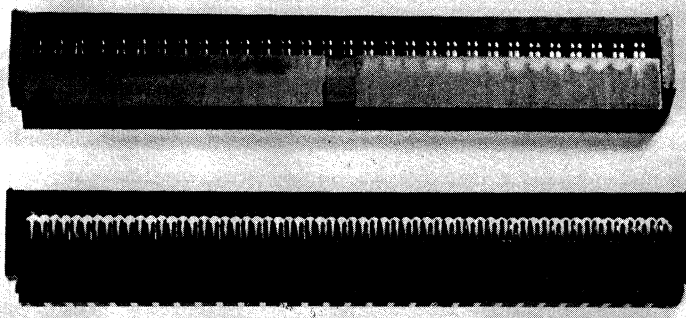


Ribbon Cable Connector

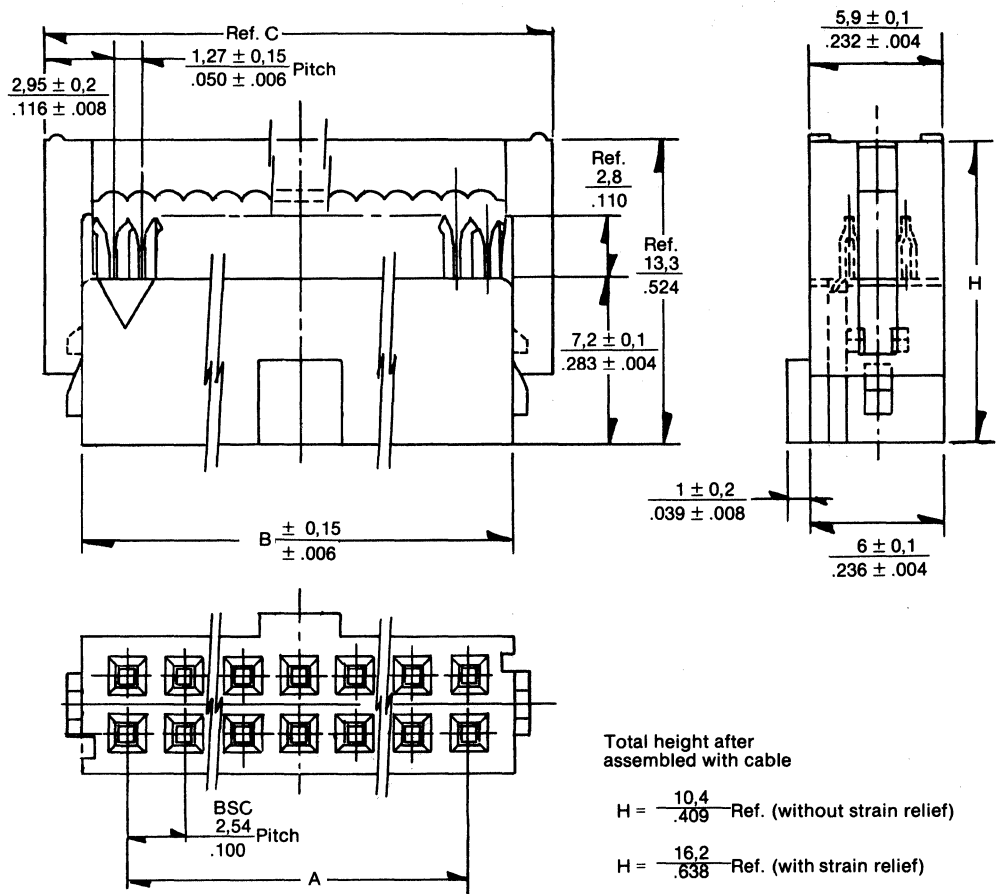
Qik-flecs .050 (1,27 mm)

5320-NB Series Preloaded

Features/Dimensions:



- 10-60 Circuits
- Polarized
- 94V-0 Glass filled polyester
- Color - black
- Preloaded upper housing
- Symmetrical upper housing
- Dovetail locking groove to strain relief
- Contact material: phosphor bronze
- Plating:
Contact area -
 0,00076 mm (.000030) gold over
 0,00127 mm (.000050) nickel
Other area -
 0,0001 mm (.000004) gold over
 0,00127 mm (.000050) nickel
- Optional plating available
 (see ordering information)
- Mates with Molex 5328 strain relief
- Mates with Molex 5330, 5340 headers and 5332, 5342 wafers
- Cable accommodation:
 AWG #26, stranded
 AWG #28, stranded and solid
 AWG #30, solid



mm
inches

Dimensional Information

Circuits	Dim. A	Dim. B	Dim. C	Circuits	Dim. A	Dim. B	Dim. C	Circuits	Dim. A	Dim. B	Dim. C
10	10,16 .400	13,96 .550	17,33 .682	20	22,86 .900	26,66 1.050	30,03 1.182	40	48,26 1.900	52,06 2.050	55,43 2.182
14	15,24 .600	19,04 .750	22,41 .882	26	30,48 1.200	34,28 1.350	37,65 1.482	50	60,96 2.400	64,76 2.550	68,13 2.682
16	17,78 .700	21,58 .850	24,95 .982	34	40,64 1.600	44,44 1.750	47,81 1.882	60	73,66 2.900	77,46 3.050	80,83 3.182

Ordering Information

Circuits	Order No.	Eng. No.	Circuits	Order No.	Eng. No.
10	15-29-3104	5320-10BG2	34	15-29-3344	5320-34BG2
14	15-29-3144	5320-14BG2	40	15-29-3404	5320-40BG2
16	15-29-3164	5320-16BG2	50	15-29-3504	5320-50BG2
20	15-29-3204	5320-20BG2	60	15-29-3604	5320-60BG2
26	15-29-3264	5320-26BG2			

Optional Plating

Circuits	Order No.	Eng. No.	Circuits	Order No.	Eng. No.
10	15-29-3103	5320-10BG1	34	15-29-3343	5320-34BG1
14	15-29-3143	5320-14BG1	40	15-29-3403	5320-40BG1
16	15-29-3163	5320-16BG1	50	15-29-3503	5320-50BG1
20	15-29-3203	5320-20BG1	60	15-29-3603	5320-60BG1
26	15-29-3263	5320-26BG1			

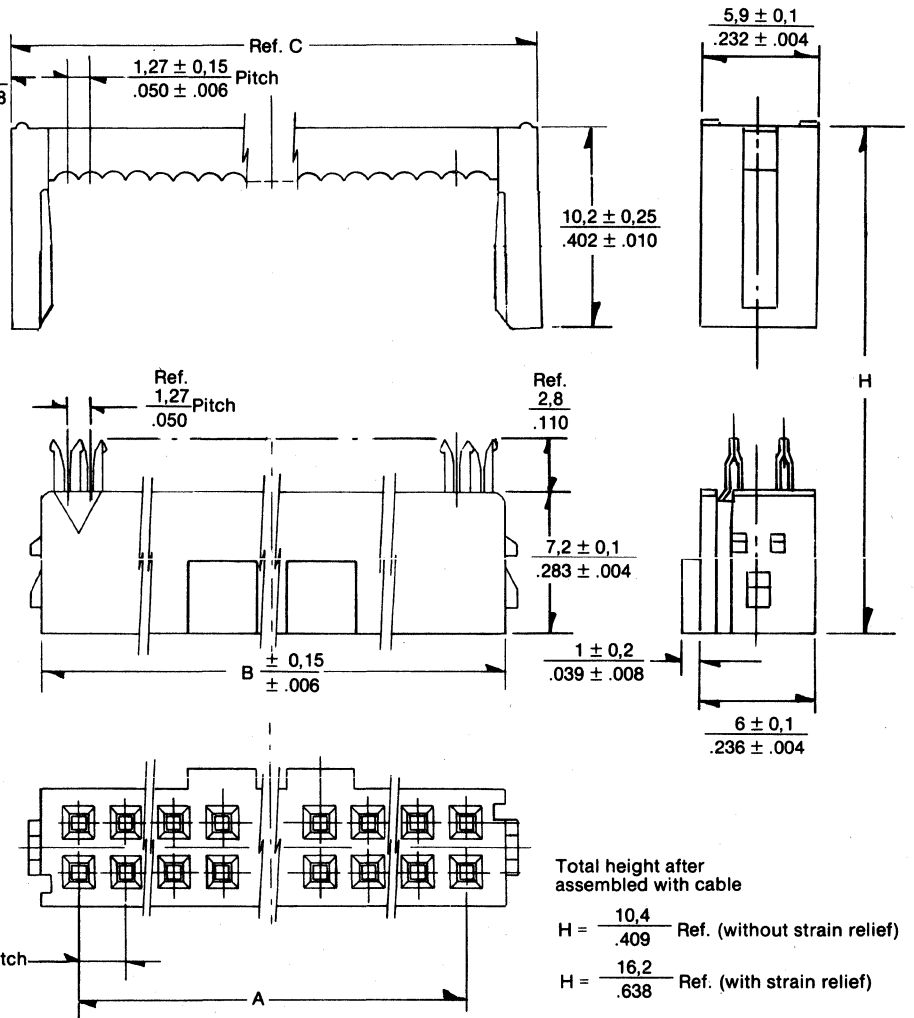
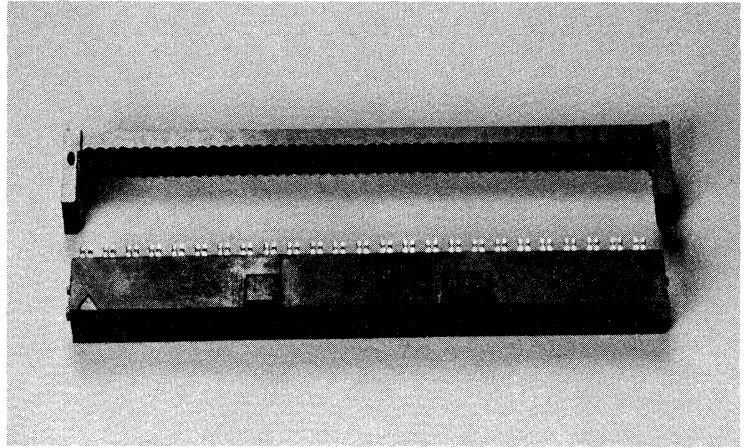
[Contact area 0,0001 mm (.000004) gold over .00127 mm (.000050) nickel.]

Ribbon Cable Connector

5321-NA Series Dual Polarization, Unloaded

Features/Dimensions:

- Available in 50 and 60 circuits only
- 94V-0 Glass filled polyester
- Color - black
- Unloaded upper housing
- Symmetrical upper housing
- Dovetail locking groove to strain relief
- Contact material: phosphor bronze
- Plating:
 - Contact area - 0,00076 mm (.000030) gold over 0,00127 mm (.000050) nickel
 - Other area - 0,0001 mm (.000004) gold over 0,00127 mm (.000050) nickel
- Optional plating available (see ordering information)
- Mates with Molex 5328 strain relief
- Mates with Molex 5331, 5341 headers and 5333, 5343 wafers
- Cable accommodation:
 - AWG #26, stranded
 - AWG #28, stranded and solid
 - AWG #30, solid



mm
inches

Dimensional Information

Circuits	Dim. A	Dim. B	Dim. C
50	60,96 2.400	64,76 2.550	68,13 2.682
60	73,66 2.900	77,46 3.050	80,83 3.182

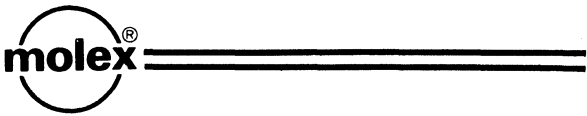
Ordering Information

Circuits	Order No.	Eng. No.
50	15-29-3506	5321-50AG2
60	15-29-3606	5321-60AG2

Optional Plating

Circuits	Order No.	Eng. No.
50	15-29-3505	5321-50AG1
60	15-29-3605	5321-60AG1

[Contact area 0,0001 mm (.000004) gold over .00127 mm (.000050) nickel.]

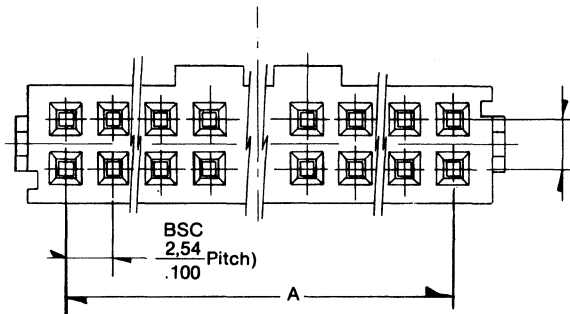
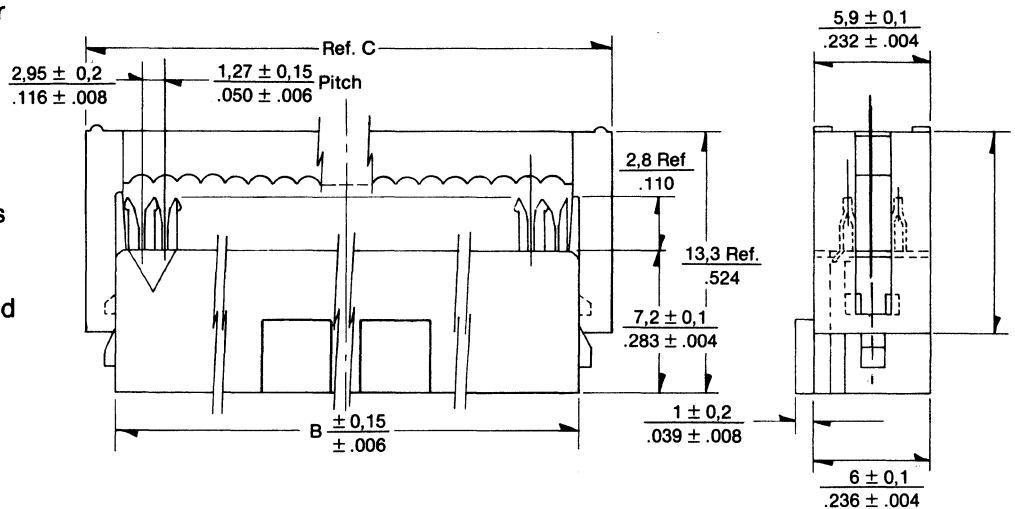
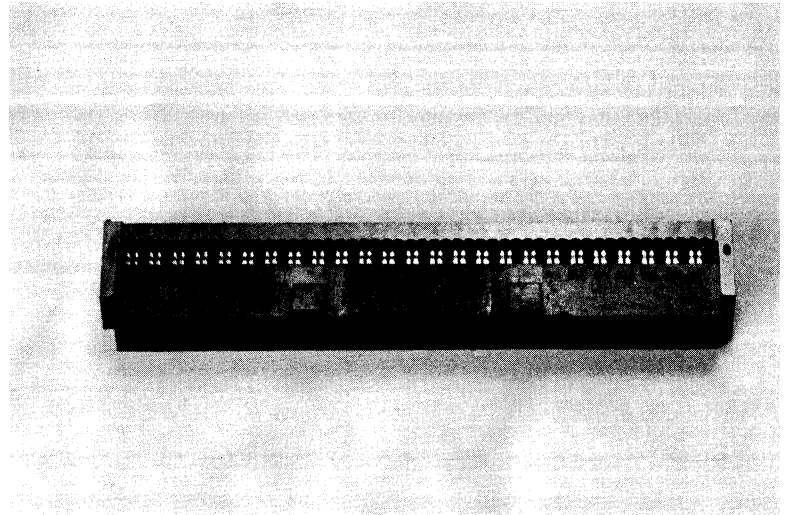


Qik-flecs .050 (1,27 mm) Ribbon Cable Connector

5321-NB Series Dual Polarization, Preloaded

Features/Dimensions:

- Available in 50 and 60 circuits only
- 94V-0 Glass filled polyester
- Color - black
- Preloaded upper housing
- Symmetrical upper housing
- Dovetail locking groove to strain relief
- Contact material: phosphor bronze
- Plating:
Contact area -
 0,00076 mm (.000030) gold over
 0,00127 mm (.000050) nickel
Other area -
 0,0001 mm (.000004) gold over
 0,00127 mm (.000050) nickel
- Optional plating available (see ordering information)
- Mates with Molex 5328 strain relief
- Mates with Molex 5331, 5341 headers and 5333, 5343 wafers
- Cable accommodation:
 AWG #26, stranded
 AWG #28, stranded and solid
 AWG #30, solid



Total height after assembled with cable

$$H = \frac{10,4}{.409} \text{ Ref. (without strain relief)}$$

$$H = \frac{16,2}{.638} \text{ Ref. (with strain relief)}$$

mm
inches

Dimensional Information

Circuits	Dim. A	Dim. B	Dim. C
50	60,96 2.400	64,76 2.550	68,13 2.682
60	73,66 2.900	77,46 3.050	80,83 3.182

Ordering Information

Circuits	Order No.	Eng. No.
50	15-29-3508	5321-50BG2
60	15-29-3608	5321-60BG2

Optional Plating

Circuits	Order No.	Eng. No.
50	15-29-3507	5321-50BG1
60	15-29-3607	5321-60BG1

[Contact area 0,0001 mm (.000004) gold over ,00127 mm (.000050) nickel.]

Qik-flecs .050 (1,27 mm)

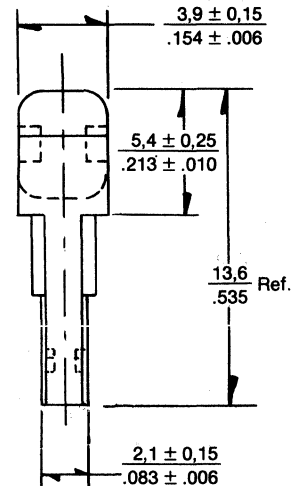
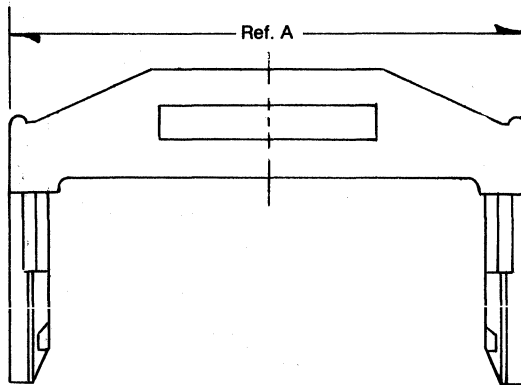
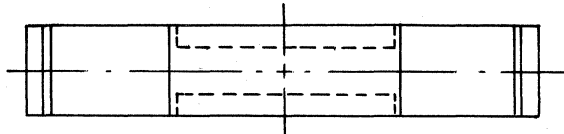
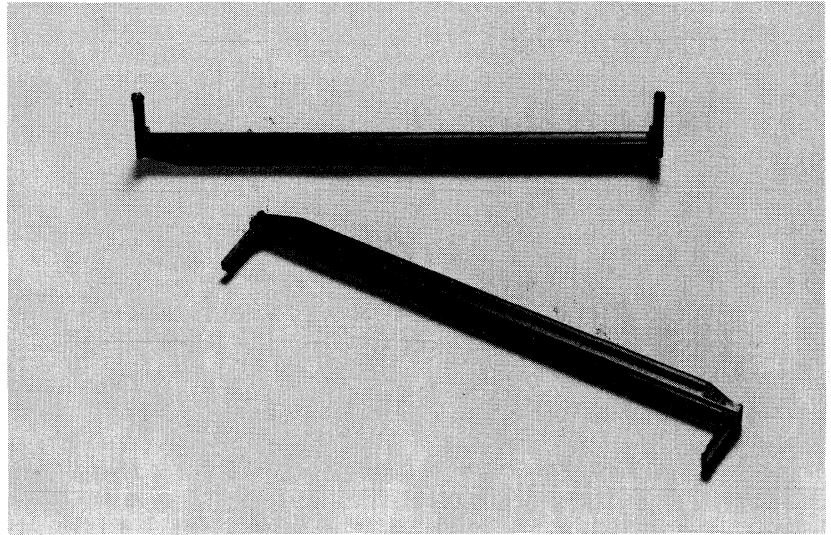


Ribbon Cable Connector

Strain Relief 5328 Series

Features/Dimensions:

- 10-60 Circuits
- 94V-0 Polyester
- Color - black
- Symmetrical
- Used with Molex 5320 and 5321 series connectors



mm
inches

Dimensional Information

Circuits	Dim. A	Circuits	Dim. A	Circuits	Dim. A	Circuits	Dim. A
10	17,33 .682	20	30,03 1.782	34	47,81 1.882	50	68,13 2.682
14	22,41 .882	26	37,65 1.482	40	55,43 2.182	60	80,83 3.182
16	24,95 .982						

Ordering Information

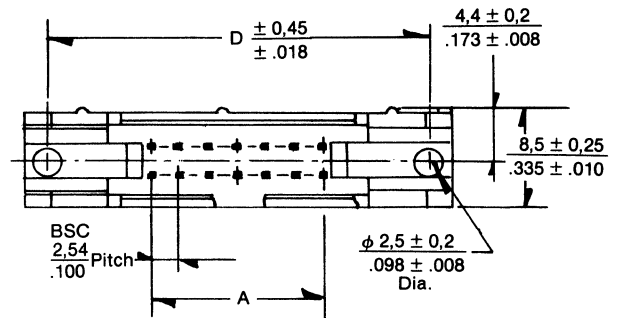
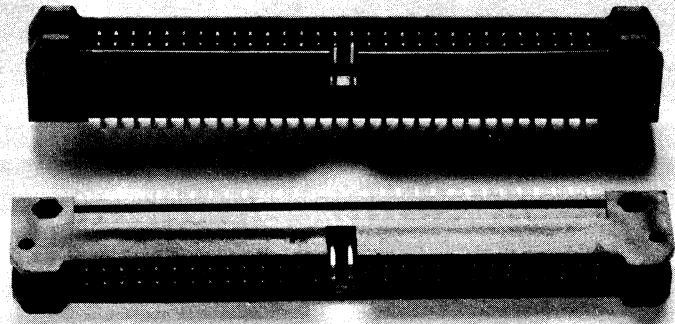
Circuits	Order No.	Eng. No.	Circuits	Order No.	Eng. No.
10	15-25-1103	5328-10	34	15-25-1343	5328-34
14	15-25-1143	5328-14	40	15-25-1403	5328-40
16	15-25-1163	5328-16	50	15-25-1503	5328-50
20	15-25-1203	5328-20	60	15-25-1603	5328-60
26	15-25-1263	5328-26			

5330-NA Series

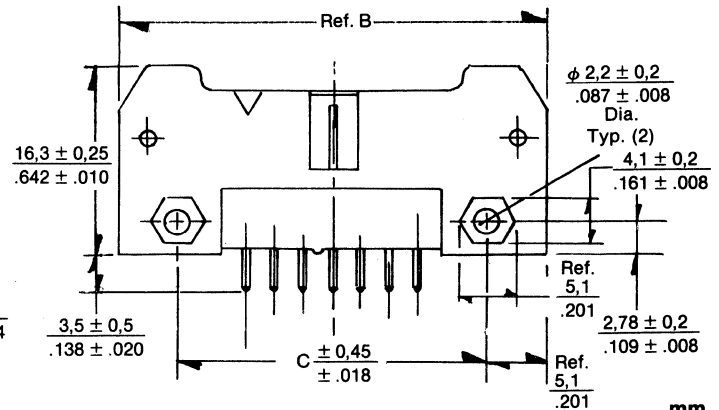
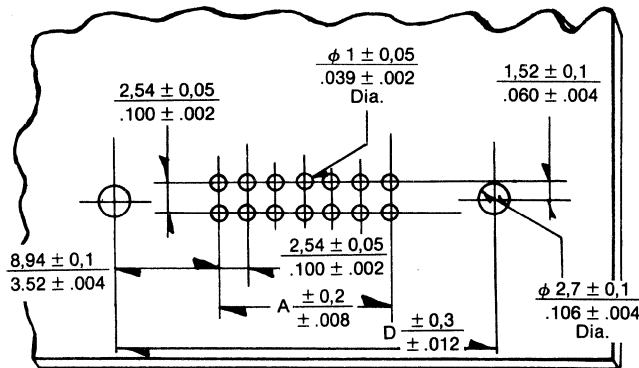
Straight Pin

Features/Dimensions:

- 10-60 Circuits
- Polarized
- 94V-0 Glass filled polyester
- Color - black
- Fully shrouded
- Mates with Molex 5320 series connector
- Contact pin: 0,635 mm (.025) square, brass
- Plating: 0,00076 mm (.000030) gold over 0,00127 (.000050) nickel
- Optional plating available (see ordering information)



Recommended PCB Hole Pattern



Dimension Information

Circuits	Dim. A	Ref. B	Dim. C	Dim. D	Circuits	Dim. A	Ref. B	Dim. C	Dim. D
10	10,16 .400	32,16 1.266	21,94 .864	28,04 1.104	34	40,64 1.600	62,64 2.466	52,47 2.064	58,52 2.304
14	15,24 .600	37,24 1.466	27,02 1.064	33,12 1.304	40	48,26 1.900	70,26 2.766	60,04 2.364	66,14 2.604
16	17,78 .700	39,78 1.566	29,56 1.164	35,66 1.404	50	60,96 2.400	82,98 3.266	72,74 2.864	78,84 3.104
20	22,86 .900	44,86 1.766	34,64 1.364	40,74 1.604	60	73,66 2.900	95,66 3.766	85,44 3.364	91,54 3.604
26	30,48 1.200	52,48 2.066	42,26 1.664	48,36 1.904					

Ordering Information

Circuits	Order No.	Eng. No.	Circuits	Order No.	Eng. No.
10	10-55-6102	5330-10AG2	34	10-55-6342	5330-34AG2
14	10-55-6142	5330-14AG2	40	10-55-6402	5330-40AG2
16	10-55-6162	5330-16AG2	50	10-55-6502	5330-50AG2
20	10-55-6202	5330-20AG2	60	10-55-6602	5330-60AG2
26	10-55-6262	5330-26AG2			

Optional Plating

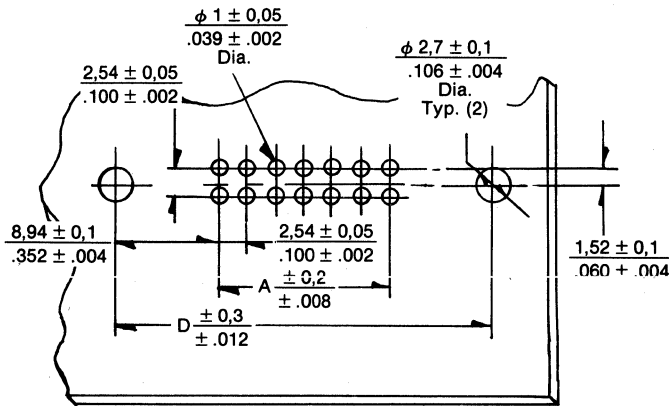
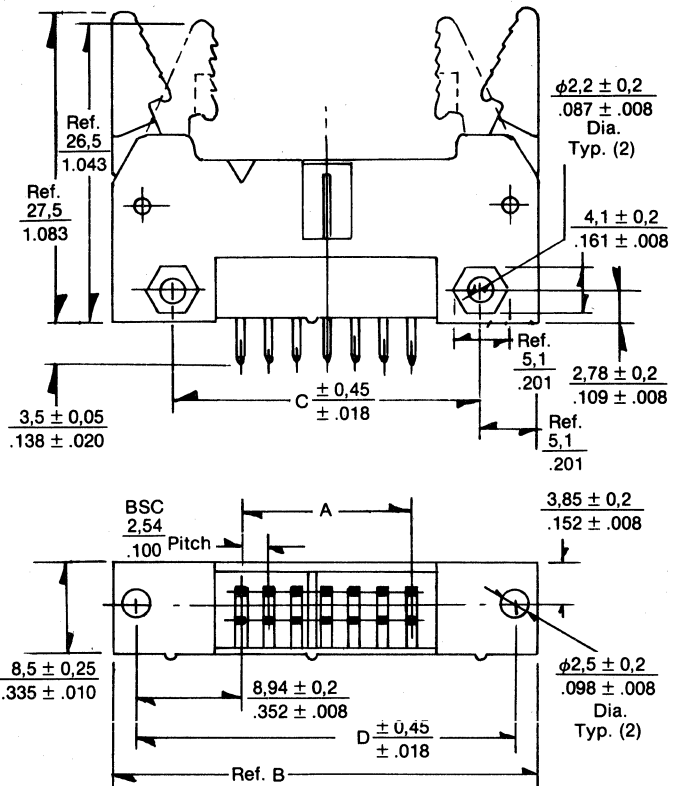
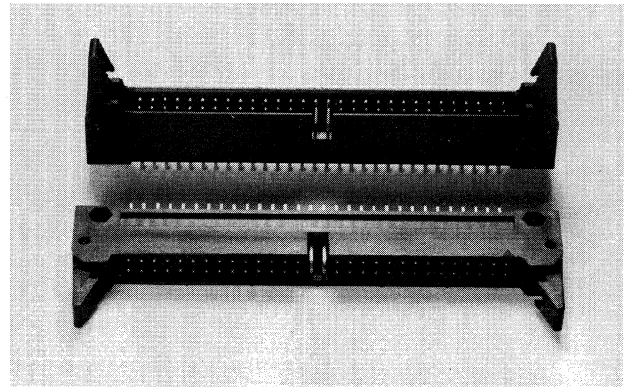
Circuits	Order No.	Eng. No.	Circuits	Order No.	Eng. No.
10	10-55-6101	5330-10AG1	34	10-55-6341	5330-34AG1
14	10-55-6141	5330-14AG1	40	10-55-6401	5330-40AG1
16	10-55-6161	5330-16AG1	50	10-55-6501	5330-50AG1
20	10-55-6201	5330-20AG1	60	10-55-6601	5330-60AG1
26	10-55-6261	5330-26AG1			

[0,0001 mm (.000004) gold over 0,00125 mm (.000050) Nickel.]

5330-NB Series Straight Pin, with Eject/Latch Lever

Features/Dimensions:

- 10-60 Circuits
- Polarized
- 94V-0 Glass filled polyester
- Color - black
- Fully shrouded
- Stackable side by side
- Latches connector with or without strain relief
- Mates with Molex 5320 series connector
- Contact pin: 0,635 mm (.025) square, brass
- Plating: 0,00076 mm (.000030) gold over 0,00127 (.000050) nickel
- Optional plating available (see ordering information)



Recommended PCB Hole Pattern

Dimension Information

					mm				
					inches				
Circuits	Dim. A	Ref. B	Dim. C	Dim. D	Circuits	Dim. A	Ref. B	Dim. C	Dim. D
10	10,16 .400	32,16 1.266	21,94 .864	28,04 1.104	34	40,64 1.600	62,64 2.466	52,47 2.064	58,52 2.304
14	15,24 .600	37,24 1.466	27,02 1.064	33,12 1.304	40	48,26 1.900	70,26 2.766	60,04 2.364	66,14 2.604
16	17,78 .700	39,78 1.566	29,56 1.164	35,66 1.404	50	60,96 2.400	82,98 3.266	72,74 2.864	78,84 3.104
20	22,86 .900	44,86 1.766	34,64 1.364	40,74 1.604	60	73,66 2.900	95,66 3.766	85,44 3.364	91,54 3.604
26	30,48 1.200	52,48 2.066	42,26 1.664	48,36 1.904					

Ordering Information

Circuits	Order No.	Eng. No.	Circuits	Order No.	Eng. No.
10	10-55-6104	5330-10BG2	34	10-55-6344	5330-34BG2
14	10-55-6144	5330-14BG2	40	10-55-6404	5330-40BG2
16	10-55-6164	5330-16BG2	50	10-55-6504	5330-50BG2
20	10-55-6204	5330-20BG2	60	10-55-6604	5330-60BG2
26	10-55-6264	5330-26BG2			

Optional Plating

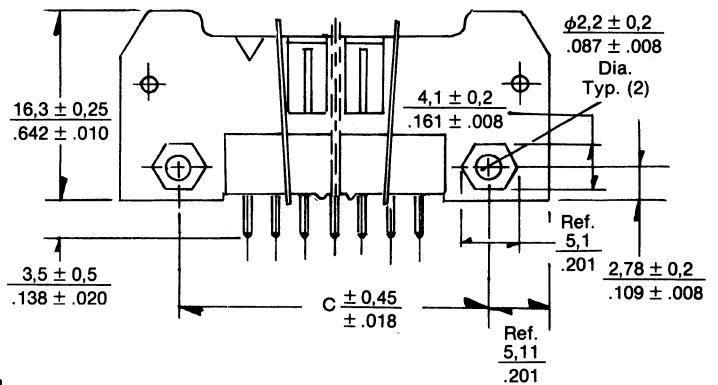
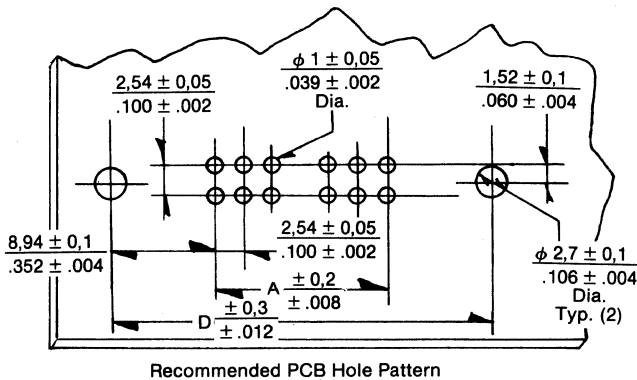
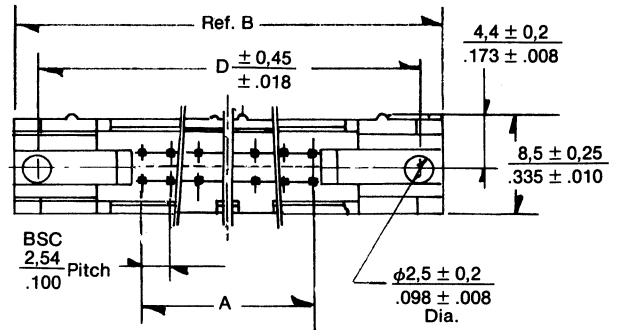
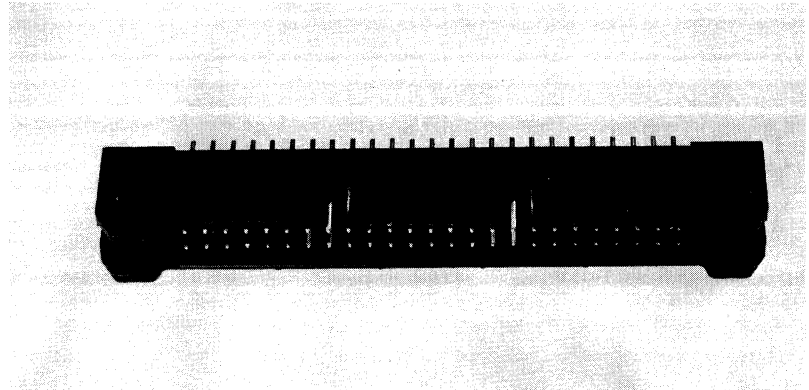
Circuits	Order No.	Eng. No.	Circuits	Order No.	Eng. No.
10	10-55-6103	5330-10BG1	34	10-55-6343	5330-34BG1
14	10-55-6143	5330-14BG1	40	10-55-6403	5330-40BG1
16	10-55-6163	5330-16BG1	50	10-55-6503	5330-50BG1
20	10-55-6203	5330-20BG1	60	10-55-6603	5330-60BG1
26	10-55-6263	5330-26BG1			

[0,0001 mm (.000004) gold over 0,00127 mm (.000050) nickel.]

5331-NA Series
Dual Polarization, Straight Pin

Features/Dimensions:

- Available in 50 and 60 circuits only
- 94V-0 Glass filled polyester
- Color - black
- Fully shrouded
- Mates with Molex 5321 series connector
- Contact pin: 0,635 mm (.025) square, brass
- Plating: 0,00076 mm (.000030) gold over 0,00127 mm (.000050) nickel
- Optional plating available (see ordering information)



Dimension Information

inches
mm

Circuits	Dim. A	Ref. B	Dim. C	Dim. D
50	60,96 2.400	82,96 3.266	72,74 2.864	78,84 3.104
60	73,66 2.900	95,66 3.766	85,44 3.364	91,54 3.604

Ordering Information

Circuits	Order No.	Eng. No.
50	10-55-6506	5331-50AG2
60	10-55-6606	5331-60AG2

Optional Plating

Circuits	Order No.	Eng. No.
50	10-55-6505	5331-50AG1
60	10-55-6605	5331-60AG1

[0,0001 mm (.000004) gold over ,00127 mm (.000050) nickel.]

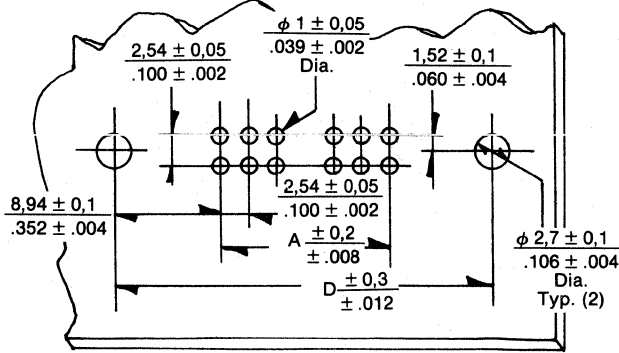
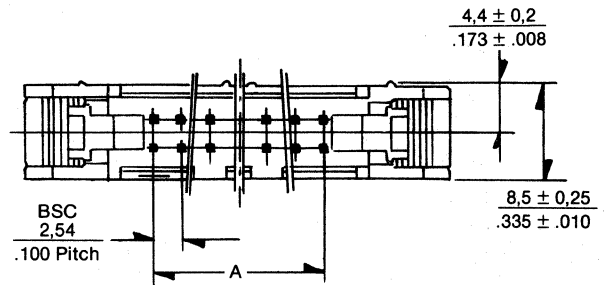
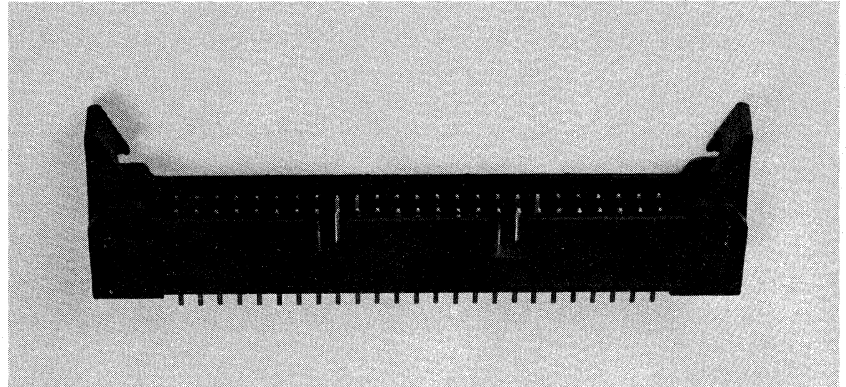


5331-NB Series

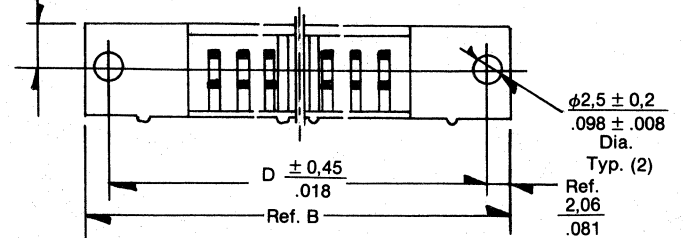
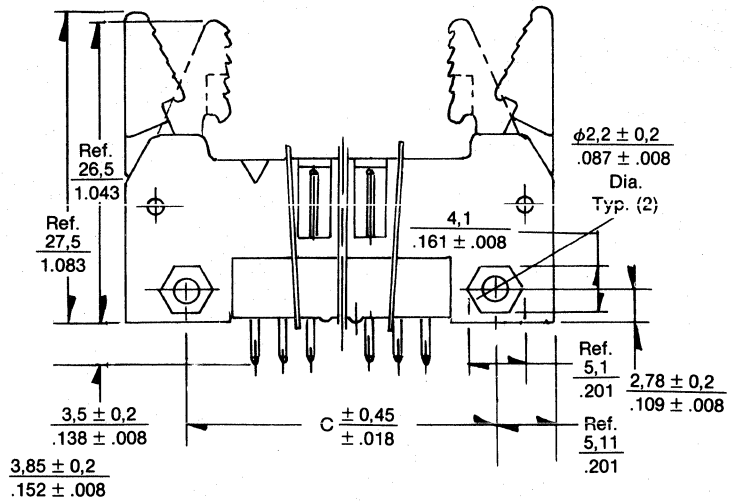
Dual Polarization, Straight Pin, with Eject/Latch Lever

Features/Dimensions:

- Available in 50 and 60 circuits only
- 94V-0 Glass filled polyester
- Color - black
- Fully shrouded
- Stackable side by side
- Latches connector with or without strain relief
- Mates with Molex 5321 series connector
- Contact pin: 0,635 mm (.025) square, brass
- Plating: 0,00076 mm (.000030) gold over 0,00127 mm (.000050) nickel
- Optional plating available (see ordering information)



Recommended PCB Hole Pattern



Dimension Information

Circuits	mm			
	Dim. A	Ref. B	Dim. C	Dim. D
50	60,96	82,96	72,74	78,84
	2.400	3.266	2.864	3.104
60	73,66	95,66	85,44	91,54
	2.900	3.766	3.364	3.604

Ordering Information

Circuits	Order No.	Eng. No.
50	10-55-6508	5331-50BG2
60	10-55-6608	5331-60BG2

Optional Plating

Circuits	Order No.	Eng. No.
50	10-55-6507	5331-50BG1
60	10-55-6607	5331-60BG1

[0,0001 mm (.000004) gold over .00127 mm (.000050) nickel.]

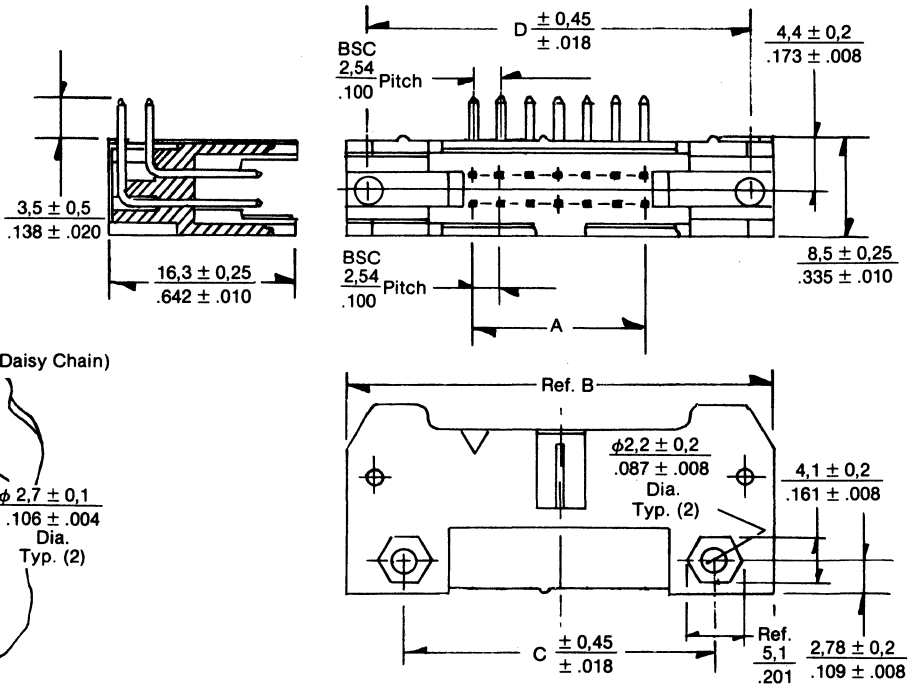
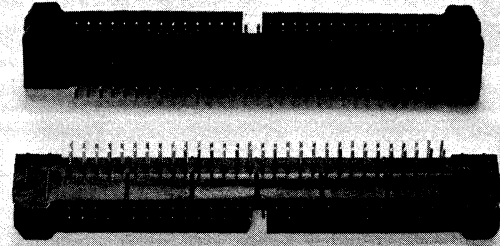


Qik-flecs PCB Header Assembly

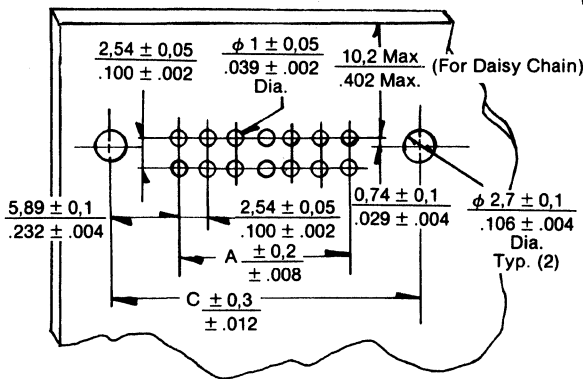
5340-NA Series Right Angle

Features/Dimensions:

- 10-60 Circuits
- Polarized
- 94V-0 Glass filled polyester
- Color - black
- Fully shrouded
- Mates with Molex 5320 series connector
- Contact pin: 0,635 mm (.025) square, brass
- Plating: 0,00076 mm (.000030) gold over 0,00127 mm (.000050) nickel
- Optional plating available (see ordering information)



Recommended PCB Hole Pattern



Dimension Information

Circuits	Dim. A	Ref. B	Dim. C	Dim. D					
					Circuits	Dim. A	Ref. B	Dim. C	Dim. D
10	10,16 .400	32,16 1.266	21,94 .864	28,04 1.104	34	40,64 1.600	62,64 2.466	52,42 2.064	58,52 2.304
14	15,24 .600	37,24 1.466	27,02 1.064	33,12 1.304	40	48,26 1.900	70,26 2.766	60,04 2.364	66,14 2.604
16	17,78 .700	39,78 1.566	29,56 1.164	35,66 1.404	50	60,96 2.400	82,96 3.266	72,74 2.864	78,84 3.104
20	22,86 .900	44,86 1.766	34,64 1.364	40,74 1.604	60	73,66 2.900	95,66 3.766	85,44 3.364	91,54 3.604
26	30,48 1.200	52,48 2.066	42,26 1.664	48,36 1.904					

Ordering Information

Circuits	Order No.	Eng. No.	Circuits	Order No.	Eng. No.
10	10-55-6100	5340-10AG2	34	10-55-6340	5340-34AG2
14	10-55-6140	5340-14AG2	40	10-55-6400	5340-40AG2
16	10-55-6160	5340-16AG2	50	10-55-6500	5340-50AG2
20	10-55-6200	5340-20AG2	60	10-55-6600	5340-60AG2
26	10-55-6260	5340-26AG2			

Optional Plating

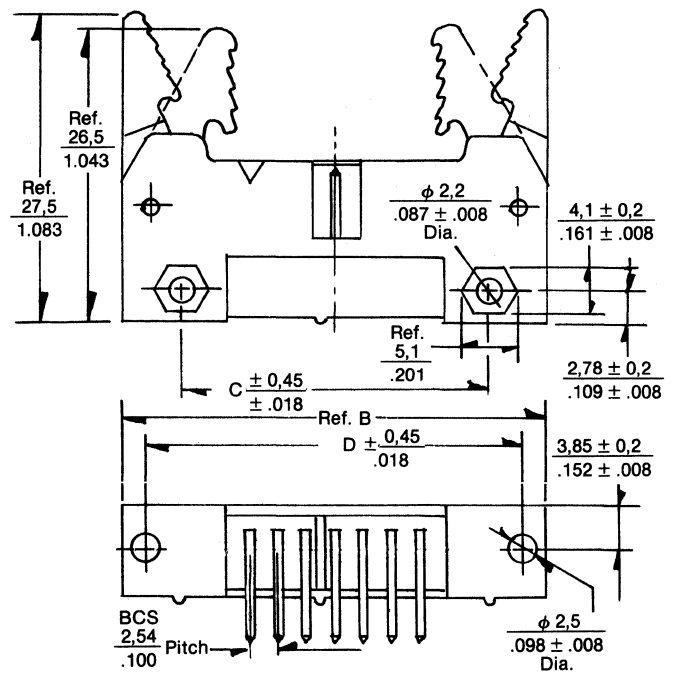
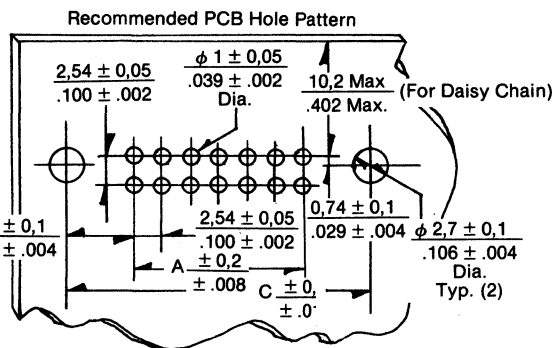
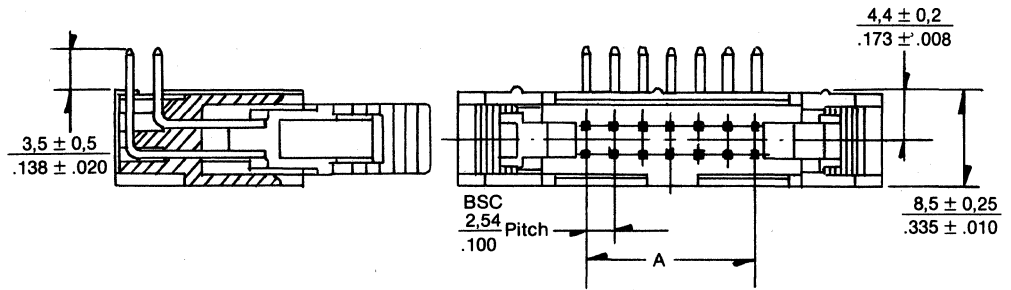
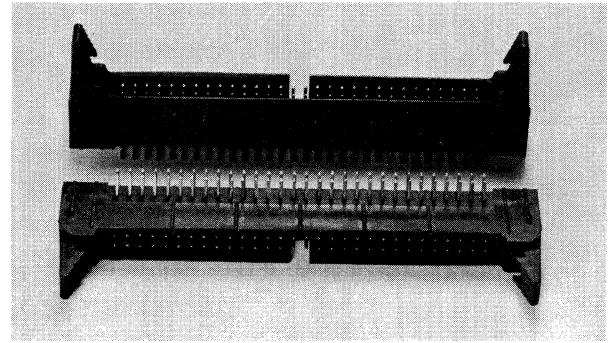
Circuits	Order No.	Eng. No.	Circuits	Order No.	Eng. No.
10	10-55-6109	5340-10AG1	34	10-55-6349	5340-34AG1
14	10-55-6149	5340-14AG1	40	10-55-6409	5340-40AG1
16	10-55-6169	5340-16AG1	50	10-55-6509	5340-50AG1
20	10-55-6209	5340-20AG1	60	10-55-6609	5340-60AG1
26	10-55-6269	5340-26AG1			

[0,0001 mm (.000004) gold over 0,00127 mm (.000050) nickel.]

5340-NB Series Right Angle, with Eject/Latch Lever

Features/Dimensions:

- 10-60 Circuits
- Polarized
- 94V-0 Glass filled polyester
- Color - black
- Fully shrouded
- Stackable side by side
- Latches connector with or without strain relief
- Mates with Molex 5320 series connector
- Contact pin: 0,635 mm (.025) square, brass
- Plating: 0,00076 mm (.000030) gold over 0,00127 mm (.000050) nickel
- Optional plating available (see ordering information)



mm
Inches

Dimension Information

Circuits	Dim. A	Ref. B	Dim. C	Dim. D	Circuits	Dim. A	Ref. B	Dim. C	Dim. D
10	10,16 .400	32,16 1.266	21,94 .864	28,04 1.104	34	40,64 1.600	62,64 2.466	52,42 2.064	58,52 2.304
14	15,24 .600	37,24 1.466	27,02 1.064	33,12 1.104	40	48,26 1.900	70,26 2.766	60,04 2.364	66,14 2.604
16	17,78 .700	39,78 1.566	29,56 1.164	35,66 1.404	50	60,96 2.400	82,96 3.266	72,74 2.864	78,84 3.104
20	22,86 .900	44,86 1.766	34,64 1.364	40,74 1.604	60	73,66 2.900	95,66 3.766	85,44 3.364	91,54 3.604
26	30,48 1.200	52,48 2.066	42,26 1.664	48,36 1.904					

Ordering Information

Circuits	Order No.	Eng. No.	Circuits	Order No.	Eng. No.
10	10-55-7102	5340-10BG2	34	10-55-7342	5340-34BG2
14	10-55-7142	5340-14BG2	40	10-55-7402	5340-40BG2
16	10-55-7162	5340-16BG2	50	10-55-7502	5340-50BG2
20	10-55-7202	5340-20BG2	60	10-55-7602	5340-60BG2
26	10-55-7262	5340-26BG2			

Optional Plating

Circuits	Order No.	Eng. No.	Circuits	Order No.	Eng. No.
10	10-55-7101	5340-10BG1	34	10-55-7341	5340-34BG1
14	10-55-7141	5340-14BG1	40	10-55-7401	5340-40BG1
16	10-55-7161	5340-16BG1	50	10-55-7501	5340-50BG1
20	10-55-7201	5340-20BG1	60	10-55-7601	5340-60BG1
26	10-55-7261	5340-26BG1			

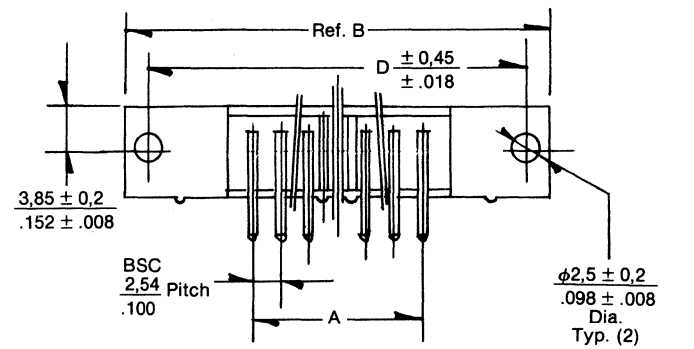
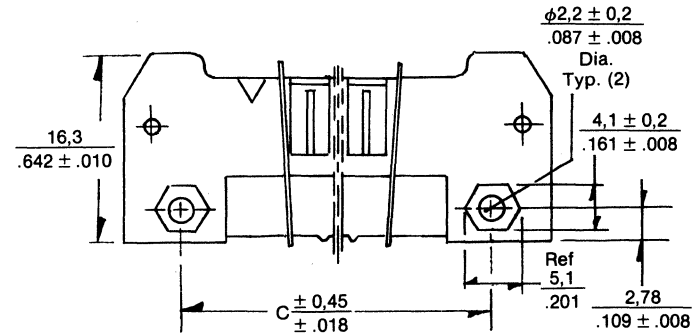
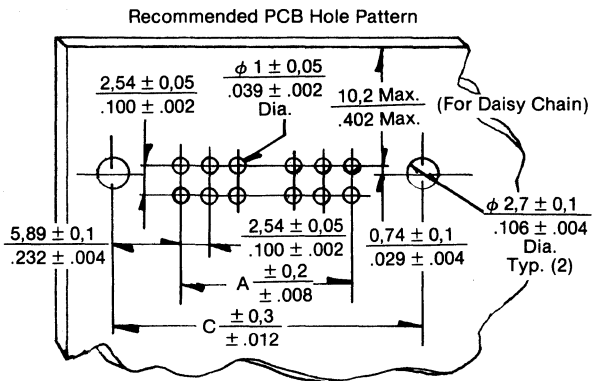
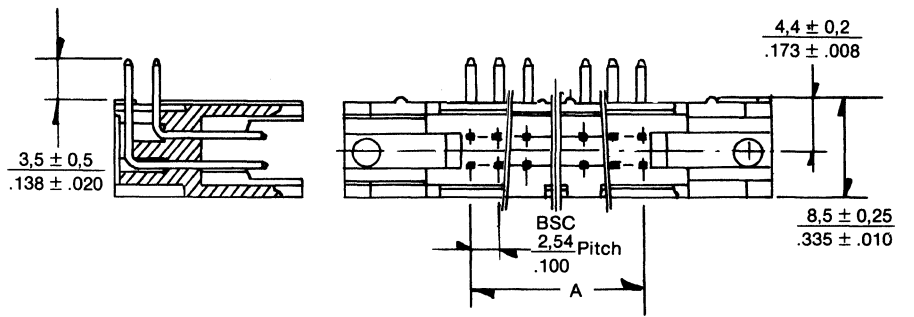
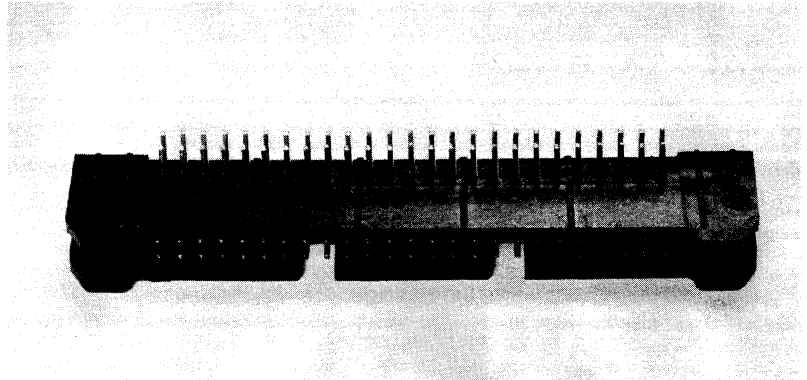
[0,0001 mm (.000004) gold over 0,00127 mm (.000050) nickel.]

5341-NA Series

Dual Polarization, Right Angle

Features/Dimensions:

- Available in 50 and 60 circuits only
- 94V-0 Glass filled polyester
- Fully shrouded
- Color - black
- Mates with Molex 5321 series connector
- Contact pin: 0,635 mm (.025) square, brass
- Plating: 0,00076 mm (.000030) gold over 0,00127 mm (.000050) nickel
- Optional plating available (see ordering information)



inches
mm

Dimension Information

Circuits	Dim. A	Ref. B	Dim. C	Dim. D
50	60,96 2.400	82,96 3.266	72,74 2.864	78,84 3.104
60	73,66 2.900	95,66 3.766	85,44 3.364	91,54 3.604

Ordering Information

Circuits	Order No.	Eng. No.
50	10-55-7504	5341-50AG2
60	10-55-7604	5341-60AG2

Optional Plating

Circuits	Order No.	Eng. No.
50	10-55-7503	5341-50AG1
60	10-55-7603	5341-60AG1

[Contact area 0,0001 mm (.000004) gold over .00127 mm (.000050) nickel.]

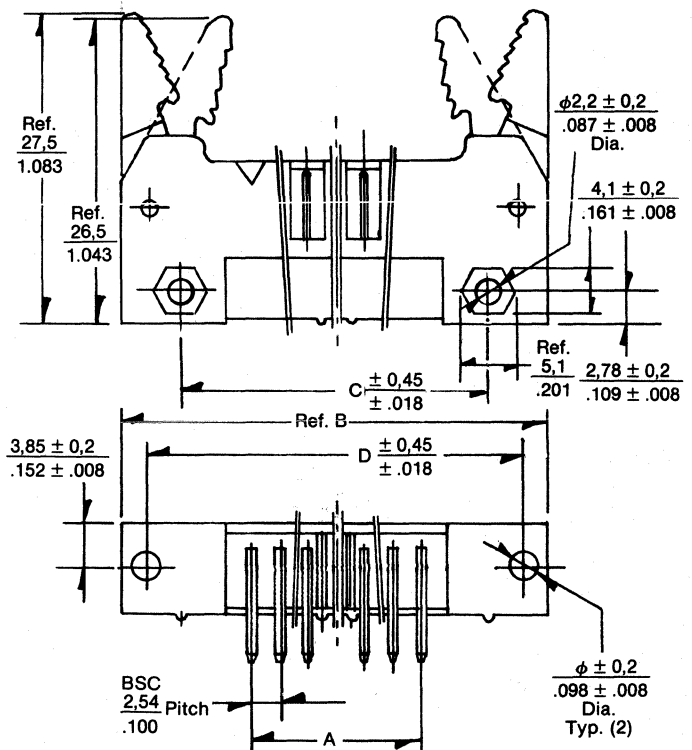
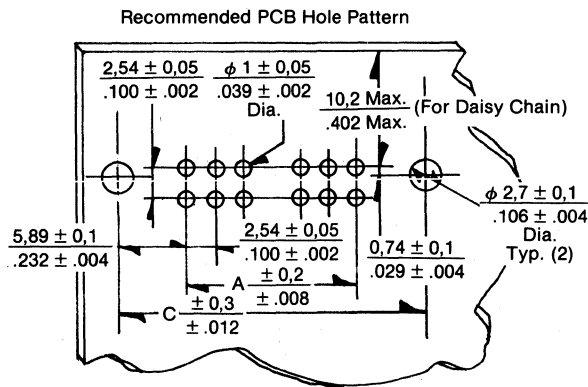
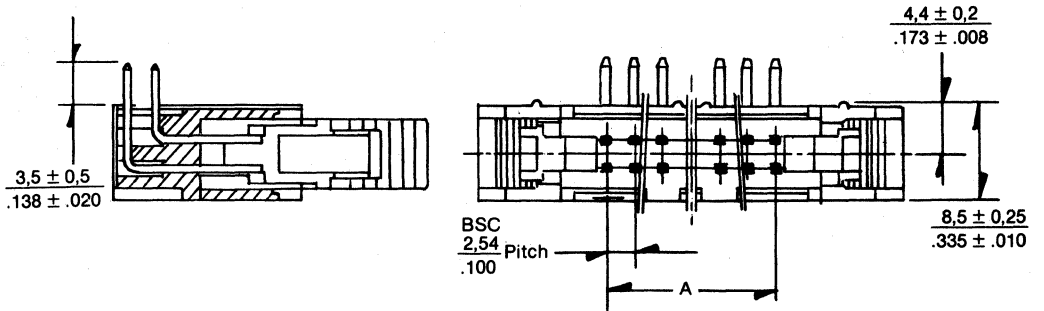
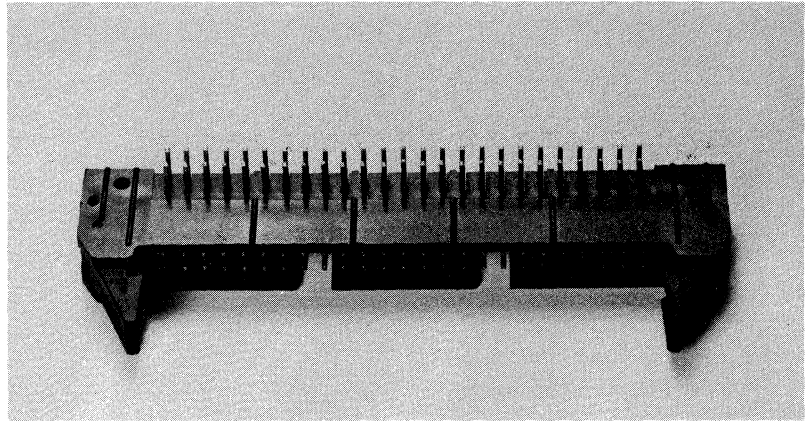


5341-NB Series

Dual Polarization, Right Angle, with Eject/Latch Lever

Features/Dimensions:

- Available in 50 and 60 circuits only
- 94V-0 Glass filled polyester
- Color - black
- Fully shrouded
- Stackable side by side
- Latches connector with or without strain relief
- Mates with Molex 5321 series connector
- Contact pin: 0,635 mm (.025) square, brass
- Plating: 0,00076 mm (.00030) gold over 0,00127 mm (.00050) nickel
- Optional plating available (see ordering information)



mm
inches

Dimension Information

Circuits	Dim. A	Ref. B	Dim. C	Dim. D
50	60,96 2.400	82,96 3.266	72,74 2.864	78,84 3.104
60	73,66 2.900	95,66 3.766	85,44 3.364	91,54 3.604

Ordering Information

Circuits	Order No.	Eng. No.
50	10-55-7506	5341-50BG2
60	10-55-7606	5341-60BG2

Optional Plating

Circuits	Order No.	Eng. No.
50	10-55-7505	5341-50BG1
60	10-55-7605	5341-60BG1

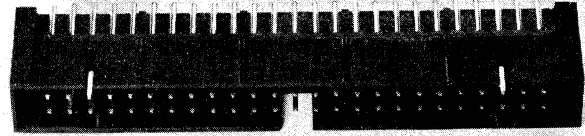
[Contact area 0,0001 mm (.000004) gold over ,00127 mm (.000050) nickel.]



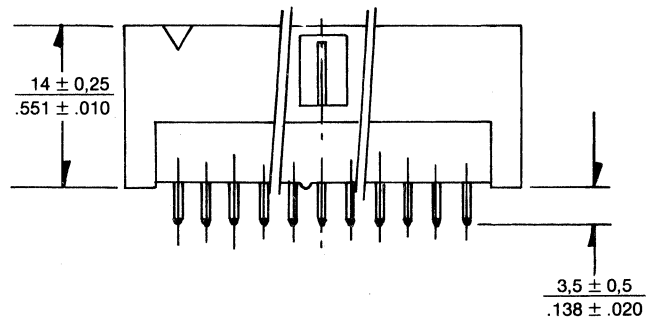
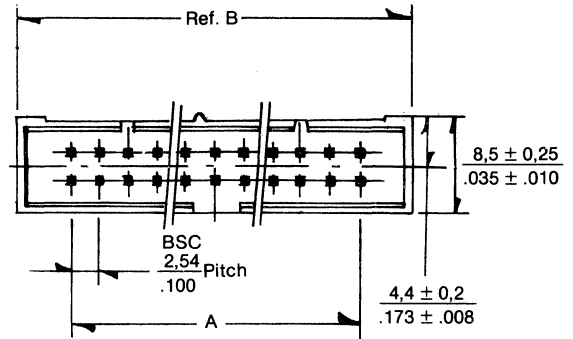
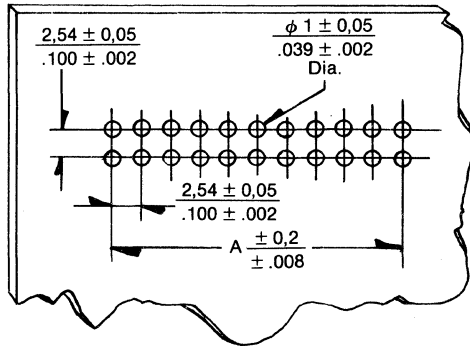
5332 Series Straight Pin, Low Profile

Features/Dimensions:

- 10-60 Circuits
- Polarized
- 94V-0 Glass filled polyester
- Color - black
- Mates with Molex 5320 series connector
- Fully shrouded
- Contact pin - 0,635 mm (.025) square, brass
- Plating: 0,00076 mm (.000030) gold over 0,00127 mm (.000050) nickel
- Optional plating available (see ordering information)



Recommended PCB Hole Pattern



mm
inches

Dimensional Information

Circuits	Dim. A	Ref. B	Circuits	Dim. A	Ref. B	Circuits	Dim. A	Ref. B	Circuits	Dim. A	Ref. B
10	10,16 .400	19,66 .774	20	22,86 .900	32,36 1.274	34	40,64 1.600	50,14 1.974	50	60,96 2.400	70,46 2,774
14	15,24 .600	24,74 .974	26	30,48 1.200	39,98 1.574	40	48,26 1.900	57,76 2.274	60	73,66 2.900	83,16 3.274
16	17,78 .700	27,28 1.074									

Ordering Information

Circuits	Order No.	Eng. No.	Circuits	Order No.	Eng. No.
10	10-51-2102	5332-10G2	34	10-51-2342	5332-34G2
14	10-51-2142	5332-14G2	40	10-51-2402	5332-40G2
16	10-51-2162	5332-16G2	50	10-51-2502	5332-50G2
20	10-51-2202	5332-20G2	60	10-51-2602	5332-60G2
26	10-51-2262	5332-26G2			

Optional Plating

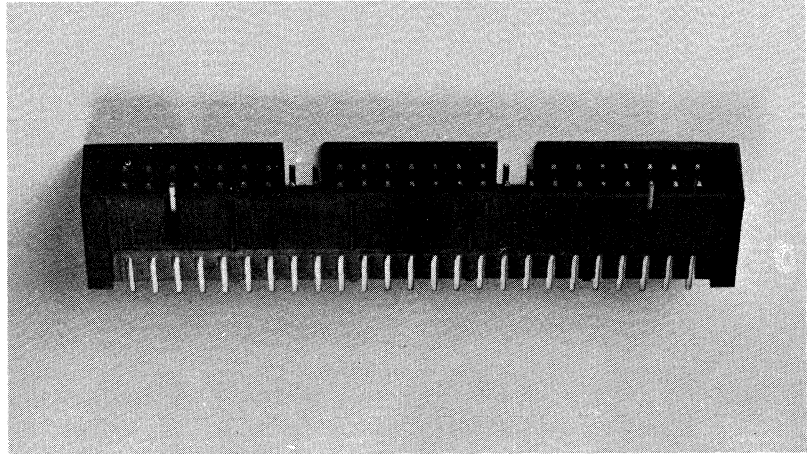
Circuits	Order No.	Eng. No.	Circuits	Order No.	Eng. No.
10	10-51-2101	5332-10G1	34	10-51-2341	5332-34G1
14	10-51-2141	5332-14G1	40	10-51-2401	5332-40G1
16	10-51-2161	5332-16G1	50	10-51-2501	5332-50G1
20	10-51-2201	5332-20G1	60	10-51-2601	5332-60G1
26	10-51-2261	5332-26G1			

[0,0001 mm (.000004) gold over 0,00127 mm (.000050) nickel.]

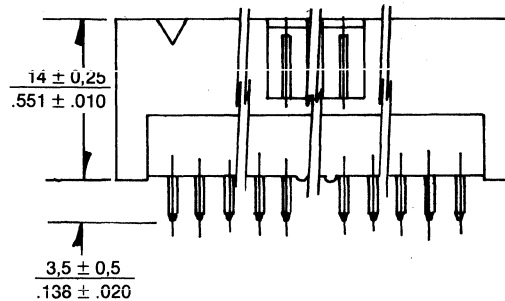
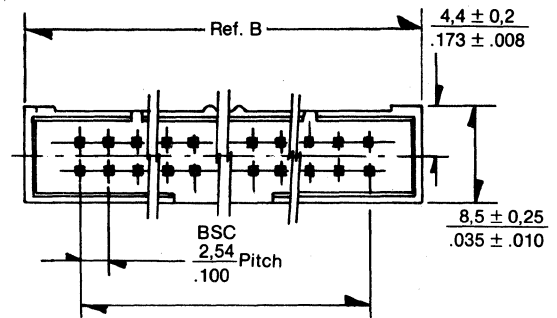
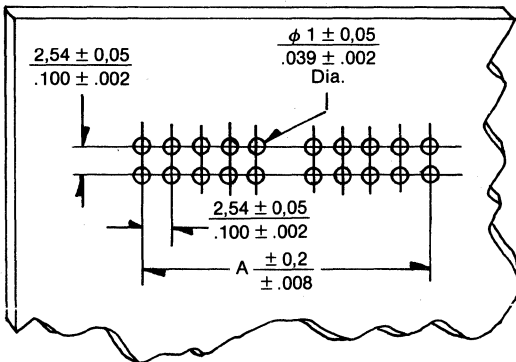
5333 Series Dual Polarization, Straight Pin, Low Profile

Features/Dimensions:

- Available in 50 and 60 circuits only
- 94V-0 Glass filled polyester
- Color - black
- Fully shrouded
- Mates with Molex 5321 series connector
- Contact pin: 0,635 mm (.025) square, brass
- Plating: 0,00076 mm (.000030) gold over 0,00127 mm (.000050) nickel
- Optional plating available (see ordering information)



Recommended PCB Hole Pattern



Dimensional Information

Circuits	Dim. A	Ref. B
50	60,96 2.400	70,46 2.774
60	73,66 2.900	83,16 3.274

mm
inches

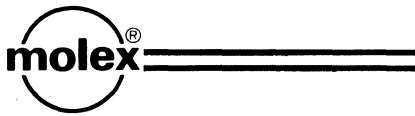
Ordering Information

Circuits	Order No.	Eng. No.
50	10-51-2504	5333-50G2
60	10-51-2604	5333-60G2

Optional Plating

Circuits	Order No.	Eng. No.
50	10-51-2503	5333-50G1
60	10-51-2603	5333-60G1

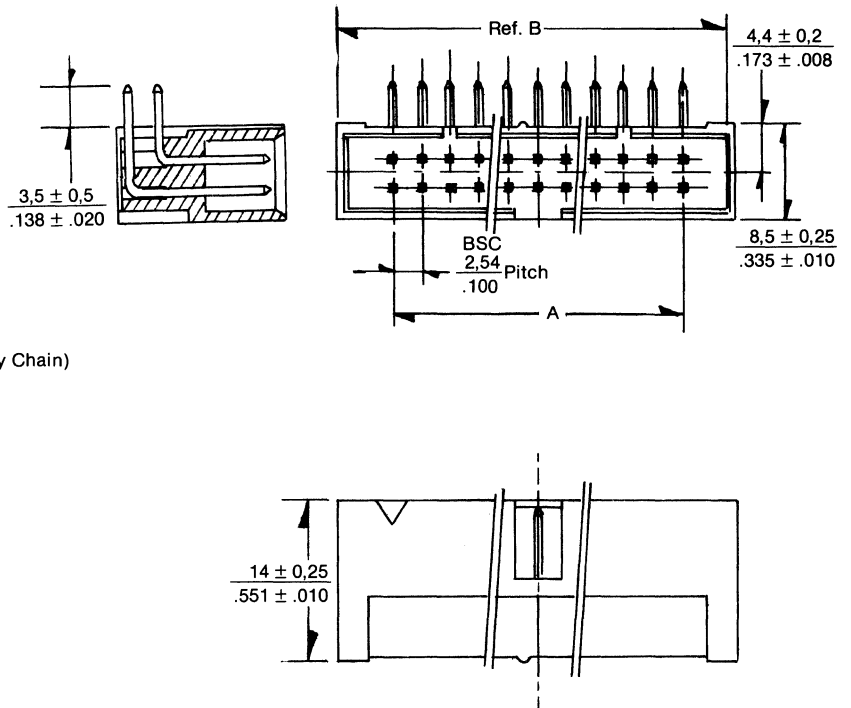
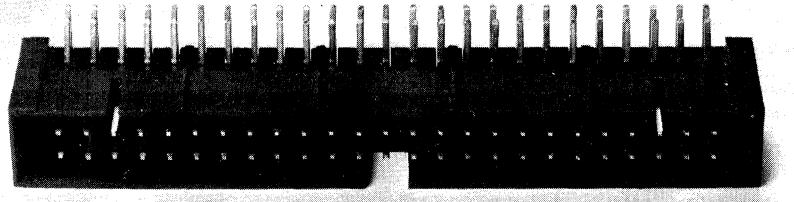
[0,0001 mm (.000004) gold over
0,00127 mm (.000050) nickel.]



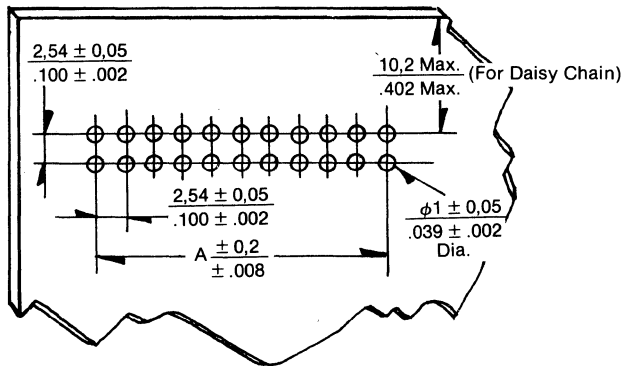
5342 Series Right Angle, Low Profile

Features/Dimensions:

- 10-60 Circuits
- Polarized
- 94V-0 Glass filled polyester
- Color - black
- Fully shrouded
- Mates with Molex 5320 series connector
- Contact pin: 0,635 mm (.025) square, brass
- Plating: 0,00076 mm (.000030) gold over 0,00127 mm (.000050) nickel
- Optional plating available (see ordering information)



Recommended PCB Hole Pattern



Dimensional Information

mm inches											
Circuits	Dim. A	Ref. B	Circuits	Dim. A	Ref. B	Circuits	Dim. A	Ref. B	Circuits	Dim. A	Ref. B
10	10,16 .400	19,66 .774	20	22,86 .900	32,36 1.274	34	40,64 1.600	50,14 1.974	50	60,96 2.400	70,46 2.774
14	15,24 .600	24,74 .974	26	30,48 1.200	39,98 1.574	40	48,26 1.900	57,76 2.274	60	73,66 2.900	83,16 3.274
16	17,78 .700	27,28 1.074									

Ordering Information

Circuits	Order No.	Eng. No.	Circuits	Order No.	Eng. No.
10	10-51-7108	5342-10G2	34	10-51-7348	5342-34G2
14	10-51-7148	5342-14G2	40	10-51-7408	5342-40G2
16	10-51-7168	5342-16G2	50	10-51-7508	5342-50G2
20	10-51-7208	5342-20G2	60	10-51-7608	5342-60G2
26	10-51-7268	5342-26G2			

Optional Plating

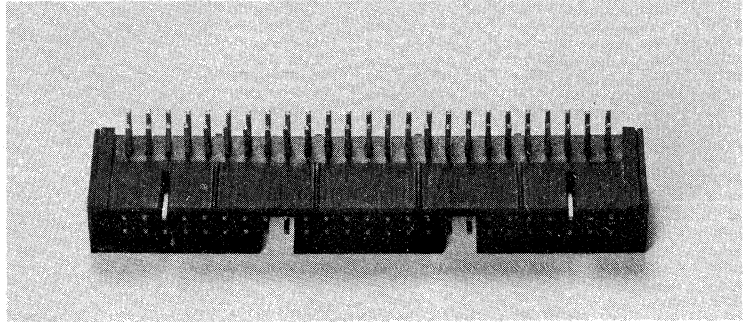
Circuits	Order No.	Eng. No.	Circuits	Order No.	Eng. No.
10	10-51-7107	5342-10G1	34	10-51-7347	5342-34G1
14	10-51-7147	5342-14G1	40	10-51-7407	5342-40G1
16	10-51-7167	5342-16G1	50	10-51-7507	5342-50G1
20	10-51-7207	5342-20G1	60	10-51-7607	5342-60G1
26	10-51-7267	5342-26G1			

[0,0001 mm (.000004) gold over 0,00127 mm (.000050) nickel.]

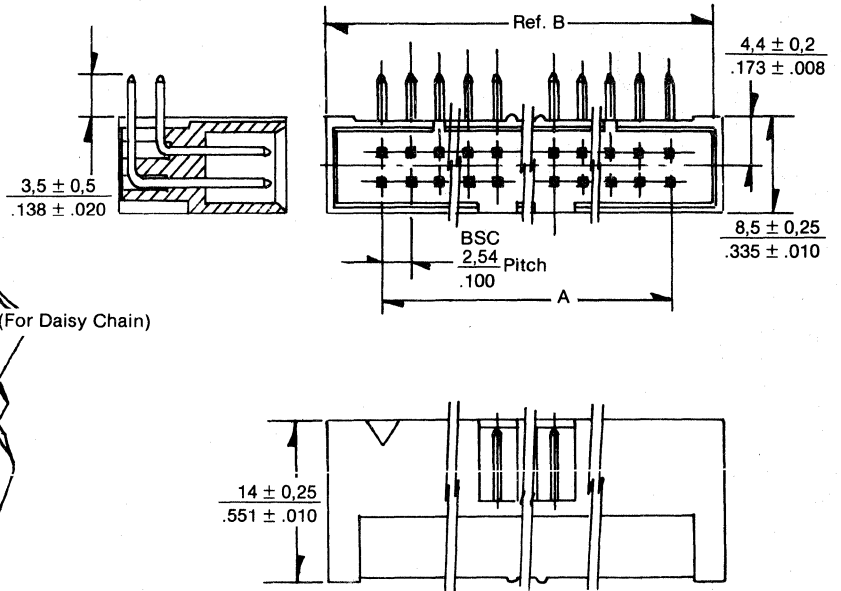
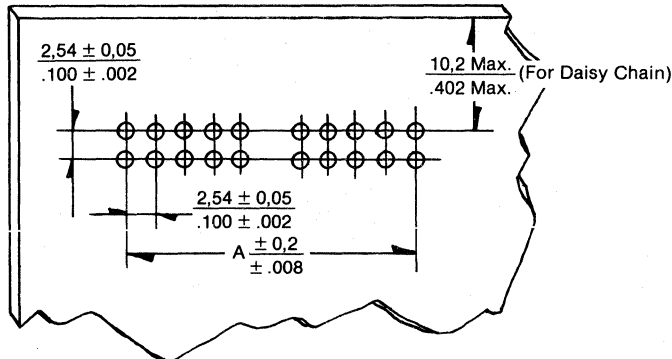
5343 Series Dual Polarization, Right Angle, Low Profile

Features/Dimensions:

- Available in 50 and 60 circuits only
- 94V-0 Glass filled polyester
- Color - black
- Fully shrouded
- Mates with Molex 5321 series connector
- Contact pin: 0,635 mm (.025) square, brass
- Plating: 0,00076 mm (.000030) gold over 0,00127 mm (.000050) nickel
- Optional plating available (see ordering information)



Recommended PCB Hole Pattern



Dimensional Information

Circuits	Dim. A	Ref. B
50	60,96 2.400	70,46 2.774
60	73,66 2.900	83,16 3.274

mm
inches

Ordering Information

Circuits	Order No.	Eng. No.
50	10-55-7500	5343-50G2
60	10-55-7600	5343-60G2

Optional Plating

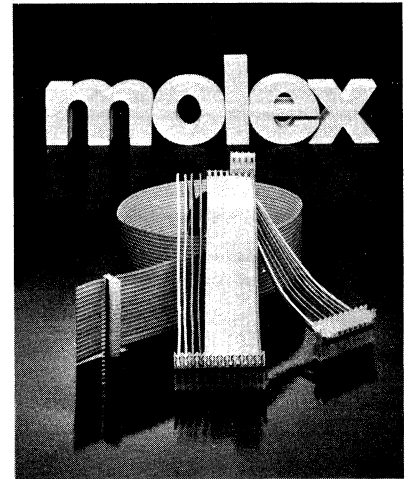
Circuits	Order No.	Eng. No.
50	10-55-7509	5343-50G1
60	10-55-7609	5343-60G1

[0,0001 mm (.000004) gold over
0,00127 mm (.000050) nickel.]



Insulation Displacement Connectors

IDT - 0.98" (2,5 mm)
.100" (2,54 mm) .156" (3,96 mm)
.197" (5,00 mm) .200" (5,08 mm)
Insulation Displacement
Connector Systems



Introduction

Flecs ... Flat Electronic Cable System.

Molex has developed the most complete and versatile line of mass terminated connector products available. Whether your interconnection requirements are for signal level voltage or you have packaging density problems ... Molex's Jet Flecs system offers you a solution.

The electric/electronic manufacturer, today, bases terminal connections on the following requirements:

1. Space saving (density)
2. Flexibility
3. Potential, lower installation cost
4. Reliability
5. Performance
6. Versatility

These goals can be accomplished with the Molex Flat Cable Connector System.

Sound concepts of terminal design and assembly techniques for mass termination lowers the installation costs.

An "engineered" terminal, with properly supported cable, results in a performance of (a) low contact resistance values. (b) non-over-stressed contacts (dual), (c) suitable insertion/withdrawal forces and the reliability of no shorts or cut strands. All components are tested to MIL Standard 202 for shock, vibration, environmental conditions, insulation resistance and dielectric with-standing voltage.

Connectors are available in harness board and non-harness board versions. Other available options are daisy chain and closed end type trifurcon or standard KK terminals, and protective cover.

But the Connectors and Cable are only half the system — the big advantage Molex offers to you is the application tooling, the tooling which applies the cable to the connectors. A brief description of each of the various tools is included in this catalog.

Many of these unique application tools are available for demonstration in your manufacturing facility. Or, if you choose, one of the Molex equipment demonstration vans can visit any of your facilities and show the complete array of tooling which is available to help you lower your costs.

IDT Terminal Design Concept

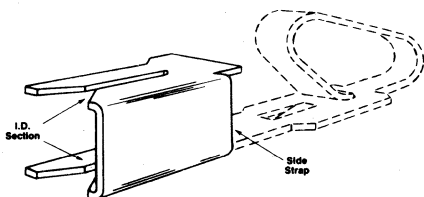
Molex ... *Affordable Technology* we're with you all the way.

The Molex approach to insulation displacement consists of the perfect marriage between time proven double cantilever (KK) contact design and a new highly reliable insulation displacement piercing section.

The double cantilever system assures a high pressure contact when mated with appropriate pins. Other feature modifications to this unique contact approach are offer-

ed in the various insulation displacement connector families.

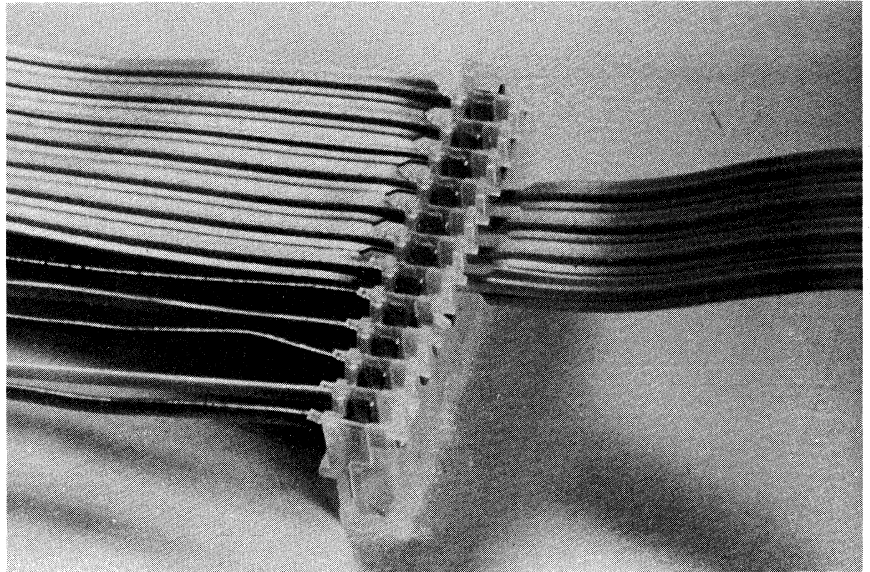
The sturdy insulation displacement pierce section consists of two piercing plates which are connected by a side strap that runs almost the entire length of the plate, increasing both vertical and lateral strength, also forming a huge conductor path and yet will not interfere with the insertion of large diameter wires ... another totally engineered product.



Insulation Displacement Connectors

General Features:

- Simultaneous (gang) termination technique for low applied costs
- (2.5mm) .098", (2.54mm) .100" (3.96mm) .156", (5.00mm) .197" (5.08mm) .200" center insulation displacement systems
- Interconnects to round conductor flat cable and/or discrete wires - no wire stripping required
- Broad line of circuit sizes
- Housings pre-loaded with insulation displacement terminals
- Reliable high pressure contacts
- **Accepts wide range of solid and stranded wire types**
- Locking ramp, no locking ramp, and polarizing voids available
- Polarizing keys and pegs available
- Molded-in strain reliefs on each side of daisy chain versions
- Drop in replacement for Molex crimp type connectors
- Harness board and non-harness board versions
- Wide range of application equipment available
- Dust covers available

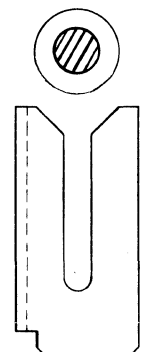


Molex insulation displacement connectors offer dramatic applied cost reduction advantages over crimp type connectors. Labor intensive wire stripping, terminal crimping and the insertion of terminal to housing operations are replaced by one simple insulation displacement step. This step can be performed with any one of a large selection of Molex application tooling.

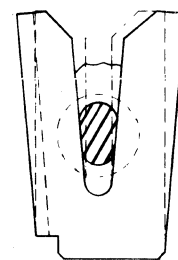
The Insulation Displacement Design:

The Molex design features two parallel plates with chamfered lead-in slots. These slots displace wire insulation and reshape the conductors by pressure. The result is, 4 high pressure points of contact.

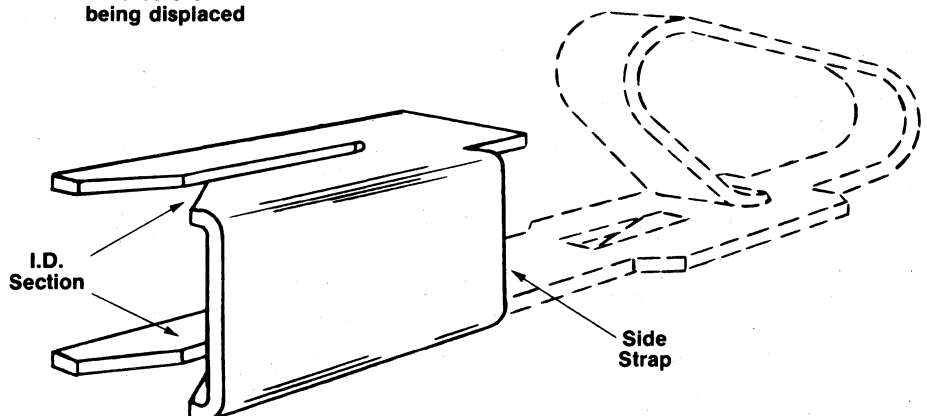
To provide a large conductor path and both horizontal and lateral strength, the insulation displacement section is connected by a large side strap which runs almost the entire length of the plate. This allows maximum use of area for larger insulation diameter wire.



Wire before being displaced



Wire after displacement



Molex offers three basic contact designs for your interconnection needs.

Double Cantilever Contact

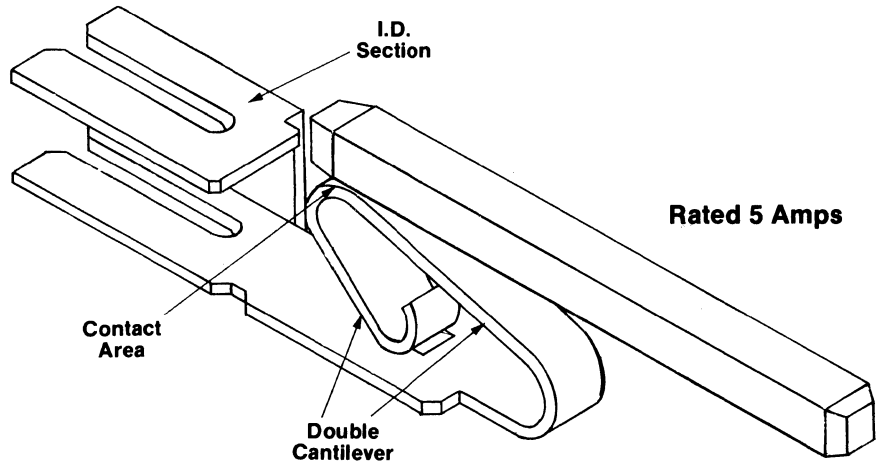
.156" (3,96 mm)

.197" (5,00 mm)

.200" (5,08 mm)

Center Connectors

The double cantilever contact approach (KK) provides a high pressure contact area when mated with a square or round post. This is accomplished by the two cantilevers acting in unison while providing a linear force increase. This force is exhibited upon pin entry.



Trifurcon Contact Design

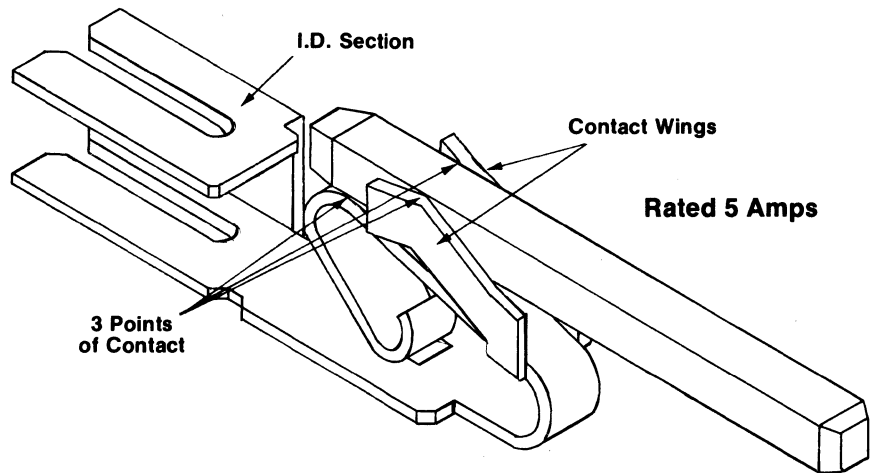
.156" (3,96 mm)

.197" (5,00 mm)

.200" (5,08 mm)

Center Connectors

The Trifurcon terminal is an ideal choice in adverse conditions where flux contamination is a problem, or when a high shock and vibration environment is present. This terminal incorporates the double cantilever design with the addition of contact wings in the vertical plane. As a result, more contact is made at three distinct points on the mating pin configuration. While insertion force of this combination is slightly increased, it has been proven that extraction forces are substantially increased and maintained consistently through disconnect cycling due to a torque action created by the design.



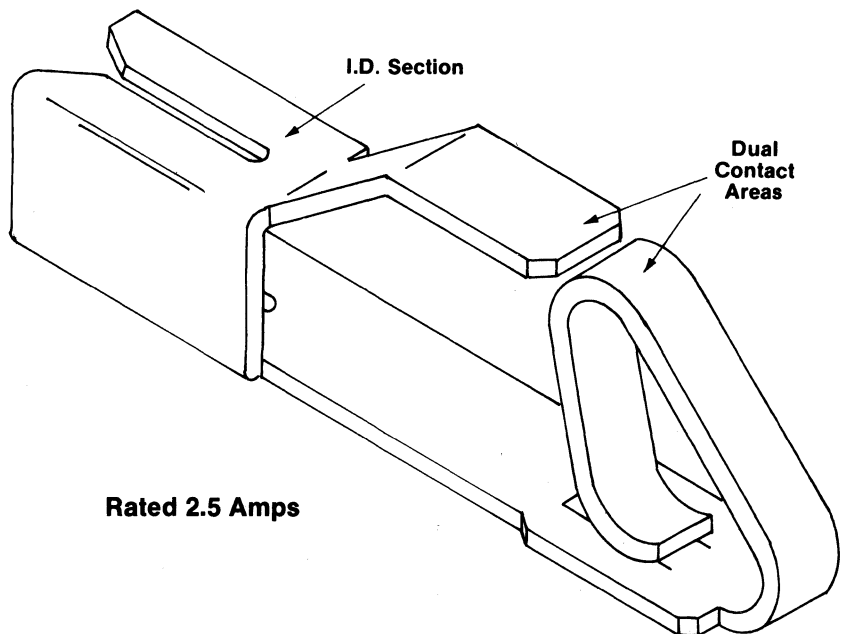
Dual Contact

.098" (2,5 mm)

.100" (2,54 mm)

Center Connectors

Utilizing the double cantilever approach and expanding upon the design by extending a beam off of the insulation piercing section, a stationary contact is added. The result is two independent points of contact on the mating pin configuration.



Insulation Displacement Connector Design



Connector Assembly Features

This unique series of connectors is offered in two basic styles, harness board and non-harness board.

Harness Board Connector

This series of connectors was designed for use with discrete wire harness's where multiple connector breakouts and daisy chain connectors are required.

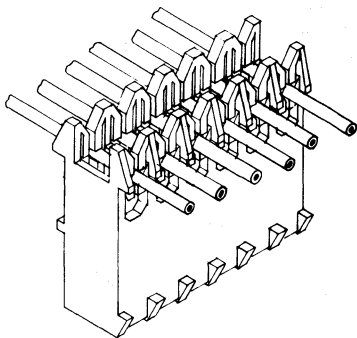
The connectors are simply dropped into fixtures which are mounted on the harness board. These fixtures are located in the proper harness configuration and positively align the connector to the termination tool.

Discrete wires are then routed over the connectors molded in wire retainers and snapped into position. The retainers provide both horizontal and vertical restraint and positively positions the wire over the proper insulation displacement terminal.

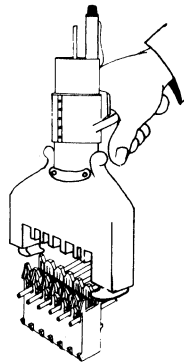
Upon completion of the harness wiring operation, wires are inserted by one mass termination cycle, into the connector and trimmed on dead end configurations. This is accomplished with a hand held pneumatic tool. The pneumatic tool is removed and the wires are held by the connectors molded in strain relief section.

The result is a completed harness assembly ready to meet your interconnection needs; "no post operations required".

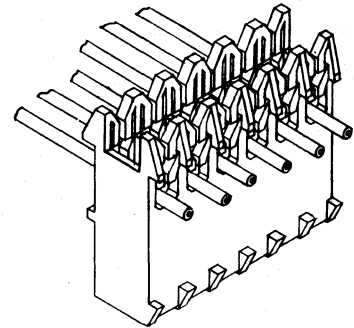
The harness board style connector also meets prototype to low volume needs by use of hand held or arbor type tooling for completion of the termination cycle. No additional combing tools (wire retainers) are required.



Wires held in place by wire retainers



Termination with hand held air tool



Wires seated insulation displaced and held by strain relief

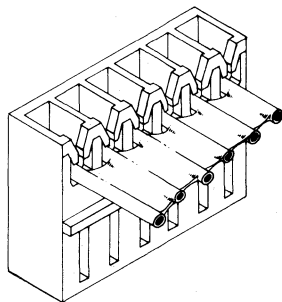
Non-Harness Board Connector

This series of connectors is designed for use with round conductor flat cable and Molex's automatic wire feed application equipment.

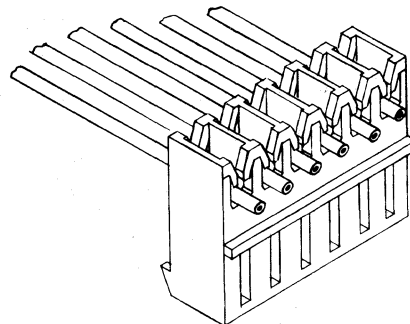
The non-harness board connector incorporates the molded in strain relief feature, as well as, a closed end version for end cable connections and a daisy chain version for mid-cable connections.

This connector style also lends itself to applications involving both round conductor flat cable and/or discrete wires in a single housing.

Prototype to high volume requirements can be met through the use of hand held and arbor press tooling, to the use of a single wire CAM II and the 8100 automatic cable making equipment.



Closed end version without locking ramp



Daisy chain version with locking ramp

Molex offers the most versatility in insulation displacement interconnects with the options of terminal and housing types. In conjunction with the broad line of application equipment, Molex has the means to meet your requirements.

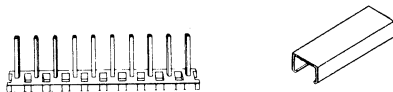
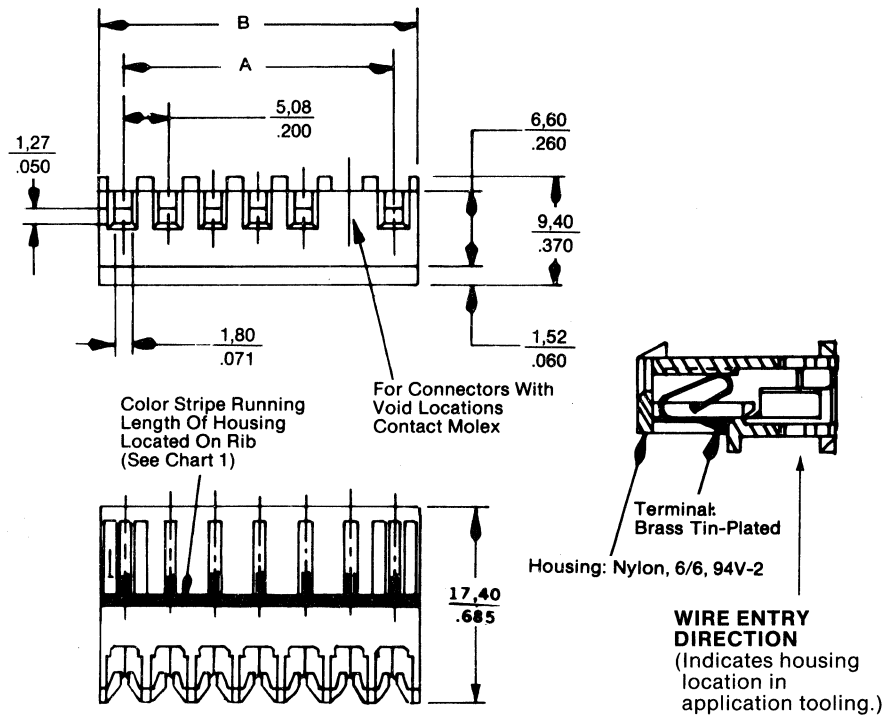
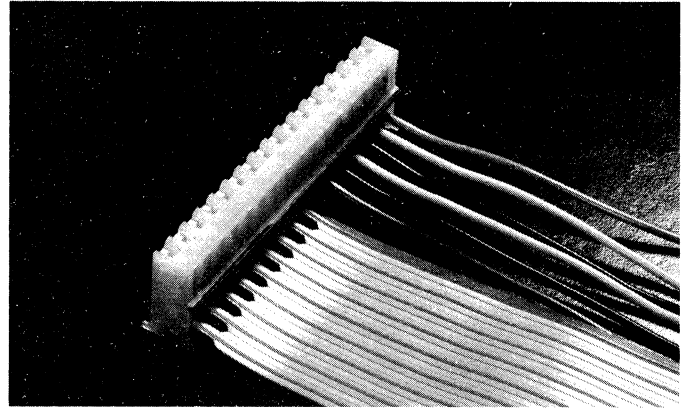


.200" (5,08 mm) Center Standard Connector

Double Cantilever Contact 7823 Series

Features/Dimensions:

- 2-16 Circuits
- With or without locking ramp
- Standard with locking ramp
- Closed end or daisy chain versions
- Molded in wire retainers
- Accepts wire O.D. from 1,14mm to 2,41mm Max.
- Optional caps
- Optional polarizing keys and pegs
- Optional gold plating
- Accepts solid and stranded cable
- Mates with standard 5,08mm center wafers
- Also accepts crimp terminals 2478, 2578,
- UL Recognized (File #E29179)



Wafers

- 3003
- 2613
- 3008
- 2599
- 8023
- 3061
- 2673

Covers

- 7894 Feed Thru

mm
inches

Dimensional Information

Circuits	Dim. A	Dim. B	Circuits	Dim. A	Dim. B	Circuits	Dim. A	Dim. B
2	5,08 ± 0,15 .200 ± .006	9,95 ± 0,15 .392 ± .006	7	30,48 ± 0,20 1.200 ± .008	35,35 ± 0,20 1.392 ± .008	12	55,88 ± 0,28 2.200 ± .011	60,75 ± 0,28 2.392 ± .011
3	10,16 ± 0,15 .400 ± .006	15,03 ± 0,18 .592 ± .007	8	35,56 ± 0,25 1.400 ± .010	40,43 ± 0,25 1.592 ± .010	13	60,96 ± 0,28 2.400 ± .011	65,83 ± 0,30 2.592 ± .012
4	15,24 ± 0,18 .600 ± .007	20,11 ± 0,18 .792 ± .007	9	40,64 ± 0,25 1.600 ± .010	45,51 ± 0,15 1.792 ± .010	14	66,04 ± 0,30 2.600 ± .012	70,91 ± 0,30 2.792 ± .012
5	20,32 ± 0,18 .800 ± .007	25,19 ± 0,18 .992 ± .007	10	45,72 ± 0,25 1.800 ± .010	50,59 ± 0,25 1.992 ± .010	15	71,12 ± 0,33 2.800 ± .013	75,99 ± 0,33 2.992 ± .013
6	25,40 ± 0,20 1.000 ± .008	30,27 ± 0,20 1.192 ± .008	11	50,80 ± 0,28 2.000 ± .011	55,67 ± 0,28 2.192 ± .011	16	76,20 ± 0,35 3.000 ± .013	81,07 ± 0,35 3.192 ± .014

Ordering Information

ORDERING NUMBER FORMULA

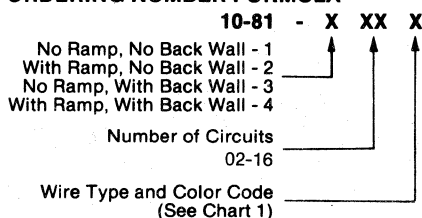


CHART 1		
Ordering Suffix No.	Color	Type of Wire Terminated (All Wires have a maximum insulation Diameter of 2.41/.095)
10-81-XXX1	Yellow	#18 GA Solid or Fused Stranded
10-81-XXX2	Red	#20 GA Solid or Fused Stranded and #18 GA Stranded Wire
10-81-XXX3	Blue	#20 GA Stranded Wire
10-81-XXX4	Green	#26 and #27 GA Stranded, Fused Stranded and Solid Wire or #24 GA Stranded Wire
10-81-XXX5	Brown	#28 GA Solid Wire
10-81-XXX6	Black	#24 and #22 GA Solid or Fused Stranded and #22 GA Stranded Wire

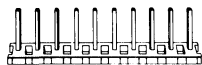
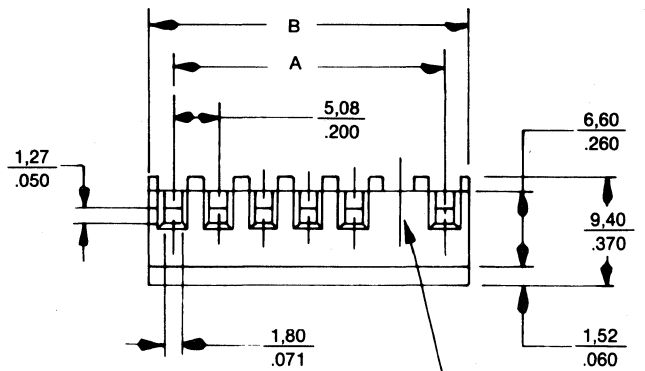
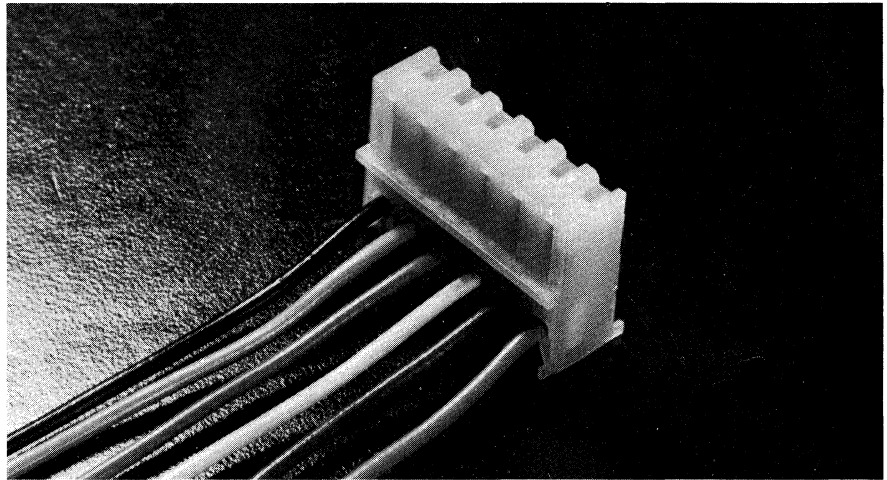
.200" (5,08 mm) Center Standard Connector



3 Point Trifurcon Contact 6952 Series

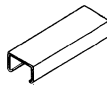
Features/Dimensions

- 2-16 Circuits
- With or without locking ramp
- Standard with locking ramp
- Closed end or daisy chain versions
- Molded in wire retainers
- Accepts wire O.D. from 1,14mm to 2,41mm Max.
- Optional caps
- Optional polarizing keys and pegs
- Optional gold plating
- Accepts solid and stranded cable
- Mates with standard 5,08mm center wafers
- Also accepts crimp terminals 6838, 7528
- UL Recognized (File #E29179)



Wafers

- 3003
- 2613
- 3008
- 2599
- 8023
- 3061
- 2673

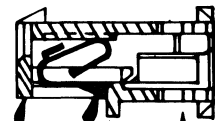


Covers

- 7894 Feed Thru

Color Stripe Running Length Of Housing Located On Rib (See Chart 1)

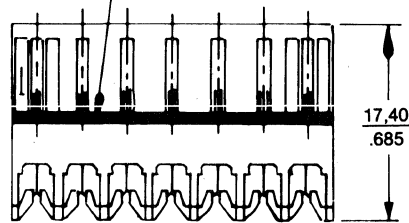
For Connectors With Void Locations Contact Molex



Terminal: Brass Tin-Plated

Housing: Nylon, 6/6, 94V-2

WIRE ENTRY DIRECTION
(Indicates housing location in application tooling.)



mm
inches

Dimensional Information

Circuits	Dim. A	Dim. B	Circuits	Dim. A	Dim. B	Circuits	Dim. A	Dim. B
2	5,08 ± 0,15 .200 ± .006	9,95 ± 0,15 .392 ± .006	7	30,48 ± 0,20 1.200 ± .008	35,35 ± 0,20 1.392 ± .008	12	55,88 ± 0,28 2.200 ± .011	60,75 ± 0,28 2.392 ± .011
3	10,16 ± 0,15 .400 ± .006	15,03 ± 0,18 .592 ± .007	8	35,56 ± 0,25 1.400 ± .010	40,43 ± 0,25 1.592 ± .010	13	60,96 ± 0,28 2.400 ± .011	65,83 ± 0,30 2.592 ± .012
4	15,24 ± 0,18 .600 ± .007	20,11 ± 0,18 .792 ± .007	9	40,64 ± 0,25 1.600 ± .010	45,51 ± 0,15 1.792 ± .010	14	66,04 ± 0,30 2.600 ± .012	70,91 ± 0,30 2.792 ± .012
5	20,32 ± 0,18 .800 ± .007	25,19 ± 0,18 .992 ± .007	10	45,72 ± 0,25 1.800 ± .010	50,59 ± 0,25 1.992 ± .010	15	71,12 ± 0,33 2.800 ± .013	75,99 ± 0,33 2.992 ± .013
6	25,40 ± 0,20 1.000 ± .008	30,27 ± 0,20 1.192 ± .008	11	50,80 ± 0,28 2.000 ± .011	55,67 ± 0,28 2.192 ± .011	16	76,20 ± 0,35 3.000 ± .013	81,07 ± 0,35 3.192 ± .014

Ordering Information

ORDERING NUMBER FORMULA

10-77 - X XX X

Wire Type and Color Code
(See Chart 1)

Number of Circuits
02-16

- Without Locking Ramp Daisy Chain 1
- With Locking Ramp Daisy Chain 2
- Without Locking Ramp Dead End 3
- With Locking Ramp Dead End 4

CHART 1

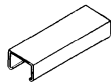
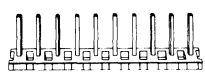
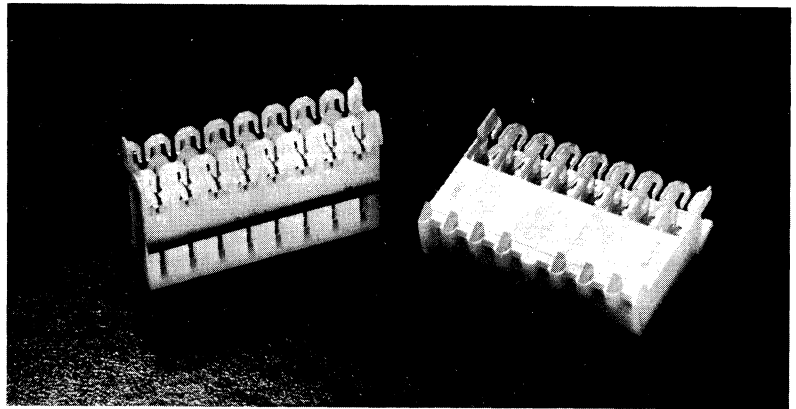
Ordering Suffix No.	Color	Type of Wire Terminated (All Wires have a maximum Insulation Diameter of 2,41/.095)
10-77-1XXX	Yellow	#18 GA Solid or Fused Stranded
10-77-2XXX	Red	#20 GA Solid or Fused Stranded and #18 GA Stranded Wire
10-77-3XXX	Blue	#20 GA Stranded Wire
10-77-4XXX	Green	#26 and #27 GA Stranded, Fused Stranded and Solid Wire or #24 GA Stranded Wire
10-77-5XXX	Brown	#28 GA Solid Wire
10-77-6XXX	Black	#24 and #22 GA Solid or Fused Stranded and #22 GA Stranded Wire

molex® .200" (5,08 mm) Center Harness Board Connector

Double Cantilever Contact 7824 Series

Features/Dimensions:

- 2-16 Circuits
- With or without locking ramp
- Standard with locking ramp
- Molded in wire retainers
- Molded in strain relief
- Accepts wire O.D. from 1,14mm to 2,41mm Max.
- Daisy chain version available with or without caps
- Closed end version available with cap
- Optional polarizing keys and pegs
- Optional gold plating
- Accepts solid and stranded cable
- Mates with standard 5,08mm center wafers
- Also accepts crimp terminals 2478, 2578,
- UL Recognized (File #E29179)

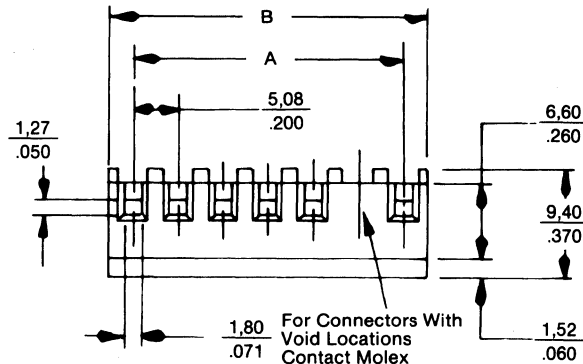


Wafers

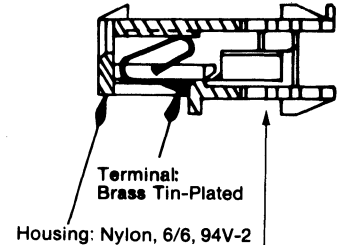
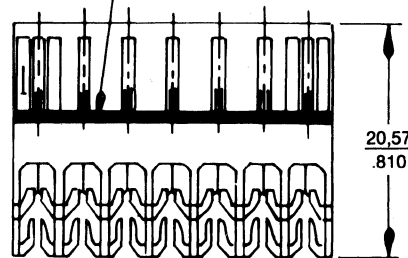
3003
2613
3008
2599
8023
3061
2673

Covers

7895 Feed Thru
7896 Feed To



For Connectors With Void Locations Contact Molex
Color Stripe Running Length Of Housing Located On Rib (See Chart 1)



Terminal: Brass Tin-Plated
Housing: Nylon, 6/6, 94V-2

WIRE ENTRY DIRECTION
(Indicates housing location in application tooling.)

mm
inches

Dimension Information

Circuits	Dim. A	Dim. B	Circuits	Dim. A	Dim. B	Circuits	Dim. A	Dim. B
2	5,08 ± 0,15 .200 ± .006	9,95 ± 0,15 .392 ± .006	7	30,48 ± 0,20 1,200 ± .008	35,35 ± 0,20 1,392 ± .008	12	55,88 ± 0,28 2,200 ± .011	60,75 ± 0,28 2,392 ± .011
3	10,16 ± 0,15 .400 ± .006	15,03 ± 0,18 .592 ± .007	8	35,56 ± 0,25 1,400 ± .010	40,43 ± 0,25 1,592 ± .010	13	60,96 ± 0,28 2,400 ± .011	65,83 ± 0,30 2,592 ± .012
4	15,24 ± 0,18 .600 ± .007	20,11 ± 0,18 .792 ± .007	9	40,64 ± 0,25 1,600 ± .010	45,51 ± 0,15 1,792 ± .010	14	66,04 ± 0,30 2,600 ± .012	70,91 ± 0,30 2,792 ± .012
5	20,32 ± 0,18 .800 ± .007	25,19 ± 0,18 .992 ± .007	10	45,72 ± 0,25 1,800 ± .010	50,59 ± 0,25 1,992 ± .010	15	71,12 ± 0,33 2,800 ± .013	75,99 ± 0,33 2,992 ± .013
6	25,40 ± 0,20 1,000 ± .008	30,27 ± 0,20 1,192 ± .008	11	50,80 ± 0,28 2,000 ± .011	55,67 ± 0,28 2,192 ± .011	16	76,20 ± 0,35 3,000 ± .013	81,07 ± 0,35 3,192 ± .014

Ordering Information

ORDERING NUMBER FORMULA

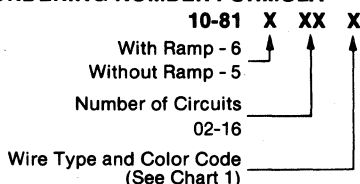


CHART 1

Ordering Suffix No.	Color	Type of Wire Terminated (All Wires have a maximum Insulation Diameter of 2,41/.095)
10-81-XXX1	Yellow	#18 GA Solid or Fused Stranded
10-81-XXX2	Red	#20 GA Solid or Fused Stranded and #18 GA Stranded Wire
10-81-XXX3	Blue	#20 GA Stranded Wire
10-81-XXX4	Green	#26 and #27 GA Stranded, Fused Stranded and Solid Wire or #24 GA Stranded Wire
10-81-XXX5	Brown	#28 GA Solid Wire
10-81-XXX6	Black	#24 and #22 GA Solid or Fused Stranded and #22 GA Stranded Wire

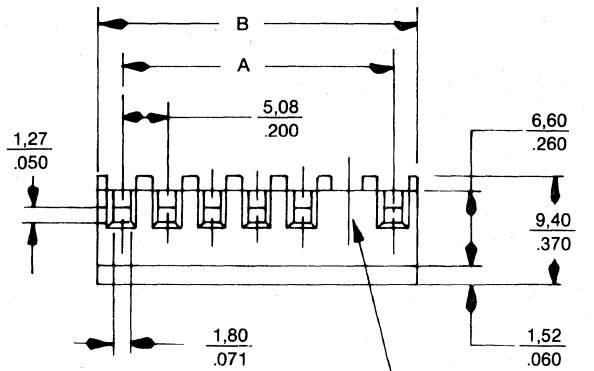
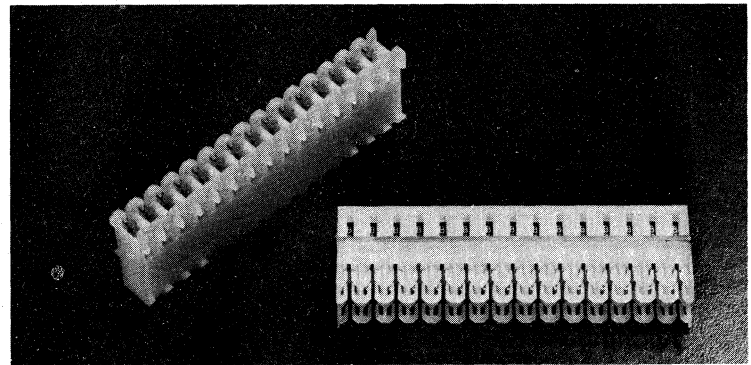
.200" (5,08 mm) Center Harness Board Connector



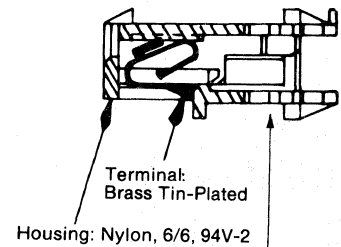
3 Point Trifurcon Contact 7777 Series

Features/Dimensions:

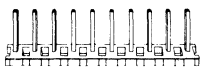
- 2-16 Circuits
- 3 Points of contact
- With or without locking ramp
- Standard with locking ramp
- Molded in strain reliefs
- Accepts wire O.D. from 1,14mm to 2,41mm Max.
- Daisy chain version available with or without caps
- Closed end version available with cap
- Optional polarizing keys and pegs
- Optional gold plating
- Accepts solid and stranded cable
- Mates with standard 5,08mm center wafers
- Also accepts crimp terminals 6838, 7258
- UL Recognized (File #E29179)



For Connectors With Void Locations Contact Molex

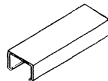


WIRE ENTRY DIRECTION
(Indicates housing location in application tooling.)



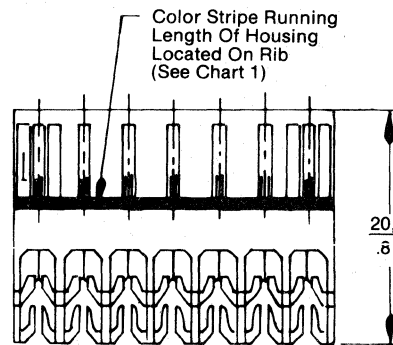
Wafers

- 3003
- 2613
- 3008
- 2599
- 8023
- 3061
- 2673



Covers

- 7895 Feed Thru
- 7896 Feed To



mm
inches

Dimensional Information

Circuits	Dim. A	Dim. B	Circuits	Dim. A	Dim. B	Circuits	Dim. A	Dim. B
2	5,08 ± 0,15 .200 ± .006	9,95 ± 0,15 .392 ± .006	7	30,48 ± 0,20 1.200 ± .008	35,35 ± 0,20 1.392 ± .008	12	55,88 ± 0,28 2.200 ± .011	60,75 ± 0,28 2.392 ± .011
3	10,16 ± 0,15 .400 ± .006	15,03 ± 0,18 .592 ± .007	8	35,56 ± 0,25 1.400 ± .010	40,43 ± 0,25 1.592 ± .010	13	60,96 ± 0,28 2.400 ± .011	65,83 ± 0,30 2.592 ± .012
4	15,24 ± 0,18 .600 ± .007	20,11 ± 0,18 .792 ± .007	9	40,64 ± 0,25 1.600 ± .010	45,51 ± 0,15 1.792 ± .010	14	66,04 ± 0,30 2.600 ± .012	70,91 ± 0,30 2.792 ± .012
5	20,32 ± 0,18 .800 ± .007	25,19 ± 0,18 .992 ± .007	10	45,72 ± 0,25 1.800 ± .010	50,59 ± 0,25 1.992 ± .010	15	71,12 ± 0,33 2.800 ± .013	75,99 ± 0,33 2.992 ± .013
6	25,40 ± 0,20 1.000 ± .008	30,27 ± 0,20 1.192 ± .008	11	50,80 ± 0,28 2.000 ± .011	55,67 ± 0,28 2.192 ± .011	16	76,20 ± 0,35 3.000 ± .013	81,07 ± 0,35 3.192 ± .014

Ordering Information

ORDERING NUMBER FORMULA

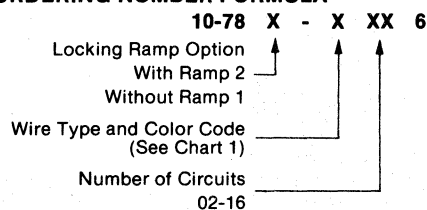
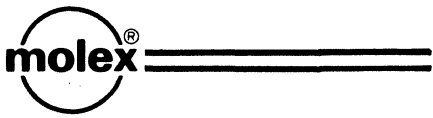


CHART 1

Ordering Suffix No.	Color	Type of Wire Terminated (All Wires have a maximum Insulation Diameter of 2,41/.095)
10-78-X1X6	Yellow	#18 GA Solid or Fused Stranded
10-78-X2X6	Red	#20 GA Solid or Fused Stranded and #18 GA Stranded Wire
10-78-X3X6	Blue	#20 GA Stranded Wire
10-78-X4X6	Green	#26 and #27 GA Stranded, Fused Stranded and Solid Wire or #24 GA Stranded Wire
10-78-X5X6	Brown	#28 GA Solid Wire
10-78-X6X6	Black	#24 and #22 GA Solid or Fused Stranded and #22 GA Stranded Wire

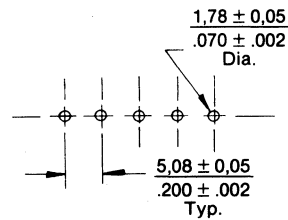
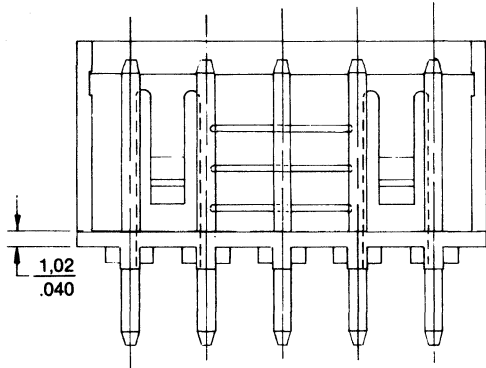
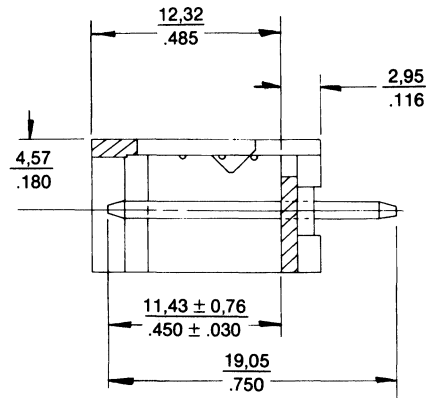
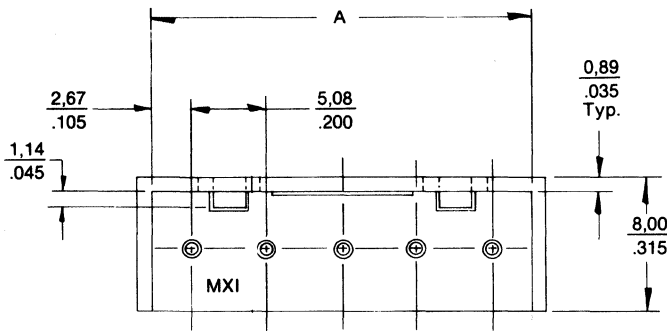
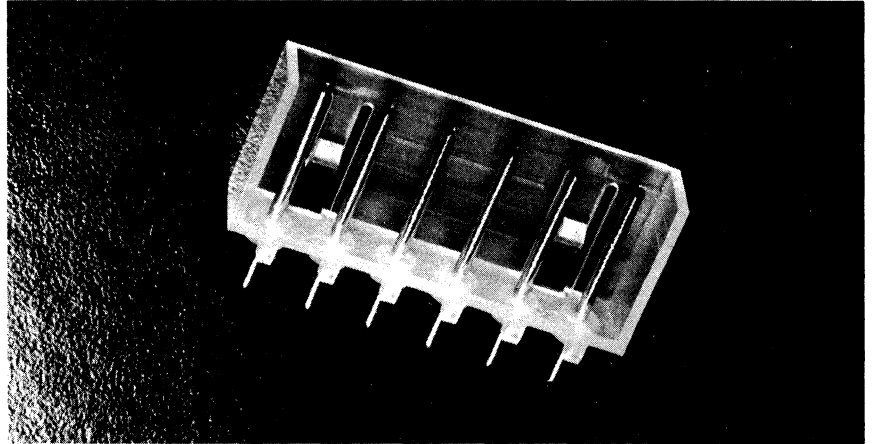


.200" (5,08 mm) Center Wafers

Round Wire Shrouded Wafer With Housing 8023 Series

Features/Dimensions:

- 3, 4, 5, 6, 7 and 16 circuits with various void options
- 0,76mm Round wire
- Nylon 94V-2
- Mates with Molex 5,08 mm I.D.T. connectors



RECOMMENDED P.C. BOARD
HOLE DIMENSIONS

Dimensional Information

Circuits	Dim. A	Void Pin	Circuits	Dim. A	Void Pin
3	15,49/.610	None	6	30,73/1.210	None
4	20,57/.810	None	6	30,73/1.210	5
5	25,65/1.010	None	6	30,73/1.210	2
5	25,65/1.010	2	7	35,81/1.410	None
5	25,65/1.010	4	16	81,53/3.210	None

Ordering Information

Circuits	Order No.	Void Pin	Circuits	Order No.	Void Pin
3	10-07-1033	None	6	10-07-1063	None
4	10-07-1043	None	6	10-07-1064	5
5	10-07-1053	None	6	10-07-1065	2
5	10-07-1055	2	7	10-07-1073	None
5	10-07-1056	4	16	10-07-1163	None

mm
inches

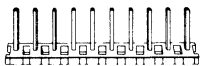
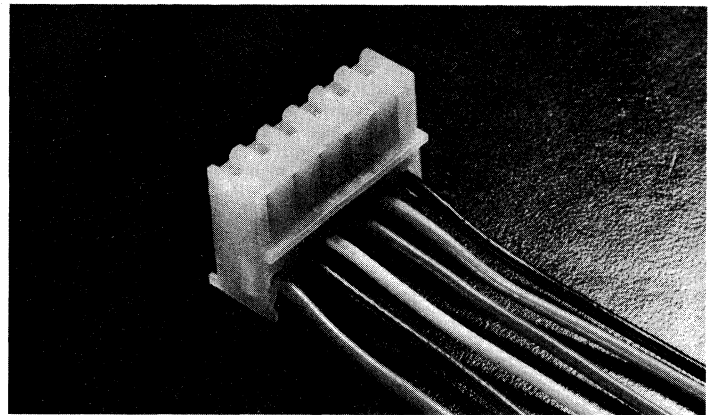
.197" (5,00 mm) Center Standard Connector



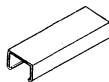
Double Cantilever Contact 7935 Series

Features/Dimensions:

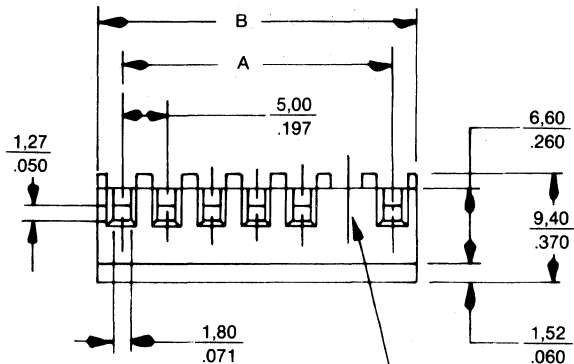
- 2-16 Circuits
- With or without locking ramp
- Standard with locking ramp
- Closed end or daisy chain versions
- Molded in wire retainers
- Accepts wire O.D. from 1,14mm to 2,41mm Max.
- Optional caps available
- Optional polarizing keys and pegs
- Optional gold plating
- Accepts solid and stranded cable
- Mates with standard 5,00mm center wafers
- Also accepts crimp terminals 2478, 2578
- UL Recognized (File #E29179)



Wafer
3428

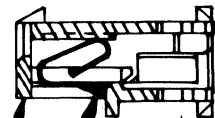


Cover
7894 Feed Thru



Color Stripe Running Length Of Housing Located On Rib (See Chart 1)

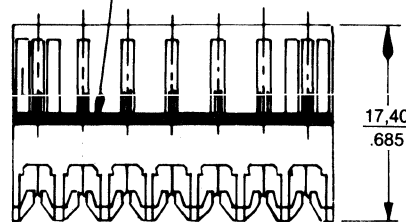
For Connectors With Void Locations Contact Molex



Terminal:
Brass Tin-Plated

Housing: Nylon 6/6, 94V-2

WIRE ENTRY DIRECTION
(Indicates housing location in application tooling.)



mm
inches

Dimensional Information

Circuits	Dim. A	Dim. B	Circuits	Dim. A	Dim. B	Circuits	Dim. A	Dim. B
2	5,00 ± 0,15 .197 ± .006	9,88 ± 0,15 .389 ± .006	7	30,00 ± 0,20 1.181 ± .008	34,89 ± 0,20 1.374 ± .008	12	55,00 ± 0,28 2.165 ± .011	59,89 ± 0,28 2.358 ± .011
3	10,00 ± 0,15 .394 ± .006	14,88 ± 0,18 .586 ± .007	8	35,00 ± 0,25 1.378 ± .010	39,87 ± 0,25 1.570 ± .010	13	60,00 ± 0,28 2.362 ± .011	64,89 ± 0,30 2.555 ± .012
4	15,00 ± 0,18 .590 ± .007	19,88 ± 0,18 .783 ± .007	9	40,00 ± 0,25 1.574 ± .010	44,88 ± 0,25 1.767 ± .010	14	65,00 ± 0,30 2.558 ± .012	69,90 ± 0,30 2.752 ± .012
5	20,00 ± 0,18 .787 ± .007	24,89 ± 0,18 .980 ± .007	10	45,00 ± 0,25 1.771 ± .010	49,88 ± 0,25 1.964 ± .010	15	70,00 ± 0,33 2.756 ± .013	74,90 ± 0,33 2.949 ± .013
6	23,00 ± 0,20 .984 ± .008	29,89 ± 0,20 1.177 ± .008	11	50,00 ± 0,28 1.968 ± .011	54,88 ± 0,28 2.161 ± .011	16	75,00 ± 0,35 2.953 ± .013	79,90 ± 0,35 3.146 ± .014

Ordering Information

ORDERING NUMBER FORMULA

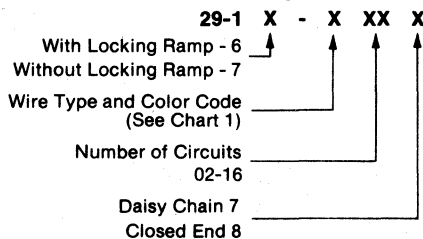


CHART 1

Ordering Suffix No.	Color	Type of Wire Terminated (All Wires have a maximum Insulation Diameter of 2,41/.095)
29-1X-1XXX	Yellow	#18 GA Solid or Fused Stranded
29-1X-2XXX	Red	#20 GA Solid or Fused Stranded and #18 GA Stranded Wire
29-1X-3XXX	Blue	#20 GA Stranded Wire
29-1X-4XXX	Green	#26 and #27 GA Stranded, Fused Stranded and Solid Wire or #24 GA Stranded Wire
29-1X-5XXX	Brown	#28 GA Solid Wire
29-1X-6XXX	Black	#24 and #22 GA Solid or Fused Stranded and #22 GA Stranded Wire

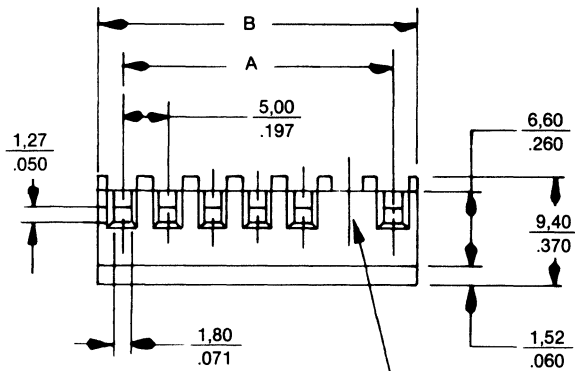
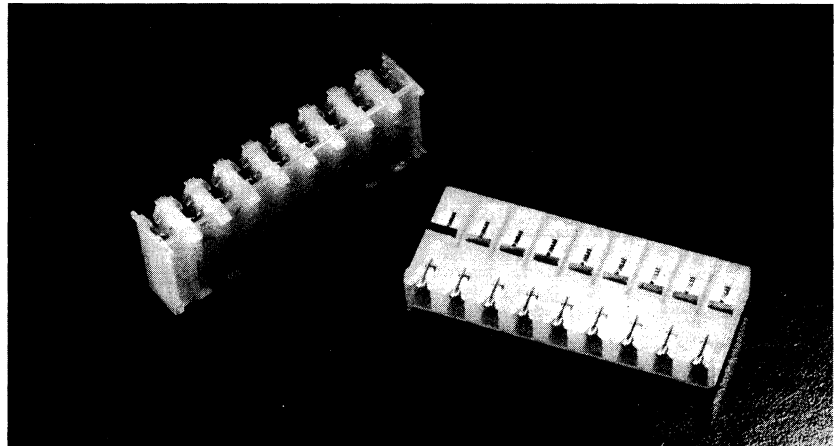


.197" (5,00 mm) Center Standard Connector

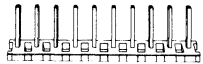
3 Point Trifurcon Contact 7933 Series

Features/Dimensions:

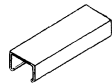
- 2-16 Circuits
- 3 Points of contact
- With or without locking ramp
- Standard with locking ramp
- Closed end or daisy chain versions
- Molded in strain reliefs
- Accepts wire O.D. from 1,14mm to 2,41mm Max.
- Optional caps available
- Optional polarizing keys and pegs
- Optional gold plating
- Accepts solid and stranded cable
- Mates with standard 5,00mm center wafers
- Also accepts crimp terminals 6838, 7258



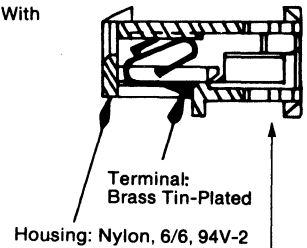
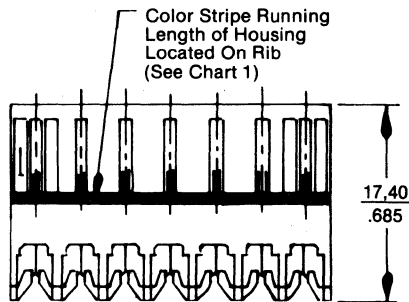
For Connectors With Void Locations Contact Molex



Wafer
3428



Cover
7894 Feed Thru



WIRE ENTRY DIRECTION
(Indicates housing location in application tooling.)

Dimensional Information

Circuits	Dim. A	Dim. B	Circuits	Dim. A	Dim. B	Circuits	Dim. A	Dim. B
2	5,00 ± 0,15 .197 ± .006	9,88 ± 0,15 .389 ± .006	7	30,00 ± 0,20 1.181 ± .008	34,89 ± 0,20 1.374 ± .008	12	55,00 ± 0,28 2.165 ± .011	59,89 ± 0,28 2.358 ± .011
3	10,00 ± 0,15 .394 ± .006	14,88 ± 0,18 .586 ± .007	8	35,00 ± 0,25 1.378 ± .010	39,87 ± 0,25 1.570 ± .010	13	60,00 ± 0,28 2.362 ± .011	64,89 ± 0,30 2.555 ± .012
4	15,00 ± 0,18 .590 ± .007	19,88 ± 0,18 .783 ± .007	9	40,00 ± 0,25 1.574 ± .010	44,88 ± 0,25 1.767 ± .010	14	65,00 ± 0,30 2.558 ± .012	69,90 ± 0,30 2.752 ± .012
5	20,00 ± 0,18 .787 ± .007	24,89 ± 0,18 .980 ± .007	10	45,00 ± 0,25 1.771 ± .010	49,88 ± 0,25 1.964 ± .010	15	70,00 ± 0,33 2.756 ± .013	74,90 ± 0,33 2.949 ± .013
6	23,00 ± 0,20 .984 ± .008	29,89 ± 0,20 1.177 ± .008	11	50,00 ± 0,28 1.968 ± .011	54,88 ± 0,28 2.161 ± .011	16	75,00 ± 0,35 2.953 ± .013	79,90 ± 0,35 3.146 ± .014

Ordering Information

ORDERING NUMBER FORMULA

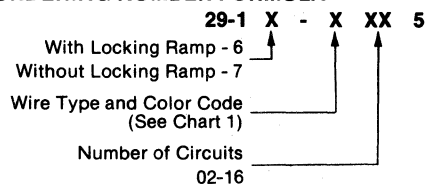


CHART 1

Ordering Suffix No.	Color	Type of Wire Terminated (All Wires have a maximum Insulation Diameter of 2,41/.095)
29-1X-1XX5	Yellow	#18 GA Solid or Fused Stranded
29-1X-2XX5	Red	#20 GA Solid or Fused Stranded and #18 GA Stranded Wire
29-1X-3XX5	Blue	#20 GA Stranded Wire
29-1X-4XX5	Green	#26 and #27 GA Stranded, Fused Stranded and Solid Wire or #24 GA Stranded Wire
29-1X-5XX5	Brown	#28 GA Solid Wire
29-1X-6XX5	Black	#24 and #22 GA Solid or Fused Stranded and #22 GA Stranded Wire

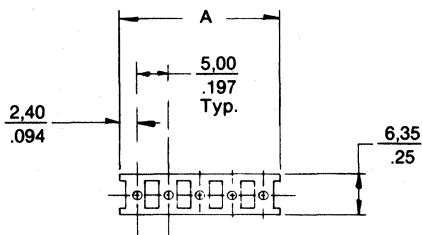
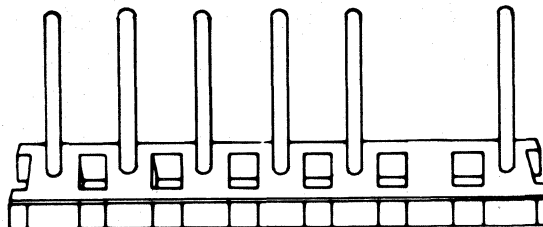
.197" (5,0 mm) Center Wafer



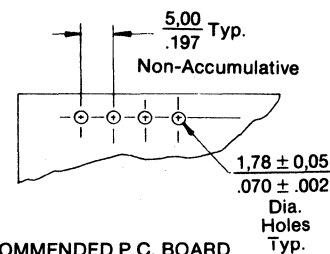
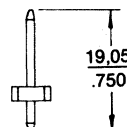
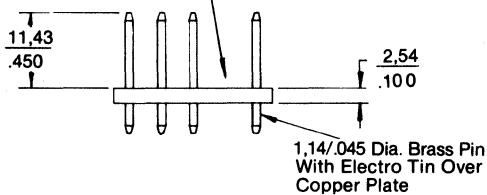
Round Wire Polarizing Wafer 3428 Series

Features/Dimensions:

- 7 And 9 circuits with voids
Straight round wire pin
- 94V-2 Nylon standard
- See Molex soldering specifications
- Mates with 7935 & 7933 I.D.T. connectors
- Molded wafer



See Chart For Void Loc.



RECOMMENDED P.C. BOARD
HOLE DIMENSIONS

Dimensional Information

mm
inches

Circuits	Dim. A	Voided Circuits	Circuits	Dim. A	Voided Circuits
2	9,78 ± 0,15 .385 ± .006	—	8	39,80 ± 0,25 1.567 ± .010	—
3	14,78 ± 0,18 .582 ± .007	—	9	44,81 ± 0,28 1.764 ± .011	—
4	19,79 ± 0,20 .779 ± .008	—	9	44,81 ± 0,28 1.764 ± .011	4, 6, 8
5	24,79 ± 0,20 .976 ± .008	—	9	44,81 ± 0,28 1.764 ± .011	5, 6, 9
6	29,79 ± 0,22 1.173 ± .009	—	10	49,81 ± 0,28 1.961 ± .011	—
7	34,80 ± 0,25 1.370 ± .010	—	11	54,81 ± 0,28 2.158 ± .011	—
7	34,80 ± 0,25 1.370 ± .010	6			

Ordering Information

Circuits	Order No.	Voided Circuits	Circuits	Order No.	Voided Circuits
2	X	—	8	X	—
3	10-08-3032	—	9	10-08-3092	—
4	X	—	9	10-08-3094	4, 6, 8
5	X	—	9	10-08-3093	5, 6, 9
6	X	—	10	X	—
7	X	—	11	X	—
7	10-08-3073	6			

X Contact factory for ordering information and voided circuit and location.

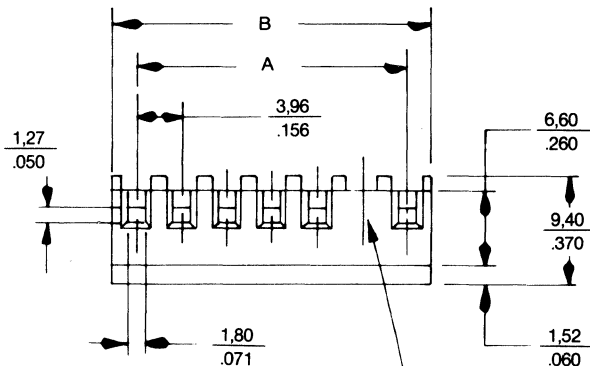
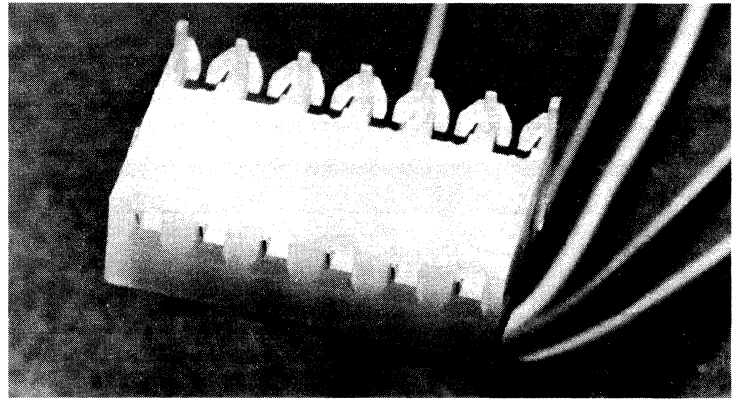


.156" (3,96 mm) Center Standard Connector

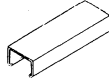
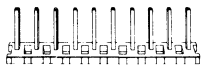
3 Point Trifurcon Contact 7674 Series

Features/Dimensions:

- 2-16 Circuits
- 3 Points of Contact
- With or without locking ramp
- Standard with locking ramp
- Closed end or daisy chain versions
- Molded in strain reliefs
- Accepts wire O.D. from 1,14mm to 2,41mm Max.
- Optional caps
- Optional polarizing keys and pegs
- Optional gold plating
- Accepts solid and stranded cable
- Mates with standard 3,96mm center wafers
- Also accepts crimp terminals 6838, 7258
- UL Recognized (File #E29179)



For Connectors With Void Locations Contact Molex

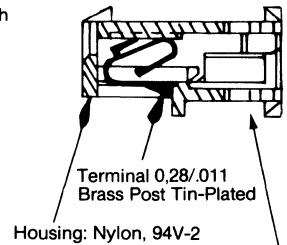
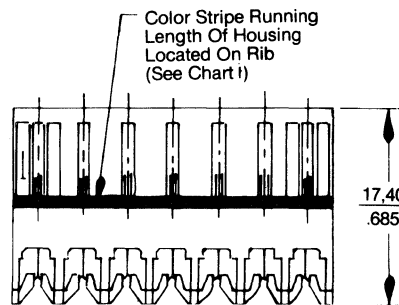


Wafers

4313	4044	3192
2420	2402	3190
4848	2461	2803
3266	2802	6420
2973	2403	3243
3246	2391	2534
3239	2373	

Covers

7894 Feed Thru



Terminal 0,28/.011 Brass Post Tin-Plated
Housing: Nylon, 94V-2

WIRE ENTRY DIRECTION
(Indicates housing location in application tooling.)

mm
inches

Dimensional Information

Circuits	Dim. A	Dim. B	Circuits	Dim. A	Dim. B	Circuits	Dim. A	Dim. B
2	3,96 ± 0,15 .156 ± .006	8,38 ± 0,18 .330 ± .007	7	23,77 ± 0,18 .932 ± .007	28,19 ± 0,23 1.110 ± .009	12	43,59 ± 0,25 1.716 ± .010	48,00 ± 0,25 1.890 ± .010
3	7,92 ± 0,15 .312 ± .006	12,34 ± 0,18 .486 ± .007	8	27,74 ± 0,20 1.092 ± .008	32,16 ± 0,23 1.266 ± .009	13	47,55 ± 0,25 1.872 ± .010	51,97 ± 0,28 2.046 ± .011
4	11,89 ± 0,15 .468 ± .006	16,31 ± 0,18 .642 ± .007	9	31,70 ± 0,20 1.248 ± .008	36,12 ± 0,23 1.422 ± .009	14	51,51 ± 0,28 2.028 ± .011	55,93 ± 0,28 2.202 ± .011
5	15,85 ± 0,18 .624 ± .007	20,27 ± 0,20 .798 ± .008	10	35,66 ± 0,25 1.404 ± .010	40,08 ± 0,25 1.578 ± .010	15	55,47 ± 0,28 2.184 ± .011	59,89 ± 0,28 2.358 ± .011
6	19,81 ± 0,18 .780 ± .007	24,23 ± 0,20 .954 ± .008	11	39,62 ± 0,25 1.560 ± .010	44,04 ± 0,25 1.734 ± .010	16	59,44 ± 0,28 2.340 ± .011	63,86 ± 0,28 2.514 ± .011

Ordering Information

ORDERING NUMBER FORMULA

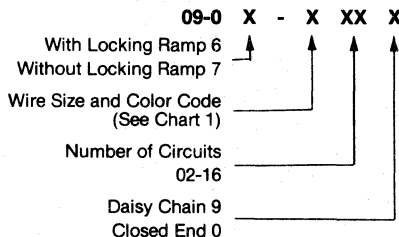


CHART 1

Ordering Suffix No.	Color	Type of Wire Terminated (All Wires have a maximum Insulation Diameter of 2,41/.095)
09-0X-0XXX	Yellow	#18 GA Solid or Fused Stranded
09-0X-1XXX	Red	#20 GA Solid or Fused Stranded and #18 GA Stranded Wire
09-0X-2XXX	Blue	#20 GA Stranded Wire
09-0X-3XXX	Green	#26 and #27 GA Stranded, Fused Stranded and Solid Wire or #24 GA Stranded Wire
09-0X-4XXX	Brown	#28 GA Solid Wire
09-0X-5XXX	Black	#24 and #22 GA Solid or Fused Stranded and #22 GA Stranded Wire

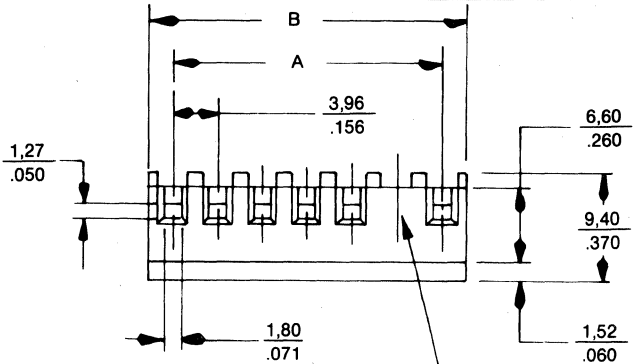
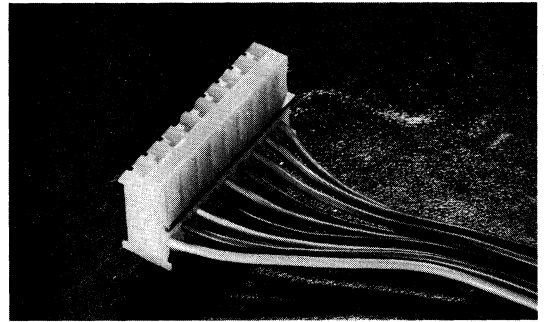
.156" (3,96 mm) Center Standard Connector



Double Cantilever Contact 7675 Series

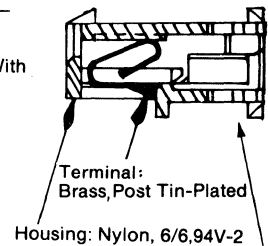
Features/Dimensions:

- 2-24 Circuits
- With or without locking ramp
- Standard with locking ramp
- Closed end or daisy chain versions
- Molded in wire retainers
- Accepts wire O.D. from 1,14mm to 2,41mm Max.
- Optional caps
- Optional polarizing keys and pegs
- Optional gold plating
- Accepts solid and stranded cable
- Mates with standard 3,96mm center wafers
- Also accepts crimp terminals 2478, 2578
- UL Recognized (File #E29179)

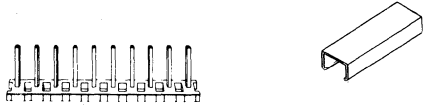


Color Stripe Running Length Of Housing Located On Rib (See Chart)

For Connectors With Void Locations Contact Molex

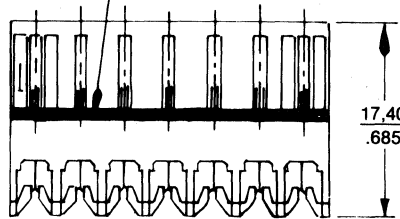


WIRE ENTRY DIRECTION
(Indicates housing location in application tooling.)



Wafers		
4313	4044	3192
2420	2402	3190
4848	2461	2803
3266	2802	6420
2973	2403	3243
3246	2391	2534
3239	2373	

Covers	
7894	Feed Thru



Dimensional Information

Circuits	Dim. A	Dim. B	Circuits	Dim. A	Dim. B	Circuits	Dim. A	Dim. B
2	3,96 ± 1,15 .156 ± .006	8,38 ± 0,18 .330 ± .007	10	35,66 ± 0,25 1.404 ± .010	40,08 ± 0,25 1.578 ± .010	18	67,36 ± 0,33 2.652 ± .013	71,78 ± 0,33 2.826 ± .013
3	7,92 ± 0,15 .312 ± .006	12,34 ± 0,18 .486 ± .007	11	39,62 ± 0,25 1.560 ± .010	44,04 ± 0,25 1.734 ± .010	19	71,32 ± 0,33 2.808 ± .013	75,74 ± 0,33 2.982 ± .013
4	11,89 ± 0,15 .468 ± .006	16,31 ± 0,18 .642 ± .007	12	43,59 ± 0,25 1.716 ± .010	48,00 ± 0,25 1.890 ± .010	20	75,29 ± 0,33 2.964 ± .013	79,70 ± 0,33 3.138 ± .013
5	15,85 ± 0,18 .624 ± .007	20,27 ± 0,08 .798 ± .008	13	47,55 ± 0,25 1.872 ± .010	51,97 ± 0,28 2.046 ± .011	21	79,25 ± 0,36 3.120 ± .014	83,67 ± 0,36 3.294 ± .014
6	19,81 ± 0,18 .780 ± .007	24,23 ± 0,20 .954 ± .008	14	51,51 ± 0,28 2.028 ± .011	55,93 ± 0,28 2.202 ± .011	22	83,21 ± 0,36 3.276 ± .014	87,63 ± 0,36 3.450 ± .014
7	23,77 ± 0,18 .932 ± .077	28,19 ± 0,23 1.110 ± .009	15	55,47 ± 0,28 2.184 ± .011	59,89 ± 0,28 2.358 ± .011	23	87,17 ± 0,36 3.432 ± .014	91,59 ± 0,36 3.606 ± .014
8	27,74 ± 0,20 1.092 ± .008	32,16 ± 0,23 1.266 ± .009	16	59,44 ± 0,28 2.340 ± .011	63,86 ± 0,28 2.514 ± .011	24	91,14 ± 0,41 3.588 ± .016	95,55 ± 0,41 3.762 ± .016
9	31,70 ± 0,20 1.248 ± .008	36,12 ± 0,23 1.422 ± .009	17	63,40 ± 0,30 2.496 ± .012	67,82 ± 0,30 2.670 ± .012			

Ordering Information

ORDERING NUMBER FORMULA

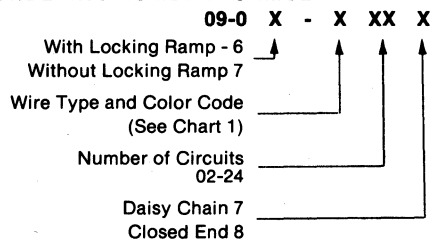


CHART 1

Ordering Suffix No.	Color	Type of Wire Terminated (All Wires have a maximum Insulation Diameter of 2,41/.095)
09-0X-0XXX	Yellow	#18 GA Solid or Fused Stranded
09-0X-1XXX	Red	#20 GA Solid or Fused Stranded and #18 GA Stranded Wire
09-0X-2XXX	Blue	#20 GA Stranded Wire
09-0X-3XXX	Green	#26 and #27 GA Stranded, Fused Stranded and Solid Wire or #24 GA Stranded Wire
09-0X-4XXX	Brown	#28 GA Solid Wire
09-0X-5XXX	Black	#24 and #22 GA Solid or Fused Stranded and #22 GA Stranded Wire

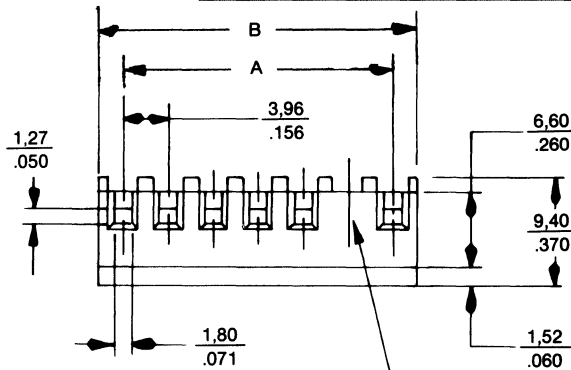
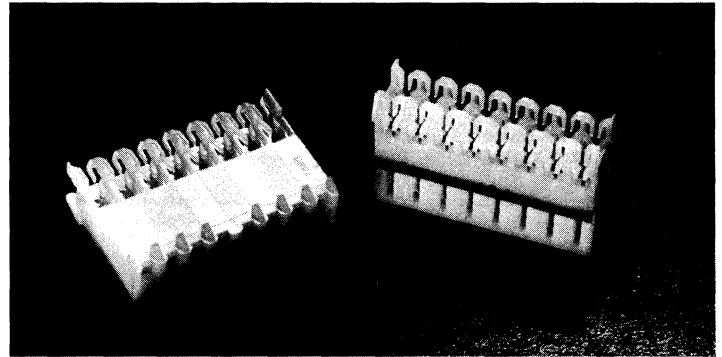


.156" (3,96 mm) Center Harness Board Connector

3 Point Trifurcon Contact 7660 Series

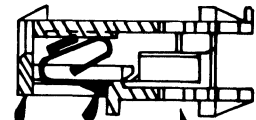
Features/Dimensions:

- 2-16 Circuits
- 3 Points of contact
- With or without locking ramp
- Standard with locking ramp
- Mates with standard 3,96mm wafers
- Molded in strain reliefs
- Accepts wire O.D. from 1,14mm to 2,41mm Max.
- Daisy chain version available with or without caps
- Closed end version available with cap
- Optional polarizing keys and pegs
- Optional gold plating
- Accepts solid and stranded cable
- Also accepts crimp terminals 6838, 7258
- UL Recognized (File #E29179)



For Connectors With
Optional Voids
Contact Molex

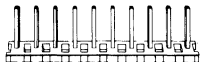
Color Stripe Running
Length Of Housing
Located On Rib
(See Chart)



Terminal 0,28/.011
Thick Brass Post Tin-Plated

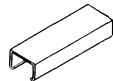
Housing: Nylon, 6/6, 94V-2

**WIRE ENTRY
DIRECTION**
(Indicates housing
location in
application tooling.)



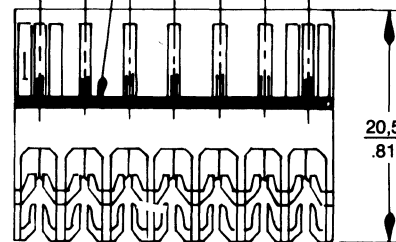
Wafers

4313	4044	3192
2420	2402	3190
4848	2461	2803
3266	2802	6420
2973	2403	3243
3246	2391	2534
3239	2373	



Covers

7895	Feed Thru
7896	Feed To



Dimensional Information

mm
inches

Circuits	Dim. A	Dim. B	Circuits	Dim. A	Dim. B	Circuits	Dim. A	Dim. B
2	3,96 ± 0,15 .156 ± .006	8,38 ± 0,18 .330 ± .007	7	23,77 ± 0,18 .932 ± .007	28,19 ± 0,23 1.110 ± .009	12	43,59 ± 0,25 1.716 ± .010	48,00 ± 0,25 1.890 ± .010
3	7,92 ± 0,15 .312 ± .006	12,34 ± 0,18 .486 ± .007	8	27,74 ± 0,20 1.092 ± .008	32,16 ± 0,23 1.266 ± .009	13	47,55 ± 0,25 1.872 ± .010	51,97 ± 0,28 2.146 ± .011
4	11,89 ± 0,15 .468 ± .006	16,31 ± 0,18 .642 ± .007	9	31,70 ± 0,20 1.248 ± .008	36,12 ± 0,23 1.422 ± .009	14	51,51 ± 0,28 2.028 ± .011	55,93 ± 0,28 2.202 ± .011
5	15,85 ± 0,18 .624 ± .007	20,27 ± 0,20 .798 ± .008	10	35,66 ± 0,25 1.404 ± .010	40,08 ± 0,25 1.578 ± .010	15	55,47 ± 0,28 2.184 ± .011	59,89 ± 0,28 2.358 ± .011
6	19,81 ± 0,18 .780 ± .007	24,23 ± 0,20 .954 ± .008	11	39,62 ± 0,25 1.560 ± .010	44,04 ± 0,25 1.734 ± .010	16	59,44 ± 0,28 2.340 ± .011	63,86 ± 0,28 2.514 ± .011

*Except Polarizing Wall Versions

Ordering Information

ORDERING NUMBER FORMULA

09-0 X - X XX 6

Locking Ramp Option
With Ramp 6
Without Ramp 7

Wire Size and Color Code
(See Chart 1)

Number of Circuits
02-16

CHART 1

Ordering Suffix No.	Color	Type of Wire Terminated (All Wires have a maximum Insulation Diameter of 2,41/.095)
09-0X-0XX6	Yellow	#18 GA Solid or Fused Stranded
09-0X-1XX6	Red	#20 GA Solid or Fused Stranded and #18 GA Stranded Wire
09-0X-2XX6	Blue	#20 GA Stranded Wire
09-0X-3XX6	Green	#26 and #27 GA Stranded, Fused Stranded and Solid Wire or #24 GA Stranded Wire
09-0X-4XX6	Brown	#28 GA Solid Wire
09-0X05XX6	Black	#24 and #22 GA Solid or Fused Stranded and #22 GA Stranded Wire

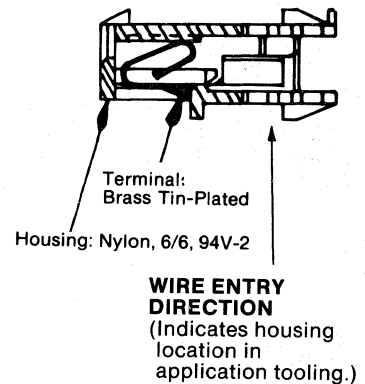
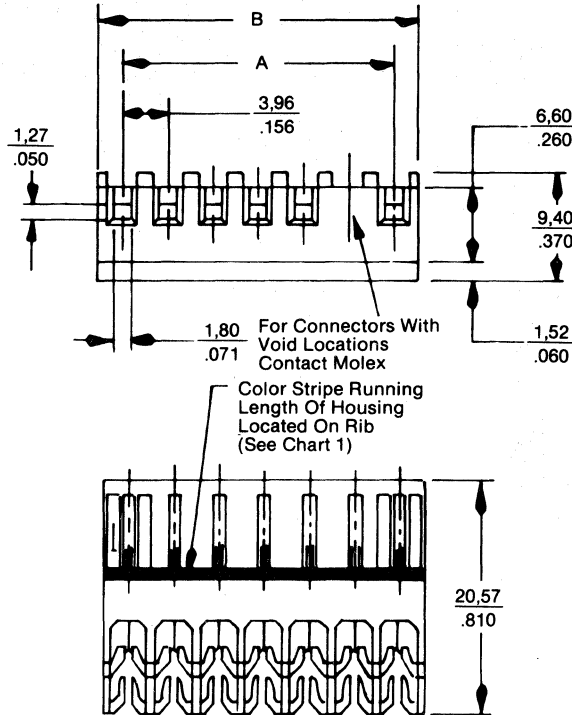
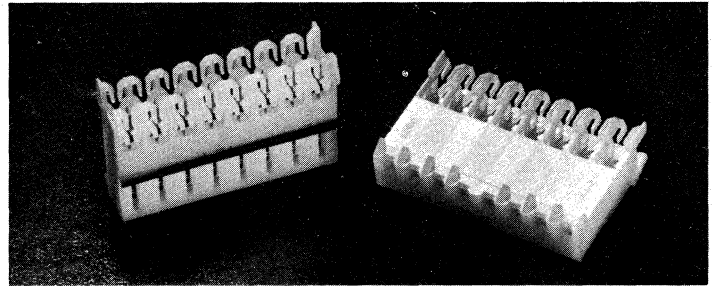
.156" (3,96 mm) Center Harness Board Connector



Double Cantilever Contact 7664 Series

Features/Dimensions

- 2-24 Circuits
- With or without locking ramp
- Standard with locking ramp
- Mates with standard 3,96 mm wafers
- Molded in wire retainers
- Molded in strain relief
- Accepts wire O.D. from 1,14mm to 2,41 mm Max.
- Daisy chain version available with or without cap
- Closed end version available with cap
- Optional polarizing keys and pegs
- Optional gold plating
- Accepts solid and stranded cable
- Also accepts crimp terminals 2478, 2578
- UL Recognized (File #E29179)



Wafers

4313	2973	2402	2391	2803
2420	3246	2461	2373	6420
4848	3239	2802	3192	3243
3266	4044	2403	3190	2534



Covers

7895 Feed Thru
7896 Feed To

Dimensional Information

Circuits	Dim. A	Dim. B	Circuits	Dim. A	Dim. B	Circuits	Dim. A	Dim. B
2	3,06 ± 1,15 .156 ± .006	8,38 ± 0,18 .330 ± .007	10	35,66 ± 0,25 1.404 ± .010	40,08 ± 0,25 1.578 ± .010	18	67,36 ± 0,33 2.652 ± .013	71,78 ± 0,33 2.826 ± .013
3	7,92 ± 0,15 .312 ± .006	12,34 ± 0,18 .486 ± .007	11	39,62 ± 0,25 1.560 ± .010	44,04 ± 0,25 1.734 ± .010	19	71,32 ± 0,33 2.808 ± .013	75,74 ± 0,33 2.982 ± .013
4	11,89 ± 0,15 .468 ± .006	16,31 ± 0,18 .642 ± .007	12	43,59 ± 0,25 1.716 ± .010	48,00 ± 0,25 1.890 ± .010	20	75,29 ± 0,33 2.964 ± .013	79,70 ± 0,33 3.138 ± .013
5	15,85 ± 0,18 .624 ± .007	20,27 ± 0,08 .798 ± .008	13	47,55 ± 0,25 1.872 ± .010	51,97 ± 0,28 2.046 ± .011	21	79,25 ± 0,36 3.120 ± .014	83,67 ± 0,36 3.294 ± .014
6	19,81 ± 0,18 .780 ± .007	24,23 ± 0,20 .954 ± .008	14	51,51 ± 0,28 2.028 ± .011	55,93 ± 0,28 2.202 ± .011	22	83,21 ± 0,36 3.276 ± .014	87,63 ± 0,36 3.450 ± .014
7	23,77 ± 0,18 .932 ± .077	28,19 ± 0,23 1.110 ± .009	15	55,47 ± 0,28 2.184 ± .011	59,89 ± 0,28 2.358 ± .011	23	87,17 ± 0,36 3.432 ± .014	91,59 ± 0,36 3.606 ± .014
8	27,74 ± 0,20 1.092 ± .008	32,16 ± 0,23 1.266 ± .009	16	59,44 ± 0,28 2.340 ± .011	63,86 ± 0,28 2.514 ± .011	24	91,14 ± 0,41 3.588 ± .016	95,55 ± 0,41 3.762 ± .016
9	31,70 ± 0,20 1.248 ± .008	36,12 ± 0,23 1.422 ± .009	17	63,40 ± 0,30 2.496 ± .012	67,82 ± 0,30 2.670 ± .012			

*Except Polarizing Wall Versions

Ordering Information

ORDERING NUMBER FORMULA

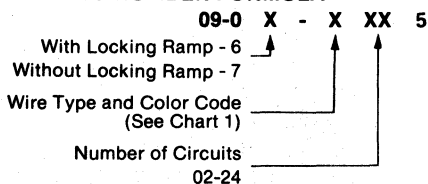


CHART 1

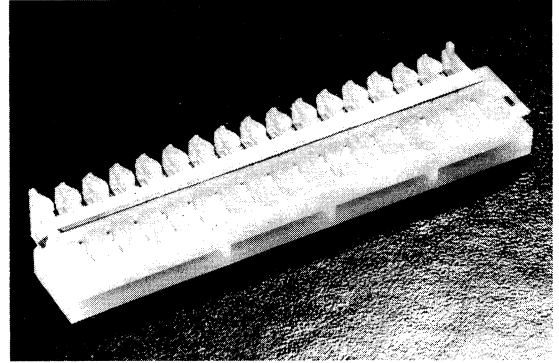
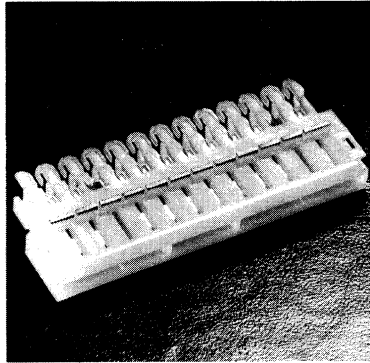
Ordering Suffix No.	Color	Type of Wire Terminated (All Wires have a maximum Insulation Diameter of 2,41/.095)
09-0X-0XX5	Yellow	#18 GA Solid or Fused Stranded
09-0X-1XX5	Red	#20 GA Solid or Fused Stranded and #18 GA Stranded Wire
09-0X-2XX5	Blue	#20 GA Stranded Wire
09-0X-3XX5	Green	#26 and #27 GA Stranded, Fused Stranded and Solid Wire or #24 GA Stranded Wire
09-0X-4XX5	Brown	#28 GA Solid Wire
09-0X-5XX5	Black	#24 and #22 GA Solid or Fused Stranded and #22 GA Stranded Wire

molex® .156" (3,96 mm) Edge Connectors

Double Cantilever Contact 7241 Single Sided Harness Board 7991 Single Sided Standard Connector

Features:

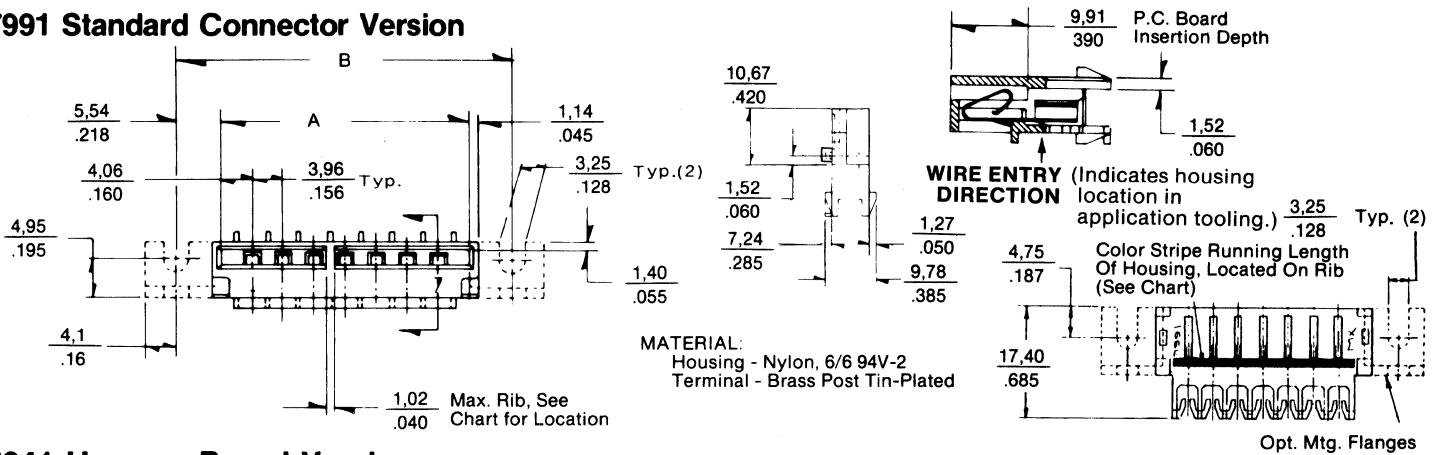
- Insulation displacement to 3,96mm round conductor flat cable and/or discrete wire
- Circuit sized from 3-24
- Molded in polarizing ribs
- With or without mounting flanges
- Molded in strain reliefs
- Accepts solid and stranded cable
- Mates with standard 1,57mm thick PCB
- Also accepts crimp terminals 2478, 2578



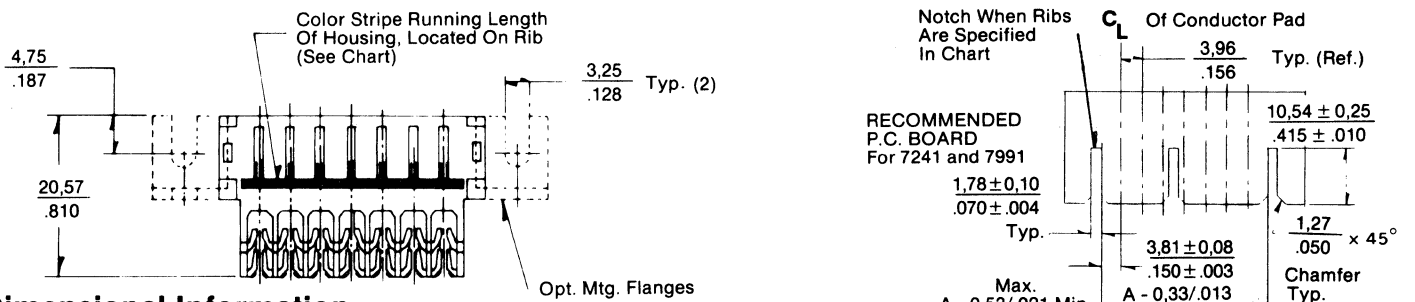
The connector design is in keeping with the Molex concept on the displacer section and the highly reliable double cantilever contact.

Dimensions:

7991 Standard Connector Version



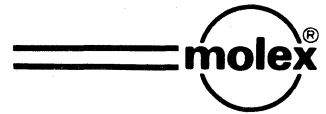
7241 Harness Board Version



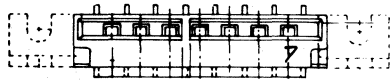
Dimensional Information

Circuits	Dim. A	Dim. B	Circuits	Dim. A	Dim. B	Circuits	Dim. A	Dim. B
3	16.05 ± 0.15 .632 ± .006	27.13 ± 0.18 1.068 ± .007	11	47.75 ± 0.23 1.880 ± .009	58.83 ± 0.25 2.316 ± .010	19	79.45 ± 0.33 3.128 ± .013	90.53 ± 0.33 3.564 ± .013
4	20.01 ± 0.15 .788 ± .006	31.09 ± 0.18 1.224 ± .007	12	51.71 ± 0.25 2.036 ± .010	62.79 ± 0.28 2.472 ± .011	20	83.41 ± 0.33 3.284 ± .013	94.49 ± 0.38 3.720 ± .015
5	23.98 ± 0.15 .944 ± .006	35.08 ± 0.20 1.380 ± .008	13	55.68 ± 0.25 2.192 ± .010	66.75 ± 0.28 2.628 ± .011	21	84.38 ± 0.33 3.440 ± .013	98.45 ± 0.38 3.876 ± .015
6	27.94 ± 0.18 1.100 ± .007	39.01 ± 0.20 1.536 ± .008	14	59.64 ± 0.30 2.348 ± .012	70.71 ± 0.30 2.784 ± .012	22	91.34 ± 0.36 3.596 ± .014	102.41 ± 0.38 4.032 ± .015
7	31.90 ± 0.18 1.256 ± .007	42.98 ± 0.20 1.692 ± .008	15	63.60 ± 0.30 2.504 ± .012	74.68 ± 0.30 2.940 ± .012	23	95.30 ± 0.36 3.752 ± .014	106.37 ± 0.38 4.188 ± .015
8	35.86 ± 0.20 1.412 ± .008	46.94 ± 0.23 1.848 ± .009	16	67.56 ± 0.30 2.660 ± .012	78.64 ± 0.30 3.096 ± .012	24	99.26 ± 0.38 3.908 ± .015	110.34 ± 0.38 4.344 ± .015
9	39.83 ± 0.20 1.568 ± .008	50.90 ± 0.23 2.004 ± .009	17	71.53 ± 0.30 2.816 ± .12	82.60 ± 0.33 3.252 ± .013	mm inches		
10	43.79 ± 0.23 1.724 ± .009	54.86 ± 0.25 2.160 ± .010	18	75.47 ± 0.30 2.972 ± .012	86.56 ± 0.33 3.408 ± .013			

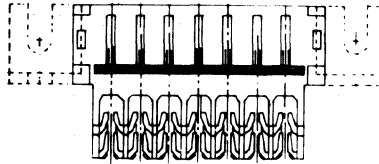
.156" (3,96 mm) Edge Connectors



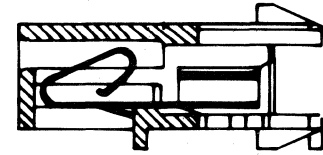
Design Features:



1A



1B



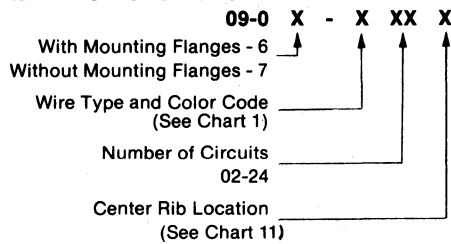
1C

- Has chamfered lead in throat for ease of circuit board entry 1C
- Circuit number identification at PCB entry 1A (7 thru 24)
- Available with and without mounting ears 1A and 1B
- Double cantilever terminal for a constant and high pressure contact 1C
- Proven insulation displacement section
- Accepts wire gauges 18 AWG - 28 AWG with minimum insulation diameter 1,14mm and maximum of 2,41mm
- Used with ribbon cable or discrete wire
- Copper alloy; tin plated terminals

C

7241 Harness Board Version Ordering Information

ORDERING NUMBER FORMULA



7991 STANDARD

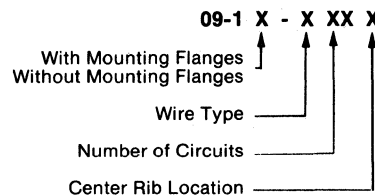


CHART 1		
Ordering Suffix No.	Color	Type of Wire Terminated (All Wires have a maximum Insulation Diameter of 2,41/.095)
09-0X-0XXX	Yellow	#18 GA Solid or Fused Stranded
09-0X-1XXX	Red	#20 GA Solid or Fused Stranded and #18 GA Stranded Wire
09-0X-2XXX	Blue	#20 GA Stranded Wire
09-0X-3XXX	Green	#26 and #27 GA Stranded, Fused Stranded and Solid Wire or #24 Stranded Wire
09-0X-4XXX	Brown	#28 GA Solid Wire
09-0X-5XXX	Black	#24 and #22 GA Solid or Fused Stranded and #22 GA Stranded Wire

CHART II		
Circuits	Ordering No.	Center Rib Located Btwn. Ckts.
3	09-XX-XXX1	None
4	09-XX-XXX1	None
5	09-XX-XXX1	None
6	09-XX-XXX1	None
6	09-XX-XXX2	2 & 3
7	09-XX-XXX1	3 & 4
8	09-XX-XXX1	None
8	09-XX-XXX2	5 & 6
8	09-XX-XXX3	2 & 3
8	09-XX-XXX4	3 & 4
9	09-XX-XXX1	5 & 6
9	09-XX-XXX2	2 & 3
9	09-XX-XXX3	3 & 4, 5 & 6
10	09-XX-XXX1	4 & 5, 7 & 8
11	09-XX-XXX1	4 & 5, 8 & 9
12	09-XX-XXX1	5 & 6, 8 & 9

CHART II		
Circuits	Ordering No.	Center Rib Located Btwn. Ckts.
13	09-XX-XXX1	5 & 6, 9 & 10
14	09-XX-XXX1	3 & 4, 11 & 12
14	09-XX-XXX2	3 & 4, 7 & 8, 11 & 12
15	09-XX-XXX1	4 & 5, 7 & 8, 11 & 12
16	09-XX-XXX1	3 & 4, 7 & 8, 11 & 12
16	09-XX-XXX2	4 & 5, 7 & 8, 11 & 12
17	09-XX-XXX1	5 & 6, 10 & 11, 14 & 15
18	09-XX-XXX1	5 & 6, 10 & 11
19	09-XX-XXX1	4 & 5, 7 & 8, 11 & 12, 15 & 16
20	09-XX-XXX1	4 & 5, 8 & 9, 12 & 13, 15 & 16
21	09-XX-XXX1	5 & 6, 10 & 11, 15 & 16
22	09-XX-XXX1	
22	09-XX-XXX2	5 & 6, 11 & 12, 16 & 17
23	09-XX-XXX1	5 & 6, 11 & 12, 17 & 18
24	09-XX-XXX1	4 & 5, 8 & 9, 12 & 13, 16 & 17, 20 & 21

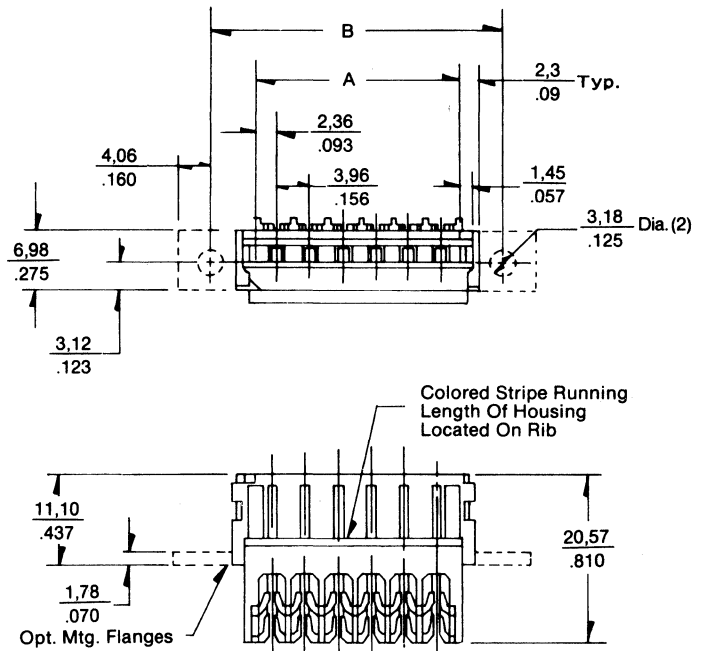
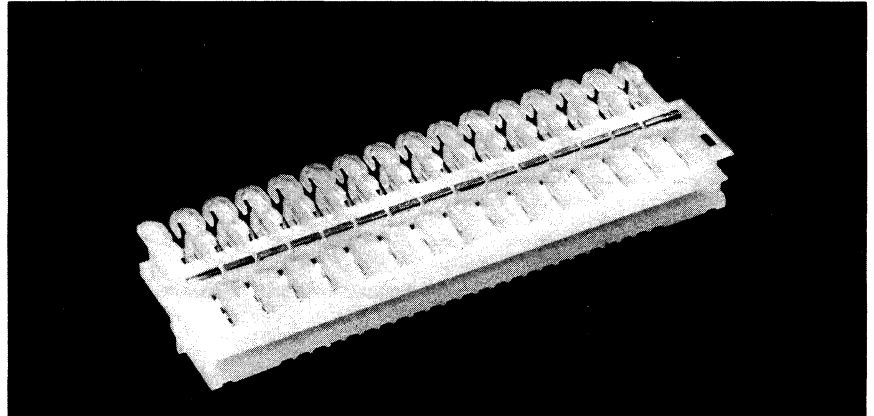
molex® .156" (3,96 mm) Edge Connectors

7713 Single Sided Harness Connector Version

Bifurcated Single Beam Contact

Features/Dimensions:

- Insulation displacement to round conductor flat cable and/or discrete wire
- 4-24 Circuits
- Polarization key 8246 available order No. 89-00-0414
- Polarizing key 8799 available order No. 15-04-0286
- Molded strain relief on both sides
- Accepts solid and stranded cable
- Mates with standard 1,57mm/.062" thick PCB
- 18-28 AWG with Min. insulation diameter 1,14mm/.045" and Max. of 2,41mm/.095"
- Housing, nylon 6/6 94V-2
- Terminal brass, post plated



Dimensional Information

Circuits	mm		Circuits	inches	
	Dim. A	Dim. B		Dim. A	Dim. B
4	16.61 .654	27.43 1.080	15	60.20 2.370	71.02 2.796
5	20.57 .810	31.39 1.236	18	72.09 2.838	82.91 3.264
6	24.54 .966	35.36 1.392	20	80.01 3.150	90.83 3.576
8	32.46 1.278	43.28 1.704	21	83.97 3.306	94.79 3.732
9	36.42 1.434	47.24 1.860	22	87.94 3.462	98.76 3.888
10	40.39 1.590	51.21 2.016	24	98.86 3.774	106.68 4.200
12	48.31 1.902	59.13 2.328			

Ordering Information 7713

ORDERING NUMBER FORMULA

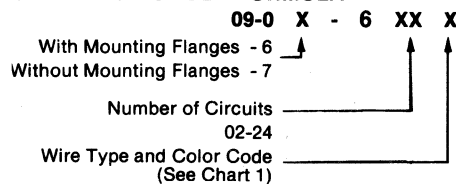


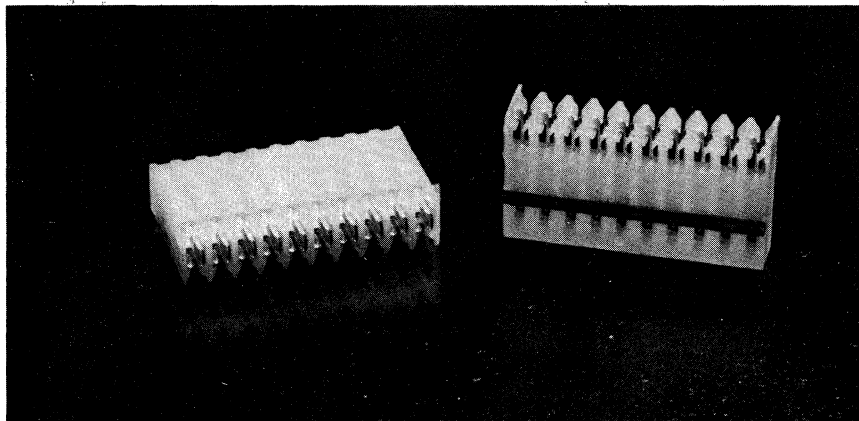
CHART 1		
Ordering Suffix No.	Color	Type of Wire Terminated (All Wires have a maximum Insulation Diameter of 2,41/.095)
09-0X-6XX0	Yellow	#18 GA Solid or Fused Stranded
09-0X-6XX1	Red	#20 GA Solid or Fused Stranded and #18 GA Stranded Wire
09-0X-6XX2	Blue	#20 GA Stranded Wire
09-0X-6XX3	Green	#26 and #27 GA Stranded, Fused Stranded and Solid Wire or #24 GA Stranded Wire
09-0X-6XX4	Brown	#28 GA Solid Wire
09-0X-6XX5	Black	#24 and #22 GA Solid or Fused Stranded and #22 GA Stranded Wire

.100" (2,54 mm) Center Standard Connector Dual Contact 7720 Series

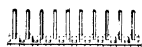


Features/Dimensions:

- 2-28 Circuits
- 2 Point contact
- With or without locking ramp
- Standard with locking ramp
- End to end polarization
- Molded in strain reliefs
- Accepts wire O.D. from 0,76mm to 1,52mm max.
- Optional gold plating
- Accepts solid and stranded cable
- Mates with standard 2,54mm wafers
- Used with notched ribbon or discrete wire
- UL Recognized (File #E29179)



C



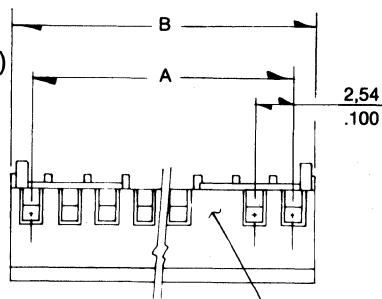
Wafers

4030 4094 6373
4180 4494 7478
4380 6410 7832

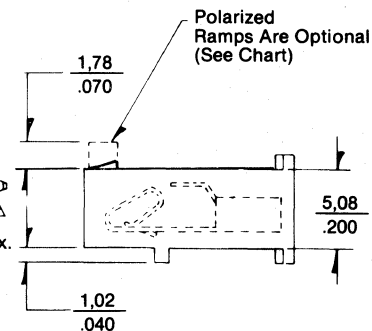


Covers

7841 Feed Thru
7841 Feed To



For Connectors
With Void Locations
Contact Molex



0,64
.025
Sq. or Rd. Pin
Insertion Depth
6,10 Min./7,87 Max.

13,97
.550

Color Identification Stripe
(See Chart 1)

MATERIAL:
Housing: Nylon 6/6 94V-2 Color: Natural
Terminal: Brass Post Tin-Plated

Dimensional Information

mm
inches

Circuits	Dim. A	Dim. B	Circuits	Dim. A	Dim. B	Circuits	Dim. A	Dim. B
2	2,54/.100	5,44/.214	11	25,40/1.000	28,30/1.114	20	48,26/1.900	51,16/2.014
3	5,08/.200	7,98/.314	12	27,94/1.100	30,84/1.214	21	50,80/2.000	53,70/2.114
4	7,62/.300	10,52/.414	13	30,48/1.200	33,38/1.314	22	53,34/2.100	56,24/2.214
5	10,16/.400	13,06/.514	14	33,02/1.300	35,92/1.414	23	55,88/2.200	58,78/2.314
6	12,70/.500	15,60/.614	15	35,56/1.400	38,46/1.514	24	58,42/2.300	61,32/2.414
7	15,24/.600	18,14/.714	16	38,10/1.500	41,00/1.614	25	60,96/2.400	63,86/2.514
8	17,78/.700	20,68/.814	17	40,64/1.600	43,54/1.714	26	63,50/2.500	66,40/2.614
9	20,32/.800	23,22/.914	18	43,18/1.700	46,08/1.814	27	66,04/2.600	68,94/2.714
10	22,86/.900	25,76/1.014	19	45,72/1.800	48,62/1.914	28	68,58/2.700	71,48/2.814

Ordering Information

ORDERING NUMBER FORMULA

22-26 - X XX X

No Ramp - 7

Ramp - 8

Polarized Ramp - 9

Number of Circuits

02-28

Wire Size and Color Code
(See Chart 1)

CHART 1

Ordering Suffix No.	Color	Type of Wire Terminated (All Wires have a maximum Insulation Diameter of 1,52/.060)
22-26-XXX1	Brown	#26 AWG Stranded, #28 AWG Solid and Stranded
22-26-XXX2	Green	#24 AWG Stranded, #26 AWG Solid and Fused, and #28 AWG Fused
22-26-XXX3	Black	#22 AWG Stranded, and #24 AWG Solid and Fused

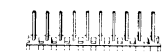
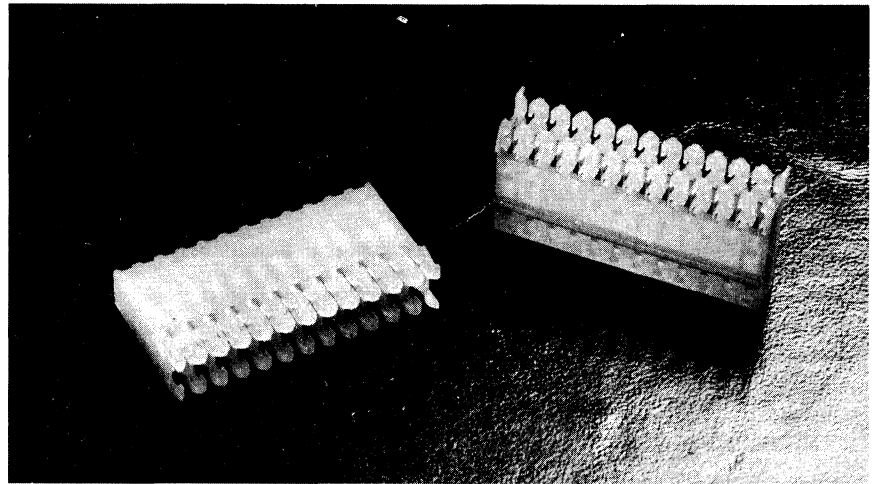


.100" (2,54 mm) Center Harness Board Connector

Dual Contact 7690 Series

Features/Dimensions:

- 2-28 Circuits
- 2 point contact
- With or without locking ramp
- Standard with locking ramp
- End to end polarization
- Molded in strain reliefs
- Accepts wire O.D. from 0,76mm to 1,52mm max.
- Optional gold plating
- Accepts solid and stranded cable
- Mates with standard 2,54mm wafers
- UL Recognized (File #E29179)



Wafers

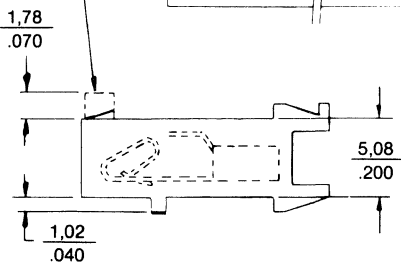
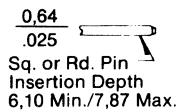
4030	4094	6373
4180	4494	7478
4380	6410	7832



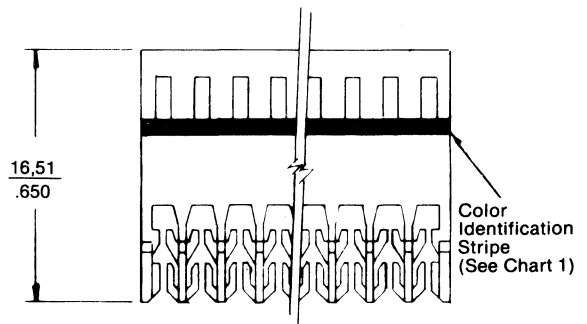
Covers

7840 Feed Thru
7840 Feed To

Polarized Ramps Are Optional
(See Ordering Number Formula)



For Connectors
With Void Locations
Contact Molex



MATERIAL:
Housing: Nylon 6/6 94V-2, Color: Natural
Terminal: Brass Post Tin-Plated

Dimensional Information

Circuits	mm		Circuits	mm		Circuits	mm	
	Dim. A	Dim. B		Dim. A	Dim. B		Dim. A	Dim. B
2	2,54/ .100	5,44/ .214	11	25,40/1.000	28,30/1.114	20	48,26/1.900	51,16/2.014
3	5,08/ .200	7,98/ .314	12	27,94/1.100	30,84/1.214	21	50,80/2.000	53,70/2.114
4	7,62/ .300	10,52/ .414	13	30,48/1.200	33,38/1.314	22	53,34/2.100	56,24/2.214
5	10,16/ .400	13,06/ .514	14	33,02/1.300	35,92/1.414	23	55,88/2.200	58,78/2.314
6	12,70/ .500	15,60/ .614	15	35,56/1.400	38,46/1.514	24	58,42/2.300	61,32/2.414
7	15,24/ .600	18,14/ .714	16	38,10/1.500	41,00/1.614	25	60,96/2.400	63,86/2.514
8	17,78/ .700	20,68/ .814	17	40,64/1.600	43,54/1.714	26	63,50/2.500	66,40/2.614
9	20,32/ .800	23,22/ .914	18	43,18/1.700	46,08/1.814	27	66,04/2.600	68,94/2.714
10	22,86/ .900	25,76/1.014	19	45,72/1.800	48,62/1.914	28	68,58/2.700	71,48/2.814

Ordering Information

ORDERING NUMBER FORMULA

22-26 - X XX X

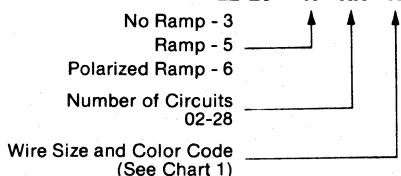


CHART 1		
Ordering Suffix No.	Color	Type of Wire Terminated (All Wires have a maximum Insulation Diameter of 1,52/.060)
22-26-XXX1	Brown	#26 AWG Stranded, #28 AWG Solid and Stranded
22-26-XXX2	Green	#24 AWG Stranded, #26 AWG Solid and Fused, and #28 AWG Fused
22-26-XXX3	Black	#22 AWG Stranded, and #24 AWG Solid and Fused

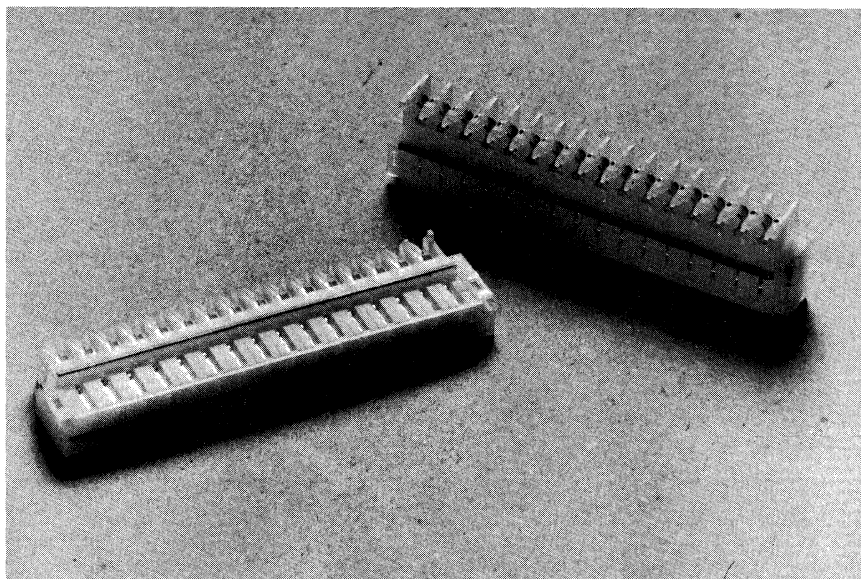
.100" (2,54 mm) Edge Connectors



2,54 mm/.100" Single Sided Edge Connectors 7822 Series

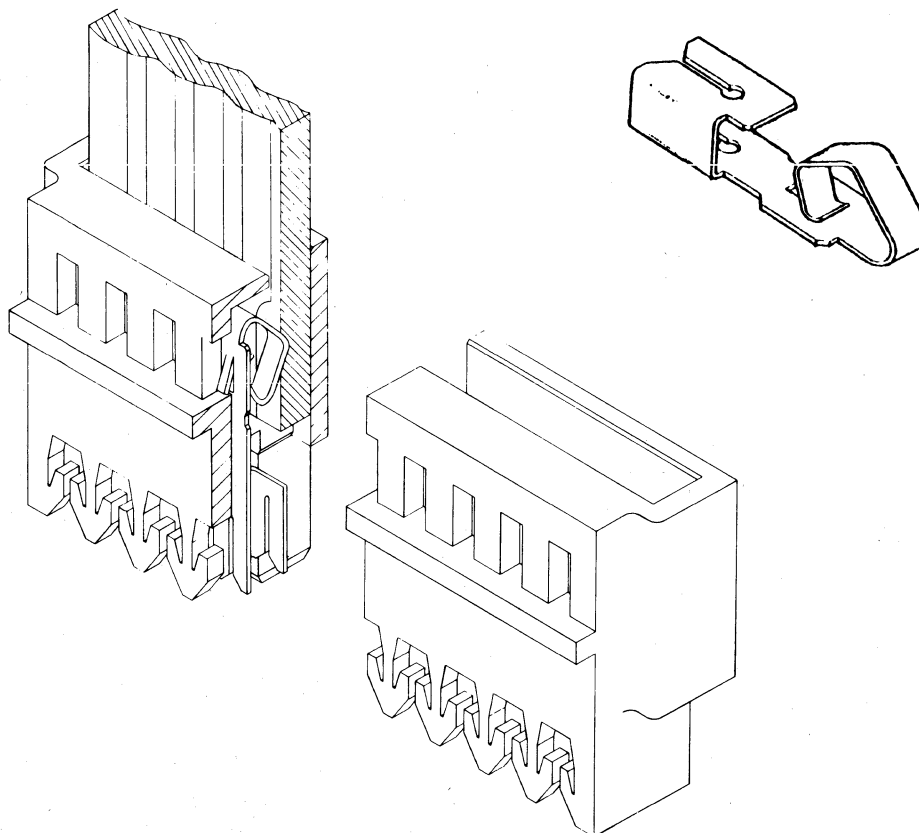
Features:

- 2,54mm centers single sided edge card connectors IDC
- 2-28 Circuit sizes available
- Accepts 22-28 AWG wire (1,52mm Max. diameter insulation)
- Used with ribbon cable or discrete wire
- Special hump back terminal design
- Polarizing ribs on larger circuit sizes
- Color coding
- Insulation displacement
- Accepts 1,57mm thick PC Board
- 94V-2 rated nylon
- Tin plated
- UL Recognized (File #E29179)



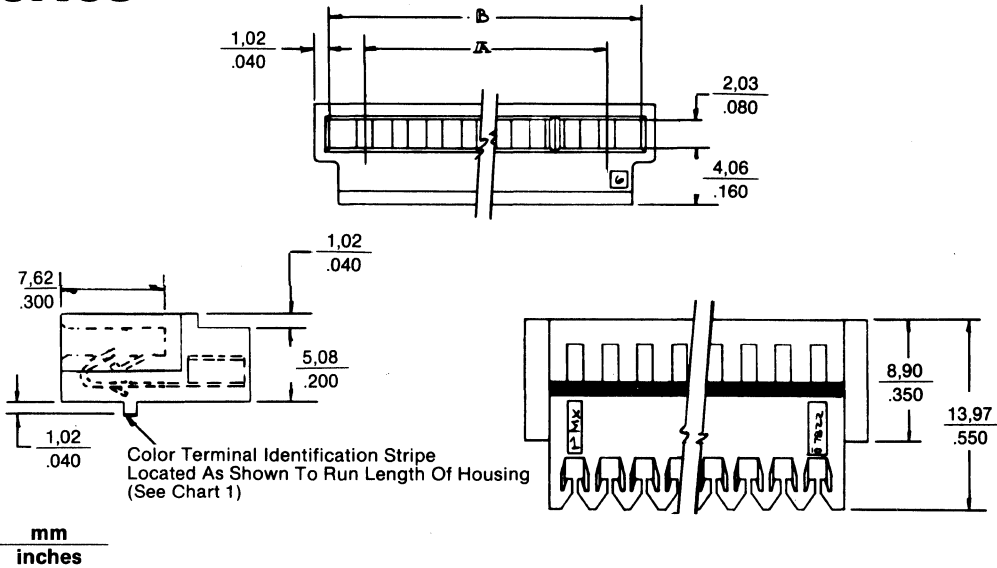
This series of single sided edge card connectors allow the user to take advantage of cost effective insulation displacement. No wire prep is necessary.

The humpback terminal utilizes the consistent pressure of the double cantilever design and improves the wiping action on the PC Board. The displacement section is in keeping with the Molex concept.



molex® .100" (2,54 mm) Edge Connectors

7822 Series



mm
inches

Dimensional Information

Circuits	Rib Location	Dim. A	Dim. B
2	None	2,54 .100	8,13 .320
3	None	5,08 .200	10,68 .420
4	None	7,62 .300	13,22 .520
5	None	10,16 .400	15,76 .620
6	None	12,70 .500	18,30 .720
7	None	15,24 .600	20,84 .820
8	None	17,78 .700	23,88 .920
9	None	20,32 .800	25,92 1.020
10	None	22,86 .900	28,46 1.120
11	None	25,40 1.000	31,00 1.220
12	None	27,94 1.100	33,54 1.320
13	None	30,48 1.200	36,08 1.420
14	None	33,02 1.300	38,62 1.520
15	4 & 5 8 & 9 12 & 13	35,56 1.400	41,16 1.620
16	4 & 5 8 & 9 12 & 13	38,10 1.500	43,70 1.720
17	4 & 5 8 & 9 12 & 13	40,64 1.600	46,24 1.820
18	4 & 5 8 & 9 12 & 13	43,18 1.700	48,78 1.920
19	4 & 5 8 & 9 12 & 13 16 & 17	45,72 1.800	51,32 2.020

Circuits	Rib Location	Dim. A	Dim. B
20	4 & 5 8 & 9 12 & 13 16 & 17	48,26 1.900	53,86 2.120
21	4 & 5 8 & 9 12 & 13 16 & 17	50,80 2.000	56,40 2.220
22	4 & 5 8 & 9 12 & 13 16 & 17	53,34 2.100	58,94 2.320
23	4 & 5 8 & 9 12 & 13 16 & 17 20 & 21	55,88 2.200	61,48 2.420
24	4 & 5 8 & 9 12 & 13 16 & 17 20 & 21	58,42 2.300	64,02 2.520
25	4 & 5 8 & 9 12 & 13 16 & 17 20 & 21	60,96 2.400	66,56 2.620
26	4 & 5 8 & 9 12 & 13 16 & 17 20 & 21	63,50 2.500	69,10 2.720
27	4 & 5 8 & 9 12 & 13 16 & 17 20 & 21 24 & 25	66,04 2.600	71,64 2.820
28	4 & 5 8 & 9 12 & 13 16 & 17 20 & 21 24 & 25	68,58 2.700	74,18 2.920

Rib Location May Vary
Per Customer Request

Ordering Information

ORDERING NUMBER FORMULA

22-41-2 X X X

Number of Circuits 02-28

Wire Type and Color Code
(See Chart 1)

CHART 1

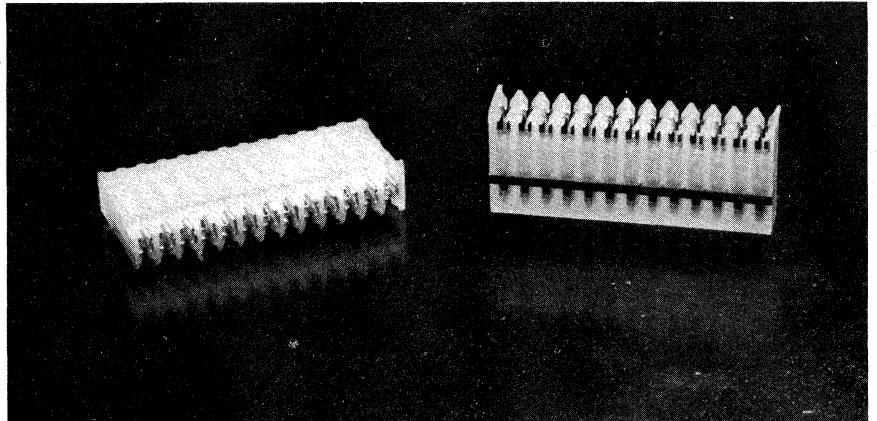
Ordering Suffix No.	Color	Type of Wire Terminated (All Wires have a maximum Insulation Diameter of 1,52/.060)
22-41-2XX1	Brown	#26 AWG Stranded and #28 AWG Solid and Stranded
22-41-2XX2	Green	#24 AWG Stranded, #26 AWG Solid and Fused, and #28 AWG Fused
22-41-2XX3	Black	#22 AWG Stranded and #24 AWG Solid and Fused

.098" (2,5 mm) Center Standard Connector Dual Contact 7795 Series

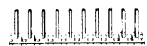


Features/Dimensions:

- 2-28 Circuits
- 2 Point contact
- With or without locking ramp or polarizing ramp
- Standard with ramp
- End to end polarization
- Molded in strain reliefs
- Accepts wire O.D. from 0,76mm to 1,52mm max.
- Optional gold plating
- Accepts solid and stranded cable
- Mates with standard 2,5mm wafers
- UL Recognized (File #E29179)



C



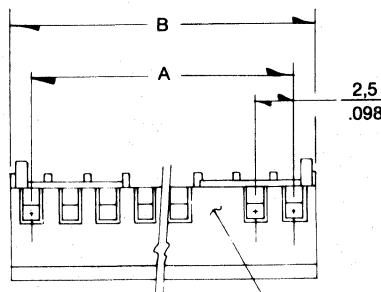
Wafers

3022 5046
3094 6494
3202 9154
5045

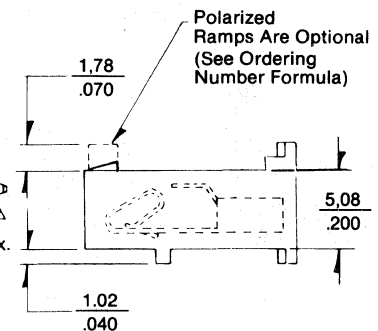


Covers

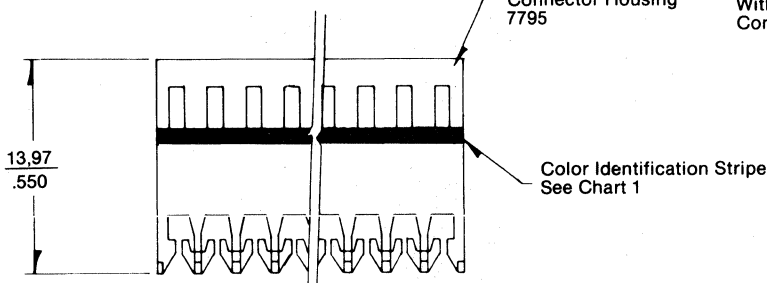
7841 Feed Thru
7841 Feed To



0,64
.025
Sq. or Rd. Pin
Insertion Depth
6,10 Min./7,87 Max.



For Connectors
With Void Locations
Contact Molex



MATERIAL:
Housing: Nylon 6/6 94V-2, Color: Natural
Terminal: Brass Post Tin-Plated

Dimension Information

Circuits	mm		Circuits	mm		Circuits	mm	
	Dim. A	Dim. B		Dim. A	Dim. B		Dim. A	Dim. B
2	2,50/.098	5,50/.217	11	25,00/.984	28,00/1.102	20	47,50/1.870	50,50/1.988
3	5,00/.197	8,00/.315	12	27,50/1.083	30,50/1.201	21	50,00/1.969	53,00/2.087
4	7,50/.295	10,50/.413	12	27,50/1.083	30,50/1.201	21	50,00/1.969	53,00/2.087
5	10,00/.394	13,00/.512	14	32,50/1.280	35,50/1.398	23	55,00/2.165	58,00/2.283
6	12,50/.492	15,50/.610	15	35,00/1.378	38,00/1.496	24	57,50/2.264	60,50/2.382
7	15,00/.591	18,00/.709	16	37,50/1.476	40,50/1.594	25	60,00/2.362	63,00/2.480
8	17,50/.689	20,50/.807	17	40,00/1.575	43,00/1.693	26	62,50/2.461	65,50/2.579
9	20,00/.787	23,00/.906	18	42,50/1.673	45,50/1.791	27	65,00/2.559	68,00/2.677
10	22,50/.886	25,50/1.004	19	45,00/1.772	48,00/1.890	28	67,50/2.657	70,50/2.776

Ordering Information

ORDERING NUMBER FORMULA

29-14 - X XX X

No Ramp - 1

Ramp - 2

Polarized Ramp - 3

Number of Circuits

02-28

Wire Size and Color Code
(See Chart 1)

CHART 1

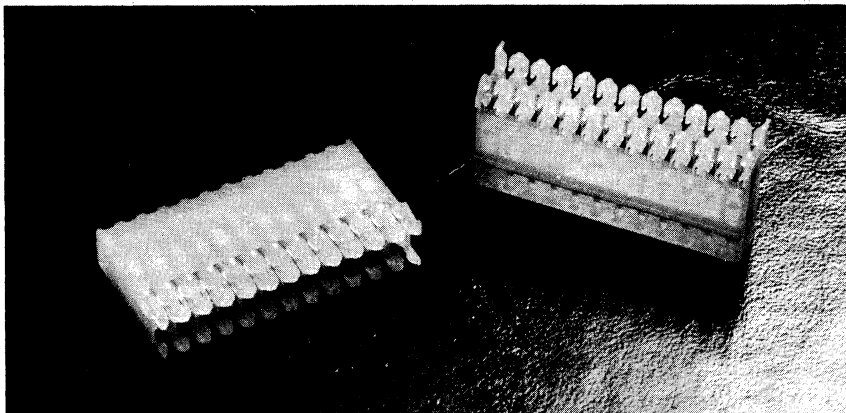
Ordering Suffix No.	Color	Type of Wire Terminated (All Wires have a maximum Insulation Diameter of 1,52/.060)
29-14-XXX1	Red	#26 AWG Stranded and #28 AWG Solid and Stranded
29-14-XXX2	Yellow	#24 AWG Stranded, #26 AWG Solid and Fused, and #28 AWG Fused
29-14-XXX3	Blue	#22 AWG Stranded and #24 AWG Solid and Fused

molex® .098" (2,5 mm) Center Harness Board Connector

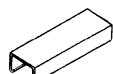
Dual Contact 7790 Series

Features/Dimensions:

- 2-28 Circuits
- 2 Point contact
- With or without locking ramp
- Standard with locking ramp
- End to end polarization
- Molded in strain reliefs
- Accepts wire O.D. from 0,76mm to 1,52mm max.
- Dust covers available in daisy chain closed end
- Optional gold plating
- Accepts solid and stranded cable
- Mates with standard 2,5 mm wafer assemblies
- UL Recognized (File #E29179)

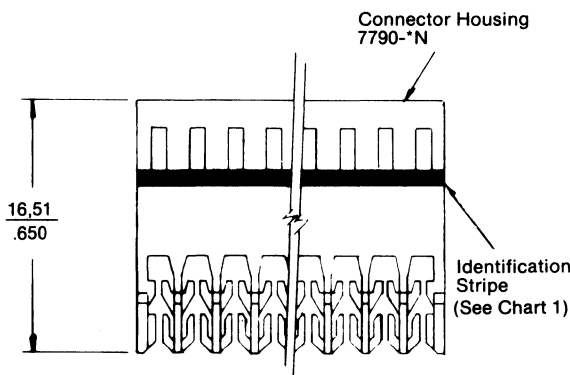
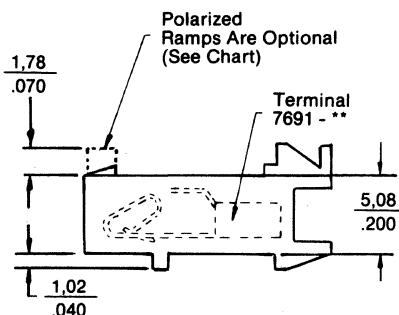


Wafers
3022 5046
3094 6494
3202 9154
5045



Covers
7840 Feed Thru
7840 Feed To

0,64
.025
Sq. or Rd. Pin
Insertion Depth
6,10 Min./7,87 Max.



Material:
Housing: Nylon 6/6 94V-2, Color - Natural
Terminal: Brass Post Tin-Plated

Dimensional Information

Circuits	mm		Circuits	mm		Circuits	mm	
	Dim. A	Dim. B		Dim. A	Dim. B		Dim. A	Dim. B
2	2,50/.098	5,50/.217	11	25,00/.984	28,00/1.102	20	47,50/1.870	50,50/1.988
3	5,00/.197	8,00/.315	12	27,50/1.083	30,50/1.201	21	50,00/1.969	53,00/2.087
4	7,50/.295	10,50/.413	13	30,00/1.181	33,00/1.299	22	52,50/2.067	55,50/2.185
5	10,00/.394	13,00/.512	14	32,50/1.280	35,50/1.398	23	55,00/2.165	58,00/2.283
6	12,50/.492	15,50/.610	15	35,00/1.378	38,00/1.496	24	57,50/2.264	60,50/2.382
7	15,00/.591	18,00/.709	16	37,50/1.476	40,50/1.594	25	60,00/2.362	63,00/2.480
8	17,50/.689	20,50/.807	17	40,00/1.575	43,00/1.693	26	62,50/2.461	65,50/2.579
9	20,00/.787	23,00/.906	18	42,50/1.673	45,50/1.791	27	65,00/2.559	68,00/2.677
10	22,50/.886	25,50/1.004	19	45,00/1.772	48,00/1.890	28	67,50/2.657	70,50/2.776

Ordering Information

ORDERING NUMBER FORMULA

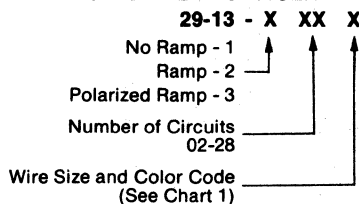


CHART 1		
Ordering Suffix No.	Color	Type of Wire Terminated (All Wires have a maximum Insulation Diameter of 1,52/.060)
29-13-XXX1	Red	#26 AWG Stranded, #28 AWG Solid and Stranded
29-13-XXX2	Yellow	#24 AWG Stranded, #26 AWG Solid and Fused, and #28 AWG Fused
29-13-XXX3	Blue	#22 AWG Stranded, and #24 AWG Solid and Fused

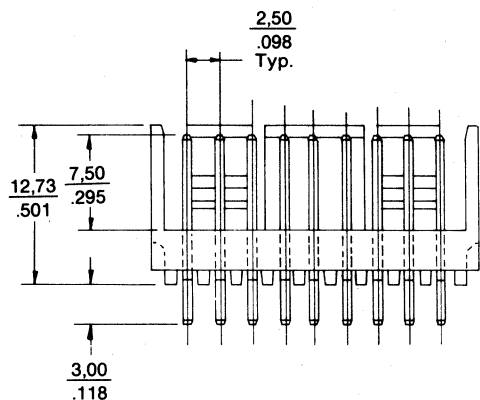
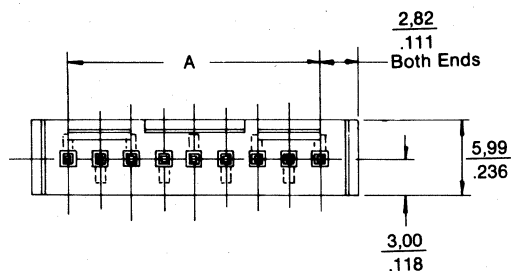
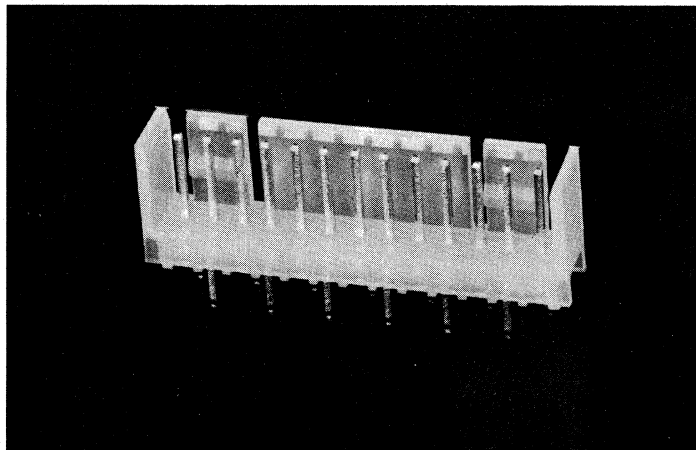
.098" (2,5 mm) Center Wafers



Assembly Wafer With Friction Lock 9154 Series

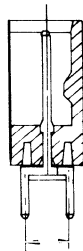
Features/Dimensions:

- 2-20 Circuits
- With friction lock
- 0,64mm Square wire terminal
8650-A
- Mates with 7790 and 7795

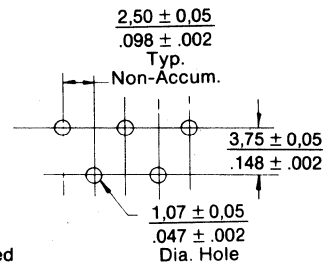


Material:
Housing: Nylon, 6/6 UL Rated
94V-2

Terminal: Brass, Tin-Plated



3,75 Alternate
.148 Pins Staggered



RECOMMENDED P.C. BOARD
LAYOUT
Viewed From Component Side

Dimensional Information

Circuits	Dim. A	Circuits	Dim. A	Circuits	Dim. A
2	2,50 .098	9	20,00 .787	15	35,00 1.378
3	5,00 .197	10	22,50 .886	16	37,50 1.476
4	7,50 .295	11	25,00 .984	17	40,00 1.575
5	10,00 .394	12	27,50 1.083	18	42,50 1.673
6	12,50 .492	13	30,00 1.181	19	45,00 1.772
7	15,00 .591	14	32,50 1.280	20	47,50 1.870
8	17,50 .689				

Ordering Information

Circuits	Order No.	Circuits	Order No.	Circuits	Order No.
2	10-19-5022	9	10-19-5092	15	10-19-5152
3	10-19-5032	10	10-19-5102	16	10-19-5162
4	10-19-5042	11	10-19-5112	17	10-19-5172
5	10-19-5052	12	10-19-5122	18	10-19-5182
6	10-19-5062	13	10-19-5132	19	10-19-5192
7	10-19-5072	14	10-19-5142	20	10-19-5202
8	10-19-5082				

mm
inches

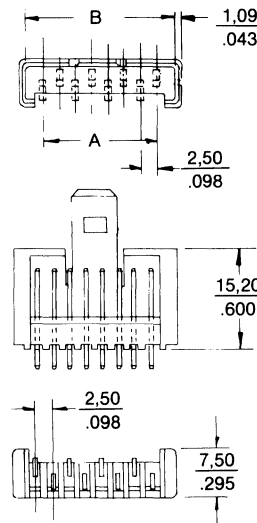
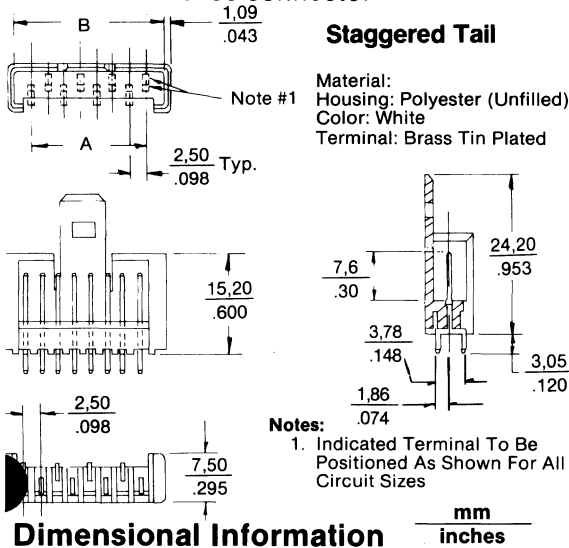
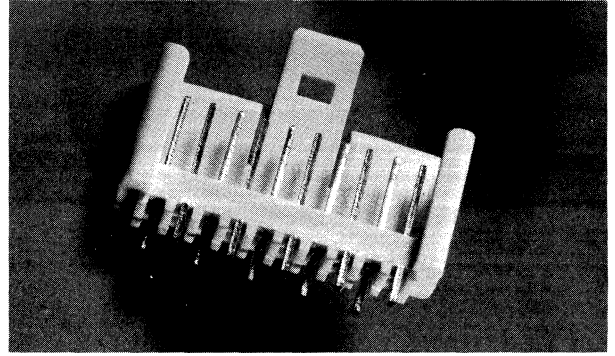


.098" (2,5 mm) Center Wafers

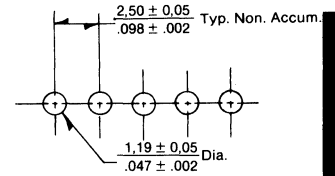
Assembly Wafer Staggered Tail And Straight Tail 3475 Series

Features/Dimensions:

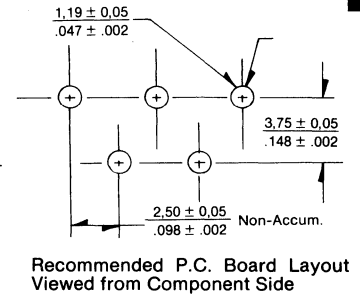
- 2-20 Circuits
- With and without lock
- 0,64mm/.025" Square wire terminal 8650-A
- Mates with 8160 connector



Straight Tail



Recommended P.C. Board Layout



Dimensional Information

Circuits	Dim. A	Dim. B	Circuits	Dim. A	Dim. B	Circuits	Dim. A	Dim. B
2	2,50 ± 0,15 .098 ± .006	7,70 ± 0,15 .303 ± .006	9	20,00 ± 0,18 .787 ± .007	25,20 ± 0,18 .992 ± .007	15	35,00 ± 0,23 1,378 ± .009	40,20 ± 0,25 1,583 ± .010
3	5,00 ± 0,15 .197 ± .006	10,20 ± 0,15 .402 ± .006	10	22,50 ± 0,18 .886 ± .007	27,70 ± 0,23 1,091 ± .009	16	37,50 ± 0,23 1,476 ± .009	42,70 ± 0,25 1,681 ± .010
4	7,50 ± 0,15 .295 ± .006	12,70 ± 0,15 .500 ± .006	11	25,00 ± 0,18 .984 ± .007	30,20 ± 0,23 1,189 ± .009	17	40,00 ± 0,25 1,575 ± .010	45,20 ± 0,25 1,780 ± .010
5	10,00 ± 0,15 .394 ± .006	15,20 ± 0,18 .598 ± .007	12	27,50 ± 0,23 1,083 ± .009	32,70 ± 0,23 1,287 ± .009	18	42,50 ± 0,25 1,673 ± .010	47,70 ± 0,25 1,878 ± .010
6	12,50 ± 0,18 .492 ± .007	17,70 ± 0,18 .697 ± .007	13	30,00 ± 0,23 1,181 ± .009	35,20 ± 0,23 1,386 ± .009	19	45,00 ± 0,25 1,772 ± .010	50,20 ± 0,25 1,976 ± .010
7	15,00 ± 0,18 .591 ± .007	20,20 ± 0,18 .795 ± .007	14	32,50 ± 0,23 1,280 ± .009	37,70 ± 0,23 1,484 ± .009	20	47,50 ± 0,25 1,870 ± .010	52,70 ± 0,28 2,075 ± .011
8	17,50 ± 0,18 .689 ± .007	22,70 ± 0,18 .894 ± .007						

Ordering Information Staggered Tail

Circuits	Order No.	Lock	Circuits	Order No.	Lock
2	29-08-2023	Yes	12	29-08-2123	Yes
	29-08-2024	No		29-08-2124	No
3	29-08-2033	Yes	13	29-08-2133	Yes
	29-08-2034	No		29-08-2134	No
4	29-08-2043	Yes	14	29-08-2143	Yes
	29-08-2044	No		29-08-2142	No
5	29-08-2053	Yes	15	29-08-2151	Yes
	29-08-2054	No		29-08-2152	No
6	29-08-2063	Yes	16	29-08-2161	Yes
	29-08-2064	No		29-08-2162	No
7	29-08-2073	Yes	17	29-08-2171	Yes
	29-08-2074	No		29-08-2172	No
8	29-08-2083	Yes	18	29-08-2181	Yes
	29-08-2084	No		29-08-2182	No
9	29-08-2093	Yes	19	29-08-2191	Yes
	29-08-2094	No		29-08-2192	No
10	29-08-2103	Yes	20	29-08-2201	Yes
	29-08-2104	No		29-08-2202	No
11	29-08-2113	Yes			
	29-08-2114	No			

Ordering Information Straight Tail

Circuits	Order No.	Lock	Circuits	Order No.	Lock
2	29-08-2021	Yes	12	29-08-2121	Yes
	29-08-2022	No		29-08-2122	No
3	29-08-2031	Yes	13	29-08-2131	Yes
	29-08-2032	No		29-08-2132	No
4	29-08-2041	Yes	14	29-08-2141	Yes
	29-08-2042	No		29-08-2142	No
5	29-08-2051	Yes	15	29-08-2151	Yes
	29-08-2052	No		29-08-2152	No
6	29-08-2061	Yes	16	29-08-2161	Yes
	29-08-2062	No		29-08-2162	No
7	29-08-2071	Yes	17	29-08-2171	Yes
	29-08-2072	No		29-08-2172	No
8	29-08-2081	Yes	18	29-08-2181	Yes
	29-08-2082	No		29-08-2182	No
9	29-08-2091	Yes	19	29-08-2191	Yes
	29-08-2092	No		29-08-2192	No
10	29-08-2101	Yes	20	29-08-2201	Yes
	29-08-2102	No		29-08-2202	No
11	29-08-2111	Yes			
	29-08-2112	No			

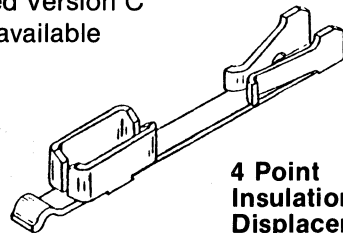
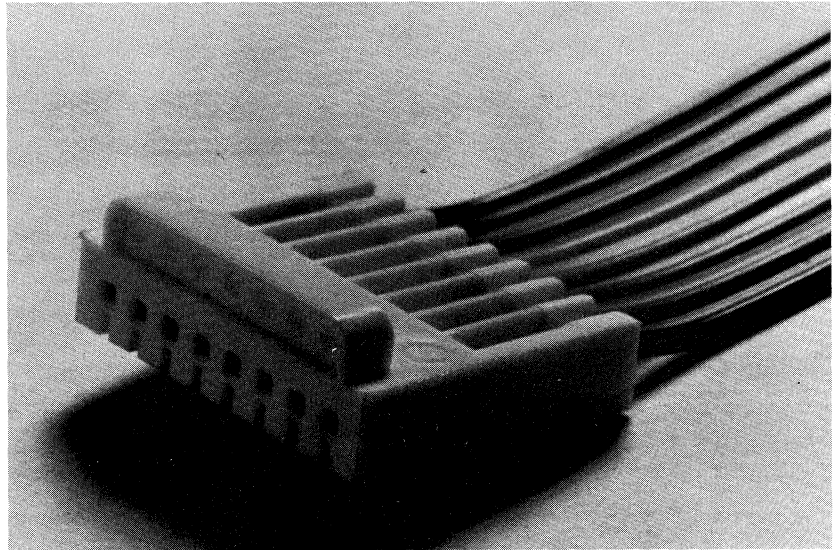
.098" (2,5 mm) Connector



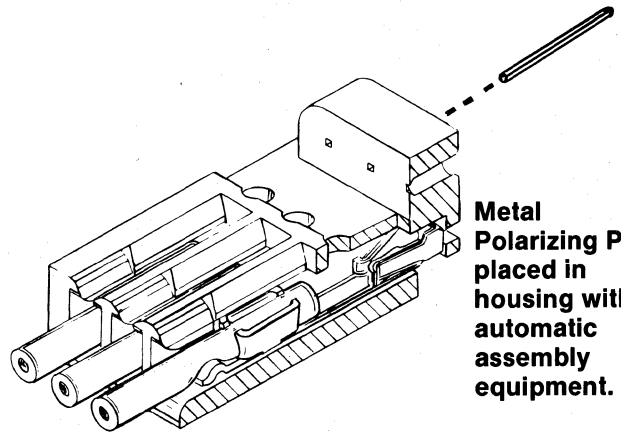
EURO 250 Series In-Line Wire Exit 8160/8160Z Series

Features/Dimensions:

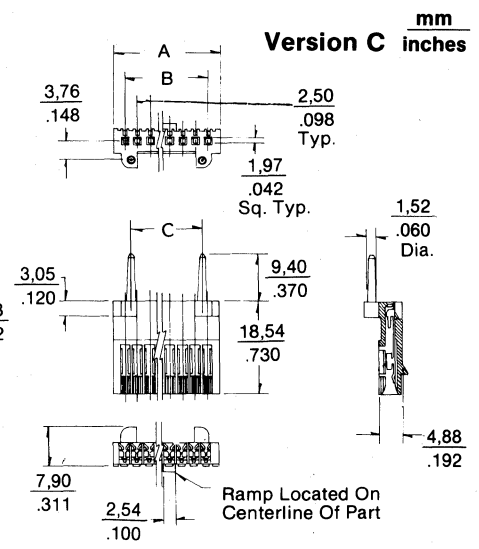
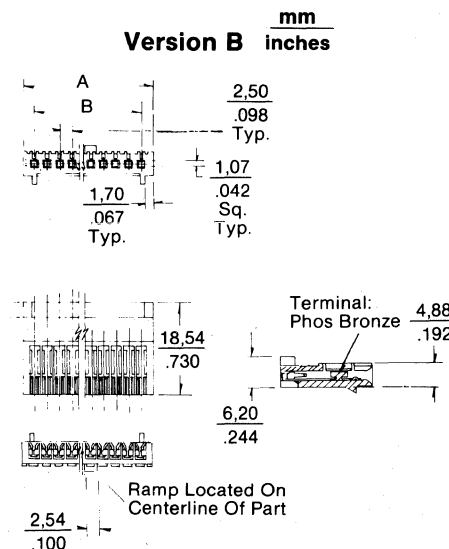
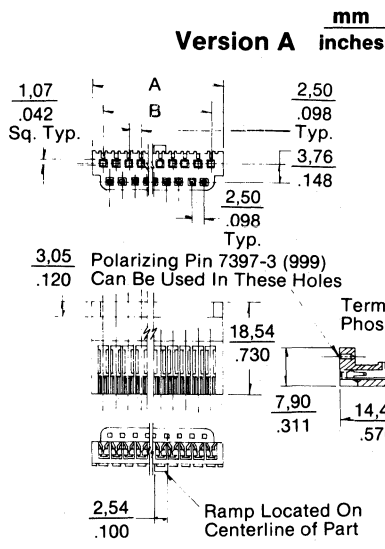
- Formed slot - 4 point IDT contact
- 2 Point interface pin contact
- 4 Amp
- 2-20 Circuits
- 24 AWG solid discrete and cable
- Accepts insulation O.D. from 1,09mm to 1,52mm max.
- White housing for O.D. insulation 1,37mm to 1,52mm max. (8160 version)
- Black housing for O.D. insulation 1,09mm to 1,36mm max. (8160Z version)
- 3 Housing options shown below
- 94V-0 Polyester
- Mates with 3475, 3094, 3022 series wafers
- Terminal phosphor bronze
- Polarizing Peg options:
 - 1) Metal pin 7397
 - 2) Integrally molded Version C
- Crimp terminal 8177 available



**4 Point
Insulation
Displacement
Contact**



**Metal
Polarizing Peg
placed in
housing with
automatic
assembly.**



**Please Note: A crimp version is also available -
Contact factory for details**

Peg can be removed by customer or application tooling to achieve desired keying configuration.



.098" (2,5 mm) Connector

Ordering Information

8160-A

Circuits	Order No.	Circuits	Order No.
2	10-78-7021	12	10-78-7121
3	10-78-7031	13	10-78-7131
4	10-78-7041	14	10-78-7141
5	10-78-7051	15	10-78-7151
6	10-78-7061	16	10-78-7161
7	10-78-7071	17	10-78-7171
8	10-78-7081	18	10-78-7181
9	10-78-7091	19	10-78-7191
10	10-78-7101	20	10-78-7201
11	10-78-7111		

8160-B

Circuits	Order No.	Circuits	Order No.
2	10-78-7022	12	10-78-7122
3	10-78-7032	13	10-78-7132
4	10-78-7042	14	10-78-7142
5	10-78-7052	15	10-78-7152
6	10-78-7062	16	10-78-7162
7	10-78-7072	17	10-78-7172
8	10-78-7082	18	10-78-7182
9	10-78-7092	19	10-78-7192
10	10-78-7102	20	10-78-7202
11	10-78-7112		

8160-C

Circuits	Order No.	Circuits	Order No.
2	10-78-7023	12	10-78-7123
3	10-78-7033	13	10-78-7133
4	10-78-7043	14	10-78-7143
5	10-78-7053	15	10-78-7153
6	10-78-7063	16	10-78-7163
7	10-78-7073	17	10-78-7173
8	10-78-7083	18	10-78-7183
9	10-78-7093	19	10-78-7193
10	10-78-7103	20	10-78-7203
11	10-78-7113		

8160Z-A

Circuits	Order No.	Circuits	Order No.
2	10-78-8021	12	10-78-8121
3	10-78-8031	13	10-78-8131
4	10-78-8041	14	10-78-8141
5	10-78-8051	15	10-78-8151
6	10-78-8061	16	10-78-8161
7	10-78-8071	17	10-78-8171
8	10-78-8081	18	10-78-8181
9	10-78-8091	19	10-78-8191
10	10-78-8101	20	10-78-8201
11	10-78-8111		

8160Z-B

Circuits	Order No.	Circuits	Order No.
2	10-78-8022	12	10-78-8122
3	10-78-8032	13	10-78-8132
4	10-78-8042	14	10-78-8142
5	10-78-8052	15	10-78-8152
6	10-78-8062	16	10-78-8162
7	10-78-8072	17	10-78-8172
8	10-78-8082	18	10-78-8182
9	10-78-8092	19	10-78-8192
10	10-78-8102	20	10-78-8202
11	10-78-8112		

8160Z-C

Circuits	Order No.	Circuits	Order No.
2	10-78-8023	12	10-78-8123
3	10-78-8033	13	10-78-8133
4	10-78-8043	14	10-78-8143
5	10-78-8053	15	10-78-8153
6	10-78-8063	16	10-78-8163
7	10-78-8073	17	10-78-8173
8	10-78-8083	18	10-78-8183
9	10-78-8093	19	10-78-8193
10	10-78-8103	20	10-78-8203
11	10-78-8113		

Tooling

Description	Engr. No.	Order No.
For Prototype Production and Repair: T-Tool - Diecast	8600-14	11-02-0016
For Prototype Production and Repair: T-Tool - Plastic	8600-3	11-02-0012

Medium Scale Production: Mini-Cam III - 8713-1—220 V, 8713-1A—110 V, 50 or 60 Hz and Ribbon Cable Terminator 8640.

Large Scale Production: Ribbon Cable - 8803 single end, 8808 double end
See Tooling pages for ordering data and details

Please note a crimp version is also available - contact factory for details

Dimensional Information Versions 8160 and 8160Z

Circuits	mm			Circuits	mm			Circuits	mm		
	Dim. A	Dim. B	Dim. C		Dim. A	Dim. B	Dim. C		Dim. A	Dim. B	Dim. C
2	7,32 ± 0,08 .288 ± .003	2,50 ± 0,10 .098 ± .004	—	9	24,82 ± 0,15 .977 ± .006	20,00 ± 0,18 .787 ± .007	17,50 ± 0,18 .689 ± .007	15	39,83 ± 0,20 1,568 ± .008	35,00 ± 0,23 1,378 ± .009	32,50 ± 0,23 12,80 ± .009
3	9,82 ± 0,08 .387 ± .003	5,00 ± 0,13 .197 ± .005	2,50 ± 0,10 .098 ± .004	10	27,32 ± 0,15 1,076 ± .006	22,50 ± 0,20 .886 ± .008	20,00 ± 0,18 .787 ± .007	16	42,32 ± 0,23 1,666 ± .009	37,50 ± 0,25 1,476 ± .010	35,00 ± 0,23 1,378 ± .009
4	12,32 ± 0,08 .485 ± .003	7,50 ± 0,13 .295 ± .005	5,00 ± 0,13 .197 ± .005	11	29,82 ± 0,18 1,174 ± .007	25,00 ± 0,20 .984 ± .008	22,50 ± 0,20 .886 ± .008	17	44,82 ± 0,25 1,765 ± .010	40,00 ± 0,28 1,575 ± .011	37,50 ± 0,25 1,476 ± .010
5	14,82 ± 0,10 .583 ± .004	10,00 ± 0,15 .394 ± .006	7,50 ± 0,13 .295 ± .005	12	32,32 ± 0,18 1,272 ± .007	27,50 ± 0,20 1,083 ± .008	25,00 ± 0,20 .884 ± .008	18	47,32 ± 0,28 1,863 ± .011	42,50 ± 0,28 1,673 ± .011	40,00 ± 0,28 1,575 ± .011
6	17,32 ± 0,10 .682 ± .004	12,50 ± 0,15 .492 ± .006	10,00 ± 0,15 .394 ± .006	13	34,82 ± 0,20 1,371 ± .008	30,00 ± 0,20 1,181 ± .008	27,50 ± 0,20 1,083 ± .008	19	49,82 ± 0,28 1,961 ± .011	45,00 ± 0,28 1,772 ± .011	42,50 ± 0,28 1,673 ± .011
7	19,82 ± 0,13 .780 ± .005	15,00 ± 0,18 .591 ± .007	12,50 ± 0,15 .482 ± .006	14	37,32 ± 0,20 1,469 ± .008	32,50 ± 0,23 1,280 ± .009	30,00 ± 0,20 1,181 ± .008	20	52,32 ± 0,30 2,060 ± .012	47,50 ± 0,28 1,870 ± .011	45,00 ± 0,28 1,772 ± .011
8	22,32 ± 0,13 .879 ± .005	17,50 ± 0,18 .689 ± .007	15,00 ± 0,18 .591 ± .007								

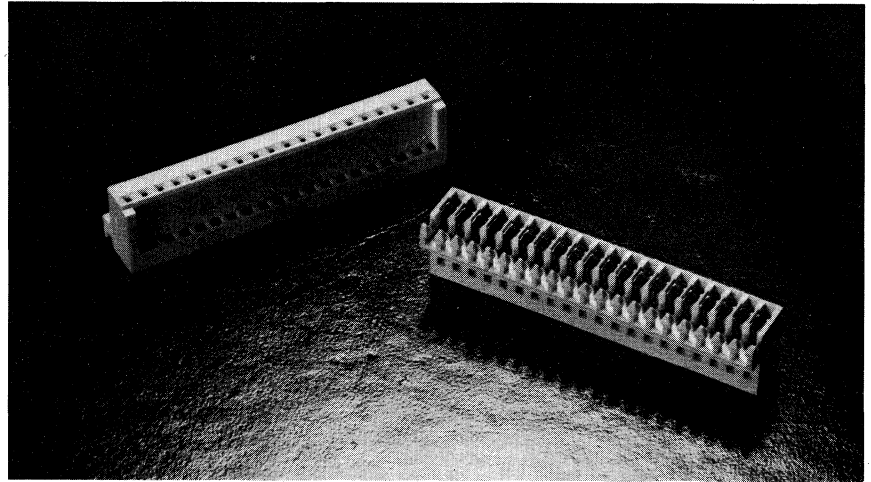
.098" (2,5 mm) Connector



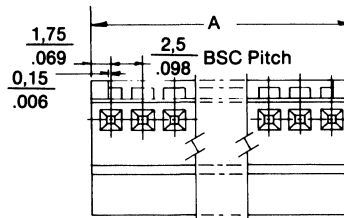
TIDS IDT 5204 Series Right Angle Wire Exit

Features/Dimensions:

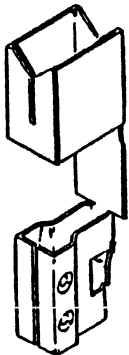
- 2-20 Circuits
- Triple insulation displacement slots
- Locking ramp
- Molded in strain relief
- Closed end
- Accepts wire O.D. from 1,3 mm (.051") to 1,6 mm Max. (.063")
- Mates with 5045 and 5046 headers
- 6 Point contact with wire conductor
- 4 Point contact with male pin
- Accepts crimp terminal 5103
- Accepts 24 AWG to 26 AWG top coated, stranded and solid wire
- Terminal: Post Tin-Plated Phosphor Bronze
- Housing: Nylon 66, UL94V—O



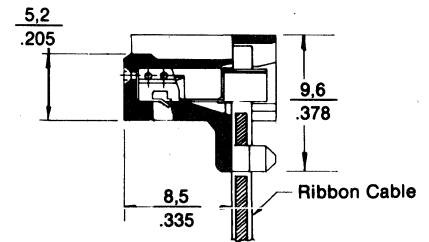
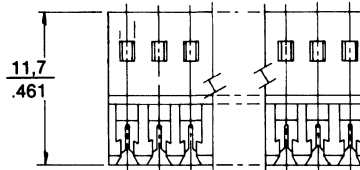
C



I.D. Terminal



Please note a crimp version is also available - Contact factory for details.

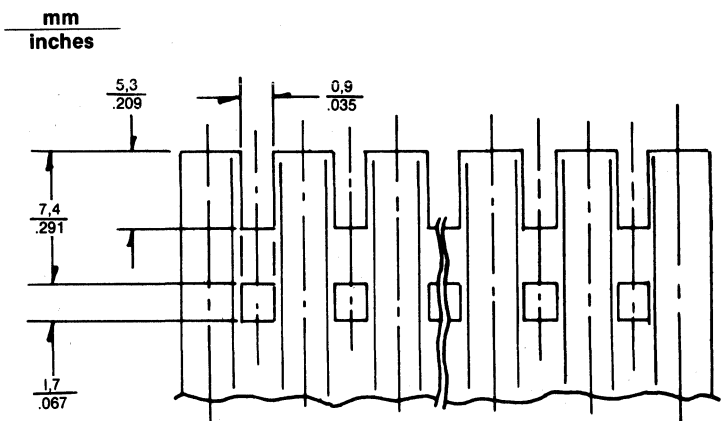


Dimensional Information

Circuits	Dim. A	Circuits	Dim. A	Circuits	Dim. A
2	6,0 .236	9	23,5 .925	15	38,5 1.515
3	8,5 .335	10	26,0 1.023	16	41,0 1.614
4	11,0 .433	11	28,5 1.122	17	43,5 1.713
5	13,5 .531	12	31,0 1.220	18	46,0 1.811
6	16,0 .629	13	33,5 1.319	19	48,5 1.909
7	18,5 .728	14	36,0 1.417	20	51,0 2.008
8	21,0 .829				

Ordering Information

Circuits	Order No.	Circuits	Order No.	Circuits	Order No.
2	29-13-4021	9	29-13-4091	15	29-13-4151
3	29-13-4031	10	29-13-4101	16	29-13-4161
4	29-13-4041	11	29-13-4111	17	29-13-4171
5	29-13-4051	12	29-13-4121	18	29-13-4181
6	29-13-4061	13	29-13-4131	19	29-13-4191
7	29-13-4071	14	29-13-4141	20	29-13-4201
8	29-13-4081				



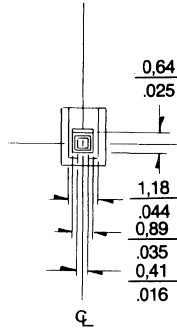
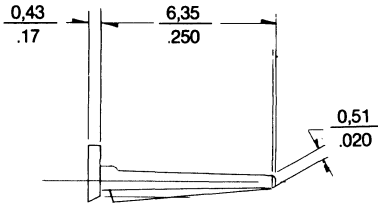


Polarizing Keys and Pegs

.098" (2,5 mm), .100" (2,54) Center Spacing

Polarizing Key Model 7842-1

Nylon 6/6, 94V-2



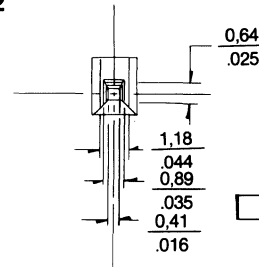
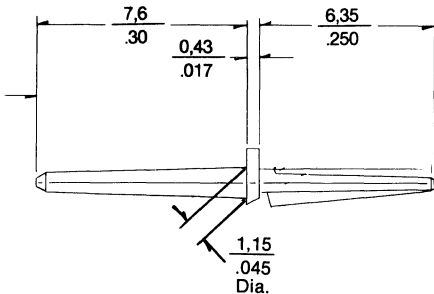
7842-1 and -2
Used With Connectors:

7790
7795
7690
7720

Order Number	89-00-3003
--------------	------------

Polarizing Peg Model 7842-2

Nylon 6/6, 94V-2

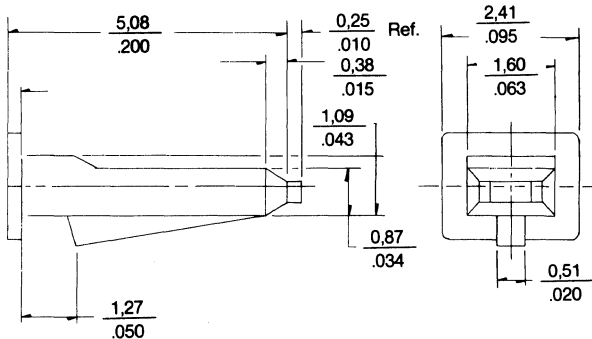


Order Number	89-00-3004
--------------	------------

.156" (3,96 mm), .197" (5,00 mm), .200" (5,08 mm) Center Spacing

Polarizing Key Model 7580-1

Nylon 6/6, 94V-2



7580-1 and -2
Used With Connectors:

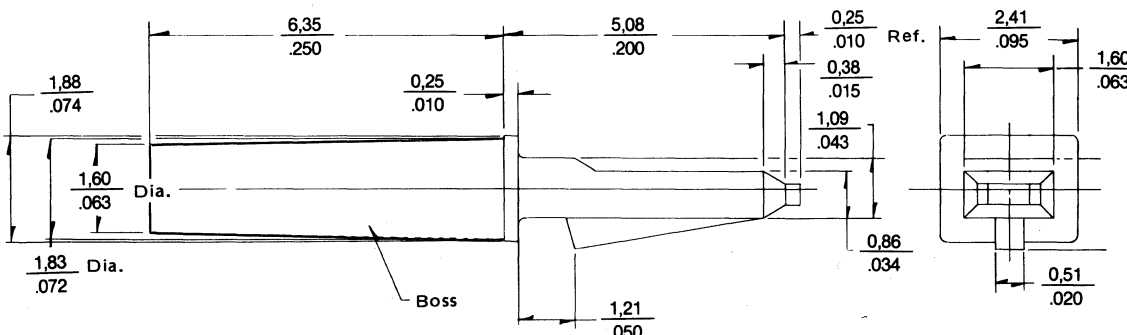
7777	7793	7660
6952	7935	7664
7823		7674
7824		7675

Order Number	89-00-3001
--------------	------------

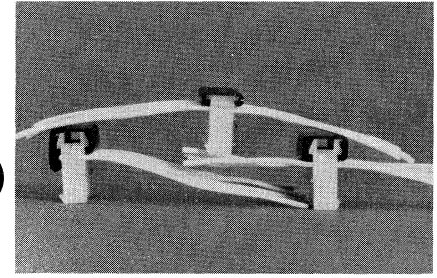
Polarizing Peg Model 7580-2

.156" (3,96 mm), .197" (5,00 mm), .200" (5,08 mm) Center Spacing

Order Number	89-00-3002
--------------	------------

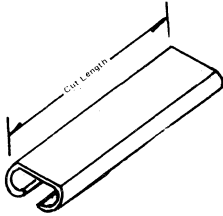


.156" (3,96 mm)
 .197" (5,00 mm)
 .200" (5,08 mm) Covers

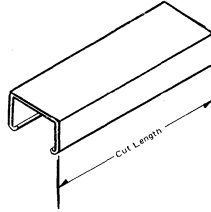


7894 Series Feed Thru Standard (Daisy Chain)
7895 Series Feed Thru Harness
7896 Series Feed To Harness (Closed In)

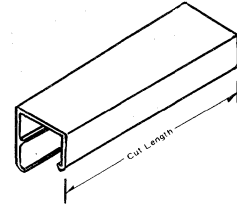
Noryl 6/6 94V-2



Model 7894 NA



Model 7895 NA



Model 7896 NA

Dimensional and Ordering Information 3,96mm/.156"

mm
inches

Circuits	Standard	Harness		Dim. Cut Length
	7894 Feed Thru	7895 Feed Thru	7896 Feed To	
2	15-05-7024	15-05-7022	15-05-7023	7,77 .306
3	15-05-7034	15-05-7032	15-05-7033	11,23 .442
4	15-05-7044	15-05-7042	15-05-7043	15,19 .598
5	15-05-7054	15-05-7052	15-05-7053	19,15 .754
6	15-05-7064	15-05-7062	15-05-7063	23,11 .910
7	15-05-7074	15-05-7072	15-05-7073	27,07 1.066
8	15-05-7084	15-05-7082	15-05-7083	31,04 1.222
9	15-05-7094	15-05-7092	15-05-7093	35,00 1.378
10	15-05-7104	15-05-7102	15-05-7103	38,96 1.534
11	15-05-7114	15-05-7112	15-05-7113	42,93 1.690
12	15-05-7124	15-05-7122	15-05-7123	46,89 1.846
13	15-05-7134	15-05-7132	15-05-7133	50,85 2.002

Circuits	Standard	Harness		Dim. Cut Length
	7894 Feed Thru	7895 Feed Thru	7896 Feed To	
14	15-05-7144	15-05-7142	15-05-7143	54,81 2.158
15	15-05-7154	15-05-7152	15-05-7153	58,78 2.314
16	15-05-7164	15-05-7162	15-05-7163	62,74 2.470
17	15-05-7174	15-05-7172	15-05-7173	66,70 2.626
18	15-05-7184	15-05-7182	15-05-7183	70,66 2.782
19	15-05-7194	15-05-7192	15-05-7193	74,62 2.938
20	15-05-7204	15-05-7202	15-05-7203	78,59 3.094
21	15-05-7214	15-05-7212	15-05-7213	82,55 3.250
22	15-05-7224	15-05-7222	15-05-7223	86,51 3.406
23	15-05-7234	15-05-7232	15-05-7233	90,47 3.562
24	15-05-7244	15-05-7242	15-05-7243	94,44 3.718

Dimensional and Ordering Information 5,08mm/.200"

mm
inches

Circuits	Standard	Harness		Dim. Cut Length
	7894 Feed Thru	7895 Feed Thru	7896 Feed To	
2	15-05-7025	↑ *Contact Factory for Ordering Number ↓	↑ *Contact Factory for Ordering Number ↓	8,38 .330
3	15-05-7035			13,46 .530
4	15-05-7045			18,54 .730
5	15-05-7055			23,62 .930
6	15-05-7065			28,70 1.130
7	15-05-7075			33,78 1.330
8	15-05-7085			38,86 1.530
9	15-05-7095			43,94 1.730

Circuits	Standard	Harness		Dim. Cut Length
	7894 Feed Thru	7895 Feed Thru	7896 Feed To	
10	15-05-7105	↑ *Contact Factory for Ordering Number ↓	↑ *Contact Factory for Ordering Number ↓	49,02 1.930
11	15-05-7115			54,10 2.130
12	15-05-7125			59,18 2.330
13	15-05-7135			64,26 2.530
14	15-05-7145			69,34 2.730
15	15-05-7155			74,42 2.930
16	15-05-7165			79,50 3.130

5,00mm/.197" - For Dimensional and Ordering Information Contact Factory



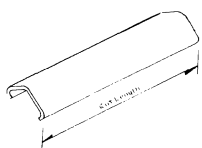
.098" (2,5 mm)
.100" (2,54 mm) Covers

Model 7841

Feed Thru and Feed To
Standard Versions

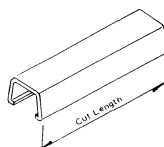
Model 7840

Feed Thru and Feed To
Harness Board Versions



Model 7841
Feed Thru Standard
Board Version

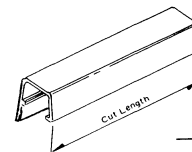
Model 7841
Feed To Standard
Board Version



Model 7840
Feed To Harness
Board Version

Noryl 6/6 94V-2

Model 7840
Feed Thru Harness
Board Version



Dimensional and Ordering Information 2,5mm/.098"

Circuits	7841 Standard		7840 Harness		Dim. Cut Length
	Feed Thru	Feed To	Feed Thru	Feed To	
2	15-05-8026	15-05-8028	15-05-8022	15-05-8024	5,51 .217
3	15-05-8036	15-05-8038	15-05-8032	15-05-8034	8,00 .315
4	15-05-8046	15-05-8048	15-05-8042	15-05-8044	10,49 .413
5	15-05-8056	15-05-8058	15-05-8052	15-05-8054	13,00 .512
6	15-05-8066	15-05-8068	15-05-8062	15-05-8064	15,51 .611
7	15-05-8076	15-05-8078	15-05-8072	15-05-8074	18,00 .709
8	15-05-8086	15-05-8088	15-05-8082	15-05-8084	20,49 .807
9	15-05-8096	15-05-8098	15-05-8092	15-05-8094	23,01 .906
10	15-05-8106	15-05-8108	15-05-8102	15-05-8104	25,50 1.004
11	15-05-8116	15-05-8118	15-05-8112	15-05-8114	27,99 1.102
12	15-05-8126	15-05-8128	15-05-8122	15-05-8124	30,50 1.201
13	15-05-8136	15-05-8138	15-05-8132	15-05-8134	32,99 1.299
14	15-05-8146	15-05-8148	15-05-8142	15-05-8144	35,50 1.398
15	15-05-8156	15-05-8158	15-05-8152	15-05-8154	37,99 1.496

Circuits	7841 Standard		7840 Harness		Dim. Cut Length
	Feed Thru	Feed To	Feed Thru	Feed To	
16	15-05-8166	15-05-8168	15-05-8162	15-05-8164	40,51 1.595
17	15-05-8176	15-05-8178	15-05-8172	15-05-8174	43,00 1.693
18	15-05-8186	15-05-8188	15-05-8182	15-05-8184	45,49 1.791
19	15-05-8196	15-05-8198	15-05-8192	15-05-8194	48,00 1.890
20	15-05-8206	15-05-8208	15-05-8202	15-05-8204	50,49 1.988
21	15-05-8216	15-05-8218	15-05-8212	15-05-8214	53,00 2.087
22	15-05-8226	15-05-8228	15-05-8222	15-05-8224	55,49 2.185
23	15-05-8236	15-05-8238	15-05-8232	15-05-8234	57,98 2.283
24	15-05-8246	15-05-8248	15-05-8242	15-05-8244	60,50 2.382
25	15-05-8256	15-05-8258	15-05-8252	15-05-8254	62,99 2.480
26	15-05-8266	15-05-8268	15-05-8262	15-05-8264	65,50 2.579
27	15-05-8276	15-05-8278	15-05-8272	15-05-8274	68,02 2.678
28	15-05-8286	15-05-8288	15-05-8282	15-05-8284	70,51 2.776

Dimensional and Ordering Information 2,54/.100"

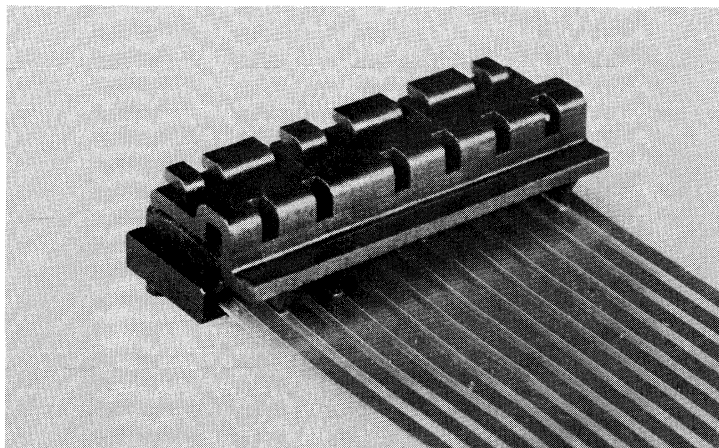
Circuits	7841 Standard		7840 Harness		Dim. Cut Length
	Feed Thru	Feed To	Feed Thru	Feed To	
2	15-05-8025	15-05-8027	15-05-8021	15-05-8023	5,44 .214
3	15-05-8035	15-05-8037	15-05-8031	15-05-8033	7,97 .314
4	15-05-8045	15-05-8047	15-05-8041	15-05-8043	10,51 .414
5	15-05-8055	15-05-8057	15-05-8051	15-05-8053	13,05 .514
6	15-05-8065	15-05-8067	15-05-8061	15-05-8063	15,59 .614
7	15-05-8075	15-05-8077	15-05-8071	15-05-8073	18,13 .714
8	15-05-8085	15-05-8087	15-05-8081	15-05-8083	20,67 .814
9	15-05-8095	15-05-8097	15-05-8091	15-05-8093	23,21 .914
10	15-05-8105	15-05-8107	15-05-8101	15-05-8103	25,75 1.014
11	15-05-8115	15-05-8117	15-05-8111	15-05-8113	28,29 1.114
12	15-05-8125	15-05-8127	15-05-8121	15-05-8123	30,83 1.214
13	15-05-8135	15-05-8137	15-05-8131	15-05-8133	33,37 1.314
14	15-05-8145	15-05-8147	15-05-8141	15-05-8143	35,91 1.414
15	15-05-8155	15-05-8157	15-05-8151	15-05-8153	38,45 1.514

Circuits	7841 Standard		7840 Harness		Dim. Cut Length
	Feed Thru	Feed To	Feed Thru	Feed To	
16	15-05-8165	15-05-8167	15-05-8161	15-05-8163	40,99 1.614
17	15-05-8175	15-05-8177	15-05-8171	15-05-8173	43,53 1.714
18	15-05-8185	15-05-8187	15-05-8181	15-05-8183	46,07 1.814
19	15-05-8195	15-05-8197	15-05-8191	15-05-8193	48,61 1.914
20	15-05-8205	15-05-8207	15-05-8201	15-05-8203	51,15 2.014
21	15-05-8215	15-05-8217	15-05-8211	15-05-8213	53,69 2.014
22	15-05-8225	15-05-8227	15-05-8221	15-05-8223	56,23 2.214
23	15-05-8235	15-05-8237	15-05-8231	15-05-8233	58,77 2.314
24	15-05-8245	15-05-8247	15-05-8241	15-05-8243	61,31 2.414
25	15-05-8255	15-05-8257	15-05-8251	15-05-8253	63,85 2.514
26	15-05-8265	15-05-8267	15-05-8261	15-05-8263	66,39 2.614
27	15-05-8275	15-05-8277	15-05-8271	15-05-8273	68,93 2.714
28	15-05-8285	15-05-8287	15-05-8281	15-05-8283	71,47 2.814

4850 Flat Flexible Cable Connector

General Features:

- Accepts flat conductor flexible cable or flat flexible circuitry on .100" centers
- Snaps into P.C. board with retaining locks
- Printed circuit board solder tails
- Terminals for ease of wave soldering
- Built in polarized strain relief
- 5-25 circuits
- Zero insertion force



The 4580 offers savings in assembly time and cost without neglecting quality, when utilizing the cost effective flat flexible cable and flexible circuitry.

The terminal is the well known and tested "KK" double cantilever terminal. The cable is inserted between the second arm and the base of the terminal. When the cover is closed the cam is actuated. (See fig. 2) forcing the area of contact of the terminal to "slide" on the surface of the cable resulting in wiping off oxide films without damaging conductor plating.

The cover locks in place maintaining the cable positively in place and assuring contact. (See fig. 1)

Design Features:

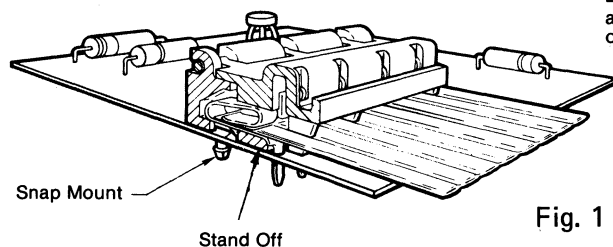


Fig. 1

Locking Force: To be applied in direction shown to allow cover to "FLEX" out over the locking dimples of the housing

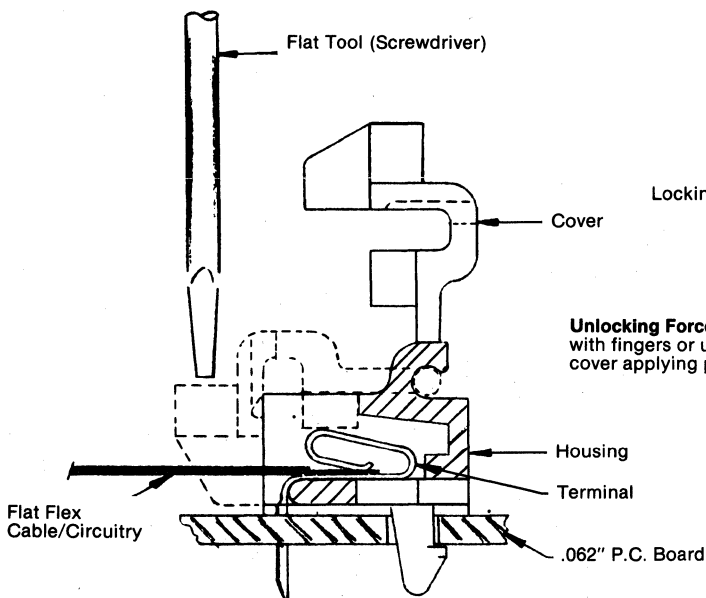
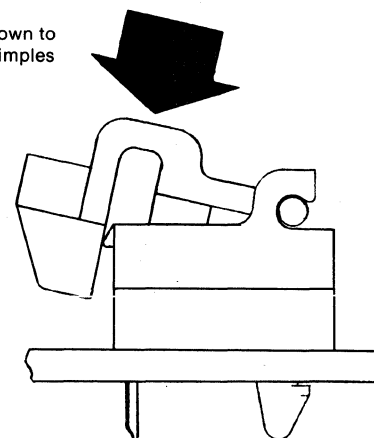
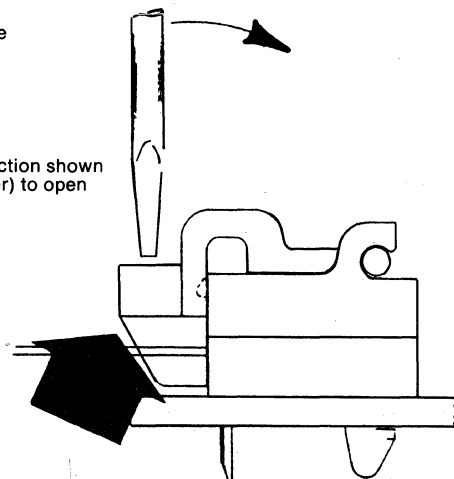


Fig. 2

Locking/Unlocking Procedure

Fig. 3

Unlocking Force: To be applied in direction shown with fingers or use flat tool (screwdriver) to open cover applying pressure as shown.

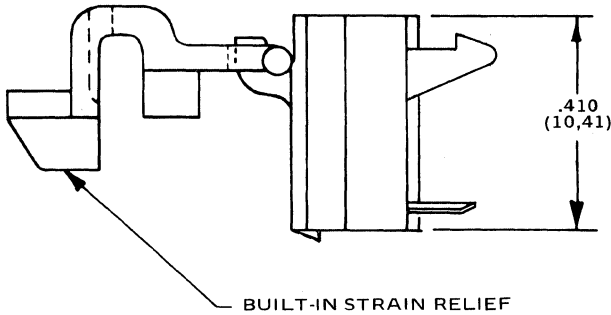




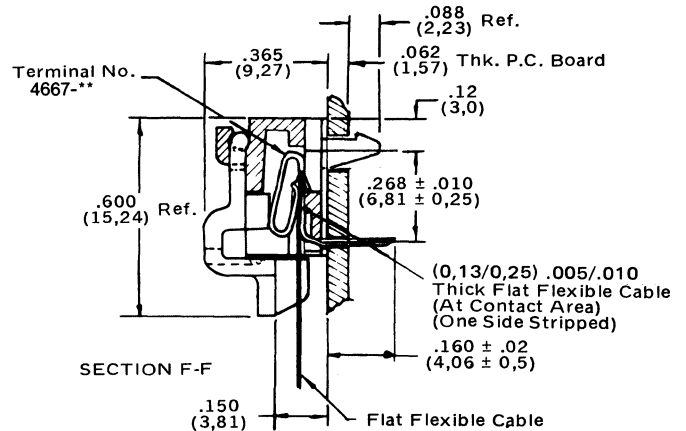
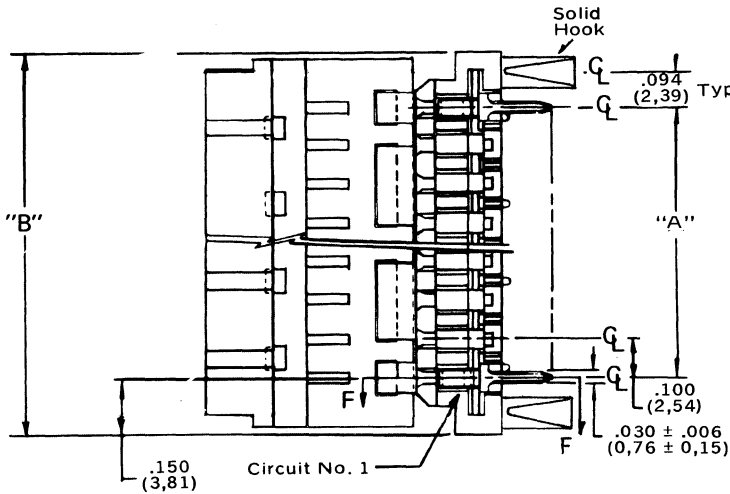
Flat Flex Connector

4850

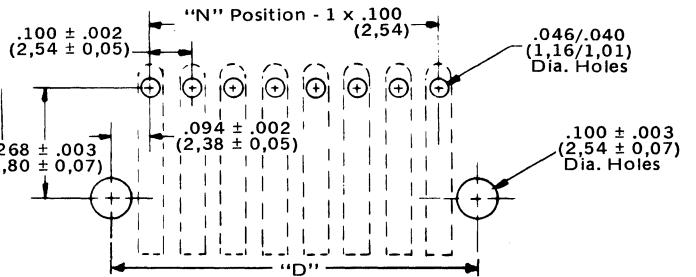
Dimensions :



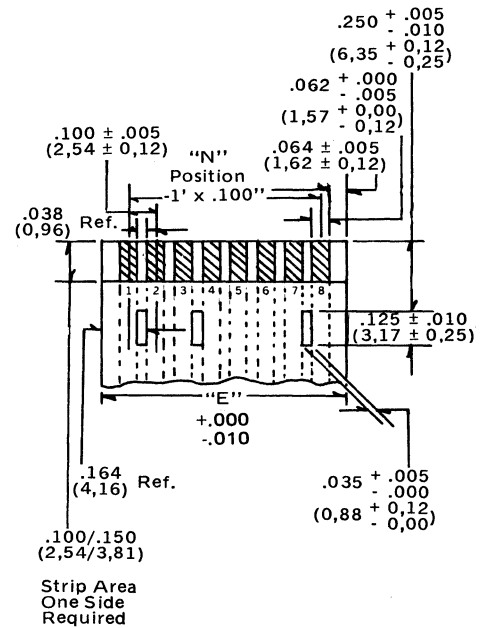
BUILT-IN STRAIN RELIEF



P.C. Board Layout Dimensions



CABLE LAYOUT DIMENSIONS



Ordering/ Dimensional Information

inches
mm

No. of Circuits	Order No.	Dim. A	Dim. B	Dim. D	Dim. E	Cable Slots for Strain Relief Located Between
5	15-25-4051	.400 (10,16)	.700 (17,78)	.588 (14,94)	.590 (14,98)	1 & 2, 3 & 4
6	15-25-4061	.500 (12,70)	.800 (20,32)	.688 (17,47)	.690 (17,52)	1 & 2, 4 & 5
7	15-25-4071	.600 (15,24)	.900 (22,86)	.788 (20,02)	.790 (20,06)	1 & 2, 5 & 6
8	15-25-4081	.700 (17,79)	1.000 (25,40)	.888 (22,56)	.890 (22,60)	1 & 2, 3 & 4, 7 & 8
9	15-25-4091	.800 (20,32)	1.100 (27,94)	.988 (25,10)	.990 (25,14)	1 & 2, 3 & 4, 8 & 9
10	15-25-4101	.900 (22,86)	1.200 (30,50)	1.088 (27,64)	1.090 (27,68)	1 & 2, 3 & 4, 9 & 10
11	15-25-4111	1.000 (25,40)	1.300 (33,02)	1.188 (30,18)	1.190 (30,22)	1 & 2, 3 & 4, 10 & 11
12	15-25-4121	1.100 (27,94)	1.400 (35,56)	1.288 (32,71)	1.290 (32,76)	1 & 2, 3 & 4, 11 & 12
13	15-25-4131	1.200 (30,48)	1.500 (38,10)	1.388 (35,26)	1.390 (35,30)	1 & 2, 3 & 4, 12 & 13
14	15-25-4141	1.300 (33,02)	1.600 (40,64)	1.488 (37,79)	1.490 (37,84)	1 & 2, 3 & 4, 13 & 14
15	15-25-4151	1.400 (35,56)	1.700 (43,18)	1.588 (40,34)	1.590 (40,38)	1 & 2, 3 & 4, 14 & 15
16	15-25-4161	1.500 (38,10)	1.800 (45,72)	1.688 (42,87)	1.690 (42,92)	1 & 2, 3 & 4, 15 & 16
17	15-25-4171	1.600 (40,64)	1.900 (48,26)	1.788 (45,41)	1.790 (45,46)	1 & 2, 3 & 4, 17 & 18
18	15-25-4181	1.700 (43,18)	2.000 (50,80)	1.888 (47,95)	1.890 (48,00)	1 & 2, 3 & 4, 17 & 18
19	15-25-4191	1.800 (45,72)	2.100 (53,34)	1.988 (50,49)	1.990 (50,54)	1 & 2, 3 & 4, 18 & 19
20	15-25-4201	1.900 (48,26)	2.200 (55,90)	2.088 (53,03)	2.090 (53,08)	1 & 2, 3 & 4, 19 & 20
21	15-25-4211	2.000 (50,80)	2.300 (58,42)	2.188 (55,57)	2.190 (55,62)	1 & 2, 3 & 4, 20 & 21
22	15-25-4221	2.100 (53,34)	2.400 (60,96)	2.288 (58,11)	2.290 (58,16)	1 & 2, 3 & 4, 21 & 22
23	15-25-4231	2.200 (55,90)	2.500 (63,50)	2.388 (60,65)	2.390 (60,70)	1 & 2, 3 & 4, 22 & 23
24	15-25-4241	2.300 (58,42)	2.600 (66,04)	2.488 (63,19)	2.490 (63,24)	1 & 2, 3 & 4, 23 & 24
25	15-25-4251	2.400 (60,96)	2.700 (68,58)	2.588 (65,73)	2.590 (65,78)	1 & 2, 3 & 4, 24 & 25

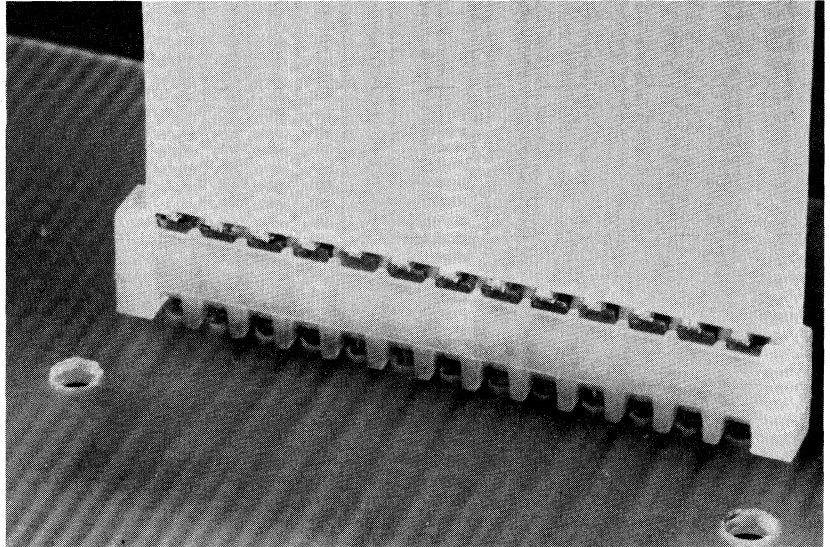
NOTE: Maximum Cable Thickness .010 (0,25) at contact area



7583-CN Flat Flex Cable Connector

General Features:

- Improved version of 7583
- Dual beam phosphor bronze, pre-tinned contact design
- Low cost/reliable
- Straight or right angle versions
- 5-21 circuits
- .100 (2,54 mm) centers
- Mounting hook option on right angle version
- Low profile
- Optional higher pressure contact
- For membrane switch application



The new Molex 7583-CN series of flat flexible cable connectors offer a low cost dual beam contact design allowing many operations without severe breakage or damage to the cable.

5 through 21 circuit straight and right angle versions are available. The housings are UL rated 94 V-2, nylon. Contacts available in either a high pressure version allowing 10 insertion/withdrawal cycles or a lower pressure design for use with conductive ink circuitry.

Specifications:

ELECTRICAL SPECIFICATIONS:

Contact Resistance - a maximum of 6 milliohms when measured from p.c. tail near housing base to a point approximately (12.7)/.500 up on cable. (copper conductor)

Insulation Resistance - greater than 200 K megohms between adjacent contacts

Dielectric withstanding voltage - greater than 1.3 kilovolts between adjacent circuits.

MECHANICAL SPECIFICATIONS:

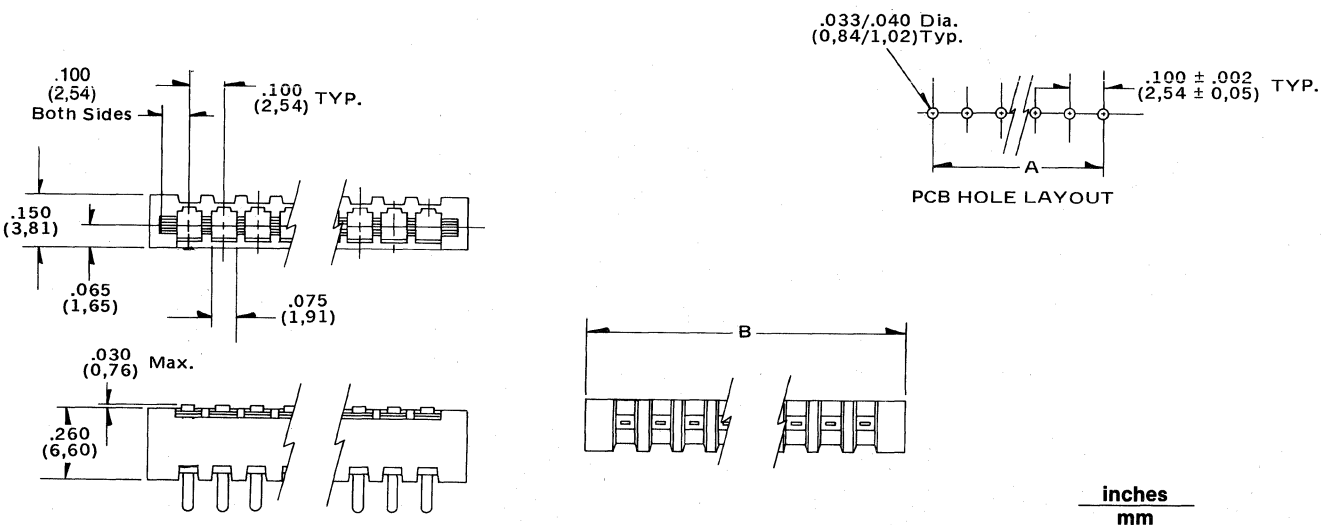
Materials -

Contact - phosphor bronze, pre-tinned.

Housing - Nylon, U.L. rated 94V-2

Flat Conductor Cable Range - (0.15/0.25) - .006/.010 combined thickness conductor and one wall.

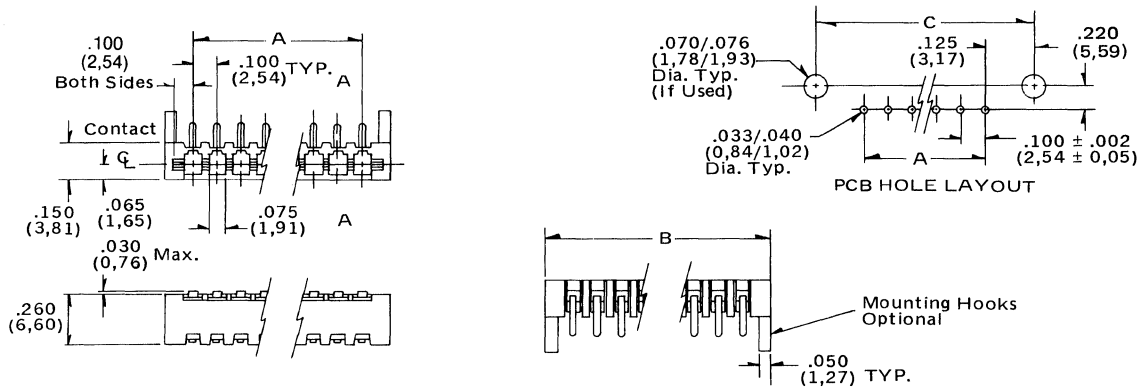
Straight Version





Flat Flex Connector

Right Angle



Dimensional and Ordering Information

7583 - CNA - Right Angle Version

inches
mm

No. of Circuits	Order No.	Dim. A	Dim. B	Dim. C	No. of Circuits	Order No.	Dim. A	Dim. B	Dim. C
5	15-24-2058	.400	.700	.650	14	15-24-2158	1.300	1.600	1.550
	15-24-2059	(10,16)	(17,78)	(16,51)		15-24-2149	(33,02)	(40,64)	(39,37)
6	15-24-2068	.500	.800	.750	15	15-24-2158	1.400	1.700	1.650
	15-24-2069	(12,70)	(29,32)	(18,05)		15-24-2159	(35,56)	(43,18)	(41,91)
7	15-24-2078	.600	.900	.850	16	15-24-2168	1.500	1.800	1.750
	15-24-2079	(15,24)	(22,86)	(21,59)		15-24-2169	(38,10)	(45,72)	(44,45)
8	15-24-2088	.700	1.000	.950	17	15-24-2178	1.600	1.900	1.850
	15-24-2089	(17,78)	(25,40)	(24,13)		15-24-2179	(40,64)	(48,26)	(46,99)
9	15-24-2098	.800	1.100	1.050	18	15-24-2188	1.700	2.000	1.950
	15-24-2099	(20,32)	(27,94)	(26,67)		15-24-2189	(43,18)	(50,80)	(49,53)
10	15-24-2108	.900	1.200	1.150	19	15-24-2198	1.800	2.100	2.050
	15-24-2109	(22,86)	(28,70)	(33,02)		15-24-2199	(45,72)	(53,34)	(52,07)
11	15-24-2118	1.000	1.300	1.250	20	15-24-2208	1.900	2.200	2.150
	15-24-2119	(25,40)	(31,24)	(31,75)		15-24-2209	(48,26)	(55,88)	(59,69)
12	15-24-2128	1.100	1.400	1.350	21	15-24-2218	2.000	2.300	2.250
	15-24-2129	(27,94)	(35,56)	(34,29)		15-24-2219	(50,80)	(58,42)	(57,15)
13	15-24-2138	1.200	1.500	1.450					
	15-24-2139	(30,48)	(38,10)	(36,83)					

"9" As Last Digit Designates Mtg. Hooks.

For optional higher pressure contacts see your local Molex representative.

7583-CN Straight Version

inches
mm

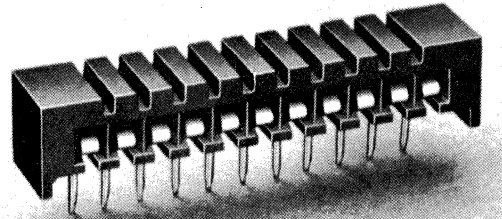
No. of Circuits	Order No.	Dim. A	Dim. B	No. of Circuits	Order No.	Dim. A	Dim. B
5	15-24-2050	.400 (10,16)	.700 (17,78)	14	15-24-2140	1.300 (33,02)	1.600 (40,64)
6	15-24-2060	.500 (12,70)	.800 (20,32)	15	15-24-2150	1.400 (35,56)	1.700 (43,18)
7	15-24-2070	.600 (15,24)	.900 (22,86)	16	15-24-2160	1.500 (38,10)	1.800 (45,72)
8	15-24-2080	.700 (17,78)	1.000 (25,40)	17	15-24-2170	1.600 (40,64)	1.900 (48,26)
9	15-24-2090	.800 (20,32)	1.100 (27,94)	18	15-24-2180	1.700 (43,18)	2.000 (50,80)
10	15-24-2100	.900 (22,86)	1.200 (28,70)	19	15-24-2190	1.800 (45,72)	2.100 (53,34)
11	15-24-2110	1.000 (25,40)	1.300 (31,24)	20	15-24-2200	1.900 (48,26)	2.200 (55,88)
12	15-24-2120	1.100 (27,94)	1.400 (35,56)	21	15-24-2210	2.000 (50,80)	2.300 (58,42)
13	15-24-2130	1.200 (30,48)	1.500 (38,10)				

For optional higher pressure contacts see your local Molex representative.

5143 NAPB Right Angle Round Conductor Ribbon Cable Connector

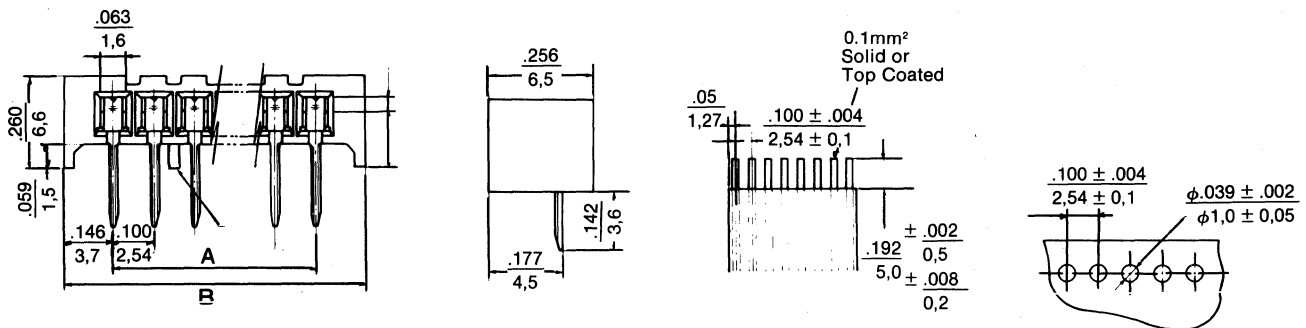
Features/Dimensions:

- Low profile
- UL 94V-O glass filled polyester
- 3-25 circuits
- 0,1mm² (AWG #27) top coated stranded or solid conductor
- Contact material: Phosphor bronze



5143 has been developed for Round Conductor Ribbon Cable [.100" (2,54mm) center]. They are designed for low cost, low profile and completely eliminate flux intrusion.

All housings are molded of UL 94V-O rated polyester material and all terminals are pre-tinned phosphor bronze. Connectors are available in 3 through 25 circuits and are designed for the application of desk top calculators, printer, copy machine, consumer appliance and telephone equipment.



Dimensional Information

			Inches						mm		
Circuits	Dim. A	Dim. B	Circuits	Dim. A	Dim. B	Circuits	Dim. A	Dim. B	Circuits	Dim. A	Dim. B
3	.200 5,08	.491 12,48	9	.800 20,32	1.091 27,72	15	1.400 35,56	1.691 42,96	21	2.000 50,80	2.291 58,20
4	.300 7,62	.591 15,02	10	.900 22,86	1.191 30,26	16	1.500 38,10	1.791 45,50	22	2.100 53,34	2.391 60,74
5	.400 10,16	.691 17,56	11	1.000 25,40	1.291 32,80	17	1.600 40,64	1.891 48,04	23	2.200 55,88	2.491 63,28
6	.500 12,70	.791 20,10	12	1.100 27,94	1.391 35,34	18	1.700 43,18	1.991 50,58	24	2.300 58,42	2.591 65,82
7	.600 15,24	.891 22,64	13	1.200 30,48	1.491 37,88	19	1.800 45,72	2.091 53,12	25	2.400 60,96	2.691 68,36
8	.700 17,78	.991 25,18	14	1.300 33,02	1.591 40,42	20	1.900 48,26	2.191 55,66			

Ordering Information

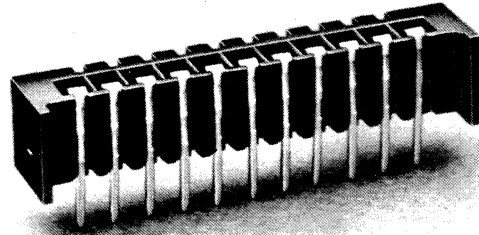
Circuits	Order No.	Eng. No.	Circuits	Order No.	Eng. No.	Circuits	Order No.	Eng. No.	Circuits	Order No.	Eng. No.
3	22-15-3035	5143-03APB	9	22-15-3095	5143-09APB	15	22-15-3155	5143-15APB	21	22-15-3215	5143-21APB
4	22-15-3045	5143-04APB	10	22-15-3105	5143-10APB	16	22-15-3165	5143-16APB	22	22-15-3225	5143-22APB
5	22-15-3055	5143-05APB	11	22-15-3115	5143-11APB	17	22-15-3175	5143-17APB	23	22-15-3235	5143-23APB
6	22-15-3065	5143-06APB	12	22-15-3125	5143-12APB	18	22-15-3185	5143-18APB	24	22-15-3245	5143-24APB
7	22-15-3075	5143-07APB	13	22-15-3135	5143-13APB	19	22-15-3195	5143-19APB	25	22-15-3255	5143-25APB
8	22-15-3085	5143-08APB	14	22-15-3145	5143-14APB	20	22-15-3205	5143-20APB			



5143 NCPB Straight Round Conductor Flat Cable Connector

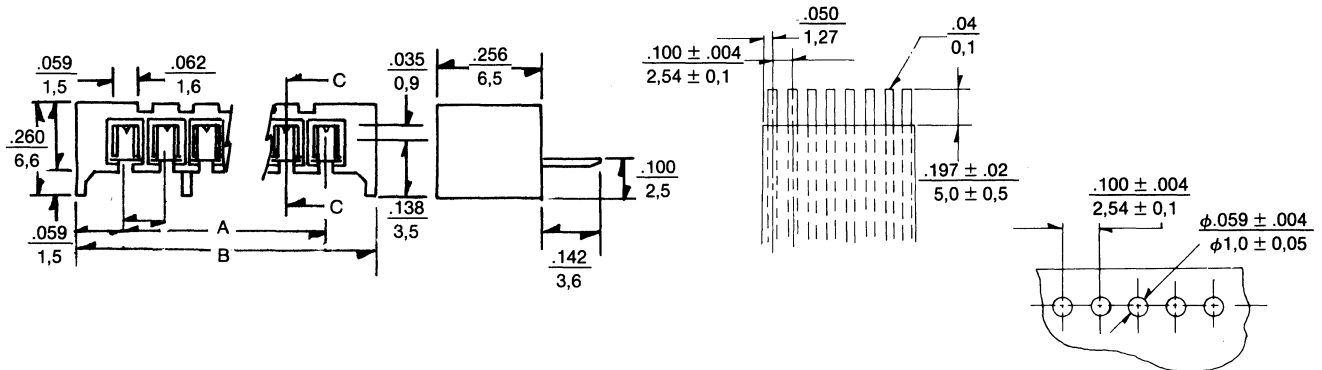
Features/Dimensions:

- Low profile
- UL 94V-O glass filled polyester
- 3-25 circuits
- 0,1mm² (AWG #27) top coated stranded or solid conductor
- Contact material: Phosphor bronze
- Plating: Tin plated



5143 has been developed for Round Conductor Ribbon Cable [.100" (2,54mm) center]. They are designed for low cost, low profile and completely eliminate flux intrusion.

All housings are molded of UL 94V-O rated polyester material and all terminals are pre-tinned phosphor bronze. Connectors are available in 3 through 25 circuits and are designed for the application of desk top calculators, printer, copy machine, consumer appliance and telephone equipment.



Dimensional Information

			inches						mm		
Circuits	Dim. A	Dim. B	Circuits	Dim. A	Dim. B	Circuits	Dim. A	Dim. B	Circuits	Dim. A	Dim. B
3	.200 5,08	.491 12,48	9	.800 20,32	1.091 27,72	15	1.400 35,56	1.691 42,96	21	2.000 50,80	2.291 58,20
4	.300 7,62	.591 15,02	10	.900 22,86	1.191 30,26	16	1.500 38,10	1.791 45,50	22	2.100 53,34	2.391 60,74
5	.400 10,16	.691 17,56	11	1.000 25,40	1.291 32,80	17	1.600 40,64	1.891 48,04	23	2.200 55,88	2.491 63,28
6	.500 12,70	.791 20,10	12	1.100 27,94	1.391 35,34	18	1.700 43,18	1.991 50,58	24	2.300 58,42	2.591 65,82
7	.600 15,24	.891 22,64	13	1.200 30,48	1.491 37,88	19	1.800 45,72	2.091 53,12	25	2.400 60,96	2.691 68,36
8	.700 17,78	.991 25,18	14	1.300 33,02	1.591 40,42	20	1.900 48,26	2.191 55,66			

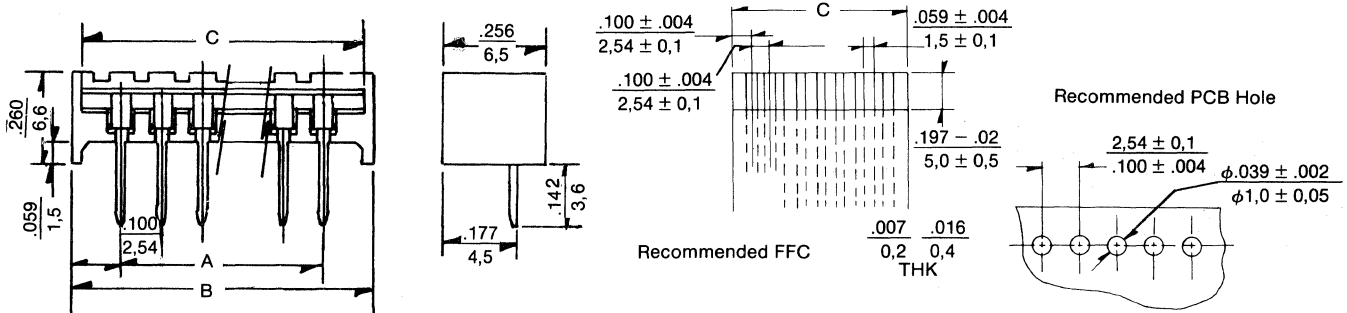
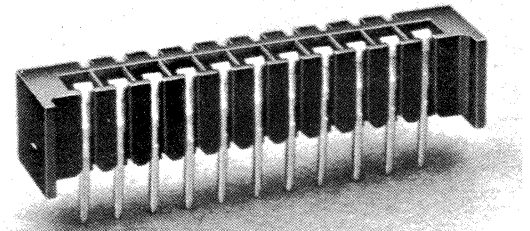
Ordering Information

Circuits	Order No.	Eng. No.	Circuits	Order No.	Eng. No.	Circuits	Order No.	Eng. No.	Circuits	Order No.	Eng. No.
3	22-02-3036	5143-03CPB	9	22-02-3096	5143-09CPB	15	22-02-3156	5143-15CPB	21	22-02-3216	5143-21CPB
4	22-02-3046	5143-04CPB	10	22-02-3106	5143-10CPB	16	22-02-3166	5143-16CPB	22	22-02-3226	5143-22CPB
5	22-02-3056	5143-05CPB	11	22-02-3116	5143-11CPB	17	22-02-3176	5143-17CPB	23	22-02-3236	5143-23CPB
6	22-02-3066	5143-06CPB	12	22-02-3126	5143-12CPB	18	22-02-3186	5143-18CPB	24	22-02-3246	5143-24CPB
7	22-02-3076	5143-07CPB	13	22-02-3136	5143-13CPB	19	22-02-3196	5143-19CPB	25	22-02-3256	5143-25CPB
8	22-02-3086	5143-08CPB	14	22-02-3146	5143-14CPB	20	22-02-3206	5143-20CPB			

5229NAPB Straight Flat Flexible Cable Connector Low Engagement Force

Features/Dimensions:

- Low profile
- UL 94V-O glass filled polyester
- 3-27 Circuits
- Low engagement force
- Mates with conductive ink circuit (membrane switch) as well as FCC
- Contact material: Phosphor Bronze
- Plating: Tin Plated



5229 has been developed for conductive ink circuit (membrane switch) and ordinary FFC/FPC cables. They are designed for low cost, low profile and completely eliminating flux intrusion.

All housings are molded of UL 94V-O rated polyester material, and all terminals are pre-tinned phosphor bronze. Connectors are available in 3 through 27 circuits and are designed for the application of membrane switch, desk top calculator, printer, copy machine, vending machine, consumer appliances and telephone equipment.

inches				inches							
mm				mm							
Circuits	Dim. A	Dim. B	Dim. C	Circuits	Dim. A	Dim. B	Dim. C	Circuits	Dim. A	Dim. B	Dim. C
3	.200 5,08	.491 12,48	.400 10,16	11	1.000 25,40	1.291 32,80	1.200 30,48	19	1.800 45,72	2.091 53,12	2.000 50,8
4	.300 7,62	.591 15,02	.500 12,7	12	1.100 27,94	1.391 35,34	1.300 33,02	20	1.900 48,26	2.191 55,66	2.100 53,34
5	.400 10,16	.691 17,56	.600 15,24	13	1.200 30,48	1.491 37,88	1.400 35,56	21	2.000 50,80	2.291 58,20	2.200 55,88
6	.500 12,70	.791 20,10	.700 17,78	14	1.300 33,02	1.591 40,42	1.500 38,1	22	2.100 53,34	2.391 60,74	2.300 58,42
7	.600 15,24	.891 22,64	.800 20,32	15	1.400 35,56	1.691 42,96	1.600 40,64	23	2.200 55,88	2.491 63,28	2.400 60,96
8	.700 17,78	.991 25,18	.900 22,86	16	1.500 38,10	1.791 45,50	1.700 43,18	24	2.300 58,42	2.591 65,82	2.500 63,5
9	.800 20,32	1.091 27,72	1.000 25,4	17	1.600 40,64	1.891 48,04	1.800 45,72	25	2.400 60,96	2.691 68,36	2.600 66,04
10	.900 22,86	1.191 30,26	1.100 27,94	18	1.700 43,18	1.991 50,58	1.900 48,26	27	2.600 66,04	2.891 73,44	2.800 71,12

Ordering Information

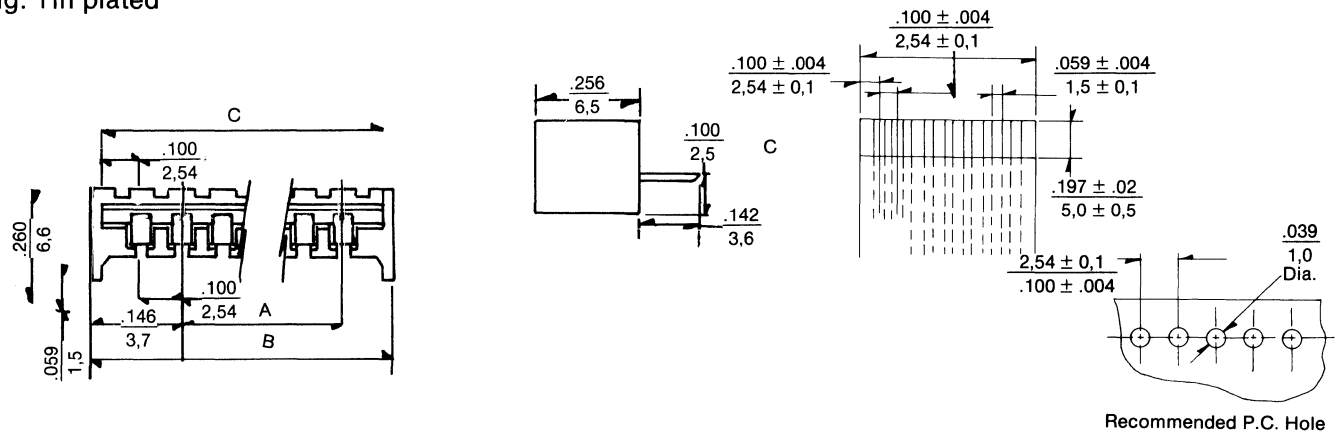
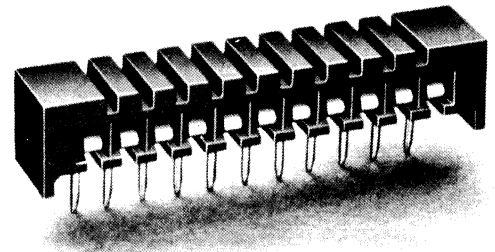
Circuits	Order No.	Eng. No.	Circuits	Order No.	Eng. No.	Circuits	Order No.	Eng. No.	Circuits	Order No.	Eng. No.
3	22-15-3033	5229-03APB	9	22-15-3093	5229-09APB	15	22-15-3153	5229-15APB	21	22-15-3213	5229-21APB
4	22-15-3043	5229-04APB	10	22-15-3103	5229-10APB	16	22-15-3163	5229-16APB	22	22-15-3223	5229-22APB
5	22-15-3053	5229-05APB	11	22-15-3113	5229-11APB	17	22-15-3173	5229-17APB	23	22-15-3233	5229-23APB
6	22-15-3063	5229-06APB	12	22-15-3123	5229-12APB	18	22-15-3183	5229-18APB	24	22-15-3243	5229-24APB
7	22-15-3073	5229-07APB	13	22-15-3133	5229-13APB	19	22-15-3193	5229-19APB	25	22-15-3253	5229-25APB
8	22-15-3083	5229-08APB	14	22-15-3143	5229-14APB	20	22-15-3203	5229-20APB	27	22-15-3273	5229-27APB



5229NCPB Right Angle Flat Flexible Cable Connector Low Engagement Force

Features/Dimensions:

- Low profile
- UL 94V-O glass filled polyester
- 3-27 Circuits
- Low engagement force
- Mates with conductive ink circuit (membrane switch) as well as FFC
- Contact material: Phosphor bronze
- Plating: Tin plated



5229 has been developed for conductive ink circuit (membrane switch) and ordinary FFC/FPC cables. They are designed for low cost, low profile and completely eliminating flux intrusion.

All housings are molded of UL 94V-O rated polyester material, and all terminals are pre-tinned phosphor bronze. Connectors are available in 3 through 27 circuits and are designed for the application of membrane switch, desk top calculator, printer, copy machine, vending machine, consumer appliances and telephone equipment.

Dimensional Information

												inches
												mm
Circuits	Dim. A	Dim. B	Dim. C	Circuits	Dim. A	Dim. B	Dim. C	Circuits	Dim. A	Dim. B	Dim. C	
3	.200 5,08	.491 12,48	.400 10,16	11	1.000 25,40	1.291 32,80	1.200 30,48	19	1.800 45,72	2.091 53,12	2.000 50,8	
4	.300 7,62	.591 15,02	.500 12,7	12	1.100 27,94	1.391 35,34	1.300 33,02	20	1.900 48,26	2.191 55,66	2.100 53,34	
5	.400 10,16	.691 17,56	.600 15,24	13	1.200 30,48	1.491 37,88	1.400 35,56	21	2.000 50,80	2.291 58,20	2.200 55,88	
6	.500 12,70	.791 20,10	.700 17,78	14	1.300 33,02	1.591 40,42	1.500 38,1	22	2.100 53,34	2.391 60,74	2.300 58,42	
7	.600 15,24	.891 22,64	.800 20,32	15	1.400 35,56	1.691 42,96	1.600 40,64	23	2.200 55,88	2.491 63,28	2.400 60,96	
8	.700 17,78	.991 25,18	.900 22,86	16	1.500 38,10	1.791 45,50	1.700 43,18	24	2.300 58,42	2.591 65,82	2.500 63,5	
9	.800 20,32	1.091 27,72	1.000 25,4	17	1.600 40,64	1.891 48,04	1.800 45,72	25	2.400 60,96	2.691 68,36	2.600 66,04	
10	.900 22,86	1.191 30,26	1.100 27,94	18	1.700 43,18	1.991 50,58	1.900 48,26	27	2.600 66,04	2.891 73,44	2.800 71,12	

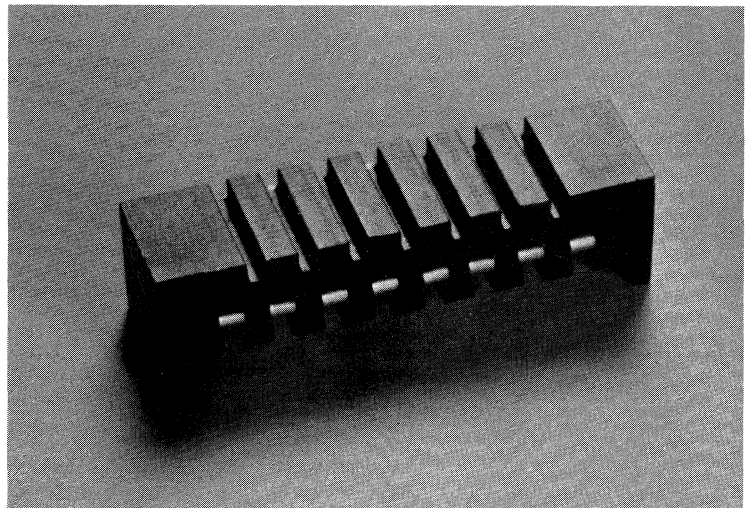
Ordering Information

Circuits	Order No.	Eng. No.	Circuits	Order No.	Eng. No.	Circuits	Order No.	Eng. No.	Circuits	Order No.	Eng. No.
3	22-02-3033	5229-03CPB	9	22-02-3093	5229-09CPB	15	22-02-3153	5229-15CPB	21	22-02-3213	5229-21CPB
4	22-02-3043	5229-04CPB	10	22-02-3103	5229-10CPB	16	22-02-3163	5229-16CPB	22	22-02-3223	5229-22CPB
5	22-02-3053	5229-05CPB	11	22-02-3113	5229-11CPB	17	22-02-3173	5229-17CPB	23	22-02-3233	5229-23CPB
6	22-02-3063	5229-06CPB	12	22-02-3123	5229-12CPB	18	22-02-3183	5229-18CPB	24	22-02-3243	5229-24CPB
7	22-02-3073	5229-07CPB	13	22-02-3133	5229-13CPB	19	22-02-3193	5229-19CPB	25	22-02-3253	5229-25CPB
8	22-02-3083	5229-08CPB	14	22-02-3143	5229-14CPB	20	22-02-3203	5229-20CPB	27	22-02-3273	5229-27CPB

5138 NAPB Right Angle Flat Flexible Cable Connector

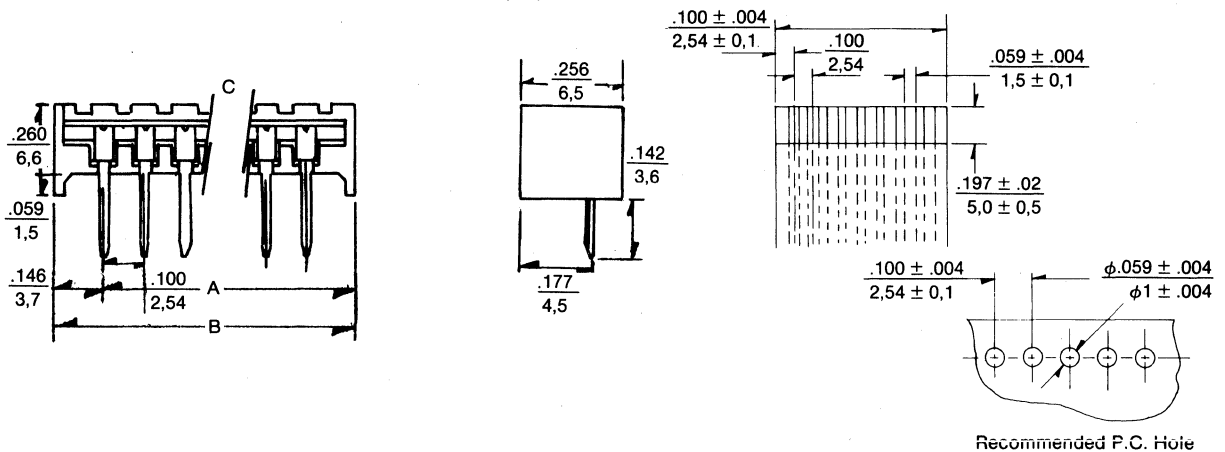
Features/Dimensions:

- Low profile
- UL 94V-O glass filled polyester
- 3-27 Circuits
- High pressure, gas tight contact
- Contact material: Phosphor bronze
- Plating: Tin plated



5138 has been developed for FFC and FPC cables. They are designed for low cost, low profile and eliminating flux intrusion.

All housings are molded of UL 94V-O rated polyester material, and all terminals are pre-tinned phosphor bronze. Connectors are available in 3 through 27 circuits and are designed for the application of desk top calculator, printer, copy machine, consumer appliance and telephone equipment.



inches
mm

Recommended P.C. Hole

Dimensional Information

Circuits	Dim. A	Dim. B	Dim. C	Circuits	Dim. A	Dim. B	Dim. C	Circuits	Dim. A	Dim. B	Dim. C
3	.200 5,08	.491 12,48	.400 10,16	11	1.000 25,40	1.291 32,80	1.200 30,48	19	1.800 45,72	2.091 53,12	2.000 50,8
4	.300 7,62	.591 15,02	.500 12,7	12	1.100 27,94	1.391 35,34	1.300 33,02	20	1.900 48,26	2.191 55,66	2.100 53,34
5	.400 10,16	.691 17,56	.600 15,24	13	1.200 30,48	1.491 37,88	1.400 35,56	21	2.000 50,80	2.291 58,20	2.200 55,88
6	.500 12,70	.791 20,10	.700 17,78	14	1.300 33,02	1.591 40,42	1.500 38,1	22	2.100 53,34	2.391 60,74	2.300 58,42
7	.600 15,24	.891 22,64	.800 20,32	15	1.400 35,56	1.691 42,96	1.600 40,64	23	2.200 55,88	2.491 63,28	2.400 60,96
8	.700 17,78	.991 25,18	.900 22,86	16	1.500 38,10	1.791 45,50	1.700 43,18	24	2.300 58,42	2.591 65,82	2.500 63,5
9	.800 20,32	1.091 27,72	1.000 25,4	17	1.600 40,64	1.891 48,04	1.800 45,72	25	2.400 60,96	2.691 68,36	2.600 66,04
10	.900 22,86	1.191 30,26	1.100 27,94	18	1.700 43,18	1.991 50,58	1.900 48,26	27	2.600 66,04	2.891 73,44	2.800 71,12

Ordering Information

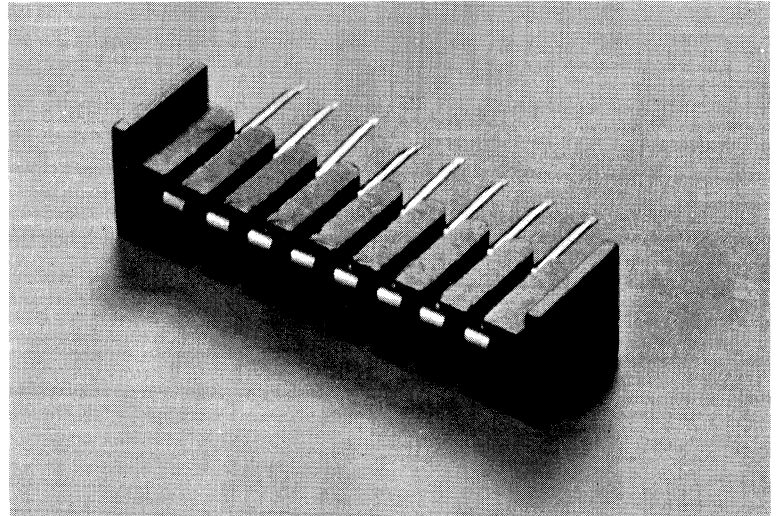
Circuits	Order No.	Eng. No.	Circuits	Order No.	Eng. No.	Circuits	Order No.	Eng. No.	Circuits	Order No.	Eng. No.
3	22-15-3034	5138-03APB	9	22-15-3094	5138-09APB	15	22-15-3154	5138-15APB	21	22-15-3214	5138-21APB
4	22-15-3044	5138-04APB	10	22-15-3104	5138-10APB	16	22-15-3164	5138-16APB	22	22-15-3224	5138-22APB
5	22-15-3054	5138-05APB	11	22-15-3114	5138-11APB	17	22-15-3174	5138-17APB	23	22-15-3234	5138-23APB
6	22-15-3064	5138-06APB	12	22-15-3124	5138-12APB	18	22-15-3184	5138-18APB	24	22-15-3244	5138-24APB
7	22-15-3074	5138-07APB	13	22-15-3134	5138-13APB	19	22-15-3194	5138-19APB	25	22-15-3254	5138-25APB
8	22-15-3084	5138-08APB	14	22-15-3144	5138-14APB	20	22-15-3204	5138-20APB	27	22-15-3274	5138-27APB



5138NCPB Straight Flat Flexible Cable Connector

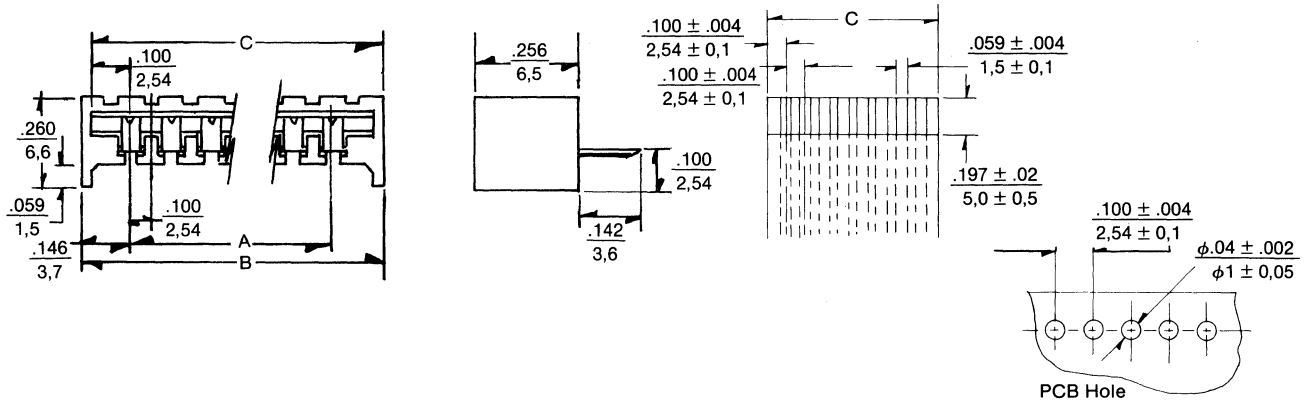
Features/Dimensions:

- Low profile
- UL 94V-O housing
- 3-27 Circuits
- High pressure, gas tight contact
- Contact material: Phosphor bronze
- Plating: Tin plated



5138 has been developed for FFC and FPC cables. They are designed for low cost, low profile and eliminating flux intrusion.

All housings are molded of UL 94V-O rated polyester material, and all terminals are pre-tinned phosphor bronze. Connectors are available in 3 through 27 circuits and are designed for the application of desk top calculators, printer, copy machine, consumer appliance and telephone equipment.



inches
mm

Dimensional Information

Circuits	Dim. A	Dim. B	Dim. C	Circuits	Dim. A	Dim. B	Dim. C	Circuits	Dim. A	Dim. B	Dim. C
3	.200 5,08	.491 12,48	.400 10,16	11	1.000 25,40	1.291 32,80	1.200 30,48	19	1.800 45,72	2.091 53,12	2.000 50,8
4	.300 7,62	.591 15,02	.500 12,7	12	1.100 27,94	1.391 35,34	1.300 33,02	20	1.900 48,26	2.191 55,66	2.100 53,34
5	.400 10,16	.691 17,56	.600 15,24	13	1.200 30,48	1.491 37,88	1.400 35,56	21	2.000 50,80	2.291 58,20	2.200 55,88
6	.500 12,70	.791 20,10	.700 17,78	14	1.300 33,02	1.591 40,42	1.500 38,1	22	2.100 53,34	2.391 60,74	2.300 58,42
7	.600 15,24	.891 22,64	.800 20,32	15	1.400 35,56	1.691 42,96	1.600 40,64	23	2.200 55,88	2.491 63,28	2.400 60,96
8	.700 17,78	.991 25,18	.900 22,86	16	1.500 38,10	1.791 45,50	1.700 43,18	24	2.300 58,42	2.591 65,82	2.500 63,5
9	.800 20,32	1.091 27,72	1.000 25,4	17	1.600 40,64	1.891 48,04	1.800 45,72	25	2.400 60,96	2.691 68,36	2.600 66,04
10	.900 22,86	1.191 30,26	1.100 27,94	18	1.700 43,18	1.991 50,58	1.900 48,26	27	2.600 66,04	2.891 73,44	2.800 71,12

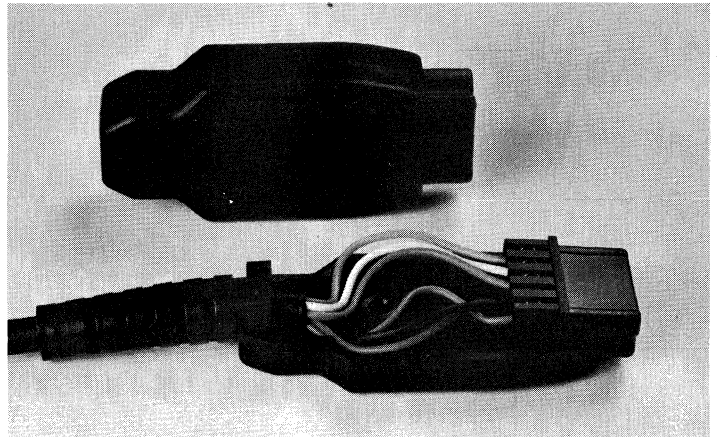
Ordering Information

Circuits	Order No.	Eng. No.	Circuits	Order No.	Eng. No.	Circuits	Order No.	Eng. No.	Circuits	Order No.	Eng. No.
3	22-02-3032	5138-03CPB	9	22-02-3092	5138-09CPB	15	22-02-3152	5138-15CPB	21	22-02-3212	5138-21CPB
4	22-02-3042	5138-04CPB	10	22-02-3102	5138-10CPB	16	22-02-3162	5138-16CPB	22	22-02-3222	5138-22CPB
5	22-02-3052	5138-05CPB	11	22-02-3112	5138-11CPB	17	22-02-3172	5138-17CPB	23	22-02-3232	5138-23CPB
6	22-02-3062	5138-06CPB	12	22-02-3122	5138-12CPB	18	22-02-3182	5138-18CPB	24	22-02-3242	5138-24CPB
7	22-02-3072	5138-07CPB	13	22-02-3132	5138-13CPB	19	22-02-3192	5138-19CPB	25	22-02-3252	5138-25CPB
8	22-02-3082	5138-08CPB	14	22-02-3142	5138-14CPB	20	22-02-3202	5138-20CPB	27	22-02-3272	5138-27CPB

7298 Series D-Subminiature Connector

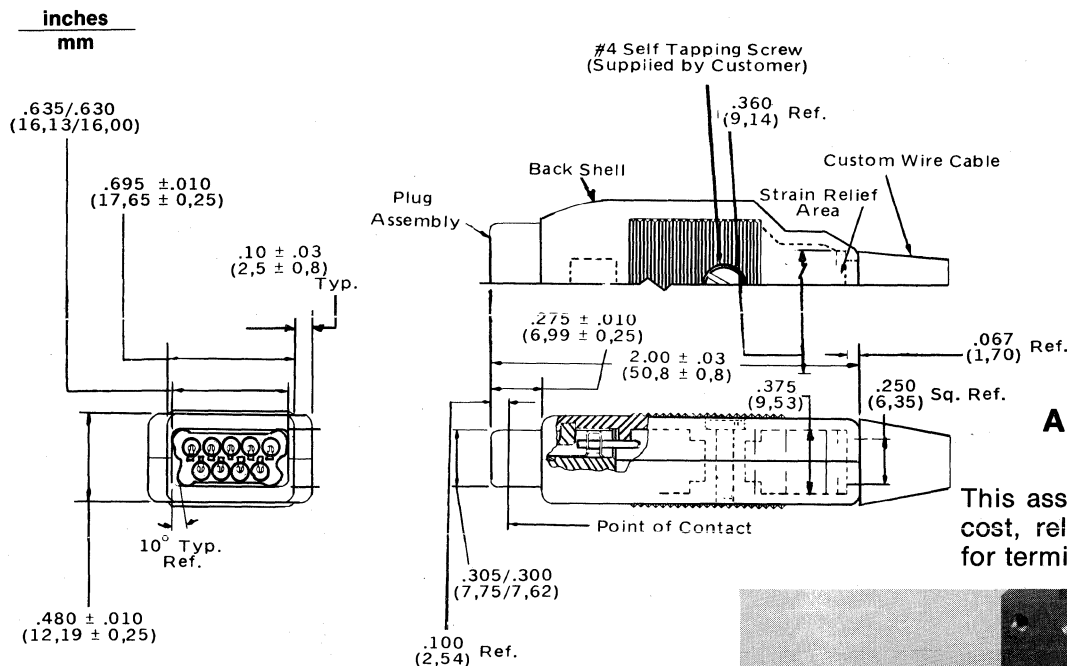
General Features:

- No insulation stripping or soldering
- Simultaneous (gang) termination technique
- Reduced labor costs
- Terminals accept stranded wire conductors No. 28 and 26 AWG
- Dual wiping box contact
- Consistent electrical characteristics
- High reliability
- Industry compatible



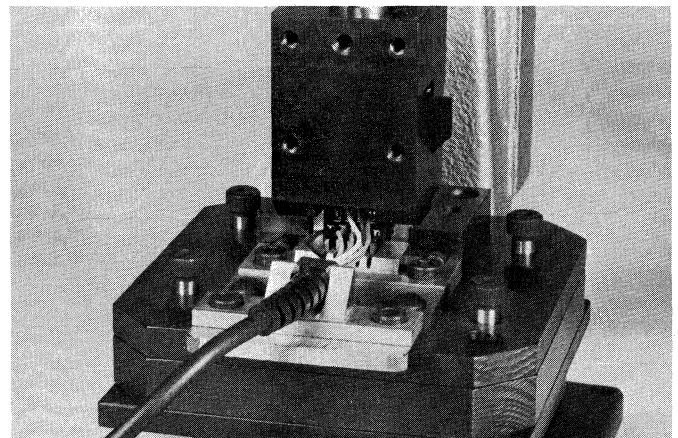
The Molex A7298 9-pin sub-miniature D connector is form fit and function interchangeable with the industry standards. The heart of the system is the insulation displacement contact. The contact displaces the cable insulation, cleans the conductor through wiping force, terminates to the conductor without severing the wire or strands. There is no pre-stripping of the cable required. The contact has dual wiping cantilever beams that provide redundant electrical contact with a round .040" pin. Contacts are designed to provide consistent electrical characteristics that will be maintained throughout the life expectancy of your electronic system. Typical applications for the A7298 are for controllers, keyboards, etc. for programmable T.V. games and home computers.

Dimensions:



Application Tooling: (AM-7298)

This assembly tool provides a low cost, reliable method of assembly for terminating wire to connector.



Ordering Information

Model No.	Order No.	Description
A-7298	15-24-4025	Plug Ass'y.
7298-2A	15-24-4026	Backshell
7298-2B	15-24-4027	Backshell

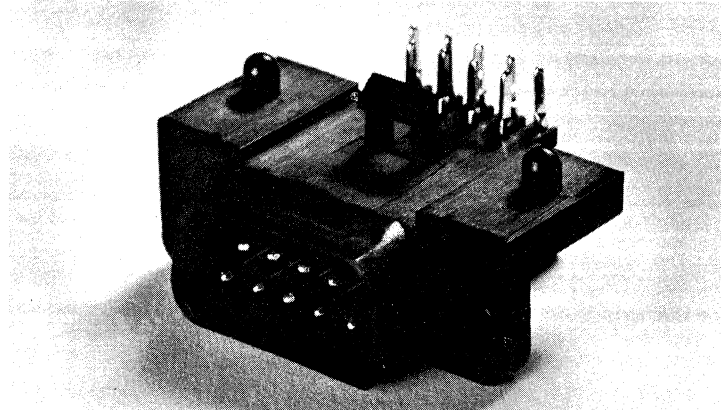


7224 Series D-Subminiature Header

General Features:

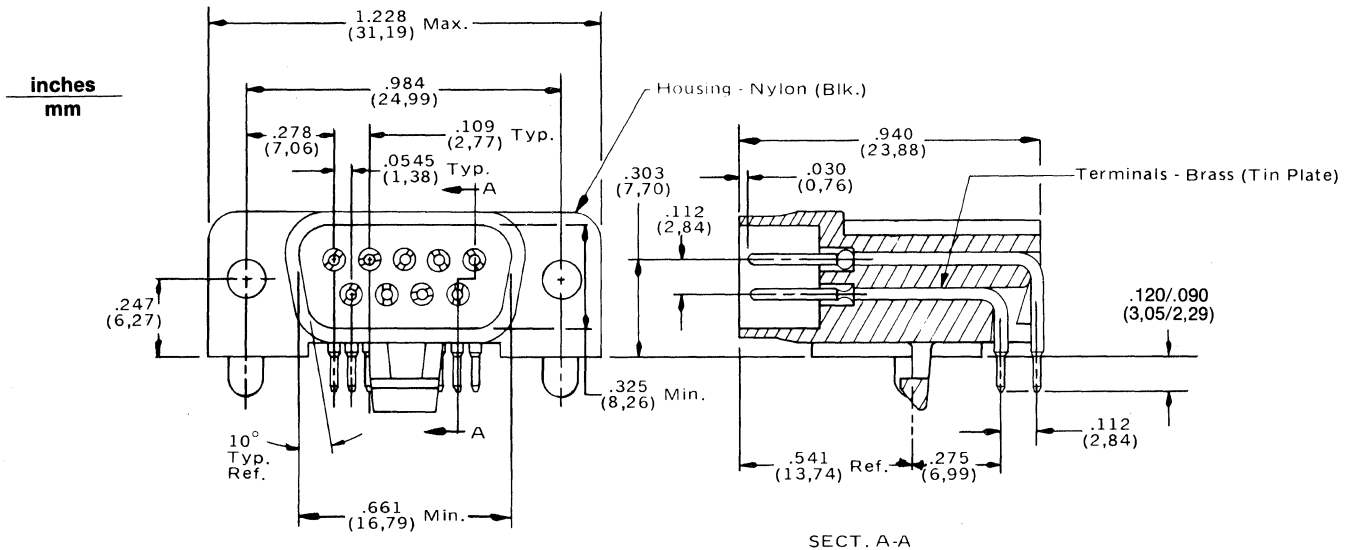
- .040" dia. round nose pins
- Circuit size - 9
- P.C. board mount for wave soldering
- Housing - 94 V-2 black nylon
- Axial pushout force per pin á mating end - 20 lbs.
- 500 cycle life^a
- Industry compatibility

^aWhen mated with Molex Connector A7298



The Molex 7224 right angle 9-pin sub-miniature D header is form fit and function interchangeable with the industry standards. The copper alloy pins are .040" diameter to meet industry standard pc board applications. The nose tip is rounded bullet shape for easy mating with the connector and solder tail is .025 square for ease of insertion into the pc board for wave soldering. Typical applications for the A7224 are for controllers, keyboards, etc. for programmable T.V. games, and home computers.

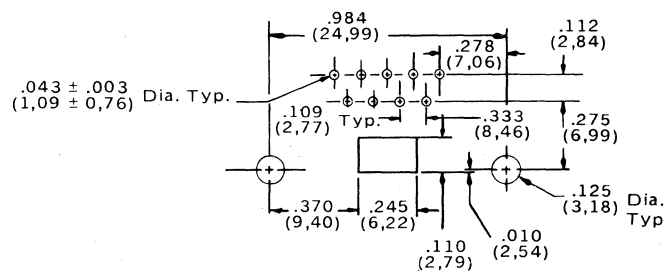
Dimensions:



Ordering Information

Model No.	Order No.	Description
A-7224	15-24-4099	9 Pin Conn. Ass'y.

BOARD LAYOUT





Insulation Displacement Technology Connector / Cable / Wafer / Tooling Matrix

.200" 5,08 mm
 .197" 5,00 mm
 .156" 3,96 mm
 .100" 2,54 mm
 .098" 2,5 mm

Connectors			Application Tooling										Accessories			
Part Number	Description	Wire Range	Arbor	Semi-Auto Terminator	Tester	8630-64 Harness Terminator	8630-32 No Cut Fixtures	8630-33 W/Cutoff Fixtures	8600-13 "T" Tool	8600-12 Pliers	8209 Mini-Cam	8101 SE 8106 DE Ass'y Mach.	Wafers Headers	Covers	Polarizing Peg	Polarizing Key
7777	Pin Connector Trifurcon-Harness Board	18-28 AWG				X	X	X	X				3003 3061	7895 Feed thru 7896 Feed to	7580-2	7580-1
6952	Pin Connector Trifurcon-Standard	18-28 AWG							X	X	X	X	2613	7894 Feed thru	7580-2	7580-1
7823	Pin Connector KK-Standard	18-28 AWG							X	X	X	X	2673 8023	7894 Feed thru	7580-2	7580-1
7824	Pin Connector KK-Harness Board	18-28 AWG				X	X	X	X				3008 2599	7895 Feed thru 7896 Feed to	7580-2	7580-1
8680	3 Pin Connector	18-28 AWG											9171		Molded-in	
8675	2 Pin Connector	18-28 AWG													Molded-in	

Part Number	Description	Wire Range	Arbor	Semi-Auto Terminator	Tester	Harness Terminator	No Cut Fixtures	W/Cutoff Fixtures	8600-13 "T" Tool	8600-12 Pliers	8210 Mini-Cam	8104 SE 8109 DE Ass'y Mach.	Wafers Headers	Covers	Polarizing Peg	Polarizing Key
7933	Pin connector Trifurcon-Standard	18-28 AWG							X	X	X	X	3428	7894 Feed thru	7580-2	7580-1
7935	Pin Connector KK-Standard	18-28 AWG							X	X	X	X	3428	7894 Feed thru	7580-2	7580-1

Part Number	Description	Wire Range	7223-126 Arbor	8642-132 Semi-Auto Terminator	8620-1 Tester	Harness Terminator	No Cut Fixtures	W/Cutoff Fixtures	8600-13 "T" Tool	8600-12 Pliers	8210 Mini-Cam	8100 SE 8105 DE Ass'y Mach.	Wafers Headers	Covers	Polarizing Peg	Polarizing Key
7241	Edge Connector KK-Harness Board	18-28 AWG				8630-1	8630-4	8630-5	X				—	7895 Feed thru 7896 Feed to		Molded In
7660	Pin Connector Trifurcon-Harness Board	18-28 AWG			X	8630-1	8630-2	8630-3	X				2402/2461 2420	7895 Feed thru 7896 Feed to	7580-2	7580-1
7664	Pin Connector KK-Harness Board	18-28 AWG			X	8630-1	8630-2	8630-3	X				2403 2391	7895 Feed thru 7896 Feed to	7580-2	7580-1
7674	Pin Connector Trifurcon-Standard	18-28 AWG	X	X	X				X	X	8207	X	2373/3246 2220	7894 Feed thru	7580-2	7580-1
7675	Pin Connector KK-Standard	18-28 AWG	X	X	X				X	X	8207	X	3192/3190	7894 Feed thru	7580-2	7580-1
7713	Edge Connector Single Beam Bifurcated - Harness Board	18-28 AWG				8630-60	8630-52	8630-53	X				—	7895 Feed thru 7896 Feed to		8799 8246
7991	Edge Connector KK-Standard	18-28 AWG			X				X		8212		—	7894 Feed thru		Molded In

Part Number	Description	Wire Range	7275-100 Arbor	Semi-Auto Terminator	8620-1 Tester	8630-10 Harness Terminator	8630-30 No Cut Fixtures	8630-80 W/Cutoff Fixtures	8600-14 "T" Tool	8600-11 Pliers	8210 Mini-Cam	8102 SE 8107 DE Ass'y Mach.	Wafers Headers	Covers	Polarizing Peg	Polarizing Key	
7690	Pin Connector 2 Point KK-Harness Board	22-28 AWG			X	X	X	X	X				4030 4180 4094 4380 6410/6373	7478 7832	7840-A Feed thru 7840-B Feed to	7842-2	7842-1
7720	Pin Connector 2 Point KK-Standard	22-28 AWG	X	8640	X				X	X	8211	X	4380 4494 6410/6373	7841-A Feed thru 7841-B Feed to	7842-2	7842-1	
7745	Transition Connector KK-Standard	22-28 AWG			X				X		8211						
7822	Edge Connector KK-Standard	22-28 AWG			8641				X		8714					Molded In	

Part Number	Description	Wire Range	Arbor	Semi-Auto Terminator	Tester	Harness Terminator	No Cut Fixtures	W/Cutoff Fixtures	8600-14 "T" Tool	8600-11 Pliers	8205 Mini-Cam	8103 SE 8108 DE Ass'y Mach.	Wafers Headers	Covers	Polarizing Peg	Polarizing Key
7790	Pin Connector 2 Point KK-Harness Board	22-28 AWG				8630-100	8630-101	8630-102	X				3022/3202 9154	7840-A Feed thru 7840-B Feed to	7842-2	7842-1
7795	Pin Connector 2 Point KK-Standard	22-28 AWG			8643				X	X	8205	X	5045/3094/ 5046	7841-A Feed thru 7841-B Feed to	7842-2	7842-1
8160	Pin Connector In-Line Wire Exit	Solid 24 AWG									8713	8803	3475		Molded In	
5204	Triple I.D. Slot - Standard	24-26 AWG											5045 5046			

Cables .100"/2,54 mm

Cables .156"/3,96 mm

Part No.	Description	AM	7234-1 Notcher	7213-50 Shear
7294	26 AWG Solid 300V		X	X
7307	28 AWG Stranded 300V		X	X
7560	22 AWG Stranded 300V			X

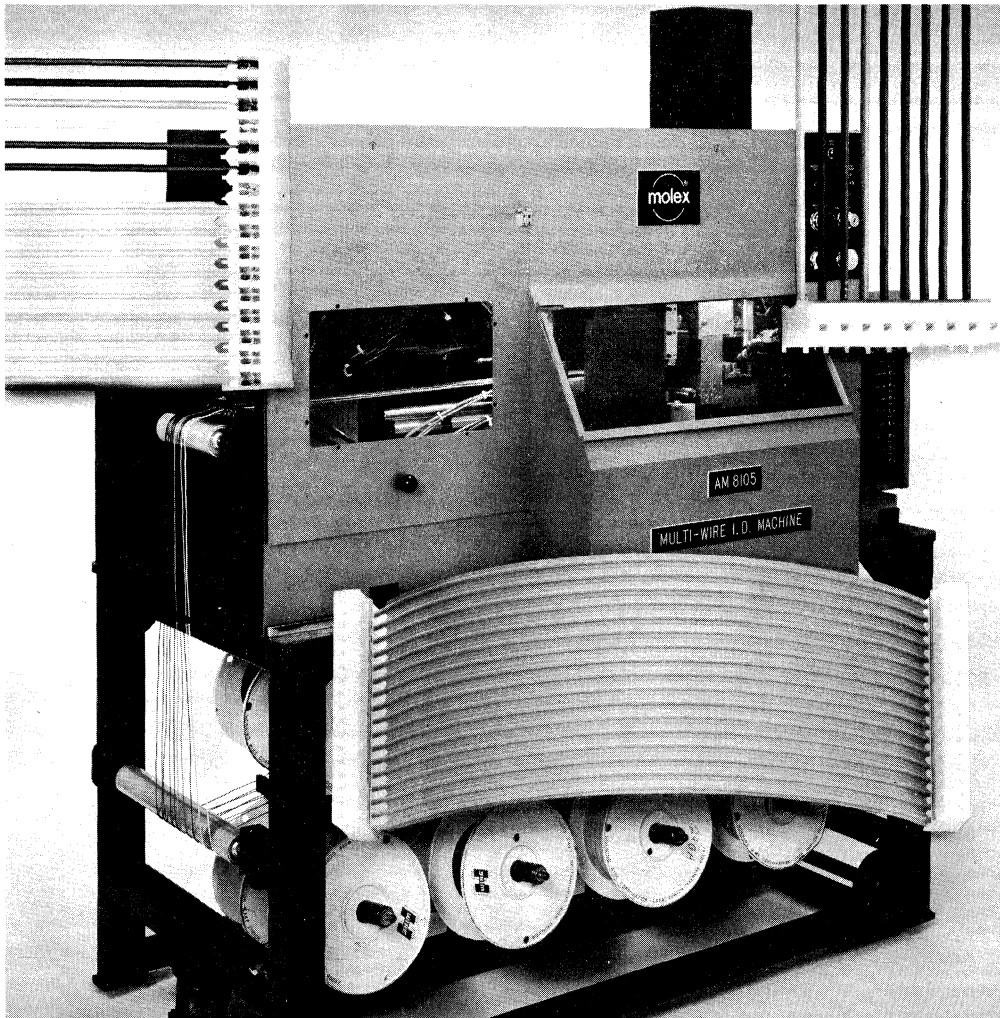
Part No.	Description	AM	7213-1 Notcher	7213-50 Shear
7213	22 AWG Stranded 600V		X	X
7382	22 AWG Stranded 300V		X	X
7517	18 AWG Stranded 300V			X

Ordering data and details on all components and equipment are in the catalog. For a Full Size/Wall Chart in color contact Molex.

Color: gray 100' reels

NOTE: SE — Single Ended
DE — Double Ended

Application Tooling



Contents

IDC .050" (1,27 mm) Cable Tooling	2D
Harness Board Assembly Tool for Discrete Wire	3D
Hand Tools for Discrete Wire	3D
Hand Tools for .100" and .156" Center Discrete Wire	4D
Flat Cable Tooling	4D
IDC .100" (2,54 mm) and .156" (3,96 mm) Cable Equipment	5D
Mini-Cam III	6D
IDC Multi-Wire Assembly Equipment: Single and Double Ended	7D
Pinsetter® Equipment	8D-9D
Bench Press and Crimp Die	10D
TM40 Terminating Machine	11D
Standard Stripper Crimper Machine	12D
Connector Assembly Machine	12D
Wire Stripping and Terminating Equipment	12D
Hand Crimper	13D
Tooling Cross Reference	14D-18D

Application Tooling



.050" (1,27 mm) Cable Tooling

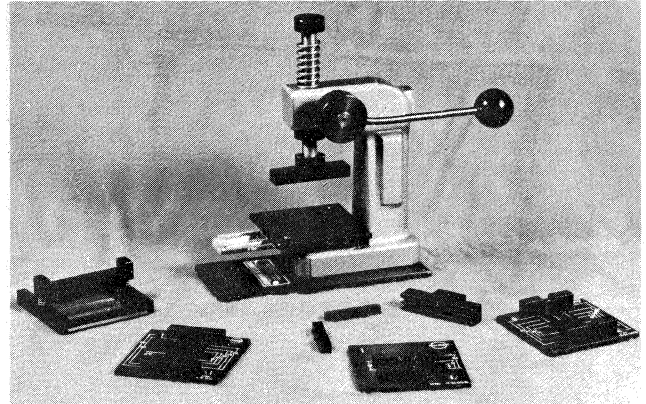
The versatile AM-4700-24 cable assembly tool, with the addition of change tools, affords a light-weight, portable, reliable, low cost method of assembly of .050" ribbon cable to the following Molex connectors: 4700-N, 6874-N and 7789 capabilities of a cable shear.

Features:

- Assembles cable and connectors from 10 to 64 circuits.
- Molex also offers interchangeable assembly tooling which is compatible with most competitive presses.

Specifications:

Weight 5 lbs (2.25 kg)
Bench Space 12" x 8" (30,5 cm x 20.3 cm)
Height 14" (36 cm)



Eng. #	Order No.	Description
AM-4700-24	11-21-0679	Assembly Press only for .050 cable connectors.
AM-4700-13A	11-10-1042	Locator Plate for 4700 & 7789 connectors. 60 circuits.
AM-4700-37A	11-21-0916	Change rail for 64 circuits. 7789 & 4700 connectors only.
AM-6874-1	11-21-0678	Locator Plate for 6874 connectors.
AM-6800-1	11-10-0081	Cable Shear .050" centers for use with the AM-4700-24 press.
AM-5320-1	11-21-4150	Locator Plate 5320/5312 connector 10-16 circuits only

Flat Cable Shear - Bench Style

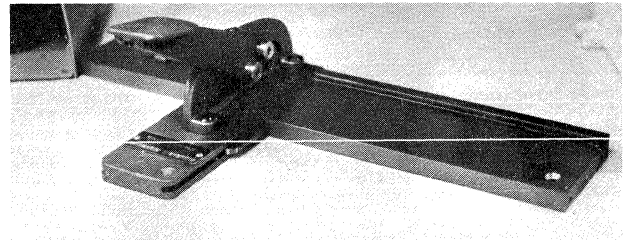
This table mounted hand tool provides a fast, accurate and low cost operation for cutting cable to the length desired.

Features:

- Cable stop for cut length control
- Maximum cable width 3 3/8"
- Manual Operated Shear
- .050", .100" or .156" cable
- Flat/flat cable

Specifications:

Weight 4 1/4 lbs. (2.13 kg)
Table Space 20" x 10" (51 cm x 25.4 cm)
Height 5" (12.7 cm)



Eng. #	Order No.	Description
AM-7213-50	11-21-0727	.050", .100" & .156" cable shear

Cable Test Equipment

Features:

- 64 Lamps to show continuity
- Lamp test button
- Change heads to match connector styles
- Portable carry case



Eng. #	Order No.	Description
AM-8620-1	11-21-0731	Double ended cable tester (.050" .100" & .156" cable) 110 volt
AM-8620-1A	11-21-3258	Double ended cable tester (.050" .100" & .156" cable) 220 volt

Harness Board Assembly Tool for Discrete Wire

Harness board assembly tooling offers a fast straight forward, low cost method of applying I.D. connectors to the wires in a harness assembly. Small fixtures mounted to the harness board hole connectors and wire dressed by the operator into the harness shape. A hand held, counter-balanced, air tool locates, trims and terminates the wires associated with each I.D. connector. Fixture size and location on the harness board can be varied according to the customer's application.

2,5mm/.098" Centers

Eng. #	Order No.	Description
AM-8630-100	11-20-0346	Hand held air terminator - 28 circuit
AM-8630-101	11-20-0347	Harness board fixture cut-off/test - 28 circuit
AM-8630-102	11-20-0348	Harness board fixture no-cut/test - 28 circuit

2,54mm/.100" Centers

Eng. #	Order No.	Description
AM-8630-10	11-20-0295	Hand held air terminator - 28 circuit
AM-8630-30	11-20-0294	Harness board fixture cut/off test - 28circuit
AM-8630-80	11-20-0307	Harness board fixture no/cut test - 28 circuit

3,96mm/.156" Centers

Eng. #	Order No.	Description
AM-8630-1	11-20-0280	3,96mm 24 circuit terminator 7660/7241
AM-8630-3	11-20-0309	Harness board fixture cut-off/test - 24circuit
AM-8630-2	11-20-0308	Harness board fixture no-cut/test - 24 circuit
AM-8630-4	11-20-0310	Harness board fixture no-cut/test - 24 circuit edgecard
AM-8630-5	11-20-0311	Harness board fixture cut/test - 24 circuit edgecard
AM-8630-60	11-20-0293	Hand held terminator for edge connectors - 24 circuit
AM-8630-52	11-20-0315	Harness board fixture no cut/test - 24 circuit
AM-8630-53	11-20-0316	Harness board fixture with cut/test - 24 circuit

5,08mm/.200" Centers

Eng. #	Order No.	Description
AM-8630-64	11-20-0285	Hand held terminator - 16 circuit
AM-8630-32	11-20-0291	Harness board fixture no/cut test - 16 circuit
AM-8630-33	11-20-0292	Harness board fixture with/test - 16 circuit

Hand Tools "T" Handle for Discrete Wire

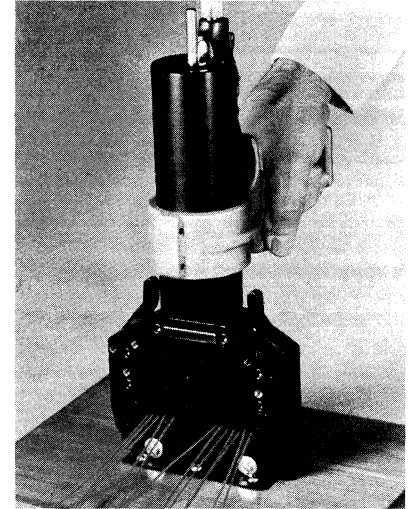
Hand held tool for general repair or prototype assembly for standard, harness and edge connectors.

2,5mm/.098", 2,54mm/.100" Center (white)

Eng. #	Order No.	Description
AM-8600-14	11-02-0016	Manual Inserter-Metal
AM-8600-3	11-02-0012	Manual Inserter-Plastic

3,96mm/.156", 5,00mm/.197", 5,08mm/.200" Center (black)

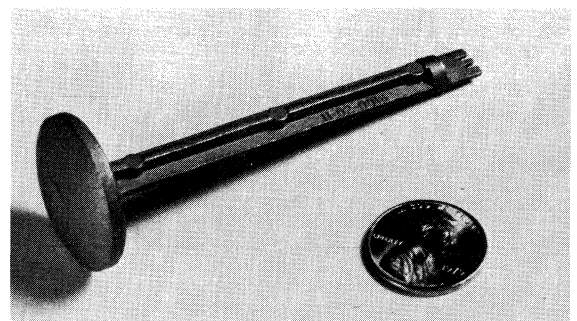
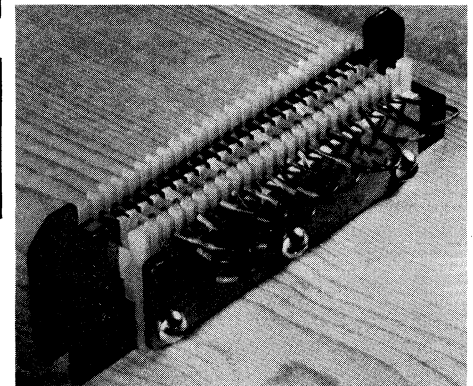
Eng. #	Order No.	Description
AM-8600-13	11-02-0015	Manual Inserter-Metal
AM-8600-2	11-02-0011	Manual Inserter-Plastic



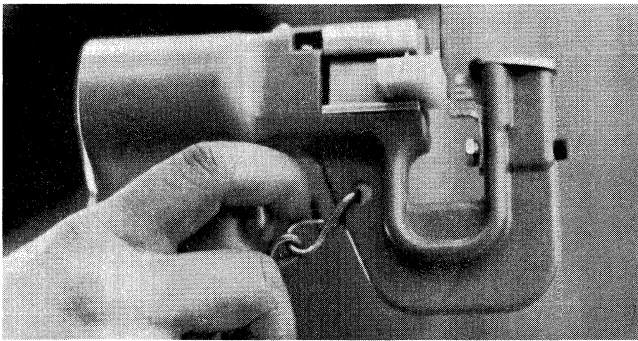
Features:

- Wire can be fed thru or cut during termination
- One hand tool can terminate many I.D. connectors on a board

NOTE:
For Polarized Connectors
Please Consult Factory



Hand Gun Discrete Wire



Automatic Indexing

Hand held gun for insertion of individual wires into connectors for low volume production or prototype assembly on standard connectors only not edge or harness board.

.100" (2,54mm) Center (7720-7795)

Eng. #	Order No.	Description
AM-8605	11-20-0342	Air Tool
AM-8604	11-20-0341	Manual Tool

.156" (3,98mm) Center (7674-7712, 6952)

Eng. #	Order No.	Description
AM-8603	11-20-0340	Air Tool
AM-8602	11-20-0339	Manual Tool

.200" (5,08mm) Center

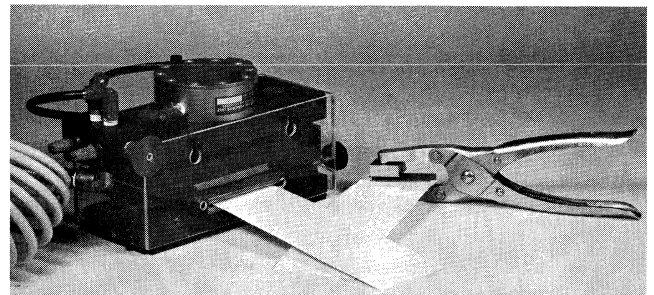
Eng. #	Order No.	Description
AM-8607	11-20-0451	Air Tool
AM-8606	11-20-0450	Manual Tool

Flat Cable Tooling

Features:

- Air operated die set
- Adjustable punch locations
- Adjustable edge guide
- Cable end is notched, between conductors to receive the 4850 connector locking fingers

Eng. #	Order No.	Description
AM-4850-1	11-10-1043	Single hole punch hand tool.
AM-4850-11	11-10-1044	Multiple hole punch bench tool.





Prep-Cable Notcher

This bench mounted operator controlled tool is used to provide a notch in the cable for feed through or end termination of Molex I.D. connectors.

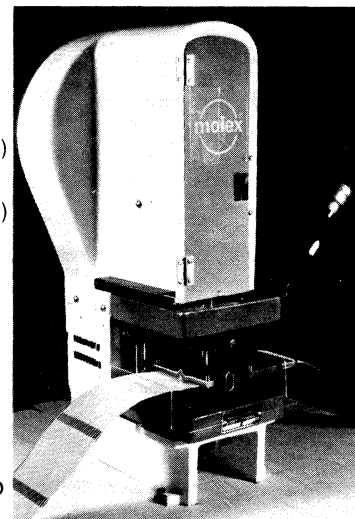
*Full notch
**Web notch

Features:

- Cable up to 24 circuits (.156 centers)
- 500 notches per hour both ends
- Cable up to 28 circuits (.100 centers)

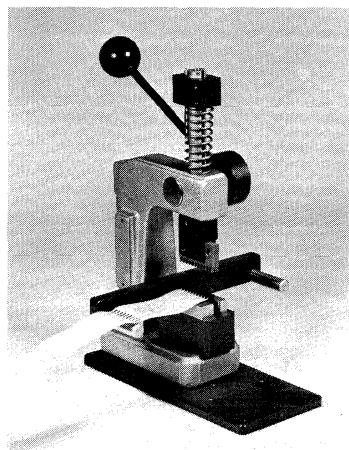
Specifications:

Weight (with press) 300 lbs. (135 kg)
Electrical 100/115 Volts Hertz
Bench Space Front 12" x 18" deep (30.5 cm x 45.7 cm)



Eng. #	Order No.	Description
AM-7213-1	11-21-0728	.156" center cable notcher
AM-7560*	11-21-4114	.100" center cable notcher
AM-7560-50**	11-21-4120	.100" center cable notcher
AM-7234-75*	11-21-4112	.100" center cable notcher
AM-7234-50	11-20-0464	.100" center cable notcher

Arbor Terminator



This bench mounted Arbor press tool is available for medium volume 2-16 circuit size cable assembly. Available in both .100" cable centers and .156" cable centers.

Features:

- 2-16 circuit assembly in .156 center cable & 2-16 circuit in the .100" cable.
- Feed through assembly
- Connector both end assembly

Specifications:

Weight 18 lbs (8.1 kg)
Bench Space 6" x 12" (152.2 cm x 30.5 cm)
Height 10" (25.4 cm)

Eng. #	Order No.	Description
AM-7275-100	11-20-0179	.100" center arbor terminator.
AM-7223-126	11-20-0314	.156" center arbor terminator.

Semi-Automatic Terminator

This bench mounted operator controlled tool provides a fast method of terminating pre-notched cable to pre-assembled connectors end to end with feed through capability.

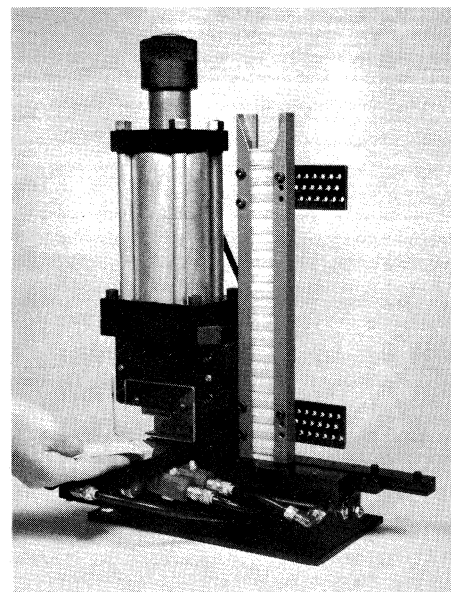
Features:

- Connectors 2-24 circuits (.156 center cable) & 2-20 circuits (.100" cable)
- Up to 6,000 terminations per hour
- Magazine load connectors
- Feed through assembly

Specifications:

Weight 30 lbs. (13.5 kg)
Pneumatic 80-100 psig 5CFM
Bench Space: Front 8" x 3/4" deep (20,3 cm x 1,9 cm)
Height: 17"

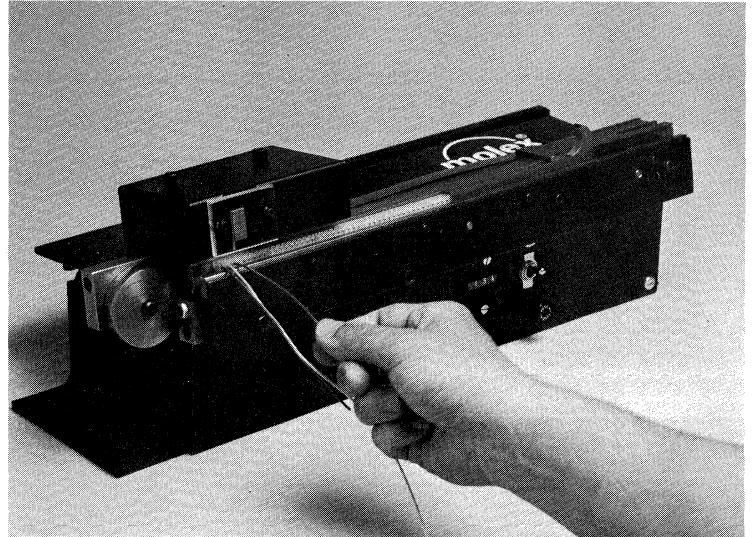
Eng. #	Order No.	Description
AM-8640	11-20-0412	.100" center cable terminator
AM-8641	11-20-0411	.156" center cable terminator
AM-8642	11-20-0418	.100" center cable terminator (edge card)



Molex mini-cam III semi-automatic single wire terminating machine

General Features

- Operator controlled device
- Provides a fast, straight forward and low cost method of assembly
- Wire insertion is achieved thru the use of a compact solenoid.
- Accomodates connectors on .098" (2,50 mm), .1" (2,54 mm) .156" (3,96 mm), .197" (5,00 mm) and .200" (5,08 mm) centers
- 2 to 20 circuits with no adjustment
- Various wire lengths and colors
- Up to 1800 insertions per hour depending on operator skill and wire length.
- Polarizing circuits capability
- The machine requires electrical energy as its only input



This unique machine assembles discrete wires and flat cable to insulation displacement connector bodies. The use of a compact solenoid in the insertion step makes the operation quieter and the machine compact.

Connector bodies are loaded into the magazine. Proper wire is selected and placed into a lighted target area. A foot switch is depressed, the wire is inserted, and the connector is indexed to the next position.

Ordering Information

Specification:

Weight: 40 lbs/18.2 kilograms
Electrical Specs: 110 or 220 Volts Ac. at 50 or 60 hertz, 1 ϕ only
 The machine draws approximately 5 amps
Size: Height 8" or 203 mm
Depth 8" or 203 mm
Bench Space: 19" or 106 mm long

Eng. Number	Order Number	Discription	List
AM8205	11-20-0317	(2.5 mm) .098" centers	1
AM8211	11-20-0321	(2.54mm) .100" centers	2
AM8207	11-20-0305	(3.96mm) .156" centers	3
AM8210	11-20-0320	(5.00mm) .197" centers	4
AM8209	11-20-0319	(5.08mm) .200" centers	5
AM8713	*8160	(2,5mm) .098" centers	
AM8716	*8675, 8680	(5,08mm) .200" centers	

*Contact factory for ordering data for 8160, 8675, 8680 connectors.



Multi Discrete Wire & Cable Assembly Machine

Single Ended

(Connector on One End of Wires)
Contact Factory for Variations of this Machine

Features:

- Multiple connector loading for maximum usage of wires per cycle
- Polarization of circuits
- Magazine housing load
- Adjustable wire length
- Wire stripped opposite connector end
- Max. wire length 93,98cm Min. 15,24cm
- Max. wire length variation 40,64cm
- Wire strip lengths from 0 to 3,8cm in 3,18mm increments
- Rate up to 9000 per hour

This operator controlled assembly tool provides a fast low cost method of assembly of multiple wire of various lengths from reels to Molex's I.D. connectors in one operation.

Specifications:

Weight Estimated at 395,6 Kg
Electrical 115 Volts 60 Hertz or 220 V 7 Amps
Air 60-80 psig
Floor Space ,61m x 1,68m/
 2' x 5.5"

Eng. #	Order No.	Description
AM-8100	11-20-0262	3,96mm C _L 4-16 circuits
AM-8181	11-20-0287	5,08mm C _L 4-16 circuits
AM-8102	11-20-0288	2,54mm C _L 4-24 circuits
AM-8103	11-20-0289	2,5mm 4-24 circuits
AM-8104	11-20-0290	5,0mm 4-16 circuits
AM-8803	11-20-0437	8160 connector (cable)
*AM-8902	11-20-0442	2,54mm C _L 4-24 circuits (cable)

*Consult Factory for Specifications

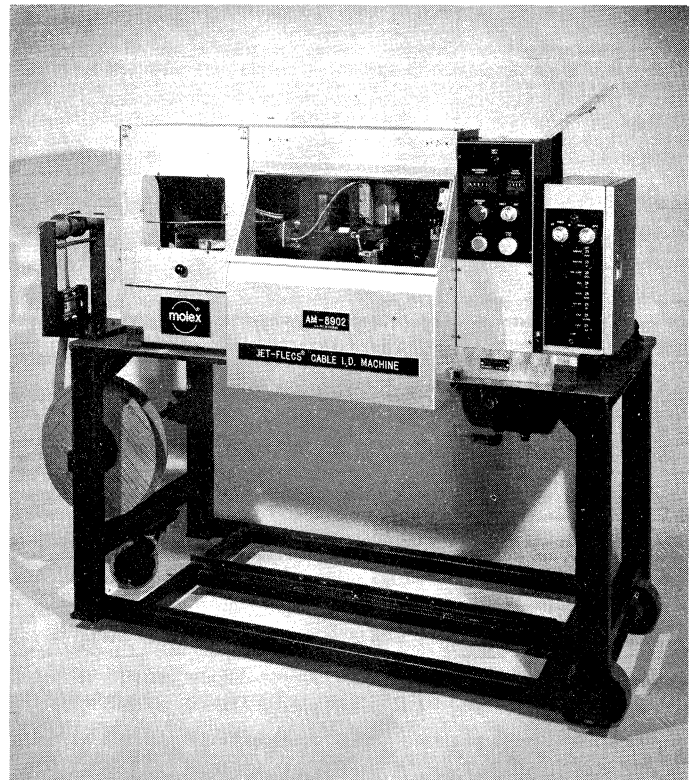
Multi Discrete Wire Assembly Machine

Double Ended

(Connector on Both Ends of Wires)
Contact Factory for Variation of this Machine

Features:

- Automatic cycling of machine
- Automatic loading to insertion area from dual magazines that are manually loaded by operator
- I.D.T. connector at both ends of wires
- Polarization of circuits
- Two connectors on one end, with manual loading of one and a possible 40,64cm length differential one to the other
- Adjustable wire lengths:
Maximum - 93,98cm
Minimum - 15,24cm
- Rate up to 18,000 terminations per hour



Specifications:

Weight Estimated at 395,6 kg
Electrical 115 Volts, 60 Hertz or 220 volt/amp
Air 80 - 100 psig
Floor Space ,61m x 1,68m/
 2' x 5,5'

Eng. #	Order No.	Description
AM-8105	11-20-0399	3,96mm C _L 4-16 circuits
AM-8106	11-20-0413	5,08mm C _L 4-16 circuits
AM-8107	11-20-0414	2,54mm C _L 4-24 circuits
AM-8108	11-20-0415	2,5mm 4-24 circuits
AM-8109	11-20-0449	5,0mm 4-16 circuits
AM-8808	11-20-0438	8160 connector (cable)

*Consult Factory for Specifications



Molex Pinsetting Equipment

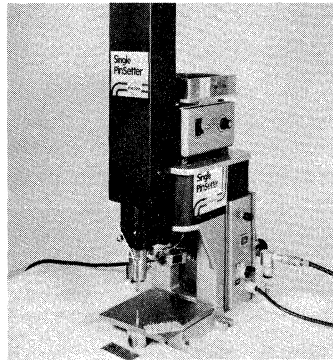
If your present pinsetting equipment cannot set 1 pin a second or 13,000 pins in 300 seconds, Molex can now offer you, the production/assembly engineer, a line of .025/.045 square wire pinsetting equipment to improve your manufacturing efficiency.

Molex pinsetting equipment uses the least expensive type pins available, a straight wire. . . there is no additional pin carrying means needed. Molex Pinsetter Automation Systems press a square pin into a round hole. No additional mechanical operations are needed to hold the pin in place. Pins have a retention force of 8 pounds minimum prior to soldering.

Molex Single PINSETTER®

General Features:

- Up to 3600 pin per hour capability
- .025"/.045" (6,3mm/1,14 mm) square wire - simple changeover
- Reliable pin feed
- Meets OSHA requirements
- Optional X-Y table



Specifications:

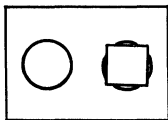
Size $\frac{81 \text{ cm}}{32''}$ Height

$\frac{30 \text{ cm}}{12''}$ Wide

$\frac{46 \text{ cm}}{18''}$ Deep

Air 80 psi 15 cfm

Electrical 110 VAC
5 Amps



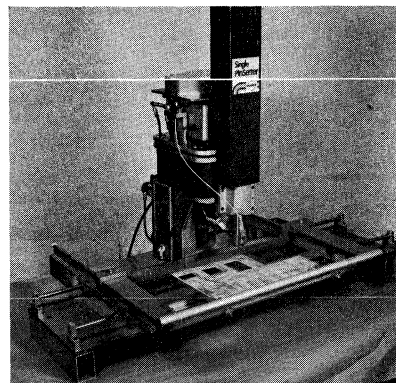
A square peg in a round hole ... gives a tight, reliable fit.

The Molex Single Pinsetter is designed to insure maximum efficiency for this insertion technique where many boards of varying terminals pattern or low pins per board ratio are encountered. 3600 pins per hour capacity is possible. Easy to operate and maintain, it meets the OSHA requirements.

Multi Directional Table

Features:

- Increases productivity
- minimizes operator fatigue
- Adaptable to existing Molex pinsetting equipment.
- Unit bench mountable
- No air or electric required for slide.
- Maintains pin orientation (multi directional table)



Specifications:

Maximum Board Size 23" x 10-1/2"
(58 cm x 26.7 cm)

Maximum Board Area that can be Pinned 10" x 15"
(25.4 cm x 38 cm)

Minimum Board Edge Distance to Pin Location 3/8" (9.5 mm)

Board Thickness .062" (1.57 mm) (non standard thickness possible on request.)

Slide Weight 70 lbs. (31.5 kg)

Bench Area 24" x 48" (61 cm x 122 cm)

The Molex multi directional table is of great advantage when terminals are assembled to printed circuit boards having many terminals in line. When using the multi directional table operator fatigue is minimized, productivity is increased, and better pin rotation accuracy is attained.

Custom Pinsetting Equipment

Molex designed the most productive pinsetting equipment in the world. To meet customer requirements 13,000 terminals are inserted in a printed circuit board during a four minute

cycle. This custom system replaced a system requiring approximately 8 hours per board. Vibrator, press, and template all designed around the customers PC Board.

Multi-Programable PINSETTER® is available ... sequence your own pinsetting requirements ... contact factory.



Molex Vibrator Multi-PINSETTER®

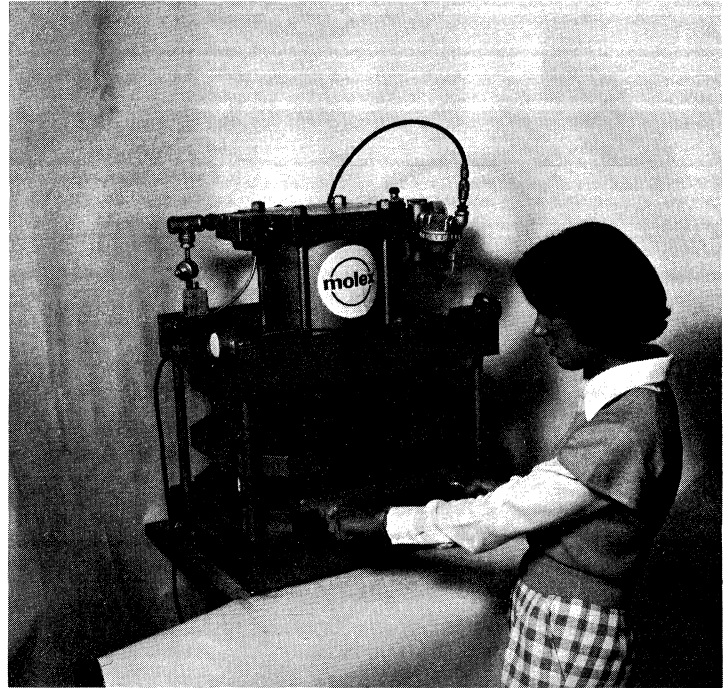
156,00 Pins Per Hour

Vibrator, Press and Templates

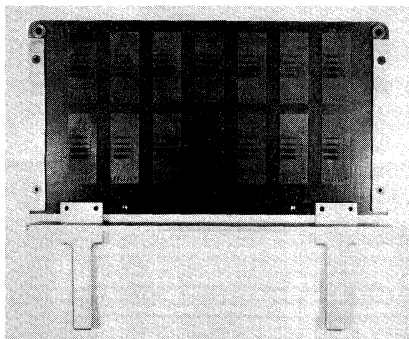
- Automatic assembly of terminals to printed circuit board
- .025"/.045 (.64/1,14 mm) square wire pin
- Increase production rates to 156,000 pins/hour
- Unlimited terminal location within template area
- Flexibility - various board sizes and patterns
- Pin lengths from .187" to 1.000" (4,75 to 25,4 mm)

Inserted from .032" to .25" (.81 to 6,35 mm) below the PC Board

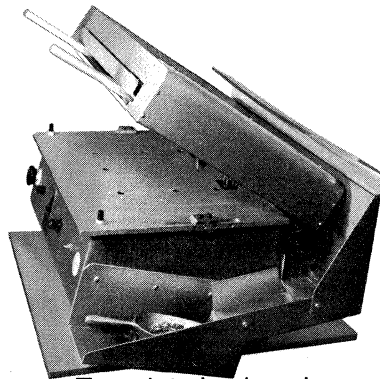
- Meets OSHA requirements
- Maximum standard board dimensions
- 12" x 15" (30,5 x 38 cm) consult factory for variations



By using the Molex Vibrator Multi-Pinsetter you can reach production rates up to 156,000 pins per hour. Multiple pin sizes can be installed in varying patterns and center spacings making it adaptable to your board layout. This system is the lowest cost solution to square wire insertion in the industry today.



1. Boards are loaded onto honeycomb template.

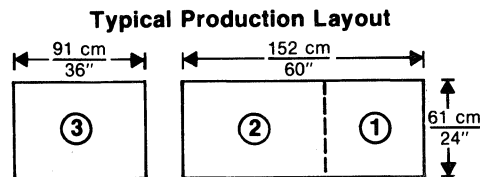


2. Template is placed in vibrator.



3. Vibrator is turned on and loaded (above) with pins, after a 15 - 30 second cycle 99.9% of the holes have a pin in them (100% fill is common).

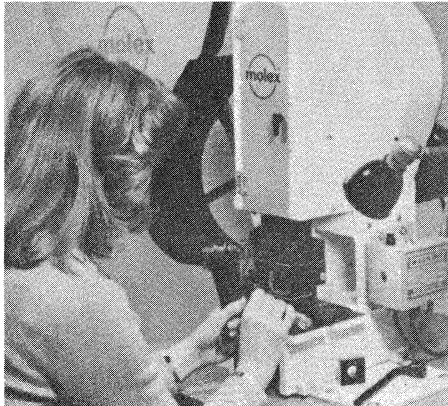
After visual inspection the template is put into the press. At the end of the press cycle template is removed and completed boards are removed from the template.



1. Vibrator
2. Work surface (Molex Standard Table) includes space for vibrator
3. Press

mm
inches

Molex Bench Press



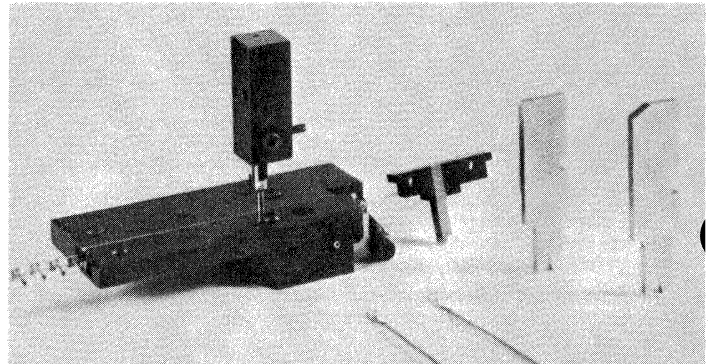
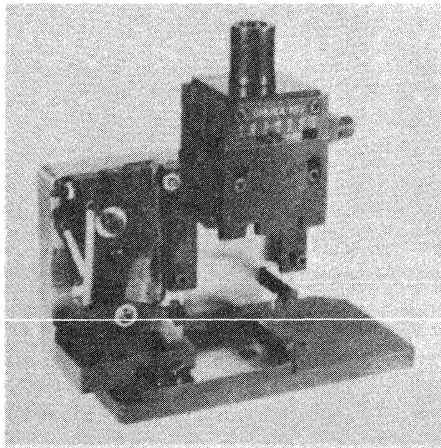
The Molex bench press is designed specifically for fast precision crimping operations. The press is fed from reels of chain-linked terminals and crimps terminals to leads at a rate of up to 4000 per hour. The Molex bench press can easily be adjusted for crimping either male or female terminals. Bench presses may be leased or purchased.

Features:

- Up to 4000 crimps per hour (operator speed)
- Positive feed - factory set - no field adjustments
- Low maintenance
- Meets OSHA requirements
- Reliable, consistent crimp heights
- Operates on 115 VAC
- Factory machine and tool setup with customer wire sample

Modular Crimp Die

Including Crimp Die Frame Assembly and Crimp Modular Assembly



Molex offers economy and flexibility through modular design. The modular crimp die is available on most Molex terminals. Check your local representative for details.

Specifications:

Dimensional Size 5½" x 8" x 6"
(139,7mm x 152,4mm x 203,2mm)

Weight Approximately 17#
(7,7Kg)

Adapt to Molex 3 ton press, Artos presses (adapters required for Artos applications).

Operational Features:

- Adjustable conductor crimp heights
.001 (0,02mm) adjustment
.024 (0,61mm) total
- Adjustable insulation crimp heights
.015 (0,38mm) increments
.090 (2,28mm) total
- Adjustable positive feed positioning
- No press ram adjustment after initial setup
- Adaptable to Artos presses on CS9-AT and CS6-CTU (with adapter)
- Positive wire stop
- Crimped terminal stripping feature
- Terminal strip removal feature

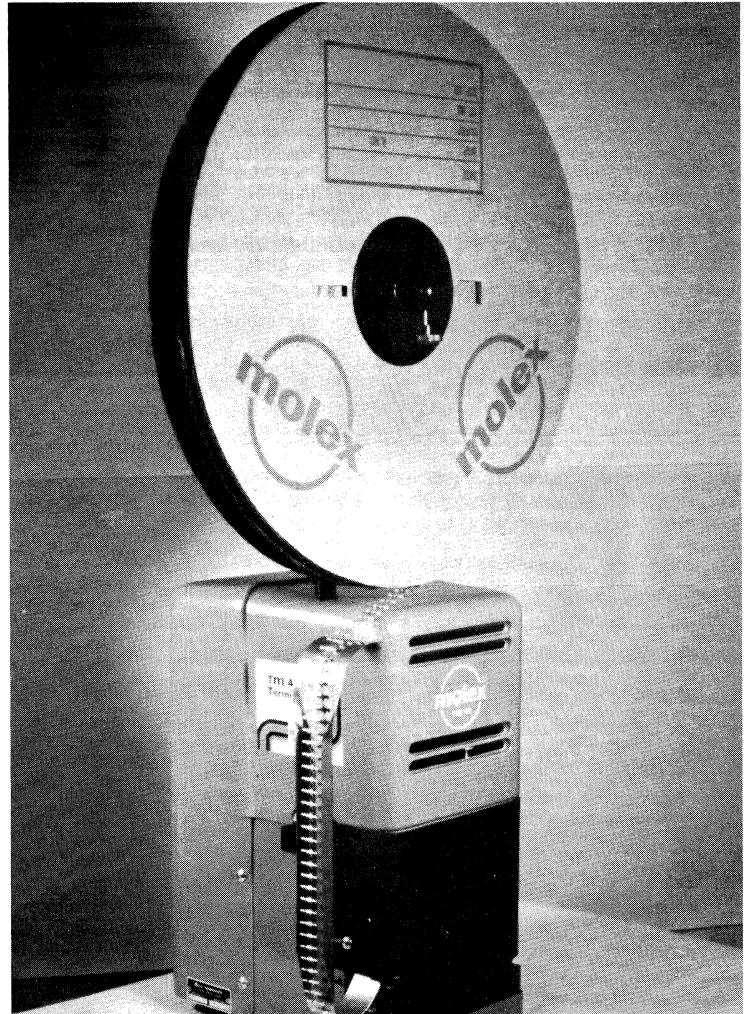
TM40™ Terminating Machine

Features/Dimensions:

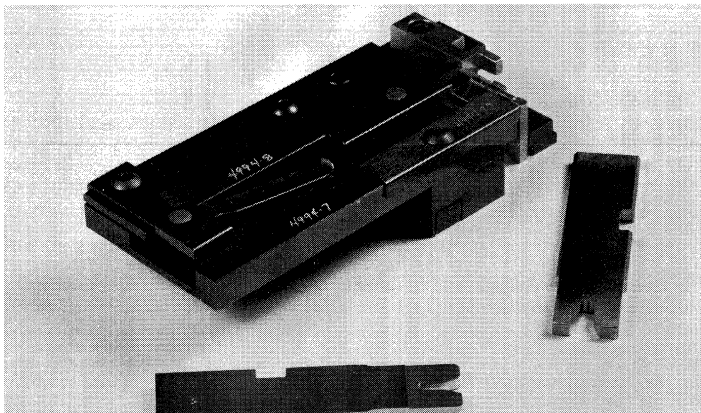
- Utilized "plug in" terminator dies (approx. 2½" x 5")
- Independent conductor and insulator adjustments, with position indicator
- Quick release tooling feature for fast, simple changeover
- Universal feed adjustable to all Molex terminals
- 1" stroke, no ram adjustment required
- No lubrication required
- Rams guided by precision ball bushings and demountable leader pins for positive alignment
- Roller bearing throughout
- Smooth quiet spring wrap clutch
- Totally enclosed for operator safety
- 12V in press work light
- Long life 24V solenoid
- Compact space saving design
- Easy eye tinted die guard with interlock
- Solid state control box
- Operator hand rest

Specifications:

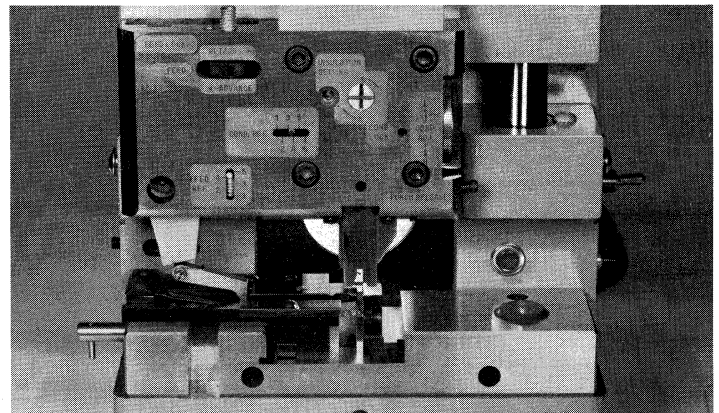
<i>Weight</i>	190 lbs. approx.
<i>Electrical Specs</i>	110V 60Hz/220V 50 Hz
<i>Size</i>	Height 45" (with reel)
<i>Bench Space</i>	Front 21" x 13" deep (with reel)



Note: At this time please contact your local representative for full ordering details.



Tooling Required for Changeover

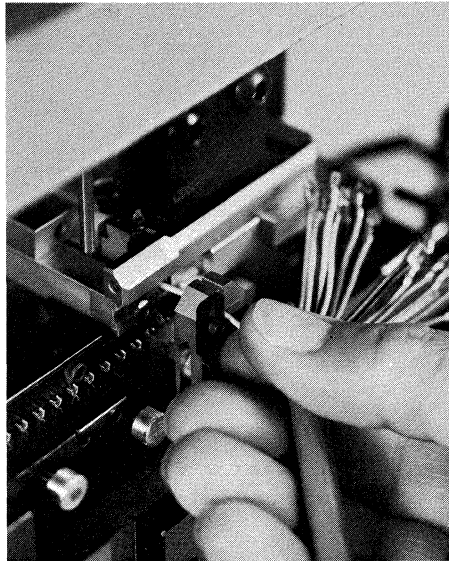


Tooling Adjustments

Stripper Crimper SC 6151

Features:

- Adjustable from #18 through #28 AWG, with .110" (2,79 mm) insulation max.
- Automatic or conventional foot actuation option
- Automatic operation force 1 oz.
- Unit durability and simplicity through mechanical action
- Stripping unit interchangeability from die to die
- Unit hardened and ground with bearing surfaces chromed
- Heavy gauge OSHA guard with replaceable insert at point of entry
- 1000 terminations average per hour depending on operator skill



The Molex SC6151 stripper/crimper automatically strips pre-cut #18 through #28 AWG wire and crimps the desired terminal to the wire in one actuation.

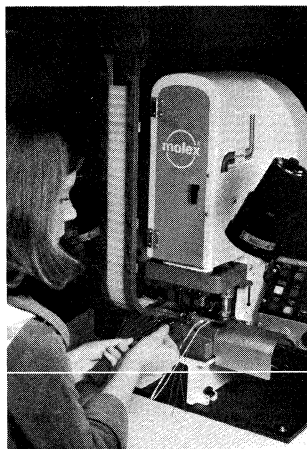
Specifications

<i>Weight</i>	300 lbs (135 kg) estimated
<i>Electrical Specs</i>	100 V, 60 Hz, 1 ϕ Std.
<i>Size</i>	Ht. 39" (99 cm) w/reel
<i>Bench Space</i>	Front 36" x 19" deep (91,4 cm x 48 cm) (with reel)
<i>Free Wire Length</i>	Approximately 1 $\frac{3}{4}$ " (44,5 mm)
<i>Air</i>	60 psig

Connector Assembly Machine CAM I

Features:

- Foot actuated
- Adjustable housing magazine 3 - 20 circuits KK housings. Consult factory for details
- Control box for all machine functions
- Optional circuits in each housing
- 1200 terminations average per hour depending on operator skill
- Allows any gauge wire to be terminated



The CAM I will semi-automatically crimp a terminal to the wire and insert it into a connector housing.

Specifications

<i>Size</i>	42"H x 48"W x 26"D (106,7 cm x 122 cm x 66 cm) includes 24" (60 mm) reel mounted
<i>Weight</i>	300 lbs (135 kg)
<i>Air</i>	60 psig 5 cfm
<i>Electrical</i>	110 VAC 15 AMPS

Molex Combined Capabilities with Artos Wire Stripping and Terminating Equipment

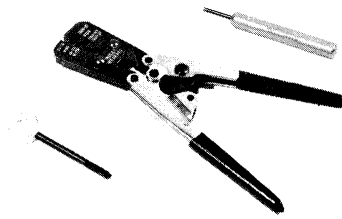
The Artos high-speed press automatically cuts, strips and crimps up to 8000 single wires per hour with utmost reliability. Five models are available.

GENERAL MACHINE SPECIFICATIONS								
Artos Model Numbers	Wire Range	Wire "L" Range	Strip "L" Range	Max. Speed	Terminates		Floor Space	Molex Bench Equipment Adaptable with Modifications
					1 End	Both Ends		
CS-6/CTU Machine Equipped with 2 Artos Die Units and 2 Presses	Nos. 24 - 14 gauge	3 $\frac{1}{2}$ " - 15"	1/8" - 1 $\frac{1}{2}$ "	6000	X		108" x 108"	(Yes)
CS-9-AT Machine Equipped with 2 Artos Die Units and 2 Presses	Nos. 24 - 14 gauge	7 $\frac{1}{2}$ " - 50"	3/16" - 1 $\frac{1}{2}$ "	4000	X	X	90" x 150"	(Yes)
CS-9-ST Machine Equipped with 1 Artos Double Die Unit and Press	Nos. 24 - 14 gauge	4" - 50"	3/16" - 3/4"	8000	X		49" x 150"	(No)
CS-14-AT Machine Equipped with 2 Artos Die Units and 2 Presses	Nos. 28 - 14 gauge	1 $\frac{1}{2}$ " - 20"	1/8" - 1"	3000	X	X	56" x 144"	(No)
TA-20-S Machine Equipped with 1 Artos Double Die Unit and Press	Nos. 26 - 14 gauge	2" - 20"	1/8" - 1"	6000	X		44" x 128"	(No)

Hand Crimpers

Features:

- Ratchet hand crimper will not open until crimp action is completed
- Adjustable eccentric to allow for larger insulation diameters
- Special application tools available on request
- wire stop option
- wire stop and terminal location option



Options In Ordering Hand Crimpers

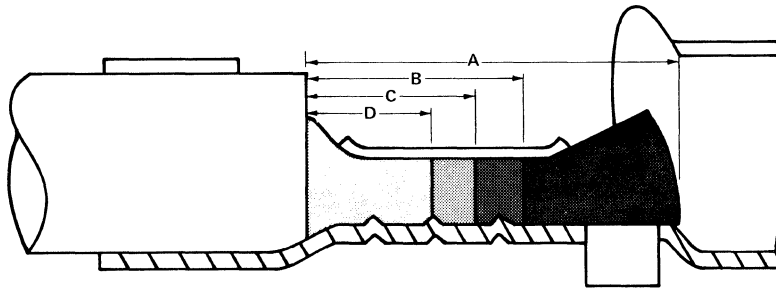
Hand Tool Options	Prefix Code	Example
Standard	—	HTR-1031-E
With wire stop	10	HTR-10-1031-C
With wire stop & terminal locator	20	HTR-20-1031-C

The connection of wire leads to crimp-type terminals is critical to good circuit performance. Molex hand crimpers offer strong, reliable terminal/lead connections. The following tools are recommended for production, prototype, and repair work.

Correct and Incorrect Crimp Illustration

(Effect of incorrect insulation strip)

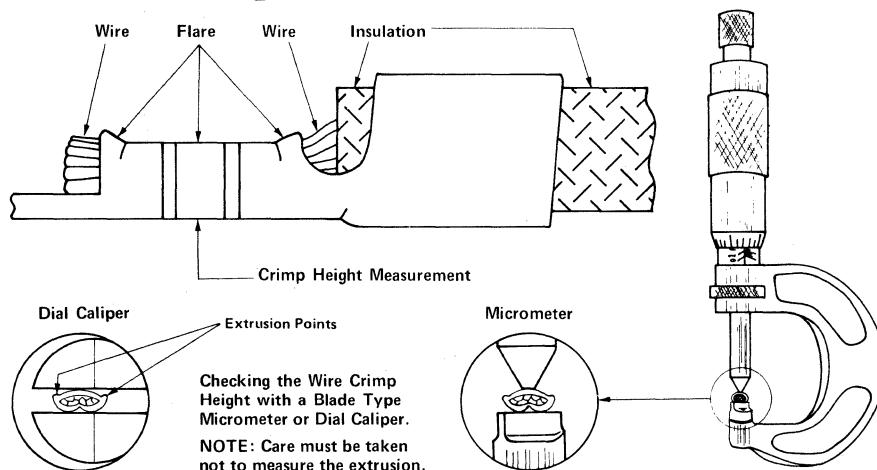
Test results illustrated for: A) .062 (1,57 mm) dia. pin type terminal
B) 22 AWG untinned stranded wire



	STRIP LENGTH	DESCRIPTION	% OF AVG. PULL FOR GOOD CRIMP	AVERAGE PULL
A	.150"	GOOD CRIMP	100%	16#
B	.090"	FAIR CRIMP	70%	11.2#
C	.067"	POOR CRIMP	40%	6.4#
D	.045"	POOR CRIMP	30%	4.8#

- NOTE: 1. The test results represent crimp criteria applicable to all Molex crimp type terminals.
2. Even if insulation strip length is correct the **lead must be fully inserted** into the conductor crimp section of the terminal, to take full advantage of available conductor.

Typical Molex Crimp





TOOLING CROSS REFERENCE LIST

When ordering Crimp Dies, Machines or Hand Crimp Tools, include terminal number to be crimped, wire size, insulation and send a 3 foot (1 metre) wire sample to Molex with the order.

Terminal	Stripping Length In. (MM)	Wire Range AWG (XX) MM	Insul. Dia. Max. In. (MM)	Press & Die Eng. No.	Press & Die Order No.	Crimp Die Order No.	Hand Tool Eng. No.	Hand Tool Order No.	Extractor Eng. No.	Extractor Order No.	Insertion Eng. No.	Insertion Order No.
1189-1190	.156/.218 (3.96/5.53)	14-20 (2.00/0.50 MM) ²	.140 (3.55)	CM-1487	11-04-0006	11-07-0006	HTR-1031-E	11-01-0084	HT-2038	11-03-0006	HT-1353	11-02-0003
1220-1219	.171/.203 (4.34/5.15)	12-14 (3.25/2.00 MM) ²	.165 (4.19)	CM-4065	11-04-0048	11-07-0048	HTR-4067	11-01-0040	HT-4112	11-03-0021	N/A	N/A
1380-1381	.156/.218 (3.96/5.53)	18-26 (0.80/0.12 MM) ²	.120 (3.04)	CM-1487	11-04-0007	11-07-0007	HTR-1031-E	11-01-0084	HT-2038	11-03-0006	HT-1353	11-02-0003
1433-1434	.156/.218 (3.96/5.53)	22-30 (0.35/0.05 MM) ²	.060 (1.52)	CM-1487	11-04-0008	11-07-0008	HTR-2262	11-01-0006	HT-2038	11-03-0006	HT-1353	11-02-0003
1450-1451	.156/.218 (3.96/5.53)	14-20 (2.00/0.50 MM) ²	.140 (3.55)	CM-1487	11-04-0009	11-07-0009	HTR-1031-E	11-01-0084	HT-2038	11-03-0006	HT-1353	11-02-0003
1457-2	.156/.218 (3.96/5.53)	14-16 (2.00/1.30 MM) ²	.140 (3.55)	CM-4610	11-04-0086	11-07-0086	HTR-1031-E	11-01-0084	N/A	N/A	HT-1461	11-02-0007
1457-1	.156/.218 (3.96/5.53)	18-22 (.280/0.35 MM) ²	.102 (2.59)	CM-4610	11-04-0077	11-07-0077	HTR-1031-E	11-01-0084	N/A	N/A	HT-1461	11-02-0007
1500-33-3	.125/.156 (3.17/3.96)	22 (.280/0.35 MM) ²	.090 (2.28)	CM-1500-33	11-09-1001		HTR-1500-333	11-01-0024	N/A	N/A		
1508-1	.156/.218 (3.96/5.53)	14-20 (2.00/0.50 MM) ²	.140 (3.55)	CM-2064	11-04-0030	11-07-0030	HTR-2090-A	11-01-0023	HT-2174	11-03-0016	N/A	N/A
1559				CM-1559-A	11-09-1003	11-19-1003						
1560-1561	.125/.156 (3.17/3.96)	18-24 (0.80/0.20 MM) ²	.110 (2.79)	CM-1739	11-04-0013	11-07-0013	HTR-1719-C	11-01-0008	HT-2285	11-03-0002	HT-1807	11-02-0001
1589	.156/.218 (3.96/5.53)	18-26 (0.80/0.12 MM) ²	.120 (3.04)	CM-1487	11-04-0007	11-07-0007	HTR-1031-E	11-01-0084	HT-2038	11-03-0006	HT-1353	11-02-0003
1590	.156/.218 (3.96/5.53)	18-26 (0.80/0.12 MM) ²	.120 (3.04)	CM-1487	11-04-0007	11-07-0007	HTR-1031-E	11-01-0084	HT-2038	11-03-0006	HT-1353	11-02-0003
1786-1787	.125/.156 (3.17/3.96)	18-24 (0.80/0.20 MM) ²	.110 (2.79)	CM-1739	11-04-0013	11-07-0013	HTR-1719-C	11-01-0008	HT-2285	11-03-0002	HT-1807	11-02-0001
1793	.125/.156 (3.17/3.96)	18-24 (0.80/0.20 MM) ²	.110 (2.79)	CM-1739	11-04-0013	11-07-0013	HTR-1719-C	11-01-0008	HT-2285	11-03-0002	HT-1807	11-02-0001
1797	.125/.156 (3.17/3.96)	18-24 (0.80/0.20 MM) ²	.110 (2.79)	CM-1837	11-04-0016	11-07-0016	HTR-1719-C	11-01-0008	HT-1884	11-03-0003		
1799	.125/.187 (3.17/4.74)	18-24 (0.80/0.20 MM) ²	.125 (3.05)	CM-1839	11-04-0019	11-07-0019	HTR-1719-C	11-01-0008	HT-1884	11-03-0003		
1854-1855	.125/.156 (3.17/3.96)	24-30 (0.20/0.05 MM) ²	.070 (1.77)	CM-1739	11-04-0014	11-07-0014	HTR-2262-A	11-01-0037	HT-2285	11-03-0002	HT-1807	11-02-0001
1881-2	.156/.218 (3.96/5.53)	16-24 (1.30/0.20 MM) ²	.135 (3.42)	CM-1487	11-04-0010	11-07-0010	HTR-1031-E	11-01-0084	N/A	N/A	N/A	N/A
1881-3	.156/.218 (3.96/5.53)	24-30 (0.20/0.05 MM) ²	.060 (1.52)	CM-1487	11-04-0008	11-07-0008	HTR-2262	11-01-0006	N/A	N/A	N/A	N/A
1900-1901	.156/.218 (3.96/5.53)	10-14 (5.25/2.00 MM) ²	.180 (4.57)	CM-2062	11-04-0027	11-07-0027	HTR-4067	11-01-0040	HT-2066-A	11-03-0008	N/A	N/A
1917	.125/.156 (3.17/3.96)	18-24 (0.80/0.20 MM) ²	.110 (2.79)	CM-1837	11-04-0017	11-07-0017	HTR-1719-C	11-01-0088	HT-1884	11-03-0003		
1929	.125/.156 (3.17/3.96)	18-22 (0.80/0.35 MM) ²	.110 (2.79)	CM-1739	11-04-0053	11-07-0053	HTR-4059-A	11-01-0088	N/A	N/A		
1943	.125/.187 (3.17/4.74)	18-24 (0.80/0.35 MM) ²	.110 (2.79)	CM-2106	11-04-0032	11-07-0032	HTR-1719-C	11-01-0008	HT-2215	11-03-0010		

TOOLING CROSS REFERENCE LIST

When ordering Crimp Dies, Machines or Hand Crimp Tools, include terminal number to be crimped, wire size, insulation and send a 3 foot (1 metre) wire sample to Molex with the order.

Terminal	Stripping Length In. (MM)	Wire Range AWG (XX) 2MM	Insul. Dia. Max. In. (MM)	Press & Die Eng. No.	Press & Die Order No.	Crimp Die Order No.	Hand Tool Eng. No.	Hand Tool Order No.	Extractor Eng. No.	Extractor Order No.	Insertion Eng. No.	Insertion Order No.
1973	.156/.218 (3.96/5.53)	16-22 (1.30/0.35 MM) ²	.120 (3.04)	CM-1487-E	11-04-0011	11-07-0011	HTR-1031-E	11-01-0084	HT-2634	11-03-0017	HT-1353	11-02-0003
2012	.125/.156 (3.17/3.96)	18-24 (0.80/0.20 MM) ²	.110 (2.79)	CM-1837	11-04-0017	11-07-0017	HTR-1719-C	11-01-0008	HT-1884	11-03-0003		
2014	.125/.156 (3.17/3.96)	24-30 (0.20/0.05 MM) ²	.070 (1.77)	CM-1837	11-04-0018	11-07-0018	HTR-2262	11-01-0006	HT-1884	11-03-0003		
2046-2047	.156/.218 (3.96/5.53)	16-20 (1.30/0.50 MM) ²	.120 (3.04)	CM-2062	11-04-0028	11-07-0028	HTR-1031-E	11-01-0084	HT-2066-A	11-03-0008		
2107	.125/.156 (3.17/3.96)	24-30 (0.20/0.05 MM) ²	.070 (1.77)	CM-1739	11-04-0054	11-07-0054	HTR-4059A	11-01-0088	N/A	N/A		
2123	.125/.156 (3.17/3.96)	18-24 (0.80/0.20 MM) ²	.110 (2.79)	CM-1739	11-04-0053	11-07-0053	HTR-4059A	11-01-0088	N/A	N/A		
2125	.125/.156 (3.17/3.96)	24-30 (0.20/0.05 MM) ²	.070 (1.77)	CM-1739	11-04-0054	11-07-0054	HTR-4059A	11-01-0088	N/A	N/A		
2151-2152	.156/.218 (3.96/5.53)	18-26 (0.80/0.12 MM) ²	.120 (3.04)	CM-1487	11-04-0007	11-07-0007	HTR-1031-E	11-01-0084	HT-2038	11-03-0006	HT-1353	11-02-0003
2176	.140/.187 (3.55/4.74)	14-22 (2.00/0.35 MM) ²	.140 (3.55)	CM-2250	11-04-0036	11-07-0036	HTR-2450	11-01-0023	HT-2174	11-03-0016		
2189-2190	.125/.156 (3.17/3.96)	24-30 (0.20/0.05 MM) ²	.070 (1.77)	CM-1739	11-04-0013	11-07-0013	HTR-2262-A	11-01-0037	HT-2285	11-03-0002	HT-1807	11-02-0001
2192	.156/.218 (3.96/5.53)	24-30 (0.20/0.05 MM) ²	.060 (1.52)	CM-1487	11-04-0008	11-07-0008	HTR-2262	11-01-0006	HT-2038	11-03-0006	HT-1353	11-02-0003
2236-2237	.156/.218 (3.96/5.53)	20-22 (0.50/0.35 MM) ²	.060 (1.52)	CM-2052	11-04-0022	11-07-0022	HTR-1031-E	11-01-0084	HT-2466A	11-03-0008	HT-1353	11-02-0003
2269	.156/.218 (3.96/5.53)	14-20 (0.50 MM) ²	.140 (3.55)	CM-1487	11-04-0006	11-07-0006	HTR-1031-E	11-01-0084	HT-2038	11-03-0006	HT-1353	11-02-0003
2273	.156/.218 (3.96/5.53)	18-22 (0.80/0.35 MM) ²	.120 (3.04)	CM-1487	11-04-0050	11-07-0050	HTR-1031-E	11-01-0084	HT-2038	11-03-0006	HT-1353	11-02-0003
2282-2283	.156/.218 (3.96/5.53)	14-18 (2.00/0.80 MM) ²	.140 (3.55)	CM-2052	11-04-0023	11-07-0023	HTR-1031-E	11-01-0084	HT-2066A	11-03-0008	HT-1353	11-02-0003
2328	.140/.187 (3.55/4.74)	14-22 (2.00/0.35 MM) ²	.140 (3.55)	CM-2250	11-04-0037	11-07-0037	HTR-2450	11-01-0023	HT-2174	11-03-0016		
2477-2478	.100/.125 (2.54/3.17)	18-24 (0.80/0.20 MM) ²	.110 (2.79)	CM-2442-E	11-04-0062	11-07-0062	HTR-2445-A	11-01-0026	HT-2174	11-03-0016		
2482	.187/.218 (4.74/5.53)	12-14 (3.25/2.00 MM) ²	.165 (4.19)	CM-2773	11-04-0049	11-07-0049	HTR-2843	11-01-0044	HTA-2481	11-03-0027	N/A	N/A
2576	.140/.187 (3.55/4.74)	14-22 (2.00/0.35 MM) ²	.140 (3.55)	CM-2250	11-04-0036	11-07-0036	HTR-2450	11-01-0023	HT-2174	11-03-0016	N/A	N/A
2578	.100/.125 (2.54/3.17)	22-26 (0.35/0.12 MM) ²	.060 (1.52)	CM-2442-E	11-04-0063	11-07-0063	HTR-2445-A	11-01-0026	HT-2174	11-03-0016		
2679	.125/.156 (3.17/3.96)	18-24 (0.80/0.20 MM) ²	.110 (2.79)	CM-1739	11-04-0055	11-07-0055	HTR-1719-C	11-01-0008	HT-2285	11-03-0002	HT-1807	11-02-0001
2697-1	.156/.218 (3.96/5.53)	12-20 (3.25/0.50 MM) ²	.188 (4.77)	CM-1486	11-04-0001	11-07-0001	HTR-1758	11-01-0011	HT-934	11-03-0001	N/A	N/A
2697-2	.156/.218 (3.96/5.53)	12-20 (3.25/0.50 MM) ²	.230 (5.84)	CM-2229	11-04-0005	11-07-0005	HTR-2266	11-01-1026	HT-934	11-03-0001	N/A	N/A
2698	.156/.218 (3.96/5.53)	14-22 (2.00/0.35 MM) ²	.140 (3.55)	CM-2250	11-04-0036	11-07-0036	HTR-2450	11-01-0023	HT-2174	11-03-0016	N/A	N/A





TOOLING CROSS REFERENCE LIST

When ordering Crimp Dies, Machines or Hand Crimp Tools, include terminal number to be crimped, wire size, insulation and send a 3 foot (1 metre) wire sample to Molex with the order.

Terminal	Stripping Length In. (MM)	Wire Range AWG (XX) 2MM	Insul. Dia. Max. In. (MM)	Press & Die Eng. No.	Press & Die Order No.	Crimp Die Order No.	Hand Tool Eng. No.	Hand Tool Order No.	Extractor Eng. No.	Extractor Order No.	Insertion Eng. No.	Insertion Order No.
2699	.156/.218 (3.96/5.53)	12-20 (3.25/0.50 MM) ²	.188 (4.77)	CM-1486	11-04-0001	11-07-0001	HTR-1758	11-01-0011	HT-934	11-03-0001	N/A	N/A
2717	.125/.156 (3.17/3.96)	24-30 (0.20/0.05 MM) ²	.070 (1.77)	CM-1739	11-04-0014	11-07-0014	HTR-2262-A	11-01-0037	HT-2285	11-03-0002	HT-1807	11-02-0001
2759	.100/.125 (2.54/3.17)	24-30 (0.20/0.05 MM) ²	.062 (1.57)	CM-2810	11-04-0042	11-07-0042	HTR-2262-A	11-01-0037	HT-2759	11-03-0022	HT-2813	11-02-0004
2776	.156/.218 (3.96/5.53)	14-20 (2.00/0.50 MM) ²	.140 (3.55)	CM-2064	11-04-0030	11-07-0030	HTR-2090-A	11-01-0006	HT-2174	11-03-0016	N/A	N/A
2799	.156/.218 (3.96/5.53)	22-28 (0.35/0.07 MM) ²	.070 (1.77)	CM-2250	11-04-0041	11-07-0041	HTR-2262	11-01-0006	HT-2174	11-03-0016		
2855	.125/.156 (3.17/3.96)	18-24 (0.80/0.20 MM) ²	.110 (2.79)	CM-1739	11-04-0013	11-07-0013	HTR-1719-C	11-01-0008	HT-2285	11-03-0002	HT-1807	11-02-0001
2870-2871	.156/.218 (3.96/5.53)	22-24 (0.35/0.20 MM) ²	.070 (1.77)	CM-1487	11-04-0012	11-07-0012	HTR-7196	11-01-0026	HT-2038	11-03-0006	HT-1353	11-02-0003
2878	.125/.156 (3.17/3.96)	18-24 (0.80/0.20 MM) ²	.110 (2.79)	CM-2442-E	11-04-0062	11-07-0062	HTR-2445-A	11-01-0026	HT-2174	11-03-0016		
2951	.125/.156 (3.17/3.96)	24-30 (0.20/0.05 MM) ²	.070 (1.77)	CM-4158	11-04-0051	11-07-0051	HTR-2262-A	11-01-0037				
3100	.125/.156 (3.17/3.96)	24-30 (0.20/0.05 MM) ²	.070 (1.77)	CM-1837	11-04-0018	11-07-0018	HTR-2262	11-01-0006	HT-1884	11-03-0003		
4018	.100/.125 (2.54/3.17)	18-24 (0.80/0.20 MM) ²	.110 (2.79)	CM-2442-E	11-04-0061	11-07-0061	HTR-2445-A	11-01-0026	HT-2174	11-03-0016		
4259	.100/.125 (2.54/3.17)	22-30 (0.35/0.05 MM) ²	.070 (1.77)	CM-2810	11-04-0075	11-07-0075	HTR-2262-A	11-01-0037				
4268	.156/.218 (3.96/5.53)	14-20 (0.50 MM) ²	.140 (3.55)	CM-1487	11-04-0006	11-07-0006	HTR-1031-E	11-01-0084	HT-2038	11-03-0006	HT-1353	11-02-0003
4272	.156/.218 (3.96/5.53)	18-22 (0.80/0.35 MM) ²	.120 (3.04)	CM-1487	11-04-0050	11-07-0050	HTR-1031-E	11-01-0084	HT-2038	11-03-0006	HT-1353	11-02-0003
4292	.156/.218 (3.96/5.53)	22-30 (0.35/0.05 MM) ²	.060 (1.52)	CM-1487	11-04-0008	11-07-0008	HTR-2262	11-01-0006	HT-2038	11-03-0006	HT-1353	11-02-0003
4295	.125/.156 (3.17/3.96)	18-24 (0.80/0.20 MM) ²	.110 (2.79)	CM-1837	11-04-0060	11-07-0060	HTR-1719-C	11-01-0008	HT-1884	11-03-0003		
4296	.156/.218 (3.96/5.53)	16-22 (1.30/0.35 MM) ²	.120 (3.04)	CM-4609	11-04-0078	11-07-0078	HTR-1031-E	11-01-0084	HT-4981	11-03-0025	N/A	N/A
4296-1	.156/.218 (3.96/5.53)	16-22 (1.30/0.35 MM) ²	.120 (3.04)	CM-4609	11-04-0079	11-07-0079	HTR-1031-E	11-01-0084	HT-4981	11-03-0025	N/A	N/A
4366	.125/.156 (3.17/3.96)	18-24 (0.80/0.20 MM) ²	.110 (2.79)	CM-1837	11-04-0071	11-07-0071	HTR-1719-C	11-01-0008	HT-1884	11-03-0003	N/A	N/A
4428-1	.125/.156 (3.17/3.96)	18-24 (0.80/0.20 MM) ²	.110 (2.79)	Modular Crimp Die Only								
4428-3	.125/.156 (3.17/3.96)	22-26 (0.35/0.12 MM) ²	.062 (1.57)	Modular Crimp Die Only								
4499	.125/.187 (3.17/4.74)	18-24 (0.80/0.20 MM) ²	.125 (3.05)	CM-1839	11-04-0019	11-07-0019	HTR-1719-C	11-01-0008	HT-1884	11-03-0003		
4529	.125/.156 (3.17/3.96)	18-24 (0.80/0.20 MM) ²	.110 (2.79)	CM-1739-B	11-04-0065	11-07-0065	HTR-1719-C	11-01-0008	HT-2285	11-03-0002	HT-1807	11-02-0001
4548	.100/.125 (2.54/3.17)	24-30 (0.20/0.05 MM) ²	.062 (1.57)	CM-2810	11-04-0064	11-07-0064	HTR-2262-A	11-01-0037	HT-2759	11-03-0022	N/A	N/A

TOOLING CROSS REFERENCE LIST

When ordering Crimp Dies, Machines or Hand Crimp Tools, include terminal number to be crimped, wire size, insulation and send a 3 foot (1 metre) wire sample to Molex with the order.

Terminal	Stripping Length In. (MM)	Wire Range AWG (XX) 2MM	Insul. Dia. Max. In. (MM)	Press & Die Eng. No.	Press & Die Order No.	Crimp Die Order No.	Hand Tool Eng. No.	Hand Tool Order No.	Extractor Eng. No.	Extractor Order No.	Insertion Eng. No.	Insertion Order No.
4549	.156/.218 (3.96/5.53)	14-20 (2.00/0.50 MM) ²	.140 (3.55)	CM-1487	11-04-0006	11-07-0006	HTR-1031-E	11-01-0084	HT-2038	11-03-0006	HT-1353	11-02-0003
4550	.156/.218 (3.96/5.53)	14-20 (2.00/0.50 MM) ²	.140 (3.55)	CM-1487	11-04-0006	11-07-0006	HTR-1031-E	11-01-0084	HT-2038	11-03-0006	HT-1353	11-02-0003
4559	.125/.156 (3.17/3.96)	24-30 (0.20/0.05 MM) ²	.070 (1.77)	CM-1739	11-04-0014	11-07-0014	HTR-2262-A	11-01-0037	HT-2285	11-03-0002	HT-1807	11-02-0001
4563	.156/.218 (3.96/5.53)	18-26 (0.80/0.12 MM) ²	.120 (3.04)	CM-1487	11-04-0007	11-07-0007	HTR-1031-E	11-01-0084	HT-2038	11-03-0006	HT-1353	11-02-0003
4573	.125/.156 (3.17/3.96)	24-30 (0.20/0.05 MM) ²	.070 (1.77)	CM-1837	11-04-0070	11-07-0070	HTR-2262	11-01-0006	HT-1884	11-03-0003	N/A	N/A
4578	.100/.125 (2.54/3.17)	18-24 (0.80/0.20 MM) ²	.110 (2.79)	CM-2442-E	11-04-0062	11-07-0062	HTR-2445-A	11-01-0026	HT-2174	11-03-0016		
4583	.125/.156 (3.17/3.96)	22-30 (0.35/0.05 MM) ²	.060 (1.52)	CM-7027	11-04-0178	11-07-0179	HTR-2445A	11-01-0026	HT-2174	11-03-0016		
4706	.234/.250 (5.94/6.35)	18-22 Std. Cr. (0.80/0.35 MM) ²	.118 (2.99)	CM-4997	11-04-0069	11-07-0069	HTR-4971	11-01-0065	N/A	N/A	N/A	N/A
4706-1	.234/.250 (5.94/6.35)	18 Std. Cr. (0.80 MM) ²	.118 (2.99)	CM-4997	11-04-0069	11-07-0069	HTR-4971	11-01-0066	N/A	N/A	N/A	N/A
4706-2	.234/.250 (5.94/6.35)	18-22 Std. Cr. (0.80/0.35 MM) ²	.118 (2.99)	CM-4997	11-04-0069	11-07-0069	HTR-4971	11-01-0067	N/A	N/A	N/A	N/A
4706-3	.234/.250 (5.94/6.35)	18-22 Std Cr. (0.80/0.35 MM) ²	.110 (2.79)	CM-4997	11-04-0080	11-07-0080	HTR-4971	11-01-0068	N/A	N/A	N/A	N/A
4809	.100/.125 (2.54/3.17)	22-30 (0.35/0.05 MM) ²	.062 (1.57)	CM-4998	11-04-0081	11-07-0081	HTR-2262-A	11-01-0037	HT-2759	11-03-0022	N/A	N/A
4811	.234/.250 (5.94/6.35)	22-24 (0.35/0.20 MM) ²	.100 (2.54)	CM-6164	11-04-0088	11-07-0088	HTR-4971-F	11-01-0086	N/A	N/A	N/A	N/A
4811-1	.234/.250 (5.94/6.35)	22-26 (0.35/0.12 MM) ²	.060 (1.52)	CM-6164	11-04-0089	11-07-0089	HTR-4971-E	11-01-0085	N/A	N/A	N/A	N/A
4811A-3	.234/.250 (5.94/6.35)	22-24 (0.35/0.20 MM) ²	.100 (2.54)	CM-6164-A	11-04-0185	11-07-0185						
4811A-4	.234/.250 (5.94/6.35)	22-26 (0.35/0.12 MM) ²	.060 (1.52)	CM-6164-A	11-04-0186	11-07-0186						
4838	.100/.125 (2.54/3.17)	20-22 (0.50/0.35 MM) ²	.095 (2.41)	CM-2442-E	11-04-0062	11-07-0062	HTR-2445-A	11-01-0026	HT-2174	11-03-0016	N/A	N/A
5033	.125/.156 (3.17/3.96)	24-30 (0.20/0.05 MM) ²	.070 (1.77)	CM-4989	11-04-0157	11-07-0157			N/A	N/A	N/A	N/A
6043	.125/.156 (3.17/3.96)	24-30 (0.20/0.05 MM) ²	.070 (1.77)	CM-1837	11-04-0018	11-07-0018	HTR-2262	11-01-0006	HT-1884	11-03-0003		
6045	.125/.156 (3.17/3.96)	18-24 (0.80/0.20 MM) ²	.110 (2.79)	CM-1837	11-04-0017	11-07-0017	HTR-1719-C	11-01-0008	HT-1884	11-03-0003		
6093-1	.100/.125 (2.54/3.17)	22 (0.35 MM) ²	.095 (2.41)	CM-2442-E	11-04-0083	11-07-0083					N/A	N/A
6252	.100/.125 (2.54/3.17)	22-26 (0.35/0.12 MM) ²	.065 (1.65)	CM-2442-E					HT-2174	11-03-0016		
6271	.156/.218 (3.96/5.53)	18-22 (0.80/0.35 MM) ²	.120 (3.04)	CM-1487	11-04-0050	11-07-0050	HTR-1031-E	11-01-0084	HT-2038	11-03-0006	HT-1353	11-02-0003
6308	.156/.218 (3.96/5.53)	22-30 (0.35/0.05 MM) ²	.060 (1.52)	CM-1487	11-04-0008	11-07-0008	HTR-2262	11-01-0006	HT-2038	11-03-0006	HT-1353	11-02-0003



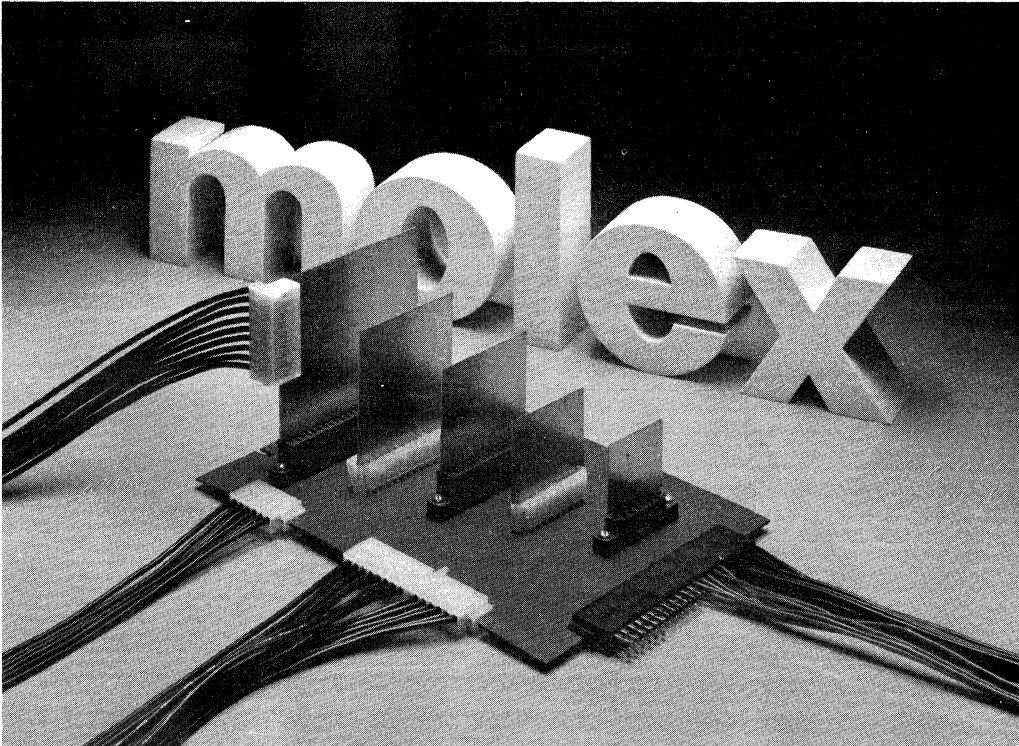


TOOLING CROSS REFERENCE LIST

When ordering Crimp Dies, Machines or Hand Crimp Tools, include terminal number to be crimped, wire size, insulation and send a 3 foot (1 metre) wire sample to Molex with the order.

Terminal	Stripping Length In. (MM)	Wire Range AWG (XX) 2MM	Insul. Dia. Max. In. (MM)	Press & Die Eng. No.	Press & Die Order No.	Crimp Die Order No.	Hand Tool Eng. No.	Hand Tool Order No.	Extractor Eng. No.	Extractor Order No.	Insertion Eng. No.	Insertion Order No.
6310	.156/ .218 (3.96/5.53)	14-20 (2.00/0.50 MM) ²	.140 (3.55)	CM-1487	11-04-0006	11-07-0006	HTR-1031-E	11-01-0084	HT-2038	11-03-0006	HT-1353	11-02-0003
6459	.100/ .125 (2.54/3.17)	24-30 (0.20/0.05 MM) ²	.062 (1.57)	CM-2810	11-04-0064	11-07-0064	HTR-2262-A	11-01-0037	HT-2759	11-03-0022	N/A	N/A
6482	.187/ .218 (4.74/5.53)	14-18 (2.00/0.80 MM) ²	.140 (3.55)	CM-2773	11-04-0164	11-07-0164			HTA-2481	11-03-0027	N/A	N/A
6722	.156/ .218 (3.96/5.53)	12-14 (3.25/2.00 MM) ²	.155 (3.94)	CM-7010	11-04-0094	11-07-0180			HT-7012	11-03-0030	HT-7011	11-02-0010
6757	‡	#38 AWG (0.009 MM) ²	.039 (1.00)	CM-7018	11-04-0095	11-07-0093						
6770	.125/ .156 (3.17/3.96)	18-24 (0.80/0.20 MM) ²	.110 (2.79)	CM-1739	11-04-0013	11-07-0013	HTR-1719-C	11-01-0008	HT-2285	11-03-0002	HT-1807	11-02-0001
6772	.125/ .156 (3.17/3.96)	18-24 (0.80/0.20 MM) ²	.110 (2.79)	CM-1739	11-04-0013	11-07-0013	HTR-1719-C	11-01-0008	HT-2285	11-03-0002	HT-1807	11-02-0001
6778	.100/ .125 (2.54/3.17)	22-30 (0.35/0.05 MM) ²	.062 (1.57)	CM-2442-E					HT-2174	11-03-0016		
6796	.125/ .156 (3.17/3.96)	24-30 (0.20/0.05 MM) ²	.070 (1.77)	CM-1739	11-04-0014	11-07-0014	HTR-2262-A	11-01-0037	HT-2285	11-03-0002	HT-1807	11-02-0001
6838	.100/ .125 (2.54/3.17)	18-24 (0.80/0.20 MM) ²	.110 (2.79)	CM-2442-E	11-04-0062	11-07-0062	HTR-2445-A	11-01-0026	HT-2174	11-03-0016		
6850	.156/ .218 (3.96/5.53)	16-18 (1.30/0.80 MM) ²	.135 (3.42)	CM-2062	11-04-0028	11-07-0028	HTR-1031-E	11-01-0084	HT-2066A	11-03-0008		
6888-2	.125/ .156 (3.17/3.96)	18-24 (0.80/0.20 MM) ²	.084 (2.13)	CM-7047	11-04-0181	11-07-0181	HTR-7052	11-01-0074				
6893	.156/ .218 (3.96/5.53)	22-30 (0.35/0.05 MM) ²	.060 (1.52)	CM-1487	11-04-0008	11-07-0008	HTR-2262	11-01-0006	HT-2038	11-03-0006	HT-1353	11-02-0003
6894	.156/ .218 (3.96/5.53)	22-30 (0.35/0.05 MM) ²	.060 (1.52)	CM-1487	11-04-0008	11-07-0008	HTR-2262	11-01-0006	HT-2038	11-03-0006	HT-1353	11-02-0003
6937	.125/ .156 (3.17/3.96)	20-24 (0.50/0.20 MM) ²	‡	CM-7065	11-04-0187	11-07-0187						
7242	.125/ .156 (3.17/3.96)	22-30 (0.35/0.05 MM) ²	.060 (1.52)	CM-7027	11-04-0178	11-07-0179	HTR-2445A	11-01-0006	HT-2174	11-03-0016		
7258	.100/ .125 (2.54/3.17)	22-26 (0.35/0.12 MM) ²	.060 (1.52)	CM-2442-E	11-04-0063	11-07-0063	HTR-2445-A	11-01-0026	HT-2174	11-03-0016		
7293	.156/ .218 (3.96/5.53)	22-30 (0.35/0.05 MM) ²	.060 (1.52)	CM-1487	11-04-0008	11-07-0008	HTR-2262	11-01-0006	HT-2038	11-03-0006	HT-1353	11-02-0003
7423	.156/ .218 (3.96/5.53)	16-22 (1.30/0.35 MM) ²	.120 (3.04)	CM-1487-E	11-04-0011	11-07-0011	HTR-1031-E	11-01-0084	HT-2634	11-03-0017	HT-1353	11-02-0003

Edge Connectors



Contents



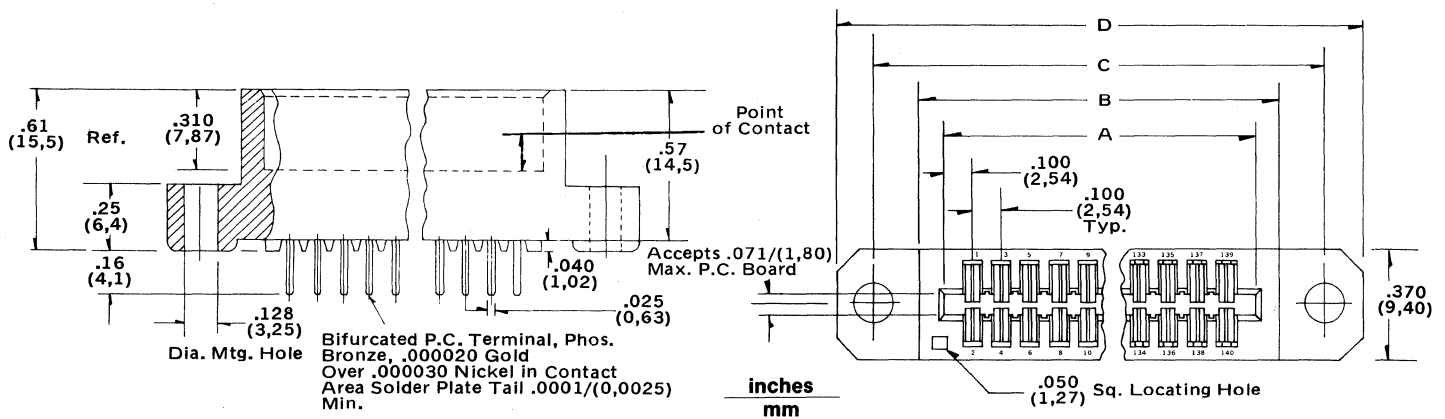
.100" (2,54 mm) and .156" (3,96 mm) Double Sided Edge Connectors and Terminals	2E-5E
.100" (2,54 mm) and .156" (3,96 mm) Single Sided Edge Connectors and Terminals	6E-16E
.050" (1,27 mm) .100" (2,54 mm) and .156" (3,96 mm) Insulation Displacement Connectors	Section C

Model 6777 .100" (2,54 mm) Double Sided P.C. Tail Edge Connector

General Features:

- .100" (2.54 mm), contact spacing
- .200" (5.08 mm), row to row spacings.
- Selective gold plated contact area - 20 micro inches gold over 30 micro inches nickel
- Phosphorous bronze terminal.
- 30% glass filled polyester housing, green color.
- Industry standard dimensions - drop in, cost saving replacements.
- E-Z solder P.C. tail.
- 3 AMP contact rating.
- Optional Polarizing Key 7515K.
- Accepts .062" (1.57 mm) thick P.C.B.'s.
- Optional Mounting Flange.
- Optional threaded inserts

Dimensions:



Dimensions and Ordering Information:

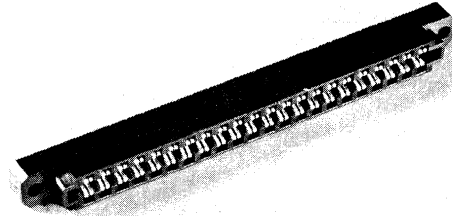
Positions	Order No.	Dim. A ± .008		Dim. B ± .015		Dim. C ± .008		Dim. D ± .020		Mounting Flange
		In.	MM	In.	MM	In.	MM	In.	MM	
10/20	15-25-9101	1.100	(27,94)	1.260	(32,00)	1.575	(40,00)	1.835	(46,61)	Yes
	15-25-9103	—	—	—	—	—	—	—	—	No
15/30	15-25-9151	1.600	(40,64)	1.760	(44,70)	2.075	(52,70)	2.335	(59,31)	Yes
	15-25-9153	—	—	—	—	—	—	—	—	No
18/36	15-25-9181	1.900	(48,26)	2.060	(52,32)	2.375	(60,32)	2.635	(66,93)	Yes
	15-25-9183	—	—	—	—	—	—	—	—	No
20/40	15-25-9201	2.100	(53,34)	2.260	(57,40)	2.575	(65,40)	2.835	(72,01)	Yes
	15-25-9203	—	—	—	—	—	—	—	—	No
22/44	15-25-9221	2.300	(58,42)	2.460	(62,48)	2.775	(70,48)	3.035	(77,09)	Yes
	15-25-9223	—	—	—	—	—	—	—	—	No
25/50	15-25-9251	2.600	(66,04)	2.760	(70,10)	3.075	(78,10)	3.335	(84,71)	Yes
	15-25-9253	—	—	—	—	—	—	—	—	No
28/56	15-25-9281	2.900	(73,66)	3.060	(77,72)	3.375	(85,72)	3.635	(92,33)	Yes
	15-25-9283	—	—	—	—	—	—	—	—	No
30/60	15-25-9301	3.100	(78,74)	3.260	(82,80)	3.575	(90,80)	3.835	(97,41)	Yes
	15-25-9303	—	—	—	—	—	—	—	—	No
31/62	15-25-9311	3.200	(81,28)	3.360	(85,34)	3.675	(93,34)	3.935	(99,95)	Yes
	15-25-9313	—	—	—	—	—	—	—	—	No
35/70	15-25-9351	3.600	(91,44)	3.760	(95,50)	4.075	(103,50)	4.335	(110,11)	Yes
	15-25-9353	—	—	—	—	—	—	—	—	No
36/72	15-25-9361	3.700	(93,98)	3.860	(98,04)	4.175	(106,05)	4.435	(112,65)	Yes
	15-25-9363	—	—	—	—	—	—	—	—	No
40/80	15-25-9401	4.100	(104,14)	4.260	(108,20)	4.575	(116,20)	4.835	(122,81)	Yes
	15-25-9403	—	—	—	—	—	—	—	—	No
43/86	15-25-9431	4.400	(111,76)	4.560	(115,82)	4.875	(123,82)	5.135	(130,43)	Yes
	15-25-9433	—	—	—	—	—	—	—	—	No
44/88	15-25-9441	4.500	(114,30)	4.660	(118,36)	4.975	(126,36)	5.235	(132,97)	Yes
	15-25-9443	—	—	—	—	—	—	—	—	No
49/98	15-25-9491	5.000	(127,00)	5.160	(131,06)	5.475	(139,06)	5.735	(145,67)	Yes
	15-25-9493	—	—	—	—	—	—	—	—	No
50/100	15-25-9501	5.100	(129,54)	5.260	(133,60)	5.575	(141,60)	5.835	(148,21)	Yes
	15-25-9503	—	—	—	—	—	—	—	—	No
55/110	15-25-9551	5.600	(142,24)	5.760	(146,30)	6.075	(154,30)	6.335	(160,91)	Yes
	15-25-9553	—	—	—	—	—	—	—	—	No
60/120	15-25-9601	6.100	(154,94)	6.260	(159,00)	6.575	(167,00)	6.835	(173,61)	Yes
	15-25-9603	—	—	—	—	—	—	—	—	No
65/130	15-25-9651	6.600	(167,64)	6.760	(171,70)	7.075	(179,70)	7.335	(186,31)	Yes
	15-25-9653	—	—	—	—	—	—	—	—	No
70/140	15-25-9701	7.100	(180,34)	7.260	(184,40)	7.575	(192,40)	7.835	(199,01)	Yes
	15-25-9703	—	—	—	—	—	—	—	—	No



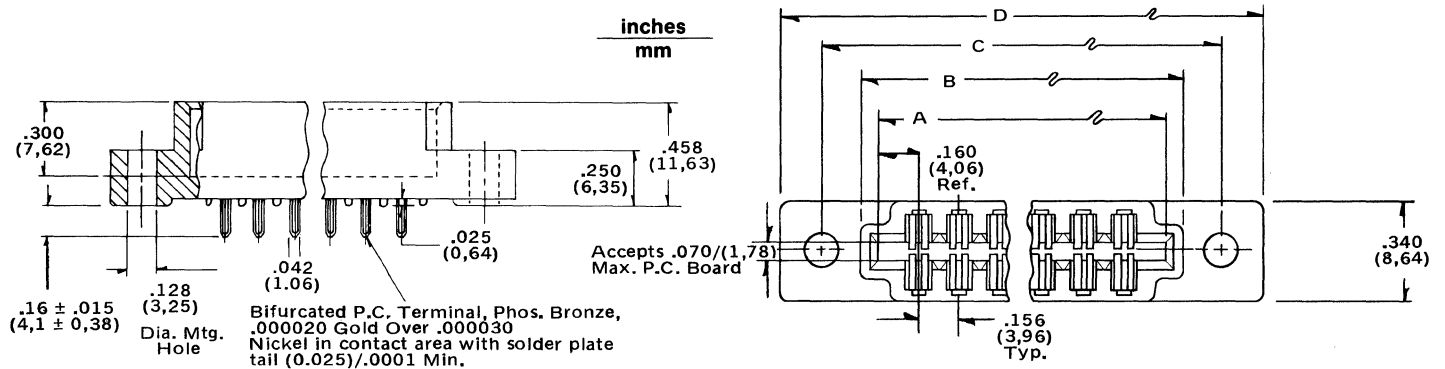
Model 6511 .156" (3,96 mm) Double Sided P.C. Tail Edge Connector

General Features:

- .156" contact spacings
- .140" (3.57 mm), .200" (5.08 mm) row to row spacings.
- Selective gold plated contact area - 20 micro inches gold over 30 micro inches nickel
- Phosphorous bronze terminal
- 30% glass filled polyester housing, green color.
- Industry standard dimensions - drop in, cost saving replacements.
- E-Z solder P.C. tail.
- 5 AMP contact ratings.
- Optional Polarizing Key SP558.
- Accepts .062" (1.57 mm) thick P.C.B.'s.
- Optional Mounting Flange.
- Optional threaded inserts



Dimensions:



Dimensions and Ordering Information:

Positions	Order No.	Dim. A		Dim. B		Dim. C		Dim. D		Spacing Between Rows	Mounting Flange
		In.	MM	In.	MM	In.	MM	In.	MM		
6	09-04-7062	1.100 (27,94)		1.244 (31,60)		1.532 (38,91)		1.780 (45,21)		.140"	Yes
	09-04-6062								.140"	No	
	09-04-7061							1.532 (38,91)	1.780 (45,21)	.200"	Yes
	09-04-6061									.200"	No
10	09-04-7102	1.724 (43,78)		1.868 (47,45)		2.156 (54,76)		2.404 (61,06)		.140"	Yes
	09-04-6102								.140"	No	
	09-04-7101							2.156 (54,76)	2.404 (61,06)	.200"	Yes
	09-04-6101									.200"	No
12	09-04-7122	2.036 (51,71)		2.180 (55,37)		2.468 (62,68)		2.716 (68,98)		.140"	Yes
	09-04-6122								.140"	No	
	09-04-7121							2.468 (62,68)	2.716 (68,98)	.200"	Yes
	09-04-6121									.200"	No
15	09-04-7152	2.504 (63,60)		2.648 (67,26)		2.936 (74,57)		3.184 (80,87)		.140"	Yes
	09-04-6152								.140"	No	
	09-04-7151							2.936 (74,57)	3.184 (80,87)	.200"	Yes
	09-04-6151									.200"	No
18	09-04-7182	2.972 (75,48)		3.116 (79,15)		3.404 (86,46)		3.652 (92,76)		.140"	Yes
	09-04-6182								.140"	No	
	09-04-7181							3.404 (86,46)	3.652 (92,76)	.200"	Yes
	09-04-6181									.200"	No
22	09-04-7222	3.596 (91,33)		3.740 (95,05)		4.028 (102,31)		4.276 (108,61)		.140"	Yes
	09-04-6222								.140"	No	
	09-04-7221							4.028 (102,31)	4.276 (108,61)	.200"	Yes
	09-04-6221									.200"	No
24	09-04-7242	3.908 (99,26)		4.052 (102,92)		4.340 (110,23)		4.588 (116,53)		.140"	Yes
	09-04-6242								.140"	No	
	09-04-7241							4.340 (110,23)	4.588 (116,53)	.200"	Yes
	09-04-6241									.200"	No
25	09-04-7252	4.064 (103,22)		4.208 (106,88)		4.496 (114,19)		4.744 (120,49)		.140"	Yes
	09-04-6252								.140"	No	
	09-04-7251							4.496 (114,19)	4.744 (120,49)	.200"	Yes
	09-04-6251									.200"	No

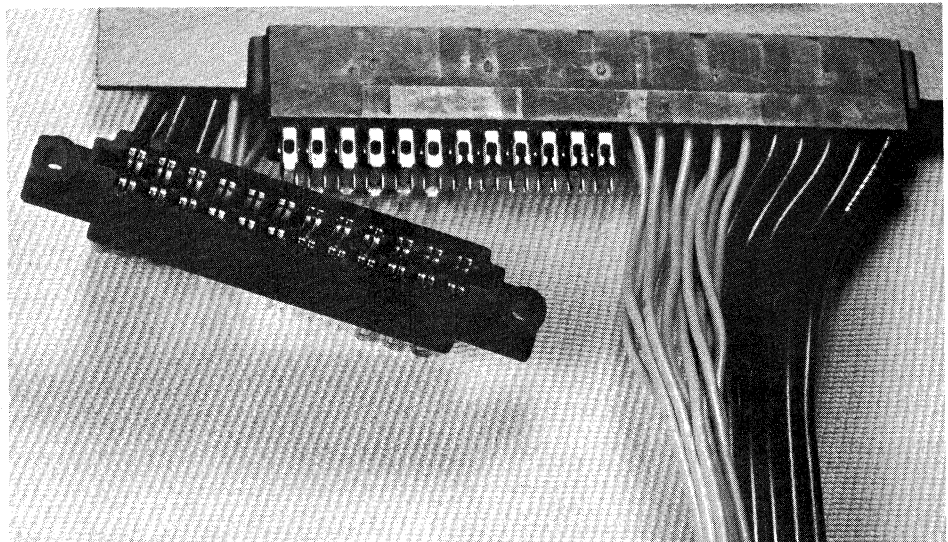
Model 4338 .156" (3,96 mm) Double Sided Crimp Connector Housing

General Features:

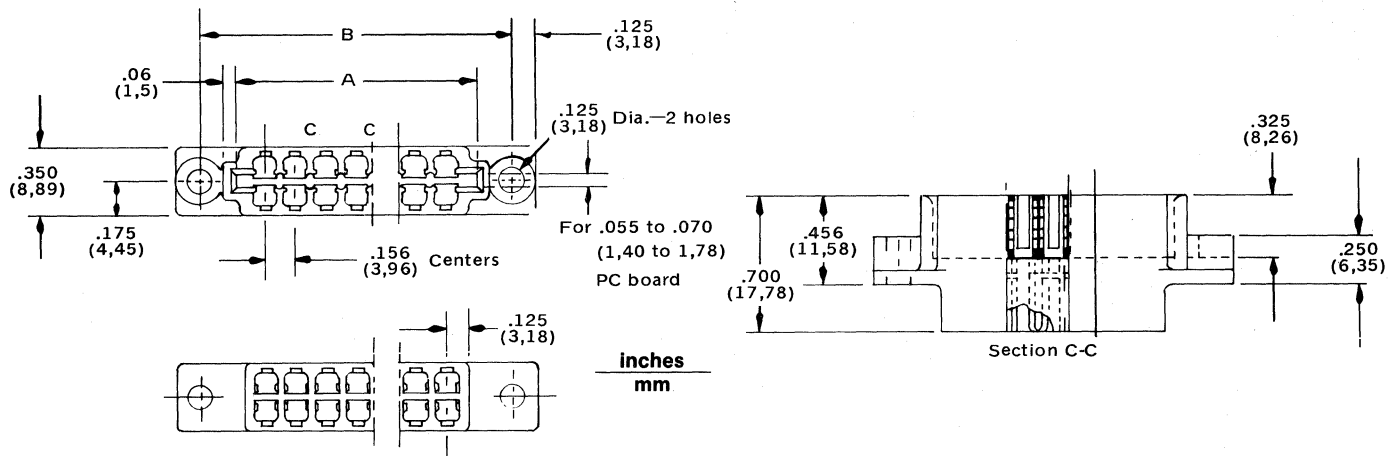
- .156" Centers
- 94 V-0 Polyester Housing Material
- Optional Mounting Flanges
- Optional Polarizing Keys
 - 4575 (Intercontact) Teflon Coated
 - 6532 (Intercontact) Plastic
 - 4338K (On contact) Plastic
- Will accept .062" P.C. boards
- Shorting clip
- U.L. Listed

Terminals:

4366, 4573, 4574 and 4837.

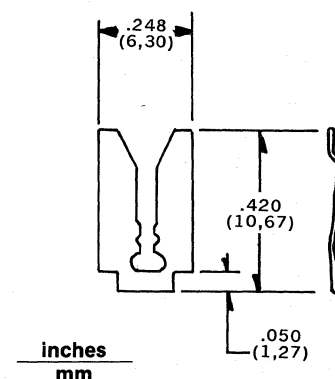


Dimensions:



Dimensions and Ordering Information:

No. of Dual Positions	Order No.	A	B	Mtg. Flange
6	09-50-5065	1.100	1.531	No
	09-50-6065	(27,94)	(38,89)	Yes
8	09-50-6085	1.410	1.77	Yes
	09-50-5085	(35,81)	(44,9)	No
10	09-50-6105	1.722	2.16	Yes
	09-50-5105	(43,74)	(54,8)	No
12	09-50-6125	2.034	2.47	Yes
	09-50-5125	(51,66)	(62,6)	No
15	09-50-6155	2.504	2.94	Yes
	09-50-5155	(63,60)	(74,6)	No
18	09-50-6185	2.950	3.41	Yes
	09-50-5185	(74,93)	(86,5)	No
22	09-50-6225	3.596	4.03	Yes
	09-50-5225	(91,34)	(102,4)	No
24	09-50-5245	3.909	4.343	No
	09-50-6245	(99,29)	(110,31)	Yes
25	09-50-6255	4.060	4.50	Yes
	09-50-5255	(103,12)	(113,9)	No
28	09-50-6285	4.530	4.96	Yes
	09-50-5285	(115,06)	(126,0)	No



Shorting Clip	
Order No.	Material
16-02-0022	Pre-Tin Plated

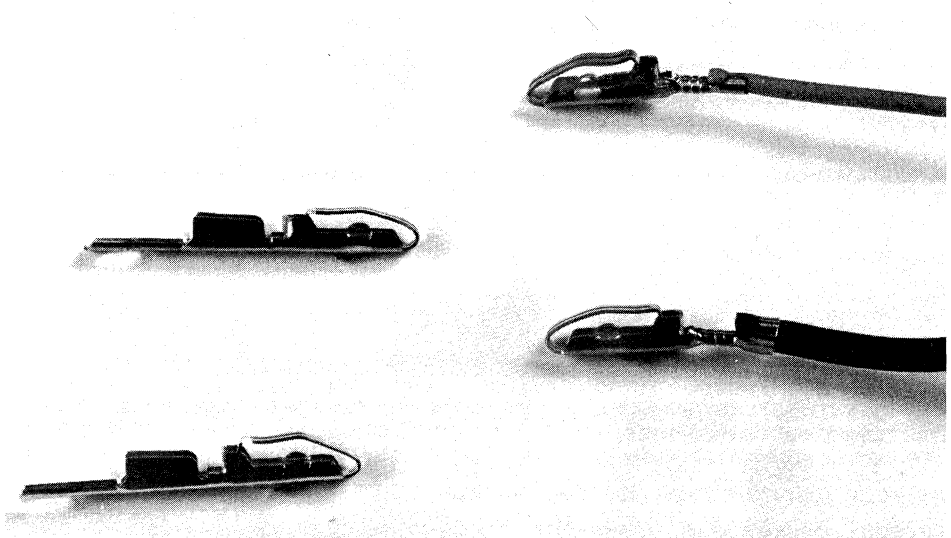


Models 4366, 4573, 4574, and 4837 P.C. Crimp and Solder Tail Terminals for Double Sided Housing

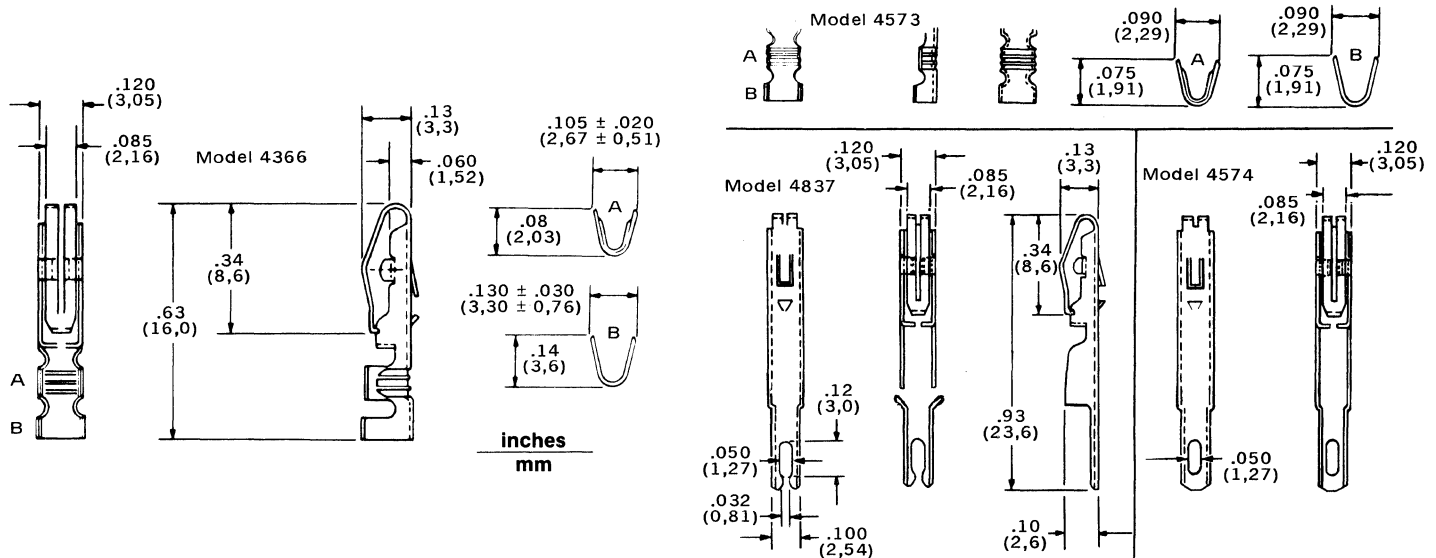
General Features:

- Crimp wire size 18-30 AWG
- Contact Material Brass
- Pre-tin or selective gold plating
- Solder tail, solder loop and split eyelet version available
- Anti-fish hook to prevent terminals snagging
- Wire barrier which prevents stripped wire entering the contact area
- Coined outside edges prevents excess scoring of the solder pad surfaces.
- Patented bifurcated contact area

For use with housing Model Number 4338.



Dimensions:



Tooling Specifications and Ordering Information:

Crimp Wire Size	Insulation Diameter	Model No.	Order Number	
			Chain Form	Loose Form
18-24	.060/.120 (1,52/3,05)	4366	08-03-0303	08-03-0304
		4366(a)	08-05-0301	08-05-0302
24-30	.040/.090 (1,02/2,29)	4573	08-03-0305	08-03-0306
		4573(a)	08-05-0303	08-05-0304
PC Tail Solder Loop		4574(b)	08-01-0201	08-01-0202
PC Tail Split Eyelet		4837	—	08-01-0203

- (a) 0,0005 mm (.00002) minimum selective gold plating over 0,0008 mm (.00003) minimum overall nickel plate.
 (b) Tab loop will accommodate a maximum of two 16 AWG solid wires or two 18 stranded wires.

Terminal Model	Hand Tools		Crimp Machine	
	Crimping	Extraction	Bench	Automatic
	Order and (Model) No.	Order and (Model) No.	Order and (Model) No.	Model
4366	(HTR-1719-C)	(HTA-1884)	(CM-1837)	Artos(a)
	11-01-0008 (HTR-2262)	11-03-0004	11-04-0016	
4573	11-01-0006			

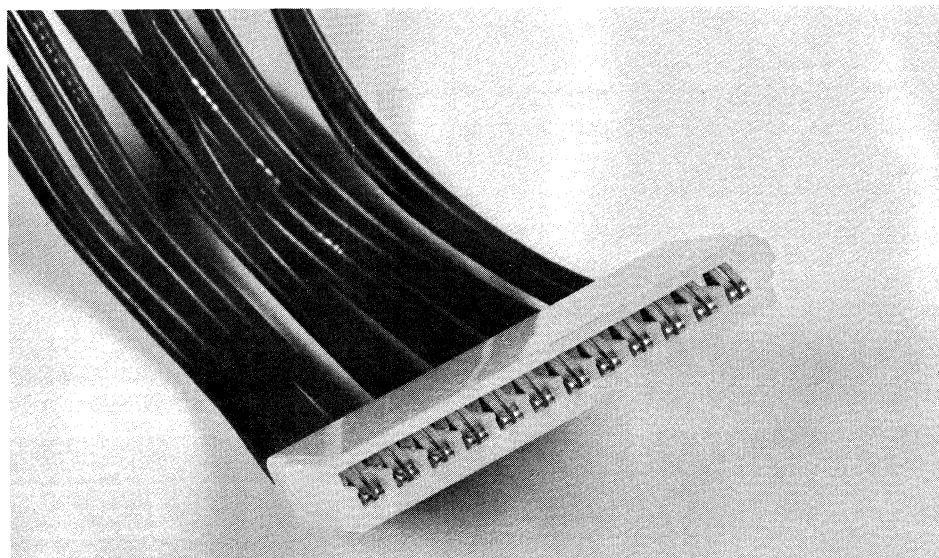
(a) Contact Molex representative for combined Molex/Artos specifications.

Model 1796

.156" (3,96 mm) International Single Sided P.C. Edge Connector Housing for Crimp Terminals

General Features:

- .156" Centers
- 94 V-2 Nylon Material
- Optional Mounting Flanges
- Optional Polarizing key 2011 (on contact)
- Uses patented bifurcated terminals
- Will accept .062" P.C. boards
- IDC version see page (7713 product)
- U/L and CSA recognized

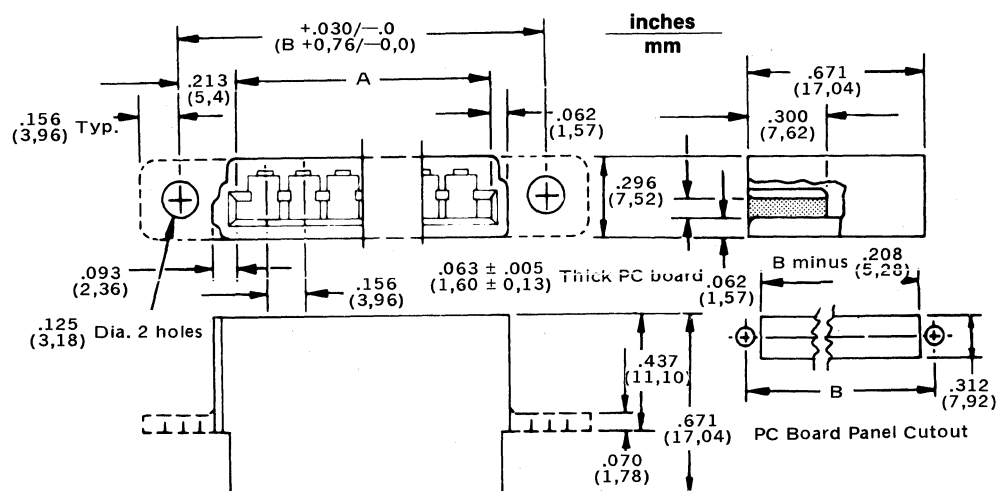


Terminals:

1797, 1917, 2012, 4295, 2014 and 3100

Specifications: (See Model 2696)

Dimensions:



Dimensions and Ordering Information:

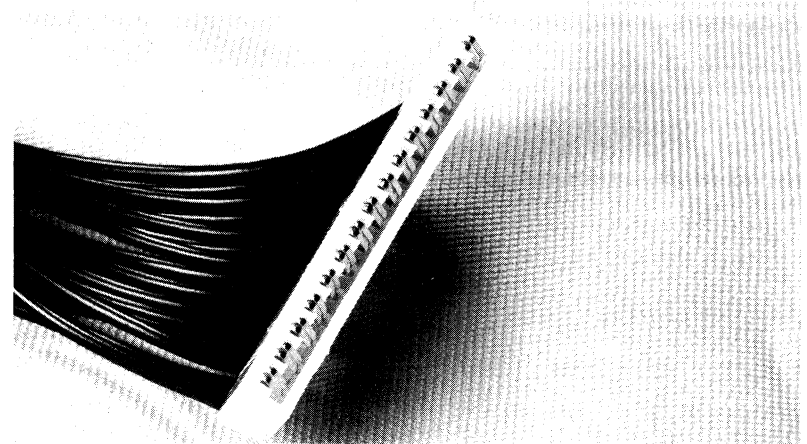
Circuits	Order No.		Dim. A		Dim. B	
	W/O Flange	With Flange	Inches	MM	Inches	MM
6	09-01-1061	09-01-2061	.966 $\begin{smallmatrix} +.020 \\ -.000 \end{smallmatrix}$	24,54 $\begin{smallmatrix} +.051 \\ -.000 \end{smallmatrix}$	1.392	35,36
9	09-01-1091	09-01-2091	1.434 $\begin{smallmatrix} +.020 \\ -.000 \end{smallmatrix}$	36,42 $\begin{smallmatrix} +.051 \\ -.000 \end{smallmatrix}$	1.860	47,24
12	09-01-1121	09-01-2121	1.902 $\begin{smallmatrix} +.020 \\ -.000 \end{smallmatrix}$	48,31 $\begin{smallmatrix} +.051 \\ -.000 \end{smallmatrix}$	2.328	59,13
15	09-01-1151	09-01-2151	2.370 $\begin{smallmatrix} +.020 \\ -.000 \end{smallmatrix}$	60,20 $\begin{smallmatrix} +.051 \\ -.000 \end{smallmatrix}$	2.795	71,02
18	09-01-1181	09-01-2181	2.838 $\begin{smallmatrix} +.020 \\ -.000 \end{smallmatrix}$	72,09 $\begin{smallmatrix} +.051 \\ -.000 \end{smallmatrix}$	3.264	82,91
21	09-01-1211	09-01-2211	3.306 $\begin{smallmatrix} +.025 \\ -.000 \end{smallmatrix}$	83,97 $\begin{smallmatrix} +.064 \\ -.000 \end{smallmatrix}$	3.732	94,79
22	09-01-1221	09-01-2221	3.462 $\begin{smallmatrix} +.025 \\ -.000 \end{smallmatrix}$	87,94 $\begin{smallmatrix} +.064 \\ -.000 \end{smallmatrix}$	3.888	98,76
24	09-01-1241	09-01-2241	3.774 $\begin{smallmatrix} +.030 \\ -.000 \end{smallmatrix}$	95,86 $\begin{smallmatrix} +.076 \\ -.000 \end{smallmatrix}$	4.000	106,68



Model 2696 .156" (3,96 mm) European Single Sided P.C. Edge Connector Housing for Crimp Terminals

General Features: _____

- .156" centers
- 94 V-2 nylon material
- Uses patented bifurcated terminals
- Will accept .062" P.C. boards
- Optional Polarizing Key 2011 (on contact).



Terminals:

1797, 1917, 2012, 4295, 2014 and 3100

Specifications: _____

Electrical:

Resistance

Typical value 4.0 MV. Voltage drop measured at 1 amp resistance depends greatly on mating P.C. board, finish and condition of connecting surface.

Voltage drop includes the terminal P.C. board interface plus the crimp. One probe should be placed on the wire about 25.4 mm (1 inch) from the crimp barrel. A second probe should be placed on P.C. board conductor as close as possible to the terminal interface (using 18 AWG wire).

High Voltage Dielectric Test

Terminals mounted in connector withstand 1500 volts RMS applied between adjacent terminals for 60 seconds.

Temperature Rise Operating Range

Maximum temperature rise is 30 °C for all assemblies used at maximum rated current.

Ambient temperature range is -40° C to 105° C.

Mechanical:

Engage Disengage Forces

Depends on the number circuits, actual size, and type of P.C. board.

Crimp Strength

Wire Gauge (AWG)	Pull-out Force (kg)	(lbs.)
18	9.07	20
20	6.80	15
22	5.44	12
24	3.63	8
26	2.27	5
28	1.36	3
30	0.91	2

Rated Voltage, Currents

Maximum voltage: 250 VAC (connector only) 7 amps maximum per circuit depending on connecting P.C. board.

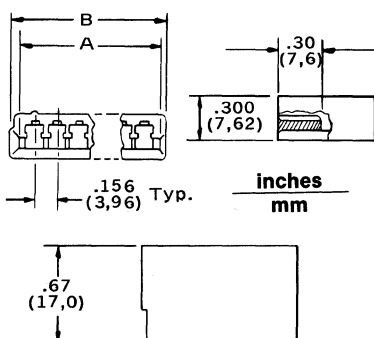
Technical Data:

Typical values: 6 circuits—engage, 2.27 kg (5 lbs); disengage, 2.04 kg (4.5 lbs); 24 circuits—engage, 9,525 kg (21 lbs.) disengage, 8.16 kg (18 lbs.)/

Terminals

Insertion and retention with terminals in housing: insertion, 1.13 kg (2.5 lbs.) ±20%; retention, 4.54 kg (10 lbs.) minimum.

Dimensions: _____



Dimensions and Ordering Information: _____

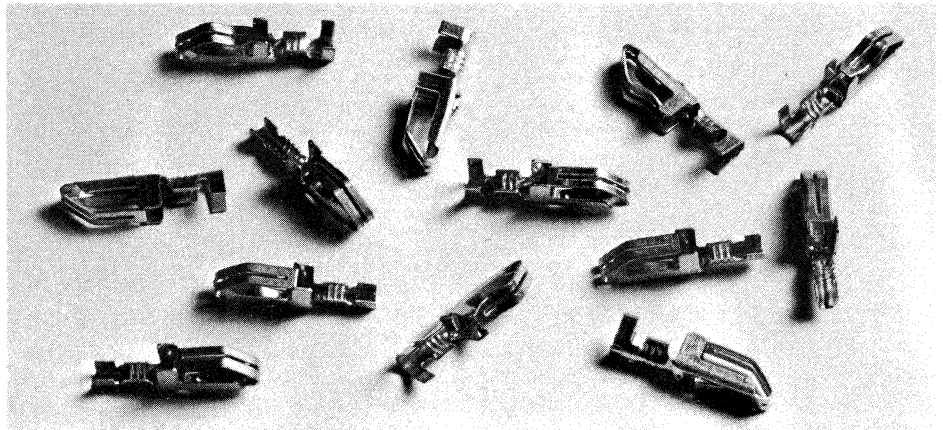
Circuits	Eng. No.	Order No.	Dim. A		Dim. B	
			Inches	MM	Inches	MM
2	2696-2	09-01-6023	.350 ± .005	8,89 ± 0,13	.437 + .005 - .010	11,10 + 0,13 - 0,25
12	2696-12	09-01-6123	1.910 ± .010	48,51 ± 0,25	1.997 + .005 - .010	50,72 + 0,13 - 0,25
15	2696-15	09-01-6153	2.378 ± .010	60,40 ± 0,25	2.465 + .005 - .010	62,60 + 0,13 - 0,25
18	2696-18	09-01-6183	2.846 ± .010	72,28 ± 0,25	2.933 + .005 - .010	74,48 + 0,13 - 0,25
20	2696-20	09-01-6203	3.158 ± .010	80,20 ± 0,25	3.245 + .005 - .010	82,40 + 0,13 - 0,25
24	2696-24	09-01-6243	3.782 ± .010	96,06 ± 0,25	3.869 + .005 - .010	98,27 + 0,13 - 0,25

Models 1797, 1917, 2012, 2014, 3100, and 4295 Crimp Terminals

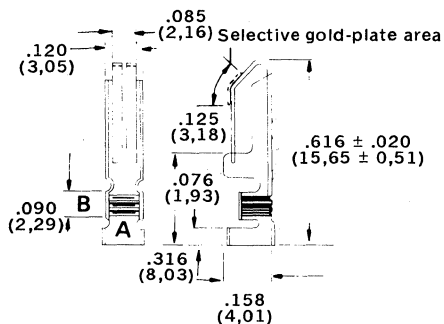
General Features:

- Crimp wire size 18-30 AWG
- Contact material brass or phosphor bronze
- Pre-tin or gold plate
- Patented bifurcated contact

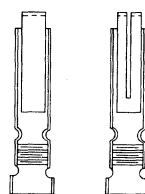
For use with housing model numbers 1796 and 2696.



Dimensions:

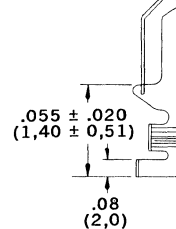


• Non-bifurcated

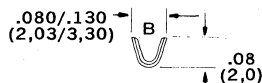
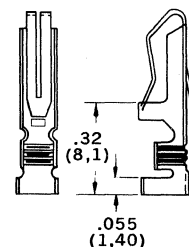


inches
mm

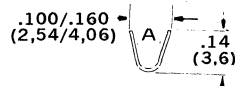
Model 3100



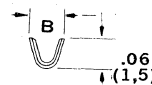
Model 4295



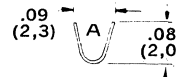
Conductor Crimp Area
Models 1797, 1917,
2012, 4295



Insulation Crimp Area



Models 2014, 3100



Dimensions common except as shown

DIMENSIONS: Inches
(MM)

Tooling Specifications and Ordering Information:

Terminal Model	Hand Tools		Crimp Machine	
	Crimping	Extraction	Bench	Automatic
	Order and (Model) No.	Order and (Model) No.	Order and (Model) No.	Model
1797	11-01-0008 (HTR-1719-C)	11-03-0004 (HTA-1884)	11-04-0016 (CM-1837)	Artos(a)
1917				
2012				
3100				
4295				
	(HTR-2262)			
2014	11-01-0006			

Crimp Wire Size	Insulation Diameter	Model No.	Order Number	
			Chain Form	Loose Form
18-24	.060-.120 (1,52-3,05)	1797(a)	08-01-0101	08-01-0102
		1797(b)	08-05-0103	08-05-0104
		1797(c)	08-06-0101	08-06-0102
		1917(d)	08-03-0101	08-03-0102
		1917(e)	08-07-0101	08-07-0102
		*2012(a)	08-01-0110	08-01-0111
		4295(a)	08-01-0112	08-01-0113
24-30	.040-.090 (1,02-2,29)	2014(a)	08-01-0105	08-01-0106
		2014(b)	08-05-0105	—
		2014(c)	08-06-0105	08-06-0106
		3100(a)	08-01-0103	08-01-0104

(a) Contact Molex representative for combined Molex/Artos specifications.

* Non-bifurcated.

(a) Tin-plated.

(b) 0,0008 mm (.00003) minimum selective gold plate over 0,0008 (.00003) minimum nickel-plated brass.

(c) 0,0005 mm (.00002) minimum gold plate over 0,0008 (.00003) minimum nickel-plated brass.

(d) Tin-plated phosphor bronze.

(e) 0,0005 mm (.00002) minimum gold plate over 0,0008 (.00003) minimum nickel-plated phosphor bronze.



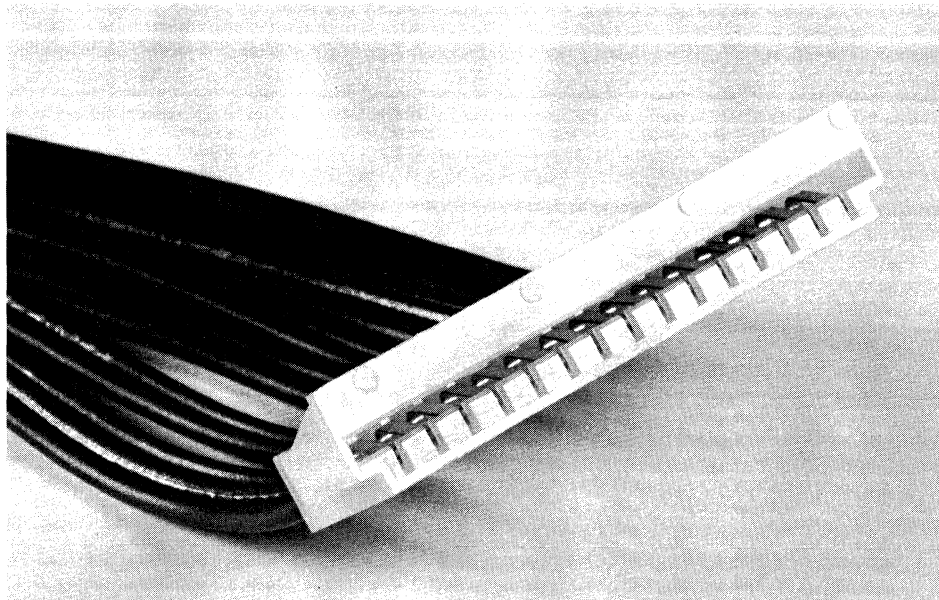
Model 3074 .156" (3,96 mm) Single Sided European P.C. Edge Connector Housing for Crimp Terminals

General Features: _____

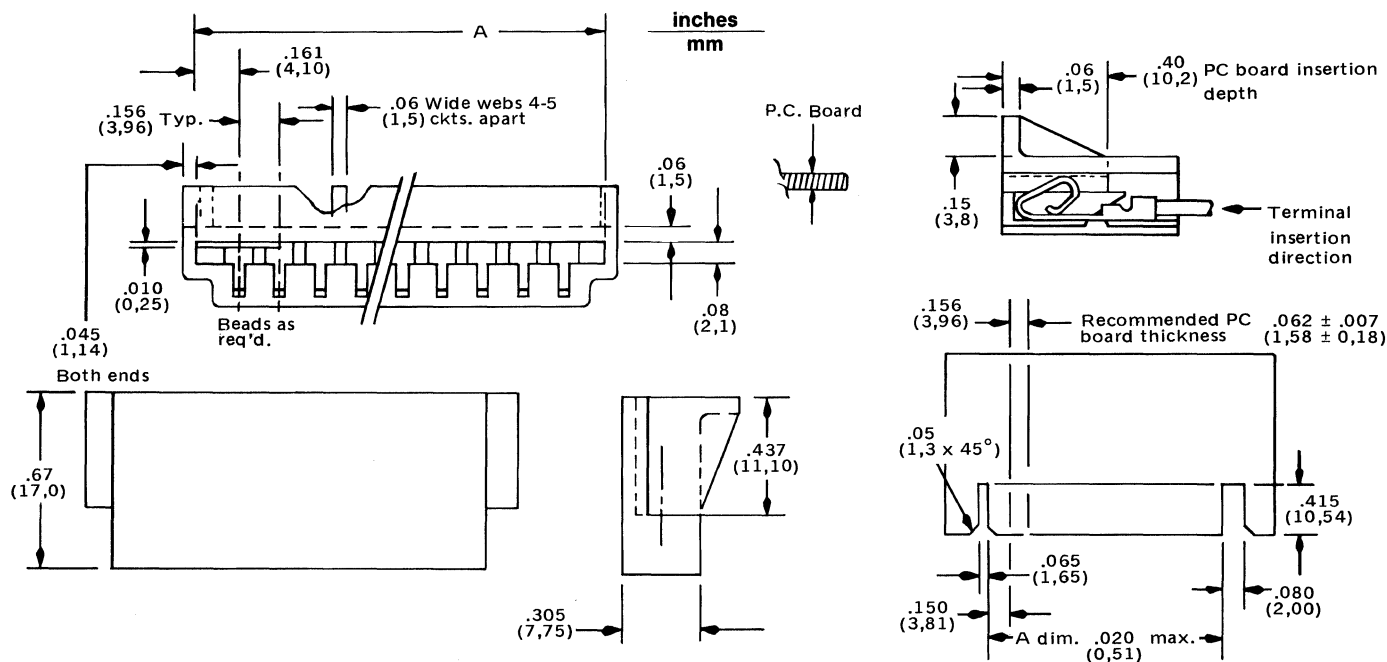
- .156" centers
- 94 V-2 nylon material
- Optional mounting flanges
- Uses patented bifurcated terminals
- Will accept .062" P.C boards
- Optional version with side windows available (Part No. 3458. Contact factory for ordering information.)

Terminals:

2478 and 2578



Dimensions: _____



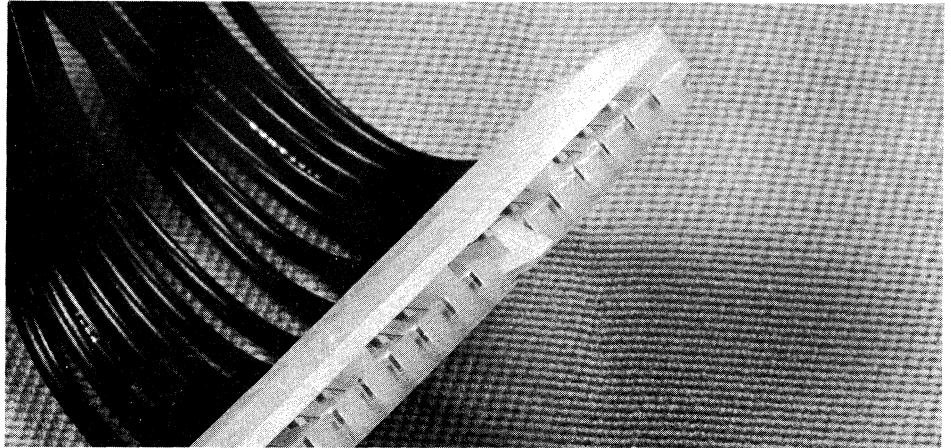
Dimensions and Ordering Information: _____

Circuits	Order No.	Dim. A	
		Inches	MM
6	09-50-6064	1.102 ± .009	27,99 ± 0,23
10	09-50-6104	1.726 ± .009	43,84 ± 0,23
15	09-50-6154	2.506 ± .012	63,65 ± 0,31
18	09-50-6184	2.974 ± .012	75,54 ± 0,31

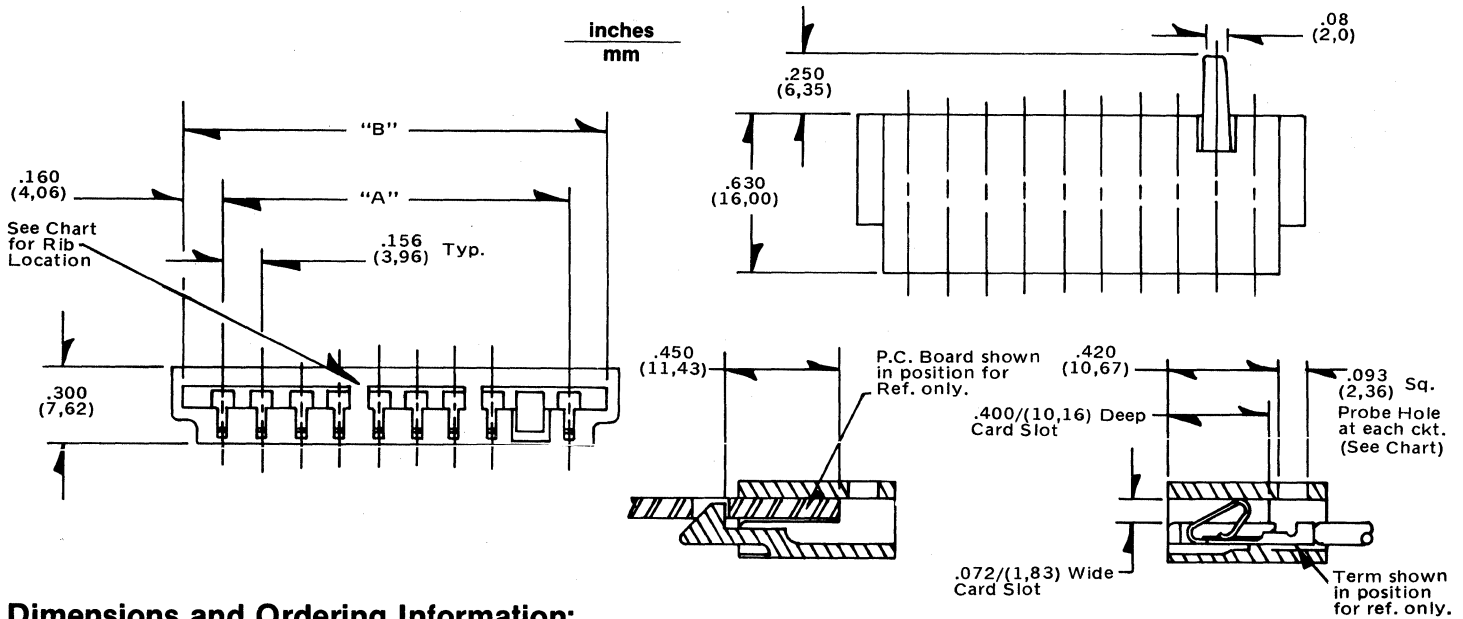
Model 6422 .156" (3,96 mm) Polarized Edge Connector Housing with Positive Lock

General Features:

- Positive Lock
- .156" Centers
- 94 V-2 Nylon Material
- Optional Mounting Flanges
- Polarization provided by structural ribs
- Optional bifurcated terminals
- Will accept .062" P.C. boards
- Optional probe hole



Dimensions:



Dimensions and Ordering Information:

Circuits	Order No.	Rib Loc. Between Ckts.	Hook Loc. Between Ckts.	Dim. A	Dim. B	Probe Hole
3	09-01-1038	None	1 & 3	.312 ± .007 (7,92 ± 0,18)	.632 ± .007 (16,05 ± 0,18)	No
5	09-01-1058	None	1 & 3	.624 ± .009 (15,85 ± 0,23)	.944 ± .009 (23,98 ± 0,23)	No
	09-01-1056					Yes
6	09-01-1068	None	1 & 3	.780 ± .009 (18,81 ± 0,23)	1.100 ± .009 (27,94 ± 0,23)	No
	09-01-1098					Yes
9	09-01-1096	3 & 4, 5 & 6	3 & 5	1.248 ± .011 (31,67 ± 0,28)	1.568 ± .011 (39,80 ± 0,28)	No
	09-01-1108					Yes
10	09-01-1108	4 & 5, 7 & 8	8 & 10	1.404 ± .011 (35,66 ± 0,28)	1.724 ± .011 (43,79 ± 0,28)	No
12	09-01-1128	6 & 7	8 & 10	1.716 ± .011 (43,58 ± 0,28)	2.036 ± .007 (51,71 ± 0,18)	No
15	09-01-1158	4 & 5, 7 & 8 11 & 12	8 & 10	2.184 ± .013 (55,47 ± 0,33)	2.504 ± .013 (63,61 ± 0,33)	No
21	09-01-1216	5 & 6, 10 & 11, 15 & 16	8 & 10	3.120 ± .018 (79,25 ± 0,46)	3.440 ± .018 (87,38 ± 0,46)	Yes
21	09-01-1218	5 & 6, 10 & 11 15 & 16	8 & 10	3.120 ± .018 (79,25 ± 0,46)	3.440 ± .018 (87,38 ± 0,46)	No

Note: For the circuit sizes, contact factory for ordering information.



Model 2574 .156" (3,96 mm) Polarized Edge Connector Housings for Crimp Terminals

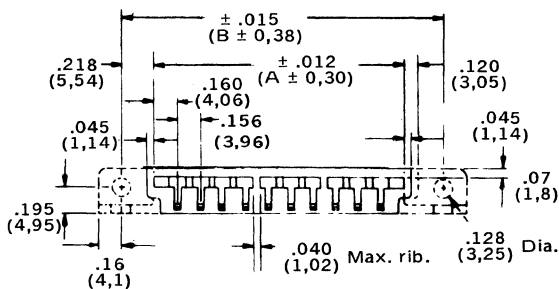
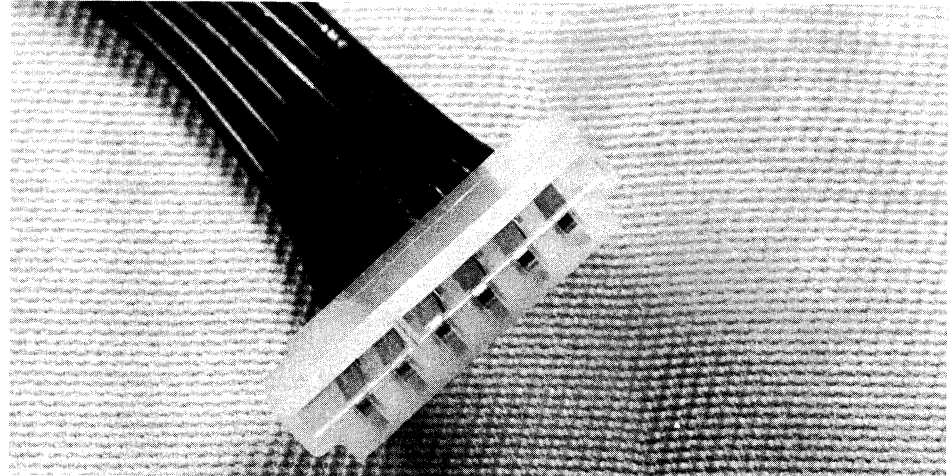
General Features:

- .156" centers
- 94 V-2 nylon material
- Optional mounting flanges
- Polarization provided by structural ribs
- Optional bifurcated terminals
- Will accept .062" P.C. boards
- IDC version (7241 product)

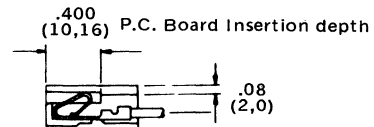
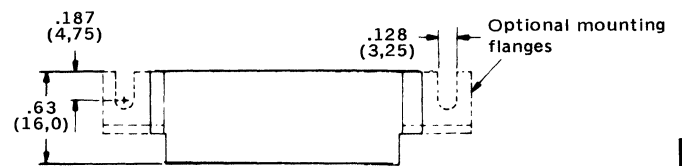
Terminals:

Standard KK 2478, 2578 or bifurcated 2878

Dimensions:



inches
mm



Dimensions and Ordering Information:

Circuits	W/O Flange Order No.	With Flange Order No.	Dim. A		Dim. B	
			Inches	MM	Inches	MM
3	09-01-6031	09-01-7031	.632	16,05	1.14	29,0
4	09-01-6041	—	.788	20,02	1.30	33,02
5	09-01-6051	09-01-7051	.944	23,98	1.38	35,1
6	—	09-01-7064	1.100	27,94	1.54	39,1
6(a)	09-01-6061	09-01-7061	1.100	27,94	1.54	39,1
7(b)	09-01-6071	09-01-7071	1.256	31,90	1.69	42,9
8	—	09-01-7081	1.412	35,86	1.85	47,0
8(a)	09-01-6085	—	1.412	35,86	1.85	47,0
8(b)	09-01-6086	—	1.412	35,86	1.85	47,0
8(c)	09-01-6083	09-01-7083	1.412	35,86	1.85	47,0
9(a)	09-01-6095	09-01-7095	1.568	39,83	2.00	50,8
9(c)	09-01-6094	09-01-7094	1.568	39,83	2.00	50,8
9(d)	09-01-6091	09-01-7091	1.568	39,83	2.00	50,8
10(e)	09-01-6101	09-01-7101	1.724	43,79	2.16	54,9
12(k)	09-01-6121	—	2.036	51,71	2.47	62,74
15(f)	09-01-6151	09-01-7151	2.504	63,60	2.94	74,7
16(h)	09-01-6161	09-01-7161	2.660 $\pm .012$	67,56 $\pm 0,30$	3.096 $\pm .015$	78,64 $\pm 0,38$
17(l)	09-01-6171	09-01-7171	2.816	71,53	3.25	82,55
18(g)	09-01-6181	09-01-7181	2.972	75,49	3.41	86,6
19(n)	09-01-6191	09-01-7191	3.128	79,45	3.56	90,4
21(m)	09-01-6211	09-01-7211	3.440 $\pm .015$	87,38 $\pm 0,38$	3.88 $\pm .015$	98,55 $\pm 0,38$
22(l)	09-01-6221	09-01-7221	3.596 $\pm .015$	91,34 $\pm 0,38$	4.03 $\pm .02$	102,4 $\pm 0,36$
22(n)	09-01-6224	09-01-7231	3.596 $\pm .015$	91,34 $\pm 0,38$	4.03 $\pm .02$	102,36 $\pm 0,51$
24(j)	09-01-6241	09-01-7241	3.908 $\pm .020$	99,26 $\pm 0,51$	4.34 $\pm .02$	110,2 $\pm 0,5$

NOTE: Use KK terminal Model 2578 for 22-26 AWG wire, or Model 2478 for 18-24 AWG, with 2,79 mm (.110) diameter maximum insulation.

Center ribs between circuits:

- (a) 2-3 (b) 3-4 (c) 5-6 (d) 3-4 and 5-6 (e) 4-5 and 7-8 (f) 4-5, 7-8, and 11-12 (g) 5-6 and 10-11 (h) 4-5, 7-8, 11-12, and 15-16 (i) 5-6, 11-12, and 17-18 (j) 4-5, 8-9, 12-13, 16-17, and 20-21 (k) 5-6 and 8-9 (l) 5-6, 10-11, and 14-15 (m) 5-6, 10-11, and 15-16 (n) 5-6, 11-12, and 16-17.



Single Sided Terminals

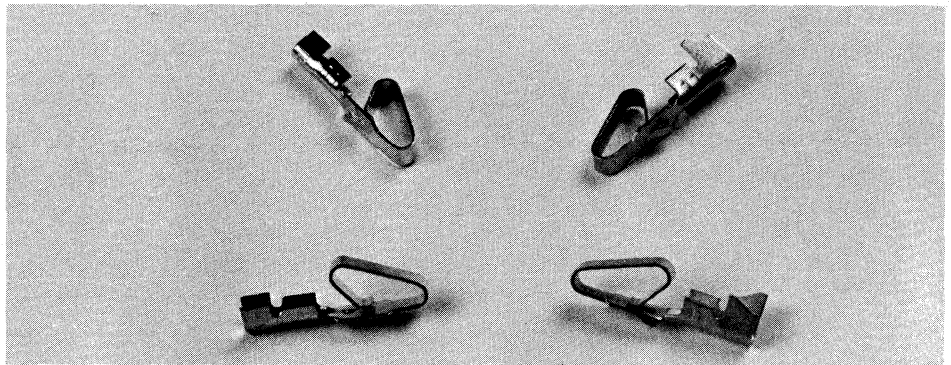


Models 2478, 2578, 2878 & 6778 Crimp Terminals for Single Sided Housings

General Features:

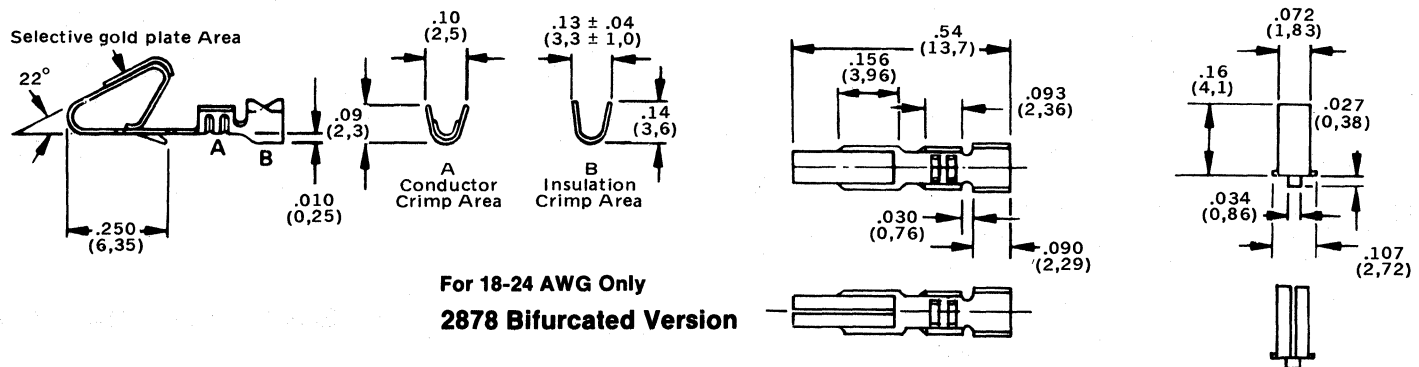
- Crimp wire size 18-26 AWG
- Contact material brass
- Tin, bright acid tin or gold plate
- Patented double cantilever design

For use with housing model numbers 3074 and 2574.



Dimensions:

Models 2478, 2878



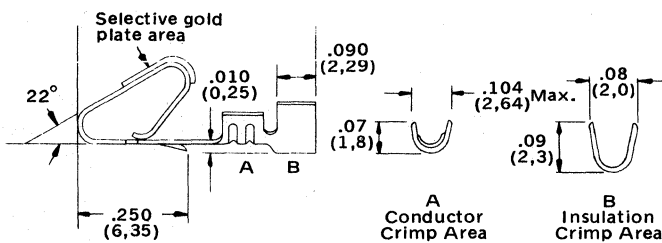
For 18-24 AWG Only
2878 Bifurcated Version

Tooling Specifications

and Ordering Information:

Model 2578

inches
mm



For 22-26 AWG

Terminal Model	Hand Tools		Crimp Machine	
	Crimping Order and (Model) No. (HTR-2445-A)	Extraction Order and (Model) No. (HTA-2174)	Bench Order and (Model) No. (CM-2442-E)	Automatic Model
2478			11-04-0039	Artos(b)
2578(a)	11-01-0026	11-03-0016	11-04-0040	
2878			11-04-0039	

- (a) Specify bench machine stripper-crimper SC-2769-244-C, Order Number 11-04-0040a, for special application cable wire that cannot be stripped automatically;
- (b) Contact Molex representative for combined Molex/Artos specifications.

Specifications and Ordering Information:

Crimp Wire Size	Insulation Diameter	Model No.	Order Number	
			Chain Form	Loose Form
18-24(a)	.100 (2,54) or .110 (2,79)	2478	08-50-0105	08-50-0106
		2478(b)	08-50-0119	08-50-0120
		2478(c)	08-50-0125	08-50-0216
		2478(d)	08-55-0103	08-55-0104
		2478(e)	08-56-0105	08-56-0106
		2878(f)	08-50-0115	08-50-0116
22-26	.065 (1,65)	2578	08-50-0107	08-50-0108
		2578(g)	08-50-0111	08-50-0112
		2578(c)	08-50-0133	08-50-0134
		2578(d)	08-55-0105	08-55-0106
		2578(e)	08-56-0107	08-56-0108
24-30	.062 (1,57)	6778*	08-50-0155	08-50-0156

- (a) For 18-24 AWG wire with 2,54 mm (.100) insulation diameter, use connector Model 2159; with 2,79 mm (.110) insulation diameter, connector Model 2574.
- (b) 0,00381 mm (.00015) pre-plated brite acid tin over 0,0008 (.00003) nickel underplate.
- (c) .00004" (.001mm Hot Tin Dip) Phos. Bronze .011" (.28mm) Thick.
- (d) Selective gold plate 0,0005 (.00002) minimum over 0,0008 (.00003) minimum copper.
- (e) 0,0005 (.00002) minimum gold plate over 0,0008 (.00003) minimum nickel-plated brass.
- (f) Bifurcated version.
- (g) Tin-plated after fabrication 0,008 (.0003) minimum.
- * Code 901



Single Sided

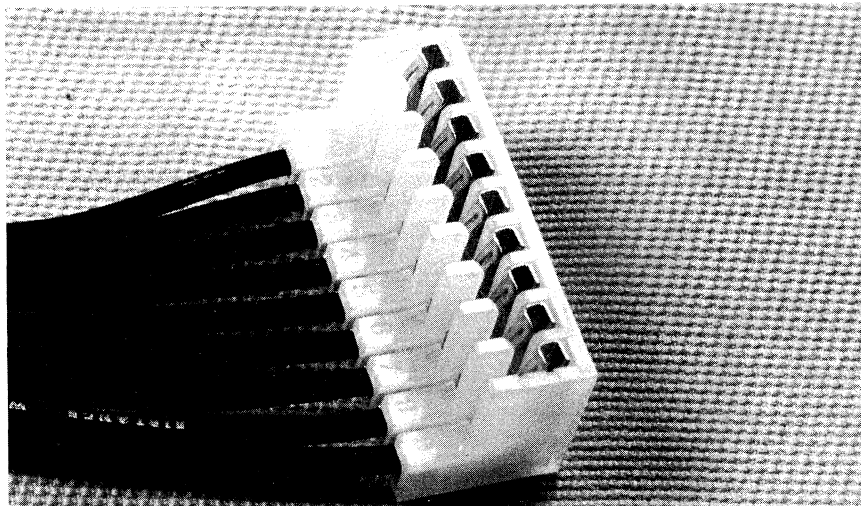
Model 1800M .156" (3,96 mm) Right Angle P.C. Edge Connector Housing for Crimp Terminals

General Features:

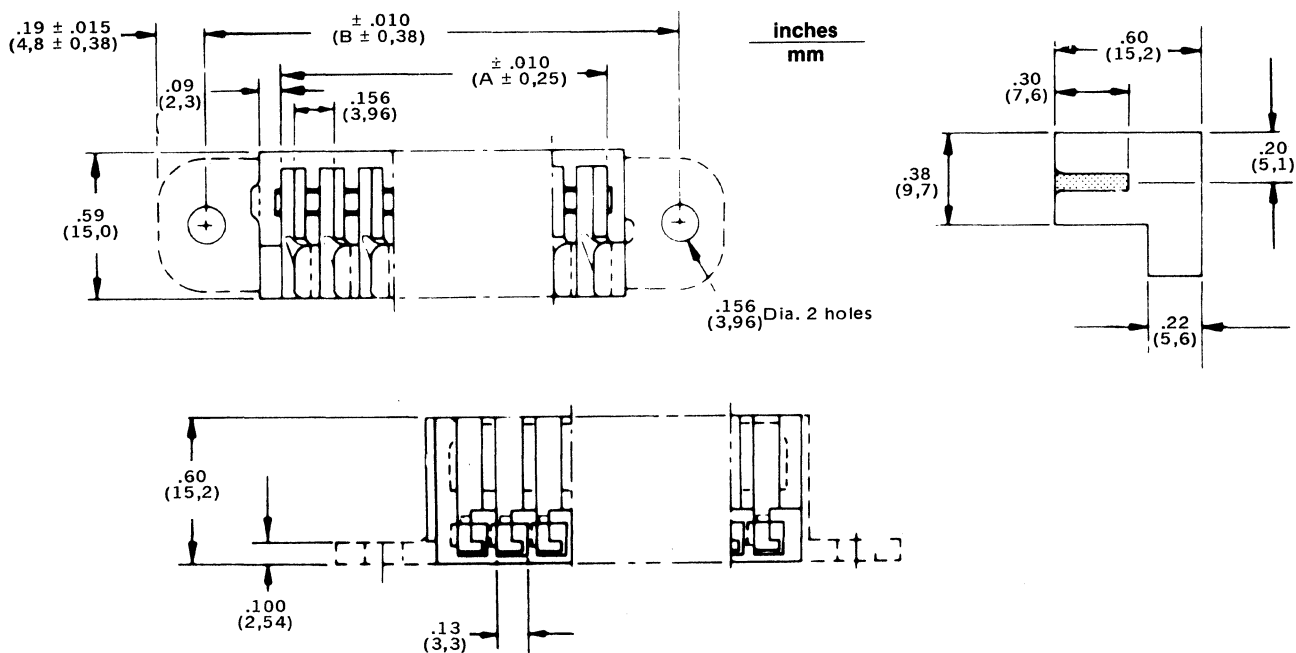
- .156" centers
- 94 V-2 nylon material
- 94 V-0 available upon request
- Uses patented bifurcated terminals
- Will accept 0.062" P.C. boards
- Polarizing Key 1800K

Terminals:

1799



Dimensions:



Dimensions and Ordering Information:

Circuits	W/O Flange	With Flange	Dim. A		Dim. B	
	Order No.	Order No.	In.	MM	In.	MM
6	09-02-1062	09-02-2062	.882	22,40	1.472	37,39
9	09-02-1092	09-02-2092	1.350	34,29	1.940	49,28
12	09-02-1122	09-02-2122	1.818	46,18	2.408	61,16
15	09-02-1152	09-02-2152	2.286	58,06	2.876	73,05
18	09-02-1182	09-02-2182	2.754	69,95	3.344	84,94
21	09-02-1212	09-02-2212	3.222	81,84	3.812	96,82
22	09-02-1222	09-02-2222	3.378	85,80	3.968	100,79

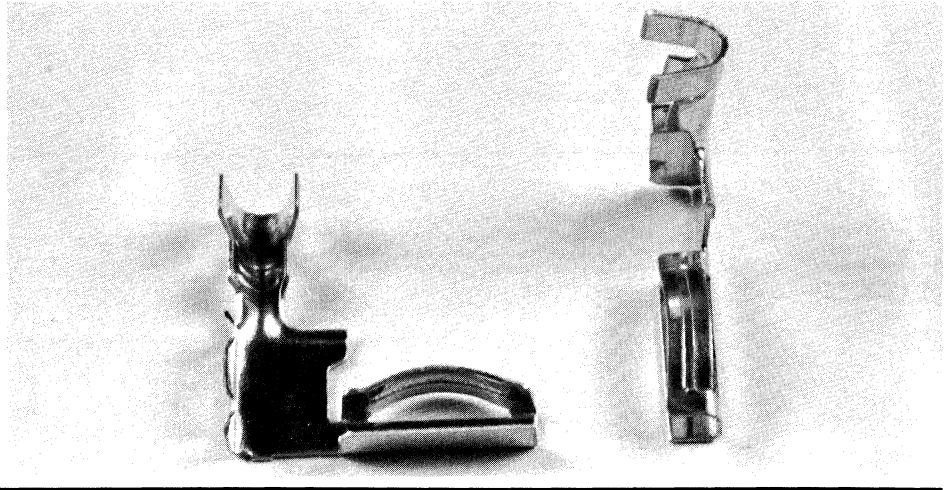
	Order No.
Polarizing Key 1800K	15-04-0216

Model 1799 Right Angle Crimp Terminals

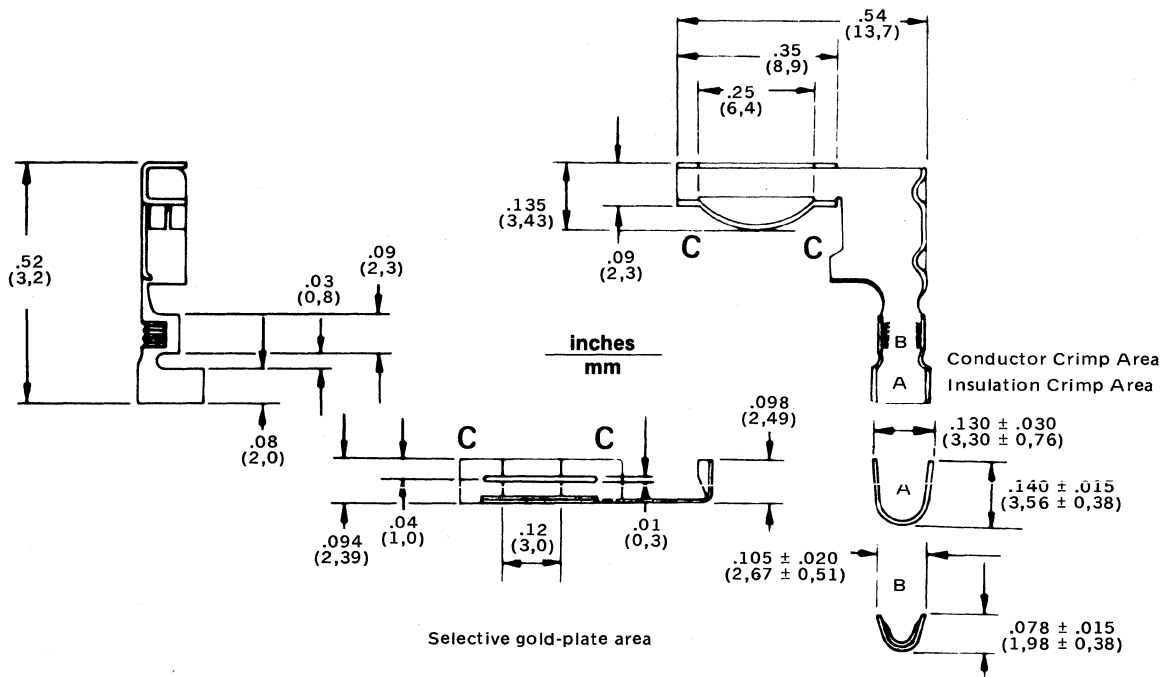
General Features:

- Crimp wire size 18-24 AWG
- Contact material brass
- Pre-tin or gold plate
- Patented Bifurcated contact area

For use with housing model number 1800M.



Dimensions:



Tooling Specifications and Ordering Information:

Terminal Model	Hand Tools		Crimp Machine	
	Crimping	Extraction	Bench	Automatic
	Order and (Model) No. (HTR-1719-C)	Order and (Model) No. (HTA-1884)	Order and (Model) No. (CM-1837)	Model
1799	11-01-0008	11-03-0004	11-04-0019	Artos(a)

(a) Contact Molex representative for combined Molex/Artos specifications.

Wire Size	Insulation Diameter	Order Number	
		Chain Form	Loose Form
18-24	.060-.120 (1,52-3,05)	08-30-0109	08-30-0110
		08-34-0105	08-34-0106
		08-35-0105	08-35-0106

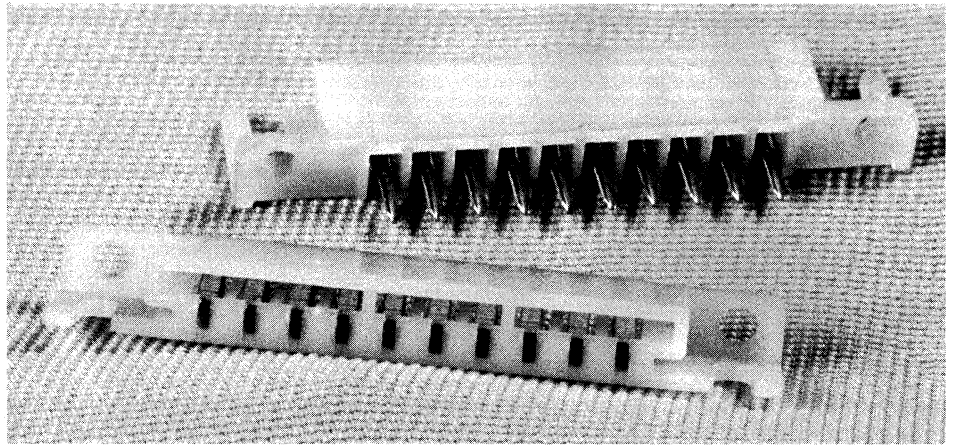
- (a) Tin-plated brass.
- (b) 0,0005 mm (.00002) minimum selective gold plate over 0,0008 mm (.00003) minimum nickel-plated brass.
- (c) 0,0005 mm (.00002) minimum gold plate over 0,0008 mm (.00003) minimum nickel-plated brass.



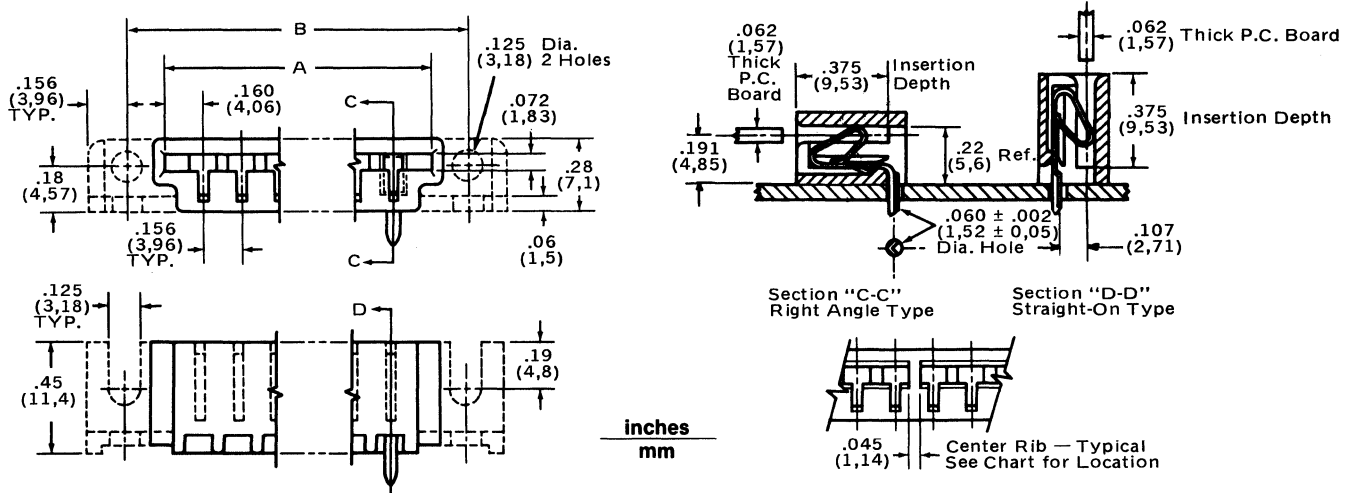
Model 2184 .156" (3,96 mm) Single Sided P.C. Tail Edge Connector

General Features: _____

- .156" centers
- 94 V-2 nylon material
- Polarization provided by structural ribs
- Housing preassembled with plated brass terminals.
- Straight or right angle mounting
- Will accept .062" P.C. board
- Tin or gold plated brass



Dimensions: _____



Dimensions and Ordering Information: _____

No. of Circuits	Eng. No.	Order No.*	Dim. A .015 ±(.38)	Dim. B .015 ±(.38)	Center Rib Location	Mounting Flanges	Type	
6	A-2184-6B	09-03-1062	1.100 (27,94)	1.536 (39,01)	None	No	Straight-on right angle	
	A-2184-6A	09-03-1061				Yes	Straight-on right angle	
	A-2184-61B	09-03-2062	1.568 (39,83)			Between ckt. 5 & 6	No	Straight-on right angle
	A-2184-61A	09-03-2061					Yes	Straight-on right angle
9	A-2184-9B	09-03-1091	1.724 (43,79)	2.160 (54,86)	(2) Between ckt. 4 & 5; 7 & 8	No	Straight-on right angle	
	A-2184-9A	09-03-1092				Yes	Straight-on right angle	
	A-2184-91B	09-03-2092	2.004 (50,90)			Between ckt. 5 & 6	No	Straight-on right angle
	A-2184-91A	09-03-2091					Yes	Straight-on right angle
10	A-2184-10B	09-03-1102	1.724 (43,79)	2.160 (54,86)	(2) Between ckt. 4 & 5; 7 & 8	No	Straight-on	
	A-2184-10A	09-03-2102				Yes		

*These order numbers are for Tin-plated 70/30 Brass terminals.

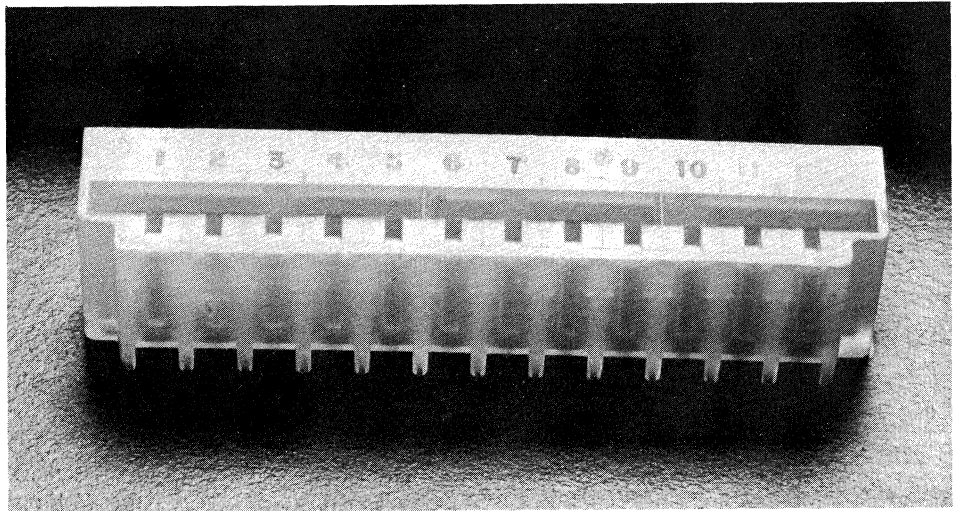
All dimensions: Inches
(metric)

For Gold, use number 09-04-XXXX in place of 09-03-XXXX.

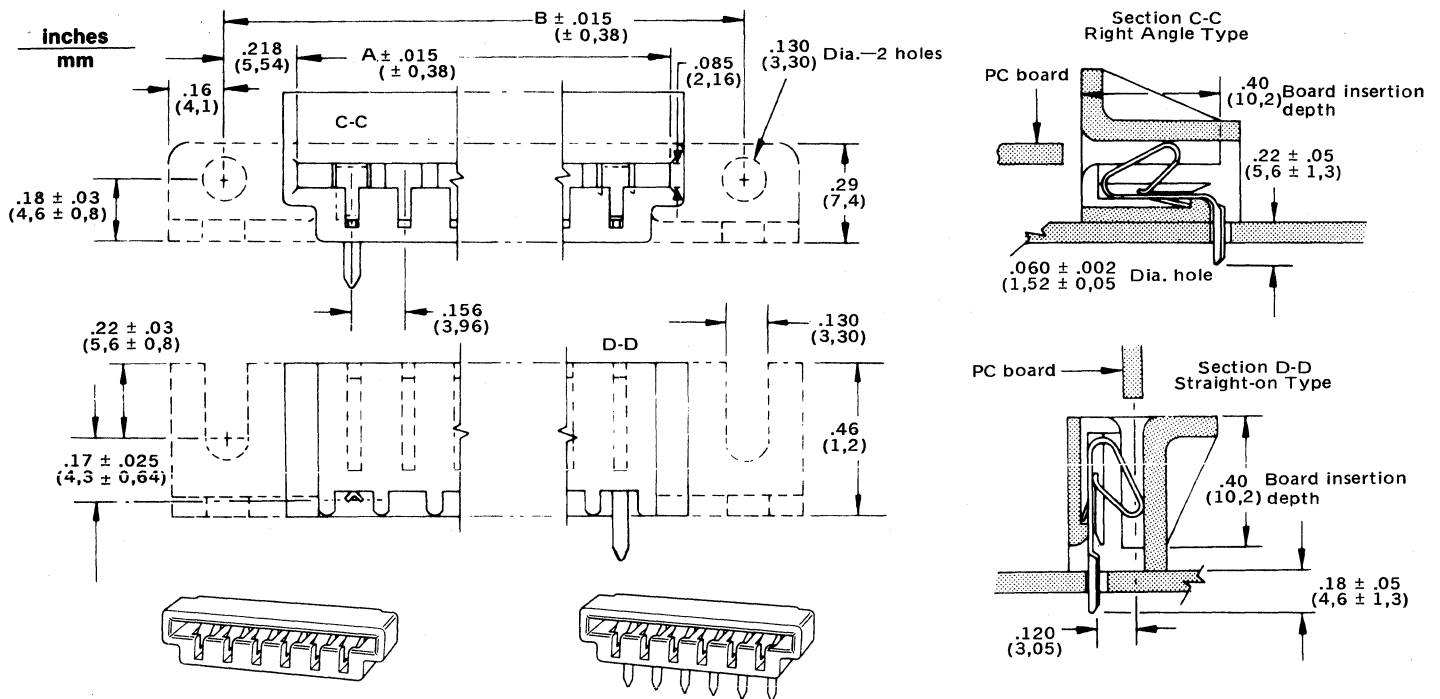
Models 4484 and 2690 .156" (3,96 mm) Single Sided P.C. Tail Edge Connector

General Features:

- .156" Centers
- 94 V-2 nylon material
- Optional mounting flanges
- Polarization provided by structural ribs
- Housing preassembled with tin plated brass terminals.
- Straight or right angle mounting
- Will accept .062" P.C. board
- Available with optional bubble locks (7215) contact factory for ordering information.



Dimensions:



Dimensions and Ordering Information:

Without Mounting Flange

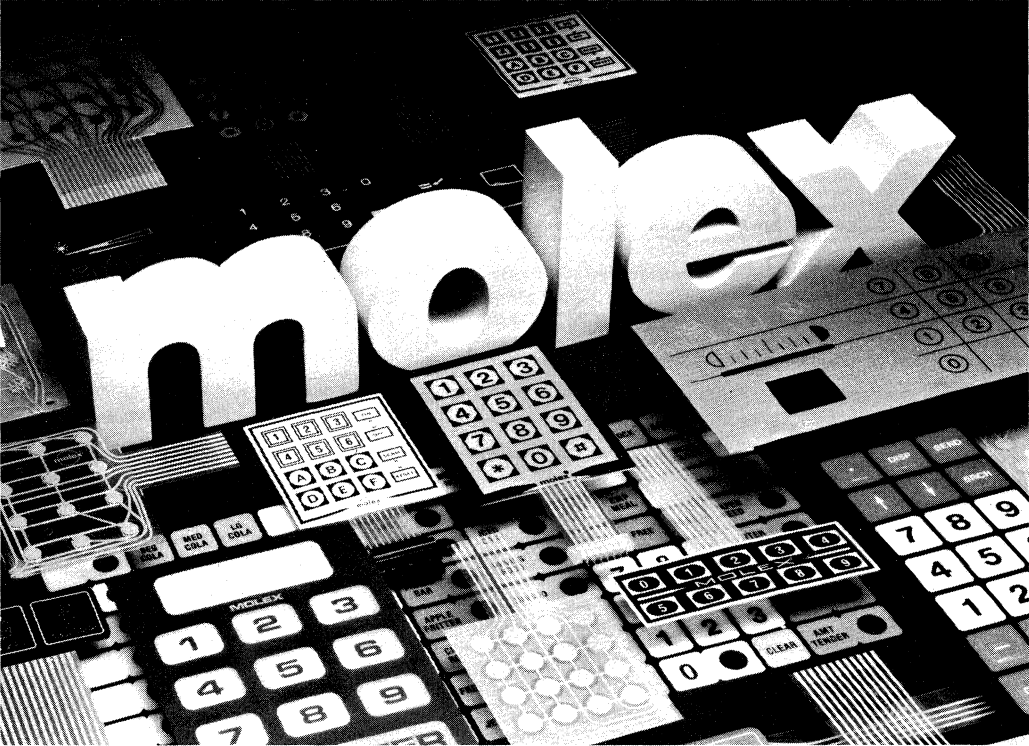
Model No.	Circuits	Right Angle	Straight On	Dim. A		Dim. B	
		Order No.	Order No.	In.	MM	In.	MM
4484	10(a)	09-03-1105	09-03-1104	1.724	43,79	2.160	54,86
	12(b)	09-03-1125	09-03-1124	2.036	51,71	2.472	62,79
	15(c)	09-03-1155	09-03-1154	2.504	63,60	2.040	74,68
2690	24	09-14-6245	—	.780 ± .020	96,01 ± 0,51	—	—

With Mounting Flange

Model No.	Circuits	Right Angle	Straight On	Dim. A		Dim. B	
		Order No.	Order No.	In.	MM	In.	MM
4484	10(a)	09-03-2105	09-03-2104	1.724	43,79	2.160	54,86
	12(b)	09-03-2125	09-03-2124	2.036	51,71	2.472	62,79
	15(c)	09-03-2155	09-03-2154	2.504	63,60	2.040	74,68

Center Ribs Between Circuits: (a) 4-5 & 7-8
 (b) 5-6 & 9-10
 (c) 4-5, 7-8, & 11-12

Switches



Contents



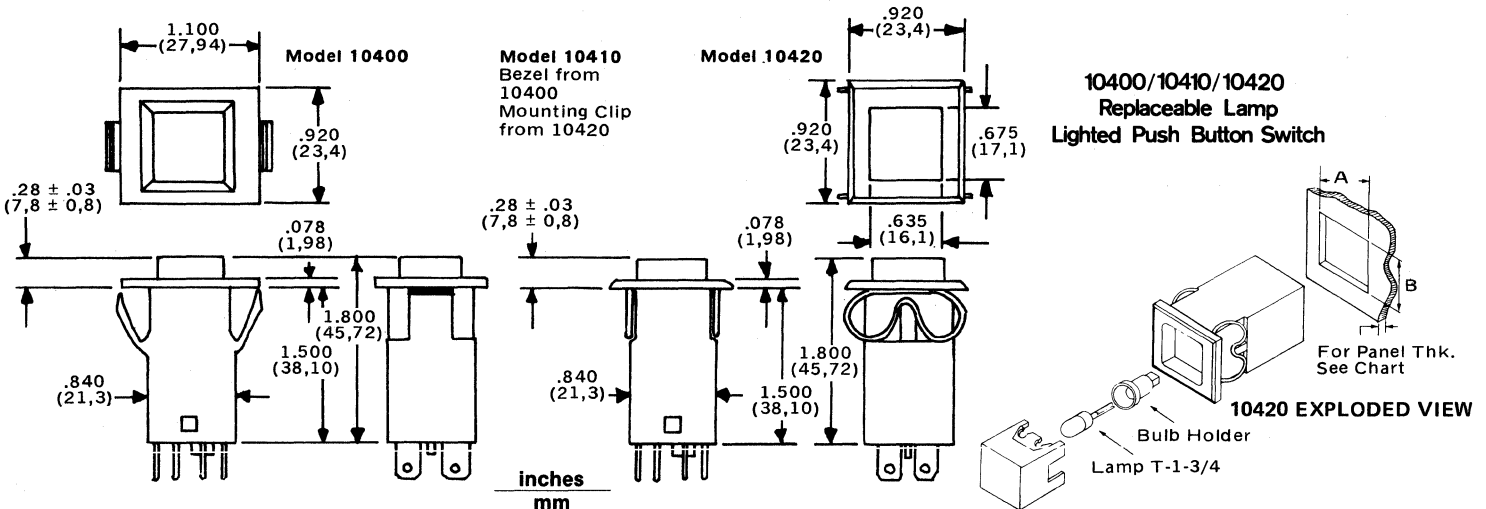
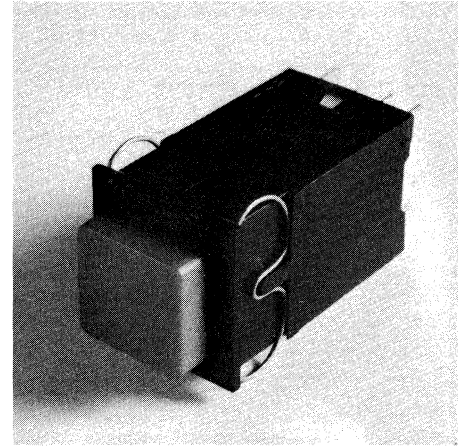
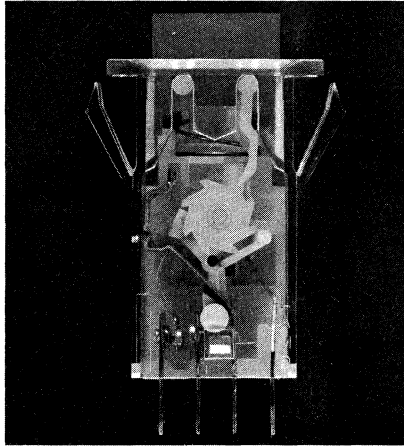
Lighted Pushbutton Switches	2F-7F
Membrane Switches	8F-11F
Shunt/Jumper	12F



Lighted Push Button Switch Model 10400/10410/10420

General Features:

- SPST, SPDT, DPST & DPDT
- Replaceable Lamp
- Front panel snap mounting
- 50,000 cycle mean life
- Wide selection of lenses, bezels and legends
- Contact resistance less than 10 milliohms (Initial)
- Contact ratings of 100 milliamps, 10.1 and 15 amps
- UL & CSA listed
- Dependent or independent lamp circuitry
- Optional neon lamp with internal dropping resistor
- Pilot light only
- Momentary, alt. action, normally open/closed versions



TECHNICAL SPECIFICATIONS

ELECTRICAL

UNDERWRITER LISTINGS

UL Card Number E33149 — CSA Approval 29661

SWITCH RATING	10400 UL-CSA	UL-CSA
Amps (AC)	10.1	15
Voltage (AC)	125/250	125/250
Dielectric (Volts, RMS)	900	900
Amperers at overload for 50 cycles	12.625	18.75
Type of test load	INDUCTIVE	
Power Factor for test load	75-80%	
Endurance test at rated amperers	6000 Cycles	

BULBS (Incandescent)

Volts	Mean Spherical Candle Power	Rated Avg. Lab life hrs.	Size	Amps	Commercial Designation
6.0 Max.	.32	70,000	1/4	.19	2181
12.0 Max.	.12	10,000	1/4	.04	2174
14.0 Max.	.30	50,000	1/4	.08	2181
28.0 Max.	.30	25,000	1/4	.04	2187

NOTE: Any voltage T1 1/4 lamp with wire leads will function.

Switch is also available with a 125VAC / 250VAC Neon Lamp. The Neon Lamp is NOT replaceable.

Switch Type	Dim. A	Dim. B	Panel Thickness
10400	1.050	.875	.030 to .109
10410	.875	.875	.030 to .125
10420	.875	.875	.030 to .125

MECHANICAL

SWITCH ACTION

- Alternate Action: Push-on - Push-off SPST
- Alternate Action: Push - Push SPST (Transfer Circuit)
- Momentary Normally Open SPST
- Momentary Normally Closed SPST
- Alternate Action: Push-on - Push-off DPST
- Alternate Action: Push - Push DPST (Transfer Circuit)
- Momentary Normally Open DPST
- Momentary Normally Closed DPST
- Momentary DPDT
- Momentary SPDT



BUTTON COLORS

Incandescent - White/Red/Orange/Blue/Black/Green/Yellow
Neon - Red/Amber/Yellow/White/Clear/Green

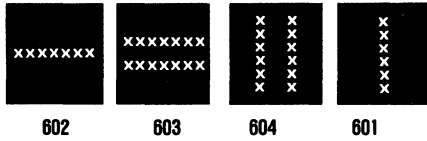
HOT STAMPING OF BUTTONS

Words, letters, numbers and symbols can be hot stamped. Red, Blue, Green, and Black buttons are stamped in White, Amber, Yellow, and White buttons are stamped in Black.

Hot Stamp Button Legend

- Horizontal Legends
7 Letters Max.
- Vertical Legends
6 Letters Max.
- Standard Characters
MM1 .100 High

MTG Ears or Clip Sides



BEZELS

Black or White nylon is standard. Optional colors are available on special order.

MATERIALS

Housing molded from UL listed material with maximum usage temperature 65°C. Switch movements are precision Beryllium Copper with precious metal contacts.

MOUNTING 10400

Integrally molded snap-lock ears positive lock in panels .109 inches thick or less. All switches are front entry. Positive locked switches can be released for front removal by compressing mounting ears from behind panel.

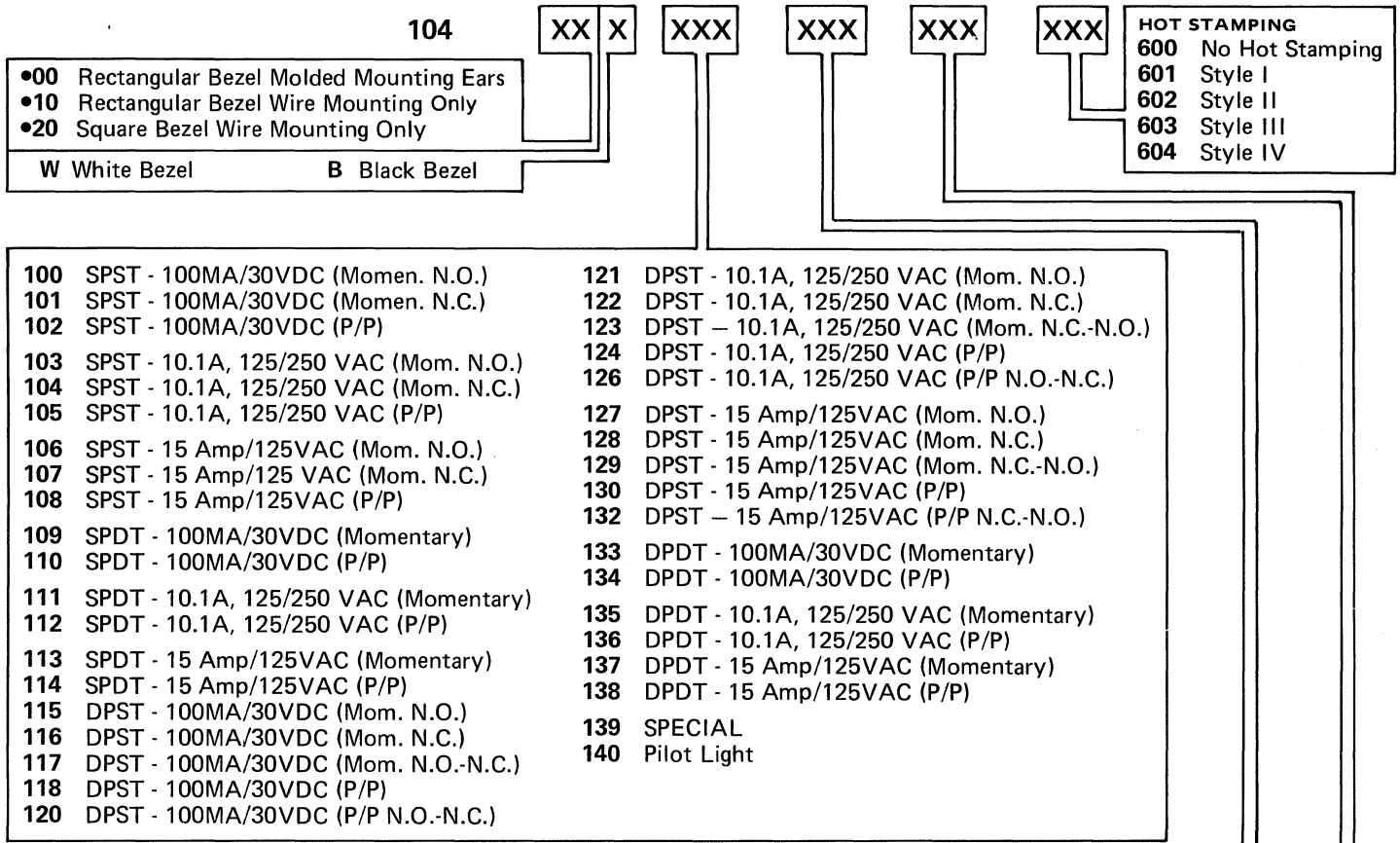
MOUNTING 10410 and 10420

Wire form snap in panels .125 inches thick or less, and will friction fit in panels up to a maximum of 1 inch. All switches are front entry and front removal.

SWITCH LEADS

.02 x .19 x .30-inch spade terminals. (10.1 Amp and Low Energy Switch)
 .032 x .25 x .40-inch spade for 15 Amp.

ORDERING DATA : Complete the numerical description by placing the three-digit identification for *each* option in proper sequence.



BULB	REPLACEABLE LAMP	Incandescent Lamp	Neon
300 No Bulb w/light term.	305 6 V Independent	} Incandescent Lamp	} Neon
301 125 V Independent	306 6 V Dependent		
302 125 V Dependent	307 12 V Independent		
303 250 V Independent	308 12 V Dependent		
304 250 V Dependent	309 14 V Independent		
	310 28 V Independent		
	311 28 V Dependent		
	312 SPECIAL		
	313 No Bulb, no light term.		
	314 14 V Dependent		
	399 Non-Standard (Specify)		
			411 White
			412 Red
			413 Orange
			414 Blue
			415 Black
			416 Green
			417 Yellow
			418 Red 125/250V
			419 Yellow 125/250V
			420 Amber 125/250V
			421 White 125/250V
			422 Clear 125/250V
			423 Green 125/250V
			499 Non-Standard (Specify)

•Standard Switch Types. Consult your local distributor for availability.

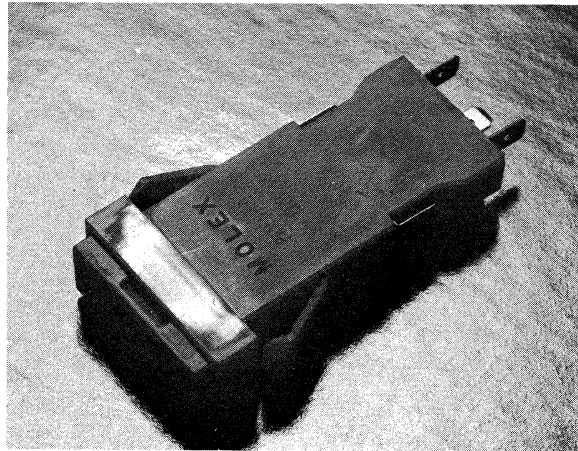


Lighted Push Button Switches

1820 RL

General Features:

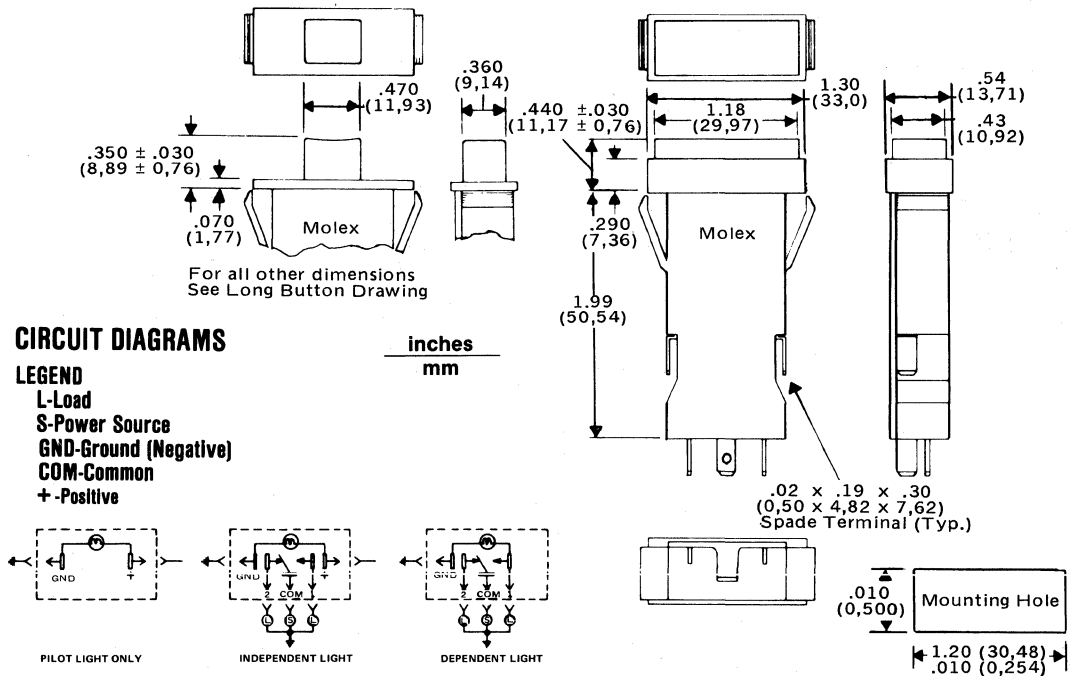
- Replaceable bulb
- SPST & SPDT
- 2, 6 & 9 amps.
- UL rated
- 7 button colors
- Hot stamping
- 25,000 cycles
- Neon lamp option
- Stacking versatility



1820

General Features:

- Long or short button
- SPST & SPDT
- 2, 6, & 9 amps.
- UL & CSA listed
- 7 button colors
- Hot stamping
- 25,000 cycles
- Neon lamp option
- Stacking versatility



TECHNICAL SPECIFICATIONS

ELECTRICAL

UNDERWRITER LISTINGS

Card Numbers	UL E33149	CSA 29661
Switch with or without pilot light	UL E33149	CSA 29661
Pilot light only	UL E40888	CSA 29653

SWITCH RATING

	2	4.5	6	9
Amps (AC)	2	4.5	6	9
Voltage (AC)	125	250	125	125
Dielectric (Volts, RMS)	900	900	900	900
Amps at 150% overload for 50 cycles	3	6.75	9	13.5
Type of test load	INDUCTIVE			
Power factor for test load	75-80%			
Endurance test at rated amperes	6000 cycles			

BULBS (Incandescent) 1820 RL ONLY

Volts	Mean Spherical Candle Power	Rated Avg. Lab life hrs.	Size	Amps	Commercial Designation
6.0	.32	70,000	1 $\frac{1}{4}$.19	379
12.0	.28	6,000	1 $\frac{1}{4}$.07	336
14.0	.30	50,000	1 $\frac{1}{4}$.08	386
28.0	.30	25,000	1 $\frac{1}{4}$.04	388

BULBS 1820 ONLY

Type	Volts	Mean Spherical Candle Power	Rated Avg. Lab life hrs.	Size	Amps	Commercial Designation
Independent	6.0	.46	5,500	1 $\frac{1}{4}$.19	2112
Dependent	6.0	.016	92,000	1 $\frac{1}{4}$.038	2180
Independent	12.0	.10	10,000	1 $\frac{1}{4}$.04	2174
Dependent	12.0	.12	10,000	1 $\frac{1}{4}$.04	2174
Independent	14.0	.50	10,000	1 $\frac{1}{4}$.10	2164
Dependent and						
Independent	14.0	.30	50,000	1 $\frac{1}{4}$.08	2182
Dependent	28.0	.20	50,000	1 $\frac{1}{4}$.04	2185
Independent	28.0	.30	7,000	1 $\frac{1}{4}$.04	2187
Neon with 39K series resistor	125.0	.02	25,000	NE2H	.002	ASA Type C2A
Neon with 100K series resistor	250.0	.02	25,000	NE2H	.002	ASA Type C2A

MECHANICAL

SWITCH ACTION

Alternate action: Push on-push off SPST
 Alternate action: Push on-push off SPDT
 Momentary normally open SPST
 Momentary normally closed SPST

Momentary SPDT
 • Pilot light without switch
 • Switch without light

BUTTONS

White, Red, Amber, Blue, Black, Green, or Yellow (For 125 or 250 VAC Neon Bulb applications - Green, Blue, and Black buttons are not recommended.)

HOT STAMPING OF BUTTONS

Words, letters, numbers and symbols can be hot stamped. Red, Blue, Green and Black buttons are stamped in White. Amber, Yellow, and White buttons are stamped in Black.

Standard Lettering - .120 inches high having .030 inches between lines.



STYLE I
 Two lines maximum.
 Eight letters per line.



STYLE II
 Two lines maximum.
 Eleven letters per line



STYLE III
 Eight lines maximum.
 Four letters per line.

Letters per line vary with optional type styles.

BEZELS

Black or White nylon is standard.
 For short button models - optional metal bezels with Chrome, Gold or Black oxide finishes are available.

MATERIALS

Housing molded from UL listed nylon with maximum usage temperature 105°C. Switch movements are precision copper alloy stampings-Silver contacts are provided for 4.5, 6 and 9-amp usage.

MOUNTING

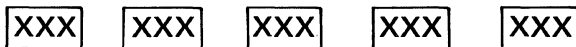
Integrally molded snap-lock ears provide positive lock in panels .120 inches or less, and will friction fit in panels up to a maximum thickness of 1 inch. All switches are front entry. Positive locked switches can be released for front removal by compressing mounting ears from behind panel. Friction fits do not require compression of the mounting ears for removal.

SWITCH LEADS

.02 x .19 x .30-inch spade terminals.

Ordering Information; 1820RL or 1820: Complete the numerical description by placing the three-digit identification for *each* option in proper sequence.

1820RL or 1820



STAMPING (Specify legend)

- | | |
|-----------------------------------------------------------------------|----------------------------------------------------------------|
| 600 No hot stamp | 604 Style I (vertical button, vertical legend) long |
| 601 Style I (vertical button, vertical legend) short 1820 | 605 Style II (horizontal button horizontal legend) long |
| 602 Style II (horizontal button, horizontal legend) short 1820 | 606 Style III (vertical button, horizontal legend) long |
| 603 Style III (vertical button, horizontal legend) short 1820 | 699 Non-standard legend (specify) |

ACTION (125VAC)

- 120** Pilot only—no switch
 - 121** 2 amp alternate action, SPST
 - 122** 2 amp alternate action, SPDT
 - 123** 2 amp momentary, normally open
 - 124** 2 amp momentary, normally closed
 - 125** 2 amp momentary SPDT
 - 126** 6 amp alternate action SPST
 - 127** 6 amp alternate action SPDT
 - 128** 6 amp momentary, normally open*
 - 129** 6 amp momentary, normally closed*
 - 130** 6 amp momentary SPDT*
 - 131** 9 amp alternate action, SPST
 - 132** 9 amp alternate action, SPDT
 - 133** 9 amp momentary, normally open SPST
 - 134** 9 amp momentary, normally closed SPST
 - 135** 9 amp momentary, SPDT
- *Not UL or CSA listed

BUTTON 1820

- 414** White long button
- 415** Red long button
- 416** Amber long button
- 417** Blue long button
- 418** Black long button
- 419** Green long button
- 420** Yellow long button
- 421** White short button
- 422** Red short button
- 423** Amber short button
- 424** Blue short button
- 425** Black short button
- 426** Green short button
- 427** Yellow short button
- 499** Non-standard color (specify)

BUTTON 1820 RL

- 428** White
- 429** Red
- 430** Amber
- 431** Blue
- 432** Black
- 433** Green
- 434** Yellow
- 499** Non-standard color (specify)

BULB 1820RL

- | | |
|------------------------------------------|--------------------------------------|
| 303 No bulb independent lamp term | 324 6V independent |
| 313 No bulb dependent lamp term | 325 125V dependent |
| 331 28V independent | 326 250V dependent (4.5 amps) |
| 332 14V independent | 327 28v dependent |
| 333 12V independent | 328 14V dependent |
| 334 6V independent | 329 12V dependent |
| 335 28V dependent | 330 6V dependent |
| 336 14V dependent | |
| 337 12V dependent | |
| 338 6V dependent | |
| 339 Non-standard bulb | |

BULB (1820 only)

- 300** No bulb—switch only
- 301** 125V independent
- 302** 250V independent (4.5 amps)
- 321** 28V independent
- 322** 14V independent
- 323** 12V independent

BEZEL

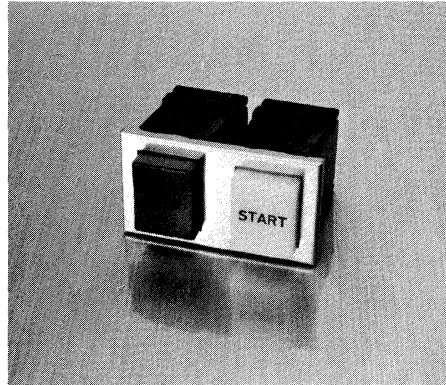
- 509** Chrome (short) 1820
- 510** Gold (short) 1820
- 511** Black oxide (short) 1820
- 512** Black nylon (short) 1820
- 513** White nylon (short) 1820
- 514** Black nylon (long) 1820
- 515** White nylon (long) 1820
- 516** Black nylon 1820RL
- 517** White nylon 1820 RL
- 599** Non-standard Bezel (specify)

Lighted Pushbutton Switches

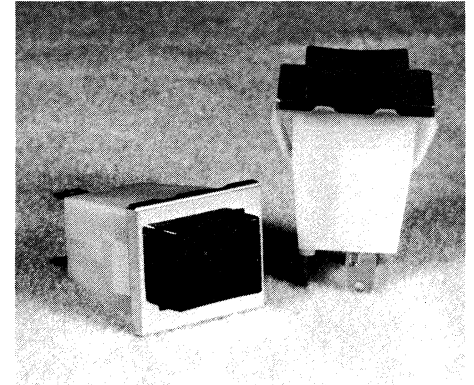
1175

General Features:

- SPST
- 2 or 8.5 amps.
- UL & CSA rated
- 1, 2 or 3 switch configurations
- 7 button colors
- Hot stamping
- 25,000 cycles
- Incandescent or neon bulbs
- Lead wire option

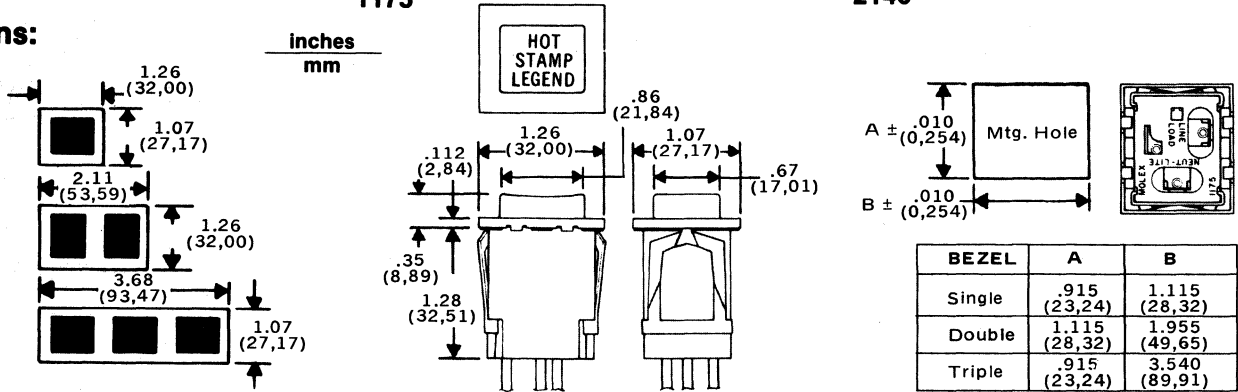


1175



2146

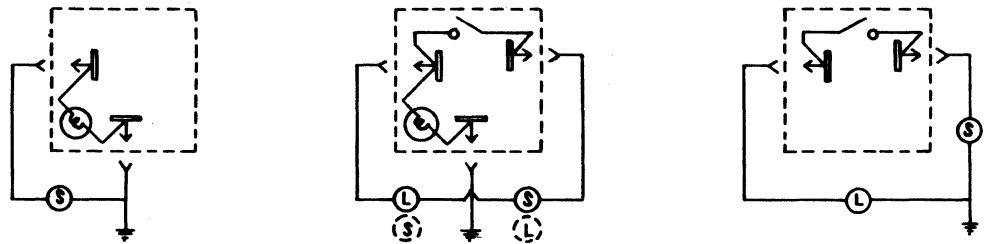
Dimensions:



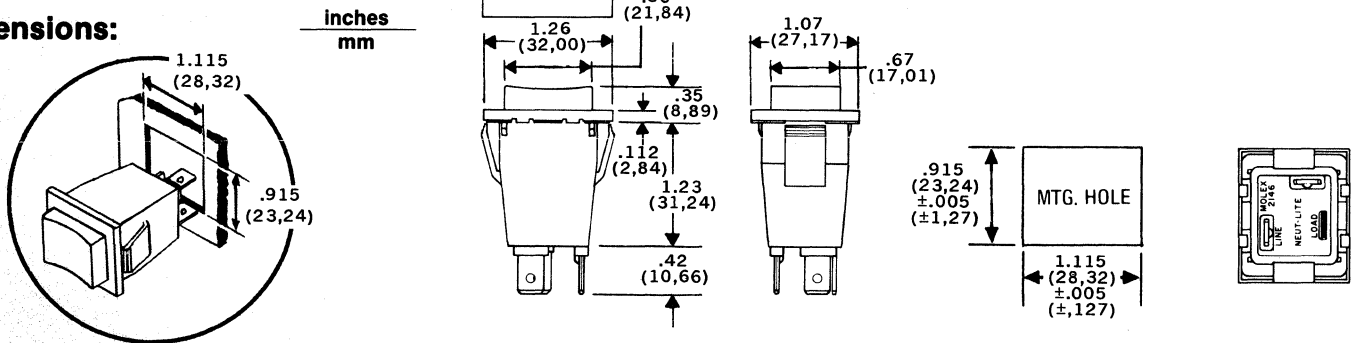
2146

General Features:

- SPST
- 2 or 8.5 amps.
- UL & CSA rated
- Molded mounting ears
- 7 button colors
- Hot stamping
- 25,000 cycles
- Incandescent or neon bulbs



Dimensions:



TECHNICAL SPECIFICATIONS

ELECTRICAL

UNDERWRITER LISTINGS

Card Numbers		
Switch with or without pilot light	UL E33149	CSA 29661
Pilot light only	UL E40888	CSA 29653

SWITCH RATING

Amperes (AC)	2	4.25	8.5
Voltage (AC)	125	250	125
Dielectric (Volts, RMS)	900	900	900
Amperes at 150% overload for 50 cycles	3	6.4	12.8
Type of test load	INDUCTIVE		
Power factor for test load	75-80%		
Endurance test at rated amperes	6000 cycles		



BULBS

Type	Volts	Mean Spherical Candle Power	Rated Avg. Lab Life Hrs.	Size	Amps	Commercial Designation
Incandescent	6.0	.06	3,000	1 1/4	.06	2114
Incandescent	12.0	.10	10,000	1 1/4	.04	2174
Incandescent	14.0	.30	50,000	1 1/4	.08	2182
Incandescent	28.0	.20	50,000	1 1/4	.04	2185
Neon with 30K series resistor	125.0	.02	25,000	NE2H	.002	ASA Type C2A
Neon with 100K series resistor	250.0	.02	25,000	NE2H	.022	ASA Type C2A

MOUNTING

Type	Panel Thickness
Standard clip - allows switch to be easily removed front of panel (pressure fit)	(912) .031 (minimum)
"Snap-in" mounting clip for positive panel locking	(910) .031 to .109
"Snap-in" mounting clip for positive panel locking	(911) .100 to .171

All three clip types are front entry and front removable. "Snap-in" switches can be released for front removal by compression of the clips from behind panel. Pressure fits do not require clip compression for removal.

MOUNTING (2146 only)

Integrally molded mounting ears "Snap-in" in panel thickness ranging from .031 to .125 inches, and will pressure fit in panels up to 1 inch in thickness. All switches are front entry. "Snap-In" switches can be released for front removal by compressing mounting ears from behind panel. Pressure fits do not require compression of the mounting ears for removal.

MECHANICAL

SWITCH ACTION

Alternate Action: Push on-push off SPST
Momentary normally open SPST

Momentary normally closed SPST
Pilot light without switch
Switch without light

BUTTONS

Style - Standard buttons are of molded nylon. Hot stamping with standard or custom legends are available for both.

Ordering Information

Complete the numerical description by placing the three-digit identification for *each* option in proper sequence.

1175 or 2146

XXX

XXX

XXX

XXX

XXX

XXX

XXX

MOUNTING (1175 only)		
910	1175-8	
911	1139-10	
912	1175-8A	

LEADS (1175 only)			
901	.250" spades	902	6" wire leads (standard)
903	Non-standard leads (specify)		

ACTION (125 VAC) (1175 only)

- 100 Pilot only - no switch
- 101 2 amp alternate action; Push on-push off SPST
- 102 2 amp momentary, normally open SPST
- 103 2 amp momentary, normally closed SPST
- 104 8 1/2 amp alternate action; Push on-push off SPST
- 105 8 1/2 amp momentary, normally open SPST
- 106 8 1/2 amp momentary, normally closed SPST
- 107 8 1/2 amp (1/4 HP) alternate action? Push on-push off SPST
- 108 8 1/2 amp (1/4 HP) momentary, normally open SPST
- 109 8 1/2 amp (1/4 HP) momentary, normally closed SPST

ACTION (125 VAC) (2146 only)

- 110 Pilot only - no switch
- 111 2 amp alternate action? Push on-push off SPST
- 112 2 amp momentary contact normally open SPST
- 113 2 amp momentary contact normally closed SPST
- 114 8 1/2 amp alternate action? Push on-push off SPST
- 115 8 1/2 amp momentary contact normally open SPST
- 116 8 1/2 amp momentary contact normally closed SPST

STAMPING (Specify legend) (1175 only)

- 600 No hot stamp legend
 - 607 Style I (vertical button-vertical legend)
 - 608 Style II (horizontal button-horizontal legend)
 - 609 Style III (vertical button-horizontal legend)
 - 699 Non-standard legend (specify)
- ### STAMPING (Specify legend) (2146 only)
- 575 No hot stamp legend
 - 576 Style I (vertical button-vertical legend)
 - 577 Style II (horizontal button-horizontal legend)
 - 578 Style III (vertical button-horizontal legend)
 - 599 Non-standard legend (specify)

BEZEL (2146 and 1175)

- | | |
|------------------|----------------------------------|
| 500 Chrome | 506 Dual bezel—black oxide |
| 501 Gold | 507 Dual bezel—black enamel |
| 502 Black oxide | 508 Triple bezel, chrome |
| 503 Black enamel | 599 Non-standard bezel (specify) |
- ### BEZEL (1175 only)
- 504 Dual bezel—Chrome
 - 505 Dual bezel—gold

BUTTON

- | | |
|-----------|----------------------------------|
| 400 White | 405 Green |
| 401 Red | 406 Yellow |
| 402 Amber | 499 Non-standard color (specify) |
| 403 Blue | |
| 404 Black | |

BULB

- | | | | |
|-------------------------|--------------------------|----------------------|---------------------------------|
| 300 No bulb—switch only | 302 250V neon, 4.25 amps | 304 14V incandescent | 399 Non-standard bulb (specify) |
| 301 125V neon | 303 28V incandescent | 305 12V incandescent | |
| | | 306 6V incandescent | |

Color - White, Red, Amber, Yellow, Blue, Green or Black. (For 125 and 250 VAC neon bulb application—Green, Blue and Black buttons are not recommended.)

HOT STAMPING OF BUTTONS

Words, letters, numbers and symbols can be hot stamped. Red, Blue, Green and Black buttons are stamped in White. Amber, Yellow, and White buttons are stamped in Black.



STYLE I
Four lines maximum.
Five letters per line.



STYLE II
Three lines maximum.
Eight letters per line.



STYLE III
Five lines maximum.
Four letters per line.

Letters per line will vary with optional type styles.

BEZELS (1175 only)

Single and double metal bezels with Chrome, Gold, Black oxide or Black enamel finishes. Triple bezels available in Chrome only.

BEZELS (2146 only)

Single metal bezels with Chrome, Gold, Black oxide or Black enamel finishes.

MATERIALS (2146 only)

Housing molded from UL listed nylon rated with maximum usage temperature 105°C. Switch movements are precision copper alloy stampings—Silver contacts are provided for 4.25 and 8.5 amp usage.

MATERIALS

Housing molded from general purpose black phenolic rated with maximum usage temperature 105°C. Switch movements are precision copper alloy stampings—Silver contacts are provided for 4.25 and 8.5 amp usage.

SWITCH LEADS

Wire: 6-inch insulated length plus .50-inch stripped 18 AWG type PVC-105°C. (1175 only)

Spade terminal: .032 x .25 x .38 inch standard

10900 Membrane Switch

General Features:

- Compatible with microprocessor and digital circuitry
- Unlimited custom graphics and legending capabilities with minimum tooling expense
- Termination to mate with Molex No. 4850, No. 7583 & No. 5229 connectors
- Reliable long life contact system
- Complete design flexibility regarding circuit coding
- Environmentally sealed construction

Electrical:

Contact Rating - 28V DC30MA max.
Life - 5 million operations min. at maximum contact rating

Termination Resistance (min.) - 10/15 OHMs nominal (depends on circuit configuration); 100 OHMS max.
Contact Bounce - Less than 3 milliseconds

Switch Capacitance - Less than 20 Pf

Available Circuit Codes -

- SPST with 2 outputs per switch
- SPST with common buss

c. X-Y Matrix

d. Other circuit variations available upon request

Mechanical Specifications:

Actuation Force - 4 to 8 ounces

Button Travel - .005 to .008

Shock - 50 G. (3 hits on each axis)

Panel Thickness - .025/.040 typical

Graphics - 2nd surface printing of multiple colors; special effects and textures.

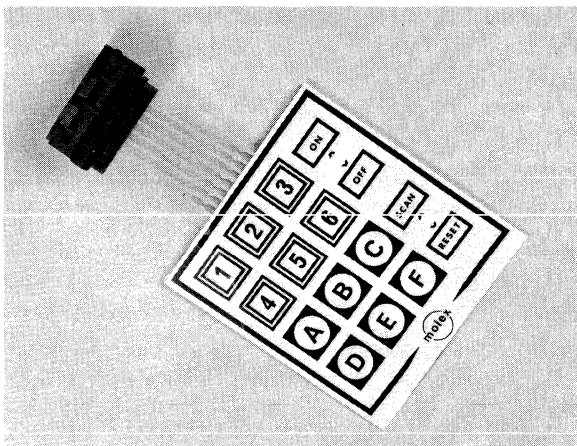
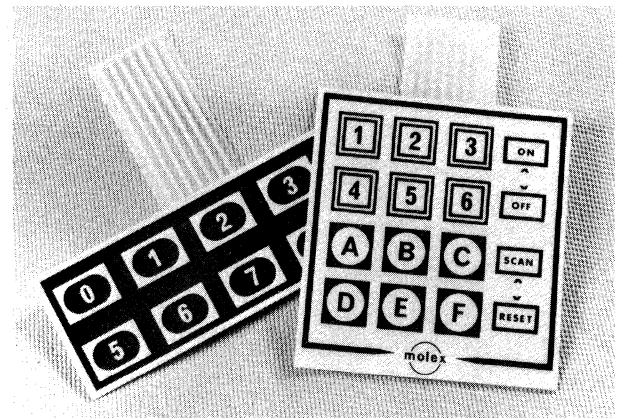
Mounting - Adhesive back or mounting holes

Environment Specifications:

Temperature Range (storage and operating) -- 40°C to 85°C

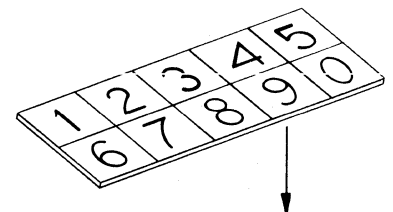
Humidity - Per Mil STD 202E, Method 103B

Salt Fog - 5% salt solution for 48 hours

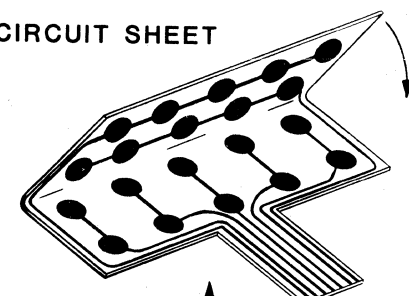


3 Connector Options

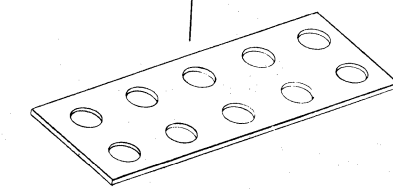
GRAPHIC OVERLAY



CIRCUIT SHEET



SPACER SHEET



The 10900 Membrane Switch construction consists of conductive silver contacts and interconnections deposited on two sections of a thin, flexible polyester sheet. A spacer layer with openings to create a contact gap is sandwiched between the two contact circuit halves and sealed. We thus have created a touch sensitive switch system that requires only 4 to 8 ounces of force to actuate. Upon actuation, the contact gap in the membrane section decreases until both silver contact surfaces meet and close the circuit. If special aesthetics are requested, a custom graphic overlay is secured to the top surface of the membrane switch.

designed for each customer, meeting his exact needs for switch contact spacing, aesthetics, mounting and termination. Termination to printed circuit boards and cable can be accomplished with standard Molex flat flexible circuitry connectors.

This exciting new switch product is designed for low energy, logic level switching requirements. Typical industry applications include micro-processor systems, telecommunications, medical electronics, appliances, automotive, consumer electronics, electronic games, and many more.

The 10900 Membrane Switch is custom



Custom Membrane Design Sheet

Submitted by _____

Date _____

1. Company _____

2. Address _____

3. Company Contact _____ Phone _____

4. Electrical Specifications:

A. Termination resistance (max.) _____

B. Voltage (operating) _____

C. Current (operating) _____

D. Switch circuitry: xy matrix _____ SPST _____ SPST/Common Buss _____

E. Other _____

5. Mechanical Specifications:

A. Special operating force _____ oz.

B. Method of mounting _____

C. Length of termination tail _____ Insulated Yes No

D. Switch panel size _____ x _____

E. Button spacing - Horizontal _____ Vertical _____

F. Type of termination 4850 _____ 7583 _____ 7745 _____ Other _____

G. Special graphics Yes No Existing artwork Yes No

6. Environmental

A. Operating temp. _____

B. Storage temp. _____

C. Humidity _____

D. Altitude _____

E. Other _____

7. Estimated annual usage _____ Production Start Date _____

8. Prototype (preproduction) Quantity _____ Date Required _____

9. Target Price: Production \$ _____ Prototype \$ _____

10. Drawing or sketch of switch (include outside and inside dimensions, center spacing of buttons, active touch area of buttons, location and length of termination tail, graphics requirements and a schematic or truth table explaining circuitry).



Standard Configurations

Molex realizes that often times your touch panel requirements could be satisfied by a standard configuration designed to easily interface with most common digital circuits.

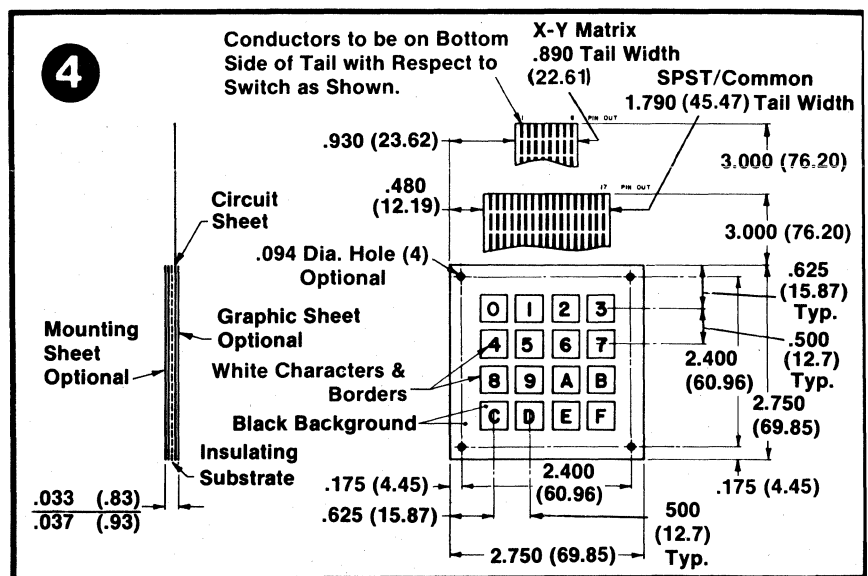
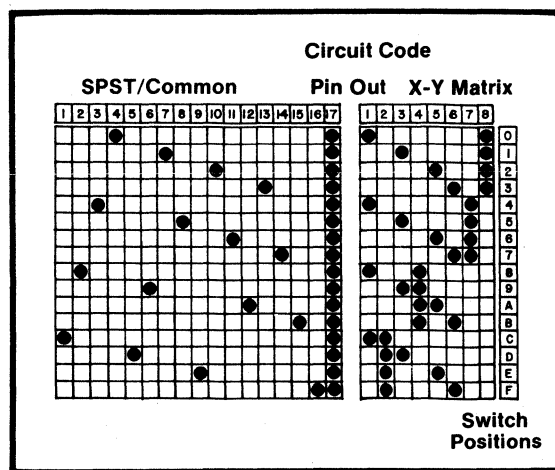
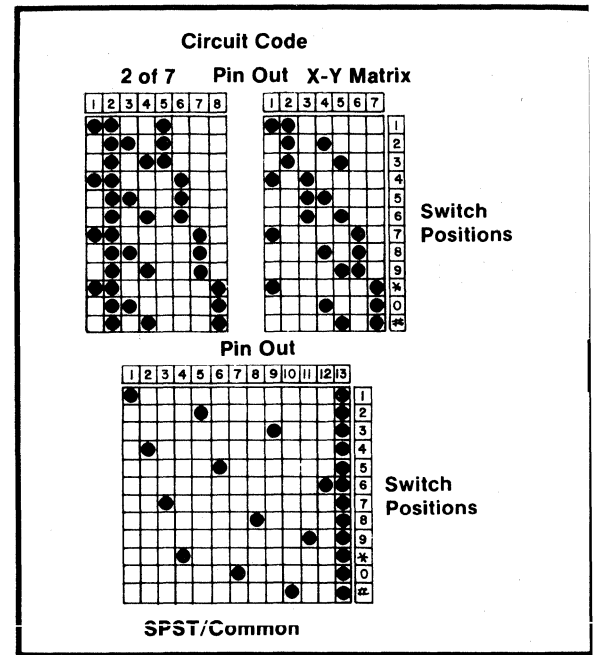
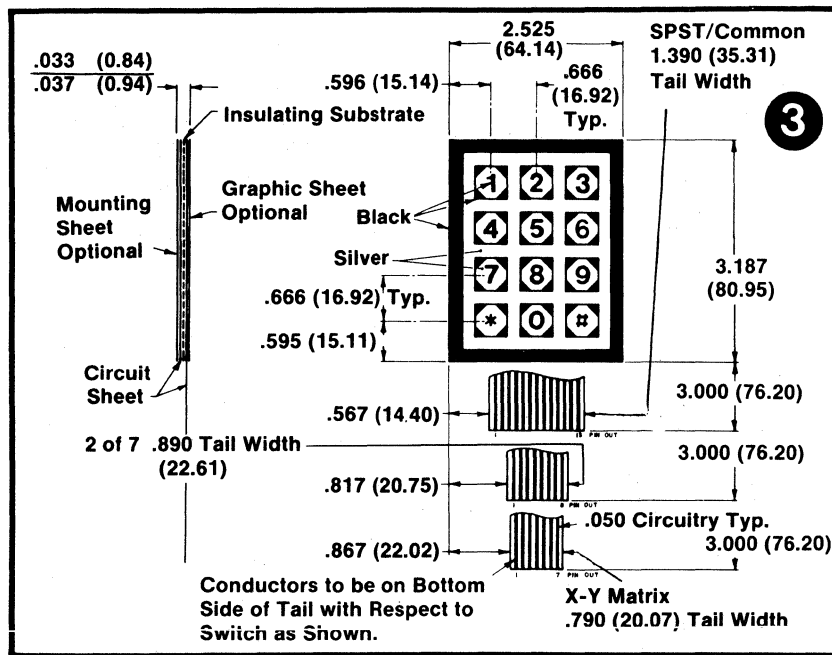
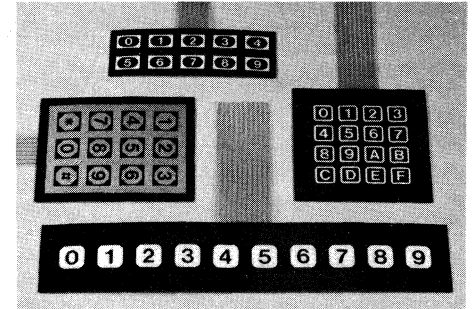
We have, therefore, established a line of readily available **Membrane** keypads for those applications that do not justify a custom switch due to volume or timing requirements.

The following standard switches are available from your local Molex

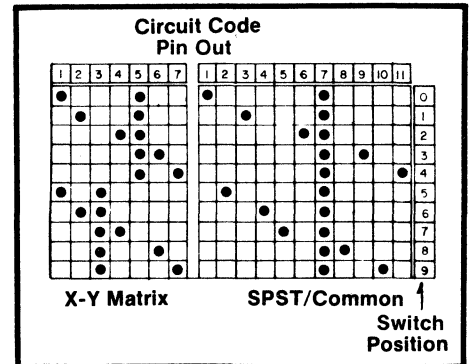
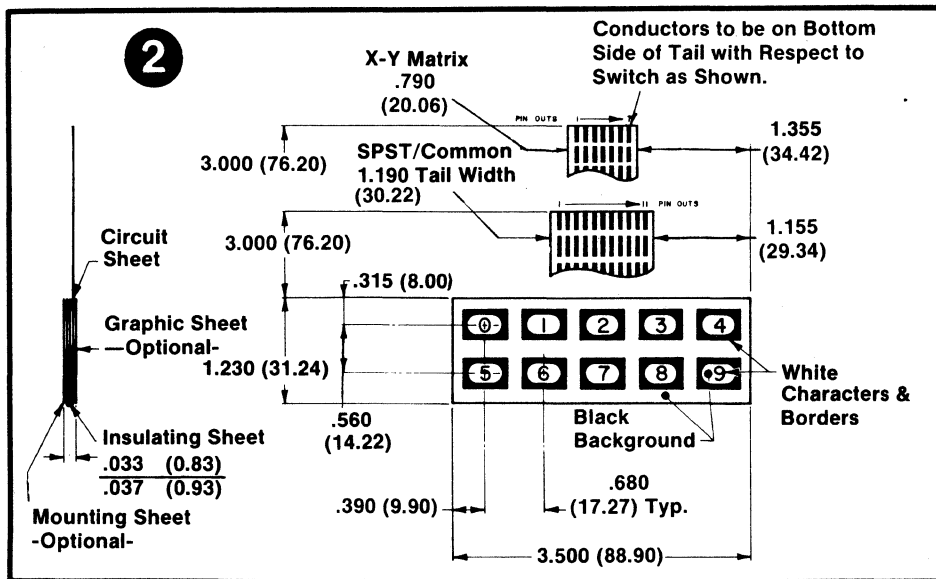
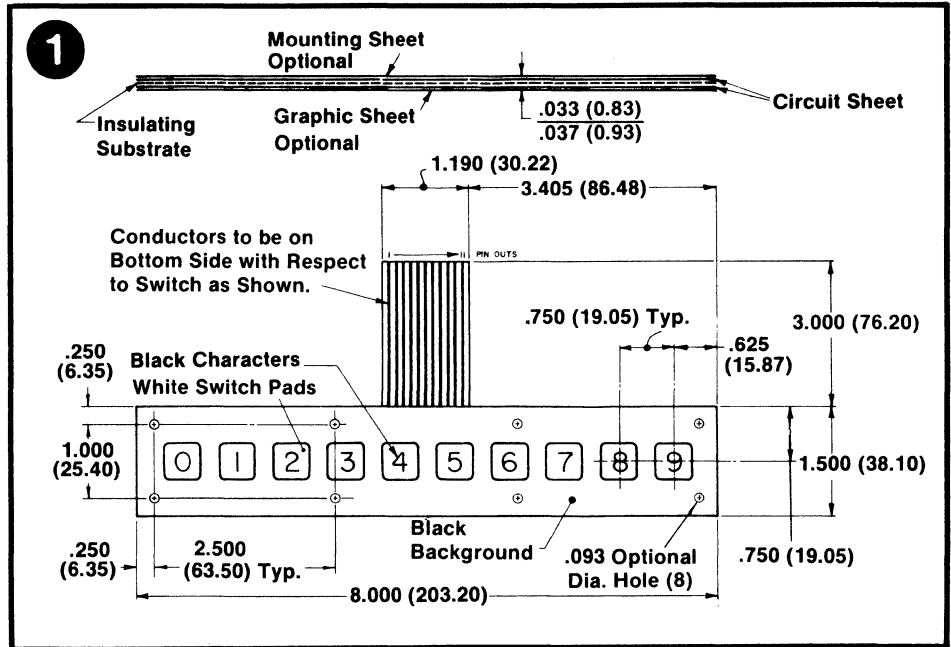
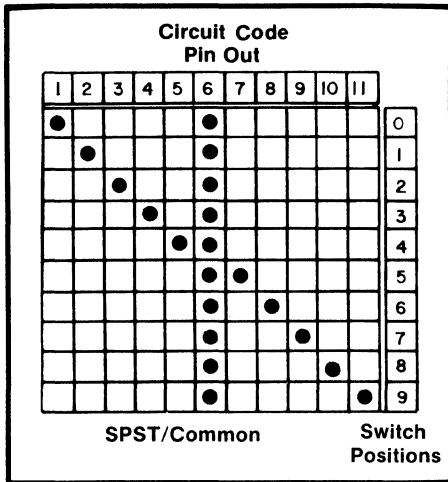
distributor and may be purchased with or without standard graphic overlays and adhesive mounting sheets (see Ordering Information).

You'll find that these switches will interface easily with most common keyboard encoders and are ideal for low volume production runs and prototyping.

If a custom decorative graphic overlay is required, contact your local Molex Sales Representative.



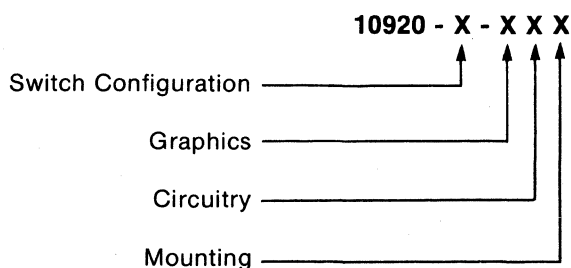
Standard Switches



EXAMPLE: 10920-4-221

4 x 4
Graphics without holes
X-Y Matrix
No Mounting Sheet

Ordering Information for Standard Switches



Configuration

- 1 — 1 x 10*
- 2 — 2 x 5
- 3 — 3 x 4
- 4 — 4 x 4*

Graphics

- 1 — No graphics
- 2 — Graphics without holes
- 3 — Graphics with holes*

Circuitry

- 1 — SPST/Common
- 2 — X-Y Matrix
- 3 — 2 of 7

Mounting

- 1 — None
- 2 — Mounting sheet

*Mounting holes available in — 1 and — 4 only.

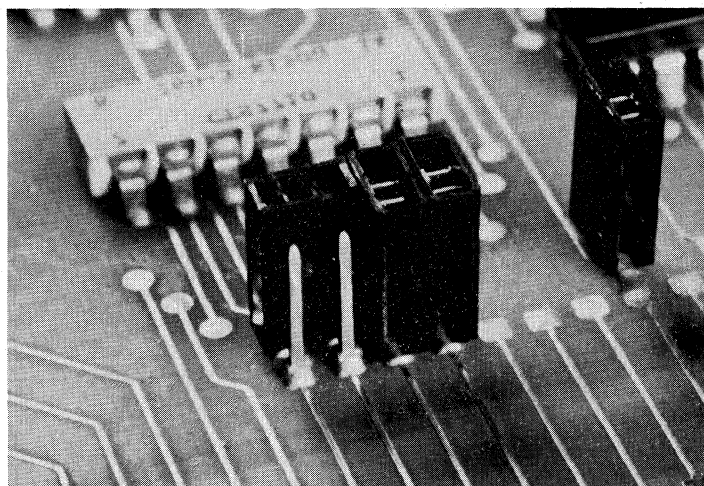
.100" (2,54 mm) Center Shunt



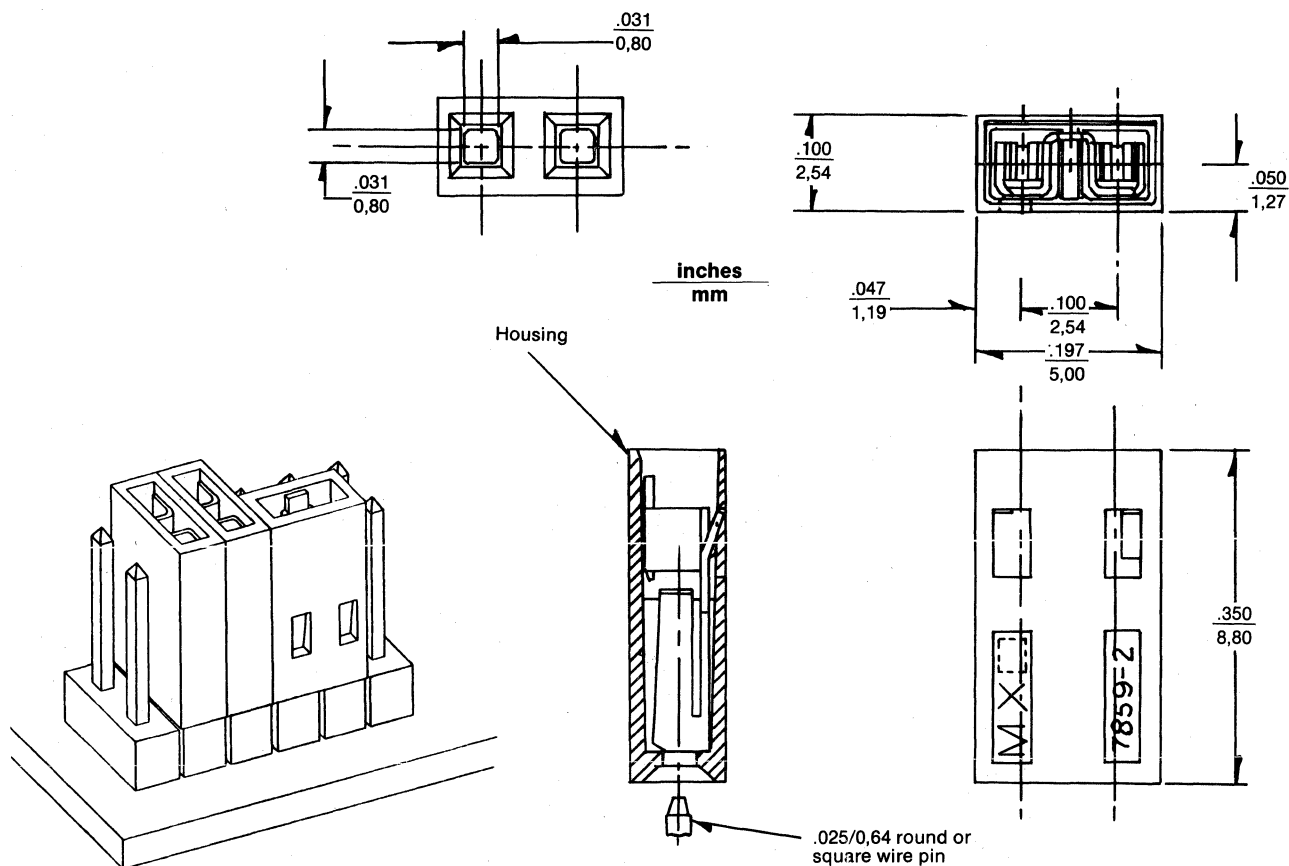
7859 Series Two Circuit Shunt or Jumper

Features/Dimensions:

- Press fit - no soldering
- Reliable - no accidental disconnects
- Fully stackable
- 94V-O housing
- Unitized dual box terminals
- 2 Point contact
- For .025" pins on .100" spacing



Dimensional Data



Mating pin length .200" minimum. Maximum - open

Ordering Information

Series Number	Plating	Order No.
7859-2125	Tin Plating Code (125)*	15-38-1024
7859-2552	.000030 Gold Code (552)	Contact Factory
7859-2567	.000015 Gold Code (567)	15-29-1024

*Molex Plating Codes. See Page 76B.

Sockets



Contents



Tone Transducer Sockets	2G-5G
Transistor Sockets	6G-7G
I.C. Socket Terminals and Housings	8G-10G
3406 L.S.I. and I.C. Sockets	11G
I.C. Socket System	12G-14G
Magnetic Bubble Memory Socket	15G



Transducer Sockets



ATM7373

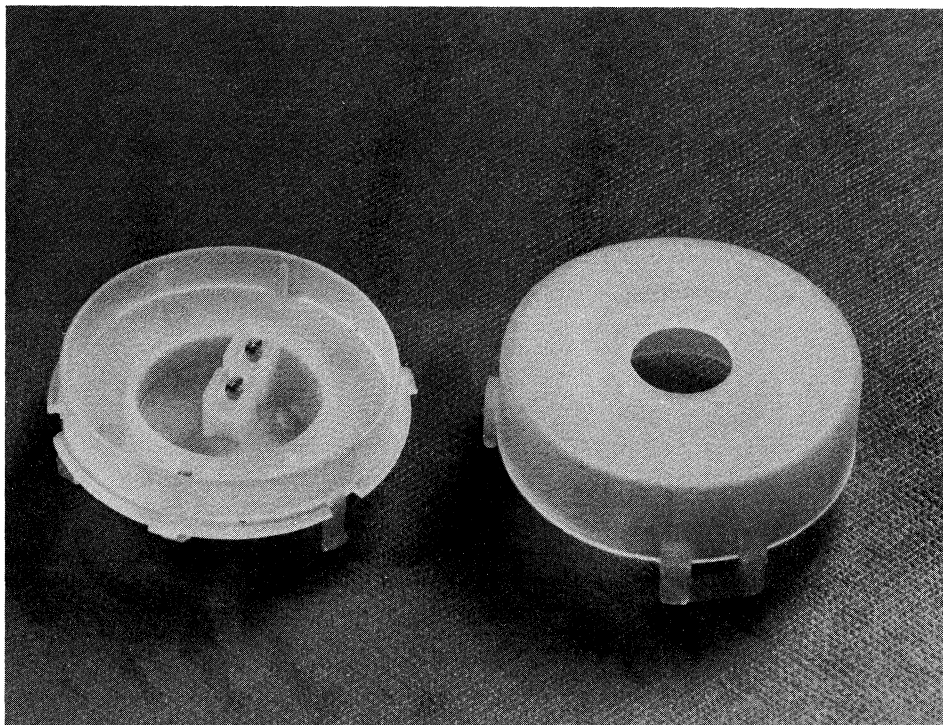
High Output

General Features:

- 85dB @ 10 ft.
- 3.2 KHZ (nominal) with feedback
- Molded integral acoustic chambers
- Contacts for termination to transducer
- Snap together assembly
- Designed for wave soldering
- Reliable and low cost
- Housing material UL94-V2 or V-0
- UL component recognized S-2191

Applications:

- Smoke alarms
- Gas alarms
- Intrusion alarms
- Industrial alarms
- Computer terminals
- Telephones

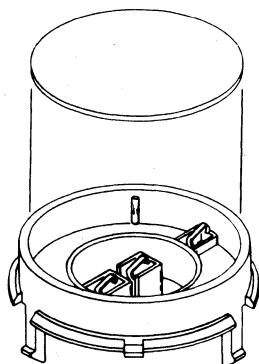


**Audio features apply when used with recommended transducer and circuit. (Consult factory or Molex rep)*

The Audio-tone Transducer Socket ATM7373 with the recommended transducer (Piezoelectric) is an acoustic device, engineered to provide high audio output with maximum efficiency. This socket has a Helmholtz resonating cavity and provides positive clamping pressure at the nodal diameter. Terminals are provided in the base for electrical connection from the transducer to the printed circuit board. No need to use R.T.V. adhesives or solder leads. This socket provides a simple low cost assembly for manufacturers of products requiring 85+dB @ 10 ft. audio alarm.

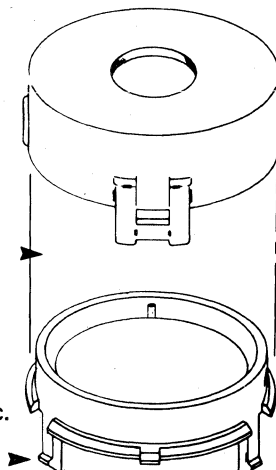
Assembly:

Suggested Method of Assembly



STEP 1
Assemble Disk
To Base

STEP 2
Assemble Cover To Base
By Applying Equal Pressure
Simultaneously At The Cover
Locking Tabs. (3 Places)
Use Of Assembly Fixture
Is Suggested



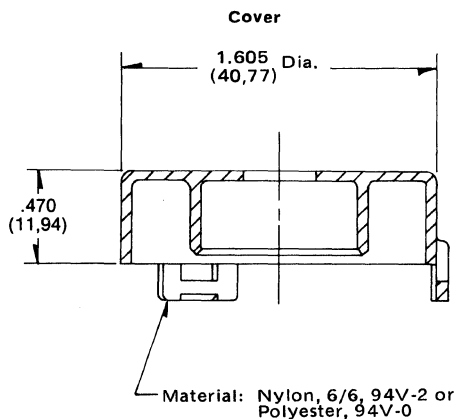
STEP 3
Snap completed assembly onto P.C.
Board before soldering



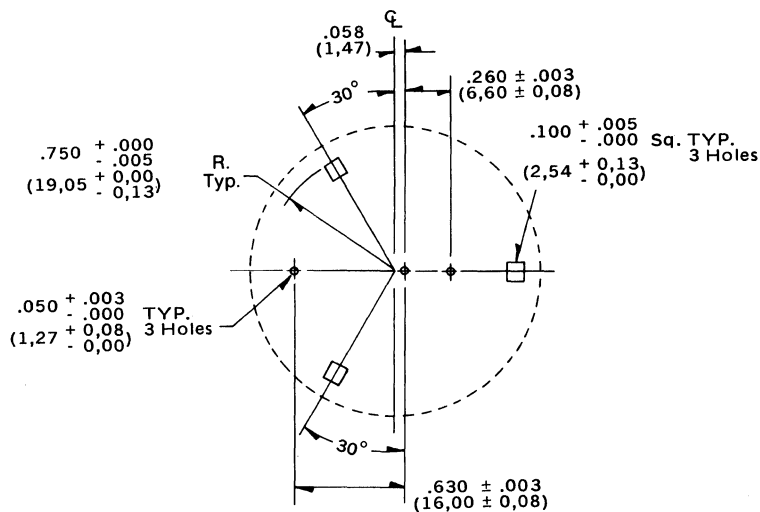
Transducer Sockets

ATM7373

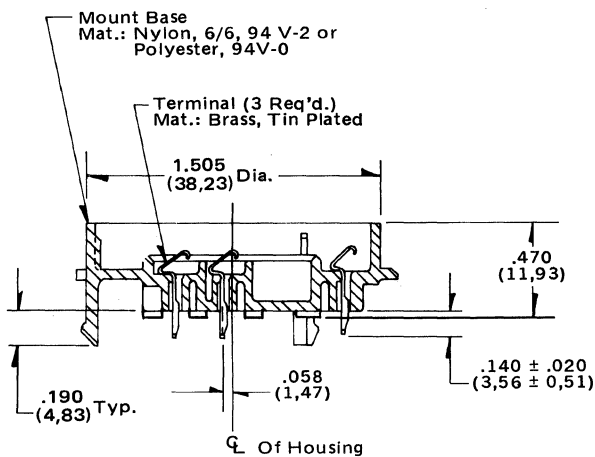
Dimensions:



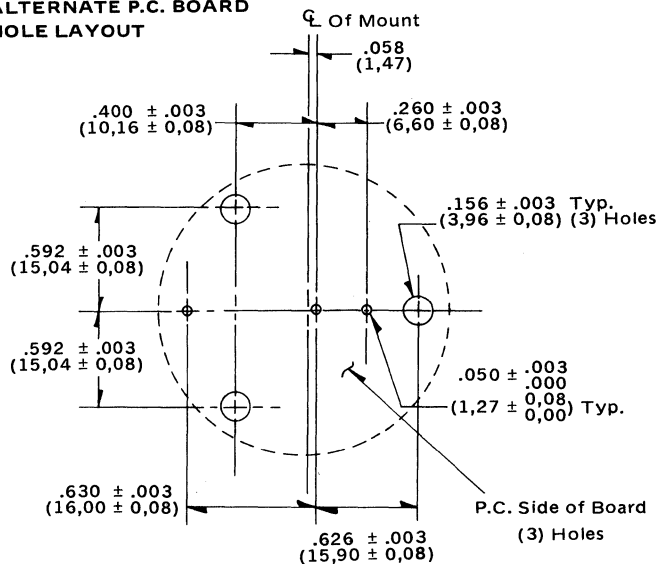
RECOMMENDED P.C. BOARD HOLE LAYOUT FOR 7373



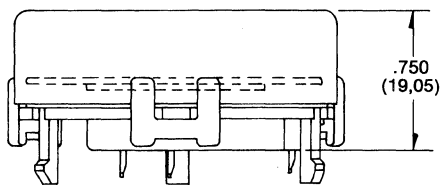
HOUSING



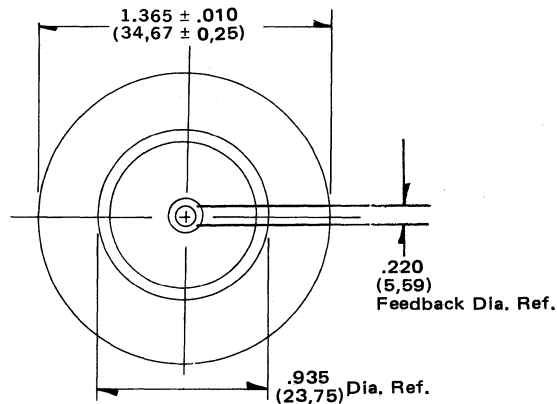
ALTERNATE P.C. BOARD HOLE LAYOUT



HOUSING ASS'Y.



inches
mm



Recommended Transducer

Ordering Information

Order No.	Description
15-24-4024	Nylon (94V-2)
15-25-0002	Polyester (94V-0)

Transducer Sockets



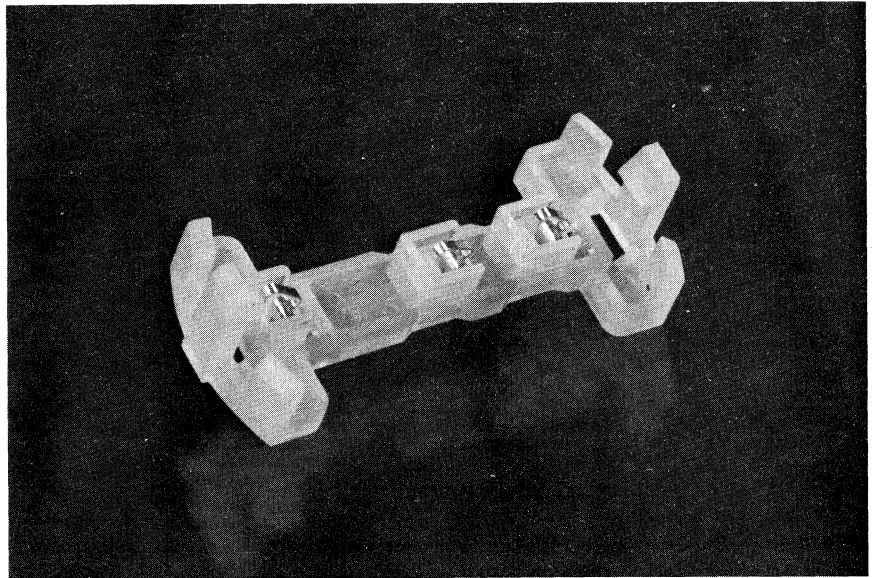
A7295 Low Output

General Features:

- 2 KHz with feedback
- Contacts for termination to transducer
- Snap together assembly
- Designed for wave soldering
- Reliable low cost

Applications:

- Keyboard tactile feedback
- Instruments
- Appliances
- Games
- Clocks

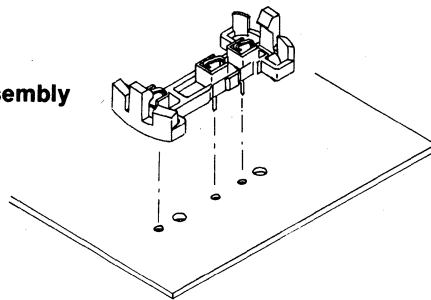


The Audio-tone transducer socket A7295 is designed to use Gulton tone transducer Model 105-CFB to obtain a pleasant tone. This assembly gives resonant frequencies between 800Hz and 7KHz.

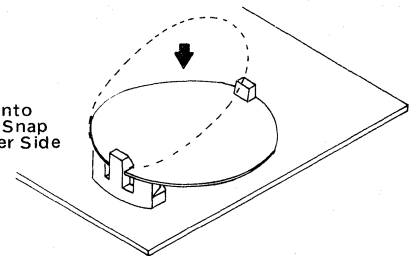
Assembly:

Suggested Method of Assembly

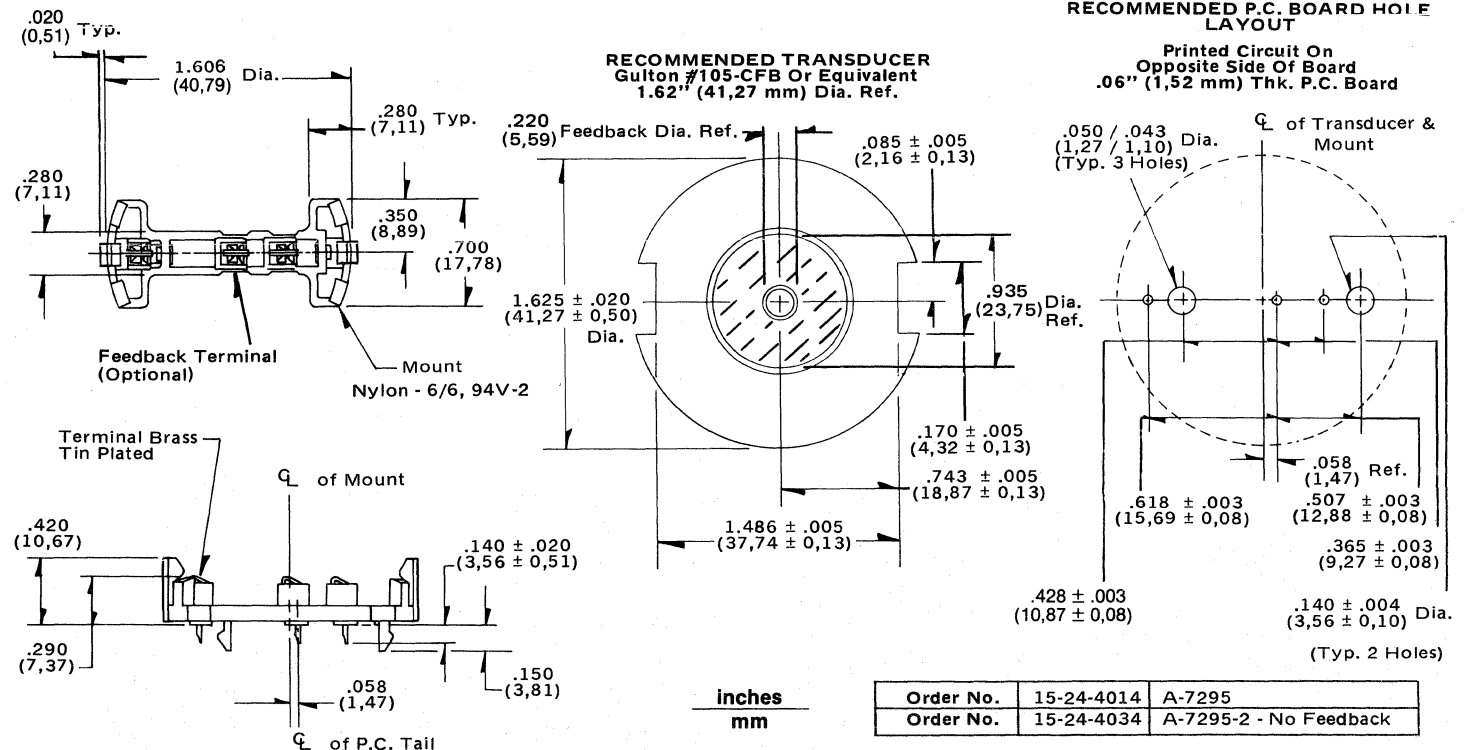
STEP 1
Assemble To
P.C. Board And
Wave Solder



STEP 2
Insert Disk Into
One Side And Snap
Down Into Other Side



Dimensions:





Transducer Sockets

7445

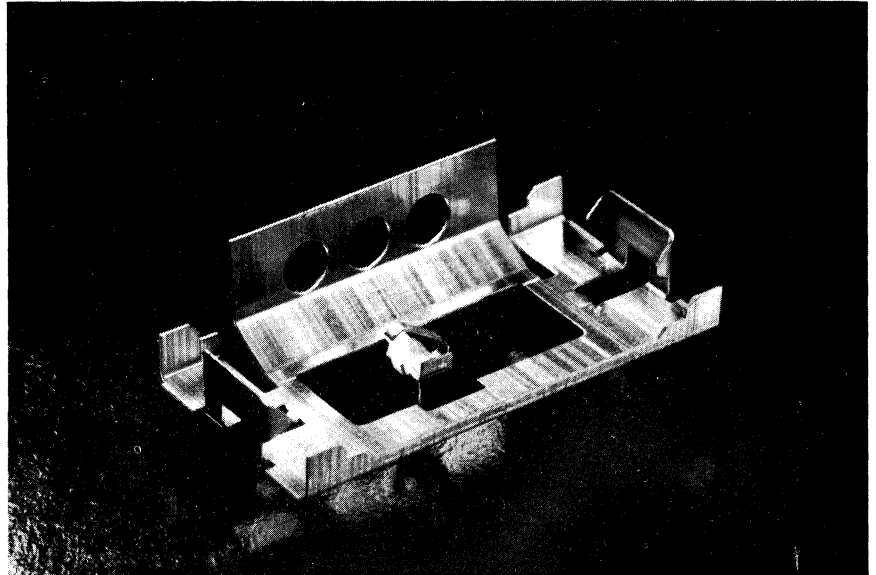
Low Output

General Features:

- Good frequency response
- Contacts for termination to transducer
- Designed for wave soldering
- One piece all-metal - pre-tinned
- Low profile
- Reliable low cost

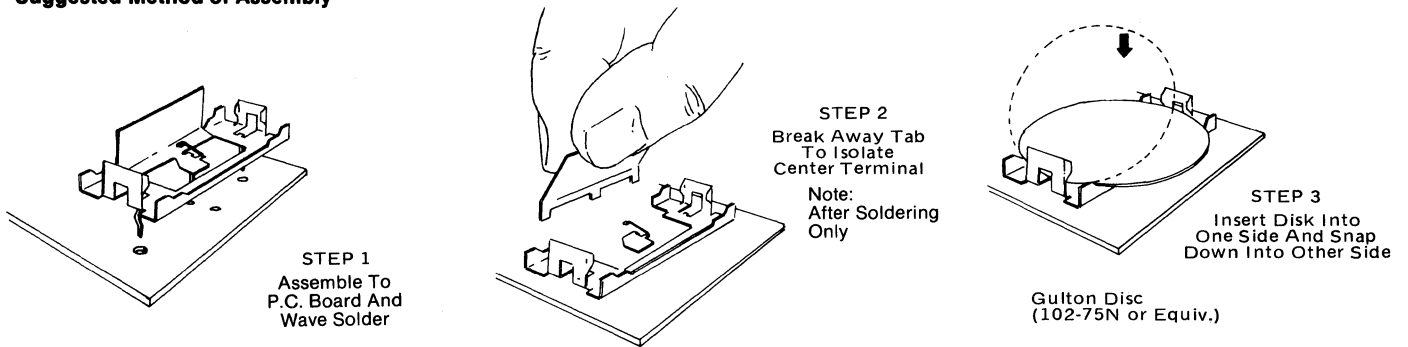
Applications:

- Hand held electronic games
- Medical equipment
- Pocket pagers
- Radar detectors
- Electronic clocks
- Instruments

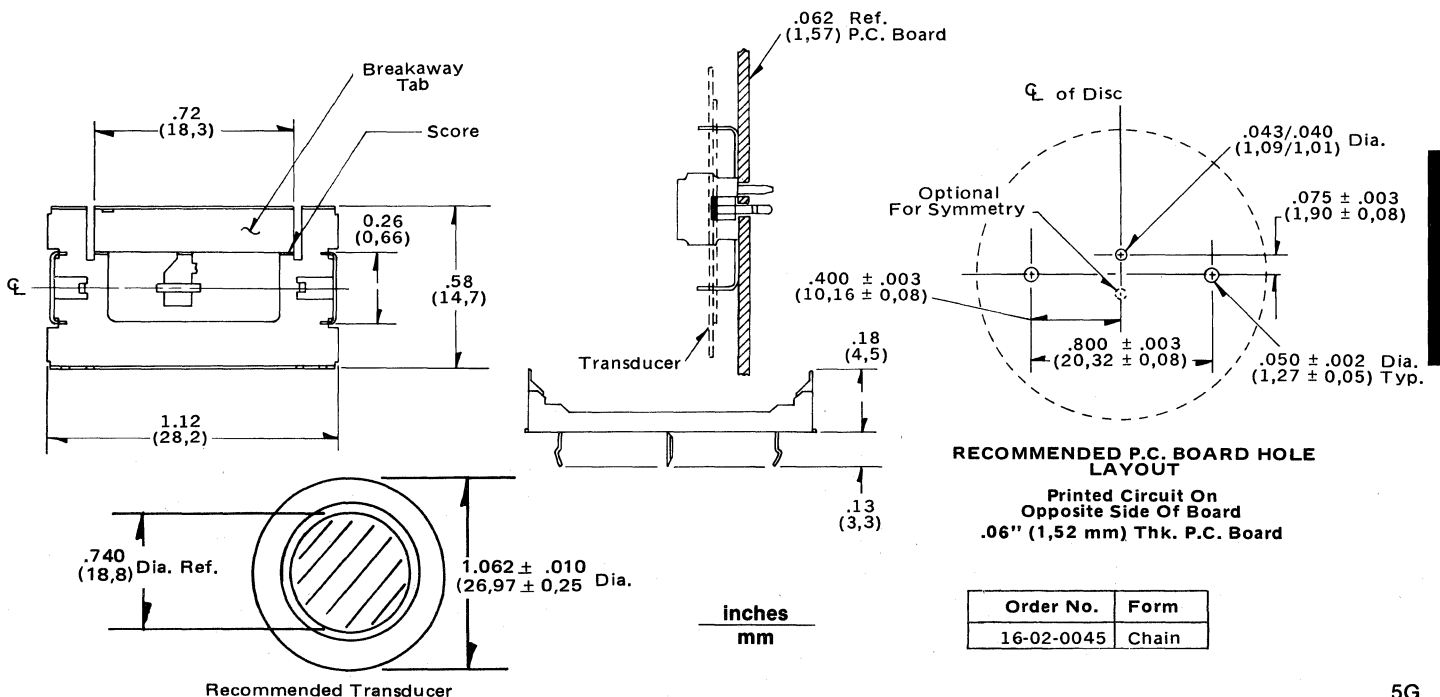


Assembly:

Suggested Method of Assembly



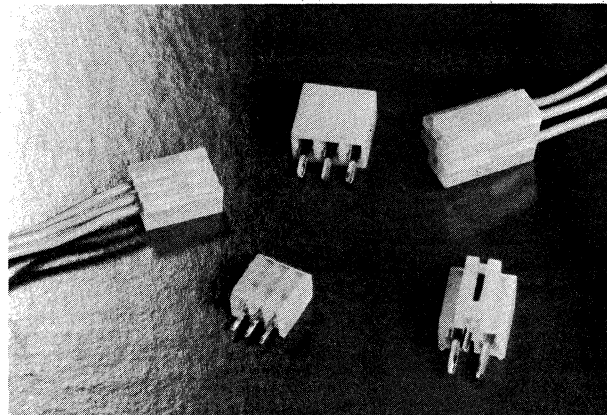
Dimensions:



2539 & 4025 Crimp Type Transistor Sockets

General Features:

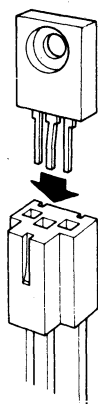
- Model 4025 .100" centers in line
- Model 2539 .100" centers staggered
- Uses crimp type double cantilever terminals
- Tin or gold plated brass terminals



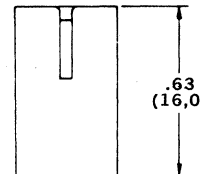
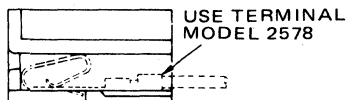
These sockets allow the use of transistors when a P.C. board is not set up to use a direct solder socket. The double cantilever terminal allows linear movement in the socket and maintains consistent contact reliability.

Model 2539 Offset .100" (2,54 mm) centers

Dimensions/ Ordering Information



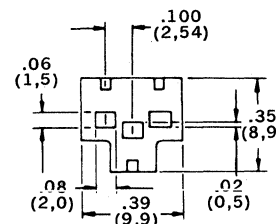
Model 2539



inches
mm

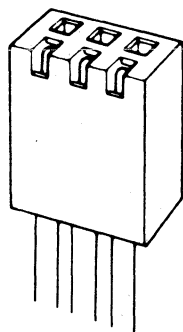
Ordering Data:

Model No.	Order No.
2539	10-01-2031

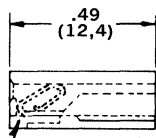


Model 4025 .100" (2,54 mm) centers in line

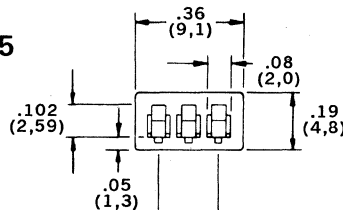
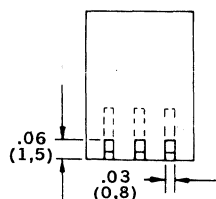
Dimensions/ Ordering Information



Model 4025



Use Terminal Model 2759



inches
mm

Ordering Data:

Model No.	Order No.
4025	10-17-2032

2 Eq. spaces .100-.200
(2,54;5,08)

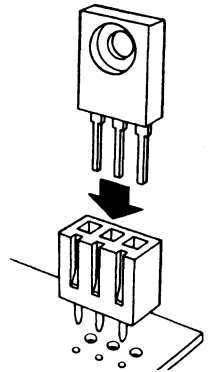


2169 & 4038 Solder - Tail Transistor Sockets

General Features:

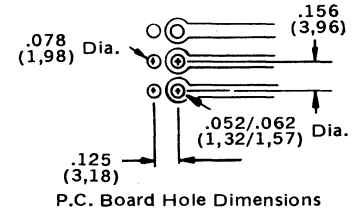
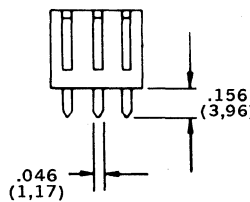
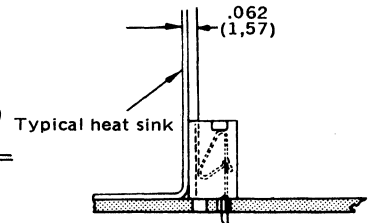
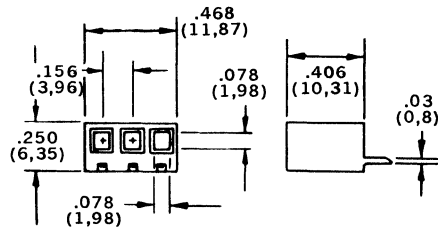
- Model 4038 .100" center line
- Model 2169 .156" center line
- Pre-assembled
- Double cantilever terminal
- Tin or gold plated brass
- 94V-2 rated nylon

These 3 circuit transistor sockets are preassembled and ready for soldering to a P.C. board. The proven double cantilever design eliminates circuit failure due to thermal expansion and/or mechanical tolerances. Linear movement of the transistor leads in the socket does not affect contact reliability.



Model 2169 .156" (3,96 mm) center lines Dimensions/Ordering Information

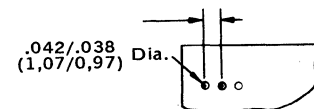
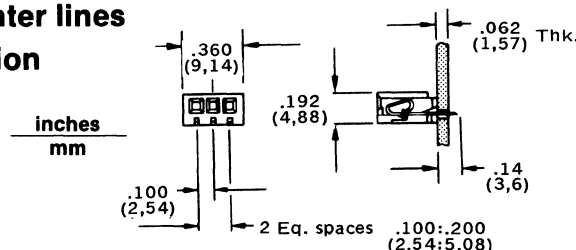
Model No.	Tin-Plated Brass	Gold-Plated Brass
2169	09-52-3030	09-62-3030



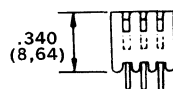
inches
mm

Model 4038 .100" (2,54 mm) center lines Dimensions/Ordering Information

Model No.	Tin-Plated Brass
4038	10-18-2031



P.C. Board Hole Dimensions
.100 ± .003 (2,54 ± 0,08) non-accum.



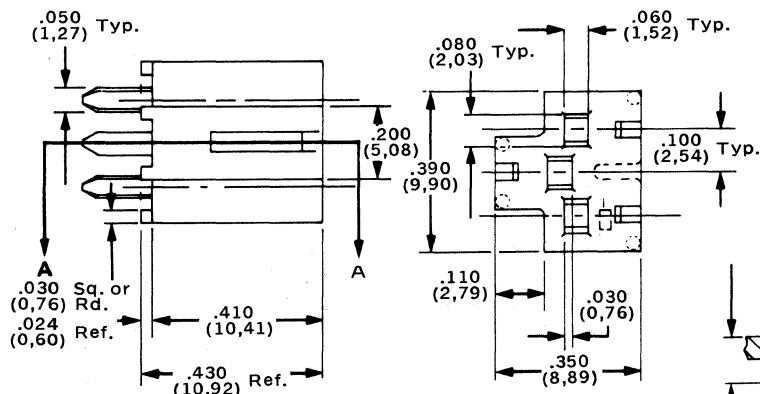
Model 2512 Solder - Tail Transistor Socket

General Features:

- P.C. solder tails
- .100" (2,54 mm) center lines
- Tin or gold plated brass

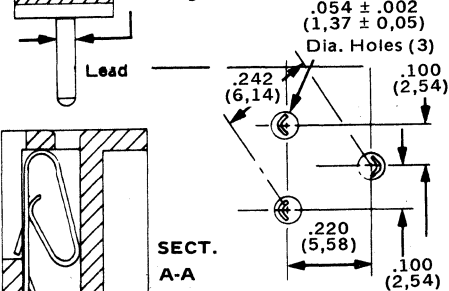
Model No.	Order No.
2512-3	09-48-3031
*2512-3-5	09-48-3032

*Terminal design different to reduce mating force, consult factory for drawing.



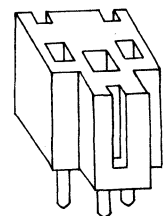
inches
mm

.040 (1,01) Max. Dia. or .030 (0,76) Max. X .070 (1,77) Max. Rectangular Blades



RECOMMENDED P.C. BOARD HOLE DIM'S. TOLERANCES ± .004 (0,10)

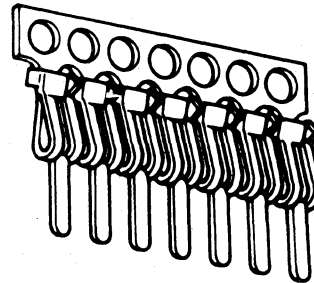
.140 ± .040 (3,55 ± 1,01) .060 (1,52) P.C. Board



1938-4 I.C. Socket Terminal

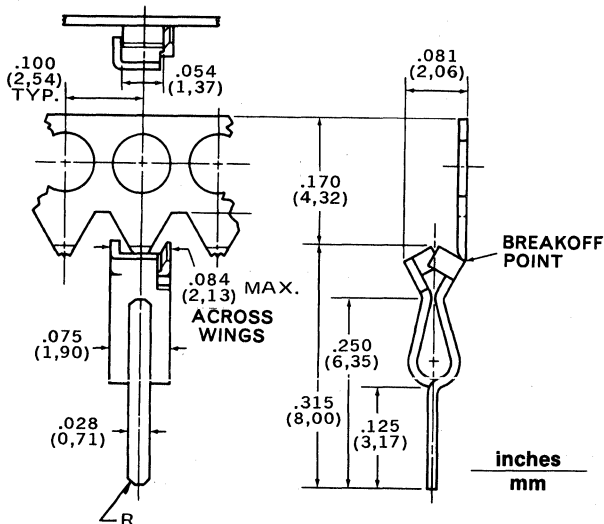
General Features:

- Low cost
- Available in chain form or pre-cut strips
- Phos/bronze or brass material
- Tin or gold plate finish
- .100" (2.54) spacing on centers per



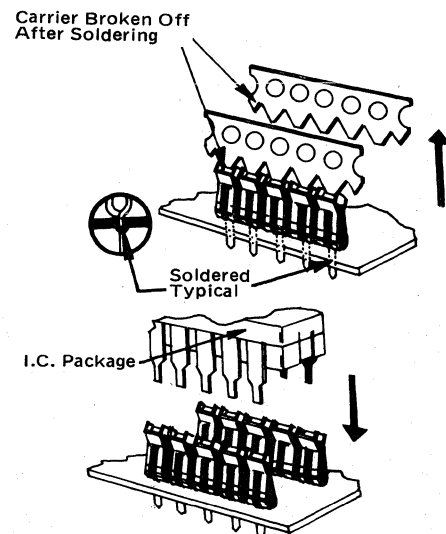
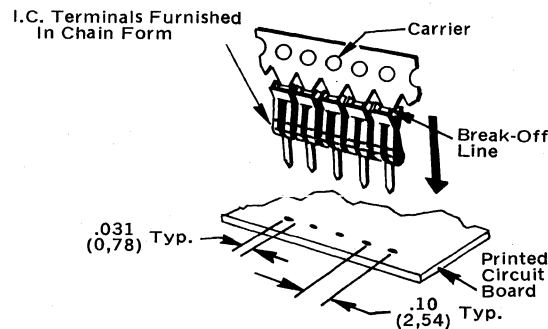
I.C. Socket Terminals are a low cost approach to plug-in assembly of I.C. packages to the board. They provide excellent electrical contact and sturdy mechanical support. Their use offers flexibility to printed circuit assembly.

Dimensions and Ordering Information:



CHAIN FORM

Order No.	Material	Finish
05-30-0001	70/30 brass	Tin plate
05-33-0001	Phos/bronze	Tin plate
05-35-0001	Phos/bronze	Gold plate*
05-32-0001	70/30 brass	Gold plate*



Ordering information for pre-tinned brass:

	Order No.
Configuration Chain Form On Reels	05-30-0001
Singles	05-30-0100
2 per pre-cut strip	05-30-0002
3 per pre-cut strip	05-30-0003
7 per pre-cut strip	05-30-0007
8 per pre-cut strip	05-30-0008
9 per pre-cut strip	05-30-0009
10 per pre-cut strip	05-30-0010
11 per pre-cut strip	05-30-0011
12 per pre-cut strip	05-30-0012
14 per pre-cut strip	05-30-0014
15 per pre-cut strip	05-30-0015
20 per pre-cut strip	05-30-0020
21 per pre-cut strip	05-30-0021
25 per pre-cut strip	05-30-0025

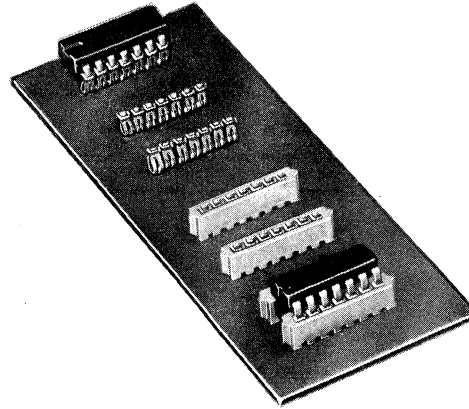
Contact factory for pre-cut strips.



2460 Terminal Nest

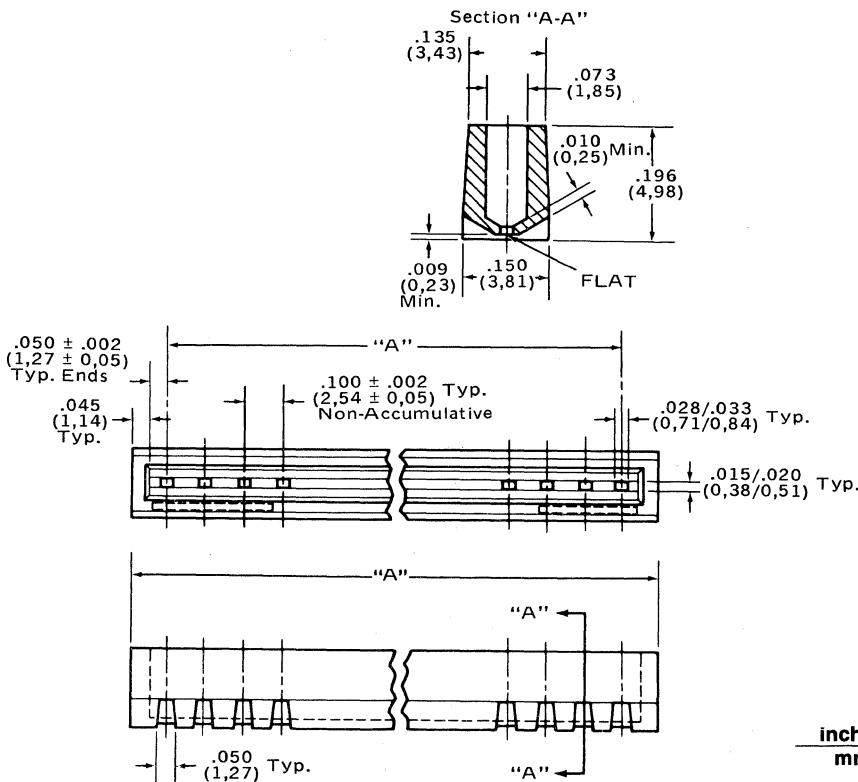
General Features:

- 7-20 circuits
- Uses 1938-4 terminals
- 94V-2 rated nylon
- Adds protection to 1938-4 terminal
- Prevents solder wicking



When the 1938-4 terminals are slid into the terminal nest, strength and protection is added. The entire assembly is then soldered to the printed circuit board. Use of the 2460 also prevents solder wicking when used on double sided P.C. Boards.

Dimensions and Ordering Information:



Ordering and Dimension Data:

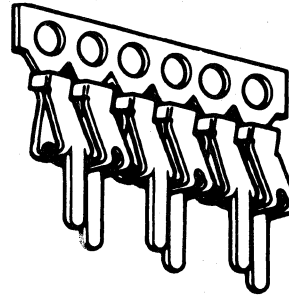
No. of Circuits	Order No.	Dim. A
7	06-05-3071	.780 (19,81)
8	06-05-3081	.880 (22,35)
9	06-05-3091	.980 (24,89)
10	06-05-3101	1.090 (27,69)
11	06-05-3111	1.190 (30,23)
12	06-05-3121	1.290 (32,77)
14	06-05-3141	1.490 (37,84)
15	06-05-3151	1.590 (40,39)
16	06-05-3161	1.690 (42,93)
18	06-05-3181	1.890 (48,01)
20	06-05-3201	2.090 (53,09)



1938-8 Staggered Row

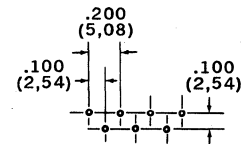
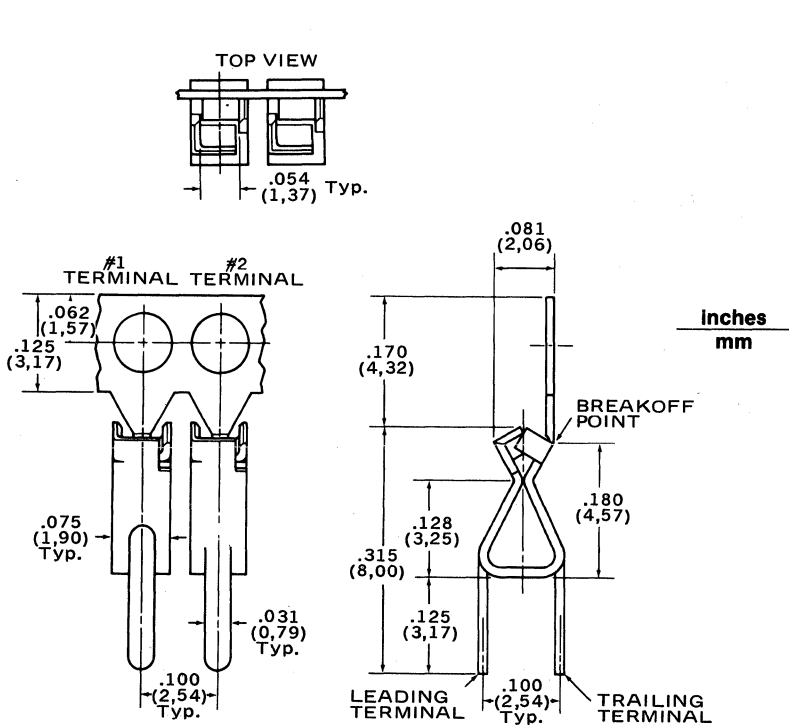
General Features:

- Chain form or pre-cut strips
- Staggered solder tails
- Low cost



The 1938-8 terminal has similar characteristics as the 1938-4 with the exception of the staggered pattern. The staggered pattern allows the use of less expensive and precise PC boards because spacing between solder pads is greater than is in line version. The flow solder operation is thus less critical.

Dimensions and Ordering Information:



Typical P.C. Board
Hole Layout
Hole Size:

1. Drilled .035/.033 (0,89/0,84)
2. Punched .035/.033 (0,89/0,84)

With .041 (1,04) Max. Breakout Dia.

3. Plated Through .041/.033 (1,04/0,84)

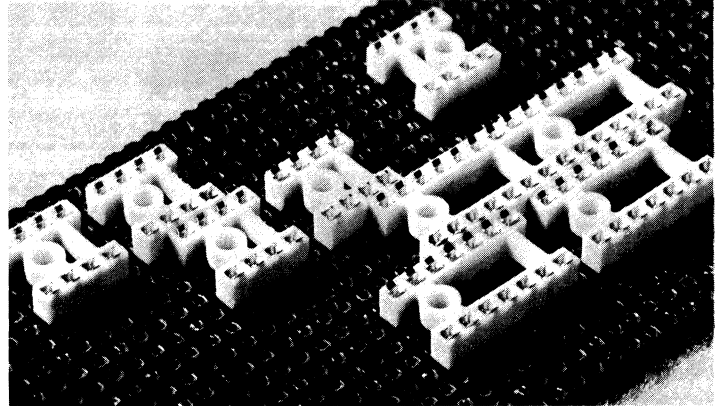
Ordering Data:

Pre-Tinned Brass	Order No.
Configuration Chain Form on Reels	05-30-4000

3406 LSI & IC Socket

General Features:

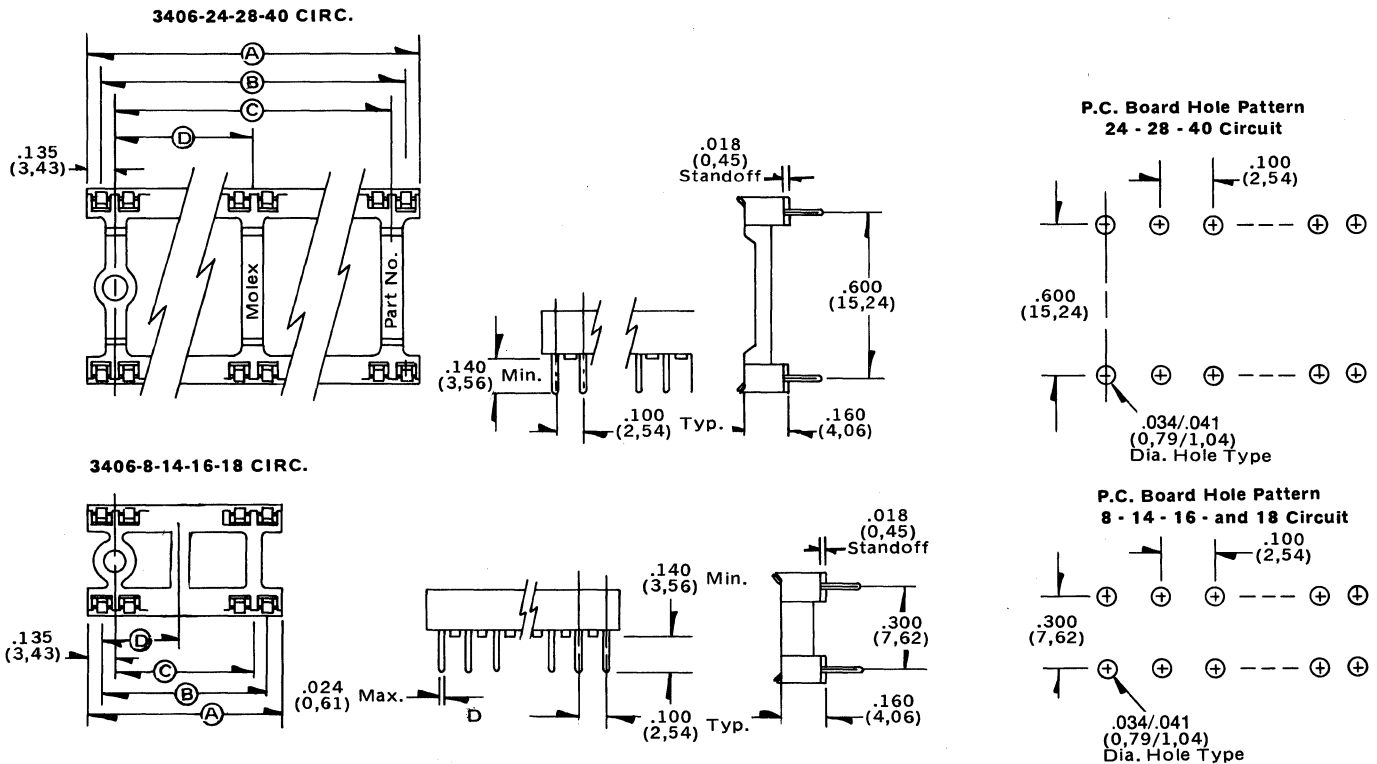
- 8, 14, 16, 18, 24, 28, & 40 circuits available
- Gold or tin plate finish
- Phos bronze terminal material
- Low profile
- Anti-solder & flux wicking
- Housing UL rated 94V-0 polyester
- Stackable side-to-side and end-to-end on a .100 grid pattern



The 3406 IC socket is a totally engineered product which incorporates many features in one product. The assembly is low profile only .160" (4,06) high from the base of the socket to I.C. seating surface, but the clearance will accept all I.C. extraction tools. The closed entry at base of socket prevents solder and flux wicking. The mounting flexibility includes stacking side by side or end to end.

The anti overstress terminal design permits multiple insertion and withdrawals, and the two point "face grip" provides a reliable electrical connection.

Dimensions and Ordering Information:



Dimensional Information

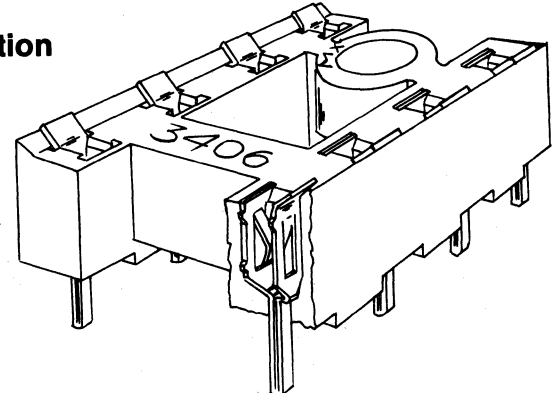
inches
mm

No. of Circuits	Dim. A	Dim. B	Dim. C	Dim. D
8	.399 (10,13) Max.	.300 (7,62)	.15 (3,8)	
14	.699 (17,75) Max.	.600 (15,24)	.45 (11,4)	.350 (8,89)
16	.799 (20,29) Max.	.700 (17,78)	.55 (14,0)	.350 (8,89)
18	.899 (22,83) Max.	.800 (20,32)	.65 (16,5)	.350 (8,89)
24	1.199 (30,45) Max.	1.100 (27,94)	.95 (24,1)	.475 (12,06)
28	1.399 (35,53) Max.	1.300 (33,02)	1.15 (29,2)	.575 (14,60)
40	1.999 (50,77) Max.	1.900 (48,26)	1.75 (44,4)	.875 (22,22)

Ordering Information

No. of Circuits	Tin Order No.
8	15-25-1085
14	15-25-1165
16	15-25-1145
18	15-25-1185
24	15-25-1245
28	15-25-1285
40	15-25-1405

22 Circuit soon to be available. Contact factory.



Introduction

To support the numerous requirements for **Pluggable Memory Modules** for the electronic industries such as language translators, information processors, home computers, electronic games, automotive electronics, instrumentation, office equipment and energy conservation products - Molex introduces a new I.C. socket and carrier system.

Molex's Technology

The Molex IC Module Socket System provides a cost effective method for interchanging of pre-programmed IC memory devices. It also allows for customer updating of electronic equipment rather than the expensive service call for an electronic serviceman to replace an IC device in a standard socket.

Features/Dimensions:

- Protects IC device from damage with fully shrouded carrier
- Insertion and removal is fast and easy with pull tabs
- Polarizing keys prevent mis-assembly
- 24, 28 and 40 circuits

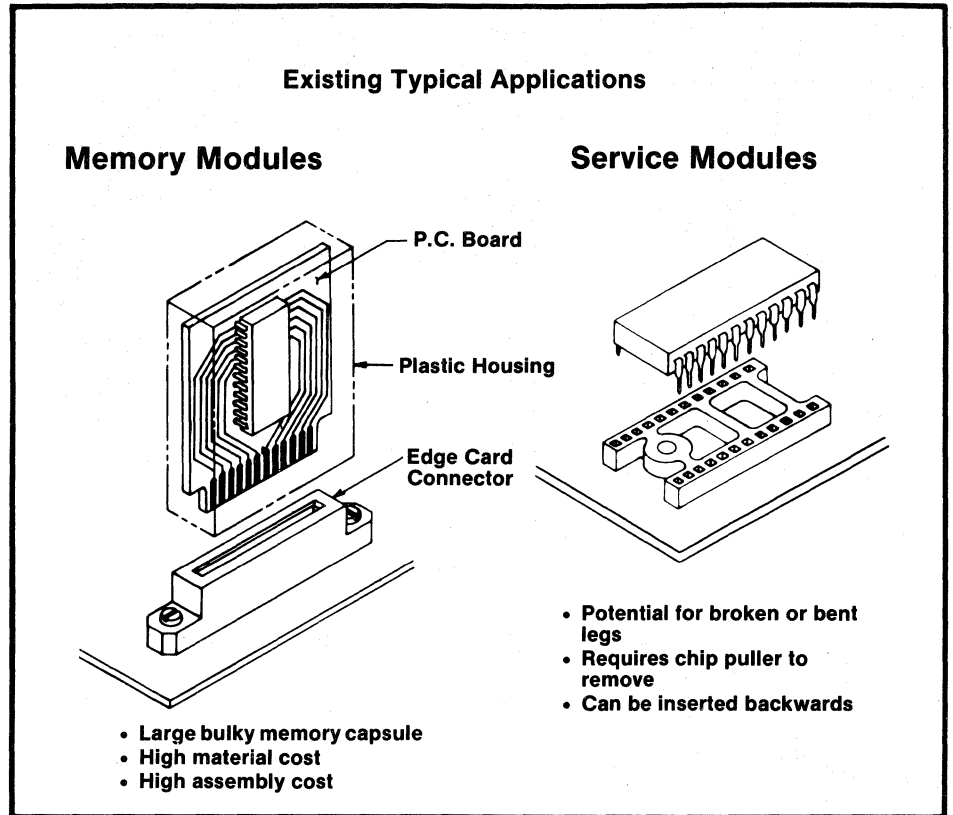
Applications

Memory Modules

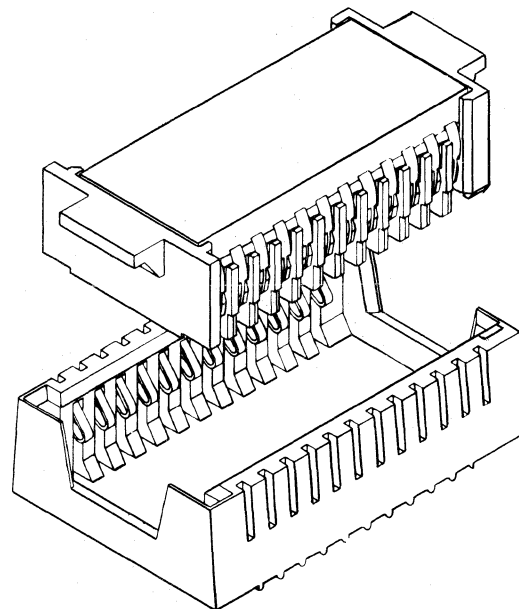
- Computer terminals
- Electronic test equipment
- Electronic games
- Automotive electronics
- Personal computers
- Language translators
- Telephone business systems
- Vending machines

Updating and Serviceability

- Automotive
- Appliances
- Terminals
- Intelligent typewriters



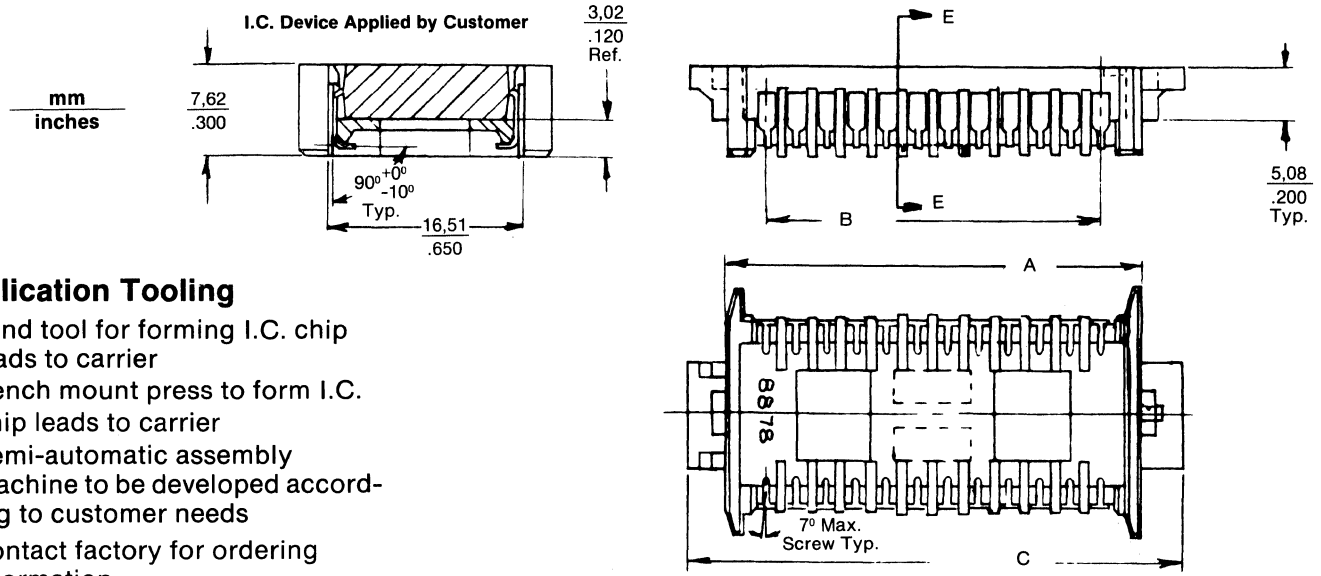
**Avoid These Problems
By Using the New Molex System!**



**Memory Module
I.C.
Socket System**

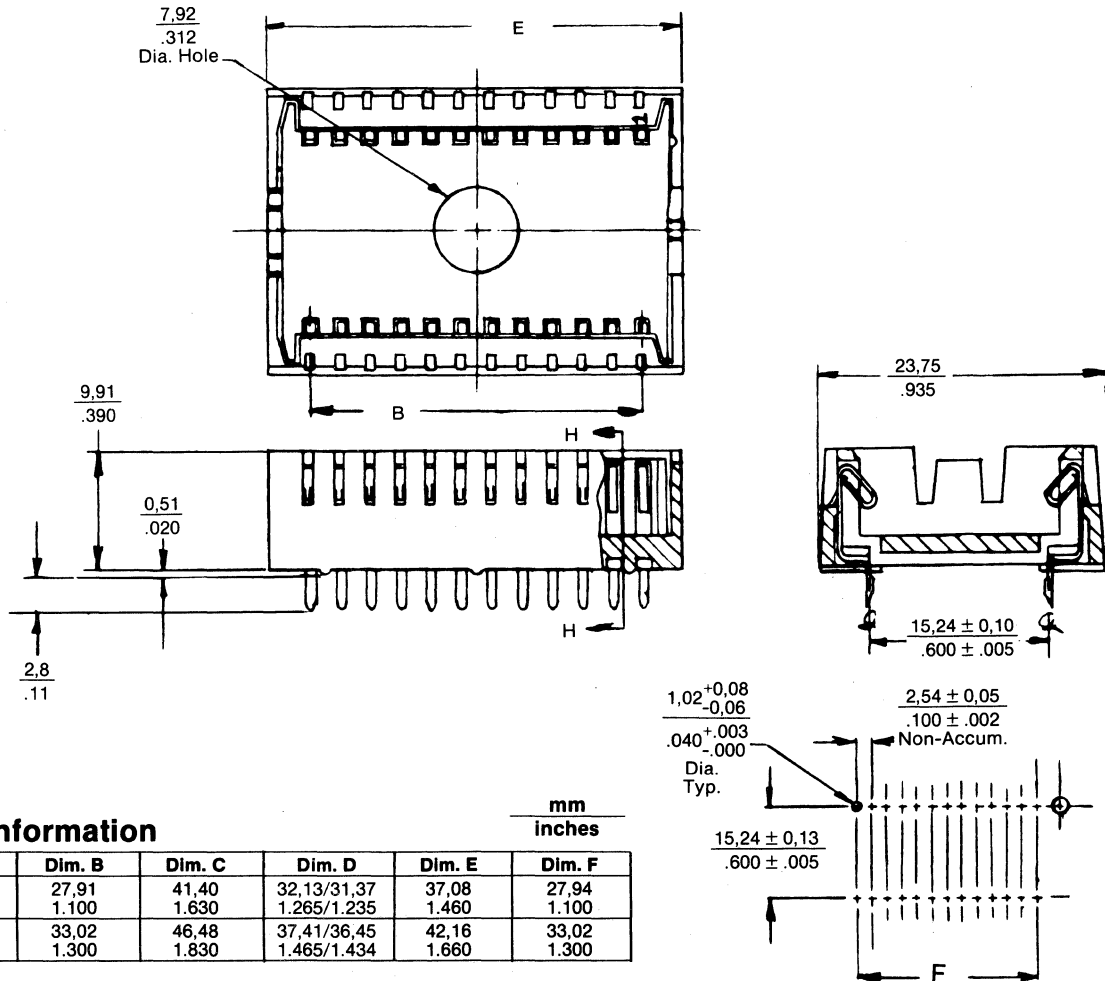


I.C. Socket System



Application Tooling

- Hand tool for forming I.C. chip leads to carrier
- Bench mount press to form I.C. chip leads to carrier
- Semi-automatic assembly machine to be developed according to customer needs
- Contact factory for ordering information



Dimensional Information

Circuits	mm inches					
	Dim. A	Dim. B	Dim. C	Dim. D	Dim. E	Dim. F
24	34,54 1.360	27,91 1.100	41,40 1.630	32,13/31,37 1.265/1.235	37,08 1.460	27,94 1.100
28	39,62 1.560	33,02 1.300	46,48 1.830	37,41/36,45 1.465/1.434	42,16 1.660	33,02 1.300

Ordering Information

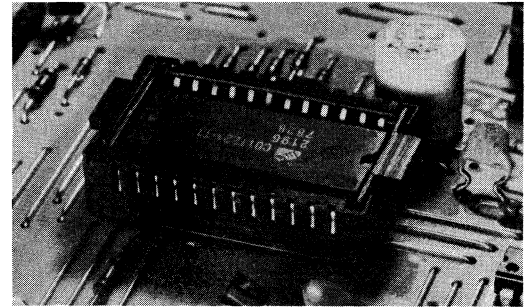
Circuits	Order No.	Socket		Carrier	
		Eng. No.	Eng. No.	Order No.	Eng. No.
24	15-29-2248	A-8878-A-24S-1H(P122)		50-39-0240	8878-A-24C-1
28	15-29-2285	A-8878-A-28S-1H(P122)		50-39-5288	8878-A-28C-1

For 40 circuits contact factory.



Product Description

The system consists of a carrier which accepts an I.C. chip and a socket with polarizing keys and total chip protection, with a double cantilever, bellows type terminal to provide interface integrity.



Material Specification

<i>Housing</i>	15% Glass Filled Polyester
<i>(Socket & Carrier)</i>	94V-0
<i>Terminal</i>	A-260 brass with a bright acid tin .000150 min. over .000030 min. nicket (preplate)

Contacts conform to Molex solderability spec. 152

This system is designed to meet the following parameters:

Mechanical

<i>Engage/Disengage Force</i>	60 GMS/CKT. min. insertion 120 GMS/CKT. max. extraction
-------------------------------	------------------------------------------------------------

Electrical

<i>Rated Voltage</i>	200 Volts R.M.S.
<i>Rated Current</i>	0.7 Amps @ max. temperature rise above ambient
<i>Contact Resistance</i>	Max. Millivolt Drop Current 1.0 .10 MA 25.0 2.5 A
<i>Dielectric Withstand Voltage</i>	500 volts R.M.S. (60 Hz) for 60 seconds
<i>Insulation Resistance</i>	100 Megohms

Environmental

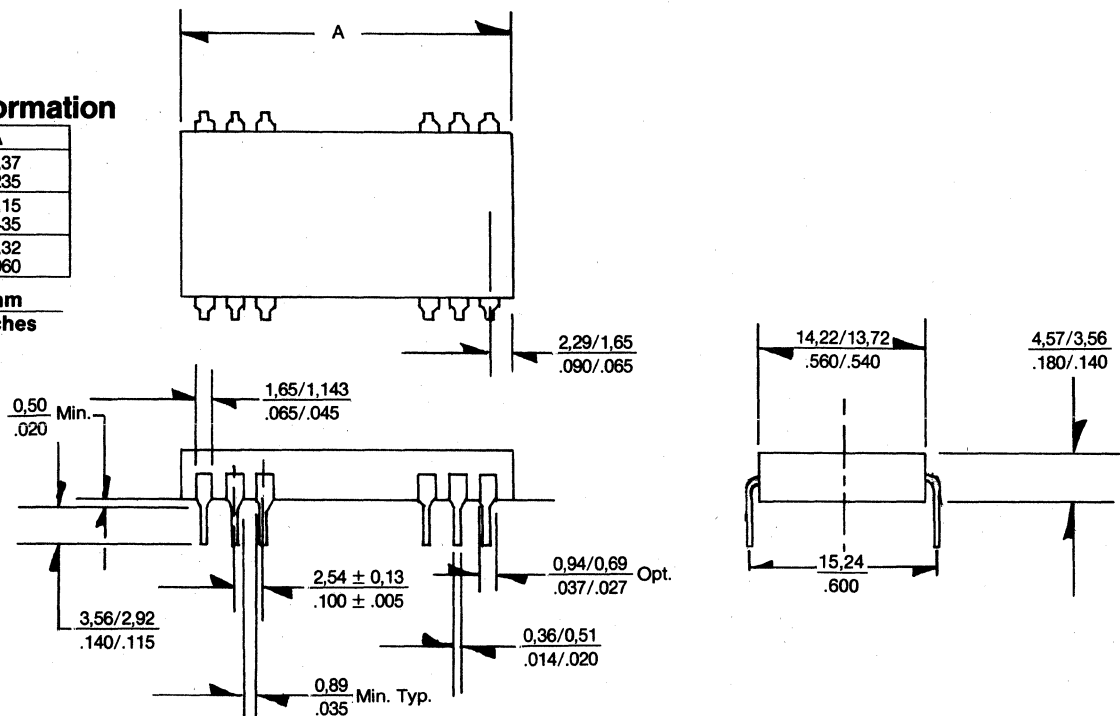
After the following environmental tests the max. millivolt drop will be 5 @ .10 MA; 125 @ 2.5 A

<i>Humidity</i>	MIL 202E Method 103B
<i>Shock</i>	MIL 202E Method 213B
<i>Vibration</i>	10 to 500 Hz @ .25 in. amplitude, in each of 3 planes
<i>Thermal Stress</i>	-40°C to 105°C

Dimensional Information

Circuits	Dim. A
24	32,13/31,37 1.255/1.235
28	37,21/36,15 1.465/1.435
40	63,34/52,32 2.100/2.060

mm
inches



Recommended I.C. Chip Dimensions to mate with Socket Systems.

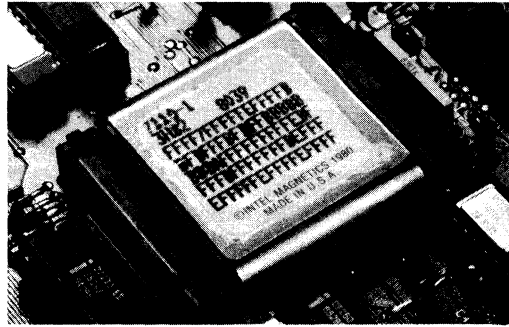


Magnetic Bubble Memory Socket

7453

Features:

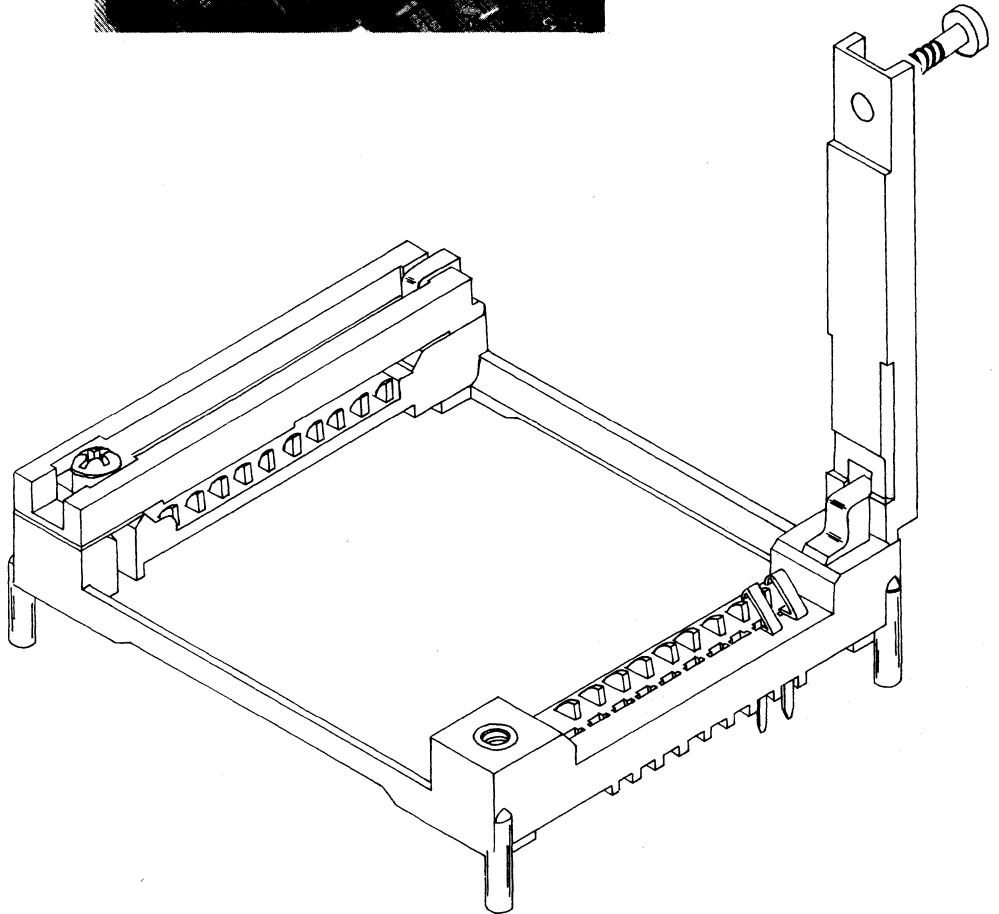
- .100" centers
- Zero insertion force (hinged covers)
- All materials non-magnetic
- Package is polarized to socket
- Easy package removal (hinged covers)
- INTEL Bubble Memory 7110 Device



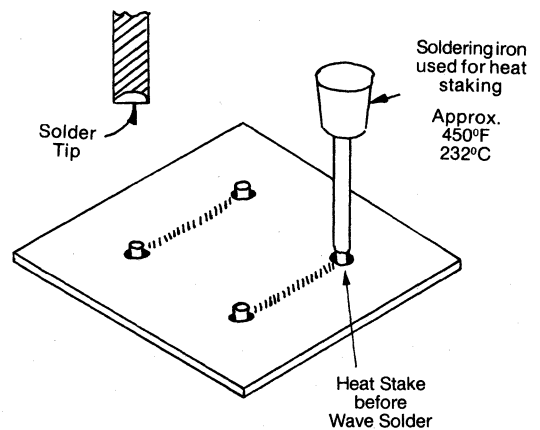
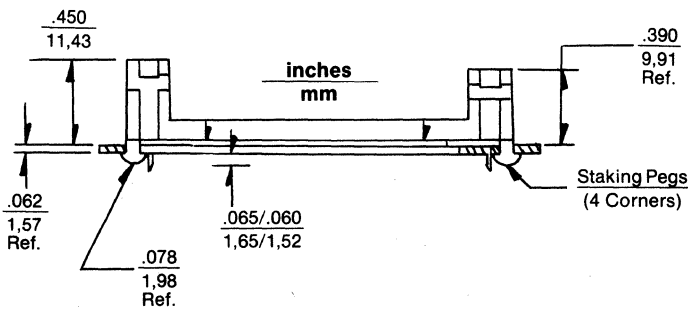
Specifications

<i>Terminal Material</i>	Beryllium Copper
<i>Plating</i>	Gold over Nickel
<i>Housing Material</i>	Glass filled Polyester

Vibration Sockets, when mounted properly to a P.C board and carrying a compatible MBM package (85 grams max.), will withstand an acceleration of 20G's without circuit interruption greater than 100 nanoseconds

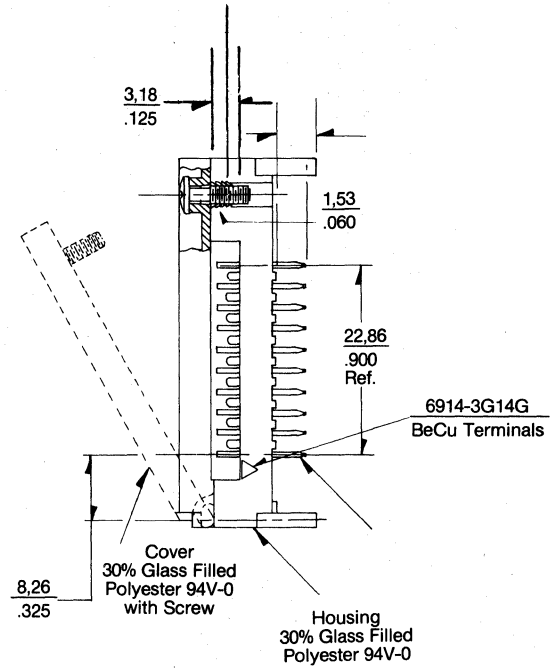
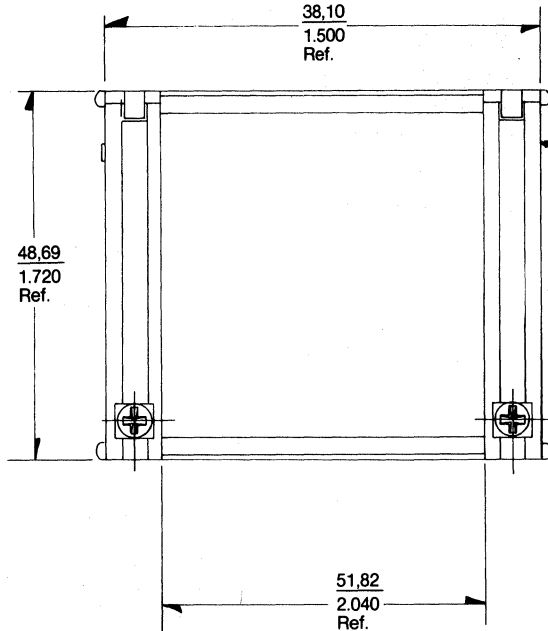


Vibration Sockets, when mounted properly to a P.C board and carrying a compatible MBM package (85 grams max.), will withstand an acceleration of 20G's without circuit interruption greater than 100 nanoseconds

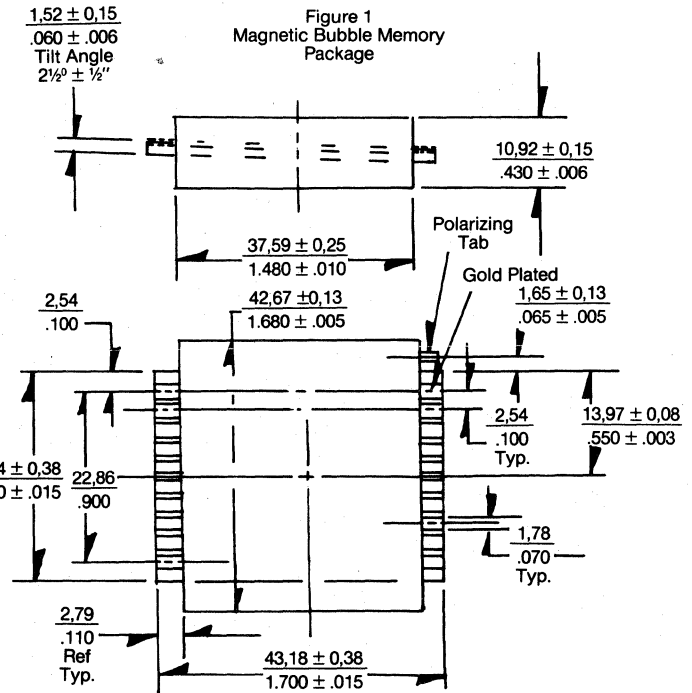
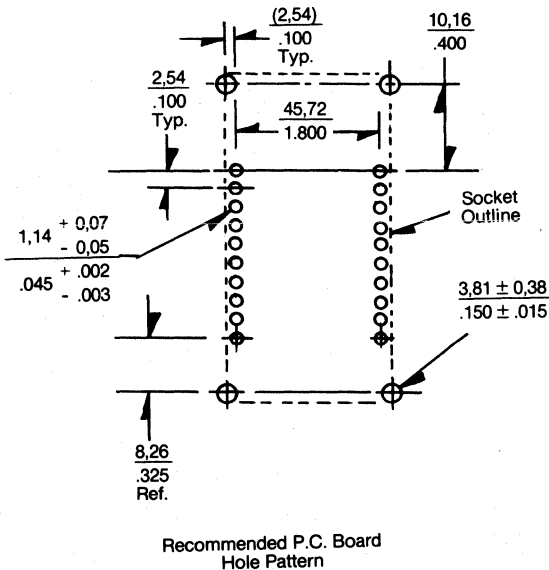


For Ordering Information Contact Factory.

Magnetic Bubble Memory Socket 7453



Recommended INTEL 7110
Bubble Memory Device





Customer's Incoming Goods Inspection Procedure

Molex recommends the following procedures for inspection of Molex products received in our customer's plant.

1. Upon receipt of goods, confirm that the part numbers on the Molex shipping papers correspond with your order.
2. Check critical dimensions on the parts against Molex sales drawings (sales drawings are available upon request from all Molex sales offices and technical representatives.)

Examples of critical dimensions which should be checked:

Terminals—Connection area; crimp area

Connectors—Connector core holes; connector mounting ears (if applicable)

In the unlikely event that there is a variance between the part and the Molex sales drawing, please notify your local Molex Sales Office or Representative immediately.

Give the Molex Sales Office/Representative samples of the parts in question, information on the quantity of parts involved, and the Molex invoice number.

Your local Sales Office/Representative will forward this information to the Molex Quality Control Department. After an evaluation, if Molex agrees with the discrepancy you report, a **Return Goods Authorization Form** will be completed and sent to your attention. Molex then will accept the return of all questioned goods.

Please note that shipments returned to Molex without an approved **Return Goods Authorization** will be refused and returned to the customer.

Abbreviations Used Frequently in This Catalog

AWG: American Wire Gauge	Mtg.: mounting
Dia.: diameter	N/A: not available or not applicable
CM: centimeters	Non-accum.: non-accumulative
Dim.: dimension	PC: printed circuit
Eg.: equal	R: radius
ID: inside diameter	Ref.: reference
In.: inches	Sq.: square
Max.: maximum	Thk.: thick
MM: millimeters	Typ.: typical
Min.: minimum	W/O: without

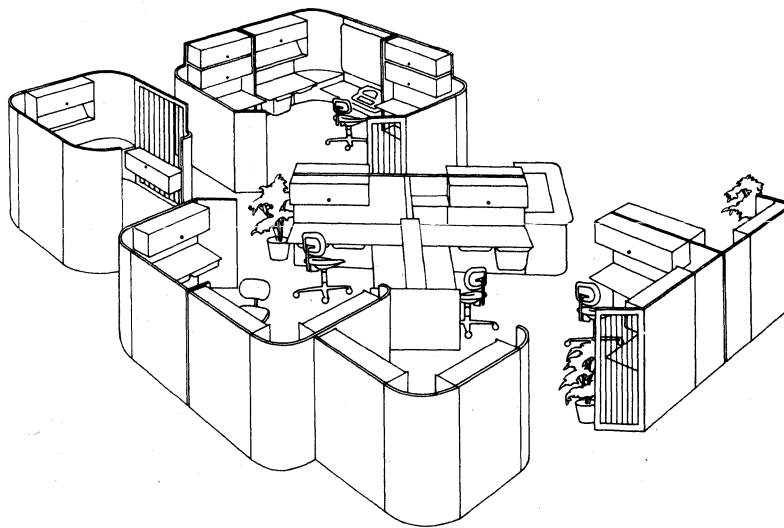
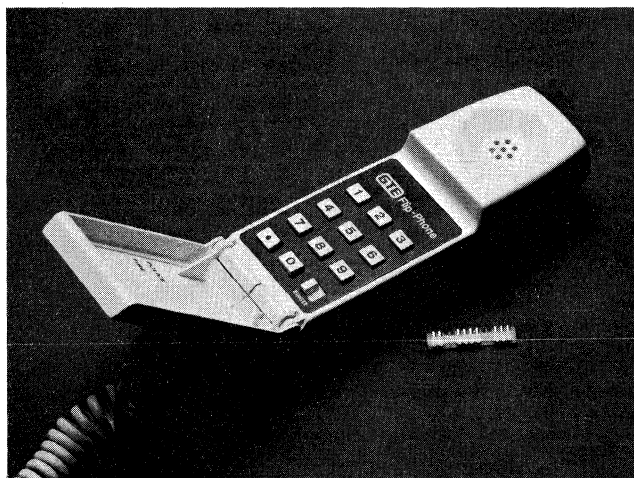
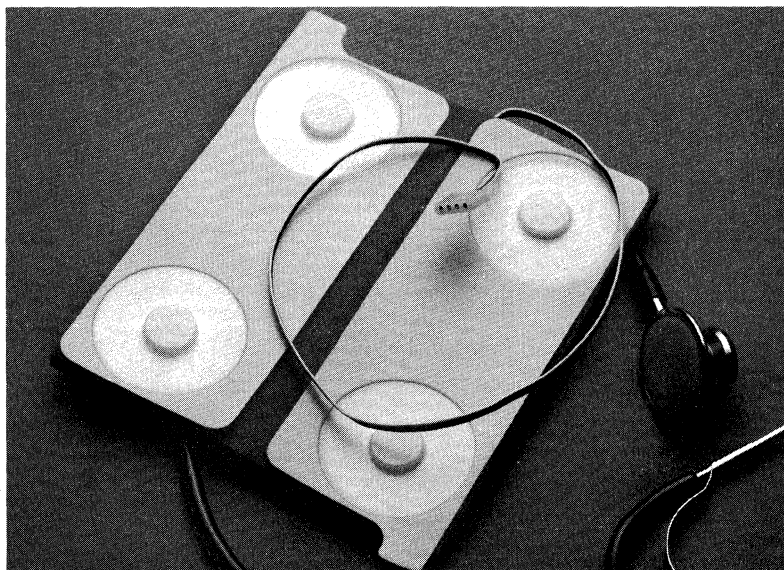
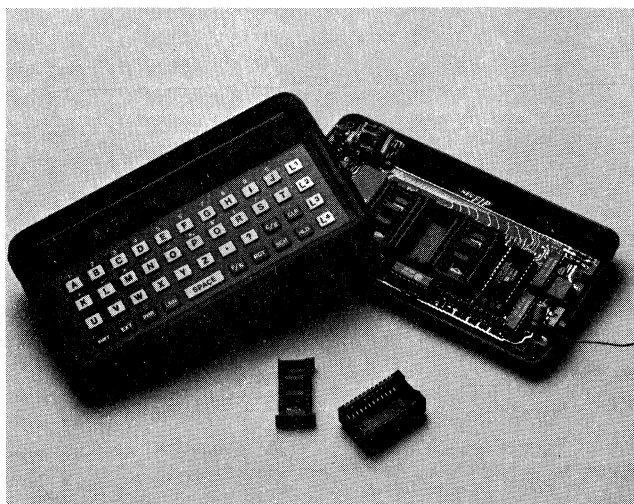
Please note: We have made every effort to assure the correctness of all the dimensions in this catalog. However, due to design changes, we suggest you contact your nearest sales office (see back cover) before finalizing your design.



Custom Products



ters
entation
mputers
ent • Appliances
y Systems • Entertain
Automotive • Business Ma
Telecommunications • Au
Medical • Telecommunica
Games and Toys • Medical
Digital • Games and Toys
Instrumentation • Digital
Computers • Instrumentat
Appliances • Computat
Entertainment • Computati
Security Systems • Appliance
Consumer • Security
Business • Security
Automotive • Enterta
Telecomm
Medic
G



Top Left: Language chip carriers and sockets were custom designed for a portable translator manufacturer. **Bottom Left:** New low profile flexible circuitry connectors allow dense packaging in telephones. **Top Right:** Molex provides standard and custom products in medical instrumentation, in surgical knives and EKG pads. **Bottom Right:** Wall panel units containing electrical outlets, developed by Molex engineers and a leading office equipment manufacturer, are attractive, safe and functional.

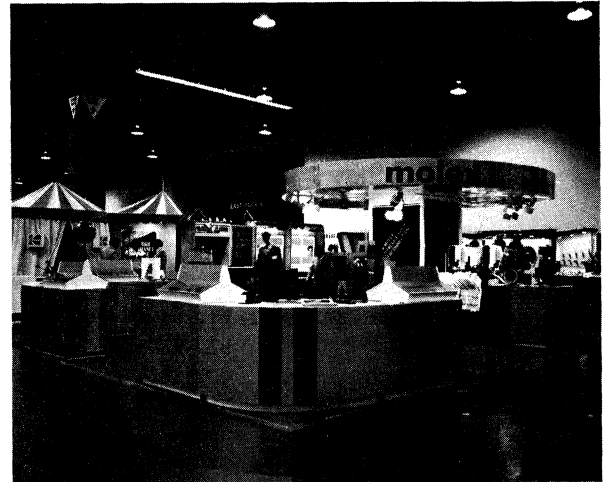
This catalog has shown Molex's diversified standard product line available on short lead times or immediately from stocking distributors and sales offices worldwide.

If your application has special requirements your local sales engineer can help design the correct component, assembly or system to meet your needs economically. . . . Molex is affordable technology.



The schedule of a few major conventions in 1981

- | | | |
|------------------------|----------------------|----------------|
| • Electro | New York, NY | Apr. 7-9 |
| • Salon des Composants | Paris, France | Apr. 6-11 |
| • Nepcon Southeast | Orlando, FL | Apr. 15-16 |
| • Electroworld | Denver, CO | May 11-13 |
| • Leetronix | Leeds, England | June 30-July 2 |
| • Wescon | San Francisco, CA | Sept. 15-17 |
| • Productronica | Munich, West Germany | Oct. 8-10 |
| • I EEE Toronto | Toronto, Canada | Oct. 5-7 |
| • InterNepcon | Brighton, England | Oct. 20-22 |
| • Midcon | Chicago, IL | Nov. 10-12 |
| • Inter Nepcon | Taipoe, Taiwan | Dec. 10-12 |

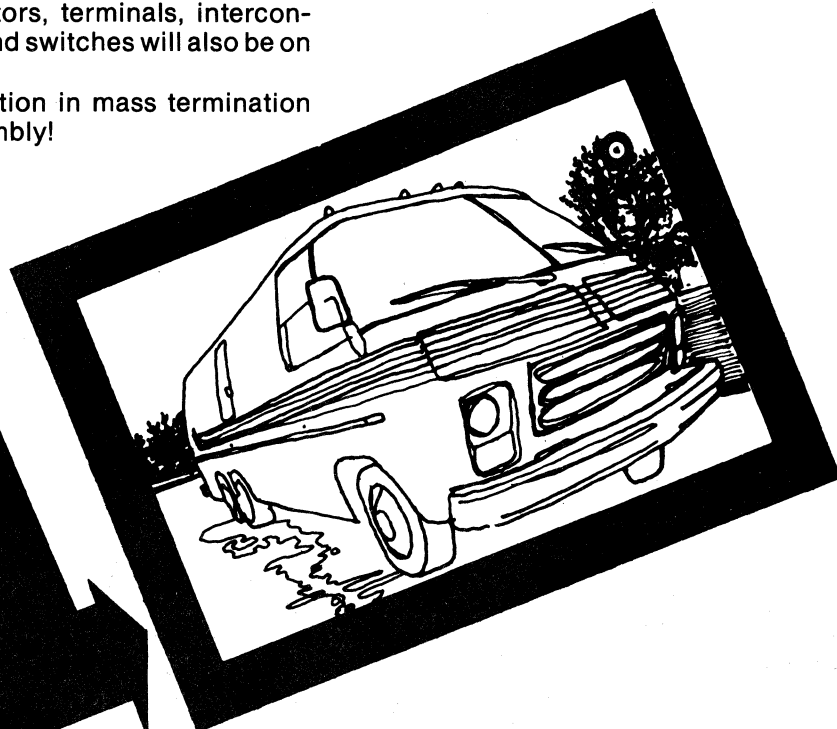


The Molex Demonstrator Van can be on display in your area:

For your own personal demonstration at your plant, contact your local Molex sales office or representative.

The 26' van features actual connector assembly and pinsetting equipment and videotape film of larger volume production units. Molex connectors, terminals, interconnection systems, sockets, cable and switches will also be on display.

DON'T MISS the latest innovation in mass termination systems . . . Make your own assembly!



Wire Gauge Conversions

Wire Gauge Numbers				Diameter			Cross Section Area			
American (B&S)	Birmingham (Stub)	British Standard	Metric	Inches	Mills	Millimeters	Square Inches	Square Mills	Circular Mills	Square Millimeters
10	13	13	25	.1019	101.9	2.588	.008155	8155.	10380.	5,261
				.09842	98.42	2.500	.007609	7609.	9687.	4,909
				.095	95.	2.413	.007088	7088.	9025.	4,573
				.092	92.	2.337	.006648	6648.	8464.	4,289
				.0915	91.5	2.324	.006576	6576.	8372.	4,242
11	14	14	20	.09074	90.74	2.305	.006467	6467.	8234.	4,172
				.083	83.	2.108	.005411	5411.	6889.	3,491
12	15	15	18	.08081	80.81	2.053	.005129	5129.	6530.	3,309
				.080	80.	2.032	.005027	5027.	6400.	3,243
13	16	16	14	.07874	78.74	2.000	.004869	4869.	6200.	3,142
				.072	72.	1.829	.004072	4072.	5184.	2,627
14	17	17	18	.07196	71.96	1.828	.004067	4067.	5178.	2,624
				.07087	70.87	1.800	.003944	3944.	5022.	2,545
15	18	18	16	.065	65.	1.651	.003318	3318.	4225.	2,141
				.06408	64.08	1.628	.003225	3225.	4107.	2,081
16	19	19	16	.064	64.	1.626	.003217	3217.	4096.	2,075
				.06299	62.99	1.600	.003116	3116.	3968.	2,011
17	20	20	14	.0625	62.5	1.588	.003068	3068.	3906.	1,979
				.058	58.	1.473	.002642	2642.	3364.	1,705
18	21	21	10	.05707	57.07	1.450	.002558	2558.	3265.	1,650
				.056	56.	1.422	.002463	2463.	3136.	1,589
19	22	22	10	.05512	55.12	1.400	.002386	2386.	3038.	1,539
				.054	54.	1.372	.002290	2290.	2916.	1,478
20	23	23	10	.05082	50.82	1.291	.002028	2028.	2583.	1,309
				.049	49.	1.245	.001886	1886.	2401.	1,217
21	24	24	10	.048	48.	1.219	.001810	1810.	2304.	1,167
				.0475	47.5	1.207	.001772	1772.	2256.	1,143
22	25	25	10	.04724	47.24	1.20	.001753	1753.	2232.	1,131
				.04526	45.26	1.150	.001609	1609.	2048.	1,038
23	26	26	10	.042	42.	1.067	.001385	1385.	1764.	.8938
				.041	41.	1.041	.001320	1320.	1681.	.8518
24	27	27	10	.0403	40.3	1.024	.001276	1276.	1624.	.8231
				.040	40.	1.016	.001257	1257.	1600.	.8107
25	28	28	10	.03937	39.37	1.000	.001217	1217.	1550.	.7854
				.036	36.	.9144	.001018	1018.	1296.	.6567
26	29	29	10	.03589	35.89	.9116	.001012	1012.	1288.	.6527
				.03543	35.43	.9000	.0009861	986.1	1255.	.6262
27	30	30	10	.035	35.	.8890	.0009621	962.1	1225.	.6207
				.0348	34.8	.8839	.0009511	951.1	1211.	.6136
28	31	31	10	.032	32.	.8128	.0008042	804.2	1024.	.5189
				.03196	31.96	.8118	.0008023	802.3	1022.	.5176
29	32	32	10	.0317	31.7	.8052	.0007892	789.2	1005.	.5092
				.0315	31.5	.8000	.0007791	779.1	992.	.5027
30	33	33	10	.0286	28.6	.7264	.0006424	642.4	818.0	.4145
				.02846	28.46	.7229	.0006363	636.3	810.1	.4105
31	34	34	10	.028	28.	.7112	.0006158	615.8	784.0	.3973
				.02756	27.56	.7000	.0005965	596.5	759.5	.3848
32	35	35	10	.0258	25.8	.6553	.0005228	522.8	665.6	.3373
				.02535	25.35	.6438	.0005046	504.6	642.4	.3255
33	36	36	10	.025	25.	.6350	.0004909	490.9	625.0	.3167
				.024	24.	.6096	.0004524	452.4	576.0	.2919
34	37	37	10	.02362	23.62	.6000	.0004383	438.3	558.0	.2828
				.023	23.	.5842	.0004155	415.5	529.0	.2675
35	38	38	10	.02257	22.57	.5733	.0004001	400.1	509.5	.2582
				.022	22.	.5588	.0003801	380.1	484.0	.2452
36	39	39	10	.0204	20.4	.5182	.0003269	326.9	416.2	.2109
				.0201	20.1	.5106	.0003173	317.3	404.0	.2047
37	40	40	10	.020	20.	.5080	.0003142	314.2	400.0	.2027
				.01968	19.68	.5000	.0003043	304.3	387.5	.1968
38	41	41	10	.0181	18.1	.4597	.0002573	257.3	327.6	.1660
				.018	18.	.4572	.0002545	254.5	324.0	.1642
39	42	42	10	.0179	17.9	.4547	.0002517	251.7	320.4	.1624
				.01772	17.72	.4500	.0002465	246.5	313.9	.1590

Wire Gauge Conversions

Wire Gauge Numbers				Diameter			Cross Section Area			
American (B&S)	Birmingham (Stub)	British Standard	Metric	Inches	Mills	Millimeters	Square Inches	Square Mills	Circular Mills	Square Millimeters
		27		.0173	17.3	.4394	.0002351	235.1	299.3	.1517
				.0164	16.4	.4166	.0002112	211.2	269.0	.1363
26	27		4	.0162	16.2	.4115	.0002061	206.1	262.4	.1330
				.016	16.	.4064	.0002011	201.1	256.0	.1297
				.01594	15.94	.4049	.0001996	199.6	254.1	.1288
				.01575	15.75	.4000	.0001948	193.8	248.0	.1257
				.015	15.	.3810	.0001767	176.7	225.0	.1140
27	28		3.5	.0148	14.8	.3759	.0001720	172.0	219.0	.1110
				.0142	14.2	.3606	.0001583	158.3	201.5	.1021
				.014	14.	.3556	.0001539	153.9	196.0	.09932
				.01378	13.78	.3500	.0001491	149.1	189.9	.09621
28	29			.0136	13.6	.3454	.0001453	145.3	185.0	.09373
				.0132	13.2	.3353	.0001368	136.8	174.2	.08829
				.013	13.	.3302	.0001327	132.7	169.0	.08563
				.0128	12.8	.3251	.0001287	128.7	163.8	.08302
				.01264	12.64	.3211	.0001255	125.5	159.8	.08098
				.0124	12.4	.3150	.0001208	120.8	153.8	.07791
29	30		3	.012	12.	.3048	.0001131	113.1	144.0	.07297
				.01181	11.81	.3000	.0001096	109.6	139.5	.07069
				.0118	11.8	.2997	.0001094	109.4	139.2	.07055
				.0116	11.6	.2946	.0001057	105.7	134.6	.06818
30	31	33	2.5	.01126	11.26	.2859	.00009954	99.54	126.7	.06422
				.0108	10.8	.2743	.00009161	91.61	116.6	.05910
				.0104	10.4	.2642	.00008495	84.95	108.2	.05481
				.01003	10.03	.2546	.00007894	78.94	100.5	.05093
				.010	10.	.2540	.00007854	78.54	100.0	.05067
31	32			.009842	9.842	.2500	.00007609	76.09	96.87	.04909
				.0095	9.5	.2413	.00007088	70.88	90.25	.04573
				.0092	9.2	.2337	.00006648	66.48	84.64	.04289
				.009	9.	.2286	.00006362	63.62	81.00	.04104
32	33		2	.008928	8.928	.2268	.00006260	62.60	79.70	.04039
				.0085	8.5	.2159	.00005675	56.75	72.25	.03661
				.0084	8.4	.2134	.00005542	55.42	70.56	.03575
				.008	8.	.2032	.00005027	50.27	64.00	.03243
				.00795	7.95	.2019	.00004954	49.64	63.21	.03203
33	34		1.8	.007874	7.874	.2000	.00004869	48.69	62.00	.03142
				.0076	7.6	.1930	.00004536	45.36	57.76	.02927
				.0075	7.5	.1905	.00004418	44.18	56.25	.02850
				.007087	7.087	.1800	.00003944	39.44	50.22	.02545
34	35		1.6	.00708	7.08	.1798	.00003937	39.37	50.13	.02540
				.007	7.	.1778	.00003848	38.48	49.00	.02483
				.0068	6.8	.1727	.00003632	36.32	46.24	.02343
				.0066	6.6	.1676	.00003421	34.21	43.56	.02207
				.006305	6.305	.1601	.00003122	31.22	39.75	.02014
				.006299	6.299	.1600	.00003116	31.16	39.68	.02011
35	36		1.5	.0062	6.2	.1575	.00003019	30.19	38.44	.01948
				.006	6.	.1524	.00002827	28.27	36.00	.01824
				.005906	5.906	.1500	.00002739	27.39	34.87	.01767
				.0058	5.8	.1473	.00002642	26.42	33.64	.01705
				.005615	5.615	.1426	.00002476	24.76	31.52	.01597
36	37		1.4	.005512	5.512	.1400	.00002386	23.86	30.38	.01539
				.0055	5.5	.1387	.00002376	23.76	30.25	.01533
				.0052	5.2	.1321	.00002124	21.24	27.04	.01370
				.005	5.	.1270	.00001963	19.63	25.00	.01267
37	38		1.2	.0048	4.8	.1219	.00001810	18.10	23.04	.01167
				.004724	4.724	.1200	.00001753	17.53	22.32	.01131
				.0046	4.6	.1168	.00001662	16.62	21.16	.01072
38	39		1	.004453	4.453	.1131	.00001557	15.57	19.83	.01005
				.0044	4.4	.1118	.00001521	15.21	19.36	.009810
				.004	4.	.1016	.00001257	12.57	16.00	.008107
39	40			.003965	3.965	.1007	.00001235	12.35	15.72	.007967
				.003937	3.937	.1000	.00001217	12.17	15.50	.007854
39	43			.0036	3.6	.09144	.00001018	10.18	12.96	.006567
				.003531	3.531	.08969	.000009793	9.793	12.47	.006318



Wire Gauge Conversions

Wire Gauge Numbers				Diameter			Cross Section Area			
American (B&S)	Birmingham (Stub)	British Standard	Metric	Inches	Mills	Millimeters	Square Inches	Square Mills	Circular Mills	Square Millimeters
40		44		.0032	3.2	.08128	.000008042	8.042	10.24	.005189
				.003145	3.145	.07987	.000007766	7.766	9.888	.005010
				.0028	2.8	.07113	.000006159	6.159	7.842	.003973
41		45		.0028	2.8	.07112	.000006158	6.158	7.840	.003973
				.002494	2.494	.06334	.000004884	4.884	6.219	.003151
42		46		.0024	2.4	.06096	.000004524	4.524	5.760	.002919
				.0021	2.221	.05641	.000003873	3.873	4.932	.002499
43		47		.002	2	.05080	.000003142	3.142	4.000	.002027
				.001978	1.978	.05023	.000003072	3.072	3.911	.001982
44		0.5		.001969	1.969	.05000	.000003044	3.044	3.875	.001963
				.001761	1.761	.04473	.000002436	2.436	3.102	.001572
45		48		.0016	1.6	.04064	.000002011	2.011	2.560	.001297
				.001568	1.568	.03984	.000001932	1.932	2.460	.001246
46				.001397	1.397	.03547	.000001532	1.532	1.951	.0009884
				.001243	1.243	.03159	.000001215	1.215	1.547	.0007838
47		49		.0012	1.2	.03048	.000001131	1.131	1.440	.0007297
				.001107	1.107	.02813	.0000009635	.9635	1.227	.0006216
48		50		.001	1.	.02540	.0000007854	.7854	1.000	.0005067
				.0009863	.9863	.02505	.0000007641	.7641	.9728	.0004929
49										
50										



Cross Reference

Molex Order No.	Molex Engineering Part No.	Page	Molex Order No.	Molex Engineering Part No.	Page
02-05-1104	1929	71B	03-09-1154	1375	11A
02-05-1116	2107	71B	03-12-115X	6742	25A
02-05-1204	2123	71B	04-06-1XX1	1725	26A
02-05-1216	2125	71B	04-09-1XX1	1055	27A
02-05-3216	2125	71B	05-02-0047	1457-1	31A
02-05-51XX	1929	71B	05-02-0049	1457-2	31A
02-06-1101	1561	16A	05-05-0601	7457	21A
02-06-1104	4529	17A	05-06-02XX	1943	22A
02-06-1109	4559	17A	05-06-0301	2176	23A
02-06-1131	1855	16A	05-06-0305	2576	23A
02-06-12XX	1787	17A	05-06-0307	2799	23A
02-06-12XX	2189	17A	05-06-0401	2328	23A
02-06-2101	1560	16A	05-06-0405	2698	23A
02-06-2131	1854	16A	05-06-0601	7457-PT	21A
02-06-22XX	1786	17A	05-07-0204	4785-1	21A
02-06-22XX	2190	17A	05-07-0206	7319	21A
02-06-52XX	1787	17A	05-07-0209	4787	21A
02-06-62XX	1786	17A	05-08-0204	4785-1PT	21A
02-06-7103	1779	20A	05-08-0206	7319-PT	21A
02-06-8103	1778	20A	05-08-0209	4787-PT	21A
02-07-2101	4706-3	72B	05-12-1100	6482	34A
02-08-11XX	1881	70B	05-30-000X	1938-4	8G
02-09-1105	2269	19A	05-30-4000	1938-8	10G
02-09-1111	7238	25A	05-32-0001	1938-4	8G
02-09-1133	1377	20A	05-33-0001	1938-4	8G
02-09-1146	2605	20A	05-35-0001	1938-4	8G
02-09-11XX	1189	18A	06-02-3011	2211	23A
02-09-11XX	1381	18A	06-02-3031	2191-3	23A
02-09-11XX	1433	18A	06-02-3111	2177	23A
02-09-11XX	2192	19A	06-02-3141	1852-R	22A
02-09-11XX	2269	19A	06-05-3XX1	2460	10G
02-09-11XX	2273	19A	07-01-7051	1461	31A
02-09-11XX	2871	18A	08-01-0101	1797	8E
02-09-11XX	4274	19A	08-01-0103	3100	8E
02-09-13XX	1451	19A	08-01-0105	2014	8E
02-09-2105	4706	72B	08-01-0110	2012	8E
02-09-2111	7239	25A	08-01-0112	4295	8E
02-09-2133	1376	20A	08-01-0201	4574	5E
02-09-21XX	1190	18A	08-02-0203	4837	5E
02-09-21XX	1380	18A	08-03-0101	1917	8E
02-09-21XX	1434	18A	08-03-0303	4366	5E
02-09-21XX	2870	18A	08-03-0305	4573	5E
02-09-23XX	1450	19A	08-30-0109	1799	14E
02-09-51XX	1189	18A	08-34-0105	1799	14E
02-09-51XX	1377	20A	08-35-0105	1799	14E
02-09-51XX	1381	18A	08-50-000X	7879	65B
02-09-51XX	1433	18A	08-50-0105	2478	12E
02-09-51XX	2871	18A	08-50-0106	2478	66B
02-09-6132	1376	20A	08-50-0107	2578	12E
02-09-61XX	1190	18A	08-50-0108	2578	66B
02-09-61XX	1380	18A	08-50-0113	2759	65B
02-09-61XX	1434	18A	08-50-0115	2878	12E
02-09-61XX	2870	18A	08-50-0116	2878	66B
02-09-8113	2606	20A	08-50-0118	4018	66B
02-10-2106	4706-1	72B	08-50-0135	4809	65B
03-09-1011	1619	11A	08-50-0156	6778	66B
03-09-1014	1951	11A	08-50-0183	7258	68B
03-09-1022	1545	11A	08-50-0187	6838	68B
03-09-1032	1396	11A	08-50-0XX6	6778	12E
03-09-1042	1490	11A	08-56-0106	2478	66B
03-09-1049	2163	11A	08-56-0108	2578	66B
03-09-1052	1653	11A	08-58-0187	6838	68B
03-09-1057	2629	11A	08-70-0072	5230	63B
03-09-1064	1261	11A	08-70-00XX	5103	59C
03-09-1091	1292	11A	08-70-01XX	5241	59C
03-09-10XX	1816	11A	08-70-XXXX	5005	4A
03-09-1125	1360	11A	08-70-XXXX	5006	4A

In Numerical Order by Molex Order No. only, all circuit sizes, all switches not listed.



Cross Reference



Molex Order No.	Molex Engineering Part No.	Page	Molex Order No.	Molex Engineering Part No.	Page
08-70-XXXX	5206	4A	10-19-1021	2599	14B
09-01-1038	6422	10E	10-19-5XXX	9154	78C
09-01-1061	1796	6E	10-30-2021	3071	48B
09-01-6031	2574	11E	10-30-2022	3072	50B
09-01-6023	2696	7E	10-30-202X	3180	48B
09-02-1062	1800	13E	10-30-8021	5207	56B
09-03-1102	2184	15E	10-32-1023	5233	61B
09-03-1105	4484	16E	10-33-1024	5234	62B
09-04-6XXX	6511	3E	10-33-2XXX	7404	22C, 23C
09-04-7XXX	6511	3E	10-33-3XXX	7883	28C-30C
09-0X-6XXX	7713	71C	10-33-4XXX	7405	22C, 23C
09-0X-XXX5	7664	68C	10-33-5XXX	7794	26C
09-0X-XXX6	7660	67C	10-33-6XXX	7796	26C
09-0X-XXXX	7241	69C, 70C	10-33-XXXX	7405	22C, 23C
09-0X-XXXX	7674	65C	10-38-8XXX	6494	54B
09-0X-XXXX	7675	66C	10-51-2X04	5333	50C
09-14-6245	2690	16E	10-51-2XX2	5332	49C
09-18-5XXX	1840	28A	10-51-7XX8	5342	51C
09-1X-XXXX	7991	69C, 70C	10-52-3XXX	7402	20C, 21C
09-48-303X	2512	7G	10-52-4XXX	7403	20C, 21C
09-50-5XX5	4338	4E	10-52-6XXX	7792	27C
09-50-6XX4	3074	9E	10-52-7XXX	7793	27C
09-50-6XX5	4338	4E	10-55-3XXX	7404	22C, 23C
09-50-XXXX	2139	21B	10-55-4XXX	7405	22C, 23C
09-52-3030	2169	7G	10-55-5XXX	7883	28C-30C
09-52-XXXX	2145	25B, 26B	10-55-6XX0	5340	45C
09-57-1025	2220	36B	10-55-6XX6	5331	43C
09-57-3031	4737	35B	10-55-6XX8	5331	44C
09-60-1021	2403	34B	10-55-6XXX	5330	41C, 42C
09-61-1021	2403	34B	10-55-7X00	5343	52C
09-62-XXXX	2145	25B, 26B	10-55-7X04	5341	47C
09-64-XXXX	2402	27B	10-55-7X06	5341	48C
09-65-1021	2391	31B	10-55-7XX2	5340	46C
09-66-1021	2373	29B	10-55-8XXX	7794	26C
09-67-1023	2461	28B	10-55-9XXX	7796	26C
09-70-XXXX	2402	27B	10-55-XXXX	7404	22C, 23C
09-71-1021	2373	29B	10-56-1XXX	7882	28C-30C
09-72-1021	2391	31B	10-56-3XXX	7402	20C, 21C
09-72-2021	2630	30B	10-56-4XXX	7403	20C, 21C
09-74-1021	2630	30B	10-56-6XXX	7792	27C
09-75-1021	2420	32B	10-56-7XXX	7793	27C
09-78-1025	2220	36B	10-77-XXXX	6952	58C
09-80-1023	2461	28B	10-78-XXX6	7777	60C
09-81-1061	4042	33B	10-78-XXXX	8160	80C, 81C
09-88-2021	2534	37B	10-81-XXX1	7823	57C
09-91-XXXX	3069	24B	10-81-XXXX	7824	59C
10-01-1014	3001	7B	11-02-0011	AM-8600-2	3D
10-01-2031	2539	6G	11-02-0012	AM-8600-3	3D
10-01-4024	5231	60B	11-02-0015	AM-8600-13	3D
10-02-102X	3002B	10B	11-02-0016	AM-8600-14	3D
10-05-8021	5124B	52B	11-10-0081	AM-6800-1	2D
10-06-1021	2673	15B	11-10-1042	AM-4700-13	2D
10-06-1025	3061	15B	11-10-1043	AM-4850-1	4D
10-07-1XXX	8023	61C	11-10-1044	AM-4850-1	14D
10-08-1021	3003	13B	11-20-0178	AM-7275-1	5D
10-08-3031	3197	19B	11-20-0179	AM-7275-100	5D
10-08-3037	3020	20B	11-20-0262	AM-8100	7D
10-08-3XXX	3428	64C	11-20-0280	AM-8630-1	3D
10-10-1021	3002A	10B	11-20-0285	AM-8630-64	3D
10-10-1023	3002C	11B	11-20-0287	AM-8181	7D
10-11-102X	3007	8B	11-20-0288	AM-8102	7D
10-11-2013	7880	41B	11-20-0289	AM-8103	7D
10-13-1024	3011	9B	11-20-0290	AM-8104	7D
10-16-1021	3008	12B	11-20-0291	AM-8630-32	3D
10-16-2035	9171	17B	11-20-0292	AM-8630-33	3D
10-16-3XXX	7882	28C-30C	11-20-0293	AM-8630-60	3D
10-17-2032	4025	6G	11-20-0294	AM-8630-30	3D
10-17-3021	3018	18B	11-20-0295	AM-8630-10	3D
10-18-2031	4038	7G	11-20-0305	AM-8207	6D
10-18-XXXX	3099	29A	11-20-0307	AM-8630-80	3D

In Numerical Order by Molex Order No. only, all circuit sizes, all switches not listed.



Cross Reference

Molex Order No.	Molex Engineering Part No.	Page	Molex Order No.	Molex Engineering Part No.	Page
11-20-0308	AM-8630-2	3D	15-24-4026	ATM-7373	3G
11-20-0309	AM-8630-3	3D	15-24-402X	7298	96C
11-20-0310	AM-8630-4	3D	15-24-4034	A7295-2	4G
11-20-0311	AM-8630-5	3D	15-24-4099	A7224	97C
11-20-0314	AM-7223-126	5D	15-24-5152	6742-1S-PI	25A
11-20-0315	AM-8630-52	3D	15-25-0002	ATM-7373	3G
11-20-0316	AM-8630-53	3D	15-25-0101	7279	23C
11-20-0317	AM-8205	6D	15-25-1XX5	3406	11G
11-20-0319	AM-8209	6D	15-25-1XXX	5328	40C
11-20-0320	AM-8210	6D	15-25-2XXX	7789	16C, 17C
11-20-0321	AM-8211	6D	15-25-4XX1	4850	87C
11-20-0339	AM-8602	4D	15-25-4XXX	4700	14C 15C
11-20-0340	AM-8603	4D	15-25-5XXX	4700	14C, 15C
11-20-0341	AM-8604	4D	15-25-6XXX	4700	14C, 15C
11-20-0345	AM-8605	4D	15-25-8XXX	4700	14C 15C
11-20-0346	AM-8630-100	3D	15-25-9XXX	6777	2E
11-20-0347	AM-8630-101	3D	15-25-XXXX	6874	32C
11-20-0348	AM-8630-102	3D	15-27-2XXX	7789	16C, 17C
11-20-0399	AM-8105	7D	15-29-1024	7859	12F
11-20-0411	AM-8641	5D	15-29-2248	8878	12G
11-20-0412	AM-8640	5D	15-29-31XX	5320	36C, 37C
11-20-0413	AM-8106	7D	15-29-35XX	5321	38C, 39C
11-20-0414	AM-8107	7D	15-31-1021	5025-02P	3A
11-20-0415	AM-8108	7D	15-31-1022	5025-02RI	3A
11-20-0418	AM-8642	5D	15-31-1026	5219	14A
11-20-0437	AM-8803	7D	15-35-8XXX	4700	14C, 15C
11-20-0438	AM-8808	7D	15-38-1024	7859	12F
11-20-0442	AM-8902	7D	16-01-2589	2589	34A
11-20-0449	AM-8109	7D	16-02-0034	4811-A	72B
11-20-0450	AM-8606	4D	16-02-0037	4811	72B
11-20-0451	AM-8607	4D	16-02-0045	7445	5G
11-20-0464	AM-7234-50	5D	16-02-0046	7445	5G
11-21-0678	AM-6874-1	2D	16-02-1103	4296	33A
11-21-0679	AM-4700-24	2D	16-02-1104	4296-1	33A
11-21-0727	AM-7213-50	2D	16-06-00XX	Bead Pins	69B
11-21-0728	AM-7213-1	5D	19-09-1029	3191	13A
11-21-0731	AM-8620-1	2D	19-09-1031	1991	8A
11-21-0916	AM-4700-37	2D	22-01-1023	5051	49B
11-21-3258	AM-8620-1A	2D	22-01-1024	5102	57B
11-21-4112	AM-7234-75	5D	22-01-2025	6471	39B
11-21-4114	AM-7560	5D	22-01-2027	2695	39B
11-21-4120	AM-7560-50	5D	22-02-1024	7534A	51B
11-21-4150	AM-5320-1	2D	22-02-1025	7534C	51B
15-04-0200	1461-K	31A	22-02-2021	4455-C	43B
15-04-0201	1815	7A	22-02-3XX0	5138	95C
15-04-0209	2507	23A	22-02-3XX3	5229	93C
15-04-020X	1864	7A	22-03-1021	3022	53B
15-04-0216	1800K	13E	22-03-1025	3202	53B
15-04-0219	2560-1	64B	22-03-2021	4030	44B
15-04-0220	2560-2	64B	22-04-1022	5045	55B
15-04-023X	4447	7A	22-04-2031	4180	44B
15-04-0241	1816	11A	22-04-21XX	4380	44B
15-04-0255	1816	11A	22-05-1021	3094	6B
15-04-0286	8799	71C	22-05-1022	5046	55B
15-04-0603	4274-1	33A	22-05-1121	3094	54B
15-04-0703	4274	33A	22-05-2021	4094	45B
15-04-9209	4161-1	64B	22-05-3021	7478	47B
15-04-9210	4161-2	64B	22-06-2021	6472	40B
15-04-9218	1816	11A	22-06-2022	6470	40B
15-05-5023	6345	23B	22-10-2021	4030	44B
15-05-6101	Strain Relief	15C	22-11-2031	4180	44B
15-05-7XXX	7894	84C	22-12-1121	3094	54B
15-05-7XXX	7895	84C	22-12-2021	4094	45B
15-05-7XXX	7896	84C	22-12-2024	7478	47B
15-05-8XXX	7840	85C	22-14-2021	4455-B	42B
15-05-8XXX	7841	85C	22-15-2021	4455-A	42B
15-23-04XX	2481	34A	22-15-3XX0	5138	94C
15-24-2XX5	7583	88C	22-15-3XX3	5229	92C
15-24-4014	A7295	4G	22-15-3XX5	5143	90C

In Numerical Order by Molex Order No. only, all circuit sizes, all switches not listed.



Cross Reference



Molex Order No.	Molex Engineering Part No.	Page	Molex Order No.	Molex Engineering Part No.	Page
22-15-3XX6	5143	91C	29-13-4XXX	5204	82C
22-16-2021	4455-A	42B	29-13-XXXX	7790	77C
22-17-2022	4455-B	42B	29-14-XXXX	7795	76C
22-18-2023	4455-C	43B	29-17-XXXX	8675	16B
22-20-20XX	4494	45B	29-17-XXXX	8680	16B
22-23-2021	6373	46B	29-1X-XXX5	7933	63C
22-26-XXXX	7690	73C	29-1X-XXXX	7935	62C
22-26-XXXX	7720	72C	50-39-0240	8878	13G
22-27-2021	6410	46B	82-18-4021	7517	6C
22-41-2XXX	7822	74C, 75C	82-22-1702	7213	6C
26-03-4020	6442	22B	82-22-4021	7382	6C
26-10-2021	3246	29B	82-22-4023	7560	5C
26-11-6033	3215-C	26B	82-24-5902	8997	5C
26-11-6034	3215-A	25B	82-26-1702	7234	5C
26-11-6035	3215-B	25B	82-26-5802	8996	5C
26-17-1021	3243	37B	82-26-6810	8863	3C
26-19-2021	3190	34B	82-28-1710	6800	3C
26-20-2021	3192	27B	82-28-4021	7307	5C
26-22-2021	3190	34B	89-00-0422	8780-1	41B
26-23-2021	3192	27B	89-00-300X	7580	83C
26-25-2XXX	3266	29B	89-00-300X	7842	83C
29-08-2XXX	3475	79C	89-00-0414	8246	71C
29-11-0022	5240	58C	10920-X-XXX	10900	11F

In Numerical Order by Molex Order No. only, all circuit sizes, all switches not listed.







Molex Incorporated U.S.A.

Representatives

SOUTHEAST REGION OFFICE
8 Parimeter Center East
Suite 8000
Atlanta, GA 30346
404/396-6120

DISTRICT OFFICES
Phil Fram
9100 Purdue Rd., Suite 212
Indianapolis, IN 46268
317/875-0295/0296

Glen Towater
P.O. Box 6004
Louisville, KY 40207
317/875-0295/0296

Dean Venator
8 Parimeter Center East
Suite 8000
Atlanta, GA 30346
404/396-6120

Jim Davis
311 E. Jones Street
Fuquay-Varina, NC 27526
919/553-6958

V. G. Sales, Inc.
2500 N.W. 16th Lane
Pompano Beach, FL 33067
305/971-0900

V. G. Sales, Inc.
608 E. Altamonte Drive
Suite 100A
Altamonte Springs, FL 32701
305/831-8688

Glen White & Associates
P.O. 10186
Lynchburg, VA 24506
804/384-6920

Glen White & Associates
3502 9th Ave. S.W.
Huntsville, AL 35805
205/533-5272

CENTRAL REGION OFFICE
2222 Wellington Court
Lisle, IL 60532
312/969-4550

DISTRICT OFFICES
Kermit Dye
2828 Forest Lane
Suite 1109
Dallas, TX 75234
214/247-7117

Steve Donovan
5200 West 73rd St.
Edina, MN 55435
612/831-4879

Jim Nolen
2828 Forest Lane, Suite 1109
Dallas, TX 75234
214/247-7117

Monty Kaylor
2828 Forest Lane, Suite 1109
Dallas, TX 75234
214/247-7117

Mark Boe
2828 Forest Lane, Suite 1109
Dallas, TX 75234
214/247-7117

Max Bassler
P.O. Box 655
Manchaca, TX 78652
512/282-0277

Mel Foster Technical Sales
7611 Washington Ave., South
P.O. Box 35216
Edina, MN 55435
612/941-9790

Dy-Tronix Inc.
11190 Natural Bridge Rd.
Bridgeton, MO 63044
314/731-5799

Dy-Tronix Inc.
13700 E. 42nd Terrace
Suite 202
Independence, MO 64055
816/373-6600

J. R. Sales Eng.
1930 St. Andrews NE
Cedar Rapids, IA 52402
319/393-2232

E. S. Healy & Associates, Inc.
225 Warwick Lane
Crystal Lake, IL 60014
815/459-4386

EASTERN REGION OFFICE
21 Cummings Park Suite 266
Woburn, MA 01801
617/935-8983/8987

DISTRICT OFFICE
Scott Clay
Box 222, 6507 Fieldcrest Ct.
Ada, MI 49301
616/942-1820

William Hyslop
248 Walnut St.
Geneva, OH 44041
216/446-9244

Stanford Crane
1007 Kinmont Street
Cincinnati, OH 45208
513/921-5027

Schwegman & Associates, Inc.
816 E. Fourth St.
Box 130A
Royal Oak, MI 48067
313/542-6767

Insul-Reps
5618 Coldwater Road
Fort Wayne, IN 46825
219/482-1596

Jim Williams
111 Old Hickory Blvd. S.W.
Apt. 295
Nashville, TN 37221
615/356-6238

George Allen
P.O. Box 707
Connersville, IN 47331
317/827-0051

F. F. Sylvester Associates
649 Morris Avenue
Springfield, NJ 07081
201/376-3324

Sales Engineering Company
25 Main Street
Salem, NH 03079
603/893-5521

Joe Schmitt
600 Shipbuilders Creek Rd.
Webster, NY 14580
716/223-6899

Tom Sniogowski
#9 Eileen Drive
Newark, DE 19711
302/737-0338

Max Anderson Co., Inc.
Suite 18, 3rd Fl.
Edificio El-Monte Mall
Hato Rey, P.R. 00918
809/751-2022/2026

WEST REGION OFFICE
18455 Burbank Blvd. #104
Tarzana, CA 91356
213/705-0531

DISTRICT OFFICE
Gerard Campbell
Dow Lebowski
18455 Burbank Blvd., Suite 104
Tarzana, CA 91356
213/705-0531

Jack Harvey
18455 Burbank Blvd., Suite 104
Tarzana, CA 91356
213/705-0531

Tony Scutetta
24952 Hayuco
Mission Viejo, CA 92692
213/705-0531

Harvey Co.
453 Rain Dance Street
Thousand Oaks, CA 91360
805/492-5990

Al Batza
17697 Fonticello Way
San Diego, CA 92128
213/705-0531

Cindel Sales, Inc.
3350 Scott Blvd., Bldg. 59
Santa Clara, CA 95051
408/988-8331

Thorson Rocky Mountain, Inc.
7076 S. Alton Way, #D
Englewood, CO 80112
303/779-0666

Thorson Rocky Mountain, Inc.
3691 W. 987 South
Salt Lake City, UT 84104
801/973-7969

Henry Paulman Sales
P.O. Box 143
Medina, WA 98039
206/455-3311

Distributors

EASTERN

Components Unlimited
3502 9th Ave. S.W.
Huntsville, AL 35805
205/533-5272

Heilind Electronics Inc.
Berkshire Industrial Park
Bethel, CN 06801
203/797-8600

Heilind Electronics, Inc.
185 Cambridge Street
Burlington, MA 01803
617/272-5610

Components South, Inc.
2500 NW 16th Lane
Pompano Beach, FL 33064
305/971-0350

Impact Electronics
200 1st Ave.
Needham, MA 02194
617/444-3971

Pyttronic Industries, Inc.
8220 Wellmoor Court
Savage, MD 20863
301/953-9650

Resco
Hwy. 70 West & Resco Ct.
Raleigh, NC 27612
919/781-5700

Heilind Electronics, Inc.
18 Industrial Drive
Hudson, NH 03051
603/883-9536

General Radio Supply Co.
600 Penn Street
Camden, NJ 08102
609/964-8560

J-Mar Electronics, Inc.
61 Lakeview Avenue
Clifton, NJ 07011
201/772-6400

Summit Distributors, Inc.
916 Main Street
Buffalo, NY 14202
716/884-3450

Progress Electronics
205 Express Street
Plainville, L.I., NY 11803
516/433-1700

Advacom
1311 Kenedy Ave.
Duquesne, PA 15110
412/469-2601 or 2602

Advacom
P.O. Box 296
5620 West Road
McKean, PA 16426
814/476-7774

Pyttronic
Slump Road
Montgomeryville, PA 18936
215/643-2850

Techni-Tronics
6446 Ridge Lake Road
Hixson, TN 37343
615/875-5449

Components Unlimited
Box 10187
3704 Old Forest Road
Lynchburg, VA 24503
804/384-6990

Empire Electronics, Inc.
1024 W. 14th
Clawson, MI 48017
313/542-6767

CENTRAL

Carlton-Bates
3600 West 69th
Little Rock, AR 72209
501/562-9100

Sub-Sem Electronics, Inc.
473 S. Dartmoor
Crystal Lake, IL 60014
815/459-4139 or 312/782-3954-55

Magnuson Electronics
2420 Oakton Street
Mt. Prospect, IL 60056
312/956-0700

R-M Electronics Co., Inc.
4310 Roger B. Chaffee
Grand Rapids, MI 49508
616/531-9300

Industrial Components, Inc.
5229 Edina Industrial Park
Minneapolis, MN 55435
612/831-2666

Leotronix
306 McDonough Street
St. Charles, MO 63301
800/325-3348

Scott Electronics
4040 Adams Street
Lincoln, Nebraska 68504
402/466-8221

Components Unlimited of Ohio
1588 Frebis Lane
Columbus, OH 43209
614/252-0728

Stotts-Friedman
2600 E. River Road
Dayton, OH 45439
937/298-5555

Gateway-Megatech
30214 Lakeland Blvd.
Wickliffe, OH 44092
216/944-8565 or 8566

Quality Components
9934 E. 21st St. South
Tulsa, OK 74129
918/664-8812

Quality Components
4257 Kellway Circle
Addison, TX 75001
214/387-4949

Quality Components
2427 Rutland Rd.
Austin, TX
512/835-0220

Quality Components
6126 Westline
Houston, TX 77036
713/772-7100

Solid State Electronics
9519 Town Park Drive
Houston, TX 77036
713/7772-8483

Solid State Electronics
2205 Regency Drive
Irving, TX 75062
214/438-5700

Waldom Electronics
4301 West 69th Street
Chicago, IL 60629
312/585-1212

WESTERN

Westates Electronics
20151 Bahama Street
Chatsworth, CA 91311
213/341-4411

Westates Electronics
3001 Redhill Ave.
Costa Mesa, CA 92626
714/549-8401

Westates Electronics
9787 Aero Drive
San Diego, CA 92123
714/292-5693

Westates Electronics
549 Weddell
Sunnyvale, CA 94086
415/964-1700

Western Electromotive
12421 W. Olympic Blvd.
Los Angeles, CA 90064
213/820-3777

Western Electromotive
7183 Construction Ct.
San Diego, CA 92121
714/271-4511

Force Electronics
343 South Hindry Avenue
Inglewood, CA 90301
213/776-1324

Force Electronics
2955 Gordon Avenue
Santa Clara, CA 95051
408/739-1324

Peters-de Laet
2336 F Walsh Ave.
Santa Clara, CA 95050
408/727-9440

Peters-de Laet
340 Harbor Way
South San Francisco, CA 94080
415/873-9595

Integrated Electronics
426 E. 58th Street
Denver, CO 80216
303/534-6121

Interface Electronics
8623 S. 212th
Kent, WA 98031
206/872-5800

Radar Electric
168 Western Avenue, West
Seattle, WA 98119
206/282-2511

CANADIAN

Cardinal Industrial Electronics
11619 - 145 Street
Edmonton, Alberta
T5M - 1V9
403/455-4122

RAE Industrial Electronics
1629 Main Street
Vancouver, British Columbia
V6A - 2W5
604/687-2621

Bowtek Electric Co. Ltd.
79 - 1313 Border Street
Winnipeg, Manitoba
R3H - 0X4
204/633-9523

Zenronics Ltd.
99 Norfinch Drive
Downsview, Ontario
416/635-2822

Zenronics Ltd.
141 Catherine Street
Ottawa, Ontario
K2P - 1C3
613/238-6411

Zenronics Ltd.
8146 Montview Road
Town of Mount Royal
Montreal, Quebec
H4P - 267
514/735-5361

Please note: We have made every effort to assure the correctness of all the dimensions in this catalog. However, due to design changes, we suggest you contact your nearest sales office before finalizing your design. TWX Molex 910/695-3229

MOLEX INTERNATIONAL

UNITED STATES - Molex Incorporated, International Division 2222 Wellington Court, Lisle, Illinois 60532 U.S.A. Phone: 312/969-4550 Telex: 27-0072/25-4069

EUROPEAN HEADQUARTERS - Campbell House, 294 High Street, Aldershot, England GU12 4LT Phone: 252 318221

ARGENTINA

Thiko Elect. S.A.
Peru 653
Buenos Aires 1068
Argentina
Phone: 33-4870
Telex: 390-17825

AUSTRALIA

Utilux Pty. Ltd.
14 Commercial Road
Kingsgrove N.S.W. 2208
Australia
Phone: 50-0155
Telex: 790-21516

AUSTRIA

Burisch Ges. m.b.H. & Co. KG
A-1210 Wien
Scheydgasse 31, Austria
Phone: 387638
Telex: 847-113310

BRAZIL

Molex Electronica Ltda.
Av. da Saudade, 918
13100 - Campinas, SP
Brazil
Phone: 55-192-82616/83950
Telex: 391-0191540

Comercio e Representacoes de Eletronicos Coselle Ltda.

Rua da Consolacao 867
Conj. - 21
01301 Sao Paulo, SP
Brazil
Phone: 55-11-2301253
Telex: 391-01130869

BULGARIA, CZECHOSLOVAKIA

HUNGARY and ROMANIA

Eltrans Handelsgesellschaft m.b.H.
Stuwerstrasse 103
A-1210 Wien
Austria
Phone: 222 247137
Telex: 847-131487

CANADA

Molex Electronics Ltd.
10 Alden Road, Unit 1
Markham Ontario
Canada L3R 2S1
Phone: 416-495-1813
Telex: 06986836

COLOMBIA

Fadaltex S.A.
Carr 68-B, 18-65
Aptdo. Aereo 12948
Bogota, D.E. Colombia
Phone: 57-262-9200
Telex: 396-41338

DENMARK

Hans Folsgaard Agentur A/S
Ejby Industrivej 2
DK-2600 Glostrup, Denmark
Phone: 2-963388
Telex: 855-33505

ENGLAND

Molex Electronics Ltd.
1 Holder Road
Aldershot Hants, England
GU12 4RH
Phone: 252-313131
Telex: 851-858208

Molex European Services

Campbell House
294 High Street
Aldershot Hants, England
GU12 4LT
Phone: 252-318221
Telex: 851-858988

FINLAND

Into Oy
Lepolante 16
SF-00661 Helsinki 66,
Finland
Phone: 90 742133
Telex: 857-121836

FRANCE

France Connexion
18 Avenue Francois Sommer
92160 Antony, France
Phone: 666 21 33
Telex: 842-204035

GERMANY

Molex G.m.b.H.
6000 Frankfurt/M 56
Bernerstrasse 91-95
West Germany
Phone: 507-2093
Telex: 841-412171

HONG KONG

Nanshing Color & Chemical Co. Ltd.
G.P.O. Box 576
Hong Kong
Phone: 3-335121-8
Telex: 780-74852

INDIA

**Hind Industrial & Mercantile
Corp. Pvt. Ltd.**
205-A Dr. Annie Besant Road
Bombay 400 018, India
Phone: 373544/373545
Cable: 'ADEK' Worli-Bombay

IRELAND

Molex S.A.
Bay 124
Shannon Industrial Estates
Shannon Free Airport
Shannon, Ireland
Phone: 61 61566
Telex: 852-26246

ISRAEL

Telsys Ltd.
12 Kehilat Venetsia St.
Tel Aviv, Israel
Phone: 482126, 482127, 482128
Telex: 922-32392

ITALY

Molex Italia S.p.A.
20138 Milano
Via Salomone 43, Italy
Phone: 2-5061344, 5061726, 5061924
Telex: 843-334274

JAPAN

Molex Japan Co., Ltd.
785 Suwa Fukami
Yamato-Shi, Kanagawa Pref.
Japan 242
Phone: 462-614500
Telex: 781-03872486

KOREA

**Molex Hong Kong Ltd.
Korean Branch**
No. 508B Hong Woo Bldg.
1-509, Yoido-Dong
Young Deung Po-Ku
Seoul, Korea
Phone: 783-5131-4
Telex: 787-25096

MALAYSIA

Abex Inc. SDN BHD
Lot 136, 1st Floor
Wisma MP1
Jalan Raja Chulan
Kuala Lumpur, Malaysia
Phone: 482-745

MEXICO

Mexel S.A.
% Luis Gonzalez Gonzalez
11 de Abril 286-7
Mexico 18 D.F., Mexico
Phone: 575-7868
Telex: 001771823

NETHERLANDS

Molex B.V.
Visserstraat 13
5612 BS Eindhoven
The Netherlands
Phone: 40-450565
Telex: 844-51323

NEW ZEALAND

Terminal Distributors Limited
23 Edinburgh St.
P.O. Box 68144
Auckland, New Zealand
Phone: 771604
Telex: 791-21212

NORWAY

Gunnar Knutsen
Skogveien 4
1410 Kolbotn
Norway
Phone: 2-809400
Telex: 856-17471

H.C.A. Melbye A/S
Haavard Martinsens vei 19,
Postboks 8, Havgenstua
Oslo 9, Norway
Phone: 2-106050
Telex: 856-11796

PERU

Electromedica Peruana S.A.
H. Speziani 253
Urb. San Joaquin
Callao 2 - Peru
Phone: 14 524771/520235
Telex: 394-25749

PHILIPPINES

Avesco Marketing Corp.
P.O. Box 3531, Manila
653 655 Rizal Avenue
Philippines
Phone: 81-92
Telex: 742-40648

POLAND

Unitronex Corporation
1171 Landmeier Road
Elk Grove Village, IL 60007
Phone: 437-9700
Telex: 28-3538

PORTUGAL

Amperel
Av. Fontes Periera de Melo 47,
4ºD, 100 Lisbon, Portugal
Phone: 532227/532698
Telex: 832-18588

SINGAPORE

Molex Singapore Pte. Ltd.
3, Fourth Lok Yang Road
Jurong Town
Singapore 2262
Phone: 2610844/2619733-8
Telex: 786-24583

SOUTH AFRICA

Technor Pty. Limited
P.O. Box 70132
Bryanston 2021
South Africa
Phone: 11 7861132

SPAIN

Iberica-De Conexiones S.A.
c/o Natalia de Silva, n° 3-C
Madrid 27, Spain
Phone: 7423542/7423543
Telex: 831-43289

SWEDEN

Molex Svenska AB
Box 2051
194 02 Upplands Vasby,
Sweden
Phone: 760-88150
Telex: 854-13510

SWITZERLAND

EME AG Zurich
E.M. Egli Werkvertretungen
Lohwisstrasse 52
Postfach
CH-8123 Ebmatingen
Phone: 9801111
Telex: 845-52619

TAIWAN

Molex Taiwan Ltd.
115-3, Shia-Kwei-Rou-Shan
Tamshui, Taipei Hsien,
Taiwan, R.O.C.
Phone: 621-3217
Telex: 785-31169

THAILAND

Star Electronics
2014-18 Near Star Bowling
Petchburi Extension Road
Bangkok, Thailand
Phone: 3916806 or 3923154

URUGUAY

Ricagni Importaciones Ltda.
18 de Julio 1216-1º
Montevideo, Uruguay
Phone: 90-3671
Telex: 398-901*

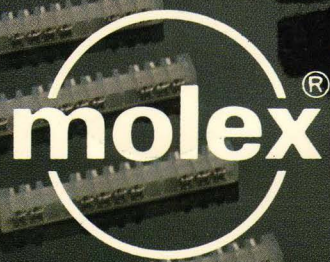
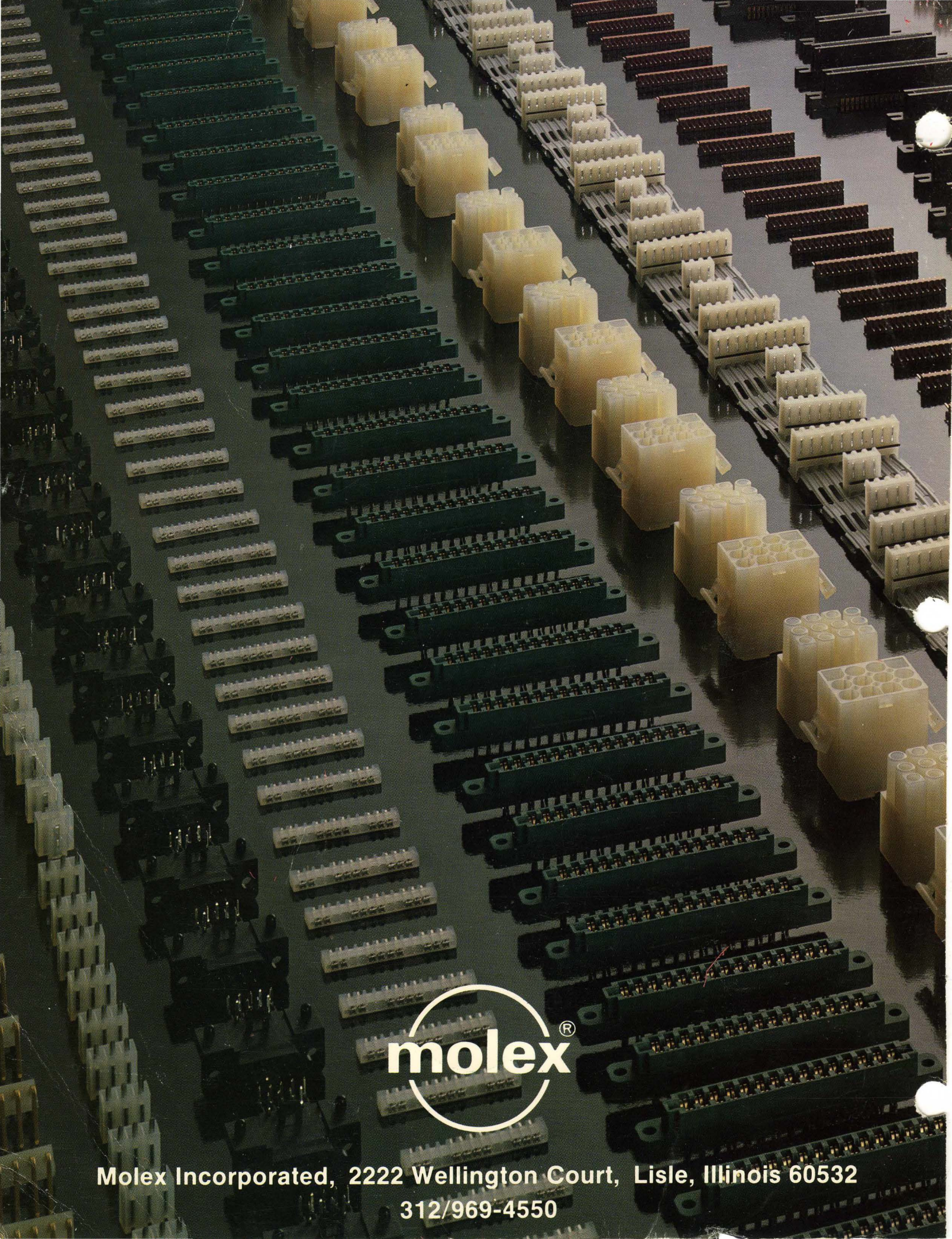
VENEZUELA

Victorino Fernandez
Apartado 257
LaGuaira, Venezuela
Phone: 91-636
Telex: 395-31171

YUGOSLAVIA

Chemcolor
Buro: 4100 Zagreb
Proleterskih Brigada 37-A
P.O. Box 1005
Zagreb, Yugoslavia
Phone: 513911
Telex: 862-21236 or 21616

*Public Booth - give company name and phone number.



**Molex Incorporated, 2222 Wellington Court, Lisle, Illinois 60532
312/969-4550**