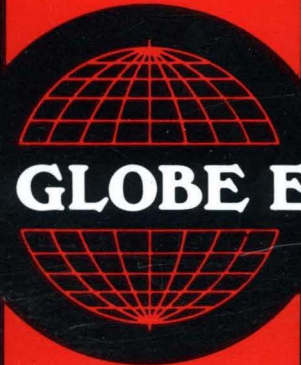
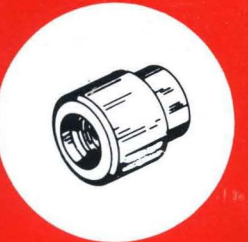
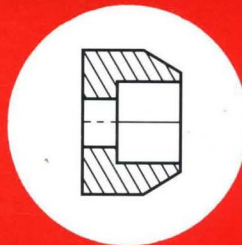
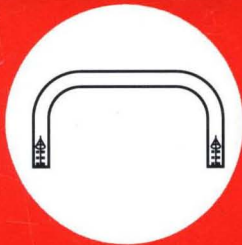




ELECTRONIC HARDWARE SPECIALISTS

(Committed to Excellence)™®



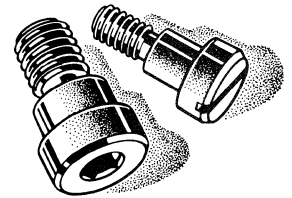
GLOBE ELECTRONIC HARDWARE, INC.

Globe offers you a complete line of Precision Electronic Hardware.

PRECISION SHOULDER WASHERS



PRECISION SHOULDER SCREWS



Manufactured in both American and/or Metric Standards.

Globe will also manufacture specials to your specifications and drawings to both American and/or Metric Standards.

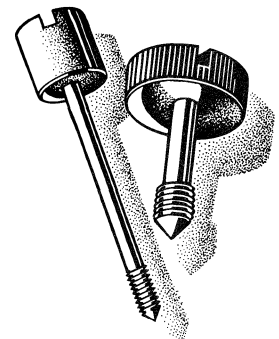
Jit and Bar Coding programs are also available.

Globe's goal is to market only those products that will merit our customer's satisfaction by performing their functions reliably and effectively.

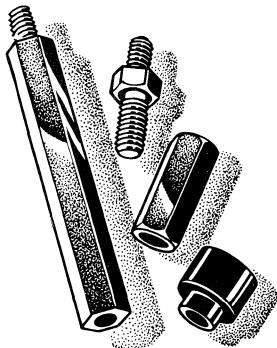
PRECISION THUMB SCREWS



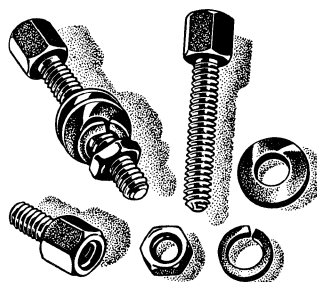
CAPTIVE PANEL SCREWS



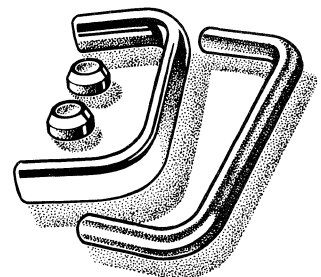
STANDOFFS & SPACERS



PRECISION JACK SCREWS



HANDLES & FERRULES



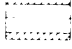
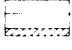
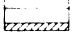
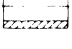
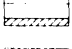
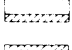
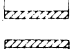

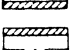
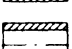



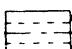
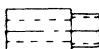
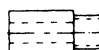
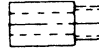
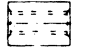
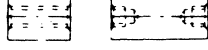
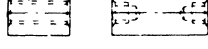
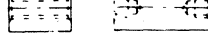
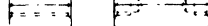



GLOBE ELECTRONIC HARDWARE -TOLL FREE (Outside N.Y.-1-800-221-1505; In N.Y.-1-718-457-0303)

FAX: 1-718-457-7493

©COPYRIGHT 1993 Globe Fasteners, Inc. Printed in U.S.A.

INDEX

CONFIGURATION	DESCRIPTION	PAGE NO.
	1/8" ROUND SPACER	1
	3/16" ROUND SPACER	2
	1/4" ROUND SPACER	3
	5/16" ROUND SPACER	4
	3/8" ROUND SPACER	5
	1/2" ROUND SPACER	6
	5/8" ROUND SPACER	7
	3/4" ROUND SPACER	8
	1/8" HEXAGON SPACER	9
	3/16" HEXAGON SPACER	10
	1/4" HEXAGON SPACER	11
	5/16" HEXAGON SPACER	12
	3/8" HEXAGON SPACER	13
	1/2" HEXAGON SPACER	14
	5/8" HEXAGON SPACER	15
	3/4" HEXAGON SPACER	16
	3/16" ROUND SWAGE SPACER	17
	1/4" ROUND SWAGE SPACER	18
	3/16" HEXAGON SWAGE SPACER	19
	1/4" HEXAGON SWAGE SPACER	20
	1/8" ROUND FEMALE STANDOFF	21
	3/16" ROUND FEMALE STANDOFF	22
	1/4" ROUND FEMALE STANDOFF	23
	5/16" ROUND FEMALE STANDOFF	24
	3/8" ROUND FEMALE STANDOFF	25

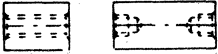
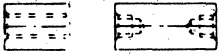

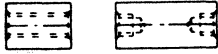

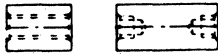
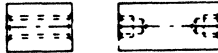
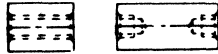
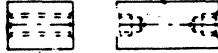
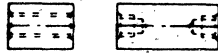
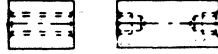
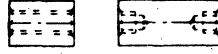
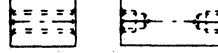
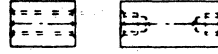
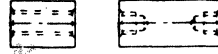
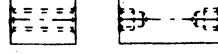
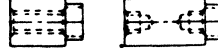
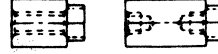
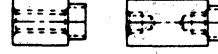
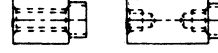

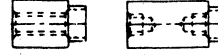
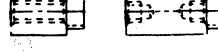
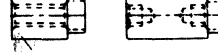

FEDERAL SUPPLY NUMBER 61,000
Commercial and Government Entity Cage Code #OGCW4

GLOBE ELECTRONIC HARDWARE — TOLL FREE (Outside N.Y. — 1-800-221-1505; In N.Y. — 1-718-457-0303)

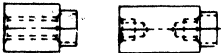


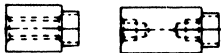
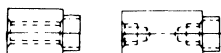

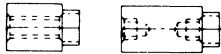
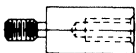
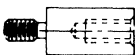
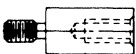
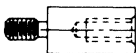
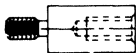
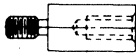
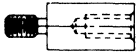
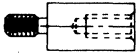
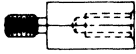
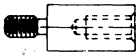



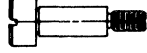



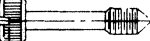
FAX #1-718-457-7493

©COPYRIGHT 1993 Globe Fasteners, Inc. Printed in U.S.A.

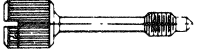


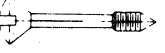

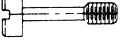
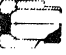

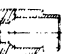

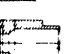



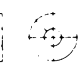
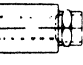
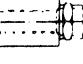
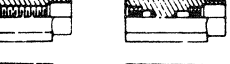





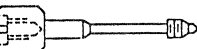
INDEX

CONFIGURATION	DESCRIPTION	PAGE NO.
	1/2" ROUND FEMALE STANDOFF	26
	5/8" ROUND FEMALE STANDOFF	27
	1/8" HEXAGON FEMALE STANDOFF	28
	3/16" HEXAGON FEMALE STANDOFF	29
	1/4" HEXAGON FEMALE STANDOFF	30
	5/16" HEXAGON FEMALE STANDOFF	31
	3/8" HEXAGON FEMALE STANDOFF	32
	1/2" HEXAGON FEMALE STANDOFF	33
	5/8" HEXAGON FEMALE STANDOFF	34
	1/8" SQUARE FEMALE STANDOFF	35
	3/16" SQUARE FEMALE STANDOFF	36
	1/4" SQUARE FEMALE STANDOFF	37
	5/16" SQUARE FEMALE STANDOFF	38
	3/8" SQUARE FEMALE STANDOFF	39
	1/2" SQUARE FEMALE STANDOFF	40
	5/8" SQUARE FEMALE STANDOFF	41
	1/8" ROUND SWAGE STANDOFF	42
	5/32" ROUND SWAGE STANDOFF	43
	3/16" ROUND SWAGE STANDOFF	44
	1/4" ROUND SWAGE STANDOFF	45
	5/16" ROUND SWAGE STANDOFF	46
	3/8" ROUND SWAGE STANDOFF	47
	1/8" HEXAGON SWAGE STANDOFF	48
	5/32" HEXAGON SWAGE STANDOFF	49
	3/16" HEXAGON SWAGE STANDOFF	50




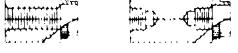
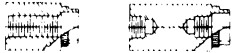
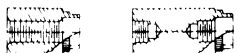






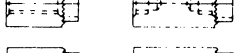
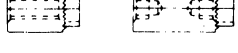
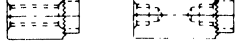
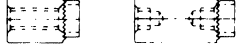

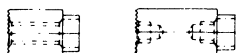
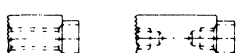
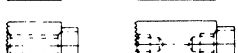
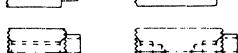
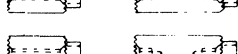
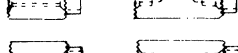
INDEX

CONFIGURATION	DESCRIPTION	PAGE NO.
	1/4" HEXAGON SWAGE STANDOFF	51
	5/16" HEXAGON SWAGE STANDOFF	52
	3/8" HEXAGON SWAGE STANDOFF	53
	3/16" ROUND .125 DIAMETER SHANK SWAGE STANDOFF	54
	3/16" HEXAGON .125 DIAMETER SHANK SWAGE STANDOFF	55
	1/4" ROUND .136 DIAMETER SHANK SWAGE STANDOFF	56
	1/4" HEXAGON .136 DIAMETER SHANK SWAGE STANDOFF	57
	3/16" ROUND MALE-FEMALE STANDOFF	58
	1/4" ROUND MALE-FEMALE STANDOFF	59
	5/16" ROUND MALE-FEMALE STANDOFF	60
	3/8" ROUND MALE-FEMALE STANDOFF	61
	1/2" ROUND MALE-FEMALE STANDOFF	62
	3/16" HEXAGON MALE-FEMALE STANDOFF	63
	1/4" HEXAGON MALE-FEMALE STANDOFF	64
	5/16" HEXAGON MALE-FEMALE STANDOFF	65
	3/8" HEXAGON MALE-FEMALE STANDOFF	66
	1/2" HEXAGON MALE-FEMALE STANDOFF	67
	FLAT WASHER	68
	SHOULDER WASHER	69
	SOCKET PRECISION SHOULDER SCREWS	71
	SLOTTED PRECISION SHOULDER SCREWS	73
	WASHER FACE THUMB SCREWS	77
	PLAIN THUMB SCREW	78
	PUSH TYPE THUMB SCREW	79
	CAPTIVE PANEL SCREW TYPE 101	83

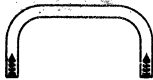
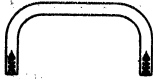
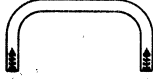
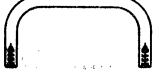
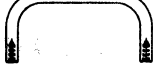
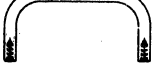
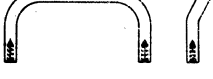





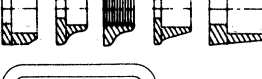
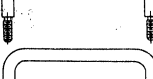
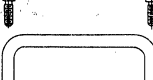
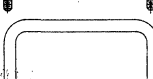
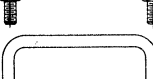

INDEX

CONFIGURATION	DESCRIPTION	PAGE NO.
	CAPTIVE PANEL SCREW TYPE 102	94
	CAPTIVE PANEL SCREW TYPE 103	104
	CAPTIVE PANEL SCREW TYPE 104	114
	CAPTIVE PANEL SCREW TYPE 105	120
	WASHER FOR OVAL HEAD CAPTIVE SCREW TYPE 105	127
	CAPTIVE PANEL SCREW TYPE 106	128
	PANEL SCREW RETAINER TYPE 101A	129
	PANEL SCREW RETAINER TYPE 102B	131
	PANEL SCREW RETAINER TYPE 103C	133
	PANEL SCREW RETAINER TYPE 104D	135
	PANEL SCREW RETAINER TYPE 105E	137
	PANEL SCREW RETAINER TYPE 106F	139
	PANEL SCREW RETAINER TYPE 107G	141
	CAPTIVE PANEL SCREW, RETAINER SPRING	142
	CAPTIVE PANEL SCREW, RETAINER WASHERS	142
	1/4" SWAGE FIT-TITE STANDOFFS	143
	5/16" SWAGE FIT-TITE STANDOFFS	144
	3/16" HEX BINDING SWAGE STANDOFFS	145
	1/4" HEX BINDING SWAGE STANDOFFS	146
	5/16" HEX BINDING SWAGE STANDOFFS	147
	3/8" HEX BINDING SWAGE STANDOFFS	148
	HEX MALE-MALE STANDOFFS	149
	3/16" HEX JACK SCREW	150
	IEEE JACKSCREW	150A

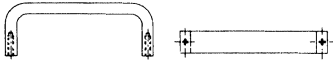
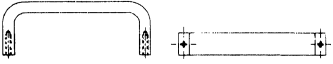
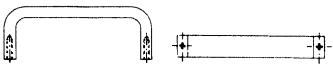
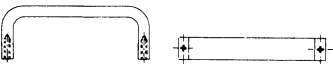
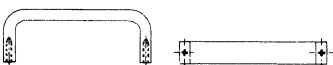
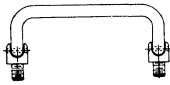

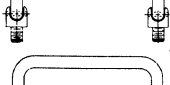
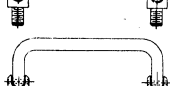
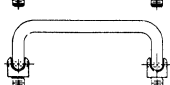
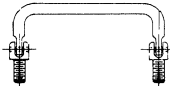

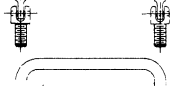

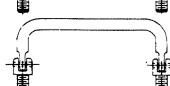



INDEX

CONFIGURATION	DESCRIPTION	PAGE NO.
	ROUND THUMB NUTS	151
	HEX THUMB NUTS	152
	CHASSIS FASTENERS	153
	3/16" ROUND PARTIAL KNURLED SWAGE STANDOFFS	154
	1/4" ROUND PARTIAL KNURLED SWAGE STANDOFFS	155
	5/16" ROUND PARTIAL KNURLED SWAGE STANDOFFS	156
	3/8" ROUND PARTIAL KNURLED SWAGE STANDOFFS	157
	3/16" ROUND FULL KNURLED SWAGE STANDOFFS	158
	1/4" ROUND FULL KNURLED SWAGE STANDOFFS	159
	5/16" ROUND FULL KNURLED SWAGE STANDOFFS	160
	3/8" ROUND FULL KNURLED SWAGE STANDOFFS	161
	3/16" ROUND KNURLED FRONT FACE SWAGE STANDOFFS	162
	1/4" ROUND KNURLED FRONT FACE SWAGE STANDOFFS	163
	5/16" ROUND KNURLED FRONT FACE SWAGE STANDOFFS	164
	3/8" ROUND KNURLED FRONT FACE SWAGE STANDOFFS	165
	3/16" ROUND KNURLED BACK FACE SWAGE STANDOFFS	166
	1/4" ROUND KNURLED BACK FACE SWAGE STANDOFFS	167
	5/16" ROUND KNURLED BACK FACE SWAGE STANDOFFS	168
	3/8" ROUND KNURLED BACK FACE SWAGE STANDOFFS	169
	3/16" ROUND KNURLED DOUBLE FACE SWAGE STANDOFFS	170
	1/4" ROUND KNURLED DOUBLE FACE SWAGE STANDOFFS	171
	5/16" ROUND KNURLED DOUBLE FACE SWAGE STANDOFFS	172
	3/8" ROUND KNURLED DOUBLE FACE SWAGE STANDOFFS	173

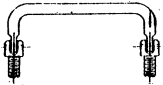
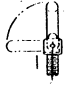

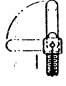
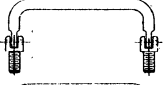
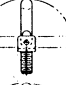

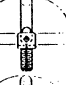
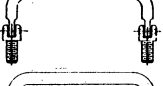
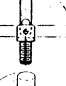

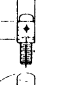








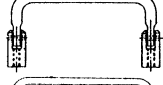
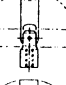

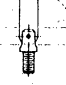

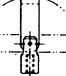
INDEX

CONFIGURATION	DESCRIPTION	PAGE NO.
	1/8" ROUND INTERNAL THREAD HANDLES	174
	5/32" ROUND INTERNAL THREAD HANDLES	175
	3/16" ROUND INTERNAL THREAD HANDLES	176
	1/4" ROUND INTERNAL THREAD HANDLES	177
	5/16" ROUND INTERNAL THREAD HANDLES	178
	3/8" ROUND INTERNAL THREAD HANDLES	179
	3/16" ROUND—OFFSET INTERNAL THREAD HANDLES	180
	1/4" ROUND—OFFSET INTERNAL THREAD HANDLES	181
	5/16" ROUND—OFFSET INTERNAL THREAD HANDLES	182
	3/8" ROUND—OFFSET INTERNAL THREAD HANDLES	183
	7/16 x 9/32 OVAL INTERNAL THREAD HANDLES	184
	5/8 x 9/32 OVAL INTERNAL THREAD HANDLES	185
	HANDLE FERRULES	186 & 187
	3/16" ROUND EXTERNAL THREAD HANDLES – WITH SHOULDER	188
	1/4" ROUND EXTERNAL THREAD HANDLES – WITH SHOULDER	189
	5/16" ROUND EXTERNAL THREAD HANDLES – WITH SHOULDER	190
	5/16" ROUND EXTERNAL THREAD HANDLES – NO SHOULDER	191
	3/8" ROUND EXTERNAL THREAD HANDLES – NO SHOULDER	192

INDEX

CONFIGURATION	DESCRIPTION	PAGE NO.
	1/2 x 3/16 RECTANGULAR INTERNAL THREAD HANDLES	193
	1/2 x 1/4 RECTANGULAR INTERNAL THREAD HANDLES	194
	1/2 x 5/16 RECTANGULAR INTERNAL THREAD HANDLES	195
	5/8 x 1/4 RECTANGULAR INTERNAL THREAD HANDLES	196
	1 x 1/4 RECTANGULAR INTERNAL THREAD HANDLES	197
	1/4" ROUND-90° FREE FALL – EXTERNAL THREAD HANDLES	198
	5/16" ROUND-90° FREE FALL – EXTERNAL THREAD HANDLES	199
	3/8" ROUND-90° FREE FALL – EXTERNAL THREAD HANDLES	200
	1/4" ROUND-180° FREE FALL – EXTERNAL THREAD HANDLES	201
	5/16" ROUND-180° FREE FALL – EXTERNAL THREAD HANDLES	202
	3/8" ROUND-180° FREE FALL – EXTERNAL THREAD HANDLES	203
	1/4" ROUND-90° INFINITE POSITION – EXTERNAL THREAD HANDLES	204
	5/16" ROUND-90° INFINITE POSITION – EXTERNAL THREAD HANDLES	205
	3/8" ROUND-90° INFINITE POSITION – EXTERNAL THREAD HANDLES	206
	1/4" ROUND-180° INFINITE POSITION – EXTERNAL THREAD HANDLES	207
	5/16" ROUND-180° INFINITE POSITION – EXTERNAL THREAD HANDLES	208
	3/8" ROUND-180° INFINITE POSITION – EXTERNAL THREAD HANDLES	209
	1/4" ROUND-90° 2 POSITION – EXTERNAL THREAD HANDLES	210

INDEX

CONFIGURATION		DESCRIPTION	PAGE NO.
		5/16" ROUND-90° 2 POSITION – EXTERNAL THREAD HANDLES	211
		3/8" ROUND-90° 2 POSITION – EXTERNAL THREAD HANDLES	212
		1/4" ROUND-180° 3 POSITION – EXTERNAL THREAD HANDLES	213
		5/16" ROUND-180° 3 POSITION – EXTERNAL THREAD HANDLES	214
		3/8" ROUND-180° 3 POSITION – EXTERNAL THREAD HANDLES	215
		7/16 x 9/32 OVAL-90° 2 POSITION – EXTERNAL THREAD HANDLES	216
		5/8 x 9/32 OVAL-90° 2 POSITION – EXTERNAL THREAD HANDLES	217
		7/16 x 9/32 OVAL-180° 3 POSITION – EXTERNAL THREAD HANDLES	218
		5/8 x 9/32 OVAL-180° 3 POSITION – EXTERNAL THREAD HANDLES	219
		7/16 x 9/32 OVAL-180° INFINITE POSITION – INTERNAL THREAD HANDLES	220
		5/8 x 9/32 OVAL-180° INFINITE POSITION – INTERNAL THREAD HANDLES	221
		1/2 x 3/16 RECTANGULAR-180° INFINITE POSITION – EXTERNAL THREAD HANDLES	222
		1/2 x 3/16 RECTANGULAR-180° INFINITE POSITION – INTERNAL THREAD HANDLES	223

MATERIALS

MATERIAL ROD & BAR	ORDERING CODE	MATERIAL SPECIFICATIONS
Aluminum	A	QQ-A225/3-QQ-A225/8-QQ-A200/9
Brass	B	ASTM-B-16
Nylon	N	LP-410A
Phenolic – Paper	PHP	MIL-P-79 TYPE PBE
Phenolic – Linen	PHL	MIL-P-79 TYPE FBE
Steel	S	QQ-S-637-ASTM-108
Stainless Steel	SS	ASTM-A-581, A-582 (Non Magnetic)
Teflon	TE	MIL-P-19468A-AMS3651
Plastic	P	LP-349-MIL-P-46060 (Black)
Fibre	F	ASTM-D-710

FINISH CODE FOR ELECTRONIC HARDWARE – ONLY

Pages 1 through Page 173 – Only

FINISH					
No.		No.		No.	
1	Anodize MIL-A-8562E-Type 1 (Chromic) Hot Water Seal (DK. Gray)	11	Black Oxide Brass - MIL-F-495E	34	Chrome QQ-C-320B Class I Type I (Bright Finish)
2	Anodize MIL-A-8625E-Type 2 (Sulphuric) Hot Water Seal (Clear)	12	Passivate MIL-F-14072C	35	Chrome QQ-C-320B Class I Type II (Satin Finish)
3	Anodize MIL-A-8625E-Type 2 (Sulphuric) Dichromate Seal (Yellow/Green)	13	Caustic Etch	37	Clear Lacquer
4	Anodize MIL-A-8625E (Black)	14	Caustic Etch & Lacquer	38	Water Dip Lacquer
5	Cadmium QQ-P-416E Class 2-Type 2 Clear Chromate	15	Iridite #14 (Gold) MIL-C-5541D	39	Zinc .0002 ASTM-B-633 (Clear Chromate)
6	Cadmium (Commercial)	16	Alodine 1200	41	Moisture and Fungus Resistant Finish - Mil-V-173
7	Cadmium QQ-P-416E Class 2 Type 2 (Yellow Chromate)	20	Hot Tin Dip MIL-T-10727 Type II (Solder)	42	Zinc Plate .0002 ASTM-B-633 (Yellow Chromate)
8	Nickel QQ-N-290 Class 1 Type VII QC Grade G	21	Electro Tin Plate MIL-T-10727 Type I	43	Ductile Nickel
9	Polished and Nickel Plated-QQ-N-290 Class 1 Type VI KC	22	Bright Dip - Brass	44	Black Oxide, Stainless Steel MIL-C-13924C, Class 3
10	Silver Plate QQ-S-365D (Water Dip Lacquer) 0.0002-0.0003	23	Iridite - Clear - MIL-C-5541D	45	Bright Tin Over Copper Flash MIL-T-102727C Type I
		24	Iridite (Gold) MIL-C-5541D		
		28	Black Nickel		
		29	Brushed Finish		
		30	Brushed Finish - Clear Lacquer Coat		

If a Finish is required — add the appropriate no. after the Part No.

Available in other materials, types and lengths on special order only.

NOTES

Responsibility ends with customer inspection or 10 days after customer receives parts. No returns will be accepted without prior approval from factory in writing.

All parts are stocked in plain finish. Parts will be plated to customer specification.

The items in this catalog are designed and manufactured to be functional. Engineering evaluation and quality assurance evaluations should be accomplished with functionality as a prime criteria.

Standard commercial tolerances on material: Lengths up to and including 6" ± .005; lengths over 6" ± .010.

PERCENTAGE OF THREAD FOR TAPPED HOLES

TAP SIZE	FORM TAP	CUT TAP	
2	55	65	<p>THREADS ARE SUPPLIED CUT OR ROLLED AT OUR OPTION UNLESS SPECIFICALLY NOTED ON ORDER.</p> <p>THREADS ARE TO COMMERCIAL 2A AND 2B STANDARDS PER HANDBOOK H-28 (PART I) SCREW THREAD STANDARDS (FEDERAL)</p>
3	55	65	
4	55	65	
5	55	65	
6	55	65	
8	55	65	
10	55	65	
12	55	65	
1/4	55	65	
5/16	60	70	
3/8	60	70	
7/16	65	70	
1/2	65	70	

DEPTHS OF THREADS

THREAD	TAPPED THRU		BLIND TAP DEPTH
	ALUMINUM, BRASS STEEL, NYLON	STAINLESS STEEL	ALUMINUM, BRASS ST. ST., STEEL, NYLON
0-80	3/8	1/4	3/16
1-72	3/8	1/4	3/16
2-56	3/4	5/8	3/16
3-48	3/4	5/8	3/16
3-56	3/4	5/8	3/16
4-40	1	3/4	1/4
4-48	1	3/4	1/4
5-40	1	3/4	5/16
6-32	1	1	3/8
6-40	1	1	3/8
8-32	1	1	7/16
10-24	1-1/8	1	1/2
10-32	1-1/8	1	1/2
12-24	1-1/8	1	1/2
1/4-20	1-1/4	1-1/4	5/8
1/4-28	1-1/4	1-1/4	5/8
5/16-18	1-1/4	1-1/4	5/8
5/16-24	1-1/4	1-1/4	5/8
3/8-16	1-1/4	1-1/4	5/8
3/8-24	1-1/4	1-1/4	5/8
7/16-14	1-1/4	1-1/4	5/8
7/16-20	1-1/4	1-1/4	5/8
1/2-13	1-1/4	1-1/4	5/8
1/2-20	1-1/4	1-1/4	5/8

FINISH CODE FOR HANDLES AND FERRULES -ONLY-

0	Plain Finish	23	Anodize MIL-A-8625E-Type 2 (Sulfuric) Dichromate Seal (Yellow Green)
1	Cadmium (Commercial)	24	Anodize MIL-A-8625E (Black)
2	Cadmium QQ-P-416E Class 2 Type-2 (Clear Chromate)	25	Black Oxide, Brass MIL-F-495E
3	Cadmium QQ-P-416E Class 2 Type-2 (Yellow Chromate)	26	Black Oxide, Stainless Steel
5	Nickel QQ-N290 Class 1 Type VII QC Grade G	28	Zinc Plate .0002 ASTM-B-633 (Yellow Chromate)
6	Iridite #14 (Gold) MIL-C-5541	29	Brushed Finish
7	Iridite (Clear) MIL-C-5541D	30	Brushed Finish-Clear Lacquer
9	Alodine 1200	31	Brushed Satin
10	Chrome QQ-C-320B Class I Type I (Bright Finish)	32	Brushed Satin-Clear Anodize
11	Chrome QQ-C-320B Class I Type II (Satin Finish)	33	Brushed Satin-Black Anodize
12	Zinc .0002 ASTM-B-633 (Clear Chromate)	34	Satin Finish-Clear Anodize
19	Caustic Etch	35	Satin Finish-Black Anodize
20	Passivate MIL-F-14072-C	36	Anodize MIL-A-8625A Black High Lustre
21	Anodize MIL-A-8625E-Type I (Chromic) Hot Water Seal (Dark Grey)	38	Polished Nickel
22	Anodize MIL-A-8625E-Type 2 (Sulfuric) Hot Water Seal (Clear)	39	Caustic Etch and Lacquer
		40	Semi-Frost Anodize (Clear)
		41	Semi-Frost Anodize (Black)

MATERIALS

MATERIAL ROD & BAR	ORDERING CODE	MATERIAL SPECIFICATIONS
Aluminum	A	QQ-A225/8-QQ-A200/9-QQ-A225/8B
Brass	B	ASTM-B-16
Steel	S	QQ-S-637-ASTM-108
Stainless Steel	SS	ASTM-A-581, A-582 (Non Magnetic)

DEPTHS OF THREADS

THREAD	BLIND TAP DEPTH
	ALUMINUM, BRASS ST. ST., STEEL
2-56	3/16
4-40	1/4
6-32	3/8
8-32	7/16
10-24	9/16
10-32	9/16
1/4-20	5/8
5/16-18	5/8
3/8-24	5/8

**THREADS ARE TO COMMERCIAL 2A AND 2B
STANDARDS PER HANDBOOK H-28 (PART I)
SCREW THREAD STANDARDS (FEDERAL)**

PERCENTAGE OF THREAD FOR TAPPED HOLES

TAP SIZE	FORM TAP	CUT TAP
2	55	65
4	55	65
6	55	65
8	55	65
10	55	65
1/4	55	65
5/16	60	70
3/8	60	70

**THREADS ARE SUPPLIED CUT OR ROLLED
AT OUR OPTION UNLESS SPECIFICALLY
NOTED ON ORDER.**

GLOBE SPACERS

1/8 ROUND SPACERS

SAMPLE ORDER TECHNIQUE

EXAMPLE: B—1000—090—6

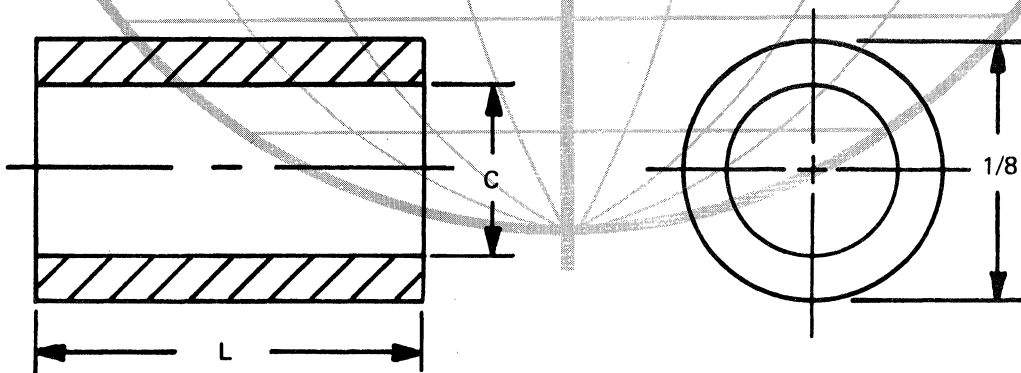


See page (VII) for finish code
For parts not listed contact Sales Office

MATERIAL	CODE
Aluminum	A
Brass	B
Nylon	N
Stainless Steel	SS
Steel	S

LENGTH	PART NO.
1/8	1000
3/16	1001
1/4	1002
5/16	1003
3/8	1004
7/16	1005
1/2	1006

CLEARANCE HOLE
+ .010
- .000
.064
.090



GLOBE SPACERS

3/16 ROUND SPACERS

SAMPLE ORDER TECHNIQUE

EXAMPLE: B-1100-090-6

X

XXXX

XXX

X

MATERIAL

LENGTH

CLEARANCE HOLE

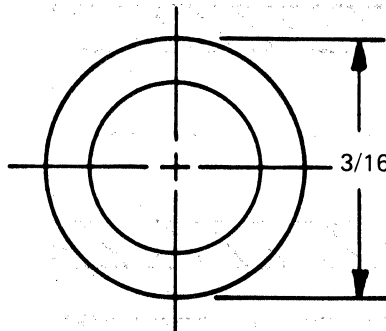
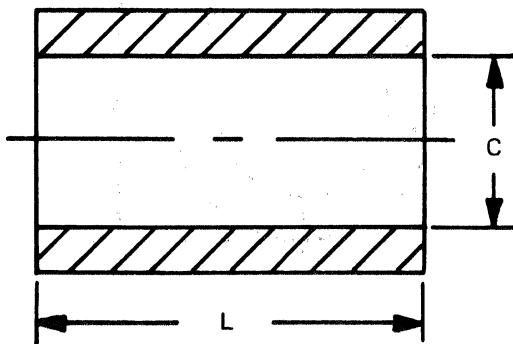
FINISH

See page (VII) for finish code
For parts not listed contact Sales Office

MATERIAL	CODE
Aluminum	A
Brass	B
Nylon	N
Phenolic	PH
Stainless Steel	SS
Steel	S

LENGTH	PART NO.
1/8	1100
3/16	1101
1/4	1102
5/16	1103
3/8	1104
7/16	1105
1/2	1106
9/16	1107
5/8	1108
11/16	1109
3/4	1110
13/16	1111
7/8	1112
15/16	1113
1"	1114

CLEARANCE HOLE
+010
-.000
.090
.115

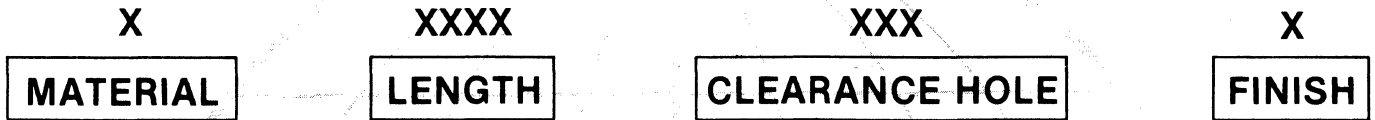


GLOBE SPACERS

1/4 ROUND SPACERS

SAMPLE ORDER TECHNIQUE

EXAMPLE: B-1200-090-6



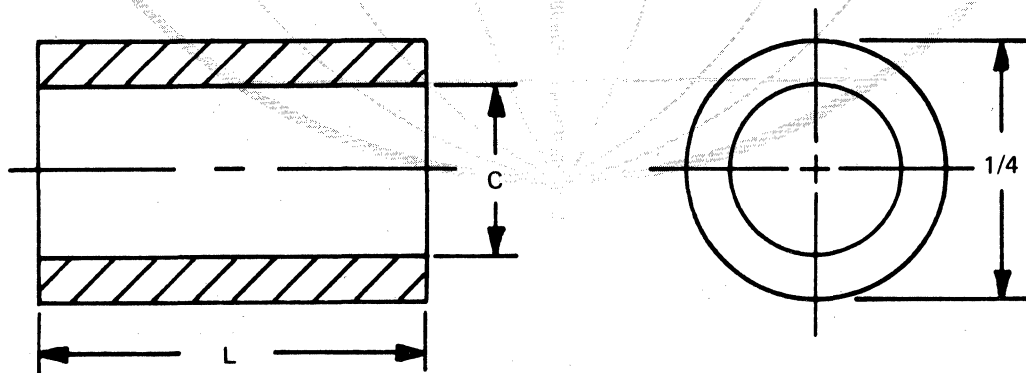
See page (VII) for finish code
For parts not listed contact Sales Office

MATERIAL	CODE
Aluminum	A
Brass	B
Nylon	N
Phenolic	PH
Stainless Steel	SS
Steel	S

LENGTH	PART NO.
1/8	1200
3/16	1201
1/4	1202
5/16	1203
3/8	1204
7/16	1205
1/2	1206
9/16	1207
5/8	1208
11/16	1209
3/4	1210
13/16	1211
7/8	1212
15/16	1213
1"	1214

LENGTH	PART NO.
1-1/16	1215
1-1/8	1216
1-3/16	1217
1-1/4	1218
1-5/16	1219
1-3/8	1220
1-7/16	1221
1-1/2	1222
1-9/16	1223
1-5/8	1224
1-11/16	1225
1-3/4	1226
1-13/16	1227
1-7/8	1228
1-15/16	1229
2"	1230

CLEARANCE HOLE
+0.010
-.000
.090
.115
.140
.166



GLOBE SPACERS

5/16 ROUND SPACERS

SAMPLE ORDER TECHNIQUE

EXAMPLE: B-1300-115-6

X

XXXX

XXX

X

MATERIAL

LENGTH

CLEARANCE HOLE

FINISH

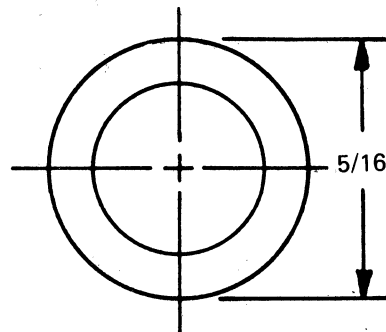
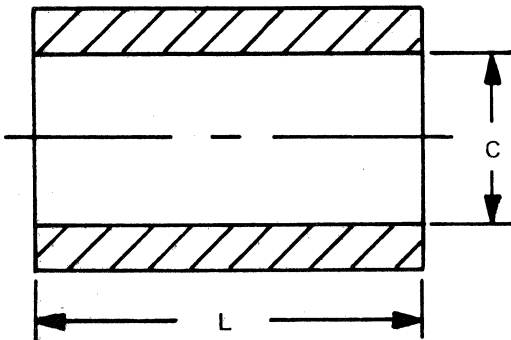
See page (VII) for finish code
For parts not listed contact Sales Office

MATERIAL	CODE
Aluminum	A
Brass	B
Nylon	N
Phenolic	PH
Stainless Steel	SS
Steel	S

LENGTH	PART NO.
1/8	1300
3/16	1301
1/4	1302
5/16	1303
3/8	1304
7/16	1305
1/2	1306
9/16	1307
5/8	1308
11/16	1309
3/4	1310
13/16	1311
7/8	1312
15/16	1313
1"	1314

LENGTH	PART NO.
1-1/16	1315
1-1/8	1316
1-3/16	1317
1-1/4	1318
1-5/16	1319
1-3/8	1320
1-7/16	1321
1-1/2	1322
1-9/16	1323
1-5/8	1324
1-11/16	1325
1-3/4	1326
1-13/16	1327
1-7/8	1328
1-15/16	1329
2"	1330

CLEARANCE HOLE
+0.010
-0.000
.115
.140
.166
.192

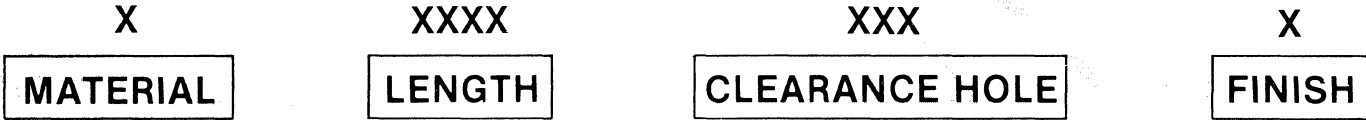


GLOBE SPACERS

3/8 ROUND SPACERS

SAMPLE ORDER TECHNIQUE

EXAMPLE: B-1400-140-6



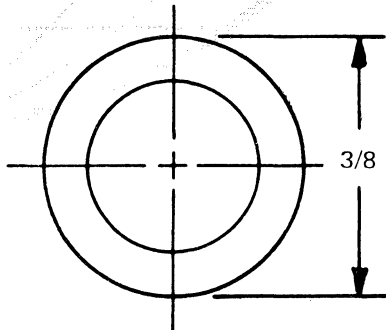
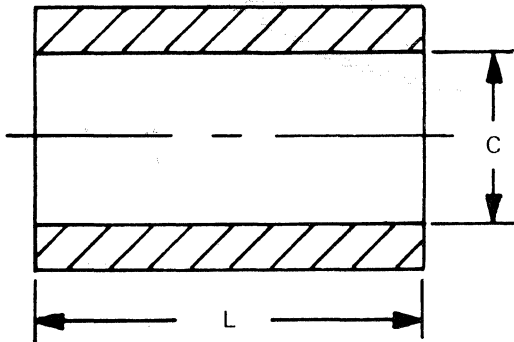
See page (VII) for finish code
For parts not listed contact Sales Office

MATERIAL	CODE
Aluminum	A
Brass	B
Nylon	N
Phenolic	PH
Stainless Steel	SS
Steel	S

LENGTH	PART NO.
1/8	1400
3/16	1401
1/4	1402
5/16	1403
3/8	1404
7/16	1405
1/2	1406
9/16	1407
5/8	1408
11/16	1409
3/4	1410
13/16	1411
7/8	1412
15/16	1413
1"	1414

LENGTH	PART NO.
1-1/16	1415
1-1/8	1416
1-3/16	1417
1-1/4	1418
1-5/16	1419
1-3/8	1420
1-7/16	1421
1-1/2	1422
1-9/16	1423
1-5/8	1424
1-11/16	1425
1-3/4	1426
1-13/16	1427
1-7/8	1428
1-15/16	1429
2"	1430

CLEARANCE HOLE
+0.010
-0.000
.140
.166
.192
.218



GLOBE SPACERS

1/2 ROUND SPACERS

SAMPLE ORDER TECHNIQUE

EXAMPLE: B—1500—140—6

X

XXXX

XXX

X

MATERIAL

LENGTH

CLEARANCE HOLE

FINISH

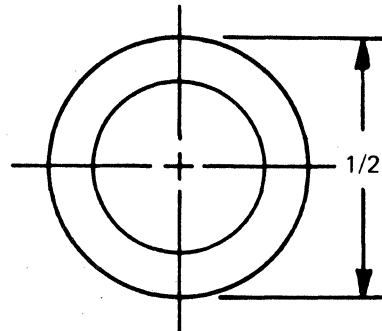
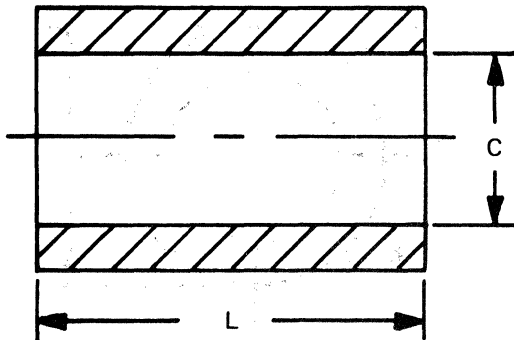
See page (VII) for finish code
For parts not listed contact Sales Office

MATERIAL	CODE
Aluminum	A
Brass	B
Nylon	N
Phenolic	PH
Stainless Steel	SS
Steel	S

LENGTH	PART NO.
1/8	1500
3/16	1501
1/4	1502
5/16	1503
3/8	1504
7/16	1505
1/2	1506
9/16	1507
5/8	1508
11/16	1509
3/4	1510
13/16	1511
7/8	1512
15/16	1513
1"	1514

LENGTH	PART NO.
1-1/16	1515
1-1/8	1516
1-3/16	1517
1-1/4	1518
1-5/16	1519
1-3/8	1520
1-7/16	1521
1-1/2	1522
1-9/16	1523
1-5/8	1524
1-11/16	1525
1-3/4	1526
1-13/16	1527
1-7/8	1528
1-15/16	1529
2"	1530

CLEARANCE HOLE
+ .010
- .000
.140
.166
.192
.218
.252



GLOBE SPACERS

5/8 ROUND SPACERS

SAMPLE ORDER TECHNIQUE

EXAMPLE: B—1600—140—6



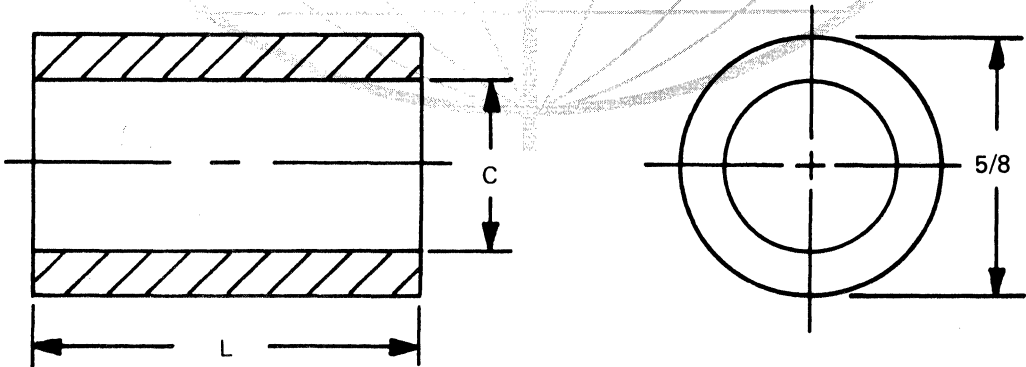
See page (VII) for finish code
For parts not listed contact Sales Office

MATERIAL	CODE
Aluminum	A
Brass	B
Nylon	N
Phenolic	PH
Stainless Steel	SS
Steel	S

LENGTH	PART NO.
1/8	1600
3/16	1601
1/4	1602
5/16	1603
3/8	1604
7/16	1605
1/2	1606
9/16	1607
5/8	1608
11/16	1609
3/4	1610
13/16	1611
7/8	1612
15/16	1613
1"	1614

LENGTH	PART NO.
1-1/16	1615
1-1/8	1616
1-3/16	1617
1-1/4	1618
1-5/16	1619
1-3/8	1620
1-7/16	1621
1-1/2	1622
1-9/16	1623
1-5/8	1624
1-11/16	1625
1-3/4	1626
1-13/16	1627
1-7/8	1628
1-15/16	1629
2"	1630

CLEARANCE HOLE
+.010
-.000
.140
.166
.192
.218
.252
.315
.380



GLOBE SPACERS

3/4 ROUND SPACERS

SAMPLE ORDER TECHNIQUE

EXAMPLE: B-1700-140-6

X

XXXX

XXX

X

MATERIAL

LENGTH

CLEARANCE HOLE

FINISH

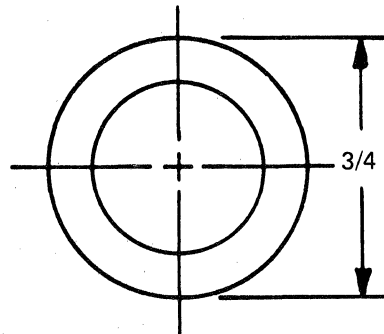
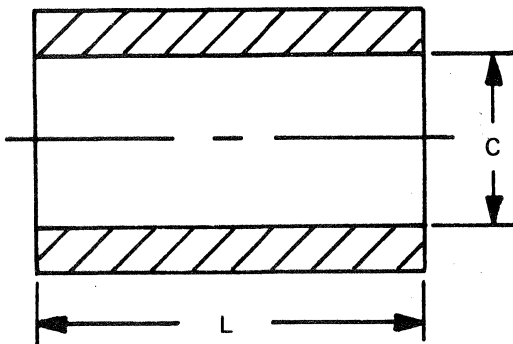
See page (VII) for finish code
For parts not listed contact Sales Office

MATERIAL	CODE
Aluminum	A
Brass	B
Nylon	N
Phenolic	PH
Stainless Steel	SS
Steel	S

LENGTH	PART NO.
1/8	1700
3/16	1701
1/4	1702
5/16	1703
3/8	1704
7/16	1705
1/2	1706
9/16	1707
5/8	1708
11/16	1709
3/4	1710
13/16	1711
7/8	1712
15/16	1713
1"	1714

LENGTH	PART NO.
1-1/16	1715
1-1/8	1716
1-3/16	1717
1-1/4	1718
1-5/16	1719
1-3/8	1720
1-7/16	1721
1-1/2	1722
1-9/16	1723
1-5/8	1724
1-11/16	1725
1-3/4	1726
1-13/16	1727
1-7/8	1728
1-15/16	1729
2"	1730

CLEARANCE HOLE
+0.010
-0.000
.140
.166
.192
.218
.252
.315
.380
.440
.505



GLOBE SPACERS

1/8 HEX SPACERS

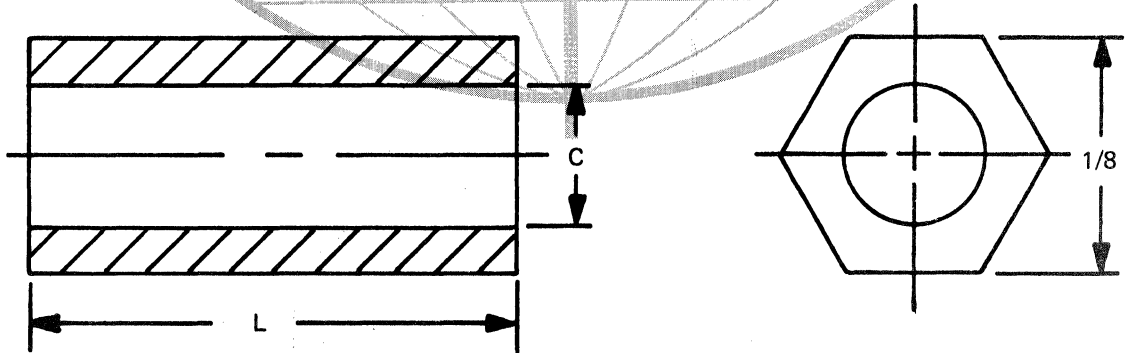
SAMPLE ORDER TECHNIQUE

EXAMPLE: B-1800-090-6



See page (VII) for finish code
For parts not listed contact Sales Office

MATERIAL	CODE	LENGTH	PART NO.	CLEARANCE HOLE
Brass	B	1/8	1800	+ .010
Stainless Steel	SS	3/16	1801	- .000
Steel	S	1/4	1802	.064
		5/16	1803	.090
		3/8	1804	
		7/16	1805	
		1/2	1806	



GLOBE SPACERS

3/16 HEX SPACERS

SAMPLE ORDER TECHNIQUE

EXAMPLE: B-1900—090—6

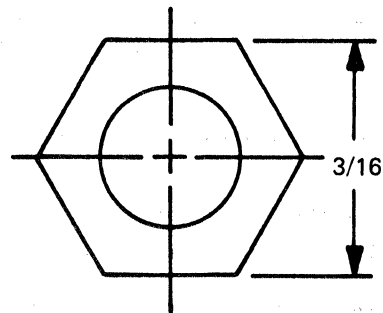
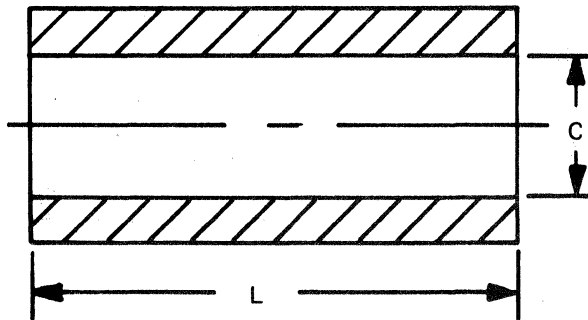


See page (VII) for finish code
For parts not listed contact Sales Office

MATERIAL	CODE
Aluminum	A
Brass	B
Nylon	N
Stainless Steel	SS
Steel	S

LENGTH	PART NO.
1/8	1900
3/16	1901
1/4	1902
5/16	1903
3/8	1904
7/16	1905
1/2	1906
9/16	1907
5/8	1908
11/16	1909
3/4	1910
13/16	1911
7/8	1912
15/16	1913
1"	1914

CLEARANCE HOLE
+ .010
- .000
.090
.115



GLOBE SPACERS

1/4 HEX SPACERS

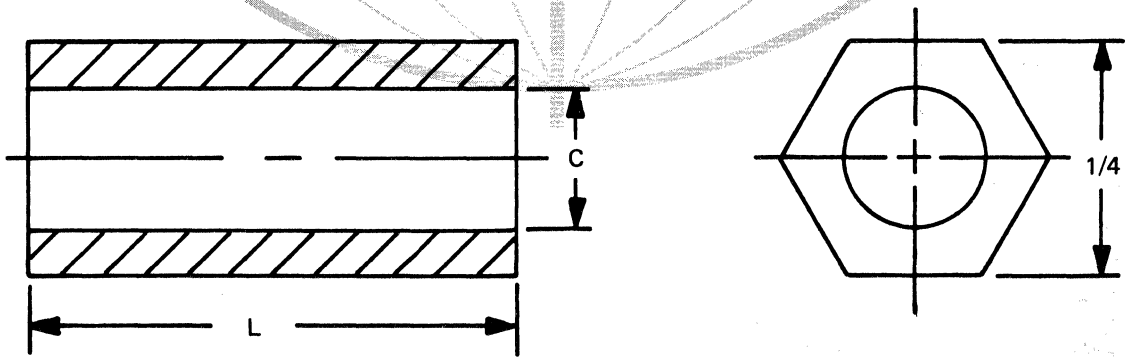
SAMPLE ORDER TECHNIQUE

EXAMPLE: B—2000—090—6



See page (VII) for finish code
For parts not listed contact Sales Office

MATERIAL	CODE	LENGTH	PART NO.	LENGTH	PART NO.	HOLE CLEARANCE
Aluminum	A	1/8	2000	1-1/16	2015	+ .010
Brass	B	3/16	2001	1-1/8	2016	-.000
Nylon	N	1/4	2002	1-3/16	2017	
Stainless Steel	SS	5/16	2003	1-1/4	2018	.090
Steel	S	3/8	2004	1-5/16	2019	.115
		7/16	2005	1-3/8	2020	.140
		1/2	2006	1-7/16	2021	.166
		9/16	2007	1-1/2	2022	
		5/8	2008	1-9/16	2023	
		11/16	2009	1-5/8	2024	
		3/4	2010	1-11/16	2025	
		13/16	2011	1-3/4	2026	
		7/8	2012	1-13/16	2027	
		15/16	2013	1-7/8	2028	
		1"	2014	1-15/16	2029	
				2"	2030	



GLOBE SPACERS

5/16 HEX SPACERS

SAMPLE ORDER TECHNIQUE

EXAMPLE: B-2100-115-6



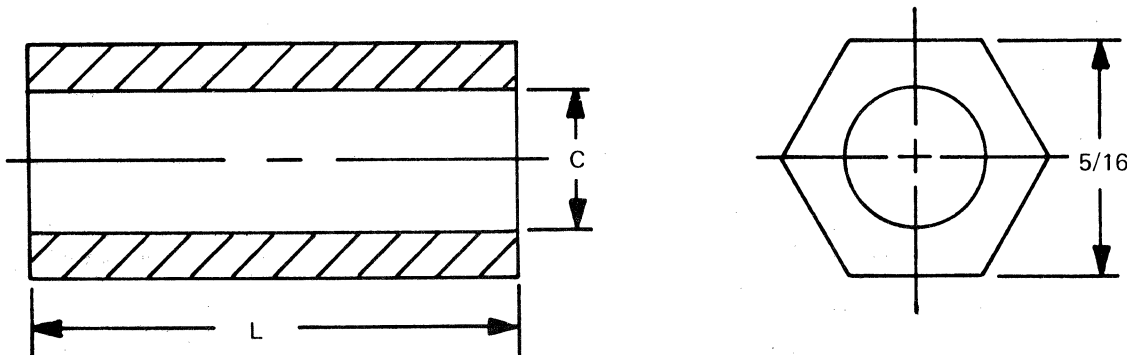
See page (VII) for finish code
For parts not listed contact Sales Office

MATERIAL	CODE
Aluminum	A
Brass	B
Nylon	N
Stainless Steel	SS
Steel	S

LENGTH	PART NO.
1/8	2100
3/16	2101
1/4	2102
5/16	2103
3/8	2104
7/16	2105
1/2	2106
9/16	2107
5/8	2108
11/16	2109
3/4	2110
13/16	2111
7/8	2112
15/16	2113
1"	2114

LENGTH	PART NO.
1-1/16	2115
1-1/8	2116
1-3/16	2117
1-1/4	2118
1-5/16	2119
1-3/8	2120
1-7/16	2121
1-1/2	2122
1-9/16	2123
1-5/8	2124
1-11/16	2125
1-3/4	2126
1-13/16	2127
1-7/8	2128
1-15/16	2129
2"	2130

CLEARANCE HOLE
+ .010
- .000
.115
.140
.166
.192



GLOBE SPACERS

3/8 HEX SPACERS

SAMPLE ORDER TECHNIQUE

EXAMPLE: B—2200—140—6



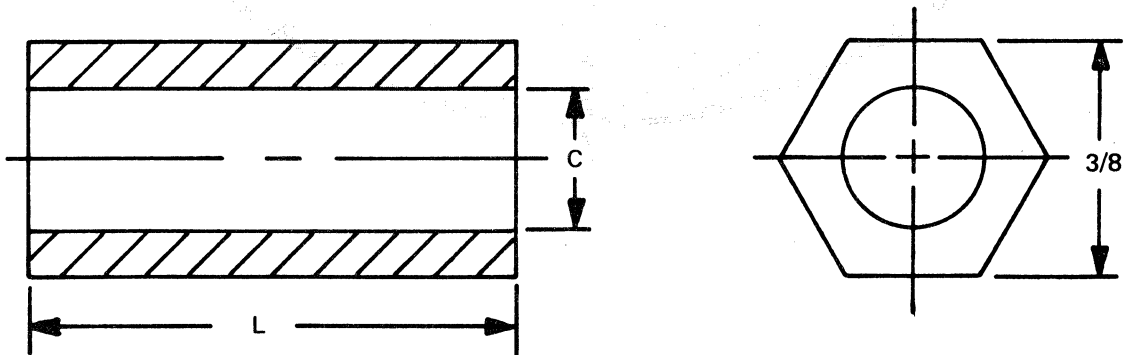
See page (VII) for finish code
For parts not listed contact Sales Office

MATERIAL	CODE
Aluminum	A
Brass	B
Nylon	N
Stainless Steel	SS
Steel	S

LENGTH	PART NO.
1/8	2200
3/16	2201
1/4	2202
5/16	2203
3/8	2204
7/16	2205
1/2	2206
9/16	2207
5/8	2208
11/16	2209
3/4	2210
13/16	2211
7/8	2212
15/16	2213
1"	2214

LENGTH	PART NO.
1-1/16	2215
1-1/8	2216
1-3/16	2217
1-1/4	2218
1-5/16	2219
1-3/8	2220
1-7/16	2221
1-1/2	2222
1-9/16	2223
1-5/8	2224
1-11/16	2225
1-3/4	2226
1-13/16	2227
1-7/8	2228
1-15/16	2229
2"	2230

CLEARANCE HOLE
+ .010
- .000
.140
.166
.192
.218



GLOBE SPACERS

1/2 HEX SPACERS

SAMPLE ORDER TECHNIQUE

EXAMPLE: B-2300-140-6



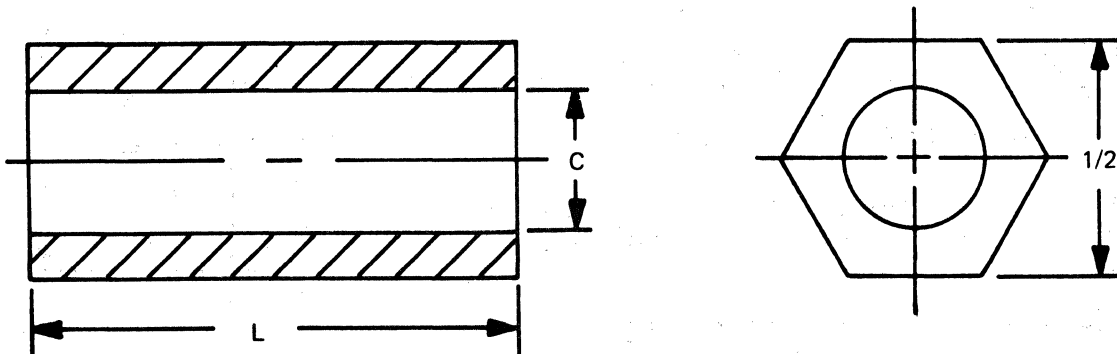
See page (VII) for finish code
For parts not listed contact Sales Office

MATERIAL	CODE
Aluminum	A
Brass	B
Nylon	N
Stainless Steel	SS
Steel	S

LENGTH	PART NO.
1/8	2300
3/16	2301
1/4	2302
5/16	2303
3/8	2304
7/16	2305
1/2	2306
9/16	2307
5/8	2308
11/16	2309
3/4	2310
13/16	2311
7/8	2312
15/16	2313
1"	2314

LENGTH	PART NO.
1-1/16	2315
1-1/8	2316
1-3/16	2317
1-1/4	2318
1-5/16	2319
1-3/8	2320
1-7/16	2321
1-1/2	2322
1-9/16	2323
1-5/8	2324
1-11/16	2325
1-3/4	2326
1-13/16	2327
1-7/8	2328
1-15/16	2329
2"	2330

CLEARANCE HOLE
+010
-.000
.140
.166
.192
.218
.252

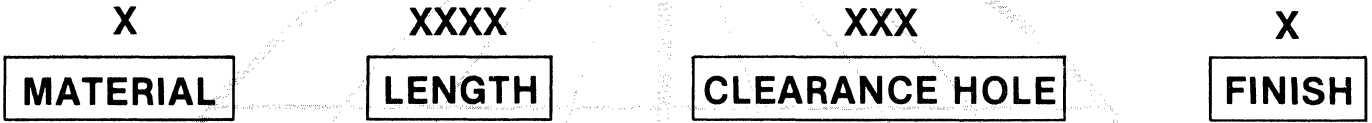


GLOBE SPACERS

5/8 HEX SPACERS

SAMPLE ORDER TECHNIQUE

EXAMPLE: B—2400—140—6



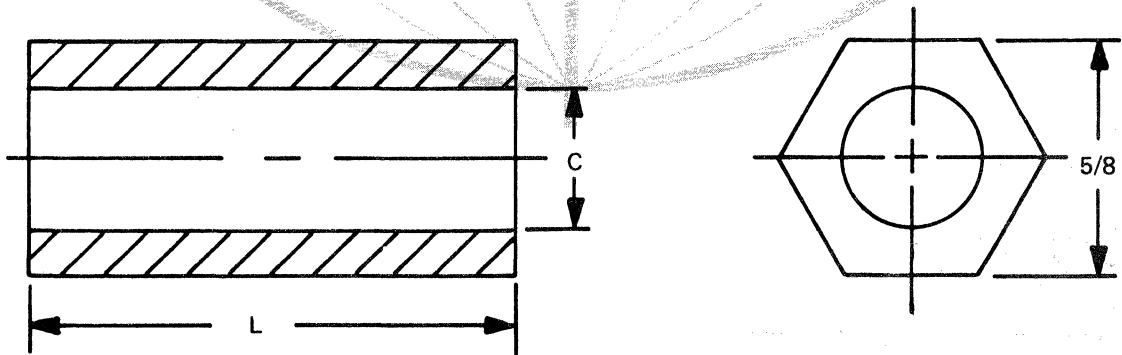
See page (VII) for finish code
For parts not listed contact Sales Office

MATERIAL	CODE
Aluminum	A
Brass	B
Nylon	N
Stainless Steel	SS
Steel	S

LENGTH	PART NO.
1/8	2400
3/16	2401
1/4	2402
5/16	2403
3/8	2404
7/16	2405
1/2	2406
9/16	2407
5/8	2408
11/16	2409
3/4	2410
13/16	2411
7/8	2412
15/16	2413
1"	2414

LENGTH	PART NO.
1-1/16	2415
1-1/8	2416
1-3/16	2417
1-1/4	2418
1-5/16	2419
1-3/8	2420
1-7/16	2421
1-1/2	2422
1-9/16	2423
1-5/8	2424
1-11/16	2425
1-3/4	2426
1-13/16	2427
1-7/8	2428
1-15/16	2429
2"	2430

CLEARANCE HOLE
+ .010
- .000
.140
.166
.192
.218
.252
.315
.380

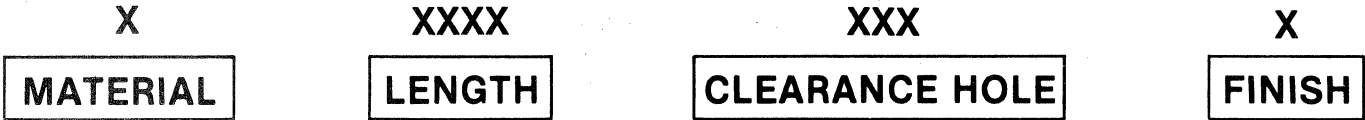


GLOBE SPACERS

3/4 HEX SPACERS

SAMPLE ORDER TECHNIQUE

EXAMPLE: B-2500-140-6



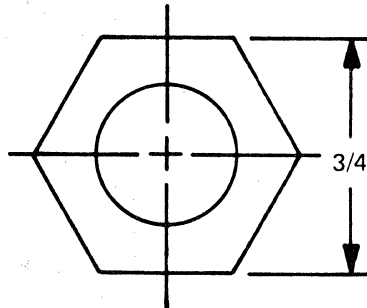
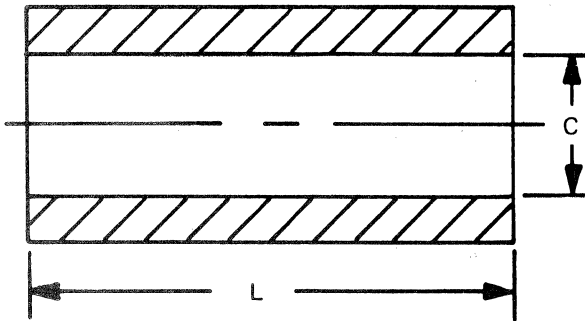
See page (VII) for finish code
For parts not listed contact Sales Office

MATERIAL	CODE
Aluminum	A
Brass	B
Nylon	N
Stainless Steel	SS
Steel	S

LENGTH	PART NO.
1/8	2500
3/16	2501
1/4	2502
5/16	2503
3/8	2504
7/16	2505
1/2	2506
9/16	2507
5/8	2508
11/16	2509
3/4	2510
13/16	2511
7/8	2512
15/16	2513
1"	2514

LENGTH	PART NO.
1-1/16	2515
1-1/8	2516
1-3/16	2517
1-1/4	2518
1-5/16	2519
1-3/8	2520
1-7/16	2521
1-1/2	2522
1-9/16	2523
1-5/8	2524
1-11/16	2525
1-3/4	2526
1-13/16	2527
1-7/8	2528
1-15/16	2529
2"	2530

CLEARANCE HOLE
+010
-.000
.140
.166
.192
.218
.252
.315
.380
.440
.505



GLOBE SPACERS

3/16 ROUND SWAGE SPACERS

SAMPLE ORDER TECHNIQUE

EXAMPLE: B—2600—090—075—6



See page (VII) for finish code
For parts not listed contact Sales Office

CLEARANCE HOLE
+0.010
-0.000
.090
.101

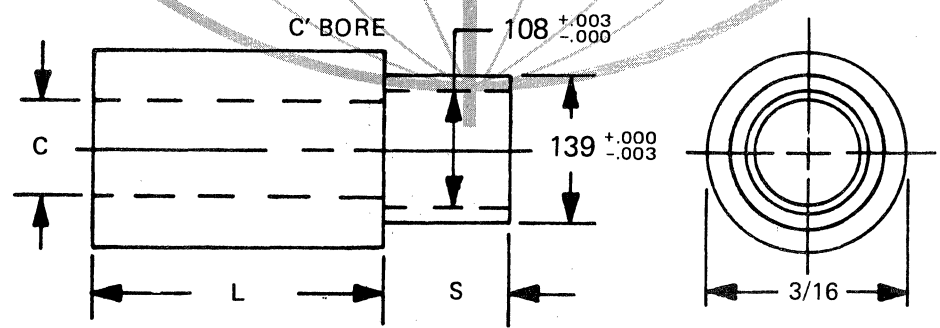
LENGTH	PART NO.
1/8	2600
3/16	2601
1/4	2602
5/16	2603
3/8	2604
7/16	2605
1/2	2606
9/16	2607
5/8	2608
11/16	2609
3/4	2610
13/16	2611
7/8	2612
15/16	2613
1"	2614

SWAGE TOOLING		
PUNCH	ANVIL	LENGTH
GP-3	GAR-18	1/8 - 3/16
	GAR-19	1/4 - 7/16
	GAR-20	1/2 - 11/16
	GAR-21	3/4 - 1"

MATERIAL	CODE
Aluminum	A
Brass	B
Stainless Steel	SS
Steel	S

SWAGE/PANEL	
S	P
.075	1/32
.105	1/16
.135	3/32
.165	1/8
.230	3/16
.290	1/4

L = SPACER LENGTH
S = SHANK LENGTH
P = BOARD THICKNESS
C = THREAD CLEARANCE HOLE



GLOBE SPACERS

1/4 ROUND SWAGE SPACERS

SAMPLE ORDER TECHNIQUE

EXAMPLE: B—2700—090—075—6

X

XXXX

XXX

XXX

X

MATERIAL

LENGTH

CLEARANCE HOLE

SHANK

FINISH

See page (VII) for finish code
For parts not listed contact Sales Office

CLEARANCE HOLE
+ .010
-.000
.090
.101
.115
.140

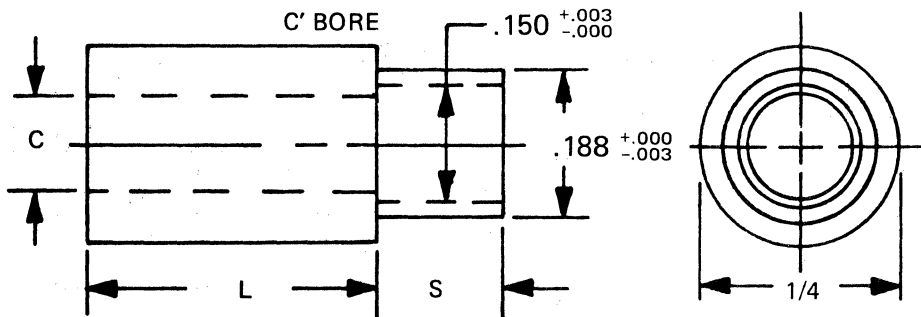
LENGTH	PART NO.
1/8	2700
3/16	2701
1/4	2702
5/16	2703
3/8	2704
7/16	2705
1/2	2706
9/16	2707
5/8	2708
11/16	2709
3/4	2710
13/16	2711
7/8	2712
15/16	2713
1"	2714

SWAGE TOOLING		
PUNCH	ANVIL	LENGTH
GP-4	GAR-22	1/8 - 3/16
	GAR-23	1/4 - 7/16
	GAR-24	1/2 - 11/16
	GAR-25	3/4 - 1"

MATERIAL	CODE
Aluminum	A
Brass	B
Stainless Steel	SS
Steel	S

SWAGE/PANEL	
S	P
.075	1/32
.105	1/16
.135	3/32
.165	1/8
.230	3/16
.290	1/4

L = SPACER LENGTH
S = SHANK LENGTH
P = BOARD THICKNESS
C = THREAD CLEARANCE HOLE

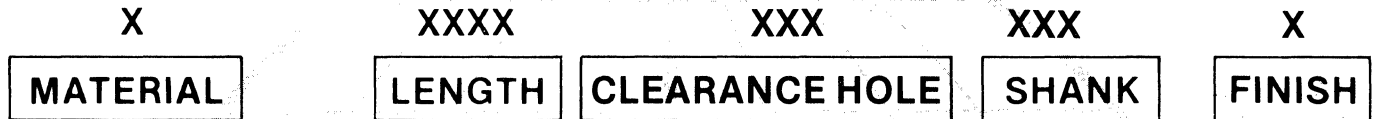


GLOBE SPACERS

3/16 HEX SWAGE SPACERS

SAMPLE ORDER TECHNIQUE

EXAMPLE: B—2800—090—075—6



See page (VII) for finish code
For parts not listed contact Sales Office

CLEARANCE HOLE
+ .010
- .000
.090
.101

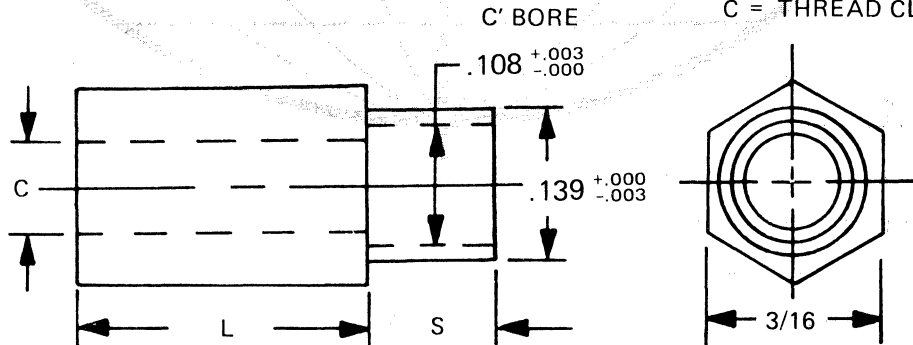
LENGTH	PART NO.
1/8	2800
3/16	2801
1/4	2802
5/16	2803
3/8	2804
7/16	2805
1/2	2806
9/16	2807
5/8	2808
11/16	2809
3/4	2810
13/16	2811
7/8	2812
15/16	2813
1"	2814

SWAGE TOOLING		
PUNCH	ANVIL	LENGTH
GP-3	GAH-48	1/8 - 3/16
	GAH-49	1/4 - 7/16
	GAH-50	1/2 - 11/16
	GAH-51	3/4 - 1"

MATERIAL	CODE
Aluminum	A
Brass	B
Stainless Steel	SS
Steel	S

SWAGE/PANEL	
S	P
.075	1/32
.105	1/16
.135	3/32
.165	1/8
.230	3/16
.290	1/4

L = SPACER LENGTH
S = SHANK LENGTH
P = BOARD THICKNESS
C = THREAD CLEARANCE HOLE



GLOBE SPACERS

1/4 HEX SWAGE SPACERS

SAMPLE ORDER TECHNIQUE

EXAMPLE: B—2900—090—075—6



See page (VII) for finish code
 For parts not listed contact Sales Office

CLEARANCE HOLE
+ .010
-.000
.090
.101
.115
.140

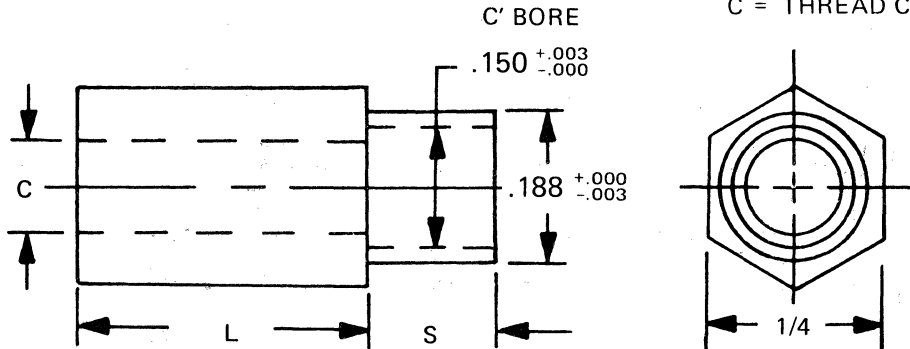
LENGTH	PART NO.
1/8	2900
3/16	2901
1/4	2902
5/16	2903
3/8	2904
7/16	2905
1/2	2906
9/16	2907
5/8	2908
11/16	2909
3/4	2910
13/16	2911
7/8	2912
15/16	2913
1"	2914

SWAGE TOOLING		
PUNCH	ANVIL	LENGTH
GP-4	GAH-52	1/8 - 3/16
	GAH-53	1/4 - 7/16
	GAH-54	1/2 - 11/16
	GAH-55	3/4 - 1"

MATERIAL	CODE
Aluminum	A
Brass	B
Stainless Steel	SS
Steel	S

SWAGE/PANEL	
S	P
.075	1/32
.105	1/16
.135	3/32
.165	1/8
.230	3/16
.290	1/4

L = SPACER LENGTH
 S = SHANK LENGTH
 P = BOARD THICKNESS
 C = THREAD CLEARANCE HOLE

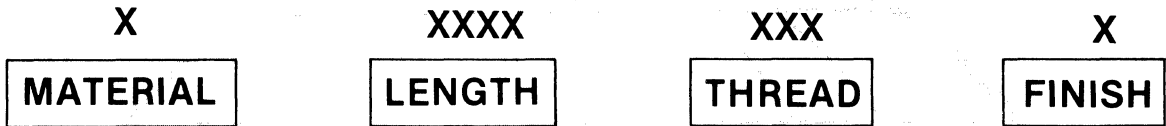


GLOBE STANDOFFS

1/8 ROUND FEMALE STANDOFFS

SAMPLE ORDER TECHNIQUE

EXAMPLE: B—3000—080—6



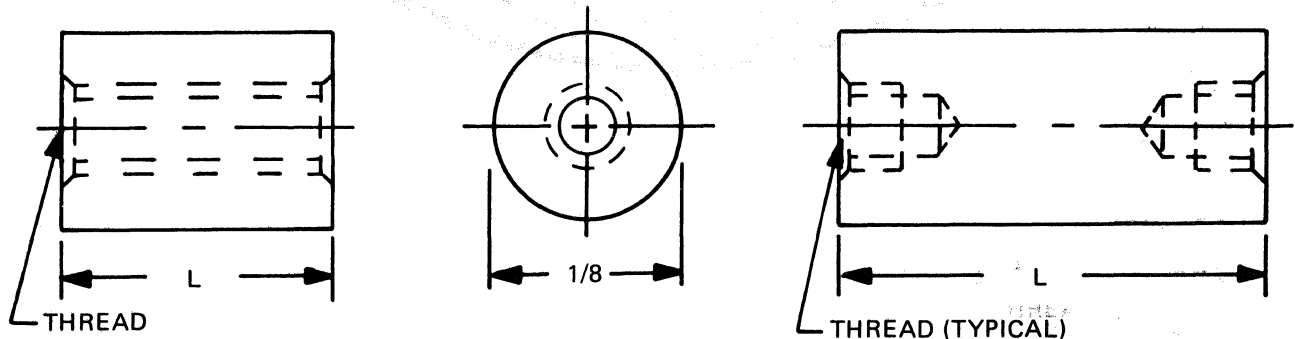
See page (VIII) for thread depth
 See page (VII) for finish code
 For parts not listed contact Sales Office

MATERIAL	CODE
Aluminum	A
Brass	B
Nylon	N
Stainless Steel	SS
Steel	S

LENGTH	PART NO.
1/8	3000
3/16	3001
1/4	3002
5/16	3003
3/8	3004
7/16	3005
1/2	3006
9/16	3007
5/8	3008
11/16	3009
3/4	3010
13/16	3011
7/8	3012
15/16	3013
1"	3014

LENGTH	PART NO.
1-1/16	3015
1-1/8	3016
1-3/16	3017
1-1/4	3018
1-5/16	3019
1-3/8	3020
1-7/16	3021
1-1/2	3022
1-9/16	3023
1-5/8	3024
1-11/16	3025
1-3/4	3026
1-13/16	3027
1-7/8	3028
1-15/16	3029
2"	3030

THREAD
0-80
2-56



GLOBE STANDOFFS

3/16 ROUND FEMALE STANDOFFS

SAMPLE ORDER TECHNIQUE

EXAMPLE: B-3100-256-6

X

XXXX

XXX

X

MATERIAL

LENGTH

THREAD

FINISH

See page (VIII) for thread depth

See page (VII) for finish code

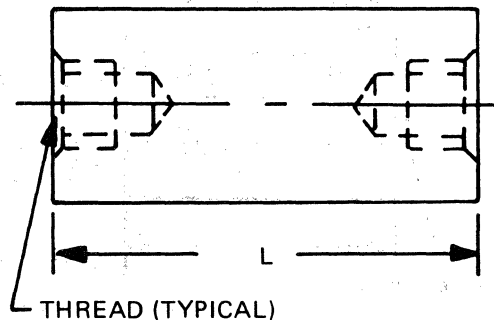
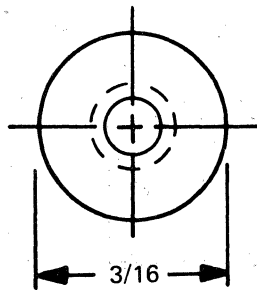
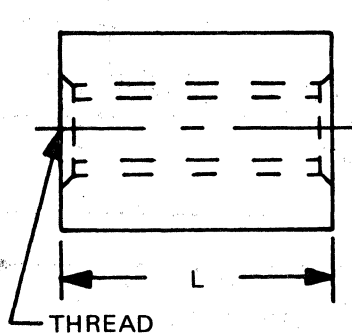
For parts not listed contact Sales Office

MATERIAL	CODE
Aluminum	A
Brass	B
Nylon	N
Stainless Steel	SS
Steel	S

LENGTH	PART NO.
1/8	3100
3/16	3101
1/4	3102
5/16	3103
3/8	3104
7/16	3105
1/2	3106
9/16	3107
5/8	3108
11/16	3109
3/4	3110
13/16	3111
7/8	3112
15/16	3113
1"	3114
1-1/16	3115
1-1/8	3116
1-3/16	3117
1-1/4	3118
1-5/16	3119
1-3/8	3120
1-7/16	3121
1-1/2	3122
1-9/16	3123

LENGTH	PART NO.
1-5/8	3124
1-11/16	3125
1-3/4	3126
1-13/16	3127
1-7/8	3128
1-15/16	3129
2"	3130
2-1/16	3131
2-1/8	3132
2-3/16	3133
2-1/4	3134
2-5/16	3135
2-3/8	3136
2-7/16	3137
2-1/2	3138
2-9/16	3139
2-5/8	3140
2-11/16	3141
2-3/4	3142
2-13/16	3143
2-7/8	3144
2-15/16	3145
3"	3146

THREAD
2-56
4-40



GLOBE STANDOFFS

1/4 ROUND FEMALE STANDOFFS

SAMPLE ORDER TECHNIQUE

EXAMPLE: B—3200—440—6



See page (VIII) for thread depth
 See page (VII) for finish code
 For parts not listed contact Sales Office

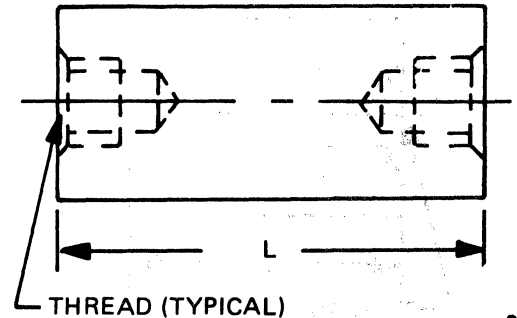
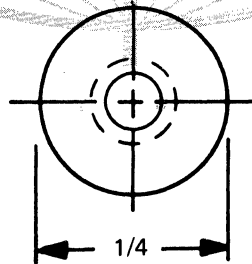
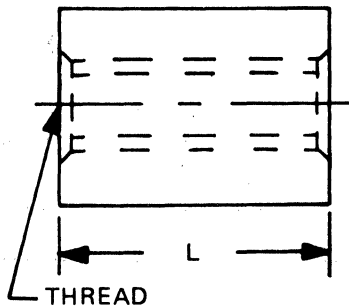
MATERIAL	CODE
Aluminum	A
Brass	B
Nylon	N
Stainless Steel	SS
Steel	S

LENGTH	PART NO.
1/8	3200
3/16	3201
1/4	3202
5/16	3203
3/8	3204
7/16	3205
1/2	3206
9/16	3207
5/8	3208
11/16	3209
3/4	3210
13/16	3211
7/8	3212
15/16	3213
1"	3214
1-1/16	3215
1-1/8	3216
1-3/16	3217
1-1/4	3218
1-5/16	3219
1-3/8	3220
1-7/16	3221
1-1/2	3222
1-9/16	3223
1-5/8	3224

LENGTH	PART NO.
1-11/16	3225
1-3/4	3226
1-13/16	3227
1-7/8	3228
1-15/16	3229
2"	3230
2-1/8	3231
2-1/4	3232
2-3/8	3233
2-1/2	3234
2-5/8	3235
2-3/4	3236
2-7/8	3237
3"	3238
3-1/4	3239
3-1/2	3240
3-3/4	3241
4"	3242
4-1/4	3243
4-1/2	3244
4-3/4	3245
5"	3246
5-1/4	3247
5-1/2	3248
5-3/4	3249

LENGTH	PART NO.
6"	3250
6-1/4	3251
6-1/2	3252
6-3/4	3253
7"	3254
7-1/4	3255
7-1/2	3256
7-3/4	3257
8"	3258
8-1/4	3259
8-1/2	3260
8-3/4	3261
9"	3262
9-1/4	3263
9-1/2	3264
9-3/4	3265
10"	3266

THREAD
4-40
6-32
8-32
10-32



GLOBE STANDOFFS

5/16 ROUND FEMALE STANDOFFS

SAMPLE ORDER TECHNIQUE

EXAMPLE: B-3300-440-6



See page (VIII) for thread depth
 See page (VII) for finish code
 For parts not listed contact Sales Office

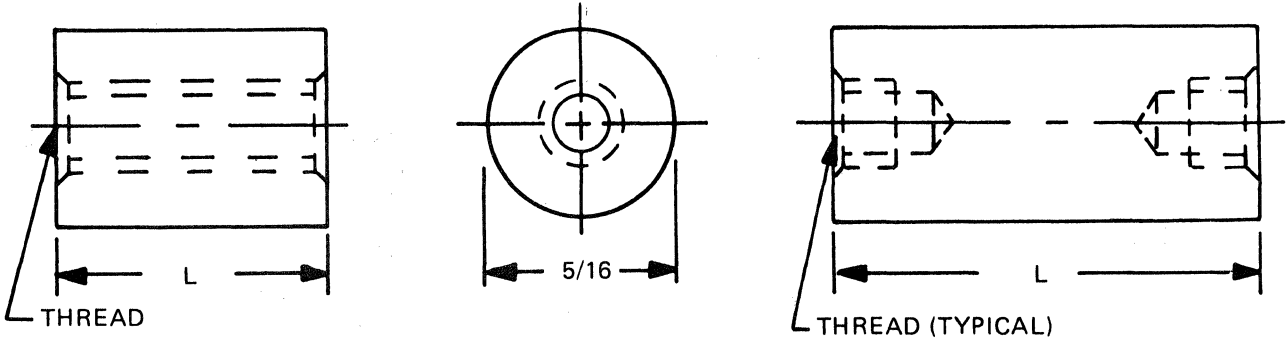
MATERIAL	CODE
Aluminum	A
Brass	B
Nylon	N
Stainless Steel	SS
Steel	S

LENGTH	PART NO.
1/8"	3300
3/16	3301
1/4	3302
5/16	3303
3/8	3304
7/16	3305
1/2	3306
9/16	3307
5/8	3308
11/16	3309
3/4	3310
13/16	3311
7/8	3312
15/16	3313
1"	3314
1-1/16	3315
1-1/8	3316
1-3/16	3317
1-1/4	3318
1-5/16	3319
1-3/8	3320
1-7/16	3321
1-1/2	3322
1-9/16	3323
1-5/8	3324

LENGTH	PART NO.
1-11/16	3325
1-3/4	3326
1-13/16	3327
1-7/8	3328
1-15/16	3329
2"	3330
2-1/8	3331
2-1/4	3332
2-3/8	3333
2-1/2	3334
2-5/8	3335
2-3/4	3336
2-7/8	3337
3"	3338
3-1/4	3339
3-1/2	3340
3-3/4	3341
4"	3342
4-1/4	3343
4-1/2	3344
4-3/4	3345
5"	3346
5-1/4	3347
5-1/2	3348
5-3/4	3349

LENGTH	PART NO.
6"	3350
6-1/4	3351
6-1/2	3352
6-3/4	3353
7"	3354
7-1/4	3355
7-1/2	3356
7-3/4	3357
8"	3358
8-1/4	3359
8-1/2	3360
8-3/4	3361
9"	3362
9-1/4	3363
9-1/2	3364
9-3/4	3365
10"	3366

THREAD
4-40
6-32
8-32
10-32



GLOBE STANDOFFS

3/8 ROUND FEMALE STANDOFFS

SAMPLE ORDER TECHNIQUE

EXAMPLE: B-3400-632-6



See page (VIII) for thread depth
 See page (VII) for finish code
 For parts not listed contact Sales Office

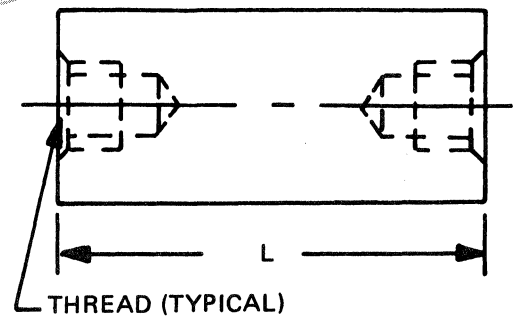
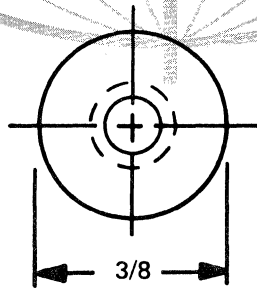
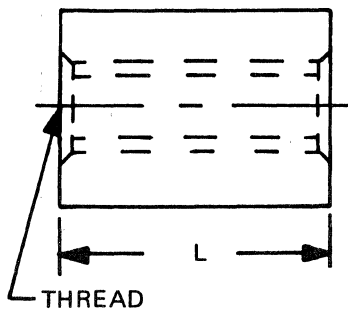
MATERIAL	CODE
Aluminum	A
Brass	B
Nylon	N
Stainless Steel	SS
Steel	S

LENGTH	PART NO.
1/8	3400
3/16	3401
1/4	3402
5/16	3403
3/8	3404
7/16	3405
1/2	3406
9/16	3407
5/8	3408
11/16	3409
3/4	3410
13/16	3411
7/8	3412
15/16	3413
1"	3414
1-1/16	3415
1-1/8	3416
1-3/16	3417
1-1/4	3418
1-5/16	3419
1-3/8	3420
1-7/16	3421
1-1/2	3422
1-9/16	3423
1-5/8	3424

LENGTH	PART NO.
1-11/16	3425
1-3/4	3426
1-13/16	3427
1-7/8	3428
1-15/16	3429
2"	3430
2-1/8	3431
2-1/4	3432
2-3/8	3433
2-1/2	3434
2-5/8	3435
2-3/4	3436
2-7/8	3437
3"	3438
3-1/4	3439
3-1/2	3440
3-3/4	3441
4"	3442
4-1/4	3443
4-1/2	3444
4-3/4	3445
5"	3446
5-1/4	3447
5-1/2	3448
5-3/4	3449

LENGTH	PART NO.
6"	3450
6-1/4	3451
6-1/2	3452
6-3/4	3453
7"	3454
7-1/4	3455
7-1/2	3456
7-3/4	3457
8"	3458
8-1/4	3459
8-1/2	3460
8-3/4	3461
9"	3462
9-1/4	3463
9-1/2	3464
9-3/4	3465
10"	3466

THREAD
6-32
8-32
10-32
12-24



GLOBE STANDOFFS

1/2 ROUND FEMALE STANDOFFS

SAMPLE ORDER TECHNIQUE

EXAMPLE: B-3500-632-6

X
MATERIAL

XXXX
LENGTH

XXX
THREAD

X
FINISH

See page (VIII) for thread depth
See page (VII) for finish code
For parts not listed contact Sales Office

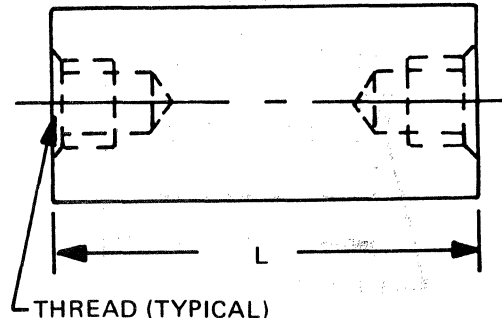
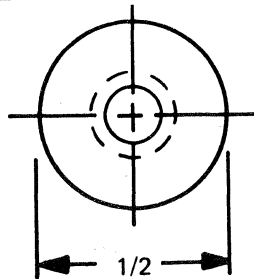
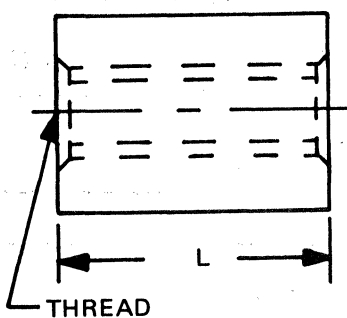
LENGTH	PART NO.
1/8	3500
3/16	3501
1/4	3502
5/16	3503
3/8	3504
7/16	3505
1/2	3506
9/16	3507
5/8	3508
11/16	3509
3/4	3510
13/16	3511
7/8	3512
15/16	3513
1"	3514
1-1/16	3515
1-1/8	3516
1-3/16	3517
1-1/4	3518
1-5/16	3519
1-3/8	3520
1-7/16	3521
1-1/2	3522
1-9/16	3523
1-5/8	3524

LENGTH	PART NO.
1-11/16	3525
1-3/4	3526
1-13/16	3527
1-7/8	3528
1-15/16	3529
2"	3530
2-1/8	3531
2-1/4	3532
2-3/8	3533
2-1/2	3534
2-5/8	3535
2-3/4	3536
2-7/8	3537
3"	3538
3-1/4	3539
3-1/2	3540
3-3/4	3541
4"	3542
4-1/4	3543
4-1/2	3544
4-3/4	3545
5"	3546
5-1/4	3547
5-1/2	3548
5-3/4	3549

LENGTH	PART NO.
6"	3550
6-1/4	3551
6-1/2	3552
6-3/4	3553
7"	3554
7-1/4	3555
7-1/2	3556
7-3/4	3557
8"	3558
8-1/4	3559
8-1/2	3560
8-3/4	3561
9"	3562
9-1/4	3563
9-1/2	3564
9-3/4	3565
10"	3566

MATERIAL	CODE
Aluminum	A
Brass	B
Nylon	N
Stainless Steel	SS
Steel	S

THREAD
6-32
8-32
10-32
12-24
1/4-20



GLOBE STANDOFFS

5/8 ROUND FEMALE STANDOFFS

SAMPLE ORDER TECHNIQUE

EXAMPLE: B-3600—832—6



See page (VIII) for thread depth

See page (VII) for finish code

For parts not listed contact Sales Office

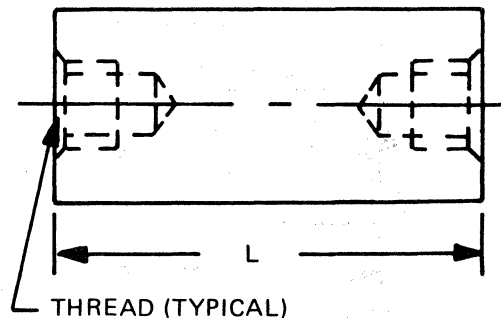
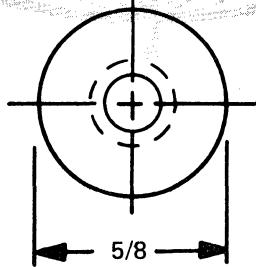
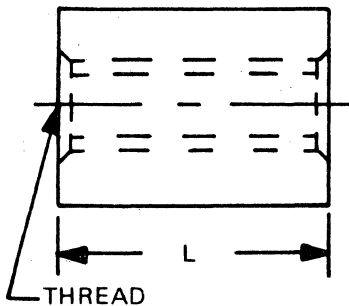
MATERIAL	CODE
Aluminum	A
Brass	B
Nylon	N
Stainless Steel	SS
Steel	S

LENGTH	PART NO.
1/8	3600
3/16	3601
1/4	3602
5/16	3603
3/8	3604
7/16	3605
1/2	3606
9/16	3607
5/8	3608
11/16	3609
3/4	3610
18/16	3611
7/8	3612
15/16	3613
1"	3614
1-1/16	3615
1-1/8	3616
1-3/16	3617
1-1/4	3618
1-5/16	3619
1-3/8	3620
1-7/16	3621
1-1/2	3622
1-9/16	3623
1-5/8	3624

LENGTH	PART NO.
1-11/16	3625
1-3/4	3626
1-13/16	3627
1-7/8	3628
1-15/16	3629
2"	3630
2-1/8	3631
2-1/4	3632
2-3/8	3633
2-1/2	3634
2-5/8	3635
2-3/4	3636
2-7/8	3637
3"	3638
3-1/4	3639
3-1/2	3640
3-3/4	3641
4"	3642
4-1/4	3643
4-1/2	3644
4-3/4	3645
5"	3646
5-1/4	3647
5-1/2	3648
5-3/4	3649

LENGTH	PART NO.
6"	3650
6-1/4	3651
6-1/2	3652
6-3/4	3653
7"	3654
7-1/4	3655
7-1/2	3656
7-3/4	3657
8"	3658
8-1/4	3659
8-1/2	3660
8-3/4	8661
9"	3662
9-1/4	3663
9-1/2	3664
9-3/4	3665
10"	3666

THREAD
8-32
10-32
12-24
1/4-20
5/16-18
3/8-16
7/16-14



GLOBE STANDOFFS

1/8 HEX FEMALE STANDOFFS

SAMPLE ORDER TECHNIQUE

EXAMPLE: B—3700—080—6



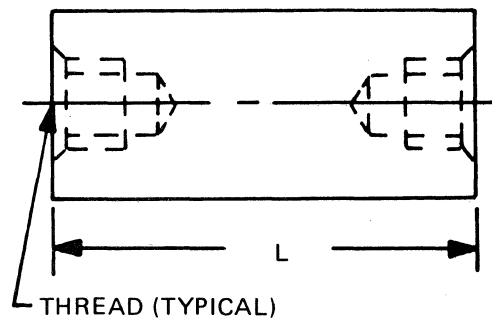
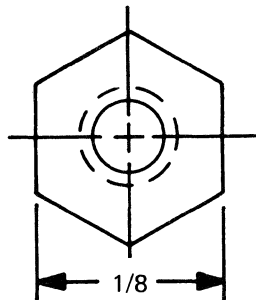
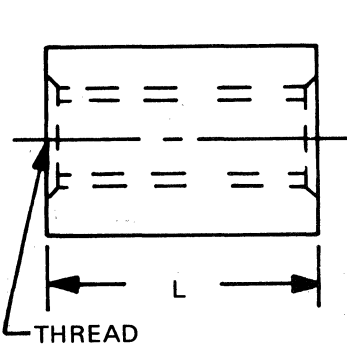
See page (VIII) for thread depth
 See page (VII) for finish code
 For parts not listed contact Sales Office

MATERIAL	CODE
Brass	B
Stainless Steel	SS
Steel	S

LENGTH	PART NO.
1/8	3700
3/16	3701
1/4	3702
5/16	3703
3/8	3704
7/16	3705
1/2	3706
9/16	3707
5/8	3708
11/16	3709
3/4	3710
13/16	3711
7/8	3712
15/16	3713
1"	3714

LENGTH	PART NO.
1-1/16	3715
1-1/8	3716
1-3/16	3717
1-1/4	3718
1-5/16	3719
1-3/8	3720
1-7/16	3721
1-1/2	3722
1-9/16	3723
1-5/8	3724
1-11/16	3725
1-3/4	3726
1-13/16	3727
1-7/8	3728
1-15/16	3729
2"	3730

THREAD
0-80
2-56

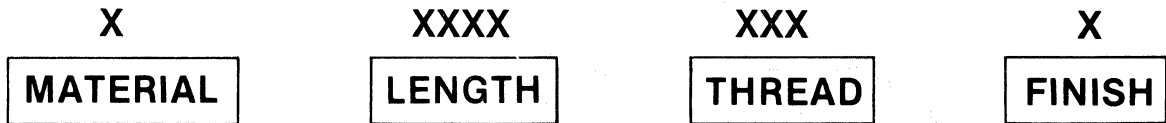


GLOBE STANDOFFS

3/16 HEX FEMALE STANDOFFS

SAMPLE ORDER TECHNIQUE

EXAMPLE: B—3800—256—6



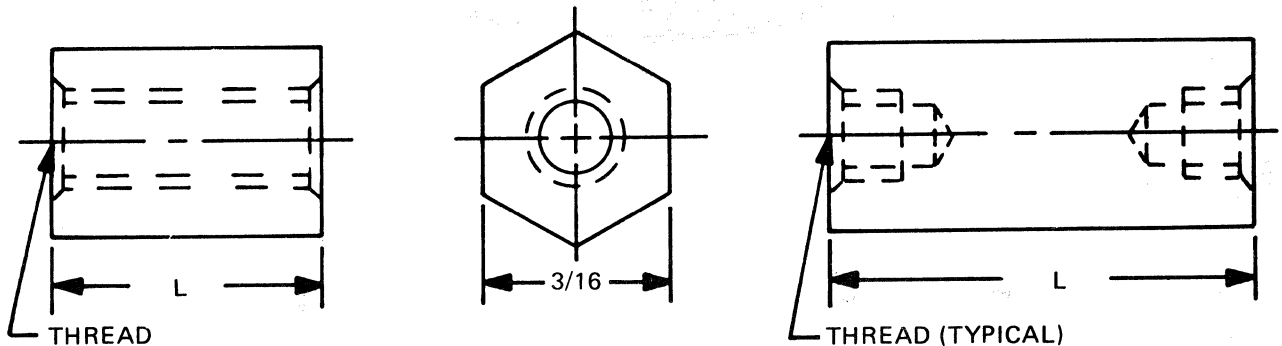
See page (VIII) for thread depth
 See page (VII) for finish code
 For parts not listed contact Sales Office

MATERIAL	CODE
Aluminum	A
Brass	B
Nylon	N
Stainless Steel	SS
Steel	S

LENGTH	PART NO.
1/8	3800
3/16	3801
1/4	3802
5/16	3803
3/8	3804
7/16	3805
1/2	3806
9/16	3807
5/8	3808
11/16	3809
3/4	3810
13/16	3811
7/8	3812
15/16	3813
1"	3814
1-1/16	3815
1-1/8	3816
1-3/16	3817
1-1/4	3818
1-5/16	3819
1-3/8	3820
1-7/16	3821
1-1/2	3822
1-9/16	3823

LENGTH	PART NO.
1-5/8	3824
1-11/16	3825
1-3/4	3826
1-13/16	3827
1-7/8	3828
1-15/16	3829
2"	3830
2-1/16	3831
2-1/8	3832
2-3/16	3833
2-1/4	3834
2-5/16	3835
2-3/8	3836
2-7/16	3837
2-1/2	3838
2-9/16	3839
2-5/8	3840
2-11/16	3841
2-3/4	3842
2-13/16	3843
2-7/8	3844
2-15/16	3845
3"	3846

THREAD
2-56
4-40



GLOBE STANDOFFS

1/4 HEX FEMALE STANDOFFS

SAMPLE ORDER TECHNIQUE

EXAMPLE: B—3900—440—6

X

XXXX

XXX

X

MATERIAL

LENGTH

THREAD

FINISH

See page (VIII) for thread depth
See page (VII) for finish code
For parts not listed contact Sales Office

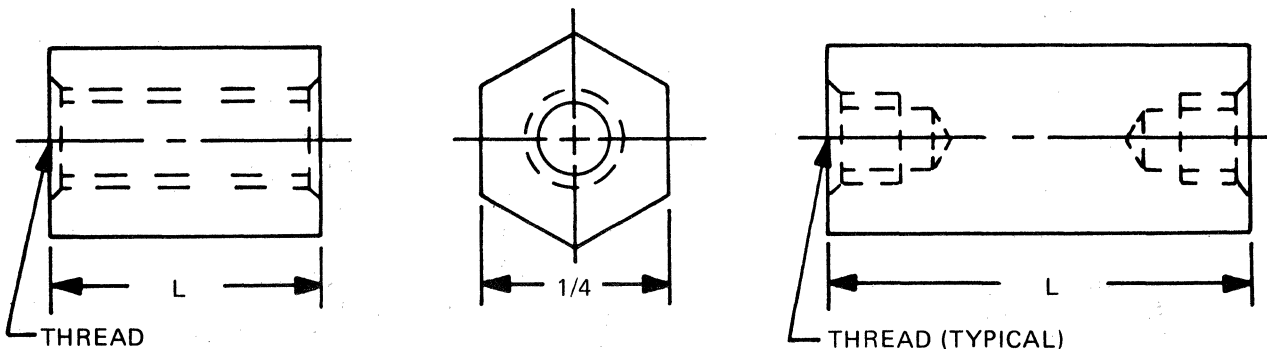
LENGTH	PART NO.
1/8	3900
3/16	3901
1/4	3902
5/16	3903
3/8	3904
7/16	3905
1/2	3906
9/16	3907
5/8	3908
11/16	3909
3/4	3910
13/16	3911
7/8	3912
15/16	3913
1"	3914
1-1/16	3915
1-1/8	3916
1-3/16	3917
1-1/4	3918
1-5/16	3919
1-3/8	3920
1-7/16	3921
1-1/2	3922
1-9/16	3923

LENGTH	PART NO.
1-5/8	3924
1-11/15	3925
1-3/4	3926
1-13/16	3927
1-7/8	3928
1-15/16	3929
2"	3930
2-1/8	3931
2-1/4	3932
2-3/8	3933
2-1/2	3934
2-5/8	3935
2-3/4	3936
2-7/8	3937
3"	3938
3-1/4	3939
3-1/2	3940
3-3/4	3941
4"	3942
4-1/4	3943
4-1/2	3944
4-3/4	3945
5"	3946
5-1/4	3947

LENGTH	PART NO.
5-1/2	3948
5-3/4	3949
6"	3950
6-1/4	3951
6-1/2	3952
6-3/4	3953
7"	3954
7-1/4	3955
7-1/2	3956
7-3/4	3957
8"	3958
8-1/4	3959
8-1/2	3960
8-3/4	3961
9"	3962
9-1/4	3963
9-1/2	3964
9-3/4	3965
10"	3966

MATERIAL	CODE
Aluminum	A
Brass	B
Nylon	N
Stainless Steel	SS
Steel	S

THREAD
4-40
6-32
8-32
10-32



GLOBE STANDOFFS

5/16 HEX FEMALE STANDOFFS

SAMPLE ORDER TECHNIQUE

EXAMPLE: B-4000-440-6

X

XXXX

XXX

X

MATERIAL

LENGTH

THREAD

FINISH

See page (VIII) for thred depth
See page (VII) for finish code
For parts not listed contact Sales Office

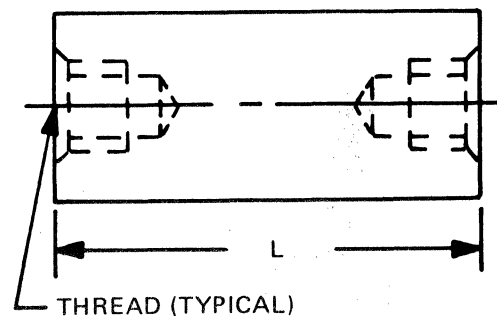
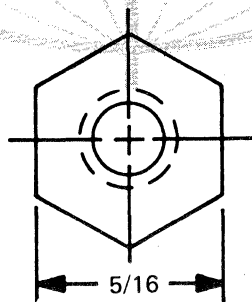
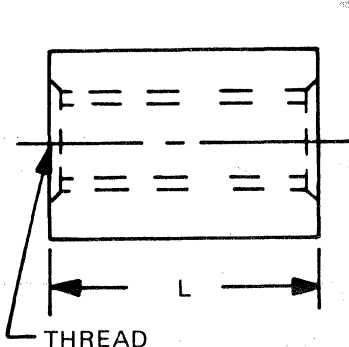
MATERIAL	CODE
Aluminum	A
Brass	B
Nylon	N
Stainless Steel	SS
Steel	S

LENGTH	PART NO.
1/8	4000
3/16	4001
1/4	4002
5/16	4003
3/8	4004
7/16	4005
1/2	4006
9/16	4007
5/8	4008
11/16	4009
3/4	4010
13/16	4011
7/8	4012
15/16	4013
1"	4014
1-1/16	4015
1-1/8	4016
1-3/16	4017
1-1/4	4018
1-5/16	4019
1-3/8	4020
1-7/16	4021
1-1/2	4022
1-9/16	4023

LENGTH	PART NO.
1-5/8	4024
1-11/16	4025
1-3/4	4026
1-13/16	4027
1-7/8	4028
1-15/16	4029
2"	4030
2-1/8	4031
2-1/4	4032
2-3/8	4033
2-1/2	4034
2-5/8	4035
2-3/4	4036
2-7/8	4037
3"	4038
3-1/4	4039
3-1/2	4040
3-3/4	4041
4"	4042
4-1/4	4043
4-1/2	4044
4-3/4	4045
5"	4046
5-1/4	4047

LENGTH	PART NO.
5-1/2	4048
5-3/4	4049
6"	4050
6-1/4	4051
6-1/2	4052
6-3/4	4053
7"	4054
7-1/4	4055
7-1/2	4056
7-3/4	4057
8"	4058
8-1/4	4059
8-1/2	4060
8-3/4	4061
9"	4062
9-1/4	4063
9-1/2	4064
9-3/4	4065
10"	4066

THREAD
4-40
6-32
8-32
10-32



GLOBE STANDOFFS

3/8 HEX FEMALE STANDOFFS

SAMPLE ORDER TECHNIQUE

EXAMPLE: B-4100-632-6



See page (VIII) for thread depth
 See page (VII) for finish code
 For parts not listed contact Sales Office

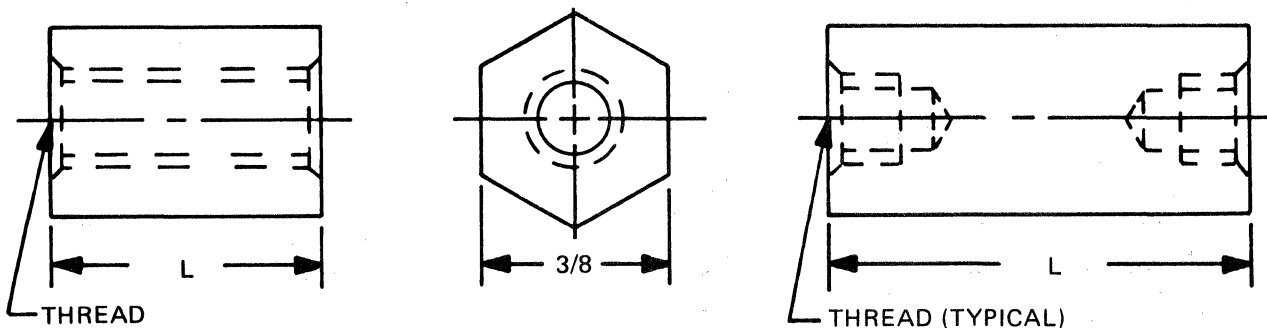
MATERIAL	CODE
Aluminum	A
Brass	B
Nylon	N
Stainless Steel	SS
Steel	S

LENGTH	PART NO.
1/8	4100
3/16	4101
1/4	4102
5/16	4103
3/8	4104
7/16	4105
1/2	4106
9/16	4107
5/8	4108
11/16	4109
3/4	4110
13/16	4111
7/8	4112
15/16	4113
1"	4114
1-1/16	4115
1-1/8	4116
1-3/16	4117
1-1/4	4118
1-5/16	4119
1-3/8	4120
1-7/16	4121
1-1/2	4122
1-9/16	4123

LENGTH	PART NO.
1-5/8	4124
1-11/16	4125
1-3/4	4126
1-13/16	4127
1-7/8	4128
1-15/16	4129
2"	4130
2-1/8	4131
2-1/4	4132
2-3/8	4133
2-1/2	4134
2-5/8	4135
2-3/4	4136
2-7/8	4137
3"	4138
3-1/4	4139
3-1/2	4140
3-3/4	4141
4"	4142
4-1/4	4143
4-1/2	4144
4-3/4	4145
5"	4146
5-1/4	4147

LENGTH	PART NO.
5-1/2	4148
5-3/4	4149
6"	4150
6-1/4	4151
6-1/2	4152
6-3/4	4153
7"	4154
7-1/4	4155
7-1/2	4156
7-3/4	4157
8"	4158
8-1/4	4159
8-1/2	4160
8-3/4	4161
9"	4162
9-1/4	4163
9-1/2	4164
9-3/4	4165
10"	4166

THREAD
6-32
8-32
10-32
12-24
1/4-20



GLOBE STANDOFFS

1/2 HEX FEMALE STANDOFFS

SAMPLE ORDER TECHNIQUE

EXAMPLE: B-4200-632-6

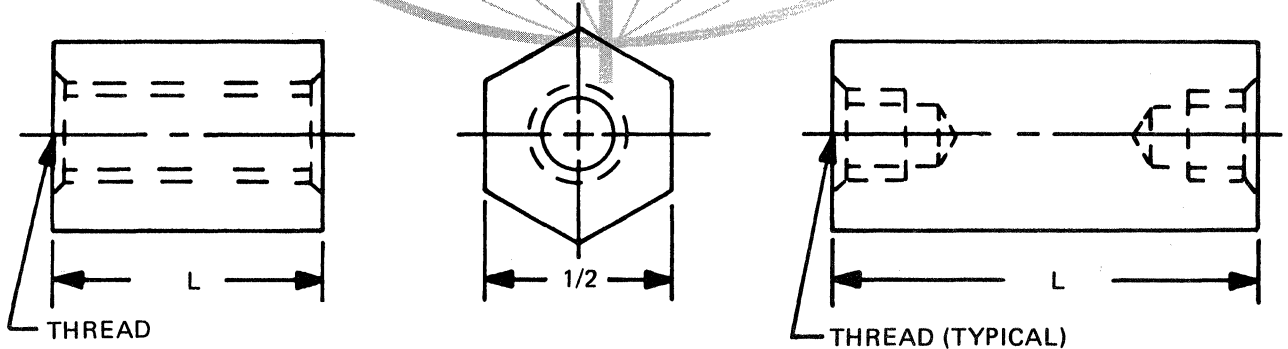


See page (VIII) for thread depth
 See page (VII) for finish code
 For parts not listed contact Sales Office

MATERIAL	CODE
Aluminum	A
Brass	B
Nylon	N
Stainless Steel	SS
Steel	S

LENGTH	PART NO.	LENGTH	PART NO.	LENGTH	PART NO.
1/8	4200	1-5/8	4224	5-1/2	4248
3/16	4201	1-11/16	4225	5-3/4	4249
1/4	4202	1-3/4	4226	6"	4250
5/16	4203	1-13/16	4227	6-1/4	4251
3/8	4204	1-7/8	4228	6-1/2	4252
7/16	4205	1-15/16	4229	6-3/4	4253
1/2	4206	2"	4230	7"	4254
9/16	4207	2-1/8	4231	7-1/4	4255
5/8	4208	2-1/4	4232	7-1/2	4256
11/16	4209	2-3/8	4233	7-3/4	4257
3/4	4210	2-1/2	4234	8"	4258
13/16	4211	2-5/8	4235	8-1/4	4259
7/8	4212	2-3/4	4236	8-1/2	4260
15/16	4213	2-7/8	4237	8-3/4	4261
1"	4214	3"	4238	9"	4262
1-1/16	4215	3-1/4	4239	9-1/4	4263
1-1/8	4216	3-1/2	4240	9-1/2	4264
1-3/16	4217	3-3/4	4241	9-3/4	4265
1-1/4	4218	4"	4242	10"	4266
1-5/16	4219	4-1/4	4243		
1-3/8	4220	4-1/2	4244		
1-7/16	4221	4-3/4	4245		
1-1/2	4222	5"	4246		
1-9/16	4223	5-1/4	4247		

THREAD
6-32
8-32
10-32
12-24
1/4-20



GLOBE STANDOFFS

5/8 HEX FEMALE STANDOFFS

SAMPLE ORDER TECHNIQUE

EXAMPLE: B-4300-832-6



See page (VIII) for thread length
 See page (VII) for finish code
 For parts not listed contact Sales Office

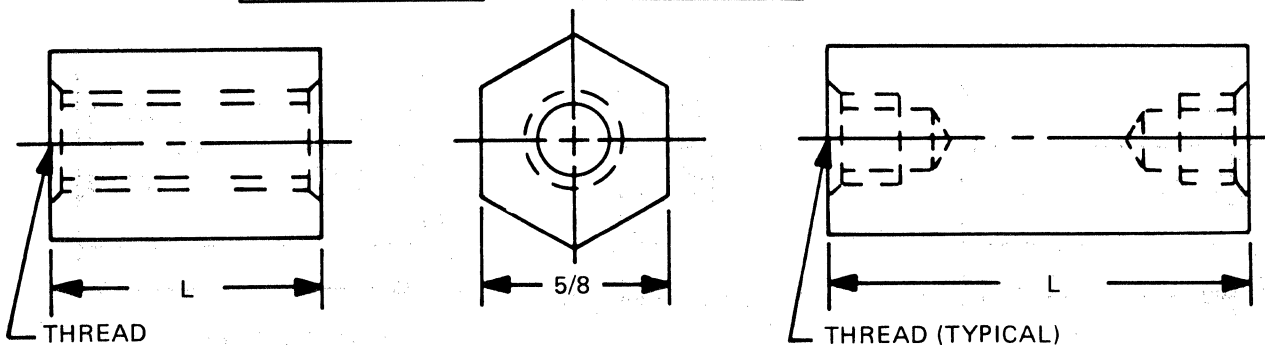
MATERIAL	CODE
Aluminum	A
Brass	B
Nylon	N
Stainless Steel	SS
Steel	S

LENGTH	PART NO.
1/8	4300
3/16	4301
1/4	4302
5/16	4303
3/8	4304
7/16	4305
1/2	4306
9/16	4307
5/8	4308
11/16	4309
3/4	4310
13/16	4311
7/8	4312
15/16	4313
1"	4314
1-1/16	4315
1-1/8	4316
1-3/16	4317
1-1/4	4318
1-5/16	4319
1-3/8	4320
1-7/16	4321
1-1/2	4322
1-9/16	4323

LENGTH	PART NO.
1-5/8	4324
1-11/16	4325
1-3/4	4326
1-13/16	4327
1-7/8	4328
1-15/16	4329
2"	4330
2-1/8	4331
2-1/4	4332
2-3/8	4333
2-1/2	4334
2-5/8	4335
2-3/4	4336
2-7/8	4337
3"	4338
3-1/4	4339
3-1/2	4340
3-3/4	4341
4"	4342
4-1/4	4343
4-1/2	4344
4-3/4	4345
5"	4346
5-1/4	4347

LENGTH	PART NO.
5-1/2	4348
5-3/4	4349
6"	4350
6-1/4	4351
6-1/2	4352
6-3/4	4353
7"	4354
7-1/4	4355
7-1/2	4356
7-3/4	4357
8"	4358
8-1/4	4359
8-1/2	4360
8-3/4	4361
9"	4362
9-1/4	4363
9-1/2	4364
9-3/4	4365
10"	4366

THREAD
8-32
10-32
12-24
1/4-20
5/16-18
3/8-16
7/16-14



GLOBE STANDOFFS

1/8 SQUARE FEMALE STANDOFFS

SAMPLE ORDER TECHNIQUE

EXAMPLE: B-4400-080-6



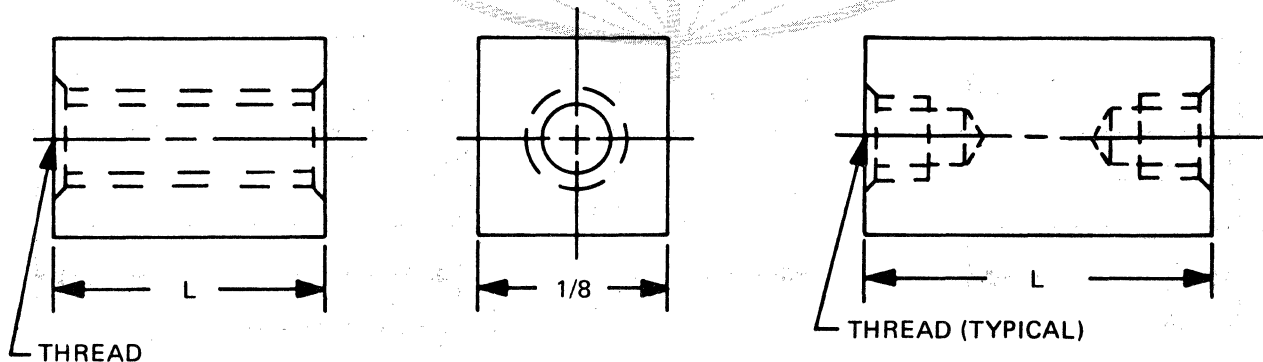
See page (VIII) for thread depth
 See page (VII) for finish code
 For parts not listed contact Sales Office

MATERIAL	CODE
Brass	B
Stainless Steel	SS
Steel	S

LENGTH	PART NO.
1/8	4400
3/16	4401
1/4	4402
5/16	4403
3/8	4404
7/16	4405
1/2	4406
9/16	4407
5/8	4408
11/16	4409
3/4	4410
13/16	4411
7/8	4412
15/16	4413
1"	4414

LENGTH	PART NO.
1-1/16	4415
1-1/8	4416
1-3/16	4417
1-1/4	4418
1-5/16	4419
1-3/8	4420
1-7/16	4421
1-1/2	4422
1-9/16	4423
1-5/8	4424
1-11/16	4425
1-3/4	4426
1-13/16	4427
1-7/8	4428
1-15/16	4429
2"	4430

THREAD
0-80
2-56



GLOBE STANDOFFS

3/16 SQUARE FEMALE STANDOFFS

SAMPLE ORDER TECHNIQUE

EXAMPLE: B—4500—256—6



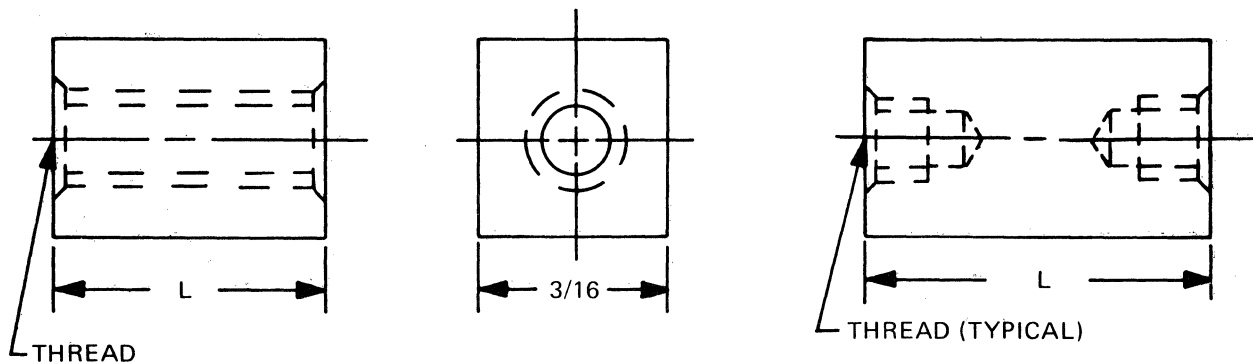
See page (VIII) for thread depth
 See page (VII) for finish code
 For parts not listed contact Sales Office

MATERIAL	CODE
Aluminum	A
Brass	B
Stainless Steel	SS
Steel	S

LENGTH	PART NO.
1/8	4500
3/16	4501
1/4	4502
5/16	4503
3/8	4504
7/16	4505
1/2	4506
9/16	4507
5/8	4508
11/16	4509
3/4	4510
13/16	4511
7/8	4512
15/16	4513
1"	4514
1-1/16	4515
1-1/8	4516
1-3/16	4517
1-1/4	4518
1-5/16	4519
1-3/8	4520
1-7/16	4521
1-1/2	4522
1-9/16	4523

LENGTH	PART NO.
1-5/8	4524
1-11/16	4525
1-3/4	4526
1-13/16	4527
1-7/8	4528
1-15/16	4529
2"	4530
2-1/16	4531
2-1/8	4532
2-3/16	4533
2-1/4	4534
2-5/16	4535
2-3/8	4536
2-7/16	4537
2-1/2	4538
2-9/16	4539
2-5/8	4540
2-11/16	4541
2-3/4	4542
2-13/16	4543
2-7/8	4544
2-15/16	4545
3"	4546

THREAD
2-56
4-40

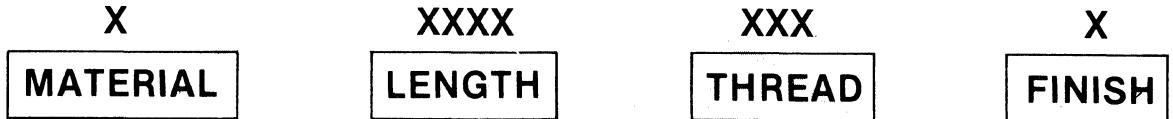


GLOBE STANDOFFS

1/4 SQUARE FEMALE STANDOFFS

SAMPLE ORDER TECHNIQUE

EXAMPLE: B-4600-440-6



See page (VIII) for thread depth
 See page (VII) for finish code
 For parts not listed contact Sales Office

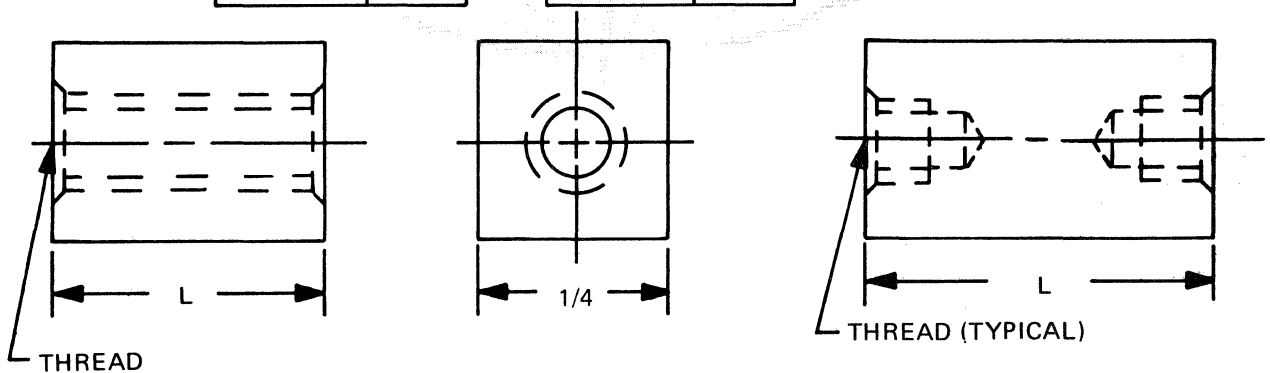
MATERIAL	CODE
Aluminum	A
Brass	B
Stainless Steel	SS
Steel	S

LENGTH	PART NO.
1/8	4600
3/16	4601
1/4	4602
5/16	4603
3/8	4604
7/16	4605
1/2	4606
9/16	4607
5/8	4608
11/16	4609
3/4	4610
13/16	4611
7/8	4612
15/16	4613
1"	4614
1-1/16	4615
1-1/8	4616
1-3/16	4617
1-1/4	4618
1-5/16	4619
1-3/8	4620
1-7/16	4621
1-1/2	4622
1-9/16	4623
1-5/8	4624

LENGTH	PART NO.
1-11/16	4625
1-3/4	4626
1-13/16	4627
1-7/8	4628
1-15/16	4629
2"	4630
2-1/8	4631
2-1/4	4632
2-3/8	4633
2-1/2	4634
2-5/8	4635
2-3/4	4636
2-7/8	4637
3"	4638
3-1/4	4639
3-1/2	4640
3-3/4	4641
4"	4642
4-1/4	4643
4-1/2	4644
4-3/4	4645
5"	4646
5-1/4	4647
5-1/2	4648
5-3/4	4649

LENGTH	PART NO.
6"	4650
6-1/4	4651
6-1/2	4652
6-3/4	4653
7"	4654
7-1/4	4655
7-1/2	4656
7-3/4	4657
8"	4658
8-1/4	4659
8-1/2	4660
8-3/4	4661
9"	4662
9-1/4	4663
9-1/2	4664
9-3/4	4665
10"	4666

THREAD
4-40
6-32
8-32
10-32



GLOBE STANDOFFS

5/16 SQUARE FEMALE STANDOFFS

SAMPLE ORDER TECHNIQUE

EXAMPLE: B—4700—440—6

X

XXXX

XXX

X

MATERIAL

LENGTH

THREAD

FINISH

See page (VIII) for thread depth

See page (VII) for finish code

For parts not listed contact Sales Office

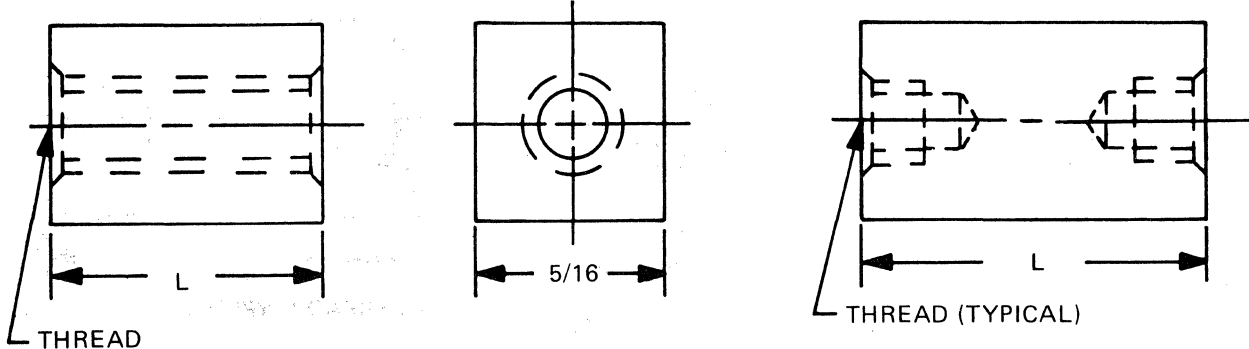
MATERIAL	CODE
Aluminum	A
Brass	B
Stainless Steel	SS
Steel	S

LENGTH	PART NO.
1/8	4700
3/16	4701
1/4	4702
5/16	4703
3/8	4704
7/16	4705
1/2	4706
9/16	4707
5/8	4708
11/16	4709
3/4	4710
13/16	4711
7/8	4712
15/16	4713
1"	4714
1-1/16	4715
1-1/8	4716
1-3/16	4717
1-1/4	4718
1-5/16	4719
1-3/8	4720
1-7/16	4721
1-1/2	4722
1-9/16	4723
1-5/8	4724

LENGTH	PART NO.
1-11/16	4725
1-3/4	4726
1-13/16	4727
1-7/8	4728
1-15/16	4729
2"	4730
2-1/8	4731
2-1/4	4732
2-3/8	4733
2-1/2	4734
2-5/8	4735
2-3/4	4736
2-7/8	4737
3"	4738
3-1/4	4739
3-1/2	4740
3-3/4	4741
4"	4742
4-1/4	4743
4-1/2	4744
4-3/4	4745
5"	4746
5-1/4	4747
5-1/2	4748
5-3/4	4749

LENGTH	PART NO.
6"	4750
6-1/4	4751
6-1/2	4752
6-3/4	4753
7"	4754
7-1/4	4755
7-1/2	4756
7-3/4	4757
8"	4758
8-1/4	4759
8-1/2	4760
8-3/4	4761
9"	4762
9-1/4	4763
9-1/2	4764
9-3/4	4765
10"	4766

THREAD
4-40
6-32
8-32
10-32



GLOBE STANDOFFS

3/8 SQUARE FEMALE STANDOFFS

SAMPLE ORDER TECHNIQUE

EXAMPLE: B—4800—632—6

X

XXXX

XXX

X

MATERIAL

LENGTH

THREAD

FINISH

See page (VIII) for thread depth

See page (VII) for finish code

For parts not listed contact Sales Office

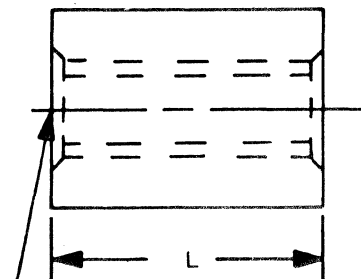
MATERIAL	CODE
Aluminum	A
Brass	B
Stainless Steel	SS
Steel	S

LENGTH	PART NO.
1/8	4800
3/16	4801
1/4	4802
5/16	4803
3/8	4804
7/16	4805
1/2	4806
9/16	4807
5/8	4808
11/16	4809
3/4	4810
13/16	4811
7/8	4812
15/16	4813
1"	4814
1-1/16	4815
1-1/8	4816
1-3/16	4817
1-1/4	4818
1-5/16	4819
1-3/8	4820
1-7/16	4821
1-1/2	4822
1-9/16	4823
1-5/8	4824

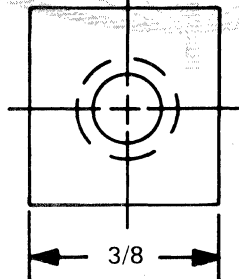
LENGTH	PART NO.
1-11/16	4825
1-3/4	4826
1-13/16	4827
1-7/8	4828
1-15/16	4829
2"	4830
2-1/8	4831
2-1/4	4832
2-3/8	4833
2-1/2	4834
2-5/8	4835
2-3/4	4836
2-7/8	4837
3"	4838
3-1/4	4839
3-1/2	4840
3-3/4	4841
4"	4842
4-1/4	4843
4-1/2	4844
4-3/4	4845
5"	4846
5-1/4	4847
5-1/2	4848
5-3/4	4849

LENGTH	PART NO.
6"	4850
6-1/4	4851
6-1/2	4852
6-3/4	4853
7"	4854
7-1/4	4855
7-1/2	4856
7-3/4	4857
8"	4858
8-1/4	4859
8-1/2	4860
8-3/4	4861
9"	4862
9-1/4	4863
9-1/2	4864
9-3/4	4865
10"	4866

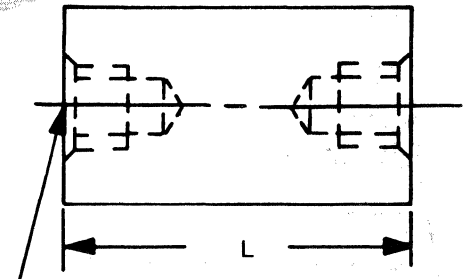
THREAD
6-32
8-32
10-32
12-24
1/4-20



THREAD



3/8



THREAD (TYPICAL)

GLOBE STANDOFFS

1/2 SQUARE FEMALE STANDOFFS

SAMPLE ORDER TECHNIQUE

EXAMPLE: B—4900—632—6

X

XXXX

XXX

X

MATERIAL

LENGTH

THREAD

FINISH

See page (VIII) for thread depth
 See page (VII) for finish code
 For parts not listed contact Sales Office

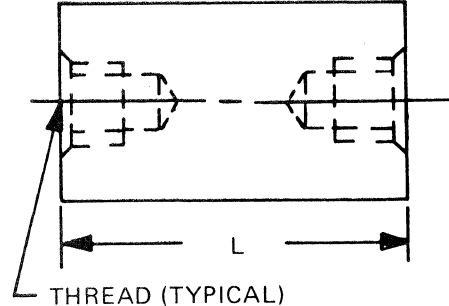
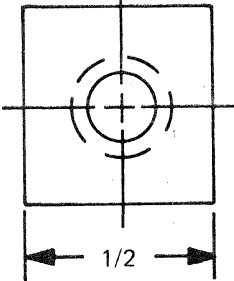
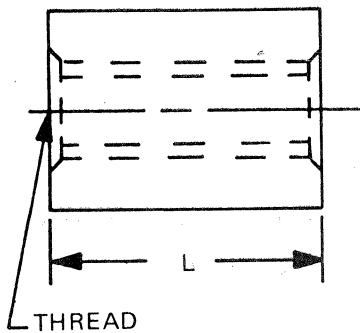
MATERIAL	CODE
Aluminum	A
Brass	B
Stainless Steel	SS
Steel	S

LENGTH	PART NO.
1/8	4900
3/16	4901
1/4	4902
5/16	4903
3/8	4904
7/16	4905
1/2	4906
9/16	4907
5/8	4908
11/16	4909
3/4	4910
13/16	4911
7/8	4912
15/16	4913
1"	4914
1-1/16	4915
1-1/8	4916
1-3/16	4917
1-1/4	4918
1-5/16	4919
1-3/8	4920
1-7/16	4921
1-1/2	4922
1-9/16	4923
1-5/8	4924

LENGTH	PART NO.
1-11/16	4925
1-3/4	4926
1-13/16	4927
1 7/8	4928
1-15/16	4929
2"	4930
2-1/8	4931
2-1/4	4932
2-3/8	4933
2-1/2	4934
2-5/8	4935
2-3/4	4936
2-7/8	4937
3"	4938
3-1/4	4939
3-1/2	4940
3-3/4	4941
4"	4942
4-1/4	4943
4-1/2	4944
4-3/4	4945
5"	4946
5-1/4	4947
5-1/2	4948
5-3/4	4949

LENGTH	PART NO.
6"	4950
6-1/4	4951
6-1/2	4952
6-3/4	4953
7"	4954
7-1/4	4955
7-1/2	4956
7-3/4	4957
8"	4958
8-1/4	4959
8-1/2	4960
8-3/4	4961
9"	4962
9-1/4	4963
9-1/2	4964
9-3/4	4965
10"	4966

THREAD
6-32
8-32
10-32
12-24
1/4-20



GLOBE STANDOFFS

5/8 SQUARE FEMALE STANDOFFS

SAMPLE ORDER TECHNIQUE

EXAMPLE: B-5000-832-6

X

XXXX

XXX

X

MATERIAL

LENGTH

THREAD

FINISH

See page (VIII) for thread depth

See page (VII) for finish code

For parts not listed contact Sales Office

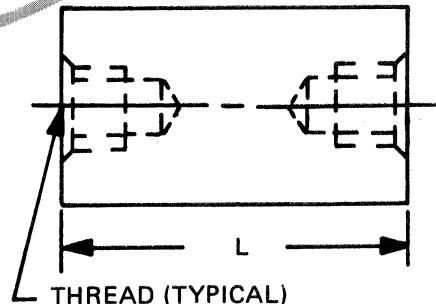
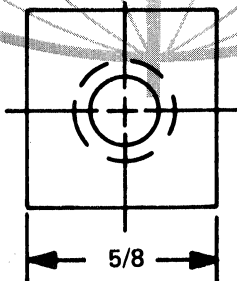
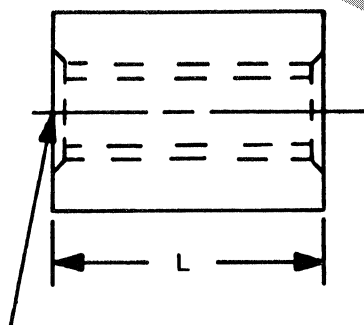
MATERIAL	CODE
Aluminum	A
Brass	B
Stainless Steel	SS
Steel	S

LENGTH	PART NO.
1/8	5000
3/16	5001
1/4	5002
5/16	5003
3/8	5004
7/16	5005
1/2	5006
9/16	5007
5/8	5008
11/16	5009
3/4	5010
13/16	5011
7/8	5012
15/16	5013
1"	5014
1-1/16	5015
1-1/8	5016
1-3/16	5017
1-1/4	5018
1-5/16	5019
1-3/8	5020
1-7/16	5021
1-1/2	5022
1-9/16	5023
1-5/8	5024

LENGTH	PART NO.
1-11/16	5025
1-3/4	5026
1-13/16	5027
1-7/8	5028
1-15/16	5029
2"	5030
2-1/8	5031
2-1/4	5032
2-3/8	5033
2-1/2	5034
2-5/8	5035
2-3/4	5036
2-7/8	5037
3"	5038
3-1/4	5039
3-1/2	5040
3-3/4	5041
4"	5042
4-1/4	5043
4-1/2	5044
4-3/4	5045
5"	5046
5-1/4	5047
5-1/2	5048
5-3/4	5049

LENGTH	PART NO.
6"	5050
6-1/4	5051
6-1/2	5052
6-3/4	5053
7"	5054
7-1/4	5055
7-1/2	5056
7-3/4	5057
8"	5058
8-1/4	5059
8-1/2	5060
8-3/4	5061
9"	5062
9-1/4	5063
9-1/2	5064
9-3/4	5065
10"	5066

THREAD
8-32
10-32
12-24
1/4-20
5/16-18
3/8-16
7/16-14



THREAD

GLOBE STANDOFFS

1/8 ROUND SWAGE STANDOFFS

SAMPLE ORDER TECHNIQUE

EXAMPLE: B-5100-080-075-6

X

XXXX

XXX

XXX

X

MATERIAL

LENGTH

THREAD

SHANK

FINISH

See page (VIII) for thread depth
 See page (VII) for finish code
 For parts not listed contact Sales Office

THREAD
0-80

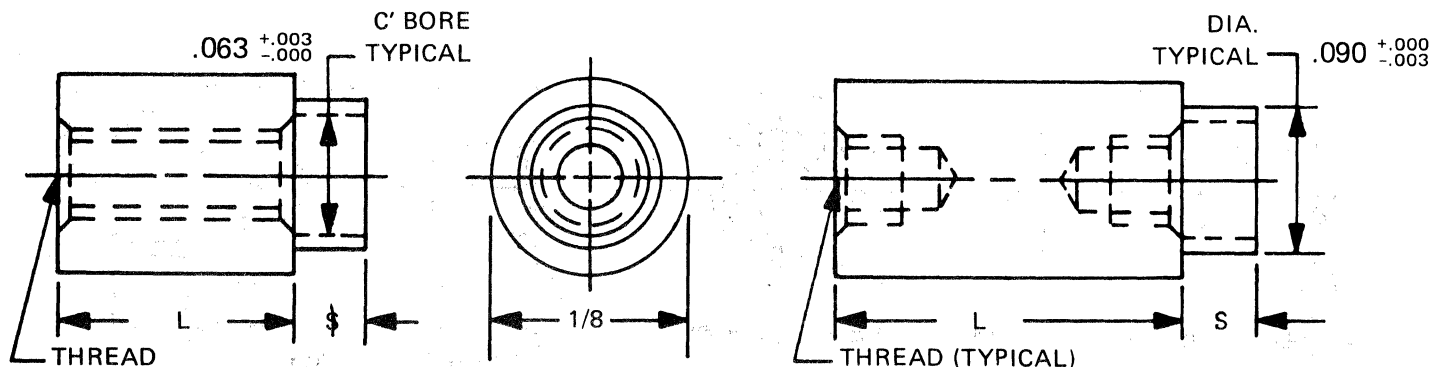
MATERIAL	CODE
Aluminum	A
Brass	B
Stainless Steel	SS
Steel	S

LENGTH	PART NO.
1/8	5100
3/16	5101
1/4	5102
5/16	5103
3/8	5104
7/16	5105
1/2	5106
9/16	5107
5/8	5108
11/16	5109
3/4	5110
13/16	5111
7/8	5112
15/16	5113
1"	5114

SWAGE TOOLING		
PUNCH	ANVIL	LENGTH
GP-1	GAR-10	1/8 - 3/16
	GAR-11	1/4 - 7/16
	GAR-12	1/2 - 11/16
	GAR-13	3/4 - 1"

SWAGE/PANEL	
S	P
.075	1/32
.105	1/16
.135	3/32
.165	1/8
.230	3/16
.290	1/4

L = STANDOFF LENGTH
 S = SHANK LENGTH
 P = BOARD THICKNESS

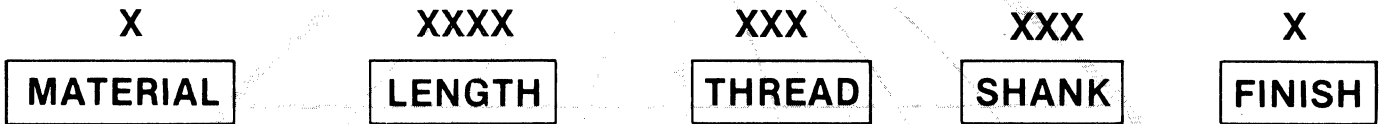


GLOBE STANDOFFS

5/32 ROUND SWAGE STANDOFFS

SAMPLE ORDER TECHNIQUE

EXAMPLE: B-5200-080-075-6



See page (VIII) for thread depth
 See page (VII) for finish code
 For parts not listed contact Sales Office

THREAD
0-80
2-56

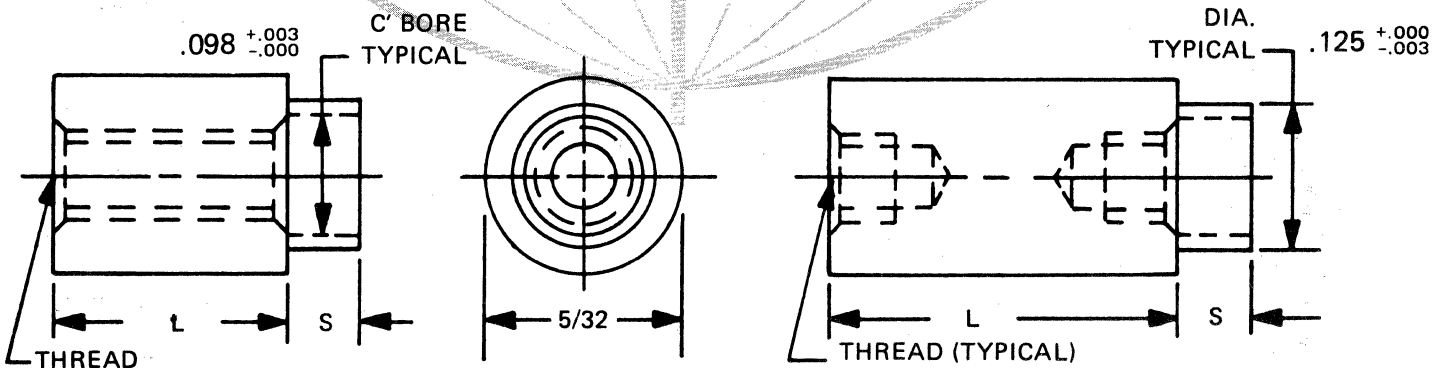
LENGTH	PART NO.
1/8	5200
3/16	5201
1/4	5202
5/16	5203
3/8	5204
7/16	5205
1/2	5206
9/16	5207
5/8	5208
11/16	5209
3/4	5210
13/16	5211
7/8	5212
15/16	5213
1"	5214

SWAGE TOOLING		
PUNCH	ANVIL	LENGTH
GP-2	GAR-14	1/8 - 3/16
	GAR-15	1/4 - 7/16
	GAR-16	1/2 - 11/16
	GAR-17	3/4 - 1"

MATERIAL	CODE
Aluminum	A
Brass	B
Stainless Steel	SS
Steel	S

SWAGE/PANEL	
S	P
.075	1/32
.105	1/16
.135	3/32
.165	1/8
.230	3/16
.290	1/4

L = STANDOFF LENGTH
 S = SHANK LENGTH
 P = BOARD THICKNESS



GLOBE STANDOFFS

3/16 ROUND SWAGE STANDOFFS

SAMPLE ORDER TECHNIQUE

EXAMPLE: B—5300—256—075—6



See page (VIII) for thread depth
 See page (VII) for finish code
 For parts not listed contact Sales Office

THREAD
2-56
3-48

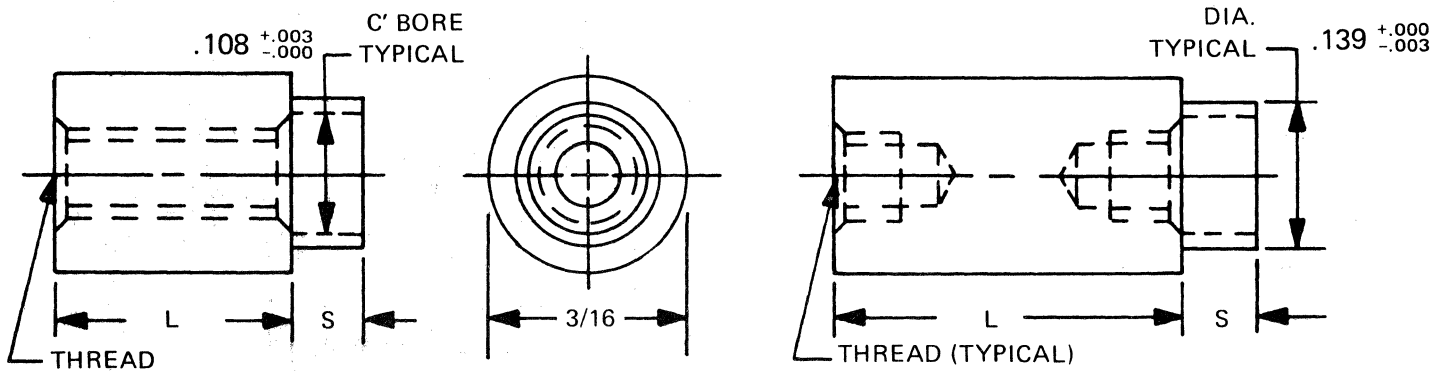
MATERIAL	CODE
Aluminum	A
Brass	B
Stainless Steel	SS
Steel	S

LENGTH	PART NO.
1/8	5300
3/16	5301
1/4	5302
5/16	5303
3/8	5304
7/16	5305
1/2	5306
9/16	5307
5/8	5308
11/16	5309
3/4	5310
13/16	5311
7/8	5312
15/16	5313
1"	5314

SWAGE TOOLING		
PUNCH	ANVIL	LENGTH
GP-3	GAR-18	1/8 - 3/16
	GAR-19	1/4 - 7/16
	GAR-20	1/2 - 11/16
	GAR-21	3/4 - 1"

SWAGE/PANEL	
S	P
.075	1/32
.105	1/16
.135	3/32
.165	1/8
.230	3/16
.290	1/4

L = STANDOFF LENGTH
 S = SHANK LENGTH
 P = BOARD THICKNESS



GLOBE STANDOFFS

1/4 ROUND SWAGE STANDOFFS

SAMPLE ORDER TECHNIQUE

EXAMPLE: B—5400—256—075—6

X	XXXX	XXX	XXX	X
MATERIAL	LENGTH	THREAD	SHANK	FINISH

See page (VIII) for thread depth
 See page (VII) for finish code
 For parts not listed contact Sales Office

THREAD
2-56
3-48
4-40
6-32

MATERIAL	CODE
Aluminum	A
Brass	B
Stainless Steel	SS
Steel	S

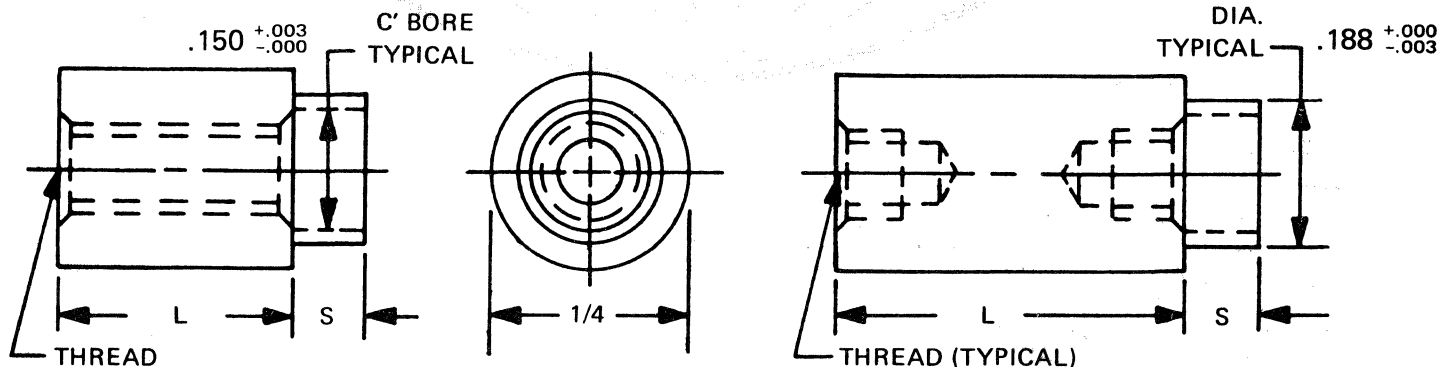
LENGTH	PART NO.
1/8	5400
3/16	5401
1/4	5402
5/16	5403
3/8	5404
7/16	5405
1/2	5406
9/16	5407
5/8	5408
11/16	5409
3/4	5410
13/16	5411
7/8	5412
15/16	5413
1"	5414

LENGTH	PART NO.
1-1/16	5415
1-1/8	5416
1-3/16	5417
1-1/4	5418
1-5/16	5419
1-3/8	5420
1-7/16	5421
1-1/2	5422
1-9/16	5423
1-5/8	5424
1-11/16	5425
1-3/4	5426
1-13/16	5427
1-7/8	5428
1-15/16	5429
2"	5430

SWAGE TOOLING		
PUNCH	ANVIL	LENGTH
GP-4	GAR-22	1/8 - 3/16
	GAR-23	1/4 - 7/16
	GAR-24	1/2 - 11/16
	GAR-25	3/4 - 2"

SWAGE/PANEL	
S	P
.075	1/32
.105	1/16
.135	3/32
.165	1/8
.230	3/16
.290	1/4

L = STANDOFF LENGTH
 S = SHANK LENGTH
 P = BOARD THICKNESS

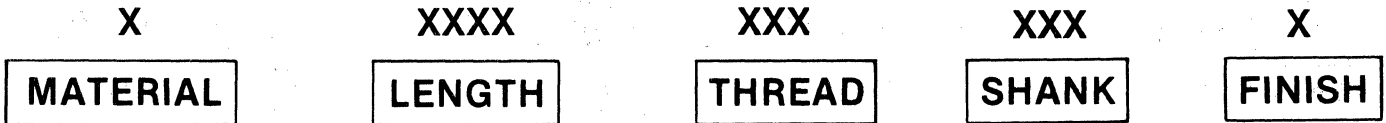


GLOBE STANDOFFS

5/16 ROUND SWAGE STANDOFFS

SAMPLE ORDER TECHNIQUE

EXAMPLE: B-5500-440-075-6



See page (VIII) for thread depth
 See page (VII) for finish code
 For parts not listed contact Sales Office

THREAD
4-40
6-32
8-32
10-32

LENGTH	PART NO.
1/8	5500
3/16	5501
1/4	5502
5/16	5503
3/8	5504
7/16	5505
1/2	5506
9/16	5507
5/8	5508
11/16	5509
3/4	5510
13/16	5511
7/8	5512
15/16	5513
1"	5514

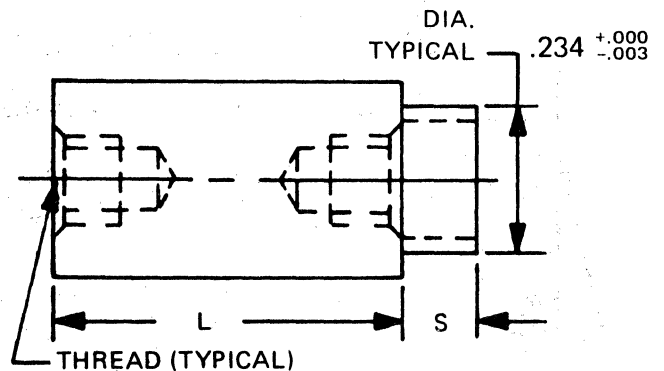
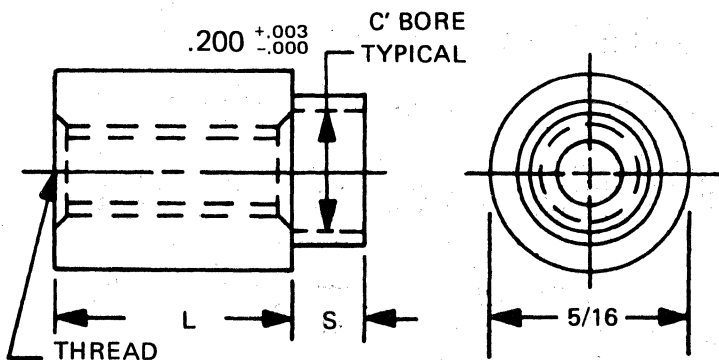
LENGTH	PART NO.
1-1/16	5515
1-1/8	5516
1-3/16	5517
1-1/4	5518
1-5/16	5519
1-3/8	5520
1-7/16	5521
1-1/2	5522
1-9/16	5523
1-5/8	5524
1-11/16	5525
1-3/4	5526
1-13/16	5527
1-7/8	5528
1-15/16	5529
2"	5530

SWAGE TOOLING		
PUNCH	ANVIL	LENGTH
GP-5	GAR-26	1/8 - 3/16
	GAR-27	1/4 - 7/16
	GAR-28	1/2 - 11/16
	GAR-29	3/4 - 2"

SWAGE/PANEL	
S	P
.075	1/32
.105	1/16
.135	3/32
.165	1/8
.230	3/16
.290	1/4

MATERIAL	CODE
Aluminum	A
Brass	B
Stainless Steel	SS
Steel	S

L = STANDOFF LENGTH
 S = SHANK LENGTH
 P = BOARD THICKNESS

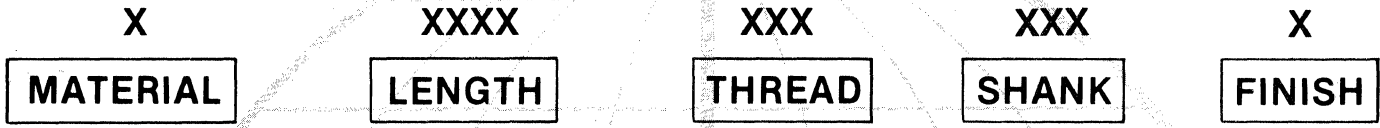


GLOBE STANDOFFS

3/8 ROUND SWAGE STANDOFFS

SAMPLE ORDER TECHNIQUE

EXAMPLE: B-5600-440-075-6



See page (VIII) for thread depth
 See page (VII) for finish code
 For parts not listed contact Sales Office

THREAD
4-40
6-32
8-32
10-32

MATERIAL	CODE
Aluminum	A
Brass	B
Stainless Steel	SS
Steel	S

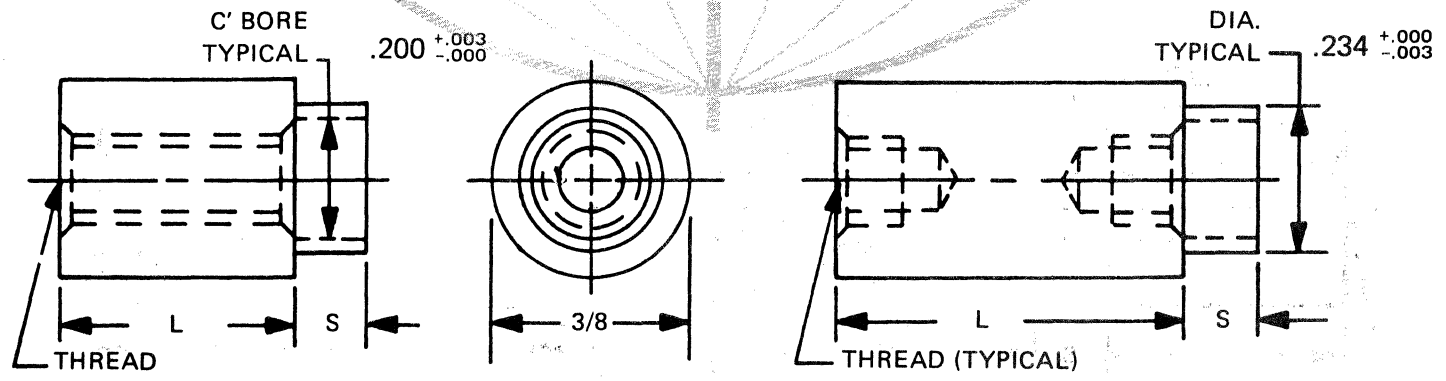
LENGTH	PART NO.
1/8	5600
3/16	5601
1/4	5602
5/16	5603
3/8	5604
7/16	5605
1/2	5606
9/16	5607
5/8	5608
11/16	5609
3/4	5610
13/16	5611
7/8	5612
15/16	5613
1"	5614

LENGTH	PART NO.
1-1/16	5615
1-1/8	5616
1-3/16	5617
1-1/4	5618
1-5/16	5619
1-3/8	5620
1-7/16	5621
1-1/2	5622
1-9/16	5623
1-5/8	5624
1-11/16	5625
1-3/4	5626
1-13/16	5627
1-7/8	5628
1-15/16	5629
2"	5630

SWAGE TOOLING		
PUNCH	ANVIL	LENGTH
GP-5	GAR-30	1/8 - 3/16
	GAR-31	1/4 - 7/16
	GAR-32	1/2 - 11/16
	GAR-33	3/4 - 2"

SWAGE/PANEL	
S	P
.075	1/32
.105	1/16
.135	3/32
.165	1/8
.230	3/16
.290	1/4

L = STANDOFF LENGTH
 S = SHANK LENGTH
 P = BOARD THICKNESS



GLOBE STANDOFFS

1/8 HEX SWAGE STANDOFFS

SAMPLE ORDER TECHNIQUE

EXAMPLE: B-5700-080-075-6

X XXXX XXX XXX X
MATERIAL **LENGTH** **THREAD** **SHANK** **FINISH**

See page (VIII) for thread depth
 See page (VII) for finish code
 For parts not listed contact Sales Office

THREAD
0-80

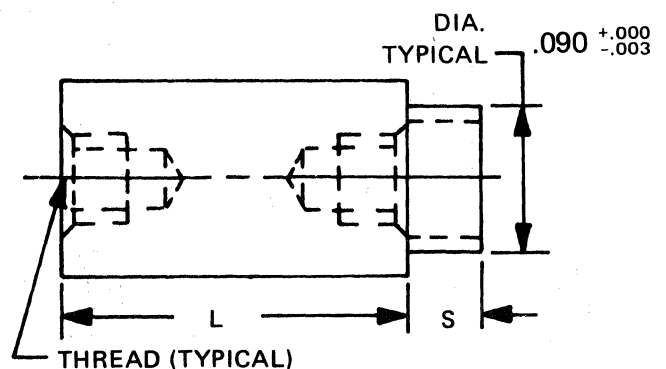
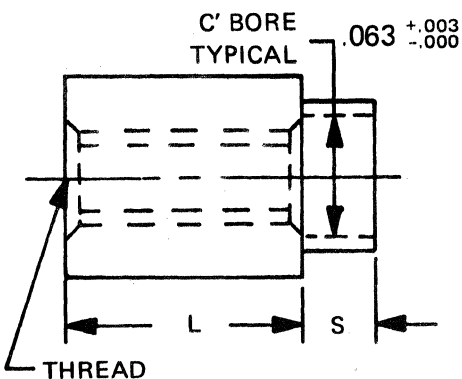
MATERIAL	CODE
Brass	B
Stainless Steel	SS
Steel	S

LENGTH	PART NO.
1/8	5700
3/16	5701
1/4	5702
5/16	5703
3/8	5704
7/16	5705
1/2	5706
9/16	5707
5/8	5708
11/16	5709
3/4	5710
13/16	5711
7/8	5712
15/16	5713
1"	5714

SWAGE TOOLING		
PUNCH	ANVIL	LENGTH
GP-1	GAH-40	1/8 - 3/16
	GAH-41	1/4 - 7/16
	GAH-42	1/2 - 11/16
	GAH-43	3/4 - 1"

SWAGE/PANEL	
S	P
.075	1/32
.105	1/16
.135	3/32
.165	1/8
.230	3/16
.290	1/4

L = STANDOFF LENGTH
 S = SHANK LENGTH
 P = BOARD THICKNESS



GLOBE STANDOFFS

5/32 HEX SWAGE STANDOFFS

SAMPLE ORDER TECHNIQUE

EXAMPLE: B-5800-080-075-6



See page (VIII) for thread depth
See page (VII) for finish code
For parts not listed contact Sales Office

THREAD
0-80
2-56

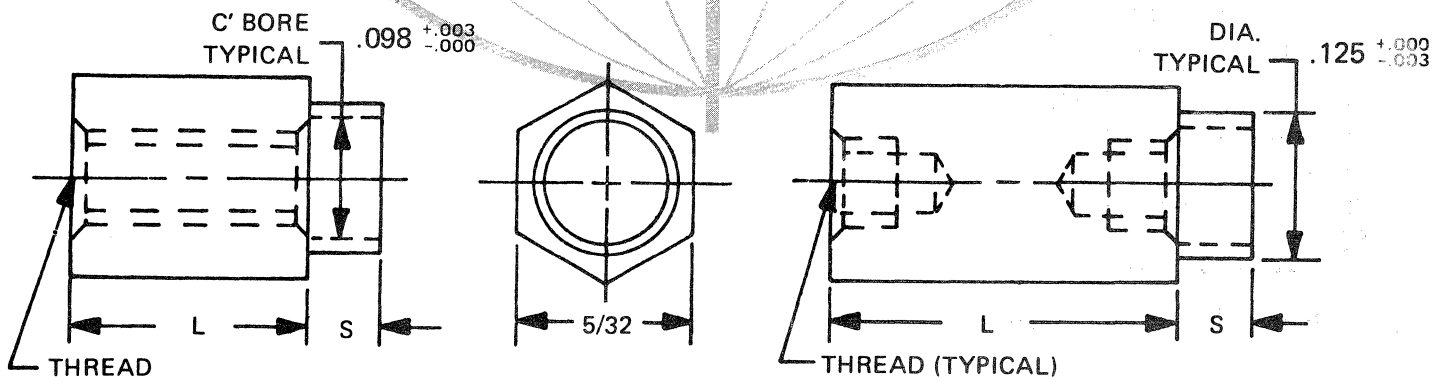
LENGTH	PART NO.
1/8	5800
3/16	5801
1/4	5802
5/16	5803
3/8	5804
7/16	5805
1/2	5806
9/16	5807
5/8	5808
11/16	5809
3/4	5810
13/16	5811
7/8	5812
15/16	5813
1"	5814

SWAGE TOOLING		
PUNCH	ANVIL	LENGTH
GP-2	GAH-44	1/8 - 3/16
	GAH-45	1/4 - 7/16
	GAH-46	1/2 - 11/16
	GAH-47	3/4 - 1"

MATERIAL	CODE
Aluminum	A
Brass	B
Stainless Steel	SS
Steel	S

SWAGE/PANEL	
S	P
.075	1/32
.105	1/16
.135	3/32
.165	1/8
.230	3/16
.290	1/4

L = STANDOFF LENGTH
S = SHANK LENGTH
P = BOARD THICKNESS

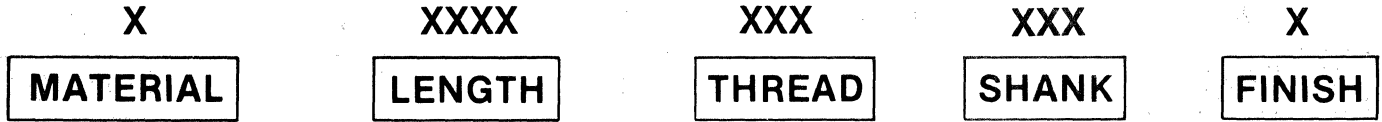


GLOBE STANDOFFS

3/16 HEX SWAGE STANDOFFS

SAMPLE ORDER TECHNIQUE

EXAMPLE: B—5900—256—075—6



See page (VIII) for thread depth
 See page (VII) for finish code
 For parts not listed contact Sales Office

THREAD
2-56
3-48

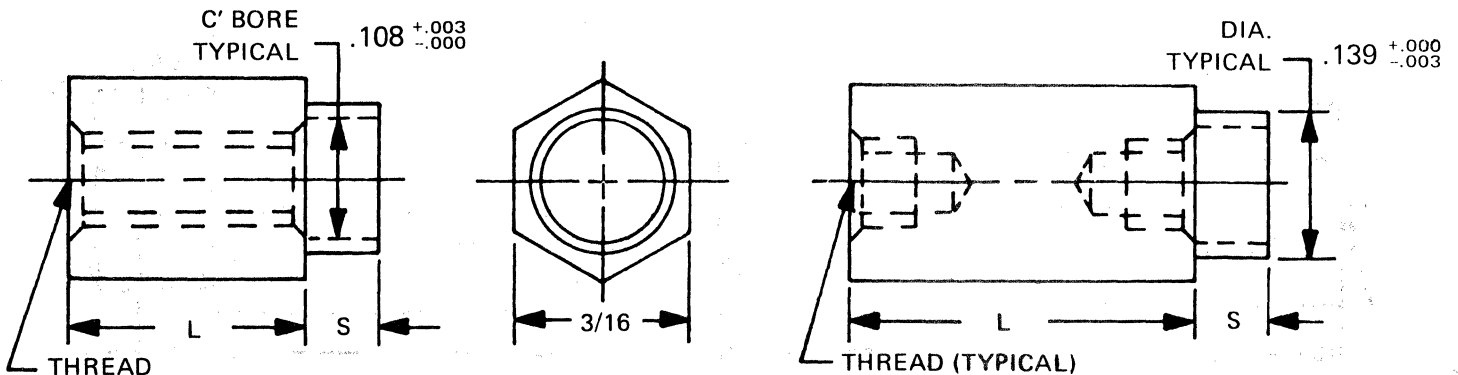
MATERIAL	CODE
Aluminum	A
Brass	B
Stainless Steel	SS
Steel	S

LENGTH	PART NO.
1/8	5900
3/16	5901
1/4	5902
5/16	5903
3/8	5904
7/16	5905
1/2	5906
9/16	5907
5/8	5908
11/16	5909
3/4	5910
13/16	5911
7/8	5912
15/16	5913
1"	5914

SWAGE TOOLING		
PUNCH	ANVIL	LENGTH
GP-3	GAH-48	1/8 - 3/16
	GAH-49	1/4 - 7/16
	GAH-50	1/2 - 11/16
	GAH-51	3/4 - 1"

SWAGE/PANEL	
S	P
.075	1/32
.105	1/16
.135	3/32
.165	1/8
.230	3/16
.290	1/4

L = STANDOFF LENGTH
 S = SHANK LENGTH
 P = BOARD THICKNESS



GLOBE STANDOFFS

1/4 HEX SWAGE STANDOFFS

SAMPLE ORDER TECHNIQUE

EXAMPLE: B-6000-256-075-6



See page (VIII) for thread depth
 See page (VII) for finish code
 For parts not listed contact Sales Office

THREAD
2-56
3-48
4-40
6-32

MATERIAL	CODE
Aluminum	A
Brass	B
Stainless Steel	SS
Steel	S

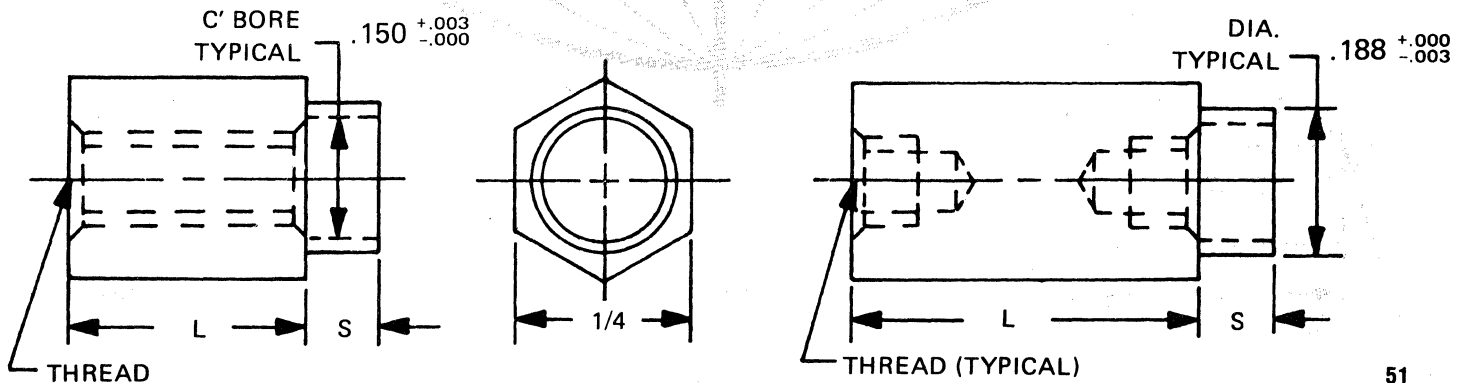
LENGTH	PART NO.
1/8	6000
3/16	6001
1/4	6002
5/16	6003
3/8	6004
7/16	6005
1/2	6006
9/16	6007
5/8	6008
11/16	6009
3/4	6010
13/16	6011
7/8	6012
15/16	6013
1"	6014

LENGTH	PART NO.
1-1/16	6015
1-1/8	6016
1-3/16	6017
1-1/4	6018
1-5/16	6019
1-3/8	6020
1-7/16	6021
1-1/2	6022
1-9/16	6023
1-5/8	6024
1-11/16	6025
1-3/4	6026
1-13/16	6027
1-7/8	6028
1-15/16	6029
2"	6030

SWAGE TOOLING		
PUNCH	ANVIL	LENGTH
GP-4	GAH-52	1/8 - 3/16
	GAH-53	1/4 - 7/16
	GAH-54	1/2 - 11/16
	GAH-55	3/4 - 2"

SWAGE/PANEL	
S	P
.075	1/32
.105	1/16
.135	3/32
.165	1/8
.230	3/16
.290	1/4

L = STANDOFF LENGTH
 S = SHANK LENGTH
 P = BOARD THICKNESS



GLOBE STANDOFFS

5/16 HEX SWAGE STANDOFFS

SAMPLE ORDER TECHNIQUE

EXAMPLE: B-6100-440-075-6



See page (VIII) for thread depth
 See page (VII) for finish code
 For parts not listed contact Sales Office

THREAD
4-40
6-32
8-32
10-32

MATERIAL	CODE
Aluminum	A
Brass	B
Stainless Steel	SS
Steel	S

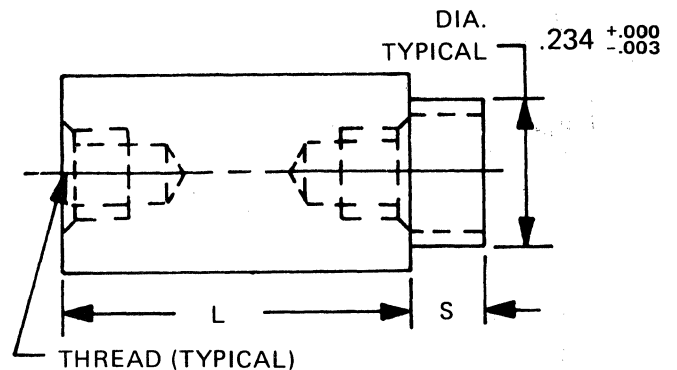
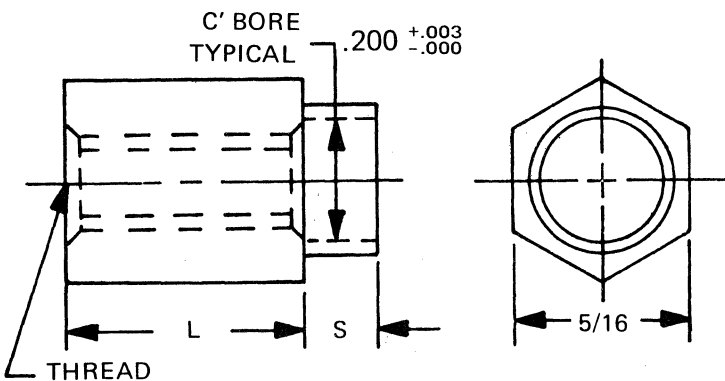
LENGTH	PART NO.
1/8	6100
3/16	6101
1/4	6102
5/16	6103
3/8	6104
7/16	6105
1/2	6106
9/16	6107
5/8	6108
11/16	6109
3/4	6110
13/16	6111
7/8	6112
15/16	6113
1"	6114

LENGTH	PART NO.
1-1/16	6115
1-1/8	6116
1-3/16	6117
1-1/4	6118
1-5/16	6119
1-3/8	6120
1-7/16	6121
1-1/2	6122
1-9/16	6123
1-5/8	6124
1-11/16	6125
1-3/4	6126
1-13/16	6127
1-7/8	6128
1-15/16	6129
2"	6130

SWAGE TOOLING		
PUNCH	ANVIL	LENGTH
GP-5	GAH-56	1/8 - 3/16
	GAH-57	1/4 - 7/16
	GAH-58	1/2 - 11/16
	GAH-59	3/4 - 2"

SWAGE/PANEL	
S	P
.075	1/32
.105	1/16
.135	3/32
.165	1/8
.230	3/16
.290	1/4

L = STANDOFF LENGTH
 S = SHANK LENGTH
 P = BOARD THICKNESS

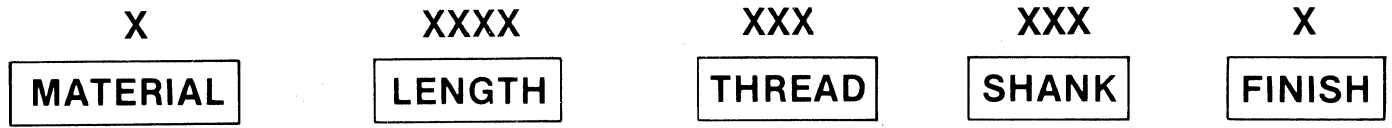


GLOBE STANDOFFS

3/8 HEX SWAGE STANDOFFS

SAMPLE ORDER TECHNIQUE

EXAMPLE: B—6200—440—075—6



See page (VIII) for thread depth
 See page (VII) for finish code
 For parts not listed contact Sales Office

THREAD
4-40
6-32
8-32
10-32

MATERIAL	CODE
Aluminum	A
Brass	B
Stainless Steel	SS
Steel	S

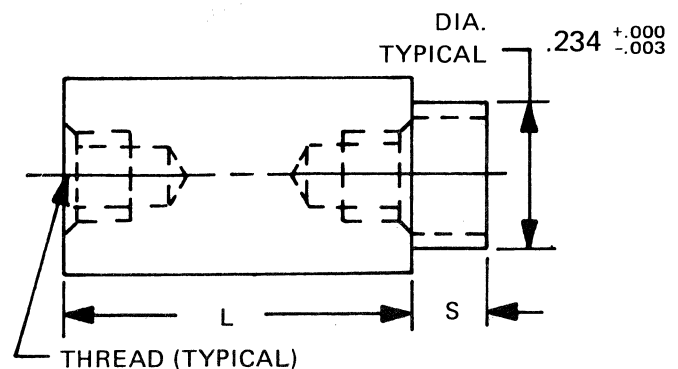
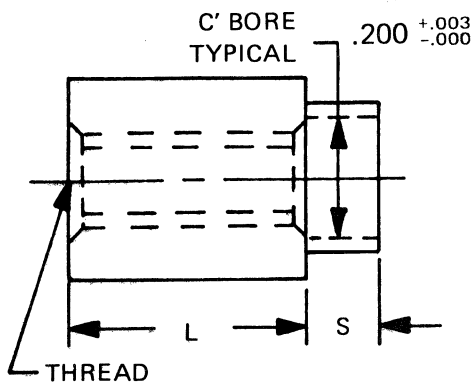
LENGTH	PART NO.
1/8	6200
3/16	6201
1/4	6202
5/16	6203
3/8	6204
7/16	6205
1/2	6206
9/16	6207
5/8	6208
11/16	6209
3/4	6210
13/16	6211
7/8	6212
15/16	6213
1"	6214

LENGTH	PART NO.
1-1/16	6215
1-1/8	6216
1-3/16	6217
1-1/4	6218
1-5/16	6219
1-3/8	6220
1-7/16	6221
1-1/2	6222
1-9/16	6223
1-5/8	6224
1-11/16	6225
1-3/4	6226
1-13/16	6227
1-7/8	6228
1-15/16	6229
2"	6230

SWAGE TOOLING		
PUNCH	ANVIL	LENGTH
GP-5	GAH-60	1/8 - 3/16
	GAH-61	1/4 - 7/16
	GAH-62	1/2 - 11/16
	GAH-63	3/4 - 2"

SWAGE/PANEL	
S	P
.075	1/32
.105	1/16
.135	3/32
.165	1/8
.230	3/16
.290	1/4

L = STANDOFF LENGTH
 S = SHANK LENGTH
 P = BOARD THICKNESS



GLOBE STANDOFFS

3/16 ROUND SWAGE STANDOFFS .125 DIA. SHANK

SAMPLE ORDER TECHNIQUE

EXAMPLE: B-6300-256-075-6

X

XXXX

XXX

XXX

X

MATERIAL

LENGTH

THREAD

SHANK

FINISH

See page (VIII) for thread depth
See page (VII) for finish code
For parts not listed contact Sales Office

THREAD
2-56
3-48

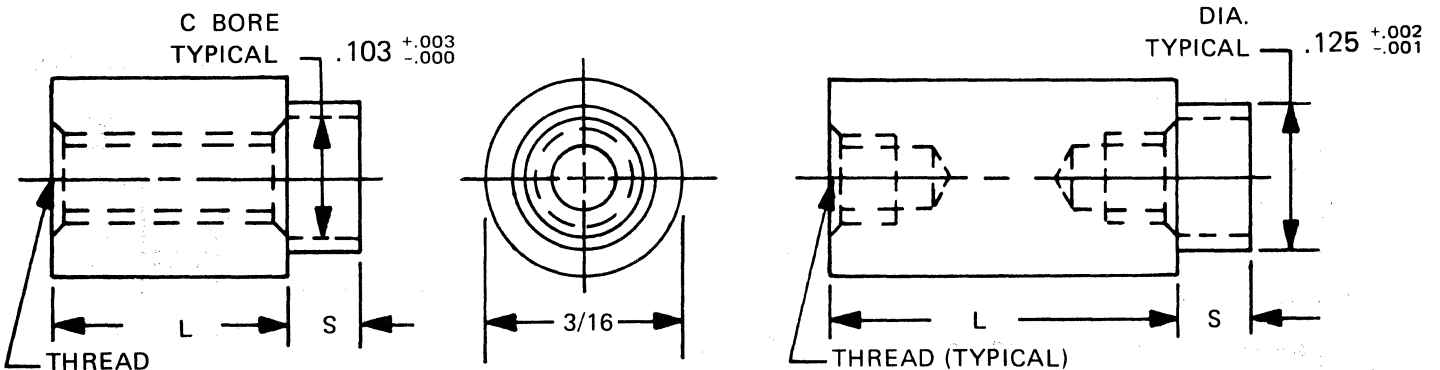
MATERIAL	CODE
Aluminum	A
Brass	B
Stainless Steel	SS
Steel	S

LENGTH	PART NO.
1/8	6300
3/16	6301
1/4	6302
5/16	6303
3/8	6304
7/16	6305
1/2	6306
9/16	6307
5/8	6308
11/16	6309
3/4	6310
13/16	6311
7/8	6312
15/16	6313
1"	6314

SWAGE TOOLING		
PUNCH	ANVIL	LENGTH
GP-2	GAR-18	1/8 - 3/16
	GAR-19	1/4 - 7/16
	GAR-20	1/2 - 11/16
	GAR-21	3/4 - 1"

SWAGE/PANEL	
S	P
.075	1/32
.105	1/16
.135	3/32
.165	1/8
.230	3/16
.290	1/4

L = STANDOFF LENGTH
S = SHANK LENGTH
P = BOARD THICKNESS

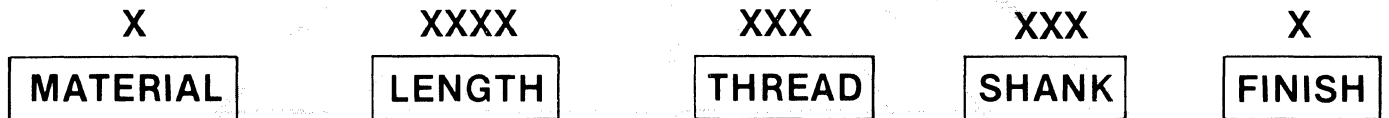


GLOBE STANDOFFS

3/16 HEXAGON SWAGE STANDOFFS .125 DIA. SHANK

SAMPLE ORDER TECHNIQUE

EXAMPLE: B-6400-256-075-6



See page (VIII) for thread depth
See page (VII) for finish code
For parts not listed contact Sales Office

THREAD
2-56
3-48

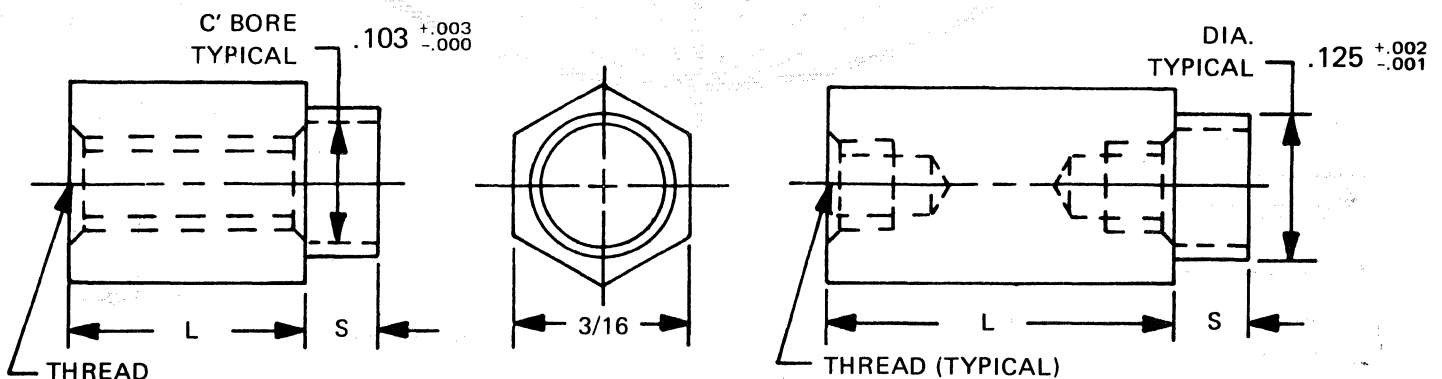
LENGTH	PART NO.
1/8	6400
3/16	6401
1/4	6402
5/16	6403
3/8	6404
7/16	6405
1/2	6406
9/16	6407
5/8	6408
11/16	6409
3/4	6410
13/16	6411
7/8	6412
15/16	6413
1"	6414

SWAGE TOOLING		
PUNCH	ANVIL	LENGTH
GP-2	GAH-48	1/8 - 3/16
	GAH-49	1/4 - 7/16
	GAH-50	1/2 - 11/16
	GAH-51	3/4 - 1"

MATERIAL	CODE
Aluminum	A
Brass	B
Stainless Steel	SS
Steel	S

SWAGE/PANEL	
S	P
.075	1/32
.105	1/16
.135	3/32
.165	1/8
.230	3/16
.290	1/4

L = STANDOFF LENGTH
S = SHANK LENGTH
P = BOARD THICKNESS



GLOBE STANDOFFS

1/4 ROUND SWAGE STANDOFFS .136 DIA. SHANK

SAMPLE ORDER TECHNIQUE

EXAMPLE: B-6500-256-075-6



See page (VIII) for thread depth
 See page (VII) for finish code
 For parts not listed contact Sales Office

THREAD
2-56
3-48
4-40

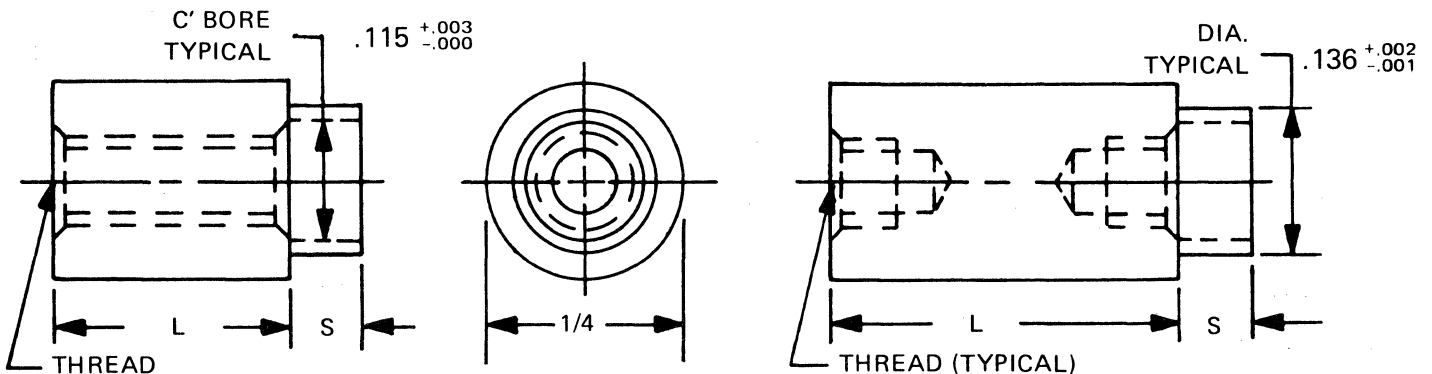
MATERIAL	CODE
Aluminum	A
Brass	B
Stainless Steel	SS
Steel	S

LENGTH	PART NO.
1/8	6500
3/16	6501
1/4	6502
5/16	6503
3/8	6504
7/16	6505
1/2	6506
9/16	6507
5/8	6508
11/16	6509
3/4	6510
13/16	6511
7/8	6512
15/16	6513
1"	6514

SWAGE TOOLING		
PUNCH	ANVIL	LENGTH
GP-3	GAR-22	1/8 - 3/16
	GAR-23	1/4 - 7/16
	GAR-24	1/2 - 11/16
	GAR-25	3/4 - 1"

SWAGE/PANEL	
S	P
.075	1/32
.105	1/16
.135	3/32
.165	1/8
.230	3/16
.290	1/4

L = STANDOFF LENGTH
 S = SHANK LENGTH
 P = BOARD THICKNESS

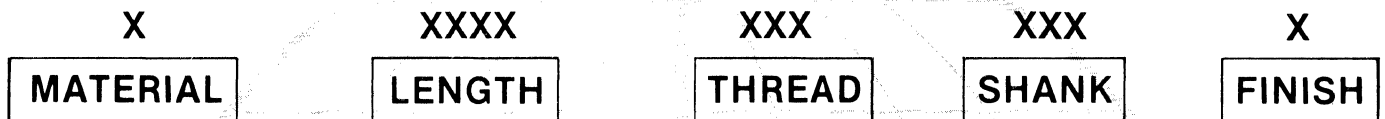


GLOBE STANDOFFS

1/4 HEXAGON SWAGE STANDOFFS .136 DIA. SHANK

SAMPLE ORDER TECHNIQUE

EXAMPLE: B-6600-256-075-6



See page (VIII) for thread depth
See page (VII) for finish code
For parts not listed contact Sales Office

THREAD
2-56
3-48
4-40

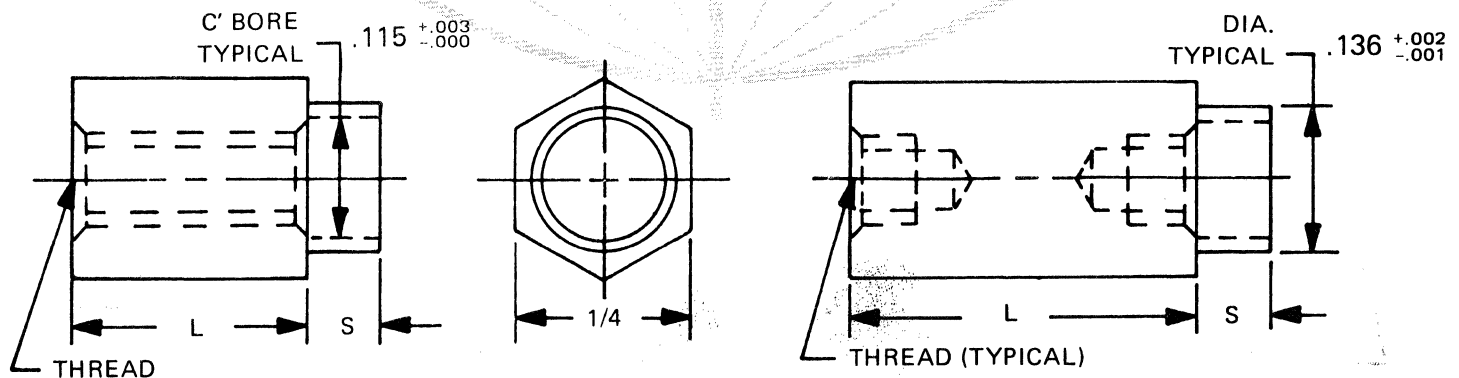
MATERIAL	CODE
Aluminum	A
Brass	B
Stainless Steel	SS
Steel	S

LENGTH	PART NO.
1/8	6600
3/16	6601
1/4	6602
5/16	6603
3/8	6604
7/16	6605
1/2	6606
9/16	6607
5/8	6608
11/16	6609
3/4	6610
13/16	6611
7/8	6612
15/16	6613
1"	6614

SWAGE TOOLING		
PUNCH	ANVIL	LENGTH
GP-3	GAH-52	1/8 - 3/16
	GAH-53	1/4 - 7/16
	GAH-54	1/2 - 11/16
	GAH-55	3/4 - 1"

SWAGE/PANEL	
S	P
.075	1/32
.105	1/16
.135	3/32
.165	1/8
.230	3/16
.290	1/4

L = STANDOFF LENGTH
S = SHANK LENGTH
P = BOARD THICKNESS



GLOBE STANDOFFS

3/16 ROUND MALE-FEMALE STANDOFFS

SAMPLE ORDER TECHNIQUE

EXAMPLE: B-6700-256-6

X
MATERIAL

XXXX
LENGTH

XXX
THREAD

X
FINISH

In short lengths 'A' will be tapped to maximum depth
See page (VII) for finish code
For parts not listed contact Sales Office

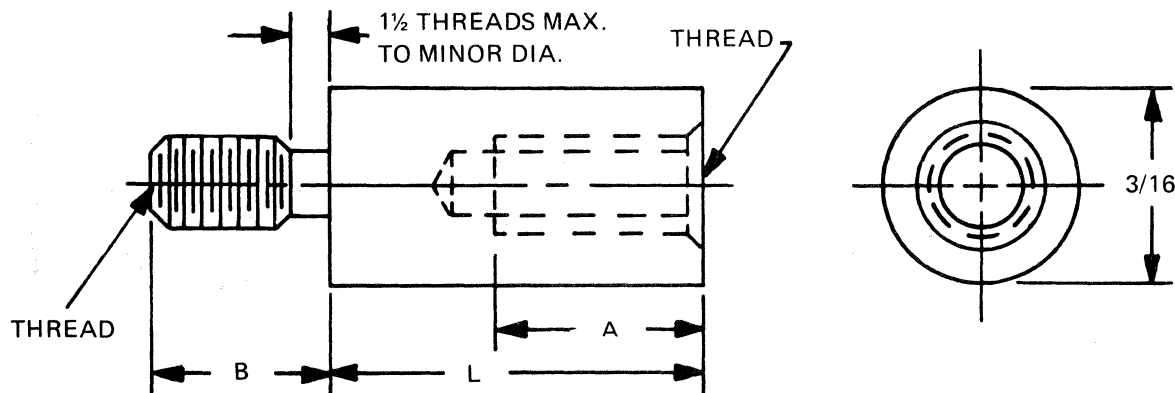
THREAD
2-56
4-40
6-32

MATERIAL	CODE
Aluminum	A
Brass	B
Nylon	N
Stainless Steel	SS
Steel	S

LENGTH	PART NO.
3/16	6700
1/4	6701
5/16	6702
3/8	6703
7/16	6704
1/2	6705
9/16	6706
5/8	6707
11/16	6708
3/4	6709
13/16	6710
7/8	6711
15/16	6712
1"	6713

LENGTH	PART NO.
1-1/16	6714
1-1/8	6715
1-3/16	6716
1-1/4	6717
1-5/16	6718
1-3/8	6719
1-7/16	6720
1-1/2	6721
1-9/16	6722
1-5/8	6723
1-11/16	6724
1-3/4	6725
1-13/16	6726
1-7/8	6727
1-15/16	6728
2"	6729

THREAD LENGTH CODE		
THREAD	A	B
2-56	3/16	5/32
4-40	1/4	3/16
6-32	3/8	1/4

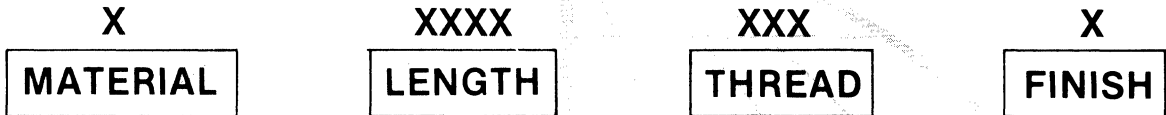


GLOBE STANDOFFS

1/4 ROUND MALE-FEMALE STANDOFFS

SAMPLE ORDER TECHNIQUE

EXAMPLE: B-6800-256-6



In short lengths 'A' will be tapped to maximum depth
 See page (VII) for finish code
 For parts not listed contact Sales Office

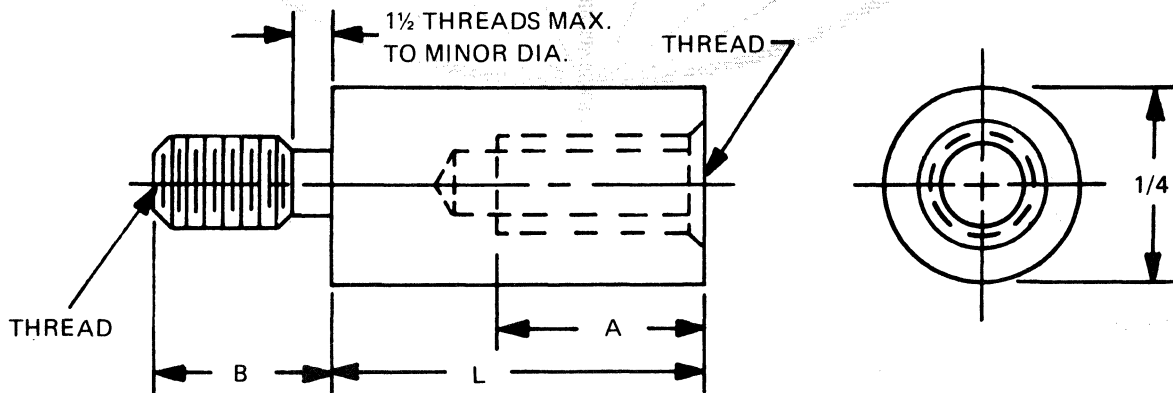
THREAD
2-56
4-40
6-32
8-32

MATERIAL	CODE
Aluminum	A
Brass	B
Nylon	N
Stainless Steel	SS
Steel	S

LENGTH	PART NO.
1/4	6800
5/16	6801
3/8	6802
7/16	6803
1/2	6804
9/16	6805
5/8	6806
11/16	6807
3/4	6808
13/16	6809
7/8	6810
15/16	6811
1"	6812
1-1/16	6813
1-1/8	6814
1-3/16	6815
1-1/4	6816
1-5/16	6817
1-3/8	6818
1-7/16	6819
1-1/2	6820

LENGTH	PART NO.
1-9/16	6821
1-5/8	6822
1-11/16	6823
1-3/4	6824
1-13/16	6825
1-7/8	6826
1-15/16	6827
2"	6828
2-1/8	6829
2-1/4	6830
2-3/8	6831
2-1/2	6832
2-5/8	6833
2-3/4	6834
2-7/8	6835
3"	6836
3-1/4	6837
3-1/2	6838
3-3/4	6839
4"	6840

THREAD	A	B
2-56	3/16	5/32
4-40	1/4	3/16
6-32	3/8	1/4
8-32	7/16	3/8



GLOBE STANDOFFS

5/16 ROUND MALE-FEMALE STANDOFFS

SAMPLE ORDER TECHNIQUE

EXAMPLE: B-6900-440-6

X MATERIAL XXXX LENGTH XXX THREAD X FINISH

THREAD
4-40
6-32
8-32
10-32

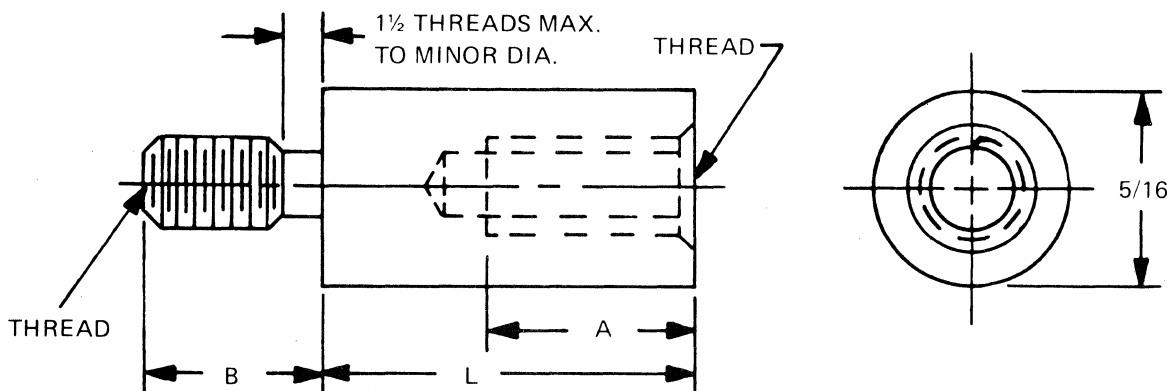
MATERIAL	CODE
Aluminum	A
Brass	B
Nylon	N
Stainless Steel	SS
Steel	S

LENGTH	PART NO.
1/4	6900
5/16	6901
3/8	6902
7/16	6903
1/2	6904
9/16	6905
5/8	6906
11/16	6907
3/4	6908
13/16	6909
7/8	6910
15/16	6911
1"	6912
1-1/16	6913
1-1/8	6914
1-3/16	6915
1-1/4	6916
1-5/16	6917
1-3/8	6918
1-7/16	6919
1-1/2	6920
1-9/16	6921
1-5/8	6922
1-11/16	6923
1-3/4	6924

LENGTH	PART NO.
1-13/16	6925
1-7/8	6926
1-15/16	6927
2"	6928
2-1/8	6929
2-1/4	6930
2-3/8	6931
2-1/2	6932
2-5/8	6933
2-3/4	6934
2-7/8	6935
3"	6936
3-1/4	6937
3-1/2	6938
3-3/4	6939
4"	6940
4-1/4	6941
4-1/2	6942
4-3/4	6943
5"	6944
5-1/4	6945
5-1/2	6946
5-3/4	6947
6"	6948

In short lengths 'A' will be tapped to maximum depth
See page (VII) for finish code
For parts not listed contact Sales Office

THREAD LENGTH CODE		
THREAD	A	B
4-40	1/4	3/16
6-32	3/8	1/4
8-32	7/16	3/8
10-32	1/2	3/8



GLOBE STANDOFFS

3/8 ROUND MALE-FEMALE STANDOFFS

SAMPLE ORDER TECHNIQUE

EXAMPLE: B-7000-440-6



THREAD
4-40
6-32
8-32
10-32
12-24

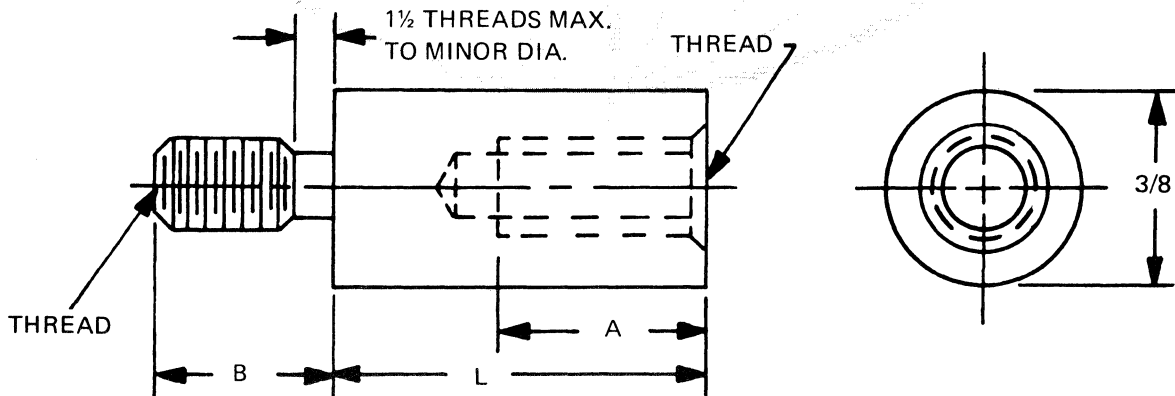
MATERIAL	CODE
Aluminum	A
Brass	B
Nylon	N
Stainless Steel	SS
Steel	S

LENGTH	PART NO.
1/4	7000
5/16	7001
3/8	7002
7/16	7003
1/2	7004
9/16	7005
5/8	7006
11/16	7007
3/4	7008
13/16	7009
7/8	7010
15/16	7011
1"	7012
1-1/16	7013
1-1/8	7014
1-3/16	7015
1-1/4	7016
1-5/16	7017
1-3/8	7018
1-7/16	7019
1-1/2	7020
1-9/16	7021
1-5/8	7022
1-11/16	7023
1-3/4	7024

LENGTH	PART NO.
1-13/16	7025
1-7/8	7026
1-15/16	7027
2"	7028
2-1/8	7029
2-1/4	7030
2-3/8	7031
2-1/2	7032
2-5/8	7033
2-3/4	7034
2-7/8	7035
3"	7036
3-1/4	7037
3-1/2	7038
3-3/4	7039
4"	7040
4-1/4	7041
4-1/2	7042
4-3/4	7043
5"	7044
5-1/4	7045
5-1/2	7046
5-3/4	7047
6"	7048

In short lengths 'A' will be tapped to maximum depth
 See page (VII) for finish code
 For parts not listed contact Sales Office

THREAD LENGTH CODE		
THREAD	A	B
4-40	1/4	3/16
6-32	3/8	1/4
8-32	7/16	3/8
10-32	1/2	3/8
12-24	1/2	3/8



GLOBE STANDOFFS

1/2 ROUND MALE-FEMALE STANDOFFS

SAMPLE ORDER TECHNIQUE

EXAMPLE: B-7100-1032-6

X
MATERIAL

XXXX
LENGTH

XXXX
THREAD

X
FINISH

THREAD
10-32
12-24
1/4-20
5/16-18

MATERIAL	CODE
Aluminum	A
Brass	B
Nylon	N
Stainless Steel	SS
Steel	S

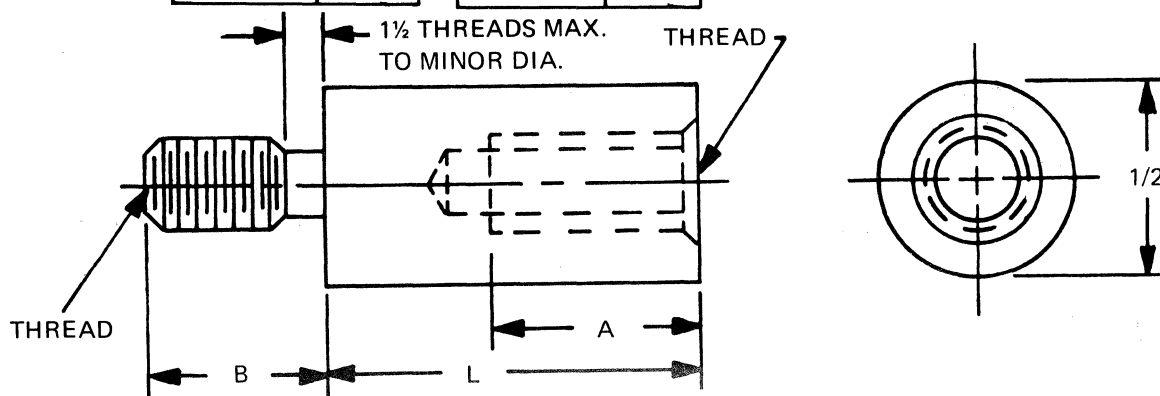
LENGTH	PART NO.
1/4	7100
5/16	7101
3/8	7102
7/16	7103
1/2	7104
9/16	7105
5/8	7106
11/16	7107
3/4	7108
13/16	7109
7/8	7110
15/16	7111
1"	7112
1-1/16	7113
1-1/8	7114
1-3/16	7115
1-1/4	7116
1-5/16	7117
1-3/8	7118
1-7/16	7119
1-1/2	7120
1-9/16	7121
1-5/8	7122
1-11/16	7123

LENGTH	PART NO.
1-3/4	7124
1-13/16	7125
1-7/8	7126
1-15/16	7127
2"	7128
2-1/8	7129
2-1/4	7130
2-3/8	7131
2-1/2	7132
2-5/8	7133
2-3/4	7134
2-7/8	7135
3"	7136
3-1/4	7137
3-1/2	7138
3-3/4	7139
4"	7140
4-1/4	7141
4-1/2	7142
4-3/4	7143
5"	7144
5-1/4	7145
5-1/2	7146
5-3/4	7147

In short lengths 'A' will be tapped to maximum depth
See page (VII) for finish code
For parts not listed contact Sales Office

LENGTH	PART NO.
6"	7148
6-1/4	7149
6-1/2	7150
6-3/4	7151
7"	7152
7-1/4	7153
7-1/2	7154
7-3/4	7155
8"	7156

THREAD LENGTH CODE		
THREAD	A	B
10-32	1/2	3/8
12-24	1/2	3/8
1/4-20	5/8	1/2
5/16-18	5/8	1/2

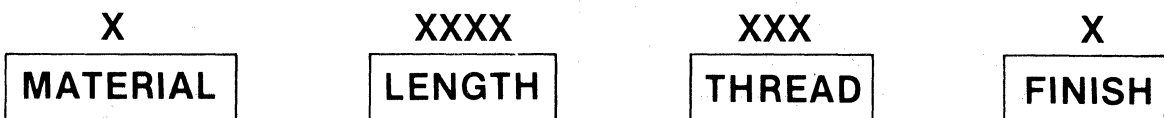


GLOBE STANDOFFS

3/16 HEX MALE-FEMALE STANDOFFS

SAMPLE ORDER TECHNIQUE

EXAMPLE: B—7200—256—6



In short lengths 'A' will be tapped to maximum depth
 See page (VII) for finish code
 For parts not listed contact Sales Office

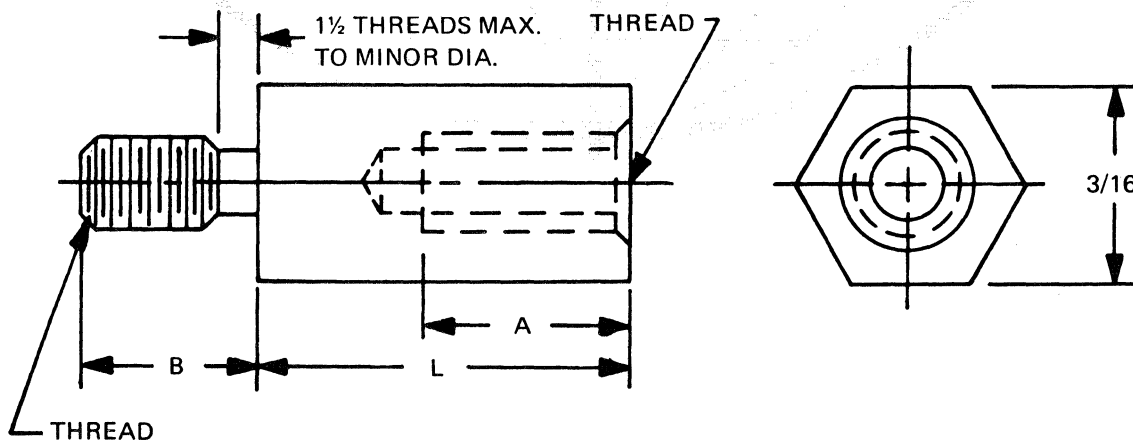
THREAD
2-56
4-40
6-32

MATERIAL	CODE
Aluminum	A
Brass	B
Nylon	N
Stainless Steel	SS
Steel	S

LENGTH	PART NO.
3/16	7200
1/4	7201
5/16	7202
3/8	7203
7/16	7204
1/2	7205
9/16	7206
5/8	7207
11/16	7208
3/4	7209
13/16	7210
7/8	7211
15/16	7212
1"	7213
1-1/16	7214

LENGTH	PART NO.
1-1/8	7215
1-3/16	7216
1-1/4	7217
1-5/16	7218
1-3/8	7219
1-7/16	7220
1-1/2	7221
1-9/16	7222
1-5/8	7223
1-11/16	7224
1-3/4	7225
1-13/16	7226
1-7/8	7227
1-15/16	7228
2"	7229

THREAD LENGTH CODE		
THREAD	A	B
2-56	3/16	5/32
4-40	1/4	3/16
6-32	3/8	1/4



GLOBE STANDOFFS

1/4 HEX MALE-FEMALE STANDOFFS

SAMPLE ORDER TECHNIQUE

EXAMPLE: B—7300—256—6

X

MATERIAL

XXXX

LENGTH

XXX

THREAD

X

FINISH

THREAD
2-56
4-40
6-32
8-32

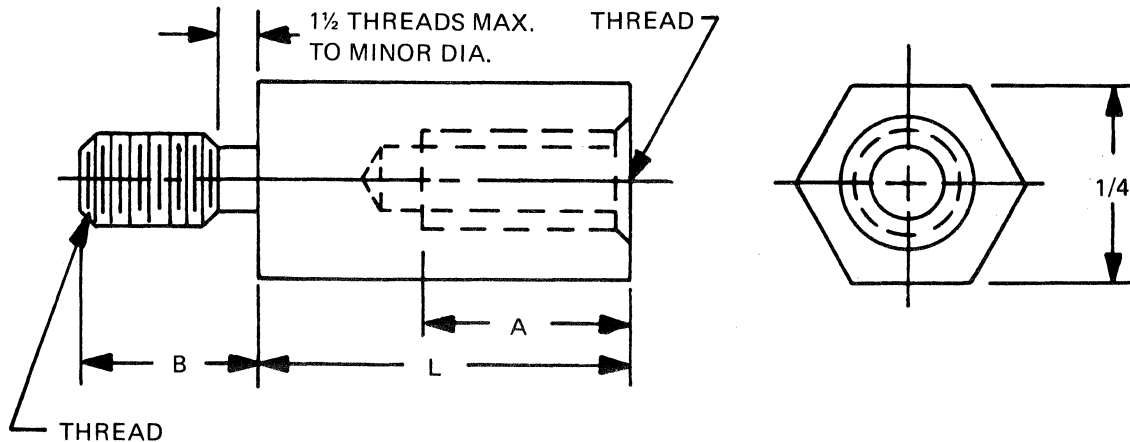
MATERIAL	CODE
Aluminum	A
Brass	B
Nylon	N
Stainless Steel	SS
Steel	S

LENGTH	PART NO.
1/4	7300
5/16	7301
3/8	7302
7/16	7303
1/2	7304
9/16	7305
5/8	7306
11/16	7307
3/4	7308
13/16	7309
7/8	7310
15/16	7311
1"	7312
1-1/16	7313
1-1/8	7314
1-3/16	7315
1-1/4	7316
1-5/16	7317
1-3/8	7318
1-7/16	7319

LENGTH	PART NO.
1-1/2	7320
1-9/16	7321
1-5/8	7322
1-11/16	7323
1-3/4	7324
1-13/16	7325
1-7/8	7326
1-15/16	7327
2"	7328
2-1/8	7329
2-1/4	7330
2-3/8	7331
2-1/2	7332
2-5/8	7333
2-3/4	7334
2-7/8	7335
3"	7336
3-1/4	7337
3-1/2	7338
3-3/4	7339
4"	7340

In short lengths 'A' will be tapped to maximum depth
See page (VII) for finish code
For parts not listed contact Sales Office

THREAD LENGTH CODE		
THREAD	A	B
2-56	3/16	5/32
4-40	1/4	3/16
6-32	3/8	1/4
8-32	7/16	3/8

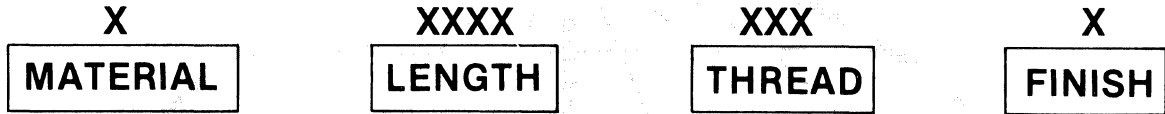


GLOBE STANDOFFS

5/16 HEX MALE-FEMALE STANDOFFS

SAMPLE ORDER TECHNIQUE

EXAMPLE: B-7400-440-6



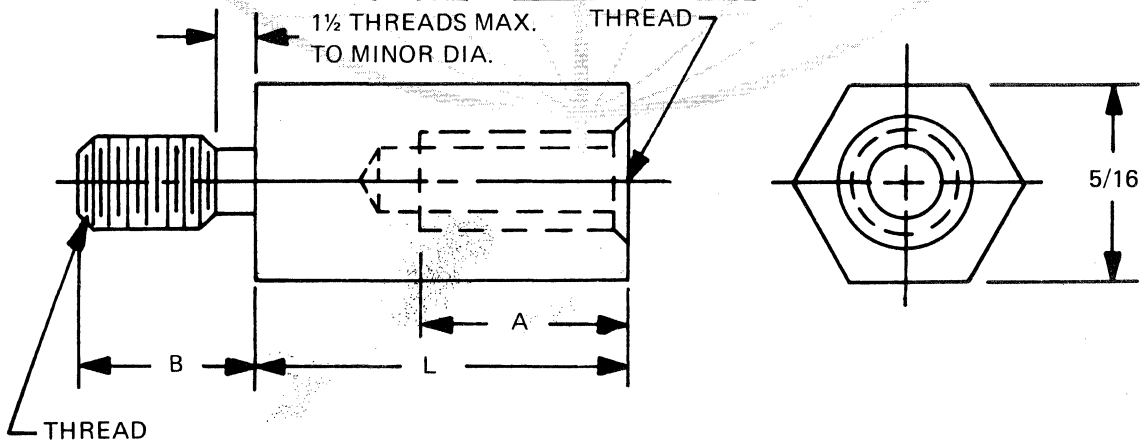
LENGTH	PART NO.	LENGTH	PART NO.
1/4	7400	1-3/4	7424
5/16	7401	1-13/16	7425
3/8	7402	1-7/8	7426
7/16	7403	1-15/16	7427
1/2	7404	2"	7428
9/16	7405	2-1/8	7429
5/8	7406	2-1/4	7430
11/16	7407	2-3/8	7431
3/4	7408	2-1/2	7432
13/16	7409	2-5/8	7433
7/8	7410	2-3/4	7434
15/16	7411	2-7/8	7435
1"	7412	3"	7436
1-1/16	7413	3-1/4	7437
1-1/8	7414	3-1/2	7438
1-3/16	7415	3-3/4	7439
1-1/4	7416	4"	7440
1-5/16	7417	4-1/4	7441
1-3/8	7418	4-1/2	7442
1-7/16	7419	4-3/4	7443
1-1/2	7420	5"	7444
1-9/16	7421	5-1/4	7445
1-5/8	7422	5-1/2	7446
1-11/16	7423	5-3/4	7447
		6"	7448

In short lengths 'A' will be tapped to maximum depth
See page (VII) for finish code
For parts not listed contact Sales Office

THREAD
4-40
6-32
8-32
10-32

MATERIAL	CODE
Aluminum	A
Brass	B
Nylon	N
Stainless Steel	SS
Steel	S

THREAD LENGTH CODE		
THREAD	A	B
4-40	1/4	3/16
6-32	3/8	1/4
8-32	7/16	3/8
10-32	1/2	3/8



GLOBE STANDOFFS

3/8 HEX MALE-FEMALE STANDOFFS

SAMPLE ORDER TECHNIQUE

EXAMPLE: B—7500—440—6
 XXXX XXX

X
 MATERIAL LENGTH THREAD FINISH

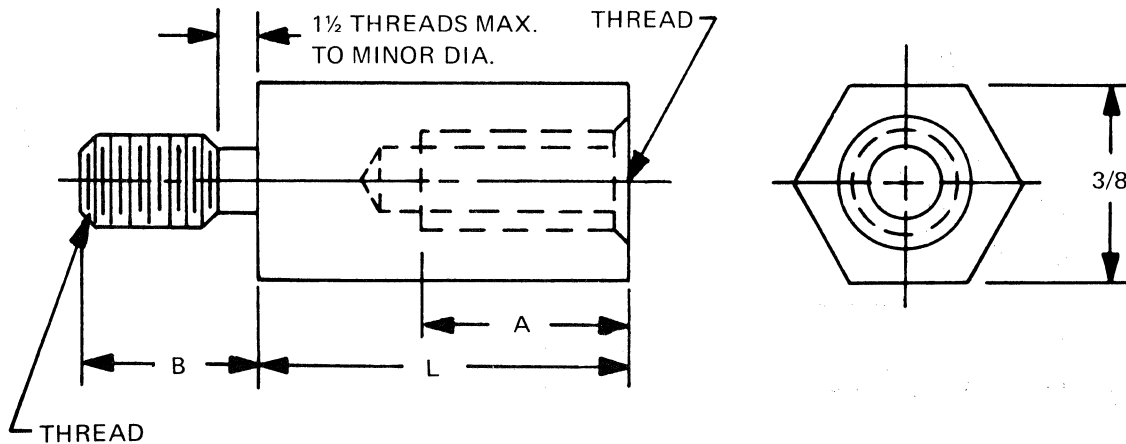
THREAD
4-40
6-32
8-32
10-32
12-24

MATERIAL	CODE
Aluminum	A
Brass	B
Nylon	N
Stainless Steel	SS
Steel	S

LENGTH	PART NO.	LENGTH	PART NO.
1/4	7500	1-3/4	7524
5/16	7501	1-13/16	7525
3/8	7502	1-7/8	7526
7/16	7503	1-15/16	7527
1/2	7504	2"	7528
9/16	7505	2-1/8	7529
5/8	7506	2-1/4	7530
11/16	7507	2-3/8	7531
3/4	7508	2-1/2	7532
13/16	7509	2-5/8	7533
7/8	7510	2-3/4	7534
15/16	7511	2-7/8	7535
1"	7512	3"	7536
1-1/16	7513	3-1/4	7537
1-1/8	7514	3-1/2	7538
1-3/16	7515	3-3/4	7539
1-1/4	7516	4"	7540
1-5/16	7517	4-1/4	7541
1-3/8	7518	4-1/2	7542
1-7/16	7519	4-3/4	7543
1-1/2	7520	5"	7544
1-9/16	7521	5-1/4	7545
1-5/8	7522	5-1/2	7546
1-11/16	7523	5-3/4	7547
		6"	7548

In short lengths 'A' will be tapped to maximum depth
 See page (VII) for finish code
 For parts not listed contact Sales Office

THREAD LENGTH CODE		
THREAD	A	B
4-40	1/4	3/16
6-32	3/8	1/4
8-32	7/16	3/8
10-32	1/2	3/8
12-24	1/2	3/8



GLOBE STANDOFFS

1/2 HEX MALE-FEMALE STANDOFFS

SAMPLE ORDER TECHNIQUE

EXAMPLE: B-7600-1032-6

X
MATERIAL

XXXX
LENGTH

XXXX
THREAD

X
FINISH

LENGTH	PART NO.
1/4	7600
5/16	7601
3/8	7602
7/16	7603
1/2	7604
9/16	7605
5/8	7606
11/16	7607
3/4	7608
13/16	7609
7/8	7610
15/16	7611
1"	7612
1-1/16	7613
1-1/8	7614
1-3/16	7615
1-1/4	7616
1-5/16	7617
1-3/8	7618
1-7/16	7619
1-1/2	7620
1-9/16	7621
1-5/8	7622
1-11/16	7623

LENGTH	PART NO.
1-3/4	7624
1-13/16	7625
1-7/8	7626
1-15/16	7627
2"	7628
2-1/8	7629
2-1/4	7630
2-3/8	7631
2-1/2	7632
2-5/8	7633
2-3/4	7634
2-7/8	7635
3"	7636
3-1/4	7637
3-1/2	7638
3-3/4	7639
4"	7640
4-1/4	7641
4-1/2	7642
4-3/4	7643
5"	7644
5-1/4	7645
5-1/2	7646
5-3/4	7647

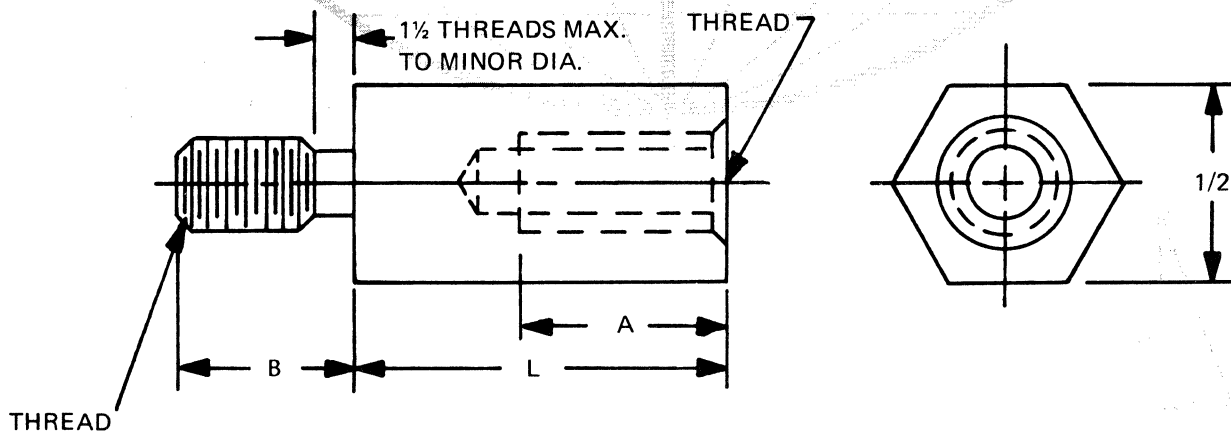
In short lengths 'A' will be tapped to maximum depth
See page (VII) for finish code
For parts not listed contact Sales Office

THREAD
10-32
12-24
1/4-20
5/16-18

MATERIAL	CODE
Aluminum	A
Brass	B
Nylon	N
Stainless Steel	SS
Steel	S

LENGTH	PART NO.
6"	7648
6-1/4	7649
6-1/2	7650
6-3/4	7651
7"	7652
7-1/4	7653
7-1/2	7654
7-3/4	7655
8"	7656

THREAD LENGTH CODE		
THREAD	A	B
10-32	1/2	3/8
12-24	1/2	3/8
1/4-20	5/8	1/2
5/16-18	5/8	1/2



GLOBE FLAT WASHERS

FLAT WASHERS

SAMPLE ORDER TECHNIQUE

EXAMPLE: PH-7700-115

For parts not listed contact Sales Office

XX

XXXX

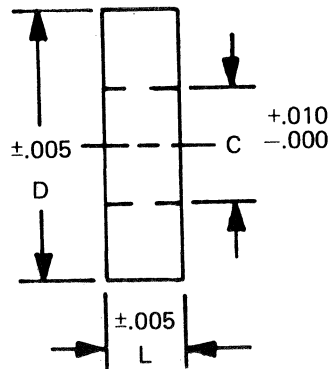
XXX

MATERIAL

PART NO.

C HOLE ID

DIAMETER	LENGTH										
	.016	.020	.025	.031	.040	.047	.050	.062	.078	.093	.125
1/8	7700	7719	7738	7757	7783	7809	7835	7861	7887	7913	7939
5/32	7701	7720	7739	7758	7784	7810	7836	7862	7888	7914	7940
3/16	7702	7721	7740	7759	7785	7811	7837	7863	7889	7915	7941
7/32	7703	7722	7741	7760	7786	7812	7838	7864	7890	7916	7942
1/4	7704	7723	7742	7761	7787	7813	7839	7865	7891	7917	7943
9/32	7705	7724	7743	7762	7788	7814	7840	7866	7892	7918	7944
5/16	7706	7725	7744	7763	7789	7815	7841	7867	7893	7919	7945
11/32	7707	7726	7745	7764	7790	7816	7842	7868	7894	7920	7946
3/8	7708	7727	7746	7765	7791	7817	7843	7869	7895	7921	7947
13/32	7709	7728	7747	7766	7792	7818	7844	7870	7896	7922	7948
7/16	7710	7729	7748	7767	7793	7819	7845	7871	7897	7923	7949
15/32	7711	7730	7749	7768	7794	7820	7846	7872	7898	7924	7950
1/2	7712	7731	7750	7769	7795	7821	7847	7873	7899	7925	7951
17/32	7713	7732	7751	7770	7796	7822	7848	7874	7900	7926	7952
9/16	7714	7733	7752	7771	7797	7823	7849	7875	7901	7927	7953
19/32	7715	7734	7753	7772	7798	7824	7850	7876	7902	7928	7954
5/8	7716	7735	7754	7773	7799	7825	7851	7877	7903	7929	7955
11/16	7717	7736	7755	7774	7800	7826	7852	7878	7904	7930	7956
3/4	7718	7737	7756	7775	7801	7827	7853	7879	7905	7931	7957
13/16				7776	7802	7828	7854	7880	7906	7932	7958
7/8				7777	7803	7829	7855	7881	7907	7933	7959
1				7778	7804	7830	7856	7882	7908	7934	7960
1-1/8				7779	7805	7831	7857	7883	7909	7935	7961
1-1/4				7780	7806	7832	7858	7884	7910	7936	7962
1-3/8				7781	7807	7833	7859	7885	7911	7937	7963
1-1/2				7782	7808	7834	7860	7886	7912	7938	7964



MATERIAL	CODE
Fibre	F
Nylon	N
Phenolic	PH
Teflon	TE

GLOBE SHOULDER WASHERS

SHOULDER WASHERS

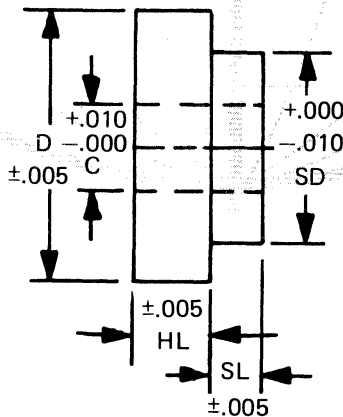
SAMPLE ORDER TECHNIQUE

EXAMPLE: N-8000-115-125-015

X	XXXX	XXX	XXX	XXX
MATERIAL	PART NO.	I.D.	SHOULDER DIA.	SHOULDER LENGTH

For parts not listed contact
Sales Office

DIAMETER	HEAD LENGTH											
	.015	.020	.025	.031	.040	.046	.050	.062	.078	.093	.105	.125
9/64	7990	8018	8046	8074	8110	8146	8182	8218	8254	8290	8326	8362
5/32	7991	8019	8047	8075	8111	8147	8183	8219	8255	8291	8327	8363
11/64	7992	8020	8048	8076	8112	8148	8184	8220	8256	8292	8328	8364
3/16	7993	8021	8049	8077	8113	8149	8185	8221	8257	8293	8329	8365
13/64	7994	8022	8050	8078	8114	8150	8186	8222	8258	8294	8330	8366
7/32	7995	8023	8051	8079	8115	8151	8187	8223	8259	8295	8331	8367
15/64	7996	8024	8052	8080	8116	8152	8188	8224	8260	8296	8332	8368
1/4	7997	8025	8053	8081	8117	8153	8189	8225	8261	8297	8333	8369
17/64	7998	8026	8054	8082	8118	8154	8190	8226	8262	8298	8334	8370
9/32	7999	8027	8055	8083	8119	8155	8191	8227	8263	8299	8335	8371
19/64	8000	8028	8056	8084	8120	8156	8192	8228	8264	8300	8336	8372
5/16	8001	8029	8057	8085	8121	8157	8193	8229	8265	8301	8337	8373
21/64	8002	8030	8058	8086	8122	8158	8194	8230	8266	8302	8338	8374
11/32	8003	8031	8059	8087	8123	8159	8195	8231	8267	8303	8339	8375
23/64	8004	8032	8060	8088	8124	8160	8196	8232	8268	8304	8340	8376
3/8	8005	8033	8061	8089	8125	8161	8197	8233	8269	8305	8341	8377



MATERIAL	CODE
Fibre	F
Nylon	N
Phenolic	PH
Teflon	TE

GLOBE SHOULDER WASHERS

SHOULDER WASHERS

SAMPLE ORDER TECHNIQUE

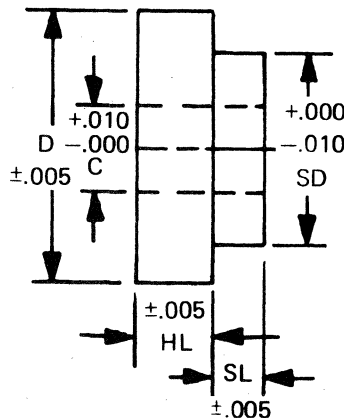
EXAMPLE: N-8000-115-125-015

X XXXX XXX XXX XXX

MATERIAL	PART NO.	I.D.	SHOULDER DIA.	SHOULDER LENGTH
----------	----------	------	---------------	-----------------

For parts not listed contact
Sales Office

DIAMETER	HEAD LENGTH											
	.015	.020	.025	.031	.040	.046	.050	.062	.078	.093	.105	.125
13/32	8006	8034	8062	8090	8126	8162	8198	8234	8270	8306	8342	8378
7/16	8007	8035	8063	8091	8127	8163	8199	8235	8271	8307	8343	8379
15/32	8008	8036	8064	8092	8128	8164	8200	8236	8272	8308	8344	8380
1/2	8009	8037	8065	8093	8129	8165	8201	8237	8273	8309	8345	8381
17/32	8010	8038	8066	8094	8130	8166	8202	8238	8274	8310	8346	8382
9/16	8011	8039	8067	8095	8131	8167	8203	8239	8275	8311	8347	8383
19/32	8012	8040	8068	8096	8132	8168	8204	8240	8276	8312	8348	8384
5/8	8013	8041	8069	8097	8133	8169	8205	8241	8277	8313	8349	8385
21/32	8014	8042	8070	8098	8134	8170	8206	8242	8278	8314	8350	8386
11/16	8015	8043	8071	8099	8135	8171	8207	8243	8279	8315	8351	8387
23/32	8016	8044	8072	8100	8136	8172	8208	8244	8280	8316	8352	8388
3/4	8017	8045	8073	8101	8137	8173	8209	8245	8281	8317	8353	8389
13/16				8102	8138	8174	8210	8246	8282	8318	8354	8390
7/8				8103	8139	8175	8211	8247	8283	8319	8355	8391
15/16				8104	8140	8176	8212	8248	8284	8320	8356	8392
1-				8105	8141	8177	8213	8249	8285	8321	8357	8393
1-1/8				8106	8142	8178	8214	8250	8286	8322	8358	8394
1-1/4				8107	8143	8179	8215	8251	8287	8323	8359	8395
1-3/8				8108	8144	8180	8216	8252	8288	8324	8360	8396
1-1/2				8109	8145	8181	8217	8255	8289	8325	8361	8397



MATERIAL	CODE
Fibre	F
Nylon	N
Phenolic	PH
Teflon	TE

GLOBE PRECISION SHOULDER SCREWS

PRECISION SHOULDER SCREWS-SOCKET HEAD

SAMPLE ORDER TECHNIQUE

EXAMPLE: B-8400-0

X

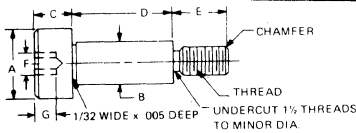
XXXX

X

MATERIAL

PART NO.

FINISH



See page (VII) for finish code
For parts not listed contact Sales Office

MATERIAL	CODE
Brass	B
Stainless Steel	SS
Steel	S

PART NO.	THREAD	A ± .004	B + .000 - .001	C ± .010	D + .002 - .000	E ± .005	F	G MIN.
8400	4-40	1/4	.1245	1/8	.1250	5/32	5/64	1/16
8401	4-40	1/4	.1245	1/8	.1875	5/32	5/64	1/16
8402	4-40	1/4	.1245	1/8	.2500	5/32	5/64	1/16
8403	4-40	1/4	.1245	1/8	.3125	5/32	5/64	1/16
8404	4-40	1/4	.1245	1/8	.3750	5/32	5/64	1/16
8405	4-40	1/4	.1245	1/8	.4375	5/32	5/64	1/16
8406	4-40	1/4	.1245	1/8	.5000	5/32	5/64	1/16
8407	6-32	9/32	.1560	1/8	.1250	3/16	3/32	5/64
8408	6-32	9/32	.1560	1/8	.1875	3/16	3/32	5/64
8409	6-32	9/32	.1560	1/8	.2500	3/16	3/32	5/64
8410	8-32	9/32	.1560	1/8	.3125	3/16	3/32	5/64
8411	6-32	9/32	.1560	1/8	.3750	3/16	3/32	5/64
8412	6-32	9/32	.1560	1/8	.4375	3/16	3/32	5/64
8413	6-32	9/32	.1560	1/8	.5000	3/16	3/32	5/64
8414	6-32	9/32	.1560	1/8	.5625	3/16	3/32	5/64
8415	6-32	9/32	.1560	1/8	.6250	3/16	3/32	5/64
8416	6-32	9/32	.1560	1/8	.6875	3/16	3/32	5/64
8417	6-32	9/32	.1560	1/8	.7500	3/16	3/32	5/64
8418	8-32	5/16	.1870	5/32	.1250	3/16	3/32	5/64
8419	8-32	5/16	.1870	5/32	.1875	3/16	3/32	5/64
8420	8-32	5/16	.1870	5/32	.2600	3/16	3/32	5/64
8421	8-32	5/16	.1870	5/32	.3125	3/16	3/32	5/64
8422	8-32	5/16	.1870	5/32	.3750	3/16	3/32	5/64
8423	8-32	5/16	.1870	5/32	.4375	3/16	3/32	5/64
8424	8-32	5/16	.1870	5/32	.5000	3/16	3/32	5/64
8425	8-32	5/16	.1870	5/32	.5625	3/16	3/32	5/64
8426	8-32	5/16	.1870	5/32	.6250	3/16	3/32	5/64
8427	8-32	5/16	.1870	5/32	.6875	3/16	3/32	5/64
8428	8-32	5/16	.1870	5/32	.7500	3/16	3/32	5/64
8429	8-32	5/16	.1870	5/32	.8750	3/16	3/32	5/64
8430	8-32	5/16	.1870	5/32	1.000	3/16	3/32	5/64
8431	8-32	5/16	.1870	5/32	1.250	3/16	3/32	5/64
8432	8-32	5/16	.1870	5/32	1.375	3/16	3/32	5/64
8433	8-32	5/16	.1870	5/32	1.500	3/16	3/32	5/64

GLOBE PRECISION SHOULDER SCREWS

PRECISION SHOULDER SCREWS-SOCKET HEAD

SAMPLE ORDER TECHNIQUE

EXAMPLE: B—8434—0

X
MATERIAL

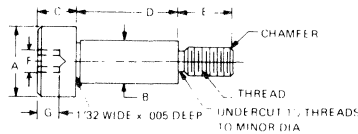
XXXX
PART NO.

X
FINISH

See page (VII) for finish code
For parts not listed contact Sales Office

MATERIAL	CODE
Brass	B
Stainless Steel	SS
Steel	S

PART NO.	THREAD	A ±.004	B +.000 -.001	C ±.010	D +.002 -.000	E ±.005	F	G MIN.
8434	10-32	3/8	.2495	3/16	.1250	1/4	1/8	3/32
8435	10-32	3/8	.2495	3/16	.1875	1/4	1/8	3/32
8436	10-32	3/8	.2495	3/16	.2500	1/4	1/8	3/32
8437	10-32	3/8	.2495	3/16	.3125	1/4	1/8	3/32
8438	10-32	3/8	.2495	3/16	.3750	1/4	1/8	3/32
8439	10-32	3/8	.2495	3/16	.4375	1/4	1/8	3/32
8440	10-32	3/8	.2495	3/16	.5000	1/4	1/8	3/32
8441	10-32	3/8	.2495	3/16	.5625	1/4	1/8	3/32
8442	10-32	3/8	.2495	3/16	.6250	1/4	1/8	3/32
8443	10-32	3/8	.2495	3/16	.6875	1/4	1/8	3/32
8444	10-32	3/8	.2495	3/16	.7500	1/4	1/8	3/32
8445	10-32	3/8	.2495	3/16	.8750	1/4	1/8	3/32
8446	10-32	3/8	.2495	3/16	1.000	1/4	1/8	3/32
8447	10-32	3/8	.2495	3/16	1.250	1/4	1/8	3/32
8448	10-32	3/8	.2495	3/16	1.375	1/4	1/8	3/32
8449	10-32	3/8	.2495	3/16	1.500	1/4	1/8	3/32
8450	1/4-20	7/16	.3120	7/32	.2500	3/8	5/32	1/8
8451	1/4-20	7/16	.3120	7/32	.3125	3/8	5/32	1/8
8452	1/4-20	7/16	.3120	7/32	.3750	3/8	5/32	1/8
8453	1/4-20	7/16	.3120	7/32	.5000	3/8	5/32	1/8
8454	1/4-20	7/16	.3120	7/32	.6250	3/8	5/32	1/8
8455	1/4-20	7/16	.3120	7/32	.7500	3/8	5/32	1/8
8456	1/4-20	7/16	.3120	7/32	.8750	3/8	5/32	1/8
8457	1/4-20	7/16	.3120	7/32	1.000	3/8	5/32	1/8



GLOBE PRECISION SHOULDER SCREWS

PRECISION SHOULDER SCREWS-SOCKET HEAD

SAMPLE ORDER TECHNIQUE

EXAMPLE: B—8458—0

X

XXXX

X

MATERIAL

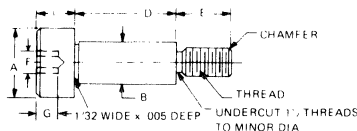
PART NO.

FINISH

See page (VII) for finish code
For parts not listed contact Sales Office

MATERIAL	CODE
Brass	B
Stainless Steel	SS
Steel	S

PART NO.	THREAD	A ± .004	B +.000 -.001	C ± .010	D +.002 -.000	E ± .005	F	G MIN.
8458	1/4-20	1/2	.3745	7/32	.2500	3/8	5/32	1/8
8459	1/4-20	1/2	.3745	7/32	.3125	3/8	5/32	1/8
8460	1/4-20	1/2	.3745	7/32	.3750	3/8	5/32	1/8
8461	1/4-20	1/2	.3745	7/32	.5000	3/8	5/32	1/8
8462	1/4-20	1/2	.3745	7/32	.6250	3/8	5/32	1/8
8463	1/4-20	1/2	.3745	7/32	.7500	3/8	5/32	1/8
8464	1/4-20	1/2	.3745	7/32	.8750	3/8	5/32	1/8
8465	1/4-20	1/2	.3745	7/32	1.000	3/8	5/32	1/8
8466	5/16-18	1/2	.3745	7/32	.2500	7/16	3/16	5/32
8467	5/16-18	1/2	.3745	7/32	.3125	7/16	3/16	5/32
8468	5/16-18	1/2	.3745	7/32	.3750	7/16	3/16	5/32
8469	5/16-18	1/2	.3745	7/32	.5000	7/16	3/16	5/32
8470	5/16-18	1/2	.3745	7/32	.6250	7/16	3/16	5/32
8471	5/16-18	1/2	.3745	7/32	.7500	7/16	3/16	5/32
8472	5/16-18	1/2	.3745	7/32	.8750	7/16	3/16	5/32
8473	5/16-18	1/2	.3745	7/32	1.000	7/16	3/16	5/32
8474	3/8-16	5/8	.4995	1/4	.2500	1/2	1/4	3/16
8475	3/8-16	5/8	.4995	1/4	.3125	1/2	1/4	3/16
8476	3/8-16	5/8	.4995	1/4	.3750	1/2	1/4	3/16
8477	3/8-16	5/8	.4995	1/4	.5000	1/2	1/4	3/16
8478	3/8-16	5/8	.4995	1/4	.6250	1/2	1/4	3/16
8479	3/8-16	5/8	.4995	1/4	.7500	1/2	1/4	3/16
8480	3/8-16	5/8	.4995	1/4	.8750	1/2	1/4	3/16
8481	3/8-16	5/8	.4995	1/4	1.000	1/2	1/4	3/16



See
GLOBE HANDLES
Starting on
Page 174

GLOBE PRECISION SHOULDER SCREWS

PRECISION SHOULDER SCREWS - SLOTTED HEAD

SAMPLE ORDER TECHNIQUE

EXAMPLE: B—8500—0

X

XXXX

X

MATERIAL

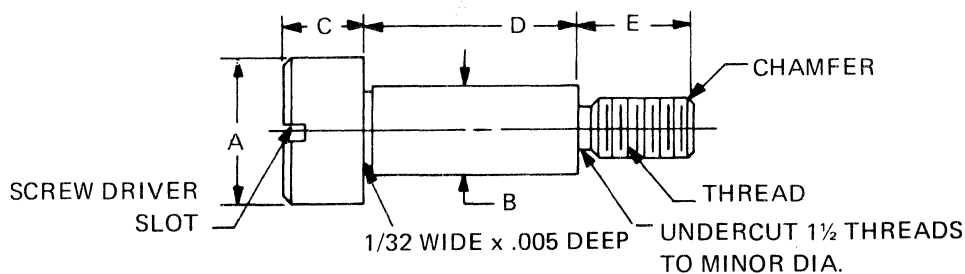
PART NO.

FINISH

See page (VII) for finish code
For parts not listed contact Sales Office

MATERIAL	CODE
Brass	B
Stainless Steel	SS
Steel	S

PART NO.	THREAD	A ±.004	B +.000 -.001	C ±.010	D +.002 -.000	E ±.005
8500	4-40	1/4	.1245	1/8	.1250	5/32
8501	4-40	1/4	.1245	1/8	.1875	5/32
8502	4-40	1/4	.1245	1/8	.2500	5/32
8503	4-40	1/4	.1245	1/8	.3125	5/32
8504	4-40	1/4	.1245	1/8	.3750	5/32
8505	4-40	1/4	.1245	1/8	.4375	5/32
8506	4-40	1/4	.1245	1/8	.5000	5/32
8507	6-32	9/32	.1560	1/8	.1250	3/16
8508	6-32	9/32	.1560	1/8	.1875	3/16
8509	6-32	9/32	.1560	1/8	.2500	3/16
8510	6-32	9/32	.1560	1/8	.3125	3/16
8511	6-32	9/32	.1560	1/8	.3750	3/16
8512	6-32	9/32	.1560	1/8	.4375	3/16
8513	6-32	9/32	.1560	1/8	.5000	3/16
8514	6-32	9/32	.1560	1/8	.5625	3/16
8515	6-32	9/32	.1560	1/8	.6250	3/16
8516	6-32	9/32	.1560	1/8	.6875	3/16
8517	6-32	9/32	.1560	1/8	.7500	3/16



GLOBE PRECISION SHOULDER SCREWS

PRECISION SHOULDER SCREWS - SLOTTED HEAD

SAMPLE ORDER TECHNIQUE

EXAMPLE: B-8518-0

X

XXXX

X

MATERIAL

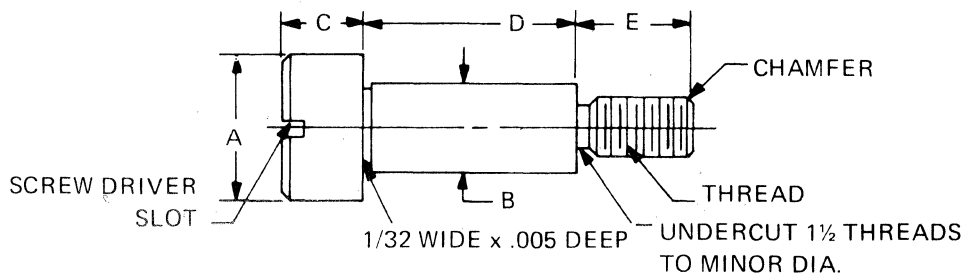
PART NO.

FINISH

See page (VII) for finish code
For parts not listed contact Sales Office

MATERIAL	CODE
Brass	B
Stainless Steel	SS
Steel	S

PART NO.	THREAD	A ±.004	B +.000 -.001	C ±.010	D +.002 -.000	E ±.005
8518	8-32	5/16	.1870	5/32	.1250	3/16
8519	8-32	5/16	.1870	5/32	.1875	3/16
8520	8-32	5/16	.1870	5/32	.2500	3/16
8521	8-32	5/16	.1870	5/32	.3125	3/16
8522	8-32	5/16	.1870	5/32	.3750	3/16
8523	8-32	5/16	.1870	5/32	.4375	3/16
8524	8-32	5/16	.1870	5/32	.5000	3/16
8525	8-32	5/16	.1870	5/32	.5625	3/16
8526	8-32	5/16	.1870	5/32	.6250	3/16
8527	8-32	5/16	.1870	5/32	.6875	3/16
8528	8-32	5/16	.1870	5/32	.7500	3/16
8529	8-32	5/16	.1870	5/32	.8750	3/16
8530	8-32	5/16	.1870	5/32	1.000	3/16
8531	8-32	5/16	.1870	5/32	1.250	3/16
8532	8-32	5/16	.1870	5/32	1.375	3/16
8533	8-32	5/16	.1870	5/32	1.500	3/16



GLOBE PRECISION SHOULDER SCREWS

PRECISION SHOULDER SCREWS - SLOTTED HEAD

SAMPLE ORDER TECHNIQUE

EXAMPLE: B-8534-0

X

XXXX

X

MATERIAL

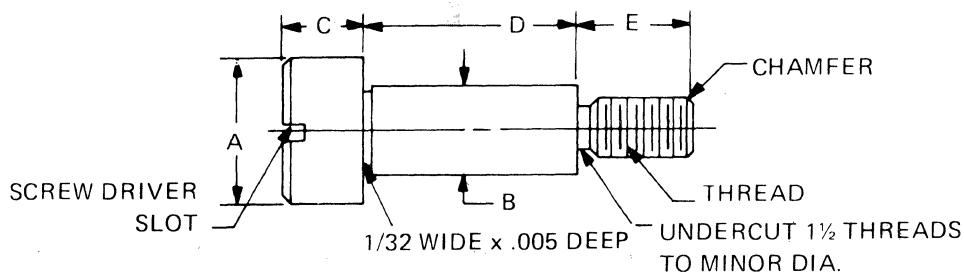
PART NO.

FINISH

See page (VII) for finish code
For parts not listed contact Sales Office

MATERIAL	CODE
Brass	B
Stainless Steel	SS
Steel	S

PART NO.	THREAD	A ±.004	B +.000 -.001	C ±.010	D +.002 -.000	E ±.005
8534	10-32	3/8	.2495	3/16	.1250	1/4
8535	10-32	3/8	.2495	3/16	.1875	1/4
8536	10-32	3/8	.2495	3/16	.2500	1/4
8537	10-32	3/8	.2495	3/16	.3125	1/4
8538	10-32	3/8	.2495	3/16	.3750	1/4
8539	10-32	3/8	.2495	3/16	.4375	1/4
8540	10-32	3/8	.2495	3/16	.5000	1/4
8541	10-32	3/8	.2495	3/16	.5625	1/4
8542	10-32	3/8	.2495	3/16	.6250	1/4
8543	10-32	3/8	.2495	3/16	.6875	1/4
8544	10-32	3/8	.2495	3/16	.7500	1/4
8545	10-32	3/8	.2495	3/16	.8750	1/4
8546	10-32	3/8	.2495	3/16	1.000	1/4
8547	10-32	3/8	.2495	3/16	1.250	1/4
8548	10-32	3/8	.2495	3/16	1.375	1/4
8549	10-32	3/8	.2495	3/16	1.500	1/4
8550	1/4-20	7/16	.3120	7/32	.2500	3/8
8551	1/4-20	7/16	.3120	7/32	.3125	3/8
8552	1/4-20	7/16	.3120	7/32	.3750	3/8
8553	1/4-20	7/16	.3120	7/32	.5000	3/8
8554	1/4-20	7/16	.3120	7/32	.6250	3/8
8555	1/4-20	7/16	.3120	7/32	.7500	3/8



GLOBE PRECISION SHOULDER SCREWS

PRECISION SHOULDER SCREWS - SLOTTED HEAD

SAMPLE ORDER TECHNIQUE

EXAMPLE: B-8556-0

X

XXXX

X

MATERIAL

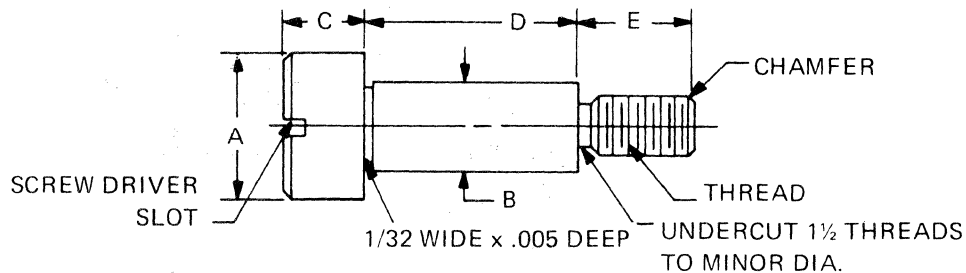
PART NO.

FINISH

See page (VII) for finish code
For parts not listed contact Sales Office

MATERIAL	CODE
Brass	B
Stainless Steel	SS
Steel	S

PART NO.	THREAD	A ±.004	B +.000 -.001	C ±.010	D +.002 -.000	E ±.005
8556	1/4-20	7/16	.3120	7/32	.8750	3/8
8557	1/4-20	7/16	.3120	7/32	1.000	3/8
8558	1/4-20	1/2	.3745	7/32	.2500	3/8
8559	1/4-20	1/2	.3745	7/32	.3125	3/8
8560	1/4-20	1/2	.3745	7/32	.3750	3/8
8561	1/4-20	1/2	.3745	7/32	.5000	3/8
8562	1/4-20	1/2	.3745	7/32	.6250	3/8
8563	1/4-20	1/2	.3745	7/32	.7500	3/8
8564	1/4-20	1/2	.3745	7/32	.8750	3/8
8565	1/4-20	1/2	.3745	7/32	1.000	3/8
8566	5/16-18	1/2	.3745	7/32	.2500	7/16
8567	5/16-18	1/2	.3745	7/32	.3125	7/16
8568	5/16-18	1/2	.3745	7/32	.3750	7/16
8569	5/16-18	1/2	.3745	7/32	.5000	7/16
8570	5/16-18	1/2	.3745	7/32	.6250	7/16
8571	5/16-18	1/2	.3745	7/32	.7500	7/16
8572	5/16-18	1/2	.3745	7/32	.8750	7/16
8573	5/16-18	1/2	.3745	7/32	1.000	7/16
8574	3/8-16	5/8	.4995	1/4	.2500	1/2
8575	3/8-16	5/8	.4995	1/4	.3125	1/2
8576	3/8-16	5/8	.4995	1/4	.3750	1/2
8577	3/8-16	5/8	.4995	1/4	.5000	1/2
8578	3/8-16	5/8	.4995	1/4	.6250	1/2
8579	3/8-16	5/8	.4995	1/4	.7500	1/2
8580	3/8-16	5/8	.4995	1/4	.8750	1/2
8581	3/8-16	5/8	.4995	1/4	1.000	1/2



GLOBE WASHER FACE THUMB SCREWS

WASHER FACE THUMB SCREWS

SAMPLE ORDER TECHNIQUE

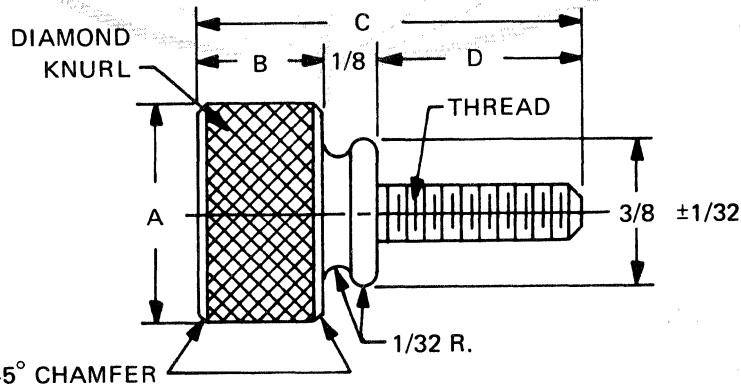
EXAMPLE: B—8600—0

See page (VII) for finish code
For parts not listed contact Sales Office

X MATERIAL XXXX PART NO. X FINISH

MATERIAL	CODE
Aluminum	A
Brass	B
Stainless Steel	SS
Steel	S

PART NO.	THREAD	A +.020 -.000	B ±.015	C ±.015	D ±.010
8600	4-40	3/8	3/16	5/8	5/16
8601	4-40	3/8	3/16	11/16	3/8
8602	4-40	3/8	3/16	3/4	7/16
8603	6-32	3/8	3/16	11/16	3/8
8604	6-32	3/8	3/16	3/4	7/16
8605	6-32	3/8	3/16	13/16	1/2
8606	8-32	7/16	3/16	11/16	3/8
8607	8-32	7/16	3/16	13/16	1/2
8608	8-32	7/16	3/16	15/16	5/8
8609	10-32	7/16	3/16	11/16	3/8
8610	10-32	7/16	3/16	13/16	1/2
8611	10-32	7/16	3/16	15/16	5/8
8612	1/4-20	1/2	1/4	3/4	3/8
8613	1/4-20	1/2	1/4	7/8	1/2
8614	1/4-20	1/2	1/4	1	5/8
8615	1/4-20	1/2	1/4	1-1/8	3/4



GLOBE PLAIN THUMB SCREWS

PLAIN THUMB SCREWS

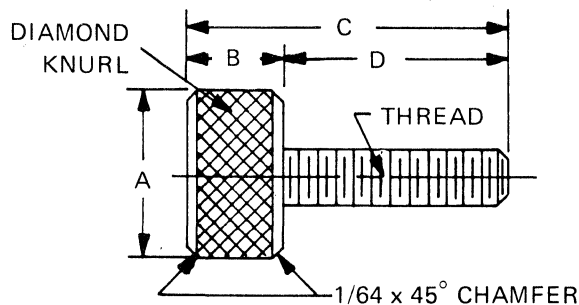
SAMPLE ORDER TECHNIQUE

EXAMPLE: B-8701-0

See page (VII) for finish code
For parts not listed contact Sales Office

MATERIAL	CODE
Aluminum	A
Brass	B
Stainless Steel	SS
Steel	S

X		XXXX		X	
MATERIAL		PART NO.		FINISH	
PART NO.	THREAD	A +.020 -.000	B ±.015	C ±.015	D ±.010
8701	4-40	5/16	3/16	1/2	5/16
8702	4-40	5/16	3/16	9/16	3/8
8703	4-40	5/16	3/16	5/8	7/16
8704	4-40	5/16	3/16	11/16	1/2
8705	6-32	5/16	3/16	1/2	5/16
8706	6-32	5/16	3/16	9/16	3/8
8707	6-32	5/16	3/16	5/8	7/16
8708	6-32	5/16	3/16	11/16	1/2
8709	8-32	3/8	3/16	9/16	3/8
8710	8-32	3/8	3/16	5/8	7/16
8711	8-32	3/8	3/16	11/16	1/2
8712	8-32	3/8	3/16	3/4	9/16
8713	8-32	3/8	3/16	13/16	5/8
8714	10-32	7/16	3/16	9/16	3/8
8715	10-32	7/16	3/16	5/8	7/16
8716	10-32	7/16	3/16	11/16	1/2
8717	10-32	7/16	3/16	3/4	9/16
8718	10-32	7/16	3/16	13/16	5/8
8719	1/4-20	1/2	1/4	3/4	1/2
8720	1/4-20	1/2	1/4	13/16	9/16
8721	1/4-20	1/2	1/4	7/8	5/8
8722	1/4-20	1/2	1/4	15/16	11/16
8723	1/4-20	1/2	1/4	1	3/4



GLOBE PUSH TYPE THUMB SCREW

PUSH TYPE THUMB SCREW

SAMPLE ORDER TECHNIQUE

EXAMPLE: B—8800—0

See page (VII) for finish code

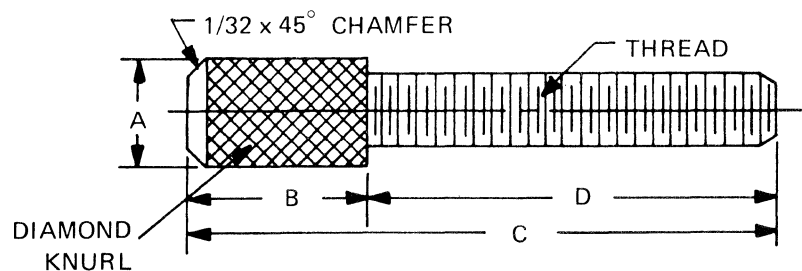
For parts not listed contact Sales Office

X
XXXX
X

MATERIAL
PART NO.
FINISH

MATERIAL	CODE
Aluminum	A
Brass	B
Stainless Steel	SS
Steel	S

PART NO.	THREAD	D ±.010	B ±.015	C ±.015	A +.020 -.000
8800	6-32	5/8	3/8	1"	3/16
8801	6-32	3/4	3/8	1-1/8	3/16
8802	6-32	7/8	3/8	1-1/4	3/16
8803	6-32	1"	3/8	1-3/8	3/16
8804	6-32	1-1/8	3/8	1-1/2	3/16
8805	6-32	1-1/4	3/8	1-5/8	3/16
8806	6-32	1-3/8	3/8	1-3/4	3/16
8807	6-32	1-1/2	3/8	1-7/8	3/16
8808	6-32	1-5/8	3/8	2"	3/16
8809	6-32	1-3/4	3/8	2-1/8	3/16
8810	6-32	1-7/8	3/8	2-1/4	3/16
8811	6-32	2"	3/8	2-3/8	3/16
8812	8-32	5/8	3/8	1"	3/16
8813	8-32	3/4	3/8	1-1/8	3/16
8814	8-32	7/8	3/8	1-1/4	3/16
8815	8-32	1"	3/8	1-3/8	3/16
8816	8-32	1-1/8	3/8	1-1/2	3/16
8817	8-32	1-1/4	3/8	1-5/8	3/16
8818	8-32	1-3/8	3/8	1-3/4	3/16



GLOBE PUSH TYPE THUMB SCREW

PUSH TYPE THUMB SCREW

SAMPLE ORDER TECHNIQUE

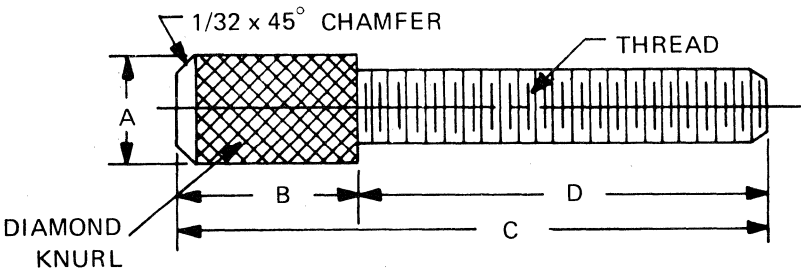
EXAMPLE: B-8819-0

See page (VII) for finish code
For parts not listed contact Sales Office

X MATERIAL XXXX PARTNO. X FINISH

MATERIAL	CODE
Aluminum	A
Brass	B
Stainless Steel	SS
Steel	S

PART NO.	THREAD	D ±.010	B ±.015	C ±.015	A +.020 -.000
8819	8-32	1-1/2	3/8	1-7/8	3/16
8820	8-32	1-5/8	3/8	2"	3/16
8821	8-32	1-3/4	3/8	2-1/8	3/16
8822	8-32	1-7/8	3/8	2-1/4	3/16
8823	8-32	2"	3/8	2-3/8	3/16
8824	10-24	5/8	1/2	1-1/8	1/4
8825	10-24	3/4	1/2	1-1/4	1/4
8826	10-24	7/8	1/2	1-3/8	1/4
8827	10-24	1"	1/2	1-1/2	1/4
8828	10-24	1-1/8	1/2	1-5/8	1/4
8829	10-24	1-1/4	1/2	1-3/4	1/4
8830	10-24	1-3/8	1/2	1-7/8	1/4
8831	10-24	1-1/2	1/2	2"	1/4
8832	10-24	1-5/8	1/2	2-1/8	1/4



GLOBE PUSH TYPE THUMB SCREW

PUSH TYPE THUMB SCREW

SAMPLE ORDER TECHNIQUE

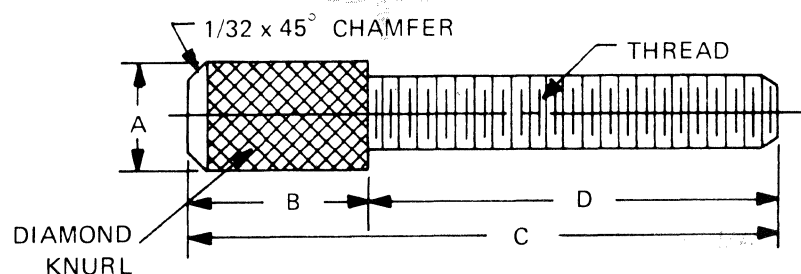
EXAMPLE: B-8833-0

See page (VII) for finish code
For parts not listed contact Sales Office

X MATERIAL XXXX PART NO. X FINISH

MATERIAL	CODE
Aluminum	A
Brass	B
Stainless Steel	SS
Steel	S

PART NO.	THREAD	D ±.010	B ±.015	C ±.015	A +.020 -.000
8833	10-24	1-3/4	1/2	2-1/4	1/4
8834	10-24	1-7/8	1/2	2-3/8	1/4
8835	10-24	2"	1/2	2-1/2	1/4
8836	10-32	5/8	1/2	1-1/8	1/4
8837	10-32	3/4	1/2	1-1/4	1/4
8838	10-32	7/8	1/2	1-3/8	1/4
8839	10-32	1"	1/2	1-1/2	1/4
8840	10-32	1-1/8	1/2	1-5/8	1/4
8841	10-32	1-1/4	1/2	1-3/4	1/4
8842	10-32	1-3/8	1/2	1-7/8	1/4
8843	10-32	1-1/2	1/2	2"	1/4
8844	10-32	1-5/8	1/2	2-1/8	1/4
8845	10-32	1-3/4	1/2	2-1/4	1/4
8846	10-32	1-7/8	1/2	2-3/8	1/4
8847	10-32	2"	1/2	2-1/2	1/4



GLOBE PUSH TYPE THUMB SCREW

PUSH TYPE THUMB SCREW

SAMPLE ORDER TECHNIQUE

EXAMPLE: B-8848-0

See page (VII) for finish code
For parts not listed contact Sales Office

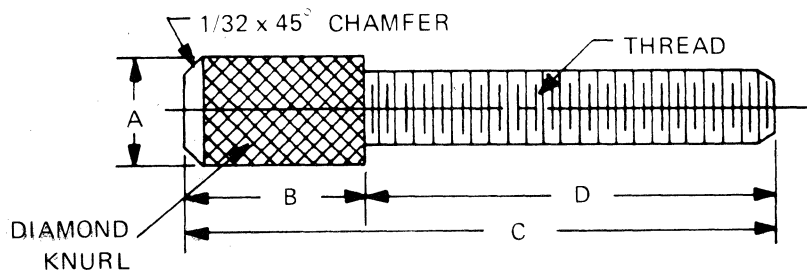
X
MATERIAL

XXXX
PART NO.

X
FINISH

MATERIAL	CODE
Aluminum	A
Brass	B
Stainless Steel	SS
Steel	S

PART NO.	THREAD	D ±010	B ±015	C ±015	A +.020 -.000
8848	1/4-20	5/8	1/2	1-1/8	5/16
8849	1/4-20	3/4	1/2	1-1/4	5/16
8850	1/4-20	7/8	1/2	1-3/8	5/16
8851	1/4-20	1"	1/2	1-1/2	5/16
8852	1/4-20	1-1/8	1/2	1-5/8	5/16
8853	1/4-20	1-1/4	1/2	1-3/4	5/16
8854	1/4-20	1-3/8	1/2	1-7/8	5/16
8855	1/4-20	1-1/2	1/2	2"	5/16
8856	1/4-20	1-5/8	1/2	2-1/8	5/16
8857	1/4-20	1-3/4	1/2	2-1/4	5/16
8858	1/4-20	1-7/8	1/2	2-3/8	5/16
8859	1/4-20	2"	1/2	2-1/2	5/16



GLOBE PANEL SCREWS

CAPTIVE PANEL SCREW - TYPE 101

SAMPLE ORDER TECHNIQUE

EXAMPLE: SS-10000-12

XX

XXXXX

XX

MATERIAL

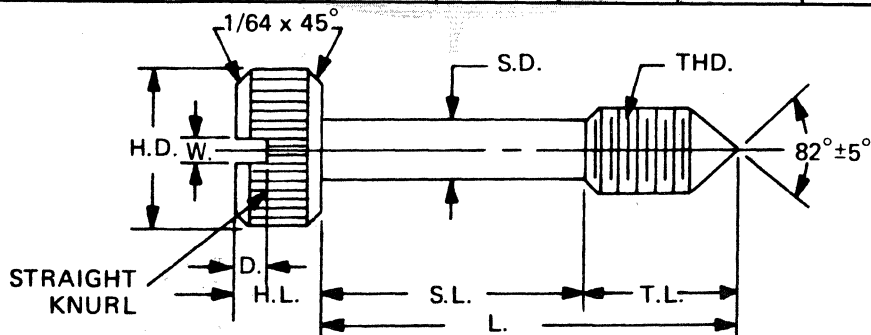
PART NO.

FINISH

See Page (VII) for finish code

For parts not listed contact Sales Office

PART NO.	THD.	H.D. +.015 -.000	H.L. ±.010	L. ±.015	T.L. ±.015	S.D. ±.005	S.L. ±.010	W. +.005 -.000	D. +.010 -.000	KNURL TPI
10000	4-40	5/16	3/16	21/32	9/32	.078	3/8	.036	1/16	35
10001	4-40	5/16	3/16	23/32	9/32	.078	7/16	.036	1/16	35
10002	4-40	5/16	3/16	25/32	9/32	.078	1/2	.036	1/16	35
10003	4-40	5/16	3/16	27/32	9/32	.078	9/16	.036	1/16	35
10004	4-40	5/16	3/16	29/32	9/32	.078	5/8	.036	1/16	35
10005	6-32	5/16	3/16	21/32	9/32	.095	3/8	.045	1/16	35
10006	6-32	5/16	3/16	23/32	9/32	.095	7/16	.045	1/16	35
10007	6-32	5/16	3/16	25/32	9/32	.095	1/2	.045	1/16	35
10008	6-32	5/16	3/16	27/32	9/32	.095	9/16	.045	1/16	35
10009	6-32	5/16	3/16	29/32	9/32	.095	5/8	.045	1/16	35
10010	6-32	3/8	3/16	21/32	9/32	.095	3/8	.045	1/16	30
10011	6-32	3/8	3/16	23/32	9/32	.095	7/16	.045	1/16	30
10012	6-32	3/8	3/16	25/32	9/32	.095	1/2	.045	1/16	30
10013	6-32	3/8	3/16	27/32	9/32	.095	9/16	.045	1/16	30
10014	6-32	3/8	3/16	29/32	9/32	.095	5/8	.045	1/16	30
10015	8-32	7/16	1/4	5/8	3/8	.120	1/4	1/16	1/16	30
10016	8-32	7/16	1/4	11/16	3/8	.120	5/16	1/16	1/16	30
10017	8-32	7/16	1/4	3/4	3/8	.120	3/8	1/16	1/16	30
10018	8-32	7/16	1/4	13/16	3/8	.120	7/16	1/16	1/16	30
10019	8-32	7/16	1/4	7/8	3/8	.120	1/2	1/16	1/16	30
10020	8-32	7/16	1/4	15/16	3/8	.120	9/16	1/16	1/16	30
10021	8-32	7/16	1/4	1"	3/8	.120	5/8	1/16	1/16	30
10022	8-32	7/16	1/4	1-1/16	3/8	.120	11/16	1/16	1/16	30
10023	8-32	7/16	1/4	1-1/8	3/8	.120	3/4	1/16	1/16	30
10024	8-32	7/16	1/4	1-3/16	3/8	.120	13/16	1/16	1/16	30
10025	8-32	7/16	1/4	1-1/4	3/8	.120	7/8	1/16	1/16	30



MATERIAL	CODE
Brass	B
Stainless Steel	SS
Steel	S

GLOBE PANEL SCREWS

CAPTIVE PANEL SCREW — TYPE 101

SAMPLE ORDER TECHNIQUE

See Page (VII) for finish code

For parts not listed contact Sales Office **EXAMPLE: SS—10026—12**

XX

XXXXX

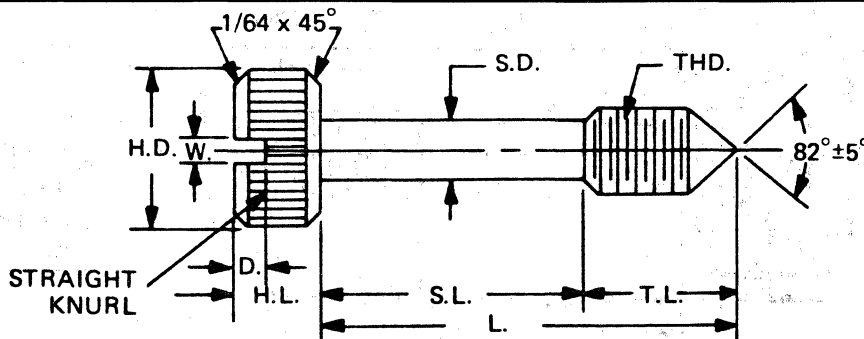
XX

MATERIAL

PART NO.

FINISH

PART NO.	THD.	H.D. +.015 -.000	H.L. ±.010	L. ±.015	T.L. ±.015	S.D. ±.005	S.L. ±.010	W. +.005 -.000	D. +.010 -.000	KNURL TPI
10026	8-32	7/16	1/4	1-5/16	3/8	.120	15/16	1/16	1/16	30
10027	8-32	7/16	1/4	1-3/8	3/8	.120	1"	1/16	1/16	30
10028	8-32	7/16	1/4	1-7/16	3/8	.120	1-1/16	1/16	1/16	30
10029	8-32	7/16	1/4	1-1/2	3/8	.120	1-1/8	1/16	1/16	30
10030	8-32	7/16	1/4	1-9/16	3/8	.120	1-3/16	1/16	1/16	30
10031	8-32	7/16	1/4	1-5/8	3/8	.120	1-1/4	1/16	1/16	30
10032	8-32	7/16	1/4	1-11/16	3/8	.120	1-5/16	1/16	1/16	30
10033	8-32	7/16	1/4	1-3/4	3/8	.120	1-3/8	1/16	1/16	30
10034	8-32	7/16	1/4	1-13/16	3/8	.120	1-7/16	1/16	1/16	30
10035	8-32	7/16	1/4	1-7/8	3/8	.120	1-1/2	1/16	1/16	30
10036	8-32	7/16	1/4	1-15/16	3/8	.120	1-9/16	1/16	1/16	30
10037	8-32	7/16	1/4	2"	3/8	.120	1-5/8	1/16	1/16	30
10038	10-24	7/16	1/4	5/8	3/8	.130	1/4	1/16	1/16	30
10039	10-24	7/16	1/4	11/16	3/8	.130	5/16	1/16	1/16	30
10040	10-24	7/16	1/4	3/4	3/8	.130	3/8	1/16	1/16	30
10041	10-24	7/16	1/4	13/16	3/8	.130	7/16	1/16	1/16	30
10042	10-24	7/16	1/4	7/8	3/8	.130	1/2	1/16	1/16	30
10043	10-24	7/16	1/4	15/16	3/8	.130	9/16	1/16	1/16	30
10044	10-24	7/16	1/4	1"	3/8	.130	5/8	1/16	1/16	30
10045	10-24	7/16	1/4	1-1/16	3/8	.130	11/16	1/16	1/16	30
10046	10-24	7/16	1/4	1-1/8	3/8	.130	3/4	1/16	1/16	30
10047	10-24	7/16	1/4	1-3/16	3/8	.130	13/16	1/16	1/16	30
10048	10-24	7/16	1/4	1-1/4	3/8	.130	7/8	1/16	1/16	30
10049	10-24	7/16	1/4	1-5/16	3/8	.130	15/16	1/16	1/16	30
10050	10-24	7/16	1/4	1-3/8	3/8	.130	1"	1/16	1/16	30
10051	10-24	7/16	1/4	1-7/16	3/8	.130	1-1/16	1/16	1/16	30



MATERIAL	CODE
Brass	B
Stainless Steel	SS
Steel	S

GLOBE PANEL SCREWS

CAPTIVE PANEL SCREW — TYPE 101

SAMPLE ORDER TECHNIQUE

See Page (VII) for finish code

For parts not listed contact Sales Office

EXAMPLE: SS—10052—12

XX

XXXXX

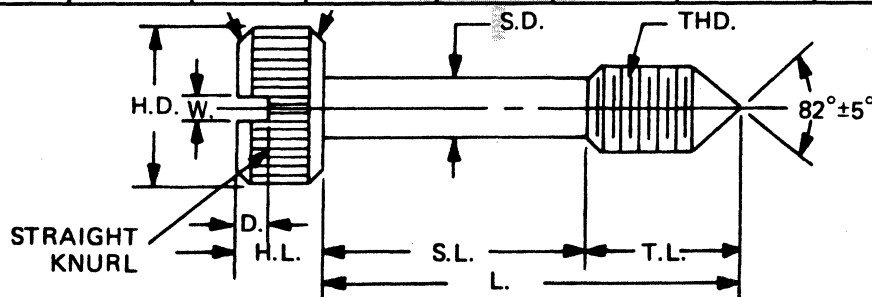
XX

MATERIAL

PART NO.

FINISH

PART NO.	THD.	H.D. +.015 -.000	H.L. ±.010	L. ±.015	T.L. ±.015	S.D. ±.005	S.L. ±.010	W. +.005 -.000	D. +.010 -.000	KNURL TPI
10052	10-24	7/16	1/4	1-1/2	3/8	.130	1-1/8	1/16	1/16	30
10053	10-24	7/16	1/4	1-9/16	3/8	.130	1-3/16	1/16	1/16	30
10054	10-24	7/16	1/4	1-5/8	3/8	.130	1-1/4	1/16	1/16	30
10055	10-24	7/16	1/4	1-11/16	3/8	.130	1-5/16	1/16	1/16	30
10056	10-24	7/16	1/4	1-3/4	3/8	.130	1-3/8	1/16	1/16	30
10057	10-24	7/16	1/4	1-13/16	3/8	.130	1-7/16	1/16	1/16	30
10058	10-24	7/16	1/4	1-7/8	3/8	.130	1-1/2	1/16	1/16	30
10059	10-24	7/16	1/4	1-15/16	3/8	.130	1-9/16	1/16	1/16	30
10060	10-24	7/16	1/4	2"	3/8	.130	1-5/8	1/16	1/16	30
10061	10-32	7/16	1/4	5/8	3/8	.130	1/4	1/16	1/16	30
10062	10-32	7/16	1/4	11/16	3/8	.130	5/16	1/16	1/16	30
10063	10-32	7/16	1/4	3/4	3/8	.130	3/8	1/16	1/16	30
10064	10-32	7/16	1/4	13/16	3/8	.130	7/16	1/16	1/16	30
10065	10-32	7/16	1/4	7/8	3/8	.130	1/2	1/16	1/16	30
10066	10-32	7/16	1/4	15/16	3/8	.130	9/16	1/16	1/16	30
10067	10-32	7/16	1/4	1"	3/8	.130	5/8	1/16	1/16	30
10068	10-32	7/16	1/4	1-1/16	3/8	.130	11/16	1/16	1/16	30
10069	10-32	7/16	1/4	1-1/8	3/8	.130	3/4	1/16	1/16	30
10070	10-32	7/16	1/4	1-3/16	3/8	.130	13/16	1/16	1/16	30
10071	10-32	7/16	1/4	1-1/4	3/8	.130	7/8	1/16	1/16	30
10072	10-32	7/16	1/4	1-5/16	3/8	.130	15/16	1/16	1/16	30
10073	10-32	7/16	1/4	1-3/8	3/8	.130	1"	1/16	1/16	30
10074	10-32	7/16	1/4	1-7/16	3/8	.130	1-1/16	1/16	1/16	30
10075	10-32	7/16	1/4	1-1/2	3/8	.130	1-1/8	1/16	1/16	30
10076	10-32	7/16	1/4	1-9/16	3/8	.130	1-3/16	1/16	1/16	30
10077	10-32	7/16	1/4	1-5/8	3/8	.130	1-1/4	1/16	1/16	30
10078	10-32	7/16	1/4	1-11/16	3/8	.130	1-5/16	1/16	1/16	30
10079	10-32	7/16	1/4	1-3/4	3/8	.130	1-3/8	1/16	1/16	30



MATERIAL	CODE
Brass	B
Stainless Steel	SS
Steel	S

GLOBE PANEL SCREWS

CAPTIVE PANEL SCREW — TYPE 101

SAMPLE ORDER TECHNIQUE

See Page (VII) for finish code

For parts not listed contact Sales Office

EXAMPLE: SS—10080—12

XX

XXXXX

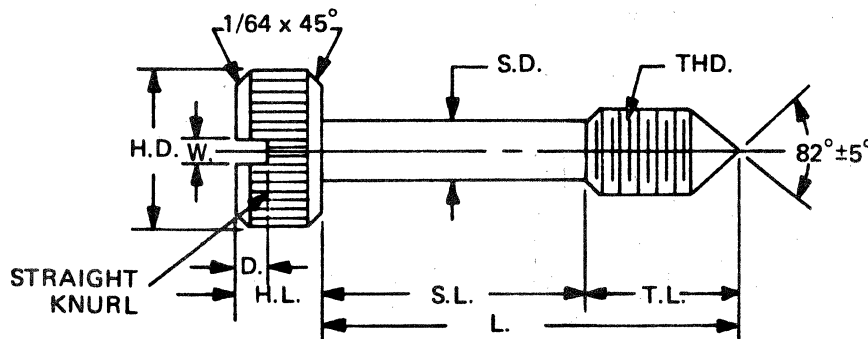
XX

MATERIAL

PART NO.

FINISH

PART NO.	THD.	H.D. +.015 -.000	H.L. ±.010	L. ±.015	T.L. ±.015	S.D. ±.005	S.L. ±.010	W. +.005 -.000	D. +.010 -.000	KNURL TPI
10080	10-32	7/16	1/4	1-13/16	3/8	.130	1-7/16	1/16	1/16	30
10081	10-32	7/16	1/4	1-7/8	3/8	.130	1-1/2	1/16	1/16	30
10082	10-32	7/16	1/4	1-15/16	3/8	.130	1-9/16	1/16	1/16	30
10083	10-32	7/16	1/4	2"	3/8	.130	1-5/8	1/16	1/16	30
10084	12-24	9/16	1/4	5/8	3/8	.150	1/4	1/16	3/32	30
10085	12-24	9/16	1/4	11/16	3/8	.150	5/16	1/16	3/32	30
10086	12-24	9/16	1/4	3/4	3/8	.150	3/8	1/16	3/32	30
10087	12-24	9/16	1/4	13/16	3/8	.150	7/16	1/16	3/32	30
10088	12-24	9/16	1/4	7/8	3/8	.150	1/2	1/16	3/32	30
10089	12-24	9/16	1/4	15/16	3/8	.150	9/16	1/16	3/32	30
10090	12-24	9/16	1/4	1"	3/8	.150	5/8	1/16	3/32	30
10091	12-24	9/16	1/4	1-1/16	3/8	.150	11/16	1/16	3/32	30
10092	12-24	9/16	1/4	1-1/8	3/8	.150	3/4	1/16	3/32	30
10093	12-24	9/16	1/4	1-3/16	3/8	.150	13/16	1/16	3/32	30
10094	12-24	9/16	1/4	1-1/4	3/8	.150	7/8	1/16	3/32	30
10095	12-24	9/16	1/4	1-5/16	3/8	.150	15/16	1/16	3/32	30
10096	12-24	9/16	1/4	1-3/8	3/8	.150	1"	1/16	3/32	30
10097	12-24	9/16	1/4	1-7/16	3/8	.150	1-1/16	1/16	3/32	30
10098	12-24	9/16	1/4	1-1/2	3/8	.150	1-1/8	1/16	3/32	30
10099	12-24	9/16	1/4	1-9/16	3/8	.150	1-3/16	1/16	3/32	30
10100	12-24	9/16	1/4	1-5/8	3/8	.150	1-1/4	1/16	3/32	30
10101	12-24	9/16	1/4	1-11/16	3/8	.150	1-5/16	1/16	3/32	30
10102	12-24	9/16	1/4	1-3/4	3/8	.150	1-3/8	1/16	3/32	30
10103	12-24	9/16	1/4	1-13/16	3/8	.150	1-7/16	1/16	3/32	30
10104	12-24	9/16	1/4	1-7/8	3/8	.150	1-1/2	1/16	3/32	30
10105	12-24	9/16	1/4	1-15/16	3/8	.150	1-9/16	1/16	3/32	30
10106	12-24	9/16	1/4	2"	3/8	.150	1-5/8	1/16	3/32	30



MATERIAL	CODE
Brass	B
Stainless Steel	SS
Steel	S

GLOBE PANEL SCREWS

CAPTIVE PANEL SCREW — TYPE 101

SAMPLE ORDER TECHNIQUE

EXAMPLE: SS—10107—12

XX

XXXXX

XX

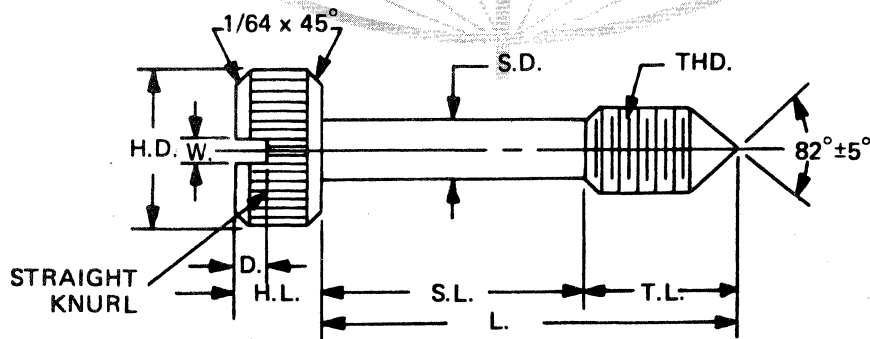
MATERIAL

PART NO.

FINISH

See Page (VII) for finish code
For parts not listed contact Sales Office

PART NO.	THD.	H.D. +.015 -.000	H.L. ±.010	L. ±.015	T.L. ±.015	S.D. ±.005	S.L. ±.010	W. +.005 -.000	D. +.010 -.000	KNURL TPI
10107	1/4-20	9/16	1/4	5/8	3/8	.175	1/4	1/16	3/32	30
10108	1/4-20	9/16	1/4	11/16	3/8	.175	5/16	1/16	3/32	30
10109	1/4-20	9/16	1/4	3/4	3/8	.175	3/8	1/16	3/32	30
10110	1/4-20	9/16	1/4	13/16	3/8	.175	7/16	1/16	3/32	30
10111	1/4-20	9/16	1/4	7/8	3/8	.175	1/2	1/16	3/32	30
10112	1/4-20	9/16	1/4	15/16	3/8	.175	9/16	1/16	3/32	30
10113	1/4-20	9/16	1/4	1"	3/8	.175	5/8	1/16	3/32	30
10114	1/4-20	9/16	1/4	1-1/16	3/8	.175	11/16	1/16	3/32	30
10115	1/4-20	9/16	1/4	1-1/8	3/8	.175	3/4	1/16	3/32	30
10116	1/4-20	9/16	1/4	1-3/16	3/8	.175	13/16	1/16	3/32	30
10117	1/4-20	9/16	1/4	1-1/4	3/8	.175	7/8	1/16	3/32	30
10118	1/4-20	9/16	1/4	1-5/16	3/8	.175	15/16	1/16	3/32	30
10119	1/4-20	9/16	1/4	1-3/8	3/8	.175	1"	1/16	3/32	30
10120	1/4-20	9/16	1/4	1-7/16	3/8	.175	1-1/16	1/16	3/32	30
10121	1/4-20	9/16	1/4	1-1/2	3/8	.175	1-1/8	1/16	3/32	30
10122	1/4-20	9/16	1/4	1-9/16	3/8	.175	1-3/16	1/16	3/32	30
10123	1/4-20	9/16	1/4	1-5/8	3/8	.175	1-1/4	1/16	3/32	30
10124	1/4-20	9/16	1/4	1-11/16	3/8	.175	1-5/16	1/16	3/32	30
10125	1/4-20	9/16	1/4	1-3/4	3/8	.175	1-3/8	1/16	3/32	30



MATERIAL	CODE
Brass	B
Stainless Steel	SS
Steel	S

GLOBE PANEL SCREWS

CAPTIVE PANEL SCREW — TYPE 101

SAMPLE ORDER TECHNIQUE

See Page (VII) for finish code

For parts not listed contact Sales Office **EXAMPLE: SS—10126—12**

XX

XXXXX

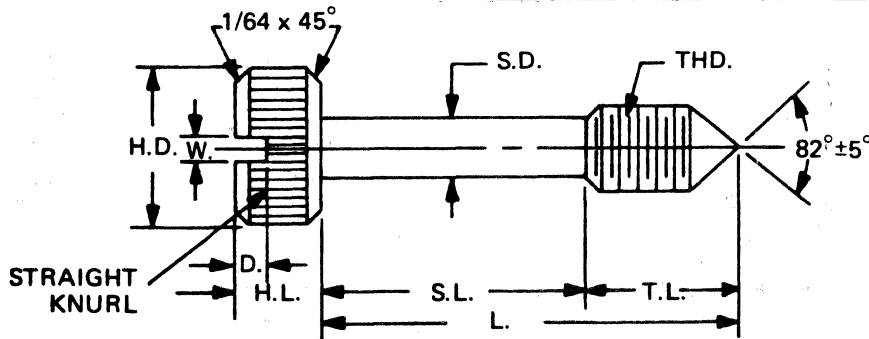
XX

MATERIAL

PART NO.

FINISH

PART NO.	THD.	H.D. +.015 -.000	H.L. ±.010	L. ±.015	T.L. ±.015	S.D. ±.005	S.L. ±.010	W. +.005 -.000	D. +.010 -.000	KNURL TPI
10126	1/4-20	9/16	1/4	1-13/16	3/8	.175	1-7/16	1/16	3/32	30
10127	1/4-20	9/16	1/4	1-7/8	3/8	.175	1-1/2	1/16	3/32	30
10128	1/4-20	9/16	1/4	1-15/16	3/8	.175	1-9/16	1/16	3/32	30
10129	1/4-20	9/16	1/4	2"	3/8	.175	1-5/8	1/16	3/32	30
10130	1/4-20	3/4	1/4	5/8	3/8	.175	1/4	1/16	1/8	30
10131	1/4-20	3/4	1/4	11/16	3/8	.175	5/16	1/16	1/8	30
10132	1/4-20	3/4	1/4	3/4	3/8	.175	3/8	1/16	1/8	30
10133	1/4-20	3/4	1/4	13/16	3/8	.175	7/16	1/16	1/8	30
10134	1/4-20	3/4	1/4	7/8	3/8	.175	1/2	1/16	1/8	30
10135	1/4-20	3/4	1/4	15/16	3/8	.175	9/16	1/16	1/8	30
10136	1/4-20	3/4	1/4	1"	3/8	.175	5/8	1/16	1/8	30
10137	1/4-20	3/4	1/4	1-1/16	3/8	.175	11/16	1/16	1/8	30
10138	1/4-20	3/4	1/4	1-1/8	3/8	.175	3/4	1/16	1/8	30
10139	1/4-20	3/4	1/4	1-3/16	3/8	.175	13/16	1/16	1/8	30
10140	1/4-20	3/4	1/4	1-1/4	3/8	.175	7/8	1/16	1/8	30
10141	1/4-20	3/4	1/4	1-5/16	3/8	.175	15/16	1/16	1/8	30
10142	1/4-20	3/4	1/4	1-3/8	3/8	.175	1"	1/16	1/8	30
10143	1/4-20	3/4	1/4	1-7/16	3/8	.175	1-1/16	1/16	1/8	30
10144	1/4-20	3/4	1/4	1-1/2	3/8	.175	1-1/8	1/16	1/8	30
10145	1/4-20	3/4	1/4	1-9/16	3/8	.175	1-3/16	1/16	1/8	30
10146	1/4-20	3/4	1/4	1-5/8	3/8	.175	1-1/4	1/16	1/8	30
10147	1/4-20	3/4	1/4	1-11/16	3/8	.175	1-5/16	1/16	1/8	30
10148	1/4-20	3/4	1/4	1-3/4	3/8	.175	1-3/8	1/16	1/8	30
10149	1/4-20	3/4	1/4	1-13/16	3/8	.175	1-7/16	1/16	1/8	30
10150	1/4-20	3/4	1/4	1-7/8	3/8	.175	1-1/2	1/16	1/8	30
10151	1/4-20	3/4	1/4	1-15/16	3/8	.175	1-9/16	1/16	1/8	30
10152	1/4-20	3/4	1/4	2"	3/8	.175	1-5/8	1/16	1/8	30



MATERIAL	CODE
Brass	B
Stainless Steel	SS
Steel	S

GLOBE PANEL SCREWS

CAPTIVE PANEL SCREW — TYPE 101

SAMPLE ORDER TECHNIQUE

EXAMPLE: SS—10153—12

XX

XXXXX

XX

MATERIAL

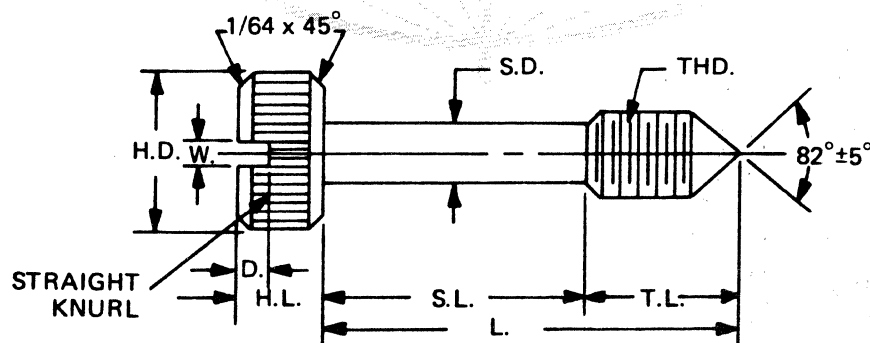
PART NO.

FINISH

See Page (VII) for finish code

For parts not listed contact Sales Office

PART NO.	THD.	H.D. +.015 -.000	H.L. ±.010	L. ±.015	T.L. ±.015	S.D. ±.005	S.L. ±.010	W. +.005 -.000	D. +.010 -.000	KNURL TPI
10153	1/4-28	9/16	1/4	5/8	3/8	.175	1/4	1/16	3/32	30
10154	1/4-28	9/16	1/4	11/16	3/8	.175	5/16	1/16	3/32	30
10155	1/4-28	9/16	1/4	3/4	3/8	.175	3/8	1/16	3/32	30
10156	1/4-28	9/16	1/4	13/16	3/8	.175	7/16	1/16	3/32	30
10157	1/4-28	9/16	1/4	7/8	3/8	.175	1/2	1/16	3/32	30
10158	1/4-28	9/16	1/4	15/16	3/8	.175	9/16	1/16	3/32	30
10159	1/4-28	9/16	1/4	1"	3/8	.175	5/8	1/16	3/32	30
10160	1/4-28	9/16	1/4	1-1/16	3/8	.175	11/16	1/16	3/32	30
10161	1/4-28	9/16	1/4	1-1/8	3/8	.175	3/4	1/16	3/32	30
10162	1/4-28	9/16	1/4	1-3/16	3/8	.175	13/16	1/16	3/32	30
10163	1/4-28	9/16	1/4	1-1/4	3/8	.175	7/8	1/16	3/32	30
10164	1/4-28	9/16	1/4	1-5/16	3/8	.175	15/16	1/16	3/32	30
10165	1/4-28	9/16	1/4	1-3/8	3/8	.175	1"	1/16	3/32	30
10166	1/4-28	9/16	1/4	1-7/16	3/8	.175	1-1/16	1/16	3/32	30
10167	1/4-28	9/16	1/4	1-1/2	3/8	.175	1-1/8	1/16	3/32	30
10168	1/4-28	9/16	1/4	1-9/16	3/8	.175	1-3/16	1/16	3/32	30
10169	1/4-28	9/16	1/4	1-5/8	3/8	.175	1-1/4	1/16	3/32	30
10170	1/4-28	9/16	1/4	1-11/16	3/8	.175	1-5/16	1/16	3/32	30
10171	1/4-28	9/16	1/4	1-3/4	3/8	.175	1-3/8	1/16	3/32	30



MATERIAL	CODE
Brass	B
Stainless Steel	SS
Steel	S

GLOBE PANEL SCREWS

CAPTIVE PANEL SCREW — TYPE 101

SAMPLE ORDER TECHNIQUE

See Page (VII) for finish code

For parts not listed contact Sales Office

EXAMPLE: SS—10172—12

XX

XXXXX

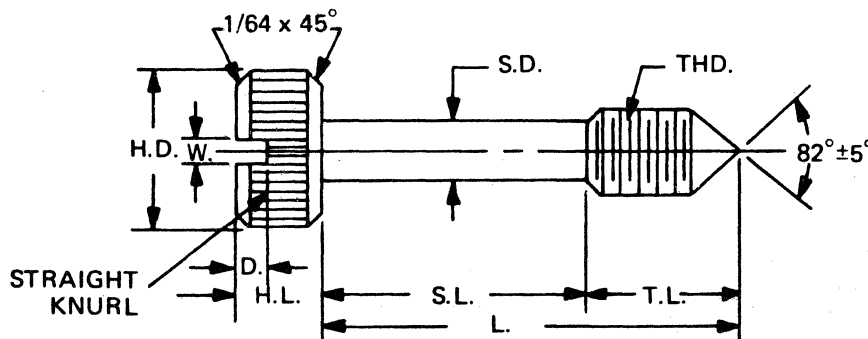
XX

MATERIAL

PART NO.

FINISH

PART NO.	THD.	H.D. +.015 -.000	H.L. ±.010	L. ±.015	T.L. ±.015	S.D. ±.005	S.L. ±.010	W. +.005 -.000	D. +.010 -.000	KNURL TPI
10172	1/4-28	9/16	1/4	1-13/16	3/8	.175	1-7/16	1/16	3/32	30
10173	1/4-28	9/16	1/4	1-7/8	3/8	.175	1-1/2	1/16	3/32	30
10174	1/4-28	9/16	1/4	1-15/16	3/8	.175	1-9/16	1/16	3/32	30
10175	1/4-28	9/16	1/4	2"	3/8	.175	1-5/8	1/16	3/32	30
10176	1/4-28	3/4	1/4	5/8	3/8	.175	1/4	1/16	1/8	30
10177	1/4-28	3/4	1/4	11/16	3/8	.175	5/16	1/16	1/8	30
10178	1/4-28	3/4	1/4	3/4	3/8	.175	3/8	1/16	1/8	30
10179	1/4-28	3/4	1/4	13/16	3/8	.175	7/16	1/16	1/8	30
10180	1/4-28	3/4	1/4	7/8	3/8	.175	1/2	1/16	1/8	30
10181	1/4-28	3/4	1/4	15/16	3/8	.175	9/16	1/16	1/8	30
10182	1/4-28	3/4	1/4	1"	3/8	.175	5/8	1/16	1/8	30
10183	1/4-28	3/4	1/4	1-1/16	3/8	.175	11/16	1/16	1/8	30
10184	1/4-28	3/4	1/4	1-1/8	3/8	.175	3/4	1/16	1/8	30
10185	1/4-28	3/4	1/4	1-3/16	3/8	.175	13/16	1/16	1/8	30
10186	1/4-28	3/4	1/4	1-1/4	3/8	.175	7/8	1/16	1/8	30
10187	1/4-28	3/4	1/4	1-5/16	3/8	.175	15/16	1/16	1/8	30
10188	1/4-28	3/4	1/4	1-3/8	3/8	.175	1"	1/16	1/8	30
10189	1/4-28	3/4	1/4	1-7/16	3/8	.175	1-1/16	1/16	1/8	30
10190	1/4-28	3/4	1/4	1-1/2	3/8	.175	1-1/8	1/16	1/8	30
10191	1/4-28	3/4	1/4	1-9/16	3/8	.175	1-3/16	1/16	1/8	30
10192	1/4-28	3/4	1/4	1-5/8	3/8	.175	1-1/4	1/16	1/8	30
10193	1/4-28	3/4	1/4	1-11/16	3/8	.175	1-5/16	1/16	1/8	30
10194	1/4-28	3/4	1/4	1-3/4	3/8	.175	1-3/8	1/16	1/8	30
10195	1/4-28	3/4	1/4	1-13/16	3/8	.175	1-7/16	1/16	1/8	30
10196	1/4-28	3/4	1/4	1-7/8	3/8	.175	1-1/2	1/16	1/8	30
10197	1/4-28	3/4	1/4	1-15/16	3/8	.175	1-9/16	1/16	1/8	30
10198	1/4-28	3/4	1/4	2"	3/8	.175	1-5/8	1/16	1/8	30



MATERIAL	CODE
Brass	B
Stainless Steel	SS
Steel	S

GLOBE PANEL SCREWS

CAPTIVE PANEL SCREW — TYPE 101

SAMPLE ORDER TECHNIQUE

EXAMPLE: SS—10199—12

XX

XXXXX

XX

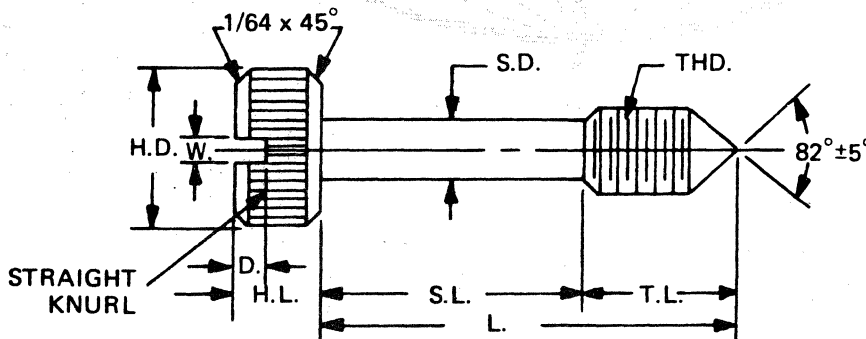
MATERIAL

PART NO.

FINISH

See Page (VII) for finish code
For parts not listed contact Sales Office

PART NO.	THD.	H.D. +.015 -.000	H.L. ±.010	L. ±.015	T.L. ±.015	S.D. ±.005	S.L. ±.010	W. +.005 -.000	D. +.010 -.000	KNURL TPI
10199	5/16-18	9/16	1/4	1"	3/8	.235	5/8	1/16	3/32	30
10200	5/16-18	9/16	1/4	1-1/16	3/8	.235	11/16	1/16	3/32	30
10201	5/16-18	9/16	1/4	1-1/8	3/8	.235	3/4	1/16	3/32	30
10202	5/16-18	9/16	1/4	1-3/16	3/8	.235	13/16	1/16	3/32	30
10203	5/16-18	9/16	1/4	1-1/4	3/8	.235	7/8	1/16	3/32	30
10204	5/16-18	9/16	1/4	1-5/16	3/8	.235	15/16	1/16	3/32	30
10205	5/16-18	9/16	1/4	1-3/8	3/8	.235	1"	1/16	3/32	30
10206	5/16-18	9/16	1/4	1-7/16	3/8	.235	1-1/16	1/16	3/32	30
10207	5/16-18	9/16	1/4	1-1/2	3/8	.235	1-1/8	1/16	3/32	30
10208	5/16-18	9/16	1/4	1-9/16	3/8	.235	1-3/16	1/16	3/32	30
10209	5/16-18	9/16	1/4	1-5/8	3/8	.235	1-1/4	1/16	3/32	30
10210	5/16-18	9/16	1/4	1-11/16	3/8	.235	1-5/16	1/16	3/32	30
10211	5/16-18	9/16	1/4	1-3/4	3/8	.235	1-3/8	1/16	3/32	30
10212	5/16-18	9/16	1/4	1-13/16	3/8	.235	1-7/16	1/16	3/32	30
10213	5/16-18	9/16	1/4	1-7/8	3/8	.235	1-1/2	1/16	3/32	30
10214	5/16-18	9/16	1/4	1-15/16	3/8	.235	1-9/16	1/16	3/32	30
10215	5/16-18	9/16	1/4	2"	3/8	.235	1-5/8	1/16	3/32	30
10216	5/16-18	3/4	1/4	1"	3/8	.235	5/8	1/16	1/8	30
10217	5/16-18	3/4	1/4	1-1/16	3/8	.235	11/16	1/16	1/8	30



MATERIAL	CODE
Brass	B
Stainless Steel	SS
Steel	S

GLOBE PANEL SCREWS

CAPTIVE PANEL SCREW — TYPE 101

SAMPLE ORDER TECHNIQUE

See Page (VII) for finish code
For parts not listed contact Sales Office

EXAMPLE: SS—10218—12

XX

XXXXX

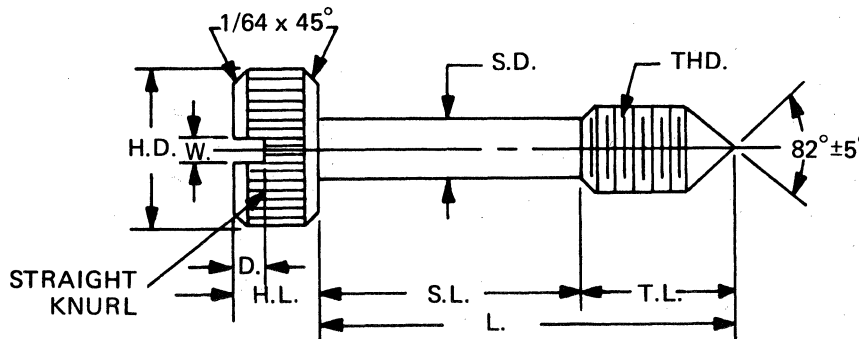
XX

MATERIAL

PART NO.

FINISH

PART NO.	THD.	H.D. +.015 -.000	H.L. ±.010	L. ±.015	T.L. ±.015	S.D. ±.005	S.L. ±.010	W. +.005 -.000	D. +.010 -.000	KNURL TPI
10218	5/16-18	3/4	1/4	1-1/8	3/8	.235	3/4	1/16	1/8	30
10219	5/16-18	3/4	1/4	1-3/16	3/8	.235	13/16	1/16	1/8	30
10220	5/16-18	3/4	1/4	1-1/4	3/8	.235	7/8	1/16	1/8	30
10221	5/16-18	3/4	1/4	1-5/16	3/8	.235	15/16	1/16	1/8	30
10222	5/16-18	3/4	1/4	1-3/8	3/8	.235	1"	1/16	1/8	30
10223	5/16-18	3/4	1/4	1-7/16	3/8	.235	1-1/16	1/16	1/8	30
10224	5/16-18	3/4	1/4	1-1/2	3/8	.235	1-1/8	1/16	1/8	30
10225	5/16-18	3/4	1/4	1-9/16	3/8	.235	1-3/16	1/16	1/8	30
10226	5/16-18	3/4	1/4	1-5/8	3/8	.235	1-1/4	1/16	1/8	30
10227	5/16-18	3/4	1/4	1-11/16	3/8	.235	1-5/16	1/16	1/8	30
10228	5/16-18	3/4	1/4	1-3/4	3/8	.235	1-3/8	1/16	1/8	30
10229	5/16-18	3/4	1/4	1-13/16	3/8	.235	1-7/16	1/16	1/8	30
10230	5/16-18	3/4	1/4	1-7/8	3/8	.235	1-1/2	1/16	1/8	30
10231	5/16-18	3/4	1/4	1-15/16	3/8	.235	1-9/16	1/16	1/8	30
10232	5/16-18	3/4	1/4	2"	3/8	.235	1-5/8	1/16	1/8	30
10233	5/16-24	9/16	1/4	1"	3/8	.235	5/8	1/16	3/32	30
10234	5/16-24	9/16	1/4	1-1/16	3/8	.235	11/16	1/16	3/32	30
10235	5/16-24	9/16	1/4	1-1/8	3/8	.235	3/4	1/16	3/32	30
10236	5/16-24	9/16	1/4	1-3/16	3/8	.235	13/16	1/16	3/32	30
10237	5/16-24	9/16	1/4	1-1/4	3/8	.235	7/8	1/16	3/32	30
10238	5/16-24	9/16	1/4	1-5/16	3/8	.235	15/16	1/16	3/32	30
10239	5/16-24	9/16	1/4	1-3/8	3/8	.235	1"	1/16	3/32	30
10240	5/16-24	9/16	1/4	1-7/16	3/8	.235	1-1/16	1/16	3/32	30
10241	5/16-24	9/16	1/4	1-1/2	3/8	.235	1-1/8	1/16	3/32	30
10242	5/16-24	9/16	1/4	1-9/16	3/8	.235	1-3/16	1/16	3/32	30
10243	5/16-24	9/16	1/4	1-5/8	3/8	.235	1-1/4	1/16	3/32	30
10244	5/16-24	9/16	1/4	1-11/16	3/8	.235	1-5/16	1/16	3/32	30



MATERIAL	CODE
Brass	B
Stainless Steel	SS
Steel	S

GLOBE PANEL SCREWS

CAPTIVE PANEL SCREW — TYPE 101

SAMPLE ORDER TECHNIQUE

See Page (VII)
For Finish Code

For parts not listed contact Sales Office

EXAMPLE: SS—10245—12

XX

XXXXX

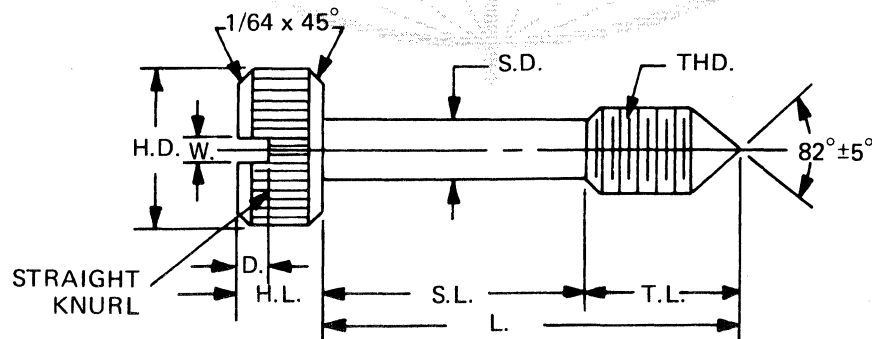
XX

MATERIAL

PART NO.

FINISH

PART NO.	THD.	H.D. +.015 -.000	H.L. ±.010	L. ±.015	T.L. ±.015	S.D. ±.005	S.L. ±.010	W. +.005 -.000	D. +.010 -.000	KNURL TPI
10245	5/16-24	9/16	1/4	1-3/4	3/8	.235	1-3/8	1/16	3/32	30
10246	5/16-24	9/16	1/4	1-13/16	3/8	.235	1-7/16	1/16	3/32	30
10247	5/16-24	9/16	1/4	1-7/8	3/8	.235	1-1/2	1/16	3/32	30
10248	5/16-24	9/16	1/4	1-15/16	3/8	.235	1-9/16	1/16	3/32	30
10249	5/16-24	9/16	1/4	2"	3/8	.235	1-5/8	1/16	3/32	30
10250	5/16-24	3/4	1/4	1"	3/8	.235	5/8	1/16	1/8	30
10251	5/16-24	3/4	1/4	1-1/16	3/8	.235	11/16	1/16	1/8	30
10252	5/16-24	3/4	1/4	1-1/8	3/8	.235	3/4	1/16	1/8	30
10253	5/16-24	3/4	1/4	1-3/16	3/8	.235	13/16	1/16	1/8	30
10254	5/16-24	3/4	1/4	1-1/4	3/8	.235	7/8	1/16	1/8	30
10255	5/16-24	3/4	1/4	1-5/16	3/8	.235	15/16	1/16	1/8	30
10256	5/16-24	3/4	1/4	1-3/8	3/8	.235	1"	1/16	1/8	30
10257	5/16-24	3/4	1/4	1-7/16	3/8	.235	1-1/16	1/16	1/8	30
10258	5/16-24	3/4	1/4	1-1/2	3/8	.235	1-1/8	1/16	1/8	30
10259	5/16-24	3/4	1/4	1-9/16	3/8	.235	1-3/16	1/16	1/8	30
10260	5/16-24	3/4	1/4	1-5/8	3/8	.235	1-1/4	1/16	1/8	30
10261	5/16-24	3/4	1/4	1-11/16	3/8	.235	1-5/16	1/16	1/8	30
10262	5/16-24	3/4	1/4	1-3/4	3/8	.235	1-3/8	1/16	1/8	30
10263	5/16-24	3/4	1/4	1-13/16	3/8	.235	1-7/16	1/16	1/8	30
10264	5/16-24	3/4	1/4	1-7/8	3/8	.235	1-1/2	1/16	1/8	30
10265	5/16-24	3/4	1/4	1-15/16	3/8	.235	1-9/16	1/16	1/8	30
10266	5/16-24	3/4	1/4	2"	3/8	.235	1-5/8	1/16	1/8	30



MATERIAL	CODE
Brass	B
Stainless Steel	SS
Steel	S

GLOBE PANEL SCREWS

CAPTIVE PANEL SCREW — TYPE 102

SAMPLE ORDER TECHNIQUE

EXAMPLE: SS—10267—12

XX

XXXXX

XX

MATERIAL

PART NO.

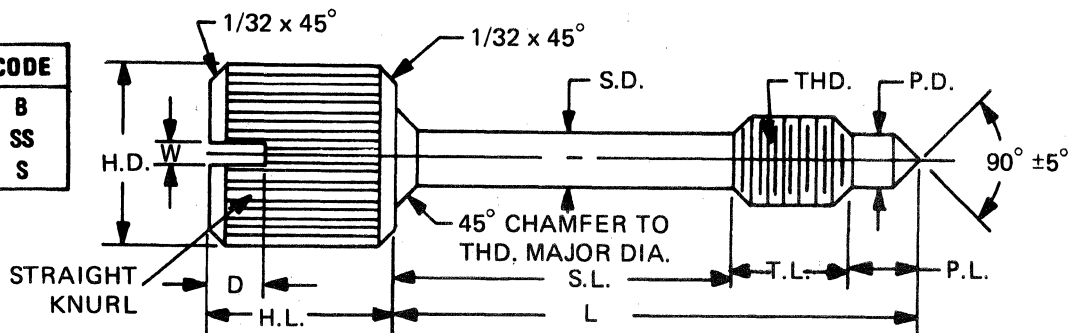
FINISH

See Page (VII) for finish code

For parts not listed contact Sales Office

PART NO.	THD.	H.D. +.015 -.000	H.L. ±.010	L. ±.015	T.L. +.000 -.015	S.D. ±.005	S.L. ±.010	P.D. +.000 -.010	P.L. ±.015	W. +.005 -.000	D. +.010 -.000	KNURL TPI
10267	4-40	1/4	1/4	3/8	1/8	.078	11/64	.078	5/64	3/64	5/64	35
10268	4-40	1/4	1/4	7/16	1/8	.078	15/64	.078	5/64	3/64	5/64	35
10269	4-40	1/4	1/4	1/2	1/8	.078	19/64	.078	5/64	3/64	5/64	35
10270	4-40	1/4	1/4	9/16	1/8	.078	23/64	.078	5/64	3/64	5/64	35
10271	4-40	1/4	1/4	5/8	1/8	.078	27/64	.078	5/64	3/64	5/64	35
10272	4-40	1/4	1/4	11/16	1/8	.078	31/64	.078	5/64	3/64	5/64	35
10273	4-40	1/4	1/4	3/4	1/8	.078	35/64	.078	5/64	3/64	5/64	35
10274	4-40	1/4	1/4	13/16	1/8	.078	39/64	.078	5/64	3/64	5/64	35
10275	4-40	1/4	1/4	7/8	1/8	.078	43/64	.078	5/64	3/64	5/64	35
10276	4-40	1/4	1/4	15/16	1/8	.078	47/64	.078	5/64	3/64	5/64	35
10277	4-40	1/4	1/4	1"	1/8	.078	51/64	.078	5/64	3/64	5/64	35
10278	4-40	5/16	5/16	3/8	1/8	.078	11/64	.078	5/64	3/64	5/64	35
10279	4-40	5/16	5/16	7/16	1/8	.078	15/64	.078	5/64	3/64	5/64	35
10280	4-40	5/16	5/16	1/2	1/8	.078	19/64	.078	5/64	3/64	5/64	35
10281	4-40	5/16	5/16	9/16	1/8	.078	23/64	.078	5/64	3/64	5/64	35
10282	4-40	5/16	5/16	5/8	1/8	.078	27/64	.078	5/64	3/64	5/64	35
10283	4-40	5/16	5/16	11/16	1/8	.078	31/64	.078	5/64	3/64	5/64	35
10284	4-40	5/16	5/16	3/4	1/8	.078	35/64	.078	5/64	3/64	5/64	35
10285	4-40	5/16	5/16	13/16	1/8	.078	39/64	.078	5/64	3/64	5/64	35
10286	4-40	5/16	5/16	7/8	1/8	.078	43/64	.078	5/64	3/64	5/64	35
10287	4-40	5/16	5/16	15/16	1/8	.078	47/64	.078	5/64	3/64	5/64	35
10288	4-40	5/16	5/16	1"	1/8	.078	51/64	.078	5/64	3/64	5/64	35

MATERIAL	CODE
Brass	B
Stainless Steel	SS
Steel	S



GLOBE PANEL SCREWS

CAPTIVE PANEL SCREW — TYPE 102

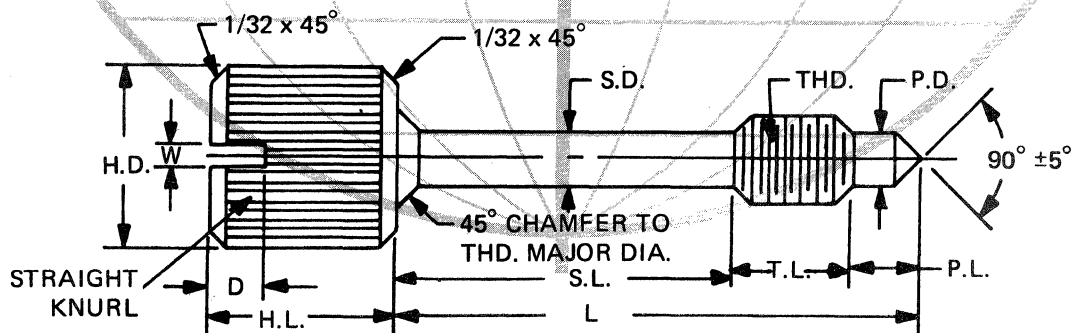
SAMPLE ORDER TECHNIQUE

EXAMPLE: SS—10289—12

XX XXXXX XX
MATERIAL **PART NO.** **FINISH**

See Page (VII) for finish code
 For parts not listed contact Sales Office

PART NO.	THD.	H.D. +.015 -.000	H.L. ±.010	L. ±.015	T.L. +.000 -.015	S.D. ±.005	S.L. ±.010	P.D. +.000 -.010	P.L. ±.015	W. +.005 -.000	D. +.010 -.000	KNURL TPI
10289	6-32	5/16	5/16	7/16	7/32	.095	1/8	.095	3/32	3/64	5/64	35
10290	6-32	5/16	5/16	1/2	7/32	.095	3/16	.095	3/32	3/64	5/64	35
10291	6-32	5/16	5/16	9/16	7/32	.095	1/4	.095	3/32	3/64	5/64	35
10292	6-32	5/16	5/16	5/8	7/32	.095	5/16	.095	3/32	3/64	5/64	35
10293	6-32	5/16	5/16	11/16	7/32	.095	3/8	.095	3/32	3/64	5/64	35
10294	6-32	5/16	5/16	3/4	7/32	.095	7/16	.095	3/32	3/64	5/64	35
10295	6-32	5/16	5/16	13/16	7/32	.095	1/2	.095	3/32	3/64	5/64	35
10296	6-32	5/16	5/16	7/8	7/32	.095	9/16	.095	3/32	3/64	5/64	35
10297	6-32	5/16	5/16	15/16	7/32	.095	5/8	.095	3/32	3/64	5/64	35
10298	6-32	5/16	5/16	1"	7/32	.095	11/16	.095	3/32	3/64	5/64	35
10299	6-32	5/16	5/16	1-1/16	7/32	.095	3/4	.095	3/32	3/64	5/64	35
10300	6-32	5/16	5/16	1-1/8	7/32	.095	13/16	.095	3/32	3/64	5/64	35
10301	6-32	5/16	5/16	1-3/16	7/32	.095	7/8	.095	3/32	3/64	5/64	35
10302	6-32	5/16	5/16	1-1/4	7/32	.095	15/16	.095	3/32	3/64	5/64	35



MATERIAL	CODE
Brass	B
Stainless Steel	SS
Steel	S

GLOBE PANEL SCREWS

CAPTIVE PANEL SCREW — TYPE 102

SAMPLE ORDER TECHNIQUE

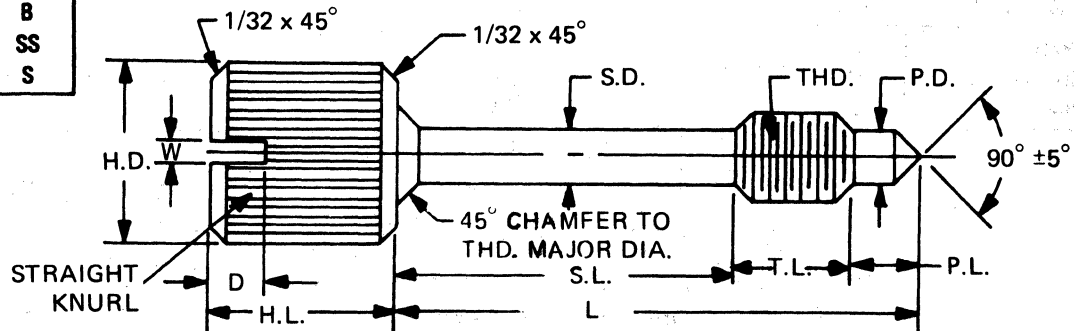
EXAMPLE: SS—10303—12

XX XXXXX XX
MATERIAL **PART NO.** **FINISH**

See Page (VII) for finish code
 For parts not listed contact Sales Office

PART NO.	THD.	H.D. +.015 -.000	H.L. ±.010	L. ±.015	T.L. +.000 -.015	S.D. ±.005	S.L. ±.010	P.D. +.000 -.010	P.L. ±.015	W. +.005 -.000	D. +.010 -.000	KNURL TPI
10303	8-32	5/16	5/16	7/16	7/32	.120	1/8	.120	3/32	3/64	5/64	35
10304	8-32	5/16	5/16	1/2	7/32	.120	3/16	.120	3/32	3/64	5/64	35
10305	8-32	5/16	5/16	9/16	7/32	.120	1/4	.120	3/32	3/64	5/64	35
10306	8-32	5/16	5/16	5/8	7/32	.120	5/16	.120	3/32	3/64	5/64	35
10307	8-32	5/16	5/16	11/16	7/32	.120	3/8	.120	3/32	3/64	5/64	35
10308	8-32	5/16	5/16	3/4	7/32	.120	7/16	.120	3/32	3/64	5/64	35
10309	8-32	5/16	5/16	13/16	7/32	.120	1/2	.120	3/32	3/64	5/64	35
10310	8-32	5/16	5/16	7/8	7/32	.120	9/16	.120	3/32	3/64	5/64	35
10311	8-32	5/16	5/16	15/16	7/32	.120	5/8	.120	3/32	3/64	5/64	35
10312	8-32	5/16	5/16	1"	7/32	.120	11/16	.120	3/32	3/64	5/64	35
10313	8-32	5/16	5/16	1-1/16	7/32	.120	3/4	.120	3/32	3/64	5/64	35
10314	8-32	5/16	5/16	1-1/8	7/32	.120	13/16	.120	3/32	3/64	5/64	35
10315	8-32	5/16	5/16	1-3/16	7/32	.120	7/8	.120	3/32	3/64	5/64	35
10316	8-32	5/16	5/16	1-1/4	7/32	.120	15/16	.120	3/32	3/64	5/64	35
10317	10-24	3/8	7/16	1/2	1/4	.130	3/32	.130	5/32	1/16	3/32	35
10318	10-24	3/8	7/16	9/16	1/4	.130	5/32	.130	5/32	1/16	3/32	35
10319	10-24	3/8	7/16	5/8	1/4	.130	7/32	.130	5/32	1/16	3/32	35
10320	10-24	3/8	7/16	11/16	1/4	.130	9/32	.130	5/32	1/16	3/32	35
10321	10-24	3/8	7/16	3/4	1/4	.130	11/32	.130	5/32	1/16	3/32	35

MATERIAL	CODE
Brass	B
Stainless Steel	SS
Steel	S



GLOBE PANEL SCREWS

CAPTIVE PANEL SCREW — TYPE 102

SAMPLE ORDER TECHNIQUE

EXAMPLE: SS—10322—12

XX

XXXXX

XX

MATERIAL

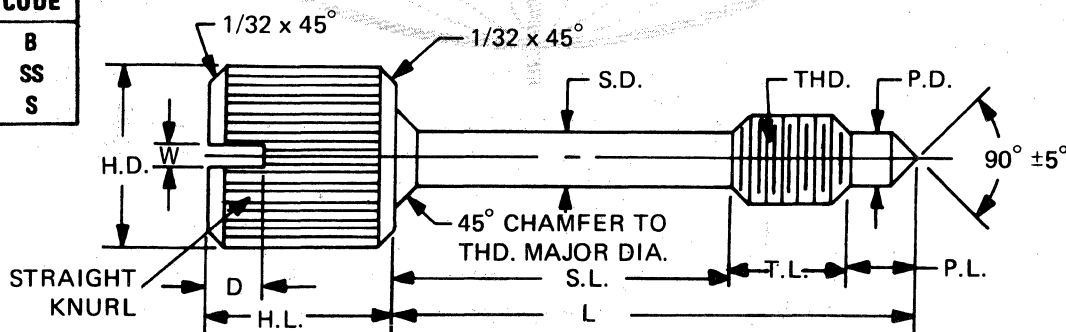
PARTNO.

FINISH

See Page (VII) for finish code
For parts not listed contact Sales Office

PART NO.	THD.	H.D. +.015 -.000	H.L. ±.010	L. ±.015	T.L. +.000 -.015	S.D. ±.005	S.L. ±.010	P.D. +.000 -.010	P.L. ±.015	W. +.005 -.000	D. +.010 -.000	KNURL TPI
10322	10-24	3/8	7/16	13/16	1/4	.130	13/32	.130	5/32	1/16	3/32	35
10323	10-24	3/8	7/16	7/8	1/4	.130	15/32	.130	5/32	1/16	3/32	35
10324	10-24	3/8	7/16	15/16	1/4	.130	17/32	.130	5/32	1/16	3/32	35
10325	10-24	3/8	7/16	1"	1/4	.130	19/32	.130	5/32	1/16	3/32	35
10326	10-24	3/8	7/16	1-1/16	1/4	.130	21/32	.130	5/32	1/16	3/32	35
10327	10-24	3/8	7/16	1-1/8	1/4	.130	23/32	.130	5/32	1/16	3/32	35
10328	10-24	3/8	7/16	1-3/16	1/4	.130	25/32	.130	5/32	1/16	3/32	35
10329	10-24	3/8	7/16	1-1/4	1/4	.130	27/32	.130	5/32	1/16	3/32	35
10330	10-24	3/8	7/16	1-5/16	1/4	.130	29/32	.130	5/32	1/16	3/32	35
10331	10-24	3/8	7/16	1-3/8	1/4	.130	31/32	.130	5/32	1/16	3/32	35
10332	10-24	3/8	7/16	1-7/16	1/4	.130	1-1/32	.130	5/32	1/16	3/32	35
10333	10-24	3/8	7/16	1-1/2	1/4	.130	1-3/32	.130	5/32	1/16	3/32	35
10334	10-24	3/8	7/16	1-9/16	1/4	.130	1-5/32	.130	5/32	1/16	3/32	35
10335	10-24	3/8	7/16	1-5/8	1/4	.130	1-7/32	.130	5/32	1/16	3/32	35
10336	10-24	3/8	7/16	1-11/16	1/4	.130	1-9/32	.130	5/32	1/16	3/32	35
10337	10-24	3/8	7/16	1-3/4	1/4	.130	1-11/32	.130	5/32	1/16	3/32	35
10338	10-24	3/8	7/16	1-13/16	1/4	.130	1-13/32	.130	5/32	1/16	3/32	35
10339	10-24	3/8	7/16	1-7/8	1/4	.130	1-15/32	.130	5/32	1/16	3/32	35
10340	10-24	3/8	7/16	1-15/16	1/4	.130	1-17/32	.130	5/32	1/16	3/32	35
10341	10-24	3/8	7/16	2"	1/4	.130	1-19/32	.130	5/32	1/16	3/32	35

MATERIAL	CODE
Brass	B
Stainless Steel	SS
Steel	S



GLOBE PANEL SCREWS

CAPTIVE PANEL SCREW — TYPE 102

SAMPLE ORDER TECHNIQUE

EXAMPLE: SS—10342—12

XX

XXXXX

XX

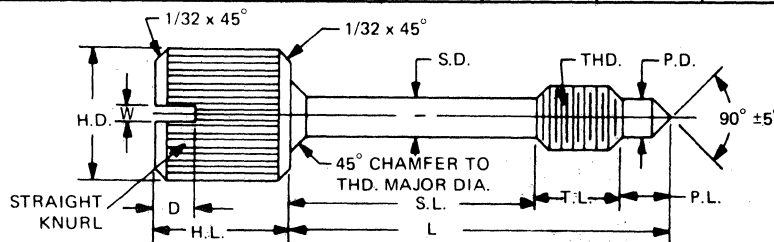
MATERIAL

PART NO.

FINISH

See Page (VII) for finish code
For parts not listed contact Sales Office

PART NO.	THD.	H.D. +.015 -.000	H.L. ±.010	L. ±.015	T.L. +.000 -.015	S.D. ±.005	S.L. ±.010	P.D. +.000 -.010	P.L. ±.015	W. +.005 -.000	D. +.010 -.000	KNURL TPI
10342	10-32	3/8	7/16	1/2	1/4	.130	3/32	.130	5/32	1/16	3/32	35
10343	10-32	3/8	7/16	9/16	1/4	.130	5/32	.130	5/32	1/16	3/32	35
10344	10-32	3/8	7/16	5/8	1/4	.130	7/32	.130	5/32	1/16	3/32	35
10345	10-32	3/8	7/16	11/16	1/4	.130	9/32	.130	5/32	1/16	3/32	35
10346	10-32	3/8	7/16	3/4	1/4	.130	11/32	.130	5/32	1/16	3/32	35
10347	10-32	3/8	7/16	13/16	1/4	.130	13/32	.130	5/32	1/16	3/32	35
10348	10-32	3/8	7/16	7/8	1/4	.130	15/32	.130	5/32	1/16	3/32	35
10349	10-32	3/8	7/16	15/16	1/4	.130	17/32	.130	5/32	1/16	3/32	35
10350	10-32	3/8	7/16	1"	1/4	.130	19/32	.130	5/32	1/16	3/32	35
10351	10-32	3/8	7/16	1-1/16	1/4	.130	21/32	.130	5/32	1/16	3/32	35
10352	10-32	3/8	7/16	1-1/8	1/4	.130	23/32	.130	5/32	1/16	3/32	35
10353	10-32	3/8	7/16	1-3/16	1/4	.130	25/32	.130	5/32	1/16	3/32	35
10354	10-32	3/8	7/16	1-1/4	1/4	.130	27/32	.130	5/32	1/16	3/32	35
10355	10-32	3/8	7/16	1-5/16	1/4	.130	29/32	.130	5/32	1/16	3/32	35
10356	10-32	3/8	7/16	1-3/8	1/4	.130	31/32	.130	5/32	1/16	3/32	35
10357	10-32	3/8	7/16	1-7/16	1/4	.130	1-1/32	.130	5/32	1/16	3/32	35
10358	10-32	3/8	7/16	1-1/2	1/4	.130	1-3/32	.130	5/32	1/16	3/32	35
10359	10-32	3/8	7/16	1-9/16	1/4	.130	1-5/32	.130	5/32	1/16	3/32	35
10360	10-32	3/8	7/16	1-5/8	1/4	.130	1-7/32	.130	5/32	1/16	3/32	35
10361	10-32	3/8	7/16	1-11/16	1/4	.130	1-9/32	.130	5/32	1/16	3/32	35
10362	10-32	3/8	7/16	1-3/4	1/4	.130	1-11/32	.130	5/32	1/16	3/32	35
10363	10-32	3/8	7/16	1-13/16	1/4	.130	1-13/32	.130	5/32	1/16	3/32	35
10364	10-32	3/8	7/16	1-7/8	1/4	.130	1-15/32	.130	5/32	1/16	3/32	35
10365	10-32	3/8	7/16	1-15/16	1/4	.130	1-17/32	.130	5/32	1/16	3/32	35
10366	10-32	3/8	7/16	2"	1/4	.130	1-19/32	.130	5/32	1/16	3/32	35



MATERIAL	CODE
Brass	B
Stainless Steel	SS
Steel	S

GLOBE PANEL SCREWS

CAPTIVE PANEL SCREW — TYPE 102

SAMPLE ORDER TECHNIQUE

EXAMPLE: SS—10367—12

XX

XXXXX

XX

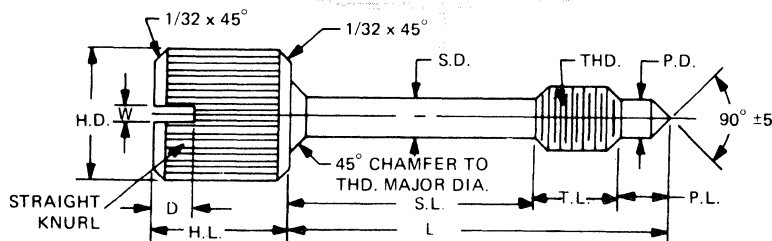
MATERIAL

PART NO.

FINISH

See Page (VII) for finish code
For parts not listed contact Sales Office

PART NO.	THD.	H.D. +.015 -.000	H.L. ±.010	L. ±.015	T.L. +.000 -.015	S.D. ±.005	S.L. ±.010	P.D. +.000 -.010	P.L. ±.015	W. +.005 -.000	D. +.010 -.000	KNURL TPI
10367	1/4-20	1/2	9/16	5/8	5/16	.175	1/8	.175	3/16	5/64	3/32	30
10368	1/4-20	1/2	9/16	11/16	5/16	.175	3/16	.175	3/16	5/64	3/32	30
10369	1/4-20	1/2	9/16	3/4	5/16	.175	1/4	.175	3/16	5/64	3/32	30
10370	1/4-20	1/2	9/16	13/16	5/16	.175	5/16	.175	3/16	5/64	3/32	30
10371	1/4-20	1/2	9/16	7/8	5/16	.175	3/8	.175	3/16	5/64	3/32	30
10372	1/4-20	1/2	9/16	15/16	5/16	.175	7/16	.175	3/16	5/64	3/32	30
10373	1/4-20	1/2	9/16	1"	5/16	.175	1/2	.175	3/16	5/64	3/32	30
10374	1/4-20	1/2	9/16	1-1/16	5/16	.175	9/16	.175	3/16	5/64	3/32	30
10375	1/4-20	1/2	9/16	1-1/8	5/16	.175	5/8	.175	3/16	5/64	3/32	30
10376	1/4-20	1/2	9/16	1-3/16	5/16	.175	11/16	.175	3/16	5/64	3/32	30
10377	1/4-20	1/2	9/16	1-1/4	5/16	.175	3/4	.175	3/16	5/64	3/32	30
10378	1/4-20	1/2	9/16	1-5/16	5/16	.175	13/16	.175	3/16	5/64	3/32	30
10379	1/4-20	1/2	9/16	1-3/8	5/16	.175	7/8	.175	3/16	5/64	3/32	30
10380	1/4-20	1/2	9/16	1-7/16	5/16	.175	15/16	.175	3/16	5/64	3/32	30
10381	1/4-20	1/2	9/16	1-1/2	5/16	.175	1"	.175	3/16	5/64	3/32	30
10382	1/4-20	1/2	9/16	1-9/16	5/16	.175	1-1/16	.175	3/16	5/64	3/32	30
10383	1/4-20	1/2	9/16	1-5/8	5/16	.175	1-1/8	.175	3/16	5/64	3/32	30
10384	1/4-20	1/2	9/16	1-11/16	5/16	.175	1-3/16	.175	3/16	5/64	3/32	30
10385	1/4-20	1/2	9/16	1-3/4	5/16	.175	1-1/4	.175	3/16	5/64	3/32	30
10386	1/4-20	1/2	9/16	1-13/16	5/16	.175	1-5/16	.175	3/16	5/64	3/32	30
10387	1/4-20	1/2	9/16	1-7/8	5/16	.175	1-3/8	.175	3/16	5/64	3/32	30
10388	1/4-20	1/2	9/16	1-15/16	5/16	.175	1-7/16	.175	3/16	5/64	3/32	30
10389	1/4-20	1/2	9/16	2"	5/16	.175	1-1/2	.175	3/16	5/64	3/32	30



MATERIAL	CODE
Brass	B
Stainless Steel	SS
Steel	S

GLOBE PANEL SCREWS

CAPTIVE PANEL SCREW — TYPE 102

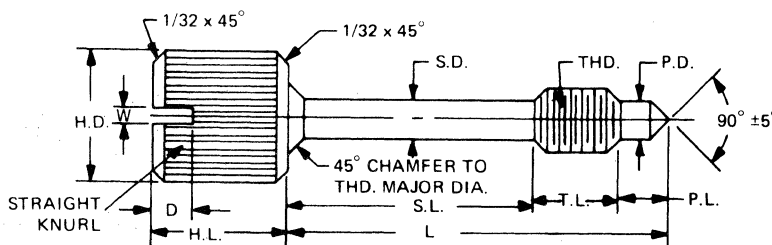
SAMPLE ORDER TECHNIQUE

EXAMPLE: SS—10390—12

XX XXXXX XX
MATERIAL **PART NO.** **FINISH**

See Page (VII) for finish code
 For parts not listed contact Sales Office

PART NO.	THD.	H.D. +.015 -.000	H.L. ±.010	L. ±.015	T.L. +.000 -.015	S.D. ±.005	S.L. ±.010	P.D. +.000 -.010	P.L. ±.015	W. +.005 -.000	D. +.010 -.000	KNURL TPI
10390	1/4-28	1/2	9/16	5/8	5/16	.175	1/8	.175	3/16	5/64	3/32	30
10391	1/4-28	1/2	9/16	11/16	5/16	.175	3/16	.175	3/16	5/64	3/32	30
10392	1/4-28	1/2	9/16	3/4	5/16	.175	1/4	.175	3/16	5/64	3/32	30
10393	1/4-28	1/2	9/16	13/16	5/16	.175	5/16	.175	3/16	5/64	3/32	30
10394	1/4-28	1/2	9/16	7/8	5/16	.175	3/8	.175	3/16	5/64	3/32	30
10395	1/4-28	1/2	9/16	15/16	5/16	.175	7/16	.175	3/16	5/64	3/32	30
10396	1/4-28	1/2	9/16	1"	5/16	.175	1/2	.175	3/16	5/64	3/32	30
10397	1/4-28	1/2	9/16	1-1/16	5/16	.175	9/16	.175	3/16	5/64	3/32	30
10398	1/4-28	1/2	9/16	1-1/8	5/16	.175	5/8	.175	3/16	5/64	3/32	30
10399	1/4-28	1/2	9/16	1-3/16	5/16	.175	11/16	.175	3/16	5/64	3/32	30
10400	1/4-28	1/2	9/16	1-1/4	5/16	.175	3/4	.175	3/16	5/64	3/32	30
10401	1/4-28	1/2	9/16	1-5/16	5/16	.175	13/16	.175	3/16	5/64	3/32	30
10402	1/4-28	1/2	9/16	1-3/8	5/16	.175	7/8	.175	3/16	5/64	3/32	30
10403	1/4-28	1/2	9/16	1-7/16	5/16	.175	15/16	.175	3/16	5/64	3/32	30
10404	1/4-28	1/2	9/16	1-1/2	5/16	.175	1"	.175	3/16	5/64	3/32	30
10405	1/4-28	1/2	9/16	1-9/16	5/16	.175	1-1/16	.175	3/16	5/64	3/32	30
10406	1/4-28	1/2	9/16	1-5/8	5/16	.175	1-1/8	.175	3/16	5/64	3/32	30
10407	1/4-28	1/2	9/16	1-11/16	5/16	.175	1-3/16	.175	3/16	5/64	3/32	30
10408	1/4-28	1/2	9/16	1-3/4	5/16	.175	1-1/4	.175	3/16	5/64	3/32	30
10409	1/4-28	1/2	9/16	1-13/16	5/16	.175	1-5/16	.175	3/16	5/64	3/32	30
10410	1/4-28	1/2	9/16	1-7/8	5/16	.175	1-3/8	.175	3/16	5/64	3/32	30
10411	1/4-28	1/2	9/16	1-15/16	5/16	.175	1-7/16	.175	3/16	5/64	3/32	30
10412	1/4-28	1/2	9/16	2"	5/16	.175	1-1/2	.175	3/16	5/64	3/32	30



MATERIAL	CODE
Brass	B
Stainless Steel	SS
Steel	S

GLOBE PANEL SCREWS

CAPTIVE PANEL SCREW — TYPE 102

SAMPLE ORDER TECHNIQUE

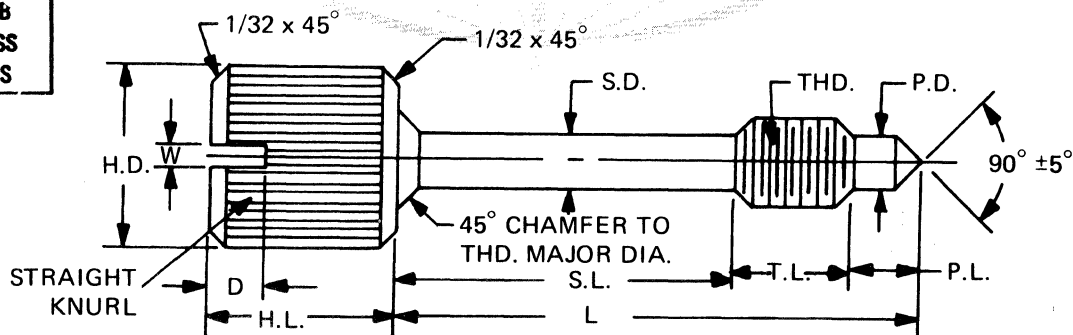
EXAMPLE: SS—10413—12

XX XXXXX XX
MATERIAL **PART NO.** **FINISH**

See Page (VII) for finish code
 For parts not listed contact Sales Office

PART NO.	THD.	H.D. +.015 -.000	H.L. ±.010	L. ±.015	T.L. +.000 -.015	S.D. ±.005	S.L. ±.010	P.D. +.000 -.010	P.L. ±.015	W. +.005 -.000	D. +.010 -.000	KNURL TPI
10413	5/16-18	5/8	11/16	7/8	3/8	.230	1/4	.230	1/4	3/32	1/8	30
10414	5/16-18	5/8	11/16	15/16	3/8	.230	5/16	.230	1/4	3/32	1/8	30
10415	5/16-18	5/8	11/16	1"	3/8	.230	3/8	.230	1/4	3/32	1/8	30
10416	5/16-18	5/8	11/16	1-1/16	3/8	.230	7/16	.230	1/4	3/32	1/8	30
10417	5/16-18	5/8	11/16	1-1/8	3/8	.230	1/2	.230	1/4	3/32	1/8	30
10418	5/16-18	5/8	11/16	1-3/16	3/8	.230	9/16	.230	1/4	3/32	1/8	30
10419	5/16-18	5/8	11/16	1-1/4	3/8	.230	5/8	.230	1/4	3/32	1/8	30
10420	5/16-18	5/8	11/16	1-5/16	3/8	.230	11/16	.230	1/4	3/32	1/8	30
10421	5/16-18	5/8	11/16	1-3/8	3/8	.230	3/4	.230	1/4	3/32	1/8	30
10422	5/16-18	5/8	11/16	1-7/16	3/8	.230	13/16	.230	1/4	3/32	1/8	30
10423	5/16-18	5/8	11/16	1-1/2	3/8	.230	7/8	.230	1/4	3/32	1/8	30
10424	5/16-18	5/8	11/16	1-9/16	3/8	.230	15/16	.230	1/4	3/32	1/8	30
10425	5/16-18	5/8	11/16	1-5/8	3/8	.230	1"	.230	1/4	3/32	1/8	30
10426	5/16-18	5/8	11/16	1-11/16	3/8	.230	1-1/16	.230	1/4	3/32	1/8	30
10427	5/16-18	5/8	11/16	1-3/4	3/8	.230	1-1/8	.230	1/4	3/32	1/8	30
10428	5/16-18	5/8	11/16	1-13/16	3/8	.230	1-3/16	.230	1/4	3/32	1/8	30
10429	5/16-18	5/8	11/16	1-7/8	3/8	.230	1-1/4	.230	1/4	3/32	1/8	30
10430	5/16-18	5/8	11/16	1-15/16	3/8	.230	1-5/16	.230	1/4	3/32	1/8	30
10431	5/16-18	5/8	11/16	2"	3/8	.230	1-3/8	.230	1/4	3/32	1/8	30

MATERIAL	CODE
Brass	B
Stainless Steel	SS
Steel	S



GLOBE PANEL SCREWS

CAPTIVE PANEL SCREW — TYPE 102

SAMPLE ORDER TECHNIQUE

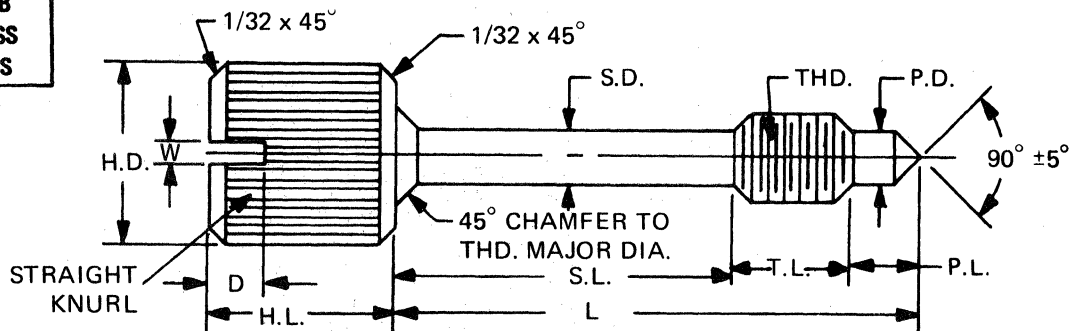
EXAMPLE: SS—10432—12

XX XXXXX XX
MATERIAL **PART NO.** **FINISH**

See Page (VII) for finish code
 For parts not listed contact Sales Office

PART NO.	THD.	H.D. +.015 -.000	H.L. ±.010	L. ±.015	T.L. +.000 -.015	S.D. ±.005	S.L. ±.010	P.D. +.000 -.010	P.L. ±.015	W. +.005 -.000	D. +.010 -.000	KNURL TPI
10432	5/16-24	5/8	11/16	7/8	3/8	.230	1/4	.230	1/4	3/32	1/8	30
10433	5/16-24	5/8	11/16	15/16	3/8	.230	5/16	.230	1/4	3/32	1/8	30
10434	5/16-24	5/8	11/16	1"	3/8	.230	3/8	.230	1/4	3/32	1/8	30
10435	5/16-24	5/8	11/16	1-1/16	3/8	.230	7/16	.230	1/4	3/32	1/8	30
10436	5/16-24	5/8	11/16	1-1/8	3/8	.230	1/2	.230	1/4	3/32	1/8	30
10437	5/16-24	5/8	11/16	1-3/16	3/8	.230	9/16	.230	1/4	3/32	1/8	30
10438	5/16-24	5/8	11/16	1-1/4	3/8	.230	5/8	.230	1/4	3/32	1/8	30
10439	5/16-24	5/8	11/16	1-5/16	3/8	.230	11/16	.230	1/4	3/32	1/8	30
10440	5/16-24	5/8	11/16	1-3/8	3/8	.230	3/4	.230	1/4	3/32	1/8	30
10441	5/16-24	5/8	11/16	1-7/16	3/8	.230	13/16	.230	1/4	3/32	1/8	30
10442	5/16-24	5/8	11/16	1-1/2	3/8	.230	7/8	.230	1/4	3/32	1/8	30
10443	5/16-24	5/8	11/16	1-9/16	3/8	.230	15/16	.230	1/4	3/32	1/8	30
10444	5/16-24	5/8	11/16	1-5/8	3/8	.230	1"	.230	1/4	3/32	1/8	30
10445	5/16-24	5/8	11/16	1-11/16	3/8	.230	1-1/16	.230	1/4	3/32	1/8	30
10446	5/16-24	5/8	11/16	1-3/4	3/8	.230	1-1/8	.230	1/4	3/32	1/8	30
10447	5/16-24	5/8	11/16	1-13/16	3/8	.230	1-3/16	.230	1/4	3/32	1/8	30
10448	5/16-24	5/8	11/16	1-7/8	3/8	.230	1-1/4	.230	1/4	3/32	1/8	30
10449	5/16-24	5/8	11/16	1-15/16	3/8	.230	1-5/16	.230	1/4	3/32	1/8	30
10450	5/16-24	5/8	11/16	2"	3/8	.230	1-3/8	.230	1/4	3/32	1/8	30

MATERIAL	CODE
Brass	B
Stainless Steel	SS
Steel	S



GLOBE PANEL SCREWS

CAPTIVE PANEL SCREW — TYPE 102

SAMPLE ORDER TECHNIQUE

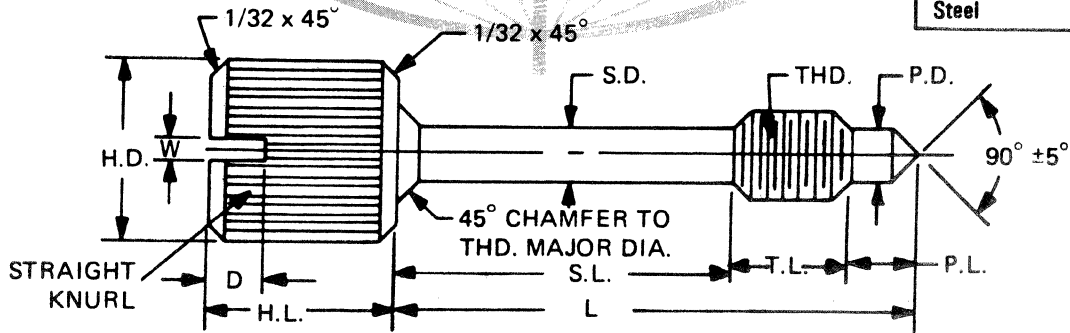
EXAMPLE: SS—10451—12



See Page (VII) for finish code
For parts not listed contact Sales Office

PART NO.	THD.	H.D. +.015 -.000	H.L. ±.010	L. ±.015	T.L. +.000 -.015	S.D. ±.005	S.L. ±.010	P.D. +.000 -.010	P.L. ±.015	W. +.005 -.000	D. +.010 -.000	KNURL TPI
10451	3/8-16	5/8	11/16	1"	3/8	.280	3/8	.280	1/4	3/32	1/8	30
10452	3/8-16	5/8	11/16	1-1/16	3/8	.280	7/16	.280	1/4	3/32	1/8	30
10453	3/8-16	5/8	11/16	1-1/8	3/8	.280	1/2	.280	1/4	3/32	1/8	30
10454	3/8-16	5/8	11/16	1-3/16	3/8	.280	9/16	.280	1/4	3/32	1/8	30
10455	3/8-16	5/8	11/16	1-1/4	3/8	.280	5/8	.280	1/4	3/32	1/8	30
10456	3/8-16	5/8	11/16	1-5/16	3/8	.280	11/16	.280	1/4	3/32	1/8	30
10457	3/8-16	5/8	11/16	1-3/8	3/8	.280	3/4	.280	1/4	3/32	1/8	30
10458	3/8-16	5/8	11/16	1-7/16	3/8	.280	13/16	.280	1/4	3/32	1/8	30
10459	3/8-16	5/8	11/16	1-1/2	3/8	.280	7/8	.280	1/4	3/32	1/8	30
10460	3/8-16	5/8	11/16	1-9/16	3/8	.280	15/16	.280	1/4	3/32	1/8	30
10461	3/8-16	5/8	11/16	1-5/8	3/8	.280	1"	.280	1/4	3/32	1/8	30
10462	3/8-16	5/8	11/16	1-11/16	3/8	.280	1-1/16	.280	1/4	3/32	1/8	30
10463	3/8-16	5/8	11/16	1-3/4	3/8	.280	1-1/8	.280	1/4	3/32	1/8	30
10464	3/8-16	5/8	11/16	1-13/16	3/8	.280	1-3/16	.280	1/4	3/32	1/8	30
10465	3/8-16	5/8	11/16	1-7/8	3/8	.280	1-1/4	.280	1/4	3/32	1/8	30
10466	3/8-16	5/8	11/16	1-15/16	3/8	.280	1-5/16	.280	1/4	3/32	1/8	30
10467	3/8-16	5/8	11/16	2"	3/8	.280	1-3/8	.280	1/4	3/32	1/8	30

MATERIAL	CODE
Brass	B
Stainless Steel	SS
Steel	S



GLOBE PANEL SCREWS

CAPTIVE PANEL SCREW — TYPE 103

SAMPLE ORDER TECHNIQUE

EXAMPLE: SS—10468—12

XX
MATERIAL

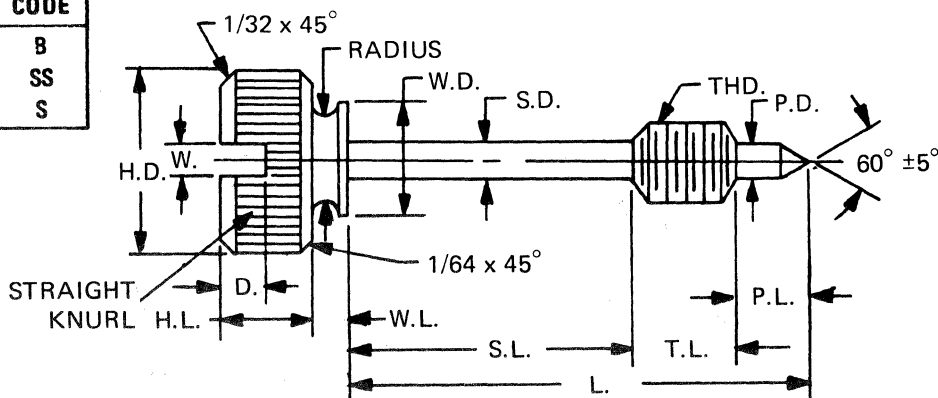
XXXXX
PART NO.

XX
FINISH

See Page (VII) for finish code
For parts not listed contact Sales Office

PART NO.	THD.	H.D. +.015 -.000	H.L. ±.010	L. ±.015	T.L. ±.010	S.D. ±.005	S.L. ±.010	P.D. +.000 -.010	P.L. ±.015	W.D. ±.010	W.L. ±.010	W. +.005 -.000	D. +.010 -.000	KNURL TPI
10468	4-40	1/4	1/8	1/2	3/16	.078	3/16	.078	1/8	13/64	1/16	3/64	1/16	35
10469	4-40	1/4	1/8	9/16	3/16	.078	1/4	.078	1/8	13/64	1/16	3/64	1/16	35
10470	4-40	1/4	1/8	5/8	3/16	.078	5/16	.078	1/8	13/64	1/16	3/64	1/16	35
10471	4-40	1/4	1/8	11/16	3/16	.078	3/8	.078	1/8	13/64	1/16	3/64	1/16	35
10472	4-40	1/4	1/8	3/4	3/16	.078	7/16	.078	1/8	13/64	1/16	3/64	1/16	35
10473	4-40	1/4	1/8	13/16	3/16	.078	1/2	.078	1/8	13/64	1/16	3/64	1/16	35
10474	4-40	1/4	1/8	7/8	3/16	.078	9/16	.078	1/8	13/64	1/16	3/64	1/16	35
10475	4-40	1/4	1/8	15/16	3/16	.078	5/8	.078	1/8	13/64	1/16	3/64	1/16	35
10476	4-40	1/4	1/8	1"	3/16	.078	11/16	.078	1/8	13/64	1/16	3/64	1/16	35
10477	4-40	5/16	1/8	1/2	3/16	.078	3/16	.078	1/8	13/64	1/16	3/64	1/16	35
10478	4-40	5/16	1/8	9/16	3/16	.078	1/4	.078	1/8	13/64	1/16	3/64	1/16	35
10479	4-40	5/16	1/8	5/8	3/16	.078	5/16	.078	1/8	13/64	1/16	3/64	1/16	35
10480	4-40	5/16	1/8	11/16	3/16	.078	3/8	.078	1/8	13/64	1/16	3/64	1/16	35
10481	4-40	5/16	1/8	3/4	3/16	.078	7/16	.078	1/8	13/64	1/16	3/64	1/16	35
10482	4-40	5/16	1/8	13/16	3/16	.078	1/2	.078	1/8	13/64	1/16	3/64	1/16	35
10483	4-40	5/16	1/8	7/8	3/16	.078	9/16	.078	1/8	13/64	1/16	3/64	1/16	35
10484	4-40	5/16	1/8	15/16	3/16	.078	5/8	.078	1/8	13/64	1/16	3/64	1/16	35
10485	4-40	5/16	1/8	1"	3/16	.078	11/16	.078	1/8	13/64	1/16	3/64	1/16	35

MATERIAL	CODE
Brass	B
Stainless Steel	SS
Steel	S



GLOBE PANEL SCREWS

CAPTIVE PANEL SCREW — TYPE 103

SAMPLE ORDER TECHNIQUE

EXAMPLE: SS—10486—12

XX

XXXXX

XX

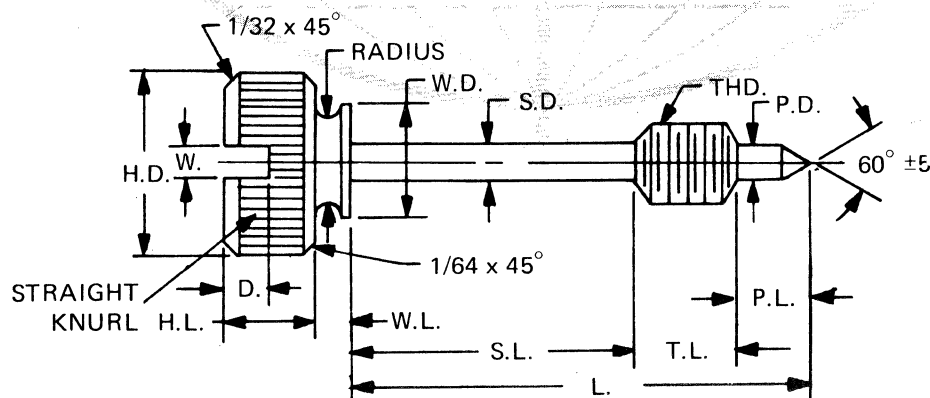
MATERIAL

PART NO.

FINISH

See Page (VII) for finish code
For parts not listed contact Sales Office

PART NO.	THD.	H.D. +.015 -.000	H.L. ±.010	L. ±.015	T.L. ±.010	S.D. ±.005	S.L. ±.010	P.D. +.000 -.010	P.L. ±.015	W.D. ±.010	W.L. ±.010	W. +.005 -.000	D. +.010 -.000	KNURL TPI
10486	6-32	5/16	1/8	1/2	3/16	.095	3/16	.095	1/8	13/64	1/16	3/64	1/16	35
10487	6-32	5/16	1/8	9/16	3/16	.095	1/4	.095	1/8	13/64	1/16	3/64	1/16	35
10488	6-32	5/16	1/8	5/8	3/16	.095	5/16	.095	1/8	13/64	1/16	3/64	1/16	35
10489	6-32	5/16	1/8	11/16	3/16	.095	3/8	.095	1/8	13/64	1/16	3/64	1/16	35
10490	6-32	5/16	1/8	3/4	3/16	.095	7/16	.095	1/8	13/64	1/16	3/64	1/16	35
10491	6-32	5/16	1/8	13/16	3/16	.095	1/2	.095	1/8	13/64	1/16	3/64	1/16	35
10492	6-32	5/16	1/8	7/8	3/16	.095	9/16	.095	1/8	13/64	1/16	3/64	1/16	35
10493	6-32	5/16	1/8	15/16	3/16	.095	5/8	.095	1/8	13/64	1/16	3/64	1/16	35
10494	6-32	5/16	1/8	1"	3/16	.095	11/16	.095	1/8	13/64	1/16	3/64	1/16	35
10495	6-32	5/16	1/8	1-1/16	3/16	.095	3/4	.095	1/8	13/64	1/16	3/64	1/16	35
10496	6-32	5/16	1/8	1-1/8	3/16	.095	13/16	.095	1/8	13/64	1/16	3/64	1/16	35
10497	6-32	5/16	1/8	1-3/16	3/16	.095	7/8	.095	1/8	13/64	1/16	3/64	1/16	35
10498	6-32	5/16	1/8	1-1/4	3/16	.095	15/16	.095	1/8	13/64	1/16	3/64	1/16	35
10499	6-32	3/8	1/8	1/2	3/16	.095	3/16	.095	1/8	13/64	1/16	3/64	1/16	35
10500	6-32	3/8	1/8	9/16	3/16	.095	1/4	.095	1/8	13/64	1/16	3/64	1/16	35
10501	6-32	3/8	1/8	5/8	3/16	.095	5/16	.095	1/8	13/64	1/16	3/64	1/16	35
10502	6-32	3/8	1/8	11/16	3/16	.095	3/8	.095	1/8	13/64	1/16	3/64	1/16	35



MATERIAL	CODE
Brass	B
Stainless Steel	SS
Steel	S

GLOBE PANEL SCREWS

CAPTIVE PANEL SCREW — TYPE 103

SAMPLE ORDER TECHNIQUE

EXAMPLE: SS—10503—1

XX

XXXXX

XX

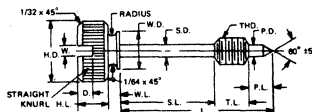
MATERIAL

PART NO.

FINISH

See Page (VII) for finish code
For parts not listed contact Sales Office

PART NO.	THD.	H.D. +.015 -.000	H.L. ±.010	L. ±.015	T.L. ±.010	S.D. ±.005	S.L. ±.010	P.D. +.000 -.010	P.L. ±.015	W.D. ±.010	W.L. ±.010	W. +.005 -.000	D. +.010 -.000	KNURL TPI
10503	6-32	3/8	1/8	3/4	3/16	.095	7/16	.095	1/8	13/64	1/16	3/64	1/16	35
10504	6-32	3/8	1/8	13/16	3/16	.095	1/2	.095	1/8	13/64	1/16	3/64	1/16	35
10505	6-32	3/8	1/8	7/8	3/16	.095	9/16	.095	1/8	13/64	1/16	3/64	1/16	35
10506	6-32	3/8	1/8	15/16	3/16	.095	5/8	.095	1/8	13/64	1/16	3/64	1/16	35
10507	6-32	3/8	1/8	1"	3/16	.095	11/16	.095	1/8	13/64	1/16	3/64	1/16	35
10508	6-32	3/8	1/8	1-1/16	3/16	.095	3/4	.095	1/8	13/64	1/16	3/64	1/16	35
10509	6-32	3/8	1/8	1-1/8	3/16	.095	13/16	.095	1/8	13/64	1/16	3/64	1/16	35
10510	6-32	3/8	1/8	1-3/16	3/16	.095	7/8	.095	1/8	13/64	1/16	3/64	1/16	35
10511	6-32	3/8	1/8	1-1/4	3/16	.095	15/16	.095	1/8	13/64	1/16	3/64	1/16	35
10512	8-32	1/2	3/16	1/2	1/4	.120	1/8	.120	1/8	13/32	1/16	1/16	3/32	30
10513	8-32	1/2	3/16	9/16	1/4	.120	3/16	.120	1/8	13/32	1/16	1/16	3/32	30
10514	8-32	1/2	3/16	5/8	1/4	.120	1/4	.120	1/8	13/32	1/16	1/16	3/32	30
10515	8-32	1/2	3/16	11/16	1/4	.120	5/16	.120	1/8	13/32	1/16	1/16	3/32	30
10516	8-32	1/2	3/16	3/4	1/4	.120	3/8	.120	1/8	13/32	1/16	1/16	3/32	30
10517	8-32	1/2	3/16	13/16	1/4	.120	7/16	.120	1/8	13/32	1/16	1/16	3/32	30
10518	8-32	1/2	3/16	7/8	1/4	.120	1/2	.120	1/8	13/32	1/16	1/16	3/32	30
10519	8-32	1/2	3/16	15/16	1/4	.120	9/16	.120	1/8	13/32	1/16	1/16	3/32	30
10520	8-32	1/2	3/16	1"	1/4	.120	5/8	.120	1/8	13/32	1/16	1/16	3/32	30
10521	8-32	1/2	3/16	1-1/16	1/4	.120	11/16	.120	1/8	13/32	1/16	1/16	3/32	30
10522	8-32	1/2	3/16	1-1/8	1/4	.120	3/4	.120	1/8	13/32	1/16	1/16	3/32	30
10523	8-32	1/2	3/16	1-3/16	1/4	.120	13/16	.120	1/8	13/32	1/16	1/16	3/32	30
10524	8-32	1/2	3/16	1-1/4	1/4	.120	7/8	.120	1/8	13/32	1/16	1/16	3/32	30
10525	8-32	1/2	3/16	1-5/16	1/4	.120	15/16	.120	1/8	13/32	1/16	1/16	3/32	30
10526	8-32	1/2	3/16	1-3/8	1/4	.120	1"	.120	1/8	13/32	1/16	1/16	3/32	30
10527	8-32	1/2	3/16	1-7/16	1/4	.120	1-1/16	.120	1/8	13/32	1/16	1/16	3/32	30
10528	8-32	1/2	3/16	1-1/2	1/4	.120	1-1/8	.120	1/8	13/32	1/16	1/16	3/32	30



MATERIAL	CODE
Brass	B
Stainless Steel	SS
Steel	S

GLOBE PANEL SCREWS

CAPTIVE PANEL SCREW — TYPE 103

SAMPLE ORDER TECHNIQUE

EXAMPLE: SS—10529—12

XX

XXXXX

XX

MATERIAL

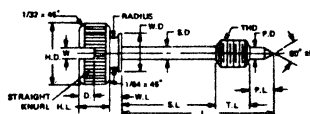
PART NO.

FINISH

See Page (VII) for finish code
For parts not listed contact Sales Office

PART NO.	THD.	H.D. +.015 -.000	H.L. ±.010	L. ±.015	T.L. ±.010	S.D. ±.005	S.L. ±.010	P.D. +.000 -.010	P.L. ±.015	W.D. ±.010	W.L. ±.010	W. +.005 -.000	D. +.010 -.000	KNURL TPI
10529	8-32	5/8	3/16	1/2	1/4	.120	1/8	.120	1/8	1/2	1/16	1/16	3/32	30
10530	8-32	5/8	3/16	9/16	1/4	.120	3/16	.120	1/8	1/2	1/16	1/16	3/32	30
10531	8-32	5/8	3/16	5/8	1/4	.120	1/4	.120	1/8	1/2	1/16	1/16	3/32	30
10532	8-32	5/8	3/16	11/16	1/4	.120	5/16	.120	1/8	1/2	1/16	1/16	3/32	30
10533	8-32	5/8	3/16	3/4	1/4	.120	3/8	.120	1/8	1/2	1/16	1/16	3/32	30
10534	8-32	5/8	3/16	13/16	1/4	.120	7/16	.120	1/8	1/2	1/16	1/16	3/32	30
10535	8-32	5/8	3/16	7/8	1/4	.120	1/2	.120	1/8	1/2	1/16	1/16	3/32	30
10536	8-32	5/8	3/16	15/16	1/4	.120	9/16	.120	1/8	1/2	1/16	1/16	3/32	30
10537	8-32	5/8	3/16	1"	1/4	.120	5/8	.120	1/8	1/2	1/16	1/16	3/32	30
10538	8-32	5/8	3/16	1-1/16	1/4	.120	11/16	.120	1/8	1/2	1/16	1/16	3/32	30
10539	8-32	5/8	3/16	1-1/8	1/4	.120	3/4	.120	1/8	1/2	1/16	1/16	3/32	30
10540	8-32	5/8	3/16	1-3/16	1/4	.120	13/16	.120	1/8	1/2	1/16	1/16	3/32	30
10541	8-32	5/8	3/16	1-1/4	1/4	.120	7/8	.120	1/8	1/2	1/16	1/16	3/32	30
10542	8-32	5/8	3/16	1-5/16	1/4	.120	15/16	.120	1/8	1/2	1/16	1/16	3/32	30
10543	8-32	5/8	3/16	1-3/8	1/4	.120	1"	.120	1/8	1/2	1/16	1/16	3/32	30
10544	8-32	5/8	3/16	1-7/16	1/4	.120	1-1/16	.120	1/8	1/2	1/16	1/16	3/32	30
10545	8-32	5/8	3/16	1-1/2	1/4	.120	1-1/8	.120	1/8	1/2	1/16	1/16	3/32	30
10546	10-24	1/2	3/16	1/2	1/4	.130	1/8	.130	1/8	13/32	1/16	1/16	3/32	30
10547	10-24	1/2	3/16	9/16	1/4	.130	3/16	.130	1/8	13/32	1/16	1/16	3/32	30
10548	10-24	1/2	3/16	5/8	1/4	.130	1/4	.130	1/8	13/32	1/16	1/16	3/32	30
10549	10-24	1/2	3/16	11/16	1/4	.130	5/16	.130	1/8	13/32	1/16	1/16	3/32	30
10550	10-24	1/2	3/16	3/4	1/4	.130	3/8	.130	1/8	13/32	1/16	1/16	3/32	30
10551	10-24	1/2	3/16	13/16	1/4	.130	7/16	.130	1/8	13/32	1/16	1/16	3/32	30

MATERIAL	CODE
Brass	B
Stainless Steel	SS
Steel	S



GLOBE PANEL SCREWS

CAPTIVE PANEL SCREW — TYPE 103

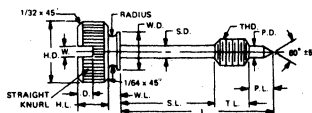
SAMPLE ORDER TECHNIQUE

EXAMPLE: SS—10552—12

XX XXXXX XX
MATERIAL **PART NO.** **FINISH**

See Page (VII) for finish code
 For parts not listed contact Sales Office

PART NO.	THD.	H.D. +.015 -.000	H.L. ±.010	L. ±.015	T.L. ±.010	S.D. ±.005	S.L. ±.010	P.D. +.000 -.010	P.L. ±.015	W.D. ±.010	W.L. ±.010	W. +.005 -.000	D. +.010 -.000	KNURL TPI
10552	10-24	1/2	3/16	7/8	1/4	.130	1/2	.130	1/8	13/32	1/16	1/16	3/32	30
10553	10-24	1/2	3/16	15/16	1/4	.130	9/16	.130	1/8	13/32	1/16	1/16	3/32	30
10554	10-24	1/2	3/16	1"	1/4	.130	5/8	.130	1/8	13/32	1/16	1/16	3/32	30
10555	10-24	1/2	3/16	1-1/16	1/4	.130	11/16	.130	1/8	13/32	1/16	1/16	3/32	30
10556	10-24	1/2	3/16	1-1/8	1/4	.130	3/4	.130	1/8	13/32	1/16	1/16	3/32	30
10557	10-24	1/2	3/16	1-3/16	1/4	.130	13/16	.130	1/8	13/32	1/16	1/16	3/32	30
10558	10-24	1/2	3/16	1-1/4	1/4	.130	7/8	.130	1/8	13/32	1/16	1/16	3/32	30
10559	10-24	1/2	3/16	1-5/16	1/4	.130	15/16	.130	1/8	13/32	1/16	1/16	3/32	30
10560	10-24	1/2	3/16	1-3/8	1/4	.130	1"	.130	1/8	13/32	1/16	1/16	3/32	30
10561	10-24	1/2	3/16	1-7/16	1/4	.130	1-1/16	.130	1/8	13/32	1/16	1/16	3/32	30
10562	10-24	1/2	3/16	1-1/2	1/4	.130	1-1/8	.130	1/8	13/32	1/16	1/16	3/32	30
10563	10-24	5/8	3/16	1/2	1/4	.130	1/8	.130	1/8	1/2	1/16	1/16	3/32	30
10564	10-24	5/8	3/16	9/16	1/4	.130	3/16	.130	1/8	1/2	1/16	1/16	3/32	30
10565	10-24	5/8	3/16	5/8	1/4	.130	1/4	.130	1/8	1/2	1/16	1/16	3/32	30
10566	10-24	5/8	3/16	11/16	1/4	.130	5/16	.130	1/8	1/2	1/16	1/16	3/32	30
10567	10-24	5/8	3/16	3/4	1/4	.130	3/8	.130	1/8	1/2	1/16	1/16	3/32	30
10568	10-24	5/8	3/16	13/16	1/4	.130	7/16	.130	1/8	1/2	1/16	1/16	3/32	30
10569	10-24	5/8	3/16	7/8	1/4	.130	1/2	.130	1/8	1/2	1/16	1/16	3/32	30
10570	10-24	5/8	3/16	15/16	1/4	.130	9/16	.130	1/8	1/2	1/16	1/16	3/32	30
10571	10-24	5/8	3/16	1"	1/4	.130	5/8	.130	1/8	1/2	1/16	1/16	3/32	30
10572	10-24	5/8	3/16	1-1/16	1/4	.130	11/16	.130	1/8	1/2	1/16	1/16	3/32	30
10573	10-24	5/8	3/16	1-1/8	1/4	.130	3/4	.130	1/8	1/2	1/16	1/16	3/32	30
10574	10-24	5/8	3/16	1-3/16	1/4	.130	13/16	.130	1/8	1/2	1/16	1/16	3/32	30
10575	10-24	5/8	3/16	1-1/4	1/4	.130	7/8	.130	1/8	1/2	1/16	1/16	3/32	30
10576	10-24	5/8	3/16	1-5/16	1/4	.130	15/16	.130	1/8	1/2	1/16	1/16	3/32	30
10577	10-24	5/8	3/16	1-3/8	1/4	.130	1"	.130	1/8	1/2	1/16	1/16	3/32	30
10578	10-24	5/8	3/16	1-7/16	1/4	.130	1-1/16	.130	1/8	1/2	1/16	1/16	3/32	30
10579	10-24	5/8	3/16	1-1/2	1/4	.130	1-1/8	.130	1/8	1/2	1/16	1/16	3/32	30



MATERIAL	CODE
Brass	B
Stainless Steel	SS
Steel	S

GLOBE PANEL SCREWS

CAPTIVE PANEL SCREW — TYPE 103

SAMPLE ORDER TECHNIQUE

EXAMPLE: SS—10580—12

XX

XXXXX

XX

MATERIAL

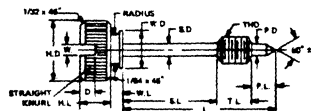
PART NO.

FINISH

See Page (VII) for finish code
For parts not listed contact Sales Office

PART NO.	THD.	H.D. +.015 -.000	H.L. ±.010	L. ±.015	T.L. ±.010	S.D. ±.005	S.L. ±.010	P.D. +.000 -.010	P.L. ±.015	W.D. ±.010	W.L. ±.010	W. +.005 -.000	D. +.010 -.000	KNURL TPI
10580	10-32	1/2	3/16	1/2	1/4	.130	1/8	.130	1/8	13/32	1/16	1/16	3/32	30
10581	10-32	1/2	3/16	9/16	1/4	.130	3/16	.130	1/8	13/32	1/16	1/16	3/32	30
10582	10-32	1/2	3/16	5/8	1/4	.130	1/4	.130	1/8	13/32	1/16	1/16	3/32	30
10583	10-32	1/2	3/16	11/16	1/4	.130	5/16	.130	1/8	13/32	1/16	1/16	3/32	30
10584	10-32	1/2	3/16	3/4	1/4	.130	3/8	.130	1/8	13/32	1/16	1/16	3/32	30
10585	10-32	1/2	3/16	13/16	1/4	.130	7/16	.130	1/8	13/32	1/16	1/16	3/32	30
10586	10-32	1/2	3/16	7/8	1/4	.130	1/2	.130	1/8	13/32	1/16	1/16	3/32	30
10587	10-32	1/2	3/16	15/16	1/4	.130	9/16	.130	1/8	13/32	1/16	1/16	3/32	30
10588	10-32	1/2	3/16	1"	1/4	.130	5/8	.130	1/8	13/32	1/16	1/16	3/32	30
10589	10-32	1/2	3/16	1-1/16	1/4	.130	11/16	.130	1/8	13/32	1/16	1/16	3/32	30
10590	10-32	1/2	3/16	1-1/8	1/4	.130	3/4	.130	1/8	13/32	1/16	1/16	3/32	30
10591	10-32	1/2	3/16	1-3/16	1/4	.130	13/16	.130	1/8	13/32	1/16	1/16	3/32	30
10592	10-32	1/2	3/16	1-1/4	1/4	.130	7/8	.130	1/8	13/32	1/16	1/16	3/32	30
10593	10-32	1/2	3/16	1-5/16	1/4	.130	15/16	.130	1/8	13/32	1/16	1/16	3/32	30
10594	10-32	1/2	3/16	1-3/8	1/4	.130	1"	.130	1/8	13/32	1/16	1/16	3/32	30
10595	10-32	1/2	3/16	1-7/16	1/4	.130	1-1/16	.130	1/8	13/32	1/16	1/16	3/32	30
10596	10-32	1/2	3/16	1-1/2	1/4	.130	1-1/8	.130	1/8	13/32	1/16	1/16	3/32	30
10597	10-32	5/8	3/16	1/2	1/4	.130	1/8	.130	1/8	1/2	1/16	1/16	3/32	30
10598	10-32	5/8	3/16	9/16	1/4	.130	3/16	.130	1/8	1/2	1/16	1/16	3/32	30
10599	10-32	5/8	3/16	5/8	1/4	.130	1/4	.130	1/8	1/2	1/16	1/16	3/32	30
10600	10-32	5/8	3/16	11/16	1/4	.130	5/16	.130	1/8	1/2	1/16	1/16	3/32	30

MATERIAL	CODE
Brass	B
Stainless Steel	SS
Steel	S



GLOBE PANEL SCREWS

CAPTIVE PANEL SCREW — TYPE 103

SAMPLE ORDER TECHNIQUE

EXAMPLE: SS—10601—12

XX

XXXXX

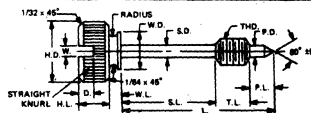
XX

MATERIAL	CODE
Brass	B
Stainless Steel	SS
Steel	S

MATERIAL	PART NO.	FINISH
----------	----------	--------

See Page (VII) for finish code
For parts not listed contact Sales Office

PART NO.	THD.	H.D. +.015 -.000	H.L. ±.010	L. ±.015	T.L. ±.010	S.D. ±.005	S.L. ±.010	P.D. +.000 -.010	P.L. ±.015	W.D. ±.010	W.L. ±.010	W. +.005 -.000	D. +.010 -.000	KNURL TPI
10601	10-32	5/8	3/16	3/4	1/4	.130	3/8	.130	1/8	1/2	1/16	1/16	3/32	30
10602	10-32	5/8	3/16	13/16	1/4	.130	7/16	.130	1/8	1/2	1/16	1/16	3/32	30
10603	10-32	5/8	3/16	7/8	1/4	.130	1/2	.130	1/8	1/2	1/16	1/16	3/32	30
10604	10-32	5/8	3/16	15/16	1/4	.130	9/16	.130	1/8	1/2	1/16	1/16	3/32	30
10605	10-32	5/8	3/16	1"	1/4	.130	5/8	.130	1/8	1/2	1/16	1/16	3/32	30
10606	10-32	5/8	3/16	1-1/16	1/4	.130	11/16	.130	1/8	1/2	1/16	1/16	3/32	30
10607	10-32	5/8	3/16	1-1/8	1/4	.130	3/4	.130	1/8	1/2	1/16	1/16	3/32	30
10608	10-32	5/8	3/16	1-3/16	1/4	.130	13/16	.130	1/8	1/2	1/16	1/16	3/32	30
10609	10-32	5/8	3/16	1-1/4	1/4	.130	7/8	.130	1/8	1/2	1/16	1/16	3/32	30
10610	10-32	5/8	3/16	1-5/16	1/4	.130	15/16	.130	1/8	1/2	1/16	1/16	3/32	30
10611	10-32	5/8	3/16	1-3/8	1/4	.130	1"	.130	1/8	1/2	1/16	1/16	3/32	30
10612	10-32	5/8	3/16	1-7/16	1/4	.130	1-1/16	.130	1/8	1/2	1/16	1/16	3/32	30
10613	10-32	5/8	3/16	1-1/2	1/4	.130	1-1/8	.130	1/8	1/2	1/16	1/16	3/32	30
10614	12-24	5/8	3/16	1/2	1/4	.150	1/8	.150	1/8	1/2	1/16	5/64	3/32	30
10615	12-24	5/8	3/16	9/16	1/4	.150	3/16	.150	1/8	1/2	1/16	5/64	3/32	30
10616	12-24	5/8	3/16	5/8	1/4	.150	1/4	.150	1/8	1/2	1/16	5/64	3/32	30
10617	12-24	5/8	3/16	11/16	1/4	.150	5/16	.150	1/8	1/2	1/16	5/64	3/32	30
10618	12-24	5/8	3/16	3/4	1/4	.150	3/8	.150	1/8	1/2	1/16	5/64	3/32	30
10619	12-24	5/8	3/16	13/16	1/4	.150	7/16	.150	1/8	1/2	1/16	5/64	3/32	30
10620	12-24	5/8	3/16	7/8	1/4	.150	1/2	.150	1/8	1/2	1/16	5/64	3/32	30
10621	12-24	5/8	3/16	15/16	1/4	.150	9/16	.150	1/8	1/2	1/16	5/64	3/32	30
10622	12-24	5/8	3/16	1"	1/4	.150	5/8	.150	1/8	1/2	1/16	5/64	3/32	30
10623	12-24	5/8	3/16	1-1/16	1/4	.150	11/16	.150	1/8	1/2	1/16	5/64	3/32	30
10624	12-24	5/8	3/16	1-1/8	1/4	.150	3/4	.150	1/8	1/2	1/16	5/64	3/32	30
10625	12-24	5/8	3/16	1-3/16	1/4	.150	13/16	.150	1/8	1/2	1/16	5/64	3/32	30
10626	12-24	5/8	3/16	1-1/4	1/4	.150	7/8	.150	1/8	1/2	1/16	5/64	3/32	30
10627	12-24	5/8	3/16	1-5/16	1/4	.150	15/16	.150	1/8	1/2	1/16	5/64	3/32	30
10628	12-24	5/8	3/16	1-3/8	1/4	.150	1"	.150	1/8	1/2	1/16	5/64	3/32	30
10629	12-24	5/8	3/16	1-7/16	1/4	.150	1-1/16	.150	1/8	1/2	1/16	5/64	3/32	30
10630	12-24	5/8	3/16	1-1/2	1/4	.150	1-1/8	.150	1/8	1/2	1/16	5/64	3/32	30



109

GLOBE PANEL SCREWS

CAPTIVE PANEL SCREW — TYPE 103

SAMPLE ORDER TECHNIQUE

EXAMPLE: SS—10631—12

XX

XXXXX

XX

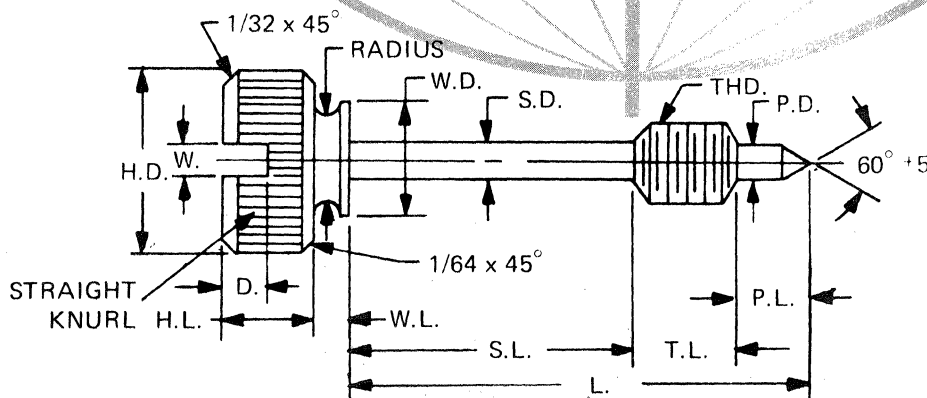
MATERIAL

PART NO.

FINISH

See Page (VII) for finish code
For parts not listed contact Sales Office

PART NO.	THD.	H.D. +.015 -.000	H.L. ±.010	L. ±.015	T.L. ±.010	S.D. ±.005	S.L. ±.010	P.D. +.000 -.010	P.L. ±.015	W.D. ±.010	W.L. ±.010	W. +.005 -.000	D. +.010 -.000	KNURL TPI
10631	1/4-20	5/8	3/16	3/4	3/8	.175	1/8	.175	1/4	1/2	1/16	5/64	3/32	30
10632	1/4-20	5/8	3/16	13/16	3/8	.175	3/16	.175	1/4	1/2	1/16	5/64	3/32	30
10633	1/4-20	5/8	3/16	7/8	3/8	.175	1/4	.175	1/4	1/2	1/16	5/64	3/32	30
10634	1/4-20	5/8	3/16	15/16	3/8	.175	5/16	.175	1/4	1/2	1/16	5/64	3/32	30
10635	1/4-20	5/8	3/16	1"	3/8	.175	3/8	.175	1/4	1/2	1/16	5/64	3/32	30
10636	1/4-20	5/8	3/16	1-1/16	3/8	.175	7/16	.175	1/4	1/2	1/16	5/64	3/32	30
10637	1/4-20	5/8	3/16	1-1/8	3/8	.175	1/2	.175	1/4	1/2	1/16	5/64	3/32	30
10638	1/4-20	5/8	3/16	1-3/16	3/8	.175	9/16	.175	1/4	1/2	1/16	5/64	3/32	30
10639	1/4-20	5/8	3/16	1-1/4	3/8	.175	5/8	.175	1/4	1/2	1/16	5/64	3/32	30
10640	1/4-20	5/8	3/16	1-5/16	3/8	.175	11/16	.175	1/4	1/2	1/16	5/64	3/32	30
10641	1/4-20	5/8	3/16	1-3/8	3/8	.175	3/4	.175	1/4	1/2	1/16	5/64	3/32	30
10642	1/4-20	5/8	3/16	1-7/16	3/8	.175	13/16	.175	1/4	1/2	1/16	5/64	3/32	30
10643	1/4-20	5/8	3/16	1-1/2	3/8	.175	7/8	.175	1/4	1/2	1/16	5/64	3/32	30
10644	1/4-20	5/8	3/16	1-9/16	3/8	.175	15/16	.175	1/4	1/2	1/16	5/64	3/32	30
10645	1/4-20	5/8	3/16	1-5/8	3/8	.175	1"	.175	1/4	1/2	1/16	5/64	3/32	30
10646	1/4-20	5/8	3/16	1-11/16	3/8	.175	1-1/16	.175	1/4	1/2	1/16	5/64	3/32	30
10647	1/4-20	5/8	3/16	1-3/4	3/8	.175	1-1/8	.175	1/4	1/2	1/16	5/64	3/32	30
10648	1/4-20	3/4	1/4	3/4	3/8	.175	1/8	.175	1/4	1/2	1/8	3/32	1/8	30
10649	1/4-20	3/4	1/4	13/16	3/8	.175	3/16	.175	1/4	1/2	1/8	3/32	1/8	30



MATERIAL	CODE
Brass	B
Stainless Steel	SS
Steel	S

GLOBE PANEL SCREWS

CAPTIVE PANEL SCREW — TYPE 103

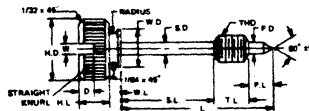
SAMPLE ORDER TECHNIQUE

EXAMPLE: SS—10650—12

XX
XXXXX
XX
MATERIAL
PART NO.
FINISH

See Page (VII) for finish code
For parts not listed contact Sales Office

PART NO.	THD.	H.D. +.015 -.000	H.L. ±.010	L. ±.015	T.L. ±.010	S.D. ±.005	S.L. ±.010	P.D. +.000 -.010	P.L. ±.015	W.D. ±.010	W.L. ±.010	W. +.005 -.000	D. +.010 -.000	KNURL TPI
10650	1/4-20	3/4	1/4	7/8	3/8	.175	1/4	.175	1/4	1/2	1/8	3/32	1/8	30
10651	1/4-20	3/4	1/4	15/16	3/8	.175	5/16	.175	1/4	1/2	1/8	3/32	1/8	30
10652	1/4-20	3/4	1/4	1"	3/8	.175	3/8	.175	1/4	1/2	1/8	3/32	1/8	30
10653	1/4-20	3/4	1/4	1-1/16	3/8	.175	7/16	.175	1/4	1/2	1/8	3/32	1/8	30
10654	1/4-20	3/4	1/4	1-1/8	3/8	.175	1/2	.175	1/4	1/2	1/8	3/32	1/8	30
10655	1/4-20	3/4	1/4	1-3/16	3/8	.175	9/16	.175	1/4	1/2	1/8	3/32	1/8	30
10656	1/4-20	3/4	1/4	1-1/4	3/8	.175	5/8	.175	1/4	1/2	1/8	3/32	1/8	30
10657	1/4-20	3/4	1/4	1-5/16	3/8	.175	11/16	.175	1/4	1/2	1/8	3/32	1/8	30
10658	1/4-20	3/4	1/4	1-3/8	3/8	.175	3/4	.175	1/4	1/2	1/8	3/32	1/8	30
10659	1/4-20	3/4	1/4	1-7/16	3/8	.175	13/16	.175	1/4	1/2	1/8	3/32	1/8	30
10660	1/4-20	3/4	1/4	1-1/2	3/8	.175	7/8	.175	1/4	1/2	1/8	3/32	1/8	30
10661	1/4-20	3/4	1/4	1-9/16	3/8	.175	15/16	.175	1/4	1/2	1/8	3/32	1/8	30
10662	1/4-20	3/4	1/4	1-5/8	3/8	.175	1"	.175	1/4	1/2	1/8	3/32	1/8	30
10663	1/4-20	3/4	1/4	1-11/16	3/8	.175	1-1/16	.175	1/4	1/2	1/8	3/32	1/8	30
10664	1/4-20	3/4	1/4	1-3/4	3/8	.175	1-1/8	.175	1/4	1/2	1/8	3/32	1/8	30
10665	1/4-28	5/8	3/16	3/4	3/8	.175	1/8	.175	1/4	1/2	1/16	5/64	3/32	30
10666	1/4-28	5/8	3/16	13/16	3/8	.175	3/16	.175	1/4	1/2	1/16	5/64	3/32	30
10667	1/4-28	5/8	3/16	7/8	3/8	.175	1/4	.175	1/4	1/2	1/16	5/64	3/32	30
10668	1/4-28	5/8	3/16	15/16	3/8	.175	5/16	.175	1/4	1/2	1/16	5/64	3/32	30
10669	1/4-28	5/8	3/16	1"	3/8	.175	3/8	.175	1/4	1/2	1/16	5/64	3/32	30
10670	1/4-28	5/8	3/16	1-1/16	3/8	.175	7/16	.175	1/4	1/2	1/16	5/64	3/32	30
10671	1/4-28	5/8	3/16	1-1/8	3/8	.175	1/2	.175	1/4	1/2	1/16	5/64	3/32	30



MATERIAL	CODE
Brass	B
Stainless Steel	SS
Steel	S

GLOBE PANEL SCREWS

CAPTIVE PANEL SCREW — TYPE 103

SAMPLE ORDER TECHNIQUE

EXAMPLE: SS—10672—12

XX

XXXXX

XX

MATERIAL

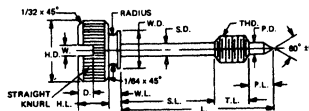
PART NO.

FINISH

See Page (VII) for finish code
For parts not listed contact Sales Office

PART NO.	THD.	H.D. +.015 -.000	H.L. ±.010	L. ±.015	T.L. ±.010	S.D. ±.005	S.L. ±.010	P.D. +.000 -.010	P.L. ±.015	W.D. ±.010	W.L. ±.010	W. +.005 -.000	D. +.010 -.000	KNURL TPI
10672	1/4-28	5/8	3/16	1-3/16	3/8	.175	9/16	.175	1/4	1/2	1/16	5/64	3/32	30
10673	1/4-28	5/8	3/16	1-1/4	3/8	.175	5/8	.175	1/4	1/2	1/16	5/64	3/32	30
10674	1/4-28	5/8	3/16	1-5/16	3/8	.175	11/16	.175	1/4	1/2	1/16	5/64	3/32	30
10675	1/4-28	5/8	3/16	1-3/8	3/8	.175	3/4	.175	1/4	1/2	1/16	5/64	3/32	30
10676	1/4-28	5/8	3/16	1-7/16	3/8	.175	13/16	.175	1/4	1/2	1/16	5/64	3/32	30
10677	1/4-28	5/8	3/16	1-1/2	3/8	.175	7/8	.175	1/4	1/2	1/16	5/64	3/32	30
10678	1/4-28	5/8	3/16	1-9/16	3/8	.175	15/16	.175	1/4	1/2	1/16	5/64	3/32	30
10679	1/4-28	5/8	3/16	1-5/8	3/8	.175	1"	.175	1/4	1/2	1/16	5/64	3/32	30
10680	1/4-28	5/8	3/16	1-11/16	3/8	.175	1-1/16	.175	1/4	1/2	1/16	5/64	3/32	30
10681	1/4-28	5/8	3/16	1-3/4	3/8	.175	1-1/8	.175	1/4	1/2	1/16	5/64	3/32	30
10682	1/4-28	3/4	1/4	3/4	3/8	.175	1/8	.175	1/4	1/2	1/8	3/32	1/8	30
10683	1/4-28	3/4	1/4	13/16	3/8	.175	3/16	.175	1/4	1/2	1/8	3/32	1/8	30
10684	1/4-28	3/4	1/4	7/8	3/8	.175	1/4	.175	1/4	1/2	1/8	3/32	1/8	30
10685	1/4-28	3/4	1/4	15/16	3/8	.175	5/16	.175	1/4	1/2	1/8	3/32	1/8	30
10686	1/4-28	3/4	1/4	1"	3/8	.175	3/8	.175	1/4	1/2	1/8	3/32	1/8	30
10687	1/4-28	3/4	1/4	1-1/16	3/8	.175	7/16	.175	1/4	1/2	1/8	3/32	1/8	30
10688	1/4-28	3/4	1/4	1-1/8	3/8	.175	1/2	.175	1/4	1/2	1/8	3/32	1/8	30
10689	1/4-28	3/4	1/4	1-3/16	3/8	.175	9/16	.175	1/4	1/2	1/8	3/32	1/8	30
10690	1/4-28	3/4	1/4	1-1/4	3/8	.175	5/8	.175	1/4	1/2	1/8	3/32	1/8	30
10691	1/4-28	3/4	1/4	1-5/16	3/8	.175	11/16	.175	1/4	1/2	1/8	3/32	1/8	30
10692	1/4-28	3/4	1/4	1-3/8	3/8	.175	3/4	.175	1/4	1/2	1/8	3/32	1/8	30
10693	1/4-28	3/4	1/4	1-7/16	3/8	.175	13/16	.175	1/4	1/2	1/8	3/32	1/8	30
10694	1/4-28	3/4	1/4	1-1/2	3/8	.175	7/8	.175	1/4	1/2	1/8	3/32	1/8	30
10695	1/4-28	3/4	1/4	1-9/16	3/8	.175	15/16	.175	1/4	1/2	1/8	3/32	1/8	30
10696	1/4-28	3/4	1/4	1-5/8	3/8	.175	1"	.175	1/4	1/2	1/8	3/32	1/8	30
10697	1/4-28	3/4	1/4	1-11/16	3/8	.175	1-1/16	.175	1/4	1/2	1/8	3/32	1/8	30
10698	1/4-28	3/4	1/4	1-3/4	3/8	.175	1-1/8	.175	1/4	1/2	1/8	3/32	1/8	30

MATERIAL	CODE
Brass	B
Stainless Steel	SS
Steel	S



GLOBE PANEL SCREWS

CAPTIVE PANEL SCREW — TYPE 104

SAMPLE ORDER TECHNIQUE

EXAMPLE: SS—10699—12

XX

XXXXX

XX

MATERIAL

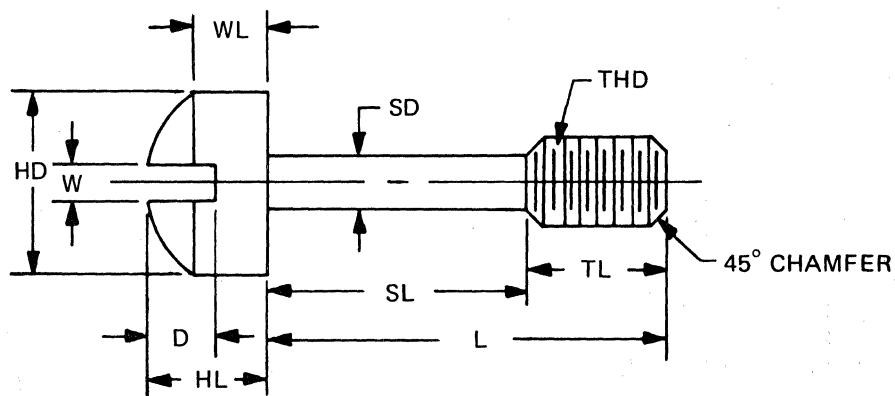
PART NO.

FINISH

See Page (VII) for finish code
For parts not listed contact Sales Office

PART NO.	THD.	H.D. ±.005	H.L. +.000 -.015	L. ±.015	T.L. ±.010	S.D. ±.005	S.L. ±.010	W.L. +.000 -.010	W. +.000 -.010	D. +.000 -.015
10699	2-56	1/8	.083	1/4	5/32	.061	3/32	.062	.031	.037
10700	2-56	1/8	.083	5/16	5/32	.061	5/32	.062	.031	.037
10701	2-56	1/8	.083	3/8	5/32	.061	7/32	.062	.031	.037
10702	2-56	1/8	.083	7/16	5/32	.061	9/32	.062	.031	.037
10703	2-56	1/8	.083	1/2	5/32	.061	11/32	.062	.031	.037
10704	2-56	1/8	.083	9/16	5/32	.061	13/32	.062	.031	.037
10705	2-56	1/8	.083	5/8	5/32	.061	15/32	.062	.031	.037
10706	2-56	1/8	.083	11/16	5/32	.061	17/32	.062	.031	.037
10707	2-56	1/8	.083	3/4	5/32	.061	19/32	.062	.031	.037
10708	3-48	5/32	.095	1/4	5/32	.070	3/32	.070	.035	.043
10709	3-48	5/32	.095	5/16	5/32	.070	5/32	.070	.035	.043
10710	3-48	5/32	.095	3/8	5/32	.070	7/32	.070	.035	.043
10711	3-48	5/32	.095	7/16	5/32	.070	9/32	.070	.035	.043
10712	3-48	5/32	.095	1/2	5/32	.070	11/32	.070	.035	.043
10713	3-48	5/32	.095	9/16	5/32	.070	13/32	.070	.035	.043
10714	3-48	5/32	.095	5/8	5/32	.070	15/32	.070	.035	.043
10715	3-48	5/32	.095	11/16	5/32	.070	17/32	.070	.035	.043
10716	3-48	5/32	.095	3/4	5/32	.070	19/32	.070	.035	.043

MATERIAL	CODE
Brass	B
Stainless Steel	SS
Steel	S



GLOBE PANEL SCREWS

CAPTIVE PANEL SCREW — TYPE 104

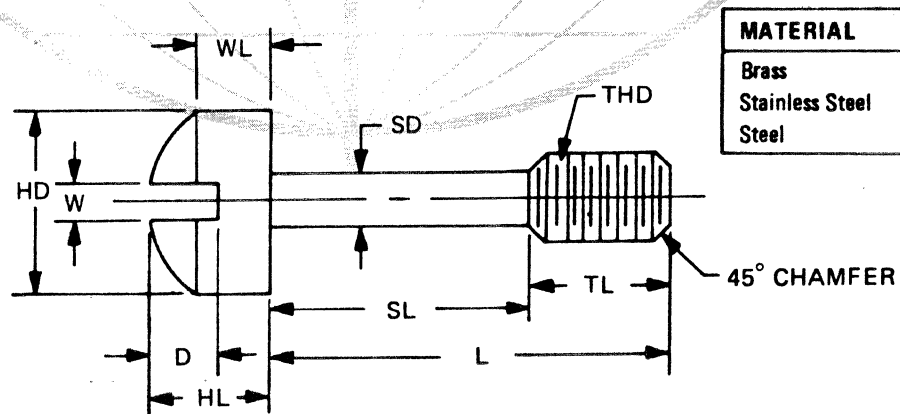
SAMPLE ORDER TECHNIQUE

EXAMPLE: SS—10717—12

XX MATERIAL XXXXX PARTNO. XX FINISH

See Page (VII) for finish code
For parts not listed contact Sales Office

PART NO.	THD.	H.D. ±.005	H.L. +.000 -.015	L. ±.015	T.L. ±.010	S.D. ±.005	S.L. ±.010	W.L. +.000 -.010	W. +.000 -.010	D. +.000 -.015
10717	4-40	11/64	.107	1/4	3/16	.078	1/16	.079	.039	.048
10718	4-40	11/64	.107	5/16	3/16	.078	1/8	.079	.039	.048
10719	4-40	11/64	.107	3/8	3/16	.078	3/16	.079	.039	.048
10720	4-40	11/64	.107	7/16	3/16	.078	1/4	.079	.039	.048
10721	4-40	11/64	.107	1/2	3/16	.078	5/16	.079	.039	.048
10722	4-40	11/64	.107	9/16	3/16	.078	3/8	.079	.039	.048
10723	4-40	11/64	.107	5/8	3/16	.078	7/16	.079	.039	.048
10724	4-40	11/64	.107	11/16	3/16	.078	1/2	.079	.039	.048
10725	4-40	11/64	.107	3/4	3/16	.078	9/16	.079	.039	.048
10726	4-40	11/64	.107	13/16	3/16	.078	5/8	.079	.039	.048
10727	4-40	11/64	.107	7/8	3/16	.078	11/16	.079	.039	.048
10728	4-40	11/64	.107	15/16	3/16	.078	3/4	.079	.039	.048
10729	4-40	11/64	.107	1"	3/16	.078	13/16	.079	.039	.048
10730	6-32	7/32	.132	5/16	7/32	.095	3/32	.096	.048	.060
10731	6-32	7/32	.132	3/8	7/32	.095	5/32	.096	.048	.060
10732	6-32	7/32	.132	7/16	7/32	.095	7/32	.096	.048	.060



MATERIAL	CODE
Brass	B
Stainless Steel	SS
Steel	S

GLOBE PANEL SCREWS

CAPTIVE PANEL SCREW — TYPE 104

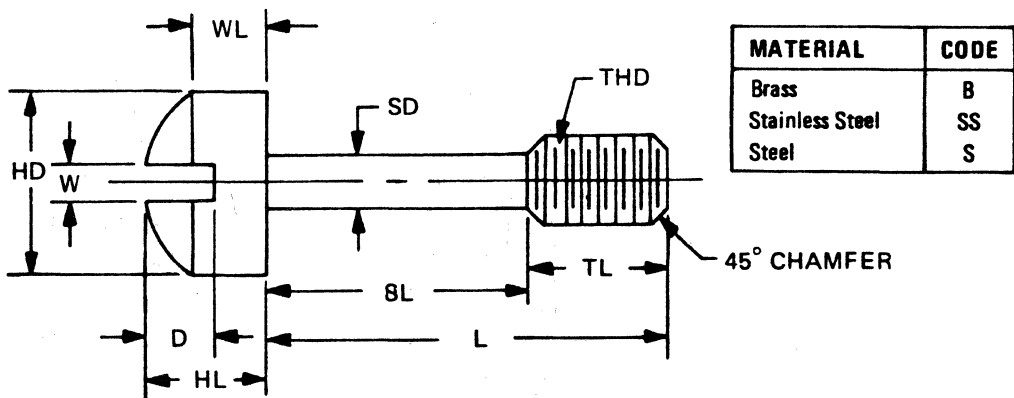
SAMPLE ORDER TECHNIQUE

EXAMPLE: SS—10733—12



See Page (VII) for finish code
For parts not listed contact Sales Office

PART NO.	THD.	H.D. ±.005	H.L. +.000 -.015	L. ±.015	T.L. ±.010	S.D. ±.005	S.L. ±.010	W.L. +.000 -.010	W. +.000 -.010	D. +.000 -.015
10733	6-32	7/32	.132	1/2	7/32	.095	9/32	.096	.048	.060
10734	6-32	7/32	.132	9/16	7/32	.095	11/32	.096	.048	.060
10735	6-32	7/32	.132	5/8	7/32	.095	13/32	.096	.048	.060
10736	6-32	7/32	.132	11/16	7/32	.095	15/32	.096	.048	.060
10737	6-32	7/32	.132	3/4	7/32	.095	17/32	.096	.048	.060
10738	6-32	7/32	.132	13/16	7/32	.095	19/32	.096	.048	.060
10739	6-32	7/32	.132	7/8	7/32	.095	21/32	.096	.048	.060
10740	6-32	7/32	.132	15/16	7/32	.095	23/32	.096	.048	.060
10741	6-32	7/32	.132	1"	7/32	.095	25/32	.096	.048	.060
10742	8-32	1/4	.156	5/16	7/32	.120	3/32	.113	.054	.071
10743	8-32	1/4	.156	3/8	7/32	.120	5/32	.113	.054	.071
10744	8-32	1/4	.156	7/16	7/32	.120	7/32	.113	.054	.071
10745	8-32	1/4	.156	1/2	7/32	.120	9/32	.113	.054	.071
10746	8-32	1/4	.156	9/16	7/32	.120	11/32	.113	.054	.071
10747	8-32	1/4	.156	5/8	7/32	.120	13/32	.113	.054	.071
10748	8-32	1/4	.156	11/16	7/32	.120	15/32	.113	.054	.071
10749	8-32	1/4	.156	3/4	7/32	.120	17/32	.113	.054	.071
10750	8-32	1/4	.156	13/16	7/32	.120	19/32	.113	.054	.071
10751	8-32	1/4	.156	7/8	7/32	.120	21/32	.113	.054	.071



GLOBE PANEL SCREWS

CAPTIVE PANEL SCREW — TYPE 104

SAMPLE ORDER TECHNIQUE

EXAMPLE: SS—10752—12

XX

XXXXX

XX

MATERIAL

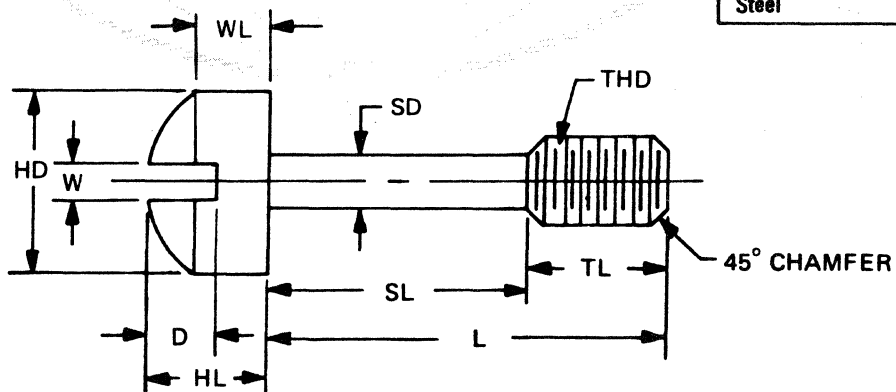
PART NO.

FINISH

See Page (VII) for finish code
For parts not listed contact Sales Office

PART NO.	THD.	H.D. ±.005	H.L. +.000 -.015	L. ±.015	T.L. ±.010	S.D. ±.005	S.L. ±.010	W.L. +.000 -.010	W. +.000 -.010	D. +.000 -.015
10752	8-32	1/4	.156	15/16	7/32	.120	23/32	.113	.054	.071
10753	8-32	1/4	.156	1"	7/32	.120	25/32	.113	.054	.071
10754	8-32	1/4	.156	1-1/16	7/32	.120	27/32	.113	.054	.071
10755	8-32	1/4	.156	1-1/8	7/32	.120	29/32	.113	.054	.071
10756	8-32	1/4	.156	1-8/16	7/32	.120	31/32	.113	.054	.071
10757	8-32	1/4	.156	1-1/4	7/32	.120	1-1/32	.113	.054	.071
10758	10-24	5/16	.180	3/8	9/32	.130	3/32	.130	.060	.083
10759	10-24	5/16	.180	7/16	9/32	.130	5/32	.130	.060	.083
10760	10-24	5/16	.180	1/2	9/32	.130	7/32	.130	.060	.083
10761	10-24	5/16	.180	9/16	9/32	.130	9/32	.130	.060	.083
10762	10-24	5/16	.180	5/8	9/32	.130	11/32	.130	.060	.083
10763	10-24	5/16	.180	11/16	9/32	.130	13/32	.130	.060	.083
10764	10-24	5/16	.180	3/4	9/32	.130	15/32	.130	.060	.083

MATERIAL	CODE
Brass	B
Stainless Steel	SS
Steel	S



GLOBE PANEL SCREWS

CAPTIVE PANEL SCREW — TYPE 104

SAMPLE ORDER TECHNIQUE

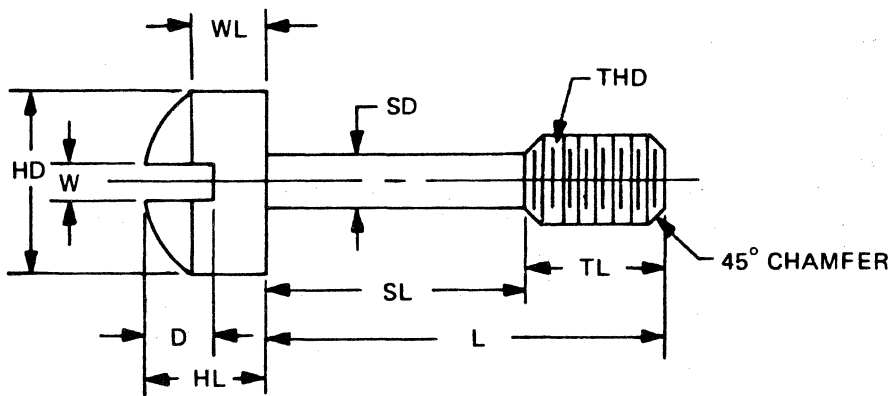
EXAMPLE: SS—10765—12

XX
XXXXX
XX
MATERIAL
PART NO.
FINISH

See Page (VII) for finish code
For parts not listed contact Sales Office

PART NO.	THD.	H.D. ±.005	H.L. +.000 -.015	L. ±.015	T.L. ±.010	S.D. ±.005	S.L. ±.010	W.L. +.000 -.010	W. +.000 -.010	D. +.000 -.015
10765	10-24	5/16	.180	13/16	9/32	.130	17/32	.130	.060	.083
10766	10-24	5/16	.180	7/8	9/32	.130	19/32	.130	.060	.083
10767	10-24	5/16	.180	15/16	9/32	.130	21/32	.130	.060	.083
10768	10-24	5/16	.180	1"	9/32	.130	23/32	.130	.060	.083
10769	10-24	5/16	.180	1-1/16	9/32	.130	25/32	.130	.060	.083
10770	10-24	5/16	.180	1-1/8	9/32	.130	27/32	.130	.060	.083
10771	10-24	5/16	.180	1-3/16	9/32	.130	29/32	.130	.060	.083
10772	10-24	5/16	.180	1-1/4	9/32	.130	31/32	.130	.060	.083
10773	10-24	5/16	.180	1-5/16	9/32	.130	1-1/32	.130	.060	.083
10774	10-24	5/16	.180	1-3/8	9/32	.130	1-3/32	.130	.060	.083
10775	10-24	5/16	.180	1-7/16	9/32	.130	1-5/32	.130	.060	.083
10776	10-24	5/16	.180	1-1/2	9/32	.130	1-7/32	.130	.060	.083

MATERIAL	CODE
Brass	B
Stainless Steel	SS
Steel	S



GLOBE PANEL SCREWS

CAPTIVE PANEL SCREW — TYPE 104

SAMPLE ORDER TECHNIQUE

EXAMPLE: SS—10777—12

XX

XXXXX

XX

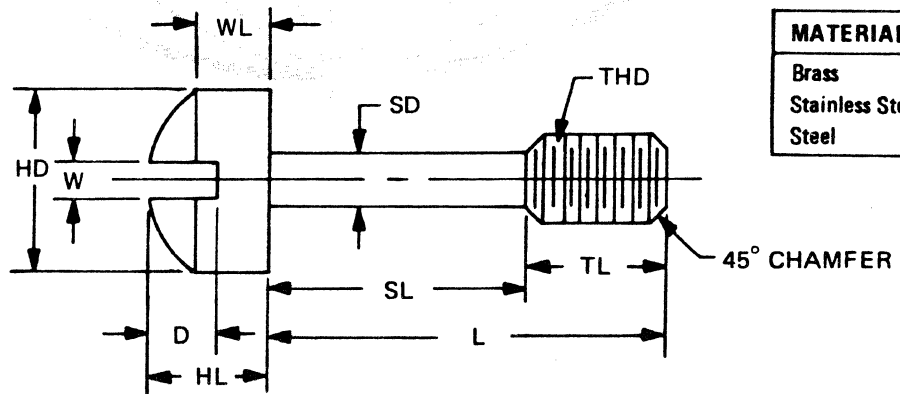
MATERIAL

PART NO.

FINISH

See Page (VII) for finish code
For parts not listed contact Sales Office

PART NO.	THD.	H.D. ±.005	H.L. +.000 -.015	L. ±.015	T.L. ±.010	S.D. ±.005	S.L. ±.010	W.L. +.000 -.010	W. +.000 -.010	D. +.000 -.015
10777	10-32	5/16	.180	3/8	9/32	.130	3/32	.130	.060	.083
10778	10-32	5/16	.180	7/16	9/32	.130	5/32	.130	.060	.083
10779	10-32	5/16	.180	1/2	9/32	.130	7/32	.130	.060	.083
10780	10-32	5/16	.180	9/16	9/32	.130	9/32	.130	.060	.083
10781	10-32	5/16	.180	5/8	9/32	.130	11/32	.130	.060	.083
10782	10-32	5/16	.180	11/16	9/32	.130	13/32	.130	.060	.083
10783	10-32	5/16	.180	3/4	9/32	.130	15/32	.130	.060	.083
10784	10-32	5/16	.180	13/16	9/32	.130	17/32	.130	.060	.083
10785	10-32	5/16	.180	7/8	9/32	.130	19/32	.130	.060	.083
10786	10-32	5/16	.180	15/16	9/32	.130	21/32	.130	.060	.083
10787	10-32	5/16	.180	1"	9/32	.130	23/32	.130	.060	.083
10788	10-32	5/16	.180	1-1/16	9/32	.130	25/32	.130	.060	.083
10789	10-32	5/16	.180	1-1/8	9/32	.130	27/32	.130	.060	.083
10790	10-32	5/16	.180	1-3/16	9/32	.130	29/32	.130	.060	.083
10791	10-32	5/16	.180	1-1/4	9/32	.130	31/32	.130	.060	.083
10792	10-32	5/16	.180	1-5/16	9/32	.130	1-1/32	.130	.060	.083
10793	10-32	5/16	.180	1-3/8	9/32	.130	1-3/32	.130	.060	.083
10794	10-32	5/16	.180	1-7/16	9/32	.130	1-5/32	.130	.060	.083
10795	10-32	5/16	.180	1-1/2	9/32	.130	1-7/32	.130	.060	.083



MATERIAL	CODE
Brass	B
Stainless Steel	SS
Steel	S

GLOBE PANEL SCREWS

CAPTIVE PANEL SCREW — TYPE 105

SAMPLE ORDER TECHNIQUE

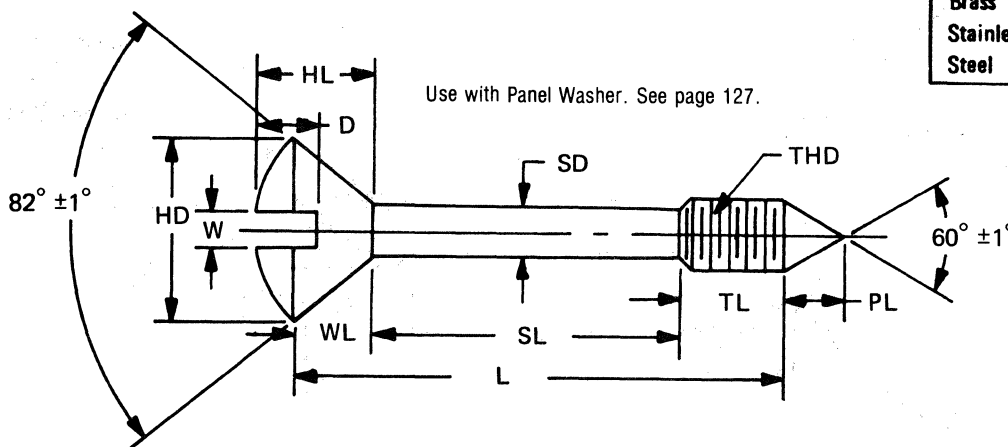
EXAMPLE: SS—10796—12

XX	XXXXX	XX
MATERIAL	PART NO.	FINISH

See Page (VII) for finish code
For parts not listed contact Sales Office

PART NO.	THD.	H.D. ±.015	H.L. ±.010	L. ±.015	T.L. ±.015	P.L. ±.015	S.D. ±.005	S.L. REF.	W.L. +.020 -.000	W. +.005 -.000	D. +.000 -.010
10796	4-40	.210	.093	5/16	3/16	.096	.078	1/16	.067	1/32	1/16
10797	4-40	.210	.093	3/8	3/16	.096	.078	1/8	.067	1/32	1/16
10798	4-40	.210	.093	7/16	3/16	.096	.078	3/16	.067	1/32	1/16
10799	4-40	.210	.093	1/2	3/16	.096	.078	1/4	.067	1/32	1/16
10800	4-40	.210	.093	9/16	3/16	.096	.078	5/16	.067	1/32	1/16
10801	4-40	.210	.093	5/8	3/16	.096	.078	3/8	.067	1/32	1/16
10802	4-40	.210	.093	11/16	3/16	.096	.078	7/16	.067	1/32	1/16
10803	4-40	.210	.093	3/4	3/16	.096	.078	1/2	.067	1/32	1/16
10804	4-40	.210	.093	13/16	3/16	.096	.078	9/16	.067	1/32	1/16
10805	4-40	.210	.093	7/8	3/16	.096	.078	5/8	.067	1/32	1/16
10806	4-40	.210	.093	15/16	3/16	.096	.078	11/16	.067	1/32	1/16
10807	4-40	.210	.093	1"	3/16	.096	.078	3/4	.067	1/32	1/16

MATERIAL	CODE
Brass	B
Stainless Steel	SS
Steel	S



GLOBE PANEL SCREWS

CAPTIVE PANEL SCREW — TYPE 105

SAMPLE ORDER TECHNIQUE

EXAMPLE: SS—10808—12

XX

XXXXX

XX

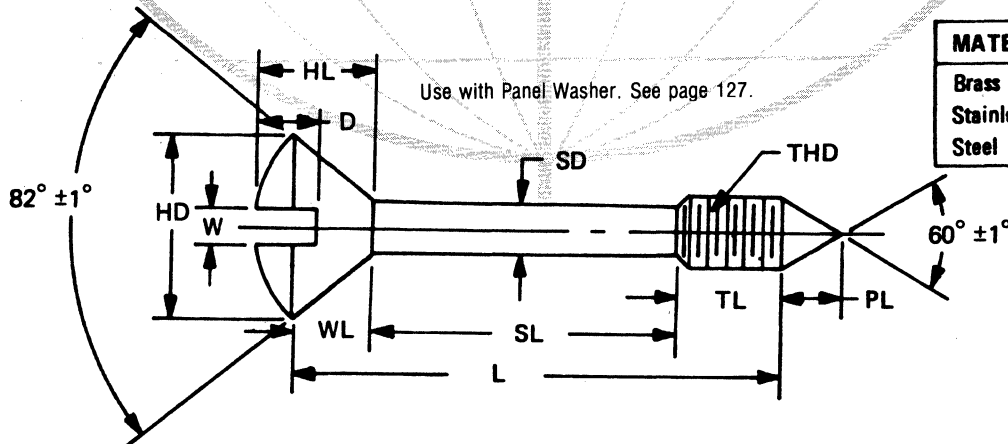
MATERIAL

PART NO.

FINISH

See Page (VII) for finish code
For parts not listed contact Sales Office

PART NO.	THD.	H.D. ±.015	H.L. ±.010	L. ±.015	T.L. ±.015	P.L. ±.015	S.D. ±.005	S.L. REF.	W.L. +.020 -.000	W. +.005 -.000	D. +.000 -.010
10808	6-32	.261	.117	7/16	1/4	.121	.095	3/32	.083	3/64	5/64
10809	6-32	.261	.117	1/2	1/4	.121	.095	5/32	.083	3/64	5/64
10810	6-32	.261	.117	9/16	1/4	.121	.095	7/32	.083	3/64	5/64
10811	6-32	.261	.117	5/8	1/4	.121	.095	9/32	.083	3/64	5/64
10812	6-32	.261	.117	11/16	1/4	.121	.095	11/32	.083	3/64	5/64
10813	6-32	.261	.117	3/4	1/4	.121	.095	13/32	.083	3/64	5/64
10814	6-32	.261	.117	13/16	1/4	.121	.095	15/32	.083	3/64	5/64
10815	6-32	.261	.117	7/8	1/4	.121	.095	17/32	.083	3/64	5/64
10816	6-32	.261	.117	15/16	1/4	.121	.095	19/32	.083	3/64	5/64
10817	6-32	.261	.117	1"	1/4	.121	.095	21/32	.083	3/64	5/64
10818	6-32	.261	.117	1-1/16	1/4	.121	.095	23/32	.083	3/64	5/64
10819	6-32	.261	.117	1-1/8	1/4	.121	.095	25/32	.083	3/64	5/64
10820	6-32	.261	.117	1-3/16	1/4	.121	.095	27/32	.083	3/64	5/64
10821	6-32	.261	.117	1-1/4	1/4	.121	.095	29/32	.083	3/64	5/64
10822	6-32	.261	.117	1-5/16	1/4	.121	.095	31/32	.083	3/64	5/64
10823	6-32	.261	.117	1-3/8	1/4	.121	.095	1-1/32	.083	3/64	5/64
10824	6-32	.261	.117	1-7/16	1/4	.121	.095	1-3/32	.083	3/64	5/64
10825	6-32	.261	.117	1-1/2	1/4	.121	.095	1-5/32	.083	3/64	5/64



MATERIAL	CODE
Brass	B
Stainless Steel	SS
Steel	S

GLOBE PANEL SCREWS

CAPTIVE PANEL SCREW — TYPE 105

SAMPLE ORDER TECHNIQUE

EXAMPLE: SS—10826—12

XX

XXXXX

XX

MATERIAL

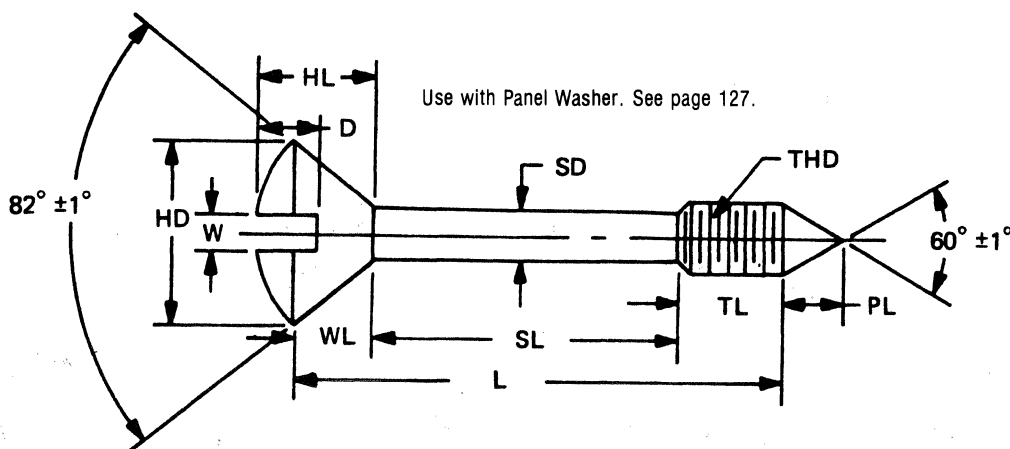
PART NO.

FINISH

See Page (VII) for finish code
For parts not listed contact Sales Office

PART NO.	THD.	H.D. ±.015	H.L. ±.010	L. ±.015	T.L. ±.015	P.L. ±.015	S.D. ±.005	S.L. REF.	W.L. +.020 -.000	W. +.005 -.000	D. +.000 -.010
10826	8-32	.312	.139	1/2	1/4	.142	.120	9/64	.100	3/64	5/64
10827	8-32	.312	.139	9/16	1/4	.142	.120	13/64	.100	3/64	5/64
10828	8-32	.312	.139	5/8	1/4	.142	.120	17/64	.100	3/64	5/64
10829	8-32	.312	.139	11/16	1/4	.142	.120	21/64	.100	3/64	5/64
10830	8-32	.312	.139	3/4	1/4	.142	.120	25/64	.100	3/64	5/64

MATERIAL	CODE
Brass	B
Stainless Steel	SS
Steel	S



GLOBE PANEL SCREWS

CAPTIVE PANEL SCREW — TYPE 105

SAMPLE ORDER TECHNIQUE

EXAMPLE: SS—10831—12

XX

XXXXX

XX

MATERIAL

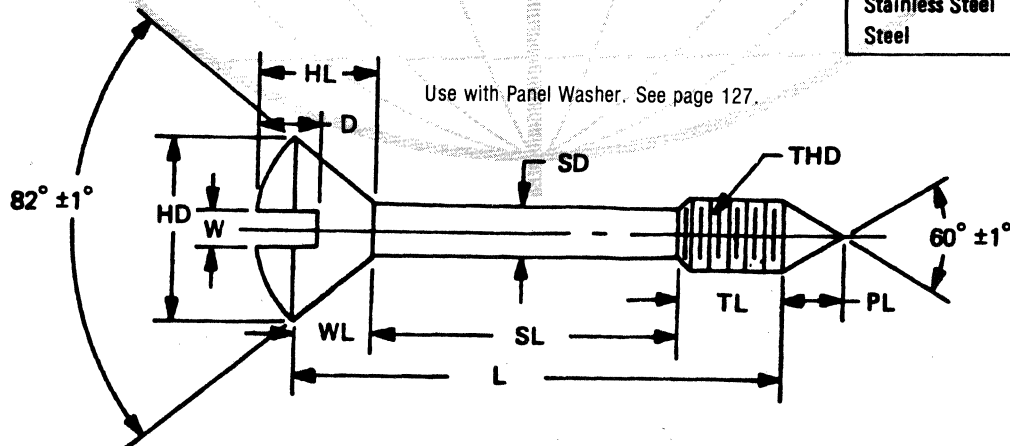
PART NO.

FINISH

See Page (VII) for finish code
For parts not listed contact Sales Office

PART NO.	THD.	H.D. ±.015	H.L. ±.010	L. ±.015	T.L. ±.015	P.L. ±.015	S.D. ±.005	S.L. REF.	W.L. +.020 -.000	W. +.005 -.000	D. +.000 -.010
10831	8-32	.312	.139	13/16	1/4	.142	.120	29/64	.100	3/64	5/64
10832	8-32	.312	.139	7/8	1/4	.142	.120	33/64	.100	3/64	5/64
10833	8-32	.312	.139	15/16	1/4	.142	.120	37/64	.100	3/64	5/64
10834	8-32	.312	.139	1"	1/4	.142	.120	41/64	.100	3/64	5/64
10835	8-32	.312	.139	1-1/16	1/4	.142	.120	45/64	.100	3/64	5/64
10836	8-32	.312	.139	1-1/8	1/4	.142	.120	49/64	.100	3/64	5/64
10837	8-32	.312	.139	1-3/16	1/4	.142	.120	53/64	.100	3/64	5/64
10838	8-32	.312	.139	1-1/4	1/4	.142	.120	57/64	.100	3/64	5/64
10839	8-32	.312	.139	1-5/16	1/4	.142	.120	61/64	.100	3/64	5/64
10840	8-32	.312	.139	1-3/8	1/4	.142	.120	1-1/64	.100	3/64	5/64
10841	8-32	.312	.139	1-7/16	1/4	.142	.120	1-5/64	.100	3/64	5/64
10842	8-32	.312	.139	1-1/2	1/4	.142	.120	1-9/64	.100	3/64	5/64

MATERIAL	CODE
Brass	B
Stainless Steel	SS
Steel	S



GLOBE PANEL SCREWS

CAPTIVE PANEL SCREW — TYPE 105

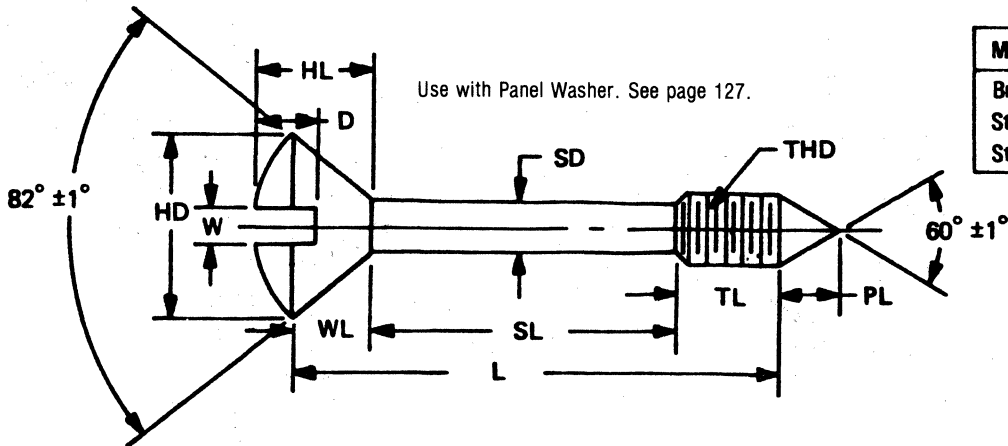
SAMPLE ORDER TECHNIQUE

EXAMPLE: SS-10843-12

XX XXXXX XX
MATERIAL PART NO. FINISH

See Page (VII) for finish code
For parts not listed contact Sales Office

PART NO.	THD.	H.D. ±.015	H.L. ±.010	L. ±.015	T.L. ±.015	P.L. ±.015	S.D. ±.005	S.L. REF.	W.L. +.020 -.000	W. +.005 -.000	D. +.000 -.010
10843	10-24	.363	.162	1/2	1/4	.164	.130	1/8	.116	1/16	3/32
10844	10-24	.363	.162	9/16	1/4	.164	.130	3/16	.116	1/16	3/32
10845	10-24	.363	.162	5/8	1/4	.164	.130	1/4	.116	1/16	3/32
10846	10-24	.363	.162	11/16	1/4	.164	.130	5/16	.116	1/16	3/32
10847	10-24	.363	.162	3/4	1/4	.164	.130	3/8	.116	1/16	3/32
10848	10-24	.363	.162	13/16	1/4	.164	.130	7/16	.116	1/16	3/32
10849	10-24	.363	.162	7/8	1/4	.164	.130	1/2	.116	1/16	3/32
10850	10-24	.363	.162	15/16	1/4	.164	.130	9/16	.116	1/16	3/32
10851	10-24	.363	.162	1"	1/4	.164	.130	5/8	.116	1/16	3/32
10852	10-24	.363	.162	1-1/16	1/4	.164	.130	11/16	.116	1/16	3/32
10853	10-24	.363	.162	1-1/8	1/4	.164	.130	3/4	.116	1/16	3/32
10854	10-24	.363	.162	1-3/16	1/4	.164	.130	13/16	.116	1/16	3/32
10855	10-24	.363	.162	1-1/4	1/4	.164	.130	7/8	.116	1/16	3/32
10856	10-24	.363	.162	1-5/16	1/4	.164	.130	15/16	.116	1/16	3/32
10857	10-24	.363	.162	1-3/8	1/4	.164	.130	1"	.116	1/16	3/32
10858	10-24	.363	.162	1-7/16	1/4	.164	.130	1-1/16	.116	1/16	3/32
10859	10-24	.363	.162	1-1/2	1/4	.164	.130	1-1/8	.116	1/16	3/32
10860	10-24	.363	.162	1-9/16	1/4	.164	.130	1-3/16	.116	1/16	3/32
10861	10-24	.363	.162	1-5/8	1/4	.164	.130	1-1/4	.116	1/16	3/32



MATERIAL	CODE
Brass	B
Stainless Steel	SS
Steel	S

GLOBE PANEL SCREWS

CAPTIVE PANEL SCREW — TYPE 105

SAMPLE ORDER TECHNIQUE

EXAMPLE: SS—10862—12

XX

XXXXX

XX

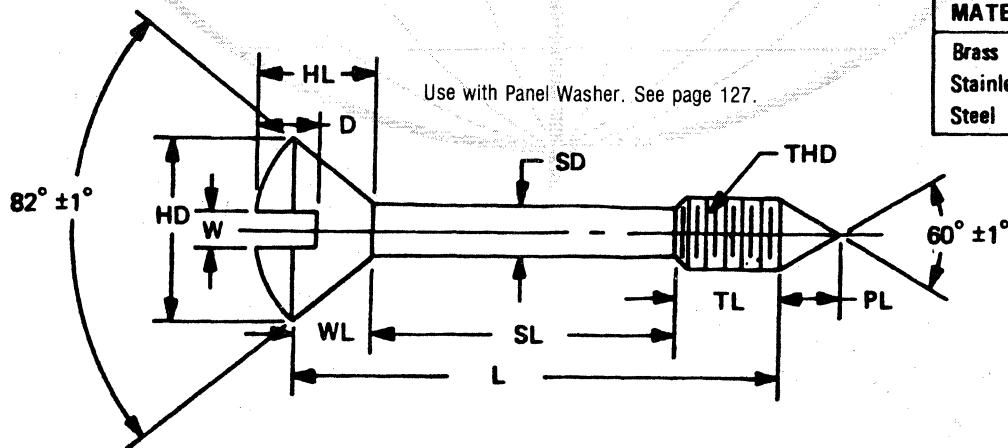
MATERIAL

PART NO.

FINISH

See Page (VII) for finish code
For parts not listed contact Sales Office

PART NO.	THD.	H.D. ±.015	H.L. ±.010	L. ±.015	T.L. ±.015	P.L. ±.015	S.D. ±.005	S.L. REF.	W.L. +.020 -.000	W. +.005 -.000	D. +.000 -.010
10862	10-24	.363	.162	1-11/16	1/4	.164	.130	1-5/16	.116	1/16	3/32
10863	10-24	.363	.162	1-3/4	1/4	.164	.130	1-3/8	.116	1/16	3/32
10864	10-24	.363	.162	1-13/16	1/4	.164	.130	1-7/16	.116	1/16	3/32
10865	10-24	.363	.162	1-7/8	1/4	.164	.130	1-1/2	.116	1/16	3/32
10866	10-24	.363	.162	1-15/16	1/4	.164	.130	1-9/16	.116	1/16	3/32
10867	10-24	.363	.162	2"	1/4	.164	.130	1-5/8	.116	1/16	3/32
10868	10-32	.363	.162	1/2	1/4	.164	.130	1/8	.116	1/16	3/32
10869	10-32	.363	.162	9/16	1/4	.164	.130	3/16	.116	1/16	3/32
10870	10-32	.363	.162	5/8	1/4	.164	.130	1/4	.116	1/16	3/32
10871	10-32	.363	.162	11/16	1/4	.164	.130	5/16	.116	1/16	3/32
10872	10-32	.363	.162	3/4	1/4	.164	.130	3/8	.116	1/16	3/32
10873	10-32	.363	.162	13/16	1/4	.164	.130	7/16	.116	1/16	3/32
10874	10-32	.363	.162	7/8	1/4	.164	.130	1/2	.116	1/16	3/32
10875	10-32	.363	.162	15/16	1/4	.164	.130	9/16	.116	1/16	3/32
10876	10-32	.363	.162	1"	1/4	.164	.130	5/8	.116	1/16	3/32
10877	10-32	.363	.162	1-1/16	1/4	.164	.130	11/16	.116	1/16	3/32



MATERIAL	CODE
Brass	B
Stainless Steel	SS
Steel	S

GLOBE PANEL SCREWS

CAPTIVE PANEL SCREW — TYPE 105

SAMPLE ORDER TECHNIQUE

EXAMPLE: SS—10878—12

XX

XXXXX

XX

MATERIAL

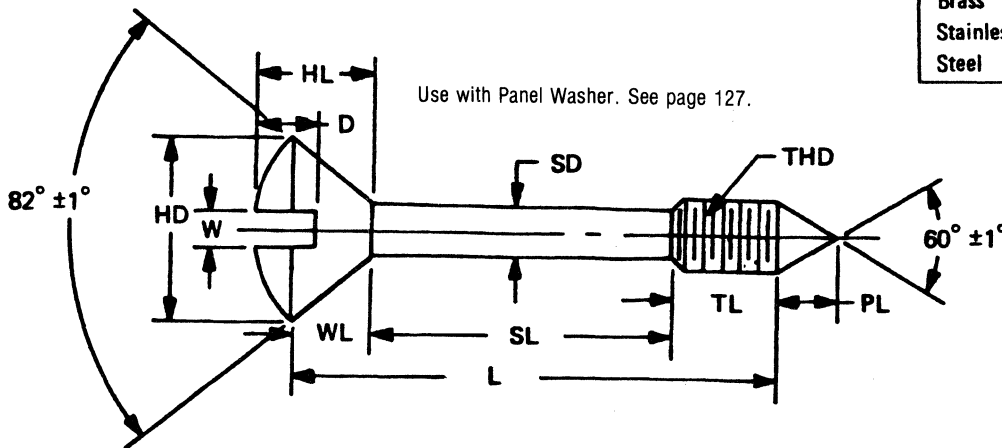
PART NO.

FINISH

See Page (VII) for finish code
For parts not listed contact Sales Office

PART NO.	THD.	H.D. ±.015	H.L. ±.010	L. ±.015	T.L. ±.015	P.L. ±.015	S.D. ±.005	S.L. REF.	W.L. +.020 -.000	W. +.005 -.000	D. +.000 -.010
10878	10-32	.363	.162	1-1/8	1/4	.164	.130	3/4	.116	1/16	3/32
10879	10-32	.363	.162	1-3/16	1/4	.164	.130	13/16	.116	1/16	3/32
10880	10-32	.363	.162	1-1/4	1/4	.164	.130	7/8	.116	1/16	3/32
10881	10-32	.363	.162	1-5/16	1/4	.164	.130	15/16	.116	1/16	3/32
10882	10-32	.363	.162	1-3/8	1/4	.164	.130	1"	.116	1/16	3/32
10883	10-32	.363	.162	1-7/16	1/4	.164	.130	1-1/16	.116	1/16	3/32
10884	10-32	.363	.162	1-1/2	1/4	.164	.130	1-1/8	.116	1/16	3/32
10885	10-32	.363	.162	1-9/16	1/4	.164	.130	1-3/16	.116	1/16	3/32
10886	10-32	.363	.162	1-5/8	1/4	.164	.130	1-1/4	.116	1/16	3/32
10887	10-32	.363	.162	1-11/16	1/4	.164	.130	1-5/16	.116	1/16	3/32
10888	10-32	.363	.162	1-3/4	1/4	.164	.130	1-3/8	.116	1/16	3/32
10889	10-32	.363	.162	1-13/16	1/4	.164	.130	1-7/16	.116	1/16	3/32
10890	10-32	.363	.162	1-7/8	1/4	.164	.130	1-1/2	.116	1/16	3/32
10891	10-32	.363	.162	1-15/16	1/4	.164	.130	1-9/16	.116	1/16	3/32
10892	10-32	.363	.162	2"	1/4	.164	.130	1-5/8	.116	1/16	3/32

MATERIAL	CODE
Brass	B
Stainless Steel	SS
Steel	S



GLOBE PANEL SCREWS

PANEL SCREW WASHER — TYPE 105

SAMPLE ORDER TECHNIQUE

EXAMPLE: SS—10893—12

XX

XXXXX

XX

MATERIAL

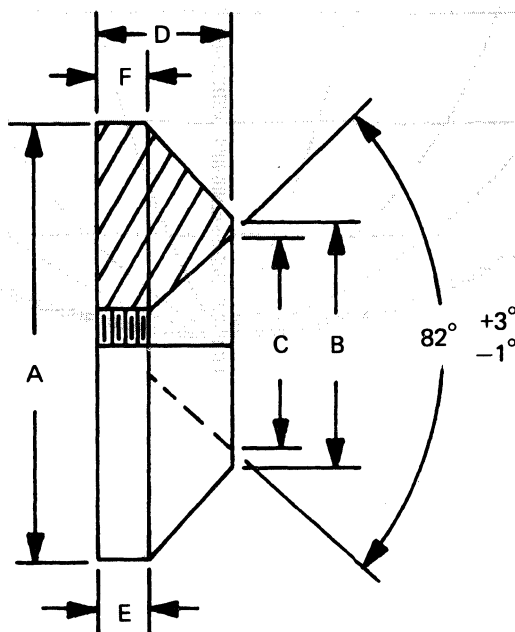
PART NO.

FINISH

See Page (VII) for finish code
For parts not listed contact Sales Office

MATERIAL	CODE
Aluminum	A
Brass	B
Stainless Steel	SS
Steel	S
Nylon	N

PART NO.	THREAD SIZE	A ±.005	B ±.005	C ±.005	D +.000 -.010	E ±.005	F ±.012
10893	4-40	3/8	.265	.234	.156	1/64	.062
10894	6-32	7/16	.328	.296	.171	1/32	.078
10895	8-32	9/16	.375	.343	.203	1/32	.078
10896	10-24	5/8	.421	.390	.218	1/32	.078
10897	10-32	5/8	.421	.390	.218	1/32	.078



GLOBE PANEL SCREWS

CAPTIVE PANEL SCREW — TYPE 106

SAMPLE ORDER TECHNIQUE

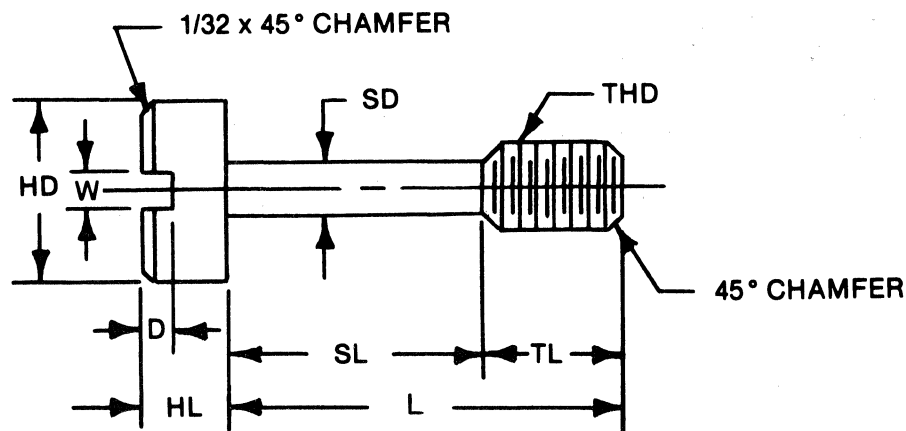
EXAMPLE: SS—10898—12

XX XXXXX XX
MATERIAL **PART NO.** **FINISH**

See Page (VII) for finish code
 For parts not listed contact Sales Office

MATERIAL	CODE
Brass	B
Stainless Steel	SS
Steel	S

PART NO.	THD.	H.D. ± .005	H.L. ± .010	L. + .010 - .005	T.L. + .005	S.D. + .000 - .005	S.L. + .005 - .000	W. + .005 - .000	D. + .010 - .000
10898	4-40	1/4	1/8	15/32	3/16	.078	9/32	3/64	3/64
10899	4-40	1/4	1/8	17/32	3/16	.078	11/32	3/64	3/64
10900	6-32	9/32	1/8	17/32	7/32	.095	5/16	3/64	3/64
10901	6-32	9/32	1/8	19/32	7/32	.095	3/8	3/64	3/64
10902	6-32	9/32	1/8	21/32	7/32	.095	7/16	3/64	3/64
10903	8-32	5/16	5/32	21/32	1/4	.120	13/32	1/16	1/16
10904	8-32	5/16	5/32	23/32	1/4	.120	15/32	1/16	1/16
10905	8-32	5/16	5/32	25/32	1/4	.120	17/32	1/16	1/16
10906	10-32	3/8	3/16	27/32	5/16	.130	17/32	1/16	1/16
10907	10-32	3/8	3/16	29/32	5/16	.130	19/32	1/16	1/16



GLOBE PANEL RETAINERS

RETAINER TYPE 101A

SAMPLE ORDER TECHNIQUE

EXAMPLE: SS-101A-1-12

XX

XXXX

X

XX

MATERIAL

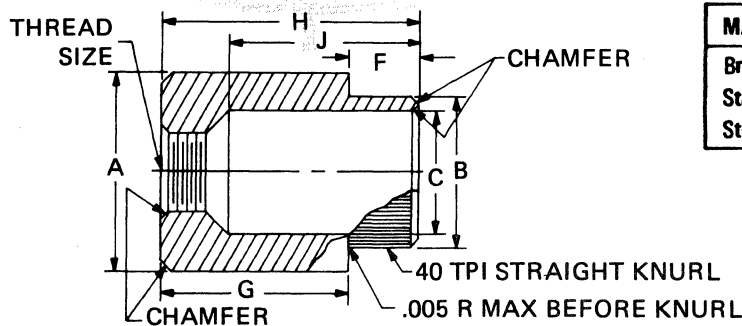
PART NO.

DASH NO.

FINISH

See page (VII) for finish code
For parts not listed contact Sales Office

PART NO.	THREAD SIZE	PANEL THICKNESS	A ±.004	B ±.002	C +.004 -.001	F ±.005	G ±.005	H ±.010	J ±.005
101A-1	4-40	.048-.072	1/4	.198	.150	.050	.200	1/4	.164
101A-2	4-40	.074-.109	1/4	.198	.150	.080	.170	1/4	.164
101A-3	4-40	.119-.156	1/4	.198	.150	.125	.125	1/4	.164
101A-4	6-32	.048-.072	1/4	.198	.150	.050	.262	5/16	.210
101A-5	6-32	.074-.109	1/4	.198	.150	.080	.232	5/16	.210
101A-6	6-32	.119-.156	1/4	.198	.150	.125	.187	5/16	.210
101A-7	6-32	.188-	1/4	.198	.150	.188	.124	5/16	.210
101A-8	8-32	.048-.072	5/16	.228	.188	.050	.262	5/16	.208
101A-9	8-32	.074-.109	5/16	.228	.188	.080	.232	5/16	.208
101A-10	8-32	.119-.156	5/16	.228	.188	.125	.187	5/16	.208
101A-11	8-32	.188-	5/16	.228	.188	.188	.124	5/16	.208
101A-12	10-24	.048-.072	3/8	.280	.228	.050	.325	3/8	.236
101A-13	10-24	.074-.109	3/8	.280	.228	.080	.295	3/8	.236
101A-14	10-24	.119-.156	3/8	.280	.228	.125	.250	3/8	.236
101A-15	10-24	.188-	3/8	.280	.228	.188	.187	3/8	.236
101A-16	10-24	.250-	3/8	.280	.228	.250	.125	3/8	.236
101A-17	10-32	.048-.072	3/8	.280	.228	.050	.325	3/8	.236
101A-18	10-32	.074-.109	3/8	.280	.228	.080	.295	3/8	.236
101A-19	10-32	.119-.156	3/8	.280	.228	.125	.250	3/8	.236
101A-20	10-32	.188-	3/8	.280	.228	.188	.187	3/8	.236
101A-21	10-32	.250-	3/8	.280	.228	.250	.125	3/8	.236



MATERIAL	CODE
Brass	B
Stainless Steel	SS
Steel	S

GLOBE PANEL RETAINERS

RETAINER TYPE 101A

SAMPLE ORDER TECHNIQUE

EXAMPLE: SS-101A-22-12

XX

XXXX

XX

XX

MATERIAL

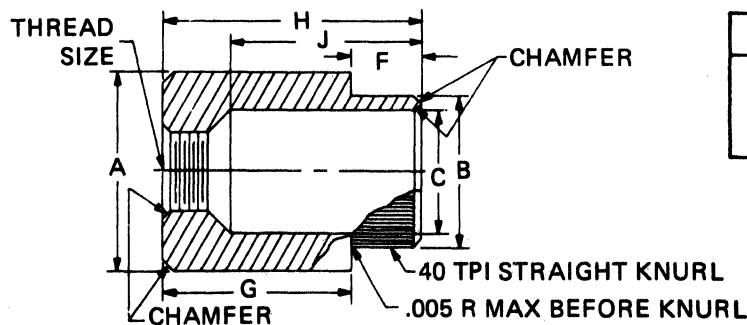
PART NO.

DASH NO.

FINISH

See page (VII) for finish code
For parts not listed contact Sales Office

PART NO.	THREAD SIZE	PANEL THICKNESS	A ±.004	B ±.002	C +.004 -.001	F ±.005	G ±.005	H ±.010	J ±.005
101A-22	1/4-20	.048-.072	1/2	.366	.295	.050	.387	7/16	.292
101A-23	1/4-20	.074-.109	1/2	.366	.295	.080	.357	7/16	.292
101A-24	1/4-20	.119-.156	1/2	.366	.295	.125	.312	7/16	.292
101A-25	1/4-20	.188-	1/2	.366	.295	.188	.249	7/16	.292
101A-26	1/4-20	.250	1/2	.366	.295	.250	.187	7/16	.292
101A-27	1/4-28	.048-.072	1/2	.366	.295	.050	.387	7/16	.292
101A-28	1/4-28	.074-.109	1/2	.366	.295	.080	.357	7/16	.292
101A-29	1/4-28	.119-.156	1/2	.366	.295	.125	.312	7/16	.292
101A-30	1/4-28	.188-	1/2	.366	.295	.188	.249	7/16	.292
101A-31	1/4-28	.250-	1/2	.366	.295	.250	.187	7/16	.292
101A-32	5/16-18	.048-.072	5/8	.414	.347	.050	.450	1/2	.358
101A-33	5/16-18	.074-.109	5/8	.414	.347	.080	.420	1/2	.358
101A-34	5/16-18	.119-.156	5/8	.414	.347	.125	.375	1/2	.358
101A-35	5/16-18	.188-	5/8	.414	.347	.188	.312	1/2	.358
101A-36	5/16-18	.250-	5/8	.414	.347	.250	.250	1/2	.358
101A-37	3/8-16	.074-.109	3/4	.479	.406	.080	.482	9/16	.418
101A-38	3/8-16	.119-.156	3/4	.479	.406	.125	.437	9/16	.418
101A-39	3/8-16	.188-	3/4	.479	.406	.188	.374	9/16	.418
101A-40	3/8-16	.250-	3/4	.479	.406	.250	.312	9/16	.418



MATERIAL	CODE
Brass	B
Stainless Steel	SS
Steel	S

GLOBE PANEL RETAINERS

RETAINER TYPE 102B

SAMPLE ORDER TECHNIQUE

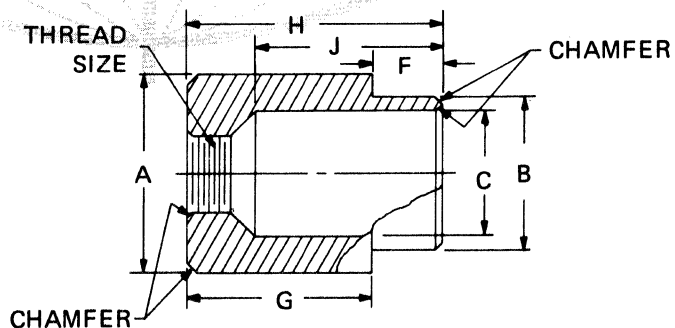
EXAMPLE: SS-102B-1-12

XX XXXX X XX
MATERIAL **PART NO.** **DASH NO.** **FINISH**

See page (VII) for finish code
 For parts not listed contact Sales Office

PART NO.	THREAD SIZE	PANEL THICKNESS	A ±.004	B +.000 -.003	C +.004 -.001	F ±.005	G ±.005	H ±.010	J ±.005
102B-1	4-40	.052-.067	9/32	.250	.210	.062	.312	3/8	.263
102B-2	4-40	.084-.099	9/32	.250	.210	.093	.281	3/8	.263
102B-3	4-40	.109-.140	9/32	.250	.210	.125	.250	3/8	.263
102B-4	4-40	.171-.203	9/32	.250	.210	.187	.187	3/8	.263
102B-5	6-32	.052-.067	9/32	.250	.210	.062	.312	3/8	.265
102B-6	6-32	.084-.099	9/32	.250	.210	.093	.281	3/8	.265
102B-7	6-32	.109-.140	9/32	.250	.210	.125	.250	3/8	.265
102B-8	6-32	.171-.203	9/32	.250	.210	.187	.187	3/8	.265
102B-9	6-32	.234-.265	9/32	.250	.210	.250	.125	3/8	.265
102B-10	8-32	.052-.067	17/32	.433	.386	.062	.500	9/16	.388
102B-11	8-32	.084-.099	17/32	.433	.386	.093	.468	9/16	.388
102B-12	8-32	.109-.140	17/32	.433	.386	.125	.437	9/16	.388
102B-13	8-32	.171-.203	17/32	.433	.386	.187	.375	9/16	.388
102B-14	8-32	.234-.265	17/32	.433	.386	.250	.312	9/16	.388
102B-15	10-24	.052-.067	17/32	.433	.386	.062	.500	9/16	.395
102B-16	10-24	.084-.099	17/32	.433	.386	.093	.468	9/16	.395
102B-17	10-24	.109-.140	17/32	.433	.386	.125	.437	9/16	.395
102B-18	10-24	.171-.203	17/32	.433	.386	.187	.375	9/16	.395
102B-19	10-24	.234-.265	17/32	.433	.386	.250	.312	9/16	.395

MATERIAL	CODE
Brass	B
Stainless Steel	SS
Steel	S



GLOBE PANEL RETAINERS

RETAINER TYPE 102B

SAMPLE ORDER TECHNIQUE

EXAMPLE: SS—102B—20—12

XX

XXXX

XX

XX

MATERIAL

PART NO.

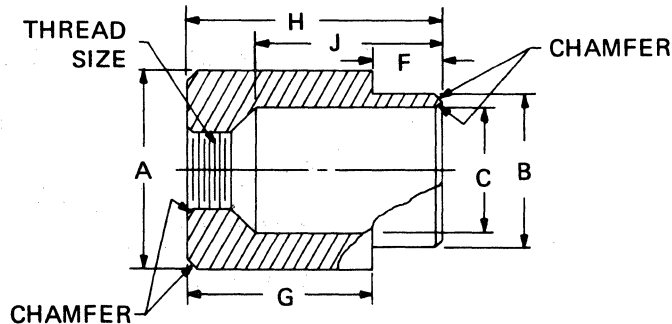
DASH NO.

FINISH

See page (VII) for finish code
For parts not listed contact Sales Office

PART NO.	THREAD SIZE	PANEL THICKNESS	A ±.004	B ±.002	C +.004 -.001	F ±.005	G ±.005	H ±.010	J ±.005
102B—20	10-32	.052-.067	17/32	.433	.386	.062	.500	9/16	.395
102B—21	10-32	.084-.099	17/32	.433	.386	.093	.468	9/16	.395
102B—22	10-32	.109-.140	17/32	.433	.386	.125	.437	9/16	.395
102B—23	10-32	.171-.203	17/32	.433	.386	.187	.375	9/16	.395
102B—24	10-32	.234-.265	17/32	.433	.386	.250	.312	9/16	.395
102B—25	12-24	.052-.067	17/32	.433	.386	.062	.500	9/16	.396
102B—26	12-24	.084-.099	17/32	.433	.386	.093	.468	9/16	.396
102B—27	12-24	.109-.140	17/32	.433	.386	.125	.437	9/16	.396
102B—28	12-24	.171-.203	17/32	.433	.386	.187	.375	9/16	.396
102B—29	12-24	.234-.265	17/32	.433	.386	.250	.312	9/16	.396
102B—30	1/4-20	.052-.067	17/32	.433	.386	.062	.500	9/16	.403
102B—31	1/4-20	.084-.099	17/32	.433	.386	.093	.468	9/16	.403
102B—32	1/4-20	.109-.140	17/32	.433	.386	.125	.437	9/16	.403
102B—33	1/4-20	.171-.203	17/32	.433	.386	.187	.375	9/16	.403
102B—34	1/4-20	.234-.265	17/32	.433	.386	.250	.312	9/16	.403
102B—35	1/4-28	.052-.067	17/32	.433	.386	.062	.500	9/16	.403
102B—36	1/4-28	.084-.099	17/32	.433	.386	.093	.468	9/16	.403
102B—37	1/4-28	.109-.140	17/32	.433	.386	.125	.437	9/16	.403
102B—38	1/4-28	.171-.203	17/32	.433	.386	.187	.375	9/16	.403
102B—39	1/4-28	.234-.265	17/32	.433	.386	.250	.312	9/16	.403

MATERIAL	CODE
Brass	B
Stainless Steel	SS
Steel	S



GLOBE PANEL RETAINERS

RETAINER TYPE 103C

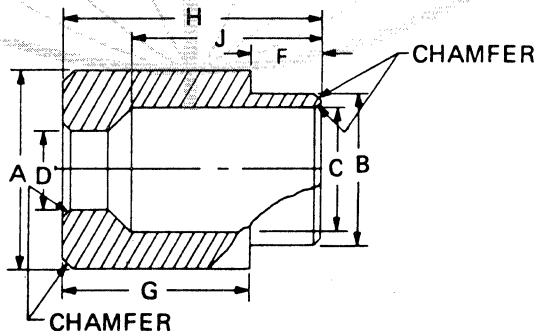
SAMPLE ORDER TECHNIQUE

EXAMPLE: SS-103C-1-12

XX XXXX X XX
MATERIAL **PART NO.** **DASH NO.** **FINISH**

See page (VII) for finish code
 For parts not listed contact Sales Office

PART NO.	THREAD SIZE	PANEL THICKNESS	A ±.004	B +.000 -.003	C +.004 -.001	D +.004 -.001	F ±.005	G ±.005	H ±.010	J ±.005
103C-1	4-40	.052-.067	9/32	.250	.210	.125	.062	.312	3/8	.299
103C-2	4-40	.084-.099	9/32	.250	.210	.125	.093	.281	3/8	.299
103C-3	4-40	.109-.140	9/32	.250	.210	.125	.125	.250	3/8	.299
103C-4	4-40	.171-.203	9/32	.250	.210	.125	.187	.187	3/8	.299
103C-5	6-32	.052-.067	9/32	.250	.210	.152	.062	.312	3/8	.304
103C-6	6-32	.084-.099	9/32	.250	.210	.152	.093	.281	3/8	.304
103C-7	6-32	.109-.140	9/32	.250	.210	.152	.125	.250	3/8	.304
103C-8	6-32	.171-.203	9/32	.250	.210	.152	.187	.187	3/8	.304
103C-9	8-32	.052-.067	17/32	.433	.386	.177	.062	.500	9/16	.447
103C-10	8-32	.084-.099	17/32	.433	.386	.177	.093	.468	9/16	.447
103C-11	8-32	.109-.140	17/32	.433	.386	.177	.125	.437	9/16	.447
103C-12	8-32	.171-.203	17/32	.433	.386	.177	.187	.375	9/16	.447
103C-13	8-32	.234-.265	17/32	.433	.386	.177	.250	.312	9/16	.447
103C-14	10-24	.052-.067	17/32	.433	.386	.203	.062	.500	9/16	.464
103C-15	10-24	.084-.099	17/32	.433	.386	.203	.093	.468	9/16	.464
103C-16	10-24	.109-.140	17/32	.433	.386	.203	.125	.437	9/16	.464
103C-17	10-24	.171-.203	17/32	.433	.386	.203	.187	.375	9/16	.464
103C-18	10-24	.234-.265	17/32	.433	.386	.203	.250	.312	9/16	.464



MATERIAL	CODE
Brass	B
Stainless Steel	SS
Steel	S

GLOBE PANEL RETAINERS

RETAINER TYPE 103C

SAMPLE ORDER TECHNIQUE

EXAMPLE: SS—103C—19—12

XX

XXXX

XX

XX

MATERIAL

PART NO.

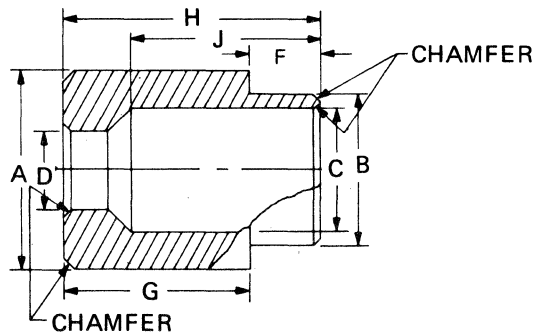
DASH NO.

FINISH

See page (VII) for finish code
For parts not listed contact Sales Office

PART NO.	THREAD SIZE	PANEL THICKNESS	A ±.004	B +.000 -.003	C +.004 -.001	D +.004 -.001	F ±.005	G ±.005	H ±.010	J ±.005
103C—19	10-32	.052-.067	17/32	.433	.386	.203	.062	.500	9/16	.464
103C—20	10-32	.084-.099	17/32	.433	.386	.203	.093	.468	9/16	.464
103C—21	10-32	.109-.140	17/32	.433	.386	.203	.125	.437	9/16	.464
103C—22	10-32	.171-.203	17/32	.433	.386	.203	.187	.375	9/16	.464
103C—23	10-32	.234-.265	17/32	.433	.386	.203	.250	.312	9/16	.464
103C—24	12-24	.052-.067	17/32	.433	.386	.228	.062	.500	9/16	.459
103C—25	12-24	.084-.099	17/32	.433	.386	.228	.093	.468	9/16	.459
103C—26	12-24	.109-.140	17/32	.433	.386	.228	.125	.437	9/16	.459
103C—27	12-24	.171-.203	17/32	.433	.386	.228	.187	.375	9/16	.459
103C—28	12-24	.234-.265	17/32	.433	.386	.228	.250	.312	9/16	.459
103C—29	1/4-20	.052-.067	17/32	.433	.386	.257	.062	.500	9/16	.475
103C—30	1/4-20	.084-.099	17/32	.433	.386	.257	.093	.468	9/16	.475
103C—31	1/4-20	.109-.140	17/32	.433	.386	.257	.125	.437	9/16	.475
103C—32	1/4-20	.171-.203	17/32	.433	.386	.257	.187	.375	9/16	.475
103C—33	1/4-20	.234-.265	17/32	.433	.386	.257	.250	.312	9/16	.475
103C—34	1/4-28	.052-.067	17/32	.433	.386	.257	.062	.500	9/16	.475
103C—35	1/4-28	.084-.099	17/32	.433	.386	.257	.093	.468	9/16	.475
103C—36	1/4-28	.109-.140	17/32	.433	.386	.257	.125	.437	9/16	.475
103C—37	1/4-28	.171-.203	17/32	.433	.386	.257	.187	.375	9/16	.475
103C—38	1/4-28	.234-.265	17/32	.433	.386	.257	.250	.312	9/16	.475

MATERIAL	CODE
Brass	B
Stainless Steel	SS
Steel	S



GLOBE PANEL RETAINERS

RETAINER TYPE 104D

SAMPLE ORDER TECHNIQUE

EXAMPLE: SS-104D-1-12

XX

XXXX

X

XX

MATERIAL

PART NO.

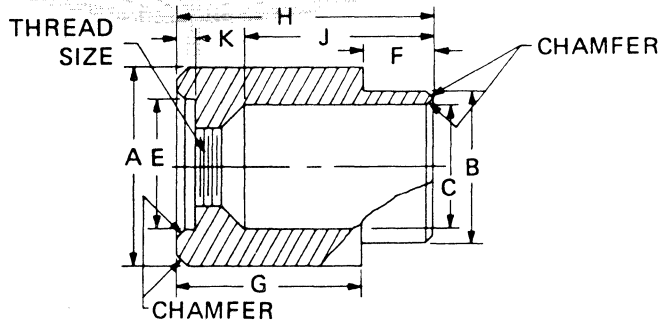
DASH NO.

FINISH

See page (VII) for finish code
For parts not listed contact Sales Office

PART NO.	THREAD SIZE	PANEL THICKNESS	A ±.004	B +.000 -.003	C +.004 -.001	E +.005 -.000	F ±.005	G ±.005	H ±.010	J ±.005	K +.010 -.000
104D-1	4-40	.052-.067	9/32	.250	.210	.192	.062	.375	7/16	.263	.078
104D-2	4-40	.084-.099	9/32	.250	.210	.192	.093	.344	7/16	.263	.078
104D-3	4-40	.109-.140	9/32	.250	.210	.192	.125	.312	7/16	.263	.078
104D-4	4-40	.171-.203	9/32	.250	.210	.192	.187	.250	7/16	.263	.078
104D-5	4-40	.234-.265	9/32	.250	.210	.192	.250	.187	7/16	.263	.078
104D-6	6-32	.052-.067	9/32	.250	.210	.192	.062	.375	7/16	.266	.078
104D-7	6-32	.084-.099	9/32	.250	.210	.192	.093	.344	7/16	.266	.078
104D-8	6-32	.109-.140	9/32	.250	.210	.192	.125	.312	7/16	.266	.078
104D-9	6-32	.171-.203	9/32	.250	.210	.192	.187	.250	7/16	.266	.078
104D-10	6-32	.234-.265	9/32	.250	.210	.192	.250	.187	7/16	.266	.078
104D-11	8-32	.052-.067	17/32	.433	.386	.312	.062	.562	5/8	.388	.093
104D-12	8-32	.084-.099	17/32	.433	.386	.312	.093	.532	5/8	.388	.093
104D-13	8-32	.109-.140	17/32	.433	.386	.312	.125	.500	5/8	.388	.093
104D-14	8-32	.171-.203	17/32	.433	.386	.312	.187	.437	5/8	.388	.093
104D-15	8-32	.234-.265	17/32	.433	.386	.312	.250	.375	5/8	.388	.093
104D-16	10-24	.052-.067	17/32	.433	.386	.312	.062	.562	5/8	.393	.093
104D-17	10-24	.084-.099	17/32	.433	.386	.312	.093	.532	5/8	.393	.093
104D-18	10-24	.109-.140	17/32	.433	.386	.312	.125	.500	5/8	.393	.093
104D-19	10-24	.171-.203	17/32	.433	.386	.312	.187	.437	5/8	.393	.093
104D-20	10-24	.234-.265	17/32	.433	.386	.312	.250	.375	5/8	.393	.093

MATERIAL	CODE
Brass	B
Stainless Steel	SS
Steel	S



GLOBE PANEL RETAINERS

RETAINER TYPE 104D

SAMPLE ORDER TECHNIQUE

EXAMPLE: SS—104D—21—12

XX

XXXX

XX

XX

MATERIAL

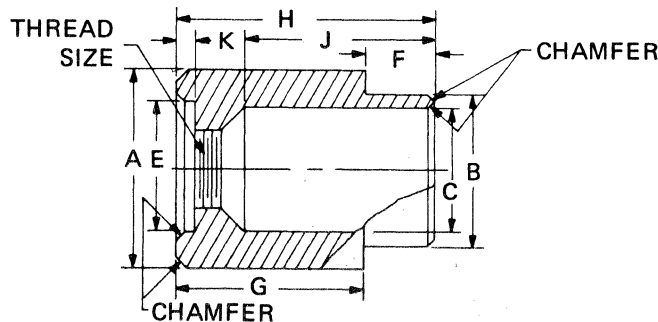
PART NO.

DASH NO.

FINISH

See page (VII) for finish code
For parts not listed contact Sales Office

PART NO.	THREAD SIZE	PANEL THICKNESS	A ±.004	B +.000 -.003	C +.004 -.001	E +.005 -.000	F ±.005	G ±.005	H ±.010	J ±.005	K +.010 -.000
104D—21	10-32	.052-.067	17/32	.433	.386	.312	.062	.562	5/8	.393	.093
104D—22	10-32	.084-.099	17/32	.433	.386	.312	.093	.532	5/8	.393	.093
104D—23	10-32	.109-.140	17/32	.433	.386	.312	.125	.500	5/8	.393	.093
104D—24	10-32	.171-.203	17/32	.433	.386	.312	.187	.437	5/8	.393	.093
104D—25	10-32	.234-.265	17/32	.433	.386	.312	.250	.375	5/8	.393	.093
104D—26	12-24	.052-.067	17/32	.433	.386	.312	.062	.562	5/8	.397	.093
104D—27	12-24	.084-.099	17/32	.433	.386	.312	.093	.532	5/8	.397	.093
104D—28	12-24	.109-.140	17/32	.433	.386	.312	.125	.500	5/8	.397	.093
104D—29	12-24	.171-.203	17/32	.433	.386	.312	.187	.437	5/8	.397	.093
104D—30	12-24	.234-.265	17/32	.433	.386	.312	.250	.375	5/8	.397	.093
104D—31	1/4-20	.052-.067	17/32	.433	.386	.312	.062	.562	5/8	.405	.093
104D—32	1/4-20	.084-.099	17/32	.433	.386	.312	.093	.532	5/8	.405	.093
104D—33	1/4-20	.109-.140	17/32	.433	.386	.312	.125	.500	5/8	.405	.093
104D—34	1/4-20	.171-.203	17/32	.433	.386	.312	.187	.437	5/8	.405	.093
104D—35	1/4-20	.234-.265	17/32	.433	.386	.312	.250	.375	5/8	.405	.093
104D—36	1/4-28	.052-.067	17/32	.433	.386	.312	.062	.562	5/8	.405	.093
104D—37	1/4-28	.084-.099	17/32	.433	.386	.312	.093	.532	5/8	.405	.093
104D—38	1/4-28	.109-.140	17/32	.433	.386	.312	.125	.500	5/8	.405	.093
104D—39	1/4-28	.171-.203	17/32	.433	.386	.312	.187	.437	5/8	.405	.093
104D—40	1/4-28	.234-.265	17/32	.433	.386	.312	.250	.375	5/8	.405	.093



MATERIAL	CODE
Brass	B
Stainless Steel	Ss
Steel	S

GLOBE PANEL RETAINERS

RETAINER TYPE 105E

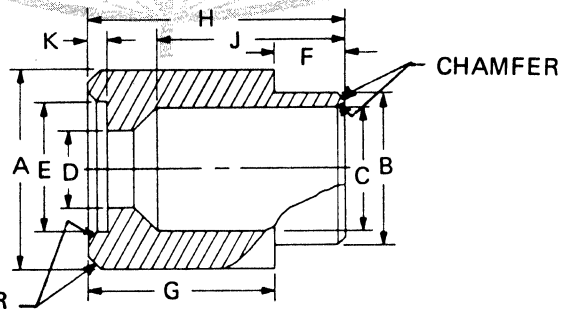
SAMPLE ORDER TECHNIQUE

EXAMPLE: SS-105E-1-12

XX XXXX X XX
MATERIAL **PART NO.** **DASH NO.** **FINISH**

See page (VII) for finish code
 For parts not listed contact Sales Office

PART NO.	THREAD SIZE	PANEL THICKNESS	A ±.004	B +.000 -.003	C +.004 -.001	D +.004 -.001	E +.005 -.000	F ±.005	G ±.005	H ±.010	J ±.005	K +.010 -.000
105E-1	4-40	.052-.067	9/32	.250	.210	.125	.192	.062	.375	7/16	.299	.078
105E-2	4-40	.084-.099	9/32	.250	.210	.125	.192	.093	.344	7/16	.299	.078
105E-3	4-40	.109-.140	9/32	.250	.210	.125	.192	.125	.312	7/16	.299	.078
105E-4	4-40	.171-.203	9/32	.250	.210	.125	.192	.187	.250	7/16	.299	.078
105E-5	4-40	.234-.265	9/32	.250	.210	.125	.192	.250	.187	7/16	.299	.078
105E-6	6-32	.052-.067	9/32	.250	.210	.150	.192	.062	.375	7/16	.305	.078
105E-7	6-32	.084-.099	9/32	.250	.210	.150	.192	.093	.344	7/16	.305	.078
105E-8	6-32	.109-.140	9/32	.250	.210	.150	.192	.125	.312	7/16	.305	.078
105E-9	6-32	.171-.203	9/32	.250	.210	.150	.192	.187	.250	7/16	.305	.078
105E-10	6-32	.234-.265	9/32	.250	.210	.150	.192	.250	.187	7/16	.305	.078
105E-11	8-32	.052-.067	17/32	.433	.386	.175	.312	.062	.562	5/8	.427	.093
105E-12	8-32	.084-.099	17/32	.433	.386	.175	.312	.093	.532	5/8	.427	.093
105E-13	8-32	.109-.140	17/32	.433	.386	.175	.312	.125	.500	5/8	.427	.093
105E-14	8-32	.171-.203	17/32	.433	.386	.175	.312	.187	.437	5/8	.427	.093
105E-15	8-32	.234-.265	17/32	.433	.386	.175	.312	.250	.375	5/8	.427	.093
105E-16	10-24	.052-.067	17/32	.433	.386	.203	.312	.062	.562	5/8	.432	.093
105E-17	10-24	.084-.099	17/32	.433	.386	.203	.312	.093	.532	5/8	.432	.093
105E-18	10-24	.109-.140	17/32	.433	.386	.203	.312	.125	.500	5/8	.432	.093
105E-19	10-24	.171-.203	17/32	.433	.386	.203	.312	.187	.437	5/8	.432	.093
105E-20	10-24	.234-.265	17/32	.433	.386	.203	.312	.250	.375	5/8	.432	.093



MATERIAL	CODE
Brass	B
Stainless Steel	SS
Steel	S

GLOBE PANEL RETAINERS

RETAINER TYPE 105E

SAMPLE ORDER TECHNIQUE

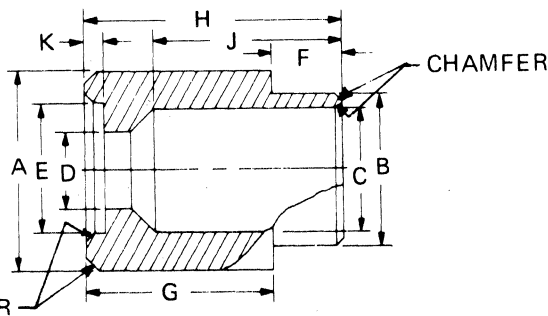
EXAMPLE: SS-105E-21-12

XX	XXXX	XX	XX
MATERIAL	PART NO.	DASH NO.	FINISH

See page (VII) for finish code
For parts not listed contact Sales Office

PART NO.	THREAD SIZE	PANEL THICKNESS	A ±.004	B +.000 -.003	C +.004 -.001	D +.004 -.001	E +.005 -.000	F ±.005	G ±.005	H ±.010	J ±.005	K +.010 -.000
105E-21	10-32	.052-.067	17/32	.433	.386	.203	.312	.062	.562	5/8	.432	.093
105E-22	10-32	.084-.099	17/32	.433	.386	.203	.312	.093	.532	5/8	.432	.093
105E-23	10-32	.109-.140	17/32	.433	.386	.203	.312	.125	.500	5/8	.432	.093
105E-24	10-32	.171-.203	17/32	.433	.386	.203	.312	.187	.437	5/8	.432	.093
105E-25	10-32	.234-.265	17/32	.433	.386	.203	.312	.250	.375	5/8	.432	.093
105E-26	12-24	.052-.067	17/32	.433	.386	.228	.312	.062	.562	5/8	.438	.093
105E-27	12-24	.084-.099	17/32	.433	.386	.228	.312	.093	.532	5/8	.438	.093
105E-28	12-24	.109-.140	17/32	.433	.386	.228	.312	.125	.500	5/8	.438	.093
105E-29	12-24	.171-.203	17/32	.433	.386	.228	.312	.187	.437	5/8	.438	.093
105E-30	12-24	.234-.265	17/32	.433	.386	.228	.312	.250	.375	5/8	.438	.093
105E-31	1/4-20	.052-.067	17/32	.433	.386	.257	.312	.062	.562	5/8	.445	.093
105E-32	1/4-20	.084-.099	17/32	.433	.386	.257	.312	.093	.532	5/8	.445	.093
105E-33	1/4-20	.109-.140	17/32	.433	.386	.257	.312	.125	.500	5/8	.445	.093
105E-34	1/4-20	.171-.203	17/32	.433	.386	.257	.312	.187	.437	5/8	.445	.093
105E-35	1/4-20	.234-.265	17/32	.433	.386	.257	.312	.250	.375	5/8	.445	.093
105E-36	1/4-28	.052-.067	17/32	.433	.386	.257	.312	.062	.562	5/8	.445	.093
105E-37	1/4-28	.084-.099	17/32	.433	.386	.257	.312	.093	.532	5/8	.445	.093
105E-38	1/4-28	.109-.140	17/32	.433	.386	.257	.312	.125	.500	5/8	.445	.093
105E-39	1/4-28	.171-.203	17/32	.433	.386	.257	.312	.187	.437	5/8	.445	.093
105E-40	1/4-28	.234-.265	17/32	.433	.386	.257	.312	.250	.375	5/8	.445	.093

MATERIAL	CODE
Brass	B
Stainless Steel	SS
Steel	S



GLOBE PANEL RETAINERS

RETAINER TYPE 106F

SAMPLE ORDER TECHNIQUE

EXAMPLE: SS-106F-1-12

XX

XXXX

X

XX

MATERIAL

PART NO.

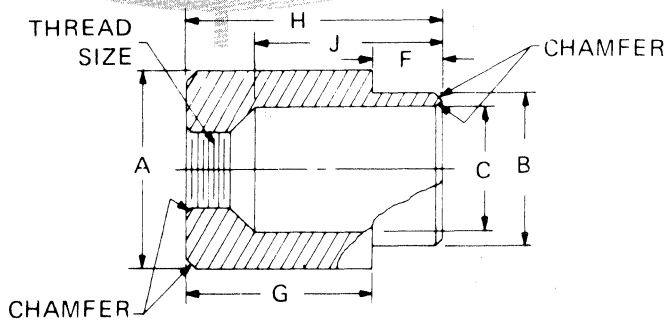
DASH NO.

FINISH

See page (VII) for finish code
For parts not listed contact Sales Office

PART NO.	THREAD SIZE	PANEL THICKNESS	A ±.004	B +.000 -.003	C +.004 -.001	F ±.005	G ±.005	H ±.010	J ±.005
106F-1	4-40	.052-.067	1/4	.188	.150	.062	.188	1/4	.161
106F-2	4-40	.084-.099	1/4	.188	.150	.093	.156	1/4	.161
106F-3	4-40	.109-.140	1/4	.188	.150	.125	.125	1/4	.161
106F-4	6-32	.052-.067	1/4	.188	.150	.062	.250	5/16	.210
106F-5	6-32	.084-.099	1/4	.188	.150	.093	.218	5/16	.210
106F-6	6-32	.109-.140	1/4	.188	.150	.125	.187	5/16	.210
106F-7	6-32	.171-.203	1/4	.188	.150	.187	.125	5/16	.210
106F-8	8-32	.052-.067	3/8	.218	.188	.062	.250	5/16	.210
106F-9	8-32	.084-.099	3/8	.218	.188	.093	.218	5/16	.210
106F-10	8-32	.109-.140	3/8	.218	.188	.125	.187	5/16	.210
106F-11	8-32	.171-.203	3/8	.218	.188	.187	.125	5/16	.210
106F-12	10-24	.052-.067	3/8	.270	.228	.062	.312	3/8	.236
106F-13	10-24	.084-.099	3/8	.270	.228	.093	.281	3/8	.236
106F-14	10-24	.109-.140	3/8	.270	.228	.125	.250	3/8	.236
106F-15	10-24	.171-.203	3/8	.270	.228	.187	.188	3/8	.236
106F-16	10-24	.234-.265	3/8	.270	.228	.250	.125	3/8	.236
106F-17	10-32	.052-.067	3/8	.270	.228	.062	.312	3/8	.236
106F-18	10-32	.084-.099	3/8	.270	.228	.093	.281	3/8	.236
106F-19	10-32	.109-.140	3/8	.270	.228	.125	.250	3/8	.236
106F-20	10-32	.171-.203	3/8	.270	.228	.187	.188	3/8	.236
106F-21	10-32	.234-.265	3/8	.270	.228	.250	.125	3/8	.236

MATERIAL	CODE
Brass	B
Stainless Steel	SS
Steel	S



GLOBE PANEL RETAINERS

RETAINER TYPE 106F

SAMPLE ORDER TECHNIQUE

EXAMPLE: SS-106F-22-12

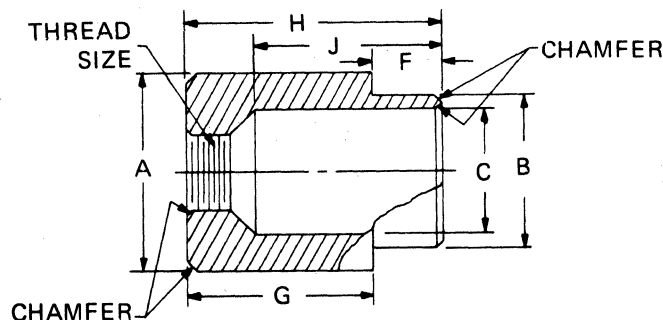
XX
XXXX
XX
XX

MATERIAL
PART NO.
DASH NO.
FINISH

See page (VII) for finish code
For parts not listed contact Sales Office

PART NO.	THREAD SIZE	PANEL THICKNESS	A ±.004	B ±.002	C +.004 -.001	F ±.005	G ±.005	H ±.010	J ±.005
106F-22	12-24	.052-.067	3/8	.270	.228	.062	.312	3/8	.239
106F-23	12-24	.084-.099	3/8	.270	.228	.093	.281	3/8	.239
106F-24	12-24	.109-.140	3/8	.270	.228	.125	.250	3/8	.239
106F-25	12-24	.171-.203	3/8	.270	.228	.187	.188	3/8	.239
106F-26	12-24	.234-.265	3/8	.270	.228	.250	.125	3/8	.239
106F-27	1/4-20	.052-.067	1/2	.356	.295	.062	.375	7/16	.295
106F-28	1/4-20	.084-.099	1/2	.356	.295	.093	.343	7/16	.295
106F-29	1/4-20	.109-.140	1/2	.356	.295	.125	.312	7/16	.295
106F-30	1/4-20	.171-.203	1/2	.356	.295	.187	.250	7/16	.295
106F-31	1/4-20	.234-.265	1/2	.356	.295	.250	.187	7/16	.295
106F-32	1/4-28	.052-.067	1/2	.356	.295	.062	.375	7/16	.295
106F-33	1/4-28	.084-.099	1/2	.356	.295	.093	.343	7/16	.295
106F-34	1/4-28	.109-.140	1/2	.356	.295	.125	.312	7/16	.295
106F-35	1/4-28	.171-.203	1/2	.356	.295	.187	.250	7/16	.295
106F-36	1/4-28	.234-.265	1/2	.356	.295	.250	.187	7/16	.295
106F-37	5/16-24	.052-.067	1/2	.404	.343	.062	.375	7/16	.297
106F-38	5/16-24	.084-.099	1/2	.404	.343	.093	.343	7/16	.297
106F-39	5/16-24	.109-.140	1/2	.404	.343	.125	.312	7/16	.297
106F-40	5/16-24	.171-.203	1/2	.404	.343	.187	.250	7/16	.297
106F-41	5/16-24	.234-.265	1/2	.404	.343	.250	.187	7/16	.297

MATERIAL	CODE
Brass	B
Stainless Steel	SS
Steel	S



GLOBE PANEL RETAINERS

RETAINER TYPE 107G

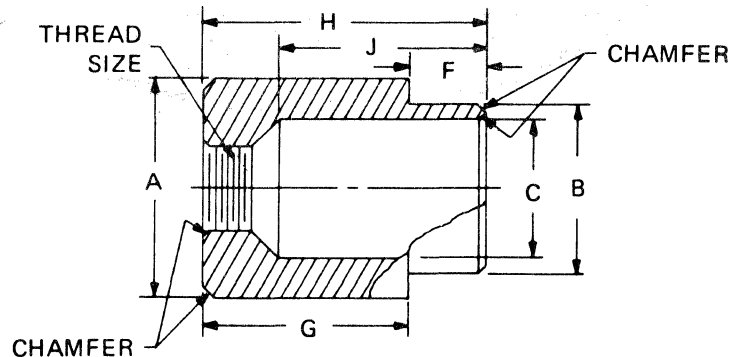
SAMPLE ORDER TECHNIQUE

EXAMPLE: SS-107G-1-12

X	XXXX	X	XX
MATERIAL	PART NO.	DASH NO.	FINISH

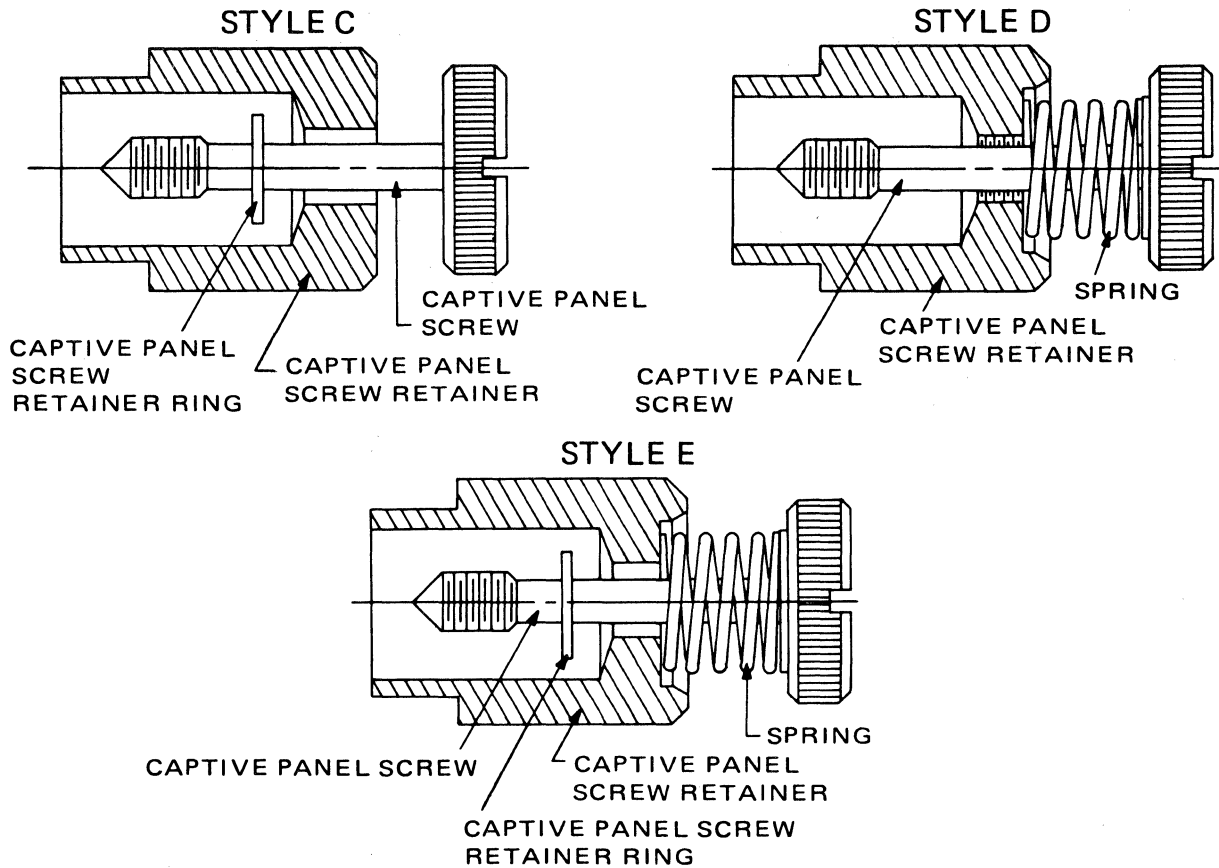
See page (VII) for finish code
For parts not listed contact Sales Office

PART NO.	THREAD SIZE	PANEL THICKNESS	A ±.004	B +.000 -.003	C +.004 -.001	F ±.005	G ±.005	H ±.010	J ±.005
107G-1	6-32	.109-.140	9/16	.406	.343	.165	.312	.477	.242
107G-2	6-32	.171-.203	9/16	.406	.343	.230	.312	.542	.307
107G-3	6-32	.234-.265	9/16	.406	.343	.290	.312	.602	.367
107G-4	8-32	.109-.140	9/16	.406	.343	.165	.312	.477	.248
107G-5	8-32	.171-.203	9/16	.406	.343	.230	.312	.542	.315
107G-6	8-32	.234-.265	9/16	.406	.343	.290	.312	.602	.373
107G-7	10-32	.109-.140	9/16	.406	.343	.165	.312	.477	.252
107G-8	10-32	.171-.203	9/16	.406	.343	.230	.312	.542	.318
107G-9	10-32	.234-.265	9/16	.406	.343	.290	.312	.602	.378
107G-10	12-24	.109-.140	9/16	.406	.343	.165	.312	.477	.256
107G-11	12-24	.171-.203	9/16	.406	.343	.230	.312	.542	.321
107G-12	12-24	.234-.265	9/16	.406	.343	.290	.312	.602	.381
107G-13	1/4-20	.109-.140	9/16	.406	.343	.165	.312	.477	.261
107G-14	1/4-20	.171-.203	9/16	.406	.343	.230	.312	.542	.326
107G-15	1/4-20	.234-.265	9/16	.406	.343	.290	.312	.602	.386

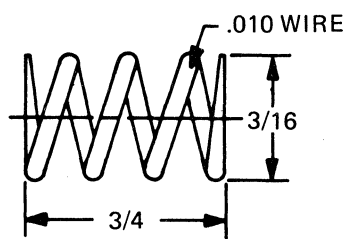


MATERIAL	CODE
Brass	B
Stainless Steel	SS
Steel	S

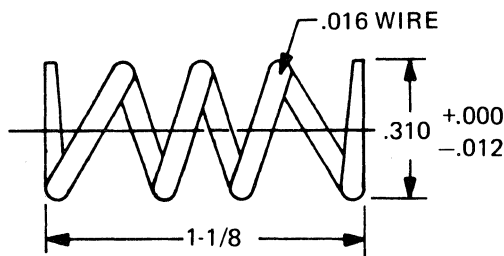
PANEL SCREW RETAINER — SPRINGS & WASHERS



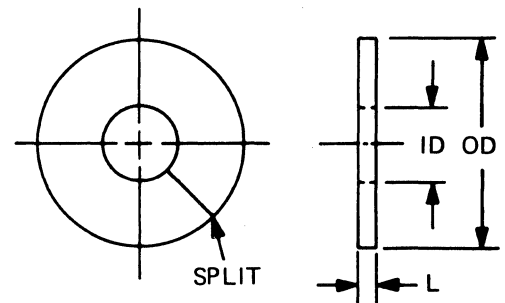
STAINLESS STEEL SPRINGS AND WASHERS



PART NO. 12998



PART NO. 12999



WASHER

WASHER SIZES

PART NO.	THREAD SIZE	O.D. ±.003	I.D. ±.003	L. ±.003
13000	4-40	.171	.093	.010
13001	6-32	.171	.112	.010
13002	8-32	.312	.146	.012
13003	10-24	.312	.166	.012
13004	10-32	.312	.166	.012
13005	12-24	.312	.190	.012
13006	1/4-20	.312	.204	.012
13007	1/4-28	.312	.214	.012

GLOBE STANDOFFS

1/4 SWAGE FIT-TITE STANDOFFS

SAMPLE ORDER TECHNIQUE

EXAMPLE: B—14000—440—075—6

X

XXXXX

XXX

XXX

X

MATERIAL

LENGTH

THREAD

SHANK

FINISH

See page (VIII) for thread depth
See page (VII) for finish code
For parts not listed contact Sales Office

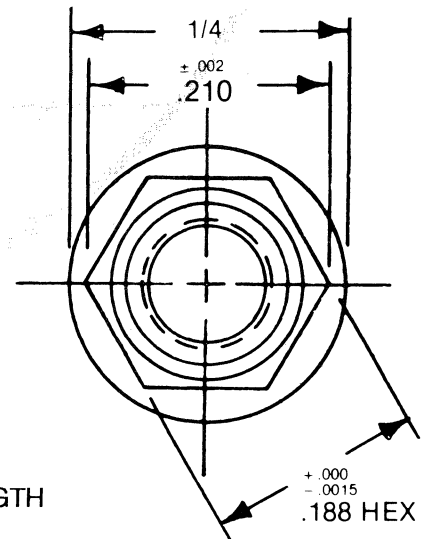
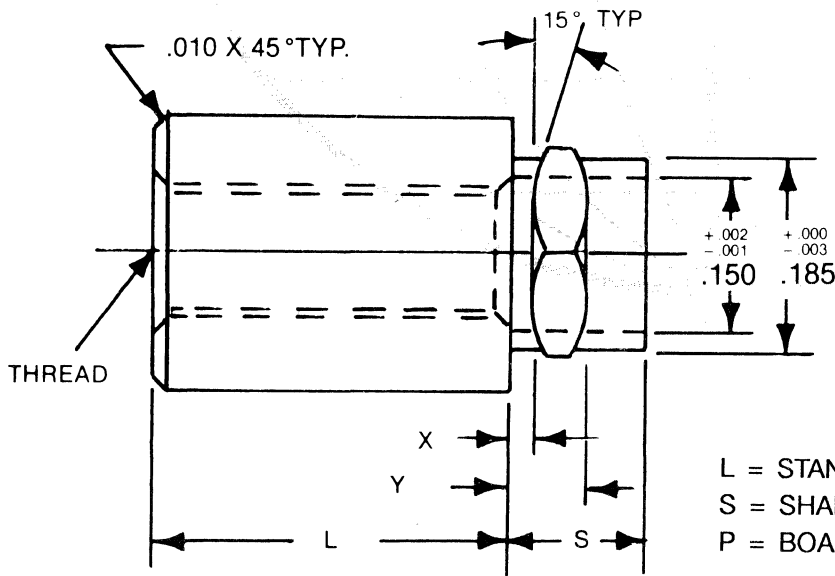
THREAD
4-40
6-32

MATERIAL	CODE
Aluminum	A
Brass	B
Stainless Steel	SS
Steel	S

LENGTH	PART NO.	LENGTH	PART NO.
1/8	14000	1-1/16	14015
3/16	14001	1-1/8	14016
1/4	14002	1-3/16	14017
5/16	14003	1-1/4	14018
3/8	14004	1-5/16	14019
7/16	14005	1-3/8	14020
1/2	14006	1-7/16	14021
9/16	14007	1-1/2	14022
5/8	14008	1-9/16	14023
11/16	14009	1-5/8	14024
3/4	14010	1-11/16	14025
13/16	14011	1-3/4	14026
7/8	14012	1-13/16	14027
15/16	14013	1-7/8	14028
1"	14014	1-15/16	14029
		2"	14030

SWAGE TOOLING		
PUNCH	ANVIL	LENGTH
GP-4	GAR-22	1/8 - 3/16
	GAR-23	1/4 - 7/16
	GAR-24	1/2 - 11/16
	GAR-25	3/4 - 2"

SWAGE/PANEL CODE			
S	P	X	Y
.075	1/32	.010	.025
.105	1/16	.025	.055
.135	3/32	.030	.065
.165	1/8	.035	.075
.230	3/16	.040	.085



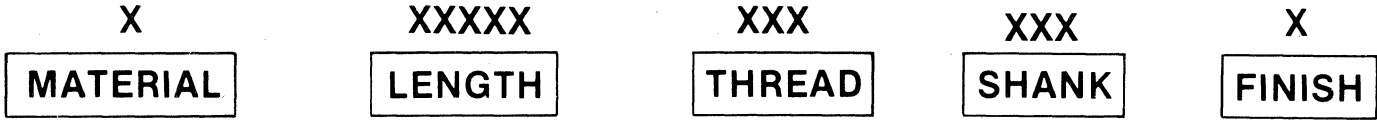
L = STANDOFF LENGTH
S = SHANK LENGTH
P = BOARD THICKNESS

GLOBE STANDOFFS

5/16 SWAGE FIT-TITE STANDOFFS

SAMPLE ORDER TECHNIQUE

EXAMPLE: B—15000—632—075—0



See page (VIII) for thread depth
 See page (VII) for finish code
 For parts not listed contact Sales Office

THREAD
6-32
8-32
10-32

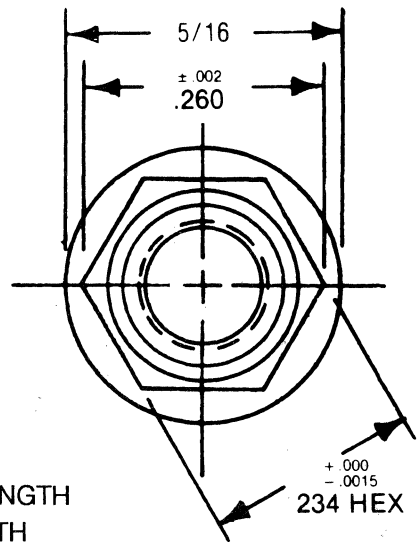
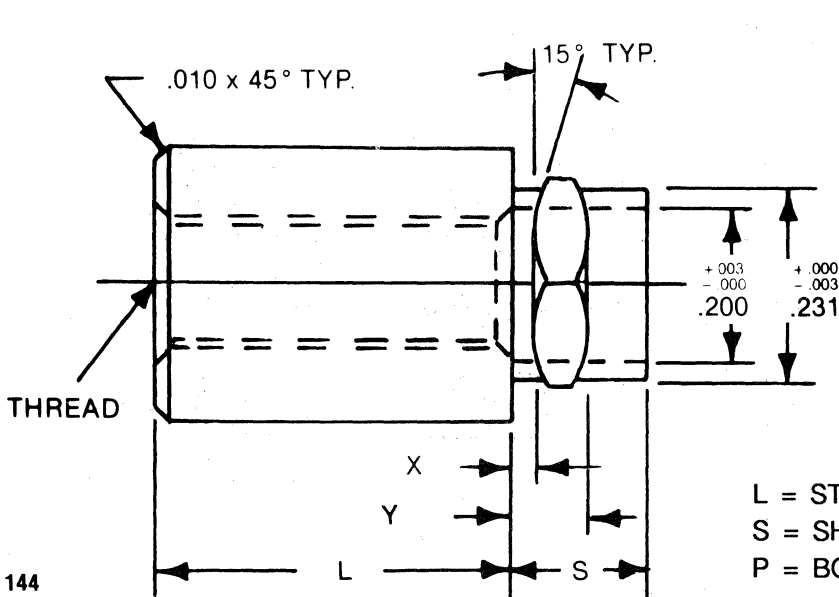
LENGTH	PART NO.
1/8	15000
3/16	15001
1/4	15002
5/16	15003
3/8	15004
7/16	15005
1/2	15006
9/16	15007
5/8	15008
11/16	15009
3/4	15010
13/16	15011
7/8	15012
15/16	15013
1"	15014

LENGTH	PART NO.
1-1/16	15015
1-1/8	15016
1-3/16	15017
1-1/4	15018
1-5/16	15019
1-3/8	15020
1-7/16	15021
1-1/2	15022
1-9/16	15023
1-5/8	15024
1-11/16	15025
1-3/4	15026
1-13/16	15027
1-7/8	15028
1-15/16	15029
2"	15030

SWAGE TOOLING		
PUNCH	ANVIL	LENGTH
GP-5	GAR-26	1/8 - 3/16
	GAR-27	1/4 - 7/16
	GAR-28	1/2 - 11/16
	GAR-29	3/4 - 2"

MATERIAL	CODE
Aluminum	A
Brass	B
Stainless Steel	SS
Steel	S

SWAGE/PANEL CODE			
S	P	X	Y
.075	1/32	.010	.025
.105	1/16	.025	.055
.135	3/32	.030	.065
.165	1/8	.035	.075
.230	3/16	.040	.085



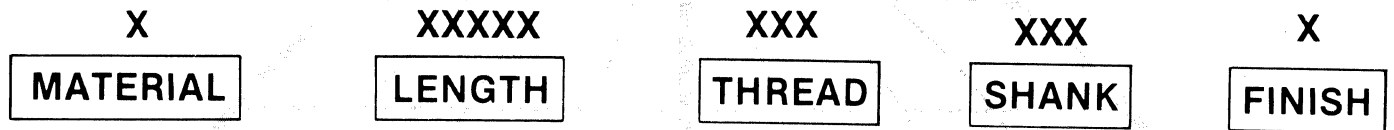
L = STANDOFF LENGTH
 S = SHANK LENGTH
 P = BOARD THICKNESS

GLOBE STANDOFFS

3/16 HEX BIND SWAGE STANDOFFS

SAMPLE ORDER TECHNIQUE

EXAMPLE: B-16000-256-075-0



See page (VIII) for thread depth
 See page (VII) for finish code
 For parts not listed contact Sales Office

THREAD
2-56
4-40

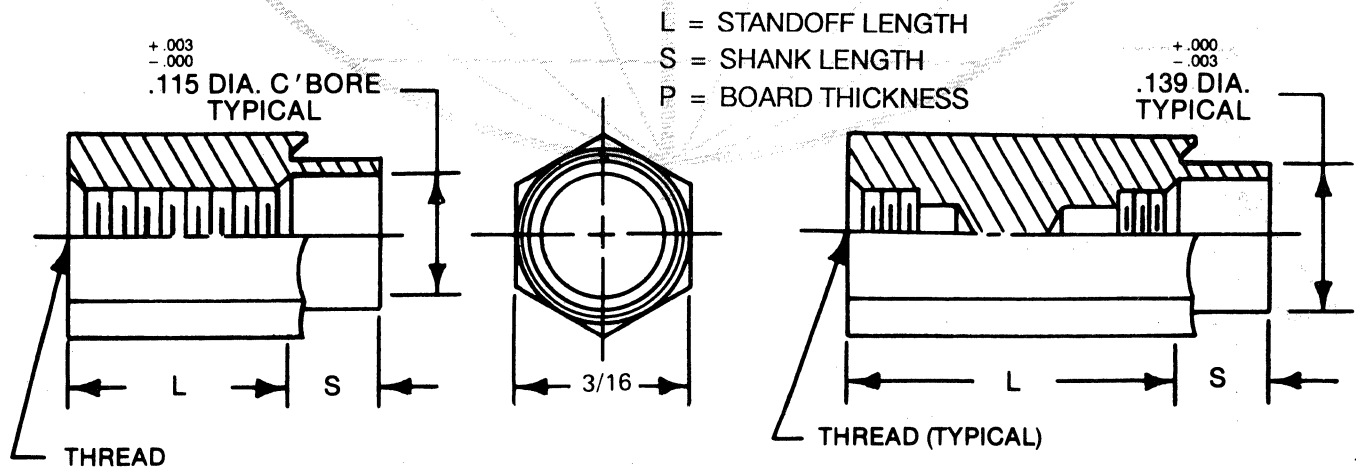
MATERIAL	CODE
Aluminum	A
Brass	B
Stainless Steel	SS
Steel	S

LENGTH	PART NO.
1/8	16000
3/16	16001
1/4	16002
5/16	16003
3/8	16004
7/16	16005
1/2	16006
9/16	16007
5/8	16008
11/16	16009
3/4	16010
13/16	16011
7/8	16012
15/16	16013
1"	16014

LENGTH	PART NO.
1-1/16	16015
1-1/8	16016
1-3/16	16017
1-1/4	16018
1-5/16	16019
1-3/8	16020
1-7/16	16021
1-1/2	16022
1-9/16	16023
1-5/8	16024
1-11/16	16025
1-3/4	16026
1-13/16	16027
1-7/8	16028
1-15/16	16029
2"	16030

SWAGE TOOLING		
PUNCH	ANVIL	LENGTH
GP-3	GAH-48	1/8 - 3/16
	GAH-49	1/4 - 7/16
	GAH-50	1/2 - 11/16
	GAH-51	3/4 - 2"

SWAGE/PANEL	
S	P
.075	1/32
.105	1/16
.135	3/32
.165	1/8



GLOBE STANDOFFS

1/4 HEX BIND SWAGE STANDOFFS

SAMPLE ORDER TECHNIQUE

EXAMPLE: B-17000-440-075-0



See page (VIII) for thread depth
 See page (VII) for finish code
 For parts not listed contact Sales Office

THREAD
4-40
6-32

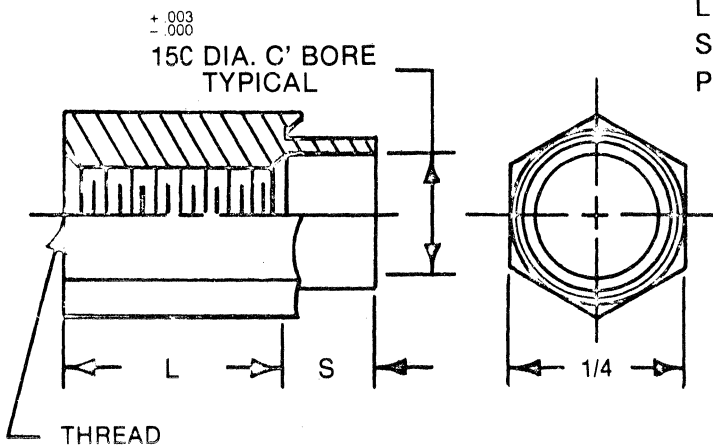
MATERIAL	CODE
Aluminum	A
Brass	B
Stainless Steel	SS
Steel	S

LENGTH	PART NO.
1/8	17000
3/16	17001
1/4	17002
5/16	17003
3/8	17004
7/16	17005
1/2	17006
9/16	17007
5/8	17008
11/16	17009
3/4	17010
13/16	17011
7/8	17012
15/16	17013
1"	17014

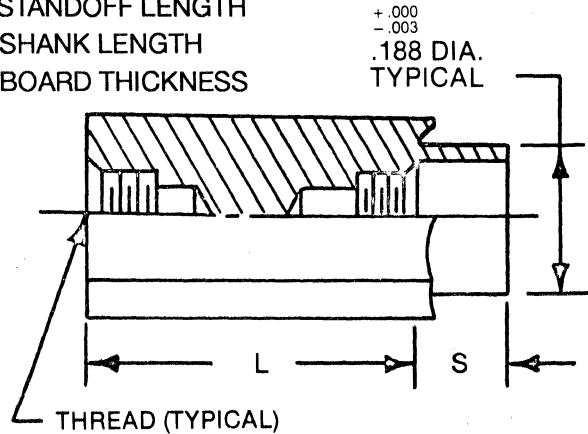
LENGTH	PART NO.
1-1/16	17015
1-1/8	17016
1-3/16	17017
1-1/4	17018
1-5/16	17019
1-3/8	17020
1-7/16	17021
1-1/2	17022
1-9/16	17023
1-5/8	17024
1-11/16	17025
1-3/4	17026
1-13/16	17027
1-7/8	17028
1-15/16	17029
2"	17030

SWAGE TOOLING		
PUNCH	ANVIL	LENGTH
GP-4	GAH-52	1/8 - 3/16
	GAH-53	1/4 - 7/16
	GAH-54	1/2 - 11/16
	GAH-55	3/4 - 2"

SWAGE/PANEL	
S	P
.075	1/32
.105	1/16
.135	3/32
.165	1/8



L = STANDOFF LENGTH
 S = SHANK LENGTH
 P = BOARD THICKNESS



GLOBE STANDOFFS

5/16 HEX BIND SWAGE STANDOFFS

SAMPLE ORDER TECHNIQUE

EXAMPLE B-18000-632-075-0

X

XXXXX

XXXX

XXX

X

MATERIAL

LENGTH

THREAD

SHANK

FINISH

See page (VIII) for thread depth

See page (VII) for finish code

For parts not listed contact Sales Office

MATERIAL	CODE
Aluminum	A
Brass	B
Stainless Steel	SS
Steel	S

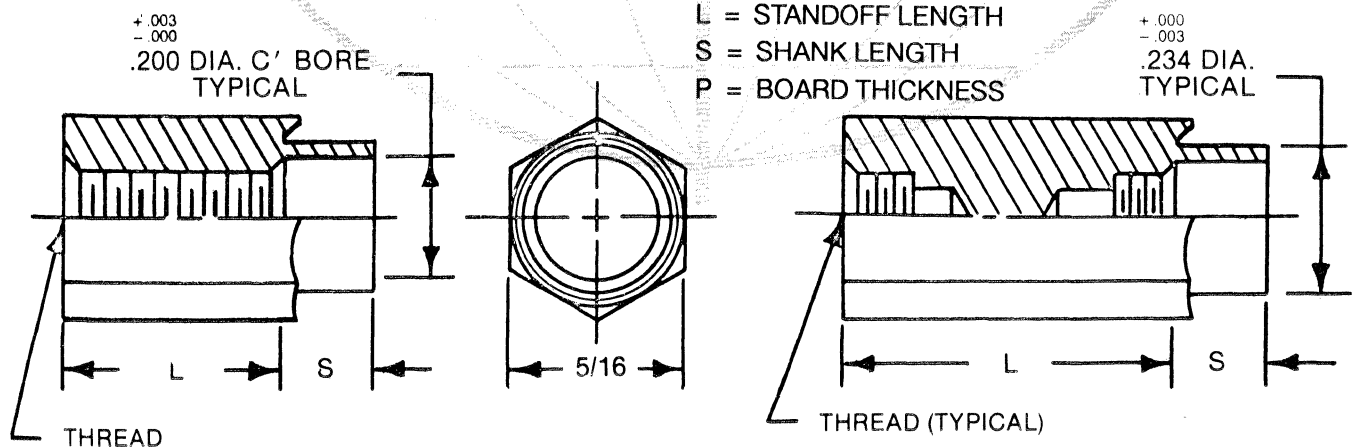
THREAD
6-32
8-32
10-32

LENGTH	PART NO.
1/8	18000
3/16	18001
1/4	18002
5/16	18003
3/8	18004
7/16	18005
1/2	18006
9/16	18007
5/8	18008
11/16	18009
3/4	18010
13/16	18011
7/8	18012
15/16	18013
1"	18014

LENGTH	PART NO.
1-1/16	18015
1-1/8	18016
1-3/16	18017
1-1/4	18018
1-5/16	18019
1-3/8	18020
1-7/16	18021
1-1/2	18022
1-9/16	18023
1-5/8	18024
1-11/16	18025
1-3/4	18026
1-13/16	18027
1-7/8	18028
1-15/16	18029
2"	18030

SWAGE TOOLING		
PUNCH	ANVIL	LENGTH
GP-5	GAH-56	1/8 - 3/16
	GAH-57	1/4 - 7/16
	GAH-58	1/2 - 11/16
	GAH-59	3/4 - 2"

SWAGE/PANEL	
S	P
.075	1/32
.105	1/16
.135	3/32
.165	1/8



GLOBE STANDOFFS

3/8 HEX BIND SWAGE STANDOFFS

SAMPLE ORDER TECHNIQUE

EXAMPLE: B-19000-632-075-0

X

XXXXX

XXX

XXX

X

MATERIAL

LENGTH

THREAD

SHANK

FINISH

See page (VIII) for thread depth

See page (VII) for finish code

For parts not listed contact Sales Office

MATERIAL	CODE
Aluminum	A
Brass	B
Stainless Steel	SS
Steel	S

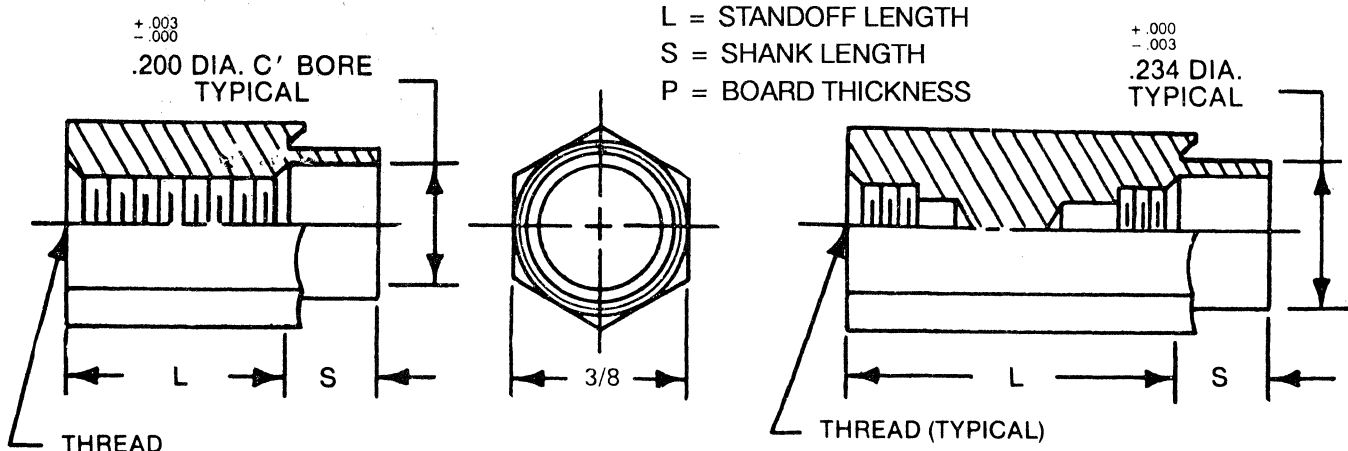
THREAD
6-32
8-32
10-32

LENGTH	PART NO.
1/8	19000
3/16	19001
1/4	19002
5/16	19003
3/8	19004
7/16	19005
1/2	19006
9/16	19007
5/8	19008
11/16	19009
3/4	19010
13/16	19011
7/8	19012
15/16	19013
1"	19014

LENGTH	PART NO.
1-1/16	19015
1-1/8	19016
1-3/16	19017
1-1/4	19018
1-5/16	19019
1-3/8	19020
1-7/16	19021
1-1/2	19022
1-9/16	19023
1-5/8	19024
1-11/16	19025
1-3/4	19026
1-13/16	19027
1-7/8	19028
1-15/16	19029
2"	19030

SWAGE TOOLING		
PUNCH	ANVIL	LENGTH
GP-5	GAH-60	1/8 - 3/16
	GAH-61	1/4 - 7/16
	GAH-62	1/2 - 11/16
	GAH-63	3/4 - 2"

SWAGE/PANEL	
S	P
.075	1/32
.105	1/16
.135	3/32
.165	1/8



GLOBE STANDOFFS

HEX MALE—MALE STANDOFFS

SAMPLE ORDER TECHNIQUE

EXAMPLE B—20000—0

X

XXXXX

X

MATERIAL

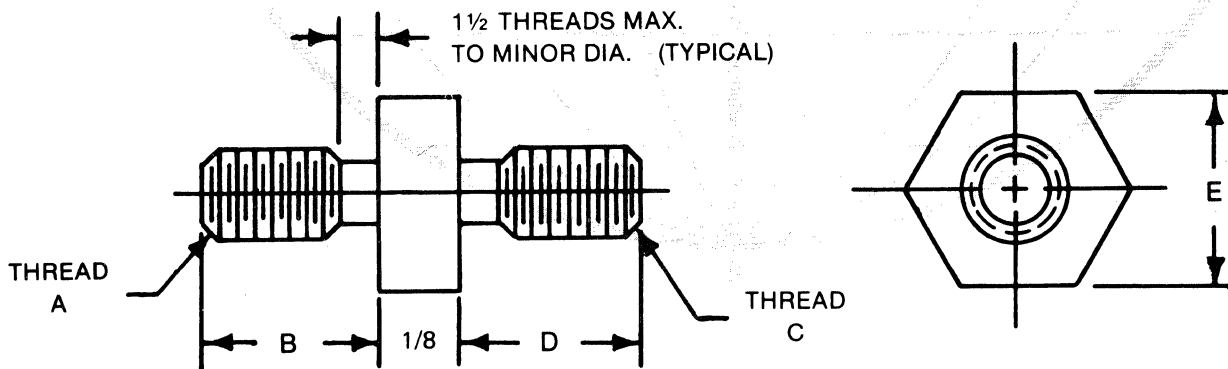
SIZE

FINISH

See page (VII) for finish code
For parts not listed contact Sales Office

MATERIAL	CODE
Aluminum	A
Brass	B
Steel	S

PART NO.	THREAD A	LENGTH B	THREAD C	LENGTH D	HEX E
20000	4-40	3/16	4-40	3/16	1/4
20001	4-40	3/16	6-32	1/4	1/4
20002	6-32	1/4	6-32	1/4	1/4
20003	6-32	1/4	8-32	3/8	1/4
20004	8-32	3/8	8-32	3/8	1/4
20005	8-32	3/8	10-32	3/8	1/4
20006	10-32	3/8	10-32	3/8	1/4
20007	8-32	3/8	8-32	3/8	5/16
20008	8-32	3/8	10-32	3/8	5/16
20009	10-32	3/8	10-32	3/8	5/16



GLOBE STANDOFFS

3/16 HEX JACK SCREWS

SAMPLE ORDER TECHNIQUE

EXAMPLE: S—21001—0

X

XXXXX

X

MATERIAL

LENGTH

FINISH

SUPPLIED WITH

- TWO (2) #4 FLAT WASHERS .235 O.D. x .032 THICK
- ONE (1) #4 LOCK WASHER .209 O.D. x .032 THICK
- ONE (1) #4-40 NUT 3/16 HEX x 1/16 THICK

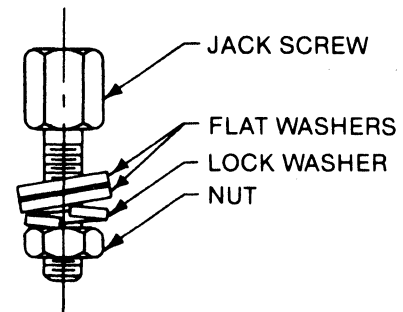
SUPPLIED UNASSEMBLED

MATERIAL

STEEL QQ-S-637

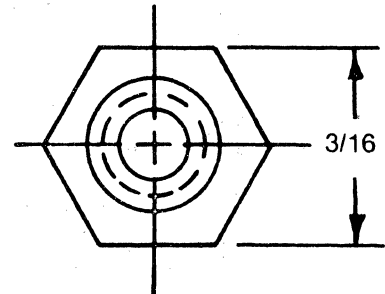
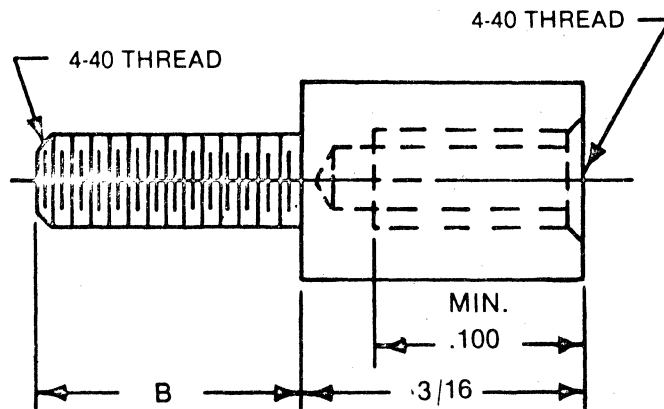
FINISH

CADMIUM QQP-416 CL2
COLOR CHROMATE TYPE 2



ASSEMBLY

B	PART NUMBER
3/16	21001
1/4	21002
5/16	21003
3/8	21004
7/16	21005
1/2	21006
9/16	21007
5/8	21008
11/16	21009
3/4	21010



GLOBE STANDOFFS

IEEE-488 JACK SCREW

SAMPLE ORDER TECHNIQUE

EXAMPLE: S—IEEE-488—11

X

MATERIAL

X

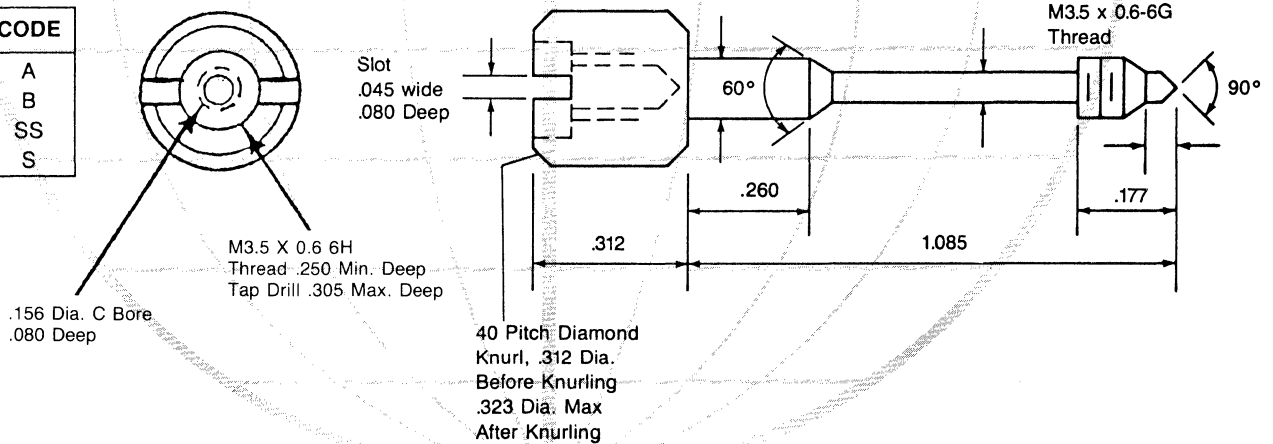
FINISH

For parts not listed contact Sales Office

IEEE-488 Jack Screw can also be fabricated to any and all modifications.
We are specialists in custom screw machine parts.

GLOBE ELECTRONIC HARDWARE, INC.

MATERIAL	CODE
Aluminum	A
Brass	B
Stainless Steel	SS
Steel	S



GLOBE THUMB NUTS

ROUND THUMB NUTS

SAMPLE ORDER TECHNIQUE

EXAMPLE: B - 22000 - 0

X

XXXXX

X

MATERIAL

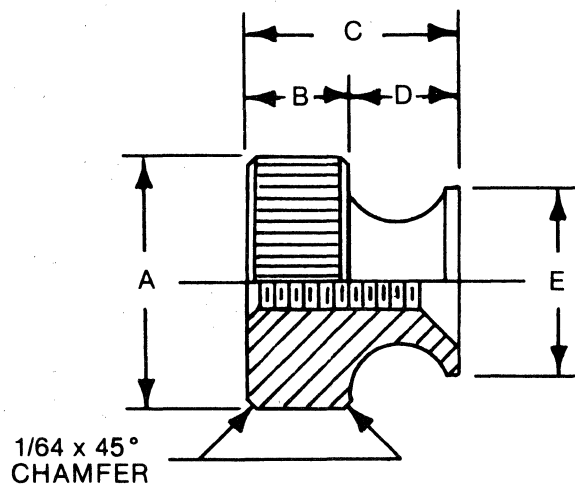
LENGTH

FINISH

See page (VII) for finish code
For parts not listed contact Sales Office

MATERIAL	CODE
Aluminum	A
Brass	B
Stainless Steel	SS
Steel	S

PART NO.	THREAD	A +.020 -.000	B ±.015	C REF.	D ±.010	E ±.031
22000	2-56	1/4	1/8	1/4	1/8	3/16
22001	4-40	5/16	1/8	1/4	1/8	1/4
22002	6-32	3/8	1/8	9/32	5/32	11/32
22003	8-32	7/16	1/8	9/32	5/32	3/8
22004	10-24	1/2	5/32	11/32	3/16	13/32
22005	10-32	1/2	5/32	11/32	3/16	13/32
22006	1/4-20	9/16	5/32	3/8	7/32	15/32
22007	5/16-18	5/8	3/16	13/32	7/32	17/32
22008	3/8-16	3/4	7/32	15/32	1/4	5/8



GLOBE THUMB NUTS

HEX THUMB NUTS

SAMPLE ORDER TECHNIQUE

EXAMPLE: B - 23000 - 0

X

XXXXX

X

MATERIAL

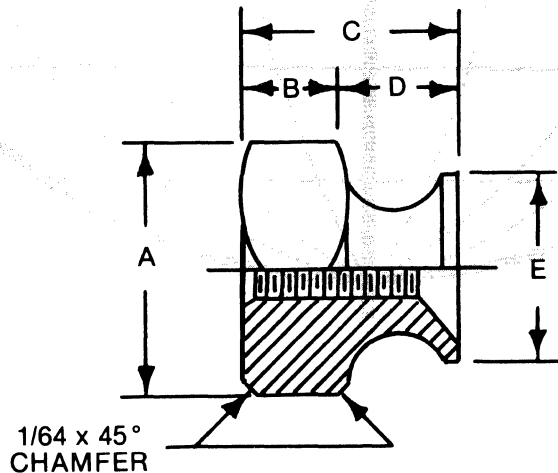
LENGTH

FINISH

See page (VII) for finish code
For parts not listed contact Sales Office

MATERIAL	CODE
Aluminum	A
Brass	B
Stainless Steel	SS
Steel	S

PART NO.	THREAD	A HEX.	B ±.015	C REF.	D ±.010	E ±.031
23000	2-56	1/4	1/8	1/4	1/8	3/16
23001	4-40	5/16	1/8	1/4	1/8	1/4
23002	6-32	3/8	1/8	9/32	5/32	11/32
23003	8-32	7/16	1/8	9/32	5/32	3/8
23004	10-24	1/2	5/32	11/32	3/16	13/32
23005	10-32	1/2	5/32	11/32	3/16	13/32
23006	1/4-20	9/16	5/32	3/8	7/32	15/32
23007	5/16-18	5/8	3/16	13/32	7/32	17/32
23008	3/8-16	3/4	7/32	15/32	1/4	5/8

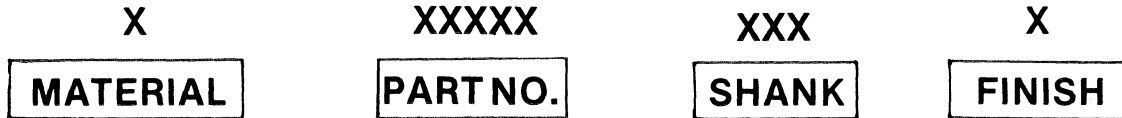


GLOBE CHASSIS FASTENERS

CHASSIS FASTENERS

SAMPLE ORDER TECHNIQUE

EXAMPLE: B—23010—075—0



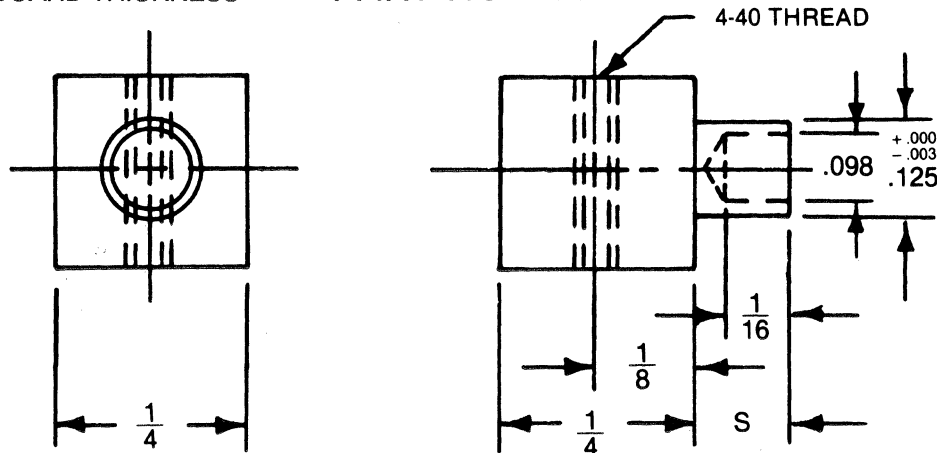
See page (VII) for finish code
For parts not listed contact Sales Office

MATERIAL	CODE
Aluminum	A
Brass	B

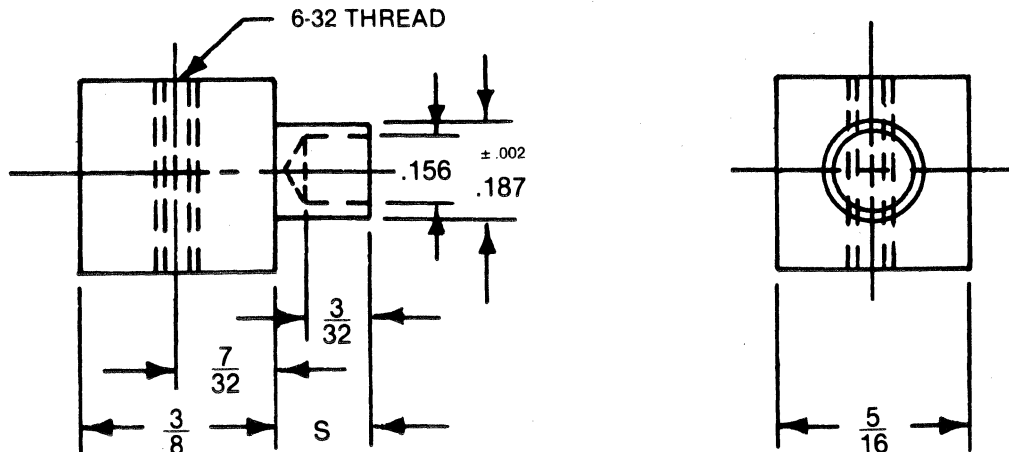
SWAGE/PANEL	
S	P
.075	1/32
.105	1/16
.135	3/32
.165	1/8

S = SHANK LENGTH
P = BOARD THICKNESS

PART NO. 23010



PART NO. 23011



GLOBE STANDOFFS

3/16 ROUND PARTIAL KNURLED SWAGE STANDOFFS

SAMPLE ORDER TECHNIQUE

EXAMPLE: B—24000—440—105—0



See page (VIII) for thread depth
 See page (VII) for finish code
 For parts not listed contact Sales Office

THREAD
2-56
4-40

LENGTH	PART NO.
1/8	24000
3/16	24001
1/4	24002
5/16	24003
3/8	24004
7/16	24005
1/2	24006
9/16	24007
5/8	24008
11/16	24009
3/4	24010
13/16	24011
7/8	24012
15/16	24013
1"	24014

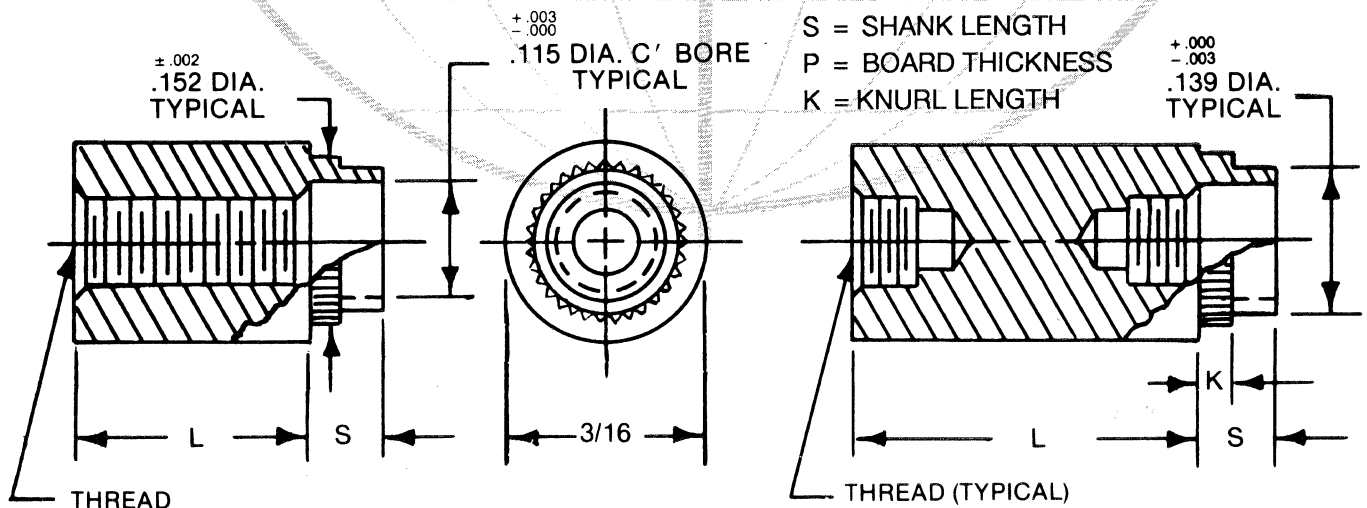
LENGTH	PART NO.
1-1/16	24015
1-1/8	24016
1-3/16	24017
1-1/4	24018
1-5/16	24019
1-3/8	24020
1-7/16	24021
1-1/2	24022
1-9/16	24023
1-5/8	24024
1-11/16	24025
1-3/4	24026
1-13/16	24027
1-7/8	24028
1-15/16	24029
2"	24030

SWAGE TOOLING		
PUNCH	ANVIL	LENGTH
GP-3	GAR-18	1/8 - 3/16
	GAR-19	1/4 - 7/16
	GAR-20	1/2 - 11/16
	GAR-21	3/4 - 2"

MATERIAL	CODE
Aluminum	A
Brass	B
Stainless Steel	SS
Steel	S

SWAGE/PANEL		
S	P	K
.075	1/32	1/32
.105	1/16	1/16
.135	3/32	3/32
.165	1/8	1/8

L = STANDOFF LENGTH
 S = SHANK LENGTH
 P = BOARD THICKNESS
 K = KNURL LENGTH

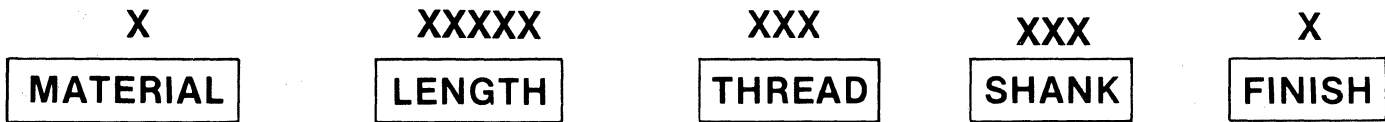


GLOBE STANDOFFS

1/4 ROUND PARTIAL KNURLED SWAGE STANDOFFS

SAMPLE ORDER TECHNIQUE

EXAMPLE: B—25000—440—105—0



See page (VIII) for thread depth
 See page (VII) for finish code
 For parts not listed contact Sales Office

THREAD
4-40
6-32

MATERIAL	CODE
Aluminum	A
Brass	B
Stainless Steel	SS
Steel	S

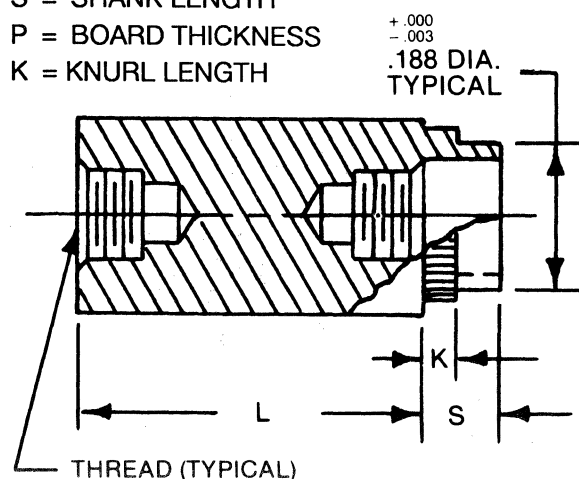
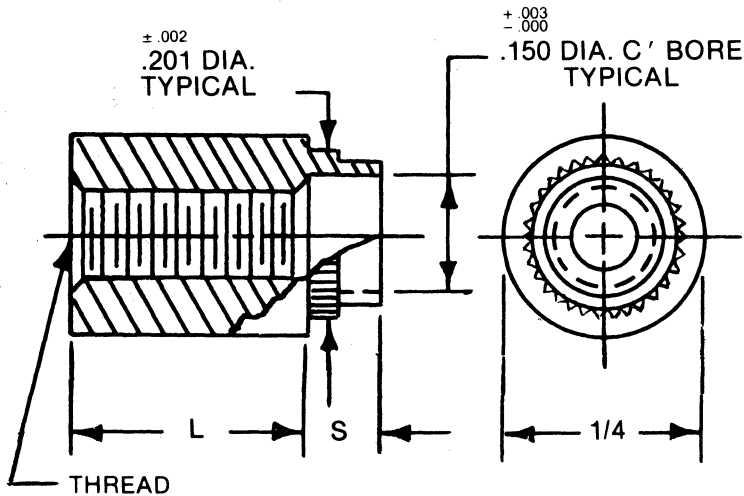
LENGTH	PART NO.
1/8	25000
3/16	25001
1/4	25002
5/16	25003
3/8	25004
7/16	25005
1/2	25006
9/16	25007
5/8	25008
11/16	25009
3/4	25010
13/16	25011
7/8	25012
15/16	25013
1"	25014

LENGTH	PART NO.
1-1/16	25015
1-1/8	25016
1-3/16	25017
1-1/4	25018
1-5/16	25019
1-3/8	25020
1-7/16	25021
1-1/2	25022
1-9/16	25023
1-5/8	25024
1-11/16	25025
1-3/4	25026
1-13/16	25027
1-7/8	25028
1-15/16	25029
2"	25030

SWAGE TOOLING		
PUNCH	ANVIL	LENGTH
GP-4	GAR-22	1/8 - 3/16
	GAR-23	1/4 - 7/16
	GAR-24	1/2 - 11/16
	GAR-25	3/4 - 2"

SWAGE/PANEL		
S	P	K
.075	1/32	1/32
.105	1/16	1/16
.135	3/32	3/32
.165	1/8	1/8

L = STANDOFF LENGTH
 S = SHANK LENGTH
 P = BOARD THICKNESS
 K = KNURL LENGTH



GLOBE STANDOFFS

5/16 ROUND PARTIAL KNURLED SWAGE STANDOFFS

SAMPLE ORDER TECHNIQUE

EXAMPLE: B—26000—632—105—0

X	XXXXX	XXX	XXX	X
MATERIAL	LENGTH	THREAD	SHANK	FINISH

See page (VIII) for thread depth
 See page (VII) for finish code
 For parts not listed contact Sales Office

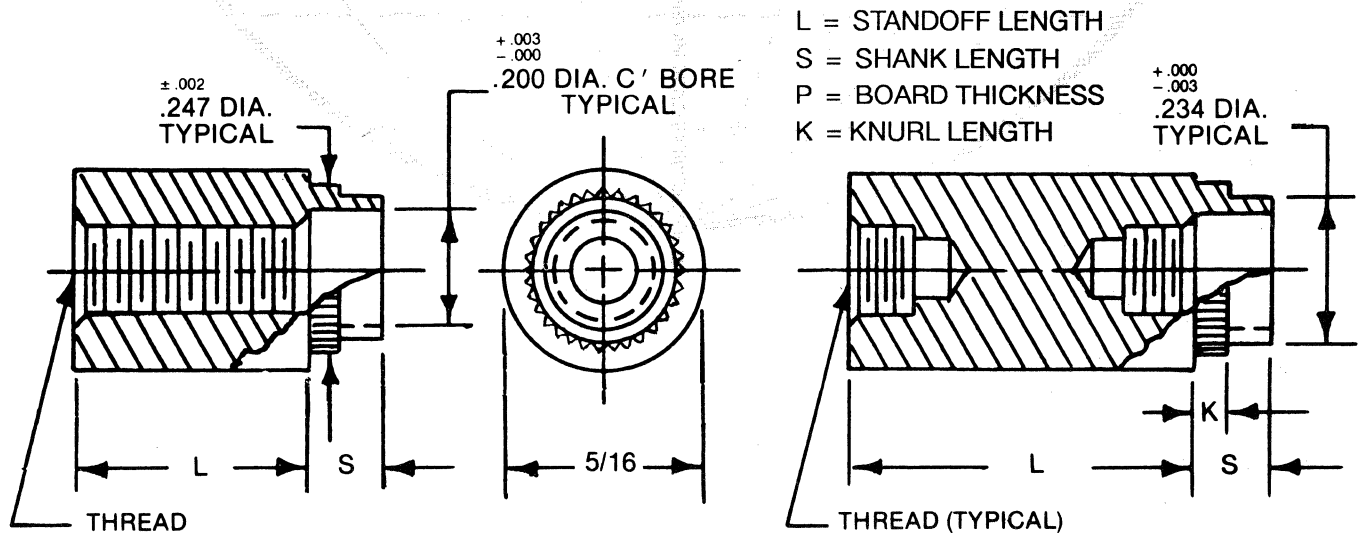
THREAD
6-32
8-32
10-32

MATERIAL	CODE
Aluminum	A
Brass	B
Stainless Steel	SS
Steel	S

LENGTH	PART NO.	LENGTH	PART NO.
1/8	26000	1-1/16	26015
3/16	26001	1-1/8	26016
1/4	26002	1-3/16	26017
5/16	26003	1-1/4	26018
3/8	26004	1-5/16	26019
7/16	26005	1-3/8	26020
1/2	26006	1-7/16	26021
9/16	26007	1-1/2	26022
5/8	26008	1-9/16	26023
11/16	26009	1-5/8	26024
3/4	26010	1-11/16	26025
13/16	26011	1-3/4	26026
7/8	26012	1-13/16	26027
15/16	26013	1-7/8	26028
1"	26014	1-15/16	26029
		2"	26030

SWAGE TOOLING		
PUNCH	ANVIL	LENGTH
GP-5	GAR-26	1/8 - 3/16
	GAR-27	1/4 - 7/16
	GAR-28	1/2 - 11/16
	GAR-29	3/4 - 2"

SWAGE/PANEL		
S	P	K
.075	1/32	1/32
.105	1/16	1/16
.135	3/32	3/32
.165	1/8	1/8



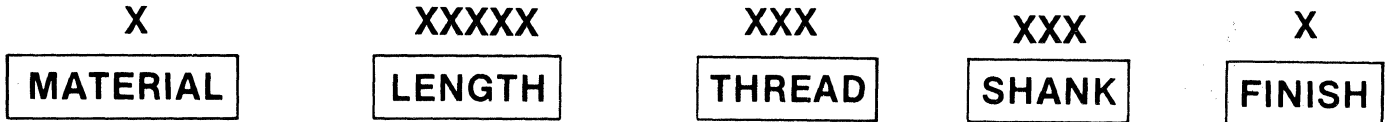
L = STANDOFF LENGTH
 S = SHANK LENGTH
 P = BOARD THICKNESS
 K = KNURL LENGTH

GLOBE STANDOFFS

3/8 ROUND PARTIAL KNURLED SWAGE STANDOFFS

SAMPLE ORDER TECHNIQUE

EXAMPLE: B-27000-632-105-0



See page (VIII) for thread depth
 See page (VII) for finish code
 For parts not listed contact Sales Office

THREAD
6-32
8-32
10-32

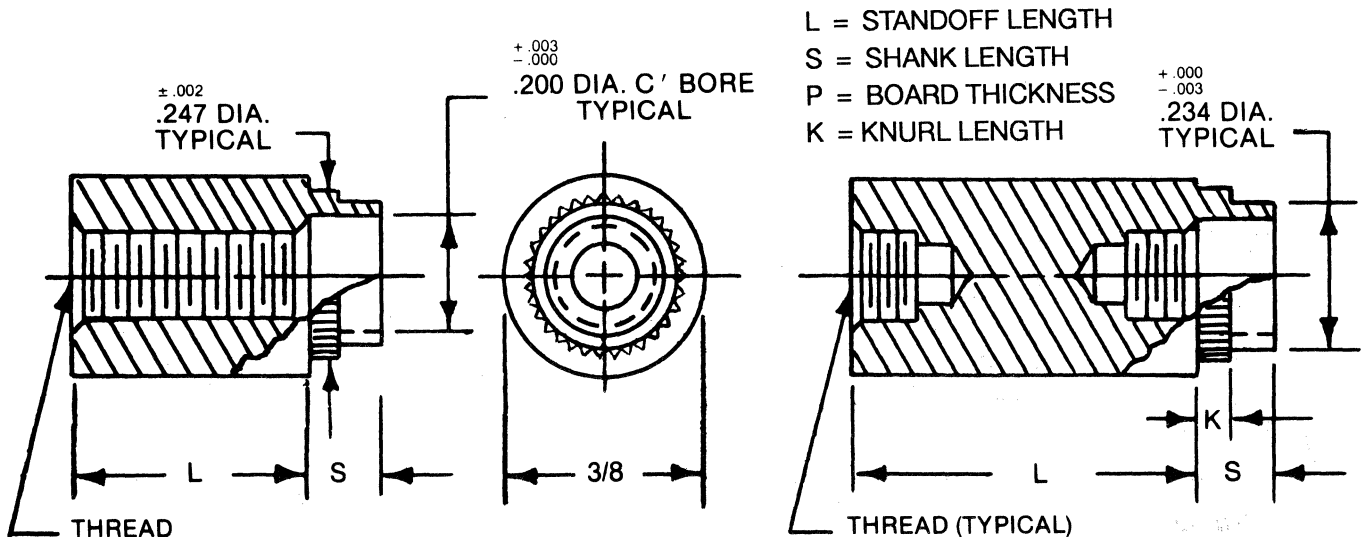
MATERIAL	CODE
Aluminum	A
Brass	B
Stainless Steel	SS
Steel	S

LENGTH	PART NO.
1/8	27000
3/16	27001
1/4	27002
5/16	27003
3/8	27004
7/16	27005
1/2	27006
9/16	27007
5/8	27008
11/16	27009
3/4	27010
13/16	27011
7/8	27012
15/16	27013
1"	27014

LENGTH	PART NO.
1-1/16	27015
1-1/8	27016
1-3/16	27017
1-1/4	27018
1-5/16	27019
1-3/8	27020
1-7/16	27021
1-1/2	27022
1-9/16	27023
1-5/8	27024
1-11/16	27025
1-3/4	27026
1-13/16	27027
1-7/8	27028
1-15/16	27029
2"	27030

SWAGE TOOLING		
PUNCH	ANVIL	LENGTH
GP-5	GAR-30	1/8 - 3/16
	GAR-31	1/4 - 7/16
	GAR-32	1/2 - 11/16
	GAR-33	3/4 - 2"

SWAGE/PANEL		
S	P	K
.075	1/32	1/32
.105	1/16	1/16
.135	3/32	3/32
.165	1/8	1/8



GLOBE STANDOFFS

3/16 ROUND FULL KNURLED SWAGE STANDOFFS

SAMPLE ORDER TECHNIQUE

EXAMPLE: B—28000—440—105—0



See page (VIII) for thread depth
 See page (VII) for finish code
 For parts not listed contact Sales Office

THREAD	
2-56	
4-40	

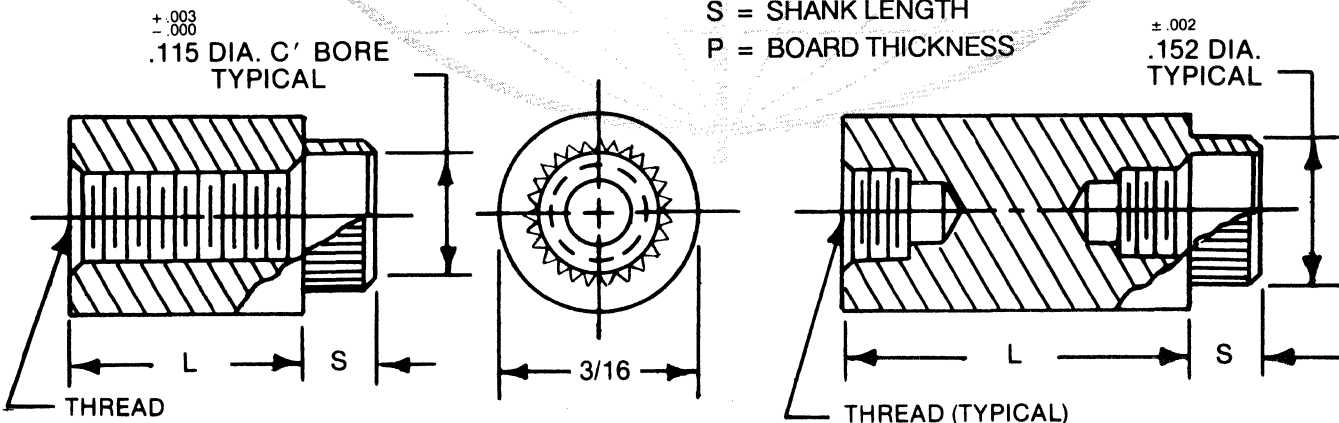
MATERIAL	CODE
Aluminium	A
Brass	B
Stainless Steel	SS
Steel	S

LENGTH	PART NO.	LENGTH	PART NO.
1/8	28000	1-1/16	28015
3/16	28001	1-1/8	28016
1/4	28002	1-3/16	28017
5/16	28003	1-1/4	28018
3/8	28004	1-5/16	28019
7/16	28005	1-3/8	28020
1/2	28006	1-7/16	28021
9/16	28007	1-1/2	28022
5/8	28008	1-9/16	28023
11/16	28009	1-5/8	28024
3/4	28010	1-11/16	28025
13/16	28011	1-3/4	28026
7/8	28012	1-13/16	28027
15/16	28013	1-7/8	28028
1"	28014	1-15/16	28029
		2"	28030

SWAGE TOOLING		
PUNCH	ANVIL	LENGTH
GP-3	GAR-18	1/8 - 3/16
	GAR-19	1/4 - 7/16
	GAR-20	1/2 - 11/16
	GAR-21	3/4 - 2"

SWAGE/PANEL	
S	P
.075	1/32
.105	1/16
.135	3/32
.165	1/8

L = STANDOFF LENGTH
 S = SHANK LENGTH
 P = BOARD THICKNESS

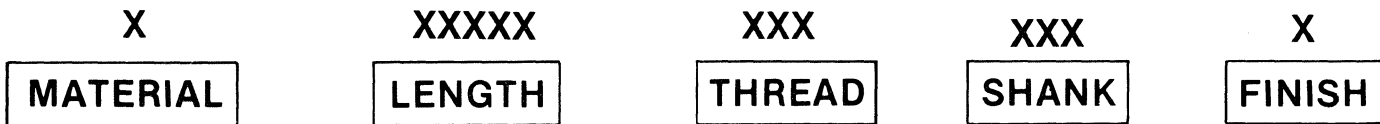


GLOBE STANDOFFS

1/4 ROUND FULL KNURLED SWAGE STANDOFFS

SAMPLE ORDER TECHNIQUE

EXAMPLE: B—29000—440—105—0



See page (VIII) for thread depth
 See page (VII) for finish code
 For parts not listed contact Sales Office

THREAD
4-40
6-32

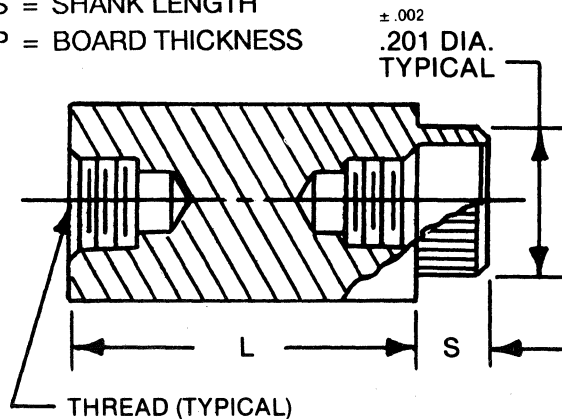
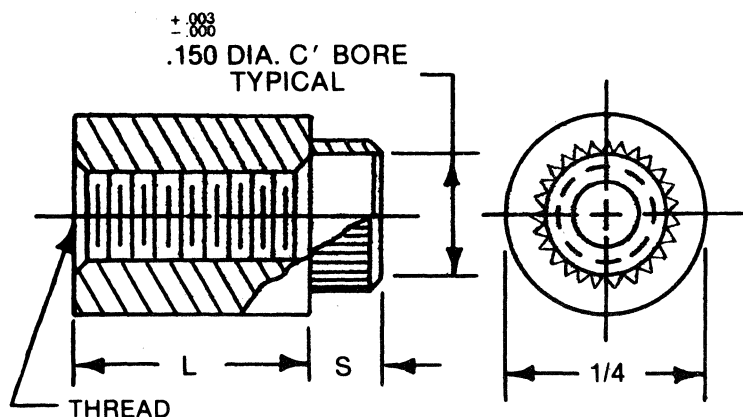
MATERIAL	CODE
Aluminum	A
Brass	B
Stainless Steel	SS
Steel	S

LENGTH	PART NO.	LENGTH	PART NO.
1/8	29000	1-1/16	29015
3/16	29001	1-1/8	29016
1/4	29002	1-3/16	29017
5/16	29003	1-1/4	29018
3/8	29004	1-5/16	29019
7/16	29005	1-3/8	29020
1/2	29006	1-7/16	29021
9/16	29007	1-1/2	29022
5/8	29008	1-9/16	29023
11/16	29009	1-5/8	29024
3/4	29010	1-11/16	29025
13/16	29011	1-3/4	29026
7/8	29012	1-13/16	29027
15/16	29013	1-7/8	29028
1"	29014	1-15/16	29029
		2"	29030

SWAGE TOOLING		
PUNCH	ANVIL	LENGTH
GP-4	GAR-22	1/8 - 3/16
	GAR-23	1/4 - 7/16
	GAR-24	1/2 - 11/16
	GAR-25	3/4 - 2"

SWAGE/PANEL	
S	P
.075	1/32
.105	1/16
.135	3/32
.165	1/8

L = STANDOFF LENGTH
 S = SHANK LENGTH
 P = BOARD THICKNESS



GLOBE STANDOFFS

5/16 ROUND FULL KNURLED SWAGE STANDOFFS

SAMPLE ORDER TECHNIQUE

EXAMPLE: B—30000—632—105—0

X

XXXXX

XXX

XXX

X

MATERIAL

LENGTH

THREAD

SHANK

FINISH

See page (VII) for thread depth
 See page (VI) for finish code
 For parts not listed contact Sales Office

THREAD
6-32
8-32
10-32

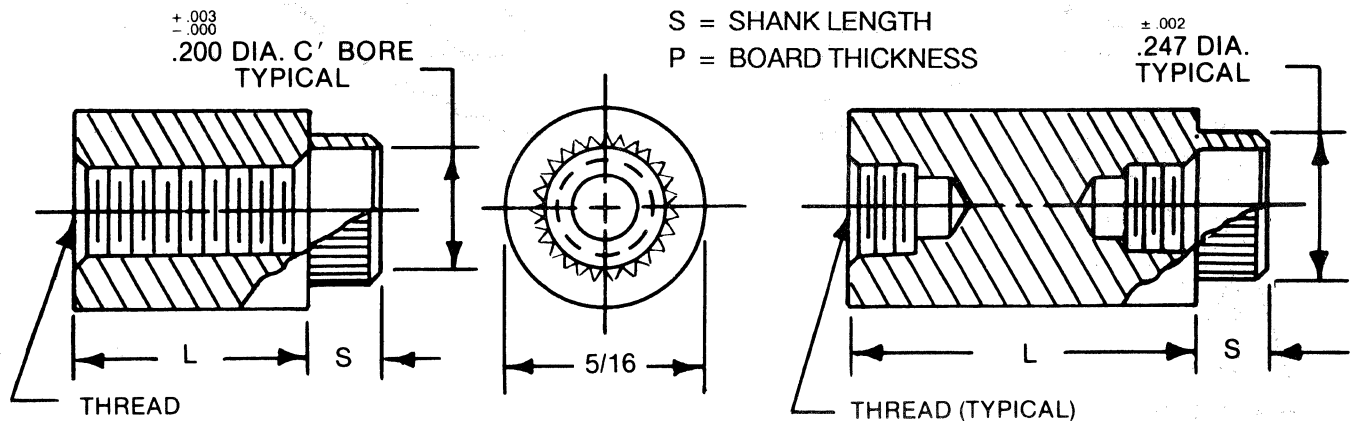
MATERIAL	CODE
Aluminum	A
Brass	B
Stainless Steel	SS
Steel	S

LENGTH	PART NO.	LENGTH	PART NO.
1/8	30000	1-1/16	30015
3/16	30001	1-1/8	30016
1/4	30002	1-3/16	30017
5/16	30003	1-1/4	30018
3/8	30004	1-5/16	30019
7/16	30005	1-3/8	30020
1/2	30006	1-7/16	30021
9/16	30007	1-1/2	30022
5/8	30008	1-9/16	30023
11/16	30009	1-5/8	30024
3/4	30010	1-11/16	30025
13/16	30011	1-3/4	30026
7/8	30012	1-13/16	30027
15/16	30013	1-7/8	30028
1"	30014	1-15/16	30029
		2"	30030

SWAGE TOOLING		
PUNCH	ANVIL	LENGTH
GP-5	GAR-26	1/8 - 3/16
	GAR-27	1/4 - 7/16
	GAR-28	1/2 - 11/16
	GAR-29	3/4 - 2"

SWAGE/PANEL	
S	P
.075	1/32
.105	1/16
.135	3/32
.165	1/8

L = STANDOFF LENGTH
 S = SHANK LENGTH
 P = BOARD THICKNESS

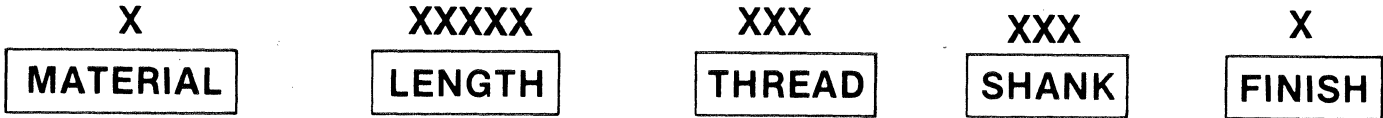


GLOBE STANDOFFS

3/8 ROUND FULL KNURLED SWAGE STANDOFFS

SAMPLE ORDER TECHNIQUE

EXAMPLE: B-31000-632-105-0



See page (VIII) for thread depth
 See page (VII) for finish code
 For parts not listed contact Sales Office

THREAD
6-32
8-32
10-32

MATERIAL	CODE
Aluminum	A
Brass	B
Stainless Steel	SS
Steel	S

LENGTH	PART NO.
1/8	31000
3/16	31001
1/4	31002
5/16	31003
3/8	31004
7/16	31005
1/2	31006
9/16	31007
5/8	31008
11/16	31009
3/4	31010
13/16	31011
7/8	31012
15/16	31013
1"	31014

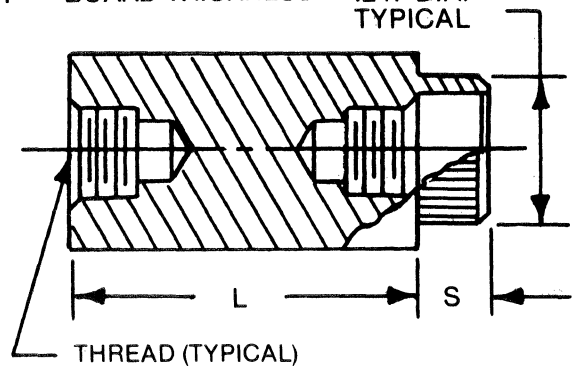
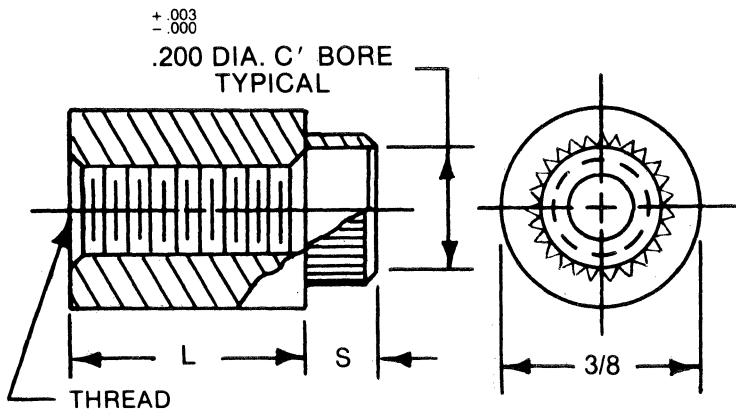
LENGTH	PART NO.
1-1/16	31015
1-1/8	31016
1-3/16	31017
1-1/4	31018
1-5/16	31019
1-3/8	31020
1-7/16	31021
1-1/2	31022
1-9/16	31023
1-5/8	31024
1-11/16	31025
1-3/4	31026
1-13/16	31027
1-7/8	31028
1-15/16	31029
2"	31030

SWAGE TOOLING		
PUNCH	ANVIL	LENGTH
GP-5	GAR-30	1/8 - 3/16
	GAR-31	1/4 - 7/16
	GAR-32	1/2 - 11/16
	GAR-33	3/4 - 2"

SWAGE/PANEL	
S	P
.075	1/32
.105	1/16
.135	3/32
.165	1/8

L = STANDOFF LENGTH
 S = SHANK LENGTH
 P = BOARD THICKNESS

$\pm .002$
 .247 DIA. TYPICAL



GLOBE STANDOFFS

3/16 ROUND KNURLED FRONT FACE SWAGE STANDOFFS

SAMPLE ORDER TECHNIQUE

EXAMPLE: B—32000—440—105—0



See page (VIII) for thread depth
 See page (VII) for finish code
 For parts not listed contact Sales Office

THREAD
2-56
4-40

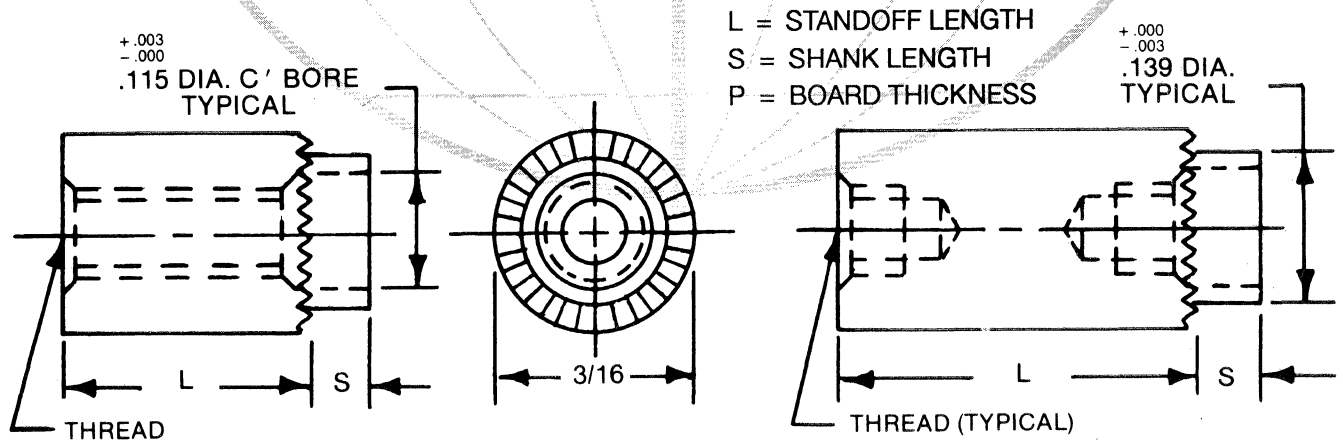
MATERIAL	CODE
Aluminum	A
Brass	B
Stainless Steel	SS
Steel	S

LENGTH	PART NO.
1/8	32000
3/16	32001
1/4	32002
5/16	32003
3/8	32004
7/16	32005
1/2	32006
9/16	32007
5/8	32008
11/16	32009
3/4	32010
13/16	32011
7/8	32012
15/16	32013
1"	32014

LENGTH	PART NO.
1-1/16	32015
1-1/8	32016
1-3/16	32017
1-1/4	32018
1-5/16	32019
1-3/8	32020
1-7/16	32021
1-1/2	32022
1-9/16	32023
1-5/8	32024
1-11/16	32025
1-3/4	32026
1-13/16	32027
1-7/8	32028
1-15/16	32029
2"	32030

SWAGE TOOLING		
PUNCH	ANVIL	LENGTH
GP-3	GAR-18	1/8 - 3/16
	GAR-19	1/4 - 7/16
	GAR-20	1/2 - 11/16
	GAR-21	3/4 - 2"

SWAGE/PANEL	
S	P
.075	1/32
.105	1/16
.135	3/32
.165	1/8



GLOBE STANDOFFS

1/4 ROUND KNURLED FRONT FACE SWAGE STANDOFFS

SAMPLE ORDER TECHNIQUE

EXAMPLE: B—33000—440—105—0



See page (VIII) for thread depth
 See page (VII) for finish code
 For parts not listed contact Sales Office

THREAD
4-40
6-32

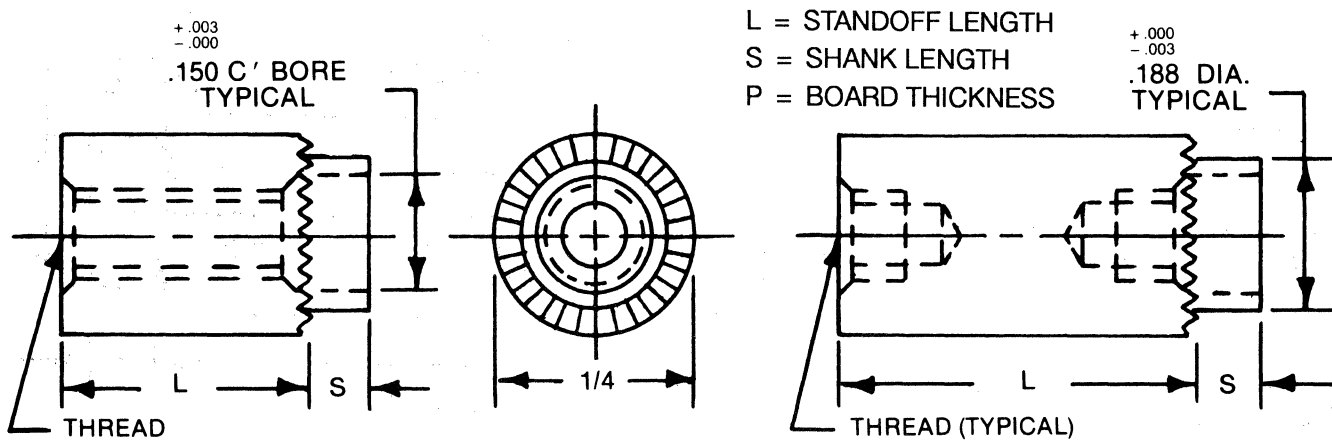
MATERIAL	CODE
Aluminum	A
Brass	B
Stainless Steel	SS
Steel	S

LENGTH	PART NO.
1/8	33000
3/16	33001
1/4	33002
5/16	33003
3/8	33004
7/16	33005
1/2	33006
9/16	33007
5/8	33008
11/16	33009
3/4	33010
13/16	33011
7/8	33012
15/16	33013
1"	33014

LENGTH	PART NO.
1-1/16	33015
1-1/8	33016
1-3/16	33017
1-1/4	33018
1-5/16	33019
1-3/8	33020
1-7/16	33021
1-1/2	33022
1-9/16	33023
1-5/8	33024
1-11/16	33025
1-3/4	33026
1-13/16	33027
1-7/8	33028
1-15/16	33029
2"	33030

SWAGE TOOLING		
PUNCH	ANVIL	LENGTH
GP-4	GAR-22	1/8 - 3/16
	GAR-23	1/4 - 7/16
	GAR-24	1/2 - 11/16
	GAR-25	3/4 - 2"

SWAGE/PANEL	
S	P
.075	1/32
.105	1/16
.135	3/32
.165	1/8

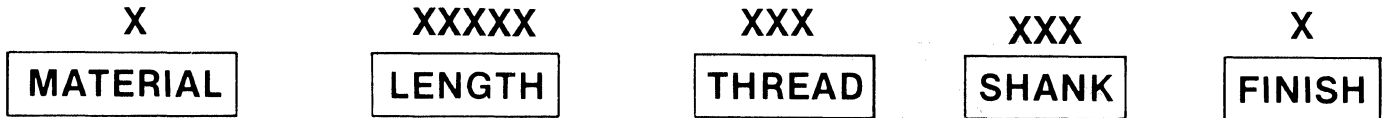


GLOBE STANDOFFS

5/16 ROUND KNURLED FRONT FACE SWAGE STANDOFFS

SAMPLE ORDER TECHNIQUE

EXAMPLE: B—34000—632—105—0



See page (VIII) for thread depth
 See page (VII) for finish code
 For parts not listed contact Sales Office

THREAD	
6-32	
8-32	
10-32	

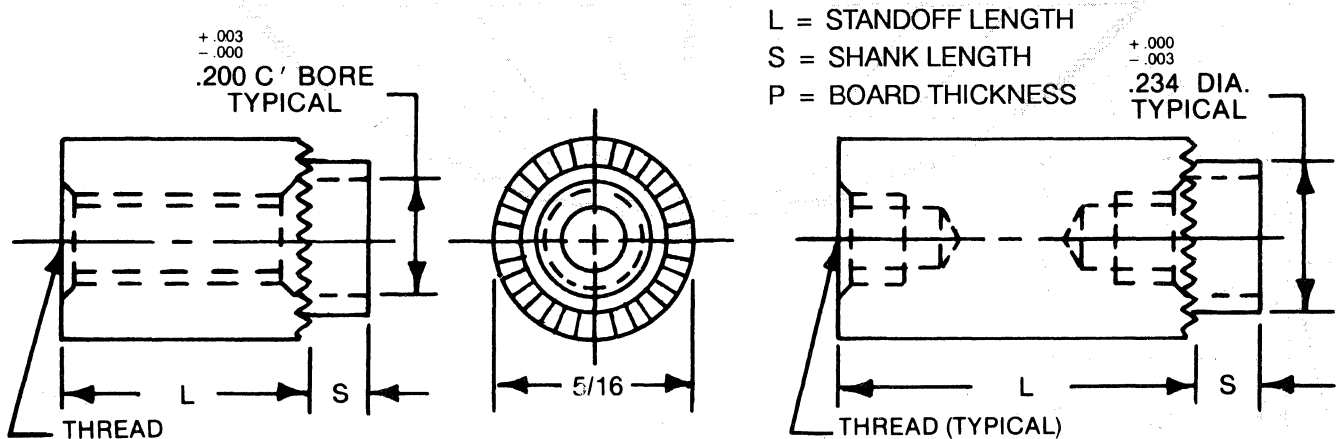
MATERIAL	CODE
Aluminum	A
Brass	B
Stainless Steel	SS
Steel	S

LENGTH	PART NO.
1/8	34000
3/16	34001
1/4	34002
5/16	34003
3/8	34004
7/16	34005
1/2	34006
9/16	34007
5/8	34008
11/16	34009
3/4	34010
13/16	34011
7/8	34012
15/16	34013
1"	34014

LENGTH	PART NO.
1-1/16	34015
1-1/8	34016
1-3/16	34017
1-1/4	34018
1-5/16	34019
1-3/8	34020
1-7/16	34021
1-1/2	34022
1-9/16	34023
1-5/8	34024
1-11/16	34025
1-3/4	34026
1-13/16	34027
1-7/8	34028
1-15/16	34029
2"	34030

SWAGE TOOLING		
PUNCH	ANVIL	LENGTH
GP-5	GAR-26	1/8 - 3/16
	GAR-27	1/4 - 7/16
	GAR-28	1/2 - 11/16
	GAR-29	3/4 - 2"

SWAGE/PANEL	
S	P
.075	1/32
.105	1/16
.135	3/32
.165	1/8



GLOBE STANDOFFS

3/8 ROUND KNURLED FRONT FACE SWAGE STANDOFFS

SAMPLE ORDER TECHNIQUE

EXAMPLE: B—35000—632—105—0



See page (VIII) for thread depth
 See page (VII) for finish code
 For parts not listed contact Sales Office

THREAD
6-32
8-32
10-32

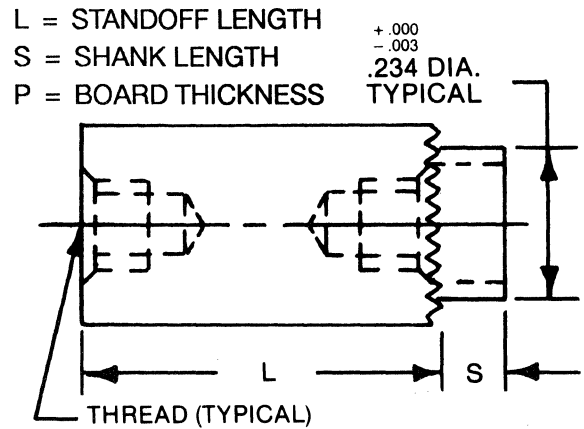
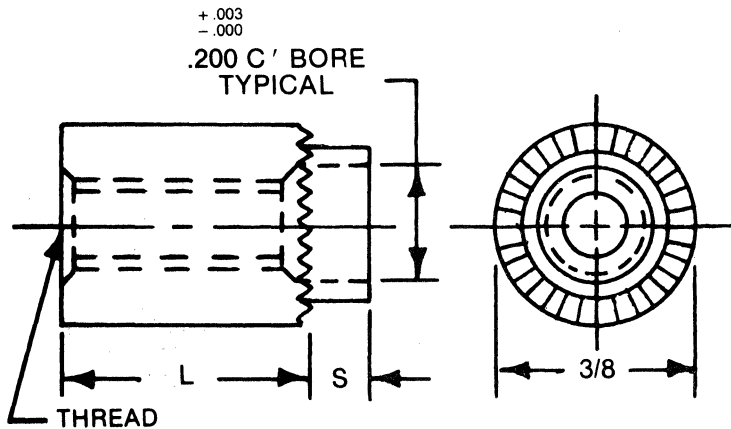
MATERIAL	CODE
Aluminum	A
Brass	B
Stainless Steel	SS
Steel	S

LENGTH	PART NO.
1/8	35000
3/16	35001
1/4	35002
5/16	35003
3/8	35004
7/16	35005
1/2	35006
9/16	35007
5/8	35008
11/16	35009
3/4	35010
13/16	35011
7/8	35012
15/16	35013
1"	35014

LENGTH	PART NO.
1-1/16	35015
1-1/8	35016
1-3/16	35017
1-1/4	35018
1-5/16	35019
1-3/8	35020
1-7/16	35021
1-1/2	35022
1-9/16	35023
1-5/8	35024
1-11/16	35025
1-3/4	35026
1-13/16	35027
1-7/8	35028
1-15/16	35029
2"	35030

SWAGE TOOLING		
PUNCH	ANVIL	LENGTH
GP-5	GAR-30	1/8 - 3/16
	GAR-31	1/4 - 7/16
	GAR-32	1/2 - 11/16
	GAR-33	3/4 - 2"

SWAGE/PANEL	
S	P
.075	1/32
.105	1/16
.135	3/32
.165	1/8

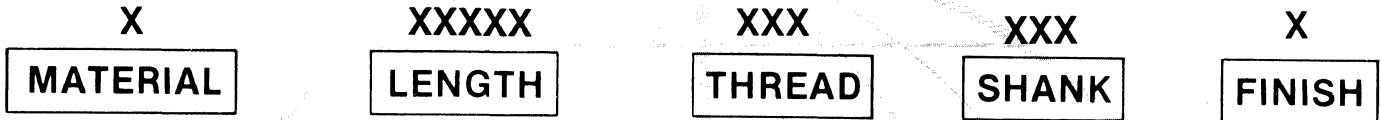


GLOBE STANDOFFS

3/16 ROUND KNURLED BACK FACE SWAGE STANDOFFS

SAMPLE ORDER TECHNIQUE

EXAMPLE: B—36000—440—105—0

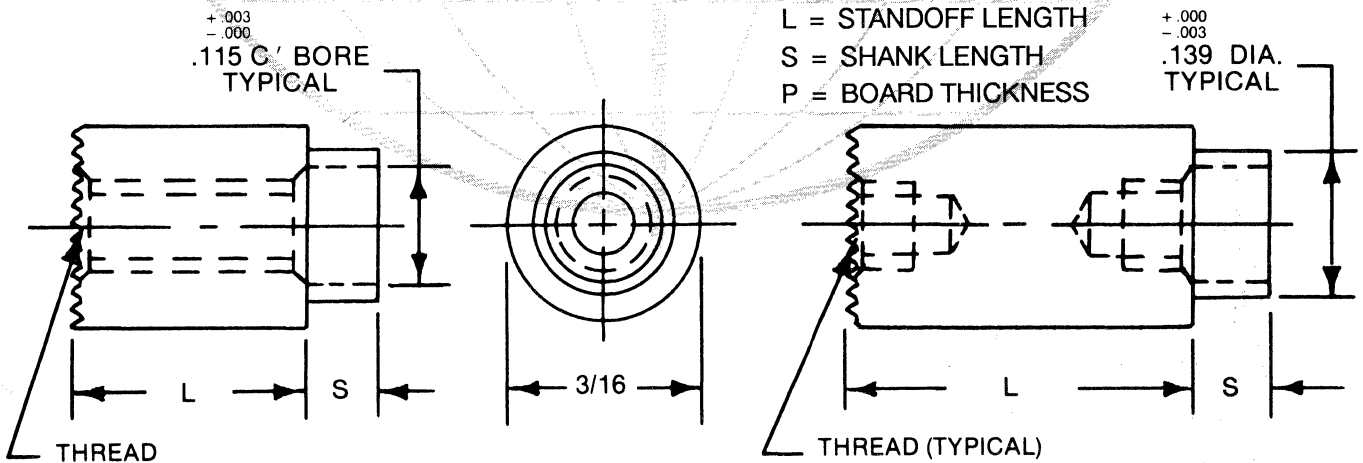


See page (VIII) for thread depth
 See page (VII) for finish code
 For parts not listed contact Sales Office

THREAD		LENGTH		PART NO.		LENGTH		PART NO.	
2-56		1/8	36000	1-1/16	36015				
4-40		3/16	36001	1-1/8	36016				
		1/4	36002	1-3/16	36017				
		5/16	36003	1-1/4	36018				
		3/8	36004	1-5/16	36019				
		7/16	36005	1-3/8	36020				
		1/2	36006	1-7/16	36021				
		9/16	36007	1-1/2	36022				
		5/8	36008	1-9/16	36023				
		11/16	36009	1-5/8	36024				
		3/4	36010	1-11/16	36025				
		13/16	36011	1-3/4	36026				
		7/8	36012	1-13/16	36027				
		15/16	36013	1-7/8	36028				
		1"	36014	1-15/16	36029				
				2"	36030				

SWAGE TOOLING		
PUNCH	ANVIL	LENGTH
GP-3	GAR-18	1/8 - 3/16
	GAR-19	1/4 - 7/16
	GAR-20	1/2 - 11/16
	GAR-21	3/4 - 2"

SWAGE/PANEL	
S	P
.075	1/32
.105	1/16
.135	3/32
.165	1/8



GLOBE STANDOFFS

1/4 ROUND KNURLED BACK FACE SWAGE STANDOFFS

SAMPLE ORDER TECHNIQUE

EXAMPLE: B—37000—440—105—0



See page (VIII) for thread depth
 See page (VII) for finish code
 For parts not listed contact Sales Office

THREAD
4-40
6-32

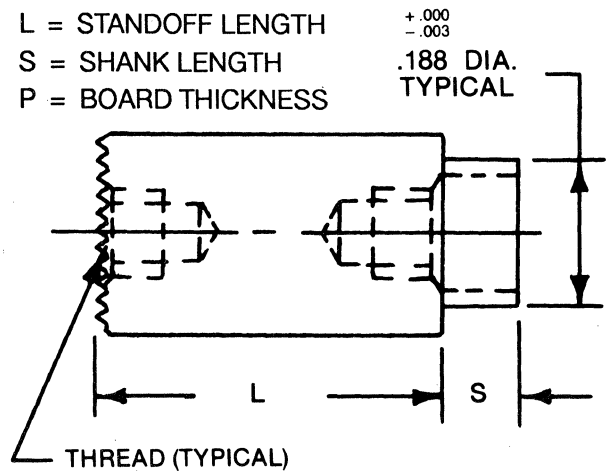
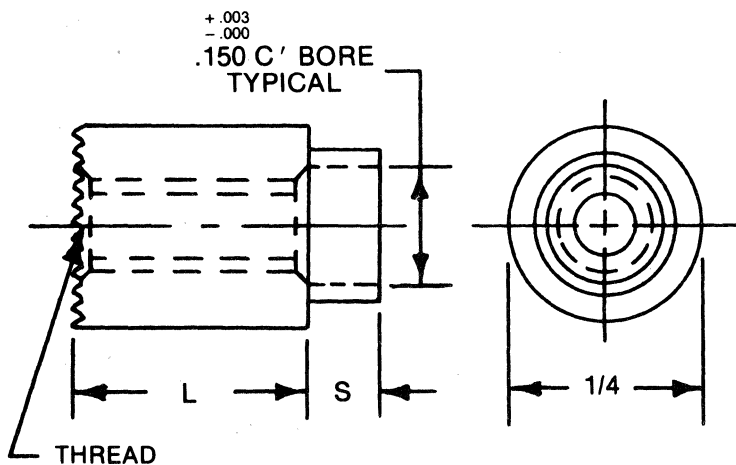
MATERIAL	CODE
Aluminum	A
Brass	B
Stainless Steel	SS
Steel	S

LENGTH	PART NO.
1/8	37000
3/16	37001
1/4	37002
5/16	37003
3/8	37004
7/16	37005
1/2	37006
9/16	37007
5/8	37008
11/16	37009
3/4	37010
13/16	37011
7/8	37012
15/16	37013
1"	37014

LENGTH	PART NO.
1-1/16	37015
1-1/8	37016
1-3/16	37017
1-1/4	37018
1-5/16	37019
1-3/8	37020
1-7/16	37021
1-1/2	37022
1-9/16	37023
1-5/8	37024
1-11/16	37025
1-3/4	37026
1-13/16	37027
1-7/8	37028
1-15/16	37029
2"	37030

SWAGE TOOLING		
PUNCH	ANVIL	LENGTH
GP-4	GAR-22	1/8 - 3/16
	GAR-23	1/4 - 7/16
	GAR-24	1/2 - 11/16
	GAR-25	3/4 - 2"

SWAGE/PANEL	
S	P
.075	1/32
.105	1/16
.135	3/32
.165	1/8

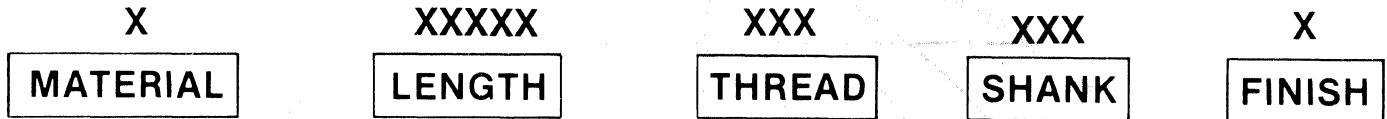


GLOBE STANDOFFS

5/16 ROUND KNURLED BACK FACE SWAGE STANDOFFS

SAMPLE ORDER TECHNIQUE

EXAMPLE: B—38000—632—105—0



See page (VIII) for thread depth
 See page (VII) for finish code
 For parts not listed contact Sales Office

THREAD
6-32
8-32
10-32

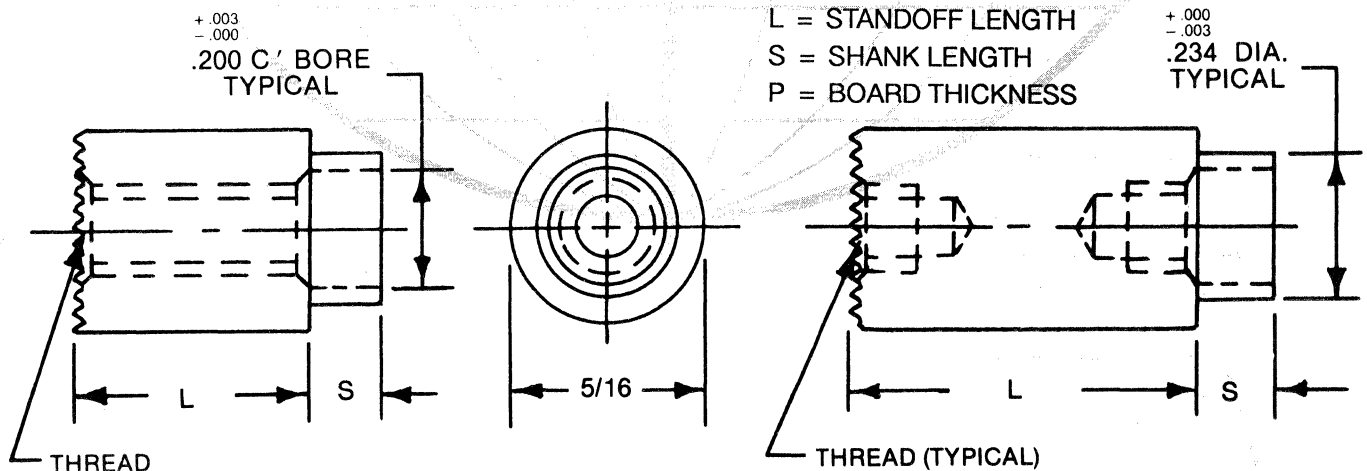
MATERIAL	CODE
Aluminum	A
Brass	B
Stainless Steel	SS
Steel	S

LENGTH	PART NO.
1/8	38000
3/16	38001
1/4	38002
5/16	38003
3/8	38004
7/16	38005
1/2	38006
9/16	38007
5/8	38008
11/16	38009
3/4	38010
13/16	38011
7/8	38012
15/16	38013
1"	38014

LENGTH	PART NO.
1-1/16	38015
1-1/8	38016
1-3/16	38017
1-1/4	38018
1-5/16	38019
1-3/8	38020
1-7/16	38021
1-1/2	38022
1-9/16	38023
1-5/8	38024
1-11/16	38025
1-3/4	38026
1-13/16	38027
1-7/8	38028
1-15/16	38029
2"	38030

SWAGE TOOLING		
PUNCH	ANVIL	LENGTH
GP-5	GAR-26	1/8 - 3/16
	GAR-27	1/4 - 7/16
	GAR-28	1/2 - 11/16
	GAR-29	3/4 - 2"

SWAGE/PANEL	
S	P
.075	1/32
.105	1/16
.135	3/32
.165	1/8

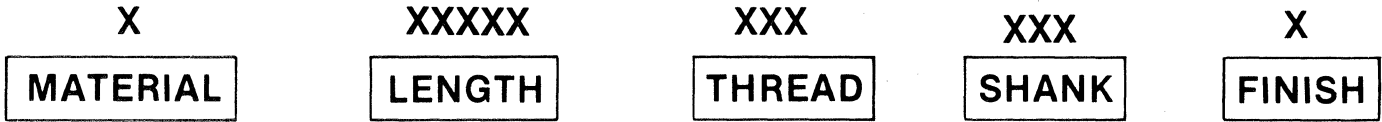


GLOBE STANDOFFS

3/8 ROUND KNURLED BACK FACE SWAGE STANDOFFS

SAMPLE ORDER TECHNIQUE

EXAMPLE: B—39000—632—105—0



See page (VIII) for thread depth
 See page (VII) for finish code
 For parts not listed contact Sales Office

THREAD
6-32
8-32
10-32

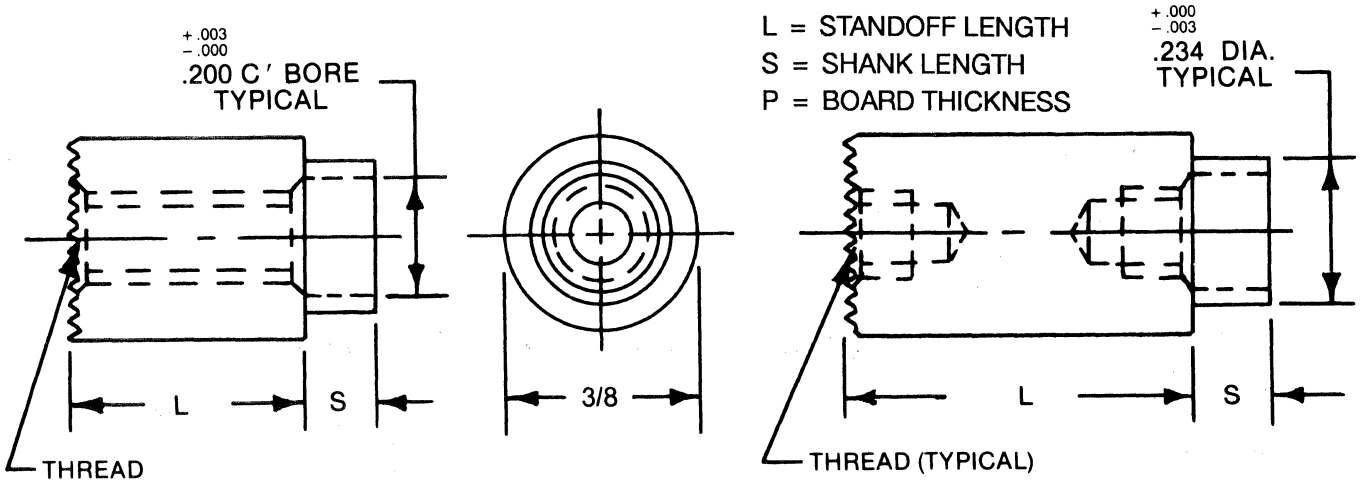
MATERIAL	CODE
Aluminum	A
Brass	B
Stainless Steel	SS
Steel	S

LENGTH	PART NO.
1/8	39000
3/16	39001
1/4	39002
5/16	39003
3/8	39004
7/16	39005
1/2	39006
9/16	39007
5/8	39008
11/16	39009
3/4	39010
13/16	39011
7/8	39012
15/16	39013
1"	39014

LENGTH	PART NO.
1-1/16	39015
1-1/8	39016
1-3/16	39017
1-1/4	39018
1-5/16	39019
1-3/8	39020
1-7/16	39021
1-1/2	39022
1-9/16	39023
1-5/8	39024
1-11/16	39025
1-3/4	39026
1-13/16	39027
1-7/8	39028
1-15/16	39029
2"	39030

SWAGE TOOLING		
PUNCH	ANVIL	LENGTH
GP-5	GAR-30	1/8 - 3/16
	GAR-31	1/4 - 7/16
	GAR-32	1/2 - 11/16
	GAR-33	3/4 - 2"

SWAGE/PANEL	
S	P
.075	1/32
.105	1/16
.135	3/32
.165	1/8

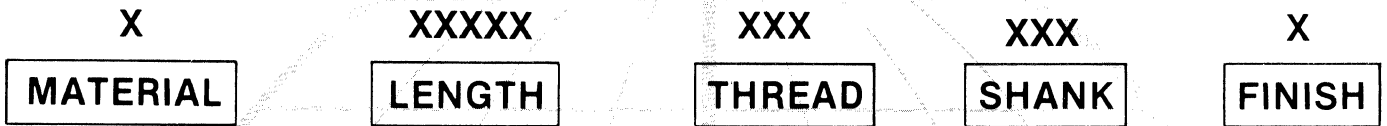


GLOBE STANDOFFS

3/16 ROUND KNURLED DOUBLE FACE SWAGE STANDOFFS

SAMPLE ORDER TECHNIQUE

EXAMPLE: B—40000—440—105—0



See page (VIII) for thread depth
 See page (VII) for finish code
 For parts not listed contact Sales Office

THREAD
2-56
4-40

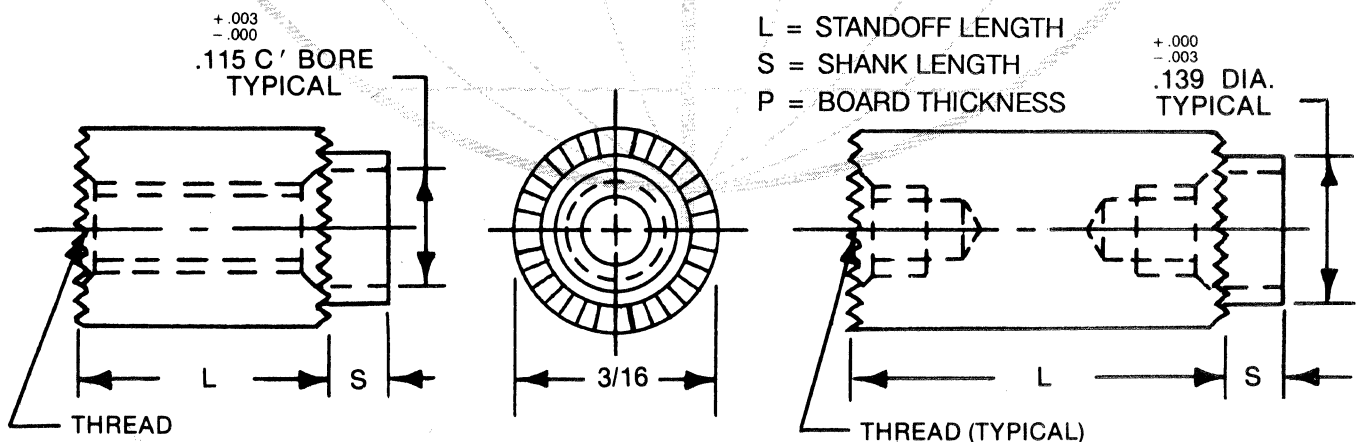
MATERIAL	CODE
Aluminum	A
Brass	B
Stainless Steel	SS
Steel	S

LENGTH	PART NO.
1/8	40000
3/16	40001
1/4	40002
5/16	40003
3/8	40004
7/16	40005
1/2	40006
9/16	40007
5/8	40008
11/16	40009
3/4	40010
13/16	40011
7/8	40012
15/16	40013
1"	40014

LENGTH	PART NO.
1-1/16	40015
1-1/8	40016
1-3/16	40017
1-1/4	40018
1-5/16	40019
1-3/8	40020
1-7/16	40021
1-1/2	40022
1-9/16	40023
1-5/8	40024
1-11/16	40025
1-3/4	40026
1-13/16	40027
1-7/8	40028
1-15/16	40029
2"	40030

SWAGE TOOLING		
PUNCH	ANVIL	LENGTH
GP-3	GAR-18	1/8 - 3/16
	GAR-19	1/4 - 7/16
	GAR-20	1/2 - 11/16
	GAR-21	3/4 - 2"

SWAGE/PANEL	
S	P
.075	1/32
.105	1/16
.135	3/32
.165	1/8

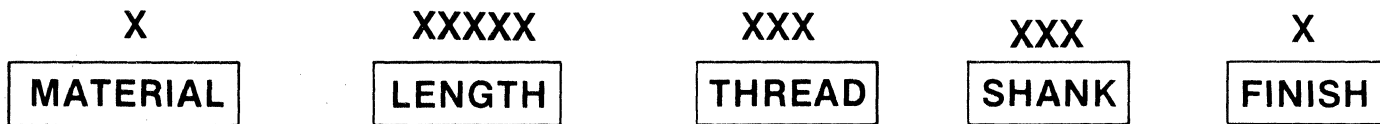


GLOBE STANDOFFS

1/4 ROUND KNURLED DOUBLE FACE SWAGE STANDOFFS

SAMPLE ORDER TECHNIQUE

EXAMPLE: B-41000-440-105-0



See page (VIII) for thread depth
 See page (VII) for finish code
 For parts not listed contact Sales Office

THREAD
4-40
6-32

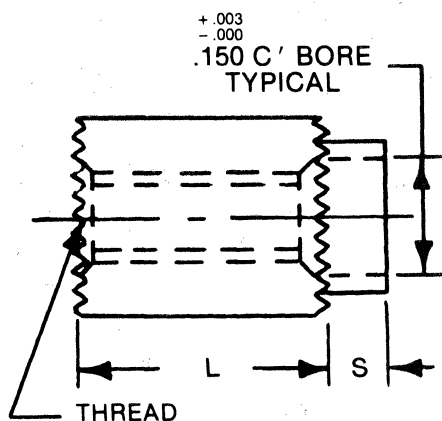
MATERIAL	CODE
Aluminum	A
Brass	B
Stainless Steel	SS
Steel	S

LENGTH	PART NO.
1/8	41000
3/16	41001
1/4	41002
5/16	41003
3/8	41004
7/16	41005
1/2	41006
9/16	41007
5/8	41008
11/16	41009
3/4	41010
13/16	41011
7/8	41012
15/16	41013
1"	41014

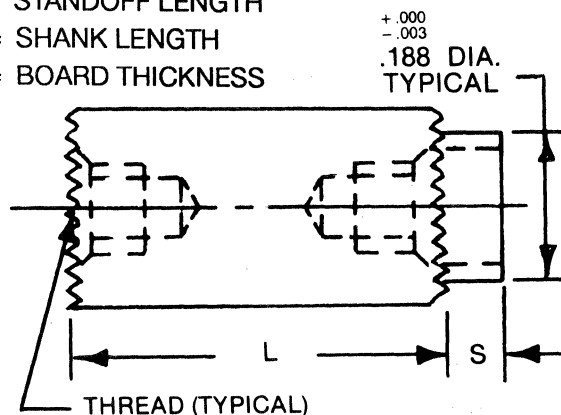
LENGTH	PART NO.
1-1/16	41015
1-1/8	41016
1-3/16	41017
1-1/4	41018
1-5/16	41019
1-3/8	41020
1-7/16	41021
1-1/2	41022
1-9/16	41023
1-5/8	41024
1-11/16	41025
1-3/4	41026
1-13/16	41027
1-7/8	41028
1-15/16	41029
2"	41030

SWAGE TOOLING		
PUNCH	ANVIL	LENGTH
GP-4	GAR-22	1/8 - 3/16
	GAR-23	1/4 - 7/16
	GAR-24	1/2 - 11/16
	GAR-25	3/4 - 2"

SWAGE/PANEL	
S	P
.075	1/32
.105	1/16
.135	3/32
.165	1/8



L = STANDOFF LENGTH
 S = SHANK LENGTH
 P = BOARD THICKNESS

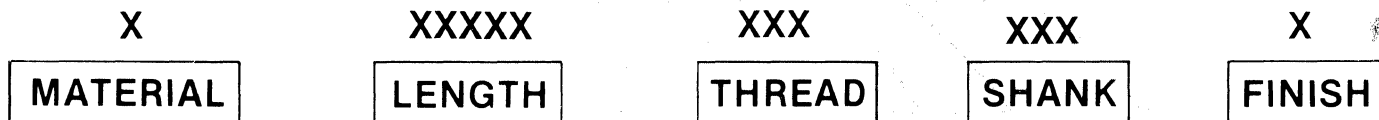


GLOBE STANDOFFS

5/16 ROUND KNURLED DOUBLE FACE SWAGE STANDOFFS

SAMPLE ORDER TECHNIQUE

EXAMPLE: B—42000—632—105—0



See page (VIII) for thread depth
 See page (VII) for finish code
 For parts not listed contact Sales Office

THREAD
6-32
8-32
10-32

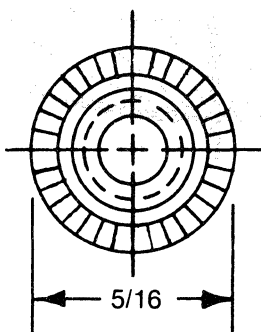
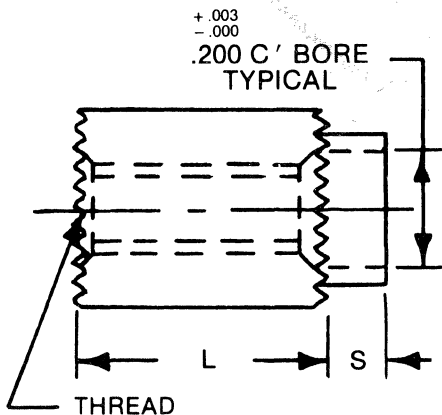
MATERIAL	CODE
Aluminum	A
Brass	B
Stainless Steel	SS
Steel	S

LENGTH	PART NO.
1/8	42000
3/16	42001
1/4	42002
5/16	42003
3/8	42004
7/16	42005
1/2	42006
9/16	42007
5/8	42008
11/16	42009
3/4	42010
13/16	42011
7/8	42012
15/16	42013
1"	42014

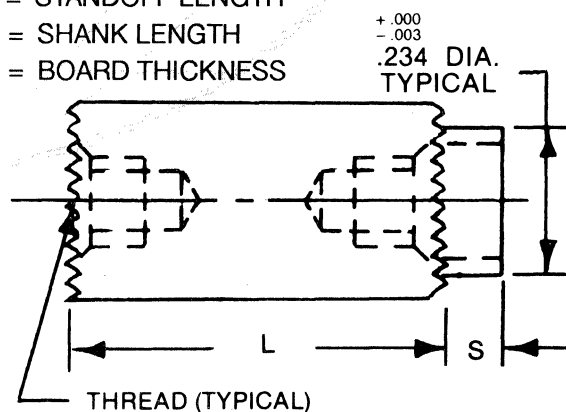
LENGTH	PART NO.
1-1/16	42015
1-1/8	42016
1-3/16	42017
1-1/4	42018
1-5/16	42019
1-3/8	42020
1-7/16	42021
1-1/2	42022
1-9/16	42023
1-5/8	42024
1-11/16	42025
1-3/4	42026
1-13/16	42027
1-7/8	42028
1-15/16	42029
2"	42030

SWAGE TOOLING		
PUNCH	ANVIL	LENGTH
GP-5	GAR-26	1/8 - 3/16
	GAR-27	1/4 - 7/16
	GAR-28	1/2 - 11/16
	GAR-29	3/4 - 2"

SWAGE/PANEL	
S	P
.075	1/32
.105	1/16
.135	3/32
.165	1/8



L = STANDOFF LENGTH
 S = SHANK LENGTH
 P = BOARD THICKNESS



GLOBE STANDOFFS

3/8 ROUND KNURLED DOUBLE FACE SWAGE STANDOFFS

SAMPLE ORDER TECHNIQUE

EXAMPLE: B-43000-632-105-0

X	XXXXX	XXX	XXX	X
MATERIAL	LENGTH	THREAD	SHANK	FINISH

See page (VIII) for thread depth
 See page (VII) for finish code
 For parts not listed contact Sales Office

THREAD
6-32
8-32
10-32

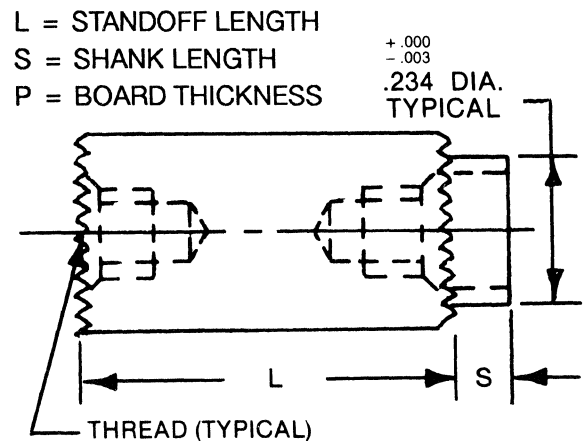
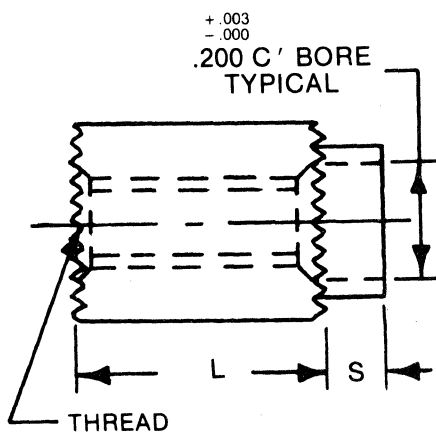
MATERIAL	CODE
Aluminum	A
Brass	B
Stainless Steel	SS
Steel	S

LENGTH	PART NO.
1/8	43000
3/16	43001
1/4	43002
5/16	43003
3/8	43004
7/16	43005
1/2	43006
9/16	43007
5/8	43008
11/16	43009
3/4	43010
13/16	43011
7/8	43012
15/16	43013
1"	43014

LENGTH	PART NO.
1-1/16	43015
1-1/8	43016
1-3/16	43017
1-1/4	43018
1-5/16	43019
1-3/8	43020
1-7/16	43021
1-1/2	43022
1-9/16	43023
1-5/8	43024
1-11/16	43025
1-3/4	43026
1-13/16	43027
1-7/8	43028
1-15/16	43029
2"	43030

SWAGE TOOLING		
PUNCH	ANVIL	LENGTH
GP-5	GAR-30	1/8 - 3/16
	GAR-31	1/4 - 7/16
	GAR-32	1/2 - 11/16
	GAR-33	3/4 - 2"

SWAGE/PANEL	
S	P
.075	1/32
.105	1/16
.135	3/32
.165	1/8



GLOBE HANDLES

1/8 ROUND INTERNAL THREAD HANDLES

SAMPLE ORDER TECHNIQUE

EXAMPLE: B—44000-256-0



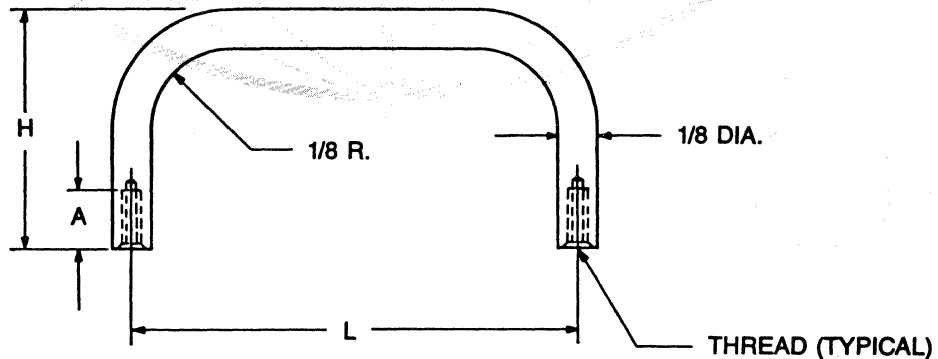
See page (IX) for thread depth and finish
For parts not listed contact Sales Office

PART NO.	L ± 1/32	H ± 1/32
44000	3/4	1/2
44001	13/16	1/2
44002	7/8	1/2
44003	1"	1/2
44004	1-1/4	1/2
44005	1-1/2	1/2
44006	2"	1/2
44007	3/4	3/4
44008	13/16	3/4
44009	7/8	3/4
44010	1"	3/4
44011	1-1/4	3/4
44012	1-1/2	3/4
44013	2"	3/4
44014	1"	1"
44015	1-1/4	1"
44016	1-1/2	1"
44017	1-3/4	1"
44018	2"	1"

PART NO.	L ± 1/32	H ± 1/32
44019	1"	1-1/4
44020	1-1/4	1-1/4
44021	1-1/2	1-1/4
44022	1-3/4	1-1/4
44023	2"	1-1/4
44024	1"	1-1/2
44025	1-1/4	1-1/2
44026	1-1/2	1-1/2
44027	1-3/4	1-1/2
44028	2"	1-1/2
44029	1-1/4	2"
44030	1-1/2	2"
44031	1-3/4	2"
44032	2"	2"
44033	2-1/2	2"
44034	3"	2"

MATERIAL	CODE
Aluminum	A
Brass	B
Stainless Steel	SS
Steel	S

THREAD & DEPTH CODE	
THREAD	A
256	3/16



GLOBE HANDLES

5/32 ROUND INTERNAL THREAD HANDLES

SAMPLE ORDER TECHNIQUE

EXAMPLE: B—45000—256—0

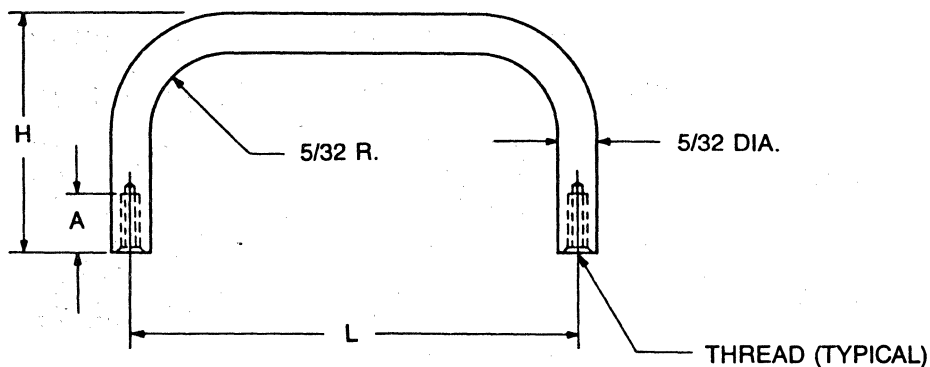


See page (IX) for thread depth and finish
For parts not listed contact Sales Office

MATERIAL	CODE
Aluminum	A
Brass	B
Stainless Steel	SS
Steel	S

PART NO.	L ± 1/32	H ± 1/32
45000	1"	3/4
45001	1-1/4	
45002	1-1/2	
45003	2"	
45004	2-1/2	
45005	3"	1"
45006	1"	
45007	1-1/4	
45008	1-1/2	
45009	1-3/4	
45010	2"	
45011	2-1/2	
45012	3"	

THREAD CODE & DEPTH	
THREAD	A
2-56	3/16
4-40	1/4



GLOBE HANDLES

3/16 ROUND INTERNAL THREAD HANDLES

SAMPLE ORDER TECHNIQUE

EXAMPLE: B-46000-440-0

X

XXXXX

XXX

X

MATERIAL

LENGTH & HEIGHT

THREAD

FINISH

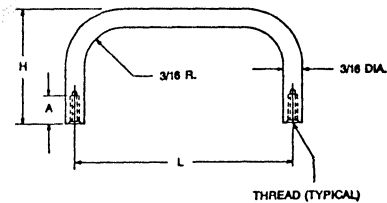
See page (IX) for thread depth and finish
For parts not listed contact Sales Office

MATERIAL	CODE
Aluminum	A
Brass	B
Stainless Steel	SS
Steel	S

PART NO.	L ± 1/32	H ± 1/32
46000	1-1/2	
46001	1-3/4	
46002	2"	5/8
46003	3"	
46004	4"	
46005	5"	
46006	1"	
46007	1-1/4	
46008	1-1/2	
46009	1-3/4	
46010	2"	3/4
46011	3"	
46012	4"	
46013	5"	
46014	1"	
46015	1-1/4	
46016	1-1/2	
46017	1-3/4	
46018	2"	7/8
46019	3"	
46020	4"	
46021	5"	
46022	1"	
46023	1-1/4	
46024	1-1/2	
46025	1-3/4	
46026	2"	1"
46027	3"	
46028	4"	
46029	5"	

PART NO.	L ± 1/32	H ± 1/32
46030	1"	
46031	1-1/4	
46032	1-1/2	
46033	1-3/4	1-1/8
46034	2"	
46035	3"	
46036	4"	
46037	5"	
46038	1"	
46039	1-1/4	
46040	1-1/2	
46041	1-3/4	1-1/4
46042	2"	
46043	3"	
46044	4"	
46045	5"	
46046	1"	
46047	1-1/4	
46048	1-1/2	
46049	1-3/4	1-1/2
46050	2"	
46051	3"	
46052	4"	
46053	5"	

THREAD CODE & DEPTH	
THREAD	A
4-40	1/4
6-32	3/8



GLOBE HANDLES

1/4 ROUND INTERNAL THREAD HANDLES

SAMPLE ORDER TECHNIQUE

EXAMPLE: B-47000-632-0

X	XXXXX	XXX	X
MATERIAL	LENGTH & HEIGHT	THREAD	FINISH

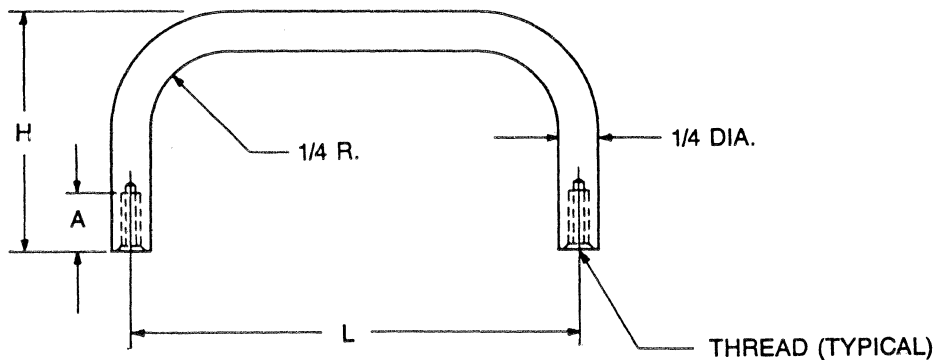
See page (IX) for thread depth and finish
For parts not listed contact Sales Office

MATERIAL	CODE
Aluminum	A
Brass	B
Stainless Steel	SS
Steel	S

PART NO.	L ± 1/32	H ± 1/32
47000	1-1/8	
47001	1-1/4	
47002	1-1/2	
47003	1-3/4	
47004	2"	
47005	2-1/4	1"
47006	2-1/2	
47007	2-3/4	
47008	3"	
47009	4"	
47010	5"	
47011	1-1/2	
47012	1-3/4	
47013	2"	
47014	2-1/4	
47015	2-1/2	1-1/4
47016	2-3/4	
47017	3"	
47018	4"	
47019	5"	

PART NO.	L ± 1/32	H ± 1/32
47020	1-1/2	
47021	1-3/4	
47022	2"	
47023	2-1/4	
47024	2-1/2	
47025	2-3/4	1-1/2
47026	3"	
47027	3-1/2	
47028	4"	
47029	4-1/4	
47030	4-1/2	
47031	5"	
47032	6"	
47033	3"	
47034	4"	
47035	5"	2"
47036	6"	

THREAD CODE & DEPTH	
THREAD	A
6-32	3/8
8-32	7/16



GLOBE HANDLES

5/16 ROUND INTERNAL THREAD HANDLES

SAMPLE ORDER TECHNIQUE

EXAMPLE: B—48000—832—0

X

XXXXX

XXX

X

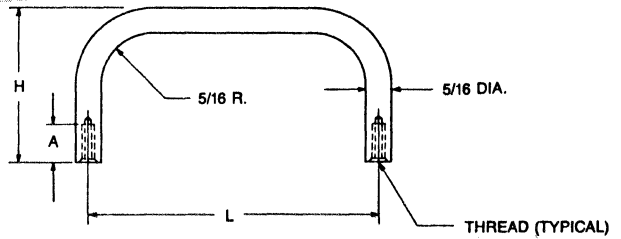
MATERIAL	LENGTH & HEIGHT	THREAD	FINISH
----------	-----------------	--------	--------

See page (IX) for thread depth and finish
 For parts not listed contact Sales Office
 For MS39087-XX equivalent's contact Sales Office

MATERIAL	CODE
Aluminum	A
Brass	B
Stainless Steel	SS
Steel	S

PART NO.	L ± 1/32	H ± 1/32	PART NO.	L ± 1/32	H ± 1/32	PART NO.	L ± 1/32	H ± 1/32
48000	2"		48033	2"		48056	3"	
48001	2-1/2		48034	2-1/8		48057	3-1/2	
48002	3"		48035	2-1/4		48058	4"	
48003	3-1/2		48036	2-3/8		48059	4-1/4	
48004	4"	1"	48037	2-1/2		48060	4-1/2	
48005	4-1/4		48038	2-3/4		48061	4-9/16	
48006	4-1/2		48039	3"		48062	4-5/8	
48007	5"		48040	3-1/8		48063	4-3/4	1-3/4
48008	6"		48041	3-1/4		48064	5"	
48009	2"		48042	3-1/2		48065	5-1/8	
48010	3"		48043	4"	1-1/2	48066	5-1/4	
48011	4"	1-1/8	48044	4-1/4		48067	5-1/2	
48012	4-1/4		48045	4-1/2		48068	5-3/4	
48013	4-9/16		48046	4-9/16		48069	6"	
48014	2"		48047	4-5/8		48070	6-1/4	
48015	2-1/2		48048	5"		48071	6-7/16	
48016	3"	1-1/4	48049	5-1/4		48072	6-1/2	
48017	3-1/2		48050	5-1/2		48073	6-3/4	
48018	4"		48051	5-3/4		48074	7"	
48019	2"		48052	6"				
48020	2-1/4		48053	6-7/16				
48021	2-1/2		48054	6-1/2				
48022	2-3/4	1-5/16	48055	7"				
48023	2-13/16							
48024	3"							
48025	4"							
48026	4-1/4							
46027	2"							
48028	2-1/2							
48029	3"	1-3/8						
48030	4"							
48031	4-1/4							
48032	5"							

THREAD CODE & DEPTH	
THREAD	A
8-32	7/16
10-32	1/2



GLOBE HANDLES

3/8 ROUND INTERNAL THREAD HANDLES

SAMPLE ORDER TECHNIQUE

EXAMPLE: B—49000—1032—0

X

XXXXX

XXXX

X

MATERIAL

LENGTH & HEIGHT

THREAD

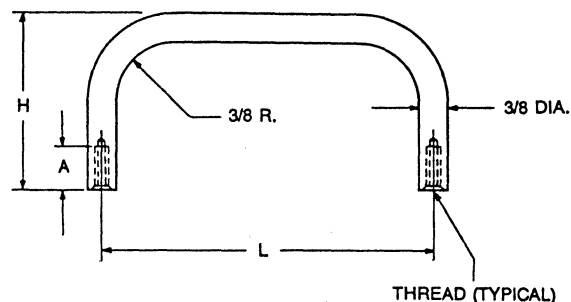
FINISH

See page (IX) for thread depth and finish
For parts not listed contact Sales Office

MATERIAL	CODE
Aluminum	A
Brass	B
Stainless Steel	SS
Steel	S

PART NO.	L ± 1/32	H ± 1/32
49000	2"	
49001	3"	
49002	4"	
49003	5"	1-5/16
49004	6"	
49005	7"	
49006	2-1/2	
49007	3"	
49008	4"	
49009	4-1/4	1-1/2
49010	4-1/2	
49011	5"	
49012	6"	
49013	7"	
49014	2"	
49015	2-1/2	
49016	3"	
49017	3-1/2	
49018	4"	
49019	4-1/4	1-3/4
49020	4-1/2	
49021	5"	
49022	5-1/4	
49023	5-1/2	
49024	5-3/4	
49025	6"	
49026	6-1/2	
49027	7"	
49028	3"	
49029	4"	
49030	4-1/4	
49031	4-1/2	1-7/8
49032	5"	
49033	6"	

THREAD CODE & DEPTH	
THREAD	A
10-32	1/2
1/4-20	9/16

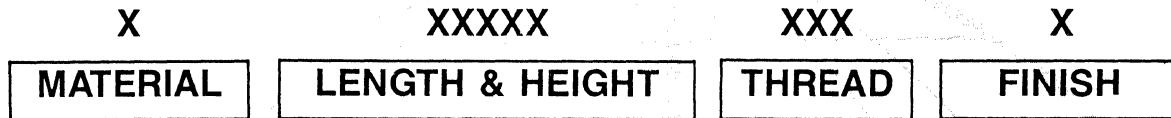


GLOBE HANDLES

3/16 ROUND—OFFSET INTERNAL THREAD HANDLES

SAMPLE ORDER TECHNIQUE

EXAMPLE: B—50000—440—0

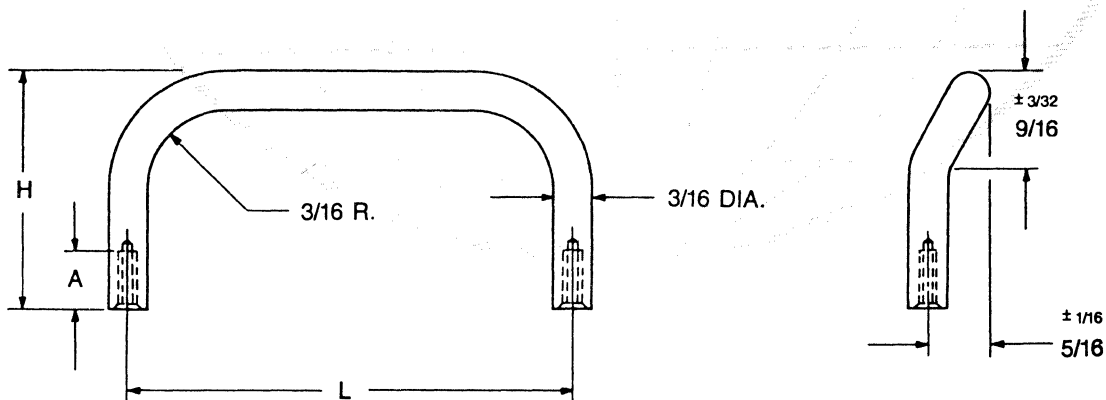


See page (IX) for thread depth and finish
For parts not listed contact Sales Office

MATERIAL	CODE
Aluminum	A
Brass	B
Stainless Steel	SS
Steel	S

PART NO.	L ± 1/32	H ± 1/32
50000	2"	
50001	3"	
50002	4"	
50003	4-1/2"	1"
50004	5"	
50005	6"	
50006	2"	
50007	3"	
50008	4"	
50009	4-1/2"	1-1/2"
50010	5"	
50011	6"	

THREAD CODE & DEPTH	
THREAD	A
4-40	1/4
6-32	5/16-3/8



GLOBE HANDLES

1/4 ROUND—OFFSET INTERNAL THREAD HANDLES

SAMPLE ORDER TECHNIQUE

EXAMPLE: B—51000—632—0

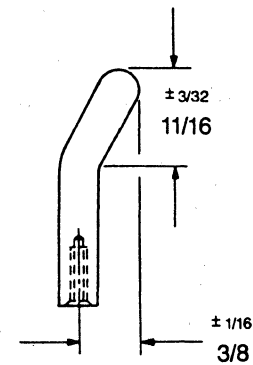
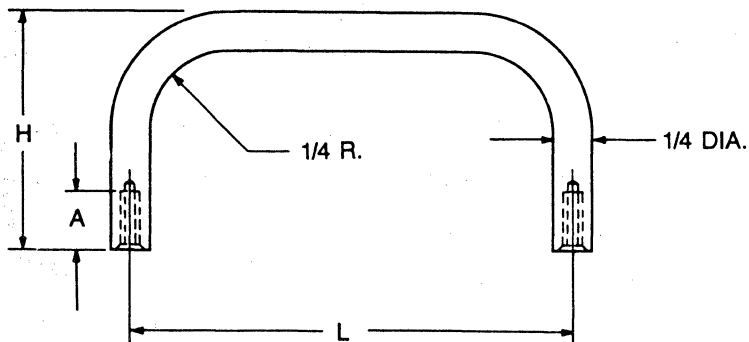
X	XXXXX	XXX	X
MATERIAL	LENGTH & HEIGHT	THREAD	FINISH

See page (IX) for thread depth and finish
For parts not listed contact Sales Office

MATERIAL	CODE
Aluminum	A
Brass	B
Stainless Steel	SS
Steel	S

PART NO.	L ± 1/32	H ± 1/32
51000	2"	
51001	3"	
51002	4"	
51003	4-1/2"	1"
51004	5"	
51005	6"	
51006	2"	
51007	3"	
51008	4"	
51009	4-1/2"	1-1/2"
51010	5"	
51011	5-1/2"	
51012	6"	
51013	2"	
51014	3"	
51015	4"	
51016	4-1/2"	2"
51017	5"	
51018	6"	

THREAD CODE & DEPTH	
THREAD	A
6-32	5/16-3/8
8-32	5/16-7/16



GLOBE HANDLES

5/16 ROUND—OFFSET INTERNAL THREAD HANDLES

SAMPLE ORDER TECHNIQUE

EXAMPLE: B—52000—832—0

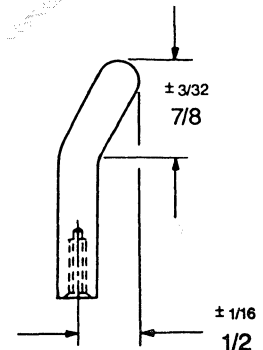
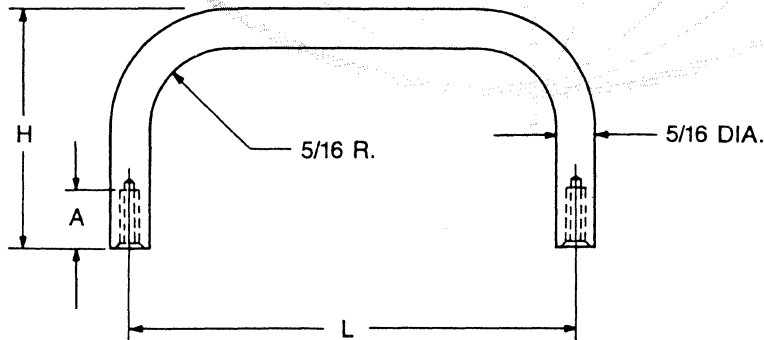
X	XXXXX	XXX	X
MATERIAL	LENGTH & HEIGHT	THREAD	FINISH

See page (IX) for thread depth and finish
For parts not listed contact Sales Office

MATERIAL	CODE
Aluminum	A
Brass	B
Stainless Steel	SS
Steel	S

PART NO.	L ± 1/32	H ± 1/32
52000	2"	
52001	2-1/2	
52002	3"	
52003	4"	1-5/16
52004	5"	
52005	6"	
52006	3"	
52007	4"	
52008	4-1/4	
52009	4-1/2	
52010	4-9/16	1-1/2
52011	5"	
52012	5-1/2	
52013	6"	
52014	3"	
52015	4"	
52016	4-1/4	
52017	4-1/2	
52018	4-9/16	1-3/4
52019	5"	
52020	5-1/2	
52021	6"	

THREAD CODE & DEPTH	
THREAD	A
8-32	3/8-7/16
10-32	3/8-1/2



GLOBE HANDLES

3/8 ROUND—OFFSET INTERNAL THREAD HANDLES

SAMPLE ORDER TECHNIQUE

EXAMPLE: B—53000—832—0

X

XXXXX

XXX

X

MATERIAL

LENGTH & HEIGHT

THREAD

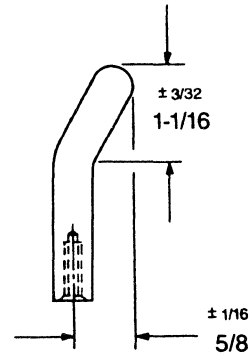
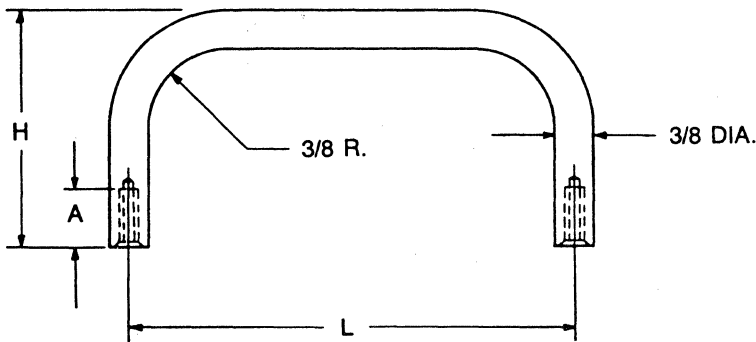
FINISH

See page (IX) for thread depth and finish
For parts not listed contact Sales Office

MATERIAL	CODE
Aluminum	A
Brass	B
Stainless Steel	SS
Steel	S

PART NO.	L ± 1/32	H ± 1/32
53000	3"	1-3/4
53001	4"	
53002	4-1/4	
53003	4-1/2	
53004	4-9/16	
53005	5"	
53006	5-1/2	
53007	6"	
53008	3"	2"
53009	4"	
53010	4-1/4	
53011	4-1/2	
53012	4-9/16	
53013	5"	
53014	5-1/2	
53015	6"	

THREAD CODE & DEPTH	
THREAD	A
8-32	7/16
10-32	1/2



GLOBE HANDLES

7/16 x 9/32 OVAL INTERNAL THREAD HANDLES

SAMPLE ORDER TECHNIQUE

EXAMPLE: B—54000—832—0

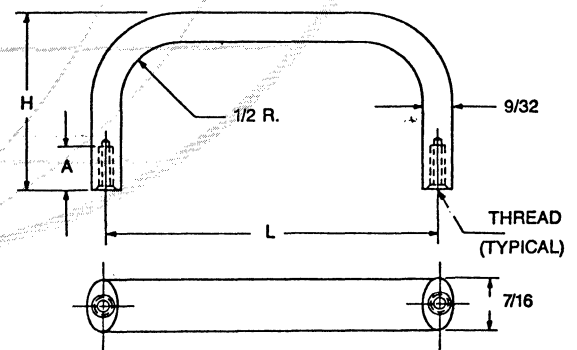
X	XXXXX	XXX	X
MATERIAL	LENGTH & HEIGHT	THREAD	FINISH

See page (IX) for thread depth and finish
For parts not listed contact Sales Office

MATERIAL	CODE
Aluminum	A
Brass	B
Stainless Steel	SS
Steel	S

PART NO.	L ± 1/32	H ± 1/32
54000	2"	
54001	2-1/2	
54002	3"	
54003	4"	
54004	4-1/4	1"
54005	4-1/2	
54006	4-9/16	
54007	5"	
54008	6"	
54009	6-7/16	
54010	2"	
54011	2-1/4	
54012	2-1/2	
54013	3"	
54014	3-1/2	1-9/32
54015	4"	
54016	4-1/4	
54017	4-1/2	
54018	4-9/16	
54019	6"	
54020	2"	
54021	2-1/4	
54022	2-1/2	
54023	3"	
54024	3-1/2	
54025	4"	1-1/2
54026	4-1/4	
54027	4-1/2	
54028	4-9/16	
54029	5"	
54030	6"	

THREAD CODE & DEPTH	
THREAD	A
8-32	7/16
10-32	1/2



GLOBE FERRULES

HANDLE FERRULES

SAMPLE ORDER TECHNIQUE

EXAMPLE: B-56000-0

X

XXXXX

X

MATERIAL

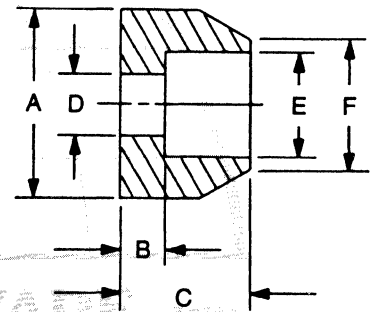
PART NO.

FINISH

See page (IX) for thread depth and finish
For parts not listed contact Sales Office

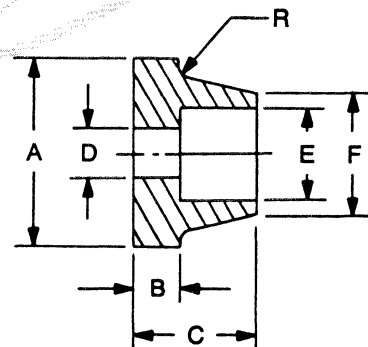
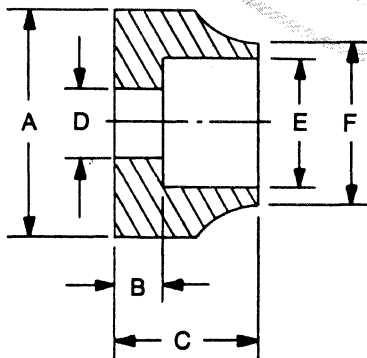
MATERIAL	CODE
Aluminum	A
Brass	B
Stainless Steel	SS
Steel	S

PART NO.	A ± .005	B ± .005	C ± .005	D ± .005	E ± .005	F ± .015
56000	1/4	.046	.125	.116	.136	13/64
56001	1/4	.046	.125	.116	.161	13/64
56002	5/16	.062	.125	.141	.203	17/64
56003	3/8	.062	.125	.141	.260	5/16
56004	3/8	.062	.187	.204	.260	5/16
56005	7/16	.062	.187	.204	.260	5/16
56006	1/2	.062	.250	.187	.260	11/32
56007	15/32	.062	.250	.221	.320	13/32
56008	9/16	.062	.250	.221	.320	13/32
56009	5/8	.093	.375	.250	.385	15/32
56010	3/4	.093	.375	.315	.515	39/64



PART NO.	A ± .005	B ± .005	C ± .005	D ± .005	E ± .005	F ± .015
56011	1/4	.047	.125	.109	.161	13/64
56012	5/16	.062	.125	.141	.203	17/64
56013	3/8	.062	.187	.203	.260	5/16
56014	9/16	.062	.250	.219	.320	13/32
56015	3/4	.094	.312	.196	.320	13/32
56016	7/8	.094	.312	.196	.385	9/16
56017	7/8	.094	.312	.219	.385	9/16
56018	7/8	.187	.562	.275	.510	5/8

PART NO.	A ± .005	B ± .005	C ± .005	D ± .005	E ± .005	F ± .015
56019	5/8	.062	.375	.201	.257	21/64
56020	3/4	.062	.375	.201	.322	25/64
56021	3/4	.062	.375	.201	.383	29/64



GLOBE FERRULES

HANDLE FERRULES

SAMPLE ORDER TECHNIQUE

EXAMPLE: B—57000—0

X

XXXXX

X

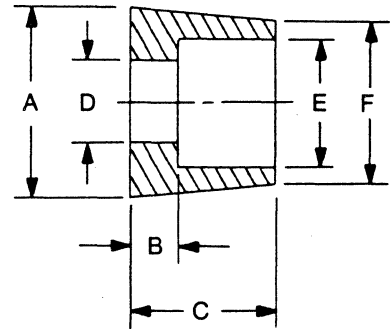
MATERIAL

PART NO.

FINISH

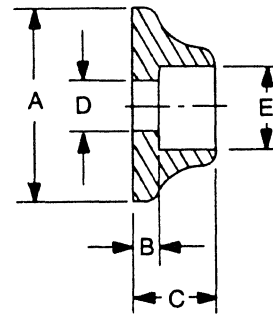
See page (IX) for thread depth and finish
For parts not listed contact Sales Office

PART NO.	A ± .005	B ± .005	C ± .005	D ± .005	E ± .005	F ± .015
57000	9/16	.093	.312	.203	.323	7/16
57001	5/8	.125	.437	.281	.390	7/16
57002	3/4	.187	.562	.328	.510	19/32

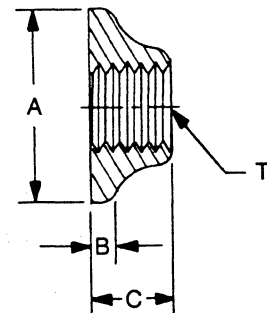


MATERIAL	CODE
Aluminum	A
Brass	B
Stainless Steel	SS
Steel	S

PART NO.	A ± .005	B ± .005	C ± .005	D ± .005	E ± .005
57003	3/4	.093	.312	.196	.320



PART NO.	A ± .005	B ± .015	C ± .005	T THD.
57004	5/8	1/32	.250	5/16-18
57005	3/4	1/16	.312	3/8-24



GLOBE HANDLES

3/16 ROUND EXTERNAL THREAD HANDLES WITH SHOULDER

SAMPLE ORDER TECHNIQUE

EXAMPLE: B-58000-440-0

X

XXXXX

XXX

X

MATERIAL

LENGTH & HEIGHT

THREAD

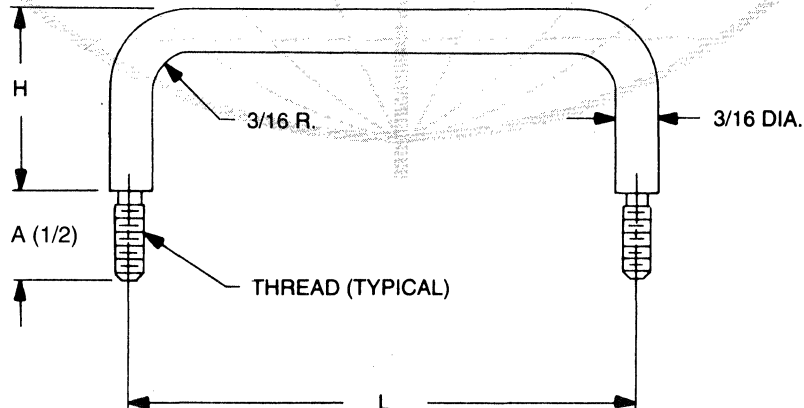
FINISH

See page (IX) for finish code
For parts not listed contact Sales Office
Nuts and washers not supplied

MATERIAL	CODE
Aluminum	A
Brass	B
Stainless Steel	SS
Steel	S

PART NO.	L ±1/32	H ±1/32
58000	2"	
58001	2-1/2	
58002	3"	
58003	3-1/2	1"
58004	4"	
58005	5"	
58006	6"	
58007	2"	
58008	2-1/2	
58009	3"	
58010	3-1/2	1-1/2
58011	4"	
58012	5"	
58013	6"	
58014	2"	
58015	2-1/2	
58016	3"	
58017	3-1/2	2"
58018	4"	
58019	5"	
58020	6"	

THREAD CODE & DEPTH	
THREAD	A
4-40	1/2
6-32	1/2



GLOBE HANDLES

1/4 ROUND EXTERNAL THREAD HANDLES WITH SHOULDER

SAMPLE ORDER TECHNIQUE

EXAMPLE: B-58100-832-0

X

XXXXX

XXX

X

MATERIAL

LENGTH & HEIGHT

THREAD

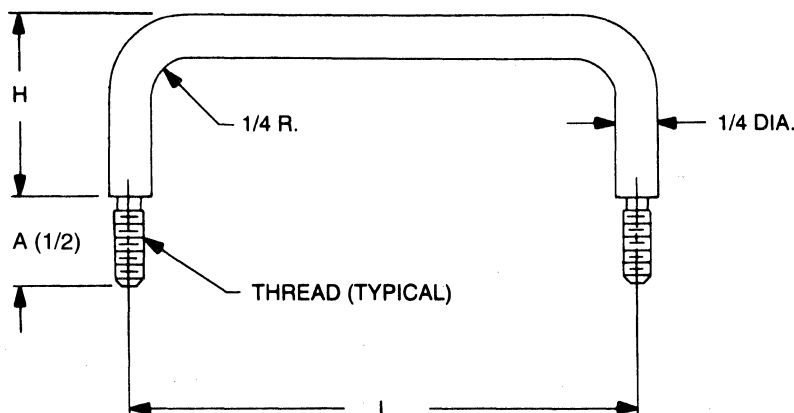
FINISH

See page (IX) for finish code
For parts not listed contact Sales Office
Nuts and washers not supplied

MATERIAL	CODE
Aluminum	A
Brass	B
Stainless Steel	SS
Steel	S

PART NO.	L ±1/32	H ±1/32
58100	2"	
58101	2-1/2	
58102	3"	
58103	3-1/2	1"
58104	4"	
58105	5"	
58106	6"	
58107	2"	
58108	2-1/2	
58109	3"	
58110	3-1/2	1-1/2
58111	4"	
58112	5"	
58113	6"	
58114	2"	
58115	2-1/2	
58116	3"	
58117	3-1/2	2"
58118	4"	
58119	5"	
58120	6"	

THREAD CODE & DEPTH	
THREAD	A
8-32	1/2
10-32	1/2



GLOBE HANDLES

5/16 ROUND EXTERNAL THREAD HANDLES NO SHOULDER

SAMPLE ORDER TECHNIQUE

EXAMPLE: B-58300-5/16-18-0



See page (IX) for finish code
For parts not listed contact Sales Office
Supplied with ferrules and nuts

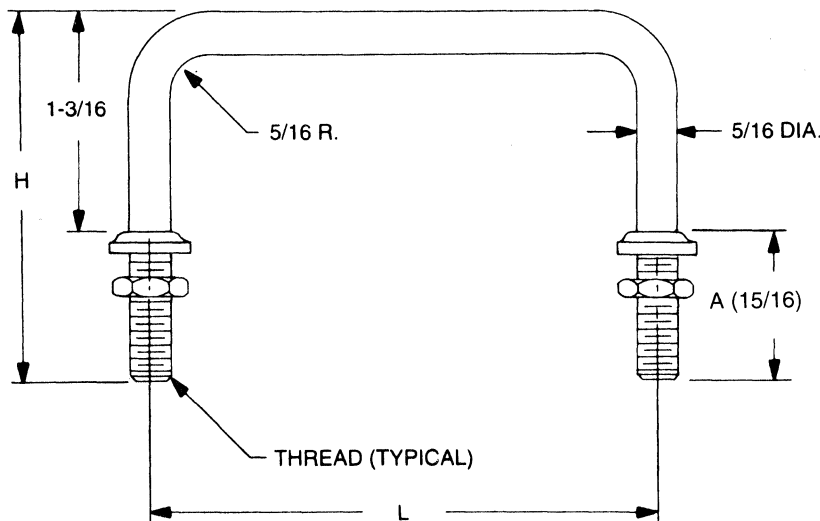
MATERIAL	CODE
Aluminum	A
Brass	B
Stainless Steel	SS
Steel	S

PART NO.	L ±1/32	H ±1/32
58300	3"	
58301	3-3/4"	
58302	4"	
58303	4-1/4"	2-1/8"
58304	4-1/2"	
58305	4-9/16"	
58306	5"	
58307	6"	

THREAD CODE & DEPTH	
THREAD	A
5/16-18	15/16



PART NO. 57004
See Page 187



GLOBE HANDLES

3/8 ROUND EXTERNAL THREAD HANDLES NO SHOULDER

SAMPLE ORDER TECHNIQUE

EXAMPLE: B-58400-3/8-24-0

X	XXXXX	XXXX	X
MATERIAL	LENGTH & HEIGHT	THREAD	FINISH

See page (IX) for finish code
For parts not listed contact Sales Office
Supplied with ferrules and nuts

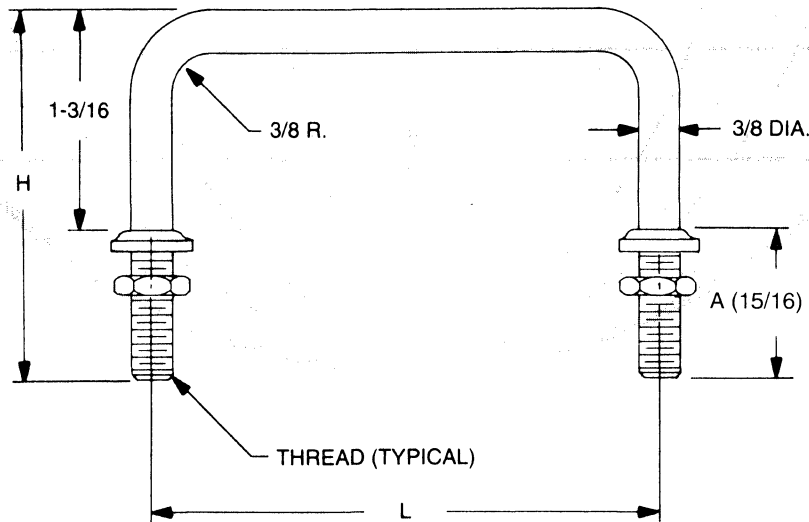
MATERIAL	CODE
Aluminum	A
Brass	B
Stainless Steel	SS
Steel	S

PART NO.	L ±1/32	H ±1/32
58400	3"	
58401	3-3/4	
58402	4"	
58403	4-1/4	2-1/8
58404	4-1/2	
58405	4-9/16	
58406	5"	
58407	6"	

THREAD CODE & DEPTH	
THREAD	A
3/8-24	15/16



PART NO. 57005
See Page 187



GLOBE HANDLES

1/2 x 3/16 RECTANGULAR INTERNAL THREAD HANDLES

SAMPLE ORDER TECHNIQUE

EXAMPLE: B-58500-440-0

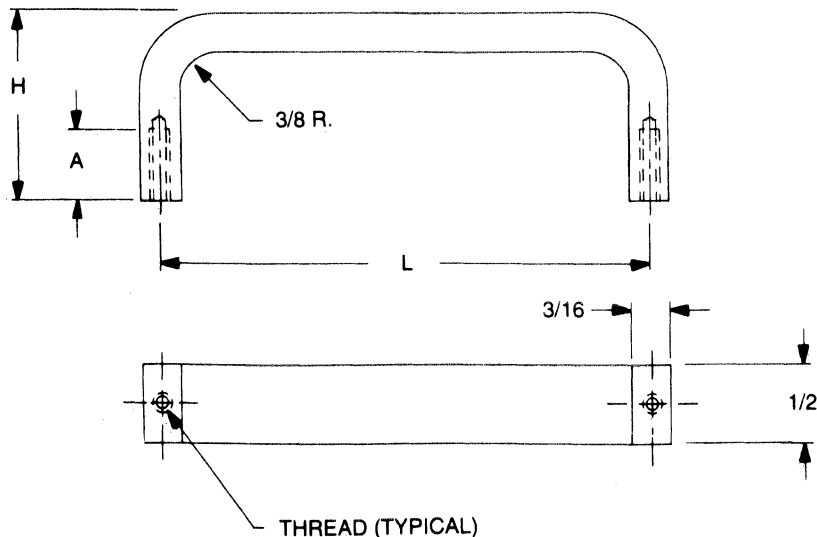
X	XXXXX	XXX	X
MATERIAL	LENGTH & HEIGHT	THREAD	FINISH

See page (IX) for finish code
For parts not listed contact Sales Office

MATERIAL	CODE
Aluminum	A
Brass	B

PART NO.	L ±1/32	H ±1/32
58500	2"	
58501	3"	
58502	4"	
58503	5"	1-1/2
58504	6"	
58505	7"	
58506	2"	
58507	3"	
58508	4"	1-3/4
58509	5"	
58510	6"	
58511	2"	
58512	3"	
58513	4"	2"
58514	5"	
58515	6"	

THREAD CODE & DEPTH	
THREAD	A
4-40	1/4
6-32	3/8

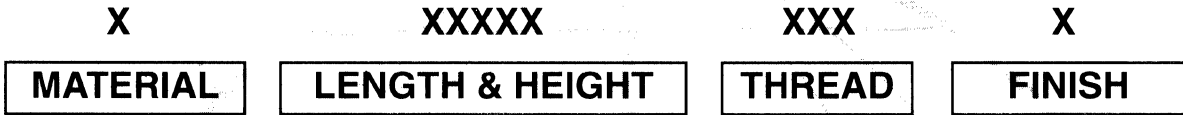


GLOBE HANDLES

1/2 x 1/4 RECTANGULAR INTERNAL THREAD HANDLES

SAMPLE ORDER TECHNIQUE

EXAMPLE: B-58600-632-0

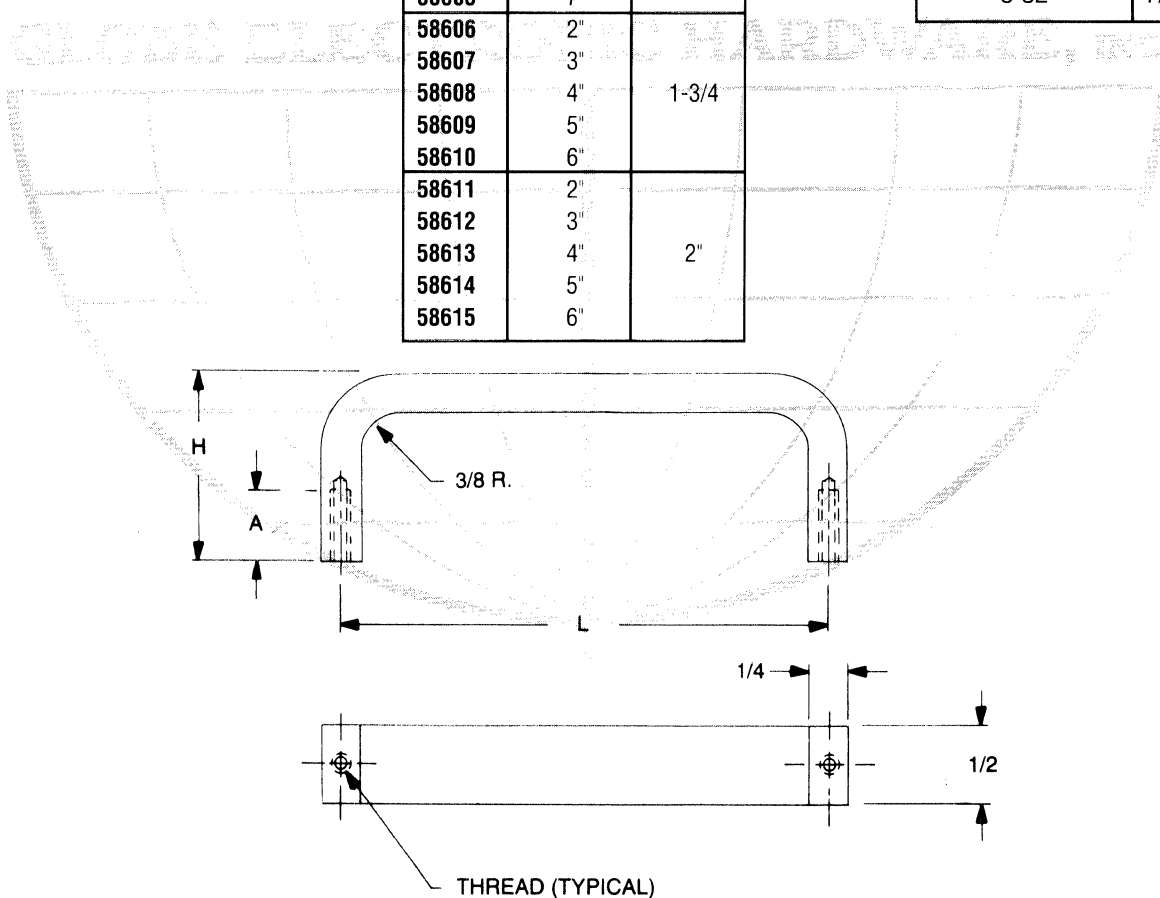


See page (IX) for finish code
For parts not listed contact Sales Office

MATERIAL	CODE
Aluminum	A
Brass	B

PART NO.	L ±1/32	H ±1/32
58600	2"	
58601	3"	
58602	4"	
58603	5"	1-1/2
58604	6"	
58605	7"	
58606	2"	
58607	3"	
58608	4"	1-3/4
58609	5"	
58610	6"	
58611	2"	
58612	3"	
58613	4"	2"
58614	5"	
58615	6"	

THREAD CODE & DEPTH	
THREAD	A
6-32	3/8
8-32	7/16



GLOBE HANDLES

1/2 x 5/16 RECTANGULAR INTERNAL THREAD HANDLES

SAMPLE ORDER TECHNIQUE

EXAMPLE: B-58700-832-0

X

XXXXX

XXX

X

MATERIAL

LENGTH & HEIGHT

THREAD

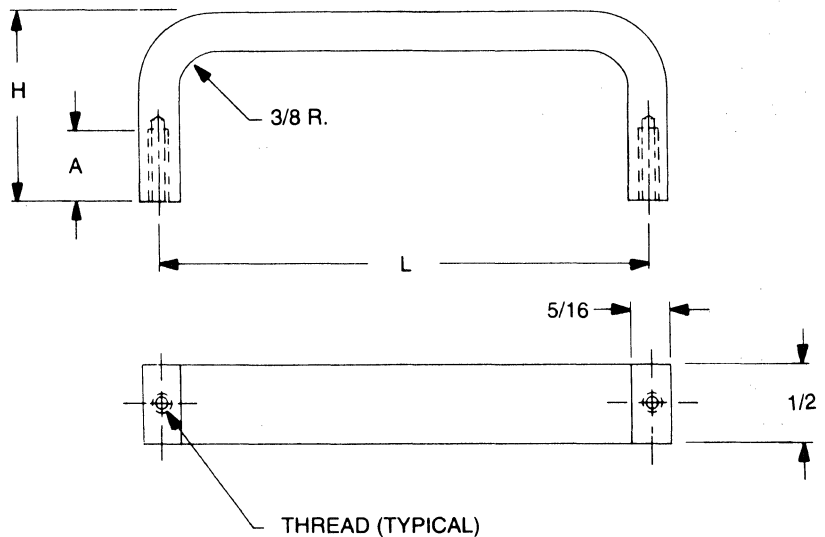
FINISH

See page (IX) for finish code
For parts not listed contact Sales Office

PART NO.	L ±1/32	H ±1/32
58700	2"	
58701	3"	
58702	4"	1"
58703	5"	
58704	6"	
58705	7"	
58706	2"	
58707	3"	
58708	4"	1-1/4
58709	5"	
58710	6"	
58711	7"	
58712	2"	
58713	3"	
58714	4"	1-1/2
58715	5"	
58716	6"	
58717	2"	
58718	3"	
58719	4"	1-3/4
58720	5"	
58721	6"	
58722	2"	
58723	3"	
58724	4"	2"
58725	5"	
58726	6"	

MATERIAL	CODE
Aluminum	A
Brass	B

THREAD CODE & DEPTH	
THREAD	A
8-32	7/16
10-32	5/16-9/16



GLOBE HANDLES

5/8 x 1/4 RECTANGULAR INTERNAL THREAD HANDLES

SAMPLE ORDER TECHNIQUE

EXAMPLE: B-58800-632-0

X

XXXXX

XXX

X

MATERIAL

LENGTH & HEIGHT

THREAD

FINISH

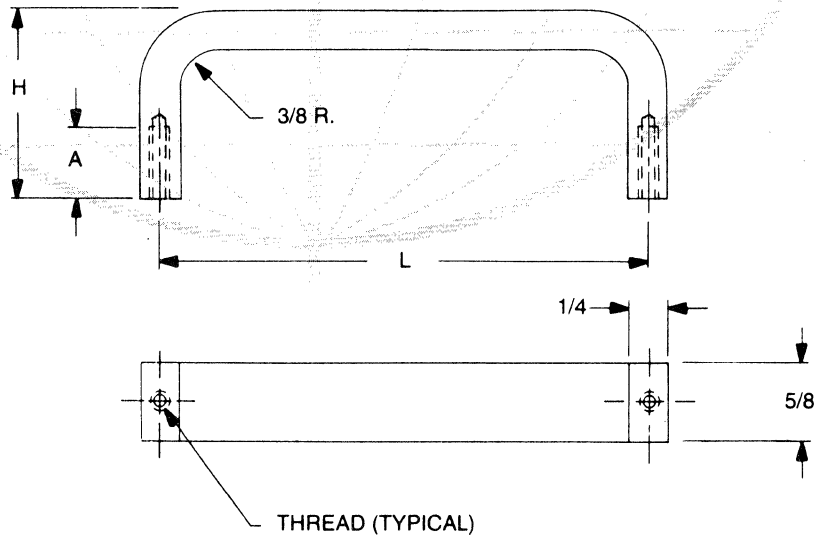
See page (IX) for finish code
For parts not listed contact Sales Office

PART NO.	L ±1/32	H ±1/32
58800	2"	
58801	2-1/2	
58802	3"	
58803	4"	
58804	4-1/4	
58805	4-1/2	1"
58806	4-9/16	
58807	5"	
58808	6"	
58809	7"	
58810	2"	
58811	3"	
58812	4"	1-1/4
58813	5"	
58814	6"	
58815	7"	
58816	2"	
58817	2-1/2	
58818	3"	
58819	4"	
58820	4-1/4	
58821	4-1/2	1-5/16
58822	4-9/16	
58823	5"	
58824	6"	
58825	7"	

PART NO.	L ±1/32	H ±1/32
58826	3"	
58827	4"	
58828	5"	1-3/8
58829	6"	
58830	7"	
58831	3"	
58832	4"	
58833	4-1/4	
58834	4-1/2	1-1/2
58835	4-9/16	
58836	6"	
58837	6-7/16	
58838	4"	
58839	4-1/4	
58840	4-1/2	1-3/4
58841	4-9/16	
58842	6"	

MATERIAL	CODE
Aluminum	A
Brass	B

THREAD CODE & DEPTH	
THREAD	A
6-32	3/8
8-32	7/16



GLOBE HANDLES

1 x 1/4 RECTANGULAR INTERNAL THREAD HANDLES

SAMPLE ORDER TECHNIQUE

EXAMPLE: B-58900-632-0

X

XXXXX

XXX

X

MATERIAL

LENGTH & HEIGHT

THREAD

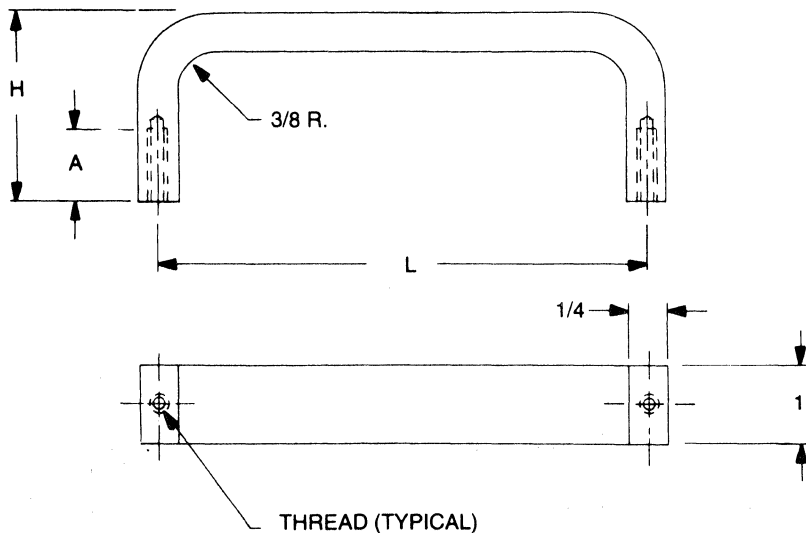
FINISH

See page (IX) for finish code
For parts not listed contact Sales Office

MATERIAL	CODE
Aluminum	A
Brass	B

PART NO.	L ±1/32	H ±1/32
58900	2"	
58901	3"	
58902	4"	1"
58903	5"	
58904	6"	
58905	7"	
58906	4"	
58907	5"	1-1/4
58908	6"	
58909	7"	
58910	2"	
58911	3"	
58912	4"	1-1/2
58913	5"	
58914	6"	
58915	2"	
58916	3"	2"
58917	4"	
58918	5"	

THREAD CODE & DEPTH	
THREAD	A
6-32	3/8
8-32	7/16



GLOBE HANDLES

1/4 ROUND - 90° FREE FALL - EXTERNAL THREAD HANDLES

SAMPLE ORDER TECHNIQUE

EXAMPLE: B-59000-1/4-28-0

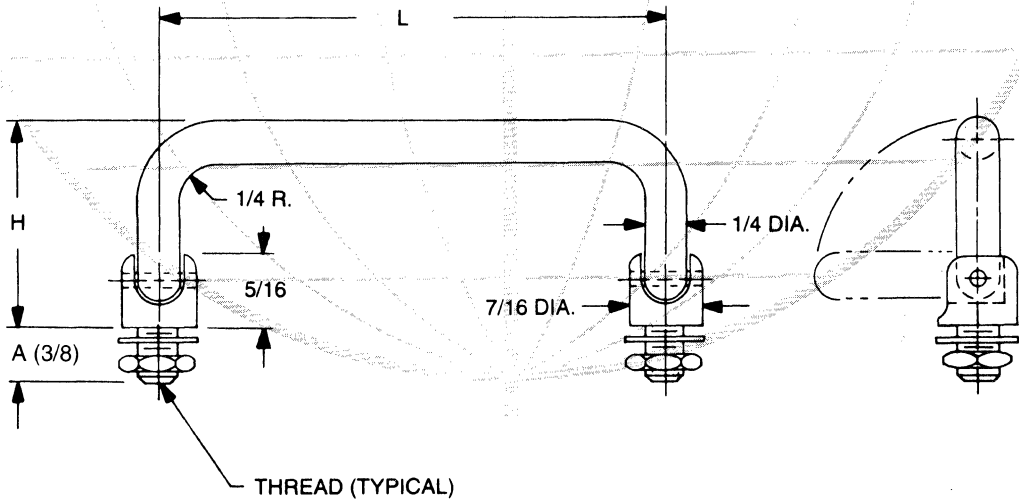


See page (IX) for finish code
 For parts not listed contact Sales Office
 Nuts and washers supplied

MATERIAL	CODE
Aluminum	A
Brass	B
Stainless Steel	SS
Steel	S

PART NO.	L ±1/32	H ±1/32
59000	3"	
59001	3-1/2"	
59002	4"	
59003	4-1/4"	1.460
59004	4-1/2"	
59005	5"	
59006	6"	

THREAD CODE & DEPTH	
THREAD	A
1/4-28	3/8
5/16-24	3/8



GLOBE HANDLES

**5/16 ROUND - 90° FREE FALL - EXTERNAL
THREAD HANDLES**

SAMPLE ORDER TECHNIQUE

EXAMPLE: B-59100-5/16-24-0

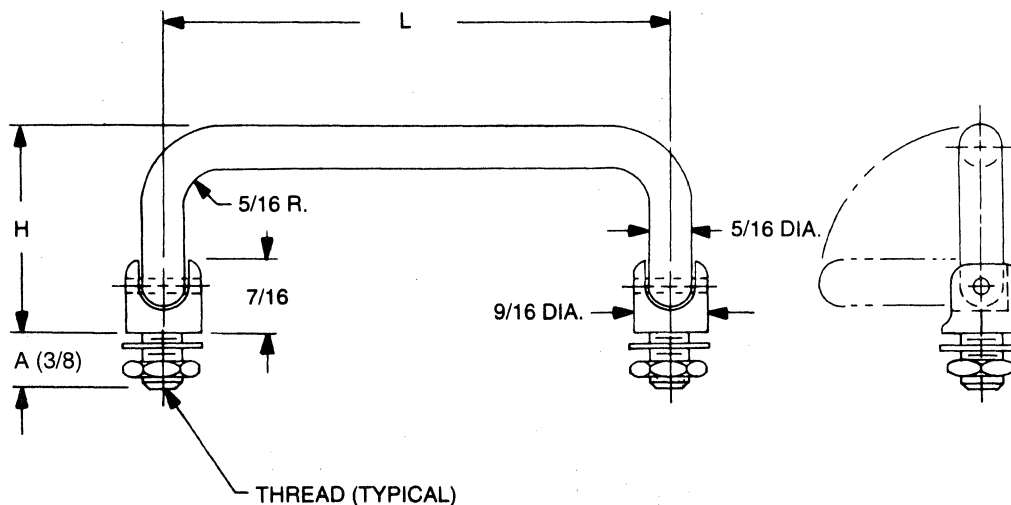
X	XXXXX	XXXX	X
MATERIAL	LENGTH & HEIGHT	THREAD	FINISH

See page (IX) for finish code
For parts not listed contact Sales Office
Nuts and washers supplied

MATERIAL	CODE
Aluminum	A
Brass	B
Stainless Steel	SS
Steel	S

PART NO.	L ±1/32	H ±1/32
59100	3"	
59101	3-1/2"	
59102	4"	
59103	4-1/4"	1.531
59104	4-1/2"	
59105	5"	
59106	6"	
59107	3"	
59108	3-1/2"	
59109	4"	
59110	4-1/4"	1.810
59111	4-1/2"	
59112	5"	
59113	6"	

THREAD CODE & DEPTH	
THREAD	A
5/16-24	3/8
3/8-24	3/8



GLOBE HANDLES

**3/8 ROUND - 90° FREE FALL - EXTERNAL
THREAD HANDLES**

SAMPLE ORDER TECHNIQUE

EXAMPLE: B-59200-5/16-24-0

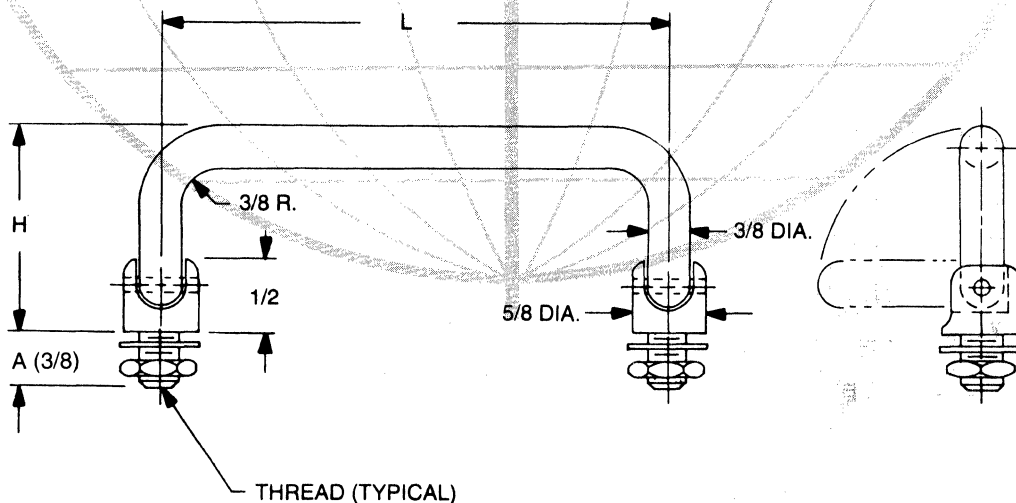


See page (IX) for finish code
For parts not listed contact Sales Office
Nuts and washers supplied

MATERIAL	CODE
Aluminum	A
Brass	B
Stainless Steel	SS
Steel	S

PART NO.	L ±1/32	H ±1/32
59200	3"	
59201	3-1/2"	
59202	4"	
59203	4-1/4"	1.531
59204	4-1/2"	
59205	5"	
59206	6"	
59207	3"	
59208	3-1/2"	
59209	4"	
59210	4-1/4"	1.850
59211	4-1/2"	
59212	5"	
59213	6"	

THREAD CODE & DEPTH	
THREAD	A
5/16-24	3/8
3/8-24	3/8



GLOBE HANDLES

**1/4 ROUND - 180° FREE FALL - EXTERNAL
THREAD HANDLES**

SAMPLE ORDER TECHNIQUE

EXAMPLE: B-59300-1/4-28-0

X

XXXXX

XXXX

X

MATERIAL

LENGTH & HEIGHT

THREAD

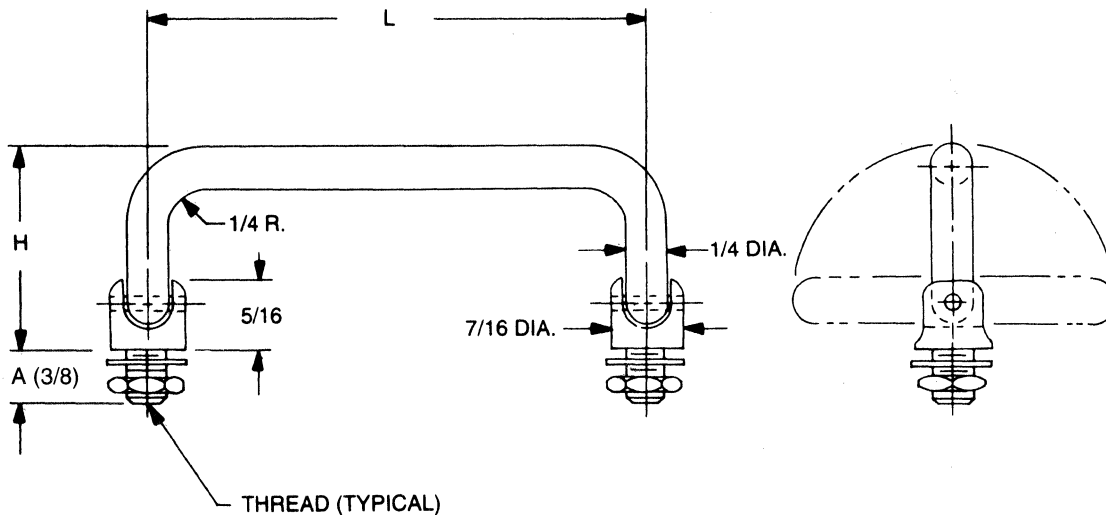
FINISH

See page (IX) for finish code
For parts not listed contact Sales Office
Nuts and washers supplied

MATERIAL	CODE
Aluminum	A
Brass	B
Stainless Steel	SS
Steel	S

PART NO.	L ±1/32	H ±1/32
59300	3"	
59301	3-1/2"	
59302	4"	
59303	4-1/4"	1.460
59304	4-1/2"	
59305	5"	
59306	6"	

THREAD CODE & DEPTH	
THREAD	A
1/4-28	3/8
5/16-24	3/8



GLOBE HANDLES

**5/16 ROUND - 90° INFINITE POSITION -
EXTERNAL THREAD HANDLES**

SAMPLE ORDER TECHNIQUE

EXAMPLE: B-59700-5/16-24-0

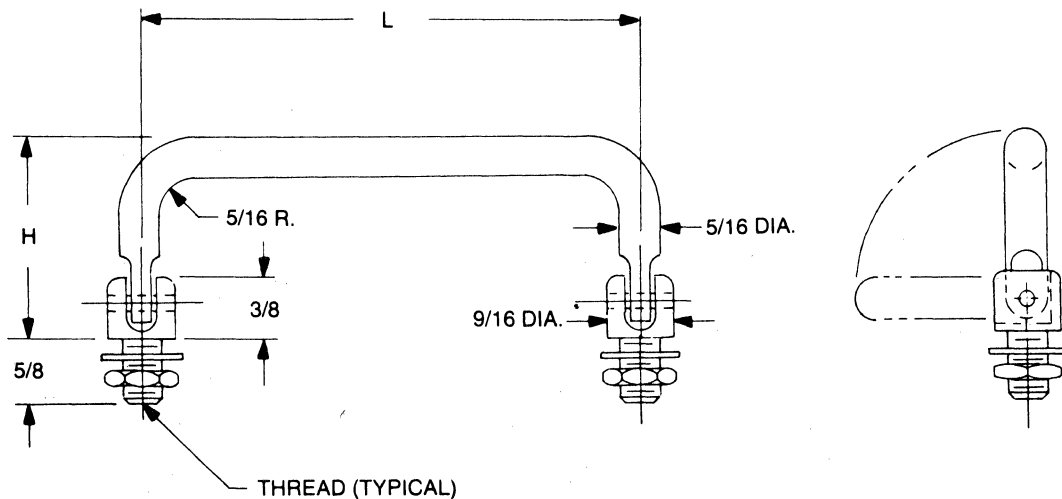


See page (IX) for finish code
For parts not listed contact Sales Office
Nuts and washers supplied

MATERIAL	CODE
Aluminum	A
Brass	B
Stainless Steel	SS
Steel	S

PART NO.	L ±1/32	H ±1/32
59700	3"	
59701	3-1/2"	
59702	4"	
59703	4-1/2"	1.620
59704	5"	
59705	6"	
59706	7"	

THREAD CODE & DEPTH	
THREAD	A
5/16-24	5/8
3/8-24	5/8



GLOBE HANDLES

**1/4 ROUND - 180° INFINITE POSITION -
EXTERNAL THREAD HANDLES**

SAMPLE ORDER TECHNIQUE

EXAMPLE: B-59900-1/4-28-0

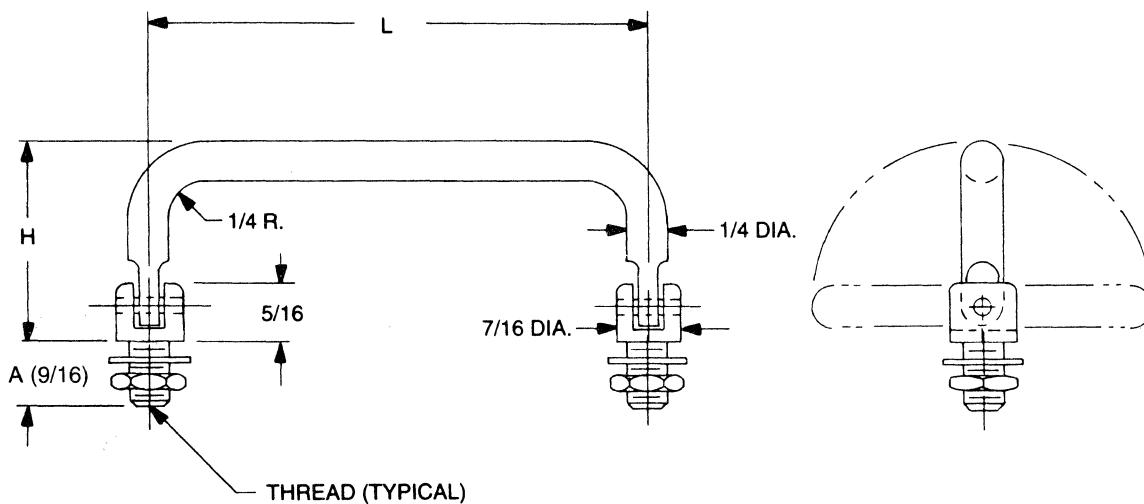
X	XXXXX	XXXX	X
MATERIAL	LENGTH & HEIGHT	THREAD	FINISH

See page (IX) for finish code
For parts not listed contact Sales Office
Nuts and washers supplied

MATERIAL	CODE
Aluminum	A
Brass	B
Stainless Steel	SS
Steel	S

PART NO.	L ±1/32	H ±1/32
59900	3"	
59901	3-1/2"	
59902	4"	
59903	4-1/2"	1.460
59904	5"	
59905	6"	
59906	7"	

THREAD CODE & DEPTH	
THREAD	A
1/4-28	9/16
5/16-24	9/16



GLOBE HANDLES

**3/8 ROUND - 180° INFINITE POSITION -
EXTERNAL THREAD HANDLES**

SAMPLE ORDER TECHNIQUE

EXAMPLE: B-60100-5/16-24-0

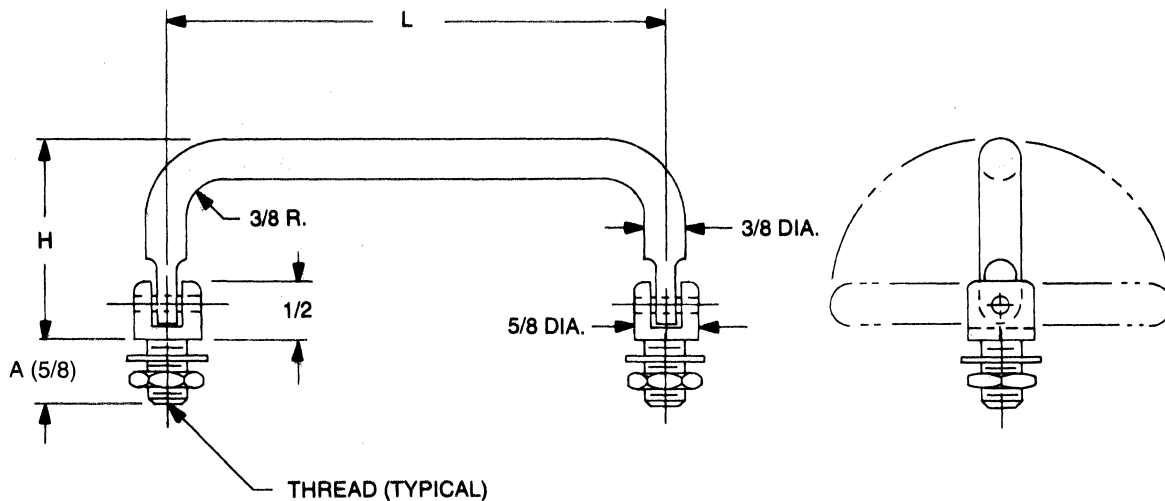


See page (IX) for finish code
For parts not listed contact Sales Office
Nuts and washers supplied

MATERIAL	CODE
Aluminum	A
Brass	B
Stainless Steel	SS
Steel	S

PART NO.	L ±1/32	H ±1/32
60100	3"	
60101	3-1/2"	
60102	4"	
60103	4-1/2"	1.810
60104	5"	
60105	6"	
60106	7"	

THREAD CODE & DEPTH	
THREAD	A
5/16-24	5/8
3/8-24	5/8



GLOBE HANDLES

1/4 ROUND - 90° 2 POSITION - EXTERNAL THREAD HANDLES

SAMPLE ORDER TECHNIQUE

EXAMPLE: B-60200-1/4-28-0

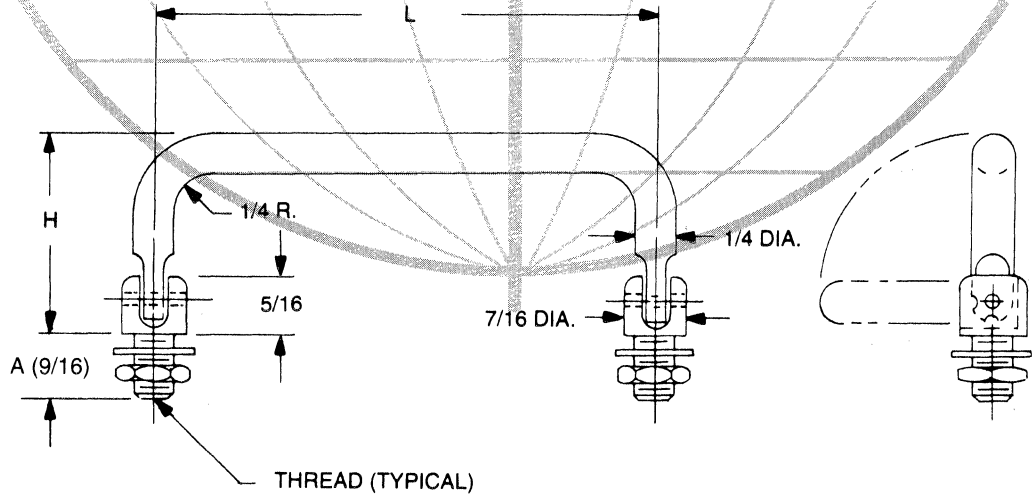


See page (IX) for finish code
For parts not listed contact Sales Office
Nuts and washers supplied

MATERIAL	CODE
Aluminum	A
Brass	B
Stainless Steel	SS
Steel	S

PART NO.	L ±1/32	H ±1/32
60200	4"	
60201	4-1/4	
60202	4-1/2	1.430
60203	5"	
60204	6"	
60205	7"	
60206	3"	
60207	3-1/2	
60208	4"	
60209	4-1/4	1.460
60210	4-1/2	
60211	5"	
60212	6"	

THREAD CODE & DEPTH	
THREAD	A
1/4-28	9/16
5/16-24	9/16



GLOBE HANDLES

**5/16 ROUND - 90° 2 POSITION - EXTERNAL
THREAD HANDLES**

SAMPLE ORDER TECHNIQUE

EXAMPLE: B-60300-5/16-24-0



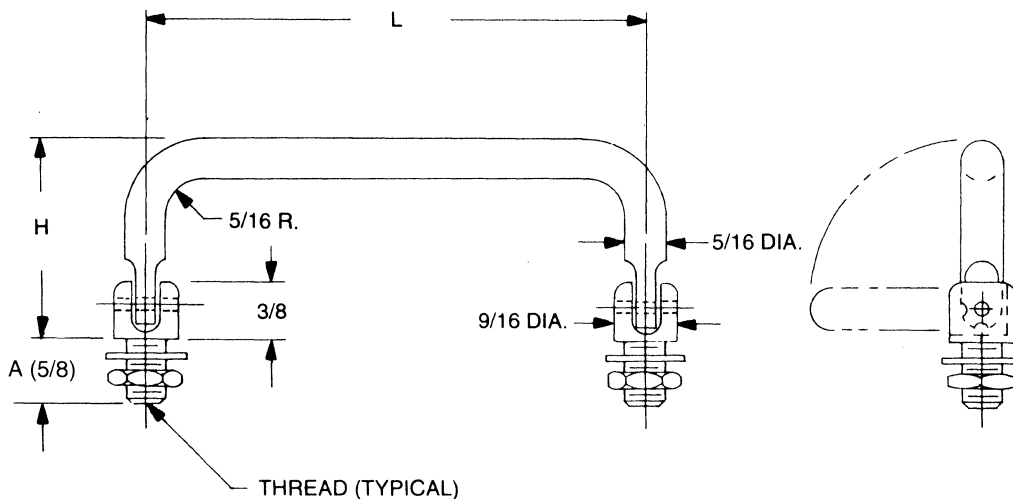
See page (IX) for finish code
For parts not listed contact Sales Office
Nuts and washers supplied

MATERIAL	CODE
Aluminum	A
Brass	B
Stainless Steel	SS
Steel	S

PART NO.	L ±1/32	H ±1/32
60300	3"	
60301	3-1/2"	
60302	4"	1.530
60303	4-1/4"	
60304	4-1/2"	
60305	5"	
60306	6"	
60307	3"	
60308	3-1/2"	
60309	4"	1.810
60310	4-1/4"	
60311	4-1/2"	
60312	5"	
60313	6"	

PART NO.	L ±1/32	H ±1/32
60314	4"	
60315	4-1/4"	
60316	4-1/2"	1.850
60317	5"	
60318	6"	

THREAD CODE & DEPTH	
THREAD	A
5/16-24	5/8
3/8-24	5/8



GLOBE HANDLES

3/8 ROUND - 90° 2 POSITION - EXTERNAL THREAD HANDLES

SAMPLE ORDER TECHNIQUE

EXAMPLE: B-60400-5/16-24-0



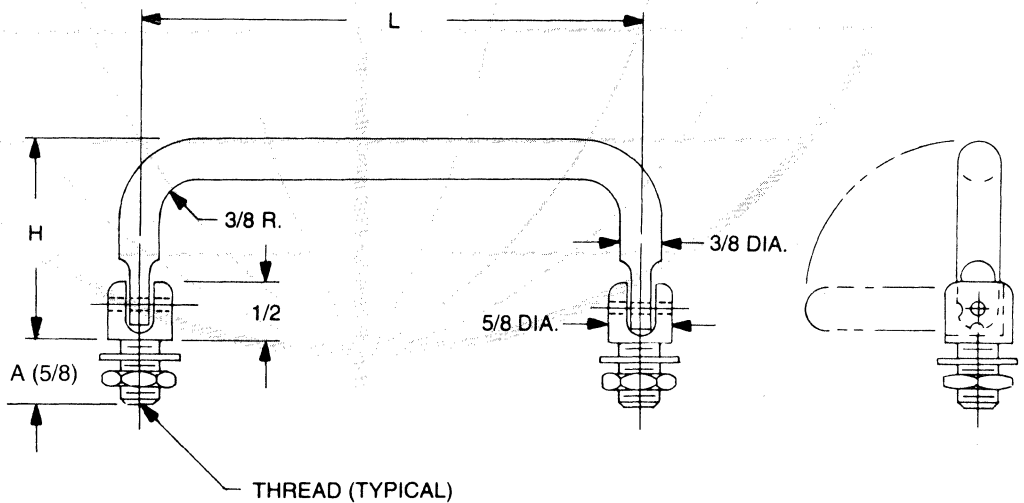
See page (IX) for finish code
 For parts not listed contact Sales Office
 Nuts and washers supplied

PART NO.	L ±1/32	H ±1/32
60400	3"	
60401	3-1/2"	
60402	4"	1.530
60403	4-1/4"	
60404	4-1/2"	
60405	5"	
60406	6"	
60407	4"	
60408	4-1/4"	
60409	4-1/2"	1.625
60410	5"	
60411	6"	
60412	7"	
60413	4"	
60414	4-1/4"	
60415	4-1/2"	1.810
60416	5"	
60417	6"	
60418	7"	
60419	4"	
60420	4-1/4"	
60421	4-1/2"	1.843
60422	5"	
60423	6"	

PART NO.	L ±1/32	H ±1/32
60424	3"	
60425	3-1/2"	
60426	4"	1.850
60427	4-1/4"	
60428	4-1/2"	
60429	5"	
60430	6"	
60431	4"	
60432	4-1/4"	
60433	4-1/2"	2.375
60434	5"	

MATERIAL	CODE
Aluminum	A
Brass	B
Stainless Steel	SS
Steel	S

THREAD CODE & DEPTH	
THREAD	A
5/16-24	5/8
3/8-24	5/8



GLOBE HANDLES

**5/16 ROUND - 180° 3 POSITION - EXTERNAL
THREAD HANDLES**

SAMPLE ORDER TECHNIQUE

EXAMPLE: B-60600-5/16-24-0

X

XXXXX

XXXX

X

MATERIAL

LENGTH & HEIGHT

THREAD

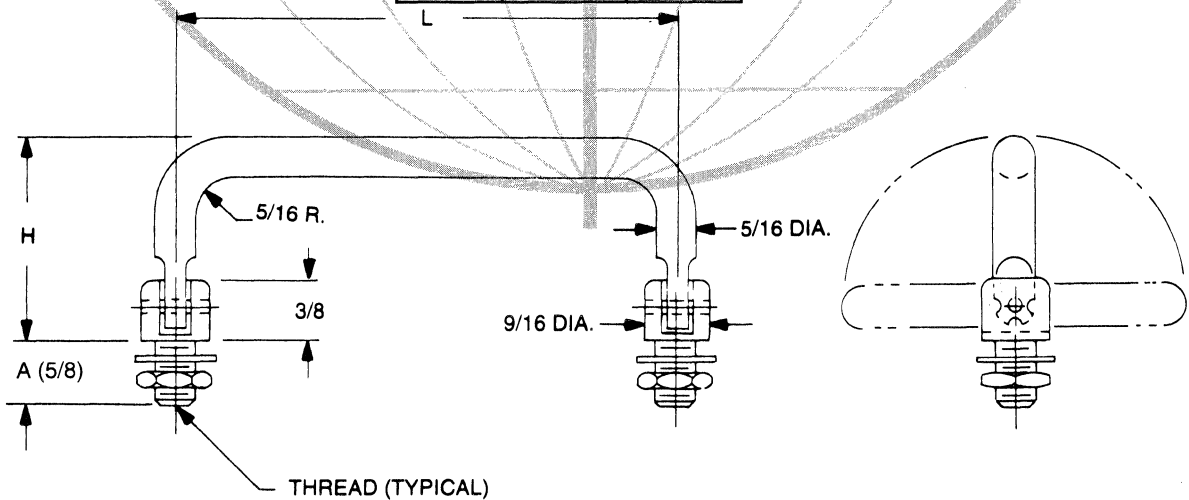
FINISH

See page (IX) for finish code
For parts not listed contact Sales Office
Nuts and washers supplied

MATERIAL	CODE
Aluminum	A
Brass	B
Stainless Steel	SS
Steel	S

PART NO.	L ±1/32	H ±1/32
60600	4"	
60601	4-1/4"	
60602	4-1/2"	1.430
60603	5"	
60604	6"	
60605	7"	
60606	3"	
60607	3-1/2"	
60608	4"	
60609	4-1/4"	1.530
60610	4-1/2"	
60611	5"	
60612	6"	
60613	3"	
60614	3-1/2"	
60615	4"	
60616	4-1/4"	1.850
60617	4-1/2"	
60618	5"	
60619	6"	

THREAD CODE & DEPTH	
THREAD	A
5/16-24	5/8
3/8-24	5/8



GLOBE HANDLES

**3/8 ROUND - 180° 3 POSITION - EXTERNAL
THREAD HANDLES**

SAMPLE ORDER TECHNIQUE

EXAMPLE: B-60700-5/16-24-0

X	XXXXX	XXXX	X
MATERIAL	LENGTH & HEIGHT	THREAD	FINISH

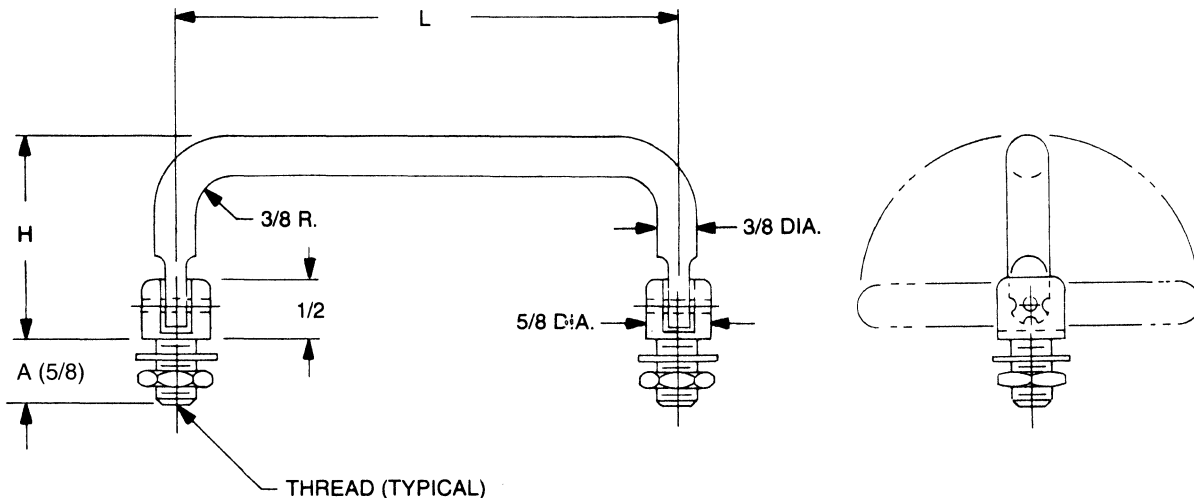
See page (IX) for finish code
For parts not listed contact Sales Office
Nuts and washers supplied

MATERIAL	CODE
Aluminum	A
Brass	B
Stainless Steel	SS
Steel	S

PART NO.	L ±1/32	H ±1/32
60700	3"	
60701	3-1/2	
60702	4"	1.530
60703	4-1/4	
60704	4-1/2	
60705	5"	
60706	6"	
60707	4"	
60708	4-1/4	
60709	4-1/2	1.810
60710	5"	
60711	6"	

PART NO.	L ±1/32	H ±1/32
60712	3"	
60713	3-1/2	
60714	4"	1.850
60715	4-1/4	
60716	4-1/2	
60717	5"	
60718	6"	
60719	4"	
60720	4-1/4	
60721	4-1/2	2.375
60722	5"	

THREAD CODE & DEPTH	
THREAD	A
5/16-24	5/8
3/8-24	5/8



GLOBE HANDLES

**7/16 x 9/32 OVAL - 90° 2 POSITION -
EXTERNAL THREAD HANDLES**

SAMPLE ORDER TECHNIQUE

EXAMPLE: B-60800-5/16-24-0

X

XXXXX

XXXX

X

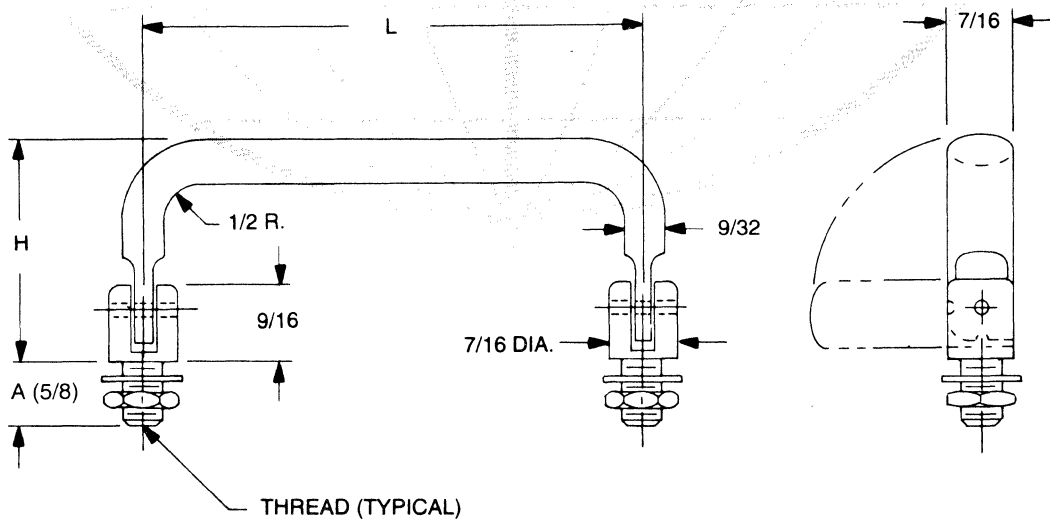
MATERIAL LENGTH & HEIGHT THREAD FINISH

PART NO.	L ±1/32	H ±1/32
60800	3"	1.695
60801	4"	
60802	4-1/4"	
60803	4-1/2"	
60804	5"	
60805	6"	1.791
60806	3"	
60807	4"	
60808	4-1/4"	
60809	4-1/2"	
60810	5"	1.843
60811	6"	
60812	3"	
60813	4"	
60814	4-1/4"	
60815	4-1/2"	2.125
60816	5"	
60817	3"	
60818	4"	
60819	4-1/4"	
60820	4-1/2"	5"
60821	5"	

See page (IX) for finish code
For parts not listed contact Sales Office
Nuts and washers supplied

MATERIAL	CODE
Aluminum	A
Brass	B
Stainless Steel	SS

THREAD CODE & DEPTH	
THREAD	A
5/16-24	5/8
3/8-24	5/8



GLOBE HANDLES

**5/8 x 9/32 OVAL - 90° 2 POSITION -
EXTERNAL THREAD HANDLES**

SAMPLE ORDER TECHNIQUE

**EXAMPLE: B-60900-5/16-24-0
XXXXX XXXX**

X

X

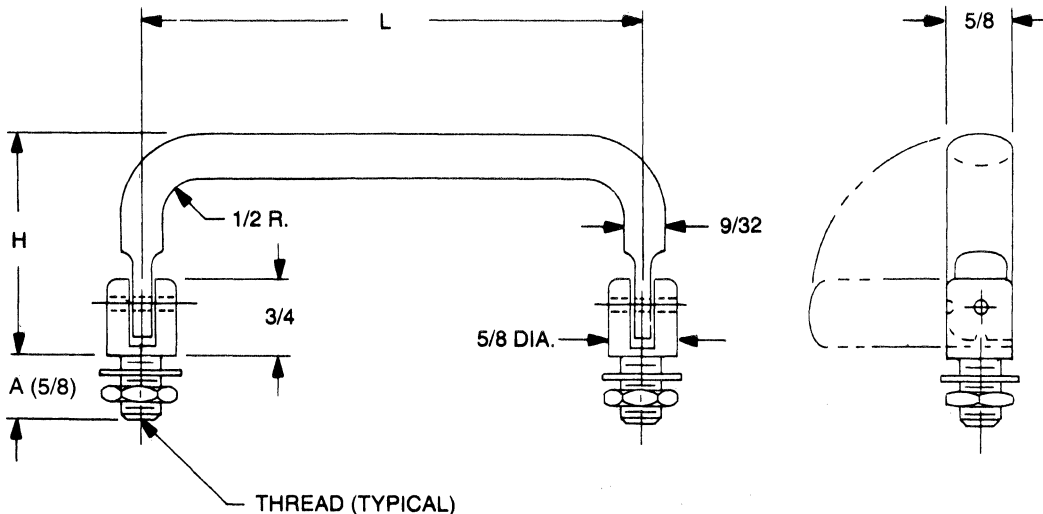
MATERIAL LENGTH & HEIGHT THREAD FINISH

PART NO.	L ±1/32	H ±1/32
60900	3"	1.695
60901	4"	
60902	4-1/4	
60903	4-1/2	
60904	5"	
60905	6"	
60906	3"	1.791
60907	4"	
60908	4-1/4	
60909	4-1/2	
60910	5"	
60911	6"	
60912	3"	1.843
60913	4"	
60914	4-1/4	
60915	4-1/2	
60916	5"	
60917	3"	2.125
60918	4"	
60919	4-1/4	
60920	4-1/2	
60921	5"	

See page (IX) for finish code
For parts not listed contact Sales Office
Nuts and washers supplied

MATERIAL	CODE
Aluminum	A
Brass	B
Stainless Steel	SS

THREAD CODE & DEPTH	
THREAD	A
5/16-24	5/8
3/8-24	5/8



GLOBE HANDLES

7/16 x 9/32 OVAL - 180° 3 POSITION - EXTERNAL THREAD HANDLES

SAMPLE ORDER TECHNIQUE

EXAMPLE: B-61000-5/16-24-0
 XXXXX XXXX X

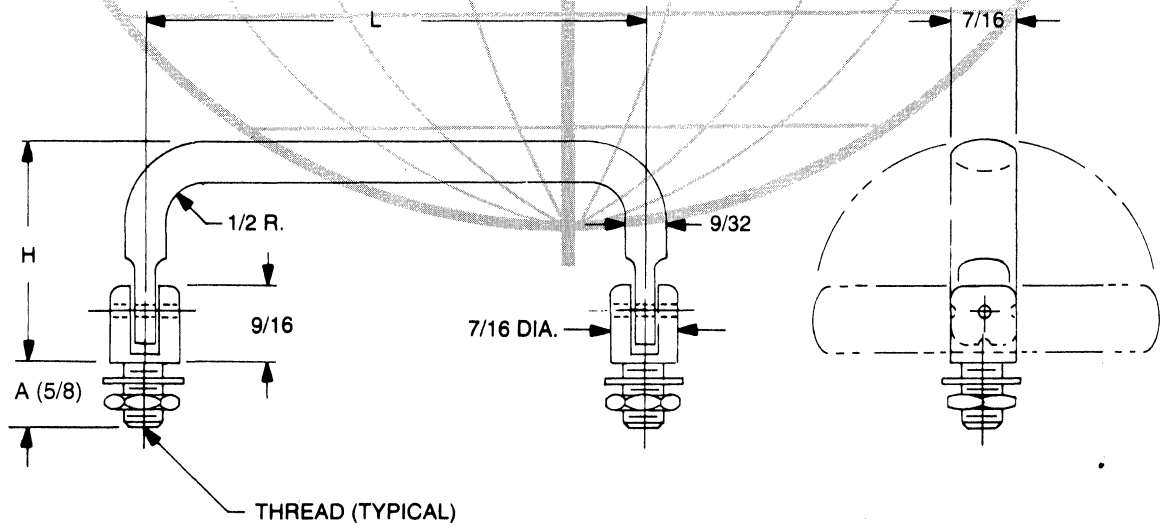
MATERIAL **LENGTH & HEIGHT** **THREAD** **FINISH**

PART NO.	L ±1/32	H ±1/32
61000	3"	
61001	4"	
61002	4-1/4	1.695
61003	4-1/2	
61004	5"	
61005	6"	
61006	3"	
61007	4"	
61008	4-1/4	1.791
61009	4-1/2	
61010	5"	
61011	6"	
61012	3"	
61013	4"	
61014	4-1/4	1.843
61015	4-1/2	
61016	5"	
61017	3"	
61018	4"	
61019	4-1/4	2.125
61020	4-1/2	
61021	5"	

See page (IX) for finish code
 For parts not listed contact Sales Office
 Nuts and washers supplied

MATERIAL	CODE
Aluminum	A
Brass	B
Stainless Steel	SS

THREAD CODE & DEPTH	
THREAD	A
5/16-24	5/8
3/8-24	5/8



GLOBE HANDLES

**5/8 x 9/32 OVAL - 180° 3 POSITION -
EXTERNAL THREAD HANDLES**

SAMPLE ORDER TECHNIQUE

EXAMPLE: B-61100-5/16-24-0

X

XXXXX

XXXX

X

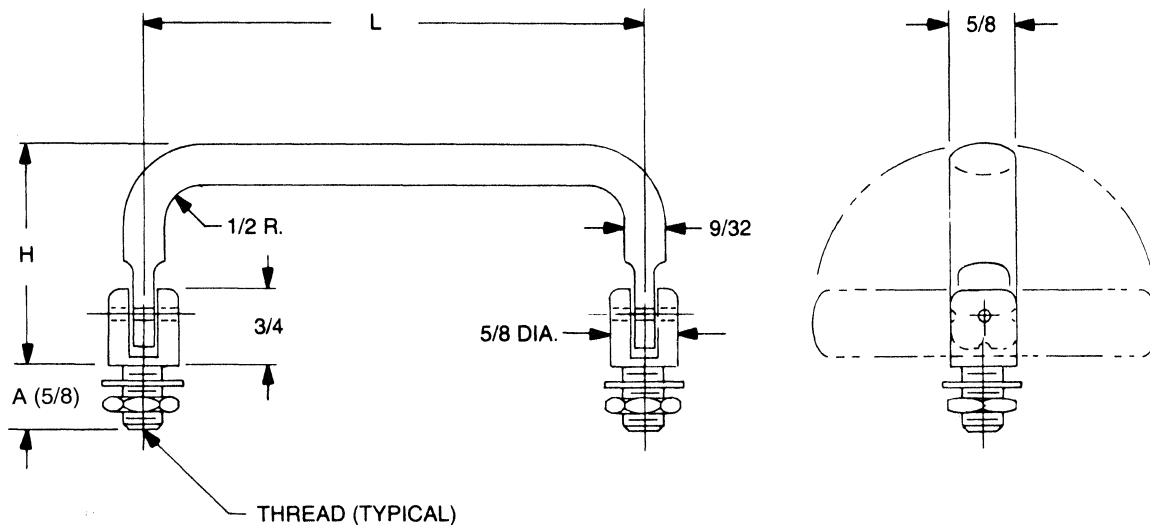
MATERIAL	LENGTH & HEIGHT	THREAD	FINISH
----------	-----------------	--------	--------

PART NO.	L ±1/32	H ±1/32
61100	3"	
61101	4"	
61102	4-1/4"	1.695
61103	4-1/2"	
61104	5"	
61105	6"	
61106	3"	
61107	4"	
61108	4-1/4"	1.791
61109	4-1/2"	
61110	5"	
61111	6"	
61112	3"	
61113	4"	
61114	4-1/4"	1.843
61115	4-1/2"	
61116	5"	
61117	3"	
61118	4"	
61119	4-1/4"	2.125
61120	4-1/2"	
61121	5"	

See page (IX) for finish code
For parts not listed contact Sales Office
Nuts and washers supplied

MATERIAL	CODE
Aluminum	A
Brass	B
Stainless Steel	SS

THREAD CODE & DEPTH	
THREAD	A
5/16-24	5/8
3/8-24	5/8



GLOBE HANDLES

1/2 x 3/16 RECTANGULAR - 180° INFINITE POSITION - EXTERNAL THREAD HANDLES

SAMPLE ORDER TECHNIQUE

EXAMPLE: B-61400-3724-1-0

X

XXXXX

XXXX-X

X

MATERIAL LENGTH & HEIGHT THREAD FINISH

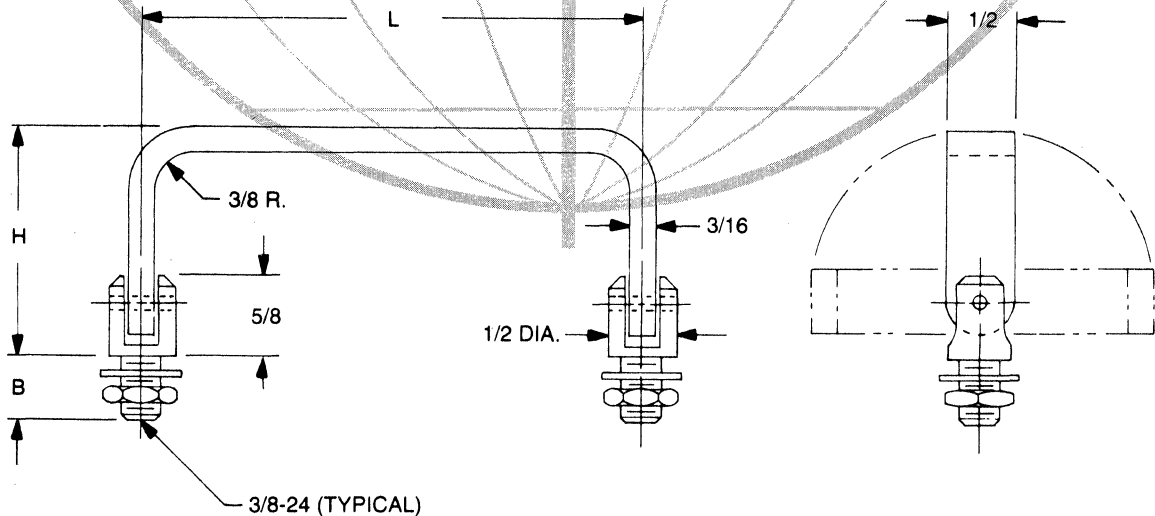
PART NO.	L ±1/32	H ±1/32
61400	3"	
61401	3-1/4	
61402	4"	
61403	4-1/4	1-1/2
61404	4-1/2	
61405	5"	
61406	5-1/2	
61407	6"	
61408	3"	
61409	3-3/4	
61410	4"	
61411	4-1/4	1-13/16
61412	4-1/2	
61413	5"	
61414	5-1/2	
61415	6"	
61416	3"	
61417	3-3/4	
61418	4"	
61419	4-1/4	2
61420	4-1/2	
61421	5"	
61422	5-1/2	

See page (IX) for finish code
For parts not listed contact Sales Office
Nuts and washers supplied

PART NO.	L ±1/32	H ±1/32
61423	3"	
61424	3-3/4	
61425	4"	
61426	4-1/4	2-1/2
61427	4-1/2	
61428	5"	

MATERIAL	CODE
Aluminum	A
Brass	B

LENGTH B	THREAD CODE	FOR MATERIAL THICKNESS
9/32	3724-1	1/16
5/16	3724-2	3/32
7/16	3724-3	1/8-3/16
1/2	3724-4	1/4



GLOBE HANDLES

1/2 x 3/16 RECTANGULAR - 180° INFINITE POSITION - INTERNAL THREAD HANDLES

SAMPLE ORDER TECHNIQUE

EXAMPLE: B-61500-832-0

X

XXXXX

XXX

X

MATERIAL

LENGTH & HEIGHT

THREAD

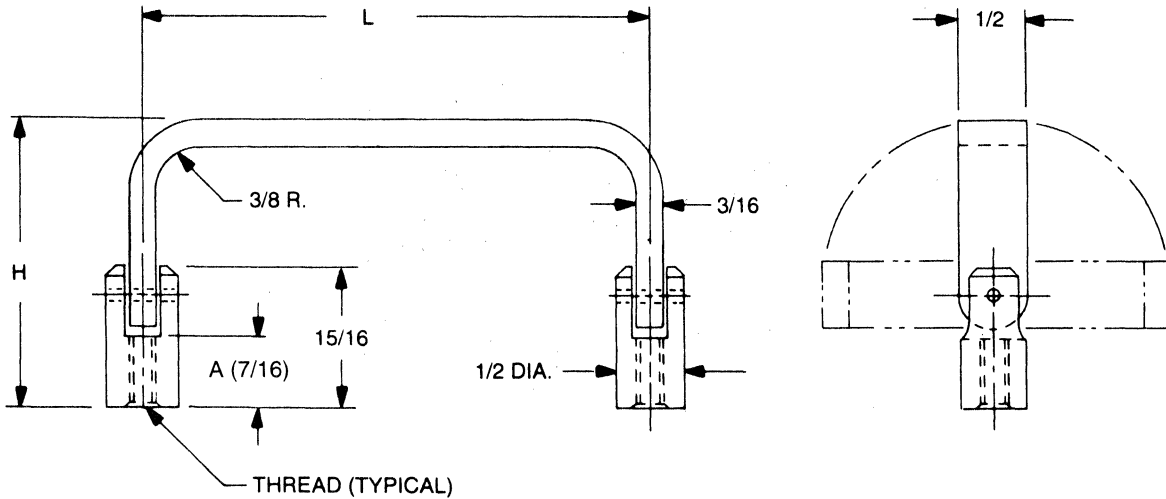
FINISH

See page (IX) for finish code
For parts not listed contact Sales Office

MATERIAL	CODE
Aluminum	A
Brass	B

PART NO.	L ±1/32	H ±1/32
61500	3"	1-1/2"
61501	3-3/4"	
61502	4"	
61503	4-1/4"	
61504	4-1/2"	
61505	5"	
61506	5-1/2"	
61507	6"	
61508	3"	2"
61509	3-3/4"	
61510	4"	
61511	4-1/4"	
61512	4-1/2"	
61513	5"	
61514	5-1/2"	
61515	6"	

THREAD CODE & DEPTH	
THREAD	A
8-32	7/16
10-32	7/16



DECIMAL EQUIVALENT

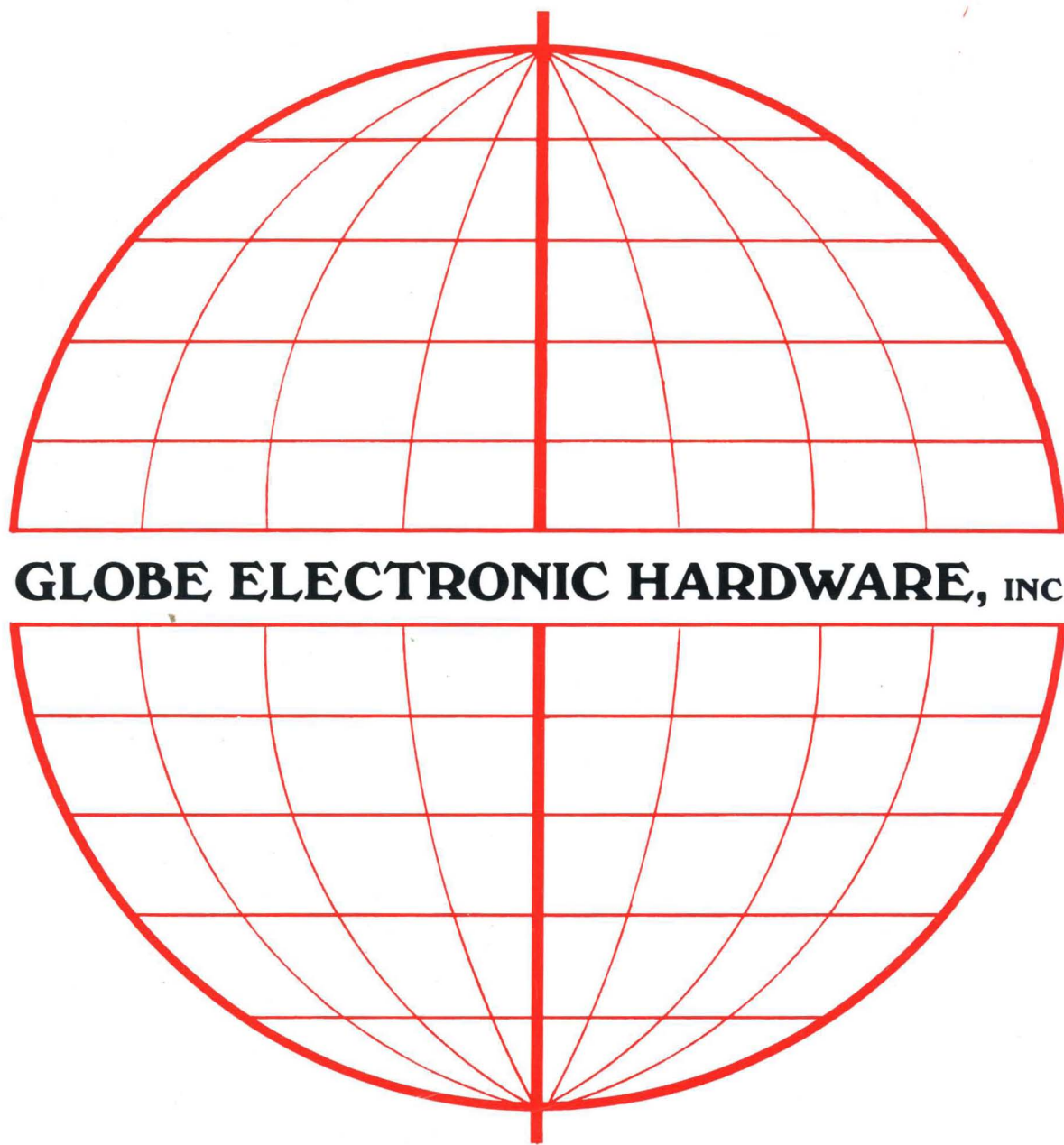
Fractional Inches	Decimal Inches	Fractional Inches	Decimal Inches
1/64	.015625	33/64	.515625
1/32	.03125	17/32	.53125
3/64	.046875	35/64	.546875
1/16	.0625	9/16	.5625
5/64	.078125	37/64	.578125
3/32	.09375	19/32	.59375
7/64	.109375	39/64	.609375
1/8	.125	5/8	.625
9/64	.140625	41/64	.640625
5/32	.15625	21/32	.65625
11/64	.171875	43/64	.671875
3/16	.1875	11/16	.6875
13/64	.203125	45/64	.703125
7/32	.21875	23/32	.71875
15/64	.234375	47/64	.734375
1/4	.250	3/4	.750
17/64	.265625	49/64	.765625
9/32	.28125	25/32	.78125
19/64	.296875	51/64	.796875
5/16	.3125	13/16	.8125
21/64	.328125	53/64	.828125
11/32	.34375	27/32	.84375
23/64	.359375	55/64	.859375
3/8	.375	7/8	.8750
25/64	.390625	57/64	.890625
13/32	.40625	29/32	.90625
27/64	.421875	59/64	.921875
7/16	.4375	15/16	.9375
29/64	.453125	61/64	.953125
15/32	.46875	31/32	.96875
31/64	.484375	63/64	.984375
1/2	.500	1	1.0000

CONVERSION TABLE/MILLIMETERS TO DECIMAL INCHES

Milli-meters	Decimal Inches	Milli-meters	Decimal Inches	Milli-meters	Decimal Inches	Milli-meters	Decimal Inches	Milli-meters	Decimal Inches	Milli-meters	Decimal Inches
		6	.2362	21	.8268	36	1.4173	51	2.0079	66	2.5984
.1	.00394	7	.2756	22	.8661	37	1.4567	52	2.0472	67	2.6378
.2	.00787	8	.3150	23	.9055	38	1.4961	53	2.0866	68	2.6772
.3	.01181	9	.3543	24	.9449	39	1.5354	54	2.1260	69	2.7165
.4	.01575	10	.3937	25	.9842	40	1.5748	55	2.1653	70	2.7559
.5	.01968	11	.4331	26	1.0236	41	1.6142	56	2.2047	71	2.7953
.6	.02362	12	.4724	27	1.0630	42	1.6535	57	2.2441	72	2.8346
.7	.0275	13	.5118	28	1.1024	43	1.6929	58	2.2835	73	2.8740
.8	.0315	14	.5512	29	1.1417	44	1.7323	59	2.3228	74	2.9134
.9	.03541	15	.5905	30	1.1811	45	1.7716	60	2.3622	75	2.9527
1	.0394	16	.6299	31	1.2205	46	1.8110	61	2.4016	76	2.9921
2	.0787	17	.6693	32	1.2598	47	1.8504	62	2.4409	77	3.0315
3	.1181	18	.7087	33	1.2992	48	1.8898	63	2.4803	78	3.0709
4	.1575	19	.7480	34	1.3386	49	1.9291	64	2.5197	79	3.1102
5	.1968	20	.7874	35	1.3779	50	1.9685	65	2.5590	80	3.1496

IN NYS
718-457-0303

OUTSIDE NYS
800-221-1505
TOLL FREE



GLOBE ELECTRONIC HARDWARE, INC.

FAX 1-718-457-7493

CORPORATE OFFICE • 34-24 56th St. • PO Box 770727 • WOODSIDE, N.Y. 11377 • 718-457-0303