

DRAWING NO.	SHEET NO.	DESCRIPTION	ISSUE NUMBER																																
			1	2	3	4	5	6	7	8	9	10	11	12	13	14	15	16	17	18	19	20	21	22	23	24	25	26	27	28	29	30			
		SCHEMATIC DIAGRAMS																																	
1180SD	ALL	3300, 3310, 3320 SERIES SETS										6	6	6	7	7	7	8	9																
9334WD	1	KEYBOARD (SCHEMATIC & ACTUAL)										2	2	2	2	2	2	2																	
		ACTUAL WIRING DIAGRAMS																																	
4405WD	ALL	MOTORS										7	7	7	7	7	7	7	7																
4970WD	1	SELECTOR MAGNET DRIVER										6	6	6	6	6	6	6	6																
7887WD	1	READER										4	4	4	4	4	4	4	4																
9335WD	1	TYPING UNIT										4	4	5	5	5	5	5	5																
9336WD	ALL	CALL CONTROL UNIT UCC6										2	3	3	4	4	4	4	4																
		CIRCUIT CARD ASSEMBLIES																																	
181821	1	SELECTOR MAGNET DRIVER										12	12	12	12	13	13	13	13																
183079	1	AUTOMATIC READER POWER PACK										13	13	13	13	13	14	14	14																
183087	1	MANUAL READER POWER PACK										13	13	13	13	13	14	14	14																

SHEET INDEX

CONTENTS	SHEET NO.	ISSUE NO.																									SHEET NO.	
		1	2	3	4	5	6	7	8	9	10	11	12	13	14	15	16	17	18	19	20	21	22	23	24	25		
SHEET INDEX SUPPORTING INFORMATION	A1	1	2	3	4	5	6	7	8	9																		A1
FS-1 RECEIVE	B1	1	1	1	1	1	1	1	1	1																		B1
FS-2 SEND	B2	1	1	1	1	2	2	2	2	2																		B2
FS-3 LOCAL LOOP CURRENT SUPPLY	B3	1	1	1	1	1	1	1	1	1																		B3
FS-4 MODE CONTROL	B4	1	1	1	1	1	1	2	2	2																		B4
FS-5 AUXILIARY CIRCUITS	B5	1	1	1	2	2	2	2	2	2																		B5
FS-6 READER CONTROL	B6	1	1	1	1	1	1	1	1	2																		B6
FS-7 AUTOMATIC READER LOGIC	B7	1	1	2	2	2	2	2	2	2																		B7
FS-8 READER FEED	B8	1	1	1	1	1	1	1	1	1																		B8
FS-9 115V AC POWER DISTRIBUTION	B9	1	1	1	1	1	2	2	2	2																		B9
FS-10 MOTOR	B10	1	1	1	1	1	1	1	1	1																		B10
FS-11 48V AC POWER DISTRIBUTION	B11	1	2	2	2	2	2	2	2	2																		B11
APPARATUS FIGURES	C1	1	1	1	1	1	1	1	1	1																		C1
NOTES	D1	1	1	1	1	1	1	1	1	1																		D1
NOTES	D2									1	1																	
BD-1 CIRCUIT BLOCK DIAGRAM	H1	1	1	1	1	1	1	1	1	1																		H1
BD-2 SIGNAL AND AUXILIARY	H2	1	1	1	1	1	1	1	1	1																		H2
BD-3 READER CONTROL	H3	1	1	1	1	1	1	1	1	1																		H3
BD-4 AC POWER	H4	1	1	1	1	1	1	1	1	1																		H4

SUPPORTING INFORMATION

CATEGORY	NO.
WIRING DIAGRAM PACKAGE FOR MODEL 33 RO, KSR, AND ASR SETS 3300, 3310, 3320 SERIES.	WDP 0316

REVISIONS

ISSUE	DATE	AUTH. NO.
1	7-7-71	21643R
2	11-10-71	4637-RC
3	1-11-72	4350
4	1-17-72	4455
5	1-17-72	4897-RC
6	5-23-73	8197
7	3-20-74	10712-RC
8	1-30-75	12534
9	6-16-75	14290

SHEET INDEX NOTES

- WHEN CHANGES ARE MADE IN THIS DRAWING ONLY THOSE SHEETS AFFECTED WILL BE REISSUED.
- THIS SHEET INDEX WILL BE REISSUED AND UPDATED EACH TIME ANY SHEET OF THE DRAWING IS REISSUED OR A NEW SHEET IS ADDED.
- THE LAST COMPLETED COLUMN INDICATES THE LATEST ISSUE NUMBER OF THE SHEET INDEX.
- SHEETS THAT ARE NOT CHANGED WILL RETAIN THEIR EXISTING ISSUE NO.
- ISSUE DATES WILL BE SHOWN ON THE SHEET INDEX ONLY.

WDP

MODEL 33
RO, KSR, AND ASR SETS
3300, 3310, 3320 SERIES

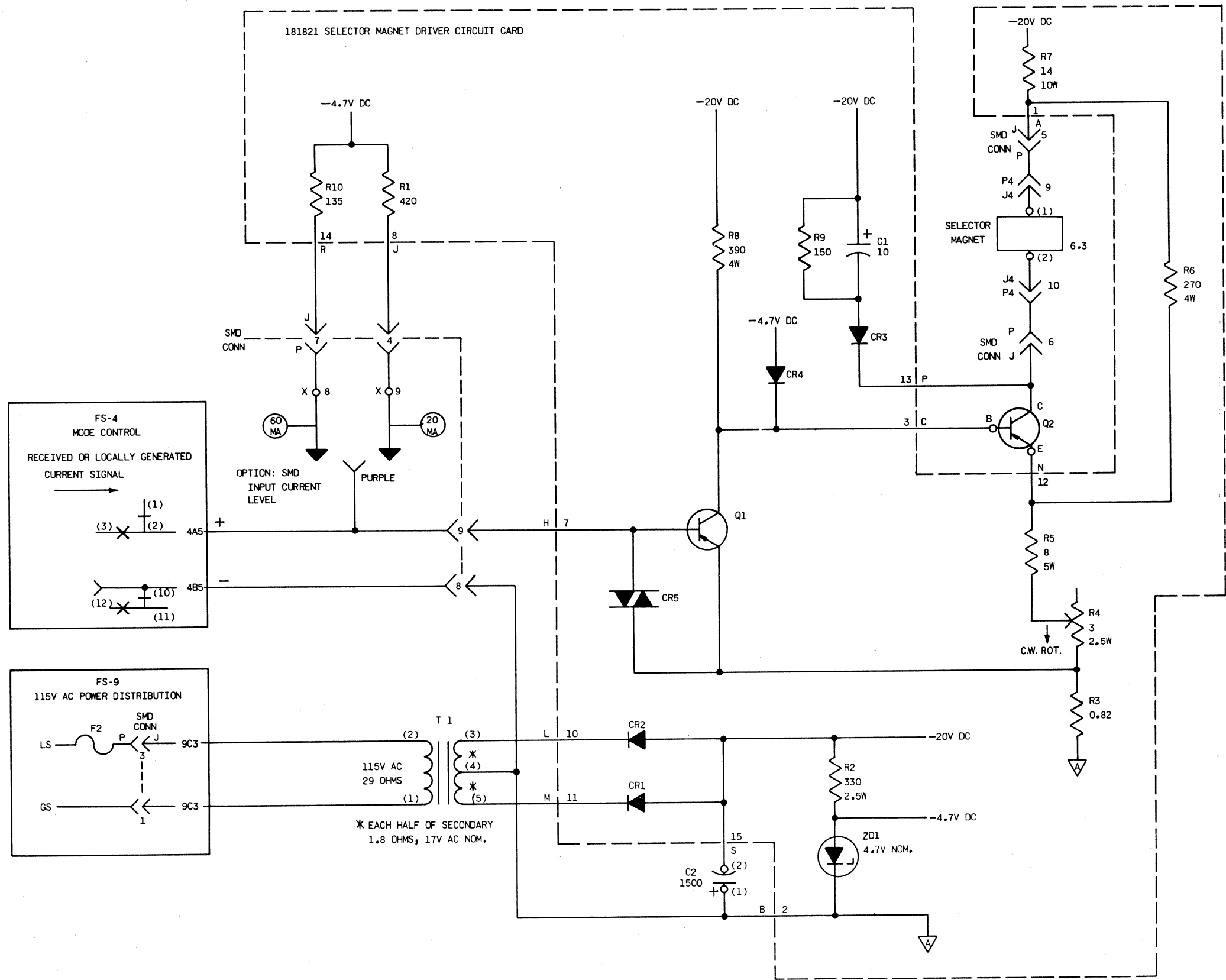
APPROVALS

PROJ. SUPV. <i>DFR</i>	PROJ. DIR. <i>RRS</i>	MFG. REL. COMPL. <i>LOM</i>
ENGR. DFR.	DSGNR.	
DRN. SLD	DATE 5-14-71	
R & D FILE 6-A152-219A		
S-NUMBER 61,910		



1180SD-A1

FS-1 RECEIVE

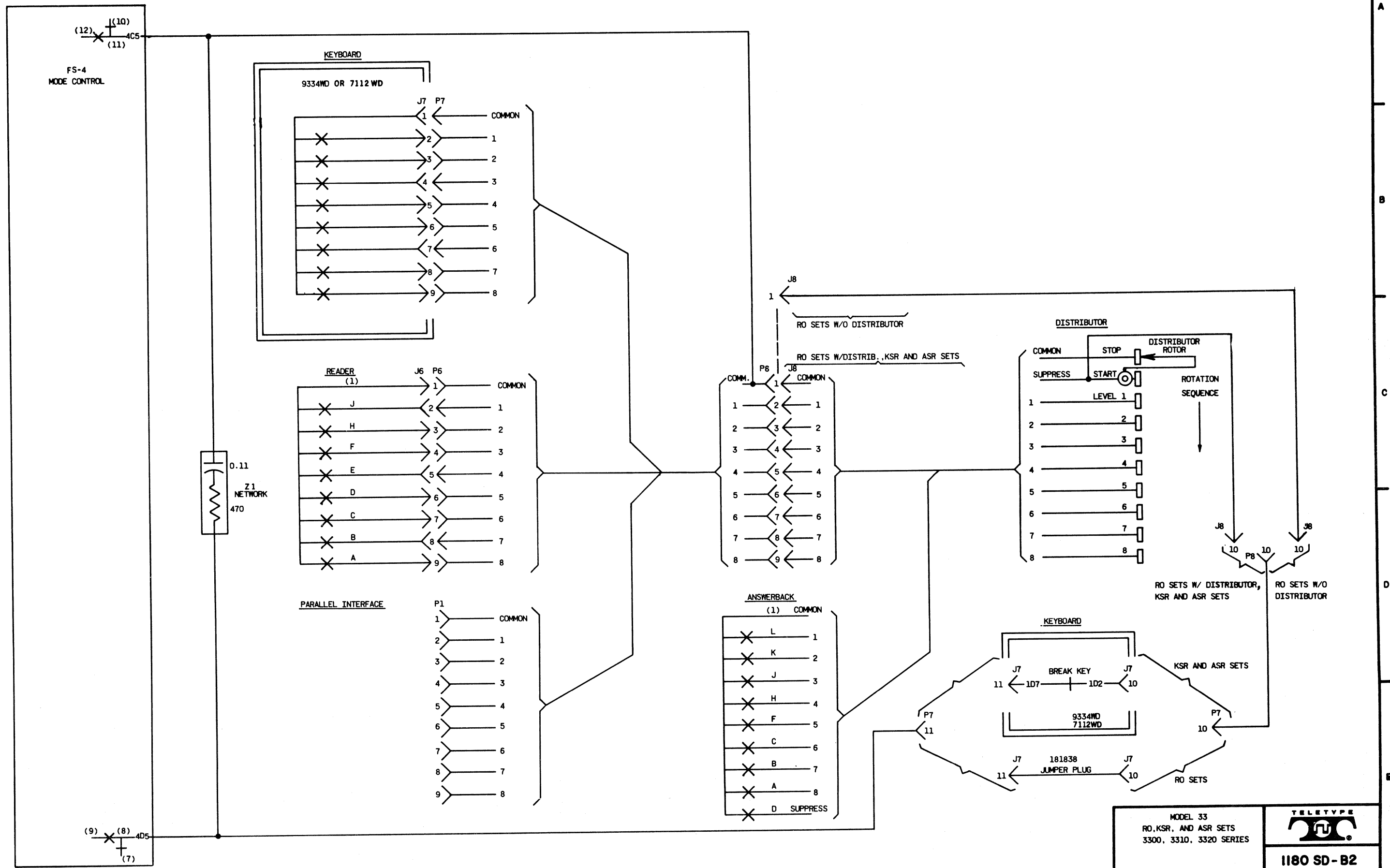


MODEL 33
RO, KSR, AND ASR SETS
3300, 3310, 3320 SERIES



1180 SD-B1

FS-2 SEND CIRCUIT



MODEL 33
RO, KSR, AND ASR SETS
3300, 3310, 3320 SERIES

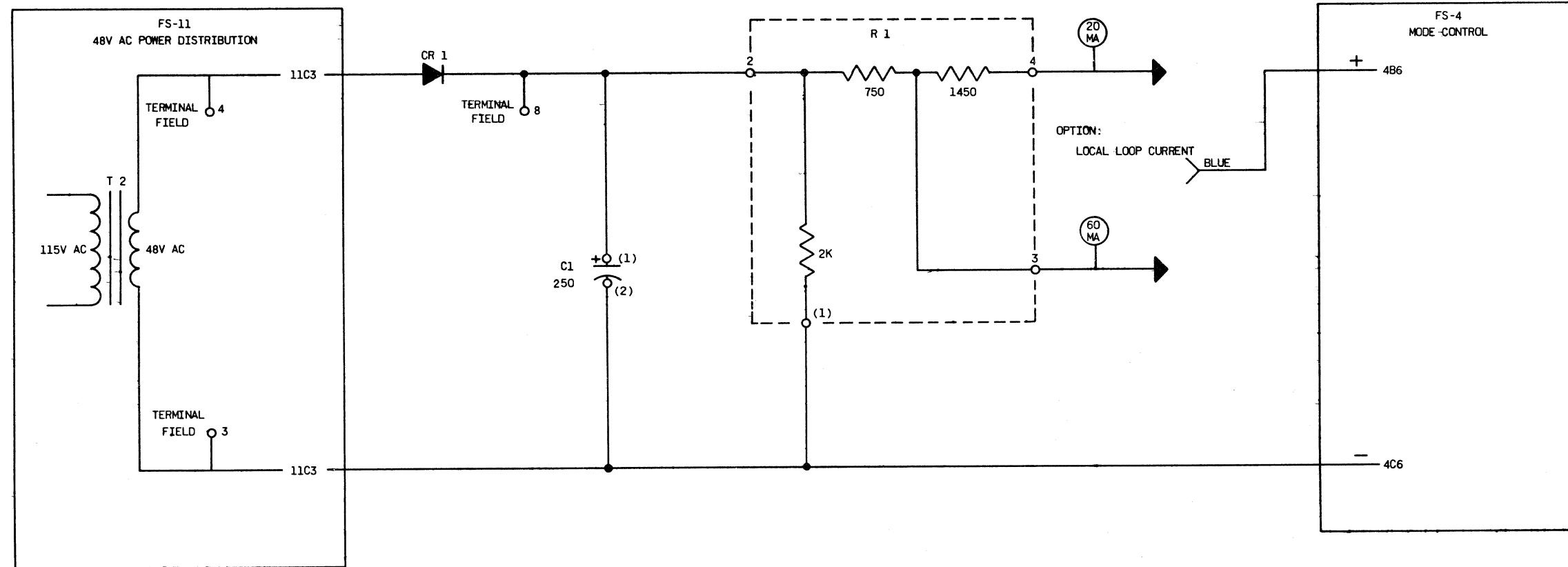
TELETYPE


1180 SD-B2

FS-3

LOCAL LOOP CURRENT SUPPLY

ISSUE
1



MODEL 33 RO, KSR, AND ASR SETS 3300, 3310, 3320 SERIES	 1180 SD-B3
--	--

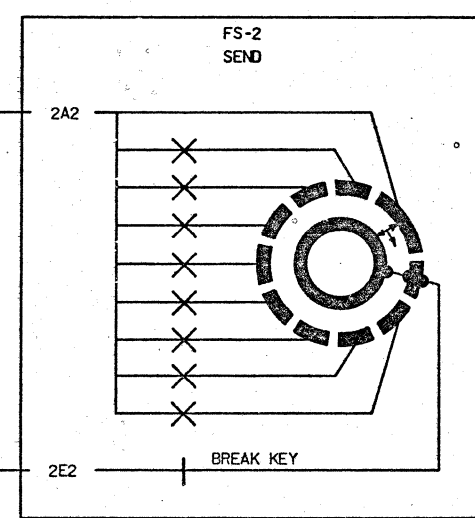
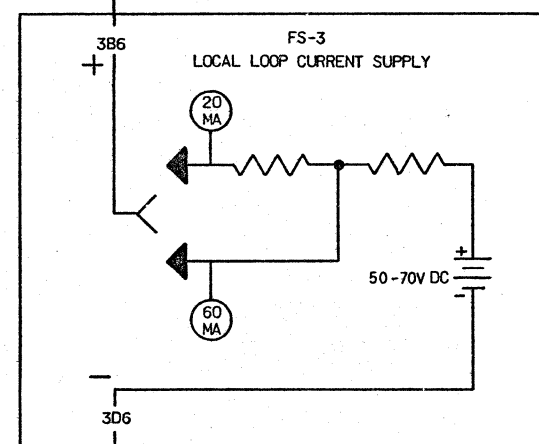
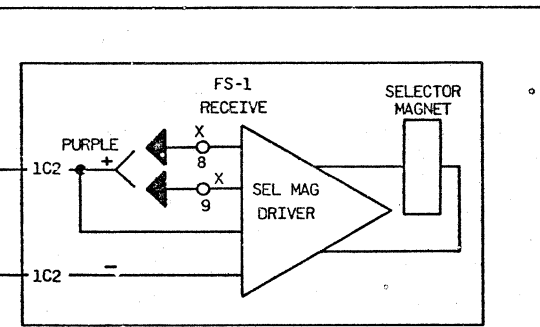
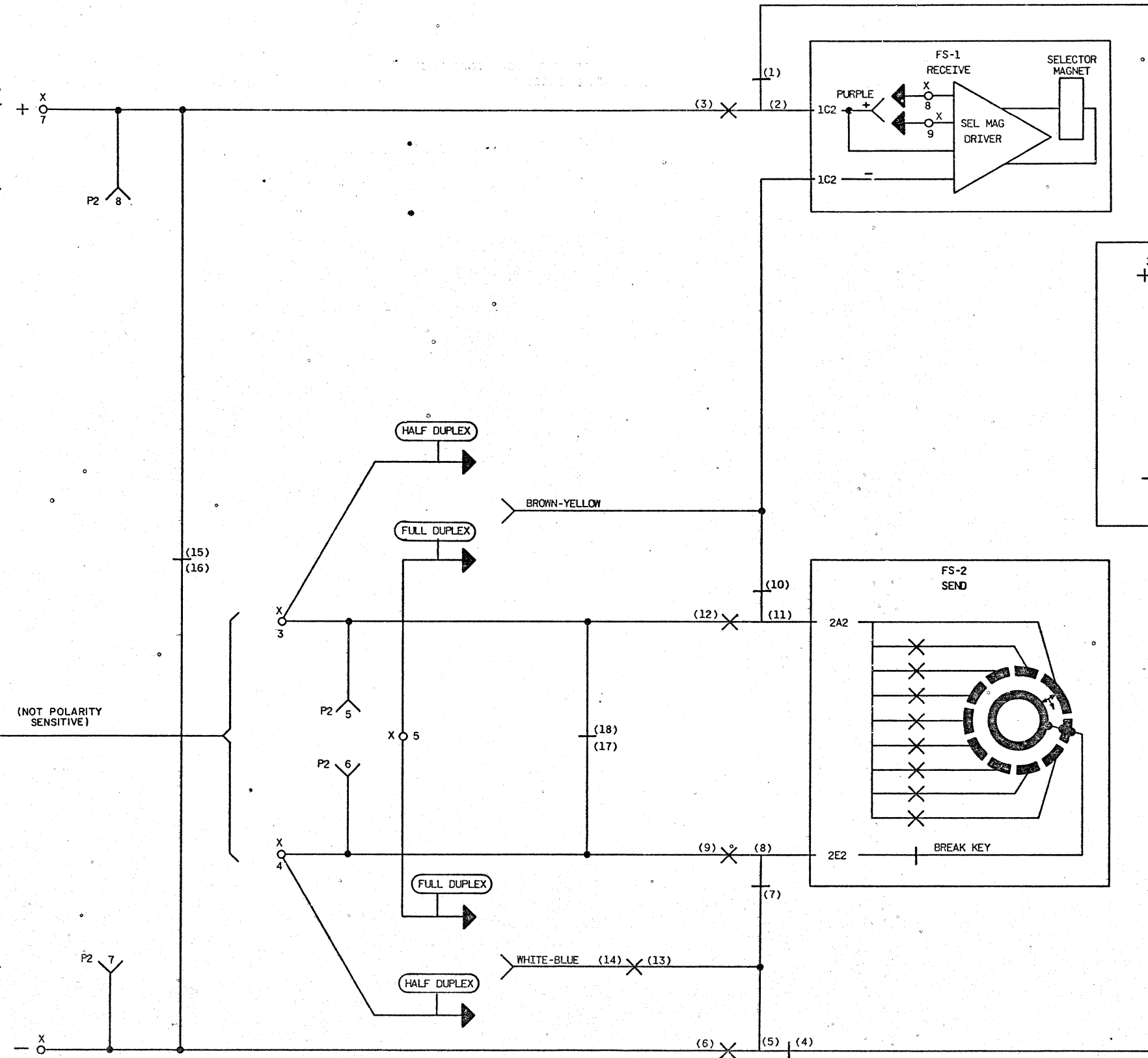
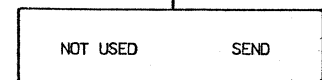
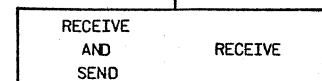
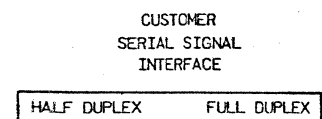
WDP

SHEET NOTES

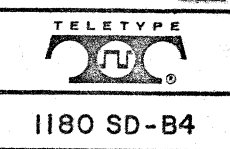
1. ALL RELAY CONTACTS ON THIS SHEET ARE PART OF THE MODE CONTROL RELAY. COIL IS SHOWN ON 9C3.

FS-4 MODE CONTROL

ISSUE
1
2



MODEL 33
RO, KSR, AND ASR SETS
3300, 3310, 3320 SERIES



FS-5

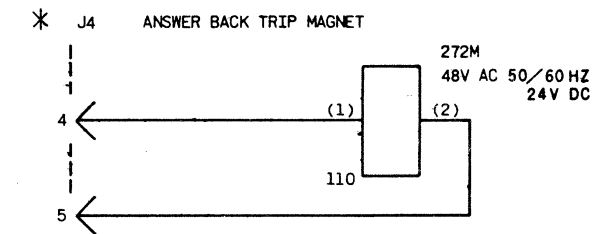
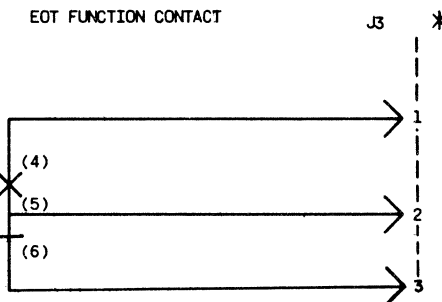
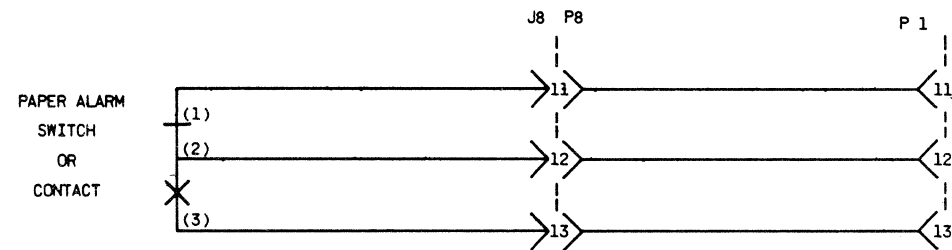
AUXILIARY CIRCUITS (FOR CUSTOMER USE)

ISSUE
1
2

PAPER ALARM

PAPER FEED	TITLE	CONDITION SIGNALLED	TYPE
FRICION:	LOW PAPER SWITCH	APPROX. 25 FT. OF PAPER LEFT	SNAP ACTION SWITCH
SPROCKET:	PAPER OUT CONTACT	END OF LAST FORM	CONTACT PILE

	LOCATION	CONTACT RATING
FRICION:	IN FRONT OF MOTOR FAN	
SPROCKET:	NEAR LEFT END OF PLATEN	



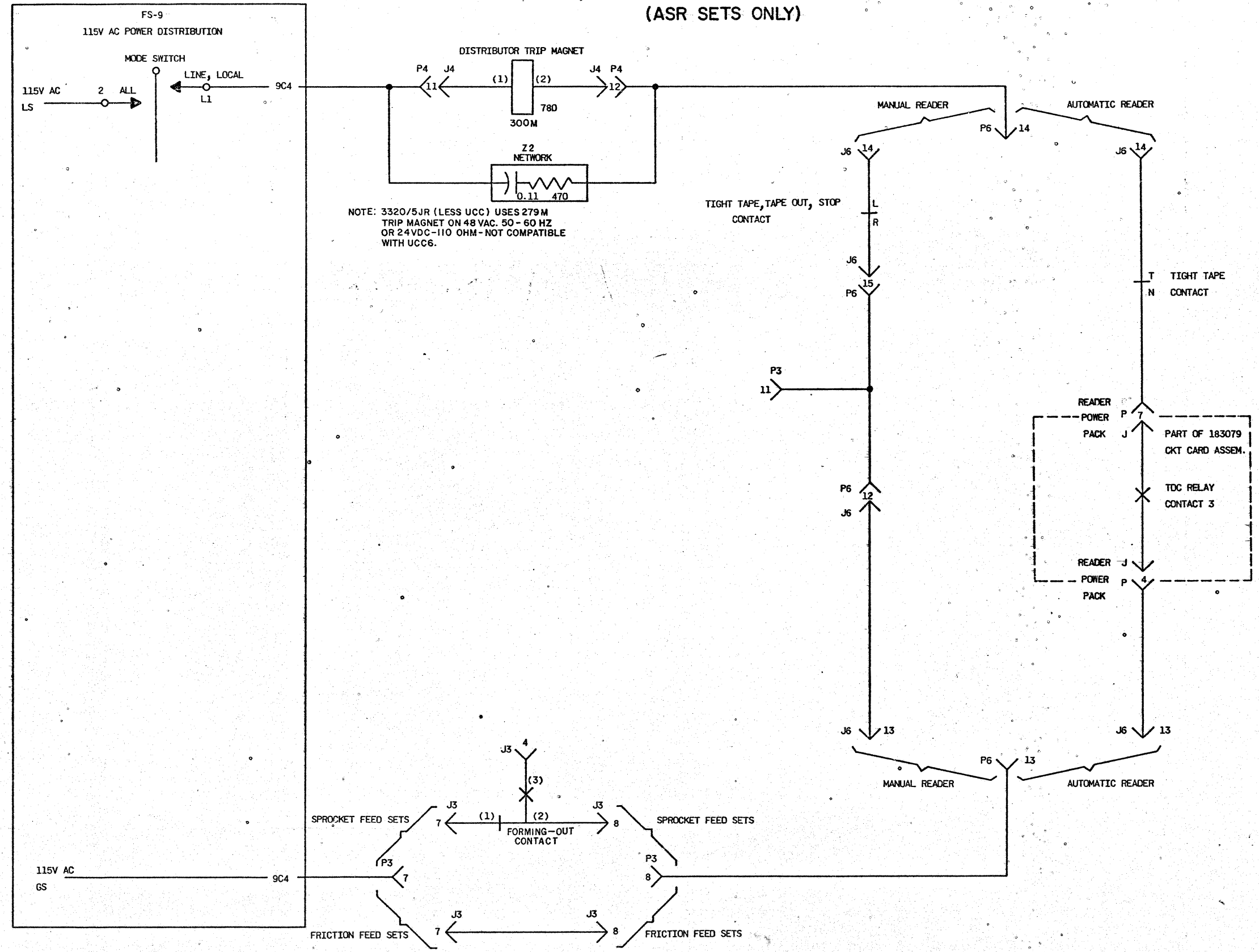
* CUSTOMER ACCESS TO THE PINS SHOWN IS TO BE MADE FROM INSIDE THE CALL CONTROL UNIT BACK PLATE, USING 182644 (22-28 AWG) OR 185677 (18-20 AWG) FEMALE TERMINALS.


MODEL 33
RO, KSR, AND ASR SETS
3300, 3310, 3320 SERIES



1180 SD-B5

FS-6 READER CONTROL (ASR SETS ONLY)

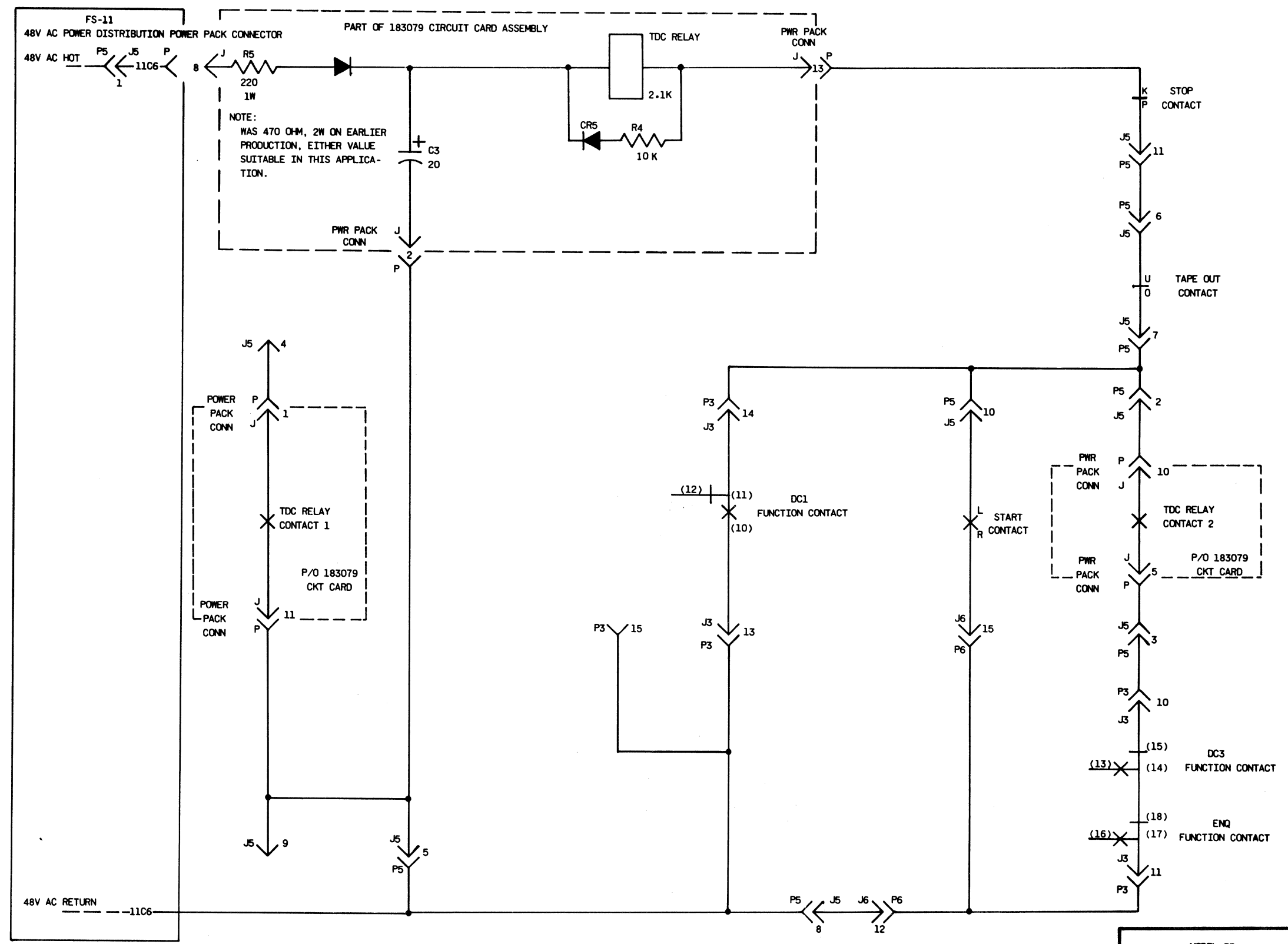



MODEL 33 RO, KSR, AND ASR SETS 3300, 3310, 3320 SERIES	 1180 SD-B6
--	--

FS-7

AUTOMATIC READER LOGIC

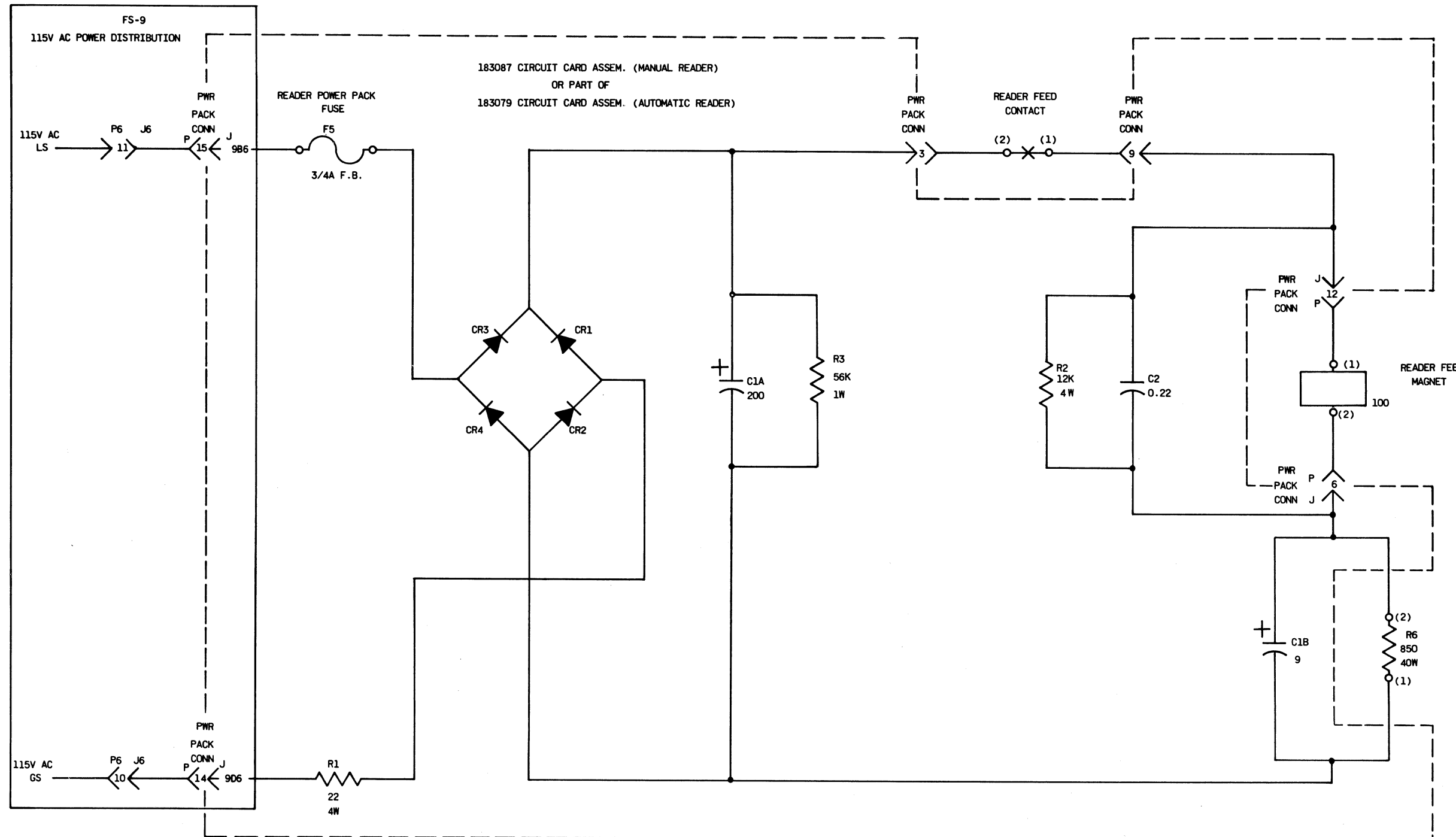
(ASR SETS W/AUTOMATIC READER ONLY)




MODEL 33 RO, KSR, ASR SETS 3300, 3310, 3320 SERIES	 1180 SD-87
--	--

FS-8 READER FEED (ASR SETS ONLY)

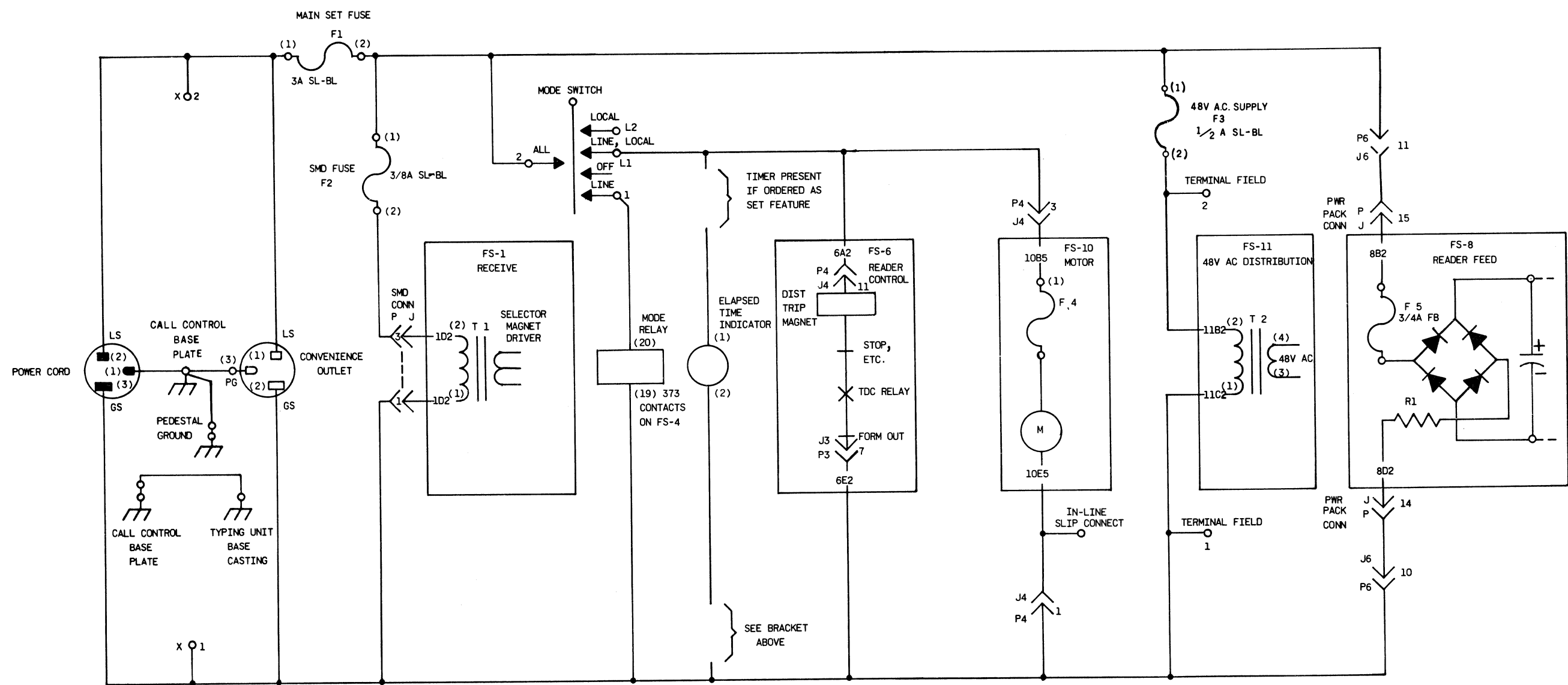
ISSUE
1



MODEL 33 RO, KSR, ASR SETS 3300, 3310, 3320 SERIES	 1180 SD-B8
--	--

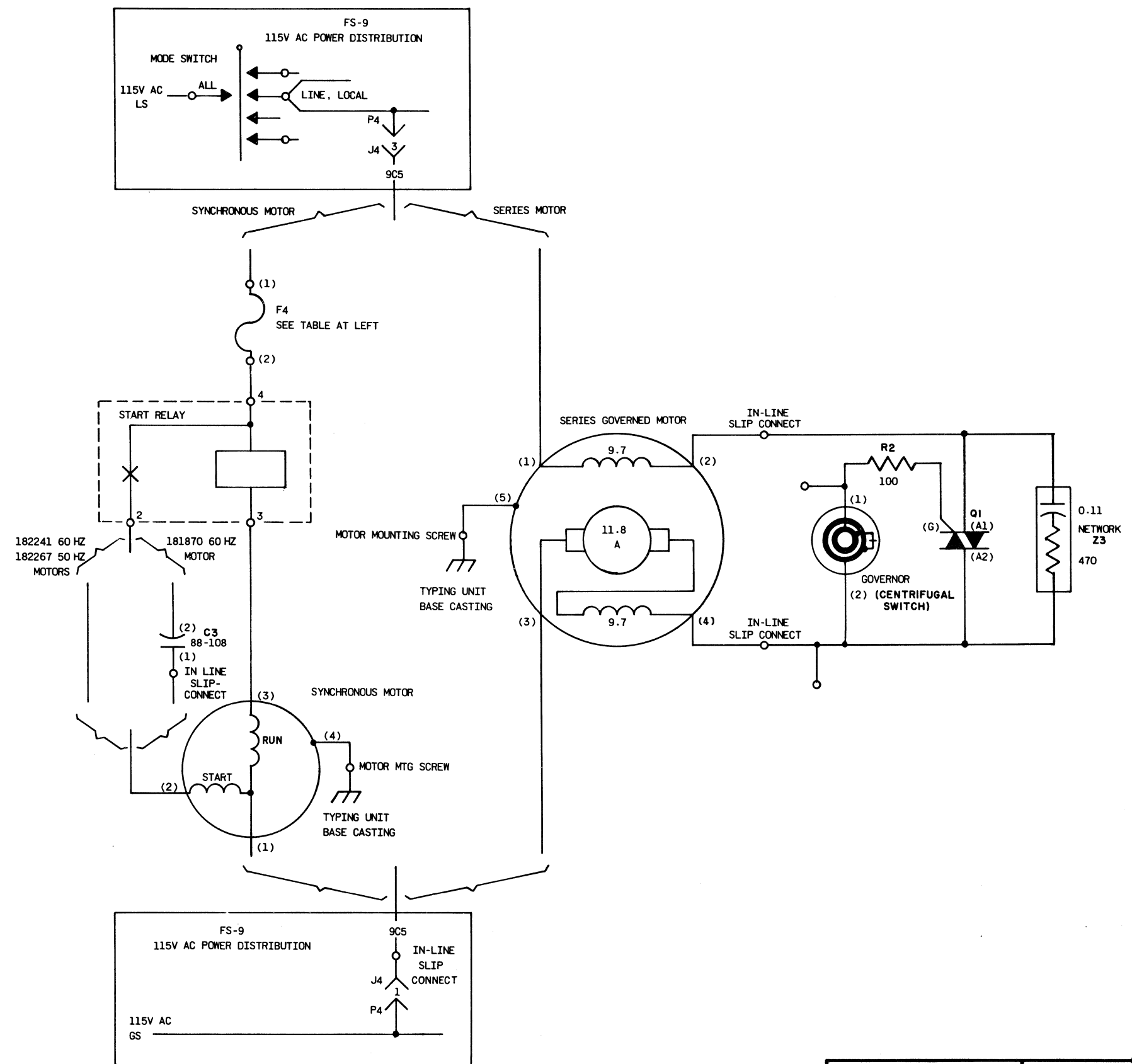
FS-9

115VAC POWER DISTRIBUTION



FS-10 MOTORS

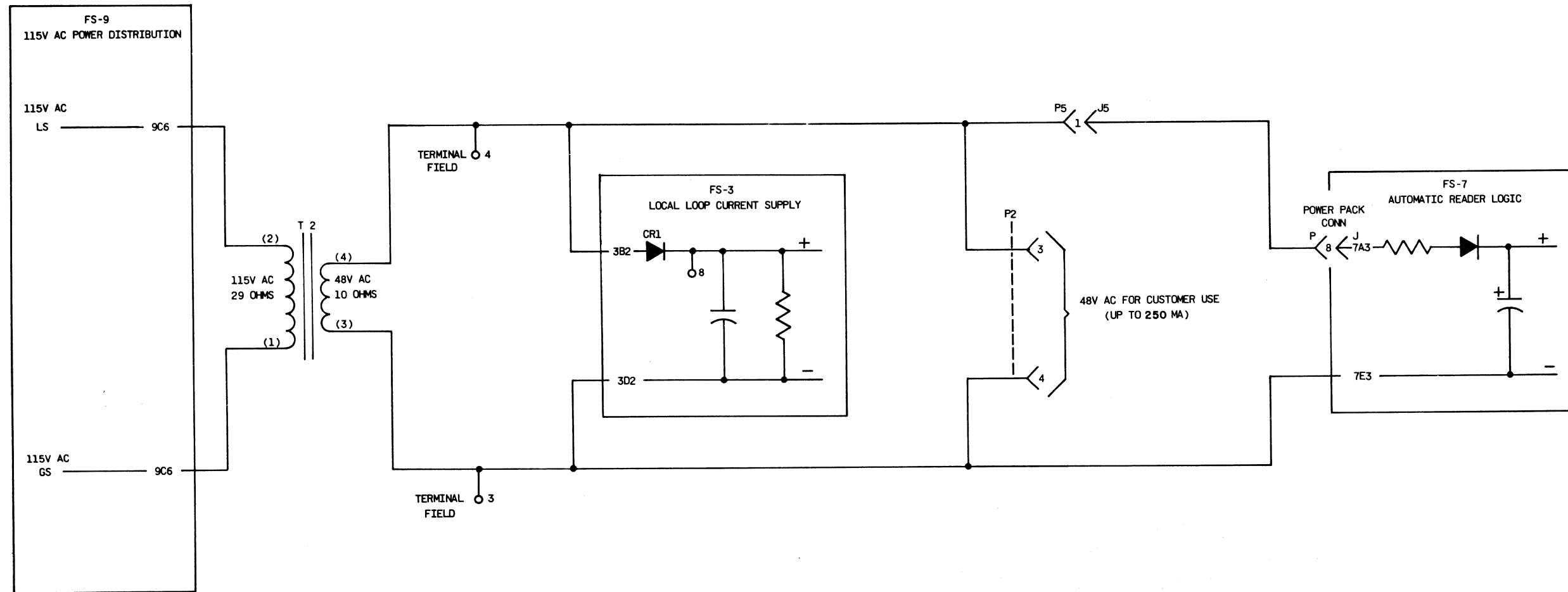
SYNCHRONOUS MOTORS				
MOTOR PART NUMBER	FREQ. HZ	FUSE F 4	MHP	CAPACITOR
181870	60	2 1/4A SL-BL	33	88-108 MFD
182241	60	2A SL-BL	33	—
182267	50	1 8/10 A. SL-BL	35	—
SERIES GOVERNED MOTOR				
183991	50-60	—	83	—



MODEL 33 RO, KSR, AND ASR SETS 3300, 3310, 3320 SERIES	TELETYPE
1180 SD-B10	

FS-II

48VAC POWER DISTRIBUTION



APPARATUS FIGURES

ISSUE
1
2
3
4

CAPACITORS (NOT ON CKT CARD ASSEM.)

C1 (LOCAL LOOP SUPPLY) 3C3
C2 (SELECTOR MAG. DRIVER) 1E4
C3 (MOTOR START) 1004

SMD CONN

J = FRAME SIDE, P = CABLE SIDE

TERM	FS/LOC
1	9C3
2	-
3	9C3
4	1B3
5	1B6
6	1B6
7	1B3
8	1C3
9	1C3

CIRCUIT CARD ASSEMBLIES

AUTOMATIC READER 183079
READER FEED SUPPLY SHEET 8
RDR LOGIC 7B4
MANUAL READER 183087 SHEET 8

SELECTOR MAGNET DRIVER CARD 181821	CARD SOCKET 181819	
TERM	FS/LOC	TERM
1	1B6	A
2	1E5	B
3	1C5	C
4	-	D
5	-	E
6	-	F
7	1C4	H
8	1B3	J
9	-	K
10	1D4	L
11	1D4	M
12	1C6	N
13	1C5	P
14	1B3	R
15	1E4	S

CONNECTORS NUMBERED

CONNECTOR SHELL DESIGNATION J = CABLE SIDE P = FRAME SIDE

J AND P	1	2	3	4	5	6	7	8
TERMINAL	FS/LOCATION							
1	2D3	-	5B6	9D5	11B5	2C3	2B3	2C5
2	2D3	-	5B6	-	7C6	2C3	2B3	2C5
3	2D3	11C5	-	9B5	7D6	2C3	2B3	2C5
4	2D3	11C5	-	5C5	7C3	2C3	2B3	2C5
5	2E3	4D3	-	5D5	7E4	2C3	2B3	2C5
6	2E3	4D3	6D3	-	7B6	2D3	2B3	2C5
7	2E3	4E3	6E3	-	7C6	2D3	2B3	2D5
8	2E3	4B3	6E4	-	7E5	2D3	2B3	2D5
9	2E2	-	-	1B6	7E3	2D3	2B3	2D5
10	-	-	7D6	1B6	7C6	9D6	2E6	2D7
11	5C4	-	6C4 7E6	6A3	7B6	9B6	2E6	5C3
12	5C4	-	-	6A4	-	6C5 7E5	-	5C3
13	5D4	-	7D5	-	-	6D5	-	5D3
14	-	-	-	7C5	-	6B5	-	-
15	-	-	7D4	-	-	6B5 7D6	-	-

CONNECTORS, TITLED

READER POWER PACK CONN.
J - CARD SIDE
P - CABLE SIDE

TERM.	FS/LOC	
	MAN. AND AUTO.	AUTO. ONLY
1		7C3
2		7B4
3	8B4	
4		6D6
5		7D6
6	8C6	
7		6C6
8		7B3/11C6
9	8B5	
10		7C6
11		7D3
12	8B6	
13		7B5
14	9D6	
15	9B6	

CONTACTS

ANSWERBACK 2D5
BREAK KEY 2E6
FORMING OUT FUNCTIONS 6E3
DC1 7C5
DC3 7D6
ENQ 7E6
EOT 5B5
KEYBOARD 2B3
PAPER OUT 5C2
PARALLEL INTERFACE 2D3
READER FEED 8B5
READER (SIGNAL) 2C3
START (AUTO READER) 7C6
STOP (AUTO READER) 7B6
TAPE OUT (AUTO READER) 7B6
TIGHT TAPE (AUTO READER) 6B6
TIGHT TAPE, TAPE OUT, STOP (MANUAL READER) 6B5

CORD

POWER 9C1

DIODES (NOT ON CKT. CARD ASSEMBLY)

CR1 3B3

DISC

DISTRIBUTOR 2C6

FUSES

F1 (MAIN) 9B2
F2 (SMD) 9B2
F3 (48VAC) 9B5
F4 (MOTOR) 10B4
F5 (READER) 8B2

GOVERNOR 10C6

MAGNETS

ANSWERBACK TRIP 5C6
DISTRIBUTOR TRIP 6A3
READER FEED 8C6
SELECTOR 1B6

MOTOR

SYNCHRONOUS 10D4
SERIES GOVERNED 10C6

NETWORKS

Z1 2C2
Z2 6B3
Z3 10C7

RECEPTACLE

CONVENIENCE OUTLET 9C2

RELAYS

MODE

COIL 9C3

CONTACTS:

FORM	TERMS
C	1,2,3 4A5
C	4,5,6 4E5
C	7,8,9 4D5
C	10,11,12 4C5
A	13,14 4E4
B	15,16 4C3
B	17,18 4D4

MOTOR START 10C4

IDC (P/O 183079 CKT. CARD ASSEM.)

COIL 7A4

CONTACTS:

1 7C3
2 7C6
3 6C6

RESISTORS (NOT ON CKT. CARD ASSEM.)

R1 3B4
R2 10C7
R6 OF RDR PWR.PACK 8D6

SWITCH

LOW PAPER 5C2
MODE 9B3

TERMINAL FIELD

TERMINAL
1 9D6
2 9B6
3 11D3
4 11B3
5 -
6 -
7 -
8 3B3

TERMINAL STRIP

X (CUSTOMER INTERFACE)

TERMINAL 1	9D2
TERMINAL 2	9B2
TERMINAL 3	4C3
TERMINAL 4	4D3
TERMINAL 5	4D4
TERMINAL 6	4E2
TERMINAL 7	4A2
TERMINAL 8	1C3
TERMINAL 9	1C3

THYRISTOR (TRIAC)

(NOT ON CKT CARD ASSEM.)

Q1 10C7

TRANSISTOR (NOT ON CKT. CARD ASSEM.)

Q2 OF SMD ASSEMBLY 1C5

TIMER

ELAPSED TIME INDICATOR 9C4

TRANSFORMER

T1 SMD 1D3
T2 48V AC 11C2



NOTES

CIRCUIT NOTES

101. FUSING

DESIGNATION	FUNCTIONAL TITLE	FUSE AMP.	POTENTIAL AT FUSE	PHYSICAL LOCATION
F1	MAIN SET FUSE	3A SL-BL	115VAC	CALL CONTROL UNIT
F2	SMD FUSE	3/8A SL-BL	"	"
F3	48VAC SUPPLY	1/2A SL-BL	"	"
F4	MOTOR FUSE	DEPENDS ON MOTOR USED. SEE SHEET B10	"	TYPING UNIT
F5	READER FUSE	3/4A SL-BL	"	READER POWER PACK AT FRONT OF CALL CONTROL UNIT

VOLTAGE SYMBOL	VOLTAGE RANGE
115V AC	103VAC TO 127VAC

FREQUENCY	FREQUENCY RANGE
60Hz SETS	± 3/4%
50Hz SETS	± 3/4%
50-60Hz SETS	48 TO 62Hz

102. OPTIONS

OPTION	FS LOC	ACTUAL LOC	FACTORY PROVIDED
* 20MA SIGNAL INPUT	1C3, 3B5	9336WD.	
* 60MA SIGNAL INPUT	1C3, 3C5	1A5, 2D3	●
* HALF DUPLEX SIGNALING	4C4, 4E4	9336WD.	●
* FULL DUPLEX SIGNALING		2E3	
* EVEN PARITY KEYBOARD	}2B3 AND 9334WD	9334WD	●
* LEVEL 8 ALWAYS MARK			
* LEVEL 8 ALWAYS SPACE			

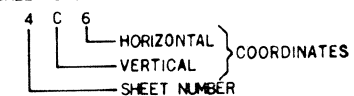
*SELECT ONLY ONE OPTION FROM THIS GROUP

EQUIPMENT NOTES

201. THIS DRAWING SHOWS ALL WIRING AND ELECTRICAL COMPONENTS USED ON THIS SERIES OF SETS. THE PRESENCE OF A GIVEN COMPONENT ON A PARTICULAR SET, HOWEVER, DEPENDS UPON THE FEATURES ORDERED ON THAT SET.

INFORMATION NOTES

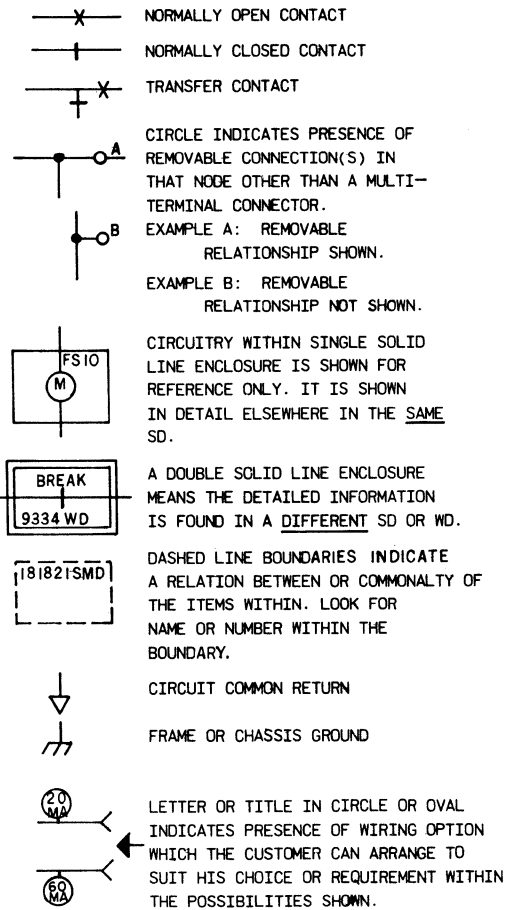
301. SHEET COORDINATES LOCATION LEGEND



302. () TERMINAL DESIGNATIONS ENCLOSED IN PARENTHESIS ARE FOR REFERENCE AND ARE NOT MARKED ON THE COMPONENT.

303. ALL RESISTANCE VALUES IN OHMS AND CAPACITANCE VALUES IN MICROFARADS UNLESS OTHERWISE SPECIFIED.

304. SYMBOLOGY



WIRING STATUS:

00-B B-DENOTES WIRING BEFORE THE CHANGE DESCRIBED BY THE DESIGNATED NOTE ENTERED THE PRODUCT.

00-A A-DENOTES WIRING AFTER THE CHANGE DESCRIBED BY THE DESIGNATED NOTE ENTERED THE PRODUCT.

MODEL 33
RO, KSR AND ASR SETS
3300, 3310, 3320 SERIES



1180SD-D1

NOTES
GENERAL INFORMATION

COILS

<u>NUMBER</u>	<u>272 M</u>	<u>279 M</u>	<u>300 M</u>
FUNCTION	ANSWER BACK TRIP	READER TRIP	READER TRIP
VOLTAGE RATING	48 VAC ±10%, 50/60 Hz 24 VDC ±10%	48 VAC ±10%, 50/60 Hz 24 VDC ±10%	115 VAC ±10%, 50/60 Hz
COIL RESISTANCE	110 Ω ±10%	110 Ω ±10%	780 Ω ⁺¹⁰ / ₋₅ %

RELAYS

<u>NUMBER</u>	<u>178306</u>
FUNCTION	MOTOR CONTROL
VOLTAGE RATING	16-28 VDC
CONTACT RATING	1/2 HP 125-250 VAC, 8 AMPS @ 250 VAC
COIL RESISTANCE	440 Ω ±10%
PICK UP TIME	25 ms MAX.
RELEASE TIME	16 ms MAX.
CONTACT BOUNCE	5-7 ms MAX.


SWITCHES

<u>NUMBER</u>	<u>182037</u>	<u>183445</u>	<u>181441</u>	<u>155954</u>
FUNCTION	FUNCTIONS DC1, DC3, ENQ & EOT	PAPER ALARM-SPROCKET FEED	PAPER ALARM-FRICTION FEED	186848 LOW TAPE MOD. KIT
VOLTAGE RATING	115 VAC 115 VDC	115 VAC 10-48 VDC	120-240 VAC 30 VDC	125-250 VAC 30 VDC
MAXIMUM CONTACT CURRENT	100 MA (IND & RES) AC 100 MA (IND & RES) DC W/SPARK PROT.	2 AMPS AC 15 MA (IND) 300 MA (RES) DC	5 AMPS AC 3 AMPS (IND) 4 AMPS (RES) DC	5 AMPS (RES) AC 3 AMPS (IND) 4 AMPS (RES) DC
TIME FROM END OF START PULSE TO CONTACT OPERATION	140-150 ms	---	---	---
DURATION OF BOUNCE	3 ms	---	---	---
DURATION OF OPERATION INCLUDING BOUNCE	35-40 ms	---	---	---

MOTORS

<u>NUMBER</u>	<u>181870</u>	<u>182241</u>	<u>182267</u>	<u>183991</u>
TYPE	33 MHP, SINGLE PHASE, SYN.	33 MHP, SINGLE PHASE, SYN.	35 MHP, SINGLE PHASE, SYN	1/12 HP, SINGLE PHASE SERIES
DESIGNED SPEED	3600 RPM	3600 RPM	3000RPM	3600 RPM WITH SPEED REGULATOR
RATED LOAD	9 OZ. IN.	9 OZ. IN.	10.8 OZ. IN.	9 OZ. IN.
VOLTAGE RATING	115 VAC ±10%, 60 CYCLE	115 VAC ±10%, 60 CYCLE	115 VAC ±10%, 50 CYCLE	115 VAC ±10%, 50/60 CYCLE
START CURRENT	7 AMPS	11.5 AMPS	10.7 AMPS	2.5 AMPS
RUN-CURRENT-RATED LOAD	2 AMPS	1.6 AMPS	1.7 AMPS	.9 AMPS
TIME TO REACH SYNCHRONOUS SPEED-RATED VOLTAGE ±10%	WITHIN 1 SECOND	WITHIN 1 SECOND	WITHIN 1 SECOND	WITHIN 1 SECOND
POWER FACTOR-RATED LOAD	.4 NOMINAL	.4 NOMINAL	.4 NOMINAL	.6 NOMINAL
LAG ANGLE-RATED LOAD	6 DEGREES NOMINAL	6 DEGREES NOMINAL	8 DEGREES NOMINAL	---
MINIMUM INTERVAL BETWEEN REPEATED MOTOR STARTS	20 SECONDS MIN.	20 SECONDS MIN.	20 SECONDS MIN.	20 SECONDS MIN.

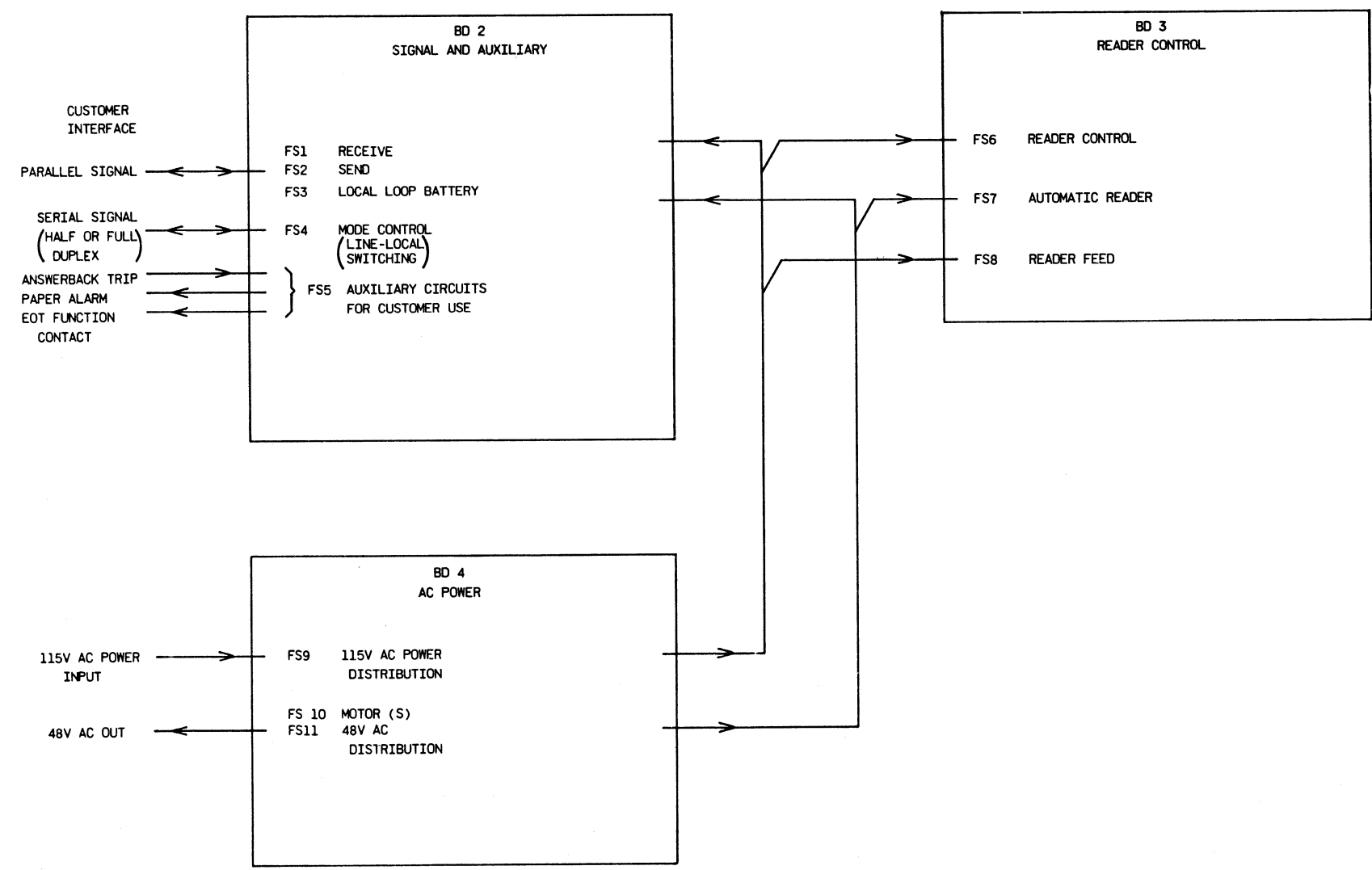
WOP

MODEL 33 RO, KSR AND ASR SETS 3300, 3310, 3320 SERIES	 TELETYPE
1180SD-D2	

BD-1

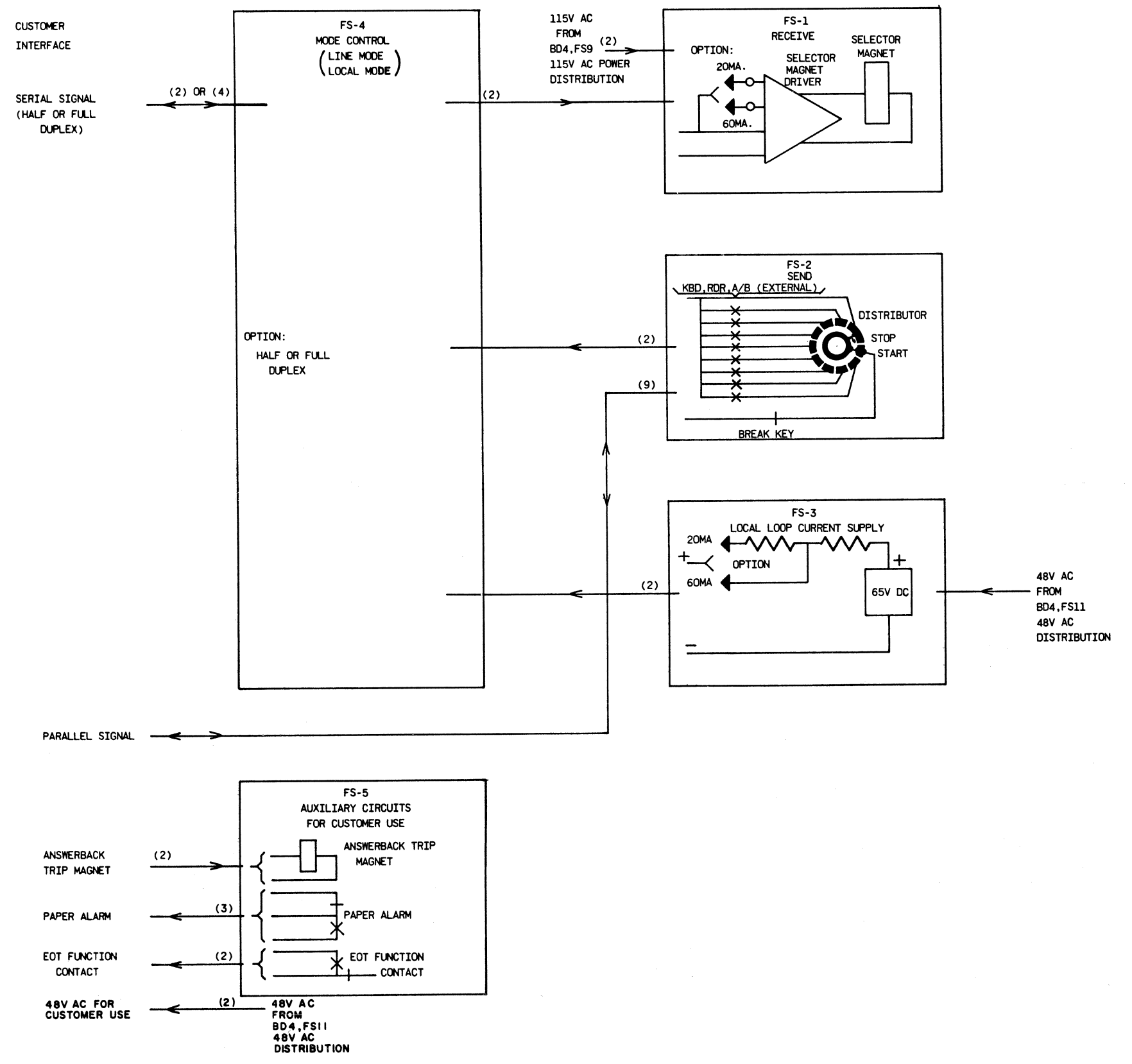
CIRCUIT BLOCK DIAGRAM

ISSUE
1



BD-2 SIGNAL AND AUXILIARY

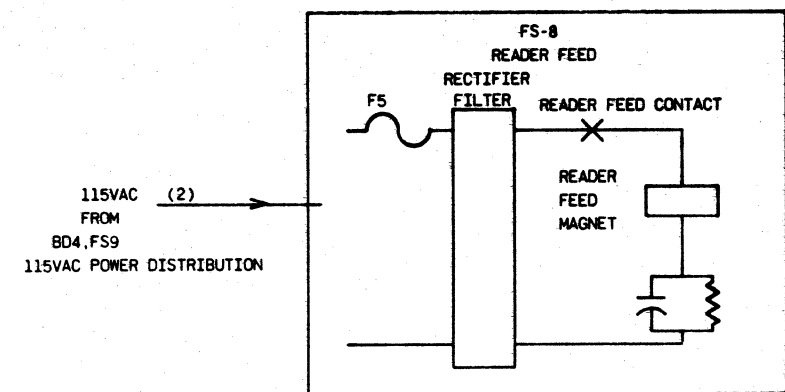
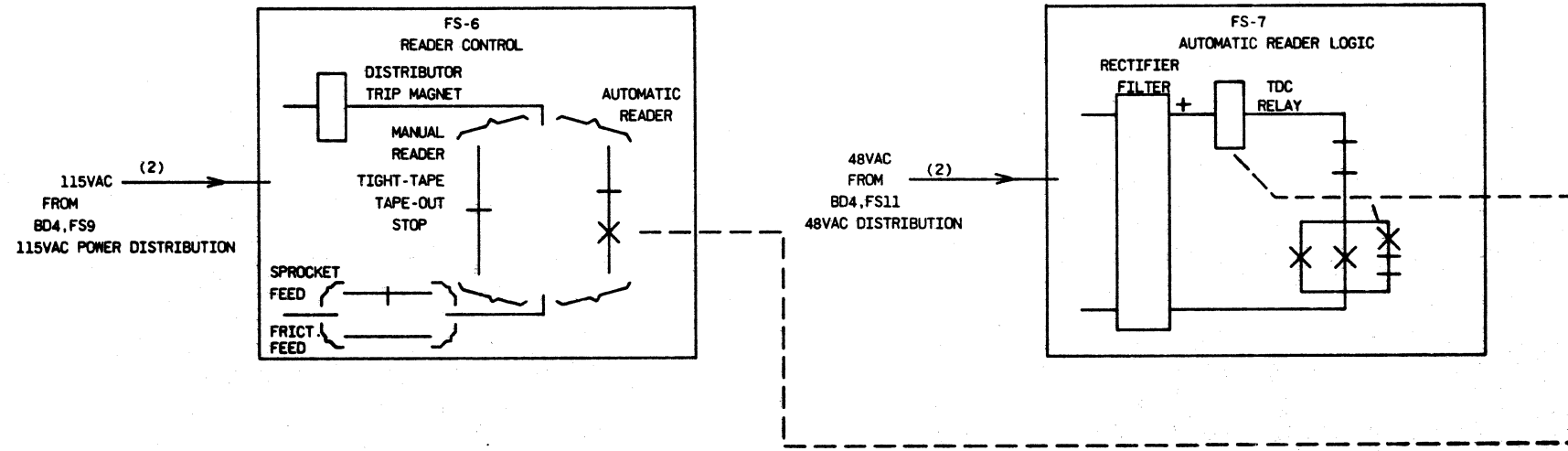
() INDICATES NUMBER OF WIRES REPRESENTED BY THE LINE BELOW.



() INDICATES NUMBER OF WIRES
REPRESENTED BY THE LINE BELOW.

BD-3 READER CONTROL (ASR SET ONLY)

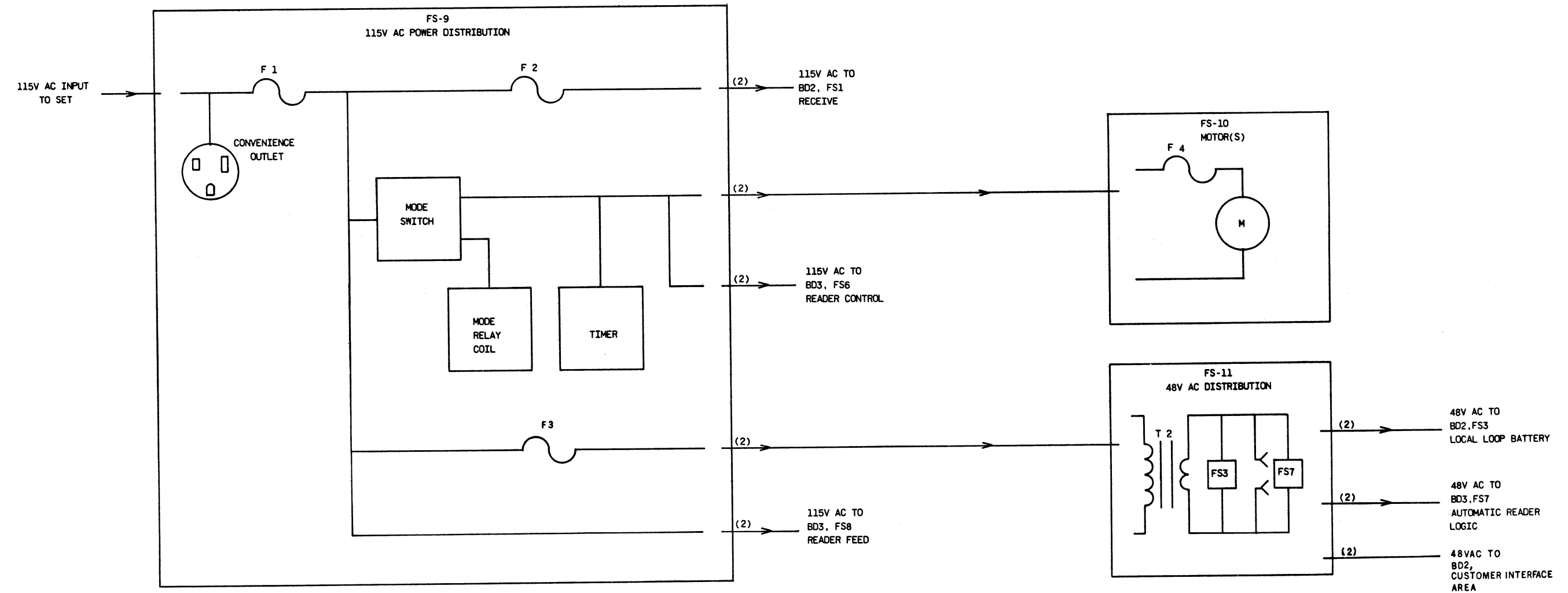
ISSUE
1




MODEL 33 RO, KSR, AND ASR SETS 3300, 3310, 3320 SERIES	
1180 SD-H3	

BD-4 AC POWER

() INDICATES NUMBER OF WIRES REPRESENTED BY THE LINE BELOW.



MODEL 33 RO, KSR, AND ASR SETS 3300, 3310, 3320 SERIES	 1180 SD-H4
--	--

SHEET INDEX

CONTENTS	SHEET NO.	ISSUE NO.																									SHEET NO.
		1	2	3	4	5	6	7	8	9	10	11	12	13	14	15	16	17	18	19	20	21	22	23	24	25	
181361 & 181861 MOTORS, 60 HZ	1				11	12	13	13																			1
181870 & 182241 MOTORS, 60HZ 182267 MOTOR, 50 HZ	2				12	13	14	14																			2
333521 AC SERIES MOTOR	3					1	2	3																			3

SUPPORTING INFORMATION

CATEGORY	NO.

REVISIONS

ISSUE	DATE	AUTH. NO.
1	3-9-66	89721-R
2	1-26-70	92607
3	2-19-70	99947-4
4	8-25-70	621
5	12-9-70	2145
6	12-15-70	2220
7	11-19-71	4539

SHEET INDEX NOTES

1. WHEN CHANGES ARE MADE IN THIS DRAWING ONLY THOSE SHEETS AFFECTED WILL BE REISSUED.
2. THIS SHEET INDEX WILL BE REISSUED AND UPDATED EACH TIME ANY SHEET OF THE DRAWING IS REISSUED OR A NEW SHEET IS ADDED.
3. THE LAST COMPLETED COLUMN INDICATES THE LATEST ISSUE NUMBER OF THE SHEET INDEX.
4. SHEETS THAT ARE NOT CHANGED WILL RETAIN THEIR EXISTING ISSUE NO.
5. ISSUE DATES WILL BE SHOWN ON THE SHEET INDEX ONLY.

WDP

ACTUAL WIRING DIAGRAM FOR MODEL 32/33 MOTORS

APPROVALS

PROJ. SUPV.	PROJ. DIR.	MFG. REL. COMPL.
		<i>[Signature]</i>
ENGR. PRS	DSGNR.	
DRN. LAB	DATE 12-15-70	
R & D FILE		
S-NUMBER		



4405 WD

A
B
C
D
E

A
B
C
D
E

4405 WD

REVISIONS

ISSUE	DATE	AUTH NO
A2	3-3-62	30-973
B3	11-5-62	30-5330
B4	1-3-63	30-5469
B5	11-11-63	78856
6	6-9-64	81773
7	6-8-65	37050
-8	1-13-66	89841-3
9	3-9-66	69 2. 2
-10	2-18-70	9947.4
-11	8-24-70	621
-12	12-9-70	2145
-13	12-14-70	2220

NOTE:
REVISION INFORMATION MUST ALSO BE REFLECTED ON THE ISSUE CONTROL RECORD, WHICH IS A PART OF THIS DRAWING. SEE ISSUE CONTROL RECORD FOR COMPLETE LIST OF SHEETS COMPRISING THIS W.D.

SHEET 1

ACTUAL WIRING DIAGRAM FOR

FOR MODEL 32 & 33 MOTORS

APPROVALS

D AND R

E OF M

E-NUMBER

PROD. NO. 4405WD

DATE 2-8-62

P.D. FILE NO. 1-231.153AA

DRAWN

CHKD.

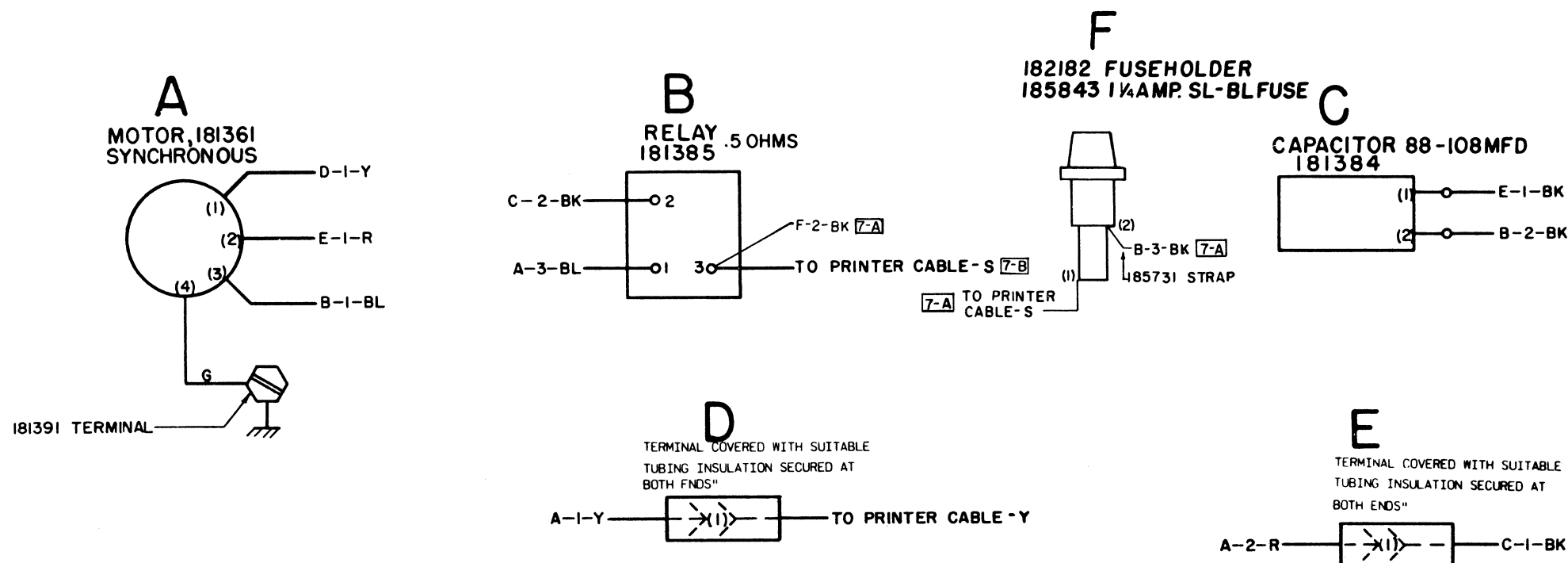
ENGD. P. R. S.

APPD.

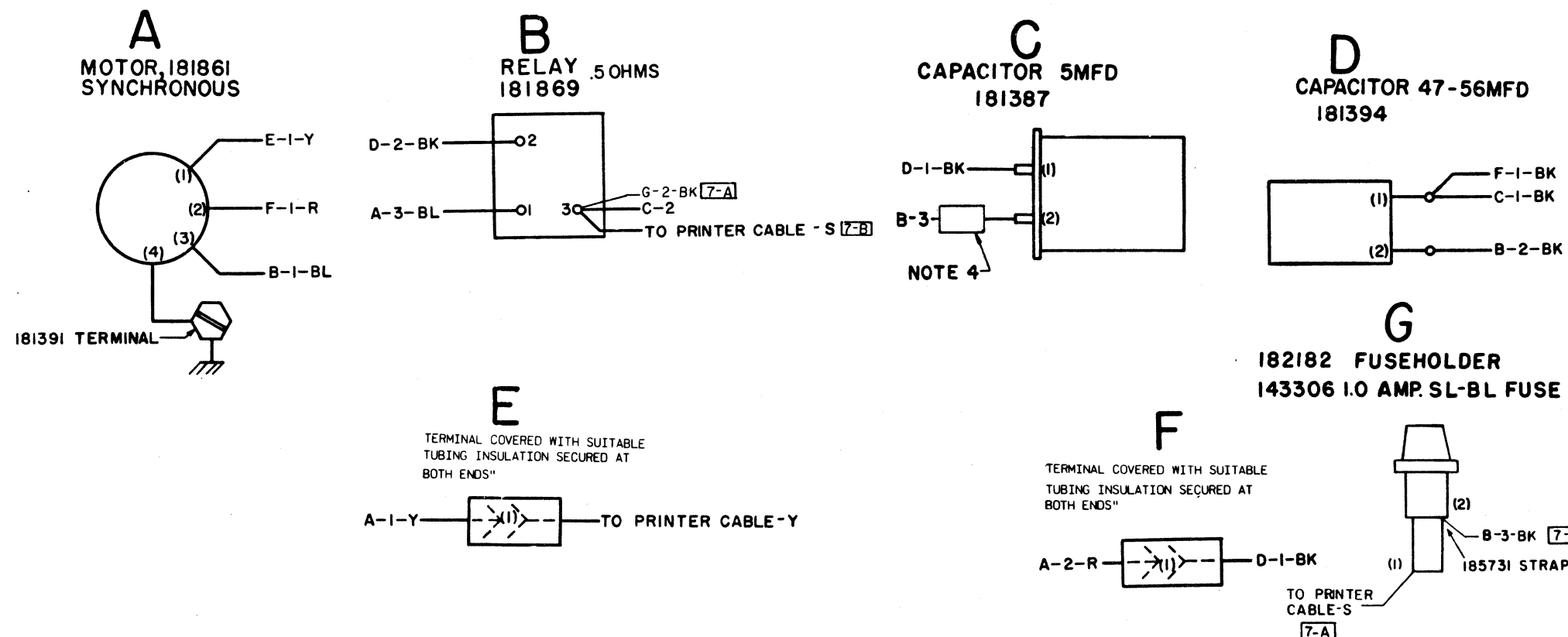
TELETYPE CORPORATION

4405 WD

ACTUAL WD FOR 181361 MOTOR (60 HERTZ)



ACTUAL WD FOR 181861 MOTOR (60 HERTZ)



- NOTES
- WIRING LEGEND:
 - COLOR CODE:

BK-BLACK	P-PURPLE
BL-BLUE	R-RED
BR-BROWN	S-SLATE
Y-YELLOW	O-ORANGE
G-GREEN	W-WHITE
 - ASSOCIATED SCHEMATIC 4403WD.
 - 182272 RESISTOR-10 OHMS, 5 WATT (PART OF 181397 CAPACITOR W/RESISTOR ASSEMBLY).
 - WIRING STATUS
 RECTANGULAR BOX INDICATES HISTORY OF WIRING CHANGES

 B - DENOTES WIRING BEFORE THE CHANGE DESCRIBED BY THE DESIGNATED NOTE ENTERED THE PRODUCT.
 A - DENOTES WIRING AFTER THE CHANGE DESCRIBED BY THE DESIGNATED NOTE ENTERED THE PRODUCT.
 - 185731 STRAP AND FUSE ASSEMBLY NOT INCLUDED IN EARLY SETS.

MOTOR	FUSE VALUE	FUSE PART NO.
182241	2.0 AMP	138538
182267	1.8 AMP	320246

SEE SHEET 1 FOR NOTES

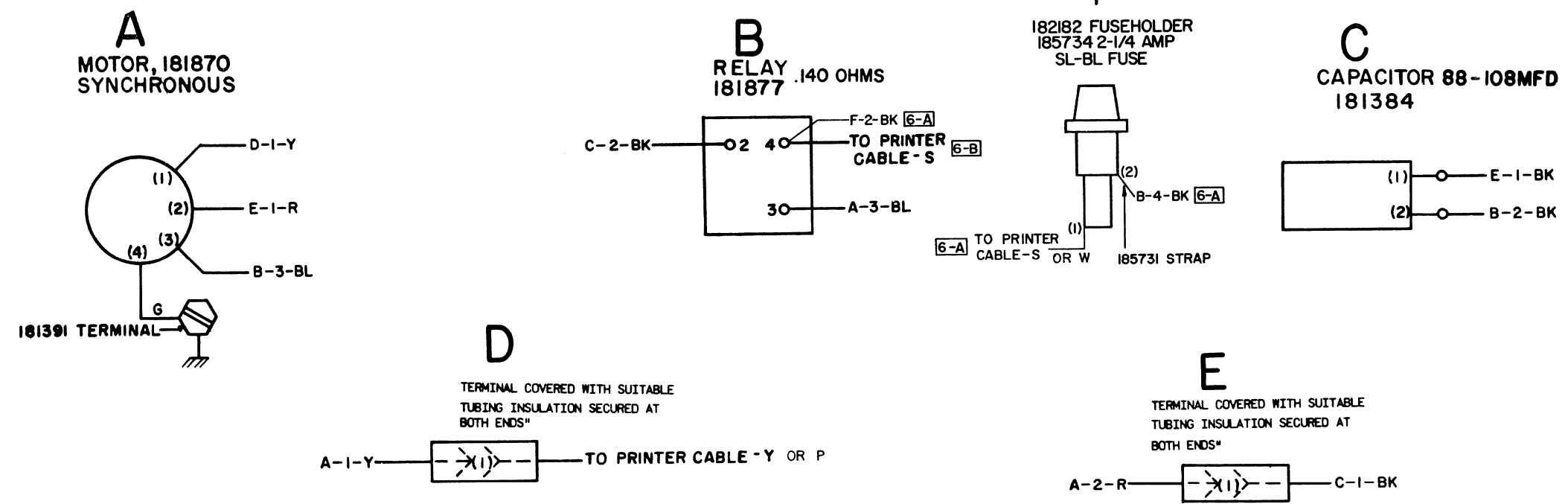
NOTE:
REVISION INFORMATION MUST ALSO BE REFLECTED ON THE ISSUE CONTROL RECORD, WHICH IS A PART OF THIS DRAWING.

4405WD

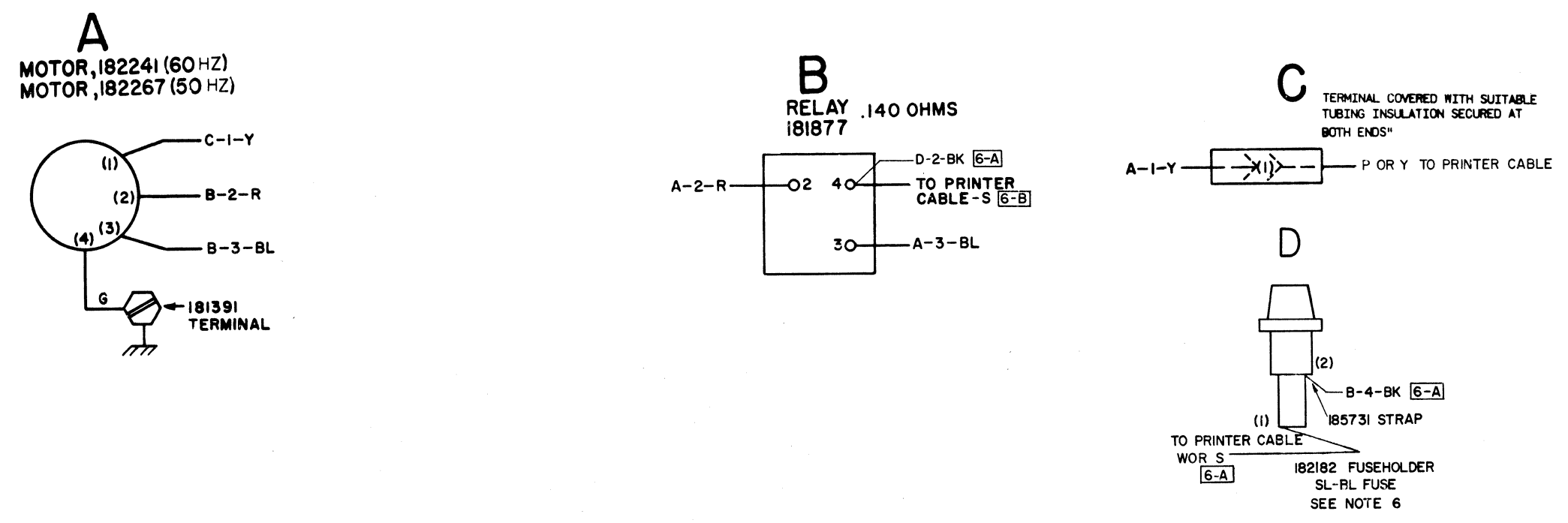
REVISIONS

ISSUE	DATE	AUTH. NO.
A2	3-3-62	30-978
B3	11-5-62	30-5330
B4	1-3-63	30-5469
B5	11-11-63	78856
6	6-9-64	81773
7	6-8-65	87050
8	1-13-66	88841-3
9	3-9-66	89721-2
10	1-26-67	92607
11	2-18-70	99947-4
12	8-24-70	621
13	12-9-70	2145
14	12-14-70	2220

ACTUAL WD FOR 181870 MOTOR (60 HERTZ)



ACTUAL WD FOR 182241 MOTOR (60 HERTZ)
ACTUAL WD FOR 182267 MOTOR (50 HERTZ)



SEE ISSUE CONTROL RECORD FOR COMPLETE LIST OF SHEETS COMPRISING THIS W.D.

SHEET 2

ACTUAL WIRING DIAGRAM

FOR MODEL 32 & 33 MOTORS

APPROVALS

D AND R	E OF M
<i>[Signature]</i>	<i>[Signature]</i>

E-NUMBER

PROD. NO. 4405WD

DATE 2-8-62

R.D. FILE NO. 1-231.153AA

DRAWN R.H.B. CHKD.

ENGD. P.R.S. APPD. *[Signature]*

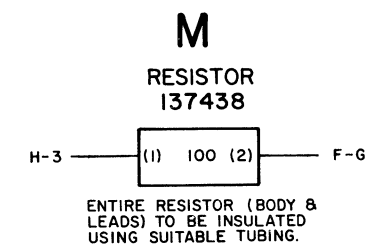
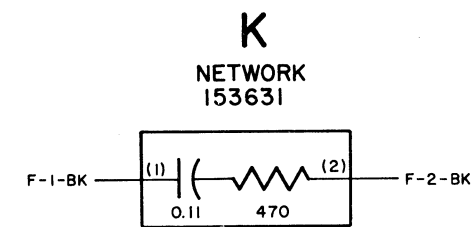
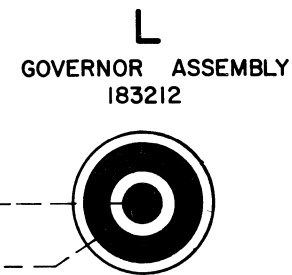
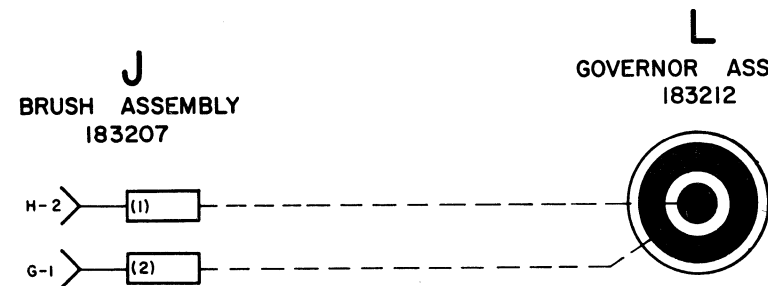
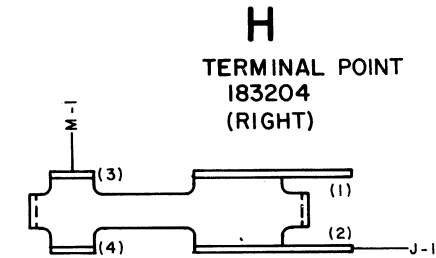
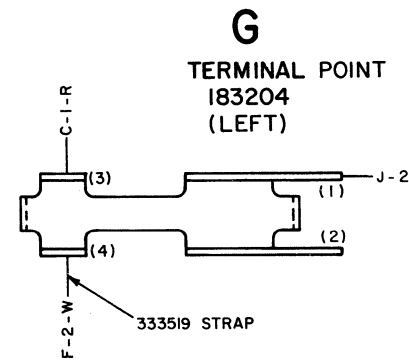
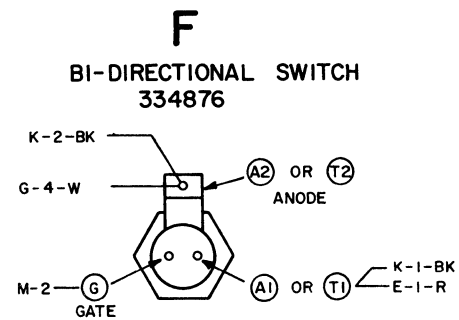
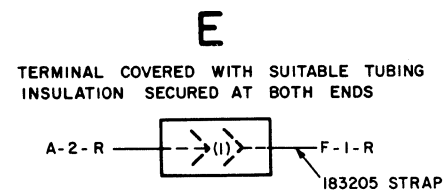
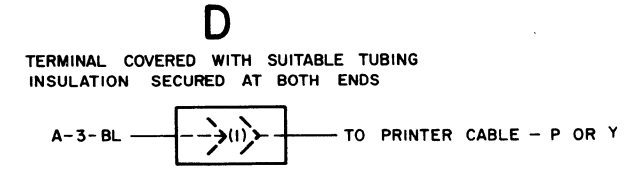
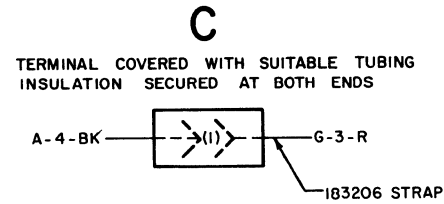
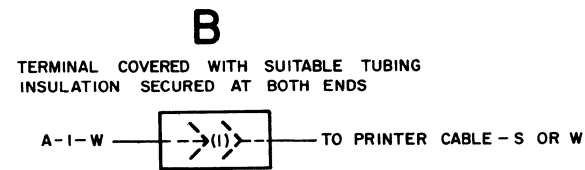
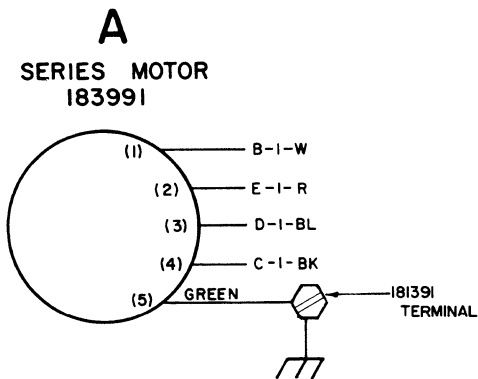
TELETYPE CORPORATION

4405WD

ACTUAL WD FOR
333521 AC SERIES MOTOR

NOTE:
REVISION INFORMATION MUST ALSO BE
REFLECTED ON THE ISSUE CONTROL REC-
ORD, WHICH IS A PART OF THIS DRAWING.

REVISIONS		
ISSUE	DATE	AUTH. NO.
2	12-14-70	2220
3	11-19-71	4539



SEE ISSUE CONTROL RECORD FOR COM-
PLETE LIST OF SHEETS COMPRISING THIS
W/D

SHEET 3 **WDP**

ACTUAL
WIRING DIAGRAM
FOR MODEL 32/33
MOTORS

APPROVALS

PROJ. SUPV. <i>[Signature]</i>	PROJ. DIR. <i>[Signature]</i>	MFG. REL. COMPL. <i>[Signature]</i>
ENGR. A. S.	DSGMR. A. S.	
DRN. C.E.C.	DATE 10-1-70	
R & D FILE 1-231. 153AA		
S-NUMBER		



4405WD

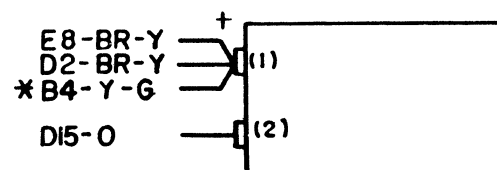
ISSUE	DATE	AUTH NO
2	8-62	30-1265
3	8-5-63	7708
4	1-3-64	79903
5	5-10-68	95523-4
6	1-14-71	736

- NO. NOTES
- WIRING CODE

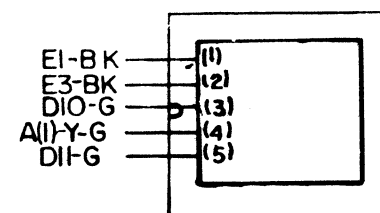
DISTANT TERMINATING AREA
 DISTANT TERMINATING POINT
 COLOR CODE

A 3 - BL
 - SEE 4979WD FOR SCHEMATIC WIRING DIAGRAM
 - USE CABLE 181818
 - * DENOTES #20 AWG WIRE. ALL OTHERS #24AWG
 - SOME 182695 UNITS CONTAIN 330793 OR 182722 TRANSFORMER AND 182696 CABLE WITH 182536 CONNECTOR.
SOME 181815 UNITS CONTAIN 330793 OR 182722 TRANSFORMER

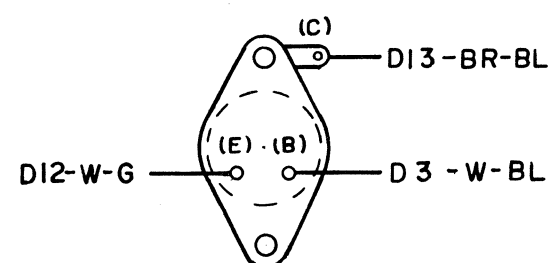
A
CAPACITOR FILTER
(182501)



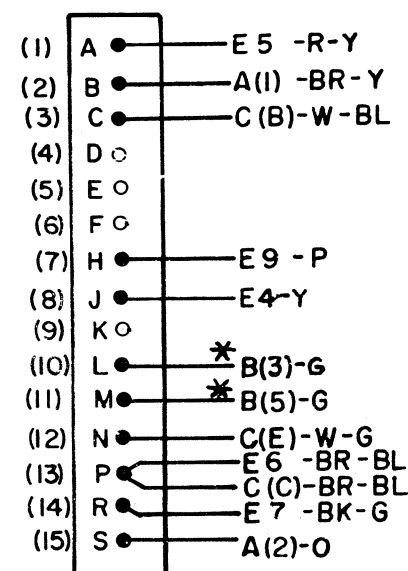
B
TRANSFORMER, POWER
(337992) 50/60 Hz
NOTE 5



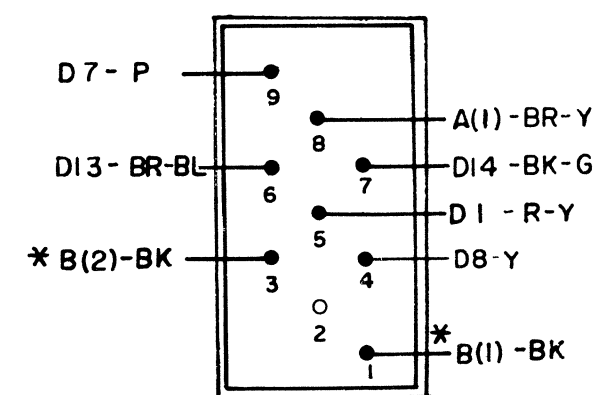
C
TRANSISTOR, POWER
(181675)



D
CONNECTOR, CARD
(181819)
NOTE 5



E
CONNECTOR, RECEPTACLE
(182716)



WDP

ACTUAL WIRING DIAGRAM FOR 182695 & 181815 SELECTOR MAGNET DRIVER

APPROVALS

D AND R	E OF M
<i>[Signature]</i>	<i>[Signature]</i>

E-NUMBER

PROD. NO 4970 WD

DATE: 6-22-62

P.D. FILE NO 1-165.153AA

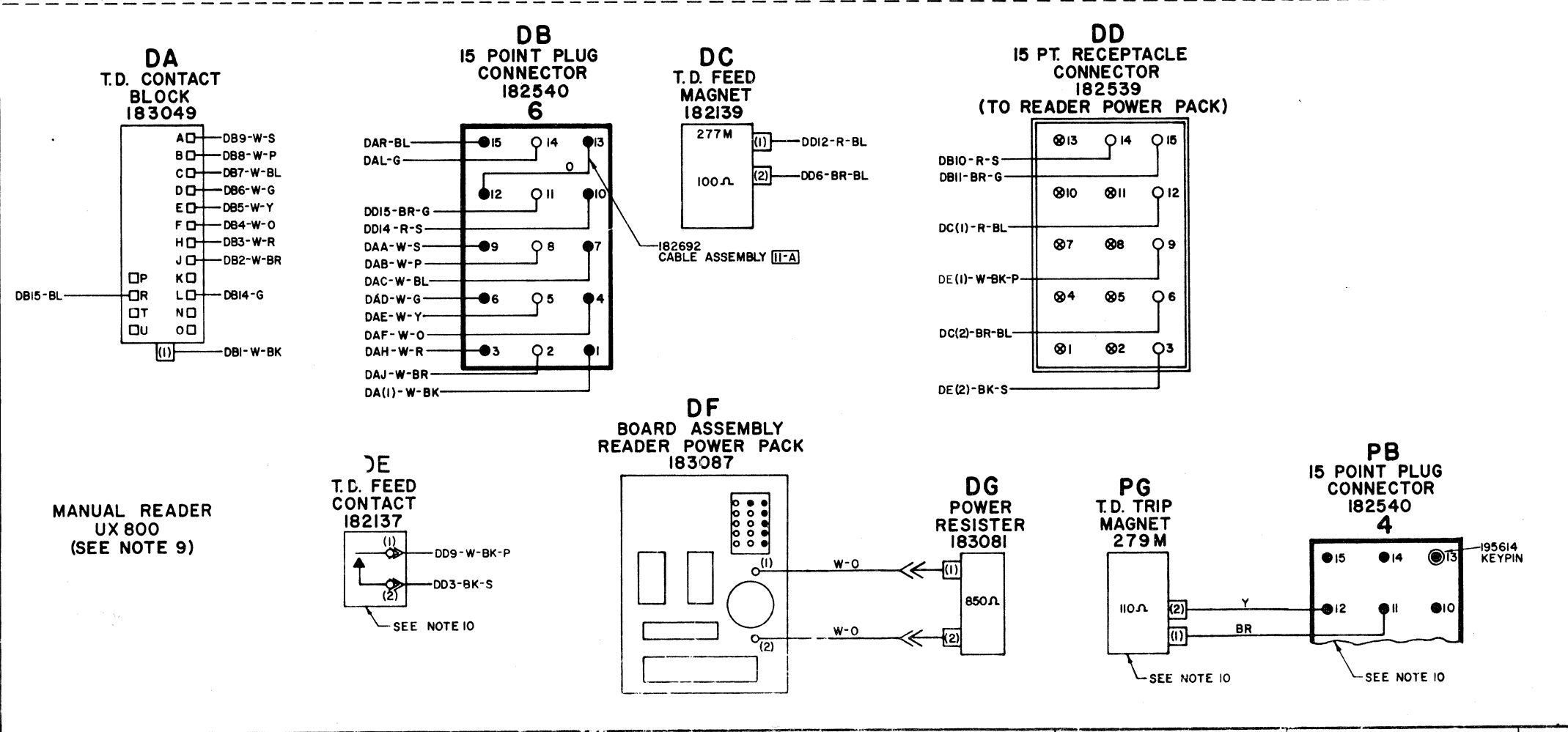
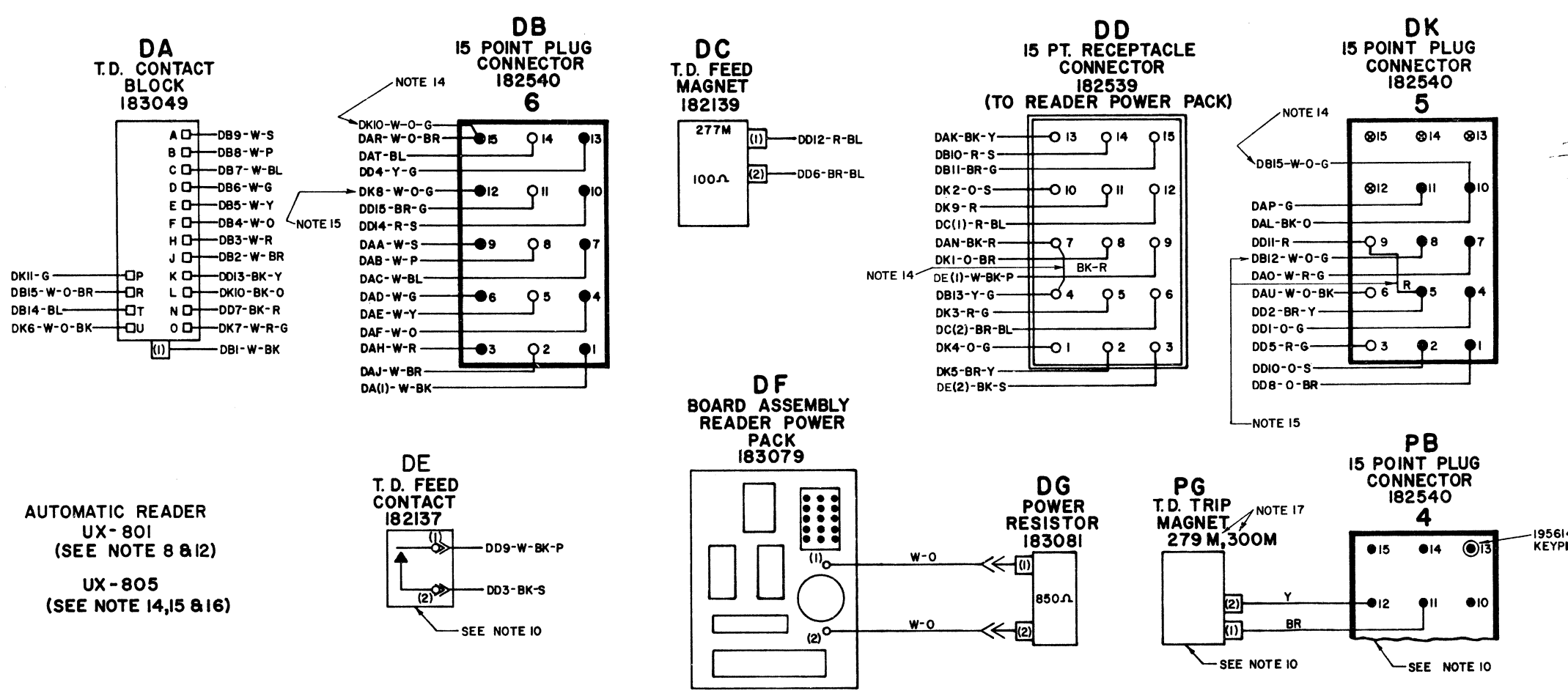
DRAWN C.A. CHKD P.P.

ENGD P.R.S. APPD

TELETYPE CORPORATION

4970 WD

NO.	NOTES
1.	<p>WIRING LEGEND:</p> <p>— DISTANT TERMINATING AREA — DISTANT TERMINATING DESIGNATION — COLOR CODE</p> <p>DB14-BL</p>
2.	<p>WIRE COLOR CODE:</p> <p>W-WHITE BL-BLUE BK-BLACK BR-BROWN O-ORANGE P-PURPLE Y-YELLOW S-SLATE G-GREEN R-RED</p>
3.	TERMINALS DESIGNATED () DO NOT APPEAR ON COMPONENT.
4.	FOR TELETYPE PERSONNEL REFERENCES: SPECIFICATION 6042IS
5.	CONNECTORS VIEWED FROM WIRED END.
6.	FOR SCHEMATIC WIRING DIAGRAM SEE 7882 WD OR 8159 WD.
7.	<p>ASSOCIATED UNIT ACTUAL WIRING DIAGRAMS</p> <p>7884WD PRINTER - UP800,801,802,803,820 7885WD KEYBOARD - UK800,804 7886WD MOTOR 7888WD CALL CONTROL - UCC-3 4970WD SELECTOR MAGNET DRIVER 8158WD CALL CONTROL - UCC 26 8160WD PRINTER - UP 836</p>
8.	OPTIONAL UX-801 AUTOMATIC READER - 183075 CABLE ASSEMBLY. USED ONLY WITH UP801, 803, 820 PRINTER ASSEMBLIES.
9.	MANUAL READER-UX800 183074 CABLE ASSEMBLY. USED ONLY WITH UP801,803 PRINTER ASSEMBLIES.
10.	THESE COMPONENTS ARE MOUNTED ON UP801,803,820 PRINTER ASSEMBLIES BUT ACTUALLY ARE PART OF READER CIRCUIT. SEE PRINTER 7884WD.
11.	182692 CABLE ASSEMBLY (STRAP) NOT REQUIRED WHEN UX800 IS USED WITH EARLY STYLE (BEFORE UCC-3 WIRING CHANGED TO ACCOMMODATE UX801 FACILITIES) UCC-3 CALL CONTROL UNITS WITHOUT WIRES IN POSITION 12 AND 13 OF MATING CALL CONTROL RECEPTACLE CONNECTOR NO. 6.
12.	SEE PRINTER 7884WD FOR MODIFICATION TO UP801,803 PRINTER ASSEMBLIES TO PROVIDE AUTOMATIC READER CONTROL OPTIONS.
13.	<p>WIRING STATUS:</p> <p>RECTANGULAR BOX INDICATES HISTORY OF WIRING CHANGES</p> <p>00-B B - DENOTES WIRING BEFORE THE CHANGE DESCRIBED BY THE DESIGNATED NOTE ENTERED THE PRODUCT.</p> <p>00-A A - DENOTES WIRING AFTER THE CHANGE DESCRIBED BY THE DESIGNATED NOTE ENTERED THE PRODUCT.</p>
14.	ASSOCIATED WITH THE UX-805 ONLY.
15.	THERE WIRES DO NOT APPEAR ON UX-805
16.	AUTOMATIC READER UX-805 186340 CABLE ASSEMBLY.
17.	279M-48VAC-110Ω 300M-115VAC-780Ω



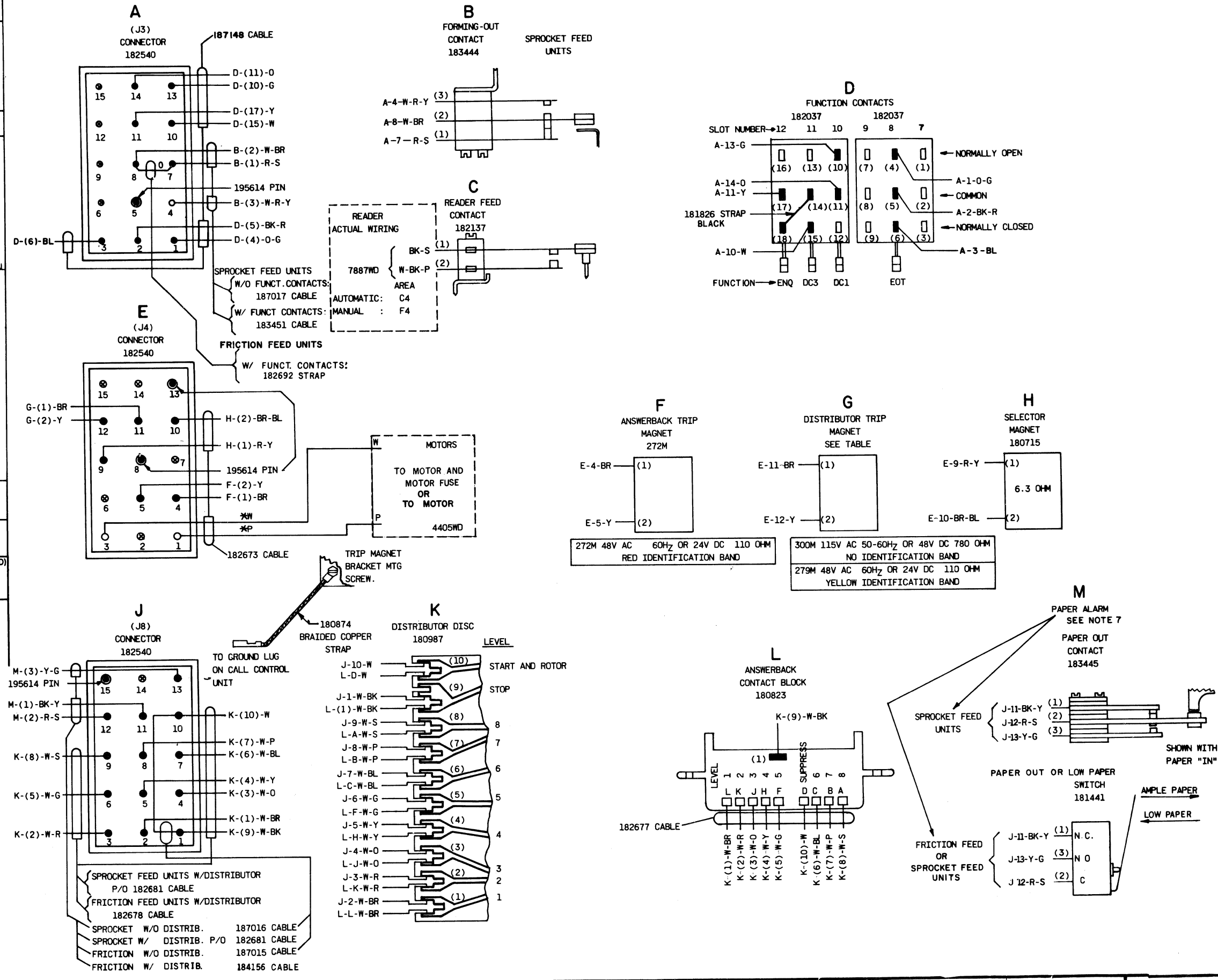
7887 WD		
REVISIONS		
ISSUE	DATE	AUTH. NO.
1	4-25-66	17470-R
2	11-3-66	92300 RC
3	1-31-68	95171
4	1-12-72	4853-RC

ACTUAL WIRING DIAGRAM FOR MODEL 33 8 LEVEL MANUAL OR AUTOMATIC TRANSMITTER DISTRIBUTOR (TAPE READER) UX-800-MANUAL READER UX-801-AUTOMATIC READER UX-805-AUTOMATIC READER	
APPROVALS	
D AND R	E OF M
E-NUMBER	
PROD. NO. 7887 WD	
DATE 8-3-65	
P.D. FILE NO. G-A152 AA	
DRAWN R.H.B.	CHKD. J.E.
ENGD. J.W.S.	APPD. J.E.
TELETYPE CORPORATION	
7887 WD	

REVISIONS		
ISSUE	DATE	AUTH. NO.
1	7-7-71	21643R
2	8-5-71	4243-RC
3	1-12-72	4853-RC
4	1-17-72	4455
5	2-28-74	8853-1

1. THIS DRAWING SHOWS ALL WIRING AND ELECTRICAL COMPONENTS USED ON THIS SERIES OF SETS. THE PRESENCE OF A GIVEN COMPONENT ON A PARTICULAR SET, HOWEVER, DEPENDS UPON THE FEATURES ORDERED ON THAT SET.
2. WIRE COLOR CODE:
BK-BLACK G-GREEN
BR-BROWN BL-BLUE
R-RED P-PURPLE
O-ORANGE S-SLATE
Y-YELLOW W-WHITE
3. COMPONENT VIEWS SHOWN FROM WIRED SIDE.
4. SYMBOLOLOGY:
() TERMINAL DESIGNATION WITHIN IS FOR REFERENCE AND IS NOT MARKED ON THE COMPONENT.
* DENOTES 18AWG WIRE ALL OTHER IS 24AWG
WIRING LEGEND:
DISTANT TERMINATING AREA
DISTANT TERMINATING TERMINAL
WIRE COLOR (1,2, OR 3 COLORS)
J-1-W-B
CONNECTORS:
NO PIN
FEMALE PIN
MALE PIN
BLOCKING PIN
HALF WITH LARGER PERIMETER SHELL DESIGNATED J
HALF WITH SMALLER PERIMETER SHELL DESIGNATED P
5. REFER TO 1180SD FOR A RELATED SET SCHEMATIC DIAGRAM.
6. CROSS REFERENCE:
THIS WIRING DIAGRAM SAME AS 9387WD EXCEPT FOR AREA DESIGNATIONS.
7. PAPER ALARM SWITCH "M" (SPROCKET FEED) CHANGED FROM CONTACT PILE TO SNAP ACTION SWITCH AT ISSUE 5 OF THIS DRAWING.

ACTUAL



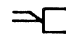
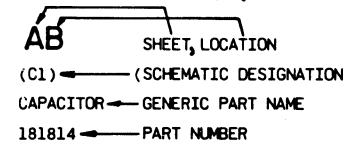
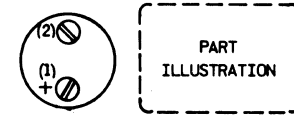
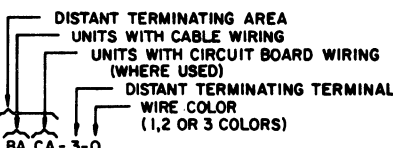
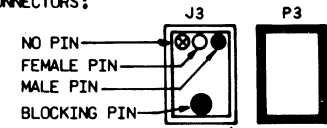
WIRING DIAGRAM FOR MODEL 33 TYPING UNITS
UP 1--/---/---
UP 2--/---/---

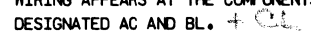
APPROVALS		
PROJ. SUPV.	PROJ. DIR.	MFG. REL. COMPL.
DRN. SLD	DATE 5-13-71	
R & D FILE 6-A152 219A		
8-NUMBER 61,910		



SHEET INDEX

CONTENTS	SHEET NO.	ISSUE NO.																												SHEET NO.
		1	2	3	4	5	6	7	8	9	10	11	12	13	14	15	16	17	18	19	20	21	22	23	24	25	26	27	28	
SHEET INDEX AND NOTES	A1	1	2	3	4																									A1
MODEL 33 CALL CONTROL UNIT UCC 6 WIRING	B1	1	2	3	3																									B1
MODEL 33 CALL CONTROL UNIT UCC 6 WIRING (UNITS WITH CABLE WIRING)	B2	1	2	3	4																									B2
MODEL 33 CALL CONTROL UNIT UCC 6 WIRING (UNITS WITH CIRCUIT BOARD WIRING)	B2A			1	2																									B2A

NO.	NOTES
1.	<p>WIRE COLOR CODE:</p> <p>BK - BLACK G - GREEN BR - BROWN BL - BLUE R - RED P - PURPLE O - ORANGE S - SLATE Y - YELLOW W - WHITE</p>
2.	COMPONENT VIEWS SHOWN FROM WIRED SIDE.
3.	<p>SYMBOLGY</p> <p>() TERMINAL DESIGNATION WITHIN IS FOR REFERENCE AND IS NOT MARKED ON THE COMPONENT.</p> <p>--- ASSOCIATED TERMINALS, CONNECTIONS, OR FUNCTIONS.</p> <p>* DENOTES 20 AWG. WIRE, ** DENOTES 18AWG WIRE. ALL OTHER IS 24AWG.</p> <p> WIRE SPLICE (NOT REPRESENTED ON SCHEMATIC)</p>
4.	<p>COMPONENT IDENTIFICATION:</p> <p></p> <p></p>
5.	<p>WIRING LEGEND:</p> <p></p> <p>CONNECTORS:</p> <p></p> <p>HALF WITH LARGER PERIMETER SHELL DESIGNATED J HALF WITH SMALLER PERIMETER SHELL DESIGNATED P</p>
6.	ALL WIRING PART OF 181820 CABLE ASSEMBLY EXCEPT WHERE OTHERWISE SPECIFIED.
7.	REFER TO 1180SD FOR A RELATED SET SCHEMATIC DIAGRAM.

8.	THIS DRAWING SHOWS ALL WIRING AND ELECTRICAL COMPONENTS USED ON THIS SERIES OF SETS. THE PRESENCE OF A GIVEN COMPONENT ON A PARTICULAR SET, HOWEVER, DEPENDS UPON THE FEATURES ORDERED ON THAT SET.
9.	<p>CUSTOMER OPTIONS:</p> <p>THIS UNIT CONTAINS WIRING OPTIONS FOR INTERFACING A 20MA OR 60MA DC CURRENT SIGNAL LOOP AS WELL AS INTERFACING IN A HALF DUPLEX (TWO WIRE) OR FULL DUPLEX (4 WIRE) CONFIGURATION.</p> <p>20 AND 60MA SIGNALLING CURRENT OPTION WIRING APPEARS AT THE COMPONENTS DESIGNATED AC AND BL. </p> <p>HALF AND FULL DUPLEX OPTION WIRING APPEARS AT COMPONENT BL.</p> <p>OPTION WIRING SHOULD BE CONNECTED AS INDICATED FOR THE DESIRED OPTION.</p> <p>THIS UNIT HAS BEEN PRE-WIRED AT THE FACTORY FOR 60MA DC, HALF DUPLEX OPERATION.</p>
10.	REFER TO 4970WD FOR WIRING OF 181815 SELECTOR MAGNET DRIVER ASSEMBLY WHICH IS ALSO PART OF THIS UNIT.

SUPPORTING INFORMATION

CATEGORY	NO.
WIRING DIAGRAM PACKAGE FOR MODEL 33 RO, KSR, AND ASR SETS 3300, 3310, 3320 SERIES	WDP 0316


SHEET INDEX NOTES

- WHEN CHANGES ARE MADE IN THIS DRAWING ONLY THOSE SHEETS AFFECTED WILL BE REISSUED.
- THIS SHEET INDEX WILL BE REISSUED AND UPDATED EACH TIME ANY SHEET OF THE DRAWING IS REISSUED OR A NEW SHEET IS ADDED.
- THE LAST COMPLETED COLUMN INDICATES THE LATEST ISSUE NUMBER OF THE SHEET INDEX.
- SHEETS THAT ARE NOT CHANGED WILL RETAIN THEIR EXISTING ISSUE NO.
- ISSUE DATES WILL BE SHOWN ON THE SHEET INDEX ONLY.

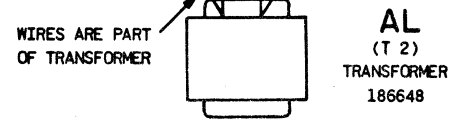
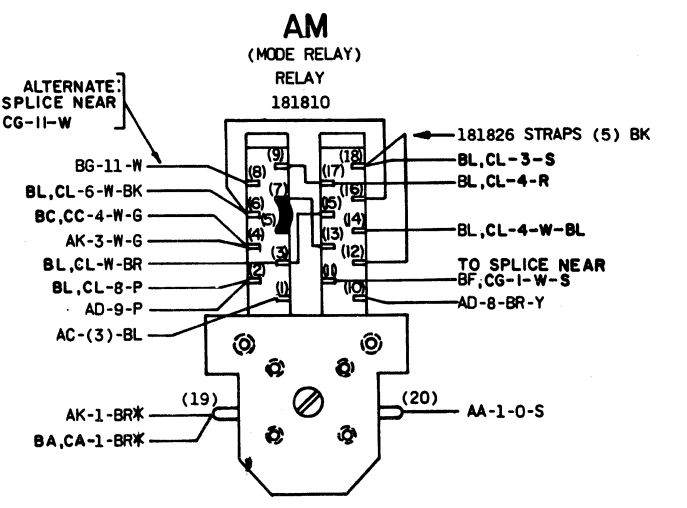
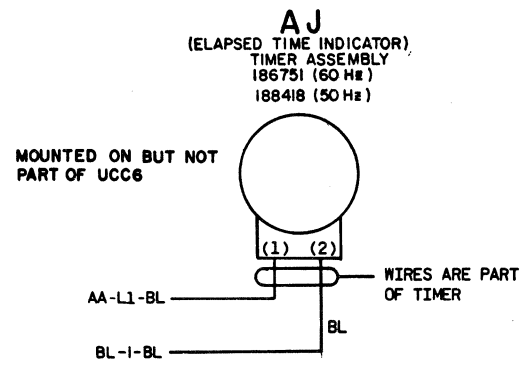
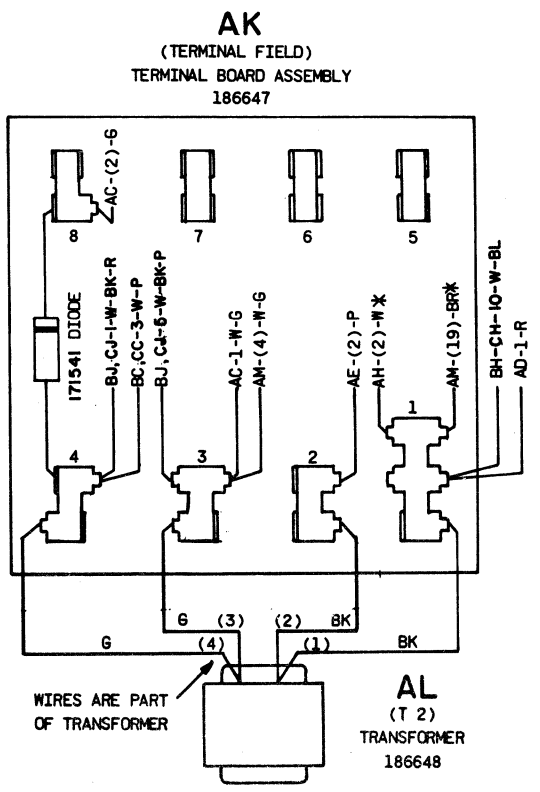
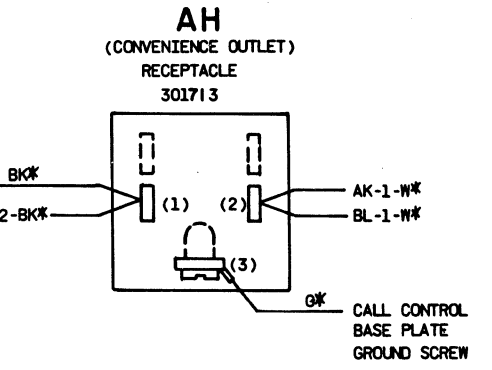
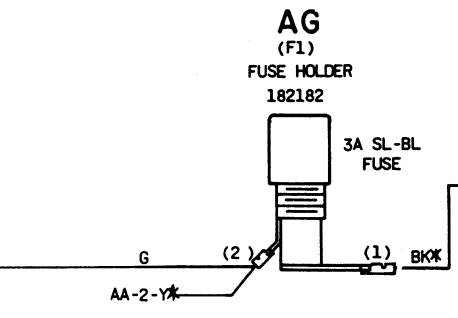
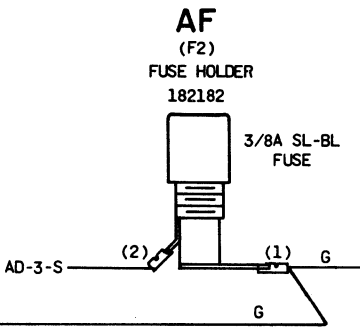
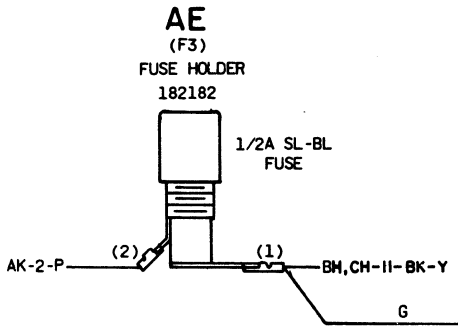
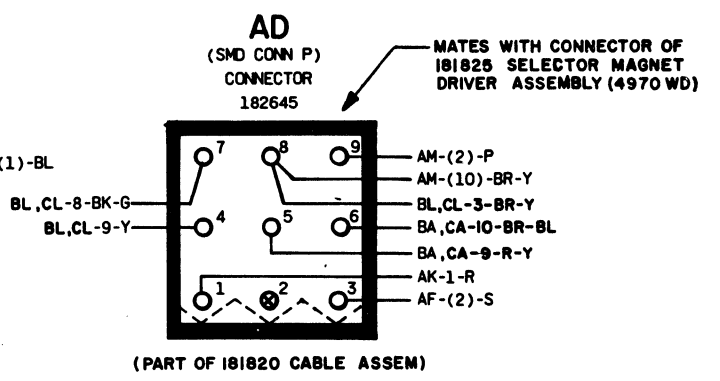
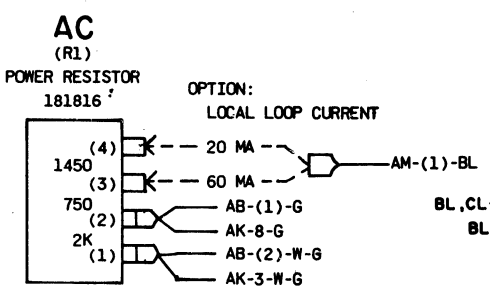
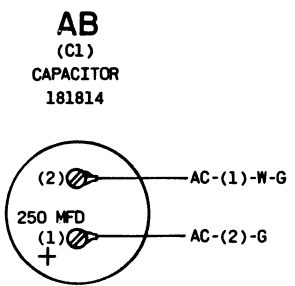
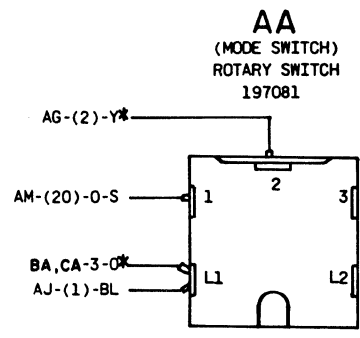
REVISIONS		
ISSUE	DATE	AUTH. NO.
1	8-6-71	21643R
2	5-23-73	8197
3	11-21-73	8046
4	3-20-74	10712-RC

WIRING DIAGRAM FOR MODEL 33 CALL CONTROL UNIT UCC 6

APPROVALS		
PROJ. SUPV.	PROJ. DIR.	MFG. REL. COMPL.
<i>DJR</i>	<i>RRS</i>	<i>[Signature]</i>
ENGR. OFD	DSGNR.	
DRN. S.L.D.	DATE 6-2-71	
R&D FILE 6-A152-219A		
S-NUMBER 61.910		

TELETYPE

 9336WD-A1

REVISIONS		
ISSUE	DATE	AUTH. NO.
1	8-6-71	21643R
2	5-23-73	8197
3	11-21-73	8046



WIRING DIAGRAM FOR
MODEL 33
CALL CONTROL UNIT
UCC 6

APPROVALS

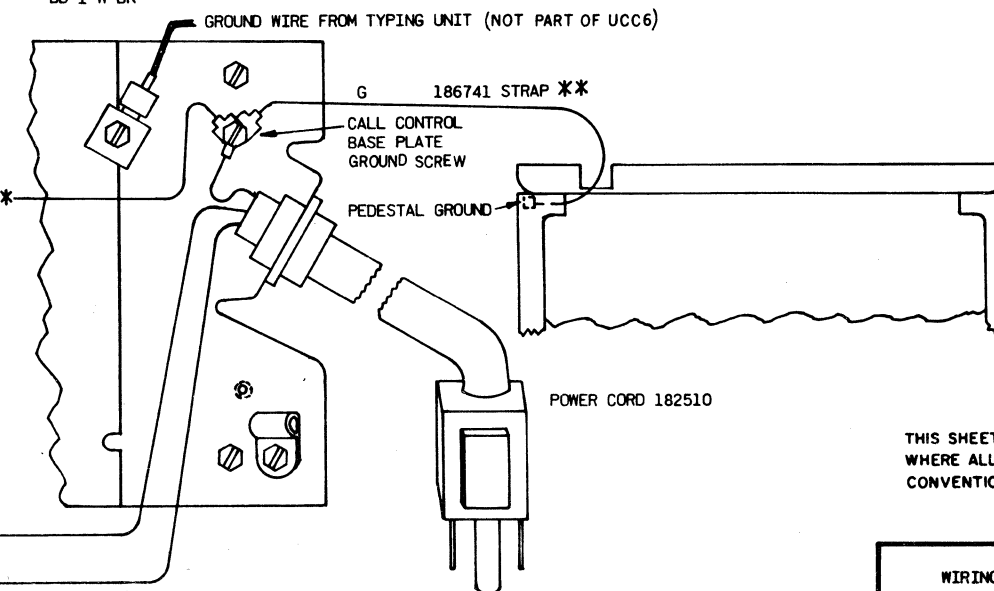
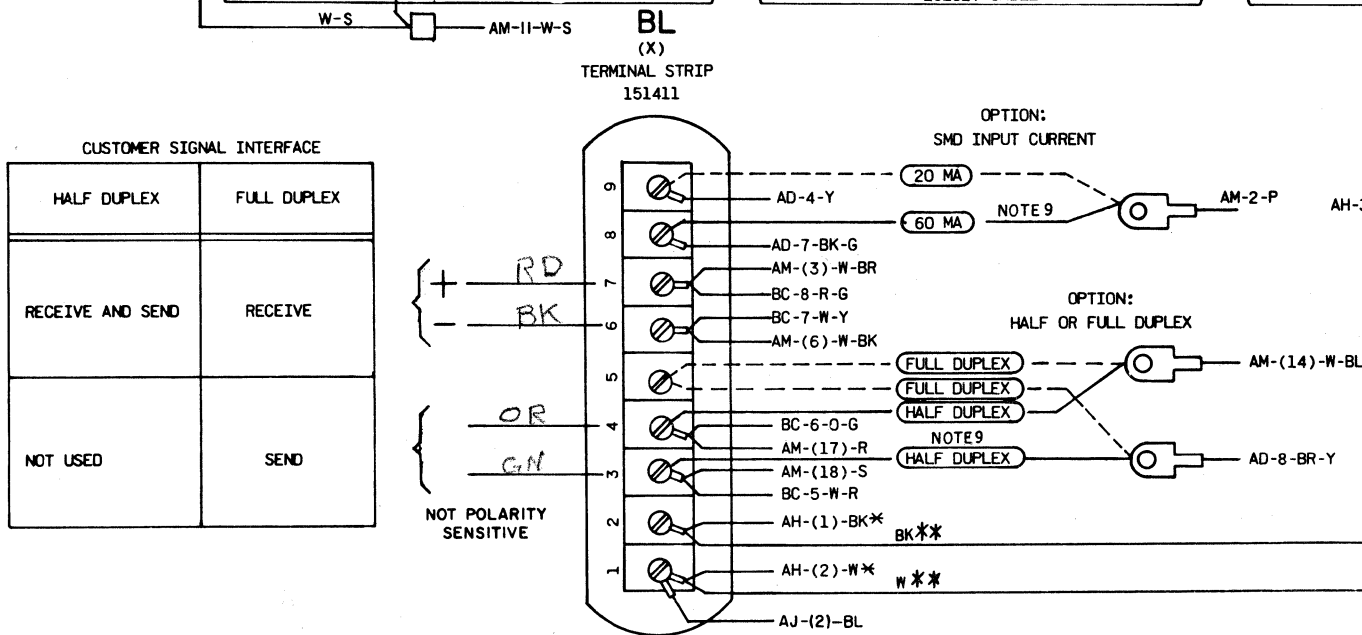
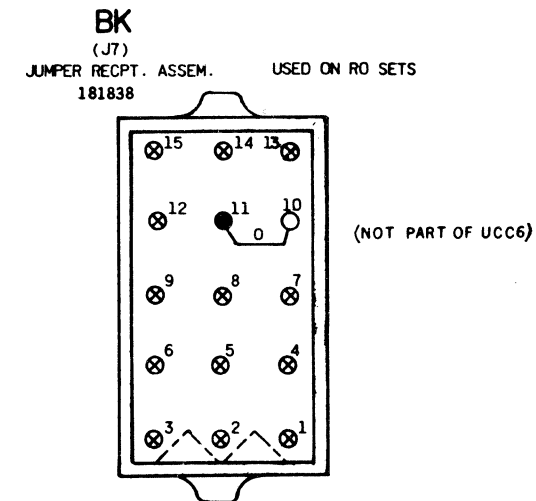
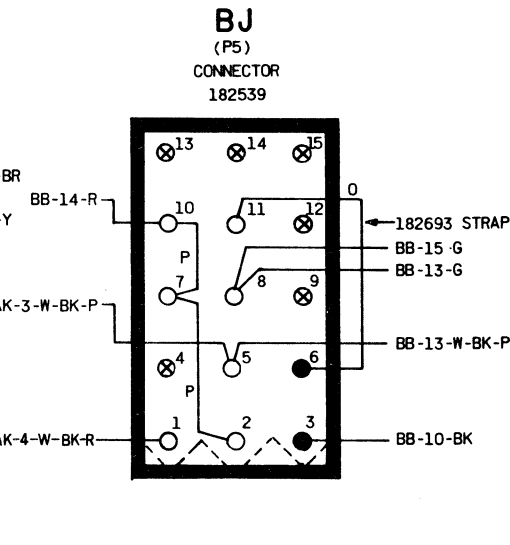
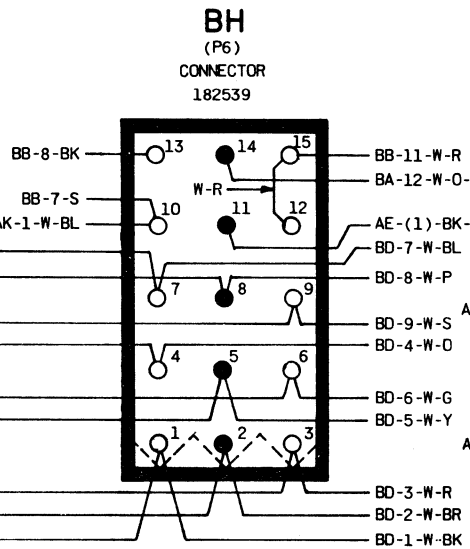
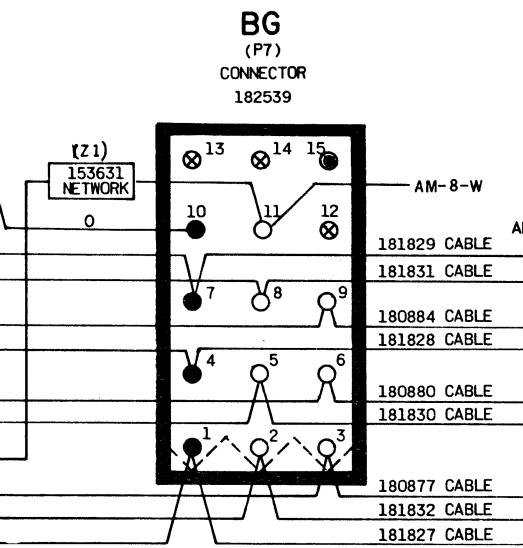
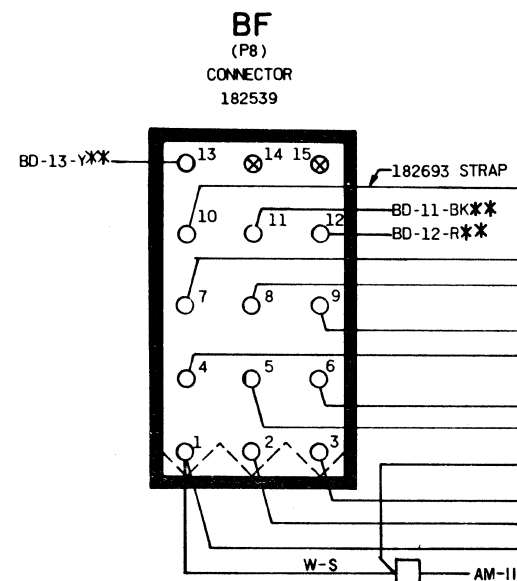
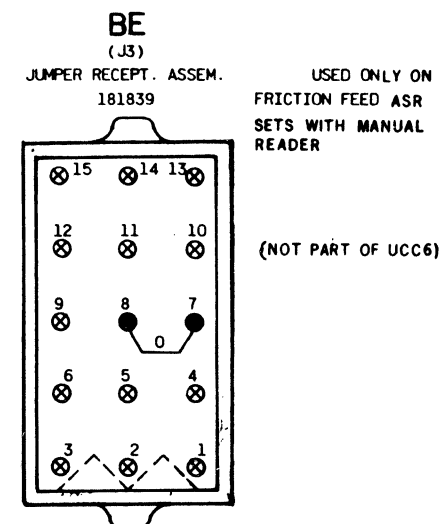
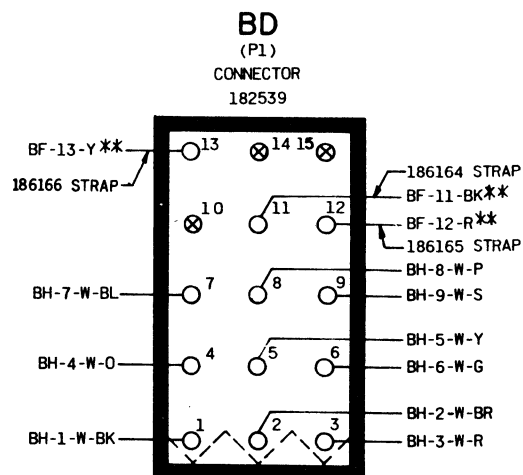
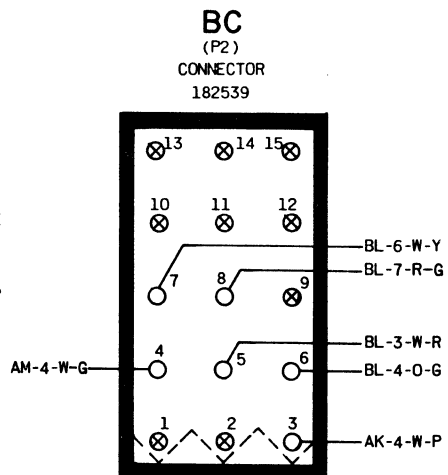
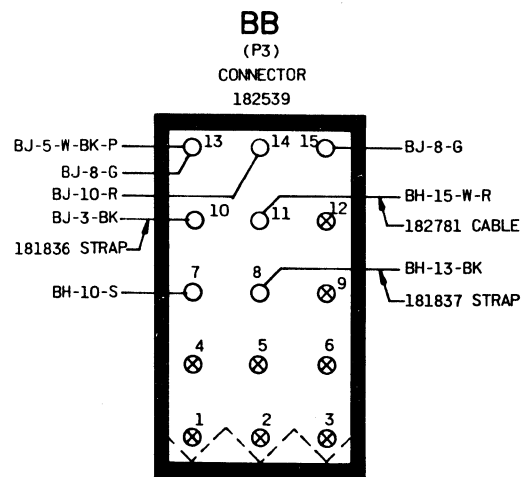
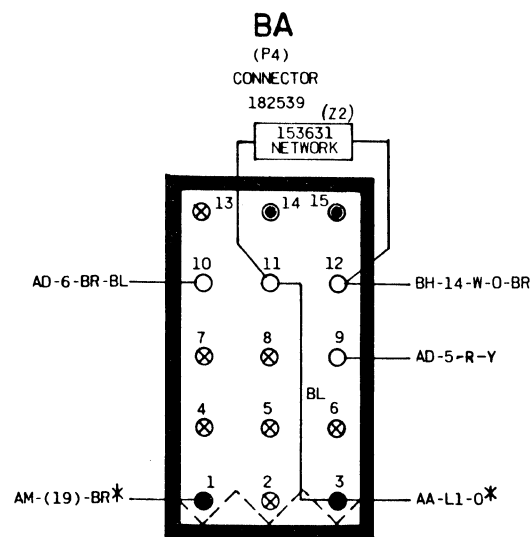
PROJ. SUPV. D.F.R.	PROJ. DIR. R.R.S.	MFG. REL. COMPL. J.C.W.
ENGR. OFD	DSGHR.	
DRN. S.L.D. DATE		
R & D FILE 6-A152.219A		
S-NUMBER 61.910		

TELETYPE

9336WD-B1

UNITS WITH CABLE WIRING

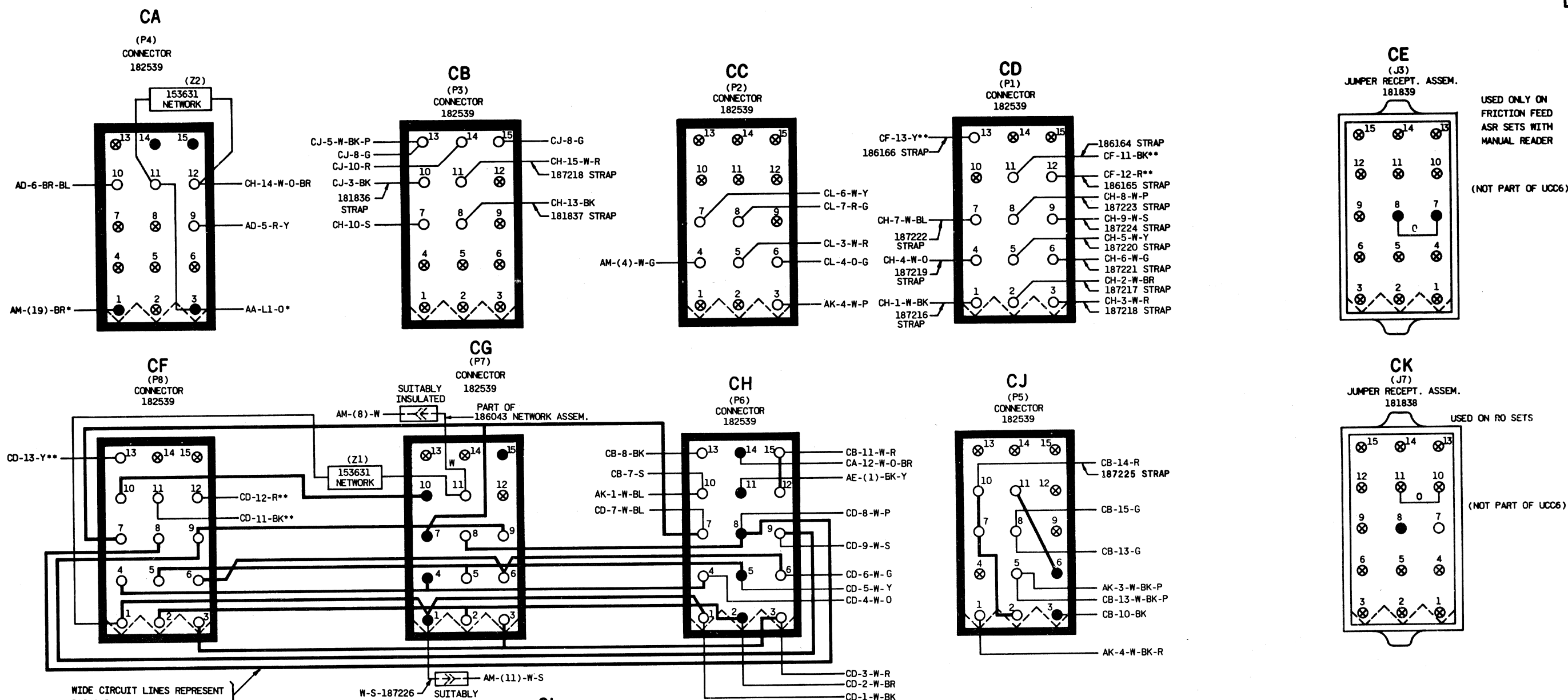
ISSUE
1
2
3
4



THIS SHEET APPLIES TO EARLIER UNITS WHERE ALL WIRING WAS PROVIDED BY CONVENTIONAL CABLES.

WIRING DIAGRAM FOR MODEL 33 CALL CONTROL UNIT UCC 6	
9336WD-B2	

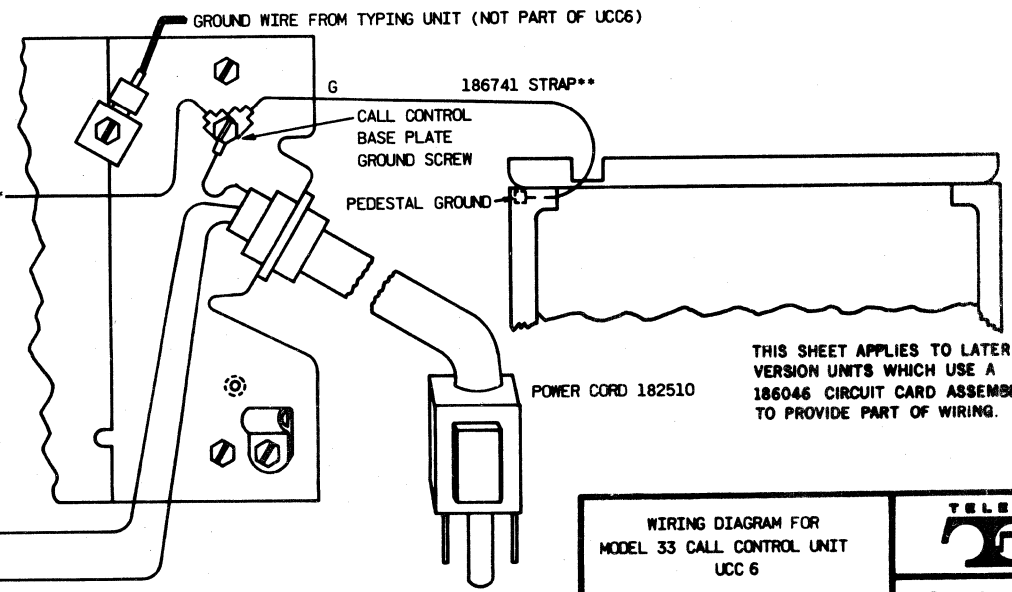
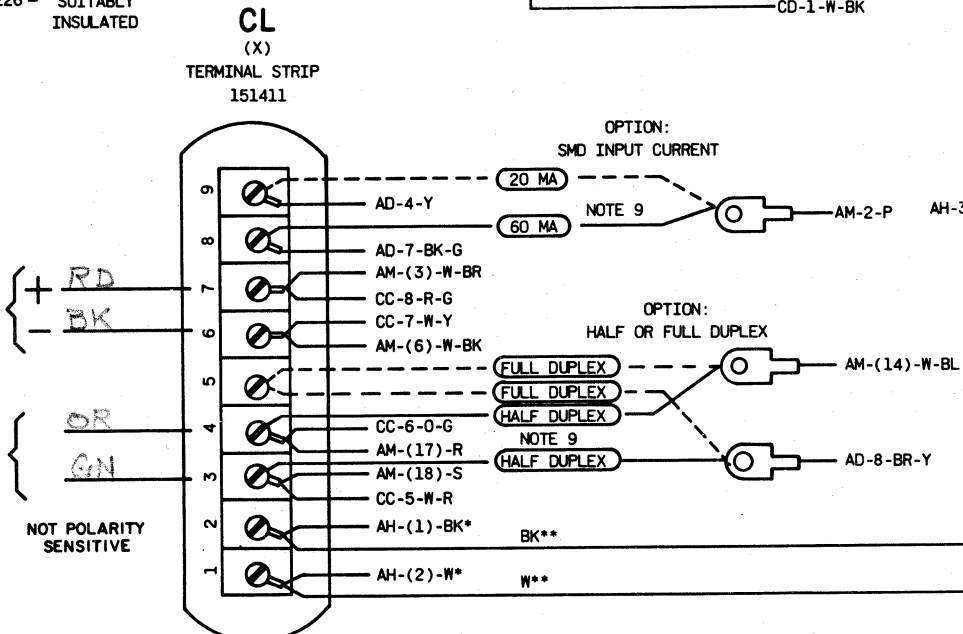
UNITS WITH CIRCUIT BOARD WIRING



WIDE CIRCUIT LINES REPRESENT PATHS PROVIDED BY 186046 CIRCUIT CARD ASSEMBLY.

CUSTOMER SIGNAL INTERFACE

HALF DUPLEX	FULL DUPLEX
RECEIVE AND SEND	RECEIVE
NOT USED	SEND



THIS SHEET APPLIES TO LATER VERSION UNITS WHICH USE A 186046 CIRCUIT CARD ASSEMBLY TO PROVIDE PART OF WIRING.

WIRING DIAGRAM FOR MODEL 33 CALL CONTROL UNIT UCC 6

TELETYPE

 9336WD-B2A

REF. DESIG.	PART NO. REQ.	QTY.	DESCRIPTION	FUNCTION
R1	183083	1	RESISTOR, 22 OHM	SURGE LIMITER
R2	183082	1	RESISTOR, 12,000 OHM	ARC SUPPRESSOR
R3	118198	1	RESISTOR, 56,000 OHM	BLEEDER
R4	118180	1	RESISTOR, 10,000 OHM	ARC SUPPRESSOR
R5	144464	1	RESISTOR, 220 OHM (NOTE 4)	VOLTAGE DROPPING
C1	183078	1	CAPACITOR, DUAL SECTION A - 200 MFD, 200V DC B - 9 MFD, 200V DC	POWER SUPPLY FILTER SURGE SOURCE
C2	183084	1	CAPACITOR, .22 MFD	ARC SUPPRESSOR
C3	183121	1	CAPACITOR, 15 MFD	FILTER
CR1	312341	6	DIODE, 400V (NOTE 5)	POWER SUPPLY RECTIFIER
CR2			SAME AS CR1	POWER SUPPLY RECTIFIER
CR3			SAME AS CR1	POWER SUPPLY RECTIFIER
CR4			SAME AS CR1	POWER SUPPLY RECTIFIER
CR5			SAME AS CR1	ARC SUPPRESSOR
CR6			SAME AS CR1	RECTIFIER
F1	143630	1	FUSE, 3/4 A.F.B.	POWER SUPPLY PROTECTION (SEE NOTE 2)
FC	171595	2	FUSE CLIP	
T1	183085	2	TERMINAL WITH WIRE LEAD	
T2			SAME AS T1	
J1	182540	1	CONTACT BLOCK, 15 POINT	
E	182641	15	TERMINAL, MALE P.C.	
EC	183137	1	ETCHED CIRCUIT BOARD	
RYL.1	183088	1	RELAY, 2, 100 OHM	AUTOMATIC READER CONTROL
	151637	2	SCREW, 4-40 FIL. HEAD	
	110743	2	LOCKWASHER, 4-40	
	151880	2	NUT	

SIMILAR TO:

1. MASTER ARTWORK NO.: 183079AW FOR PRINTED SCREENING AVAILABLE IN R & D OFFICE SERVICE SECTION.

2. SOME PREVIOUS CIRCUIT CARD ASSEM. USED 1/2 AFB. 3/4 AFB. IS PREFERABLE.

3. COMPONENT LAYOUT WAS CHANGED TO ALLOW FOR NEW STYLE CAPACITOR WITH VENT.

4. R5 CHANGED FROM 470 OHM 2W, TO 220 OHM, 1 WATT ON ASSEM. LATER THAN ISSUE 12. CARD ASSEM. ISSUE 13 AND HIGHER ARE SUITABLE FOR ALL APPLICATIONS. CARD ASSEM. LOWER THAN ISSUE 13 PROVIDE LESS OPERATING MARGIN WHEN USED IN MODEL 38 SETS OR IN MODEL 33 SETS WITH INTEGRAL DATA SETS.

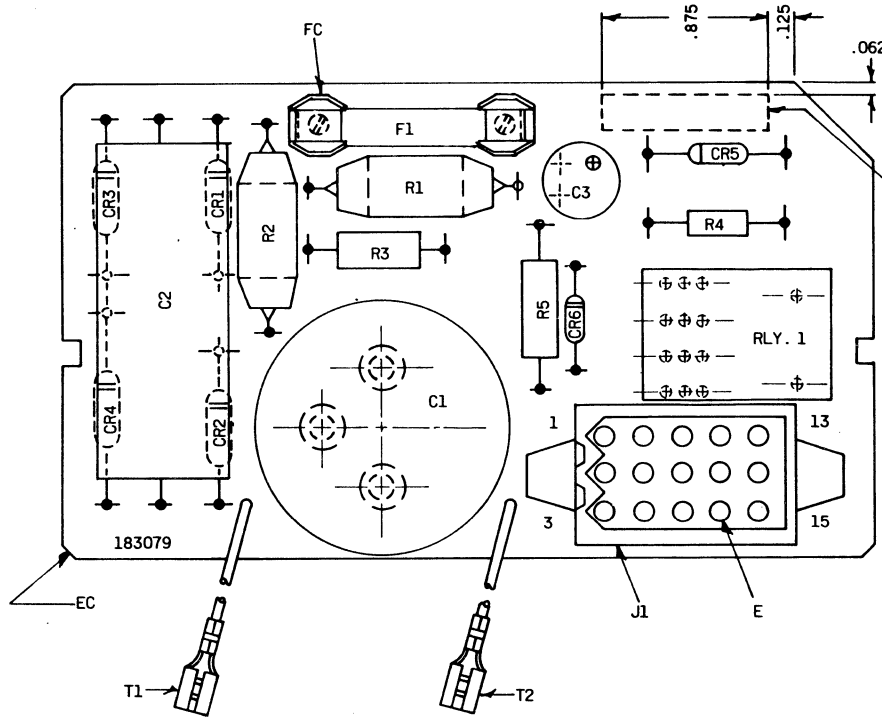
5. FOR STANDARDIZATION CRI-6 WERE CHANGED FROM 181654.

CIRCUIT DESCRIPTION

THIS POWER PACK CONSISTS OF A 150 VOLT POWER SUPPLY OPERATING DIRECTLY FROM THE 117V AC LINE, A WAVE SHAPING NETWORK, AND AN ARC SUPPRESSOR. IT IS DESIGNED TO OPERATE WITH AN INDUCTIVE LOAD OF APPROXIMATELY 100 OHMS BETWEEN TERMINALS 6 AND 12, WITH A 850 OHM, 40 WATT RESISTOR CONNECTED BETWEEN T1 AND T2.

T0 FEED SWITCH IS CONNECTED BETWEEN TERMINALS 9 AND 3. THE UNIT IS DESIGNED TO DRIVE THE READER MAGNET IN THE MODEL 33 ASR SET.

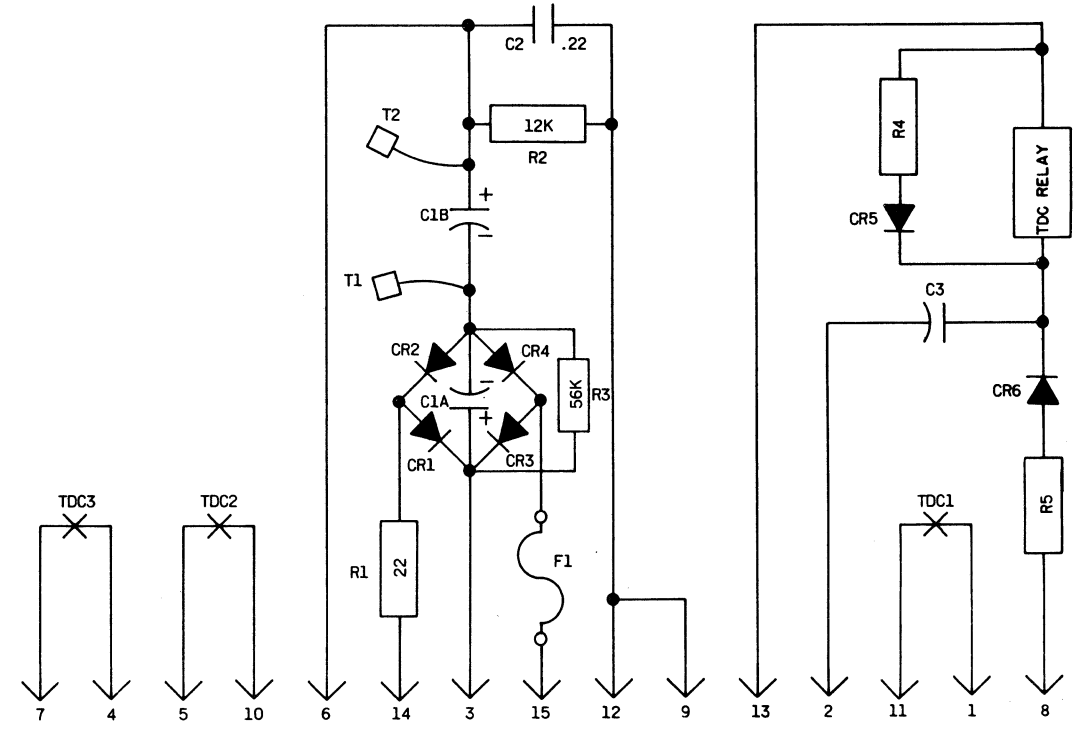
TDC RELAY CONTACTS ARE USED FOR AUTOMATIC READER CONTROL. 48V AC INPUT IS RECTIFIED THRU R5 AND CR6 BEFORE REACHING TDC RELAY. CAPACITOR C3 FILTERS TO GROUND THRU COMMON POINT OF TDC1.



UL RECOGNITION SYMBOL REQUIRED PER MR 2001.

REVISIONS						
CUSTOMER IDENTIFICATION	ISSUE	MFG. PERSON	ASSOCIATED NOTE	DRAWING ISSUE	CONFORMANCE DATE	AUTH. NO.
13	B	5	14			12174

POWER PACK ASSEMBLY W/RELAY



CIRCUIT CARD
EC 183079
POWER PACK ASSEMBLY
W/RELAY

APPROVALS		
PROJ. SUPV.	PROJ. DIR.	MFG. REL. COMPL.
ENGR. T.Y.	DSGMR.	
DRN. F.R.	DATE 8-4-72	
E-NUMBER		
SD-CD NO.		
R & D FILE	1-47.60.AA	



183079

CIRCUIT CARD ASSEMBLY

POWER PACK ASSEMBLY

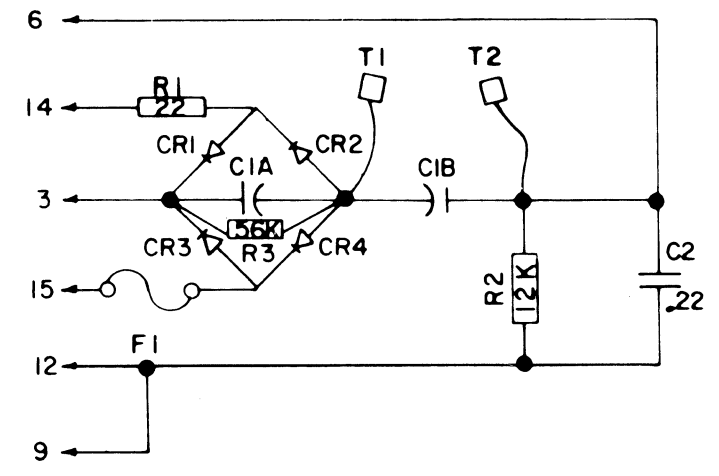
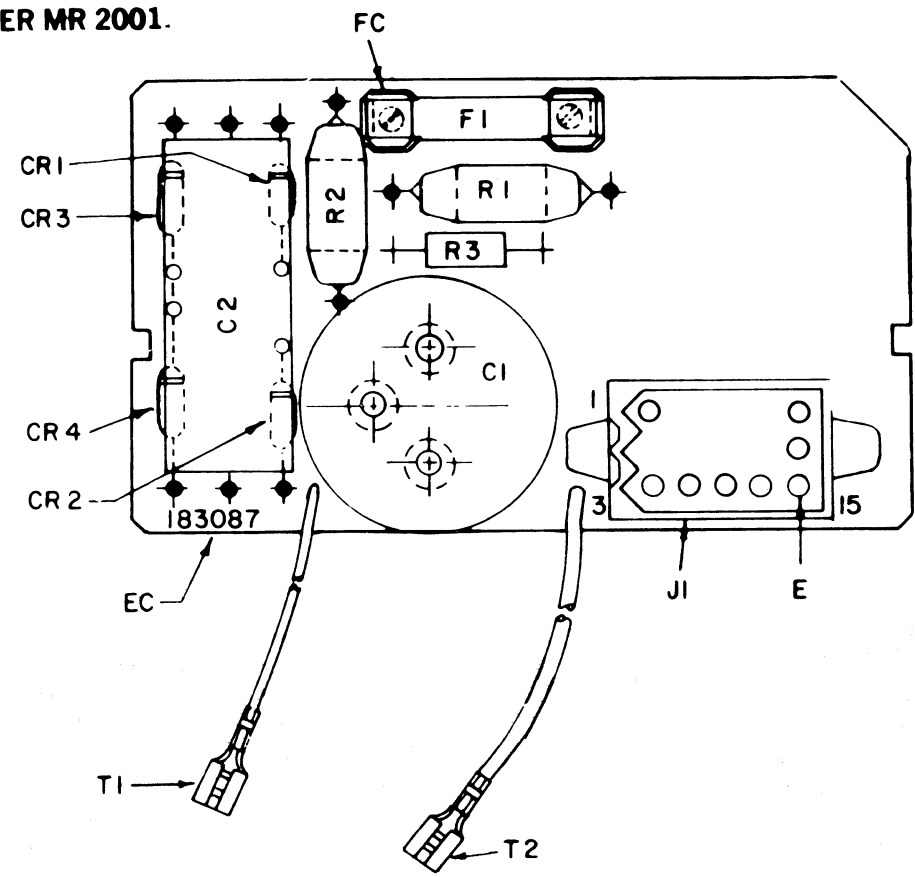
NO B/M

183087			
PARTS REQ	NO REQ	USED ON	NO REQ
SEE BELOW		182134	1

ALL DIMENSIONS \pm UNLESS OTHERWISE SPECIFIED

UL RECOGNITION SYMBOL REQUIRED PER MR 2001.

NO.	NOTES
1	MASTER ARTWORK 183087 AW FOR PRINTED SCREENING AVAILABLE IN R&D OFFICE SERVICE SECTION.
2	SOME PREVIOUS CIRCUIT CARD ASSEMBLY USED 1/2 AFB 3/4 AFB IS PREFERABLE.
3	ON ISSUE 10, BOARD NUMBER WAS 183080.
4	FOR STANDARDIZATION CR1-4 WERE CHANGED FROM 181-654.



REVISIONS		
ISSUE NO	DATE	AUTHOR NO
2	8-20-62	30-1276
3	9-26-62	30-13151
4	2-20-63	30-5537
5	6-26-63	76290
6	9-19-66	88816
7	11-25-66	88816-1
8	8-22-68	95993
9	9-17-69	99187
10	2-10-70	99187-2
11	3-3-71	2320
12	-20-72	564-2
13	12-18-72	6803

DESIG-NATION	TELETYPE PART NO	TOTAL QTY	DESCRIPTION	FUNCTION
R1	183083	1	RESISTOR, 22 OHM	SURGE LIMITER
R2	183082	1	RESISTOR, 12,000 OHM	ARC SUPPRESSOR
C1	183078	1	CAPACITOR, DUAL SELECTION A - 200 M.F.D. 200 V.D.C. B - 9 M.F.D. 200 V.D.C.	POWER SUPPLY FILTER SURGE SOURCE
C2	183084	1	CAPACITOR, .22 M.F.D.	ARC SUPPRESSOR
CR1	312341	4	DIODE, 400 V. (NOTE 4)	POWER SUPPLY RECTIFIER
CR2			" "	" " "
CR3			" "	" " "
CR4			" "	" " "
F1	143630	1	FUSE, 3/4 A. F.B.	POWER SUPPLY PROTECTION SEE NOTE 2.
FC	171595	2	FUSE CLIP	
T1	183085	2	TERMINAL WITH WIRE LEAD	
T2			" " " "	
J1	182540	1	CONTACT BLOCK, 15 POINT	
E	182641	8	TERMINALS MALE P.C.	
EC	183137	1	ETCHED CIRCUIT BOARD	NOTE 3
	151637	2	SCREW 4-40 FIL HEAD	
	110743	2	LOCK WASHER # 4	
	151880	2	NUT	
R3	118198	1	RESISTOR, 56,000 OHM	BLEEDER

THIS POWER PACK CONSISTS OF A 150 VOLT POWER SUPPLY OPERATING DIRECTLY FROM THE 117 VAC LINE. A WAVE SHAPING NETWORK AND AN ARC SUPPRESSOR. IT IS DESIGNED TO OPERATE WITH AN INDUCTIVE LOAD OF APPROXIMATELY 100 OHMS BETWEEN TERMINALS 6 AND 12. WITH A 850 OHM 40 WATT RESISTOR CONNECTED BETWEEN T1 AND T2.

AN ON-OFF CONTROL SWITCH IS CONNECTED BETWEEN TERMINALS 9 AND 3. THE UNIT IS DESIGNED TO DRIVE THE READER MAGNET IN THE MODEL 32 AND 33 ASR.

CUSTOMER I.D. ISSUE	MFG. VERSION	ASSOCIATED NOTE	DRAWING ISSUE	CONFORMANCE DATE	AUTH NO.
13	B	4	14		12174

APPROVALS	
D AND R	E OF M
7	
E. NUMBER	
PROD NO 183087	

SCALE: 1/1				STOCK SPECIFICATION			
DRAWN T.R.	PD FILE NO 1-4760AA	DATE 6-7-62	SIZE	KIND	SHAPE	TEMPER	
DESIGNED	ENGINEER J.A.J.	CHECKED AAH	APPROVED <i>[Signature]</i>				

TELETYPE CORPORATION

183087