

1935 FORMATTER CONTROL UNIT ILLUSTRATED PARTS CATALOG

PN 9356



®

STORAGE TECHNOLOGY CORPORATION

PREFACE

This illustrated parts catalog contains listings and illustration of the replaceable assemblies, subassemblies and detail parts for the STC Model 1935 FCU. Part number information is accurate as of the STC week 7942.

Information contained in this publication is subject to change. In the event of changes, the publication will be revised. Comments concerning the contents of this manual should be directed to the Publications Department at the address below. Requests for additional copies should be directed to the Machine Level Control Department. A prepaid Readers's Comment Form is provided at the back of the manual.

This publication was prepared by Storage Technology Corporation, Publications Department, P.O. Box 98, Louisville, Colorado 80027.

Copyright © August 1979
by
Storage Technology Corporation
All Rights Reserved

LIST OF EFFECTIVE PAGES

Publication No. 9356

Issue Date: OCTOBER 1979 EC 44013

Change Date: DECEMBER 1983 Change 18 KIT PN 94583-2

Incorporates EC's: 42894

Total number of pages in this document is 15, consisting of the following pages:

PAGE	EC NO.	KIT PN	DISPOSITION
Cover	EC 44013	NONE	
Cover Back	BLANK	NONE	
i	EC 44013	NONE	
ii	BLANK	NONE	
iii	EC 42894	94583-2	REPLACE
iv	BLANK	NONE	
v	EC 44013	NONE	
vi	BLANK	NONE	
vii thru ix	EC 44013	NONE	
x	BLANK	NONE	
1	EC 44013	NONE	
2	EC 42894	94583-2	REPLACE
3	EC 42894	94583-2	REPLACE
4	EC 44651	99408-7	
5	EC 42894	94583-2	REPLACE
6	EC 42894	94583-2	REPLACE
Reader's Comment Form	EC 44013	NONE	
Business Reply Mailer	EC 44013	NONE	

9356LOE

TABLE OF CONTENTS

FIGURE	PAGE
1. BASIC ASSEMBLY.....	2
2. COVER ASSEMBLY, TOP REAR.....	4

HOW TO USE THE ILLUSTRATED PARTS CATALOG

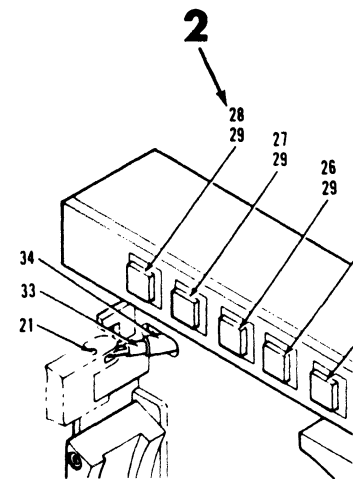
GENERAL

Illustrations always precede their parts lists, and when possible, appear on the facing page; multi-page illustrations and parts lists are exceptions. Blank pages are numbered on the printed side only.

The first number in each list identifies the figure in which the listed parts are shown (see Arrow 1). The index numbers (see Arrow 2) key the parts in the figures to the related information in the list. On subsequent pages of the same list, the first line repeats the figure number and gives the index of the next item listed (Arrow 3).

FIGURE & INDEX NUMBER	PART NUMBER	DESCRIPTION			
		1	2	3	4
1 → 2	42011510 7	DECK ASSEMBLY, 1910			
	42002410 1	DECK ASSEMBLY, 1920			
1	00002708 6	SEE FIGURE 1 1 FOR NHA			
2	42005001 5	CLEANER BLOCK ASSEMBLY			
3	42420021 0	FOOT/ROT ASSEMBLY			
		CAPSTAN WHEEL			

FIGURE & INDEX NUMBER	PART NUMBER	DESCRIPTION			
		1	2	3	4
3 → 2	52	CABLE ASSEMBLY, DECK SIGNAL			
	42024900 5	SEE FIG. 7 6, 8, 10, 13, 22, 24, 28, 29 FOR TERMINATIONS			
	42008510 2	CABLE ASSEMBLY, DECK SIGNAL			
		SEE FIG. 7 3, 10, 22, 28, 34, 75 FOR TERMINATIONS			



The figure numbers and assemblies follow a logical sequence of breakdown. If an assembly is further detailed elsewhere in this catalog, the figure is referenced in the description column (Arrow 4).

FIGURE & INDEX NUMBER	PART NUMBER	DESCRIPTION				USABLE ON CODE	SPARES				QTY PER ASM
		1	2	3	4		R	A	B	C	
2	30400202 5	FINAL ASSEMBLY									1
1	30450217 2	CONTROL SWITCH PANEL ASSEMBLY									1
2	10028059 3	NUT, HEX, 8 32									4
3	30455501 4	AC POWER SUPPLY, 60 HZ					Y	O	O	1	1
	30456301 8	AC POWER SUPPLY, 50 HZ					Y	O	O	1	1
4	10013062 4	SCREW, MACHINE, SBNH, 10-32 X 3/5									3
5	10030505 1	WASHER, LOCK, NO. 10									3

Detailed figures refer back to the next higher overall view or next higher assembly (NHA) (Arrow 5). Assemblies that are not detailed can be ordered only as complete assemblies.

A detail part may be unlisted for several reasons; it is part of a matched set, part of an assembly that is purchased as a unit, or part of a welded or bonded assembly. If you need an unlisted part, you must order the assembly that contains it, and not the detailed part.

LEVEL OF ASSEMBLY

The indented parts list indicates the subordination of major assemblies, subassemblies, detail parts, and attaching hardware. The top assembly (figure number) in each parts list is level 1 (Arrow 6). Descriptions preceded by a single dot (.) (Arrow 7) are second level assemblies or details which are subordinate to those not preceded by a dot. Descriptions for levels 3 and 4, are preceded by two dots - ". . .", are subordinate to level 2, or those preceded by one dot (Arrow 8).

FIGURE & INDEX NUMBER	PART NUMBER	DESCRIPTION	USABLE ON CODE	SPARES				QTY PER ASM
				R	A	B	C	
3	42012310 1	CAGE ASSEMBLY, 1910	A					1
	42012410 9	CAGE ASSEMBLY, 1920 SEE FIG. 12 FOR NHA	B					1
1	42420367 7	HOSE, MANUAL EXHAUST	A					1
	42420369 3	HOSE, AUTO EXHAUST	B	Y	O	O	1	1
2	42420370 1	HOSE, VACUUM		Y	O	O	1	1
	42005700 2	PNEUMATIC SUPPLY ASSEMBLY SEE FIG. 6 FOR DETAILS						1
4	42420368 1	HOSE, EXHAUST 2 25' LONG	B					1
5	42420389 1	TUBE, FLEXIBLE 62 X 36 0	B					1
6	42007200 1	DIVERTER VALVE ASSEMBLY	B	Y	O	O	1	1
7	PN COMP	CKT CD, DP, 1900 PC ASSEMBLY		Y	O	O	1	1
8	PN COMP	CKT CD, DC, 1900 PC ASSEMBLY						1
9	10037013 9	FAN, AXIAL, 125 VAC, 6 IN DIA						1
	42005810 9	COVER ASSEMBLY, REAR						1
10	42001400 6	RECTIFIER ASSEMBLY						1
11	42024500 3	SERVO HEAT SINK ASSEMBLY SEE FIG. 5 FOR DETAILS						1
12	42007730	TRANSFORMER ASSEMBLY						1
13	42021000	CABLE ASSEMBLY, SERVO SIGNAL						1

USABLE ON CODE

Usable On Code identifies all related parts (Arrow 9). The code relationships are explained at the beginning of each list (Arrow 10). If there is no code identified, the specific part is interchangeable with all codes.

NUMERICAL INDEX

The numerical index beginning on page 6 of this catalog, list all part numbers in numerical order. The part number is cross referenced to each figure and index number where the part can be found in the catalog. For example (Arrow 11): Part No. 00010245-9 can be found on Figure 7, Index No. 33.

NUMERICAL INDEX

PART NUMBER	FIGURE & INDEX NUMBER	PART NUMBER	FIGURE & INDEX NUMBER	PART NUMBER	FIGURE & INDEX NUMBER	PART NUMBER	FIGURE & INDEX NUMBER
00002708 6	2 1	10081010 0	4 1	42017600 6	2 25	42420408 9	4 22
00010245 9	7 33	10096273 7	2 7	42017700 8	2 24	42420421 2	2 50
10037013 9	3 9	10097224 9	7 31	42017800 6	2 23	42420421 2	2 47
10037015 4	6 3	10097245 4	5 3	42017900 4	2 39	42420434 5	2 16
10041010 9	7 25	10111000 2	2 68	42018200 8	2 32	42420451 9	2 33
10041011 7	7 18	10111004 7	2 69	42018600 9	2 74	42420465 9	2 65

1935 FORMATTER CONTROL UNIT

ILLUSTRATED PARTS CATALOG

Part No. 9356

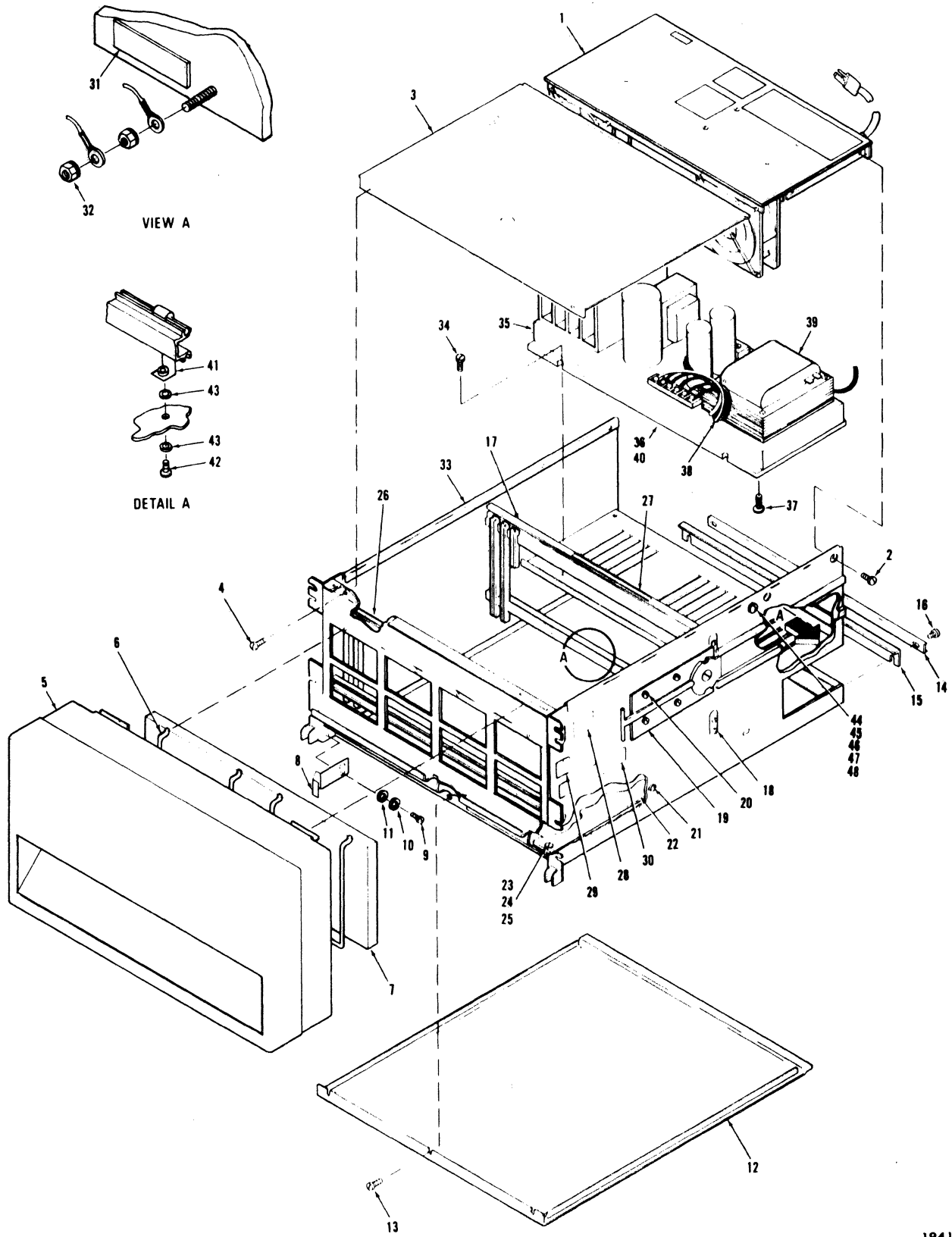
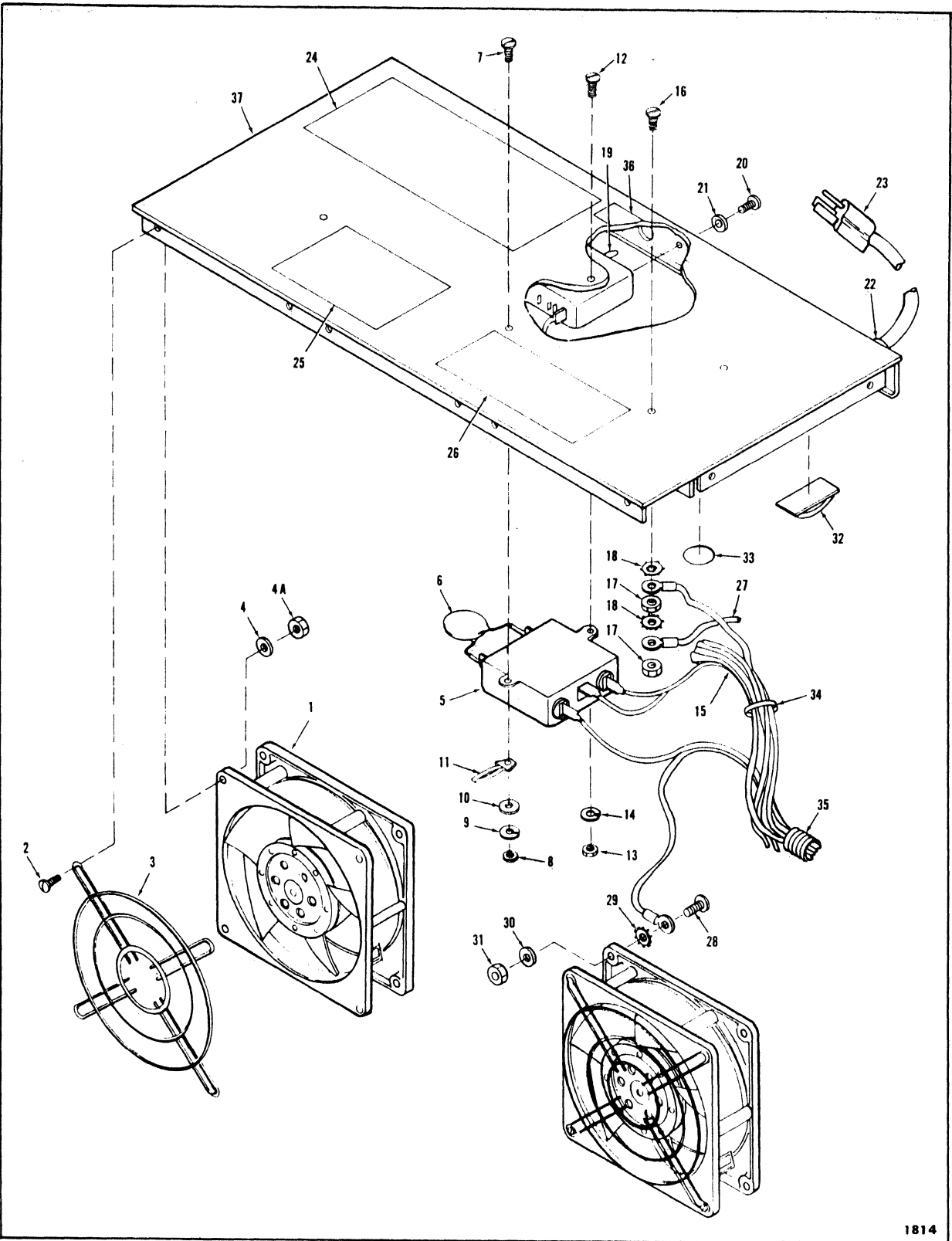


FIGURE 1. BASIC ASSEMBLY

1941

FIGURE & INDEX NUMBER	PART NUMBER	DESCRIPTION				USABLE ON CODE	QTY PER ASM
		1	2	3	4		
1-	43028201-2	BASIC ASSEMBLY				A	1
	401671801-9	BASIC ASSEMBLY, IEC				B	1
	402251901-3	BASIC ASSEMBLY (435 KIT)				C	1
- 1	43028405-9	COVER ASSEMBLY, TOP REAR				A	1
	401671601-3	COVER ASSEMBLY, TOP REAR, VDE CERTIFIED				B	1
	402244501-1	COVER ASSEMBLY, TOP REAR, (435 KIT) (SEE FIGURE 2 FOR DETAILS)				C	1
- 2	10013062-8	SCREW, MACHINE, SBNH, 1-32 X .375					4
- 3	401207002-7	COVER, CARD CAGE					1
- 4	10013060-8	SCREW, MACHINE, SBNH, 10-32 X .250					3
- 5	401220001-3	COVER, FRONT, WHITE					1
	401219901-6	COVER, FRONT, BLACK					1
- 6	42420230-7	RETAINER, FILTER, FCU					2
- 7	42420588-8	FILTER, FAN, FCU					1
- 8	43430335-0	LATCH SPRING					2
- 9	10013062-4	SCREW, MACHINE, SBNH, 10-32 X .375					2
-10	10030505-1	WASHER, LOCK #10					2
-11	10026006-6	WASHER, LOCK #10					2
-12	43430332-7	COVER, BOTTOM					1
-13	10013060-8	SCREW, MACHINE, SBNH, 10-32 X .250					3
-14	401229802-4	BRACKET, CABLE STRAIN RELIEF				B	1
-15	401645301-3	BRACKET, REAR					1
-16	10013062-4	SCREW, MACHINE, SBNH, 10-32 X .375					4
-17	402570901-7	CARD GUIDE ASSEMBLY					2
-18	10186426-2	SCREW, SPH, TF, 3 LOBE, 6-32 X .375					16
-19	401519903-9	TILT SLIDES, FORMATTER					2
-20	10013062-4	SCREW, MACHINE, SBNH, 10-32 X .375					8
-21	10003060-0	SCREW, MACHINE, SFM, PS, 10-32 X .375					4
-22	(PN COMP)	BACKPANEL ASSEMBLY					1
-23	10013062-4	SCREW, MACHINE, SBNH, 10-32 X .375					3
-24	10030505-1	WASHER, LOCK #10					3
-25	10026006-6	WASHER, FLAT, A, #10					3
-26	43430345-9	LABEL, CARD CALLOUT				A,C	1
	43430413-5	LABEL, CARD CALLOUT, VDE				B	1
-27	43430346-7	LABEL, CARD SLOTS					1
-28	00023227-2	R-LABEL, SUB ASSEMBLY					1
-29	50050050-9	LOGO, CSA					1
-30	401208002-6	LABEL, ID, 1935 FCU				A,C	1
	402208602-1	LABEL, ID, 1935-IEC				B	1
-31	33001356-6	LABEL, GROUND				A,C	2
-32	10028061-9	NUT, HEX, 10-32					2
-33	401560804-7	CHASSIS, WELDMENT					1
	43032301-4	POWER SUPPLY BASE PLATE ASSEMBLY				A,C	1
	401671701-1	POWER SUPPLY BASE PLATE ASSEMBLY, VDE				B	1
-34	10096348-7	SCREW, SHOULDER, 10-32					2
-35	401656701-0	POWER SUPPLY				A,C	1
	43011602-0	POWER SUPPLY, VDE				B	1
-36	43430350-9	BASE PLATE					1
-37	10003026-7	SCREW, FLAT HEAD, 6-32 X .375					2
-38	403763901-7	HARNESS, DC					1
-39	43051200-4	JUMPER ASSEMBLY-POWER SUPPLY					AR
-40	00023227-2	LABEL, SUBASSEMBLY					1
-41	401253302-4	BRACKET, SUPPORT					1
-42	10013064-0	SCREW, MACHINE, SBNH, 10-32 X .625 PC					1
-43	10092035-4	WASHER, NO. 10, SHOULDER, NYLON					2
-44	10003064-2	SCREW, MACHINE, SFH, PS, 10-32 X .625					1
-45	10030505-1	WASHER, LOCK, HEL, MED, PS, 10					1
-46	10026006-6	WASHER, FLAT, A, #10					1
-47	10075022-3	CABLE CLIP, T, 1.750 NO. 10					1
-48	10028061-9	NUT, HEX, 10-32					1

9356-101



1814

FIGURE 2. COVER ASSEMBLY, TOP REAR

FIGURE & INDEX NUMBER	PART NUMBER	DESCRIPTION				USABLE ON CODE	QTY PER ASM
		1	2	3	4		
2-	43028405-9	COVER ASSEMBLY, TOP REAR				A	1
	401671601-3	COVER ASSEMBLY, TOP REAR, VDE CERTIFIED				B	1
	402244501-1	COVER ASSEMBLY, TOP REAR, (435 KIT) (SEE FIGURE 1 FOR NHA)				C	1
- 1	10037012-1	. FAN, AXIAL, 115CFM, 115VAC, 50/60				A	2
	10037042-8	. FAN, AXIAL, 115CFM, 115VAC, 50/60, VDE				B	2
- 2	10013028-5	. SCREW, MACHINE, SBNH, 6-32 X .625, PS					8
- 3	00010257-4	. R-FINGER GUARD					2
- 4	10030503-6	. WASHER, LOCK, HEL, MED, PS, NO. 6					8
- 4A	10028003-1	. NUT, HEX, 6-32					8
- 5	10058079-4	. FILTER, LINE, 10A, 115VAC, 60 HZ				A	1
	10058102-4	. FILTER, LINE, 10A, 115VAC, 60 HZ, VDE				B	1
- 6	43029202-9	. VARISTOR ASSEMBLY				A	1
	400400801-9	. VARISTOR ASSEMBLY, VDE				B	1
- 7	10013026-9	. SCREW, MACHINE, SBNH, 6-32 X .375					3
- 8	10028003-1	. NUT, HEX, 6-32					3
- 9	10030503-6	. WASHER, LOCK, HEL, MED, PS, NO. 6					3
-10	10026004-1	. WASHER, FLAT NO. 6					3
-11	10075022-3	. CLAMP, CABLE, 1 3/4, NO. 10					3
-12	10013026-9	. SCREW, MACHINE, SBNH, 6-32 X .375					1
-13	10028003-1	. NUT, HEX, 6-32					1
-14	10030503-6	. WASHER, LOCK, HEL, MED, PS, NO. 6					1
-15	401533903-1	. HARNESS, AC				A	1
	401533903-1	. HARNESS, AC, VDE				B	1
	402242101-2	. HARNESS, AC, VDE (435 KIT)				C	1
-16	10013026-9	. SCREW, MACHINE, SBNH, 6-32 X .375				A,B	1
	10013028-5	. SCREW, MACHINE, SBNH, 6-32 X .625				C	1
-17	10028003-1	. NUT, HEX, 6-32					2
-18	10030520-0	. WASHER, EXT TOOTH #6					2
-19	10077125-2	. CIRCUIT BREAKER, T, 1P, PO. 4A, 250V, H, IN RUSH					1
-20	10013025-1	. SCREW, MACHINE, SBNH, 6-32 X .312					2
-21	10030503-8	. WASHER, LOCK, HEL, MED, PS, NO. 6					2
-22	10097203-3	. BUSHING, STRAIN RELIEF, 2# 16 AWG					1
-23	43029101-3	. POWER CORD, ASSEMBLY				A	1
	401526701-8	. POWER CORD, ASSEMBLY, VDE				B	1
-24	43430348-3	. DECAL-CONN. LOCATION					1
-25	00002533-8	. LABEL, WARNING					1
-26	42420582-1	. LABEL, FCU CAUTION					1
-27	402260501-0	. HARNESS, GROUNDING, FORMATTER				C	1
-28	10013028-5	. SCREW, MACHINE, SBNH, 6-32 X 5/8, PS				C	2
-29	10030520-0	. WASHER, LOCK, EXT, MED, PS, NO. 6				C	2
-30	10030503-6	. WASHER, LOCK, HEL, MED, PS, NO. 6				C	2
-31	10028003-1	. NUT, HEX, 6-32				C	2
-32	10075065-2	. CLAMP, CABLE, FLAT, ADHESIVE BACK				C	2
-33		. DELETED					
-34	10075020-7	. CLAMP, CABLE, T				C	2
-35	10057016-7	. TUBING, EL., SPIRAL				C	AR
-36	40159706-4	. LABEL, ON-OFF					1
-37	401252103-7	. COVER, TOP REAR					1

9356-201

9356

EC 42894
KIT PN 94583-2

5

READER'S
COMMENT
FORM

Please give us your comments on this manual.

Your constructive criticism can help us produce better publications in the future. Give specific page and line references where they are appropriate. If you would like a reply, be sure to include your name and address.

Thank you for your comments.

No postage is required if mailed in the U.S.A.

1935 FORMATTER CONTROL UNIT

9356

Fold or Cut

YOUR COMMENTS PLEASE

This manual is a Field Engineering tool. If it contains incorrect or inadequate information, it is no better than a broken screwdriver. Your comments and suggestions could help us make this manual and others into more useful tools. Won't you take a few minutes to jot down your suggestions on the back of this form?

No postage is required if mailed in the U.S.A.

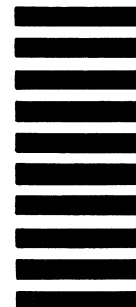
Fold

Fold

First Class
Permit 2

Louisville,
Colorado

BUSINESS REPLY MAIL
No postage stamp necessary if mailed in the U.S.A.



Postage will be paid by:

Storage Technology Corporation
P.O. Box 98
Louisville, Colorado 80027

Attn: Technical Publications

Fold

Fold



STORAGE TECHNOLOGY CORP.
P.O. Box 98
Louisville, Colorado 80027