

SIGMA 5 CENTRAL PROCESSING UNIT
MODEL 8201A01/8202A02
ASSEMBLY NO. 117282
VOLUME II OF II



XDS 902306C

Price: \$31.00

ENGINEERING SUPPORT MANUAL

SIGMA 5
CENTRAL PROCESSING UNIT

MODEL 8201A01/8202A02

ASSEMBLY NO. 117282

VOLUME II OF II.

**Specifications, equipment descriptions, and procedures
contained herein are subject to change without notice.**

December 1971

This publication supersedes XDS 902306B,
dated May 1971.

Prepared by
Field Engineering Publications

PREFACE

The purpose of an Engineering Support Manual (ESM) is to provide, under one cover, all of the engineering-produced documentation which is relevant to the maintenance of XDS-designed products.

ENGINEERING SUPPORT INDEX

The Engineering Support Index (ESI) begins on page i. The ESI is a table of contents for drawings in this manual and provides a cross-reference between the change level of the Top Assembly drawing and the change levels of related drawings.

UPDATING

When Engineering Orders (EO) to Top Assemblies are released, documentation is updated and distributed to appropriate installations by XDS Field Engineering. If XDS is responsible for maintaining the affected equipment, the EO and the documentation Update Package is sent to the appropriate Customer Service District Office. The Customer Engineer is then responsible for prompt EO installation and manual updating. If the XDS customer is responsible for equipment maintenance, the EO and the documentation Update Package is sent to the customer address that the customer has provided.

The Update Package typically includes a revised title page, revised Engineering Support Index page, and all pages that have been revised.

Inquiries concerning Update Packages should be addressed to XDS Product Support.

CHANGES

Changes to an ESM drawing can only be brought about by the submission of a Drawing Change Request (DCR). To effect a drawing change, field personnel should submit a Technical Action Request (TAR) per Customer Engineering Policy and Procedure, 65-03-04, and Field Reporting Operating Manual, 901714. A DCR may then be submitted by Product Support Engineering after the TAR is reviewed. Customers who wish to notify XDS of any discrepancies within the ESM may submit their comments on the Reader Survey sheet in the back of the manual to XDS Field Engineering Publications.

ENGINEERING SUPPORT INDEX

MODEL 8201A01/8202A02 TOP ASSEMBLY 117282 LEVEL AK
 NAME SIGMA 5 CENTRAL PROCESSING UNIT

Volume I

| <u>Section</u> | <u>Dwg. No.</u> | <u>Level</u> | <u>Title</u> | <u>Pages</u> |
|----------------|------------------------|--------------|------------------|--------------|
| I | DESIGN AUTOMATION DATA | | | |
| | 133263-001 | AC | Logic Equations | 1 thru 471 |
| | 133263-100 | AC | Logic Dictionary | 1 thru 119 |
| | 133264-001 | AC | Pin List | 1 thru 549 |

Volume II

| <u>Section</u> | <u>Dwg. No.</u> | <u>Level</u> | <u>Title</u> | <u>Pages</u> |
|----------------|-----------------------------------|--------------|--|--------------|
| I | 133264-903 | AC | Pin Index | 1 thru 96 |
| | 133264-912 | AC | Pin Index | 1 thru 96 |
| | 133264-930 | AC | Pin Index | 1 thru 96 |
| | 133264-939 | AC | Pin Index | 1 thru 96 |
| | 133264-948 | AC | Pin Index | 1 thru 96 |
| II | ENGINEERING TECHNICAL INFORMATION | | | |
| | 133279 | M | Module Location Chart | 1 thru 11 |
| | 135716 | A | Module Location Chart, PCP | 1 thru 2 |
| | 133091 | B | Module Location Chart, Power Monitor | 1 thru 2 |
| | 133281 | J | Schematic, PCP | 1 thru 12 |
| | 133282 | H | Wire List, PCP | 1 thru 27 |
| | 130160 | F | Schematic, Main Power Distribution Box | 1 of 1 |
| | 132391 | E | Schematic, Power Monitor | 1 of 1 |
| | 133272 | A | List, Wire Clock, Cable Installation CPU Frame #1 | 1 thru 2 |
| | 136585 | B | List, Wire Clock, Cable Installation CPU Frame #2 | 1 thru 3 |
| | 155094 | B | Engineering Technical Data | 1 thru 184 |
| | 154832 | A | Engineering Technical Information | 1 thru 7 |
| | 156389 | A | Cable Tables | 1 thru 26 |

ENGINEERING SUPPORT INDEX (Cont.)

MODEL 8201A01/8202A02 TOP ASSEMBLY 117282 LEVEL AK
 NAME SIGMA 5 CENTRAL PROCESSING UNIT

Volume II (Continued)

| <u>Section</u> | <u>Dwg. No.</u> | <u>Level</u> | <u>Title</u> | <u>Pages</u> |
|----------------|----------------------------------|--------------|--|--------------|
| III | ADDITIONAL ENGINEERING DOCUMENTS | | | |
| | 117282 | AK | Assembly Drawing, Sigma 5 CPU | 1 thru 8 |
| | 133267 | L | Assembly Drawing, Frame # 1 | 1 thru 4 |
| | 133273 | N | Assembly Drawing, Frame # 2 | 1 thru 5 |
| | 146275 | D | Assembly Drawing, Modules | 1 thru 3 |
| | 133280 | L | Assembly Drawing, Processor Control Panel | 1 thru 7 |
| | 130155 | S | Assembly Drawing, Main Power Distribution Box | 1 thru 3 |
| | 130155 | T | Engineering Order | 1 thru 2 |
| | 132389 | R | Assembly Drawing, Power Monitor | 1 thru 4 |
| | 132389 | S | Engineering Order | 1 of 1 |
| | 117262 | X | Assembly Drawing, Power Supply, PT14 | 1 thru 5 |
| | 148803 | N | Assembly Drawing, Power Supply, PT14B | 1 thru 6 |
| | 117263 | W | Assembly Drawing, Power Supply, PT15 | 1 thru 6 |
| | 148804 | M | Assembly Drawing, Power Supply, PT15B | 1 thru 7 |
| | 137112 | G | Installation Drawing, Sigma 5 System | 1 thru 9 |
| | 139273 | M | Installation Drawing, Sigma Power Interconnections | 1 thru 11 |
| | 152047 | E | Installation Drawing, PT14 B and PT15B Power Supplies | 1 thru 2 |
| | 135273 | D | Installation Drawing, Sigma 5 CPU | 1 thru 4 |
| | 137113 | R | Integration Drawing, Sigma I/O Interface Subsystem | 1 thru 16 |
| | 132393 | D | Test Specification, Power Monitor | 1 thru 5 |
| | 152052 | E | Procedure, Field Test | 1 thru 18 |

RELATED PUBLICATIONS

The following XDS publications contain information not included within this manual. These publications must be available as part of Site Documentation in order for the user of this manual to learn, install, operate, and maintain the equipment.

| <u>Publication Title</u> | <u>Document No.</u> |
|--|---------------------|
| REFERENCE AND TECHNICAL MANUALS: | |
| Sigma 5 Computer, Technical Manual | 901172 |
| Sigma 5 and 7 core memory, Technical Manual | 901586 |
| XDS Sigma 5 Computer, Reference Manual | 900959 |
| Sigma 5 and 7 Memory, Models 8251, 8451, Engineering Support Manual | 902308 |
| XDS Sigma Computer Systems Interface, Design Manual | 900973 |
| Power Supply, Model PT10, Technical Manual | 901140 |
| Power Supply, Models PT14/PT15, Technical Manual | 901078 |
| Power Supply, Model PT14B, Data Package | 901655 |
| Power Supply, Model PT15B, Data Package | 901656 |
| Power Supply, Model PT16, Technical Manual | 901080 |
| Power Supply, Model PT16B, Data Package | 901657 |
| Power Supply, Model PT17, Technical Manual | 901079 |

RELATED PUBLICATIONS

The following XDS publications contain information not included within this manual. These publications must be available as part of Site Documentation in order for the user of this manual to learn, install, operate, and maintain the equipment.

| <u>Publication Title</u> | <u>Document No.</u> |
|--|---------------------|
| Power Supply, Model PT17B, Data Package | 901658 |
| Power Supply, Model PT18, Technical Manual | 900866 |
| Power Supply, Model PT19, Technical Manual | 900867 |
| Power Supply, Model PT20, Technical Manual | 901157 |
| Power Supply, PT30, Data Package | 901695 |
| DIAGNOSTIC PROGRAM MANUALS: | |
| Diagnostic Control Program for Sigma 5 and 7 Computer Peripheral Devices, Program No. 704070, Diagnostic Program Manual | 900712 |
| Sigma 5 and 7 Memory (8K) Test (Medic 75), Program No. 704067, Diagnostic Program Manual | 900825 |
| Sigma 5 and 7 CPU Diagnostic Program Manual (Verify,) Program No. 704042 | 900870 |
| Sigma 5 and 7 CPU Diagnostic System (Pattern), Program No, 704043, Diagnostic Program Manual | 900891 |
| Sigma 5 and 7 CPU Diagnostic - Float, Program No. 704046, Diagnostic Program Manual | 900898 |

XDS 902306

RELATED PUBLICATIONS

The following XDS publications contain information not included within this manual. These publications must be available as part of Site Documentation in order for the user of this manual to learn, install, operate, and maintain the equipment.

| <u>Publication Title</u> | <u>Document No.</u> |
|--|---------------------|
| Sigma 5 and 7 Relocatable Diagnostic, Program Loader, Program No. 704356, Diagnostic Program Manual | 900972 |
| Sigma 5 and 7 Interrupt Test, Program No. 704143, Diagnostic Program Manual | 901134 |
| Sigma 5 and 7 Power Fail-Safe Test, Program No. 704122, Diagnostic Program Manual | 901135 |
| Sigma 5 and 7 Real-Time Clock test, Program No. 704017, Diagnostic Program Manual | 901136 |
| Sigma 5 and 7 CPU Diagnostic-Memory Protect, Program No. 704062, Diagnostic Program Manual | 901516 |
| Sigma 5 CPU Diagnostic Program (Suffix), Program No. 704174, Diagnostic Program Manual | 901519 |
| Sigma 5 CPU Diagnostic Program (Auto), Program No. 704287, Diagnostic Program Manual | 901523 |
| Sigma 5 and 7 CPU Format Converter/ CPU Loader Documentation, Diagnostic Program Manual | 901584 |
| Sigma 5 and 7 Stand Alone System Exerciser (SWAP 3.5), Program No. 705680, Diagnostic Program Manual | 901648 |

RELATED PUBLICATIONS

The following XDS publications contain information not included within this manual. These publications must be available as part of Site Documentation in order for the user of this manual to learn, install, operate, and maintain the equipment.

| <u>Publication Title</u> | <u>Document No.</u> |
|---|---------------------|
| Sigma 5 and 7 Diagnostic Program Monitor, Program No. 705682, Diagnostic Program Manual | 901649 |
| Sigma 5 and 7 New Systems Exerciser, Program No. 705889, Users' Manual | 901737 |

XDS 902306

SECTION I
DESIGN AUTOMATION DATA

(Section I Continued)



XDS 902306



DRAWING NO. - 133264-903 AC
 PROG-PNIND MODULE-01A
 TYPE-PIN INDEX TYPE-ZT46

1
 10/27/71

| FROM | PIN (COUNT) | TO | SOURCE LINE NO. | ELEM. TYPE | SOURCE SIGNAL NAME | REFERENCE LINE NO. |
|-------|-------------|-------|-----------------|------------|--------------------|--------------------|
| | 00(0) | | | | | |
| 28A12 | 01(1) | 32K01 | 2840901 | C | NBRP | 2840901 |
| | 02(1) | 12C15 | 4324712 | C | (FAST.PH1/E.SW5) | 4324712 |
| 11C17 | 03(1) | 32K03 | 6691100 | C | ORDEROUT | 6691100 |
| 04C23 | 04(1) | 32K04 | 7335800 | C | RDC31 | 7335800 |
| 06A06 | 05(1) | 32K05 | 3511210 | C | N(ND12.ND13.D14) | 3511210 |
| 30B06 | 06(1) | 32K06 | 7443100 | C | RXC | 7443100 |
| 04C30 | 07(1) | 32K07 | 7421000 | C | RUC31 | 7421000 |
| 07A15 | 08(1) | 32K08 | 3405150 | C | N(S/CXS) | 3405150 |
| 05B08 | 09(1) | 32K09 | 6650000 | C | OM | 6650000 |
| 19B30 | 10(1) | 32K10 | 2260000 | C | AM | 2260000 |
| 32K11 | 11(1) | 05C43 | 1071340 | C | D7-1 | 1071340 |
| 32K12 | 12(1) | 12B03 | 7890100 | C | SW0 | 7890100 |
| 19C12 | 13(1) | 32K13 | 7890500 | C | SW4 | 7890500 |
| 32K14 | 14(1) | 05A22 | 1014500 | C | 01 | 1014500 |
| 32K15 | 15(1) | 04A22 | 1014502 | C | N01 | 1014502 |
| | 16(0) | | 4790101 | -GND | GND1101 | 4790101 |
| 04A18 | 17(1) | 32K17 | 1024500 | C | 02 | 1024500 |
| 04A04 | 18(1) | 32K18 | 1024502 | C | N02 | 1024502 |
| 32K19 | 19(1) | 03B07 | 1034500 | C | 03 | 1034500 |
| 32K20 | 20(1) | 04A19 | 1034502 | C | N03 | 1034502 |
| 32K21 | 21(1) | 03A11 | 1044500 | C | 04 | 1044500 |
| 32K22 | 22(1) | 04A11 | 1044502 | C | N04 | 1044502 |
| 32K23 | 23(1) | 03A23 | 1054500 | C | 05 | 1054500 |
| 32K24 | 24(1) | 03A21 | 1054502 | C | N05 | 1054502 |
| 32K25 | 25(1) | 03A13 | 1064500 | C | 06 | 1064500 |
| 32K26 | 26(1) | 03A27 | 1064502 | C | N06 | 1064502 |
| 32K27 | 27(1) | 03B24 | 1074500 | C | 07 | 1074500 |
| 32K28 | 28(1) | 03B23 | 1074502 | C | N07 | 1074502 |
| | 29(1) | 19B01 | 4324706 | C | N(FAST.PH1/A) | 4324706 |
| 24C18 | 30(1) | 32K30 | 6752000 | C | 0XC | 6752000 |
| 17B09 | 31(1) | 32K31 | 6025101 | C | NMASTER | 6025101 |
| | 32(0) | | | | | |
| 08C35 | 33(1) | 32K33 | 2404484 | C | NAXPSW1 | 2404484 |
| 32K34 | 34(1) | 21C18 | 1006520 | C | NS0 | 1006520 |
| 18C08 | 35(1) | 32K35 | 5156470 | C | (IOPH0.SW14) | 5156470 |
| 32K36 | 36(1) | 08C20 | 1000510 | C | C0-1 | 1000510 |
| 32K37 | 37(1) | 27C24 | 2402900 | C | AXFR | 2402900 |
| 08C36 | 38(1) | 32K38 | 2404494 | C | NAXPSW2 | 2404493 |
| 32K39 | 39(1) | 18A29 | 6802850 | C | N(P28.P31) | 6802850 |
| 32K40 | 40(1) | 11B13 | 1100350 | C | (S/B10) | 1100350 |
| 31C34 | 41(1) | 32K41 | 1010345 | C | N(R/B1/1) | 1010345 |
| 12C31 | 42(1) | 32K42 | 7890600 | C | SW5 | 7890600 |
| 32K43 | 43(1) | 15B08 | 5156546 | C | (IOPH1.SW9)-F | 5156546 |
| 08C09 | 44(1) | 32K44 | 7890501 | C | NSW4 | 7890501 |
| 11B36 | 45(1) | 32K45 | 7439120 | C | RXS | 7439120 |
| 08C33 | 46(1) | 32K46 | 1092655 | C | (S/IOFR9) | 1092655 |
| 08C12 | 47(1) | 32K47 | 1082655 | C | (S/IOFR8) | 1082655 |
| | 48(0) | | | | | |
| | 49(0) | 02A49 | 8300000 | -VSP | P4VA | 8300000 |
| 29C35 | 50(1) | 32K50 | 6750100 | C | 0X | 6750100 |
| | 51(0) | 02A51 | 8302000 | -VSP | P8VA | 8302000 |

XDS 902306



DRAWING NO.- 133264-903 AC
 PROG-PNIND MODULE-02A
 TYPE-PIN INDEX TYPE-ZT46

2

10/27/71

| FROM | PIN (COUNT) | TO | SOURCE LINE NO. | ELEM. TYPE | SOURCE SIGNAL NAME | REFERENCE LINE NO. |
|-------|----------------|-------|--------------------|---------------|--------------------|-----------------------|
| | 00(0) | | | | | |
| 31K01 | 01(1) | 06C18 | 5425400 | C | KIORESET | 5425400 |
| 16A39 | 02(1) | 31K02 | 5583000 | C | KWDTR | 5583000 |
| 31K03 | 03(1) | 32B37 | 5343200 | C | NKAHOLD | 5343200 |
| 31K04 | 04(1) | 12A35 | 4421150 | C | NFUCS | 4421150 |
| | 05(1) | 02C22 | 5375050 | C | KDISPLAQ/B | 5375050 |
| 17B40 | 06(1) | 31K06 | 3567100 | C | DCSTOP/1 | 3567100 |
| 27B01 | 07(1) | 31K07 | 4322750 | C | N(FAIO.PH7) | 4322750 |
| 19A01 | 08(1) | 31K08 | 7824100 | C | SPIM | 7824100 |
| 07A18 | 09(1) | 31K09 | 3533100 | C | DATAIN | 3533100 |
| | 10(0) | | | | | |
| 04C02 | 11(1) | 31K11 | 2240100 | C | ALARM | 2240100 |
| 31K12 | 12(1) | 22A05 | 8162000 | C | (S/WCT6.NWCT6) | 8162000 |
| 19A44 | 13(1) | 31K13 | 6927120 | C | PSW2XS/1 | 6927120 |
| 17B14 | 14(1) | 31K14 | 3163125 | C | (S/CIF/1) | 3163125 |
| 32B12 | 15(1) | 31K15 | 5130130 | C | (S/II) | 5130130 |
| | 16(0) | | 4790102 | -GND | GND1102 | 4790102 |
| 21A33 | 17(1) | 31K17 | 4100130 | C | (S/EI) | 4100130 |
| 21A26 | 18(1) | 31K18 | 5134000 | C | INHWD | 5134000 |
| 31K19 | 19(1) | 23A42 | 4410500 | C | FSA | 4410499 |
| 31K20 | 20(1) | 22A01 | 2000510 | C | 1MC | 2000510 |
| 31K21 | 21(1) | 31C17 | 2000511 | C | N1MC | 2000511 |
| 31K22 | 22(1) | 07C01 | 2000570 | C | 2MC | 2000570 |
| 31K23 | 23(1) | 04C01 | 2000500 | C | 1KC | 2000500 |
| 23A05 | 24(1) | 31K24 | 3651002 | C | DIOFS | 3651002 |
| 23A21 | 25(1) | 31K25 | 3651202 | C | DIOWD | 3651202 |
| 25B19 | 26(1) | 31K26 | 4395600 | C | NFPRR | 4395600 |
| 18C09 | 27(1) | 31K27 | 3533500 | C | DATAOUT | 3533500 |
| 21B15 | 28(1) | 31K28 | 7439100 | C | RX | 7439100 |
| 04C14 | 29(1) | 31K29 | 2371500 | C | AUDIO | 2371500 |
| 31K30 | 30(1) | 18B39 | 6192001 | C | NMRC | 6192001 |
| 19A46 | 31(1) | 31K31 | 7439000 | C | RWXZ/01 | 7439000 |
| | 32(0) | | | | | |
| 07A33 | 33(1) | 31K33 | 4421495 | C | N(FUMH.PH4) | 4421495 |
| 12C46 | 34(1) | 31K34 | 5153288 | C | IOFRXA | 5153288 |
| 31K35 | 35(1) | 24A30 | 5138950 | C | INTRAPI | 5138950 |
| 07B45 | 36(1) | 31K36 | 2403010 | C | NAXK | 2403010 |
| 12C29 | 37(1) | 31K37 | 7890700 | C | SW6 | 7890700 |
| 26B02 | 38(1) | 31K38 | 3699100 | C | DIVOVER | 3699100 |
| 03C03 | 39(1) | 31K39 | 2020000 | C | (S/A9) | 2020000 |
| 03C19 | 40(1) | 31K40 | 7500770 | C | S0809XP | 7500770 |
| 10C25 | 41(1) | 31K41 | 8022200 | C | NTESTS | 8022200 |
| | 42(1) | 03B15 | 8010850 | C | N(S/T8L) | 8010850 |
| 10C23 | 43(1) | 31K43 | 8010150 | C | N(S/T11L) | 8010160 |
| 13C47 | 44(1) | 31K44 | 1313730 | C | N(S/LR31) | 1313728 |
| 12C36 | 45(1) | 31K45 | 3278030 | C | CNTZREQ/1 | 3278030 |
| 05C02 | 46(1) | 31K46 | 6910000 | C | NPROBOVER | 6910008 |
| 11B47 | 47(1) | 31K47 | 6047700 | C | MCXS | 6047700 |
| | 48(0) | | | | | |
| 01A49 | 49(0) | 03A49 | 8300000 | | P4VA | 8300000 |
| 08C45 | 50(1) | 31K50 | 6041200 | C | MCX | 6041200 |
| 01A51 | 51(0) | 03A51 | 8302000 | | P8VA | 8302000 |

XDS 902306

XDS
XEROX DATA SYSTEMS

DRAWING NO. - 133264-903 AC
PROG-PNIND
TYPE-PIN INDEX

MODULE-03A
TYPE-BT18

3

10/27/71

| FROM | PIN (COUNT) | TO | SOURCE LINE NO. | ELEM. TYPE | SOURCE SIGNAL NAME | REFERENCE LINE NO. |
|-------|----------------|-------|--------------------|---------------|--------------------|-----------------------|
| | 00(0) | | | | | |
| | 01(1) | 07A38 | 4323390 | . | NFAMULNH | 4323300 |
| 04B09 | 02(2) | 07A43 | 4421490 | . | NFUMH | 4323300 |
| 04B04 | 03(2) | 07A37 | 4321030 | . | NFADIVH | 4323302 |
| 04B02 | 04(2) | 07A10 | 4425250 | . | NFUS | 4323302 |
| 07A11 | 05(2) | 04B01 | 4425550 | . | NFUSF | 4323302 |
| 07A44 | 06(2) | 04B03 | 4421205 | . | N(FUDW.NR31) | 4323300 |
| | 07(1) | 03A09 | 4323300 | B | NFAMDS | 4323300 |
| | 08(1) | 08A03 | 6631100 | B | OLB | 6631100 |
| 03A07 | 09(2) | 04B13 | 4323300 | B | NFAMDS | 4323302 |
| | 10(1) | 14A12 | 4321135 | B | FAFL | 4321135 |
| 01A21 | 11(2) | 03A20 | 1044500 | . | 04 | 6631100 |
| 03A21 | 12(2) | 04A12 | 1054502 | . | N05 | 6631100 |
| 01A25 | 13(2) | 03A42 | 1064500 | . | 06 | 6631100 |
| 03A33 | 14(2) | 04A33 | 1074500 | . | 07 | 6631100 |
| 14A25 | 15(2) | 12B21 | 1014540 | . | N01-1 | 4321135 |
| | 16(0) | | 4790103 | -GND | GND1103 | 4790103 |
| 04B07 | 17(1) | | 6514505 | B | (04.N05) | 6514505 |
| 06A43 | 18(2) | 04A24 | 1034500 | . | 03 | 4321135 |
| 03A35 | 19(2) | 03B39 | 6514500 | . | (04.05) | 4321135 |
| 03A11 | 20(2) | 03A22 | 1044500 | . | 04 | 6514505 |
| 01A24 | 21(2) | 03A12 | 1054502 | . | N05 | 6514505 |
| 03A20 | 22(2) | 03A25 | 1044500 | . | 04 | 6514500 |
| 01A23 | 23(2) | 03A26 | 1054500 | . | 05 | 6514500 |
| | 24(0) | | | | | |
| 03A22 | 25(2) | 03A29 | 1044500 | . | 04 | 6631200 |
| 03A23 | 26(2) | 03A30 | 1054500 | . | 05 | 6631200 |
| 01A26 | 27(2) | 03A31 | 1064502 | . | N06 | 6631200 |
| 03A43 | 28(2) | 04A28 | 1074502 | . | N07 | 6631200 |
| 03A25 | 29(2) | 03A40 | 1044500 | . | 04 | 6631300 |
| 03A26 | 30(2) | 03A41 | 1054500 | . | 05 | 6631300 |
| 03A27 | 31(2) | 04A47 | 1064502 | . | N06 | 6631300 |
| | 32(0) | | | | | |
| 03A50 | 33(2) | 03A14 | 1074500 | . | 07 | 6631300 |
| | 34(0) | | | | | |
| | 35(1) | 03A19 | 6514500 | B | (04.05) | 6514500 |
| | 36(1) | 03B04 | 6631200 | B | OLC | 6631200 |
| | 37(1) | 05B42 | 6631300 | B | OLD | 6631300 |
| 03B43 | 38(2) | 12A40 | 6631400 | B | OLE | 6631400 |
| | 39(1) | 11A37 | 6631500 | B | OLF | 6631500 |
| 03A29 | 40(2) | 03A45 | 1044500 | . | 04 | 6631400 |
| 03A30 | 41(2) | 03A46 | 1054500 | . | 05 | 6631400 |
| 03A13 | 42(2) | 03A47 | 1064500 | . | 06 | 6631400 |
| 03B23 | 43(2) | 03A28 | 1074502 | . | N07 | 6631400 |
| | 44(0) | | | | | |
| 03A40 | 45(2) | 05A45 | 1044500 | . | 04 | 6631500 |
| 03A41 | 46(2) | 04A46 | 1054500 | . | 05 | 6631500 |
| 03A42 | 47(2) | 04A31 | 1064500 | . | 06 | 6631500 |
| | 48(0) | | | | | |
| 02A49 | 49(0) | 04A49 | 8300000 | . | P4VA | 8300000 |
| 03B24 | 50(2) | 03A33 | 1074500 | . | 07 | 6631500 |
| 02A51 | 51(0) | 04A51 | 8302000 | . | P8VA | 8302000 |

XDS 902306

XDS
XEROX DATA SYSTEMS

DRAWING NO.- 133264-903 AC
PROG-PNIND MODULE-04A
TYPE-PIN INDEX TYPE-BT18

4

10/27/71

| FROM | PIN (COUNT) | TO | SOURCE LINE NO. | ELEM. TYPE | SOURCE SIGNAL NAME | REFERENCE LINE NO. |
|-------|----------------|-------|--------------------|---------------|--------------------|-----------------------|
| | 00(0) | | | | | |
| 04A03 | 01(2) | 07A06 | 1014502 | . | N01 | 6720000 |
| 05A02 | 02(2) | 04A04 | 1024502 | . | N02 | 6720000 |
| 04A15 | 03(2) | 04A01 | 1014502 | . | N01 | 6720100 |
| 04A02 | 04(2) | 01A18 | 1024502 | . | N02 | 6720100 |
| 05A24 | 05(2) | 05A05 | 1034500 | . | 03 | 6720100 |
| 04A19 | 06(2) | 05A06 | 1034502 | . | N03 | 6720000 |
| | 07(1) | 06A47 | 6720000 | B | OU0 | 6720000 |
| | 08(1) | 09A38 | 6630000 | B | OL0 | 6630000 |
| | 09(1) | 06A08 | 6720100 | B | OU1 | 6720100 |
| | 10(1) | 06A04 | 6720200 | B | OU2 | 6720200 |
| 01A22 | 11(2) | 04A20 | 1044502 | . | N04 | 6630000 |
| 03A12 | 12(2) | 04A21 | 1054502 | . | N05 | 6630000 |
| 05A31 | 13(2) | 09A18 | 1064502 | . | N06 | 6630000 |
| 04A28 | 14(2) | 05A14 | 1074502 | . | N07 | 6630000 |
| 04A22 | 15(2) | 04A03 | 1014502 | . | N01 | 6720200 |
| | 16(0) | | 4790104 | -GND | GND1104 | 4790104 |
| | 17(1) | 06A29 | 6514515 | B | (N04.N05) | 6514515 |
| 04A23 | 18(2) | 01A17 | 1024500 | . | 02 | 6720200 |
| 01A20 | 19(2) | 04A06 | 1034502 | . | N03 | 6720200 |
| 04A11 | 20(2) | 04A25 | 1044502 | . | N04 | 6514515 |
| 04A12 | 21(2) | 04A26 | 1054502 | . | N05 | 6514515 |
| 01A15 | 22(2) | 04A15 | 1014502 | . | N01 | 6720300 |
| 05A23 | 23(2) | 04A18 | 1024500 | . | 02 | 6720300 |
| 03A18 | 24(2) | 05A24 | 1034500 | . | 03 | 6720300 |
| 04A20 | 25(2) | 04A29 | 1044502 | . | N04 | 6630200 |
| 04A21 | 26(2) | 04A30 | 1054502 | . | N05 | 6630200 |
| 04A31 | 27(2) | 05A27 | 1064500 | . | 06 | 6630200 |
| 03A28 | 28(2) | 04A14 | 1074502 | . | N07 | 6630200 |
| 04A25 | 29(2) | 04A40 | 1044502 | . | N04 | 6630300 |
| 04A26 | 30(2) | 05A30 | 1054502 | . | N05 | 6630300 |
| 03A47 | 31(2) | 04A27 | 1064500 | . | 06 | 6630300 |
| | 32(0) | | | | | |
| 03A14 | 33(2) | 04A50 | 1074500 | . | 07 | 6630300 |
| | 34(0) | | | | | |
| | 35(1) | 10A11 | 6720300 | B | OU3 | 6720300 |
| | 36(1) | 09B30 | 6630200 | B | OL2 | 6630200 |
| | 37(1) | 03B14 | 6630300 | B | OL3 | 6630300 |
| | 38(1) | 06A41 | 6630400 | B | OL4 | 6630400 |
| | 39(1) | 04B38 | 6630500 | B | OL5 | 6630500 |
| 04A29 | 40(2) | 04A45 | 1044502 | . | N04 | 6630400 |
| 04A46 | 41(2) | 05A12 | 1054500 | . | 05 | 6630400 |
| 04A47 | 42(2) | 05A42 | 1064502 | . | N06 | 6630400 |
| 05A33 | 43(2) | 05A50 | 1074502 | . | N07 | 6630400 |
| | 44(0) | | | | | |
| 04A40 | 45(2) | 05A25 | 1044502 | . | N04 | 6630500 |
| 03A46 | 46(2) | 04A41 | 1054500 | . | 05 | 6630500 |
| 03A31 | 47(2) | 04A42 | 1064502 | . | N06 | 6630500 |
| | 48(0) | | | | | |
| 03A49 | 49(0) | 05A49 | 8300000 | . | P4VA | 8300000 |
| 04A33 | 50(2) | 05A43 | 1074500 | . | 07 | 6630500 |
| 03A51 | 51(0) | 05A51 | 8302000 | . | P8VA | 8302000 |

XDS 902306

XDS
XEROX DATA SYSTEMS

DRAWING NO.- 133264-903 AC
PROG-PNIND MODULE-05A
TYPE-PIN INDEX TYPE-BT18

5

10/27/71

| FROM | PIN (COUNT) | TO | SOURCE LINE NO. | ELEM. TYPE | SOURCE SIGNAL NAME | REFERENCE LINE NO. |
|-------|----------------|-------|--------------------|---------------|--------------------|-----------------------|
| | 00(0) | | | | | |
| 05A03 | 01(2) | 08A06 | 1014500 | . | 01 | 6720400 |
| 05A04 | 02(2) | 04A02 | 1024502 | . | N02 | 6720400 |
| 05A15 | 03(2) | 05A01 | 1014500 | . | 01 | 6720500 |
| 09A05 | 04(2) | 05A02 | 1024502 | . | N02 | 6720500 |
| 04A05 | 05(2) | 07A05 | 1034500 | . | 03 | 6720500 |
| 04A06 | 06(2) | 08A08 | 1034502 | . | N03 | 6720400 |
| | 07(1) | 11A14 | 6720400 | B | 0U4 | 6720400 |
| | 08(1) | 03B03 | 6630600 | B | 0L6 | 6630600 |
| | 09(1) | 06A42 | 6720500 | B | 0U5 | 6720500 |
| | 10(1) | 03B33 | 6720600 | B | 0U6 | 6720600 |
| 05A20 | 11(2) | 06A34 | 1044502 | . | N04 | 6630600 |
| 04A41 | 12(2) | 05A21 | 1054500 | . | 05 | 6630600 |
| 05A27 | 13(2) | 06A28 | 1064500 | . | 06 | 6630600 |
| 04A14 | 14(2) | 05A33 | 1074502 | . | N07 | 6630600 |
| 05A22 | 15(2) | 05A03 | 1014500 | . | 01 | 6720600 |
| | 16(0) | | 4790105 | -GND | GND1105 | 4790105 |
| | 17(1) | 06A09 | 6514510 | B | (N04.05) | 6514510 |
| 08A05 | 18(2) | 05A23 | 1024500 | . | 02 | 6720600 |
| 06A31 | 19(2) | 03C01 | 1034502 | . | N03 | 6720600 |
| 05A25 | 20(2) | 05A11 | 1044502 | . | N04 | 6514510 |
| 05A12 | 21(2) | 05A26 | 1054500 | . | 05 | 6514510 |
| 01A14 | 22(2) | 05A15 | 1014500 | . | 01 | 6720700 |
| 05A18 | 23(2) | 04A23 | 1024500 | . | 02 | 6720700 |
| 04A24 | 24(2) | 04A05 | 1034500 | . | 03 | 6720700 |
| 04A45 | 25(2) | 05A20 | 1044502 | . | N04 | 6630700 |
| 05A21 | 26(2) | 06A27 | 1054500 | . | 05 | 6630700 |
| 04A27 | 27(2) | 05A13 | 1064500 | . | 06 | 6630700 |
| 05A43 | 28(2) | 06A24 | 1074500 | . | 07 | 6630700 |
| 05A40 | 29(2) | 06A25 | 1044500 | . | 04 | 6630800 |
| 04A30 | 30(2) | 05A41 | 1054502 | . | N05 | 6630800 |
| 05A42 | 31(2) | 04A13 | 1064502 | . | N06 | 6630800 |
| | 32(0) | | | | | |
| 05A14 | 33(2) | 04A43 | 1074502 | . | N07 | 6630800 |
| | 34(0) | | | | | |
| 06A18 | 35(1) | | 6720700 | B | 0U7 | 6720700 |
| | 36(1) | 06A05 | 6630700 | B | 0L7 | 6630700 |
| | 37(1) | 03B22 | 6630800 | B | 0L8 | 6630800 |
| | 38(1) | 03B21 | 6630900 | B | 0L9 | 6630900 |
| | 39(1) | 04B40 | 6631000 | B | 0LA | 6631000 |
| 05A45 | 40(2) | 05A29 | 1044500 | . | 04 | 6630900 |
| 05A30 | 41(2) | 05A46 | 1054502 | . | N05 | 6630900 |
| 04A42 | 42(2) | 05A31 | 1064502 | . | N06 | 6630900 |
| 04A50 | 43(2) | 05A28 | 1074500 | . | 07 | 6630900 |
| | 44(0) | | | | | |
| 03A45 | 45(2) | 05A40 | 1044500 | . | 04 | 6631000 |
| 05A41 | 46(2) | 06A37 | 1054502 | . | N05 | 6631000 |
| 06A36 | 47(2) | 10A43 | 1064500 | . | 06 | 6631000 |
| | 48(0) | | | | | |
| 04A49 | 49(0) | 06A49 | 8300000 | . | P4VA | 8300000 |
| 04A43 | 50(2) | 06A39 | 1074502 | . | N07 | 6631000 |
| 04A51 | 51(0) | 06A51 | 8302000 | . | P8VA | 8302000 |

XDS 902306

XDS
XEROX DATA SYSTEMS

DRAWING NO. - 133264-903 AC
PROG-PNIND MODULE-06A
TYPE-PIN INDEX TYPE-LT20

6

10/27/71

| FROM | PIN (COUNT) | TO | SOURCE LINE NO. | ELEM. TYPE | SOURCE SIGNAL NAME | REFERENCE LINE NO. |
|-------|----------------|-------|--------------------|---------------|--------------------|-----------------------|
| | 00(0) | | | | | |
| | 01(0) | | | | | |
| 14A46 | 02(2) | 03B40 | 1064525 | . | N06-1 | 4321910 |
| 11A08 | 03(2) | 04B07 | 6514505 | . | (04.N05) | 4321910 |
| 04A10 | 04(2) | 08A39 | 6720200 | . | OU2 | 4321914 |
| 05A36 | 05(2) | 04B39 | 6630700 | . | OL7 | 4321914 |
| 12A06 | 06(2) | 01A05 | 3511210 | . | N(ND12.ND13.D14) | 4321916 |
| 03B09 | 07(2) | 07A21 | 4421500 | . | FUMMC | 4321916 |
| 04A09 | 08(2) | 08A43 | 6720100 | . | OU1 | 4321912 |
| 05A17 | 09(2) | 05B25 | 6514510 | . | (N04.05) | 4321912 |
| | 10(0) | | | | | |
| 09A43 | 11(2) | 06A18 | 6720700 | . | OU7 | 4321914 |
| 06A25 | 12(2) | 09A26 | 1044500 | . | 04 | 4321914 |
| 06A21 | 13(2) | 04B14 | 1064520 | . | 06-1 | 4321914 |
| | 14(1) | 06A22 | 4321910 | I | NFAILL | 4321910 |
| 08B44 | 15(2) | 19A19 | 4321977 | . | FAIM | 4321910 |
| | 16(0) | | 4790106 | -GND | GND1106 | 4790106 |
| 28A06 | 17(2) | 31B44 | 5110120 | . | IA | 4321910 |
| 06A11 | 18(2) | 05A35 | 6720700 | . | OU7 | 4321912 |
| 05B25 | 19(2) | 08A44 | 6514510 | . | (N04.05) | 4321912 |
| | 20(0) | | | | | |
| 17C37 | 21(2) | 06A13 | 1064520 | . | 06-1 | 4321912 |
| 06A14 | 22(2) | 06A30 | 4321910 | I | NFAILL | 4321912 |
| | 23(1) | 08A12 | 4320500 | I | FABRANCH | 4320502 |
| 05A28 | 24(2) | 08A28 | 1074500 | . | 07 | 4320502 |
| 05A29 | 25(2) | 06A12 | 1044500 | . | 04 | 4320502 |
| | 26(0) | | | | | |
| 05A26 | 27(2) | 08A18 | 1054500 | . | 05 | 4320502 |
| 05A13 | 28(2) | 06A36 | 1064500 | . | 06 | 4320502 |
| 04A17 | 29(2) | 09A39 | 6514515 | . | (N04.N05) | 4321918 |
| 06A22 | 30(2) | 05B14 | 4321910 | I | NFAILL | 4321918 |
| 09A21 | 31(2) | 05A19 | 1034502 | . | N03 | 4321918 |
| | 32(0) | | | | | |
| | 33(0) | | | | | |
| 05A11 | 34(2) | 06A35 | 1044502 | . | N04 | 4320504 |
| 06A34 | 35(2) | 08A24 | 1044502 | . | N04 | 4320504 |
| 06A28 | 36(2) | 05A47 | 1064500 | . | 06 | 4320504 |
| 05A46 | 37(2) | 08A23 | 1054502 | . | N05 | 4320504 |
| | 38(0) | | | | | |
| 05A50 | 39(2) | 10A44 | 1074502 | . | N07 | 4320504 |
| | 40(0) | | | | | |
| 04A38 | 41(2) | 03B02 | 6630400 | . | OL4 | 4321920 |
| 05A09 | 42(2) | 07A08 | 6720500 | . | OU5 | 4321920 |
| 03B07 | 43(2) | 03A18 | 1034500 | . | 03 | 4321920 |
| 08A19 | 44(2) | 08B31 | 4320550 | . | NFABYTE | 4321920 |
| 03B42 | 45(2) | 07A07 | 6630900 | . | OL9 | 4321920 |
| 10A35 | 46(2) | 27A41 | 1014520 | . | 01-1 | 4321918 |
| 04A07 | 47(2) | 08A40 | 6720000 | . | OU0 | 4321918 |
| | 48(0) | | | | | |
| 05A49 | 49(0) | 07A49 | 8300000 | . | P4VA | 8300000 |
| 06B03 | 50(2) | 09A35 | 4323025 | . | NFALCF | 4321918 |
| 05A51 | 51(0) | 07A51 | 8302000 | . | P8VA | 8302000 |

XDS 902306

XDS
XEROX DATA SYSTEMS

DRAWING NO.- 133264-903 AC
PROG-PNIND
TYPE-PIN INDEX

MODULE-07A
TYPE-IT25

7

10/27/71

| FROM | PIN (COUNT) | TO | SOURCE LINE NO. | ELEM. TYPE | SOURCE SIGNAL NAME | REFERENCE LINE NO. |
|-------|----------------|-------|--------------------|---------------|--------------------|-----------------------|
| | 00(0) | | | | | |
| | 01(1) | 28C50 | 4324650 | I | FASH | 4324650 |
| | 02(1) | 12C40 | 4322000 | I | FAIO | 4322000 |
| 06B47 | 03(2) | 04B31 | 4322030 | . | NFAIO/1 | 4322000 |
| 14C13 | 04(2) | 01C12 | 3060201 | . | NCC2 | 4421662 |
| 05A05 | 05(2) | 08A09 | 1034500 | . | O3 | 4320950 |
| 04A01 | 06(2) | 09A06 | 1014502 | . | N01 | 4320950 |
| 06A45 | 07(2) | 10A04 | 6630900 | . | OL9 | 4320950 |
| 06A42 | 08(2) | 07B04 | 6720500 | . | OU5 | 4421662 |
| 06B35 | 09(1) | | 4420509 | . | NFUAIO | 4322000 |
| 03A04 | 10(2) | 20A36 | 4425250 | . | NFUS | 4324650 |
| 12A45 | 11(2) | 03A05 | 4425550 | . | NFUSF | 4324650 |
| | 12(1) | 07A22 | 4320950 | I | NFACOMP/L | 4320950 |
| 18B47 | 13(2) | 01C38 | 4421660 | I | FUMTSIGN | 4421662 |
| 16A46 | 14(1) | | 8165720 | I | N(S/WDTR) | 8165726 |
| 10A13 | 15(2) | 01A08 | 3405150 | I | N(S/CXS) | 3405162 |
| | 16(0) | | 4790107 | -GND | GND1107 | 4790107 |
| 05C34 | 17(2) | 08C47 | 7410810 | . | NRSCLEN-1 | 3405162 |
| 03C05 | 18(2) | 02A09 | 3533100 | . | DATAIN | 3405162 |
| 24C28 | 19(2) | 23B31 | 2841200 | . | BRPH2 | 8165726 |
| | 20(0) | | | | | |
| 06A07 | 21(2) | 09A40 | 4421500 | . | FUMMC | 8165726 |
| 07A12 | 22(2) | 08B43 | 4320950 | . | NFACOMP/L | 4325100 |
| | 23(1) | 10B08 | 4325120 | . | NFASUB/1 | 4325100 |
| 09A15 | 24(2) | 08B01 | 6630150 | . | NOL1 | 4325100 |
| 12B13 | 25(2) | 19A25 | 6845455 | . | PH4-B | 4421495 |
| 04B10 | 26(2) | 10C39 | 4421480 | . | FUMH | 4421495 |
| | 27(0) | | | | | |
| | 28(0) | | | | | |
| 11B08 | 29(2) | 10C40 | 6845855 | . | PH8-B | 8165726 |
| 10C04 | 30(2) | 20A34 | 5156467 | . | (IOPH0.SW13)-F | 3405162 |
| 07C14 | 31(2) | 12A20 | 6803216 | . | (NP32.NP33) | 3405162 |
| | 32(0) | | | | | |
| | 33(1) | 02A33 | 4421495 | I | N(FUMH.PH4) | 4421495 |
| | 34(1) | 15C26 | 4325100 | I | FASUB | 4325100 |
| | 35(1) | 26C44 | 4323360 | I | FAMUL | 4323360 |
| | 36(1) | 11B01 | 4321000 | I | FADIV | 4321000 |
| 03A03 | 37(2) | 06B01 | 4321030 | . | NFADIVH | 4321000 |
| 03A01 | 38(2) | 11A05 | 4323390 | . | NFAMULNH | 4323360 |
| 11A26 | 39(2) | 09C47 | 4324730 | . | NFAST/A | 4324700 |
| 08C01 | 40(2) | 12A36 | 4421750 | . | NFUPSM | 4324760 |
| 07A42 | 41(2) | 08B12 | 4421620 | . | NFUMSP | 4324760 |
| 06B12 | 42(2) | 07A41 | 4421620 | . | NFUMSP | 4324700 |
| 03A02 | 43(2) | 15C29 | 4421490 | . | NFUMH | 4323360 |
| 06B11 | 44(2) | 03A06 | 4421205 | . | N(FUDW.NR31) | 4321000 |
| 10C30 | 45(1) | | 4324700 | I | FAST-1 | 4324700 |
| | 46(1) | 15C09 | 4324760 | I | FAST/C | 4324760 |
| | 47(0) | | | | | |
| | 48(0) | | | | | |
| 06A49 | 49(0) | 08A49 | 8300000 | . | P4VA | 8300000 |
| | 50(0) | | | | | |
| 06A51 | 51(0) | 08A51 | 8302000 | . | P8VA | 8302000 |

XDS 902306

XDS
XEROX DATA SYSTEMS

DRAWING NO.- 133264-903 AC
PROG-PNIND MODULE-08A
TYPE-PIN INDEX TYPE-BT11

8

10/27/71

| FROM | PIN (COUNT) | TO | SOURCE LINE NO. | ELEM. TYPE | SOURCE SIGNAL NAME | REFERENCE LINE NO. |
|-------|----------------|-------|--------------------|---------------|--------------------|-----------------------|
| | 00(0) | | | | | |
| | 01(1) | 14B45 | 4421430 | B | FULAD | 4421430 |
| | 02(1) | 03B12 | 4323130 | B | FALOAD/A | 4323130 |
| 03A08 | 03(2) | 08A11 | 6631100 | . | OLB | 4323130 |
| 10B27 | 04(2) | 30C09 | 6514500 | . | (04.05) | 4324300 |
| 09A22 | 05(2) | 05A18 | 1024500 | . | 02 | 4320500 |
| 05A01 | 06(2) | 09A23 | 1014500 | . | 01 | 4320500 |
| 08A08 | 07(2) | 09A42 | 1034502 | . | NO3 | 4320500 |
| 05A06 | 08(2) | 08A07 | 1034502 | . | NO3 | 4324300 |
| 07A05 | 09(2) | 09A07 | 1034500 | . | 03 | 4323130 |
| 08A43 | 10(2) | 10A10 | 6720100 | . | OU1 | 4421430 |
| 08A03 | 11(2) | 03B37 | 6631100 | . | OLB | 4421430 |
| 06A23 | 12(2) | 06C44 | 4320500 | B | FABRANCH | 4320500 |
| | 13(1) | 17B03 | 4324300 | B | FAPRIV | 4324300 |
| | 14(1) | 08B38 | 4325150 | B | FAW | 4325150 |
| 08B13 | 15(2) | 08B21 | 4325040 | B | FASTORE/3 | 4325040 |
| | 16(0) | | 4790108 | -GND | GND1108 | 4790108 |
| 09A07 | 17(2) | 09A28 | 1034500 | . | 03 | 4325040 |
| 06A27 | 18(2) | 05B30 | 1054500 | . | 05 | 4325040 |
| 09A34 | 19(2) | 06A44 | 4320550 | . | NFABYTE | 4325150 |
| 10A23 | 20(2) | 08B37 | 4321180 | . | NFAHW | 4325150 |
| 18A37 | 21(2) | 08B42 | 4321987 | . | NFAIM | 4325150 |
| 09A18 | 22(2) | 08A31 | 1064502 | . | NO6 | 6630140 |
| 06A37 | 23(2) | 09A29 | 1054502 | . | NO5 | 6630140 |
| 06A35 | 24(2) | 08A30 | 1044502 | . | NO4 | 6630140 |
| 27B23 | 25(2) | 20A07 | 2500295 | . | B1619Z | 3078000 |
| 07B30 | 26(2) | 10C10 | 4324500 | . | FARWD | 3078000 |
| 07B18 | 27(2) | 12A18 | 6845122 | . | PH1-B | 3078000 |
| 06A24 | 28(2) | 09A30 | 1074500 | . | 07 | 6630140 |
| 09A09 | 29(2) | 08B30 | 4321110 | . | NFADW | 4325150 |
| 08A24 | 30(2) | 09A17 | 1044502 | . | NO4 | 4325040 |
| 08A22 | 31(2) | 10A34 | 1064502 | . | NO6 | 4325040 |
| | 32(0) | | | | | |
| 19C20 | 33(1) | | 3078000 | B | CCXRWD | 3078000 |
| | 34(1) | 11A42 | 6630140 | B | OL1 | 6630140 |
| | 35(1) | 20B37 | 4321120 | B | FADW/1 | 4321120 |
| | 36(1) | 17A07 | 4320800 | B | FACAL | 4320800 |
| 08A40 | 37(2) | 10A31 | 6720000 | . | OU0 | 4320800 |
| | 38(1) | 08B34 | 4324550 | . | FAS11 | 4321120 |
| 06A04 | 39(2) | 10A03 | 6720200 | . | OU2 | 4425900 |
| 06A47 | 40(2) | 08A37 | 6720000 | . | OU0 | 4421700 |
| 09A44 | 41(2) | 13B44 | 6631000 | . | OLA | 4421700 |
| 11A40 | 42(2) | 03B43 | 6631400 | . | OLE | 4425900 |
| 06A08 | 43(2) | 08A10 | 6720100 | . | OU1 | 4321120 |
| 06A19 | 44(2) | 12A39 | 6514510 | . | (NO4.05) | 4320800 |
| | 45(1) | 18B21 | 4425900 | B | FUWAIT | 4425900 |
| | 46(1) | 24C43 | 4421700 | B | FUPLM | 4421700 |
| | 47(0) | | | | | |
| | 48(0) | | | | | |
| 07A49 | 49(0) | 09A49 | 8300000 | | P4VA | 8300000 |
| | 50(0) | | | | | |
| 07A51 | 51(0) | 09A51 | 8302000 | | P8VA | 8302000 |

XDS 902306

XDS
XEROX DATA SYSTEMS

DRAWING NO. - 133264-903 AC
PROG-PNIND
TYPE-PIN INDEX

MODULE-09A
TYPE-IT25

9

10/27/71

| FROM | PIN (COUNT) | TO | SOURCE LINE NO. | ELEM. TYPE | SOURCE SIGNAL NAME | REFERENCE LINE NO. |
|-------|----------------|-------|--------------------|---------------|--------------------|-----------------------|
| | 00(0) | | | | | |
| | 01(1) | 08B39 | 4323030 | I | FALCFP | 4323030 |
| | 02(1) | 22C47 | 4325180 | I | FAWORDW | 4325180 |
| 08B41 | 03(2) | 09C46 | 4325160 | . | NFAW | 4325180 |
| 12A35 | 04(2) | 10B05 | 4421150 | . | NFUCS | 4324600 |
| 09A27 | 05(2) | 05A04 | 1024502 | . | N02 | 4321112 |
| 07A06 | 06(2) | 09A25 | 1014502 | . | N01 | 4321112 |
| 08A09 | 07(2) | 08A17 | 1034500 | . | 03 | 4321112 |
| | 08(1) | 07B20 | 4324620 | . | NFASEL/1 | 4324600 |
| 09A12 | 09(2) | 08A29 | 4321110 | . | NFADW | 4325180 |
| 09A35 | 10(2) | 17B23 | 4323025 | . | NFALCF | 4323030 |
| 11A36 | 11(2) | 04B42 | 4421470 | . | NFULRP | 4323030 |
| 09A33 | 12(2) | 09A09 | 4321110 | I | NFADW | 4321112 |
| 14A43 | 13(1) | | 4324600 | I | FASEL | 4324600 |
| | 14(1) | 18A37 | 4321987 | I | NFAIM | 4321987 |
| | 15(1) | 07A24 | 6630150 | I | NOL1 | 6630150 |
| | 16(0) | | 4790109 | -GND | GND1109 | 4790109 |
| 08A30 | 17(2) | 09A20 | 1044502 | . | N04 | 6630150 |
| 04A13 | 18(2) | 08A22 | 1064502 | . | N06 | 6630150 |
| | 19(0) | | | | | |
| 09A17 | 20(2) | 10A46 | 1044502 | . | N04 | 4321987 |
| 10A50 | 21(2) | 06A31 | 1034502 | . | N03 | 4321987 |
| 03C22 | 22(2) | 08A05 | 1024500 | . | 02 | 4320550 |
| 08A06 | 23(2) | 10A40 | 1014500 | . | 01 | 4320550 |
| | 24(0) | | | | | |
| 09A06 | 25(2) | 10A41 | 1014502 | . | N01 | 4321110 |
| 06A12 | 26(2) | 12A42 | 1044500 | . | 04 | 4321110 |
| 10A38 | 27(2) | 09A05 | 1024502 | . | N02 | 4321110 |
| 08A17 | 28(2) | 09A37 | 1034500 | . | 03 | 4320550 |
| 08A23 | 29(2) | 09A31 | 1054502 | . | N05 | 4321987 |
| 08A28 | 30(2) | 17B05 | 1074500 | . | 07 | 6630150 |
| 09A29 | 31(2) | 10A42 | 1054502 | . | N05 | 6630150 |
| | 32(0) | | | | | |
| | 33(1) | 09A12 | 4321110 | I | NFADW | 4321110 |
| | 34(1) | 08A19 | 4320550 | I | NFABYTE | 4320550 |
| 06A50 | 35(2) | 09A10 | 4323025 | I | NFALCF | 4323027 |
| | 36(1) | 04B23 | 4323160 | I | NFALOAD/C | 4323160 |
| 09A28 | 37(2) | 10A39 | 1034500 | . | 03 | 4323160 |
| 04A08 | 38(2) | 11A43 | 6630000 | . | OL0 | 4323027 |
| 06A29 | 39(2) | 12A09 | 6514515 | . | (N04.N05) | 6902660 |
| 07A21 | 40(2) | 13B02 | 4421500 | . | FUMMC | 6047710 |
| 19A27 | 41(2) | 12A26 | 6845255 | . | PH2-B | 6047710 |
| 08A07 | 42(2) | 10A50 | 1034502 | . | N03 | 6902660 |
| 09B40 | 43(2) | 06A11 | 6720700 | . | OU7 | 4323027 |
| 09B38 | 44(2) | 08A41 | 6631000 | . | OLA | 4323160 |
| 05B33 | 45(2) | 11A34 | 6902650 | I | PREOPER | 6902660 |
| 08C39 | 46(1) | | 6047710 | I | NMCXS | 6047710 |
| 17A09 | 47(1) | | 6821615 | T | N(PCP6.KFILL/B) | 6821615 |
| | 48(0) | | | | | |
| 08A49 | 49(0) | 10A49 | 8300000 | . | P4VA | 8300010 |
| 11B09 | 50(1) | | 6733050 | T | NOVERIND | 6733050 |
| 08A51 | 51(0) | 10A51 | 8302000 | . | P8VA | 8302010 |

XDS 902306

XDS
XEROX DATA SYSTEMS

DRAWING NO. - 133264-903 AC
PROG-PNIND MODULE-10A
TYPE-PIN INDEX TYPE-LT13

10

10/27/71

| FROM | PIN (COUNT) | TO | SOURCE LINE NO. | ELEM. TYPE | SOURCE SIGNAL NAME | REFERENCE LINE NO. |
|-------|----------------|-------|--------------------|---------------|--------------------|-----------------------|
| | 00(0) | | | | | |
| | 01(1) | 13B22 | 1313730 | I | N(S/LR31) | 1313728 |
| 09B31 | 02(2) | 11A39 | 6630500 | . | OL5 | 1313768 |
| 08A39 | 03(2) | 11A33 | 6720200 | . | OU2 | 1313768 |
| 07A07 | 04(2) | 15C41 | 6630900 | . | OL9 | 1313766 |
| 14B30 | 05(2) | 26C03 | 7891000 | . | SW9 | 1313730 |
| 12B47 | 06(2) | 07C07 | 4322580 | . | (FA10/1.PH5) | 1313730 |
| 12B02 | 07(2) | 07C06 | 4322920 | . | (FA10.PH9) | 1313730 |
| 11B45 | 08(2) | 12B39 | 7890115 | . | NSWD-1 | 1313730 |
| 10B40 | 09(2) | 12C11 | 6630800 | . | OL8 | 1313766 |
| 08A10 | 10(2) | 11A50 | 6720100 | . | OU1 | 1313766 |
| 04A35 | 11(2) | 11A02 | 6720300 | . | OU3 | 1313766 |
| 11A45 | 12(2) | 11A46 | 1313760 | I | N(S/LR31/1) | 1313766 |
| 10C24 | 13(2) | 07A15 | 3405150 | I | N(S/CXS) | 3405150 |
| 12A14 | 14(2) | 16A07 | 5150650 | . | NIOCON | 3405150 |
| 17A14 | 15(2) | 17A24 | 6821220 | . | PCP2/1 | 3405150 |
| | 16(1) | 10A25 | 4790110 | -GND | GND1110 | 4790110 |
| 02C17 | 17(2) | 18C50 | 7892150 | . | SWK6 | 3405150 |
| 04B18 | 18(2) | 25B36 | 4321020 | . | FAD1VH | 3405152 |
| | 19(0) | | | | | |
| 31A43 | 20(2) | 16C25 | 2842400 | . | BRPRE4 | 3405152 |
| 12A33 | 21(2) | 14B08 | 6902480 | . | PRE10 | 3405150 |
| 06B18 | 22(2) | 04C39 | 5125320 | . | IFAST/L | 3405150 |
| | 23(1) | 08A20 | 4321180 | I | NFAHW | 4321180 |
| 04B22 | 24(2) | 30C10 | 4321925 | B | FAILL/1 | 4321927 |
| 10A16 | 25(1) | | 4790110 | . | GND1110 | 5529066 |
| | 26(0) | | | | | |
| 19A08 | 27(2) | 11B40 | 5528000 | . | KRUN | 5529060 |
| | 28(1) | 15A45 | 5345000 | . | KAS/1 | 5529060 |
| | 29(1) | 11B27 | 5345020 | . | KAS/2 | 5529060 |
| 10A39 | 30(2) | 10B41 | 1034500 | . | 03 | 4321927 |
| 08A37 | 31(2) | 11A29 | 6720000 | . | OU0 | 4321927 |
| | 32(0) | | | | | |
| | 33(0) | | | | | |
| 08A31 | 34(2) | 14A30 | 1064502 | . | NO6 | 4321927 |
| 14A26 | 35(2) | 06A46 | 1014520 | . | 01-1 | 4321927 |
| | 36(1) | 24B06 | 5529060 | B | KRUN/1 | 5529060 |
| 10A47 | 37(2) | 11A22 | 4421400 | B | (FUL1+FULCF1) | 4421400 |
| 14A08 | 38(2) | 09A27 | 1024502 | . | NO2 | 4321180 |
| 09A37 | 39(2) | 10A30 | 1034500 | . | 03 | 4321180 |
| 09A23 | 40(2) | 14A24 | 1014500 | . | 01 | 4321180 |
| 09A25 | 41(2) | 14A23 | 1014502 | . | NO1 | 4421400 |
| 09A31 | 42(2) | 12A43 | 1054502 | . | NO5 | 4421402 |
| 05A47 | 43(2) | 14A42 | 1064500 | . | 06 | 4421402 |
| 06A39 | 44(2) | 19A33 | 1074502 | . | NO7 | 4421402 |
| | 45(0) | | | | | |
| 09A20 | 46(2) | 15C01 | 1044502 | . | NO4 | 4421400 |
| | 47(1) | 10A37 | 4421400 | B | (FUL1+FULCF1) | 4421402 |
| | 48(0) | | | | | |
| 09A49 | 49(0) | 11A49 | 8300000 | . | P4VA | 8300010 |
| 09A42 | 50(2) | 09A21 | 1034502 | . | NO3 | 4421400 |
| 09A51 | 51(0) | 11A51 | 8302000 | . | P8VA | 8302010 |

XDS 902306

XDS
XEROX DATA SYSTEMS

DRAWING NO. - 133264-903 AC
PROG-PNIND MODULE-11A
TYPE-PIN INDEX TYPE-IT16

11
10/27/71

| FROM | PIN (COUNT) | TO | SOURCE LINE NO. | ELEM. TYPE | SOURCE SIGNAL NAME | REFERENCE LINE NO. |
|-------|----------------|-------|--------------------|---------------|--------------------|-----------------------|
| | 00(0) | | | | | |
| 12C38 | 01(1) | | 6720600 | . | OU6 | 4421260 |
| 10A11 | 02(2) | 07B06 | 6720300 | . | OU3 | 4323390 |
| 07B04 | 03(2) | 07C47 | 6720500 | . | OU5 | 4421490 |
| | 04(0) | | | | | |
| 07A38 | 05(2) | 04B12 | 4323390 | I | NFAMULNH | 4323390 |
| | 06(1) | 17B27 | 4323220 | I | NFALOGIC | 4323220 |
| 15B12 | 07(2) | 11C13 | 6631010 | . | NOLA | 4323220 |
| 11A24 | 08(2) | 06A03 | 6514505 | . | (04.N05) | 4323220 |
| 17B23 | 09(2) | 11A27 | 4323025 | . | NFALCF | 4323020 |
| | 10(1) | 11C23 | 4323020 | I | FALCF | 4323020 |
| 18A45 | 11(2) | 08C18 | 7343160 | I | (NRESETIO.NFAST) | 7343162 |
| 06C46 | 12(2) | 07C46 | 7343255 | . | RESETIO | 7343162 |
| 11A28 | 13(2) | 05B06 | 4323100 | . | FALOAD | 4323110 |
| 05A07 | 14(2) | 04B33 | 6720400 | . | OU4 | 4323220 |
| | 15(1) | 17B26 | 4323110 | I | NFALOAD | 4323110 |
| | 16(0) | | 4790111 | -GND | GND1111 | 4790111 |
| | 17(1) | 09B43 | 4421260 | I | NFUEXU | 4421260 |
| | 18(1) | 25B45 | 6630710 | I | NOL7 | 6630710 |
| | 19(1) | 04B09 | 4421490 | I | NFUMH | 4421490 |
| 04B39 | 20(2) | 13C08 | 6630700 | . | OL7 | 4323390 |
| | 21(0) | | | | | |
| 10A37 | 22(2) | 19A20 | 4421400 | . | (FULI+FULCF1) | 4323025 |
| | 23(0) | | | | | |
| 18C28 | 24(2) | 11A08 | 6514505 | . | (04.N05) | 4324730 |
| | 25(1) | 04C31 | 6720010 | I | NOU0 | 6720010 |
| | 26(1) | 07A39 | 4324730 | I | NFAST/A | 4324730 |
| 11A09 | 27(1) | | 4323025 | I | NFALCF | 4323025 |
| | 28(1) | 11A13 | 4323100 | I | FALOAD | 4323100 |
| 10A31 | 29(2) | 10B26 | 6720000 | . | OU0 | 4323025 |
| 11A39 | 30(2) | 10C07 | 6630500 | . | OL5 | 1313764 |
| | 31(0) | | | | | |
| | 32(0) | | | | | |
| 10A03 | 33(2) | 17A44 | 6720200 | . | OU2 | 4421470 |
| 09A45 | 34(2) | 23B34 | 6902650 | I | PREOPER | 6902658 |
| | 35(1) | 04B02 | 4425250 | I | NFUS | 4425250 |
| | 36(1) | 09A11 | 4421470 | I | NFULRP | 4421470 |
| 03A39 | 37(2) | 03B38 | 6631500 | . | OLF | 4421470 |
| 07B22 | 38(2) | 12C42 | 6630400 | . | OL4 | 4425550 |
| 10A02 | 39(2) | 11A30 | 6630500 | . | OL5 | 4425250 |
| | 40(1) | 08A42 | 6631400 | . | OLE | 6902658 |
| 04B01 | 41(1) | | 4425550 | I | NFUSF | 4425550 |
| 08A34 | 42(1) | | 6630140 | . | OL1 | 1313762 |
| 09A38 | 43(2) | 07B37 | 6630000 | . | OL0 | 1313760 |
| 11A46 | 44(2) | 07B19 | 1313760 | I | N(S/LR31/1) | 1313762 |
| | 45(1) | 10A12 | 1313760 | I | N(S/LR31/1) | 1313760 |
| 10A12 | 46(2) | 11A44 | 1313760 | I | N(S/LR31/1) | 1313764 |
| | 47(0) | | | | | |
| | 48(0) | | | | | |
| 10A49 | 49(0) | 12A49 | 8300000 | . | P4VA | 8300010 |
| 10A10 | 50(2) | 08B29 | 6720100 | . | OU1 | 1313764 |
| 10A51 | 51(0) | 12A51 | 8302000 | . | P8VA | 8302010 |

XDS 902306

XDS
XEROX DATA SYSTEMS

DRAWING NO. - 133264-903 AC
PROG-PNIND MODULE-12A
TYPE-PIN INDEX TYPE-XT10

12
10/27/71

| FROM | PIN (COUNT) | TO | SOURCE LINE NO. | ELEM. TYPE | SOURCE SIGNAL NAME | REFERENCE LINE NO. |
|-------|----------------|-------|--------------------|---------------|--------------------|-----------------------|
| | 00(0) | | | | | |
| 15A12 | 01(1) | | 7890515 | T | SW4/LP | 7890515 |
| 18C35 | 02(1) | | 1054500 | T | 05 | 1054500 |
| 15A11 | 03(1) | | 6902470 | T | PRE4/LP | 6902470 |
| 17A04 | 04(1) | | 7343350 | T | NRESIO | 7343350 |
| 15A06 | 05(1) | | 6821150 | T | PCP1/LP | 6821150 |
| | 06(1) | 06A06 | 3511210 | T | N(ND12.ND13.D14) | 3511210 |
| 15A15 | 07(1) | | 7890315 | T | SW2/LP | 7890315 |
| | 08(0) | | | | | |
| 09A39 | 09(1) | | 6514515 | T | (N04.N05) | 6514515 |
| | 10(0) | | | | | |
| | 11(1) | 08C27 | 2405420 | T | N(S/AXRR/6) | 2405420 |
| | 12(0) | | | | | |
| 19A11 | 13(1) | | 3567110 | T | DCSTOP/1-1 | 3567110 |
| | 14(1) | 10A14 | 5150650 | T | NIOCON | 5150650 |
| 15A14 | 15(1) | | 6902260 | T | PRE2/LP | 6902260 |
| | 16(0) | | 4790112 | -GND | GND1112 | 4790112 |
| 15A17 | 17(1) | | 6821250 | T | PCP2/LP | 6821250 |
| 08A27 | 18(1) | | 6845122 | T | PH1-B | 6845122 |
| 15A19 | 19(1) | | 7890225 | T | SW1/LP | 7890225 |
| 07A31 | 20(1) | | 6803216 | T | (NP32.NP33) | 6803216 |
| | 21(1) | 09B21 | 6845195 | T | NPH1/L | 6845195 |
| 27A05 | 22(1) | | 2054900 | T | AB0 | 2054900 |
| 14A23 | 23(1) | | 1014502 | T | N01 | 1014502 |
| 14A24 | 24(1) | | 1014500 | T | 01 | 1014500 |
| 10B03 | 25(1) | | 4320300 | T | NFAADD/1 | 4320300 |
| 09A41 | 26(1) | | 6845255 | T | PH2-B | 6845255 |
| 15A26 | 27(1) | | 6845890 | T | PH8/LP | 6845890 |
| | 28(0) | | | | | |
| 15A28 | 29(1) | | 6845490 | T | PH4/LP | 6845490 |
| | 30(1) | 11B31 | 6047710 | T | NMCXS | 6047710 |
| | 31(0) | | | | | |
| | 32(0) | | | | | |
| | 33(1) | 10A21 | 6902480 | T | PRE10 | 6902480 |
| 15A34 | 34(1) | | 6845290 | T | PH2/LP | 6845290 |
| 02A04 | 35(2) | 09A04 | 4421150 | T | NFUCS | 4421150 |
| 07A40 | 36(1) | | 4421750 | T | NFUPSM | 4421750 |
| 15A38 | 37(1) | | 6845190 | T | PH1/LP | 6845190 |
| | 38(1) | 18C28 | 6514505 | T | (04.N05) | 6514505 |
| 08A44 | 39(1) | | 6514510 | T | (N04.05) | 6514510 |
| 03A38 | 40(1) | | 6631400 | T | OLE | 6631400 |
| 17A41 | 41(1) | | 2842050 | T | NBRPH10 | 2842050 |
| 09A26 | 42(1) | | 1044500 | T | 04 | 1044500 |
| 10A42 | 43(1) | | 1054502 | T | N05 | 1054502 |
| | 44(1) | 15A37 | 5156401 | T | IOPH0 | 5156401 |
| | 45(1) | 07A11 | 4425550 | T | NFUSF | 4425550 |
| 14B04 | 46(1) | | 5150552 | T | I0BR9 | 5150552 |
| | 47(1) | 30A42 | 5152001 | T | NIOEN | 5152001 |
| | 48(0) | | | | | |
| 11A49 | 49(0) | 13A49 | 8300000 | | P4VA | 8300010 |
| | 50(1) | 12B17 | 4322565 | T | (FA10.PH5.SW13) | 4322565 |
| 11A51 | 51(0) | 13A51 | 8302000 | | P8VA | 8302010 |

XDS 902306

XDS
XEROX DATA SYSTEMS

DRAWING NO.- 133264-903 AC
PROG-PNIND MODULE-13A
TYPE-PIN INDEX TYPE-ZT23

13
10/27/71

| FROM | PIN (COUNT) | TO | SOURCE LINE NO. | ELEM. TYPE | SOURCE SIGNAL NAME | REFERENCE LINE NO. |
|-------|----------------|-------|--------------------|---------------|--------------------|-----------------------|
| | 00(0) | | | | | |
| | 01(0) | | | | | |
| | 02(1) | 13A05 | 4790113 | | GND1113 | 4790113 |
| | 03(0) | | | | | |
| 13A02 | 04(1) | 14A31 | 5543100 | -NS | KSYSR/B | 5543100 |
| | 05(2) | 13A09 | 4790113 | | GND1113 | 4790113 |
| | 06(1) | 05C22 | 5543200 | -NS | NKSYSR | 5543200 |
| | 07(0) | | | | | |
| 13A05 | 08(1) | 14A22 | 5394000 | -NS | KFILL/B | 5394000 |
| | 09(2) | 13A11 | 4790113 | | GND1113 | 4790113 |
| | 10(0) | | | | | |
| 13A09 | 11(2) | 13A15 | 4790113 | | GND1113 | 4790113 |
| | 12(1) | 16A08 | 5362100 | -NS | KCLRPSW2 | 5362100 |
| | 13(0) | | | | | |
| | 14(0) | | | | | |
| 13A11 | 15(2) | 13A16 | 4790113 | | GND1113 | 4790113 |
| 13A15 | 16(2) | 13A20 | 4790113 | -GND | GND1113 | 4790113 |
| | 17(1) | 10B18 | 5362000 | -NS | KCLRPSW1 | 5362000 |
| | 18(0) | | | | | |
| 14A02 | 19(1) | | 5424900 | -NS | KINCRE/B | 5424900 |
| 13A16 | 20(2) | 13A23 | 4790113 | | GND1113 | 4790113 |
| | 21(1) | 28B13 | 5529100 | -NS | KRUN/B | 5529100 |
| | 22(0) | | | | | |
| 13A20 | 23(2) | 13A25 | 4790113 | | GND1113 | 4790113 |
| | 24(1) | 02C02 | 5539500 | -NS | KSTEP/B | 5539500 |
| 13A23 | 25(2) | 13A27 | 4790113 | | GND1113 | 4790113 |
| | 26(0) | | | | | |
| 13A25 | 27(2) | 13A31 | 4790113 | | GND1113 | 4790113 |
| | 28(1) | 14A04 | 5538200 | -NS | KPSW2/B | 5538200 |
| | 29(0) | | | | | |
| | 30(0) | | | | | |
| 13A27 | 31(2) | 13A35 | 4790113 | | GND1113 | 4790113 |
| | 32(0) | | | | | |
| | 33(1) | 14A21 | 5538100 | -NS | KPSW1/B | 5538100 |
| | 34(0) | | | | | |
| 13A31 | 35(2) | 13A37 | 4790113 | | GND1113 | 4790113 |
| | 36(1) | 02C31 | 5539700 | -NS | KSTORQ/B | 5539700 |
| 13A35 | 37(2) | 13A39 | 4790113 | | GND1113 | 4790113 |
| | 38(0) | | | | | |
| 13A37 | 39(2) | 13A41 | 4790113 | | GND1113 | 4790113 |
| | 40(1) | 14A03 | 5539600 | -NS | KSTORK/B | 5539600 |
| 13A39 | 41(2) | 13A44 | 4790113 | | GND1113 | 4790113 |
| | 42(0) | | | | | |
| | 43(1) | 11C10 | 5360800 | -NS | KCLEAR/B | 5360800 |
| 13A41 | 44(2) | 13A46 | 4790113 | | GND1113 | 4790113 |
| | 45(0) | | | | | |
| 13A44 | 46(1) | | 4790113 | | GND1113 | 4790113 |
| | 47(1) | 30C12 | 5385000 | -NS | KENTER/B | 5385000 |
| | 48(0) | | | | | |
| 12A49 | 49(0) | 14A49 | 8300000 | | P4VA | 8300010 |
| | 50(0) | | | | | |
| 12A51 | 51(0) | 14A51 | 8302000 | | P8VA | 8302010 |

XDS 902306



DRAWING NO. - 133264-903 AC
 PROG-PNIND MODULE-14A
 TYPE-PIN INDEX TYPE-BT16

14
 10/27/71

| FROM | PIN (COUNT) | TO | SOURCE LINE NO. | ELEM. TYPE | SOURCE SIGNAL NAME | REFERENCE LINE NO. |
|-------|-------------|-------|-----------------|------------|--------------------|--------------------|
| | 00(0) | | | | | |
| | 01(1) | 15A47 | 5375000 | . | KDISPLAK/B | 5375010 |
| | 02(1) | 13A19 | 5424900 | . | KINCRE/B | 5415360 |
| 13A40 | 03(1) | | 5539600 | . | KSTORK/B | 5539610 |
| 13A28 | 04(1) | | 5538200 | . | KPSW2/B | 5426010 |
| | 05(1) | 02C21 | 5415360 | B | KINCRE/B-1 | 5415360 |
| | 06(1) | 26B37 | 4321145 | B | (FAFL.N02) | 4321145 |
| | 07(0) | | | | | |
| 15B13 | 08(2) | 10A38 | 1024502 | . | N02 | 4321145 |
| | 09(1) | 24A29 | 5138951 | . | NINTRAP1 | 8065102 |
| 19B46 | 10(1) | | 8065100 | B | (R/TRACC) | 8065102 |
| | 11(1) | 07C38 | 4321137 | B | FAFL-1 | 4321137 |
| 03A10 | 12(2) | 14A14 | 4321135 | . | FAFL | 4321137 |
| 23B25 | 13(2) | 20C13 | 6038030 | . | N(S/MBXS) | 8010159 |
| 14A12 | 14(2) | 13B01 | 4321135 | . | FAFL | 4321145 |
| | 15(1) | 11B06 | 8010150 | B | N(S/T11L) | 8010159 |
| | 16(0) | | 4790114 | -GND | GND1114 | 4790114 |
| | 17(1) | 02C23 | 5375010 | B | KDISPLAK/B-1 | 5375010 |
| | 18(1) | 29C09 | 5426010 | B | KPSW2/B-1 | 5426010 |
| | 19(1) | 02C09 | 5539610 | B | KSTORK/B-1 | 5539610 |
| | 20(0) | | | | | |
| 13A33 | 21(1) | | 5538100 | . | KPSW1/B | 5426000 |
| 13A08 | 22(1) | | 5394000 | . | KFILL/B | 5394004 |
| 10A41 | 23(2) | 12A23 | 1014502 | . | N01 | 1014540 |
| 10A40 | 24(2) | 12A24 | 1014500 | . | 01 | 1014520 |
| | 25(1) | 03A15 | 1014540 | B | N01-1 | 1014540 |
| | 26(1) | 10A35 | 1014520 | B | 01-1 | 1014520 |
| | 27(1) | 18A19 | 5394004 | B | KFILL/B-1 | 5394004 |
| | 28(1) | 29C40 | 5426000 | B | KPSW1/B-1 | 5426000 |
| | 29(0) | | | | | |
| 10A34 | 30(2) | 20A14 | 1064502 | . | N06 | 1064525 |
| 13A04 | 31(1) | | 5543100 | . | KSYSR/B | 5543110 |
| | 32(0) | | | | | |
| | 33(0) | | | | | |
| | 34(1) | 17C21 | 4324702 | B | FAST-2 | 4324702 |
| | 35(1) | 05C23 | 5366010 | B | KCPURESET-1 | 5366010 |
| 17A27 | 36(2) | 06C17 | 5345210 | B | NKAS/B-1 | 5345210 |
| | 37(1) | 15A44 | 5345200 | . | NKAS/B | 5345210 |
| 15A04 | 38(1) | | 5366100 | . | NKCPURESET/B | 5366120 |
| 15A42 | 39(1) | | 5366000 | . | KCPURESET | 5366010 |
| 11B07 | 40(2) | 10C15 | 4324700 | . | FAST-1 | 4324702 |
| | 41(1) | 05C24 | 5366120 | B | NKCPURESET/B-1 | 5366120 |
| 10A43 | 42(2) | 20A19 | 1064500 | . | 06 | 1064520 |
| 14C17 | 43(2) | 09A13 | 4324600 | . | FASEL | 4324610 |
| | 44(1) | 17C37 | 1064520 | B | 06-1 | 1064520 |
| | 45(1) | 23C34 | 4324610 | B | FASEL-1 | 4324610 |
| | 46(1) | 06A02 | 1064525 | B | N06-1 | 1064525 |
| | 47(1) | 17A25 | 5543110 | B | KSYSR/B-1 | 5543110 |
| | 48(0) | | | | | |
| 13A49 | 49(0) | 15A49 | 8300000 | | P4VA | 8300010 |
| | 50(0) | | | | | |
| 13A51 | 51(0) | 15A51 | 8302000 | | P8VA | 8302010 |

XDS 902306

XDS
XEROX DATA SYSTEMS

DRAWING NO.- 133264-903 AC
PROG-PNIND MODULE-15A
TYPE-PIN INDEX TYPE-AT21

15
10/27/71

| FROM | PIN (COUNT) | TO | SOURCE LINE NO. | ELEM. TYPE | SOURCE SIGNAL NAME | REFERENCE LINE NO. |
|-------|----------------|-------|--------------------|---------------|--------------------|-----------------------|
| | 00(0) | | | | | |
| | 01(1) | 16C02 | 5539100 | -NS | KSS1 | 5539100 |
| | 02(1) | 16C03 | 5539200 | -NS | KSS2 | 5539200 |
| | 03(1) | 16C04 | 5539300 | -NS | KSS3 | 5539300 |
| | 04(1) | 14A38 | 5366100 | -NS | NKCPURESET/B | 5366100 |
| | 05(0) | | | | | |
| 18A34 | 06(2) | 12A05 | 6821150 | . | PCP1/LP | 6821142 |
| | 07(1) | 11C45 | 5539400 | -NS | KSS4 | 5539400 |
| | 08(1) | 11C02 | 5541200 | -NS | KSXB | 5541200 |
| | 09(1) | 07C03 | 5541600 | -NS | KSXC | 5541600 |
| | 10(0) | | | | | |
| 30B34 | 11(2) | 12A03 | 6902470 | . | PRE4/LP | 6902468 |
| 29C34 | 12(2) | 12A01 | 7890515 | . | SW4/LP | 6902468 |
| 06B31 | 13(2) | 15A20 | 5374427 | . | NKD1-2 | 6902158 |
| 09B05 | 14(2) | 12A15 | 6902260 | . | PRE2/LP | 6902258 |
| 29C14 | 15(2) | 12A07 | 7890315 | . | SW2/LP | 6902258 |
| | 16(0) | | 4790115 | -GND | GND1115 | 4790115 |
| 18A33 | 17(2) | 12A17 | 6821250 | . | PCP2/LP | 6821242 |
| 09B19 | 18(2) | 16B05 | 6902160 | . | PRE1/LP | 6902158 |
| 29C15 | 19(2) | 12A19 | 7890225 | . | SW1/LP | 6902158 |
| 15A13 | 20(2) | 15A23 | 5374427 | . | NKD1-2 | 6821448 |
| 20A37 | 21(2) | 23C22 | 5158100 | . | IOSC | 6821448 |
| 18A12 | 22(2) | 05C37 | 6821450 | . | PCP4/LP | 6821448 |
| 15A20 | 23(2) | 11B28 | 5374427 | . | NKD1-2 | 6845188 |
| | 24(0) | | | | | |
| 06B25 | 25(2) | 23C06 | 5156701 | . | IOPH3 | 6845888 |
| 28C23 | 26(2) | 12A27 | 6845890 | . | PH8/LP | 6845888 |
| 28B11 | 27(2) | 20A27 | 8145800 | . | WAIT/L-1 | 8145825 |
| 32C34 | 28(2) | 12A29 | 6845490 | . | PH4/LP | 6845488 |
| 20A35 | 29(2) | 11B21 | 5374430 | . | KD1-2 | 6821448 |
| 06B15 | 30(2) | 16C45 | 5156601 | . | IOPH2 | 6845488 |
| 32B45 | 31(1) | | 7421400 | . | RUN/L-1 | 7421425 |
| | 32(0) | | | | | |
| 14B10 | 33(1) | | 5156501 | . | IOPH1 | 6845288 |
| 09B18 | 34(2) | 12A34 | 6845290 | . | PH2/LP | 6845288 |
| 24A33 | 35(2) | 21C05 | 5139000 | . | INTRAP2 | 5139034 |
| | 36(0) | | | | | |
| 12A44 | 37(2) | 14B36 | 5156401 | . | IOPH0 | 6845188 |
| 09B28 | 38(2) | 12A37 | 6845190 | . | PH1/LP | 6845188 |
| 18C06 | 39(2) | 19C04 | 5138950 | . | INTRAP1 | 5138984 |
| | 40(1) | 03C34 | 5362130 | -NS | NKCLRPSW/B | 5362130 |
| | 41(0) | | | | | |
| | 42(1) | 14A39 | 5366000 | -NS | KCPURESET | 5366000 |
| | 43(0) | | | | | |
| 14A37 | 44(1) | | 5345200 | -NS | NKAS/B | 5345200 |
| 10A28 | 45(2) | 24B09 | 5345000 | -NS | KAS/1 | 5345000 |
| | 46(1) | 11B22 | 5345100 | -NS | NKAS/2 | 5345100 |
| 14A01 | 47(1) | | 5375000 | -NS | KDISPLAK/B | 5375000 |
| | 48(0) | | | | | |
| 14A49 | 49(0) | 16A49 | 8300000 | | P4VA | 8300010 |
| | 50(0) | | 8304000 | -VSP | MBVA | 8304000 |
| 14A51 | 51(0) | 16A51 | 8302000 | | P8VA | 8302010 |

XDS 902306

XDS
XEROX DATA SYSTEMS

DRAWING NO.- 133264-903 AC
 PROG-PNIND MODULE-16A
 TYPE-PIN INDEX TYPE-IT16

16

10/27/71

| FROM | PIN (COUNT) | TO | SOURCE LINE NO. | ELEM. TYPE | SOURCE SIGNAL NAME | REFERENCE LINE NO. |
|-------|----------------|-------|--------------------|---------------|--------------------|-----------------------|
| | 00(0) | | | | | |
| 22B02 | 01(2) | 24B01 | 6821330 | . | N(S/PCP3/1) | 6821320 |
| 20B04 | 02(2) | 22B29 | 8065417 | . | N(R/TRAP) | 8065415 |
| 17C30 | 03(2) | 19B40 | 8065425 | . | N(S/TRAP) | 8065420 |
| 20B08 | 04(2) | 09B12 | 4324375 | . | (FAPSD.PH5) | 8065110 |
| | 05(1) | 19A23 | 8065415 | I | (R/TRAP) | 8065415 |
| 09B11 | 06(2) | 29C02 | 6927110 | I | N(PSW2XS) | 6927110 |
| 10A14 | 07(2) | 17A23 | 5150650 | . | NIOCON | 6927110 |
| 13A12 | 08(1) | | 5362100 | . | KCLRPSW2 | 6927110 |
| 03B12 | 09(2) | 20B12 | 4323130 | . | FALOAD/A | 4323132 |
| | 10(1) | 22C29 | 4323132 | I | NFALOAD/A | 4323132 |
| | 11(1) | 29A13 | 2841070 | I | BRPCP5 | 2841070 |
| 17A42 | 12(2) | 19C45 | 2841080 | . | NBRPCP5 | 2841070 |
| 25A17 | 13(2) | 09B42 | 7869100 | . | STRAP | 7869110 |
| 10B30 | 14(2) | 17A27 | 5345210 | . | NKAS/B-1 | 6927110 |
| | 15(1) | 25A10 | 7869110 | I | NSTRAP | 7869110 |
| | 16(0) | | 4790116 | -GND | GND1116 | 4790116 |
| 17A34 | 17(2) | 28A43 | 6821320 | I | (S/PCP3) | 6821320 |
| | 18(1) | 19B41 | 8065110 | I | N(R/TRACC/1) | 8065110 |
| | 19(1) | 19A05 | 8065420 | I | (S/TRAP) | 8065420 |
| | 20(0) | | | | | |
| 06C44 | 21(2) | 18C29 | 4320500 | . | FABRANCH | 2840108 |
| 03B05 | 22(2) | 16A23 | 4420800 | . | FUANLZ | 2840110 |
| 16A22 | 23(2) | 30C21 | 4420800 | . | FUANLZ | 6752020 |
| 10C10 | 24(2) | 24C42 | 4324500 | . | FARWD | 3689200 |
| | 25(1) | 17A35 | 6752020 | I | NOXC | 6752020 |
| | 26(1) | 03C02 | 3689200 | I | NDIOXB | 3689200 |
| 16A28 | 27(2) | 26A15 | 2840100 | I | NBR | 2840110 |
| 30A15 | 28(2) | 16A27 | 2840100 | I | NBR | 2840108 |
| 17A05 | 29(2) | 15B18 | 6845122 | . | PH1-B | 2840110 |
| 21B17 | 30(2) | 15B17 | 5156567 | . | (IOPH1.SW13)-F | 8165724 |
| 29B27 | 31(2) | 16A45 | 8165720 | . | N(S/WDTR) | 8165715 |
| | 32(0) | | | | | |
| | 33(0) | | | | | |
| | 34(1) | 22A19 | 8165900 | I | WDTR/K | 8165900 |
| 16A36 | 35(2) | 30B15 | 8165910 | I | NWDTR/K | 8165914 |
| 16A40 | 36(2) | 16A35 | 8165910 | I | NWDTR/K | 8165910 |
| 01C10 | 37(2) | 20A01 | 5533010 | . | KSC-1 | 8165910 |
| 18B17 | 38(2) | 20A42 | 5529050 | . | NKRUN | 8165912 |
| | 39(1) | 02A02 | 5583000 | . | KWDTR | 8165914 |
| 16A41 | 40(2) | 16A36 | 8165910 | . | NWDTR/K | 8165900 |
| | 41(1) | 16A40 | 8165910 | I | NWDTR/K | 8165912 |
| 21A24 | 42(2) | 14B12 | 6846000 | . | PH10 | 8165722 |
| 19A14 | 43(2) | 27B39 | 5121100 | . | IEN | 8165720 |
| 16A45 | 44(2) | 16A46 | 8165720 | I | N(S/WDTR) | 8165722 |
| 16A31 | 45(2) | 16A44 | 8165720 | I | N(S/WDTR) | 8165720 |
| 16A44 | 46(2) | 07A14 | 8165720 | I | N(S/WDTR) | 8165724 |
| | 47(1) | 24A19 | 8165715 | I | (S/WDTR) | 8165715 |
| | 48(0) | | | | | |
| 15A49 | 49(0) | 17A49 | 8300000 | | P4VA | 8300020 |
| | 50(0) | | | | | |
| 15A51 | 51(0) | 17A51 | 8302000 | | P8VA | 8302020 |

XDS 902306

XDS
XEROX DATA SYSTEMS

DRAWING NO.- 133264-903 AC
PROG-PNIND MODULE-17A
TYPE-PIN INDEX TYPE-BT11

17
10/27/71

| FROM | PIN (COUNT) | TO | SOURCE LINE NO. | ELEM. TYPE | SOURCE SIGNAL NAME | REFERENCE LINE NO. |
|-------|-------------|-------|-----------------|------------|--------------------------|--------------------|
| | 00(0) | | | | | |
| | 01(1) | 22A43 | 8161180 | B | (S/WCT2) | 8161180 |
| | 02(1) | 20C24 | 7343223 | B | NRESET/C | 7343223 |
| 18B23 | 03(2) | 25C35 | 7343221 | . | N(RESET/B.NIOCON.NMRC) | 7343223 |
| 06C40 | 04(2) | 12A04 | 7343350 | . | NRESIO | 7343257 |
| 30B05 | 05(2) | 16A29 | 6845122 | . | PH1-B | 4320830 |
| 27A06 | 06(2) | 17C03 | 8065440 | . | (NTRAP.NSTRAP) | 4320830 |
| 08A36 | 07(2) | 17C33 | 4320800 | . | FACAL | 4320830 |
| 06C41 | 08(2) | 28B01 | 7987100 | . | NSYSR | 7343257 |
| 16C10 | 09(2) | 09A47 | 6821615 | . | N(PCP6.KFILL/B) | 7343223 |
| 21A01 | 10(1) | | 8161190 | . | (NWCT2.WCT3) | 8161180 |
| | 11(1) | 21A09 | 8161250 | . | WCT4 | 8161180 |
| | 12(1) | 25A19 | 4320830 | B | (FACAL.PH1.NTRAP.NSTRAP) | 4320830 |
| | 13(1) | 18B46 | 7343257 | B | NRESETIO | 7343257 |
| | 14(1) | 10A15 | 6821220 | B | PCP2/1 | 6821220 |
| | 15(1) | 12C34 | 5153300 | B | N(S/IOFM) | 5153300 |
| | 16(0) | | 4790117 | -GND | GND1117 | 4790117 |
| 08C27 | 17(2) | 11C07 | 2405420 | . | N(S/AXRR/6) | 5153300 |
| 15B30 | 18(2) | 08C06 | 2405400 | . | N(S/AXRR/4) | 5153300 |
| 18B33 | 19(2) | 06C05 | 6821200 | . | PCP2 | 6821220 |
| 18A25 | 20(2) | 05C07 | 6821301 | . | NPCP3 | 6821220 |
| | 21(0) | | | | | |
| 31B17 | 22(2) | 20A20 | 3567040 | . | NDCSTOP | 6821322 |
| 16A07 | 23(2) | 18B38 | 5150650 | . | NIOCON | 6821322 |
| 10A15 | 24(2) | 07C17 | 6821220 | . | PCP2/1 | 6821322 |
| 14A47 | 25(2) | 18A41 | 5543110 | . | KSYSR/B-1 | 3203100 |
| 05C26 | 26(2) | 18A40 | 5366110 | . | KCPURESET/B-1 | 3203100 |
| 16A14 | 27(2) | 14A36 | 5345210 | . | NKAS/B-1 | 3203100 |
| | 28(0) | | | | | |
| | 29(0) | | | | | |
| 12C05 | 30(2) | 08C26 | 2405390 | . | N(S/AXRR/3) | 5153300 |
| | 31(0) | | | | | |
| | 32(0) | | | | | |
| | 33(1) | 18A04 | 3203100 | B | CLEARMEM | 3203100 |
| | 34(1) | 16A17 | 6821320 | B | (S/PCP3) | 6821322 |
| 16A25 | 35(2) | 24C04 | 6752020 | B | NOXC | 6752022 |
| | 36(1) | 10C37 | 4421497 | B | FUMI | 4421497 |
| 08B23 | 37(2) | 16B37 | 6630300 | . | OL3 | 4421497 |
| 21B26 | 38(2) | 30B08 | 5138996 | . | N(NINTRAP1.INTRAP2) | 6752022 |
| 18A20 | 39(2) | 23B14 | 6821500 | . | PCP5 | 6821560 |
| 28A45 | 40(2) | 18C46 | 6821300 | . | PCP3 | 6821360 |
| 21C34 | 41(2) | 12A41 | 2842050 | . | NBRPH10 | 6821360 |
| 18A13 | 42(2) | 16A12 | 2841080 | . | NBRPCP5 | 6821560 |
| 21B25 | 43(2) | 10B28 | 6846001 | . | NPH10 | 6752022 |
| 11A33 | 44(2) | 18C40 | 6720200 | . | OU2 | 4421497 |
| | 45(1) | 28A35 | 6821560 | B | (PCP5.NBRPCP5) | 6821560 |
| | 46(1) | 28A42 | 6821360 | B | (PCP3.NBRPH10) | 6821360 |
| | 47(0) | | | | | |
| | 48(0) | | | | | |
| 16A49 | 49(0) | 18A49 | 8300000 | | P4VA | 8300020 |
| | 50(0) | | | | | |
| 16A51 | 51(0) | 18A51 | 8302000 | | P8VA | 8302020 |

XDS 902306



DRAWING NO. - 133264-903 AC
 PROG-PNIND MODULE-18A
 TYPE-PIN INDEX TYPE-IT25

18
 10/27/71

| FROM | PIN (COUNT) | TO | SOURCE LINE NO. | ELEM. TYPE | SOURCE SIGNAL NAME | REFERENCE LINE NO. |
|-------|-------------|-------|-----------------|------------|--------------------|--------------------|
| | 00(0) | | | | | |
| | 01(1) | 19C22 | 6974100 | I | NPXK | 6974100 |
| | 02(1) | 01C23 | 2403350 | I | NAXLOAD | 2403350 |
| 18A19 | 03(2) | 02C42 | 5394004 | . | KFILL/B-1 | 2403350 |
| 17A33 | 04(2) | 24B11 | 3203100 | . | CLEARMEM | 2841080 |
| 18A22 | 05(2) | 29A12 | 6821501 | . | NPCP5 | 6821450 |
| 28A29 | 06(1) | | 6821401 | . | NPCP4 | 6821450 |
| | 07(1) | 18A27 | 6821601 | . | NPCP6 | 6821450 |
| 18A09 | 08(2) | 18A20 | 6821500 | . | PCP5 | 2841080 |
| 29A14 | 09(2) | 18A08 | 6821500 | . | PCP5 | 2403350 |
| 02C15 | 10(2) | 23C12 | 7892120 | . | SWK5 | 6974100 |
| 29A20 | 11(2) | 23B29 | 6821400 | . | PCP4 | 6974100 |
| | 12(1) | 15A22 | 6821450 | I | PCP4/LP | 6821450 |
| 18A14 | 13(2) | 17A42 | 2841080 | I | NBRPCP5 | 2841080 |
| | 14(1) | 18A13 | 2841080 | I | NBRPCP5 | 2841082 |
| | 15(1) | 18B28 | 8165784 | I | NWDTRUN | 8165784 |
| | 16(0) | | 4790118 | -GND | GND1118 | 4790118 |
| | 17(0) | | | | | |
| | 18(0) | | | | | |
| 14A27 | 19(2) | 18A03 | 5394004 | . | KFILL/B-1 | 2841082 |
| 18A08 | 20(2) | 17A39 | 6821500 | . | PCP5 | 2841082 |
| | 21(0) | | | | | |
| | 22(1) | 18A05 | 6821501 | . | NPCP5 | 6821150 |
| 28A26 | 23(2) | 18A25 | 6821301 | . | NPCP3 | 6821150 |
| 29A21 | 24(2) | 05C08 | 6821101 | . | NPCP1 | 6821150 |
| 18A23 | 25(2) | 17A20 | 6821301 | . | NPCP3 | 6821250 |
| 28A28 | 26(2) | 10B21 | 6821201 | . | NPCP2 | 6821250 |
| 18A07 | 27(2) | 28A34 | 6821601 | . | NPCP6 | 6821250 |
| | 28(0) | | | | | |
| 01A39 | 29(2) | 16B01 | 6802850 | . | N(P28.P31) | 2841082 |
| 19A38 | 30(2) | 24A09 | 8165780 | . | WDTRUN | 8165784 |
| | 31(0) | | | | | |
| | 32(0) | | | | | |
| | 33(1) | 15A17 | 6821250 | I | PCP2/LP | 6821250 |
| | 34(1) | 15A06 | 6821150 | I | PCP1/LP | 6821150 |
| | 35(1) | 28A23 | 5188020 | I | (R/IX) | 5188020 |
| 20B31 | 36(1) | | 2841000 | I | N(R/BRP) | 2841000 |
| 09A14 | 37(2) | 08A21 | 4321987 | . | NFAIM | 2841000 |
| 05C19 | 38(2) | 16B04 | 6902155 | . | NPRE/12 | 5188020 |
| 30A41 | 39(2) | 30C03 | 6845500 | . | PH5 | 7343160 |
| 17A26 | 40(2) | 19A30 | 5366110 | . | KCPURESET/B-1 | 7343200 |
| 17A25 | 41(2) | 19A28 | 5543110 | . | KSYSR/B-1 | 7343200 |
| 10C28 | 42(2) | 27B26 | 4324727 | . | FAST/A-1 | 7343160 |
| 19B06 | 43(2) | 23A10 | 3202700 | . | NCLEAR | 5188020 |
| 28A10 | 44(2) | 18B15 | 6902140 | . | PRE1-A | 2841000 |
| | 45(1) | 11A11 | 7343160 | I | (NRESET IO.NFAST) | 7343160 |
| 19A47 | 46(2) | 18B40 | 7343200 | I | RESET/B | 7343200 |
| | 47(0) | | | | | |
| | 48(0) | | | | | |
| 17A49 | 49(0) | 19A49 | 8300000 | | P4VA | 8300020 |
| 18B39 | 50(1) | | 6192001 | T | NMRC | 6192001 |
| 17A51 | 51(0) | 19A51 | 8302000 | | P8VA | 8302020 |

| FROM | PIN (COUNT) | TO | SOURCE LINE NO. | ELEM. TYPE | SOURCE SIGNAL NAME | REFERENCE LINE NO. |
|-------|----------------|-------|--------------------|---------------|--------------------|-----------------------|
| | 00(0) | | | | | |
| | 01(1) | 02A08 | 7824100 | B | SPIM | 7824100 |
| | 02(1) | 24A44 | 5138920 | B | (R/INTRAP) | 5138920 |
| | 03(1) | 19A09 | 3567000 | B | DCSTOP | 3567000 |
| 21B29 | 04(2) | 05C12 | 5138930 | B | (S/INTRAP) | 5138936 |
| 16A19 | 05(2) | 24A47 | 8065420 | . | (S/TRAP) | 5138936 |
| | 06(0) | | | | | |
| 24A36 | 07(2) | 09B08 | 7343100 | . | NRESET | 3567000 |
| 20A44 | 08(2) | 10A27 | 5528000 | . | KRUN | 3567000 |
| 19A03 | 09(2) | 24B18 | 3567000 | . | DCSTOP | 3567000 |
| | 10(0) | | | | | |
| 17B46 | 11(2) | 12A13 | 3567110 | . | DCSTOP/1-1 | 3567010 |
| | 12(0) | | | | | |
| 29A31 | 13(2) | 24B07 | 5138000 | . | INT | 5138936 |
| | 14(1) | 16A43 | 5121100 | . | IEN | 5138936 |
| | 15(0) | | | | | |
| | 16(0) | | 4790119 | -GND | GND1119 | 4790119 |
| 14B26 | 17(2) | 18C12 | 6845955 | . | PH9-B | 5138920 |
| 27A12 | 18(2) | 18B02 | 6902314 | . | PRE3-A | 7824100 |
| 06A15 | 19(2) | 19C15 | 4321977 | . | FAIM | 7824100 |
| 11A22 | 20(2) | 22C35 | 4421400 | . | (FULI+FULCF1) | 7824100 |
| 31A07 | 21(2) | 22C36 | 6902101 | . | PRE1 | 7824100 |
| 14C37 | 22(2) | 18B07 | 4323340 | . | FAMT | 5138920 |
| 16A05 | 23(2) | 24A45 | 8065415 | . | (R/TRAP) | 5138920 |
| | 24(0) | | | | | |
| 07A25 | 25(2) | 16B03 | 6845455 | . | PH4-B | 7439002 |
| 19A31 | 26(2) | 13B05 | 4421300 | . | FUINT | 7439002 |
| 12B09 | 27(2) | 09A41 | 6845255 | . | PH2-B | 7439000 |
| 18A41 | 28(2) | 20A30 | 5543110 | . | KSYSR/B-1 | 7343204 |
| 19A36 | 29(2) | 18B31 | 5345210 | . | NKAS/B-1 | 7343202 |
| 18A40 | 30(2) | 06B34 | 5366110 | . | KCPURESET/B-1 | 7343202 |
| 03B36 | 31(2) | 19A26 | 4421300 | . | FUINT | 7439000 |
| | 32(0) | | | | | |
| 10A44 | 33(2) | 14C43 | 1074502 | . | N07 | 6927120 |
| 19A42 | 34(2) | 07C23 | 6927100 | . | PSW2XS | 6927120 |
| | 35(0) | | | | | |
| 20A25 | 36(2) | 19A29 | 5345210 | . | NKAS/B-1 | 7343204 |
| 24A06 | 37(2) | 19A40 | 8165700 | . | WDTR | 8165780 |
| 19A45 | 38(2) | 18A30 | 8165780 | . | WDTRUN | 8165780 |
| 21A05 | 39(2) | 22A09 | 8165800 | . | WDTRAC | 8165780 |
| 19A37 | 40(2) | 18B27 | 8165700 | . | WDTR | 8165780 |
| | 41(0) | | | | | |
| 29C13 | 42(2) | 19A34 | 6927100 | . | PSW2XS | 6927122 |
| 32C23 | 43(1) | | 6845501 | . | NPH5 | 6927122 |
| | 44(1) | 02A13 | 6927120 | B | PSW2XS/1 | 6927120 |
| | 45(1) | 19A38 | 8165780 | FB | WDTRUN | 8165780 |
| | 46(1) | 02A31 | 7439000 | B | RWXZ/01 | 7439000 |
| | 47(1) | 18A46 | 7343200 | B | RESET/B | 7343202 |
| | 48(0) | | | | | |
| 18A49 | 49(0) | 20A49 | 8300000 | | P4VA | 8300020 |
| | 50(0) | | | | | |
| 18A51 | 51(0) | 20A51 | 8302000 | | P8VA | 8302020 |

XDS 902306

XDS
XEROX DATA SYSTEMS

DRAWING NO.- 133264-903 AC
PROG-PNIND MODULE-20A
TYPE-PIN INDEX TYPE-XT10

20

10/27/71

| FROM | PIN (COUNT) | TO | SOURCE LINE NO. | ELEM. TYPE | SOURCE SIGNAL NAME | REFERENCE LINE NO. |
|-------|----------------|-------|--------------------|---------------|--------------------|-----------------------|
| | 00(0) | | | | | |
| 16A37 | 01(1) | | 5533010 | T | KSC-1 | 5533010 |
| 22C40 | 02(1) | | 2285001 | T | NANLZ | 2285001 |
| 25A25 | 03(1) | | 1296625 | T | (S/TR29) | 1296625 |
| 24C09 | 04(1) | | 1296630 | T | N(S/TR29) | 1296630 |
| 29C12 | 05(1) | | 8165910 | T | NWDTR/K | 8165910 |
| 22A24 | 06(1) | | 8162000 | T | (S/WCT6.NWCT6) | 8162000 |
| 08A25 | 07(1) | | 2500295 | T | B1619Z | 2500295 |
| 22C29 | 08(1) | | 4323132 | T | NFALOAD/A | 4323132 |
| 30C13 | 09(1) | | 4421200 | T | (FUDW.NR31) | 4421200 |
| 17B43 | 10(1) | | 2579000 | T | BCZ | 2579000 |
| 24A09 | 11(1) | | 8165780 | T | WDTRUN | 8165780 |
| 24B38 | 12(1) | | 4325025 | T | NFASTORE/1 | 4325025 |
| | 13(1) | 27A13 | 6977100 | T | PXS | 6977100 |
| 14A30 | 14(1) | | 1064502 | T | N06 | 1064502 |
| 26B21 | 15(1) | | 4322620 | T | (FA10.PH6) | 4322620 |
| | 16(0) | | 4790120 | -GND | GND1120 | 4790120 |
| 18B28 | 17(1) | | 8165784 | T | NWDTRUN | 8165784 |
| 21B08 | 18(1) | | 5156463 | T | (1OPH0.SW12)-F | 5156463 |
| 14A42 | 19(1) | | 1064500 | T | 06 | 1064500 |
| 17A22 | 20(1) | | 3567040 | T | NDCSTOP | 3567040 |
| 23A42 | 21(1) | | 4410500 | T | FSA | 4410499 |
| 21A22 | 22(1) | | 4421260 | T | NFUEXU | 4421260 |
| 17B20 | 23(1) | | 1290340 | T | B29-1 | 1290340 |
| 08C18 | 24(1) | | 7343160 | T | (NRESET10.NFAST) | 7343160 |
| | 25(1) | 19A36 | 5345210 | T | NKAS/B-1 | 5345210 |
| 25B13 | 26(1) | | 6845685 | T | (S/PH6/10)-1 | 6845685 |
| 15A27 | 27(1) | | 8145800 | T | WAIT/L-1 | 8145800 |
| 24B22 | 28(1) | | 3202700 | T | NCLEAR | 3202700 |
| 07B43 | 29(1) | | 4392400 | T | NFOPTION | 4392400 |
| 19A28 | 30(1) | | 5543110 | T | KYSR/B-1 | 5543110 |
| 24B10 | 31(1) | | 5345020 | T | KAS/2 | 5345020 |
| | 32(0) | | | | | |
| 10B09 | 33(1) | | 4420930 | T | N(FUAWM.PRE3) | 4420930 |
| 07A30 | 34(1) | | 5156467 | T | (1OPH0.SW13)-F | 5156467 |
| | 35(1) | 15A29 | 5374430 | T | KDI-2 | 5374430 |
| 07A10 | 36(1) | | 4425250 | T | NFUS | 4425250 |
| | 37(1) | 15A21 | 5158100 | T | IOSC | 5158100 |
| 28A23 | 38(1) | | 5188020 | T | (R/IX) | 5188020 |
| | 39(1) | 15B05 | 5156820 | T | N1OPH10 | 5156820 |
| | 40(1) | 14B35 | 5156800 | T | IOPH10 | 5156800 |
| 02C37 | 41(1) | | 5539610 | T | KSTORK/B-1 | 5539610 |
| 16A38 | 42(1) | | 5529050 | T | NKRUN | 5529050 |
| | 43(0) | | | | | |
| | 44(1) | 19A08 | 5528000 | T | KRUN | 5528000 |
| | 45(1) | 21B11 | 5156770 | T | (1OPH3.SW14) | 5156770 |
| 02C40 | 46(1) | | 5426010 | T | KPSW2/B-1 | 5426010 |
| | 47(1) | 28C02 | 5156755 | T | (1OPH3.SW11) | 5156755 |
| | 48(0) | | | | | |
| 19A49 | 49(0) | 21A49 | 8300000 | | P4VA | 8300020 |
| 24B03 | 50(1) | | 5156890 | T | N(1OPOP.1OPADD) | 5156890 |
| 19A51 | 51(0) | 21A51 | 8302000 | | P8VA | 8302020 |

XDS 902306

XDS
XEROX DATA SYSTEMS

DRAWING NO. - 133264-903 AC
PROG-PNIND MODULE-21A
TYPE-PIN INDEX TYPE-BT11

21
10/27/71

| FROM | PIN (COUNT) | TO | SOURCE LINE NO. | ELEM. TYPE | SOURCE SIGNAL NAME | REFERENCE LINE NO. |
|-------|----------------|-------|--------------------|---------------|--------------------|-----------------------|
| | 00(0) | | | | | |
| | 01(1) | 17A10 | 8161190 | B | (NWCT2.WCT3) | 8161190 |
| | 02(1) | 21A41 | 8161220 | B | (R/WCT3) | 8161220 |
| 21A13 | 03(2) | 22A36 | 8161270 | . | (R/WCT4) | 8161270 |
| | 04(1) | 22A02 | 8161300 | . | WCT5 | 8161270 |
| 22A06 | 05(2) | 19A39 | 8165800 | . | WDTRAC | 7869100 |
| 22A14 | 06(2) | 18B25 | 8165500 | . | WDTA | 7869100 |
| 01C07 | 07(2) | 26A07 | 3107000 | . | CEINT | 7869100 |
| | 08(1) | 21A37 | 8161350 | . | WCT6 | 8161270 |
| 17A11 | 09(2) | 21A17 | 8161250 | . | WCT4 | 8161220 |
| 22A26 | 10(1) | | 8161151 | . | NWCT2 | 8161190 |
| 22A30 | 11(2) | 21A31 | 8161200 | . | WCT3 | 8161190 |
| | 12(1) | 25A17 | 7869100 | B | STRAP | 7869100 |
| | 13(1) | 21A03 | 8161270 | B | (R/WCT4) | 8161270 |
| | 14(1) | 22A13 | 8165530 | B | (S/WDTA) | 8165530 |
| | 15(1) | 22A47 | 8161130 | B | (S/WCT1) | 8161130 |
| | 16(0) | | 4790121 | -GND | GND1121 | 4790121 |
| 21A09 | 17(2) | 21A43 | 8161250 | . | WCT4 | 8161130 |
| 22A31 | 18(2) | 21A42 | 8161150 | . | WCT2 | 8161130 |
| 18B26 | 19(2) | 22A07 | 8165801 | . | NWDTRAC | 8165530 |
| 22A27 | 20(1) | | 8161100 | . | WCT1 | 8165530 |
| 22A42 | 21(1) | | 8161230 | . | (S/WCT3) | 8165530 |
| 21C21 | 22(2) | 20A22 | 4421260 | . | NFUEXU | 2841065 |
| 28B12 | 23(2) | 21C20 | 5011120 | . | HALT/1 | 2841065 |
| 27A09 | 24(2) | 16A42 | 6846000 | . | PH10 | 2841065 |
| 17B29 | 25(2) | 32B05 | 1270355 | . | B27/1 | 4100130 |
| 17B21 | 26(2) | 02A18 | 5134000 | . | INHXWD | 4100130 |
| 01C35 | 27(2) | 24C40 | 1310336 | . | B31-1 | 4100130 |
| | 28(1) | 31B10 | 5158101 | . | NIOSC | 2841065 |
| 21A42 | 29(1) | | 8161150 | . | WCT2 | 8165530 |
| 22A28 | 30(1) | | 8161101 | . | NWCT1 | 8161130 |
| 21A11 | 31(2) | 21A40 | 8161200 | . | WCT3 | 8161130 |
| | 32(0) | | | | | |
| | 33(1) | 02A17 | 4100130 | B | (S/E1) | 4100130 |
| 27B45 | 34(2) | 29A25 | 2841065 | B | BRPCP1 | 2841065 |
| | 35(1) | 22A42 | 8161230 | B | (S/WCT3) | 8161230 |
| | 36(1) | 22A25 | 8161330 | B | (S/WCT5) | 8161330 |
| 21A08 | 37(2) | 22A23 | 8161350 | . | WCT6 | 8161330 |
| 22A29 | 38(1) | | 8161201 | . | NWCT3 | 8161230 |
| | 39(1) | 22A44 | 8161170 | . | (R/WCT2) | 8161120 |
| 21A31 | 40(1) | | 8161200 | . | WCT3 | 8161170 |
| 21A02 | 41(2) | 22A40 | 8161220 | . | (R/WCT3) | 8161170 |
| 21A18 | 42(2) | 21A29 | 8161150 | . | WCT2 | 8161120 |
| 21A17 | 43(2) | 22A33 | 8161250 | . | WCT4 | 8161230 |
| 22A21 | 44(1) | | 8161301 | . | NWCT5 | 8161330 |
| | 45(1) | 22A45 | 8161120 | B | (R/WCT1) | 8161120 |
| 22A44 | 46(1) | | 8161170 | B | (R/WCT2) | 8161170 |
| | 47(0) | | | | | |
| | 48(0) | | | | | |
| 20A49 | 49(0) | 22A49 | 8300000 | | P4VA | 8300020 |
| | 50(0) | | | | | |
| 20A51 | 51(0) | 22A51 | 8302000 | | P8VA | 8302020 |

XDS 902306

XDS
XEROX DATA SYSTEMS

DRAWING NO.- 133264-903 AC
PROG-PNIND
TYPE-PIN INDEX

MODULE-22A
TYPE-FT22

22

10/27/71

| FROM | PIN (COUNT) | TO | SOURCE LINE NO. | ELEM. TYPE | SOURCE SIGNAL NAME | REFERENCE LINE NO. |
|-------|----------------|-------|--------------------|---------------|--------------------|-----------------------|
| | 00(0) | | | | | |
| 02A20 | 01(2) | 27C43 | 2000510 | . | 1MC | 8165509 |
| 21A04 | 02(1) | | 8161300 | FF | WCT5 | 8161300 |
| | 03(0) | | 8161352-1 | + | | 8161352 |
| 22A22 | 04(1) | | 8161350 | FF | WCT6 | 8161350 |
| 02A12 | 05(2) | 22A24 | 8162000 | NFF | (S/WCT6.NWCT6) | 8162000 |
| | 06(1) | 21A05 | 8165800 | FF | WDTRAC | 8165800 |
| 21A19 | 07(1) | | 8165801 | NFF | NWDTRAC | 8165801 |
| 18B36 | 08(2) | 26A45 | 8165830 | . | (S/WDTRAC) | 8165802 |
| 19A39 | 09(2) | 22A15 | 8165800 | . | WDTRAC | 8165807 |
| | 10(0) | | | | | |
| | 11(0) | | 8165502-1 | + | | 8165502 |
| | 12(0) | | 8165501 | NFF | NWDTA | 8165501 |
| 21A14 | 13(1) | | 8165530 | . | (S/WDTA) | 8165502 |
| | 14(1) | 21A06 | 8165500 | FF | WDTA | 8165500 |
| 22A09 | 15(2) | 22A17 | 8165800 | . | WDTRAC | 8165507 |
| | 16(1) | 22A20 | 4790122 | -GND | GND1122 | 4790122 |
| 22A15 | 17(2) | 22A37 | 8165800 | . | WDTRAC | 8161302 |
| | 18(0) | | 8161302-1 | + | | 8161302 |
| 16A34 | 19(2) | 29B30 | 8165900 | . | WDTR/K | 8165802 |
| 22A16 | 20(1) | | 4790122 | . | GND1122 | 8165502 |
| | 21(1) | 21A44 | 8161301 | NFF | NWCT5 | 8161301 |
| 22A23 | 22(2) | 22A04 | 8161350 | . | WCT6 | 8161357 |
| 21A37 | 23(2) | 22A22 | 8161350 | . | WCT6 | 8161307 |
| 22A05 | 24(2) | 20A06 | 8162000 | . | (S/WCT6.NWCT6) | 8161352 |
| 21A36 | 25(1) | | 8161330 | . | (S/WCT5) | 8161302 |
| | 26(1) | 21A10 | 8161151 | NFF | NWCT2 | 8161151 |
| | 27(1) | 21A20 | 8161100 | FF | WCT1 | 8161100 |
| | 28(1) | 21A30 | 8161101 | NFF | NWCT1 | 8161101 |
| | 29(1) | 21A38 | 8161201 | NFF | NWCT3 | 8161201 |
| | 30(1) | 21A11 | 8161200 | FF | WCT3 | 8161200 |
| | 31(1) | 21A18 | 8161150 | FF | WCT2 | 8161150 |
| | 32(0) | | | | | |
| 21A43 | 33(1) | | 8161250 | FF | WCT4 | 8161250 |
| | 34(1) | 22A35 | 8161251 | NFF | NWCT4 | 8161251 |
| 22A34 | 35(1) | | 8161251 | . | NWCT4 | 8161252 |
| 21A03 | 36(2) | 22A38 | 8161270 | . | (R/WCT4) | 8161102 |
| 22A17 | 37(1) | | 8165800 | . | WDTRAC | 8161102 |
| 22A36 | 38(1) | | 8161270 | . | (R/WCT4) | 8161257 |
| | 39(0) | | 8161252-1 | + | | 8161252 |
| 21A41 | 40(1) | | 8161220 | . | (R/WCT3) | 8161207 |
| | 41(0) | | 8161202-1 | + | | 8161202 |
| 21A35 | 42(2) | 21A21 | 8161230 | . | (S/WCT3) | 8161202 |
| 17A01 | 43(1) | | 8161180 | . | (S/WCT2) | 8161152 |
| 21A39 | 44(2) | 21A46 | 8161170 | . | (R/WCT2) | 8161157 |
| 21A45 | 45(1) | | 8161120 | . | (R/WCT1) | 8161107 |
| | 46(0) | | 8161152-1 | + | | 8161152 |
| 21A15 | 47(1) | | 8161130 | . | (S/WCT1) | 8161102 |
| | 48(0) | | | | | |
| 21A49 | 49(0) | 23A49 | 8300000 | . | P4VA | 8300020 |
| | 50(0) | | 8161102-1 | + | | 8161102 |
| 21A51 | 51(0) | 23A51 | 8302000 | . | P8VA | 8302020 |

XDS 902306

XDS
XEROX DATA SYSTEMS

DRAWING NO. - 133264-903 AC
PROG-PNIND
TYPE-PIN INDEX

23
MODULE-23A
TYPE-FT2
10/27/71

| FROM | PIN (COUNT) | TO | SOURCE LINE NO. | ELEM. TYPE | SOURCE SIGNAL NAME | REFERENCE LINE NO. |
|-------|----------------|-------|--------------------|---------------|--------------------|-----------------------|
| | 00(0) | | | | | |
| 01E10 | 01(1) | 26A01 | 3181060 | . | CL-01E10 | 3651008 |
| | 02(0) | | 3651200 | FF | NDIOWD | 3651200 |
| | 03(0) | | 3651004-1 | + | | 3651004 |
| | 04(1) | 01C44 | 3651000 | FF | NDIOFS | 3651000 |
| | 05(1) | 02A24 | 3651002 | NFF | DIOFS | 3651002 |
| 23A14 | 06(2) | 23B28 | 4324674 | -CON | FASTABORT | 4324676 |
| | 07(0) | | 4324692 | NFF | NFASTF2 | 4324692 |
| | 08(1) | 23A16 | 4790123 | . | GND1123 | 4324694 |
| 23A15 | 09(2) | 26A28 | 7343170 | . | RESET/A-1 | 4324696 |
| 18A43 | 10(2) | 28B02 | 3202700 | . | NCLEAR | 3651004 |
| | 11(0) | | 4324684-1 | + | | 4324684 |
| | 12(1) | 27B27 | 4324682 | NFF | NFASTF1 | 4324682 |
| 26B46 | 13(2) | 17C19 | 7890400 | . | SW3 | 4324684 |
| | 14(1) | 23A06 | 4324674 | -CON | FASTABORT | 4324674 |
| 05C04 | 15(2) | 23A09 | 7343170 | . | RESET/A-1 | 4324686 |
| 23A08 | 16(2) | 23A47 | 4790123 | -GND | GND1123 | 4790123 |
| 29A45 | 17(2) | 01C20 | 3202720 | . | CLEAR | 3651004 |
| | 18(0) | | 3651204-1 | + | | 3651204 |
| 28B36 | 19(2) | 17C25 | 4324720 | . | (FAST.PH2) | 4324694 |
| 26B29 | 20(2) | 17C27 | 7890190 | . | SW1 | 4324684 |
| | 21(1) | 02A25 | 3651202 | NFF | DIOWD | 3651202 |
| 28B06 | 22(2) | 26A30 | 3651010 | . | (S/DIOFS) | 3651006 |
| 31B34 | 23(1) | | 3651210 | . | (S/DIOWD) | 3651206 |
| 23A30 | 24(2) | 23A37 | 3651134 | . | DIOIND | 3651004 |
| 23A31 | 25(2) | 11B12 | 3651130 | . | DIOEXIT | 3651204 |
| | 26(1) | 23A30 | 3651134 | -CON | DIOIND | 3651134 |
| | 27(1) | 23A43 | 3651100 | FF | DIOT1 | 3651100 |
| | 28(1) | 23A31 | 3651130 | -CON | DIOEXIT | 3651130 |
| | 29(1) | 23A45 | 3651122 | NFF | NDIOT3 | 3651122 |
| 23A26 | 30(2) | 23A24 | 3651134 | -CON | DIOIND | 3651136 |
| 23A28 | 31(2) | 23A25 | 3651130 | -CON | DIOEXIT | 3651132 |
| | 32(0) | | | | | |
| | 33(0) | | | | | |
| | 34(0) | | | | | |
| | 35(0) | | | | | |
| | 36(0) | | | | | |
| 23A24 | 37(2) | 11B38 | 3651134 | . | DIOIND | 3651104 |
| | 38(0) | | | | | |
| | 39(0) | | | | | |
| | 40(0) | | | | | |
| | 41(0) | | 3651124-1 | + | | 3651124 |
| 02A19 | 42(2) | 20A21 | 4410500 | . | FSA | 3651124 |
| 23A27 | 43(1) | | 3651100 | . | DIOT1 | 3651114 |
| 21C01 | 44(2) | 29C07 | 5150110 | . | NIOACT | 3651116 |
| 23A29 | 45(1) | | 3651122 | . | NDIOT3 | 3651106 |
| | 46(0) | | 3651114-1 | + | | 3651114 |
| 23A16 | 47(1) | | 4790123 | . | GND1123 | 4790123 |
| | 48(0) | | | | | |
| 22A49 | 49(0) | 24A49 | 8300000 | . | P4VA | 8300030 |
| | 50(0) | | 3651104-1 | + | | 3651104 |
| 22A51 | 51(0) | 24A51 | 8302000 | . | P8VA | 8302030 |

XDS 902306



DRAWING NO. - 133264-903 AC
 PROG-PNIND MODULE-24A
 TYPE-PIN INDEX TYPE-FT22

24

10/27/71

| FROM | PIN (COUNT) | TO | SOURCE LINE NO. | ELEM. TYPE | SOURCE SIGNAL NAME | REFERENCE LINE NO. |
|-------|----------------|-------|--------------------|---------------|--------------------|-----------------------|
| 01E07 | 00(0) | | | | | |
| | 01(1) | 25A01 | 3181050 | . | CL-01E07 | 5138909 |
| | 02(0) | | | | | |
| | 03(0) | | | | | |
| | 04(0) | | | | | |
| | 05(0) | | | | | |
| | 06(1) | 19A37 | 8165700 | FF | WDTR | 8165700 |
| | 07(0) | | 8165750 | NFF | NWDTR | 8165701 |
| | 08(1) | 24A16 | 4790124 | . | GND1124 | 8165702 |
| 18A30 | 09(2) | 20A11 | 8165780 | . | WDTRUN | 8165707 |
| | 10(0) | | | | | |
| | 11(0) | | 6832202-1 | + | | 6832202 |
| | 12(0) | | 6832201 | NFF | NPEINT | 6832201 |
| 17B15 | 13(1) | | 6832230 | . | (S/PEINT) | 6832202 |
| | 14(1) | 03C42 | 6832200 | FF | PEINT | 6832200 |
| 08C46 | 15(2) | 26A17 | 6832220 | . | (R/PEINT) | 6832207 |
| 24A08 | 16(2) | 24A20 | 4790124 | -GND | GND1124 | 4790124 |
| | 17(0) | | | | | |
| | 18(0) | | | | | |
| 16A47 | 19(2) | 29B26 | 8165715 | . | (S/WDTR) | 8165702 |
| 24A16 | 20(2) | 24A37 | 4790124 | . | GND1124 | 6832202 |
| | 21(0) | | | | | |
| | 22(0) | | | | | |
| | 23(0) | | | | | |
| | 24(0) | | | | | |
| | 25(0) | | | | | |
| | 26(1) | 32B26 | 5138901 | NFF | NINTRAP | 5138901 |
| | 27(1) | 17B07 | 8065400 | FF | TRAP | 8065400 |
| | 28(1) | 17B04 | 8065401 | NFF | NTRAP | 8065401 |
| 14A09 | 29(2) | 24B20 | 5138951 | NFF | NINTRAP1 | 5138951 |
| 02A35 | 30(2) | 23B04 | 5138950 | FF | INTRAP1 | 5138950 |
| | 31(1) | 18B18 | 5138900 | FF | INTRAP | 5138900 |
| | 32(0) | | | | | |
| 19B20 | 33(2) | 15A35 | 5139000 | FF | INTRAP2 | 5139000 |
| | 34(1) | 23B03 | 5139001 | NFF | NINTRAP2 | 5139001 |
| 11B18 | 35(2) | 26A27 | 5139030 | . | (S/INTRAP2) | 5139002 |
| 29C08 | 36(2) | 19A07 | 7343100 | . | NRESET | 5138902 |
| 24A20 | 37(1) | | 4790124 | . | GND1124 | 5138902 |
| | 38(0) | | | | | |
| | 39(0) | | 5139002-1 | + | | 5139002 |
| 19B14 | 40(2) | 29B24 | 5138970 | . | (R/INTRAP1) | 5138957 |
| | 41(0) | | 5138952-1 | + | | 5138952 |
| 24A43 | 42(2) | 29B21 | 5138930 | . | (S/INTRAP) | 5138952 |
| 11B23 | 43(2) | 24A42 | 5138930 | . | (S/INTRAP) | 5138902 |
| 19A02 | 44(2) | 29B20 | 5138920 | . | (R/INTRAP) | 5138907 |
| 19A23 | 45(2) | 22B28 | 8065415 | . | (R/TRAP) | 8065407 |
| | 46(0) | | 5138902-1 | + | | 5138902 |
| 19A05 | 47(2) | 30B01 | 8065420 | . | (S/TRAP) | 8065402 |
| | 48(0) | | | | | |
| 23A49 | 49(0) | 25A49 | 8300000 | | P4VA | 8300030 |
| | 50(0) | | 8065402-1 | + | | 8065402 |
| 23A51 | 51(0) | 25A51 | 8302000 | | P8VA | 8302030 |

| FROM | PIN (COUNT) | TO | SOURCE LINE NO. | ELEM. TYPE | SOURCE SIGNAL NAME | REFERENCE LINE NO. |
|-------|----------------|-------|--------------------|---------------|--------------------------|-----------------------|
| | 00(0) | | | | | |
| 24A01 | 01(1) | | 3181050 | . | CL-01E07 | 1286609 |
| | 02(1) | 01C28 | 1296600 | FF | TR29 | 1296600 |
| | 03(0) | | 1306602-1 | + | | 1306604 |
| | 04(1) | 01C29 | 1306600 | FF | TR30 | 1306600 |
| | 05(0) | | 1306601 | NFF | NTR30 | 1306601 |
| | 06(1) | 01C27 | 1286600 | FF | TR28 | 1286600 |
| | 07(0) | | 1286601 | NFF | NTR28 | 1286601 |
| 11B26 | 08(2) | 26A09 | 1286625 | . | (S/TR28) | 1286604 |
| 22B04 | 09(2) | 25A15 | 8065000 | . | (R/TR) | 1286607 |
| 16A15 | 10(2) | 17B08 | 7869110 | . | NSTRAP | 1286604 |
| | 11(0) | | 1316602-1 | + | | 1316604 |
| | 12(0) | | 1316601 | NFF | NTR31 | 1316601 |
| 26A13 | 13(1) | | 1316625 | . | (S/TR31) | 1316602 |
| | 14(1) | 01C30 | 1316600 | FF | TR31 | 1316600 |
| 25A09 | 15(2) | 25A23 | 8065000 | . | (R/TR) | 1316607 |
| | 16(1) | 25A20 | 4790125 | -GND | GND1125 | 4790125 |
| 21A12 | 17(2) | 16A13 | 7869100 | . | STRAP | 1296604 |
| | 18(1) | 27A08 | 1296602-1 | + | | 1296602 |
| 17A12 | 19(2) | 25A36 | 4320830 | . | (FACAL.PH1.NTRAP.NSTRAP) | 1286602 |
| 25A16 | 20(2) | 25A37 | 4790125 | . | GND1125 | 1316604 |
| | 21(0) | | 1296601 | NFF | NTR29 | 1296601 |
| 25A23 | 22(2) | 20C06 | 8065000 | . | (R/TR) | 1306607 |
| 25A15 | 23(2) | 25A22 | 8065000 | . | (R/TR) | 1296607 |
| 13C19 | 24(2) | 26A24 | 1306625 | . | (S/TR30) | 1306602 |
| 24C10 | 25(2) | 20A03 | 1296625 | . | (S/TR29) | 1296602 |
| | 26(0) | | 8065201 | NFF | NTRACC2 | 8065201 |
| | 27(1) | 20C04 | 8065150 | FF | TRACC1 | 8065150 |
| | 28(0) | | 8065151 | NFF | NTRACC1 | 8065151 |
| | 29(0) | | 8065251 | NFF | NTRACC3 | 8065251 |
| | 30(1) | 20C02 | 8065250 | FF | TRACC3 | 8065250 |
| | 31(1) | 20C03 | 8065200 | FF | TRACC2 | 8065200 |
| | 32(0) | | | | | |
| | 33(1) | 20C01 | 8065300 | FF | TRACC4 | 8065300 |
| | 34(0) | | 8065301 | NFF | NTRACC4 | 8065301 |
| 25B24 | 35(2) | 21C47 | 1316215 | . | R31-1 | 8065302 |
| 25A19 | 36(2) | 17C17 | 4320830 | . | (FACAL.PH1.NTRAP.NSTRAP) | 8065152 |
| 25A20 | 37(1) | | 4790125 | . | GND1125 | 8065154 |
| 22B26 | 38(2) | 25A40 | 8065100 | . | (R/TRACC) | 8065307 |
| | 39(1) | 27A04 | 8065302-1 | + | | 8065302 |
| 25A38 | 40(2) | 25A44 | 8065100 | . | (R/TRACC) | 8065257 |
| | 41(1) | 27A20 | 8065252-1 | + | | 8065252 |
| 11C05 | 42(2) | 26A42 | 1306215 | . | R30-1 | 8065252 |
| 11C04 | 43(2) | 26A44 | 1296215 | . | R29-1 | 8065202 |
| 25A40 | 44(2) | 25A45 | 8065100 | . | (R/TRACC) | 8065207 |
| 25A44 | 45(2) | 19B46 | 8065100 | . | (R/TRACC) | 8065157 |
| | 46(1) | 27A17 | 8065202-1 | + | | 8065202 |
| 11C03 | 47(2) | 26A47 | 1286215 | . | R28-1 | 8065152 |
| | 48(0) | | | | | |
| 24A49 | 49(0) | 26A49 | 8300000 | . | P4VA | 8300030 |
| | 50(1) | 27A01 | 8065152-1 | + | | 8065154 |
| 24A51 | 51(0) | 26A51 | 8302000 | . | P8VA | 8302030 |

XDS 902306

XDS
XEROX DATA SYSTEMS

DRAWING NO. - 133264-903 AC
PROG-PNIND MODULE-26A
TYPE-PIN INDEX TYPE-XT10

26

10/27/71

| FROM | PIN (COUNT) | TO | SOURCE LINE NO. | ELEM. TYPE | SOURCE SIGNAL NAME | REFERENCE LINE NO. |
|-------|----------------|-------|--------------------|---------------|--------------------|-----------------------|
| | 00(0) | | | | | |
| 23A01 | 01(2) | 26A02 | 3181060 | T | CL-01E10 | 3181060 |
| 26A01 | 02(2) | 26A03 | 3181060 | T | CL-01E10 | 3181060 |
| 26A02 | 03(1) | | 3181060 | T | CL-01E10 | 3181060 |
| 30A05 | 04(1) | | 7651050 | T | NSGTZ | 7651050 |
| 21C20 | 05(1) | | 5011120 | T | HALT/1 | 5011120 |
| | 06(1) | 30A38 | 6845120 | T | PH1-A | 6845120 |
| 21A07 | 07(1) | | 3107000 | T | CEINT | 3107000 |
| 28A08 | 08(1) | | 1000510 | T | C0-1 | 1000510 |
| 25A08 | 09(1) | | 1286625 | T | (S/TR28) | 1286625 |
| 20B33 | 10(2) | 27A10 | 4321150 | T | (FAFL.NRW) | 4321150 |
| | 11(1) | 27A33 | 5156665 | T | (IOPH2.SW13) | 5156665 |
| 31A19 | 12(1) | | 6902130 | T | N(S/PRE1) | 6902130 |
| 13C41 | 13(2) | 25A13 | 1316625 | T | (S/TR31) | 1316625 |
| 28A15 | 14(1) | | 2840950 | T | (R/BRP) | 2840950 |
| 16A27 | 15(1) | | 2840100 | T | NBR | 2840100 |
| | 16(0) | | 4790126 | -GND | GND1126 | 4790126 |
| 24A15 | 17(1) | | 6832220 | T | (R/PEINT) | 6832220 |
| | 18(1) | 32B08 | 2089360 | T | ADNH-1 | 2089360 |
| | 19(1) | 24B44 | 4322520 | T | (FA10.PH5.SW0) | 4322520 |
| 28A20 | 20(1) | | 2841040 | T | (S/BRP) | 2841040 |
| | 21(1) | 27A21 | 4321900 | T | FAILL | 4321900 |
| 32A24 | 22(1) | | 2842000 | T | BRPH10 | 2842000 |
| 31A24 | 23(1) | | 2841400 | T | BRPH4 | 2841400 |
| 25A24 | 24(1) | | 1306625 | T | (S/TR30) | 1306625 |
| 31A25 | 25(1) | | 2841300 | T | BRPH3 | 2841300 |
| 32A25 | 26(1) | | 2841900 | T | BRPH9 | 2841900 |
| 24A35 | 27(1) | | 5139030 | T | (S/INTRAP2) | 5139030 |
| 23A09 | 28(1) | | 7343170 | T | RESET/A-1 | 7343170 |
| 27A29 | 29(1) | | 2562050 | T | BCDC1 | 2562050 |
| 23A22 | 30(1) | | 3651010 | T | (S/D10FS) | 3651010 |
| 31A47 | 31(1) | | 2842200 | T | BRPRE2 | 2842200 |
| | 32(0) | | | | | |
| 32A35 | 33(1) | | 2841800 | T | BRPH8 | 2841800 |
| 30A07 | 34(1) | | 6845192 | T | (PH1.NS/TRAP) | 6845192 |
| 32A42 | 35(1) | | 2841700 | T | BRPH7 | 2841700 |
| 31A42 | 36(1) | | 2841100 | T | BRPH1 | 2841100 |
| | 37(1) | 27A37 | 1334920 | T | NP33-1 | 1334920 |
| 29A38 | 38(1) | | 2560070 | T | (R/BC1) | 2560070 |
| 29A40 | 39(1) | | 2560020 | T | (R/BC0) | 2560020 |
| 29C04 | 40(1) | | 6927110 | T | N(PSW2XS) | 6927110 |
| | 41(1) | 27A42 | 1324920 | T | NP32-1 | 1324920 |
| 25A42 | 42(1) | | 1306215 | T | R30-1 | 1306215 |
| | 43(1) | 29A43 | 1092590 | T | INT9 | 1092589 |
| 25A43 | 44(1) | | 1296215 | T | R29-1 | 1296215 |
| 22A08 | 45(1) | | 8165830 | T | (S/WDTRAC) | 8165830 |
| 32A47 | 46(1) | | 2841500 | T | BRPH5 | 2841500 |
| 25A47 | 47(1) | | 1286215 | T | R28-1 | 1286215 |
| | 48(0) | | | | | |
| 25A49 | 49(0) | 27A49 | 8300000 | | P4VA | 8300030 |
| 32A43 | 50(1) | | 2841600 | T | (BRPH6.N10EN) | 2841600 |
| 25A51 | 51(0) | 27A51 | 8302000 | | P8VA | 8302030 |

| FROM | PIN (COUNT) | TO | SOURCE LINE NO. | ELEM. TYPE | SOURCE SIGNAL NAME | REFERENCE LINE NO. |
|-------|----------------|-------|--------------------|---------------|--------------------|-----------------------|
| | 00(0) | | | | | |
| 25A50 | 01(1) | | 8065152-1 | + | | 8065156 |
| 28A04 | 02(2) | 27A14 | 6902900 | . | PRETR | 8065256 |
| | 03(1) | 17B02 | 4324320 | . | (FAPRIV.NMASTER) | 8065256 |
| 25A39 | 04(1) | | 8065302-1 | + | | 8065306 |
| 20C43 | 05(2) | 12A22 | 2054900 | . | ABO | 8065306 |
| 27A19 | 06(2) | 17A06 | 8065440 | . | (INTRAP.NSTRAP) | 8065206 |
| | 07(0) | | | | | |
| 25A18 | 08(1) | | 1296602-1 | + | | 1296606 |
| 27B40 | 09(2) | 21A24 | 6846000 | . | PH10 | 1296606 |
| 26A10 | 10(2) | 17C46 | 4321150 | . | (FAFL.NRW) | 1296606 |
| | 11(1) | 28A11 | 2840902-1 | + | | 2840904 |
| 27A36 | 12(2) | 19A18 | 6902314 | . | PRE3-A | 2840904 |
| 20A13 | 13(2) | 31C31 | 6977100 | . | PXS | 2840904 |
| 27A02 | 14(2) | 18B19 | 6902900 | . | PRETR | 8065156 |
| | 15(0) | | | | | |
| | 16(0) | | 4790127 | -GND | GND1127 | 4790127 |
| 25A46 | 17(1) | | 8065202-1 | + | | 8065206 |
| 32B13 | 18(1) | | 2089400 | . | (ADNH.TRACC2INH) | 8065206 |
| 29B17 | 19(2) | 27A06 | 8065440 | . | (INTRAP.NSTRAP) | 8065156 |
| 25A41 | 20(1) | | 8065252-1 | + | | 8065256 |
| 26A21 | 21(2) | 32C04 | 4321900 | . | FAILL | 8065156 |
| 29A34 | 22(2) | 27A28 | 2560051 | . | NBC1 | 2560054 |
| | 23(1) | 27A35 | 2560052-1 | + | | 2560054 |
| | 24(0) | | | | | |
| | 25(0) | | | | | |
| | 26(1) | 27A43 | 2560002-1 | + | | 2560004 |
| 29A29 | 27(2) | 19B04 | 2560001 | . | NBC0 | 2560004 |
| 27A22 | 28(2) | 19B08 | 2560051 | . | NBC1 | 2560004 |
| 08C24 | 29(2) | 26A29 | 2562050 | . | BCDC1 | 2560004 |
| 27A38 | 30(2) | 09B40 | 6720700 | . | OU7 | 2560056 |
| 29B05 | 31(2) | 27A46 | 6902340 | . | NPRE/34 | 2560056 |
| | 32(0) | | | | | |
| 26A11 | 33(2) | 27A45 | 5156665 | . | (IOPH2.SW13) | 2560053 |
| 01C41 | 34(2) | 31C11 | 1334919 | . | P33-1 | 2560053 |
| 27A23 | 35(2) | 29A39 | 2560052-1 | + | | 2560055 |
| 27A50 | 36(2) | 27A12 | 6902314 | . | PRE3-A | 2560056 |
| 26A37 | 37(2) | 31C27 | 1334920 | . | NP33-1 | 2560055 |
| 19C50 | 38(2) | 27A30 | 6720700 | . | OU7 | 2560055 |
| 22B14 | 39(2) | 27A40 | 4323356 | . | (FAMT.PH2.NRZ) | 2560055 |
| 27A39 | 40(1) | | 4323356 | . | (FAMT.PH2.NRZ) | 2560006 |
| 06A46 | 41(2) | 27A47 | 1014520 | . | O1-1 | 2560006 |
| 26A41 | 42(2) | 31C25 | 1324920 | . | NP32-1 | 2560005 |
| 27A26 | 43(2) | 29A41 | 2560002-1 | + | | 2560003 |
| 01C40 | 44(2) | 31C40 | 1324919 | . | P32-1 | 2560003 |
| 27A33 | 45(2) | 18B10 | 5156665 | . | (IOPH2.SW13) | 2560003 |
| 27A31 | 46(2) | 18B03 | 6902340 | . | NPRE/34 | 2560005 |
| 27A41 | 47(2) | 18B04 | 1014520 | . | O1-1 | 2560005 |
| | 48(0) | | | | | |
| 26A49 | 49(0) | 28A49 | 8300000 | . | P4VA | 8300030 |
| 26B40 | 50(2) | 27A36 | 6902314 | . | PRE3-A | 2560005 |
| 26A51 | 51(0) | 28A51 | 8302000 | . | P8VA | 8302030 |

XDS 902306



DRAWING NO. - 133264-903 AC
 PROG-PNIND MODULE-28A
 TYPE-PIN INDEX TYPE-FT22

28
 10/27/71

| FROM | PIN (COUNT) | TO | SOURCE LINE NO. | ELEM. TYPE | SOURCE SIGNAL NAME | REFERENCE LINE NO. |
|-------|-------------|-------|-----------------|------------|--------------------|--------------------|
| | 00(0) | | | | | |
| 01E03 | 01(1) | 29A01 | 3181040 | . | CL-01E03 | 2840909 |
| | 02(1) | 23C17 | 5188000 | FF | IX | 5188000 |
| | 03(0) | | 6902902-1 | + | | 6902902 |
| | 04(1) | 27A02 | 6902900 | FF | PRETR | 6902900 |
| | 05(0) | | 6902901 | NFF | NPRETR | 6902901 |
| | 06(1) | 06A17 | 5110120 | FF | IA | 5110120 |
| | 07(1) | 28C31 | 5110121 | NFF | NIA | 5110121 |
| 32C43 | 08(2) | 26A08 | 1000510 | . | C0-1 | 5110122 |
| | 09(0) | | | | | |
| 31A13 | 10(2) | 18A44 | 6902140 | . | PRE1-A | 2840902 |
| 27A11 | 11(1) | | 2840902-1 | + | | 2840902 |
| | 12(1) | 01A01 | 2840901 | NFF | NBRP | 2840901 |
| | 13(1) | 28A16 | 4790128 | . | GND1128 | 2840902 |
| | 14(1) | 23C26 | 2840900 | FF | BRP | 2840900 |
| 09B25 | 15(2) | 26A14 | 2840950 | . | (R/BRP) | 2840907 |
| 28A13 | 16(2) | 28A17 | 4790128 | -GND | GND1128 | 4790128 |
| 28A16 | 17(2) | 28A19 | 4790128 | . | GND1128 | 5188002 |
| | 18(0) | | 5188002-1 | + | | 5188002 |
| 28A17 | 19(2) | 28A37 | 4790128 | . | GND1128 | 5110122 |
| 09B26 | 20(2) | 26A20 | 2841040 | . | (S/BRP) | 2840902 |
| | 21(1) | 23C18 | 5188001 | NFF | NIX | 5188001 |
| | 22(0) | | | | | |
| 18A35 | 23(2) | 20A38 | 5188020 | . | (R/IX) | 5188007 |
| 29A28 | 24(2) | 25B06 | 2285001 | . | NANLZ | 6902902 |
| 32C42 | 25(2) | 29B01 | 5145800 | . | INDX | 5188002 |
| | 26(1) | 18A23 | 6821301 | NFF | NPCP3 | 6821301 |
| | 27(1) | 29C06 | 6821200 | FF | PCP2 | 6821200 |
| | 28(1) | 18A26 | 6821201 | NFF | NPCP2 | 6821201 |
| | 29(1) | 18A06 | 6821401 | NFF | NPCP4 | 6821401 |
| | 30(1) | 29A20 | 6821400 | FF | PCP4 | 6821400 |
| | 31(1) | 28A45 | 6821300 | FF | PCP3 | 6821300 |
| | 32(0) | | | | | |
| | 33(1) | 29A17 | 6821600 | FF | PCP6 | 6821600 |
| 18A27 | 34(1) | | 6821601 | NFF | NPCP6 | 6821601 |
| 17A45 | 35(1) | | 6821560 | . | (PCP5.NBRPCP5) | 6821602 |
| | 36(0) | | | | | |
| 28A19 | 37(1) | | 4790128 | . | GND1128 | 6821202 |
| | 38(0) | | | | | |
| | 39(0) | | 6821602-1 | + | | 6821602 |
| | 40(0) | | | | | |
| | 41(0) | | 6821402-1 | + | | 6821402 |
| 17A46 | 42(1) | | 6821360 | . | (PCP3.NBRPH10) | 6821402 |
| 16A17 | 43(2) | 22B01 | 6821320 | . | (S/PCP3) | 6821302 |
| | 44(0) | | | | | |
| 28A31 | 45(2) | 17A40 | 6821300 | . | PCP3 | 6821207 |
| | 46(0) | | 6821302-1 | + | | 6821302 |
| 29A02 | 47(2) | 23C14 | 6821100 | . | PCP1 | 6821202 |
| | 48(0) | | | | | |
| 27A49 | 49(0) | 29A49 | 8300000 | | P4VA | 8300030 |
| | 50(1) | 30A22 | 6821202-1 | + | | 6821202 |
| 27A51 | 51(0) | 29A51 | 8302000 | | P8VA | 8302030 |

| FROM | PIN (COUNT) | TO | SOURCE LINE NO. | ELEM. TYPE | SOURCE SIGNAL NAME | REFERENCE LINE NO. |
|-------|----------------|-------|--------------------|---------------|--------------------|-----------------------|
| | 00(0) | | | | | |
| 28A01 | 01(1) | | 3181040 | . | CL-01E03 | 2285009 |
| | 02(1) | 28A47 | 6821100 | FF | PCP1 | 6821100 |
| | 03(0) | | 5011105-1 | + | | 5011105 |
| | 04(0) | | 5011100 | FF | HALT | 5011100 |
| 09B10 | 05(2) | 32B39 | 5011101 | NFF | NHALT | 5011101 |
| | 06(0) | | 6733100 | FF | OVERIND/1 | 6733100 |
| | 07(1) | 11B17 | 6733050 | -CON | NOVERIND | 6733060 |
| 05C05 | 08(2) | 23C37 | 6909950 | . | PROBOVER | 6733102 |
| 31A15 | 09(2) | 29A45 | 3202720 | . | CLEAR | 6733107 |
| | 10(0) | | | | | |
| | 11(0) | | 6821502-1 | + | | 6821502 |
| 18A05 | 12(1) | | 6821501 | NFF | NPCP5 | 6821501 |
| 16A11 | 13(2) | 23B13 | 2841070 | . | BRPCP5 | 6821502 |
| | 14(1) | 18A09 | 6821500 | FF | PCP5 | 6821500 |
| | 15(0) | | | | | |
| | 16(1) | 29A35 | 4790129 | -GND | GND1129 | 4790129 |
| 28A33 | 17(2) | 03C28 | 6821600 | . | PCP6 | 5011105 |
| | 18(0) | | 6821102-1 | + | | 6821102 |
| 23C39 | 19(2) | 01C47 | 6910020 | . | PROBOVER/H | 6733102 |
| 28A30 | 20(2) | 18A11 | 6821400 | . | PCP4 | 6821502 |
| | 21(1) | 18A24 | 6821101 | NFF | NPCP1 | 6821101 |
| 18B24 | 22(2) | 29B10 | 5011200 | . | (R/HALT) | 5011107 |
| | 23(0) | | | | | |
| 11B35 | 24(2) | 29B13 | 5011240 | . | (S/HALT) | 5011105 |
| 21A34 | 25(1) | | 2841065 | . | BRPCP1 | 6821102 |
| | 26(0) | | 5138001 | NFF | NINT | 5138001 |
| | 27(1) | 28B30 | 2285000 | FF | ANLZ | 2285000 |
| | 28(1) | 28A24 | 2285001 | NFF | NANLZ | 2285001 |
| | 29(1) | 27A27 | 2560001 | NFF | NBC0 | 2560001 |
| | 30(1) | 08C22 | 2560000 | FF | BC0 | 2560000 |
| | 31(1) | 19A13 | 5138000 | FF | INT | 5138000 |
| | 32(0) | | | | | |
| | 33(1) | 26C41 | 2560050 | FF | BC1 | 2560050 |
| | 34(1) | 27A22 | 2560051 | NFF | NBC1 | 2560051 |
| 29A16 | 35(2) | 29A37 | 4790129 | . | GND1129 | 2560052 |
| | 36(0) | | | | | |
| 29A35 | 37(2) | 29A42 | 4790129 | . | GND1129 | 2285002 |
| 19B12 | 38(2) | 26A38 | 2560070 | . | (R/BC1) | 2560057 |
| 27A35 | 39(1) | | 2560052-1 | + | | 2560052 |
| 19B33 | 40(2) | 26A39 | 2560020 | . | (R/BC0) | 2560007 |
| 27A43 | 41(1) | | 2560002-1 | + | | 2560002 |
| 29A37 | 42(1) | | 4790129 | . | GND1129 | 2560002 |
| 26A43 | 43(2) | 01C50 | 1092590 | . | INT9 | 5138002 |
| | 44(0) | | | | | |
| 29A09 | 45(2) | 23A17 | 3202720 | . | CLEAR | 2285007 |
| | 46(0) | | 5138002-1 | + | | 5138002 |
| 30C28 | 47(2) | 24B23 | 4420850 | . | (FUANLZ.PH1) | 2285002 |
| | 48(0) | | | | | |
| 28A49 | 49(0) | 30A49 | 8300000 | . | P4VA | 8300030 |
| | 50(0) | | 2285002-1 | + | | 2285002 |
| 28A51 | 51(0) | 30A51 | 8302000 | . | P8VA | 8302030 |

XDS 902306

XDS
XEROX DATA SYSTEMS

DRAWING NO. - 133264-903 AC
PROG-PNIND
TYPE-PIN INDEX

MODULE-30A
TYPE-GT11

30

10/27/71

| FROM | PIN (COUNT) | TO | SOURCE LINE NO. | ELEM. TYPE | SOURCE SIGNAL NAME | REFERENCE LINE NO. |
|-------|----------------|-------|--------------------|---------------|--------------------|-----------------------|
| | 00(0) | | | | | |
| | 01(0) | | | | | |
| 30A04 | 02(2) | 27C12 | 4421050 | . | FUBDR | 6846004 |
| | 03(0) | | | | | |
| 13C42 | 04(2) | 30A02 | 4421050 | . | FUBDR | 6845904 |
| 24C41 | 05(2) | 26A04 | 7651050 | . | NSGTZ | 6845904 |
| | 06(1) | 32A18 | 6845902-1 | + | | 6845905 |
| 26C35 | 07(2) | 26A34 | 6845192 | . | (PH1.NS/TRAP) | 6846004 |
| 27B15 | 08(2) | 26C24 | 2841950 | . | NBRPH9 | 6846006 |
| 21C15 | 09(2) | 19C24 | 4421090 | . | FUBIR | 6846006 |
| 30A19 | 10(2) | 32A03 | 6846002-1 | + | | 6846006 |
| | 11(1) | 32A50 | 6845502-1 | + | | 6845504 |
| 31A04 | 12(2) | 26B03 | 6845400 | . | PH4 | 6845504 |
| | 13(0) | | | | | |
| 32A02 | 14(2) | 28C43 | 6845900 | . | PH9 | 6846005 |
| 30A27 | 15(2) | 16A28 | 2840100 | . | NBR | 6846005 |
| | 16(0) | | 4790130 | -GND | GND1130 | 4790130 |
| 32A33 | 17(2) | 26B13 | 6845800 | . | PH8 | 6845905 |
| | 18(0) | | | | | |
| | 19(1) | 30A10 | 6846002-1 | + | | 6846005 |
| 24C38 | 20(2) | 29B03 | 7651000 | . | SGTZ | 6846004 |
| | 21(0) | | | | | |
| 28A50 | 22(1) | | 6821202-1 | + | | 6821205 |
| | 23(1) | 19C39 | 7343230 | . | RESET/KS | 6821205 |
| | 24(0) | | | | | |
| 31A33 | 25(2) | 28B33 | 6845200 | . | PH2 | 6845304 |
| | 26(1) | 31A18 | 6845302-1 | + | | 6845304 |
| 30A35 | 27(2) | 30A15 | 2840100 | . | NBR | 6845304 |
| | 28(0) | | | | | |
| | 29(0) | | | | | |
| 26B35 | 30(2) | 27C13 | 6902350 | . | PRE/34-A | 6845104 |
| | 31(0) | | | | | |
| | 32(0) | | | | | |
| | 33(1) | 31A03 | 6845402-1 | + | | 6845404 |
| 31A02 | 34(2) | 30C01 | 6845300 | . | PH3 | 6845404 |
| 30A43 | 35(2) | 30A27 | 2840100 | . | NBR | 6845104 |
| | 36(1) | 31A41 | 6845102-1 | + | | 6845104 |
| | 37(0) | | | | | |
| 26A06 | 38(2) | 31B23 | 6845120 | . | PH1-A | 6845204 |
| | 39(1) | 31A39 | 6845202-1 | + | | 6845204 |
| | 40(1) | 32A46 | 6845602-1 | + | | 6845604 |
| 32A27 | 41(2) | 18A39 | 6845500 | . | PH5 | 6845604 |
| 12A47 | 42(2) | 18C11 | 5152001 | . | NIOEN | 6845604 |
| 32C37 | 43(2) | 30A35 | 2840100 | . | NBR | 6845604 |
| 32A30 | 44(2) | 31B20 | 6845700 | . | PH7 | 6845804 |
| | 45(1) | 32A39 | 6845802-1 | + | | 6845804 |
| | 46(0) | | | | | |
| 32A31 | 47(2) | 30C50 | 6845600 | . | PH6 | 6845704 |
| | 48(0) | | | | | |
| 29A49 | 49(0) | 31A49 | 8300000 | . | P4VA | 8300040 |
| | 50(1) | 32A41 | 6845702-1 | + | | 6845704 |
| 29A51 | 51(0) | 31A51 | 8302000 | . | P8VA | 8302040 |

XDS 902306

XDS
XEROX DATA SYSTEMS

DRAWING NO.- 133264-903 AC
PROG-PNIND MODULE-31A
TYPE-PIN INDEX TYPE-FT22

31
10/27/71

| FROM | PIN (COUNT) | TO | SOURCE LINE NO. | ELEM. TYPE | SOURCE SIGNAL NAME | REFERENCE LINE NO. |
|-------|----------------|-------|--------------------|---------------|--------------------|-----------------------|
| | 00(0) | | | | | |
| 01E01 | 01(1) | 32A01 | 3181030 | . | CL-01E01 | 4252009 |
| | 02(1) | 30A34 | 6845300 | FF | PH3 | 6845300 |
| 30A33 | 03(1) | | 6845402-1 | + | | 6845402 |
| | 04(1) | 30A12 | 6845400 | FF | PH4 | 6845400 |
| | 05(1) | 30B30 | 6845401 | NFF | NPH4 | 6845401 |
| | 06(1) | 30B23 | 6902100 | FF | NPRED | 6902100 |
| | 07(1) | 19A21 | 6902101 | NFF | PRE1 | 6902101 |
| | 08(1) | 31A16 | 4790131 | . | GND1131 | 6902102 |
| | 09(0) | | | | | |
| 32A10 | 10(2) | 31A36 | 3202710 | . | NCLEAR-1 | 4252002 |
| | 11(0) | | | | | |
| | 12(1) | 27B21 | 4252001 | NFF | NEXC | 4252001 |
| 30B25 | 13(2) | 28A10 | 6902140 | . | PRE1-A | 4252002 |
| | 14(1) | 21C06 | 4252000 | FF | EXC | 4252000 |
| 09B17 | 15(2) | 29A09 | 3202720 | . | CLEAR | 4252007 |
| 31A08 | 16(2) | 31A17 | 4790131 | -GND | GND1131 | 4790131 |
| 31A16 | 17(2) | 31A20 | 4790131 | . | GND1131 | 6845302 |
| 30A26 | 18(1) | | 6845302-1 | + | | 6845302 |
| 24B29 | 19(2) | 26A12 | 6902130 | . | N(S/PRE1) | 6902102 |
| 31A17 | 20(2) | 31A37 | 4790131 | . | GND1131 | 4252002 |
| | 21(1) | 31B05 | 6845301 | NFF | NPH3 | 6845301 |
| | 22(0) | | | | | |
| | 23(0) | | | | | |
| 20C44 | 24(2) | 26A23 | 2841400 | . | BRPH4 | 6845402 |
| 14C31 | 25(2) | 26A25 | 2841300 | . | BRPH3 | 6845302 |
| | 26(1) | 30B40 | 6902401 | NFF | NPRED | 6902401 |
| | 27(1) | 31B37 | 6902200 | FF | PRE2 | 6902200 |
| | 28(1) | 32B18 | 6902201 | NFF | NPRED | 6902201 |
| | 29(1) | 31B06 | 6845101 | NFF | NPH1 | 6845101 |
| | 30(1) | 28B29 | 6845100 | FF | PH1 | 6845100 |
| | 31(1) | 19B09 | 6902400 | FF | PRE4 | 6902400 |
| | 32(0) | | | | | |
| | 33(1) | 30A25 | 6845200 | FF | PH2 | 6845200 |
| | 34(1) | 31B26 | 6845201 | NFF | NPH2 | 6845201 |
| 23B31 | 35(2) | 11C08 | 2841200 | . | BRPH2 | 6845202 |
| 31A10 | 36(2) | 32A36 | 3202710 | . | NCLEAR-1 | 6845102 |
| 31A20 | 37(1) | | 4790131 | . | GND1131 | 6845102 |
| | 38(0) | | | | | |
| 30A39 | 39(1) | | 6845202-1 | + | | 6845202 |
| | 40(0) | | | | | |
| 30A36 | 41(1) | | 6845102-1 | + | | 6845102 |
| 24C27 | 42(2) | 26A36 | 2841100 | . | BRPH1 | 6845102 |
| 24C25 | 43(2) | 10A20 | 2842400 | . | BRPRE4 | 6902402 |
| | 44(0) | | | | | |
| | 45(0) | | | | | |
| | 46(0) | | 6902402-1 | + | | 6902402 |
| 24C26 | 47(2) | 26A31 | 2842200 | . | BRPRE2 | 6902202 |
| | 48(0) | | | | | |
| 30A49 | 49(0) | 32A49 | 8300000 | . | P4VA | 8300040 |
| | 50(0) | | 6902202-1 | + | | 6902202 |
| 30A51 | 51(0) | 32A51 | 8302000 | . | P8VA | 8302040 |

XDS 902306

XDS
XEROX DATA SYSTEMS

DRAWING NO.- 133264-903 AC
PROG-PNIND MODULE-32A
TYPE-PIN INDEX TYPE-FT22

32

10/27/71

| FROM | PIN (COUNT) | TO | SOURCE LINE NO. | ELEM. TYPE | SOURCE SIGNAL NAME | REFERENCE LINE NO. |
|-------|----------------|-------|--------------------|---------------|--------------------|-----------------------|
| | 00(0) | | | | | |
| 31A01 | 01(1) | | 3181030 | . | CL-01E01 | 5188109 |
| | 02(1) | 30A14 | 6845900 | FF | PH9 | 6845900 |
| 30A10 | 03(1) | | 6846002-1 | + | | 6846002 |
| | 04(1) | 31B18 | 6846000 | FF | PH10 | 6846000 |
| | 05(1) | 31B09 | 6846001 | NFF | NPH10 | 6846001 |
| | 06(1) | 30B04 | 6902300 | FF | NPRE3 | 6902300 |
| | 07(1) | 28B50 | 6902301 | NFF | PRE3 | 6902301 |
| | 08(1) | 32A16 | 4790132 | . | GND1132 | 6902302 |
| | 09(0) | | | | | |
| 28B05 | 10(2) | 31A10 | 3202710 | . | NCLEAR-1 | 5188102 |
| | 11(0) | | 5188102-1 | + | | 5188102 |
| | 12(1) | 28C33 | 5188101 | NFF | NIXAL | 5188101 |
| 21C35 | 13(2) | 31C04 | 5188130 | . | (S/IXAL) | 5188102 |
| | 14(1) | 31B43 | 5188100 | FF | IXAL | 5188100 |
| | 15(0) | | | | | |
| 32A08 | 16(2) | 32A17 | 4790132 | -GND | GND1132 | 4790132 |
| 32A16 | 17(2) | 32A20 | 4790132 | . | GND1132 | 6846002 |
| 30A06 | 18(1) | | 6845902-1 | + | | 6845902 |
| 32C36 | 19(2) | 29B04 | 6902330 | . | N(S/PRE3) | 6902302 |
| 32A17 | 20(2) | 32A37 | 4790132 | . | GND1132 | 5188102 |
| | 21(1) | 31B08 | 6845901 | NFF | NPH9 | 6845901 |
| | 22(0) | | | | | |
| | 23(0) | | | | | |
| 24B31 | 24(2) | 26A22 | 2842000 | . | BRPH10 | 6846002 |
| 24B46 | 25(2) | 26A26 | 2841900 | . | BRPH9 | 6845902 |
| | 26(1) | 31B27 | 6845601 | NFF | NPH6 | 6845601 |
| | 27(1) | 30A41 | 6845500 | FF | PH5 | 6845500 |
| | 28(1) | 31B07 | 6845501 | NFF | NPH5 | 6845501 |
| | 29(1) | 31B03 | 6845701 | NFF | NPH7 | 6845701 |
| | 30(1) | 30A44 | 6845700 | FF | PH7 | 6845700 |
| | 31(1) | 30A47 | 6845600 | FF | PH6 | 6845600 |
| | 32(0) | | | | | |
| | 33(1) | 30A17 | 6845800 | FF | PH8 | 6845800 |
| | 34(1) | 30B09 | 6845801 | NFF | NPH8 | 6845801 |
| 14C46 | 35(2) | 26A33 | 2841800 | . | BRPH8 | 6845802 |
| 31A36 | 36(2) | 08C42 | 3202710 | . | NCLEAR-1 | 6845502 |
| 32A20 | 37(1) | | 4790132 | . | GND1132 | 6845502 |
| | 38(0) | | | | | |
| 30A45 | 39(1) | | 6845802-1 | + | | 6845802 |
| | 40(0) | | | | | |
| 30A50 | 41(1) | | 6845702-1 | + | | 6845702 |
| 20C46 | 42(2) | 26A35 | 2841700 | . | BRPH7 | 6845702 |
| 28B10 | 43(2) | 26A50 | 2841600 | . | (BRPH6.NIOEN) | 6845602 |
| | 44(0) | | | | | |
| | 45(0) | | | | | |
| 30A40 | 46(1) | | 6845602-1 | + | | 6845602 |
| 21B46 | 47(2) | 26A46 | 2841500 | . | BRPH5 | 6845502 |
| | 48(0) | | | | | |
| 31A49 | 49(0) | | 8300000 | | P4VA | 8300040 |
| 30A11 | 50(1) | | 6845502-1 | + | | 6845502 |
| 31A51 | 51(0) | | 8302000 | | P8VA | 8302040 |

XDS 902306

XDS
XEROX DATA SYSTEMS

DRAWING NO.- 133264-903 AC
PROG-PNIND MODULE-01B
TYPE-PIN INDEX TYPE-

33

10/27/71

| FROM | PIN (COUNT) | TO | SOURCE LINE NO. | ELEM. TYPE | SOURCE SIGNAL NAME | REFERENCE LINE NO. |
|-------|----------------|-------|--------------------|---------------|--------------------|-----------------------|
| | 00(0) | | | | | |
| | 01(0) | | | | | |
| | 02(0) | | | | | |
| | 03(0) | | | | | |
| | 04(0) | | | | | |
| | 05(0) | | | | | |
| | 06(0) | | | | | |
| | 07(0) | | | | | |
| | 08(0) | | | | | |
| | 09(0) | | | | | |
| | 10(0) | | | | | |
| | 11(0) | | | | | |
| | 12(0) | | | | | |
| | 13(0) | | | | | |
| | 14(0) | | | | | |
| | 15(0) | | | | | |
| | 16(0) | | 4790201 | -GND | GND1201 | 4790201 |
| | 17(0) | | | | | |
| | 18(0) | | | | | |
| | 19(0) | | | | | |
| | 20(0) | | | | | |
| | 21(0) | | | | | |
| | 22(0) | | | | | |
| | 23(0) | | | | | |
| | 24(0) | | | | | |
| | 25(0) | | | | | |
| | 26(0) | | | | | |
| | 27(0) | | | | | |
| | 28(0) | | | | | |
| | 29(0) | | | | | |
| | 30(0) | | | | | |
| | 31(0) | | | | | |
| | 32(0) | | | | | |
| | 33(0) | | | | | |
| | 34(0) | | | | | |
| | 35(0) | | | | | |
| | 36(0) | | | | | |
| | 37(0) | | | | | |
| | 38(0) | | | | | |
| | 39(0) | | | | | |
| | 40(0) | | | | | |
| | 41(0) | | | | | |
| | 42(0) | | | | | |
| | 43(0) | | | | | |
| | 44(0) | | | | | |
| | 45(0) | | | | | |
| | 46(0) | | | | | |
| | 47(0) | | | | | |
| | 48(0) | | | | | |
| 02B49 | 49(0) | | 8300100 | -VSP | P4VB | 8300100 |
| | 50(1) | 02B50 | 8304100 | -VSP | M8VB | 8304100 |
| 02B51 | 51(0) | | 8302100 | -VSP | P8VB | 8302130 |

XDS 902306



DRAWING NO. - 133264-903 AC
 PROG-PNIND MODULE-02B
 TYPE-PIN INDEX TYPE-

34
 10/27/71

| FROM | PIN (COUNT) | TO | SOURCE LINE NO. | ELEM. TYPE | SOURCE SIGNAL NAME | REFERENCE LINE NO. |
|-------|----------------|-------|--------------------|---------------|--------------------|-----------------------|
| | 00(0) | | | | | |
| | 01(0) | | | | | |
| | 02(0) | | | | | |
| | 03(0) | | | | | |
| | 04(0) | | | | | |
| | 05(0) | | | | | |
| | 06(0) | | | | | |
| | 07(0) | | | | | |
| | 08(0) | | | | | |
| | 09(0) | | | | | |
| | 10(0) | | | | | |
| | 11(0) | | | | | |
| | 12(0) | | | | | |
| | 13(0) | | | | | |
| | 14(0) | | | | | |
| | 15(0) | | | | | |
| | 16(0) | | 4790202 | -GND | GND1202 | 4790202 |
| | 17(0) | | | | | |
| | 18(0) | | | | | |
| | 19(0) | | | | | |
| | 20(0) | | | | | |
| | 21(0) | | | | | |
| | 22(0) | | | | | |
| | 23(0) | | | | | |
| | 24(0) | | | | | |
| | 25(0) | | | | | |
| | 26(0) | | | | | |
| | 27(0) | | | | | |
| | 28(0) | | | | | |
| | 29(0) | | | | | |
| | 30(0) | | | | | |
| | 31(0) | | | | | |
| | 32(0) | | | | | |
| | 33(0) | | | | | |
| | 34(0) | | | | | |
| | 35(0) | | | | | |
| | 36(0) | | | | | |
| | 37(0) | | | | | |
| | 38(0) | | | | | |
| | 39(0) | | | | | |
| | 40(0) | | | | | |
| | 41(0) | | | | | |
| | 42(0) | | | | | |
| | 43(0) | | | | | |
| | 44(0) | | | | | |
| | 45(0) | | | | | |
| | 46(0) | | | | | |
| | 47(0) | | | | | |
| | 48(0) | | | | | |
| 03B49 | 49(0) | 01B49 | 8300100 | P4VB | | 8300100 |
| 01B50 | 50(1) | | 8304100 | M8VB | | 8304100 |
| 03B51 | 51(0) | 01B51 | 8302100 | P8VB | | 8302100 |

| FROM | PIN (COUNT) | TO | SOURCE LINE NO. | ELEM. TYPE | SOURCE SIGNAL NAME | REFERENCE LINE NO. |
|-------|----------------|-------|--------------------|---------------|--------------------|-----------------------|
| | 00(0) | | | | | |
| | 01(0) | | | | | |
| 06A41 | 02(2) | 07B22 | 6630400 | . | OL4 | 4420800 |
| 05A08 | 03(2) | 03B31 | 6630600 | . | OL6 | 4426000 |
| 03A36 | 04(2) | 05B37 | 6631200 | . | OLC | 4425700 |
| | 05(1) | 16A22 | 4420800 | B | FUANLZ | 4420800 |
| 18B07 | 06(2) | 06B10 | 4323340 | B | FAMT | 4323340 |
| 01A19 | 07(2) | 06A43 | 1034500 | . | O3 | 4323340 |
| 08B26 | 08(2) | 20B17 | 6720150 | . | NOU1 | 4323340 |
| 03B41 | 09(2) | 06A07 | 4421500 | . | FUMMC | 4421590 |
| | 10(1) | 03C11 | 4421590 | B | FUMMC-1 | 4421590 |
| 12B08 | 11(2) | 07C08 | 4323135 | B | FALOAD/A-1 | 4323135 |
| 08A02 | 12(2) | 16A09 | 4323130 | . | FALOAD/A | 4323135 |
| 08C14 | 13(2) | 21C12 | 6196300 | . | N(S/MRQ/2) | 8010850 |
| 04A37 | 14(2) | 07B41 | 6630300 | . | OL3 | 4323340 |
| 02A42 | 15(2) | 09B36 | 8010850 | B | N(S/TBL) | 8010850 |
| | 16(0) | | 4790203 | -GND | GND1203 | 4790203 |
| | 17(0) | | 6720420 | B | OU4-2 | 6720420 |
| | 18(1) | 07C43 | 4425700 | B | FUS10 | 4425700 |
| | 19(1) | 10B43 | 4426000 | B | FUXW | 4426000 |
| 04B33 | 20(2) | 07C50 | 6720400 | . | OU4 | 4420800 |
| 05A38 | 21(2) | 03B42 | 6630900 | . | OL9 | 4421800 |
| 05A37 | 22(2) | 10B40 | 6630800 | . | OL8 | 4422000 |
| 01A28 | 23(2) | 03A43 | 1074502 | . | NO7 | 4324800 |
| 01A27 | 24(2) | 03A50 | 1074500 | . | O7 | 4324900 |
| | 25(1) | 04C47 | 4324800 | B | FAST/L | 4324800 |
| | 26(1) | 14B06 | 4324900 | B | FAST/S | 4324900 |
| | 27(1) | 07C25 | 4422000 | B | FUPLW | 4422000 |
| | 28(1) | 07C24 | 4421800 | B | FUPSW | 4421800 |
| 10B45 | 29(2) | 21B40 | 4324850 | . | FAST/M | 4324800 |
| 04B40 | 30(2) | 04C28 | 6631000 | . | OLA | 4421000 |
| 03B03 | 31(2) | 05B43 | 6630600 | . | OL6 | 4420900 |
| | 32(0) | | | | | |
| 05A10 | 33(2) | 03B50 | 6720600 | . | OU6 | 4324502 |
| 03B35 | 34(2) | 07B30 | 4324500 | B | FARWD | 4324502 |
| | 35(1) | 03B34 | 4324500 | B | FARWD | 4324500 |
| | 36(1) | 19A31 | 4421300 | B | FUINT | 4421300 |
| 08A11 | 37(2) | 08C11 | 6631100 | . | OLB | 4421300 |
| 11A37 | 38(2) | 05B03 | 6631500 | . | OLF | 4421500 |
| 03A19 | 39(2) | 04B37 | 6514500 | . | (O4.05) | 4324500 |
| 06A02 | 40(2) | 05B27 | 1064525 | . | NO6-1 | 4324502 |
| | 41(1) | 03B09 | 4421500 | B | FUMMC | 4421500 |
| 03B21 | 42(2) | 06A45 | 6630900 | . | OL9 | 4421040 |
| 08A42 | 43(2) | 03A38 | 6631400 | . | OLE | 4420501 |
| | 44(1) | 24B45 | 4421040 | B | FUBCS | 4421040 |
| | 45(1) | 04B30 | 4420501 | B | FUA10 | 4420501 |
| | 46(1) | 13B47 | 4421000 | B | FUBAL | 4421000 |
| | 47(1) | 10B44 | 4420900 | B | FUAWM | 4420900 |
| | 48(0) | | | | | |
| 04B49 | 49(0) | 02B49 | 8300100 | . | P4VB | 8300100 |
| 03B33 | 50(2) | 12C10 | 6720600 | . | OU6 | 4420501 |
| 04B51 | 51(0) | 02B51 | 8302100 | . | P8VB | 8302100 |

XDS 902306

XDS
EPOX DATA SYSTEMS

DRAWING NO.- 133264-903 AC
PROG-PNIND MODULE-04B
TYPE-PIN INDEX TYPE-IT16

36
10/27/71

| FROM | PIN (COUNT) | TO | SOURCE LINE NO. | ELEM. TYPE | SOURCE SIGNAL NAME | REFERENCE LINE NO. |
|-------|-------------|-------|-----------------|------------|--------------------|--------------------|
| | 00(0) | | | | | |
| 03A05 | 01(2) | 11A41 | 4425550 | . | NFUSF | 4425500 |
| 11A35 | 02(2) | 03A04 | 4425250 | . | NFUS | 4425150 |
| 03A06 | 03(2) | 07B11 | 4421205 | . | N(FUDW.NR31) | 4421200 |
| 07B12 | 04(2) | 03A03 | 4321030 | . | NFADIVH | 4321020 |
| | 05(1) | 12B25 | 4425150 | I | FUS | 4425150 |
| | 06(1) | 10B39 | 4324750 | I | NFAST/B | 4324750 |
| 06A03 | 07(2) | 03A17 | 6514505 | . | (04.N05) | 4324750 |
| 05B18 | 08(2) | 06B08 | 6720200 | . | OU2 | 4324750 |
| 11A19 | 09(2) | 03A02 | 4421490 | . | NFUMH | 4421480 |
| | 10(1) | 07A26 | 4421480 | I | FUMH | 4421480 |
| | 11(1) | 31B21 | 4323380 | I | FAMULNH | 4323380 |
| 11A05 | 12(2) | 07B21 | 4323390 | . | NFAMULNH | 4323380 |
| 03A09 | 13(2) | 28C44 | 4323300 | . | NFAMDS | 4323295 |
| 06A13 | 14(2) | 10B25 | 1064520 | . | 06-1 | 4324750 |
| 14B02 | 15(2) | 16C28 | 4323295 | I | FAMDS | 4323295 |
| | 16(0) | | 4790204 | -GND | GND1204 | 4790204 |
| | 17(1) | 04C08 | 4425500 | I | FUSF | 4425500 |
| | 18(1) | 10A18 | 4321020 | I | FADIVH | 4321020 |
| | 19(1) | 13B14 | 4421200 | I | (FUDW.NR31) | 4421200 |
| | 20(0) | | | | | |
| 16B39 | 21(2) | 07B10 | 4425620 | . | N(FUSF.D23) | 4425600 |
| 06B02 | 22(2) | 10A24 | 4321925 | . | FAILL/1 | 4321921 |
| 09A36 | 23(2) | 06B22 | 4323160 | . | NFALOAD/C | 4323150 |
| | 24(1) | 10B01 | 4325020 | . | FASTORE/1 | 4325025 |
| | 25(1) | 12B20 | 4323150 | I | FALOAD/C | 4323150 |
| | 26(1) | 24B38 | 4325025 | I | NFASTORE/1 | 4325025 |
| 05B36 | 27(2) | 04B43 | 4321910 | I | NFAILL | 4321921 |
| | 28(1) | 12B41 | 4425600 | I | (FUSF.D23) | 4425600 |
| | 29(0) | | | | | |
| 03B45 | 30(2) | 26B20 | 4420501 | . | FUA10 | 4420509 |
| 07A03 | 31(2) | 04B36 | 4322030 | . | NFA10/1 | 4322020 |
| | 32(0) | | | | | |
| 11A14 | 33(2) | 03B20 | 6720400 | . | OU4 | 4322030 |
| 04B35 | 34(2) | 09C34 | 4324620 | I | NFASEL/1 | 4324622 |
| 07B20 | 35(2) | 04B34 | 4324620 | I | NFASEL/1 | 4324620 |
| 04B31 | 36(1) | | 4322030 | I | NFA10/1 | 4322030 |
| 03B39 | 37(2) | 10B27 | 6514500 | . | (04.05) | 4322030 |
| 04A39 | 38(2) | 09B31 | 6630500 | . | OL5 | 4421150 |
| 06A05 | 39(2) | 11A20 | 6630700 | . | OL7 | 4324620 |
| 05A39 | 40(2) | 03B30 | 6631000 | . | OLA | 4324622 |
| 07B29 | 41(1) | | 4421150 | I | NFUCS | 4421150 |
| 09A11 | 42(2) | 17B24 | 4421470 | . | NFULRP | 4421450 |
| 04B27 | 43(2) | 16B02 | 4321910 | . | NFAILL | 4321900 |
| | 44(1) | 23C28 | 4421450 | I | FULRP | 4421450 |
| 17C05 | 45(1) | | 4321900 | I | FAILL | 4321900 |
| | 46(1) | 06B35 | 4420509 | I | NFUA10 | 4420509 |
| | 47(1) | 24B02 | 4322020 | I | FA10/1 | 4322020 |
| | 48(0) | | | | | |
| 05B49 | 49(0) | 03B49 | 8300100 | . | P4VB | 8300100 |
| | 50(0) | | | | | |
| 05B51 | 51(0) | 03B51 | 8302100 | . | P8VB | 8302100 |

XDS 902306

XDS
XEROX DATA SYSTEMS

DRAWING NO.- 133264-903 AC
PROG-PNIND MODULE-05B
TYPE-PIN INDEX TYPE-IT25

37

10/27/71

| FROM | PIN (COUNT) | TO | SOURCE LINE NO. | ELEM. TYPE | SOURCE SIGNAL NAME | REFERENCE LINE NO. |
|-------|----------------|-------|--------------------|---------------|--------------------|-----------------------|
| | 00(0) | | | | | |
| | 01(1) | 05B07 | 6630220 | I | NOL2 | 6630220 |
| | 02(1) | 05B31 | 6631600 | I | NOLF | 6631600 |
| 03B38 | 03(2) | 06B38 | 6631500 | . | OLF | 6631600 |
| 05B23 | 04(2) | 07B25 | 6630600 | . | OL6 | 6651010 |
| 13B26 | 05(2) | 13C50 | 2285065 | . | (NANLZ.PRE3) | 6650010 |
| 11A13 | 06(2) | 05C35 | 4323100 | . | FALOAD | 6650010 |
| 05B01 | 07(2) | 05B47 | 6630220 | . | NOL2 | 6650010 |
| 05B46 | 08(2) | 01A09 | 6650000 | . | OM | 6651010 |
| | 09(0) | | | | | |
| 09B30 | 10(1) | | 6630200 | . | OL2 | 6630220 |
| | 11(0) | | | | | |
| | 12(1) | 05B40 | 6650010 | I | NOM | 6650010 |
| | 13(1) | 06B14 | 6651010 | I | N(OM.OL6) | 6651010 |
| 06A30 | 14(2) | 05B34 | 4321910 | I | NFAILL | 4321924 |
| | 15(1) | 05B33 | 6902650 | I | PREOPER | 6902664 |
| | 16(0) | | 4790205 | -GND | GND1205 | 4790205 |
| 03C45 | 17(2) | 05B28 | 6640000 | . | OLDMEM | 6902664 |
| 05B21 | 18(2) | 04B08 | 6720200 | . | OU2 | 6902664 |
| | 19(0) | | | | | |
| 05B42 | 20(2) | 31B22 | 6631300 | . | OLD | 4321924 |
| 05B24 | 21(2) | 05B18 | 6720200 | . | OU2 | 4321924 |
| | 22(0) | | | | | |
| 05B43 | 23(2) | 05B04 | 6630600 | . | OL6 | 4321923 |
| 05B26 | 24(2) | 05B21 | 6720200 | . | OU2 | 4321923 |
| 06A09 | 25(2) | 06A19 | 6514510 | . | (N04.05) | 6902662 |
| 05B38 | 26(2) | 05B24 | 6720200 | . | OU2 | 6902662 |
| 03B40 | 27(2) | 17B11 | 1064525 | . | N06-1 | 6902662 |
| 05B17 | 28(2) | 05B29 | 6640000 | . | OLDMEM | 4321923 |
| 05B28 | 29(2) | 06B33 | 6640000 | . | OLDMEM | 4321924 |
| 08A18 | 30(2) | 18C35 | 1054500 | . | 05 | 6902664 |
| 05B02 | 31(2) | 06B28 | 6631600 | . | NOLF | 6902664 |
| | 32(0) | | | | | |
| 05B15 | 33(2) | 09A45 | 6902650 | I | PREOPER | 6902662 |
| 05B14 | 34(2) | 05B36 | 4321910 | I | NFAILL | 4321923 |
| | 35(1) | 05B45 | 4323105 | I | NFALOAD/1 | 4323107 |
| 05B34 | 36(2) | 04B27 | 4321910 | I | NFAILL | 4321922 |
| 03B04 | 37(2) | 12B31 | 6631200 | . | OLC | 4321922 |
| 05B39 | 38(2) | 05B26 | 6720200 | . | OU2 | 4323107 |
| 05B44 | 39(2) | 05B38 | 6720200 | . | OU2 | 4323106 |
| 05B12 | 40(2) | 06B40 | 6650010 | . | NOM | 6650000 |
| | 41(0) | | | | | |
| 03A37 | 42(2) | 05B20 | 6631300 | . | OLD | 4323106 |
| 03B31 | 43(2) | 05B23 | 6630600 | . | OL6 | 4323107 |
| 07B23 | 44(2) | 05B39 | 6720200 | . | OU2 | 4321922 |
| 05B35 | 45(2) | 09B46 | 4323105 | I | NFALOAD/1 | 4323106 |
| | 46(1) | 05B08 | 6650000 | I | OM | 6650000 |
| 05B07 | 47(1) | | 6630220 | T | NOL2 | 6630220 |
| | 48(0) | | | | | |
| 06B49 | 49(0) | 04B49 | 8300100 | | P4VB | 8300100 |
| | 50(0) | | | | | |
| 06B51 | 51(0) | 04B51 | 8302100 | | P8VB | 8302100 |

XDS 902306

XDS
XEROX DATA SYSTEMS

DRAWING NO. - 133264-903 AC
PROG-PNIND
TYPE-PIN INDEX

38

MODULE-06B
TYPE-XT10

10/27/71

| FROM | PIN (COUNT) | TO | SOURCE LINE NO. | ELEM. TYPE | SOURCE SIGNAL NAME | REFERENCE LINE NO. |
|-------|----------------|-------|--------------------|---------------|--------------------|-----------------------|
| | 00(0) | | | | | |
| 07A37 | 01(1) | | 4321030 | T | NFADIVH | 4321030 |
| | 02(1) | 04B22 | 4321925 | T | FAILL/1 | 4321925 |
| | 03(1) | 06A50 | 4323025 | T | NFALCF | 4323025 |
| | 04(0) | | | | | |
| 17C07 | 05(1) | | 4323320 | T | FANIMP | 4323320 |
| | 06(1) | 18C03 | 5152750 | T | IOENNIN | 5152750 |
| | 07(0) | | | | | |
| 04B08 | 08(1) | | 6720200 | T | OU2 | 6720200 |
| 09B09 | 09(1) | | 3567000 | T | DCSTOP | 3567000 |
| 03B06 | 10(2) | 03C07 | 4323340 | T | FAMT | 4323340 |
| | 11(1) | 07A44 | 4421205 | T | N(FUDW.NR31) | 4421205 |
| | 12(1) | 07A42 | 4421620 | T | NFUMSP | 4421620 |
| 11B13 | 13(1) | | 1100350 | T | (S/B10) | 1100350 |
| 05B13 | 14(2) | 07C45 | 6651010 | T | N(OM.OL6) | 6651010 |
| | 15(1) | 15A30 | 5156601 | T | IOPH2 | 5156601 |
| | 16(0) | | 4790206 | -GND | GND1206 | 4790206 |
| | 17(0) | | | | | |
| | 18(1) | 10A22 | 5125320 | T | IFAST/L | 5125320 |
| 07B19 | 19(1) | | 1313760 | T | N(S/LR31/1) | 1313760 |
| | 20(1) | 12B01 | 8132000 | T | VALST | 8132000 |
| | 21(1) | 15B24 | 5156740 | T | (IOPH3.SWB) | 5156740 |
| 04B23 | 22(2) | 17B22 | 4323160 | T | NFALOAD/C | 4323160 |
| | 23(1) | 09B23 | 2841000 | T | N(R/BRP) | 2841000 |
| | 24(1) | 06C36 | 2841050 | T | N(S/BRP) | 2841050 |
| | 25(1) | 15A25 | 5156701 | T | IOPH3 | 5156701 |
| | 26(0) | | | | | |
| | 27(1) | 13C13 | 5156760 | T | (IOPH3.SW12) | 5156760 |
| 05B31 | 28(1) | | 6631600 | T | NOLF | 6631600 |
| 17B31 | 29(1) | | 5415400 | T | NKHOP-2 | 5415400 |
| 02C12 | 30(1) | | 5375010 | T | KDISPLAK/B-1 | 5375010 |
| | 31(1) | 15A13 | 5374427 | T | NKDI-2 | 5374427 |
| | 32(0) | | | | | |
| 05B29 | 33(1) | | 6640000 | T | OLDMEM | 6640000 |
| 19A30 | 34(1) | | 5366110 | T | KCPURESET/B-1 | 5366110 |
| 04B46 | 35(2) | 07A09 | 4420509 | T | NFUAIO | 4420509 |
| | 36(0) | | | | | |
| 11B37 | 37(1) | | 7439140 | T | NRXS | 7439140 |
| 05B03 | 38(1) | | 6631500 | T | OLF | 6631500 |
| | 39(0) | | | | | |
| 05B40 | 40(1) | | 6650010 | T | NOM | 6650010 |
| 10B41 | 41(1) | | 1034500 | T | O3 | 1034500 |
| | 42(1) | 02C01 | 7892160 | T | NSWK6 | 7892160 |
| 02C13 | 43(1) | | 7892130 | T | NSWK5 | 7892130 |
| | 44(1) | 02C04 | 7892080 | T | NSWK4 | 7892080 |
| | 45(1) | 02C07 | 7892024 | T | NSWK2 | 7892024 |
| | 46(1) | 02C08 | 7892002 | T | NSWK1 | 7892002 |
| | 47(1) | 07A03 | 4322030 | T | NFAIO/1 | 4322030 |
| | 48(0) | | | | | |
| 07B49 | 49(0) | 05B49 | 8300100 | | P4VB | 8300100 |
| 07B27 | 50(1) | | 1316202 | T | NR31 | 1316202 |
| 07B51 | 51(0) | 05B51 | 8302100 | | P8VB | 8302100 |

XDS 902306

XDS
XEROX DATA SYSTEMS

DRAWING NO. - 133264-903 AC
PROG-PNIND MODULE-07B
TYPE-PIN INDEX TYPE-IT25

39

10/27/71

| FROM | PIN (COUNT) | TO | SOURCE LINE NO. | ELEM. TYPE | SOURCE SIGNAL NAME | REFERENCE LINE NO. |
|-------|----------------|-------|--------------------|---------------|----------------------|-----------------------|
| | 00(0) | | | | | |
| | 01(1) | 13B08 | 4421220 | I | (FUDW.NR31+FUSF.D23) | 4421220 |
| | 02(1) | 07B45 | 2403010 | I | NAXK | 2403010 |
| 23B43 | 03(2) | 07B39 | 6821400 | . | PCP4 | 2403010 |
| 07A08 | 04(2) | 11A03 | 6720500 | . | OU5 | 4321032 |
| 07B08 | 05(1) | | 6630600 | . | OL6 | 4321030 |
| 11A02 | 06(2) | 07B26 | 6720300 | . | OU3 | 4321030 |
| 05C10 | 07(2) | 12B35 | 1316215 | . | R31-1 | 4321030 |
| 07B25 | 08(2) | 07B05 | 6630600 | . | OL6 | 4321032 |
| 30C11 | 09(2) | 10C27 | 5386000 | . | KENTER/B-1 | 2403010 |
| 04B21 | 10(2) | 07B34 | 4425620 | . | N(FUSF.D23) | 4421220 |
| 04B03 | 11(2) | 07B33 | 4421205 | . | N(FUDW.NR31) | 4421220 |
| 07B13 | 12(2) | 04B04 | 4321030 | I | NFADIVH | 4321030 |
| | 13(1) | 07B12 | 4321030 | I | NFADIVH | 4321032 |
| | 14(1) | 14B43 | 1313780 | I | (S/LR31/12) | 1313780 |
| | 15(1) | 01C03 | 3689395 | I | NDIOXS | 3689395 |
| | 16(0) | | 4790207 | -GND | GND1207 | 4790207 |
| 01C13 | 17(2) | 20C21 | 2500300 | . | NB1619Z | 3689395 |
| 14B44 | 18(2) | 08A27 | 6845122 | . | PH1-B | 3689395 |
| 11A44 | 19(2) | 06B19 | 1313760 | . | N(S/LR31/1) | 1313780 |
| 09A08 | 20(2) | 04B35 | 4324620 | . | NFASEL/1 | 1313780 |
| 04B12 | 21(2) | 07B46 | 4323390 | . | NFAMULNH | 1313780 |
| 03B02 | 22(2) | 11A38 | 6630400 | . | OL4 | 4425620 |
| 07B40 | 23(2) | 05B44 | 6720200 | . | OU2 | 4425620 |
| | 24(0) | | | | | |
| 05B04 | 25(2) | 07B08 | 6630600 | . | OL6 | 4421205 |
| 07B06 | 26(2) | 15B26 | 6720300 | . | OU3 | 4421205 |
| 05C09 | 27(2) | 06B50 | 1316202 | . | NR31 | 4421205 |
| 12C08 | 28(2) | 01C31 | 1231340 | . | D23-1 | 4425620 |
| 10B05 | 29(2) | 04B41 | 4421150 | . | NFUCS | 1313780 |
| 03B34 | 30(2) | 08A26 | 4324500 | . | FARWD | 3689395 |
| | 31(0) | | | | | |
| | 32(0) | | | | | |
| 07B11 | 33(1) | | 4421205 | I | N(FUDW.NR31) | 4421205 |
| 07B10 | 34(1) | | 4425620 | I | N(FUSF.D23) | 4425620 |
| 11B30 | 35(2) | 09C20 | 4323398 | I | NFANIMP | 4323398 |
| | 36(1) | 10B04 | 4320300 | I | NFAADD/1 | 4320300 |
| 11A43 | 37(1) | | 6630000 | . | OL0 | 4320300 |
| 10B24 | 38(2) | 13C23 | 4321135 | . | FAFL | 4323398 |
| 07B03 | 39(2) | 10C41 | 6821400 | . | PCP4 | 2403020 |
| 18C40 | 40(2) | 07B23 | 6720200 | . | OU2 | 4323392 |
| 03B14 | 41(2) | 08B23 | 6630300 | . | OL3 | 4323392 |
| 02C26 | 42(2) | 16B11 | 7892018 | . | SWK2 | 2403020 |
| 01C24 | 43(2) | 20A29 | 4392400 | . | NFPOPTION | 4323398 |
| 09B34 | 44(2) | 29B45 | 6720710 | . | NOU7 | 4320300 |
| 07B02 | 45(2) | 02A36 | 2403010 | I | NAXK | 2403020 |
| 07B21 | 46(2) | 09C17 | 4323390 | I | NFAMULNH | 4323392 |
| | 47(1) | 14B09 | 5125140 | T | IFAMDS | 5125140 |
| | 48(0) | | | | | |
| 08B49 | 49(0) | 06B49 | 8300100 | | P4VB | 8300100 |
| | 50(0) | | | | | |
| 08B51 | 51(0) | 06B51 | 8302100 | | P8VB | 8302100 |

XDS 902306

XDS
XEROX DATA SYSTEMS

DRAWING NO. - 133264-903 AC
PROG-PNIND MODULE-08B
TYPE-PIN INDEX TYPE-IT16

40

10/27/71

| FROM | PIN (COUNT) | TO | SOURCE LINE NO. | ELEM. TYPE | SOURCE SIGNAL NAME | REFERENCE LINE NO. |
|-------|----------------|-------|--------------------|---------------|--------------------|-----------------------|
| | 00(0) | | | | | |
| 07A24 | 01(2) | 10B06 | 6630150 | . | NOL1 | 4320910 |
| 10B13 | 02(2) | 12B11 | 4320380 | . | FAARITH | 4320400 |
| 05C12 | 03(2) | 09B27 | 5138930 | . | (S/INTRAP) | 3202700 |
| | 04(1) | 08B40 | 4324560 | . | NFAS11/1 | 4324540 |
| | 05(1) | 22B24 | 4320400 | I | NFAARITH | 4320400 |
| 15B03 | 06(2) | 14C08 | 4325000 | I | FASTORE | 4325000 |
| | 07(0) | | | | | |
| 22B05 | 08(2) | 10B11 | 4426100 | . | NFUXW/1 | 4325000 |
| | 09(1) | 10B33 | 4324355 | . | NFAPSD | 4324350 |
| 14C07 | 10(2) | 18B06 | 4324350 | I | FAPSD | 4324350 |
| | 11(1) | 19B44 | 4421600 | I | FUMSP | 4421600 |
| 07A41 | 12(2) | 08B25 | 4421620 | . | NFUMSP | 4421600 |
| 18C27 | 13(2) | 08A15 | 4325040 | . | FASTORE/3 | 4325045 |
| 08B15 | 14(2) | 09C37 | 4325045 | . | NFASTORE/3 | 4325000 |
| | 15(1) | 08B14 | 4325045 | I | NFASTORE/3 | 4325045 |
| | 16(0) | | 4790208 | -GND | GND1208 | 4790208 |
| | 17(1) | 10C02 | 4320910 | I | FACOMP/1 | 4320910 |
| 08B27 | 18(2) | 26B34 | 4324540 | I | FAS10 | 4324540 |
| 06C12 | 19(2) | 09B44 | 3202700 | I | NCLEAR | 3202700 |
| | 20(0) | | | | | |
| 08A15 | 21(1) | | 4325040 | . | FASTORE/3 | 4425800 |
| | 22(0) | | | | | |
| 07B41 | 23(2) | 17A37 | 6630300 | . | OL3 | 4421620 |
| | 24(0) | | | | | |
| 08B12 | 25(1) | | 4421620 | I | NFUMSP | 4421620 |
| | 26(1) | 03B08 | 6720150 | I | NOU1 | 6720150 |
| | 27(1) | 08B18 | 4324540 | I | FAS10 | 4324542 |
| | 28(1) | 10B10 | 4425800 | I | NFUSTD | 4425800 |
| 11A50 | 29(2) | 21B02 | 6720100 | . | OUI | 4324542 |
| 08A29 | 30(2) | 21C24 | 4321110 | . | NFADW | 4321100 |
| 06A44 | 31(2) | 21C23 | 4320550 | . | NFABYTE | 4320540 |
| | 32(0) | | | | | |
| | 33(0) | | | | | |
| 08A38 | 34(2) | 08B35 | 4324550 | I | FAS11 | 4324552 |
| 08B34 | 35(2) | 12B42 | 4324550 | I | FAS11 | 4324550 |
| | 36(1) | 07C36 | 4321170 | I | FAHW | 4321170 |
| 08A20 | 37(2) | 21C22 | 4321180 | . | NFAHW | 4321170 |
| 08A14 | 38(2) | 15C27 | 4325150 | . | FAW | 4325160 |
| 09A01 | 39(2) | 11C24 | 4323030 | . | FALCFP | 4324550 |
| 08B04 | 40(2) | 17B34 | 4324560 | . | NFAS11/1 | 4324552 |
| | 41(1) | 09A03 | 4325160 | I | NFAW | 4325160 |
| 08A21 | 42(2) | 08C29 | 4321987 | . | NFAIM | 4321977 |
| 07A22 | 43(2) | 10B07 | 4320950 | . | NFACOMP/L | 4320940 |
| | 44(1) | 06A15 | 4321977 | I | FAIM | 4321977 |
| | 45(1) | 10C17 | 4320940 | I | FACOMP/L | 4320940 |
| | 46(1) | 16C05 | 4321100 | I | FADW | 4321100 |
| | 47(1) | 03C47 | 4320540 | I | FABYTE | 4320540 |
| | 48(0) | | | | | |
| 09B49 | 49(0) | 07B49 | 8300100 | | P4VB | 8300100 |
| | 50(0) | | | | | |
| 09B51 | 51(0) | 07B51 | 8302100 | | P8VB | 8302100 |

XDS 902306

XDS
XEROX DATA SYSTEMS

DRAWING NO.- 133264-903 AC
PROG-PNIND MODULE-09B
TYPE-PIN INDEX TYPE-IT16

41

10/27/71

| FROM | PIN (COUNT) | TO | SOURCE LINE NO. | ELEM. TYPE | SOURCE SIGNAL NAME | REFERENCE LINE NO. |
|-------|----------------|-------|--------------------|---------------|--------------------|-----------------------|
| | 00(0) | | | | | |
| 06C22 | 01(2) | 19B26 | 3202700 | . | NCLEAR | 3202720 |
| 31B45 | 02(1) | | 6902265 | . | NPRE2/L | 6902260 |
| 31B46 | 03(1) | | 6902165 | . | NPRE1/L | 6902160 |
| | 04(1) | 31B02 | 6845295 | . | NPH2/L | 6845290 |
| | 05(1) | 15A14 | 6902260 | I | PRE2/LP | 6902260 |
| | 06(1) | 16C36 | 6927000 | I | PSW1XS | 6927002 |
| | 07(0) | | | | | |
| 19A07 | 08(2) | 06C21 | 7343100 | . | NRESET | 6927000 |
| 21B24 | 09(2) | 06B09 | 3567000 | . | DCSTOP | 5011103 |
| | 10(1) | 29A05 | 5011101 | I | NHALT | 5011103 |
| | 11(1) | 16A06 | 6927110 | I | N(PSW2XS) | 6927114 |
| 16A04 | 12(2) | 16C34 | 4324375 | . | (FAPSD.PH5) | 6927114 |
| 17B06 | 13(2) | 16C33 | 4324370 | . | (FAPSD.PH4) | 6927010 |
| 10B15 | 14(2) | 07C22 | 6927010 | . | N(PSW1XS) | 6927000 |
| 29C46 | 15(2) | 10B15 | 6927010 | I | N(PSW1XS) | 6927010 |
| | 16(0) | | 4790209 | -GND | GND1209 | 4790209 |
| | 17(1) | 31A15 | 3202720 | I | CLEAR | 3202720 |
| | 18(1) | 15A34 | 6845290 | I | PH2/LP | 6845290 |
| | 19(1) | 15A18 | 6902160 | I | PRE1/LP | 6902160 |
| | 20(0) | | | | | |
| 12A21 | 21(2) | 31B12 | 6845195 | . | NPH1/L | 6845190 |
| 05C06 | 22(2) | 30B13 | 6821620 | . | PCFACT | 5138938 |
| 06B23 | 23(2) | 20B31 | 2841000 | . | N(R/BRP) | 2840950 |
| 06C36 | 24(2) | 20B42 | 2841050 | . | N(S/BRP) | 2841040 |
| | 25(1) | 28A15 | 2840950 | I | (R/BRP) | 2840950 |
| | 26(1) | 28A20 | 2841040 | I | (S/BRP) | 2841040 |
| 08B03 | 27(2) | 09B37 | 5138930 | I | (S/INTRAP) | 5138938 |
| | 28(1) | 15A38 | 6845190 | I | PH1/LP | 6845190 |
| | 29(0) | | | | | |
| 04A36 | 30(2) | 05B10 | 6630200 | . | OL2 | 4323105 |
| 04B38 | 31(2) | 10A02 | 6630500 | . | OL5 | 6630510 |
| | 32(0) | | | | | |
| | 33(0) | | | | | |
| | 34(1) | 07B44 | 6720710 | I | NOU7 | 6720710 |
| | 35(1) | 06C13 | 7987100 | I | NSYSR | 7987102 |
| 03B15 | 36(2) | 10B34 | 8010850 | I | N(S/T8L) | 8010854 |
| 09B27 | 37(2) | 11B23 | 5138930 | . | (S/INTRAP) | 8010854 |
| 04C28 | 38(2) | 09A44 | 6631000 | . | OLA | 6631010 |
| 05C30 | 39(1) | | 7860000 | . | START | 7987102 |
| 27A30 | 40(2) | 09A43 | 6720700 | . | OU7 | 6720710 |
| | 41(1) | 15B12 | 6631010 | I | NOLA | 6631010 |
| 16A13 | 42(2) | 18B50 | 7869100 | . | STRAP | 3202708 |
| 11A17 | 43(2) | 18B14 | 4421260 | . | NFUEXU | 4421250 |
| 08B19 | 44(2) | 27B46 | 3202700 | I | NCLEAR | 3202708 |
| | 45(1) | 26B05 | 4421250 | I | FUEXU | 4421250 |
| 05B45 | 46(2) | 05C39 | 4323105 | I | NFALOAD/1 | 4323105 |
| | 47(1) | 11C47 | 6630510 | I | NOL5 | 6630510 |
| | 48(0) | | | | | |
| 10B49 | 49(0) | 08B49 | 8300100 | . | P4VB | 8300110 |
| | 50(0) | | | | | |
| 10B51 | 51(0) | 08B51 | 8302100 | . | P8VB | 8302110 |

XDS 902306



DRAWING NO.- 133264-903 AC
 PROG-PNIND MODULE-10B
 TYPE-PIN INDEX TYPE-IT25

42
 10/27/71

| FROM | PIN (COUNT) | TO | SOURCE LINE NO. | ELEM. TYPE | SOURCE SIGNAL NAME | REFERENCE LINE NO. |
|-------|-------------|-------|-----------------|------------|--------------------|--------------------|
| | 00(0) | | | | | |
| 04B24 | 01(2) | 23B18 | 4325020 | I | FASTORE/1 | 4325020 |
| | 02(1) | 11C50 | 4320280 | I | FAADD | 4320280 |
| 10B04 | 03(2) | 12A25 | 4320300 | . | NFAADD/1 | 4320280 |
| 07B36 | 04(2) | 10B03 | 4320300 | . | NFAADD/1 | 4320380 |
| 09A04 | 05(2) | 07B29 | 4421150 | . | NFUCS | 4320900 |
| 08B01 | 06(2) | 12B33 | 6630150 | . | NOL1 | 4320900 |
| 08B43 | 07(2) | 09C01 | 4320950 | . | NFACOMP/L | 4320900 |
| 07A23 | 08(2) | 10B46 | 4325120 | . | NFASUB/1 | 4320380 |
| 06C01 | 09(2) | 20A33 | 4420930 | . | N(FUAWM.PRE3) | 4320280 |
| 08B28 | 10(2) | 16B19 | 4425800 | . | NFUSTD | 4325020 |
| 08B08 | 11(2) | 10B35 | 4426100 | . | NFUXW/1 | 4325020 |
| | 12(1) | 01C17 | 4320900 | I | FACOMP | 4320900 |
| | 13(1) | 08B02 | 4320380 | I | FAARITH | 4320380 |
| 21B14 | 14(2) | 08C14 | 6196300 | I | N(S/MRQ/2) | 6196328 |
| 09B15 | 15(2) | 09B14 | 6927010 | I | N(PSW1XS) | 6927014 |
| | 16(0) | | 4790210 | -GND | GND1210 | 4790210 |
| | 17(0) | | | | | |
| 13A17 | 18(1) | | 5362000 | . | KCLRPSW1 | 6927014 |
| 15B28 | 19(2) | 04C34 | 5152070 | . | (N10EN+10B0) | 6196328 |
| 25B03 | 20(1) | | 5159800 | . | IPH10 | 6196328 |
| 18A26 | 21(2) | 25B01 | 6821201 | . | NPCP2 | 6196328 |
| | 22(0) | | | | | |
| 16B18 | 23(2) | 17B18 | 5150110 | . | N10ACT | 8010852 |
| 13B01 | 24(2) | 07B38 | 4321135 | . | FAFL | 8010852 |
| 04B14 | 25(2) | 03C46 | 1064520 | . | 06-1 | 4324355 |
| 11A29 | 26(2) | 18C34 | 6720000 | . | OU0 | 4324355 |
| 04B37 | 27(2) | 08A04 | 6514500 | . | (04.05) | 4324355 |
| 17A43 | 28(2) | 28C39 | 6846001 | . | NPH10 | 8010852 |
| 18C10 | 29(2) | 06C42 | 5156567 | . | (10PH1.SW13)-F | 6196328 |
| 18B31 | 30(2) | 16A14 | 5345210 | . | NKAS/B-1 | 6927014 |
| 18B38 | 31(2) | 06C27 | 5150650 | . | N10CON | 6927014 |
| | 32(0) | | | | | |
| 08B09 | 33(2) | 05C31 | 4324355 | I | NFAPSD | 4324355 |
| 09B36 | 34(2) | 10C22 | 8010850 | I | N(S/T8L) | 8010852 |
| 10B11 | 35(2) | 10B36 | 4426100 | I | NFUXW/1 | 4426100 |
| 10B35 | 36(1) | | 4426100 | I | NFUXW/1 | 4426110 |
| 10B38 | 37(2) | 10C11 | 6902700 | . | NPREP | 4426110 |
| 09C14 | 38(2) | 10B37 | 6902700 | . | NPREP | 4426100 |
| 04B06 | 39(2) | 07C33 | 4324750 | . | NFAST/B | 4324850 |
| 03B22 | 40(2) | 10A09 | 6630800 | . | OL8 | 4325120 |
| 10A30 | 41(2) | 06B41 | 1034500 | . | O3 | 4325120 |
| 09C47 | 42(2) | 05C42 | 4324730 | . | NFAST/A | 4324850 |
| 03B19 | 43(2) | 10C43 | 4426000 | . | FUXW | 4426100 |
| 03B47 | 44(2) | 12B06 | 4420900 | . | FUAWM | 4426110 |
| | 45(1) | 03B29 | 4324850 | I | FAST/M | 4324850 |
| 10B08 | 46(2) | 09C44 | 4325120 | I | NFASUB/1 | 4325120 |
| 05C39 | 47(1) | | 4323105 | T | NFALOAD/1 | 4323105 |
| | 48(0) | | | | | |
| 11B49 | 49(0) | 09B49 | 8300100 | | P4VB | 8300110 |
| | 50(1) | 15B21 | 5156543 | T | (10PH1.SW8)-F | 5156543 |
| 11B51 | 51(0) | 09B51 | 8302100 | | P8VB | 8302110 |

XDS 902306

XDS
XEROX DATA SYSTEMS

DRAWING NO.- 133264-903 AC
PROG-PNIND MODULE-11B
TYPE-PIN INDEX TYPE-IT16

43
10/27/71

| FROM | PIN (COUNT) | TO | SOURCE LINE NO. | ELEM. TYPE | SOURCE SIGNAL NAME | REFERENCE LINE NO. |
|-------|----------------|-------|--------------------|---------------|--------------------|-----------------------|
| | 00(0) | | | | | |
| 07A36 | 01(2) | 21B45 | 4321000 | . | FADIV | 6733050 |
| 01C22 | 02(2) | 07C10 | 5415355 | . | KHOP-2 | 5415400 |
| 15C08 | 03(1) | | 5138992 | . | (INTRAP1.NINTRAP2) | 5139032 |
| 11B25 | 04(2) | 19B50 | 5139032 | . | N(S/INTRAP2) | 5139030 |
| | 05(1) | 17B31 | 5415400 | I | NKHOP-2 | 5415400 |
| 14A15 | 06(2) | 10C23 | 8010150 | I | N(S/T11L) | 8010158 |
| 19B10 | 07(2) | 14A40 | 4324700 | . | FAST-1 | 8010158 |
| 12B43 | 08(2) | 07A29 | 6845855 | . | PH8-B | 8010158 |
| 11B17 | 09(2) | 09A50 | 6733050 | . | NOVERIND | 6733075 |
| | 10(1) | 27B14 | 6733075 | I | OVERIND | 6733075 |
| | 11(1) | 25B10 | 3650000 | I | NDIOEXIT | 3650000 |
| 23A25 | 12(2) | 03C23 | 3651130 | . | DIOEXIT | 3650000 |
| 01A40 | 13(2) | 06B13 | 1100350 | . | (S/B10) | 1100370 |
| | 14(0) | | | | | |
| | 15(1) | 11C30 | 1100370 | I | N(S/B10) | 1100370 |
| | 16(0) | | 4790211 | -GND | GND1211 | 4790211 |
| 29A07 | 17(2) | 11B09 | 6733050 | I | NOVERIND | 6733050 |
| | 18(1) | 24A35 | 5139030 | I | (S/INTRAP2) | 5139030 |
| | 19(1) | 11B25 | 5139032 | I | N(S/INTRAP2) | 5139032 |
| | 20(0) | | | | | |
| 15A29 | 21(2) | 01C11 | 5374430 | . | KDI-2 | 5374427 |
| 15A46 | 22(1) | | 5345100 | . | NKAS/2 | 5345020 |
| 09B37 | 23(2) | 24A43 | 5138930 | . | (S/INTRAP) | 5139033 |
| 20C18 | 24(2) | 16B35 | 1286630 | . | N(S/TR28) | 1286625 |
| 11B19 | 25(2) | 11B04 | 5139032 | I | N(S/INTRAP2) | 5139033 |
| | 26(1) | 25A08 | 1286625 | I | (S/TR28) | 1286625 |
| 10A29 | 27(2) | 24B10 | 5345020 | I | KAS/2 | 5345020 |
| 15A23 | 28(1) | | 5374427 | I | NKDI-2 | 5374427 |
| | 29(0) | | | | | |
| | 30(1) | 07B35 | 4323398 | . | NFANIMP | 4323320 |
| 12A30 | 31(2) | 08C39 | 6047710 | . | NMCXS | 6047700 |
| | 32(0) | | | | | |
| | 33(0) | | | | | |
| | 34(1) | 21B23 | 5529050 | I | NKRUN | 5529050 |
| | 35(1) | 29A24 | 5011240 | I | (S/HALT) | 5011240 |
| | 36(1) | 01A45 | 7439120 | I | RXS | 7439120 |
| 21B18 | 37(2) | 06B37 | 7439140 | . | NRXS | 7439120 |
| 23A37 | 38(2) | 23C29 | 3651134 | . | DIOIND | 3689332 |
| 18B13 | 39(2) | 29B15 | 5011250 | . | N(S/HALT) | 5011240 |
| 10A27 | 40(2) | 02C03 | 5528000 | . | KRUN | 5529050 |
| | 41(1) | 01C02 | 3689332 | I | NDIOXDIO | 3689332 |
| 24B08 | 42(2) | 27C45 | 5011101 | . | NHALT | 5011120 |
| 12B03 | 43(2) | 15B38 | 7890100 | . | SW0 | 7890115 |
| | 44(1) | 28B12 | 5011120 | I | HALT/1 | 5011120 |
| | 45(1) | 10A08 | 7890115 | I | NSW0-1 | 7890115 |
| | 46(1) | 32C09 | 4323320 | I | FANIMP | 4323320 |
| | 47(1) | 02A47 | 6047700 | I | MCXS | 6047700 |
| | 48(0) | | | | | |
| 12B49 | 49(0) | 10B49 | 8300100 | | P4VB | 8300110 |
| | 50(0) | | | | | |
| 12B51 | 51(0) | 10B51 | 8302100 | | P8VB | 8302110 |

XDS 902306



DRAWING NO.- 133264-903 AC
 PROG-PNIND MODULE-128
 TYPE-PIN INDEX TYPE-LT20

44
 10/27/71

| FROM | PIN (COUNT) | TO | SOURCE LINE NO. | ELEM. TYPE | SOURCE SIGNAL NAME | REFERENCE LINE NO. |
|-------|----------------|-------|--------------------|---------------|--------------------|-----------------------|
| | 00(0) | | | | | |
| 06B20 | 01(2) | 12B15 | 8132000 | . | VALST | 7430402 |
| 15B37 | 02(2) | 10A07 | 4322920 | . | (FAIO.PH9) | 7430402 |
| 01A12 | 03(2) | 11B43 | 7890100 | . | SW0 | 7430402 |
| | 04(0) | | | | | |
| | 05(1) | 12B08 | 4323135 | . | FALOAD/A-1 | 6910002 |
| 10B44 | 06(2) | 06C11 | 4420900 | . | FUAWM | 6910000 |
| 12B12 | 07(2) | 12B19 | 6845198 | . | (PH1+PH3) | 6910000 |
| 12B05 | 08(2) | 03B11 | 4323135 | . | FALOAD/A-1 | 6910002 |
| 10C46 | 09(2) | 19A27 | 6845255 | . | PH2-B | 6910002 |
| | 10(0) | | | | | |
| 08B02 | 11(2) | 15C50 | 4320380 | . | FAARITH | 6910000 |
| 10C33 | 12(2) | 12B07 | 6845198 | . | (PH1+PH3) | 6910000 |
| 10C31 | 13(2) | 07A25 | 6845455 | . | PH4-B | 6910002 |
| | 14(1) | 13C15 | 7430400 | I | N(S/RW/4) | 7430400 |
| 12B01 | 15(2) | 15B39 | 8132000 | . | VALST | 7430400 |
| | 16(0) | | 4790212 | -GND | GND1212 | 4790212 |
| 12A50 | 17(2) | 16C47 | 4322565 | . | (FAIO.PH5.SW13) | 7430400 |
| | 18(0) | | | | | |
| 12B07 | 19(2) | 13B17 | 6845198 | . | (PH1+PH3) | 6910004 |
| 04B25 | 20(2) | 15C21 | 4323150 | . | FALOAD/C | 6910004 |
| 03A15 | 21(2) | 14C44 | 1014540 | . | N01-1 | 6910002 |
| 13C36 | 22(2) | 05C02 | 6910000 | I | NPROBOVER | 6910000 |
| 13B23 | 23(2) | 12B30 | 7430120 | I | N(S/RW) | 7430140 |
| 16B24 | 24(2) | 03C41 | 7627100 | . | SFT | 7430140 |
| 04B05 | 25(2) | 13B04 | 4425150 | . | FUS | 7430140 |
| 12C13 | 26(1) | | 1231360 | . | (D23.NR31) | 7430140 |
| 13B15 | 27(2) | 12B37 | 6845755 | . | PH7-B | 7430140 |
| 13B50 | 28(2) | 01C08 | 6047910 | . | MCZ | 7430140 |
| 13B07 | 29(2) | 11C25 | 7471020 | . | NRZ | 7430144 |
| 12B23 | 30(2) | 12C33 | 7430120 | I | N(S/RW) | 7430144 |
| 05B37 | 31(2) | 29C25 | 6631200 | . | OLC | 7430144 |
| | 32(0) | | | | | |
| 10B06 | 33(2) | 17B28 | 6630150 | . | N0L1 | 7430142 |
| 16B34 | 34(2) | 01C25 | 3060401 | . | NCC4 | 7430142 |
| 07B07 | 35(2) | 25B24 | 1316215 | . | R31-1 | 7430142 |
| 27B06 | 36(2) | 12C03 | 4322500 | . | (FAIO.PH5) | 7430142 |
| 12B27 | 37(2) | 04C12 | 6845755 | . | PH7-B | 7430142 |
| 17B39 | 38(2) | 10C18 | 2285000 | . | ANLZ | 7430142 |
| 10A08 | 39(2) | 14B03 | 7890115 | . | NSW0-1 | 7430142 |
| | 40(0) | | | | | |
| 04B28 | 41(2) | 07C31 | 4425600 | . | (FUSF.D23) | 7430148 |
| 08B35 | 42(2) | 14C04 | 4324550 | . | FAS11 | 7430146 |
| 26B36 | 43(2) | 11B08 | 6845855 | . | PH8-B | 7430148 |
| | 44(0) | | | | | |
| 23B27 | 45(2) | 10C12 | 6902370 | . | (PRE/34+PH2) | 7430146 |
| 32B02 | 46(2) | 15C04 | 4324520 | . | (FARWD.PH7) | 7430144 |
| 15B45 | 47(2) | 10A06 | 4322580 | . | (FAIO/1.PH5) | 7430144 |
| | 48(0) | | | | | |
| 13B49 | 49(0) | 11B49 | 8300100 | . | P4VB | 8300110 |
| 11C44 | 50(2) | 14B30 | 7891000 | . | SW9 | 7430144 |
| 13B51 | 51(0) | 11B51 | 8302100 | . | P8VB | 8302110 |

XDS 902306

XDS
XEROX DATA SYSTEMS

DRAWING NO.- 133264-903 AC
PROG-PNIND MODULE-13B
TYPE-PIN INDEX TYPE-IT20

45
10/27/71

| FROM | PIN (COUNT) | TO | SOURCE LINE NO. | ELEM. TYPE | SOURCE SIGNAL NAME | REFERENCE LINE NO. |
|-------|----------------|-------|--------------------|---------------|----------------------|-----------------------|
| | 00(0) | | | | | |
| 14A14 | 01(2) | 10B24 | 4321135 | . | FAFL | 1313734 |
| 09A40 | 02(2) | 13B29 | 4421500 | . | FUMMC | 1313738 |
| 17B42 | 03(2) | 13B15 | 6845755 | . | PH7-B | 1313734 |
| 12B25 | 04(2) | 13B27 | 4425150 | . | FUS | 1313734 |
| 19A26 | 05(2) | 13B12 | 4421300 | . | FUINT | 1313738 |
| 03C14 | 06(2) | 28C29 | 7339500 | . | RDXMFI | 7430120 |
| 32B20 | 07(2) | 12B29 | 7471020 | . | NRZ | 7430120 |
| 07B01 | 08(2) | 13B40 | 4421220 | . | (FUDW.NR31+FUSF.D23) | 1313732 |
| 20B24 | 09(2) | 13B38 | 6902316 | . | PRE3-B | 1313732 |
| 13B14 | 10(2) | 30C13 | 4421200 | . | (FUDW.NR31) | 1313736 |
| 04C09 | 11(2) | 14B26 | 6845955 | . | PH9-B | 1313736 |
| 13B05 | 12(2) | 26B04 | 4421300 | . | FUINT | 7430120 |
| 13B19 | 13(2) | 30B05 | 6845122 | . | PH1-B | 1313736 |
| 04B19 | 14(2) | 13B10 | 4421200 | . | (FUDW.NR31) | 7430122 |
| 13B03 | 15(2) | 12B27 | 6845755 | . | PH7-B | 7430122 |
| | 16(1) | 13B18 | 4790213 | -GND | GND1213 | 4790213 |
| 12B19 | 17(2) | 14C12 | 6845198 | . | (PH1+PH3) | 7430120 |
| 13B16 | 18(1) | | 4790213 | . | GND1213 | 7430124 |
| 13B36 | 19(2) | 13B13 | 6845122 | . | PH1-B | 2405374 |
| 20B02 | 20(2) | 04C27 | 4324820 | . | (FAST/L.PH6) | 7430124 |
| 11C12 | 21(2) | 21B50 | 6047900 | . | NMCZ | 7430124 |
| 10A01 | 22(2) | 14B25 | 1313730 | I | N(S/LR31) | 1313732 |
| 13B25 | 23(2) | 12B23 | 7430120 | I | N(S/RW) | 7430120 |
| 14B23 | 24(2) | 12C12 | 2405350 | I | N(S/AXRR) | 2405366 |
| 14B22 | 25(2) | 13B23 | 7430120 | I | N(S/RW) | 7430126 |
| 26B19 | 26(2) | 05B05 | 2285065 | . | (NANLZ.PRE3) | 1313738 |
| 13B04 | 27(2) | 21B34 | 4425150 | . | FUS | 2405370 |
| 30B44 | 28(2) | 24C50 | 6845355 | . | PH3-B | 2405366 |
| 13B02 | 29(2) | 23B37 | 4421500 | . | FUMMC | 2405372 |
| 26B37 | 30(2) | 18C20 | 4321145 | . | (FAFL.N02) | 2405372 |
| | 31(0) | | | | | |
| | 32(0) | | | | | |
| 20B40 | 33(2) | 10C45 | 4323130 | . | FALOAD/A | 7430126 |
| 28B26 | 34(2) | 16C12 | 4321125 | . | (FADW/1.PH1) | 2405374 |
| | 35(0) | | | | | |
| 10C42 | 36(2) | 13B19 | 6845122 | . | PH1-B | 2405372 |
| 25B33 | 37(2) | 10C38 | 4324600 | . | FASEL | 2405374 |
| 13B09 | 38(2) | 13B41 | 6902316 | . | PRE3-B | 2405372 |
| 24B23 | 39(2) | 15C34 | 4420850 | . | (FUANLZ.PH1) | 2405370 |
| 13B08 | 40(2) | 04C07 | 4421220 | . | (FUDW.NR31+FUSF.D23) | 2405366 |
| 13B38 | 41(2) | 06C10 | 6902316 | . | PRE3-B | 2405368 |
| 19B38 | 42(2) | 14B50 | 2559800 | . | (BC=1) | 7430128 |
| 14B46 | 43(2) | 19C26 | 4421580 | . | (FUMMC.PH6) | 7430128 |
| 08A41 | 44(2) | 23B09 | 6631000 | . | OLA | 7430128 |
| 23B06 | 45(2) | 10C06 | 4324630 | . | (FASEL.PH3) | 7430128 |
| 26C36 | 46(2) | 03C40 | 6104900 | . | MIT | 7430126 |
| 03B46 | 47(2) | 26B08 | 4421000 | . | FUBAL | 7430130 |
| | 48(0) | | | | | |
| 14B49 | 49(0) | 12B49 | 8300100 | . | P4VB | 8300110 |
| 25B43 | 50(2) | 12B28 | 6047910 | . | MCZ | 7430126 |
| 14B51 | 51(0) | 12B51 | 8302100 | . | P8VB | 8302110 |

XDS 902306

XDS
XEROX DATA SYSTEMS

DRAWING NO. - 133264-903 AC
PROG-PNIND MODULE-14B
TYPE-PIN INDEX TYPE-1T20

46

10/27/71

| FROM | PIN (COUNT) | TO | SOURCE LINE NO. | ELEM. TYPE | SOURCE SIGNAL NAME | REFERENCE LINE NO. |
|-------|----------------|-------|--------------------|---------------|--------------------|-----------------------|
| | 00(0) | | | | | |
| 03C21 | 01(2) | 27B03 | 4420530 | . | (FUA10.PH5) | 7430134 |
| 14B15 | 02(2) | 04B15 | 4323295 | . | FAMDS | 7430138 |
| 12B39 | 03(2) | 19B22 | 7890115 | . | NSW0-1 | 7430134 |
| 03C31 | 04(2) | 12A46 | 5150552 | . | I0BR9 | 7430134 |
| 16B10 | 05(2) | 11C46 | 4322720 | . | (FA10.PH7) | 7430136 |
| 03B26 | 06(2) | 14B20 | 4324900 | . | FAST/S | 2405360 |
| 15B40 | 07(2) | 04C50 | 6845555 | . | PH5-B | 2405360 |
| 10A21 | 08(2) | 07C09 | 6902480 | . | PRE10 | 7430132 |
| 07B47 | 09(2) | 03C04 | 5125140 | . | IFAMDS | 7430132 |
| 27B38 | 10(2) | 15A33 | 5156501 | . | IOPH1 | 7430132 |
| 15B43 | 11(2) | 27B43 | 7891100 | . | SW10 | 7430132 |
| 16A42 | 12(2) | 19B31 | 6846000 | . | PH10 | 2405360 |
| | 13(1) | 14B14 | 4790214 | . | GND1214 | 7430136 |
| 14B13 | 14(2) | 14B16 | 4790214 | . | GND1214 | 2405362 |
| 21C29 | 15(2) | 14B02 | 4323295 | . | FAMDS | 2405362 |
| 14B14 | 16(2) | 14B37 | 4790214 | -GND | GND1214 | 4790214 |
| | 17(0) | | | | | |
| 23B35 | 18(2) | 14B42 | 6902150 | . | PRE/12 | 2405364 |
| | 19(0) | | | | | |
| 14B06 | 20(2) | 15B27 | 4324900 | . | FAST/S | 2405364 |
| 26C37 | 21(2) | 17B37 | 6845600 | . | PH6 | 2405364 |
| 27B12 | 22(2) | 13B25 | 7430120 | I | N(S/RW) | 7430132 |
| 15B14 | 23(2) | 13B24 | 2405350 | I | N(S/AXRR) | 2405360 |
| | 24(1) | 12C05 | 2405390 | I | N(S/AXRR/3) | 2405390 |
| 13B22 | 25(2) | 13C47 | 1313730 | I | N(S/LR31) | 1313740 |
| 13B11 | 26(2) | 19A17 | 6845955 | . | PH9-B | 1313744 |
| 16B28 | 27(2) | 19C27 | 6691700 | . | ORDSW4 | 2405392 |
| | 28(0) | | | | | |
| 16B17 | 29(2) | 15B35 | 5156555 | . | (IOPH1.SW11) | 2405362 |
| 12B50 | 30(2) | 10A05 | 7891000 | . | SW9 | 2405396 |
| 15C02 | 31(2) | 16B31 | 5151150 | . | (NIODC.DASW4) | 2405394 |
| | 32(0) | | | | | |
| | 33(1) | 15C10 | 4425650 | . | (FUSF.PH8) | 1313740 |
| 15B11 | 34(2) | 20B45 | 5156440 | . | (IOPH0.SW8) | 2405398 |
| 20A40 | 35(2) | 03C25 | 5156800 | . | IOPH10 | 2405398 |
| 15A37 | 36(2) | 15C06 | 5156401 | . | IOPH0 | 2405396 |
| 14B16 | 37(2) | 14B40 | 4790214 | . | GND1214 | 2405396 |
| 15C36 | 38(2) | 20B35 | 5125300 | . | IFAST | 2405398 |
| 15B21 | 39(2) | 14B41 | 5156543 | . | (IOPH1.SW8)-F | 2405394 |
| 14B37 | 40(1) | | 4790214 | . | GND1214 | 2405390 |
| 14B39 | 41(2) | 18C05 | 5156543 | . | (IOPH1.SW8)-F | 2405390 |
| 14B18 | 42(2) | 05C03 | 6902150 | . | PRE/12 | 1313742 |
| 07B14 | 43(2) | 16B43 | 1313780 | . | (S/LR31/12) | 1313742 |
| 15B18 | 44(2) | 07B18 | 6845122 | . | PH1-B | 1313742 |
| 08A01 | 45(2) | 31C18 | 4421430 | . | FULAD | 1313742 |
| 19B43 | 46(2) | 13B43 | 4421580 | . | (FUMMC.PH6) | 1313740 |
| 24C31 | 47(2) | 03C08 | 4323380 | . | FAMULNH | 1313744 |
| | 48(0) | | | | | |
| 15B49 | 49(0) | 13B49 | 8300100 | . | P4VB | 8300110 |
| 13B42 | 50(2) | 11C11 | 2559800 | . | (BC=1) | 1313740 |
| 15B51 | 51(0) | 13B51 | 8302100 | . | P8VB | 8302110 |

XDS 902306

XDS
XEROX DATA SYSTEMS

DRAWING NO. - 133264-903 AC
 PROG-PNIND MODULE-15B
 TYPE-PIN INDEX TYPE-LT14

47

10/27/71

| FROM | PIN (COUNT) | TO | SOURCE LINE NO. | ELEM. TYPE | SOURCE SIGNAL NAME | REFERENCE LINE NO. |
|-------|----------------|-------|--------------------|---------------|--------------------|-----------------------|
| | 00(0) | | | | | |
| 27B02 | 01(2) | 12C24 | 7430200 | I | N(S/RW/2) | 7430200 |
| 32C20 | 02(2) | 14C36 | 6902350 | . | PRE/34-A | 2405354 |
| 23B20 | 03(2) | 08B06 | 4325000 | . | FASTORE | 2405354 |
| 23B08 | 04(2) | 04C24 | 4324870 | . | (FAST/M.PRE3.NO0) | 2405352 |
| 20A39 | 05(2) | 15B44 | 5156820 | . | NIOPH10 | 7430202 |
| 16B06 | 06(2) | 15B23 | 3811150 | . | (DOR.IOR) | 7430202 |
| 16C24 | 07(2) | 16B07 | 7694100 | . | S1OSP/1 | 7430202 |
| 01A43 | 08(2) | 20B27 | 5156546 | . | (IOPH1.SW9)-F | 7430200 |
| 16B08 | 09(2) | 16C30 | 7417512 | . | NRTO9 | 7430200 |
| 15B36 | 10(2) | 16B15 | 5125110 | . | NIFAM | 7430200 |
| 16B12 | 11(2) | 14B34 | 5156440 | . | (IOPH0.SW8) | 7430202 |
| 09B41 | 12(2) | 11A07 | 6631010 | . | NOLA | 2405352 |
| 11C01 | 13(2) | 14A08 | 1024502 | . | NO2 | 2405354 |
| 15B15 | 14(2) | 14B23 | 2405350 | I | N(S/AXRR) | 2405352 |
| | 15(1) | 15B14 | 2405350 | I | N(S/AXRR) | 2405350 |
| | 16(0) | | 4790215 | -GND | GND1215 | 4790215 |
| 16A30 | 17(2) | 18C10 | 5156567 | . | (IOPH1.SW13)-F | 2405356 |
| 16A29 | 18(2) | 14B44 | 6845122 | . | PH1-B | 2405350 |
| | 19(0) | | | | | |
| 19C25 | 20(2) | 16B20 | 3532540 | . | (DASW4.IODC) | 2405404 |
| 10B50 | 21(2) | 14B39 | 5156543 | . | (IOPH1.SW8)-F | 2405404 |
| 31C38 | 22(2) | 21B08 | 5156463 | . | (IOPH0.SW12)-F | 2405402 |
| 15B06 | 23(2) | 16C50 | 3811150 | . | (DOR.IOR) | 2405402 |
| 06B21 | 24(2) | 16C21 | 5156740 | . | (IOPH3.SW8) | 2405404 |
| 22C02 | 25(2) | 26B10 | 4320940 | . | FACOMP/L | 2405350 |
| 07B26 | 26(2) | 16B25 | 6720300 | . | OU3 | 2405350 |
| 14B20 | 27(2) | 30C31 | 4324900 | . | FAST/S | 2405356 |
| 21B28 | 28(2) | 10B19 | 5152070 | . | (NIOEN+10B0) | 2405356 |
| | 29(1) | 15B30 | 2405400 | I | N(S/AXRR/4) | 2405402 |
| 15B29 | 30(2) | 17A18 | 2405400 | I | N(S/AXRR/4) | 2405400 |
| | 31(0) | | | | | |
| | 32(0) | | | | | |
| 07C29 | 33(2) | 16B33 | 7890401 | . | NSW3 | 7430302 |
| 16B36 | 34(2) | 20B47 | 5156450 | . | (IOPH0.SW10) | 7430300 |
| 14B29 | 35(2) | 15C35 | 5156555 | . | (IOPH1.SW11) | 7430302 |
| 15C33 | 36(2) | 15B10 | 5125110 | . | NIFAM | 7430302 |
| 16B46 | 37(2) | 12B02 | 4322920 | . | (FA10.PH9) | 7430302 |
| 11B43 | 38(2) | 32C25 | 7890100 | . | SW0 | 7430302 |
| 12B15 | 39(2) | 05C01 | 8132000 | . | VALST | 7430302 |
| 19B23 | 40(2) | 14B07 | 6845555 | . | PH5-B | 2405400 |
| 19B24 | 41(2) | 19C17 | 4322020 | . | FA10/1 | 2405400 |
| 19B28 | 42(2) | 12C04 | 1316202 | . | NR31 | 2405400 |
| 30C39 | 43(2) | 14B11 | 7891100 | . | SW10 | 2405400 |
| 15B05 | 44(2) | 23C20 | 5156820 | . | NIOPH10 | 7430300 |
| 16B47 | 45(2) | 12B47 | 4322580 | . | (FA10/1.PH5) | 2405400 |
| | 46(0) | | | | | |
| | 47(1) | 13C11 | 7430300 | I | N(S/RW/3) | 7430300 |
| | 48(0) | | | | | |
| 16B49 | 49(0) | 14B49 | 8300100 | . | P4VB | 8300110 |
| 30C40 | 50(2) | 15C30 | 7891200 | . | SW11 | 2405400 |
| 16B51 | 51(0) | 14B51 | 8302100 | . | P8VB | 8302110 |

XDS 902306



DRAWING NO. - 133264-903 AC
 PROG-PNIND MODULE-16B
 TYPE-PIN INDEX TYPE-XT10

48

10/27/71

| FROM | PIN (COUNT) | TO | SOURCE LINE NO. | ELEM. TYPE | SOURCE SIGNAL NAME | REFERENCE LINE NO. |
|-------|----------------|-------|--------------------|---------------|--------------------|-----------------------|
| | 00(0) | | | | | |
| 18A29 | 01(1) | | 6802850 | T | N(P28.P31) | 6802850 |
| 04B43 | 02(1) | | 4321910 | T | NFAILL | 4321910 |
| 19A25 | 03(1) | | 6845455 | T | PH4-B | 6845455 |
| 18A38 | 04(1) | | 6902155 | T | NPRES/12 | 6902155 |
| 15A18 | 05(1) | | 6902160 | T | PRE1/LP | 6902160 |
| | 06(1) | 15806 | 3811150 | T | (DOR.IOR) | 3811150 |
| 15B07 | 07(1) | | 7694100 | T | SIOSP/1 | 7694100 |
| | 08(1) | 15809 | 7417512 | T | NRT09 | 7417512 |
| | 09(1) | 17809 | 6025101 | T | NMASTER | 6025101 |
| 27B10 | 10(2) | 14805 | 4322720 | T | (FAIO.PH7) | 4322720 |
| 07B42 | 11(1) | | 7892018 | T | SWK2 | 7892018 |
| | 12(1) | 15B11 | 5156440 | T | (IOPH0.SW8) | 5156440 |
| 28B01 | 13(1) | | 7987100 | T | NSYSR | 7987100 |
| 27B44 | 14(1) | | 4321135 | T | FAFL | 4321135 |
| 15B10 | 15(1) | | 5125110 | T | NIFAM | 5125110 |
| | 16(0) | | 4790216 | -GND | GND1216 | 4790216 |
| | 17(1) | 14B29 | 5156555 | T | (IOPH1.SW11) | 5156555 |
| | 18(1) | 10B23 | 5150110 | T | NIOACT | 5150110 |
| 10B10 | 19(1) | | 4425800 | T | NFUSTD | 4425800 |
| 15B20 | 20(1) | | 3532540 | T | (DASW4.IODC) | 3532540 |
| 18B20 | 21(1) | | 4323358 | T | N(FAMT+XPSD) | 4323358 |
| 17B24 | 22(1) | | 4421470 | T | NFULRP | 4421470 |
| 17B27 | 23(1) | | 4323220 | T | NFALOGIC | 4323220 |
| | 24(1) | 12B24 | 7627100 | T | SFT | 7627100 |
| 15B26 | 25(1) | | 6720300 | T | OU3 | 6720300 |
| | 26(0) | | | | | |
| 19B27 | 27(1) | | 2562020 | T | NBCDC0 | 2562020 |
| | 28(1) | 14B27 | 6691700 | T | ORDSW4 | 6691700 |
| 17B26 | 29(1) | | 4323110 | T | NFALOAD | 4323110 |
| 17B30 | 30(1) | | 6832420 | T | PEM-1 | 6832422 |
| 14B31 | 31(1) | | 5151150 | T | (NIODC.DASW4) | 5151150 |
| | 32(0) | | | | | |
| 15B33 | 33(1) | | 7890401 | T | NSW3 | 7890401 |
| | 34(1) | 12B34 | 3060401 | T | NCC4 | 3060401 |
| 11B24 | 35(1) | | 1286630 | T | N(S/TR28) | 1286630 |
| | 36(1) | 15B34 | 5156450 | T | (IOPH0.SW10) | 5156450 |
| 17A37 | 37(1) | | 6630300 | T | OL3 | 6630300 |
| 17C25 | 38(1) | | 4324720 | T | (FAST.PH2) | 4324720 |
| | 39(1) | 04B21 | 4425620 | T | N(FUSF.D23) | 4425620 |
| | 40(1) | 17B40 | 3567100 | T | DCSTOP/1 | 3567100 |
| 19B44 | 41(1) | | 4421600 | T | FUMSP | 4421600 |
| 14C04 | 42(1) | | 4324550 | T | FAS11 | 4324550 |
| 14B43 | 43(1) | | 1313780 | T | (S/LR31/12) | 1313780 |
| 27B43 | 44(1) | | 7891100 | T | SW10 | 7891100 |
| | 45(1) | 17C08 | 7890601 | T | NSW5 | 7890601 |
| | 46(1) | 15B37 | 4322920 | T | (FAIO.PH9) | 4322920 |
| | 47(1) | 15B45 | 4322580 | T | (FAIO/1.PH5) | 4322580 |
| | 48(0) | | | | | |
| 17B49 | 49(0) | 15B49 | 8300100 | | P4V8 | 8300120 |
| | 50(0) | | | | | |
| 17B51 | 51(0) | 15B51 | 8302100 | | P8V8 | 8302120 |

| FROM | PIN (COUNT) | TO | SOURCE LINE NO. | ELEM. TYPE | SOURCE SIGNAL NAME | REFERENCE LINE NO. |
|-------|----------------|-------|--------------------|---------------|--------------------|-----------------------|
| | 00(0) | | | | | |
| | 01(1) | 16C37 | 1074225 | B | (S/MC7) | 1074225 |
| 27A03 | 02(2) | 17C47 | 4324320 | B | (FAPRIV.NMASTER) | 4324320 |
| 08A13 | 03(1) | | 4324300 | . | FAPRIV | 4324320 |
| 24A28 | 04(2) | 16C15 | 8065401 | . | NTRAP | 8065440 |
| 09A30 | 05(2) | 18B05 | 1074500 | . | O7 | 3078800 |
| 20B29 | 06(2) | 09B13 | 4324370 | . | (FAPSD.PH4) | 3078800 |
| 24A27 | 07(2) | 18C07 | 8065400 | . | TRAP | 3078800 |
| 25A10 | 08(2) | 09C08 | 7869110 | . | NSTRAP | 8065440 |
| 16B09 | 09(2) | 01A31 | 6025101 | . | NMASTER | 4324320 |
| 28B44 | 10(2) | 16C11 | 4324960 | . | (FAST.PRE3) | 1074225 |
| 05B27 | 11(2) | 23C44 | 1064525 | . | N06-1 | 1074225 |
| | 12(1) | 19C10 | 3078800 | B | CCXTRACC | 3078800 |
| 17C03 | 13(1) | | 8065440 | B | (NTRAP.NSTRAP) | 8065440 |
| | 14(1) | 02A14 | 3163125 | B | (S/CIF/1) | 3163125 |
| | 15(1) | 24A13 | 6832230 | B | (S/PEINT) | 6832230 |
| | 16(0) | | 4790217 | -GND | GND1217 | 4790217 |
| | 17(0) | | | | | |
| 10B23 | 18(2) | 17C12 | 5150110 | . | NIOACT | 6832230 |
| | 19(0) | | | | | |
| 23C40 | 20(2) | 20A23 | 1290340 | . | B29-1 | 3163125 |
| 32B06 | 21(2) | 21A26 | 5134000 | . | INHWD | 3163125 |
| 06B22 | 22(1) | | 4323160 | . | NFALOAD/C | 4324560 |
| 09A10 | 23(2) | 11A09 | 4323025 | . | NFALCF | 4324560 |
| 04B42 | 24(2) | 16B22 | 4421470 | . | NFULRP | 4324560 |
| 22B24 | 25(1) | | 4320400 | . | NFAARITH | 4324562 |
| 11A15 | 26(2) | 16B29 | 4323110 | . | NFALOAD | 4324562 |
| 11A06 | 27(2) | 16B23 | 4323220 | . | NFALOGIC | 4324562 |
| 12B33 | 28(2) | 19B47 | 6630150 | . | NOL1 | 4324560 |
| 23C43 | 29(2) | 21A25 | 1270355 | . | B27/1 | 3163125 |
| 27C30 | 30(2) | 16B30 | 6832420 | . | PEM-1 | 6832230 |
| 11B05 | 31(2) | 06B29 | 5415400 | . | NKHOP-2 | 6832230 |
| | 32(0) | | | | | |
| 17B34 | 33(1) | | 4324560 | B | NFAS11/1 | 4324562 |
| 08B40 | 34(2) | 17B33 | 4324560 | B | NFAS11/1 | 4324560 |
| | 35(1) | 03C39 | 6902450 | B | (PRE4.BCZ) | 6902450 |
| | 36(1) | 18C33 | 4324377 | B | (FAPSD.PH6) | 4324377 |
| 14B21 | 37(1) | | 6845600 | . | PH6 | 4324377 |
| 22C43 | 38(2) | 16C20 | 6902400 | . | PRE4 | 6902450 |
| 20B23 | 39(2) | 12B38 | 2285000 | . | ANLZ | 2285050 |
| 16B40 | 40(2) | 02A06 | 3567100 | . | DCSTOP/1 | 3567110 |
| | 41(0) | | | | | |
| 23B11 | 42(2) | 13B03 | 6845755 | . | PH7-B | 2285050 |
| 03C20 | 43(2) | 20A10 | 2579000 | . | BCZ | 6902450 |
| 29B38 | 44(1) | | 4324350 | . | FAPSD | 4324377 |
| | 45(1) | 03C30 | 2285050 | B | (ANLZ.PH7) | 2285050 |
| | 46(1) | 19A11 | 3567110 | B | DCSTOP/1-1 | 3567110 |
| | 47(0) | | | | | |
| | 48(0) | | | | | |
| 18B49 | 49(0) | 16B49 | 8300100 | . | P4VB | 8300120 |
| | 50(0) | | | | | |
| 18B51 | 51(0) | 16B51 | 8302100 | . | P8VB | 8302120 |

XDS 902306

XDS
XEROX DATA SYSTEMS

DRAWING NO. - 133264-903 AC
PROG-PNIND MODULE-18B
TYPE-PIN INDEX TYPE-LT13

50

10/27/71

| FROM | PIN (COUNT) | TO | SOURCE LINE NO. | ELEM. TYPE | SOURCE SIGNAL NAME | REFERENCE LINE NO. |
|-------|----------------|-------|--------------------|---------------|------------------------|-----------------------|
| | 00(0) | | | | | |
| | 01(1) | 18B20 | 4323358 | I | N(FAMT+XPSD) | 4323358 |
| 19A18 | 02(2) | 19B39 | 6902314 | . | PRE3-A | 2578002 |
| 27A46 | 03(2) | 22C26 | 6902340 | . | NPRE/34 | 2578002 |
| 27A47 | 04(2) | 18C31 | 1014520 | . | 01-1 | 2578000 |
| 17B05 | 05(2) | 23B45 | 1074500 | . | 07 | 4323359 |
| 08B10 | 06(2) | 23B41 | 4324350 | . | FAPSD | 4323359 |
| 19A22 | 07(2) | 03B06 | 4323340 | . | FAMT | 4323358 |
| | 08(0) | | | | | |
| | 09(0) | | | | | |
| 27A45 | 10(2) | 16C39 | 5156665 | . | (IOPH2.SW13) | 2578000 |
| 23B46 | 11(2) | 32B14 | 4323356 | . | (FAMT.PH2.NRZ) | 2578000 |
| | 12(1) | 19B05 | 2578000 | I | NBCX | 2578000 |
| 05C46 | 13(2) | 11B39 | 5011250 | I | N(S/HALT) | 5011250 |
| 09B43 | 14(2) | 21C21 | 4421260 | . | NFUEXU | 5011254 |
| 18A44 | 15(2) | 08C21 | 6902140 | . | PRE1-A | 5011254 |
| | 16(0) | | 4790218 | -GND | GND1218 | 4790218 |
| 21B23 | 17(2) | 16A38 | 5529050 | . | NKRUN | 5011254 |
| 24A31 | 18(2) | 21B21 | 5138900 | . | INTRAP | 5011252 |
| 27A14 | 19(2) | 17C04 | 6902900 | . | PRETR | 5011252 |
| 18B01 | 20(2) | 16B21 | 4323358 | . | N(FAMT+XPSD) | 5011252 |
| 08A45 | 21(2) | 26B28 | 4425900 | . | FUWAIT | 5011250 |
| 24B39 | 22(2) | 17C42 | 6845100 | . | PH1 | 5011250 |
| | 23(1) | 17A03 | 7343221 | I | N(RESET/B.NIOCON.NMRC) | 7343221 |
| | 24(1) | 29A22 | 5011200 | B | (R/HALT) | 5011200 |
| 21A06 | 25(2) | 19C43 | 8165500 | . | WDTA | 8165830 |
| 18B29 | 26(2) | 21A19 | 8165801 | . | NWDTRAC | 8165830 |
| 19A40 | 27(1) | | 8165700 | . | WDTR | 8165830 |
| 18A15 | 28(2) | 20A17 | 8165784 | . | NWDTRUN | 8165830 |
| | 29(1) | 18B26 | 8165801 | . | NWDTRAC | 8165830 |
| | 30(0) | | | | | |
| 19A29 | 31(2) | 10B30 | 5345210 | . | NKAS/B-1 | 5011202 |
| | 32(0) | | | | | |
| 21B22 | 33(2) | 17A19 | 6821200 | . | PCP2 | 5011202 |
| | 34(0) | | | | | |
| 20B25 | 35(2) | 18C06 | 5138950 | . | INTRAP1 | 5011200 |
| | 36(1) | 22A08 | 8165830 | B | (S/WDTRAC) | 8165830 |
| | 37(1) | 19C46 | 8291000 | B | ZXX | 8291000 |
| 17A23 | 38(2) | 10B31 | 5150650 | . | NIOCON | 7343221 |
| 02A30 | 39(2) | 18A50 | 6192001 | . | NMRC | 7343221 |
| 18A46 | 40(2) | 06C08 | 7343200 | . | RESET/B | 7343221 |
| | 41(0) | | | | | |
| 24B17 | 42(2) | 22C37 | 4323340 | . | FAMT | 4421660 |
| 22C34 | 43(2) | 18C44 | 6845355 | . | PH3-B | 4421660 |
| 32B26 | 44(2) | 17C29 | 5138901 | . | NINTRAP | 4421660 |
| | 45(0) | | | | | |
| 17A13 | 46(2) | 06C23 | 7343257 | . | NRESET10 | 8291000 |
| | 47(1) | 07A13 | 4421660 | B | FUMTSIGN | 4421660 |
| | 48(0) | | | | | |
| 19B49 | 49(0) | 17B49 | 8300100 | . | P4VB | 8300120 |
| 09B42 | 50(2) | 20C31 | 7869100 | . | STRAP | 8291000 |
| 19B51 | 51(0) | 17B51 | 8302100 | . | P8VB | 8302120 |

| FROM | PIN (COUNT) | TO | SOURCE LINE NO. | ELEM. TYPE | SOURCE SIGNAL NAME | REFERENCE LINE NO. |
|-------|----------------|-------|--------------------|---------------|--------------------|-----------------------|
| | 00(0) | | | | | |
| 01A29 | 01(1) | 32K29 | 4324706 | I | N(FAST.PH1/A) | 4324706 |
| | 02(1) | 20C35 | 2562070 | I | NBCDC1 | 2562076 |
| 19B13 | 03(2) | 22C24 | 2579050 | . | NBCZ | 2562076 |
| 27A27 | 04(2) | 22C44 | 2560001 | . | NBC0 | 2579050 |
| 18B12 | 05(2) | 19B25 | 2578000 | . | NBCX | 2560070 |
| 19B26 | 06(2) | 18A43 | 3202700 | . | NCLEAR | 2560070 |
| 20C09 | 07(2) | 22B07 | 2562070 | . | NBCDC1 | 2560070 |
| 27A28 | 08(2) | 22C41 | 2560051 | . | NBC1 | 2579050 |
| 31A31 | 09(2) | 22C28 | 6902400 | . | PRE4 | 2562076 |
| 24B04 | 10(2) | 11B07 | 4324700 | . | FAST-1 | 4324706 |
| 30C36 | 11(2) | 22B11 | 6845150 | . | PH1/A | 4324706 |
| | 12(1) | 29A38 | 2560070 | I | (R/BC1) | 2560070 |
| | 13(1) | 19B03 | 2579050 | I | NBCZ | 2579050 |
| | 14(1) | 24A40 | 5138970 | I | (R/INTRAP1) | 5138970 |
| | 15(1) | 20C17 | 1316630 | I | N(S/TR31) | 1316630 |
| | 16(0) | | 4790219 | -GND | GND1219 | 4790219 |
| 27B14 | 17(2) | 17C35 | 6733075 | . | OVERIND | 1316630 |
| 22B18 | 18(2) | 17C39 | 3060290 | . | CC2-1 | 1316630 |
| | 19(0) | | | | | |
| 24B21 | 20(2) | 24A33 | 5139000 | . | INTRAP2 | 5138970 |
| 06C33 | 21(2) | 28B17 | 7343100 | . | NRESET | 5138970 |
| 14B03 | 22(2) | 25B25 | 7890115 | . | NSW0-1 | 6196408 |
| 21B12 | 23(2) | 15B40 | 6845555 | . | PH5-B | 6196408 |
| 24B02 | 24(2) | 15B41 | 4322020 | . | FA10/1 | 6196408 |
| 19B05 | 25(2) | 22B25 | 2578000 | . | NBCX | 2560020 |
| 09B01 | 26(2) | 19B06 | 3202700 | . | NCLEAR | 2560020 |
| 08C34 | 27(2) | 16B27 | 2562020 | . | NBCDC0 | 2560020 |
| 27C01 | 28(2) | 15B42 | 1316202 | . | NR31 | 6196408 |
| | 29(0) | | | | | |
| 17C40 | 30(2) | 01A10 | 2260000 | . | AM | 1316630 |
| 14B12 | 31(2) | 17C36 | 6846000 | . | PH10 | 1316630 |
| | 32(0) | | | | | |
| | 33(1) | 29A40 | 2560020 | I | (R/BC0) | 2560020 |
| 22C14 | 34(2) | 21C13 | 6196400 | I | N(S/MRQ/3) | 6196408 |
| | 35(1) | 01C45 | 2403820 | I | NAXMC | 2403820 |
| | 36(1) | 19C23 | 4421640 | I | N(FUMSP.PH1/F) | 4421640 |
| 24B12 | 37(2) | 16C35 | 6845175 | . | PH1/F | 4421640 |
| 30B24 | 38(2) | 13B42 | 2559800 | . | (BC=1) | 2403820 |
| 18B02 | 39(2) | 21B13 | 6902314 | . | PRE3-A | 2404484 |
| 16A03 | 40(2) | 20C14 | 8065425 | . | N(S/TRAP) | 8065100 |
| 16A18 | 41(2) | 20C07 | 8065110 | . | N(R/TRACC/1) | 8065100 |
| 23B33 | 42(2) | 28B43 | 4324350 | . | FAPSD | 2404484 |
| 25B11 | 43(2) | 14B46 | 4421580 | . | (FUMMC.PH6) | 2403820 |
| 08B11 | 44(2) | 16B41 | 4421600 | . | FUMSP | 4421640 |
| | 45(1) | 08C35 | 2404484 | I | NAXPSW1 | 2404484 |
| 25A45 | 46(2) | 14A10 | 8065100 | I | (R/TRACC) | 8065100 |
| 17B28 | 47(1) | | 6630150 | T | NOL1 | 6630150 |
| | 48(0) | | | | | |
| 20B49 | 49(0) | 18B49 | 8300100 | . | P4VB | 8300120 |
| 11B04 | 50(1) | | 5139032 | T | N(S/INTRAP2) | 5139032 |
| 20B51 | 51(0) | 18B51 | 8302100 | . | P8VB | 8302120 |

XDS 902306

XDS
XEROX DATA SYSTEMS

DRAWING NO.- 133264-903 AC
PROG-PNIND MODULE-20B
TYPE-PIN INDEX TYPE-IT17

52

10/27/71

| FROM | PIN (COUNT) | TO | SOURCE LINE NO. | ELEM. TYPE | SOURCE SIGNAL NAME | REFERENCE LINE NO. |
|-------|----------------|-------|--------------------|---------------|-----------------------|-----------------------|
| | 00(0) | | | | | |
| 01C36 | 01(2) | 22B12 | 6040600 | . | (MC=1) | 6196122 |
| 23B02 | 02(2) | 13B20 | 4324820 | . | (FAST/L.PH6) | 6196122 |
| 28B41 | 03(2) | 19C41 | 4320960 | . | (FACOMP/L.PH2) | 2841050 |
| | 04(1) | 16A02 | 8065417 | I | N(R/TRAP) | 8065417 |
| 20B19 | 05(2) | 27B36 | 2841050 | I | N(S/BRP) | 2841050 |
| | 06(0) | | | | | |
| 05C13 | 07(2) | 28C26 | 7343000 | . | RESET | 8065417 |
| 30C19 | 08(2) | 16A04 | 4324375 | . | (FAPSD.PH5) | 8065417 |
| | 09(0) | | | | | |
| | 10(0) | | | | | |
| | 11(0) | | | | | |
| 16A09 | 12(2) | 21B03 | 4323130 | . | FALOAD/A | 2841052 |
| 23B17 | 13(2) | 18C42 | 6845128 | . | PH1-E | 2841052 |
| | 14(0) | | | | | |
| 20C26 | 15(2) | 23C31 | 7343300 | . | RESET/C | 2841052 |
| | 16(1) | 20B26 | 4790220 | -GND | GND1220 | 4790220 |
| 03B08 | 17(2) | 24B50 | 6720150 | . | NOU1 | 2841052 |
| | 18(0) | | | | | |
| 20B41 | 19(2) | 20B05 | 2841050 | I | N(S/BRP) | 2841052 |
| | 20(1) | 21C08 | 6196120 | I | (S/MRQ) | 6196122 |
| 30B01 | 21(2) | 23C02 | 8065420 | . | (S/TRAP) | 6196124 |
| | 22(0) | | | | | |
| 18C36 | 23(2) | 17B39 | 2285000 | . | ANLZ | 6196123 |
| 30B28 | 24(2) | 13B09 | 6902316 | . | PRE3-B | 6196123 |
| 23B04 | 25(2) | 18B35 | 5138950 | . | INTRAP1 | 2841004 |
| 20B16 | 26(2) | 20B46 | 4790220 | . | GND1220 | 5138128 |
| 15B08 | 27(2) | 14C21 | 5156546 | . | (IOPH1.SW9)-F | 2841056 |
| | 28(0) | | | | | |
| 24C12 | 29(2) | 17B06 | 4324370 | . | (FAPSD.PH4) | 2841060 |
| 14C15 | 30(2) | 32B36 | 5138120 | I | (N(INT.KRUN).NKAHOLD) | 5138127 |
| 09B23 | 31(2) | 18A36 | 2841000 | I | N(R/BRP) | 2841002 |
| | 32(0) | | | | | |
| | 33(1) | 26A10 | 4321150 | . | (FAFL.NRW) | 5138127 |
| 26C45 | 34(2) | 27B08 | 4152000 | . | ENDE | 5138127 |
| 14B38 | 35(2) | 22B31 | 5125300 | . | IFAST | 2841002 |
| 22B35 | 36(2) | 13C09 | 5156560 | . | (IOPH1.SW12) | 2841002 |
| 08A35 | 37(2) | 13C31 | 4321120 | . | FADW/1 | 2841054 |
| 22B21 | 38(2) | 24B40 | 6845255 | . | PH2-B | 2841054 |
| | 39(0) | | | | | |
| 24B41 | 40(2) | 13B33 | 4323130 | . | FALOAD/A | 2841058 |
| 20B42 | 41(2) | 20B19 | 2841050 | I | N(S/BRP) | 2841054 |
| 09B24 | 42(2) | 20B41 | 2841050 | I | N(S/BRP) | 2841058 |
| 23B01 | 43(2) | 15C31 | 6977200 | . | PXSXB | 2841058 |
| | 44(0) | | | | | |
| 14B34 | 45(2) | 23C47 | 5156440 | . | (IOPH0.SW8) | 2841054 |
| 20B26 | 46(1) | | 4790220 | . | GND1220 | 5138128 |
| 15B34 | 47(2) | 19C47 | 5156450 | . | (IOPH0.SW10) | 2841002 |
| | 48(0) | | | | | |
| 21B49 | 49(0) | 19B49 | 8300100 | . | P4VB | 8300120 |
| 14C40 | 50(2) | 23B40 | 6845355 | . | PH3-B | 2841058 |
| 21B51 | 51(0) | 19B51 | 8302100 | . | P8VB | 8302120 |

XDS 902306

XDS
XEROX DATA SYSTEMS

DRAWING NO. - 133264-903 AC
PROG-PNIND MODULE-21B
TYPE-PIN INDEX TYPE-LT14

53

10/27/71

| FROM | PIN (COUNT) | TO | SOURCE LINE NO. | ELEM. TYPE | SOURCE SIGNAL NAME | REFERENCE LINE NO. |
|-------|----------------|-------|--------------------|---------------|---------------------|-----------------------|
| | 00(0) | | | | | |
| 23B22 | 01(2) | 21B14 | 6196300 | I | N(S/MRQ/2) | 6196300 |
| 08B29 | 02(2) | 22C01 | 6720100 | . | OUI | 6196306 |
| 20B12 | 03(2) | 26B01 | 4323130 | . | FALOAD/A | 6196306 |
| 04C47 | 04(2) | 30C43 | 4324800 | . | FAST/L | 6196306 |
| 19C07 | 05(2) | 29B23 | 5158850 | . | NIOTRIN | 6196304 |
| 26C13 | 06(1) | | 7471100 | . | (NRZ.NSW0) | 6196300 |
| | 07(1) | 22B17 | 4322400 | . | (FA10.PH4) | 6196300 |
| 15B22 | 08(2) | 20A18 | 5156463 | . | (IOPH0.SW12)-F | 6196302 |
| 19C30 | 09(2) | 22B08 | 3811160 | . | (NDOR.IOR) | 6196302 |
| | 10(0) | | | | | |
| 20A45 | 11(2) | 19C44 | 5156770 | . | (IOPH3.SW14) | 6196304 |
| 27B37 | 12(2) | 19B23 | 6845555 | . | PH5-B | 6196306 |
| 19B39 | 13(2) | 21B38 | 6902314 | . | PRE3-A | 6196306 |
| 21B01 | 14(2) | 10B14 | 6196300 | I | N(S/MRQ/2) | 6196306 |
| | 15(1) | 02A28 | 7439100 | I | RX | 7439100 |
| | 16(0) | | 4790221 | -GND | GND1221 | 4790221 |
| 25B04 | 17(2) | 16A30 | 5156567 | . | (IOPH1.SW13)-F | 6196308 |
| 24C45 | 18(2) | 11B37 | 7439140 | . | NRXS | 7439100 |
| | 19(0) | | | | | |
| | 20(0) | | | | | |
| 18B18 | 21(2) | 12C37 | 5138900 | . | INTRAP | 5138930 |
| 29C06 | 22(2) | 18B33 | 6821200 | . | PCP2 | 5138930 |
| 11B34 | 23(2) | 18B17 | 5529050 | . | NKRUN | 5138930 |
| 24B18 | 24(2) | 09B09 | 3567000 | . | DCSTOP | 5138932 |
| 30B07 | 25(2) | 17A43 | 6846001 | . | NPH10 | 7439100 |
| 21C09 | 26(2) | 17A38 | 5138996 | . | N(NINTRAP1.INTRAP2) | 7439100 |
| 04C43 | 27(2) | 15C38 | 5125320 | . | IFAST/L | 6196308 |
| 25B02 | 28(2) | 15B28 | 5152070 | . | (NIOEN+10B0) | 6196308 |
| | 29(1) | 19A04 | 5138930 | I | (S/INTRAP) | 5138930 |
| 25B22 | 30(2) | 21C37 | 2841650 | I | NBRPH6 | 2841658 |
| | 31(1) | 28B10 | 2841600 | I | (BRPH6.NIOEN) | 2841600 |
| | 32(0) | | | | | |
| 06C35 | 33(2) | 22B38 | 8132100 | . | N(NVALST.SW13) | 2841554 |
| 13B27 | 34(2) | 25B17 | 4425150 | . | FUS | 2841552 |
| 24B35 | 35(2) | 12C02 | 4322520 | . | (FA10.PH5.SW0) | 2841554 |
| 22B36 | 36(2) | 29C22 | 7891501 | . | NSW14 | 2841554 |
| 13C24 | 37(2) | 27C18 | 4425500 | . | FUSF | 2841552 |
| 21B13 | 38(2) | 21B44 | 6902314 | . | PRE3-A | 2841552 |
| 03C33 | 39(2) | 01C33 | 1231350 | . | ND23-1 | 2841552 |
| 03B29 | 40(2) | 30C14 | 4324850 | . | FAST/M | 2841658 |
| 25B40 | 41(2) | 22C10 | 6845635 | . | PH6-B | 2841658 |
| 25B38 | 42(2) | 14C28 | 6845455 | . | PH4-B | 2841658 |
| | 43(0) | | | | | |
| 21B38 | 44(2) | 22C03 | 6902314 | . | PRE3-A | 2841552 |
| 11B01 | 45(2) | 14C03 | 4321000 | . | FADIV | 2841658 |
| | 46(1) | 32A47 | 2841500 | I | BRPH5 | 2841500 |
| | 47(1) | 24C19 | 2841550 | I | NBRPH5 | 2841552 |
| | 48(0) | | | | | |
| 22B49 | 49(0) | 20B49 | 8300100 | . | P4VB | 8300130 |
| 13B21 | 50(2) | 23B26 | 6047900 | . | NMCZ | 2841658 |
| 22B51 | 51(0) | 20B51 | 8302100 | . | P8VB | 8302130 |

XDS 902306

XDS
XEROX DATA SYSTEMS

DRAWING NO.- 133264-903 AC
PROG-PNIND MODULE-22B
TYPE-PIN INDEX TYPE-XT10

54

10/27/71

| FROM | PIN (COUNT) | TO | SOURCE LINE NO. | ELEM. TYPE | SOURCE SIGNAL NAME | REFERENCE LINE NO. |
|-------|----------------|-------|--------------------|---------------|--------------------|-----------------------|
| | 00(0) | | | | | |
| 28A43 | 01(1) | | 6821320 | | (S/PCP3) | 6821320 |
| | 02(1) | 16A01 | 6821330 | T | N(S/PCP3/1) | 6821330 |
| | 03(1) | 25B02 | 5152070 | T | (N10EN+10B0) | 5152070 |
| | 04(1) | 25A09 | 8065000 | T | (R/TR) | 8065000 |
| | 05(1) | 08B08 | 4426100 | T | NFUXW/1 | 4426100 |
| | 06(1) | 32C06 | 5156475 | T | (1OPH0.SW15) | 5156475 |
| 19B07 | 07(1) | | 2562070 | T | NBCDC1 | 2562070 |
| 21B09 | 08(1) | | 3811160 | T | (NDOR.10R) | 3811160 |
| 32C05 | 09(1) | | 3533150 | T | (DATAIN.NSW4) | 3533150 |
| 26C17 | 10(1) | | 6902180 | T | (NHALT+FUEXU) | 6902180 |
| 19B11 | 11(1) | | 6845150 | T | PH1/A | 6845150 |
| 20B01 | 12(1) | | 6040600 | T | (MC=1) | 6040600 |
| 23B13 | 13(1) | | 2841070 | T | BRPCP5 | 2841070 |
| 32B14 | 14(2) | 27A39 | 4323356 | T | (FAMT.PH2.NRZ) | 4323356 |
| 32B05 | 15(1) | | 1270355 | T | B27/1 | 1270355 |
| | 16(0) | | 4790222 | -GND | GND1222 | 4790222 |
| 21B07 | 17(2) | 25B27 | 4322400 | T | (FA10.PH4) | 4322400 |
| | 18(1) | 19B18 | 3060290 | T | CC2-1 | 3060290 |
| 25B50 | 19(1) | | 7300800 | T | N(R.CC) | 7300800 |
| 23B12 | 20(2) | 27C37 | 4324920 | T | (FAST.PH1/E) | 4324920 |
| | 21(1) | 20B38 | 6845255 | T | PH2-B | 6845255 |
| 21C11 | 22(1) | | 6196200 | T | N(S/MRQ/1) | 6196200 |
| | 23(1) | 06C04 | 5543190 | T | KYSR | 5543190 |
| 08B05 | 24(2) | 17B25 | 4320400 | T | NFAARITH | 4320400 |
| 19B25 | 25(1) | | 2578000 | T | NBCX | 2578000 |
| | 26(1) | 25A38 | 8065100 | T | (R/TRACC) | 8065100 |
| | 27(1) | 25B04 | 5156567 | T | (1OPH1.SW13)-F | 5156567 |
| 24A45 | 28(1) | | 8065415 | T | (R/TRAP) | 8065415 |
| 16A02 | 29(1) | | 8065417 | T | N(R/TRAP) | 8065417 |
| | 30(0) | | | | | |
| 20B35 | 31(1) | | 5125300 | T | IFAST | 5125300 |
| | 32(0) | | | | | |
| | 33(1) | 24B33 | 8132010 | T | NVALST | 8132010 |
| 24B34 | 34(1) | | 7891500 | T | SW14 | 7891500 |
| | 35(1) | 20B36 | 5156560 | T | (1OPH1.SW12) | 5156560 |
| | 36(1) | 21B36 | 7891501 | T | NSW14 | 7891501 |
| 22C47 | 37(1) | | 4325180 | T | FAWORDW | 4325180 |
| 21B33 | 38(1) | | 8132100 | T | N(NVALST.SW13) | 8132100 |
| | 39(1) | 04C37 | 5125340 | T | IFAST/S | 5125340 |
| 20C07 | 40(1) | | 8065110 | T | N(R/TRACC/1) | 8065110 |
| 21C41 | 41(1) | | 6196300 | T | N(S/MRQ/2) | 6196300 |
| 24B42 | 42(1) | | 7300900 | T | (R.CC) | 7300900 |
| 23B42 | 43(1) | | 7892038 | T | SWK3 | 7892038 |
| 32C30 | 44(1) | | 4421500 | T | FUMMC | 4421500 |
| 31B39 | 45(1) | | 6902201 | T | NPRES | 6902201 |
| | 46(0) | | | | | |
| | 47(1) | 14C40 | 6845355 | T | PH3-B | 6845355 |
| | 48(0) | | | | | |
| 23B49 | 49(0) | 21B49 | 8300100 | | P4VB | 8300120 |
| 21C23 | 50(1) | | 4320550 | T | NFABYTE | 4320550 |
| 23B51 | 51(0) | 21B51 | 8302100 | | P8VB | 8302120 |

XDS 902306

XDS
XEROX DATA SYSTEMS

DRAWING NO.- 133264-903 AC
PROG-PNIND MODULE-23B
TYPE-PIN INDEX TYPE-IT20

55

10/27/71

| FROM | PIN (COUNT) | TO | SOURCE LINE NO. | ELEM. TYPE | SOURCE SIGNAL NAME | REFERENCE LINE NO. |
|-------|----------------|-------|--------------------|---------------|--------------------|-----------------------|
| | 00(0) | | | | | |
| 28C47 | 01(2) | 20B43 | 6977200 | . | PXSXB | 6196312 |
| 30C45 | 02(2) | 20B02 | 4324820 | . | (FAST/L.PH6) | 6196310 |
| 24A34 | 03(2) | 15C47 | 5139001 | . | NINTRAP2 | 6196312 |
| 24A30 | 04(2) | 20B25 | 5138950 | . | INTRAP1 | 6196312 |
| 23B36 | 05(2) | 23B16 | 4790223 | . | GND1223 | 6196316 |
| 22C06 | 06(2) | 13B45 | 4324630 | . | (FASEL.PH3) | 6038048 |
| 13C08 | 07(2) | 25B34 | 6630700 | . | OL7 | 6038048 |
| 25B07 | 08(2) | 15B04 | 4324870 | . | (FAST/M.PRE3.NOU0) | 6196314 |
| 13B44 | 09(2) | 19C18 | 6631000 | . | OLA | 6196314 |
| 27B26 | 10(2) | 32C10 | 4324727 | . | FAST/A-1 | 6196316 |
| 32B09 | 11(2) | 17B42 | 6845755 | . | PH7-B | 6196316 |
| | 12(1) | 22B20 | 4324920 | . | (FAST.PH1/E) | 6038048 |
| 29A13 | 13(2) | 22B13 | 2841070 | . | BRPCP5 | 6196310 |
| 17A39 | 14(2) | 29C41 | 6821500 | . | PCP5 | 6038046 |
| 02C46 | 15(2) | 16C09 | 7892000 | . | SWK1 | 6038046 |
| 23B05 | 16(1) | | 4790223 | -GND | GND1223 | 4790223 |
| 23B19 | 17(2) | 20B13 | 6845128 | . | PH1-E | 6038042 |
| 10B01 | 18(2) | 15C25 | 4325020 | . | FASTORE/1 | 6038044 |
| 30B11 | 19(2) | 23B17 | 6845128 | . | PH1-E | 6038044 |
| 24B37 | 20(2) | 15B03 | 4325000 | . | FASTORE | 6038044 |
| 14C36 | 21(2) | 24B27 | 6902350 | . | PRE/34-A | 6038044 |
| 23B24 | 22(2) | 21B01 | 6196300 | I | N(S/MRQ/2) | 6196310 |
| 24B14 | 23(2) | 23B25 | 6038030 | I | N(S/MBXS) | 6038044 |
| | 24(1) | 23B22 | 6196300 | I | N(S/MRQ/2) | 6196318 |
| 23B23 | 25(2) | 14A13 | 6038030 | I | N(S/MBXS) | 6038038 |
| 21B50 | 26(2) | 21C31 | 6047900 | . | NMCZ | 6038038 |
| 28C09 | 27(2) | 12B45 | 6902370 | . | (PRE/34+PH2) | 6196320 |
| 23A06 | 28(2) | 32B24 | 4324674 | . | FASTABORT | 6196318 |
| 18A11 | 29(2) | 23B43 | 6821400 | . | PCP4 | 6038046 |
| | 30(0) | | | | | |
| 07A19 | 31(2) | 31A35 | 2841200 | . | BRPH2 | 6196320 |
| | 32(0) | | | | | |
| 23B41 | 33(2) | 19B42 | 4324350 | . | FAPSD | 6038042 |
| 11A34 | 34(2) | 18C24 | 6902650 | . | PREOPER | 6196324 |
| 18C13 | 35(2) | 14B18 | 6902150 | . | PRE/12 | 6196324 |
| | 36(1) | 23B05 | 4790223 | . | GND1223 | 6196322 |
| 13B29 | 37(2) | 23B39 | 4421500 | . | FUMMC | 6196324 |
| | 38(1) | 02C18 | 7892060 | . | SWK4 | 6196322 |
| 23B37 | 39(2) | 24C30 | 4421500 | . | FUMMC | 6196320 |
| 20B50 | 40(2) | 26B11 | 6845355 | . | PH3-B | 6196318 |
| 18B06 | 41(2) | 23B33 | 4324350 | . | FAPSD | 6196318 |
| 02C41 | 42(2) | 22B43 | 7892038 | . | SWK3 | 6038038 |
| 23B29 | 43(2) | 07B03 | 6821400 | . | PCP4 | 6038038 |
| 28B45 | 44(2) | 31C09 | 4324400 | . | (FAPSD.PRE3) | 6038040 |
| 18B05 | 45(2) | 17C15 | 1074500 | . | O7 | 6038040 |
| | 46(1) | 18B11 | 4323356 | . | (FAMT.PH2.NRZ) | 6038040 |
| 30C47 | 47(2) | 04C42 | 4324940 | . | (FAST/S.PH6) | 6038038 |
| | 48(0) | | | | | |
| 24B49 | 49(0) | 22B49 | 8300100 | . | P4VB | 8300130 |
| 14C44 | 50(2) | 23C01 | 1014540 | . | N01-1 | 6038040 |
| 24B51 | 51(0) | 22B51 | 8302100 | . | P8VB | 8302130 |

XDS 902306

XDS
XEROX DATA SYSTEMS

DRAWING NO.- 133264-903 AC
 PROG-PNIND MODULE-24B
 TYPE-PIN INDEX TYPE-LT14

56

10/27/71

| FROM | PIN (COUNT) | TO | SOURCE LINE NO. | ELEM. TYPE | SOURCE SIGNAL NAME | REFERENCE LINE NO. |
|-------|----------------|-------|--------------------|---------------|--------------------|-----------------------|
| | 00(0) | | | | | |
| 16A01 | 01(1) | | 6821330 | I | N(S/PCP3/1) | 6821330 |
| 04B47 | 02(2) | 19B24 | 4322020 | . | FA10/1 | 6038036 |
| 19C09 | 03(2) | 20A50 | 5156890 | . | N(10POP.10PADD) | 6038036 |
| 26B06 | 04(2) | 19B10 | 4324700 | . | FAST-1 | 6038034 |
| | 05(0) | | | | | |
| 10A36 | 06(2) | 31B30 | 5529060 | . | KRUN/1 | 6821330 |
| 19A13 | 07(2) | 27B42 | 5138000 | . | INT | 6821330 |
| 32B39 | 08(2) | 11B42 | 5011101 | . | NHALT | 6821330 |
| 15A45 | 09(1) | | 5345000 | . | KAS/1 | 6821330 |
| 11B27 | 10(2) | 20A31 | 5345020 | . | KAS/2 | 6821330 |
| 18A04 | 11(2) | 02C43 | 3203100 | . | CLEARMEM | 6821332 |
| 30C25 | 12(2) | 19B37 | 6845175 | . | PH1/F | 6038034 |
| 28B33 | 13(2) | 17C10 | 6845200 | . | PH2 | 6038036 |
| 32C12 | 14(2) | 23B23 | 6038030 | I | N(S/MBXS) | 6038034 |
| | 15(1) | 31B17 | 3567040 | I | NDCSTOP | 3567040 |
| | 16(0) | | 4790224 | -GND | GND1224 | 4790224 |
| 28B21 | 17(2) | 18B42 | 4323340 | . | FAMT | 6038034 |
| 19A09 | 18(2) | 21B24 | 3567000 | . | DCSTOP | 3567040 |
| 28B18 | 19(2) | 07C13 | 6845199 | . | PH10-E | 6902132 |
| 24A29 | 20(2) | 21C03 | 5138951 | . | NINTRAP1 | 6902130 |
| | 21(1) | 19B20 | 5139000 | . | INTRAP2 | 6902130 |
| 28B02 | 22(2) | 20A28 | 3202700 | . | NCLEAR | 6902130 |
| 29A47 | 23(2) | 13B39 | 4420850 | . | (FUANLZ.PH1) | 6902130 |
| 26C15 | 24(1) | | 6902170 | . | PRE1EN | 6902132 |
| | 25(0) | | | | | |
| | 26(0) | | | | | |
| 23B21 | 27(2) | 26B35 | 6902350 | . | PRE/34-A | 6038034 |
| 14C33 | 28(2) | 27C08 | 7890300 | . | SW2 | 6038034 |
| | 29(1) | 31A19 | 6902130 | I | N(S/PRE1) | 6902130 |
| 26B22 | 30(2) | 25B30 | 2842050 | I | NBRPH10 | 2842058 |
| | 31(1) | 32A24 | 2842000 | I | BRPH10 | 2842000 |
| | 32(0) | | | | | |
| 22B33 | 33(2) | 06C38 | 8132010 | . | NVALST | 2841962 |
| 30C22 | 34(2) | 22B34 | 7891500 | . | SW14 | 2841958 |
| 24B44 | 35(2) | 21B35 | 4322520 | . | (FA10.PH5.SW0) | 2841962 |
| 30C23 | 36(2) | 06C43 | 7891400 | . | SW13 | 2841962 |
| 26B12 | 37(2) | 23B20 | 4325000 | . | FASTORE | 2841960 |
| 04B26 | 38(2) | 20A12 | 4325025 | . | NFASTORE/1 | 2841960 |
| 28B29 | 39(2) | 18B22 | 6845100 | . | PH1 | 2841960 |
| 20B38 | 40(2) | 26B17 | 6845255 | . | PH2-B | 2842058 |
| 26B01 | 41(2) | 20B40 | 4323130 | . | FALOAD/A | 2842058 |
| 24C13 | 42(2) | 22B42 | 7300900 | . | (R.CC) | 2842058 |
| 25B29 | 43(2) | 29B43 | 6845120 | . | PH1-A | 2842058 |
| 26A19 | 44(2) | 24B35 | 4322520 | . | (FA10.PH5.SW0) | 2841958 |
| 03B44 | 45(2) | 28C18 | 4421040 | . | FUBCS | 2842058 |
| | 46(1) | 32A25 | 2841900 | I | BRPH9 | 2841900 |
| 21C10 | 47(2) | 25B23 | 2841950 | I | NBRPH9 | 2841958 |
| | 48(0) | | | | | |
| 25B49 | 49(0) | 23B49 | 8300100 | . | P4VB | 8300130 |
| 20B17 | 50(2) | 23C50 | 6720150 | . | NOU1 | 2842058 |
| 25B51 | 51(0) | 23B51 | 8302100 | . | P8VB | 8302130 |

| FROM | PIN (COUNT) | TO | SOURCE LINE NO. | ELEM. TYPE | SOURCE SIGNAL NAME | REFERENCE LINE NO. |
|-------|----------------|-------|--------------------|---------------|--------------------|-----------------------|
| | 00(0) | | | | | |
| 10B21 | 01(2) | 27C15 | 6821201 | . | NPCP2 | 2842062 |
| 22B03 | 02(2) | 21B28 | 5152070 | . | (N10EN+10B0) | 2842062 |
| 31C46 | 03(2) | 10B20 | 5159800 | . | IPH10 | 2842062 |
| 22B27 | 04(2) | 21B17 | 5156567 | . | (IOPH1.SW13)-F | 2842062 |
| | 05(0) | | | | | |
| 28A24 | 06(2) | 28B31 | 2285001 | . | NANLZ | 2841662 |
| 30C06 | 07(2) | 23B08 | 4324870 | . | (FAST/M.PRE3.NOUD) | 2841662 |
| | 08(0) | | | | | |
| 24C42 | 09(2) | 26B30 | 4324500 | . | FARWD | 2841664 |
| 11B11 | 10(2) | 11C37 | 3650000 | . | ND10EXIT | 2841664 |
| 20C38 | 11(2) | 19B43 | 4421580 | . | (FUMMC.PH6) | 2841660 |
| 30B26 | 12(2) | 23C03 | 2559830 | . | N(BC=1) | 2841660 |
| 18C02 | 13(2) | 20A26 | 6845685 | . | (S/PH6/10)-1 | 2841666 |
| | 14(1) | 26B22 | 2842050 | I | NBRPH10 | 2842060 |
| 31B20 | 15(1) | | 6845700 | . | PH7 | 2842060 |
| | 16(0) | | 4790225 | -GND | GND1225 | 4790225 |
| 21B34 | 17(2) | 27C17 | 4425150 | . | FUS | 2842060 |
| | 18(0) | | | | | |
| 23C25 | 19(2) | 02A26 | 4395600 | . | NFPRR | 2841660 |
| 22C08 | 20(2) | 27B44 | 4321135 | . | FAFL | 2841660 |
| 30B36 | 21(2) | 25B40 | 6845635 | . | PH6-B | 2841660 |
| | 22(1) | 21B30 | 2841650 | I | NBRPH6 | 2841660 |
| 24B47 | 23(2) | 26B23 | 2841950 | I | NBRPH9 | 2841964 |
| 12B35 | 24(2) | 25A35 | 1316215 | . | R31-1 | 2841965 |
| 19B22 | 25(2) | 27B31 | 7890115 | . | NSW0-1 | 2841965 |
| 20C40 | 26(2) | 25C17 | 7471000 | . | RZ | 2841966 |
| 22B17 | 27(2) | 27B18 | 4322400 | . | (FA10.PH4) | 2841966 |
| 19C14 | 28(2) | 26B21 | 4322620 | . | (FA10.PH6) | 2841965 |
| 26B09 | 29(2) | 24B43 | 6845120 | . | PH1-A | 2842064 |
| 24B30 | 30(2) | 21C39 | 2842050 | I | NBRPH10 | 2842064 |
| 26B34 | 31(2) | 23C11 | 4324540 | . | FAS10 | 2842064 |
| | 32(0) | | | | | |
| 32B40 | 33(2) | 13B37 | 4324600 | . | FASEL | 2842066 |
| 23B07 | 34(2) | 23C07 | 6630700 | . | OL7 | 2841964 |
| | 35(0) | | | | | |
| 10A18 | 36(2) | 23C10 | 4321020 | . | FADIVH | 2841964 |
| | 37(0) | | | | | |
| 25B42 | 38(2) | 21B42 | 6845455 | . | PH4-B | 2841964 |
| 26B31 | 39(2) | 25B43 | 6047910 | . | MCZ | 2841964 |
| 25B21 | 40(2) | 21B41 | 6845635 | . | PH6-B | 2842066 |
| 22C45 | 41(2) | 15C39 | 4421480 | . | FUMH | 2842066 |
| 32B43 | 42(2) | 25B38 | 6845455 | . | PH4-B | 2842066 |
| 25B39 | 43(2) | 13B50 | 6047910 | . | MCZ | 2842066 |
| | 44(0) | | | | | |
| 11A18 | 45(2) | 14C27 | 6630710 | . | NOL7 | 2842066 |
| | 46(0) | | | | | |
| | 47(1) | 28C17 | 4421030 | . | FUBCR | 2842064 |
| | 48(0) | | | | | |
| 26B49 | 49(0) | 24B49 | 8300100 | . | P4VB | 8300130 |
| 28C19 | 50(2) | 22B19 | 7300800 | . | N(R.CC) | 2842064 |
| 26B51 | 51(0) | 24B51 | 8302100 | . | P8VB | 8302130 |

XDS 902306

XDS
XEROX DATA SYSTEMS

DRAWING NO.- 133264-903 AC
PROG-PNIND MODULE-26B
TYPE-PIN INDEX TYPE-IT20

58

10/27/71

| FROM | PIN (COUNT) | TO | SOURCE LINE NO. | ELEM. TYPE | SOURCE SIGNAL NAME | REFERENCE LINE NO. |
|-------|----------------|-------|--------------------|---------------|--------------------|-----------------------|
| | 00(0) | | | | | |
| 21B03 | 01(2) | 24B41 | 4323130 | . | FALOAD/A | 2842070 |
| 25C39 | 02(2) | 02A38 | 3699100 | . | DIVOVER | 2842074 |
| 30A12 | 03(2) | 30C04 | 6845400 | . | PH4 | 2842070 |
| 13B12 | 04(2) | 26B41 | 4421300 | . | FUINT | 2842070 |
| 09B45 | 05(2) | 27B04 | 4421250 | . | FUEXU | 2842072 |
| 28B22 | 06(2) | 24B04 | 4324700 | . | FAST-1 | 2841974 |
| 29B07 | 07(2) | 26B47 | 6845180 | . | PH1/G | 2841974 |
| 13B47 | 08(2) | 19C38 | 4421000 | . | FUBAL | 2842068 |
| 30B19 | 09(2) | 25B29 | 6845120 | . | PH1-A | 2842068 |
| 15B25 | 10(2) | 28B38 | 4320940 | . | FACOMP/L | 2842068 |
| 23B40 | 11(2) | 27B25 | 6845355 | . | PH3-B | 2842068 |
| | 12(1) | 24B37 | 4325000 | . | FASTORE | 2841974 |
| 30A17 | 13(2) | 18C47 | 6845800 | . | PH8 | 2842072 |
| 29B14 | 14(2) | 26B46 | 7890400 | . | SW3 | 2841976 |
| 32B35 | 15(2) | 27C34 | 4324722 | . | (FAST.PH4) | 2841976 |
| | 16(1) | 26B18 | 4790226 | -GND | GND1226 | 4790226 |
| 24B40 | 17(2) | 32B25 | 6845255 | . | PH2-B | 2841174 |
| 26B16 | 18(2) | 26B27 | 4790226 | . | GND1226 | 2841978 |
| 28B47 | 19(2) | 13B26 | 2285065 | . | (NANLZ.PRE3) | 2842072 |
| 04B30 | 20(2) | 31C01 | 4420501 | . | FUA10 | 2841978 |
| 25B28 | 21(2) | 20A15 | 4322620 | . | (FA10.PH6) | 2841978 |
| 25B14 | 22(2) | 24B30 | 2842050 | I | NBRPH10 | 2842068 |
| 25B23 | 23(2) | 28C13 | 2841950 | I | NBRPH9 | 2841974 |
| | 24(1) | 24C11 | 6196200 | I | N(S/MRQ/1) | 6196214 |
| 28B27 | 25(2) | 20C22 | 2841170 | I | BRPH1/1 | 2841170 |
| | 26(0) | | | | | |
| 26B18 | 27(2) | 26B33 | 4790226 | . | GND1226 | 6196222 |
| 18B21 | 28(2) | 18C43 | 4425900 | . | FUWAIT | 6196220 |
| 29B29 | 29(2) | 23A20 | 7890190 | . | SW1 | 2841976 |
| 25B09 | 30(2) | 27B24 | 4324500 | . | FARWD | 2842072 |
| 21C27 | 31(2) | 25B39 | 6047910 | . | MCZ | 6196218 |
| | 32(0) | | | | | |
| 26B27 | 33(2) | 26B38 | 4790226 | . | GND1226 | 2841174 |
| 08B18 | 34(2) | 25B31 | 4324540 | . | FAS10 | 6196214 |
| 24B27 | 35(2) | 30A30 | 6902350 | . | PRE/34-A | 6196214 |
| 30B10 | 36(2) | 12B43 | 6845855 | . | PH8-B | 6196214 |
| 14A06 | 37(2) | 13B30 | 4321145 | . | (FAFL.N02) | 6196216 |
| 26B33 | 38(1) | | 4790226 | . | GND1226 | 6196218 |
| 32C40 | 39(2) | 27C11 | 4324670 | . | (FASH.PH5.NFL2) | 6196218 |
| 30B27 | 40(2) | 27A50 | 6902314 | . | PRE3-A | 6196220 |
| 26B04 | 41(2) | 21C45 | 4421300 | . | FUINT | 6196220 |
| 25C04 | 42(2) | 19C40 | 7890801 | . | NSW7 | 2841172 |
| 30C35 | 43(2) | 26B45 | 6845160 | . | PH1/C | 2841172 |
| 01C14 | 44(2) | 31C42 | 2001600 | . | (A16-K16) | 2841174 |
| 26B43 | 45(2) | 26B50 | 6845160 | . | PH1/C | 2841174 |
| 26B14 | 46(2) | 23A13 | 7890400 | . | SW3 | 2841172 |
| 26B07 | 47(2) | 30C27 | 6845180 | . | PH1/G | 2841170 |
| | 48(0) | | | | | |
| 27B49 | 49(0) | 25B49 | 8300100 | . | P4VB | 8300130 |
| 26B45 | 50(2) | 19C19 | 6845160 | . | PH1/C | 2841172 |
| 27B51 | 51(0) | 25B51 | 8302100 | . | P8VB | 8302130 |

XDS 902306

XDS
XEROX DATA SYSTEMS

DRAWING NO. - 133264-903 AC
PROG-PNIND MODULE-27B
TYPE-PIN INDEX TYPE-IT25

59

10/27/71

| FROM | PIN (COUNT) | TO | SOURCE LINE NO. | ELEM. TYPE | SOURCE SIGNAL NAME | REFERENCE LINE NO. |
|-------|----------------|-------|--------------------|---------------|--------------------|-----------------------|
| | 00(0) | | | | | |
| | 01(1) | 02A07 | 4322750 | I | N(FA10.PH7) | 4322750 |
| 27B35 | 02(2) | 15B01 | 7430200 | I | N(S/RW/2) | 7430206 |
| 14B01 | 03(2) | 14C24 | 4420530 | . | (FUA10.PH5) | 7430206 |
| 26B05 | 04(2) | 07C35 | 4421250 | . | FUEXU | 4421265 |
| 30C24 | 05(2) | 25C10 | 7891300 | . | SW12 | 7430158 |
| 25C27 | 06(2) | 12B36 | 4322500 | . | (FA10.PH5) | 7430158 |
| 28C28 | 07(2) | 26C04 | 7471020 | . | NRZ | 7430158 |
| 20B34 | 08(2) | 32B23 | 4152000 | . | ENDE | 4421265 |
| 26C03 | 09(2) | 30C38 | 7891000 | . | SW9 | 7430206 |
| | 10(1) | 16B10 | 4322720 | . | (FA10.PH7) | 4322750 |
| | 11(0) | | | | | |
| | 12(1) | 14B22 | 7430120 | I | N(S/RW) | 7430158 |
| | 13(1) | 15C19 | 4421265 | I | N(FUEXU.ENDE) | 4421265 |
| 11B10 | 14(2) | 19B17 | 6733075 | I | OVERIND | 6733080 |
| 28C13 | 15(2) | 30A08 | 2841950 | I | NBRPH9 | 2841980 |
| | 16(0) | | 4790227 | -GND | GND1227 | 4790227 |
| 23C33 | 17(2) | 25C26 | 3314000 | . | COND1 | 2841980 |
| 25B27 | 18(2) | 32C26 | 4322400 | . | (FA10.PH4) | 2841980 |
| | 19(0) | | | | | |
| | 20(0) | | | | | |
| 31A12 | 21(1) | | 4252001 | . | NEXC | 6733080 |
| 28B25 | 22(2) | 30C02 | 6845124 | . | PH1-C | 2841870 |
| 20C28 | 23(2) | 08A25 | 2500295 | . | B1619Z | 2841870 |
| 26B30 | 24(2) | 28B14 | 4324500 | . | FARWD | 2841870 |
| 26B11 | 25(2) | 28B08 | 6845355 | . | PH3-B | 3405164 |
| 18A42 | 26(2) | 23B10 | 4324727 | . | FAST/A-1 | 3405164 |
| 23A12 | 27(1) | | 4324682 | . | NFASTF1 | 3405164 |
| | 28(0) | | | | | |
| | 29(0) | | | | | |
| | 30(0) | | | | | |
| 25B25 | 31(2) | 26C08 | 7890115 | . | NSW0-1 | 2841980 |
| | 32(0) | | | | | |
| | 33(1) | 10C24 | 3405150 | I | N(S/CXS) | 3405164 |
| 26C19 | 34(2) | 14C47 | 2841850 | I | NBRPH8 | 2841870 |
| | 35(1) | 27B02 | 7430200 | I | N(S/RW/2) | 7430204 |
| 20B05 | 36(1) | | 2841050 | I | N(S/BRP) | 2841064 |
| 30B47 | 37(2) | 21B12 | 6845555 | . | PH5-B | 2841064 |
| 26C09 | 38(2) | 14B10 | 5156501 | . | IOPH1 | 7430204 |
| 16A43 | 39(2) | 31B15 | 5121100 | . | IEN | 2841067 |
| 28B04 | 40(2) | 27A09 | 6846000 | . | PH10 | 3202702 |
| | 41(0) | | | | | |
| 24B07 | 42(2) | 29C39 | 5138000 | . | INT | 2841067 |
| 14B11 | 43(2) | 16B44 | 7891100 | . | SW10 | 7430204 |
| 25B20 | 44(2) | 16B14 | 4321135 | . | FAFL | 2841064 |
| 30B17 | 45(2) | 21A34 | 2841065 | I | BRPCP1 | 2841067 |
| 09B44 | 46(2) | 08C31 | 3202700 | I | NCLEAR | 3202702 |
| | 47(0) | | | | | |
| | 48(0) | | | | | |
| 28B49 | 49(0) | 26B49 | 8300100 | | P4VB | 8300140 |
| | 50(0) | | | | | |
| 28B51 | 51(0) | 26B51 | 8302100 | | P8VB | 8302120 |

XDS 902306

XDS
XEROX DATA SYSTEMS

DRAWING NO.- 133264-903 AC
PROG-PNIND MODULE-28B
TYPE-PIN INDEX TYPE-BT16

60
10/27/71

| FROM | PIN (COUNT) | TO | SOURCE LINE NO. | ELEM. TYPE | SOURCE SIGNAL NAME | REFERENCE LINE NO. |
|-------|----------------|-------|--------------------|---------------|--------------------|-----------------------|
| | 00(0) | | | | | |
| 17A08 | 01(2) | 16B13 | 7987100 | . | NSYSR | 7343100 |
| 23A10 | 02(2) | 24B22 | 3202700 | . | NCLEAR | 3202710 |
| 28B17 | 03(2) | 29C08 | 7343100 | . | NRESET | 7343120 |
| 31B18 | 04(2) | 27B40 | 6846000 | . | PH10 | 6845199 |
| | 05(1) | 32A10 | 3202710 | B | NCLEAR-1 | 3202710 |
| | 06(1) | 23A22 | 3651010 | B | (S/D10FS) | 3651010 |
| | 07(0) | | | | | |
| 27B25 | 08(2) | 32B41 | 6845355 | . | PH3-B | 3651010 |
| 23C46 | 09(2) | 29B11 | 5152080 | . | N(10EN.10SC) | 2841604 |
| 21B31 | 10(2) | 32A43 | 2841600 | B | (BRPH6.N10EN) | 2841604 |
| | 11(1) | 15A27 | 8145800 | B | WAIT/L-1 | 8145800 |
| 11B44 | 12(2) | 21A23 | 5011120 | . | HALT/1 | 8145800 |
| 13A21 | 13(1) | | 5529100 | . | KRUN/B | 5528000 |
| 27B24 | 14(2) | 31B24 | 4324500 | . | FARWD | 3651010 |
| 32B42 | 15(1) | | 5528000 | B | KRUN | 5528000 |
| | 16(0) | | 4790228 | -GND | GND1228 | 4790228 |
| 19B21 | 17(2) | 28B03 | 7343100 | B | NRESET | 7343100 |
| | 18(1) | 24B19 | 6845199 | B | PH10-E | 6845199 |
| | 19(1) | 23C30 | 7343120 | B | NRESET-1 | 7343120 |
| | 20(0) | | | | | |
| 28B39 | 21(2) | 24B17 | 4323340 | . | FAMT | 4323344 |
| 28B42 | 22(2) | 26B06 | 4324700 | . | FAST-1 | 2841178 |
| | 23(0) | | | | | |
| 28B40 | 24(2) | 31C26 | 4321120 | . | FADW/1 | 4321125 |
| | 25(1) | 27B22 | 6845124 | B | PH1-C | 6845124 |
| | 26(1) | 13B34 | 4321125 | B | (FADW/1.PH1) | 4321125 |
| | 27(1) | 26B25 | 2841170 | B | BRPH1/1 | 2841178 |
| | 28(1) | 27C28 | 4323344 | B | (FAMT.PH1) | 4323344 |
| 31A30 | 29(2) | 24B39 | 6845100 | . | PH1 | 2841178 |
| 29A27 | 30(2) | 30C30 | 2285000 | . | ANLZ | 2285060 |
| 25B06 | 31(2) | 32C19 | 2285001 | . | NANLZ | 2285065 |
| | 32(0) | | | | | |
| 30A25 | 33(2) | 24B13 | 6845200 | . | PH2 | 4320960 |
| | 34(1) | 07C05 | 4321130 | B | (FADW/1.PH2) | 4321130 |
| | 35(1) | 14C34 | 4323348 | B | (FAMT.PH2) | 4323348 |
| | 36(1) | 23A19 | 4324720 | B | (FAST.PH2) | 4324720 |
| 32B22 | 37(2) | 28B42 | 4324700 | . | FAST-1 | 4324720 |
| 26B10 | 38(2) | 19C06 | 4320940 | . | FACOMP/L | 4320960 |
| 32B29 | 39(2) | 28B21 | 4323340 | . | FAMT | 4323348 |
| 28C10 | 40(2) | 28B24 | 4321120 | . | FADW/1 | 4321130 |
| | 41(1) | 20B03 | 4320960 | B | (FACOMP/L.PH2) | 4320960 |
| 28B37 | 42(2) | 28B22 | 4324700 | . | FAST-1 | 4324960 |
| 19B42 | 43(2) | 14C45 | 4324350 | . | FAPSD | 4324400 |
| | 44(1) | 17B10 | 4324960 | B | (FAST.PRE3) | 4324960 |
| | 45(1) | 23B44 | 4324400 | B | (FAPSD.PRE3) | 4324400 |
| | 46(1) | 24C03 | 2285060 | B | (ANLZ.PRE3) | 2285060 |
| | 47(1) | 26B19 | 2285065 | B | (NANLZ.PRE3) | 2285065 |
| | 48(0) | | | | | |
| 29B49 | 49(0) | 27B49 | 8300100 | | P4VB | 8300140 |
| 32A07 | 50(2) | 22C42 | 6902301 | . | PRE3 | 2285060 |
| 29B51 | 51(0) | 27B51 | 8302100 | | P8VB | 8302140 |

XDS 902306

XDS
XEROX DATA SYSTEMS

DRAWING NO. - 133264-903 AC
PROG-PNIND MODULE-29B
TYPE-PIN INDEX TYPE-XT10

61

10/27/71

| FROM | PIN (COUNT) | TO | SOURCE LINE NO. | ELEM. TYPE | SOURCE SIGNAL NAME | REFERENCE LINE NO. |
|-------|----------------|-------|--------------------|---------------|--------------------|-----------------------|
| | 00(0) | | | | | |
| 28A25 | 01(1) | | 5145800 | T | INDX | 5145798 |
| 26C26 | 02(1) | | 3202710 | T | NCLEAR-1 | 3202710 |
| 30A20 | 03(1) | | 7651000 | T | SGTZ | 7651000 |
| 32A19 | 04(1) | | 6902330 | T | N(S/PRE3) | 6902330 |
| | 05(1) | 27A31 | 6902340 | T | NPRE/34 | 6902340 |
| | 06(1) | 32B40 | 4324600 | T | FASEL | 4324600 |
| | 07(1) | 26B07 | 6845180 | T | PH1/G | 6845180 |
| | 08(1) | 32B38 | 4324700 | T | FAST-1 | 4324700 |
| 28C04 | 09(1) | | 4324708 | T | (FAST.PH1/C) | 4324708 |
| 29A22 | 10(1) | | 5011200 | T | (R/HALT) | 5011200 |
| 28B09 | 11(1) | | 5152080 | T | N(IOEN.10SC) | 5152080 |
| 31B11 | 12(1) | | 5138050 | T | NINT/1 | 5138050 |
| 29A24 | 13(1) | | 5011240 | T | (S/HALT) | 5011240 |
| | 14(1) | 26B14 | 7890400 | T | SW3 | 7890400 |
| 11B39 | 15(1) | | 5011250 | T | N(S/HALT) | 5011250 |
| | 16(0) | | 4790229 | -GND | GND1229 | 4790229 |
| | 17(1) | 27A19 | 8065440 | T | (NTRAP.NSTRAP) | 8065440 |
| | 18(0) | | | | | |
| | 19(1) | 28C41 | 4375121 | T | NFL2 | 4375121 |
| 24A44 | 20(1) | | 5138920 | T | (R/INTRAP) | 5138920 |
| 24A42 | 21(1) | | 5138930 | T | (S/INTRAP) | 5138930 |
| 26C18 | 22(1) | | 5138940 | T | N(S/INTRAP) | 5138940 |
| 21B05 | 23(1) | | 5158850 | T | NIOTRIN | 5158850 |
| 24A40 | 24(1) | | 5138970 | T | (R/INTRAP1) | 5138970 |
| | 25(0) | | | | | |
| 24A19 | 26(1) | | 8165715 | T | (S/WDTR) | 8165715 |
| | 27(1) | 16A31 | 8165720 | T | N(S/WDTR) | 8165720 |
| 14C24 | 28(1) | | 4420530 | T | (FUA10.PH5) | 4420530 |
| | 29(1) | 26B29 | 7890190 | T | SW1 | 7890190 |
| 22A19 | 30(1) | | 8165900 | T | WDTR/K | 8165900 |
| 06C09 | 31(1) | | 5366020 | T | NKCPURESET-1 | 5366020 |
| | 32(0) | | | | | |
| 06C26 | 33(1) | | 5366010 | T | KCPURESET-1 | 5366010 |
| 32C02 | 34(2) | 32B04 | 8065216 | T | TRACC2INH | 8065216 |
| | 35(1) | 20C39 | 5156675 | T | (IOPH2.SW15) | 5156675 |
| | 36(1) | 20C37 | 5156670 | T | (IOPH2.SW14) | 5156670 |
| | 37(1) | 29C17 | 7891601 | T | NSW15 | 7891601 |
| 30C20 | 38(2) | 17B44 | 4324350 | T | FAPSD | 4324350 |
| 32C27 | 39(1) | | 7890301 | T | NSW2 | 7890301 |
| 32B30 | 40(1) | | 6902100 | T | NPRE1 | 6902100 |
| 32C39 | 41(1) | | 6902101 | T | PRE1 | 6902101 |
| 29C11 | 42(1) | | 6845401 | T | NPH4 | 6845401 |
| 24B43 | 43(1) | | 6845120 | T | PH1-A | 6845120 |
| 29C37 | 44(1) | | 6845301 | T | NPH3 | 6845301 |
| 07B44 | 45(1) | | 6720710 | T | NOU7 | 6720710 |
| 30C33 | 46(1) | | 6845124 | T | PH1-C | 6845124 |
| 29C44 | 47(1) | | 6845101 | T | NPH1 | 6845101 |
| | 48(0) | | | | | |
| 30B49 | 49(0) | 28B49 | 8300100 | | P4VB | 8300130 |
| 22C05 | 50(1) | | 4320500 | T | FABRANCH | 4320500 |
| 30B51 | 51(0) | 28B51 | 8302100 | | P8VB | 8302130 |

XDS 902306

XDS
XEROX DATA SYSTEMS

DRAWING NO. - 133264-903 AC
PROG-PNIND MODULE-30B
TYPE-PIN INDEX TYPE-IT16

62

10/27/71

| FROM | PIN (COUNT) | TO | SOURCE LINE NO. | ELEM. TYPE | SOURCE SIGNAL NAME | REFERENCE LINE NO. |
|-------|----------------|-------|--------------------|---------------|---------------------|-----------------------|
| | 00(0) | | | | | |
| 24A47 | 01(2) | 20B21 | 8065420 | . | (S/TRAP) | 2841069 |
| 30B03 | 02(2) | 30B12 | 6845101 | . | NPH1 | 6845122 |
| 31B06 | 03(2) | 30B02 | 6845101 | . | NPH1 | 6845120 |
| 32A06 | 04(2) | 30B22 | 6902300 | . | NPRE3 | 6902318 |
| 13B13 | 05(2) | 17A05 | 6845122 | I | PH1-B | 6845122 |
| | 06(1) | 01A06 | 7443100 | I | RXC | 7443100 |
| 31B09 | 07(2) | 21B25 | 6846001 | . | NPH10 | 7443100 |
| 17A38 | 08(2) | 20C08 | 5138996 | . | N(NINTRAP1.INTRAP2) | 7443100 |
| 32A34 | 09(2) | 28C40 | 6845801 | . | NPH8 | 6845855 |
| | 10(1) | 26B36 | 6845855 | I | PH8-B | 6845855 |
| | 11(1) | 23B19 | 6845128 | I | PH1-E | 6845128 |
| 30B02 | 12(2) | 29C44 | 6845101 | . | NPH1 | 6845128 |
| 09B22 | 13(2) | 27C05 | 6821620 | . | PCPACT | 8165916 |
| | 14(0) | | | | | |
| 16A35 | 15(2) | 29C12 | 8165910 | I | NWDTR/K | 8165916 |
| | 16(0) | | 4790230 | -GND | GND1230 | 4790230 |
| | 17(1) | 27B45 | 2841065 | I | BRPCP1 | 2841069 |
| | 18(1) | 10C19 | 6902318 | I | PRE3-C | 6902318 |
| 31B23 | 19(2) | 26B09 | 6845120 | I | PH1-A | 6845120 |
| | 20(0) | | | | | |
| 30B22 | 21(2) | 31B41 | 6902300 | . | NPRE3 | 6902316 |
| 30B04 | 22(2) | 30B21 | 6902300 | . | NPRE3 | 6902314 |
| 31A06 | 23(2) | 31B40 | 6902100 | . | NPRE1 | 6902140 |
| 26C46 | 24(2) | 19B38 | 2559800 | . | (BC=1) | 2559830 |
| | 25(1) | 31A13 | 6902140 | I | PRE1-A | 6902140 |
| | 26(1) | 25B12 | 2559830 | I | N(BC=1) | 2559830 |
| | 27(1) | 26B40 | 6902314 | I | PRE3-A | 6902314 |
| | 28(1) | 20B24 | 6902316 | I | PRE3-B | 6902316 |
| | 29(0) | | | | | |
| 31A05 | 30(2) | 32C24 | 6845401 | . | NPH4 | 6845455 |
| 31B07 | 31(2) | 32C23 | 6845501 | . | NPH5 | 6845555 |
| | 32(0) | | | | | |
| | 33(0) | | | | | |
| | 34(1) | 15A11 | 6902470 | I | PRE4/LP | 6902470 |
| 32B11 | 35(1) | | 6845955 | I | PH9-B | 6845955 |
| | 36(1) | 25B21 | 6845635 | I | PH6-B | 6845635 |
| 31B27 | 37(2) | 32C22 | 6845601 | . | NPH6 | 6845635 |
| 31B04 | 38(2) | 32C28 | 6845701 | . | NPH7 | 6845755 |
| 31B08 | 39(2) | 28C38 | 6845901 | . | NPH9 | 6845955 |
| 31A26 | 40(2) | 32B17 | 6902401 | . | NPRE4 | 6902470 |
| | 41(1) | 32B09 | 6845755 | I | PH7-B | 6845755 |
| 31B25 | 42(2) | 29C10 | 6845301 | . | NPH3 | 6845355 |
| 31B26 | 43(2) | 24C39 | 6845201 | . | NPH2 | 6845255 |
| 32B41 | 44(2) | 13B28 | 6845355 | I | PH3-B | 6845355 |
| 32B21 | 45(2) | 22C12 | 6845255 | I | PH2-B | 6845255 |
| | 46(1) | 32B43 | 6845455 | I | PH4-B | 6845455 |
| | 47(1) | 27B37 | 6845555 | I | PH5-B | 6845555 |
| | 48(0) | | | | | |
| 31B49 | 49(0) | 29B49 | 8300100 | . | P4VB | 8300130 |
| | 50(0) | | | | | |
| 31B51 | 51(0) | 29B51 | 8302100 | . | P8VB | 8302130 |

XDS 902306

XDS
XEROX DATA SYSTEMS

DRAWING NO.- 133264-903 AC
PROG-PNIND MODULE-31B
TYPE-PIN INDEX TYPE-BT11

63

10/27/71

| FROM | PIN (COUNT) | TO | SOURCE LINE NO. | ELEM. TYPE | SOURCE SIGNAL NAME | REFERENCE LINE NO. |
|-------|----------------|-------|--------------------|---------------|--------------------|-----------------------|
| | 00(0) | | | | | |
| | 01(1) | 32C31 | 5138110 | B | N(INT+IOSC) | 5138110 |
| 09B04 | 02(2) | 31B33 | 6845295 | B | NPH2/L | 6845295 |
| 32A29 | 03(2) | 31B04 | 6845701 | . | NPH7 | 6845295 |
| 31B03 | 04(2) | 30B38 | 6845701 | . | NPH7 | 6845195 |
| 31A21 | 05(2) | 31B25 | 6845301 | . | NPH3 | 6845197 |
| 31A29 | 06(2) | 30B03 | 6845101 | . | NPH1 | 6845197 |
| 32A28 | 07(2) | 30B31 | 6845501 | . | NPH5 | 6845197 |
| 32A21 | 08(2) | 30B39 | 6845901 | . | NPH9 | 6845195 |
| 32A05 | 09(2) | 30B07 | 6846001 | . | NPH10 | 6845295 |
| 21A28 | 10(2) | 31B31 | 5158101 | . | NIOSC | 5138110 |
| 09D01 | 11(1) | 29B12 | 5138050 | . | NINT/1 | 5138110 |
| 09B21 | 12(2) | 31B13 | 6845195 | B | NPH1/L | 6845197 |
| 31B12 | 13(1) | | 6845195 | B | NPH1/L | 6845195 |
| | 14(1) | 28C21 | 4323394 | B | (FAMULNH.PH7) | 4323394 |
| 27B39 | 15(1) | | 5121100 | B | IEN | 5121100 |
| | 16(0) | | 4790231 | -GND | GND1231 | 4790231 |
| 24B15 | 17(2) | 17A22 | 3567040 | . | NDCSTOP | 5121100 |
| 32A04 | 18(2) | 28B04 | 6846000 | . | PH10 | 5121100 |
| | 19(0) | | | | | |
| 30A44 | 20(2) | 25B15 | 6845700 | . | PH7 | 4323394 |
| 04B11 | 21(2) | 24C31 | 4323380 | . | FAMULNH | 4323394 |
| 05B20 | 22(2) | 31C36 | 6631300 | . | OLD | 3651210 |
| 30A38 | 23(2) | 30B19 | 6845120 | . | PH1-A | 3651210 |
| 28B14 | 24(2) | 32B03 | 4324500 | . | FARWD | 3651210 |
| 31B05 | 25(2) | 30B42 | 6845301 | . | NPH3 | 6845297 |
| 31A34 | 26(2) | 30B43 | 6845201 | . | NPH2 | 6845297 |
| 32A26 | 27(2) | 30B37 | 6845601 | . | NPH6 | 6845297 |
| | 28(0) | | | | | |
| | 29(0) | | | | | |
| 24B06 | 30(2) | 29C42 | 5529060 | . | KRUN/1 | 5121100 |
| 31B10 | 31(2) | 26C31 | 5158101 | . | NIOSC | 5121100 |
| | 32(0) | | | | | |
| 31B02 | 33(1) | | 6845295 | B | NPH2/L | 6845297 |
| | 34(1) | 23A23 | 3651210 | B | (S/DIOWD) | 3651210 |
| | 35(1) | 24C01 | 5188200 | B | (IXAL.PRE2) | 5188200 |
| | 36(1) | 24C02 | 5110170 | B | (IA.PRE2) | 5110170 |
| 31A27 | 37(2) | 31B38 | 6902200 | . | PRE2 | 5110170 |
| 31B37 | 38(2) | 28C34 | 6902200 | . | PRE2 | 5188200 |
| 32B18 | 39(2) | 22B45 | 6902201 | . | NPRE2 | 6902265 |
| 30B23 | 40(2) | 32B30 | 6902100 | . | NPRE1 | 6902165 |
| 30B21 | 41(2) | 31B42 | 6902300 | . | NPRE3 | 6902165 |
| 31B41 | 42(2) | 32B31 | 6902300 | . | NPRE3 | 6902265 |
| 32A14 | 43(2) | 31C03 | 5188100 | . | IXAL | 5188200 |
| 06A17 | 44(2) | 27C44 | 5110120 | . | IA | 5110170 |
| | 45(1) | 09B02 | 6902265 | B | NPRE2/L | 6902265 |
| | 46(1) | 09B03 | 6902165 | B | NPRE1/L | 6902165 |
| | 47(0) | | | | | |
| | 48(0) | | | | | |
| 32B49 | 49(0) | 30B49 | 8300100 | | P4VB | 8300140 |
| | 50(0) | | | | | |
| 32B51 | 51(0) | 30B51 | 8302100 | | P8VB | 8302140 |

XDS 902306



DRAWING NO. - 133264-903 AC
 PROG-PNIND
 TYPE-PIN INDEX

64

MODULE-32B
 TYPE-BT11

10/27/71

| FROM | PIN (COUNT) | TO | SOURCE LINE NO. | ELEM. TYPE | SOURCE SIGNAL NAME | REFERENCE LINE NO. |
|-------|----------------|-------|--------------------|---------------|-----------------------|-----------------------|
| | 00(0) | | | | | |
| | 01(1) | 23C05 | 4324725 | B | (FAST.PH9) | 4324725 |
| | 02(1) | 12B46 | 4324520 | B | (FARWD.PH7) | 4324520 |
| 31B24 | 03(2) | 29C26 | 4324500 | . | FARWD | 4324520 |
| 29B34 | 04(1) | | 8065216 | . | TRACC2INH | 2089400 |
| 21A25 | 05(2) | 22B15 | 1270355 | . | B27/1 | 5130130 |
| 31C35 | 06(2) | 17B21 | 5134000 | . | INHWD | 5130130 |
| 01C34 | 07(2) | 31C15 | 1300336 | . | B30-1 | 5130130 |
| 26A18 | 08(2) | 17C11 | 2089360 | . | ADNH-1 | 2089400 |
| 30B41 | 09(2) | 23B11 | 6845755 | . | PH7-B | 4324520 |
| 32B38 | 10(2) | 32B22 | 4324700 | . | FAST-1 | 4324725 |
| 18C12 | 11(2) | 30B35 | 6845955 | . | PH9-B | 4324725 |
| | 12(1) | 02A15 | 5130130 | B | (S/11) | 5130130 |
| | 13(1) | 27A18 | 2089400 | B | (ADNH.TRACC2INH) | 2089400 |
| 18B11 | 14(2) | 22B14 | 4323356 | B | (FAMT.PH2.NRZ) | 4323356 |
| 10C11 | 15(1) | | 6902700 | B | NPREP | 6902700 |
| | 16(0) | | 4790232 | -GND | GND1232 | 4790232 |
| 30B40 | 17(1) | | 6902401 | . | NPRE4 | 6902700 |
| 31A28 | 18(2) | 31B39 | 6902201 | . | NPRE2 | 6902700 |
| | 19(0) | | | | | |
| 26C04 | 20(2) | 13B07 | 7471020 | . | NRZ | 4323356 |
| 32B25 | 21(2) | 30B45 | 6845255 | . | PH2-B | 4323356 |
| 32B10 | 22(2) | 28B37 | 4324700 | . | FAST-1 | 4324678 |
| 27B08 | 23(2) | 17C41 | 4152000 | . | ENDE | 4324678 |
| 23B28 | 24(2) | 11C06 | 4324674 | . | FASTABORT | 4324678 |
| 26B17 | 25(2) | 32B21 | 6845255 | . | PH2-B | 4323354 |
| 24A26 | 26(2) | 18B44 | 5138901 | . | NINTRAP | 4323354 |
| | 27(1) | 32B29 | 4323340 | . | FAMT | 4323354 |
| | 28(0) | | | | | |
| 32B27 | 29(2) | 28B39 | 4323340 | . | FAMT | 4323356 |
| 31B40 | 30(2) | 29B40 | 6902100 | . | NPRE1 | 6902700 |
| 31B42 | 31(2) | 31C33 | 6902300 | . | NPRE3 | 6902700 |
| | 32(0) | | | | | |
| | 33(1) | 13C39 | 4323354 | B | (FAMT.PH2.NINTRAP) | 4323354 |
| | 34(1) | 01C46 | 4324678 | B | (FASTABORT.ENDE) | 4324678 |
| | 35(1) | 26B15 | 4324722 | B | (FAST.PH4) | 4324722 |
| 20B30 | 36(2) | 29C45 | 5138120 | B | (N(INT.KRUN).NKAHOLD) | 5138120 |
| 02A03 | 37(1) | | 5343200 | . | NKAHOLD | 5138120 |
| 29B08 | 38(2) | 32B10 | 4324700 | . | FAST-1 | 4324722 |
| 29A05 | 39(2) | 24B08 | 5011101 | . | NHALT | 7421400 |
| 29B06 | 40(2) | 25B33 | 4324600 | . | FASEL | 4324630 |
| 28B08 | 41(2) | 30B44 | 6845355 | . | PH3-B | 4324630 |
| 29C05 | 42(2) | 28B15 | 5528000 | . | KRUN | 7421400 |
| 30B46 | 43(2) | 25B42 | 6845455 | . | PH4-B | 4324722 |
| | 44(0) | | | | | |
| | 45(1) | 15A31 | 7421400 | B | RUN/L-1 | 7421400 |
| | 46(1) | 22C06 | 4324630 | B | (FASEL.PH3) | 4324630 |
| | 47(0) | | | | | |
| | 48(0) | | | | | |
| | 49(0) | 31B49 | 8300100 | | P4VB | 8300140 |
| | 50(0) | | | | | |
| | 51(0) | 31B51 | 8302100 | | P8VB | 8302140 |

| FROM | PIN (COUNT) | TO | SOURCE LINE NO. | ELEM. TYPE | SOURCE SIGNAL NAME | REFERENCE LINE NO. |
|-------|----------------|-------|--------------------|---------------|--------------------|-----------------------|
| | 00(0) | | | | | |
| 13C46 | 01(1) | 32Q01 | 7430120 | C | N(S/RW) | 7430160 |
| 11B41 | 02(1) | 32Q02 | 3689332 | C | NDIOXD10 | 3689332 |
| 07B15 | 03(1) | 32Q03 | 3689395 | C | NDIOXS | 3689395 |
| 13C28 | 04(1) | 32Q04 | 8022252 | C | NTESTS/1 | 8022252 |
| 32Q05 | 05(1) | 28C14 | 7300900 | C | (R.CC) | 7300900 |
| 12C14 | 06(1) | 32Q06 | 4324714 | C | (FAST.PH1/E.SW6) | 4324714 |
| 32Q07 | 07(1) | 21A07 | 3107000 | C | CEINT | 3107000 |
| 12B28 | 08(1) | 32Q08 | 6047910 | C | MCZ | 6047910 |
| 32C18 | 09(1) | 32Q09 | 6047900 | C | NMCZ | 6047900 |
| 32Q10 | 10(1) | 16A37 | 5533010 | C | KSC-1 | 5533010 |
| 11B21 | 11(1) | 32Q11 | 5374430 | C | KDI-2 | 5374430 |
| 07A04 | 12(1) | 32Q12 | 3060201 | C | NCC2 | 3060201 |
| 32Q13 | 13(1) | 07B17 | 2500300 | C | NB1619Z | 2500300 |
| 32Q14 | 14(1) | 26B44 | 2001600 | C | (A16-K16) | 2001600 |
| 12C12 | 15(1) | 32Q15 | 2405350 | C | N(S/AXRR) | 2405350 |
| | 16(0) | | 4790301 | -GND | GND1301 | 4790301 |
| 10B12 | 17(1) | 32Q17 | 4320900 | C | FACOMP | 4320900 |
| 32Q18 | 18(1) | 24C38 | 7651000 | C | SGTZ | 7651000 |
| 17C46 | 19(1) | 32Q19 | 4321150 | C | (FAFL.NRW) | 4321150 |
| 23A17 | 20(1) | 32Q20 | 3202720 | C | CLEAR | 3202720 |
| 23C24 | 21(1) | 32Q21 | 3846015 | C | DRQ-1 | 3846013 |
| 32Q22 | 22(1) | 11B02 | 5415355 | C | KHOP-2 | 5415355 |
| 18A02 | 23(1) | 32Q23 | 2403350 | C | NAXLOAD | 2403350 |
| 32Q24 | 24(1) | 07B43 | 4392400 | C | NFPOPTION | 4392400 |
| 12B34 | 25(1) | 32Q25 | 3060401 | C | NCC4 | 3060401 |
| 21C33 | 26(1) | 32Q26 | 4413000 | C | NFSHEX | 4413005 |
| 25A06 | 27(1) | 32Q27 | 1286600 | C | TR28 | 1286600 |
| 25A02 | 28(1) | 32Q28 | 1296600 | C | TR29 | 1296600 |
| 25A04 | 29(1) | 32Q29 | 1306600 | C | TR30 | 1306600 |
| 25A14 | 30(1) | 32Q30 | 1316600 | C | TR31 | 1316600 |
| 07B28 | 31(1) | 32Q31 | 1231340 | C | D23-1 | 1231340 |
| | 32(0) | | | | | |
| 21B39 | 33(1) | 32Q33 | 1231350 | C | ND23-1 | 1231350 |
| 32Q34 | 34(1) | 32B07 | 1300336 | C | B30-1 | 1300336 |
| 32Q35 | 35(1) | 21A27 | 1310336 | C | B31-1 | 1310336 |
| 32Q36 | 36(1) | 20B01 | 6040600 | C | (MC=1) | 6040600 |
| 04C10 | 37(1) | 32Q37 | 4375131 | C | NFL3 | 4375131 |
| 07A13 | 38(1) | 32Q38 | 4421660 | C | FUMTSIGN | 4421660 |
| 32Q39 | 39(1) | 05C30 | 7860000 | C | START | 7860000 |
| 32Q40 | 40(1) | 27A44 | 1324919 | C | P32-1 | 1324919 |
| 32Q41 | 41(1) | 27A34 | 1334919 | C | P33-1 | 1334919 |
| 08C40 | 42(1) | 32Q42 | 6832225 | C | N(R/PEINT/2) | 6832225 |
| 21C08 | 43(1) | 32Q43 | 6196120 | C | (S/MRQ) | 6196120 |
| 23A04 | 44(1) | 32Q44 | 3651000 | C | NDIOFS | 3651000 |
| 19B35 | 45(1) | 32Q45 | 2403820 | C | NAXMC | 2403820 |
| 32B34 | 46(1) | 32Q46 | 4324678 | C | (FASTABORT.ENDE) | 4324678 |
| 29A19 | 47(1) | 32Q47 | 6910020 | C | PROBOVER/H | 6910020 |
| | 48(0) | | | | | |
| 02C49 | 49(0) | | 8300200 | -VSP | P4VC | 8300200 |
| 29A43 | 50(1) | 32Q50 | 1092590 | C | INT9 | 1092589 |
| 02C51 | 51(0) | | 8302200 | -VSP | P8VC | 8302240 |

XDS 902306



DRAWING NO. - 133264-903 AC
 PROG-PNIND MODULE-02C
 TYPE-PIN INDEX TYPE-IT16

66

10/27/71

| FROM | PIN (COUNT) | TO | SOURCE LINE NO. | ELEM. TYPE | SOURCE SIGNAL NAME | REFERENCE LINE NO. |
|-------|-------------|-------|-----------------|------------|--------------------|--------------------|
| | 00(0) | | | | | |
| 06B42 | 01(2) | 02C05 | 7892160 | . | NSWK6 | 7892150 |
| 13A24 | 02(1) | | 5539500 | . | KSTEP/B | 7892170 |
| 11B40 | 03(2) | 04C03 | 5528000 | . | KRUN | 7892160 |
| 06B44 | 04(2) | 02C25 | 7892080 | . | NSWK4 | 7892060 |
| 02C01 | 05(2) | 02C19 | 7892160 | I | NSWK6 | 7892170 |
| | 06(1) | 03C13 | 7892010 | I | SWK12 | 7892010 |
| 06B45 | 07(2) | 02C24 | 7892024 | . | NSWK2 | 7892010 |
| 06B46 | 08(2) | 02C30 | 7892002 | . | NSWK1 | 7892010 |
| 14A19 | 09(2) | 02C37 | 5539610 | . | KSTORK/B-1 | 7892140 |
| | 10(1) | 02C11 | 7892130 | I | NSWK5 | 7892140 |
| 02C10 | 11(2) | 02C13 | 7892130 | I | NSWK5 | 7892130 |
| 02C23 | 12(2) | 06B30 | 5375010 | . | KDISPLAK/B-1 | 7892130 |
| 02C11 | 13(2) | 06B43 | 7892130 | . | NSWK5 | 7892120 |
| | 14(0) | | | | | |
| | 15(1) | 18A10 | 7892120 | I | SWK5 | 7892120 |
| | 16(0) | | 4790302 | -GND | GND1302 | 4790302 |
| | 17(1) | 10A17 | 7892150 | I | SWK6 | 7892150 |
| 23B38 | 18(2) | 03C17 | 7892060 | I | SWK4 | 7892060 |
| 02C05 | 19(1) | | 7892160 | I | NSWK6 | 7892160 |
| | 20(0) | | | | | |
| 14A05 | 21(2) | 16C41 | 5415360 | . | KINCRE/B-1 | 7892080 |
| 02A05 | 22(1) | 17M47 | 5375050 | . | KDISPLAQ/B | 7892100 |
| 14A17 | 23(2) | 02C12 | 5375010 | . | KDISPLAK/B-1 | 7892090 |
| 02C07 | 24(2) | 02C34 | 7892024 | . | NSWK2 | 7892018 |
| 02C04 | 25(2) | 02C27 | 7892080 | I | NSWK4 | 7892090 |
| | 26(1) | 07B42 | 7892018 | I | SWK2 | 7892018 |
| 02C25 | 27(2) | 02C28 | 7892080 | I | NSWK4 | 7892100 |
| 02C27 | 28(1) | | 7892080 | I | NSWK4 | 7892080 |
| | 29(0) | | | | | |
| 02C08 | 30(2) | 02C44 | 7892002 | . | NSWK1 | 7892000 |
| 13A36 | 31(1) | | 5539700 | . | KSTORQ/B | 7892048 |
| | 32(0) | | | | | |
| | 33(0) | | | | | |
| 02C24 | 34(2) | 02C35 | 7892024 | I | NSWK2 | 7892028 |
| 02C34 | 35(1) | | 7892024 | I | NSWK2 | 7892024 |
| 02C47 | 36(2) | 02C38 | 7892048 | I | NSWK3 | 7892054 |
| 02C09 | 37(2) | 20A41 | 5539610 | . | KSTORK/B-1 | 7892054 |
| 02C36 | 38(2) | 09C42 | 7892048 | . | NSWK3 | 7892038 |
| 29C40 | 39(2) | 08C38 | 5426000 | . | KPSW1/B-1 | 7892024 |
| 08C44 | 40(2) | 20A46 | 5426010 | . | KPSW2/B-1 | 7892028 |
| | 41(1) | 23B42 | 7892038 | I | SWK3 | 7892038 |
| 18A03 | 42(2) | 16C40 | 5394004 | . | KFILL/B-1 | 7892004 |
| 24B11 | 43(2) | 03C43 | 3203100 | . | CLEARMEM | 7892002 |
| 02C30 | 44(2) | 02C45 | 7892002 | I | NSWK1 | 7892004 |
| 02C44 | 45(1) | | 7892002 | I | NSWK1 | 7892002 |
| | 46(1) | 23B15 | 7892000 | I | SWK1 | 7892000 |
| | 47(1) | 02C36 | 7892048 | I | NSWK3 | 7892048 |
| | 48(0) | | | | | |
| 03C49 | 49(0) | 01C49 | 8300200 | | P4VC | 8300200 |
| | 50(0) | | | | | |
| 03C51 | 51(0) | 01C51 | 8302200 | | P8VC | 8302200 |

XDS 902306

XDS
XEROX DATA SYSTEMS

DRAWING NO. - 133264-903 AC
PROG-PNIND
TYPE-PIN INDEX

MODULE-03C
TYPE-ZT45

67

10/27/71

| FROM | PIN (COUNT) | TO | SOURCE LINE NO. | ELEM. TYPE | SOURCE SIGNAL NAME | REFERENCE LINE NO. |
|-------|----------------|-------|--------------------|---------------|--------------------|-----------------------|
| | 00(0) | | | | | |
| 05A19 | 01(1) | 03D01 | 1034502 | C | NO3 | 1034502 |
| 16A26 | 02(1) | 03D02 | 3689200 | C | NDIOXB | 3689200 |
| 03D03 | 03(1) | 02A39 | 2020000 | C | (S/A9) | 2020000 |
| 14B09 | 04(1) | 03D04 | 5125140 | C | IFAMDS | 5125140 |
| 03D05 | 05(1) | 07A18 | 3533100 | C | DATAIN | 3533100 |
| 08C15 | 06(1) | 03D06 | 7343140 | C | RESET/A | 7343140 |
| 06B10 | 07(1) | 03D07 | 4323340 | C | FAMT | 4323340 |
| 14B47 | 08(1) | 03D08 | 4323380 | C | FAMULNH | 4323380 |
| 03D09 | 09(1) | 30C24 | 7891300 | C | SW12 | 7891300 |
| 03D10 | 10(1) | 12C08 | 1231340 | C | D23-1 | 1231340 |
| 03B10 | 11(1) | 03D11 | 4421590 | C | FUMMC-1 | 4421590 |
| 03D12 | 12(1) | 18C08 | 5156470 | C | (IOPHO.SW14) | 5156470 |
| 02C06 | 13(1) | 03D13 | 7892010 | C | SWK12 | 7892010 |
| 03D14 | 14(1) | 13B06 | 7339500 | C | RDXMF1 | 7339500 |
| 05C01 | 15(1) | 03D15 | 8132000 | C | VALST | 8132000 |
| | 16(0) | | 4790303 | -GND | GND1303 | 4790303 |
| 02C18 | 17(1) | 03D17 | 7892060 | C | SWK4 | 7892060 |
| 10C18 | 18(1) | 03D18 | 2285000 | C | ANLZ | 2285000 |
| 03D19 | 19(1) | 02A40 | 7500770 | C | S0809XP | 7500770 |
| 03D20 | 20(1) | 17B43 | 2579000 | C | BCZ | 2579000 |
| 03D21 | 21(1) | 14B01 | 4420530 | C | (FUA10.PH5) | 4420530 |
| 03D22 | 22(1) | 09A22 | 1024500 | C | O2 | 1024500 |
| 11B12 | 23(1) | 03D23 | 3651130 | C | D10EXIT | 3651130 |
| 13C01 | 24(1) | 03D24 | 5156755 | C | (IOPH3.SW11) | 5156755 |
| 14B35 | 25(1) | 03D25 | 5156800 | C | IOPH10 | 5156800 |
| 06C07 | 26(1) | 03D26 | 5158101 | C | NIOSC | 5158101 |
| 12C34 | 27(1) | 03D27 | 5153300 | C | N(S/10FM) | 5153300 |
| 29A17 | 28(1) | 03D28 | 6821600 | C | PCP6 | 6821600 |
| 03D29 | 29(1) | 18C09 | 3533500 | C | DATAOUT | 3533500 |
| 17B45 | 30(1) | 03D30 | 2285050 | C | (ANLZ.PH7) | 2285050 |
| 03D31 | 31(1) | 14B04 | 5150552 | C | IOBR9 | 5150552 |
| | 32(0) | | | | | |
| 03D33 | 33(1) | 21B39 | 1231350 | C | ND23-1 | 1231350 |
| 15A40 | 34(1) | 03D34 | 5362130 | C | NKCLRPSW/B | 5362130 |
| 05C40 | 35(1) | 03D35 | 7410800 | C | RSCLN | 7410800 |
| 18C07 | 36(1) | 03D36 | 8065400 | C | TRAP | 8065400 |
| 04C40 | 37(1) | 03D37 | 5156567 | C | (IOPH1.SW13)-F | 5156567 |
| 05C38 | 38(1) | 03D38 | 2285060 | C | (ANLZ.PRE3) | 2285060 |
| 17B35 | 39(1) | 03D39 | 6902450 | C | (PRE4.BCZ) | 6902450 |
| 13B46 | 40(1) | 03D40 | 6104900 | C | MIT | 6104900 |
| 12B24 | 41(1) | 03D41 | 7627100 | C | SFT | 7627100 |
| 24A14 | 42(1) | 03D42 | 6832200 | C | PEINT | 6832200 |
| 02C43 | 43(1) | 03D43 | 3203100 | C | CLEARMEM | 3203100 |
| 03D44 | 44(1) | 10C04 | 5156467 | C | (IOPHO.SW13)-F | 5156467 |
| 03D45 | 45(1) | 05B17 | 6640000 | C | OLDMEM | 6640000 |
| 10B25 | 46(1) | 03D46 | 1064520 | C | O6-1 | 1064520 |
| 08B47 | 47(1) | 03D47 | 4320540 | C | FABYTE | 4320540 |
| | 48(0) | | | | | |
| 04C49 | 49(0) | 02C49 | 8300200 | | P4VC | 8300200 |
| | 50(0) | | | | | |
| 04C51 | 51(0) | 02C51 | 8302200 | | P8VC | 8302200 |

XDS 902306

XDS
XEROX DATA SYSTEMS

DRAWING NO.- 133264-903 AC
PROG-PNIND MODULE-04C
TYPE-PIN INDEX TYPE-LT21

68

10/27/71

| FROM | PIN (COUNT) | TO | SOURCE LINE NO. | ELEM. TYPE | SOURCE SIGNAL NAME | REFERENCE LINE NO. |
|-------|----------------|-------|--------------------|---------------|----------------------|-----------------------|
| | 00(0) | | | | | |
| 02A23 | 01(1) | | 2000500 | . | 1KC | 2371500 |
| 07C02 | 02(2) | 02A11 | 2240100 | . | ALARM | 2371500 |
| 02C03 | 03(2) | 29C05 | 5528000 | . | KRUN | 2371500 |
| | 04(0) | | | | | |
| 14C03 | 05(2) | 04C11 | 4321000 | . | FADIV | 7900022 |
| 29C01 | 06(2) | 07C20 | 6845390 | . | (PH3+PH4) | 7900020 |
| 13B40 | 07(2) | 09C29 | 4421220 | . | (FUDW.NR31+FUSF.D23) | 7900020 |
| 04B17 | 08(2) | 13C21 | 4425500 | . | FUSF | 7900024 |
| 09C09 | 09(2) | 13B11 | 6845955 | . | PH9-B | 7900024 |
| 31C06 | 10(2) | 01C37 | 4375131 | . | NFL3 | 7900024 |
| 04C05 | 11(2) | 11C18 | 4321000 | . | FADIV | 7900022 |
| 12B37 | 12(2) | 09C11 | 6845755 | . | PH7-B | 7900022 |
| 12C41 | 13(2) | 09C12 | 6845355 | . | PH3-B | 7900022 |
| | 14(1) | 02A29 | 2371500 | B | AUDIO | 2371500 |
| 07C15 | 15(1) | | 2240101 | . | NALARM | 2371500 |
| | 16(1) | 04C18 | 4790304 | -GND | GND1304 | 4790304 |
| 23C27 | 17(1) | | 6227000 | . | MUSIC | 2371500 |
| 04C16 | 18(1) | | 4790304 | . | GND1304 | 7900024 |
| | 19(0) | | | | | |
| | 20(0) | | | | | |
| | 21(0) | | | | | |
| | 22(1) | 15C07 | 7900020 | B | (S/SX/FL1) | 7900020 |
| | 23(1) | 01A04 | 7335800 | B | RDC31 | 7335800 |
| 15B04 | 24(2) | 11C43 | 4324870 | . | (FAST/M.PRE3.NOUD) | 7335800 |
| | 25(0) | | | | | |
| 08C10 | 26(2) | 04C44 | 6720000 | . | OU0 | 7335800 |
| 13B20 | 27(2) | 04C46 | 4324820 | . | (FAST/L.PH6) | 7335800 |
| 03B30 | 28(2) | 09B38 | 6631000 | . | OLA | 7335800 |
| | 29(0) | | | | | |
| | 30(1) | 01A07 | 7421000 | B | RUC31 | 7421000 |
| 11A25 | 31(2) | 04C35 | 6720010 | . | NOUD | 7421000 |
| | 32(0) | | | | | |
| | 33(0) | | | | | |
| 10B19 | 34(2) | 04C36 | 5152070 | . | (NIOEN+IOB0) | 7335802 |
| 04C31 | 35(2) | 21C28 | 6720010 | . | NOUD | 7335804 |
| 04C34 | 36(2) | 04C41 | 5152070 | . | (NIOEN+IOB0) | 7335804 |
| 22B39 | 37(2) | 15C43 | 5125340 | . | IFAST/S | 7335802 |
| 06C06 | 38(2) | 04C40 | 5156567 | . | (IOPH1.SW13)-F | 7335802 |
| 10A22 | 39(2) | 04C43 | 5125320 | . | IFAST/L | 7335804 |
| 04C38 | 40(2) | 03C37 | 5156567 | . | (IOPH1.SW13)-F | 7335804 |
| 04C36 | 41(2) | 06C39 | 5152070 | . | (NIOEN+IOB0) | 7421004 |
| 23B47 | 42(2) | 16C14 | 4324940 | . | (FAST/S.PH6) | 7421002 |
| 04C39 | 43(2) | 21B27 | 5125320 | . | IFAST/L | 7421004 |
| 04C26 | 44(2) | 07C44 | 6720000 | . | OU0 | 7421004 |
| | 45(0) | | | | | |
| 04C27 | 46(2) | 11C39 | 4324820 | . | (FAST/L.PH6) | 7421000 |
| 03B25 | 47(2) | 21B04 | 4324800 | . | FAST/L | 7421000 |
| | 48(0) | | | | | |
| 05C49 | 49(0) | 03C49 | 8300200 | . | P4VC | 8300200 |
| 14B07 | 50(2) | 09C50 | 6845555 | . | PH5-B | 7421000 |
| 05C51 | 51(0) | 03C51 | 8302200 | . | P8VC | 8302200 |

XDS 902306

XDS
XEROX DATA SYSTEMS

DRAWING NO. - 133264-903 AC
PROG-PNIND MODULE-05C
TYPE-PIN INDEX TYPE-IT16

69
10/27/71

| FROM | PIN (COUNT) | TO | SOURCE LINE NO. | ELEM. TYPE | SOURCE SIGNAL NAME | REFERENCE LINE NO. |
|-------|----------------|-------|--------------------|---------------|--------------------|-----------------------|
| | 00(0) | | | | | |
| 15B39 | 01(2) | 03C15 | 8132000 | . | VALST | 8132010 |
| 12B22 | 02(2) | 02A46 | 6910000 | . | NPROBOVER | 6909950 |
| 14B42 | 03(2) | 13C07 | 6902150 | . | PRE/12 | 6902155 |
| 06C14 | 04(2) | 23A15 | 7343170 | . | RESET/A-1 | 7343150 |
| | 05(1) | 29A08 | 6909950 | I | PROBOVER | 6909950 |
| | 06(1) | 09B22 | 6821620 | I | PCPACT | 6821620 |
| 17A20 | 07(2) | 15C15 | 6821301 | . | NPCP3 | 6821620 |
| 18A24 | 08(1) | | 6821101 | . | NPCP1 | 6821620 |
| 12C04 | 09(2) | 07B27 | 1316202 | . | NR31 | 1316215 |
| | 10(1) | 07B07 | 1316215 | I | R31-1 | 1316215 |
| | 11(1) | 26C18 | 5138940 | I | N(S/INTRAP) | 5138940 |
| 19A04 | 12(2) | 08B03 | 5138930 | . | (S/INTRAP) | 5138940 |
| 05C28 | 13(2) | 20B07 | 7343000 | . | RESET | 3202704 |
| 05C36 | 14(2) | 06C47 | 6821454 | . | NPCP4/LP | 6821620 |
| | 15(1) | 06C12 | 3202700 | I | NCLEAR | 3202704 |
| | 16(0) | | 4790305 | -GND | GND1305 | 4790305 |
| 06C38 | 17(1) | | 8132010 | I | NVALST | 8132010 |
| | 18(1) | 07C19 | 7343150 | I | NRESET/A-1 | 7343150 |
| | 19(1) | 18A38 | 6902155 | I | NPRE/12 | 6902155 |
| | 20(0) | | | | | |
| 06C21 | 21(2) | 06C24 | 7343100 | . | NRESET | 7343000 |
| 13A06 | 22(1) | | 5543200 | . | NKYSR | 5543190 |
| 14A35 | 23(2) | 06C26 | 5366010 | . | KCPURESET-1 | 5366020 |
| 14A41 | 24(2) | 16C22 | 5366120 | . | NKCPURESET/B-1 | 5366110 |
| | 25(1) | 06C09 | 5366020 | I | NKCPURESET-1 | 5366020 |
| | 26(1) | 17A26 | 5366110 | I | KCPURESET/B-1 | 5366110 |
| 06C04 | 27(1) | | 5543190 | I | KYSR | 5543190 |
| | 28(1) | 05C13 | 7343000 | I | RESET | 7343000 |
| | 29(0) | | | | | |
| 01C39 | 30(2) | 09B39 | 7860000 | . | START | 5011256 |
| 10B33 | 31(2) | 09C21 | 4324355 | . | NFAPSD | 4324353 |
| | 32(0) | | | | | |
| | 33(0) | | | | | |
| | 34(1) | 07A17 | 7410810 | I | NRSCLEN-1 | 7410810 |
| 05B06 | 35(2) | 11C26 | 4323100 | I | FALOAD | 4323102 |
| | 36(1) | 05C14 | 6821454 | I | NPCP4/LP | 6821454 |
| 15A22 | 37(2) | 06C50 | 6821450 | . | PCP4/LP | 6821454 |
| 24C03 | 38(2) | 03C38 | 2285060 | . | (ANLZ.PRE3) | 2285070 |
| 09B46 | 39(2) | 10B47 | 4323105 | . | NFALOAD/1 | 4323102 |
| 08C50 | 40(2) | 03C35 | 7410800 | . | RSCLN | 7410810 |
| | 41(1) | 29C43 | 2285070 | I | N(ANLZ.PRE3) | 2285070 |
| 10B42 | 42(2) | 07C26 | 4324730 | . | NFAST/A | 4324727 |
| 01A11 | 43(2) | 09C45 | 1071340 | . | D7-1 | 1071342 |
| | 44(1) | 10C28 | 4324727 | I | FAST/A-1 | 4324727 |
| | 45(1) | 32C07 | 1071342 | I | ND7-1 | 1071342 |
| | 46(1) | 18B13 | 5011250 | I | N(S/HALT) | 5011256 |
| | 47(1) | 11C36 | 4324353 | I | FAPSD-1 | 4324353 |
| | 48(0) | | | | | |
| 06C49 | 49(0) | 04C49 | 8300200 | . | P4VC | 8300200 |
| | 50(0) | | | | | |
| 06C51 | 51(0) | 04C51 | 8302200 | . | P8VC | 8302200 |

XDS 902306

XDS
XEROX DATA SYSTEMS

DRAWING NO.- 133264-903 AC
PROG-PNIND MODULE-06C
TYPE-PIN INDEX TYPE-IT25

70

10/27/71

| FROM | PIN (COUNT) | TO | SOURCE LINE NO. | ELEM. TYPE | SOURCE SIGNAL NAME | REFERENCE LINE NO. |
|-------|----------------|-------|--------------------|---------------|--------------------|-----------------------|
| | 00(0) | | | | | |
| | 01(1) | 10B09 | 4420930 | I | N(FUAWM.PRE3) | 4420930 |
| | 02(1) | 06C30 | 7328000 | I | NRCPUIOCON | 7328000 |
| 16C06 | 03(2) | 09C07 | 5150554 | . | IOCON | 7328000 |
| 22B23 | 04(2) | 05C27 | 5543190 | . | KSYSR | 7987100 |
| 17A19 | 05(2) | 06C31 | 6821200 | . | PCP2 | 3202706 |
| 06C42 | 06(2) | 04C38 | 5156567 | . | (IOPH1.SW13)-F | 3202706 |
| 26C31 | 07(2) | 03C26 | 5158101 | . | NIOSC | 3202706 |
| 18B40 | 08(2) | 06C25 | 7343200 | . | RESET/B | 7987100 |
| 05C25 | 09(2) | 29B31 | 5366020 | . | NKCPURESET-1 | 7328000 |
| 13B41 | 10(2) | 14C06 | 6902316 | . | PRE3-B | 4420930 |
| 12B06 | 11(2) | 10C47 | 4420900 | . | FUAWM | 4420930 |
| 05C15 | 12(2) | 08B19 | 3202700 | I | NCLEAR | 3202706 |
| 09B35 | 13(2) | 06C41 | 7987100 | I | NSYSR | 7987100 |
| | 14(1) | 05C04 | 7343170 | I | RESET/A-1 | 7343170 |
| | 15(1) | 06C40 | 7343350 | I | NRESIO | 7343350 |
| | 16(0) | | 4790306 | -GND | GND1306 | 4790306 |
| 14A36 | 17(1) | | 5345210 | . | NKAS/B-1 | 7343350 |
| 02A01 | 18(1) | | 5425400 | . | KIORESET | 7343350 |
| 15C45 | 19(2) | 08C17 | 5156568 | . | N(IOPH1.SW13) | 7343170 |
| 06C23 | 20(1) | | 7343257 | . | NRESETIO | 7343170 |
| 09B08 | 21(2) | 05C21 | 7343100 | . | NRESET | 7343170 |
| 06C29 | 22(2) | 09B01 | 3202700 | . | NCLEAR | 5159825 |
| 18B46 | 23(2) | 06C20 | 7343257 | . | NRESETIO | 5159825 |
| 05C21 | 24(2) | 08C30 | 7343100 | . | NRESET | 5159825 |
| 06C08 | 25(1) | | 7343200 | . | RESET/B | 7343104 |
| 05C23 | 26(2) | 29B33 | 5366010 | . | KCPURESET-1 | 7343104 |
| 10B31 | 27(2) | 07C27 | 5150650 | . | NIOCON | 7343104 |
| 06C45 | 28(2) | 09C27 | 7343370 | . | NRESIPH10 | 5159825 |
| 08C31 | 29(2) | 06C22 | 3202700 | . | NCLEAR | 7343170 |
| 06C02 | 30(2) | 09C30 | 7328000 | . | NRCPUIOCON | 7343350 |
| 06C05 | 31(1) | | 6821200 | . | PCP2 | 7343350 |
| | 32(0) | | | | | |
| | 33(1) | 19B21 | 7343100 | I | NRESET | 7343104 |
| | 34(1) | 31C45 | 5159825 | I | (R/IPH10/1) | 5159825 |
| | 35(1) | 21B33 | 8132100 | I | N(NVALST.SW13) | 8132100 |
| 06B24 | 36(2) | 09B24 | 2841050 | I | N(S/BRP) | 2841062 |
| 13C29 | 37(2) | 11C29 | 4152000 | . | ENDE | 2841062 |
| 24B33 | 38(2) | 05C17 | 8132010 | . | NVALST | 8132100 |
| 04C41 | 39(2) | 07C37 | 5152070 | . | (NIOEN+IOB0) | 7343370 |
| 06C15 | 40(2) | 17A04 | 7343350 | . | NRESIO | 7343255 |
| 06C13 | 41(2) | 17A08 | 7987100 | . | NSYSR | 7343255 |
| 10B29 | 42(2) | 06C06 | 5156567 | . | (IOPH1.SW13)-F | 7343370 |
| 24B36 | 43(2) | 09C43 | 7891400 | . | SW13 | 8132100 |
| 08A12 | 44(2) | 16A21 | 4320500 | . | FABRANCH | 2841062 |
| | 45(1) | 06C28 | 7343370 | I | NRESIPH10 | 7343370 |
| | 46(1) | 11A12 | 7343255 | I | RESETIO | 7343255 |
| 05C14 | 47(1) | | 6821454 | T | NPCP4/LP | 6821454 |
| | 48(0) | | | | | |
| 07C49 | 49(0) | 05C49 | 8300200 | | P4VC | 8300200 |
| 05C37 | 50(1) | | 6821450 | T | PCP4/LP | 6821450 |
| 07C51 | 51(0) | 05C51 | 8302200 | | P8VC | 8302200 |

XDS 902306

XDS
XEROX DATA SYSTEMS

DRAWING NO.- 133264-903 AC
PROG-PNIND
TYPE-PIN INDEX

MODULE-07C
TYPE-ZT45

71

10/27/71

| FROM | PIN (COUNT) | TO | SOURCE LINE NO. | ELEM. TYPE | SOURCE SIGNAL NAME | REFERENCE LINE NO. |
|-------|----------------|-------|--------------------|---------------|--------------------|-----------------------|
| | 00(0) | | | | | |
| 02A22 | 01(1) | 07D01 | 2000570 | C | 2MC | 2000570 |
| 07D02 | 02(1) | 04C02 | 2240100 | C | ALARM | 2240100 |
| 15A09 | 03(1) | 07D03 | 5541600 | C | KSXC | 5541600 |
| 08C02 | 04(1) | 07D04 | 6691140 | C | (ORDEROUT+SW4) | 6691140 |
| 28B34 | 05(1) | 07D05 | 4321130 | C | (FADW/1.PH2) | 4321130 |
| 10A07 | 06(1) | 07D06 | 4322920 | C | (FAIO.PH9) | 4322920 |
| 10A06 | 07(1) | 07D07 | 4322580 | C | (FAIO/1.PH5) | 4322580 |
| 03B11 | 08(1) | 07D08 | 4323135 | C | FALOAD/A-1 | 4323135 |
| 14B08 | 09(1) | 07D09 | 6902480 | C | PREIO | 6902480 |
| 11B02 | 10(1) | 07D10 | 5415355 | C | KHOP-2 | 5415355 |
| 12C30 | 11(1) | 07D11 | 4324702 | C | FAST-2 | 4324702 |
| 30C34 | 12(1) | 07D12 | 6845165 | C | PH1/D | 6845165 |
| 24B19 | 13(1) | 07D13 | 6845199 | C | PH10-E | 6845199 |
| 07D14 | 14(1) | 07A31 | 6803216 | C | (NP32.NP33) | 6803216 |
| 07D15 | 15(1) | 04C15 | 2240101 | C | NALARM | 2240101 |
| | 16(0) | | 4790307 | -GND | GND1307 | 4790307 |
| 17A24 | 17(1) | 07D17 | 6821220 | C | PCP2/1 | 6821220 |
| 08C43 | 18(1) | 07D18 | 6821300 | C | PCP3 | 6821300 |
| 05C18 | 19(1) | 07D19 | 7343150 | C | NRESET/A-1 | 7343150 |
| 04C06 | 20(1) | 07D20 | 6845390 | C | (PH3+PH4) | 6845390 |
| 12C03 | 21(1) | 07D21 | 4322500 | C | (FAIO.PH5) | 4322500 |
| 09B14 | 22(1) | 07D22 | 6927010 | C | N(PSW1XS) | 6927010 |
| 19A34 | 23(1) | 07D23 | 6927100 | C | PSW2XS | 6927100 |
| 03B28 | 24(1) | 07D24 | 4421800 | C | FUPSW | 4421800 |
| 03B27 | 25(1) | 07D25 | 4422000 | C | FUPLW | 4422000 |
| 05C42 | 26(1) | 07D26 | 4324730 | C | NFAST/A | 4324730 |
| 06C27 | 27(1) | 07D27 | 5150650 | C | NIOCON | 5150650 |
| 07D28 | 28(1) | 32C05 | 3533150 | C | (DATAIN.NSW4) | 3533150 |
| 07D29 | 29(1) | 15B33 | 7890401 | C | NSW3 | 7890401 |
| 08C29 | 30(1) | 07D30 | 4321987 | C | NFAIM | 4321987 |
| 12B41 | 31(1) | 07D31 | 4425600 | C | (FUSF.D23) | 4425600 |
| | 32(0) | | | | | |
| 10B39 | 33(1) | 07D33 | 4324750 | C | NFAST/B | 4324750 |
| 10C01 | 34(1) | 07D34 | 5156475 | C | (IOPH0.SW15) | 5156475 |
| 27B04 | 35(1) | 07D35 | 4421250 | C | FUEXU | 4421250 |
| 08B36 | 36(1) | 07D36 | 4321170 | C | FAHW | 4321170 |
| 06C39 | 37(1) | 07D37 | 5152070 | C | (NIOEN+IOB0) | 5152070 |
| 14A11 | 38(1) | 07D38 | 4321137 | C | FAFL-1 | 4321137 |
| 28C34 | 39(1) | 07D39 | 6902200 | C | PRE2 | 6902200 |
| 10C40 | 40(1) | 07D40 | 6845855 | C | PH8-B | 6845855 |
| 08C21 | 41(1) | 07D41 | 6902140 | C | PRE1-A | 6902140 |
| 24C34 | 42(1) | 07D42 | 4421210 | C | (FUDW.NR31.NB31) | 4421210 |
| 03B18 | 43(1) | 07D43 | 4425700 | C | FUSIO | 4425700 |
| 04C44 | 44(1) | 07D44 | 6720000 | C | OU0 | 6720000 |
| 06B14 | 45(1) | 07D45 | 6651010 | C | N(OM.OL6) | 6651010 |
| 11A12 | 46(1) | 07D46 | 7343255 | C | RESETIO | 7343255 |
| 11A03 | 47(1) | 07D47 | 6720500 | C | OU5 | 6720500 |
| | 48(0) | | | | | |
| 08C49 | 49(0) | 06C49 | 8300200 | | P4VC | 8300200 |
| 03B20 | 50(1) | 07D50 | 6720400 | C | OU4 | 6720400 |
| 08C51 | 51(0) | 06C51 | 8302200 | | P8VC | 8302200 |

XDS 902306

XDS
XEROX DATA SYSTEMS

DRAWING NO.- 133264-903 AC
PROG-PNIND
TYPE-PIN INDEX

MODULE-08C
TYPE-IT25

72

10/27/71

| FROM | PIN (COUNT) | TO | SOURCE LINE NO. | ELEM. TYPE | SOURCE SIGNAL NAME | REFERENCE LINE NO. |
|-------|----------------|-------|--------------------|---------------|--------------------|-----------------------|
| | 00(0) | | | | | |
| | 01(1) | 07A40 | 4421750 | I | NFUPSM | 4421750 |
| | 02(1) | 07C04 | 6691140 | I | (ORDEROUT+SW4) | 6691140 |
| 08C13 | 03(2) | 09C02 | 6691110 | . | NORDEROUT | 6691140 |
| 17C09 | 04(2) | 11C22 | 7890190 | . | SW1 | 6691110 |
| 12C22 | 05(2) | 09C05 | 7430400 | . | N(S/RW/4) | 1082655 |
| 17A18 | 06(2) | 09C06 | 2405400 | . | N(S/AXRR/4) | 1082655 |
| | 07(0) | | | | | |
| 09C10 | 08(2) | 14C23 | 7890300 | . | SW2 | 6691110 |
| 31C43 | 09(2) | 01A44 | 7890501 | . | NSW4 | 6691140 |
| 18C34 | 10(2) | 04C26 | 6720000 | . | OU0 | 4421750 |
| 03B37 | 11(2) | 11C14 | 6631100 | . | OLB | 4421750 |
| | 12(1) | 01A47 | 1082655 | I | (S/IOFR8) | 1082655 |
| | 13(1) | 08C03 | 6691110 | I | NORDEROUT | 6691110 |
| 10B14 | 14(2) | 03B13 | 6196300 | I | N(S/MRQ/2) | 6196326 |
| | 15(1) | 03C06 | 7343140 | I | RESET/A | 7343140 |
| | 16(0) | | 4790308 | -GND | GND1308 | 4790308 |
| 06C19 | 17(2) | 09C35 | 5156568 | . | N(1OPH1.SW13) | 7343140 |
| 11A11 | 18(2) | 20A24 | 7343160 | . | (NRESETIO.NFAST) | 7343140 |
| | 19(0) | | | | | |
| 01A36 | 20(2) | 28C08 | 1000510 | . | CO-1 | 6196326 |
| 18B15 | 21(2) | 07C41 | 6902140 | . | PRE1-A | 6196326 |
| 29A30 | 22(1) | | 2560000 | . | BC0 | 2562020 |
| 22C41 | 23(2) | 09C23 | 2560051 | . | NBC1 | 2562020 |
| 20C10 | 24(2) | 27A29 | 2562050 | . | BCDC1 | 2562020 |
| 12C25 | 25(2) | 09C24 | 7430300 | . | N(S/RW/3) | 1092655 |
| 17A30 | 26(2) | 09C26 | 2405390 | . | N(S/AXRR/3) | 1092655 |
| 12A11 | 27(2) | 17A17 | 2405420 | . | N(S/AXRR/6) | 1092655 |
| | 28(0) | | | | | |
| 08B42 | 29(2) | 07C30 | 4321987 | . | NFAIM | 6196326 |
| 06C24 | 30(2) | 08C41 | 7343100 | . | NRESET | 7343140 |
| 27B46 | 31(2) | 06C29 | 3202700 | . | NCLEAR | 7343140 |
| | 32(0) | | | | | |
| | 33(1) | 01A46 | 1092655 | I | (S/IOFR9) | 1092655 |
| | 34(1) | 19B27 | 2562020 | I | NBCDC0 | 2562020 |
| 19B45 | 35(2) | 01A33 | 2404484 | I | NAXPSW1 | 2404486 |
| 20C25 | 36(2) | 01A38 | 2404494 | I | NAXPSW2 | 2404496 |
| 18C46 | 37(2) | 08C43 | 6821300 | . | PCP3 | 2404496 |
| 02C39 | 38(2) | 16C42 | 5426000 | . | KPSW1/B-1 | 2404486 |
| 11B31 | 39(2) | 09A46 | 6047710 | . | NMCXS | 6041200 |
| 09C04 | 40(2) | 01C42 | 6832225 | . | N(R/PEINT/2) | 6832220 |
| 08C30 | 41(2) | 09C41 | 7343100 | . | NRESET | 6832220 |
| 32A36 | 42(2) | 26C26 | 3202710 | . | NCLEAR-1 | 6041200 |
| 08C37 | 43(2) | 07C18 | 6821300 | . | PCP3 | 2404486 |
| 29C09 | 44(2) | 02C40 | 5426010 | . | KPSW2/B-1 | 2404496 |
| | 45(1) | 02A50 | 6041200 | I | MCX | 6041200 |
| | 46(1) | 24A15 | 6832220 | I | (R/PEINT) | 6832220 |
| 07A17 | 47(1) | | 7410810 | T | NRSCLEN-1 | 7410810 |
| | 48(0) | | | | | |
| 09C49 | 49(0) | 07C49 | 8300200 | . | P4VC | 8300200 |
| | 50(1) | 05C40 | 7410800 | T | RSCLN | 7410800 |
| 09C51 | 51(0) | 07C51 | 8302200 | . | P8VC | 8302200 |

| FROM | PIN (COUNT) | TO | SOURCE LINE NO. | ELEM. TYPE | SOURCE SIGNAL NAME | REFERENCE LINE NO. |
|-------|----------------|-------|--------------------|---------------|----------------------|-----------------------|
| | 00(0) | | | | | |
| 10B07 | 01(1) | | 4320950 | T | NFACOMP/L | 4320950 |
| 08C03 | 02(1) | | 6691110 | T | NORDEROUT | 6691110 |
| 13C03 | 03(1) | | 1306630 | T | N(S/TR30) | 1306630 |
| | 04(1) | 08C40 | 6832225 | T | N(R/PEINT/2) | 6832225 |
| 08C05 | 05(1) | | 7430400 | T | N(S/RW/4) | 7430400 |
| 08C06 | 06(1) | | 2405400 | T | N(S/AXRR/4) | 2405400 |
| 06C03 | 07(1) | | 5150554 | T | IOCON | 5150554 |
| 17B08 | 08(1) | | 7869110 | T | NSTRAP | 7869110 |
| | 09(1) | 04C09 | 6845955 | T | PH9-B | 6845955 |
| | 10(1) | 08C08 | 7890300 | T | SW2 | 7890300 |
| 04C12 | 11(1) | | 6845755 | T | PH7-B | 6845755 |
| 04C13 | 12(1) | | 6845355 | T | PH3-B | 6845355 |
| | 13(0) | | | | | |
| | 14(1) | 10B38 | 6902700 | T | NPREP | 6902700 |
| | 15(1) | 13C02 | 5152700 | T | IOENIN | 5152700 |
| | 16(0) | | 4790309 | -GND | GND1309 | 4790309 |
| 07B46 | 17(1) | | 4323390 | T | NFAMULNH | 4323390 |
| | 18(1) | 17C18 | 7890701 | T | NSW6 | 7890701 |
| 14C19 | 19(1) | | 7890900 | T | SW8 | 7890900 |
| 07B35 | 20(1) | | 4323398 | T | NFANIMP | 4323398 |
| 05C31 | 21(1) | | 4324355 | T | NFAPSD | 4324355 |
| | 22(1) | 14C22 | 4322480 | T | (FA10/1.PH4) | 4322480 |
| 08C23 | 23(1) | | 2560051 | T | NBC1 | 2560051 |
| 08C25 | 24(1) | | 7430300 | T | N(S/RW/3) | 7430300 |
| 12C26 | 25(1) | | 7430200 | T | N(S/RW/2) | 7430200 |
| 08C26 | 26(1) | | 2405390 | T | N(S/AXRR/3) | 2405390 |
| 06C28 | 27(1) | | 7343370 | T | NRESIPH10 | 7343370 |
| 12C28 | 28(1) | | 2405380 | T | N(S/AXRR/2) | 2405380 |
| 04C07 | 29(1) | | 4421220 | T | (FUDW.NR31+FUSF.D23) | 4421220 |
| 06C30 | 30(1) | | 7328000 | T | NRCPU10CON | 7328000 |
| 28C20 | 31(1) | | 6845128 | T | PH1-E | 6845128 |
| | 32(0) | | | | | |
| | 33(1) | 10C33 | 6845198 | T | (PH1+PH3) | 6845198 |
| 04B34 | 34(1) | | 4324620 | T | NFASEL/1 | 4324620 |
| 08C17 | 35(1) | | 5156568 | T | N(IOPH1.SW13) | 5156568 |
| 10C36 | 36(1) | | 6902318 | T | PRE3-C | 6902318 |
| 08B14 | 37(1) | | 4325045 | T | NFASTORE/3 | 4325045 |
| 13C38 | 38(1) | | 1316630 | T | N(S/TR31) | 1316630 |
| 17C44 | 39(2) | 14C26 | 6733075 | T | OVERIND | 6733075 |
| 14C18 | 40(2) | 17C40 | 2260000 | T | AM | 2260000 |
| 08C41 | 41(1) | | 7343100 | T | NRESET | 7343100 |
| 02C38 | 42(1) | | 7892048 | T | NSWK3 | 7892048 |
| 06C43 | 43(1) | | 7891400 | T | SW13 | 7891400 |
| 10B46 | 44(1) | | 4325120 | T | NFASUB/1 | 4325120 |
| 05C43 | 45(1) | | 1071340 | T | D7-1 | 1071340 |
| 09A03 | 46(1) | | 4325160 | T | NFAW | 4325160 |
| 07A39 | 47(2) | 10B42 | 4324730 | T | NFAST/A | 4324730 |
| | 48(0) | | | | | |
| 10C49 | 49(0) | 08C49 | 8300200 | | P4VC | 8300210 |
| 04C50 | 50(1) | | 6845555 | T | PH5-B | 6845555 |
| 10C51 | 51(0) | 08C51 | 8302200 | | P8VC | 8302210 |

XDS 902306

XDS
XEROX DATA SYSTEMS

DRAWING NO.- 133264-903 AC
PROG-PNIND MODULE-10C
TYPE-PIN INDEX TYPE-IT20

74

10/27/71

| FROM | PIN (COUNT) | TO | SOURCE LINE NO. | ELEM. TYPE | SOURCE SIGNAL NAME | REFERENCE LINE NO. |
|-------|----------------|-------|--------------------|---------------|--------------------|-----------------------|
| | 00(0) | | | | | |
| 18C18 | 01(2) | 07C34 | 5156475 | . | (IOPH0.SW15) | 8010860 |
| 08B17 | 02(2) | 10C20 | 4320910 | . | FACOMP/1 | 8010864 |
| | 03(0) | | | | | |
| 03C44 | 04(2) | 07A30 | 5156467 | . | (IOPH0.SW13)-F | 8010860 |
| | 05(1) | 10C16 | 4790310 | . | GND1310 | 8010862 |
| 13B45 | 06(2) | 11C38 | 4324630 | . | (FASEL.PH3) | 8010150 |
| 11A30 | 07(2) | 12C43 | 6630500 | . | OL5 | 8010150 |
| 13C40 | 08(2) | 11C35 | 4323394 | . | (FAMULNH.PH7) | 8010858 |
| | 09(0) | | | | | |
| 08A26 | 10(2) | 16A24 | 4324500 | . | FARWD | 8010858 |
| 10B37 | 11(2) | 32B15 | 6902700 | . | NPREP | 8010858 |
| 12B45 | 12(2) | 10C21 | 6902370 | . | (PRE/34+PH2) | 8010152 |
| 25C08 | 13(2) | 10C26 | 6845122 | . | PH1-B | 8010862 |
| 30C41 | 14(2) | 11C19 | 6845155 | . | PH1/B | 8010154 |
| 14A40 | 15(2) | 10C30 | 4324700 | . | FAST-1 | 8010150 |
| 10C05 | 16(1) | | 4790310 | -GND | GND1310 | 4790310 |
| 08B45 | 17(2) | 22C11 | 4320940 | . | FACOMP/L | 8010152 |
| 12B38 | 18(2) | 03C18 | 2285000 | . | ANLZ | 8010154 |
| 30B18 | 19(2) | 10C29 | 6902318 | . | PRE3-C | 3405160 |
| 10C02 | 20(2) | 19C21 | 4320910 | . | FACOMP/1 | 8010156 |
| 10C12 | 21(2) | 11C27 | 6902370 | . | (PRE/34+PH2) | 8010156 |
| 10B34 | 22(2) | 18C22 | 8010850 | I | N(S/TBL) | 8010858 |
| 11B06 | 23(2) | 02A43 | 8010150 | I | N(S/T11L) | 8010150 |
| 27B33 | 24(2) | 10A13 | 3405150 | I | N(S/CXS) | 3405154 |
| 14C14 | 25(2) | 02A41 | 8022200 | I | NTESTS | 8022214 |
| 10C13 | 26(2) | 10C42 | 6845122 | . | PH1-B | 8010864 |
| 07B09 | 27(2) | 16C01 | 5386000 | . | KENTER/B-1 | 3405156 |
| 05C44 | 28(2) | 18A42 | 4324727 | . | FAST/A-1 | 3405154 |
| 10C19 | 29(2) | 10C36 | 6902318 | . | PRE3-C | 3405158 |
| 10C15 | 30(2) | 07A45 | 4324700 | . | FAST-1 | 3405158 |
| 10C44 | 31(2) | 12B13 | 6845455 | . | PH4-B | 3405156 |
| | 32(0) | | | | | |
| 09C33 | 33(2) | 12B12 | 6845198 | . | (PH1+PH3) | 8022214 |
| 14C21 | 34(2) | 26C02 | 5156546 | . | (IOPH1.SW9)-F | 3405160 |
| 14C20 | 35(2) | 25C02 | 5125100 | . | IFAM | 3405160 |
| 10C29 | 36(2) | 09C36 | 6902318 | . | PRE3-C | 3405158 |
| 17A36 | 37(1) | | 4421497 | . | FUMI | 3405160 |
| 13B37 | 38(2) | 14C17 | 4324600 | . | FASEL | 3405158 |
| 07A26 | 39(2) | 13C22 | 4421480 | . | FUMH | 3405156 |
| 07A29 | 40(2) | 07C40 | 6845855 | . | PH8-B | 3405154 |
| 07B39 | 41(2) | 16C13 | 6821400 | . | PCP4 | 3405154 |
| 10C26 | 42(2) | 13B36 | 6845122 | . | PH1-B | 8022216 |
| 10B43 | 43(2) | 13C30 | 4426000 | . | FUXW | 8022216 |
| 14C28 | 44(2) | 10C31 | 6845455 | . | PH4-B | 8022216 |
| 13B33 | 45(2) | 10C50 | 4323130 | . | FALOAD/A | 8022216 |
| 14C38 | 46(2) | 12B09 | 6845255 | . | PH2-B | 8022214 |
| 06C11 | 47(2) | 11C41 | 4420900 | . | FUAWM | 8022218 |
| | 48(0) | | | | | |
| 11C49 | 49(0) | 09C49 | 8300200 | . | P4VC | 8300210 |
| 10C45 | 50(2) | 22C17 | 4323130 | . | FALOAD/A | 8022214 |
| 11C51 | 51(0) | 09C51 | 8302200 | . | P8VC | 8302210 |

XDS 902306

XDS
XEROX DATA SYSTEMS

DRAWING NO.- 133264-903 AC
PROG-PNIND MODULE-11C
TYPE-PIN INDEX TYPE-ZT45

75

10/27/71

| FROM | PIN (COUNT) | TO | SOURCE LINE NO. | ELEM. TYPE | SOURCE SIGNAL NAME | REFERENCE LINE NO. |
|-------|----------------|-------|--------------------|---------------|--------------------|-----------------------|
| | 00(0) | | | | | |
| 11D01 | 01(1) | 15B13 | 1024502 | C | NO2 | 1024502 |
| 15A08 | 02(1) | 11D02 | 5541200 | C | KSXB | 5541200 |
| 11D03 | 03(1) | 25A47 | 1286215 | C | R28-1 | 1286215 |
| 11D04 | 04(1) | 25A43 | 1296215 | C | R29-1 | 1296215 |
| 11D05 | 05(1) | 25A42 | 1306215 | C | R30-1 | 1306215 |
| 32B24 | 06(1) | 11D06 | 4324674 | C | FASTABORT | 4324674 |
| 17A17 | 07(1) | 11D07 | 2405420 | C | N(S/AXRR/6) | 2405420 |
| 31A35 | 08(1) | 11D08 | 2841200 | C | BRPH2 | 2841200 |
| 14C25 | 09(1) | 11D09 | 3060290 | C | CC2-1 | 3060290 |
| 13A43 | 10(1) | 11D10 | 5360800 | C | KCLEAR/B | 5360800 |
| 14B50 | 11(1) | 11D11 | 2559800 | C | (BC=1) | 2559800 |
| 11D12 | 12(1) | 13B21 | 6047900 | C | NMCZ | 6047900 |
| 11A07 | 13(1) | 11D13 | 6631010 | C | NOLA | 6631010 |
| 08C11 | 14(1) | 11D14 | 6631100 | C | OLB | 6631100 |
| 17C15 | 15(1) | 11D15 | 1074500 | C | 07 | 1074500 |
| | 16(0) | | 4790311 | -GND | GND1311 | 4790311 |
| 11D17 | 17(1) | 01A03 | 6691100 | C | ORDEROUT | 6691100 |
| 04C11 | 18(1) | 11D18 | 4321000 | C | FADIV | 4321000 |
| 10C14 | 19(1) | 11D19 | 6845155 | C | PH1/B | 6845155 |
| 18C20 | 20(1) | 11D20 | 4321145 | C | (FAFL.NO2) | 4321145 |
| 12C20 | 21(1) | 11D21 | 6845170 | C | PH1/E | 6845170 |
| 08C04 | 22(1) | 11D22 | 7890190 | C | SW1 | 7890190 |
| 11A10 | 23(1) | 11D23 | 4323020 | C | FALCF | 4323020 |
| 08B39 | 24(1) | 11D24 | 4323030 | C | FALCFP | 4323030 |
| 12B29 | 25(1) | 11D25 | 7471020 | C | NRZ | 7471020 |
| 05C35 | 26(1) | 11D26 | 4323100 | C | FALOAD | 4323100 |
| 10C21 | 27(1) | 11D27 | 6902370 | C | (PRE/34+PH2) | 6902370 |
| 11D28 | 28(1) | 12C31 | 7890600 | C | SW5 | 7890600 |
| 06C37 | 29(1) | 11D29 | 4152000 | C | ENDE | 4152000 |
| 11B15 | 30(1) | 11D30 | 1100370 | C | N(S/B10) | 1100370 |
| 18C39 | 31(1) | 11D31 | 6514500 | C | (04.05) | 6514500 |
| | 32(0) | | | | | |
| | 33(0) | | | | | |
| 11D34 | 34(1) | 12C29 | 7890700 | C | SW6 | 7890700 |
| 10C08 | 35(1) | 11D35 | 4323394 | C | (FAMULNH.PH7) | 4323394 |
| 05C47 | 36(1) | 11D36 | 4324353 | C | FAPSD-1 | 4324353 |
| 25B10 | 37(1) | 11D37 | 3650000 | C | NDIOEXIT | 3650000 |
| 10C06 | 38(1) | 11D38 | 4324630 | C | (FASEL.PH3) | 4324630 |
| 04C46 | 39(1) | 11D39 | 4324820 | C | (FAST/L.PH6) | 4324820 |
| 13C07 | 40(1) | 11D40 | 6902150 | C | PRE/12 | 6902150 |
| 10C47 | 41(1) | 11D41 | 4420900 | C | FUAWM | 4420900 |
| 11D42 | 42(1) | 26C11 | 5145800 | C | INDX | 5145798 |
| 04C24 | 43(1) | 11D43 | 4324870 | C | (FAST/M.PRE3.NOUD) | 4324870 |
| 11D44 | 44(1) | 12B50 | 7891000 | C | SW9 | 7891000 |
| 15A07 | 45(1) | 11D45 | 5539400 | C | KSS4 | 5539400 |
| 14B05 | 46(1) | 11D46 | 4322720 | C | (FA10.PH7) | 4322720 |
| 09B47 | 47(1) | 11D47 | 6630510 | C | NOL5 | 6630510 |
| | 48(0) | | | | | |
| 12C49 | 49(0) | 10C49 | 8300200 | | P4VC | 8300210 |
| 10B02 | 50(1) | 11D50 | 4320280 | C | FAADD | 4320280 |
| 12C51 | 51(0) | 10C51 | 8302200 | | P8VC | 8302210 |

XDS 902306



DRAWING NO.- 133264-903 AC
 PROG-PNIND MODULE-12C
 TYPE-PIN INDEX TYPE-BT11

76
 10/27/71

| FROM | PIN (COUNT) | TO | SOURCE LINE NO. | ELEM. TYPE | SOURCE SIGNAL NAME | REFERENCE LINE NO. |
|-------|-------------|-------|-----------------|------------|--------------------|--------------------|
| | 00(0) | | | | | |
| 28C17 | 01(1) | | 4421030 | B | FUBCR | 4421030 |
| 21B35 | 02(1) | | 4322520 | B | (FAIO.PH5.SW0) | 4322520 |
| 12B36 | 03(2) | 07C21 | 4322500 | . | (FAIO.PH5) | 4322520 |
| 15B42 | 04(2) | 05C09 | 1316202 | . | NR31 | 1231360 |
| 14B24 | 05(2) | 17A30 | 2405390 | . | N(S/AXRR/3) | 2405358 |
| 13C05 | 06(2) | 12C28 | 2405380 | . | N(S/AXRR/2) | 2405358 |
| | 07(0) | | | | | |
| 03C10 | 08(2) | 07B28 | 1231340 | . | D23-1 | 1231360 |
| 32C25 | 09(2) | 15C05 | 7890100 | . | SW0 | 4322520 |
| 03B50 | 10(2) | 12C39 | 6720600 | . | OU6 | 4421030 |
| 10A09 | 11(2) | 15C11 | 6630800 | . | OL8 | 4421030 |
| 13B24 | 12(2) | 01C15 | 2405350 | B | N(S/AXRR) | 2405358 |
| | 13(1) | 12B26 | 1231360 | B | (D23.NR31) | 1231360 |
| | 14(1) | 01C06 | 4324714 | B | (FAST.PH1/E.SW6) | 4324714 |
| 01A02 | 15(1) | 32K02 | 4324712 | B | (FAST.PH1/E.SW5) | 4324712 |
| | 16(0) | | 4790312 | -GND | GND1312 | 4790312 |
| | 17(0) | | | | | |
| 30C26 | 18(2) | 12C20 | 6845170 | . | PH1/E | 4324712 |
| | 19(0) | | | | | |
| 12C18 | 20(2) | 11C21 | 6845170 | . | PH1/E | 4324714 |
| 17C21 | 21(2) | 12C30 | 4324702 | . | FAST-2 | 4324714 |
| 12C27 | 22(2) | 08C05 | 7430400 | . | N(S/RW/4) | 5153302 |
| 13C10 | 23(2) | 12C25 | 7430300 | . | N(S/RW/3) | 5153302 |
| 15B01 | 24(2) | 12C26 | 7430200 | . | N(S/RW/2) | 5153302 |
| 12C23 | 25(2) | 08C25 | 7430300 | . | N(S/RW/3) | 7430150 |
| 12C24 | 26(2) | 09C25 | 7430200 | . | N(S/RW/2) | 7430150 |
| 13C17 | 27(2) | 12C22 | 7430400 | . | N(S/RW/4) | 7430150 |
| 12C06 | 28(2) | 09C28 | 2405380 | . | N(S/AXRR/2) | 5153302 |
| 11C34 | 29(2) | 02A37 | 7890700 | . | SW6 | 4324714 |
| 12C21 | 30(2) | 07C11 | 4324702 | . | FAST-2 | 4324712 |
| 11C28 | 31(2) | 01A42 | 7890600 | . | SW5 | 4324712 |
| | 32(0) | | | | | |
| 12B30 | 33(2) | 13C44 | 7430120 | B | N(S/RW) | 7430150 |
| 17A15 | 34(2) | 03C27 | 5153300 | B | N(S/10FM) | 5153302 |
| | 35(1) | 13C43 | 4421090 | B | FUBIR | 4421090 |
| | 36(1) | 02A45 | 3278030 | B | CNTZREQ/1 | 3278030 |
| 21B21 | 37(2) | 16C19 | 5138900 | . | INTRAP | 3278030 |
| 13C14 | 38(2) | 11A01 | 6720600 | . | OU6 | 4421090 |
| 12C10 | 39(2) | 13C14 | 6720600 | . | OU6 | 4421050 |
| 07A02 | 40(2) | 14C41 | 4322000 | . | FAIO | 5153288 |
| 18C44 | 41(2) | 04C13 | 6845355 | . | PH3-B | 5153288 |
| 11A38 | 42(2) | 14C10 | 6630400 | . | OL4 | 4421050 |
| 10C07 | 43(2) | 16C43 | 6630500 | . | OL5 | 4421090 |
| 14C34 | 44(2) | 27C09 | 4323348 | . | (FAMT.PH2) | 3278030 |
| | 45(1) | 13C42 | 4421050 | B | FUBDR | 4421050 |
| | 46(1) | 02A34 | 5153288 | B | IOFRXA | 5153288 |
| | 47(0) | | | | | |
| | 48(0) | | | | | |
| 13C49 | 49(0) | 11C49 | 8300200 | | P4VC | 8300210 |
| | 50(0) | | | | | |
| 13C51 | 51(0) | 11C51 | 8302200 | | P8VC | 8302210 |

XDS 902306

XDS
XEROX DATA SYSTEMS

DRAWING NO.- 133264-903 AC
PROG-PNIND MODULE-13C
TYPE-PIN INDEX TYPE-IT16

77
10/27/71

| FROM | PIN (COUNT) | TO | SOURCE LINE NO. | ELEM. TYPE | SOURCE SIGNAL NAME | REFERENCE LINE NO. |
|-------|-------------|-------|-----------------|------------|--------------------|--------------------|
| | 00(0) | | | | | |
| 28C02 | 01(2) | 03C24 | 5156755 | . | (IOPH3.SW11) | 7430406 |
| 09C15 | 02(2) | 15C03 | 5152700 | . | IOENIN | 2405384 |
| 20C05 | 03(2) | 09C03 | 1306630 | . | N(S/TR30) | 1306625 |
| 28C21 | 04(2) | 13C40 | 4323394 | . | (FAMULNH.PH7) | 8022254 |
| 14C29 | 05(2) | 12C06 | 2405380 | I | N(S/AXRR/2) | 2405384 |
| | 06(1) | 18C23 | 3846016 | I | N(S/DRQ/2) | 3846019 |
| 05C03 | 07(2) | 11C40 | 6902150 | . | PRE/12 | 3846019 |
| 11A20 | 08(2) | 23B07 | 6630700 | . | OL7 | 3846019 |
| 20B36 | 09(2) | 15C18 | 5156560 | . | (IOPH1.SW12) | 7430306 |
| 13C11 | 10(2) | 12C23 | 7430300 | I | N(S/RW/3) | 7430306 |
| 15B47 | 11(2) | 13C10 | 7430300 | I | N(S/RW/3) | 7430304 |
| 13C13 | 12(2) | 16C23 | 5156760 | . | (IOPH3.SW12) | 7430304 |
| 06B27 | 13(2) | 13C12 | 5156760 | . | (IOPH3.SW12) | 7430404 |
| 12C39 | 14(2) | 12C38 | 6720600 | . | OU6 | 3846019 |
| 12B14 | 15(2) | 13C17 | 7430400 | I | N(S/RW/4) | 7430404 |
| | 16(0) | | 4790313 | -GND | GND1313 | 4790313 |
| 13C15 | 17(2) | 12C27 | 7430400 | I | N(S/RW/4) | 7430406 |
| | 18(1) | 13C28 | 8022252 | I | NTESTS/1 | 8022254 |
| | 19(1) | 25A24 | 1306625 | I | (S/TR30) | 1306625 |
| | 20(0) | | | | | |
| 04C08 | 21(2) | 13C24 | 4425500 | . | FUSF | 8022252 |
| 10C39 | 22(2) | 22C45 | 4421480 | . | FUMH | 8022208 |
| 07B38 | 23(2) | 18C26 | 4321135 | . | FAFL | 8022206 |
| 13C21 | 24(2) | 21B37 | 4425500 | . | FUSF | 8022204 |
| 13C27 | 25(2) | 14C14 | 8022200 | I | NTESTS | 8022206 |
| 13C34 | 26(2) | 13C27 | 8022200 | I | NTESTS | 8022204 |
| 13C26 | 27(2) | 13C25 | 8022200 | I | NTESTS | 8022208 |
| 13C18 | 28(2) | 01C04 | 8022252 | I | NTESTS/1 | 8022252 |
| 14C02 | 29(2) | 06C37 | 4152000 | . | ENDE | 8022204 |
| 10C43 | 30(2) | 15C12 | 4426000 | . | FUXW | 7430156 |
| 20B37 | 31(2) | 18C45 | 4321120 | . | FADW/1 | 1313746 |
| | 32(0) | | | | | |
| | 33(0) | | | | | |
| 13C35 | 34(2) | 13C26 | 8022200 | I | NTESTS | 8022202 |
| | 35(1) | 13C34 | 8022200 | I | NTESTS | 8022200 |
| | 36(1) | 12B22 | 6910000 | I | NPROBOVER | 6910006 |
| 13C39 | 37(2) | 19C35 | 4323354 | . | (FAMT.PH2.NINTRAP) | 6910006 |
| 17C14 | 38(2) | 09C38 | 1316630 | . | N(S/TR31) | 1316625 |
| 32B33 | 39(2) | 13C37 | 4323354 | . | (FAMT.PH2.NINTRAP) | 8022200 |
| 13C04 | 40(2) | 10C08 | 4323394 | . | (FAMULNH.PH7) | 8022202 |
| | 41(1) | 26A13 | 1316625 | I | (S/TR31) | 1316625 |
| 12C45 | 42(2) | 30A04 | 4421050 | . | FUBDR | 7430154 |
| 12C35 | 43(2) | 21C15 | 4421090 | . | FUBIR | 7430152 |
| 12C33 | 44(2) | 13C45 | 7430120 | I | N(S/RW) | 7430154 |
| 13C44 | 45(2) | 13C46 | 7430120 | I | N(S/RW) | 7430152 |
| 13C45 | 46(2) | 01C01 | 7430120 | I | N(S/RW) | 7430156 |
| 14B25 | 47(2) | 02A44 | 1313730 | I | N(S/LR31) | 1313746 |
| | 48(0) | | | | | |
| 14C49 | 49(0) | 12C49 | 8300200 | . | P4VC | 8300210 |
| 05B05 | 50(2) | 14C42 | 2285065 | . | (NANLZ.PRE3) | 1313746 |
| 14C51 | 51(0) | 12C51 | 8302200 | . | P8VC | 8302210 |

| FROM | PIN (COUNT) | TO | SOURCE LINE NO. | ELEM. TYPE | SOURCE SIGNAL NAME | REFERENCE LINE NO. |
|-------|----------------|-------|--------------------|---------------|-----------------------|-----------------------|
| | 00(0) | | | | | |
| | 01(1) | 29C33 | 2405430 | I | NAXRRINH | 2405430 |
| 17C31 | 02(2) | 13C29 | 4152000 | . | ENDE | 8022210 |
| 21B45 | 03(2) | 04C05 | 4321000 | . | FADIV | 8022210 |
| 12B42 | 04(2) | 16B42 | 4324550 | . | FAS11 | 8022210 |
| 14C06 | 05(2) | 14C09 | 6902316 | . | PRE3-B | 2405430 |
| 06C10 | 06(2) | 14C05 | 6902316 | . | PRE3-B | 2405430 |
| | 07(1) | 08B10 | 4324350 | . | FAPSD | 2405430 |
| 08B06 | 08(2) | 15C17 | 4325000 | . | FASTORE | 2405432 |
| 14C05 | 09(2) | 18C15 | 6902316 | . | PRE3-B | 2405432 |
| 12C42 | 10(2) | 15C42 | 6630400 | . | OL4 | 2405432 |
| 21C26 | 11(2) | 19C03 | 4324850 | . | FAST/M | 2405430 |
| 13B17 | 12(2) | 22C15 | 6845198 | . | (PH1+PH3) | 8022210 |
| 15C13 | 13(2) | 07A04 | 3060201 | . | NCC2 | 8022210 |
| 13C25 | 14(2) | 10C25 | 8022200 | I | NTESTS | 8022210 |
| | 15(1) | 20B30 | 5138120 | I | (N(INT.KRUN).NKAHOLD) | 5138129 |
| | 16(0) | | 4790314 | -GND | GND1314 | 4790314 |
| 10C38 | 17(2) | 14A43 | 4324600 | . | FASEL | 8022212 |
| | 18(1) | 09C40 | 2260000 | . | AM | 5138129 |
| 30C37 | 19(2) | 09C19 | 7890900 | . | SW8 | 2405380 |
| 15D28 | 20(1) | 10C35 | 5125100 | . | 1FAM | 2405382 |
| 20B27 | 21(2) | 10C34 | 5156546 | . | (IOPH1.SW9)-F | 2405382 |
| 09C22 | 22(2) | 31C50 | 4322480 | . | (FA10/1.PH4) | 2405382 |
| 08C08 | 23(2) | 14C33 | 7890300 | . | SW2 | 2405382 |
| 27B03 | 24(2) | 29B28 | 4420530 | . | (FUA10.PH5) | 2405380 |
| 17C43 | 25(2) | 11C09 | 3060290 | . | CC2-1 | 5138129 |
| 09C39 | 26(1) | | 6733075 | . | OVERIND | 5138129 |
| 25B45 | 27(2) | 22C07 | 6630710 | . | NOL7 | 8022212 |
| 21B42 | 28(2) | 10C44 | 6845455 | . | PH4-B | 8022212 |
| | 29(1) | 13C05 | 2405380 | I | N(S/AXRR/2) | 2405380 |
| 32C14 | 30(2) | 26C06 | 2841350 | I | NBRPH3 | 2841350 |
| | 31(1) | 31A25 | 2841300 | I | BRPH3 | 2841300 |
| | 32(0) | | | | | |
| 14C23 | 33(2) | 24B28 | 7890300 | . | SW2 | 2841860 |
| 28B35 | 34(2) | 12C44 | 4323348 | . | (FAMT.PH2) | 2841850 |
| 22C37 | 35(2) | 14C37 | 4323340 | . | FAMT | 2841860 |
| 15B02 | 36(2) | 23B21 | 6902350 | . | PRE/34-A | 2841860 |
| 14C35 | 37(2) | 19A22 | 4323340 | . | FAMT | 2841860 |
| 18C21 | 38(2) | 10C46 | 6845255 | . | PH2-B | 2841860 |
| 19C33 | 39(2) | 20C40 | 7471000 | . | RZ | 2841860 |
| 22B47 | 40(2) | 20B50 | 6845355 | . | PH3-B | 2841350 |
| 12C40 | 41(2) | 19C13 | 4322000 | . | FA10 | 2841350 |
| 13C50 | 42(2) | 22C27 | 2285065 | . | (NANLZ.PRE3) | 2841352 |
| 19A33 | 43(2) | 31C05 | 1074502 | . | NO7 | 2841352 |
| 12B21 | 44(2) | 23B50 | 1014540 | . | NO1-1 | 2841850 |
| 28B43 | 45(2) | 30C20 | 4324350 | . | FAPSD | 2841352 |
| | 46(1) | 32A35 | 2841800 | I | BRPH8 | 2841800 |
| 27B34 | 47(1) | | 2841850 | I | NBRPH8 | 2841850 |
| | 48(0) | | | | | |
| 15C49 | 49(0) | 13C49 | 8300200 | . | P4VC | 8300210 |
| 26C08 | 50(2) | 25C33 | 7890115 | . | NSW0-1 | 2841350 |
| 15C51 | 51(0) | 13C51 | 8302200 | . | P8VC | 8302210 |

XDS 902306

XDS
XEROX DATA SYSTEMS

DRAWING NO.- 133264-903 AC
PROG-PNIND
TYPE-PIN INDEX

MODULE-15C
TYPE-ZT45

79

10/27/71

| FROM | PIN (COUNT) | TO | SOURCE LINE NO. | ELEM. TYPE | SOURCE SIGNAL NAME | REFERENCE LINE NO. |
|-------|----------------|-------|--------------------|---------------|-----------------------|-----------------------|
| | 00(0) | | | | | |
| 10A46 | 01(1) | 15D01 | 1044502 | C | N04 | 1044502 |
| 15D02 | 02(1) | 14B31 | 5151150 | C | (NIODC.DASW4) | 5151150 |
| 13C02 | 03(1) | 15D03 | 5152700 | C | IOENIN | 5152700 |
| 12B46 | 04(1) | 15D04 | 4324520 | C | (FARWD.PH7) | 4324520 |
| 12C09 | 05(1) | 15D05 | 7890100 | C | SW0 | 7890100 |
| 14B36 | 06(1) | 15D06 | 5156401 | C | IOPH0 | 5156401 |
| 04C22 | 07(1) | 15D07 | 7900020 | C | (S/SX/FL1) | 7900020 |
| 15D08 | 08(1) | 11B03 | 5138992 | C | (INTRAP1.NINTRAP2) | 5138992 |
| 07A46 | 09(1) | 15D09 | 4324760 | C | FAST/C | 4324760 |
| 14B33 | 10(1) | 15D10 | 4425650 | C | (FUSF.PH8) | 4425650 |
| 12C11 | 11(1) | 15D11 | 6630800 | C | OL8 | 6630800 |
| 13C30 | 12(1) | 15D12 | 4426000 | C | FUXW | 4426000 |
| 15D13 | 13(1) | 14C13 | 3060201 | C | NCC2 | 3060201 |
| 30C31 | 14(1) | 15D14 | 4324900 | C | FAST/S | 4324900 |
| 05C07 | 15(1) | 15D15 | 6821301 | C | NPCP3 | 6821301 |
| | 16(0) | | 4790315 | -GND | GND1315 | 4790315 |
| 14C08 | 17(1) | 15D17 | 4325000 | C | FASTORE | 4325000 |
| 13C09 | 18(1) | 15D18 | 5156560 | C | (IOPH1.SW12) | 5156560 |
| 27B13 | 19(1) | 15D19 | 4421265 | C | N(FUEXU.ENDE) | 4421265 |
| 18C04 | 20(1) | 15D20 | 5150501 | C | IOB0 | 5150501 |
| 12B20 | 21(1) | 15D21 | 4323150 | C | FALOAD/C | 4323150 |
| 18C03 | 22(1) | 15D22 | 5152750 | C | IOENNIN | 5152750 |
| 17C24 | 23(1) | 15D23 | 7890400 | C | SW3 | 7890400 |
| 22C24 | 24(1) | 15D24 | 2579050 | C | NBCZ | 2579050 |
| 23B18 | 25(1) | 15D25 | 4325020 | C | FASTORE/1 | 4325020 |
| 07A34 | 26(1) | 15D26 | 4325100 | C | FASUB | 4325100 |
| 08B38 | 27(1) | 15D27 | 4325150 | C | FAW | 4325150 |
| 05E40 | 28(0) | 15D28 | 5125100 | C | IFAM | 5125100 |
| 07A43 | 29(1) | 15D29 | 4421490 | C | NFUMH | 4421490 |
| 15B50 | 30(1) | 15D30 | 7891200 | C | SW11 | 7891200 |
| 20B43 | 31(1) | 15D31 | 6977200 | C | PXSXB | 6977200 |
| | 32(0) | | | | | |
| 15D33 | 33(1) | 15B36 | 5125110 | C | NIFAM | 5125110 |
| 13B39 | 34(1) | 15D34 | 4420850 | C | (FUANLZ.PH1) | 4420850 |
| 15B35 | 35(1) | 15D35 | 5156555 | C | (IOPH1.SW11) | 5156555 |
| 15D36 | 36(1) | 14B38 | 5125300 | C | IFAST | 5125300 |
| 20C37 | 37(1) | 15D37 | 5156670 | C | (IOPH2.SW14) | 5156670 |
| 21B27 | 38(1) | 15D38 | 5125320 | C | IFAST/L | 5125320 |
| 25B41 | 39(1) | 15D39 | 4421480 | C | FUMH | 4421480 |
| 24C08 | 40(1) | 15D40 | 6902301 | C | PRE3 | 6902301 |
| 10A04 | 41(1) | 15D41 | 6630900 | C | OL9 | 6630900 |
| 14C10 | 42(1) | 15D42 | 6630400 | C | OL4 | 6630400 |
| 04C37 | 43(1) | 15D43 | 5125340 | C | IFAST/S | 5125340 |
| 29C45 | 44(1) | 15D44 | 5138120 | C | (N(INT.KRUN).NKAHOLD) | 5138120 |
| 15D45 | 45(1) | 06C19 | 5156568 | C | N(IOPH1.SW13) | 5156568 |
| 28C50 | 46(1) | 15D46 | 4324650 | C | FASH | 4324650 |
| 23B03 | 47(1) | 15D47 | 5139001 | C | NINTRAP2 | 5139001 |
| | 48(0) | | | | | |
| 16C49 | 49(0) | 14C49 | 8300200 | | P4VC | 8300210 |
| 12B11 | 50(1) | 15D50 | 4320380 | C | FAARITH | 4320380 |
| 16C51 | 51(0) | 14C51 | 8302200 | | P8VC | 8302210 |

XDS 902306

XDS
XEROX DATA SYSTEMS

DRAWING NO. - 133264-903 AC
PROG-PNIND MODULE-16C
TYPE-PIN INDEX TYPE-ZT45

80

10/27/71

| FROM | PIN (COUNT) | TO | SOURCE LINE NO. | ELEM. TYPE | SOURCE SIGNAL NAME | REFERENCE LINE NO. |
|-------|----------------|-------|--------------------|---------------|--------------------|-----------------------|
| | 00(0) | | | | | |
| 10C27 | 01(1) | 16D01 | 5386000 | C | KENTER/B-1 | 5386000 |
| 15A01 | 02(1) | 16D02 | 5539100 | C | KSS1 | 5539100 |
| 15A02 | 03(1) | 16D03 | 5539200 | C | KSS2 | 5539200 |
| 15A03 | 04(1) | 16D04 | 5539300 | C | KSS3 | 5539300 |
| 08B46 | 05(1) | 16D05 | 4321100 | C | FADW | 4321100 |
| 16D06 | 06(1) | 06C03 | 5150554 | C | IOCON | 5150554 |
| 28C44 | 07(1) | 16D07 | 4323300 | C | NFAMDS | 4323300 |
| 30C17 | 08(1) | 16D08 | 4324365 | C | (FAPSD.PH3) | 4324365 |
| 23B15 | 09(1) | 16D09 | 7892000 | C | SWK1 | 7892000 |
| 16D10 | 10(1) | 17A09 | 6821615 | C | N(PCP6.KFILL/B) | 6821615 |
| 17B10 | 11(1) | 16D11 | 4324960 | C | (FAST.PRE3) | 4324960 |
| 13B34 | 12(1) | 16D12 | 4321125 | C | (FADW/1.PH1) | 4321125 |
| 10C41 | 13(1) | 16D13 | 6821400 | C | PCP4 | 6821400 |
| 04C42 | 14(1) | 16D14 | 4324940 | C | (FAST/S.PH6) | 4324940 |
| 17B04 | 15(1) | 16D15 | 8065401 | C | NTRAP | 8065401 |
| | 16(0) | | 4790316 | -GND | GND1316 | 4790316 |
| 20C11 | 17(1) | 16D17 | 5138100 | C | (INT+IOSC) | 5138100 |
| 28C41 | 18(1) | 16D18 | 4375121 | C | NFL2 | 4375121 |
| 12C37 | 19(1) | 16D19 | 5138900 | C | INTRAP | 5138900 |
| 17B38 | 20(1) | 16D20 | 6902400 | C | PRE4 | 6902400 |
| 15B24 | 21(1) | 16D21 | 5156740 | C | (IOPH3.SW8) | 5156740 |
| 05C24 | 22(1) | 16D22 | 5366120 | C | NKCPURESET/B-1 | 5366120 |
| 13C12 | 23(1) | 16D23 | 5156760 | C | (IOPH3.SW12) | 5156760 |
| 16D24 | 24(1) | 15B07 | 7694100 | C | SIOSP/1 | 7694100 |
| 10A20 | 25(1) | 16D25 | 2842400 | C | BRPRE4 | 2842400 |
| 17C26 | 26(1) | 16D26 | 7890601 | C | NSW5 | 7890601 |
| 16D27 | 27(1) | 32C27 | 7890301 | C | NSW2 | 7890301 |
| 04B15 | 28(1) | 16D28 | 4323295 | C | FAMDS | 4323295 |
| 18C24 | 29(1) | 16D29 | 6902650 | C | PREOPER | 6902650 |
| 15B09 | 30(1) | 16D30 | 7417512 | C | NRT09 | 7417512 |
| 17C28 | 31(1) | 16D31 | 7890701 | C | NSW6 | 7890701 |
| | 32(0) | | | | | |
| 09B13 | 33(1) | 16D33 | 4324370 | C | (FAPSD.PH4) | 4324370 |
| 09B12 | 34(1) | 16D34 | 4324375 | C | (FAPSD.PH5) | 4324375 |
| 19B37 | 35(1) | 16D35 | 6845175 | C | PH1/F | 6845175 |
| 09B06 | 36(1) | 16D36 | 6927000 | C | PSW1XS | 6927000 |
| 17B01 | 37(1) | 16D37 | 1074225 | C | (S/MC7) | 1074225 |
| 18C05 | 38(1) | 16D38 | 5156543 | C | (IOPH1.SW8)-F | 5156543 |
| 18B10 | 39(1) | 16D39 | 5156665 | C | (IOPH2.SW13) | 5156665 |
| 02C42 | 40(1) | 16D40 | 5394004 | C | KFILL/B-1 | 5394004 |
| 02C21 | 41(1) | 16D41 | 5415360 | C | KINCRE/B-1 | 5415360 |
| 08C38 | 42(1) | 16D42 | 5426000 | C | KPSW1/B-1 | 5426000 |
| 12C43 | 43(1) | 16D43 | 6630500 | C | OL5 | 6630500 |
| 17C29 | 44(1) | 16D44 | 5138901 | C | NINTRAP | 5138901 |
| 15A30 | 45(1) | 16D45 | 5156601 | C | IOPH2 | 5156601 |
| 28C36 | 46(1) | 16D46 | 6075460 | C | MFR/1 | 6075462 |
| 12B17 | 47(1) | 16D47 | 4322565 | C | (FAIO.PH5.SW13) | 4322565 |
| | 48(0) | | | | | |
| 17C49 | 49(0) | 15C49 | 8300200 | | P4VC | 8300220 |
| 15B23 | 50(1) | 16D50 | 3811150 | C | (DOR.IOR) | 3811150 |
| 17C51 | 51(0) | 15C51 | 8302200 | | P8VC | 8302220 |

XDS 902306

XDS
XEROX DATA SYSTEMS

DRAWING NO.- 133264-903 AC
PROG-PNIND MODULE-17C
TYPE-PIN INDEX TYPE-LT20

81

10/27/71

| FROM | PIN (COUNT) | TO | SOURCE LINE NO. | ELEM. TYPE | SOURCE SIGNAL NAME | REFERENCE LINE NO. |
|-------|----------------|-------|--------------------|---------------|--------------------------|-----------------------|
| | 00(0) | | | | | |
| | 01(0) | | | | | |
| 32C09 | 02(2) | 17C07 | 4323320 | . | FANIMP | 1316634 |
| 17A06 | 03(2) | 17B13 | 8065440 | . | (NTRAP.NSTRAP) | 1316634 |
| 18B19 | 04(2) | 17C06 | 6902900 | . | PRETR | 1316634 |
| 32C04 | 05(2) | 04B45 | 4321900 | . | FAILL | 8065436 |
| 17C04 | 06(2) | 17C50 | 6902900 | . | PRETR | 8065435 |
| 17C02 | 07(2) | 06B05 | 4323320 | . | FANIMP | 8065435 |
| 16B45 | 08(2) | 17C26 | 7890601 | . | NSW5 | 8065436 |
| 17C27 | 09(2) | 08C04 | 7890190 | . | SW1 | 8065436 |
| 24B13 | 10(2) | 17C20 | 6845200 | . | PH2 | 8065436 |
| 32B08 | 11(2) | 19C11 | 2089360 | . | ADNH-1 | 8065435 |
| 17B18 | 12(2) | 21C01 | 5150110 | . | NIOACT | 8065435 |
| | 13(0) | | | | | |
| 20C17 | 14(2) | 13C38 | 1316630 | I | N(S/TR31) | 1316632 |
| 23B45 | 15(2) | 11C15 | 1074500 | . | 07 | 1316632 |
| | 16(0) | | 4790317 | -GND | GND1317 | 4790317 |
| 25A36 | 17(2) | 17C34 | 4320830 | . | (FACAL.PH1.NTRAP.NSTRAP) | 1316632 |
| 09C18 | 18(2) | 17C28 | 7890701 | . | NSW6 | 8065437 |
| 23A13 | 19(2) | 17C24 | 7890400 | . | SW3 | 8065437 |
| 17C10 | 20(2) | 31C20 | 6845200 | . | PH2 | 8065437 |
| 14A34 | 21(2) | 12C21 | 4324702 | . | FAST-2 | 8065436 |
| 20C47 | 22(2) | 20C45 | 8065425 | I | N(S/TRAP) | 8065435 |
| | 23(1) | 20C05 | 1306630 | I | N(S/TR30) | 1306630 |
| 17C19 | 24(2) | 15C23 | 7890400 | . | SW3 | 1306630 |
| 23A19 | 25(2) | 16B38 | 4324720 | . | (FAST.PH2) | 1306630 |
| 17C08 | 26(2) | 16C26 | 7890601 | . | NSW5 | 1306630 |
| 23A20 | 27(2) | 17C09 | 7890190 | . | SW1 | 1306630 |
| 17C18 | 28(2) | 16C31 | 7890701 | . | NSW6 | 1306630 |
| 18B44 | 29(2) | 16C44 | 5138901 | . | NINTRAP | 8065430 |
| 20C45 | 30(2) | 16A03 | 8065425 | I | N(S/TRAP) | 8065430 |
| 17C41 | 31(2) | 14C02 | 4152000 | . | ENDE | 8065430 |
| | 32(0) | | | | | |
| 17A07 | 33(1) | | 4320800 | . | FACAL | 8065431 |
| 17C17 | 34(1) | | 4320830 | . | (FACAL.PH1.NTRAP.NSTRAP) | 1306631 |
| 19B17 | 35(2) | 17C44 | 6733075 | . | OVERIND | 1306632 |
| 19B31 | 36(2) | 26C39 | 6846000 | . | PH10 | 1306632 |
| 14A44 | 37(2) | 06A21 | 1064520 | . | 06-1 | 1306631 |
| | 38(0) | | | | | |
| 19B18 | 39(2) | 17C43 | 3060290 | . | CC2-1 | 1306632 |
| 09C40 | 40(2) | 19B30 | 2260000 | . | AM | 1306632 |
| 32B23 | 41(2) | 17C31 | 4152000 | . | ENDE | 8065432 |
| 18B22 | 42(2) | 26C38 | 6845100 | . | PH1 | 8065431 |
| 17C39 | 43(2) | 14C25 | 3060290 | . | CC2-1 | 8065432 |
| 17C35 | 44(2) | 09C39 | 6733075 | . | OVERIND | 8065432 |
| | 45(0) | | | | | |
| 27A10 | 46(2) | 01C19 | 4321150 | . | (FAFL.NRW) | 8065430 |
| 17B02 | 47(1) | | 4324320 | . | (FAPRIV.NMASTER) | 8065433 |
| | 48(0) | | | | | |
| 18C49 | 49(0) | 16C49 | 8300200 | . | P4VC | 8300220 |
| 17C06 | 50(2) | 32C08 | 6902900 | . | PRETR | 8065433 |
| 18C51 | 51(0) | 16C51 | 8302200 | . | P8VC | 8302220 |

XDS 902306

XDS
XEROX DATA SYSTEMS

DRAWING NO. - 133264-903 AC
PROG-PNIND MODULE-18C
TYPE-PIN INDEX TYPE-1T20

82

10/27/71

| FROM | PIN (COUNT) | TO | SOURCE LINE NO. | ELEM. TYPE | SOURCE SIGNAL NAME | REFERENCE LINE NO. |
|-------|----------------|-------|--------------------|---------------|--------------------|-----------------------|
| | 00(0) | | | | | |
| | 01(1) | 18C16 | 4790318 | . | GND1318 | 8010868 |
| 23C38 | 02(2) | 25B13 | 6845685 | . | (S/PH6/I0)-1 | 8010872 |
| 06B06 | 03(2) | 15C22 | 5152750 | . | IOENNIN | 8010868 |
| | 04(1) | 15C20 | 5150501 | . | IOB0 | 8010868 |
| 14B41 | 05(2) | 16C38 | 5156543 | . | (IOPH1.SW8)-F | 8010870 |
| 18B35 | 06(2) | 15A39 | 5138950 | . | INTRAP1 | 3846016 |
| 17B07 | 07(2) | 03C36 | 8065400 | . | TRAP | 3846016 |
| 03C12 | 08(2) | 01A35 | 5156470 | . | (IOPH0.SW14) | 8010866 |
| 03C29 | 09(2) | 02A27 | 3533500 | . | DATAOUT | 8010866 |
| 15B17 | 10(2) | 10B29 | 5156567 | . | (IOPH1.SW13)-F | 8010866 |
| 30A42 | 11(2) | 22C09 | 5152001 | . | NIOEN | 8010866 |
| 19A17 | 12(2) | 32B11 | 6845955 | . | PH9-B | 3846016 |
| 22C13 | 13(2) | 23B35 | 6902150 | . | PRE/12 | 8010870 |
| 18C16 | 14(2) | 18C41 | 4790318 | . | GND1318 | 3846017 |
| 14C09 | 15(2) | 29C27 | 6902316 | . | PRE3-B | 3846017 |
| 18C01 | 16(2) | 18C14 | 4790318 | -GND | GND1318 | 4790318 |
| | 17(0) | | | | | |
| 32C06 | 18(2) | 10C01 | 5156475 | . | (IOPH0.SW15) | 3846018 |
| | 19(0) | | | | | |
| 13B30 | 20(2) | 11C20 | 4321145 | . | (FAFL.NO2) | 3846018 |
| 21C46 | 21(2) | 14C38 | 6845255 | . | PH2-B | 3846018 |
| 10C22 | 22(1) | 31K42 | 8010850 | I | N(S/TBL) | 8010866 |
| 13C06 | 23(2) | 21C40 | 3846016 | I | N(S/DRQ/2) | 3846016 |
| 23B34 | 24(2) | 16C29 | 6902650 | I | PREOPER | 6902650 |
| 21C39 | 25(2) | 26C23 | 2842050 | I | NBRPH10 | 2842050 |
| 13C23 | 26(2) | 22C08 | 4321135 | . | FAFL | 2842052 |
| 18C37 | 27(2) | 08B13 | 4325040 | . | FASTORE/3 | 6902652 |
| 12A38 | 28(2) | 11A24 | 6514505 | . | (O4.NO5) | 6902650 |
| 16A21 | 29(2) | 22C05 | 4320500 | . | FABRANCH | 3846017 |
| | 30(0) | | | | | |
| 18B04 | 31(2) | 25C38 | 1014520 | . | O1-1 | 6902652 |
| | 32(0) | | | | | |
| 17B36 | 33(1) | | 4324377 | . | (FAPSD.PH6) | 2842050 |
| 10B26 | 34(2) | 08C10 | 6720000 | . | OU0 | 6902656 |
| 05B30 | 35(2) | 12A02 | 1054500 | . | O5 | 6902656 |
| 24C07 | 36(2) | 20B23 | 2285000 | . | ANLZ | 6902654 |
| | 37(1) | 18C27 | 4325040 | . | FASTORE/3 | 6902656 |
| | 38(0) | | | | | |
| 30C09 | 39(2) | 11C31 | 6514500 | . | (O4.O5) | 6902652 |
| 17A44 | 40(2) | 07B40 | 6720200 | . | OU2 | 6902650 |
| 18C14 | 41(1) | | 4790318 | . | GND1318 | 6902650 |
| 20B13 | 42(2) | 21C19 | 6845128 | . | PH1-E | 2842052 |
| 26B28 | 43(2) | 27C36 | 4425900 | . | FUWAIT | 2842052 |
| 18B43 | 44(2) | 12C41 | 6845355 | . | PH3-B | 2842050 |
| 13C31 | 45(2) | 28C10 | 4321120 | . | FADW/1 | 2842050 |
| 17A40 | 46(2) | 08C37 | 6821300 | . | PCP3 | 2842054 |
| 26B13 | 47(2) | 32C11 | 6845800 | . | PH8 | 2842052 |
| | 48(0) | | | | | |
| 19C49 | 49(0) | 17C49 | 8300200 | . | P4VC | 8300220 |
| 10A17 | 50(2) | 25C23 | 7892150 | . | SWK6 | 2842054 |
| 19C51 | 51(0) | 17C51 | 8302200 | . | P8VC | 8302220 |

| FROM | PIN (COUNT) | TO | SOURCE LINE NO. | ELEM. TYPE | SOURCE SIGNAL NAME | REFERENCE LINE NO. |
|-------|----------------|-------|--------------------|---------------|--------------------|-----------------------|
| | 00(0) | | | | | |
| 22C01 | 01(1) | 19D01 | 6720100 | C | OU1 | 6720100 |
| 30C43 | 02(1) | 19D02 | 4324800 | C | FAST/L | 4324800 |
| 14C11 | 03(1) | 19D03 | 4324850 | C | FAST/M | 4324850 |
| 15A39 | 04(1) | 19D04 | 5138950 | C | INTRAP1 | 5138950 |
| 21C03 | 05(1) | 19D05 | 5138951 | C | NINTRAP1 | 5138951 |
| 28B38 | 06(1) | 19D06 | 4320940 | C | FACOMP/L | 4320940 |
| 19D07 | 07(1) | 21B05 | 5158850 | C | NIOTRIN | 5158850 |
| 21C05 | 08(1) | 19D08 | 5139000 | C | INTRAP2 | 5139000 |
| 19D09 | 09(1) | 24B03 | 5156890 | C | N(IOPOP.IOPADD) | 5156890 |
| 17B12 | 10(1) | 19D10 | 3078800 | C | CCXRACC | 3078800 |
| 17C11 | 11(1) | 19D11 | 2089360 | C | ADNH-1 | 2089360 |
| 19D12 | 12(1) | 01A13 | 7890500 | C | SW4 | 7890500 |
| 14C41 | 13(1) | 19D13 | 4322000 | C | FAIO | 4322000 |
| 19D14 | 14(1) | 25B28 | 4322620 | C | (FAIO.PH6) | 4322620 |
| 19A19 | 15(1) | 19D15 | 4321977 | C | FAIM | 4321977 |
| | 16(0) | | 4790319 | -GND | GND1319 | 4790319 |
| 15B41 | 17(1) | 19D17 | 4322020 | C | FAIO/1 | 4322020 |
| 23B09 | 18(1) | 19D18 | 6631000 | C | OLA | 6631000 |
| 26B50 | 19(1) | 19D19 | 6845160 | C | PH1/C | 6845160 |
| 19D20 | 20(1) | 08A33 | 3078000 | C | CCXRWD | 3078000 |
| 10C20 | 21(1) | 19D21 | 4320910 | C | FACOMP/1 | 4320910 |
| 18A01 | 22(1) | 19D22 | 6974100 | C | NPXK | 6974100 |
| 19B36 | 23(1) | 19D23 | 4421640 | C | N(FUMSP.PH1/F) | 4421640 |
| 30A09 | 24(1) | 19D24 | 4421090 | C | FUBIR | 4421090 |
| 19D25 | 25(1) | 15B20 | 3532540 | C | (DASW4.IODC) | 3532540 |
| 13B43 | 26(1) | 19D26 | 4421580 | C | (FUMMC.PH6) | 4421580 |
| 14B27 | 27(1) | 19D27 | 6691700 | C | ORDSW4 | 6691700 |
| 20C31 | 28(1) | 19D28 | 7869100 | C | STRAP | 7869100 |
| 28C26 | 29(1) | 19D29 | 7343000 | C | RESET | 7343000 |
| 19D30 | 30(1) | 21B09 | 3811160 | C | (NDOR.IOR) | 3811160 |
| 29C25 | 31(1) | 19D31 | 6631200 | C | OLC | 6631200 |
| | 32(0) | | | | | |
| 19D33 | 33(1) | 14C39 | 7471000 | C | RZ | 7471000 |
| 21C45 | 34(1) | 19D34 | 4421300 | C | FUINT | 4421300 |
| 13C37 | 35(1) | 19D35 | 4323354 | C | (FAMT.PH2.NINTRAP) | 4323354 |
| 22C35 | 36(1) | 19D36 | 4421400 | C | (FULI+FULCF1) | 4421400 |
| 24C43 | 37(1) | 19D37 | 4421700 | C | FUPLM | 4421700 |
| 26B08 | 38(1) | 19D38 | 4421000 | C | FUBAL | 4421000 |
| 30A23 | 39(1) | 19D39 | 7343230 | C | RESET/KS | 7343230 |
| 26B42 | 40(1) | 19D40 | 7890801 | C | NSW7 | 7890801 |
| 20B03 | 41(1) | 19D41 | 4320960 | C | (FACOMP/L.PH2) | 4320960 |
| 20C39 | 42(1) | 19D42 | 5156675 | C | (IOPH2.SW15) | 5156675 |
| 18B25 | 43(1) | 19D43 | 8165500 | C | WDTA | 8165500 |
| 21B11 | 44(1) | 19D44 | 5156770 | C | (IOPH3.SW14) | 5156770 |
| 16A12 | 45(1) | 19D45 | 2841080 | C | NBRPCP5 | 2841080 |
| 18B37 | 46(1) | 19D46 | 8291000 | C | ZXX | 8291000 |
| 20B47 | 47(1) | 19D47 | 5156450 | C | (IOPH0.SW10) | 5156450 |
| | 48(0) | | | | | |
| 20C49 | 49(0) | 18C49 | 8300200 | | P4VC | 8300220 |
| 19D50 | 50(1) | 27A38 | 6720700 | C | OU7 | 6720700 |
| 20C51 | 51(0) | 18C51 | 8302200 | | P8VC | 8302220 |

XDS 902306

XDS
XEROX DATA SYSTEMS

DRAWING NO. - 133264-903 AC
PROG-PNIND MODULE-20C
TYPE-PIN INDEX TYPE-IT16

84

10/27/71

| FROM | PIN (COUNT) | TO | SOURCE LINE NO. | ELEM. TYPE | SOURCE SIGNAL NAME | REFERENCE LINE NO. |
|-------|----------------|-------|--------------------|---------------|---------------------|-----------------------|
| | 00(0) | | | | | |
| 25A33 | 01(2) | 27C41 | 8065300 | . | TRACC4 | 1316636 |
| 25A30 | 02(2) | 27C40 | 8065250 | . | TRACC3 | 1306634 |
| 25A31 | 03(2) | 27C39 | 8065200 | . | TRACC2 | 1296630 |
| 25A27 | 04(2) | 27C38 | 8065150 | . | TRACC1 | 1286630 |
| 17C23 | 05(2) | 13C03 | 1306630 | I | N(S/TR30) | 1306634 |
| 25A22 | 06(1) | | 8065000 | I | (R/TR) | 8065000 |
| 19B41 | 07(2) | 22B40 | 8065110 | . | N(R/TRACC/1) | 8065000 |
| 30B08 | 08(2) | 31C19 | 5138996 | . | N(NINTRAP1.INTRAP2) | 8065000 |
| 20C41 | 09(2) | 19B07 | 2562070 | . | NBCDC1 | 2562050 |
| | 10(1) | 08C24 | 2562050 | I | BCDC1 | 2562050 |
| | 11(1) | 16C17 | 5138100 | I | (INT+IOSC) | 5138100 |
| 32C31 | 12(1) | | 5138110 | . | N(INT+IOSC) | 5138100 |
| 14A13 | 13(2) | 21C14 | 6038030 | . | N(S/MBXS) | 6038020 |
| 19B40 | 14(2) | 26C43 | 8065425 | . | N(S/TRAP) | 8065000 |
| 24C06 | 15(2) | 23C41 | 6038020 | I | (S/MBXS) | 6038020 |
| | 16(0) | | 4790320 | -GND | GND1320 | 4790320 |
| 19B15 | 17(2) | 17C14 | 1316630 | I | N(S/TR31) | 1316636 |
| | 18(1) | 11B24 | 1286630 | I | N(S/TR28) | 1286630 |
| | 19(1) | 24C09 | 1296630 | I | N(S/TR29) | 1296630 |
| 25C13 | 20(2) | 20C23 | 4324360 | . | (FAPSD.PH1) | 1286630 |
| 07B17 | 21(2) | 29C50 | 2500300 | . | NB1619Z | 2500295 |
| 26B25 | 22(2) | 25C22 | 2841170 | . | BRPH1/1 | 2841152 |
| 20C20 | 23(1) | | 4324360 | . | (FAPSD.PH1) | 2404494 |
| 17A02 | 24(2) | 31C13 | 7343223 | . | NRESET/C | 7343300 |
| | 25(1) | 08C36 | 2404494 | I | NAXPSW2 | 2404493 |
| | 26(1) | 20B15 | 7343300 | I | RESET/C | 7343300 |
| 32C01 | 27(2) | 24C22 | 2841150 | I | NBRPH1 | 2841152 |
| | 28(1) | 27B23 | 2500295 | I | B1619Z | 2500295 |
| | 29(0) | | | | | |
| 25C30 | 30(2) | 26C29 | 2841750 | . | NBRPH7 | 2841700 |
| 18B50 | 31(2) | 19C28 | 7869100 | . | STRAP | 8065427 |
| | 32(0) | | | | | |
| | 33(0) | | | | | |
| | 34(1) | 28C28 | 7471020 | I | NRZ | 7471020 |
| 19B02 | 35(2) | 20C36 | 2562070 | I | NBCDC1 | 2562074 |
| 20C35 | 36(2) | 20C41 | 2562070 | I | NBCDC1 | 2562070 |
| 29B36 | 37(2) | 15C37 | 5156670 | . | (IOPH2.SW14) | 2562070 |
| 30C44 | 38(2) | 25B11 | 4421580 | . | (FUMMC.PH6) | 2562072 |
| 29B35 | 39(2) | 19C42 | 5156675 | . | (IOPH2.SW15) | 2562074 |
| 14C39 | 40(2) | 25B26 | 7471000 | . | RZ | 7471020 |
| 20C36 | 41(2) | 20C09 | 2562070 | I | NBCDC1 | 2562072 |
| 25C42 | 42(2) | 26C05 | 2841450 | . | NBRPH4 | 2841400 |
| 27C03 | 43(2) | 27A05 | 2054900 | . | ABO | 8065425 |
| | 44(1) | 31A24 | 2841400 | I | BRPH4 | 2841400 |
| 17C22 | 45(2) | 17C30 | 8065425 | I | N(S/TRAP) | 8065425 |
| | 46(1) | 32A42 | 2841700 | I | BRPH7 | 2841700 |
| | 47(1) | 17C22 | 8065425 | I | N(S/TRAP) | 8065427 |
| | 48(0) | | | | | |
| 21C49 | 49(0) | 19C49 | 8300200 | | P4VC | 8300220 |
| | 50(0) | | | | | |
| 21C51 | 51(0) | 19C51 | 8302200 | | P8VC | 8302220 |

XDS 902306

XDS
XEROX DATA SYSTEMS

DRAWING NO. - 133264-903 AC
PROG-PNIND
TYPE-PIN INDEX

85

MODULE-21C
TYPE-IT18

10/27/71

| FROM | PIN (COUNT) | TO | SOURCE LINE NO. | ELEM. TYPE | SOURCE SIGNAL NAME | REFERENCE LINE NO. |
|-------|----------------|-------|--------------------|---------------|---------------------|-----------------------|
| | 00(0) | | | | | |
| 17C12 | 01(2) | 23A44 | 5150110 | . | NIOACT | 4253000 |
| 28C33 | 02(1) | | 5188101 | . | NIXAL | 4253000 |
| 24B20 | 03(2) | 19C05 | 5138951 | . | NINTRAP1 | 5138996 |
| | 04(0) | | | | | |
| 15A35 | 05(2) | 19C08 | 5139000 | . | INTRAP2 | 5138996 |
| 31A14 | 06(2) | 26C42 | 4252000 | . | EXC | 4253000 |
| | 07(1) | 27C35 | 4253000 | I | (NEXC+IXAL) | 4253000 |
| 20B20 | 08(2) | 01C43 | 6196120 | I | (S/MRQ) | 6196120 |
| | 09(1) | 21B26 | 5138996 | I | N(NINTRAP1.INTRAP2) | 5138996 |
| 21C36 | 10(2) | 24B47 | 2841950 | I | NBRPH9 | 2841954 |
| 22C22 | 11(2) | 22B22 | 6196200 | . | N(S/MRQ/1) | 6196120 |
| 03B13 | 12(2) | 21C41 | 6196300 | . | N(S/MRQ/2) | 6196120 |
| 19B34 | 13(2) | 23C13 | 6196400 | . | N(S/MRQ/3) | 6196120 |
| 20C13 | 14(2) | 21C42 | 6038030 | . | N(S/MBXS) | 6196120 |
| 13C43 | 15(2) | 30A09 | 4421090 | . | FUBIR | 2841954 |
| | 16(0) | | 4790321 | -GND | GND1321 | 4790321 |
| | 17(1) | 26C17 | 6902180 | I | (NHALT+FUEXU) | 6902180 |
| 01A34 | 18(2) | 25C18 | 1006520 | . | NS0 | 2841954 |
| 18C42 | 19(2) | 28C15 | 6845128 | . | PH1-E | 2841954 |
| 21A23 | 20(2) | 26A05 | 5011120 | . | HALT/1 | 6902180 |
| 18B14 | 21(2) | 21A22 | 4421260 | . | NFUEXU | 6902180 |
| 08B37 | 22(2) | 25C15 | 4321180 | . | NFAHW | 5188130 |
| 08B31 | 23(2) | 22B50 | 4320550 | . | NFABYTE | 5188130 |
| 08B30 | 24(2) | 25C24 | 4321110 | . | NFADW | 5188130 |
| 22C20 | 25(2) | 21C30 | 6845635 | . | PH6-B | 2841956 |
| 30C14 | 26(2) | 14C11 | 4324850 | . | FAST/M | 2841956 |
| 32C41 | 27(2) | 26B31 | 6047910 | . | MCZ | 2841956 |
| 04C35 | 28(2) | 30C07 | 6720010 | . | NOU0 | 2841956 |
| 22C18 | 29(2) | 14B15 | 4323295 | . | FAMDS | 2841650 |
| 21C25 | 30(2) | 25C31 | 6845635 | . | PH6-B | 2841650 |
| 23B26 | 31(2) | 32C18 | 6047900 | . | NMCZ | 2841650 |
| | 32(0) | | | | | |
| 31C47 | 33(2) | 01C26 | 4413000 | . | NFSHEX | 2841650 |
| 21C43 | 34(2) | 17A41 | 2842050 | . | NBRPH10 | 2841650 |
| 26C01 | 35(2) | 32A13 | 5188130 | I | (S/IXAL) | 5188130 |
| | 36(1) | 21C10 | 2841950 | I | NBRPH9 | 2841956 |
| 21B30 | 37(2) | 24C44 | 2841650 | I | NBRPH6 | 2841650 |
| | 38(1) | 31C29 | 3846014 | I | (S/DRQ) | 3846014 |
| 25B30 | 39(2) | 18C25 | 2842050 | I | NBRPH10 | 2842078 |
| 18C23 | 40(2) | 25C44 | 3846016 | . | N(S/DRQ/2) | 3846014 |
| 21C12 | 41(2) | 22B41 | 6196300 | . | N(S/MRQ/2) | 3846014 |
| 21C14 | 42(2) | 23C42 | 6038030 | . | N(S/MBXS) | 3846014 |
| 26C23 | 43(2) | 21C34 | 2842050 | . | NBRPH10 | 3846014 |
| 23C23 | 44(1) | | 6196500 | . | NMRQP1 | 3846014 |
| 26B41 | 45(2) | 19C34 | 4421300 | . | FUINT | 2842078 |
| 22C12 | 46(2) | 18C21 | 6845255 | . | PH2-B | 2842078 |
| 25A35 | 47(2) | 27C02 | 1316215 | . | R31-1 | 2842078 |
| | 48(0) | | | | | |
| 22C49 | 49(0) | 20C49 | 8300200 | . | P4VC | 8300230 |
| | 50(0) | | | | | |
| 22C51 | 51(0) | 20C51 | 8302200 | . | P8VC | 8302230 |

XDS 902306

XDS
XEROX DATA SYSTEMS

DRAWING NO.- 133264-903 AC
PROG-PNIND MODULE-22C
TYPE-PIN INDEX TYPE-LT20

86
10/27/71

| FROM | PIN (COUNT) | TO | SOURCE LINE NO. | ELEM. TYPE | SOURCE SIGNAL NAME | REFERENCE LINE NO. |
|-------|----------------|-------|--------------------|---------------|--------------------|-----------------------|
| | 00(0) | | | | | |
| 21B02 | 01(2) | 19C01 | 6720100 | . | OU1 | 6196402 |
| 22C11 | 02(2) | 15B25 | 4320940 | . | FACOMP/L | 6196402 |
| 21B44 | 03(2) | 25C03 | 6902314 | . | PRE3-A | 6196402 |
| 32C19 | 04(2) | 22C40 | 2285001 | . | NANLZ | 6196202 |
| 18C29 | 05(2) | 29B50 | 4320500 | . | FABRANCH | 6196202 |
| 32B46 | 06(2) | 23B06 | 4324630 | . | (FASEL.PH3) | 6196200 |
| 14C27 | 07(2) | 23C08 | 6630710 | . | NOL7 | 6196200 |
| 18C26 | 08(2) | 25B20 | 4321135 | . | FAFL | 6196206 |
| 18C11 | 09(2) | 22C19 | 5152001 | . | NIOEN | 6196206 |
| 21B41 | 10(2) | 22C20 | 6845635 | . | PH6-B | 6196206 |
| 10C17 | 11(2) | 22C02 | 4320940 | . | FACOMP/L | 6196200 |
| 30B45 | 12(2) | 21C46 | 6845255 | . | PH2-B | 6196200 |
| 32C44 | 13(2) | 18C13 | 6902150 | . | PRE/12 | 6196202 |
| 28C12 | 14(2) | 19B34 | 6196400 | I | N(S/MRQ/3) | 6196400 |
| 14C12 | 15(2) | 29C36 | 6845198 | . | (PH1+PH3) | 6196400 |
| | 16(1) | 22C46 | 4790322 | -GND | GND1322 | 4790322 |
| 10C50 | 17(1) | | 4323130 | . | FALOAD/A | 6196400 |
| 32C21 | 18(2) | 21C29 | 4323295 | . | FAMDS | 6196204 |
| 22C09 | 19(2) | 23C19 | 5152001 | . | NIOEN | 6196204 |
| 22C10 | 20(2) | 21C25 | 6845635 | . | PH6-B | 6196204 |
| 24C47 | 21(2) | 26C20 | 2841650 | . | NBRPH6 | 6196204 |
| 24C11 | 22(2) | 21C11 | 6196200 | I | N(S/MRQ/1) | 6196200 |
| | 23(1) | 24C23 | 2842450 | I | NBRPRE4 | 2842450 |
| 19B03 | 24(2) | 15C24 | 2579050 | . | NBCZ | 2842452 |
| | 25(0) | | | | | |
| 18B03 | 26(2) | 24C33 | 6902340 | . | NPRE/34 | 2842450 |
| 14C42 | 27(2) | 30C08 | 2285065 | . | (NANLZ.PRE3) | 2842450 |
| 19B09 | 28(2) | 22C43 | 6902400 | . | PRE4 | 2842452 |
| 16A10 | 29(2) | 20A08 | 4323132 | . | NFALOAD/A | 6902340 |
| 24C33 | 30(1) | | 6902340 | I | NPRE/34 | 6902340 |
| | 31(0) | | | | | |
| | 32(0) | | | | | |
| | 33(0) | | | | | |
| 24C50 | 34(2) | 18B43 | 6845355 | . | PH3-B | 2842452 |
| 19A20 | 35(2) | 19C36 | 4421400 | . | (FULI+FULCFI) | 2842454 |
| 19A21 | 36(2) | 26C10 | 6902101 | . | PRE1 | 2842454 |
| 18B42 | 37(2) | 14C35 | 4323340 | . | FAMT | 2842452 |
| | 38(0) | | | | | |
| 29C47 | 39(2) | 31C14 | 1000504 | . | NC0 | 2842454 |
| 22C04 | 40(2) | 20A02 | 2285001 | . | NANLZ | 2842454 |
| 19B08 | 41(2) | 08C23 | 2560051 | . | NBC1 | 6902342 |
| 28B50 | 42(2) | 22C50 | 6902301 | . | PRE3 | 6902340 |
| 22C28 | 43(2) | 17B38 | 6902400 | . | PRE4 | 6902342 |
| 19B04 | 44(2) | 26C40 | 2560001 | . | NBC0 | 6902342 |
| 13C22 | 45(2) | 25B41 | 4421480 | . | FUMH | 6902340 |
| 22C16 | 46(1) | | 4790322 | . | GND1322 | 6902340 |
| 09A02 | 47(2) | 22B37 | 4325180 | . | FAWORDW | 6902342 |
| | 48(0) | | | | | |
| 23C49 | 49(0) | 21C49 | 8300200 | . | P4VC | 8300230 |
| 22C42 | 50(2) | 24C08 | 6902301 | . | PRE3 | 6902342 |
| 23C51 | 51(0) | 21C51 | 8302200 | . | P8VC | 8302230 |

XDS 902306

XDS
XEROX DATA SYSTEMS

DRAWING NO.- 133264-903 AC
 PROG-PNIND MODULE-23C
 TYPE-PIN INDEX TYPE-ZT45

87

10/27/71

| FROM | PIN (COUNT) | TO | SOURCE LINE NO. | ELEM. TYPE | SOURCE SIGNAL NAME | REFERENCE LINE NO. |
|-------|----------------|-------|--------------------|---------------|--------------------|-----------------------|
| | 00(0) | | | | | |
| 23B50 | 01(1) | 23D01 | 1014540 | C | N01-1 | 1014540 |
| 20B21 | 02(1) | 23D02 | 8065420 | C | (S/TRAP) | 8065420 |
| 25B12 | 03(1) | 23D03 | 2559830 | C | N(BC=1) | 2559830 |
| 23D04 | 04(1) | 28C04 | 4324708 | C | (FAST.PH1/C) | 4324708 |
| 32B01 | 05(1) | 23D05 | 4324725 | C | (FAST.PH9) | 4324725 |
| 15A25 | 06(1) | 23D06 | 5156701 | C | IOPH3 | 5156701 |
| 25B34 | 07(1) | 23D07 | 6630700 | C | OL7 | 6630700 |
| 22C07 | 08(1) | 23D08 | 6630710 | C | NOL7 | 6630710 |
| 32C07 | 09(1) | 23D09 | 1071342 | C | ND7-1 | 1071342 |
| 25B36 | 10(1) | 23D10 | 4321020 | C | FADIVH | 4321020 |
| 25B31 | 11(1) | 23D11 | 4324540 | C | FAS10 | 4324540 |
| 18A10 | 12(1) | 23D12 | 7892120 | C | SWK5 | 7892120 |
| 21C13 | 13(1) | 23D13 | 6196400 | C | N(S/MRQ/3) | 6196400 |
| 28A47 | 14(1) | 23D14 | 6821100 | C | PCP1 | 6821100 |
| 29C36 | 15(1) | 23D15 | 6845198 | C | (PH1+PH3) | 6845198 |
| | 16(0) | | 4790323 | -GND | GND1323 | 4790323 |
| 28A02 | 17(1) | 23D17 | 5188000 | C | IX | 5188000 |
| 28A21 | 18(1) | 23D18 | 5188001 | C | NIX | 5188001 |
| 22C19 | 19(1) | 23D19 | 5152001 | C | NIOEN | 5152001 |
| 15B44 | 20(1) | 23D20 | 5156820 | C | NIOPH10 | 5156820 |
| 24C01 | 21(1) | 23D21 | 5188200 | C | (IXAL.PRE2) | 5188200 |
| 15A21 | 22(1) | 23D22 | 5158100 | C | IOSC | 5158100 |
| 23D23 | 23(1) | 21C44 | 6196500 | C | NMRQP1 | 6196500 |
| 23D24 | 24(1) | 01C21 | 3846015 | C | DRQ-1 | 3846013 |
| 23D25 | 25(1) | 25B19 | 4395600 | C | NFPRR | 4395600 |
| 28A14 | 26(1) | 23D26 | 2840900 | C | BRP | 2840900 |
| 23D27 | 27(1) | 04C17 | 6227000 | C | MUSIC | 6227000 |
| 04B44 | 28(1) | 23D28 | 4421450 | C | FULRP | 4421450 |
| 11B38 | 29(1) | 23D29 | 3651134 | C | DIOIND | 3651134 |
| 28B19 | 30(1) | 23D30 | 7343120 | C | NRESET-1 | 7343120 |
| 20B15 | 31(1) | 23D31 | 7343300 | C | RESET/C | 7343302 |
| | 32(0) | | | | | |
| 23D33 | 33(1) | 27B17 | 3314000 | C | COND1 | 3314000 |
| 14A45 | 34(1) | 23D34 | 4324610 | C | FASEL-1 | 4324610 |
| 32C10 | 35(1) | 23D35 | 4324727 | C | FAST/A-1 | 4324727 |
| 24C40 | 36(1) | 23D36 | 1310336 | C | B31-1 | 1310336 |
| 29A08 | 37(1) | 23D37 | 6909950 | C | PROBOVER | 6909950 |
| 23D38 | 38(1) | 18C02 | 6845685 | C | (S/PH6/I0)-1 | 6845685 |
| 23D39 | 39(1) | 29A19 | 6910020 | C | PROBOVER/H | 6910020 |
| 23D40 | 40(1) | 17B20 | 1290340 | C | B29-1 | 1290340 |
| 20C15 | 41(1) | 23D41 | 6038020 | C | (S/MBXS) | 6038020 |
| 21C42 | 42(1) | 23D42 | 6038030 | C | N(S/MBXS) | 6038030 |
| 23D43 | 43(1) | 17B29 | 1270355 | C | B27/1 | 1270355 |
| 17B11 | 44(1) | 23D44 | 1064525 | C | N06-1 | 1064525 |
| 24C02 | 45(1) | 23D45 | 5110170 | C | (IA.PRE2) | 5110170 |
| 23D46 | 46(1) | 28B09 | 5152080 | C | N(IOEN.IOSC) | 5152080 |
| 20B45 | 47(1) | 23D47 | 5156440 | C | (IOPH0.SW8) | 5156440 |
| | 48(0) | | | | | |
| 24C49 | 49(0) | 22C49 | 8300200 | | P4VC | 8300230 |
| 24B50 | 50(1) | 23D50 | 6720150 | C | NOU1 | 6720150 |
| 24C51 | 51(0) | 22C51 | 8302200 | | P8VC | 8302230 |

XDS 902306

XDS
XEROX DATA SYSTEMS

DRAWING NO.- 133264-903 AC
PROG-PNIND MODULE-24C
TYPE-PIN INDEX TYPE-IT16

88
10/27/71

| FROM | PIN (COUNT) | TO | SOURCE LINE NO. | ELEM. TYPE | SOURCE SIGNAL NAME | REFERENCE LINE NO. |
|-------|-------------|-------|-----------------|------------|--------------------|--------------------|
| | 00(0) | | | | | |
| 31B35 | 01(2) | 23C21 | 5188200 | . | (IXAL.PRE2) | 2842252 |
| 31B36 | 02(2) | 23C45 | 5110170 | . | (IA.PRE2) | 2842250 |
| 28B46 | 03(2) | 05C38 | 2285060 | . | (ANLZ.PRE3) | 2841550 |
| 17A35 | 04(2) | 29C38 | 6752020 | . | NOXC | 6752000 |
| 26C22 | 05(2) | 24C17 | 2842250 | I | NBRPRE2 | 2842250 |
| | 06(1) | 20C15 | 6038020 | I | (S/MBXS) | 6038024 |
| 30C30 | 07(2) | 18C36 | 2285000 | . | ANLZ | 6038024 |
| 22C50 | 08(2) | 15C40 | 6902301 | . | PRE3 | 6038024 |
| 20C19 | 09(2) | 20A04 | 1296630 | . | N(S/TR29) | 1296625 |
| | 10(1) | 25A25 | 1296625 | I | (S/TR29) | 1296625 |
| 26B24 | 11(2) | 22C22 | 6196200 | I | N(S/MRQ/1) | 6196210 |
| 30C18 | 12(2) | 20B29 | 4324370 | . | (FAPSD.PH4) | 6196210 |
| 28C14 | 13(2) | 24B42 | 7300900 | . | (R.CC) | 7300800 |
| | 14(0) | | | | | |
| | 15(1) | 28C19 | 7300800 | I | N(R.CC) | 7300800 |
| | 16(0) | | 4790324 | -GND | GND1324 | 4790324 |
| 24C05 | 17(2) | 32C35 | 2842250 | I | NBRPRE2 | 2842252 |
| | 18(1) | 01A30 | 6752000 | I | OXC | 6752000 |
| 21B47 | 19(2) | 26C21 | 2841550 | I | NBRPH5 | 2841550 |
| | 20(0) | | | | | |
| 25C21 | 21(2) | 26C27 | 2841250 | . | NBRPH2 | 2841200 |
| 20C27 | 22(2) | 26C25 | 2841150 | . | NBRPH1 | 2841100 |
| 22C23 | 23(2) | 26C28 | 2842450 | . | NBRPRE4 | 2842400 |
| 25C05 | 24(2) | 26C22 | 2842250 | . | NBRPRE2 | 2842200 |
| | 26(1) | 31A47 | 2842200 | I | BRPRE2 | 2842200 |
| | 27(1) | 31A42 | 2841100 | I | BRPH1 | 2841100 |
| | 28(1) | 07A19 | 2841200 | I | BRPH2 | 2841200 |
| | 29(0) | | | | | |
| 23B39 | 30(2) | 30C42 | 4421500 | . | FUMMC | 2841654 |
| 31B21 | 31(2) | 14B47 | 4323380 | . | FAMULNH | 2841656 |
| | 32(0) | | | | | |
| 22C26 | 33(2) | 22C30 | 6902340 | . | NPRE/34 | 4421212 |
| 30C15 | 34(2) | 07C42 | 4421210 | I | (FUDW.NR31.NB31) | 4421212 |
| | 35(1) | 28C09 | 6902370 | I | (PRE/34+PH2) | 6902370 |
| | 36(1) | 32C20 | 6902350 | I | PRE/34-A | 6902350 |
| | 37(0) | | | | | |
| 01C18 | 38(2) | 30A20 | 7651000 | . | SGTZ | 7651050 |
| 30B43 | 39(1) | | 6845201 | . | NPH2 | 6902370 |
| 21A27 | 40(2) | 23C36 | 1310336 | . | B31-1 | 4421212 |
| | 41(1) | 30A05 | 7651050 | I | NSGTZ | 7651050 |
| 16A24 | 42(2) | 25B09 | 4324500 | . | FARWD | 2841652 |
| 08A46 | 43(2) | 19C37 | 4421700 | . | FUPLM | 7439140 |
| 21C37 | 44(2) | 24C46 | 2841650 | I | NBRPH6 | 2841652 |
| | 45(1) | 21B18 | 7439140 | I | NRXS | 7439140 |
| 24C44 | 46(2) | 24C47 | 2841650 | I | NBRPH6 | 2841654 |
| 24C46 | 47(2) | 22C21 | 2841650 | I | NBRPH6 | 2841656 |
| | 48(0) | | | | | |
| 25C49 | 49(0) | 23C49 | 8300200 | . | P4VC | 8300230 |
| 13B28 | 50(2) | 22C34 | 6845355 | . | PH3-B | 2841654 |
| 25C51 | 51(0) | 23C51 | 8302200 | . | P8VC | 8302230 |

| FROM | PIN (COUNT) | TO | SOURCE LINE NO. | ELEM. TYPE | SOURCE SIGNAL NAME | REFERENCE LINE NO. |
|-------|----------------|-------|--------------------|---------------|------------------------|-----------------------|
| | 00(0) | | | | | |
| 26C30 | 01(1) | | 8065425 | T | N(S/TRAP) | 8065425 |
| 10C35 | 02(1) | | 5125100 | T | IFAM | 5125100 |
| 22C03 | 03(1) | | 6902314 | T | PRE3-A | 6902314 |
| | 04(1) | 26B42 | 7890801 | T | NSW7 | 7890801 |
| | 05(1) | 24C24 | 2842250 | T | NBRPRE2 | 2842250 |
| 26C06 | 06(1) | | 2841350 | T | NBRPH3 | 2841350 |
| | 07(1) | 29C23 | 7891401 | T | NSW13 | 7891401 |
| | 08(1) | 10C13 | 6845122 | T | PH1-B | 6845122 |
| 29C24 | 09(1) | | 7891301 | T | NSW12 | 7891301 |
| 27B05 | 10(1) | | 7891300 | T | SW12 | 7891300 |
| | 11(1) | 29C18 | 7891201 | T | NSW11 | 7891201 |
| 29C21 | 12(1) | | 7891101 | T | NSW10 | 7891101 |
| 30C05 | 13(2) | 20C20 | 4324360 | T | (FAPSD.PH1) | 4324360 |
| 28C18 | 14(1) | | 4421040 | T | FUBCS | 4421040 |
| 21C22 | 15(1) | | 4321180 | T | NFAHW | 4321180 |
| | 16(0) | | 4790325 | -GND | GND1325 | 4790325 |
| 25B26 | 17(1) | | 7471000 | T | RZ | 7471000 |
| 21C18 | 18(1) | | 1006520 | T | NS0 | 1006520 |
| | 19(1) | 26C19 | 2841850 | T | NBRPH8 | 2841850 |
| 26C20 | 20(1) | | 2841650 | T | NBRPH6 | 2841650 |
| | 21(1) | 24C21 | 2841250 | T | NBRPH2 | 2841250 |
| 20C22 | 22(1) | | 2841170 | T | BRPH1/1 | 2841170 |
| 18C50 | 23(1) | | 7892150 | T | SWK6 | 7892150 |
| 21C24 | 24(1) | | 4321110 | T | NFADW | 4321110 |
| 26C25 | 25(1) | | 2841150 | T | NBRPH1 | 2841150 |
| 27B17 | 26(1) | | 3314000 | T | COND1 | 3314000 |
| | 27(1) | 27B06 | 4322500 | T | (FAIO.PH5) | 4322500 |
| 26C28 | 28(1) | | 2842450 | T | NBRPRE4 | 2842450 |
| 32C29 | 29(1) | | 2841550 | T | NBRPH5 | 2841550 |
| | 30(1) | 20C30 | 2841750 | T | NBRPH7 | 2841750 |
| 21C30 | 31(1) | | 6845635 | T | PH6-B | 6845635 |
| | 32(0) | | | | | |
| 14C50 | 33(1) | | 7890115 | T | NSW0-1 | 7890115 |
| 30C21 | 34(1) | | 4420800 | T | FUANLZ | 4420800 |
| 17A03 | 35(1) | | 7343221 | T | N(RESET/B.NIOCON.NMRC) | 7343221 |
| 26C39 | 36(1) | | 6846000 | T | PH10 | 6846000 |
| 29C38 | 37(1) | | 6752020 | T | NOXC | 6752020 |
| 18C31 | 38(1) | | 1014520 | T | O1-1 | 1014520 |
| | 39(1) | 26B02 | 3699100 | T | DIVOVER | 3699100 |
| 26C40 | 40(1) | | 2560001 | T | NBC0 | 2560001 |
| 26C41 | 41(1) | | 2560050 | T | BC1 | 2560050 |
| | 42(1) | 20C42 | 2841450 | T | NBRPH4 | 2841450 |
| 29C43 | 43(1) | | 2285070 | T | N(ANLZ.PRE3) | 2285070 |
| 21C40 | 44(1) | | 3846016 | T | N(S/DRQ/2) | 3846016 |
| 30C38 | 45(1) | | 7891000 | T | SW9 | 7891000 |
| | 46(1) | 29C30 | 7891001 | T | NSW9 | 7891001 |
| 29C27 | 47(1) | | 6902316 | T | PRE3-B | 6902316 |
| | 48(0) | | | | | |
| 26C49 | 49(0) | 24C49 | 8300200 | | P4VC | 8300230 |
| | 50(1) | 30C40 | 7891200 | T | SW11 | 7891200 |
| 26C51 | 51(0) | 24C51 | 8302200 | | P8VC | 8302230 |

XDS 902306

XDS
XEROX DATA SYSTEMS

DRAWING NO. - 133264-903 AC
PROG-PNIND MODULE-26C
TYPE-PIN INDEX TYPE-BT11

90

10/27/71

| FROM | PIN (COUNT) | TO | SOURCE LINE NO. | ELEM. TYPE | SOURCE SIGNAL NAME | REFERENCE LINE NO. |
|-------|----------------|-------|--------------------|---------------|--------------------|-----------------------|
| | 00(0) | | | | | |
| | 01(1) | 21C35 | 5188130 | B | (S/IXAL) | 5188132 |
| 10C34 | 02(1) | | 5156546 | B | (IOPH1.SW9)-F | 5156546 |
| 10A05 | 03(2) | 27B09 | 7891000 | . | SW9 | 5156546 |
| 27B07 | 04(2) | 32B20 | 7471020 | . | NRZ | 7471100 |
| 20C42 | 05(2) | 32C33 | 2841450 | . | NBRPH4 | 2840100 |
| 14C30 | 06(2) | 25C06 | 2841350 | . | NBRPH3 | 2840100 |
| | 07(0) | | | | | |
| 27B31 | 08(2) | 14C50 | 7890115 | . | NSW0-1 | 7471100 |
| 31C21 | 09(2) | 27B38 | 5156501 | . | IOPH1 | 5156546 |
| 22C36 | 10(2) | 28C06 | 6902101 | . | PRE1 | 5188132 |
| 11C42 | 11(2) | 28C05 | 5145800 | . | INDX | 5188132 |
| | 12(1) | 26C14 | 2840100 | B | NBR | 2840100 |
| | 13(1) | 21B06 | 7471100 | B | (NRZ.NSW0) | 7471100 |
| 26C12 | 14(2) | 26C33 | 2840100 | B | NBR | 2840106 |
| | 15(1) | 24B24 | 6902170 | B | PRE1EN | 6902170 |
| | 16(0) | | 4790326 | -GND | GND1326 | 4790326 |
| 21C17 | 17(2) | 22B10 | 6902180 | . | (NHALT+FUEXU) | 6902170 |
| 05C11 | 18(2) | 29B22 | 5138940 | . | N(S/INTRAP) | 6902170 |
| 25C19 | 19(2) | 27B34 | 2841850 | . | NBRPH8 | 2840106 |
| 22C21 | 20(2) | 25C20 | 2841650 | . | NBRPH6 | 2840106 |
| 24C19 | 21(2) | 32C29 | 2841550 | . | NBRPH5 | 2840106 |
| 24C24 | 22(2) | 24C05 | 2842250 | . | NBRPRE2 | 2840104 |
| 18C25 | 23(2) | 21C43 | 2842050 | . | NBRPH10 | 2840104 |
| 30A08 | 24(2) | 31C10 | 2841950 | . | NBRPH9 | 2840104 |
| 24C22 | 25(2) | 25C25 | 2841150 | . | NBRPH1 | 2840102 |
| 08C42 | 26(2) | 29B02 | 3202710 | . | NCLEAR-1 | 2840102 |
| 24C21 | 27(2) | 32C15 | 2841250 | . | NBRPH2 | 2840102 |
| 24C23 | 28(2) | 25C28 | 2842450 | . | NBRPRE4 | 2840104 |
| 20C30 | 29(2) | 32C46 | 2841750 | . | NBRPH7 | 2840106 |
| 26C43 | 30(2) | 25C01 | 8065425 | . | N(S/TRAP) | 6902170 |
| 31B31 | 31(2) | 06C07 | 5158101 | . | NIOSC | 6902170 |
| | 32(0) | | | | | |
| 26C14 | 33(2) | 26C34 | 2840100 | B | NBR | 2840102 |
| 26C33 | 34(2) | 32C37 | 2840100 | B | NBR | 2840104 |
| | 35(1) | 30A07 | 6845192 | B | (PH1.NS/TRAP) | 6845192 |
| | 36(1) | 13B46 | 6104900 | B | MIT | 6104900 |
| 30C50 | 37(2) | 14B21 | 6845600 | . | PH6 | 6104900 |
| 17C42 | 38(2) | 27C29 | 6845100 | . | PH1 | 6845192 |
| 17C36 | 39(2) | 25C36 | 6846000 | . | PH10 | 4152000 |
| 22C44 | 40(2) | 25C40 | 2560001 | . | NBC0 | 2559800 |
| 29A33 | 41(2) | 25C41 | 2560050 | . | BC1 | 2559800 |
| 21C06 | 42(2) | 31C02 | 4252000 | . | EXC | 4152000 |
| 20C14 | 43(2) | 26C30 | 8065425 | . | N(S/TRAP) | 6845192 |
| 07A35 | 44(2) | 27C10 | 4323360 | . | FAMUL | 6104900 |
| | 45(1) | 20B34 | 4152000 | B | ENDE | 4152000 |
| | 46(1) | 30B24 | 2559800 | B | (BC=1) | 2559800 |
| | 47(0) | | | | | |
| | 48(0) | | | | | |
| 27C49 | 49(0) | 25C49 | 8300200 | | P4VC | 8300230 |
| | 50(0) | | | | | |
| 27C51 | 51(0) | 25C51 | 8302200 | | P8VC | 8302230 |

| FROM | PIN (COUNT) | TO | SOURCE LINE NO. | ELEM. TYPE | SOURCE SIGNAL NAME | REFERENCE LINE NO. |
|-------|----------------|-------|--------------------|---------------|--------------------|-----------------------|
| | 00(0) | | | | | |
| 27D01 | 01(1) | 19B28 | 1316202 | C | NR31 | 1316202 |
| 21C47 | 02(1) | 27D02 | 1316215 | C | R31-1 | 1316215 |
| 27D03 | 03(1) | 20C43 | 2054900 | C | ABO | 2054900 |
| 29C03 | 04(1) | 27D04 | 6821500 | C | PCP5 | 6821500 |
| 30B13 | 05(1) | 27D05 | 6821620 | C | PCPACT | 6821620 |
| 29C07 | 06(1) | 27D06 | 5150110 | C | NIOACT | 5150110 |
| 30C07 | 07(1) | 27D07 | 6720010 | C | NOU0 | 6720010 |
| 24B28 | 08(1) | 27D08 | 7890300 | C | SW2 | 7890300 |
| 12C44 | 09(1) | 27D09 | 4323348 | C | (FAMT.PH2) | 4323348 |
| 26C44 | 10(1) | 27D10 | 4323360 | C | FAMUL | 4323360 |
| 26B39 | 11(1) | 27D11 | 4324670 | C | (FASH.PH5.NFL2) | 4324670 |
| 30A02 | 12(1) | 27D12 | 4421050 | C | FUBDR | 4421050 |
| 30A30 | 13(1) | 27D13 | 6902350 | C | PRE/34-A | 6902350 |
| 30C01 | 14(1) | 27D14 | 6845300 | C | PH3 | 6845300 |
| 25B01 | 15(1) | 27D15 | 6821201 | C | NPCP2 | 6821201 |
| | 16(0) | | 4790327 | -GND | GND1327 | 4790327 |
| 25B17 | 17(1) | 27D17 | 4425150 | C | FUS | 4425150 |
| 21B37 | 18(1) | 27D18 | 4425500 | C | FUSF | 4425500 |
| 29C20 | 19(1) | 27D19 | 7891201 | C | NSW11 | 7891201 |
| 28C46 | 20(1) | 27D20 | 6845500 | C | PH5 | 6845500 |
| 27D21 | 21(1) | 29C21 | 7891101 | C | NSW10 | 7891101 |
| 27D22 | 22(1) | 30C23 | 7891400 | C | SW13 | 7891400 |
| 27D23 | 23(1) | 29C24 | 7891301 | C | NSW12 | 7891301 |
| 01A37 | 24(1) | 27D24 | 2402900 | C | AXFR | 2402900 |
| 27D25 | 25(1) | 30C22 | 7891500 | C | SW14 | 7891500 |
| 29C28 | 26(1) | 27D26 | 7891601 | C | NSW15 | 7891601 |
| 29C29 | 27(1) | 27D27 | 7891501 | C | NSW14 | 7891501 |
| 28B28 | 28(1) | 27D28 | 4323344 | C | (FAMT.PH1) | 4323344 |
| 26C38 | 29(1) | 27D29 | 6845100 | C | PH1 | 6845100 |
| 27D30 | 30(1) | 17B30 | 6832420 | C | PEM-1 | 6832422 |
| 29C30 | 31(1) | 27D31 | 7891001 | C | NSW9 | 7891001 |
| | 32(0) | | | | | |
| 29C31 | 33(1) | 27D33 | 7891401 | C | NSW13 | 7891401 |
| 26B15 | 34(1) | 27D34 | 4324722 | C | (FAST.PH4) | 4324722 |
| 21C07 | 35(1) | 27D35 | 4253000 | C | (NEXC+IXAL) | 4253000 |
| 18C43 | 36(1) | 27D36 | 4425900 | C | FUWAIT | 4425900 |
| 22B20 | 37(1) | 27D37 | 4324920 | C | (FAST.PH1/E) | 4324920 |
| 20C04 | 38(1) | 27D38 | 8065150 | C | TRACC1 | 8065150 |
| 20C03 | 39(1) | 27D39 | 8065200 | C | TRACC2 | 8065200 |
| 20C02 | 40(1) | 27D40 | 8065250 | C | TRACC3 | 8065250 |
| 20C01 | 41(1) | 27D41 | 8065300 | C | TRACC4 | 8065300 |
| 28C42 | 42(1) | 27D42 | 4321140 | C | NFAFL | 4321140 |
| 22A01 | 43(1) | 27D43 | 2000510 | C | 1MC | 2000510 |
| 31B44 | 44(1) | 27D44 | 5110120 | C | IA | 5110120 |
| 11B42 | 45(1) | 27D45 | 5011101 | C | NHALT | 5011101 |
| 30C46 | 46(1) | 27D46 | 2285040 | C | (ANLZ.PH6) | 2285040 |
| 28C39 | 47(1) | 27D47 | 6846001 | C | NPH10 | 6846001 |
| | 48(0) | | | | | |
| 28C49 | 49(0) | 26C49 | 8300200 | | P4VC | 8300230 |
| 28C38 | 50(1) | 27D50 | 6845901 | C | NPH9 | 6845901 |
| 28C51 | 51(0) | 26C51 | 8302200 | | P8VC | 8302230 |

XDS 902306

XDS
XEROX DATA SYSTEMS

DRAWING NO. - 133264-903 AC
PROG-PNIND MODULE-28C
TYPE-PIN INDEX TYPE-LT13

92

10/27/71

| FROM | PIN (COUNT) | TO | SOURCE LINE NO. | ELEM. TYPE | SOURCE SIGNAL NAME | REFERENCE LINE NO. |
|-------|----------------|-------|--------------------|---------------|--------------------|-----------------------|
| | 00(0) | | | | | |
| 20A47 | 01(1) | 28C24 | 6902150 | I | PRE/12 | 6902150 |
| | 02(2) | 13C01 | 5156755 | . | (1OPH3.SW11) | 6196406 |
| | 03(0) | | | | | |
| 23C04 | 04(2) | 29B09 | 4324708 | . | (FAST.PH1/C) | 6196404 |
| 26C11 | 05(2) | 32C42 | 5145800 | . | INDX | 6902150 |
| 26C10 | 06(2) | 28C07 | 6902101 | . | PRE1 | 6902150 |
| 28C06 | 07(2) | 28C30 | 6902101 | . | PRE1 | 6902150 |
| 08C20 | 08(2) | 32C43 | 1000510 | . | C0-1 | 6902150 |
| 24C35 | 09(2) | 23B27 | 6902370 | . | (PRE/34+PH2) | 6196404 |
| 18C45 | 10(2) | 28B40 | 4321120 | . | FADW/1 | 6196404 |
| | 11(0) | | | | | |
| | 12(1) | 22C14 | 6196400 | I | N(S/MRQ/3) | 6196404 |
| 26B23 | 13(2) | 27B15 | 2841950 | I | NBRPH9 | 2841950 |
| 01C05 | 14(2) | 24C13 | 7300900 | . | (R.CC) | 2841952 |
| 21C19 | 15(2) | 28C20 | 6845128 | . | PH1-E | 2841952 |
| | 16(0) | | 4790328 | -GND | GND1328 | 4790328 |
| 25B47 | 17(2) | 12C01 | 4421030 | . | FUBCR | 2841952 |
| 24B45 | 18(2) | 25C14 | 4421040 | . | FUBCS | 2841950 |
| 24C15 | 19(2) | 25B50 | 7300800 | . | N(R.CC) | 2841950 |
| 28C15 | 20(2) | 09C31 | 6845128 | . | PH1-E | 2841950 |
| 31B14 | 21(2) | 13C04 | 4323394 | . | (FAMULNH.PH7) | 2841952 |
| | 22(0) | | | | | |
| | 23(1) | 15A26 | 6845890 | I | PH8/LP | 6845890 |
| 28C01 | 24(2) | 32C44 | 6902150 | B | PRE/12 | 6902152 |
| | 25(0) | | | | | |
| 20B07 | 26(2) | 19C29 | 7343000 | . | RESET | 6075460 |
| | 27(0) | | | | | |
| 20C34 | 28(2) | 27B07 | 7471020 | . | NRZ | 6075460 |
| 13B06 | 29(1) | | 7339500 | . | RDXMFI | 6075460 |
| 28C07 | 30(2) | 32C38 | 6902101 | . | PRE1 | 6902152 |
| 28A07 | 31(1) | | 5110121 | . | NIA | 6902152 |
| | 32(0) | | | | | |
| 32A12 | 33(2) | 21C02 | 5188101 | . | NIXAL | 6902152 |
| 31B38 | 34(2) | 07C39 | 6902200 | . | PRE2 | 6902152 |
| | 35(0) | | | | | |
| | 36(1) | 16C46 | 6075460 | B | MFR/1 | 6075462 |
| | 37(1) | 32C40 | 4324670 | B | (FASH.PH5.NFL2) | 4324670 |
| 30B39 | 38(2) | 27C50 | 6845901 | . | NPH9 | 6845890 |
| 10B28 | 39(2) | 27C47 | 6846001 | . | NPH10 | 6845890 |
| 30B09 | 40(2) | 31C39 | 6845801 | . | NPH8 | 6845890 |
| 29B19 | 41(2) | 16C18 | 4375121 | . | NFL2 | 4324670 |
| 32C50 | 42(2) | 27C42 | 4321140 | . | NFAFL | 6977200 |
| 30A14 | 43(1) | | 6845900 | . | PH9 | 6977200 |
| 04B13 | 44(2) | 16C07 | 4323300 | . | NFAMDS | 6977200 |
| | 45(0) | | | | | |
| 30C03 | 46(2) | 27C20 | 6845500 | . | PH5 | 4324670 |
| | 47(1) | 23B01 | 6977200 | B | PXSXB | 6977200 |
| | 48(0) | | | | | |
| 29C49 | 49(0) | 27C49 | 8300200 | . | P4VC | 8300240 |
| 07A01 | 50(2) | 15C46 | 4324650 | . | FASH | 4324670 |
| 29C51 | 51(0) | 27C51 | 8302200 | . | P8VC | 8302240 |

XDS 902306

XDS
XEROX DATA SYSTEMS

DRAWING NO. - 133264-903 AC
PROG-PNIND MODULE-29C
TYPE-PIN INDEX TYPE-IT25

93
10/27/71

| FROM | PIN (COUNT) | TO | SOURCE LINE NO. | ELEM. TYPE | SOURCE SIGNAL NAME | REFERENCE LINE NO. |
|-------|----------------|-------|--------------------|---------------|-----------------------|-----------------------|
| | 00(0) | | | | | |
| | 01(1) | 04C06 | 6845390 | I | (PH3+PH4) | 6845390 |
| 16A06 | 02(2) | 29C04 | 6927110 | I | N(PSW2XS) | 6927112 |
| 29C41 | 03(2) | 27C04 | 6821500 | . | PCP5 | 6927112 |
| 29C02 | 04(2) | 26A40 | 6927110 | . | N(PSW2XS) | 6927100 |
| 04C03 | 05(2) | 32B42 | 5528000 | . | KRUN | 8165918 |
| 28A27 | 06(2) | 21B22 | 6821200 | . | PCP2 | 8165918 |
| 23A44 | 07(2) | 27C06 | 5150110 | . | NIOACT | 8165918 |
| 28B03 | 08(2) | 24A36 | 7343100 | . | NRESET | 6927100 |
| 14A18 | 09(2) | 08C44 | 5426010 | . | KPSW2/B-1 | 6927112 |
| 30B42 | 10(2) | 29C37 | 6845301 | . | NPH3 | 6845390 |
| 32C24 | 11(2) | 29B42 | 6845401 | . | NPH4 | 6845390 |
| 30B15 | 12(2) | 20A05 | 8165910 | I | NWDTR/K | 8165918 |
| | 13(1) | 19A42 | 6927100 | I | PSW2XS | 6927100 |
| | 14(1) | 15A15 | 7890315 | I | SW2/LP | 7890315 |
| | 15(1) | 15A19 | 7890225 | I | SW1/LP | 7890225 |
| | 16(0) | | 4790329 | -GND | GND1329 | 4790329 |
| 29B37 | 17(2) | 29C19 | 7891601 | . | NSW15 | 7890225 |
| 25C11 | 18(2) | 29C20 | 7891201 | . | NSW11 | 7890225 |
| 29C17 | 19(2) | 29C28 | 7891601 | . | NSW15 | 7890315 |
| 29C18 | 20(2) | 27C19 | 7891201 | . | NSW11 | 7890315 |
| 27C21 | 21(2) | 25C12 | 7891101 | . | NSW10 | 7890315 |
| 21B36 | 22(2) | 29C29 | 7891501 | . | NSW14 | 7890515 |
| 25C07 | 23(2) | 29C31 | 7891401 | . | NSW13 | 7890515 |
| 27C23 | 24(2) | 25C09 | 7891301 | . | NSW12 | 7890515 |
| 12B31 | 25(2) | 19C31 | 6631200 | . | OLC | 2405434 |
| 32B03 | 26(2) | 31C41 | 4324500 | . | FARWD | 2405434 |
| 18C15 | 27(2) | 25C47 | 6902316 | . | PRE3-B | 2405434 |
| 29C19 | 28(2) | 27C26 | 7891601 | . | NSW15 | 7890515 |
| 29C22 | 29(2) | 27C27 | 7891501 | . | NSW14 | 7890315 |
| 25C46 | 30(2) | 27C31 | 7891001 | . | NSW9 | 7890225 |
| 29C23 | 31(2) | 27C33 | 7891401 | . | NSW13 | 7890225 |
| | 32(0) | | | | | |
| 14C01 | 33(2) | 31C12 | 2405430 | I | NAXRRINH | 2405434 |
| | 34(1) | 15A12 | 7890515 | I | SW4/LP | 7890515 |
| | 35(1) | 01A50 | 6750100 | I | OX | 6750100 |
| 22C15 | 36(2) | 23C15 | 6845198 | I | (PH1+PH3) | 6845198 |
| 29C10 | 37(2) | 29B44 | 6845301 | . | NPH3 | 6845198 |
| 24C04 | 38(2) | 25C37 | 6752020 | . | NOXC | 6750100 |
| 27B42 | 39(1) | 09D10 | 5138000 | . | INT | 5138125 |
| 14A28 | 40(2) | 02C39 | 5426000 | . | KPSW1/B-1 | 6927012 |
| 23B14 | 41(2) | 29C03 | 6821500 | . | PCP5 | 6927012 |
| 31B30 | 42(1) | 09D11 | 5529060 | . | KRUN/1 | 5138125 |
| 05C41 | 43(2) | 25C43 | 2285070 | . | N(ANLZ.PRE3) | 6750100 |
| 30B12 | 44(2) | 29B47 | 6845101 | . | NPH1 | 6845198 |
| 32B36 | 45(2) | 15C44 | 5138120 | I | (N(INT.KRUN).NKAHOLD) | 5138125 |
| | 46(1) | 09B15 | 6927010 | I | N(PSW1XS) | 6927012 |
| | 47(1) | 22C39 | 1000504 | T | NC0 | 1000504 |
| | 48(0) | | | | | |
| 30C49 | 49(0) | 28C49 | 8300200 | . | P4VC | 8300220 |
| 20C21 | 50(1) | | 2500300 | T | NB1619Z | 2500300 |
| 30C51 | 51(0) | 28C51 | 8302200 | . | P8VC | 8302220 |

XDS 902306

XDS
XEROX DATA SYSTEMS

DRAWING NO. - 133264-903 AC
PROG-PNIND MODULE-30C
TYPE-PIN INDEX TYPE-BT16

94

10/27/71

| FROM | PIN (COUNT) | TO | SOURCE LINE NO. | ELEM. TYPE | SOURCE SIGNAL NAME | REFERENCE LINE NO. |
|-------|----------------|-------|--------------------|---------------|--------------------|-----------------------|
| | 00(0) | | | | | |
| 30A34 | 01(2) | 27C14 | 6845300 | . | PH3 | 4324365 |
| 27B22 | 02(2) | 30C29 | 6845124 | . | PH1-C | 4324360 |
| 18A39 | 03(2) | 28C46 | 6845500 | . | PH5 | 4324375 |
| 26B03 | 04(2) | 31C22 | 6845400 | . | PH4 | 4324370 |
| | 05(1) | 25C13 | 4324360 | B | (FAPSD.PH1) | 4324360 |
| | 06(1) | 25B07 | 4324870 | B | (FAST/M.PRE3.NOUD) | 4324870 |
| 21C28 | 07(2) | 27C07 | 6720010 | . | NOUD | 4324870 |
| 22C27 | 08(2) | 31C07 | 2285065 | . | (NANLZ.PRE3) | 4324870 |
| 08A04 | 09(2) | 18C39 | 6514500 | . | (04.05) | 4321925 |
| 10A24 | 10(1) | | 4321925 | B | FAILL/1 | 4321925 |
| | 11(1) | 07B09 | 5386000 | B | KENTER/B-1 | 5386000 |
| 13A47 | 12(1) | | 5385000 | . | KENTER/B | 5386000 |
| 13B10 | 13(2) | 20A09 | 4421200 | . | (FUDW.NR31) | 4421210 |
| 21B40 | 14(2) | 21C26 | 4324850 | . | FAST/M | 4324870 |
| | 15(1) | 24C34 | 4421210 | B | (FUDW.NR31.NB31) | 4421210 |
| | 16(0) | | 4790330 | -GND | GND1330 | 4790330 |
| | 17(1) | 16C08 | 4324365 | B | (FAPSD.PH3) | 4324365 |
| | 18(1) | 24C12 | 4324370 | B | (FAPSD.PH4) | 4324370 |
| | 19(1) | 20B08 | 4324375 | B | (FAPSD.PH5) | 4324375 |
| 14C45 | 20(2) | 29B38 | 4324350 | . | FAPSD | 4324360 |
| 16A23 | 21(2) | 25C34 | 4420800 | . | FUANLZ | 4420850 |
| 27C25 | 22(2) | 24B34 | 7891500 | . | SW14 | 6845180 |
| 27C22 | 23(2) | 24B36 | 7891400 | . | SW13 | 6845175 |
| 03C09 | 24(2) | 27B05 | 7891300 | . | SW12 | 6845170 |
| | 25(1) | 24B12 | 6845175 | B | PH1/F | 6845175 |
| | 26(1) | 12C18 | 6845170 | B | PH1/E | 6845170 |
| 26B47 | 27(1) | | 6845180 | B | PH1/G | 6845180 |
| | 28(1) | 29A47 | 4420850 | B | (FUANLZ.PH1) | 4420850 |
| 30C02 | 29(2) | 30C33 | 6845124 | . | PH1-C | 4420850 |
| 28B30 | 30(2) | 24C07 | 2285000 | . | ANLZ | 2285040 |
| 15B27 | 31(2) | 15C14 | 4324900 | . | FAST/S | 4324940 |
| | 32(0) | | | | | |
| 30C29 | 33(2) | 29B46 | 6845124 | . | PH1-C | 6845150 |
| | 34(1) | 07C12 | 6845165 | B | PH1/D | 6845165 |
| | 35(1) | 26B43 | 6845160 | B | PH1/C | 6845160 |
| | 36(1) | 19B11 | 6845150 | B | PH1/A | 6845150 |
| 31C37 | 37(2) | 14C19 | 7890900 | . | SW8 | 6845150 |
| 27B09 | 38(2) | 25C45 | 7891000 | . | SW9 | 6845155 |
| 31C30 | 39(2) | 15B43 | 7891100 | . | SW10 | 6845160 |
| 25C50 | 40(2) | 15B50 | 7891200 | . | SW11 | 6845165 |
| | 41(1) | 10C14 | 6845155 | B | PH1/B | 6845155 |
| 24C30 | 42(2) | 32C30 | 4421500 | . | FUMMC | 4421580 |
| 21B04 | 43(2) | 19C02 | 4324800 | . | FAST/L | 4324820 |
| | 44(1) | 20C38 | 4421580 | B | (FUMMC.PH6) | 4421580 |
| | 45(1) | 23B02 | 4324820 | B | (FAST/L.PH6) | 4324820 |
| | 46(1) | 27C46 | 2285040 | B | (ANLZ.PH6) | 2285040 |
| | 47(1) | 23B47 | 4324940 | B | (FAST/S.PH6) | 4324940 |
| | 48(0) | | | | | |
| 31C49 | 49(0) | 29C49 | 8300200 | . | P4VC | 8300220 |
| 30A47 | 50(2) | 26C37 | 6845600 | . | PH6 | 2285040 |
| 31C51 | 51(0) | 29C51 | 8302200 | . | P8VC | 8302220 |

XDS 902306

XDS
XEROX DATA SYSTEMS

DRAWING NO. - 133264-903 AC
PROG-PNIND MODULE-31C
TYPE-PIN INDEX TYPE-ZT45

95

10/27/71

| FROM | PIN (COUNT) | TO | SOURCE LINE NO. | ELEM. TYPE | SOURCE SIGNAL NAME | REFERENCE LINE NO. |
|-------|----------------|-------|--------------------|---------------|---------------------|-----------------------|
| | 00(0) | | | | | |
| 26B20 | 01(1) | 31D01 | 4420501 | C | FUA10 | 4420501 |
| 26C42 | 02(1) | 31D02 | 4252000 | C | EXC | 4252000 |
| 31B43 | 03(1) | 31D03 | 5188100 | C | IXAL | 5188100 |
| 32A13 | 04(1) | 31D04 | 5188130 | C | (S/IXAL) | 5188130 |
| 14C43 | 05(1) | 31D05 | 1074502 | C | NO7 | 1074502 |
| 31D06 | 06(1) | 04C10 | 4375131 | C | NFL3 | 4375131 |
| 30C08 | 07(1) | 31D07 | 2285065 | C | (NANLZ.PRE3) | 2285065 |
| 31D08 | 08(1) | 32C41 | 6047910 | C | MCZ | 6047910 |
| 23B44 | 09(1) | 31D09 | 4324400 | C | (FAPSD.PRE3) | 4324400 |
| 26C24 | 10(1) | 31D10 | 2841950 | C | NBRPH9 | 2841950 |
| 27A34 | 11(1) | 31D11 | 1334919 | C | P33-1 | 1334919 |
| 29C33 | 12(1) | 31D12 | 2405430 | C | NAXRRINH | 2405430 |
| 20C24 | 13(1) | 31D13 | 7343223 | C | NRESET/C | 7343223 |
| 22C39 | 14(1) | 31D14 | 1000504 | C | NCO | 1000506 |
| 32B07 | 15(1) | 31D15 | 1300336 | C | B30-1 | 1300336 |
| | 16(0) | | 4790331 | -GND | GND1331 | 4790331 |
| 02A21 | 17(1) | 31D17 | 2000511 | C | NIMC | 2000511 |
| 14B45 | 18(1) | 31D18 | 4421430 | C | FULAD | 4421430 |
| 20C08 | 19(1) | 31D19 | 5138996 | C | N(NINTRAP1.INTRAP2) | 5138996 |
| 17C20 | 20(1) | 31D20 | 6845200 | C | PH2 | 6845200 |
| 31D21 | 21(1) | 26C09 | 5156501 | C | IOPH1 | 5156501 |
| 30C04 | 22(1) | 31D22 | 6845400 | C | PH4 | 6845400 |
| 32C22 | 23(1) | 31D23 | 6845601 | C | NPH6 | 6845601 |
| 32C26 | 24(1) | 31D24 | 4322400 | C | (FA10.PH4) | 4322400 |
| 27A42 | 25(1) | 31D25 | 1324920 | C | NP32-1 | 1324920 |
| 28B24 | 26(1) | 31D26 | 4321120 | C | FADW/1 | 4321120 |
| 27A37 | 27(1) | 31D27 | 1334920 | C | NP33-1 | 1334920 |
| 32C28 | 28(1) | 31D28 | 6845701 | C | NPH7 | 6845701 |
| 21C38 | 29(1) | 31D29 | 3846014 | C | (S/DRQ) | 3846014 |
| 31D30 | 30(1) | 30C39 | 7891100 | C | SW10 | 7891100 |
| 27A13 | 31(1) | 31D31 | 6977100 | C | PXS | 6977100 |
| | 32(0) | | | | | |
| 32B31 | 33(1) | 31D33 | 6902300 | C | NP33 | 6902300 |
| 31D34 | 34(1) | 01A41 | 1010345 | C | N(R/B1/1) | 1010345 |
| 31D35 | 35(1) | 32B06 | 5134000 | C | INHXWD | 5134000 |
| 31B22 | 36(1) | 31D36 | 6631300 | C | OLD | 6631300 |
| 31D37 | 37(1) | 30C37 | 7890900 | C | SW8 | 7890900 |
| 31D38 | 38(1) | 15B22 | 5156463 | C | (IOPH0.SW12)-F | 5156463 |
| 28C40 | 39(1) | 31D39 | 6845801 | C | NPH8 | 6845801 |
| 27A44 | 40(1) | 31D40 | 1324919 | C | P32-1 | 1324919 |
| 29C26 | 41(1) | 31D41 | 4324500 | C | FARWD | 4324500 |
| 26B44 | 42(1) | 31D42 | 2001600 | C | (A16-K16) | 2001600 |
| 31D43 | 43(1) | 08C09 | 7890501 | C | NSW4 | 7890501 |
| 32C17 | 44(1) | 31D44 | 6845800 | C | PH8 | 6845800 |
| 06C34 | 45(1) | 31D45 | 5159825 | C | (R/IPH10/1) | 5159825 |
| 31D46 | 46(1) | 25B03 | 5159800 | C | IPH10 | 5159800 |
| 31D47 | 47(1) | 21C33 | 4413000 | C | NFSHEX | 4413005 |
| | 48(0) | | | | | |
| 32C49 | 49(0) | 30C49 | 8300200 | | P4VC | 8300240 |
| 14C22 | 50(1) | 31D50 | 4322480 | C | (FA10/1.PH4) | 4322480 |
| 32C51 | 51(0) | 30C51 | 8302200 | | P8VC | 8302240 |

XDS 902306



DRAWING NO. - 133264-903 AC
 PROG-PNIND MODULE-32C
 TYPE-PIN INDEX TYPE-IT25

96

10/27/71

| FROM | PIN (COUNT) | TO | SOURCE LINE NO. | ELEM. TYPE | SOURCE SIGNAL NAME | REFERENCE LINE NO. |
|-------|----------------|-------|--------------------|---------------|--------------------|-----------------------|
| | 00(0) | | | | | |
| | 01(1) | 20C27 | 2841150 | I | NBRPH1 | 2841150 |
| 32C13 | 02(2) | 29B34 | 8065216 | I | TRACC2INH | 8065218 |
| 32C08 | 03(1) | | 6902900 | . | PRETR | 8065218 |
| 27A21 | 04(2) | 17C05 | 4321900 | . | FAILL | 8065216 |
| 07C28 | 05(2) | 22B09 | 3533150 | . | (DATAIN.NSW4) | 6038030 |
| 22B06 | 06(2) | 18C18 | 5156475 | . | (IOPH0.SW15) | 6038030 |
| 05C45 | 07(2) | 23C09 | 1071342 | . | ND7-1 | 6038030 |
| 17C50 | 08(2) | 32C03 | 6902900 | . | PRETR | 8065216 |
| 11B46 | 09(2) | 17C02 | 4323320 | . | FANIMP | 8065218 |
| 23B10 | 10(2) | 23C35 | 4324727 | . | FAST/A-1 | 2841150 |
| 18C47 | 11(2) | 32C17 | 6845800 | . | PH8 | 2841150 |
| | 12(1) | 24B14 | 6038030 | I | N(S/MBXS) | 6038030 |
| | 13(1) | 32C02 | 8065216 | I | TRACC2INH | 8065216 |
| | 14(1) | 14C30 | 2841350 | I | NBRPH3 | 2841354 |
| 26C27 | 15(1) | | 2841250 | I | NBRPH2 | 2841250 |
| | 16(0) | | 4790332 | -GND | GND1332 | 4790332 |
| 32C11 | 17(2) | 31C44 | 6845800 | . | PH8 | 2841250 |
| 21C31 | 18(2) | 01C09 | 6047900 | . | NMCZ | 2841250 |
| 28B31 | 19(2) | 22C04 | 2285001 | . | NANLZ | 2841354 |
| 24C36 | 20(2) | 15B02 | 6902350 | . | PRE/34-A | 2841354 |
| | 21(1) | 22C18 | 4323295 | . | FAMDS | 2841354 |
| 30B37 | 22(2) | 31C23 | 6845601 | . | NPH6 | 6845490 |
| 30B31 | 23(2) | 19A43 | 6845501 | . | NPH5 | 6845490 |
| 30B30 | 24(2) | 29C11 | 6845401 | . | NPH4 | 6845490 |
| 15B38 | 25(2) | 12C09 | 7890100 | . | SW0 | 2841450 |
| 27B18 | 26(2) | 31C24 | 4322400 | . | (FA10.PH4) | 2841450 |
| 16C27 | 27(2) | 29B39 | 7890301 | . | NSW2 | 2841450 |
| 30B38 | 28(2) | 31C28 | 6845701 | . | NPH7 | 6845490 |
| 26C21 | 29(2) | 25C29 | 2841550 | . | NBRPH5 | 2841354 |
| 30C42 | 30(2) | 22B44 | 4421500 | . | FUMMC | 2841250 |
| 31B01 | 31(2) | 20C12 | 5138110 | . | N(INT+IOSC) | 2841250 |
| | 32(0) | | | | | |
| 26C05 | 33(1) | | 2841450 | I | NBRPH4 | 2841450 |
| | 34(1) | 15A28 | 6845490 | I | PH4/LP | 6845490 |
| 24C17 | 35(2) | 32C45 | 2842250 | I | NBRPRE2 | 2842254 |
| | 36(1) | 32A19 | 6902330 | I | N(S/PRE3) | 6902330 |
| 26C34 | 37(2) | 30A43 | 2840100 | . | NBR | 6902330 |
| 28C30 | 38(2) | 32C39 | 6902101 | . | PRE1 | 2842254 |
| 32C38 | 39(2) | 29B41 | 6902101 | . | PRE1 | 2842256 |
| 28C37 | 40(2) | 26B39 | 4324670 | . | (FASH.PH5.NFL2) | 2841750 |
| 31C08 | 41(2) | 21C27 | 6047910 | . | MCZ | 2841750 |
| 28C05 | 42(2) | 28A25 | 5145800 | . | INDX | 2842256 |
| 28C08 | 43(2) | 28A08 | 1000510 | . | C0-1 | 2842254 |
| 28C24 | 44(2) | 22C13 | 6902150 | . | PRE/12 | 6902330 |
| 32C35 | 45(1) | | 2842250 | I | NBRPRE2 | 2842256 |
| 26C29 | 46(1) | | 2841750 | I | NBRPH7 | 2841750 |
| | 47(0) | | | | | |
| | 48(0) | | | | | |
| | 49(0) | 31C49 | 8300200 | | P4VC | 8300240 |
| | 50(1) | 28C42 | 4321140 | T | NFAFL | 4321140 |
| | 51(0) | 31C51 | 8302200 | | P8VC | 8302240 |

| FROM | PIN (COUNT) | TO | SOURCE LINE NO. | ELEM. TYPE | SOURCE SIGNAL NAME | REFERENCE LINE NO. |
|-------|----------------|-------|--------------------|---------------|-----------------------|-----------------------|
| | 00(0) | | | | | |
| 24D05 | 01(1) | 32N01 | 2400540 | C | NAXAR24 | 2400540 |
| 04F12 | 02(1) | 32N02 | 6105000 | C | MIT/1 | 6105000 |
| 06D06 | 03(1) | 32N03 | 4320960 | C | (FACOMP/L.PH2) | 4320960 |
| 12F42 | 04(1) | 32N04 | 7343300 | C | RESET/C | 7343300 |
| 12F45 | 05(1) | 32N05 | 4395300 | C | FPCLN/1 | 4395302 |
| 32N06 | 06(1) | 10D31 | 2503110 | C | (B31-BC31) | 2503110 |
| 29D06 | 07(1) | 32N07 | 2401140 | C | AXFC | 2401140 |
| 04E37 | 08(1) | 32N08 | 4425500 | C | FUSF | 4425500 |
| 04D08 | 09(1) | 32N09 | 4425150 | C | FUS | 4425150 |
| 17D39 | 10(1) | 32N10 | 4323380 | C | FAMULNH | 4323380 |
| 22D24 | 11(1) | 32N11 | 6041100 | C | NMDCD7 | 6041100 |
| 10D42 | 12(1) | 32N12 | 4375101 | C | NFL1 | 4375101 |
| 10E36 | 13(1) | 32N13 | 6911720 | C | N(S/PRXNAND) | 6911720 |
| 08E15 | 14(1) | 32N14 | 6911520 | C | N(S/PRXNAD) | 6911520 |
| 04E15 | 15(1) | 32N15 | 6911320 | C | N(S/PRXAND) | 6911320 |
| | 16(0) | | 4790401 | -GND | GND1401 | 4790401 |
| 11E38 | 17(1) | 32N17 | 6911120 | C | N(S/PRXAD) | 6911120 |
| 02D25 | 18(1) | 32N18 | 3060101 | C | NCC1 | 3060101 |
| 11E07 | 19(1) | 32N19 | 7514500 | C | S31INH | 7514500 |
| 32E03 | 20(1) | 32N20 | 4324650 | C | FASH | 4324650 |
| 12F04 | 21(1) | 32N21 | 7514100 | C | S16INH | 7514100 |
| 24D09 | 22(1) | 32N22 | 2400440 | C | NAXAR16 | 2400440 |
| 15E45 | 23(1) | 32N23 | 7901000 | C | NSXC | 7901000 |
| 32N24 | 24(1) | 20E09 | 7400210 | C | RQBZP | 7400210 |
| 02D46 | 25(1) | 32N25 | 6104900 | C | MIT | 6104900 |
| 18E45 | 26(1) | 32N26 | 6909950 | C | PROBOVER | 6909950 |
| 31E15 | 27(1) | 32N27 | 6845675 | C | (S/PH6/10) | 6845675 |
| 22D41 | 28(1) | 32N28 | 3691000 | C | DIT/1 | 3691000 |
| 16D37 | 29(1) | 32N29 | 1074225 | C | (S/MC7) | 1074225 |
| 18D39 | 30(1) | 32N30 | 3078500 | C | CCXS/0 | 3078500 |
| 22F04 | 31(1) | 32N31 | 5883100 | C | LOCKW | 5883100 |
| | 32(0) | | | | | |
| 18D34 | 33(1) | 32N33 | 3078530 | C | CCXS/3 | 3078530 |
| 30D33 | 34(1) | 32N34 | 1312795 | C | (S/K31/3) | 1312795 |
| 18E04 | 35(1) | 32N35 | 1312790 | C | (S/K31/2) | 1312778 |
| 16F14 | 36(1) | 32N36 | 1312770 | C | N(S/K31) | 1312770 |
| | 37(1) | 12F26 | 5339000 | C | K00HOLD | 5339000 |
| 32E06 | 38(1) | 32N38 | 4425400 | C | FUS/1 | 4425400 |
| 32N39 | 39(1) | 28F30 | 1090138 | C | A9-1 | 1090138 |
| 20F14 | 40(1) | 32N40 | 4321230 | C | (FAHW.PRE3.P32) | 4321230 |
| 20F33 | 41(1) | 32N41 | 4320620 | C | (FABYTE.PRE4.(BC=1)) | 4320620 |
| 20F34 | 42(1) | 32N42 | 4320600 | C | (FABYTE.PRE3.P32.P33) | 4320600 |
| 03D02 | 43(1) | 32N43 | 3689200 | C | NDIOXB | 3689200 |
| 32D35 | 44(1) | 32N44 | 5919900 | C | LRXZ | 5919900 |
| 32N45 | 45(1) | 02D02 | 4321010 | C | FADIV-2 | 4321010 |
| 24F14 | 46(1) | 32N46 | 6038400 | C | MBXS/2 | 6038400 |
| 24F06 | 47(1) | 32N47 | 6038600 | C | MBXS/3 | 6038600 |
| | 48(0) | | | | | |
| | 49(0) | 02D49 | 8300300 | -VSP | P4VD | 8300300 |
| 09D35 | 50(1) | 32N50 | 7900450 | C | NSXB | 7900450 |
| | 51(0) | 02D51 | 8302300 | -VSP | P8VD | 8302300 |

XDS 902306



DRAWING NO.- 133264-912 AC
 PROG-PNIND MODULE-02D
 TYPE-PIN INDEX TYPE-LT20

2
 10/27/71

| FROM | PIN (COUNT) | TO | SOURCE LINE NO. | ELEM. TYPE | SOURCE SIGNAL NAME | REFERENCE LINE NO. |
|-------|-------------|-------|-----------------|------------|--------------------|--------------------|
| | 00(0) | | | | | |
| 23F14 | 01(2) | 13E10 | 6047900 | . | NMCZ | 2405544 |
| 01D45 | 02(2) | 06D34 | 4321010 | . | FADIV-2 | 2405544 |
| 08E43 | 03(2) | 06E19 | 6845640 | . | PH6-E | 2405544 |
| | 04(0) | | | | | |
| 14D34 | 05(2) | 23F34 | 4421580 | . | (FUMMC.PH6) | 2400208 |
| 05E17 | 06(2) | 03D09 | 7891300 | . | SW12 | 2400206 |
| 07D07 | 07(2) | 04E22 | 4322580 | . | (FA10/1.PH5) | 2400206 |
| 03D07 | 08(2) | 14D14 | 4323340 | . | FAMT | 2400210 |
| 10D10 | 09(2) | 02D19 | 6902400 | . | PRE4 | 2400210 |
| 18D05 | 10(2) | 16F08 | 7890300 | . | SW2 | 2400210 |
| 07D11 | 11(2) | 10D20 | 4324702 | . | FAST-2 | 2400206 |
| 07D12 | 12(2) | 06E10 | 6845165 | . | PH1/D | 2400206 |
| 23F33 | 13(2) | 06E01 | 2559830 | . | N(BC=1) | 2400208 |
| | 14(1) | 02D23 | 2405540 | I | NAXSL1 | 2405544 |
| 03E05 | 15(2) | 05E07 | 1010304 | . | NB1 | 2405544 |
| | 16(0) | | 4790402 | -GND | GND1402 | 4790402 |
| 06E40 | 17(2) | 05E06 | 5156750 | . | (IOPH3.SW10) | 2405544 |
| | 18(0) | | | | | |
| 02D09 | 19(2) | 15E11 | 6902400 | . | PRE4 | 2400208 |
| 14D45 | 20(2) | 04D21 | 4325000 | . | FASTORE | 2400208 |
| 10D07 | 21(2) | 28E20 | 2579050 | . | NBCZ | 2400208 |
| | 22(1) | 05D25 | 2400200 | I | NAXAL8 | 2400206 |
| 02D14 | 23(2) | 02E34 | 2405540 | I | NAXSL1 | 2405540 |
| | 24(0) | | | | | |
| 04F23 | 25(2) | 01D18 | 3060101 | . | NCC1 | 2405542 |
| 26D25 | 26(2) | 04F22 | 3060201 | . | NCC2 | 2405542 |
| 03D30 | 27(1) | | 2285050 | . | (ANLZ.PH7) | 2405542 |
| 06D03 | 28(2) | 12E41 | 2285040 | . | (ANLZ.PH6) | 2405542 |
| | 29(0) | | | | | |
| | 30(1) | 02E20 | 2405700 | I | NAXSR2 | 2405700 |
| | 31(0) | | | | | |
| | 32(0) | | | | | |
| 08D04 | 33(2) | 20E20 | 6902200 | . | PRE2 | 2405540 |
| 08D05 | 34(2) | 02D45 | 5188100 | . | IXAL | 2405540 |
| | 35(0) | | | | | |
| 02D41 | 36(2) | 08D25 | 7627100 | . | SFT | 2405541 |
| | 37(0) | | | | | |
| 18D04 | 38(2) | 11E01 | 4321100 | . | FADW | 2405540 |
| 08D18 | 39(2) | 03E21 | 4375121 | . | NFL2 | 2405541 |
| 21F28 | 40(2) | 08D28 | 4413000 | . | NFSHEX | 2405541 |
| 03D41 | 41(2) | 02D36 | 7627100 | . | SFT | 2405700 |
| 03D47 | 42(2) | 18F39 | 4320540 | . | FABYTE | 2405701 |
| | 43(1) | 08D26 | 4375120 | . | FL2 | 2405700 |
| | 44(1) | 08D27 | 4375131 | . | NFL3 | 2405700 |
| 02D34 | 45(2) | 03F29 | 5188100 | . | IXAL | 2405701 |
| 03D40 | 46(2) | 01D25 | 6104900 | . | MIT | 2405702 |
| 19E07 | 47(2) | 20D03 | 5156775 | . | (IOPH3.SW15) | 2405702 |
| | 48(0) | | | | | |
| 01D49 | 49(0) | 03D49 | 8300300 | . | P4VD | 8300300 |
| | 50(0) | | | | | |
| 01D51 | 51(0) | 03D51 | 8302300 | . | P8VD | 8302300 |

| FROM | PIN (COUNT) | TO | SOURCE LINE NO. | ELEM. TYPE | SOURCE SIGNAL NAME | REFERENCE LINE NO. |
|-------|-------------|-------|-----------------|------------|--------------------|--------------------|
| | 00(0) | | | | | |
| 03C01 | 01(1) | 14E27 | 1034502 | C | N03 | 1034502 |
| 03C02 | 02(1) | 01D43 | 3689200 | C | ND10XB | 3689200 |
| 28F35 | 03(1) | 03C03 | 2020000 | C | (S/A9) | 2020000 |
| 03C04 | 04(1) | 04D07 | 5125140 | C | IFAMDS | 5125140 |
| 04D02 | 05(1) | 03C05 | 3533100 | C | DATAIN | 3533100 |
| 03C06 | 06(1) | 28D28 | 7343140 | C | RESET/A | 7343140 |
| 03C07 | 07(1) | 02D08 | 4323340 | C | FAMT | 4323340 |
| 03C08 | 08(1) | 12F28 | 4323380 | C | FAMULNH | 4323380 |
| 02D06 | 09(1) | 03C09 | 7891300 | C | SW12 | 7891300 |
| 04D10 | 10(1) | 03C10 | 1231340 | C | D23-1 | 1231340 |
| 03C11 | 11(1) | 05D20 | 4421590 | C | FUMMC-1 | 4421590 |
| 06D45 | 12(1) | 03C12 | 5156470 | C | (1OPH0.SW14) | 5156470 |
| 03C13 | 13(1) | 08E11 | 7892010 | C | SWK12 | 7892010 |
| 19F10 | 14(1) | 03C14 | 7339500 | C | RDXMF1 | 7339500 |
| 03C15 | 15(1) | 09D07 | 8132000 | C | VALST | 8132000 |
| | 16(0) | | 4790403 | -GND | GND1403 | 4790403 |
| 03C17 | 17(1) | 20E15 | 7892060 | C | SWK4 | 7892060 |
| 03C18 | 18(1) | 08D11 | 2285000 | C | ANLZ | 2285000 |
| 21F46 | 19(1) | 03C19 | 7500770 | C | S0809XP | 7500770 |
| 22D21 | 20(1) | 03C20 | 2579000 | C | BCZ | 2579000 |
| 04D04 | 21(1) | 03C21 | 4420530 | C | (FUA10.PH5) | 4420530 |
| 06F22 | 22(1) | 03C22 | 1024500 | C | 02 | 1024500 |
| 03C23 | 23(1) | 21D38 | 3651130 | C | D10EX:IT | 3651130 |
| 03C24 | 24(1) | 05D06 | 5156755 | C | (1OPH3.SW11) | 5156755 |
| 03C25 | 25(1) | 05E21 | 5156800 | C | 1OPH10 | 5156800 |
| 03C26 | 26(1) | 13E17 | 5158101 | C | N1OSC | 5158101 |
| 03C27 | 27(1) | 03F44 | 5153300 | C | N(S/10FM) | 5153300 |
| 03C28 | 28(1) | 08E12 | 6821600 | C | PCP6 | 6821600 |
| 05D44 | 29(1) | 03C29 | 3533500 | C | DATAOUT | 3533500 |
| 03C30 | 30(1) | 02D27 | 2285050 | C | (ANLZ.PH7) | 2285050 |
| 04E04 | 31(1) | 03C31 | 5150552 | C | 10BR9 | 5150552 |
| | 32(0) | | | | | |
| 04E39 | 33(1) | 03C33 | 1231350 | C | ND23-1 | 1231350 |
| 03C34 | 34(1) | 08D31 | 5362130 | C | NKCLRPSW/B | 5362130 |
| 03C35 | 35(1) | 09D22 | 7410800 | C | RSCLN | 7410800 |
| 03C36 | 36(1) | 11F31 | 8065400 | C | TRAP | 8065400 |
| 03C37 | 37(1) | 13F36 | 5156567 | C | (1OPH1.SW13)-F | 5156567 |
| 03C38 | 38(1) | 13D17 | 2285060 | C | (ANLZ.PRE3) | 2285060 |
| 03C39 | 39(1) | 05E08 | 6902450 | C | (PRE4.BCZ) | 6902450 |
| 03C40 | 40(1) | 02D46 | 6104900 | C | MIT | 6104900 |
| 03C41 | 41(1) | 02D41 | 7627100 | C | SFT | 7627100 |
| 03C42 | 42(1) | 07E09 | 6832200 | C | PEINT | 6832200 |
| 03C43 | 43(1) | 32F37 | 3203100 | C | CLEARMEM | 3203100 |
| 09D30 | 44(1) | 03C44 | 5156467 | C | (1OPH0.SW13)-F | 5156467 |
| 03E29 | 45(1) | 03C45 | 6640000 | C | OLDMEM | 6640000 |
| 03C46 | 46(1) | 11E27 | 1064520 | C | 06-1 | 1064520 |
| 03C47 | 47(1) | 02D42 | 4320540 | C | FABYTE | 4320540 |
| | 48(0) | | | | | |
| 02D49 | 49(0) | 04D49 | 8300300 | | P4VD | 8300300 |
| | 50(0) | | | | | |
| 02D51 | 51(0) | 04D51 | 8302300 | | P8VD | 8302300 |

XDS 902306

XDS
XEROX DATA SYSTEMS

DRAWING NO. - 133264-912 AC
PROG-PNIND
TYPE-PIN INDEX

MODULE-04D
TYPE-LT14

4

10/27/71

| FROM | PIN (COUNT) | TO | SOURCE LINE NO. | ELEM. TYPE | SOURCE SIGNAL NAME | REFERENCE LINE NO. |
|-------|----------------|-------|--------------------|---------------|--------------------|-----------------------|
| | 00(0) | | | | | |
| | 01(1) | 08E01 | 2905500 | I | NBXS | 2905504 |
| 04D38 | 02(2) | 03D05 | 3533100 | . | DATAIN | 2400542 |
| 04D37 | 03(2) | 03F28 | 5156465 | . | (IOPH0.SW13) | 2400542 |
| 04E21 | 04(2) | 03D21 | 4420530 | . | (FUA10.PH5) | 2400540 |
| 12D43 | 05(2) | 09D08 | 6845460 | . | PH4-D | 2905504 |
| 15D18 | 06(2) | 05D01 | 5156560 | . | (IOPH1.SW12) | 2905504 |
| 03D04 | 07(2) | 21E30 | 5125140 | . | IFAMDS | 2905504 |
| 14D27 | 08(2) | 01D09 | 4425150 | . | FUS | 2905506 |
| 05D29 | 09(2) | 08E40 | 6845560 | . | PH5-E | 2905506 |
| 26D12 | 10(2) | 03D10 | 1231340 | . | D23-1 | 2905506 |
| 07D31 | 11(2) | 12D17 | 4425600 | . | (FUSF.D23) | 2905504 |
| 15D30 | 12(2) | 05E37 | 7891200 | . | SW11 | 2400540 |
| 04D27 | 13(2) | 06E06 | 6803205 | . | (P32.P33) | 2400542 |
| | 14(1) | 24D05 | 2400540 | I | NAXAR24 | 2400540 |
| 09D33 | 15(2) | 03F13 | 6825310 | I | NPDC31 | 6825317 |
| | 16(1) | 04D34 | 4790404 | -GND | GND1404 | 4790404 |
| 07D34 | 17(2) | 04D24 | 5156475 | . | (IOPH0.SW15) | 2400544 |
| 06E21 | 18(2) | 10D30 | 6902320 | . | PRE3-D | 6825317 |
| 04D28 | 19(2) | 07D28 | 3533150 | . | (DATAIN.NSW4) | 7900077 |
| 04E33 | 20(2) | 06D35 | 6845970 | . | PH9-D | 7900076 |
| 02D20 | 21(2) | 09D26 | 4325000 | . | FASTORE | 7900076 |
| 21E03 | 22(2) | 20E33 | 4324400 | . | (FAPSD.PRE3) | 7900076 |
| 16D15 | 23(2) | 14E39 | 8065401 | . | NTRAP | 7900076 |
| 04D17 | 24(2) | 04D35 | 5156475 | . | (IOPH0.SW15) | 7900077 |
| 05D27 | 25(2) | 06E03 | 4320940 | . | FACOMP/L | 6825317 |
| 09D25 | 26(2) | 06D07 | 6720100 | . | OUI | 6825317 |
| 04F38 | 27(2) | 04D13 | 6803205 | . | (P32.P33) | 2400544 |
| 04D33 | 28(2) | 04D19 | 3533150 | . | (DATAIN.NSW4) | 2400544 |
| 13D22 | 29(2) | 09D12 | 7900030 | I | N(S/SXA) | 7900076 |
| | 30(1) | 24D09 | 2400440 | I | NAXAR16 | 2400440 |
| | 31(0) | | | | | |
| | 32(0) | | | | | |
| 04D43 | 33(2) | 04D28 | 3533150 | . | (DATAIN.NSW4) | 2400412 |
| 04D16 | 34(1) | | 4790404 | . | GND1404 | 2400414 |
| 04D24 | 35(2) | 04D45 | 5156475 | . | (IOPH0.SW15) | 2400412 |
| 06E07 | 36(2) | 04D39 | 6803212 | . | (NP32.P33) | 2400412 |
| 04D41 | 37(2) | 04D03 | 5156465 | . | (IOPH0.SW13) | 2400410 |
| 04D40 | 38(2) | 04D02 | 3533100 | . | DATAIN | 2400410 |
| 04D36 | 39(2) | 04F31 | 6803212 | . | (NP32.P33) | 2400410 |
| 06D44 | 40(2) | 04D38 | 3533100 | . | DATAIN | 2400440 |
| 05D45 | 41(2) | 04D37 | 5156465 | . | (IOPH0.SW13) | 2400440 |
| 12D42 | 42(2) | 04D50 | 6803210 | . | (P32.NP33) | 2400442 |
| 14E43 | 43(2) | 04D33 | 3533150 | . | (DATAIN.NSW4) | 2400442 |
| | 44(0) | | | | | |
| 04D35 | 45(2) | 06D43 | 5156475 | . | (IOPH0.SW15) | 2400442 |
| | 46(0) | | | | | |
| | 47(1) | 24D19 | 2400410 | I | NAXAR8 | 2400410 |
| | 48(0) | | | | | |
| 03D49 | 49(0) | 05D49 | 8300300 | . | P4VD | 8300300 |
| 04D42 | 50(2) | 04F37 | 6803210 | . | (P32.NP33) | 2400440 |
| 03D51 | 51(0) | 05D51 | 8302300 | . | P8VD | 8302300 |

XDS 902306

XDS
XEROX DATA SYSTEMS

DRAWING NO. - 133264-912 AC
PROG-PNIND MODULE-05D
TYPE-PIN INDEX TYPE-IT20

5

10/27/71

| FROM | PIN (COUNT) | TO | SOURCE LINE NO. | ELEM. TYPE | SOURCE SIGNAL NAME | REFERENCE LINE NO. |
|-------|----------------|-------|--------------------|---------------|--------------------|-----------------------|
| | 00(0) | | | | | |
| 04D06 | 01(2) | 10D33 | 5156560 | . | (IOPH1.SW12) | 6977008 |
| 07D05 | 02(2) | 06E05 | 4321130 | . | (FADW/1.PH2) | 6977012 |
| 17D21 | 03(2) | 15D36 | 5125300 | . | IFAST | 6977008 |
| 17D36 | 04(2) | 07E01 | 5156440 | . | (IOPH0.SW8) | 6977008 |
| 07D35 | 05(2) | 20F44 | 4421250 | . | FUEXU | 6977010 |
| 03D24 | 06(2) | 04F03 | 5156755 | . | (IOPH3.SW11) | 6977000 |
| | 07(0) | | | | | |
| 14E41 | 08(2) | 13E45 | 5156540 | . | (IOPH1.SW8) | 6977006 |
| 04E10 | 09(2) | 05E50 | 8145000 | . | VORDER | 6977006 |
| 19D34 | 10(2) | 10D15 | 4421300 | . | FUINT | 6977006 |
| 05D19 | 11(2) | 12D19 | 2285065 | . | (NANLZ.PRE3) | 6977006 |
| 07D39 | 12(2) | 08D04 | 6902200 | . | PRE2 | 6977000 |
| 13D24 | 13(2) | 04F09 | 4324500 | . | FARWD | 6977010 |
| 06D41 | 14(2) | 08D12 | 6845765 | . | PH7-D | 6977002 |
| 12D21 | 15(2) | 06D15 | 4324728 | . | FAST/A-2 | 6977002 |
| 05D36 | 16(1) | | 4790405 | -GND | GND1405 | 4790405 |
| 05D34 | 17(2) | 08F20 | 4321987 | . | NFAIM | 2400200 |
| 15F35 | 18(2) | 10F01 | 4324546 | . | (FAS10.NFAIM) | 6977004 |
| 05D30 | 19(2) | 05D11 | 2285065 | . | (NANLZ.PRE3) | 6977004 |
| 03D11 | 20(2) | 05D40 | 4421590 | . | FUMMC-1 | 6977005 |
| 06D14 | 21(2) | 27E30 | 6845855 | . | PH8-B | 6977005 |
| 05D23 | 22(2) | 05D24 | 6977000 | I | NPXS | 6977006 |
| 08F14 | 23(2) | 05D22 | 6977000 | I | NPXS | 6977000 |
| 05D22 | 24(2) | 08E14 | 6977000 | I | NPXS | 6977014 |
| 02D22 | 25(2) | 21E25 | 2400200 | I | NAXAL8 | 2400200 |
| | 26(0) | | | | | |
| 17D06 | 27(2) | 04D25 | 4320940 | . | FACOMP/L | 6977016 |
| 06E09 | 28(2) | 06D09 | 6845126 | . | PH1-D | 6977014 |
| 08D46 | 29(2) | 04D09 | 6845560 | . | PH5-E | 6977002 |
| 07E42 | 30(2) | 05D19 | 2285065 | . | (NANLZ.PRE3) | 6977010 |
| 06D28 | 31(2) | 04E06 | 6845360 | . | PH3-D | 6977016 |
| | 32(0) | | | | | |
| 32D34 | 33(2) | 13E46 | 4324920 | . | (FAST.PH1/E) | 2400200 |
| 07D30 | 34(2) | 05D17 | 4321987 | . | NFAIM | 6977020 |
| 07D41 | 35(2) | 10D44 | 6902140 | . | PRE1-A | 6977020 |
| | 36(1) | 05D16 | 4790405 | . | GND1405 | 6977018 |
| 27D36 | 37(1) | | 4425900 | . | FUWAIT | 6977020 |
| 07D38 | 38(2) | 13F09 | 4321137 | . | FAFL-1 | 6977018 |
| 06D20 | 39(2) | 08E17 | 4323135 | . | FALOAD/A-1 | 6977016 |
| 05D20 | 40(2) | 06D40 | 4421590 | . | FUMMC-1 | 6977014 |
| 10D29 | 41(2) | 11F41 | 6845260 | . | PH2-D | 6977014 |
| | 42(0) | | | | | |
| 07E27 | 43(2) | 13F46 | 5156675 | . | (IOPH2.SW15) | 2400202 |
| 09D20 | 44(2) | 03D29 | 3533500 | . | DATAOUT | 2400202 |
| 06D46 | 45(2) | 04D41 | 5156465 | . | (IOPH0.SW13) | 2400202 |
| 09D06 | 46(2) | 32D36 | 4322920 | . | (FA10.PH9) | 2400201 |
| 14E22 | 47(2) | 03E36 | 5156745 | . | (IOPH3.SW9) | 2400204 |
| | 48(0) | | | | | |
| 04D49 | 49(0) | 06D49 | 8300300 | . | P4VD | 8300300 |
| 09D05 | 50(2) | 16F06 | 7890100 | . | SW0 | 2400201 |
| 04D51 | 51(0) | 06D51 | 8302300 | . | P8VD | 8302300 |

XDS 902306

XDS
XEROX DATA SYSTEMS

DRAWING NO.- 133264-912 AC
PROG-PNIND MODULE-06D
TYPE-PIN INDEX TYPE-IT20

6

10/27/71

| FROM | PIN (COUNT) | TO | SOURCE LINE NO. | ELEM. TYPE | SOURCE SIGNAL NAME | REFERENCE LINE NO. |
|-------|----------------|-------|--------------------|---------------|--------------------|-----------------------|
| | 00(0) | | | | | |
| | 01(1) | 06D16 | 4790406 | . | GND1406 | 2405484 |
| 19D44 | 02(2) | 05E42 | 5156770 | . | (IOPH3.SW14) | 2405482 |
| 14D18 | 03(2) | 02D28 | 2285040 | . | (ANLZ.PH6) | 2405484 |
| 08D13 | 04(2) | 04F25 | 3060170 | . | CC1-1 | 2405484 |
| 15D37 | 05(2) | 07E40 | 5156670 | . | (IOPH2.SW14) | 2405482 |
| 18D41 | 06(2) | 01D03 | 4320960 | . | (FACOMP/L.PH2) | 3900900 |
| 04D26 | 07(2) | 18F12 | 6720100 | . | OU1 | 3900900 |
| 11D41 | 08(2) | 11F10 | 4420900 | . | FUAWM | 2405486 |
| 05D28 | 09(2) | 09D27 | 6845126 | . | PH1-D | 2405486 |
| | 10(0) | | | | | |
| 11D35 | 11(2) | 14D20 | 4323394 | . | (FAMULNH.PH7) | 2405480 |
| 06D39 | 12(2) | 23D04 | 4324708 | . | (FAST.PH1/C) | 3900900 |
| 13F28 | 13(2) | 10F24 | 4322570 | . | (FA10.PH5.SW14) | 2405481 |
| 07D40 | 14(2) | 05D21 | 6845855 | . | PH8-B | 3900902 |
| 05D15 | 15(2) | 22D44 | 4324728 | . | FAST/A-2 | 3900902 |
| 06D01 | 16(1) | | 4790406 | -GND | GND1406 | 4790406 |
| | 17(0) | | | | | |
| 11D39 | 18(2) | 14D10 | 4324820 | . | (FAST/L.PH6) | 3900904 |
| | 19(0) | | | | | |
| 07D08 | 20(2) | 05D39 | 4323135 | . | FALOAD/A-1 | 3900904 |
| 10D40 | 21(2) | 06D29 | 6845360 | . | PH3-D | 3900904 |
| 06D24 | 22(2) | 02E33 | 2405480 | I | NAXS | 2405480 |
| 10D24 | 23(2) | 04E01 | 3900900 | I | NDXC | 3900900 |
| 08E30 | 24(2) | 06D22 | 2405480 | I | NAXS | 2405488 |
| | 25(1) | 24D25 | 2010100 | I | NAXS/2 | 2010100 |
| | 26(0) | | | | | |
| 07D42 | 27(2) | 06E29 | 4421210 | . | (FUDW.NR31.NB31) | 2405494 |
| 06D29 | 28(2) | 05D31 | 6845360 | . | PH3-D | 2405492 |
| 06D21 | 29(2) | 06D28 | 6845360 | . | PH3-D | 2405490 |
| | 30(0) | | | | | |
| 13D02 | 31(2) | 06F30 | 7890800 | . | SW7 | 2405492 |
| | 32(0) | | | | | |
| 12D29 | 33(2) | 18D09 | 4420560 | . | (FUA10.PH5.SW12) | 2010100 |
| 02D02 | 34(2) | 08D20 | 4321010 | . | FADIV-2 | 2405488 |
| 04D20 | 35(2) | 09D09 | 6845970 | . | PH9-D | 2405488 |
| 27D09 | 36(2) | 08F44 | 4323348 | . | (FAMT.PH2) | 2405490 |
| 14D13 | 37(2) | 12E42 | 4324722 | . | (FAST.PH4) | 2405488 |
| 10D28 | 38(2) | 08E03 | 4324610 | . | FASEL-1 | 2405490 |
| 12F06 | 39(2) | 06D12 | 4324708 | . | (FAST.PH1/C) | 2405492 |
| 05D40 | 40(2) | 14D40 | 4421590 | . | FUMMC-1 | 2405492 |
| 27E42 | 41(2) | 05D14 | 6845765 | . | PH7-D | 2405494 |
| 24D36 | 42(1) | | 3533160 | . | (DATAIN.NSW4.NB0) | 2010104 |
| 04D45 | 43(2) | 05E46 | 5156475 | . | (IOPH0.SW15) | 2010104 |
| 09D23 | 44(2) | 04D40 | 3533100 | . | DATAIN | 2010102 |
| 17D08 | 45(2) | 03D12 | 5156470 | . | (IOPH0.SW14) | 2010102 |
| 08F38 | 46(2) | 05D45 | 5156465 | . | (IOPH0.SW13) | 2010102 |
| 05E44 | 47(2) | 16E33 | 4322200 | . | (FA10.PH2) | 2010100 |
| | 48(0) | | | | | |
| 05D49 | 49(0) | 07D49 | 8300300 | . | P4VD | 8300300 |
| 25D02 | 50(2) | 06E45 | 6691000 | . | ORDERIN | 2010102 |
| 05D51 | 51(0) | 07D51 | 8302300 | . | P8VD | 8302300 |

XDS 902306

XDS
XEROX DATA SYSTEMS

DRAWING NO.- 133264-912 AC
PROG-PNIND MODULE-07D
TYPE-PIN INDEX TYPE-ZT45

7

10/27/71

| FROM | PIN (COUNT) | TO | SOURCE LINE NO. | ELEM. TYPE | SOURCE SIGNAL NAME | REFERENCE LINE NO. |
|-------|----------------|-------|--------------------|---------------|--------------------|-----------------------|
| | 00(0) | | | | | |
| 07C01 | 01(1) | 11F43 | 2000570 | C | 2MC | 2000570 |
| 22F14 | 02(1) | 07C02 | 2240100 | C | ALARM | 2240100 |
| 07C03 | 03(1) | 15E39 | 5541600 | C | KSXC | 5541600 |
| 07C04 | 04(1) | 17F50 | 6691140 | C | (ORDEROUT+SW4) | 6691140 |
| 07C05 | 05(1) | 05D02 | 4321130 | C | (FADW/1.PH2) | 4321130 |
| 07C06 | 06(1) | 09D06 | 4322920 | C | (FA10.PH9) | 4322920 |
| 07C07 | 07(1) | 02D07 | 4322580 | C | (FA10/1.PH5) | 4322580 |
| 07C08 | 08(1) | 06D20 | 4323135 | C | FALOAD/A-1 | 4323135 |
| 07C09 | 09(1) | 05E29 | 6902480 | C | PRE10 | 6902480 |
| 07C10 | 10(1) | 08F11 | 5415355 | C | KHOP-2 | 5415355 |
| 07C11 | 11(1) | 02D11 | 4324702 | C | FAST-2 | 4324702 |
| 07C12 | 12(1) | 02D12 | 6845165 | C | PH1/D | 6845165 |
| 07C13 | 13(1) | 10D05 | 6845199 | C | PH10-E | 6845199 |
| 04F30 | 14(1) | 07C14 | 6803216 | C | (NP32.NP33) | 6803216 |
| 22F12 | 15(1) | 07C15 | 2240101 | C | NALARM | 2240101 |
| | 16(0) | | 4790407 | -GND | GND1407 | 4790407 |
| 07C17 | 17(1) | 08D29 | 6821220 | C | PCP2/1 | 6821220 |
| 07C18 | 18(1) | 08E05 | 6821300 | C | PCP3 | 6821300 |
| 07C19 | 19(1) | 17F06 | 7343150 | C | NRESET/A-1 | 7343150 |
| 07C20 | 20(1) | 11F23 | 6845390 | C | (PH3+PH4) | 6845390 |
| 07C21 | 21(1) | 04E03 | 4322500 | C | (FA10.PH5) | 4322500 |
| 07C22 | 22(1) | 08F41 | 6927010 | C | N(PSW1XS) | 6927010 |
| 07C23 | 23(1) | 12F23 | 6927100 | C | PSW2XS | 6927100 |
| 07C24 | 24(1) | 07E38 | 4421800 | C | FUPSW | 4421800 |
| 07C25 | 25(1) | 07E37 | 4422000 | C | FUPLW | 4422000 |
| 07C26 | 26(1) | 08D41 | 4324730 | C | NFAST/A | 4324730 |
| 07C27 | 27(1) | 08D34 | 5150650 | C | NIOCON | 5150650 |
| 04D19 | 28(1) | 07C28 | 3533150 | C | (DATAIN.NSW4) | 3533150 |
| 04E28 | 29(1) | 07C29 | 7890401 | C | NSW3 | 7890401 |
| 07C30 | 30(1) | 05D34 | 4321987 | C | NFAIM | 4321987 |
| 07C31 | 31(1) | 04D11 | 4425600 | C | (FUSF.D23) | 4425600 |
| | 32(0) | | | | | |
| 07C33 | 33(1) | 08D42 | 4324750 | C | NFAST/B | 4324750 |
| 07C34 | 34(1) | 04D17 | 5156475 | C | (IOPH0.SW15) | 5156475 |
| 07C35 | 35(1) | 05D05 | 4421250 | C | FUEXU | 4421250 |
| 07C36 | 36(1) | 08D03 | 4321170 | C | FAHW | 4321170 |
| 07C37 | 37(1) | 12E03 | 5152070 | C | (N10EN+10B0) | 5152070 |
| 07C38 | 38(1) | 05D38 | 4321137 | C | FAFL-1 | 4321137 |
| 07C39 | 39(1) | 05D12 | 6902200 | C | PRE2 | 6902200 |
| 07C40 | 40(1) | 06D14 | 6845855 | C | PH8-B | 6845855 |
| 07C41 | 41(1) | 05D35 | 6902140 | C | PRE1-A | 6902140 |
| 07C42 | 42(1) | 06D27 | 4421210 | C | (FUDW.NR31.NB31) | 4421210 |
| 07C43 | 43(1) | 11E20 | 4425700 | C | FUSIO | 4425700 |
| 07C44 | 44(1) | 13D35 | 6720000 | C | OU0 | 6720000 |
| 07C45 | 45(1) | 17E22 | 6651010 | C | N(OM.OL6) | 6651010 |
| 07C46 | 46(1) | 06F04 | 7343255 | C | RESET10 | 7343255 |
| 07C47 | 47(1) | 15E31 | 6720500 | C | OUS | 6720500 |
| | 48(0) | | | | | |
| 06D49 | 49(0) | 08D49 | 8300300 | | P4VD | 8300300 |
| 07C50 | 50(1) | 12E36 | 6720400 | C | OU4 | 6720400 |
| 06D51 | 51(0) | 08D51 | 8302300 | | P8VD | 8302300 |

XDS 902306

XDS
XEROX DATA SYSTEMS

DRAWING NO. - 133264-912 AC
PROG-PNIND MODULE-08D
TYPE-PIN INDEX TYPE-IT26

8

10/27/71

| FROM | PIN (COUNT) | TO | SOURCE LINE NO. | ELEM. TYPE | SOURCE SIGNAL NAME | REFERENCE LINE NO. |
|-------|----------------|-------|--------------------|---------------|--------------------|-----------------------|
| | 00(0) | | | | | |
| 08D15 | 01(2) | 13D07 | 7627100 | . | SFT | 2405590 |
| 08D23 | 02(2) | 02F46 | 4375120 | . | FL2 | 2405590 |
| 07D36 | 03(2) | 18D01 | 4321170 | . | FAHW | 2405592 |
| 05D12 | 04(2) | 02D33 | 6902200 | . | PRE2 | 2405592 |
| 31D03 | 05(2) | 02D34 | 5188100 | . | IXAL | 2405592 |
| | 06(1) | 08D24 | 4375130 | . | FL3 | 2405590 |
| | 07(1) | 08D09 | 2405590 | I | NAXSR1 | 2405590 |
| 08D09 | 08(2) | 04F19 | 2405590 | I | NAXSR1 | 2405594 |
| 08D07 | 09(2) | 08D08 | 2405590 | I | NAXSR1 | 2405592 |
| | 10(1) | 08D17 | 2900590 | I | NBXL1 | 2900590 |
| 03D18 | 11(2) | 14D46 | 2285000 | . | ANLZ | 2405594 |
| 05D14 | 12(2) | 17D15 | 6845765 | . | PH7-D | 2405594 |
| 10F10 | 13(2) | 06D04 | 3060170 | . | CC1-1 | 2405594 |
| 11D09 | 14(2) | 04F27 | 3060290 | . | CC2-1 | 2405594 |
| 08D22 | 15(2) | 08D01 | 7627100 | . | SFT | 2900590 |
| | 16(0) | | 4790408 | -GND | GND1408 | 4790408 |
| 08D10 | 17(2) | 02E03 | 2900590 | I | NBXL1 | 2900592 |
| 14E02 | 18(2) | 02D39 | 4375121 | . | NFL2 | 2900590 |
| 08D28 | 19(2) | 31D47 | 4413000 | . | NFSHEX | 2900590 |
| 06D34 | 20(2) | 08E07 | 4321010 | . | FADIV-2 | 2900592 |
| 13D33 | 21(2) | 08E43 | 6845640 | . | PH6-E | 2900592 |
| 08D25 | 22(2) | 08D15 | 7627100 | . | SFT | 2900640 |
| 08D26 | 23(2) | 08D02 | 4375120 | . | FL2 | 2900640 |
| 08D06 | 24(2) | 14E13 | 4375130 | . | FL3 | 2900640 |
| 02D36 | 25(2) | 08D22 | 7627100 | . | SFT | 2900690 |
| 02D43 | 26(2) | 08D23 | 4375120 | . | FL2 | 2900690 |
| 02D44 | 27(2) | 30D07 | 4375131 | . | NFL3 | 2900690 |
| 02D40 | 28(2) | 08D19 | 4413000 | . | NFSHEX | 2900690 |
| 07D17 | 29(2) | 20E04 | 6821220 | . | PCP2/1 | 7901530 |
| 18F06 | 30(1) | | 7343223 | . | NRESET/C | 7901530 |
| 03D34 | 31(1) | | 5362130 | . | NKCLRPSW/B | 7901530 |
| | 32(0) | | | | | |
| | 33(0) | | | | | |
| 07D27 | 34(2) | 31F41 | 5150650 | . | NIOCON | 7901530 |
| | 35(1) | 02E09 | 2900640 | I | NBXHR1 | 2900640 |
| | 36(1) | 04F11 | 2900690 | I | NBXHR2 | 2900690 |
| 04E14 | 37(2) | 09D02 | 7901500 | I | N(S/SXD) | 7901530 |
| | 38(1) | 21D41 | 5152170 | I | IOENG | 5152170 |
| 09D12 | 39(2) | 05E23 | 7900030 | I | N(S/SXA) | 7900073 |
| 09D41 | 40(1) | | 4323300 | . | NFAMDS | 5152170 |
| 07D26 | 41(2) | 31E24 | 4324730 | . | NFAST/A | 5152170 |
| 07D33 | 42(2) | 10F19 | 4324750 | . | NFAST/B | 5152170 |
| 21E26 | 43(1) | | 4321140 | . | NFAFL | 5152170 |
| 04F10 | 44(2) | 10F36 | 4324508 | . | NFARWD | 5152170 |
| 19D13 | 45(2) | 25D25 | 4322000 | . | FA10 | 7900073 |
| 13D13 | 46(2) | 05D29 | 6845560 | . | PH5-E | 7900073 |
| 04E23 | 47(2) | 11D44 | 7891000 | . | SW9 | 7900073 |
| | 48(0) | | | | | |
| 07D49 | 49(0) | 09D49 | 8300300 | | P4VD | 8300300 |
| | 50(0) | | | | | |
| 07D51 | 51(0) | 09D51 | 8302300 | | P8VD | 8302300 |

| FROM | PIN (COUNT) | TO | SOURCE LINE NO. | ELEM. TYPE | SOURCE SIGNAL NAME | REFERENCE LINE NO. |
|-------|----------------|-------|--------------------|---------------|--------------------|-----------------------|
| | 00(0) | | | | | |
| | 01(0) | 31B11 | 5138050 | I | NINT/1 | 5138050 |
| 08D37 | 02(2) | 10D22 | 7901500 | I | N(S/SXD) | 7901536 |
| 09D04 | 03(2) | 32F01 | 4324674 | . | FASTABORT | 7901536 |
| 11D06 | 04(2) | 09D03 | 4324674 | . | FASTABORT | 3900932 |
| 15D05 | 05(2) | 05D50 | 7890100 | . | SW0 | 7900060 |
| 07D06 | 06(2) | 05D46 | 4322920 | . | (FA10.PH9) | 7900060 |
| 03D15 | 07(2) | 07E34 | 8132000 | . | VALST | 7900060 |
| 04D05 | 08(2) | 10D03 | 6845460 | . | PH4-D | 3900932 |
| 06D35 | 09(2) | 13D21 | 6845970 | . | PH9-D | 7901536 |
| 29C39 | 10(0) | | 5138000 | . | INT | 5138050 |
| 29C42 | 11(1) | 06E08 | 5529060 | . | KRUN/1 | 5138050 |
| 04D29 | 12(2) | 08D39 | 7900030 | I | N(S/SXA) | 7900060 |
| 15F41 | 13(2) | 10D24 | 3900900 | I | NDXC | 3900932 |
| | 14(1) | 09D15 | 6942400 | I | NPUC33 | 6942402 |
| 09D14 | 15(2) | 14E30 | 6942400 | I | NPUC33 | 6942400 |
| | 16(0) | | 4790409 | -GND | GND1409 | 4790409 |
| 14E42 | 17(2) | 14D21 | 1000304 | . | NB0 | 6942400 |
| 24D10 | 18(2) | 09D23 | 3533100 | . | DATAIN | 6942400 |
| | 19(0) | | | | | |
| 11F06 | 20(2) | 05D44 | 3533500 | . | DATAOUT | 6942402 |
| 25D03 | 21(2) | 09D24 | 5156467 | . | (IOPH0.SW13)-F | 6942402 |
| 03D35 | 22(2) | 09D29 | 7410800 | . | RSCLN | 6825340 |
| 09D18 | 23(2) | 06D44 | 3533100 | . | DATAIN | 6825340 |
| 09D21 | 24(2) | 09D30 | 5156467 | . | (IOPH0.SW13)-F | 6825340 |
| 19D01 | 25(2) | 04D26 | 6720100 | . | OUI | 6825315 |
| 04D21 | 26(2) | 29D14 | 4325000 | . | FASTORE | 6825315 |
| 06D09 | 27(2) | 08E28 | 6845126 | . | PH1-D | 6825315 |
| 04F35 | 28(2) | 14E18 | 1000370 | . | B0-1 | 6825340 |
| 09D22 | 29(2) | 09D31 | 7410800 | . | RSCLN | 6942402 |
| 09D24 | 30(2) | 03D44 | 5156467 | . | (IOPH0.SW13)-F | 6942400 |
| 09D29 | 31(2) | 03F19 | 7410800 | . | RSCLN | 6942400 |
| | 32(0) | | | | | |
| 13E04 | 33(2) | 04D15 | 6825310 | I | NPDC31 | 6825315 |
| | 34(1) | 14E15 | 6825340 | I | NPDC33 | 6825340 |
| 08E47 | 35(2) | 01D50 | 7900450 | I | NSXB | 7900450 |
| 21E19 | 36(2) | 08E30 | 2405480 | I | NAXS | 2405498 |
| 14E24 | 37(2) | 28E11 | 5156750 | . | (IOPH3.SW10) | 2405498 |
| 15D31 | 38(2) | 13E47 | 6977200 | . | PXSXB | 7900450 |
| 16D11 | 39(2) | 13E29 | 4324960 | . | (FAST.PRE3) | 7890850 |
| 10F36 | 40(1) | | 4324508 | . | NFARWD | 4323305 |
| 16D07 | 41(2) | 08D40 | 4323300 | . | NFAMDS | 4323305 |
| 15D01 | 42(2) | 30E03 | 1044502 | . | N04 | 7890850 |
| 08E33 | 43(2) | 30D11 | 3690138 | . | NDIS-5 | 7900450 |
| 14E19 | 44(2) | 04F34 | 1010370 | . | B1-1 | 2405498 |
| 15E15 | 45(1) | | 7890840 | I | N(S/SW7) | 7890850 |
| | 46(1) | 19F09 | 4323305 | I | N(NFARWD.NFAMDS) | 4323305 |
| 14D04 | 47(1) | | 4426000 | T | FUXW | 4426000 |
| | 48(0) | | | | | |
| 08D49 | 49(0) | 10D49 | 8300300 | . | P4VD | 8300310 |
| 20E38 | 50(1) | | 5386000 | T | KENTER/B-1 | 5386000 |
| 08D51 | 51(0) | 10D51 | 8302300 | . | P8VD | 8302310 |

XDS 902306

XDS
XEROX DATA SYSTEMS

DRAWING NO.- 133264-912 AC
PROG-PNIND MODULE-10D
TYPE-PIN INDEX TYPE-IT20

10
10/27/71

| FROM | PIN (COUNT) | TO | SOURCE LINE NO. | ELEM. TYPE | SOURCE SIGNAL NAME | REFERENCE LINE NO. |
|-------|----------------|-------|--------------------|---------------|--------------------|-----------------------|
| | 00(0) | | | | | |
| 16D33 | 01(2) | 14E35 | 4324370 | . | (FAPSD.PH4) | 7901510 |
| 12D02 | 02(2) | 13E03 | 4322100 | . | (FA10.PH1) | 7901508 |
| 09D08 | 03(2) | 10D27 | 6845460 | . | PH4-D | 7901510 |
| 15D39 | 04(2) | 11F22 | 4421480 | . | FUMH | 7901510 |
| 07D13 | 05(2) | 10D37 | 6845199 | . | PH10-E | 7901508 |
| 16D20 | 06(2) | 08F31 | 6902400 | . | PRE4 | 3901400 |
| 15D24 | 07(2) | 02D21 | 2579050 | . | NBCZ | 3901400 |
| 11D24 | 08(2) | 12D05 | 4323030 | . | FALCFP | 7901512 |
| 14D44 | 09(2) | 15E17 | 6902350 | . | PRE/34-A | 7901512 |
| 08F31 | 10(2) | 02D09 | 6902400 | . | PRE4 | 7901512 |
| 11D11 | 11(2) | 20F06 | 2559800 | . | (BC=1) | 7901512 |
| 32E25 | 12(2) | 19D14 | 4322620 | . | (FA10.PH6) | 3901400 |
| 16D25 | 13(2) | 12D13 | 2842400 | . | BRPRE4 | 7901514 |
| 13D31 | 14(2) | 10D40 | 6845360 | . | PH3-D | 3901402 |
| 05D10 | 15(2) | 14D02 | 4421300 | . | FUINT | 3901402 |
| | 16(0) | | 4790410 | -GND | GND1410 | 4790410 |
| | 17(0) | | | | | |
| 06E37 | 18(2) | 12F13 | 4324704 | . | (FAST.PH1/A) | 3901404 |
| | 19(0) | | | | | |
| 02D11 | 20(2) | 10D34 | 4324702 | . | FAST-2 | 3901404 |
| 07E29 | 21(2) | 13E24 | 6845155 | . | PH1/B | 3901404 |
| 09D02 | 22(2) | 10D25 | 7901500 | I | N(S/SXD) | 7901508 |
| 11F34 | 23(2) | 02E13 | 3901400 | I | NDXDR8 | 3901400 |
| 09D13 | 24(2) | 06D23 | 3900900 | I | NDXC | 3900906 |
| 10D22 | 25(2) | 14D22 | 7901500 | I | N(S/SXD) | 7901516 |
| | 26(0) | | | | | |
| 10D03 | 27(2) | 08E06 | 6845460 | . | PH4-D | 3900912 |
| 14D33 | 28(2) | 06D38 | 4324610 | . | FASEL-1 | 3900910 |
| 17D03 | 29(2) | 05D41 | 6845260 | . | PH2-D | 3900908 |
| 04D18 | 30(2) | 14D41 | 6902320 | . | PRE3-D | 3900908 |
| 01D06 | 31(2) | 12D31 | 2503110 | . | (B31-BC31) | 3900912 |
| | 32(0) | | | | | |
| 05D01 | 33(2) | 22D01 | 5156560 | . | (IOPH1.SW12) | 7901520 |
| 10D20 | 34(2) | 13D46 | 4324702 | . | FAST-2 | 3900906 |
| 16D35 | 35(2) | 13E07 | 6845175 | . | PH1/F | 3900906 |
| 16D29 | 36(2) | 12D36 | 6902650 | . | PREOPER | 3900908 |
| 10D05 | 37(2) | 25D33 | 6845199 | . | PH10-E | 3900906 |
| 30D26 | 38(2) | 12E07 | 4321120 | . | FADW/1 | 3900908 |
| 22D28 | 39(2) | 04F12 | 6105000 | . | MIT/1 | 3900912 |
| 10D14 | 40(2) | 06D21 | 6845360 | . | PH3-D | 3900910 |
| 07E46 | 41(2) | 13D47 | 4324353 | . | FAPSD-1 | 3900910 |
| 13D19 | 42(2) | 01D12 | 4375101 | . | NFL1 | 7901516 |
| 15D10 | 43(2) | 05E02 | 4425650 | . | (FUSF.PH8) | 7901516 |
| 05D35 | 44(2) | 22D13 | 6902140 | . | PRE1-A | 7901518 |
| 19D36 | 45(2) | 12D26 | 4421400 | . | (FULI+FULCF1) | 7901518 |
| 11D26 | 46(2) | 12D39 | 4323100 | . | FALOAD | 7901520 |
| 11D46 | 47(2) | 21E21 | 4322720 | . | (FA10.PH7) | 7901516 |
| | 48(0) | | | | | |
| 09D49 | 49(0) | 11D49 | 8300300 | | P4VD | 8300310 |
| 07E21 | 50(2) | 13D28 | 6902370 | . | (PRE/34+PH2) | 7901520 |
| 09D51 | 51(0) | 11D51 | 8302300 | | P8VD | 8302310 |

XDS 902306

XDS
XEROX DATA SYSTEMS

DRAWING NO. - 133264-912 AC
PROG-PNIND
TYPE-PIN INDEX

MODULE-11D
TYPE-ZT45

11

10/27/71

| FROM | PIN (COUNT) | TO | SOURCE LINE NO. | ELEM. TYPE | SOURCE SIGNAL NAME | REFERENCE LINE NO. |
|-------|----------------|-------|--------------------|---------------|--------------------|-----------------------|
| | 00(0) | | | | | |
| 11E25 | 01(1) | 11C01 | 1024502 | C | NO2 | 1024502 |
| 11C02 | 02(1) | 08E34 | 5541200 | C | KSXB | 5541200 |
| 11F08 | 03(1) | 11C03 | 1286215 | C | R28-1 | 1286215 |
| 11F17 | 04(1) | 11C04 | 1296215 | C | R29-1 | 1296215 |
| 08F27 | 05(1) | 11C05 | 1306215 | C | R30-1 | 1306215 |
| 11C06 | 06(1) | 09D04 | 4324674 | C | FASTABORT | 4324674 |
| 11C07 | 07(1) | 18E30 | 2405420 | C | N(S/AXRR/6) | 2405420 |
| 11C08 | 08(1) | 14D28 | 2841200 | C | BRPH2 | 2841200 |
| 11C09 | 09(1) | 08D14 | 3060290 | C | CC2-1 | 3060290 |
| 11C10 | 10(1) | 20E28 | 5360800 | C | KCLEAR/B | 5360800 |
| 11C11 | 11(1) | 10D11 | 2559800 | C | (BC=1) | 2559800 |
| 20D19 | 12(1) | 11C12 | 6047900 | C | NMCZ | 6047900 |
| 11C13 | 13(1) | 12E12 | 6631010 | C | NOLA | 6631010 |
| 11C14 | 14(1) | 12E39 | 6631100 | C | OLB | 6631100 |
| 11C15 | 15(1) | 11E18 | 1074500 | C | 07 | 1074500 |
| | 16(0) | | 4790411 | -GND | GND1411 | 4790411 |
| 16F13 | 17(1) | 11C17 | 6691100 | C | ORDEROUT | 6691100 |
| 11C18 | 18(1) | 18D13 | 4321000 | C | FADIV | 4321000 |
| 11C19 | 19(1) | 07E29 | 6845155 | C | PH1/B | 6845155 |
| 11C20 | 20(1) | 04E07 | 4321145 | C | (FAFL.N02) | 4321145 |
| 11C21 | 21(1) | 13E15 | 6845170 | C | PH1/E | 6845170 |
| 11C22 | 22(1) | 14E12 | 7890190 | C | SW1 | 7890190 |
| 11C23 | 23(1) | 27F30 | 4323020 | C | FALCF | 4323020 |
| 11C24 | 24(1) | 10D08 | 4323030 | C | FALCFP | 4323030 |
| 11C25 | 25(1) | 13D25 | 7471020 | C | NRZ | 7471020 |
| 11C26 | 26(1) | 10D46 | 4323100 | C | FALOAD | 4323100 |
| 11C27 | 27(1) | 07E21 | 6902370 | C | (PRE/34+PH2) | 6902370 |
| 06F03 | 28(1) | 11C28 | 7890600 | C | SW5 | 7890600 |
| 11C29 | 29(1) | 20D26 | 4152000 | C | ENDE | 4152000 |
| 11C30 | 30(1) | 30E21 | 1100370 | C | N(S/B10) | 1100370 |
| 11C31 | 31(1) | 18F15 | 6514500 | C | (04.05) | 6514500 |
| | 32(0) | | | | | |
| | 33(0) | | | | | |
| 06F02 | 34(1) | 11C34 | 7890700 | C | SW6 | 7890700 |
| 11C35 | 35(1) | 06D11 | 4323394 | C | (FAMULNH.PH7) | 4323394 |
| 11C36 | 36(1) | 07E46 | 4324353 | C | FAPSD-1 | 4324353 |
| 11C37 | 37(1) | 13D37 | 3650000 | C | NDIOEXIT | 3650000 |
| 11C38 | 38(1) | 13E33 | 4324630 | C | (FASEL.PH3) | 4324630 |
| 11C39 | 39(1) | 06D18 | 4324820 | C | (FAST/L.PH6) | 4324820 |
| 11C40 | 40(1) | 11E02 | 6902150 | C | PRE/12 | 6902150 |
| 11C41 | 41(1) | 06D08 | 4420900 | C | FUAWM | 4420900 |
| 15E29 | 42(1) | 11C42 | 5145800 | C | INDX | 5145798 |
| 11C43 | 43(1) | 12E11 | 4324870 | C | (FAST/M.PRE3.NO0) | 4324870 |
| 08D47 | 44(1) | 11C44 | 7891000 | C | SW9 | 7891000 |
| 11C45 | 45(1) | 18D21 | 5539400 | C | KSS4 | 5539400 |
| 11C46 | 46(1) | 10D47 | 4322720 | C | (FAIO.PH7) | 4322720 |
| 11C47 | 47(1) | 13E34 | 6630510 | C | NOL5 | 6630510 |
| | 48(0) | | | | | |
| 10D49 | 49(0) | 12D49 | 8300300 | | P4VD | 8300310 |
| 11C50 | 50(1) | 07E20 | 4320280 | C | FAADD | 4320280 |
| 10D51 | 51(0) | 12D51 | 8302300 | | P8VD | 8302310 |

XDS 902306



DRAWING NO.- 133264-912 AC
 PROG-PNIND MODULE-12D
 TYPE-PIN INDEX TYPE-XT10

12
 10/27/71

| FROM | PIN (COUNT) | TO | SOURCE LINE NO. | ELEM. TYPE | SOURCE SIGNAL NAME | REFERENCE LINE NO. |
|-------|----------------|-------|--------------------|---------------|--------------------|-----------------------|
| | 00(0) | | | | | |
| | 01(1) | 11F37 | 7890800 | T | SW7 | 7890800 |
| | 02(1) | 10D02 | 4322100 | T | (FA10.PH1) | 4322100 |
| 14D03 | 03(1) | | 6902301 | T | PRE3 | 6902301 |
| 29E13 | 04(1) | | 6902350 | T | PRE/34-A | 6902350 |
| 10D08 | 05(1) | | 4323030 | T | FALCFP | 4323030 |
| 25E25 | 06(1) | | 4421300 | T | FUINT | 4421300 |
| 18D07 | 07(1) | | 1521500 | T | D1052 | 1521500 |
| 14D28 | 08(1) | | 2841200 | T | BRPH2 | 2841200 |
| 15F09 | 09(1) | | 2841080 | T | NBRPCP5 | 2841080 |
| 20F44 | 10(1) | | 4421250 | T | FUEXU | 4421250 |
| 25D20 | 11(1) | | 7892000 | T | SWK1 | 7892000 |
| 12E25 | 12(1) | | 4324610 | T | FASEL-1 | 4324610 |
| 10D13 | 13(1) | | 2842400 | T | BRPRE4 | 2842400 |
| 12E42 | 14(1) | | 4324722 | T | (FAST.PH4) | 4324722 |
| 14F13 | 15(1) | | 1014540 | T | NO1-1 | 1014540 |
| | 16(0) | | 4790412 | -GND | GND1412 | 4790412 |
| 04D11 | 17(1) | | 4425600 | T | (FUSF.D23) | 4425600 |
| 29E02 | 18(1) | | 1001340 | T | ND0-1 | 1001340 |
| 05D11 | 19(1) | | 2285065 | T | (NANLZ.PRE3) | 2285065 |
| 13D42 | 20(1) | | 4324820 | T | (FAST/L.PH6) | 4324820 |
| | 21(1) | 05D15 | 4324728 | T | FAST/A-2 | 4324728 |
| 05E09 | 22(1) | | 4421436 | T | N(FULAD.PRE4) | 4421436 |
| | 23(1) | 10E12 | 7900350 | T | N(S/SXAORD) | 7900350 |
| 14E35 | 24(1) | | 4324370 | T | (FAPSD.PH4) | 4324370 |
| | 25(1) | 10E01 | 7900290 | T | N(S/SXAMD) | 7900290 |
| 10D45 | 26(1) | | 4421400 | T | (FULI+FULCF1) | 4421400 |
| 14D42 | 27(1) | | 6845126 | T | PH1-D | 6845126 |
| 07E12 | 28(1) | | 4324365 | T | (FAPSD.PH3) | 4324365 |
| | 29(1) | 06D33 | 4420560 | T | (FUA10.PH5.SW12) | 4420560 |
| 05E08 | 30(1) | | 6902450 | T | (PRE4.BCZ) | 6902450 |
| 10D31 | 31(1) | | 2503110 | T | (B31-BC31) | 2503110 |
| | 32(0) | | | | | |
| 20E20 | 33(1) | | 6902200 | T | PRE2 | 6902200 |
| 08F44 | 34(1) | | 4323348 | T | (FAMT.PH2) | 4323348 |
| 13E47 | 35(1) | | 6977200 | T | PXSXB | 6977200 |
| 10D36 | 36(1) | | 6902650 | T | PREOPER | 6902650 |
| 13D37 | 37(1) | | 3650000 | T | NDIOEXIT | 3650000 |
| 11F04 | 38(1) | | 4323344 | T | (FAMT.PH1) | 4323344 |
| 10D46 | 39(1) | | 4323100 | T | FALOAD | 4323100 |
| | 40(1) | 17D40 | 6902326 | T | PRE3-G | 6902326 |
| 14D50 | 41(1) | | 6845765 | T | PH7-D | 6845765 |
| | 42(1) | 04D42 | 6803210 | T | (P32.NP33) | 6803210 |
| | 43(1) | 04D05 | 6845460 | T | PH4-D | 6845460 |
| 12E17 | 44(1) | | 4322380 | T | (FA10/1.PH3) | 4322380 |
| 17E39 | 45(1) | | 4321120 | T | FADW/1 | 4321120 |
| 12E04 | 46(1) | | 6720000 | T | OU0 | 6720000 |
| 12E28 | 47(1) | | 6631010 | T | NOLA | 6631010 |
| | 48(0) | | | | | |
| 11D49 | 49(0) | 13D49 | 8300300 | | P4VD | 8300310 |
| 07E20 | 50(1) | | 4320280 | T | FAADD | 4320280 |
| 11D51 | 51(0) | 13D51 | 8302300 | | P8VD | 8302310 |

XDS 902306

XDS
XEROX DATA SYSTEMS

DRAWING NO.- 133264-912 AC
PROG-PNIND MODULE-13D
TYPE-PIN INDEX TYPE-LT20

13

10/27/71

| FROM | PIN (COUNT) | TO | SOURCE LINE NO. | ELEM. TYPE | SOURCE SIGNAL NAME | REFERENCE LINE NO. |
|-------|----------------|-------|--------------------|---------------|--------------------|-----------------------|
| | 00(0) | | | | | |
| 17E21 | 01(2) | 13F26 | 4322540 | . | (FA10.PH5.SW8) | 3060154 |
| 11F37 | 02(2) | 06D31 | 7890800 | . | SW7 | 3060154 |
| 21D05 | 03(2) | 24D38 | 3811100 | . | NDOR | 3060154 |
| | 04(0) | | | | | |
| 15D46 | 05(2) | 13D11 | 4324650 | . | FASH | 7900071 |
| | 06(0) | | | | | |
| 08D01 | 07(2) | 22D36 | 7627100 | . | SFT | 7900068 |
| 13D20 | 08(2) | 04E35 | 4321000 | . | FADIV | 7900070 |
| 08E50 | 09(2) | 14E05 | 4375100 | . | FL1 | 7900070 |
| 16F05 | 10(2) | 25E08 | 1001336 | . | D0-1 | 7900070 |
| 13D05 | 11(2) | 17D14 | 4324650 | . | FASH | 7900068 |
| 31E11 | 12(2) | 23D38 | 6845685 | . | (S/PH6/I0)-1 | 7900068 |
| 32D09 | 13(2) | 08D46 | 6845560 | . | PH5-E | 7900071 |
| 14E14 | 14(2) | 02F09 | 3060150 | I | N(S/CC1/1) | 3060154 |
| 23D01 | 15(2) | 14F13 | 1014540 | . | NO1-1 | 3060156 |
| | 16(0) | | 4790413 | -GND | GND1413 | 4790413 |
| 03D38 | 17(2) | 18D03 | 2285060 | . | (ANLZ.PRE3) | 3060156 |
| 02F45 | 18(2) | 29E02 | 1001340 | . | ND0-1 | 7900070 |
| 14D07 | 19(2) | 10D42 | 4375101 | . | NFL1 | 7900070 |
| 18D13 | 20(2) | 13D08 | 4321000 | . | FADIV | 7900070 |
| 09D09 | 21(2) | 17D31 | 6845970 | . | PH9-D | 7900070 |
| 13D23 | 22(2) | 04D29 | 7900030 | I | N(S/SXA) | 7900068 |
| 14D25 | 23(2) | 13D22 | 7900030 | I | N(S/SXA) | 7900064 |
| 13D27 | 24(2) | 05D13 | 4324500 | . | FARWD | 7900066 |
| 11D25 | 25(2) | 13D34 | 7471020 | . | NRZ | 7900066 |
| 20D05 | 26(2) | 14D26 | 6845198 | . | (PH1+PH3) | 7900066 |
| 13D38 | 27(2) | 13D24 | 4324500 | . | FARWD | 7900066 |
| 10D50 | 28(2) | 17D35 | 6902370 | . | (PRE/34+PH2) | 7900066 |
| | 29(0) | | | | | |
| 07E25 | 30(2) | 12E14 | 6942300 | I | NPUC31 | 6942318 |
| 22D35 | 31(2) | 10D14 | 6845360 | . | PH3-D | 6942318 |
| | 32(0) | | | | | |
| 17D42 | 33(2) | 08D21 | 6845640 | . | PH6-E | 6942320 |
| 13D25 | 34(2) | 08F09 | 7471020 | . | NRZ | 7900065 |
| 07D44 | 35(2) | 17D11 | 6720000 | . | OU0 | 7900064 |
| 14D10 | 36(2) | 12E05 | 4324820 | . | (FAST/L.PH6) | 7900064 |
| 11D37 | 37(2) | 12D37 | 3650000 | . | ND10EXIT | 7900065 |
| 18D40 | 38(2) | 13D27 | 4324500 | . | FARWD | 7900065 |
| 26D14 | 39(2) | 08E42 | 6047910 | . | MCZ | 7900064 |
| | 40(0) | | | | | |
| 04E22 | 41(2) | 11F39 | 4322580 | . | (FA10/1.PH5) | 6942322 |
| 12E05 | 42(2) | 12D20 | 4324820 | . | (FAST/L.PH6) | 6942320 |
| 08F07 | 43(2) | 21F17 | 1316202 | . | NR31 | 6942322 |
| 17F44 | 44(2) | 08E19 | 7890120 | . | NSW0-2 | 6942322 |
| 27D07 | 45(2) | 12E10 | 6720010 | . | NOU0 | 6942320 |
| 10D34 | 46(2) | 13E06 | 4324702 | . | FAST-2 | 6942318 |
| 10D41 | 47(2) | 14D43 | 4324353 | . | FAPSD-1 | 6942318 |
| | 48(0) | | | | | |
| 12D49 | 49(0) | 14D49 | 8300300 | . | P4VD | 8300310 |
| 23D15 | 50(2) | 20D05 | 6845198 | . | (PH1+PH3) | 6942318 |
| 12D51 | 51(0) | 14D51 | 8302300 | . | P8VD | 8302310 |

XDS 902306



DRAWING NO. - 133264-912 AC
 PROG-PNIND MODULE-14D
 TYPE-PIN INDEX TYPE-IT20

14
 10/27/71

| FROM | PIN (COUNT) | TO | SOURCE LINE NO. | ELEM. TYPE | SOURCE SIGNAL NAME | REFERENCE LINE NO. |
|-------|-------------|-------|-----------------|------------|--------------------|--------------------|
| | 00(0) | | | | | |
| 14D02 | 01(2) | 28D20 | 4421300 | . | FUINT | 7901502 |
| 10D15 | 02(2) | 14D01 | 4421300 | . | FUINT | 7901502 |
| 15D40 | 03(2) | 12D03 | 6902301 | . | PRE3 | 7901502 |
| 15D12 | 04(2) | 09D47 | 4426000 | . | FUXW | 7901504 |
| 15D34 | 05(2) | 06E28 | 4420850 | . | (FUANLZ.PH1) | 7901500 |
| 15D07 | 06(2) | 04E34 | 7900020 | . | (S/SX/FL1) | 7900052 |
| | 07(1) | 13D19 | 4375101 | . | NFL1 | 7900052 |
| 14E34 | 08(2) | 11F03 | 4323344 | . | (FAMT.PH1) | 7901506 |
| 20D22 | 09(2) | 19D33 | 7471000 | . | RZ | 7901506 |
| 06D18 | 10(2) | 13D36 | 4324820 | . | (FAST/L.PH6) | 7901504 |
| 14D31 | 11(2) | 20D19 | 6047900 | . | NMCZ | 7901504 |
| 15D25 | 12(2) | 19E24 | 4325020 | . | FASTORE/1 | 7900052 |
| 27D34 | 13(2) | 06D37 | 4324722 | . | (FAST.PH4) | 7901500 |
| 02D08 | 14(2) | 15E24 | 4323340 | . | FAMT | 7900051 |
| 14E06 | 15(2) | 17E09 | 6902370 | . | (PRE/34+PH2) | 7900051 |
| | 16(1) | 14D38 | 4790414 | -GND | GND1414 | 4790414 |
| 17D07 | 17(2) | 14D42 | 6845126 | . | PH1-D | 7900047 |
| 27D46 | 18(2) | 06D03 | 2285040 | . | (ANLZ.PH6) | 7900050 |
| | 19(0) | | | | | |
| 06D11 | 20(2) | 17E40 | 4323394 | . | (FAMULNH.PH7) | 7900050 |
| 09D17 | 21(2) | 24D37 | 1000304 | . | NB0 | 7900050 |
| 10D25 | 22(2) | 20D12 | 7901500 | I | N(S/SXD) | 7901500 |
| 29D15 | 23(2) | 14D24 | 7900030 | I | N(S/SXA) | 7900050 |
| 14D23 | 24(2) | 14D25 | 7900030 | I | N(S/SXA) | 7900055 |
| 14D24 | 25(2) | 13D23 | 7900030 | I | N(S/SXA) | 7900045 |
| 13D26 | 26(2) | 14E09 | 6845198 | . | (PH1+PH3) | 7900045 |
| 18E12 | 27(2) | 04D08 | 4425150 | . | FUS | 7900058 |
| 11D08 | 28(2) | 12D08 | 2841200 | . | BRPH2 | 7900058 |
| 32E02 | 29(2) | 08E08 | 4323360 | . | FAMUL | 7900051 |
| 31D10 | 30(2) | 19E05 | 2841950 | . | NBRPH9 | 7900055 |
| 13E10 | 31(2) | 14D11 | 6047900 | . | NMCZ | 7900057 |
| | 32(0) | | | | | |
| 23D34 | 33(2) | 10D28 | 4324610 | . | FASEL-1 | 7900047 |
| 22D38 | 34(2) | 02D05 | 4421580 | . | (FUMMC.PH6) | 7900056 |
| | 35(0) | | | | | |
| 15D04 | 36(2) | 18F03 | 4324520 | . | (FARWD.PH7) | 7900055 |
| 31D04 | 37(2) | 19E08 | 5188130 | . | (S/IXAL) | 7900055 |
| 14D16 | 38(1) | | 4790414 | . | GND1414 | 7900056 |
| 17D10 | 39(2) | 07E47 | 4324940 | . | (FAST/S.PH6) | 7900057 |
| 06D40 | 40(2) | 14D47 | 4421590 | . | FUMMC-1 | 7900057 |
| 10D30 | 41(2) | 31E46 | 6902320 | . | PRE3-D | 7900057 |
| 14D17 | 42(2) | 12D27 | 6845126 | . | PH1-D | 7900045 |
| 13D47 | 43(2) | 16E23 | 4324353 | . | FAPSD-1 | 7900045 |
| 27D13 | 44(2) | 10D09 | 6902350 | . | PRE/34-A | 7900046 |
| 13F04 | 45(2) | 02D20 | 4325000 | . | FASTORE | 7900046 |
| 08D11 | 46(2) | 29D38 | 2285000 | . | ANLZ | 7900046 |
| 14D40 | 47(2) | 17D04 | 4421590 | . | FUMMC-1 | 7900045 |
| | 48(0) | | | | | |
| 13D49 | 49(0) | 15D49 | 8300300 | . | P4VD | 8300310 |
| 17D15 | 50(2) | 12D41 | 6845765 | . | PH7-D | 7900046 |
| 13D51 | 51(0) | 15D51 | 8302300 | . | P8VD | 8302310 |

XDS 902306

XDS
XEROX DATA SYSTEMS

DRAWING NO.- 133264-912 AC
PROG-PNIND MODULE-15D
TYPE-PIN INDEX TYPE-ZT45

15

10/27/71

| FROM | PIN (COUNT) | TO | SOURCE LINE NO. | ELEM. TYPE | SOURCE SIGNAL NAME | REFERENCE LINE NO. |
|-------|----------------|-------|--------------------|---------------|-----------------------|-----------------------|
| | 00(0) | | | | | |
| 15C01 | 01(1) | 09D42 | 1044502 | C | N04 | 1044502 |
| 21F36 | 02(1) | 15C02 | 5151150 | C | (N10DC.DASW4) | 5151150 |
| 15C03 | 03(1) | 17D20 | 5152700 | C | 10ENIN | 5152700 |
| 15C04 | 04(1) | 14D36 | 4324520 | C | (FARWD.PH7) | 4324520 |
| 15C05 | 05(1) | 09D05 | 7890100 | C | SW0 | 7890100 |
| 15C06 | 06(1) | 05E19 | 5156401 | C | 10PH0 | 5156401 |
| 15C07 | 07(1) | 14D06 | 7900020 | C | (S/SX/FL1) | 7900020 |
| 20F08 | 08(1) | 15C08 | 5138992 | C | (INTRAP1.NINTRAP2) | 5138992 |
| 15C09 | 09(1) | 07E18 | 4324760 | C | FAST/C | 4324760 |
| 15C10 | 10(1) | 10D43 | 4425650 | C | (FUSF.PH8) | 4425650 |
| 15C11 | 11(1) | 17E05 | 6630800 | C | OL8 | 6630800 |
| 15C12 | 12(1) | 14D04 | 4426000 | C | FUXW | 4426000 |
| 20F09 | 13(1) | 15C13 | 3060201 | C | NCC2 | 3060201 |
| 15C14 | 14(1) | 19F26 | 4324900 | C | FAST/S | 4324900 |
| 15C15 | 15(1) | 28D05 | 6821301 | C | NPCP3 | 6821301 |
| | 16(0) | | 4790415 | -GND | GND1415 | 4790415 |
| 15C17 | 17(1) | 13F04 | 4325000 | C | FASTORE | 4325000 |
| 15C18 | 18(1) | 04D06 | 5156560 | C | (10PH1.SW12) | 5156560 |
| 15C19 | 19(1) | 13E12 | 4421265 | C | N(FUEXU.ENDE) | 4421265 |
| 15C20 | 20(1) | 23E15 | 5150501 | C | 10B0 | 5150501 |
| 15C21 | 21(1) | 14E07 | 4323150 | C | FALOAD/C | 4323150 |
| 15C22 | 22(1) | 23E17 | 5152750 | C | 10ENNIN | 5152750 |
| 15C23 | 23(1) | 06F01 | 7890400 | C | SW3 | 7890400 |
| 15C24 | 24(1) | 10D07 | 2579050 | C | NBCZ | 2579050 |
| 15C25 | 25(1) | 14D12 | 4325020 | C | FASTORE/1 | 4325020 |
| 15C26 | 26(1) | 18E23 | 4325100 | C | FASUB | 4325100 |
| 15C27 | 27(1) | 15E21 | 4325150 | C | FAW | 4325150 |
| 15C28 | 28(0) | 14C20 | 5125100 | C | IFAM | 5125100 |
| 15C29 | 29(1) | 18E39 | 4421490 | C | NFUMH | 4421490 |
| 15C30 | 30(1) | 04D12 | 7891200 | C | SW11 | 7891200 |
| 15C31 | 31(1) | 09D38 | 6977200 | C | PXSXB | 6977200 |
| | 32(0) | | | | | |
| 04E27 | 33(1) | 15C33 | 5125110 | C | NIFAM | 5125110 |
| 15C34 | 34(1) | 14D05 | 4420850 | C | (FUANLZ.PH1) | 4420850 |
| 15C35 | 35(1) | 21D08 | 5156555 | C | (10PH1.SW11) | 5156555 |
| 05D03 | 36(1) | 15C36 | 5125300 | C | IFAST | 5125300 |
| 15C37 | 37(1) | 06D05 | 5156670 | C | (10PH2.SW14) | 5156670 |
| 15C38 | 38(1) | 12E01 | 5125320 | C | IFAST/L | 5125320 |
| 15C39 | 39(1) | 10D04 | 4421480 | C | FUMH | 4421480 |
| 15C40 | 40(1) | 14D03 | 6902301 | C | PRE3 | 6902301 |
| 15C41 | 41(1) | 15E25 | 6630900 | C | OL9 | 6630900 |
| 15C42 | 42(1) | 29D07 | 6630400 | C | OL4 | 6630400 |
| 15C43 | 43(1) | 12E19 | 5125340 | C | IFAST/S | 5125340 |
| 15C44 | 44(1) | 13E13 | 5138120 | C | (N(INT.KRUN).NKAHOLD) | 5138120 |
| 08F45 | 45(1) | 15C45 | 5156568 | C | N(10PH1.SW13) | 5156568 |
| 15C46 | 46(1) | 13D05 | 4324650 | C | FASH | 4324650 |
| 15C47 | 47(1) | 24D42 | 5139001 | C | NINTRAP2 | 5139001 |
| | 48(0) | | | | | |
| 14D49 | 49(0) | 16D49 | 8300300 | | P4VD | 8300310 |
| 15C50 | 50(1) | 18F11 | 4320380 | C | FAARITH | 4320380 |
| 14D51 | 51(0) | 16D51 | 8302300 | | P8VD | 8302310 |

XDS 902306

XDS
XEROX DATA SYSTEMS

DRAWING NO. - 133264-912 AC
PROG-PNIND MODULE-16D
TYPE-PIN INDEX TYPE-ZT45

16

10/27/71

| FROM | PIN (COUNT) | TO | SOURCE LINE NO. | ELEM. TYPE | SOURCE SIGNAL NAME | REFERENCE LINE NO. |
|-------|----------------|-------|--------------------|---------------|--------------------|-----------------------|
| | 00(0) | | | | | |
| 16C01 | 01(1) | 20E38 | 5386000 | C | KENTER/B-1 | 5386000 |
| 16C02 | 02(1) | 28E12 | 5539100 | C | KSS1 | 5539100 |
| 16C03 | 03(1) | 18D02 | 5539200 | C | KSS2 | 5539200 |
| 16C04 | 04(1) | 18D47 | 5539300 | C | KSS3 | 5539300 |
| 16C05 | 05(1) | 18D04 | 4321100 | C | FADW | 4321100 |
| 31F38 | 06(1) | 16C06 | 5150554 | C | IOCON | 5150554 |
| 16C07 | 07(1) | 09D41 | 4323300 | C | NFAMDS | 4323300 |
| 16C08 | 08(1) | 20E47 | 4324365 | C | (FAPSD.PH3) | 4324365 |
| 16C09 | 09(1) | 25D20 | 7892000 | C | SWK1 | 7892000 |
| 32D31 | 10(1) | 16C10 | 6821615 | C | N(PCP6.KFILL/B) | 6821615 |
| 16C11 | 11(1) | 09D39 | 4324960 | C | (FAST.PRE3) | 4324960 |
| 16C12 | 12(1) | 17D12 | 4321125 | C | (FADW/1.PH1) | 4321125 |
| 16C13 | 13(1) | 07E45 | 6821400 | C | PCP4 | 6821400 |
| 16C14 | 14(1) | 17D10 | 4324940 | C | (FAST/S.PH6) | 4324940 |
| 16C15 | 15(1) | 04D23 | 8065401 | C | NTRAP | 8065401 |
| | 16(0) | | 4790416 | -GND | GND1416 | 4790416 |
| 16C17 | 17(1) | 13E09 | 5138100 | C | (INT+IOSC) | 5138100 |
| 16C18 | 18(1) | 32E07 | 4375121 | C | NFL2 | 4375121 |
| 16C19 | 19(1) | 14E44 | 5138900 | C | INTRAP | 5138900 |
| 16C20 | 20(1) | 10D06 | 6902400 | C | PRE4 | 6902400 |
| 16C21 | 21(1) | 18E46 | 5156740 | C | (IOPH3.SW8) | 5156740 |
| 16C22 | 22(1) | 23E44 | 5366120 | C | NKCPURESET/B-1 | 5366120 |
| 16C23 | 23(1) | 21E23 | 5156760 | C | (IOPH3.SW12) | 5156760 |
| 17F36 | 24(1) | 16C24 | 7694100 | C | SIOSP/1 | 7694100 |
| 16C25 | 25(1) | 10D13 | 2842400 | C | BRPRE4 | 2842400 |
| 16C26 | 26(1) | 07E11 | 7890601 | C | NSW5 | 7890601 |
| 16F42 | 27(1) | 16C27 | 7890301 | C | NSW2 | 7890301 |
| 16C28 | 28(1) | 18E11 | 4323295 | C | FAMDS | 4323295 |
| 16C29 | 29(1) | 10D36 | 6902650 | C | PREOPER | 6902650 |
| 16C30 | 30(1) | 17E27 | 7417512 | C | NRT09 | 7417512 |
| 16C31 | 31(1) | 17F04 | 7890701 | C | NSW6 | 7890701 |
| | 32(0) | | | | | |
| 16C33 | 33(1) | 10D01 | 4324370 | C | (FAPSD.PH4) | 4324370 |
| 16C34 | 34(1) | 08F05 | 4324375 | C | (FAPSD.PH5) | 4324375 |
| 16C35 | 35(1) | 10D35 | 6845175 | C | PH1/F | 6845175 |
| 16C36 | 36(1) | 28D19 | 6927000 | C | PSW1XS | 6927000 |
| 16C37 | 37(1) | 01D29 | 1074225 | C | (S/MC7) | 1074225 |
| 16C38 | 38(1) | 25D07 | 5156543 | C | (IOPH1.SW8)-F | 5156543 |
| 16C39 | 39(1) | 17D02 | 5156665 | C | (IOPH2.SW13) | 5156665 |
| 16C40 | 40(1) | 26E11 | 5394004 | C | KFILL/B-1 | 5394004 |
| 16C41 | 41(1) | 07E44 | 5415360 | C | KINCRE/B-1 | 5415360 |
| 16C42 | 42(1) | 12E47 | 5426000 | C | KPSW1/B-1 | 5426000 |
| 16C43 | 43(1) | 18E22 | 6630500 | C | OL5 | 6630500 |
| 16C44 | 44(1) | 15E23 | 5138901 | C | NINTRAP | 5138901 |
| 16C45 | 45(1) | 13F50 | 5156601 | C | IOPH2 | 5156601 |
| 16C46 | 46(1) | 02E42 | 6075460 | C | MFR/1 | 6075462 |
| 16C47 | 47(1) | 28D08 | 4322565 | C | (FA10.PH5.SW13) | 4322565 |
| | 48(0) | | | | | |
| 15D49 | 49(0) | 17D49 | 8300300 | | P4VD | 8300320 |
| 16C50 | 50(1) | 22D50 | 3811150 | C | (DOR.IOR) | 3811150 |
| 15D51 | 51(0) | 17D51 | 8302300 | | P8VD | 8302320 |

| FROM | PIN (COUNT) | TO | SOURCE LINE NO. | ELEM. TYPE | SOURCE SIGNAL NAME | REFERENCE LINE NO. |
|-------|----------------|-------|--------------------|---------------|--------------------|-----------------------|
| | 00(0) | | | | | |
| | 01(1) | 17D16 | 4790417 | . | GND1417 | 7901034 |
| 16D39 | 02(2) | 13F45 | 5156665 | . | (IOPH2.SW13) | 7901036 |
| 29D26 | 03(2) | 10D29 | 6845260 | . | PH2-D | 7901032 |
| 14D47 | 04(2) | 20E39 | 4421590 | . | FUMMC-1 | 7901032 |
| 07E33 | 05(2) | 14F19 | 5156765 | . | (IOPH3.SW13) | 7901034 |
| 19D06 | 06(2) | 05D27 | 4320940 | . | FACOMP/L | 7900465 |
| 28D21 | 07(2) | 14D17 | 6845126 | . | PH1-D | 7900465 |
| 25D17 | 08(2) | 06D45 | 5156470 | . | (IOPH0.SW14) | 7901030 |
| 19E02 | 09(2) | 21E11 | 8133100 | . | (NVDATAIN.DATAIN) | 7901030 |
| 16D14 | 10(2) | 14D39 | 4324940 | . | (FAST/S.PH6) | 7901032 |
| 13D35 | 11(2) | 12E04 | 6720000 | . | OU0 | 7901032 |
| 16D12 | 12(2) | 12F11 | 4321125 | . | (FADW/1.PH1) | 7900465 |
| 19D47 | 13(2) | 26E04 | 5156450 | . | (IOPH0.SW10) | 7901036 |
| 13D11 | 14(2) | 18E36 | 4324650 | . | FASH | 7900466 |
| 08D12 | 15(2) | 14D50 | 6845765 | . | PH7-D | 7900466 |
| 17D01 | 16(2) | 17D27 | 4790417 | -GND | GND1417 | 4790417 |
| | 17(0) | | | | | |
| 20E29 | 18(1) | | 6821500 | . | PCP5 | 7900467 |
| 19D45 | 19(2) | 15F09 | 2841080 | . | NBRPCP5 | 7900467 |
| 15D03 | 20(2) | 21D37 | 5152700 | . | IOENIN | 7900467 |
| 22D03 | 21(2) | 05D03 | 5125300 | . | IFAST | 7900467 |
| | 22(1) | 24F43 | 7901030 | I | N(S/SXB) | 7901030 |
| 13E41 | 23(2) | 17E33 | 7900460 | I | N(S/SXB) | 7900465 |
| | 24(1) | 13E41 | 7900460 | I | N(S/SXB) | 7900470 |
| | 25(1) | 26E31 | 5154070 | I | NIOINH | 5154070 |
| | 26(0) | | | | | |
| 17D16 | 27(2) | 17D37 | 4790417 | . | GND1417 | 7900471 |
| 19D38 | 28(2) | 16E03 | 4421000 | . | FUBAL | 7900470 |
| 18D36 | 29(2) | 02E50 | 4321137 | . | FAFL-1 | 7900466 |
| 23D20 | 30(2) | 21E13 | 5156820 | . | NIOPH10 | 7900472 |
| 13D21 | 31(2) | 32D37 | 6845970 | . | PH9-D | 7900471 |
| | 32(0) | | | | | |
| 17D37 | 33(2) | 17D41 | 4790417 | . | GND1417 | 5154070 |
| 15E30 | 34(2) | 20D06 | 4323135 | . | FALOAD/A-1 | 7900473 |
| 13D28 | 35(2) | 14E06 | 6902370 | . | (PRE/34+PH2) | 7900473 |
| 22D04 | 36(2) | 05D04 | 5156440 | . | (IOPH0.SW8) | 7900472 |
| 17D27 | 37(2) | 17D33 | 4790417 | . | GND1417 | 7900473 |
| 18E10 | 38(2) | 18D30 | 6845460 | . | PH4-D | 7900472 |
| 12F28 | 39(2) | 01D10 | 4323380 | . | FAMULNH | 7900471 |
| 12D40 | 40(2) | 18D28 | 6902326 | . | PRE3-G | 7900470 |
| 17D33 | 41(1) | | 4790417 | . | GND1417 | 7900470 |
| 17D46 | 42(2) | 13D33 | 6845640 | . | PH6-E | 5154074 |
| 03F18 | 43(2) | 27D03 | 2054900 | . | ABO | 5154074 |
| 14E44 | 44(2) | 08F37 | 5138900 | . | INTRAP | 5154072 |
| 25D18 | 45(2) | 26E28 | 6821201 | . | NPCP2 | 5154072 |
| 20F17 | 46(2) | 17D42 | 6845640 | . | PH6-E | 5154070 |
| 23D02 | 47(2) | 22E12 | 8065420 | . | (S/TRAP) | 5154072 |
| | 48(0) | | | | | |
| 16D49 | 49(0) | 18D49 | 8300300 | . | P4VD | 8300320 |
| 19D11 | 50(2) | 31F17 | 2089360 | . | ADNH-1 | 5154070 |
| 16D51 | 51(0) | 18D51 | 8302300 | . | P8VD | 8302320 |

XDS 902306

XDS
XEROX DATA SYSTEMS

DRAWING NO. - 133264-912 AC
PROG-PNIND MODULE-18D
TYPE-PIN INDEX TYPE-IT20

18
10/27/71

| FROM | PIN (COUNT) | TO | SOURCE LINE NO. | ELEM. TYPE | SOURCE SIGNAL NAME | REFERENCE LINE NO. |
|-------|----------------|-------|--------------------|---------------|--------------------|-----------------------|
| | 00(0) | | | | | |
| 08D03 | 01(2) | 29D03 | 4321170 | . | FAHW | 3060253 |
| 16D03 | 02(1) | | 5539200 | . | KSS2 | 3060255 |
| 13017 | 03(2) | 18D29 | 2285060 | . | (ANLZ.PRE3) | 3060253 |
| 16D05 | 04(2) | 02D38 | 4321100 | . | FADW | 3060253 |
| 22D43 | 05(2) | 02D10 | 7890300 | . | SW2 | 3060254 |
| 18D43 | 06(1) | | 3651134 | . | DIOIND | 3060451 |
| 02F37 | 07(2) | 12D07 | 1521500 | . | DIO52 | 3060451 |
| 03E38 | 08(1) | | 1120138 | . | A12-1 | 3060256 |
| 06D33 | 09(2) | 25D12 | 4420560 | . | (FUA10.PH5.SW12) | 3060256 |
| 19D10 | 10(2) | 18D17 | 3078800 | . | CCXTRACC | 3060255 |
| 27D39 | 11(1) | | 8065200 | . | TRACC2 | 3060255 |
| 27D41 | 12(1) | | 8065300 | . | TRACC4 | 3060453 |
| 11D18 | 13(2) | 13D20 | 4321000 | . | FADIV | 3060254 |
| 18D16 | 14(1) | | 4790418 | . | GND1418 | 3060453 |
| 19D15 | 15(2) | 03E45 | 4321977 | . | FAIM | 3060453 |
| | 16(1) | 18D14 | 4790418 | -GND | GND1418 | 4790418 |
| 18D10 | 17(2) | 28E17 | 3078800 | . | CCXTRACC | 3060351 |
| 29F30 | 18(2) | 19D12 | 7890500 | . | SW4 | 3060450 |
| 29D10 | 19(2) | 22E25 | 4324671 | . | (FASTNABORT.PH9) | 3060006 |
| 18D26 | 20(2) | 19D20 | 3078000 | . | CCXRWD | 3060452 |
| 11D45 | 21(1) | | 5539400 | . | KSS4 | 3060452 |
| | 22(1) | 17E14 | 3060253 | I | N(S/CC2/1) | 3060253 |
| | 23(1) | 32F31 | 3060450 | I | N(S/CC4/1) | 3060450 |
| 32F19 | 24(2) | 15E34 | 3060000 | I | N(R/CC) | 3060002 |
| | 25(1) | 32F30 | 3060350 | I | N(S/CC3/1) | 3060350 |
| 28E04 | 26(2) | 18D20 | 3078000 | . | CCXRWD | 3060255 |
| | 27(0) | | | | | |
| 17D40 | 28(2) | 29D08 | 6902326 | . | PRE3-G | 3060002 |
| 18D03 | 29(2) | 18D44 | 2285060 | . | (ANLZ.PRE3) | 3060006 |
| 17D38 | 30(2) | 32D08 | 6845460 | . | PH4-D | 3060004 |
| | 31(0) | | | | | |
| | 32(0) | | | | | |
| 27D40 | 33(1) | | 8065250 | . | TRACC3 | 3060351 |
| 27F15 | 34(2) | 01D33 | 3078530 | . | CCXS/3 | 3060008 |
| | 35(0) | | | | | |
| 17E03 | 36(2) | 17D29 | 4321137 | . | FAFL-1 | 3060004 |
| | 37(0) | | | | | |
| | 38(0) | | | | | |
| 28D01 | 39(2) | 01D30 | 3078500 | . | CCXS/0 | 3060008 |
| 22D08 | 40(2) | 13D38 | 4324500 | . | FARWD | 3060002 |
| 19D41 | 41(2) | 06D06 | 4320960 | . | (FACOMP/L.PH2) | 3060002 |
| 02F36 | 42(2) | 16E01 | 1511500 | . | DIO51 | 3060351 |
| 23D29 | 43(2) | 18D06 | 3651134 | . | DIOIND | 3060351 |
| 18D29 | 44(2) | 14E17 | 2285060 | . | (ANLZ.PRE3) | 3060352 |
| 29F14 | 45(2) | 06F03 | 7890600 | . | SW5 | 3060352 |
| 32F03 | 46(2) | 14E04 | 4324725 | . | (FAST.PH9) | 3060350 |
| 16D04 | 47(1) | | 5539300 | . | KSS3 | 3060350 |
| | 48(0) | | | | | |
| 17D49 | 49(0) | 19D49 | 8300300 | . | P4VD | 8300320 |
| 06F01 | 50(2) | 21D07 | 7890400 | . | SW3 | 3060350 |
| 17D51 | 51(0) | 19D51 | 8302300 | . | P8VD | 8302320 |

| FROM | PIN (COUNT) | TO | SOURCE LINE NO. | ELEM. TYPE | SOURCE SIGNAL NAME | REFERENCE LINE NO. |
|-------|----------------|-------|--------------------|---------------|--------------------|-----------------------|
| | 00(0) | | | | | |
| 19C01 | 01(1) | 09D25 | 6720100 | C | OUI | 6720100 |
| 19C02 | 02(1) | 19F06 | 4324800 | C | FAST/L | 4324800 |
| 19C03 | 03(1) | 11F21 | 4324850 | C | FAST/M | 4324850 |
| 19C04 | 04(1) | 22D02 | 5138950 | C | INTRAP1 | 5138950 |
| 19C05 | 05(1) | 02E23 | 5138951 | C | NINTRAP1 | 5138951 |
| 19C06 | 06(1) | 17D06 | 4320940 | C | FACOMP/L | 4320940 |
| 31F05 | 07(1) | 19C07 | 5158850 | C | NIOTRIN | 5158850 |
| 19C08 | 08(1) | 14E38 | 5139000 | C | INTRAP2 | 5139000 |
| 20D13 | 09(1) | 19C09 | 5156890 | C | N(IOPOP.IOPADD) | 5156890 |
| 19C10 | 10(1) | 18D10 | 3078800 | C | CCXTRACC | 3078800 |
| 19C11 | 11(1) | 17D50 | 2089360 | C | ADNH-1 | 2089360 |
| 18D18 | 12(1) | 19C12 | 7890500 | C | SW4 | 7890500 |
| 19C13 | 13(1) | 08D45 | 4322000 | C | FAIO | 4322000 |
| 10D12 | 14(1) | 19C14 | 4322620 | C | (FAIO.PH6) | 4322620 |
| 19C15 | 15(1) | 18D15 | 4321977 | C | FAIM | 4321977 |
| | 16(0) | | 4790419 | -GND | GND1419 | 4790419 |
| 19C17 | 17(1) | 19F24 | 4322020 | C | FAIO/1 | 4322020 |
| 19C18 | 18(1) | 04E18 | 6631000 | C | OLA | 6631000 |
| 19C19 | 19(1) | 15E05 | 6845160 | C | PH1/C | 6845160 |
| 18D20 | 20(1) | 19C20 | 3078000 | C | CCXRWD | 3078000 |
| 19C21 | 21(1) | 12E38 | 4320910 | C | FACOMP/1 | 4320910 |
| 19C22 | 22(1) | 24D22 | 6974100 | C | NPXK | 6974100 |
| 19C23 | 23(1) | 24D08 | 4421640 | C | N(FUMSP.PH1/F) | 4421640 |
| 19C24 | 24(1) | 14E21 | 4421090 | C | FUBIR | 4421090 |
| 21F01 | 25(1) | 19C25 | 3532540 | C | (DASW4.IODC) | 3532540 |
| 19C26 | 26(1) | 18E03 | 4421580 | C | (FUMMC.PH6) | 4421580 |
| 19C27 | 27(1) | 20D42 | 6691700 | C | ORDSW4 | 6691700 |
| 19C28 | 28(1) | 19F21 | 7869100 | C | STRAP | 7869100 |
| 19C29 | 29(1) | 22F19 | 7343000 | C | RESET | 7343000 |
| 27F08 | 30(1) | 19C30 | 3811160 | C | (NDOR.IOR) | 3811160 |
| 19C31 | 31(1) | 21F25 | 6631200 | C | OLC | 6631200 |
| | 32(0) | | | | | |
| 14D09 | 33(1) | 19C33 | 7471000 | C | RZ | 7471000 |
| 19C34 | 34(1) | 05D10 | 4421300 | C | FUINT | 4421300 |
| 19C35 | 35(1) | 18F07 | 4323354 | C | (FAMT.PH2.NINTRAP) | 4323354 |
| 19C36 | 36(1) | 10D45 | 4421400 | C | (FULI+FULCFI) | 4421400 |
| 19C37 | 37(1) | 17E10 | 4421700 | C | FUPLM | 4421700 |
| 19C38 | 38(1) | 17D28 | 4421000 | C | FUBAL | 4421000 |
| 19C39 | 39(1) | 23E47 | 7343230 | C | RESET/KS | 7343230 |
| 19C40 | 40(1) | 20D41 | 7890801 | C | NSW7 | 7890801 |
| 19C41 | 41(1) | 18D41 | 4320960 | C | (FACOMP/L.PH2) | 4320960 |
| 19C42 | 42(1) | 22D15 | 5156675 | C | (IOPH2.SW15) | 5156675 |
| 19C43 | 43(1) | 11E31 | 8165500 | C | WDTA | 8165500 |
| 19C44 | 44(1) | 06D02 | 5156770 | C | (IOPH3.SW14) | 5156770 |
| 19C45 | 45(1) | 17D19 | 2841080 | C | NBRPCP5 | 2841080 |
| 19C46 | 46(1) | 27F09 | 8291000 | C | ZXX | 8291000 |
| 19C47 | 47(1) | 17D13 | 5156450 | C | (IOPH0.SW10) | 5156450 |
| | 48(0) | | | | | |
| 18D49 | 49(0) | 20D49 | 8300300 | | P4VD | 8300320 |
| 16F38 | 50(1) | 19C50 | 6720700 | C | OU7 | 6720700 |
| 18D51 | 51(0) | 20D51 | 8302300 | | P8VD | 8302320 |

| FROM | PIN (COUNT) | TO | SOURCE LINE NO. | ELEM. TYPE | SOURCE SIGNAL NAME | REFERENCE LINE NO. |
|-------|----------------|-------|--------------------|---------------|--------------------|-----------------------|
| | 00(0) | | | | | |
| | 01(1) | 13F13 | 6815825 | I | PBAHOLD | 6815825 |
| 11F12 | 02(2) | 21D44 | 5151050 | I | NIODAXA | 5151050 |
| 02D47 | 03(2) | 21D13 | 5156775 | . | (IOPH3.SW15) | 5151050 |
| 29D12 | 04(2) | 11E03 | 5156870 | . | IOPOP | 5156890 |
| 13D50 | 05(2) | 13D26 | 6845198 | . | (PH1+PH3) | 7901532 |
| 17D34 | 06(2) | 30D06 | 4323135 | . | FALOAD/A-1 | 7901532 |
| 17E20 | 07(2) | 25E12 | 7890800 | . | SW7 | 7901532 |
| 17F09 | 08(2) | 29E40 | 5156000 | . | IOPADD | 5156890 |
| 14E50 | 09(2) | 24D11 | 7890501 | . | NSW4 | 5151050 |
| 27D35 | 10(2) | 15E50 | 4253000 | . | (NEXC+IXAL) | 6815825 |
| 10E05 | 11(2) | 18F24 | 5156500 | . | NIOPH1 | 6815825 |
| 14D22 | 12(2) | 29D17 | 7901500 | I | N(S/SXD) | 7901532 |
| | 13(1) | 19D09 | 5156890 | I | N(IOPOP.IOPADD) | 5156890 |
| | 14(1) | 22D24 | 6041100 | I | NMDC7 | 6041110 |
| | 15(1) | 31E22 | 5153435 | I | N(R/IOFS) | 5153435 |
| | 16(0) | | 4790420 | -GND | GND1420 | 4790420 |
| | 17(1) | 10E05 | 5156500 | . | NIOPH1 | 5153435 |
| | 18(0) | | | | | |
| 14D11 | 19(2) | 11D12 | 6047900 | . | NMCZ | 6041110 |
| 23D19 | 20(2) | 12F40 | 5152001 | . | NIOEN | 6041110 |
| 11F21 | 21(2) | 26D34 | 4324850 | . | FAST/M | 6041110 |
| 28D02 | 22(2) | 14D09 | 7471000 | . | RZ | 2844370 |
| 30F33 | 23(2) | 16F22 | 7891000 | . | SW9 | 2844370 |
| 18E33 | 24(2) | 28E41 | 4322580 | . | (FA10/1.PH5) | 2844370 |
| 32F01 | 25(1) | | 4324674 | . | FASTABORT | 7890195 |
| 11D29 | 26(2) | 13E08 | 4152000 | . | ENDE | 7890195 |
| | 27(0) | | | | | |
| | 28(0) | | | | | |
| 31F42 | 29(2) | 21F23 | 6845640 | . | PH6-E | 6041110 |
| | 30(0) | | | | | |
| 03E39 | 31(2) | 10E04 | 5154000 | . | IOIN | 5153435 |
| | 32(0) | | | | | |
| 29F27 | 33(1) | | 7890190 | I | SW1 | 7890195 |
| 22D23 | 34(2) | 28E15 | 2844350 | I | NBRW13 | 2844370 |
| 03E40 | 35(1) | 11M25 | 5153290 | I | IOFRXFR | 5153290 |
| 26E23 | 36(1) | | 5152070 | I | (NIOEN+IOB0) | 5152070 |
| | 37(1) | 25F06 | 5150500 | . | NIOB0 | 5152070 |
| 21D35 | 38(2) | 23E39 | 5152720 | . | NIOENIN | 5153290 |
| 04E08 | 39(2) | 21D12 | 5156545 | . | (IOPH1.SW9) | 8051020 |
| | 40(1) | 11F44 | 4420540 | . | (FUA10.PH5.SW8) | 5151030 |
| 19D40 | 41(2) | 14E10 | 7890801 | . | NSW7 | 5151030 |
| 19D27 | 42(2) | 25D06 | 6691700 | . | ORDSW4 | 8051020 |
| 19F18 | 43(2) | 29D13 | 4420543 | . | N(FUA10.P5.8.7) | 5153290 |
| 26D18 | 44(2) | 26E38 | 5152000 | . | IOEN | 5152070 |
| | 45(1) | 21D06 | 8051020 | I | NTODATA | 8051020 |
| 29D46 | 46(2) | 21D36 | 5151030 | I | N(R/IODA) | 5151030 |
| 29E08 | 47(1) | | 5156545 | T | (IOPH1.SW9) | 5156545 |
| | 48(0) | | | | | |
| 19D49 | 49(0) | 21D49 | 8300300 | | P4VD | 8300320 |
| 27E23 | 50(1) | | 5156535 | T | N(S/IOPH1) | 5156535 |
| 19D51 | 51(0) | 21D51 | 8302300 | | P8VD | 8302320 |

XDS 902306

XDS
XEROX DATA SYSTEMS

DRAWING NO. - 133264-912 AC
PROG-PNIND MODULE-21D
TYPE-PIN INDEX TYPE-IT16

21

10/27/71

| FROM | PIN (COUNT) | TO | SOURCE LINE NO. | ELEM. TYPE | SOURCE SIGNAL NAME | REFERENCE LINE NO. |
|-------|----------------|-------|--------------------|---------------|---------------------|-----------------------|
| | 00(0) | | | | | |
| 23E09 | 01(2) | 03E01 | 5156900 | . | IOR | 5156910 |
| 28D39 | 02(2) | 03E10 | 3811000 | . | DOR | 3811100 |
| 05F34 | 03(1) | | 3314110 | . | NCOND2 | 3314100 |
| 21E06 | 04(2) | 05E40 | 5125100 | . | IFAM | 5125110 |
| | 05(1) | 13D03 | 3811100 | I | NDOR | 3811100 |
| 20D45 | 06(2) | 29D31 | 8051020 | I | NTODATA | 8051022 |
| 18D50 | 07(2) | 25D10 | 7890400 | . | SW3 | 8051022 |
| 15D35 | 08(2) | 25D38 | 5156555 | . | (IOPH1.SW11) | 8051022 |
| 26D09 | 09(2) | 03E09 | 4050100 | . | ED | 4050110 |
| | 10(1) | 17F15 | 4050110 | I | NED | 4050110 |
| | 11(1) | 20E01 | 5156547 | I | N(IOPH1.SW9) | 5156547 |
| 20D39 | 12(2) | 22D05 | 5156545 | . | (IOPH1.SW9) | 5156547 |
| 20D03 | 13(2) | 28E24 | 5156775 | . | (IOPH3.SW15) | 5156777 |
| | 14(1) | 25D09 | 3532500 | . | DASW4 | 8051022 |
| | 15(1) | 23E38 | 5156777 | I | N(IOPH3.SW15) | 5156777 |
| | 16(0) | | 4790421 | -GND | GND1421 | 4790421 |
| | 17(1) | 24D43 | 5156910 | I | NIOR | 5156910 |
| | 18(1) | 26E07 | 5125110 | I | NIFAM | 5125110 |
| | 19(1) | 17E31 | 3314100 | I | COND2 | 3314100 |
| | 20(0) | | | | | |
| 19E03 | 21(2) | 21D25 | 8133150 | . | N(VDATAIN+VDATAOUT) | 8133160 |
| | 22(1) | 21E09 | 8133500 | . | VDATAOUT | 8133155 |
| | 23(1) | 21E12 | 8133000 | . | VDATAIN | 8133150 |
| 29D31 | 24(2) | 26D23 | 8051020 | . | NTODATA | 8051000 |
| 21D21 | 25(2) | 21D27 | 8133150 | I | N(VDATAIN+VDATAOUT) | 8133150 |
| | 26(1) | 29E04 | 8051000 | I | TODATA | 8051000 |
| 21D25 | 27(1) | | 8133150 | I | N(VDATAIN+VDATAOUT) | 8133155 |
| | 28(1) | 07E36 | 8133160 | I | (VDATAIN+VDATAOUT) | 8133160 |
| | 29(0) | | | | | |
| 21D44 | 30(2) | 29D30 | 5151050 | . | NIODAXA | 5151040 |
| 21D36 | 31(2) | 22E01 | 5151030 | . | N(R/IODA) | 5151020 |
| | 32(0) | | | | | |
| | 33(0) | | | | | |
| | 34(1) | 28E13 | 3314000 | I | COND1 | 3314000 |
| | 35(1) | 20D38 | 5152720 | I | NIOENIN | 5152720 |
| 20D46 | 36(2) | 21D31 | 5151030 | I | N(R/IODA) | 5151032 |
| 17D20 | 37(2) | 21D39 | 5152700 | . | IOENIN | 5151032 |
| 03D23 | 38(1) | | 3651130 | . | DIOEXIT | 5152174 |
| 21D37 | 39(2) | 32F02 | 5152700 | . | IOENIN | 5152720 |
| 05F27 | 40(1) | | 3314010 | . | NCOND1 | 3314000 |
| 08D38 | 41(2) | 21F34 | 5152170 | I | IOEN6 | 5152174 |
| 27F39 | 42(2) | 20E36 | 4322300 | . | (FA10.PH3) | 5151052 |
| 25D14 | 43(2) | 26D43 | 7901550 | . | NSXDA | 7901540 |
| 20D02 | 44(2) | 21D30 | 5151050 | I | NIODAXA | 5151052 |
| | 45(1) | 03E13 | 7901540 | I | SXDA | 7901540 |
| | 46(1) | 03E08 | 5151040 | I | IODAXA | 5151040 |
| | 47(1) | 03E12 | 5151020 | I | IODAX | 5151020 |
| | 48(0) | | | | | |
| 20D49 | 49(0) | 22D49 | 8300300 | | P4VD | 8300320 |
| | 50(0) | | | | | |
| 20D51 | 51(0) | 22D51 | 8302300 | | P8VD | 8302320 |

XDS 902306

XDS
XEROX DATA SYSTEMS

DRAWING NO.- 133264-912 AC
 PROG-PNIND MODULE-22D
 TYPE-PIN INDEX TYPE-IT20

22

10/27/71

| FROM | PIN (COUNT) | TO | SOURCE LINE NO. | ELEM. TYPE | SOURCE SIGNAL NAME | REFERENCE LINE NO. |
|-------|----------------|-------|--------------------|---------------|--------------------|-----------------------|
| | 00(0) | | | | | |
| 10D33 | 01(2) | 25D45 | 5156560 | . | (IOPH1.SW12) | 2904502 |
| 19D04 | 02(2) | 24D39 | 5138950 | . | INTRAP1 | 2904506 |
| 19F45 | 03(2) | 17D21 | 5125300 | . | IFAST | 2904502 |
| 23D47 | 04(2) | 17D36 | 5156440 | . | (IOPH0.SW8) | 2904502 |
| 21D12 | 05(2) | 25D41 | 5156545 | . | (IOPH1.SW9) | 2904504 |
| 13F25 | 06(2) | 26F41 | 4322545 | . | (FA10.PH5.SW9) | 2844350 |
| 09E08 | 07(2) | 27F07 | 2385100 | . | AVO | 2844350 |
| 22D39 | 08(2) | 18D40 | 4324500 | . | FARWD | 2904500 |
| 31D07 | 09(2) | 08E02 | 2285065 | . | (NANLZ.PRE3) | 2904500 |
| 23D12 | 10(2) | 08E04 | 7892120 | . | SWK5 | 2904501 |
| 05E39 | 11(2) | 23F41 | 6821300 | . | PCP3 | 2904501 |
| | 12(1) | 22D14 | 4790422 | . | GND1422 | 2844356 |
| 10D44 | 13(2) | 15E20 | 6902140 | . | PRE1-A | 2904504 |
| 22D12 | 14(2) | 22D16 | 4790422 | . | GND1422 | 2844352 |
| 19D42 | 15(2) | 28E21 | 5156675 | . | (IOPH2.SW15) | 2844352 |
| 22D14 | 16(2) | 22D47 | 4790422 | -GND | GND1422 | 4790422 |
| | 17(0) | | | | | |
| 07E36 | 18(2) | 25D11 | 8133160 | . | (VDATAIN+VDATAOUT) | 2844356 |
| | 19(0) | | | | | |
| 07E40 | 20(2) | 23E07 | 5156670 | . | (IOPH2.SW14) | 2844354 |
| 22D29 | 21(2) | 03D20 | 2579000 | . | BCZ | 2844354 |
| | 22(1) | 02E06 | 2904500 | I | NBXP/1 | 2904500 |
| | 23(1) | 20D34 | 2844350 | I | NBRSW13 | 2844350 |
| 20D14 | 24(2) | 01D11 | 6041100 | I | NMCDC7 | 6041100 |
| | 25(1) | 21E05 | 2843850 | I | NBRSW8 | 2843850 |
| 23D26 | 26(2) | 22D30 | 2840900 | . | BRP | 2843850 |
| | 27(0) | | | | | |
| 31E05 | 28(2) | 10D39 | 6105000 | . | MIT/1 | 6041106 |
| 07E41 | 29(2) | 22D21 | 2579000 | . | BCZ | 2844352 |
| 22D26 | 30(2) | 26D36 | 2840900 | . | BRP | 2904504 |
| 30D05 | 31(2) | 22D35 | 6845360 | . | PH3-D | 6041102 |
| | 32(0) | | | | | |
| 05E46 | 33(2) | 32F23 | 5156475 | . | (IOPH0.SW15) | 2843852 |
| 21E38 | 34(2) | 27E50 | 4321137 | . | FAFL-1 | 6041100 |
| 22D31 | 35(2) | 13D31 | 6845360 | . | PH3-D | 6041100 |
| 13D07 | 36(2) | 32E08 | 7627100 | . | SFT | 6041102 |
| 27D11 | 37(2) | 22E06 | 4324670 | . | (FASH.PH5.NFL2) | 6041100 |
| 18E03 | 38(2) | 14D34 | 4421580 | . | (FUMMC.PH6) | 6041106 |
| 31D41 | 39(2) | 22D08 | 4324500 | . | FARWD | 6041102 |
| | 40(0) | | | | | |
| 31E06 | 41(2) | 01D28 | 3691000 | . | DIT/1 | 6041104 |
| 28D30 | 42(2) | 17E30 | 4322400 | . | (FA10.PH4) | 2843850 |
| 28D29 | 43(2) | 18D05 | 7890300 | . | SW2 | 2843850 |
| 06D15 | 44(2) | 29E17 | 4324728 | . | FAST/A-2 | 2843852 |
| 32E21 | 45(2) | 26D42 | 6845855 | . | PH8-B | 2843852 |
| 07E39 | 46(2) | 28D40 | 5156460 | . | (IOPH0.SW12) | 2843854 |
| 22D16 | 47(1) | | 4790422 | . | GND1422 | 2843850 |
| | 48(0) | | | | | |
| 21D49 | 49(0) | 23D49 | 8300300 | . | P4VD | 8300320 |
| 16D50 | 50(2) | 23E25 | 3811150 | . | (DOR.IOR) | 2843854 |
| 21D51 | 51(0) | 23D51 | 8302300 | . | P8VD | 8302320 |

XDS 902306

XDS
XEROX DATA SYSTEMS

DRAWING NO.- 133264-912 AC
PROG-PNIND
TYPE-PIN INDEX

MODULE-23D
TYPE-ZT45

23

10/27/71

| FROM | PIN (COUNT) | TO | SOURCE LINE NO. | ELEM. TYPE | SOURCE SIGNAL NAME | REFERENCE LINE NO. |
|-------|----------------|-------|--------------------|---------------|--------------------|-----------------------|
| | 00(0) | | | | | |
| 23C01 | 01(1) | 13D15 | 1014540 | C | N01-1 | 1014540 |
| 23C02 | 02(1) | 17D47 | 8065420 | C | (S/TRAP) | 8065420 |
| 23C03 | 03(1) | 23F33 | 2559830 | C | N(BC=1) | 2559830 |
| 06D12 | 04(1) | 23C04 | 4324708 | C | (FAST.PH1/C) | 4324708 |
| 23C05 | 05(1) | 29D09 | 4324725 | C | (FAST.PH9) | 4324725 |
| 23C06 | 06(1) | 29E07 | 5156701 | C | IOPH3 | 5156701 |
| 23C07 | 07(1) | 08E26 | 6630700 | C | OL7 | 6630700 |
| 23C08 | 08(1) | 12E26 | 6630710 | C | NOL7 | 6630710 |
| 23C09 | 09(1) | 11F07 | 1071342 | C | ND7-1 | 1071342 |
| 23C10 | 10(1) | 31E14 | 4321020 | C | FADIVH | 4321020 |
| 23C11 | 11(1) | 15F40 | 4324540 | C | FAS10 | 4324540 |
| 23C12 | 12(1) | 22D10 | 7892120 | C | SWK5 | 7892120 |
| 23C13 | 13(1) | 24F42 | 6196400 | C | N(S/MRQ/3) | 6196400 |
| 23C14 | 14(1) | 08E22 | 6821100 | C | PCP1 | 6821100 |
| 23C15 | 15(1) | 13D50 | 6845198 | C | (PH1+PH3) | 6845198 |
| | 16(0) | | 4790423 | -GND | GND1423 | 4790423 |
| 23C17 | 17(1) | 07E07 | 5188000 | C | IX | 5188000 |
| 23C18 | 18(1) | 08E20 | 5188001 | C | NIX | 5188001 |
| 23C19 | 19(1) | 20D20 | 5152001 | C | NIOEN | 5152001 |
| 23C20 | 20(1) | 17D30 | 5156820 | C | NIOPH10 | 5156820 |
| 23C21 | 21(1) | 27E37 | 5188200 | C | (IXAL.PRE2) | 5188200 |
| 23C22 | 22(1) | 25D35 | 5158100 | C | IOSC | 5158100 |
| 24F30 | 23(1) | 23C23 | 6196500 | C | NMRQP1 | 6196500 |
| 24F09 | 24(1) | 23C24 | 3846015 | C | DRQ-1 | 3846013 |
| 21F22 | 25(1) | 23C25 | 4395600 | C | NFPRR | 4395600 |
| 23C26 | 26(1) | 22D26 | 2840900 | C | BRP | 2840900 |
| 22F06 | 27(1) | 23C27 | 6227000 | C | MUSIC | 6227000 |
| 23C28 | 28(1) | 12F17 | 4421450 | C | FULRP | 4421450 |
| 23C29 | 29(1) | 18D43 | 3651134 | C | DIOIND | 3651134 |
| 23C30 | 30(1) | 24D28 | 7343120 | C | NRESET-1 | 7343120 |
| 23C31 | 31(1) | 12F42 | 7343300 | C | RESET/C | 7343302 |
| | 32(0) | | | | | |
| 28E13 | 33(1) | 23C33 | 3314000 | C | COND1 | 3314000 |
| 23C34 | 34(1) | 14D33 | 4324610 | C | FASEL-1 | 4324610 |
| 23C35 | 35(1) | 20F10 | 4324727 | C | FAST/A-1 | 4324727 |
| 23C36 | 36(1) | 23F13 | 1310336 | C | B31-1 | 1310336 |
| 23C37 | 37(1) | 18E45 | 6909950 | C | PROBOVER | 6909950 |
| 13D12 | 38(1) | 23C38 | 6845685 | C | (S/PH6/I0)-1 | 6845685 |
| 18E27 | 39(1) | 23C39 | 6910020 | C | PROBOVER/H | 6910020 |
| 27F41 | 40(1) | 23C40 | 1290340 | C | B29-1 | 1290340 |
| 23C41 | 41(1) | 26E37 | 6038020 | C | (S/MBXS) | 6038020 |
| 23C42 | 42(1) | 26D24 | 6038030 | C | N(S/MBXS) | 6038030 |
| 21F27 | 43(1) | 23C43 | 1270355 | C | B27/1 | 1270355 |
| 23C44 | 44(1) | 11E22 | 1064525 | C | N06-1 | 1064525 |
| 23C45 | 45(1) | 07E06 | 5110170 | C | (IA.PRE2) | 5110170 |
| 32E20 | 46(1) | 23C46 | 5152080 | C | N(10EN.IOSC) | 5152080 |
| 23C47 | 47(1) | 22D04 | 5156440 | C | (IOPH0.SWB) | 5156440 |
| | 48(0) | | | | | |
| 22D49 | 49(0) | 24D49 | 8300300 | | P4VD | 8300330 |
| 23C50 | 50(1) | 12E37 | 6720150 | C | NOU1 | 6720150 |
| 22D51 | 51(0) | 24D51 | 8302300 | | P8VD | 8302330 |

XDS 902306

XDS
XEROX DATA SYSTEMS

DRAWING NO.- 133264-912 AC
PROG-PNIND
TYPE-PIN INDEX

MODULE-24D
TYPE-BT11

24

10/27/71

| FROM | PIN (COUNT) | TO | SOURCE LINE NO. | ELEM. TYPE | SOURCE SIGNAL NAME | REFERENCE LINE NO. |
|-------|----------------|-------|--------------------|---------------|---------------------|-----------------------|
| | 00(0) | | | | | |
| | 01(1) | 24D44 | 3533150 | B | (DATAIN.NSW4) | 3533150 |
| | 02(1) | 14F35 | 2490120 | B | NAZ/2 | 2490120 |
| 26D03 | 03(2) | 24D04 | 2405336 | . | NAXRR/6 | 2490120 |
| 24D03 | 04(2) | 24D06 | 2405336 | . | NAXRR/6 | 2405340 |
| 04D14 | 05(2) | 01D01 | 2400540 | . | NAXAR24 | 2490130 |
| 24D04 | 06(2) | 24D30 | 2405336 | . | NAXRR/6 | 2490130 |
| 24D18 | 07(2) | 03E50 | 5153283 | . | N(IOFR8.NRW) | 2490130 |
| 19D23 | 08(2) | 24D31 | 4421640 | . | N(FUMSP.PH1/F) | 2405340 |
| 04D30 | 09(2) | 01D22 | 2400440 | . | NAXAR16 | 2490120 |
| 25D28 | 10(2) | 09D18 | 3533100 | . | DATAIN | 3533150 |
| 20D09 | 11(2) | 30D43 | 7890501 | . | NSW4 | 3533150 |
| | 12(1) | 02F04 | 2490130 | B | NAZ/3 | 2490130 |
| | 13(1) | 02E30 | 2405340 | B | NAXRR/12 | 2405340 |
| | 14(1) | 14F41 | 2490110 | B | NAZ/1 | 2490110 |
| | 15(1) | 02E31 | 2405342 | B | NAXRR/13 | 2405342 |
| | 16(0) | | 4790424 | -GND | GND1424 | 4790424 |
| | 17(0) | | | | | |
| 26D17 | 18(2) | 24D07 | 5153283 | . | N(IOFR8.NRW) | 2405342 |
| 04D47 | 19(2) | 03E42 | 2400410 | . | NAXAR8 | 2490110 |
| 03E27 | 20(2) | 30D03 | 4322220 | . | N(FA10.PH2) | 2490110 |
| | 21(0) | | | | | |
| 19D22 | 22(2) | 32F39 | 6974100 | . | NPXK | 6970100 |
| 08F40 | 23(2) | 08F14 | 6977000 | . | NPXS | 6970100 |
| 31F15 | 24(2) | 26D35 | 5138994 | . | N(INTRAP1.NINTRAP2) | 6970100 |
| 06D25 | 25(2) | 03E04 | 2010100 | . | NAXS/2 | 2490100 |
| | 26(0) | | | | | |
| 04E29 | 27(2) | 31F39 | 2402920 | . | NAXFR | 2490100 |
| 23D30 | 28(2) | 19F44 | 7343120 | . | NRESET-1 | 6970100 |
| 28F47 | 29(2) | 03E41 | 4420550 | . | N(FUA10.PH5.SW10) | 2490110 |
| 24D06 | 30(2) | 11F33 | 2405336 | . | NAXRR/6 | 2405342 |
| 24D08 | 31(2) | 02F26 | 4421640 | . | N(FUMSP.PH1/F) | 2405342 |
| | 32(0) | | | | | |
| | 33(1) | 14F36 | 2490100 | B | NAZ/0 | 2490100 |
| 32D15 | 34(2) | 03F14 | 6970100 | B | NPX | 6970100 |
| | 35(1) | 07E31 | 3811170 | B | (NDOR.NIOR) | 3811170 |
| | 36(1) | 06D42 | 3533160 | B | (DATAIN.NSW4.NB0) | 3533160 |
| 14D21 | 37(2) | 30D37 | 1000304 | . | NB0 | 3533160 |
| 13D03 | 38(2) | 21F03 | 3811100 | . | NDOR | 3811170 |
| 22D02 | 39(2) | 14E37 | 5138950 | . | INTRAP1 | 5138992 |
| 24D45 | 40(2) | 31F13 | 5138992 | . | (INTRAP1.NINTRAP2) | 6977300 |
| 11F31 | 41(2) | 30D41 | 8065400 | . | TRAP | 6977300 |
| 15D47 | 42(1) | | 5139001 | . | NINTRAP2 | 5138992 |
| 21D17 | 43(2) | 17E29 | 5156910 | . | NIOR | 3811170 |
| 24D01 | 44(2) | 14E26 | 3533150 | . | (DATAIN.NSW4) | 3533160 |
| | 45(1) | 24D40 | 5138992 | B | (INTRAP1.NINTRAP2) | 5138992 |
| | 46(1) | 03F17 | 6977300 | B | PXTR | 6977300 |
| | 47(0) | | | | | |
| | 48(0) | | | | | |
| 23D49 | 49(0) | 25D49 | 8300300 | | P4VD | 8300330 |
| | 50(0) | | | | | |
| 23D51 | 51(0) | 25D51 | 8302300 | | P8VD | 8302330 |

| FROM | PIN (COUNT) | TO | SOURCE LINE NO. | ELEM. TYPE | SOURCE SIGNAL NAME | REFERENCE LINE NO. |
|-------|----------------|-------|--------------------|---------------|--------------------|-----------------------|
| | 00(0) | | | | | |
| | 01(1) | 27E35 | 7410830 | I | N(S/RSCLN) | 7410832 |
| 28E23 | 02(2) | 06D50 | 6691000 | . | ORDERIN | 7901552 |
| 28E22 | 03(2) | 09D21 | 5156467 | . | (IOPH0.SW13)-F | 7901552 |
| 26D04 | 04(2) | 25D13 | 3690134 | . | NDIS-4 | 7901550 |
| | 05(0) | | | | | |
| 20D42 | 06(2) | 25E20 | 6691700 | . | ORDSW4 | 7410832 |
| 16D38 | 07(2) | 25E21 | 5156543 | . | (IOPH1.SW8)-F | 7410832 |
| 25E45 | 08(2) | 26D28 | 5156550 | . | (IOPH1.SW10) | 7410834 |
| 21D14 | 09(2) | 25D40 | 3532500 | . | DASW4 | 7410834 |
| 21D07 | 10(2) | 25D43 | 7890400 | . | SW3 | 7410834 |
| 22D18 | 11(2) | 25E22 | 8133160 | . | (VDATAIN+VDATAOUT) | 7410832 |
| 18D09 | 12(2) | 15F46 | 4420560 | . | (FUA10.PH5.SW12) | 7901550 |
| 25D04 | 13(2) | 25D27 | 3690134 | . | NDIS-4 | 7901552 |
| | 14(1) | 21D43 | 7901550 | B | NSXDA | 7901550 |
| | 15(1) | 20E22 | 7563500 | I | NSCINH | 7563508 |
| 25D24 | 16(1) | | 4790425 | -GND | GND1425 | 4790425 |
| 28E35 | 17(2) | 17D08 | 5156470 | . | (IOPH0.SW14) | 7901554 |
| 30D30 | 18(2) | 17D45 | 6821201 | . | NPCP2 | 7563508 |
| | 19(0) | | | | | |
| 16D09 | 20(2) | 12D11 | 7892000 | . | SWK1 | 6942310 |
| 27D04 | 21(2) | 20E29 | 6821500 | . | PCP5 | 6942310 |
| 31D18 | 22(2) | 15E10 | 4421430 | . | FULAD | 6942310 |
| 31E36 | 23(2) | 12E35 | 6902324 | . | PRE3-F | 6942310 |
| | 24(1) | 25D16 | 4790425 | . | GND1425 | 6942312 |
| 08D45 | 25(2) | 28D22 | 4322000 | . | FA10 | 7563508 |
| 27D50 | 26(2) | 31E09 | 6845901 | . | NPH9 | 7563508 |
| 25D13 | 27(2) | 15E41 | 3690134 | . | NDIS-4 | 7901554 |
| 21F07 | 28(2) | 24D10 | 3533100 | . | DATAIN | 7901554 |
| 13E19 | 29(2) | 03F30 | 6942300 | I | NPUC31 | 6942310 |
| | 30(0) | | 7410280 | I | N(S/RSACLEN) | 7410280 |
| | 31(1) | 03F34 | 7410270 | I | (S/RSACLEN) | 7410270 |
| | 32(0) | | | | | |
| 10D37 | 33(2) | 23E46 | 6845199 | . | PH10-E | 5152060 |
| 06F37 | 34(1) | | 5153400 | . | IOFS | 5152060 |
| 23D22 | 35(2) | 25D37 | 5158100 | . | IOSC | 5152060 |
| 25D39 | 36(2) | 30D17 | 5154070 | . | NIOINH | 5152060 |
| 25D35 | 37(2) | 28D06 | 5158100 | . | IOSC | 5152062 |
| 21D08 | 38(2) | 28E45 | 5156555 | . | (IOPH1.SW11) | 5152062 |
| 23E41 | 39(2) | 25D36 | 5154070 | . | NIOINH | 5152062 |
| 25D09 | 40(2) | 29D37 | 3532500 | . | DASW4 | 7410282 |
| 22D05 | 41(2) | 25E17 | 5156545 | . | (IOPH1.SW9) | 7410282 |
| | 42(0) | | | | | |
| 25D10 | 43(2) | 25E19 | 7890400 | . | SW3 | 7410280 |
| 20E04 | 44(2) | 26D44 | 6821220 | . | PCP2/1 | 5152060 |
| 22D01 | 45(2) | 25E24 | 5156560 | . | (IOPH1.SW12) | 7410280 |
| | 46(1) | 22F40 | 5152050 | I | (S/IOEN) | 5152050 |
| | 47(1) | 26E15 | 5152060 | I | N(S/IOEN) | 5152060 |
| | 48(0) | | | | | |
| 24D49 | 49(0) | 26D49 | 8300300 | . | P4VD | 8300330 |
| 17E27 | 50(2) | 26E05 | 7417512 | . | NRT09 | 7410282 |
| 24D51 | 51(0) | 26D51 | 8302300 | . | P8VD | 8302330 |

XDS 902306

XDS
XEROX DATA SYSTEMS

DRAWING NO. - 133264-912 AC
PROG-PNIND MODULE-26D
TYPE-PIN INDEX TYPE-XT10

26
10/27/71

| FROM | PIN (COUNT) | TO | SOURCE LINE NO. | ELEM. TYPE | SOURCE SIGNAL NAME | REFERENCE LINE NO. |
|-------|----------------|-------|--------------------|---------------|---------------------|-----------------------|
| | 00(0) | | | | | |
| 12E11 | 01(1) | | 4324870 | T | (FAST/M.PRE3.NOU0) | 4324870 |
| 19F26 | 02(1) | | 4324900 | T | FAST/S | 4324900 |
| | 03(1) | 24D03 | 2405336 | T | NAXRR/6 | 2405336 |
| | 04(1) | 25D04 | 3690134 | T | NDIS-4 | 3690134 |
| 21E02 | 05(1) | | 4324960 | T | (FAST.PRE3) | 4324960 |
| 29D07 | 06(1) | | 6630400 | T | OL4 | 6630400 |
| 29D13 | 07(1) | | 4420543 | T | N(FUA10.P5.8.7) | 4420543 |
| 13E23 | 08(1) | | 4422000 | T | FUPLW | 4422000 |
| | 09(1) | 21D09 | 4050100 | T | ED | 4050100 |
| 23F21 | 10(1) | | 4324940 | T | (FAST/S.PH6) | 4324940 |
| | 11(1) | 30D04 | 5125330 | T | NIFAST/L | 5125330 |
| | 12(1) | 04D10 | 1231340 | T | D23-1 | 1231340 |
| | 13(1) | 23F14 | 6047900 | T | NMCZ | 6047900 |
| | 14(1) | 13D39 | 6047910 | T | MCZ | 6047910 |
| 11F07 | 15(1) | | 1071342 | T | ND7-1 | 1071342 |
| | 16(0) | | 4790426 | -GND | GND1426 | 4790426 |
| | 17(1) | 24D18 | 5153283 | T | N(IOFR8.NRW) | 5153283 |
| | 18(1) | 20D44 | 5152000 | T | IOEN | 5152000 |
| 29D14 | 19(1) | | 4325000 | T | FASTORE | 4325000 |
| 20E01 | 20(1) | | 5156547 | T | N(IOPH1.SW9) | 5156547 |
| 04E05 | 21(1) | | 5156565 | T | (IOPH1.SW13) | 5156565 |
| 20E09 | 22(1) | | 7400210 | T | RQBZP | 7400210 |
| 21D24 | 23(1) | | 8051020 | T | NTODATA | 8051020 |
| 23D42 | 24(1) | | 6038030 | T | N(S/MBXS) | 6038030 |
| | 25(1) | 02D26 | 3060201 | T | NCC2 | 3060201 |
| 32D30 | 26(1) | | 4322120 | T | N(FA10.PH1) | 4322120 |
| 31F39 | 27(1) | | 2402920 | T | NAXFR | 2402920 |
| 25D08 | 28(1) | | 5156550 | T | (IOPH1.SW10) | 5156550 |
| 19F09 | 29(1) | | 4323305 | T | N(NFARWD.NFAMDS) | 4323305 |
| 29F42 | 30(1) | | 7890530 | T | (S/SW4) | 7890530 |
| 30F10 | 31(1) | | 7891070 | T | SW9-F | 7891070 |
| | 32(0) | | | | | |
| 17F50 | 33(1) | | 6691140 | T | (ORDEROUT+SW4) | 6691140 |
| 20D21 | 34(1) | | 4324850 | T | FAST/M | 4324850 |
| 24D24 | 35(1) | | 5138994 | T | N(INTRAP1.NINTRAP2) | 5138994 |
| 22D30 | 36(1) | | 2840900 | T | BRP | 2840900 |
| 18F44 | 37(1) | | 4321205 | T | (FAHW.EXC) | 4321205 |
| 17E44 | 38(1) | | 4324760 | T | FAST/C | 4324760 |
| 15E43 | 39(1) | | 7890615 | T | N(R/SW5/1) | 7890615 |
| 29F15 | 40(1) | | 7890612 | T | (R/SW5) | 7890612 |
| 30D41 | 41(1) | | 8065400 | T | TRAP | 8065400 |
| 22D45 | 42(1) | | 6845855 | T | PH8-B | 6845855 |
| 21D43 | 43(1) | | 7901550 | T | NSXDA | 7901550 |
| 25D44 | 44(1) | | 6821220 | T | PCP2/1 | 6821220 |
| 32D42 | 45(1) | | 6845800 | T | PH8 | 6845800 |
| 27F09 | 46(1) | | 8291000 | T | ZXX | 8291000 |
| 28D31 | 47(1) | | 5159825 | T | (R/IPH10/1) | 5159825 |
| | 48(0) | | | | | |
| 25D49 | 49(0) | 27D49 | 8300300 | | P4VD | 8300330 |
| 32F38 | 50(1) | | 8165200 | T | WDINT | 8165200 |
| 25D51 | 51(0) | 27D51 | 8302300 | | P8VD | 8302330 |

XDS 902306

XDS
XEROX DATA SYSTEMS

DRAWING NO. - 133264-912 AC
PROG-PNIND MODULE-27D
TYPE-PIN INDEX TYPE-ZT45

27

10/27/71

| FROM | PIN (COUNT) | TO | SOURCE LINE NO. | ELEM. TYPE | SOURCE SIGNAL NAME | REFERENCE LINE NO. |
|-------|----------------|-------|--------------------|---------------|--------------------|-----------------------|
| | 00(0) | | | | | |
| 28F08 | 01(1) | 27C01 | 1316202 | C | NR31 | 1316202 |
| 27C02 | 02(1) | 28E50 | 1316215 | C | R31-1 | 1316215 |
| 17D43 | 03(1) | 27C03 | 2054900 | C | ABO | 2054900 |
| 27C04 | 04(1) | 25D21 | 6821500 | C | PCP5 | 6821500 |
| 27C05 | 05(1) | 20E13 | 6821620 | C | PCPACT | 6821620 |
| 27C06 | 06(1) | 28D26 | 5150110 | C | NIOACT | 5150110 |
| 27C07 | 07(1) | 13D45 | 6720010 | C | NOU0 | 6720010 |
| 27C08 | 08(1) | 28D14 | 7890300 | C | SW2 | 7890300 |
| 27C09 | 09(1) | 06D36 | 4323348 | C | (FAMT.PH2) | 4323348 |
| 27C10 | 10(1) | 32E02 | 4323360 | C | FAMUL | 4323360 |
| 27C11 | 11(1) | 22D37 | 4324670 | C | (FASH.PH5.NFL2) | 4324670 |
| 27C12 | 12(1) | 15E04 | 4421050 | C | FUBDR | 4421050 |
| 27C13 | 13(1) | 14D44 | 6902350 | C | PRE/34-A | 6902350 |
| 27C14 | 14(1) | 29D21 | 6845300 | C | PH3 | 6845300 |
| 27C15 | 15(1) | 30D28 | 6821201 | C | NPCP2 | 6821201 |
| | 16(0) | | 4790427 | -GND | GND1427 | 4790427 |
| 27C17 | 17(1) | 32E14 | 4425150 | C | FUS | 4425150 |
| 27C18 | 18(1) | 32D39 | 4425500 | C | FUSF | 4425500 |
| 27C19 | 19(1) | 30F43 | 7891201 | C | NSW11 | 7891201 |
| 27C20 | 20(1) | 29D04 | 6845500 | C | PH5 | 6845500 |
| 30F39 | 21(1) | 27C21 | 7891101 | C | NSW10 | 7891101 |
| 30D23 | 22(1) | 27C22 | 7891400 | C | SW13 | 7891400 |
| 30F27 | 23(1) | 27C23 | 7891301 | C | NSW12 | 7891301 |
| 27C24 | 24(1) | 31F35 | 2402900 | C | AXFR | 2402900 |
| 13F21 | 25(1) | 27C25 | 7891500 | C | SW14 | 7891500 |
| 27C26 | 26(1) | 30F05 | 7891601 | C | NSW15 | 7891601 |
| 27C27 | 27(1) | 30F15 | 7891501 | C | NSW14 | 7891501 |
| 27C28 | 28(1) | 27E07 | 4323344 | C | (FAMT.PH1) | 4323344 |
| 27C29 | 29(1) | 32E09 | 6845100 | C | PH1 | 6845100 |
| 31F03 | 30(1) | 27C30 | 6832420 | C | PEM-1 | 6832422 |
| 27C31 | 31(1) | 28F01 | 7891001 | C | NSW9 | 7891001 |
| | 32(0) | | | | | |
| 27C33 | 33(1) | 30F19 | 7891401 | C | NSW13 | 7891401 |
| 27C34 | 34(1) | 14D13 | 4324722 | C | (FAST.PH4) | 4324722 |
| 27C35 | 35(1) | 20D10 | 4253000 | C | (NEXC+IXAL) | 4253000 |
| 27C36 | 36(1) | 05D37 | 4425900 | C | FUWAIT | 4425900 |
| 27C37 | 37(1) | 32D34 | 4324920 | C | (FAST.PH1/E) | 4324920 |
| 27C38 | 38(1) | 28E27 | 8065150 | C | TRACC1 | 8065150 |
| 27C39 | 39(1) | 18D11 | 8065200 | C | TRACC2 | 8065200 |
| 27C40 | 40(1) | 18D33 | 8065250 | C | TRACC3 | 8065250 |
| 27C41 | 41(1) | 18D12 | 8065300 | C | TRACC4 | 8065300 |
| 27C42 | 42(1) | 21E26 | 4321140 | C | NFAFL | 4321140 |
| 27C43 | 43(1) | 29D43 | 2000510 | C | 1MC | 2000510 |
| 27C44 | 44(1) | 29D39 | 5110120 | C | IA | 5110120 |
| 27C45 | 45(1) | 13E18 | 5011101 | C | NHALT | 5011101 |
| 27C46 | 46(1) | 14D18 | 2285040 | C | (ANLZ.PH6) | 2285040 |
| 27C47 | 47(1) | 32D07 | 6846001 | C | NPH10 | 6846001 |
| | 48(0) | | | | | |
| 26D49 | 49(0) | 28D49 | 8300300 | | P4VD | 8300330 |
| 27C50 | 50(1) | 25D26 | 6845901 | C | NPH9 | 6845901 |
| 26D51 | 51(0) | 28D51 | 8302300 | | P8VD | 8302330 |

DRAWING NO. - 133264-912 AC
 PROG-PNIND MODULE-28D
 TYPE-PIN INDEX TYPE-BT10

28

10/27/71

XDS
 XEROX DATA SYSTEMS

| FROM | PIN (COUNT) | TO | SOURCE LINE NO. | ELEM. TYPE | SOURCE SIGNAL NAME | REFERENCE LINE NO. |
|-------|----------------|-------|--------------------|---------------|--------------------|-----------------------|
| | 00(0) | | | | | |
| | 01(1) | 18D39 | 3078500 | B | CCXS/0 | 3078500 |
| | 02(1) | 20D22 | 7471000 | B | RZ | 7471000 |
| | 03(1) | 22F35 | 5150730 | B | (R/IOCONST) | 5150730 |
| | 04(1) | 22F44 | 5153440 | B | (S/IOFS) | 5153440 |
| 15D15 | 05(1) | | 6821301 | . | NPCP3 | 5153440 |
| 25D37 | 06(2) | 26E30 | 5158100 | . | IOSC | 5153440 |
| | 07(0) | | | | | |
| 16D47 | 08(2) | 07E35 | 4322565 | . | (FAIO.PH5.SW13) | 5150730 |
| | 09(0) | | | | | |
| 28E03 | 10(2) | 17E18 | 7890120 | . | NSW0-2 | 5150730 |
| 28D13 | 11(2) | 28D30 | 4322400 | . | (FAIO.PH4) | 5150730 |
| | 12(0) | | | | | |
| 28D42 | 13(2) | 28D11 | 4322400 | . | (FAIO.PH4) | 5153440 |
| 27D08 | 14(2) | 28D29 | 7890300 | . | SW2 | 5153440 |
| | 15(0) | | | | | |
| | 16(0) | | 4790428 | -GND | GND1428 | 4790428 |
| | 17(1) | 10F10 | 3060170 | . | CC1-1 | 7471002 |
| | 18(0) | | | | | |
| 16D36 | 19(2) | 02E28 | 6927000 | . | PSW1XS | 3078500 |
| 14D01 | 20(2) | 25E25 | 4421300 | . | FUINT | 3078500 |
| 32D22 | 21(2) | 17D07 | 6845126 | . | PH1-D | 3078500 |
| 25D25 | 22(2) | 32D06 | 4322000 | . | FAIO | 7471002 |
| | 23(0) | | | | | |
| 21F15 | 24(1) | | 7471030 | . | RZ/1 | 7471000 |
| | 25(0) | | | | | |
| 27D06 | 26(2) | 21E17 | 5150110 | . | NIOACT | 5159820 |
| | 27(0) | | | | | |
| 03D06 | 28(2) | 28D34 | 7343140 | . | RESET/A | 7890320 |
| 28D14 | 29(2) | 22D43 | 7890300 | . | SW2 | 7890320 |
| 28D11 | 30(2) | 22D42 | 4322400 | . | (FAIO.PH4) | 7890320 |
| 31D45 | 31(2) | 26D47 | 5159825 | . | (R/IPH10/1) | 5159820 |
| | 32(0) | | | | | |
| | 33(0) | | | | | |
| 28D28 | 34(2) | 27E01 | 7343140 | . | RESET/A | 7890135 |
| | 35(0) | | | | | |
| | 36(0) | | | | | |
| 31D42 | 37(2) | 29E05 | 2001600 | . | (A16-K16) | 7890230 |
| 32D14 | 38(2) | 29E19 | 4324708 | . | (FAST.PH1/C) | 7890230 |
| 21F04 | 39(2) | 21D02 | 3811000 | . | DOR | 7890230 |
| 22D46 | 40(2) | 23E10 | 5156460 | . | (IOPH0.SW12) | 7890230 |
| | 41(0) | | | | | |
| 31D24 | 42(2) | 28D13 | 4322400 | . | (FAIO.PH4) | 7890135 |
| 31F24 | 43(2) | 16E19 | 6900040 | . | PR | 7890135 |
| | 44(1) | 03F37 | 7890135 | B | (R/SW0) | 7890135 |
| | 45(1) | 29F47 | 7890230 | B | (S/SW1) | 7890230 |
| | 46(1) | 29F38 | 5159820 | B | (R/IPH10) | 5159820 |
| | 47(1) | 29F44 | 7890320 | B | (R/SW2) | 7890320 |
| | 48(0) | | | | | |
| 27D49 | 49(0) | 29D49 | 8300300 | | P4VD | 8300330 |
| | 50(0) | | | | | |
| 27D51 | 51(0) | 29D51 | 8302300 | | P8VD | 8302330 |

XDS 902306

XDS
XEROX DATA SYSTEMS

DRAWING NO. - 133264-912 AC
PROG-PNIND MODULE-29D
TYPE-PIN INDEX TYPE-BT16

29

10/27/71

| FROM | PIN (COUNT) | TO | SOURCE LINE NO. | ELEM. TYPE | SOURCE SIGNAL NAME | REFERENCE LINE NO. |
|-------|----------------|-------|--------------------|---------------|---------------------|-----------------------|
| | 00(0) | | | | | |
| 31D19 | 01(1) | | 5138996 | . | N(NINTRAP1.INTRAP2) | 7901534 |
| 32D05 | 02(2) | 15E09 | 4252000 | . | EXC | 4321207 |
| 18D01 | 03(2) | 20F05 | 4321170 | . | FAHW | 4321205 |
| 27D20 | 04(2) | 32E24 | 6845500 | . | PH5 | 6845560 |
| 29D19 | 05(2) | 18F44 | 4321205 | B | (FAHW.EXC) | 4321207 |
| | 06(1) | 01D07 | 2401140 | B | AXFC | 2401140 |
| 15D42 | 07(2) | 26D06 | 6630400 | . | OL4 | 2401140 |
| 18D28 | 08(2) | 32D43 | 6902326 | . | PRE3-G | 2401140 |
| 23D05 | 09(2) | 32F03 | 4324725 | . | (FAST.PH9) | 4324672 |
| 32F17 | 10(2) | 18D19 | 4324671 | B | (FASTNABORT.PH9) | 4324672 |
| | 11(1) | 28F25 | 3277000 | B | CNST | 3277012 |
| 32F11 | 12(2) | 20D04 | 5156870 | . | IOPOP | 3277012 |
| 20D43 | 13(2) | 26D07 | 4420543 | . | N(FUA10.P5.8.7) | 7900072 |
| 09D26 | 14(2) | 26D19 | 4325000 | . | FASTORE | 2401140 |
| | 15(1) | 14D23 | 7900030 | B | N(S/SXA) | 7900072 |
| | 16(0) | | 4790429 | -GND | GND1429 | 4790429 |
| 20D12 | 17(1) | | 7901500 | B | N(S/SXD) | 7901534 |
| | 18(1) | 32E30 | 6845560 | B | PH5-E | 6845560 |
| | 19(1) | 29D05 | 4321205 | B | (FAHW.EXC) | 4321205 |
| | 20(0) | | | | | |
| 27D14 | 21(2) | 30E43 | 6845300 | . | PH3 | 6845360 |
| 31D22 | 22(2) | 32E40 | 6845400 | . | PH4 | 6845460 |
| 29D24 | 23(2) | 32E38 | 6845200 | . | PH2 | 6845265 |
| 31D20 | 24(2) | 29D23 | 6845200 | . | PH2 | 6845260 |
| 30D25 | 25(2) | 12F09 | 6845265 | B | PH2-E | 6845265 |
| | 26(1) | 17D03 | 6845260 | B | PH2-D | 6845260 |
| 32D08 | 27(1) | | 6845460 | B | PH4-D | 6845460 |
| | 28(1) | 23F30 | 6845360 | B | PH3-D | 6845360 |
| | 29(0) | | | | | |
| 21D30 | 30(2) | 22E02 | 5151050 | . | NIODAXA | 5151033 |
| 21D06 | 31(2) | 21D24 | 8051020 | . | NTODATA | 5151031 |
| | 32(0) | | | | | |
| | 33(0) | | | | | |
| | 34(0) | | | | | |
| | 35(1) | 29D41 | 2285012 | B | (ANLZ.IA) | 2285014 |
| | 36(1) | 29E09 | 3532504 | B | DASW4-1 | 3532504 |
| 25D40 | 37(2) | 23E28 | 3532500 | . | DASW4 | 3532504 |
| 14D46 | 38(2) | 20F31 | 2285000 | . | ANLZ | 2285012 |
| 27D44 | 39(2) | 20E21 | 5110120 | . | IA | 2285014 |
| | 40(0) | | | | | |
| 29D35 | 41(2) | 29F20 | 2285012 | B | (ANLZ.IA) | 2285012 |
| | 42(0) | | | | | |
| 27D43 | 43(2) | 19F20 | 2000510 | . | 1MC | 2000528 |
| | 44(0) | | | | | |
| | 45(1) | 02F19 | 2000528 | B | 1MC-1 | 2000528 |
| 29D47 | 46(2) | 20D46 | 5151030 | B | N(R/IODA) | 5151033 |
| | 47(1) | 29D46 | 5151030 | B | N(R/IODA) | 5151031 |
| | 48(0) | | | | | |
| 28D49 | 49(0) | 30D49 | 8300300 | | P4VD | 8300330 |
| | 50(0) | | | | | |
| 28D51 | 51(0) | 30D51 | 8302300 | | P8VD | 8302330 |

XDS 902306

XDS
XEROX DATA SYSTEMS

DRAWING NO.- 133264-912 AC
PROG-PNIND MODULE-300
TYPE-PIN INDEX TYPE-IT25

30
10/27/71

| FROM | PIN (COUNT) | TO | SOURCE LINE NO. | ELEM. TYPE | SOURCE SIGNAL NAME | REFERENCE LINE NO. |
|-------|-------------|-------|-----------------|------------|--------------------|--------------------|
| | 00(0) | | | | | |
| | 01(1) | 02F10 | 4395850 | I | NFPXS | 4395850 |
| | 02(1) | 31F26 | 7890145 | I | (S/SW0) | 7890145 |
| 24D20 | 03(2) | 28F36 | 4322220 | . | N(FA10.PH2) | 7890145 |
| 26D11 | 04(2) | 21E08 | 5125330 | . | NIFAST/L | 4323310 |
| 23F30 | 05(2) | 22D31 | 6845360 | . | PH3-D | 1312796 |
| 20D06 | 06(2) | 30D47 | 4323135 | . | FALOAD/A-1 | 1312796 |
| 08D27 | 07(2) | 30D27 | 4375131 | . | NFL3 | 1312796 |
| 19E45 | 08(2) | 21E07 | 5125130 | . | NIFAMDS | 4323310 |
| 32F28 | 09(2) | 19F30 | 4322310 | . | N(FA10.PH3) | 7890145 |
| 31D39 | 10(2) | 30D20 | 6845801 | . | NPH8 | 4395850 |
| 09D43 | 11(2) | 31F11 | 3690138 | . | NDIS-5 | 4395850 |
| | 12(1) | 30D33 | 1312795 | I | (S/K31/3) | 1312796 |
| | 13(1) | 31F44 | 4323310 | I | FAMDST | 4323310 |
| | 14(1) | 13E01 | 6902335 | I | (PRE3+PH1/F+PH8) | 6902335 |
| | 15(1) | 31F22 | 6902494 | I | NPRE10 | 6902494 |
| | 16(0) | | 4790430 | -GND | GND1430 | 4790430 |
| 25D36 | 17(2) | 31F31 | 5154070 | . | NIOINH | 6902494 |
| 30D22 | 18(1) | | 5152066 | . | (IOEN.NIOB0) | 6902494 |
| | 19(0) | | | | | |
| 30D10 | 20(1) | | 6845801 | . | NPH8 | 6902335 |
| 28F10 | 21(2) | 30E06 | 6845177 | . | NPH1/F | 6902335 |
| 27F35 | 22(2) | 30D18 | 5152066 | . | (IOEN.NIOB0) | 6902496 |
| 08F42 | 23(2) | 27D22 | 7891400 | . | SW13 | 6902496 |
| 08F39 | 24(2) | 31D21 | 5156501 | . | IOPH1 | 6902496 |
| 12E24 | 25(2) | 29D25 | 6845265 | . | PH2-E | 1312795 |
| 31D26 | 26(2) | 10D38 | 4321120 | . | FADW/1 | 1312795 |
| 30D07 | 27(2) | 31D06 | 4375131 | . | NFL3 | 1312795 |
| 27D15 | 28(2) | 30D30 | 6821201 | . | NPCP2 | 6902496 |
| 31D33 | 29(2) | 31E37 | 6902300 | . | NPRE3 | 6902335 |
| 30D28 | 30(2) | 25D18 | 6821201 | . | NPCP2 | 6902494 |
| 26E44 | 31(2) | 31F08 | 5154001 | . | NIOIN | 6902494 |
| | 32(0) | | | | | |
| 30D12 | 33(2) | 01D34 | 1312795 | I | (S/K31/3) | 1312795 |
| | 34(1) | 31F21 | 6902496 | I | NPRE10/1 | 6902496 |
| | 35(1) | 25E38 | 7890250 | I | (SW1+SW4) | 7890250 |
| | 36(1) | 17F40 | 6803290 | I | N(P32.P33.NB0) | 6803290 |
| 24D37 | 37(2) | 30E01 | 1000304 | . | NB0 | 6803290 |
| 29F28 | 38(2) | 19F04 | 7890201 | . | NSW1 | 7890250 |
| 21F35 | 39(2) | 24F25 | 6803216 | . | (NP32.NP33) | 6803280 |
| 31D09 | 40(2) | 21E03 | 4324400 | . | (FAPSD.PRE3) | 7900284 |
| 24D41 | 41(2) | 26D41 | 8065400 | . | TRAP | 7900284 |
| 17E41 | 42(2) | 30E02 | 1000370 | . | B0-1 | 6803280 |
| 24D11 | 43(2) | 31D43 | 7890501 | . | NSW4 | 7890250 |
| 32D01 | 44(2) | 24F08 | 6803205 | . | (P32.P33) | 6803290 |
| | 45(1) | 17F41 | 6803280 | I | N(NP32.NP33.B0) | 6803280 |
| 11E13 | 46(2) | 15E12 | 7900280 | I | N(S/SXAM1) | 7900284 |
| 30D06 | 47(1) | | 4323135 | T | FALOAD/A-1 | 4323135 |
| | 48(0) | | | | | |
| 29D49 | 49(0) | 31D49 | 8300300 | . | P4VD | 8300340 |
| 32D29 | 50(1) | | 4324702 | T | FAST-2 | 4324702 |
| 29D51 | 51(0) | 31D51 | 8302300 | . | P8VD | 8302340 |

XDS 902306

XDS
XEROX DATA SYSTEMS

DRAWING NO. - 133264-912 AC
PROG-PNIND
TYPE-PIN INDEX

31
MODULE-31D
TYPE-ZT45
10/27/71

| FROM | PIN (COUNT) | TO | SOURCE LINE NO. | ELEM. TYPE | SOURCE SIGNAL NAME | REFERENCE LINE NO. |
|-------|----------------|-------|--------------------|---------------|---------------------|-----------------------|
| | 00(0) | | | | | |
| 31C01 | 01(1) | 32D03 | 4420501 | C | FUA10 | 4420501 |
| 31C02 | 02(1) | 32D05 | 4252000 | C | EXC | 4252000 |
| 31C03 | 03(1) | 08D05 | 5188100 | C | IXAL | 5188100 |
| 31C04 | 04(1) | 14D37 | 5188130 | C | (S/IXAL) | 5188130 |
| 31C05 | 05(1) | 11E28 | 1074502 | C | N07 | 1074502 |
| 30D27 | 06(1) | 31C06 | 4375131 | C | NFL3 | 4375131 |
| 31C07 | 07(1) | 22D09 | 2285065 | C | (NANLZ.PRE3) | 2285065 |
| 31E08 | 08(1) | 31C08 | 6047910 | C | MCZ | 6047910 |
| 31C09 | 09(1) | 30D40 | 4324400 | C | (FAPSD.PRE3) | 4324400 |
| 31C10 | 10(1) | 14D30 | 2841950 | C | NBRPH9 | 2841950 |
| 31C11 | 11(1) | 32D11 | 1334919 | C | P33-1 | 1334919 |
| 31C12 | 12(1) | 02E07 | 2405430 | C | NAXRRINH | 2405430 |
| 31C13 | 13(1) | 32F08 | 7343223 | C | NRESET/C | 7343223 |
| 31C14 | 14(1) | 15E19 | 1000504 | C | NC0 | 1000506 |
| 31C15 | 15(1) | 16F11 | 1300336 | C | B30-1 | 1300336 |
| | 16(0) | | 4790431 | -GND | GND1431 | 4790431 |
| 31C17 | 17(1) | 14F07 | 2000511 | C | N1MC | 2000511 |
| 31C18 | 18(1) | 25D22 | 4421430 | C | FULAD | 4421430 |
| 31C19 | 19(1) | 29D01 | 5138996 | C | N(NINTRAP1.INTRAP2) | 5138996 |
| 31C20 | 20(1) | 29D24 | 6845200 | C | PH2 | 6845200 |
| 30D24 | 21(1) | 31C21 | 5156501 | C | IOPH1 | 5156501 |
| 31C22 | 22(1) | 29D22 | 6845400 | C | PH4 | 6845400 |
| 31C23 | 23(1) | 31E21 | 6845601 | C | NPH6 | 6845601 |
| 31C24 | 24(1) | 28D42 | 4322400 | C | (FA10.PH4) | 4322400 |
| 31C25 | 25(1) | 21F38 | 1324920 | C | NP32-1 | 1324920 |
| 31C26 | 26(1) | 30D26 | 4321120 | C | FADW/1 | 4321120 |
| 31C27 | 27(1) | 21F43 | 1334920 | C | NP33-1 | 1334920 |
| 31C28 | 28(1) | 31E04 | 6845701 | C | NPH7 | 6845701 |
| 31C29 | 29(1) | 03F46 | 3846014 | C | (S/DRQ) | 3846014 |
| 32D20 | 30(1) | 31C30 | 7891100 | C | SW10 | 7891100 |
| 31C31 | 31(1) | 08F46 | 6977100 | C | PXS | 6977100 |
| | 32(0) | | | | | |
| 31C33 | 33(1) | 30D29 | 6902300 | C | NPRE3 | 6902300 |
| 28F45 | 34(1) | 31C34 | 1010345 | C | N(R/B1/1) | 1010345 |
| 20F45 | 35(1) | 31C35 | 5134000 | C | INHXWD | 5134000 |
| 31C36 | 36(1) | 20F38 | 6631300 | C | OLD | 6631300 |
| 32D26 | 37(1) | 31C37 | 7890900 | C | SW8 | 7890900 |
| 15F28 | 38(1) | 31C38 | 5156463 | C | (IOPH0.SW12)-F | 5156463 |
| 31C39 | 39(1) | 30D10 | 6845801 | C | NPH8 | 6845801 |
| 31C40 | 40(1) | 32D10 | 1324919 | C | P32-1 | 1324919 |
| 31C41 | 41(1) | 22D39 | 4324500 | C | FARWD | 4324500 |
| 31C42 | 42(1) | 28D37 | 2001600 | C | (A16-K16) | 2001600 |
| 30D43 | 43(1) | 31C43 | 7890501 | C | NSW4 | 7890501 |
| 31C44 | 44(1) | 32D42 | 6845800 | C | PH8 | 6845800 |
| 31C45 | 45(1) | 28D31 | 5159825 | C | (R/IPH10/1) | 5159825 |
| 29F33 | 46(1) | 31C46 | 5159800 | C | IPH10 | 5159800 |
| 08D19 | 47(1) | 31C47 | 4413000 | C | NFSHEX | 4413005 |
| | 48(0) | | | | | |
| 30D49 | 49(0) | 32D49 | 8300300 | | P4VD | 8300340 |
| 31C50 | 50(1) | 29E41 | 4322480 | C | (FA10/1.PH4) | 4322480 |
| 30D51 | 51(0) | 32D51 | 8302300 | | P8VD | 8302340 |

XDS 902306

XDS
XEROX DATA SYSTEMS

DRAWING NO. - 133264-912 AC
PROG-PNIND MODULE-32D
TYPE-PIN INDEX TYPE-BT11

32
10/27/71

| FROM | PIN (COUNT) | TO | SOURCE LINE NO. | ELEM. TYPE | SOURCE SIGNAL NAME | REFERENCE LINE NO. |
|-------|----------------|-------|--------------------|---------------|--------------------|-----------------------|
| | 00(0) | | | | | |
| | 01(1) | 30D44 | 6803205 | B | (P32.P33) | 6803205 |
| | 02(1) | 28F31 | 4420530 | B | (FUA10.PH5) | 4420530 |
| 31D01 | 03(2) | 32D04 | 4420501 | . | FUA10 | 4420530 |
| 32D03 | 04(2) | 19E04 | 4420501 | . | FUA10 | 4420520 |
| 31D02 | 05(2) | 29D02 | 4252000 | . | EXC | 5156898 |
| 28D22 | 06(2) | 32D44 | 4322000 | . | FA10 | 5156898 |
| 27D47 | 07(2) | 02E43 | 6846001 | . | NPH10 | 5156898 |
| 18D30 | 08(2) | 29D27 | 6845460 | . | PH4-D | 4420520 |
| 32E30 | 09(2) | 13D13 | 6845560 | . | PH5-E | 4420530 |
| 31D40 | 10(2) | 32D40 | 1324919 | . | P32-1 | 6803205 |
| 31D11 | 11(2) | 27F11 | 1334919 | . | P33-1 | 6803205 |
| | 12(1) | 06F29 | 5156898 | B | IOPXFNC | 5156898 |
| | 13(1) | 29E45 | 4420520 | B | (FUA10.PH4) | 4420520 |
| | 14(1) | 28D38 | 4324708 | B | (FAST.PH1/C) | 4324708 |
| | 15(1) | 24D34 | 6970100 | B | NPX | 6970102 |
| | 16(0) | | 4790432 | -GND | GND1432 | 4790432 |
| 08F23 | 17(2) | 10F23 | 6927010 | . | N(PSW1XS) | 6970104 |
| 26E01 | 18(2) | 32F07 | 6821420 | . | N(PCP4.KFILL/B) | 6970102 |
| 32E10 | 19(2) | 32D27 | 6845110 | . | PH1-F | 4324708 |
| 04E20 | 20(2) | 31D30 | 7891100 | . | SW10 | 4324708 |
| | 21(0) | | | | | |
| 32E11 | 22(2) | 28D21 | 6845126 | . | PH1-D | 4324920 |
| 30F21 | 23(2) | 15F21 | 7891300 | . | SW12 | 4324920 |
| | 24(0) | | | | | |
| 20E43 | 25(2) | 32D28 | 4324702 | . | FAST-2 | 4324704 |
| 17F27 | 26(2) | 31D37 | 7890900 | . | SW8 | 4324704 |
| 32D19 | 27(2) | 25E26 | 6845110 | . | PH1-F | 4324704 |
| 32D25 | 28(2) | 32D29 | 4324702 | . | FAST-2 | 4324920 |
| 32D28 | 29(2) | 30D50 | 4324702 | . | FAST-2 | 4324708 |
| 32F14 | 30(2) | 26D26 | 4322120 | . | N(FA10.PH1) | 6970102 |
| 26E02 | 31(2) | 16D10 | 6821615 | . | N(PCP6.KFILL/B) | 6970104 |
| | 32(0) | | | | | |
| 29E11 | 33(1) | | 4324704 | B | (FAST.PH1/A) | 4324704 |
| 27D37 | 34(2) | 05D33 | 4324920 | B | (FAST.PH1/E) | 4324920 |
| | 35(1) | 01D44 | 5919900 | B | LRXZ | 5919900 |
| 05D46 | 36(1) | | 4322920 | B | (FA10.PH9) | 4322920 |
| 17D31 | 37(2) | 30E07 | 6845970 | . | PH9-D | 4322920 |
| 28F03 | 38(2) | 22E04 | 4425700 | . | FUS10 | 5919900 |
| 27D18 | 39(2) | 32E04 | 4425500 | . | FUSF | 4425650 |
| 32D10 | 40(2) | 20F22 | 1324919 | . | P32-1 | 6803210 |
| 21F43 | 41(2) | 04F44 | 1334920 | . | NP33-1 | 6803210 |
| 31D44 | 42(2) | 26D45 | 6845800 | . | PH8 | 4425650 |
| 29D08 | 43(2) | 31E44 | 6902326 | . | PRE3-G | 5919900 |
| 32D06 | 44(2) | 15E03 | 4322000 | . | FA10 | 4322920 |
| 18E40 | 45(1) | | 4425650 | B | (FUSF.PH8) | 4425650 |
| 24F13 | 46(1) | | 6803210 | B | (P32.NP33) | 6803210 |
| | 47(0) | | | | | |
| | 48(0) | | | | | |
| 31D49 | 49(0) | | 8300300 | | P4VD | 8300340 |
| | 50(0) | | | | | |
| 31D51 | 51(0) | | 8302300 | | P8VD | 8302340 |

| FROM | PIN (COUNT) | TO | SOURCE LINE NO. | ELEM. TYPE | SOURCE SIGNAL NAME | REFERENCE LINE NO. |
|-------|----------------|-------|--------------------|---------------|--------------------|-----------------------|
| | 00(0) | | | | | |
| | 01(0) | 31A01 | 3181030 | -NS | CL-01E01 | 3181030 |
| | 02(1) | 01E05 | 4790501 | | GND1501 | 4790501 |
| | 03(0) | 28A01 | 3181040 | -NS | CL-01E03 | 3181040 |
| | 04(0) | | | | | |
| 01E02 | 05(2) | 01E09 | 4790501 | | GND1501 | 4790501 |
| | 06(0) | | | | | |
| | 07(0) | 24A01 | 3181050 | -NS | CL-01E07 | 3181050 |
| | 08(0) | | | | | |
| 01E05 | 09(2) | 01E11 | 4790501 | | GND1501 | 4790501 |
| | 10(0) | 23A01 | 3181060 | -NS | CL-01E10 | 3181060 |
| 01E09 | 11(2) | 01E15 | 4790501 | | GND1501 | 4790501 |
| | 12(0) | | | | | |
| | 13(0) | | | | | |
| | 14(1) | 29F01 | 3181070 | -NS | CL-01E14 | 3181070 |
| 01E11 | 15(2) | 01E16 | 4790501 | | GND1501 | 4790501 |
| 01E15 | 16(2) | 01E20 | 4790501 | -GND | GND1501 | 4790501 |
| | 17(0) | | | | | |
| | 18(1) | 25F01 | 3181080 | -NS | CL-01E18 | 3181080 |
| | 19(0) | | | | | |
| 01E16 | 20(2) | 01E23 | 4790501 | | GND1501 | 4790501 |
| | 21(0) | | | | | |
| | 22(1) | 22F01 | 3181090 | -NS | CL-01E22 | 3181090 |
| 01E20 | 23(2) | 01E25 | 4790501 | | GND1501 | 4790501 |
| | 24(0) | | | | | |
| 01E23 | 25(2) | 01E27 | 4790501 | | GND1501 | 4790501 |
| | 26(0) | | | | | |
| 01E25 | 27(2) | 01E31 | 4790501 | | GND1501 | 4790501 |
| | 28(0) | | | | | |
| | 29(0) | | | | | |
| | 30(0) | | | | | |
| 01E27 | 31(2) | 01E35 | 4790501 | | GND1501 | 4790501 |
| | 32(0) | | | | | |
| | 33(0) | | | | | |
| | 34(0) | | | | | |
| 01E31 | 35(2) | 01E37 | 4790501 | | GND1501 | 4790501 |
| | 36(0) | | | | | |
| 01E35 | 37(2) | 01E39 | 4790501 | | GND1501 | 4790501 |
| | 38(0) | | | | | |
| 01E37 | 39(2) | 01E41 | 4790501 | | GND1501 | 4790501 |
| | 40(0) | | | | | |
| 01E39 | 41(2) | 01E44 | 4790501 | | GND1501 | 4790501 |
| | 42(0) | | | | | |
| | 43(0) | | | | | |
| 01E41 | 44(2) | 01E46 | 4790501 | | GND1501 | 4790501 |
| | 45(0) | | | | | |
| 01E44 | 46(1) | | 4790501 | | GND1501 | 4790501 |
| | 47(0) | | | | | |
| | 48(0) | | | | | |
| | 49(0) | 02E49 | 8300400 | -VSP | P4VE | 8300400 |
| | 50(0) | | | | | |
| | 51(0) | 02E51 | 8302400 | -VSP | P8VE | 8302400 |

XDS 902306

XDS
XEROX DATA SYSTEMS

DRAWING NO.- 133264-912 AC
PROG-PNIND MODULE-02E
TYPE-PIN INDEX TYPE-ZT46

34
10/27/71

| FROM | PIN (COUNT) | TO | SOURCE LINE NO. | ELEM. TYPE | SOURCE SIGNAL NAME | REFERENCE LINE NO. |
|-------|----------------|-------|--------------------|---------------|---------------------|-----------------------|
| | 00(0) | | | | | |
| 25E15 | 01(1) | 31P01 | 3510100 | C | ND0003XZ | 3510100 |
| 08F35 | 02(1) | 31P02 | 3905534 | C | NDXS/4 | 3905534 |
| 08D17 | 03(1) | 31P03 | 2900590 | C | NBXBL1 | 2900590 |
| 11F02 | 04(1) | 31P04 | 2405120 | C | NAXR | 2405120 |
| 27E44 | 05(1) | 31P05 | 2902160 | C | NBXFP | 2902160 |
| 22D22 | 06(1) | 31P06 | 2904500 | C | NBXP/1 | 2904500 |
| 31D12 | 07(1) | 31P07 | 2405430 | C | NAXRR1NH | 2405430 |
| 11F13 | 08(1) | 31P08 | 2403920 | C | NAXNR | 2403920 |
| 08D35 | 09(1) | 31P09 | 2900640 | C | NBXBR1 | 2900640 |
| 04E11 | 10(1) | 31P10 | 2900690 | C | NBXBR2 | 2900690 |
| 21E47 | 11(1) | 31P11 | 2904510 | C | NBXP/2 | 2904510 |
| 08E01 | 12(1) | 31P12 | 2905500 | C | NBXS | 2905500 |
| 10D23 | 13(1) | 31P13 | 3901400 | C | NDXDR8 | 3901418 |
| 04E01 | 14(1) | 31P14 | 3900900 | C | NDXC | 3900930 |
| 05E22 | 15(1) | 31P15 | 3905400 | C | NDXS | 3905401 |
| | 16(0) | | 4790502 | -GND | GND1502 | 4790502 |
| 18E25 | 17(1) | 31P17 | 3077000 | C | CC1XK23 | 3077000 |
| 21E25 | 18(1) | 31P18 | 2400200 | C | NAXAL8 | 2400200 |
| 04F19 | 19(1) | 31P19 | 2405590 | C | NAXSR1 | 2405590 |
| 02D30 | 20(1) | 31P20 | 2405700 | C | NAXSR2 | 2405700 |
| 15E34 | 21(1) | 31P21 | 3060000 | C | N(R/CC) | 3060000 |
| 18F05 | 22(1) | 31P22 | 2401080 | C | NAXD10 | 2401080 |
| 19D05 | 23(1) | 31P23 | 5138951 | C | NINTRAP1 | 5138951 |
| 31P24 | 24(1) | 21F24 | 5152500 | C | IOEN6/1 | 5152500 |
| 18E19 | 25(1) | 31P25 | 4375150 | C | (R/FL3) | 4375150 |
| 20F15 | 26(1) | 31P26 | 2013100 | C | A31XP32 | 2013100 |
| 20F46 | 27(1) | 31P27 | 2013150 | C | A31XP33 | 2013150 |
| 28D19 | 28(1) | 31P28 | 6927000 | C | PSW1XS | 6927000 |
| 19F01 | 29(1) | 31P29 | 2404430 | C | NAXPARITY | 2404430 |
| 24D13 | 30(1) | 31P30 | 2405340 | C | NAXRR/12 | 2405340 |
| 24D15 | 31(1) | 31P31 | 2405342 | C | NAXRR/13 | 2405342 |
| | 32(0) | | | | | |
| 06D22 | 33(1) | 31P33 | 2405480 | C | NAXS | 2405480 |
| 02D23 | 34(1) | 31P34 | 2405540 | C | NAXSL1 | 2405540 |
| 27E34 | 35(1) | 31P35 | 3510815 | C | ND0815XZ | 3510815 |
| 20E25 | 36(1) | 31P36 | 2407000 | C | NAXZ | 2407000 |
| 11F15 | 37(1) | 31P37 | 2405910 | C | NAXTR | 2405910 |
| 11F14 | 38(1) | 31P38 | 2401020 | C | NAXCC | 2401020 |
| 04F26 | 39(1) | 31P39 | 3907100 | C | NDXZ | 3907100 |
| 12E30 | 40(1) | 31P40 | 7904500 | C | NSXP | 7904500 |
| 10E35 | 41(1) | 31P41 | 4900530 | C | N(S/GXAD) | 4900530 |
| 16D46 | 42(1) | 31P42 | 6075460 | C | MFR/1 | 6075462 |
| 32D07 | 43(1) | 31P43 | 6846001 | C | NPH10 | 6846001 |
| 28E09 | 44(1) | 31P44 | 5158800 | C | IOTRIN | 5158800 |
| 18E43 | 45(1) | 31P45 | 4425850 | C | (FUSTH.ENDE) | 4425850 |
| 31P46 | 46(1) | 23E35 | 7501600 | C | (S1631Z.N(A16-K16)) | 7501600 |
| 11E45 | 47(1) | 31P47 | 7900080 | C | N(S/SXA/1) | 7900080 |
| | 48(0) | | | | | |
| 01E49 | 49(0) | 03E49 | 8300400 | | P4VE | 8300400 |
| 17D29 | 50(1) | 31P50 | 4321137 | C | FAFL-1 | 4321137 |
| 01E51 | 51(0) | 03E51 | 8302400 | | P8VE | 8302400 |

XDS 902306

XDS
XEROX DATA SYSTEMS

DRAWING NO. - 133264-912 AC
PROG-PNIND
TYPE-PIN INDEX

MODULE-03E
TYPE-ZT46

35

10/27/71

| FROM | PIN (COUNT) | TO | SOURCE LINE NO. | ELEM. TYPE | SOURCE SIGNAL NAME | REFERENCE LINE NO. |
|-------|----------------|-------|--------------------|---------------|--------------------|-----------------------|
| | 00(0) | | | | | |
| 21D01 | 01(1) | 32M01 | 5156900 | C | IOR | 5156900 |
| 11E03 | 02(1) | 32M02 | 5156870 | C | IOPOP | 5156870 |
| 32M03 | 03(1) | 04F39 | 1000304 | C | NB0 | 1000304 |
| 24D25 | 04(1) | 32M04 | 2010100 | C | NAXS/2 | 2010100 |
| 32M05 | 05(1) | 02D15 | 1010304 | C | NB1 | 1010304 |
| 07F45 | 06(1) | 32M06 | 6905008 | C | PRI | 6905008 |
| | 07(0) | | | | | |
| 21D46 | 08(1) | 32M08 | 5151040 | C | IODAXA | 5151040 |
| 21D09 | 09(1) | 32M09 | 4050100 | C | ED | 4050100 |
| 21D02 | 10(1) | 32M10 | 3811000 | C | DOR | 3811000 |
| | 11(0) | | | | | |
| 21D47 | 12(1) | 32M12 | 5151020 | C | IODAX | 5151020 |
| 21D45 | 13(1) | 32M13 | 7901540 | C | SXDA | 7901540 |
| 13F10 | 14(1) | 32M14 | 4395400 | C | FPCON | 4395400 |
| 32M15 | 15(1) | 15E29 | 5145800 | C | INDX | 5145798 |
| | 16(0) | | 4790503 | -GND | GND1503 | 4790503 |
| 29E36 | 17(1) | 32M17 | 4413100 | C | FSL | 4413100 |
| 32M18 | 18(1) | 32F09 | 5116100 | C | IC | 5116100 |
| 32M19 | 19(1) | 17F42 | 5156125 | C | (IOPC+NPC) | 5156125 |
| 15E19 | 20(1) | 32M20 | 1000504 | C | NC0 | 1000504 |
| 02D39 | 21(1) | 32M21 | 4375121 | C | NFL2 | 4375121 |
| 19F34 | 22(1) | 32M22 | 1156350 | C | RW15XZ | 1156350 |
| 32M23 | 23(1) | 08E44 | 3690100 | C | DIS | 3690100 |
| 16F34 | 24(1) | 32M24 | 8051028 | C | TORDIN | 8051028 |
| 29F17 | 25(1) | 32M25 | 8051000 | C | TODATA | 8051000 |
| 07E02 | 26(1) | 32M26 | 7343255 | C | RESET10 | 7343256 |
| 32M27 | 27(1) | 24D20 | 4322220 | C | N(FAIO.PH2) | 4322220 |
| 32M28 | 28(1) | 11E04 | 7560100 | C | SC | 7560100 |
| 32M29 | 29(1) | 03D45 | 6640000 | C | OLDMEM | 6640000 |
| 32M30 | 30(1) | 26E20 | 1140304 | C | NB14 | 1140304 |
| 28F41 | 31(1) | 32M31 | 1080150 | C | (S/A8) | 1080150 |
| | 32(0) | | | | | |
| 32M33 | 33(1) | 08F10 | 6832420 | C | PEM-1 | 6832422 |
| 08F43 | 34(1) | 32M34 | 7890201 | C | NSW1 | 7890201 |
| 29F19 | 35(1) | 32M35 | 6554100 | C | ODINST | 6554100 |
| 05D47 | 36(1) | 32M36 | 5156745 | C | (IOPH3.SW9) | 5156745 |
| 23E29 | 37(1) | 32M37 | 5156540 | C | (IOPH1.SW8) | 5156540 |
| 32M38 | 38(1) | 18D08 | 1120138 | C | A12-1 | 1120138 |
| | 39(1) | 20D31 | 5154000 | C | IOIN | 5154000 |
| | 40(1) | 20D35 | 5153290 | C | IOFRXFR | 5153290 |
| 24D29 | 41(1) | 32M41 | 4420550 | C | N(FUAIO.PH5.SW10) | 4420550 |
| 24D19 | 42(1) | 32M42 | 2400410 | C | NAXARB | 2400410 |
| 12F23 | 43(1) | 32M43 | 6927100 | C | PSW2XS | 6927100 |
| 32M44 | 44(1) | 28F42 | 1080138 | C | A8-1 | 1080138 |
| 18D15 | 45(1) | 32M45 | 4321977 | C | FAIM | 4321977 |
| 20F24 | 46(1) | 32M46 | 4320540 | C | FABYTE | 4320540 |
| | 47(1) | 19F15 | 5153285 | C | IOFRX | 5153285 |
| | 48(0) | | | | | |
| 02E49 | 49(0) | 04E49 | 8300400 | | P4VE | 8300410 |
| 24D07 | 50(1) | 32M50 | 5153283 | C | N(IOFR8.NRW) | 5153283 |
| 02E51 | 51(0) | 04E51 | 8302400 | | P8VE | 8302410 |

XDS 902306

XDS
XEROX DATA SYSTEMS

DRAWING NO.- 133264-912 AC
PROG-PNIND MODULE-04E
TYPE-PIN INDEX TYPE-LT14

36

10/27/71

| FROM | PIN (COUNT) | TO | SOURCE LINE NO. | ELEM. TYPE | SOURCE SIGNAL NAME | REFERENCE LINE NO. |
|-------|----------------|-------|--------------------|---------------|--------------------|-----------------------|
| | 00(0) | | | | | |
| 06D23 | 01(2) | 02E14 | 3900900 | I | NDXC | 3900914 |
| 04E12 | 02(2) | 06E20 | 7890120 | . | NSW0-2 | 7901526 |
| 07D21 | 03(2) | 05E33 | 4322500 | . | (FA10.PH5) | 7901526 |
| 21F14 | 04(2) | 03D31 | 5150552 | . | I0BR9 | 7901526 |
| 07E13 | 05(2) | 26D21 | 5156565 | . | (IOPH1.SW13) | 3900914 |
| 05D31 | 06(2) | 08E09 | 6845360 | . | PH3-D | 3900914 |
| 11D20 | 07(2) | 07E43 | 4321145 | . | (FAFL.N02) | 3900914 |
| 05E28 | 08(2) | 20D39 | 5156545 | . | (IOPH1.SW9) | 3900916 |
| | 09(0) | | | | | |
| | 10(1) | 05D09 | 8145000 | . | VORDER | 3900916 |
| 04F11 | 11(2) | 02E10 | 2900690 | . | NBXR2 | 3900914 |
| 08E19 | 12(2) | 04E02 | 7890120 | . | NSW0-2 | 7901526 |
| 12E15 | 13(2) | 06E13 | 1316215 | . | R31-1 | 7901526 |
| 08E29 | 14(2) | 08D37 | 7901500 | I | N(S/SXD) | 7901526 |
| 10E38 | 15(2) | 01D15 | 6911320 | I | N(S/PRXAND) | 6911320 |
| | 16(1) | 04E19 | 4790504 | -GND | GND1504 | 4790504 |
| 05E41 | 17(2) | 04F13 | 5156555 | . | (IOPH1.SW11) | 7901528 |
| 19D18 | 18(2) | 06E18 | 6631000 | . | OLA | 6911320 |
| 04E16 | 19(1) | | 4790504 | . | GND1504 | 2402922 |
| 14F22 | 20(2) | 32D20 | 7891100 | . | SW10 | 2402922 |
| 08E24 | 21(2) | 04D04 | 4420530 | . | (FUA10.PH5) | 2402922 |
| 02D07 | 22(2) | 13D41 | 4322580 | . | (FA10/1.PH5) | 2402920 |
| 05E18 | 23(2) | 08D47 | 7891000 | . | SW9 | 2402920 |
| | 24(0) | | | | | |
| 05E04 | 25(2) | 08E25 | 4324610 | . | FASEL-1 | 6911320 |
| 05E03 | 26(2) | 06E14 | 6845265 | . | PH2-E | 6911320 |
| 17E25 | 27(2) | 15D33 | 5125110 | . | NIFAM | 7901528 |
| 17F03 | 28(2) | 07D29 | 7890401 | . | NSW3 | 7901528 |
| | 29(1) | 24D27 | 2402920 | I | NAXFR | 2402920 |
| 06E47 | 30(1) | | 3277180 | I | NCNSTI | 3277180 |
| | 31(1) | 06F40 | 3277160 | I | CNSTI | 3277160 |
| | 32(0) | | | | | |
| 08E38 | 33(2) | 04D20 | 6845970 | . | PH9-D | 7904002 |
| 14D06 | 34(2) | 06E38 | 7900020 | . | (S/SX/FL1) | 7904000 |
| 13D08 | 35(2) | 08E37 | 4321000 | . | FADIV | 7904002 |
| 05E24 | 36(2) | 10E42 | 7900030 | . | N(S/SXA) | 7904002 |
| 08E41 | 37(2) | 01D08 | 4425500 | . | FUSF | 7904000 |
| 08E18 | 38(2) | 12F20 | 6902324 | . | PRE3-F | 7904000 |
| 16E50 | 39(2) | 03D33 | 1231350 | . | ND23-1 | 7904000 |
| 25F04 | 40(1) | | 5154200 | . | NIOIR | 3277180 |
| 19E04 | 41(2) | 06F14 | 4420501 | . | FUA10 | 3277180 |
| 16E30 | 42(2) | 04E50 | 3277000 | . | CNST | 3277180 |
| 31F36 | 43(2) | 10F26 | 5156010 | . | NIOPADD | 3277180 |
| 06E46 | 44(2) | 08E50 | 4375100 | . | FL1 | 7904000 |
| 32E50 | 45(2) | 06E33 | 4322020 | . | FA10/1 | 3277180 |
| | 46(0) | | | | | |
| | 47(1) | 10E29 | 7904000 | I | N(S/SXMA) | 7904000 |
| | 48(0) | | | | | |
| 03E49 | 49(0) | 05E49 | 8300400 | . | P4VE | 8300400 |
| 04E42 | 50(2) | 07F20 | 3277000 | . | CNST | 3277180 |
| 03E51 | 51(0) | 05E51 | 8302400 | . | P8VE | 8302400 |

XDS 902306

XDS
XEROX DATA SYSTEMS

DRAWING NO.- 133264-912 AC
PROG-PNIND MODULE-05E
TYPE-PIN INDEX TYPE-IT20

37

10/27/71

| FROM | PIN (COUNT) | TO | SOURCE LINE NO. | ELEM. TYPE | SOURCE SIGNAL NAME | REFERENCE LINE NO. |
|-------|----------------|-------|--------------------|---------------|--------------------|-----------------------|
| | 00(0) | | | | | |
| 07E15 | 01(2) | 11F40 | 4421700 | . | FUPLM | 3905404 |
| 10D43 | 02(2) | 14E03 | 4425650 | . | (FUSF.PH8) | 3905402 |
| 07E14 | 03(2) | 04E26 | 6845265 | . | PH2-E | 3905404 |
| 08E03 | 04(2) | 04E25 | 4324610 | . | FASEL-1 | 3905404 |
| 03F27 | 05(2) | 07E39 | 5156460 | . | (IOPH0.SW12) | 3905401 |
| 02D17 | 06(2) | 14E24 | 5156750 | . | (IOPH3.SW10) | 7900036 |
| 02D15 | 07(2) | 04F40 | 1010304 | . | NB1 | 7900036 |
| 03D39 | 08(2) | 12D30 | 6902450 | . | (PRE4.BCZ) | 3905400 |
| 15F38 | 09(2) | 12D22 | 4421436 | . | N(FULAD.PRE4) | 3905400 |
| 12E46 | 10(2) | 06E34 | 4421590 | . | FUMMC-1 | 3905402 |
| 12F18 | 11(2) | 06E11 | 6845110 | . | PH1-F | 3905402 |
| 21E23 | 12(2) | 14F18 | 5156760 | . | (IOPH3.SW12) | 7900035 |
| 02F35 | 13(2) | 08F07 | 1316202 | . | NR31 | 3905406 |
| 31F28 | 14(2) | 06E22 | 6902490 | . | PREIO/1 | 7900037 |
| 31F44 | 15(2) | 19E15 | 4323310 | . | FAMDST | 7900037 |
| | 16(1) | 05E27 | 4790505 | -GND | GND1505 | 4790505 |
| 13F39 | 17(2) | 02D06 | 7891300 | . | SW12 | 7900031 |
| 13F23 | 18(2) | 04E23 | 7891000 | . | SW9 | 7900035 |
| 15D06 | 19(2) | 15F20 | 5156401 | . | IOPH0 | 3905401 |
| 13E25 | 20(2) | 15F27 | 5156450 | . | (IOPH0.SW10) | 7900036 |
| 03D25 | 21(2) | 05E35 | 5156800 | . | IOPH10 | 7900036 |
| 20E24 | 22(2) | 02E15 | 3905400 | I | NDXS | 3905400 |
| 08D39 | 23(2) | 05E25 | 7900030 | I | N(S/SXA) | 7900035 |
| 05E25 | 24(2) | 04E36 | 7900030 | I | N(S/SXA) | 7900040 |
| 05E23 | 25(2) | 05E24 | 7900030 | I | N(S/SXA) | 7900030 |
| | 26(0) | | | | | |
| 05E16 | 27(2) | 05E36 | 4790505 | . | GND1505 | 7900042 |
| 13E36 | 28(2) | 04E08 | 5156545 | . | (IOPH1.SW9) | 7900043 |
| 07D09 | 29(2) | 31F27 | 6902480 | . | PREIO | 7900037 |
| 32E47 | 30(2) | 08F50 | 4322680 | . | (FA10/1.PH6) | 3905406 |
| | 31(0) | | | | | |
| | 32(0) | | | | | |
| 04E03 | 33(2) | 11F26 | 4322500 | . | (FA10.PH5) | 7900031 |
| 07E01 | 34(2) | 28E07 | 5156440 | . | (IOPH0.SW8) | 7900040 |
| 05E21 | 35(2) | 26E08 | 5156800 | . | IOPH10 | 7900040 |
| 05E27 | 36(2) | 05E38 | 4790505 | . | GND1505 | 7900042 |
| 04D12 | 37(2) | 11F42 | 7891200 | . | SW11 | 7900040 |
| 05E36 | 38(1) | | 4790505 | . | GND1505 | 7900041 |
| 04F04 | 39(2) | 22D11 | 6821300 | . | PCP3 | 7900041 |
| 21D04 | 40(1) | 15C28 | 5125100 | . | IFAM | 7900043 |
| 27E40 | 41(2) | 04E17 | 5156555 | . | (IOPH1.SW11) | 7900043 |
| 06D02 | 42(2) | 15E44 | 5156770 | . | (IOPH3.SW14) | 7900030 |
| | 43(0) | | | | | |
| 08F03 | 44(2) | 06D47 | 4322200 | . | (FA10.PH2) | 7900032 |
| | 45(0) | | | | | |
| 06D43 | 46(2) | 22D33 | 5156475 | . | (IOPH0.SW15) | 7900031 |
| 04F03 | 47(2) | 07E10 | 5156755 | . | (IOPH3.SW11) | 7900030 |
| | 48(0) | | | | | |
| 04E49 | 49(0) | 06E49 | 8300400 | . | P4VE | 8300400 |
| 05D09 | 50(2) | 28E10 | 8145000 | . | VORDER | 7900031 |
| 04E51 | 51(0) | 06E51 | 8302400 | . | P8VE | 8302400 |

XDS 902306

XDS
XEROX DATA SYSTEMS

DRAWING NO.- 133264-912 AC
PROG-PNIND
TYPE-PIN INDEX

MODULE-06E
TYPE-XT10

38

10/27/71

| FROM | PIN (COUNT) | TO | SOURCE LINE NO. | ELEM. TYPE | SOURCE SIGNAL NAME | REFERENCE LINE NO. |
|-------|----------------|-------|--------------------|---------------|--------------------|-----------------------|
| | 00(0) | | | | | |
| 02D13 | 01(1) | | 2559830 | T | N(BC=1) | 2559830 |
| | 02(1) | 04F02 | 5779100 | T | NLEVACT | 5779100 |
| 04D25 | 03(1) | | 4320940 | T | FACOMP/L | 4320940 |
| 08F24 | 04(1) | | 4334110 | T | NFCXS | 4334110 |
| 05D02 | 05(1) | | 4321130 | T | (FADW/1.PH2) | 4321130 |
| 04D13 | 06(1) | | 6803205 | T | (P32.P33) | 6803205 |
| | 07(1) | 04D36 | 6803212 | T | (NP32.P33) | 6803212 |
| 09D11 | 08(1) | | 5529060 | T | KRUN/1 | 5529060 |
| | 09(1) | 05D28 | 6845126 | T | PH1-D | 6845126 |
| 02D12 | 10(1) | | 6845165 | T | PH1/D | 6845165 |
| 05E11 | 11(1) | | 6845110 | T | PH1-F | 6845110 |
| 08E13 | 12(1) | | 6630710 | T | NOL7 | 6630710 |
| 04E13 | 13(1) | | 1316215 | T | R31-1 | 1316215 |
| 04E26 | 14(1) | | 6845265 | T | PH2-E | 6845265 |
| 08E09 | 15(1) | | 6845360 | T | PH3-D | 6845360 |
| | 16(0) | | 4790506 | -GND | GND1506 | 4790506 |
| 11F23 | 17(1) | | 6845390 | T | (PH3+PH4) | 6845390 |
| 04E18 | 18(1) | | 6631000 | T | OLA | 6631000 |
| 02D03 | 19(1) | | 6845640 | T | PH6-E | 6845640 |
| 04E02 | 20(1) | | 7890120 | T | NSW0-2 | 7890120 |
| | 21(1) | 04D18 | 6902320 | T | PRE3-D | 6902320 |
| 05E14 | 22(1) | | 6902490 | T | PRE10/1 | 6902490 |
| | 23(1) | 08F40 | 6977000 | T | NPXS | 6977000 |
| 08E08 | 24(1) | | 4323360 | T | FAMUL | 4323360 |
| | 25(1) | 11E25 | 1024502 | T | NO2 | 1024502 |
| 08E26 | 26(1) | | 6630700 | T | OL7 | 6630700 |
| 08E27 | 27(1) | | 6720150 | T | NOU1 | 6720150 |
| 14D05 | 28(1) | | 4420850 | T | (FUANLZ.PH1) | 4420850 |
| 06D27 | 29(1) | | 4421210 | T | (FUDW.NR31.NB31) | 4421210 |
| 15F40 | 30(1) | | 4324540 | T | FAS10 | 4324540 |
| 20E41 | 31(1) | | 7892010 | T | SWK12 | 7892010 |
| | 32(0) | | | | | |
| 04E45 | 33(1) | | 4322020 | T | FA10/1 | 4322020 |
| 05E10 | 34(1) | | 4421590 | T | FUMMC-1 | 4421590 |
| 20E15 | 35(1) | | 7892060 | T | SWK4 | 7892060 |
| 08E04 | 36(1) | | 7892120 | T | SWK5 | 7892120 |
| | 37(1) | 10D18 | 4324704 | T | (FAST.PH1/A) | 4324704 |
| 04E34 | 38(1) | | 7900020 | T | (S/SX/FL1) | 7900020 |
| | 39(1) | 10E33 | 7900280 | T | N(S/SXAM1) | 7900280 |
| | 40(1) | 02D17 | 5156750 | T | (10PH3.SW10) | 5156750 |
| | 41(1) | 10E44 | 7900200 | T | N(S/SXAEORD) | 7900200 |
| | 42(1) | 10E43 | 7900080 | T | N(S/SXA/1) | 7900080 |
| | 43(1) | 04F14 | 5150100 | T | IOACT | 5150100 |
| 07E04 | 44(1) | | 7343000 | T | RESET | 7343000 |
| 06D50 | 45(1) | | 6691000 | T | ORDERIN | 6691000 |
| | 46(1) | 04E44 | 4375100 | T | FL1 | 4375100 |
| | 47(1) | 04E30 | 3277180 | T | NCNST1 | 3277180 |
| | 48(0) | | | | | |
| 05E49 | 49(0) | 07E49 | 8300400 | | P4VE | 8300400 |
| 06F23 | 50(1) | | 1074500 | T | O7 | 1074500 |
| 05E51 | 51(0) | 07E51 | 8302400 | | P8VE | 8302400 |

XDS 902306

XDS
XEROX DATA SYSTEMS

DRAWING NO.- 133264-912 AC
PROG-PNIND
TYPE-PIN INDEX

39

MODULE-07E
TYPE-IT20

10/27/71

| FROM | PIN (COUNT) | TO | SOURCE LINE NO. | ELEM. TYPE | SOURCE SIGNAL NAME | REFERENCE LINE NO. |
|-------|----------------|-------|--------------------|---------------|--------------------|-----------------------|
| | 00(0) | | | | | |
| 05D04 | 01(2) | 05E34 | 5156440 | . | (IOPH0.SW8) | 6832432 |
| 25F17 | 02(2) | 03E26 | 7343255 | . | RESET10 | 6832434 |
| | 03(0) | | | | | |
| 04F24 | 04(2) | 06E44 | 7343000 | . | RESET | 6832430 |
| | 05(1) | 07E28 | 4790611 | . | GND1611 | 6832436 |
| 23D45 | 06(2) | 08E21 | 5110170 | . | (IA.PRE2) | 7900391 |
| 23D17 | 07(1) | | 5188000 | . | IX | 7900391 |
| 21E17 | 08(2) | 03F45 | 5150110 | . | N10ACT | 6832430 |
| 03D42 | 09(2) | 03F20 | 6832200 | . | PEINT | 6832430 |
| 05E47 | 10(2) | 14F28 | 5156755 | . | (IOPH3.SW11) | 6832432 |
| 16D26 | 11(2) | 17F05 | 7890601 | . | NSW5 | 6832432 |
| 11F30 | 12(2) | 12D28 | 4324365 | . | (FAPSD.PH3) | 7900392 |
| 12E21 | 13(2) | 04E05 | 5156565 | . | (IOPH1.SW13) | 6832434 |
| 07E50 | 14(2) | 05E03 | 6845265 | . | PH2-E | 7900394 |
| 15E06 | 15(2) | 05E01 | 4421700 | . | FUPLM | 7900392 |
| | 16(0) | | 4790507 | -GND | GND1507 | 4790507 |
| | 17(0) | | | | | |
| 15D09 | 18(2) | 17E44 | 4324760 | . | FAST/C | 7900390 |
| 11F20 | 19(2) | 16E36 | 6902335 | . | (PRE3+PH1/F+PH8) | 6832436 |
| 11D50 | 20(2) | 12D50 | 4320280 | . | FAADD | 7900391 |
| 11D27 | 21(2) | 10D50 | 6902370 | . | (PRE/34+PH2) | 7900391 |
| | 22(1) | 03F07 | 6832430 | I | N(R/PEM) | 6832430 |
| 10E40 | 23(2) | 27E06 | 7900390 | I | N(S/SXAPD) | 7900390 |
| 10E19 | 24(1) | | 7901600 | I | N(S/SXDM1) | 7901600 |
| | 25(1) | 13D30 | 6942300 | I | NPUC31 | 6942304 |
| | 26(0) | | | | | |
| 23E06 | 27(2) | 05D43 | 5156675 | . | (IOPH2.SW15) | 7901604 |
| 07E05 | 28(2) | 11F16 | 4790611 | . | GND1611 | 7901610 |
| 11D19 | 29(2) | 10D21 | 6845155 | . | PH1/B | 7900392 |
| | 30(0) | | | | | |
| 24D35 | 31(1) | | 3811170 | . | (NDOR.NIOR) | 7901606 |
| | 32(0) | | | | | |
| | 33(1) | 17D05 | 5156765 | . | (IOPH3.SW13) | 6942304 |
| 09D07 | 34(2) | 13F06 | 8132000 | . | VALST | 7901602 |
| 28D08 | 35(2) | 13F27 | 4322565 | . | (FA10.PH5.SW13) | 7901602 |
| 21D28 | 36(2) | 22D18 | 8133160 | . | (VDATAIN+VDATAOUT) | 7901600 |
| 07D25 | 37(2) | 13E23 | 4422000 | . | FUPLW | 7901608 |
| 07D24 | 38(2) | 13E02 | 4421800 | . | FUPSW | 7901608 |
| 05E05 | 39(2) | 22D46 | 5156460 | . | (IOPH0.SW12) | 7901606 |
| 06D05 | 40(2) | 22D20 | 5156670 | . | (IOPH2.SW14) | 7901604 |
| 23E08 | 41(2) | 22D29 | 2579000 | . | BCZ | 7901604 |
| 06F09 | 42(2) | 05D30 | 2285065 | . | (NANLZ.PRE3) | 6942306 |
| 04E07 | 43(2) | 12F31 | 4321145 | . | (FAFL.N02) | 6942306 |
| 16D41 | 44(2) | 19E23 | 5415360 | . | KINCRE/B-1 | 6942306 |
| 16D13 | 45(2) | 13E26 | 6821400 | . | PCP4 | 6942306 |
| 11D36 | 46(2) | 10D41 | 4324353 | . | FAPSD-1 | 6942304 |
| 14D39 | 47(2) | 23F21 | 4324940 | . | (FAST/S.PH6) | 6942308 |
| | 48(0) | | | | | |
| 06E49 | 49(0) | 08E49 | 8300400 | . | P4VE | 8300400 |
| 17E42 | 50(2) | 07E14 | 6845265 | . | PH2-E | 6942304 |
| 06E51 | 51(0) | 08E51 | 8302400 | . | P8VE | 8302400 |

XDS 902306

XDS
XEROX DATA SYSTEMS

DRAWING NO.- 133264-912 AC
PROG-PNIND MODULE-08E
TYPE-PIN INDEX TYPE-LT14

40

10/27/71

| FROM | PIN (COUNT) | TO | SOURCE LINE NO. | ELEM. TYPE | SOURCE SIGNAL NAME | REFERENCE LINE NO. |
|-------|----------------|-------|--------------------|---------------|--------------------|-----------------------|
| | 00(0) | | | | | |
| 04D01 | 01(2) | 02E12 | 2905500 | I | NBXS | 2905500 |
| 22D09 | 02(2) | 12F21 | 2285065 | . | (NANLZ.PRE3) | 6977024 |
| 06D38 | 03(2) | 05E04 | 4324610 | . | FASEL-1 | 6977024 |
| 22D10 | 04(2) | 06E36 | 7892120 | . | SWK5 | 6977022 |
| 07D18 | 05(2) | 04F04 | 6821300 | . | PCP3 | 2905502 |
| 10D27 | 06(2) | 18E10 | 6845460 | . | PH4-D | 2905500 |
| 08D20 | 07(2) | 14F11 | 4321010 | . | FADIV-2 | 2905500 |
| 14D29 | 08(2) | 06E24 | 4323360 | . | FAMUL | 2905500 |
| 04E06 | 09(2) | 06E15 | 6845360 | . | PH3-D | 2905500 |
| | 10(0) | | | | | |
| 03D13 | 11(2) | 20E41 | 7892010 | . | SWK12 | 2905502 |
| 03D28 | 12(2) | 26E03 | 6821600 | . | PCP6 | 6977022 |
| 12E26 | 13(2) | 06E12 | 6630710 | . | NOL7 | 6977024 |
| 05D24 | 14(2) | 13E31 | 6977000 | I | NPXS | 6977022 |
| 10E08 | 15(2) | 01D14 | 6911520 | I | N(S/PRXNAD) | 6911522 |
| | 16(0) | | 4790508 | -GND | GND1508 | 4790508 |
| 05D39 | 17(2) | 12F08 | 4323135 | . | FALOAD/A-1 | 6977022 |
| 12E06 | 18(2) | 04E38 | 6902324 | . | PRE3-F | 6911522 |
| 13D44 | 19(2) | 04E12 | 7890120 | . | NSW0-2 | 7901524 |
| 23D18 | 20(1) | | 5188001 | . | NIX | 7901522 |
| 07E06 | 21(1) | | 5110170 | . | (IA.PRE2) | 7901522 |
| 23D14 | 22(1) | | 6821100 | . | PCP1 | 7901522 |
| | 23(0) | | | | | |
| 15F50 | 24(2) | 04E21 | 4420530 | . | (FUA10.PH5) | 7901524 |
| 04E25 | 25(2) | 12E25 | 4324610 | . | FASEL-1 | 6911522 |
| 23D07 | 26(2) | 06E26 | 6630700 | . | OL7 | 6911522 |
| 12E37 | 27(2) | 06E27 | 6720150 | . | NOU1 | 6977022 |
| 09D27 | 28(2) | 12E34 | 6845126 | . | PH1-D | 6977022 |
| 10E14 | 29(2) | 04E14 | 7901500 | I | N(S/SXD) | 7901522 |
| 09D36 | 30(2) | 06D24 | 2405480 | I | NAXS | 2405496 |
| | 31(0) | | | | | |
| | 32(0) | | | | | |
| 08E39 | 33(2) | 09D43 | 3690138 | . | NDIS-5 | 7900454 |
| 11D02 | 34(1) | | 5541200 | . | KSXB | 7900454 |
| 24F28 | 35(1) | | 7900601 | . | SXBF | 7900454 |
| | 36(0) | | | | | |
| 04E35 | 37(2) | 08E45 | 4321000 | . | FADIV | 7900452 |
| 12F36 | 38(2) | 04E33 | 6845970 | . | PH9-D | 7900452 |
| 12E43 | 39(2) | 08E33 | 3690138 | . | NDIS-5 | 7900452 |
| 04D09 | 40(2) | 18E13 | 6845560 | . | PH5-E | 2405496 |
| 18E06 | 41(2) | 04E37 | 4425500 | . | FUSF | 2405496 |
| 13D39 | 42(2) | 31E08 | 6047910 | . | MCZ | 2405496 |
| 08D21 | 43(2) | 02D03 | 6845640 | . | PH6-E | 2405496 |
| 03E23 | 44(2) | 15E42 | 3690100 | . | DIS | 7900454 |
| 08E37 | 45(2) | 14F12 | 4321000 | . | FADIV | 2405496 |
| | 46(0) | | | | | |
| | 47(1) | 09D35 | 7900450 | I | NSXB | 7900452 |
| | 48(0) | | | | | |
| 07E49 | 49(0) | 09E49 | 8300400 | . | P4VE | 8300400 |
| 04E44 | 50(2) | 13D09 | 4375100 | . | FL1 | 2405496 |
| 07E51 | 51(0) | 09E51 | 8302400 | . | P8VE | 8302400 |

XDS 902306



DRAWING NO.- 133264-912 AC
 PROG-PNIND MODULE-09E
 TYPE-PIN INDEX TYPE-AT11

41

10/27/71

| FROM | PIN (COUNT) | TO | SOURCE LINE NO. | ELEM. TYPE | SOURCE SIGNAL NAME | REFERENCE LINE NO. |
|-------|-------------|-------|-----------------|------------|--------------------|--------------------|
| | 00(0) | | | | | |
| 09E02 | 01(1) | | 4790509 | | GND1509 | 4790509 |
| 09E03 | 02(2) | 09E01 | 4790509 | | GND1509 | 4790509 |
| 09E05 | 03(2) | 09E02 | 4790509 | | GND1509 | 4790509 |
| | 04(0) | | | | | |
| 09E16 | 05(2) | 09E03 | 4790509 | | GND1509 | 4790509 |
| | 06(0) | | | | | |
| | 07(0) | | | | | |
| | 08(1) | 22D07 | 2385100 | -BCR | AVO | 2385100 |
| | 09(0) | | | | | |
| | 10(0) | | | | | |
| | 11(0) | | | | | |
| | 12(0) | | | | | |
| | 13(0) | | | | | |
| | 14(0) | | | | | |
| | 15(0) | | | | | |
| 09E24 | 16(2) | 09E05 | 4790509 | -GND | GND1509 | 4790509 |
| | 17(0) | | | | | |
| | 18(0) | | | | | |
| | 19(0) | | | | | |
| | 20(0) | | | | | |
| | 21(0) | | | | | |
| | 22(0) | | | | | |
| | 23(0) | | | | | |
| 09E29 | 24(2) | 09E16 | 4790509 | | GND1509 | 4790509 |
| | 25(1) | 09E41 | 4790509 | | GND1509 | 4790509 |
| | 26(0) | | | | | |
| | 27(0) | | | | | |
| | 28(0) | | | | | |
| 09E33 | 29(2) | 09E24 | 4790509 | | GND1509 | 4790509 |
| | 30(0) | | | | | |
| | 31(0) | | | | | |
| | 32(0) | | | | | |
| 09E35 | 33(2) | 09E29 | 4790509 | | GND1509 | 4790509 |
| | 34(0) | | | | | |
| 09E41 | 35(2) | 09E33 | 4790509 | | GND1509 | 4790509 |
| | 36(0) | | | | | |
| | 37(0) | | | | | |
| | 38(0) | | | | | |
| | 39(0) | | | | | |
| | 40(0) | | | | | |
| 09E25 | 41(2) | 09E35 | 4790509 | | GND1509 | 4790509 |
| | 42(0) | | | | | |
| | 43(0) | | | | | |
| | 44(0) | | | | | |
| | 45(0) | | | | | |
| | 46(0) | | | | | |
| | 47(0) | | | | | |
| | 48(0) | | | | | |
| 08E49 | 49(0) | 10E49 | 8300400 | | P4VE | 8300400 |
| | 50(0) | | 8304400 | -VSP | M8VE | 8304400 |
| 08E51 | 51(0) | 10E51 | 8302400 | | P8VE | 8302400 |

XDS 902306



DRAWING NO.- 133264-912 AC
 PROG-PNIND MODULE-10E
 TYPE-PIN INDEX TYPE-BT18

42
 10/27/71

| FROM | PIN (COUNT) | TO | SOURCE LINE NO. | ELEM. TYPE | SOURCE SIGNAL NAME | REFERENCE LINE NO. |
|-------|-------------|-------|-----------------|------------|--------------------|--------------------|
| | 00(0) | | | | | |
| 12D25 | 01(2) | 10E20 | 7900290 | . | N(S/SXAMD) | 1312770 |
| 10E15 | 02(2) | 17E01 | 7901700 | . | N(S/SXDMA) | 1312770 |
| 26E38 | 03(2) | 16F26 | 5152000 | . | IOEN | 5152700 |
| 20D31 | 04(2) | 18F23 | 5154000 | . | IOIN | 5152700 |
| 20D17 | 05(2) | 20D11 | 5156500 | . | NIOPH1 | 5152700 |
| 11E14 | 06(2) | 19E06 | 7904000 | . | N(S/SXMA) | 1312770 |
| | 07(1) | 17E45 | 1312770 | B | N(S/K31) | 1312770 |
| 11E08 | 08(2) | 08E15 | 6911520 | B | N(S/PRXNAD) | 6911520 |
| 32F02 | 09(1) | | 5152700 | B | IOENIN | 5152700 |
| | 10(1) | 02F28 | 4904130 | B | N(S/GXNAD) | 4904130 |
| 10F17 | 11(2) | 10E22 | 7900390 | . | N(S/SXAPD) | 6911520 |
| 12D23 | 12(2) | 10E41 | 7900350 | . | N(S/SXAORD) | 6911520 |
| 10E44 | 13(2) | 17E12 | 7900200 | . | N(S/SXAEORD) | 6911520 |
| 11E46 | 14(2) | 08E29 | 7901500 | . | N(S/SXD) | 6911520 |
| 10E26 | 15(2) | 10E02 | 7901700 | . | N(S/SXDMA) | 4904130 |
| | 16(0) | | 4790510 | -GND | GND1510 | 4790510 |
| | 17(1) | 02F25 | 4900630 | B | N(S/GXAND) | 4900630 |
| 10E27 | 18(2) | 17E13 | 7901750 | . | N(S/SXDMAM1) | 4904130 |
| 10E24 | 19(2) | 07E24 | 7901600 | . | N(S/SXDM1) | 4904130 |
| 10E01 | 20(2) | 10E25 | 7900290 | . | N(S/SXAMD) | 4900630 |
| 10E23 | 21(2) | 11E13 | 7900280 | . | N(S/SXAM1) | 4900630 |
| 10E11 | 22(2) | 10E40 | 7900390 | . | N(S/SXAPD) | 4900530 |
| 10E33 | 23(2) | 10E21 | 7900280 | . | N(S/SXAM1) | 4900530 |
| 10E34 | 24(2) | 10E19 | 7901600 | . | N(S/SXDM1) | 4900530 |
| 10E20 | 25(2) | 11E40 | 7900290 | . | N(S/SXAMD) | 6911720 |
| 11E41 | 26(2) | 10E15 | 7901700 | . | N(S/SXDMA) | 6911720 |
| 11E42 | 27(2) | 10E18 | 7901750 | . | N(S/SXDMAM1) | 6911720 |
| 19E28 | 28(2) | 11E11 | 7904300 | . | N(S/SXNA) | 6911720 |
| 04E47 | 29(2) | 11E14 | 7904000 | . | N(S/SXMA) | 6911722 |
| 10E46 | 30(2) | 14E01 | 7904100 | . | N(S/SXMD) | 6911722 |
| 10E45 | 31(2) | 19E31 | 7904350 | . | N(S/SXND) | 6911722 |
| | 32(0) | | | | | |
| 06E39 | 33(2) | 10E23 | 7900280 | . | N(S/SXAM1) | 6911722 |
| 10E50 | 34(2) | 10E24 | 7901600 | . | N(S/SXDM1) | 6911724 |
| | 35(1) | 02E41 | 4900530 | B | N(S/GXAD) | 4900530 |
| 10E37 | 36(2) | 01D13 | 6911720 | B | N(S/PRXNAND) | 6911720 |
| | 37(1) | 10E36 | 6911720 | B | N(S/PRXNAND) | 6911722 |
| 10E39 | 38(2) | 04E15 | 6911320 | B | N(S/PRXAND) | 6911322 |
| | 39(1) | 10E38 | 6911320 | B | N(S/PRXAND) | 6911326 |
| 10E22 | 40(2) | 07E23 | 7900390 | . | N(S/SXAPD) | 6911322 |
| 10E12 | 41(2) | 11E43 | 7900350 | . | N(S/SXAORD) | 6911322 |
| 04E36 | 42(2) | 11E44 | 7900030 | . | N(S/SXA) | 6911322 |
| 06E42 | 43(2) | 11E45 | 7900080 | . | N(S/SXA/1) | 6911322 |
| 06E41 | 44(2) | 10E13 | 7900200 | . | N(S/SXAEORD) | 6911324 |
| 27E45 | 45(2) | 10E31 | 7904350 | . | N(S/SXND) | 6911326 |
| 16F21 | 46(2) | 10E30 | 7904100 | . | N(S/SXMD) | 6911326 |
| 16F20 | 47(2) | 11E47 | 7900380 | . | N(S/SXAP1) | 6911326 |
| | 48(0) | | | | | |
| 09E49 | 49(0) | 11E49 | 8300400 | | P4VE | 8300410 |
| 10F20 | 50(2) | 10E34 | 7901600 | . | N(S/SXDM1) | 6911326 |
| 09E51 | 51(0) | 11E51 | 8302400 | | P8VE | 8302410 |

XDS 902306

XDS
XEROX DATA SYSTEMS

DRAWING NO. - 133264-912 AC
PROG-PNIND MODULE-11E
TYPE-PIN INDEX TYPE-BT18

43

10/27/71

| FROM | PIN (COUNT) | TO | SOURCE LINE NO. | ELEM. TYPE | SOURCE SIGNAL NAME | REFERENCE LINE NO. |
|-------|-------------|-------|-----------------|------------|--------------------|--------------------|
| | 00(0) | | | | | |
| 02D38 | 01(2) | 12F34 | 4321100 | . | FADW | 7514500 |
| 11D40 | 02(2) | 13E37 | 6902150 | . | PRE/12 | 7514500 |
| 20D04 | 03(2) | 03E02 | 5156870 | . | IOPOP | 5158130 |
| 03E28 | 04(2) | 26F34 | 7560100 | . | SC | 5158130 |
| 20E22 | 05(2) | 26F33 | 7563500 | . | NSCINH | 5158130 |
| | 06(0) | | | | | |
| | 07(1) | 01D19 | 7514500 | B | S31INH | 7514500 |
| | 08(1) | 10E08 | 6911520 | B | N(S/PRXNAD) | 6911524 |
| | 09(1) | 22F45 | 5158130 | B | (S/IOSC) | 5158130 |
| | 10(1) | 09F15 | 5030500-1 | B | | 5030500 |
| 10E28 | 11(2) | 17E02 | 7904300 | . | N(S/SXNA) | 6911524 |
| 13E20 | 12(2) | 11E50 | 7901900 | . | N(S/SXDP1) | 6911524 |
| 10E21 | 13(2) | 30D46 | 7900280 | . | N(S/SXAM1) | 6911524 |
| 10E29 | 14(2) | 10E06 | 7904000 | . | N(S/SXMA) | 6911524 |
| 11E27 | 15(2) | 11F29 | 1064520 | . | 06-1 | 5030500 |
| | 16(0) | | 4790511 | -GND | GND1511 | 4790511 |
| | 17(1) | 09F12 | 7689150-1 | B | | 7689150 |
| 11D15 | 18(2) | 11E23 | 1074500 | . | 07 | 5030500 |
| 06F08 | 19(2) | 11E21 | 5156898 | . | IOPXFNC | 5030500 |
| 07D43 | 20(2) | 13F14 | 4425700 | . | FUSIO | 7689150 |
| 11E19 | 21(2) | 11E26 | 5156898 | . | IOPXFNC | 7689150 |
| 23D44 | 22(2) | 19E10 | 1064525 | . | N06-1 | 8031100 |
| 11E18 | 23(2) | 11F18 | 1074500 | . | 07 | 8031100 |
| 11E26 | 24(1) | | 5156898 | . | IOPXFNC | 8031100 |
| 06E25 | 25(2) | 11D01 | 1024502 | . | N02 | 8019100 |
| 11E21 | 26(2) | 11E24 | 5156898 | . | IOPXFNC | 8019100 |
| 03D46 | 27(2) | 11E15 | 1064520 | . | 06-1 | 8019100 |
| 31D05 | 28(2) | 14E33 | 1074502 | . | N07 | 8019100 |
| | 29(0) | | | | | |
| 11F35 | 30(2) | 10F02 | 2000520 | . | N(1MC.2MC) | 3107020 |
| 19D43 | 31(2) | 19E30 | 8165500 | . | WDTA | 3107020 |
| | 32(0) | | | | | |
| | 33(0) | | | | | |
| 14E39 | 34(2) | 20F04 | 8065401 | . | NTRAP | 3107020 |
| | 35(1) | 09F19 | 8031100-1 | B | | 8031100 |
| | 36(1) | 09F23 | 8019100-1 | B | | 8019100 |
| | 37(1) | 03F50 | 3107020 | B | (FCEINT) | 3107020 |
| 11E39 | 38(2) | 01D17 | 6911120 | B | N(S/PRXAD) | 6911126 |
| 12E23 | 39(2) | 11E38 | 6911120 | B | N(S/PRXAD) | 6911128 |
| 10E25 | 40(2) | 18E20 | 7900290 | . | N(S/SXAMD) | 6911126 |
| 19E41 | 41(2) | 10E26 | 7901700 | . | N(S/SXDMA) | 6911126 |
| 19E42 | 42(2) | 10E27 | 7901750 | . | N(S/SXDMAM1) | 6911126 |
| 10E41 | 43(2) | 13E30 | 7900350 | . | N(S/SXAORD) | 6911126 |
| 10E42 | 44(2) | 15F10 | 7900030 | . | N(S/SXA) | 6911127 |
| 10E43 | 45(2) | 02E47 | 7900080 | . | N(S/SXA/1) | 6911128 |
| 10F18 | 46(2) | 10E14 | 7901500 | . | N(S/SXD) | 6911128 |
| 10E47 | 47(2) | 10F15 | 7900380 | . | N(S/SXAP1) | 6911128 |
| | 48(0) | | | | | |
| 10E49 | 49(0) | 12E49 | 8300400 | . | P4VE | 8300410 |
| 11E12 | 50(2) | 16F29 | 7901900 | . | N(S/SXDP1) | 6911128 |
| 10E51 | 51(0) | 12E51 | 8302400 | . | P8VE | 8302410 |

XDS 902306



DRAWING NO.- 133264-912 AC
 PROG-PNIND MODULE-12E
 TYPE-PIN INDEX TYPE-LT20

44
 10/27/71

| FROM | PIN (COUNT) | TO | SOURCE LINE NO. | ELEM. TYPE | SOURCE SIGNAL NAME | REFERENCE LINE NO. |
|-------|-------------|-------|-----------------|------------|--------------------|--------------------|
| | 00(0) | | | | | |
| 15D38 | 01(2) | 12E09 | 5125320 | . | IFAST/L | 6942302 |
| 26E24 | 02(2) | 12E21 | 5156565 | . | (IOPH1.SW13) | 6942302 |
| 07D37 | 03(2) | 12E08 | 5152070 | . | (NIOEN+10B0) | 6942302 |
| 17D11 | 04(2) | 12D46 | 6720000 | . | OU0 | 6825310 |
| 13D36 | 05(2) | 13D42 | 4324820 | . | (FAST/L.PH6) | 6825310 |
| 12E27 | 06(2) | 08E18 | 6902324 | . | PRE3-F | 6825310 |
| 10D38 | 07(2) | 17E39 | 4321120 | . | FADW/1 | 6825310 |
| 12E03 | 08(2) | 12E20 | 5152070 | . | (NIOEN+10B0) | 6825313 |
| 12E01 | 09(2) | 21E44 | 5125320 | . | IFAST/L | 6825313 |
| 13D45 | 10(2) | 16E10 | 6720010 | . | NOU0 | 6825313 |
| 11D43 | 11(2) | 26D01 | 4324870 | . | (FAST/M.PRE3.NOUD) | 6825311 |
| 11D13 | 12(2) | 12E28 | 6631010 | . | NOLA | 6825311 |
| | 13(0) | | | | | |
| 13D30 | 14(2) | 13E19 | 6942300 | I | NPUC31 | 6942300 |
| 27F21 | 15(2) | 04E13 | 1316215 | . | R31-1 | 6942300 |
| | 16(0) | | 4790512 | -GND | GND1512 | 4790512 |
| 32E45 | 17(2) | 12D44 | 4322380 | . | (FAIO/1.PH3) | 6942300 |
| | 18(0) | | | | | |
| 15D43 | 19(2) | 21E45 | 5125340 | . | IFAST/S | 6825312 |
| 12E08 | 20(2) | 26E23 | 5152070 | . | (NIOEN+10B0) | 6825312 |
| 12E02 | 21(2) | 07E13 | 5156565 | . | (IOPH1.SW13) | 6825312 |
| 13E42 | 22(2) | 13E04 | 6825310 | I | NPDC31 | 6825310 |
| | 23(1) | 11E39 | 6911120 | I | N(S/PRXAD) | 6911120 |
| 16E24 | 24(2) | 30D25 | 6845265 | . | PH2-E | 6911120 |
| 08E25 | 25(2) | 12D12 | 4324610 | . | FASEL-1 | 6911120 |
| 23D08 | 26(2) | 08E13 | 6630710 | . | NOL7 | 6911120 |
| 12E35 | 27(2) | 12E06 | 6902324 | . | PRE3-F | 6911120 |
| 12E12 | 28(2) | 12D47 | 6631010 | . | NOLA | 6911120 |
| 16E29 | 29(2) | 12E45 | 3690138 | . | NDIS-5 | 7904500 |
| | 30(1) | 02E40 | 7904500 | I | NSXP | 7904500 |
| 13E22 | 31(2) | 27E42 | 6845765 | . | PH7-D | 7904500 |
| | 32(0) | | | | | |
| | 33(0) | | | | | |
| 08E28 | 34(2) | 32E11 | 6845126 | . | PH1-D | 6911122 |
| 25D23 | 35(2) | 12E27 | 6902324 | . | PRE3-F | 6911124 |
| 07D50 | 36(2) | 15E26 | 6720400 | . | OU4 | 6911124 |
| 23D50 | 37(2) | 08E27 | 6720150 | . | NOU1 | 6911122 |
| 19D21 | 38(2) | 12F30 | 4320910 | . | FACOMP/1 | 6911122 |
| 11D14 | 39(2) | 18F13 | 6631100 | . | OLB | 6911124 |
| | 40(0) | | | | | |
| 02D28 | 41(2) | 10F03 | 2285040 | . | (ANLZ.PH6) | 7904502 |
| 06D37 | 42(2) | 12D14 | 4324722 | . | (FAST.PH4) | 7904502 |
| 12E45 | 43(2) | 08E39 | 3690138 | . | NDIS-5 | 7904502 |
| | 44(0) | | | | | |
| 12E29 | 45(2) | 12E43 | 3690138 | . | NDIS-5 | 7904502 |
| 13E11 | 46(2) | 05E10 | 4421590 | . | FUMMC-1 | 7904500 |
| 16D42 | 47(2) | 19E43 | 5426000 | . | KPSW1/B-1 | 7904500 |
| | 48(0) | | | | | |
| 11E49 | 49(0) | 13E49 | 8300400 | . | P4VE | 8300410 |
| 13E26 | 50(2) | 20E40 | 6821400 | . | PCP4 | 7904500 |
| 11E51 | 51(0) | 13E51 | 8302400 | . | P8VE | 8302410 |

XDS 902306

XDS
XEROX DATA SYSTEMS

DRAWING NO. - 133264-912 AC
PROG-PNIND
TYPE-PIN INDEX

MODULE-13E
TYPE-IT17

45

10/27/71

| FROM | PIN (COUNT) | TO | SOURCE LINE NO. | ELEM. TYPE | SOURCE SIGNAL NAME | REFERENCE LINE NO. |
|-------|----------------|-------|--------------------|---------------|-----------------------|-----------------------|
| | 00(0) | | | | | |
| 30D14 | 01(2) | 17E11 | 6902335 | . | (PRE3+PH1/F+PH8) | 7901902 |
| 07E38 | 02(2) | 26F09 | 4421800 | . | FUPSW | 7901902 |
| 10D02 | 03(2) | 18E47 | 4322100 | . | (FA10.PH1) | 3901406 |
| 12E22 | 04(2) | 09D33 | 6825310 | I | NPDC31 | 6825319 |
| 21E28 | 05(2) | 11F34 | 3901400 | I | NDXDR8 | 3901406 |
| 13D46 | 06(2) | 20E43 | 4324702 | . | FAST-2 | 6825319 |
| 10D35 | 07(2) | 28F09 | 6845175 | . | PH1/F | 6825319 |
| 20D26 | 08(2) | 13E50 | 4152000 | . | ENDE | 6825321 |
| 16D17 | 09(2) | 20F37 | 5138100 | . | (INT+IOSC) | 6825321 |
| 02D01 | 10(2) | 14D31 | 6047900 | . | NMCZ | 6825321 |
| 13E21 | 11(2) | 12E46 | 4421590 | . | FUMMC-1 | 6825321 |
| 15D19 | 12(2) | 16E12 | 4421265 | . | N(FUEXU.ENDE) | 6942316 |
| 15D44 | 13(1) | | 5138120 | . | (N(INT.KRUN).NKAHOLD) | 6942317 |
| 20E05 | 14(2) | 16E13 | 6845199 | . | PH10-E | 6825321 |
| 11D21 | 15(2) | 16E14 | 6845170 | . | PH1/E | 6942314 |
| | 16(0) | | 4790513 | -GND | GND1513 | 4790513 |
| 03D26 | 17(2) | 18F02 | 5158101 | . | NIOSC | 6942316 |
| 27D45 | 18(2) | 19E18 | 5011101 | . | NHALT | 6942316 |
| 12E14 | 19(2) | 25D29 | 6942300 | I | NPUC31 | 6942314 |
| | 20(1) | 11E12 | 7901900 | I | N(S/SXDP1) | 7901900 |
| 23F36 | 21(2) | 13E11 | 4421590 | . | FUMMC-1 | 7901900 |
| 32E22 | 22(2) | 12E31 | 6845765 | . | PH7-D | 7901900 |
| 07E37 | 23(2) | 26D08 | 4422000 | . | FUPLW | 7901900 |
| 10D21 | 24(2) | 17E37 | 6845155 | . | PH1/B | 7901900 |
| 21E31 | 25(2) | 05E20 | 5156450 | . | (IOPH0.SW10) | 6977026 |
| 07E45 | 26(2) | 12E50 | 6821400 | . | PCP4 | 7900352 |
| | 27(1) | 14F46 | 5156550 | . | (IOPH1.SW10) | 7900463 |
| | 28(0) | | | | | |
| 09D39 | 29(2) | 21E02 | 4324960 | . | (FAST.PRE3) | 6825325 |
| 11E43 | 30(2) | 15E33 | 7900350 | I | N(S/SXAORD) | 7900350 |
| 08E14 | 31(1) | | 6977000 | I | NPXS | 6977026 |
| | 32(0) | | | | | |
| 11D38 | 33(2) | 18E21 | 4324630 | . | (FASEL.PH3) | 7900350 |
| 11D47 | 34(2) | 16E34 | 6630510 | . | NOL5 | 7900350 |
| | 35(0) | | | | | |
| 17E26 | 36(2) | 05E28 | 5156545 | . | (IOPH1.SW9) | 6977026 |
| 11E02 | 37(2) | 20E35 | 6902150 | . | PRE/12 | 7900461 |
| 08F20 | 38(2) | 14E28 | 4321987 | . | NFAIM | 7900461 |
| | 39(0) | | | | | |
| 20F36 | 40(1) | | 4421270 | . | (FUEXU.(INT+IOSC)) | 6825327 |
| 17D24 | 41(2) | 17D23 | 7900460 | I | N(S/SXB) | 7900461 |
| 15F36 | 42(2) | 12E22 | 6825310 | I | NPDC31 | 6825325 |
| 20F01 | 43(1) | | 4324738 | . | (FAST/A.PH8) | 6825325 |
| | 44(0) | | | | | |
| 05D08 | 45(2) | 14E25 | 5156540 | . | (IOPH1.SW8) | 7900461 |
| 05D33 | 46(1) | | 4324920 | . | (FAST.PH1/E) | 7900350 |
| 09D38 | 47(2) | 12D35 | 6977200 | . | PXSXB | 6977028 |
| | 48(0) | | | | | |
| 12E49 | 49(0) | 14E49 | 8300400 | . | P4VE | 8300410 |
| 13E08 | 50(2) | 13F03 | 4152000 | . | ENDE | 6825327 |
| 12E51 | 51(0) | 14E51 | 8302400 | . | P8VE | 8302410 |

XDS 902306



DRAWING NO. - 133264-912 AC
 PROG-PNIND MODULE-14E
 TYPE-PIN INDEX TYPE-LT14

46
 10/27/71

| FROM | PIN (COUNT) | TO | SOURCE LINE NO. | ELEM. TYPE | SOURCE SIGNAL NAME | REFERENCE LINE NO. |
|-------|-------------|-------|-----------------|------------|--------------------|--------------------|
| | 00(0) | | | | | |
| 10E30 | 01(1) | | 7904100 | I | N(S/SXMD) | 7904100 |
| 32E07 | 02(2) | 08D18 | 4375121 | . | NFL2 | 3060152 |
| 05E02 | 03(2) | 14E11 | 4425650 | . | (FUSF.PH8) | 3060152 |
| 18D46 | 04(2) | 16E06 | 4324725 | . | (FAST.PH9) | 3060150 |
| 13D09 | 05(2) | 02F13 | 4375100 | . | FL1 | 7904100 |
| 17D35 | 06(2) | 14D15 | 6902370 | . | (PRE/34+PH2) | 7904100 |
| 15D21 | 07(2) | 16E07 | 4323150 | . | FALOAD/C | 7904100 |
| 14F40 | 08(2) | 15E30 | 4323135 | . | FALOAD/A-1 | 7904102 |
| 14D26 | 09(2) | 27E43 | 6845198 | . | (PH1+PH3) | 7904102 |
| 20D41 | 10(2) | 15E07 | 7890801 | . | NSW7 | 7904102 |
| 14E03 | 11(2) | 18E40 | 4425650 | . | (FUSF.PH8) | 7904100 |
| 11D22 | 12(2) | 16F04 | 7890190 | . | SW1 | 3060150 |
| 08D24 | 13(2) | 18E50 | 4375130 | . | FL3 | 3060152 |
| 28E14 | 14(2) | 13D14 | 3060150 | I | N(S/CC1/1) | 3060150 |
| 09D34 | 15(2) | 03F42 | 6825340 | I | NPDC33 | 6825342 |
| | 16(0) | | 4790514 | -GND | GND1514 | 4790514 |
| 18D44 | 17(2) | 16E17 | 2285060 | . | (ANLZ.PRE3) | 3060152 |
| 09D28 | 18(2) | 17E41 | 1000370 | . | B0-1 | 6825342 |
| 28E05 | 19(2) | 09D44 | 1010370 | . | B1-1 | 7900382 |
| 15E27 | 20(2) | 17E07 | 6902322 | . | PRE3-E | 7900380 |
| 19D24 | 21(1) | | 4421090 | . | FUBIR | 7900380 |
| 14F25 | 22(2) | 05D47 | 5156745 | . | (IOPH3.SW9) | 7900380 |
| | 23(0) | | | | | |
| 05E06 | 24(2) | 09D37 | 5156750 | . | (IOPH3.SW10) | 7900382 |
| 13E45 | 25(2) | 23E29 | 5156540 | . | (IOPH1.SW8) | 6825342 |
| 24D44 | 26(2) | 14E43 | 3533150 | . | (DATAIN.NSW4) | 6825342 |
| 03D01 | 27(2) | 16E27 | 1034502 | . | NO3 | 3060152 |
| 13E38 | 28(2) | 15F39 | 4321987 | . | NFAIM | 3060152 |
| | 29(1) | 16F20 | 7900380 | I | N(S/SXAP1) | 7900380 |
| 09D15 | 30(2) | 03F31 | 6942400 | I | NPUC33 | 6942404 |
| | 31(0) | | | | | |
| | 32(0) | | | | | |
| 11E28 | 33(2) | 08F25 | 1074502 | . | NO7 | 3107044 |
| 17E04 | 34(2) | 14D08 | 4323344 | . | (FAMT.PH1) | 3107042 |
| 10D01 | 35(2) | 12D24 | 4324370 | . | (FAPSD.PH4) | 3107044 |
| 27F31 | 36(2) | 08F27 | 1306215 | . | R30-1 | 3107044 |
| 24D39 | 37(1) | | 5138950 | . | INTRAP1 | 3107042 |
| 19D08 | 38(2) | 20E12 | 5139000 | . | INTRAP2 | 3107042 |
| 04D23 | 39(2) | 11E34 | 8065401 | . | NTRAP | 3107042 |
| 15F12 | 40(2) | 11F06 | 3533500 | . | DATAOUT | 6942404 |
| 14E45 | 41(2) | 05D08 | 5156540 | . | (IOPH1.SW8) | 6942404 |
| 04F39 | 42(2) | 09D17 | 1000304 | . | NB0 | 6942406 |
| 14E26 | 43(2) | 04D43 | 3533150 | . | (DATAIN.NSW4) | 6942406 |
| 16D19 | 44(2) | 17D44 | 5138900 | . | INTRAP | 3107042 |
| 14F45 | 45(2) | 14E41 | 5156540 | . | (IOPH1.SW8) | 6942406 |
| | 46(1) | 03F47 | 3107030 | I | (S/CEINT) | 3107030 |
| 22E22 | 47(2) | 08F01 | 3107040 | I | N(S/CEINT) | 3107042 |
| | 48(0) | | | | | |
| 13E49 | 49(0) | 15E49 | 8300400 | . | P4VE | 8300410 |
| 17F20 | 50(2) | 20D09 | 7890501 | . | NSW4 | 6942404 |
| 13E51 | 51(0) | 15E51 | 8302400 | . | P8VE | 8302410 |

XDS 902306

XDS
XEROX DATA SYSTEMS

DRAWING NO.- 133264-912 AC
PROG-PNIND MODULE-15E
TYPE-PIN INDEX TYPE-IT25

47

10/27/71

| FROM | PIN (COUNT) | TO | SOURCE LINE NO. | ELEM. TYPE | SOURCE SIGNAL NAME | REFERENCE LINE NO. |
|-------|----------------|-------|--------------------|---------------|--------------------|-----------------------|
| | 00(0) | | | | | |
| | 01(1) | 15F37 | 4421436 | I | N(FULAD.PRE4) | 4421436 |
| | 02(1) | 26E26 | 4322060 | I | N(FAIO.EXC) | 4322060 |
| 32D44 | 03(2) | 20E34 | 4322000 | . | FAIO | 4322060 |
| 27D12 | 04(2) | 16E04 | 4421050 | . | FUBDR | 7900282 |
| 19D19 | 05(2) | 30E28 | 6845160 | . | PH1/C | 7900280 |
| 17E10 | 06(2) | 07E15 | 4421700 | . | FUPLM | 7900280 |
| 14E10 | 07(2) | 29E27 | 7890801 | . | NSW7 | 7900280 |
| 16E08 | 08(2) | 15E22 | 6902322 | . | PRE3-E | 7900282 |
| 29D02 | 09(2) | 18F33 | 4252000 | . | EXC | 4322060 |
| 25D22 | 10(1) | | 4421430 | . | FULAD | 4421436 |
| 02D19 | 11(2) | 20F07 | 6902400 | . | PRE4 | 4421436 |
| 30D46 | 12(2) | 15E13 | 7900280 | I | N(S/SXAM1) | 7900280 |
| 15E12 | 13(1) | | 7900280 | I | N(S/SXAM1) | 7900282 |
| 27E06 | 14(2) | 27E36 | 7900390 | I | N(S/SXAPD) | 7900396 |
| 29E47 | 15(2) | 09D45 | 7890840 | I | N(S/SW7) | 7890852 |
| | 16(0) | | 4790515 | -GND | GND1515 | 4790515 |
| 10D09 | 17(2) | 29E13 | 6902350 | . | PRE/34-A | 7890852 |
| 04F28 | 18(2) | 30E26 | 1161350 | . | ND16-1 | 7890852 |
| 31D14 | 19(2) | 03E20 | 1000504 | . | NC0 | 7900396 |
| 22D13 | 20(2) | 16E20 | 6902140 | . | PRE1-A | 7900396 |
| 15D27 | 21(2) | 19E21 | 4325150 | . | FAW | 7900396 |
| 15E08 | 22(2) | 15E27 | 6902322 | . | PRE3-E | 3060000 |
| 16D44 | 23(1) | | 5138901 | . | NINTRAP | 3060000 |
| 14D14 | 24(1) | | 4323340 | . | FAMT | 3060000 |
| 15D41 | 25(2) | 16E25 | 6630900 | . | OL9 | 7900354 |
| 12E36 | 26(2) | 17E06 | 6720400 | . | OU4 | 7900354 |
| 15E22 | 27(2) | 14E20 | 6902322 | . | PRE3-E | 7900354 |
| | 28(0) | | | | | |
| 03E15 | 29(2) | 11D42 | 5145800 | . | INDX | 7900396 |
| 14E08 | 30(2) | 17D34 | 4323135 | . | FALOAD/A-1 | 7890852 |
| 07D47 | 31(2) | 16F37 | 6720500 | . | OU5 | 7890852 |
| | 32(0) | | | | | |
| 13E30 | 33(1) | | 7900350 | I | N(S/SXAORD) | 7900354 |
| 18D24 | 34(2) | 02E21 | 3060000 | I | N(R/CC) | 3060000 |
| | 35(1) | 29F15 | 7890612 | I | (R/SW5) | 7890612 |
| | 36(1) | 15E43 | 7890615 | I | N(R/SW5/1) | 7890615 |
| | 37(1) | 31F05 | 5158850 | . | NIOTRIN | 7890615 |
| 27E41 | 38(2) | 22E28 | 7343145 | . | NRESET/A | 7890612 |
| 07D03 | 39(1) | | 5541600 | . | KSXC | 7901002 |
| 24F26 | 40(1) | | 7901201 | . | SXCF | 7901000 |
| 25D27 | 41(2) | 21F41 | 3690134 | . | NDIS-4 | 7901000 |
| 08E44 | 42(2) | 31F12 | 3690100 | . | DIS | 7901002 |
| 15E36 | 43(2) | 26D39 | 7890615 | . | N(R/SW5/1) | 7890612 |
| 05E42 | 44(2) | 25E07 | 5156770 | . | (IOPH3.SW14) | 7890615 |
| 15E46 | 45(2) | 01D23 | 7901000 | I | NSXC | 7901002 |
| | 46(1) | 15E45 | 7901000 | I | NSXC | 7901000 |
| 29F35 | 47(1) | | 5159830 | T | (S/IPH10) | 5159830 |
| | 48(0) | | | | | |
| 14E49 | 49(0) | 16E49 | 8300400 | | P4VE | 8300410 |
| 20D10 | 50(1) | | 4253000 | T | (NEXC+IXAL) | 4253000 |
| 14E51 | 51(0) | 16E51 | 8302400 | | P8VE | 8302410 |

XDS 902306

XDS
XEROX DATA SYSTEMS

DRAWING NO.- 133264-912 AC
PROG-PNIND MODULE-16E
TYPE-PIN INDEX TYPE-XT10

48

10/27/71

| FROM | PIN (COUNT) | TO | SOURCE LINE NO. | ELEM. TYPE | SOURCE SIGNAL NAME | REFERENCE LINE NO. |
|-------|----------------|-------|--------------------|---------------|--------------------|-----------------------|
| | 00(0) | | | | | |
| 18D42 | 01(1) | | 1511500 | T | DI051 | 1511500 |
| 17E37 | 02(1) | | 6845155 | T | PH1/B | 6845155 |
| 17D28 | 03(1) | | 4421000 | T | FUBAL | 4421000 |
| 15E04 | 04(1) | | 4421050 | T | FUBDR | 4421050 |
| 17E05 | 05(1) | | 6630800 | T | OL8 | 6630800 |
| 14E04 | 06(1) | | 4324725 | T | (FAST.PH9) | 4324725 |
| 14E07 | 07(1) | | 4323150 | T | FALOAD/C | 4323150 |
| | 08(1) | 15E08 | 6902322 | T | PRE3-E | 6902322 |
| 20E50 | 09(1) | | 4425710 | T | NFUSIO | 4425710 |
| 12E10 | 10(1) | | 6720010 | T | NOU0 | 6720010 |
| 15F10 | 11(1) | | 7900030 | T | N(S/SXA) | 7900030 |
| 13E12 | 12(1) | | 4421265 | T | N(FUEXU.ENDE) | 4421265 |
| 13E14 | 13(1) | | 6845199 | T | PH10-E | 6845199 |
| 13E15 | 14(1) | | 6845170 | T | PH1/E | 6845170 |
| 18F15 | 15(1) | | 6514500 | T | (04.05) | 6514500 |
| | 16(0) | | 4790516 | -GND | GND1516 | 4790516 |
| 14E17 | 17(1) | | 2285060 | T | (ANLZ.PRE3) | 2285060 |
| 18E21 | 18(1) | | 4324630 | T | (FASEL.PH3) | 4324630 |
| 28D43 | 19(1) | | 6900040 | T | PR | 6900040 |
| 15E20 | 20(1) | | 6902140 | T | PRE1-A | 6902140 |
| 17F42 | 21(1) | | 5156125 | T | (IOPC+NPC) | 5156125 |
| 18E39 | 22(2) | 20F19 | 4421490 | T | NFUMH | 4421490 |
| 14D43 | 23(1) | | 4324353 | T | FAPSD-1 | 4324353 |
| | 24(1) | 12E24 | 6845265 | T | PH2-E | 6845265 |
| 15E25 | 25(1) | | 6630900 | T | OL9 | 6630900 |
| 17E40 | 26(1) | | 4323394 | T | (FAMULNH.PH7) | 4323394 |
| 14E27 | 27(1) | | 1034502 | T | NO3 | 1034502 |
| 15F39 | 28(1) | | 4321987 | T | NFAIM | 4321987 |
| | 29(1) | 12E29 | 3690138 | T | NDIS-5 | 3690138 |
| 29E50 | 30(2) | 04E42 | 3277000 | T | CNST | 3277000 |
| 17E31 | 31(1) | | 3314100 | T | COND2 | 3314100 |
| | 32(0) | | | | | |
| 06D47 | 33(1) | | 4322200 | T | (FA10.PH2) | 4322200 |
| 13E34 | 34(1) | | 6630510 | T | NOL5 | 6630510 |
| 18E24 | 35(1) | | 6902370 | T | (PRE/34+PH2) | 6902370 |
| 07E19 | 36(1) | | 6902335 | T | (PRE3+PH1/F+PH8) | 6902335 |
| 19F30 | 37(1) | | 4322310 | T | N(FA10.PH3) | 4322310 |
| 18F28 | 38(1) | | 6038800 | T | (N(S/MBXS)+IOIN) | 6038800 |
| 18F10 | 39(1) | | 6845198 | T | (PH1+PH3) | 6845198 |
| | 40(1) | 17F46 | 6832410 | T | NPEM | 6832410 |
| 17F41 | 41(1) | | 6803280 | T | N(NP32.NP33.B0) | 6803280 |
| 18E22 | 42(1) | | 6630500 | T | OL5 | 6630500 |
| 18F38 | 43(1) | | 6803256 | T | N(NP32.NP33)-1 | 6803256 |
| 18F50 | 44(1) | | 6803254 | T | N(NP32.P33) | 6803254 |
| 18F35 | 45(1) | | 6803250 | T | N(P32.NP33) | 6803250 |
| 18F34 | 46(1) | | 6803245 | T | N(P32.P33)-1 | 6803245 |
| 18F11 | 47(1) | | 4320380 | T | FAARITH | 4320380 |
| | 48(0) | | | | | |
| 15E49 | 49(0) | 17E49 | 8300400 | | P4VE | 8300420 |
| | 50(1) | 04E39 | 1231350 | T | ND23-1 | 1231350 |
| 15E51 | 51(0) | 17E51 | 8302400 | | P8VE | 8302420 |

XDS 902306

XDS
XEROX DATA SYSTEMS

DRAWING NO.- 133264-912 AC
PROG-PNIND MODULE-17E
TYPE-PIN INDEX TYPE-IT25

49
10/27/71

| FROM | PIN (COUNT) | TO | SOURCE LINE NO. | ELEM. TYPE | SOURCE SIGNAL NAME | REFERENCE LINE NO. |
|-------|-------------|-------|-----------------|------------|---------------------|--------------------|
| | 00(0) | | | | | |
| 10E02 | 01(2) | 17E36 | 7901700 | I | N(S/SXDMA) | 7901702 |
| 11E11 | 02(2) | 17E46 | 7904300 | I | N(S/SXNA) | 7904300 |
| 21E24 | 03(2) | 18D36 | 4321137 | . | FAFL-1 | 7904300 |
| 29E21 | 04(2) | 14E34 | 4323344 | . | (FAMT.PH1) | 7901750 |
| 15D11 | 05(2) | 16E05 | 6630800 | . | OL8 | 7900200 |
| 15E26 | 06(1) | | 6720400 | . | OU4 | 7900200 |
| 14E20 | 07(2) | 18E38 | 6902322 | . | PRE3-E | 7900200 |
| 31E41 | 08(2) | 11F08 | 1286215 | . | R28-1 | 7901750 |
| 14D15 | 09(2) | 18E24 | 6902370 | . | (PRE/34+PH2) | 7904300 |
| 19D37 | 10(2) | 15E06 | 4421700 | . | FUPLM | 7901702 |
| 13E01 | 11(2) | 20E42 | 6902335 | . | (PRE3+PH1/F+PH8) | 7901702 |
| 10E13 | 12(1) | | 7900200 | I | N(S/SXAEORD) | 7900200 |
| 10E18 | 13(1) | | 7901750 | I | N(S/SXDMAM1) | 7901750 |
| 18D22 | 14(2) | 17E15 | 3060253 | I | N(S/CC2/1) | 3060258 |
| 17E14 | 15(2) | 02F07 | 3060253 | I | N(S/CC2/1) | 3060257 |
| | 16(0) | | 4790517 | -GND | GND1517 | 4790517 |
| | 17(0) | | | | | |
| 28D10 | 18(2) | 17F29 | 7890120 | . | NSW0-2 | 3060257 |
| | 19(0) | | | | | |
| 17F28 | 20(2) | 20D07 | 7890800 | . | SW7 | 3060258 |
| 25E04 | 21(2) | 13D01 | 4322540 | . | (FA10.PH5.SW8) | 3060258 |
| 07D45 | 22(1) | | 6651010 | . | N(OM.OL6) | 2054910 |
| 24F34 | 23(2) | 03F43 | 6038001 | . | NMBXS | 2054910 |
| | 24(0) | | | | | |
| 28E43 | 25(2) | 04E27 | 5125110 | . | NIFAM | 7900475 |
| 14F44 | 26(2) | 13E36 | 5156545 | . | (IOPH1.SW9) | 7900475 |
| 16D30 | 27(2) | 25D50 | 7417512 | . | NRT09 | 7900475 |
| | 28(0) | | | | | |
| 24D43 | 29(2) | 19E29 | 5156910 | . | NIOR | 3060258 |
| 22D42 | 30(2) | 28E02 | 4322400 | . | (FA10.PH4) | 3060257 |
| 21D19 | 31(2) | 16E31 | 3314100 | . | COND2 | 3060257 |
| | 32(0) | | | | | |
| 17D23 | 33(2) | 24F47 | 7900460 | I | N(S/SXB) | 7900475 |
| 32F44 | 34(2) | 03F22 | 2054910 | I | (S/ABO/1) | 2054910 |
| 31E22 | 35(2) | 30E11 | 5153435 | I | N(R/IOFS) | 5153437 |
| 17E01 | 36(1) | | 7901700 | I | N(S/SXDMA) | 7901700 |
| 13E24 | 37(2) | 16E02 | 6845155 | . | PH1/B | 7901700 |
| 13F29 | 38(2) | 20E45 | 4322500 | . | (FA10.PH5) | 5153437 |
| 12E07 | 39(2) | 12D45 | 4321120 | . | FADW/1 | 1312774 |
| 14D20 | 40(2) | 16E26 | 4323394 | . | (FAMULNH.PH7) | 7904302 |
| 14E18 | 41(2) | 30D42 | 1000370 | . | B0-1 | 7904302 |
| 12F09 | 42(2) | 07E50 | 6845265 | . | PH2-E | 1312774 |
| 30F17 | 43(2) | 14F03 | 7891400 | . | SW13 | 5153437 |
| 07E18 | 44(2) | 26D38 | 4324760 | . | FAST/C | 7901700 |
| 10E07 | 45(2) | 16F14 | 1312770 | I | N(S/K31) | 1312774 |
| 17E02 | 46(1) | | 7904300 | I | N(S/SXNA) | 7904302 |
| 29E39 | 47(1) | | 2385100 | T | AVO | 2385100 |
| | 48(0) | | | | | |
| 16E49 | 49(0) | 18E49 | 8300400 | | P4VE | 8300420 |
| 28E33 | 50(1) | | 8133550 | T | (NVDATAOUT.DATAOUT) | 8133550 |
| 16E51 | 51(0) | 18E51 | 8302400 | | P8VE | 8302420 |

XDS 902306

XDS
XEROX DATA SYSTEMS

DRAWING NO. - 133264-912 AC
PROG-PNIND MODULE-18E
TYPE-PIN INDEX TYPE-IT17

50

10/27/71

| FROM | PIN (COUNT) | TO | SOURCE LINE NO. | ELEM. TYPE | SOURCE SIGNAL NAME | REFERENCE LINE NO. |
|-------|----------------|-------|--------------------|---------------|--------------------|-----------------------|
| | 00(0) | | | | | |
| | 01(1) | 18E16 | 4790518 | . | GND1518 | 7900290 |
| | 02(0) | | | | | |
| 19D26 | 03(2) | 22D38 | 4421580 | . | (FUMMC.PH6) | 6942200 |
| | 04(1) | 01D35 | 1312790 | I | (S/K31/2) | 1312778 |
| | 05(1) | 03F41 | 6942200 | I | NPUC20 | 6942200 |
| 32E04 | 06(2) | 08E41 | 4425500 | . | FUSC | 4375150 |
| 31E10 | 07(2) | 21F19 | 6845970 | . | PH9-D | 1312790 |
| | 08(0) | | | | | |
| | 09(0) | | | | | |
| 08E06 | 10(2) | 17D38 | 6845460 | . | PH4-D | 1312790 |
| 16D28 | 11(2) | 18E37 | 4323295 | . | FAMDS | 1312790 |
| 32E14 | 12(2) | 14D27 | 4425150 | . | FUS | 4375150 |
| 08E40 | 13(2) | 08F04 | 6845560 | . | PH5-E | 4375150 |
| | 14(0) | | | | | |
| 20F11 | 15(2) | 27E31 | 6845855 | . | PH8-B | 4375150 |
| 18E01 | 16(2) | 18E26 | 4790518 | -GND | GND1518 | 4790518 |
| | 17(0) | | | | | |
| | 18(0) | | | | | |
| | 19(1) | 02E25 | 4375150 | I | (R/FL3) | 4375150 |
| 11E40 | 20(1) | | 7900290 | I | N(S/SXAMD) | 7900290 |
| 13E33 | 21(2) | 16E18 | 4324630 | . | (FASEL.PH3) | 7900290 |
| 16D43 | 22(2) | 16E42 | 6630500 | . | OL5 | 7900290 |
| 15D26 | 23(2) | 19E35 | 4325100 | . | FASUB | 7900292 |
| 17E09 | 24(2) | 16E35 | 6902370 | . | (PRE/34+PH2) | 7900292 |
| 16F35 | 25(2) | 02E17 | 3077000 | . | CC1XK23 | 3060135 |
| 18E16 | 26(1) | | 4790518 | . | GND1518 | 2405422 |
| 16F36 | 27(2) | 23D39 | 6910020 | . | PROBOVER/H | 3060234 |
| | 28(0) | | | | | |
| 12F47 | 29(2) | 02F17 | 3060283 | . | (S/CC2/NZ) | 3060236 |
| 11D07 | 30(2) | 11F45 | 2405420 | I | N(S/AXRR/6) | 2405422 |
| | 31(1) | 02F08 | 3060135 | I | N(R/CC1/1) | 3060135 |
| | 32(0) | | | | | |
| 11F39 | 33(2) | 20D24 | 4322580 | . | (FA10/1.PH5) | 2405424 |
| 27F36 | 34(1) | | 7890970 | . | (SW8.NSW7) | 2405424 |
| 18E38 | 35(2) | 31E47 | 6902322 | . | PRE3-E | 3060136 |
| 17D14 | 36(2) | 32E03 | 4324650 | . | FASH | 3060136 |
| 18E11 | 37(2) | 08F21 | 4323295 | . | FAMDS | 3060233 |
| 17E07 | 38(2) | 18E35 | 6902322 | . | PRE3-E | 3060233 |
| 15D29 | 39(2) | 16E22 | 4421490 | . | NFUMH | 2405424 |
| 14E11 | 40(2) | 32D45 | 4425650 | . | (FUSF.PH8) | 3060235 |
| 18E42 | 41(2) | 02F06 | 3060233 | I | N(R/CC2/1) | 3060233 |
| 21E18 | 42(2) | 18E41 | 3060233 | I | N(R/CC2/1) | 3060235 |
| 13F18 | 43(2) | 02E45 | 4425850 | . | (FUSTH.ENDE) | 3060236 |
| | 44(0) | | | | | |
| 23D37 | 45(2) | 01D26 | 6909950 | . | PROBOVER | 3060234 |
| 16D21 | 46(2) | 14F26 | 5156740 | . | (IOPH3.SW8) | 2405422 |
| 13E03 | 47(2) | 20E46 | 4322100 | . | (FA10.PH1) | 3060135 |
| | 48(0) | | | | | |
| 17E49 | 49(0) | 19E49 | 8300400 | . | P4VE | 8300420 |
| 14E13 | 50(2) | 02F50 | 4375130 | . | FL3 | 3060235 |
| 17E51 | 51(0) | 19E51 | 8302400 | . | P8VE | 8302420 |

| FROM | PIN (COUNT) | TO | SOURCE LINE NO. | ELEM. TYPE | SOURCE SIGNAL NAME | REFERENCE LINE NO. |
|-------|----------------|-------|--------------------|---------------|---------------------|-----------------------|
| | 00(0) | | | | | |
| | 01(1) | 12F37 | 4395600 | T | NFPRR | 4395600 |
| | 02(1) | 17D09 | 8133100 | T | (NVDATAIN.DATAIN) | 8133100 |
| | 03(1) | 21D21 | 8133150 | T | N(VDATAIN+VDATAOUT) | 8133150 |
| 32D04 | 04(2) | 04E41 | 4420501 | T | FUA10 | 4420501 |
| 14D30 | 05(1) | | 2841950 | T | NBRPH9 | 2841950 |
| 10E06 | 06(1) | | 7904000 | T | N(S/SXMA) | 7904000 |
| | 07(1) | 02D47 | 5156775 | T | (IOPH3.SW15) | 5156775 |
| 14D37 | 08(1) | | 5188130 | T | (S/IXAL) | 5188130 |
| 20F37 | 09(1) | | 5138100 | T | (INT+IOSC) | 5138100 |
| 11E22 | 10(1) | | 1064525 | T | N06-1 | 1064525 |
| 29E05 | 11(1) | | 2001600 | T | (A16-K16) | 2001600 |
| 04F43 | 12(1) | | 1324919 | T | P32-1 | 1324919 |
| 28F21 | 13(1) | | 6905020 | T | NPRI | 6905020 |
| | 14(1) | 21E14 | 5125350 | T | NIFAST/S | 5125350 |
| 05E15 | 15(1) | | 4323310 | T | FAMDST | 4323310 |
| | 16(0) | | 4790519 | -GND | GND1519 | 4790519 |
| | 17(1) | 21F28 | 4413000 | T | NFSHEX | 4413005 |
| 13E18 | 18(1) | | 5011101 | T | NHALT | 5011101 |
| 23F13 | 19(1) | | 1310336 | T | B31-1 | 1310336 |
| 25E22 | 20(1) | | 8133160 | T | (VDATAIN+VDATAOUT) | 8133160 |
| 15E21 | 21(1) | | 4325150 | T | FAW | 4325150 |
| | 22(1) | 27E21 | 5156625 | T | N(R/IOPH2) | 5156625 |
| 07E44 | 23(1) | | 5415360 | T | KINCRE/B-1 | 5415360 |
| 14D12 | 24(1) | | 4325020 | T | FASTORE/1 | 4325020 |
| 27E37 | 25(1) | | 5188200 | T | (IXAL.PRE2) | 5188200 |
| 29E24 | 26(1) | | 7501600 | T | (S1631Z.N(A16-K16)) | 7501600 |
| 16F11 | 27(1) | | 1300336 | T | B30-1 | 1300336 |
| | 28(1) | 10E28 | 7904300 | T | N(S/SXNA) | 7904300 |
| 17E29 | 29(1) | | 5156910 | T | NIOR | 5156910 |
| 11E31 | 30(1) | | 8165500 | T | WDTA | 8165500 |
| 10E31 | 31(1) | | 7904350 | T | N(S/SXND) | 7904350 |
| | 32(0) | | | | | |
| 20F10 | 33(1) | | 4324727 | T | FAST/A-1 | 4324727 |
| | 34(1) | 21F42 | 5158800 | T | IOTRIN | 5158800 |
| 18E23 | 35(1) | | 4325100 | T | FASUB | 4325100 |
| | 36(1) | 21F08 | 5156900 | T | IOR | 5156900 |
| 23E38 | 37(1) | | 5156777 | T | N(IOPH3.SW15) | 5156777 |
| 25F38 | 38(1) | | 5156730 | T | (S/IOPH3) | 5156730 |
| 19F40 | 39(1) | | 5159850 | T | N(NIPH10.FAMDS) | 5159850 |
| 25F24 | 40(1) | | 6820150 | T | NIC | 6820150 |
| | 41(1) | 11E41 | 7901700 | T | N(S/SXDMA) | 7901700 |
| | 42(1) | 11E42 | 7901750 | T | N(S/SXDMAM1) | 7901750 |
| 12E47 | 43(1) | | 5426000 | T | KPSW1/B-1 | 5426000 |
| 19F37 | 44(1) | | 8165210 | T | NWDINT | 8165210 |
| | 45(1) | 30D08 | 5125130 | T | NIFAMDS | 5125130 |
| | 46(1) | 16F21 | 7904100 | T | N(S/SXMD) | 7904100 |
| 25F42 | 47(1) | | 5156620 | T | (R/IOPH2) | 5156620 |
| | 48(0) | | | | | |
| 18E49 | 49(0) | 20E49 | 8300400 | | P4VE | 8300420 |
| 16F29 | 50(1) | | 7901900 | T | N(S/SXDP1) | 7901900 |
| 18E51 | 51(0) | 20E51 | 8302400 | | P8VE | 8302420 |

XDS 902306

XDS
XEROX DATA SYSTEMS

DRAWING NO. - 133264-912 AC
PROG-PNIND MODULE-20E
TYPE-PIN INDEX TYPE-1T20

52

10/27/71

| FROM | PIN (COUNT) | TO | SOURCE LINE NO. | ELEM. TYPE | SOURCE SIGNAL NAME | REFERENCE LINE NO. |
|-------|----------------|-------|--------------------|---------------|--------------------|-----------------------|
| | 00(0) | | | | | |
| 21D11 | 01(2) | 26D20 | 5156547 | . | N(IOPH1.SW9) | 7563502 |
| 25F21 | 02(1) | | 5159501 | . | IOWD | 7563506 |
| 04F14 | 03(2) | 21E01 | 5150100 | . | IOACT | 7563502 |
| 08D29 | 04(2) | 25D44 | 6821220 | . | PCP2/1 | 7563502 |
| 23E46 | 05(2) | 13E14 | 6845199 | . | PH10-E | 7563504 |
| 20E45 | 06(2) | 32E26 | 4322500 | . | (FA10.PH5) | 3900918 |
| 31F45 | 07(2) | 26E29 | 7890120 | . | NSW0-2 | 3900918 |
| 26E28 | 08(2) | 21E33 | 6821201 | . | NPCP2 | 7563500 |
| 01D24 | 09(2) | 26D22 | 7400210 | . | RQBZP | 7563500 |
| | 10(0) | | | | | |
| 23E47 | 11(2) | 03F03 | 7343230 | . | RESET/KS | 7563500 |
| 14E38 | 12(1) | | 5139000 | . | INTRAP2 | 3900918 |
| 27D05 | 13(2) | 32F43 | 6821620 | . | PCPACT | 7563504 |
| | 14(1) | 20E16 | 4790520 | . | GND1520 | 3900920 |
| 03D17 | 15(2) | 06E35 | 7892060 | . | SWK4 | 3900920 |
| 20E14 | 16(2) | 20E37 | 4790520 | -GND | GND1520 | 4790520 |
| | 17(0) | | | | | |
| 32E28 | 18(2) | 08F47 | 4322820 | . | (FA10.PH8) | 3900922 |
| | 19(0) | | | | | |
| 02D33 | 20(2) | 12D33 | 6902200 | . | PRE2 | 3900922 |
| 29D39 | 21(1) | | 5110120 | . | IA | 3900922 |
| 25D15 | 22(2) | 11E05 | 7563500 | I | NSCINH | 7563500 |
| | 23(1) | 15F41 | 3900900 | I | NDXC | 3900918 |
| | 24(1) | 05E22 | 3905400 | I | NDXS | 3905408 |
| 04F18 | 25(2) | 02E36 | 2407000 | I | NAXZ | 2407000 |
| | 26(0) | | | | | |
| 26E03 | 27(1) | | 6821600 | . | PCP6 | 3905410 |
| 11D10 | 28(1) | | 5360800 | . | KCLEAR/B | 3905408 |
| 25D21 | 29(2) | 17D18 | 6821500 | . | PCP5 | 3900920 |
| | 30(0) | | | | | |
| 27E31 | 31(2) | 29E28 | 6845855 | . | PH8-B | 3905410 |
| | 32(0) | | | | | |
| 04D22 | 33(2) | 11F50 | 4324400 | . | (FAPSD.PRE3) | 2407004 |
| 15E03 | 34(2) | 32E29 | 4322000 | . | FA10 | 3905414 |
| 13E37 | 35(2) | 12F33 | 6902150 | . | PRE/12 | 3905414 |
| 21D42 | 36(2) | 22E10 | 4322300 | . | (FA10.PH3) | 3905412 |
| 20E16 | 37(1) | | 4790520 | . | GND1520 | 3905414 |
| 16D01 | 38(2) | 09D50 | 5386000 | . | KENTER/B-1 | 3905412 |
| 17D04 | 39(2) | 23F36 | 4421590 | . | FUMMC-1 | 3905410 |
| 12E50 | 40(2) | 26E10 | 6821400 | . | PCP4 | 3905408 |
| 08E11 | 41(2) | 06E31 | 7892010 | . | SWK12 | 3905408 |
| 17E11 | 42(2) | 11F20 | 6902335 | . | (PRE3+PH1/F+PH8) | 2407002 |
| 13E06 | 43(2) | 32D25 | 4324702 | . | FAST-2 | 2407002 |
| 28E40 | 44(2) | 19F22 | 7891100 | . | SW10 | 2407000 |
| 17E38 | 45(2) | 20E06 | 4322500 | . | (FA10.PH5) | 2407000 |
| 18E47 | 46(2) | 21E04 | 4322100 | . | (FA10.PH1) | 2407000 |
| 16D08 | 47(2) | 11F30 | 4324365 | . | (FAPSD.PH3) | 2407004 |
| | 48(0) | | | | | |
| 19E49 | 49(0) | 21E49 | 8300400 | . | P4VE | 8300420 |
| 28F19 | 50(2) | 16E09 | 4425710 | . | NFUSIO | 2407000 |
| 19E51 | 51(0) | 21E51 | 8302400 | . | P8VE | 8302420 |

XDS 902306

XDS
XEROX DATA SYSTEMS

DRAWING NO.- 133264-912 AC
PROG-PNIND MODULE-21E
TYPE-PIN INDEX TYPE-IT16

53

10/27/71

| FROM | PIN (COUNT) | TO | SOURCE LINE NO. | ELEM. TYPE | SOURCE SIGNAL NAME | REFERENCE LINE NO. |
|-------|----------------|-------|--------------------|---------------|---------------------|-----------------------|
| | 00(0) | | | | | |
| 20E03 | 01(2) | 27F03 | 5150100 | . | IOACT | 5150110 |
| 13E29 | 02(2) | 26D05 | 4324960 | . | (FAST.PRE3) | 2843862 |
| 30D40 | 03(2) | 04D22 | 4324400 | . | (FAPSD.PRE3) | 2405499 |
| 20E46 | 04(2) | 25E11 | 4322100 | . | (FA10.PH1) | 3060238 |
| 22D25 | 05(2) | 28E47 | 2843850 | I | NBR5W8 | 2843862 |
| | 06(1) | 21D04 | 5125100 | I | IFAM | 5125100 |
| 30D08 | 07(2) | 21E46 | 5125130 | . | NIFAMDS | 5125100 |
| 30D04 | 08(2) | 21E42 | 5125330 | . | NIFAST/L | 5125100 |
| 21D22 | 09(2) | 17F35 | 8133500 | . | VDATAOUT | 8133550 |
| | 10(1) | 15F11 | 8133550 | I | (NVDATAOUT.DATAOUT) | 8133550 |
| 17D09 | 11(2) | 15F15 | 8133100 | I | (NVDATAIN.DATAIN) | 8133100 |
| 21D23 | 12(2) | 17F10 | 8133000 | . | VDATAIN | 8133100 |
| 17D30 | 13(2) | 21E36 | 5156820 | . | N1OPH10 | 5156800 |
| 19E14 | 14(2) | 21E43 | 5125350 | . | NIFAST/S | 5125100 |
| 28E06 | 15(1) | | 5156800 | I | IOPH10 | 5156800 |
| | 16(0) | | 4790521 | -GND | GND1521 | 4790521 |
| 28D26 | 17(2) | 07E08 | 5150110 | I | NIOACT | 5150110 |
| | 18(1) | 18E42 | 3060233 | I | N(R/CC2/1) | 3060238 |
| | 19(1) | 09D36 | 2405480 | I | NAXS | 2405499 |
| | 20(0) | | | | | |
| 10D47 | 21(2) | 32E27 | 4322720 | . | (FA10.PH7) | 3901408 |
| 18F12 | 22(2) | 22E45 | 6720100 | . | OUI | 3060285 |
| 16D23 | 23(2) | 05E12 | 5156760 | . | (IOPH3.SW12) | 2400212 |
| 27E50 | 24(2) | 17E03 | 4321137 | . | FAFL-1 | 4321140 |
| 05D25 | 25(2) | 02E18 | 2400200 | I | NAXAL8 | 2400212 |
| 27D42 | 26(2) | 08D43 | 4321140 | I | NFAFL | 4321140 |
| | 27(1) | 12F47 | 3060283 | I | (S/CC2/NZ) | 3060285 |
| | 28(1) | 13E05 | 3901400 | I | NDXDR8 | 3901408 |
| | 29(0) | | | | | |
| 04D07 | 30(2) | 19F46 | 5125140 | . | IFAMDS | 5125130 |
| 26E04 | 31(2) | 13E25 | 5156450 | . | (IOPH0.SW10) | 2904510 |
| | 32(0) | | | | | |
| 20E08 | 33(2) | 19F05 | 6821201 | . | NPCP2 | 1270355 |
| | 34(1) | 21F27 | 1270355 | I | B27/1 | 1270355 |
| | 35(0) | | | | | |
| 21E13 | 36(2) | 21E41 | 5156820 | I | N1OPH10 | 5156820 |
| | 37(1) | 29F33 | 5159800 | . | IPH10 | 5156820 |
| 13F09 | 38(2) | 22D34 | 4321137 | . | FAFL-1 | 5156822 |
| | 39(0) | | | | | |
| 02F34 | 40(2) | 22E40 | 1270304 | . | NB27 | 1270355 |
| 21E36 | 41(1) | | 5156820 | I | N1OPH10 | 5156822 |
| 21E08 | 42(2) | 19F39 | 5125330 | . | NIFAST/L | 5125320 |
| 21E14 | 43(2) | 19F33 | 5125350 | . | NIFAST/S | 5125340 |
| 12E09 | 44(1) | | 5125320 | I | IFAST/L | 5125320 |
| 12E19 | 45(1) | | 5125340 | I | IFAST/S | 5125340 |
| 21E07 | 46(1) | | 5125130 | I | NIFAMDS | 5125130 |
| | 47(1) | 02E11 | 2904510 | I | NBXP/2 | 2904510 |
| | 48(0) | | | | | |
| 20E49 | 49(0) | 22E49 | 8300400 | | P4VE | 8300420 |
| | 50(0) | | | | | |
| 20E51 | 51(0) | 22E51 | 8302400 | | P8VE | 8302420 |

XDS 902306



DRAWING NO. - 133264-912 AC
 PROG-PNIND MODULE-22E
 TYPE-PIN INDEX TYPE-XT10

54
 10/27/71

| FROM | PIN (COUNT) | TO | SOURCE LINE NO. | ELEM. TYPE | SOURCE SIGNAL NAME | REFERENCE LINE NO. |
|-------|-------------|-------|-----------------|------------|--------------------|--------------------|
| | 00(0) | | | | | |
| 21D31 | 01(1) | | 5151030 | T | N(R/IODA) | 5151030 |
| 29D30 | 02(1) | | 5151050 | T | NIODAXA | 5151050 |
| 27E02 | 03(1) | | 7890825 | T | N(R/SW7) | 7890825 |
| 32D38 | 04(1) | | 4425700 | T | FUSIO | 4425700 |
| 25E05 | 05(1) | | 1214940 | T | P21-1 | 1214940 |
| 22D37 | 06(1) | | 4324670 | T | (FASH.PH5.NFL2) | 4324670 |
| 31E01 | 07(1) | | 6845680 | T | N(S/PH6/IO) | 6845680 |
| 25E08 | 08(1) | | 1001336 | T | D0-1 | 1001336 |
| | 09(1) | 29E26 | 1234940 | T | P23-1 | 1234940 |
| 20E36 | 10(1) | | 4322300 | T | (FAIO.PH3) | 4322300 |
| 14F39 | 11(1) | | 2498000 | T | NAXZ/012 | 2498000 |
| 17D47 | 12(1) | | 8065420 | T | (S/TRAP) | 8065420 |
| 26E09 | 13(1) | | 5394004 | T | KFILL/B-1 | 5394004 |
| 23E44 | 14(1) | | 5366120 | T | NKCPURESET/B-1 | 5366120 |
| 24F43 | 15(1) | | 7901030 | T | N(S/SXC) | 7901030 |
| | 16(0) | | 4790522 | -GND | GND1522 | 4790522 |
| 27E47 | 17(1) | | 7900460 | T | N(S/SXB) | 7900460 |
| 25F45 | 18(1) | | 5156430 | T | (S/IOPH0) | 5156430 |
| 27E22 | 19(1) | | 5156425 | T | N(R/IOPH0) | 5156425 |
| 24F20 | 20(1) | | 6038420 | T | (S/MBXS/2) | 6038420 |
| 25F47 | 21(1) | | 5156420 | T | (R/IOPH0) | 5156420 |
| | 22(1) | 14E47 | 3107040 | T | N(S/CEINT) | 3107040 |
| 23F23 | 23(1) | | 6038220 | T | (S/MBXS/1) | 6038220 |
| 23F34 | 24(1) | | 4421580 | T | (FUMMC.PH6) | 4421580 |
| 18D19 | 25(1) | | 4324671 | T | (FASTNABORT.PH9) | 4324671 |
| 27F05 | 26(1) | | 5154070 | T | NIOINH | 5154070 |
| 29E03 | 27(1) | | 4421432 | T | FULAWORDW | 4421432 |
| 15E38 | 28(1) | | 7343145 | T | NRESET/A | 7343145 |
| 29F24 | 29(1) | | 7890830 | T | (S/SW7) | 7890830 |
| 29F22 | 30(1) | | 7890820 | T | (R/SW7) | 7890820 |
| 20F27 | 31(1) | | 6902400 | T | PRE4 | 6902400 |
| | 32(0) | | | | | |
| 20F23 | 33(1) | | 6902324 | T | PRE3-F | 6902324 |
| 22F40 | 34(1) | | 5152050 | T | (S/IOEN) | 5152050 |
| 24F35 | 35(1) | | 6038020 | T | (S/MBXS) | 6038020 |
| 25E38 | 36(1) | | 7890250 | T | (SW1+SW4) | 7890250 |
| 22F35 | 37(1) | | 5150730 | T | (R/IOCONST) | 5150730 |
| 22F38 | 38(1) | | 5150750 | T | (S/IOCONST) | 5150750 |
| 23F39 | 39(1) | | 6038070 | T | (S/MBXS/0) | 6038070 |
| 21E40 | 40(1) | | 1270304 | T | NB27 | 1270304 |
| 22F42 | 41(1) | | 5152030 | T | (R/IOEN) | 5152030 |
| 26E42 | 42(1) | | 1224940 | T | P22-1 | 1224940 |
| 19F21 | 43(1) | | 7869100 | T | STRAP | 7869100 |
| 17F40 | 44(1) | | 6803290 | T | N(P32.P33.NB0) | 6803290 |
| 21E22 | 45(1) | | 6720100 | T | OU1 | 6720100 |
| 22E47 | 46(1) | | 3181090 | T | CL-01E22 | 3181090 |
| 22E50 | 47(2) | 22E46 | 3181090 | T | CL-01E22 | 3181090 |
| | 48(0) | | | | | |
| 21E49 | 49(0) | 23E49 | 8300400 | | P4VE | 8300420 |
| 22F01 | 50(2) | 22E47 | 3181090 | T | CL-01E22 | 3181090 |
| 21E51 | 51(0) | 23E51 | 8302400 | | P8VE | 8302420 |

XDS 902306

XDS
XEROX DATA SYSTEMS

DRAWING NO.- 133264-912 AC
PROG-PNIND MODULE-23E
TYPE-PIN INDEX TYPE-LT13

55

10/27/71

| FROM | PIN (COUNT) | TO | SOURCE LINE NO. | ELEM. TYPE | SOURCE SIGNAL NAME | REFERENCE LINE NO. |
|-------|----------------|-------|--------------------|---------------|---------------------|-----------------------|
| | 00(0) | | | | | |
| 23E40 | 01(1) | | 5156625 | I | N(R/IOPH2) | 5156625 |
| 15F11 | 02(2) | 23E20 | 8133550 | . | (NVDATAOUT.DATAOUT) | 5156427 |
| 15F05 | 03(2) | 23E18 | 5156470 | . | (IOPH0.SW14) | 5156427 |
| | 04(0) | | | | | |
| 31E25 | 05(2) | 23E08 | 2579000 | . | BCZ | 5156625 |
| 28E21 | 06(2) | 07E27 | 5156675 | . | (IOPH2.SW15) | 5156625 |
| 22D20 | 07(2) | 13F44 | 5156670 | . | (IOPH2.SW14) | 5156625 |
| 23E05 | 08(2) | 07E41 | 2579000 | . | BCZ | 5156625 |
| 29E23 | 09(2) | 21D01 | 5156900 | . | IOR | 5156425 |
| 28D40 | 10(2) | 23E26 | 5156460 | . | (IOPH0.SW12) | 5156425 |
| 32F23 | 11(2) | 23E21 | 5156475 | . | (IOPH0.SW15) | 5156425 |
| | 12(1) | 27E22 | 5156425 | I | N(R/IOPH0) | 5156425 |
| | 13(1) | 27E23 | 5156535 | I | N(S/IOPH1) | 5156535 |
| | 14(0) | | | | | |
| 15D20 | 15(2) | 23F02 | 5150501 | . | I0B0 | 5156535 |
| | 16(0) | | 4790523 | -GND | GND1523 | 4790523 |
| 15D22 | 17(2) | 28E18 | 5152750 | . | IOENNIN | 5156535 |
| 23E03 | 18(2) | 28E35 | 5156470 | . | (IOPH0.SW14) | 5156537 |
| | 19(0) | | | | | |
| 23E02 | 20(2) | 28E33 | 8133550 | . | (NVDATAOUT.DATAOUT) | 5156537 |
| 23E11 | 21(2) | 25E37 | 5156475 | . | (IOPH0.SW15) | 5156535 |
| | 22(0) | | | | | |
| | 23(1) | 25F45 | 5156430 | I | (S/IOPH0) | 5156430 |
| | 24(1) | 29F42 | 7890530 | B | (S/SW4) | 7890530 |
| 22D50 | 25(2) | 21F13 | 3811150 | . | (DOR.IOR) | 5156730 |
| 23E10 | 26(2) | 29E22 | 5156460 | . | (IOPH0.SW12) | 5156730 |
| 23E31 | 27(2) | 28E39 | 5151100 | . | I0DC | 5156732 |
| 29D37 | 28(2) | 23E33 | 3532500 | . | DASW4 | 5156732 |
| 14E25 | 29(2) | 03E37 | 5156540 | . | (IOPH1.SW8) | 5156732 |
| 12F13 | 30(2) | 26E41 | 4324704 | . | (FAST.PH1/A) | 7890530 |
| 21F10 | 31(2) | 23E27 | 5151100 | . | I0DC | 7890532 |
| | 32(0) | | | | | |
| 23E28 | 33(2) | 25E28 | 3532500 | . | DASW4 | 7890532 |
| 25E21 | 34(2) | 25E34 | 5156543 | . | (IOPH1.SW8)-F | 7890532 |
| 02E46 | 35(2) | 29E24 | 7501600 | . | (S1631Z.N(A16-K16)) | 7890530 |
| | 36(1) | 25F38 | 5156730 | I | (S/IOPH3) | 5156730 |
| | 37(1) | 29F35 | 5159830 | B | (S/IOPH10) | 5159830 |
| 21D15 | 38(2) | 19E37 | 5156777 | . | N(IOPH3.SW15) | 5156430 |
| 20D38 | 39(2) | 19F31 | 5152720 | . | NIOENIN | 5156430 |
| 27E21 | 40(2) | 23E01 | 5156625 | . | N(R/IOPH2) | 5156430 |
| 26E31 | 41(2) | 25D39 | 5154070 | . | NIOINH | 5159830 |
| 22F19 | 42(2) | 04F24 | 7343000 | . | RESET | 7343230 |
| | 43(0) | | | | | |
| 16D22 | 44(2) | 22E14 | 5366120 | . | NKCPURESET/B-1 | 7343230 |
| | 45(0) | | | | | |
| 25D33 | 46(2) | 20E05 | 6845199 | . | PH10-E | 5159830 |
| 19D39 | 47(2) | 20E11 | 7343230 | B | RESET/KS | 7343230 |
| | 48(0) | | | | | |
| 22E49 | 49(0) | 24E49 | 8300400 | . | P4VE | 8300430 |
| 26E43 | 50(2) | 06F38 | 5158100 | . | I0SC | 5159830 |
| 22E51 | 51(0) | 24E51 | 8302400 | . | P8VE | 8302430 |

XDS 902306



DRAWING NO.- 133264-912 AC
 PROG-PNIND MODULE-24E
 TYPE-PIN INDEX TYPE-

56

10/27/71

| FROM | PIN (COUNT) | TO | SOURCE LINE NO. | ELEM. TYPE | SOURCE SIGNAL NAME | REFERENCE LINE NO. |
|-------|----------------|-------|--------------------|---------------|--------------------|-----------------------|
| | 00(0) | | | | | |
| | 01(0) | | | | | |
| | 02(0) | | | | | |
| | 03(0) | | | | | |
| | 04(0) | | | | | |
| | 05(0) | | | | | |
| | 06(0) | | | | | |
| | 07(0) | | | | | |
| | 08(0) | | | | | |
| | 09(0) | | | | | |
| | 10(0) | | | | | |
| | 11(0) | | | | | |
| | 12(0) | | | | | |
| | 13(0) | | | | | |
| | 14(0) | | | | | |
| | 15(0) | | | | | |
| | 16(0) | | 4790524 | -GND | GND1524 | 4790524 |
| | 17(0) | | | | | |
| | 18(0) | | | | | |
| | 19(0) | | | | | |
| | 20(0) | | | | | |
| | 21(0) | | | | | |
| | 22(0) | | | | | |
| | 23(0) | | | | | |
| | 24(0) | | | | | |
| | 25(0) | | | | | |
| | 26(0) | | | | | |
| | 27(0) | | | | | |
| | 28(0) | | | | | |
| | 29(0) | | | | | |
| | 30(0) | | | | | |
| | 31(0) | | | | | |
| | 32(0) | | | | | |
| | 33(0) | | | | | |
| | 34(0) | | | | | |
| | 35(0) | | | | | |
| | 36(0) | | | | | |
| | 37(0) | | | | | |
| | 38(0) | | | | | |
| | 39(0) | | | | | |
| | 40(0) | | | | | |
| | 41(0) | | | | | |
| | 42(0) | | | | | |
| | 43(0) | | | | | |
| | 44(0) | | | | | |
| | 45(0) | | | | | |
| | 46(0) | | | | | |
| | 47(0) | | | | | |
| | 48(0) | | | | | |
| 23E49 | 49(0) | 25E49 | 8300400 | P4VE | | 8300430 |
| | 50(0) | | | | | |
| 23E51 | 51(0) | 25E51 | 8302400 | P8VE | | 8302430 |

| FROM | PIN (COUNT) | TO | SOURCE LINE NO. | ELEM. TYPE | SOURCE SIGNAL NAME | REFERENCE LINE NO. |
|-------|----------------|-------|--------------------|---------------|--------------------|-----------------------|
| | 00(0) | | | | | |
| | 01(1) | 27E03 | 7890640 | I | N(S/SW5) | 7890640 |
| 25E12 | 02(2) | 29F04 | 7890800 | . | SW7 | 7890825 |
| 29E19 | 03(2) | 12F06 | 4324708 | . | (FAST.PH1/C) | 7890825 |
| 28E34 | 04(2) | 17E21 | 4322540 | . | (FA10.PH5.SW8) | 7890825 |
| 02F39 | 05(2) | 22E05 | 1214940 | . | P21-1 | 7890640 |
| 21F45 | 06(1) | | 8145100 | . | (VORDER.IOTRIN) | 7890642 |
| 15E44 | 07(2) | 28E08 | 5156770 | . | (IOPH3.SW14) | 7890642 |
| 13D10 | 08(2) | 22E08 | 1001336 | . | D0-1 | 7890640 |
| 26E41 | 09(2) | 29E11 | 4324704 | . | (FAST.PH1/A) | 7890640 |
| | 10(0) | | | | | |
| 21E04 | 11(2) | 29E18 | 4322100 | . | (FA10.PH1) | 7890640 |
| 20D07 | 12(2) | 25E02 | 7890800 | . | SW7 | 7890825 |
| | 13(0) | | | | | |
| 32F25 | 14(2) | 27E17 | 7890825 | I | N(R/SW7) | 7890825 |
| | 15(1) | 02E01 | 3510100 | I | ND0003XZ | 3510100 |
| | 16(0) | | 4790525 | -GND | GND1525 | 4790525 |
| 25D41 | 17(2) | 25E36 | 5156545 | . | (IOPH1.SW9) | 7890826 |
| | 18(0) | | | | | |
| 25D43 | 19(2) | 25E43 | 7890400 | . | SW3 | 7410236 |
| 25D06 | 20(2) | 19F13 | 6691700 | . | ORDSW4 | 7410236 |
| 25D07 | 21(2) | 23E34 | 5156543 | . | (IOPH1.SW8)-F | 7410236 |
| 25D11 | 22(2) | 19E20 | 8133160 | . | (VDATAIN+VDATAOUT) | 7410234 |
| | 23(0) | | | | | |
| 25D45 | 24(2) | 13F35 | 5156560 | . | (IOPH1.SW12) | 7410236 |
| 28D20 | 25(2) | 12D06 | 4421300 | . | FUINT | 3510100 |
| 32D27 | 26(2) | 27F19 | 6845110 | . | PH1-F | 3510100 |
| 25E35 | 27(2) | 29E10 | 7417500 | . | RT09 | 7890826 |
| 23E33 | 28(2) | 25E33 | 3532500 | . | DASW4 | 7890826 |
| | 29(1) | 25E30 | 7410230 | I | N(S/RSA) | 7410234 |
| 25E29 | 30(1) | | 7410230 | I | N(S/RSA) | 7410230 |
| | 31(1) | 03F40 | 7410220 | I | (S/RSA) | 7410220 |
| | 32(0) | | | | | |
| 25E28 | 33(2) | 25E40 | 3532500 | . | DASW4 | 7890746 |
| 23E34 | 34(2) | 29E34 | 5156543 | . | (IOPH1.SW8)-F | 7890744 |
| 26E14 | 35(2) | 25E27 | 7417500 | . | RT09 | 7890746 |
| 25E17 | 36(2) | 25E41 | 5156545 | . | (IOPH1.SW9) | 7890746 |
| 23E21 | 37(2) | 15F17 | 5156475 | . | (IOPH0.SW15) | 7890744 |
| 30D35 | 38(2) | 22E36 | 7890250 | . | (SW1+SW4) | 7890744 |
| | 39(0) | | | | | |
| 25E33 | 40(2) | 25E42 | 3532500 | . | DASW4 | 7410230 |
| 25E36 | 41(2) | 26E06 | 5156545 | . | (IOPH1.SW9) | 7410230 |
| 25E40 | 42(2) | 25E44 | 3532500 | . | DASW4 | 7410232 |
| 25E19 | 43(2) | 29F06 | 7890400 | . | SW3 | 7410232 |
| 25E42 | 44(2) | 21F11 | 3532500 | . | DASW4 | 7890744 |
| 14F46 | 45(2) | 25D08 | 5156550 | . | (IOPH1.SW10) | 7410232 |
| | 46(1) | 29F25 | 7890730 | I | (S/SW6) | 7890730 |
| 26E46 | 47(1) | | 7890740 | I | N(S/SW6) | 7890744 |
| | 48(0) | | | | | |
| 24E49 | 49(0) | 26E49 | 8300400 | . | P4VE | 8300430 |
| 26E05 | 50(2) | 31F34 | 7417512 | . | NRT09 | 7410230 |
| 24E51 | 51(0) | 26E51 | 8302400 | . | P8VE | 8302430 |

XDS 902306

XDS
XEROX DATA SYSTEMS

DRAWING NO.- 133264-912 AC
PROG-PNIND MODULE-26E
TYPE-PIN INDEX TYPE-IT25

58
10/27/71

| FROM | PIN (COUNT) | TO | SOURCE LINE NO. | ELEM. TYPE | SOURCE SIGNAL NAME | REFERENCE LINE NO. |
|-------|----------------|-------|--------------------|---------------|--------------------|-----------------------|
| | 00(0) | | | | | |
| | 01(1) | 32D18 | 6821420 | I | N(PCP4.KFILL/B) | 6821420 |
| | 02(1) | 32D31 | 6821615 | I | N(PCP6.KFILL/B) | 6821615 |
| 08E12 | 03(2) | 20E27 | 6821600 | . | PCP6 | 6821615 |
| 17D13 | 04(2) | 21E31 | 5156450 | . | (IOPH0.SW10) | 2844250 |
| 25D50 | 05(2) | 25E50 | 7417512 | . | NRT09 | 2844150 |
| 25E41 | 06(2) | 29E08 | 5156545 | . | (IOPH1.SW9) | 2844150 |
| 21D18 | 07(2) | 28E43 | 5125110 | . | NIFAM | 2844150 |
| 05E35 | 08(2) | 28E06 | 5156800 | . | IOPH10 | 2844250 |
| 26E11 | 09(2) | 22E13 | 5394004 | . | KFILL/B-1 | 6821615 |
| 20E40 | 10(1) | | 6821400 | . | PCP4 | 6821420 |
| 16D40 | 11(2) | 26E09 | 5394004 | . | KFILL/B-1 | 6821420 |
| | 12(1) | 27E12 | 2844150 | I | NBRSW11 | 2844150 |
| | 13(1) | 27E13 | 2844250 | I | NBRSW12 | 2844250 |
| | 14(1) | 25E35 | 7417500 | I | RT09 | 7417500 |
| 25D47 | 15(1) | | 5152060 | I | N(S/IOEN) | 5152064 |
| | 16(0) | | 4790526 | -GND | GND1526 | 4790526 |
| | 17(0) | | | | | |
| 21F34 | 18(2) | 30E18 | 5152170 | . | IOEN6 | 5152064 |
| 28E42 | 19(2) | 17F03 | 7890401 | . | NSW3 | 7417500 |
| 03E30 | 20(2) | 30E20 | 1140304 | . | NB14 | 7417500 |
| 30E21 | 21(1) | | 1100370 | . | N(S/B10) | 7417500 |
| | 22(1) | 19F03 | 5159801 | . | NIPH10 | 6845680 |
| 12E20 | 23(2) | 20D36 | 5152070 | . | (NIOEN+IOB0) | 6845680 |
| 25F08 | 24(2) | 12E02 | 5156565 | . | (IOPH1.SW13) | 6845680 |
| 29E43 | 25(1) | | 5154201 | . | IOIR | 6820160 |
| 15E02 | 26(2) | 25F22 | 4322060 | . | N(FA10.EXC) | 6820160 |
| | 27(0) | | | | | |
| 17D45 | 28(2) | 20E08 | 6821201 | . | NPCP2 | 6845680 |
| 20E07 | 29(2) | 28E03 | 7890120 | . | NSW0-2 | 7417500 |
| 28D06 | 30(2) | 26E43 | 5158100 | . | IOSC | 5152064 |
| 17D25 | 31(2) | 23E41 | 5154070 | . | NIOINH | 5152064 |
| | 32(0) | | | | | |
| | 33(1) | 32F10 | 6820150 | I | NIC | 6820160 |
| | 34(1) | 31E13 | 6845680 | I | N(S/PH6/IO) | 6845680 |
| | 35(1) | 32E20 | 5152080 | I | N(IOEN.IOSC) | 5152080 |
| | 36(1) | 18F28 | 6038800 | I | (N(S/MBXS)+IOIN) | 6038800 |
| 23D41 | 37(2) | 24F35 | 6038020 | . | (S/MBXS) | 6038800 |
| 20D44 | 38(2) | 10E03 | 5152000 | . | IOEN | 5152080 |
| 29E18 | 39(2) | 32F13 | 4322100 | . | (FA10.PH1) | 7890740 |
| 04F21 | 40(2) | 30E40 | 1161336 | . | D16-1 | 7890742 |
| 23E30 | 41(2) | 25E09 | 4324704 | . | (FAST.PH1/A) | 7890742 |
| 02F40 | 42(2) | 22E42 | 1224940 | . | P22-1 | 7890740 |
| 26E30 | 43(2) | 23E50 | 5158100 | . | IOSC | 5152080 |
| | 44(1) | 30D31 | 5154001 | . | NIOIN | 6038800 |
| | 45(1) | 26E46 | 7890740 | I | N(S/SW6) | 7890740 |
| 26E45 | 46(2) | 25E47 | 7890740 | I | N(S/SW6) | 7890742 |
| 25F44 | 47(1) | | 5156530 | T | (S/IOPH1) | 5156530 |
| | 48(0) | | | | | |
| 25E49 | 49(0) | 27E49 | 8300400 | | P4VE | 8300430 |
| 28F30 | 50(1) | | 1090138 | T | A9-1 | 1090138 |
| 25E51 | 51(0) | 27E51 | 8302400 | | P8VE | 8302430 |

XDS 902306

XDS
XEROX DATA SYSTEMS

DRAWING NO.- 133264-912 AC
PROG-PNIND MODULE-27E
TYPE-PIN INDEX TYPE-IT16

59

10/27/71

| FROM | PIN (COUNT) | TO | SOURCE LINE NO. | ELEM. TYPE | SOURCE SIGNAL NAME | REFERENCE LINE NO. |
|-------|----------------|-------|--------------------|---------------|--------------------|-----------------------|
| | 00(0) | | | | | |
| 28D34 | 01(2) | 27E38 | 7343140 | . | RESET/A | 7890827 |
| 27E17 | 02(2) | 22E03 | 7890825 | . | N(R/SW7) | 7890820 |
| 25E01 | 03(2) | 30E09 | 7890640 | . | N(S/SW5) | 7890630 |
| 30E08 | 04(2) | 29E01 | 7890440 | . | N(S/SW3) | 7890430 |
| | 05(1) | 29F22 | 7890820 | I | (R/SW7) | 7890820 |
| 07E23 | 06(2) | 15E14 | 7900390 | I | N(S/SXAPD) | 7900398 |
| 27D28 | 07(2) | 29E21 | 4323344 | . | (FAMT.PH1) | 7900398 |
| 21F30 | 08(2) | 31E38 | 1286202 | . | NR28 | 7900398 |
| 28E01 | 09(2) | 17F12 | 2844050 | . | NBRSW10 | 2844000 |
| | 10(1) | 30F44 | 2844000 | I | BRSW10 | 2844000 |
| | 11(1) | 30F46 | 2844100 | I | BRSW11 | 2844100 |
| 26E12 | 12(2) | 17F13 | 2844150 | . | NBRSW11 | 2844100 |
| 26E13 | 13(2) | 17F14 | 2844250 | . | NBRSW12 | 2844200 |
| 29E20 | 14(2) | 30E19 | 7471020 | . | NRZ | 7900398 |
| | 15(1) | 30F20 | 2844200 | I | BRSW12 | 2844200 |
| | 16(0) | | 4790527 | -GND | GND1527 | 4790527 |
| 25E14 | 17(2) | 27E02 | 7890825 | I | N(R/SW7) | 7890827 |
| | 18(1) | 30E30 | 7890430 | I | (S/SW3) | 7890430 |
| | 19(1) | 29F13 | 7890630 | I | (S/SW5) | 7890630 |
| | 20(0) | | | | | |
| 19E22 | 21(2) | 23E40 | 5156625 | . | N(R/IOPH2) | 5156620 |
| 23E12 | 22(2) | 22E19 | 5156425 | . | N(R/IOPH0) | 5156420 |
| 23E13 | 23(2) | 20D50 | 5156535 | . | N(S/IOPH1) | 5156530 |
| 18F20 | 24(2) | 30E25 | 5152040 | . | N(R/IOEN) | 5152030 |
| | 25(1) | 25F44 | 5156530 | I | (S/IOPH1) | 5156530 |
| | 26(1) | 22F42 | 5152030 | I | (R/IOEN) | 5152030 |
| | 27(1) | 25F47 | 5156420 | I | (R/IOPH0) | 5156420 |
| | 28(1) | 25F42 | 5156620 | I | (R/IOPH2) | 5156620 |
| | 29(0) | | | | | |
| 05D21 | 30(2) | 12F27 | 6845855 | . | PH8-B | 2902162 |
| 18E15 | 31(2) | 20E31 | 6845855 | . | PH8-B | 7900460 |
| | 32(0) | | | | | |
| | 33(0) | | | | | |
| | 34(1) | 02E35 | 3510815 | I | ND0815XZ | 3510815 |
| 25D01 | 35(2) | 32F40 | 7410830 | I | N(S/RSCLEN) | 7410830 |
| 15E14 | 36(1) | | 7900390 | I | N(S/SXAPD) | 7900397 |
| 23D21 | 37(2) | 19E25 | 5188200 | . | (IXAL.PRE2) | 7900397 |
| 27E01 | 38(2) | 29F09 | 7343140 | . | RESET/A | 7343145 |
| 28E07 | 39(2) | 23F50 | 5156440 | . | (IOPH0.SW8) | 7410830 |
| 28E45 | 40(2) | 05E41 | 5156555 | . | (IOPH1.SW11) | 3510815 |
| | 41(1) | 15E38 | 7343145 | I | NRESET/A | 7343145 |
| 12E31 | 42(2) | 06D41 | 6845765 | . | PH7-D | 2902160 |
| 14E09 | 43(2) | 11F11 | 6845198 | . | (PH1+PH3) | 7904350 |
| 27E46 | 44(2) | 02E05 | 2902160 | I | NBXFP | 2902160 |
| | 45(1) | 10E45 | 7904350 | I | N(S/SXND) | 7904350 |
| | 46(1) | 27E44 | 2902160 | I | NBXFP | 2902162 |
| 24F47 | 47(2) | 22E17 | 7900460 | I | N(S/SXB) | 7900460 |
| | 48(0) | | | | | |
| 26E49 | 49(0) | 28E49 | 8300400 | . | P4VE | 8300430 |
| 22D34 | 50(2) | 21E24 | 4321137 | . | FAFL-1 | 2902162 |
| 26E51 | 51(0) | 28E51 | 8302400 | . | P8VE | 8302430 |

XDS 902306

XDS
XEROX DATA SYSTEMS

DRAWING NO.- 133264-912 AC
PROG-PNIND MODULE-28E
TYPE-PIN INDEX TYPE-LT14

60

10/27/71

| FROM | PIN (COUNT) | TO | SOURCE LINE NO. | ELEM. TYPE | SOURCE SIGNAL NAME | REFERENCE LINE NO. |
|-------|----------------|-------|--------------------|---------------|---------------------|-----------------------|
| | 00(0) | | | | | |
| | 01(1) | 27E09 | 2844050 | I | NBRSW10 | 2844050 |
| 17E30 | 02(2) | 32E34 | 4322400 | . | (FA10.PH4) | 3060158 |
| 26E29 | 03(2) | 28D10 | 7890120 | . | NSW0-2 | 3060158 |
| 21F26 | 04(2) | 18D26 | 3078000 | . | CCXRWD | 3060162 |
| 30E05 | 05(2) | 14E19 | 1010370 | . | B1-1 | 2844052 |
| 26E08 | 06(2) | 21E15 | 5156800 | . | IOPH10 | 2844052 |
| 05E34 | 07(2) | 27E39 | 5156440 | . | (IOPH0.SW8) | 2844052 |
| 25E07 | 08(2) | 14F05 | 5156770 | . | (IOPH3.SW14) | 2844050 |
| 31F02 | 09(2) | 02E44 | 5158800 | . | IOTRIN | 2844050 |
| 05E50 | 10(2) | 21F39 | 8145000 | . | VORDER | 2844050 |
| 09D37 | 11(2) | 28F43 | 5156750 | . | (IOPH3.SW10) | 2844052 |
| 16D02 | 12(1) | | 5539100 | . | KSS1 | 3060162 |
| 21D34 | 13(2) | 23D33 | 3314000 | . | COND1 | 3060158 |
| | 14(1) | 14E14 | 3060150 | I | N(S/CC1/1) | 3060158 |
| 20D34 | 15(2) | 28E30 | 2844350 | I | NBRSW13 | 2844362 |
| | 16(0) | | 4790528 | -GND | GND1528 | 4790528 |
| 18D17 | 17(2) | 30E37 | 3078800 | . | CCXTRACC | 3060160 |
| 23E17 | 18(2) | 27F06 | 5152750 | . | IOENNIN | 2844362 |
| | 19(0) | | | | | |
| 02D21 | 20(2) | 31E23 | 2579050 | . | NBCZ | 2844552 |
| 22D15 | 21(2) | 23E06 | 5156675 | . | (IOPH2.SW15) | 2844552 |
| 15F25 | 22(2) | 25D03 | 5156467 | . | (IOPH0.SW13)-F | 2844550 |
| 16F30 | 23(2) | 25D02 | 6691000 | . | ORDERIN | 2844550 |
| 21D13 | 24(2) | 25F35 | 5156775 | . | (IOPH3.SW15) | 2844550 |
| 27F07 | 25(2) | 29E39 | 2385100 | . | AVO | 2844362 |
| 23F10 | 26(2) | 25F07 | 5150501 | . | IOB0 | 2844362 |
| 27D38 | 27(1) | | 8065150 | . | TRACC1 | 3060160 |
| | 28(0) | | | | | |
| | 29(1) | 28F13 | 2844550 | I | NBRSW15 | 2844550 |
| 28E15 | 30(2) | 17F01 | 2844350 | I | NBRSW13 | 2844358 |
| | 31(1) | 30F02 | 2844300 | I | BRSW13 | 2844300 |
| | 32(0) | | | | | |
| 23E20 | 33(2) | 17E50 | 8133550 | . | (NVDATAOUT.DATAOUT) | 2843860 |
| 29E35 | 34(2) | 25E04 | 4322540 | . | (FA10.PH5.SW8) | 2843856 |
| 23E18 | 35(2) | 25D17 | 5156470 | . | (IOPH0.SW14) | 2843860 |
| | 36(0) | | | | | |
| 29E34 | 37(2) | 27F26 | 5156543 | . | (IOPH1.SW8)-F | 2843858 |
| 29E44 | 38(2) | 27F25 | 3532504 | . | DASW4-1 | 2843858 |
| 23E27 | 39(2) | 27F27 | 5151100 | . | IODC | 2843858 |
| 28F50 | 40(2) | 20E44 | 7891100 | . | SW10 | 2844358 |
| 20D24 | 41(2) | 32E46 | 4322580 | . | (FA10/1.PH5) | 2844358 |
| 29F07 | 42(2) | 26E19 | 7890401 | . | NSW3 | 2844360 |
| 26E07 | 43(2) | 17E25 | 5125110 | . | NIFAM | 2844360 |
| 29E38 | 44(2) | 27F37 | 7890801 | . | NSW7 | 2843856 |
| 25D38 | 45(2) | 27E40 | 5156555 | . | (IOPH1.SW11) | 2844360 |
| | 46(1) | 30F26 | 2843800 | I | BRSW8 | 2843800 |
| 21E05 | 47(2) | 32F05 | 2843850 | I | NBRSW8 | 2843856 |
| | 48(0) | | | | | |
| 27E49 | 49(0) | 29E49 | 8300400 | . | P4VE | 8300430 |
| 27D02 | 50(2) | 27F21 | 1316215 | . | R31-1 | 2844358 |
| 27E51 | 51(0) | 29E51 | 8302400 | . | P8VE | 8302430 |

XDS 902306

XDS
XEROX DATA SYSTEMS

DRAWING NO.- 133264-912 AC
PROG-PNIND MODULE-29E
TYPE-PIN INDEX TYPE-LT14

61

10/27/71

| FROM | PIN (COUNT) | TO | SOURCE LINE NO. | ELEM. TYPE | SOURCE SIGNAL NAME | REFERENCE LINE NO. |
|-------|----------------|-------|--------------------|---------------|---------------------|-----------------------|
| | 00(0) | | | | | |
| 27E04 | 01(2) | 29E15 | 7890440 | I | N(S/SW3) | 7890440 |
| 13D18 | 02(2) | 12D18 | 1001340 | . | ND0-1 | 7890846 |
| 14F15 | 03(2) | 22E27 | 4421432 | . | FULAWORDW | 7890846 |
| 21D26 | 04(2) | 29F17 | 8051000 | . | TODATA | 7890846 |
| 28D37 | 05(2) | 19E11 | 2001600 | . | (A16-K16) | 7890442 |
| | 06(0) | | | | | |
| 23D06 | 07(2) | 14F29 | 5156701 | . | IOPH3 | 7890446 |
| 26E06 | 08(2) | 20D47 | 5156545 | . | (IOPH1.SW9) | 7890440 |
| 29D36 | 09(2) | 29E44 | 3532504 | . | DASW4-1 | 7890440 |
| 25E27 | 10(2) | 31F40 | 7417500 | . | RT09 | 7890440 |
| 25E09 | 11(2) | 32D33 | 4324704 | . | (FAST.PH1/A) | 7890442 |
| | 12(0) | | | | | |
| 15E17 | 13(2) | 12D04 | 6902350 | . | PRE/34-A | 7890846 |
| | 14(1) | 29E47 | 7890840 | I | N(S/SW7) | 7890846 |
| 29E01 | 15(1) | | 7890440 | I | N(S/SW3) | 7890448 |
| | 16(0) | | 4790529 | -GND | GND1529 | 4790529 |
| 22D44 | 17(2) | 31E26 | 4324728 | . | FAST/A-2 | 7890848 |
| 25E11 | 18(2) | 26E39 | 4322100 | . | (FA10.PH1) | 7890448 |
| 28D38 | 19(2) | 25E03 | 4324708 | . | (FAST.PH1/C) | 7890346 |
| 28F07 | 20(2) | 27E14 | 7471020 | . | NRZ | 7890344 |
| 27E07 | 21(2) | 17E04 | 4323344 | . | (FAMT.PH1) | 7890344 |
| 23E26 | 22(2) | 27F04 | 5156460 | . | (IOPH0.SW12) | 7890344 |
| 21F09 | 23(2) | 23E09 | 5156900 | . | IOR | 7890344 |
| 23E35 | 24(2) | 19E26 | 7501600 | . | (S1631Z.N(A16-K16)) | 7890346 |
| | 25(0) | | | | | |
| 22E09 | 26(2) | 02F41 | 1234940 | . | P23-1 | 7890448 |
| 15E07 | 27(2) | 29E33 | 7890801 | . | NSW7 | 7890848 |
| 20E31 | 28(2) | 32E21 | 6845855 | . | PH8-B | 7890848 |
| | 29(1) | 29E30 | 7890340 | I | N(S/SW2) | 7890344 |
| 29E29 | 30(1) | | 7890340 | I | N(S/SW2) | 7890340 |
| | 31(1) | 29F43 | 7890330 | I | (S/SW2) | 7890330 |
| | 32(0) | | | | | |
| 29E27 | 33(2) | 29E38 | 7890801 | . | NSW7 | 7890840 |
| 25E34 | 34(2) | 28E37 | 5156543 | . | (IOPH1.SW8)-F | 7890844 |
| 29E37 | 35(2) | 28E34 | 4322540 | . | (FA10.PH5.SW8) | 7890840 |
| 27F24 | 36(2) | 03E17 | 4413100 | . | FSL | 7890840 |
| 30E44 | 37(2) | 29E35 | 4322540 | . | (FA10.PH5.SW8) | 7890842 |
| 29E33 | 38(2) | 28E44 | 7890801 | . | NSW7 | 7890842 |
| 28E25 | 39(2) | 17E47 | 2385100 | . | AVO | 7890842 |
| 20D08 | 40(2) | 31F37 | 5156000 | . | IOPADD | 7890340 |
| 31D50 | 41(2) | 32E44 | 4322480 | . | (FA10/1.PH4) | 7890340 |
| 28F25 | 42(2) | 29E50 | 3277000 | . | CNST | 7890342 |
| 06F13 | 43(2) | 26E25 | 5154201 | . | IOIR | 7890342 |
| 29E09 | 44(2) | 28E38 | 3532504 | . | DASW4-1 | 7890844 |
| 32D13 | 45(1) | | 4420520 | . | (FUA10.PH4) | 7890342 |
| | 46(1) | 29F24 | 7890830 | I | (S/SW7) | 7890830 |
| 29E14 | 47(2) | 15E15 | 7890840 | I | N(S/SW7) | 7890840 |
| | 48(0) | | | | | |
| 28E49 | 49(0) | 30E49 | 8300400 | . | P4VE | 8300430 |
| 29E42 | 50(2) | 16E30 | 3277000 | . | CNST | 7890340 |
| 28E51 | 51(0) | 30E51 | 8302400 | . | P8VE | 8302430 |

XDS 902306



DRAWING NO.- 133264-912 AC
 PROG-PNIND MODULE-30E
 TYPE-PIN INDEX TYPE-XT10

62
 10/27/71

| FROM | PIN (COUNT) | TO | SOURCE LINE NO. | ELEM. TYPE | SOURCE SIGNAL NAME | REFERENCE LINE NO. |
|-------|-------------|-------|-----------------|------------|--------------------|--------------------|
| | 00(0) | | | | | |
| 30D37 | 01(1) | | 1000304 | T | NB0 | 1000304 |
| 30D42 | 02(1) | | 1000370 | T | B0-1 | 1000370 |
| 09D42 | 03(1) | | 1044502 | T | N04 | 1044502 |
| 32E01 | 04(1) | | 4321000 | T | FADIV | 4321000 |
| | 05(1) | 28E05 | 1010370 | T | B1-1 | 1010370 |
| 30D21 | 06(1) | | 6845177 | T | NPH1/F | 6845177 |
| 32D37 | 07(1) | | 6845970 | T | PH9-D | 6845970 |
| | 08(1) | 27E04 | 7890440 | T | N(S/SW3) | 7890440 |
| 27E03 | 09(1) | | 7890640 | T | N(S/SW5) | 7890640 |
| | 10(1) | 27F24 | 4413100 | T | FSL | 4413100 |
| 17E35 | 11(1) | | 5153435 | T | N(R/IOFS) | 5153435 |
| 32F07 | 12(1) | | 6821420 | T | N(PCP4.KFILL/B) | 6821420 |
| 32E33 | 13(1) | | 4322000 | T | FAIO | 4322000 |
| 31E14 | 14(1) | | 4321020 | T | FADIVH | 4321020 |
| 32F39 | 15(1) | | 6974100 | T | NPXK | 6974100 |
| | 16(0) | | 4790530 | -GND | GND1530 | 4790530 |
| 29F13 | 17(1) | | 7890630 | T | (S/SW5) | 7890630 |
| 26E18 | 18(1) | | 5152170 | T | IOEN6 | 5152170 |
| 27E14 | 19(1) | | 7471020 | T | NRZ | 7471020 |
| 26E20 | 20(1) | | 1140304 | T | NB14 | 1140304 |
| 11D30 | 21(2) | 26E21 | 1100370 | T | N(S/B10) | 1100370 |
| 27F28 | 22(1) | | 6845601 | T | NPH6 | 6845601 |
| 31E23 | 23(1) | | 2579050 | T | NBCZ | 2579050 |
| 32E24 | 24(1) | | 6845500 | T | PH5 | 6845500 |
| 27E24 | 25(1) | | 5152040 | T | N(R/IOEN) | 5152040 |
| 15E18 | 26(1) | | 1161350 | T | ND16-1 | 1161350 |
| 25F22 | 27(1) | | 4322060 | T | N(FAIO.EXC) | 4322060 |
| 15E05 | 28(1) | | 6845160 | T | PH1/C | 6845160 |
| 21F24 | 29(1) | | 5152500 | T | IOEN6/1 | 5152500 |
| 27E18 | 30(2) | 29F08 | 7890430 | T | (S/SW3) | 7890430 |
| 31F22 | 31(1) | | 6902494 | T | NPRE10 | 6902494 |
| | 32(0) | | | | | |
| 31F21 | 33(1) | | 6902496 | T | NPRE10/1 | 6902496 |
| 29F43 | 34(1) | | 7890330 | T | (S/SW2) | 7890330 |
| 31E50 | 35(1) | | 6902300 | T | NPRE3 | 6902300 |
| 32E37 | 36(1) | | 6845100 | T | PH1 | 6845100 |
| 28E17 | 37(1) | | 3078800 | T | CCXTRACC | 3078800 |
| 31E38 | 38(1) | | 1286202 | T | NR28 | 1286202 |
| 31E39 | 39(1) | | 1296202 | T | NR29 | 1296202 |
| 26E40 | 40(1) | | 1161336 | T | D16-1 | 1161336 |
| 31E40 | 41(1) | | 1306202 | T | NR30 | 1306202 |
| 32E42 | 42(1) | | 6845400 | T | PH4 | 6845400 |
| 29D21 | 43(2) | 32E39 | 6845300 | T | PH3 | 6845300 |
| | 44(1) | 29E37 | 4322540 | T | (FAIO.PH5.SW8) | 4322540 |
| 32F04 | 45(1) | | 5156200 | T | NIOPEX | 5156200 |
| 21F44 | 46(1) | | 5151110 | T | NIODC | 5151110 |
| 31F30 | 47(1) | | 5151100 | T | IODC | 5151100 |
| | 48(0) | | | | | |
| 29E49 | 49(0) | 31E49 | 8300400 | | P4VE | 8300440 |
| 32F43 | 50(1) | | 6821620 | T | PCPACT | 6821620 |
| 29E51 | 51(0) | 31E51 | 8302400 | | P8VE | 8302440 |

XDS 902306

XDS
XEROX DATA SYSTEMS

DRAWING NO.- 133264-912 AC
PROG-PNIND
TYPE-PIN INDEX

MODULE-31E
TYPE-IT16

63

10/27/71

| FROM | PIN (COUNT) | TO | SOURCE LINE NO. | ELEM. TYPE | SOURCE SIGNAL NAME | REFERENCE LINE NO. |
|-------|----------------|-------|--------------------|---------------|--------------------|-----------------------|
| | 00(0) | | | | | |
| 31E02 | 01(2) | 22E07 | 6845680 | . | N(S/PH6/IO) | 3691002 |
| 31E12 | 02(2) | 31E01 | 6845680 | . | N(S/PH6/IO) | 6105002 |
| | 03(0) | | | | | |
| 31D28 | 04(2) | 28F12 | 6845701 | . | NPH7 | 4425672 |
| 32E05 | 05(2) | 22D28 | 6105000 | I | MIT/1 | 6105002 |
| 31E17 | 06(2) | 22D41 | 3691000 | I | DIT/1 | 3691004 |
| | 07(0) | | | | | |
| 08E42 | 08(2) | 31D08 | 6047910 | . | MCZ | 3691004 |
| 25D26 | 09(1) | | 6845901 | . | NPH9 | 6845970 |
| | 10(1) | 18E07 | 6845970 | I | PH9-D | 6845970 |
| | 11(1) | 13D12 | 6845685 | I | (S/PH6/IO)-1 | 6845685 |
| 31E13 | 12(2) | 31E02 | 6845680 | . | N(S/PH6/IO) | 6845685 |
| 26E34 | 13(2) | 31E12 | 6845680 | . | N(S/PH6/IO) | 6845675 |
| 23D10 | 14(2) | 30E14 | 4321020 | . | FADIVH | 3691004 |
| | 15(1) | 01D27 | 6845675 | I | (S/PH6/IO) | 6845675 |
| | 16(0) | | 4790531 | -GND | GND1531 | 4790531 |
| 32E17 | 17(2) | 31E06 | 3691000 | I | DIT/1 | 3691002 |
| | 18(1) | 32E18 | 4425670 | I | FUSF/1 | 4425672 |
| 32E19 | 19(1) | | 7627100 | I | SFT | 7627102 |
| 31E21 | 20(2) | 27F28 | 6845601 | . | NPH6 | 3691002 |
| 31D23 | 21(2) | 31E20 | 6845601 | . | NPH6 | 6845640 |
| 20D15 | 22(2) | 17E35 | 5153435 | . | N(R/IOFS) | 5153430 |
| 28E20 | 23(2) | 30E23 | 2579050 | . | NBCZ | 2579000 |
| 08D41 | 24(1) | | 4324730 | . | NFAST/A | 4324728 |
| | 25(1) | 23E05 | 2579000 | I | BCZ | 2579000 |
| 29E17 | 26(1) | | 4324728 | I | FAST/A-2 | 4324728 |
| | 27(1) | 22F43 | 5153430 | I | (R/IOFS) | 5153430 |
| | 28(1) | 32E31 | 6845640 | I | PH6-E | 6845640 |
| | 29(0) | | | | | |
| | 30(0) | | | | | |
| | 31(0) | | | | | |
| | 32(0) | | | | | |
| | 33(0) | | | | | |
| | 34(1) | 27F31 | 1306215 | I | R30-1 | 1306215 |
| | 35(1) | 11F17 | 1296215 | I | R29-1 | 1296215 |
| | 36(1) | 25D23 | 6902324 | I | PRE3-F | 6902324 |
| 30D29 | 37(2) | 31E50 | 6902300 | . | NPRE3 | 6902324 |
| 27E08 | 38(2) | 30E38 | 1286202 | . | NR28 | 1286215 |
| 21F18 | 39(2) | 30E39 | 1296202 | . | NR29 | 1296215 |
| 21F31 | 40(2) | 30E41 | 1306202 | . | NR30 | 1306215 |
| | 41(1) | 17E08 | 1286215 | I | R28-1 | 1286215 |
| | 42(0) | | | | | |
| | 43(0) | | | | | |
| 32D43 | 44(1) | | 6902326 | I | PRE3-G | 6902326 |
| | 45(0) | | | | | |
| 14D41 | 46(1) | | 6902320 | I | PRE3-D | 6902320 |
| 18E35 | 47(1) | | 6902322 | I | PRE3-E | 6902322 |
| | 48(0) | | | | | |
| 30E49 | 49(0) | 32E49 | 8300400 | . | P4VE | 8300440 |
| 31E37 | 50(2) | 30E35 | 6902300 | . | NPRE3 | 6902320 |
| 30E51 | 51(0) | 32E51 | 8302400 | . | P8VE | 8302440 |

XDS 902306

XDS
XEROX DATA SYSTEMS

DRAWING NO.- 133264-912 AC
 PROG-PNIND MODULE-32E
 TYPE-PIN INDEX TYPE-BT16

64

10/27/71

| FROM | PIN (COUNT) | TO | SOURCE LINE NO. | ELEM. TYPE | SOURCE SIGNAL NAME | REFERENCE LINE NO. |
|-------|----------------|-------|--------------------|---------------|--------------------|-----------------------|
| | 00(0) | | | | | |
| 14F12 | 01(2) | 30E04 | 4321000 | . | FADIV | 3691000 |
| 27D10 | 02(2) | 14D29 | 4323360 | . | FAMUL | 6105000 |
| 18E36 | 03(2) | 01D20 | 4324650 | . | FASH | 7627100 |
| 32D39 | 04(2) | 18E06 | 4425500 | . | FUSF | 4425670 |
| | 05(1) | 31E05 | 6105000 | B | MIT/1 | 6105000 |
| | 06(1) | 01D38 | 4425400 | B | FUS/1 | 4425400 |
| 16D18 | 07(2) | 14E02 | 4375121 | . | NFL2 | 4425400 |
| 22D36 | 08(2) | 32E19 | 7627100 | . | SFT | 4425400 |
| 27D29 | 09(2) | 32E12 | 6845100 | . | PH1 | 6845110 |
| | 10(1) | 32D19 | 6845110 | B | PH1-F | 6845110 |
| 12E34 | 11(2) | 32D22 | 6845126 | B | PH1-D | 6845126 |
| 32E09 | 12(2) | 32E37 | 6845100 | . | PH1 | 6845126 |
| 32E23 | 13(2) | 31F42 | 6845640 | . | PH6-E | 6845620 |
| 27D17 | 14(2) | 18E12 | 4425150 | . | FUS | 4425400 |
| | 15(1) | 02F18 | 6845620 | B | PH6-A | 6845620 |
| | 16(0) | | 4790532 | -GND | GND1532 | 4790532 |
| | 17(1) | 31E17 | 3691000 | B | DIT/1 | 3691000 |
| 31E18 | 18(2) | 02F12 | 4425670 | B | FUSF/1 | 4425670 |
| 32E08 | 19(2) | 31E19 | 7627100 | B | SFT | 7627100 |
| 26E35 | 20(2) | 23D46 | 5152080 | . | N(10EN.10SC) | 3691000 |
| 29E28 | 21(2) | 22D45 | 6845855 | . | PH8-B | 4322820 |
| 20F41 | 22(2) | 13E22 | 6845765 | . | PH7-D | 4322720 |
| 32E31 | 23(2) | 32E13 | 6845640 | . | PH6-E | 4322620 |
| 29D04 | 24(2) | 30E24 | 6845500 | . | PH5 | 4322500 |
| | 25(1) | 10D12 | 4322620 | B | (FA10.PH6) | 4322620 |
| 20E06 | 26(1) | | 4322500 | B | (FA10.PH5) | 4322500 |
| 21E21 | 27(1) | | 4322720 | B | (FA10.PH7) | 4322720 |
| | 28(1) | 20E18 | 4322820 | B | (FA10.PH8) | 4322820 |
| 20E34 | 29(2) | 32E33 | 4322000 | . | FA10 | 4322500 |
| 29D18 | 30(2) | 32D09 | 6845560 | . | PH5-E | 4322580 |
| 31E28 | 31(2) | 32E23 | 6845640 | . | PH6-E | 4322680 |
| | 32(0) | | | | | |
| 32E29 | 33(2) | 30E13 | 4322000 | . | FA10 | 4322100 |
| 28E02 | 34(1) | | 4322400 | B | (FA10.PH4) | 4322400 |
| | 35(1) | 32F21 | 4322300 | B | (FA10.PH3) | 4322300 |
| 32F13 | 36(1) | | 4322100 | B | (FA10.PH1) | 4322100 |
| 32E12 | 37(2) | 30E36 | 6845100 | . | PH1 | 4322100 |
| 29D23 | 38(1) | | 6845200 | . | PH2 | 4322200 |
| 30E43 | 39(2) | 32E43 | 6845300 | . | PH3 | 4322300 |
| 29D22 | 40(2) | 32E42 | 6845400 | . | PH4 | 4322400 |
| | 41(1) | 28F37 | 4322200 | B | (FA10.PH2) | 4322200 |
| 32E40 | 42(2) | 30E42 | 6845400 | . | PH4 | 4322480 |
| 32E39 | 43(1) | | 6845300 | . | PH3 | 4322380 |
| 29E41 | 44(1) | | 4322480 | B | (FA10/1.PH4) | 4322480 |
| | 45(1) | 12E17 | 4322380 | B | (FA10/1.PH3) | 4322380 |
| 28E41 | 46(1) | | 4322580 | B | (FA10/1.PH5) | 4322580 |
| | 47(1) | 05E30 | 4322680 | B | (FA10/1.PH6) | 4322680 |
| | 48(0) | | | | | |
| 31E49 | 49(0) | | 8300400 | . | P4VE | 8300440 |
| 21F21 | 50(2) | 04E45 | 4322020 | . | FA10/1 | 4322380 |
| 31E51 | 51(0) | | 8302400 | . | P8VE | 8302440 |

XDS 902306



DRAWING NO.- 133264-912 AC
 PROG-PNIND MODULE-01F
 TYPE-PIN INDEX TYPE-

65

10/27/71

| FROM | PIN (COUNT) | TO | SOURCE LINE NO. | ELEM. TYPE | SOURCE SIGNAL NAME | REFERENCE LINE NO. |
|------|----------------|-------|--------------------|---------------|--------------------|-----------------------|
| | 00(0) | | | | | |
| | 01(0) | | | | | |
| | 02(0) | | | | | |
| | 03(0) | | | | | |
| | 04(0) | | | | | |
| | 05(0) | | | | | |
| | 06(0) | | | | | |
| | 07(0) | | | | | |
| | 08(0) | | | | | |
| | 09(0) | | | | | |
| | 10(0) | | | | | |
| | 11(0) | | | | | |
| | 12(0) | | | | | |
| | 13(0) | | | | | |
| | 14(0) | | | | | |
| | 15(0) | | | | | |
| | 16(0) | | 4790601 | -GND | GND1601 | 4790601 |
| | 17(0) | | | | | |
| | 18(0) | | | | | |
| | 19(0) | | | | | |
| | 20(0) | | | | | |
| | 21(0) | | | | | |
| | 22(0) | | | | | |
| | 23(0) | | | | | |
| | 24(0) | | | | | |
| | 25(0) | | | | | |
| | 26(0) | | | | | |
| | 27(0) | | | | | |
| | 28(0) | | | | | |
| | 29(0) | | | | | |
| | 30(0) | | | | | |
| | 31(0) | | | | | |
| | 32(0) | | | | | |
| | 33(0) | | | | | |
| | 34(0) | | | | | |
| | 35(0) | | | | | |
| | 36(0) | | | | | |
| | 37(0) | | | | | |
| | 38(0) | | | | | |
| | 39(0) | | | | | |
| | 40(0) | | | | | |
| | 41(0) | | | | | |
| | 42(0) | | | | | |
| | 43(0) | | | | | |
| | 44(0) | | | | | |
| | 45(0) | | | | | |
| | 46(0) | | | | | |
| | 47(0) | | | | | |
| | 48(0) | | | | | |
| | 49(0) | 02F49 | 8300500 | -VSP | P4VF | 8300530 |
| | 50(0) | | | | | |
| | 51(0) | 02F51 | 8302500 | -VSP | P8VF | 8302500 |

XDS 902306

XDS
XEROX DATA SYSTEMS

DRAWING NO.- 133264-912 AC
PROG-PNIND MODULE-02F
TYPE-PIN INDEX TYPE-ZT46

66

10/27/71

| FROM | PIN (COUNT) | TO | SOURCE LINE NO. | ELEM. TYPE | SOURCE SIGNAL NAME | REFERENCE LINE NO. |
|-------|----------------|-------|--------------------|---------------|--------------------|-----------------------|
| | 00(0) | | | | | |
| 14F36 | 01(1) | 31Q01 | 2490100 | C | NAZ/0 | 2490100 |
| 14F41 | 02(1) | 31Q02 | 2490110 | C | NAZ/1 | 2490110 |
| 14F35 | 03(1) | 31Q03 | 2490120 | C | NAZ/2 | 2490120 |
| 24D12 | 04(1) | 31Q04 | 2490130 | C | NAZ/3 | 2490130 |
| 11F01 | 05(1) | 31Q05 | 3060185 | C | NCC1XK00 | 3060185 |
| 18E41 | 06(1) | 31Q06 | 3060233 | C | N(R/CC2/1) | 3060233 |
| 17E15 | 07(1) | 31Q07 | 3060253 | C | N(S/CC2/1) | 3060253 |
| 18E31 | 08(1) | 31Q08 | 3060135 | C | N(R/CC1/1) | 3060135 |
| 13D14 | 09(1) | 31Q09 | 3060150 | C | N(S/CC1/1) | 3060150 |
| 30D01 | 10(1) | 31Q10 | 4395850 | C | NFPXS | 4395850 |
| 11F22 | 11(1) | 31Q11 | 4421480 | C | FUMH | 4421480 |
| 32E18 | 12(1) | 31Q12 | 4425670 | C | FUSF/1 | 4425670 |
| 14E05 | 13(1) | 31Q13 | 4375100 | C | FL1 | 4375100 |
| 31Q14 | 14(1) | 08F08 | 1286202 | C | NR28 | 1286202 |
| 31Q15 | 15(1) | 21F31 | 1306202 | C | NR30 | 1306202 |
| | 16(0) | | 4790602 | -GND | GND1602 | 4790602 |
| 18E29 | 17(1) | 31Q17 | 3060283 | C | (S/CC2/NZ) | 3060283 |
| 32E15 | 18(1) | 31Q18 | 6845620 | C | PH6-A | 6845620 |
| 29D45 | 19(1) | 31Q19 | 2000528 | C | 1MC-1 | 2000528 |
| 20F12 | 20(1) | 31Q20 | 4321250 | C | (FAHW.PRE4.(BC=1)) | 4321250 |
| 31Q21 | 21(1) | 04F21 | 1161336 | C | D16-1 | 1161336 |
| 08F21 | 22(1) | 31Q22 | 4323295 | C | FAMDS | 4323295 |
| 28F02 | 23(1) | 31Q23 | 4334100 | C | FCXS | 4334100 |
| 08F34 | 24(1) | 31Q24 | 4334130 | C | (FCXS+PSW1XS) | 4334130 |
| 10E17 | 25(1) | 31Q25 | 4900630 | C | N(S/GXAND) | 4900630 |
| 24D31 | 26(1) | 31Q26 | 4421640 | C | N(FUMSP.PH1/F) | 4421640 |
| 32F47 | 27(1) | 31Q27 | 3060410 | C | (S/CC4/1) | 3060410 |
| 10E10 | 28(1) | 31Q28 | 4904130 | C | N(S/GXNAD) | 4904130 |
| 32F24 | 29(1) | 31Q29 | 1260304 | C | NB26 | 1260304 |
| 06F10 | 30(1) | 31Q30 | 6902328 | C | PRE3-H | 6902328 |
| 31Q31 | 31(1) | 12F19 | 1001336 | C | D0-1 | 1001336 |
| | 32(0) | | | | | |
| 32F46 | 33(1) | 31Q33 | 3060310 | C | (S/CC3/1) | 3060310 |
| 31Q34 | 34(1) | 21E40 | 1270304 | C | NB27 | 1270304 |
| 31Q35 | 35(1) | 05E13 | 1316202 | C | NR31 | 1316202 |
| 31Q36 | 36(1) | 18D42 | 1511500 | C | D1051 | 1511500 |
| 31Q37 | 37(1) | 18D07 | 1521500 | C | D1052 | 1521500 |
| 31Q38 | 38(1) | 15F07 | 1250300 | C | B25 | 1250300 |
| 31Q39 | 39(1) | 25E05 | 1214940 | C | P21-1 | 1214940 |
| 31Q40 | 40(1) | 26E42 | 1224940 | C | P22-1 | 1224940 |
| 29E26 | 41(1) | 31Q41 | 1234940 | C | P23-1 | 1234940 |
| 04F06 | 42(1) | 31Q42 | 2089208 | C | (R/ADNH) | 2089208 |
| 31Q43 | 43(1) | 21F18 | 1296202 | C | NR29 | 1296202 |
| 31Q44 | 44(1) | 28F04 | 1290304 | C | NB29 | 1290304 |
| 31Q45 | 45(1) | 13D18 | 1001340 | C | ND0-1 | 1001340 |
| 08D02 | 46(1) | 31Q46 | 4375120 | C | FL2 | 4375120 |
| 08F13 | 47(1) | 31Q47 | 7395100 | C | RPXS | 7395100 |
| | 48(0) | | | | | |
| 01F49 | 49(0) | 03F49 | 8300500 | | P4VF | 8300500 |
| 18E50 | 50(1) | 31Q50 | 4375130 | C | FL3 | 4375130 |
| 01F51 | 51(0) | 03F51 | 8302500 | | P8VF | 8302500 |

XDS 902306

XDS
XEROX DATA SYSTEMS

DRAWING NO. - 133264-912 AC
PROG-PNIND MODULE-03F
TYPE-PIN INDEX TYPE-ZT46

67

10/27/71

| FROM | PIN (COUNT) | TO | SOURCE LINE NO. | ELEM. TYPE | SOURCE SIGNAL NAME | REFERENCE LINE NO. |
|-------|----------------|-------|--------------------|---------------|--------------------|-----------------------|
| | 00(0) | | | | | |
| 24F02 | 01(1) | 32S01 | 6038050 | C | MBXS/0 | 6038050 |
| 24F04 | 02(1) | 32S02 | 6038200 | C | MBXS/1 | 6038200 |
| 20E11 | 03(1) | 32S03 | 7343230 | C | RESET/KS | 7343230 |
| 13F15 | 04(1) | 32S04 | 6806240 | C | P32HOLD | 6806240 |
| 13F11 | 05(1) | 32S05 | 6809190 | C | P33HOLD | 6809190 |
| 05F40 | 06(1) | 32S06 | 5173000 | C | IR | 5173000 |
| 07E22 | 07(1) | 32S07 | 6832430 | C | N(R/PEM) | 6832430 |
| 06F31 | 08(1) | 32S08 | 7410200 | C | RSA | 7410200 |
| 19F14 | 09(1) | 32S09 | 4392610 | C | NFORCL | 4392610 |
| 04F05 | 10(1) | 32S10 | 5779000 | C | LEVACT | 5779000 |
| 04F17 | 11(1) | 32S11 | 5779300 | C | LEVARM | 5779300 |
| 08F22 | 12(1) | 32S12 | 7343120 | C | NRESET-1 | 7343120 |
| 04D15 | 13(1) | 32S13 | 6825310 | C | NPDC31 | 6825310 |
| 24D34 | 14(1) | 32S14 | 6970100 | C | NPX | 6970100 |
| 08F46 | 15(1) | 32S15 | 6977100 | C | PXS | 6977100 |
| | 16(0) | | 4790603 | -GND | GND1603 | 4790603 |
| 24D46 | 17(1) | 32S17 | 6977300 | C | PXTR | 6977300 |
| 32S18 | 18(1) | 17D43 | 2054900 | C | ABO | 2054900 |
| 09D31 | 19(1) | 32S19 | 7410800 | C | RSCLN | 7410800 |
| 07E09 | 20(1) | 32S20 | 6832200 | C | PEINT | 6832200 |
| 32F06 | 21(1) | 32S21 | 1264930 | C | (S/P26) | 1264930 |
| 17E34 | 22(1) | 32S22 | 2054910 | C | (S/ABO/1) | 2054910 |
| 12F44 | 23(1) | 32S23 | 1314930 | C | (S/P31/1) | 1314930 |
| 32F35 | 24(1) | 32S24 | 6973910 | C | PXK | 6973910 |
| 12F46 | 25(1) | 32S25 | 7890155 | C | (S/SW0/NZ) | 7890155 |
| 14F06 | 26(1) | 32S26 | 2000535 | C | N1MCS | 2000535 |
| | 27(1) | 05E05 | 5156460 | C | (IOPH0.SW12) | 5156460 |
| 04D03 | 28(1) | 32S28 | 5156465 | C | (IOPH0.SW13) | 5156465 |
| 02D45 | 29(1) | 32S29 | 5188100 | C | IXAL | 5188100 |
| 25D29 | 30(1) | 32S30 | 6942300 | C | NPUC31 | 6942300 |
| 14E30 | 31(1) | 32S31 | 6942400 | C | NPUC33 | 6942400 |
| | 32(0) | | | | | |
| 20F13 | 33(1) | 32S33 | 6973900 | C | PXINT | 6973900 |
| 25D31 | 34(1) | 32S34 | 7410270 | C | (S/RSACLEN) | 7410270 |
| 32F34 | 35(1) | 32S35 | 7410804 | C | (S/RSCLN) | 7410804 |
| 31F26 | 36(1) | 32S36 | 7890145 | C | (S/SW0) | 7890145 |
| 28D44 | 37(1) | 32S37 | 7890135 | C | (R/SW0) | 7890135 |
| 32F36 | 38(1) | 32S38 | 3203110 | C | NCLEARMEM | 3203110 |
| 32S39 | 39(1) | 17F45 | 2089201 | C | NADNH | 2089201 |
| 25E31 | 40(1) | 32S40 | 7410220 | C | (S/RSA) | 7410220 |
| 18E05 | 41(1) | 32S41 | 6942200 | C | NPUC20 | 6942200 |
| 14E15 | 42(1) | 32S42 | 6825340 | C | NPDC33 | 6825340 |
| 17E23 | 43(1) | 32S43 | 6038001 | C | NMBXS | 6038001 |
| 03D27 | 44(1) | 32S44 | 5153300 | C | N(S/IOFM) | 5153300 |
| 07E08 | 45(1) | 32S45 | 5150110 | C | NIOACT | 5150110 |
| 31D29 | 46(1) | 32S46 | 3846014 | C | (S/DRQ) | 3846014 |
| 14E46 | 47(1) | 32S47 | 3107030 | C | (S/CEINT) | 3107030 |
| | 48(0) | | | | | |
| 02F49 | 49(0) | 04F49 | 8300500 | | P4VF | 8300500 |
| 11E37 | 50(1) | 32S50 | 3107020 | C | (FCEINT) | 3107020 |
| 02F51 | 51(0) | 04F51 | 8302500 | | P8VF | 8302500 |

XDS 902306

XDS
XEROX DATA SYSTEMS

DRAWING NO.- 133264-912 AC
PROG-PNIND
TYPE-PIN INDEX

68

MODULE-04F
TYPE-IT16

10/27/71

| FROM | PIN (COUNT) | TO | SOURCE LINE NO. | ELEM. TYPE | SOURCE SIGNAL NAME | REFERENCE LINE NO. |
|-------|----------------|-------|--------------------|---------------|--------------------|-----------------------|
| | 00(0) | | | | | |
| 04F02 | 01(2) | 08F33 | 5779100 | . | NLEVACT | 5779300 |
| 06E02 | 02(2) | 04F01 | 5779100 | . | NLEVACT | 5779000 |
| 05D06 | 03(2) | 05E47 | 5156755 | . | (IOPH3.SW11) | 2405596 |
| 08E05 | 04(2) | 05E39 | 6821300 | . | PCP3 | 2407006 |
| | 05(1) | 03F10 | 5779000 | I | LEVACT | 5779000 |
| | 06(1) | 02F42 | 2089208 | I | (R/ADNH) | 2089208 |
| | 07(0) | | | | | |
| 04F15 | 08(2) | 10F44 | 5156557 | . | N(IOPH1.SW11) | 2089208 |
| 05D13 | 09(2) | 10F50 | 4324500 | . | FARWD | 4324508 |
| | 10(1) | 08D44 | 4324508 | I | NFARWD | 4324508 |
| 08D36 | 11(2) | 04E11 | 2900690 | I | NBXHR2 | 2900692 |
| 10D39 | 12(2) | 01D02 | 6105000 | . | MIT/1 | 2900692 |
| 04E17 | 13(2) | 14F47 | 5156555 | . | (IOPH1.SW11) | 5156557 |
| 06E43 | 14(2) | 20E03 | 5150100 | . | IOACT | 2089208 |
| | 15(1) | 04F08 | 5156557 | I | N(IOPH1.SW11) | 5156557 |
| | 16(0) | | 4790604 | -GND | GND1604 | 4790604 |
| 08F12 | 17(2) | 03F11 | 5779300 | I | LEVARM | 5779300 |
| | 18(1) | 20E25 | 2407000 | I | NAXZ | 2407006 |
| 08D08 | 19(2) | 02E19 | 2405590 | I | NAXSR1 | 2405596 |
| | 20(0) | | | | | |
| 02F21 | 21(2) | 26E40 | 1161336 | . | D16-1 | 1161350 |
| 02D26 | 22(2) | 13F07 | 3060201 | . | NCC2 | 3060290 |
| 13F08 | 23(2) | 02D25 | 3060101 | . | NCC1 | 3060170 |
| 23E42 | 24(2) | 07E04 | 7343000 | . | RESET | 3907100 |
| 06D04 | 25(1) | | 3060170 | I | CC1-1 | 3060170 |
| | 26(1) | 02E39 | 3907100 | I | NDXZ | 3907100 |
| 08D14 | 27(1) | | 3060290 | I | CC2-1 | 3060290 |
| | 28(1) | 15E18 | 1161350 | I | ND16-1 | 1161350 |
| | 29(0) | | | | | |
| 24F25 | 30(2) | 07D14 | 6803216 | . | (NP32.NP33) | 6803256 |
| 04D39 | 31(2) | 24F24 | 6803212 | . | (NP32.P33) | 6803254 |
| | 32(0) | | | | | |
| | 33(0) | | | | | |
| 09D44 | 34(1) | | 1010370 | I | B1-1 | 1010370 |
| | 35(1) | 09D28 | 1000370 | I | B0-1 | 1000370 |
| | 36(1) | 18F35 | 6803250 | I | N(P32.NP33) | 6803250 |
| 04D50 | 37(2) | 24F13 | 6803210 | . | (P32.NP33) | 6803250 |
| 24F08 | 38(2) | 04D27 | 6803205 | . | (P32.P33) | 6803245 |
| 03E03 | 39(2) | 14E42 | 1000304 | . | NB0 | 1000370 |
| 05E07 | 40(2) | 10F40 | 1010304 | . | NB1 | 1010370 |
| | 41(1) | 17F22 | 6803245 | I | N(P32.P33)-1 | 6803245 |
| 14F09 | 42(2) | 10F21 | 1334919 | . | P33-1 | 1334920 |
| 11F24 | 43(2) | 19E12 | 1324919 | . | P32-1 | 1324920 |
| 32D41 | 44(1) | | 1334920 | I | NP33-1 | 1334920 |
| 18F46 | 45(1) | | 1324920 | I | NP32-1 | 1324920 |
| | 46(1) | 18F38 | 6803256 | I | N(NP32.NP33)-1 | 6803256 |
| | 47(1) | 18F50 | 6803254 | I | N(NP32.P33) | 6803254 |
| | 48(0) | | | | | |
| 03F49 | 49(0) | 05F49 | 8300500 | | P4VF | 8300500 |
| | 50(0) | | | | | |
| 03F51 | 51(0) | 05F51 | 8302500 | | P8VF | 8302500 |

XDS 902306

XDS
XEROX DATA SYSTEMS

DRAWING NO. - 133264-912 AC
PROG-PNIND MODULE-05F
TYPE-PIN INDEX TYPE-AT13

69

10/27/71

| FROM | PIN (COUNT) | TO | SOURCE LINE NO. | ELEM. TYPE | SOURCE SIGNAL NAME | REFERENCE LINE NO. |
|-------|----------------|-------|--------------------|---------------|--------------------|-----------------------|
| | 00(0) | | | | | |
| 06F28 | 01(1) | | 4384120-1 | * | | 4384120 |
| 06F27 | 02(1) | | 4384020-1 | * | | 4384020 |
| 06F19 | 03(1) | | 5155810-1 | * | | 5155810 |
| | 04(0) | | | | | |
| | 05(0) | | | | | |
| | 06(0) | | | | | |
| | 07(0) | | | | | |
| | 08(0) | | | | | |
| 06F25 | 09(1) | | 4384220-1 | * | | 4384220 |
| | 10(0) | | | | | |
| | 11(0) | | | | | |
| 06F05 | 12(1) | | 5155840-1 | * | | 5155840 |
| | 13(0) | | | | | |
| | 14(0) | | | | | |
| 06F17 | 15(1) | | 5155870-1 | * | | 5155870 |
| | 16(1) | 05F25 | 4790605 | -GND | GND1605 | 4790605 |
| | 17(0) | | | | | |
| | 18(0) | | | | | |
| 06F26 | 19(1) | | 3277100-1 | * | | 3277100 |
| | 20(0) | | | | | |
| | 21(0) | | | | | |
| | 22(0) | | | | | |
| | 23(0) | | | | | |
| | 24(1) | 28F29 | 5156200 | -NS | NIOPEX | 5156200 |
| 05F16 | 25(2) | 05F33 | 4790605 | * | GND1605 | 3314020 |
| | 26(0) | | | | | |
| 32F18 | 27(2) | 21D40 | 3314010 | -BCR | NCOND1 | 3314010 |
| | 28(0) | | | | | |
| | 29(0) | | | | | |
| | 30(0) | | | | | |
| | 31(0) | | | | | |
| | 32(0) | | | | | |
| 05F25 | 33(2) | 05F39 | 4790605 | * | GND1605 | 3314120 |
| 28F34 | 34(2) | 21D03 | 3314110 | -BCR | NCOND2 | 3314110 |
| 06F11 | 35(1) | | 3243050-1 | * | | 3243050 |
| | 36(0) | | | | | |
| 06F18 | 37(1) | | 7362530-1 | * | | 7362530 |
| | 38(0) | | | | | |
| 05F33 | 39(2) | 05F41 | 4790605 | * | GND1605 | 5173100 |
| 28F27 | 40(2) | 03F06 | 5173000 | -BCR | IR | 5173000 |
| 05F39 | 41(2) | 05F45 | 4790605 | | GND1605 | 4790605 |
| | 42(1) | 28F28 | 6900040 | -BCR | PR | 6900040 |
| | 43(0) | | | | | |
| | 44(0) | | | | | |
| 05F41 | 45(1) | | 4790605 | * | GND1605 | 6901000 |
| | 46(0) | | | | | |
| | 47(0) | | | | | |
| | 48(0) | | | | | |
| 04F49 | 49(0) | 06F49 | 8300500 | | P4VF | 8300500 |
| | 50(1) | 07F50 | 8304500 | -VSP | M8VF | 8304500 |
| 04F51 | 51(0) | 06F51 | 8302500 | | P8VF | 8302500 |

XDS 902306

XDS
XEROX DATA SYSTEMS

DRAWING NO.- 133264-912 AC
PROG-PNIND MODULE-06F
TYPE-PIN INDEX TYPE-BT16

70

10/27/71

| FROM | PIN (COUNT) | TO | SOURCE LINE NO. | ELEM. TYPE | SOURCE SIGNAL NAME | REFERENCE LINE NO. |
|-------|----------------|-------|--------------------|---------------|--------------------|-----------------------|
| | 00(0) | | | | | |
| 15D23 | 01(2) | 18D50 | 7890400 | . | SW3 | 5155870 |
| 29F02 | 02(2) | 11D34 | 7890700 | . | SW6 | 5155840 |
| 18D45 | 03(2) | 11D28 | 7890600 | . | SW5 | 5155810 |
| 07D46 | 04(2) | 06F43 | 7343255 | . | RESET10 | 7362530 |
| | 05(1) | 05F12 | 5155840-1 | B | | 5155840 |
| | 06(1) | 09F25 | 2183000-1 | B | | 2183000 |
| 25F05 | 07(2) | 06F13 | 5154201 | . | IOIR | 2183000 |
| 06F29 | 08(2) | 11E19 | 5156898 | . | IOPXFNC | 2183000 |
| 08F29 | 09(2) | 07E42 | 2285065 | . | (NANLZ.PRE3) | 6902328 |
| | 10(1) | 02F30 | 6902328 | B | PRE3-H | 6902328 |
| | 11(1) | 05F35 | 3243050-1 | B | | 3243050 |
| 11F38 | 12(2) | 06F42 | 2000510 | . | IMC | 3243050 |
| 06F07 | 13(2) | 29E43 | 5154201 | . | IOIR | 5154300 |
| 04E41 | 14(1) | | 4420501 | . | FUA10 | 2183000 |
| | 15(1) | 07F39 | 5154300-1 | B | | 5154300 |
| | 16(0) | | 4790606 | -GND | GND1606 | 4790606 |
| | 17(1) | 05F15 | 5155870-1 | B | | 5155870 |
| | 18(1) | 05F37 | 7362530-1 | B | | 7362530 |
| | 19(1) | 05F03 | 5155810-1 | B | | 5155810 |
| | 20(0) | | | | | |
| 11F29 | 21(2) | 10F45 | 1064520 | . | 06-1 | 4384120 |
| 10F46 | 22(2) | 03D22 | 1024500 | . | 02 | 4384020 |
| 11F18 | 23(2) | 06E50 | 1074500 | . | 07 | 4384220 |
| 22F34 | 24(1) | | 5150700 | . | IOCONST | 3277100 |
| | 25(1) | 05F09 | 4384220-1 | B | | 4384220 |
| | 26(1) | 05F19 | 3277100-1 | B | | 3277100 |
| | 27(1) | 05F02 | 4384020-1 | B | | 4384020 |
| | 28(1) | 05F01 | 4384120-1 | B | | 4384120 |
| 32D12 | 29(2) | 06F08 | 5156898 | . | IOPXFNC | 3277100 |
| 06D31 | 30(2) | 11F27 | 7890800 | . | SW7 | 4200200 |
| 10F33 | 31(2) | 03F08 | 7410200 | . | RSA | 7410238 |
| | 32(0) | | | | | |
| | 33(0) | | | | | |
| 28F24 | 34(2) | 07F45 | 6905008 | B | PRI | 6905008 |
| | 35(1) | 07F19 | 3277200-1 | B | | 3277200 |
| | 36(1) | 09F35 | 4410150-1 | B | | 4410150 |
| 22F26 | 37(2) | 25D34 | 5153400 | . | IOFS | 4410150 |
| 23E50 | 38(2) | 22F28 | 5158100 | . | IOSC | 2352900 |
| 06F40 | 39(2) | 10F39 | 3277160 | . | CNSTI | 3277200 |
| 04E31 | 40(2) | 06F39 | 3277160 | . | CNSTI | 6905008 |
| | 41(1) | 09F33 | 2352900-1 | B | | 2352900 |
| 06F12 | 42(2) | 10F42 | 2000510 | . | IMC | 3202100 |
| 06F04 | 43(2) | 22F37 | 7343255 | . | RESET10 | 7412500 |
| | 44(1) | 09F01 | 3202100-1 | B | | 3202100 |
| | 45(1) | 09F02 | 7412500-1 | B | | 7412500 |
| | 46(1) | 09F09 | 4200200-1 | B | | 4200200 |
| | 47(1) | 09F03 | 7410238-1 | B | | 7410238 |
| | 48(0) | | | | | |
| 05F49 | 49(0) | 07F49 | 8300500 | | P4VF | 8300500 |
| | 50(0) | | | | | |
| 05F51 | 51(0) | 07F51 | 8302500 | | P8VF | 8302500 |

XDS 902306

XDS
XEROX DATA SYSTEMS

DRAWING NO.- 133264-912 AC
PROG-PNIND MODULE-07F
TYPE-PIN INDEX TYPE-AT13

71

10/27/71

| FROM | PIN (COUNT) | TO | SOURCE LINE NO. | ELEM. TYPE | SOURCE SIGNAL NAME | REFERENCE LINE NO. |
|-------|----------------|-------|--------------------|---------------|--------------------|-----------------------|
| | 00(0) | | | | | |
| 07F02 | 01(2) | 07F03 | 4790607 | * GND1607 | | 4384130 |
| | 02(1) | 07F01 | 4790607 | * GND1607 | | 4384030 |
| 07F01 | 03(2) | 07F09 | 4790607 | * GND1607 | | 5155820 |
| | 04(0) | | 4384100 | -BCR FNC1 | | 4384100 |
| | 05(0) | | | | | |
| | 06(0) | | 4384000 | -BCR FNC0 | | 4384000 |
| | 07(0) | | | | | |
| | 08(0) | | 5155800 | -BCR 10PA0 | | 5155800 |
| 07F03 | 09(2) | 07F12 | 4790607 | * GND1607 | | 4384230 |
| | 10(0) | | 4384200 | -BCR FNC2 | | 4384200 |
| | 11(0) | | | | | |
| 07F09 | 12(2) | 07F15 | 4790607 | * GND1607 | | 5155850 |
| | 13(0) | | 5155830 | -BCR 10PA1 | | 5155830 |
| | 14(0) | | | | | |
| 07F12 | 15(2) | 07F16 | 4790607 | * GND1607 | | 5155890 |
| 07F15 | 16(2) | 07F24 | 4790607 | -GND GND1607 | | 4790607 |
| | 17(0) | | | | | |
| | 18(0) | | 5155860 | -BCR 10PA2 | | 5155860 |
| 06F35 | 19(1) | | 3277200-1 | * | | 3277200 |
| 04E50 | 20(1) | | 3277000 | -BCR CNST | | 3277000 |
| | 21(0) | | | | | |
| | 22(0) | | | | | |
| | 23(0) | | | | | |
| 07F16 | 24(2) | 07F25 | 4790607 | GND1607 | | 4790607 |
| 07F24 | 25(2) | 07F33 | 4790607 | * GND1607 | | 3314030 |
| | 26(0) | | | | | |
| | 27(0) | | | | | |
| | 28(0) | | | | | |
| | 29(0) | | | | | |
| | 30(0) | | | | | |
| | 31(0) | | | | | |
| | 32(0) | | | | | |
| 07F25 | 33(2) | 07F35 | 4790607 | * GND1607 | | 3314130 |
| | 34(0) | | | | | |
| 07F33 | 35(2) | 07F37 | 4790607 | * GND1607 | | 3243100 |
| | 36(0) | | 3243000 | -BCR CLIS | | 3243000 |
| 07F35 | 37(2) | 07F41 | 4790607 | * GND1607 | | 7362560 |
| | 38(0) | | 7362500 | -BCR RIO | | 7362500 |
| 06F15 | 39(1) | | 5154300-1 | * | | 5154300 |
| | 40(0) | | | | | |
| 07F37 | 41(1) | | 4790607 | GND1607 | | 4790607 |
| | 42(0) | | | | | |
| | 43(0) | | | | | |
| | 44(0) | | | | | |
| 06F34 | 45(2) | 03E06 | 6905008 | * PRI | | 6905000 |
| | 46(0) | | | | | |
| | 47(0) | | | | | |
| | 48(0) | | | | | |
| 06F49 | 49(0) | 08F49 | 8300500 | P4VF | | 8300500 |
| 05F50 | 50(2) | 09F50 | 8304500 | M8VF | | 8304500 |
| 06F51 | 51(0) | 08F51 | 8302500 | P8VF | | 8302500 |

XDS 902306

XDS
XEROX DATA SYSTEMS

DRAWING NO.- 133264-912 AC
PROG-PNIND
TYPE-PIN INDEX

72

MODULE-08F
TYPE-IT25

10/27/71

| FROM | PIN (COUNT) | TO | SOURCE LINE NO. | ELEM. TYPE | SOURCE SIGNAL NAME | REFERENCE LINE NO. |
|-------|----------------|-------|--------------------|---------------|--------------------|-----------------------|
| | 00(0) | | | | | |
| 14E47 | 01(1) | | 3107040 | I | N(S/CEINT) | 3107040 |
| | 02(1) | 28F46 | 2020010 | I | N(S/A9) | 2020012 |
| 28F14 | 03(2) | 05E44 | 4322200 | . | (FAIO.PH2) | 2020012 |
| 18E13 | 04(2) | 17F26 | 6845560 | . | PH5-E | 7395102 |
| 16D34 | 05(2) | 08F26 | 4324375 | . | (FAPSD.PH5) | 5779302 |
| | 06(0) | | | | | |
| 05E13 | 07(2) | 13D43 | 1316202 | . | NR31 | 5779302 |
| 02F14 | 08(2) | 11F09 | 1286202 | . | NR28 | 7395102 |
| 13D34 | 09(2) | 21F29 | 7471020 | . | NRZ | 2020012 |
| 03E33 | 10(2) | 31F03 | 6832420 | . | PEM-1 | 3107040 |
| 07D10 | 11(2) | 26F23 | 5415355 | . | KHOP-2 | 3107040 |
| | 12(1) | 04F17 | 5779300 | I | LEVARM | 5779302 |
| 12F02 | 13(2) | 02F47 | 7395100 | I | RPXS | 7395102 |
| 24D23 | 14(2) | 05D23 | 6977000 | I | NPXS | 6977032 |
| | 15(1) | 14F37 | 2498000 | I | NAXZ/012 | 2498000 |
| | 16(0) | | 4790608 | -GND | GND1608 | 4790608 |
| | 17(0) | | | | | |
| 10F38 | 18(2) | 16F38 | 6720700 | . | OU7 | 2498000 |
| | 19(0) | | | | | |
| 05D17 | 20(2) | 13E38 | 4321987 | . | NFAIM | 6977032 |
| 18E37 | 21(2) | 02F22 | 4323295 | . | FAMDS | 6977032 |
| 19F44 | 22(2) | 03F12 | 7343120 | . | NRESET-1 | 4334130 |
| 08F41 | 23(2) | 32D17 | 6927010 | . | N(PSW1XS) | 4334130 |
| 28F05 | 24(2) | 06E04 | 4334110 | . | NFCXS | 4334130 |
| 14E33 | 25(2) | 10F25 | 1074502 | . | N07 | 5779102 |
| 08F05 | 26(2) | 10F06 | 4324375 | . | (FAPSD.PH5) | 5779102 |
| 14E36 | 27(2) | 11D05 | 1306215 | . | R30-1 | 5779102 |
| | 28(0) | | | | | |
| 12F21 | 29(2) | 06F09 | 2285065 | . | (NANLZ.PRE3) | 6977032 |
| 12F30 | 30(2) | 10F30 | 4320910 | . | FACOMP/1 | 2498000 |
| 10D06 | 31(2) | 10D10 | 6902400 | . | PRE4 | 2498000 |
| | 32(0) | | | | | |
| 04F01 | 33(2) | 08F36 | 5779100 | I | NLEVACT | 5779102 |
| | 34(1) | 02F24 | 4334130 | I | (FCXS+PSW1XS) | 4334130 |
| | 35(1) | 02E02 | 3905534 | I | NDXS/4 | 3905534 |
| 08F33 | 36(1) | | 5779100 | I | NLEVACT | 5779100 |
| 17D44 | 37(2) | 31F23 | 5138900 | . | INTRAP | 5779100 |
| 11F05 | 38(2) | 06D46 | 5156465 | . | (IOPH0.SW13) | 3905534 |
| 14F50 | 39(2) | 30D24 | 5156501 | . | IOPH1 | 5156568 |
| 06E23 | 40(2) | 24D23 | 6977000 | . | NPXS | 6977100 |
| 07D22 | 41(2) | 08F23 | 6927010 | . | N(PSW1XS) | 6977100 |
| 13F22 | 42(2) | 30D23 | 7891400 | . | SW13 | 5156568 |
| 16F40 | 43(2) | 03E34 | 7890201 | . | NSW1 | 3905534 |
| 06D36 | 44(2) | 12D34 | 4323348 | . | (FAMT.PH2) | 5779100 |
| | 45(1) | 15D45 | 5156568 | I | N(IOPH1.SW13) | 5156568 |
| 31D31 | 46(2) | 03F15 | 6977100 | I | PXS | 6977100 |
| 20E18 | 47(1) | | 4322820 | T | (FAIO.PH8) | 4322820 |
| | 48(0) | | | | | |
| 07F49 | 49(0) | 09F49 | 8300500 | . | P4VF | 8300500 |
| 05E30 | 50(1) | | 4322680 | T | (FAIO/1.PH6) | 4322680 |
| 07F51 | 51(0) | 09F51 | 8302500 | . | P8VF | 8302500 |

XDS 902306



DRAWING NO.- 133264-912 AC
 PROG-PNIND
 TYPE-PIN INDEX

MODULE-09F
 TYPE-AT12

73

10/27/71

| FROM | PIN (COUNT) | TO | SOURCE LINE NO. | ELEM. TYPE | SOURCE SIGNAL NAME | REFERENCE LINE NO. |
|-------|-------------|-------|-----------------|------------|--------------------|--------------------|
| | 00(0) | | | | | |
| 06F44 | 01(1) | | 3202100-1 | * | | 3202100 |
| 06F45 | 02(1) | | 7412500-1 | * | | 7412500 |
| 06F47 | 03(1) | | 7410238-1 | * | <i>rsa/</i> | 7410238 |
| | 04(0) | | | | | |
| | 05(1) | 09F16 | 4790609 | | GND1609 | 4790609 |
| | 06(0) | | | | | |
| | 07(0) | | | | | |
| | 08(0) | | | | | |
| 06F46 | 09(1) | | 4200200-1 | * | | 4200200 |
| | 10(0) | | | | | |
| | 11(0) | | | | | |
| 11E17 | 12(1) | | 7689150-1 | * | <i>/sio/</i> | 7689150 |
| | 13(0) | | | | | |
| | 14(0) | | | | | |
| 11E10 | 15(1) | | 5030500-1 | * | | 5030500 |
| 09F05 | 16(2) | 09F24 | 4790609 | -GND | GND1609 | 4790609 |
| | 17(0) | | | | | |
| | 18(0) | | | | | |
| 11E35 | 19(1) | | 8031100-1 | * | <i>/T10/</i> | 8031100 |
| | 20(0) | | | | | |
| | 21(0) | | | | | |
| | 22(0) | | | | | |
| 11E36 | 23(1) | | 8019100-1 | * | | 8019100 |
| 09F16 | 24(1) | | 4790609 | | GND1609 | 4790609 |
| 06F06 | 25(1) | | 2183000-1 | * | <i>/A10/</i> | 2183000 |
| | 26(0) | | | | | |
| | 27(0) | | | | | |
| | 28(0) | | | | | |
| | 29(0) | | | | | |
| | 30(0) | | | | | |
| | 31(0) | | | | | |
| | 32(0) | | | | | |
| 06F41 | 33(1) | | 2352900-1 | * | | 2352900 |
| | 34(0) | | | | | |
| 06F36 | 35(1) | | 4410150-1 | * | | 4410150 |
| | 36(0) | | | | | |
| | 37(0) | | | | | |
| | 38(0) | | | | | |
| | 39(0) | | | | | |
| | 40(0) | | | | | |
| | 41(1) | 32F12 | 5156880 | -NS | NIOPOP | 5156880 |
| | 42(0) | | | | | |
| | 43(0) | | | | | |
| | 44(0) | | | | | |
| | 45(0) | | | | | |
| | 46(0) | | | | | |
| | 47(0) | | | | | |
| | 48(0) | | | | | |
| 08F49 | 49(0) | 10F49 | 8300500 | | P4VF | 8300510 |
| 07F50 | 50(1) | | 8304500 | | M8VF | 8304500 |
| 08F51 | 51(0) | 10F51 | 8302500 | | P8VF | 8302510 |

XDS 902306

XDS
XEROX DATA SYSTEMS

DRAWING NO.- 133264-912 AC
PROG-PNIND
TYPE-PIN INDEX

MODULE-10F
TYPE-XT10

74

10/27/71

| FROM | PIN (COUNT) | TO | SOURCE LINE NO. | ELEM. TYPE | SOURCE SIGNAL NAME | REFERENCE LINE NO. |
|-------|----------------|-------|--------------------|---------------|--------------------|-----------------------|
| | 00(0) | | | | | |
| 05D18 | 01(1) | | 4324546 | T | (FAS10.NFAIM) | 4324546 |
| 11E30 | 02(1) | | 2000520 | T | N(1MC.2MC) | 2000520 |
| 12E41 | 03(1) | | 2285040 | T | (ANLZ.PH6) | 2285040 |
| 17F01 | 04(1) | | 2844350 | T | NBRSW13 | 2844350 |
| 17F02 | 05(1) | | 2844550 | T | NBRSW15 | 2844550 |
| 08F26 | 06(1) | | 4324375 | T | (FAPSD.PH5) | 4324375 |
| 12F17 | 07(1) | | 4421450 | T | FULRP | 4421450 |
| 18F03 | 08(1) | | 4324520 | T | (FARWD.PH7) | 4324520 |
| 12F11 | 09(1) | | 4321125 | T | (FADW/1.PH1) | 4321125 |
| 28D17 | 10(2) | 08D13 | 3060170 | T | CC1-1 | 3060170 |
| 17F11 | 11(1) | | 2843850 | T | NBRSW8 | 2843850 |
| 17F12 | 12(1) | | 2844050 | T | NBRSW10 | 2844050 |
| 17F13 | 13(1) | | 2844150 | T | NBRSW11 | 2844150 |
| 17F14 | 14(1) | | 2844250 | T | NBRSW12 | 2844250 |
| 11E47 | 15(1) | | 7900380 | T | N(S/SXAP1) | 7900380 |
| | 16(0) | | 4790610 | -GND | GND1610 | 4790610 |
| | 17(1) | 10E11 | 7900390 | T | N(S/SXAPD) | 7900390 |
| | 18(1) | 11E46 | 7901500 | T | N(S/SXD) | 7901500 |
| 08D42 | 19(1) | | 4324750 | T | NFAST/B | 4324750 |
| | 20(1) | 10E50 | 7901600 | T | N(S/SXDM1) | 7901600 |
| 04F42 | 21(1) | | 1334919 | T | P33-1 | 1334919 |
| 18F21 | 22(1) | | 5154060 | T | IOINH | 5154060 |
| 32D17 | 23(1) | | 6927010 | T | N(PSW1XS) | 6927010 |
| 06D13 | 24(1) | | 4322570 | T | (FA10.PH5.SW14) | 4322570 |
| 08F25 | 25(1) | | 1074502 | T | NO7 | 1074502 |
| 04E43 | 26(1) | | 5156010 | T | N1OPADD | 5156010 |
| 19F31 | 27(1) | | 5152720 | T | N1OENIN | 5152720 |
| 12F29 | 28(1) | | 4152000 | T | ENDE | 4152000 |
| 17F30 | 29(1) | | 4050110 | T | NED | 4050110 |
| 08F30 | 30(1) | | 4320910 | T | FACOMP/1 | 4320910 |
| 12F31 | 31(1) | | 4321145 | T | (FAFL.N02) | 4321145 |
| | 32(0) | | | | | |
| | 33(1) | 06F31 | 7410200 | T | RSA | 7410200 |
| 12F34 | 34(1) | | 4321100 | T | FADW | 4321100 |
| 12F33 | 35(1) | | 6902150 | T | PRE/12 | 6902150 |
| 08D44 | 36(2) | 09D40 | 4324508 | T | NFARWD | 4324508 |
| | 37(1) | 13F30 | 7891600 | T | SW15 | 7891600 |
| | 38(1) | 08F18 | 6720700 | T | OU7 | 6720700 |
| 06F39 | 39(1) | | 3277160 | T | CNST1 | 3277160 |
| 04F40 | 40(1) | | 1010304 | T | NB1 | 1010304 |
| 19F41 | 41(1) | | 6821201 | T | NPCP2 | 6821201 |
| 06F42 | 42(1) | | 2000510 | T | 1MC | 2000510 |
| 11F41 | 43(1) | | 6845260 | T | PH2-D | 6845260 |
| 04F08 | 44(1) | | 5156557 | T | N(1OPH1.SW11) | 5156557 |
| 06F21 | 45(1) | | 1064520 | T | 06-1 | 1064520 |
| | 46(1) | 06F22 | 1024500 | T | 02 | 1024500 |
| 11F10 | 47(1) | | 4420900 | T | FUAWM | 4420900 |
| | 48(0) | | | | | |
| 09F49 | 49(0) | 11F49 | 8300500 | | P4VF | 8300510 |
| 04F09 | 50(1) | | 4324500 | T | FARWD | 4324500 |
| 09F51 | 51(0) | 11F51 | 8302500 | | P8VF | 8302510 |

| FROM | PIN (COUNT) | TO | SOURCE LINE NO. | ELEM. TYPE | SOURCE SIGNAL NAME | REFERENCE LINE NO. |
|-------|----------------|-------|--------------------|---------------|--------------------|-----------------------|
| | 00(0) | | | | | |
| 18F04 | 01(2) | 02F05 | 3060185 | I | NCC1XK00 | 3060187 |
| 11F46 | 02(2) | 02E04 | 2405120 | I | NAXR | 2405120 |
| 14D08 | 03(2) | 11F04 | 4323344 | . | (FAMT.PH1) | 2405120 |
| 11F03 | 04(2) | 12D38 | 4323344 | . | (FAMT.PH1) | 2403920 |
| 15F19 | 05(2) | 08F38 | 5156465 | . | (IOPH9.SW13) | 5151054 |
| 14E40 | 06(2) | 09D20 | 3533500 | . | DATAOUT | 5151054 |
| 23D09 | 07(2) | 26D15 | 1071342 | . | ND7-1 | 5151054 |
| 17E08 | 08(2) | 11D03 | 1286215 | . | R28-1 | 2403920 |
| 08F08 | 09(2) | 21F30 | 1286202 | . | NR28 | 2405120 |
| 06D08 | 10(2) | 10F47 | 4420900 | . | FUAWM | 3060187 |
| 27E43 | 11(2) | 18F10 | 6845198 | . | (PH1+PH3) | 3060187 |
| | 12(1) | 20D02 | 5151050 | I | NIODAXA | 5151054 |
| | 13(1) | 02E08 | 2403920 | I | NAXNR | 2403920 |
| | 14(1) | 02E38 | 2401020 | I | NAXCC | 2401020 |
| | 15(1) | 02E37 | 2405910 | I | NAXTR | 2405910 |
| 07E28 | 16(1) | | 4790611 | -GND | GND1611 | 4790611 |
| 31E35 | 17(2) | 11D04 | 1296215 | . | R29-1 | 2405910 |
| 11E23 | 18(2) | 06F23 | 1074500 | . | 07 | 2405910 |
| | 19(0) | | | | | |
| 20E42 | 20(2) | 07E19 | 6902335 | . | (PRE3+PH1/F+PH8) | 2401020 |
| 19D03 | 21(2) | 20D21 | 4324850 | . | FAST/M | 2401020 |
| 10D04 | 22(2) | 02F11 | 4421480 | . | FUMH | 3901410 |
| 07D20 | 23(2) | 06E17 | 6845390 | . | (PH3+PH4) | 3901410 |
| 13F01 | 24(2) | 04F43 | 1324919 | . | P32-1 | 3901410 |
| 13F24 | 25(2) | 14F24 | 7890900 | . | SW8 | 2405336 |
| 05E33 | 26(2) | 13F29 | 4322500 | . | (FA10.PH5) | 2405336 |
| 06F30 | 27(2) | 17F28 | 7890800 | . | SW7 | 2405336 |
| | 28(0) | | | | | |
| 11E15 | 29(2) | 06F21 | 1064520 | . | 06-1 | 2401020 |
| 20E47 | 30(2) | 07E12 | 4324365 | . | (FAPSD.PH3) | 2405910 |
| 03D36 | 31(2) | 24D41 | 8065400 | . | TRAP | 2405910 |
| | 32(0) | | | | | |
| 24D30 | 33(1) | | 2405336 | I | NAXRR/6 | 2405336 |
| 13E05 | 34(2) | 10D23 | 3901400 | I | NDXDR8 | 3901410 |
| | 35(1) | 11E30 | 2000520 | I | N(1MC.2MC) | 2000520 |
| | 36(1) | 19F18 | 4420543 | I | N(FUA10.P5.8.7) | 4420543 |
| 12D01 | 37(2) | 13D02 | 7890800 | . | SW7 | 4420543 |
| 19F20 | 38(2) | 06F12 | 2000510 | . | 1MC | 2000520 |
| 13D41 | 39(2) | 18E33 | 4322580 | . | (FA10/1.PH5) | 2405420 |
| 05E01 | 40(1) | | 4421700 | . | FUPLM | 2405122 |
| 05D41 | 41(2) | 10F43 | 6845260 | . | PH2-D | 2405122 |
| 05E37 | 42(2) | 14F21 | 7891200 | . | SW11 | 2405420 |
| 07D01 | 43(2) | 14F08 | 2000570 | . | 2MC | 2000520 |
| 20D40 | 44(2) | 15F45 | 4420540 | . | (FUA10.PH5.SW8) | 4420543 |
| 18E30 | 45(1) | | 2405420 | I | N(S/AXRR/6) | 2405420 |
| | 46(1) | 11F02 | 2405120 | I | NAXR | 2405122 |
| 13F12 | 47(1) | | 6815825 | T | PBAHOLD | 6815825 |
| | 48(0) | | | | | |
| 10F49 | 49(0) | 12F49 | 8300500 | | P4VF | 8300510 |
| 20E33 | 50(1) | | 4324400 | T | (FAPSD.PRE3) | 4324400 |
| 10F51 | 51(0) | 12F51 | 8302500 | | P8VF | 8302510 |

XDS 902306

XDS
XEROX DATA SYSTEMS

DRAWING NO. - 133264-912 AC.
PROG-PNIND
TYPE-PIN INDEX

76

MODULE-12F
TYPE-BT10

10/27/71

| FROM | PIN (COUNT) | TO | SOURCE LINE NO. | ELEM. TYPE | SOURCE SIGNAL NAME | REFERENCE LINE NO. |
|-------|----------------|-------|--------------------|---------------|--------------------|-----------------------|
| | 00(0) | | | | | |
| | 01(1) | 13F10 | 4395400 | B | FPCON | 4395402 |
| | 02(1) | 08F13 | 7395100 | B | RPXS | 7395100 |
| 12F26 | 03(1) | 32N37 | 5339000 | B | K00HOLD | 5339000 |
| | 04(1) | 01D21 | 7514100 | B | S16INH | 7514100 |
| | 05(0) | | | | | |
| 25E03 | 06(2) | 06D39 | 4324708 | . | (FAST.PH1/C) | 7514100 |
| | 07(0) | | | | | |
| 08E17 | 08(2) | 14F40 | 4323135 | . | FALOAD/A-1 | 5339000 |
| 29D25 | 09(2) | 17E42 | 6845265 | . | PH2-E | 5339000 |
| | 10(0) | | | | | |
| 17D12 | 11(2) | 10F09 | 4321125 | . | (FADW/1.PH1) | 5339000 |
| | 12(0) | | | | | |
| 10D18 | 13(2) | 23E30 | 4324704 | . | (FAST.PH1/A) | 7514100 |
| | 14(0) | | | | | |
| | 15(0) | | | | | |
| | 16(0) | | 4790612 | -GND | GND1612 | 4790612 |
| 23D28 | 17(2) | 10F07 | 4421450 | . | FULRP | 7395100 |
| 12F22 | 18(2) | 05E11 | 6845110 | . | PH1-F | 4395402 |
| 02F31 | 19(2) | 16F05 | 1001336 | . | D0-1 | 4395402 |
| 04E38 | 20(2) | 20F20 | 6902324 | . | PRE3-F | 4395402 |
| 08E02 | 21(2) | 08F29 | 2285065 | . | (NANLZ.PRE3) | 4395402 |
| 19F11 | 22(2) | 12F18 | 6845110 | . | PH1-F | 7395100 |
| 07D23 | 23(2) | 03E43 | 6927100 | . | PSW2XS | 7395100 |
| | 24(0) | | | | | |
| | 25(0) | | | | | |
| 01D37 | 26(2) | 12F03 | 5339000 | . | K00HOLD | 7890155 |
| 27E30 | 27(2) | 20F11 | 6845855 | . | PH8-B | 7890155 |
| 03D08 | 28(2) | 17D39 | 4323380 | . | FAMULNH | 3060283 |
| 13F03 | 29(2) | 10F28 | 4152000 | . | ENDE | 3060283 |
| 12E38 | 30(2) | 08F30 | 4320910 | . | FACOMP/1 | 3060283 |
| 07E43 | 31(2) | 10F31 | 4321145 | . | (FAFL.N02) | 7890155 |
| | 32(0) | | | | | |
| 20E35 | 33(2) | 10F35 | 6902150 | . | PRE/12 | 1314930 |
| 11E01 | 34(2) | 10F34 | 4321100 | . | FADW | 1314930 |
| | 35(0) | | | | | |
| 21F19 | 36(2) | 08E38 | 6845970 | . | PH9-D | 3060283 |
| 19E01 | 37(2) | 21F22 | 4395600 | . | NFPRR | 4395300 |
| | 38(0) | | | | | |
| 16F25 | 39(1) | | 5154001 | . | NIOIN | 4395300 |
| 20D20 | 40(2) | 19F38 | 5152001 | . | NIOEN | 4395300 |
| | 41(0) | | | | | |
| 23D31 | 42(2) | 01D04 | 7343300 | . | RESET/C | 1314930 |
| | 43(0) | | | | | |
| 18F19 | 44(2) | 03F23 | 1314930 | B | (S/P31/1) | 1314930 |
| | 45(1) | 01D05 | 4395300 | B | FPCLN/1 | 4395300 |
| | 46(1) | 03F25 | 7890155 | B | (S/SW0/NZ) | 7890155 |
| 21E27 | 47(2) | 18E29 | 3060283 | B | (S/CC2/NZ) | 3060283 |
| | 48(0) | | | | | |
| 11F49 | 49(0) | 13F49 | 8300500 | | P4VF | 8300510 |
| | 50(0) | | | | | |
| 11F51 | 51(0) | 13F51 | 8302500 | | P8VF | 8302510 |

XDS 902306

XDS
XEROX DATA SYSTEMS

DRAWING NO.- 133264-912 AC
PROG-PNIND
TYPE-PIN INDEX

MODULE-13F
TYPE-BT16

77

10/27/71

| FROM | PIN (COUNT) | TO | SOURCE LINE NO. | ELEM. TYPE | SOURCE SIGNAL NAME | REFERENCE LINE NO. |
|-------|----------------|-------|--------------------|---------------|--------------------|-----------------------|
| | 00(0) | | | | | |
| 18F43 | 01(2) | 11F24 | 1324919 | . | P32-1 | 6806240 |
| 16F37 | 02(1) | | 6720500 | . | OU5 | 4425870 |
| 13E50 | 03(2) | 12F29 | 4152000 | . | ENDE | 4425860 |
| 15D17 | 04(2) | 14D45 | 4325000 | . | FASTORE | 4425850 |
| | 05(1) | 13F19 | 4425850 | B | (FUSTH.ENDE) | 4425870 |
| 07E34 | 06(1) | | 8132000 | B | VALST | 8132000 |
| 04F22 | 07(2) | 20F09 | 3060201 | . | NCC2 | 8132000 |
| 20F18 | 08(2) | 04F23 | 3060101 | . | NCC1 | 8132000 |
| 05D38 | 09(2) | 21E38 | 4321137 | . | FAFL-1 | 4395400 |
| 12F01 | 10(2) | 03E14 | 4395400 | B | FPCON | 4395400 |
| 14F10 | 11(2) | 03F05 | 6809190 | B | P33HOLD | 6809192 |
| 13F13 | 12(2) | 11F47 | 6815825 | . | PBAHOLD | 6809192 |
| 20D01 | 13(2) | 13F12 | 6815825 | . | PBAHOLD | 6806242 |
| 11E20 | 14(2) | 17F25 | 4425700 | . | FUSIO | 8132000 |
| 13F17 | 15(2) | 03F04 | 6806240 | B | P32HOLD | 6806242 |
| | 16(0) | | 4790613 | -GND | GND1613 | 4790613 |
| | 17(1) | 13F15 | 6806240 | B | P32HOLD | 6806240 |
| 13F19 | 18(2) | 18E43 | 4425850 | B | (FUSTH.ENDE) | 4425850 |
| 13F05 | 19(2) | 13F18 | 4425850 | B | (FUSTH.ENDE) | 4425860 |
| | 20(0) | | | | | |
| 13F42 | 21(2) | 27D25 | 7891500 | . | SW14 | 4322570 |
| 13F37 | 22(2) | 08F42 | 7891400 | . | SW13 | 4322565 |
| 14F42 | 23(2) | 05E18 | 7891000 | . | SW9 | 4322545 |
| 13F38 | 24(2) | 11F25 | 7890900 | . | SW8 | 4322540 |
| | 25(1) | 22D06 | 4322545 | B | (FAIO.PH5.SW9) | 4322545 |
| 13D01 | 26(1) | | 4322540 | B | (FAIO.PH5.SW8) | 4322540 |
| 07E35 | 27(1) | | 4322565 | B | (FAIO.PH5.SW13) | 4322565 |
| | 28(1) | 06D13 | 4322570 | B | (FAIO.PH5.SW14) | 4322570 |
| 11F26 | 29(2) | 17E38 | 4322500 | . | (FAIO.PH5) | 4322565 |
| 10F37 | 30(2) | 14F01 | 7891600 | . | SW15 | 5156675 |
| | 31(0) | | | | | |
| | 32(0) | | | | | |
| 16F23 | 33(2) | 14F50 | 5156501 | . | IOPH1 | 5156560 |
| | 34(1) | 21F40 | 5156565 | B | (IOPH1.SW13) | 5156565 |
| 25E24 | 35(1) | | 5156560 | B | (IOPH1.SW12) | 5156560 |
| 03D37 | 36(1) | | 5156567 | B | (IOPH1.SW13)-F | 5156567 |
| 13F40 | 37(2) | 13F22 | 7891400 | . | SW13 | 5156567 |
| 14F43 | 38(2) | 13F24 | 7890900 | . | SW8 | 5156543 |
| 14F04 | 39(2) | 05E17 | 7891300 | . | SW12 | 5156560 |
| 13F43 | 40(2) | 13F37 | 7891400 | . | SW13 | 5156565 |
| 27F26 | 41(1) | | 5156543 | B | (IOPH1.SW8)-F | 5156543 |
| 14F02 | 42(2) | 13F21 | 7891500 | . | SW14 | 5156670 |
| 15F23 | 43(2) | 13F40 | 7891400 | . | SW13 | 5156665 |
| 23E07 | 44(1) | | 5156670 | B | (IOPH2.SW14) | 5156670 |
| 17D02 | 45(1) | | 5156665 | B | (IOPH2.SW13) | 5156665 |
| 05D43 | 46(1) | | 5156675 | B | (IOPH2.SW15) | 5156675 |
| | 47(0) | | | | | |
| | 48(0) | | | | | |
| 12F49 | 49(0) | 14F49 | 8300500 | . | P4VF | 8300510 |
| 16D45 | 50(2) | 25F29 | 5156601 | . | IOPH2 | 5156665 |
| 12F51 | 51(0) | 14F51 | 8302500 | . | P8VF | 8302510 |

XDS 902306

XDS
XEROX DATA SYSTEMS

DRAWING NO.- 133264-912 AC
PROG-PNIND MODULE-14F
TYPE-PIN INDEX TYPE-BT16

78

10/27/71

| FROM | PIN (COUNT) | TO | SOURCE LINE NO. | ELEM. TYPE | SOURCE SIGNAL NAME | REFERENCE LINE NO. |
|-------|----------------|-------|--------------------|---------------|--------------------|-----------------------|
| | 00(0) | | | | | |
| 13F30 | 01(2) | 15F01 | 7891600 | . | SW15 | 5156775 |
| 15F02 | 02(2) | 13F42 | 7891500 | . | SW14 | 5156770 |
| 17E43 | 03(2) | 15F03 | 7891400 | . | SW13 | 5156765 |
| 15F04 | 04(2) | 13F39 | 7891300 | . | SW12 | 5156760 |
| 28E08 | 05(1) | | 5156770 | B | (IOPH3.SW14) | 5156770 |
| | 06(1) | 03F26 | 2000535 | B | N1MCS | 2000535 |
| 31D17 | 07(1) | | 2000511 | . | N1MC | 2000535 |
| 11F43 | 08(2) | 19F29 | 2000570 | . | 2MC | 2000535 |
| 20F28 | 09(2) | 04F42 | 1334919 | . | P33-1 | 6809190 |
| | 10(1) | 13F11 | 6809190 | B | P33HOLD | 6809190 |
| 08E07 | 11(1) | | 4321010 | B | FADIV-2 | 4321010 |
| 08E45 | 12(2) | 32E01 | 4321000 | . | FADIV | 4321010 |
| 13Q15 | 13(2) | 12D15 | 1014540 | . | NO1-1 | 4421434 |
| | 14(0) | | | | | |
| 14F34 | 15(2) | 29E03 | 4421432 | B | FULAWORDW | 4421434 |
| | 16(0) | | 4790614 | -GND | GND1614 | 4790614 |
| 25F35 | 17(1) | | 5156775 | B | (IOPH3.SW15) | 5156775 |
| 05E12 | 18(1) | | 5156760 | B | (IOPH3.SW12) | 5156760 |
| 17D05 | 19(1) | | 5156765 | B | (IOPH3.SW13) | 5156765 |
| 14F29 | 20(2) | 25F34 | 5156701 | . | IOPH3 | 5156760 |
| 11F42 | 21(2) | 14F31 | 7891200 | . | SW11 | 5156755 |
| 14F30 | 22(2) | 04E20 | 7891100 | . | SW10 | 5156750 |
| 16F22 | 23(2) | 14F42 | 7891000 | . | SW9 | 5156745 |
| 11F25 | 24(2) | 15F24 | 7890900 | . | SW8 | 5156740 |
| | 25(1) | 14E22 | 5156745 | B | (IOPH3.SW9) | 5156745 |
| 18E46 | 26(1) | | 5156740 | B | (IOPH3.SW8) | 5156740 |
| 28F43 | 27(1) | | 5156750 | B | (IOPH3.SW10) | 5156750 |
| 07E10 | 28(1) | | 5156755 | B | (IOPH3.SW11) | 5156755 |
| 29E07 | 29(2) | 14F20 | 5156701 | . | IOPH3 | 5156750 |
| 15F22 | 30(2) | 14F22 | 7891100 | . | SW10 | 5156550 |
| 14F21 | 31(2) | 30F18 | 7891200 | . | SW11 | 5156555 |
| | 32(0) | | | | | |
| | 33(0) | | | | | |
| | 34(1) | 14F15 | 4421432 | B | FULAWORDW | 4421432 |
| 24D02 | 35(2) | 02F03 | 2490120 | B | NAZ/2 | 2490122 |
| 24D33 | 36(2) | 02F01 | 2490100 | B | NAZ/0 | 2490102 |
| 08F15 | 37(2) | 14F38 | 2498000 | . | NAXZ/012 | 2490102 |
| 14F37 | 38(2) | 14F39 | 2498000 | . | NAXZ/012 | 2490112 |
| 14F38 | 39(2) | 22E11 | 2498000 | . | NAXZ/012 | 2490122 |
| 12F08 | 40(2) | 14E08 | 4323135 | . | FALOAD/A-1 | 4421432 |
| 24D14 | 41(2) | 02F02 | 2490110 | B | NAZ/1 | 2490112 |
| 14F23 | 42(2) | 13F23 | 7891000 | . | SW9 | 5156545 |
| 15F43 | 43(2) | 13F38 | 7890900 | . | SW8 | 5156540 |
| | 44(1) | 17E26 | 5156545 | B | (IOPH1.SW9) | 5156545 |
| | 45(1) | 14E45 | 5156540 | B | (IOPH1.SW8) | 5156540 |
| 13E27 | 46(2) | 25E45 | 5156550 | B | (IOPH1.SW10) | 5156550 |
| 04F13 | 47(1) | | 5156555 | B | (IOPH1.SW11) | 5156555 |
| | 48(0) | | | | | |
| 13F49 | 49(0) | 15F49 | 8300500 | . | P4VF | 8300510 |
| 13F33 | 50(2) | 08F39 | 5156501 | . | IOPH1 | 5156550 |
| 13F51 | 51(0) | 15F51 | 8302500 | . | P8VF | 8302510 |

XDS 902306



DRAWING NO.- 133264-912 AC
 PROG-PNIND MODULE-15F
 TYPE-PIN INDEX TYPE-BT16

79

10/27/71

| FROM | PIN (COUNT) | TO | SOURCE LINE NO. | ELEM. TYPE | SOURCE SIGNAL NAME | REFERENCE LINE NO. |
|-------|----------------|-------|--------------------|---------------|---------------------|-----------------------|
| | 00(0) | | | | | |
| 14F01 | 01(2) | 16F31 | 7891600 | . | SW15 | 5156475 |
| 17F33 | 02(2) | 14F02 | 7891500 | . | SW14 | 5156470 |
| 14F03 | 03(2) | 15F23 | 7891400 | . | SW13 | 5156465 |
| 15F30 | 04(2) | 14F04 | 7891300 | . | SW12 | 5156460 |
| | 05(1) | 23E03 | 5156470 | B | (IOPHO.SW14) | 5156470 |
| | 06(1) | 16F10 | 8165200 | B | WDINT | 8165200 |
| 02F38 | 07(2) | 26F36 | 1250300 | . | B25 | 8165200 |
| 20F38 | 08(1) | | 6631300 | . | OLD | 8165200 |
| 17D19 | 09(2) | 12D09 | 2841080 | . | NBRPCP5 | 7900078 |
| 11E44 | 10(2) | 16E11 | 7900030 | B | N(S/SXA) | 7900078 |
| 21E10 | 11(2) | 23E02 | 8133550 | B | (NVDATAOUT.DATAOUT) | 8133552 |
| 16F46 | 12(2) | 14E40 | 3533500 | . | DATAOUT | 8133552 |
| 16F45 | 13(2) | 17F43 | 3533100 | . | DATIN | 8133102 |
| | 14(1) | 20F39 | 3078000 | . | CCXRWD | 8165200 |
| 21E11 | 15(1) | | 8133100 | B | (NVDATAIN.DATIN) | 8133102 |
| | 16(0) | | 4790615 | -GND | GND1615 | 4790615 |
| 25E37 | 17(1) | | 5156475 | B | (IOPHO.SW15) | 5156475 |
| 27F04 | 18(1) | 32S27 | 5156460 | B | (IOPHO.SW12) | 5156460 |
| | 19(1) | 11F05 | 5156465 | B | (IOPHO.SW13) | 5156465 |
| 05E19 | 20(2) | 15F29 | 5156401 | . | IOPHO | 5156460 |
| 32D23 | 21(2) | 15F30 | 7891300 | . | SW12 | 5156463 |
| 19F22 | 22(2) | 14F30 | 7891100 | . | SW10 | 5156450 |
| 15F03 | 23(2) | 13F43 | 7891400 | . | SW13 | 5156467 |
| 14F24 | 24(2) | 17F27 | 7890900 | . | SW8 | 5156440 |
| | 25(1) | 28E22 | 5156467 | B | (IOPHO.SW13)-F | 5156467 |
| 23F50 | 26(1) | | 5156440 | B | (IOPHO.SW8) | 5156440 |
| 05E20 | 27(1) | | 5156450 | B | (IOPHO.SW10) | 5156450 |
| | 28(1) | 31D38 | 5156463 | B | (IOPHO.SW12)-F | 5156463 |
| 15F20 | 29(2) | 16F18 | 5156401 | . | IOPHO | 5156450 |
| 15F21 | 30(2) | 15F04 | 7891300 | . | SW12 | 4420560 |
| | 31(0) | | | | | |
| | 32(0) | | | | | |
| | 33(0) | | | | | |
| | 34(1) | 15F35 | 4324546 | B | (FAS10.NFAIM) | 4324546 |
| 15F34 | 35(2) | 05D18 | 4324546 | B | (FAS10.NFAIM) | 4324548 |
| | 36(1) | 13E42 | 6825310 | B | NPDC31 | 6825329 |
| 15E01 | 37(2) | 15F38 | 4421436 | . | N(FULAD.PRE4) | 6825329 |
| 15F37 | 38(2) | 05E09 | 4421436 | . | N(FULAD.PRE4) | 3900926 |
| 14E28 | 39(2) | 16E28 | 4321987 | . | NFAIM | 4324548 |
| 23D11 | 40(2) | 06E30 | 4324540 | . | FAS10 | 4324546 |
| 20E23 | 41(2) | 09D13 | 3900900 | B | NDXC | 3900926 |
| | 42(0) | | | | | |
| 27F44 | 43(2) | 14F43 | 7890900 | . | SW8 | 4420540 |
| | 44(0) | | | | | |
| 11F44 | 45(1) | | 4420540 | B | (FUA10.PH5.SW8) | 4420540 |
| 25D12 | 46(1) | | 4420560 | B | (FUA10.PH5.SW12) | 4420560 |
| | 47(0) | | | | | |
| | 48(0) | | | | | |
| 14F49 | 49(0) | 16F49 | 8300500 | . | P4VF | 8300510 |
| 28F31 | 50(2) | 08E24 | 4420530 | . | (FUA10.PH5) | 4420560 |
| 14F51 | 51(0) | 16F51 | 8302500 | . | P8VF | 8302510 |

XDS 902306

XDS
XEROX DATA SYSTEMS

DRAWING NO.- 133264-912 AC
PROG-PNIND
TYPE-PIN INDEX

80

MODULE-16F
TYPE-BT11

10/27/71

| FROM | PIN (COUNT) | TO | SOURCE LINE NO. | ELEM. TYPE | SOURCE SIGNAL NAME | REFERENCE LINE NO. |
|-------|----------------|-------|--------------------|---------------|--------------------|-----------------------|
| | 00(0) | | | | | |
| | 01(1) | 22F10 | 8165300 | B | (WDINT.B30) | 8165300 |
| | 02(1) | 16F24 | 6691000 | B | ORDERIN | 6691000 |
| 16F04 | 03(2) | 29F27 | 7890190 | . | SW1 | 6691000 |
| 14E12 | 04(2) | 16F03 | 7890190 | . | SW1 | 6691100 |
| 12F19 | 05(2) | 13D10 | 1001336 | . | D0-1 | 5151100 |
| 05D50 | 06(2) | 27F42 | 7890100 | . | SW0 | 5151100 |
| 17F24 | 07(2) | 31F01 | 2089201 | . | NADNH | 5151100 |
| 02D10 | 08(2) | 16F41 | 7890300 | . | SW2 | 6691100 |
| 29F26 | 09(2) | 16F42 | 7890301 | . | NSW2 | 6691000 |
| 15F06 | 10(2) | 23F12 | 8165200 | . | WDINT | 8165300 |
| 31D15 | 11(2) | 19E27 | 1300336 | . | B30-1 | 8165300 |
| | 12(1) | 21F10 | 5151100 | B | I0DC | 5151100 |
| | 13(1) | 11D17 | 6691100 | B | ORDEROUT | 6691100 |
| 17E45 | 14(2) | 01D36 | 1312770 | B | N(S/K31) | 1312772 |
| | 15(1) | 29F19 | 6554100 | B | ODINST | 6554100 |
| | 16(0) | | 4790616 | -GND | GND1616 | 4790616 |
| | 17(0) | | | | | |
| 15F29 | 18(2) | 17F18 | 5156401 | . | IOPH0 | 6554100 |
| | 19(0) | | | | | |
| 14E29 | 20(2) | 10E47 | 7900380 | . | N(S/SXAP1) | 1312772 |
| 19E46 | 21(2) | 10E46 | 7904100 | . | N(S/SXMD) | 1312772 |
| 20D23 | 22(2) | 14F23 | 7891000 | . | SW9 | 8051028 |
| 25F26 | 23(2) | 13F33 | 5156501 | . | IOPH1 | 8051028 |
| 16F02 | 24(2) | 16F30 | 6691000 | . | ORDERIN | 8051028 |
| 18F22 | 25(2) | 12F39 | 5154001 | . | NIOIN | 5152750 |
| 10E03 | 26(2) | 27F43 | 5152000 | . | IOEN | 5152750 |
| 18F24 | 27(2) | 25F31 | 5156500 | . | NIOPH1 | 5152750 |
| | 28(0) | | | | | |
| 11E50 | 29(2) | 19E50 | 7901900 | . | N(S/SXDP1) | 1312772 |
| 16F24 | 30(2) | 28E23 | 6691000 | . | ORDERIN | 6554100 |
| 15F01 | 31(2) | 30F03 | 7891600 | . | SW15 | 6554100 |
| | 32(0) | | | | | |
| 27F06 | 33(1) | | 5152750 | B | IOENNIN | 5152750 |
| | 34(1) | 03E24 | 8051028 | B | TORDIN | 8051028 |
| | 35(1) | 18E25 | 3077000 | B | CC1XK23 | 3077000 |
| | 36(1) | 18E27 | 6910020 | B | PROBOVER/H | 6910020 |
| 15E31 | 37(2) | 13F02 | 6720500 | . | OU5 | 6910020 |
| 08F18 | 38(2) | 19D50 | 6720700 | . | OU7 | 3077000 |
| 17F21 | 39(2) | 16F40 | 7890201 | . | NSW1 | 3533100 |
| 16F39 | 40(2) | 08F43 | 7890201 | . | NSW1 | 3533500 |
| 16F08 | 41(2) | 29F31 | 7890300 | . | SW2 | 3533500 |
| 16F09 | 42(2) | 16D27 | 7890301 | . | NSW2 | 3533100 |
| 18F07 | 43(2) | 16F44 | 4323354 | . | (FAMT.PH2.NINTRAP) | 3077000 |
| 16F43 | 44(1) | | 4323354 | . | (FAMT.PH2.NINTRAP) | 6910020 |
| | 45(1) | 15F13 | 3533100 | B | DATAIN | 3533100 |
| 17F34 | 46(2) | 15F12 | 3533500 | B | DATAOUT | 3533500 |
| | 47(0) | | | | | |
| | 48(0) | | | | | |
| 15F49 | 49(0) | 17F49 | 8300500 | | P4VF | 8300520 |
| | 50(0) | | | | | |
| 15F51 | 51(0) | 17F51 | 8302500 | | P8VF | 8302520 |

| FROM | PIN (COUNT) | TO | SOURCE LINE NO. | ELEM. TYPE | SOURCE SIGNAL NAME | REFERENCE LINE NO. |
|-------|----------------|-------|--------------------|---------------|--------------------|-----------------------|
| | 00(0) | | | | | |
| 28E30 | 01(2) | 10F04 | 2844350 | . | NBRSW13 | 7861000 |
| 28F13 | 02(2) | 10F05 | 2844550 | . | NBRSW15 | 7861000 |
| 26E19 | 03(2) | 04E28 | 7890401 | . | NSW3 | 5156000 |
| 16D31 | 04(2) | 29F21 | 7890701 | . | NSW6 | 5156000 |
| 07E11 | 05(2) | 17F47 | 7890601 | . | NSW5 | 5156000 |
| 07D19 | 06(2) | 30F11 | 7343150 | . | NRESET/A-1 | 7861000 |
| 17F08 | 07(2) | 30F13 | 7861000 | B | STEP815 | 7861000 |
| | 08(1) | 17F07 | 7861000 | B | STEP815 | 7861002 |
| | 09(1) | 20D08 | 5156000 | B | IOPADD | 5156000 |
| 21E12 | 10(2) | 17F38 | 8133000 | B | VDATAIN | 8133000 |
| 32F05 | 11(2) | 10F11 | 2843850 | . | NBRSW8 | 7861002 |
| 27E09 | 12(2) | 10F12 | 2844050 | . | NBRSW10 | 7861002 |
| 27E12 | 13(2) | 10F13 | 2844150 | . | NBRSW11 | 7861002 |
| 27E13 | 14(2) | 10F14 | 2844250 | . | NBRSW12 | 7861002 |
| 21D10 | 15(2) | 17F30 | 4050110 | . | NED | 8133000 |
| | 16(0) | | 4790617 | -GND | GND1617 | 4790617 |
| 21F37 | 17(1) | | 3532500 | B | DASW4 | 3532500 |
| 16F18 | 18(2) | 17F31 | 5156401 | . | IOPH0 | 8133000 |
| 21F05 | 19(2) | 17F33 | 7891500 | . | SW14 | 8133000 |
| 19F08 | 20(2) | 14E50 | 7890501 | . | NSW4 | 3532500 |
| 19F04 | 21(2) | 16F39 | 7890201 | . | NSW1 | 3532500 |
| 04F41 | 22(2) | 18F34 | 6803245 | . | N(P32.P33)-1 | 8133502 |
| 17F46 | 23(2) | 31F19 | 6832410 | . | NPEM | 8133502 |
| 17F45 | 24(2) | 16F07 | 2089201 | . | NADNH | 8133502 |
| 13F14 | 25(2) | 28F03 | 4425700 | . | FUSIO | 7694100 |
| 08F04 | 26(2) | 19F23 | 6845560 | . | PH5-E | 7694100 |
| 15F24 | 27(2) | 32D26 | 7890900 | . | SW8 | 7694100 |
| 11F27 | 28(2) | 17E20 | 7890800 | . | SW7 | 7694100 |
| 17E18 | 29(2) | 17F44 | 7890120 | . | NSW0-2 | 8133500 |
| 17F15 | 30(2) | 10F29 | 4050110 | . | NED | 8133500 |
| 17F18 | 31(2) | 21F06 | 5156401 | . | IOPH0 | 8133500 |
| | 32(0) | | | | | |
| 17F19 | 33(2) | 15F02 | 7891500 | . | SW14 | 8133500 |
| | 34(1) | 16F46 | 3533500 | . | DATAOUT | 8133500 |
| 21E09 | 35(2) | 17F37 | 8133500 | B | VDATAOUT | 8133502 |
| | 36(1) | 16D24 | 7694100 | B | SIOSP/1 | 7694100 |
| 17F35 | 37(1) | | 8133500 | B | VDATAOUT | 8133500 |
| 17F10 | 38(1) | | 8133000 | B | VDATAIN | 8133002 |
| 21F39 | 39(1) | | 8145000 | B | VORDER | 8145000 |
| 30D36 | 40(2) | 22E44 | 6803290 | . | N(P32.P33.NB0) | 8133004 |
| 30D45 | 41(2) | 16E41 | 6803280 | . | N(NP32.NP33.B0) | 8133002 |
| 03E19 | 42(2) | 16E21 | 5156125 | . | (IOPC+NPC) | 8133002 |
| 15F13 | 43(2) | 21F07 | 3533100 | . | DATAIN | 8133002 |
| 17F29 | 44(2) | 13D44 | 7890120 | . | NSW0-2 | 8133002 |
| 03F39 | 45(2) | 17F24 | 2089201 | . | NADNH | 8145000 |
| 16E40 | 46(2) | 17F23 | 6832410 | . | NPEM | 8145000 |
| 17F05 | 47(2) | 29F12 | 7890601 | . | NSW5 | 8145000 |
| | 48(0) | | | | | |
| 16F49 | 49(0) | 18F49 | 8300500 | . | P4VF | 8300520 |
| 07D04 | 50(2) | 26D33 | 6691140 | . | (ORDEROUT+SW4) | 8145000 |
| 16F51 | 51(0) | 18F51 | 8302500 | . | P8VF | 8302520 |

XDS 902306

XDS
XEROX DATA SYSTEMS

DRAWING NO. - 133264-912 AC
PROG-PNIND
TYPE-PIN INDEX

MODULE-18F
TYPE-IT17

82

10/27/71

| FROM | PIN (COUNT) | TO | SOURCE LINE NO. | ELEM. TYPE | SOURCE SIGNAL NAME | REFERENCE LINE NO. |
|-------|----------------|-------|--------------------|---------------|--------------------|-----------------------|
| | 00(0) | | | | | |
| | 01(0) | | | | | |
| 13E17 | 02(2) | 31F14 | 5158101 | . | NIOSC | 5152042 |
| 14D36 | 03(2) | 10F08 | 4324520 | . | (FARWD.PH7) | 2401080 |
| | 04(1) | 11F01 | 3060185 | I | NCC1XK00 | 3060185 |
| | 05(1) | 02E22 | 2401080 | I | NAXDIO | 2401080 |
| 18F17 | 06(2) | 08D30 | 7343223 | . | NRESET/C | 1314932 |
| 19D35 | 07(2) | 16F43 | 4323354 | . | (FAMT.PH2.NINTRAP) | 3060185 |
| | 08(0) | | | | | |
| | 09(0) | | | | | |
| 11F11 | 10(2) | 16E39 | 6845198 | . | (PH1+PH3) | 3060185 |
| 15D50 | 11(2) | 16E47 | 4320380 | . | FAARITH | 3060185 |
| 06D07 | 12(2) | 21E22 | 6720100 | . | OU1 | 1314932 |
| 12E39 | 13(1) | | 6631100 | . | OLB | 1314932 |
| | 14(0) | | | | | |
| 11D31 | 15(2) | 16E15 | 6514500 | . | (04.05) | 1314932 |
| | 16(0) | | 4790618 | -GND | GND1618 | 4790618 |
| 32F08 | 17(2) | 18F06 | 7343223 | . | NRESET/C | 1314932 |
| | 18(0) | | | | | |
| | 19(1) | 12F44 | 1314930 | I | (S/P31/1) | 1314932 |
| | 20(1) | 27E24 | 5152040 | I | N(R/IOEN) | 5152040 |
| 31F47 | 21(2) | 10F22 | 5154060 | . | IOINH | 5152040 |
| 19F43 | 22(2) | 16F25 | 5154001 | . | NIOIN | 5152040 |
| 10E04 | 23(2) | 25F14 | 5154000 | . | IOIN | 5152040 |
| 20D11 | 24(2) | 16F27 | 5156500 | . | NIOPH1 | 5152040 |
| | 25(0) | | | | | |
| | 26(0) | | | | | |
| | 27(0) | | | | | |
| 26E36 | 28(2) | 16E38 | 6038800 | . | (N(S/MBXS)+IOIN) | 6038072 |
| | 29(0) | | | | | |
| | 30(1) | 24F19 | 6038620 | I | (S/MBXS/3) | 6038620 |
| | 31(1) | 24F20 | 6038420 | I | (S/MBXS/2) | 6038420 |
| | 32(0) | | | | | |
| 15E09 | 33(2) | 18F36 | 4252000 | . | EXC | 6038620 |
| 17F22 | 34(2) | 16E46 | 6803245 | . | N(P32.P33)-1 | 6038620 |
| 04F36 | 35(2) | 16E45 | 6803250 | . | N(P32.NP33) | 6038420 |
| 18F33 | 36(2) | 18F37 | 4252000 | . | EXC | 6038420 |
| 18F36 | 37(2) | 18F40 | 4252000 | . | EXC | 6038070 |
| 04F46 | 38(2) | 16E43 | 6803256 | . | N(NP32.NP33)-1 | 6038070 |
| 02D42 | 39(2) | 20F25 | 4320540 | . | FABYTE | 6038070 |
| 18F37 | 40(1) | | 4252000 | . | EXC | 6038220 |
| | 41(1) | 23F39 | 6038070 | I | (S/MBXS/0) | 6038070 |
| | 42(1) | 23F23 | 6038220 | I | (S/MBXS/1) | 6038220 |
| 18F45 | 43(2) | 13F01 | 1324919 | . | P32-1 | 6038222 |
| 29D05 | 44(2) | 26D37 | 4321205 | . | (FAHW.EXC) | 6038072 |
| 20F29 | 45(2) | 18F43 | 1324919 | . | P32-1 | 6038072 |
| 18F47 | 46(2) | 04F45 | 1324920 | . | NP32-1 | 6038622 |
| 27F10 | 47(2) | 18F46 | 1324920 | . | NP32-1 | 6038422 |
| | 48(0) | | | | | |
| 17F49 | 49(0) | 19F49 | 8300500 | | P4VF | 8300520 |
| 04F47 | 50(2) | 16E44 | 6803254 | . | N(NP32.P33) | 6038220 |
| 17F51 | 51(0) | 19F51 | 8302500 | | P8VF | 8302520 |

XDS 902306

XDS
XEROX DATA SYSTEMS

DRAWING NO.- 133264-912 AC
PROG-PNIND MODULE-19F
TYPE-PIN INDEX TYPE-IT25

83

10/27/71

| FROM | PIN (COUNT) | TO | SOURCE LINE NO. | ELEM. TYPE | SOURCE SIGNAL NAME | REFERENCE LINE NO. |
|-------|----------------|-------|--------------------|---------------|--------------------|-----------------------|
| | 00(0) | | | | | |
| | 01(1) | 02E29 | 2404430 | I | NAXPARITY | 2404430 |
| | 02(1) | 19F40 | 5159850 | I | N(NIPH10.FAMDS) | 5159850 |
| 26E22 | 03(2) | 19F07 | 5159801 | . | NIPH10 | 5159850 |
| 30D38 | 04(2) | 17F21 | 7890201 | . | NSW1 | 6691700 |
| 21E33 | 05(2) | 19F25 | 6821201 | . | NPCP2 | 5125330 |
| 19D02 | 06(2) | 19F47 | 4324800 | . | FAST/L | 5125330 |
| 19F03 | 07(2) | 19F27 | 5159801 | . | NIPH10 | 5125330 |
| 29F29 | 08(2) | 17F20 | 7890501 | . | NSW4 | 6691700 |
| 09D46 | 09(2) | 26D29 | 4323305 | . | N(NFARWD.NFAMDS) | 5159850 |
| 21F33 | 10(2) | 03D14 | 7339500 | . | RDXMFI | 2404430 |
| 27F18 | 11(2) | 12F22 | 6845110 | . | PH1-F | 2404430 |
| 19F39 | 12(1) | | 5125330 | I | NIFAST/L | 5125330 |
| 25E20 | 13(1) | | 6691700 | I | ORDSW4 | 6691700 |
| | 14(1) | 03F09 | 4392610 | I | NFORCL | 4392610 |
| 03E47 | 15(1) | 11M23 | 5153285 | I | IOFRX | 5153285 |
| | 16(0) | | 4790619 | -GND | GND1619 | 4790619 |
| | 17(0) | | | | | |
| 11F36 | 18(2) | 20D43 | 4420543 | . | N(FUA10.P5.8.7) | 5153285 |
| | 19(0) | | | | | |
| 29D43 | 20(2) | 11F38 | 2000510 | . | 1MC | 4392610 |
| 19D28 | 21(2) | 22E43 | 7869100 | . | STRAP | 4392610 |
| 20E44 | 22(2) | 15F22 | 7891100 | . | SW10 | 1156350 |
| 17F26 | 23(2) | 26F27 | 6845560 | . | PH5-E | 1156350 |
| 19D17 | 24(2) | 21F21 | 4322020 | . | FA10/1 | 1156350 |
| 19F05 | 25(2) | 19F41 | 6821201 | . | NPCP2 | 5125350 |
| 15D14 | 26(2) | 26D02 | 4324900 | . | FAST/S | 5125350 |
| 19F07 | 27(2) | 29F34 | 5159801 | . | NIPH10 | 5125350 |
| | 28(0) | | | | | |
| 14F08 | 29(2) | 26F28 | 2000570 | . | 2MC | 4392610 |
| 30D09 | 30(2) | 16E37 | 4322310 | . | N(FA10.PH3) | 5153285 |
| 23E39 | 31(2) | 10F27 | 5152720 | . | NIOENIN | 5153285 |
| | 32(0) | | | | | |
| 21E43 | 33(2) | 19F42 | 5125350 | I | NIFAST/S | 5125350 |
| | 34(1) | 03E22 | 1156350 | I | RW15X2 | 1156350 |
| 32F42 | 35(1) | | 5150100 | I | IOACT | 5150100 |
| | 36(1) | 22F15 | 2240150 | I | (R/ALARM) | 2240150 |
| 32F41 | 37(2) | 19E44 | 8165210 | . | NWDINT | 2240150 |
| 12F40 | 38(2) | 22F30 | 5152001 | . | NIOEN | 5150100 |
| 21E42 | 39(2) | 19F12 | 5125330 | . | NIFAST/L | 5125300 |
| 19F02 | 40(2) | 19E39 | 5159850 | . | N(NIPH10.FAMDS) | 5125140 |
| 19F25 | 41(2) | 10F41 | 6821201 | . | NPCP2 | 5125140 |
| 19F33 | 42(1) | | 5125350 | . | NIFAST/S | 5125300 |
| 25F12 | 43(2) | 18F22 | 5154001 | . | NIOIN | 5150100 |
| 24D28 | 44(2) | 08F22 | 7343120 | . | NRESET-1 | 2240150 |
| | 45(1) | 22D03 | 5125300 | I | IFAST | 5125300 |
| 21E30 | 46(1) | | 5125140 | I | IFAMDS | 5125140 |
| 19F06 | 47(1) | | 4324800 | T | FAST/L | 4324800 |
| | 48(0) | | | | | |
| 18F49 | 49(0) | 20F49 | 8300500 | . | P4VF | 8300520 |
| 20F42 | 50(1) | | 1260340 | T | B26-1 | 1260340 |
| 18F51 | 51(0) | 20F51 | 8302500 | . | P8VF | 8302520 |

XDS 902306

XDS
XEROX DATA SYSTEMS

DRAWING NO.- 133264-912 AC
PROG-PNIND MODULE-20F
TYPE-PIN INDEX TYPE-BT11

84

10/27/71

| FROM | PIN (COUNT) | TO | SOURCE LINE NO. | ELEM. TYPE | SOURCE SIGNAL NAME | REFERENCE LINE NO. |
|-------|----------------|-------|--------------------|---------------|-----------------------|-----------------------|
| | 00(0) | | | | | |
| | 01(1) | 13E43 | 4324738 | B | (FAST/A.PH8) | 4324738 |
| | 02(1) | 20F46 | 2013150 | B | A31XP33 | 2013150 |
| 26F03 | 03(2) | 20F18 | 3060101 | . | NCC1 | 2013150 |
| 11E34 | 04(2) | 26F14 | 8065401 | . | NTRAP | 6973900 |
| 29D03 | 05(2) | 20F21 | 4321170 | . | FAHW | 4321250 |
| 10D11 | 06(2) | 20F26 | 2559800 | . | (BC=1) | 4321250 |
| 15E11 | 07(2) | 20F27 | 6902400 | . | PRE4 | 4321250 |
| 31F13 | 08(2) | 15D08 | 5138992 | . | (INTRAP1.NINTRAP2) | 6973900 |
| 13F07 | 09(2) | 15D13 | 3060201 | . | NCC2 | 2013150 |
| 23D35 | 10(2) | 19E33 | 4324727 | . | FAST/A-1 | 4324738 |
| 12F27 | 11(2) | 18E15 | 6845855 | . | PH8-B | 4324738 |
| | 12(1) | 02F20 | 4321250 | B | (FAHW.PRE4.(BC=1)) | 4321250 |
| | 13(1) | 03F33 | 6973900 | B | PXINT | 6973900 |
| | 14(1) | 01D40 | 4321230 | B | (FAHW.PRE3.P32) | 4321230 |
| | 15(1) | 02E26 | 2013100 | B | A31XP32 | 2013100 |
| | 16(0) | | 4790620 | -GND | GND1620 | 4790620 |
| 21F23 | 17(2) | 17D46 | 6845640 | . | PH6-E | 2013100 |
| 20F03 | 18(2) | 13F08 | 3060101 | . | NCC1 | 2013100 |
| 16E22 | 19(1) | | 4421490 | . | NFUMH | 4321230 |
| 12F20 | 20(2) | 20F23 | 6902324 | . | PRE3-F | 4321230 |
| 20F05 | 21(2) | 26F50 | 4321170 | . | FAHW | 4321230 |
| 32D40 | 22(2) | 20F29 | 1324919 | . | P32-1 | 4320600 |
| 20F20 | 23(2) | 22E33 | 6902324 | . | PRE3-F | 4320600 |
| 20F25 | 24(2) | 03E46 | 4320540 | . | FABYTE | 4320600 |
| 18F39 | 25(2) | 20F24 | 4320540 | . | FABYTE | 4320620 |
| 20F06 | 26(2) | 26F26 | 2559800 | . | (BC=1) | 4320620 |
| 20F07 | 27(2) | 22E31 | 6902400 | . | PRE4 | 4320620 |
| 27F11 | 28(2) | 14F09 | 1334919 | . | P33-1 | 4320600 |
| 20F22 | 29(2) | 18F45 | 1324919 | . | P32-1 | 4321230 |
| | 30(0) | | | | | |
| 29D38 | 31(2) | 20F40 | 2285000 | . | ANLZ | 2013100 |
| | 32(0) | | | | | |
| | 33(1) | 01D41 | 4320620 | B | (FABYTE.PRE4.(BC=1)) | 4320620 |
| | 34(1) | 01D42 | 4320600 | B | (FABYTE.PRE3.P32.P33) | 4320600 |
| | 35(1) | 20F45 | 5134000 | B | INHWD | 5134000 |
| | 36(1) | 13E40 | 4421270 | B | (FUEXU.(INT+IOSC)) | 4421270 |
| 13E09 | 37(2) | 19E09 | 5138100 | . | (INT+IOSC) | 4421270 |
| 31D36 | 38(2) | 15F08 | 6631300 | . | OLD | 5134000 |
| 15F14 | 39(2) | 21F26 | 3078000 | . | CCXRWD | 5134002 |
| 20F31 | 40(2) | 26F40 | 2285000 | . | ANLZ | 2013152 |
| 28F11 | 41(2) | 32E22 | 6845765 | . | PH7-D | 2013152 |
| 32F26 | 42(2) | 19F50 | 1260340 | . | B26-1 | 5134002 |
| | 43(0) | | | | | |
| 05D05 | 44(2) | 12D10 | 4421250 | . | FUEXU | 4421270 |
| 20F35 | 45(2) | 31D35 | 5134000 | B | INHWD | 5134002 |
| 20F02 | 46(2) | 02E27 | 2013150 | B | A31XP33 | 2013152 |
| | 47(0) | | | | | |
| | 48(0) | | | | | |
| 19F49 | 49(0) | 21F49 | 8300500 | P4VF | | 8300520 |
| | 50(0) | | | | | |
| 19F51 | 51(0) | 21F51 | 8302500 | P8VF | | 8302520 |

XDS 902306

XDS
XEROX DATA SYSTEMS

DRAWING NO. - 133264-912 AC
PROG-PNIND
TYPE-PIN INDEX

85

MODULE-21F
TYPE-BT11

10/27/71

| FROM | PIN (COUNT) | TO | SOURCE LINE NO. | ELEM. TYPE | SOURCE SIGNAL NAME | REFERENCE LINE NO. |
|-------|----------------|-------|--------------------|---------------|---------------------|-----------------------|
| | 00(0) | | | | | |
| | 01(1) | 19D25 | 3532540 | B | (DASW4.IODC) | 3532540 |
| | 02(1) | 27F08 | 3811160 | B | (NDOR.IOR) | 3811160 |
| 24D38 | 03(2) | 26F06 | 3811100 | . | NDOR | 3811160 |
| 26F05 | 04(2) | 28D39 | 3811000 | . | DOR | 3811150 |
| 30F07 | 05(2) | 17F19 | 7891500 | . | SW14 | 5156860 |
| 17F31 | 06(2) | 25F28 | 5156401 | . | IOPH0 | 5156860 |
| 17F43 | 07(2) | 25D28 | 3533100 | . | DATAIN | 5156860 |
| 19E36 | 08(2) | 21F09 | 5156900 | . | IOR | 3811150 |
| 21F08 | 09(2) | 29E23 | 5156900 | . | IOR | 3811160 |
| 16F12 | 10(2) | 23E31 | 5151100 | . | IODC | 3532540 |
| 25E44 | 11(2) | 21F37 | 3532500 | . | DASW4 | 3532540 |
| | 12(1) | 24F10 | 5156860 | B | (IOPH0.SW14.DATAIN) | 5156860 |
| 23E25 | 13(1) | | 3811150 | B | (DOR.IOR) | 3811150 |
| | 14(1) | 04E04 | 5150552 | B | IOBR9 | 5150552 |
| | 15(1) | 28D24 | 7471030 | B | RZ/1 | 7471030 |
| | 16(0) | | 4790621 | -GND | GND1621 | 4790621 |
| 13D43 | 17(2) | 21F20 | 1316202 | . | NR31 | 7471030 |
| 02F43 | 18(2) | 31E39 | 1296202 | . | NR29 | 7471030 |
| 18E07 | 19(2) | 12F36 | 6845970 | . | PH9-D | 5150552 |
| 21F17 | 20(2) | 28F08 | 1316202 | . | NR31 | 5150552 |
| 19F24 | 21(2) | 32E50 | 4322020 | . | FA10/1 | 5150552 |
| 12F37 | 22(2) | 23D25 | 4395600 | . | NFPRR | 5152172 |
| 20D29 | 23(2) | 20F17 | 6845640 | . | PH6-E | 5152172 |
| 02E24 | 24(2) | 30E29 | 5152500 | . | IOEN6/1 | 5152172 |
| 19D31 | 25(1) | | 6631200 | . | OLC | 7339500 |
| 20F39 | 26(2) | 28E04 | 3078000 | . | CCXRWD | 7339500 |
| 21E34 | 27(2) | 23D43 | 1270355 | . | B27/1 | 7339500 |
| 19E17 | 28(2) | 02D40 | 4413000 | . | NFSHEX | 5152172 |
| 08F09 | 29(2) | 28F07 | 7471020 | . | NRZ | 5150552 |
| 11F09 | 30(2) | 27E08 | 1286202 | . | NR28 | 7471030 |
| 02F15 | 31(2) | 31E40 | 1306202 | . | NR30 | 7471030 |
| | 32(0) | | | | | |
| | 33(1) | 19F10 | 7339500 | B | RDXMF1 | 7339500 |
| 21D41 | 34(2) | 26E18 | 5152170 | B | IOEN6 | 5152172 |
| | 35(1) | 30D39 | 6803216 | B | (NP32.NP33) | 6803216 |
| | 36(1) | 15D02 | 5151150 | B | (NIODC.DASW4) | 5151150 |
| 21F11 | 37(2) | 17F17 | 3532500 | . | DASW4 | 5151150 |
| 31D25 | 38(2) | 27F10 | 1324920 | . | NP32-1 | 6803216 |
| 28E10 | 39(2) | 17F39 | 8145000 | . | VORDER | 8145100 |
| 13F34 | 40(2) | 23F09 | 5156565 | . | (IOPH1.SW13) | 7500770 |
| 15E41 | 41(2) | 31F10 | 3690134 | . | NDIS-4 | 7500770 |
| 19E34 | 42(2) | 31F02 | 5158800 | . | IOTRIN | 8145100 |
| 31D27 | 43(2) | 32D41 | 1334920 | . | NP33-1 | 6803216 |
| 31F46 | 44(2) | 30E46 | 5151110 | . | NIODC | 5151150 |
| | 45(1) | 25E06 | 8145100 | B | (VORDER.IOTRIN) | 8145100 |
| | 46(1) | 03D19 | 7500770 | B | S0809XP | 7500770 |
| | 47(0) | | | | | |
| | 48(0) | | | | | |
| 20F49 | 49(0) | 22F49 | 8300500 | P4VF | | 8300520 |
| | 50(0) | | | | | |
| 20F51 | 51(0) | 22F51 | 8302500 | P8VF | | 8302520 |

XDS 902306

XDS
XEROX DATA SYSTEMS

DRAWING NO.- 133264-912 AC
PROG-PNIND MODULE-22F
TYPE-PIN INDEX TYPE-FT22

86

10/27/71

| FROM | PIN (COUNT) | TO | SOURCE LINE NO. | ELEM. TYPE | SOURCE SIGNAL NAME | REFERENCE LINE NO. |
|-------|--|-------|--------------------|---------------|--------------------|-----------------------|
| 01E22 | 00(0) 01(2) 02(0) 03(1) 04(1) 05(0) 06(1) 07(1) | 22E50 | 3181090 | . | CL-01E22 | 2240109 |
| 22F07 | 08(1) | 23F31 | 5883102-1 | + | | 5883102 |
| 22F10 | 09(1) | 01D31 | 5883100 | FF | LOCKW | 5883100 |
| 16F01 | 10(2) | | 5883101 | NFF | NLOCKW | 5883101 |
| | 11(1) | 23D27 | 6227000 | FF | MUSIC | 6227000 |
| | 12(1) | 22F08 | 6227001 | NFF | NMUSIC | 6227001 |
| | 13(1) | | 6227001 | . | NMUSIC | 6227002 |
| | 14(1) | | 8165300 | . | (WDINT.B30) | 6227007 |
| | 15(2) | 22F09 | 8165300 | . | (WDINT.B30) | 2240102 |
| | 16(2) | 23F11 | 2240102-1 | + | | 2240102 |
| | 17(2) | 07D15 | 2240101 | NFF | NALARM | 2240101 |
| | 18(0) | 22F16 | 4790622 | . | GND1622 | 2240102 |
| | 19(2) | 07D02 | 2240100 | FF | ALARM | 2240100 |
| | 20(2) | 26F15 | 2240150 | . | (R/ALARM) | 2240107 |
| | 21(0) | 22F13 | 4790622 | -GND | GND1622 | 4790622 |
| | 22(0) | 22F16 | 4790622 | . | GND1622 | 5883102 |
| | 23(0) | 18(0) | | | | |
| | 24(2) | 19D29 | 7343000 | . | RESET | 6227002 |
| | 25(0) | 22F17 | 4790622 | . | GND1622 | 2240102 |
| | 26(1) | 21(0) | | | | |
| | 27(1) | 22(0) | | | | |
| | 28(1) | 23(0) | | | | |
| | 29(1) | 22F20 | 4790622 | . | GND1622 | 5883102 |
| | 30(1) | 26(1) | 06F37 | FF | IOFS | 5153400 |
| | 31(1) | 27(1) | 5153400 | NFF | NIOFS | 5153400 |
| | 32(0) | 28(1) | 5158101 | NFF | NIOSC | 5158101 |
| | 33(1) | 29(1) | 5158100 | FF | IOSC | 5158100 |
| | 34(1) | 27F23 | 5152000 | FF | IOEN | 5152000 |
| | 35(2) | 19F38 | 5152001 | NFF | NIOEN | 5152001 |
| | 36(0) | 31(1) | 5153401 | NFF | NIOFS | 5153401 |
| | 37(2) | 32(0) | | | | |
| | 38(2) | 33(1) | 28F23 | NFF | NIOCONST | 5150701 |
| | 39(1) | 34(1) | 06F24 | FF | IOCONST | 5150700 |
| | 40(2) | 28D03 | 5150730 | . | (R/IOCONST) | 5150707 |
| | 41(0) | 36(0) | | | | |
| | 42(2) | 06F43 | 7343255 | . | RESETIO | 5150707 |
| | 43(2) | 27F45 | 5150750 | . | (S/IOCONST) | 5150702 |
| | 44(1) | 39(1) | 23F44 | + | | 5150707 |
| | 45(1) | 25D46 | 5150707-1 | + | | 5150707 |
| | 46(1) | 40(2) | 22E34 | . | (S/IOEN) | 5152002 |
| | 47(1) | 41(0) | 5152007-1 | + | | 5152007 |
| | 48(0) | 27E26 | 5152030 | . | (R/IOEN) | 5152007 |
| | 49(0) | 31E27 | 5153430 | . | (R/IOFS) | 5153407 |
| | 50(1) | 28D04 | 5153440 | . | (S/IOFS) | 5153402 |
| | 51(0) | 11E09 | 5158130 | . | (S/IOSC) | 5158102 |
| | 52(1) | 46(1) | 23F08 | + | | 5153407 |
| | 53(1) | 22F24 | 4790622 | . | GND1622 | 5158107 |
| | 54(0) | 48(0) | | | | |
| | 55(0) | 21F49 | 8300500 | | P4VF | 8300520 |
| | 56(1) | 50(1) | 23F42 | + | | 5158107 |
| | 57(0) | 21F51 | 8302500 | | P8VF | 8302520 |

XDS 902306

XDS
XEROX DATA SYSTEMS

DRAWING NO. - 133264-912 AC
PROG-PNIND MODULE-23F
TYPE-PIN INDEX TYPE-GT11

87

10/27/71

| FROM | PIN (COUNT) | TO | SOURCE LINE NO. | ELEM. TYPE | SOURCE SIGNAL NAME | REFERENCE LINE NO. |
|-------|----------------|-------|--------------------|---------------|--------------------|-----------------------|
| | 00(0) | | | | | |
| 24F46 | 01(1) | | 7901202-1 | + | | 7901204 |
| 23E15 | 02(2) | 23F10 | 5150501 | . | IOB0 | 5158109 |
| | 03(0) | | | | | |
| | 04(0) | | | | | |
| | 05(0) | | | | | |
| | 06(0) | | | | | |
| | 07(0) | | | | | |
| 22F46 | 08(1) | | 5153407-1 | + | | 5153408 |
| 21F40 | 09(2) | 25F08 | 5156565 | . | (IOPH1.SW13) | 5153408 |
| 23F02 | 10(2) | 28E26 | 5150501 | . | IOB0 | 5153408 |
| 22F11 | 11(1) | | 2240102-1 | + | | 2240104 |
| 16F10 | 12(2) | 27F40 | 8165200 | . | WDINT | 2240104 |
| 23D36 | 13(2) | 19E19 | 1310336 | . | B31-1 | 2240104 |
| 26D13 | 14(2) | 02D01 | 6047900 | . | NMCZ | 7901204 |
| | 15(0) | | | | | |
| | 16(0) | | 4790623 | -GND | GND1623 | 4790623 |
| | 17(0) | | | | | |
| | 18(0) | | | | | |
| | 19(0) | | | | | |
| 23F42 | 20(1) | | 5158107-1 | + | | 5158109 |
| 07E47 | 21(2) | 26D10 | 4324940 | . | (FAST/S.PH6) | 7901204 |
| | 22(1) | 24F03 | 6038202-1 | + | | 6038206 |
| 18F42 | 23(2) | 22E23 | 6038220 | . | (S/MBXS/1) | 6038206 |
| | 24(0) | | | | | |
| | 25(0) | | | | | |
| | 26(0) | | | | | |
| | 27(0) | | | | | |
| | 28(0) | | | | | |
| | 29(0) | | | | | |
| 29D28 | 30(2) | 30D05 | 6845360 | . | PH3-D | 5883104 |
| 22F03 | 31(1) | | 5883102-1 | + | | 5883104 |
| | 32(0) | | | | | |
| 23D03 | 33(2) | 02D13 | 2559830 | . | N(BC=1) | 5883104 |
| 02D05 | 34(2) | 22E24 | 4421580 | . | (FUMMC.PH6) | 5883104 |
| | 35(0) | | | | | |
| 20E39 | 36(2) | 13E21 | 4421590 | . | FUMMC-1 | 5883104 |
| | 37(0) | | | | | |
| | 38(1) | 24F18 | 6038052-1 | + | | 6038056 |
| 18F41 | 39(2) | 22E39 | 6038070 | . | (S/MBXS/0) | 6038056 |
| 22F31 | 40(1) | | 5153401 | . | NIOFS | 5158108 |
| 22D11 | 41(1) | | 6821300 | . | PCP3 | 5158108 |
| 22F50 | 42(2) | 23F20 | 5158107-1 | + | | 5158107 |
| | 43(0) | | | | | |
| 22F39 | 44(1) | | 5150707-1 | + | | 5150708 |
| 29F45 | 45(2) | 25F37 | 7343140 | . | RESET/A | 5150708 |
| | 46(0) | | | | | |
| | 47(0) | | | | | |
| | 48(0) | | | | | |
| 22F49 | 49(0) | 24F49 | 8300500 | . | P4VF | 8300530 |
| 27E39 | 50(2) | 15F26 | 5156440 | . | (IOPH0.SW8) | 5158108 |
| 22F51 | 51(0) | 24F51 | 8302500 | . | P8VF | 8302530 |

XDS 902306

XDS
XEROX DATA SYSTEMS

DRAWING NO.- 133264-912 AC
PROG-PNIND MODULE-24F
TYPE-PIN INDEX TYPE-FT22

88
10/27/71

| FROM | PIN (COUNT) | TO | SOURCE LINE NO. | ELEM. TYPE | SOURCE SIGNAL NAME | REFERENCE LINE NO. |
|-------|----------------|-------|--------------------|---------------|---------------------|-----------------------|
| | 00(0) | | | | | |
| 25F01 | 01(1) | | 3181080 | . | CL-01E18 | 6038009 |
| | 02(1) | 03F01 | 6038050 | FF | MBXS/0 | 6038050 |
| 23F22 | 03(1) | | 6038202-1 | + | | 6038204 |
| | 04(1) | 03F02 | 6038200 | FF | MBXS/1 | 6038200 |
| | 05(0) | | 6038201 | NFF | NMBXS/1 | 6038201 |
| | 06(1) | 01D47 | 6038600 | FF | MBXS/3 | 6038600 |
| | 07(0) | | 6038601 | NFF | NMBXS/3 | 6038601 |
| 30D44 | 08(2) | 04F38 | 6803205 | . | (P32.P33) | 6038602 |
| 24F15 | 09(2) | 23D24 | 3846015 | . | DRQ-1 | 6038607 |
| 21F12 | 10(1) | | 5156860 | . | (IOPH0.SW14.DATAIN) | 6038052 |
| | 11(0) | | 6038402-1 | + | | 6038402 |
| | 12(0) | | 6038401 | NFF | NMBXS/2 | 6038401 |
| 04F37 | 13(2) | 32D46 | 6803210 | . | (P32.NP33) | 6038402 |
| | 14(1) | 01D46 | 6038400 | FF | MBXS/2 | 6038400 |
| 24F22 | 15(2) | 24F09 | 3846015 | . | DRQ-1 | 6038407 |
| | 16(1) | 24F17 | 4790624 | -GND | GND1624 | 4790624 |
| 24F16 | 17(2) | 24F37 | 4790624 | . | GND1624 | 6038054 |
| 23F38 | 18(1) | | 6038052-1 | + | | 6038052 |
| 18F30 | 19(2) | 26F19 | 6038620 | . | (S/MBXS/3) | 6038604 |
| 18F31 | 20(2) | 22E20 | 6038420 | . | (S/MBXS/2) | 6038404 |
| | 21(0) | | 6038051 | NFF | NMBXS/0 | 6038051 |
| 24F23 | 22(2) | 24F15 | 3846015 | . | DRQ-1 | 6038207 |
| 26F13 | 23(2) | 24F22 | 3846015 | . | DRQ-1 | 6038057 |
| 04F31 | 24(2) | 27F01 | 6803212 | . | (NP32.P33) | 6038202 |
| 30D39 | 25(2) | 04F30 | 6803216 | . | (NP32.NP33) | 6038052 |
| | 26(1) | 15E40 | 7901201 | NFF | SXCF | 7901201 |
| | 27(0) | | 7900600 | FF | NSXBF | 7900600 |
| | 28(1) | 08E35 | 7900601 | NFF | SXBF | 7900601 |
| | 29(0) | | 6196501 | NFF | MRQP1 | 6196501 |
| | 30(1) | 23D23 | 6196500 | FF | NMRQP1 | 6196500 |
| | 31(0) | | 7901200 | FF | NSXCF | 7901200 |
| | 32(0) | | | | | |
| | 33(0) | | 6038000 | FF | MBXS | 6038000 |
| | 34(1) | 17E23 | 6038001 | NFF | NMBXS | 6038001 |
| 26E37 | 35(2) | 22E35 | 6038020 | . | (S/MBXS) | 6038002 |
| | 36(0) | | | | | |
| 24F17 | 37(1) | | 4790624 | . | GND1624 | 6038002 |
| | 38(0) | | | | | |
| | 39(0) | | 6038002-1 | + | | 6038002 |
| | 40(0) | | | | | |
| | 41(0) | | 6196502-1 | + | | 6196502 |
| 23D13 | 42(2) | 26F42 | 6196400 | . | N(S/MRQ/3) | 6196502 |
| 17D22 | 43(2) | 22E15 | 7901030 | . | N(S/SXC) | 7901202 |
| | 44(0) | | | | | |
| | 45(0) | | | | | |
| | 46(1) | 23F01 | 7901202-1 | + | | 7901202 |
| 17E33 | 47(2) | 27E47 | 7900460 | . | N(S/SXB) | 7900602 |
| | 48(0) | | | | | |
| 23F49 | 49(0) | 25F49 | 8300500 | . | P4VF | 8300530 |
| | 50(0) | | 7900602-1 | + | | 7900602 |
| 23F51 | 51(0) | 25F51 | 8302500 | . | P8VF | 8302530 |

| FROM | PIN (COUNT) | TO | SOURCE LINE NO. | ELEM. TYPE | SOURCE SIGNAL NAME | REFERENCE LINE NO. |
|-------|----------------|-------|--------------------|---------------|--------------------|-----------------------|
| | 00(0) | | | | | |
| 01E18 | 01(2) | 24F01 | 3181080 | . | CL-01E18 | 5150509 |
| | 02(0) | | 5159500 | FF | N10WD | 5159500 |
| | 03(0) | | 5154202-1 | + | | 5154202 |
| 28F22 | 04(2) | 04E40 | 5154200 | FF | N10IR | 5154200 |
| | 05(1) | 06F07 | 5154201 | NFF | I0IR | 5154201 |
| 20D37 | 06(2) | 27F38 | 5150500 | FF | N10B0 | 5150500 |
| 28E26 | 07(1) | | 5150501 | NFF | I0B0 | 5150501 |
| 23F09 | 08(2) | 26E24 | 5156565 | . | (I0PH1.SW13) | 5150502 |
| 27F12 | 09(2) | 26F11 | 5150550 | . | (S/I0B0) | 5150507 |
| | 10(0) | | | | | |
| | 11(0) | | 5154002-1 | + | | 5154002 |
| 31F08 | 12(2) | 19F43 | 5154001 | NFF | N10IN | 5154001 |
| 27F34 | 13(1) | | 5154040 | . | (S/I0IN) | 5154002 |
| 18F23 | 14(1) | 32M39 | 5154000 | FF | I0IN | 5154000 |
| 25F19 | 15(2) | 26F18 | 7343140 | . | RESET/A | 5154007 |
| | 16(1) | 25F20 | 4790625 | -GND | GND1625 | 4790625 |
| 22F37 | 17(2) | 07E02 | 7343255 | . | RESET10 | 5154202 |
| | 18(0) | | 5159502-1 | + | | 5159502 |
| 25F37 | 19(2) | 25F15 | 7343140 | . | RESET/A | 5150502 |
| 25F16 | 20(1) | | 4790625 | . | GND1625 | 5154002 |
| | 21(1) | 20E02 | 5159501 | NFF | I0WD | 5159501 |
| 26E26 | 22(2) | 30E27 | 4322060 | . | N(FA10.EXC) | 5154207 |
| 27F02 | 23(1) | | 5159530 | . | (S/I0WD) | 5159507 |
| 32F10 | 24(2) | 19E40 | 6820150 | . | NIC | 5154202 |
| 27F46 | 25(1) | | 8165290 | . | (WDINT.B29) | 5159502 |
| | 26(1) | 16F23 | 5156501 | NFF | I0PH1 | 5156501 |
| | 27(0) | | 5156400 | FF | N10PH0 | 5156400 |
| 21F06 | 28(1) | | 5156401 | NFF | I0PH0 | 5156401 |
| 13F50 | 29(1) | | 5156601 | NFF | I0PH2 | 5156601 |
| | 30(0) | | 5156600 | FF | N10PH2 | 5156600 |
| 16F27 | 31(1) | | 5156500 | FF | N10PH1 | 5156500 |
| | 32(0) | | | | | |
| | 33(0) | | 5156700 | FF | N10PH3 | 5156700 |
| 14F20 | 34(1) | | 5156701 | NFF | I0PH3 | 5156701 |
| 28E24 | 35(2) | 14F17 | 5156775 | . | (I0PH3.SW15) | 5156702 |
| | 36(0) | | | | | |
| 23F45 | 37(2) | 25F19 | 7343140 | . | RESET/A | 5156402 |
| 23E36 | 38(2) | 19E38 | 5156730 | . | (S/I0PH3) | 5156707 |
| | 39(0) | | 5156702-1 | + | | 5156702 |
| 27F13 | 40(1) | | 5156630 | . | (S/I0PH2) | 5156607 |
| | 41(0) | | 5156604-1 | + | | 5156604 |
| 27E28 | 42(2) | 19E47 | 5156620 | . | (R/I0PH2) | 5156604 |
| 27F33 | 43(1) | | 5156520 | . | (R/I0PH1) | 5156502 |
| 27E25 | 44(2) | 26E47 | 5156530 | . | (S/I0PH1) | 5156507 |
| 23E23 | 45(2) | 22E18 | 5156430 | . | (S/I0PH0) | 5156407 |
| | 46(0) | | 5156502-1 | + | | 5156502 |
| 27E27 | 47(2) | 22E21 | 5156420 | . | (R/I0PH0) | 5156402 |
| | 48(0) | | | | | |
| 24F49 | 49(0) | 26F49 | 8300500 | | P4VF | 8300530 |
| | 50(0) | | 5156402-1 | + | | 5156402 |
| 24F51 | 51(0) | 26F51 | 8302500 | | P8VF | 8302530 |

XDS 902306

XDS
XEROX DATA SYSTEMS

DRAWING NO.- 133264-912 AC
PROG-PNIND
TYPE-PIN INDEX

90

MODULE-26F
TYPE-XT10

10/27/71

| FROM | PIN (COUNT) | TO | SOURCE LINE NO. | ELEM. TYPE | SOURCE SIGNAL NAME | REFERENCE LINE NO. |
|-------|----------------|-------|--------------------|---------------|--------------------|-----------------------|
| | 00(0) | | | | | |
| 31F01 | 01(1) | | 2089201 | T | NADNH | 2089201 |
| 30F02 | 02(1) | | 2844300 | T | BRSW13 | 2844300 |
| | 03(1) | 20F03 | 3060101 | T | NCC1 | 3060101 |
| 28F04 | 04(1) | | 1290304 | T | NB29 | 1290304 |
| | 05(1) | 21F04 | 3811000 | T | DOR | 3811000 |
| 21F03 | 06(1) | | 3811100 | T | NDOR | 3811100 |
| 28F09 | 07(1) | | 6845175 | T | PH1/F | 6845175 |
| 30F08 | 08(1) | | 2844500 | T | BRSW15 | 2844500 |
| 13E02 | 09(1) | | 4421800 | T | FUPSW | 4421800 |
| 31F09 | 10(1) | | 3690100 | T | DIS | 3690100 |
| 25F09 | 11(1) | | 5150550 | T | (S/10B0) | 5150550 |
| 22F43 | 12(1) | | 5153430 | T | (R/10FS) | 5153430 |
| | 13(1) | 24F23 | 3846015 | T | DRQ-1 | 3846013 |
| 20F04 | 14(1) | | 8065401 | T | NTRAP | 8065401 |
| 22F15 | 15(1) | | 2240150 | T | (R/ALARM) | 2240150 |
| | 16(0) | | 4790626 | -GND | GND1626 | 4790626 |
| 27F29 | 17(1) | | 4323020 | T | FALCF | 4323020 |
| 25F15 | 18(1) | | 7343140 | T | RESET/A | 7343140 |
| 24F19 | 19(1) | | 6038620 | T | (S/MBXS/3) | 6038620 |
| 29F20 | 20(1) | | 2285012 | T | (ANLZ.1A) | 2285012 |
| 30F20 | 21(1) | | 2844200 | T | BRSW12 | 2844200 |
| 29F25 | 22(1) | | 7890730 | T | (S/SW6) | 7890730 |
| 08F11 | 23(1) | | 5415355 | T | KHOP-2 | 5415355 |
| 31F43 | 24(1) | | 7890100 | T | SW0 | 7890100 |
| 30F26 | 25(1) | | 2843800 | T | BRSW8 | 2843800 |
| 20F26 | 26(1) | | 2559800 | T | (BC=1) | 2559800 |
| 19F23 | 27(1) | | 6845560 | T | PH5-E | 6845560 |
| 19F29 | 28(1) | | 2000570 | T | ZMC | 2000570 |
| 28F42 | 29(1) | | 1080138 | T | A8-1 | 1080138 |
| 32F30 | 30(1) | | 3060350 | T | N(S/CC3/1) | 3060350 |
| 32F31 | 31(1) | | 3060450 | T | N(S/CC4/1) | 3060450 |
| | 32(0) | | | | | |
| 11E05 | 33(1) | | 7563500 | T | NSCINH | 7563500 |
| 11E04 | 34(1) | | 7560100 | T | SC | 7560100 |
| 31F40 | 35(1) | | 7417500 | T | RT09 | 7417500 |
| 15F07 | 36(1) | | 1250300 | T | B25 | 1250300 |
| 32F37 | 37(1) | | 3203100 | T | CLEARMEM | 3203100 |
| 28F38 | 38(1) | | 1080160 | T | N(S/A8) | 1080160 |
| 28F39 | 39(1) | | 2020010 | T | N(S/A9) | 2020010 |
| 20F40 | 40(1) | | 2285000 | T | ANLZ | 2285000 |
| 22D06 | 41(1) | | 4322545 | T | (FA10.PH5.SW9) | 4322545 |
| 24F42 | 42(1) | | 6196400 | T | N(S/MRQ/3) | 6196400 |
| 27F25 | 43(1) | | 3532504 | T | DASW4-1 | 3532504 |
| 30F44 | 44(1) | | 2844000 | T | BRSW10 | 2844000 |
| 30F40 | 45(1) | | 7343150 | T | NRESET/A-1 | 7343150 |
| 30F46 | 46(1) | | 2844100 | T | BRSW11 | 2844100 |
| 32F40 | 47(1) | | 7410830 | T | N(S/RSCLN) | 7410830 |
| | 48(0) | | | | | |
| 25F49 | 49(0) | 27F49 | 8300500 | | P4VF | 8300530 |
| 20F21 | 50(1) | | 4321170 | T | FAHW | 4321170 |
| 25F51 | 51(0) | 27F51 | 8302500 | | P8VF | 8302530 |

| FROM | PIN (COUNT) | TO | SOURCE LINE NO. | ELEM. TYPE | SOURCE SIGNAL NAME | REFERENCE LINE NO. |
|-------|----------------|-------|--------------------|---------------|--------------------|-----------------------|
| | 00(0) | | | | | |
| 24F24 | 01(1) | | 6803212 | B | (NP32.P33) | 6803212 |
| | 02(1) | 25F23 | 5159530 | B | (S/IOWD) | 5159530 |
| 21E01 | 03(2) | 32F42 | 5150100 | . | IOACT | 5159530 |
| 29E22 | 04(2) | 15F18 | 5156460 | . | (IOPH0.SW12) | 5156630 |
| 27F22 | 05(2) | 22E26 | 5154070 | . | NIOINH | 5150550 |
| 28E18 | 06(2) | 16F33 | 5152750 | . | IOENNIN | 5150550 |
| 22D07 | 07(2) | 28E25 | 2385100 | . | AVO | 5150550 |
| 21F02 | 08(2) | 19D30 | 3811160 | . | (NDOR.IOR) | 5156630 |
| 19D46 | 09(2) | 26D46 | 8291000 | . | ZXX | 5159530 |
| 21F38 | 10(2) | 18F47 | 1324920 | . | NP32-1 | 6803212 |
| 32D11 | 11(2) | 20F28 | 1334919 | . | P33-1 | 6803212 |
| | 12(1) | 25F09 | 5150550 | B | (S/IOB0) | 5150550 |
| | 13(1) | 25F40 | 5156630 | B | (S/IOPH2) | 5156630 |
| | 14(1) | 28F02 | 4334100 | B | FCXS | 4334100 |
| | 15(1) | 18D34 | 3078530 | B | CCXS/3 | 3078530 |
| | 16(0) | | 4790627 | -GND | GND1627 | 4790627 |
| | 17(0) | | | | | |
| 27F19 | 18(2) | 19F11 | 6845110 | . | PH1-F | 3078530 |
| 25E26 | 19(2) | 27F18 | 6845110 | . | PH1-F | 4334100 |
| | 20(0) | | | | | |
| 28E50 | 21(2) | 12E15 | 1316215 | . | R31-1 | 4334100 |
| 31F31 | 22(2) | 27F05 | 5154070 | . | NIOINH | 5154040 |
| 27F43 | 23(2) | 22F29 | 5152000 | . | IOEN | 5154040 |
| 30E10 | 24(2) | 29E36 | 4413100 | . | FSL | 5154040 |
| 28E38 | 25(2) | 26F43 | 3532504 | . | DASW4-1 | 5156520 |
| 28E37 | 26(2) | 13F41 | 5156543 | . | (IOPH1.SW8)-F | 5156520 |
| 28E39 | 27(2) | 31F30 | 5151100 | . | IODC | 5156520 |
| 31E20 | 28(2) | 30E22 | 6845601 | . | NPH6 | 5154040 |
| 27F30 | 29(2) | 26F17 | 4323020 | . | FALCF | 4334100 |
| 11D23 | 30(2) | 27F29 | 4323020 | . | FALCF | 3078530 |
| 31E34 | 31(2) | 14E36 | 1306215 | . | R30-1 | 3078530 |
| | 32(0) | | | | | |
| | 33(1) | 25F43 | 5156520 | B | (R/IOPH1) | 5156520 |
| | 34(1) | 25F13 | 5154040 | B | (S/IOIN) | 5154040 |
| | 35(1) | 30D22 | 5152066 | B | (IOEN.NIOB0) | 5152066 |
| | 36(1) | 18E34 | 7890970 | B | (SW8.NSW7) | 7890970 |
| 28E44 | 37(2) | 29F05 | 7890801 | . | NSW7 | 7890970 |
| 25F06 | 38(1) | | 5150500 | . | NIOB0 | 5152066 |
| 31F04 | 39(2) | 21D42 | 4322300 | . | (FAIO.PH3) | 5150750 |
| 23F12 | 40(2) | 32F38 | 8165200 | . | WDINT | 8165290 |
| 28F18 | 41(2) | 23D40 | 1290340 | . | B29-1 | 8165290 |
| 16F06 | 42(2) | 31F43 | 7890100 | . | SW0 | 5150750 |
| 16F26 | 43(2) | 27F23 | 5152000 | . | IOEN | 5152066 |
| 30F25 | 44(2) | 15F43 | 7890900 | . | SW8 | 7890970 |
| | 45(1) | 22F38 | 5150750 | B | (S/IOCONST) | 5150750 |
| | 46(1) | 25F25 | 8165290 | B | (WDINT.B29) | 8165290 |
| | 47(0) | | | | | |
| | 48(0) | | | | | |
| 26F49 | 49(0) | 28F49 | 8300500 | | P4VF | 8300530 |
| | 50(0) | | | | | |
| 26F51 | 51(0) | 28F51 | 8302500 | | P8VF | 8302530 |

XDS 902306

XDS
XEROX DATA SYSTEMS

DRAWING NO.- 133264-912 AC
PROG-PNIND
TYPE-PIN INDEX

92

MODULE-28F
TYPE-IT16

10/27/71

| FROM | PIN (COUNT) | TO | SOURCE LINE NO. | ELEM. TYPE | SOURCE SIGNAL NAME | REFERENCE LINE NO. |
|-------|----------------|-------|--------------------|---------------|--------------------|-----------------------|
| | 00(0) | | | | | |
| 27D31 | 01(2) | 30F35 | 7891001 | . | NSW9 | 7891070 |
| 27F14 | 02(2) | 02F23 | 4334100 | . | FCXS | 4334110 |
| 17F25 | 03(2) | 32D38 | 4425700 | . | FUS10 | 4425710 |
| 02F44 | 04(2) | 26F04 | 1290304 | . | NB29 | 1290340 |
| | 05(1) | 08F24 | 4334110 | I | NFCXS | 4334110 |
| | 06(1) | 28F44 | 1080160 | I | N(S/A8) | 1080162 |
| 21F29 | 07(2) | 29E20 | 7471020 | . | NRZ | 1080162 |
| 21F20 | 08(2) | 27D01 | 1316202 | . | NR31 | 1080162 |
| 13E07 | 09(2) | 26F07 | 6845175 | . | PH1/F | 6845177 |
| | 10(1) | 30D21 | 6845177 | I | NPH1/F | 6845177 |
| | 11(1) | 20F41 | 6845765 | I | PH7-D | 6845765 |
| 31E04 | 12(1) | | 6845701 | . | NPH7 | 6845765 |
| 28E29 | 13(2) | 17F02 | 2844550 | . | NBRSW15 | 2844500 |
| 28F37 | 14(2) | 08F03 | 4322200 | . | (FA10.PH2) | 1080162 |
| | 15(1) | 30F08 | 2844500 | I | BRSW15 | 2844500 |
| | 16(0) | | 4790628 | -GND | GND1628 | 4790628 |
| | 17(1) | 30F10 | 7891070 | I | SW9-F | 7891070 |
| | 18(1) | 27F41 | 1290340 | I | B29-1 | 1290340 |
| | 19(1) | 20E50 | 4425710 | I | NFUS10 | 4425710 |
| | 20(0) | | | | | |
| 28F26 | 21(2) | 19E13 | 6905020 | . | NPRI | 6900045 |
| | 22(1) | 25F04 | 5154200 | . | NIOIR | 5173001 |
| 22F33 | 23(1) | | 5150701 | . | NIOCONST | 3277010 |
| | 24(1) | 06F34 | 6905008 | . | PRI | 6905020 |
| 29D11 | 25(2) | 29E42 | 3277000 | I | CNST | 3277010 |
| | 26(1) | 28F21 | 6905020 | I | NPRI | 6905020 |
| | 27(1) | 05F40 | 5173000 | I | IR | 5173001 |
| 05F42 | 28(2) | 31F24 | 6900040 | I | PR | 6900045 |
| 05F24 | 29(2) | 28F40 | 5156200 | . | NIOPEX | 3277010 |
| 01D39 | 30(2) | 26E50 | 1090138 | . | A9-1 | 2020010 |
| 32D02 | 31(2) | 15F50 | 4420530 | . | (FUA10.PH5) | 4420550 |
| | 32(0) | | | | | |
| | 33(0) | | | | | |
| | 34(1) | 05F34 | 3314110 | I | NCOND2 | 3314115 |
| | 35(1) | 03D03 | 2020000 | I | (S/A9) | 2020000 |
| 30D03 | 36(1) | | 4322220 | I | N(FA10.PH2) | 4322220 |
| 32E41 | 37(2) | 28F14 | 4322200 | . | (FA10.PH2) | 4322220 |
| 28F44 | 38(2) | 26F38 | 1080160 | . | N(S/A8) | 1080150 |
| 28F46 | 39(2) | 26F39 | 2020010 | . | N(S/A9) | 2020000 |
| 28F29 | 40(2) | 32F04 | 5156200 | . | NIOPEX | 3314115 |
| | 41(1) | 03E31 | 1080150 | I | (S/A8) | 1080150 |
| 03E44 | 42(2) | 26F29 | 1080138 | . | A8-1 | 1080160 |
| 28E11 | 43(2) | 14F27 | 5156750 | . | (IOPH3.SW10) | 1010345 |
| 28F06 | 44(2) | 28F38 | 1080160 | I | N(S/A8) | 1080160 |
| | 45(1) | 31D34 | 1010345 | I | N(R/B1/1) | 1010345 |
| 08F02 | 46(2) | 28F39 | 2020010 | I | N(S/A9) | 2020010 |
| | 47(1) | 24D29 | 4420550 | I | N(FUA10.PH5.SW10) | 4420550 |
| | 48(0) | | | | | |
| 27F49 | 49(0) | 29F49 | 8300500 | . | P4VF | 8300530 |
| 30F45 | 50(2) | 28E40 | 7891100 | . | SW10 | 1080160 |
| 27F51 | 51(0) | 29F51 | 8302500 | . | P8VF | 8302530 |

XDS 902306

XDS
XEROX DATA SYSTEMS

DRAWING NO.- 133264-912 AC
PROG-PNIND MODULE-29F
TYPE-PIN INDEX TYPE-FT22

93
10/27/71

| FROM | PIN (COUNT) | TO | SOURCE LINE NO. | ELEM. TYPE | SOURCE SIGNAL NAME | REFERENCE LINE NO. |
|-------|----------------|-------|--------------------|---------------|--------------------|-----------------------|
| | 00(0) | | | | | |
| 01E14 | 01(2) | 30F01 | 3181070 | . | CL-01E14 | 5159809 |
| | 02(1) | 06F02 | 7890700 | FF | SW6 | 7890700 |
| | 03(0) | | 7890802-1 | + | | 7890802 |
| 25E02 | 04(1) | | 7890800 | FF | SW7 | 7890800 |
| 27F37 | 05(1) | | 7890801 | NFF | NSW7 | 7890801 |
| 25E43 | 06(1) | | 7890400 | FF | SW3 | 7890400 |
| | 07(1) | 28E42 | 7890401 | NFF | NSW3 | 7890401 |
| 30E30 | 08(1) | | 7890430 | . | (S/SW3) | 7890402 |
| 27E38 | 09(2) | 29F23 | 7343140 | . | RESET/A | 7890407 |
| | 10(0) | | | | | |
| | 11(0) | | 7890602-1 | + | | 7890602 |
| 17F47 | 12(1) | | 7890601 | NFF | NSW5 | 7890601 |
| 27E19 | 13(2) | 30E17 | 7890630 | . | (S/SW5) | 7890602 |
| | 14(1) | 18D45 | 7890600 | FF | SW5 | 7890600 |
| 15E35 | 15(2) | 26D40 | 7890612 | . | (R/SW5) | 7890607 |
| | 16(1) | 29F37 | 4790629 | -GND | GND1629 | 4790629 |
| 29E04 | 17(2) | 03E25 | 8051000 | . | TODATA | 7890702 |
| | 18(0) | | 7890702-1 | + | | 7890702 |
| 16F15 | 19(2) | 03E35 | 6554100 | . | ODINST | 7890402 |
| 29D41 | 20(2) | 26F20 | 2285012 | . | (ANLZ:IA) | 7890602 |
| 17F04 | 21(1) | | 7890701 | NFF | NSW6 | 7890701 |
| 27E05 | 22(2) | 22E30 | 7890820 | . | (R/SW7) | 7890807 |
| 29F09 | 23(2) | 29F40 | 7343140 | . | RESET/A | 7890707 |
| 29E46 | 24(2) | 22E29 | 7890830 | . | (S/SW7) | 7890802 |
| 25E46 | 25(2) | 26F22 | 7890730 | . | (S/SW6) | 7890702 |
| | 26(1) | 16F09 | 7890301 | NFF | NSW2 | 7890301 |
| 16F03 | 27(2) | 20D33 | 7890190 | FF | SW1 | 7890190 |
| | 28(1) | 30D38 | 7890201 | NFF | NSW1 | 7890201 |
| | 29(1) | 19F08 | 7890501 | NFF | NSW4 | 7890501 |
| | 30(1) | 18D18 | 7890500 | FF | SW4 | 7890500 |
| 16F41 | 31(1) | | 7890300 | FF | SW2 | 7890300 |
| | 32(0) | | | | | |
| 21E37 | 33(2) | 31D46 | 5159800 | FF | IPH10 | 5159800 |
| 19F27 | 34(1) | | 5159801 | NFF | NIPH10 | 5159801 |
| 23E37 | 35(2) | 15E47 | 5159830 | . | (S/IPH10) | 5159802 |
| | 36(0) | | | | | |
| 29F16 | 37(1) | | 4790629 | . | GND1629 | 5159802 |
| 28D46 | 38(1) | | 5159820 | . | (R/IPH10) | 5159807 |
| | 39(0) | | 5159802-1 | + | | 5159802 |
| 29F23 | 40(2) | 29F45 | 7343140 | . | RESET/A | 7890507 |
| | 41(0) | | 7890502-1 | + | | 7890502 |
| 23E24 | 42(2) | 26D30 | 7890530 | . | (S/SW4) | 7890502 |
| 29E31 | 43(2) | 30E34 | 7890330 | . | (S/SW2) | 7890302 |
| 28D47 | 44(1) | | 7890320 | . | (R/SW2) | 7890307 |
| 29F40 | 45(2) | 23F45 | 7343140 | . | RESET/A | 7890207 |
| | 46(0) | | 7890302-1 | + | | 7890302 |
| 28D45 | 47(1) | | 7890230 | . | (S/SW1) | 7890202 |
| | 48(0) | | | | | |
| 28F49 | 49(0) | 30F49 | 8300500 | | P4VF | 8300530 |
| | 50(0) | | 7890202-1 | + | | 7890202 |
| 28F51 | 51(0) | 30F51 | 8302500 | | P8VF | 8302530 |

XDS 902306

XDS
XEROX DATA SYSTEMS

DRAWING NO.- 133264-912 AC
PROG-PNIND MODULE-30F
TYPE-PIN INDEX TYPE-FT41

94
10/27/71

| FROM | PIN (COUNT) | TO | SOURCE LINE NO. | ELEM. TYPE | SOURCE SIGNAL NAME | REFERENCE LINE NO. |
|-------|-------------|-------|-----------------|------------|--------------------|--------------------|
| | 00(0) | | | | | |
| 29F01 | 01(1) | | 3181070 | . | CL-01E14 | 7891109 |
| 28E31 | 02(2) | 26F02 | 2844300 | . | BRWS13 | 7891402 |
| 16F31 | 03(1) | | 7891600 | FF | SW15 | 7891600 |
| | 04(1) | 30F12 | 4790630 | . | GND1630 | 7891502 |
| 27D26 | 05(1) | | 7891601 | NFF | NSW15 | 7891601 |
| | 06(0) | | | | | |
| | 07(1) | 21F05 | 7891500 | FF | SW14 | 7891500 |
| 28F15 | 08(2) | 26F08 | 2844500 | . | BRWS15 | 7891602 |
| | 09(0) | | | | | |
| 28F17 | 10(2) | 26D31 | 7891070 | . | SW9-F | 7891104 |
| 17F06 | 11(2) | 30F40 | 7343150 | . | NRESET/A-1 | 7891302 |
| 30F04 | 12(2) | 30F14 | 4790630 | . | GND1630 | 7891302 |
| 17F07 | 13(2) | 30F36 | 7861000 | . | STEP815 | 7891304 |
| 30F12 | 14(2) | 30F16 | 4790630 | . | GND1630 | 7891304 |
| 27D27 | 15(1) | | 7891501 | NFF | NSW14 | 7891501 |
| 30F14 | 16(2) | 30F23 | 4790630 | -GND | GND1630 | 4790630 |
| | 17(1) | 17E43 | 7891400 | FF | SW13 | 7891400 |
| 14F31 | 18(2) | 30F41 | 7891200 | . | SW11 | 7891304 |
| 27D33 | 19(1) | | 7891401 | NFF | NSW13 | 7891401 |
| 27E15 | 20(2) | 26F21 | 2844200 | . | BRWS12 | 7891302 |
| | 21(1) | 32D23 | 7891300 | FF | SW12 | 7891300 |
| | 22(0) | | | | | |
| 30F16 | 23(2) | 30F28 | 4790630 | . | GND1630 | 7890904 |
| | 24(0) | | | | | |
| 30F29 | 25(2) | 27F44 | 7890900 | . | SW8 | 7891104 |
| 28E46 | 26(2) | 26F25 | 2843800 | . | BRWS8 | 7890902 |
| | 27(1) | 27D23 | 7891301 | NFF | NSW12 | 7891301 |
| 30F23 | 28(2) | 30F30 | 4790630 | . | GND1630 | 7891302 |
| | 29(1) | 30F25 | 7890900 | FF | SW8 | 7890900 |
| 30F28 | 30(2) | 30F34 | 4790630 | . | GND1630 | 7891002 |
| | 31(0) | | 7890901 | NFF | NSW8 | 7890901 |
| | 32(0) | | | | | |
| | 33(1) | 20D23 | 7891000 | FF | SW9 | 7891000 |
| 30F30 | 34(2) | 30F38 | 4790630 | . | GND1630 | 7891104 |
| 28F01 | 35(1) | | 7891001 | NFF | NSW9 | 7891001 |
| 30F13 | 36(1) | | 7861000 | . | STEP815 | 7891104 |
| | 37(1) | 30F45 | 7891100 | FF | SW10 | 7891100 |
| 30F34 | 38(1) | | 4790630 | . | GND1630 | 7891102 |
| | 39(1) | 27D21 | 7891101 | NFF | NSW10 | 7891101 |
| 30F11 | 40(2) | 26F45 | 7343150 | . | NRESET/A-1 | 7891102 |
| 30F18 | 41(1) | | 7891200 | FF | SW11 | 7891200 |
| | 42(0) | | | | | |
| 27D19 | 43(1) | | 7891201 | NFF | NSW11 | 7891201 |
| 27E10 | 44(2) | 26F44 | 2844000 | . | BRWS10 | 7891102 |
| 30F37 | 45(2) | 28F50 | 7891100 | . | SW10 | 7891102 |
| 27E11 | 46(2) | 26F46 | 2844100 | . | BRWS11 | 7891202 |
| | 47(0) | | | | | |
| | 48(0) | | | | | |
| 29F49 | 49(0) | 31F49 | 8300500 | | P4VF | 8300540 |
| | 50(0) | | | | | |
| 29F51 | 51(0) | 31F51 | 8302500 | | P8VF | 8302540 |

XDS 902306

XDS
XEROX DATA SYSTEMS

DRAWING NO.- 133264-912 AC
PROG-PNIND MODULE-31F
TYPE-PIN INDEX TYPE-IT16

95

10/27/71

| FROM | PIN (COUNT) | TO | SOURCE LINE NO. | ELEM. TYPE | SOURCE SIGNAL NAME | REFERENCE LINE NO. |
|-------|----------------|-------|--------------------|---------------|---------------------|-----------------------|
| | 00(0) | | | | | |
| 16F07 | 01(2) | 26F01 | 2089201 | . | NADNH | 2089360 |
| 21F42 | 02(2) | 28E09 | 5158800 | . | IOTRIN | 5158850 |
| 08F10 | 03(2) | 27D30 | 6832420 | . | PEM-1 | 6832410 |
| 32F21 | 04(2) | 27F39 | 4322300 | . | (FAIO.PH3) | 2054950 |
| 15E37 | 05(2) | 19D07 | 5158850 | I | NIOTRIN | 5158850 |
| | 06(1) | 31F38 | 5150554 | I | IOCON | 5150554 |
| | 07(0) | | | | | |
| 30D31 | 08(2) | 25F12 | 5154001 | . | NIOIN | 5150554 |
| 31F12 | 09(2) | 26F10 | 3690100 | . | DIS | 3690134 |
| 21F41 | 10(1) | | 3690134 | I | NDIS-4 | 3690134 |
| 30D11 | 11(1) | | 3690138 | I | NDIS-5 | 3690138 |
| 15E42 | 12(2) | 31F09 | 3690100 | . | DIS | 3690138 |
| 24D40 | 13(2) | 20F08 | 5138992 | . | (INTRAP1.NINTRAP2) | 5138994 |
| 18F02 | 14(2) | 22F27 | 5158101 | . | NIOSC | 5150554 |
| | 15(1) | 24D24 | 5138994 | I | N(INTRAP1.NINTRAP2) | 5138994 |
| | 16(0) | | 4790631 | -GND | GND1631 | 4790631 |
| 17D50 | 17(1) | | 2089360 | I | ADNH-1 | 2089360 |
| | 18(1) | 31F25 | 2054910 | I | (S/ABO/1) | 2054950 |
| 17F23 | 19(1) | | 6832410 | I | NPEM | 6832410 |
| | 20(0) | | | | | |
| 30D34 | 21(2) | 30E33 | 6902496 | . | NPRE10/1 | 6902490 |
| 30D15 | 22(2) | 30E31 | 6902494 | . | NPRE10 | 6902480 |
| 08F37 | 23(1) | | 5138900 | . | INTRAP | 2054940 |
| 28F28 | 24(2) | 28D43 | 6900040 | . | PR | 7890146 |
| 31F18 | 25(2) | 32F45 | 2054910 | I | (S/ABO/1) | 2054940 |
| 30D02 | 26(2) | 03F36 | 7890145 | I | (S/SW0) | 7890146 |
| 05E29 | 27(1) | | 6902480 | I | PRE10 | 6902480 |
| | 28(1) | 05E14 | 6902490 | I | PRE10/1 | 6902490 |
| | 29(0) | | | | | |
| 27F27 | 30(2) | 30E47 | 5151100 | . | IODC | 5151110 |
| 30D17 | 31(2) | 27F22 | 5154070 | . | NIOINH | 5154060 |
| | 32(0) | | | | | |
| | 33(0) | | | | | |
| 25E50 | 34(1) | | 7417512 | I | NRT09 | 7417512 |
| 27D24 | 35(1) | | 2402900 | I | AXFR | 2402900 |
| | 36(1) | 04E43 | 5156010 | I | NIOPADD | 5156010 |
| 29E40 | 37(1) | | 5156000 | . | IOPADD | 5156010 |
| 31F06 | 38(2) | 16D06 | 5150554 | . | IOCON | 5150650 |
| 24D27 | 39(2) | 26D27 | 2402920 | . | NAXFR | 2402900 |
| 29E10 | 40(2) | 26F35 | 7417500 | . | RT09 | 7417512 |
| 08D34 | 41(1) | | 5150650 | I | NIOCON | 5150650 |
| 32E13 | 42(2) | 20D29 | 6845640 | . | PH6-E | 4323312 |
| 27F42 | 43(2) | 26F24 | 7890100 | . | SW0 | 7890120 |
| 30D13 | 44(2) | 05E15 | 4323310 | I | FAMDST | 4323312 |
| | 45(1) | 20E07 | 7890120 | I | NSW0-2 | 7890120 |
| | 46(1) | 21F44 | 5151110 | I | NIODC | 5151110 |
| | 47(1) | 18F21 | 5154060 | I | IOINH | 5154060 |
| | 48(0) | | | | | |
| 30F49 | 49(0) | 32F49 | 8300500 | . | P4VF | 8300540 |
| | 50(0) | | | | | |
| 30F51 | 51(0) | 32F51 | 8302500 | . | P8VF | 8302540 |

XDS 902306

XDS
XEROX DATA SYSTEMS

DRAWING NO.- 133264-912 AC
PROG-PNIND MODULE-32F
TYPE-PIN INDEX TYPE-IT16

96

10/27/71

| FROM | PIN (COUNT) | TO | SOURCE LINE NO. | ELEM. TYPE | SOURCE SIGNAL NAME | REFERENCE LINE NO. |
|-------|----------------|-------|--------------------|---------------|--------------------|-----------------------|
| | 00(0) | | | | | |
| 09D03 | 01(2) | 20D25 | 4324674 | . | FASTABORT | 4324671 |
| 21D39 | 02(2) | 10E09 | 5152700 | . | IOENIN | 2843864 |
| 29D09 | 03(2) | 18D46 | 4324725 | . | (FAST.PH9) | 3060010 |
| 28F40 | 04(2) | 30E45 | 5156200 | . | NIOPEX | 3314012 |
| 28E47 | 05(2) | 17F11 | 2843850 | I | NBRWB | 2843864 |
| | 06(1) | 03F21 | 1264930 | I | (S/P26) | 1264930 |
| 32D18 | 07(2) | 30E12 | 6821420 | . | N(PCP4.KFILL/B) | 1264930 |
| 31D13 | 08(2) | 18F17 | 7343223 | . | NRESET/C | 1264930 |
| 03E18 | 09(1) | | 5116100 | . | IC | 6820150 |
| 26E33 | 10(2) | 25F24 | 6820150 | I | NIC | 6820150 |
| | 11(1) | 29D12 | 5156870 | I | IOPOP | 5156870 |
| 09F41 | 12(1) | | 5156880 | . | NIOPOP | 5156870 |
| 26E39 | 13(2) | 32E36 | 4322100 | . | (FAIO.PH1) | 4322120 |
| 32F15 | 14(2) | 32D30 | 4322120 | . | N(FAIO.PH1) | 1264930 |
| | 15(1) | 32F14 | 4322120 | I | N(FAIO.PH1) | 4322120 |
| | 16(0) | | 4790632 | -GND | GND1632 | 4790632 |
| | 17(1) | 29D10 | 4324671 | I | (FASTNABORT.PH9) | 4324671 |
| | 18(1) | 05F27 | 3314010 | I | NCOND1 | 3314012 |
| | 19(1) | 18D24 | 3060000 | I | N(R/CC) | 3060010 |
| | 20(0) | | | | | |
| 32E35 | 21(2) | 31F04 | 4322300 | . | (FAIO.PH3) | 4322310 |
| | 22(0) | | | | | |
| 22D33 | 23(2) | 23E11 | 5156475 | . | (IOPH0.SW15) | 7890828 |
| | 24(1) | 02F29 | 1260304 | . | NB26 | 1260340 |
| | 25(1) | 25E14 | 7890825 | I | N(R/SW7) | 7890828 |
| | 26(1) | 20F42 | 1260340 | I | B26-1 | 1260340 |
| | 27(0) | | | | | |
| | 28(1) | 30D09 | 4322310 | I | N(FAIO.PH3) | 4322310 |
| | 29(0) | | | | | |
| 18D25 | 30(2) | 26F30 | 3060350 | . | N(S/CC3/1) | 3060310 |
| 18D23 | 31(2) | 26F31 | 3060450 | . | N(S/CC4/1) | 3060410 |
| | 32(0) | | | | | |
| | 33(0) | | | | | |
| | 34(1) | 03F35 | 7410804 | I | (S/RSCLEN) | 7410804 |
| | 35(1) | 03F24 | 6973910 | I | PXK | 6973910 |
| | 36(1) | 03F38 | 3203110 | I | NCLEARMEM | 3203110 |
| 03D43 | 37(2) | 26F37 | 3203100 | . | CLEARMEM | 3203110 |
| 27F40 | 38(2) | 26D50 | 8165200 | . | WDINT | 8165210 |
| 24D22 | 39(2) | 30E15 | 6974100 | . | NPXK | 6973910 |
| 27E35 | 40(2) | 26F47 | 7410830 | . | N(S/RSCLEN) | 7410804 |
| | 41(1) | 19F37 | 8165210 | I | NWDINT | 8165210 |
| 27F03 | 42(2) | 19F35 | 5150100 | . | IOACT | 2054930 |
| 20E13 | 43(2) | 30E50 | 6821620 | . | PCPACT | 2054920 |
| 32F45 | 44(2) | 17E34 | 2054910 | I | (S/ABO/1) | 2054930 |
| 31F25 | 45(2) | 32F44 | 2054910 | I | (S/ABO/1) | 2054920 |
| | 46(1) | 02F33 | 3060310 | I | (S/CC3/1) | 3060310 |
| | 47(1) | 02F27 | 3060410 | I | (S/CC4/1) | 3060410 |
| | 48(0) | | | | | |
| 31F49 | 49(0) | | 8300500 | P4VF | | 8300540 |
| | 50(0) | | | | | |
| 31F51 | 51(0) | | 8302500 | P8VF | | 8302540 |

XDS 902306



DRAWING NO. - 133264-930 AC
 PROG-PNIND MODULE-01K
 TYPE-PIN INDEX TYPE-CT16

1
 10/27/71

| FROM | PIN (COUNT) | TO | SOURCE LINE NO. | ELEM. TYPE | SOURCE SIGNAL NAME | REFERENCE LINE NO. |
|-------|-------------|-------|-----------------|------------|--------------------|--------------------|
| | 00(0) | | | | | |
| | 01(0) | | | | | |
| | 02(1) | 02K44 | 2000460 | FF | 16KC | 2000460 |
| | 03(0) | | 2000461 | NFF | N16KC | 2000461 |
| | 04(0) | | 2000601 | NFF | N32KC | 2000601 |
| | 05(0) | | 2000600 | FF | 32KC | 2000600 |
| | 06(0) | | | | | |
| | 07(0) | | | | | |
| | 08(1) | 01K09 | 3316000 | -CON | CRYSTAL | 3316000 |
| 01K08 | 09(1) | | 3316000 | | CRYSTAL | 3316000 |
| | 10(0) | | | | | |
| | 11(0) | | | | | |
| | 12(0) | | | | | |
| | 13(0) | | | | | |
| | 14(0) | | | | | |
| | 15(0) | | | | | |
| | 16(0) | | 4791001 | -GND | GND2101 | 4791001 |
| | 17(0) | | | | | |
| | 18(0) | | | | | |
| | 19(0) | | | | | |
| | 20(0) | | | | | |
| | 21(0) | | | | | |
| | 22(0) | | | | | |
| | 23(0) | | | | | |
| | 24(0) | | | | | |
| | 25(0) | | | | | |
| | 26(0) | | | | | |
| | 27(0) | | | | | |
| | 28(0) | | | | | |
| | 29(0) | | | | | |
| | 30(0) | | 2000751 | NFF | N64KC | 2000751 |
| | 31(0) | | | | | |
| | 32(0) | | | | | |
| | 33(0) | | | | | |
| | 34(0) | | | | | |
| | 35(1) | 31K22 | 2000570 | -COS | 2MC | 2000570 |
| | 36(1) | 31K20 | 2000510 | FF | 1MC | 2000510 |
| | 37(1) | 27K23 | 2000420 | FF | 128KC | 2000420 |
| | 38(1) | 31K21 | 2000511 | NFF | N1MC | 2000511 |
| | 39(0) | | | | | |
| | 40(0) | | 2000700 | FF | 512KC | 2000700 |
| | 41(0) | | | | | |
| | 42(0) | | 2000701 | NFF | N512KC | 2000701 |
| | 43(0) | | | | | |
| | 44(1) | 27K24 | 2000550 | FF | 256KC | 2000550 |
| | 45(0) | | 2000551 | NFF | N256KC | 2000551 |
| | 46(1) | 27K22 | 2000750 | FF | 64KC | 2000750 |
| | 47(0) | | 2000421 | NFF | N128KC | 2000421 |
| | 48(0) | | | | | |
| | 49(0) | 02K49 | 8301000 | -VSP | P4VK | 8301030 |
| 02K50 | 50(1) | | 8304600 | | M8VK | 8304620 |
| | 51(0) | 02K51 | 8303000 | -VSP | P8VK | 8303000 |

XDS 902306

XDS
XEROX DATA SYSTEMS

DRAWING NO.- 133264-930 AC
PROG-PNIND MODULE-02K
TYPE-PIN INDEX TYPE-ST29

2

10/27/71

| FROM | PIN (COUNT) | TO | SOURCE LINE NO. | ELEM. TYPE | SOURCE SIGNAL NAME | REFERENCE LINE NO. |
|-------|----------------|-------|--------------------|---------------|--------------------|-----------------------|
| | 00(0) | | | | | |
| | 01(1) | 01M46 | 3284000 | FF | CPUL4 | 3284000 |
| | 02(1) | 02K03 | 2000660 | FF | 500CPS | 2000660 |
| 02K02 | 03(2) | 03K20 | 2000660 | . | 500CPS | 3284020 |
| | 04(0) | | | | | |
| 01M02 | 05(1) | | 1052680 | . | IS5 | 3284010 |
| | 06(0) | | | | | |
| | 07(0) | | | | | |
| | 08(1) | 31K23 | 2000500 | FF | 1KC | 2000500 |
| | 09(0) | | | | | |
| | 10(0) | | | | | |
| | 11(0) | | | | | |
| | 12(0) | | | | | |
| | 13(0) | | | | | |
| | 14(1) | 03K41 | 3908030 | -BCR | ECPUL2 | 3908030 |
| | 15(0) | | | | | |
| | 16(0) | | 4791002 | -GND | GND2102 | 4791002 |
| 03K02 | 17(1) | | 3283020-1 | . | | 3283020 |
| | 18(1) | 03K15 | 2000560 | FF | 2KC | 2000560 |
| | 19(0) | | | | | |
| | 20(1) | 01M44 | 3283000 | FF | CPUL3 | 3283000 |
| 01M10 | 21(1) | | 1042680 | . | IS4 | 3283010 |
| | 22(0) | | | | | |
| | 23(0) | | | | | |
| | 24(0) | | | | | |
| 03K05 | 25(1) | | 3282020-1 | . | | 3282020 |
| | 26(0) | | | | | |
| | 27(0) | | | | | |
| | 28(0) | | | | | |
| | 29(1) | 01M36 | 3282000 | FF | CPUL2 | 3282000 |
| | 30(0) | | | | | |
| 01M06 | 31(1) | | 1032680 | . | IS3 | 3282010 |
| | 32(0) | | | | | |
| | 33(1) | 03K33 | 3908010 | -BCR | ECPUL1 | 3908010 |
| | 34(0) | | | | | |
| | 35(1) | 03K35 | 3908050 | -BCR | ECPUL3 | 3908050 |
| | 36(0) | | | | | |
| | 37(0) | | | | | |
| | 38(0) | | | | | |
| | 39(0) | | | | | |
| | 40(0) | | | | | |
| | 41(0) | | 2000650 | FF | 4KC | 2000650 |
| | 42(1) | 03K08 | 2000800 | FF | 8KC | 2000800 |
| 03K09 | 43(1) | | 3281020-1 | . | | 3281020 |
| 01K02 | 44(1) | | 2000460 | . | 16KC | 2000802 |
| | 45(0) | | | | | |
| | 46(1) | 01M29 | 3281000 | FF | CPUL1 | 3281000 |
| 01M04 | 47(1) | | 1022680 | . | IS2 | 3281010 |
| | 48(0) | | | | | |
| 01K49 | 49(0) | 03K49 | 8301000 | | P4VK | 8301000 |
| 05K50 | 50(2) | 01K50 | 8304600 | | M8VK | 8304620 |
| 01K51 | 51(0) | 03K51 | 8303000 | | P8VK | 8303000 |

| FROM | PIN (COUNT) | TO | SOURCE LINE NO. | ELEM. TYPE | SOURCE SIGNAL NAME | REFERENCE LINE NO. |
|-------|----------------|-------|--------------------|---------------|--------------------|-----------------------|
| | 00(0) | | | | | |
| 03K04 | 01(1) | | 2000800 | * 8KC | | 3283020 |
| | 02(1) | 02K17 | 3283020-1 | -SWC | | 3283020 |
| | 03(1) | 03K11 | 3283030-1 | * | | 3283030 |
| 03K08 | 04(2) | 03K01 | 2000800 | * 8KC | | 3282020 |
| | 05(1) | 02K25 | 3282020-1 | -SWC | | 3282020 |
| | 06(1) | 03K14 | 3282030-1 | * | | 3282030 |
| 03K13 | 07(1) | | 2000560 | * 2KC | | 3283030 |
| 02K42 | 08(2) | 03K04 | 2000800 | * 8KC | | 3281020 |
| | 09(1) | 02K43 | 3281020-1 | -SWC | | 3281020 |
| | 10(1) | 03K17 | 3281030-1 | * | | 3281030 |
| 03K03 | 11(1) | | 3283030-1 | -SWC | | 3283030 |
| | 12(1) | 03K21 | 3283040-1 | * | | 3283040 |
| 03K15 | 13(2) | 03K07 | 2000560 | * 2KC | | 3282030 |
| 03K06 | 14(1) | | 3282030-1 | -SWC | | 3282030 |
| 02K18 | 15(2) | 03K13 | 2000560 | * 2KC | | 3281030 |
| | 16(1) | 03K47 | 4791003 | -GND GND2103 | | 4791003 |
| 03K10 | 17(1) | | 3281030-1 | -SWC | | 3281030 |
| | 18(1) | 03K24 | 3281040-1 | * | | 3281040 |
| | 19(1) | 03K27 | 3282040-1 | * | | 3282040 |
| 02K03 | 20(2) | 03K23 | 2000660 | * 500CPS | | 3283040 |
| 03K12 | 21(1) | | 3283040-1 | -SWC | | 3283040 |
| | 22(1) | 03K34 | 3283050-1 | * | | 3283050 |
| 03K20 | 23(2) | 03K26 | 2000660 | * 500CPS | | 3281040 |
| 03K18 | 24(1) | | 3281040-1 | -SWC | | 3281040 |
| | 25(1) | 03K31 | 3281050-1 | * | | 3281050 |
| 03K23 | 26(1) | | 2000660 | * 500CPS | | 3282040 |
| 03K19 | 27(1) | | 3282040-1 | -SWC | | 3282040 |
| | 28(1) | 03K37 | 3282050-1 | * | | 3282050 |
| 05M07 | 29(2) | 03K30 | 7415010 | * RTC | | 3283050 |
| 03K29 | 30(2) | 03K36 | 7415010 | * RTC | | 3281050 |
| 03K25 | 31(1) | | 3281050-1 | -SWC | | 3281050 |
| | 32(0) | | | | | |
| 02K33 | 33(1) | | 3908010 | * ECPUL1 | | 3281060 |
| 03K22 | 34(1) | | 3283050-1 | -SWC | | 3283050 |
| 02K35 | 35(1) | | 3908050 | * ECPUL3 | | 3283060 |
| 03K30 | 36(1) | | 7415010 | * RTC | | 3282050 |
| 03K28 | 37(1) | | 3282050-1 | -SWC | | 3282050 |
| | 38(0) | | | | | |
| | 39(0) | | | | | |
| | 40(0) | | | | | |
| 02K14 | 41(1) | | 3908030 | * ECPUL2 | | 3282060 |
| | 42(0) | | | | | |
| | 43(0) | | | | | |
| | 44(0) | | | | | |
| | 45(0) | | | | | |
| 32M06 | 46(1) | | 6905008 | -SWC PRI | | 6905010 |
| 03K16 | 47(1) | | 4791003 | GND2103 | | 4791003 |
| | 48(0) | | | | | |
| 02K49 | 49(0) | 04K49 | 8301000 | P4VK | | 8301000 |
| | 50(0) | | | | | |
| 02K51 | 51(0) | 04K51 | 8303000 | P8VK | | 8303000 |

XDS 902306

XDS
XEROX DATA SYSTEMS

DRAWING NO. - 133264-930 AC
PROG-PNIND MODULE-04K
TYPE-PIN INDEX TYPE-BT10

4

10/27/71

| FROM | PIN (COUNT) | TO | SOURCE LINE NO. | ELEM. TYPE | SOURCE SIGNAL NAME | REFERENCE LINE NO. |
|-------|----------------|-------|--------------------|---------------|--------------------|-----------------------|
| | 00(0) | | | | | |
| | 01(1) | 04L14 | 1070150 | B | A7L | 1070150 |
| | 02(1) | 04L42 | 1050150 | B | A5L | 1050150 |
| | 03(1) | 04L46 | 1040150 | B | A4L | 1040150 |
| | 04(1) | 03L08 | 1020150 | B | A2L | 1020150 |
| 04K19 | 05(2) | 09K05 | 1284940 | . | P28-1 | 1020150 |
| | 06(0) | | | | | |
| | 07(0) | | | | | |
| | 08(0) | | | | | |
| 01L01 | 09(2) | 04K22 | 6803000 | . | (P30.NP31) | 1040150 |
| | 10(1) | 04K45 | 1010150 | . | A1L | 1040150 |
| | 11(0) | | | | | |
| | 12(0) | | | | | |
| | 13(0) | | | | | |
| | 14(1) | 03L14 | 1030150 | . | A3L | 1020150 |
| | 15(0) | | | | | |
| | 16(0) | | 4791004 | -GND | GND2104 | 4791004 |
| | 17(0) | | | | | |
| | 18(0) | | | | | |
| 04K39 | 19(2) | 04K05 | 1284940 | . | P28-1 | 1070150 |
| | 20(1) | 04K24 | 1000150 | . | A0L | 1070150 |
| 09K44 | 21(2) | 18L41 | 1314940 | . | P31-1 | 1070150 |
| 04K09 | 22(2) | 05M14 | 6803000 | . | (P30.NP31) | 1050150 |
| | 23(0) | | | | | |
| 04K20 | 24(2) | 04K38 | 1000150 | . | A0L | 1050150 |
| | 25(1) | 04K28 | 1002641 | . | NIOFR0 | 1053370 |
| | 26(1) | 09L17 | 1052640 | . | IOFR5 | 1053370 |
| | 27(1) | 04K29 | 1002640 | . | IOFR0 | 1053370 |
| 04K25 | 28(2) | 04K34 | 1002641 | . | NIOFR0 | 1063370 |
| 04K27 | 29(2) | 04K42 | 1002640 | . | IOFR0 | 1063370 |
| 07L07 | 30(2) | 01M15 | 1022640 | . | IOFR2 | 1063370 |
| | 31(1) | 07L17 | 1012640 | . | IOFR1 | 1053370 |
| | 32(0) | | | | | |
| | 33(1) | 09L03 | 1072640 | . | IOFR7 | 1073370 |
| 04K28 | 34(2) | 07L27 | 1002641 | . | NIOFR0 | 1073370 |
| | 35(0) | | | | | |
| | 36(1) | 09L07 | 1062640 | . | IOFR6 | 1063370 |
| | 37(0) | | | | | |
| 04K24 | 38(2) | 03L46 | 1000150 | . | A0L | 1010150 |
| 18L40 | 39(2) | 04K19 | 1284940 | . | P28-1 | 1010150 |
| | 40(0) | | | | | |
| | 41(0) | | | | | |
| 04K29 | 42(2) | 18L28 | 1002640 | . | IOFR0 | 1073370 |
| | 43(1) | 09L21 | 1032640 | . | IOFR3 | 1073370 |
| | 44(1) | 05K30 | 1073370 | B | L107-0 | 1073370 |
| 04K10 | 45(2) | 03L42 | 1010150 | B | A1L | 1010150 |
| | 46(1) | 05K18 | 1053370 | B | L105-0 | 1053370 |
| | 47(1) | 05K29 | 1063370 | B | L106-0 | 1063370 |
| | 48(0) | | | | | |
| 03K49 | 49(0) | 05K49 | 8301000 | | P4VK | 8301000 |
| | 50(0) | | | | | |
| 03K51 | 51(0) | 05K51 | 8303000 | | P8VK | 8303000 |

XDS 902306

XDS
XEROX DATA SYSTEMS

DRAWING NO.- 133264-930 AC
PROG-PNIND
TYPE-PIN INDEX

MODULE-05K
TYPE-FT25

5

10/27/71

| FROM | PIN (COUNT) | TO | SOURCE LINE NO. | ELEM. TYPE | SOURCE SIGNAL NAME | REFERENCE LINE NO. |
|-------|----------------|-------|--------------------|---------------|--------------------|-----------------------|
| | 00(0) | | | | | |
| | 01(1) | 06K01 | 1076300 | -HSM | RR7 | 1076302 |
| | 02(1) | 06K02 | 1036300 | -HSM | RR3 | 1036302 |
| | 03(0) | | | | | |
| | 04(1) | 06K04 | 1066300 | -HSM | RR6 | 1066302 |
| 07L36 | 05(1) | | 5151040 | T | I0DAXA | 5151040 |
| | 06(1) | 12L04 | 5151036 | T | N(S/I0DAP) | 5151036 |
| 18L04 | 07(1) | | 5154000 | T | I0IN | 5154000 |
| 19K22 | 08(1) | | 5153280 | T | NIOFM-1 | 5153280 |
| | 09(1) | 06K09 | 1026300 | -HSM | RR2 | 1026302 |
| | 10(1) | 05K16 | 4791005 | | GND2105 | 4791005 |
| 16L34 | 11(2) | 06K11 | 1076340 | . | RW7 | 1072600 |
| 16L03 | 12(2) | 06K12 | 1036340 | . | RW3 | 1032600 |
| | 13(1) | 06K13 | 3180420 | . | CK-32P42 | 5140100 |
| | 14(0) | | | | | |
| | 15(0) | | | | | |
| 05K10 | 16(2) | 05K24 | 4791005 | -GND | GND2105 | 4791005 |
| 16L04 | 17(2) | 06K17 | 1066340 | . | RW6 | 1062600 |
| 04K46 | 18(2) | 06K18 | 1053370 | . | L105-0 | 5140106 |
| 16L33 | 19(2) | 06K19 | 1026340 | . | RW2 | 1022600 |
| 06K20 | 20(2) | 05K42 | 1082641 | . | NIOFR8 | 5140102 |
| 07K21 | 21(2) | 01L29 | 1043374 | . | NL104 | 5140102 |
| 06K22 | 22(2) | 01L11 | 1033374 | . | NL103 | 5140102 |
| 06K23 | 23(2) | 01M11 | 1092640 | . | I0FR9 | 5140104 |
| 05K16 | 24(2) | 05K38 | 4791005 | | GND2105 | 4791005 |
| 06K25 | 25(2) | 23K39 | 1092641 | . | NIOFR9 | 5140102 |
| 01M34 | 26(2) | 06K26 | 5153270 | . | I0FM-1 | 5140102 |
| | 27(0) | | | | | |
| 16L24 | 28(2) | 06K28 | 1056340 | . | RW5 | 1052600 |
| 04K47 | 29(2) | 06K29 | 1063370 | . | L106-0 | 5140108 |
| 04K44 | 30(2) | 06K30 | 1073370 | . | L107-0 | 5140110 |
| 09K42 | 31(2) | 06K31 | 7430510 | . | RWB0 | 5140100 |
| | 32(0) | | | | | |
| 16L06 | 33(2) | 06K33 | 1046340 | . | RW4 | 1042600 |
| 01L23 | 34(2) | 06K34 | 1016340 | . | RW1 | 1012600 |
| 01L13 | 35(2) | 06K35 | 1006340 | . | RW0 | 1002600 |
| | 36(0) | | | | | |
| | 37(0) | | | | | |
| 05K24 | 38(1) | | 4791005 | | GND2105 | 4791005 |
| 07L23 | 39(1) | | 1002630 | T | (S/I0DA0) | 1002630 |
| | 40(1) | 03L18 | 2402900 | T | AXFR | 2402900 |
| | 41(1) | 06K41 | 1016300 | -HSM | RR1 | 1016302 |
| 05K20 | 42(1) | | 1082641 | T | NIOFR8 | 1082641 |
| | 43(1) | 06K43 | 1006300 | -HSM | RR0 | 1006302 |
| 12L38 | 44(1) | | 6554100 | T | ODINST | 6554100 |
| | 45(1) | 06K45 | 1046300 | -HSM | RR4 | 1046302 |
| | 46(1) | 06K46 | 1056300 | -HSM | RR5 | 1056302 |
| | 47(0) | | | | | |
| | 48(0) | | | | | |
| 04K49 | 49(0) | 06K49 | 8301000 | | P4VK | 8301000 |
| 06K50 | 50(2) | 02K50 | 8304600 | | M8VK | 8304620 |
| 04K51 | 51(0) | 06K51 | 8303000 | | P8VK | 8303000 |

XDS 902306

XDS
XEROX DATA SYSTEMS

DRAWING NO. - 133264-930 AC
PROG-PNIND MODULE-06K
TYPE-PIN INDEX TYPE-FT25

6
10/27/71

| FROM | PIN (COUNT) | TO | SOURCE LINE NO. | ELEM. TYPE | SIGNAL NAME | REFERENCE LINE NO. |
|-------|----------------|-------|--------------------|---------------|-------------|-----------------------|
| | 00(0) | | | | | |
| 05K01 | 01(2) | 07K01 | 1076300 | -HSM | RR7 | 1076304 |
| 05K02 | 02(2) | 07K02 | 1036300 | -HSM | RR3 | 1036304 |
| | 03(0) | | | | | |
| 05K04 | 04(2) | 07K04 | 1066300 | -HSM | RR6 | 1066304 |
| | 05(0) | | | | | |
| | 06(0) | | | | | |
| | 07(0) | | | | | |
| | 08(0) | | | | | |
| 05K09 | 09(2) | 07K09 | 1026300 | -HSM | RR2 | 1026304 |
| | 10(1) | 06K16 | 4791006 | | GND2106 | 4791006 |
| 05K11 | 11(2) | 07K11 | 1076340 | . | RW7 | 1072602 |
| 05K12 | 12(2) | 07K12 | 1036340 | . | RW3 | 1032602 |
| 05K13 | 13(2) | 07K13 | 3180420 | . | CK-32P42 | 5140200 |
| | 14(0) | | | | | |
| | 15(0) | | | | | |
| 06K10 | 16(2) | 06K24 | 4791006 | -GND | GND2106 | 4791006 |
| 05K17 | 17(2) | 07K17 | 1066340 | . | RW6 | 1062602 |
| 05K18 | 18(2) | 07K18 | 1053370 | . | LI05-0 | 5140206 |
| 05K19 | 19(2) | 07K19 | 1026340 | . | RW2 | 1022602 |
| 07K20 | 20(2) | 05K20 | 1082641 | . | NI0FR8 | 5140202 |
| 08K21 | 21(2) | 01M05 | 1043370 | . | LI04 | 5140202 |
| 22K22 | 22(2) | 05K22 | 1033374 | . | NLI03 | 5140202 |
| 07K23 | 23(2) | 05K23 | 1092640 | . | IOFR9 | 5140204 |
| 06K16 | 24(2) | 06K38 | 4791006 | . | GND2106 | 4791006 |
| 07K25 | 25(2) | 05K25 | 1092641 | . | NI0FR9 | 5140202 |
| 05K26 | 26(2) | 07K26 | 5153270 | . | IOFM-1 | 5140202 |
| | 27(0) | | | | | |
| 05K28 | 28(2) | 07K28 | 1056340 | . | RW5 | 1052602 |
| 05K29 | 29(2) | 07K29 | 1063370 | . | LI06-0 | 5140208 |
| 05K30 | 30(2) | 07K30 | 1073370 | . | LI07-0 | 5140210 |
| 05K31 | 31(2) | 07K31 | 7430510 | . | RWB0 | 5140200 |
| | 32(0) | | | | | |
| 05K33 | 33(2) | 07K33 | 1046340 | . | RW4 | 1042602 |
| 05K34 | 34(2) | 07K34 | 1016340 | . | RW1 | 1012602 |
| 05K35 | 35(2) | 07K35 | 1006340 | . | RW0 | 1002602 |
| | 36(0) | | | | | |
| | 37(0) | | | | | |
| 06K24 | 38(1) | | 4791006 | | GND2106 | 4791006 |
| | 39(0) | | | | | |
| | 40(0) | | | | | |
| 05K41 | 41(2) | 07K41 | 1016300 | -HSM | RR1 | 1016304 |
| | 42(0) | | | | | |
| 05K43 | 43(2) | 07K43 | 1006300 | -HSM | RR0 | 1006304 |
| | 44(0) | | | | | |
| 05K45 | 45(2) | 07K45 | 1046300 | -HSM | RR4 | 1046304 |
| 05K46 | 46(2) | 07K46 | 1056300 | -HSM | RR5 | 1056304 |
| | 47(0) | | | | | |
| | 48(0) | | | | | |
| 05K49 | 49(0) | 07K49 | 8301000 | | P4VK | 8301000 |
| 07K50 | 50(2) | 05K50 | 8304600 | | M8VK | 8304620 |
| 05K51 | 51(0) | 07K51 | 8303000 | | P8VK | 8303000 |

XDS 902306



DRAWING NO.- 133264-930 AC
 PROG-PNIND
 TYPE-PIN INDEX

MODULE-07K
 TYPE-FT25

7

10/27/71

| FROM | PIN (COUNT) | TO | SOURCE LINE NO. | ELEM. TYPE | SOURCE SIGNAL NAME | REFERENCE LINE NO. |
|-------|----------------|-------|--------------------|---------------|--------------------|-----------------------|
| | 00(0) | | | | | |
| 06K01 | 01(2) | 08K01 | 1076300 | -HSM | RR7 | 1076306 |
| 06K02 | 02(2) | 08K02 | 1036300 | -HSM | RR3 | 1036306 |
| | 03(0) | | | | | |
| 06K04 | 04(2) | 08K04 | 1066300 | -HSM | RR6 | 1066306 |
| | 05(0) | | | | | |
| | 06(0) | | | | | |
| | 07(0) | | | | | |
| | 08(0) | | | | | |
| 06K09 | 09(2) | 08K09 | 1026300 | -HSM | RR2 | 1026306 |
| | 10(1) | 07K16 | 4791007 | | GND2107 | 4791007 |
| 06K11 | 11(2) | 08K11 | 1076340 | . | RW7 | 1072604 |
| 06K12 | 12(2) | 08K12 | 1036340 | . | RW3 | 1032604 |
| 06K13 | 13(2) | 08K05 | 3180420 | . | CK-32P42 | 5140300 |
| | 14(0) | | | | | |
| | 15(0) | | | | | |
| 07K10 | 16(2) | 07K24 | 4791007 | -GND | GND2107 | 4791007 |
| 06K17 | 17(2) | 08K17 | 1066340 | . | RW6 | 1062604 |
| 06K18 | 18(2) | 08K18 | 1053370 | . | L105-0 | 5140306 |
| 06K19 | 19(2) | 08K19 | 1026340 | . | RW2 | 1022604 |
| 08K20 | 20(2) | 06K20 | 1082641 | . | N10FR8 | 5140302 |
| 21K21 | 21(2) | 05K21 | 1043374 | . | NL104 | 5140302 |
| 08K22 | 22(2) | 01M03 | 1033370 | . | L103 | 5140302 |
| 08K23 | 23(2) | 06K23 | 1092640 | . | I0FR9 | 5140304 |
| 07K16 | 24(2) | 07K38 | 4791007 | | GND2107 | 4791007 |
| 08K25 | 25(2) | 06K25 | 1092641 | . | N10FR9 | 5140302 |
| 06K26 | 26(2) | 08K26 | 5153270 | . | I0FM-1 | 5140302 |
| | 27(0) | | | | | |
| 06K28 | 28(2) | 08K28 | 1056340 | . | RW5 | 1052604 |
| 06K29 | 29(2) | 08K29 | 1063370 | . | L106-0 | 5140308 |
| 06K30 | 30(2) | 08K30 | 1073370 | . | L107-0 | 5140310 |
| 06K31 | 31(2) | 08K31 | 7430510 | . | RWB0 | 5140300 |
| | 32(0) | | | | | |
| 06K33 | 33(2) | 08K33 | 1046340 | . | RW4 | 1042604 |
| 06K34 | 34(2) | 08K34 | 1016340 | . | RW1 | 1012604 |
| 06K35 | 35(2) | 08K35 | 1006340 | . | RW0 | 1002604 |
| | 36(0) | | | | | |
| | 37(0) | | | | | |
| 07K24 | 38(1) | | 4791007 | | GND2107 | 4791007 |
| | 39(0) | | | | | |
| | 40(0) | | | | | |
| 06K41 | 41(2) | 08K41 | 1016300 | -HSM | RR1 | 1016306 |
| | 42(0) | | | | | |
| 06K43 | 43(2) | 08K43 | 1006300 | -HSM | RR0 | 1006306 |
| | 44(0) | | | | | |
| 06K45 | 45(2) | 08K45 | 1046300 | -HSM | RR4 | 1046306 |
| 06K46 | 46(2) | 08K46 | 1056300 | -HSM | RR5 | 1056306 |
| | 47(0) | | | | | |
| | 48(0) | | | | | |
| 06K49 | 49(0) | 08K49 | 8301000 | | P4VK | 8301000 |
| 08K50 | 50(2) | 06K50 | 8304600 | | M8VK | 8304620 |
| 06K51 | 51(0) | 08K51 | 8303000 | | P8VK | 8303000 |

XDS 902306

xds
XEROX DATA SYSTEMS

DRAWING NO. - 133264-930 AC
PROG-PNIND MODULE-08K
TYPE-PIN INDEX TYPE-FT25

8

10/27/71

| FROM | PIN (COUNT) | TO | SOURCE LINE NO. | ELEM. TYPE | SOURCE SIGNAL NAME | REFERENCE LINE NO. |
|-------|----------------|-------|--------------------|---------------|--------------------|-----------------------|
| | 00(0) | | | | | |
| 07K01 | 01(2) | 09K01 | 1076300 | -HSM | RR7 | 1076308 |
| 07K02 | 02(2) | 09K02 | 1036300 | -HSM | RR3 | 1036308 |
| | 03(0) | | | | | |
| 07K04 | 04(2) | 09K04 | 1066300 | -HSM | RR6 | 1066308 |
| 07K13 | 05(2) | 08K06 | 3180420 | T | CK-32P42 | 3180420 |
| 08K05 | 06(2) | 08K07 | 3180420 | T | CK-32P42 | 3180420 |
| 08K06 | 07(2) | 08K08 | 3180420 | T | CK-32P42 | 3180420 |
| 08K07 | 08(2) | 09K14 | 3180420 | T | CK-32P42 | 3180420 |
| 07K09 | 09(2) | 09K09 | 1026300 | -HSM | RR2 | 1026308 |
| | 10(1) | 08K16 | 4791008 | . | GND2108 | 4791008 |
| 07K11 | 11(2) | 09K11 | 1076340 | . | RW7 | 1072606 |
| 07K12 | 12(2) | 09K12 | 1036340 | . | RW3 | 1032606 |
| 09K14 | 13(2) | 09K13 | 3180420 | . | CK-32P42 | 5140400 |
| | 14(0) | | | | | |
| | 15(0) | | | | | |
| 08K10 | 16(2) | 08K24 | 4791008 | -GND | GND2108 | 4791008 |
| 07K17 | 17(2) | 09K17 | 1066340 | . | RW6 | 1062606 |
| 07K18 | 18(2) | 13M24 | 1053370 | . | LI05-0 | 5140406 |
| 07K19 | 19(2) | 09K19 | 1026340 | . | RW2 | 1022606 |
| 20K20 | 20(2) | 07K20 | 1082641 | . | NIOFR8 | 5140402 |
| 20K21 | 21(2) | 06K21 | 1043370 | . | LI04 | 5140402 |
| 20K22 | 22(2) | 07K22 | 1033370 | . | LI03 | 5140402 |
| 20K23 | 23(2) | 07K23 | 1092640 | . | IOFR9 | 5140404 |
| 08K16 | 24(2) | 08K38 | 4791008 | . | GND2108 | 4791008 |
| 20K25 | 25(2) | 07K25 | 1092641 | . | NIOFR9 | 5140402 |
| 07K26 | 26(2) | 20K26 | 5153270 | . | IOFM-1 | 5140402 |
| | 27(0) | | | | | |
| 07K28 | 28(2) | 09K28 | 1056340 | . | RW5 | 1052606 |
| 07K29 | 29(2) | 13M23 | 1063370 | . | LI06-0 | 5140408 |
| 07K30 | 30(2) | 13M22 | 1073370 | . | LI07-0 | 5140410 |
| 07K31 | 31(2) | 09K31 | 7430510 | . | RWB0 | 5140400 |
| | 32(0) | | | | | |
| 07K33 | 33(2) | 09K33 | 1046340 | . | RW4 | 1042606 |
| 07K34 | 34(2) | 09K34 | 1016340 | . | RW1 | 1012606 |
| 07K35 | 35(2) | 09K35 | 1006340 | . | RW0 | 1002606 |
| | 36(0) | | | | | |
| | 37(0) | | | | | |
| 08K24 | 38(1) | | 4791008 | . | GND2108 | 4791008 |
| 14K50 | 39(1) | | 1051370 | T | NDA5 | 1051370 |
| 14K22 | 40(1) | | 1071370 | T | NDA7 | 1071370 |
| 07K41 | 41(2) | 09K41 | 1016300 | -HSM | RR1 | 1016308 |
| 14K25 | 42(1) | | 1061370 | T | NDA6 | 1061370 |
| 07K43 | 43(2) | 09K43 | 1006300 | -HSM | RR0 | 1006308 |
| 14K45 | 44(1) | | 1041370 | T | NDA4 | 1041370 |
| 07K45 | 45(2) | 09K45 | 1046300 | -HSM | RR4 | 1046308 |
| 07K46 | 46(2) | 09K46 | 1056300 | -HSM | RR5 | 1056308 |
| | 47(0) | | | | | |
| | 48(0) | | | | | |
| 07K49 | 49(0) | 09K49 | 8301000 | . | P4VK | 8301000 |
| 09K50 | 50(2) | 07K50 | 8304600 | . | M8VK | 8304620 |
| 07K51 | 51(0) | 09K51 | 8303000 | . | P8VK | 8303000 |

| FROM | PIN (COUNT) | TO | SOURCE LINE NO. | ELEM. TYPE | SOURCE SIGNAL NAME | REFERENCE LINE NO. |
|-------|----------------|-------|--------------------|---------------|--------------------|-----------------------|
| | 00(0) | | | | | |
| 08K01 | 01(2) | 10K01 | 1076300 | -HSM | RR7 | 1076310 |
| 08K02 | 02(2) | 10K02 | 1036300 | -HSM | RR3 | 1036310 |
| | 03(0) | | | | | |
| 08K04 | 04(2) | 10K04 | 1066300 | -HSM | RR6 | 1066310 |
| 04K05 | 05(1) | | 1284940 | T | P28-1 | 1284940 |
| 05L24 | 06(1) | | 4324712 | T | (FAST.PH1/E.SW5) | 4324712 |
| | 07(1) | 09K18 | 1293710 | T | LR29-1 | 1293710 |
| | 08(1) | 09K23 | 1283710 | T | LR28-1 | 1283710 |
| 08K09 | 09(2) | 10K09 | 1026300 | -HSM | RR2 | 1026310 |
| | 10(1) | 09K16 | 4791009 | | GND2109 | 4791009 |
| 08K11 | 11(2) | 10K11 | 1076340 | . | RW7 | 1076220 |
| 08K12 | 12(2) | 10K12 | 1036340 | . | RW3 | 1036220 |
| 08K13 | 13(2) | 10K13 | 3180420 | . | CK-32P42 | 7394000 |
| 08K08 | 14(2) | 08K13 | 3180420 | T | CK-32P42 | 3180420 |
| | 15(0) | | | | | |
| 09K10 | 16(2) | 09K24 | 4791009 | -GND | GND2109 | 4791009 |
| 08K17 | 17(2) | 10K17 | 1066340 | . | RW6 | 1066220 |
| 09K07 | 18(2) | 10K18 | 1293710 | . | LR29-1 | 7394006 |
| 08K19 | 19(2) | 10K19 | 1026340 | . | RW2 | 1026220 |
| | 20(1) | 10K20 | 1256202 | . | NRP25 | 7394002 |
| | 21(1) | 10K21 | 1246202 | . | NRP24 | 7394002 |
| 01M35 | 22(2) | 10K22 | 5153280 | . | NIOFM-1 | 7394002 |
| 09K08 | 23(2) | 10K23 | 1283710 | . | LR28-1 | 7394004 |
| 09K16 | 24(2) | 09K38 | 4791009 | | GND2109 | 4791009 |
| 10M47 | 25(2) | 10K25 | 1283730 | . | NLR28-1 | 7394002 |
| 10K26 | 26(2) | 10M27 | 1266202 | . | NRP26 | 7394002 |
| 11K27 | 27(2) | 10M28 | 1276202 | . | NRP27 | 7394002 |
| 08K28 | 28(2) | 10K28 | 1056340 | . | RW5 | 1056220 |
| | 29(1) | 09K39 | 1303710 | . | LR30-1 | 7394008 |
| 09K40 | 30(2) | 10K30 | 1313710 | . | LR31-1 | 7394010 |
| 08K31 | 31(2) | 10K31 | 7430510 | . | RWB0 | 7394000 |
| | 32(0) | | | | | |
| 08K33 | 33(2) | 10K33 | 1046340 | . | RW4 | 1046220 |
| 08K34 | 34(2) | 10K34 | 1016340 | . | RW1 | 1016220 |
| 08K35 | 35(2) | 10K35 | 1006340 | . | RW0 | 1006220 |
| | 36(0) | | | | | |
| | 37(0) | | | | | |
| 09K24 | 38(1) | | 4791009 | | GND2109 | 4791009 |
| 09K29 | 39(2) | 10K29 | 1303710 | T | LR30-1 | 1303710 |
| | 40(1) | 09K30 | 1313710 | T | LR31-1 | 1313710 |
| 08K41 | 41(2) | 10K41 | 1016300 | -HSM | RR1 | 1016310 |
| | 42(1) | 05K31 | 7430510 | T | RWB0 | 7430510 |
| 08K43 | 43(2) | 10K43 | 1006300 | -HSM | RR0 | 1006310 |
| | 44(1) | 04K21 | 1314940 | T | P31-1 | 1314940 |
| 08K45 | 45(2) | 10K45 | 1046300 | -HSM | RR4 | 1046310 |
| 08K46 | 46(2) | 10K46 | 1056300 | -HSM | RR5 | 1056310 |
| | 47(0) | | | | | |
| | 48(0) | | | | | |
| 08K49 | 49(0) | 10K49 | 8301000 | | P4VK | 8301010 |
| 10K50 | 50(2) | 08K50 | 8304600 | | MBVK | 8304620 |
| 08K51 | 51(0) | 10K51 | 8303000 | | P8VK | 8303010 |

XDS 902306

XDS
XEROX DATA SYSTEMS

DRAWING NO. - 133264-930 AC
PROG-PNIND MODULE-10K
TYPE-PIN INDEX TYPE-FT25

10

10/27/71

| FROM | PIN (COUNT) | TO | SOURCE LINE NO. | ELEM. TYPE | SOURCE SIGNAL NAME | REFERENCE LINE NO. |
|-------|----------------|-------|--------------------|---------------|--------------------|-----------------------|
| | 00(0) | | | | | |
| 09K01 | 01(2) | 11K01 | 1076300 | -HSM | RR7 | 1076312 |
| 09K02 | 02(2) | 11K02 | 1036300 | -HSM | RR3 | 1036312 |
| | 03(0) | | | | | |
| 09K04 | 04(2) | 11K04 | 1066300 | -HSM | RR6 | 1066312 |
| | 05(0) | | | | | |
| | 06(0) | | | | | |
| | 07(0) | | | | | |
| | 08(0) | | | | | |
| 09K09 | 09(2) | 11K09 | 1026300 | -HSM | RR2 | 1026312 |
| | 10(1) | 10K16 | 4791010 | | GND2110 | 4791010 |
| 09K11 | 11(2) | 11K11 | 1076340 | . | RW7 | 1076222 |
| 09K12 | 12(2) | 11K12 | 1036340 | . | RW3 | 1036222 |
| 09K13 | 13(2) | 11K13 | 3180420 | . | CK-32P42 | 7394100 |
| | 14(0) | | | | | |
| | 15(0) | | | | | |
| 10K10 | 16(2) | 10K24 | 4791010 | -GND | GND2110 | 4791010 |
| 09K17 | 17(2) | 11K17 | 1066340 | . | RW6 | 1066222 |
| 09K18 | 18(2) | 11K18 | 1293710 | . | LR29-1 | 7394106 |
| 09K19 | 19(2) | 11K19 | 1026340 | . | RW2 | 1026222 |
| 09K20 | 20(2) | 11K20 | 1256202 | . | NRP25 | 7394102 |
| 09K21 | 21(2) | 11K21 | 1246202 | . | NRP24 | 7394102 |
| 09K22 | 22(2) | 11K22 | 5153280 | . | NIOFM-1 | 7394102 |
| 09K23 | 23(2) | 11K23 | 1283710 | . | LR28-1 | 7394104 |
| 10K16 | 24(2) | 10K38 | 4791010 | | GND2110 | 4791010 |
| 09K25 | 25(2) | 11K25 | 1283730 | . | NLR28-1 | 7394102 |
| 18K26 | 26(2) | 09K26 | 1266202 | . | NRP26 | 7394102 |
| | 27(1) | 12K27 | 1276200 | . | RP27 | 7394102 |
| 09K28 | 28(2) | 11K28 | 1056340 | . | RW5 | 1056222 |
| 09K39 | 29(2) | 11K29 | 1303710 | . | LR30-1 | 7394108 |
| 09K30 | 30(2) | 11K30 | 1313710 | . | LR31-1 | 7394110 |
| 09K31 | 31(2) | 11K31 | 7430510 | . | RWB0 | 7394100 |
| | 32(0) | | | | | |
| 09K33 | 33(2) | 11K33 | 1046340 | . | RW4 | 1046222 |
| 09K34 | 34(2) | 11K34 | 1016340 | . | RW1 | 1016222 |
| 09K35 | 35(2) | 11K35 | 1006340 | . | RW0 | 1006222 |
| | 36(0) | | | | | |
| | 37(0) | | | | | |
| 10K24 | 38(1) | | 4791010 | | GND2110 | 4791010 |
| | 39(0) | | | | | |
| | 40(0) | | | | | |
| 09K41 | 41(2) | 11K41 | 1016300 | -HSM | RR1 | 1016312 |
| | 42(0) | | | | | |
| 09K43 | 43(2) | 11K43 | 1006300 | -HSM | RR0 | 1006312 |
| | 44(0) | | | | | |
| 09K45 | 45(2) | 11K45 | 1046300 | -HSM | RR4 | 1046312 |
| 09K46 | 46(2) | 11K46 | 1056300 | -HSM | RR5 | 1056312 |
| | 47(0) | | | | | |
| | 48(0) | | | | | |
| 09K49 | 49(0) | 11K49 | 8301000 | | P4VK | 8301010 |
| 11K50 | 50(2) | 09K50 | 8304600 | | M8VK | 8304610 |
| 09K51 | 51(0) | 11K51 | 8303000 | | P8VK | 8303010 |

| FROM | PIN (COUNT) | TO | SOURCE LINE NO. | ELEM. TYPE | SOURCE SIGNAL NAME | REFERENCE LINE NO. |
|-------|----------------|-------|--------------------|---------------|--------------------|-----------------------|
| | 00(0) | | | | | |
| 10K01 | 01(2) | 12K01 | 1076300 | -HSM RR7 | | 1076314 |
| 10K02 | 02(2) | 12K02 | 1036300 | -HSM RR3 | | 1036314 |
| | 03(0) | | | | | |
| 10K04 | 04(2) | 12K04 | 1066300 | -HSM RR6 | | 1066314 |
| | 05(0) | | | | | |
| | 06(0) | | | | | |
| | 07(0) | | | | | |
| | 08(0) | | | | | |
| 10K09 | 09(2) | 12K09 | 1026300 | -HSM RR2 | | 1026314 |
| | 10(1) | 11K16 | 4791011 | GND2111 | | 4791011 |
| 10K11 | 11(2) | 12K11 | 1076340 | . RW7 | | 1076224 |
| 10K12 | 12(2) | 12K12 | 1036340 | . RW3 | | 1036224 |
| 10K13 | 13(2) | 12K13 | 3180420 | . CK-32P42 | | 7394200 |
| | 14(0) | | | | | |
| | 15(0) | | | | | |
| 11K10 | 16(2) | 11K24 | 4791011 | -GND GND2111 | | 4791011 |
| 10K17 | 17(2) | 12K17 | 1066340 | . RW6 | | 1066224 |
| 10K18 | 18(2) | 12K18 | 1293710 | . LR29-1 | | 7394206 |
| 10K19 | 19(2) | 12K19 | 1026340 | . RW2 | | 1026224 |
| 10K20 | 20(2) | 12K20 | 1256202 | . NRP25 | | 7394202 |
| 10K21 | 21(2) | 12K21 | 1246202 | . NRP24 | | 7394202 |
| 10K22 | 22(2) | 12K22 | 5153280 | . NI0FM-1 | | 7394202 |
| 10K23 | 23(2) | 12K23 | 1283710 | . LR28-1 | | 7394204 |
| 11K16 | 24(2) | 11K38 | 4791011 | GND2111 | | 4791011 |
| 10K25 | 25(2) | 12K25 | 1283730 | . NLR28-1 | | 7394202 |
| 12K26 | 26(2) | 10M26 | 1266200 | . RP26 | | 7394202 |
| 17K27 | 27(2) | 09K27 | 1276202 | . NRP27 | | 7394202 |
| 10K28 | 28(2) | 12K28 | 1056340 | . RW5 | | 1056224 |
| 10K29 | 29(2) | 12K29 | 1303710 | . LR30-1 | | 7394208 |
| 10K30 | 30(2) | 12K30 | 1313710 | . LR31-1 | | 7394210 |
| 10K31 | 31(2) | 12K31 | 7430510 | . RW80 | | 7394200 |
| | 32(0) | | | | | |
| 10K33 | 33(2) | 12K33 | 1046340 | . RW4 | | 1046224 |
| 10K34 | 34(2) | 12K34 | 1016340 | . RW1 | | 1016224 |
| 10K35 | 35(2) | 12K35 | 1006340 | . RW0 | | 1006224 |
| | 36(0) | | | | | |
| | 37(0) | | | | | |
| 11K24 | 38(1) | | 4791011 | GND2111 | | 4791011 |
| | 39(0) | | | | | |
| | 40(0) | | | | | |
| 10K41 | 41(2) | 12K41 | 1016300 | -HSM RR1 | | 1016314 |
| | 42(0) | | | | | |
| 10K43 | 43(2) | 12K43 | 1006300 | -HSM RR0 | | 1006314 |
| | 44(0) | | | | | |
| 10K45 | 45(2) | 12K45 | 1046300 | -HSM RR4 | | 1046314 |
| 10K46 | 46(2) | 12K46 | 1056300 | -HSM RR5 | | 1056314 |
| | 47(0) | | | | | |
| | 48(0) | | | | | |
| 10K49 | 49(0) | 12K49 | 8301000 | P4VK | | 8301010 |
| 12K50 | 50(2) | 10K50 | 8304600 | M8VK | | 8304610 |
| 10K51 | 51(0) | 12K51 | 8303000 | P8VK | | 8303010 |

XDS 902306

XDS
XEROX DATA SYSTEMS

DRAWING NO. - 133264-930 AC
PROG-PNIND MODULE-12K
TYPE-PIN INDEX TYPE-FT25

12
10/27/71

| FROM | PIN (COUNT) | TO | SOURCE LINE NO. | ELEM. TYPE | SOURCE SIGNAL NAME | REFERENCE LINE NO. |
|-------|----------------|-------|--------------------|---------------|--------------------|-----------------------|
| | 00(0) | | | | | |
| 11K01 | 01(2) | 13K42 | 1076300 | -HSM RR7 | | 1076316 |
| 11K02 | 02(2) | 13K34 | 1036300 | -HSM RR3 | | 1036316 |
| | 03(0) | | | | | |
| 11K04 | 04(2) | 13K40 | 1066300 | -HSM RR6 | | 1066316 |
| | 05(0) | | | | | |
| | 06(0) | | | | | |
| | 07(0) | | | | | |
| | 08(0) | | | | | |
| 11K09 | 09(2) | 13K27 | 1026300 | -HSM RR2 | | 1026316 |
| | 10(1) | 12K16 | 4791012 | GND2112 | | 4791012 |
| 11K11 | 11(2) | 13L26 | 1076340 | . RW7 | | 1076226 |
| 11K12 | 12(2) | 13L18 | 1036340 | . RW3 | | 1036226 |
| 11K13 | 13(1) | 32P42 | 3180420 | . CK-32P42 | | 7394300 |
| | 14(0) | | | | | |
| | 15(0) | | | | | |
| 12K10 | 16(2) | 12K24 | 4791012 | -GND GND2112 | | 4791012 |
| 11K17 | 17(2) | 13L25 | 1066340 | . RW6 | | 1066226 |
| 11K18 | 18(2) | 16K18 | 1293710 | . LR29-1 | | 7394306 |
| 11K19 | 19(2) | 13L19 | 1026340 | . RW2 | | 1026226 |
| 11K20 | 20(2) | 16K20 | 1256202 | . NRP25 | | 7394302 |
| 11K21 | 21(2) | 16K21 | 1246202 | . NRP24 | | 7394302 |
| 11K22 | 22(2) | 14L12 | 5153280 | . NI0FM-1 | | 7394302 |
| 11K23 | 23(2) | 16K23 | 1283710 | . LR28-1 | | 7394304 |
| 12K16 | 24(2) | 12K38 | 4791012 | GND2112 | | 4791012 |
| 11K25 | 25(2) | 16K25 | 1283730 | . NLR28-1 | | 7394302 |
| 16K26 | 26(2) | 11K26 | 1266200 | . RP26 | | 7394302 |
| 10K27 | 27(2) | 16K27 | 1276200 | . RP27 | | 7394302 |
| 11K28 | 28(2) | 13L27 | 1056340 | . RW5 | | 1056226 |
| 11K29 | 29(2) | 16K29 | 1303710 | . LR30-1 | | 7394308 |
| 11K30 | 30(2) | 16K30 | 1313710 | . LR31-1 | | 7394310 |
| 11K31 | 31(2) | 15L19 | 7430510 | . RW80 | | 7394300 |
| | 32(0) | | | | | |
| 11K33 | 33(2) | 13L28 | 1046340 | . RW4 | | 1046226 |
| 11K34 | 34(2) | 13L05 | 1016340 | . RW1 | | 1016226 |
| 11K35 | 35(2) | 13L17 | 1006340 | . RW0 | | 1006226 |
| | 36(0) | | | | | |
| | 37(0) | | | | | |
| 12K24 | 38(1) | | 4791012 | GND2112 | | 4791012 |
| | 39(0) | | | | | |
| | 40(0) | | | | | |
| 11K41 | 41(2) | 13K22 | 1016300 | -HSM RR1 | | 1016316 |
| | 42(0) | | | | | |
| 11K43 | 43(2) | 13K20 | 1006300 | -HSM RR0 | | 1006316 |
| | 44(0) | | | | | |
| 11K45 | 45(2) | 13K36 | 1046300 | -HSM RR4 | | 1046316 |
| 11K46 | 46(2) | 13K38 | 1056300 | -HSM RR5 | | 1056316 |
| | 47(0) | | | | | |
| | 48(0) | | | | | |
| 11K49 | 49(0) | 13K49 | 8301000 | P4VK | | 8301010 |
| 13K50 | 50(2) | 11K50 | 8304600 | M8VK | | 8304610 |
| 11K51 | 51(0) | 13K51 | 8303000 | P8VK | | 8303010 |

XDS 902306

XDS
XEROX DATA SYSTEMS

DRAWING NO.- 133264-930 AC
PROG-PNIND MODULE-13K
TYPE-PIN INDEX TYPE-AT11

13

10/27/71

| FROM | PIN (COUNT) | TO | SOURCE LINE NO. | ELEM. TYPE | SOURCE SIGNAL NAME | REFERENCE LINE NO. |
|--|---|---|--|---|---------------------------------|--|
| 14L11 | 00(0) 01(1) 02(0) 03(0) 04(0) 05(1) 06(0) 07(0) 08(0) 09(0) 10(0) 11(0) 12(0) 13(0) 14(0) | 13K16 | 5153282 4791013 | * GND2113 | N10FM-R | 5153281 4791013 |
| 15L05 13K05 | 15(1) 16(2) 17(0) 18(0) | 13K24 | 7430515 4791013 | * -GND | RWB0-1 GND2113 | 7430520 4791013 |
| 14L28 12K43 | 19(1) 20(2) 21(0) | 05L37 | 1006330-1 1006300 | * -BCR | RR0 | 1006330 1006300 |
| 12K41 14L27 13K16 14L25 | 22(2) 23(1) 24(2) 25(1) 26(0) | 05L42 13K41 | 1016300 1016330-1 4791013 1026330-1 | -BCR * GND2113 | RR1 | 1016300 1016330 4791013 1026330 |
| 12K09 | 27(2) 28(0) 29(0) 30(0) 31(0) 32(0) | 05L11 | 1026300 | -BCR | RR2 | 1026300 |
| 14L26 12K02 14L47 12K45 14L46 12K46 14L44 12K04 13K24 12K01 | 33(1) 34(2) 35(1) 36(2) 37(1) 38(2) 39(1) 40(2) 41(1) 42(2) 43(0) 44(0) | 05L07 05L30 05L39 05L15 05L10 | 1036330-1 1036300 1046330-1 1046300 1056330-1 1056300 1066330-1 1066300 4791013 1076300 | * -BCR * -BCR * -BCR * -BCR GND2113 -BCR | RR3 RR4 RR5 RR6 RR7 | 1036330 1036300 1046330 1046300 1056330 1056300 1066330 1066300 4791013 1076300 |
| 14L45 | 45(1) 46(0) 47(0) 48(0) | | 1076330-1 | * | | 1076330 |
| 12K49 15K50 12K51 | 49(0) 50(2) 51(0) | 14K49 12K50 14K51 | 8301000 8304600 8303000 | P4VK M8VK P8VK | | 8301010 8304610 8303010 |

XDS 902306

XDS
XEROX DATA SYSTEMS

DRAWING NO.- 133264-930 AC
PROG-PNIND MODULE-14K
TYPE-PIN INDEX TYPE-LT12

14

10/27/71

| FROM | PIN (COUNT) | TO | SOURCE LINE NO. | ELEM. TYPE | SOURCE SIGNAL NAME | REFERENCE LINE NO. |
|-------|----------------|-------|--------------------|---------------|--------------------|-----------------------|
| | 00(0) | | | | | |
| | 01(1) | 22L47 | 1000350 | B | (S/B0) | 1000350 |
| 18L39 | 02(2) | 14K10 | 5156540 | . | (IOPH1.SWB) | 1000350 |
| | 03(0) | | | | | |
| 11L34 | 04(1) | | 5156950 | . | IORB | 1000350 |
| | 05(0) | | | | | |
| 32K03 | 06(2) | 14K09 | 6691100 | . | ORDEROUT | 1000350 |
| | 07(0) | | | | | |
| 06L05 | 08(2) | 32M33 | 6832420 | . | PEM-1 | 1120350 |
| 14K06 | 09(2) | 12L31 | 6691100 | . | ORDEROUT | 1120350 |
| 14K02 | 10(2) | 14K12 | 5156540 | . | (IOPH1.SWB) | 1120350 |
| | 11(0) | | | | | |
| 14K10 | 12(2) | 12L26 | 5156540 | . | (IOPH1.SWB) | 1120350 |
| 32K13 | 13(2) | 06L10 | 7890500 | . | SW4 | 1120350 |
| | 14(1) | 21M47 | 1120350 | B | (S/B12) | 1120350 |
| 14K29 | 15(1) | | 5156180 | . | NIOPC/3 | 5156100 |
| | 16(0) | | 4791014 | -GND | GND2114 | 4791014 |
| 14K35 | 17(1) | | 5156140 | . | NIOPC/1 | 5156104 |
| 14K37 | 18(1) | | 5156160 | . | NIOPC/2 | 5156104 |
| 14K34 | 19(1) | | 5156150 | . | IOPC/2 | 5156106 |
| 14K31 | 20(1) | | 5156170 | . | IOPC/3 | 5156106 |
| 14K33 | 21(1) | | 5156130 | . | IOPC/1 | 5156106 |
| 15M17 | 22(2) | 08K40 | 1071370 | . | NDA7 | 5156170 |
| 08L04 | 23(2) | 15M02 | 1061360 | . | DA6 | 5156170 |
| 15M10 | 24(2) | 16L02 | 3530450 | . | NDAP | 5156170 |
| 15M05 | 25(2) | 08K42 | 1061370 | . | NDA6 | 5156172 |
| 08L06 | 26(2) | 15M01 | 1071360 | . | DA7 | 5156172 |
| 08L27 | 27(2) | 15M09 | 3530400 | . | DAP | 5156172 |
| | 28(1) | 12L21 | 5156120 | I | NIOPC | 5156120 |
| | 29(1) | 14K15 | 5156180 | I | NIOPC/3 | 5156180 |
| | 30(0) | | 5156100 | B | IOPC | 5156100 |
| | 31(1) | 14K20 | 5156170 | B | IOPC/3 | 5156170 |
| | 32(0) | | | | | |
| | 33(1) | 14K21 | 5156130 | B | IOPC/1 | 5156130 |
| | 34(1) | 14K19 | 5156150 | B | IOPC/2 | 5156150 |
| | 35(1) | 14K17 | 5156140 | I | NIOPC/1 | 5156140 |
| 08L18 | 36(2) | 15M22 | 1021360 | . | DA2 | 5156132 |
| | 37(1) | 14K18 | 5156160 | I | NIOPC/2 | 5156160 |
| 08L20 | 38(2) | 15M23 | 1011360 | . | DA1 | 5156132 |
| 15M26 | 39(2) | 19K40 | 1001370 | . | NDA0 | 5156130 |
| 15M27 | 40(2) | 19K42 | 1021370 | . | NDA2 | 5156130 |
| 15M25 | 41(2) | 19K39 | 1011370 | . | NDA1 | 5156130 |
| | 42(1) | 08L13 | 1031360 | . | DA3 | 5156150 |
| 08L22 | 43(2) | 15M24 | 1001360 | . | DA0 | 5156130 |
| | 44(1) | 08L10 | 1051360 | . | DA5 | 5156152 |
| 15M18 | 45(2) | 08K44 | 1041370 | . | NDA4 | 5156150 |
| 08L08 | 46(2) | 15M04 | 1041360 | . | DA4 | 5156150 |
| 15M28 | 47(2) | 19K44 | 1031370 | . | NDA3 | 5156150 |
| | 48(0) | | | | | |
| 13K49 | 49(0) | 15K49 | 8301000 | . | P4VK | 8301010 |
| 15M19 | 50(2) | 08K39 | 1051370 | . | NDA5 | 5156150 |
| 13K51 | 51(0) | 15K51 | 8303000 | . | P8VK | 8303010 |

XDS 902306

XDS
XEROX DATA SYSTEMS

DRAWING NO.- 133264-930 AC
PROG-PNIND MODULE-15K
TYPE-PIN INDEX TYPE-AT11

15
10/27/71

| FROM | PIN (COUNT) | TO | SOURCE LINE NO. | ELEM. TYPE | SOURCE SIGNAL NAME | REFERENCE LINE NO. |
|-------|----------------|-------|--------------------|---------------|--------------------|-----------------------|
| | 00(0) | | | | | |
| | 01(0) | | | | | |
| | 02(0) | | | | | |
| | 03(0) | | | | | |
| | 04(0) | | | | | |
| | 05(1) | 15K16 | 4791015 | | GND2115 | 4791015 |
| | 06(0) | | | | | |
| | 07(0) | | | | | |
| | 08(0) | | | | | |
| | 09(0) | | | | | |
| | 10(0) | | | | | |
| | 11(0) | | | | | |
| | 12(0) | | | | | |
| | 13(0) | | | | | |
| | 14(0) | | | | | |
| 15L25 | 15(1) | | 7430535 | * | RWB1-1 | 7430540 |
| 15K05 | 16(2) | 15K24 | 4791015 | -GND | GND2115 | 4791015 |
| | 17(0) | | | | | |
| | 18(0) | | | | | |
| 14L17 | 19(1) | | 1086330-1 | * | | 1086330 |
| | 20(1) | 16K43 | 1086300 | -BCR | RR8 | 1086300 |
| | 21(0) | | | | | |
| | 22(1) | 16K41 | 1096300 | -BCR | RR9 | 1096300 |
| 14L05 | 23(1) | | 1096330-1 | * | | 1096330 |
| 15K16 | 24(2) | 15K41 | 4791015 | | GND2115 | 4791015 |
| 14L19 | 25(1) | | 1106330-1 | * | | 1106330 |
| | 26(0) | | | | | |
| | 27(1) | 16K09 | 1106300 | -BCR | RR10 | 1106300 |
| | 28(0) | | | | | |
| | 29(0) | | | | | |
| | 30(0) | | | | | |
| | 31(0) | | | | | |
| | 32(0) | | | | | |
| 14L18 | 33(1) | | 1116330-1 | * | | 1116330 |
| | 34(1) | 16K02 | 1116300 | -BCR | RR11 | 1116300 |
| 14L34 | 35(1) | | 1126330-1 | * | | 1126330 |
| | 36(1) | 16K45 | 1126300 | -BCR | RR12 | 1126300 |
| 14L35 | 37(1) | | 1136330-1 | * | | 1136330 |
| | 38(1) | 16K46 | 1136300 | -BCR | RR13 | 1136300 |
| 14L41 | 39(1) | | 1146330-1 | * | | 1146330 |
| | 40(1) | 16K04 | 1146300 | -BCR | RR14 | 1146300 |
| 15K24 | 41(1) | | 4791015 | | GND2115 | 4791015 |
| | 42(1) | 16K01 | 1156300 | -BCR | RR15 | 1156300 |
| | 43(0) | | | | | |
| | 44(0) | | | | | |
| 14L36 | 45(1) | | 1156330-1 | * | | 1156330 |
| | 46(0) | | | | | |
| | 47(0) | | | | | |
| | 48(0) | | | | | |
| 14K49 | 49(0) | 16K49 | 8301000 | | P4VK | 8301010 |
| 16K50 | 50(2) | 13K50 | 8304600 | | M8VK | 8304610 |
| 14K51 | 51(0) | 16K51 | 8303000 | | P8VK | 8303010 |

XDS 902306



DRAWING NO.- 133264-930 AC
 PROG-PNIND MODULE-16K
 TYPE-PIN INDEX TYPE-FT25

16
 10/27/71

| FROM | PIN (COUNT) | TO | SOURCE LINE NO. | ELEM. TYPE | SOURCE SIGNAL NAME | REFERENCE LINE NO. |
|-------|----------------|-------|--------------------|---------------|--------------------|-----------------------|
| | 00(0) | | | | | |
| 15K42 | 01(2) | 17K01 | 1156300 | -HSM | RR15 | 1156302 |
| 15K34 | 02(2) | 17K02 | 1116300 | -HSM | RR11 | 1116302 |
| | 03(0) | | | | | |
| 15K40 | 04(2) | 17K04 | 1146300 | -HSM | RR14 | 1146302 |
| | 05(0) | | | | | |
| | 06(0) | | | | | |
| | 07(0) | | | | | |
| | 08(0) | | | | | |
| 15K27 | 09(2) | 17K09 | 1106300 | -HSM | RR10 | 1106302 |
| | 10(1) | 16K16 | 4791016 | | GND2116 | 4791016 |
| 24K47 | 11(2) | 17K11 | 1156340 | . | RW15 | 1156226 |
| 13L36 | 12(2) | 17K12 | 1116340 | . | RW11 | 1116226 |
| | 13(1) | 17K13 | 3180380 | . | CK-32P38 | 7394320 |
| | 14(0) | | | | | |
| | 15(0) | | | | | |
| 16K10 | 16(2) | 16K24 | 4791016 | -GND | GND2116 | 4791016 |
| 13L44 | 17(2) | 17K17 | 1146340 | . | RW14 | 1146226 |
| 12K18 | 18(2) | 17K18 | 1293710 | . | LR29-1 | 7394326 |
| 13L41 | 19(2) | 17K19 | 1106340 | . | RW10 | 1106226 |
| 12K20 | 20(2) | 17K20 | 1256202 | . | NRP25 | 7394322 |
| 12K21 | 21(2) | 17K21 | 1246202 | . | NRP24 | 7394322 |
| 14L12 | 22(2) | 17K22 | 5153280 | . | NIOFM-1 | 7394322 |
| 12K23 | 23(2) | 17K23 | 1283710 | . | LR28-1 | 7394324 |
| 16K16 | 24(2) | 16K38 | 4791016 | | GND2116 | 4791016 |
| 12K25 | 25(2) | 17K25 | 1283730 | . | NLR28-1 | 7394322 |
| 17K26 | 26(2) | 12K26 | 1266200 | . | RP26 | 7394322 |
| 12K27 | 27(2) | 18K27 | 1276200 | . | RP27 | 7394322 |
| 13L46 | 28(2) | 17K28 | 1136340 | . | RW13 | 1136226 |
| 12K29 | 29(2) | 17K29 | 1303710 | . | LR30-1 | 7394328 |
| 12K30 | 30(2) | 17K30 | 1313710 | . | LR31-1 | 7394330 |
| 15L27 | 31(2) | 17K31 | 7430530 | . | RWB1 | 7394320 |
| | 32(0) | | | | | |
| 13L47 | 33(2) | 17K33 | 1126340 | . | RW12 | 1126226 |
| 13L35 | 34(2) | 17K34 | 1096340 | . | RW9 | 1096226 |
| 13L34 | 35(2) | 17K35 | 1086340 | . | RWB | 1086226 |
| | 36(0) | | | | | |
| | 37(0) | | | | | |
| 16K24 | 38(1) | | 4791016 | | GND2116 | 4791016 |
| | 39(0) | | | | | |
| | 40(0) | | | | | |
| 15K22 | 41(2) | 17K41 | 1096300 | -HSM | RR9 | 1096302 |
| | 42(0) | | | | | |
| 15K20 | 43(2) | 17K43 | 1086300 | -HSM | RR8 | 1086302 |
| | 44(0) | | | | | |
| 15K36 | 45(2) | 17K45 | 1126300 | -HSM | RR12 | 1126302 |
| 15K38 | 46(2) | 17K46 | 1136300 | -HSM | RR13 | 1136302 |
| | 47(0) | | | | | |
| | 48(0) | | | | | |
| 15K49 | 49(0) | 17K49 | 8301000 | | P4VK | 8301020 |
| 17K50 | 50(2) | 15K50 | 8304600 | | M8VK | 8304610 |
| 15K51 | 51(0) | 17K51 | 8303000 | | P8VK | 8303020 |

| FROM | PIN (COUNT) | TO | SOURCE LINE NO. | ELEM. TYPE | SOURCE SIGNAL NAME | REFERENCE LINE NO. |
|-------|----------------|-------|--------------------|---------------|--------------------|-----------------------|
| | 00(0) | | | | | |
| 16K01 | 01(2) | 18K01 | 1156300 | -HSM | RR15 | 1156304 |
| 16K02 | 02(2) | 18K02 | 1116300 | -HSM | RR11 | 1116304 |
| | 03(0) | | | | | |
| 16K04 | 04(2) | 18K04 | 1146300 | -HSM | RR14 | 1146304 |
| | 05(0) | | | | | |
| | 06(0) | | | | | |
| | 07(0) | | | | | |
| | 08(0) | | | | | |
| 16K09 | 09(2) | 18K09 | 1106300 | -HSM | RR10 | 1106304 |
| | 10(1) | 17K16 | 4791017 | | GND2117 | 4791017 |
| 16K11 | 11(2) | 18K11 | 1156340 | . | RW15 | 1156224 |
| 16K12 | 12(2) | 18K12 | 1116340 | . | RW11 | 1116224 |
| 16K13 | 13(2) | 18K13 | 3180380 | . | CK-32P38 | 7394220 |
| | 14(0) | | | | | |
| | 15(0) | | | | | |
| 17K10 | 16(2) | 17K24 | 4791017 | -GND | GND2117 | 4791017 |
| 16K17 | 17(2) | 18K17 | 1146340 | . | RW14 | 1146224 |
| 16K18 | 18(2) | 18K18 | 1293710 | . | LR29-1 | 7394226 |
| 16K19 | 19(2) | 18K19 | 1106340 | . | RW10 | 1106224 |
| 16K20 | 20(2) | 18K20 | 1256202 | . | NRP25 | 7394222 |
| 16K21 | 21(2) | 18K21 | 1246202 | . | NRP24 | 7394222 |
| 16K22 | 22(2) | 18K22 | 5153280 | . | NIOFM-1 | 7394222 |
| 16K23 | 23(2) | 18K23 | 1283710 | . | LR28-1 | 7394224 |
| 17K16 | 24(2) | 17K38 | 4791017 | . | GND2117 | 4791017 |
| 16K25 | 25(2) | 18K25 | 1283730 | . | NLR28-1 | 7394222 |
| | 26(1) | 16K26 | 1266200 | . | RP26 | 7394222 |
| 19K27 | 27(2) | 11K27 | 1276202 | . | NRP27 | 7394222 |
| 16K28 | 28(2) | 18K28 | 1136340 | . | RW13 | 1136224 |
| 16K29 | 29(2) | 18K29 | 1303710 | . | LR30-1 | 7394228 |
| 16K30 | 30(2) | 18K30 | 1313710 | . | LR31-1 | 7394230 |
| 16K31 | 31(2) | 18K31 | 7430530 | . | RWB1 | 7394220 |
| | 32(0) | | | | | |
| 16K33 | 33(2) | 18K33 | 1126340 | . | RW12 | 1126224 |
| 16K34 | 34(2) | 18K34 | 1096340 | . | RW9 | 1096224 |
| 16K35 | 35(2) | 18K35 | 1086340 | . | RW8 | 1086224 |
| | 36(0) | | | | | |
| | 37(0) | | | | | |
| 17K24 | 38(1) | | 4791017 | | GND2117 | 4791017 |
| | 39(0) | | | | | |
| | 40(0) | | | | | |
| 16K41 | 41(2) | 18K41 | 1096300 | -HSM | RR9 | 1096304 |
| | 42(0) | | | | | |
| 16K43 | 43(2) | 18K43 | 1086300 | -HSM | RR8 | 1086304 |
| | 44(0) | | | | | |
| 16K45 | 45(2) | 18K45 | 1126300 | -HSM | RR12 | 1126304 |
| 16K46 | 46(2) | 18K46 | 1136300 | -HSM | RR13 | 1136304 |
| | 47(0) | | | | | |
| | 48(0) | | | | | |
| 16K49 | 49(0) | 18K49 | 8301000 | | P4VK | 8301020 |
| 18K50 | 50(2) | 16K50 | 8304600 | | M8VK | 8304600 |
| 16K51 | 51(0) | 18K51 | 8303000 | | P8VK | 8303020 |

XDS 902306

XDS
XEROX DATA SYSTEMS

DRAWING NO.- 133264-930 AC
PROG-PNIND MODULE-18K
TYPE-PIN INDEX TYPE-FT25

18
10/27/71

| FROM | PIN (COUNT) | TO | SOURCE LINE NO. | ELEM. TYPE | SOURCE SIGNAL NAME | REFERENCE LINE NO. |
|-------|----------------|-------|--------------------|---------------|--------------------|-----------------------|
| | 00(0) | | | | | |
| 17K01 | 01(2) | 19K01 | 1156300 | -HSM | RR15 | 1156306 |
| 17K02 | 02(2) | 19K02 | 1116300 | -HSM | RR11 | 1116306 |
| | 03(0) | | | | | |
| 17K04 | 04(2) | 19K04 | 1146300 | -HSM | RR14 | 1146306 |
| | 05(0) | | | | | |
| | 06(0) | | | | | |
| | 07(0) | | | | | |
| | 08(0) | | | | | |
| 17K09 | 09(2) | 19K09 | 1106300 | -HSM | RR10 | 1106306 |
| | 10(1) | 18K16 | 4791018 | | GND2118 | 4791018 |
| 17K11 | 11(2) | 19K11 | 1156340 | . | RW15 | 1156222 |
| 17K12 | 12(2) | 19K12 | 1116340 | . | RW11 | 1116222 |
| 17K13 | 13(2) | 19K05 | 3180380 | . | CK-32P38 | 7394120 |
| | 14(0) | | | | | |
| | 15(0) | | | | | |
| 18K10 | 16(2) | 18K24 | 4791018 | -GND | GND2118 | 4791018 |
| 17K17 | 17(2) | 19K17 | 1146340 | . | RW14 | 1146222 |
| 17K18 | 18(2) | 19K18 | 1293710 | . | LR29-1 | 7394126 |
| 17K19 | 19(2) | 19K19 | 1106340 | . | RW10 | 1106222 |
| 17K20 | 20(2) | 19K20 | 1256202 | . | NRP25 | 7394122 |
| 17K21 | 21(2) | 19K21 | 1246202 | . | NRP24 | 7394122 |
| 17K22 | 22(2) | 19K22 | 5153280 | . | N10FM-1 | 7394122 |
| 17K23 | 23(2) | 19K23 | 1283710 | . | LR28-1 | 7394124 |
| 18K16 | 24(2) | 18K38 | 4791018 | | GND2118 | 4791018 |
| 17K25 | 25(2) | 19K25 | 1283730 | . | NLR28-1 | 7394122 |
| 19K26 | 26(2) | 10K26 | 1266202 | . | NRP26 | 7394122 |
| 16K27 | 27(2) | 14M27 | 1276200 | . | RP27 | 7394122 |
| 17K28 | 28(2) | 19K28 | 1136340 | . | RW13 | 1136222 |
| 17K29 | 29(2) | 19K29 | 1303710 | . | LR30-1 | 7394128 |
| 17K30 | 30(2) | 19K30 | 1313710 | . | LR31-1 | 7394130 |
| 17K31 | 31(2) | 19K31 | 7430530 | . | RWB1 | 7394120 |
| | 32(0) | | | | | |
| 17K33 | 33(2) | 19K33 | 1126340 | . | RW12 | 1126222 |
| 17K34 | 34(2) | 19K34 | 1096340 | . | RW9 | 1096222 |
| 17K35 | 35(2) | 19K35 | 1086340 | . | RW8 | 1086222 |
| | 36(0) | | | | | |
| | 37(0) | | | | | |
| 18K24 | 38(1) | | 4791018 | | GND2118 | 4791018 |
| | 39(0) | | | | | |
| | 40(0) | | | | | |
| 17K41 | 41(2) | 19K41 | 1096300 | -HSM | RR9 | 1096306 |
| | 42(0) | | | | | |
| 17K43 | 43(2) | 19K43 | 1086300 | -HSM | RR8 | 1086306 |
| | 44(0) | | | | | |
| 17K45 | 45(2) | 19K45 | 1126300 | -HSM | RR12 | 1126306 |
| 17K46 | 46(2) | 19K46 | 1136300 | -HSM | RR13 | 1136306 |
| | 47(0) | | | | | |
| | 48(0) | | | | | |
| 17K49 | 49(0) | 19K49 | 8301000 | | P4VK | 8301020 |
| 19K50 | 50(2) | 17K50 | 8304600 | | M8VK | 8304600 |
| 17K51 | 51(0) | 19K51 | 8303000 | | P8VK | 8303020 |

| FROM | PIN (COUNT) | TO | SOURCE LINE NO. | ELEM. TYPE | SOURCE SIGNAL NAME | REFERENCE LINE NO. |
|-------|----------------|-------|--------------------|---------------|--------------------|-----------------------|
| | 00(0) | | | | | |
| 18K01 | 01(2) | 20K01 | 1156300 | -HSM | RR15 | 1156308 |
| 18K02 | 02(2) | 20K02 | 1116300 | -HSM | RR11 | 1116308 |
| | 03(0) | | | | | |
| 18K04 | 04(2) | 20K04 | 1146300 | -HSM | RR14 | 1146308 |
| 18K13 | 05(2) | 19K06 | 3180380 | T | CK-32P38 | 3180380 |
| 19K05 | 06(2) | 19K07 | 3180380 | T | CK-32P38 | 3180380 |
| 19K06 | 07(2) | 19K08 | 3180380 | T | CK-32P38 | 3180380 |
| 19K07 | 08(2) | 19K14 | 3180380 | T | CK-32P38 | 3180380 |
| 18K09 | 09(2) | 20K09 | 1106300 | -HSM | RR10 | 1106308 |
| | 10(1) | 19K16 | 4791019 | . | GND2119 | 4791019 |
| 18K11 | 11(2) | 20K11 | 1156340 | . | RW15 | 1156220 |
| 18K12 | 12(2) | 20K12 | 1116340 | . | RW11 | 1116220 |
| 19K14 | 13(2) | 20K13 | 3180380 | . | CK-32P38 | 7394020 |
| 19K08 | 14(2) | 19K13 | 3180380 | T | CK-32P38 | 3180380 |
| | 15(0) | | | | | |
| 19K10 | 16(2) | 19K24 | 4791019 | -GND | GND2119 | 4791019 |
| 18K17 | 17(2) | 20K17 | 1146340 | . | RW14 | 1146220 |
| 18K18 | 18(2) | 24M45 | 1293710 | . | LR29-1 | 7394026 |
| 18K19 | 19(2) | 20K19 | 1106340 | . | RW10 | 1106220 |
| 18K20 | 20(2) | 18M36 | 1256202 | . | NRP25 | 7394022 |
| 18K21 | 21(2) | 18M35 | 1246202 | . | NRP24 | 7394022 |
| 18K22 | 22(2) | 05K08 | 5153280 | . | N10FM-1 | 7394022 |
| 18K23 | 23(2) | 24M36 | 1283710 | . | LR28-1 | 7394024 |
| 19K16 | 24(2) | 19K38 | 4791019 | . | GND2119 | 4791019 |
| 18K25 | 25(2) | 16L01 | 1283730 | . | NLR28-1 | 7394022 |
| | 26(1) | 18K26 | 1266202 | . | NRP26 | 7394022 |
| | 27(1) | 17K27 | 1276202 | . | NRP27 | 7394022 |
| 18K28 | 28(2) | 20K28 | 1136340 | . | RW13 | 1136220 |
| 18K29 | 29(2) | 24M44 | 1303710 | . | LR30-1 | 7394028 |
| 18K30 | 30(2) | 24M05 | 1313710 | . | LR31-1 | 7394030 |
| 18K31 | 31(2) | 20K31 | 7430530 | . | RWB1 | 7394020 |
| | 32(0) | | | | | |
| 18K33 | 33(2) | 20K33 | 1126340 | . | RW12 | 1126220 |
| 18K34 | 34(2) | 20K34 | 1096340 | . | RW9 | 1096220 |
| 18K35 | 35(2) | 20K35 | 1086340 | . | RW8 | 1086220 |
| | 36(0) | | | | | |
| | 37(0) | | | | | |
| 19K24 | 38(1) | | 4791019 | . | GND2119 | 4791019 |
| 14K41 | 39(1) | | 1011370 | T | NDA1 | 1011370 |
| 14K39 | 40(1) | | 1001370 | T | NDA0 | 1001370 |
| 18K41 | 41(2) | 20K41 | 1096300 | -HSM | RR9 | 1096308 |
| 14K40 | 42(1) | | 1021370 | T | NDA2 | 1021370 |
| 18K43 | 43(2) | 20K43 | 1086300 | -HSM | RR8 | 1086308 |
| 14K47 | 44(1) | | 1031370 | T | NDA3 | 1031370 |
| 18K45 | 45(2) | 20K45 | 1126300 | -HSM | RR12 | 1126308 |
| 18K46 | 46(2) | 20K46 | 1136300 | -HSM | RR13 | 1136308 |
| | 47(0) | | | | | |
| | 48(0) | | | | | |
| 18K49 | 49(0) | 20K49 | 8301000 | . | P4VK | 8301020 |
| 20K50 | 50(2) | 18K50 | 8304600 | . | M8VK | 8304600 |
| 18K51 | 51(0) | 20K51 | 8303000 | . | P8VK | 8303020 |

XDS 902306

XDS
XEROX DATA SYSTEMS

DRAWING NO.- 133264-930 AC
PROG-PN1ND MODULE-20K
TYPE-PIN INDEX TYPE-FT25

20
10/27/71

| FROM | PIN (COUNT) | TO | SOURCE LINE NO. | ELEM. TYPE | SOURCE SIGNAL NAME | REFERENCE LINE NO. |
|-------|----------------|-------|--------------------|---------------|--------------------|-----------------------|
| | 00(0) | | | | | |
| 19K01 | 01(2) | 21K01 | 1156300 | -HSM | RR15 | 1156310 |
| 19K02 | 02(2) | 21K02 | 1116300 | -HSM | RR11 | 1116310 |
| | 03(0) | | | | | |
| 19K04 | 04(2) | 21K04 | 1146300 | -HSM | RR14 | 1146310 |
| | 05(0) | | | | | |
| | 06(0) | | | | | |
| | 07(0) | | | | | |
| | 08(0) | | | | | |
| 19K09 | 09(2) | 21K09 | 1106300 | -HSM | RR10 | 1106310 |
| | 10(1) | 20K16 | 4791020 | | GND2120 | 4791020 |
| 19K11 | 11(2) | 21K11 | 1156340 | . | RW15 | 1152606 |
| 19K12 | 12(2) | 21K12 | 1116340 | . | RW11 | 1112606 |
| 19K13 | 13(2) | 21K13 | 3180380 | . | CK-32P38 | 5140420 |
| | 14(0) | | | | | |
| | 15(0) | | | | | |
| 20K10 | 16(2) | 20K24 | 4791020 | -GND | GND2120 | 4791020 |
| 19K17 | 17(2) | 21K17 | 1146340 | . | RW14 | 1142606 |
| 13M24 | 18(2) | 21K18 | 1053370 | . | L105-0 | 5140426 |
| 19K19 | 19(2) | 21K19 | 1106340 | . | RW10 | 1102606 |
| 21K20 | 20(2) | 08K20 | 1082641 | . | NIOFR8 | 5140422 |
| 22K21 | 21(2) | 08K21 | 1043370 | . | L104 | 5140422 |
| 21K22 | 22(2) | 08K22 | 1033370 | . | L103 | 5140422 |
| 21K23 | 23(2) | 08K23 | 1092640 | . | IOFR9 | 5140424 |
| 20K16 | 24(2) | 20K38 | 4791020 | | GND2120 | 4791020 |
| 21K25 | 25(2) | 08K25 | 1092641 | . | NIOFR9 | 5140422 |
| 08K26 | 26(2) | 21K26 | 5153270 | . | IOFM-1 | 5140422 |
| | 27(0) | | | | | |
| 19K28 | 28(2) | 21K28 | 1136340 | . | RW13 | 1132606 |
| 13M23 | 29(2) | 21K29 | 1063370 | . | L106-0 | 5140428 |
| 13M22 | 30(2) | 21K30 | 1073370 | . | L107-0 | 5140430 |
| 19K31 | 31(2) | 21K31 | 7430530 | . | RWB1 | 5140420 |
| | 32(0) | | | | | |
| 19K33 | 33(2) | 21K33 | 1126340 | . | RW12 | 1122606 |
| 19K34 | 34(2) | 21K34 | 1096340 | . | RW9 | 1092606 |
| 19K35 | 35(2) | 21K35 | 1086340 | . | RW8 | 1082606 |
| | 36(0) | | | | | |
| | 37(0) | | | | | |
| 20K24 | 38(1) | | 4791020 | | GND2120 | 4791020 |
| | 39(0) | | | | | |
| | 40(0) | | | | | |
| 19K41 | 41(2) | 21K41 | 1096300 | -HSM | RR9 | 1096310 |
| | 42(0) | | | | | |
| 19K43 | 43(2) | 21K43 | 1086300 | -HSM | RR8 | 1086310 |
| | 44(0) | | | | | |
| 19K45 | 45(2) | 21K45 | 1126300 | -HSM | RR12 | 1126310 |
| 19K46 | 46(2) | 21K46 | 1136300 | -HSM | RR13 | 1136310 |
| | 47(0) | | | | | |
| | 48(0) | | | | | |
| 19K49 | 49(0) | 21K49 | 8301000 | | P4VK | 8301020 |
| 21K50 | 50(2) | 19K50 | 8304600 | | M8VK | 8304600 |
| 19K51 | 51(0) | 21K51 | 8303000 | | P8VK | 8303020 |

XDS 902306



DRAWING NO. - 133264-930 AC
 PROG-PNIND MODULE-21K
 TYPE-PIN INDEX TYPE-FT25

21
 10/27/71

| FROM | PIN (COUNT) | TO | SOURCE LINE NO. | ELEM. TYPE | SOURCE SIGNAL NAME | REFERENCE LINE NO. |
|-------|-------------|-------|-----------------|------------|--------------------|--------------------|
| | 00(0) | | | | | |
| 20K01 | 01(2) | 22K01 | 1156300 | -HSM | RR15 | 1156312 |
| 20K02 | 02(2) | 22K02 | 1116300 | -HSM | RR11 | 1116312 |
| | 03(0) | | | | | |
| 20K04 | 04(2) | 22K04 | 1146300 | -HSM | RR14 | 1146312 |
| | 05(0) | | | | | |
| | 06(0) | | | | | |
| | 07(0) | | | | | |
| | 08(0) | | | | | |
| 20K09 | 09(2) | 22K09 | 1106300 | -HSM | RR10 | 1106312 |
| | 10(1) | 21K16 | 4791021 | | GND2121 | 4791021 |
| 20K11 | 11(2) | 22K11 | 1156340 | . | RW15 | 1152604 |
| 20K12 | 12(2) | 22K12 | 1116340 | . | RW11 | 1112604 |
| 20K13 | 13(2) | 22K13 | 3180380 | . | CK-32P38 | 5140320 |
| | 14(0) | | | | | |
| | 15(0) | | | | | |
| 21K10 | 16(2) | 21K24 | 4791021 | -GND | GND2121 | 4791021 |
| 20K17 | 17(2) | 22K17 | 1146340 | . | RW14 | 1142604 |
| 20K18 | 18(2) | 22K18 | 1053370 | . | L105-0 | 5140326 |
| 20K19 | 19(2) | 22K19 | 1106340 | . | RW10 | 1102604 |
| 22K20 | 20(2) | 20K20 | 1082641 | . | NIOFR8 | 5140322 |
| 23K21 | 21(2) | 07K21 | 1043374 | . | NL104 | 5140322 |
| 19L04 | 22(2) | 20K22 | 1033370 | . | L103 | 5140322 |
| 22K23 | 23(2) | 20K23 | 1092640 | . | IOFR9 | 5140324 |
| 21K16 | 24(2) | 21K38 | 4791021 | | GND2121 | 4791021 |
| 22K25 | 25(2) | 20K25 | 1092641 | . | NIOFR9 | 5140322 |
| 20K26 | 26(2) | 22K26 | 5153270 | . | IOFM-1 | 5140322 |
| | 27(0) | | | | | |
| 20K28 | 28(2) | 22K28 | 1136340 | . | RW13 | 1132604 |
| 20K29 | 29(2) | 22K29 | 1063370 | . | L106-0 | 5140328 |
| 20K30 | 30(2) | 22K30 | 1073370 | . | L107-0 | 5140330 |
| 20K31 | 31(2) | 22K31 | 7430530 | . | RWB1 | 5140320 |
| | 32(0) | | | | | |
| 20K33 | 33(2) | 22K33 | 1126340 | . | RW12 | 1122604 |
| 20K34 | 34(2) | 22K34 | 1096340 | . | RW9 | 1092604 |
| 20K35 | 35(2) | 22K35 | 1086340 | . | RW8 | 1082604 |
| | 36(0) | | | | | |
| | 37(0) | | | | | |
| 21K24 | 38(1) | | 4791021 | | GND2121 | 4791021 |
| | 39(0) | | | | | |
| | 40(0) | | | | | |
| 20K41 | 41(2) | 22K41 | 1096300 | -HSM | RR9 | 1096312 |
| | 42(0) | | | | | |
| 20K43 | 43(2) | 22K43 | 1086300 | -HSM | RR8 | 1086312 |
| | 44(0) | | | | | |
| 20K45 | 45(2) | 22K45 | 1126300 | -HSM | RR12 | 1126312 |
| 20K46 | 46(2) | 22K46 | 1136300 | -HSM | RR13 | 1136312 |
| | 47(0) | | | | | |
| | 48(0) | | | | | |
| 20K49 | 49(0) | 22K49 | 8301000 | | P4VK | 8301020 |
| 22K50 | 50(2) | 20K50 | 8304600 | | M8VK | 8304600 |
| 20K51 | 51(0) | 22K51 | 8303000 | | P8VK | 8303020 |

XDS 902306

XDS
XEROX DATA SYSTEMS

DRAWING NO. - 133264-930 AC
PROG-PNIND MODULE-22K
TYPE-PIN INDEX TYPE-FT25

22

10/27/71

| FROM | PIN (COUNT) | TO | SOURCE LINE NO. | ELEM. TYPE | SOURCE SIGNAL NAME | REFERENCE LINE NO. |
|-------|----------------|-------|--------------------|---------------|--------------------|-----------------------|
| | 00(0) | | | | | |
| 21K01 | 01(2) | 23K01 | 1156300 | -HSM | RR15 | 1156314 |
| 21K02 | 02(2) | 23K02 | 1116300 | -HSM | RR11 | 1116314 |
| | 03(0) | | | | | |
| 21K04 | 04(2) | 23K04 | 1146300 | -HSM | RR14 | 1146314 |
| | 05(0) | | | | | |
| | 06(0) | | | | | |
| | 07(0) | | | | | |
| | 08(0) | | | | | |
| 21K09 | 09(2) | 23K09 | 1106300 | -HSM | RR10 | 1106314 |
| | 10(1) | 22K16 | 4791022 | | GND2122 | 4791022 |
| 21K11 | 11(2) | 23K11 | 1156340 | . | RW15 | 1152602 |
| 21K12 | 12(2) | 23K12 | 1116340 | . | RW11 | 1112602 |
| 21K13 | 13(2) | 23K13 | 3180380 | . | CK-32P38 | 5140220 |
| | 14(0) | | | | | |
| | 15(0) | | | | | |
| 22K10 | 16(2) | 22K24 | 4791022 | -GND | GND2122 | 4791022 |
| 21K17 | 17(2) | 23K17 | 1146340 | . | RW14 | 1142602 |
| 21K18 | 18(2) | 23K18 | 1053370 | . | LI05-0 | 5140226 |
| 21K19 | 19(2) | 23K19 | 1106340 | . | RW10 | 1102602 |
| 23K20 | 20(2) | 21K20 | 1082641 | . | NIOFR8 | 5140222 |
| 19L03 | 21(2) | 20K21 | 1043370 | . | LI04 | 5140222 |
| 23K22 | 22(2) | 06K22 | 1033374 | . | NLI03 | 5140222 |
| 23K23 | 23(2) | 21K23 | 1092640 | . | IOFR9 | 5140224 |
| 22K16 | 24(2) | 22K38 | 4791022 | | GND2122 | 4791022 |
| 23K25 | 25(2) | 21K25 | 1092641 | . | NIOFR9 | 5140222 |
| 21K26 | 26(2) | 23K26 | 5153270 | . | IOFM-1 | 5140222 |
| | 27(0) | | | | | |
| 21K28 | 28(2) | 23K28 | 1136340 | . | RW13 | 1132602 |
| 21K29 | 29(2) | 23K29 | 1063370 | . | LI06-0 | 5140228 |
| 21K30 | 30(2) | 23K30 | 1073370 | . | LI07-0 | 5140230 |
| 21K31 | 31(2) | 23K31 | 7430530 | . | RWB1 | 5140220 |
| | 32(0) | | | | | |
| 21K33 | 33(2) | 23K33 | 1126340 | . | RW12 | 1122602 |
| 21K34 | 34(2) | 23K34 | 1096340 | . | RW9 | 1092602 |
| 21K35 | 35(2) | 23K35 | 1086340 | . | RW8 | 1082602 |
| | 36(0) | | | | | |
| | 37(0) | | | | | |
| 22K24 | 38(1) | | 4791022 | | GND2122 | 4791022 |
| | 39(0) | | | | | |
| | 40(0) | | | | | |
| 21K41 | 41(2) | 23K41 | 1096300 | -HSM | RR9 | 1096314 |
| | 42(0) | | | | | |
| 21K43 | 43(2) | 23K43 | 1086300 | -HSM | RR8 | 1086314 |
| | 44(0) | | | | | |
| 21K45 | 45(2) | 23K45 | 1126300 | -HSM | RR12 | 1126314 |
| 21K46 | 46(2) | 23K46 | 1136300 | -HSM | RR13 | 1136314 |
| | 47(0) | | | | | |
| | 48(0) | | | | | |
| 21K49 | 49(0) | 23K49 | 8301000 | | P4VK | 8301020 |
| 23K50 | 50(2) | 21K50 | 8304600 | | M8VK | 8304600 |
| 21K51 | 51(0) | 23K51 | 8303000 | | P8VK | 8303020 |

XDS 902306

XDS
XEROX DATA SYSTEMS

DRAWING NO.- 133264-930 AC
PROG-PNIND MODULE-23K
TYPE-PIN INDEX TYPE-FT25

23

10/27/71

| FROM | PIN (COUNT) | TO | SOURCE LINE NO. | ELEM. TYPE | SOURCE SIGNAL NAME | REFERENCE LINE NO. |
|-------|----------------|-------|--------------------|---------------|--------------------|-----------------------|
| | 00(0) | | | | | |
| 22K01 | 01(2) | 28M35 | 1156300 | -HSM | RR15 | 1156316 |
| 22K02 | 02(2) | 26M35 | 1116300 | -HSM | RR11 | 1116316 |
| | 03(0) | | | | | |
| 22K04 | 04(2) | 28M39 | 1146300 | -HSM | RR14 | 1146316 |
| 07L42 | 05(1) | | 5151020 | T | IODAX | 5151020 |
| 11L26 | 06(1) | | 8051028 | T | TORDIN | 8051028 |
| 06L04 | 07(1) | | 3533500 | T | DATAOUT | 3533500 |
| | 08(1) | 06L12 | 5156546 | T | (IOPH1.SW9)-F | 5156546 |
| 22K09 | 09(2) | 26M39 | 1106300 | -HSM | RR10 | 1106316 |
| | 10(1) | 23K16 | 4791023 | | GND2123 | 4791023 |
| 22K11 | 11(2) | 11M22 | 1156340 | . | RW15 | 1152600 |
| 22K12 | 12(2) | 11M17 | 1116340 | . | RW11 | 1112600 |
| 22K13 | 13(2) | 27K07 | 3180380 | . | CK-32P38 | 5140120 |
| | 14(0) | | | | | |
| | 15(0) | | | | | |
| 23K10 | 16(2) | 23K24 | 4791023 | -GND | GND2123 | 4791023 |
| 22K17 | 17(2) | 16L50 | 1146340 | . | RW14 | 1142600 |
| 22K18 | 18(2) | 28K17 | 1053370 | . | L105-0 | 5140126 |
| 22K19 | 19(2) | 16L41 | 1106340 | . | RW10 | 1102600 |
| 21M21 | 20(2) | 22K20 | 1082641 | . | NIOFR8 | 5140122 |
| 19L19 | 21(2) | 21K21 | 1043374 | . | NL104 | 5140122 |
| 19L18 | 22(2) | 22K22 | 1033374 | . | NL103 | 5140122 |
| 21M33 | 23(2) | 22K23 | 1092640 | . | IOFR9 | 5140124 |
| 23K16 | 24(2) | 23K38 | 4791023 | | GND2123 | 4791023 |
| 21M34 | 25(2) | 22K25 | 1092641 | . | NIOFR9 | 5140122 |
| 22K26 | 26(2) | 28K12 | 5153270 | . | IOFM-1 | 5140122 |
| | 27(0) | | | | | |
| 22K28 | 28(2) | 11M15 | 1136340 | . | RW13 | 1132600 |
| 22K29 | 29(2) | 28K29 | 1063370 | . | L106-0 | 5140128 |
| 22K30 | 30(2) | 28K28 | 1073370 | . | L107-0 | 5140130 |
| 22K31 | 31(2) | 24L20 | 7430530 | . | RWB1 | 5140120 |
| | 32(0) | | | | | |
| 22K33 | 33(2) | 11M02 | 1126340 | . | RW12 | 1122600 |
| 22K34 | 34(2) | 16L37 | 1096340 | . | RW9 | 1092600 |
| 22K35 | 35(2) | 16L40 | 1086340 | . | RW8 | 1082600 |
| | 36(0) | | | | | |
| | 37(0) | | | | | |
| 23K24 | 38(1) | | 4791023 | | GND2123 | 4791023 |
| 05K25 | 39(1) | | 1092641 | T | NIOFR9 | 1092641 |
| 12L31 | 40(2) | 18L42 | 6691100 | T | ORDEROUT | 6691100 |
| 22K41 | 41(2) | 25M35 | 1096300 | -HSM | RR9 | 1096316 |
| | 42(0) | | | | | |
| 22K43 | 43(2) | 25M39 | 1086300 | -HSM | RR8 | 1086316 |
| 12L25 | 44(1) | | 3533100 | T | DATAIN | 3533100 |
| 22K45 | 45(2) | 27M39 | 1126300 | -HSM | RR12 | 1126316 |
| 22K46 | 46(2) | 27M35 | 1136300 | -HSM | RR13 | 1136316 |
| | 47(0) | | | | | |
| | 48(0) | | | | | |
| 22K49 | 49(0) | 24K49 | 8301000 | | P4VK | 8301030 |
| | 50(1) | 22K50 | 8304600 | -VSP | M8VK | 8304600 |
| 22K51 | 51(0) | 24K51 | 8303000 | | P8VK | 8303030 |

XDS 902306

XDS
XEROX DATA SYSTEMS

DRAWING NO. - 133264-930 AC
PROG-PNIND MODULE-24K
TYPE-PIN INDEX TYPE-BT16

24

10/27/71

| FROM | PIN (COUNT) | TO | SOURCE LINE NO. | ELEM. TYPE | SOURCE SIGNAL NAME | REFERENCE LINE NO. |
|-------|----------------|-------|--------------------|---------------|------------------------|-----------------------|
| | 00(0) | | | | | |
| 32K44 | 01(2) | 06L13 | 7890501 | . | NSW4 | 1020352 |
| 18L13 | 02(2) | 01M43 | 5154015 | . | NIOIN-1 | 4241003 |
| 31K07 | 03(2) | 24K04 | 4322750 | . | N(FAIO.PH7) | 3901512 |
| 24K03 | 04(2) | 30M21 | 4322750 | . | N(FAIO.PH7) | 3901502 |
| | 05(1) | 05M38 | 4241000 | B | EWDN | 4241003 |
| | 06(1) | 07L26 | 3511100 | B | (D1.SW0) | 3511100 |
| | 07(0) | | | | | |
| 11L43 | 08(2) | 30K13 | 7890100 | . | SW0 | 3511100 |
| | 09(1) | 24K12 | 4421150 | . | NFUCS | 3901152 |
| | 10(1) | 28K22 | 3901150 | B | (DXC+DXCL1) | 3901152 |
| 28K45 | 11(1) | | 1000050 | B | A00 | 1000053 |
| 24K09 | 12(2) | 31K04 | 4421150 | . | NFUCS | 1000053 |
| 27M18 | 13(1) | | 1120100 | . | A12 | 1120138 |
| 25L28 | 14(2) | 25M12 | 1011300 | . | D1 | 3511100 |
| | 15(1) | 22M45 | 1120138 | B | A12-1 | 1120138 |
| | 16(0) | | 4791024 | -GND | GND2124 | 4791024 |
| 22L42 | 17(1) | | 1020350 | B | (S/B2) | 1020352 |
| 30L27 | 18(1) | | 3901500 | B | DXDR8/0 | 3901502 |
| 30L28 | 19(1) | | 3901510 | B | DXDR8/1 | 3901512 |
| | 20(0) | | | | | |
| 16M09 | 21(2) | 32K27 | 1074500 | . | 07 | 1074530 |
| 22M04 | 22(1) | | 4321990 | . | NFAIM-1 | 4421648 |
| 23L05 | 23(2) | 32K24 | 1054502 | . | N05 | 4421646 |
| 05L35 | 24(1) | | 1004200 | . | MCO | 4421644 |
| 24K26 | 25(2) | 24K27 | 4421644 | B | (FUMSP(MCO).NFAIM.N05) | 4421646 |
| | 26(1) | 24K25 | 4421644 | B | (FUMSP(MCO).NFAIM.N05) | 4421644 |
| 24K25 | 27(2) | 30L40 | 4421644 | B | (FUMSP(MCO).NFAIM.N05) | 4421648 |
| | 28(0) | 21N15 | 1074530 | B | 07-1 | 1074530 |
| | 29(0) | | | | | |
| 32M24 | 30(2) | 20L14 | 8051028 | . | TORDIN | 1040354 |
| 32M22 | 31(2) | 24L21 | 1156350 | . | RW15XZ | 1156342 |
| | 32(0) | | | | | |
| 32M41 | 33(2) | 15L30 | 4420550 | . | N(FUAIO.PH5.SW10) | 1026342 |
| | 34(0) | | | | | |
| 13L28 | 35(1) | | 1046340 | B | RW4 | 1046342 |
| 13L19 | 36(1) | | 1026340 | B | RW2 | 1026342 |
| | 37(0) | | | | | |
| | 38(0) | | | | | |
| | 39(0) | | | | | |
| | 40(0) | | | | | |
| 13L18 | 41(1) | | 1036340 | B | RW3 | 1036342 |
| 11L08 | 42(2) | 25L24 | 1010100 | . | A1 | 2001400 |
| 18L20 | 43(2) | 15M45 | 1061340 | . | ND6-1 | 2001402 |
| | 44(1) | 24K45 | 2001400 | B | (A1.ND6) | 2001400 |
| 24K44 | 45(2) | 26K02 | 2001400 | B | (A1.ND6) | 2001402 |
| | 46(1) | 26K20 | 1040350 | B | (S/B4) | 1040354 |
| 13L45 | 47(2) | 16K11 | 1156340 | B | RW15 | 1156342 |
| | 48(0) | | | | | |
| 23K49 | 49(0) | 25K49 | 8301000 | | P4VK | 8301030 |
| | 50(0) | | | | | |
| 23K51 | 51(0) | 25K51 | 8303000 | | P8VK | 8303030 |



DRAWING NO.- 133264-930 AC
 PROG-PNIND MODULE-25K
 TYPE-PIN INDEX TYPE-

| FROM | PIN (COUNT) | TO | SOURCE LINE NO. | ELEM. TYPE | SOURCE SIGNAL NAME | REFERENCE LINE NO. |
|-------|----------------|-------|--------------------|---------------|--------------------|-----------------------|
| | 00(0) | | | | | |
| | 01(0) | | | | | |
| | 02(0) | | | | | |
| | 03(0) | | | | | |
| | 04(0) | | | | | |
| | 05(0) | | | | | |
| | 06(0) | | | | | |
| | 07(0) | | | | | |
| | 08(0) | | | | | |
| | 09(0) | | | | | |
| | 10(0) | | | | | |
| | 11(0) | | | | | |
| | 12(0) | | | | | |
| | 13(0) | | | | | |
| | 14(0) | | | | | |
| | 15(0) | | | | | |
| | 16(0) | | 4791025 | -GND | GND2125 | 4791025 |
| | 17(0) | | | | | |
| | 18(0) | | | | | |
| | 19(0) | | | | | |
| | 20(0) | | | | | |
| | 21(0) | | | | | |
| | 22(0) | | | | | |
| | 23(0) | | | | | |
| | 24(0) | | | | | |
| | 25(0) | | | | | |
| | 26(0) | | | | | |
| | 27(0) | | | | | |
| | 28(0) | | | | | |
| | 29(0) | | | | | |
| | 30(0) | | | | | |
| | 31(0) | | | | | |
| | 32(0) | | | | | |
| | 33(0) | | | | | |
| | 34(0) | | | | | |
| | 35(0) | | | | | |
| | 36(0) | | | | | |
| | 37(0) | | | | | |
| | 38(0) | | | | | |
| | 39(0) | | | | | |
| | 40(0) | | | | | |
| | 41(0) | | | | | |
| | 42(0) | | | | | |
| | 43(0) | | | | | |
| | 44(0) | | | | | |
| | 45(0) | | | | | |
| | 46(0) | | | | | |
| | 47(0) | | | | | |
| | 48(0) | | | | | |
| 24K49 | 49(0) | 26K49 | 8301000 | P4VK | | 8301030 |
| | 50(0) | | | | | |
| 24K51 | 51(0) | 26K51 | 8303000 | P8VK | | 8303030 |

| FROM | PIN (COUNT) | TO | SOURCE LINE NO. | ELEM. TYPE | SOURCE SIGNAL NAME | REFERENCE LINE NO. |
|-------|----------------|-------|--------------------|---------------|--------------------|-----------------------|
| | 00(0) | | | | | |
| 26K24 | 01(2) | 28K44 | 2001690 | . | (A3.D4.D5) | 1040352 |
| 24K45 | 02(2) | 28K01 | 2001400 | . | (A1.ND6) | 1040352 |
| 28M12 | 03(2) | 06L06 | 1071300 | . | D7 | 1071340 |
| | 04(1) | 18L01 | 7500100 | B | (S00-S0) | 7500100 |
| | 05(1) | 32K11 | 1071340 | B | D7-1 | 1071340 |
| | 06(0) | | | | | |
| 29L10 | 07(2) | 21L22 | 1006500 | . | S0 | 7500100 |
| 29L17 | 08(2) | 18L11 | 1006480 | . | S00 | 7500101 |
| | 09(0) | | | | | |
| | 10(0) | | | | | |
| | 11(0) | | | | | |
| 29K36 | 12(2) | 28K02 | 5134000 | . | INHWD | 3163140 |
| 10M17 | 13(1) | | 1290300 | . | B29 | 3163140 |
| | 14(0) | | | | | |
| 29K33 | 15(1) | | 6927120 | . | PSW2XS/1 | 3163140 |
| | 16(1) | 26K37 | 4791026 | -GND | GND2126 | 4791026 |
| | 17(0) | | | | | |
| | 18(0) | | | | | |
| | 19(1) | 21M09 | 3163140 | B | (R/CIF) | 3163140 |
| 24K46 | 20(2) | 26K27 | 1040350 | B | (S/B4) | 1040350 |
| 27L18 | 21(2) | 18M09 | 1040100 | . | A4 | 1040350 |
| | 22(1) | 27K29 | 1051300 | . | D5 | 1040350 |
| 25L18 | 23(2) | 24M26 | 1000100 | . | A0 | 1040350 |
| 27K14 | 24(2) | 26K01 | 2001690 | . | (A3.D4.D5) | 1040350 |
| 28K25 | 25(2) | 27M10 | 1140500 | . | C14 | 5145806 |
| 28K26 | 26(2) | 19L01 | 1050500 | . | C5 | 5145802 |
| 26K20 | 27(2) | 23L47 | 1040350 | . | (S/B4) | 1002630 |
| | 28(0) | | | | | |
| 12L34 | 29(2) | 28K27 | 1140355 | . | (S/B14/1) | 1140352 |
| | 30(1) | 26K31 | 5145800 | B | INDX | 5145798 |
| 26K30 | 31(2) | 32M15 | 5145800 | B | INDX | 5145804 |
| | 32(0) | | | | | |
| 28K33 | 33(2) | 22L08 | 1030500 | . | C3 | 5145800 |
| | 34(0) | | | | | |
| | 35(0) | | | | | |
| 28K36 | 36(2) | 26M10 | 1120500 | . | C12 | 5145804 |
| 26K16 | 37(1) | | 4791026 | . | GND2126 | 1002632 |
| | 38(0) | | | | | |
| | 39(0) | | | | | |
| 20M42 | 40(2) | 32K40 | 1100350 | . | (S/B10) | 1140350 |
| | 41(1) | 07L23 | 1002630 | B | (S/10DA0) | 1002630 |
| | 42(1) | 21M42 | 1140350 | B | (S/B14) | 1140350 |
| 21M47 | 43(2) | 28K39 | 1120350 | . | (S/B12) | 1140350 |
| | 44(0) | | | | | |
| 22L35 | 45(2) | 28K15 | 1030350 | . | (S/B3) | 1002630 |
| 27K30 | 46(2) | 23L25 | 1040500 | . | C4 | 5145800 |
| 27M05 | 47(2) | 28K47 | 1130500 | . | C13 | 5145804 |
| | 48(0) | | | | | |
| 25K49 | 49(0) | 27K49 | 8301000 | . | P4VK | 8301030 |
| 27M13 | 50(2) | 27K20 | 1041300 | . | D4 | 1140350 |
| 25K51 | 51(0) | 27K51 | 8303000 | . | P8VK | 8303030 |

| FROM | PIN (COUNT) | TO | SOURCE LINE NO. | ELEM. TYPE | SOURCE SIGNAL NAME | REFERENCE LINE NO. |
|-------|----------------|-------|--------------------|---------------|--------------------|-----------------------|
| | 00(0) | | | | | |
| | 01(1) | 21M19 | 3163130 | B | (S/CIF/2) | 3163130 |
| | 02(1) | 02L46 | 2405535 | B | NAXS/4 | 2405535 |
| 02M46 | 03(2) | 28K03 | 2405480 | . | NAXS | 2405535 |
| 28K04 | 04(2) | 01M38 | 2089200 | . | ADNH | 1110350 |
| 27K25 | 05(2) | 28K13 | 4324706 | . | N(FAST.PH1/A) | 3405100 |
| 27K26 | 06(2) | 24M39 | 3405111 | . | CXS | 3405100 |
| 23K13 | 07(2) | 27K27 | 3180380 | . | CK-32P38 | 3405100 |
| 32M39 | 08(2) | 18L04 | 5154000 | . | IOIN | 1110350 |
| 32M04 | 09(2) | 28K05 | 2010100 | . | NAXS/2 | 2405535 |
| 27L17 | 10(2) | 21L09 | 1056500 | . | S5 | 3163130 |
| 32M43 | 11(2) | 20M23 | 6927100 | . | PSW2XS | 3163130 |
| | 12(1) | 25M31 | 3405100 | B | CXS/1 | 3405100 |
| | 13(1) | 20M35 | 1110350 | B | (S/B11) | 1110350 |
| | 14(1) | 26K24 | 2001690 | B | (A3.D4.D5) | 2001690 |
| 29M22 | 15(1) | | 5158800 | B | IOTRIN | 5158800 |
| | 16(0) | | 4791027 | -GND | GND2127 | 4791027 |
| 19L11 | 17(2) | 28K19 | 1070520 | . | NC7 | 5158800 |
| 19L17 | 18(2) | 28K18 | 1050520 | . | NC5 | 5158800 |
| | 19(0) | | | | | |
| 26K50 | 20(2) | 18L29 | 1041300 | . | D4 | 2001690 |
| 11L25 | 21(2) | 26L24 | 1030100 | . | A3 | 2001690 |
| 01K46 | 22(1) | | 2000750 | . | 64KC | 8162000 |
| 01K37 | 23(1) | | 2000420 | . | 128KC | 8162000 |
| 01K44 | 24(1) | | 2000550 | . | 256KC | 8162000 |
| 32K29 | 25(2) | 27K05 | 4324706 | . | N(FAST.PH1/A) | 3405000 |
| 22L12 | 26(2) | 27K06 | 3405111 | . | CXS | 3405000 |
| 27K07 | 27(2) | 27K37 | 3180380 | . | CK-32P38 | 3405000 |
| | 28(0) | | | | | |
| 26K22 | 29(2) | 27L28 | 1051300 | . | D5 | 2001690 |
| 28K30 | 30(2) | 26K46 | 1040500 | . | C4 | 5158800 |
| 19L15 | 31(2) | 28K31 | 1060520 | . | NC6 | 5158800 |
| | 32(0) | | | | | |
| 28L31 | 33(1) | | 3405000 | B | CXS/0 | 3405000 |
| | 34(1) | 31K12 | 8162000 | B | (S/WCT6.NWCT6) | 8162000 |
| 28L37 | 35(1) | | 3404000 | B | CXRR-0 | 3404000 |
| | 36(1) | 25M37 | 3404100 | B | CXRR-1 | 3404100 |
| 27K27 | 37(2) | 27K43 | 3180380 | . | CK-32P38 | 3404100 |
| 28K40 | 38(2) | 27K44 | 3315160 | . | CROSSEN | 3404000 |
| 02M40 | 39(2) | 28K10 | 5542010 | . | NKSXD | 3690160 |
| 02L40 | 40(2) | 28K11 | 5541010 | . | NKSXA | 3690150 |
| 27K42 | 41(2) | 32M23 | 3690100 | . | DIS | 3690150 |
| 13M21 | 42(2) | 27K41 | 3690100 | . | DIS | 3690160 |
| 27K37 | 43(1) | 32P38 | 3180380 | . | CK-32P38 | 3404000 |
| 27K38 | 44(2) | 10M07 | 3315160 | . | CROSSEN | 3404100 |
| | 45(1) | 19L33 | 3690160 | B | (DIS.NKSXD) | 3690160 |
| | 46(1) | 19L09 | 3690150 | B | (DIS.NKSXA) | 3690150 |
| | 47(0) | | | | | |
| | 48(0) | | | | | |
| 26K49 | 49(0) | 28K49 | 8301000 | . | P4VK | 8301030 |
| | 50(0) | | | | | |
| 26K51 | 51(0) | 28K51 | 8303000 | . | P8VK | 8303030 |

XDS 902306



DRAWING NO.- 133264-930 AC
 PROG-PNIND MODULE-28K
 TYPE-PIN INDEX TYPE-XT10

28
 10/27/71

| FROM | PIN (COUNT) | TO | SOURCE LINE NO. | ELEM. TYPE | SOURCE SIGNAL NAME | REFERENCE LINE NO. |
|-------|-------------|-------|-----------------|------------|--------------------|--------------------|
| | 00(0) | | | | | |
| 26K02 | 01(1) | | 2001400 | T | (A1.ND6) | 2001400 |
| 26K12 | 02(1) | | 5134000 | T | INHWD | 5134000 |
| 27K03 | 03(1) | | 2405480 | T | NAXS | 2405480 |
| | 04(1) | 27K04 | 2089200 | T | ADNH | 2089200 |
| 27K09 | 05(1) | | 2010100 | T | NAXS/2 | 2010100 |
| 30L01 | 06(1) | | 7901000 | T | NSXC | 7901000 |
| 29L27 | 07(1) | | 6911550 | T | PRXNAD/0 | 6911550 |
| 30K08 | 08(1) | | 1152750 | T | K15 | 1152750 |
| | 09(1) | 29K08 | 1072750 | T | K7 | 1072750 |
| 27K39 | 10(1) | | 5542010 | T | NKSXD | 5542010 |
| 27K40 | 11(1) | | 5541010 | T | NKSXA | 5541010 |
| 23K26 | 12(1) | | 5153270 | T | IOFM-1 | 5153270 |
| 27K05 | 13(1) | | 4324706 | T | N(FAST.PH1/A) | 4324706 |
| | 14(1) | 29K45 | 4321010 | T | FADIV-2 | 4321010 |
| 26K45 | 15(1) | | 1030350 | T | (S/B3) | 1030350 |
| | 16(0) | | 4791028 | -GND | GND2128 | 4791028 |
| 23K18 | 17(1) | | 1053370 | T | L105-0 | 1053370 |
| 27K18 | 18(1) | | 1050520 | T | NC5 | 1050520 |
| 27K17 | 19(1) | | 1070520 | T | NC7 | 1070520 |
| 29L21 | 20(1) | | 4900550 | T | GXAD-0 | 4900550 |
| | 21(1) | 30L13 | 4056100 | T | EDR | 4056100 |
| 24K10 | 22(2) | 29L12 | 3901150 | T | (DXC+DXCL1) | 3901150 |
| 30L23 | 23(1) | | 3901100 | T | NDXCL1 | 3901100 |
| | 24(1) | 30L09 | 3563200 | T | DCCL/2 | 3563200 |
| | 25(1) | 26K25 | 1140500 | T | C14 | 1140500 |
| | 26(1) | 26K26 | 1050500 | T | C5 | 1050500 |
| 26K29 | 27(1) | | 1140355 | T | (S/B14/1) | 1140355 |
| 23K30 | 28(1) | | 1073370 | T | L107-0 | 1073370 |
| 23K29 | 29(1) | | 1063370 | T | L106-0 | 1063370 |
| | 30(1) | 27K30 | 1040500 | T | C4 | 1040500 |
| 27K31 | 31(1) | | 1060520 | T | NC6 | 1060520 |
| | 32(0) | | | | | |
| | 33(1) | 26K33 | 1030500 | T | C3 | 1030500 |
| | 34(1) | 30L12 | 3563100 | T | DCCL/1 | 3563100 |
| 30L08 | 35(1) | | 1131340 | T | ND13-1 | 1131340 |
| | 36(1) | 26K36 | 1120500 | T | C12 | 1120500 |
| | 37(1) | 29L33 | 1300100 | T | A30 | 1300100 |
| 29K38 | 38(1) | | 1002775 | T | K00/1 | 1002775 |
| 26K43 | 39(1) | | 1120350 | T | (S/B12) | 1120350 |
| | 40(1) | 27K38 | 3315160 | T | CROSSEN | 3315160 |
| | 41(1) | 30K42 | 1112750 | T | K11 | 1112750 |
| | 42(1) | 29K42 | 1032750 | T | K3 | 1032750 |
| 28L12 | 43(1) | | 1071350 | T | (S/D7) | 1071350 |
| 26K01 | 44(1) | | 2001690 | T | (A3.D4.D5) | 2001690 |
| 29L18 | 45(2) | 24K11 | 1000050 | T | A00 | 1000050 |
| 29L38 | 46(1) | | 1002755 | T | K00 | 1002755 |
| 26K47 | 47(1) | | 1130500 | T | C13 | 1130500 |
| | 48(0) | | | | | |
| 27K49 | 49(0) | 29K49 | 8301000 | | P4VK | 8301030 |
| | 50(1) | 28L10 | 1080500 | T | C8 | 1080500 |
| 27K51 | 51(0) | 29K51 | 8303000 | | P8VK | 8303030 |

XDS 902306

XDS
XEROX DATA SYSTEMS

DRAWING NO.- 133264-930 AC
PROG-PNIND
TYPE-PIN INDEX

MODULE-29K
TYPE-LT18

29

10/27/71

| FROM | PIN (COUNT) | TO | SOURCE LINE NO. | ELEM. TYPE | SOURCE SIGNAL NAME | REFERENCE LINE NO. |
|-------|----------------|-------|--------------------|---------------|--------------------|-----------------------|
| | 00(0) | | | | | |
| 28L06 | 01(1) | | 1062500 | . | G6 | 4500151 |
| 27L06 | 02(1) | | 1042500 | . | G4 | 4500150 |
| | 03(0) | | | | | |
| 27L04 | 04(1) | | 1052500 | . | G5 | 4500151 |
| 27L02 | 05(1) | | 1045500 | . | PR4 | 4500152 |
| 28L04 | 06(1) | | 1072500 | . | G7 | 4500152 |
| 28L01 | 07(1) | | 1075500 | . | PR7 | 1042752 |
| 28K09 | 08(2) | 28L38 | 1072750 | . | K7 | 1042752 |
| 23L02 | 09(1) | | 1065500 | . | PR6 | 4500152 |
| 27L01 | 10(1) | | 1055500 | . | PR5 | 4500151 |
| 29K16 | 11(1) | | 4791029 | . | GND2129 | 4500152 |
| 32N28 | 12(0) | 20N26 | 3691000 | . | DIT/1 | 1000138 |
| | 13(1) | 05L14 | 1024200 | . | MC2 | 1000138 |
| 29K26 | 14(2) | 25L46 | 1002750 | . | K0 | 1000138 |
| | 15(0) | | | | | |
| 29K30 | 16(2) | 29K11 | 4791029 | -GND | GND2129 | 4791029 |
| | 17(1) | 29M43 | 4500150 | B | G0407 | 4500150 |
| | 18(1) | 27L38 | 1052750 | B | K5 | 1052750 |
| | 19(1) | 27L46 | 1042750 | B | K4 | 1042750 |
| | 20(1) | 28L46 | 1062750 | B | K6 | 1062750 |
| | 21(1) | 29M39 | 6900140 | B | PR0407 | 6900140 |
| | 22(1) | 05L22 | 1000138 | B | (S/A0/1) | 1000138 |
| | 23(1) | 29M40 | 6900100 | B | PR0003 | 6900100 |
| | 24(1) | 20M09 | 4100140 | B | (R/E1) | 4100140 |
| | 25(1) | 26L46 | 1022750 | B | K2 | 1022750 |
| | 26(1) | 29K14 | 1002750 | B | K0 | 1002750 |
| | 27(1) | 25L38 | 1012750 | B | K1 | 1012750 |
| | 28(1) | 29M47 | 4500100 | B | G0003 | 4500100 |
| | 29(0) | | | | | |
| | 30(1) | 29K16 | 4791029 | . | GND2129 | 4100142 |
| | 31(0) | | | | | |
| | 32(0) | | | | | |
| 30K33 | 33(2) | 26K15 | 6927120 | . | PSW2XS/1 | 4100140 |
| | 34(0) | | | | | |
| | 35(0) | | | | | |
| 30K36 | 36(2) | 26K12 | 5134000 | . | INHXWD | 4100140 |
| 29L44 | 37(2) | 30M13 | 1310300 | . | B31 | 4100140 |
| 18M03 | 38(2) | 28K38 | 1002775 | . | K00/1 | 4500102 |
| 26L02 | 39(1) | | 1025500 | . | PR2 | 4500102 |
| 25L01 | 40(1) | | 1015500 | . | PR1 | 4500101 |
| 26L01 | 41(1) | | 1035500 | . | PR3 | 1002752 |
| 28K42 | 42(2) | 26L38 | 1032750 | . | K3 | 1002752 |
| 25L02 | 43(1) | | 1005500 | . | PR0 | 4500101 |
| 25L04 | 44(1) | | 1012500 | . | G1 | 4500101 |
| 28K14 | 45(2) | 10M29 | 4321010 | . | FADIV-2 | 4500102 |
| 25L06 | 46(1) | | 1002500 | . | G0 | 4500100 |
| 26L04 | 47(1) | | 1032500 | . | G3 | 4500102 |
| | 48(0) | | | | | |
| 28K49 | 49(0) | 30K49 | 8301000 | . | P4VK | 8301030 |
| 26L06 | 50(1) | | 1022500 | . | G2 | 4500101 |
| 28K51 | 51(0) | 30K51 | 8303000 | . | P8VK | 8303030 |

XDS 902306

XDS
XEROX DATA SYSTEMS

DRAWING NO.- 133264-930 AC
PROG-PNIND MODULE-30K
TYPE-PIN INDEX TYPE-LT18

30

10/27/71

| FROM | PIN (COUNT) | TO | SOURCE LINE NO. | ELEM. TYPE | SOURCE SIGNAL NAME | REFERENCE LINE NO. |
|-------|----------------|-------|--------------------|---------------|--------------------|-----------------------|
| | 00(0) | | | | | |
| 28M06 | 01(1) | | 1142500 | . | G14 | 4500251 |
| 27M06 | 02(1) | | 1122500 | . | G12 | 4500250 |
| | 03(0) | | | | | |
| 27M04 | 04(1) | | 1132500 | . | G13 | 4500251 |
| 27M02 | 05(1) | | 1125500 | . | PR12 | 4500251 |
| 28M04 | 06(1) | | 1152500 | . | G15 | 4500252 |
| 28M01 | 07(1) | | 1155500 | . | PR15 | 1122752 |
| 28M38 | 08(2) | 28K08 | 1152750 | . | K15 | 1122752 |
| 28M02 | 09(1) | | 1145500 | . | PR14 | 4500252 |
| 27M01 | 10(1) | | 1135500 | . | PR13 | 4500251 |
| | 11(1) | 30K16 | 4791030 | . | GND2130 | 4500252 |
| 32M34 | 12(2) | 06L03 | 7890201 | . | NSW1 | 1020350 |
| 24K08 | 13(2) | 32K12 | 7890100 | . | SW0 | 1020350 |
| 25M12 | 14(1) | | 1011300 | . | D1 | 1020350 |
| 32M37 | 15(2) | 18L39 | 5156540 | . | (10PH1.SWB) | 1020350 |
| 30K11 | 16(2) | 30K30 | 4791030 | -GND | GND2130 | 4791030 |
| | 17(1) | 29M42 | 4500250 | B | G1215 | 4500250 |
| | 18(1) | 27M38 | 1132750 | B | K13 | 1132750 |
| | 19(1) | 27M46 | 1122750 | B | K12 | 1122750 |
| 30L34 | 20(2) | 28M46 | 1142750 | B | K14 | 1142750 |
| | 21(1) | 29M27 | 6900180 | B | PR1215 | 6900180 |
| | 22(1) | 22L42 | 1020350 | B | (S/B2) | 1020350 |
| | 23(1) | 29M38 | 6900160 | B | PR0811 | 6900160 |
| | 24(1) | 20M15 | 5130140 | B | (R/11) | 5130140 |
| | 25(1) | 26M46 | 1102750 | B | K10 | 1102750 |
| | 26(1) | 25M46 | 1082750 | B | K8 | 1082750 |
| | 27(1) | 25M38 | 1092750 | B | K9 | 1092750 |
| | 28(1) | 29M50 | 4500200 | B | G0811 | 4500200 |
| | 29(0) | | | | | |
| 30K16 | 30(2) | 30K38 | 4791030 | . | GND2130 | 5130142 |
| | 31(0) | | | | | |
| | 32(0) | | | | | |
| 31K13 | 33(2) | 29K33 | 6927120 | . | PSW2XS/1 | 5130140 |
| | 34(0) | | | | | |
| | 35(0) | | | | | |
| 31K18 | 36(2) | 29K36 | 5134000 | . | INHWD | 5130140 |
| 29L42 | 37(2) | 30M11 | 1300300 | . | B30 | 5130140 |
| 30K30 | 38(1) | | 4791030 | . | GND2130 | 4500202 |
| 26M02 | 39(1) | | 1105500 | . | PR10 | 4500202 |
| 25M01 | 40(1) | | 1095500 | . | PR9 | 4500202 |
| 26M01 | 41(1) | | 1115500 | . | PR11 | 1102751 |
| 28K41 | 42(2) | 26M38 | 1112750 | . | K11 | 1102751 |
| 25M02 | 43(1) | | 1085500 | . | PR8 | 4500201 |
| 25M04 | 44(1) | | 1092500 | . | G9 | 4500201 |
| | 45(0) | | | | | |
| 25M06 | 46(1) | | 1082500 | . | G8 | 4500200 |
| 26M04 | 47(1) | | 1112500 | . | G11 | 4500202 |
| | 48(0) | | | | | |
| 29K49 | 49(0) | 31K49 | 8301000 | . | P4VK | 8301040 |
| 26M06 | 50(1) | | 1102500 | . | G10 | 4500201 |
| 29K51 | 51(0) | 31K51 | 8303000 | . | P8VK | 8303040 |

XDS 902306

XDS
XEROX DATA SYSTEMS

DRAWING NO.- 133264-930 AC
PROG-PNIND MODULE-31K
TYPE-PIN INDEX TYPE-ZT46

31

10/27/71

| FROM | PIN (COUNT) | TO | SOURCE LINE NO. | ELEM. TYPE | SOURCE SIGNAL NAME | REFERENCE LINE NO. |
|-------|----------------|-------|--------------------|---------------|--------------------|-----------------------|
| | 00(0) | | | | | |
| 17L46 | 01(1) | 02A01 | 5425400 | C | KIORESET | 5425400 |
| 02A02 | 02(1) | 17M46 | 5583000 | C | KWDTR | 5583000 |
| 17L47 | 03(1) | 02A03 | 5343200 | C | NKAHOLD | 5343200 |
| 24K12 | 04(1) | 02A04 | 4421150 | C | NFUCS | 4421150 |
| 17M47 | 05(1) | | 5375050 | C | KDISPLAQ/B | 5375050 |
| 02A06 | 06(1) | 01M26 | 3567100 | C | DCSTOP/1 | 3567100 |
| 02A07 | 07(1) | 24K03 | 4322750 | C | N(FA10.PH7) | 4322750 |
| 02A08 | 08(1) | 18M39 | 7824100 | C | SPIM | 7824110 |
| 02A09 | 09(1) | 12L20 | 3533100 | C | DATAIN | 3533100 |
| | 10(0) | | | | | |
| 02A11 | 11(1) | 17M06 | 2240100 | C | ALARM | 2240100 |
| 27K34 | 12(1) | 02A12 | 8162000 | C | (S/WCT6.NWCT6) | 8162000 |
| 02A13 | 13(1) | 30K33 | 6927120 | C | PSW2XS/1 | 6927120 |
| 02A14 | 14(1) | 21M08 | 3163125 | C | (S/CIF/1) | 3163125 |
| 02A15 | 15(1) | 20M20 | 5130130 | C | (S/11) | 5130130 |
| | 16(0) | | 4791031 | -GND | GND2131 | 4791031 |
| 02A17 | 17(1) | 20M19 | 4100130 | C | (S/E1) | 4100130 |
| 02A18 | 18(1) | 30K36 | 5134000 | C | INHXWD | 5134000 |
| 01M24 | 19(1) | 02A19 | 4410500 | C | FSA | 4410499 |
| 01K36 | 20(1) | 02A20 | 2000510 | C | 1MC | 2000510 |
| 01K38 | 21(1) | 02A21 | 2000511 | C | N1MC | 2000511 |
| 01K35 | 22(1) | 02A22 | 2000570 | C | 2MC | 2000570 |
| 02K08 | 23(1) | 02A23 | 2000500 | C | 1KC | 2000500 |
| 02A24 | 24(1) | 24M09 | 3651002 | C | DIOFS | 3651002 |
| 02A25 | 25(1) | 14M41 | 3651202 | C | D1OWD | 3651202 |
| 02A26 | 26(1) | 32L45 | 4395600 | C | NFPRR | 4395600 |
| 02A27 | 27(1) | 12L06 | 3533500 | C | DATAOUT | 3533500 |
| 02A28 | 28(1) | 23M29 | 7439100 | C | RX | 7439100 |
| 02A29 | 29(1) | 17M17 | 2371500 | C | AUDIO | 2371500 |
| 01M42 | 30(1) | 02A30 | 6192001 | C | NMRC | 6192001 |
| 02A31 | 31(1) | 15L09 | 7439000 | C | RWXZ/01 | 7439000 |
| | 32(0) | | | | | |
| 02A33 | 33(1) | 29M11 | 4421495 | C | N(FUMH.PH4) | 4421495 |
| 02A34 | 34(1) | 09L12 | 5153288 | C | IOFRXA | 5153288 |
| 11L21 | 35(1) | 02A35 | 5138950 | C | INTRAP1 | 5138950 |
| 02A36 | 36(1) | 02L12 | 2403010 | C | NAXK | 2403010 |
| 02A37 | 37(1) | 13L12 | 7890700 | C | SW6 | 7890700 |
| 02A38 | 38(1) | 10M45 | 3699100 | C | DIVOVER | 3699100 |
| 02A39 | 39(1) | 03M15 | 2020000 | C | (S/A9) | 2020000 |
| 02A40 | 40(1) | 25M43 | 7500770 | C | S0809XP | 7500770 |
| 02A41 | 41(1) | 14M47 | 8022200 | C | NTESTS | 8022200 |
| 18C22 | 42(1) | 10M38 | 8010850 | C | N(S/T8L) | 8010850 |
| 02A43 | 43(1) | 10M36 | 8010150 | C | N(S/T11L) | 8010160 |
| 02A44 | 44(1) | 10M50 | 1313730 | C | N(S/LR31) | 1313728 |
| 02A45 | 45(1) | 01M22 | 3278030 | C | CNTZREQ/1 | 3278030 |
| 02A46 | 46(1) | 10M11 | 6910000 | C | NPROBOVER | 6910008 |
| 02A47 | 47(1) | 10M18 | 6047700 | C | MCXS | 6047700 |
| | 48(0) | | | | | |
| 30K49 | 49(0) | 32K49 | 8301000 | | P4VK | 8301040 |
| 02A50 | 50(1) | 10M22 | 6041200 | C | MCX | 6041200 |
| 30K51 | 51(0) | 32K51 | 8303000 | | P8VK | 8303040 |

XDS 902306

XDS
XEROX DATA SYSTEMS

DRAWING NO.- 133264-930 AC
PROG-PNIND MODULE-32K
TYPE-PIN INDEX TYPE-ZT46

32

10/27/71

| FROM | PIN (COUNT) | TO | SOURCE LINE NO. | ELEM. TYPE | SOURCE SIGNAL NAME | REFERENCE LINE NO. |
|-------|----------------|-------|--------------------|---------------|--------------------|-----------------------|
| | 00(0) | | | | | |
| 01A01 | 01(1) | 11L29 | 2840901 | C | NBRP | 2840901 |
| 12C15 | 02(1) | 05L24 | 4324712 | C | (FAST.PH1/E.SW5) | 4324712 |
| 01A03 | 03(1) | 14K06 | 6691100 | C | ORDEROUT | 6691100 |
| 01A04 | 04(1) | 23M04 | 7335800 | C | RDC31 | 7335800 |
| 01A05 | 05(1) | 30L06 | 3511210 | C | N(ND12.ND13.D14) | 3511210 |
| 01A06 | 06(1) | 23M18 | 7443100 | C | RXC | 7443100 |
| 01A07 | 07(1) | 23M23 | 7421000 | C | RUC31 | 7421000 |
| 01A08 | 08(1) | 22L20 | 3405150 | C | N(S/CXS) | 3405150 |
| 01A09 | 09(0) | 21N50 | 6650000 | C | OM | 6650000 |
| 01A10 | 10(1) | 03M43 | 2260000 | C | AM | 2260000 |
| 26K05 | 11(1) | 01A11 | 1071340 | C | D7-1 | 1071340 |
| 30K13 | 12(1) | 01A12 | 7890100 | C | SW0 | 7890100 |
| 01A13 | 13(1) | 14K13 | 7890500 | C | SW4 | 7890500 |
| 22L04 | 14(1) | 01A14 | 1014500 | C | 01 | 1014500 |
| 22L05 | 15(1) | 01A15 | 1014502 | C | N01 | 1014502 |
| | 16(0) | | 4791032 | -GND | GND2132 | 4791032 |
| 01A17 | 17(1) | 16M13 | 1024500 | C | 02 | 1024500 |
| 01A18 | 18(1) | 22L21 | 1024502 | C | N02 | 1024502 |
| 22L06 | 19(1) | 01A19 | 1034500 | C | 03 | 1034500 |
| 22L07 | 20(1) | 01A20 | 1034502 | C | N03 | 1034502 |
| 23L02 | 21(1) | 01A21 | 1044500 | C | 04 | 1044500 |
| 23L21 | 22(1) | 01A22 | 1044502 | C | N04 | 1044502 |
| 23L04 | 23(1) | 01A23 | 1054500 | C | 05 | 1054500 |
| 24K23 | 24(1) | 01A24 | 1054502 | C | N05 | 1054502 |
| 16M12 | 25(1) | 01A25 | 1064500 | C | 06 | 1064500 |
| 23L12 | 26(1) | 01A26 | 1064502 | C | N06 | 1064502 |
| 24K21 | 27(1) | 01A27 | 1074500 | C | 07 | 1074500 |
| 23L07 | 28(1) | 01A28 | 1074502 | C | N07 | 1074502 |
| 19B01 | 29(1) | 27K25 | 4324706 | C | N(FAST.PH1/A) | 4324706 |
| 01A30 | 30(1) | 22L10 | 6752000 | C | 0XC | 6752000 |
| 01A31 | 31(1) | 17M27 | 6025101 | C | NMASTER | 6025101 |
| | 32(0) | | | | | |
| 01A33 | 33(1) | 15M39 | 2404484 | C | NAXPSW1 | 2404484 |
| 19L05 | 34(1) | 01A34 | 1006520 | C | NS0 | 1006520 |
| 01A35 | 35(1) | 12L19 | 5156470 | C | (IOPHO.SW14) | 5156470 |
| 20L10 | 36(1) | 01A36 | 1000510 | C | C0-1 | 1000510 |
| 04L18 | 37(1) | 01A37 | 2402900 | C | AXFR | 2402900 |
| 01A38 | 38(1) | 15M40 | 2404494 | C | NAXPSW2 | 2404493 |
| 18L46 | 39(1) | 01A39 | 6802850 | C | N(P28.P31) | 6802850 |
| 26K40 | 40(1) | 01A40 | 1100350 | C | (S/B10) | 1100350 |
| 01A41 | 41(1) | 12L11 | 1010345 | C | N(R/B1/1) | 1010345 |
| 01A42 | 42(1) | 12L18 | 7890600 | C | SW5 | 7890600 |
| 06L12 | 43(1) | 01A43 | 5156546 | C | (IOPH1.SW9)-F | 5156546 |
| 01A44 | 44(1) | 24K01 | 7890501 | C | NSW4 | 7890501 |
| 01A45 | 45(1) | 23M34 | 7439120 | C | RXS | 7439120 |
| 01A46 | 46(1) | 21M35 | 1092655 | C | (S/IOFR9) | 1092655 |
| 01A47 | 47(1) | 21M25 | 1082655 | C | (S/IOFR8) | 1082655 |
| | 48(0) | | | | | |
| 31K49 | 49(0) | | 8301000 | | P4VK | 8301040 |
| 01A50 | 50(1) | 22L09 | 6750100 | C | 0X | 6750100 |
| 31K51 | 51(0) | | 8303000 | | P8VK | 8303040 |

| FROM | PIN (COUNT) | TO | SOURCE LINE NO. | ELEM. TYPE | SOURCE SIGNAL NAME | REFERENCE LINE NO. |
|-------|----------------|-------|--------------------|---------------|--------------------|-----------------------|
| | 00(0) | | | | | |
| | 01(1) | 04K09 | 6803000 | T | (P30.NP31) | 6803000 |
| 02L01 | 02(1) | | 2400200 | T | NAXAL8 | 2400200 |
| 02L02 | 03(1) | | 2405700 | T | NAXSR2 | 2405700 |
| | 04(1) | 04L04 | 2081070 | T | ADC7 | 2081070 |
| 02L03 | 05(1) | | 2405590 | T | NAXSR1 | 2405590 |
| 02L47 | 06(1) | | 2405540 | T | NAXSL1 | 2405540 |
| 04M41 | 07(1) | | 4421630 | T | (FUMSP.PH1/F) | 4421630 |
| 03M15 | 08(1) | | 2020000 | T | (S/A9) | 2020000 |
| 03M17 | 09(1) | | 1080150 | T | (S/A8) | 1080150 |
| | 10(1) | 11L21 | 5138950 | C | INTRAP1 | 5138950 |
| 05K22 | 11(1) | | 1033374 | T | NLI03 | 1033374 |
| | 12(1) | 05L12 | 2405300 | T | AXRR/0 | 2405300 |
| | 13(1) | 05K35 | 1006340 | T | RW0 | 1006340 |
| 07L30 | 14(1) | | 3510315 | T | (ND0.SW0) | 3510315 |
| | 15(1) | 03L15 | 2404480 | T | AXPSW1 | 2404480 |
| | 16(0) | | 4791101 | -GND | GND2201 | 4791101 |
| | 17(1) | 03M39 | 2405310 | T | AXRR/1 | 2405310 |
| | 18(1) | 05L27 | 2403800 | T | AXMC | 2403800 |
| | 19(1) | 03L34 | 2403400 | T | AXLOAD-0 | 2403400 |
| | 20(1) | 03M38 | 2401110 | T | AXDIO-1 | 2401110 |
| | 21(1) | 05L31 | 2401100 | T | AXDIO-0 | 2401100 |
| | 22(1) | 03M08 | 2400400 | T | AXAR8 | 2400400 |
| | 23(1) | 05K34 | 1016340 | T | RW1 | 1016340 |
| | 24(1) | 04L23 | 2371070 | T | AUC7 | 2371070 |
| | 25(1) | 03M02 | 2400110 | T | AX/1 | 2400110 |
| | 26(1) | 03L29 | 2400108 | T | AX/0 | 2400108 |
| | 27(1) | 02M14 | 1136500 | T | S13 | 1136500 |
| | 28(1) | 02M35 | 1126500 | T | S12 | 1126500 |
| 05K21 | 29(1) | | 1043374 | T | NLI04 | 1043374 |
| | 30(1) | 02M17 | 1096500 | T | S9 | 1096500 |
| | 31(1) | 02M27 | 1230100 | T | A23 | 1230100 |
| | 32(0) | | | | | |
| | 33(1) | 02M29 | 1220100 | T | A22 | 1220100 |
| | 34(1) | 02M24 | 1210100 | T | A21 | 1210100 |
| | 35(1) | 02M26 | 1200100 | T | A20 | 1200100 |
| | 36(1) | 02M28 | 1190100 | T | A19 | 1190100 |
| | 37(1) | 02M34 | 1180100 | T | A18 | 1180100 |
| | 38(1) | 02M30 | 1170100 | T | A17 | 1170100 |
| | 39(1) | 02M31 | 1160100 | T | A16 | 1160100 |
| 04M43 | 40(1) | | 1166300 | T | RR16 | 1166300 |
| 04M36 | 41(1) | | 1156300 | T | RR15 | 1156300 |
| 04M24 | 42(1) | | 1146300 | T | RR14 | 1146300 |
| 04M40 | 43(1) | | 1136300 | T | RR13 | 1136300 |
| 04M26 | 44(1) | | 1126300 | T | RR12 | 1126300 |
| 03M36 | 45(1) | | 1116300 | T | RR11 | 1116300 |
| 03M24 | 46(1) | | 1106300 | T | RR10 | 1106300 |
| 03M40 | 47(1) | | 1096300 | T | RR9 | 1096300 |
| | 48(0) | | | | | |
| | 49(0) | 02L49 | 8301100 | -VSP | P4VL | 8301100 |
| 03M26 | 50(1) | | 1086300 | T | RR8 | 1086300 |
| | 51(0) | 02L51 | 8303100 | -VSP | P8VL | 8303100 |

XDS 902306

XDS
XEROX DATA SYSTEMS

DRAWING NO.- 133264-930 AC
PRG- PNIND
TYPE-PIN INDEX

MODULE-02L
TYPE-GT12

34

10/27/71

| FROM | PIN (COUNT) | TO | SOURCE LINE NO. | ELEM. TYPE | SOURCE SIGNAL NAME | REFERENCE LINE NO. |
|-------|----------------|-------|--------------------|---------------|--------------------|-----------------------|
| | 00(0) | | | | | |
| 02M01 | 01(2) | 01L02 | 2400200 | . | NAXAL8 | 2400300 |
| 02M02 | 02(2) | 01L03 | 2405700 | . | NAXSR2 | 2405650 |
| 02M03 | 03(2) | 01L05 | 2405590 | . | NAXSR1 | 2405600 |
| 13L23 | 04(2) | 02M08 | 1066500 | . | S6 | 1050112 |
| 13M38 | 05(2) | 06M39 | 1006500 | . | S0 | 1000112 |
| | 06(1) | 04L12 | 1070110-1 | + | | 1070110 |
| 18L11 | 07(2) | 05M10 | 1006480 | . | S00 | 1000114 |
| 29L19 | 08(1) | | 1006460 | . | S000 | 1000114 |
| 17L08 | 09(1) | | 1053050 | . | KS5 | 1050110 |
| | 10(1) | 05L23 | 2400300 | I | AXAL8-0 | 2400300 |
| | 11(1) | 03L20 | 1020110-1 | + | | 1020110 |
| 31K36 | 12(2) | 02M12 | 2403010 | . | NAXK | 2403100 |
| | 13(1) | 03L31 | 1010110-1 | + | | 1010110 |
| 13L22 | 14(2) | 06M45 | 1056500 | . | S5 | 1040112 |
| | 15(1) | 24M06 | 7500170 | I | S0007Z | 7500170 |
| | 16(0) | | 4791102 | -GND | GND2202 | 4791102 |
| 13M37 | 17(2) | 06M36 | 1016500 | . | S1 | 1000112 |
| | 18(1) | 03L36 | 1000110-1 | + | | 1000110 |
| 17L09 | 19(1) | | 1063050 | . | KS6 | 1060110 |
| 17L02 | 20(1) | | 1013050 | . | KS1 | 1010110 |
| 17L42 | 21(1) | | 1073050 | . | KS7 | 1070110 |
| 17L01 | 22(1) | | 1003050 | . | KS0 | 1000110 |
| 17L03 | 23(1) | | 1023050 | . | KS2 | 1020110 |
| | 24(1) | 04M19 | 1130100 | . | A13 | 1050110 |
| 17L04 | 25(1) | | 1033050 | . | KS3 | 1030110 |
| | 26(1) | 04M23 | 1120100 | . | A12 | 1040110 |
| | 27(1) | 04M27 | 1150100 | . | A15 | 1070110 |
| | 28(1) | 03M27 | 1110100 | . | A11 | 1030110 |
| | 29(1) | 04M31 | 1140100 | . | A14 | 1060110 |
| | 30(1) | 03M19 | 1090100 | . | A9 | 1010110 |
| | 31(1) | 03M23 | 1080100 | . | A8 | 1000110 |
| | 32(0) | | | | | |
| 17L07 | 33(1) | | 1043050 | . | KS4 | 1040110 |
| | 34(1) | 03M31 | 1100100 | . | A10 | 1020110 |
| 13L21 | 35(2) | 06M50 | 1046500 | . | S4 | 1030112 |
| 13L24 | 36(2) | 02M07 | 1076500 | . | S7 | 1060112 |
| | 37(0) | | 2405500 | I | AXS/0 | 2405500 |
| | 38(1) | 03L12 | 1030110-1 | + | | 1030110 |
| | 39(1) | 04L36 | 1040110-1 | + | | 1040114 |
| | 40(1) | 27K40 | 5541010 | I | NKSXA | 5541010 |
| | 41(1) | 04L31 | 1050110-1 | + | | 1050110 |
| | 42(1) | 04L20 | 1060110-1 | + | | 1060110 |
| 13L40 | 43(2) | 06M05 | 1086500 | . | S8 | 1070112 |
| 13L04 | 44(2) | 06M40 | 1036500 | . | S3 | 1020112 |
| 13M01 | 45(2) | 06M33 | 1026500 | . | S2 | 1010112 |
| 27K02 | 46(1) | | 2405535 | . | NAXS/4 | 2405500 |
| 02M47 | 47(2) | 01L06 | 2405540 | . | NAXSL1 | 2405550 |
| | 48(0) | | | | | |
| 01L49 | 49(0) | 03L49 | 8301100 | . | P4VL | 8301100 |
| 17L44 | 50(1) | | 5541000 | . | KSXA | 5541010 |
| 01L51 | 51(0) | 03L51 | 8303100 | . | P8VL | 8303100 |

| FROM | PIN (COUNT) | TO | SOURCE LINE NO. | ELEM. TYPE | SOURCE SIGNAL NAME | REFERENCE LINE NO. |
|-------|----------------|-------|--------------------|---------------|--------------------|-----------------------|
| | 00(0) | | | | | |
| 03M01 | 01(2) | 04L01 | 3200010 | . | CL-32P01 | 1000134 |
| | 02(0) | | | | | |
| | 03(0) | | 1030130-1 | + | | 1030130 |
| | 04(1) | 11L01 | 2081030 | . | ADC3 | 1000120 |
| | 05(1) | 03L45 | 1030100 | FF | A3 | 1030100 |
| | 06(1) | 07L04 | 1022200 | . | FR2 | 1020118 |
| | 07(1) | 09L20 | 1032200 | . | FR3 | 1030118 |
| 04K04 | 08(1) | | 1020150 | . | A2L | 1020118 |
| 20M04 | 09(2) | 17L06 | 8180100 | . | WK0 | 1020122 |
| 17L17 | 10(2) | 14M25 | 8180200 | . | WK1 | 1030122 |
| 05M09 | 11(2) | 16L27 | 3060400 | . | CC4 | 1030122 |
| 02L38 | 12(2) | 05L03 | 1030110-1 | + | | 1030118 |
| 05M21 | 13(2) | 16L31 | 3060300 | . | CC3 | 1020122 |
| 04K14 | 14(2) | 01M45 | 1030150 | . | A3L | 1030118 |
| 01L15 | 15(2) | 04L15 | 2404480 | . | AXPSW1 | 1000122 |
| | 16(1) | 03L41 | 4791103 | -GND | GND2203 | 4791103 |
| | 17(0) | | 1020130-1 | + | | 1020130 |
| 05K40 | 18(2) | 04L18 | 2402900 | . | AXFR | 1000118 |
| | 19(1) | 03L47 | 1020100 | FF | A2 | 1020100 |
| 02L11 | 20(2) | 05L01 | 1020110-1 | + | | 1020120 |
| | 21(1) | 03L28 | 1020104 | NFF | NA2 | 1020104 |
| | 22(1) | 03L27 | 1030104 | NFF | NA3 | 1030104 |
| | 23(1) | 03L43 | 2371030 | . | AUC3 | 1010120 |
| | 24(0) | | 1010130-1 | + | | 1010130 |
| | 25(1) | 03M06 | 1010100 | FF | A1 | 1010100 |
| | 26(1) | 06L41 | 1010104 | NFF | NA1 | 1010104 |
| 03L22 | 27(2) | 06L42 | 1030104 | . | NA3 | 1000120 |
| 03L21 | 28(2) | 06L40 | 1020104 | . | NA2 | 1000120 |
| 01L26 | 29(2) | 04L29 | 2400108 | . | AX/0 | 1000130 |
| | 30(1) | 05L19 | 1000130-1 | + | | 1000132 |
| 02L13 | 31(2) | 05L45 | 1010110-1 | + | | 1010122 |
| | 32(0) | | | | | |
| | 33(1) | 03M04 | 1000100 | FF | A0 | 1000100 |
| 01L19 | 34(2) | 04L34 | 2403400 | . | AXLOAD-0 | 1000118 |
| 04L35 | 35(2) | 05M02 | 2404490 | . | AXPSW2 | 1000122 |
| 02L18 | 36(2) | 05L21 | 1000110-1 | + | | 1000122 |
| | 37(1) | 07L20 | 1002200 | . | FR0 | 1000118 |
| 05M13 | 38(2) | 16L35 | 3060200 | . | CC2 | 1010122 |
| 05M06 | 39(2) | 16L38 | 3060100 | . | CC1 | 1000122 |
| | 40(1) | 06L43 | 1000104 | NFF | NA0 | 1000104 |
| 03L16 | 41(2) | 03L44 | 4791103 | . | GND2203 | 1010122 |
| 04K45 | 42(2) | 14M43 | 1010150 | . | A1L | 1010118 |
| 03L23 | 43(2) | 11L15 | 2371030 | . | AUC3 | 1000120 |
| 03L41 | 44(1) | | 4791103 | . | GND2203 | 1000122 |
| 03L05 | 45(2) | 03M05 | 1030100 | . | A3 | 1000120 |
| 04K38 | 46(2) | 24M47 | 1000150 | . | A0L | 1000118 |
| 03L19 | 47(2) | 03M03 | 1020100 | . | A2 | 1000120 |
| | 48(0) | | | | | |
| 02L49 | 49(0) | 04L49 | 8301100 | . | P4VL | 8301100 |
| | 50(1) | 07L02 | 1012200 | . | FR1 | 1010118 |
| 02L51 | 51(0) | 04L51 | 8303100 | . | P8VL | 8303100 |

| FROM | PIN (COUNT) | TO | SOURCE LINE NO. | ELEM. TYPE | SOURCE SIGNAL NAME | REFERENCE LINE NO. |
|-------|----------------|-------|--------------------|---------------|--------------------|-----------------------|
| 03L01 | 00(0) | | | | | |
| | 01(1) | 32P01 | 3200010 | . | CL-32P01 | 1040134 |
| | 02(0) | | | | | |
| | 03(0) | | 1070130-1 | + | | 1070132 |
| 01L04 | 04(2) | 11L11 | 2081070 | . | ADC7 | 1040120 |
| | 05(1) | 04L45 | 1070100 | FF | A7 | 1070100 |
| | 06(1) | 09L04 | 1062200 | . | FR6 | 1060118 |
| | 07(1) | 09L08 | 1072200 | . | FR7 | 1070118 |
| 14M01 | 08(1) | | 1060150 | . | A6L | 1060118 |
| | 09(1) | 17M35 | 5130100 | . | I1 | 1060122 |
| | 10(1) | 17M31 | 4100100 | . | E1 | 1070122 |
| 32L39 | 11(2) | 10M31 | 4385000 | . | FNF | 1070122 |
| 02L06 | 12(2) | 05L04 | 1070110-1 | + | | 1070120 |
| 10M40 | 13(1) | | 4460100 | . | FZ | 1060122 |
| 04K01 | 14(1) | | 1070150 | . | A7L | 1070118 |
| 03L15 | 15(2) | 03M41 | 2404480 | . | AXPSW1 | 1040122 |
| | 16(1) | 04L39 | 4791104 | -GND | GND2204 | 4791104 |
| | 17(0) | | 1060130-1 | + | | 1060130 |
| 03L18 | 18(2) | 32K37 | 2402900 | . | AXFR | 1040118 |
| | 19(1) | 04L47 | 1060100 | FF | A6 | 1060100 |
| 02L42 | 20(2) | 05L02 | 1060110-1 | + | | 1060110 |
| | 21(1) | 04L28 | 1060104 | NFF | NA6 | 1060104 |
| | 22(1) | 04L27 | 1070104 | NFF | NA7 | 1070104 |
| 01L24 | 23(2) | 04L43 | 2371070 | . | AUC7 | 1050120 |
| | 24(0) | | 1050130-1 | + | | 1050130 |
| | 25(1) | 04M06 | 1050100 | FF | A5 | 1050100 |
| | 26(1) | 06L50 | 1050104 | NFF | NA5 | 1050104 |
| 04L22 | 27(2) | 06L22 | 1070104 | . | NA7 | 1040120 |
| 04L21 | 28(2) | 06L23 | 1060104 | . | NA6 | 1040120 |
| 03L29 | 29(2) | 29M02 | 2400108 | . | AX/0 | 1040132 |
| | 30(0) | | 1040130-1 | + | | 1040130 |
| 02L41 | 31(2) | 05L47 | 1050110-1 | + | | 1050120 |
| | 32(0) | | | | | |
| | 33(1) | 04M04 | 1040100 | FF | A4 | 1040100 |
| 03L34 | 34(2) | 03M18 | 2403400 | . | AXLOAD-0 | 1040118 |
| 15M34 | 35(2) | 03L35 | 2404490 | . | AXPSW2 | 1040122 |
| 02L39 | 36(2) | 05L50 | 1040110-1 | + | | 1040122 |
| | 37(1) | 07L08 | 1042200 | . | FR4 | 1040118 |
| 32L37 | 38(2) | 18M22 | 4410100 | . | FS | 1050122 |
| 04L16 | 39(2) | 04L44 | 4791104 | . | GND2204 | 1040122 |
| | 40(1) | 06L45 | 1040104 | NFF | NA4 | 1040104 |
| | 41(1) | 17M39 | 3163100 | . | CIF | 1050122 |
| 04K02 | 42(1) | | 1050150 | . | A5L | 1050118 |
| 04L23 | 43(2) | 13L13 | 2371070 | . | AUC7 | 1040120 |
| 04L39 | 44(1) | | 4791104 | . | GND2204 | 1040122 |
| 04L05 | 45(2) | 04M05 | 1070100 | . | A7 | 1040120 |
| 04K03 | 46(1) | | 1040150 | . | A4L | 1040118 |
| 04L19 | 47(2) | 04M03 | 1060100 | . | A6 | 1040120 |
| | 48(0) | | | | | |
| 03L49 | 49(0) | 05L49 | 8301100 | . | P4VL | 8301100 |
| | 50(1) | 09L02 | 1052200 | . | FR5 | 1050118 |
| 03L51 | 51(0) | 05L51 | 8303100 | . | P8VL | 8303100 |

XDS 902306

XDS
XEROX DATA SYSTEMS

DRAWING NO.- 133264-930 AC
PROG-PNIND MODULE-05L
TYPE-PIN INDEX TYPE-GT10

37

10/27/71

| FROM | PIN (COUNT) | TO | SOURCE LINE NO. | ELEM. TYPE | SOURCE SIGNAL NAME | REFERENCE LINE NO. |
|-------|----------------|-------|--------------------|---------------|--------------------|-----------------------|
| | 00(0) | | | | | |
| 03L20 | 01(1) | | 1020110-1 | + | | 1020124 |
| 04L20 | 02(1) | | 1060110-1 | + | | 1060116 |
| 03L12 | 03(1) | | 1030110-1 | + | | 1030110 |
| 04L12 | 04(1) | | 1070110-1 | + | | 1070124 |
| 10M05 | 05(1) | | 1034200 | . | MC3 | 1030124 |
| | 06(1) | 07M33 | 1031510 | . | D103/1 | 1030116 |
| 13K34 | 07(2) | 24L36 | 1036300 | . | RR3 | 1030116 |
| | 08(1) | 11L05 | 1074200 | . | MC7 | 1070124 |
| | 09(1) | 07M06 | 1071510 | . | D107/1 | 1070116 |
| 13K42 | 10(2) | 28L35 | 1076300 | . | RR7 | 1070116 |
| 13K27 | 11(2) | 24L39 | 1026300 | . | RR2 | 1020116 |
| 01L12 | 12(2) | 05L33 | 2405300 | . | AXRR/0 | 1000116 |
| | 13(1) | 07M30 | 1021510 | . | D102/1 | 1020116 |
| 29K13 | 14(2) | 14M19 | 1024200 | . | MC2 | 1020124 |
| 13K40 | 15(2) | 28L39 | 1066300 | . | RR6 | 1060116 |
| | 16(1) | 05L25 | 4791105 | -GND | GND2205 | 4791105 |
| | 17(1) | 07M14 | 1061510 | . | D106/1 | 1060116 |
| | 18(1) | 11L06 | 1064200 | . | MC6 | 1060124 |
| 03L30 | 19(1) | | 1000130-1 | + | | 1000130 |
| | 20(0) | | | | | |
| 03L36 | 21(2) | 05L46 | 1000110-1 | + | | 1000110 |
| 29K22 | 22(1) | | 1000138 | . | (S/A0/1) | 1000126 |
| 02L10 | 23(1) | | 2400300 | . | AXAL8-0 | 1000124 |
| 32K02 | 24(2) | 09K06 | 4324712 | . | (FAST.PH1/E.SW5) | 1000124 |
| 05L16 | 25(1) | | 4791105 | . | GND2205 | 1000131 |
| 14M35 | 26(2) | 19L43 | 4425670 | . | FUSF/1 | 1000131 |
| 01L18 | 27(2) | 05L34 | 2403800 | . | AXMC | 1040124 |
| 10M33 | 28(1) | | 1044200 | . | MC4 | 1040124 |
| | 29(1) | 07M02 | 1041510 | . | D104/1 | 1040116 |
| 13K36 | 30(2) | 24L38 | 1046300 | . | RR4 | 1040116 |
| 01L21 | 31(2) | 05L38 | 2401100 | . | AXD10-0 | 1040116 |
| | 32(0) | | | | | |
| 05L12 | 33(2) | 10M03 | 2405300 | . | AXRR/0 | 1040116 |
| 05L27 | 34(2) | 15M41 | 2403800 | . | AXMC | 1000124 |
| 10M19 | 35(2) | 24K24 | 1004200 | . | MC0 | 1000124 |
| | 36(1) | 07M27 | 1001510 | . | D100/1 | 1000116 |
| 13K20 | 37(2) | 25L39 | 1006300 | . | RR0 | 1000116 |
| 05L31 | 38(2) | 15M46 | 2401100 | . | AXD10-0 | 1000116 |
| 13K38 | 39(2) | 24L34 | 1056300 | . | RR5 | 1050116 |
| | 40(1) | 07M04 | 1051510 | . | D105/1 | 1050116 |
| 10M24 | 41(1) | | 1054200 | . | MC5 | 1050124 |
| 13K22 | 42(2) | 24L35 | 1016300 | . | RR1 | 1010116 |
| | 43(1) | 07M31 | 1011510 | . | D101/1 | 1010116 |
| 10M25 | 44(1) | | 1014200 | . | MC1 | 1010124 |
| 03L31 | 45(1) | | 1010110-1 | + | | 1010124 |
| 05L21 | 46(1) | | 1000110-1 | + | | 1000116 |
| 04L31 | 47(1) | | 1050110-1 | + | | 1050116 |
| | 48(0) | | | | | |
| 04L49 | 49(0) | 06L49 | 8301100 | | P4VL | 8301100 |
| 04L36 | 50(1) | | 1040110-1 | + | | 1040110 |
| 04L51 | 51(0) | 06L51 | 8303100 | | P8VL | 8303100 |

XDS 902306

XDS
XEROX DATA SYSTEMS

DRAWING NO.- 133264-930 AC
PROG-PNIND
TYPE-PIN INDEX

38
MODULE-06L
TYPE-LT12
10/27/71

| FROM | PIN (COUNT) | TO | SOURCE LINE NO. | ELEM. TYPE | SOURCE SIGNAL NAME | REFERENCE LINE NO. |
|-------|----------------|-------|--------------------|---------------|--------------------|-----------------------|
| | 00(0) | | | | | |
| | 01(1) | 21M20 | 5151039 | B | (S/10DAP/SKIP) | 5151039 |
| 01M31 | 02(2) | 12L05 | 5156465 | . | (1OPH0.SW13) | 5151039 |
| 30K12 | 03(2) | 01M28 | 7890201 | . | NSW1 | 1100350 |
| 12L06 | 04(2) | 23K07 | 3533500 | . | DATAOUT | 5151039 |
| 01M17 | 05(2) | 14K08 | 6832420 | . | PEM-1 | 1100350 |
| 26K03 | 06(1) | | 1071300 | . | D7 | 5151039 |
| | 07(1) | 20M42 | 1100350 | B | (S/B10) | 1100350 |
| | 08(0) | | | | | |
| 32M36 | 09(2) | 11M44 | 5156745 | . | (1OPH3.SW9) | 1100352 |
| 14K13 | 10(2) | 16L44 | 7890500 | . | SW4 | 1100352 |
| | 11(0) | | | | | |
| 23K08 | 12(2) | 32K43 | 5156546 | . | (1OPH1.SW9)-F | 1100350 |
| 24K01 | 13(2) | 16L45 | 7890501 | . | NSW4 | 1100350 |
| | 14(0) | | | | | |
| 06L29 | 15(1) | | 5156346 | . | N1OPG/3 | 5156300 |
| | 16(1) | 06L27 | 4791106 | -GND | GND2206 | 4791106 |
| 06L35 | 17(1) | | 5156326 | . | N1OPG/1 | 5156302 |
| 06L37 | 18(1) | | 5156336 | . | N1OPG/2 | 5156304 |
| 06L34 | 19(1) | | 5156330 | . | 1OPG/2 | 5156302 |
| 06L31 | 20(1) | | 5156340 | . | 1OPG/3 | 5156304 |
| 06L33 | 21(1) | | 5156320 | . | 1OPG/1 | 5156306 |
| 04L27 | 22(2) | 11L10 | 1070104 | . | NA7 | 5156340 |
| 04L28 | 23(2) | 13L07 | 1060104 | . | NA6 | 5156340. |
| | 24(0) | | | | | |
| 04M03 | 25(2) | 09L10 | 1060100 | . | A6 | 5156340 |
| 04M05 | 26(2) | 09L45 | 1070100 | . | A7 | 5156340 |
| 06L16 | 27(1) | | 4791106 | . | GND2206 | 5156342 |
| | 28(0) | | 5156312 | I | N1OPG | 5156312 |
| | 29(1) | 06L15 | 5156346 | I | N1OPG/3 | 5156346 |
| | 30(1) | 12L07 | 5156300 | B | 1OPG | 5156300 |
| | 31(1) | 06L20 | 5156340 | B | 1OPG/3 | 5156340 |
| | 32(0) | | | | | |
| | 33(1) | 06L21 | 5156320 | B | 1OPG/1 | 5156320 |
| | 34(1) | 06L19 | 5156330 | B | 1OPG/2 | 5156330 |
| | 35(1) | 06L17 | 5156326 | I | N1OPG/1 | 5156326 |
| 03M07 | 36(2) | 07L10 | 1020100 | . | A2 | 5156322 |
| | 37(1) | 06L18 | 5156336 | I | N1OPG/2 | 5156336 |
| 03M06 | 38(2) | 07L25 | 1010100 | . | A1 | 5156322 |
| 03M04 | 39(2) | 07L28 | 1000100 | . | A0 | 5156320 |
| 03L28 | 40(2) | 18L24 | 1020104 | . | NA2 | 5156320 |
| 03L26 | 41(2) | 10M02 | 1010104 | . | NA1 | 5156320 |
| 03L27 | 42(2) | 18L23 | 1030104 | . | NA3 | 5156330 |
| 03L40 | 43(2) | 10M01 | 1000104 | . | NA0 | 5156320 |
| 04M06 | 44(2) | 09L25 | 1050100 | . | A5 | 5156332 |
| 04L40 | 45(2) | 13L14 | 1040104 | . | NA4 | 5156330 |
| 04M17 | 46(2) | 07L45 | 1040100 | . | A4 | 5156330 |
| 03M10 | 47(2) | 09L28 | 1030100 | . | A3 | 5156330 |
| | 48(0) | | | | | |
| 05L49 | 49(0) | 07L49 | 8301100 | . | P4VL | 8301100 |
| 04L26 | 50(2) | 13L08 | 1050104 | . | NA5 | 5156330 |
| 05L51 | 51(0) | 07L51 | 8303100 | . | P8VL | 8303100 |

XDS 902306

XDS
XEROX DATA SYSTEMS

DRAWING NO.- 133264-930 AC
PROG-PNIND MODULE-07L
TYPE-PIN INDEX TYPE-FT41

39
10/27/71

| FROM | PIN (COUNT) | TO | SOURCE LINE NO. | ELEM. TYPE | SOURCE SIGNAL NAME | REFERENCE LINE NO. |
|-------|----------------|-------|--------------------|---------------|--------------------|-----------------------|
| | 00(0) | | | | | |
| | 01(1) | 09L01 | 3200030 | . | CL-32P03 | 1002628 |
| 03L50 | 02(2) | 10L20 | 1012200 | . | FR1 | 1012642 |
| | 03(1) | 11L44 | 1042640 | FF | IOFR4 | 1042640 |
| 03L06 | 04(2) | 10L18 | 1022200 | . | FR2 | 1022642 |
| | 05(0) | | 1042641 | NFF | NIOFR4 | 1042641 |
| | 06(0) | | | | | |
| | 07(1) | 04K30 | 1022640 | FF | IOFR2 | 1022640 |
| 04L37 | 08(2) | 10L08 | 1042200 | . | FR4 | 1042642 |
| 11M23 | 09(2) | 09L09 | 5153285 | . | IOFRX | 1002646 |
| 06L36 | 10(2) | 20L08 | 1020100 | . | A2 | 1012622 |
| 11M25 | 11(2) | 09L11 | 5153290 | . | IOFRXFR | 1002642 |
| 09L12 | 12(2) | 11M24 | 5153288 | . | IOFRXA | 1002642 |
| | 13(1) | 07L14 | 4791107 | . | GND2207 | 1002643 |
| 07L13 | 14(2) | 07L16 | 4791107 | . | GND2207 | 1002643 |
| | 15(0) | | 1022641 | NFF | NIOFR2 | 1022641 |
| 07L14 | 16(2) | 07L34 | 4791107 | -GND | GND2207 | 4791107 |
| 04K31 | 17(2) | 01M20 | 1012640 | FF | IOFR1 | 1012640 |
| | 18(0) | | | | | |
| | 19(0) | | 1012641 | NFF | NIOFR1 | 1012641 |
| 03L37 | 20(2) | 10L22 | 1002200 | . | FR0 | 1002642 |
| 18L28 | 21(2) | 01M25 | 1002640 | FF | IOFR0 | 1002640 |
| | 22(0) | | | | | |
| 26K41 | 23(2) | 05K39 | 1002630 | . | (S/IODA0) | 1002622 |
| | 24(0) | | | | | |
| 06L38 | 25(2) | 11L08 | 1010100 | . | A1 | 1002623 |
| 24K06 | 26(2) | 11M41 | 3511100 | . | (D1.SW0) | 1002622 |
| 04K34 | 27(2) | 11L09 | 1002641 | NFF | NIOFR0 | 1002641 |
| 06L39 | 28(2) | 12L43 | 1000100 | . | A0 | 1002623 |
| | 29(1) | 08L23 | 1002620 | FF | IODA0 | 1002620 |
| 11L35 | 30(2) | 01L14 | 3510315 | . | (NDO.SW0) | 1012622 |
| | 31(0) | | 1002621 | NFF | NIODA0 | 1002621 |
| | 32(0) | | | | | |
| | 33(1) | 08L19 | 1012620 | FF | IODA1 | 1012620 |
| 07L16 | 34(2) | 07L38 | 4791107 | . | GND2207 | 1002624 |
| | 35(0) | | 1012621 | NFF | NIODA1 | 1012621 |
| 09L36 | 36(2) | 05K05 | 5151040 | . | IODAXA | 1002623 |
| | 37(1) | 08L15 | 1022620 | FF | IODA2 | 1022620 |
| 07L34 | 38(2) | 07L46 | 4791107 | . | GND2207 | 1002623 |
| | 39(0) | | 1022621 | NFF | NIODA2 | 1022621 |
| 32M25 | 40(2) | 09L23 | 8051000 | . | TODATA | 1002622 |
| 11L24 | 41(2) | 08L03 | 1042620 | FF | IODA4 | 1042620 |
| 09L42 | 42(2) | 23K05 | 5151020 | . | IODAX | 1002626 |
| | 43(0) | | 1042621 | NFF | NIODA4 | 1042621 |
| | 44(1) | 26L23 | 1021300 | . | D2 | 1022622 |
| 06L46 | 45(2) | 11L30 | 1040100 | . | A4 | 1022622 |
| 07L38 | 46(1) | | 4791107. | . | GND2207 | 1042622 |
| | 47(0) | | | | | |
| | 48(0) | | | | | |
| 06L49 | 49(0) | 08L49 | 8301100 | | P4VL | 8301100 |
| | 50(0) | | | | | |
| 06L51 | 51(0) | 08L51 | 8303100 | | P8VL | 8303100 |

XDS 902306

XDS
XEROX DATA SYSTEMS

DRAWING NO.- 133264-930 AC
 PROG-PNIND MODULE-08L
 TYPE-PIN INDEX TYPE-AT11

40

10/27/71

| FROM | PIN (COUNT) | TO | SOURCE LINE NO. | ELEM. TYPE | SOURCE SIGNAL NAME | REFERENCE LINE NO. |
|-------|----------------|-------|--------------------|---------------|--------------------|-----------------------|
| | 00(0) | | | | | |
| 09L37 | 01(1) | | 1062620 | * IODA6 | | 1061380 |
| 09L41 | 02(1) | | 1072620 | * IODA7 | | 1071380 |
| 07L41 | 03(1) | | 1042620 | * IODA4 | | 1041380 |
| | 04(1) | 14K23 | 1061360 | -BCR DA6 | | 1061360 |
| | 05(1) | 08L16 | 4791108 | GND2208 | | 4791108 |
| | 06(1) | 14K26 | 1071360 | -BCR DA7 | | 1071360 |
| | 07(0) | | | | | |
| | 08(1) | 14K46 | 1041360 | -BCR DA4 | | 1041360 |
| | 09(1) | 09L33 | 1052620 | * IODA5 | | 1051380 |
| 14K44 | 10(2) | 15M03 | 1051360 | -BCR DA5 | | 1051360 |
| | 11(0) | | | | | |
| 09L29 | 12(1) | | 1032620 | * IODA3 | | 1031380 |
| 14K42 | 13(2) | 15M21 | 1031360 | -BCR DA3 | | 1031360 |
| | 14(0) | | | | | |
| 07L37 | 15(1) | | 1022620 | * IODA2 | | 1021380 |
| 08L05 | 16(2) | 08L24 | 4791108 | -GND GND2208 | | 4791108 |
| | 17(0) | | | | | |
| | 18(1) | 14K36 | 1021360 | -BCR DA2 | | 1021360 |
| 07L33 | 19(1) | | 1012620 | * IODA1 | | 1011380 |
| | 20(1) | 14K38 | 1011360 | -BCR DA1 | | 1011360 |
| | 21(0) | | | | | |
| | 22(1) | 14K43 | 1001360 | -BCR DA0 | | 1001360 |
| 07L29 | 23(1) | | 1002620 | * IODA0 | | 1001380 |
| 08L16 | 24(2) | 08L35 | 4791108 | GND2208 | | 4791108 |
| 21M14 | 25(2) | 12L27 | 5151000 | * IODAP | | 3530500 |
| | 26(0) | | | | | |
| | 27(1) | 14K27 | 3530400 | -BCR DAP | | 3530400 |
| | 28(0) | | | | | |
| | 29(0) | | | | | |
| | 30(0) | | | | | |
| | 31(0) | | | | | |
| | 32(0) | | | | | |
| 13L11 | 33(1) | | 4050120-1 | * | | 4050120 |
| 32M09 | 34(1) | | 4050100 | -BCR ED | | 4050100 |
| 08L24 | 35(2) | 08L37 | 4791108 | * GND2208 | | 6820120 |
| | 36(1) | 12L29 | 6820100 | -BCR PC | | 6820100 |
| 08L35 | 37(2) | 08L39 | 4791108 | * GND2208 | | 3811020 |
| 32M10 | 38(1) | | 3811000 | -BCR DOR | | 3811000 |
| 08L37 | 39(2) | 08L41 | 4791108 | * GND2208 | | 7560120 |
| | 40(1) | 32M28 | 7560100 | -BCR SC | | 7560100 |
| 08L39 | 41(1) | | 4791108 | GND2208 | | 4791108 |
| | 42(0) | | | | | |
| | 43(0) | | | | | |
| | 44(0) | | | | | |
| | 45(0) | | | | | |
| | 46(0) | | | | | |
| | 47(0) | | | | | |
| | 48(0) | | | | | |
| 07L49 | 49(0) | 09L49 | 8301100 | P4VL | | 8301100 |
| 10L50 | 50(1) | | 8304700 | M8VL | | 8304700 |
| 07L51 | 51(0) | 09L51 | 8303100 | P8VL | | 8303100 |

| FROM | PIN (COUNT) | TO | SOURCE LINE NO. | ELEM. TYPE | SOURCE SIGNAL NAME | REFERENCE LINE NO. |
|-------|----------------|-------|--------------------|---------------|--------------------|-----------------------|
| | 00(0) | | | | | |
| 07L01 | 01(1) | 32P03 | 3200030 | . | CL-32P03 | 1032628 |
| 04L50 | 02(2) | 10L10 | 1052200 | . | FR5 | 1052642 |
| 04K33 | 03(2) | 01M37 | 1072640 | FF | 10FR7 | 1072640 |
| 04L06 | 04(2) | 10L04 | 1062200 | . | FR6 | 1062642 |
| | 05(0) | | 1072641 | NFF | N10FR7 | 1072641 |
| | 06(0) | | | | | |
| 04K36 | 07(2) | 01M12 | 1062640 | FF | 10FR6 | 1062640 |
| 04L07 | 08(2) | 10L06 | 1072200 | . | FR7 | 1072642 |
| 07L09 | 09(2) | 32M47 | 5153285 | . | 10FRX | 1032646 |
| 06L25 | 10(2) | 11L31 | 1060100 | . | A6 | 1052622 |
| 07L11 | 11(2) | 32M40 | 5153290 | . | 10FRXFR | 1032642 |
| 31K34 | 12(2) | 07L12 | 5153288 | . | 10FRXA | 1032642 |
| | 13(1) | 09L14 | 4791109 | . | GND2209 | 1032643 |
| 09L13 | 14(2) | 09L16 | 4791109 | . | GND2209 | 1032643 |
| | 15(0) | | 1062641 | NFF | N10FR6 | 1062641 |
| 09L14 | 16(2) | 09L26 | 4791109 | -GND | GND2209 | 4791109 |
| 04K26 | 17(2) | 01M19 | 1052640 | FF | 10FR5 | 1052640 |
| | 18(0) | | | | | |
| | 19(0) | | 1052641 | NFF | N10FR5 | 1052641 |
| 03L07 | 20(2) | 10L13 | 1032200 | . | FR3 | 1032642 |
| 04K43 | 21(2) | 11L03 | 1032640 | FF | 10FR3 | 1032640 |
| | 22(1) | 28M33 | 1140300 | . | B14 | 1032622 |
| 07L40 | 23(2) | 11M35 | 8051000 | . | TODATA | 1032622 |
| | 24(0) | | | | | |
| 06L44 | 25(2) | 11L18 | 1050100 | . | A5 | 1032623 |
| 09L16 | 26(2) | 09L30 | 4791109 | . | GND2209 | 1032622 |
| | 27(0) | | 1032641 | NFF | N10FR3 | 1032641 |
| 06L47 | 28(2) | 11L25 | 1030100 | . | A3 | 1032624 |
| | 29(1) | 08L12 | 1032620 | FF | 10DA3 | 1032620 |
| 09L26 | 30(2) | 09L34 | 4791109 | . | GND2209 | 1052622 |
| | 31(0) | | 1032621 | NFF | N10DA3 | 1032621 |
| | 32(0) | | | | | |
| 08L09 | 33(2) | 11L23 | 1052620 | FF | 10DA5 | 1052620 |
| 09L30 | 34(2) | 09L38 | 4791109 | . | GND2209 | 1032623 |
| | 35(0) | | 1052621 | NFF | N10DA5 | 1052621 |
| 32M08 | 36(2) | 07L36 | 5151040 | . | 10DAXA | 1032624 |
| | 37(1) | 08L01 | 1062620 | FF | 10DA6 | 1062620 |
| 09L34 | 38(2) | 09L44 | 4791109 | . | GND2209 | 1032623 |
| | 39(1) | 11L22 | 1062621 | NFF | N10DA6 | 1062621 |
| | 40(0) | | | | | |
| | 41(1) | 08L02 | 1072620 | FF | 10DA7 | 1072620 |
| 32M12 | 42(2) | 07L42 | 5151020 | . | 10DAX | 1032626 |
| | 43(1) | 11L28 | 1072621 | NFF | N10DA7 | 1072621 |
| 09L38 | 44(2) | 09L46 | 4791109 | . | GND2209 | 1062622 |
| 06L26 | 45(2) | 11L17 | 1070100 | . | A7 | 1062622 |
| 09L44 | 46(1) | | 4791109 | . | GND2209 | 1072622 |
| | 47(0) | | | | | |
| | 48(0) | | | | | |
| 08L49 | 49(0) | 10L49 | 8301100 | | P4VL | 8301110 |
| | 50(0) | | | | | |
| 08L51 | 51(0) | 10L51 | 8303100 | | P8VL | 8303110 |

XDS 902306



DRAWING NO. - 133264-930 AC
 PROG-PNIND MODULE-10L
 TYPE-PIN INDEX TYPE-AT10

42

10/27/71

| FROM | PIN (COUNT) | TO | SOURCE LINE NO. | ELEM. TYPE | SOURCE SIGNAL NAME | REFERENCE LINE NO. |
|-------|-------------|-------|-----------------|--------------|--------------------|--------------------|
| | 00(0) | | | | | |
| 10L01 | 01(1) | 10L02 | 4791110 | * GND2210 | | 1062220 |
| 10L02 | 02(2) | 10L03 | 4791110 | * GND2210 | | 1072220 |
| 09L04 | 03(2) | 10L05 | 4791110 | * GND2210 | | 1042220 |
| 10L03 | 04(1) | | 1062200 | -BCR FR6 | | 1062200 |
| 09L08 | 05(2) | 10L09 | 4791110 | GND2210 | | 4791110 |
| | 06(1) | | 1072200 | -BCR FR7 | | 1072200 |
| | 07(0) | | | | | |
| 07L08 | 08(1) | | 1042200 | -BCR FR4 | | 1042200 |
| 10L05 | 09(2) | 10L12 | 4791110 | * GND2210 | | 1052220 |
| 09L02 | 10(1) | | 1052200 | -BCR FR5 | | 1052200 |
| | 11(0) | | | | | |
| 10L09 | 12(2) | 10L15 | 4791110 | * GND2210 | | 1032220 |
| 09L20 | 13(1) | | 1032200 | -BCR FR3 | | 1032200 |
| | 14(0) | | | | | |
| 10L12 | 15(2) | 10L16 | 4791110 | * GND2210 | | 1022220 |
| 10L15 | 16(2) | 10L19 | 4791110 | -GND GND2210 | | 4791110 |
| | 17(0) | | | | | |
| 07L04 | 18(1) | | 1022200 | -BCR FR2 | | 1022200 |
| 10L16 | 19(2) | 10L23 | 4791110 | * GND2210 | | 1012220 |
| 07L02 | 20(1) | | 1012200 | -BCR FR1 | | 1012200 |
| | 21(0) | | | | | |
| 07L20 | 22(1) | | 1002200 | -BCR FR0 | | 1002200 |
| 10L19 | 23(2) | 10L24 | 4791110 | * GND2210 | | 1002220 |
| 10L23 | 24(2) | 10L25 | 4791110 | GND2210 | | 4791110 |
| 10L24 | 25(2) | 10L33 | 4791110 | * GND2210 | | 7410120 |
| | 26(0) | | | | | |
| | 27(1) | 01M39 | 7410100 | -BCR RS | | 7410100 |
| | 28(0) | | | | | |
| | 29(0) | | | | | |
| | 30(0) | | | | | |
| | 31(0) | | | | | |
| | 32(0) | | | | | |
| 10L25 | 33(2) | 10L35 | 4791110 | * GND2210 | | 5156911 |
| 32M01 | 34(1) | | 5156900 | -BCR IOR | | 5156900 |
| 10L33 | 35(2) | 10L39 | 4791110 | * GND2210 | | 4413120 |
| 32M17 | 36(1) | | 4413100 | -BCR FSL | | 4413100 |
| | 37(0) | | | | | |
| | 38(0) | | | | | |
| 10L35 | 39(2) | 10L41 | 4791110 | * GND2210 | | 5116120 |
| | 40(1) | 32M18 | 5116100 | -BCR IC | | 5116100 |
| 10L39 | 41(1) | | 4791110 | GND2210 | | 4791110 |
| | 42(0) | | | | | |
| | 43(0) | | | | | |
| | 44(0) | | | | | |
| | 45(0) | | | | | |
| | 46(0) | | | | | |
| | 47(0) | | | | | |
| | 48(0) | | | | | |
| 09L49 | 49(0) | 11L49 | 8301100 | P4VL | | 8301110 |
| 17L50 | 50(2) | 08L50 | 8304700 | M8VL | | 8304700 |
| 09L51 | 51(0) | 11L51 | 8303100 | P8VL | | 8303110 |

| FROM | PIN (COUNT) | TO | SOURCE LINE NO. | ELEM. TYPE | SOURCE SIGNAL NAME | REFERENCE LINE NO. |
|-------|----------------|-------|--------------------|---------------|--------------------|-----------------------|
| | 00(0) | | | | | |
| 03L04 | 01(2) | 13L06 | 2081030 | B | ADC3 | 2081031 |
| | 02(1) | 19L04 | 1033370 | B | LI03 | 1033370 |
| 09L21 | 03(2) | 01M33 | 1032640 | . | IOFR3 | 1033370 |
| 32M35 | 04(2) | 12L38 | 6554100 | . | ODINST | 1080350 |
| 05L08 | 05(2) | 10M06 | 1074200 | . | MC7 | 4385902 |
| 05L18 | 06(2) | 05M31 | 1064200 | . | MC6 | 4385902 |
| 32M21 | 07(2) | 24M38 | 4375121 | . | NFL2 | 4385902 |
| 07L25 | 08(2) | 24K42 | 1010100 | . | A1 | 1080350 |
| 07L27 | 09(2) | 11L37 | 1002641 | . | NIOFRO | 1033370 |
| 06L22 | 10(1) | | 1070104 | . | NA7 | 2081031 |
| 04L04 | 11(2) | 14M22 | 2081070 | . | ADC7 | 2081031 |
| 18L15 | 12(2) | 14M39 | 4385900 | B | FNORM | 4385902 |
| | 13(1) | 18L21 | 1080350 | B | (S/B8) | 1080350 |
| | 14(1) | 21M24 | 1150336 | B | (S/B15) | 1150336 |
| 03L43 | 15(2) | 13L15 | 2371030 | B | AUC3 | 2371030 |
| | 16(0) | | 4791111 | -GND | GND2211 | 4791111 |
| 09L45 | 17(2) | 28L24 | 1070100 | . | A7 | 2371030 |
| 09L25 | 18(2) | 27L24 | 1050100 | . | A5 | 2371030 |
| | 19(0) | | | | | |
| | 20(1) | 29L36 | 1150300 | . | B15 | 1150336 |
| 01L10 | 21(2) | 31K35 | 5138950 | . | INTRAP1 | 1150336 |
| 09L39 | 22(1) | | 1062621 | . | NIODA6 | 5156950 |
| 09L33 | 23(1) | | 1052620 | . | IODA5 | 5156950 |
| | 24(1) | 07L41 | 1042620 | . | IODA4 | 5156950 |
| 09L28 | 25(2) | 27K21 | 1030100 | . | A3 | 1030350 |
| 20L14 | 26(2) | 23K06 | 8051028 | . | TORDIN | 1030350 |
| | 27(1) | 26L28 | 1031300 | . | D3 | 1030350 |
| 09L43 | 28(1) | | 1072621 | . | NIODA7 | 5156950 |
| 32K01 | 29(2) | 11M01 | 2840901 | . | NBRP | 1150336 |
| 07L45 | 30(2) | 27L18 | 1040100 | . | A4 | 2371030 |
| 09L10 | 31(2) | 28L18 | 1060100 | . | A6 | 2371030 |
| | 32(0) | | | | | |
| | 33(1) | 22L35 | 1030350 | B | (S/B3) | 1030350 |
| | 34(1) | 14K04 | 5156950 | B | IORB | 5156950 |
| | 35(1) | 07L30 | 3510315 | B | (ND0.SW0) | 3510315 |
| | 36(1) | 19L03 | 1043370 | B | LI04 | 1043370 |
| 11L09 | 37(1) | | 1002641 | . | NIOFRO | 1043370 |
| 15M36 | 38(2) | 22M38 | 1001350 | . | ND0-2 | 3510315 |
| 14L01 | 39(2) | 13L40 | 1086500 | . | S8 | 1084150 |
| 06M02 | 40(2) | 13L39 | 1096500 | . | S9 | 1094150 |
| 11L42 | 41(2) | 11M33 | 6038200 | . | MBXS/1 | 1094150 |
| 13M50 | 42(2) | 11L41 | 6038200 | . | MBXS/1 | 1084150 |
| 01M27 | 43(2) | 24K08 | 7890100 | . | SW0 | 3510315 |
| 07L03 | 44(2) | 01M30 | 1042640 | . | IOFR4 | 1043370 |
| | 45(1) | 12M25 | 1084150-1 | B | | 1084150 |
| | 46(1) | 12M33 | 1094150-1 | B | | 1094150 |
| | 47(0) | | | | | |
| | 48(0) | | | | | |
| 10L49 | 49(0) | 12L49 | 8301100 | | P4VL | 8301110 |
| | 50(0) | | | | | |
| 10L51 | 51(0) | 12L51 | 8303100 | | P8VL | 8303110 |

XDS 902306

XDS
XEROX DATA SYSTEMS

DRAWING NO.- 133264-930 AC
PROG-PNIND MODULE-12L
TYPE-PIN INDEX TYPE-IT25

44
10/27/71

| FROM | PIN (COUNT) | TO | SOURCE LINE NO. | ELEM. TYPE | SOURCE SIGNAL NAME | REFERENCE LINE NO. |
|-------|----------------|-------|--------------------|---------------|--------------------|-----------------------|
| | 00(0) | | | | | |
| | 01(1) | 22L44 | 1010340 | I | (R/B1) | 1010340 |
| | 02(1) | 12L22 | 1110360 | I | N(S/B11) | 1110360 |
| | 03(0) | | | | | |
| 05K06 | 04(2) | 12L12 | 5151036 | . | N(S/10DAP) | 5151035 |
| 06L02 | 05(2) | 21M15 | 5156465 | . | (1OPH0.SW13) | 5151036 |
| 31K27 | 06(2) | 06L04 | 3533500 | . | DATAOUT | 5151036 |
| 06L30 | 07(1) | | 5156300 | . | 10PG | 5151036 |
| | 08(0) | | | | | |
| 20M35 | 09(2) | 16L09 | 1110350 | . | (S/B11) | 1110360 |
| 16L10 | 10(2) | 12L44 | 2900100 | . | NBX | 1010340 |
| 32K41 | 11(2) | 16L15 | 1010345 | . | N(R/B1/1) | 1010340 |
| 12L04 | 12(2) | 12L14 | 5151036 | I | N(S/10DAP) | 5151036 |
| | 13(1) | 21M13 | 5151035 | I | (S/10DAP) | 5151035 |
| 12L12 | 14(1) | | 5151036 | I | N(S/10DAP) | 5151038 |
| | 15(1) | 12L28 | 1130360 | I | N(S/B13) | 1130360 |
| | 16(0) | | 4791112 | -GND | GND2212 | 4791112 |
| | 17(0) | | | | | |
| 32K42 | 18(2) | 11M28 | 7890600 | . | SW5 | 1130360 |
| 32K35 | 19(2) | 11M36 | 5156470 | . | (1OPH0.SW14) | 5151038 |
| 31K09 | 20(2) | 12L25 | 3533100 | . | DATAIN | 5151038 |
| 14K28 | 21(2) | 15L08 | 5156120 | . | N10PC | 5151038 |
| 12L02 | 22(2) | 16L22 | 1110360 | . | N(S/B11) | 1140355 |
| 12L45 | 23(2) | 11M04 | 2500900 | . | N((S/B9).D4) | 1140355 |
| 18L14 | 24(2) | 11M03 | 2500800 | . | N((S/B8).ND6.D4) | 1140355 |
| 12L20 | 25(2) | 23K44 | 3533100 | . | DATAIN | 1090362 |
| 14K12 | 26(2) | 12L30 | 5156540 | . | (1OPH1.SW8) | 1090362 |
| 08L25 | 27(1) | | 5151000 | . | 10DAP | 1090362 |
| 12L15 | 28(2) | 19M50 | 1130360 | . | N(S/B13) | 1140355 |
| 08L36 | 29(2) | 15L14 | 6820100 | . | PC | 5151038 |
| 12L26 | 30(2) | 12L47 | 5156540 | . | (1OPH1.SW8) | 1130360 |
| 14K09 | 31(2) | 23K40 | 6691100 | . | ORDEROUT | 1130360 |
| | 32(0) | | | | | |
| | 33(1) | 12L35 | 1090360 | I | N(S/B9) | 1090362 |
| | 34(1) | 26K29 | 1140355 | I | (S/B14/1) | 1140355 |
| 12L33 | 35(2) | 16L47 | 1090360 | I | N(S/B9) | 1090360 |
| | 36(1) | 22L45 | 1000340 | I | (R/B0) | 1000340 |
| 18L45 | 37(2) | 11M14 | 1000345 | . | N(R/B0/1) | 1000340 |
| 11L04 | 38(2) | 05K44 | 6554100 | . | ODINST | 1090360 |
| 20M43 | 39(2) | 16L39 | 1090350 | . | (S/B9) | 2500900 |
| | 40(0) | | | | | |
| | 41(0) | | | | | |
| 18L29 | 42(1) | | 1041300 | . | D4 | 2500900 |
| 07L28 | 43(2) | 25L18 | 1000100 | . | A0 | 1090360 |
| 12L10 | 44(2) | 29M04 | 2900100 | . | NBX | 1000340 |
| | 45(1) | 12L23 | 2500900 | I | N((S/B9).D4) | 2500900 |
| | 46(0) | | | | | |
| 12L30 | 47(1) | | 5156540 | T | (1OPH1.SW8) | 5156540 |
| | 48(0) | | | | | |
| 11L49 | 49(0) | 13L49 | 8301100 | . | P4VL | 8301110 |
| | 50(1) | 15M14 | 4322220 | T | N(FA10.PH2) | 4322220 |
| 11L51 | 51(0) | 13L51 | 8303100 | . | P8VL | 8303110 |

XDS 902306

XDS
XEROX DATA SYSTEMS

DRAWING NO.- 133264-930 AC
PROG-PNIND
TYPE-PIN INDEX

MODULE-13L
TYPE-BT16

45

10/27/71

| FROM | PIN (COUNT) | TO | SOURCE LINE NO. | ELEM. TYPE | SOURCE SIGNAL NAME | REFERENCE LINE NO. |
|-------|----------------|-------|--------------------|---------------|--------------------|-----------------------|
| | 00(0) | | | | | |
| 14L21 | 01(2) | 13M38 | 1006500 | . | S0 | 1006340 |
| 14L22 | 02(2) | 13M37 | 1016500 | . | S1 | 1016340 |
| 14L23 | 03(2) | 13M01 | 1026500 | . | S2 | 1026340 |
| 13M02 | 04(2) | 02L44 | 1036500 | . | S3 | 1036340 |
| 12K34 | 05(1) | | 1016340 | B | RW1 | 1016340 |
| 11L01 | 06(1) | | 2081030 | B | ADC3 | 2081030 |
| 06L23 | 07(1) | | 1060104 | . | NA6 | 2081030 |
| 06L50 | 08(1) | | 1050104 | . | NA5 | 2081030 |
| | 09(1) | 14M21 | 2403430 | . | AXLOAD-3 | 2403400 |
| 03M18 | 10(1) | | 2403400 | B | AXLOAD-0 | 2403400 |
| | 11(1) | 08L33 | 4050120-1 | B | | 4050120 |
| 31K37 | 12(2) | 11M34 | 7890700 | . | SW6 | 4050120 |
| 04L43 | 13(2) | 14M23 | 2371070 | . | AUC7 | 2371031 |
| 06L45 | 14(2) | 18L22 | 1040104 | . | NA4 | 2081030 |
| 11L15 | 15(1) | | 2371030 | B | AUC3 | 2371031 |
| | 16(0) | | 4791113 | -GND | GND2213 | 4791113 |
| 12K35 | 17(1) | | 1006340 | B | RW0 | 1006340 |
| 12K12 | 18(2) | 24K41 | 1036340 | B | RW3 | 1036340 |
| 12K19 | 19(2) | 24K36 | 1026340 | B | RW2 | 1026340 |
| 13L29 | 20(2) | 15L10 | 7438100 | . | RWXS/0 | 1006340 |
| 14L31 | 21(2) | 02L35 | 1046500 | . | S4 | 1046340 |
| 14L30 | 22(2) | 02L14 | 1056500 | . | S5 | 1056340 |
| 14L42 | 23(2) | 02L04 | 1066500 | . | S6 | 1066340 |
| 14L43 | 24(2) | 02L36 | 1076500 | . | S7 | 1076340 |
| 12K17 | 25(1) | | 1066340 | B | RW6 | 1066340 |
| 12K11 | 26(1) | | 1076340 | B | RW7 | 1076340 |
| 12K28 | 27(1) | | 1056340 | B | RW5 | 1056340 |
| 12K33 | 28(2) | 24K35 | 1046340 | B | RW4 | 1046340 |
| 11M05 | 29(2) | 13L20 | 7438100 | . | RWXS/0 | 1046340 |
| 06M11 | 30(2) | 14L39 | 1136500 | . | S13 | 1136340 |
| 06M21 | 31(2) | 14L40 | 1126500 | . | S12 | 1126340 |
| | 32(0) | | | | | |
| 13L50 | 33(2) | 15L28 | 7438110 | . | RWXS/1 | 1106340 |
| | 34(1) | 16K35 | 1086340 | B | RW8 | 1086340 |
| | 35(1) | 16K34 | 1096340 | B | RW9 | 1096340 |
| | 36(1) | 16K12 | 1116340 | B | RW11 | 1116340 |
| 06M18 | 37(2) | 14L04 | 1116500 | . | S11 | 1116340 |
| 06M10 | 38(2) | 14L03 | 1106500 | . | S10 | 1106340 |
| 11L40 | 39(2) | 14L02 | 1096500 | . | S9 | 1096340 |
| 11L39 | 40(2) | 02L43 | 1086500 | . | S8 | 1086340 |
| | 41(1) | 16K19 | 1106340 | B | RW10 | 1106340 |
| 06M28 | 42(2) | 14L38 | 1146500 | . | S14 | 1146340 |
| 14L37 | 43(2) | 02M36 | 1156500 | . | S15 | 1156340 |
| | 44(1) | 16K17 | 1146340 | B | RW14 | 1146340 |
| | 45(1) | 24K47 | 1156340 | B | RW15 | 1156340 |
| | 46(1) | 16K28 | 1136340 | B | RW13 | 1136340 |
| | 47(1) | 16K33 | 1126340 | B | RW12 | 1126340 |
| | 48(0) | | | | | |
| 12L49 | 49(0) | 14L49 | 8301100 | | P4VL | 8301110 |
| 11M13 | 50(2) | 13L33 | 7438110 | . | RWXS/1 | 1126340 |
| 12L51 | 51(0) | 14L51 | 8303100 | | P8VL | 8303110 |

XDS 902306



DRAWING NO.- 133264-930 AC
 PROG-PNIND MODULE-14L
 TYPE-PIN INDEX TYPE-BT16

46
 10/27/71

| FROM | PIN (COUNT) | TO | SOURCE LINE NO. | ELEM. TYPE | SOURCE SIGNAL NAME | REFERENCE LINE NO. |
|-------|-------------|-------|-----------------|--------------|--------------------|--------------------|
| | 00(0) | | | | | |
| 16M40 | 01(2) | 11L39 | 1086500 | . S8 | | 1086330 |
| 13L39 | 02(2) | 16M39 | 1096500 | . S9 | | 1096330 |
| 13L38 | 03(2) | 13M31 | 1106500 | . S10 | | 1106330 |
| 13L37 | 04(2) | 13M30 | 1116500 | . S11 | | 1116330 |
| | 05(1) | 15K23 | 1096330-1 | B | | 1096330 |
| | 06(0) | | | | | |
| | 07(0) | | | | | |
| | 08(0) | | | | | |
| | 09(0) | | | | | |
| | 10(0) | | | | | |
| | 11(1) | 13K01 | 5153282 | B NIOFM-R | | 5153282 |
| 12K22 | 12(2) | 16K22 | 5153280 | . NIOFM-1 | | 5153282 |
| | 13(0) | | | | | |
| | 14(0) | | | | | |
| | 15(0) | | | | | |
| | 16(0) | | 4791114 | -GND GND2214 | | 4791114 |
| | 17(1) | 15K19 | 1086330-1 | B | | 1086330 |
| | 18(1) | 15K33 | 1116330-1 | B | | 1116330 |
| | 19(1) | 15K25 | 1106330-1 | B | | 1106330 |
| 16L19 | 20(2) | 14L33 | 7408100 | . RRWXS/1 | | 1106330 |
| 16M01 | 21(2) | 13L01 | 1006500 | . S0 | | 1006330 |
| 16M02 | 22(2) | 13L02 | 1016500 | . S1 | | 1016330 |
| 17L28 | 23(2) | 13L03 | 1026500 | . S2 | | 1026330 |
| 17L26 | 24(2) | 20M25 | 1036500 | . S3 | | 1036330 |
| | 25(1) | 13K25 | 1026330-1 | B | | 1026330 |
| | 26(1) | 13K33 | 1036330-1 | B | | 1036330 |
| | 27(1) | 13K23 | 1016330-1 | B | | 1016330 |
| | 28(1) | 13K19 | 1006330-1 | B | | 1006330 |
| 16L29 | 29(2) | 14L50 | 7408000 | . RRWXS/0 | | 1006330 |
| 13M04 | 30(2) | 13L22 | 1056500 | . S5 | | 1056330 |
| 13M03 | 31(2) | 13L21 | 1046500 | . S4 | | 1046330 |
| | 32(0) | | | | | |
| 14L20 | 33(2) | 15L15 | 7408100 | . RRWXS/1 | | 1126330 |
| | 34(1) | 15K35 | 1126330-1 | B | | 1126330 |
| | 35(1) | 15K37 | 1136330-1 | B | | 1136330 |
| | 36(1) | 15K45 | 1156330-1 | B | | 1156330 |
| 16M43 | 37(2) | 13L43 | 1156500 | . S15 | | 1156330 |
| 13L42 | 38(2) | 16M42 | 1146500 | . S14 | | 1146330 |
| 13L30 | 39(2) | 13M43 | 1136500 | . S13 | | 1136330 |
| 13L31 | 40(2) | 13M42 | 1126500 | . S12 | | 1126330 |
| | 41(1) | 15K39 | 1146330-1 | B | | 1146330 |
| 13M40 | 42(2) | 13L23 | 1066500 | . S6 | | 1066330 |
| 17L22 | 43(2) | 13L24 | 1076500 | . S7 | | 1076330 |
| | 44(1) | 13K39 | 1066330-1 | B | | 1066330 |
| | 45(1) | 13K45 | 1076330-1 | B | | 1076330 |
| | 46(1) | 13K37 | 1056330-1 | B | | 1056330 |
| | 47(1) | 13K35 | 1046330-1 | B | | 1046330 |
| | 48(0) | | | | | |
| 13L49 | 49(0) | 15L49 | 8301100 | P4VL | | 8301110 |
| 14L29 | 50(2) | 15L11 | 7408000 | . RRWXS/0 | | 1046330 |
| 13L51 | 51(0) | 15L51 | 8303100 | P8VL | | 8303110 |

XDS 902306

XDS
XEROX DATA SYSTEMS

DRAWING NO. - 133264-930 AC
PROG-PNIND
TYPE-PIN INDEX

MODULE-15L
TYPE-IT16

47

10/27/71

| FROM | PIN (COUNT) | TO | SOURCE LINE NO. | ELEM. TYPE | SOURCE SIGNAL NAME | REFERENCE LINE NO. |
|-------|----------------|-------|--------------------|---------------|--------------------|-----------------------|
| | 00(0) | | | | | |
| 16L05 | 01(2) | 15L02 | 6030100 | . | NMB0CRO | 7438100 |
| 15L01 | 02(2) | 15L03 | 6030100 | . | NMB0CRO | 7430515 |
| 15L02 | 03(2) | 15L04 | 6030100 | . | NMB0CRO | 7430510 |
| 15L03 | 04(2) | 24M40 | 6030100 | . | NMB0CRO | 7408000 |
| | 05(1) | 13K15 | 7430515 | I | RWB0-1 | 7430515 |
| | 06(1) | 32M19 | 5156125 | I | (IOPC+NPC) | 5156125 |
| | 07(0) | | | | | |
| 12L21 | 08(1) | | 5156120 | . | NIOPC | 5156125 |
| 31K31 | 09(2) | 15L12 | 7439000 | . | RWXZ/01 | 7438102 |
| 13L20 | 10(2) | 15L17 | 7438100 | I | RWXS/0 | 7438102 |
| 14L50 | 11(2) | 15L18 | 7408000 | I | RRWXS/0 | 7408002 |
| 15L09 | 12(2) | 15L13 | 7439000 | . | RWXZ/01 | 7408002 |
| 15L12 | 13(2) | 15L40 | 7439000 | . | RWXZ/01 | 7408102 |
| 12L29 | 14(1) | | 6820100 | . | PC | 5156125 |
| 14L33 | 15(2) | 15L26 | 7408100 | I | RRWXS/1 | 7408102 |
| | 16(0) | | 4791115 | -GND | GND2215 | 4791115 |
| 15L10 | 17(1) | | 7438100 | I | RWXS/0 | 7438100 |
| 15L11 | 18(1) | | 7408000 | I | RRWXS/0 | 7408000 |
| 12K31 | 19(1) | | 7430510 | I | RWB0 | 7430510 |
| 16L18 | 20(2) | 15L29 | 7430112 | . | NRW-2 | 7408000 |
| 16L21 | 21(2) | 15L22 | 6030110 | . | NMB1CRO | 7438110 |
| 15L21 | 22(2) | 15L23 | 6030110 | . | NMB1CRO | 7430530 |
| 15L22 | 23(2) | 15L24 | 6030110 | . | NMB1CRO | 7430535 |
| 15L23 | 24(2) | 24M41 | 6030110 | . | NMB1CRO | 7408100 |
| | 25(1) | 15K15 | 7430535 | I | RWB1-1 | 7430535 |
| 15L15 | 26(1) | | 7408100 | I | RRWXS/1 | 7408100 |
| | 27(1) | 16K31 | 7430530 | I | RWB1 | 7430530 |
| 13L33 | 28(2) | 15L34 | 7438110 | I | RWXS/1 | 7438110 |
| 15L20 | 29(1) | | 7430112 | . | NRW-2 | 7408100 |
| 24K33 | 30(2) | 11M18 | 4420550 | . | N(FUA10.PH5.SW10) | 5155000 |
| 10M15 | 31(2) | 19L29 | 7829100 | . | (SPZ.NDIS) | 7829110 |
| | 32(0) | | | | | |
| | 33(0) | | | | | |
| 15L28 | 34(1) | | 7438110 | I | RWXS/1 | 7438112 |
| | 35(1) | 30L08 | 1131340 | I | ND13-1 | 1131340 |
| | 36(1) | 19L23 | 4321990 | I | NFAIM-1 | 4321990 |
| 18L06 | 37(2) | 16L36 | 4321977 | . | FAIM | 4321990 |
| 15L45 | 38(2) | 13M21 | 3690100 | . | DIS | 3690130 |
| 27M28 | 39(2) | 14M31 | 1131300 | . | D13 | 1131340 |
| 15L13 | 40(2) | 16L43 | 7439000 | . | RWXZ/01 | 7438112 |
| | 41(1) | 18L25 | 3690130 | I | NDIS-3 | 3690130 |
| 03M25 | 42(2) | 18L30 | 1080104 | . | NAB | 1080138 |
| 18L07 | 43(2) | 05M23 | 3690120 | . | NDIS-2 | 3690100 |
| | 44(1) | 32M44 | 1080138 | I | A8-1 | 1080138 |
| | 45(1) | 15L38 | 3690100 | I | DIS | 3690100 |
| | 46(1) | 18L34 | 5155000 | I | IOINTST | 5155000 |
| | 47(1) | 20L50 | 7829110 | I | N(SPZ.NDIS) | 7829110 |
| | 48(0) | | | | | |
| 14L49 | 49(0) | 16L49 | 8301100 | | P4VL | 8301110 |
| | 50(0) | | | | | |
| 14L51 | 51(0) | 16L51 | 8303100 | | P8VL | 8303110 |

XDS 902306

DRAWING NO. - 133264-930 AC
 PROG-PNIND MODULE-16L
 TYPE-PIN INDEX TYPE-XT10

48

10/27/71

XDS
 XEROX DATA SYSTEMS

| FROM | PIN (COUNT) | TO | SOURCE LINE NO. | ELEM. TYPE | SOURCE SIGNAL NAME | REFERENCE LINE NO. |
|-------|----------------|-------|--------------------|---------------|--------------------|-----------------------|
| | 00(0) | | | | | |
| 19K25 | 01(1) | | 1283730 | T | NLR28-1 | 1283730 |
| 14K24 | 02(1) | | 3530450 | T | NDAP | 3530450 |
| | 03(1) | 05K12 | 1036340 | T | RW3 | 1036340 |
| | 04(1) | 05K17 | 1066340 | T | RW6 | 1066340 |
| | 05(1) | 15L01 | 6030100 | T | NMB0CRO | 6030100 |
| | 06(1) | 05K33 | 1046340 | T | RW4 | 1046340 |
| | 07(1) | 18L05 | 7828800 | T | SPW | 7828800 |
| | 08(1) | 19L07 | 7828801 | T | NSPW | 7828801 |
| 12L09 | 09(1) | | 1110350 | T | (S/B11) | 1110350 |
| | 10(1) | 12L10 | 2900100 | T | NBX | 2900100 |
| | 11(1) | 20L02 | 7900150 | T | SXADD/1 | 7900150 |
| | 12(1) | 19L12 | 1070500 | T | C7 | 1070500 |
| | 13(1) | 19L13 | 1060500 | T | C6 | 1060500 |
| | 14(1) | 19L14 | 6911300 | T | NPRXAND | 6911300 |
| 12L11 | 15(1) | | 1010345 | T | N(R/B1/1) | 1010345 |
| | 16(0) | | 4791116 | -GND | GND2216 | 4791116 |
| 21L03 | 17(1) | | 2900640 | T | NBXBR1 | 2900640 |
| 18L09 | 18(2) | 15L20 | 7430112 | T | NRW-2 | 7430112 |
| | 19(1) | 14L20 | 7408100 | T | RRWXS/1 | 7408100 |
| | 20(1) | 18L20 | 1061340 | T | ND6-1 | 1061340 |
| | 21(1) | 15L21 | 6030110 | T | NMB1CRO | 6030110 |
| 12L22 | 22(1) | | 1110360 | T | N(S/B11) | 1110360 |
| | 23(1) | 20L22 | 6911790 | T | (PRXNAND+SPW) | 6911790 |
| | 24(1) | 05K28 | 1056340 | T | RW5 | 1056340 |
| 21L02 | 25(1) | | 2900690 | T | NBXBR2 | 2900690 |
| 21L01 | 26(1) | | 2902160 | T | NBXFP | 2902160 |
| 03L11 | 27(2) | 17L27 | 3060400 | T | CC4 | 3060400 |
| 19L22 | 28(1) | | 4320540 | T | FABYTE | 4320540 |
| | 29(1) | 14L29 | 7408000 | T | RRWXS/0 | 7408000 |
| 19L31 | 30(1) | | 4425670 | T | FUSF/1 | 4425670 |
| 03L13 | 31(2) | 17L31 | 3060300 | T | CC3 | 3060300 |
| | 32(0) | | | | | |
| | 33(1) | 05K19 | 1026340 | T | RW2 | 1026340 |
| | 34(1) | 05K11 | 1076340 | T | RW7 | 1076340 |
| 03L38 | 35(2) | 17L35 | 3060200 | T | CC2 | 3060200 |
| 15L37 | 36(1) | | 4321977 | T | FAIM | 4321977 |
| 23K34 | 37(1) | | 1096340 | T | RW9 | 1096340 |
| 03L39 | 38(2) | 17L39 | 3060100 | T | CC1 | 3060100 |
| 12L39 | 39(1) | | 1090350 | T | (S/B9) | 1090350 |
| 23K35 | 40(1) | | 1086340 | T | RW8 | 1086340 |
| 23K19 | 41(1) | | 1106340 | T | RW10 | 1106340 |
| | 42(0) | | | | | |
| 15L40 | 43(1) | | 7439000 | T | RWXZ/01 | 7439000 |
| 06L10 | 44(1) | | 7890500 | T | SW4 | 7890500 |
| 06L13 | 45(1) | | 7890501 | T | NSW4 | 7890501 |
| 21L46 | 46(1) | | 2904500 | T | NBXP/1 | 2904500 |
| 12L35 | 47(2) | 21L50 | 1090360 | T | N(S/B9) | 1090360 |
| | 48(0) | | | | | |
| 15L49 | 49(0) | 17L49 | 8301100 | | P4VL | 8301120 |
| 23K17 | 50(1) | | 1146340 | T | RW14 | 1146340 |
| 15L51 | 51(0) | 17L51 | 8303100 | | P8VL | 8303120 |

| FROM | PIN (COUNT) | TO | SOURCE LINE NO. | ELEM. TYPE | SOURCE SIGNAL NAME | REFERENCE LINE NO. |
|-------|----------------|-------|--------------------|---------------|--------------------|-----------------------|
| | 00(0) | | | | | |
| | 01(1) | 02L22 | 1003050 | -NS | KS0 | 1003050 |
| | 02(1) | 02L20 | 1013050 | -NS | KS1 | 1013050 |
| | 03(1) | 02L23 | 1023050 | -NS | KS2 | 1023050 |
| | 04(1) | 02L25 | 1033050 | -NS | KS3 | 1033050 |
| | 05(0) | | | | | |
| 03L09 | 06(2) | 14M24 | 8180100 | . | WK0 | 8180110 |
| | 07(1) | 02L33 | 1043050 | -NS | KS4 | 1043050 |
| | 08(1) | 02L09 | 1053050 | -NS | KS5 | 1053050 |
| | 09(1) | 02L19 | 1063050 | -NS | KS6 | 1063050 |
| | 10(0) | | | | | |
| 21L19 | 11(2) | 20M13 | 1066500 | . | S6 | 1066560 |
| 16M25 | 12(2) | 21L29 | 1062100 | . | FP6 | 1066560 |
| 17L21 | 13(2) | 22M31 | 5374415 | . | NKDI-1 | 1046560 |
| 21L09 | 14(2) | 16M22 | 1056500 | . | S5 | 1056560 |
| 16M27 | 15(2) | 21L24 | 1052100 | . | FP5 | 1056560 |
| | 16(0) | | 4791117 | -GND | GND2217 | 4791117 |
| 20M02 | 17(2) | 03L10 | 8180200 | . | WK1 | 8180210 |
| 21L33 | 18(2) | 16M21 | 1046500 | . | S4 | 1046560 |
| 16M28 | 19(2) | 21L26 | 1042100 | . | FP4 | 1046560 |
| 16M26 | 20(2) | 21L27 | 1072100 | . | FP7 | 1076560 |
| 17L23 | 21(2) | 17L13 | 5374415 | . | NKDI-1 | 1076560 |
| 13M39 | 22(2) | 14L43 | 1076500 | . | S7 | 1076560 |
| 17M13 | 23(2) | 17L21 | 5374415 | . | NKDI-1 | 1006560 |
| | 24(0) | | | | | |
| 16M18 | 25(2) | 21L28 | 1032100 | . | FP3 | 1036560 |
| 21L25 | 26(2) | 14L24 | 1036500 | . | S3 | 1036560 |
| 16L27 | 27(1) | | 3060400 | . | CC4 | 3060425 |
| 16M03 | 28(2) | 14L23 | 1026500 | . | S2 | 1026560 |
| 17M29 | 29(2) | 22M30 | 5374410 | . | KDI-1 | 1006560 |
| 16M19 | 30(2) | 21L34 | 1022100 | . | FP2 | 1026560 |
| 16L31 | 31(1) | | 3060300 | . | CC3 | 3060325 |
| | 32(0) | | | | | |
| 16M05 | 33(2) | 21L30 | 1012100 | . | FP1 | 1016560 |
| 21L20 | 34(2) | 16M02 | 1016500 | . | S1 | 1016560 |
| 16L35 | 35(1) | | 3060200 | . | CC2 | 3060225 |
| | 36(0) | | | | | |
| 16M17 | 37(2) | 21L31 | 1002100 | . | FP0 | 1006560 |
| 18L10 | 38(2) | 16M01 | 1006500 | . | S0 | 1006560 |
| 16L38 | 39(1) | | 3060100 | . | CC1 | 3060125 |
| | 40(1) | 29M24 | 5560290 | -NS | KUA29 | 5560290 |
| | 41(0) | | | | | |
| | 42(1) | 02L21 | 1073050 | -NS | KS7 | 1073050 |
| | 43(1) | 29M26 | 5560310 | -NS | KUA31 | 5560310 |
| | 44(1) | 02L50 | 5541000 | -NS | KSXA | 5541000 |
| | 45(1) | 02M50 | 5542000 | -NS | KSXD | 5542000 |
| | 46(1) | 31K01 | 5425400 | -NS | KIORESET | 5425400 |
| | 47(1) | 31K03 | 5343200 | -NS | NKAHOLD | 5343200 |
| | 48(0) | | | | | |
| 16L49 | 49(0) | 18L49 | 8301100 | | P4VL | 8301120 |
| | 50(1) | 10L50 | 8304700 | -VSP | M8VL | 8304700 |
| 16L51 | 51(0) | 18L51 | 8303100 | | P8VL | 8303120 |

| FROM | PIN (COUNT) | TO | SOURCE LINE NO. | ELEM. TYPE | SOURCE SIGNAL NAME | REFERENCE LINE NO. |
|-------|----------------|-------|--------------------|---------------|--------------------|-----------------------|
| | 00(0) | | | | | |
| 26K04 | 01(2) | 18M24 | 7500100 | I | (S00-S0) | 7500102 |
| 32M50 | 02(1) | | 5153283 | I | N(IOFR8.NRW) | 5153283 |
| 21M02 | 03(2) | 01M01 | 1082640 | . | IOFR8 | 5153283 |
| 27K08 | 04(2) | 05K07 | 5154000 | . | IOIN | 5154015 |
| 16L07 | 05(2) | 18L27 | 7828800 | . | SPW | 6911762 |
| 18L26 | 06(2) | 15L37 | 4321977 | . | FAIM | 6911762 |
| 19L08 | 07(2) | 15L43 | 3690120 | . | NDIS-2 | 6911762 |
| | 08(0) | | | | | |
| 24M20 | 09(2) | 16L18 | 7430112 | . | NRW-2 | 5153283 |
| 19L02 | 10(2) | 17L38 | 1006500 | . | S0 | 7500102 |
| 26K08 | 11(2) | 02L07 | 1006480 | . | S00 | 7500102 |
| | 12(1) | 20L27 | 6911760 | I | PRXNAND/1B | 6911762 |
| | 13(1) | 24K02 | 5154015 | I | NIOIN-1 | 5154015 |
| | 14(1) | 12L24 | 2500800 | I | N((S/B8).ND6.D4) | 2500800 |
| | 15(1) | 11L12 | 4385900 | I | FNORM | 4385900 |
| | 16(0) | | 4791118 | -GND | GND2218 | 4791118 |
| 03M22 | 17(1) | | 1110104 | . | NA11 | 4385900 |
| 03M21 | 18(1) | | 1090104 | . | NA9 | 4385900 |
| | 19(0) | | | | | |
| 16L20 | 20(2) | 24K43 | 1061340 | . | ND6-1 | 2500800 |
| 11L13 | 21(2) | 20M47 | 1080350 | . | (S/B8) | 2500800 |
| 13L14 | 22(1) | | 1040104 | . | NA4 | 5155002 |
| 06L42 | 23(1) | | 1030104 | . | NA3 | 5155002 |
| 06L40 | 24(1) | | 1020104 | . | NA2 | 5155002 |
| 15L41 | 25(2) | 18L37 | 3690130 | . | NDIS-3 | 6911372 |
| 32M45 | 26(2) | 18L06 | 4321977 | . | FAIM | 6911372 |
| 18L05 | 27(2) | 14M33 | 7828800 | . | SPW | 6911372 |
| 04K42 | 28(2) | 07L21 | 1002640 | . | IOFR0 | 5155002 |
| 27K20 | 29(2) | 12L42 | 1041300 | . | D4 | 2500800 |
| 15L42 | 30(1) | | 1080104 | . | NA8 | 4385900 |
| 03M29 | 31(1) | | 1100104 | . | NA10 | 4385900 |
| | 32(0) | | | | | |
| | 33(1) | 20L36 | 6911370 | I | PRXAND/1B | 6911372 |
| 15L46 | 34(2) | 30L03 | 5155000 | I | IOINTST | 5155002 |
| | 35(1) | 19L27 | 6911580 | I | PRXNAD/2 | 6911580 |
| | 36(1) | 19L28 | 6911180 | I | PRXAD/2 | 6911180 |
| 18L25 | 37(2) | 18L43 | 3690130 | . | NDIS-3 | 6911180 |
| 19L30 | 38(2) | 10M21 | 6911500 | . | NPRXNAD | 6911580 |
| 30K15 | 39(2) | 14K02 | 5156540 | . | (IOPH1.SW8) | 1000345 |
| 03M13 | 40(2) | 04K39 | 1284940 | . | P28-1 | 6802850 |
| 04K21 | 41(2) | 24M37 | 1314940 | . | P31-1 | 6802850 |
| 23K40 | 42(1) | | 6691100 | . | ORDEROUT | 1000345 |
| 18L37 | 43(2) | 19L50 | 3690130 | . | NDIS-3 | 6911580 |
| 19L42 | 44(2) | 10M23 | 6911100 | . | NPRXAD | 6911180 |
| | 45(1) | 12L37 | 1000345 | I | N(R/B0/1) | 1000345 |
| | 46(1) | 32K39 | 6802850 | I | N(P28.P31) | 6802850 |
| 30L03 | 47(1) | | 5155000 | T | IOINTST | 5155000 |
| | 48(0) | | | | | |
| 17L49 | 49(0) | 19L49 | 8301100 | . | P4VL | 8301120 |
| 15M08 | 50(1) | | 5155050 | T | NIOINTST | 5155050 |
| 17L51 | 51(0) | 19L51 | 8303100 | . | P8VL | 8303120 |

| FROM | PIN (COUNT) | TO | SOURCE LINE NO. | ELEM. TYPE | SOURCE SIGNAL NAME | REFERENCE LINE NO. |
|-------|----------------|-------|--------------------|---------------|--------------------|-----------------------|
| | 00(0) | | | | | |
| 26K26 | 01(2) | 23L24 | 1050500 | . | C5 | 1050520 |
| 21L22 | 02(2) | 18L10 | 1006500 | . | S0 | 1006520 |
| 11L36 | 03(2) | 22K21 | 1043370 | . | L104 | 1043374 |
| 11L02 | 04(2) | 21K22 | 1033370 | . | L103 | 1033374 |
| | 05(1) | 32K34 | 1006520 | I | NS0 | 1006520 |
| | 06(1) | 19L10 | 6911360 | I | PRXAND/1A | 6911360 |
| 16L08 | 07(2) | 18M41 | 7828801 | . | NSPW | 6911360 |
| 20L20 | 08(2) | 18L07 | 3690120 | . | NDIS-2 | 6911360 |
| 27K46 | 09(2) | 19L38 | 3690150 | . | (DIS.NKSXA) | 6911362 |
| 19L06 | 10(2) | 20L37 | 6911360 | I | PRXAND/1A | 6911362 |
| | 11(1) | 27K17 | 1070520 | I | NC7 | 1070520 |
| 16L12 | 12(2) | 23L08 | 1070500 | . | C7 | 1070520 |
| 16L13 | 13(2) | 23L13 | 1060500 | . | C6 | 1060520 |
| 16L14 | 14(2) | 18M40 | 6911300 | . | NPRXAND | 6911360 |
| | 15(1) | 27K31 | 1060520 | I | NC6 | 1060520 |
| | 16(0) | | 4791119 | -GND | GND2219 | 4791119 |
| | 17(1) | 27K18 | 1050520 | I | NC5 | 1050520 |
| | 18(1) | 23K22 | 1033374 | I | NL103 | 1033374 |
| | 19(1) | 23K21 | 1043374 | I | NL104 | 1043374 |
| | 20(0) | | | | | |
| 32M46 | 21(2) | 19L22 | 4320540 | . | FABYTE | 6911184 |
| 19L21 | 22(2) | 16L28 | 4320540 | . | FABYTE | 6911584 |
| 15L36 | 23(2) | 19L24 | 4321990 | . | NFAIM-1 | 6911570 |
| 19L23 | 24(2) | 22M04 | 4321990 | . | NFAIM-1 | 6911170 |
| | 25(1) | 19L36 | 6911570 | I | PRXNAD/1B | 6911570 |
| | 26(1) | 19L41 | 6911170 | I | PRXAD/1B | 6911170 |
| 18L35 | 27(2) | 19L35 | 6911580 | I | PRXNAD/2 | 6911584 |
| 18L36 | 28(2) | 19L34 | 6911180 | I | PRXAD/2 | 6911184 |
| 15L31 | 29(2) | 22M28 | 7829100 | . | (SPZ.NDIS) | 6911170 |
| 22M09 | 30(2) | 18L38 | 6911500 | . | NPRXNAD | 6911572 |
| 19L43 | 31(2) | 16L30 | 4425670 | . | FUSF/1 | 6911352 |
| | 32(0) | | | | | |
| 27K45 | 33(2) | 10M10 | 3690160 | . | (DIS.NKSXD) | 6911174 |
| 19L28 | 34(2) | 18M37 | 6911180 | I | PRXAD/2 | 6911182 |
| 19L27 | 35(2) | 18M38 | 6911580 | I | PRXNAD/2 | 6911582 |
| 19L25 | 36(2) | 19L46 | 6911570 | I | PRXNAD/1B | 6911574 |
| | 37(0) | | | | | |
| 19L09 | 38(2) | 19L40 | 3690150 | . | (DIS.NKSXA) | 6911174 |
| | 39(0) | | | | | |
| 19L38 | 40(2) | 10M20 | 3690150 | . | (DIS.NKSXA) | 6911182 |
| 19L26 | 41(2) | 19L44 | 6911170 | I | PRXAD/1B | 6911174 |
| 22M06 | 42(2) | 18L44 | 6911100 | . | NPRXAD | 6911172 |
| 05L26 | 43(2) | 19L31 | 4425670 | . | FUSF/1 | 6911150 |
| 19L41 | 44(2) | 20L42 | 6911170 | I | PRXAD/1B | 6911172 |
| | 45(1) | 20L45 | 6911150 | I | PRXAD/0 | 6911150 |
| 19L36 | 46(2) | 20L30 | 6911570 | I | PRXNAD/1B | 6911572 |
| | 47(1) | 20L41 | 6911350 | I | PRXAND/0 | 6911352 |
| | 48(0) | | | | | |
| 18L49 | 49(0) | 20L49 | 8301100 | . | P4VL | 8301120 |
| 18L43 | 50(2) | 20L29 | 3690130 | . | NDIS-3 | 6911150 |
| 18L51 | 51(0) | 20L51 | 8303100 | . | P8VL | 8303120 |

XDS 902306

DRAWING NO. - 133264-930 AC
 PROG-PNIND MODULE-20L
 TYPE-PIN INDEX TYPE-BT16

52

10/27/71

XDS
 XEROX DATA SYSTEMS

| FROM | PIN (COUNT) | TO | SOURCE LINE NO. | ELEM. TYPE | SOURCE SIGNAL NAME | REFERENCE LINE NO. |
|-------|----------------|-------|--------------------|---------------|--------------------|-----------------------|
| | 00(0) | | | | | |
| | 01(1) | 24L01 | 4900501 | . | GXAD | 4900550 |
| 16L11 | 02(2) | 20L03 | 7900150 | . | SXADD/1 | 7900115 |
| 20L02 | 03(2) | 20L04 | 7900150 | . | SXADD/1 | 7900110 |
| 20L03 | 04(2) | 20L21 | 7900150 | . | SXADD/1 | 7900105 |
| | 05(1) | 27M50 | 7900115 | B | SXADD-1B | 7900115 |
| | 06(1) | 22L43 | 1010350 | B | (S/B1) | 1010350 |
| | 07(0) | | | | | |
| 07L10 | 08(2) | 26L18 | 1020100 | . | A2 | 1010350 |
| 25L15 | 09(2) | 29L11 | 1000500 | . | C0 | 1000510 |
| 24M17 | 10(2) | 32K36 | 1000510 | B | C0-1 | 1000510 |
| | 11(1) | 25M34 | 3403100 | B | CXMB-1 | 3403100 |
| 24L18 | 12(2) | 20L13 | 3641100 | . | DG | 3403100 |
| 20L12 | 13(2) | 10M09 | 3641100 | . | DG | 3403000 |
| 24K30 | 14(2) | 11L26 | 8051028 | . | TORDIN | 1010350 |
| | 15(1) | 25L34 | 3403000 | B | CXMB-0 | 3403000 |
| | 16(0) | | 4791120 | -GND | GND2220 | 4791120 |
| | 17(1) | 25L21 | 4900550 | B | GXAD-0 | 4900550 |
| | 18(1) | 27L50 | 7900105 | B | SXADD-0B | 7900105 |
| | 19(1) | 25M50 | 7900110 | B | SXADD-1A | 7900110 |
| 24L22 | 20(2) | 19L08 | 3690120 | . | NDIS-2 | 4900550 |
| 20L04 | 21(2) | 05M37 | 7900150 | . | SXADD/1 | 7900100 |
| 16L23 | 22(2) | 20L23 | 6911790 | . | (PRXNAND+SPW) | 6911760 |
| 20L22 | 23(2) | 20L24 | 6911790 | . | (PRXNAND+SPW) | 6911750 |
| 20L23 | 24(2) | 18M47 | 6911790 | . | (PRXNAND+SPW) | 6911740 |
| | 25(1) | 25M26 | 6911750 | B | PRXNAND/1A | 6911750 |
| | 26(1) | 25L26 | 6911740 | B | PRXNAND/0 | 6911740 |
| 18L12 | 27(2) | 27M26 | 6911760 | B | PRXNAND/1B | 6911760 |
| | 28(1) | 25L50 | 7900100 | B | SXADD-0A | 7900100 |
| 19L50 | 29(2) | 22M22 | 3690130 | . | NDIS-3 | 6911740 |
| 19L46 | 30(2) | 20L31 | 6911570 | . | PRXNAD/1B | 6911550 |
| 20L30 | 31(2) | 27M27 | 6911570 | . | PRXNAD/1B | 6911560 |
| | 32(0) | | | | | |
| | 33(0) | | | | | |
| | 34(1) | 25M21 | 4900560 | B | GXAD-1 | 4900560 |
| | 35(1) | 25L25 | 4900650 | B | GXAND-0 | 4900650 |
| 18L33 | 36(2) | 27M20 | 6911370 | B | PRXAND/1B | 6911370 |
| 19L10 | 37(2) | 20L38 | 6911360 | . | PRXAND/1A | 6911370 |
| 20L37 | 38(2) | 25M20 | 6911360 | . | PRXAND/1A | 6911350 |
| 22M05 | 39(2) | 13M13 | 4900601 | . | GXAND | 4900650 |
| 24L01 | 40(2) | 10M41 | 4900501 | . | GXAD | 4900560 |
| 19L47 | 41(2) | 25L20 | 6911350 | B | PRXAND/0 | 6911350 |
| 19L44 | 42(2) | 20L43 | 6911170 | . | PRXAD/1B | 6911160 |
| 20L42 | 43(2) | 27M29 | 6911170 | . | PRXAD/1B | 6911152 |
| | 44(1) | 25M29 | 6911160 | B | PRXAD/1A | 6911160 |
| 19L45 | 45(2) | 25L29 | 6911150 | B | PRXAD/0 | 6911152 |
| | 46(1) | 25L27 | 6911550 | B | PRXNAD/0 | 6911550 |
| | 47(1) | 25M27 | 6911560 | B | PRXNAD/1A | 6911560 |
| | 48(0) | | | | | |
| 19L49 | 49(0) | 21L49 | 8301100 | . | P4VL | 8301120 |
| 15L47 | 50(2) | 22M10 | 7829110 | . | N(SPZ.NDIS) | 6911152 |
| 19L51 | 51(0) | 21L51 | 8303100 | . | P8VL | 8303120 |

XDS 902306

XDS
XEROX DATA SYSTEMS

DRAWING NO.- 133264-930 AC
PROG-PNIND MODULE-21L
TYPE-PIN INDEX TYPE-GT12

53

10/27/71

| FROM | PIN (COUNT) | TO | SOURCE LINE NO. | ELEM. TYPE | SOURCE SIGNAL NAME | REFERENCE LINE NO. |
|-------|----------------|-------|--------------------|---------------|--------------------|-----------------------|
| | 00(0) | | | | | |
| 19M01 | 01(2) | 16L26 | 2902160 | . | NBXP | 2902100 |
| 19M02 | 02(2) | 16L25 | 2900690 | . | NBXR2 | 2900700 |
| 19M03 | 03(2) | 16L17 | 2900640 | . | NBXR1 | 2900650 |
| 19M08 | 04(2) | 23L30 | 1060300 | . | B6 | 2500076 |
| | 05(1) | 22L27 | 1000300 | . | B0 | 1000314 |
| | 06(1) | 23L39 | 1070310-1 | + | | 1070310 |
| 18M33 | 07(2) | 24L07 | 1316530 | . | S31/1 | 1000310 |
| 18M31 | 08(2) | 24L08 | 1306530 | . | S30/1 | 1000312 |
| 27K10 | 09(2) | 17L14 | 1056500 | . | S5 | 1050312 |
| | 10(0) | | 2902100 | I | BXFP-0 | 2902100 |
| | 11(1) | 22L41 | 1020310-1 | + | | 1020312 |
| 24L06 | 12(2) | 19M12 | 2905650 | . | N(BXS+BXP/2) | 2905540 |
| | 13(1) | 22L46 | 1010310-1 | + | | 1010310 |
| | 14(1) | 23L31 | 1050300 | . | B5 | 2500074 |
| | 15(1) | 19M15 | 2500070 | I | B0031Z | 2500070 |
| | 16(0) | | 4791121 | -GND | GND2221 | 4791121 |
| | 17(1) | 22L31 | 1010300 | . | B1 | 1000310 |
| | 18(1) | 22L50 | 1000310-1 | + | | 1000310 |
| 28L19 | 19(2) | 17L11 | 1066500 | . | S6 | 1060312 |
| 25L17 | 20(2) | 17L34 | 1016500 | . | S1 | 1010312 |
| 28L17 | 21(2) | 20M08 | 1076500 | . | S7 | 1070312 |
| 26K07 | 22(2) | 19L02 | 1006500 | . | S0 | 1000312 |
| 26L19 | 23(2) | 20M24 | 1026500 | . | S2 | 1020312 |
| 17L15 | 24(2) | 31L06 | 1052100 | . | FP5 | 1050316 |
| 26L17 | 25(2) | 17L26 | 1036500 | . | S3 | 1030312 |
| 17L19 | 26(2) | 31L05 | 1042100 | . | FP4 | 1040316 |
| 17L20 | 27(2) | 31L08 | 1072100 | . | FP7 | 1070316 |
| 17L25 | 28(2) | 31L04 | 1032100 | . | FP3 | 1030316 |
| 17L12 | 29(2) | 31L07 | 1062100 | . | FP6 | 1060316 |
| 17L33 | 30(2) | 31L02 | 1012100 | . | FP1 | 1010316 |
| 17L37 | 31(2) | 31L01 | 1002100 | . | FP0 | 1000316 |
| | 32(0) | | | | | |
| 27L19 | 33(2) | 17L18 | 1046500 | . | S4 | 1040312 |
| 17L30 | 34(2) | 31L03 | 1022100 | . | FP2 | 1020316 |
| | 35(1) | 23L27 | 1040300 | . | B4 | 2500074 |
| 19M07 | 36(2) | 23L33 | 1070300 | . | B7 | 2500076 |
| | 37(0) | | 2900500 | I | BXB-0 | 2900500 |
| | 38(1) | 22L39 | 1030310-1 | + | | 1030310 |
| | 39(1) | 23L50 | 1040310-1 | + | | 1040310 |
| | 40(1) | 20M43 | 1090350 | I | (S/B9) | 1090350 |
| | 41(1) | 23L46 | 1050310-1 | + | | 1050316 |
| | 42(1) | 23L41 | 1060310-1 | + | | 1060310 |
| | 43(1) | 19M05 | 1080300 | . | B8 | 1070310 |
| | 44(1) | 22L33 | 1030300 | . | B3 | 2500072 |
| | 45(1) | 22L30 | 1020300 | . | B2 | 2500072 |
| 19M46 | 46(2) | 16L46 | 2904500 | . | NBXP/1 | 2900500 |
| 19M47 | 47(2) | 22M02 | 2900590 | . | NBXL1 | 2900600 |
| | 48(0) | | | | | |
| 20L49 | 49(0) | 22L49 | 8301100 | . | P4VL | 8301120 |
| 16L47 | 50(1) | | 1090360 | . | N(S/B9) | 1090350 |
| 20L51 | 51(0) | 22L51 | 8303100 | . | P8VL | 8303120 |

XDS 902306

XDS
XEROX DATA SYSTEMS

DRAWING NO. - 133264-930 AC
PROG-PNIND MODULE-22L
TYPE-PIN INDEX TYPE-FT22

54
10/27/71

| FROM | PIN (COUNT) | TO | SOURCE LINE NO. | ELEM. TYPE | SOURCE SIGNAL NAME | REFERENCE LINE NO. |
|-------|-------------|-------|-----------------|------------|--------------------|--------------------|
| | 00(0) | | | | | |
| 16M13 | 01(1) | 23L01 | 3200040 | . | CL-32P04 | 1000334 |
| | 02(1) | | 1024500 | FF | 02 | 1024500 |
| | 03(0) | | 1014504-1 | + | | 1014504 |
| | 04(1) | 32K14 | 1014500 | FF | 01 | 1014500 |
| | 05(1) | 32K15 | 1014502 | NFF | NO1 | 1014502 |
| | 06(1) | 32K19 | 1034500 | FF | 03 | 1034500 |
| | 07(1) | 32K20 | 1034502 | NFF | NO3 | 1034502 |
| 26K33 | 08(2) | 26L05 | 1030500 | . | C3 | 1034504 |
| 32K50 | 09(2) | 22L22 | 6750100 | . | OX | 1034510 |
| 32K30 | 10(2) | 23L10 | 6752000 | . | OX | 1014504 |
| | 11(0) | | 3405112-1 | + | | 3405112 |
| | 12(1) | 27K26 | 3405111 | NFF | CXS | 3405111 |
| | 13(1) | 22L16 | 4791122 | . | GND2222 | 3405112 |
| | 14(0) | | 3405110 | FF | NCXS | 3405110 |
| | 15(0) | | | | | |
| 22L13 | 16(2) | 22L17 | 4791122 | -GND | GND2222 | 4791122 |
| 22L16 | 17(2) | 22L19 | 4791122 | . | GND2222 | 1014504 |
| | 18(0) | | 1024504-1 | + | | 1024504 |
| 22L17 | 19(2) | 22L37 | 4791122 | . | GND2222 | 1034504 |
| 32K08 | 20(2) | 22M19 | 3405150 | . | N(S/CXS) | 3405112 |
| 32K18 | 21(1) | | 1024502 | NFF | NO2 | 1024502 |
| 22L09 | 22(2) | 22L23 | 6750100 | . | OX | 1014510 |
| 22L22 | 23(2) | 23L09 | 6750100 | . | OX | 1024510 |
| 25L05 | 24(2) | 24L24 | 1010500 | . | C1 | 1014504 |
| 24L25 | 25(2) | 25L10 | 1020500 | . | C2 | 1024504 |
| | 26(1) | 32M05 | 1010304 | NFF | NB1 | 1010304 |
| 21L05 | 27(2) | 25L33 | 1000300 | FF | B0 | 1000300 |
| | 28(1) | 32M03 | 1000304 | NFF | NB0 | 1000304 |
| | 29(0) | | 1020304 | NFF | NB2 | 1020304 |
| 21L45 | 30(2) | 26L33 | 1020300 | FF | B2 | 1020300 |
| 21L17 | 31(2) | 25L47 | 1010300 | FF | B1 | 1010300 |
| | 32(0) | | | | | |
| 21L44 | 33(2) | 26L47 | 1030300 | FF | B3 | 1030300 |
| | 34(0) | | 1030304 | NFF | NB3 | 1030304 |
| 11L33 | 35(2) | 26K45 | 1030350 | . | (S/B3) | 1030314 |
| 32M02 | 36(2) | 21M36 | 5156870 | . | IOPOP | 1000314 |
| 22L19 | 37(1) | | 4791122 | . | GND2222 | 1000316 |
| 22L40 | 38(2) | 23L38 | 2900110 | . | BX-0 | 1030330 |
| 21L38 | 39(1) | | 1030310-1 | + | | 1030310 |
| 22M01 | 40(2) | 22L38 | 2900110 | . | BX-0 | 1020330 |
| 21L11 | 41(1) | | 1020310-1 | + | | 1020314 |
| 30K22 | 42(2) | 24K17 | 1020350 | . | (S/B2) | 1020314 |
| 20L06 | 43(2) | 24L43 | 1010350 | . | (S/B1) | 1010314 |
| 12L01 | 44(2) | 24L44 | 1010340 | . | (R/B1) | 1010330 |
| 12L36 | 45(2) | 24L45 | 1000340 | . | (R/B0) | 1000330 |
| 21L13 | 46(1) | | 1010310-1 | + | | 1010314 |
| 14K01 | 47(2) | 24L47 | 1000350 | . | (S/B0) | 1000314 |
| | 48(0) | | | | | |
| 21L49 | 49(0) | 23L49 | 8301100 | | P4VL | 8301120 |
| 21L18 | 50(1) | | 1000310-1 | + | | 1000314 |
| 21L51 | 51(0) | 23L51 | 8303100 | | P8VL | 8303120 |

XDS 902306

XDS
XEROX DATA SYSTEMS

DRAWING NO.- 133264-930 AC
PROG-PNIND MODULE-23L
TYPE-PIN INDEX TYPE-FT22

55

10/27/71

| FROM | PIN (COUNT) | TO | SOURCE LINE NO. | ELEM. TYPE | SOURCE SIGNAL NAME | REFERENCE LINE NO. |
|-------|----------------|-------|--------------------|---------------|--------------------|-----------------------|
| | 00(0) | | | | | |
| 22L01 | 01(1) | 32P04 | 3200040 | . | CL-32P04 | 1040334 |
| | 02(1) | 32K21 | 1044500 | FF | 04 | 1044500 |
| | 03(0) | | 1054504-1 | + | | 1054504 |
| | 04(1) | 32K23 | 1054500 | FF | 05 | 1054500 |
| | 05(1) | 24K23 | 1054502 | NFF | N05 | 1054502 |
| | 06(1) | 16M09 | 1074500 | FF | 07 | 1074500 |
| | 07(1) | 32K28 | 1074502 | NFF | N07 | 1074502 |
| 19L12 | 08(2) | 28L05 | 1070500 | . | C7 | 1074504 |
| 22L23 | 09(2) | 23L15 | 6750100 | . | OX | 1074510 |
| 22L10 | 10(2) | 14M37 | 6752000 | . | OXC | 1044504 |
| | 11(0) | | 1064504-1 | + | | 1064504 |
| | 12(1) | 32K26 | 1064502 | NFF | N06 | 1064502 |
| 19L13 | 13(2) | 27L10 | 1060500 | . | C6 | 1064504 |
| | 14(1) | 16M12 | 1064500 | FF | 06 | 1064500 |
| 23L09 | 15(2) | 23L22 | 6750100 | . | OX | 1064510 |
| | 16(1) | 23L17 | 4791123 | -GND | GND2223 | 4791123 |
| 23L16 | 17(2) | 23L19 | 4791123 | . | GND2223 | 1044504 |
| | 18(0) | | 1044504-1 | + | | 1044504 |
| 23L17 | 19(2) | 23L20 | 4791123 | . | GND2223 | 1074504 |
| 23L19 | 20(2) | 23L35 | 4791123 | . | GND2223 | 1064504 |
| | 21(1) | 32K22 | 1044502 | NFF | N04 | 1044502 |
| 23L15 | 22(2) | 23L23 | 6750100 | . | OX | 1054510 |
| 23L22 | 23(2) | 24L23 | 6750100 | . | OX | 1044510 |
| 19L01 | 24(2) | 27L05 | 1050500 | . | C5 | 1054504 |
| 26K46 | 25(2) | 26L10 | 1040500 | . | C4 | 1044504 |
| | 26(0) | | 1050304 | NFF | NB5 | 1050304 |
| 21L35 | 27(2) | 27L33 | 1040300 | FF | B4 | 1040300 |
| | 28(0) | | 1040304 | NFF | NB4 | 1040304 |
| | 29(0) | | 1060304 | NFF | NB6 | 1060304 |
| 21L04 | 30(2) | 28L33 | 1060300 | FF | B6 | 1060300 |
| 21L14 | 31(2) | 27L47 | 1050300 | FF | B5 | 1050300 |
| | 32(0) | | | | | |
| 21L36 | 33(2) | 28L47 | 1070300 | FF | B7 | 1070300 |
| | 34(0) | | 1070304 | NFF | NB7 | 1070304 |
| 23L20 | 35(2) | 23L37 | 4791123 | . | GND2223 | 1070314 |
| | 36(0) | | | | | |
| 23L35 | 37(2) | 23L42 | 4791123 | . | GND2223 | 1040316 |
| 22L38 | 38(2) | 23L40 | 2900110 | . | BX-0 | 1070330 |
| 21L06 | 39(1) | | 1070310-1 | + | | 1070310 |
| 23L38 | 40(2) | 23L44 | 2900110 | . | BX-0 | 1060330 |
| 21L42 | 41(1) | | 1060310-1 | + | | 1060314 |
| 23L37 | 42(2) | 23L43 | 4791123 | . | GND2223 | 1060314 |
| 23L42 | 43(1) | | 4791123 | . | GND2223 | 1050314 |
| 23L40 | 44(2) | 23L45 | 2900110 | . | BX-0 | 1050330 |
| 23L44 | 45(2) | 29M05 | 2900110 | . | BX-0 | 1040330 |
| 21L41 | 46(1) | | 1050310-1 | + | | 1050314 |
| 26K27 | 47(2) | 24L50 | 1040350 | . | (S/B4) | 1040314 |
| | 48(0) | | | | | |
| 22L49 | 49(0) | 24L49 | 8301100 | | P4VL | 8301130 |
| 21L39 | 50(1) | | 1040310-1 | + | | 1040314 |
| 22L51 | 51(0) | 24L51 | 8303100 | | P8VL | 8303130 |

XDS 902306

XDS
XEROX DATA SYSTEMS

DRAWING NO.- 133264-930 AC
PROG-PNIND MODULE-24L
TYPE-PIN INDEX TYPE-XT10

56

10/27/71

| FROM | PIN (COUNT) | TO | SOURCE LINE NO. | ELEM. TYPE | SOURCE SIGNAL NAME | REFERENCE LINE NO. |
|-------|----------------|-------|--------------------|---------------|--------------------|-----------------------|
| | 00(0) | | | | | |
| 20L01 | 01(2) | 20L40 | 4900501 | T | GXAD | 4900501 |
| | 02(1) | 25L03 | 3905500 | T | DXS-0 | 3905500 |
| | 03(1) | 25L08 | 3901000 | T | DXC-0 | 3901000 |
| | 04(1) | 25L07 | 3900130 | T | DX/OA | 3900130 |
| | 05(1) | 27L07 | 3900110 | T | DX/OB | 3900110 |
| | 06(1) | 21L12 | 2905650 | T | N(BXS+BXP/2) | 2905650 |
| 21L07 | 07(1) | | 1316530 | T | S31/1 | 1316530 |
| 21L08 | 08(1) | | 1306530 | T | S30/1 | 1306530 |
| 24L10 | 09(2) | 25L09 | 3200060 | T | CL-32P06 | 3200060 |
| | 10(1) | 24L09 | 3200060 | T | CL-32P06 | 3200060 |
| 26L12 | 11(1) | | 1271300 | T | D27 | 1271300 |
| 25L12 | 12(1) | | 1251300 | T | D25 | 1251300 |
| 25L13 | 13(1) | | 1241300 | T | D24 | 1241300 |
| 26L13 | 14(1) | | 1261300 | T | D26 | 1261300 |
| 27L13 | 15(1) | | 1281300 | T | D28 | 1281300 |
| | 16(0) | | 4791124 | -GND | GND2224 | 4791124 |
| 27L12 | 17(1) | | 1291300 | T | D29 | 1291300 |
| | 18(1) | 20L12 | 3641100 | T | DG | 3641100 |
| | 19(1) | 25L14 | 3901050 | T | DXCL1-0 | 3901050 |
| 23K31 | 20(1) | | 7430530 | T | RWB1 | 7430530 |
| 24K31 | 21(1) | | 1156350 | T | RW15XZ | 1156350 |
| | 22(1) | 20L20 | 3690120 | T | ND1S-2 | 3690120 |
| 23L23 | 23(1) | | 6750100 | T | OX | 6750100 |
| 22L24 | 24(1) | | 1010500 | T | C1 | 1010500 |
| | 25(1) | 22L25 | 1020500 | T | C2 | 1020500 |
| 30L04 | 26(1) | | 3900100 | T | NDX | 3900100 |
| | 27(1) | 25L41 | 7901100 | T | SXC-0 | 7901100 |
| | 28(1) | 25L45 | 7900500 | T | SXB-0 | 7900500 |
| 28L50 | 29(1) | | 7900105 | T | SXADD-0B | 7900105 |
| 29L50 | 30(1) | | 7900100 | T | SXADD-0A | 7900100 |
| | 31(1) | 25L31 | 3405000 | T | CXS/0 | 3405000 |
| | 32(0) | | | | | |
| 28L34 | 33(1) | | 3403000 | T | CXMB-0 | 3403000 |
| 05L39 | 34(2) | 27L35 | 1056300 | T | RR5 | 1056300 |
| 05L42 | 35(2) | 25L35 | 1016300 | T | RR1 | 1016300 |
| 05L07 | 36(2) | 26L35 | 1036300 | T | RR3 | 1036300 |
| 30L37 | 37(1) | | 3900900 | T | NDXC | 3900930 |
| 05L30 | 38(2) | 27L39 | 1046300 | T | RR4 | 1046300 |
| 05L11 | 39(2) | 26L39 | 1026300 | T | RR2 | 1026300 |
| | 40(1) | 25L37 | 3404000 | T | CXRR-0 | 3404000 |
| | 41(1) | 25L40 | 5054000 | T | HOLDC-0 | 5054000 |
| 25L43 | 42(1) | | 7901540 | T | SXDA | 7901540 |
| 22L43 | 43(1) | | 1010350 | T | (S/B1) | 1010350 |
| 22L44 | 44(1) | | 1010340 | T | (R/B1) | 1010340 |
| 22L45 | 45(1) | | 1000340 | T | (R/B0) | 1000340 |
| 29L46 | 46(1) | | 1002780 | T | K000 | 1002780 |
| 22L47 | 47(1) | | 1000350 | T | (S/B0) | 1000350 |
| | 48(0) | | | | | |
| 23L49 | 49(0) | 25L49 | 8301100 | | P4VL | 8301130 |
| 23L47 | 50(1) | | 1040350 | T | (S/B4) | 1040350 |
| 23L51 | 51(0) | 25L51 | 8303100 | | P8VL | 8303130 |

| FROM | PIN (COUNT) | TO | SOURCE LINE NO. | ELEM. TYPE | SOURCE SIGNAL NAME | REFERENCE LINE NO. |
|-------|----------------|-------|--------------------|---------------|--------------------|-----------------------|
| | 00(0) | | | | | |
| | 01(1) | 29K40 | 1015500 | B | PR1 | 1015500 |
| | 02(1) | 29K43 | 1005500 | B | PR0 | 1005500 |
| 24L02 | 03(2) | 26L03 | 3905500 | . | DXS-0 | 1001312 |
| | 04(1) | 29K44 | 1012500 | B | G1 | 1012500 |
| | 05(1) | 22L24 | 1010500 | FB | C1 | 1010500 |
| | 06(1) | 29K46 | 1002500 | B | G0 | 1002500 |
| 24L04 | 07(2) | 26L07 | 3900130 | . | DX/0A | 1001330 |
| 24L03 | 08(2) | 26L08 | 3901000 | . | DXC-0 | 1001310 |
| 24L09 | 09(2) | 26L09 | 3200060 | . | CL-32P06 | 1001334 |
| 22L25 | 10(2) | 26L15 | 1020500 | . | C2 | 1011310 |
| 13M08 | 11(2) | 26L11 | 3901500 | . | DXDR8/0 | 1001312 |
| 24M35 | 12(2) | 24L12 | 1251300 | . | D25 | 1011312 |
| 18M14 | 13(2) | 24L13 | 1241300 | . | D24 | 1001312 |
| 24L19 | 14(2) | 26L14 | 3901050 | . | DXCL1-0 | 1001310 |
| | 15(1) | 20L09 | 1000500 | FB | C0 | 1000500 |
| | 16(0) | | 4791125 | -GND | GND2225 | 4791125 |
| | 17(1) | 21L20 | 1016500 | I | S1 | 1016500 |
| 12L43 | 18(2) | 26K23 | 1000100 | . | A0 | 1000140 |
| | 19(1) | 30L35 | 1006500 | I | S0 | 1006500 |
| 20L41 | 20(2) | 26L20 | 6911350 | . | PRXAND/0 | 1005502 |
| 20L17 | 21(2) | 26L21 | 4900550 | . | GXAD-0 | 1002500 |
| 13M11 | 22(2) | 26L22 | 4904150 | . | GXNAD-0 | 1002500 |
| | 23(1) | 15M37 | 1001300 | FF | D0 | 1001300 |
| 24K42 | 24(2) | 18M06 | 1010100 | . | A1 | 1010140 |
| 20L35 | 25(2) | 26L25 | 4900650 | . | GXAND-0 | 1002502 |
| 20L26 | 26(2) | 26L26 | 6911740 | . | PRXNAND/0 | 1005502 |
| 20L46 | 27(2) | 26L27 | 6911550 | . | PRXNAD/0 | 1005500 |
| | 28(1) | 24K14 | 1011300 | FF | D1 | 1011300 |
| 20L45 | 29(2) | 26L29 | 6911150 | . | PRXAD/0 | 1005500 |
| 12M06 | 30(1) | | 1014100 | . | MB1 | 1010502 |
| 24L31 | 31(2) | 26L31 | 3405000 | . | CXS/0 | 1000500 |
| | 32(0) | | | | | |
| 22L27 | 33(2) | 24M01 | 1000300 | . | B0 | 1006504 |
| 20L15 | 34(2) | 26L34 | 3403000 | . | CXMB-0 | 1000502 |
| 24L35 | 35(1) | | 1016300 | . | RR1 | 1010502 |
| 12M04 | 36(1) | | 1004100 | . | MB0 | 1000502 |
| 24L40 | 37(2) | 26L37 | 3404000 | . | CXRR-0 | 1000502 |
| 29K27 | 38(1) | | 1012750 | . | K1 | 1016500 |
| 05L37 | 39(2) | 18M01 | 1006300 | . | RR0 | 1000502 |
| 24L41 | 40(2) | 26L40 | 5054000 | . | HOLDC-0 | 1000500 |
| 24L27 | 41(2) | 26L41 | 7901100 | . | SXC-0 | 1006504 |
| 15M24 | 42(1) | | 1001360 | . | DA0 | 1006506 |
| 26L43 | 43(2) | 24L42 | 7901540 | . | SXDA | 1006506 |
| 15M23 | 44(1) | | 1011360 | . | DA1 | 1016506 |
| 24L28 | 45(2) | 26L45 | 7900500 | . | SXB-0 | 1006504 |
| 29K14 | 46(1) | | 1002750 | . | K0 | 1006500 |
| 22L31 | 47(1) | | 1010300 | . | B1 | 1016504 |
| | 48(0) | | | | | |
| 24L49 | 49(0) | 26L49 | 8301100 | . | P4VL | 8301130 |
| 20L28 | 50(2) | 26L50 | 7900100 | . | SXADD-0A | 1006500 |
| 24L51 | 51(0) | 26L51 | 8303100 | . | P8VL | 8303130 |

| FROM | PIN (COUNT) | TO | SOURCE LINE NO. | ELEM. TYPE | SOURCE SIGNAL NAME | REFERENCE LINE NO. |
|-------|----------------|-------|--------------------|---------------|--------------------|-----------------------|
| | 00(0) | | | | | |
| | 01(1) | 29K41 | 1035500 | B | PR3 | 1035500 |
| | 02(1) | 29K39 | 1025500 | B | PR2 | 1025500 |
| 25L03 | 03(2) | 27L03 | 3905500 | . | DXS-0 | 1021312 |
| | 04(1) | 29K47 | 1032500 | B | G3 | 1032500 |
| 22L08 | 05(1) | | 1030500 | FB | C3 | 1030500 |
| | 06(1) | 29K50 | 1022500 | B | G2 | 1022500 |
| 25L07 | 07(2) | 29L07 | 3900130 | . | DX/0A | 1021330 |
| 25L08 | 08(2) | 27L08 | 3901000 | . | DXC-0 | 1021310 |
| 25L09 | 09(2) | 27L09 | 3200060 | . | CL-32P06 | 1021334 |
| 23L25 | 10(2) | 27L15 | 1040500 | . | C4 | 1031310 |
| 25L11 | 11(2) | 27L11 | 3901500 | . | DXDR8/0 | 1021312 |
| 24M30 | 12(2) | 24L11 | 1271300 | . | D27 | 1031312 |
| 24M24 | 13(2) | 24L14 | 1261300 | . | D26 | 1021312 |
| 25L14 | 14(2) | 27L14 | 3901050 | . | DXCL1-0 | 1021310 |
| 25L10 | 15(1) | | 1020500 | FB | C2 | 1020500 |
| | 16(0) | | 4791126 | -GND | GND2226 | 4791126 |
| | 17(1) | 21L25 | 1036500 | B | S3 | 1036502 |
| 20L08 | 18(2) | 18M07 | 1020100 | . | A2 | 1020140 |
| | 19(1) | 21L23 | 1026500 | B | S2 | 1026502 |
| 25L20 | 20(2) | 27L20 | 6911350 | . | PRXAND/0 | 1025502 |
| 25L21 | 21(2) | 27L21 | 4900550 | . | GXAD-0 | 1022500 |
| 25L22 | 22(2) | 27L22 | 4904150 | . | GXNAD-0 | 1022500 |
| 07L44 | 23(2) | 26M13 | 1021300 | FF | D2 | 1021300 |
| 27K21 | 24(2) | 18M08 | 1030100 | . | A3 | 1030140 |
| 25L25 | 25(2) | 27L25 | 4900650 | . | GXAND-0 | 1022502 |
| 25L26 | 26(2) | 27L26 | 6911740 | . | PRXNAND/0 | 1025502 |
| 25L27 | 27(2) | 27L27 | 6911550 | . | PRXNAD/0 | 1025500 |
| 11L27 | 28(2) | 26M12 | 1031300 | FF | D3 | 1031300 |
| 25L29 | 29(2) | 27L29 | 6911150 | . | PRXAD/0 | 1025500 |
| 12M10 | 30(1) | | 1034100 | . | MB3 | 1030502 |
| 25L31 | 31(2) | 27L31 | 3405000 | . | CXS/0 | 1020500 |
| | 32(0) | | | | | |
| 22L30 | 33(1) | | 1020300 | . | B2 | 1026504 |
| 25L34 | 34(2) | 27L34 | 3403000 | . | CXMB-0 | 1020502 |
| 24L36 | 35(1) | | 1036300 | . | RR3 | 1030502 |
| 12M08 | 36(1) | | 1024100 | . | MB2 | 1020502 |
| 25L37 | 37(2) | 27L37 | 3404000 | . | CXRR-0 | 1020502 |
| 29K42 | 38(2) | 18M26 | 1032750 | . | K3 | 1036500 |
| 24L39 | 39(1) | | 1026300 | . | RR2 | 1020502 |
| 25L40 | 40(2) | 27L40 | 5054000 | . | HOLDC-0 | 1020500 |
| 25L41 | 41(2) | 27L41 | 7901100 | . | SXC-0 | 1026504 |
| 15M22 | 42(1) | | 1021360 | . | DA2 | 1026506 |
| 27L43 | 43(2) | 25L43 | 7901540 | . | SXDA | 1026506 |
| 15M21 | 44(1) | | 1031360 | . | DA3 | 1036506 |
| 25L45 | 45(2) | 27L45 | 7900500 | . | SXB-0 | 1026504 |
| 29K25 | 46(1) | | 1022750 | . | K2 | 1026500 |
| 22L33 | 47(1) | | 1030300 | . | B3 | 1036504 |
| | 48(0) | | | | | |
| 25L49 | 49(0) | 27L49 | 8301100 | . | P4VL | 8301130 |
| 25L50 | 50(2) | 29L50 | 7900100 | . | SXADD-0A | 1026500 |
| 25L51 | 51(0) | 27L51 | 8303100 | . | P8VL | 8303130 |

| FROM | PIN (COUNT) | TO | SOURCE LINE NO. | ELEM. TYPE | SOURCE SIGNAL NAME | REFERENCE LINE NO. |
|-------|----------------|-------|--------------------|---------------|--------------------|-----------------------|
| | 00(0) | | | | | |
| | 01(1) | 29K10 | 1055500 | B | PR5 | 1055500 |
| | 02(1) | 29K05 | 1045500 | B | PR4 | 1045500 |
| 26L03 | 03(2) | 28L03 | 3905500 | . | DXS-0 | 1041312 |
| | 04(1) | 29K04 | 1052500 | B | G5 | 1052500 |
| 23L24 | 05(1) | | 1050500 | FB | C5 | 1050500 |
| | 06(1) | 29K02 | 1042500 | B | G4 | 1042500 |
| 24L05 | 07(2) | 28L07 | 3900110 | . | DX/0B | 1041330 |
| 26L08 | 08(2) | 28L08 | 3901000 | . | DXC-0 | 1041310 |
| 26L09 | 09(2) | 28L09 | 3200060 | . | CL-32P06 | 1041334 |
| 23L13 | 10(2) | 28L15 | 1060500 | . | C6 | 1051310 |
| 26L11 | 11(2) | 30L27 | 3901500 | . | DXDRB/0 | 1041312 |
| 24M34 | 12(2) | 24L17 | 1291300 | . | D29 | 1051312 |
| 24M31 | 13(2) | 24L15 | 1281300 | . | D28 | 1041312 |
| 26L14 | 14(2) | 28L14 | 3901050 | . | DXCL1-0 | 1041310 |
| 26L10 | 15(1) | | 1040500 | FB | C4 | 1040500 |
| | 16(0) | | 4791127 | -GND | GND2227 | 4791127 |
| | 17(1) | 27K10 | 1056500 | B | S5 | 1056502 |
| 11L30 | 18(2) | 26K21 | 1040100 | . | A4 | 1042500 |
| | 19(1) | 21L33 | 1046500 | B | S4 | 1046502 |
| 26L20 | 20(2) | 28L20 | 6911350 | . | PRXAND/0 | 1045502 |
| 26L21 | 21(2) | 28L21 | 4900550 | . | GXAD-0 | 1042500 |
| 26L22 | 22(2) | 28L22 | 4904150 | . | GXNAD-0 | 1042500 |
| | 23(1) | 27M13 | 1041300 | FF | D4 | 1041300 |
| 11L18 | 24(2) | 18M10 | 1050100 | . | A5 | 1050140 |
| 26L25 | 25(2) | 28L25 | 4900650 | . | GXAND-0 | 1042502 |
| 26L26 | 26(2) | 28L26 | 6911740 | . | PRXNAND/0 | 1045502 |
| 26L27 | 27(2) | 28L27 | 6911550 | . | PRXNAD/0 | 1045500 |
| 27K29 | 28(2) | 27M12 | 1051300 | FF | D5 | 1051300 |
| 26L29 | 29(2) | 28L29 | 6911150 | . | PRXAD/0 | 1045500 |
| 12M18 | 30(1) | | 1054100 | . | MB5 | 1050502 |
| 26L31 | 31(2) | 28L31 | 3405000 | . | CXS/0 | 1040500 |
| | 32(0) | | | | | |
| 23L27 | 33(1) | | 1040300 | . | B4 | 1046504 |
| 26L34 | 34(2) | 28L34 | 3403000 | . | CXMB-0 | 1040502 |
| 24L34 | 35(1) | | 1056300 | . | RR5 | 1050502 |
| 12M13 | 36(1) | | 1044100 | . | MB4 | 1040502 |
| 26L37 | 37(2) | 28L37 | 3404000 | . | CXRR-0 | 1040502 |
| 29K18 | 38(1) | | 1052750 | . | K5 | 1056502 |
| 24L38 | 39(1) | | 1046300 | . | RR4 | 1040502 |
| 26L40 | 40(2) | 28L40 | 5054000 | . | HOLDC-0 | 1040500 |
| 26L41 | 41(2) | 28L41 | 7901100 | . | SXC-0 | 1046504 |
| 15M04 | 42(1) | | 1041360 | . | DA4 | 1046506 |
| 28L43 | 43(2) | 26L43 | 7901540 | . | SXDA | 1046506 |
| 15M03 | 44(1) | | 1051360 | . | DA5 | 1056506 |
| 26L45 | 45(2) | 28L45 | 7900500 | . | SXB-0 | 1046504 |
| 29K19 | 46(1) | | 1042750 | . | K4 | 1046502 |
| 23L31 | 47(1) | | 1050300 | . | B5 | 1056504 |
| | 48(0) | | | | | |
| 26L49 | 49(0) | 28L49 | 8301100 | . | P4VL | 8301130 |
| 20L18 | 50(2) | 28L50 | 7900105 | . | SXADD-0B | 1046502 |
| 26L51 | 51(0) | 28L51 | 8303100 | . | P8VL | 8303130 |

XDS 902306

XDS
XEROX DATA SYSTEMS

DRAWING NO. - 133264-930 AC
PROG-PNIND MODULE-28L
TYPE-PIN INDEX TYPE-LT42

60

10/27/71

| FROM | PIN (COUNT) | TO | SOURCE LINE NO. | ELEM. TYPE | SOURCE SIGNAL NAME | REFERENCE LINE NO. |
|-------|----------------|-------|--------------------|---------------|--------------------|-----------------------|
| | 00(0) | | | | | |
| | 01(1) | 29K07 | 1075500 | B | PR7 | 1075500 |
| | 02(1) | 29K09 | 1065500 | B | PR6 | 1065500 |
| 27L03 | 03(2) | 29L14 | 3905500 | . | DXS-0 | 1061312 |
| | 04(1) | 29K06 | 1072500 | B | G7 | 1072500 |
| 23L08 | 05(1) | | 1070500 | FB | C7 | 1070500 |
| | 06(1) | 29K01 | 1062500 | B | G6 | 1062500 |
| 27L07 | 07(2) | 30L18 | 3900110 | . | DX/08 | 1061330 |
| 27L08 | 08(2) | 30L36 | 3901000 | . | DXC-0 | 1061310 |
| 27L09 | 09(2) | 29L09 | 3200060 | . | CL-32P06 | 1061334 |
| 28K50 | 10(2) | 23M37 | 1080500 | . | C8 | 1071310 |
| | 11(0) | | | | | |
| 13M06 | 12(2) | 28K43 | 1071350 | . | (S/D7) | 1071312 |
| 24M03 | 13(1) | | 1061350 | . | (S/D6) | 1061312 |
| 27L14 | 14(2) | 30L26 | 3901050 | . | DXCL1-0 | 1061310 |
| 27L10 | 15(1) | | 1060500 | FB | C6 | 1060500 |
| | 16(0) | | 4791128 | -GND | GND2228 | 4791128 |
| | 17(1) | 21L21 | 1076500 | I | S7 | 1076500 |
| 11L31 | 18(2) | 24M02 | 1060100 | . | A6 | 1060140 |
| | 19(1) | 21L19 | 1066500 | I | S6 | 1066500 |
| 27L20 | 20(2) | 29L20 | 6911350 | . | PRXAND/0 | 1065502 |
| 27L21 | 21(2) | 29L21 | 4900550 | . | GXAD-0 | 1062500 |
| 27L22 | 22(2) | 29L22 | 4904150 | . | GXNAD-0 | 1062500 |
| | 23(1) | 15M43 | 1061300 | FF | D6 | 1061300 |
| 11L17 | 24(2) | 18M11 | 1070100 | . | A7 | 1070140 |
| 27L25 | 25(2) | 29L25 | 4900650 | . | GXAND-0 | 1062502 |
| 27L26 | 26(2) | 29L26 | 6911740 | . | PRXNAND/0 | 1065502 |
| 27L27 | 27(2) | 29L27 | 6911550 | . | PRXNAD/0 | 1065500 |
| | 28(1) | 28M12 | 1071300 | FF | D7 | 1071300 |
| 27L29 | 29(2) | 29L29 | 6911150 | . | PRXAD/0 | 1065500 |
| 12M22 | 30(1) | | 1074100 | . | MB7 | 1070502 |
| 27L31 | 31(2) | 27K33 | 3405000 | . | CXS/0 | 1060500 |
| | 32(0) | | | | | |
| 23L30 | 33(1) | | 1060300 | . | B6 | 1066504 |
| 27L34 | 34(2) | 24L33 | 3403000 | . | CXMB-0 | 1060502 |
| 05L10 | 35(2) | 30M03 | 1076300 | . | RR7 | 1070502 |
| 12M20 | 36(1) | | 1064100 | . | MB6 | 1060502 |
| 27L37 | 37(2) | 27K35 | 3404000 | . | CXRR-0 | 1060502 |
| 29K08 | 38(2) | 18M27 | 1072750 | . | K7 | 1076500 |
| 05L15 | 39(2) | 30M02 | 1066300 | . | RR6 | 1060502 |
| 27L40 | 40(2) | 30L10 | 5054000 | . | HOLDC-0 | 1060500 |
| 27L41 | 41(2) | 30L05 | 7901100 | . | SXC-0 | 1066504 |
| 15M02 | 42(1) | | 1061360 | . | DA6 | 1066506 |
| 32M13 | 43(2) | 27L43 | 7901540 | . | SXDA | 1066506 |
| 15M01 | 44(1) | | 1071360 | . | DA7 | 1076506 |
| 27L45 | 45(2) | 15M15 | 7900500 | . | SXB-0 | 1066504 |
| 29K20 | 46(1) | | 1062750 | . | K6 | 1066500 |
| 23L33 | 47(1) | | 1070300 | . | B7 | 1076504 |
| | 48(0) | | | | | |
| 27L49 | 49(0) | 29L49 | 8301100 | . | P4VL | 8301130 |
| 27L50 | 50(2) | 24L29 | 7900105 | . | SXADD-0B | 1066500 |
| 27L51 | 51(0) | 29L51 | 8303100 | . | P8VL | 8303130 |

XDS 902306

XDS
XEROX DATA SYSTEMS

DRAWING NO. - 133264-930 AC
PROG-PNIND
TYPE-PIN INDEX

MODULE-29L
TYPE-LT42

61

10/27/71

| FROM | PIN (COUNT) | TO | SOURCE LINE NO. | ELEM. TYPE | SOURCE SIGNAL NAME | REFERENCE LINE NO. |
|-------|----------------|-------|--------------------|---------------|--------------------|-----------------------|
| | 00(0) | | | | | |
| | 01(1) | 18M05 | 1005480 | B | PR00 | 1005480 |
| | 02(0) | | 1005460 | B | PR000 | 1005460 |
| | 03(1) | 29L08 | 4791129 | . | GND2229 | 1001254 |
| | 04(1) | 18M02 | 1002450 | B | G00 | 1002450 |
| | 05(1) | 19M21 | 1156530 | B | S15/1 | 1156530 |
| | 06(0) | | | | | |
| 26L07 | 07(2) | 29M08 | 3900130 | . | DX/0A | 1001257 |
| 29L03 | 08(2) | 29L16 | 4791129 | . | GND2229 | 1001252 |
| 28L09 | 09(1) | 32P06 | 3200060 | . | CL-32P06 | 1001259 |
| 30L35 | 10(2) | 26K07 | 1006500 | . | S0 | 1001254 |
| 20L09 | 11(2) | 30L31 | 1000500 | . | C0 | 1001252 |
| 28K22 | 12(2) | 29L13 | 3901150 | . | (DXC+DXCL1) | 1001252 |
| 29L12 | 13(2) | 29M17 | 3901150 | . | (DXC+DXCL1) | 1001202 |
| 28L03 | 14(2) | 24M15 | 3905500 | . | DXS-0 | 1001254 |
| | 15(1) | 19M36 | 1150340 | B | B15/1 | 1150340 |
| 29L08 | 16(2) | 29L31 | 4791129 | -GND | GND2229 | 4791129 |
| | 17(1) | 26K08 | 1006480 | I | S00 | 1006480 |
| 29L24 | 18(2) | 28K45 | 1000050 | . | A00 | 1000060 |
| | 19(1) | 02L08 | 1006460 | I | S000 | 1006460 |
| 28L20 | 20(2) | 30M33 | 6911350 | . | PRXAND/0 | 1005481 |
| 28L21 | 21(2) | 28K20 | 4900550 | . | GXAD-0 | 1002450 |
| 28L22 | 22(2) | 30M18 | 4904150 | . | GXNAD-0 | 1002452 |
| | 23(0) | | 1001200 | FF | D000 | 1001200 |
| 29M01 | 24(2) | 29L18 | 1000050 | . | A00 | 1000065 |
| 28L25 | 25(2) | 30M17 | 4900650 | . | GXAND-0 | 1002451 |
| 28L26 | 26(2) | 30M19 | 6911740 | . | PRXNAND/0 | 1005482 |
| 28L27 | 27(2) | 28K07 | 6911550 | . | PRXNAD/0 | 1005482 |
| | 28(0) | | 1001250 | FF | D00 | 1001250 |
| 28L29 | 29(2) | 30M27 | 6911150 | . | PRXAD/0 | 1005480 |
| 28M17 | 30(2) | 17M22 | 1156500 | . | S15 | 1156530 |
| 29L16 | 31(2) | 29L40 | 4791129 | . | GND2229 | 1150342 |
| | 32(0) | | | | | |
| 28K37 | 33(2) | 18M30 | 1300100 | . | A30 | 1006464 |
| 18M28 | 34(2) | 30M15 | 2904495 | . | NBXP | 1150340 |
| 30M08 | 35(2) | 29L39 | 1154940 | . | P15-1 | 1156530 |
| 11L20 | 36(2) | 28M47 | 1150300 | . | B15 | 1150340 |
| 30M14 | 37(2) | 24M42 | 2904490 | . | BXP | 1150340 |
| 14M30 | 38(2) | 28K46 | 1002755 | . | K00 | 1006480 |
| 29L35 | 39(2) | 28M44 | 1154940 | . | P15-1 | 1150340 |
| 29L31 | 40(2) | 29L41 | 4791129 | . | GND2229 | 1150342 |
| 29L40 | 41(1) | | 4791129 | . | GND2229 | 1006486 |
| 29M31 | 42(2) | 30K37 | 1300300 | . | B30 | 1006464 |
| 30M22 | 43(2) | 29M25 | 4425300 | . | (FUS.D22.D23) | 1006484 |
| 29M23 | 44(2) | 29K37 | 1310300 | . | B31 | 1006484 |
| | 45(1) | 30M23 | 4425320 | . | (FUS.D22.ND23) | 1006484 |
| 18M04 | 46(2) | 24L46 | 1002780 | . | K000 | 1006460 |
| 30M12 | 47(2) | 29M33 | 1310100 | . | A31 | 1006484 |
| | 48(0) | | | | | |
| 28L49 | 49(0) | 30L49 | 8301100 | . | P4VL | 8301130 |
| 26L50 | 50(2) | 24L30 | 7900100 | . | SXADD-0A | 1006480 |
| 28L51 | 51(0) | 30L51 | 8303100 | . | P8VL | 8303130 |

XDS 902306

XDS
XEROX DATA SYSTEMS

DRAWING NO.- 133264-930 AC
PROG-PNIND MODULE-30L
TYPE-PIN INDEX TYPE-IT16

62
10/27/71

| FROM | PIN (COUNT) | TO | SOURCE LINE NO. | ELEM. TYPE | SOURCE SIGNAL NAME | REFERENCE LINE NO. |
|-------|----------------|-------|--------------------|---------------|------------------------|-----------------------|
| | 00(0) | | | | | |
| 30L02 | 01(2) | 28K06 | 7901000 | . | NSXC | 7901110 |
| 29M12 | 02(2) | 30L01 | 7901000 | . | NSXC | 7901100 |
| 18L34 | 03(2) | 18L47 | 5155000 | . | IOINTST | 5155050 |
| 29M06 | 04(2) | 24L26 | 3900100 | . | NDX | 3900110 |
| 28L41 | 05(1) | | 7901100 | I | SXC-0 | 7901100 |
| 32K05 | 06(1) | | 3511210 | I | N(ND12.ND13.D14) | 3511210 |
| 28M23 | 07(2) | 05M01 | 1141300 | . | D14 | 3511210 |
| 15L35 | 08(2) | 28K35 | 1131340 | . | ND13-1 | 3511210 |
| 28K24 | 09(2) | 30L30 | 3563200 | . | DCCL/2 | 5054004 |
| 28L40 | 10(2) | 30L11 | 5054000 | I | HOLDC-0 | 5054004 |
| 30L10 | 11(2) | 30L15 | 5054000 | I | HOLDC-0 | 5054002 |
| 28K34 | 12(2) | 30L42 | 3563100 | . | DCCL/1 | 5054002 |
| 28K21 | 13(2) | 30L43 | 4056100 | . | EDR | 5054000 |
| 24M04 | 14(2) | 30M04 | 1121340 | . | ND12-1 | 3511210 |
| 30L11 | 15(1) | | 5054000 | I | HOLDC-0 | 5054000 |
| | 16(0) | | 4791130 | -GND | GND2230 | 4791130 |
| 28M41 | 17(1) | | 7901110 | I | SXC-1 | 7901110 |
| 28L07 | 18(1) | | 3900110 | I | DX/08 | 3900110 |
| | 19(1) | 15M08 | 5155050 | I | NIOINTST | 5155050 |
| | 20(0) | | | | | |
| 30L22 | 21(2) | 30M20 | 3901400 | . | NDXDR8 | 3901510 |
| 29M14 | 22(2) | 30L21 | 3901400 | . | NDXDR8 | 3901500 |
| 30L24 | 23(2) | 28K23 | 3901100 | . | NDXCL1 | 3901060 |
| 29M13 | 24(2) | 30L23 | 3901100 | . | NDXCL1 | 3901050 |
| 28M14 | 25(1) | | 3901060 | I | DXCL1-1 | 3901060 |
| 28L14 | 26(1) | | 3901050 | I | DXCL1-0 | 3901050 |
| 27L11 | 27(2) | 24K18 | 3901500 | I | DXDR8/0 | 3901500 |
| 28M11 | 28(2) | 24K19 | 3901510 | I | DXDR8/1 | 3901510 |
| | 29(0) | | | | | |
| 30L09 | 30(2) | 10M30 | 3563200 | . | DCCL/2 | 5054104 |
| 29L11 | 31(2) | 30M01 | 1000500 | . | CO | 1000504 |
| | 32(0) | | | | | |
| | 33(0) | | | | | |
| | 34(1) | 30K20 | 1142750 | I | K14 | 1142753 |
| 25L19 | 35(2) | 29L10 | 1006500 | I | S0 | 1006508 |
| 28L08 | 36(1) | | 3901000 | I | DXC-0 | 3901000 |
| 30L38 | 37(2) | 24L37 | 3900900 | . | NDXC | 3901000 |
| 29M15 | 38(2) | 30L37 | 3900900 | . | NDXC | 3901010 |
| 05M18 | 39(2) | 30M35 | 4324678 | . | (FASTABORT.ENDE) | 1006508 |
| 24K27 | 40(2) | 22M44 | 4421644 | . | (FUMSP(MCO).NFAIM.N05) | 1142753 |
| 28M08 | 41(1) | | 3901010 | I | DXC-1 | 3901010 |
| 30L12 | 42(2) | 10M39 | 3563100 | . | DCCL/1 | 5054102 |
| 30L13 | 43(2) | 10M37 | 4056100 | . | EDR | 5054100 |
| | 44(1) | 30L45 | 5054100 | I | HOLDC-1 | 5054102 |
| 30L44 | 45(2) | 30L46 | 5054100 | I | HOLDC-1 | 5054100 |
| 30L45 | 46(2) | 28M40 | 5054100 | I | HOLDC-1 | 5054104 |
| 32M20 | 47(2) | 24M50 | 1000504 | I | NC0 | 1000504 |
| | 48(0) | | | | | |
| 29L49 | 49(0) | 31L49 | 8301100 | | P4VL | 8301140 |
| | 50(0) | | | | | |
| 29L51 | 51(0) | 31L51 | 8303100 | | P8VL | 8303140 |

XDS 902306



DRAWING NO.- 133264-930 AC
 PROG-PNIND MODULE-31L
 TYPE-PIN INDEX TYPE-XT10

63

10/27/71

| FROM | PIN (COUNT) | TO | SOURCE LINE NO. | ELEM. TYPE | SOURCE SIGNAL NAME | REFERENCE LINE NO. |
|-------|----------------|-------|--------------------|---------------|--------------------|-----------------------|
| | 00(0) | | | | | |
| 21L31 | 01(2) | 32L01 | 1002100 | T | FP0 | 1002100 |
| 21L30 | 02(2) | 32L02 | 1012100 | T | FP1 | 1012100 |
| 21L34 | 03(2) | 32L03 | 1022100 | T | FP2 | 1022100 |
| 21L28 | 04(2) | 32L04 | 1032100 | T | FP3 | 1032100 |
| 21L26 | 05(2) | 32L05 | 1042100 | T | FP4 | 1042100 |
| 21L24 | 06(2) | 32L06 | 1052100 | T | FP5 | 1052100 |
| 21L29 | 07(2) | 32L07 | 1062100 | T | FP6 | 1062100 |
| 21L27 | 08(2) | 32L08 | 1072100 | T | FP7 | 1072100 |
| 19M31 | 09(2) | 32L09 | 1082100 | T | FP8 | 1082100 |
| 19M30 | 10(2) | 32L10 | 1092100 | T | FP9 | 1092100 |
| 19M34 | 11(2) | 32L11 | 1102100 | T | FP10 | 1102100 |
| 19M28 | 12(2) | 32L12 | 1112100 | T | FP11 | 1112100 |
| 19M26 | 13(2) | 32L13 | 1122100 | T | FP12 | 1122100 |
| 19M24 | 14(2) | 32L14 | 1132100 | T | FP13 | 1132100 |
| 19M29 | 15(2) | 32L15 | 1142100 | T | FP14 | 1142100 |
| | 16(0) | | 4791131 | -GND | GND2231 | 4791131 |
| 19M27 | 17(2) | 32L17 | 1152100 | T | FP15 | 1152100 |
| 32L18 | 18(2) | 14M02 | 1162100 | T | FP16 | 1162100 |
| 32L19 | 19(2) | 14M03 | 1172100 | T | FP17 | 1172100 |
| 32L20 | 20(2) | 14M04 | 1182100 | T | FP18 | 1182100 |
| 32L21 | 21(2) | 14M05 | 1192100 | T | FP19 | 1192100 |
| 32L22 | 22(2) | 14M06 | 1202100 | T | FP20 | 1202100 |
| 32L23 | 23(2) | 14M07 | 1212100 | T | FP21 | 1212100 |
| 32L24 | 24(2) | 14M08 | 1222100 | T | FP22 | 1222100 |
| 32L25 | 25(2) | 14M09 | 1232100 | T | FP23 | 1232100 |
| 32L26 | 26(2) | 14M10 | 1242100 | T | FP24 | 1242100 |
| 32L27 | 27(2) | 14M11 | 1252100 | T | FP25 | 1252100 |
| 32L28 | 28(2) | 14M12 | 1262100 | T | FP26 | 1262100 |
| 32L29 | 29(2) | 14M13 | 1272100 | T | FP27 | 1272100 |
| 32L30 | 30(2) | 14M14 | 1282100 | T | FP28 | 1282100 |
| 32L31 | 31(2) | 14M15 | 1292100 | T | FP29 | 1292100 |
| | 32(0) | | | | | |
| 32L33 | 33(2) | 14M17 | 1302100 | T | FP30 | 1302100 |
| 32L34 | 34(2) | 14M18 | 1312100 | T | FP31 | 1312100 |
| 29M09 | 35(2) | 32L35 | 3060167 | T | N(S/CC1/FP) | 3060167 |
| 29M10 | 36(2) | 32L36 | 3060270 | T | N(S/CC2/FP) | 3060270 |
| 14M42 | 37(2) | 32L44 | 7430408 | T | N(S/RW/FP) | 7430408 |
| | 38(0) | | | | | |
| | 39(0) | | | | | |
| | 40(0) | | | | | |
| | 41(0) | | | | | |
| | 42(0) | | | | | |
| | 43(0) | | | | | |
| | 44(0) | | | | | |
| | 45(0) | | | | | |
| | 46(0) | | | | | |
| | 47(0) | | | | | |
| | 48(0) | | | | | |
| 30L49 | 49(0) | 32L49 | 8301100 | | P4VL | 8301140 |
| | 50(0) | | | | | |
| 30L51 | 51(0) | 32L51 | 8303100 | | P8VL | 8303140 |

XDS 902306

XDS
XEROX DATA SYSTEMS

DRAWING NO.- 133264-930 AC
PROG-PIN ND MODULE-32L
TYPE-PIN INDEX TYPE-ZT46

64

10/27/71

| FROM | PIN (COUNT) | TO | SOURCE LINE NO. | ELEM. TYPE | SOURCE SIGNAL NAME | REFERENCE LINE NO. |
|-------|----------------|-------|--------------------|---------------|--------------------|-----------------------|
| | 00(0) | | | | | |
| 31L01 | 01(1) | | 1002100 | C | FP0 | 1002100 |
| 31L02 | 02(1) | | 1012100 | C | FP1 | 1012100 |
| 31L03 | 03(1) | | 1022100 | C | FP2 | 1022100 |
| 31L04 | 04(1) | | 1032100 | C | FP3 | 1032100 |
| 31L05 | 05(1) | | 1042100 | C | FP4 | 1042100 |
| 31L06 | 06(1) | | 1052100 | C | FP5 | 1052100 |
| 31L07 | 07(1) | | 1062100 | C | FP6 | 1062100 |
| 31L08 | 08(1) | | 1072100 | C | FP7 | 1072100 |
| 31L09 | 09(1) | | 1082100 | C | FP8 | 1082100 |
| 31L10 | 10(1) | | 1092100 | C | FP9 | 1092100 |
| 31L11 | 11(1) | | 1102100 | C | FP10 | 1102100 |
| 31L12 | 12(1) | | 1112100 | C | FP11 | 1112100 |
| 31L13 | 13(1) | | 1122100 | C | FP12 | 1122100 |
| 31L14 | 14(1) | | 1132100 | C | FP13 | 1132100 |
| 31L15 | 15(1) | | 1142100 | C | FP14 | 1142100 |
| | 16(0) | | 4791132 | -GND | GND2232 | 4791132 |
| 31L17 | 17(1) | | 1152100 | C | FP15 | 1152100 |
| | 18(1) | 31L18 | 1162100 | C | FP16 | 1162100 |
| | 19(1) | 31L19 | 1172100 | C | FP17 | 1172100 |
| | 20(1) | 31L20 | 1182100 | C | FP18 | 1182100 |
| | 21(1) | 31L21 | 1192100 | C | FP19 | 1192100 |
| | 22(1) | 31L22 | 1202100 | C | FP20 | 1202100 |
| | 23(1) | 31L23 | 1212100 | C | FP21 | 1212100 |
| | 24(1) | 31L24 | 1222100 | C | FP22 | 1222100 |
| | 25(1) | 31L25 | 1232100 | C | FP23 | 1232100 |
| | 26(1) | 31L26 | 1242100 | C | FP24 | 1242100 |
| | 27(1) | 31L27 | 1252100 | C | FP25 | 1252100 |
| | 28(1) | 31L28 | 1262100 | C | FP26 | 1262100 |
| | 29(1) | 31L29 | 1272100 | C | FP27 | 1272100 |
| | 30(1) | 31L30 | 1282100 | C | FP28 | 1282100 |
| | 31(1) | 31L31 | 1292100 | C | FP29 | 1292100 |
| | 32(0) | | | | | |
| | 33(1) | 31L33 | 1302100 | C | FP30 | 1302100 |
| | 34(1) | 31L34 | 1312100 | C | FP31 | 1312100 |
| 31L35 | 35(1) | | 3060167 | -NS | N(S/CC1/FP) | 3060167 |
| 31L36 | 36(1) | | 3060270 | -NS | N(S/CC2/FP) | 3060270 |
| | 37(1) | 04L38 | 4410100 | C | FS | 4410100 |
| 24M18 | 38(1) | | 4460101 | C | NFZ | 4460101 |
| | 39(1) | 04L11 | 4385000 | C | FNF | 4385000 |
| 16M06 | 40(1) | | 1316218 | C | NR31-FP | 1316218 |
| 16M15 | 41(1) | | 1024550 | C | NO2-FP | 1024550 |
| 16M11 | 42(1) | | 1064550 | C | NO6-FP | 1064550 |
| 16M10 | 43(1) | | 1074550 | C | NO7-FP | 1074550 |
| 31L37 | 44(1) | | 7430408 | -NS | N(S/RW/FP) | 7430408 |
| 31K26 | 45(1) | | 4395600 | -NS | NFPRR | 4395600 |
| 32M14 | 46(1) | | 4395400 | C | FPCON | 4395400 |
| 13M28 | 47(1) | | 4395460 | C | FPDIS | 4395460 |
| | 48(0) | | | | | |
| 31L49 | 49(0) | | 8301100 | | P4VL | 8301140 |
| | 50(0) | | | | | |
| 31L51 | 51(0) | | 8303100 | | P8VL | 8303140 |

| FROM | PIN (COUNT) | TO | SOURCE LINE NO. | ELEM. TYPE | SOURCE SIGNAL NAME | REFERENCE LINE NO. |
|-------|----------------|-------|--------------------|---------------|--------------------|-----------------------|
| | 00(0) | | | | | |
| 18L03 | 01(1) | 01R01 | 1082640 | C | IOFR8 | 1082640 |
| 01R02 | 02(1) | 02K05 | 1052680 | C | IS5 | 1052680 |
| 07K22 | 03(1) | 01R03 | 1033370 | C | L103 | 1033370 |
| 01R04 | 04(1) | 02K47 | 1022680 | C | IS2 | 1022680 |
| 06K21 | 05(1) | 01R05 | 1043370 | C | L104 | 1043370 |
| 01R06 | 06(1) | 02K31 | 1032680 | C | IS3 | 1032680 |
| 13M26 | 07(1) | 01R07 | 1053372 | C | L105-1 | 1053372 |
| 13M25 | 08(1) | 01R08 | 1063372 | C | L106-1 | 1063372 |
| 13M27 | 09(1) | 01R09 | 1073372 | C | L107-1 | 1073372 |
| 01R10 | 10(1) | 02K21 | 1042680 | C | IS4 | 1042680 |
| 05K23 | 11(1) | 01R11 | 1092640 | C | IOFR9 | 1092640 |
| 09L07 | 12(1) | 01R12 | 1062640 | C | IOFR6 | 1062640 |
| 02M05 | 13(1) | 01R13 | 1086500 | C | S8 | 1086500 |
| 20M12 | 14(1) | 01R14 | 5130101 | C | N11 | 5130101 |
| 04K30 | 15(1) | 01R15 | 1022640 | C | IOFR2 | 1022640 |
| | 16(0) | | 4791201 | -GND | GND2301 | 4791201 |
| 01R17 | 17(1) | 06L05 | 6832420 | C | PEM-1 | 6832422 |
| 25M18 | 18(1) | 01R18 | 1080100 | C | A8 | 1080100 |
| 09L17 | 19(1) | 01R19 | 1052640 | C | IOFR5 | 1052640 |
| 07L17 | 20(1) | 01R20 | 1012640 | C | IOFR1 | 1012640 |
| 21M07 | 21(1) | 01R21 | 3163101 | C | NCIF | 3163101 |
| 31K45 | 22(1) | 01R22 | 3278030 | C | CNTZREQ/1 | 3278030 |
| 17M44 | 23(1) | 01R23 | 1153100 | C | KSP15 | 1153100 |
| 01R24 | 24(1) | 31K19 | 4410500 | C | FSA | 4410499 |
| 07L21 | 25(1) | 01R25 | 1002640 | C | IOFR0 | 1002640 |
| 31K06 | 26(1) | 01R26 | 3567100 | C | DCSTOP/1 | 3567100 |
| 01R27 | 27(1) | 11L43 | 7890100 | C | SW0 | 7890100 |
| 06L03 | 28(1) | 01R28 | 7890201 | C | NSW1 | 7890201 |
| 02K46 | 29(1) | 01R29 | 3281000 | C | CPUL1 | 3281000 |
| 11L44 | 30(1) | 01R30 | 1042640 | C | IOFR4 | 1042640 |
| 01R31 | 31(1) | 06L02 | 5156465 | C | (IOPHO.SW13) | 5156465 |
| | 32(0) | | | | | |
| 11L03 | 33(1) | 01R33 | 1032640 | C | IOFR3 | 1032640 |
| 01R34 | 34(1) | 05K26 | 5153270 | C | IOFM-1 | 5153270 |
| 01R35 | 35(1) | 09K22 | 5153280 | C | NIOFM-1 | 5153280 |
| 02K29 | 36(1) | 01R36 | 3282000 | C | CPUL2 | 3282000 |
| 09L03 | 37(1) | 01R37 | 1072640 | C | IOFR7 | 1072640 |
| 27K04 | 38(1) | 01R38 | 2089200 | C | ADNH | 2089200 |
| 10L27 | 39(1) | 01R39 | 7410100 | C | RS | 7410100 |
| 20M07 | 40(1) | 01R40 | 4100101 | C | NE1 | 4100101 |
| 03M46 | 41(1) | 01R41 | 6025101 | C | NMASTER | 6025101 |
| 01R42 | 42(1) | 31K30 | 6192001 | C | NMRC | 6192001 |
| 24K02 | 43(1) | 01R43 | 5154015 | C | NIOIN-1 | 5154015 |
| 02K20 | 44(1) | 01R44 | 3283000 | C | CPUL3 | 3283000 |
| 03L14 | 45(1) | 01R45 | 1030150 | C | A3L | 1030150 |
| 02K01 | 46(1) | 01R46 | 3284000 | C | CPUL4 | 3284000 |
| | 47(0) | | | | | |
| | 48(0) | | | | | |
| | 49(0) | 02M49 | 8301200 | -VSP | P4VM | 8301200 |
| 01R50 | 50(1) | 02M45 | 1106500 | C | S10 | 1106500 |
| | 51(0) | 02M51 | 8303200 | -VSP | P8VM | 8303220 |

XDS 902306

XDS
XEROX DATA SYSTEMS

DRAWING NO.- 133264-930 AC
PROG-PNIND MODULE-02M
TYPE-PIN INDEX TYPE-GT12

66

10/27/71

| FROM | PIN (COUNT) | TO | SOURCE LINE NO. | ELEM. TYPE | SOURCE SIGNAL NAME | REFERENCE LINE NO. |
|-------|----------------|-------|--------------------|---------------|--------------------|-----------------------|
| | 00(0) | | | | | |
| 14M26 | 01(2) | 02L01 | 2400200 | . | NAXAL8 | 2400310 |
| 05M05 | 02(2) | 02L02 | 2405700 | . | NAXSR2 | 2405660 |
| 05M03 | 03(2) | 02L03 | 2405590 | . | NAXSR1 | 2405610 |
| 05M04 | 04(2) | 06M28 | 1146500 | . | S14 | 1130112 |
| 06M05 | 05(2) | 01M13 | 1086500 | . | S8 | 1100114 |
| | 06(1) | 04M35 | 1150110-1 | + | | 1150110 |
| 02L36 | 07(2) | 05M11 | 1076500 | . | S7 | 1080114 |
| 02L04 | 08(2) | 06M23 | 1066500 | . | S6 | 1080114 |
| 17M08 | 09(1) | | 1133050 | . | KS13 | 1130110 |
| | 10(0) | | 2400310 | I | AXAL8-1 | 2400310 |
| | 11(1) | 03M37 | 1100110-1 | + | | 1100110 |
| 02L12 | 12(2) | 05M15 | 2403010 | . | NAXK | 2403110 |
| | 13(1) | 03M28 | 1090110-1 | + | | 1090110 |
| 01L27 | 14(2) | 06M11 | 1136500 | . | S13 | 1120112 |
| | 15(1) | 24M07 | 7500800 | I | S0815Z | 7500800 |
| | 16(0) | | 4791202 | -GND | GND2302 | 4791202 |
| 01L30 | 17(2) | 06M02 | 1096500 | . | S9 | 1100114 |
| | 18(1) | 03M12 | 1080110-1 | + | | 1080114 |
| 17M09 | 19(1) | | 1143050 | . | KS14 | 1140110 |
| 17M02 | 20(1) | | 1093050 | . | KS9 | 1090110 |
| 17M42 | 21(1) | | 1153050 | . | KS15 | 1150110 |
| 17M01 | 22(1) | | 1083050 | . | KS8 | 1080110 |
| 17M03 | 23(1) | | 1103050 | . | KS10 | 1100110 |
| 01L34 | 24(2) | 05M24 | 1210100 | . | A21 | 1130110 |
| 17M04 | 25(1) | | 1113050 | . | KS11 | 1110110 |
| 01L35 | 26(2) | 05M26 | 1200100 | . | A20 | 1120110 |
| 01L31 | 27(2) | 05M25 | 1230100 | . | A23 | 1150110 |
| 01L36 | 28(2) | 05M27 | 1190100 | . | A19 | 1110110 |
| 01L33 | 29(2) | 05M33 | 1220100 | . | A22 | 1140110 |
| 01L38 | 30(2) | 05M29 | 1170100 | . | A17 | 1090110 |
| 01L39 | 31(2) | 05M30 | 1160100 | . | A16 | 1080110 |
| | 32(0) | | | | | |
| 17M07 | 33(1) | | 1123050 | . | KS12 | 1120110 |
| 01L37 | 34(2) | 05M34 | 1180100 | . | A18 | 1100110 |
| 01L28 | 35(2) | 06M21 | 1126500 | . | S12 | 1110112 |
| 13L43 | 36(2) | 05M35 | 1156500 | . | S15 | 1140112 |
| | 37(0) | | 2405510 | I | AXS-1 | 2405510 |
| | 38(1) | 03M35 | 1110110-1 | + | | 1110110 |
| | 39(1) | 04M12 | 1120110-1 | + | | 1120114 |
| | 40(1) | 27K39 | 5542010 | I | NKSXD | 5542010 |
| | 41(1) | 04M28 | 1130110-1 | + | | 1130110 |
| | 42(1) | 04M37 | 1140110-1 | + | | 1140110 |
| | 43(1) | 05M42 | 1166500 | . | S16 | 1150112 |
| 05M44 | 44(2) | 06M18 | 1116500 | . | S11 | 1100112 |
| 01M50 | 45(2) | 06M10 | 1106500 | . | S10 | 1100112 |
| 18M44 | 46(2) | 27K03 | 2405480 | . | NAXS | 2405510 |
| 05M41 | 47(2) | 02L47 | 2405540 | . | NAXSL1 | 2405560 |
| | 48(0) | | | | | |
| 01M49 | 49(0) | 03M49 | 8301200 | . | P4VM | 8301200 |
| 17L45 | 50(1) | | 5542000 | . | KSXD | 5542010 |
| 01M51 | 51(0) | 03M51 | 8303200 | . | P8VM | 8303200 |

| FROM | PIN (COUNT) | TO | SOURCE LINE NO. | ELEM. TYPE | SOURCE SIGNAL NAME | REFERENCE LINE NO. |
|-------|----------------|-------|--------------------|---------------|--------------------|-----------------------|
| | 00(0) | | | | | |
| 04M01 | 01(2) | 03L01 | 3200010 | . | CL-32P01 | 1100134 |
| 01L25 | 02(2) | 04M02 | 2400110 | . | AX/1 | 1100130 |
| 03L47 | 03(2) | 03M07 | 1020100 | . | A2 | 1100120 |
| 03L33 | 04(2) | 06L39 | 1000100 | . | A0 | 1080120 |
| 03L45 | 05(2) | 03M10 | 1030100 | . | A3 | 1110120 |
| 03L25 | 06(2) | 06L38 | 1010100 | . | A1 | 1090120 |
| 03M03 | 07(2) | 06L36 | 1020100 | . | A2 | 1100120 |
| 01L22 | 08(2) | 04M08 | 2400400 | . | AXAR8 | 1100120 |
| 15M06 | 09(2) | 04M09 | 5150450 | . | IOAXST | 1100120 |
| 03M05 | 10(2) | 06L47 | 1030100 | . | A3 | 1110120 |
| | 11(1) | 03M14 | 4791203 | . | GND2303 | 1100118 |
| 02M18 | 12(1) | | 1080110-1 | + | | 1080120 |
| 03M20 | 13(2) | 18L40 | 1284940 | . | P28-1 | 1090118 |
| 03M11 | 14(2) | 03M16 | 4791203 | . | GND2303 | 1110118 |
| 31K39 | 15(2) | 01L08 | 2020000 | . | (S/A9) | 1090120 |
| 03M14 | 16(2) | 03M33 | 4791203 | -GND | GND2303 | 4791203 |
| 32M31 | 17(2) | 01L09 | 1080150 | . | (S/A8) | 1080120 |
| 04L34 | 18(2) | 13L10 | 2403400 | . | AXLOAD-0 | 1100118 |
| 02L30 | 19(2) | 25M24 | 1090100 | FF | A9 | 1090100 |
| 05M20 | 20(2) | 03M13 | 1284940 | . | P28-1 | 1080118 |
| | 21(1) | 18L18 | 1090104 | NFF | NA9 | 1090104 |
| | 22(1) | 18L17 | 1110104 | NFF | NA11 | 1110104 |
| 02L31 | 23(2) | 25M18 | 1080100 | FF | A8 | 1080100 |
| 26M39 | 24(2) | 01L46 | 1106300 | . | RR10 | 1100116 |
| | 25(1) | 15L42 | 1080104 | NFF | NA8 | 1080104 |
| 25M39 | 26(2) | 01L50 | 1086300 | . | RR8 | 1080116 |
| 02L28 | 27(2) | 26M24 | 1110100 | FF | A11 | 1110100 |
| 02M13 | 28(1) | | 1090110-1 | + | | 1090110 |
| | 29(1) | 18L31 | 1100104 | NFF | NA10 | 1100104 |
| | 30(0) | | | | | |
| 02L34 | 31(2) | 26M18 | 1100100 | FF | A10 | 1100100 |
| | 32(0) | | | | | |
| 03M16 | 33(2) | 03M44 | 4791203 | . | GND2303 | 1100122 |
| | 34(1) | 08M27 | 1081510 | . | D108/1 | 1080116 |
| 02M38 | 35(1) | | 1110110-1 | + | | 1110120 |
| 26M35 | 36(2) | 01L45 | 1116300 | . | RR11 | 1110116 |
| 02M11 | 37(1) | | 1100110-1 | + | | 1100110 |
| 01L20 | 38(2) | 04M38 | 2401110 | . | AXD10-1 | 1100116 |
| 01L17 | 39(2) | 04M39 | 2405310 | . | AXRR/1 | 1100116 |
| 25M35 | 40(2) | 01L47 | 1096300 | . | RR9 | 1100122 |
| 04L15 | 41(2) | 15M35 | 2404480 | . | AXPSW1 | 1100118 |
| | 42(1) | 08M31 | 1091510 | . | D109/1 | 1090116 |
| 32K10 | 43(2) | 10M43 | 2260000 | . | AM | 1110118 |
| 03M33 | 44(1) | | 4791203 | . | GND2303 | 1090118 |
| | 45(1) | 08M33 | 1111510 | . | D1011/1 | 1110116 |
| 17M27 | 46(2) | 01M41 | 6025101 | . | NMASTER | 1080118 |
| | 47(1) | 08M30 | 1101510 | . | D1010/1 | 1100116 |
| | 48(0) | | | | | |
| 02M49 | 49(0) | 04M49 | 8301200 | . | P4VM | 8301200 |
| 10M46 | 50(2) | 11M46 | 3800000 | . | DM | 1100118 |
| 02M51 | 51(0) | 04M51 | 8303200 | . | P8VM | 8303200 |

XDS 902306

XDS
XEROX DATA SYSTEMS

DRAWING NO. - 133264-930 AC
PROG-PNIND MODULE-04M
TYPE-PIN INDEX TYPE-FT17

68

10/27/71

| FROM | PIN (COUNT) | TO | SOURCE LINE NO. | ELEM. TYPE | SOURCE SIGNAL NAME | REFERENCE LINE NO. |
|-------|----------------|-------|--------------------|---------------|--------------------|-----------------------|
| | 00(0) | | | | | |
| | 01(1) | 03M01 | 3200010 | . | CL-32P01 | 1120134 |
| 03M02 | 02(2) | 29M03 | 2400110 | . | AX/1 | 1120130 |
| 04L47 | 03(2) | 06L25 | 1060100 | . | A6 | 1140120 |
| 04L33 | 04(2) | 04M17 | 1040100 | . | A4 | 1120120 |
| 04L45 | 05(2) | 06L26 | 1070100 | . | A7 | 1150120 |
| 04L25 | 06(2) | 06L44 | 1050100 | . | A5 | 1130120 |
| | 07(1) | 04M10 | 4791204 | . | GND2304 | 1140118 |
| 03M08 | 08(2) | 15M44 | 2400400 | . | AXAR8 | 1120120 |
| 03M09 | 09(2) | 11M21 | 5150450 | . | IOAXST | 1120118 |
| 04M07 | 10(2) | 04M15 | 4791204 | . | GND2304 | 1150118 |
| | 11(0) | | | | | |
| 02M39 | 12(1) | | 1120110-1 | + | | 1120110 |
| | 13(0) | | | | | |
| | 14(0) | | | | | |
| 04M10 | 15(2) | 04M16 | 4791204 | . | GND2304 | 1130118 |
| 04M15 | 16(2) | 04M18 | 4791204 | -GND | GND2304 | 4791204 |
| 04M04 | 17(2) | 06L46 | 1040100 | . | A4 | 1120118 |
| 04M16 | 18(2) | 04M33 | 4791204 | . | GND2304 | 1120122 |
| 02L24 | 19(2) | 27M24 | 1130100 | FF | A13 | 1130100 |
| | 20(0) | | | | | |
| | 21(0) | | 1130104 | NFF | NA13 | 1130104 |
| | 22(0) | | 1150104 | NFF | NA15 | 1150104 |
| 02L26 | 23(2) | 27M18 | 1120100 | FF | A12 | 1120100 |
| 28M39 | 24(2) | 01L42 | 1146300 | . | RR14 | 1140116 |
| | 25(0) | | 1120104 | NFF | NA12 | 1120104 |
| 27M39 | 26(2) | 01L44 | 1126300 | . | RR12 | 1120116 |
| 02L27 | 27(2) | 28M24 | 1150100 | FF | A15 | 1150100 |
| 02M41 | 28(1) | | 1130110-1 | + | | 1130120 |
| | 29(0) | | 1140104 | NFF | NA14 | 1140104 |
| | 30(0) | | | | | |
| 02L29 | 31(2) | 28M18 | 1140100 | FF | A14 | 1140100 |
| | 32(0) | | | | | |
| 04M18 | 33(2) | 04M44 | 4791204 | . | GND2304 | 1120120 |
| | 34(1) | 08M02 | 1121510 | . | DIO12/1 | 1120116 |
| 02M06 | 35(1) | | 1150110-1 | + | | 1150116 |
| 28M35 | 36(2) | 01L41 | 1156300 | . | RR15 | 1150116 |
| 02M42 | 37(1) | | 1140110-1 | + | | 1140110 |
| 03M38 | 38(2) | 15M47 | 2401110 | . | AXDIO-1 | 1120116 |
| 03M39 | 39(2) | 10M04 | 2405310 | . | AXRR/1 | 1120116 |
| 27M35 | 40(2) | 01L43 | 1136300 | . | RR13 | 1130116 |
| 18M34 | 41(2) | 01L07 | 4421630 | . | (FUMSP.PH1/F) | 1120118 |
| | 42(1) | 08M04 | 1131510 | . | DIO13/1 | 1130116 |
| 05M43 | 43(2) | 01L40 | 1166300 | . | RR16 | 1150118 |
| 04M33 | 44(2) | 04M46 | 4791204 | . | GND2304 | 1130118 |
| 08M06 | 45(2) | 05M45 | 1151510 | . | DIO15/1 | 1150116 |
| 04M44 | 46(2) | 04M50 | 4791204 | . | GND2304 | 1120118 |
| 08M14 | 47(2) | 05M47 | 1141510 | . | DIO14/1 | 1140116 |
| | 48(0) | | | | | |
| 03M49 | 49(0) | 05M49 | 8301200 | | P4VM | 8301200 |
| 04M46 | 50(1) | | 4791204 | . | GND2304 | 1140118 |
| 03M51 | 51(0) | 05M51 | 8303200 | | P8VM | 8303200 |

XDS 902306

XDS
XEROX DATA SYSTEMS

DRAWING NO. - 133264-930 AC
PROG-PNIND MODULE-05M
TYPE-PIN INDEX TYPE-ZT45

69
10/27/71

| FROM | PIN (COUNT) | TO | SOURCE LINE NO. | ELEM. TYPE | SOURCE SIGNAL NAME | REFERENCE LINE NO. |
|-------|----------------|-------|--------------------|---------------|--------------------|-----------------------|
| | 00(0) | | | | | |
| 30L07 | 01(1) | 05N01 | 1141300 | C | D14 | 1141300 |
| 03L35 | 02(1) | 05N02 | 2404490 | C | AXPSW2 | 2404490 |
| 05N03 | 03(1) | 02M03 | 2405590 | C | NAXSR1 | 2405590 |
| 05N04 | 04(1) | 02M04 | 1146500 | C | S14 | 1146500 |
| 05N05 | 05(1) | 02M02 | 2405700 | C | NAXSR2 | 2405700 |
| 05N06 | 06(1) | 03L39 | 3060100 | C | CC1 | 3060100 |
| 05N07 | 07(1) | 03K29 | 7415010 | C | RTC | 7415010 |
| 05N08 | 08(1) | 13M08 | 3901500 | C | DXDR8/0 | 3901500 |
| 05N09 | 09(1) | 03L11 | 3060400 | C | CC4 | 3060400 |
| 02L07 | 10(1) | 05N10 | 1006480 | C | S00 | 1006480 |
| 02M07 | 11(1) | 05N11 | 1076500 | C | S7 | 1076500 |
| 06M40 | 12(1) | 05N12 | 1036500 | C | S3 | 1036500 |
| 05N13 | 13(1) | 03L38 | 3060200 | C | CC2 | 3060200 |
| 04K22 | 14(1) | 05N14 | 6803000 | C | (P30.NP31) | 6803000 |
| 02M12 | 15(1) | 05N15 | 2403010 | C | NAXK | 2403010 |
| | 16(0) | | 4791205 | -GND | GND2305 | 4791205 |
| 06M23 | 17(1) | 05N17 | 1066500 | C | S6 | 1066500 |
| 05N18 | 18(1) | 30L39 | 4324678 | C | (FASTABORT.ENDE) | 4324678 |
| 06M33 | 19(1) | 05N19 | 1026500 | C | S2 | 1026500 |
| 05N20 | 20(1) | 03M20 | 1284940 | C | P28-1 | 1284940 |
| 05N21 | 21(1) | 03L13 | 3060300 | C | CC3 | 3060300 |
| 28M44 | 22(1) | 05N22 | 1154940 | C | P15-1 | 1154940 |
| 15L43 | 23(1) | 05N23 | 3690120 | C | NDIS-2 | 3690120 |
| 02M24 | 24(1) | 05N24 | 1210100 | C | A21 | 1210100 |
| 02M27 | 25(1) | 05N25 | 1230100 | C | A23 | 1230100 |
| 02M26 | 26(1) | 05N26 | 1200100 | C | A20 | 1200100 |
| 02M28 | 27(1) | 05N27 | 1190100 | C | A19 | 1190100 |
| 06M45 | 28(1) | 05N28 | 1056500 | C | S5 | 1056500 |
| 02M30 | 29(1) | 05N29 | 1170100 | C | A17 | 1170100 |
| 02M31 | 30(1) | 05N30 | 1160100 | C | A16 | 1160100 |
| 11L06 | 31(1) | 05N31 | 1064200 | C | MC6 | 1064200 |
| | 32(0) | | | | | |
| 02M29 | 33(1) | 05N33 | 1220100 | C | A22 | 1220100 |
| 02M34 | 34(1) | 05N34 | 1180100 | C | A18 | 1180100 |
| 02M36 | 35(1) | 05N35 | 1156500 | C | S15 | 1156500 |
| 06M36 | 36(1) | 05N36 | 1016500 | C | S1 | 1016500 |
| 20L21 | 37(1) | 05N37 | 7900150 | C | SXADD/1 | 7900150 |
| 24K05 | 38(1) | 05N38 | 4241000 | C | EWDM | 4241003 |
| 06M39 | 39(1) | 05N39 | 1006500 | C | S0 | 1006500 |
| 05N40 | 40(1) | 19M46 | 2904500 | C | NBXP/1 | 2904500 |
| 05N41 | 41(1) | 02M47 | 2405540 | C | NAXSL1 | 2405540 |
| 02M43 | 42(1) | 05N42 | 1166500 | C | S16 | 1166500 |
| 05N43 | 43(1) | 04M43 | 1166300 | C | RR16 | 1166300 |
| 05N44 | 44(1) | 02M44 | 1116500 | C | S11 | 1116500 |
| 04M45 | 45(1) | 05N45 | 1151510 | C | DI015/1 | 1151510 |
| 17M45 | 46(1) | 05N46 | 5560300 | C | KUA30 | 5560300 |
| 04M47 | 47(1) | 05N47 | 1141510 | C | DI014/1 | 1141510 |
| | 48(0) | | | | | |
| 04M49 | 49(0) | 06M49 | 8301200 | | P4VM | 8301200 |
| 06M50 | 50(1) | 05N50 | 1046500 | C | S4 | 1046500 |
| 04M51 | 51(0) | 06M51 | 8303200 | | P8VM | 8303200 |

XDS 902306

XDS
XEROX DATA SYSTEMS

DRAWING NO.- 133264-930 AC
PROG-PNIND MODULE-06M
TYPE-PIN INDEX TYPE-GT11

70

10/27/71

| FROM | PIN (COUNT) | TO | SOURCE LINE NO. | ELEM. TYPE | SOURCE SIGNAL NAME | REFERENCE LINE NO. |
|-------|----------------|-------|--------------------|---------------|--------------------|-----------------------|
| | 00(0) | | | | | |
| | 01(0) | | | | | |
| 02M17 | 02(2) | 11L40 | 1096500 | . | S9 | 1091513 |
| | 03(1) | 08M46 | 1091512-1 | + | | 1091513 |
| | 04(1) | 08M50 | 1081512-1 | + | | 1081513 |
| 02L43 | 05(2) | 02M05 | 1086500 | . | S8 | 1081513 |
| | 06(0) | | | | | |
| 11M07 | 07(2) | 06M15 | 3689410 | . | D10XS-1 | 1101513 |
| | 08(0) | | | | | |
| | 09(1) | 08M41 | 1101512-1 | + | | 1101513 |
| 02M45 | 10(2) | 13L38 | 1106500 | . | S10 | 1101513 |
| 02M14 | 11(2) | 13L30 | 1136500 | . | S13 | 1131513 |
| | 12(1) | 08M03 | 1131512-1 | + | | 1131513 |
| | 13(0) | | | | | |
| | 14(1) | 08M18 | 1121512-1 | + | | 1121513 |
| 06M07 | 15(2) | 29M29 | 3689410 | . | D10XS-1 | 1111513 |
| | 16(0) | | 4791206 | -GND | GND2306 | 4791206 |
| | 17(1) | 08M39 | 1111512-1 | + | | 1111513 |
| 02M44 | 18(2) | 13L37 | 1116500 | . | S11 | 1111513 |
| | 19(0) | | | | | |
| | 20(0) | | | | | |
| 02M35 | 21(2) | 13L31 | 1126500 | . | S12 | 1121513 |
| | 22(1) | 07M11 | 1061512-1 | + | | 1061513 |
| 02M08 | 23(2) | 05M17 | 1066500 | . | S6 | 1061513 |
| | 24(0) | | | | | |
| | 25(0) | | | | | |
| | 26(0) | | | | | |
| | 27(1) | 08M11 | 1141512-1 | + | | 1141513 |
| 02M04 | 28(2) | 13L42 | 1146500 | . | S14 | 1141513 |
| 11M29 | 29(2) | 06M35 | 3689400 | . | D10XS-0 | 1141513 |
| | 30(1) | 07M46 | 1011512-1 | + | | 1011513 |
| | 31(0) | | | | | |
| | 32(0) | | | | | |
| 02L45 | 33(2) | 05M19 | 1026500 | . | S2 | 1021513 |
| | 34(1) | 07M41 | 1021512-1 | + | | 1021513 |
| 06M29 | 35(2) | 06M43 | 3689400 | . | D10XS-0 | 1001513 |
| 02L17 | 36(2) | 05M36 | 1016500 | . | S1 | 1011513 |
| | 37(0) | | | | | |
| | 38(1) | 07M50 | 1001512-1 | + | | 1001513 |
| 02L05 | 39(2) | 05M39 | 1006500 | . | S0 | 1001513 |
| 02L44 | 40(2) | 05M12 | 1036500 | . | S3 | 1031513 |
| | 41(1) | 07M39 | 1031512-1 | + | | 1031513 |
| | 42(0) | | | | | |
| 06M35 | 43(2) | 29M34 | 3689400 | . | D10XS-0 | 1031513 |
| | 44(1) | 07M03 | 1051512-1 | + | | 1051513 |
| 02L14 | 45(2) | 05M28 | 1056500 | . | S5 | 1051513 |
| | 46(0) | | | | | |
| | 47(1) | 07M18 | 1041512-1 | + | | 1041513 |
| | 48(0) | | | | | |
| 05M49 | 49(0) | 07M49 | 8301200 | . | P4VM | 8301200 |
| 02L35 | 50(2) | 05M50 | 1046500 | . | S4 | 1041513 |
| 05M51 | 51(0) | 07M51 | 8303200 | . | P8VM | 8303200 |

XDS 902306

XDS
XEROX DATA SYSTEMS

DRAWING NO.- 133264-930 AC
PROG-PNIND MODULE-07M
TYPE-PIN INDEX TYPE-FT22

71
10/27/71

| FROM | PIN (COUNT) | TO | SOURCE LINE NO. | ELEM. TYPE | SOURCE SIGNAL NAME | REFERENCE LINE NO. |
|-------|----------------|-------|--------------------|---------------|--------------------|-----------------------|
| | 00(0) | | | | | |
| | 01(1) | 08M01 | 3200080 | . | CL-32P08 | 1001518 |
| 05L29 | 02(2) | 09M12 | 1041510 | FF | DI04/1 | 1041510 |
| 06M44 | 03(1) | | 1051512-1 | + | | 1051512 |
| 05L40 | 04(2) | 09M15 | 1051510 | FF | DI05/1 | 1051510 |
| | 05(0) | | 1051511 | NFF | NDI05/1 | 1051511 |
| 05L09 | 06(2) | 09M23 | 1071510 | FF | DI07/1 | 1071510 |
| | 07(0) | | 1071511 | NFF | NDI07/1 | 1071511 |
| 09M22 | 08(1) | | 1071500 | . | DI07 | 1071512 |
| 11M09 | 09(2) | 07M15 | 3689000 | . | DIOX-0 | 1071517 |
| 11M11 | 10(2) | 07M36 | 3689300 | . | DIOXDIO-0 | 1041512 |
| 06M22 | 11(1) | | 1061512-1 | + | | 1061512 |
| | 12(0) | | 1061511 | NFF | NDI06/1 | 1061511 |
| 09M20 | 13(1) | | 1061500 | . | DI06 | 1061512 |
| 05L17 | 14(2) | 09M19 | 1061510 | FF | DI06/1 | 1061510 |
| 07M09 | 15(2) | 07M22 | 3689000 | . | DIOX-0 | 1061517 |
| | 16(1) | 07M17 | 4791207 | -GND | GND2307 | 4791207 |
| 07M16 | 17(2) | 07M20 | 4791207 | . | GND2307 | 1041512 |
| 06M47 | 18(1) | | 1041512-1 | + | | 1041512 |
| 18M19 | 19(2) | 11M19 | 7500740 | . | (S7.DIOXS) | 1071512 |
| 07M17 | 20(2) | 07M37 | 4791207 | . | GND2307 | 1061512 |
| | 21(0) | | 1041511 | NFF | NDI04/1 | 1041511 |
| 07M15 | 22(2) | 07M23 | 3689000 | . | DIOX-0 | 1051517 |
| 07M22 | 23(2) | 07M38 | 3689000 | . | DIOX-0 | 1041517 |
| 09M18 | 24(1) | | 1051500 | . | DI05 | 1051512 |
| 09M13 | 25(1) | | 1041500 | . | DI04 | 1041512 |
| | 26(0) | | 1011511 | NFF | NDI01/1 | 1011511 |
| 05L36 | 27(2) | 09M01 | 1001510 | FF | DI00/1 | 1001510 |
| | 28(0) | | 1001511 | NFF | NDI00/1 | 1001511 |
| | 29(0) | | 1021511 | NFF | NDI02/1 | 1021511 |
| 05L13 | 30(2) | 09M03 | 1021510 | FF | DI02/1 | 1021510 |
| 05L43 | 31(2) | 09M02 | 1011510 | FF | DI01/1 | 1011510 |
| | 32(0) | | | | | |
| 05L06 | 33(2) | 09M09 | 1031510 | FF | DI03/1 | 1031510 |
| | 34(0) | | 1031511 | NFF | NDI03/1 | 1031511 |
| 09M10 | 35(1) | | 1031500 | . | DI03 | 1031512 |
| 07M10 | 36(2) | 29M37 | 3689300 | . | DIOXDIO-0 | 1001512 |
| 07M20 | 37(1) | | 4791207 | . | GND2307 | 1001512 |
| 07M23 | 38(2) | 07M40 | 3689000 | . | DIOX-0 | 1031517 |
| 06M41 | 39(1) | | 1031512-1 | + | | 1031512 |
| 07M38 | 40(2) | 07M44 | 3689000 | . | DIOX-0 | 1021517 |
| 06M34 | 41(1) | | 1021512-1 | + | | 1021512 |
| 09M08 | 42(1) | | 1021500 | . | DI02 | 1021512 |
| 09M06 | 43(1) | | 1011500 | . | DI01 | 1011512 |
| 07M40 | 44(2) | 07M45 | 3689000 | . | DIOX-0 | 1011517 |
| 07M44 | 45(2) | 29M46 | 3689000 | . | DIOX-0 | 1001517 |
| 06M30 | 46(1) | | 1011512-1 | + | | 1011512 |
| 09M04 | 47(1) | | 1001500 | . | DI00 | 1001512 |
| | 48(0) | | | | | |
| 06M49 | 49(0) | 08M49 | 8301200 | . | P4VM | 8301200 |
| 06M38 | 50(1) | | 1001512-1 | + | | 1001512 |
| 06M51 | 51(0) | 08M51 | 8303200 | . | P8VM | 8303200 |

XDS 902306



DRAWING NO.- 133264-930 AC
 PROG-PNIND MODULE-08M
 TYPE-PIN INDEX TYPE-FT22

72

10/27/71

| FROM | PIN (COUNT) | TO | SOURCE LINE NO. | ELEM. TYPE | SOURCE SIGNAL NAME | REFERENCE LINE NO. |
|-------|----------------|-------|--------------------|---------------|--------------------|-----------------------|
| | 00(0) | | | | | |
| 07M01 | 01(1) | 32P08 | 3200080 | . | CL-32P08 | 1101518 |
| 04M34 | 02(2) | 09M39 | 1121510 | FF | D1012/1 | 1121510 |
| 06M12 | 03(1) | | 1131512-1 | + | | 1131512 |
| 04M42 | 04(2) | 09M45 | 1131510 | FF | D1013/1 | 1131510 |
| | 05(0) | | 1131511 | NFF | ND1013/1 | 1131511 |
| | 06(1) | 04M45 | 1151510 | FF | D1015/1 | 1151510 |
| | 07(0) | | 1151511 | NFF | ND1015/1 | 1151511 |
| 10M08 | 08(1) | | 1151500 | . | D1015 | 1151512 |
| 11M10 | 09(2) | 08M15 | 3689010 | . | D10X-1 | 1151517 |
| 11M12 | 10(2) | 08M36 | 3689310 | . | D10XD10-1 | 1121512 |
| 06M27 | 11(1) | | 1141512-1 | + | | 1141512 |
| | 12(0) | | 1141511 | NFF | ND1014/1 | 1141511 |
| 10M13 | 13(1) | | 1141500 | . | D1014 | 1141512 |
| | 14(1) | 04M47 | 1141510 | FF | D1014/1 | 1141510 |
| 08M09 | 15(2) | 08M22 | 3689010 | . | D10X-1 | 1141517 |
| | 16(1) | 08M17 | 4791208 | -GND | GND2308 | 4791208 |
| 08M16 | 17(2) | 08M20 | 4791208 | . | GND2308 | 1121512 |
| 06M14 | 18(1) | | 1121512-1 | + | | 1121512 |
| 18M20 | 19(2) | 11M20 | 7501540 | . | (S15.D10XS) | 1151512 |
| 08M17 | 20(2) | 08M37 | 4791208 | . | GND2308 | 1141512 |
| | 21(0) | | 1121511 | NFF | ND1012/1 | 1121511 |
| 08M15 | 22(2) | 08M23 | 3689010 | . | D10X-1 | 1131517 |
| 08M22 | 23(2) | 08M38 | 3689010 | . | D10X-1 | 1121517 |
| 09M42 | 24(1) | | 1131500 | . | D1013 | 1131512 |
| 09M40 | 25(1) | | 1121500 | . | D1012 | 1121512 |
| | 26(0) | | 1091511 | NFF | ND109/1 | 1091511 |
| 03M34 | 27(2) | 09M25 | 1081510 | FF | D108/1 | 1081510 |
| | 28(0) | | 1081511 | NFF | ND108/1 | 1081511 |
| | 29(0) | | 1101511 | NFF | ND1010/1 | 1101511 |
| 03M47 | 30(2) | 09M35 | 1101510 | FF | D1010/1 | 1101510 |
| 03M42 | 31(2) | 09M33 | 1091510 | FF | D109/1 | 1091510 |
| | 32(0) | | | | | |
| 03M45 | 33(2) | 09M37 | 1111510 | FF | D1011/1 | 1111510 |
| | 34(0) | | 1111511 | NFF | ND1011/1 | 1111511 |
| 09M38 | 35(1) | | 1111500 | . | D1011 | 1111512 |
| 08M10 | 36(2) | 29M35 | 3689310 | . | D10XD10-1 | 1101512 |
| 08M20 | 37(1) | | 4791208 | . | GND2308 | 1111512 |
| 08M23 | 38(2) | 08M40 | 3689010 | . | D10X-1 | 1111517 |
| 06M17 | 39(1) | | 1111512-1 | + | | 1111512 |
| 08M38 | 40(2) | 08M44 | 3689010 | . | D10X-1 | 1101517 |
| 06M09 | 41(1) | | 1101512-1 | + | | 1101512 |
| 09M36 | 42(1) | | 1101500 | . | D1010 | 1101512 |
| 09M34 | 43(1) | | 1091500 | . | D109 | 1091512 |
| 08M40 | 44(2) | 08M45 | 3689010 | . | D10X-1 | 1091517 |
| 08M44 | 45(2) | 29M44 | 3689010 | . | D10X-1 | 1081517 |
| 06M03 | 46(1) | | 1091512-1 | + | | 1091512 |
| 09M27 | 47(1) | | 1081500 | . | D108 | 1081512 |
| | 48(0) | | | | | |
| 07M49 | 49(0) | 09M49 | 8301200 | | P4VM | 8301200 |
| 06M04 | 50(1) | | 1081512-1 | + | | 1081512 |
| 07M51 | 51(0) | 09M51 | 8303200 | | P8VM | 8303200 |

| FROM | PIN (COUNT) | TO | SOURCE LINE NO. | ELEM. TYPE | SOURCE SIGNAL NAME | REFERENCE LINE NO. |
|-------|----------------|-------|--------------------|---------------|--------------------|-----------------------|
| | 00(0) | | | | | |
| 07M27 | 01(1) | | 1001510 | * DI00/1 | | 1001520 |
| 07M31 | 02(1) | | 1011510 | * DI01/1 | | 1011520 |
| 07M30 | 03(1) | | 1021510 | * DI02/1 | | 1021520 |
| | 04(1) | 07M47 | 1001500 | -BCR DI00 | | 1001500 |
| | 05(1) | 09M16 | 4791209 | GND2309 | | 4791209 |
| | 06(1) | 07M43 | 1011500 | -BCR DI01 | | 1011500 |
| | 07(0) | | | | | |
| | 08(1) | 07M42 | 1021500 | -BCR DI02 | | 1021500 |
| 07M33 | 09(1) | | 1031510 | * DI03/1 | | 1031520 |
| | 10(1) | 07M35 | 1031500 | -BCR DI03 | | 1031500 |
| | 11(0) | | | | | |
| 07M02 | 12(1) | | 1041510 | * DI04/1 | | 1041520 |
| | 13(1) | 07M25 | 1041500 | -BCR DI04 | | 1041500 |
| | 14(0) | | | | | |
| 07M04 | 15(1) | | 1051510 | * DI05/1 | | 1051520 |
| 09M05 | 16(2) | 09M24 | 4791209 | -GND GND2309 | | 4791209 |
| | 17(0) | | | | | |
| | 18(1) | 07M24 | 1051500 | -BCR DI05 | | 1051500 |
| 07M14 | 19(1) | | 1061510 | * DI06/1 | | 1061520 |
| | 20(1) | 07M13 | 1061500 | -BCR DI06 | | 1061500 |
| | 21(0) | | | | | |
| | 22(1) | 07M08 | 1071500 | -BCR DI07 | | 1071500 |
| 07M06 | 23(1) | | 1071510 | * DI07/1 | | 1071520 |
| 09M16 | 24(2) | 09M41 | 4791209 | GND2309 | | 4791209 |
| 08M27 | 25(1) | | 1081510 | * DI08/1 | | 1081520 |
| | 26(0) | | | | | |
| | 27(1) | 08M47 | 1081500 | -BCR DI08 | | 1081500 |
| | 28(0) | | | | | |
| | 29(0) | | | | | |
| | 30(0) | | | | | |
| | 31(0) | | | | | |
| | 32(0) | | | | | |
| 08M31 | 33(1) | | 1091510 | * DI09/1 | | 1091520 |
| | 34(1) | 08M43 | 1091500 | -BCR DI09 | | 1091500 |
| 08M30 | 35(1) | | 1101510 | * DI010/1 | | 1101520 |
| | 36(1) | 08M42 | 1101500 | -BCR DI010 | | 1101500 |
| 08M33 | 37(1) | | 1111510 | * DI011/1 | | 1111520 |
| | 38(1) | 08M35 | 1111500 | -BCR DI011 | | 1111500 |
| 08M02 | 39(1) | | 1121510 | * DI012/1 | | 1121520 |
| | 40(1) | 08M25 | 1121500 | -BCR DI012 | | 1121500 |
| 09M24 | 41(1) | | 4791209 | GND2309 | | 4791209 |
| | 42(1) | 08M24 | 1131500 | -BCR DI013 | | 1131500 |
| | 43(0) | | | | | |
| | 44(0) | | | | | |
| 08M04 | 45(1) | | 1131510 | * DI013/1 | | 1131520 |
| | 46(0) | | | | | |
| | 47(0) | | | | | |
| | 48(0) | | | | | |
| 08M49 | 49(0) | 10M49 | 8301200 | P4VM | | 8301210 |
| 12M50 | 50(1) | | 8304800 | M8VM | | 8304800 |
| 08M51 | 51(0) | 10M51 | 8303200 | P8VM | | 8303210 |

XDS 902306

XDS
XEROX DATA SYSTEMS

DRAWING NO. - 133264-930 AC
PROG-PNIND MODULE-10M
TYPE-PIN INDEX TYPE-ZT45

74
10/27/71

| FROM | PIN (COUNT) | TO | SOURCE LINE NO. | ELEM. TYPE | SOURCE SIGNAL NAME | REFERENCE LINE NO. |
|-------|----------------|-------|--------------------|---------------|--------------------|-----------------------|
| | 00(0) | | | | | |
| 06L43 | 01(1) | 10N01 | 1000104 | C | NA0 | 1000104 |
| 06L41 | 02(1) | 10N02 | 1010104 | C | NA1 | 1010104 |
| 05L33 | 03(1) | 10N03 | 2405300 | C | AXRR/0 | 2405300 |
| 04M39 | 04(1) | 10N04 | 2405310 | C | AXRR/1 | 2405310 |
| 10N05 | 05(1) | 05L05 | 1034200 | C | MC3 | 1034200 |
| 11L05 | 06(1) | 10N06 | 1074200 | C | MC7 | 1074200 |
| 27K44 | 07(1) | 10N07 | 3315160 | C | CROSSEN | 3315160 |
| 10N08 | 08(1) | 08M08 | 1151500 | C | DI015 | 1151500 |
| 20L13 | 09(1) | 10N09 | 3641100 | C | DG | 3641100 |
| 19L33 | 10(1) | 10N10 | 3690160 | C | (DIS.NKSXD) | 3690160 |
| 31K46 | 11(1) | 10N11 | 6910000 | C | NPROBOVER | 6910008 |
| 13M12 | 12(1) | 10N12 | 4904101 | C | GXNAD | 4904101 |
| 10N13 | 13(1) | 08M13 | 1141500 | C | DI014 | 1141500 |
| 13M13 | 14(1) | 10N14 | 4900601 | C | GXAND | 4900601 |
| 10N15 | 15(1) | 15L31 | 7829100 | C | (SPZ.NDIS) | 7829100 |
| | 16(0) | | 4791210 | -GND | GND2310 | 4791210 |
| 10N17 | 17(1) | 26K13 | 1290300 | C | B29 | 1290300 |
| 31K47 | 18(1) | 10N18 | 6047700 | C | MCXS | 6047700 |
| 10N19 | 19(1) | 05L35 | 1004200 | C | MC0 | 1004200 |
| 19L40 | 20(1) | 10N20 | 3690150 | C | (DIS.NKSXA) | 3690150 |
| 18L38 | 21(1) | 10N21 | 6911500 | C | NPRXNAD | 6911500 |
| 31K50 | 22(1) | 10N22 | 6041200 | C | MCX | 6041200 |
| 18L44 | 23(1) | 10N23 | 6911100 | C | NPRXAD | 6911100 |
| 10N24 | 24(1) | 05L41 | 1054200 | C | MC5 | 1054200 |
| 10N25 | 25(1) | 05L44 | 1014200 | C | MC1 | 1014200 |
| 11K26 | 26(1) | 10N26 | 1266200 | C | RP26 | 1266200 |
| 09K26 | 27(1) | 10N27 | 1266202 | C | NRP26 | 1266202 |
| 09K27 | 28(1) | 10N28 | 1276202 | C | NRP27 | 1276202 |
| 29K45 | 29(1) | 10N29 | 4321010 | C | FADIV-2 | 4321010 |
| 30L30 | 30(1) | 10N30 | 3563200 | C | DCCL/2 | 3563200 |
| 04L11 | 31(1) | 10N31 | 4385000 | C | FNF | 4385000 |
| | 32(0) | | | | | |
| 10N33 | 33(1) | 05L28 | 1044200 | C | MC4 | 1044200 |
| 10N34 | 34(1) | 23M15 | 6902328 | C | PRE3-H | 6902328 |
| 19M12 | 35(1) | 10N35 | 2905650 | C | N(BXS+BXP/2) | 2905650 |
| 31K43 | 36(1) | 10N36 | 8010150 | C | N(S/T11L) | 8010160 |
| 30L43 | 37(1) | 10N37 | 4056100 | C | EDR | 4056100 |
| 31K42 | 38(1) | 10N38 | 8010850 | C | N(S/T8L) | 8010850 |
| 30L42 | 39(1) | 10N39 | 3563100 | C | DCCL/1 | 3563100 |
| 10N40 | 40(1) | 04L13 | 4460100 | C | FZ | 4460100 |
| 20L40 | 41(1) | 10N41 | 4900501 | C | GXAD | 4900501 |
| 17M40 | 42(1) | 10N42 | 5560230 | C | KUA23 | 5560230 |
| 03M43 | 43(1) | 10N43 | 2260000 | C | AM | 2260000 |
| 28M43 | 44(1) | 10N44 | 7904520 | C | SXP-2 | 7904520 |
| 31K38 | 45(1) | 10N45 | 3699100 | C | DIVOVER | 3699100 |
| 10N46 | 46(1) | 03M50 | 3800000 | C | DM | 3800000 |
| 10N47 | 47(1) | 09K25 | 1283730 | C | NLR28-1 | 1283730 |
| | 48(0) | | | | | |
| 09M49 | 49(0) | 11M49 | 8301200 | | P4VM | 8301210 |
| 31K44 | 50(1) | 10N50 | 1313730 | C | N(S/LR31) | 1313728 |
| 09M51 | 51(0) | 11M51 | 8303200 | | P8VM | 8303210 |

| FROM | PIN (COUNT) | TO | SOURCE LINE NO. | ELEM. TYPE | SOURCE SIGNAL NAME | REFERENCE LINE NO. |
|-------|----------------|-------|--------------------|---------------|--------------------|-----------------------|
| | 00(0) | | | | | |
| 11L29 | 01(1) | | 2840901 | T | NBRP | 2840901 |
| 23K33 | 02(1) | | 1126340 | T | RW12 | 1126340 |
| 12L24 | 03(1) | | 2500800 | T | N((S/B8).ND6.D4) | 2500800 |
| 12L23 | 04(1) | | 2500900 | T | N((S/B9).D4) | 2500900 |
| | 05(1) | 13L29 | 7438100 | T | RWXS/0 | 7438100 |
| | 06(1) | 13M09 | 4904101 | T | GXNAD | 4904101 |
| | 07(1) | 06M07 | 3689410 | T | D10XS-1 | 3689410 |
| | 08(0) | | | | | |
| | 09(1) | 07M09 | 3689000 | T | D10X-0 | 3689000 |
| | 10(1) | 08M09 | 3689010 | T | D10X-1 | 3689010 |
| | 11(1) | 07M10 | 3689300 | T | D10XD10-0 | 3689300 |
| | 12(1) | 08M10 | 3689310 | T | D10XD10-1 | 3689310 |
| | 13(1) | 13L50 | 7438110 | T | RWXS/1 | 7438110 |
| 12L37 | 14(1) | | 1000345 | T | N(R/B0/1) | 1000345 |
| 23K28 | 15(1) | | 1136340 | T | RW13 | 1136340 |
| | 16(0) | | 4791211 | -GND | GND2311 | 4791211 |
| 23K12 | 17(1) | | 1116340 | T | RW11 | 1116340 |
| 15L30 | 18(1) | | 4420550 | T | N(FUA10.PH5.SW10) | 4420550 |
| 07M19 | 19(1) | | 7500740 | T | (S7.D10XS) | 7500740 |
| 08M19 | 20(1) | | 7501540 | T | (S15.D10XS) | 7501540 |
| 04M09 | 21(1) | | 5150450 | T | 10AXST | 5150450 |
| 23K11 | 22(1) | | 1156340 | T | RW15 | 1156340 |
| 19F15 | 23(1) | 07L09 | 5153285 | T | 10FRX | 5153285 |
| 07L12 | 24(1) | | 5153288 | T | 10FRXA | 5153288 |
| 20D35 | 25(1) | 07L11 | 5153290 | T | 10FRXFR | 5153290 |
| 21M15 | 26(1) | | 5156465 | T | (10PH0.SW13) | 5156465 |
| 13M20 | 27(1) | | 6038050 | T | MBXS/0 | 6038050 |
| 12L18 | 28(1) | | 7890600 | T | SW5 | 7890600 |
| | 29(1) | 06M29 | 3689400 | T | D10XS-0 | 3689400 |
| 16M20 | 30(1) | | 4395954 | T | FPXS-0 | 4395954 |
| 15M30 | 31(1) | | 2401080 | T | NAXD10 | 2401080 |
| | 32(0) | | | | | |
| 11L41 | 33(1) | | 6038200 | T | MBXS/1 | 6038200 |
| 13L12 | 34(1) | | 7890700 | T | SW6 | 7890700 |
| 09L23 | 35(1) | | 8051000 | T | TODATA | 8051000 |
| 12L19 | 36(1) | | 5156470 | T | (10PH0.SW14) | 5156470 |
| | 37(0) | | | | | |
| 15M38 | 38(1) | | 2403820 | T | NAXMC | 2403820 |
| 15M39 | 39(1) | | 2404484 | T | NAXPSW1 | 2404484 |
| | 40(1) | 20M38 | 2900140 | T | BX/1 | 2900140 |
| 07L26 | 41(1) | | 3511100 | T | (D1.SW0) | 3511100 |
| 15M42 | 42(1) | | 2400410 | T | NAXAR8 | 2400410 |
| 19M43 | 43(1) | | 1160300 | T | B16 | 1160300 |
| 06L09 | 44(1) | | 5156745 | T | (10PH3.SW9) | 5156745 |
| | 45(0) | | | | | |
| 03M50 | 46(1) | | 3800000 | T | DM | 3800000 |
| 20M47 | 47(1) | | 1080350 | T | (S/B8) | 1080350 |
| | 48(0) | | | | | |
| 10M49 | 49(0) | 12M49 | 8301200 | | P4VM | 8301210 |
| 19M50 | 50(1) | | 1130360 | T | N(S/B13) | 1130360 |
| 10M51 | 51(0) | 12M51 | 8303200 | | P8VM | 8303210 |

XDS 902306



DRAWING NO.- 133264-930 AC
 PROG-PNIND MODULE-12M
 TYPE-PIN INDEX TYPE-AT11

76
 10/27/71

| FROM | PIN (COUNT) | TO | SOURCE LINE NO. | ELEM. TYPE | SOURCE SIGNAL NAME | REFERENCE LINE NO. |
|-------|-------------|-------|-----------------|------------|--------------------|--------------------|
| | 00(0) | | | | | |
| 13M41 | 01(1) | | 1004150-1 | * | | 1004150 |
| 13M36 | 02(1) | | 1014150-1 | * | | 1014150 |
| 13M17 | 03(1) | | 1024150-1 | * | | 1024150 |
| | 04(1) | 25L36 | 1004100 | -BCR MB0 | | 1004100 |
| | 05(1) | 12M16 | 4791212 | | GND2312 | 4791212 |
| | 06(1) | 25L30 | 1014100 | -BCR MB1 | | 1014100 |
| | 07(0) | | | | | |
| | 08(1) | 26L36 | 1024100 | -BCR MB2 | | 1024100 |
| 13M05 | 09(1) | | 1034150-1 | * | | 1034150 |
| | 10(1) | 26L30 | 1034100 | -BCR MB3 | | 1034100 |
| | 11(0) | | | | | |
| 13M19 | 12(1) | | 1044150-1 | * | | 1044150 |
| | 13(1) | 27L36 | 1044100 | -BCR MB4 | | 1044100 |
| | 14(0) | | | | | |
| 13M18 | 15(1) | | 1054150-1 | * | | 1054150 |
| 12M05 | 16(2) | 12M24 | 4791212 | -GND | GND2312 | 4791212 |
| | 17(0) | | | | | |
| | 18(1) | 27L30 | 1054100 | -BCR MB5 | | 1054100 |
| 13M34 | 19(1) | | 1064150-1 | * | | 1064150 |
| | 20(1) | 28L36 | 1064100 | -BCR MB6 | | 1064100 |
| | 21(0) | | | | | |
| | 22(1) | 28L30 | 1074100 | -BCR MB7 | | 1074100 |
| 13M35 | 23(1) | | 1074150-1 | * | | 1074150 |
| 12M16 | 24(2) | 12M41 | 4791212 | | GND2312 | 4791212 |
| 11L45 | 25(1) | | 1084150-1 | * | | 1084150 |
| | 26(0) | | | | | |
| | 27(1) | 25M36 | 1084100 | -BCR MB8 | | 1084100 |
| | 28(0) | | | | | |
| | 29(0) | | | | | |
| | 30(0) | | | | | |
| | 31(0) | | | | | |
| | 32(0) | | | | | |
| 11L46 | 33(1) | | 1094150-1 | * | | 1094150 |
| | 34(1) | 25M30 | 1094100 | -BCR MB9 | | 1094100 |
| 13M47 | 35(1) | | 1104150-1 | * | | 1104150 |
| | 36(1) | 26M36 | 1104100 | -BCR MB10 | | 1104100 |
| 13M46 | 37(1) | | 1114150-1 | * | | 1114150 |
| | 38(1) | 26M30 | 1114100 | -BCR MB11 | | 1114100 |
| 13M44 | 39(1) | | 1124150-1 | * | | 1124150 |
| | 40(1) | 27M36 | 1124100 | -BCR MB12 | | 1124100 |
| 12M24 | 41(1) | | 4791212 | | GND2312 | 4791212 |
| | 42(1) | 27M30 | 1134100 | -BCR MB13 | | 1134100 |
| | 43(0) | | | | | |
| | 44(0) | | | | | |
| 13M45 | 45(1) | | 1134150-1 | * | | 1134150 |
| | 46(0) | | | | | |
| | 47(0) | | | | | |
| | 48(0) | | | | | |
| 11M49 | 49(0) | 13M49 | 8301200 | | P4VM | 8301210 |
| 17M50 | 50(2) | 09M50 | 8304800 | | M8VM | 8304800 |
| 11M51 | 51(0) | 13M51 | 8303200 | | P8VM | 8303210 |

XDS 902306

XDS
XEROX DATA SYSTEMS

DRAWING NO. - 133264-930 AC
PROG-PNIND MODULE-13M
TYPE-PIN INDEX TYPE-BT16

77

10/27/71

| FROM | PIN (COUNT) | TO | SOURCE LINE NO. | ELEM. TYPE | SOURCE SIGNAL NAME | REFERENCE LINE NO. |
|-------|----------------|-------|--------------------|---------------|--------------------|-----------------------|
| | 00(0) | | | | | |
| 13L03 | 01(2) | 02L45 | 1026500 | . | S2 | 1024150 |
| 16M04 | 02(2) | 13L04 | 1036500 | . | S3 | 1034150 |
| 16M21 | 03(2) | 14L31 | 1046500 | . | S4 | 1044150 |
| 16M22 | 04(2) | 14L30 | 1056500 | . | S5 | 1054150 |
| | 05(1) | 12M09 | 1034150-1 | B | | 1034150 |
| | 06(1) | 28L12 | 1071350 | B | (S/D7) | 1071350 |
| 14M20 | 07(1) | | 1311300 | . | D31 | 1071350 |
| 05M08 | 08(2) | 25L11 | 3901500 | . | DXDR8/0 | 1071350 |
| 11M06 | 09(2) | 13M12 | 4904101 | . | GXNAD | 4904160 |
| | 10(1) | 25M22 | 4904160 | B | GXNAD-1 | 4904160 |
| | 11(1) | 25L22 | 4904150 | B | GXNAD-0 | 4904150 |
| 13M09 | 12(2) | 10M12 | 4904101 | . | GXNAD | 4904150 |
| 20L39 | 13(2) | 10M14 | 4900601 | . | GXAND | 4900660 |
| | 14(0) | | | | | |
| | 15(1) | 25M25 | 4900660 | B | GXAND-1 | 4900660 |
| | 16(0) | | 4791213 | -GND | GND2313 | 4791213 |
| | 17(1) | 12M03 | 1024150-1 | B | | 1024150 |
| | 18(1) | 12M15 | 1054150-1 | B | | 1054150 |
| | 19(1) | 12M12 | 1044150-1 | B | | 1044150 |
| 13M33 | 20(2) | 11M27 | 6038050 | . | MBXS/0 | 1024150 |
| 15L38 | 21(2) | 27K42 | 3690100 | . | DIS | 4395460 |
| 08K30 | 22(2) | 20K30 | 1073370 | . | LI07-0 | 1073372 |
| 08K29 | 23(2) | 20K29 | 1063370 | . | LI06-0 | 1063372 |
| 08K18 | 24(2) | 20K18 | 1053370 | . | LI05-0 | 1053372 |
| | 25(1) | 01M08 | 1063372 | B | LI06-1 | 1063372 |
| | 26(1) | 01M07 | 1053372 | B | LI05-1 | 1053372 |
| | 27(1) | 01M09 | 1073372 | B | LI07-1 | 1073372 |
| | 28(1) | 32L47 | 4395460 | B | FPDIS | 4395460 |
| | 29(0) | | | | | |
| 14L04 | 30(2) | 16M37 | 1116500 | . | S11 | 1114150 |
| 14L03 | 31(2) | 16M38 | 1106500 | . | S10 | 1104150 |
| | 32(0) | | | | | |
| 14M36 | 33(2) | 13M20 | 6038050 | . | MBXS/0 | 1004150 |
| | 34(1) | 12M19 | 1064150-1 | B | | 1064150 |
| | 35(1) | 12M23 | 1074150-1 | B | | 1074150 |
| | 36(1) | 12M02 | 1014150-1 | B | | 1014150 |
| 13L02 | 37(2) | 02L17 | 1016500 | . | S1 | 1014150 |
| 13L01 | 38(2) | 02L05 | 1006500 | . | S0 | 1004150 |
| 16M24 | 39(2) | 17L22 | 1076500 | . | S7 | 1074150 |
| 16M23 | 40(2) | 14L42 | 1066500 | . | S6 | 1064150 |
| | 41(1) | 12M01 | 1004150-1 | B | | 1004150 |
| 14L40 | 42(2) | 16M31 | 1126500 | . | S12 | 1124150 |
| 14L39 | 43(2) | 16M30 | 1136500 | . | S13 | 1134150 |
| | 44(1) | 12M39 | 1124150-1 | B | | 1124150 |
| | 45(1) | 12M45 | 1134150-1 | B | | 1134150 |
| | 46(1) | 12M37 | 1114150-1 | B | | 1114150 |
| | 47(1) | 12M35 | 1104150-1 | B | | 1104150 |
| | 48(0) | | | | | |
| 12M49 | 49(0) | 14M49 | 8301200 | . | P4VM | 8301210 |
| 14M50 | 50(2) | 11L42 | 6038200 | . | MBXS/1 | 1104150 |
| 12M51 | 51(0) | 14M51 | 8303200 | . | P8VM | 8303210 |

| FROM | PIN (COUNT) | TO | SOURCE LINE NO. | ELEM. TYPE | SOURCE SIGNAL NAME | REFERENCE LINE NO. |
|-------|----------------|-------|--------------------|---------------|--------------------|-----------------------|
| | 00(0) | | | | | |
| 14N01 | 01(1) | 04L08 | 1060150 | C | A6L | 1060150 |
| 31L18 | 02(1) | 14N02 | 1162100 | C | FP16 | 1162100 |
| 31L19 | 03(1) | 14N03 | 1172100 | C | FP17 | 1172100 |
| 31L20 | 04(1) | 14N04 | 1182100 | C | FP18 | 1182100 |
| 31L21 | 05(1) | 14N05 | 1192100 | C | FP19 | 1192100 |
| 31L22 | 06(1) | 14N06 | 1202100 | C | FP20 | 1202100 |
| 31L23 | 07(1) | 14N07 | 1212100 | C | FP21 | 1212100 |
| 31L24 | 08(1) | 14N08 | 1222100 | C | FP22 | 1222100 |
| 31L25 | 09(1) | 14N09 | 1232100 | C | FP23 | 1232100 |
| 31L26 | 10(1) | 14N10 | 1242100 | C | FP24 | 1242100 |
| 31L27 | 11(1) | 14N11 | 1252100 | C | FP25 | 1252100 |
| 31L28 | 12(1) | 14N12 | 1262100 | C | FP26 | 1262100 |
| 31L29 | 13(1) | 14N13 | 1272100 | C | FP27 | 1272100 |
| 31L30 | 14(1) | 14N14 | 1282100 | C | FP28 | 1282100 |
| 31L31 | 15(1) | 14N15 | 1292100 | C | FP29 | 1292100 |
| | 16(0) | | 4791214 | -GND | GND2314 | 4791214 |
| 31L33 | 17(1) | 14N17 | 1302100 | C | FP30 | 1302100 |
| 31L34 | 18(1) | 14N18 | 1312100 | C | FP31 | 1312100 |
| 05L14 | 19(1) | 14N19 | 1024200 | C | MC2 | 1024200 |
| 14N20 | 20(1) | 13M07 | 1311300 | C | D31 | 1311300 |
| 13L09 | 21(1) | 14N21 | 2403430 | C | AXLOAD-3 | 2403430 |
| 11L11 | 22(1) | 14N22 | 2081070 | C | ADC7 | 2081070 |
| 13L13 | 23(1) | 14N23 | 2371070 | C | AUC7 | 2371070 |
| 17L06 | 24(1) | 14N24 | 8180100 | C | WK0 | 8180100 |
| 03L10 | 25(1) | 14N25 | 8180200 | C | WK1 | 8180200 |
| 14N26 | 26(1) | 02M01 | 2400200 | C | NAXAL8 | 2400200 |
| 18K27 | 27(1) | 14N27 | 1276200 | C | RP27 | 1276200 |
| 23M28 | 28(1) | 14N28 | 1306202 | C | NR30 | 1306202 |
| 23M27 | 29(1) | 14N29 | 1316202 | C | NR31 | 1316202 |
| 14N30 | 30(1) | 29L38 | 1002755 | C | K00 | 1002755 |
| 15L39 | 31(1) | 14N31 | 1131300 | C | D13 | 1131300 |
| | 32(0) | | | | | |
| 18L27 | 33(1) | 14N33 | 7828800 | C | SPW | 7828800 |
| 14N34 | 34(1) | 16M50 | 4395954 | C | FPXS-0 | 4395954 |
| 14N35 | 35(1) | 05L26 | 4425670 | C | FUSF/1 | 4425670 |
| 14N36 | 36(1) | 13M33 | 6038050 | C | MBXS/0 | 6038050 |
| 23L10 | 37(1) | 14N37 | 6752000 | C | OXC | 6752000 |
| 28M03 | 38(1) | 14N38 | 3905510 | C | DXS-1 | 3905510 |
| 11L12 | 39(1) | 14N39 | 4385900 | C | FNORM | 4385900 |
| 23M40 | 40(1) | 14N40 | 1286202 | C | NR28 | 1286202 |
| 31K25 | 41(1) | 14N41 | 3651202 | C | D10WD | 3651202 |
| 14N42 | 42(1) | 31L37 | 7430408 | C | N(S/RW/FP) | 7430408 |
| 03L42 | 43(1) | 14N43 | 1010150 | C | A1L | 1010150 |
| 32M26 | 44(1) | 14N44 | 7343255 | C | RESETIO | 7343255 |
| 16M07 | 45(1) | 14N45 | 1316200 | C | R31 | 1316200 |
| 25M44 | 46(1) | 14N46 | 1334900 | C | P33 | 1334900 |
| 31K41 | 47(1) | 14N47 | 8022200 | C | NTESTS | 8022200 |
| | 48(0) | | | | | |
| 13M49 | 49(0) | 15M49 | 8301200 | | P4VM | 8301210 |
| 14N50 | 50(1) | 13M50 | 6038200 | C | MBXS/1 | 6038200 |
| 13M51 | 51(0) | 15M51 | 8303200 | | P8VM | 8303210 |

XDS 902306

XDS
XEROX DATA SYSTEMS

DRAWING NO. - 133264-930 AC
PROG-PNIND MODULE-15M
TYPE-PIN INDEX TYPE-IT16

79
10/27/71

| FROM | PIN (COUNT) | TO | SOURCE LINE NO. | ELEM. TYPE | SOURCE SIGNAL NAME | REFERENCE LINE NO. |
|-------|----------------|-------|--------------------|---------------|--------------------|-----------------------|
| | 00(0) | | | | | |
| 14K26 | 01(2) | 28L44 | 1071360 | . | DA7 | 1071370 |
| 14K23 | 02(2) | 28L42 | 1061360 | . | DA6 | 1061370 |
| 08L10 | 03(2) | 27L44 | 1051360 | . | DA5 | 1051370 |
| 14K46 | 04(2) | 27L42 | 1041360 | . | DA4 | 1041370 |
| | 05(1) | 14K25 | 1061370 | I | NDA6 | 1061370 |
| | 06(1) | 03M09 | 5150450 | I | IOAXST | 5150450 |
| | 07(0) | | | | | |
| 30L19 | 08(2) | 18L50 | 5155050 | . | NIOINTST | 5150450 |
| 14K27 | 09(1) | | 3530400 | . | DAP | 3530450 |
| | 10(1) | 14K24 | 3530450 | I | NDAP | 3530450 |
| | 11(1) | 25M45 | 7900510 | I | SXB-1 | 7900510 |
| 15M13 | 12(2) | 22M17 | 7900450 | . | NSXB | 7900510 |
| 24M12 | 13(2) | 15M12 | 7900450 | . | NSXB | 7900500 |
| 12L50 | 14(2) | 32M27 | 4322220 | . | N(FA10.PH2) | 5150450 |
| 28L45 | 15(1) | | 7900500 | I | SXB-0 | 7900500 |
| | 16(0) | | 4791215 | -GND | GND2315 | 4791215 |
| | 17(1) | 14K22 | 1071370 | I | NDA7 | 1071370 |
| | 18(1) | 14K45 | 1041370 | I | NDA4 | 1041370 |
| | 19(1) | 14K50 | 1051370 | I | NDA5 | 1051370 |
| | 20(0) | | | | | |
| 08L13 | 21(2) | 26L44 | 1031360 | . | DA3 | 1031370 |
| 14K36 | 22(2) | 26L42 | 1021360 | . | DA2 | 1021370 |
| 14K38 | 23(2) | 25L44 | 1011360 | . | DA1 | 1011370 |
| 14K43 | 24(2) | 25L42 | 1001360 | . | DA0 | 1001370 |
| | 25(1) | 14K41 | 1011370 | I | NDA1 | 1011370 |
| | 26(1) | 14K39 | 1001370 | I | NDA0 | 1001370 |
| | 27(1) | 14K40 | 1021370 | I | NDA2 | 1021370 |
| | 28(1) | 14K47 | 1031370 | I | NDA3 | 1031370 |
| | 29(0) | | | | | |
| 15M31 | 30(2) | 11M31 | 2401080 | . | NAXDIO | 2401100 |
| 29M20 | 31(2) | 15M30 | 2401080 | . | NAXDIO | 2401110 |
| | 32(0) | | | | | |
| | 33(0) | | | | | |
| | 34(1) | 04L35 | 2404490 | I | AXPSW2 | 2404490 |
| 03M41 | 35(1) | | 2404480 | I | AXPSW1 | 2404480 |
| | 36(1) | 11L38 | 1001350 | I | ND0-2 | 1001350 |
| 25L23 | 37(2) | 25M13 | 1001300 | . | D0 | 1001350 |
| 29M19 | 38(2) | 11M38 | 2403820 | . | NAXMC | 2403800 |
| 32K33 | 39(2) | 11M39 | 2404484 | . | NAXPSW1 | 2404480 |
| 32K38 | 40(2) | 29M18 | 2404494 | . | NAXPSW2 | 2404490 |
| 05L34 | 41(1) | | 2403800 | I | AXMC | 2403800 |
| 32M42 | 42(2) | 11M42 | 2400410 | . | NAXAR8 | 2400400 |
| 28L23 | 43(2) | 28M13 | 1061300 | . | D6 | 1061340 |
| 04M08 | 44(1) | | 2400400 | I | AXAR8 | 2400400 |
| 24K43 | 45(1) | | 1061340 | I | ND6-1 | 1061340 |
| 05L38 | 46(1) | | 2401100 | I | AXDIO-0 | 2401100 |
| 04M38 | 47(1) | | 2401110 | I | AXDIO-1 | 2401110 |
| | 48(0) | | | | | |
| 14M49 | 49(0) | 16M49 | 8301200 | | P4VM | 8301210 |
| | 50(0) | | | | | |
| 14M51 | 51(0) | 16M51 | 8303200 | | P8VM | 8303210 |

XDS 902306

XDS
XEROX DATA SYSTEMS

DRAWING NO.- 133264-930 AC
PROG-PNIND MODULE-16M
TYPE-PIN INDEX TYPE-IT16

80

10/27/71

| FROM | PIN (COUNT) | TO | SOURCE LINE NO. | ELEM. TYPE | SOURCE SIGNAL NAME | REFERENCE LINE NO. |
|-------|----------------|-------|--------------------|---------------|--------------------|-----------------------|
| | 00(0) | | | | | |
| 17L38 | 01(2) | 14L21 | 1006500 | . | S0 | 1002100 |
| 17L34 | 02(2) | 14L22 | 1016500 | . | S1 | 1012100 |
| 20M24 | 03(2) | 17L28 | 1026500 | . | S2 | 1022100 |
| 20M25 | 04(2) | 13M02 | 1036500 | . | S3 | 1032100 |
| | 05(1) | 17L33 | 1012100 | I | FP1 | 1012100 |
| | 06(1) | 32L40 | 1316218 | I | NR31-FP | 1316218 |
| 23M45 | 07(2) | 14M45 | 1316200 | . | R31 | 1316218 |
| | 08(0) | | | | | |
| 23L06 | 09(2) | 24K21 | 1074500 | . | 07 | 1074550 |
| | 10(1) | 32L43 | 1074550 | I | N07-FP | 1074550 |
| | 11(1) | 32L42 | 1064550 | I | N06-FP | 1064550 |
| 23L14 | 12(2) | 32K25 | 1064500 | . | 06 | 1064550 |
| 32K17 | 13(2) | 22L02 | 1024500 | . | 02 | 1024550 |
| | 14(0) | | | | | |
| | 15(1) | 32L41 | 1024550 | I | N02-FP | 1024550 |
| | 16(0) | | 4791216 | -GND | GND2316 | 4791216 |
| | 17(1) | 17L37 | 1002100 | I | FP0 | 1002100 |
| | 18(1) | 17L25 | 1032100 | I | FP3 | 1032100 |
| | 19(1) | 17L30 | 1022100 | I | FP2 | 1022100 |
| 16M29 | 20(2) | 11M30 | 4395954 | . | FPXS-0 | 1002100 |
| 17L18 | 21(2) | 13M03 | 1046500 | . | S4 | 1042100 |
| 17L14 | 22(2) | 13M04 | 1056500 | . | S5 | 1052100 |
| 20M13 | 23(2) | 13M40 | 1066500 | . | S6 | 1062100 |
| 20M08 | 24(2) | 13M39 | 1076500 | . | S7 | 1072100 |
| | 25(1) | 17L12 | 1062100 | I | FP6 | 1062100 |
| | 26(1) | 17L20 | 1072100 | I | FP7 | 1072100 |
| | 27(1) | 17L15 | 1052100 | I | FP5 | 1052100 |
| | 28(1) | 17L19 | 1042100 | I | FP4 | 1042100 |
| 16M33 | 29(2) | 16M20 | 4395954 | . | FPXS-0 | 1042100 |
| 13M43 | 30(2) | 17M14 | 1136500 | . | S13 | 1132100 |
| 13M42 | 31(2) | 17M18 | 1126500 | . | S12 | 1122100 |
| | 32(0) | | | | | |
| 16M50 | 33(2) | 16M29 | 4395954 | . | FPXS-0 | 1102100 |
| | 34(1) | 17M37 | 1082100 | I | FP8 | 1082100 |
| | 35(1) | 17M33 | 1092100 | I | FP9 | 1092100 |
| | 36(1) | 17M25 | 1112100 | I | FP11 | 1112100 |
| 13M30 | 37(2) | 17M26 | 1116500 | . | S11 | 1112100 |
| 13M31 | 38(2) | 17M28 | 1106500 | . | S10 | 1102100 |
| 14L02 | 39(2) | 17M34 | 1096500 | . | S9 | 1092100 |
| 17M38 | 40(2) | 14L01 | 1086500 | . | S8 | 1082100 |
| | 41(1) | 17M30 | 1102100 | I | FP10 | 1102100 |
| 14L38 | 42(2) | 17M11 | 1146500 | . | S14 | 1142100 |
| 17M22 | 43(2) | 14L37 | 1156500 | . | S15 | 1152100 |
| | 44(1) | 17M12 | 1142100 | I | FP14 | 1142100 |
| | 45(1) | 17M20 | 1152100 | I | FP15 | 1152100 |
| | 46(1) | 17M15 | 1132100 | I | FP13 | 1132100 |
| | 47(1) | 17M19 | 1122100 | I | FP12 | 1122100 |
| | 48(0) | | | | | |
| 15M49 | 49(0) | 17M49 | 8301200 | . | P4VM | 8301220 |
| 14M34 | 50(2) | 16M33 | 4395954 | . | FPXS-0 | 1122100 |
| 15M51 | 51(0) | 17M51 | 8303200 | . | P8VM | 8303220 |

| FROM | PIN (COUNT) | TO | SOURCE LINE NO. | ELEM. TYPE | SOURCE SIGNAL NAME | REFERENCE LINE NO. |
|-------|----------------|-------|--------------------|---------------|--------------------|-----------------------|
| | 00(0) | | | | | |
| | 01(1) | 02M22 | 1083050 | -NS | KS8 | 1083050 |
| | 02(1) | 02M20 | 1093050 | -NS | KS9 | 1093050 |
| | 03(1) | 02M23 | 1103050 | -NS | KS10 | 1103050 |
| | 04(1) | 02M25 | 1113050 | -NS | KS11 | 1113050 |
| | 05(0) | | | | | |
| 31K11 | 06(1) | | 2240100 | . | ALARM | 2240200 |
| | 07(1) | 02M33 | 1123050 | -NS | KS12 | 1123050 |
| | 08(1) | 02M09 | 1133050 | -NS | KS13 | 1133050 |
| | 09(1) | 02M19 | 1143050 | -NS | KS14 | 1143050 |
| | 10(0) | | | | | |
| 16M42 | 11(2) | 19M19 | 1146500 | . | S14 | 1146560 |
| 16M44 | 12(2) | 19M29 | 1142100 | . | FP14 | 1146560 |
| 17M21 | 13(2) | 17L23 | 5374415 | . | NKDI-1 | 1126560 |
| 16M30 | 14(2) | 19M09 | 1136500 | . | S13 | 1136560 |
| 16M46 | 15(2) | 19M24 | 1132100 | . | FP13 | 1136560 |
| | 16(0) | | 4791217 | -GND | GND2317 | 4791217 |
| 31K29 | 17(2) | 22M37 | 2371500 | . | AUDIO | 7321525 |
| 16M31 | 18(2) | 19M33 | 1126500 | . | S12 | 1126560 |
| 16M47 | 19(2) | 19M26 | 1122100 | . | FP12 | 1126560 |
| 16M45 | 20(2) | 19M27 | 1152100 | . | FP15 | 1156560 |
| 17M23 | 21(2) | 17M13 | 5374415 | . | NKDI-1 | 1156560 |
| 29L30 | 22(2) | 16M43 | 1156500 | . | S15 | 1156560 |
| 18M29 | 23(2) | 17M21 | 5374415 | . | NKDI-1 | 1106560 |
| | 24(0) | | | | | |
| 16M36 | 25(2) | 19M28 | 1112100 | . | FP11 | 1116560 |
| 16M37 | 26(2) | 19M25 | 1116500 | . | S11 | 1116560 |
| 32K31 | 27(2) | 03M46 | 6025101 | . | NMASTER | 6025140 |
| 16M38 | 28(2) | 19M23 | 1106500 | . | S10 | 1106560 |
| 24M19 | 29(2) | 17L29 | 5374410 | . | KDI-1 | 1106560 |
| 16M41 | 30(2) | 19M34 | 1102100 | . | FP10 | 1106560 |
| 04L10 | 31(2) | 20M06 | 4100100 | . | EI | 4100120 |
| | 32(0) | | | | | |
| 16M35 | 33(2) | 19M30 | 1092100 | . | FP9 | 1096560 |
| 16M39 | 34(2) | 19M20 | 1096500 | . | S9 | 1096560 |
| 04L09 | 35(2) | 20M14 | 5130100 | . | II | 5130120 |
| | 36(0) | | | | | |
| 16M34 | 37(2) | 19M31 | 1082100 | . | FP8 | 1086560 |
| 19M22 | 38(2) | 16M40 | 1086500 | . | S8 | 1086560 |
| 04L41 | 39(2) | 21M06 | 3163100 | . | CIF | 3163120 |
| | 40(1) | 10M42 | 5560230 | -NS | KUA23 | 5560230 |
| | 41(0) | | | | | |
| | 42(1) | 02M21 | 1153050 | -NS | KS15 | 1153050 |
| | 43(1) | 29M41 | 5560280 | -NS | KUA28 | 5560280 |
| | 44(1) | 01M23 | 1153100 | -NS | KSP15 | 1153100 |
| | 45(1) | 05M46 | 5560300 | -NS | KUA30 | 5560300 |
| 31K02 | 46(1) | | 5583000 | -NS | KWDTR | 5583000 |
| 02C22 | 47(1) | 31K05 | 5375050 | -NS | KDISPLAQ/B | 5375050 |
| | 48(0) | | | | | |
| 16M49 | 49(0) | 18M49 | 8301200 | | P4VM | 8301220 |
| | 50(1) | 12M50 | 8304800 | -VSP | M8VM | 8304800 |
| 16M51 | 51(0) | 18M51 | 8303200 | | P8VM | 8303220 |

XDS 902306



DRAWING NO. - 133264-930 AC
 PROG-PNIND MODULE-18M
 TYPE-PIN INDEX TYPE-ZT45

82
 10/27/71

| FROM | PIN (COUNT) | TO | SOURCE LINE NO. | ELEM. TYPE | SOURCE SIGNAL NAME | REFERENCE LINE NO. |
|-------|----------------|-------|--------------------|---------------|--------------------|-----------------------|
| | 00(0) | | | | | |
| 25L39 | 01(1) | 18N01 | 1006300 | C | RR0 | 1006300 |
| 29L04 | 02(1) | 18N02 | 1002450 | C | G00 | 1002450 |
| 18N03 | 03(1) | 29K38 | 1002775 | C | K00/1 | 1002775 |
| 18N04 | 04(1) | 29L46 | 1002780 | C | K000 | 1002780 |
| 29L01 | 05(1) | 18N05 | 1005480 | C | PR00 | 1005480 |
| 25L24 | 06(1) | 18N06 | 1010100 | C | A1 | 1010100 |
| 26L18 | 07(1) | 18N07 | 1020100 | C | A2 | 1020100 |
| 26L24 | 08(1) | 18N08 | 1030100 | C | A3 | 1030100 |
| 26K21 | 09(1) | 18N09 | 1040100 | C | A4 | 1040100 |
| 27L24 | 10(1) | 18N10 | 1050100 | C | A5 | 1050100 |
| 28L24 | 11(1) | 18N11 | 1070100 | C | A7 | 1070100 |
| 19M04 | 12(1) | 18N12 | 1140300 | C | B14 | 1140300 |
| 21M04 | 13(1) | 18N13 | 1150300 | C | B15 | 1150300 |
| 18N14 | 14(1) | 25L13 | 1241300 | C | D24 | 1241300 |
| 19M15 | 15(1) | 18N15 | 2500070 | C | B0031Z | 2500070 |
| | 16(0) | | 4791218 | -GND | GND2318 | 4791218 |
| 18N17 | 17(1) | 19M03 | 2900640 | C | NBXHR1 | 2900640 |
| 18N18 | 18(1) | 19M02 | 2900690 | C | NBXHR2 | 2900690 |
| 18N19 | 19(1) | 07M19 | 7500740 | C | (S7.DIOXS) | 7500740 |
| 18N20 | 20(1) | 08M19 | 7501540 | C | (S15.DIOXS) | 7501540 |
| 18N21 | 21(1) | 19M01 | 2902160 | C | NBXP | 2902160 |
| 04L38 | 22(1) | 18N22 | 4410100 | C | FS | 4410100 |
| 18N23 | 23(1) | 23M11 | 4421480 | C | FUMH | 4421480 |
| 18L01 | 24(1) | 18N24 | 7500100 | C | (S00-S0) | 7500100 |
| 23M25 | 25(1) | 18N25 | 1296200 | C | R29 | 1296200 |
| 26L38 | 26(1) | 18N26 | 1032750 | C | K3 | 1032750 |
| 28L38 | 27(1) | 18N27 | 1072750 | C | K7 | 1072750 |
| 18N28 | 28(1) | 29L34 | 2904495 | C | NBXP | 2904495 |
| 18N29 | 29(1) | 17M23 | 5374415 | C | NKD1-1 | 5374415 |
| 29L33 | 30(1) | 18N30 | 1300100 | C | A30 | 1300100 |
| 18N31 | 31(1) | 21L08 | 1306530 | C | S30/1 | 1306530 |
| | 32(0) | | | | | |
| 18N33 | 33(1) | 21L07 | 1316530 | C | S31/1 | 1316530 |
| 18N34 | 34(1) | 04M41 | 4421630 | C | (FUMSP.PH1/F) | 4421630 |
| 19K21 | 35(1) | 18N35 | 1246202 | C | NRP24 | 1246202 |
| 19K20 | 36(1) | 18N36 | 1256202 | C | NRP25 | 1256202 |
| 19L34 | 37(1) | 18N37 | 6911180 | C | PRXAD/2 | 6911180 |
| 19L35 | 38(1) | 18N38 | 6911580 | C | PRXNAD/2 | 6911580 |
| 31K08 | 39(1) | 18N39 | 7824100 | C | SPIM | 7824100 |
| 19L14 | 40(1) | 18N40 | 6911300 | C | NPRXAND | 6911300 |
| 19L07 | 41(1) | 18N41 | 7828801 | C | NSPW | 7828801 |
| 23M42 | 42(1) | 18N42 | 1296500 | C | S29 | 1296500 |
| 18N43 | 43(1) | 19M47 | 2900590 | C | NBXL1 | 2900590 |
| 18N44 | 44(1) | 02M46 | 2405480 | C | NAXS | 2405480 |
| 18N45 | 45(1) | 28M38 | 1152750 | C | K15 | 1152750 |
| 23M46 | 46(1) | 18N46 | 1286500 | C | S28 | 1286500 |
| 20L24 | 47(1) | 18N47 | 6911790 | C | (PRXNAND+SPW) | 6911790 |
| | 48(0) | | | | | |
| 17M49 | 49(0) | 19M49 | 8301200 | | P4VM | 8301220 |
| 25M23 | 50(1) | 18N50 | 1081300 | C | D8 | 1081300 |
| 17M51 | 51(0) | 19M51 | 8303200 | | P8VM | 8303220 |

XDS 902306

xds
XEROX DATA SYSTEMS

DRAWING NO. - 133264-930 AC
PROG-PNIND
TYPE-PIN INDEX

MODULE-19M
TYPE-GT12

83

10/27/71

| FROM | PIN (COUNT) | TO | SOURCE LINE NO. | ELEM. TYPE | SOURCE SIGNAL NAME | REFERENCE LINE NO. |
|-------|----------------|-------|--------------------|---------------|--------------------|-----------------------|
| | 00(0) | | | | | |
| 18M21 | 01(2) | 21L01 | 2902160 | . | NBAFP | 2902110 |
| 18M18 | 02(2) | 21L02 | 2900690 | . | NBAPBR2 | 2900710 |
| 18M17 | 03(2) | 21L03 | 2900640 | . | NBAPBR1 | 2900660 |
| 21M30 | 04(2) | 18M12 | 1140300 | . | B14 | 2500084 |
| 21L43 | 05(2) | 20M27 | 1080300 | . | B8 | 2500078 |
| | 06(1) | 21M03 | 1150310-1 | + | | 1150310 |
| | 07(1) | 21L36 | 1070300 | . | B7 | 1080310 |
| | 08(1) | 21L04 | 1060300 | . | B6 | 1080312 |
| 17M14 | 09(2) | 27M17 | 1136500 | . | S13 | 1130312 |
| | 10(0) | | 2902110 | I | BAFP-1 | 2902110 |
| | 11(1) | 20M41 | 1100310-1 | + | | 1100310 |
| 21L12 | 12(2) | 10M35 | 2905650 | . | N(BXS+BAP/2) | 2905550 |
| | 13(1) | 20M46 | 1090310-1 | + | | 1090316 |
| | 14(1) | 21M31 | 1130300 | . | B13 | 2500082 |
| 21L15 | 15(2) | 18M15 | 2500070 | I | B0031Z | 2500078 |
| | 16(0) | | 4791219 | -GND | GND2319 | 4791219 |
| | 17(1) | 20M31 | 1090300 | . | B9 | 2500078 |
| | 18(1) | 20M50 | 1080310-1 | + | | 1080312 |
| 17M11 | 19(2) | 28M19 | 1146500 | . | S14 | 1140312 |
| 17M34 | 20(2) | 25M17 | 1096500 | . | S9 | 1090312 |
| 29L05 | 21(1) | | 1156530 | . | S15/1 | 1150312 |
| 25M19 | 22(2) | 17M38 | 1086500 | . | S8 | 1080312 |
| 17M28 | 23(2) | 26M19 | 1106500 | . | S10 | 1100312 |
| 17M15 | 24(2) | 31L14 | 1132100 | . | FP13 | 1130316 |
| 17M26 | 25(2) | 26M17 | 1116500 | . | S11 | 1110312 |
| 17M19 | 26(2) | 31L13 | 1122100 | . | FP12 | 1120316 |
| 17M20 | 27(2) | 31L17 | 1152100 | . | FP15 | 1150316 |
| 17M25 | 28(2) | 31L12 | 1112100 | . | FP11 | 1110316 |
| 17M12 | 29(2) | 31L15 | 1142100 | . | FP14 | 1140316 |
| 17M33 | 30(2) | 31L10 | 1092100 | . | FP9 | 1090316 |
| 17M37 | 31(2) | 31L09 | 1082100 | . | FP8 | 1080316 |
| | 32(0) | | | | | |
| 17M18 | 33(2) | 27M19 | 1126500 | . | S12 | 1120312 |
| 17M30 | 34(2) | 31L11 | 1102100 | . | FP10 | 1100316 |
| | 35(1) | 21M27 | 1120300 | . | B12 | 2500082 |
| 29L15 | 36(1) | | 1150340 | . | B15/1 | 2500084 |
| | 37(0) | | 2900510 | I | BAB-1 | 2900510 |
| | 38(1) | 20M39 | 1110310-1 | + | | 1110310 |
| | 39(1) | 21M50 | 1120310-1 | + | | 1120310 |
| | 40(1) | 21M43 | 1130350 | I | (S/B13) | 1130350 |
| | 41(1) | 21M46 | 1130310-1 | + | | 1130316 |
| | 42(1) | 21M41 | 1140310-1 | + | | 1140312 |
| 24M43 | 43(2) | 11M43 | 1160300 | . | B16 | 1150310 |
| | 44(1) | 20M33 | 1110300 | . | B11 | 2500080 |
| | 45(1) | 20M30 | 1100300 | . | B10 | 2500080 |
| 05M40 | 46(2) | 21L46 | 2904500 | . | NBAP/1 | 2900510 |
| 18M43 | 47(2) | 21L47 | 2900590 | . | NBAPL1 | 2900610 |
| | 48(0) | | | | | |
| 18M49 | 49(0) | 20M49 | 8301200 | . | P4VM | 8301220 |
| 12L28 | 50(2) | 11M50 | 1130360 | . | N(S/B13) | 1130350 |
| 18M51 | 51(0) | 20M51 | 8303200 | . | P8VM | 8303220 |

XDS 902306



DRAWING NO.- 133264-930 AC
 PROG-PNIND MODULE-20M
 TYPE-PIN INDEX TYPE-FT22

84
 10/27/71

| FROM | PIN (COUNT) | TO | SOURCE LINE NO. | ELEM. TYPE | SOURCE SIGNAL NAME | REFERENCE LINE NO. |
|-------|-------------|-------|-----------------|------------|--------------------|--------------------|
| | 00(0) | | | | | |
| | 01(1) | 21M01 | 3200100 | . | CL-32P10 | 1100334 |
| | 02(1) | 17L17 | 8180200 | FF | WK1 | 8180200 |
| | 03(0) | | | | | |
| | 04(1) | 03L09 | 8180100 | FF | WK0 | 8180100 |
| | 05(0) | | 8180101 | NFF | NWK0 | 8180101 |
| 17M31 | 06(1) | | 4100100 | FF | EI | 4100100 |
| | 07(1) | 01M40 | 4100101 | NFF | NEI | 4100101 |
| 21L21 | 08(1) | 16M24 | 1076500 | . | S7 | 4100102 |
| 29K24 | 09(1) | | 4100140 | . | (R/EI) | 4100107 |
| 20M22 | 10(2) | 22M23 | 6927100 | . | PSW2XS | 4100102 |
| | 11(0) | | 5130102-1 | + | | 5130102 |
| | 12(1) | 01M14 | 5130101 | NFF | NII | 5130101 |
| 17L11 | 13(2) | 16M23 | 1066500 | . | S6 | 5130102 |
| 17M35 | 14(1) | | 5130100 | FF | II | 5130100 |
| 30K24 | 15(1) | | 5130140 | . | (R/II) | 5130107 |
| | 16(1) | 20M17 | 4791220 | -GND | GND2320 | 4791220 |
| 20M16 | 17(2) | 20M37 | 4791220 | . | GND2320 | 8180102 |
| | 18(0) | | 8180202-1 | + | | 8180202 |
| 31K17 | 19(1) | | 4100130 | . | (S/EI) | 4100102 |
| 31K15 | 20(2) | 22M36 | 5130130 | . | (S/II) | 5130102 |
| | 21(0) | | 8180201 | NFF | NWK1 | 8180201 |
| 20M23 | 22(2) | 20M10 | 6927100 | . | PSW2XS | 8180107 |
| 27K11 | 23(2) | 20M22 | 6927100 | . | PSW2XS | 8180207 |
| 21L23 | 24(2) | 16M03 | 1026500 | . | S2 | 8180102 |
| 14L24 | 25(2) | 16M04 | 1036500 | . | S3 | 8180202 |
| | 26(0) | | 1090304 | NFF | NB9 | 1090304 |
| 19M05 | 27(2) | 25M33 | 1080300 | FF | B8 | 1080300 |
| | 28(0) | | 1080304 | NFF | NB8 | 1080304 |
| | 29(0) | | 1100304 | NFF | NB10 | 1100304 |
| 19M45 | 30(2) | 26M33 | 1100300 | FF | B10 | 1100300 |
| 19M17 | 31(2) | 25M47 | 1090300 | FF | B9 | 1090300 |
| | 32(0) | | | | | |
| 19M44 | 33(2) | 26M47 | 1110300 | FF | B11 | 1110300 |
| | 34(0) | | 1110304 | NFF | NB11 | 1110304 |
| 27K13 | 35(2) | 12L09 | 1110350 | . | (S/B11) | 1110314 |
| 21M36 | 36(2) | 22M21 | 5156870 | . | IOPOP | 1100314 |
| 20M17 | 37(1) | | 4791220 | . | GND2320 | 1100316 |
| 11M40 | 38(2) | 20M40 | 2900140 | . | BX/1 | 1110330 |
| 19M38 | 39(1) | | 1110310-1 | + | | 1110310 |
| 20M38 | 40(2) | 20M44 | 2900140 | . | BX/1 | 1100330 |
| 19M11 | 41(1) | | 1100310-1 | + | | 1100310 |
| 06L07 | 42(2) | 26K40 | 1100350 | . | (S/B10) | 1100314 |
| 21L40 | 43(2) | 12L39 | 1090350 | . | (S/B9) | 1090314 |
| 20M40 | 44(2) | 20M45 | 2900140 | . | BX/1 | 1090330 |
| 20M44 | 45(2) | 21M22 | 2900140 | . | BX/1 | 1080330 |
| 19M13 | 46(1) | | 1090310-1 | + | | 1090314 |
| 18L21 | 47(2) | 11M47 | 1080350 | . | (S/B8) | 1080314 |
| | 48(0) | | | | | |
| 19M49 | 49(0) | 21M49 | 8301200 | | P4VM | 8301220 |
| 19M18 | 50(1) | | 1080310-1 | + | | 1080310 |
| 19M51 | 51(0) | 21M51 | 8303200 | | P8VM | 8303220 |

XDS 902306



DRAWING NO. - 133264-930 AC
 PROG-PNIND MODULE-21M
 TYPE-PIN INDEX TYPE-FT22

85

10/27/71

| FROM | PIN (COUNT) | TO | SOURCE LINE NO. | ELEM. TYPE | SOURCE SIGNAL NAME | REFERENCE LINE NO. |
|-------|----------------|-------|--------------------|---------------|--------------------|-----------------------|
| | 00(0) | | | | | |
| 20M01 | 01(1) | 32P10 | 3200100 | . | CL-32P10 | 1120334 |
| | 02(1) | 18L03 | 1082640 | FF | IOFR8 | 1082640 |
| 19M06 | 03(1) | | 1150310-1 | + | | 1150314 |
| 28M47 | 04(2) | 18M13 | 1150300 | FF | B15 | 1150300 |
| | 05(0) | | 1150304 | NFF | NB15 | 1150304 |
| 17M39 | 06(1) | | 3163100 | FF | CIF | 3163100 |
| | 07(1) | 01M21 | 3163101 | NFF | NCIF | 3163101 |
| 31K14 | 08(1) | | 3163125 | . | (S/CIF/1) | 3163102 |
| 26K19 | 09(2) | 22M35 | 3163140 | . | (R/CIF) | 3163107 |
| | 10(0) | | | | | |
| | 11(0) | | 5151002-1 | + | | 5151002 |
| | 12(0) | | 5151001 | NFF | NIODAP | 5151001 |
| 12L13 | 13(2) | 22M15 | 5151035 | . | (S/IODAP) | 5151002 |
| | 14(1) | 08L25 | 5151000 | FF | IODAP | 5151000 |
| 12L05 | 15(2) | 11M26 | 5156465 | . | (IOPH0.SW13) | 5151007 |
| | 16(1) | 21M17 | 4791221 | -GND | GND2321 | 4791221 |
| 21M16 | 17(2) | 21M37 | 4791221 | . | GND2321 | 1150316 |
| | 18(0) | | 1082642-1 | + | | 1082642 |
| 27K01 | 19(1) | | 3163130 | . | (S/CIF/2) | 3163102 |
| 06L01 | 20(2) | 30M40 | 5151039 | . | (S/IODAP/SKIP) | 5151002 |
| | 21(1) | 23K20 | 1082641 | NFF | NIOFR8 | 1082641 |
| 20M45 | 22(2) | 21M40 | 2900140 | . | BX/1 | 1150330 |
| | 23(0) | | | | | |
| 11L14 | 24(1) | | 1150336 | . | (S/B15) | 1150314 |
| 32K47 | 25(2) | 22M25 | 1082655 | . | (S/IOFR8) | 1082642 |
| | 26(0) | | 1130304 | NFF | NB13 | 1130304 |
| 19M35 | 27(2) | 27M33 | 1120300 | FF | B12 | 1120300 |
| | 28(0) | | 1120304 | NFF | NB12 | 1120304 |
| | 29(1) | 32M30 | 1140304 | NFF | NB14 | 1140304 |
| 28M33 | 30(2) | 19M04 | 1140300 | FF | B14 | 1140300 |
| 19M14 | 31(2) | 27M47 | 1130300 | FF | B13 | 1130300 |
| | 32(0) | | | | | |
| | 33(1) | 23K23 | 1092640 | FF | IOFR9 | 1092640 |
| | 34(1) | 23K25 | 1092641 | NFF | NIOFR9 | 1092641 |
| 32K46 | 35(2) | 22M24 | 1092655 | . | (S/IOFR9) | 1092642 |
| 22L36 | 36(2) | 20M36 | 5156870 | . | IOPOP | 1120314 |
| 21M17 | 37(1) | | 4791221 | . | GND2321 | 1120316 |
| | 38(0) | | | | | |
| | 39(0) | | 1092642-1 | + | | 1092642 |
| 21M22 | 40(2) | 21M44 | 2900140 | . | BX/1 | 1140330 |
| 19M42 | 41(1) | | 1140310-1 | + | | 1140310 |
| 26K42 | 42(2) | 30M42 | 1140350 | . | (S/B14) | 1140314 |
| 19M40 | 43(2) | 30M43 | 1130350 | . | (S/B13) | 1130314 |
| 21M40 | 44(2) | 21M45 | 2900140 | . | BX/1 | 1130330 |
| 21M44 | 45(2) | 29M45 | 2900140 | . | BX/1 | 1120330 |
| 19M41 | 46(1) | | 1130310-1 | + | | 1130310 |
| 14K14 | 47(2) | 26K43 | 1120350 | . | (S/B12) | 1120314 |
| | 48(0) | | | | | |
| 20M49 | 49(0) | 22M49 | 8301200 | | P4VM | 8301220 |
| 19M39 | 50(1) | | 1120310-1 | + | | 1120314 |
| 20M51 | 51(0) | 22M51 | 8303200 | | P8VM | 8303220 |

XDS 902306

XDS
XEROX DATA SYSTEMS

DRAWING NO. - 133264-930 AC
PROG-PNIND MODULE-22M
TYPE-PIN INDEX TYPE-XT10

86

10/27/71

| FROM | PIN (COUNT) | TO | SOURCE LINE NO. | ELEM. TYPE | SOURCE SIGNAL NAME | REFERENCE LINE NO. |
|-------|----------------|-------|--------------------|---------------|------------------------|-----------------------|
| | 00(0) | | | | | |
| | 01(1) | 22L40 | 2900110 | T | BX-0 | 2900110 |
| 21L47 | 02(1) | | 2900590 | T | NBXBL1 | 2900590 |
| | 03(1) | 25M03 | 3905510 | T | DXS-1 | 3905510 |
| 19L24 | 04(2) | 24K22 | 4321990 | T | NFAIM-1 | 4321990 |
| | 05(1) | 20L39 | 4900601 | T | GXAND | 4900601 |
| | 06(1) | 19L42 | 6911100 | T | NPRXAD | 6911100 |
| | 07(1) | 25M07 | 3900120 | T | DX/1 | 3900120 |
| | 08(1) | 25M08 | 3901010 | T | DXC-1 | 3901010 |
| | 09(1) | 19L30 | 6911500 | T | NPRXNAD | 6911500 |
| 20L50 | 10(1) | | 7829110 | T | N(SPZ.NDIS) | 7829110 |
| | 11(1) | 25M11 | 3901510 | T | DXDR8/1 | 3901510 |
| 23M11 | 12(1) | | 4421480 | T | FUMH | 4421480 |
| 23M04 | 13(1) | | 7335800 | T | RDC31 | 7335800 |
| | 14(1) | 25M14 | 3901060 | T | DXCL1-1 | 3901060 |
| 21M13 | 15(1) | | 5151035 | T | (S/IODAP) | 5151035 |
| | 16(0) | | 4791222 | -GND | GND2322 | 4791222 |
| 15M12 | 17(1) | | 7900450 | T | NSXB | 7900450 |
| 23M18 | 18(1) | | 7443100 | T | RXC | 7443100 |
| 22L20 | 19(1) | | 3405150 | T | N(S/CXS) | 3405150 |
| 26M20 | 20(1) | | 6911360 | T | PRXAND/1A | 6911360 |
| 20M36 | 21(1) | | 5156870 | T | IOPOP | 5156870 |
| 20L29 | 22(1) | | 3690130 | T | NDIS-3 | 3690130 |
| 20M10 | 23(1) | | 6927100 | T | PSW2XS | 6927100 |
| 21M35 | 24(1) | | 1092655 | T | (S/IOFR9) | 1092655 |
| 21M25 | 25(1) | | 1082655 | T | (S/IOFR8) | 1082655 |
| 26M26 | 26(1) | | 6911750 | T | PRXNAND/1A | 6911750 |
| 26M27 | 27(1) | | 6911560 | T | PRXNAD/1A | 6911560 |
| 19L29 | 28(1) | | 7829100 | T | (SPZ.NDIS) | 7829100 |
| 23M29 | 29(1) | | 7439100 | T | RX | 7439100 |
| 17L29 | 30(1) | | 5374410 | T | KDI-1 | 5374410 |
| 17L13 | 31(1) | | 5374415 | T | NKDI-1 | 5374415 |
| | 32(0) | | | | | |
| 23M15 | 33(1) | | 6902328 | T | PRE3-H | 6902328 |
| 23M34 | 34(1) | | 7439120 | T | RXS | 7439120 |
| 21M09 | 35(1) | | 3163140 | T | (R/CIF) | 3163140 |
| 20M20 | 36(1) | | 5130130 | T | (S/11) | 5130130 |
| 17M17 | 37(1) | | 2371500 | T | AUDIO | 2371500 |
| 11L38 | 38(1) | | 1001350 | T | ND0-2 | 1001350 |
| | 39(1) | 25M44 | 1334900 | T | P33 | 1334900 |
| 25M40 | 40(1) | | 5054100 | T | HOLDC-1 | 5054100 |
| | 41(1) | 25M41 | 7901110 | T | SXC-1 | 7901110 |
| 23M43 | 42(1) | | 7421000 | T | RUC31 | 7421000 |
| | 43(1) | 28M43 | 7904520 | T | SXP-2 | 7904520 |
| 30L40 | 44(1) | | 4421644 | T | (FUMSP(MC0).NFAIM.N05) | 4421644 |
| 24K15 | 45(2) | 32M38 | 1120138 | T | A12-1 | 1120138 |
| 25M43 | 46(1) | | 7500770 | T | S0809XP | 7500770 |
| | 47(1) | 25M42 | 1324900 | T | P32 | 1324900 |
| | 48(0) | | | | | |
| 21M49 | 49(0) | 23M49 | 8301200 | | P4VM | 8301220 |
| 26M50 | 50(1) | | 7900110 | T | SXADD-1A | 7900110 |
| 21M51 | 51(0) | 23M51 | 8303200 | | P8VM | 8303220 |

XDS 902306

XDS
XEROX DATA SYSTEMS

DRAWING NO. - 133264-930 AC
PROG-PNIND MODULE-23M
TYPE-PIN INDEX TYPE-FT18

87

10/27/71

| FROM | PIN (COUNT) | TO | SOURCE LINE NO. | ELEM. TYPE | SOURCE SIGNAL NAME | REFERENCE LINE NO. |
|-------|----------------|-------|--------------------|---------------|--------------------|-----------------------|
| | 00(0) | | | | | |
| 30M09 | 01(2) | 25M09 | 3200120 | . | CL-32P12 | 1286212 |
| | 02(0) | | | | | |
| | 03(0) | | 1316210-1 | + | | 1316211 |
| 32K04 | 04(2) | 22M13 | 7335800 | . | RDC31 | 1286209 |
| | 05(1) | 23M45 | 1316200 | FF | R31 | 1316200 |
| 30M06 | 06(2) | 25M10 | 1100500 | . | C10 | 1306204 |
| 26M05 | 07(2) | 30M07 | 1110500 | . | C11 | 1316204 |
| | 08(1) | 24M08 | 1306500 | . | S30 | 1306204 |
| | 09(0) | | | | | |
| | 10(0) | | | | | |
| 18M23 | 11(2) | 22M12 | 4421480 | . | FUMH | 1316206 |
| | 12(0) | | 1316204-1 | + | | 1316204 |
| | 13(1) | 23M16 | 4791223 | . | GND2323 | 1306206 |
| | 14(1) | 24M14 | 1316500 | . | S31 | 1316204 |
| 10M34 | 15(2) | 22M33 | 6902328 | . | PRE3-H | 1286206 |
| 23M13 | 16(2) | 23M35 | 4791223 | -GND | GND2323 | 4791223 |
| | 17(0) | | 1306210-1 | + | | 1306211 |
| 32K06 | 18(2) | 22M18 | 7443100 | . | RXC | 1286204 |
| | 19(1) | 23M47 | 1306200 | FF | R30 | 1306200 |
| | 20(0) | | 1306204-1 | + | | 1306206 |
| | 21(1) | 23M28 | 1306202 | NFF | NR30 | 1306202 |
| | 22(1) | 23M27 | 1316202 | NFF | NR31 | 1316202 |
| 32K07 | 23(2) | 23M43 | 7421000 | . | RUC31 | 1296208 |
| | 24(0) | | 1296210-1 | + | | 1296210 |
| | 25(1) | 18M25 | 1296200 | FF | R29 | 1296200 |
| | 26(1) | 24M22 | 1296202 | NFF | NR29 | 1296202 |
| 23M22 | 27(2) | 14M29 | 1316202 | . | NR31 | 1286209 |
| 23M21 | 28(2) | 14M28 | 1306202 | . | NR30 | 1286209 |
| 31K28 | 29(2) | 22M29 | 7439100 | . | RX | 1296210 |
| | 30(0) | | 1286210-1 | + | | 1286210 |
| | 31(0) | | 1296204-1 | + | | 1296206 |
| | 32(0) | | | | | |
| | 33(1) | 24M33 | 1286200 | FF | R28 | 1286200 |
| 32K45 | 34(2) | 22M34 | 7439120 | . | RXS | 1286204 |
| 23M16 | 35(2) | 23M38 | 4791223 | . | GND2323 | 1286206 |
| | 36(0) | | 1286204-1 | + | | 1286209 |
| 28L10 | 37(2) | 25M15 | 1080500 | . | C8 | 1286204 |
| 23M35 | 38(2) | 23M39 | 4791223 | . | GND2323 | 1296206 |
| 23M38 | 39(1) | | 4791223 | . | GND2323 | 1286206 |
| | 40(1) | 14M40 | 1286202 | NFF | NR28 | 1286202 |
| | 41(0) | | | | | |
| | 42(1) | 18M42 | 1296500 | . | S29 | 1296204 |
| 23M23 | 43(2) | 22M42 | 7421000 | . | RUC31 | 1286208 |
| | 44(0) | | | | | |
| 23M05 | 45(2) | 16M07 | 1316200 | . | R31 | 1286208 |
| | 46(1) | 18M46 | 1286500 | . | S28 | 1286204 |
| 23M19 | 47(2) | 24M46 | 1306200 | . | R30 | 1286208 |
| | 48(0) | | | | | |
| 22M49 | 49(0) | 24M49 | 8301200 | . | P4VM | 8301230 |
| 25M05 | 50(2) | 30M50 | 1090500 | . | C9 | 1296204 |
| 22M51 | 51(0) | 24M51 | 8303200 | . | P8VM | 8303230 |

XDS 902306

XDS
XEROX DATA SYSTEMS

DRAWING NO. - 133264-930 AC
PROG-PNIND MODULE-24M
TYPE-PIN INDEX TYPE-ZT45

88

10/27/71

| FROM | PIN (COUNT) | TO | SOURCE LINE NO. | ELEM. TYPE | SOURCE SIGNAL NAME | REFERENCE LINE NO. |
|-------|----------------|-------|--------------------|---------------|--------------------|-----------------------|
| | 00(0) | | | | | |
| 25L33 | 01(1) | 24N01 | 1000300 | C | B0 | 1000300 |
| 28L18 | 02(1) | 24N02 | 1060100 | C | A6 | 1060100 |
| 24N03 | 03(1) | 28L13 | 1061350 | C | (S/D6) | 1061350 |
| 24N04 | 04(1) | 30L14 | 1121340 | C | ND12-1 | 1121340 |
| 19K30 | 05(1) | 24N05 | 1313710 | C | LR31-1 | 1313710 |
| 02L15 | 06(1) | 24N06 | 7500170 | C | S0007Z | 7500170 |
| 02M15 | 07(1) | 24N07 | 7500800 | C | S0815Z | 7500800 |
| 23M08 | 08(1) | 24N08 | 1306500 | C | S30 | 1306500 |
| 31K24 | 09(1) | 24N09 | 3651002 | C | D10FS | 3651002 |
| 28M10 | 10(1) | 24N10 | 1160504 | C | C16-1 | 1160504 |
| 25M24 | 11(1) | 24N11 | 1090100 | C | A9 | 1090100 |
| 24N12 | 12(1) | 15M13 | 7900450 | C | NSXB | 7900450 |
| 25M13 | 13(1) | 24N13 | 1001300 | C | D0 | 1001300 |
| 23M14 | 14(1) | 24N14 | 1316500 | C | S31 | 1316500 |
| 29L14 | 15(1) | 24N15 | 3905500 | C | DXS-0 | 3905500 |
| | 16(0) | | 4791224 | -GND | GND2324 | 4791224 |
| 24N17 | 17(1) | 20L10 | 1000510 | C | C0-1 | 1000510 |
| 24N18 | 18(1) | 32L38 | 4460101 | C | NFZ | 4460101 |
| 24N19 | 19(1) | 17M29 | 5374410 | C | KDI-1 | 5374410 |
| 24N20 | 20(1) | 18L09 | 7430112 | C | NRW-2 | 7430112 |
| 25M42 | 21(1) | 24N21 | 1324900 | C | P32 | 1324900 |
| 23M26 | 22(1) | 24N22 | 1296202 | C | NR29 | 1296202 |
| 26M23 | 23(1) | 24N23 | 1101300 | C | D10 | 1101300 |
| 24N24 | 24(1) | 26L13 | 1261300 | C | D26 | 1261300 |
| 26M38 | 25(1) | 24N25 | 1112750 | C | K11 | 1112750 |
| 26K23 | 26(1) | 24N26 | 1000100 | C | A0 | 1000100 |
| 28M28 | 27(1) | 24N27 | 1151300 | C | D15 | 1151300 |
| 25M28 | 28(1) | 24N28 | 1091300 | C | D9 | 1091300 |
| 26M28 | 29(1) | 24N29 | 1111300 | C | D11 | 1111300 |
| 24N30 | 30(1) | 26L12 | 1271300 | C | D27 | 1271300 |
| 24N31 | 31(1) | 27L13 | 1281300 | C | D28 | 1281300 |
| | 32(0) | | | | | |
| 23M33 | 33(1) | 24N33 | 1286200 | C | R28 | 1286200 |
| 24N34 | 34(1) | 27L12 | 1291300 | C | D29 | 1291300 |
| 24N35 | 35(1) | 25L12 | 1251300 | C | D25 | 1251300 |
| 19K23 | 36(1) | 24N36 | 1283710 | C | LR28-1 | 1283710 |
| 18L41 | 37(1) | 24N37 | 1314940 | C | P31-1 | 1314940 |
| 11L07 | 38(1) | 24N38 | 4375121 | C | NFL2 | 4375121 |
| 27K06 | 39(1) | 24N39 | 3405111 | C | CXS | 3405111 |
| 15L04 | 40(1) | 24N40 | 6030100 | C | NMB0CRO | 6030100 |
| 15L24 | 41(1) | 24N41 | 6030110 | C | NMB1CRO | 6030110 |
| 29L37 | 42(1) | 24N42 | 2904490 | C | BXP | 2904490 |
| 24N43 | 43(1) | 19M43 | 1160300 | C | B16 | 1160300 |
| 19K29 | 44(1) | 24N44 | 1303710 | C | LR30-1 | 1303710 |
| 19K18 | 45(1) | 24N45 | 1293710 | C | LR29-1 | 1293710 |
| 23M47 | 46(1) | 24N46 | 1306200 | C | R30 | 1306200 |
| 03L46 | 47(1) | 24N47 | 1000150 | C | A0L | 1000150 |
| | 48(0) | | | | | |
| 23M49 | 49(0) | 25M49 | 8301200 | | P4VM | 8301230 |
| 30L47 | 50(1) | 24N50 | 1000504 | C | NC0 | 1000504 |
| 23M51 | 51(0) | 25M51 | 8303200 | | P8VM | 8303230 |

| FROM | PIN (COUNT) | TO | SOURCE LINE NO. | ELEM. TYPE | SOURCE SIGNAL NAME | REFERENCE LINE NO. |
|-------|----------------|-------|--------------------|---------------|--------------------|-----------------------|
| | 00(0) | | | | | |
| | 01(1) | 30K40 | 1095500 | B | PR9 | 1095500 |
| | 02(1) | 30K43 | 1085500 | B | PR8 | 1085500 |
| 22M03 | 03(2) | 26M03 | 3905510 | . | DXS-1 | 1081312 |
| | 04(1) | 30K44 | 1092500 | B | G9 | 1092500 |
| | 05(1) | 23M50 | 1090500 | FB | C9 | 1090500 |
| | 06(1) | 30K46 | 1082500 | B | G8 | 1082500 |
| 22M07 | 07(2) | 26M07 | 3900120 | . | DX/1 | 1081330 |
| 22M08 | 08(2) | 26M08 | 3901010 | . | DXC-1 | 1081310 |
| 23M01 | 09(2) | 26M09 | 3200120 | . | CL-32P12 | 1081334 |
| 23M06 | 10(2) | 26M15 | 1100500 | . | C10 | 1091310 |
| 22M11 | 11(2) | 26M11 | 3901510 | . | DXDR8/1 | 1081312 |
| 24K14 | 12(2) | 30K14 | 1011300 | . | D1 | 1091312 |
| 15M37 | 13(2) | 24M13 | 1001300 | . | D0 | 1081312 |
| 22M14 | 14(2) | 26M14 | 3901060 | . | DXCL1-1 | 1081310 |
| 23M37 | 15(1) | | 1080500 | FB | C8 | 1080500 |
| | 16(0) | | 4791225 | -GND | GND2325 | 4791225 |
| 19M20 | 17(1) | | 1096500 | B | S9 | 1096502 |
| 03M23 | 18(2) | 01M18 | 1080100 | . | A8 | 1080140 |
| | 19(1) | 19M22 | 1086500 | I | S8 | 1086500 |
| 20L38 | 20(2) | 26M20 | 6911360 | . | PRXAND/1A | 1085502 |
| 20L34 | 21(2) | 26M21 | 4900560 | . | GXAD-1 | 1082500 |
| 13M10 | 22(2) | 26M22 | 4904160 | . | GXNAD-1 | 1082500 |
| | 23(1) | 18M50 | 1081300 | FF | D8 | 1081300 |
| 03M19 | 24(2) | 24M11 | 1090100 | . | A9 | 1090140 |
| 13M15 | 25(2) | 26M25 | 4900660 | . | GXAND-1 | 1082502 |
| 20L25 | 26(2) | 26M26 | 6911750 | . | PRXNAND/1A | 1085502 |
| 20L47 | 27(2) | 26M27 | 6911560 | . | PRXNAD/1A | 1085500 |
| | 28(1) | 24M28 | 1091300 | FF | D9 | 1091300 |
| 20L44 | 29(2) | 26M29 | 6911160 | . | PRXAD/1A | 1085500 |
| 12M34 | 30(1) | | 1094100 | . | MB9 | 1090502 |
| 27K12 | 31(2) | 26M31 | 3405100 | . | CXS/1 | 1080500 |
| | 32(0) | | | | | |
| 20M27 | 33(1) | | 1080300 | . | B8 | 1086504 |
| 20L11 | 34(2) | 26M34 | 3403100 | . | CXMB-1 | 1080502 |
| 23K41 | 35(2) | 03M40 | 1096300 | . | RR9 | 1090502 |
| 12M27 | 36(1) | | 1084100 | . | MB8 | 1080502 |
| 27K36 | 37(2) | 26M37 | 3404100 | . | CXRR-1 | 1080502 |
| 30K27 | 38(1) | | 1092750 | . | K9 | 1096500 |
| 23K43 | 39(2) | 03M26 | 1086300 | . | RR8 | 1080502 |
| 26M40 | 40(2) | 22M40 | 5054100 | . | HOLDC-1 | 1080500 |
| 22M41 | 41(2) | 26M41 | 7901110 | . | SXC-1 | 1086504 |
| 22M47 | 42(2) | 24M21 | 1324900 | . | P32 | 1086506 |
| 31K40 | 43(2) | 22M46 | 7500770 | . | S0809XP | 1086506 |
| 22M39 | 44(2) | 14M46 | 1334900 | . | P33 | 1096506 |
| 15M11 | 45(2) | 26M45 | 7900510 | . | SXB-1 | 1086504 |
| 30K26 | 46(1) | | 1082750 | . | K8 | 1086500 |
| 20M31 | 47(1) | | 1090300 | . | B9 | 1096504 |
| | 48(0) | | | | | |
| 24M49 | 49(0) | 26M49 | 8301200 | | P4VM | 8301230 |
| 20L19 | 50(2) | 26M50 | 7900110 | . | SXADD-1A | 1086502 |
| 24M51 | 51(0) | 26M51 | 8303200 | | P8VM | 8303230 |

XDS 902306



DRAWING NO. - 133264-930 AC
 PROG-PNIND MODULE-26M
 TYPE-PIN INDEX TYPE-LT42

90

10/27/71

| FROM | PIN (COUNT) | TO | SOURCE LINE NO. | ELEM. TYPE | SOURCE SIGNAL NAME | REFERENCE LINE NO. |
|-------|----------------|-------|--------------------|---------------|--------------------|-----------------------|
| | 00(0) | | | | | |
| | 01(1) | 30K41 | 1115500 | B | PR11 | 1115500 |
| | 02(1) | 30K39 | 1105500 | B | PR10 | 1105500 |
| 25M03 | 03(2) | 27M03 | 3905510 | . | DXS-1 | 1101312 |
| | 04(1) | 30K47 | 1112500 | B | G11 | 1112500 |
| | 05(1) | 23M07 | 1110500 | FB | C11 | 1110500 |
| | 06(1) | 30K50 | 1102500 | B | G10 | 1102500 |
| 25M07 | 07(2) | 27M07 | 3900120 | . | DX/1 | 1101330 |
| 25M08 | 08(2) | 27M08 | 3901010 | . | DXC-1 | 1101310 |
| 25M09 | 09(2) | 27M09 | 3200120 | . | CL-32P12 | 1101334 |
| 26K36 | 10(2) | 27M15 | 1120500 | . | C12 | 1111310 |
| 25M11 | 11(2) | 27M11 | 3901510 | . | DXDR8/1 | 1101312 |
| 26L28 | 12(1) | | 1031300 | . | D3 | 1111312 |
| 26L23 | 13(1) | | 1021300 | . | D2 | 1101312 |
| 25M14 | 14(2) | 27M14 | 3901060 | . | DXCL1-1 | 1101310 |
| 25M10 | 15(1) | | 1100500 | FB | C10 | 1100500 |
| | 16(1) | 26M43 | 4791226 | -GND | GND2326 | 4791226 |
| 19M25 | 17(1) | | 1116500 | I | S11 | 1116500 |
| 03M31 | 18(1) | | 1100100 | . | A10 | 1100140 |
| 19M23 | 19(1) | | 1106500 | I | S10 | 1106500 |
| 25M20 | 20(2) | 22M20 | 6911360 | . | PRXAND/1A | 1105502 |
| 25M21 | 21(2) | 27M21 | 4900560 | . | GXAD-1 | 1102500 |
| 25M22 | 22(2) | 27M22 | 4904160 | . | GXNAD-1 | 1102500 |
| | 23(1) | 24M23 | 1101300 | FF | D10 | 1101300 |
| 03M27 | 24(1) | | 1110100 | . | A11 | 1110140 |
| 25M25 | 25(2) | 27M25 | 4900660 | . | GXAND-1 | 1102502 |
| 25M26 | 26(2) | 22M26 | 6911750 | . | PRXNAND/1A | 1105502 |
| 25M27 | 27(2) | 22M27 | 6911560 | . | PRXNAD/1A | 1105500 |
| | 28(1) | 24M29 | 1111300 | FF | D11 | 1111300 |
| 25M29 | 29(2) | 30M29 | 6911160 | . | PRXAD/1A | 1105500 |
| 12M38 | 30(1) | | 1114100 | . | MB11 | 1110502 |
| 25M31 | 31(2) | 27M31 | 3405100 | . | CXS/1 | 1100500 |
| | 32(0) | | | | | |
| 20M30 | 33(1) | | 1100300 | . | B10 | 1106504 |
| 25M34 | 34(2) | 27M34 | 3403100 | . | CXMB-1 | 1100502 |
| 23K02 | 35(2) | 03M36 | 1116300 | . | RR11 | 1110502 |
| 12M36 | 36(1) | | 1104100 | . | MB10 | 1100502 |
| 25M37 | 37(2) | 27M37 | 3404100 | . | CXRR-1 | 1100502 |
| 30K42 | 38(2) | 24M25 | 1112750 | . | K11 | 1116502 |
| 23K09 | 39(2) | 03M24 | 1106300 | . | RR10 | 1100502 |
| 27M40 | 40(2) | 25M40 | 5054100 | . | HOLDC-1 | 1100500 |
| 25M41 | 41(2) | 27M41 | 7901110 | . | SXC-1 | 1106504 |
| | 42(0) | | | | | |
| 26M16 | 43(1) | | 4791226 | . | GND2326 | 1106506 |
| | 44(0) | | | | | |
| 25M45 | 45(2) | 27M45 | 7900510 | . | SXB-1 | 1106504 |
| 30K25 | 46(1) | | 1102750 | . | K10 | 1106500 |
| 20M33 | 47(1) | | 1110300 | . | B11 | 1116504 |
| | 48(0) | | | | | |
| 25M49 | 49(0) | 27M49 | 8301200 | . | P4VM | 8301230 |
| 25M50 | 50(2) | 22M50 | 7900110 | . | SXADD-1A | 1106500 |
| 25M51 | 51(0) | 27M51 | 8303200 | . | P8VM | 8303230 |

XDS 902306

XDS
XEROX DATA SYSTEMS

DRAWING NO. - 133264-930 AC
PROG-PNIND MODULE-27M
TYPE-PIN INDEX TYPE-LT42

91
10/27/71

| FROM | PIN (COUNT) | TO | SOURCE LINE NO. | ELEM. TYPE | SOURCE SIGNAL NAME | REFERENCE LINE NO. |
|-------|----------------|-------|--------------------|---------------|--------------------|-----------------------|
| | 00(0) | | | | | |
| | 01(1) | 30K10 | 1135500 | B | PR13 | 1135500 |
| | 02(1) | 30K05 | 1125500 | B | PR12 | 1125500 |
| 26M03 | 03(2) | 28M03 | 3905510 | . | DXS-1 | 1121312 |
| | 04(1) | 30K04 | 1132500 | B | G13 | 1132500 |
| | 05(1) | 26K47 | 1130500 | FB | C13 | 1130500 |
| | 06(1) | 30K02 | 1122500 | B | G12 | 1122500 |
| 26M07 | 07(2) | 28M07 | 3900120 | . | DX/1 | 1121330 |
| 26M08 | 08(2) | 28M08 | 3901010 | . | DXC-1 | 1121310 |
| 26M09 | 09(2) | 28M09 | 3200120 | . | CL-32P12 | 1121334 |
| 26K25 | 10(2) | 28M15 | 1140500 | . | C14 | 1131310 |
| 26M11 | 11(2) | 28M11 | 3901510 | . | DXDR8/1 | 1121312 |
| 27L28 | 12(1) | | 1051300 | . | D5 | 1131312 |
| 27L23 | 13(2) | 26K50 | 1041300 | . | D4 | 1121312 |
| 26M14 | 14(2) | 28M14 | 3901060 | . | DXCL1-1 | 1121310 |
| 26M10 | 15(1) | | 1120500 | FB | C12 | 1120500 |
| | 16(1) | 27M43 | 4791227 | -GND | GND2327 | 4791227 |
| 19M09 | 17(1) | | 1136500 | I | S13 | 1136500 |
| 04M23 | 18(2) | 24K13 | 1120100 | . | A12 | 1120140 |
| 19M33 | 19(1) | | 1126500 | I | S12 | 1126500 |
| 20L36 | 20(2) | 28M20 | 6911370 | . | PRXAND/1B | 1125502 |
| 26M21 | 21(2) | 28M21 | 4900560 | . | GXAD-1 | 1122500 |
| 26M22 | 22(2) | 28M22 | 4904160 | . | GXNAD-1 | 1122500 |
| | 23(1) | 29M21 | 1121300 | FF | D12 | 1121300 |
| 04M19 | 24(1) | | 1130100 | . | A13 | 1130140 |
| 26M25 | 25(2) | 28M25 | 4900660 | . | GXAND-1 | 1122502 |
| 20L27 | 26(2) | 28M26 | 6911760 | . | PRXNAND/1B | 1125502 |
| 20L31 | 27(2) | 28M27 | 6911570 | . | PRXNAD/1B | 1125500 |
| | 28(1) | 15L39 | 1131300 | FF | D13 | 1131300 |
| 20L43 | 29(2) | 28M29 | 6911170 | . | PRXAD/1B | 1125500 |
| 12M42 | 30(1) | | 1134100 | . | MB13 | 1130502 |
| 26M31 | 31(2) | 28M31 | 3405100 | . | CXS/1 | 1120500 |
| | 32(0) | | | | | |
| 21M27 | 33(1) | | 1120300 | . | B12 | 1126504 |
| 26M34 | 34(2) | 28M34 | 3403100 | . | CXMB-1 | 1120502 |
| 23K46 | 35(2) | 04M40 | 1136300 | . | RR13 | 1130502 |
| 12M40 | 36(1) | | 1124100 | . | MB12 | 1120502 |
| 26M37 | 37(2) | 28M37 | 3404100 | . | CXRR-1 | 1120502 |
| 30K18 | 38(1) | | 1132750 | . | K13 | 1136500 |
| 23K45 | 39(2) | 04M26 | 1126300 | . | RR12 | 1120502 |
| 28M40 | 40(2) | 26M40 | 5054100 | . | HOLDC-1 | 1120500 |
| 26M41 | 41(2) | 28M41 | 7901110 | . | SXC-1 | 1126504 |
| | 42(0) | | | | | |
| 27M16 | 43(1) | | 4791227 | . | GND2327 | 1126506 |
| | 44(0) | | | | | |
| 26M45 | 45(2) | 28M45 | 7900510 | . | SXB-1 | 1126504 |
| 30K19 | 46(1) | | 1122750 | . | K12 | 1126500 |
| 21M31 | 47(1) | | 1130300 | . | B13 | 1136504 |
| | 48(0) | | | | | |
| 26M49 | 49(0) | 28M49 | 8301200 | . | P4VM | 8301230 |
| 20L05 | 50(2) | 28M50 | 7900115 | . | SXADD-1B | 1126502 |
| 26M51 | 51(0) | 28M51 | 8303200 | . | P8VM | 8303230 |

XDS 902306

XDS
XEROX DATA SYSTEMS

DRAWING NO. - 133264-930 AC
PROG-PNIND MODULE-28M
TYPE-PIN INDEX TYPE-LT42

92

10/27/71

| FROM | PIN (COUNT) | TO | SOURCE LINE NO. | ELEM. TYPE | SOURCE SIGNAL NAME | REFERENCE LINE NO. |
|-------|----------------|-------|--------------------|---------------|--------------------|-----------------------|
| | 00(0) | | | | | |
| | 01(1) | 30K07 | 1155500 | B | PR15 | 1155500 |
| | 02(1) | 30K09 | 1145500 | B | PR14 | 1145500 |
| 27M03 | 03(2) | 14M38 | 3905510 | . | DXS-1 | 1141312 |
| | 04(1) | 30K06 | 1152500 | B | G15 | 1152500 |
| | 05(1) | 30M05 | 1150500 | FB | C15 | 1150500 |
| | 06(1) | 30K01 | 1142500 | B | G14 | 1142500 |
| 27M07 | 07(2) | 29M07 | 3900120 | . | DX/1 | 1141330 |
| 27M08 | 08(2) | 30L41 | 3901010 | . | DXC-1 | 1141310 |
| 27M09 | 09(1) | 32P12 | 3200120 | . | CL-32P12 | 1141334 |
| 30M10 | 10(2) | 24M10 | 1160504 | . | C16-1 | 1151310 |
| 27M11 | 11(2) | 30L28 | 3901510 | . | DXDR8/1 | 1141312 |
| 28L28 | 12(2) | 26K03 | 1071300 | . | D7 | 1151312 |
| 15M43 | 13(1) | | 1061300 | . | D6 | 1141312 |
| 27M14 | 14(2) | 30L25 | 3901060 | . | DXCL1-1 | 1141310 |
| 27M10 | 15(1) | | 1140500 | FB | C14 | 1140500 |
| | 16(1) | 28M42 | 4791228 | -GND | GND2328 | 4791228 |
| | 17(1) | 29L30 | 1156500 | B | S15 | 1156502 |
| 04M31 | 18(1) | | 1140100 | . | A14 | 1140140 |
| 19M19 | 19(1) | | 1146500 | B | S14 | 1146502 |
| 27M20 | 20(2) | 30M36 | 6911370 | . | PRXAND/1B | 1145502 |
| 27M21 | 21(2) | 30M24 | 4900560 | . | GXAD-1 | 1142500 |
| 27M22 | 22(2) | 30M25 | 4904160 | . | GXNAD-1 | 1142500 |
| | 23(1) | 30L07 | 1141300 | FF | D14 | 1141300 |
| 04M27 | 24(1) | | 1150100 | . | A15 | 1150140 |
| 27M25 | 25(2) | 30M26 | 4900660 | . | GXAND-1 | 1142502 |
| 27M26 | 26(2) | 30M44 | 6911760 | . | PRXNAND/1B | 1145502 |
| 27M27 | 27(2) | 30M39 | 6911570 | . | PRXNAD/1B | 1145500 |
| | 28(1) | 24M27 | 1151300 | FF | D15 | 1151300 |
| 27M29 | 29(2) | 30M28 | 6911170 | . | PRXAD/1B | 1145500 |
| 29M30 | 30(2) | 30M30 | 1154100 | . | MB15 | 1150502 |
| 27M31 | 31(2) | 30M31 | 3405100 | . | CXS/1 | 1140500 |
| | 32(0) | | | | | |
| 09L22 | 33(2) | 21M30 | 1140300 | . | B14 | 1146504 |
| 27M34 | 34(2) | 30M34 | 3403100 | . | CXMB-1 | 1140502 |
| 23K01 | 35(2) | 04M36 | 1156300 | . | RR15 | 1150502 |
| 29M36 | 36(1) | | 1144100 | . | MB14 | 1140502 |
| 27M37 | 37(2) | 30M37 | 3404100 | . | CXRR-1 | 1140502 |
| 18M45 | 38(2) | 30K08 | 1152750 | . | K15 | 1156500 |
| 23K04 | 39(2) | 04M24 | 1146300 | . | RR14 | 1140502 |
| 30L46 | 40(2) | 27M40 | 5054100 | . | HOLDC-1 | 1140500 |
| 27M41 | 41(2) | 30L17 | 7901110 | . | SXC-1 | 1146504 |
| 28M16 | 42(1) | | 4791228 | . | GND2328 | 1146506 |
| 22M43 | 43(2) | 10M44 | 7904520 | . | SXP-2 | 1146506 |
| 29L39 | 44(2) | 05M22 | 1154940 | . | P15-1 | 1156506 |
| 27M45 | 45(2) | 30M45 | 7900510 | . | SXB-1 | 1146504 |
| 30K20 | 46(1) | | 1142750 | . | K14 | 1146500 |
| 29L36 | 47(2) | 21M04 | 1150300 | . | B15 | 1156504 |
| | 48(0) | | | | | |
| 27M49 | 49(0) | 29M49 | 8301200 | . | P4VM | 8301230 |
| 27M50 | 50(2) | 30M46 | 7900115 | . | SXADD-1B | 1146502 |
| 27M51 | 51(0) | 29M51 | 8303200 | . | P8VM | 8303230 |

XDS 902306

XDS
XEROX DATA SYSTEMS

DRAWING NO.- 133264-930 AC
PROG-PNIND MODULE-29M
TYPE-PIN INDEX TYPE-ZT45

93

10/27/71

| FROM | PIN (COUNT) | TO | SOURCE LINE NO. | ELEM. TYPE | SOURCE SIGNAL NAME | REFERENCE LINE NO. |
|-------|----------------|-------|--------------------|---------------|--------------------|-----------------------|
| | 00(0) | | | | | |
| 29N01 | 01(1) | 29L24 | 1000050 | C | A00 | 1000050 |
| 04L29 | 02(1) | 29N02 | 2400108 | C | AX/0 | 2400108 |
| 04M02 | 03(1) | 29N03 | 2400110 | C | AX/1 | 2400110 |
| 12L44 | 04(1) | 29N04 | 2900100 | C | NBX | 2900100 |
| 23L45 | 05(1) | 29N05 | 2900110 | C | BX-0 | 2900110 |
| 29N06 | 06(1) | 30L04 | 3900100 | C | NDX | 3900100 |
| 28M07 | 07(1) | 29N07 | 3900120 | C | DX/1 | 3900120 |
| 29L07 | 08(1) | 29N08 | 3900130 | C | DX/0A | 3900130 |
| 29N09 | 09(1) | 31L35 | 3060167 | C | N(S/CC1/FP) | 3060167 |
| 29N10 | 10(1) | 31L36 | 3060270 | C | N(S/CC2/FP) | 3060270 |
| 31K33 | 11(1) | 29N11 | 4421495 | C | N(FUMH.PH4) | 4421495 |
| 29N12 | 12(1) | 30L02 | 7901000 | C | NSXC | 7901000 |
| 29N13 | 13(1) | 30L24 | 3901100 | C | NDXCL1 | 3901100 |
| 29N14 | 14(1) | 30L22 | 3901400 | C | NDXDR8 | 3901418 |
| 29N15 | 15(1) | 30L38 | 3900900 | C | NDXC | 3900930 |
| | 16(0) | | 4791229 | -GND | GND2329 | 4791229 |
| 29L13 | 17(1) | 29N17 | 3901150 | C | (DXC+DXCL1) | 3901150 |
| 15M40 | 18(1) | 29N18 | 2404494 | C | NAXPSW2 | 2404493 |
| 29N19 | 19(1) | 15M38 | 2403820 | C | NAXMC | 2403820 |
| 29N20 | 20(1) | 15M31 | 2401080 | C | NAXDIO | 2401080 |
| 27M23 | 21(1) | 29N21 | 1121300 | C | D12 | 1121300 |
| 29N22 | 22(1) | 27K15 | 5158800 | C | IOTRIN | 5158800 |
| 29N23 | 23(1) | 29L44 | 1310300 | C | B31 | 1310300 |
| 17L40 | 24(1) | 29N24 | 5560290 | C | KUA29 | 5560290 |
| 29L43 | 25(1) | 29N25 | 4425300 | C | (FUS.D22.D23) | 4425300 |
| 17L43 | 26(1) | 29N26 | 5560310 | C | KUA31 | 5560310 |
| 30K21 | 27(1) | 29N27 | 6900180 | C | PR1215 | 6900180 |
| 30M23 | 28(1) | 29N28 | 4425320 | C | (FUS.D22.ND23) | 4425320 |
| 06M15 | 29(1) | 29N29 | 3689410 | C | DIOXS-1 | 3689410 |
| 29N30 | 30(1) | 28M30 | 1154100 | C | MB15 | 1154100 |
| 29N31 | 31(1) | 29L42 | 1300300 | C | B30 | 1300300 |
| | 32(0) | | | | | |
| 29L47 | 33(1) | 29N33 | 1310100 | C | A31 | 1310100 |
| 06M43 | 34(1) | 29N34 | 3689400 | C | DIOXS-0 | 3689400 |
| 08M36 | 35(1) | 29N35 | 3689310 | C | DIOXDIO-1 | 3689310 |
| 29N36 | 36(1) | 28M36 | 1144100 | C | MB14 | 1144100 |
| 07M36 | 37(1) | 29N37 | 3689300 | C | DIOXDIO-0 | 3689300 |
| 30K23 | 38(1) | 29N38 | 6900160 | C | PR0811 | 6900160 |
| 29K21 | 39(1) | 29N39 | 6900140 | C | PR0407 | 6900140 |
| 29K23 | 40(1) | 29N40 | 6900100 | C | PR0003 | 6900100 |
| 17M43 | 41(1) | 29N41 | 5560280 | C | KUA28 | 5560280 |
| 30K17 | 42(1) | 29N42 | 4500250 | C | G1215 | 4500250 |
| 29K17 | 43(1) | 29N43 | 4500150 | C | G0407 | 4500150 |
| 08M45 | 44(1) | 29N44 | 3689010 | C | DIOX-1 | 3689010 |
| 21M45 | 45(1) | 29N45 | 2900140 | C | BX/1 | 2900140 |
| 07M45 | 46(1) | 29N46 | 3689000 | C | DIOX-0 | 3689000 |
| 29K28 | 47(1) | 29N47 | 4500100 | C | G0003 | 4500100 |
| | 48(0) | | | | | |
| 28M49 | 49(1) | 30M49 | 8301200 | | P4VM | 8301230 |
| 30K28 | 50(1) | 29N50 | 4500200 | C | G0811 | 4500200 |
| 28M51 | 51(0) | 30M51 | 8303200 | | P8VM | 8303230 |

XDS 902306

XDS
XEROX DATA SYSTEMS

DRAWING NO.- 133264-930 AC
PROG-PNIND MODULE-30M
TYPE-PIN INDEX TYPE-XT10

94

10/27/71

| FROM | PIN (COUNT) | TO | SOURCE LINE NO. | ELEM. TYPE | SOURCE SIGNAL NAME | REFERENCE LINE NO. |
|-------|----------------|-------|--------------------|---------------|--------------------|-----------------------|
| | 00(0) | | | | | |
| 30L31 | 01(1) | | 1000500 | T | C0 | 1000500 |
| 28L39 | 02(1) | | 1066300 | T | RR6 | 1066300 |
| 28L35 | 03(1) | | 1076300 | T | RR7 | 1076300 |
| 30L14 | 04(1) | | 1121340 | T | ND12-1 | 1121340 |
| 28M05 | 05(1) | | 1150500 | T | C15 | 1150500 |
| | 06(1) | 23M06 | 1100500 | T | C10 | 1100500 |
| 23M07 | 07(1) | | 1110500 | T | C11 | 1110500 |
| | 08(1) | 29L35 | 1154940 | T | P15-1 | 1154940 |
| | 09(1) | 23M01 | 3200120 | T | CL-32P12 | 3200120 |
| | 10(1) | 28M10 | 1160504 | T | C16-1 | 1160504 |
| 30K37 | 11(1) | | 1300300 | T | B30 | 1300300 |
| | 12(1) | 29L47 | 1310100 | T | A31 | 1310100 |
| 29K37 | 13(1) | | 1310300 | T | B31 | 1310300 |
| | 14(1) | 29L37 | 2904490 | T | BXP | 2904490 |
| 29L34 | 15(1) | | 2904495 | T | NBXP | 2904495 |
| | 16(0) | | 4791230 | -GND | GND2330 | 4791230 |
| 29L25 | 17(1) | | 4900650 | T | GXAND-0 | 4900650 |
| 29L22 | 18(1) | | 4904150 | T | GXNAD-0 | 4904150 |
| 29L26 | 19(1) | | 6911740 | T | PRXNAND/0 | 6911740 |
| 30L21 | 20(1) | | 3901400 | T | NDXDR8 | 3901418 |
| 24K04 | 21(1) | | 4322750 | T | N(FA10.PH7) | 4322750 |
| | 22(1) | 29L43 | 4425300 | T | (FUS.D22.D23) | 4425300 |
| 29L45 | 23(2) | 29M28 | 4425320 | T | (FUS.D22.ND23) | 4425320 |
| 28M21 | 24(1) | | 4900560 | T | GXAD-1 | 4900560 |
| 28M22 | 25(1) | | 4904160 | T | GXNAD-1 | 4904160 |
| 28M25 | 26(1) | | 4900660 | T | GXAND-1 | 4900660 |
| 29L29 | 27(1) | | 6911150 | T | PRXAD/0 | 6911150 |
| 28M29 | 28(1) | | 6911170 | T | PRXAD/1B | 6911170 |
| 26M29 | 29(1) | | 6911160 | T | PRXAD/1A | 6911160 |
| 28M30 | 30(1) | | 1154100 | T | MB15 | 1154100 |
| 28M31 | 31(1) | | 3405100 | T | CXS/1 | 3405100 |
| | 32(0) | | | | | |
| 29L20 | 33(1) | | 6911350 | T | PRXAND/0 | 6911350 |
| 28M34 | 34(1) | | 3403100 | T | CXMB-1 | 3403100 |
| 30L39 | 35(1) | | 4324678 | T | (FASTABORT.ENDE) | 4324678 |
| 28M20 | 36(1) | | 6911370 | T | PRXAND/1B | 6911370 |
| 28M37 | 37(1) | | 3404100 | T | CXRR-1 | 3404100 |
| | 38(0) | | | | | |
| 28M27 | 39(1) | | 6911570 | T | PRXNAD/1B | 6911570 |
| 21M20 | 40(1) | | 5151039 | T | (S/IODAP/SKIP) | 5151039 |
| | 41(0) | | | | | |
| 21M42 | 42(1) | | 1140350 | T | (S/B14) | 1140350 |
| 21M43 | 43(1) | | 1130350 | T | (S/B13) | 1130350 |
| 28M26 | 44(1) | | 6911760 | T | PRXNAND/1B | 6911760 |
| 28M45 | 45(1) | | 7900510 | T | SXB-1 | 7900510 |
| 28M50 | 46(1) | | 7900115 | T | SXADD-1B | 7900115 |
| | 47(0) | | | | | |
| | 48(0) | | | | | |
| 29M49 | 49(0) | 31M49 | 8301200 | | P4VM | 8301240 |
| 23M50 | 50(1) | | 1090500 | T | C9 | 1090500 |
| 29M51 | 51(0) | 31M51 | 8303200 | | P8VM | 8303240 |

XDS 902306



DRAWING NO. - 133264-930 AC
 PROG-PNIND
 TYPE-PIN INDEX

MODULE-31M
 TYPE-

95

10/27/71

| FROM | PIN (COUNT) | TO | SOURCE LINE NO. | ELEM. TYPE | SOURCE SIGNAL NAME | REFERENCE LINE NO. |
|-------|----------------|-------|--------------------|---------------|--------------------|-----------------------|
| | 00(0) | | | | | |
| | 01(0) | | | | | |
| | 02(0) | | | | | |
| | 03(0) | | | | | |
| | 04(0) | | | | | |
| | 05(0) | | | | | |
| | 06(0) | | | | | |
| | 07(0) | | | | | |
| | 08(0) | | | | | |
| | 09(0) | | | | | |
| | 10(0) | | | | | |
| | 11(0) | | | | | |
| | 12(0) | | | | | |
| | 13(0) | | | | | |
| | 14(0) | | | | | |
| | 15(0) | | | | | |
| | 16(0) | | 4791231 | -GND | GND2331 | 4791231 |
| | 17(0) | | | | | |
| | 18(0) | | | | | |
| | 19(0) | | | | | |
| | 20(0) | | | | | |
| | 21(0) | | | | | |
| | 22(0) | | | | | |
| | 23(0) | | | | | |
| | 24(0) | | | | | |
| | 25(0) | | | | | |
| | 26(0) | | | | | |
| | 27(0) | | | | | |
| | 28(0) | | | | | |
| | 29(0) | | | | | |
| | 30(0) | | | | | |
| | 31(0) | | | | | |
| | 32(0) | | | | | |
| | 33(0) | | | | | |
| | 34(0) | | | | | |
| | 35(0) | | | | | |
| | 36(0) | | | | | |
| | 37(0) | | | | | |
| | 38(0) | | | | | |
| | 39(0) | | | | | |
| | 40(0) | | | | | |
| | 41(0) | | | | | |
| | 42(0) | | | | | |
| | 43(0) | | | | | |
| | 44(0) | | | | | |
| | 45(0) | | | | | |
| | 46(0) | | | | | |
| | 47(0) | | | | | |
| | 48(0) | | | | | |
| 30M49 | 49(0) | 32M49 | 8301200 | | P4VM | 8301240 |
| | 50(0) | | | | | |
| 30M51 | 51(0) | 32M51 | 8303200 | | P8VM | 8303240 |

XDS 902306

DRAWING NO.- 133264-930 AC
 PROG-PNIND MODULE-32M
 TYPE-PIN INDEX TYPE-ZT46

96

10/27/71

XDS

XEROX DATA SYSTEMS

| FROM | PIN (COUNT) | TO | SOURCE LINE NO. | ELEM. TYPE | SOURCE SIGNAL NAME | REFERENCE LINE NO. |
|-------|----------------|-------|--------------------|---------------|--------------------|-----------------------|
| | 00(0) | | | | | |
| 03E01 | 01(1) | 10L34 | 5156900 | C | IOR | 5156900 |
| 03E02 | 02(1) | 22L36 | 5156870 | C | IOPOP | 5156870 |
| 22L28 | 03(1) | 03E03 | 1000304 | C | NB0 | 1000304 |
| 03E04 | 04(1) | 27K09 | 2010100 | C | NAXS/2 | 2010100 |
| 22L26 | 05(1) | 03E05 | 1010304 | C | NB1 | 1010304 |
| 03E06 | 06(1) | 03K46 | 6905008 | C | PRI | 6905008 |
| | 07(0) | | | | | |
| 03E08 | 08(1) | 09L36 | 5151040 | C | IODAXA | 5151040 |
| 03E09 | 09(1) | 08L34 | 4050100 | C | ED | 4050100 |
| 03E10 | 10(1) | 08L38 | 3811000 | C | DOR | 3811000 |
| | 11(0) | | | | | |
| 03E12 | 12(1) | 09L42 | 5151020 | C | IODAX | 5151020 |
| 03E13 | 13(1) | 28L43 | 7901540 | C | SXDA | 7901540 |
| 03E14 | 14(1) | 32L46 | 4395400 | C | FPCON | 4395400 |
| 26K31 | 15(1) | 03E15 | 5145800 | C | INDX | 5145798 |
| | 16(0) | | 4791232 | -GND | GND2332 | 4791232 |
| 03E17 | 17(1) | 10L36 | 4413100 | C | FSL | 4413100 |
| 10L40 | 18(1) | 03E18 | 5116100 | C | IC | 5116100 |
| 15L06 | 19(1) | 03E19 | 5156125 | C | (IOPC+NPC) | 5156125 |
| 03E20 | 20(1) | 30L47 | 1000504 | C | NC0 | 1000504 |
| 03E21 | 21(1) | 11L07 | 4375121 | C | NFL2 | 4375121 |
| 03E22 | 22(1) | 24K31 | 1156350 | C | RW15XZ | 1156350 |
| 27K41 | 23(1) | 03E23 | 3690100 | C | DIS | 3690100 |
| 03E24 | 24(1) | 24K30 | 8051028 | C | TORDIN | 8051028 |
| 03E25 | 25(1) | 07L40 | 8051000 | C | TODATA | 8051000 |
| 03E26 | 26(1) | 14M44 | 7343255 | C | RESET10 | 7343256 |
| 15M14 | 27(1) | 03E27 | 4322220 | C | N(FA10.PH2) | 4322220 |
| 08L40 | 28(1) | 03E28 | 7560100 | C | SC | 7560100 |
| 31N38 | 29(0) | 03E29 | 6640000 | C | OLDMEM | 6640000 |
| 21M29 | 30(1) | 03E30 | 1140304 | C | NB14 | 1140304 |
| 03E31 | 31(1) | 03M17 | 1080150 | C | (S/A8) | 1080150 |
| | 32(0) | | | | | |
| 14K08 | 33(1) | 03E33 | 6832420 | C | PEM-1 | 6832422 |
| 03E34 | 34(1) | 30K12 | 7890201 | C | NSW1 | 7890201 |
| 03E35 | 35(1) | 11L04 | 6554100 | C | ODINST | 6554100 |
| 03E36 | 36(1) | 06L09 | 5156745 | C | (IOPH3.SW9) | 5156745 |
| 03E37 | 37(1) | 30K15 | 5156540 | C | (IOPH1.SW8) | 5156540 |
| 22M45 | 38(1) | 03E38 | 1120138 | C | A12-1 | 1120138 |
| 25F14 | 39(1) | 27K08 | 5154000 | C | IOIN | 5154000 |
| 09L11 | 40(1) | | 5153290 | C | IOFRXFR | 5153290 |
| 03E41 | 41(1) | 24K33 | 4420550 | C | N(FUA10.PH5.SW10) | 4420550 |
| 03E42 | 42(1) | 15M42 | 2400410 | C | NAXARB | 2400410 |
| 03E43 | 43(1) | 27K11 | 6927100 | C | PSW2XS | 6927100 |
| 15L44 | 44(1) | 03E44 | 1080138 | C | A8-1 | 1080138 |
| 03E45 | 45(1) | 18L26 | 4321977 | C | FAIM | 4321977 |
| 03E46 | 46(1) | 19L21 | 4320540 | C | FABYTE | 4320540 |
| 09L09 | 47(1) | | 5153285 | C | IOFRX | 5153285 |
| | 48(0) | | | | | |
| 31M49 | 49(0) | | 8301200 | | P4VM | 8301240 |
| 03E50 | 50(1) | 18L02 | 5153283 | C | N(IOFR8.NRW) | 5153283 |
| 31M51 | 51(0) | | 8303200 | | P8VM | 8303240 |



| FROM | PIN (COUNT) | TO | SOURCE LINE NO. | ELEM. TYPE | SOURCE SIGNAL NAME | REFERENCE LINE NO. |
|-------|-------------|-------|-----------------|------------|--------------------|--------------------|
| | 00(0) | | | | | |
| | 01(1) | 02N01 | 1073600 | -HSM | LOCK7 | 1073600 |
| | 02(1) | 02N02 | 1033600 | -HSM | LOCK3 | 1033600 |
| | 03(0) | | | | | |
| | 04(1) | 02N04 | 1063600 | -HSM | LOCK6 | 1063600 |
| | 05(0) | | | | | |
| | 06(0) | | | | | |
| | 07(0) | | | | | |
| | 08(0) | | | | | |
| | 09(1) | 02N09 | 1023600 | -HSM | LOCK2 | 1023600 |
| | 10(1) | 01N16 | 4791301 | | GND2401 | 4791301 |
| 05N11 | 11(2) | 02N11 | 1076500 | . | S7 | 1073400 |
| 05N12 | 12(2) | 02N12 | 1036500 | . | S3 | 1033400 |
| | 13(1) | 02N13 | 3180430 | . | CK-32P43 | 5830000 |
| | 14(0) | | | | | |
| | 15(0) | | | | | |
| 01N10 | 16(2) | 01N24 | 4791301 | -GND | GND2401 | 4791301 |
| 05N17 | 17(2) | 02N17 | 1066500 | . | S6 | 1063400 |
| 02N18 | 18(2) | 03P42 | 1184940 | . | P18-1 | 5830003 |
| 05N19 | 19(2) | 02N19 | 1026500 | . | S2 | 1023400 |
| | 20(0) | | | | | |
| 01P02 | 21(2) | 03N21 | 1164902 | . | NP16 | 5830001 |
| 01P01 | 22(2) | 02N22 | 1154902 | . | NP15 | 5830001 |
| 02P44 | 23(2) | 02N23 | 1174940 | . | P17-1 | 5830002 |
| 01N16 | 24(2) | 01N38 | 4791301 | | GND2401 | 4791301 |
| 01P03 | 25(2) | 02N25 | 1174902 | . | NP17 | 5830001 |
| | 26(0) | | | | | |
| | 27(0) | | | | | |
| 05N28 | 28(2) | 02N28 | 1056500 | . | S5 | 1053400 |
| 02N29 | 29(2) | 03P44 | 1194940 | . | P19-1 | 5830004 |
| 01P20 | 30(2) | 02N30 | 1204940 | . | P20-1 | 5830005 |
| 02N31 | 31(2) | 09N15 | 5883100 | . | LOCKW | 5830000 |
| | 32(0) | | | | | |
| 05N50 | 33(2) | 02N33 | 1046500 | . | S4 | 1043400 |
| 05N36 | 34(2) | 02N34 | 1016500 | . | S1 | 1013400 |
| 05N39 | 35(2) | 02N35 | 1006500 | . | S0 | 1003400 |
| | 36(0) | | | | | |
| | 37(0) | | | | | |
| 01N24 | 38(1) | | 4791301 | | GND2401 | 4791301 |
| | 39(0) | | | | | |
| | 40(0) | | | | | |
| | 41(1) | 02N41 | 1013600 | -HSM | LOCK1 | 1013600 |
| | 42(0) | | | | | |
| | 43(1) | 02N43 | 1003600 | -HSM | LOCK0 | 1003600 |
| | 44(0) | | | | | |
| | 45(1) | 02N45 | 1043600 | -HSM | LOCK4 | 1043600 |
| | 46(1) | 02N46 | 1053600 | -HSM | LOCK5 | 1053600 |
| | 47(0) | | | | | |
| | 48(0) | | | | | |
| | 49(0) | 02N49 | 8301300 | -VSP | P4VN | 8301300 |
| 02N50 | 50(1) | | 8304900 | | M8VN | 8304900 |
| | 51(0) | 02N51 | 8303300 | -VSP | P8VN | 8303300 |

XDS 902306

XDS
XEROX DATA SYSTEMS

DRAWING NO.- 133264-939 AC
PROG-PNIND MODULE-02N
TYPE-PIN INDEX TYPE-FT25

2

10/27/71

| FROM | PIN (COUNT) | TO | SOURCE LINE NO. | ELEM. TYPE | SOURCE SIGNAL NAME | REFERENCE LINE NO. |
|-------|----------------|-------|--------------------|---------------|--------------------|-----------------------|
| | 00(0) | | | | | |
| 01N01 | 01(2) | 03N01 | 1073600 | -HSM | LOCK7 | 1073601 |
| 01N02 | 02(2) | 03N02 | 1033600 | -HSM | LOCK3 | 1033601 |
| | 03(0) | | | | | |
| 01N04 | 04(2) | 03N04 | 1063600 | -HSM | LOCK6 | 1063601 |
| | 05(0) | | | | | |
| | 06(0) | | | | | |
| | 07(0) | | | | | |
| | 08(0) | | | | | |
| 01N09 | 09(2) | 03N09 | 1023600 | -HSM | LOCK2 | 1023601 |
| | 10(1) | 02N16 | 4791302 | | GND2402 | 4791302 |
| 01N11 | 11(2) | 03N11 | 1076500 | . | S7 | 1073401 |
| 01N12 | 12(2) | 03N12 | 1036500 | . | S3 | 1033401 |
| 01N13 | 13(2) | 03N13 | 3180430 | . | CK-32P43 | 5830010 |
| | 14(0) | | | | | |
| | 15(0) | | | | | |
| 02N10 | 16(2) | 02N24 | 4791302 | -GND | GND2402 | 4791302 |
| 01N17 | 17(2) | 03N17 | 1066500 | . | S6 | 1063401 |
| 03N18 | 18(2) | 01N18 | 1184940 | . | P18-1 | 5830013 |
| 01N19 | 19(2) | 03N19 | 1026500 | . | S2 | 1023401 |
| | 20(0) | | | | | |
| 02P42 | 21(2) | 04N21 | 1164940 | . | P16-1 | 5830011 |
| 01N22 | 22(2) | 13N42 | 1154902 | . | NP15 | 5830011 |
| 01N23 | 23(2) | 03N23 | 1174940 | . | P17-1 | 5830012 |
| 02N16 | 24(2) | 02N38 | 4791302 | | GND2402 | 4791302 |
| 01N25 | 25(2) | 03N25 | 1174902 | . | NP17 | 5830011 |
| | 26(0) | | | | | |
| | 27(0) | | | | | |
| 01N28 | 28(2) | 03N28 | 1056500 | . | S5 | 1053401 |
| 03N29 | 29(2) | 01N29 | 1194940 | . | P19-1 | 5830014 |
| 01N30 | 30(2) | 03N30 | 1204940 | . | P20-1 | 5830015 |
| 03N31 | 31(2) | 01N31 | 5883100 | . | LOCKW | 5830010 |
| | 32(0) | | | | | |
| 01N33 | 33(2) | 03N33 | 1046500 | . | S4 | 1043401 |
| 01N34 | 34(2) | 03N34 | 1016500 | . | S1 | 1013401 |
| 01N35 | 35(2) | 03N35 | 1006500 | . | S0 | 1003401 |
| | 36(0) | | | | | |
| | 37(0) | | | | | |
| 02N24 | 38(1) | | 4791302 | | GND2402 | 4791302 |
| | 39(0) | | | | | |
| | 40(0) | | | | | |
| 01N41 | 41(2) | 03N41 | 1013600 | -HSM | LOCK1 | 1013601 |
| | 42(0) | | | | | |
| 01N43 | 43(2) | 03N43 | 1003600 | -HSM | LOCK0 | 1003601 |
| | 44(0) | | | | | |
| 01N45 | 45(2) | 03N45 | 1043600 | -HSM | LOCK4 | 1043601 |
| 01N46 | 46(2) | 03N46 | 1053600 | -HSM | LOCK5 | 1053601 |
| | 47(0) | | | | | |
| | 48(0) | | | | | |
| 01N49 | 49(0) | 03N49 | 8301300 | | P4VN | 8301300 |
| 03N50 | 50(2) | 01N50 | 8304900 | | M8VN | 8304900 |
| 01N51 | 51(0) | 03N51 | 8303300 | | P8VN | 8303300 |

| FROM | PIN (COUNT) | TO | SOURCE LINE NO. | ELEM. TYPE | SOURCE SIGNAL NAME | REFERENCE LINE NO. |
|-------|----------------|-------|--------------------|---------------|--------------------|-----------------------|
| | 00(0) | | | | | |
| 02N01 | 01(2) | 04N01 | 1073600 | -HSM | LOCK7 | 1073602 |
| 02N02 | 02(2) | 04N02 | 1033600 | -HSM | LOCK3 | 1033602 |
| | 03(0) | | | | | |
| 02N04 | 04(2) | 04N04 | 1063600 | -HSM | LOCK6 | 1063602 |
| | 05(0) | | | | | |
| | 06(0) | | | | | |
| | 07(0) | | | | | |
| | 08(0) | | | | | |
| 02N09 | 09(2) | 04N09 | 1023600 | -HSM | LOCK2 | 1023602 |
| | 10(1) | 03N16 | 4791303 | | GND2403 | 4791303 |
| 02N11 | 11(2) | 04N11 | 1076500 | . | S7 | 1073402 |
| 02N12 | 12(2) | 04N12 | 1036500 | . | S3 | 1033402 |
| 02N13 | 13(2) | 04N13 | 3180430 | . | CK-32P43 | 5830020 |
| | 14(0) | | | | | |
| | 15(0) | | | | | |
| 03N10 | 16(2) | 03N24 | 4791303 | -GND | GND2403 | 4791303 |
| 02N17 | 17(2) | 04N17 | 1066500 | . | S6 | 1063402 |
| 04N18 | 18(2) | 02N18 | 1184940 | . | P18-1 | 5830023 |
| 02N19 | 19(2) | 04N19 | 1026500 | . | S2 | 1023402 |
| | 20(0) | | | | | |
| 01N21 | 21(2) | 13N43 | 1164902 | . | NP16 | 5830021 |
| 05N22 | 22(2) | 04N22 | 1154940 | . | P15-1 | 5830021 |
| 02N23 | 23(2) | 04N23 | 1174940 | . | P17-1 | 5830022 |
| 03N16 | 24(2) | 03N38 | 4791303 | | GND2403 | 4791303 |
| 02N25 | 25(2) | 04N25 | 1174902 | . | NP17 | 5830021 |
| | 26(0) | | | | | |
| | 27(0) | | | | | |
| 02N28 | 28(2) | 04N28 | 1056500 | . | S5 | 1053402 |
| 09N29 | 29(2) | 02N29 | 1194940 | . | P19-1 | 5830024 |
| 02N30 | 30(2) | 04N30 | 1204940 | . | P20-1 | 5830025 |
| 04N31 | 31(2) | 02N31 | 5883100 | . | LOCKW | 5830020 |
| | 32(0) | | | | | |
| 02N33 | 33(2) | 04N33 | 1046500 | . | S4 | 1043402 |
| 02N34 | 34(2) | 04N34 | 1016500 | . | S1 | 1013402 |
| 02N35 | 35(2) | 04N35 | 1006500 | . | S0 | 1003402 |
| | 36(0) | | | | | |
| | 37(0) | | | | | |
| 03N24 | 38(1) | | 4791303 | | GND2403 | 4791303 |
| | 39(0) | | | | | |
| | 40(0) | | | | | |
| 02N41 | 41(2) | 04N41 | 1013600 | -HSM | LOCK1 | 1013602 |
| | 42(0) | | | | | |
| 02N43 | 43(2) | 04N43 | 1003600 | -HSM | LOCK0 | 1003602 |
| | 44(0) | | | | | |
| 02N45 | 45(2) | 04N45 | 1043600 | -HSM | LOCK4 | 1043602 |
| 02N46 | 46(2) | 04N46 | 1053600 | -HSM | LOCK5 | 1053602 |
| | 47(0) | | | | | |
| | 48(0) | | | | | |
| 02N49 | 49(0) | 04N49 | 8301300 | | P4VN | 8301300 |
| 04N50 | 50(2) | 02N50 | 8304900 | | M8VN | 8304900 |
| 02N51 | 51(0) | 04N51 | 8303300 | | P8VN | 8303300 |

XDS 902306



DRAWING NO.- 133264-939 AC
 PROG-PNIND MODULE-04N
 TYPE-PIN INDEX TYPE-FT25

4

10/27/71

| FROM | PIN (COUNT) | TO | SOURCE LINE NO. | ELEM. TYPE | SOURCE SIGNAL NAME | REFERENCE LINE NO. |
|-------|----------------|-------|--------------------|---------------|--------------------|-----------------------|
| | 00(0) | | | | | |
| 03N01 | 01(2) | 06N43 | 1073600 | -HSM | LOCK7 | 1073603 |
| 03N02 | 02(2) | 06N47 | 1033600 | -HSM | LOCK3 | 1033603 |
| | 03(0) | | | | | |
| 03N04 | 04(2) | 06N39 | 1063600 | -HSM | LOCK6 | 1063603 |
| | 05(0) | | | | | |
| | 06(0) | | | | | |
| | 07(0) | | | | | |
| | 08(0) | | | | | |
| 03N09 | 09(2) | 06N24 | 1023600 | -HSM | LOCK2 | 1023603 |
| | 10(1) | 04N16 | 4791304 | | GND2404 | 4791304 |
| 03N11 | 11(2) | 12N07 | 1076500 | . | S7 | 1073403 |
| 03N12 | 12(2) | 11N07 | 1036500 | . | S3 | 1033403 |
| 03N13 | 13(2) | 07N05 | 3180430 | . | CK-32P43 | 5830030 |
| | 14(0) | | | | | |
| | 15(0) | | | | | |
| 04N10 | 16(2) | 04N24 | 4791304 | -GND | GND2404 | 4791304 |
| 03N17 | 17(2) | 12N06 | 1066500 | . | S6 | 1063403 |
| 09N17 | 18(2) | 03N18 | 1184940 | . | P18-1 | 5830033 |
| 03N19 | 19(2) | 11N06 | 1026500 | . | S2 | 1023403 |
| | 20(0) | | | | | |
| 02N21 | 21(2) | 09N20 | 1164940 | . | P16-1 | 5830031 |
| 03N22 | 22(2) | 13N44 | 1154940 | . | P15-1 | 5830031 |
| 03N23 | 23(2) | 09N19 | 1174940 | . | P17-1 | 5830032 |
| 04N16 | 24(2) | 04N38 | 4791304 | | GND2404 | 4791304 |
| 03N25 | 25(2) | 13N13 | 1174902 | . | NP17 | 5830031 |
| | 26(0) | | | | | |
| | 27(0) | | | | | |
| 03N28 | 28(2) | 12N50 | 1056500 | . | S5 | 1053403 |
| | 29(1) | 09N29 | 1194940 | . | P19-1 | 5830034 |
| 03N30 | 30(2) | 04P42 | 1204940 | . | P20-1 | 5830035 |
| 32N31 | 31(2) | 03N31 | 5883100 | . | LOCKW | 5830030 |
| | 32(0) | | | | | |
| 03N33 | 33(2) | 12N37 | 1046500 | . | S4 | 1043403 |
| 03N34 | 34(2) | 11N50 | 1016500 | . | S1 | 1013403 |
| 03N35 | 35(2) | 11N37 | 1006500 | . | S0 | 1003403 |
| | 36(0) | | | | | |
| | 37(0) | | | | | |
| 04N24 | 38(1) | | 4791304 | | GND2404 | 4791304 |
| | 39(0) | | | | | |
| | 40(0) | | | | | |
| 03N41 | 41(2) | 06N46 | 1013600 | -HSM | LOCK1 | 1013603 |
| | 42(0) | | | | | |
| 03N43 | 43(2) | 06N27 | 1003600 | -HSM | LOCK0 | 1003603 |
| | 44(0) | | | | | |
| 03N45 | 45(2) | 06N34 | 1043600 | -HSM | LOCK4 | 1043603 |
| 03N46 | 46(2) | 06N42 | 1053600 | -HSM | LOCK5 | 1053603 |
| | 47(0) | | | | | |
| | 48(0) | | | | | |
| 03N49 | 49(0) | 05N49 | 8301300 | | P4VN | 8301300 |
| 27N50 | 50(2) | 03N50 | 8304900 | | M8VN | 8304900 |
| 03N51 | 51(0) | 05N51 | 8303300 | | P8VN | 8303300 |

XDS 902306

XDS
XEROX DATA SYSTEMS

DRAWING NO.- 133264-939 AC
PROG-PNIND
TYPE-PIN INDEX

MODULE-05N
TYPE-ZT45

5

10/27/71

| FROM | PIN (COUNT) | TO | SOURCE LINE NO. | ELEM. TYPE | SOURCE SIGNAL NAME | REFERENCE LINE NO. |
|-------|----------------|-------|--------------------|---------------|--------------------|-----------------------|
| | 00(0) | | | | | |
| 05M01 | 01(1) | 05P13 | 1141300 | C | D14 | 1141300 |
| 05M02 | 02(1) | 14Q41 | 2404490 | C | AXPSW2 | 2404490 |
| 16P03 | 03(1) | 05M03 | 2405590 | C | NAXSR1 | 2405590 |
| 16P08 | 04(1) | 05M04 | 1146500 | C | S14 | 1146500 |
| 16P02 | 05(1) | 05M05 | 2405700 | C | NAXSR2 | 2405700 |
| 06N06 | 06(1) | 05M06 | 3060100 | C | CC1 | 3060100 |
| 31N20 | 07(1) | 05M07 | 7415010 | C | RTC | 7415010 |
| 21N11 | 08(1) | 05M08 | 3901500 | C | DXDR8/0 | 3901500 |
| 06N09 | 09(1) | 05M09 | 3060400 | C | CC4 | 3060400 |
| 05M10 | 10(1) | 23N10 | 1006480 | C | S00 | 1006480 |
| 05M11 | 11(1) | 01N11 | 1076500 | C | S7 | 1076500 |
| 05M12 | 12(1) | 01N12 | 1036500 | C | S3 | 1036500 |
| 06N11 | 13(1) | 05M13 | 3060200 | C | CC2 | 3060200 |
| 05M14 | 14(1) | 21N14 | 6803000 | C | (P30.NP31) | 6803000 |
| 05M15 | 15(1) | 16P12 | 2403010 | C | NAXK | 2403010 |
| | 16(0) | | 4791305 | -GND | GND2405 | 4791305 |
| 05M17 | 17(1) | 01N17 | 1066500 | C | S6 | 1066500 |
| 01Q42 | 18(1) | 05M18 | 4324678 | C | (FASTABORT.ENDE) | 4324678 |
| 05M19 | 19(1) | 01N19 | 1026500 | C | S2 | 1026500 |
| 04Q42 | 20(1) | 05M20 | 1284940 | C | P28-1 | 1284940 |
| 06N19 | 21(1) | 05M21 | 3060300 | C | CC3 | 3060300 |
| 05M22 | 22(1) | 03N22 | 1154940 | C | P15-1 | 1154940 |
| 05M23 | 23(1) | 08N29 | 3690120 | C | NDIS-2 | 3690120 |
| 05M24 | 24(1) | 04P24 | 1210100 | C | A21 | 1210100 |
| 05M25 | 25(1) | 05P24 | 1230100 | C | A23 | 1230100 |
| 05M26 | 26(1) | 04P18 | 1200100 | C | A20 | 1200100 |
| 05M27 | 27(1) | 03P24 | 1190100 | C | A19 | 1190100 |
| 05M28 | 28(1) | 01N28 | 1056500 | C | S5 | 1056500 |
| 05M29 | 29(1) | 02P24 | 1170100 | C | A17 | 1170100 |
| 05M30 | 30(1) | 06N01 | 1160100 | C | A16 | 1160100 |
| 05M31 | 31(1) | 07N31 | 1064200 | C | MC6 | 1064200 |
| | 32(0) | | | | | |
| 05M33 | 33(1) | 05P18 | 1220100 | C | A22 | 1220100 |
| 05M34 | 34(1) | 03P18 | 1180100 | C | A18 | 1180100 |
| 05M35 | 35(1) | 16P07 | 1156500 | C | S15 | 1156500 |
| 05M36 | 36(1) | 01N34 | 1016500 | C | S1 | 1016500 |
| 05M37 | 37(1) | 06P23 | 7900150 | C | SXADD/1 | 7900150 |
| 05M38 | 38(1) | 20Q37 | 4241000 | C | EWDM | 4241003 |
| 05M39 | 39(1) | 01N35 | 1006500 | C | S0 | 1006500 |
| 07N44 | 40(1) | 05M40 | 2904500 | C | NBXP/1 | 2904500 |
| 16P47 | 41(1) | 05M41 | 2405540 | C | NAXSL1 | 2405540 |
| 05M42 | 42(1) | 08N05 | 1166500 | C | S16 | 1166500 |
| 02P39 | 43(1) | 05M43 | 1166300 | C | RR16 | 1166300 |
| 12P12 | 44(1) | 05M44 | 1116500 | C | S11 | 1116500 |
| 05M45 | 45(1) | 24P12 | 1151510 | C | D1015/1 | 1151510 |
| 05M46 | 46(1) | 06P01 | 5560300 | C | KUA30 | 5560300 |
| 05M47 | 47(1) | 24P13 | 1141510 | C | D1014/1 | 1141510 |
| | 48(0) | | | | | |
| 04N49 | 49(0) | 06N49 | 8301300 | | P4VN | 8301300 |
| 05M50 | 50(1) | 01N33 | 1046500 | C | S4 | 1046500 |
| 04N51 | 51(0) | 06N51 | 8303300 | | P8VN | 8303300 |

XDS 902306

XDS
XEROX DATA SYSTEMS

DRAWING NO.- 133264-939 AC
PROG-PNIND MODULE-06N
TYPE-PIN INDEX TYPE-LT21

6
10/27/71

| FROM | PIN (COUNT) | TO | SOURCE LINE NO. | ELEM. TYPE | SOURCE SIGNAL NAME | REFERENCE LINE NO. |
|-------|----------------|-------|--------------------|---------------|-------------------------|-----------------------|
| | 00(0) | | | | | |
| 05N30 | 01(2) | 02P18 | 1160100 | . | A16 | 2001682 |
| | 02(0) | | | | | |
| 10N12 | 03(2) | 06P12 | 4904101 | . | GXNAD | 2001682 |
| | 04(0) | | | | | |
| | 05(0) | | | | | |
| 12N44 | 06(2) | 05N06 | 3060100 | . | CC1 | 7300900 |
| 13Q37 | 07(2) | 09N07 | 1286200 | . | R28 | 7300900 |
| | 08(0) | | | | | |
| 12N10 | 09(2) | 05N09 | 3060400 | . | CC4 | 7300902 |
| 14N45 | 10(2) | 13Q07 | 1316200 | . | R31 | 7300902 |
| 07N18 | 11(2) | 05N13 | 3060200 | . | CC2 | 7300900 |
| 16N29 | 12(2) | 13Q42 | 1296200 | . | R29 | 7300900 |
| 06N16 | 13(1) | | 4791306 | . | GND2406 | 7300904 |
| | 14(1) | 17P11 | 2001680 | B | (A16.GXNAD+NA16.PRXNAD) | 2001680 |
| 07P12 | 15(1) | | 6911501 | . | PRXNAD | 2001680 |
| | 16(1) | 06N13 | 4791306 | -GND | GND2406 | 4791306 |
| 14P25 | 17(2) | 23N07 | 1160104 | . | NA16 | 2001680 |
| 15N29 | 18(2) | 13Q11 | 1306200 | . | R30 | 7300902 |
| 12N09 | 19(2) | 05N21 | 3060300 | . | CC3 | 7300902 |
| | 20(0) | | | | | |
| | 21(0) | | | | | |
| | 22(1) | 32Q05 | 7300900 | B | (R.CC) | 7300900 |
| | 23(1) | 21N17 | 5754000 | B | LCK0 | 5754000 |
| 04N09 | 24(2) | 09N24 | 1023600 | . | LOCK2 | 5754000 |
| 09N25 | 25(2) | 06N29 | 1214902 | . | NP21 | 5754000 |
| 09N26 | 26(2) | 06N31 | 1224902 | . | NP22 | 5754000 |
| 04N43 | 27(2) | 09N27 | 1003600 | . | LOCK0 | 5754000 |
| 06N35 | 28(2) | 05P42 | 1224940 | . | P22-1 | 5754000 |
| 06N25 | 29(2) | 13N04 | 1214902 | . | NP21 | 5754010 |
| | 30(1) | 21N23 | 5754010 | B | LCK1 | 5754010 |
| 06N26 | 31(2) | 06N37 | 1224902 | . | NP22 | 5754010 |
| | 32(0) | | | | | |
| 04P44 | 33(2) | 06N40 | 1214940 | . | P21-1 | 5754001 |
| 04N45 | 34(2) | 09N34 | 1043600 | . | LOCK4 | 5754001 |
| 06N44 | 35(2) | 06N28 | 1224940 | . | P22-1 | 5754001 |
| | 36(0) | | | | | |
| 06N31 | 37(2) | 06N45 | 1224902 | . | NP22 | 5754001 |
| | 38(0) | | | | | |
| 04N04 | 39(2) | 09N39 | 1063600 | . | LOCK6 | 5754001 |
| 06N33 | 40(2) | 31Q39 | 1214940 | . | P21-1 | 5754001 |
| | 41(0) | | | | | |
| 04N46 | 42(2) | 09N42 | 1053600 | . | LOCK5 | 5754011 |
| 04N01 | 43(2) | 09N43 | 1073600 | . | LOCK7 | 5754011 |
| 06N50 | 44(2) | 06N35 | 1224940 | . | P22-1 | 5754011 |
| 06N37 | 45(2) | 13N21 | 1224902 | . | NP22 | 5754011 |
| 04N41 | 46(2) | 09N46 | 1013600 | . | LOCK1 | 5754010 |
| 04N02 | 47(2) | 09N47 | 1033600 | . | LOCK3 | 5754010 |
| | 48(0) | | | | | |
| 05N49 | 49(0) | 07N49 | 8301300 | . | P4VN | 8301300 |
| 13N28 | 50(2) | 06N44 | 1224940 | . | P22-1 | 5754010 |
| 05N51 | 51(0) | 07N51 | 8303300 | . | P8VN | 8303300 |

XDS 902306

XDS
XEROX DATA SYSTEMS

DRAWING NO.- 133264-939 AC
PROG-PNIND MODULE-07N
TYPE-PIN INDEX TYPE-BT11

7

10/27/71

| FROM | PIN (COUNT) | TO | SOURCE LINE NO. | ELEM. TYPE | SOURCE SIGNAL NAME | REFERENCE LINE NO. |
|-------|----------------|-------|--------------------|---------------|--------------------|-----------------------|
| | 00(0) | | | | | |
| 10N45 | 01(1) | | 3699100 | B | DIVOVER | 3699100 |
| | 02(1) | 12N13 | 4425100 | B | (FUSF.NP31) | 4425100 |
| 12N11 | 03(2) | 09N02 | 4425500 | . | FUSF | 4425100 |
| | 04(1) | 07N24 | 1044201 | . | NMC4 | 6040102 |
| 04N13 | 05(2) | 07N25 | 3180430 | . | CK-32P43 | 3404300 |
| 10N07 | 06(2) | 07N26 | 3315160 | . | CROSSEN | 3404300 |
| | 07(0) | | | | | |
| | 08(1) | 07N23 | 1054201 | . | NMC5 | 6040102 |
| | 09(1) | 09N09 | 1314902 | . | NP31 | 4425100 |
| | 10(1) | 07N15 | 3691100 | . | (DIT(MC=30)) | 3699100 |
| 09Q36 | 11(2) | 20N18 | 1310300 | . | B31 | 3699100 |
| | 12(1) | 02Q37 | 3404300 | B | CXRR-3 | 3404300 |
| | 13(1) | 07N14 | 6040100 | B | MC0005Z | 6040102 |
| 07N13 | 14(2) | 08N14 | 6040100 | B | MC0005Z | 6040100 |
| 07N10 | 15(2) | 21P41 | 3691100 | B | (DIT(MC=30)) | 3691100 |
| | 16(0) | | 4791307 | -GND | GND2407 | 4791307 |
| | 17(1) | 07N28 | 1074201 | . | NMC7 | 3691100 |
| 12N41 | 18(2) | 06N11 | 3060200 | . | CC2 | 3691100 |
| | 19(1) | 11N22 | 1034201 | . | NMC3 | 6040100 |
| 11N26 | 20(1) | | 1014201 | . | NMC1 | 6040100 |
| 11N40 | 21(1) | | 1004201 | . | NMC0 | 6040100 |
| | 22(1) | 08N08 | 1064201 | . | NMC6 | 6041032 |
| 07N08 | 23(2) | 12N26 | 1054201 | . | NMC5 | 6041032 |
| 07N04 | 24(2) | 12N40 | 1044201 | . | NMC4 | 6041032 |
| 07N05 | 25(2) | 07N41 | 3180430 | . | CK-32P43 | 3404200 |
| 07N06 | 26(2) | 10Q46 | 3315160 | . | CROSSEN | 3404200 |
| | 27(0) | | | | | |
| 07N17 | 28(2) | 08N07 | 1074201 | . | NMC7 | 6041032 |
| | 29(1) | 11N21 | 1024201 | . | NMC2 | 6040100 |
| 10N29 | 30(2) | 11N09 | 4321010 | . | FADIV-2 | 3691100 |
| 05N31 | 31(2) | 12N19 | 1064200 | . | MC6 | 3691100 |
| | 32(0) | | | | | |
| 05P37 | 33(1) | | 3404200 | B | CXRR-2 | 3404200 |
| | 34(1) | 08N41 | 6041030 | B | MCDC3 | 6041032 |
| 10N35 | 35(1) | | 2905650 | B | N(BXS+BXP/2) | 2905650 |
| | 36(1) | 20P37 | 2904495 | B | NBXP | 2904495 |
| 07N38 | 37(2) | 09N35 | 2904510 | . | NBXP/2 | 2904495 |
| 23N42 | 38(2) | 07N37 | 2904510 | . | NBXP/2 | 2905650 |
| 24N39 | 39(2) | 07N40 | 3405111 | . | CXS | 3405300 |
| 07N39 | 40(2) | 10Q41 | 3405111 | . | CXS | 3405200 |
| 07N25 | 41(2) | 07N42 | 3180430 | . | CK-32P43 | 3405200 |
| 07N41 | 42(2) | 09N38 | 3180430 | . | CK-32P43 | 3405300 |
| 09P12 | 43(2) | 09N33 | 2905500 | . | NBXS | 2905650 |
| 23N39 | 44(2) | 05N40 | 2904500 | . | NBXP/1 | 2904495 |
| | 45(1) | 02Q31 | 3405300 | B | CXS-3 | 3405300 |
| 05P31 | 46(1) | | 3405200 | B | CXS-2 | 3405200 |
| | 47(0) | | | | | |
| | 48(0) | | | | | |
| 06N49 | 49(0) | 08N49 | 8301300 | | P4VN | 8301300 |
| | 50(0) | | | | | |
| 06N51 | 51(0) | 08N51 | 8303300 | | P8VN | 8303300 |

XDS 902306

XDS
XEROX DATA SYSTEMS

DRAWING NO. - 133264-939 AC
PROG-PNIND MODULE-08N
TYPE-PIN INDEX TYPE-IT16

8

10/27/71

| FROM | PIN (COUNT) | TO | SOURCE LINE NO. | ELEM. TYPE | SOURCE SIGNAL NAME | REFERENCE LINE NO. |
|-------|----------------|-------|--------------------|---------------|--------------------|-----------------------|
| | 00(0) | | | | | |
| 08N03 | 01(1) | | 3690150 | . | (DIS.NKSXA) | 6911392 |
| 32N21 | 02(2) | 09N30 | 7514100 | . | S16INH | 1166508 |
| 13N14 | 03(2) | 08N01 | 3690150 | . | (DIS.NKSXA) | 6911382 |
| 32N19 | 04(2) | 09N22 | 7514500 | . | S31INH | 1316508 |
| 05N42 | 05(2) | 01Q45 | 1166500 | I | S16 | 1166508 |
| 32Q09 | 06(1) | | 6047900 | I | NMCZ | 6047900 |
| 07N28 | 07(2) | 12N22 | 1074201 | . | NMC7 | 6047900 |
| 07N22 | 08(2) | 12N21 | 1064201 | . | NMC6 | 6047900 |
| 08N38 | 09(2) | 09N08 | 6041100 | . | NMCDC7 | 6041070 |
| | 10(1) | 12N04 | 6041070 | I | MCDC7 | 6041070 |
| | 11(1) | 19Q28 | 1283720 | I | NLR28-0 | 1283720 |
| 08N31 | 12(2) | 10Q14 | 1283700 | . | LR28-0 | 1283720 |
| 13N08 | 13(1) | | 3690160 | . | (DIS.NKSXD) | 6911592 |
| 07N14 | 14(2) | 20P04 | 6040100 | . | MC0005Z | 6047900 |
| | 15(1) | 08N28 | 6911590 | I | PRXNAD/3 | 6911592 |
| | 16(0) | | 4791308 | -GND | GND2408 | 4791308 |
| | 17(1) | 08N27 | 6911390 | I | PRXAND/3 | 6911392 |
| 24N14 | 18(2) | 05Q17 | 1316500 | I | S31 | 1316508 |
| | 19(1) | 08N25 | 6911380 | I | PRXAND/2 | 6911382 |
| | 20(0) | | | | | |
| 10N21 | 21(2) | 07P14 | 6911500 | . | NPRXNAD | 6911590 |
| 08N23 | 22(2) | 07P06 | 6911300 | . | NPRXAND | 6911390 |
| 18N40 | 23(2) | 08N22 | 6911300 | . | NPRXAND | 6911380 |
| 10N23 | 24(2) | 08P06 | 6911100 | . | NPRXAD | 6911190 |
| 08N19 | 25(2) | 05P20 | 6911380 | I | PRXAND/2 | 6911380 |
| 13N06 | 26(2) | 02Q29 | 6911190 | I | PRXAD/3 | 6911190 |
| 08N17 | 27(2) | 02Q20 | 6911390 | I | PRXAND/3 | 6911390 |
| 08N15 | 28(2) | 02Q27 | 6911590 | I | PRXNAD/3 | 6911590 |
| 05N23 | 29(2) | 25N10 | 3690120 | . | NDIS-2 | 6911190 |
| 10N30 | 30(2) | 08N40 | 3563200 | . | DCCL/2 | 5054304 |
| 25N37 | 31(2) | 08N12 | 1283700 | . | LR28-0 | 1283730 |
| | 32(0) | | | | | |
| | 33(0) | | | | | |
| | 34(1) | 08N35 | 5054200 | I | HOLDC-2 | 5054204 |
| 08N34 | 35(2) | 08N36 | 5054200 | I | HOLDC-2 | 5054202 |
| 08N35 | 36(2) | 05P40 | 5054200 | I | HOLDC-2 | 5054200 |
| 10N37 | 37(2) | 08N43 | 4056100 | . | EDR | 5054200 |
| 32N11 | 38(2) | 08N09 | 6041100 | . | NMCDC7 | 6041030 |
| 10N39 | 39(2) | 08N42 | 3563100 | . | DCCL/1 | 5054202 |
| 08N30 | 40(2) | 19Q13 | 3563200 | . | DCCL/2 | 5054204 |
| 07N34 | 41(2) | 11N04 | 6041030 | I | MCDC3 | 6041030 |
| 08N39 | 42(2) | 19Q12 | 3563100 | . | DCCL/1 | 5054302 |
| 08N37 | 43(2) | 19Q40 | 4056100 | . | EDR | 5054300 |
| | 44(1) | 08N45 | 5054300 | I | HOLDC-3 | 5054302 |
| 08N44 | 45(2) | 08N46 | 5054300 | I | HOLDC-3 | 5054300 |
| 08N45 | 46(2) | 02Q40 | 5054300 | I | HOLDC-3 | 5054304 |
| | 47(1) | 10N47 | 1283730 | I | NLR28-1 | 1283730 |
| | 48(0) | | | | | |
| 07N49 | 49(0) | 09N49 | 8301300 | | P4VN | 8301300 |
| | 50(0) | | | | | |
| 07N51 | 51(0) | 09N51 | 8303300 | | P8VN | 8303300 |

| FROM | PIN (COUNT) | TO | SOURCE LINE NO. | ELEM. TYPE | SOURCE SIGNAL NAME | REFERENCE LINE NO. |
|-------|----------------|-------|--------------------|---------------|--------------------|-----------------------|
| | 00(0) | | | | | |
| 09N03 | 01(2) | 11N01 | 3200170 | T | CL-32P17 | 3200170 |
| 07N03 | 02(1) | | 4425500 | T | FUSF | 4425500 |
| 09N06 | 03(2) | 09N01 | 3200170 | T | CL-32P17 | 3200170 |
| 08P08 | 04(1) | | 6911120 | T | N(S/PRXAD) | 6911120 |
| 32N15 | 05(2) | 07P08 | 6911320 | T | N(S/PRXAND) | 6911320 |
| | 06(1) | 09N03 | 3200170 | T | CL-32P17 | 3200170 |
| 06N07 | 07(1) | | 1286200 | T | R28 | 1286200 |
| 08N09 | 08(1) | | 6041100 | T | NMDC7 | 6041100 |
| 07N09 | 09(2) | 13N30 | 1314902 | T | NP31 | 1314902 |
| 11N10 | 10(1) | | 4323380 | T | FAMULNH | 4323380 |
| 11N11 | 11(1) | | 1284902 | T | NP28 | 1284902 |
| 07P13 | 12(1) | | 6911520 | T | N(S/PRXNAD) | 6911520 |
| | 13(1) | 11N13 | 1274902 | T | NP27 | 1274902 |
| 08P24 | 14(1) | | 6911720 | T | N(S/PRXNAND) | 6911720 |
| 01N31 | 15(1) | | 5883100 | T | LOCKW | 5883100 |
| | 16(0) | | 4791309 | -GND | GND2409 | 4791309 |
| | 17(1) | 04N18 | 1184940 | T | P18-1 | 1184940 |
| 05Q39 | 18(1) | | 1306300 | T | RR30 | 1306300 |
| 04N23 | 19(1) | | 1174940 | T | P17-1 | 1174940 |
| 04N21 | 20(1) | | 1164940 | T | P16-1 | 1164940 |
| 13N23 | 21(1) | | 2404430 | T | NAXPARITY | 2404430 |
| 08N04 | 22(1) | | 7514500 | T | S31INH | 7514500 |
| | 23(1) | 13N24 | 1254902 | T | NP25 | 1254902 |
| 06N24 | 24(1) | | 1023600 | T | LOCK2 | 1023600 |
| | 25(1) | 06N25 | 1214902 | T | NP21 | 1214902 |
| | 26(1) | 06N26 | 1224902 | T | NP22 | 1224902 |
| 06N27 | 27(1) | | 1003600 | T | LOCK0 | 1003600 |
| 08P20 | 28(1) | | 1312780 | T | N(S/K31/1) | 1312780 |
| 04N29 | 29(2) | 03N29 | 1194940 | T | P19-1 | 1194940 |
| 08N02 | 30(1) | | 7514100 | T | S16INH | 7514100 |
| 10P21 | 31(1) | | 1081340 | T | ND8-1 | 1081340 |
| | 32(0) | | | | | |
| 07N43 | 33(1) | | 2905500 | T | NBXS | 2905500 |
| 06N34 | 34(1) | | 1043600 | T | LOCK4 | 1043600 |
| 07N37 | 35(1) | | 2904510 | T | NBXP/2 | 2904510 |
| | 36(1) | 12N38 | 1304902 | T | NP30 | 1304902 |
| 12N37 | 37(1) | | 1046500 | T | S4 | 1046500 |
| 07N42 | 38(2) | 09N40 | 3180430 | T | CK-32P43 | 3180430 |
| 06N39 | 39(1) | | 1063600 | T | LOCK6 | 1063600 |
| 09N38 | 40(2) | 09N44 | 3180430 | T | CK-32P43 | 3180430 |
| | 41(1) | 07P10 | 7900400 | T | N(S/SXAPD/1) | 7900400 |
| 06N42 | 42(1) | | 1053600 | T | LOCK5 | 1053600 |
| 06N43 | 43(1) | | 1073600 | T | LOCK7 | 1073600 |
| 09N40 | 44(2) | 09N45 | 3180430 | T | CK-32P43 | 3180430 |
| 09N44 | 45(2) | 09N50 | 3180430 | T | CK-32P43 | 3180430 |
| 06N46 | 46(1) | | 1013600 | T | LOCK1 | 1013600 |
| 06N47 | 47(1) | | 1033600 | T | LOCK3 | 1033600 |
| | 48(0) | | | | | |
| 08N49 | 49(0) | 10N49 | 8301300 | | P4VN | 8301310 |
| 09N45 | 50(2) | 32P43 | 3180430 | T | CK-32P43 | 3180430 |
| 08N51 | 51(0) | 10N51 | 8303300 | | P8VN | 8303310 |

XDS 902306

XDS
XEROX DATA SYSTEMS

DRAWING NO.- 133264-939 AC
PROG-PNIND
TYPE-PIN INDEX

10
MODULE-10N
TYPE-ZT45
10/27/71

| FROM | PIN (COUNT) | TO | SOURCE LINE NO. | ELEM. TYPE | SOURCE SIGNAL NAME | REFERENCE LINE NO. |
|-------|----------------|-------|--------------------|---------------|--------------------|-----------------------|
| | 00(0) | | | | | |
| 10M01 | 01(1) | 11Q39 | 1000104 | C | NA0 | 1000104 |
| 10M02 | 02(1) | 11Q30 | 1010104 | C | NA1 | 1010104 |
| 10M03 | 03(1) | 20P45 | 2405300 | C | AXRR/0 | 2405300 |
| 10M04 | 04(1) | 20P44 | 2405310 | C | AXRR/1 | 2405310 |
| 11N05 | 05(1) | 10M05 | 1034200 | C | MC3 | 1034200 |
| 10M06 | 06(1) | 12N05 | 1074200 | C | MC7 | 1074200 |
| 10M07 | 07(1) | 07N06 | 3315160 | C | CROSSENR | 3315160 |
| 22Q06 | 08(1) | 10M08 | 1151500 | C | D1015 | 1151500 |
| 10M09 | 09(1) | 06P30 | 3641100 | C | DG | 3641100 |
| 10M10 | 10(1) | 13N08 | 3690160 | C | (DIS.NKSXD) | 3690160 |
| 10M11 | 11(1) | 21P19 | 6910000 | C | NPROBOVER | 6910008 |
| 10M12 | 12(1) | 06N03 | 4904101 | C | GXNAD | 4904101 |
| 22Q04 | 13(1) | 10M13 | 1141500 | C | D1014 | 1141500 |
| 10M14 | 14(1) | 06P42 | 4900601 | C | GXAND | 4900601 |
| 11P31 | 15(1) | 10M15 | 7829100 | C | (SPZ.NDIS) | 7829100 |
| | 16(0) | | 4791310 | -GND | GND2410 | 4791310 |
| 30N42 | 17(1) | 10M17 | 1290300 | C | B29 | 1290300 |
| 10M18 | 18(1) | 12N18 | 6047700 | C | MCXS | 6047700 |
| 11N33 | 19(1) | 10M19 | 1004200 | C | MC0 | 1004200 |
| 10M20 | 20(1) | 13N14 | 3690150 | C | (DIS.NKSXA) | 3690150 |
| 10M21 | 21(1) | 08N21 | 6911500 | C | NPRXNAD | 6911500 |
| 10M22 | 22(1) | 12N29 | 6041200 | C | MCX | 6041200 |
| 10M23 | 23(1) | 08N24 | 6911100 | C | NPRXAD | 6911100 |
| 12N25 | 24(1) | 10M24 | 1054200 | C | MC5 | 1054200 |
| 11N25 | 25(1) | 10M25 | 1014200 | C | MC1 | 1014200 |
| 10M26 | 26(1) | 08Q30 | 1266200 | C | RP26 | 1266200 |
| 10M27 | 27(1) | 08Q29 | 1266202 | C | NRP26 | 1266202 |
| 10M28 | 28(1) | 08Q34 | 1276202 | C | NRP27 | 1276202 |
| 10M29 | 29(1) | 07N30 | 4321010 | C | FADIV-2 | 4321010 |
| 10M30 | 30(1) | 08N30 | 3563200 | C | DCCL/2 | 3563200 |
| 10M31 | 31(1) | 11P14 | 4385000 | C | FNF | 4385000 |
| | 32(0) | | | | | |
| 12N33 | 33(1) | 10M33 | 1044200 | C | MC4 | 1044200 |
| 11N35 | 34(1) | 10M34 | 6902328 | C | PRE3-H | 6902328 |
| 10M35 | 35(1) | 07N35 | 2905650 | C | N(BXS+BXP/2) | 2905650 |
| 10M36 | 36(1) | 07Q20 | 8010150 | C | N(S/T11L) | 8010160 |
| 10M37 | 37(1) | 08N37 | 4056100 | C | EDR | 4056100 |
| 10M38 | 38(1) | 07Q19 | 8010850 | C | N(S/T8L) | 8010850 |
| 10M39 | 39(1) | 08N39 | 3563100 | C | DCCL/1 | 3563100 |
| 15Q03 | 40(1) | 10M40 | 4460100 | C | FZ | 4460100 |
| 10M41 | 41(1) | 06P21 | 4900501 | C | GXAD | 4900501 |
| 10M42 | 42(1) | 06P02 | 5560230 | C | KUA23 | 5560230 |
| 10M43 | 43(1) | 18P27 | 2260000 | C | AM | 2260000 |
| 10M44 | 44(1) | 02P43 | 7904520 | C | SXP-2 | 7904520 |
| 10M45 | 45(1) | 07N01 | 3699100 | C | DIVOVER | 3699100 |
| 10Q47 | 46(1) | 10M46 | 3800000 | C | DM | 3800000 |
| 08N47 | 47(1) | 10M47 | 1283730 | C | NLR28-1 | 1283730 |
| | 48(0) | | | | | |
| 09N49 | 49(0) | 11N49 | 8301300 | | P4VN | 8301310 |
| 10M50 | 50(1) | 11P19 | 1313730 | C | N(S/LR31) | 1313728 |
| 09N51 | 51(0) | 11N51 | 8303300 | | P8VN | 8303310 |

| FROM | PIN (COUNT) | TO | SOURCE LINE NO. | ELEM. TYPE | SOURCE SIGNAL NAME | REFERENCE LINE NO. |
|-------|----------------------------------|----------------------------------|--|---------------------|-----------------------------|--|
| 09N01 | 00(0) 01(2) 02(0) 03(0) | 12N01 | 3200170 | . | CL-32P17 | 1004214 |
| 08N41 | 04(1) 05(1) | 10N05 | 1034210-1 6041030 | + . | MCDC3 | 1034212 1004206 |
| 04N19 | 06(2) | 13Q15 | 1034200 | FF | MC3 | 1034200 |
| 04N12 | 07(2) 08(1) | 13Q10 13N41 | 1026500 1284940 | . . | S2 P28-1 | 1024202 1024202 |
| 07N30 | 09(2) | 20N03 | 4321010 | . | FADIV-2 | 1024204 |
| 32N10 | 10(2) | 09N10 | 4323380 | . | FAMULNH | 1034204 |
| 13N38 | 11(2) 12(1) | 09N11 12P08 | 1284902 1034202-1 | . + | NP28 | 1034204 1034202 |
| 09N13 | 13(2) | 13N39 | 1274902 | . | NP27 | 1024204 |
| 13N36 | 14(2) 15(1) 16(1) 17(0) | 04Q44 12N15 11N23 | 1294940 6047500 4791311 | . . -GND | P29-1 MCXNPL1 GND2411 | 1034202 1004204 4791311 |
| 12N18 | 18(2) | 19N18 | 1024210-1 6047700 | + . | MCXS | 1024210 1004202 |
| 14N19 | 19(2) 20(0) | 17P21 | 1024200 1024202-1 | FF + | MC2 | 1024200 1024202 |
| 07N29 | 21(2) | 11N28 | 1024201 | NFF | NMC2 | 1024201 |
| 07N19 | 22(2) | 11N27 | 1034201 | NFF | NMC3 | 1034201 |
| 11N16 | 23(2) 24(0) 25(1) 26(1) | 11N39 10N25 07N20 | 4791311 1014210-1 1014200 1014201 | . + FF NFF | GND2411 MC1 NMC1 | 1014206 1014210 1014200 1014201 |
| 11N22 | 27(1) | | 1034201 | . | NMC3 | 1004206 |
| 11N21 | 28(1) | | 1024201 | . | NMC2 | 1004206 |
| 12N29 | 29(2) 30(0) 31(0) 32(0) | 19N30 | 6041200 1004210-1 1014202-1 | . + + | MCX | 1004210 1004212 1014202 |
| 12P21 | 33(1) 34(1) 35(2) 36(1) | 10N19 12N34 10N34 12P44 | 1004200 6047600 6902328 1004202-1 | FF . . + | MC0 MCXPL2 PRE3-H | 1004200 1004202 1004204 1004208 |
| 04N35 | 37(2) | 26N01 | 1006500 | . | S0 | 1004202 |
| 19N19 | 38(2) | 13N40 | 1264902 | . | NP26 | 1014204 |
| 11N23 | 39(2) 40(1) | 11N41 07N21 | 4791311 1004201 | . NFF | GND2411 NMC0 | 1004204 1004201 |
| 11N39 | 41(2) | 11N43 | 4791311 | . | GND2411 | 1014204 |
| 13N35 | 42(2) | 03Q44 | 1274940 | . | P27-1 | 1014202 |
| 11N41 | 43(2) | 11N44 | 4791311 | . | GND2411 | 1004208 |
| 11N43 | 44(1) 45(0) | | 4791311 | . | GND2411 | 1004204 |
| 07Q42 | 46(2) 47(0) 48(0) | 13N34 | 1264940 | . | P26-1 | 1004202 |
| 10N49 | 49(0) | 12N49 | 8301300 | . | P4VN | 8301310 |
| 04N34 | 50(2) | 13Q39 | 1016500 | . | S1 | 1014202 |
| 10N51 | 51(0) | 12N51 | 8303300 | . | P8VN | 8303310 |

XDS 902306



DRAWING NO.- 133264-939 AC
 PROG-PNIND MODULE-12N
 TYPE-PIN INDEX TYPE-FT18

12

10/27/71

| FROM | PIN (COUNT) | TO | SOURCE LINE NO. | ELEM. TYPE | SOURCE SIGNAL NAME | REFERENCE LINE NO. |
|-------|----------------|-------|--------------------|---------------|--------------------|-----------------------|
| | 00(0) | | | | | |
| 11N01 | 01(2) | 32P17 | 3200170 | . | CL-32P17 | 1044214 |
| | 02(1) | 13N10 | 4425260 | . | NFUS-1 | 1064206 |
| | 03(0) | | 1074210-1 | + | | 1074212 |
| 08N10 | 04(2) | 19N04 | 6041070 | . | MCDC7 | 1044208 |
| 10N06 | 05(2) | 20Q24 | 1074200 | FF | MC7 | 1074200 |
| 04N17 | 06(2) | 11P24 | 1066500 | . | S6 | 1064202 |
| 04N11 | 07(2) | 11P13 | 1076500 | . | S7 | 1074202 |
| | 08(1) | 12N14 | 4791312 | . | GND2412 | 1064202 |
| 15Q50 | 09(2) | 06N19 | 3060300 | . | CC3 | 1064204 |
| 15Q43 | 10(2) | 06N09 | 3060400 | . | CC4 | 1074204 |
| 10P02 | 11(2) | 07N03 | 4425500 | . | FUSF | 1074204 |
| | 12(1) | 12P02 | 1074202-1 | + | | 1074202 |
| 07N02 | 13(2) | 19N13 | 4425100 | . | (FUSF.NP31) | 1064204 |
| 12N08 | 14(2) | 12N16 | 4791312 | . | GND2412 | 1074202 |
| 11N15 | 15(2) | 20Q07 | 6047500 | . | MCXNPL1 | 1044204 |
| 12N14 | 16(2) | 12N23 | 4791312 | -GND | GND2412 | 4791312 |
| | 17(0) | | 1064210-1 | + | | 1064212 |
| 10N18 | 18(2) | 11N18 | 6047700 | . | MCXS | 1044202 |
| 07N31 | 19(1) | | 1064200 | FF | MC6 | 1064200 |
| | 20(0) | | 1064202-1 | + | | 1064204 |
| 08N08 | 21(2) | 12N28 | 1064201 | NFF | NMC6 | 1064201 |
| 08N07 | 22(2) | 12N27 | 1074201 | NFF | NMC7 | 1074201 |
| 12N16 | 23(2) | 12N43 | 4791312 | . | GND2412 | 1054206 |
| | 24(0) | | 1054210-1 | + | | 1054210 |
| | 25(1) | 10N24 | 1054200 | FF | MC5 | 1054200 |
| 07N23 | 26(1) | | 1054201 | NFF | NMC5 | 1054201 |
| 12N22 | 27(2) | 16N12 | 1074201 | . | NMC7 | 1044208 |
| 12N21 | 28(2) | 17N13 | 1064201 | . | NMC6 | 1044208 |
| 10N22 | 29(2) | 11N29 | 6041200 | . | MCX | 1044210 |
| | 30(0) | | 1044210-1 | + | | 1044210 |
| | 31(0) | | 1054202-1 | + | | 1054206 |
| | 32(0) | | | | | |
| | 33(1) | 10N33 | 1044200 | FF | MC4 | 1044200 |
| 11N34 | 34(2) | 20Q09 | 6047600 | . | MCXPL2 | 1044202 |
| 29P10 | 35(2) | 12P09 | 2401050 | . | AXCC | 1044204 |
| | 36(1) | 12P01 | 1044202-1 | + | | 1044202 |
| 04N33 | 37(2) | 09N37 | 1046500 | . | S4 | 1044202 |
| 09N36 | 38(2) | 13N31 | 1304902 | . | NP30 | 1054204 |
| 19N20 | 39(2) | 13N37 | 1294902 | . | NP29 | 1044204 |
| 07N24 | 40(1) | | 1044201 | NFF | NMC4 | 1044201 |
| 20N09 | 41(2) | 07N18 | 3060200 | . | CC2 | 1054204 |
| 05Q44 | 42(2) | 13N46 | 1314940 | . | P31-1 | 1054202 |
| 12N23 | 43(1) | | 4791312 | . | GND2412 | 1044206 |
| 15Q46 | 44(2) | 06N06 | 3060100 | . | CC1 | 1044204 |
| | 45(0) | | | | | |
| 13N47 | 46(2) | 05Q42 | 1304940 | . | P30-1 | 1044202 |
| | 47(0) | | | | | |
| | 48(0) | | | | | |
| 11N49 | 49(0) | 13N49 | 8301300 | . | P4VN | 8301310 |
| 04N28 | 50(2) | 11P25 | 1056500 | . | S5 | 1054202 |
| 11N51 | 51(0) | 13N51 | 8303300 | . | P8VN | 8303310 |

XDS 902306

XDS
XEROX DATA SYSTEMS

DRAWING NO. - 133264-939 AC
PROG-PNIND
TYPE-PIN INDEX

MODULE-13N
TYPE-IT16

13

10/27/71

| FROM | PIN (COUNT) | TO | SOURCE LINE NO. | ELEM. TYPE | SOURCE SIGNAL NAME | REFERENCE LINE NO. |
|-------|----------------|-------|--------------------|---------------|--------------------|-----------------------|
| | 00(0) | | | | | |
| 30P24 | 01(2) | 19N29 | 2403350 | . | NAXLOAD | 2403430 |
| 17P42 | 02(2) | 02P13 | 1081300 | . | D8 | 1081340 |
| 21P28 | 03(2) | 19N28 | 3060185 | . | NCC1XK00 | 3060180 |
| 06N29 | 04(2) | 10Q21 | 1214902 | . | NP21 | 1214940 |
| | 05(1) | 10P21 | 1081340 | I | NDS-1 | 1081340 |
| | 06(1) | 08N26 | 6911190 | I | PRXAD/3 | 6911192 |
| | 07(0) | | | | | |
| 10N10 | 08(2) | 08N13 | 3690160 | . | (DIS.NKSXD) | 6911192 |
| 32N09 | 09(2) | 06P14 | 4425150 | . | FUS | 4425260 |
| 12N02 | 10(2) | 17P25 | 4425260 | I | NFUS-1 | 4425260 |
| | 11(1) | 23N09 | 4320905 | I | NFACOMP | 4320905 |
| 23N11 | 12(2) | 19N14 | 4320900 | . | FACOMP | 4320905 |
| 04N25 | 13(2) | 10Q30 | 1174902 | . | NP17 | 1174940 |
| 10N20 | 14(2) | 08N03 | 3690150 | . | (DIS.NKSXA) | 6911192 |
| | 15(1) | 07P43 | 1174940 | I | P17-1 | 1174940 |
| | 16(0) | | 4791313 | -GND | GND2413 | 4791313 |
| 14N21 | 17(2) | 15P18 | 2403430 | I | AXLOAD-3 | 2403430 |
| | 18(1) | 08P43 | 1214940 | I | P21-1 | 1214940 |
| | 19(1) | 11Q05 | 3060180 | I | CC1XK00 | 3060180 |
| | 20(0) | | | | | |
| 06N45 | 21(2) | 10Q29 | 1224902 | . | NP22 | 1224940 |
| 32N22 | 22(2) | 19N21 | 2400440 | . | NAXAR16 | 2400420 |
| 30P29 | 23(2) | 09N21 | 2404430 | . | NAXPARITY | 2404420 |
| 09N23 | 24(2) | 20Q05 | 1254902 | . | NP25 | 1254940 |
| | 25(1) | 14Q09 | 2404420 | I | AXPARITY | 2404420 |
| | 26(1) | 02Q44 | 1254940 | I | P25-1 | 1254940 |
| | 27(1) | 14P08 | 2400420 | I | AXAR16 | 2400420 |
| | 28(1) | 06N50 | 1224940 | I | P22-1 | 1224940 |
| | 29(0) | | | | | |
| 09N09 | 30(2) | 10Q11 | 1314902 | . | NP31 | 1314940 |
| 12N38 | 31(2) | 19Q03 | 1304902 | . | NP30 | 1304940 |
| | 32(0) | | | | | |
| | 33(0) | | | | | |
| 11N46 | 34(1) | | 1264940 | I | P26-1 | 1264940 |
| | 35(1) | 11N42 | 1274940 | I | P27-1 | 1274940 |
| 16N36 | 36(2) | 11N14 | 1294940 | I | P29-1 | 1294940 |
| 12N39 | 37(2) | 21N13 | 1294902 | . | NP29 | 1294940 |
| 19Q29 | 38(2) | 11N11 | 1284902 | . | NP28 | 1284940 |
| 11N13 | 39(2) | 10Q38 | 1274902 | . | NP27 | 1274940 |
| 11N38 | 40(2) | 10Q10 | 1264902 | . | NP26 | 1264940 |
| 11N08 | 41(2) | 26P01 | 1284940 | I | P28-1 | 1284940 |
| 02N22 | 42(2) | 10Q17 | 1154902 | . | NP15 | 1154940 |
| 03N21 | 43(2) | 10Q18 | 1164902 | . | NP16 | 1164940 |
| 04N22 | 44(1) | | 1154940 | I | P15-1 | 1154940 |
| | 45(1) | 07P47 | 1164940 | I | P16-1 | 1164940 |
| 12N42 | 46(1) | | 1314940 | I | P31-1 | 1314940 |
| | 47(1) | 12N46 | 1304940 | I | P30-1 | 1304940 |
| | 48(0) | | | | | |
| 12N49 | 49(0) | 14N49 | 8301300 | | P4VN | 8301310 |
| | 50(0) | | | | | |
| 12N51 | 51(0) | 14N51 | 8303300 | | P8VN | 8303310 |

XDS 902306

XDS
XEROX DATA SYSTEMS

DRAWING NO.- 133264-939 AC
PROG-PNIND MODULE-14N
TYPE-PIN INDEX TYPE-ZT45

14
10/27/71

| FROM | PIN (COUNT) | TO | SOURCE LINE NO. | ELEM. TYPE | SOURCE SIGNAL NAME | REFERENCE LINE NO. |
|-------|----------------|-------|--------------------|---------------|--------------------|-----------------------|
| | 00(0) | | | | | |
| 17P47 | 01(1) | 14M01 | 1060150 | C | AGL | 1060150 |
| 14M02 | 02(1) | 09P31 | 1162100 | C | FP16 | 1162100 |
| 14M03 | 03(1) | 09P30 | 1172100 | C | FP17 | 1172100 |
| 14M04 | 04(1) | 09P34 | 1182100 | C | FP18 | 1182100 |
| 14M05 | 05(1) | 09P28 | 1192100 | C | FP19 | 1192100 |
| 14M06 | 06(1) | 09P26 | 1202100 | C | FP20 | 1202100 |
| 14M07 | 07(1) | 09P24 | 1212100 | C | FP21 | 1212100 |
| 14M08 | 08(1) | 09P29 | 1222100 | C | FP22 | 1222100 |
| 14M09 | 09(1) | 09P27 | 1232100 | C | FP23 | 1232100 |
| 14M10 | 10(1) | 09Q31 | 1242100 | C | FP24 | 1242100 |
| 14M11 | 11(1) | 09Q30 | 1252100 | C | FP25 | 1252100 |
| 14M12 | 12(1) | 09Q34 | 1262100 | C | FP26 | 1262100 |
| 14M13 | 13(1) | 09Q28 | 1272100 | C | FP27 | 1272100 |
| 14M14 | 14(1) | 09Q26 | 1282100 | C | FP28 | 1282100 |
| 14M15 | 15(1) | 09Q24 | 1292100 | C | FP29 | 1292100 |
| | 16(0) | | 4791314 | -GND | GND2414 | 4791314 |
| 14M17 | 17(1) | 09Q29 | 1302100 | C | FP30 | 1302100 |
| 14M18 | 18(1) | 09Q27 | 1312100 | C | FP31 | 1312100 |
| 14M19 | 19(1) | 11N19 | 1024200 | C | MC2 | 1024200 |
| 05Q28 | 20(1) | 14M20 | 1311300 | C | D31 | 1311300 |
| 14M21 | 21(1) | 13N17 | 2403430 | C | AXLOAD-3 | 2403430 |
| 14M22 | 22(1) | 17N22 | 2081070 | C | ADC7 | 2081070 |
| 14M23 | 23(1) | 16N22 | 2371070 | C | AUC7 | 2371070 |
| 14M24 | 24(1) | 21N24 | 8180100 | C | WK0 | 8180100 |
| 14M25 | 25(1) | 21N22 | 8180200 | C | WK1 | 8180200 |
| 16P01 | 26(1) | 14M26 | 2400200 | C | NAXALB | 2400200 |
| 14M27 | 27(1) | 08Q33 | 1276200 | C | RP27 | 1276200 |
| 14M28 | 28(1) | 13Q13 | 1306202 | C | NR30 | 1306202 |
| 14M29 | 29(1) | 13Q06 | 1316202 | C | NR31 | 1316202 |
| 11Q04 | 30(1) | 14M30 | 1002755 | C | K00 | 1002755 |
| 14M31 | 31(1) | 15N31 | 1131300 | C | D13 | 1131300 |
| | 32(0) | | | | | |
| 14M33 | 33(1) | 11P30 | 7828800 | C | SPW | 7828800 |
| 23P29 | 34(1) | 14M34 | 4395954 | C | FPXS-0 | 4395954 |
| 16N13 | 35(1) | 14M35 | 4425670 | C | FUSF/1 | 4425670 |
| 28N37 | 36(1) | 14M36 | 6038050 | C | MBXS/0 | 6038050 |
| 14M37 | 37(1) | 08Q19 | 6752000 | C | 0XC | 6752000 |
| 14M38 | 38(1) | 29P19 | 3905510 | C | DXS-1 | 3905510 |
| 14M39 | 39(1) | 10P10 | 4385900 | C | FNORM | 4385900 |
| 14M40 | 40(1) | 13Q36 | 1286202 | C | NR28 | 1286202 |
| 14M41 | 41(1) | 20Q34 | 3651202 | C | D10WD | 3651202 |
| 21P37 | 42(1) | 14M42 | 7430408 | C | N(S/RW/FP) | 7430408 |
| 14M43 | 43(1) | 26N43 | 1010150 | C | A1L | 1010150 |
| 14M44 | 44(1) | 24P30 | 7343255 | C | RESET10 | 7343255 |
| 14M45 | 45(1) | 06N10 | 1316200 | C | R31 | 1316200 |
| 14M46 | 46(1) | 30N04 | 1334900 | C | P33 | 1334900 |
| 14M47 | 47(1) | 01Q40 | 8022200 | C | NTESTS | 8022200 |
| | 48(0) | | | | | |
| 13N49 | 49(0) | 15N49 | 8301300 | | P4VN | 8301310 |
| 28N38 | 50(1) | 14M50 | 6038200 | C | MBXS/1 | 6038200 |
| 13N51 | 51(0) | 15N51 | 8303300 | | P8VN | 8303310 |

XDS 902306

XDS
XEROX DATA SYSTEMS

DRAWING NO. - 133264-939 AC
PROG-PNIND
TYPE-PIN INDEX

MODULE-15N
TYPE-LT18

15

10/27/71

| FROM | PIN (COUNT) | TO | SOURCE LINE NO. | ELEM. TYPE | SOURCE SIGNAL NAME | REFERENCE LINE NO. |
|-------|----------------|-------|--------------------|---------------|--------------------|-----------------------|
| | 00(0) | | | | | |
| 16N28 | 01(1) | | 4500400 | . | G2427 | 1152751 |
| 17N28 | 02(1) | | 4500300 | . | G1619 | 1152750 |
| 16N08 | 03(2) | 15N08 | 1312751 | . | K31 | 1152753 |
| 17N17 | 04(1) | | 4500350 | . | G2023 | 1152751 |
| 17N23 | 05(2) | 19N05 | 6900200 | . | PR1619 | 1152751 |
| 16N17 | 06(1) | | 4500450 | . | G2831 | 1152752 |
| 16N21 | 07(2) | 19N07 | 6900280 | . | PR2831 | 1192752 |
| 15N03 | 08(2) | 08P12 | 1312751 | . | K31 | 1192752 |
| 16N23 | 09(2) | 19N09 | 6900260 | . | PR2427 | 1152752 |
| 17N21 | 10(2) | 19N10 | 6900240 | . | PR2023 | 1152751 |
| 15N21 | 11(2) | 19N11 | 6900220 | . | PR1631 | 1152753 |
| | 12(1) | 20P09 | 7900160 | . | NSXADD/1 | 8010560 |
| 08Q12 | 13(1) | | 7430101 | . | NRW | 8010560 |
| 07Q14 | 14(1) | | 8010100 | . | NT11L | 8010560 |
| 07Q06 | 15(1) | | 8010800 | . | NT8L | 8010560 |
| | 16(0) | | 4791315 | -GND | GND2415 | 4791315 |
| | 17(1) | 15N42 | 1152750 | B | K15 | 1152750 |
| | 18(1) | 17N08 | 1232750 | B | K23 | 1232750 |
| | 19(1) | 17N42 | 1192750 | B | K19 | 1192750 |
| | 20(1) | 16N42 | 1272750 | B | K27 | 1272750 |
| | 21(1) | 15N11 | 6900220 | B | PR1631 | 6900220 |
| 23N15 | 22(2) | 20N45 | 8010560 | B | T5EN | 8010560 |
| | 23(1) | 15N38 | 6900120 | B | PR0015 | 6900120 |
| 25N42 | 24(1) | | 1303700 | B | LR30-0 | 1303700 |
| 24N25 | 25(1) | | 1112750 | B | K11 | 1112750 |
| 18N26 | 26(1) | | 1032750 | B | K3 | 1032750 |
| 18N27 | 27(1) | | 1072750 | B | K7 | 1072750 |
| | 28(1) | 20N27 | 1002755 | B | K00 | 1002755 |
| 24N46 | 29(2) | 06N18 | 1306200 | . | R30 | 1303700 |
| 08Q06 | 30(2) | 16N30 | 5917100 | . | LRXD | 1303702 |
| 14N31 | 31(2) | 04P12 | 1131300 | . | D13 | 1303702 |
| | 32(0) | | | | | |
| 09P40 | 33(2) | 16N33 | 5917200 | . | LRXR | 1303700 |
| | 34(0) | | | | | |
| 16N35 | 35(2) | 09P50 | 3315150 | . | CROSSEN | 1303701 |
| 08Q25 | 36(2) | 26N33 | 1304940 | . | P30-1 | 1303701 |
| | 37(0) | | | | | |
| 15N23 | 38(2) | 23N04 | 6900120 | . | PR0015 | 1002758 |
| 29N38 | 39(2) | 19N39 | 6900160 | . | PR0811 | 1002757 |
| 29N39 | 40(2) | 19N40 | 6900140 | . | PR0407 | 1002756 |
| 29N27 | 41(2) | 19N41 | 6900180 | . | PR1215 | 1112751 |
| 15N17 | 42(2) | 15N45 | 1152750 | . | K15 | 1112751 |
| 29N40 | 43(2) | 19N43 | 6900100 | . | PR0003 | 1002756 |
| 29N43 | 44(2) | 19N44 | 4500150 | . | G0407 | 1002756 |
| 15N42 | 45(2) | 18N45 | 1152750 | . | K15 | 1002758 |
| 29N47 | 46(2) | 19N46 | 4500100 | . | G0003 | 1002755 |
| 29N42 | 47(2) | 19N47 | 4500250 | . | G1215 | 1002757 |
| | 48(0) | | | | | |
| 14N49 | 49(0) | 16N49 | 8301300 | . | P4VN | 8301310 |
| 29N50 | 50(2) | 19N50 | 4500200 | . | G0811 | 1002756 |
| 14N51 | 51(0) | 16N51 | 8303300 | . | P8VN | 8303310 |

XDS 902306

XDS
XEROX DATA SYSTEMS

DRAWING NO. - 133264-939 AC
PROG-PNIND
TYPE-PIN INDEX

MODULE-16N
TYPE-LT18

16

10/27/71

| FROM | PIN (COUNT) | TO | SOURCE LINE NO. | ELEM. TYPE | SOURCE SIGNAL NAME | REFERENCE LINE NO. |
|-------|----------------|-------|--------------------|---------------|--------------------|-----------------------|
| | 00(0) | | | | | |
| 05Q06 | 01(1) | | 1302500 | . | G30 | 4500451 |
| 04Q06 | 02(1) | | 1282500 | . | G28 | 4500450 |
| | 03(0) | | | | | |
| 04Q04 | 04(1) | | 1292500 | . | G29 | 4500451 |
| 04Q02 | 05(1) | | 1285500 | . | PR28 | 4500452 |
| 05Q04 | 06(1) | | 1312500 | . | G31 | 4500452 |
| 05Q01 | 07(1) | | 1315500 | . | PR31 | 1282752 |
| | 08(1) | 15N03 | 1312751 | . | K31 | 1282752 |
| 05Q02 | 09(1) | | 1305500 | . | PR30 | 4500452 |
| 04Q01 | 10(1) | | 1295500 | . | PR29 | 4500451 |
| | 11(1) | 16N16 | 4791316 | . | GND2416 | 4500452 |
| 12N27 | 12(2) | 17N12 | 1074201 | . | NMC7 | 2371070 |
| 17N14 | 13(2) | 14N35 | 4425670 | . | FUSF/1 | 2371070 |
| 31Q46 | 14(2) | 10P30 | 4375120 | . | FL2 | 2371070 |
| 32Q12 | 15(2) | 10P43 | 3060201 | . | NCC2 | 2371070 |
| 16N11 | 16(2) | 16N38 | 4791316 | -GND | GND2416 | 4791316 |
| | 17(1) | 15N06 | 4500450 | B | G2831 | 4500450 |
| | 18(1) | 04Q38 | 1292750 | B | K29 | 1292750 |
| | 19(1) | 04Q46 | 1282750 | B | K28 | 1282750 |
| | 20(1) | 05Q46 | 1302750 | B | K30 | 1302750 |
| | 21(1) | 15N07 | 6900280 | B | PR2831 | 6900280 |
| 14N23 | 22(1) | | 2371070 | B | AUC7 | 2371070 |
| | 23(1) | 15N09 | 6900260 | B | PR2427 | 6900260 |
| | 24(1) | 25N43 | 1293700 | B | LR29-0 | 1293700 |
| | 25(1) | 03Q46 | 1262750 | B | K26 | 1262750 |
| | 26(1) | 02Q46 | 1242750 | B | K24 | 1242750 |
| | 27(1) | 02Q38 | 1252750 | B | K25 | 1252750 |
| | 28(1) | 15N01 | 4500400 | B | G2427 | 4500400 |
| 18N25 | 29(2) | 06N12 | 1296200 | . | R29 | 1293700 |
| 15N30 | 30(2) | 26P45 | 5917100 | . | LRXD | 1293702 |
| 28N21 | 31(2) | 17P34 | 1121300 | . | D12 | 1293702 |
| | 32(0) | | | | | |
| 15N33 | 33(2) | 26P15 | 5917200 | . | LRXR | 1293700 |
| | 34(0) | | | | | |
| 28N33 | 35(2) | 15N35 | 3315150 | . | CROSSEN | 1293701 |
| | 36(1) | 13N36 | 1294940 | . | P29-1 | 1293701 |
| | 37(0) | | | | | |
| 16N16 | 38(1) | | 4791316 | . | GND2416 | 4500402 |
| 03Q02 | 39(1) | | 1265500 | . | PR26 | 4500402 |
| 02Q01 | 40(1) | | 1255500 | . | PR25 | 4500401 |
| 03Q01 | 41(1) | | 1275500 | . | PR27 | 1242752 |
| 15N20 | 42(2) | 03Q38 | 1272750 | . | K27 | 1242752 |
| 02Q02 | 43(1) | | 1245500 | . | PR24 | 4500401 |
| 02Q04 | 44(1) | | 1252500 | . | G25 | 4500401 |
| | 45(0) | | | | | |
| 02Q06 | 46(1) | | 1242500 | . | G24 | 4500400 |
| 03Q04 | 47(1) | | 1272500 | . | G27 | 4500402 |
| | 48(0) | | | | | |
| 15N49 | 49(0) | 17N49 | 8301300 | . | P4VN | 8301320 |
| 03Q06 | 50(1) | | 1262500 | . | G26 | 4500401 |
| 15N51 | 51(0) | 17N51 | 8303300 | . | P8VN | 8303320 |

| FROM | PIN (COUNT) | TO | SOURCE LINE NO. | ELEM. TYPE | SOURCE SIGNAL NAME | REFERENCE LINE NO. |
|-------|----------------|-------|--------------------|---------------|--------------------|-----------------------|
| | 00(0) | | | | | |
| 05P06 | 01(1) | | 1222500 | . | G22 | 4500351 |
| 04P06 | 02(1) | | 1202500 | . | G20 | 4500350 |
| | 03(0) | | | | | |
| 04P04 | 04(1) | | 1212500 | . | G21 | 4500351 |
| 04P02 | 05(1) | | 1205500 | . | PR20 | 4500351 |
| 05P04 | 06(1) | | 1232500 | . | G23 | 4500352 |
| 05P01 | 07(1) | | 1235500 | . | PR23 | 1202752 |
| 15N18 | 08(2) | 05P38 | 1232750 | . | K23 | 1202752 |
| 05P02 | 09(1) | | 1225500 | . | PR22 | 4500352 |
| 04P01 | 10(1) | | 1215500 | . | PR21 | 4500351 |
| | 11(1) | 17N16 | 4791317 | . | GND2417 | 4500352 |
| 16N12 | 12(2) | 20Q19 | 1074201 | . | NMC7 | 2081070 |
| 12N28 | 13(2) | 20Q18 | 1064201 | . | NMC6 | 2081070 |
| 12P28 | 14(2) | 16N13 | 4425670 | . | FUSF/1 | 2081070 |
| 24N38 | 15(2) | 12Q05 | 4375121 | . | NFL2 | 2081070 |
| 17N11 | 16(2) | 17N30 | 4791317 | -GND | GND2417 | 4791317 |
| | 17(1) | 15N04 | 4500350 | B | G2023 | 4500350 |
| | 18(1) | 04P38 | 1212750 | B | K21 | 1212750 |
| | 19(1) | 04P46 | 1202750 | B | K20 | 1202750 |
| | 20(1) | 05P46 | 1222750 | B | K22 | 1222750 |
| | 21(1) | 15N10 | 6900240 | B | PR2023 | 6900240 |
| 14N22 | 22(1) | | 2081070 | B | ADC7 | 2081070 |
| | 23(1) | 15N05 | 6900200 | B | PR1619 | 6900200 |
| | 24(1) | 24Q34 | 2080500 | B | ADBDB | 2080500 |
| | 25(1) | 03P46 | 1182750 | B | K18 | 1182750 |
| 17P08 | 26(1) | | 1162750 | B | K16 | 1162750 |
| | 27(1) | 02P38 | 1172750 | B | K17 | 1172750 |
| | 28(1) | 15N02 | 4500300 | B | G1619 | 4500300 |
| 09P14 | 29(2) | 26N11 | 1210300 | . | B21 | 2080500 |
| 17N16 | 30(2) | 17N38 | 4791317 | . | GND2417 | 2080501 |
| | 31(0) | | | | | |
| | 32(0) | | | | | |
| 08P29 | 33(1) | | 1220304 | . | NB22 | 2080500 |
| 26N08 | 34(2) | 20Q12 | 4845000 | . | GRP0 | 2080500 |
| 26N10 | 35(1) | | 1220300 | . | B22 | 2080500 |
| 08P26 | 36(2) | 20Q20 | 1210304 | . | NB21 | 2080500 |
| | 37(0) | | | | | |
| 17N30 | 38(1) | | 4791317 | . | GND2417 | 4500302 |
| 03P02 | 39(1) | | 1185500 | . | PR18 | 4500302 |
| 02P01 | 40(1) | | 1175500 | . | PR17 | 4500302 |
| 03P01 | 41(1) | | 1195500 | . | PR19 | 1162752 |
| 15N19 | 42(2) | 03P38 | 1192750 | . | K19 | 1162752 |
| 02P02 | 43(1) | | 1165500 | . | PR16 | 4500301 |
| 02P04 | 44(1) | | 1172500 | . | G17 | 4500301 |
| | 45(0) | | | | | |
| 02P06 | 46(1) | | 1162500 | . | G16 | 4500300 |
| 03P04 | 47(1) | | 1192500 | . | G19 | 4500302 |
| | 48(0) | | | | | |
| 16N49 | 49(0) | 18N49 | 8301300 | . | P4VN | 8301320 |
| 03P06 | 50(1) | | 1182500 | . | G18 | 4500301 |
| 16N51 | 51(0) | 18N51 | 8303300 | . | P8VN | 8303320 |

XDS 902306

XDS
XEROX DATA SYSTEMS

DRAWING NO. - 133264-939 AC
PROG-PNIND MODULE-18N
TYPE-PIN INDEX TYPE-ZT45

18
10/27/71

| FROM | PIN (COUNT) | TO | SOURCE LINE NO. | ELEM. TYPE | SOURCE SIGNAL NAME | REFERENCE LINE NO. |
|-------|----------------|-------|--------------------|---------------|--------------------|-----------------------|
| | 00(0) | | | | | |
| 18M01 | 01(1) | 12Q25 | 1006300 | C | RR0 | 1006300 |
| 18M02 | 02(1) | 17P17 | 1002450 | C | G00 | 1002450 |
| 17P01 | 03(1) | 18M03 | 1002775 | C | K00/1 | 1002775 |
| 17P02 | 04(1) | 18M04 | 1002780 | C | K000 | 1002780 |
| 18M05 | 05(1) | 17P24 | 1005480 | C | PR00 | 1005480 |
| 18M06 | 06(1) | 14P06 | 1010100 | C | A1 | 1010100 |
| 18M07 | 07(1) | 14P03 | 1020100 | C | A2 | 1020100 |
| 18M08 | 08(1) | 14P05 | 1030100 | C | A3 | 1030100 |
| 18M09 | 09(1) | 15P04 | 1040100 | C | A4 | 1040100 |
| 18M10 | 10(1) | 15P06 | 1050100 | C | A5 | 1050100 |
| 18M11 | 11(1) | 15P05 | 1070100 | C | A7 | 1070100 |
| 18M12 | 12(1) | 09P08 | 1140300 | C | B14 | 1140300 |
| 18M13 | 13(1) | 19N17 | 1150300 | C | B15 | 1150300 |
| 02Q23 | 14(1) | 18M14 | 1241300 | C | D24 | 1241300 |
| 18M15 | 15(1) | 09P15 | 2500070 | C | B0031Z | 2500070 |
| | 16(0) | | 4791318 | -GND | GND2418 | 4791318 |
| 09P03 | 17(1) | 18M17 | 2900640 | C | NBXHR1 | 2900640 |
| 09P02 | 18(1) | 18M18 | 2900690 | C | NBXHR2 | 2900690 |
| 24P18 | 19(1) | 18M19 | 7500740 | C | (S7.DIOXS) | 7500740 |
| 24P19 | 20(1) | 18M20 | 7501540 | C | (S15.DIOXS) | 7501540 |
| 09P01 | 21(1) | 18M21 | 2902160 | C | NBXP | 2902160 |
| 18M22 | 22(1) | 11P02 | 4410100 | C | FS | 4410100 |
| 28N23 | 23(1) | 18M23 | 4421480 | C | FUMH | 4421480 |
| 18M24 | 24(1) | 11Q45 | 7500100 | C | (S00-S0) | 7500100 |
| 18M25 | 25(1) | 16N29 | 1296200 | C | R29 | 1296200 |
| 18M26 | 26(1) | 15N26 | 1032750 | C | K3 | 1032750 |
| 18M27 | 27(1) | 15N27 | 1072750 | C | K7 | 1072750 |
| 20P38 | 28(1) | 18M28 | 2904495 | C | NBXP | 2904495 |
| 18P13 | 29(1) | 18M29 | 5374415 | C | NKDI-1 | 5374415 |
| 18M30 | 30(1) | 05Q18 | 1300100 | C | A30 | 1300100 |
| 10P36 | 31(1) | 18M31 | 1306530 | C | S30/1 | 1306530 |
| | 32(0) | | | | | |
| 10P24 | 33(1) | 18M33 | 1316530 | C | S31/1 | 1316530 |
| 12P45 | 34(1) | 18M34 | 4421630 | C | (FUMSP.PH1/F) | 4421630 |
| 18M35 | 35(1) | 21P10 | 1246202 | C | NRP24 | 1246202 |
| 18M36 | 36(1) | 21P11 | 1256202 | C | NRP25 | 1256202 |
| 18M37 | 37(1) | 05P29 | 6911180 | C | PRXAD/2 | 6911180 |
| 18M38 | 38(1) | 05P27 | 6911580 | C | PRXNAD/2 | 6911580 |
| 18M39 | 39(1) | 17P33 | 7824100 | C | SPIM | 7824100 |
| 18M40 | 40(1) | 08N23 | 6911300 | C | NPRXAND | 6911300 |
| 18M41 | 41(1) | 20N41 | 7828801 | C | NSPW | 7828801 |
| 18M42 | 42(1) | 04Q17 | 1296500 | C | S29 | 1296500 |
| 09P47 | 43(1) | 18M43 | 2900590 | C | NBXL1 | 2900590 |
| 16P46 | 44(1) | 18M44 | 2405480 | C | NAXS | 2405480 |
| 15N45 | 45(1) | 18M45 | 1152750 | C | K15 | 1152750 |
| 18M46 | 46(1) | 04Q19 | 1286500 | C | S28 | 1286500 |
| 18M47 | 47(1) | 20N46 | 6911790 | C | (PRXNAND+SPW) | 6911790 |
| | 48(0) | | | | | |
| 17N49 | 49(0) | 19N49 | 8301300 | | P4VN | 8301320 |
| 18M50 | 50(1) | 17P42 | 1081300 | C | D8 | 1081300 |
| 17N51 | 51(0) | 19N51 | 8303300 | | P8VN | 8303320 |

| FROM | PIN (COUNT) | TO | SOURCE LINE NO. | ELEM. TYPE | SOURCE SIGNAL NAME | REFERENCE LINE NO. |
|-------|----------------|-------|--------------------|---------------|--------------------|-----------------------|
| | 00(0) | | | | | |
| | 01(1) | 04P50 | 7900125 | T | SXADD-2B | 7900125 |
| | 02(1) | 02P50 | 7900120 | T | SXADD-2A | 7900120 |
| 23N03 | 03(1) | | 1006500 | T | S0 | 1006500 |
| 12N04 | 04(1) | | 6041070 | T | MCDC7 | 6041070 |
| 15N05 | 05(1) | | 6900200 | T | PR1619 | 6900200 |
| | 06(1) | 21N06 | 6802900 | T | (P29.NP30.NP31) | 6802900 |
| 15N07 | 07(1) | | 6900280 | T | PR2831 | 6900280 |
| 26N02 | 08(1) | | 4320905 | T | NFACOMP | 4320905 |
| 15N09 | 09(1) | | 6900260 | T | PR2427 | 6900260 |
| 15N10 | 10(1) | | 6900240 | T | PR2023 | 6900240 |
| 15N11 | 11(1) | | 6900220 | T | PR1631 | 6900220 |
| 26N23 | 12(1) | | 1006480 | T | S00 | 1006480 |
| 12N13 | 13(1) | | 4425100 | T | (FUSF.NP31) | 4425100 |
| 13N12 | 14(1) | | 4320900 | T | FACOMP | 4320900 |
| | 15(1) | 25N09 | 3690105 | T | NDIS | 3690105 |
| | 16(0) | | 4791319 | -GND | GND2419 | 4791319 |
| 18N13 | 17(2) | 09P07 | 1150300 | T | B15 | 1150300 |
| 11N18 | 18(1) | | 6047700 | T | MCXS | 6047700 |
| | 19(1) | 11N38 | 1264902 | T | NP26 | 1264902 |
| | 20(1) | 12N39 | 1294902 | T | NP29 | 1294902 |
| 13N22 | 21(1) | | 2400440 | T | NAXAR16 | 2400440 |
| | 22(1) | 20N22 | 1002770 | T | NK00 | 1002770 |
| 23N23 | 23(1) | | 5754010 | T | LCK1 | 5754010 |
| 23N24 | 24(1) | | 5754000 | T | LCK0 | 5754000 |
| | 25(1) | 21N11 | 3901500 | T | DXDR8/0 | 3901500 |
| 23N26 | 26(1) | | 7500170 | T | S0007Z | 7500170 |
| 23N40 | 27(1) | | 4421640 | T | N(FUMSP.PH1/F) | 4421640 |
| 13N03 | 28(1) | | 3060185 | T | NCC1XK00 | 3060185 |
| 13N01 | 29(1) | | 2403350 | T | NAXLOAD | 2403350 |
| 11N29 | 30(1) | | 6041200 | T | MCX | 6041200 |
| | 31(0) | | | | | |
| | 32(0) | | | | | |
| 12P03 | 33(1) | | 1074225 | T | (S/MC7) | 1074225 |
| | 34(0) | | | | | |
| 20N43 | 35(1) | | 1312795 | T | (S/K31/3) | 1312795 |
| 20N44 | 36(1) | | 1312790 | T | (S/K31/2) | 1312778 |
| 15P11 | 37(1) | | 1220150 | T | A22L | 1220150 |
| | 38(1) | 21N38 | 6803010 | T | (NP30.P31) | 6803010 |
| 15N39 | 39(1) | | 6900160 | T | PR0811 | 6900160 |
| 15N40 | 40(1) | | 6900140 | T | PR0407 | 6900140 |
| 15N41 | 41(1) | | 6900180 | T | PR1215 | 6900180 |
| | 42(1) | 20N42 | 7344100 | T | REU | 7344100 |
| 15N43 | 43(1) | | 6900100 | T | PR0003 | 6900100 |
| 15N44 | 44(1) | | 4500150 | T | G0407 | 4500150 |
| 15P14 | 45(1) | | 1230150 | T | A23L | 1230150 |
| 15N46 | 46(1) | | 4500100 | T | G0003 | 4500100 |
| 15N47 | 47(1) | | 4500250 | T | G1215 | 4500250 |
| | 48(0) | | | | | |
| 18N49 | 49(0) | 20N49 | 8301300 | | P4VN | 8301320 |
| 15N50 | 50(1) | | 4500200 | T | G0811 | 4500200 |
| 18N51 | 51(0) | 20N51 | 8303300 | | P8VN | 8303320 |

XDS 902306



DRAWING NO.- 133264-939 AC
 PROG-PNIND MODULE-20N
 TYPE-PIN INDEX TYPE-IT25

20

10/27/71

| FROM | PIN (COUNT) | TO | SOURCE LINE NO. | ELEM. TYPE | SOURCE SIGNAL NAME | REFERENCE LINE NO. |
|-------|-------------|-------|-----------------|------------|--------------------|--------------------|
| | 00(0) | | | | | |
| | 01(1) | 19Q50 | 2405690 | I | AXSR2-4 | 2405690 |
| 01Q35 | 02(2) | 20P18 | 5152500 | I | IOEN6/1 | 5152600 |
| 11N09 | 03(2) | 21N27 | 4321010 | . | FADIV-2 | 5152600 |
| | 04(0) | | | | | |
| 09Q04 | 05(2) | 20N30 | 1300300 | . | B30 | 7900304 |
| 20N17 | 06(2) | 10P38 | 6105000 | . | MIT/1 | 7900304 |
| 23N35 | 07(2) | 32N06 | 2503110 | . | (B31-BC31) | 7900304 |
| 26N21 | 08(2) | 19P24 | 4324678 | . | (FASTABORT.ENDE) | 4324679 |
| 17P20 | 09(2) | 12N41 | 3060200 | . | CC2 | 5152600 |
| 30P20 | 10(2) | 16Q02 | 2405700 | . | NAXSR2 | 2405690 |
| | 11(0) | | | | | |
| | 12(1) | 20N33 | 7900300 | I | N(S/SXAMD/1) | 7900304 |
| | 13(1) | 25N31 | 4324679 | I | N(FASTABORT.ENDE) | 4324679 |
| 20N15 | 14(1) | | 7900080 | I | N(S/SXA/1) | 7900082 |
| 10P40 | 15(2) | 20N14 | 7900080 | I | N(S/SXA/1) | 7900080 |
| | 16(0) | | 4791320 | -GND | GND2420 | 4791320 |
| 20N21 | 17(2) | 20N06 | 6105000 | . | MIT/1 | 7900080 |
| 07N11 | 18(2) | 23N38 | 1310300 | . | B31 | 7900080 |
| 12Q07 | 19(2) | 23N37 | 2560101 | . | NBC31 | 7900082 |
| 20Q42 | 20(2) | 21N42 | 1300304 | . | NB30 | 7900082 |
| 21N43 | 21(2) | 20N17 | 6105000 | . | MIT/1 | 7900082 |
| 19N22 | 22(2) | 19P07 | 1002770 | . | NK00 | 7900300 |
| 19P26 | 23(2) | 24N17 | 1000510 | . | CO-1 | 7900300 |
| | 24(0) | | | | | |
| 24N50 | 25(2) | 19P05 | 1000504 | . | NC0 | 7900302 |
| 29K12 | 26(1) | 20N28 | 3691000 | . | DIT/1 | 7900302 |
| 15N28 | 27(2) | 20N38 | 1002755 | . | K00 | 7900302 |
| 20N26 | 28(2) | 19P06 | 3691000 | . | DIT/1 | 7900300 |
| | 29(1) | 23N44 | 1310304 | . | NB31 | 7900082 |
| 20N05 | 30(2) | 25N07 | 1300300 | . | B30 | 7900080 |
| 12Q06 | 31(2) | 23N43 | 2560100 | . | BC31 | 7900080 |
| | 32(0) | | | | | |
| 20N12 | 33(2) | 20N34 | 7900300 | I | N(S/SXAMD/1) | 7900302 |
| 20N33 | 34(2) | 08P10 | 7900300 | I | N(S/SXAMD/1) | 7900300 |
| | 35(1) | 20N36 | 1312780 | I | N(S/K31/1) | 1312780 |
| 20N35 | 36(2) | 08P20 | 1312780 | I | N(S/K31/1) | 1312782 |
| 32N34 | 37(2) | 20N43 | 1312795 | . | (S/K31/3) | 1312782 |
| 20N27 | 38(2) | 21N31 | 1002755 | . | K00 | 1312780 |
| | 39(1) | 19P04 | 2405281 | . | AXRR | 8010562 |
| 08P04 | 40(1) | | 6911700 | . | NPRXNAND | 6911790 |
| 18N41 | 41(2) | 11P29 | 7828801 | . | NSPW | 6911790 |
| 19N42 | 42(2) | 19P43 | 7344100 | . | REU | 8010562 |
| 20N37 | 43(2) | 19N35 | 1312795 | . | (S/K31/3) | 1312780 |
| 32N35 | 44(2) | 19N36 | 1312790 | . | (S/K31/2) | 1312782 |
| 15N22 | 45(2) | 20P23 | 8010560 | I | T5EN | 8010562 |
| 18N47 | 46(1) | | 6911790 | I | (PRXNAND+SPW) | 6911790 |
| | 47(0) | | | | | |
| | 48(0) | | | | | |
| 19N49 | 49(0) | 21N49 | 8301300 | | P4VN | 8301320 |
| | 50(0) | | | | | |
| 19N51 | 51(0) | 21N51 | 8303300 | | P8VN | 8303320 |

XDS 902306

XDS
XEROX DATA SYSTEMS

DRAWING NO. - 133264-939 AC
PROG-PNIND MODULE-21N
TYPE-PIN INDEX TYPE-BT10

21

10/27/71

| FROM | PIN (COUNT) | TO | SOURCE LINE NO. | ELEM. TYPE | SOURCE SIGNAL NAME | REFERENCE LINE NO. |
|-------|----------------|-------|--------------------|---------------|--------------------|-----------------------|
| | 00(0) | | | | | |
| 23N34 | 01(1) | 10P29 | 2500020 | B | B0001EN/1 | 2500020 |
| | 02(2) | 19Q09 | 2055050 | B | AB0/2 | 2055050 |
| | 03(1) | 24N03 | 1061350 | B | (S/D6) | 1061350 |
| | 04(1) | 14Q13 | 1250150 | B | A25L | 1250150 |
| 18P43 | 05(1) | | 5560250 | . | KUA25 | 1250150 |
| 19N06 | 06(2) | 21N40 | 6802900 | . | (P29.NP30.NP31) | 1250150 |
| | 07(0) | | | | | |
| | 08(0) | | | | | |
| 32N04 | 09(2) | 24Q14 | 7343300 | . | RESET/C | 1061350 |
| 05Q23 | 10(1) | | 1301300 | . | D30 | 1061350 |
| 19N25 | 11(2) | 05N08 | 3901500 | . | DXDR8/0 | 1061350 |
| | 12(0) | | | | | |
| 13N37 | 13(2) | 21N37 | 1294902 | . | NP29 | 1250150 |
| 05N14 | 14(2) | 26P19 | 6803000 | . | (P30.NP31) | 1250150 |
| 24K28 | 15(0) | 05R26 | 1074530 | J | 07-1 | 1074530 |
| | 16(0) | | 4791321 | -GND | GND2421 | 4791321 |
| 06N23 | 17(2) | 23N24 | 5754000 | . | LCK0 | 2055050 |
| 25N14 | 18(2) | 21N30 | 6104900 | . | MIT | 2500020 |
| | 19(0) | | | | | |
| 32N20 | 20(2) | 20Q04 | 4324650 | . | FASH | 2500020 |
| 20P01 | 21(2) | 25N40 | 1231300 | . | D23 | 2500020 |
| 14N25 | 22(2) | 23N28 | 8180200 | . | WK1 | 2055050 |
| 06N30 | 23(2) | 23N23 | 5754010 | . | LCK1 | 2055051 |
| 14N24 | 24(2) | 23N22 | 8180100 | . | WK0 | 2055051 |
| 29N25 | 25(2) | 06P06 | 4425300 | . | (FUS.D22.D23) | 1310340 |
| 24N26 | 26(2) | 21P03 | 1000100 | . | A0 | 1310340 |
| 20N03 | 27(2) | 32N45 | 4321010 | . | FADIV-2 | 1310340 |
| 32Q20 | 28(2) | 21N34 | 3202720 | . | CLEAR | 6105100 |
| | 29(0) | | | | | |
| 21N18 | 30(2) | 12P42 | 6104900 | . | MIT | 6105100 |
| 20N38 | 31(2) | 20P02 | 1002755 | . | K00 | 1310340 |
| | 32(0) | | | | | |
| | 33(0) | | | | | |
| 21N28 | 34(2) | 10Q45 | 3202720 | . | CLEAR | 2560130 |
| | 35(0) | | | | | |
| | 36(0) | | | | | |
| 21N13 | 37(2) | 26N37 | 1294902 | . | NP29 | 1240150 |
| 19N38 | 38(2) | 26N40 | 6803010 | . | (NP30.P31) | 1240150 |
| 18P40 | 39(1) | | 5560240 | . | KUA24 | 1240150 |
| 21N06 | 40(2) | 26N28 | 6802900 | . | (P29.NP30.NP31) | 1240150 |
| | 41(0) | | | | | |
| 20N20 | 42(1) | | 1300304 | . | NB30 | 2560130 |
| 28N02 | 43(2) | 20N21 | 6105000 | . | MIT/1 | 2560130 |
| | 44(1) | 12Q09 | 2560130 | B | (R/BC31) | 2560130 |
| | 45(1) | 14Q20 | 1240150 | B | A24L | 1240150 |
| | 46(1) | 09Q43 | 1310340 | B | B31EN/1 | 1310340 |
| | 47(1) | 12Q22 | 6105100 | B | (MIT+CLEAR) | 6105100 |
| | 48(0) | | | | | |
| 20N49 | 49(0) | 22N49 | 8301300 | . | P4VN | 8301320 |
| 32K09 | 50(0) | 05R27 | 6650000 | J | OM | 6650000 |
| 20N51 | 51(0) | 22N51 | 8303300 | . | P8VN | 8303320 |

XDS 902306



DRAWING NO.- 133264-939 AC
 PROG-PNIND MODULE-22N
 TYPE-PIN INDEX TYPE-

22
 10/27/71

| FROM | PIN (COUNT) | TO | SOURCE LINE NO. | ELEM. TYPE | SOURCE SIGNAL NAME | REFERENCE LINE NO. |
|-------|----------------|-------|--------------------|---------------|--------------------|-----------------------|
| | 00(0) | | | | | |
| | 01(0) | | | | | |
| | 02(0) | | | | | |
| | 03(0) | | | | | |
| | 04(0) | | | | | |
| | 05(0) | | | | | |
| | 06(0) | | | | | |
| | 07(0) | | | | | |
| | 08(0) | | | | | |
| | 09(0) | | | | | |
| | 10(0) | | | | | |
| | 11(0) | | | | | |
| | 12(0) | | | | | |
| | 13(0) | | | | | |
| | 14(0) | | | | | |
| | 15(0) | | | | | |
| | 16(0) | | 4791322 | -GND | GND2422 | 4791322 |
| | 17(0) | | | | | |
| | 18(0) | | | | | |
| | 19(0) | | | | | |
| | 20(0) | | | | | |
| | 21(0) | | | | | |
| | 22(0) | | | | | |
| | 23(0) | | | | | |
| | 24(0) | | | | | |
| | 25(0) | | | | | |
| | 26(0) | | | | | |
| | 27(0) | | | | | |
| | 28(0) | | | | | |
| | 29(0) | | | | | |
| | 30(0) | | | | | |
| | 31(0) | | | | | |
| | 32(0) | | | | | |
| | 33(0) | | | | | |
| | 34(0) | | | | | |
| | 35(0) | | | | | |
| | 36(0) | | | | | |
| | 37(0) | | | | | |
| | 38(0) | | | | | |
| | 39(0) | | | | | |
| | 40(0) | | | | | |
| | 41(0) | | | | | |
| | 42(0) | | | | | |
| | 43(0) | | | | | |
| | 44(0) | | | | | |
| | 45(0) | | | | | |
| | 46(0) | | | | | |
| | 47(0) | | | | | |
| | 48(0) | | | | | |
| 21N49 | 49(0) | 23N49 | 8301300 | P4VN | | 8301320 |
| | 50(0) | | | | | |
| 21N51 | 51(0) | 23N51 | 8303300 | P8VN | | 8303320 |

XDS 902306

XDS
XEROX DATA SYSTEMS

DRAWING NO. - 133264-939 AC
 PROG-PN1ND MODULE-23N
 TYPE-PIN INDEX TYPE-IT25

23
 10/27/71

| FROM | PIN (COUNT) | TO | SOURCE LINE NO. | ELEM. TYPE | SOURCE SIGNAL NAME | REFERENCE LINE NO. |
|-------|----------------|-------|--------------------|---------------|--------------------|-----------------------|
| | 00(0) | | | | | |
| | 01(1) | 23N02 | 7651000 | I | SGTZ | 7651004 |
| 23N01 | 02(2) | 23N14 | 7651000 | I | SGTZ | 7651002 |
| 13Q30 | 03(2) | 19N03 | 1006500 | . | S0 | 7651002 |
| 15N38 | 04(1) | | 6900120 | . | PR0015 | 7500302 |
| 24N07 | 05(2) | 23N25 | 7500800 | . | S0815Z | 7500300 |
| 19P22 | 06(2) | 23N20 | 7500170 | . | S0007Z | 7500300 |
| 06N17 | 07(1) | | 1160104 | . | NA16 | 7500300 |
| 23P01 | 08(2) | 24P23 | 1166500 | . | S16 | 7500302 |
| 13N11 | 09(2) | 26N02 | 4320905 | . | NFACOMP | 7651002 |
| 05N10 | 10(2) | 26N23 | 1006480 | . | S00 | 7651004 |
| 26N24 | 11(2) | 13N12 | 4320900 | . | FACOMP | 7651004 |
| | 12(1) | 23N13 | 7500300 | I | N(S0016Z+S0016W) | 7500300 |
| 23N12 | 13(2) | 11Q40 | 7500300 | I | N(S0016Z+S0016W) | 7500302 |
| 23N02 | 14(2) | 25N47 | 7651000 | I | SGTZ | 7651000 |
| | 15(1) | 15N22 | 8010560 | I | T5EN | 8010564 |
| | 16(0) | | 4791323 | -GND | GND2423 | 4791323 |
| | 17(0) | | | | | |
| | 18(0) | | | | | |
| 12P26 | 19(2) | 23N27 | 7501550 | . | S1631Z | 7651000 |
| 23N06 | 20(2) | 23N26 | 7500170 | . | S0007Z | 7651000 |
| 17P45 | 21(1) | | 7503200 | . | S3263Z | 7651000 |
| 21N24 | 22(1) | | 8180100 | . | WK0 | 2055052 |
| 21N23 | 23(2) | 19N23 | 5754010 | . | LCK1 | 2055052 |
| 21N17 | 24(2) | 19N24 | 5754000 | . | LCK0 | 2055052 |
| 23N05 | 25(2) | 23N29 | 7500800 | . | S0815Z | 7500400 |
| 23N20 | 26(2) | 19N26 | 7500170 | . | S0007Z | 7500400 |
| 23N19 | 27(2) | 26N22 | 7501550 | . | S1631Z | 7500400 |
| 21N22 | 28(1) | | 8180200 | . | WK1 | 2055052 |
| 23N25 | 29(2) | 19P23 | 7500800 | . | S0815Z | 7651000 |
| | 30(0) | | | | | |
| 26N07 | 31(2) | 24Q24 | 7343110 | . | RESET-1 | 8010564 |
| | 32(0) | | | | | |
| | 33(1) | 11Q33 | 7500400 | I | NS0031Z | 7500400 |
| | 34(1) | 21N02 | 2055050 | I | ABO/2 | 2055052 |
| 23N36 | 35(2) | 20N07 | 2503110 | I | (B31-BC31) | 2503110 |
| | 36(1) | 23N35 | 2503110 | I | (B31-BC31) | 2503112 |
| 20N19 | 37(1) | | 2560101 | . | NBC31 | 2503112 |
| 20N18 | 38(2) | 17P19 | 1310300 | . | B31 | 2503110 |
| 30P06 | 39(2) | 07N44 | 2904500 | . | NBXP/1 | 2904490 |
| 30P28 | 40(2) | 19N27 | 4421640 | . | N(FUMSP.PH1/F) | 4421630 |
| | 41(0) | | | | | |
| 30P07 | 42(2) | 07N38 | 2904510 | . | NBXP/2 | 2904490 |
| 20N31 | 43(1) | | 2560100 | . | BC31 | 2503110 |
| 20N29 | 44(2) | 21P40 | 1310304 | . | NB31 | 2503112 |
| 24N42 | 45(1) | | 2904490 | I | BXP | 2904490 |
| | 46(1) | 12P45 | 4421630 | I | (FUMSP.PH1/F) | 4421630 |
| | 47(0) | | | | | |
| | 48(0) | | | | | |
| 22N49 | 49(0) | 24N49 | 8301300 | | P4VN | 8301330 |
| | 50(0) | | | | | |
| 22N51 | 51(0) | 24N51 | 8303300 | | P8VN | 8303330 |

XDS 902306

XDS
XEROX DATA SYSTEMS

DRAWING NO.- 133264-939 AC
PROG-PNIND MODULE-24N
TYPE-PIN INDEX TYPE-ZT45

24

10/27/71

| FROM | PIN (COUNT) | TO | SOURCE LINE NO. | ELEM. TYPE | SOURCE SIGNAL NAME | REFERENCE LINE NO. |
|-------|----------------|-------|--------------------|---------------|--------------------|-----------------------|
| | 00(0) | | | | | |
| 24M01 | 01(1) | 26P36 | 1000300 | C | B0 | 1000300 |
| 24M02 | 02(1) | 15P03 | 1060100 | C | A6 | 1060100 |
| 21N03 | 03(1) | 24M03 | 1061350 | C | (S/D6) | 1061350 |
| 21P39 | 04(1) | 24M04 | 1121340 | C | ND12-1 | 1121340 |
| 24M05 | 05(1) | 26N05 | 1313710 | C | LR31-1 | 1313710 |
| 24M06 | 06(1) | 19P22 | 7500170 | C | S0007Z | 7500170 |
| 24M07 | 07(1) | 23N05 | 7500800 | C | S0815Z | 7500800 |
| 24M08 | 08(1) | 05Q19 | 1306500 | C | S30 | 1306500 |
| 24M09 | 09(1) | 24P43 | 3651002 | C | D10FS | 3651002 |
| 24M10 | 10(1) | 06P10 | 1160504 | C | C16-1 | 1160504 |
| 24M11 | 11(1) | 25N30 | 1090100 | C | A9 | 1090100 |
| 28N42 | 12(1) | 24M12 | 7900450 | C | NSXB | 7900450 |
| 24M13 | 13(1) | 25N39 | 1001300 | C | D0 | 1001300 |
| 24M14 | 14(1) | 08N18 | 1316500 | C | S31 | 1316500 |
| 24M15 | 15(1) | 29P17 | 3905500 | C | DXS-0 | 3905500 |
| | 16(0) | | 4791324 | -GND | GND2424 | 4791324 |
| 20N23 | 17(1) | 24M17 | 1000510 | C | C0-1 | 1000510 |
| 11P05 | 18(1) | 24M18 | 4460101 | C | NFZ | 4460101 |
| 18P29 | 19(1) | 24M19 | 5374410 | C | KD1-1 | 5374410 |
| 01Q33 | 20(1) | 24M20 | 7430112 | C | NRW-2 | 7430112 |
| 24M21 | 21(1) | 30N21 | 1324900 | C | P32 | 1324900 |
| 24M22 | 22(1) | 13Q43 | 1296202 | C | NR29 | 1296202 |
| 24M23 | 23(1) | 03P13 | 1101300 | C | D10 | 1101300 |
| 03Q23 | 24(1) | 24M24 | 1261300 | C | D26 | 1261300 |
| 24M25 | 25(1) | 15N25 | 1112750 | C | K11 | 1112750 |
| 24M26 | 26(1) | 21N26 | 1000100 | C | A0 | 1000100 |
| 24M27 | 27(1) | 05P12 | 1151300 | C | D15 | 1151300 |
| 24M28 | 28(1) | 02P12 | 1091300 | C | D9 | 1091300 |
| 24M29 | 29(1) | 03P12 | 1111300 | C | D11 | 1111300 |
| 03Q28 | 30(1) | 24M30 | 1271300 | C | D27 | 1271300 |
| 04Q23 | 31(1) | 24M31 | 1281300 | C | D28 | 1281300 |
| | 32(0) | | | | | |
| 24M33 | 33(1) | 26P17 | 1286200 | C | R28 | 1286200 |
| 04Q28 | 34(1) | 24M34 | 1291300 | C | D29 | 1291300 |
| 02Q28 | 35(1) | 24M35 | 1251300 | C | D25 | 1251300 |
| 24M36 | 36(1) | 25N36 | 1283710 | C | LR28-1 | 1283710 |
| 24M37 | 37(1) | 26N34 | 1314940 | C | P31-1 | 1314940 |
| 24M38 | 38(1) | 17N15 | 4375121 | C | NFL2 | 4375121 |
| 24M39 | 39(1) | 07N39 | 3405111 | C | CXS | 3405111 |
| 24M40 | 40(1) | 28N36 | 6030100 | C | NMB0CRO | 6030100 |
| 24M41 | 41(1) | 28N41 | 6030110 | C | NMB1CRO | 6030110 |
| 24M42 | 42(1) | 23N45 | 2904490 | C | BXP | 2904490 |
| 27Q47 | 43(1) | 24M43 | 1160300 | C | B16 | 1160300 |
| 24M44 | 44(1) | 25N44 | 1303710 | C | LR30-1 | 1303710 |
| 24M45 | 45(1) | 25N45 | 1293710 | C | LR29-1 | 1293710 |
| 24M46 | 46(1) | 15N29 | 1306200 | C | R30 | 1306200 |
| 24M47 | 47(1) | 26N46 | 1000150 | C | A0L | 1000150 |
| | 48(0) | | | | | |
| 23N49 | 49(0) | 25N49 | 8301300 | | P4VN | 8301330 |
| 24M50 | 50(1) | 20N25 | 1000504 | C | NC0 | 1000504 |
| 23N51 | 51(0) | 25N51 | 8303300 | | P8VN | 8303330 |

| FROM | PIN (COUNT) | TO | SOURCE LINE NO. | ELEM. TYPE | SOURCE SIGNAL NAME | REFERENCE LINE NO. |
|-------|----------------|-------|--------------------|---------------|--------------------|-----------------------|
| | 00(0) | | | | | |
| | 01(1) | 25N04 | 5374390 | . | NKDI | 5374406 |
| | 02(1) | 25N13 | 5374405 | . | NKDI-0 | 5374416 |
| 30N13 | 03(2) | 25N12 | 5374400 | . | KDI-0 | 5374410 |
| 25N01 | 04(2) | 18Q44 | 5374390 | . | NKDI | 5374405 |
| | 05(1) | 25N15 | 5374415 | B | NKDI-1 | 5374416 |
| | 06(1) | 08Q17 | 2503000 | B | (S/B3031) | 2503000 |
| 20N30 | 07(2) | 28Q13 | 1300300 | . | B30 | 2503000 |
| 20Q35 | 08(2) | 32Q36 | 6040600 | . | (MC=1) | 2503000 |
| 19N15 | 09(2) | 06P29 | 3690105 | . | NDIS | 3690120 |
| 08N29 | 10(1) | | 3690120 | B | NDIS-2 | 3690120 |
| | 11(1) | 25N19 | 5374410 | B | KDI-1 | 5374411 |
| 25N03 | 12(1) | | 5374400 | . | KDI-0 | 5374411 |
| 25N02 | 13(2) | 25N17 | 5374405 | . | NKDI-0 | 5374415 |
| 32N25 | 14(2) | 21N18 | 6104900 | . | MIT | 2503000 |
| 25N05 | 15(2) | 18P23 | 5374415 | B | NKDI-1 | 5374415 |
| | 16(0) | | 4791325 | -GND | GND2425 | 4791325 |
| 25N13 | 17(2) | 25N18 | 5374405 | B | NKDI-0 | 5374406 |
| 25N17 | 18(2) | 18Q13 | 5374405 | B | NKDI-0 | 5374405 |
| 25N11 | 19(2) | 18P29 | 5374410 | B | KDI-1 | 5374410 |
| | 20(0) | | | | | |
| 23P37 | 21(2) | 23Q18 | 1276500 | . | S27 | 1274150 |
| 23P38 | 22(2) | 23Q10 | 1266500 | . | S26 | 1264150 |
| 23P39 | 23(2) | 24Q13 | 1256500 | . | S25 | 1254150 |
| 24Q05 | 24(1) | 24R05 | 1246500 | . | S24 | 1244150 |
| | 25(1) | 25P37 | 1254150-1 | B | | 1254150 |
| | 26(1) | 25P35 | 1244150-1 | B | | 1244150 |
| | 27(1) | 25P39 | 1264150-1 | B | | 1264150 |
| | 28(1) | 25P45 | 1274150-1 | B | | 1274150 |
| 28N40 | 29(2) | 24Q09 | 6038600 | . | MBXS/3 | 1244150 |
| 24N11 | 30(2) | 19Q01 | 1090100 | . | A9 | 1090138 |
| 20N13 | 31(2) | 01Q41 | 4324679 | . | N(FASTABORT.ENDE) | 7651006 |
| | 32(0) | | | | | |
| | 33(0) | | | | | |
| 32Q31 | 34(1) | | 1231340 | B | D23-1 | 1231340 |
| | 35(1) | 31Q31 | 1001336 | B | D0-1 | 1001336 |
| 24N36 | 36(1) | | 1283710 | B | LR28-1 | 1283710 |
| 26P14 | 37(2) | 08N31 | 1283700 | . | LR28-0 | 1283710 |
| 06P29 | 38(2) | 06P33 | 3690105 | . | NDIS | 7829102 |
| 24N13 | 39(2) | 20P21 | 1001300 | . | D0 | 1001336 |
| 21N21 | 40(1) | | 1231300 | . | D23 | 1231340 |
| | 41(1) | 11P31 | 7829100 | B | (SPZ.NDIS) | 7829102 |
| 19Q33 | 42(2) | 15N24 | 1303700 | . | LR30-0 | 1303710 |
| 16N24 | 43(2) | 24Q29 | 1293700 | . | LR29-0 | 1293710 |
| 24N44 | 44(1) | | 1303710 | B | LR30-1 | 1303710 |
| 24N45 | 45(1) | | 1293710 | B | LR29-1 | 1293710 |
| | 46(1) | 32N39 | 1090138 | B | A9-1 | 1090138 |
| 23N14 | 47(2) | 13Q18 | 7651000 | B | SGTZ | 7651006 |
| | 48(0) | | | | | |
| 24N49 | 49(0) | 26N49 | 8301300 | . | P4VN | 8301330 |
| | 50(0) | | | | | |
| 24N51 | 51(0) | 26N51 | 8303300 | . | P8VN | 8303330 |

XDS 902306

XDS
XEROX DATA SYSTEMS

DRAWING NO.- 133264-939 AC
PROG-PNIND MODULE-26N
TYPE-PIN INDEX TYPE-BT17

26

10/27/71

| FROM | PIN (COUNT) | TO | SOURCE LINE NO. | ELEM. TYPE | SOURCE SIGNAL NAME | REFERENCE LINE NO. |
|-------|----------------|-------|--------------------|---------------|--------------------|-----------------------|
| | 00(0) | | | | | |
| 11N37 | 01(2) | 13Q30 | 1006500 | . | S0 | 3060412 |
| 23N09 | 02(2) | 19N08 | 4320905 | . | NFACOMP | 3060412 |
| 26P30 | 03(1) | | 1313700 | . | LR31-0 | 1313710 |
| | 04(1) | 24Q41 | 7342000 | B | REN-1 | 7342000 |
| 24N05 | 05(1) | | 1313710 | B | LR31-1 | 1313710 |
| | 06(0) | | | | | |
| 30N12 | 07(2) | 23N31 | 7343110 | . | RESET-1 | 7342000 |
| | 08(1) | 17N34 | 4845000 | . | GRP0 | 7342000 |
| 20Q11 | 09(1) | | 1230304 | . | NB23 | 7342000 |
| 30N38 | 10(2) | 17N35 | 1220300 | . | B22 | 7342000 |
| 17N29 | 11(2) | 30N37 | 1210300 | . | B21 | 7342000 |
| | 12(0) | | | | | |
| 28P14 | 13(2) | 11Q27 | 4421660 | . | FUMTSIGN | 4421650 |
| | 14(0) | | | | | |
| | 15(1) | 26N16 | 4791326 | . | GND2426 | 4421650 |
| 26N15 | 16(2) | 26N45 | 4791326 | -GND | GND2426 | 4791326 |
| 32Q37 | 17(2) | 12Q12 | 4375131 | . | NFL3 | 4421650 |
| | 18(0) | | | | | |
| | 19(1) | 11Q14 | 4421650 | B | FUMTHOVER | 4421650 |
| | 20(1) | 13Q08 | 3060412 | B | (S/CC4/2) | 3060412 |
| 32Q46 | 21(2) | 20N08 | 4324678 | . | (FASTABORT.ENDE) | 3060412 |
| 23N27 | 22(2) | 30P43 | 7501550 | . | S1631Z | 3060412 |
| 23N10 | 23(2) | 19N12 | 1006480 | . | S00 | 3060414 |
| 32Q17 | 24(2) | 23N11 | 4320900 | . | FACOMP | 3060414 |
| 29N24 | 25(1) | | 5560290 | . | KUA29 | 1290150 |
| 29N26 | 26(1) | | 5560310 | . | KUA31 | 1310150 |
| 18P45 | 27(1) | | 5560270 | . | KUA27 | 1270150 |
| 21N40 | 28(2) | 26P11 | 6802900 | . | (P29.NP30.NP31) | 1260150 |
| 18P44 | 29(1) | | 5560260 | . | KUA26 | 1260150 |
| | 30(1) | 15Q14 | 1310150 | B | A31L | 1310150 |
| | 31(1) | 15Q13 | 1290150 | B | A29L | 1290150 |
| | 32(0) | | | | | |
| 15N36 | 33(2) | 26N38 | 1304940 | . | P30-1 | 1310150 |
| 24N37 | 34(2) | 26N35 | 1314940 | . | P31-1 | 1310150 |
| 26N34 | 35(2) | 26P47 | 1314940 | . | P31-1 | 1290150 |
| 07Q24 | 36(2) | 28P01 | 1294940 | . | P29-1 | 1290150 |
| 21N37 | 37(2) | 26P09 | 1294902 | . | NP29 | 1270150 |
| 26N33 | 38(2) | 28P02 | 1304940 | . | P30-1 | 1270150 |
| | 39(0) | | | | | |
| 21N38 | 40(2) | 26P10 | 6803010 | . | (NP30.P31) | 1260150 |
| | 41(1) | 14Q14 | 1270150 | B | A27L | 1270150 |
| | 42(1) | 14Q11 | 1260150 | B | A26L | 1260150 |
| 14N43 | 43(1) | | 1010150 | . | A1L | 1260152 |
| | 44(0) | | | | | |
| 26N16 | 45(1) | | 4791326 | . | GND2426 | 1270152 |
| 24N47 | 46(2) | 26N47 | 1000150 | . | A0L | 1310152 |
| 26N46 | 47(2) | 24Q47 | 1000150 | . | A0L | 1290152 |
| | 48(0) | | | | | |
| 25N49 | 49(0) | 27N49 | 8301300 | . | P4VN | 8301330 |
| | 50(0) | | | | | |
| 25N51 | 51(0) | 27N51 | 8303300 | . | P8VN | 8303330 |

| FROM | PIN (COUNT) | TO | SOURCE LINE NO. | ELEM. TYPE | SOURCE SIGNAL NAME | REFERENCE LINE NO. |
|-------|----------------|-------|--------------------|---------------|--------------------|-----------------------|
| | 00(0) | | | | | |
| 27N01 | 01(1) | 27N02 | 4791327 | * | GND2427 | 1301410 |
| 30N45 | 02(2) | 27N05 | 4791327 | * | GND2427 | 1311410 |
| | 03(1) | | 4820100-1 | * | | 4820100 |
| | 04(0) | | | | | |
| 27N02 | 05(2) | 27N16 | 4791327 | | GND2427 | 4791327 |
| | 06(0) | | | | | |
| | 07(0) | | | | | |
| | 08(0) | | | | | |
| 30N44 | 09(1) | | 4820200-1 | * | | 4820200 |
| | 10(0) | | | | | |
| | 11(0) | | | | | |
| 30N46 | 12(1) | | 4820300-1 | * | | 4820300 |
| | 13(0) | | | | | |
| | 14(0) | | | | | |
| 30N47 | 15(1) | | 4820400-1 | * | | 4820400 |
| 27N05 | 16(2) | 27N24 | 4791327 | -GND | GND2427 | 4791327 |
| | 17(0) | | | | | |
| | 18(0) | | | | | |
| 28N10 | 19(1) | | 2990800 | * | BZO | 5013520 |
| | 20(0) | | | | | |
| | 21(0) | | | | | |
| | 22(0) | | | | | |
| 28N06 | 23(1) | | 7400200 | * | RQBZO | 5073520 |
| 27N16 | 24(2) | 27N25 | 4791327 | | GND2427 | 4791327 |
| 27N24 | 25(2) | 27N41 | 4791327 | * | GND2427 | 4159500 |
| | 26(0) | | | | | |
| | 27(0) | | | | | |
| | 28(0) | | | | | |
| | 29(0) | | | | | |
| | 30(0) | | | | | |
| | 31(0) | | | | | |
| | 32(0) | | | | | |
| 30N36 | 33(1) | | 4385400-1 | * | | 4385400 |
| | 34(0) | | | | | |
| 30N41 | 35(1) | | 4385410-1 | * | | 4385410 |
| | 36(0) | | | | | |
| 30N35 | 37(1) | | 4385420-1 | * | | 4385420 |
| | 38(0) | | | | | |
| 30N11 | 39(1) | | 3298600-1 | * | | 3298600 |
| | 40(0) | | | | | |
| 27N25 | 41(1) | | 4791327 | | GND2427 | 4791327 |
| | 42(0) | | | | | |
| | 43(0) | | | | | |
| | 44(0) | | | | | |
| 30N10 | 45(1) | | 4532000-1 | * | | 4532000 |
| | 46(0) | | | | | |
| | 47(0) | | | | | |
| | 48(0) | | | | | |
| 26N49 | 49(0) | 28N49 | 8301300 | | P4VN | 8301330 |
| 31N50 | 50(2) | 04N50 | 8304900 | | M8VN | 8304900 |
| 26N51 | 51(0) | 28N51 | 8303300 | | P8VN | 8303330 |

XDS 902306



DRAWING NO.- 133264-939 AC
 PROG-PNIND
 TYPE-PIN INDEX

28

MODULE-28N
 TYPE-IT16

10/27/71

| FROM | PIN (COUNT) | TO | SOURCE LINE NO. | ELEM. TYPE | SOURCE SIGNAL NAME | REFERENCE LINE NO. |
|-------|-------------|-------|-----------------|------------|--------------------|--------------------|
| | 00(0) | | | | | |
| | 01(1) | 28N05 | 3901100 | . | NDXCL1 | 3901150 |
| 32N02 | 02(2) | 21N43 | 6105000 | . | MIT/1 | 3901100 |
| | 03(0) | | | | | |
| | 04(0) | | | | | |
| 28N01 | 05(2) | 28N12 | 3901100 | I | NDXCL1 | 3901100 |
| | 06(1) | 27N23 | 7400200 | I | RQBZO | 7400200 |
| 19Q47 | 07(2) | 28P05 | 4155100 | . | NENVRD | 7400200 |
| | 08(1) | 28N09 | 5173135 | . | NISNIP7 | 7400200 |
| 28N08 | 09(2) | 24Q44 | 5173135 | . | NISNIP7 | 2990800 |
| | 10(1) | 27N19 | 2990800 | I | BZO | 2990800 |
| 05Q14 | 11(1) | | 3901080 | I | DXCL1-3 | 3901080 |
| 28N05 | 12(2) | 28N13 | 3901100 | . | NDXCL1 | 3901080 |
| 28N12 | 13(2) | 29N13 | 3901100 | . | NDXCL1 | 3901070 |
| 10Q42 | 14(2) | 28P07 | 5121510 | . | NIEO | 7400200 |
| 05P14 | 15(1) | | 3901070 | I | DXCL1-2 | 3901070 |
| | 16(0) | | 4791328 | -GND | GND2428 | 4791328 |
| 29N17 | 17(1) | | 3901150 | I | (DXC+DXCL1) | 3901150 |
| 05P08 | 18(1) | | 3901020 | I | DXC-2 | 3901020 |
| 05Q08 | 19(1) | | 3901030 | I | DXC-3 | 3901030 |
| 24P14 | 20(2) | 29N15 | 3900900 | . | NDXC | 3901150 |
| 29N21 | 21(2) | 16N31 | 1121300 | . | D12 | 1121340 |
| 28N24 | 22(2) | 29N14 | 3901400 | . | NOXDR8 | 3901530 |
| 12P14 | 23(2) | 18N23 | 4421480 | . | FUMH | 3901542 |
| 24P08 | 24(2) | 28N22 | 3901400 | . | NOXDR8 | 3901540 |
| 05P11 | 25(2) | 28N26 | 3901540 | I | DXDR8/2 | 3901542 |
| 28N25 | 26(1) | | 3901540 | I | DXDR8/2 | 3901540 |
| 05Q11 | 27(1) | | 3901530 | I | DXDR8-3 | 3901530 |
| | 28(1) | 21P39 | 1121340 | I | ND12-1 | 1121340 |
| | 29(0) | | | | | |
| 28N31 | 30(2) | 29N12 | 7901000 | . | NSXC | 7901120 |
| 32N23 | 31(2) | 28N30 | 7901000 | . | NSXC | 7901130 |
| | 32(0) | | | | | |
| 26P03 | 33(2) | 16N35 | 3315150 | . | CROSSEN | 6030100 |
| | 34(1) | 19Q26 | 6030130 | I | NMB3CRO | 6030130 |
| | 35(1) | 19Q25 | 6030120 | I | NMB2CRO | 6030120 |
| 24N40 | 36(1) | | 6030100 | I | NMB0CRO | 6030100 |
| 24Q02 | 37(2) | 14N36 | 6038050 | . | MBXS/0 | 6030100 |
| 30P41 | 38(2) | 14N50 | 6038200 | . | MBXS/1 | 6030110 |
| 32N46 | 39(2) | 24P29 | 6038400 | . | MBXS/2 | 6030120 |
| 32N47 | 40(2) | 25N29 | 6038600 | . | MBXS/3 | 6030130 |
| 24N41 | 41(1) | | 6030110 | I | NMB1CRO | 6030110 |
| 28N43 | 42(2) | 24N12 | 7900450 | . | NSXB | 7900530 |
| 32N50 | 43(2) | 28N42 | 7900450 | . | NSXB | 7900520 |
| | 44(1) | 02Q45 | 7900530 | I | SXB-3 | 7900530 |
| | 45(1) | 02P45 | 7900520 | I | SXB-2 | 7900520 |
| | 46(1) | 02P41 | 7901120 | I | SXC-2 | 7901120 |
| | 47(1) | 02Q41 | 7901130 | I | SXC-3 | 7901130 |
| | 48(0) | | | | | |
| 27N49 | 49(0) | 29N49 | 8301300 | | P4VN | 8301330 |
| | 50(0) | | | | | |
| 27N51 | 51(0) | 29N51 | 8303300 | | P8VN | 8303330 |

XDS 902306

XDS
XEROX DATA SYSTEMS

DRAWING NO. - 133264-939 AC
PROG-PNIND
TYPE-PIN INDEX

29
MODULE-29N
TYPE-ZT45
10/27/71

| FROM | PIN (COUNT) | TO | SOURCE LINE NO. | ELEM. TYPE | SOURCE SIGNAL NAME | REFERENCE LINE NO. |
|-------|----------------|-------|--------------------|---------------|--------------------|-----------------------|
| | 00(0) | | | | | |
| 17P46 | 01(1) | 29M01 | 1000050 | C | A00 | 1000050 |
| 29M02 | 02(1) | 29P41 | 2400108 | C | AX/0 | 2400108 |
| 29M03 | 03(1) | 29P47 | 2400110 | C | AX/1 | 2400110 |
| 29M04 | 04(1) | 30N17 | 2900100 | C | NBX | 2900100 |
| 29M05 | 05(1) | 29P26 | 2900110 | C | BX-0 | 2900110 |
| 29P14 | 06(1) | 29M06 | 3900100 | C | NDX | 3900100 |
| 29M07 | 07(1) | 21P13 | 3900120 | C | DX/1 | 3900120 |
| 29M08 | 08(1) | 21P35 | 3900130 | C | DX/0A | 3900130 |
| 21P07 | 09(1) | 29M09 | 3060167 | C | N(S/CC1/FP) | 3060167 |
| 20P08 | 10(1) | 29M10 | 3060270 | C | N(S/CC2/FP) | 3060270 |
| 29M11 | 11(1) | 19P20 | 4421495 | C | N(FUMH.PH4) | 4421495 |
| 28N30 | 12(1) | 29M12 | 7901000 | C | NSXC | 7901000 |
| 28N13 | 13(1) | 29M13 | 3901100 | C | NDXCL1 | 3901100 |
| 28N22 | 14(1) | 29M14 | 3901400 | C | NDXDR8 | 3901418 |
| 28N20 | 15(1) | 29M15 | 3900900 | C | NDXC | 3900930 |
| | 16(0) | | 4791329 | -GND | GND2429 | 4791329 |
| 29M17 | 17(1) | 28N17 | 3901150 | C | (DXC+DXCL1) | 3901150 |
| 29M18 | 18(1) | 30P23 | 2404494 | C | NAXPSW2 | 2404493 |
| 30P25 | 19(1) | 29M19 | 2403820 | C | NAXMC | 2403820 |
| 29P12 | 20(1) | 29M20 | 2401080 | C | NAXDIO | 2401080 |
| 29M21 | 21(1) | 28N21 | 1121300 | C | D12 | 1121300 |
| 31P44 | 22(1) | 29M22 | 5158800 | C | IOTRIN | 5158800 |
| 30N23 | 23(1) | 29M23 | 1310300 | C | B31 | 1310300 |
| 29M24 | 24(1) | 26N25 | 5560290 | C | KUA29 | 5560290 |
| 29M25 | 25(1) | 21N25 | 4425300 | C | (FUS.D22.D23) | 4425300 |
| 29M26 | 26(1) | 26N26 | 5560310 | C | KUA31 | 5560310 |
| 29M27 | 27(1) | 15N41 | 6900180 | C | PR1215 | 6900180 |
| 29M28 | 28(1) | 26P34 | 4425320 | C | (FUS.D22.ND23) | 4425320 |
| 29M29 | 29(1) | 27P30 | 3689410 | C | DIOXS-1 | 3689410 |
| 25P06 | 30(1) | 29M30 | 1154100 | C | MB15 | 1154100 |
| 30N30 | 31(1) | 29M31 | 1300300 | C | B30 | 1300300 |
| | 32(0) | | | | | |
| 29M33 | 33(1) | 16P27 | 1310100 | C | A31 | 1310100 |
| 29M34 | 34(1) | 27P31 | 3689400 | C | DIOXS-0 | 3689400 |
| 29M35 | 35(1) | 27P19 | 3689310 | C | DIOXDIO-1 | 3689310 |
| 25P04 | 36(1) | 29M36 | 1144100 | C | MB14 | 1144100 |
| 29M37 | 37(1) | 27P18 | 3689300 | C | DIOXDIO-0 | 3689300 |
| 29M38 | 38(1) | 15N39 | 6900160 | C | PR0811 | 6900160 |
| 29M39 | 39(1) | 15N40 | 6900140 | C | PR0407 | 6900140 |
| 29M40 | 40(1) | 15N43 | 6900100 | C | PR0003 | 6900100 |
| 29M41 | 41(1) | 26P12 | 5560280 | C | KUA28 | 5560280 |
| 29M42 | 42(1) | 15N47 | 4500250 | C | G1215 | 4500250 |
| 29M43 | 43(1) | 15N44 | 4500150 | C | G0407 | 4500150 |
| 29M44 | 44(1) | 27P46 | 3689010 | C | DIOX-1 | 3689010 |
| 29M45 | 45(1) | 29P25 | 2900140 | C | BX/1 | 2900140 |
| 29M46 | 46(1) | 27P45 | 3689000 | C | DIOX-0 | 3689000 |
| 29M47 | 47(1) | 15N46 | 4500100 | C | G0003 | 4500100 |
| | 48(0) | | | | | |
| 28N49 | 49(0) | 30N49 | 8301300 | | P4VN | 8301330 |
| 29M50 | 50(1) | 15N50 | 4500200 | C | G0811 | 4500200 |
| 28N51 | 51(0) | 30N51 | 8303300 | | P8VN | 8303330 |

XDS 902306

XDS
XEROX DATA SYSTEMS

DRAWING NO.- 133264-939 AC
PROG-PNIND
TYPE-PIN INDEX

30

MODULE-30N
TYPE-BT16

10/27/71

| FROM | PIN (COUNT) | TO | SOURCE LINE NO. | ELEM. TYPE | SOURCE SIGNAL NAME | REFERENCE LINE NO. |
|-------|----------------------------------|-------|--------------------|---------------|--------------------|-----------------------|
| 31P43 | 00(0) 01(2) 02(0) 03(0) | 28P04 | 6846001 | . | NPH10 | 2900106 |
| 14N46 | 04(2) 05(0) | 26P24 | 1334900 | . | P33 | 1334919 |
| 32Q19 | 06(1) | | 4321150 | B | (FAFL.NRW) | 4321150 |
| 31P50 | 07(2) | 28P13 | 4321137 | . | FAFL-1 | 4321150 |
| 01Q12 | 08(2) | 19Q35 | 7430114 | . | NRW-1 | 4321150 |
| 28P06 | 09(2) | 24Q07 | 4561000 | . | GCLK-0 | 4532000 |
| | 10(1) | 27N45 | 4532000-1 | B | | 4532000 |
| | 11(1) | 27N39 | 3298600-1 | B | | 3298600 |
| 28P03 | 12(2) | 26N07 | 7343110 | . | RESET-1 | 3298600 |
| 18Q29 | 13(2) | 25N03 | 5374400 | . | KDI-0 | 5374430 |
| | 14(0) | | | | | |
| 32Q11 | 15(1) | | 5374430 | B | KDI-2 | 5374430 |
| | 16(0) | | 4791330 | -GND | GND2430 | 4791330 |
| 29N04 | 17(2) | 29P29 | 2900100 | B | NBX | 2900106 |
| | 18(1) | 32Q41 | 1334919 | B | P33-1 | 1334919 |
| | 19(0) | | | | | |
| | 20(0) | | | | | |
| 24N21 | 21(2) | 26P27 | 1324900 | . | P32 | 1324919 |
| 02Q13 | 22(1) | | 1161300 | . | D16 | 1161336 |
| 30N31 | 23(2) | 29N23 | 1310300 | . | B31 | 1310336 |
| 28Q13 | 24(2) | 30N30 | 1300300 | . | B30 | 1300336 |
| | 25(1) | 32Q35 | 1310336 | B | B31-1 | 1310336 |
| | 26(1) | 32Q34 | 1300336 | B | B30-1 | 1300336 |
| | 27(1) | 31Q21 | 1161336 | B | D16-1 | 1161336 |
| | 28(1) | 32Q40 | 1324919 | B | P32-1 | 1324919 |
| | 29(0) | | | | | |
| 30N24 | 30(2) | 29N31 | 1300300 | . | B30 | 4820300 |
| 28Q08 | 31(2) | 30N23 | 1310300 | . | B31 | 4820400 |
| | 32(0) | | | | | |
| | 33(1) | 20Q44 | 3270200 | . | CNA | 4385400 |
| | 34(0) | | | | | |
| | 35(1) | 27N37 | 4385420-1 | B | | 4385420 |
| | 36(1) | 27N33 | 4385400-1 | B | | 4385400 |
| 26N11 | 37(2) | 20Q45 | 1210300 | . | B21 | 4385400 |
| 27Q13 | 38(2) | 26N10 | 1220300 | . | B22 | 4385410 |
| 27Q08 | 39(1) | | 1230300 | . | B23 | 4385420 |
| | 40(0) | | | | | |
| | 41(1) | 27N35 | 4385410-1 | B | | 4385410 |
| 28Q24 | 42(2) | 10N17 | 1290300 | . | B29 | 4820200 |
| 28Q25 | 43(1) | | 1280300 | . | B28 | 4820100 |
| | 44(1) | 27N09 | 4820200-1 | B | | 4820200 |
| | 45(1) | 27N03 | 4820100-1 | B | | 4820100 |
| | 46(1) | 27N12 | 4820300-1 | B | | 4820300 |
| | 47(1) | 27N15 | 4820400-1 | B | | 4820400 |
| | 48(0) | | | | | |
| 29N49 | 49(0) | 31N49 | 8301300 | | P4VN | 8301340 |
| | 50(0) | | | | | |
| 29N51 | 51(0) | 31N51 | 8303300 | | P8VN | 8303340 |

XDS 902306

XDS
XEROX DATA SYSTEMS

DRAWING NO.- 133264-939 AC
PROG-PNIND MODULE-31N
TYPE-PIN INDEX TYPE-AT10

31
10/27/71

| FROM | PIN (COUNT) | TO | SOURCE LINE NO. | ELEM. TYPE | SOURCE SIGNAL NAME | REFERENCE LINE NO. |
|-------|----------------|-------|--------------------|---------------|--------------------|-----------------------|
| | 00(0) | | | | | |
| 31N02 | 01(2) | 31N03 | 4791331 | | GND2431 | 4791331 |
| | 02(1) | 31N01 | 4791331 | | GND2431 | 4791331 |
| 31N01 | 03(2) | 31N05 | 4791331 | | GND2431 | 4791331 |
| | 04(1) | 18Q39 | 1004280 | -BCR | MFL0 | 1004280 |
| 31N03 | 05(2) | 31N09 | 4791331 | | GND2431 | 4791331 |
| | 06(1) | 14Q15 | 1014280 | -BCR | MFL1 | 1014280 |
| | 07(0) | | | | | |
| | 08(1) | 32Q39 | 7860000 | -BCR | START | 7860000 |
| 31N05 | 09(2) | 31N12 | 4791331 | | GND2431 | 4791331 |
| | 10(1) | 18Q27 | 1034280 | -BCR | MFL3 | 1034280 |
| | 11(0) | | | | | |
| 31N09 | 12(2) | 31N15 | 4791331 | | GND2431 | 4791331 |
| | 13(1) | 18Q06 | 1044280 | -BCR | MFL4 | 1044280 |
| | 14(0) | | | | | |
| 31N12 | 15(2) | 31N16 | 4791331 | | GND2431 | 4791331 |
| 31N15 | 16(2) | 31N19 | 4791331 | -GND | GND2431 | 4791331 |
| | 17(0) | | | | | |
| | 18(1) | 18Q17 | 1054280 | -BCR | MFL5 | 1054280 |
| 31N16 | 19(2) | 31N23 | 4791331 | | GND2431 | 4791331 |
| | 20(1) | 05N07 | 7415010 | -BCR | RTC | 7415010 |
| | 21(0) | | | | | |
| | 22(0) | 25R29 | 6887000 | -BCR | PONEN | 6887000 |
| 31N19 | 23(2) | 31N24 | 4791331 | | GND2431 | 4791331 |
| 31N23 | 24(2) | 31N25 | 4791331 | | GND2431 | 4791331 |
| 31N24 | 25(2) | 31N33 | 4791331 | | GND2431 | 4791331 |
| | 26(0) | | | | | |
| | 27(1) | 24Q20 | 6885000 | -BCR | PON | 6885000 |
| | 28(0) | | | | | |
| | 29(0) | | | | | |
| | 30(0) | | | | | |
| | 31(0) | | | | | |
| | 32(0) | | | | | |
| 31N25 | 33(2) | 31N35 | 4791331 | | GND2431 | 4791331 |
| | 34(1) | 24Q22 | 5153000 | -BCR | POFF | 5153000 |
| 31N33 | 35(2) | 31N37 | 4791331 | | GND2431 | 4791331 |
| | 36(1) | 14Q07 | 1024280 | -BCR | MFL2 | 1024280 |
| 31N35 | 37(2) | 31N41 | 4791331 | * | GND2431 | 6640100 |
| | 38(0) | 32M29 | 6640000 | -BCR | OLDMEM | 6640000 |
| 31N41 | 39(2) | 31N45 | 4791331 | | GND2431 | 4791331 |
| | 40(1) | 18P06 | 1064280 | -BCR | MFL6 | 1064280 |
| 31N37 | 41(2) | 31N39 | 4791331 | | GND2431 | 4791331 |
| | 42(1) | 18P17 | 1074280 | -BCR | MFL7 | 1074280 |
| | 43(0) | | | | | |
| | 44(0) | | | | | |
| 31N39 | 45(1) | | 4791331 | | GND2431 | 4791331 |
| | 46(0) | | | | | |
| | 47(0) | | | | | |
| | 48(0) | | | | | |
| 30N49 | 49(0) | 32N49 | 8301300 | | P4VN | 8301340 |
| | 50(1) | 27N50 | 8304900 | -VSP | M8VN | 8304900 |
| 30N51 | 51(0) | 32N51 | 8303300 | | P8VN | 8303340 |

XDS 902306

XDS
XEROX DATA SYSTEMS

DRAWING NO.- 133264-939 AC
PROG-PNIND MODULE-32N
TYPE-PIN INDEX TYPE-ZT46

32

10/27/71

| FROM | PIN (COUNT) | TO | SOURCE LINE NO. | ELEM. TYPE | SOURCE SIGNAL NAME | REFERENCE LINE NO. |
|-------|----------------|-------|--------------------|---------------|-----------------------|-----------------------|
| | 00(0) | | | | | |
| 01D01 | 01(1) | 16Q01 | 2400540 | C | NAXAR24 | 2400540 |
| 01D02 | 02(1) | 28N02 | 6105000 | C | MIT/1 | 6105000 |
| 01D03 | 03(1) | 13Q23 | 4320960 | C | (FACOMP/L.PH2) | 4320960 |
| 01D04 | 04(1) | 21N09 | 7343300 | C | RESET/C | 7343300 |
| 01D05 | 05(1) | 24Q42 | 4395300 | C | FPCLEN/1 | 4395302 |
| 20N07 | 06(1) | 01D06 | 2503110 | C | (B31-BC31) | 2503110 |
| 01D07 | 07(1) | 15Q08 | 2401140 | C | AXFC | 2401140 |
| 01D08 | 08(1) | 10P09 | 4425500 | C | FUSF | 4425500 |
| 01D09 | 09(1) | 13N09 | 4425150 | C | FUS | 4425150 |
| 01D10 | 10(1) | 11N10 | 4323380 | C | FAMULNH | 4323380 |
| 01D11 | 11(1) | 08N38 | 6041100 | C | NMDC7 | 6041100 |
| 01D12 | 12(1) | 12Q21 | 4375101 | C | NFL1 | 4375101 |
| 01D13 | 13(1) | 08P24 | 6911720 | C | N(S/PRXNAND) | 6911720 |
| 01D14 | 14(1) | 07P13 | 6911520 | C | N(S/PRXNAD) | 6911520 |
| 01D15 | 15(1) | 09N05 | 6911320 | C | N(S/PRXAND) | 6911320 |
| | 16(0) | | 4791332 | -GND | GND2432 | 4791332 |
| 01D17 | 17(1) | 08P08 | 6911120 | C | N(S/PRXAD) | 6911120 |
| 01D18 | 18(1) | 10P42 | 3060101 | C | NCC1 | 3060101 |
| 01D19 | 19(1) | 08N04 | 7514500 | C | S31NH | 7514500 |
| 01D20 | 20(1) | 21N20 | 4324650 | C | FASH | 4324650 |
| 01D21 | 21(1) | 08N02 | 7514100 | C | S16INH | 7514100 |
| 01D22 | 22(1) | 13N22 | 2400440 | C | NAXAR16 | 2400440 |
| 01D23 | 23(1) | 28N31 | 7901000 | C | NSXC | 7901000 |
| 14T05 | 24(0) | 01D24 | 7400210 | C | RQBZP | 7400210 |
| 01D25 | 25(1) | 25N14 | 6104900 | C | MIT | 6104900 |
| 01D26 | 26(1) | 11Q44 | 6909950 | C | PROBOVER | 6909950 |
| 01D27 | 27(1) | 10P26 | 6845675 | C | (S/PH6/I0) | 6845675 |
| 01D28 | 28(0) | 29K12 | 3691000 | C | DIT/1 | 3691000 |
| 01D29 | 29(1) | 12P03 | 1074225 | C | (S/MC7) | 1074225 |
| 01D30 | 30(1) | 13Q33 | 3078500 | C | CCXS/0 | 3078500 |
| 01D31 | 31(1) | 04N31 | 5883100 | C | LOCKW | 5883100 |
| | 32(0) | | | | | |
| 01D33 | 33(1) | 13Q31 | 3078530 | C | CCXS/3 | 3078530 |
| 01D34 | 34(1) | 20N37 | 1312795 | C | (S/K31/3) | 1312795 |
| 01D35 | 35(1) | 20N44 | 1312790 | C | (S/K31/2) | 1312778 |
| 01D36 | 36(1) | 08P13 | 1312770 | C | N(S/K31) | 1312770 |
| 12F03 | 37(1) | 12P22 | 5339000 | C | K00HOLD | 5339000 |
| 01D38 | 38(1) | 21P09 | 4425400 | C | FUS/1 | 4425400 |
| 25N46 | 39(1) | 01D39 | 1090138 | C | A9-1 | 1090138 |
| 01D40 | 40(1) | 12P06 | 4321230 | C | (FAHW.PRE3.P32) | 4321230 |
| 01D41 | 41(1) | 10P17 | 4320620 | C | (FABYTE.PRE4.(BC=1)) | 4320620 |
| 01D42 | 42(1) | 10P18 | 4320600 | C | (FABYTE.PRE3.P32.P33) | 4320600 |
| 01D43 | 43(1) | 27P07 | 3689200 | C | NDIOXB | 3689200 |
| 01D44 | 44(1) | 09Q50 | 5919900 | C | LRXZ | 5919900 |
| 21N27 | 45(1) | 01D45 | 4321010 | C | FADIV-2 | 4321010 |
| 01D46 | 46(1) | 28N39 | 6038400 | C | MBXS/2 | 6038400 |
| 01D47 | 47(1) | 28N40 | 6038600 | C | MBXS/3 | 6038600 |
| | 48(0) | | | | | |
| 31N49 | 49(0) | | 8301300 | | P4VN | 8301340 |
| 01D50 | 50(1) | 28N43 | 7900450 | C | NSXB | 7900450 |
| 31N51 | 51(0) | | 8303300 | | P8VN | 8303340 |

| FROM | PIN (COUNT) | TO | SOURCE LINE NO. | ELEM. TYPE | SOURCE SIGNAL NAME | REFERENCE LINE NO. |
|-------|----------------|-------|--------------------|---------------|--------------------|-----------------------|
| | 00(0) | | | | | |
| | 01(1) | 01N22 | 1154902 | T | NP15 | 1154902 |
| | 02(1) | 01N21 | 1164902 | T | NP16 | 1164902 |
| | 03(1) | 01N25 | 1174902 | T | NP17 | 1174902 |
| 03P05 | 04(1) | | 1190500 | T | C19 | 1190500 |
| 02P05 | 05(1) | | 1170500 | T | C17 | 1170500 |
| 04P05 | 06(1) | | 1210500 | T | C21 | 1210500 |
| 05P05 | 07(1) | | 1230500 | T | C23 | 1230500 |
| 04P13 | 08(1) | | 1121300 | T | D12 | 1121300 |
| 04P10 | 09(1) | | 1220500 | T | C22 | 1220500 |
| 02P10 | 10(1) | | 1180500 | T | C18 | 1180500 |
| 03P10 | 11(1) | | 1200500 | T | C20 | 1200500 |
| 05P10 | 12(1) | | 1240500 | T | C24 | 1240500 |
| 02P13 | 13(1) | | 1081300 | T | D8 | 1081300 |
| 02P12 | 14(1) | | 1091300 | T | D9 | 1091300 |
| 03P13 | 15(1) | | 1101300 | T | D10 | 1101300 |
| | 16(0) | | 4791401 | -GND | GND2501 | 4791401 |
| 03P12 | 17(1) | | 1111300 | T | D11 | 1111300 |
| 04P12 | 18(1) | | 1131300 | T | D13 | 1131300 |
| 05P12 | 19(1) | | 1151300 | T | D15 | 1151300 |
| | 20(1) | 01N30 | 1204940 | T | P20-1 | 1204940 |
| | 21(1) | 02P07 | 3900140 | T | DX/2 | 3900140 |
| | 22(1) | 02P08 | 3901020 | T | DXC-2 | 3901020 |
| | 23(1) | 02P14 | 3901070 | T | DXCL1-2 | 3901070 |
| | 24(1) | 02P11 | 3901540 | T | DXDR8/2 | 3901540 |
| | 25(1) | 02P03 | 3905520 | T | DXS/2 | 3905520 |
| | 26(1) | 02P21 | 4900570 | T | GXAD-2 | 4900570 |
| | 27(1) | 02P25 | 4900670 | T | GXAND-2 | 4900670 |
| | 28(1) | 02P22 | 4904170 | T | GXNAD-2 | 4904170 |
| 02P29 | 29(1) | | 6911180 | T | PRXAD/2 | 6911180 |
| 02P20 | 30(1) | | 6911380 | T | PRXAND/2 | 6911380 |
| | 31(1) | 02P31 | 3405200 | T | CXS-2 | 3405200 |
| | 32(0) | | | | | |
| 04P35 | 33(1) | | 1216300 | T | RR21 | 1216300 |
| 03P35 | 34(1) | | 1196300 | T | RR19 | 1196300 |
| 02P35 | 35(1) | | 1176300 | T | RR17 | 1176300 |
| 05P35 | 36(1) | | 1236300 | T | RR23 | 1236300 |
| | 37(1) | 02P37 | 3404200 | T | CXRR-2 | 3404200 |
| 04P39 | 38(1) | | 1206300 | T | RR20 | 1206300 |
| 03P39 | 39(1) | | 1186300 | T | RR18 | 1186300 |
| 05P39 | 40(1) | | 1226300 | T | RR22 | 1226300 |
| 02P40 | 41(1) | | 5054200 | T | HOLDC-2 | 5054200 |
| 02P27 | 42(1) | | 6911580 | T | PRXNAD/2 | 6911580 |
| | 43(1) | 02Q03 | 3905530 | T | DXS/3 | 3905530 |
| 01Q27 | 44(1) | | 3315154 | T | NCROSSEN | 3315154 |
| | 45(1) | 02Q11 | 3901530 | T | DXDR8-3 | 3901530 |
| | 46(1) | 02Q14 | 3901080 | T | DXCL1-3 | 3901080 |
| | 47(1) | 02Q08 | 3901030 | T | DXC-3 | 3901030 |
| | 48(0) | | | | | |
| | 49(0) | 02P49 | 8301400 | -VSP | P4VP | 8301400 |
| | 50(1) | 02Q07 | 3900150 | T | DX/3 | 3900150 |
| | 51(0) | 02P51 | 8303400 | -VSP | P8VP | 8303400 |

XDS 902306



DRAWING NO.- 133264-939 AC
 PROG-PNIND MODULE-02P
 TYPE-PIN INDEX TYPE-LT42

34

10/27/71

| FROM | PIN (COUNT) | TO | SOURCE LINE NO. | ELEM. TYPE | SOURCE SIGNAL NAME | REFERENCE LINE NO. |
|-------|----------------|-------|--------------------|---------------|--------------------|-----------------------|
| | 00(0) | | | | | |
| | 01(1) | 17N40 | 1175500 | B | PR17 | 1175500 |
| | 02(1) | 17N43 | 1165500 | B | PR16 | 1165500 |
| 01P25 | 03(2) | 03P03 | 3905520 | . | DXS/2 | 1161312 |
| | 04(1) | 17N44 | 1172500 | B | G17 | 1172500 |
| | 05(1) | 01P05 | 1170500 | FB | C17 | 1170500 |
| | 06(1) | 17N46 | 1162500 | B | G16 | 1162500 |
| 01P21 | 07(2) | 03P07 | 3900140 | . | DX/2 | 1161330 |
| 01P22 | 08(2) | 03P08 | 3901020 | . | DXC-2 | 1161310 |
| | 09(1) | 03P09 | 3200180 | . | CL-32P18 | 1161334 |
| 03P15 | 10(2) | 01P10 | 1180500 | . | C18 | 1171310 |
| 01P24 | 11(2) | 03P11 | 3901540 | . | DXDR8/2 | 1161312 |
| 24N28 | 12(2) | 01P14 | 1091300 | . | D9 | 1171312 |
| 13N02 | 13(2) | 01P13 | 1081300 | . | D8 | 1161312 |
| 01P23 | 14(2) | 03P14 | 3901070 | . | DXCL1-2 | 1161310 |
| | 15(1) | 06P09 | 1160500 | FB | C16 | 1160500 |
| | 16(0) | | 4791402 | -GND | GND2502 | 4791402 |
| | 17(1) | 09P20 | 1176500 | I | S17 | 1176500 |
| 06N01 | 18(2) | 14P23 | 1160100 | . | A16 | 1160140 |
| 01Q45 | 19(2) | 09P22 | 1166500 | B | S16 | 1166502 |
| 03P20 | 20(2) | 01P30 | 6911380 | . | PRXAND/2 | 1165502 |
| 01P26 | 21(2) | 03P21 | 4900570 | . | GXAD-2 | 1162500 |
| 01P28 | 22(2) | 03P22 | 4904170 | . | GXNAD-2 | 1162500 |
| | 23(1) | 02Q13 | 1161300 | FF | D16 | 1161300 |
| 05N29 | 24(2) | 14P19 | 1170100 | . | A17 | 1170140 |
| 01P27 | 25(2) | 03P25 | 4900670 | . | GXAND-2 | 1162502 |
| 06Q15 | 26(2) | 03P26 | 6911770 | . | PRXNAND/2 | 1165502 |
| 03P27 | 27(2) | 01P42 | 6911580 | . | PRXNAD/2 | 1165500 |
| | 28(1) | 02Q12 | 1171300 | FF | D17 | 1171300 |
| 03P29 | 29(2) | 01P29 | 6911180 | . | PRXAD/2 | 1165500 |
| 25P10 | 30(1) | | 1174100 | . | MB17 | 1170502 |
| 01P31 | 31(2) | 03P31 | 3405200 | . | CXS-2 | 1160500 |
| | 32(0) | | | | | |
| | 33(1) | 07P27 | 1160300 | . | B16 | 1166504 |
| 06P46 | 34(2) | 03P34 | 3403200 | . | CXMB-2 | 1160502 |
| 14P40 | 35(2) | 01P35 | 1176300 | . | RR17 | 1170502 |
| | 36(1) | 10P07 | 1164100 | . | MB16 | 1160502 |
| 01P37 | 37(2) | 03P37 | 3404200 | . | CXRR-2 | 1160502 |
| 17N27 | 38(1) | | 1172750 | . | K17 | 1176500 |
| 14P26 | 39(2) | 05N43 | 1166300 | . | RR16 | 1160502 |
| 03P40 | 40(2) | 01P41 | 5054200 | . | HOLDC-2 | 1160500 |
| 28N46 | 41(2) | 03P41 | 7901120 | . | SXC-2 | 1166504 |
| 07P47 | 42(2) | 02N21 | 1164940 | . | P16-1 | 1166506 |
| 10N44 | 43(2) | 03P43 | 7904520 | . | SXP-2 | 1166506 |
| 07P43 | 44(2) | 01N23 | 1174940 | . | P17-1 | 1176506 |
| 28N45 | 45(2) | 03P45 | 7900520 | . | SXB-2 | 1166504 |
| | 46(1) | 19P11 | 1162750 | . | K16 | 1166500 |
| | 47(1) | 07P31 | 1170300 | . | B17 | 1176504 |
| | 48(0) | | | | | |
| 01P49 | 49(0) | 03P49 | 8301400 | . | P4VP | 8301400 |
| 19N02 | 50(2) | 03P50 | 7900120 | . | SXADD-2A | 1166502 |
| 01P51 | 51(0) | 03P51 | 8303400 | . | P8VP | 8303400 |

| FROM | PIN (COUNT) | TO | SOURCE LINE NO. | ELEM. TYPE | SOURCE SIGNAL NAME | REFERENCE LINE NO. |
|-------|----------------|-------|--------------------|---------------|--------------------|-----------------------|
| | 00(0) | | | | | |
| | 01(1) | 17N41 | 1195500 | B | PR19 | 1195500 |
| | 02(1) | 17N39 | 1185500 | B | PR18 | 1185500 |
| 02P03 | 03(2) | 04P03 | 3905520 | . | DXS/2 | 1181312 |
| | 04(1) | 17N47 | 1192500 | B | G19 | 1192500 |
| | 05(1) | 01P04 | 1190500 | FB | C19 | 1190500 |
| | 06(1) | 17N50 | 1182500 | B | G18 | 1182500 |
| 02P07 | 07(2) | 04P07 | 3900140 | . | DX/2 | 1181330 |
| 02P08 | 08(2) | 04P08 | 3901020 | . | DXC-2 | 1181310 |
| 02P09 | 09(2) | 04P09 | 3200180 | . | CL-32P18 | 1181334 |
| 04P15 | 10(2) | 01P11 | 1200500 | . | C20 | 1191310 |
| 02P11 | 11(2) | 04P11 | 3901540 | . | DXDR8/2 | 1181312 |
| 24N29 | 12(2) | 01P17 | 1111300 | . | D11 | 1191312 |
| 24N23 | 13(2) | 01P15 | 1101300 | . | D10 | 1181312 |
| 02P14 | 14(2) | 04P14 | 3901070 | . | DXCL1-2 | 1181310 |
| | 15(1) | 02P10 | 1180500 | FB | C18 | 1180500 |
| | 16(0) | | 4791403 | -GND | GND2503 | 4791403 |
| | 17(1) | 09P25 | 1196500 | I | S19 | 1196500 |
| 05N34 | 18(2) | 14P31 | 1180100 | . | A18 | 1180140 |
| | 19(1) | 09P23 | 1186500 | B | S18 | 1186502 |
| 04P20 | 20(2) | 02P20 | 6911380 | . | PRXAND/2 | 1185502 |
| 02P21 | 21(2) | 04P21 | 4900570 | . | GXAD-2 | 1182500 |
| 02P22 | 22(2) | 04P22 | 4904170 | . | GXNAD-2 | 1182500 |
| | 23(1) | 03Q13 | 1181300 | FF | D18 | 1181300 |
| 05N27 | 24(2) | 14P27 | 1190100 | . | A19 | 1190140 |
| 02P25 | 25(2) | 04P25 | 4900670 | . | GXAND-2 | 1182502 |
| 02P26 | 26(2) | 04P26 | 6911770 | . | PRXNAND/2 | 1185502 |
| 04P27 | 27(2) | 02P27 | 6911580 | . | PRXNAD/2 | 1185500 |
| | 28(1) | 03Q12 | 1191300 | FF | D19 | 1191300 |
| 04P29 | 29(2) | 02P29 | 6911180 | . | PRXAD/2 | 1185500 |
| 25P18 | 30(1) | | 1194100 | . | MB19 | 1190502 |
| 02P31 | 31(2) | 04P31 | 3405200 | . | CXS-2 | 1180500 |
| | 32(0) | | | | | |
| | 33(1) | 07P30 | 1180300 | . | B18 | 1186504 |
| 02P34 | 34(2) | 04P34 | 3403200 | . | CXMB-2 | 1180502 |
| 14P36 | 35(2) | 01P34 | 1196300 | . | RR19 | 1190502 |
| 25P13 | 36(1) | | 1184100 | . | MB18 | 1180502 |
| 02P37 | 37(2) | 04P37 | 3404200 | . | CXRR-2 | 1180502 |
| 17N42 | 38(1) | | 1192750 | . | K19 | 1196500 |
| 14P24 | 39(2) | 01P39 | 1186300 | . | RR18 | 1180502 |
| 04P40 | 40(2) | 02P40 | 5054200 | . | HOLDC-2 | 1180500 |
| 02P41 | 41(2) | 04P41 | 7901120 | . | SXC-2 | 1186504 |
| 01N18 | 42(2) | 07P42 | 1184940 | . | P18-1 | 1186506 |
| 02P43 | 43(2) | 04P43 | 7904520 | . | SXP-2 | 1186506 |
| 01N29 | 44(2) | 07P35 | 1194940 | . | P19-1 | 1196506 |
| 02P45 | 45(2) | 04P45 | 7900520 | . | SXB-2 | 1186504 |
| 17N25 | 46(1) | | 1182750 | . | K18 | 1186500 |
| | 47(1) | 07P33 | 1190300 | . | B19 | 1196504 |
| | 48(0) | | | | | |
| 02P49 | 49(0) | 04P49 | 8301400 | . | P4VP | 8301400 |
| 02P50 | 50(2) | 06P35 | 7900120 | . | SXADD-2A | 1186502 |
| 02P51 | 51(0) | 04P51 | 8303400 | . | P8VP | 8303400 |

XDS 902306

XDS
XEROX DATA SYSTEMS

DRAWING NO.- 133264-939 AC
PROG-PNIND
TYPE-PIN INDEX

36

MODULE-04P
TYPE-LT42

10/27/71

| FROM | PIN (COUNT) | TO | SOURCE LINE NO. | ELEM. TYPE | SOURCE SIGNAL NAME | REFERENCE LINE NO. |
|-------|----------------|-------|--------------------|---------------|--------------------|-----------------------|
| | 00(0) | | | | | |
| | 01(1) | 17N10 | 1215500 | B | PR21 | 1215500 |
| | 02(1) | 17N05 | 1205500 | B | PR20 | 1205500 |
| 03P03 | 03(2) | 05P03 | 3905520 | . | DXS/2 | 1201312 |
| | 04(1) | 17N04 | 1212500 | B | G21 | 1212500 |
| | 05(1) | 01P06 | 1210500 | FB | C21 | 1210500 |
| | 06(1) | 17N02 | 1202500 | B | G20 | 1202500 |
| 03P07 | 07(2) | 05P07 | 3900140 | . | DX/2 | 1201330 |
| 03P08 | 08(2) | 05P08 | 3901020 | . | DXC-2 | 1201310 |
| 03P09 | 09(2) | 05P09 | 3200180 | . | CL-32P18 | 1201334 |
| 05P15 | 10(2) | 01P09 | 1220500 | . | C22 | 1211310 |
| 03P11 | 11(2) | 05P11 | 3901540 | . | DXDR8/2 | 1201312 |
| 15N31 | 12(2) | 01P18 | 1131300 | . | D13 | 1211312 |
| 17P34 | 13(2) | 01P08 | 1121300 | . | D12 | 1201312 |
| 03P14 | 14(2) | 05P14 | 3901070 | . | DXCL1-2 | 1201310 |
| | 15(1) | 03P10 | 1200500 | FB | C20 | 1200500 |
| | 16(0) | | 4791404 | -GND | GND2504 | 4791404 |
| | 17(1) | 09P09 | 1216500 | I | S21 | 1216500 |
| 05N26 | 18(2) | 15P23 | 1200100 | . | A20 | 1200140 |
| | 19(1) | 09P33 | 1206500 | I | S20 | 1206500 |
| 05P20 | 20(2) | 03P20 | 6911380 | . | PRXAND/2 | 1205502 |
| 03P21 | 21(2) | 05P21 | 4900570 | . | GXAD-2 | 1202500 |
| 03P22 | 22(2) | 05P22 | 4904170 | . | GXNAD-2 | 1202500 |
| | 23(1) | 04Q13 | 1201300 | FF | D20 | 1201300 |
| 05N24 | 24(2) | 15P19 | 1210100 | . | A21 | 1210140 |
| 03P25 | 25(2) | 05P25 | 4900670 | . | GXAND-2 | 1202502 |
| 03P26 | 26(2) | 05P26 | 6911770 | . | PRXNAND/2 | 1205502 |
| 05P27 | 27(2) | 03P27 | 6911580 | . | PRXNAD/2 | 1205500 |
| | 28(1) | 04Q12 | 1211300 | FF | D21 | 1211300 |
| 05P29 | 29(2) | 03P29 | 6911180 | . | PRXAD/2 | 1205500 |
| 25P22 | 30(1) | | 1214100 | . | MB21 | 1210502 |
| 03P31 | 31(2) | 05P31 | 3405200 | . | CXS-2 | 1200500 |
| | 32(0) | | | | | |
| | 33(1) | 08P27 | 1200300 | . | B20 | 1206504 |
| 03P34 | 34(2) | 05P34 | 3403200 | . | CXMB-2 | 1200502 |
| 15P40 | 35(2) | 01P33 | 1216300 | . | RR21 | 1210502 |
| 25P20 | 36(1) | | 1204100 | . | MB20 | 1200502 |
| 03P37 | 37(2) | 05P37 | 3404200 | . | CXRR-2 | 1200502 |
| 17N18 | 38(1) | | 1212750 | . | K21 | 1216502 |
| 15P26 | 39(2) | 01P38 | 1206300 | . | RR20 | 1200502 |
| 05P40 | 40(2) | 03P40 | 5054200 | . | HOLDC-2 | 1200500 |
| 03P41 | 41(2) | 05P41 | 7901120 | . | SXC-2 | 1206504 |
| 04N30 | 42(2) | 08P47 | 1204940 | . | P20-1 | 1206506 |
| 03P43 | 43(2) | 05P43 | 7904520 | . | SXP-2 | 1206506 |
| 08P43 | 44(2) | 06N33 | 1214940 | . | P21-1 | 1216506 |
| 03P45 | 45(2) | 05P45 | 7900520 | . | SXB-2 | 1206504 |
| 17N19 | 46(1) | | 1202750 | . | K20 | 1206500 |
| | 47(1) | 08P31 | 1210300 | . | B21 | 1216504 |
| | 48(0) | | | | | |
| 03P49 | 49(0) | 05P49 | 8301400 | . | P4VP | 8301400 |
| 19N01 | 50(2) | 05P50 | 7900125 | . | SXADD-2B | 1206500 |
| 03P51 | 51(0) | 05P51 | 8303400 | . | P8VP | 8303400 |

XDS 902306

XDS
XEROX DATA SYSTEMS

DRAWING NO. - 133264-939 AC
PROG-PNIND
TYPE-PIN INDEX

MODULE-05P
TYPE-LT42

37

10/27/71

| FROM | PIN (COUNT) | TO | SOURCE LINE NO. | ELEM. TYPE | SOURCE SIGNAL NAME | REFERENCE LINE NO. |
|-------|----------------|-------|--------------------|---------------|--------------------|-----------------------|
| | 00(0) | | | | | |
| | 01(1) | 17N07 | 1235500 | B | PR23 | 1235500 |
| | 02(1) | 17N09 | 1225500 | B | PR22 | 1225500 |
| 04P03 | 03(2) | 29P18 | 3905520 | . | DXS/2 | 1221312 |
| | 04(1) | 17N06 | 1232500 | B | G23 | 1232500 |
| | 05(1) | 01P07 | 1230500 | FB | C23 | 1230500 |
| | 06(1) | 17N01 | 1222500 | B | G22 | 1222500 |
| 04P07 | 07(2) | 29P06 | 3900140 | . | DX/2 | 1221330 |
| 04P08 | 08(2) | 28N18 | 3901020 | . | DXC-2 | 1221310 |
| 04P09 | 09(2) | 07P01 | 3200180 | . | CL-32P18 | 1221334 |
| 02Q15 | 10(2) | 01P12 | 1240500 | . | C24 | 1231310 |
| 04P11 | 11(2) | 28N25 | 3901540 | . | DXDR8/2 | 1221312 |
| 24N27 | 12(2) | 01P19 | 1151300 | . | D15 | 1231312 |
| 05N01 | 13(2) | 26P42 | 1141300 | . | D14 | 1221312 |
| 04P14 | 14(2) | 28N15 | 3901070 | . | DXCL1-2 | 1221310 |
| | 15(1) | 04P10 | 1220500 | FB | C22 | 1220500 |
| | 16(0) | | 4791405 | -GND | GND2505 | 4791405 |
| | 17(1) | 01Q02 | 1236500 | I | S23 | 1236500 |
| 05N33 | 18(2) | 15P31 | 1220100 | . | A22 | 1220140 |
| | 19(1) | 09P19 | 1226500 | B | S22 | 1226502 |
| 08N25 | 20(2) | 04P20 | 6911380 | . | PRXAND/2 | 1225502 |
| 04P21 | 21(2) | 06P27 | 4900570 | . | GXAD-2 | 1222500 |
| 04P22 | 22(2) | 06P15 | 4904170 | . | GXNAD-2 | 1222500 |
| | 23(1) | 05Q13 | 1221300 | FF | D22 | 1221300 |
| 05N25 | 24(2) | 15P27 | 1230100 | . | A23 | 1230140 |
| 04P25 | 25(2) | 06P45 | 4900670 | . | GXAND-2 | 1222502 |
| 04P26 | 26(2) | 06P36 | 6911770 | . | PRXNAND/2 | 1225502 |
| 18N38 | 27(2) | 04P27 | 6911580 | . | PRXNAD/2 | 1225500 |
| | 28(1) | 05Q12 | 1231300 | FF | D23 | 1231300 |
| 18N37 | 29(2) | 04P29 | 6911180 | . | PRXAD/2 | 1225500 |
| 25P34 | 30(1) | | 1234100 | . | MB23 | 1230502 |
| 04P31 | 31(2) | 07N46 | 3405200 | . | CXS-2 | 1220500 |
| | 32(0) | | | | | |
| | 33(1) | 08P30 | 1220300 | . | B22 | 1226504 |
| 04P34 | 34(2) | 10P08 | 3403200 | . | CXMB-2 | 1220502 |
| 15P36 | 35(2) | 01P36 | 1236300 | . | RR23 | 1230502 |
| 25P27 | 36(1) | | 1224100 | . | MB22 | 1220502 |
| 04P37 | 37(2) | 07N33 | 3404200 | . | CXRR-2 | 1220502 |
| 17N08 | 38(2) | 11Q08 | 1232750 | . | K23 | 1236500 |
| 15P24 | 39(2) | 01P40 | 1226300 | . | RR22 | 1220502 |
| 08N36 | 40(2) | 04P40 | 5054200 | . | HOLDC-2 | 1220500 |
| 04P41 | 41(2) | 13P36 | 7901120 | . | SXC-2 | 1226504 |
| 06N28 | 42(2) | 08P42 | 1224940 | . | P22-1 | 1226506 |
| 04P43 | 43(2) | 20P35 | 7904520 | . | SXP-2 | 1226506 |
| 31Q41 | 44(2) | 08P35 | 1234940 | . | P23-1 | 1236506 |
| 04P45 | 45(2) | 13P37 | 7900520 | . | SXB-2 | 1226504 |
| 17N20 | 46(1) | | 1222750 | . | K22 | 1226500 |
| | 47(1) | 08P33 | 1230300 | . | B23 | 1236504 |
| | 48(0) | | | | | |
| 04P49 | 49(0) | 06P49 | 8301400 | . | P4VP | 8301400 |
| 04P50 | 50(2) | 06P34 | 7900125 | . | SXADD-2B | 1226500 |
| 04P51 | 51(0) | 06P51 | 8303400 | . | P8VP | 8303400 |

XDS 902306



DRAWING NO.- 133264-939 AC
 PROG-PNIND MODULE-06P
 TYPE-PIN INDEX TYPE-BT16

38

10/27/71

| FROM | PIN (COUNT) | TO | SOURCE LINE NO. | ELEM. TYPE | SOURCE SIGNAL NAME | REFERENCE LINE NO. |
|-------|----------------|-------|--------------------|---------------|--------------------|-----------------------|
| | 00(0) | | | | | |
| 05N46 | 01(1) | | 5560300 | . | KUA30 | 1300150 |
| 10N42 | 02(1) | | 5560230 | . | KUA23 | 1230150 |
| 18Q43 | 03(1) | | 5560220 | . | KUA22 | 1220150 |
| 18Q40 | 04(1) | | 5560210 | . | KUA21 | 1210150 |
| | 05(1) | 15P14 | 1230150 | B | A23L | 1230150 |
| 21N25 | 06(1) | | 4425300 | B | (FUS.D22.D23) | 4425300 |
| 05Q12 | 07(2) | 20P01 | 1231300 | . | D23 | 4425300 |
| 05Q13 | 08(2) | 10P46 | 1221300 | . | D22 | 4425300 |
| 02P15 | 09(2) | 10P05 | 1160500 | . | C16 | 1160504 |
| 24N10 | 10(1) | | 1160504 | B | C16-1 | 1160504 |
| | 11(1) | 02Q22 | 4904180 | B | GXNAD-3 | 4904180 |
| 06N03 | 12(2) | 06P13 | 4904101 | . | GXNAD | 4904180 |
| 06P12 | 13(2) | 07P21 | 4904101 | . | GXNAD | 4904170 |
| 13N09 | 14(2) | 10P50 | 4425150 | . | FUS | 4425300 |
| 05P22 | 15(1) | | 4904170 | B | GXNAD-2 | 4904170 |
| | 16(0) | | 4791406 | -GND | GND2506 | 4791406 |
| | 17(1) | 15Q11 | 1300150 | B | A30L | 1300150 |
| | 18(1) | 15P13 | 1210150 | B | A21L | 1210150 |
| | 19(1) | 15P11 | 1220150 | B | A22L | 1220150 |
| 26P11 | 20(2) | 10Q12 | 6802900 | . | (P29.NP30.NP31) | 1210150 |
| 10N41 | 21(2) | 06P22 | 4900501 | . | GXAD | 4900580 |
| 06P21 | 22(2) | 07P05 | 4900501 | . | GXAD | 4900570 |
| 05N37 | 23(2) | 06P24 | 7900150 | . | SXADD/1 | 7900135 |
| 06P23 | 24(2) | 06P39 | 7900150 | . | SXADD/1 | 7900130 |
| | 25(1) | 04Q50 | 7900135 | B | SXADD-3B | 7900135 |
| | 26(1) | 02Q50 | 7900130 | B | SXADD-3A | 7900130 |
| 05P21 | 27(1) | | 4900570 | B | GXAD-2 | 4900570 |
| | 28(1) | 02Q21 | 4900580 | B | GXAD-3 | 4900580 |
| 25N09 | 29(2) | 25N38 | 3690105 | . | NDIS | 4900570 |
| 10N09 | 30(2) | 06P31 | 3641100 | . | DG | 3403200 |
| 06P30 | 31(2) | 19Q38 | 3641100 | . | DG | 3403300 |
| | 32(0) | | | | | |
| 25N38 | 33(2) | 10Q44 | 3690105 | . | NDIS | 6911770 |
| 05P50 | 34(1) | | 7900125 | B | SXADD-2B | 7900125 |
| 03P50 | 35(1) | | 7900120 | B | SXADD-2A | 7900120 |
| 05P26 | 36(1) | | 6911770 | B | PRXNAND/2 | 6911770 |
| | 37(1) | 06P38 | 6911701 | . | PRXNAND | 6911770 |
| 06P37 | 38(2) | 08P05 | 6911701 | . | PRXNAND | 6911780 |
| 06P24 | 39(2) | 06P40 | 7900150 | . | SXADD/1 | 7900120 |
| 06P39 | 40(2) | 19P39 | 7900150 | . | SXADD/1 | 7900125 |
| | 41(1) | 02Q26 | 6911780 | B | PRXNAND/3 | 6911780 |
| 10N14 | 42(2) | 06P43 | 4900601 | . | GXAND | 4900680 |
| 06P42 | 43(2) | 08P21 | 4900601 | . | GXAND | 4900670 |
| | 44(1) | 02Q25 | 4900680 | B | GXAND-3 | 4900680 |
| 05P25 | 45(1) | | 4900670 | B | GXAND-2 | 4900670 |
| | 46(1) | 02P34 | 3403200 | B | CXMB-2 | 3403200 |
| | 47(1) | 02Q34 | 3403300 | B | CXMB-3 | 3403300 |
| | 48(0) | | | | | |
| 05P49 | 49(0) | 07P49 | 8301400 | | P4VP | 8301400 |
| | 50(0) | | | | | |
| 05P51 | 51(0) | 07P51 | 8303400 | | P8VP | 8303400 |

XDS 902306

XDS
XEROX DATA SYSTEMS

DRAWING NO.- 133264-939 AC
PROG-PNIND
TYPE-PIN INDEX

MODULE-07P
TYPE-FT22

39

10/27/71

| FROM | PIN (COUNT) | TO | SOURCE LINE NO. | ELEM. TYPE | SOURCE SIGNAL NAME | REFERENCE LINE NO. |
|-------|----------------|-------|--------------------|---------------|--------------------|-----------------------|
| | 00(0) | | | | | |
| 05P09 | 01(2) | 32P18 | 3200180 | . | CL-32P18 | 1160334 |
| 08P02 | 02(2) | 07P04 | 7900160 | -CON | NSXADD/1 | 7900164 |
| | 03(0) | | 4900502-1 | + | | 4900502 |
| 07P02 | 04(1) | | 7900160 | -CON | NSXADD/1 | 7900160 |
| 06P22 | 05(1) | | 4900501 | NFF | GXAD | 4900501 |
| 08N22 | 06(1) | | 6911300 | FF | NPRXAND | 6911300 |
| | 07(0) | | 6911301 | NFF | PRXAND | 6911301 |
| 09N05 | 08(1) | | 6911320 | . | N(S/PRXAND) | 6911302 |
| | 09(0) | | | | | |
| 09N41 | 10(2) | 07P23 | 7900400 | . | N(S/SXAPD/1) | 4900502 |
| | 11(0) | | 6911502-1 | + | | 6911504 |
| | 12(1) | 06N15 | 6911501 | NFF | PRXNAD | 6911501 |
| 32N14 | 13(2) | 09N12 | 6911520 | . | N(S/PRXNAD) | 6911502 |
| 08N21 | 14(1) | | 6911500 | FF | NPRXNAD | 6911500 |
| | 15(0) | | | | | |
| | 16(1) | 07P17 | 4791407 | -GND | GND2507 | 4791407 |
| 07P16 | 17(2) | 07P19 | 4791407 | . | GND2507 | 4900504 |
| | 18(0) | | 4904102-1 | + | | 4904102 |
| 07P17 | 19(2) | 07P20 | 4791407 | . | GND2507 | 6911304 |
| 07P19 | 20(2) | 07P37 | 4791407 | . | GND2507 | 6911504 |
| 06P13 | 21(1) | | 4904101 | NFF | GXNAD | 4904101 |
| | 22(0) | | | | | |
| 07P10 | 23(2) | 10P23 | 7900400 | . | N(S/SXAPD/1) | 4904107 |
| 31P41 | 24(2) | 13P13 | 4900530 | . | N(S/GXAD) | 4900502 |
| 31Q28 | 25(2) | 13P21 | 4904130 | . | N(S/GXNAD) | 4904102 |
| | 26(1) | 19P18 | 1170304 | NFF | NB17 | 1170304 |
| 02P33 | 27(2) | 09P05 | 1160300 | FF | B16 | 1160300 |
| | 28(1) | 19P17 | 1160304 | NFF | NB16 | 1160304 |
| | 29(1) | 19P30 | 1180304 | NFF | NB18 | 1180304 |
| 03P33 | 30(2) | 09P45 | 1180300 | FF | B18 | 1180300 |
| 02P47 | 31(2) | 09P17 | 1170300 | FF | B17 | 1170300 |
| | 32(0) | | | | | |
| 03P47 | 33(2) | 09P44 | 1190300 | FF | B19 | 1190300 |
| | 34(1) | 19P31 | 1190304 | NFF | NB19 | 1190304 |
| 03P44 | 35(2) | 10Q09 | 1194940 | . | P19-1 | 1190314 |
| 06Q11 | 36(2) | 08P36 | 2904520 | . | BXP-2 | 1160314 |
| 07P20 | 37(1) | | 4791407 | . | GND2507 | 1160316 |
| 06Q08 | 38(2) | 07P40 | 2900120 | . | BX-2 | 1190330 |
| | 39(1) | 09P38 | 1190310-1 | + | | 1190314 |
| 07P38 | 40(2) | 07P44 | 2900120 | . | BX-2 | 1180330 |
| | 41(1) | 09P11 | 1180310-1 | + | | 1180314 |
| 03P42 | 42(2) | 10Q15 | 1184940 | . | P18-1 | 1180314 |
| 13N15 | 43(2) | 02P44 | 1174940 | . | P17-1 | 1170314 |
| 07P40 | 44(2) | 07P45 | 2900120 | . | BX-2 | 1170330 |
| 07P44 | 45(2) | 08P38 | 2900120 | . | BX-2 | 1160330 |
| | 46(1) | 09P13 | 1170310-1 | + | | 1170314 |
| 13N45 | 47(2) | 02P42 | 1164940 | . | P16-1 | 1160314 |
| | 48(0) | | | | | |
| 06P49 | 49(0) | 08P49 | 8301400 | . | P4VP | 8301400 |
| | 50(1) | 09P18 | 1160310-1 | + | | 1160314 |
| 06P51 | 51(0) | 08P51 | 8303400 | . | P8VP | 8303400 |

XDS 902306

XDS
XEROX DATA SYSTEMS

DRAWING NO. - 133264-939 AC
PROG-PNIND MODULE-08P
TYPE-PIN INDEX TYPE-FT22

40

10/27/71

| FROM | PIN (COUNT) | TO | SOURCE LINE NO. | ELEM. TYPE | SOURCE SIGNAL NAME | REFERENCE LINE NO. |
|-------|----------------|-------|--------------------|---------------|--------------------|-----------------------|
| | 00(0) | | | | | |
| 08P14 | 01(1) | 11P01 | 3200190 | . | CL-32P19 | 1200334 |
| | 02(2) | 07P02 | 7900160 | -CON | NSXADD/1 | 7900162 |
| | 03(0) | | 6911702-1 | + | | 6911704 |
| | 04(1) | 20N40 | 6911700 | FF | NPRXNAND | 6911700 |
| 06P38 | 05(1) | | 6911701 | NFF | PRXNAND | 6911701 |
| 08N24 | 06(1) | | 6911100 | FF | NPRXAD | 6911100 |
| | 07(0) | | 6911101 | NFF | PRXAD | 6911101 |
| 32N17 | 08(2) | 09N04 | 6911120 | . | N(S/PRXAD) | 6911102 |
| | 09(0) | | | | | |
| 20N34 | 10(2) | 10P39 | 7900300 | . | N(S/SXAMD/1) | 4900602 |
| | 11(0) | | 1312752-1 | + | | 1312752 |
| 15N08 | 12(2) | 05Q38 | 1312751 | NFF | K31 | 1312751 |
| 32N36 | 13(2) | 13P03 | 1312770 | . | N(S/K31) | 1312752 |
| 20P09 | 14(2) | 08P02 | 7900160 | -CON | NSXADD/1 | 7900166 |
| | 15(0) | | | | | |
| | 16(1) | 08P17 | 4791408 | -GND | GND2508 | 4791408 |
| 08P16 | 17(2) | 08P19 | 4791408 | . | GND2508 | 4900604 |
| | 18(0) | | 4900602-1 | + | | 4900604 |
| 08P17 | 19(2) | 08P37 | 4791408 | . | GND2508 | 6911104 |
| 20N36 | 20(2) | 09N28 | 1312780 | . | N(S/K31/1) | 1312752 |
| 06P43 | 21(1) | | 4900601 | NFF | GXAND | 4900601 |
| | 22(0) | | | | | |
| | 23(0) | | | | | |
| 32N13 | 24(2) | 09N14 | 6911720 | . | N(S/PRXNAND) | 6911702 |
| 31Q25 | 25(2) | 13P20 | 4900630 | . | N(S/GXAND) | 4900602 |
| | 26(1) | 17N36 | 1210304 | NFF | NB21 | 1210304 |
| 04P33 | 27(2) | 09P35 | 1200300 | FF | B20 | 1200300 |
| | 28(0) | | 1200304 | NFF | NB20 | 1200304 |
| | 29(1) | 17N33 | 1220304 | NFF | NB22 | 1220304 |
| 05P33 | 30(2) | 09P04 | 1220300 | FF | B22 | 1220300 |
| 04P47 | 31(2) | 09P14 | 1210300 | FF | B21 | 1210300 |
| | 32(0) | | | | | |
| 05P47 | 33(2) | 09P36 | 1230300 | FF | B23 | 1230300 |
| | 34(1) | 20Q11 | 1230304 | NFF | NB23 | 1230304 |
| 05P44 | 35(2) | 10Q27 | 1234940 | . | P23-1 | 1230314 |
| 07P36 | 36(2) | 20P36 | 2904520 | . | BXP-2 | 1200314 |
| 08P19 | 37(1) | | 4791408 | . | GND2508 | 1200316 |
| 07P45 | 38(2) | 08P40 | 2900120 | . | BX-2 | 1230330 |
| | 39(1) | 09P06 | 1230310-1 | + | | 1230314 |
| 08P38 | 40(2) | 08P44 | 2900120 | . | BX-2 | 1220330 |
| | 41(1) | 09P42 | 1220310-1 | + | | 1220310 |
| 05P42 | 42(2) | 31Q40 | 1224940 | . | P22-1 | 1220314 |
| 13N18 | 43(2) | 04P44 | 1214940 | . | P21-1 | 1210314 |
| 08P40 | 44(2) | 08P45 | 2900120 | . | BX-2 | 1210330 |
| 08P44 | 45(2) | 29P27 | 2900120 | . | BX-2 | 1200330 |
| | 46(1) | 09P41 | 1210310-1 | + | | 1210310 |
| 04P42 | 47(2) | 10Q28 | 1204940 | . | P20-1 | 1200314 |
| | 48(0) | | | | | |
| 07P49 | 49(0) | 09P49 | 8301400 | . | P4VP | 8301400 |
| | 50(1) | 09P39 | 1200310-1 | + | | 1200310 |
| 07P51 | 51(0) | 09P51 | 8303400 | . | P8VP | 8303400 |

XDS 902306

XDS
XEROX DATA SYSTEMS

DRAWING NO. - 133264-939 AC
PROG-PNIND MODULE-09P
TYPE-PIN INDEX TYPE-GT12

41

10/27/71

| FROM | PIN (COUNT) | TO | SOURCE LINE NO. | ELEM. TYPE | SOURCE SIGNAL NAME | REFERENCE LINE NO. |
|-------|----------------|-------|--------------------|---------------|--------------------|-----------------------|
| | 00(0) | | | | | |
| 09Q01 | 01(2) | 18N21 | 2902160 | . | NBXPFP | 2902120 |
| 09Q02 | 02(2) | 18N18 | 2900690 | . | NBXHR2 | 2900720 |
| 09Q03 | 03(2) | 18N17 | 2900640 | . | NBXHR1 | 2900670 |
| 08P30 | 04(2) | 09Q08 | 1220300 | . | B22 | 2500092 |
| 07P27 | 05(2) | 27Q47 | 1160300 | . | B16 | 2500086 |
| 08P39 | 06(1) | | 1230310-1 | + | | 1230310 |
| 19N17 | 07(1) | | 1150300 | . | B15 | 1160310 |
| 18N12 | 08(2) | 13P08 | 1140300 | . | B14 | 1160312 |
| 04P17 | 09(2) | 16P14 | 1216500 | . | S21 | 1210312 |
| | 10(0) | | 2902120 | I | BXFP-2 | 2902120 |
| 07P41 | 11(1) | | 1180310-1 | + | | 1180310 |
| 09Q12 | 12(2) | 07N43 | 2905500 | . | NBXS | 2905520 |
| 07P46 | 13(1) | | 1170310-1 | + | | 1170310 |
| 08P31 | 14(2) | 17N29 | 1210300 | . | B21 | 2500090 |
| 18N15 | 15(2) | 09Q15 | 2500070 | I | B0031Z | 2500086 |
| | 16(0) | | 4791409 | -GND | GND2509 | 4791409 |
| 07P31 | 17(2) | 27Q43 | 1170300 | . | B17 | 2500086 |
| 07P50 | 18(1) | | 1160310-1 | + | | 1160310 |
| 05P19 | 19(2) | 16P04 | 1226500 | . | S22 | 1220312 |
| 02P17 | 20(2) | 16P17 | 1176500 | . | S17 | 1170312 |
| 01Q02 | 21(2) | 16P36 | 1236500 | . | S23 | 1230312 |
| 02P19 | 22(2) | 16P05 | 1166500 | . | S16 | 1160312 |
| 03P19 | 23(2) | 16P45 | 1186500 | . | S18 | 1180312 |
| 14N07 | 24(2) | 18P15 | 1212100 | . | FP21 | 1210316 |
| 03P17 | 25(2) | 16P44 | 1196500 | . | S19 | 1190312 |
| 14N06 | 26(2) | 18P19 | 1202100 | . | FP20 | 1200316 |
| 14N09 | 27(2) | 18P20 | 1232100 | . | FP23 | 1230316 |
| 14N05 | 28(2) | 18P25 | 1192100 | . | FP19 | 1190316 |
| 14N08 | 29(2) | 18P12 | 1222100 | . | FP22 | 1220316 |
| 14N03 | 30(2) | 18P33 | 1172100 | . | FP17 | 1170316 |
| 14N02 | 31(2) | 18P37 | 1162100 | . | FP16 | 1160316 |
| | 32(0) | | | | | |
| 04P19 | 33(2) | 16P35 | 1206500 | . | S20 | 1200312 |
| 14N04 | 34(2) | 18P30 | 1182100 | . | FP18 | 1180316 |
| 08P27 | 35(2) | 27Q25 | 1200300 | . | B20 | 2500090 |
| 08P33 | 36(2) | 09Q07 | 1230300 | . | B23 | 2500092 |
| | 37(0) | | 2900570 | I | BXBGND-2 | 2900570 |
| 07P39 | 38(1) | | 1190310-1 | + | | 1190310 |
| 08P50 | 39(1) | | 1200310-1 | + | | 1200310 |
| 09Q40 | 40(2) | 15N33 | 5917200 | I | LRXR | 5917200 |
| 08P46 | 41(1) | | 1210310-1 | + | | 1210310 |
| 08P41 | 42(1) | | 1220310-1 | + | | 1220310 |
| 09Q05 | 43(2) | 28Q47 | 1240300 | . | B24 | 1230310 |
| 07P33 | 44(2) | 20Q33 | 1190300 | . | B19 | 2500088 |
| 07P30 | 45(2) | 27Q42 | 1180300 | . | B18 | 2500088 |
| | 46(0) | | | | | |
| 09Q47 | 47(2) | 18N43 | 2900590 | . | NBXML1 | 2900620 |
| | 48(0) | | | | | |
| 08P49 | 49(0) | 10P49 | 8301400 | . | P4VP | 8301410 |
| 15N35 | 50(2) | 20P13 | 3315150 | . | CROSSEN | 5917200 |
| 08P51 | 51(0) | 10P51 | 8303400 | . | P8VP | 8303410 |

XDS 902306

XDS
XEROX DATA SYSTEMS

DRAWING NO. - 133264-939 AC
PROG-PNIND MODULE-10P
TYPE-PIN INDEX TYPE-LT13

42

10/27/71

| FROM | PIN (COUNT) | TO | SOURCE LINE NO. | ELEM. TYPE | SOURCE SIGNAL NAME | REFERENCE LINE NO. |
|-------|----------------|-------|--------------------|---------------|-----------------------|-----------------------|
| | 00(0) | | | | | |
| | 01(1) | 12P05 | 1160520 | I | NC16 | 1160520 |
| 10P04 | 02(2) | 12N11 | 4425500 | . | FUSF | 4413002 |
| 31Q50 | 03(2) | 11Q26 | 4375130 | . | FL3 | 4413002 |
| 10P09 | 04(2) | 10P02 | 4425500 | . | FUSF | 4413000 |
| 06P09 | 05(2) | 12P18 | 1160500 | . | C16 | 1160520 |
| | 06(0) | | | | | |
| 02P36 | 07(2) | 25P08 | 1164100 | . | MB16 | 1160520 |
| 05P34 | 08(2) | 13P07 | 3403200 | . | CXMB-2 | 1160520 |
| 32N08 | 09(2) | 10P04 | 4425500 | . | FUSF | 4413000 |
| 14N39 | 10(2) | 13Q22 | 4385900 | . | FNORM | 4413000 |
| 14P04 | 11(2) | 11Q03 | 1000100 | . | A0 | 4413000 |
| 32Q26 | 12(1) | | 4413000 | I | NFSHEX | 4413000 |
| | 13(1) | 21P45 | 7829030 | I | N(S/SPZ) | 7829032 |
| | 14(0) | | | | | |
| | 15(0) | | | | | |
| | 16(0) | | 4791410 | -GND | GND2510 | 4791410 |
| 32N41 | 17(2) | 13P17 | 4320620 | . | (FABYTE.PRE4.(BC=1)) | 7829035 |
| 32N42 | 18(2) | 13P19 | 4320600 | . | (FABYTE.PRE3.P32.P33) | 7829034 |
| | 19(0) | | | | | |
| | 20(0) | | | | | |
| 13N05 | 21(2) | 09N31 | 1081340 | . | ND8-1 | 7829032 |
| 17P43 | 22(2) | 13P22 | 4321250 | . | (FAHW.PRE4.(BC=1)) | 7829032 |
| 07P23 | 23(2) | 19P12 | 7900400 | I | N(S/SXAPD/1) | 7900400 |
| | 24(1) | 18N33 | 1316530 | B | S31/1 | 1316530 |
| 31Q13 | 25(2) | 12Q02 | 4375100 | . | FL1 | 1306530 |
| 32N27 | 26(2) | 10P35 | 6845675 | . | (S/PH6/10) | 1306530 |
| | 27(0) | | | | | |
| 09Q19 | 28(2) | 12P36 | 1306500 | . | S30 | 1306531 |
| 21N01 | 29(2) | 10P31 | 2500020 | . | B0001EN/1 | 1306531 |
| 16N14 | 30(2) | 12Q04 | 4375120 | . | FL2 | 1316530 |
| 10P29 | 31(1) | | 2500020 | . | B0001EN/1 | 1316530 |
| | 32(0) | | | | | |
| 09Q21 | 33(2) | 12P33 | 1316500 | . | S31 | 1316530 |
| | 34(0) | | | | | |
| 10P26 | 35(2) | 17P18 | 6845675 | . | (S/PH6/10) | 1316530 |
| | 36(1) | 18N31 | 1306530 | B | S30/1 | 1306530 |
| 26P34 | 37(1) | | 4425320 | B | (FUS.D22.ND23) | 4425320 |
| 20N06 | 38(2) | 20P12 | 6105000 | . | MIT/1 | 7900400 |
| 08P10 | 39(2) | 16Q50 | 7900300 | . | N(S/SXAMD/1) | 7900400 |
| 31P47 | 40(2) | 20N15 | 7900080 | . | N(S/SXA/1) | 7900400 |
| 32Q33 | 41(2) | 20P17 | 1231350 | . | ND23-1 | 4425320 |
| 32N18 | 42(2) | 11Q20 | 3060101 | . | NCC1 | 3079000 |
| 16N15 | 43(2) | 12Q26 | 3060201 | . | NCC2 | 3079000 |
| 12Q29 | 44(1) | | 3060301 | . | NCC3 | 3079000 |
| 32Q25 | 45(2) | 12Q34 | 3060401 | . | NCC4 | 3079000 |
| 06P08 | 46(1) | | 1221300 | . | D22 | 4425320 |
| | 47(1) | 12P10 | 3079000 | B | CCZ | 3079000 |
| | 48(0) | | | | | |
| 09P49 | 49(0) | 11P49 | 8301400 | . | P4VP | 8301410 |
| 06P14 | 50(2) | 13P05 | 4425150 | . | FUS | 4425320 |
| 09P51 | 51(0) | 11P51 | 8303400 | . | P8VP | 8303410 |

| FROM | PIN (COUNT) | TO | SOURCE LINE NO. | ELEM. TYPE | SOURCE SIGNAL NAME | REFERENCE LINE NO. |
|-------|----------------|-------|--------------------|---------------|--------------------|-----------------------|
| | 00(0) | | | | | |
| 08P01 | 01(2) | 32P19 | 3200190 | . | CL-32P19 | 2260009 |
| 18N22 | 02(2) | 18P39 | 4410100 | FF | FS | 4410100 |
| | 03(1) | 12P30 | 4460102-1 | + | | 4460102 |
| | 04(1) | 18P35 | 4460100 | FF | FZ | 4460100 |
| | 05(1) | 24N18 | 4460101 | NFF | NFZ | 4460101 |
| | 06(0) | | 1313720 | FF | NLR31F | 1313720 |
| | 07(1) | 26P43 | 1313721 | NFF | LR31F | 1313721 |
| | 08(1) | 11P16 | 4791411 | . | GND2511 | 1313722 |
| | 09(0) | | | | | |
| 11P45 | 10(2) | 12P11 | 6927000 | . | PSW1XS | 4385002 |
| | 11(1) | 12P34 | 4385002-1 | + | | 4385002 |
| | 12(0) | | 4385001 | NFF | NFNF | 4385001 |
| 12N07 | 13(2) | 24P04 | 1076500 | . | S7 | 4385002 |
| 10N31 | 14(2) | 18P31 | 4385000 | FF | FNF | 4385000 |
| 11P22 | 15(2) | 13P15 | 4334130 | . | (FCXS+PSW1XS) | 4385007 |
| 11P08 | 16(2) | 11P17 | 4791411 | -GND | GND2511 | 4791411 |
| 11P16 | 17(2) | 11P20 | 4791411 | . | GND2511 | 4410102 |
| | 18(1) | 12P38 | 4410102-1 | + | | 4410102 |
| 10N50 | 19(2) | 13P01 | 1313730 | . | N(S/LR31) | 1313722 |
| 11P17 | 20(2) | 11P37 | 4791411 | . | GND2511 | 4385002 |
| | 21(0) | | 4410101 | NFF | NFS | 4410101 |
| 11P23 | 22(2) | 11P15 | 4334130 | . | (FCXS+PSW1XS) | 4460107 |
| 31Q24 | 23(2) | 11P22 | 4334130 | . | (FCXS+PSW1XS) | 4410107 |
| 12N06 | 24(2) | 13P24 | 1066500 | . | S6 | 4460102 |
| 12N50 | 25(2) | 13P25 | 1056500 | . | S5 | 4410102 |
| | 26(0) | | 7829001 | NFF | NSPZ | 7829001 |
| 18P27 | 27(1) | | 2260000 | FF | AM | 2260000 |
| | 28(0) | | 2260001 | NFF | NAM | 2260001 |
| 20N41 | 29(1) | | 7828801 | NFF | NSPW | 7828801 |
| 14N33 | 30(1) | | 7828800 | FF | SPW | 7828800 |
| 25N41 | 31(2) | 10N15 | 7829100 | -CON | (SPZ.NDIS) | 7829100 |
| | 32(0) | | | | | |
| | 33(1) | 30P21 | 2405280 | FF | NAXRR | 2405280 |
| 19P37 | 34(1) | | 2405281 | NFF | AXRR | 2405281 |
| 32Q15 | 35(2) | 13P34 | 2405350 | . | N(S/AXRR) | 2405282 |
| | 36(0) | | | | | |
| 11P20 | 37(2) | 11P47 | 4791411 | . | GND2511 | 2260003 |
| | 38(0) | | | | | |
| | 39(0) | | 2405282-1 | + | | 2405282 |
| | 40(0) | | | | | |
| | 41(1) | 12P17 | 7828802-1 | + | | 7828802 |
| 17P44 | 42(1) | | 7828820 | . | (S/SPW) | 7828802 |
| 20P26 | 43(2) | 13P40 | 7829020 | . | (S/SPZ) | 7829002 |
| | 44(0) | | | | | |
| 31P28 | 45(2) | 11P10 | 6927000 | . | PSW1XS | 2260007 |
| | 46(1) | 12P04 | 7829002-1 | + | | 7829002 |
| 11P37 | 47(1) | | 4791411 | . | GND2511 | 2260003 |
| | 48(0) | | | | | |
| 10P49 | 49(0) | 12P49 | 8301400 | . | P4VP | 8301410 |
| | 50(1) | 12P13 | 2260002-1 | + | | 2260003 |
| 10P51 | 51(0) | 12P51 | 8303400 | . | P8VP | 8303410 |

XDS 902306

XDS
XEROX DATA SYSTEMS

DRAWING NO.- 133264-939 AC
PROG-PNIND MODULE-12P
TYPE-PIN INDEX TYPE-GT11

44

10/27/71

| FROM | PIN (COUNT) | TO | SOURCE LINE NO. | ELEM. TYPE | SOURCE SIGNAL NAME | REFERENCE LINE NO. |
|-------|----------------|-------|--------------------|---------------|--------------------|-----------------------|
| | 00(0) | | | | | |
| 12N36 | 01(1) | | 1044202-1 | + | | 1044206 |
| 12N12 | 02(1) | | 1074202-1 | + | | 1074206 |
| 32N29 | 03(2) | 19N33 | 1074225 | . | (S/MC7) | 1074206 |
| 11P46 | 04(1) | | 7829002-1 | + | | 7829004 |
| 10P01 | 05(2) | 13P42 | 1160520 | . | NC16 | 7829004 |
| 32N40 | 06(2) | 13P06 | 4321230 | . | (FAHW.PRE3.P32) | 7828804 |
| | 07(0) | | | | | |
| 11N12 | 08(1) | | 1034202-1 | + | | 1034207 |
| 12N35 | 09(2) | 11Q11 | 2401050 | . | AXCC | 1034207 |
| 10P47 | 10(2) | 11Q12 | 3079000 | . | CCZ | 1034207 |
| 11P10 | 11(2) | 19Q18 | 6927000 | . | PSW1XS | 2260002 |
| 13P12 | 12(2) | 05N44 | 1116500 | . | S11 | 2260002 |
| 11P50 | 13(1) | | 2260002-1 | + | | 2260002 |
| 31Q11 | 14(2) | 28N23 | 4421480 | . | FUMH | 1044206 |
| | 15(0) | | | | | |
| | 16(0) | | 4791412 | -GND | GND2512 | 4791412 |
| 11P41 | 17(1) | | 7828802-1 | + | | 7828804 |
| 10P05 | 18(2) | 13P18 | 1160500 | . | C16 | 7828804 |
| | 19(0) | | | | | |
| | 20(0) | | | | | |
| 19P40 | 21(2) | 11N35 | 6902328 | . | PRE3-H | 1044206 |
| 32N37 | 22(2) | 13P11 | 5339000 | . | K00HOLD | 4375136 |
| 17P23 | 23(2) | 11Q04 | 1002755 | . | K00 | 4375136 |
| | 24(0) | | | | | |
| 09Q15 | 25(2) | 17P37 | 2500070 | . | B0031Z | 4375134 |
| 16P15 | 26(2) | 23N19 | 7501550 | . | S1631Z | 4375134 |
| 19P23 | 27(2) | 13P44 | 7500800 | . | S0815Z | 4375134 |
| 13Q20 | 28(2) | 17N14 | 4425670 | . | FUSF/1 | 4375134 |
| | 29(1) | 12Q11 | 4375132-1 | + | | 4375134 |
| 11P03 | 30(1) | | 4460102-1 | + | | 4460104 |
| | 31(0) | | | | | |
| | 32(0) | | | | | |
| 10P33 | 33(2) | 12P50 | 1316500 | . | S31 | 4385004 |
| 11P11 | 34(1) | | 4385002-1 | + | | 4385004 |
| 31Q23 | 35(2) | 13P23 | 4334100 | . | FCXS | 4385004 |
| 10P28 | 36(2) | 12P41 | 1306500 | . | S30 | 4460104 |
| | 37(0) | | | | | |
| 11P18 | 38(1) | | 4410102-1 | + | | 4410104 |
| 09Q09 | 39(2) | 16Q14 | 1296500 | . | S29 | 4410104 |
| | 40(1) | 12Q18 | 4375102-1 | + | | 4375104 |
| 12P36 | 41(2) | 16Q04 | 1306500 | . | S30 | 4375104 |
| 21N30 | 42(2) | 13P43 | 6104900 | . | MIT | 4375104 |
| | 43(0) | | | | | |
| 11N36 | 44(1) | | 1004202-1 | + | | 1004209 |
| 23N46 | 45(2) | 18N34 | 4421630 | . | (FUMSP.PH1/F) | 1004209 |
| | 46(0) | | | | | |
| | 47(1) | 12Q03 | 4375122-1 | + | | 4375124 |
| | 48(0) | | | | | |
| 11P49 | 49(0) | 13P49 | 8301400 | . | P4VP | 8301410 |
| 12P33 | 50(2) | 16Q36 | 1316500 | . | S31 | 4375124 |
| 11P51 | 51(0) | 13P51 | 8303400 | . | P8VP | 8303410 |

XDS 902306

XDS
XEROX DATA SYSTEMS

DRAWING NO.- 133264-939 AC
PROG-PNIND
TYPE-PIN INDEX

MODULE-13P
TYPE-XT10

45

10/27/71

| FROM | PIN (COUNT) | TO | SOURCE LINE NO. | ELEM. TYPE | SOURCE SIGNAL NAME | REFERENCE LINE NO. |
|-------|----------------|-------|--------------------|---------------|-------------------------|-----------------------|
| | 00(0) | | | | | |
| 11P19 | 01(1) | | 1313730 | T | N(S/LR31) | 1313728 |
| | 02(1) | 14P02 | 2400120 | T | AX/2 | 2400120 |
| 08P13 | 03(1) | | 1312770 | T | N(S/K31) | 1312770 |
| 11Q37 | 04(1) | | 4425400 | T | FUS/1 | 4425400 |
| 10P50 | 05(1) | | 4425150 | T | FUS | 4425150 |
| 12P06 | 06(1) | | 4321230 | T | (FAHW.PRE3.P32) | 4321230 |
| 10P08 | 07(1) | | 3403200 | T | CXMB-2 | 3403200 |
| 09P08 | 08(1) | | 1140300 | T | B14 | 1140300 |
| 15P08 | 09(1) | | 2400420 | T | AXAR16 | 2400420 |
| 12Q15 | 10(1) | | 4375150 | T | (R/FL3) | 4375150 |
| 12P22 | 11(1) | | 5339000 | T | K00HOLD | 5339000 |
| | 12(1) | 12P12 | 1116500 | T | S11 | 1116500 |
| 07P24 | 13(1) | | 4900530 | T | N(S/GXAD) | 4900530 |
| 13Q08 | 14(1) | | 3060412 | T | (S/CC4/2) | 3060412 |
| 11P15 | 15(1) | | 4334130 | T | (FCXS+PSW1XS) | 4334130 |
| | 16(0) | | 4791413 | -GND | GND2513 | 4791413 |
| 10P17 | 17(1) | | 4320620 | T | (FABYTE.PRE4.(BC=1)) | 4320620 |
| 12P18 | 18(1) | | 1160500 | T | C16 | 1160500 |
| 10P18 | 19(1) | | 4320600 | T | (FABYTE.PRE3.P32.P33) | 4320600 |
| 08P25 | 20(1) | | 4900630 | T | N(S/GXAND) | 4900630 |
| 07P25 | 21(1) | | 4904130 | T | N(S/GXNAD) | 4904130 |
| 10P22 | 22(1) | | 4321250 | T | (FAHW.PRE4.(BC=1)) | 4321250 |
| 12P35 | 23(1) | | 4334100 | T | FCXS | 4334100 |
| 11P24 | 24(1) | | 1066500 | T | S6 | 1066500 |
| 11P25 | 25(1) | | 1056500 | T | S5 | 1056500 |
| 14P46 | 26(1) | | 4324714 | T | (FAST.PH1/E.SW6) | 4324714 |
| 13Q23 | 27(1) | | 4320960 | T | (FACOMP/L.PH2) | 4320960 |
| 13Q31 | 28(1) | | 3078530 | T | CCXS/3 | 3078530 |
| 13Q33 | 29(1) | | 3078500 | T | CCXS/0 | 3078500 |
| 12Q35 | 30(1) | | 3060410 | T | (S/CC4/1) | 3060410 |
| 12Q42 | 31(1) | | 3060310 | T | (S/CC3/1) | 3060310 |
| | 32(0) | | | | | |
| 01Q03 | 33(1) | | 3077000 | T | CC1XK23 | 3077000 |
| 11P35 | 34(1) | | 2405350 | T | N(S/AXRR) | 2405350 |
| 14Q08 | 35(1) | | 2401140 | T | AXFC | 2401140 |
| 05P41 | 36(1) | | 7901120 | T | SXC-2 | 7901120 |
| 05P45 | 37(1) | | 7900520 | T | SXB-2 | 7900520 |
| | 38(1) | 14P38 | 2401120 | T | AXD10-2 | 2401120 |
| | 39(1) | 14P39 | 2405320 | T | AXRR/2 | 2405320 |
| 11P43 | 40(1) | | 7829020 | T | (S/SPZ) | 7829020 |
| 19P10 | 41(1) | | 2001680 | T | (A16.GXNAD+NA16.PRXNAD) | 2001680 |
| 12P05 | 42(1) | | 1160520 | T | NC16 | 1160520 |
| 12P42 | 43(1) | | 6104900 | T | MIT | 6104900 |
| 12P27 | 44(1) | | 7500800 | T | S0815Z | 7500800 |
| 11Q50 | 45(1) | | 7501500 | T | (S15-S16) | 7501500 |
| 11Q40 | 46(1) | | 7500300 | T | N(S0016Z+S0016W) | 7500300 |
| 20P13 | 47(1) | | 3315150 | T | CROSSEN | 3315150 |
| | 48(0) | | | | | |
| 12P49 | 49(0) | 14P49 | 8301400 | | P4VP | 8301410 |
| 11Q05 | 50(1) | | 3060180 | T | CC1XK00 | 3060180 |
| 12P51 | 51(0) | 14P51 | 8303400 | | P8VP | 8303410 |

XDS 902306



DRAWING NO.- 133264-939 AC
 PROG-PNIND MODULE-14P
 TYPE-PIN INDEX TYPE-FT17

46

10/27/71

| FROM | PIN (COUNT) | TO | SOURCE LINE NO. | ELEM. TYPE | SOURCE SIGNAL NAME | REFERENCE LINE NO. |
|-------|----------------|-------|--------------------|---------------|--------------------|-----------------------|
| | 00(0) | | | | | |
| 15P01 | 01(1) | | 3200330 | . | CL-32P33 | 1160134 |
| 13P02 | 02(2) | 15P02 | 2400120 | . | AX/2 | 1160130 |
| 18N07 | 03(2) | 16Q34 | 1020100 | . | A2 | 1180118 |
| 17P31 | 04(2) | 10P11 | 1000100 | . | A0 | 1160118 |
| 18N08 | 05(2) | 16Q28 | 1030100 | . | A3 | 1190118 |
| 18N06 | 06(2) | 11Q38 | 1010100 | . | A1 | 1170118 |
| | 07(0) | | | | | |
| 13N27 | 08(2) | 15P08 | 2400420 | . | AXAR16 | 1160118 |
| | 09(1) | 14P16 | 4791414 | . | GND2514 | 1170118 |
| | 10(0) | | | | | |
| | 11(0) | | | | | |
| | 12(1) | 16P18 | 1160110-1 | + | | 1160110 |
| | 13(0) | | | | | |
| | 14(0) | | | | | |
| | 15(0) | | | | | |
| 14P09 | 16(2) | 14P18 | 4791414 | -GND | GND2514 | 4791414 |
| | 17(0) | | | | | |
| 14P16 | 18(2) | 14P33 | 4791414 | . | GND2514 | 1160120 |
| 02P24 | 19(1) | | 1170100 | FF | A17 | 1170100 |
| | 20(0) | | | | | |
| | 21(0) | | 1170104 | NFF | NA17 | 1170104 |
| | 22(0) | | 1190104 | NFF | NA19 | 1190104 |
| 02P18 | 23(1) | | 1160100 | FF | A16 | 1160100 |
| 10Q03 | 24(2) | 03P39 | 1186300 | . | RR18 | 1180116 |
| | 25(1) | 06N17 | 1160104 | NFF | NA16 | 1160104 |
| 10Q01 | 26(2) | 02P39 | 1166300 | . | RR16 | 1160116 |
| 03P24 | 27(1) | | 1190100 | FF | A19 | 1190100 |
| | 28(1) | 16P13 | 1170110-1 | + | | 1170110 |
| | 29(0) | | 1180104 | NFF | NA18 | 1180104 |
| | 30(0) | | | | | |
| 03P18 | 31(1) | | 1180100 | FF | A18 | 1180100 |
| | 32(0) | | | | | |
| 14P18 | 33(2) | 14P43 | 4791414 | . | GND2514 | 1160122 |
| | 34(1) | 21Q27 | 1161510 | . | DI016/1 | 1160116 |
| | 35(1) | 16P38 | 1190110-1 | + | | 1190116 |
| 10Q04 | 36(2) | 03P35 | 1196300 | . | RR19 | 1190116 |
| | 37(1) | 16P11 | 1180110-1 | + | | 1180116 |
| 13P38 | 38(2) | 15P38 | 2401120 | . | AXD10-2 | 1160116 |
| 13P39 | 39(2) | 15P39 | 2405320 | . | AXRR/2 | 1160116 |
| 10Q02 | 40(2) | 02P35 | 1176300 | . | RR17 | 1170116 |
| 16P10 | 41(1) | | 2400320 | . | AXAL8-2 | 1160118 |
| | 42(1) | 21Q31 | 1171510 | . | DI017/1 | 1170116 |
| 14P33 | 43(2) | 14P44 | 4791414 | . | GND2514 | 1190120 |
| 14P43 | 44(2) | 14P50 | 4791414 | . | GND2514 | 1170120 |
| | 45(1) | 21Q33 | 1191510 | . | DI019/1 | 1190116 |
| 32Q06 | 46(2) | 13P26 | 4324714 | . | (FAST.PH1/E.SW6) | 1160118 |
| | 47(1) | 21Q30 | 1181510 | . | DI018/1 | 1180116 |
| | 48(0) | | | | | |
| 13P49 | 49(0) | 15P49 | 8301400 | . | P4VP | 8301410 |
| 14P44 | 50(1) | | 4791414 | . | GND2514 | 1180120 |
| 13P51 | 51(0) | 15P51 | 8303400 | . | P8VP | 8303410 |

XDS 902306

XDS
XEROX DATA SYSTEMS

DRAWING NO.- 133264-939 AC
PROG-PNIND MODULE-15P
TYPE-PIN INDEX TYPE-FT17

47

10/27/71

| FROM | PIN (COUNT) | TO | SOURCE LINE NO. | ELEM. TYPE | SOURCE SIGNAL NAME | REFERENCE LINE NO. |
|-------|----------------|-------|--------------------|---------------|--------------------|-----------------------|
| | 00(0) | | | | | |
| 15Q01 | 01(2) | 14P01 | 3200330 | . | CL-32P33 | 1200134 |
| 14P02 | 02(2) | 29P45 | 2400120 | . | AX/2 | 1200130 |
| 24N02 | 03(2) | 16Q29 | 1060100 | . | A6 | 1220118 |
| 18N09 | 04(2) | 16Q26 | 1040100 | . | A4 | 1200118 |
| 18N11 | 05(2) | 16Q27 | 1070100 | . | A7 | 1230118 |
| 18N10 | 06(2) | 16Q24 | 1050100 | . | A5 | 1210118 |
| | 07(0) | | | | | |
| 14P08 | 08(2) | 13P09 | 2400420 | . | AXAR16 | 1200118 |
| | 09(1) | 15P16 | 4791415 | . | GND2515 | 1200120 |
| | 10(0) | | | | | |
| 06P19 | 11(2) | 19N37 | 1220150 | . | A22L | 1220118 |
| | 12(1) | 16P39 | 1200110-1 | + | | 1200116 |
| 06P18 | 13(2) | 22P13 | 1210150 | . | A21L | 1210118 |
| 06P05 | 14(2) | 19N45 | 1230150 | . | A23L | 1230118 |
| | 15(0) | | | | | |
| 15P09 | 16(2) | 15P20 | 4791415 | -GND | GND2515 | 4791415 |
| | 17(0) | | | | | |
| 13N17 | 18(2) | 14Q18 | 2403430 | . | AXLOAD-3 | 1200118 |
| 04P24 | 19(1) | | 1210100 | FF | A21 | 1210100 |
| 15P16 | 20(2) | 15P33 | 4791415 | . | GND2515 | 1200118 |
| | 21(0) | | 1210104 | NFF | NA21 | 1210104 |
| | 22(0) | | 1230104 | NFF | NA23 | 1230104 |
| 04P18 | 23(1) | | 1200100 | FF | A20 | 1200100 |
| 10Q07 | 24(2) | 05P39 | 1226300 | . | RR22 | 1220116 |
| | 25(0) | | 1200104 | NFF | NA20 | 1200104 |
| 10Q05 | 26(2) | 04P39 | 1206300 | . | RR20 | 1200116 |
| 05P24 | 27(1) | | 1230100 | FF | A23 | 1230100 |
| | 28(1) | 16P41 | 1210110-1 | + | | 1210122 |
| | 29(0) | | 1220104 | NFF | NA22 | 1220104 |
| | 30(0) | | | | | |
| 05P18 | 31(1) | | 1220100 | FF | A22 | 1220100 |
| | 32(0) | | | | | |
| 15P20 | 33(2) | 15P41 | 4791415 | . | GND2515 | 1200122 |
| | 34(1) | 21Q02 | 1201510 | . | D1020/1 | 1200116 |
| | 35(1) | 16P06 | 1230110-1 | + | | 1230122 |
| 10Q08 | 36(2) | 05P35 | 1236300 | . | RR23 | 1230116 |
| | 37(1) | 16P42 | 1220110-1 | + | | 1220118 |
| 14P38 | 38(2) | 29P15 | 2401120 | . | AXD10-2 | 1200116 |
| 14P39 | 39(2) | 20P46 | 2405320 | . | AXRR/2 | 1200116 |
| 10Q06 | 40(2) | 04P35 | 1216300 | . | RR21 | 1210116 |
| 15P33 | 41(1) | | 4791415 | . | GND2515 | 1200120 |
| | 42(1) | 21Q04 | 1211510 | . | D1021/1 | 1210116 |
| | 43(0) | | | | | |
| | 44(0) | | | | | |
| | 45(1) | 21Q06 | 1231510 | . | D1023/1 | 1230116 |
| | 46(0) | | | | | |
| | 47(1) | 21Q14 | 1221510 | . | D1022/1 | 1220116 |
| | 48(0) | | | | | |
| 14P49 | 49(0) | 16P49 | 8301400 | | P4VP | 8301410 |
| | 50(0) | | | | | |
| 14P51 | 51(0) | 16P51 | 8303400 | | P8VP | 8303410 |

XDS 902306

XDS
XEROX DATA SYSTEMS

DRAWING NO. - 133264-939 AC
PROG-PNIND
TYPE-PIN INDEX

48

MODULE-16P
TYPE-GT12

10/27/71

| FROM | PIN (COUNT) | TO | SOURCE LINE NO. | ELEM. TYPE | SOURCE SIGNAL NAME | REFERENCE LINE NO. |
|-------|----------------|-------|--------------------|---------------|--------------------|-----------------------|
| | 00(0) | | | | | |
| 30P18 | 01(2) | 14N26 | 2400200 | . | NAXAL8 | 2400320 |
| 16Q02 | 02(2) | 05N05 | 2405700 | . | NAXSR2 | 2405670 |
| 16Q03 | 03(2) | 05N03 | 2405590 | . | NAXSR1 | 2405620 |
| 09P19 | 04(2) | 18P11 | 1226500 | . | S22 | 1210112 |
| 09P22 | 05(2) | 17P06 | 1166500 | . | S16 | 1160112 |
| 15P35 | 06(1) | | 1230110-1 | + | | 1230114 |
| 05N35 | 07(2) | 17P13 | 1156500 | . | S15 | 1160114 |
| 30P40 | 08(2) | 05N04 | 1146500 | . | S14 | 1160114 |
| 18P08 | 09(1) | | 1213050 | . | KS21 | 1210110 |
| | 10(1) | 14P41 | 2400320 | I | AXAL8-2 | 2400320 |
| 14P37 | 11(1) | | 1180110-1 | + | | 1180110 |
| 05N15 | 12(2) | 16Q12 | 2403010 | . | NAXK | 2403120 |
| 14P28 | 13(1) | | 1170110-1 | + | | 1170110 |
| 09P09 | 14(2) | 18P14 | 1216500 | . | S21 | 1200112 |
| 16Q15 | 15(2) | 12P26 | 7501550 | I | S1631Z | 7501550 |
| | 16(0) | | 4791416 | -GND | GND2516 | 4791416 |
| 09P20 | 17(2) | 18P34 | 1176500 | . | S17 | 1160112 |
| 14P12 | 18(1) | | 1160110-1 | + | | 1160112 |
| 18P09 | 19(1) | | 1223050 | . | KS22 | 1220110 |
| 18P02 | 20(1) | | 1173050 | . | KS17 | 1170110 |
| 18P42 | 21(1) | | 1233050 | . | KS23 | 1230110 |
| 18P01 | 22(1) | | 1163050 | . | KS16 | 1160110 |
| 18P03 | 23(1) | | 1183050 | . | KS18 | 1180110 |
| 04Q24 | 24(2) | 15Q19 | 1290100 | . | A29 | 1210110 |
| 18P04 | 25(1) | | 1193050 | . | KS19 | 1190110 |
| 04Q18 | 26(2) | 15Q23 | 1280100 | . | A28 | 1200110 |
| 29N33 | 27(2) | 05Q24 | 1310100 | . | A31 | 1230110 |
| 14Q27 | 28(1) | | 1270100 | . | A27 | 1190110 |
| 05Q18 | 29(2) | 15Q31 | 1300100 | . | A30 | 1220110 |
| 02Q24 | 30(2) | 14Q19 | 1250100 | . | A25 | 1170110 |
| 02Q18 | 31(2) | 14Q23 | 1240100 | . | A24 | 1160110 |
| | 32(0) | | | | | |
| 18P07 | 33(1) | | 1203050 | . | KS20 | 1200110 |
| | 34(1) | 03Q18 | 1260100 | . | A26 | 1180110 |
| 09P33 | 35(2) | 18P18 | 1206500 | . | S20 | 1190112 |
| 09P21 | 36(2) | 16Q07 | 1236500 | . | S23 | 1220112 |
| | 37(0) | | 2405520 | I | AXS-2 | 2405520 |
| 14P35 | 38(1) | | 1190110-1 | + | | 1190110 |
| 15P12 | 39(1) | | 1200110-1 | + | | 1200110 |
| | 40(1) | 32Q14 | 2001600 | I | (A16-K16) | 2001600 |
| 15P28 | 41(1) | | 1210110-1 | + | | 1210110 |
| 15P37 | 42(1) | | 1220110-1 | + | | 1220110 |
| 16Q05 | 43(2) | 23P40 | 1246500 | . | S24 | 1230112 |
| 09P25 | 44(2) | 18P26 | 1196500 | . | S19 | 1180112 |
| 09P23 | 45(2) | 18P28 | 1186500 | . | S18 | 1170112 |
| 16Q46 | 46(2) | 18N44 | 2405480 | . | NAXS | 2405520 |
| 16Q47 | 47(2) | 05N41 | 2405540 | . | NAXSL1 | 2405570 |
| | 48(0) | | | | | |
| 15P49 | 49(0) | 17P49 | 8301400 | . | P4VP | 8301420 |
| 19P01 | 50(2) | 30P38 | 2001650 | . | N(A16-K16) | 2001600 |
| 15P51 | 51(0) | 17P51 | 8303400 | . | P8VP | 8303420 |

| FROM | PIN (COUNT) | TO | SOURCE LINE NO. | ELEM. TYPE | SOURCE SIGNAL NAME | REFERENCE LINE NO. |
|-------|----------------|-------|--------------------|---------------|-------------------------|-----------------------|
| | 00(0) | | | | | |
| | 01(1) | 18N03 | 1002775 | B | K00/1 | 1002775 |
| | 02(1) | 18N04 | 1002780 | B | K000 | 1002780 |
| | 03(1) | 19P01 | 2001650 | B | N(A16-K16) | 2001650 |
| | 04(1) | 19P02 | 7501500 | B | (S15-S16) | 7501500 |
| | 05(0) | | | | | |
| 16P05 | 06(2) | 18P38 | 1166500 | . | S16 | 7501500 |
| | 07(0) | | | | | |
| 19P11 | 08(2) | 17N26 | 1162750 | . | K16 | 2001650 |
| | 09(0) | | | | | |
| | 10(0) | | | | | |
| 06N14 | 11(2) | 19P10 | 2001680 | . | (A16.GXNAD+NA16.PRXNAD) | 2001650 |
| | 12(0) | | | | | |
| 16P07 | 13(2) | 19P03 | 1156500 | . | S15 | 7501500 |
| | 14(0) | | | | | |
| | 15(0) | | | | | |
| | 16(0) | | 4791417 | -GND | GND2517 | 4791417 |
| 18N02 | 17(2) | 22P17 | 1002450 | . | G00 | 1002781 |
| 10P35 | 18(2) | 22P18 | 6845675 | . | (S/PH6/10) | 1002776 |
| 23N38 | 19(2) | 28Q08 | 1310300 | . | B31 | 1002776 |
| 15Q44 | 20(2) | 20N09 | 3060200 | . | CC2 | 1002775 |
| 11N19 | 21(1) | | 1024200 | . | MC2 | 1002775 |
| | 22(0) | | | | | |
| 19P25 | 23(2) | 12P23 | 1002755 | . | K00 | 1002780 |
| 18N05 | 24(2) | 22P24 | 1005480 | . | PR00 | 1002780 |
| 13N10 | 25(2) | 22P25 | 4425260 | . | NFUS-1 | 1000050 |
| 26P38 | 26(2) | 17P31 | 1000100 | . | A0 | 1000050 |
| 04Q12 | 27(1) | | 1211300 | . | D21 | 1000051 |
| 26P20 | 28(2) | 19Q06 | 1294902 | . | NP29 | 1060150 |
| | 29(0) | | | | | |
| 26P10 | 30(2) | 19Q02 | 6803010 | . | (NP30.P31) | 1060150 |
| 17P26 | 31(2) | 14P04 | 1000100 | . | A0 | 1000051 |
| | 32(0) | | | | | |
| 18N39 | 33(2) | 21P42 | 7824100 | . | SPIM | 7828820 |
| 16N31 | 34(2) | 04P13 | 1121300 | . | D12 | 7828820 |
| | 35(0) | | | | | |
| 26P19 | 36(2) | 19Q14 | 6803000 | . | (P30.NP31) | 1060150 |
| 12P25 | 37(2) | 22P37 | 2500070 | . | B0031Z | 7503200 |
| 22P38 | 38(2) | 17P40 | 7890101 | . | NSW0 | 7503200 |
| 32Q04 | 39(2) | 22P03 | 8022252 | . | NTESTS/1 | 7503200 |
| 17P38 | 40(2) | 19Q17 | 7890101 | . | NSW0 | 7503200 |
| | 41(0) | | | | | |
| 18N50 | 42(2) | 13N02 | 1081300 | . | D8 | 7828820 |
| 31Q20 | 43(2) | 10P22 | 4321250 | . | (FAHW.PRE4.(BC=1)) | 7828820 |
| | 44(1) | 11P42 | 7828820 | B | (S/SPW) | 7828820 |
| | 45(1) | 23N21 | 7503200 | B | S3263Z | 7503200 |
| | 46(1) | 29N01 | 1000050 | B | A00 | 1000050 |
| | 47(1) | 14N01 | 1060150 | B | A6L | 1060150 |
| | 48(0) | | | | | |
| 16P49 | 49(0) | 18P49 | 8301400 | | P4VP | 8301420 |
| | 50(0) | | | | | |
| 16P51 | 51(0) | 18P51 | 8303400 | | P8VP | 8303420 |

XDS 902306

XDS
XEROX DATA SYSTEMS

DRAWING NO.- 133264-939 AC
PROG-PNIND
TYPE-PIN INDEX

MODULE-18P
TYPE-AT21

50

10/27/71

| FROM | PIN (COUNT) | TO | SOURCE LINE NO. | ELEM. TYPE | SOURCE SIGNAL NAME | REFERENCE LINE NO. |
|-------|----------------|-------|--------------------|---------------|--------------------|-----------------------|
| | 00(0) | | | | | |
| | 01(1) | 16P22 | 1163050 | -NS | KS16 | 1163050 |
| | 02(1) | 16P20 | 1173050 | -NS | KS17 | 1173050 |
| | 03(1) | 16P23 | 1183050 | -NS | KS18 | 1183050 |
| | 04(1) | 16P25 | 1193050 | -NS | KS19 | 1193050 |
| | 05(0) | | | | | |
| 31N40 | 06(2) | 15Q07 | 1064280 | . | MFL6 | 1064290 |
| | 07(1) | 16P33 | 1203050 | -NS | KS20 | 1203050 |
| | 08(1) | 16P09 | 1213050 | -NS | KS21 | 1213050 |
| | 09(1) | 16P19 | 1223050 | -NS | KS22 | 1223050 |
| | 10(0) | | | | | |
| 16P04 | 11(2) | 16Q08 | 1226500 | . | S22 | 1226560 |
| 09P29 | 12(2) | 23P25 | 1222100 | . | FP22 | 1226560 |
| 18P21 | 13(2) | 18N29 | 5374415 | . | NKDI-1 | 1206560 |
| 16P14 | 14(2) | 23P22 | 1216500 | . | S21 | 1216560 |
| 09P24 | 15(2) | 23P27 | 1212100 | . | FP21 | 1216560 |
| | 16(0) | | 4791418 | -GND | GND2518 | 4791418 |
| 31N42 | 17(2) | 15Q10 | 1074280 | . | MFL7 | 1074290 |
| 16P35 | 18(2) | 23P21 | 1206500 | . | S20 | 1206560 |
| 09P26 | 19(2) | 23P28 | 1202100 | . | FP20 | 1206560 |
| 09P27 | 20(2) | 23P26 | 1232100 | . | FP23 | 1236560 |
| 18P23 | 21(2) | 18P13 | 5374415 | . | NKDI-1 | 1236560 |
| 16Q07 | 22(2) | 23P24 | 1236500 | . | S23 | 1236560 |
| 25N15 | 23(2) | 18P21 | 5374415 | . | NKDI-1 | 1166560 |
| | 24(0) | | | | | |
| 09P28 | 25(2) | 23P18 | 1192100 | . | FP19 | 1196560 |
| 16P44 | 26(2) | 23P04 | 1196500 | . | S19 | 1196560 |
| 10N43 | 27(2) | 11P27 | 2260000 | . | AM | 2260020 |
| 16P45 | 28(2) | 23P03 | 1186500 | . | S18 | 1186560 |
| 25N19 | 29(2) | 24N19 | 5374410 | . | KDI-1 | 1166560 |
| 09P34 | 30(2) | 23P19 | 1182100 | . | FP18 | 1186560 |
| 11P14 | 31(2) | 15Q05 | 4385000 | . | FNF | 4385020 |
| | 32(0) | | | | | |
| 09P30 | 33(2) | 23P05 | 1172100 | . | FP17 | 1176560 |
| 16P17 | 34(2) | 23P02 | 1176500 | . | S17 | 1176560 |
| 11P04 | 35(2) | 15Q03 | 4460100 | . | FZ | 4460120 |
| | 36(0) | | | | | |
| 09P31 | 37(2) | 23P17 | 1162100 | . | FP16 | 1166560 |
| 17P06 | 38(2) | 19P09 | 1166500 | . | S16 | 1166560 |
| 11P02 | 39(2) | 15Q06 | 4410100 | . | FS | 4410120 |
| | 40(1) | 21N39 | 5560240 | -NS | KUA24 | 5560240 |
| | 41(0) | | | | | |
| | 42(1) | 16P21 | 1233050 | -NS | KS23 | 1233050 |
| | 43(1) | 21N05 | 5560250 | -NS | KUA25 | 5560250 |
| | 44(1) | 26N29 | 5560260 | -NS | KUA26 | 5560260 |
| | 45(1) | 26N27 | 5560270 | -NS | KUA27 | 5560270 |
| | 46(0) | | 5365100 | -NS | KCONT | 5365100 |
| | 47(0) | | | | | |
| | 48(0) | | | | | |
| 17P49 | 49(0) | 19P49 | 8301400 | | P4VP | 8301420 |
| 25P50 | 50(1) | | 8305000 | | M8VP | 8305000 |
| 17P51 | 51(0) | 19P51 | 8303400 | | P8VP | 8303420 |

XDS 902306

XDS
XEROX DATA SYSTEMS

DRAWING NO. - 133264-939 AC
PROG-PNIND
TYPE-PIN INDEX

MODULE-19P
TYPE-IT25

51

10/27/71

| FROM | PIN (COUNT) | TO | SOURCE LINE NO. | ELEM. TYPE | SOURCE SIGNAL NAME | REFERENCE LINE NO. |
|-------|----------------|-------|--------------------|---------------|-------------------------|-----------------------|
| | 00(0) | | | | | |
| 17P03 | 01(2) | 16P50 | 2001650 | I | N(A16-K16) | 2001652 |
| 17P04 | 02(2) | 11Q50 | 7501500 | I | (S15-S16) | 7501502 |
| 17P13 | 03(2) | 24P03 | 1156500 | . | S15 | 7501502 |
| 20N39 | 04(2) | 19P37 | 2405281 | . | AXRR | 2405346 |
| 20N25 | 05(2) | 22P02 | 1000504 | . | NC0 | 7900404 |
| 20N28 | 06(2) | 19P27 | 3691000 | . | DIT/1 | 7900404 |
| 20N22 | 07(2) | 20P05 | 1002770 | . | NK00 | 7900404 |
| 31P07 | 08(2) | 22P08 | 2405430 | . | NAXRRINH | 2405346 |
| 18P38 | 09(2) | 23P01 | 1166500 | . | S16 | 7501502 |
| 17P11 | 10(2) | 13P41 | 2001680 | . | (A16.GXNAD+NA16.PRXNAD) | 2001652 |
| 02P46 | 11(2) | 17P08 | 1162750 | . | K16 | 2001652 |
| 10P23 | 12(2) | 19P33 | 7900400 | I | N(S/SXAPD/1) | 7900404 |
| | 13(1) | 20P50 | 2405346 | I | N(AXRR.NAXRRINH) | 2405346 |
| 05Q07 | 14(1) | | 3900150 | I | DX/3 | 3900150 |
| | 15(1) | 32Q13 | 2500300 | I | NB1619Z | 2500300 |
| | 16(0) | | 4791419 | -GND | GND2519 | 4791419 |
| 07P28 | 17(2) | 20Q29 | 1160304 | . | NB16 | 2500300 |
| 07P26 | 18(2) | 20Q30 | 1170304 | . | NB17 | 2500300 |
| | 19(0) | | | | | |
| 29N11 | 20(2) | 29P08 | 4421495 | . | N(FUMH.PH4) | 3900150 |
| 20P11 | 21(2) | 21P04 | 3900100 | . | NDX | 3900150 |
| 24N06 | 22(2) | 23N06 | 7500170 | . | S0007Z | 3060267 |
| 23N29 | 23(2) | 12P27 | 7500800 | . | S0815Z | 3060267 |
| 20N08 | 24(2) | 01Q42 | 4324678 | . | (FASTABORT.ENDE) | 3060267 |
| 20P02 | 25(2) | 17P23 | 1002755 | . | K00 | 7900402 |
| 22P28 | 26(2) | 20N23 | 1000510 | . | C0-1 | 7900402 |
| 19P06 | 27(2) | 22P27 | 3691000 | . | DIT/1 | 7900402 |
| | 28(0) | | | | | |
| 29P02 | 29(2) | 22P09 | 3905534 | . | NDXS/4 | 3900150 |
| 07P29 | 30(2) | 20Q31 | 1180304 | . | NB18 | 2500300 |
| 07P34 | 31(1) | | 1190304 | . | NB19 | 2500300 |
| | 32(0) | | | | | |
| 19P12 | 33(1) | | 7900400 | I | N(S/SXAPD/1) | 7900402 |
| | 34(1) | 20P07 | 3060267 | I | N(S/CC2/4) | 3060267 |
| 20P27 | 35(2) | 19P36 | 8010750 | I | T8EN | 8010756 |
| 19P35 | 36(2) | 19P45 | 8010750 | I | T8EN | 8010758 |
| 19P04 | 37(2) | 11P34 | 2405281 | . | AXRR | 8010758 |
| 01Q25 | 38(2) | 19P42 | 7430100 | . | RW | 8010756 |
| 06P40 | 39(2) | 20P10 | 7900150 | . | SXADD/1 | 8010754 |
| 12Q10 | 40(2) | 12P21 | 6902328 | . | PRE3-H | 2900104 |
| 26P39 | 41(2) | 28P35 | 4323295 | . | FAMDS | 2900104 |
| 19P38 | 42(2) | 08Q14 | 7430100 | . | RW | 8010754 |
| 20N42 | 43(2) | 19P44 | 7344100 | . | REU | 8010756 |
| 19P43 | 44(2) | 21P01 | 7344100 | . | REU | 8010758 |
| 19P36 | 45(2) | 19Q21 | 8010750 | I | T8EN | 8010754 |
| 30P12 | 46(1) | | 2900100 | I | NBX | 2900104 |
| | 47(0) | | | | | |
| | 48(0) | | | | | |
| 18P49 | 49(0) | 20P49 | 8301400 | | P4VP | 8301420 |
| | 50(0) | | | | | |
| 18P51 | 51(0) | 20P51 | 8303400 | | P8VP | 8303420 |

XDS 902306



DRAWING NO.- 133264-939 AC
 PROG-PNIND MODULE-20P
 TYPE-PIN INDEX TYPE-IT16

52
 10/27/71

| FROM | PIN (COUNT) | TO | SOURCE LINE NO. | ELEM. TYPE | SOURCE SIGNAL NAME | REFERENCE LINE NO. |
|-------|-------------|-------|-----------------|------------|--------------------|--------------------|
| | 00(0) | | | | | |
| 06P07 | 01(2) | 21N21 | 1231300 | . | D23 | 1231350 |
| 21N31 | 02(2) | 19P25 | 1002755 | . | K00 | 1002770 |
| 30P19 | 03(2) | 16Q03 | 2405590 | . | NAXSR1 | 2405640 |
| 08N14 | 04(2) | 20Q15 | 6040100 | . | MC0005Z | 5152500 |
| 19P07 | 05(1) | | 1002770 | I | NK00 | 1002770 |
| | 06(1) | 12Q43 | 3060265 | I | (S/CC2/3) | 3060265 |
| 19P34 | 07(2) | 28P19 | 3060267 | . | N(S/CC2/4) | 3060265 |
| | 08(1) | 29N10 | 3060270 | . | N(S/CC2/FP) | 3060265 |
| 15N12 | 09(2) | 08P14 | 7900160 | . | NSXADD/1 | 7900150 |
| 19P39 | 10(1) | | 7900150 | I | SXADD/1 | 7900150 |
| 24P10 | 11(2) | 19P21 | 3900100 | I | NDX | 3900102 |
| 10P38 | 12(2) | 22P12 | 6105000 | . | MIT/1 | 3900102 |
| 09P50 | 13(2) | 13P47 | 3315150 | . | CROSSEN | 3315154 |
| 31Q07 | 14(2) | 22P14 | 3060253 | . | N(S/CC2/1) | 3060265 |
| | 15(1) | 01Q07 | 3315154 | I | NCROSSEN | 3315154 |
| | 16(0) | | 4791420 | -GND | GND2520 | 4791420 |
| 10P41 | 17(1) | | 1231350 | I | ND23-1 | 1231350 |
| 20N02 | 18(2) | 31P24 | 5152500 | I | IOEN6/1 | 5152500 |
| | 19(1) | 19Q19 | 2405640 | I | AXSR1-4 | 2405640 |
| | 20(0) | | | | | |
| 25N39 | 21(2) | 22P21 | 1001300 | . | D0 | 1001340 |
| 07Q12 | 22(1) | | 8010101 | . | T11L | 8010752 |
| 20N45 | 23(2) | 19Q20 | 8010560 | . | T5EN | 8010750 |
| 21P45 | 24(2) | 22P23 | 7829030 | . | N(S/SPZ) | 7829020 |
| | 25(1) | 20P27 | 8010750 | I | T8EN | 8010750 |
| | 26(1) | 11P43 | 7829020 | I | (S/SPZ) | 7829020 |
| 20P25 | 27(2) | 19P35 | 8010750 | I | T8EN | 8010752 |
| | 28(1) | 31Q45 | 1001340 | I | NDO-1 | 1001340 |
| | 29(0) | | | | | |
| 31P30 | 30(2) | 22P31 | 2405340 | . | NAXRR/12 | 2405320 |
| 31P31 | 31(2) | 22P33 | 2405342 | . | NAXRR/13 | 2405330 |
| | 32(0) | | | | | |
| | 33(0) | | | | | |
| | 34(1) | 02Q43 | 7904530 | I | SXP-3 | 7904530 |
| 05P43 | 35(1) | | 7904520 | I | SXP-2 | 7904520 |
| 08P36 | 36(1) | | 2904520 | I | BXP-2 | 2904520 |
| 07N36 | 37(2) | 20P38 | 2904495 | . | NBXP | 2904520 |
| 20P37 | 38(2) | 18N28 | 2904495 | . | NBXP | 2904530 |
| 20P40 | 39(2) | 22P36 | 7904500 | . | NSXP | 7904520 |
| 31P40 | 40(2) | 20P39 | 7904500 | . | NSXP | 7904530 |
| 08Q10 | 41(1) | | 2904530 | I | BXP-3 | 2904530 |
| | 42(0) | | | | | |
| | 43(0) | | | | | |
| 10N04 | 44(1) | | 2405310 | I | AXRR/1 | 2405310 |
| 10N03 | 45(1) | | 2405300 | I | AXRR/0 | 2405300 |
| 15P39 | 46(1) | | 2405320 | I | AXRR/2 | 2405320 |
| | 47(1) | 14Q39 | 2405330 | I | AXRR/3 | 2405330 |
| | 48(0) | | | | | |
| 19P49 | 49(0) | 21P49 | 8301400 | . | P4VP | 8301420 |
| 19P13 | 50(2) | 22P50 | 2405346 | . | N(AXRR.NAXRRINH) | 2405300 |
| 19P51 | 51(0) | 21P51 | 8303400 | . | P8VP | 8303420 |

XDS 902306

XDS
XEROX DATA SYSTEMS

DRAWING NO.- 133264-939 AC
PROG-PNIND MODULE-21P
TYPE-PIN INDEX TYPE-IT25

53

10/27/71

| FROM | PIN (COUNT) | TO | SOURCE LINE NO. | ELEM. TYPE | SOURCE SIGNAL NAME | REFERENCE LINE NO. |
|-------|----------------|-------|--------------------|---------------|--------------------|-----------------------|
| | 00(0) | | | | | |
| 19P44 | 01(1) | | 7344100 | I | REU | 7344100 |
| | 02(1) | 21P22 | 3060140 | I | N(R/CC1/2) | 3060140 |
| 21N26 | 03(2) | 26P38 | 1000100 | . | A0 | 3060140 |
| 19P21 | 04(2) | 21P38 | 3900100 | . | NDX | 3900120 |
| 31Q09 | 05(2) | 22P05 | 3060150 | . | N(S/CC1/1) | 3060165 |
| | 06(0) | | | | | |
| | 07(1) | 29N09 | 3060167 | . | N(S/CC1/FP) | 3060165 |
| 31P35 | 08(2) | 22P06 | 3510815 | . | ND0815XZ | 3900120 |
| 32N38 | 09(2) | 11Q02 | 4425400 | . | FUS/1 | 3060140 |
| 18N35 | 10(2) | 08Q28 | 1246202 | . | NRP24 | 7344100 |
| 18N36 | 11(2) | 08Q26 | 1256202 | . | NRP25 | 7344100 |
| | 12(1) | 12Q47 | 3060165 | I | (S/CC1/3) | 3060165 |
| 29N07 | 13(1) | | 3900120 | I | DX/1 | 3900120 |
| | 14(1) | 12Q44 | 3060230 | I | (R/CC2) | 3060230 |
| | 15(1) | 12Q40 | 3060330 | I | (R/CC3) | 3060330 |
| | 16(0) | | 4791421 | -GND | GND2521 | 4791421 |
| 01Q40 | 17(2) | 21P25 | 8022200 | . | NTESTS | 3060330 |
| 01Q36 | 18(2) | 21P27 | 4421680 | . | NFUMTSIGN | 3060330 |
| 10N11 | 19(2) | 22P19 | 6910000 | . | NPROBOVER | 3060230 |
| 31Q06 | 20(2) | 22P20 | 3060233 | . | N(R/CC2/1) | 3060230 |
| 31P21 | 21(2) | 21P24 | 3060000 | . | N(R/CC) | 3060230 |
| 21P02 | 22(2) | 22P22 | 3060140 | . | N(R/CC1/2) | 3060130 |
| 31Q08 | 23(2) | 22P26 | 3060135 | . | N(R/CC1/1) | 3060130 |
| 21P21 | 24(2) | 21P26 | 3060000 | . | N(R/CC) | 3060130 |
| 21P17 | 25(2) | 22P11 | 8022200 | . | NTESTS | 3060430 |
| 21P24 | 26(2) | 21P30 | 3060000 | . | N(R/CC) | 3060430 |
| 21P18 | 27(2) | 28P15 | 4421680 | . | NFUMTSIGN | 3060430 |
| 31Q05 | 28(2) | 13N03 | 3060185 | . | NCC1XK00 | 3060130 |
| 21P46 | 29(2) | 22P29 | 3060240 | . | N(R/CC2/2) | 3060230 |
| 21P26 | 30(2) | 22P34 | 3060000 | . | N(R/CC) | 3060330 |
| | 31(0) | | | | | |
| | 32(0) | | | | | |
| | 33(1) | 12Q38 | 3060430 | I | (R/CC4) | 3060430 |
| | 34(1) | 12Q45 | 3060130 | I | (R/CC1) | 3060130 |
| 29N08 | 35(1) | | 3900130 | I | DX/0A | 3900130 |
| | 36(1) | 08Q20 | 7430116 | I | (S/RW/1) | 7430116 |
| | 37(1) | 14N42 | 7430408 | . | N(S/RW/FP) | 7430116 |
| 21P04 | 38(2) | 29P14 | 3900100 | . | NDX | 3900130 |
| 28N28 | 39(2) | 24N04 | 1121340 | . | ND12-1 | 7829030 |
| 23N44 | 40(2) | 20Q43 | 1310304 | . | NB31 | 3060240 |
| 07N15 | 41(1) | | 3691100 | . | (DIT(MC=30)) | 3060240 |
| 17P33 | 42(2) | 22P35 | 7824100 | . | SPIM | 7829030 |
| 31P01 | 43(2) | 28P08 | 3510100 | . | ND0003XZ | 3900130 |
| 32Q01 | 44(2) | 22P47 | 7430120 | . | N(S/RW) | 7430116 |
| 10P13 | 45(2) | 20P24 | 7829030 | I | N(S/SPZ) | 7829030 |
| | 46(1) | 21P29 | 3060240 | I | N(R/CC2/2) | 3060240 |
| | 47(0) | | | | | |
| | 48(0) | | | | | |
| 20P49 | 49(0) | 22P49 | 8301400 | | P4VP | 8301420 |
| | 50(0) | | | | | |
| 20P51 | 51(0) | 22P51 | 8303400 | | P8VP | 8303420 |

XDS 902306



DRAWING NO.- 133264-939 AC
 PROG-PNIND MODULE-22P
 TYPE-PIN INDEX TYPE-XT10

54
 10/27/71

| FROM | PIN (COUNT) | TO | SOURCE LINE NO. | ELEM. TYPE | SOURCE SIGNAL NAME | REFERENCE LINE NO. |
|-------|-------------|-------|-----------------|------------|--------------------|--------------------|
| | 00(0) | | | | | |
| 24P07 | 01(1) | | 3905400 | T | NDXS | 3905401 |
| 19P05 | 02(1) | | 1000504 | T | NC0 | 1000504 |
| 17P39 | 03(1) | | 8022252 | T | NTESTS/1 | 8022252 |
| 24P04 | 04(1) | | 1076500 | T | S7 | 1076500 |
| 21P05 | 05(1) | | 3060150 | T | N(S/CC1/1) | 3060150 |
| 21P08 | 06(1) | | 3510815 | T | ND0815XZ | 3510815 |
| 23P09 | 07(1) | | 4395850 | T | NFPXS | 4395850 |
| 19P08 | 08(1) | | 2405430 | T | NAXRRINH | 2405430 |
| 19P29 | 09(1) | | 3905534 | T | NDXS/4 | 3905534 |
| 24P09 | 10(1) | | 3907100 | T | NDXZ | 3907100 |
| 21P25 | 11(1) | | 8022200 | T | NTESTS | 8022200 |
| 20P12 | 12(1) | | 6105000 | T | MIT/1 | 6105000 |
| 15P13 | 13(1) | | 1210150 | T | A21L | 1210150 |
| 20P14 | 14(1) | | 3060253 | T | N(S/CC2/1) | 3060253 |
| | 15(0) | | | | | |
| | 16(0) | | | | | |
| | 17(1) | | 4791422 | -GND | GND2522 | 4791422 |
| 17P17 | 17(1) | | 1002450 | T | G00 | 1002450 |
| 17P18 | 18(1) | | 6845675 | T | (S/PH6/10) | 6845675 |
| 21P19 | 19(1) | | 6910000 | T | NPROBOVER | 6910000 |
| 21P20 | 20(1) | | 3060233 | T | N(R/CC2/1) | 3060233 |
| 20P21 | 21(1) | | 1001300 | T | D0 | 1001300 |
| 21P22 | 22(1) | | 3060140 | T | N(R/CC1/2) | 3060140 |
| 20P24 | 23(1) | | 7829030 | T | N(S/SPZ) | 7829030 |
| 17P24 | 24(1) | | 1005480 | T | PRO0 | 1005480 |
| 17P25 | 25(1) | | 4425260 | T | NFUS-1 | 4425260 |
| 21P23 | 26(1) | | 3060135 | T | N(R/CC1/1) | 3060135 |
| 19P27 | 27(1) | | 3691000 | T | DIT/1 | 3691000 |
| | 28(1) | 19P26 | 1000510 | T | C0-1 | 1000510 |
| 21P29 | 29(1) | | 3060240 | T | N(R/CC2/2) | 3060240 |
| 23P50 | 30(1) | | 4395958 | T | FPXS-1 | 4395958 |
| 20P30 | 31(1) | | 2405340 | T | NAXRR/12 | 2405340 |
| | 32(0) | | | | | |
| 20P31 | 33(1) | | 2405342 | T | NAXRR/13 | 2405342 |
| 21P30 | 34(1) | | 3060000 | T | N(R/CC) | 3060000 |
| 21P42 | 35(1) | | 7824100 | T | SPIM | 7824110 |
| 20P39 | 36(1) | | 7904500 | T | NSXP | 7904500 |
| 17P37 | 37(1) | | 2500070 | T | B0031Z | 2500070 |
| | 38(1) | 17P38 | 7890101 | T | NSW0 | 7890101 |
| 15Q14 | 39(1) | | 1310150 | T | A31L | 1310150 |
| 15Q11 | 40(1) | | 1300150 | T | A30L | 1300150 |
| 15Q13 | 41(1) | | 1290150 | T | A29L | 1290150 |
| 15Q20 | 42(1) | | 1280150 | T | A28L | 1280150 |
| 11Q22 | 43(1) | | 4421650 | T | FUMTHOVER | 4421650 |
| 20Q01 | 44(1) | | 1254940 | T | P25-1 | 1254940 |
| 20Q06 | 45(1) | | 4324650 | T | FASH | 4324650 |
| 21Q19 | 46(1) | | 7502340 | T | (S23.D10XS) | 7502340 |
| 21P44 | 47(1) | | 7430120 | T | N(S/RW) | 7430160 |
| | 48(0) | | | | | |
| 21P49 | 49(0) | 23P49 | 8301400 | | P4VP | 8301420 |
| 20P50 | 50(1) | | 2405346 | T | N(AXRR.NAXRRINH) | 2405346 |
| 21P51 | 51(0) | 23P51 | 8303400 | | P8VP | 8303420 |

XDS 902306

XDS
XEROX DATA SYSTEMS

DRAWING NO.- 133264-939 AC
PROG-PNIND MODULE-23P
TYPE-PIN INDEX TYPE-IT16

55

10/27/71

| FROM | PIN (COUNT) | TO | SOURCE LINE NO. | ELEM. TYPE | SOURCE SIGNAL NAME | REFERENCE LINE NO. |
|-------|----------------|-------|--------------------|---------------|--------------------|-----------------------|
| | 00(0) | | | | | |
| 19P09 | 01(2) | 23N08 | 1166500 | . | S16 | 1162100 |
| 18P34 | 02(2) | 24P24 | 1176500 | . | S17 | 1172100 |
| 18P28 | 03(2) | 24P40 | 1186500 | . | S18 | 1182100 |
| 18P26 | 04(2) | 24P39 | 1196500 | . | S19 | 1192100 |
| 18P33 | 05(1) | | 1172100 | I | FP17 | 1172100 |
| | 06(1) | 32Q24 | 4392400 | I | NFPOPTION | 4392400 |
| | 07(0) | | | | | |
| | 08(0) | | | | | |
| 23P12 | 09(2) | 22P07 | 4395850 | . | NFPXS | 4395956 |
| | 10(1) | 23P11 | 4395954 | I | FPXS-0 | 4395956 |
| 23P10 | 11(2) | 23P20 | 4395954 | I | FPXS-0 | 4395954 |
| 23P13 | 12(2) | 23P09 | 4395850 | . | NFPXS | 4395954 |
| 31Q10 | 13(2) | 23P12 | 4395850 | . | NFPXS | 4395958 |
| | 14(0) | | | | | |
| | 15(1) | 23P33 | 4395958 | I | FPXS-1 | 4395958 |
| | 16(0) | | 4791423 | -GND | GND2523 | 4791423 |
| 18P37 | 17(1) | | 1162100 | I | FP16 | 1162100 |
| 18P25 | 18(1) | | 1192100 | I | FP19 | 1192100 |
| 18P30 | 19(1) | | 1182100 | I | FP18 | 1182100 |
| 23P11 | 20(2) | 23P29 | 4395954 | . | FPXS-0 | 1162100 |
| 18P18 | 21(2) | 24P38 | 1206500 | . | S20 | 1202100 |
| 18P14 | 22(2) | 24P37 | 1216500 | . | S21 | 1212100 |
| 16Q08 | 23(2) | 24P22 | 1226500 | . | S22 | 1222100 |
| 18P22 | 24(2) | 24P02 | 1236500 | . | S23 | 1232100 |
| 18P12 | 25(1) | | 1222100 | I | FP22 | 1222100 |
| 18P20 | 26(1) | | 1232100 | I | FP23 | 1232100 |
| 18P15 | 27(1) | | 1212100 | I | FP21 | 1212100 |
| 18P19 | 28(1) | | 1202100 | I | FP20 | 1202100 |
| 23P20 | 29(2) | 14N34 | 4395954 | . | FPXS-0 | 1202100 |
| 18Q14 | 30(2) | 23Q11 | 1296500 | . | S29 | 1292100 |
| 18Q18 | 31(2) | 23Q21 | 1286500 | . | S28 | 1282100 |
| | 32(0) | | | | | |
| 23P15 | 33(2) | 23P50 | 4395958 | . | FPXS-1 | 1242100 |
| 18Q37 | 34(1) | | 1242100 | I | FP24 | 1242100 |
| 18Q33 | 35(1) | | 1252100 | I | FP25 | 1252100 |
| 18Q25 | 36(1) | | 1272100 | I | FP27 | 1272100 |
| 18Q26 | 37(2) | 25N21 | 1276500 | . | S27 | 1272100 |
| 18Q28 | 38(2) | 25N22 | 1266500 | . | S26 | 1262100 |
| 23Q02 | 39(2) | 25N23 | 1256500 | . | S25 | 1252100 |
| 16P43 | 40(2) | 18Q38 | 1246500 | . | S24 | 1242100 |
| 18Q30 | 41(1) | | 1262100 | I | FP26 | 1262100 |
| 18Q11 | 42(2) | 23Q28 | 1306500 | . | S30 | 1302100 |
| 18Q22 | 43(2) | 24P01 | 1316500 | . | S31 | 1312100 |
| 18Q12 | 44(1) | | 1302100 | I | FP30 | 1302100 |
| 18Q20 | 45(1) | | 1312100 | I | FP31 | 1312100 |
| 18Q15 | 46(1) | | 1292100 | I | FP29 | 1292100 |
| 18Q19 | 47(1) | | 1282100 | I | FP28 | 1282100 |
| | 48(0) | | | | | |
| 22P49 | 49(0) | 24P49 | 8301400 | . | P4VP | 8301430 |
| 23P33 | 50(2) | 22P30 | 4395958 | . | FPXS-1 | 1282100 |
| 22P51 | 51(0) | 24P51 | 8303400 | . | P8VP | 8303430 |

XDS 902306

XDS
XEROX DATA SYSTEMS

DRAWING NO.- 133264-939 AC
PROG-PNIND
TYPE-PIN INDEX

56

MODULE-24P
TYPE-BT16

10/27/71

| FROM | PIN (COUNT) | TO | SOURCE LINE NO. | ELEM. TYPE | SOURCE SIGNAL NAME | REFERENCE LINE NO. |
|-------|----------------|-------|--------------------|---------------|--------------------|-----------------------|
| | 00(0) | | | | | |
| 23P43 | 01(2) | 24Q15 | 1316500 | . | S31 | 7503140 |
| 23P24 | 02(2) | 24P21 | 1236500 | . | S23 | 7502340 |
| 19P03 | 03(2) | 30P39 | 1156500 | . | S15 | 7501540 |
| 11P13 | 04(2) | 22P04 | 1076500 | . | S7 | 7500740 |
| | 05(1) | 21Q19 | 7502340 | B | (S23.D10XS) | 7502340 |
| | 06(1) | 24P10 | 3900100 | B | NDX | 3900100 |
| 29P20 | 07(2) | 22P01 | 3905400 | . | NDXS | 3900100 |
| 31P13 | 08(2) | 28N24 | 3901400 | . | NDXDRB | 3900100 |
| 31P39 | 09(2) | 22P10 | 3907100 | . | NDXZ | 3900104 |
| 24P06 | 10(2) | 20P11 | 3900100 | B | NDX | 3900104 |
| | 11(1) | 22Q02 | 1151519 | B | D1015/1-1 | 1151519 |
| 05N45 | 12(1) | | 1151510 | . | D1015/1 | 1151519 |
| 05N47 | 13(1) | | 1141510 | . | D1014/1 | 1141519 |
| 31P14 | 14(2) | 28N20 | 3900900 | . | NDXC | 3900100 |
| | 15(1) | 22Q01 | 1141519 | B | D1014/1-1 | 1141519 |
| | 16(0) | | 4791424 | -GND | GND2524 | 4791424 |
| | 17(1) | 25Q19 | 7503140 | B | (S31.D10XS) | 7503140 |
| | 18(1) | 18N19 | 7500740 | B | (S7.D10XS) | 7500740 |
| | 19(1) | 18N20 | 7501540 | B | (S15.D10XS) | 7501540 |
| | 20(1) | 27P28 | 3689430 | . | D10XS-3 | 7501540 |
| 24P02 | 21(2) | 24Q35 | 1236500 | . | S23 | 1234150 |
| 23P23 | 22(2) | 23Q23 | 1226500 | . | S22 | 1224150 |
| 23N08 | 23(2) | 23Q39 | 1166500 | . | S16 | 1164150 |
| 23P02 | 24(2) | 23Q36 | 1176500 | . | S17 | 1174150 |
| | 25(1) | 25P03 | 1164150-1 | B | | 1164150 |
| | 26(1) | 25P09 | 1174150-1 | B | | 1174150 |
| | 27(1) | 25P25 | 1224150-1 | B | | 1224150 |
| | 28(1) | 25P33 | 1234150-1 | B | | 1234150 |
| 28N39 | 29(2) | 24P33 | 6038400 | . | MBXS/2 | 1164150 |
| 14N44 | 30(2) | 28P29 | 7343255 | . | RESET10 | 1531520 |
| 31Q19 | 31(2) | 24Q17 | 2000528 | . | 1MC-1 | 1541520 |
| | 32(0) | | | | | |
| 24P29 | 33(2) | 24Q08 | 6038400 | . | MBXS/2 | 1184150 |
| | 34(1) | 25P12 | 1184150-1 | B | | 1184150 |
| | 35(1) | 25P15 | 1194150-1 | B | | 1194150 |
| | 36(1) | 25P23 | 1214150-1 | B | | 1214150 |
| 23P22 | 37(2) | 23Q45 | 1216500 | . | S21 | 1214150 |
| 23P21 | 38(2) | 23Q50 | 1206500 | . | S20 | 1204150 |
| 23P04 | 39(2) | 23Q40 | 1196500 | . | S19 | 1194150 |
| 23P03 | 40(2) | 23Q33 | 1186500 | . | S18 | 1184150 |
| | 41(1) | 25P19 | 1204150-1 | B | | 1204150 |
| 20Q34 | 42(2) | 28P47 | 3651202 | . | D10WD | 1501520 |
| 24N09 | 43(2) | 24Q25 | 3651002 | . | D10FS | 1481520 |
| | 44(1) | 26Q19 | 1501520-1 | B | | 1501520 |
| | 45(1) | 26Q12 | 1481520-1 | B | | 1481520 |
| | 46(1) | 29Q39 | 1531520-1 | B | | 1531520 |
| | 47(1) | 29Q45 | 1541520-1 | B | | 1541520 |
| | 48(0) | | | | | |
| 23P49 | 49(0) | 25P49 | 8301400 | | P4VP | 8301430 |
| | 50(0) | | | | | |
| 23P51 | 51(0) | 25P51 | 8303400 | | P8VP | 8303430 |

| FROM | PIN (COUNT) | TO | SOURCE LINE NO. | ELEM. TYPE | SOURCE SIGNAL NAME | REFERENCE LINE NO. |
|-------|----------------|-------|--------------------|---------------|--------------------|-----------------------|
| | 00(0) | | | | | |
| 30P46 | 01(1) | | 1144150-1 | * | | 1144150 |
| 30P45 | 02(1) | | 1154150-1 | * | | 1154150 |
| 24P25 | 03(1) | | 1164150-1 | * | | 1164150 |
| | 04(1) | 29N36 | 1144100 | -BCR MB14 | | 1144100 |
| | 05(1) | 25P16 | 4791425 | GND2525 | | 4791425 |
| | 06(1) | 29N30 | 1154100 | -BCR MB15 | | 1154100 |
| | 07(0) | | | | | |
| 10P07 | 08(1) | | 1164100 | -BCR MB16 | | 1164100 |
| 24P26 | 09(1) | | 1174150-1 | * | | 1174150 |
| | 10(1) | 02P30 | 1174100 | -BCR MB17 | | 1174100 |
| | 11(0) | | | | | |
| 24P34 | 12(1) | | 1184150-1 | * | | 1184150 |
| | 13(1) | 03P36 | 1184100 | -BCR MB18 | | 1184100 |
| | 14(0) | | | | | |
| 24P35 | 15(1) | | 1194150-1 | * | | 1194150 |
| 25P05 | 16(2) | 25P24 | 4791425 | -GND GND2525 | | 4791425 |
| | 17(0) | | | | | |
| | 18(1) | 03P30 | 1194100 | -BCR MB19 | | 1194100 |
| 24P41 | 19(1) | | 1204150-1 | * | | 1204150 |
| | 20(1) | 04P36 | 1204100 | -BCR MB20 | | 1204100 |
| | 21(0) | | | | | |
| | 22(1) | 04P30 | 1214100 | -BCR MB21 | | 1214100 |
| 24P36 | 23(1) | | 1214150-1 | * | | 1214150 |
| 25P16 | 24(2) | 25P41 | 4791425 | GND2525 | | 4791425 |
| 24P27 | 25(1) | | 1224150-1 | * | | 1224150 |
| | 26(0) | | | | | |
| | 27(1) | 05P36 | 1224100 | -BCR MB22 | | 1224100 |
| | 28(0) | | | | | |
| | 29(0) | | | | | |
| | 30(0) | | | | | |
| | 31(0) | | | | | |
| | 32(0) | | | | | |
| 24P28 | 33(1) | | 1234150-1 | * | | 1234150 |
| | 34(1) | 05P30 | 1234100 | -BCR MB23 | | 1234100 |
| 25N26 | 35(1) | | 1244150-1 | * | | 1244150 |
| | 36(1) | 02Q36 | 1244100 | -BCR MB24 | | 1244100 |
| 25N25 | 37(1) | | 1254150-1 | * | | 1254150 |
| | 38(1) | 02Q30 | 1254100 | -BCR MB25 | | 1254100 |
| 25N27 | 39(1) | | 1264150-1 | * | | 1264150 |
| | 40(1) | 03Q36 | 1264100 | -BCR MB26 | | 1264100 |
| 25P24 | 41(1) | | 4791425 | GND2525 | | 4791425 |
| | 42(1) | 03Q30 | 1274100 | -BCR MB27 | | 1274100 |
| | 43(0) | | | | | |
| | 44(0) | | | | | |
| 25N28 | 45(1) | | 1274150-1 | * | | 1274150 |
| | 46(0) | | | | | |
| | 47(0) | | | | | |
| | 48(0) | | | | | |
| 24P49 | 49(0) | 26P49 | 8301400 | P4VP | | 8301430 |
| | 50(1) | 18P50 | 8305000 | -VSP MBVP | | 8305000 |
| 24P51 | 51(0) | 26P51 | 8303400 | P8VP | | 8303430 |

| FROM | PIN (COUNT) | TO | SOURCE LINE NO. | ELEM. TYPE | SOURCE SIGNAL NAME | REFERENCE LINE NO. |
|-------|----------------|-------|--------------------|---------------|--------------------|-----------------------|
| | 00(0) | | | | | |
| 13N41 | 01(2) | 26P06 | 1284940 | . | P28-1 | 1283702 |
| | 02(0) | | | | | |
| 26P50 | 03(2) | 28N33 | 3315150 | . | CROSSEN | 1283702 |
| | 04(0) | | | | | |
| | 05(0) | | | | | |
| 26P01 | 06(2) | 07Q25 | 1284940 | . | P28-1 | 1280150 |
| | 07(0) | | | | | |
| | 08(0) | | | | | |
| 26N37 | 09(2) | 26P20 | 1294902 | . | NP29 | 1280152 |
| 26N40 | 10(2) | 17P30 | 6803010 | . | (NP30.P31) | 1280152 |
| 26N28 | 11(2) | 06P20 | 6802900 | . | (P29.NP30.NP31) | 1280150 |
| 29N41 | 12(1) | | 5560280 | . | KUA28 | 1280150 |
| 26P16 | 13(1) | | 4791426 | . | GND2526 | 1280154 |
| | 14(1) | 25N37 | 1283700 | B | LR28-0 | 1283700 |
| 16N33 | 15(2) | 26P31 | 5917200 | . | LRXR | 1283700 |
| | 16(1) | 26P13 | 4791426 | -GND | GND2526 | 4791426 |
| 24N33 | 17(2) | 13Q37 | 1286200 | . | R28 | 1283700 |
| | 18(0) | | | | | |
| 21N14 | 19(2) | 17P36 | 6803000 | . | (P30.NP31) | 1280152 |
| 26P09 | 20(2) | 17P28 | 1294902 | . | NP29 | 1280152 |
| | 21(0) | | | | | |
| | 22(1) | 15Q20 | 1280150 | B | A28L | 1280150 |
| | 23(1) | 16Q43 | 1310140 | B | A31EN/1 | 1310140 |
| 30N04 | 24(2) | 24Q06 | 1334900 | . | P33 | 1310143 |
| | 25(0) | | | | | |
| 31P26 | 26(2) | 28P26 | 2013100 | . | A31XP32 | 1310142 |
| 30N21 | 27(2) | 24Q19 | 1324900 | . | P32 | 1310142 |
| 31P27 | 28(2) | 28P28 | 2013150 | . | A31XP33 | 1310143 |
| | 29(0) | | | | | |
| 19Q34 | 30(2) | 26N03 | 1313700 | B | LR31-0 | 1313700 |
| 26P15 | 31(2) | 26P41 | 5917200 | . | LRXR | 1313700 |
| | 32(0) | | | | | |
| | 33(0) | | | | | |
| 29N28 | 34(2) | 10P37 | 4425320 | . | (FUS.D22.ND23) | 1310140 |
| 26P37 | 35(2) | 28P34 | 6845620 | . | PH6-A | 1310141 |
| 24N01 | 36(2) | 28P36 | 1000300 | . | B0 | 1310141 |
| 31Q18 | 37(2) | 26P35 | 6845620 | . | PH6-A | 1310140 |
| 21P03 | 38(2) | 17P26 | 1000100 | . | A0 | 1310140 |
| 31Q22 | 39(2) | 19P41 | 4323295 | . | FAMDS | 1310141 |
| | 40(0) | | | | | |
| 26P31 | 41(1) | | 5917200 | . | LRXR | 1313702 |
| 05P13 | 42(2) | 28P42 | 1141300 | . | D14 | 1313702 |
| 11P07 | 43(1) | | 1313721 | . | LR31F | 1313702 |
| | 44(0) | | | | | |
| 16N30 | 45(1) | | 5917100 | . | LRXD | 1313702 |
| 13Q07 | 46(2) | 28P10 | 1316200 | . | R31 | 1313700 |
| 26N35 | 47(2) | 12Q13 | 1314940 | . | P31-1 | 1313701 |
| | 48(0) | | | | | |
| 25P49 | 49(0) | 27P49 | 8301400 | . | P4VP | 8301430 |
| 24Q01 | 50(2) | 26P03 | 3315150 | . | CROSSEN | 1313701 |
| 25P51 | 51(0) | 27P51 | 8303400 | . | P8VP | 8303430 |

XDS 902306

XDS
XEROX DATA SYSTEMS

DRAWING NO.- 133264-939 AC
PROG-PNIND MODULE-27P
TYPE-PIN INDEX TYPE-IT13

59

10/27/71

| FROM | PIN (COUNT) | TO | SOURCE LINE NO. | ELEM. TYPE | SOURCE SIGNAL NAME | REFERENCE LINE NO. |
|-------|----------------|-------|--------------------|---------------|--------------------|-----------------------|
| | 00(0) | | | | | |
| | 01(1) | 27Q10 | 3689220 | I | DIOXB-2 | 3689220 |
| | 02(1) | 28Q10 | 3689230 | I | DIOXB-3 | 3689230 |
| | 03(1) | 28Q09 | 3689213 | I | DIOXB-13 | 3689213 |
| | 04(1) | 27Q09 | 3689212 | I | DIOXB-12 | 3689212 |
| | 05(0) | | | | | |
| | 06(0) | | | | | |
| 32N43 | 07(2) | 27P08 | 3689200 | . | NDIOXB | 3689213 |
| 27P07 | 08(2) | 27P09 | 3689200 | . | NDIOXB | 3689212 |
| 27P08 | 09(2) | 27P11 | 3689200 | . | NDIOXB | 3689230 |
| | 10(0) | | | | | |
| 27P09 | 11(2) | 28P11 | 3689200 | . | NDIOXB | 3689220 |
| | 12(0) | | | | | |
| | 13(0) | | | | | |
| | 14(0) | | | | | |
| | 15(0) | | | | | |
| | 16(0) | | 4791427 | -GND | GND2527 | 4791427 |
| 32Q02 | 17(2) | 27P43 | 3689332 | . | NDIOXDIO | 3689300 |
| 29N37 | 18(1) | | 3689300 | I | DIOXDIO-0 | 3689300 |
| 29N35 | 19(1) | | 3689310 | I | DIOXDIO-1 | 3689310 |
| | 20(1) | 21Q10 | 3689320 | I | DIOXDIO-2 | 3689320 |
| | 21(1) | 25Q10 | 3689330 | I | DIOXDIO-3 | 3689330 |
| | 22(0) | | | | | |
| | 23(0) | | | | | |
| | 24(0) | | | | | |
| | 25(0) | | | | | |
| | 26(0) | | | | | |
| | 27(0) | | | | | |
| 24P20 | 28(2) | 23Q07 | 3689430 | I | DIOXS-3 | 3689430 |
| | 29(1) | 23Q29 | 3689420 | I | DIOXS-2 | 3689420 |
| 29N29 | 30(1) | | 3689410 | I | DIOXS-1 | 3689410 |
| 29N34 | 31(1) | | 3689400 | I | DIOXS-0 | 3689400 |
| | 32(0) | | | | | |
| | 33(0) | | | | | |
| 32Q03 | 34(2) | 27P39 | 3689395 | . | NDIOXS | 3689400 |
| | 35(0) | | | | | |
| | 36(0) | | | | | |
| | 37(0) | | | | | |
| | 38(0) | | | | | |
| 27P34 | 39(2) | 27P40 | 3689395 | . | NDIOXS | 3689000 |
| 27P39 | 40(2) | 27P41 | 3689395 | . | NDIOXS | 3689010 |
| 27P40 | 41(2) | 27P42 | 3689395 | . | NDIOXS | 3689020 |
| 27P41 | 42(2) | 28P38 | 3689395 | . | NDIOXS | 3689030 |
| 27P17 | 43(2) | 28P45 | 3689332 | . | NDIOXDIO | 3689000 |
| | 44(0) | | | | | |
| 29N46 | 45(1) | | 3689000 | I | DIOX-0 | 3689000 |
| 29N44 | 46(1) | | 3689010 | I | DIOX-1 | 3689010 |
| | 47(1) | 21Q09 | 3689020 | I | DIOX-2 | 3689020 |
| | 48(0) | | | | | |
| 26P49 | 49(0) | 28P49 | 8301400 | | P4VP | 8301430 |
| | 50(1) | 25Q09 | 3689030 | I | DIOX-3 | 3689030 |
| 26P51 | 51(0) | 28P51 | 8303400 | | P8VP | 8303430 |

XDS 902306

XDS
XEROX DATA SYSTEMS

DRAWING NO.- 133264-939 AC
PROG-PNIND MODULE-28P
TYPE-PIN INDEX TYPE-XT10

60
10/27/71

| FROM | PIN (COUNT) | TO | SOURCE LINE NO. | ELEM. TYPE | SOURCE SIGNAL NAME | REFERENCE LINE NO. |
|-------|----------------|-------|--------------------|---------------|--------------------|-----------------------|
| | 00(0) | | | | | |
| 26N36 | 01(1) | | 1294940 | T | P29-1 | 1294940 |
| 26N38 | 02(1) | | 1304940 | T | P30-1 | 1304940 |
| | 03(1) | 30N12 | 7343110 | T | RESET-1 | 7343110 |
| 30N01 | 04(1) | | 6846001 | T | NPH10 | 6846001 |
| 28N07 | 05(1) | | 4155100 | T | NEMOVRD | 4155100 |
| | 06(1) | 30N09 | 4561000 | T | GCLK-0 | 4561000 |
| 28N14 | 07(1) | | 5121510 | T | NIEO | 5121510 |
| 21P43 | 08(1) | | 3510100 | T | ND0003XZ | 3510100 |
| 29P09 | 09(1) | | 2401020 | T | NAXCC | 2401020 |
| 26P46 | 10(1) | | 1316200 | T | R31 | 1316200 |
| 27P11 | 11(1) | | 3689200 | T | NDIOXB | 3689200 |
| 11Q25 | 12(1) | | 7501570 | T | NS1631Z | 7501570 |
| 30N07 | 13(1) | | 4321137 | T | FAFL-1 | 4321137 |
| 32Q38 | 14(2) | 26N13 | 4421660 | T | FUMTSIGN | 4421660 |
| 21P27 | 15(1) | | 4421680 | T | NFUMTSIGN | 4421680 |
| | 16(0) | | 4791428 | -GND | GND2528 | 4791428 |
| 30P17 | 17(1) | | 2403010 | T | NAXK | 2403010 |
| | 18(0) | | | | | |
| 20P07 | 19(1) | | 3060267 | T | N(S/CC2/4) | 3060267 |
| | 20(0) | | | | | |
| | 21(0) | | | | | |
| 30P23 | 22(1) | | 2404494 | T | NAXPSW2 | 2404493 |
| 30P37 | 23(1) | | 4421495 | T | N(FUMH.PH4) | 4421495 |
| | 24(0) | | | | | |
| | 25(0) | | | | | |
| 26P26 | 26(1) | | 2013100 | T | A31XP32 | 2013100 |
| 30P27 | 27(1) | | 2407000 | T | NAXZ | 2407000 |
| 26P28 | 28(1) | | 2013150 | T | A31XP33 | 2013150 |
| 24P30 | 29(1) | | 7343255 | T | RESET10 | 7343256 |
| 29P30 | 30(1) | | 2490100 | T | NAZ/0 | 2490100 |
| 29P31 | 31(1) | | 2490110 | T | NAZ/1 | 2490110 |
| | 32(0) | | | | | |
| 30P44 | 33(1) | | 5138951 | T | NINTRAP1 | 5138951 |
| 26P35 | 34(1) | | 6845620 | T | PH6-A | 6845620 |
| 19P41 | 35(1) | | 4323295 | T | FAMDS | 4323295 |
| 26P36 | 36(1) | | 1000300 | T | B0 | 1000300 |
| 29P37 | 37(1) | | 2403920 | T | NAXNR | 2403920 |
| 27P42 | 38(1) | | 3689395 | T | NDIOXS | 3689395 |
| 29P39 | 39(1) | | 2405120 | T | NAXR | 2405120 |
| | 40(1) | 30P40 | 1146500 | T | S14 | 1146500 |
| 29P40 | 41(1) | | 2405910 | T | NAXTR | 2405910 |
| 26P42 | 42(1) | | 1141300 | T | D14 | 1141300 |
| 29P43 | 43(1) | | 2490120 | T | NAZ/2 | 2490120 |
| 29P42 | 44(1) | | 2490130 | T | NAZ/3 | 2490130 |
| 27P43 | 45(1) | | 3689332 | T | NDIOXDIO | 3689332 |
| | 46(0) | | | | | |
| 24P42 | 47(1) | | 3651202 | T | D10WD | 3651202 |
| | 48(0) | | | | | |
| 27P49 | 49(0) | 29P49 | 8301400 | | P4VP | 8301430 |
| 25Q19 | 50(1) | | 7503140 | T | (S31.DIOXS) | 7503140 |
| 27P51 | 51(0) | 29P51 | 8303400 | | P8VP | 8303430 |

XDS 902306

XDS
XEROX DATA SYSTEMS

DRAWING NO. - 133264-939 AC
PROG-PNIND MODULE-29P
TYPE-PIN INDEX TYPE-IT16

61
10/27/71

| FROM | PIN (COUNT) | TO | SOURCE LINE NO. | ELEM. TYPE | SOURCE SIGNAL NAME | REFERENCE LINE NO. |
|-------|----------------|-------|--------------------|---------------|--------------------|-----------------------|
| | 00(0) | | | | | |
| | 01(0) | | | | | |
| 29P04 | 02(2) | 19P29 | 3905534 | . | NDXS/4 | 3905530 |
| | 03(0) | | | | | |
| 29P07 | 04(2) | 29P02 | 3905534 | . | NDXS/4 | 3905520 |
| 05Q03 | 05(1) | | 3905530 | I | DXS/3 | 3905530 |
| 05P07 | 06(1) | | 3900140 | I | DX/2 | 3900140 |
| 31P02 | 07(2) | 29P04 | 3905534 | . | NDXS/4 | 3900140 |
| 19P20 | 08(2) | 30P37 | 4421495 | . | N(FUMH.PH4) | 3900140 |
| 30P26 | 09(2) | 28P09 | 2401020 | . | NAXCC | 2401050 |
| | 10(1) | 12N35 | 2401050 | I | AXCC | 2401050 |
| | 11(1) | 14Q38 | 2401130 | I | AXD10-3 | 2401130 |
| 29P13 | 12(2) | 29N20 | 2401080 | . | NAXD10 | 2401130 |
| 30P22 | 13(2) | 29P12 | 2401080 | . | NAXD10 | 2401120 |
| 21P38 | 14(2) | 29N06 | 3900100 | . | NDX | 3900140 |
| 15P38 | 15(1) | | 2401120 | I | AXD10-2 | 2401120 |
| | 16(0) | | 4791429 | -GND | GND2529 | 4791429 |
| 24N15 | 17(1) | | 3905500 | I | DXS-0 | 3905500 |
| 05P03 | 18(1) | | 3905520 | I | DXS/2 | 3905520 |
| 14N38 | 19(1) | | 3905510 | I | DXS-1 | 3905510 |
| 31P15 | 20(2) | 24P07 | 3905400 | . | NDXS | 3905500 |
| | 21(0) | | | | | |
| | 22(0) | | | | | |
| 30P36 | 23(1) | | 2900142 | . | NBX/4 | 2900140 |
| 31P23 | 24(2) | 30P44 | 5138951 | . | NINTRAP1 | 2900110 |
| 29N45 | 25(1) | | 2900140 | I | BX/1 | 2900140 |
| 29N05 | 26(1) | | 2900110 | I | BX-0 | 2900110 |
| 08P45 | 27(1) | | 2900120 | I | BX-2 | 2900120 |
| 08Q23 | 28(1) | | 2900130 | I | BX-3 | 2900130 |
| 30N17 | 29(2) | 30P01 | 2900100 | . | NBX | 2900110 |
| 31Q01 | 30(2) | 28P30 | 2490100 | . | NAZ/0 | 2400108 |
| 31Q02 | 31(2) | 28P31 | 2490110 | . | NAZ/1 | 2400110 |
| | 32(0) | | | | | |
| | 33(0) | | | | | |
| | 34(1) | 13Q34 | 2405900 | I | AXTR | 2405900 |
| | 35(1) | 13Q12 | 2405100 | I | AXR | 2405100 |
| | 36(1) | 13Q38 | 2403900 | I | AXNR | 2403900 |
| 30P08 | 37(2) | 28P37 | 2403920 | . | NAXNR | 2403900 |
| 31Q12 | 38(2) | 13Q20 | 4425670 | . | FUSF/1 | 2400109 |
| 30P04 | 39(2) | 28P39 | 2405120 | . | NAXR | 2405100 |
| 31P37 | 40(2) | 28P41 | 2405910 | . | NAXTR | 2405900 |
| 29N02 | 41(2) | 29P46 | 2400108 | I | AX/0 | 2400109 |
| 31Q04 | 42(2) | 28P44 | 2490130 | . | NAZ/3 | 2400130 |
| 31Q03 | 43(2) | 28P43 | 2490120 | . | NAZ/2 | 2400120 |
| | 44(1) | 15Q02 | 2400130 | I | AX/3 | 2400130 |
| 15P02 | 45(1) | | 2400120 | I | AX/2 | 2400120 |
| 29P41 | 46(1) | | 2400108 | I | AX/0 | 2400108 |
| 29N03 | 47(1) | | 2400110 | I | AX/1 | 2400110 |
| | 48(0) | | | | | |
| 28P49 | 49(0) | 30P49 | 8301400 | . | P4VP | 8301430 |
| | 50(1) | 30P13 | 2400100 | . | NAX | 2400108 |
| 28P51 | 51(0) | 30P51 | 8303400 | . | P8VP | 8303430 |

XDS 902306



DRAWING NO. - 133264-939 AC
 PROG-PNIND MODULE-30P
 TYPE-PIN INDEX TYPE-BT11

62

10/27/71

| FROM | PIN (COUNT) | TO | SOURCE LINE NO. | ELEM. TYPE | SOURCE SIGNAL NAME | REFERENCE LINE NO. |
|-------|-------------|-------|-----------------|-----------------------|--------------------|--------------------|
| | 00(0) | | | | | |
| 29P29 | 01(2) | 30P02 | 2900100 | B NBX | | 2900101 |
| 30P01 | 02(2) | 30P12 | 2900100 | B NBX | | 2900100 |
| 31P03 | 03(2) | 09Q47 | 2900590 | . NBXBL1 | | 2900100 |
| 31P04 | 04(2) | 29P39 | 2405120 | . NAXR | | 2400105 |
| 31P05 | 05(2) | 09Q01 | 2902160 | . NBXFP | | 2900102 |
| 31P06 | 06(2) | 23N39 | 2904500 | . NBXP/1 | | 2900102 |
| 31P11 | 07(2) | 23N42 | 2904510 | . NBXP/2 | | 2900102 |
| 31P08 | 08(2) | 29P37 | 2403920 | . NAXNR | | 2400105 |
| 31P09 | 09(2) | 09Q03 | 2900640 | . NBXBR1 | | 2900100 |
| 31P10 | 10(2) | 09Q02 | 2900690 | . NBXBR2 | | 2900101 |
| 31P12 | 11(2) | 09Q12 | 2905500 | . NBXS | | 2900101 |
| 30P02 | 12(2) | 19P46 | 2900100 | B NBX | | 2900102 |
| 29P50 | 13(2) | 30P14 | 2400100 | B NAX | | 2400105 |
| 30P13 | 14(2) | 30P15 | 2400100 | B NAX | | 2400102 |
| 30P14 | 15(2) | 30P33 | 2400100 | B NAX | | 2400100 |
| | 16(0) | | 4791430 | -GND GND2530 | | 4791430 |
| 16Q12 | 17(2) | 28P17 | 2403010 | . NAXK | | 2400100 |
| 31P18 | 18(2) | 16P01 | 2400200 | . NAXAL8 | | 2400100 |
| 31P19 | 19(2) | 20P03 | 2405590 | . NAXSR1 | | 2400102 |
| 31P20 | 20(2) | 20N10 | 2405700 | . NAXSR2 | | 2400102 |
| 11P33 | 21(1) | | 2405280 | . NAXRR | | 2400102 |
| 31P22 | 22(2) | 29P13 | 2401080 | . NAXD10 | | 2400104 |
| 29N18 | 23(2) | 28P22 | 2404494 | . NAXPSW2 | | 2400104 |
| 32Q23 | 24(2) | 13N01 | 2403350 | . NAXLOAD | | 2400104 |
| 32Q45 | 25(2) | 29N19 | 2403820 | . NAXMC | | 2400106 |
| 31P38 | 26(2) | 29P09 | 2401020 | . NAXCC | | 2400106 |
| 31P36 | 27(2) | 28P27 | 2407000 | . NAXZ | | 2400106 |
| 31Q26 | 28(2) | 23N40 | 4421640 | . N(FUMSP.PH1/F) | | 2400104 |
| 31P29 | 29(2) | 13N23 | 2404430 | . NAXPARITY | | 2400102 |
| 31P33 | 30(2) | 16Q46 | 2405480 | . NAXS | | 2400100 |
| 31P34 | 31(2) | 16Q47 | 2405540 | . NAXSL1 | | 2400100 |
| | 32(0) | | | | | |
| 30P15 | 33(2) | 30P34 | 2400100 | B NAX | | 2400106 |
| 30P33 | 34(1) | | 2400100 | B NAX | | 2400104 |
| | 35(1) | 31P46 | 7501600 | B (S1631Z.N(A16-K16)) | | 7501600 |
| | 36(1) | 29P23 | 2900142 | B NBX/4 | | 2900142 |
| 29P08 | 37(2) | 28P23 | 4421495 | . N(FUMH.PH4) | | 2900142 |
| 16P50 | 38(1) | | 2001650 | . N(A16-K16) | | 7501600 |
| 24P03 | 39(2) | 19Q46 | 1156500 | . S15 | | 1154150 |
| 28P40 | 40(2) | 16P08 | 1146500 | . S14 | | 1144150 |
| 30P42 | 41(2) | 28N38 | 6038200 | . MBXS/1 | | 1144150 |
| 24Q03 | 42(2) | 30P41 | 6038200 | . MBXS/1 | | 1154150 |
| 26N22 | 43(2) | 19Q15 | 7501550 | . S1631Z | | 7501600 |
| 29P24 | 44(2) | 28P33 | 5138951 | . NINTRAP1 | | 2900142 |
| | 45(1) | 25P02 | 1154150-1 | B | | 1154150 |
| | 46(1) | 25P01 | 1144150-1 | B | | 1144150 |
| | 47(0) | | | | | |
| | 48(0) | | | | | |
| 29P49 | 49(0) | 31P49 | 8301400 | P4VP | | 8301440 |
| | 50(0) | | | | | |
| 29P51 | 51(0) | 31P51 | 8303400 | P8VP | | 8303440 |

XDS 902306

XDS
XEROX DATA SYSTEMS

DRAWING NO.- 133264-939 AC
PROG-PNIND MODULE-31P
TYPE-PIN INDEX TYPE-ZT46

63

10/27/71

| FROM | PIN (COUNT) | TO | SOURCE LINE NO. | ELEM. TYPE | SOURCE SIGNAL NAME | REFERENCE LINE NO. |
|-------|----------------|-------|--------------------|---------------|---------------------|-----------------------|
| | 00(0) | | | | | |
| 02E01 | 01(1) | 21P43 | 3510100 | C | ND0003XZ | 3510100 |
| 02E02 | 02(1) | 29P07 | 3905534 | C | NDXS/4 | 3905534 |
| 02E03 | 03(1) | 30P03 | 2900590 | C | NBXL1 | 2900590 |
| 02E04 | 04(1) | 30P04 | 2405120 | C | NAXR | 2405120 |
| 02E05 | 05(1) | 30P05 | 2902160 | C | NBXFP | 2902160 |
| 02E06 | 06(1) | 30P06 | 2904500 | C | NBXP/1 | 2904500 |
| 02E07 | 07(1) | 19P08 | 2405430 | C | NAXRRINH | 2405430 |
| 02E08 | 08(1) | 30P08 | 2403920 | C | NAXNR | 2403920 |
| 02E09 | 09(1) | 30P09 | 2900640 | C | NBXHR1 | 2900640 |
| 02E10 | 10(1) | 30P10 | 2900690 | C | NBXHR2 | 2900690 |
| 02E11 | 11(1) | 30P07 | 2904510 | C | NBXP/2 | 2904510 |
| 02E12 | 12(1) | 30P11 | 2905500 | C | NBXS | 2905500 |
| 02E13 | 13(1) | 24P08 | 3901400 | C | NDXDR8 | 3901418 |
| 02E14 | 14(1) | 24P14 | 3900900 | C | NDXC | 3900930 |
| 02E15 | 15(1) | 29P20 | 3905400 | C | NDXS | 3905401 |
| | 16(0) | | 4791431 | -GND | GND2531 | 4791431 |
| 02E17 | 17(1) | 11Q09 | 3077000 | C | CC1XK23 | 3077000 |
| 02E18 | 18(1) | 30P18 | 2400200 | C | NAXAL8 | 2400200 |
| 02E19 | 19(1) | 30P19 | 2405590 | C | NAXSR1 | 2405590 |
| 02E20 | 20(1) | 30P20 | 2405700 | C | NAXSR2 | 2405700 |
| 02E21 | 21(1) | 21P21 | 3060000 | C | N(R/CC) | 3060000 |
| 02E22 | 22(1) | 30P22 | 2401080 | C | NAXDIO | 2401080 |
| 02E23 | 23(1) | 29P24 | 5138951 | C | NINTRAP1 | 5138951 |
| 20P18 | 24(1) | 02E24 | 5152500 | C | IOEN6/1 | 5152500 |
| 02E25 | 25(1) | 12Q15 | 4375150 | C | (R/FL3) | 4375150 |
| 02E26 | 26(1) | 26P26 | 2013100 | C | A31XP32 | 2013100 |
| 02E27 | 27(1) | 26P28 | 2013150 | C | A31XP33 | 2013150 |
| 02E28 | 28(1) | 11P45 | 6927000 | C | PSW1XS | 6927000 |
| 02E29 | 29(1) | 30P29 | 2404430 | C | NAXPARITY | 2404430 |
| 02E30 | 30(1) | 20P30 | 2405340 | C | NAXRR/12 | 2405340 |
| 02E31 | 31(1) | 20P31 | 2405342 | C | NAXRR/13 | 2405342 |
| | 32(0) | | | | | |
| 02E33 | 33(1) | 30P30 | 2405480 | C | NAXS | 2405480 |
| 02E34 | 34(1) | 30P31 | 2405540 | C | NAXSL1 | 2405540 |
| 02E35 | 35(1) | 21P08 | 3510815 | C | ND0815XZ | 3510815 |
| 02E36 | 36(1) | 30P27 | 2407000 | C | NAXZ | 2407000 |
| 02E37 | 37(1) | 29P40 | 2405910 | C | NAXTR | 2405910 |
| 02E38 | 38(1) | 30P26 | 2401020 | C | NAXCC | 2401020 |
| 02E39 | 39(1) | 24P09 | 3907100 | C | NDXZ | 3907100 |
| 02E40 | 40(1) | 20P40 | 7904500 | C | NSXP | 7904500 |
| 02E41 | 41(1) | 07P24 | 4900530 | C | N(S/GXAD) | 4900530 |
| 02E42 | 42(1) | 10Q50 | 6075460 | C | MFR/1 | 6075462 |
| 02E43 | 43(1) | 30N01 | 6846001 | C | NPH10 | 6846001 |
| 02E44 | 44(1) | 29N22 | 5158800 | C | IOTRIN | 5158800 |
| 02E45 | 45(1) | 11Q41 | 4425850 | C | (FUSTH.ENDE) | 4425850 |
| 30P35 | 46(1) | 02E46 | 7501600 | C | (S1631Z.N(A16-K16)) | 7501600 |
| 02E47 | 47(1) | 10P40 | 7900080 | C | N(S/SXA/1) | 7900080 |
| | 48(0) | | | | | |
| 30P49 | 49(0) | 32P49 | 8301400 | | P4VP | 8301440 |
| 02E50 | 50(1) | 30N07 | 4321137 | C | FAFL-1 | 4321137 |
| 30P51 | 51(0) | 32P51 | 8303400 | | P8VP | 8303440 |

XDS 902306



DRAWING NO.- 133264-939 AC
 PROG-PNIND MODULE-32P
 TYPE-PIN INDEX TYPE-ZT23

64

10/27/71

| FROM | PIN (COUNT) | TO | SOURCE LINE NO. | ELEM. TYPE | SOURCE SIGNAL NAME | REFERENCE LINE NO. |
|-------|----------------|-------|--------------------|---------------|--------------------|-----------------------|
| | 00(0) | | | | | |
| 04L01 | 01(0) | | 3200010 | -NS | CL-32P01 | 3200010 |
| | 02(0) | | | | | |
| 09L01 | 03(0) | | 3200030 | -NS | CL-32P03 | 3200030 |
| 23L01 | 04(0) | | 3200040 | -NS | CL-32P04 | 3200040 |
| | 05(0) | | | | | |
| 29L09 | 06(0) | | 3200060 | -NS | CL-32P06 | 3200060 |
| | 07(0) | | | | | |
| 08M01 | 08(0) | | 3200080 | -NS | CL-32P08 | 3200080 |
| | 09(0) | | | | | |
| 21M01 | 10(0) | | 3200100 | -NS | CL-32P10 | 3200100 |
| | 11(0) | | | | | |
| 28M09 | 12(0) | | 3200120 | -NS | CL-32P12 | 3200120 |
| | 13(0) | | | | | |
| | 14(0) | 22S13 | 3200140 | -NS | CL-32P14 | 3200140 |
| | 15(0) | | | | | |
| | 16(0) | | 4791432 | -GND | GND2532 | 4791432 |
| 12N01 | 17(1) | | 3200170 | -NS | CL-32P17 | 3200170 |
| 07P01 | 18(1) | | 3200180 | -NS | CL-32P18 | 3200180 |
| 11P01 | 19(1) | | 3200190 | -NS | CL-32P19 | 3200190 |
| | 20(0) | | | | | |
| | 21(0) | | | | | |
| | 22(1) | 02Q09 | 3200220 | -NS | CL-32P22 | 3200220 |
| | 23(0) | | | | | |
| | 24(1) | 08Q01 | 3200240 | -NS | CL-32P24 | 3200240 |
| | 25(0) | | | | | |
| | 26(1) | 21Q01 | 3200260 | -NS | CL-32P26 | 3200260 |
| | 27(0) | | | | | |
| | 28(1) | 27Q01 | 3200280 | -NS | CL-32P28 | 3200280 |
| | 29(0) | | | | | |
| | 30(0) | 12R01 | 3200300 | -NS | CL-32P30 | 3200300 |
| | 31(0) | | | | | |
| | 32(0) | | | | | |
| | 33(1) | 14Q01 | 3200330 | -NS | CL-32P33 | 3200330 |
| | 34(0) | 17R01 | 3200340 | -NS | CL-32P34 | 3200340 |
| | 35(0) | | | | | |
| | 36(0) | | | | | |
| | 37(0) | | | | | |
| 27K43 | 38(0) | | 3180380 | -NS | CK-32P38 | 3180380 |
| | 39(0) | | | | | |
| | 40(0) | | | | | |
| | 41(0) | | | | | |
| 12K13 | 42(0) | | 3180420 | -NS | CK-32P42 | 3180420 |
| 09N50 | 43(1) | | 3180430 | -NS | CK-32P43 | 3180430 |
| | 44(0) | | | | | |
| | 45(0) | 01S13 | 3180450 | -NS | CK-32P45 | 3180450 |
| | 46(0) | | | | | |
| | 47(0) | 01T13 | 3180470 | -NS | CK-32P47 | 3180470 |
| | 48(0) | | | | | |
| 31P49 | 49(0) | | 8301400 | | P4VP | 8301440 |
| | 50(0) | | | | | |
| 31P51 | 51(0) | | 8303400 | | P8VP | 8303440 |

| FROM | PIN (COUNT) | TO | SOURCE LINE NO. | ELEM. TYPE | SOURCE SIGNAL NAME | REFERENCE LINE NO. |
|-------|----------------|-------|--------------------|---------------|--------------------|-----------------------|
| | 00(0) | | | | | |
| 05P17 | 01(1) | 11Q25 | 7501570 | I | NS1631Z | 7501570 |
| 12Q20 | 02(2) | 09P21 | 1236500 | I | S23 | 1236508 |
| | 03(2) | 13P33 | 3077000 | . | CC1XK23 | 1236508 |
| | 04(0) | | | | | |
| | 05(1) | 01Q25 | 7430100 | . | RW | 7430114 |
| | 06(0) | | | | | |
| 20P15 | 07(2) | 01Q27 | 3315154 | . | NCROSSEN | 7430114 |
| 26Q41 | 08(1) | | 3651150 | . | NDIOPIN | 1491502 |
| | 09(0) | | | | | |
| | 10(1) | 16Q15 | 7501550 | . | S1631Z | 7501570 |
| | 11(0) | | | | | |
| | 12(1) | 30N08 | 7430114 | I | NRW-1 | 7430114 |
| | 13(1) | 26Q18 | 1491500 | I | D1049 | 1491502 |
| 24Q12 | 14(2) | 32Q10 | 5533010 | I | KSC-1 | 5533010 |
| | 15(0) | | | | | |
| | 16(0) | | 4791501 | -GND | GND2601 | 4791501 |
| | 17(0) | | | | | |
| | 18(0) | | | | | |
| | 19(0) | | | | | |
| | 20(0) | | | | | |
| 18Q45 | 21(1) | | 5533050 | . | NKSC-1 | 5533010 |
| | 22(0) | | | | | |
| | 23(0) | | | | | |
| | 24(0) | | | | | |
| 01Q05 | 25(2) | 19P38 | 7430100 | . | RW | 7430112 |
| | 26(0) | | | | | |
| 01Q07 | 27(2) | 01P44 | 3315154 | . | NCROSSEN | 7430112 |
| | 28(0) | | | | | |
| | 29(0) | | | | | |
| | 30(0) | | | | | |
| | 31(0) | | | | | |
| | 32(0) | | | | | |
| | 33(1) | 24N20 | 7430112 | I | NRW-2 | 7430112 |
| | 34(0) | | | | | |
| | 35(1) | 20N02 | 5152500 | I | IOEN6/1 | 5152602 |
| | 36(1) | 21P18 | 4421680 | I | NFUMTSIGN | 4421680 |
| 11Q27 | 37(1) | | 4421660 | . | FUMTSIGN | 4421680 |
| 20Q37 | 38(2) | 19Q37 | 4241000 | . | EWDM | 5152602 |
| | 39(0) | | | | | |
| 14N47 | 40(2) | 21P17 | 8022200 | . | NTESTS | 8022100 |
| 25N31 | 41(2) | 06Q27 | 4324679 | . | N(FASTABORT.ENDE) | 8022100 |
| 19P24 | 42(2) | 05N18 | 4324678 | . | (FASTABORT.ENDE) | 1166510 |
| | 43(0) | | | | | |
| | 44(0) | | | | | |
| 08N05 | 45(2) | 02P19 | 1166500 | I | S16 | 1166510 |
| | 46(1) | 13Q27 | 8022100 | I | TESTS | 8022100 |
| | 47(0) | | | | | |
| | 48(0) | | | | | |
| | 49(0) | 02Q49 | 8301500 | -VSP | P4VQ | 8301510 |
| | 50(0) | | | | | |
| | 51(0) | 02Q51 | 8303500 | -VSP | P8VQ | 8303500 |

XDS 902306

XDS
XEROX DATA SYSTEMS

DRAWING NO.- 133264-939 AC
PROG-PNIND MODULE-02Q
TYPE-PIN INDEX TYPE-LT42

66

10/27/71

| FROM | PIN (COUNT) | TO | SOURCE LINE NO. | ELEM. TYPE | SOURCE SIGNAL NAME | REFERENCE LINE NO. |
|-------|----------------|-------|--------------------|---------------|--------------------|-----------------------|
| | 00(0) | | | | | |
| | 01(1) | 16N40 | 1255500 | B | PR25 | 1255500 |
| | 02(1) | 16N43 | 1245500 | B | PR24 | 1245500 |
| 01P43 | 03(2) | 03Q03 | 3905530 | . | DXS/3 | 1241312 |
| | 04(1) | 16N44 | 1252500 | B | G25 | 1252500 |
| | 05(1) | 06Q05 | 1250500 | FB | C25 | 1250500 |
| | 06(1) | 16N46 | 1242500 | B | G24 | 1242500 |
| 01P50 | 07(2) | 03Q07 | 3900150 | . | DX/3 | 1241330 |
| 01P47 | 08(2) | 03Q08 | 3901030 | . | DXC-3 | 1241310 |
| 32P22 | 09(2) | 03Q09 | 3200220 | . | CL-32P22 | 1241334 |
| 03Q15 | 10(2) | 06Q10 | 1260500 | . | C26 | 1251310 |
| 01P45 | 11(2) | 03Q11 | 3901530 | . | DXDR8-3 | 1241312 |
| 02P28 | 12(1) | | 1171300 | . | D17 | 1251312 |
| 02P23 | 13(2) | 30N22 | 1161300 | . | D16 | 1241312 |
| 01P46 | 14(2) | 03Q14 | 3901080 | . | DXCL1-3 | 1241310 |
| | 15(1) | 05P10 | 1240500 | FB | C24 | 1240500 |
| | 16(0) | | 4791502 | -GND | GND2602 | 4791502 |
| | 17(1) | 08Q43 | 1256500 | B | S25 | 1256502 |
| | 18(1) | 16P31 | 1240100 | . | A24 | 1240140 |
| | 19(1) | 08Q47 | 1246500 | B | S24 | 1246502 |
| 08N27 | 20(2) | 03Q20 | 6911390 | . | PRXAND/3 | 1245502 |
| 06P28 | 21(2) | 03Q21 | 4900580 | . | GXAD-3 | 1242500 |
| 06P11 | 22(2) | 03Q22 | 4904180 | . | GXNAD-3 | 1242500 |
| | 23(1) | 18N14 | 1241300 | FF | D24 | 1241300 |
| | 24(1) | 16P30 | 1250100 | . | A25 | 1250140 |
| 06P44 | 25(2) | 03Q25 | 4900680 | . | GXAND-3 | 1242502 |
| 06P41 | 26(2) | 03Q26 | 6911780 | . | PRXNAND/3 | 1245502 |
| 08N28 | 27(2) | 03Q27 | 6911590 | . | PRXNAD/3 | 1245500 |
| | 28(1) | 24N35 | 1251300 | FF | D25 | 1251300 |
| 08N26 | 29(2) | 03Q29 | 6911190 | . | PRXAD/3 | 1245500 |
| 25P38 | 30(1) | | 1254100 | . | MB25 | 1250502 |
| 07N45 | 31(2) | 03Q31 | 3405300 | . | CXS-3 | 1240500 |
| | 32(0) | | | | | |
| | 33(1) | 07Q27 | 1240300 | . | B24 | 1246504 |
| 06P47 | 34(2) | 03Q34 | 3403300 | . | CXMB-3 | 1240502 |
| 06Q35 | 35(1) | | 1256300 | . | RR25 | 1250502 |
| 25P36 | 36(1) | | 1244100 | . | MB24 | 1240502 |
| 07N12 | 37(2) | 03Q37 | 3404300 | . | CXRR-3 | 1240502 |
| 16N27 | 38(1) | | 1252750 | . | K25 | 1256500 |
| 06Q39 | 39(1) | | 1246300 | . | RR24 | 1240502 |
| 08N46 | 40(2) | 03Q40 | 5054300 | . | HOLDC-3 | 1240500 |
| 28N47 | 41(2) | 03Q41 | 7901130 | . | SXC-3 | 1246504 |
| 06Q42 | 42(2) | 07Q47 | 1244940 | . | P24-1 | 1246506 |
| 20P34 | 43(2) | 03Q43 | 7904530 | . | SXP-3 | 1246506 |
| 13N26 | 44(2) | 07Q43 | 1254940 | . | P25-1 | 1256506 |
| 28N44 | 45(2) | 03Q45 | 7900530 | . | SXB-3 | 1246504 |
| 16N26 | 46(1) | | 1242750 | . | K24 | 1246500 |
| | 47(1) | 07Q31 | 1250300 | . | B25 | 1256504 |
| | 48(0) | | | | | |
| 01Q49 | 49(0) | 03Q49 | 8301500 | | P4VQ | 8301500 |
| 06P26 | 50(2) | 03Q50 | 7900130 | . | SXADD-3A | 1246500 |
| 01Q51 | 51(0) | 03Q51 | 8303500 | | P8VQ | 8303500 |

| FROM | PIN (COUNT) | TO | SOURCE LINE NO. | ELEM. TYPE | SOURCE SIGNAL NAME | REFERENCE LINE NO. |
|-------|----------------|-------|--------------------|---------------|--------------------|-----------------------|
| | 00(0) | | | | | |
| | 01(1) | 16N41 | 1275500 | B | PR27 | 1275500 |
| | 02(1) | 16N39 | 1265500 | B | PR26 | 1265500 |
| 02Q03 | 03(2) | 04Q03 | 3905530 | . | DXS/3 | 1261312 |
| | 04(1) | 16N47 | 1272500 | B | G27 | 1272500 |
| | 05(1) | 06Q04 | 1270500 | FB | C27 | 1270500 |
| | 06(1) | 16N50 | 1262500 | B | G26 | 1262500 |
| 02Q07 | 07(2) | 04Q07 | 3900150 | . | DX/3 | 1261330 |
| 02Q08 | 08(2) | 04Q08 | 3901030 | . | DXC-3 | 1261310 |
| 02Q09 | 09(2) | 04Q09 | 3200220 | . | CL-32P22 | 1261334 |
| 04Q15 | 10(2) | 06Q09 | 1280500 | . | C28 | 1271310 |
| 02Q11 | 11(2) | 04Q11 | 3901530 | . | DXDR8-3 | 1261312 |
| 03P28 | 12(1) | | 1191300 | . | D19 | 1271312 |
| 03P23 | 13(1) | | 1181300 | . | D18 | 1261312 |
| 02Q14 | 14(2) | 04Q14 | 3901080 | . | DXCL1-3 | 1261310 |
| | 15(1) | 02Q10 | 1260500 | FB | C26 | 1260500 |
| | 16(0) | | 4791503 | -GND | GND2603 | 4791503 |
| | 17(1) | 08Q35 | 1276500 | B | S27 | 1276502 |
| 16P34 | 18(2) | 14Q31 | 1260100 | . | A26 | 1260140 |
| | 19(1) | 08Q42 | 1266500 | B | S26 | 1266502 |
| 02Q20 | 20(2) | 04Q20 | 6911390 | . | PRXAND/3 | 1265502 |
| 02Q21 | 21(2) | 04Q21 | 4900580 | . | GXAD-3 | 1262500 |
| 02Q22 | 22(2) | 04Q22 | 4904180 | . | GXNAD-3 | 1262500 |
| | 23(1) | 24N24 | 1261300 | FF | D26 | 1261300 |
| | 24(1) | 14Q27 | 1270100 | . | A27 | 1270140 |
| 02Q25 | 25(2) | 04Q25 | 4900680 | . | GXAND-3 | 1262502 |
| 02Q26 | 26(2) | 04Q26 | 6911780 | . | PRXNAND/3 | 1265502 |
| 02Q27 | 27(2) | 04Q27 | 6911590 | . | PRXNAD/3 | 1265500 |
| | 28(1) | 24N30 | 1271300 | FF | D27 | 1271300 |
| 02Q29 | 29(2) | 04Q29 | 6911190 | . | PRXAD/3 | 1265500 |
| 25P42 | 30(1) | | 1274100 | . | MB27 | 1270502 |
| 02Q31 | 31(2) | 04Q31 | 3405300 | . | CXS-3 | 1260500 |
| | 32(0) | | | | | |
| | 33(1) | 07Q30 | 1260300 | . | B26 | 1266504 |
| 02Q34 | 34(2) | 04Q34 | 3403300 | . | CXMB-3 | 1260502 |
| 06Q34 | 35(1) | | 1276300 | . | RR27 | 1270502 |
| 25P40 | 36(1) | | 1264100 | . | MB26 | 1260502 |
| 02Q37 | 37(2) | 04Q37 | 3404300 | . | CXRR-3 | 1260502 |
| 16N42 | 38(1) | | 1272750 | . | K27 | 1276500 |
| 14Q24 | 39(2) | 06Q40 | 1266300 | . | RR26 | 1260502 |
| 02Q40 | 40(2) | 04Q40 | 5054300 | . | HOLDC-3 | 1260500 |
| 02Q41 | 41(2) | 04Q41 | 7901130 | . | SXC-3 | 1266504 |
| | 42(1) | 06Q41 | 1264940 | . | P26-1 | 1266506 |
| 02Q43 | 43(2) | 04Q43 | 7904530 | . | SXP-3 | 1266506 |
| 11N42 | 44(2) | 06Q31 | 1274940 | . | P27-1 | 1276506 |
| 02Q45 | 45(2) | 04Q45 | 7900530 | . | SXB-3 | 1266504 |
| 16N25 | 46(1) | | 1262750 | . | K26 | 1266500 |
| | 47(1) | 07Q33 | 1270300 | . | B27 | 1276504 |
| | 48(0) | | | | | |
| 02Q49 | 49(0) | 04Q49 | 8301500 | . | P4VQ | 8301500 |
| 02Q50 | 50(2) | 06Q50 | 7900130 | . | SXADD-3A | 1266502 |
| 02Q51 | 51(0) | 04Q51 | 8303500 | . | P8VQ | 8303500 |

XDS 902306

XDS
XEROX DATA SYSTEMS

DRAWING NO. - 133264-939 AC
PROG-PNIND MODULE-04Q
TYPE-PIN INDEX TYPE-LT42

68

10/27/71

| FROM | PIN (COUNT) | TO | SOURCE LINE NO. | ELEM. TYPE | SOURCE SIGNAL NAME | REFERENCE LINE NO. |
|-------|----------------|-------|--------------------|---------------|--------------------|-----------------------|
| | 00(0) | | | | | |
| | 01(1) | 16N10 | 1295500 | B | PR29 | 1295500 |
| | 02(1) | 16N05 | 1285500 | B | PR28 | 1285500 |
| 03Q03 | 03(2) | 05Q03 | 3905530 | . | DXS/3 | 1281312 |
| | 04(1) | 16N04 | 1292500 | B | G29 | 1292500 |
| | 05(1) | 06Q06 | 1290500 | FB | C29 | 1290500 |
| | 06(1) | 16N02 | 1282500 | B | G28 | 1282500 |
| 03Q07 | 07(2) | 05Q07 | 3900150 | . | DX/3 | 1281330 |
| 03Q08 | 08(2) | 05Q08 | 3901030 | . | DXC-3 | 1281310 |
| 03Q09 | 09(2) | 05Q09 | 3200220 | . | CL-32P22 | 1281334 |
| 05Q15 | 10(2) | 06Q12 | 1300500 | . | C30 | 1291310 |
| 03Q11 | 11(2) | 05Q11 | 3901530 | . | DXDR8-3 | 1281312 |
| 04P28 | 12(2) | 17P27 | 1211300 | . | D21 | 1291312 |
| 04P23 | 13(1) | | 1201300 | . | D20 | 1281312 |
| 03Q14 | 14(2) | 05Q14 | 3901080 | . | DXCL1-3 | 1281310 |
| | 15(1) | 03Q10 | 1280500 | FB | C28 | 1280500 |
| | 16(0) | | 4791504 | -GND | GND2604 | 4791504 |
| 18N42 | 17(2) | 09Q09 | 1296500 | I | S29 | 1296500 |
| | 18(1) | 16P26 | 1280100 | . | A28 | 1280140 |
| 18N46 | 19(2) | 09Q33 | 1286500 | I | S28 | 1286500 |
| 03Q20 | 20(2) | 06Q20 | 6911390 | . | PRXAND/3 | 1285502 |
| 03Q21 | 21(2) | 05Q21 | 4900580 | . | GXAD-3 | 1282500 |
| 03Q22 | 22(2) | 05Q22 | 4904180 | . | GXNAD-3 | 1282500 |
| | 23(1) | 24N31 | 1281300 | FF | D28 | 1281300 |
| | 24(1) | 16P24 | 1290100 | . | A29 | 1290140 |
| 03Q25 | 25(2) | 05Q25 | 4900680 | . | GXAND-3 | 1282502 |
| 03Q26 | 26(2) | 05Q26 | 6911780 | . | PRXNAND/3 | 1285502 |
| 03Q27 | 27(2) | 05Q27 | 6911590 | . | PRXNAD/3 | 1285500 |
| | 28(1) | 24N34 | 1291300 | FF | D29 | 1291300 |
| 03Q29 | 29(2) | 05Q29 | 6911190 | . | PRXAD/3 | 1285500 |
| 19Q30 | 30(1) | | 1294100 | . | MB29 | 1290502 |
| 03Q31 | 31(2) | 05Q31 | 3405300 | . | CXS-3 | 1280500 |
| | 32(0) | | | | | |
| | 33(1) | 07Q02 | 1280300 | . | B28 | 1286504 |
| 03Q34 | 34(2) | 05Q34 | 3403300 | . | CXMB-3 | 1280502 |
| 06Q33 | 35(1) | | 1296300 | . | RR29 | 1290502 |
| 19Q04 | 36(1) | | 1284100 | . | MB28 | 1280502 |
| 03Q37 | 37(2) | 05Q37 | 3404300 | . | CXRR-3 | 1280502 |
| 16N18 | 38(1) | | 1292750 | . | K29 | 1296500 |
| 06Q38 | 39(1) | | 1286300 | . | RR28 | 1280502 |
| 03Q40 | 40(2) | 05Q40 | 5054300 | . | HOLDC-3 | 1280500 |
| 03Q41 | 41(2) | 05Q41 | 7901130 | . | SXC-3 | 1286504 |
| 07Q25 | 42(2) | 05N20 | 1284940 | . | P28-1 | 1286506 |
| 03Q43 | 43(2) | 05Q43 | 7904530 | . | SXP-3 | 1286506 |
| 11N14 | 44(2) | 07Q24 | 1294940 | . | P29-1 | 1296506 |
| 03Q45 | 45(2) | 05Q45 | 7900530 | . | SXB-3 | 1286504 |
| 16N19 | 46(1) | | 1282750 | . | K28 | 1286500 |
| 07Q04 | 47(2) | 09Q14 | 1290300 | . | B29 | 1296504 |
| | 48(0) | | | | | |
| 03Q49 | 49(0) | 05Q49 | 8301500 | . | P4VQ | 8301500 |
| 06P25 | 50(2) | 05Q50 | 7900135 | . | SXADD-3B | 1286500 |
| 03Q51 | 51(0) | 05Q51 | 8303500 | . | P8VQ | 8303500 |

| FROM | PIN (COUNT) | TO | SOURCE LINE NO. | ELEM. TYPE | SOURCE SIGNAL NAME | REFERENCE LINE NO. |
|-------|----------------|-------|--------------------|---------------|--------------------|-----------------------|
| | 00(0) | | | | | |
| | 01(1) | 16N07 | 1315500 | B | PR31 | 1315500 |
| | 02(1) | 16N09 | 1305500 | B | PR30 | 1305500 |
| 04Q03 | 03(2) | 29P05 | 3905530 | . | DXS/3 | 1301312 |
| | 04(1) | 16N06 | 1312500 | B | G31 | 1312500 |
| | 05(1) | 06Q03 | 1310500 | FB | C31 | 1310500 |
| | 06(1) | 16N01 | 1302500 | B | G30 | 1302500 |
| 04Q07 | 07(2) | 19P14 | 3900150 | . | DX/3 | 1301330 |
| 04Q08 | 08(2) | 28N19 | 3901030 | . | DXC-3 | 1301310 |
| 04Q09 | 09(2) | 07Q01 | 3200220 | . | CL-32P22 | 1301334 |
| 05Q16 | 10(1) | | 4791505 | . | GND2605 | 1311310 |
| 04Q11 | 11(2) | 28N27 | 3901530 | . | DXDR8-3 | 1301312 |
| 05P28 | 12(2) | 06P07 | 1231300 | . | D23 | 1311312 |
| 05P23 | 13(2) | 06P08 | 1221300 | . | D22 | 1301312 |
| 04Q14 | 14(2) | 28N11 | 3901080 | . | DXCL1-3 | 1301310 |
| | 15(1) | 04Q10 | 1300500 | FB | C30 | 1300500 |
| | 16(1) | 05Q10 | 4791505 | -GND | GND2605 | 4791505 |
| 08N18 | 17(2) | 09Q21 | 1316500 | I | S31 | 1316500 |
| 18N30 | 18(2) | 16P29 | 1300100 | . | A30 | 1300140 |
| 24N08 | 19(2) | 09Q19 | 1306500 | B | S30 | 1306502 |
| 06Q20 | 20(1) | | 6911390 | . | PRXAND/3 | 1305502 |
| 04Q21 | 21(2) | 06Q21 | 4900580 | . | GXAD-3 | 1302500 |
| 04Q22 | 22(2) | 06Q23 | 4904180 | . | GXNAD-3 | 1302500 |
| | 23(1) | 21N10 | 1301300 | FF | D30 | 1301300 |
| 16P27 | 24(2) | 15Q27 | 1310100 | . | A31 | 1310136 |
| 04Q25 | 25(2) | 06Q25 | 4900680 | . | GXAND-3 | 1302502 |
| 04Q26 | 26(2) | 06Q24 | 6911780 | . | PRXNAND/3 | 1305502 |
| 04Q27 | 27(2) | 06Q18 | 6911590 | . | PRXNAD/3 | 1305500 |
| | 28(1) | 14N20 | 1311300 | FF | D31 | 1311300 |
| 04Q29 | 29(2) | 06Q26 | 6911190 | . | PRXAD/3 | 1305500 |
| 19Q10 | 30(1) | | 1314100 | . | MB31 | 1310502 |
| 04Q31 | 31(2) | 06Q28 | 3405300 | . | CXS-3 | 1300500 |
| | 32(0) | | | | | |
| | 33(1) | 08Q02 | 1300300 | . | B30 | 1306504 |
| 04Q34 | 34(2) | 06Q29 | 3403300 | . | CXMB-3 | 1300502 |
| 06Q36 | 35(1) | | 1316300 | . | RR31 | 1310502 |
| 19Q08 | 36(1) | | 1304100 | . | MB30 | 1300502 |
| 04Q37 | 37(2) | 06Q43 | 3404300 | . | CXRR-3 | 1300502 |
| 08P12 | 38(1) | | 1312751 | . | K31 | 1316500 |
| 15Q24 | 39(2) | 09N18 | 1306300 | . | RR30 | 1300502 |
| 04Q40 | 40(2) | 06Q44 | 5054300 | . | HOLDC-3 | 1300500 |
| 04Q41 | 41(2) | 17Q21 | 7901130 | . | SXC-3 | 1306504 |
| 12N46 | 42(2) | 08Q25 | 1304940 | . | P30-1 | 1306506 |
| 04Q43 | 43(2) | 17Q19 | 7904530 | . | SXP-3 | 1306506 |
| 08Q24 | 44(2) | 12N42 | 1314940 | . | P31-1 | 1316506 |
| 04Q45 | 45(2) | 06Q46 | 7900530 | . | SXB-3 | 1306504 |
| 16N20 | 46(1) | | 1302750 | . | K30 | 1306500 |
| | 47(1) | 08Q04 | 1310300 | . | B31 | 1316504 |
| | 48(0) | | | | | |
| 04Q49 | 49(0) | 06Q49 | 8301500 | . | P4VQ | 8301500 |
| 04Q50 | 50(2) | 06Q47 | 7900135 | . | SXADD-3B | 1306500 |
| 04Q51 | 51(0) | 06Q51 | 8303500 | . | P8VQ | 8303500 |

XDS 902306

XDS
XEROX DATA SYSTEMS

DRAWING NO.- 133264-939 AC
PROG-PNIND MODULE-06Q
TYPE-PIN INDEX TYPE-XT10

70

10/27/71

| FROM | PIN (COUNT) | TO | SOURCE LINE NO. | ELEM. TYPE | SOURCE SIGNAL NAME | REFERENCE LINE NO. |
|-------|----------------|-------|--------------------|---------------|--------------------|-----------------------|
| | 00(0) | | | | | |
| 07Q20 | 01(1) | | 8010150 | T | N(S/T11L) | 8010160 |
| 07Q19 | 02(1) | | 8010850 | T | N(S/T8L) | 8010850 |
| 05Q05 | 03(1) | | 1310500 | T | C31 | 1310500 |
| 03Q05 | 04(1) | | 1270500 | T | C27 | 1270500 |
| 02Q05 | 05(1) | | 1250500 | T | C25 | 1250500 |
| 04Q05 | 06(1) | | 1290500 | T | C29 | 1290500 |
| 08Q17 | 07(1) | | 2503000 | T | (S/B3031) | 2503000 |
| | 08(1) | 07P38 | 2900120 | T | BX-2 | 2900120 |
| 03Q10 | 09(1) | | 1280500 | T | C28 | 1280500 |
| 02Q10 | 10(1) | | 1260500 | T | C26 | 1260500 |
| | 11(1) | 07P36 | 2904520 | T | BXP-2 | 2904520 |
| 04Q10 | 12(1) | | 1300500 | T | C30 | 1300500 |
| | 13(1) | 07Q10 | 2904530 | T | BXP-3 | 2904530 |
| 11Q12 | 14(1) | | 3079000 | T | CCZ | 3079000 |
| | 15(1) | 02P26 | 6911770 | T | PRXNAND/2 | 6911770 |
| | 16(0) | | 4791506 | -GND | GND2606 | 4791506 |
| 08Q20 | 17(1) | | 7430116 | T | (S/RW/1) | 7430116 |
| 05Q27 | 18(1) | | 6911590 | T | PRXNAD/3 | 6911590 |
| 12Q19 | 19(1) | | 2560140 | T | (S/BC31) | 2560140 |
| 04Q20 | 20(2) | 05Q20 | 6911390 | T | PRXAND/3 | 6911390 |
| 05Q21 | 21(1) | | 4900580 | T | GXAD-3 | 4900580 |
| | 22(1) | 07Q22 | 2900130 | T | BX-3 | 2900130 |
| 05Q22 | 23(1) | | 4904180 | T | GXNAD-3 | 4904180 |
| 05Q26 | 24(1) | | 6911780 | T | PRXNAND/3 | 6911780 |
| 05Q25 | 25(1) | | 4900680 | T | GXAND-3 | 4900680 |
| 05Q29 | 26(1) | | 6911190 | T | PRXAD/3 | 6911190 |
| 01Q41 | 27(1) | | 4324679 | T | N(FASTABORT.ENDE) | 4324679 |
| 05Q31 | 28(1) | | 3405300 | T | CXS-3 | 3405300 |
| 05Q34 | 29(1) | | 3403300 | T | CXMB-3 | 3403300 |
| 11Q30 | 30(1) | | 1010104 | T | NA1 | 1010104 |
| 03Q44 | 31(2) | 07Q35 | 1274940 | T | P27-1 | 1274940 |
| | 32(0) | | | | | |
| 15Q40 | 33(2) | 04Q35 | 1296300 | T | RR29 | 1296300 |
| 14Q36 | 34(2) | 03Q35 | 1276300 | T | RR27 | 1276300 |
| 14Q40 | 35(2) | 02Q35 | 1256300 | T | RR25 | 1256300 |
| 15Q36 | 36(2) | 05Q35 | 1316300 | T | RR31 | 1316300 |
| 11Q39 | 37(1) | | 1000104 | T | NA0 | 1000104 |
| 15Q26 | 38(2) | 04Q39 | 1286300 | T | RR28 | 1286300 |
| 14Q26 | 39(2) | 02Q39 | 1246300 | T | RR24 | 1246300 |
| 03Q39 | 40(1) | | 1266300 | T | RR26 | 1266300 |
| 03Q42 | 41(2) | 07Q42 | 1264940 | T | P26-1 | 1264940 |
| | 42(1) | 02Q42 | 1244940 | T | P24-1 | 1244940 |
| 05Q37 | 43(1) | | 3404300 | T | CXRR-3 | 3404300 |
| 05Q40 | 44(1) | | 5054300 | T | HOLDC-3 | 5054300 |
| 11Q44 | 45(1) | | 6909950 | T | PROBOVER | 6909950 |
| 05Q45 | 46(1) | | 7900530 | T | SXB-3 | 7900530 |
| 05Q50 | 47(1) | | 7900135 | T | SXADD-3B | 7900135 |
| | 48(0) | | | | | |
| 05Q49 | 49(0) | 07Q49 | 8301500 | | P4VQ | 8301500 |
| 03Q50 | 50(1) | | 7900130 | T | SXADD-3A | 7900130 |
| 05Q51 | 51(0) | 07Q51 | 8303500 | | P8VQ | 8303500 |

XDS 902306

XDS
XEROX DATA SYSTEMS

DRAWING NO. - 133264-939 AC
PROG-PNIND MODULE-07Q
TYPE-PIN INDEX TYPE-FT22

71

10/27/71

| FROM | PIN (COUNT) | TO | SOURCE LINE NO. | ELEM. TYPE | SOURCE SIGNAL NAME | REFERENCE LINE NO. |
|-------|----------------|-------|--------------------|---------------|--------------------|-----------------------|
| | 00(0) | | | | | |
| 05Q09 | 01(1) | | 3200220 | . | CL-32P22 | 1240334 |
| 04Q33 | 02(2) | 09Q35 | 1280300 | FF | B28 | 1280300 |
| | 03(1) | 09Q41 | 1290310-1 | + | | 1290314 |
| | 04(1) | 04Q47 | 1290300 | FF | B29 | 1290300 |
| | 05(1) | 20Q41 | 1290304 | NFF | NB29 | 1290304 |
| | 06(1) | 15N15 | 8010800 | FF | NT8L | 8010800 |
| | 07(0) | | 8010801 | NFF | T8L | 8010801 |
| | 08(1) | 07Q13 | 4791507 | . | GND2607 | 8010802 |
| | 09(0) | | | | | |
| 06Q13 | 10(2) | 07Q36 | 2904530 | . | BXP-3 | 1280314 |
| | 11(0) | | 8010102-1 | + | | 8010102 |
| | 12(1) | 20P22 | 8010101 | NFF | T11L | 8010101 |
| 07Q08 | 13(2) | 07Q16 | 4791507 | . | GND2607 | 8010102 |
| | 14(1) | 15N14 | 8010100 | FF | NT11L | 8010100 |
| | 15(0) | | | | | |
| 07Q13 | 16(2) | 07Q17 | 4791507 | -GND | GND2607 | 4791507 |
| 07Q16 | 17(2) | 07Q37 | 4791507 | . | GND2607 | 1280316 |
| | 18(1) | 09Q39 | 1280310-1 | + | | 1280310 |
| 10N38 | 19(2) | 06Q02 | 8010850 | . | N(S/T8L) | 8010802 |
| 10N36 | 20(2) | 06Q01 | 8010150 | . | N(S/T11L) | 8010102 |
| | 21(1) | 20Q40 | 1280304 | NFF | NB28 | 1280304 |
| 06Q22 | 22(2) | 07Q23 | 2900130 | . | BX-3 | 1290330 |
| 07Q22 | 23(2) | 07Q38 | 2900130 | . | BX-3 | 1280330 |
| 04Q44 | 24(2) | 26N36 | 1294940 | . | P29-1 | 1290314 |
| 26P06 | 25(2) | 04Q42 | 1284940 | . | P28-1 | 1280314 |
| | 26(0) | | 1250304 | NFF | NB25 | 1250304 |
| 02Q33 | 27(2) | 09Q05 | 1240300 | FF | B24 | 1240300 |
| | 28(0) | | 1240304 | NFF | NB24 | 1240304 |
| 31Q29 | 29(1) | | 1260304 | NFF | NB26 | 1260304 |
| 03Q33 | 30(2) | 09Q45 | 1260300 | FF | B26 | 1260300 |
| 02Q47 | 31(2) | 09Q17 | 1250300 | FF | B25 | 1250300 |
| | 32(0) | | | | | |
| 03Q47 | 33(2) | 09Q44 | 1270300 | FF | B27 | 1270300 |
| | 34(1) | 31Q34 | 1270304 | NFF | NB27 | 1270304 |
| 06Q31 | 35(1) | | 1274940 | . | P27-1 | 1270314 |
| 07Q10 | 36(2) | 08Q10 | 2904530 | . | BXP-3 | 1240314 |
| 07Q17 | 37(1) | | 4791507 | . | GND2607 | 1240316 |
| 07Q23 | 38(2) | 07Q40 | 2900130 | . | BX-3 | 1270330 |
| | 39(1) | 09Q38 | 1270310-1 | + | | 1270314 |
| 07Q38 | 40(2) | 07Q44 | 2900130 | . | BX-3 | 1260330 |
| | 41(1) | 09Q11 | 1260310-1 | + | | 1260310 |
| 06Q41 | 42(2) | 11N46 | 1264940 | . | P26-1 | 1260314 |
| 02Q44 | 43(2) | 12Q24 | 1254940 | . | P25-1 | 1250314 |
| 07Q40 | 44(2) | 07Q45 | 2900130 | . | BX-3 | 1250330 |
| 07Q44 | 45(2) | 08Q22 | 2900130 | . | BX-3 | 1240330 |
| | 46(1) | 09Q13 | 1250310-1 | + | | 1250310 |
| 02Q42 | 47(2) | 10Q22 | 1244940 | . | P24-1 | 1240314 |
| | 48(0) | | | | | |
| 06Q49 | 49(0) | 08Q49 | 8301500 | . | P4VQ | 8301500 |
| | 50(1) | 09Q18 | 1240310-1 | + | | 1240310 |
| 06Q51 | 51(0) | 08Q51 | 8303500 | . | P8VQ | 8303500 |

XDS 902306



DRAWING NO. - 133264-939 AC
 PROG-PNIND MODULE-08Q
 TYPE-PIN INDEX TYPE-FT22

72

10/27/71

| FROM | PIN (COUNT) | TO | SOURCE LINE NO. | ELEM. TYPE | SOURCE SIGNAL NAME | REFERENCE LINE NO. |
|-------|----------------|-------|--------------------|---------------|--------------------|-----------------------|
| | 00(0) | | | | | |
| 32P24 | 01(2) | 12Q01 | 3200240 | . | CL-32P24 | 1300334 |
| 05Q33 | 02(2) | 09Q04 | 1300300 | FF | B30 | 1300300 |
| | 03(1) | 09Q06 | 1310310-1 | + | | 1310316 |
| 05Q47 | 04(2) | 09Q36 | 1310300 | FF | B31 | 1310300 |
| 20Q43 | 05(1) | | 1310304 | NFF | NB31 | 1310304 |
| | 06(1) | 15N30 | 5917100 | FF | LRXD | 5917100 |
| | 07(1) | 09Q40 | 5917200 | -CON | LRXR | 5917204 |
| | 08(1) | 08Q13 | 4791508 | . | GND2608 | 5917102 |
| | 09(0) | | | | | |
| 07Q36 | 10(2) | 20P41 | 2904530 | . | BXP-3 | 1300314 |
| | 11(0) | | 7430102-1 | + | | 7430102 |
| | 12(1) | 15N13 | 7430101 | NFF | NRW | 7430101 |
| 08Q08 | 13(2) | 08Q16 | 4791508 | . | GND2608 | 7430102 |
| 19P42 | 14(1) | | 7430100 | FF | RW | 7430100 |
| | 15(0) | | | | | |
| 08Q13 | 16(2) | 08Q37 | 4791508 | -GND | GND2608 | 4791508 |
| 25N06 | 17(2) | 06Q07 | 2503000 | . | (S/B3031) | 1300316 |
| | 18(1) | 09Q42 | 1300310-1 | + | | 1300314 |
| 14N37 | 19(2) | 17Q12 | 6752000 | . | OXC | 5917102 |
| 21P36 | 20(2) | 06Q17 | 7430116 | . | (S/RW/1) | 7430102 |
| | 21(1) | 20Q42 | 1300304 | NFF | NB30 | 1300304 |
| 07Q45 | 22(2) | 08Q23 | 2900130 | . | BX-3 | 1310330 |
| 08Q22 | 23(2) | 29P28 | 2900130 | . | BX-3 | 1300330 |
| 12Q13 | 24(2) | 05Q44 | 1314940 | . | P31-1 | 1310314 |
| 05Q42 | 25(2) | 15N36 | 1304940 | . | P30-1 | 1300314 |
| 21P11 | 26(2) | 10Q20 | 1256202 | NFF | NRP25 | 1256202 |
| | 27(1) | 14Q46 | 1246200 | FF | RP24 | 1246200 |
| 21P10 | 28(2) | 10Q35 | 1246202 | NFF | NRP24 | 1246202 |
| 10N27 | 29(2) | 10Q33 | 1266202 | NFF | NRP26 | 1266202 |
| 10N26 | 30(2) | 14Q50 | 1266200 | FF | RP26 | 1266200 |
| | 31(1) | 14Q44 | 1256200 | FF | RP25 | 1256200 |
| | 32(0) | | | | | |
| 14N27 | 33(2) | 14Q43 | 1276200 | FF | RP27 | 1276200 |
| 10N28 | 34(2) | 10Q19 | 1276202 | NFF | NRP27 | 1276202 |
| 03Q17 | 35(2) | 09Q25 | 1276500 | . | S27 | 1276204 |
| 08Q38 | 36(2) | 17Q17 | 7395100 | . | RPXS | 1246204 |
| 08Q16 | 37(1) | | 4791508 | . | GND2608 | 1246204 |
| 08Q40 | 38(2) | 08Q36 | 7395100 | . | RPXS | 1276210 |
| | 39(0) | | 1276204-1 | + | | 1276204 |
| 08Q44 | 40(2) | 08Q38 | 7395100 | . | RPXS | 1266210 |
| | 41(0) | | 1266204-1 | + | | 1266204 |
| 03Q19 | 42(2) | 09Q23 | 1266500 | . | S26 | 1266204 |
| 02Q17 | 43(2) | 09Q20 | 1256500 | . | S25 | 1256204 |
| 08Q45 | 44(2) | 08Q40 | 7395100 | . | RPXS | 1256210 |
| 31Q47 | 45(2) | 08Q44 | 7395100 | . | RPXS | 1246210 |
| | 46(0) | | 1256204-1 | + | | 1256204 |
| 02Q19 | 47(2) | 09Q22 | 1246500 | . | S24 | 1246204 |
| | 48(0) | | | | | |
| 07Q49 | 49(0) | 09Q49 | 8301500 | . | P4VQ | 8301500 |
| | 50(0) | | 1246204-1 | + | | 1246204 |
| 07Q51 | 51(0) | 09Q51 | 8303500 | . | P8VQ | 8303500 |

| FROM | PIN (COUNT) | TO | SOURCE LINE NO. | ELEM. TYPE | SOURCE SIGNAL NAME | REFERENCE LINE NO. |
|-------|----------------|-------|--------------------|---------------|--------------------|-----------------------|
| | 00(0) | | | | | |
| 30P05 | 01(2) | 09P01 | 2902160 | . | NBAFP | 2902130 |
| 30P10 | 02(2) | 09P02 | 2900690 | . | NBAPR2 | 2900730 |
| 30P09 | 03(2) | 09P03 | 2900640 | . | NBAPR1 | 2900680 |
| 08Q02 | 04(2) | 20N05 | 1300300 | . | B30 | 2500100 |
| 07Q27 | 05(2) | 09P43 | 1240300 | . | B24 | 2500094 |
| 08Q03 | 06(1) | | 1310310-1 | + | | 1310310 |
| 09P36 | 07(2) | 20Q47 | 1230300 | . | B23 | 1240310 |
| 09P04 | 08(2) | 20Q26 | 1220300 | . | B22 | 1240312 |
| 04Q17 | 09(2) | 12P39 | 1296500 | . | S29 | 1290312 |
| | 10(0) | | 2902130 | I | BAFP-3 | 2902130 |
| 07Q41 | 11(1) | | 1260310-1 | + | | 1260310 |
| 30P11 | 12(2) | 09P12 | 2905500 | . | NBXS | 2905530 |
| 07Q46 | 13(1) | | 1250310-1 | + | | 1250310 |
| 04Q47 | 14(2) | 28Q24 | 1290300 | . | B29 | 2500098 |
| 09P15 | 15(2) | 12P25 | 2500070 | I | B0031Z | 2500094 |
| | 16(0) | | 4791509 | -GND | GND2609 | 4791509 |
| 07Q31 | 17(2) | 28Q43 | 1250300 | . | B25 | 2500094 |
| 07Q50 | 18(1) | | 1240310-1 | + | | 1240316 |
| 05Q19 | 19(2) | 10P28 | 1306500 | . | S30 | 1300312 |
| 08Q43 | 20(2) | 13Q40 | 1256500 | . | S25 | 1250312 |
| 05Q17 | 21(2) | 10P33 | 1316500 | . | S31 | 1310312 |
| 08Q47 | 22(2) | 13Q29 | 1246500 | . | S24 | 1240312 |
| 08Q42 | 23(2) | 13Q17 | 1266500 | . | S26 | 1260312 |
| 14N15 | 24(2) | 18Q15 | 1292100 | . | FP29 | 1290316 |
| 08Q35 | 25(2) | 13Q09 | 1276500 | . | S27 | 1270312 |
| 14N14 | 26(2) | 18Q19 | 1282100 | . | FP28 | 1280316 |
| 14N18 | 27(2) | 18Q20 | 1312100 | . | FP31 | 1310316 |
| 14N13 | 28(2) | 18Q25 | 1272100 | . | FP27 | 1270316 |
| 14N17 | 29(2) | 18Q12 | 1302100 | . | FP30 | 1300316 |
| 14N11 | 30(2) | 18Q33 | 1252100 | . | FP25 | 1250316 |
| 14N10 | 31(2) | 18Q37 | 1242100 | . | FP24 | 1240316 |
| | 32(0) | | | | | |
| 04Q19 | 33(2) | 16Q35 | 1286500 | . | S28 | 1280312 |
| 14N12 | 34(2) | 18Q30 | 1262100 | . | FP26 | 1260316 |
| 07Q02 | 35(2) | 28Q25 | 1280300 | . | B28 | 2500098 |
| 08Q04 | 36(2) | 07N11 | 1310300 | . | B31 | 2500100 |
| | 37(0) | | 2900580 | I | BAPGND-3 | 2900580 |
| 07Q39 | 38(1) | | 1270310-1 | + | | 1270310 |
| 07Q18 | 39(1) | | 1280310-1 | + | | 1280310 |
| 08Q07 | 40(2) | 09P40 | 5917200 | I | LRXR | 5917202 |
| 07Q03 | 41(1) | | 1290310-1 | + | | 1290310 |
| 08Q18 | 42(1) | | 1300310-1 | + | | 1300310 |
| 21N46 | 43(1) | | 1310340 | . | B31EN/1 | 1310310 |
| 07Q33 | 44(2) | 28Q35 | 1270300 | . | B27 | 2500096 |
| 07Q30 | 45(2) | 28Q42 | 1260300 | . | B26 | 2500096 |
| | 46(0) | | | | | |
| 30P03 | 47(2) | 09P47 | 2900590 | . | NBAPL1 | 2900630 |
| | 48(0) | | | | | |
| 08Q49 | 49(0) | 10Q49 | 8301500 | . | P4VQ | 8301510 |
| 32N44 | 50(2) | 17Q13 | 5919900 | . | LRXZ | 5917202 |
| 08Q51 | 51(0) | 10Q51 | 8303500 | . | P8VQ | 8303510 |

XDS 902306

XDS
XEROX DATA SYSTEMS

DRAWING NO.- 133264-939 AC
PROG-PNIND MODULE-10Q
TYPE-PIN INDEX TYPE-ZT45

74

10/27/71

| FROM | PIN (COUNT) | TO | SOURCE LINE NO. | ELEM. TYPE | SOURCE SIGNAL NAME | REFERENCE LINE NO. |
|-------|----------------|-------|--------------------|---------------|--------------------|-----------------------|
| | 00(0) | | | | | |
| 10R01 | 01(1) | 14P26 | 1166300 | C | RR16 | 1166300 |
| 10R02 | 02(1) | 14P40 | 1176300 | C | RR17 | 1176300 |
| 10R03 | 03(1) | 14P24 | 1186300 | C | RR18 | 1186300 |
| 10R04 | 04(1) | 14P36 | 1196300 | C | RR19 | 1196300 |
| 10R05 | 05(1) | 15P26 | 1206300 | C | RR20 | 1206300 |
| 10R06 | 06(1) | 15P40 | 1216300 | C | RR21 | 1216300 |
| 10R07 | 07(1) | 15P24 | 1226300 | C | RR22 | 1226300 |
| 10R08 | 08(1) | 15P36 | 1236300 | C | RR23 | 1236300 |
| 07P35 | 09(1) | 10R09 | 1194940 | C | P19-1 | 1194940 |
| 13N40 | 10(1) | 10R10 | 1264902 | C | NP26 | 1264902 |
| 13N30 | 11(1) | 10R11 | 1314902 | C | NP31 | 1314902 |
| 06P20 | 12(1) | 10R12 | 6802900 | C | (P29.NP30.NP31) | 6802900 |
| 32Q43 | 13(1) | 10R13 | 6196120 | C | (S/MRQ) | 6196120 |
| 08N12 | 14(1) | 10R14 | 1283700 | C | LR28-0 | 1283700 |
| 07P42 | 15(1) | 10R15 | 1184940 | C | P18-1 | 1184940 |
| | 16(0) | | 4791510 | -GND | GND2610 | 4791510 |
| 13N42 | 17(1) | 10R17 | 1154902 | C | NP15 | 1154902 |
| 13N43 | 18(1) | 10R18 | 1164902 | C | NP16 | 1164902 |
| 08Q34 | 19(1) | 10R19 | 1276202 | C | NRP27 | 1276202 |
| 08Q26 | 20(1) | 10R20 | 1256202 | C | NRP25 | 1256202 |
| 13N04 | 21(1) | 10R21 | 1214902 | C | NP21 | 1214902 |
| 07Q47 | 22(1) | 10R22 | 1244940 | C | P24-1 | 1244940 |
| 10R23 | 23(1) | 15Q24 | 1306300 | C | RR30 | 1306300 |
| 10R24 | 24(1) | 14Q24 | 1266300 | C | RR26 | 1266300 |
| 10R25 | 25(1) | 15Q26 | 1286300 | C | RR28 | 1286300 |
| 10R26 | 26(1) | 14Q26 | 1246300 | C | RR24 | 1246300 |
| 08P35 | 27(1) | 10R27 | 1234940 | C | P23-1 | 1234940 |
| 08P47 | 28(1) | 10R28 | 1204940 | C | P20-1 | 1204940 |
| 13N21 | 29(1) | 10R29 | 1224902 | C | NP22 | 1224902 |
| 13N13 | 30(1) | 10R30 | 1174902 | C | NP17 | 1174902 |
| 14Q50 | 31(1) | 10R31 | 1266200 | C | RP26 | 1266200 |
| | 32(0) | | | | | |
| 08Q29 | 33(1) | 10R33 | 1266202 | C | NRP26 | 1266202 |
| 14Q43 | 34(1) | 10R34 | 1276200 | C | RP27 | 1276200 |
| 08Q28 | 35(1) | 10R35 | 1246202 | C | NRP24 | 1246202 |
| 10R36 | 36(1) | 14Q36 | 1276300 | C | RR27 | 1276300 |
| 10R37 | 37(1) | 15Q36 | 1316300 | C | RR31 | 1316300 |
| 13N39 | 38(1) | 10R38 | 1274902 | C | NP27 | 1274902 |
| 10R39 | 39(1) | 15Q40 | 1296300 | C | RR29 | 1296300 |
| 10R40 | 40(1) | 14Q40 | 1256300 | C | RR25 | 1256300 |
| 07N40 | 41(1) | 10R41 | 3405111 | C | CXS | 3405111 |
| 10R42 | 42(1) | 28N14 | 5121510 | C | NIEO | 5121510 |
| 11Q33 | 43(1) | 10R43 | 7500400 | C | NS0031Z | 7500400 |
| 06P33 | 44(1) | 10R44 | 3690105 | C | NDIS | 3690105 |
| 21N34 | 45(1) | 10R45 | 3202720 | C | CLEAR | 3202720 |
| 07N26 | 46(1) | 10R46 | 3315160 | C | CROSSEN | 3315160 |
| 10R47 | 47(1) | 10N46 | 3800000 | C | DM | 3800000 |
| | 48(0) | | | | | |
| 09Q49 | 49(0) | 11Q49 | 8301500 | | P4VQ | 8301510 |
| 31P42 | 50(1) | 10R50 | 6075460 | C | MFR/1 | 6075462 |
| 09Q51 | 51(0) | 11Q51 | 8303500 | | P8VQ | 8303510 |

| FROM | PIN (COUNT) | TO | SOURCE LINE NO. | ELEM. TYPE | SOURCE SIGNAL NAME | REFERENCE LINE NO. |
|-------|----------------|-------|--------------------|---------------|--------------------|-----------------------|
| | 00(0) | | | | | |
| 13Q04 | 01(1) | | 3060402-1 | + | | 3060408 |
| 21P09 | 02(2) | 11Q37 | 4425400 | . | FUS/1 | 3060110 |
| 10P11 | 03(2) | 11Q36 | 1000100 | . | A0 | 3060110 |
| 12P23 | 04(2) | 14N30 | 1002755 | . | K00 | 3060108 |
| 13N19 | 05(2) | 13P50 | 3060180 | . | CC1XK00 | 3060108 |
| | 06(0) | | | | | |
| | 07(1) | 12Q50 | 3060102-1 | + | | 3060110 |
| 05P38 | 08(1) | | 1232750 | . | K23 | 3060110 |
| 31P17 | 09(2) | 12Q20 | 3077000 | . | CC1XK23 | 3060110 |
| | 10(0) | | | | | |
| 12P09 | 11(2) | 15Q41 | 2401050 | . | AXCC | 1270124 |
| 12P10 | 12(2) | 06Q14 | 3079000 | . | CCZ | 1270124 |
| | 13(1) | 14Q35 | 1270110-1 | + | | 1270124 |
| 26N19 | 14(2) | 11Q22 | 4421650 | . | FUMTHOVER | 3060408 |
| | 15(0) | | | | | |
| | 16(0) | | 4791511 | -GND | GND2611 | 4791511 |
| | 17(0) | | | | | |
| | 18(0) | | | | | |
| | 19(0) | | | | | |
| 10P42 | 20(2) | 12Q28 | 3060101 | . | NCC1 | 3060110 |
| 12Q30 | 21(2) | 13Q24 | 3060300 | . | CC3 | 3060408 |
| 11Q14 | 22(2) | 22P43 | 4421650 | . | FUMTHOVER | 3060307 |
| 12Q33 | 23(2) | 13Q25 | 3060400 | . | CC4 | 3060307 |
| | 24(0) | | | | | |
| 01Q01 | 25(2) | 28P12 | 7501570 | . | NS1631Z | 3060308 |
| 10P03 | 26(2) | 12Q14 | 4375130 | . | FL3 | 3060308 |
| 26N13 | 27(2) | 01Q37 | 4421660 | . | FUMTSIGN | 3060308 |
| | 28(0) | | | | | |
| 13Q02 | 29(1) | | 3060302-1 | + | | 3060307 |
| 10N02 | 30(2) | 06Q30 | 1010104 | . | NA1 | 3060208 |
| | 31(0) | | | | | |
| | 32(0) | | | | | |
| 23N33 | 33(2) | 10Q43 | 7500400 | . | NS0031Z | 3060210 |
| 31Q17 | 34(2) | 17Q07 | 3060283 | . | (S/CC2/NZ) | 3060210 |
| | 35(1) | 11Q43 | 3060202-1 | + | | 3060210 |
| 11Q03 | 36(2) | 13Q26 | 1000100 | . | A0 | 3060208 |
| 11Q02 | 37(2) | 13P04 | 4425400 | . | FUS/1 | 3060208 |
| 14P06 | 38(2) | 16Q30 | 1010100 | . | A1 | 3060208 |
| 10N01 | 39(2) | 06Q37 | 1000104 | . | NA0 | 3060208 |
| 23N13 | 40(2) | 13P46 | 7500300 | . | N(S0016Z+S0016W) | 3060206 |
| 31P45 | 41(2) | 17Q02 | 4425850 | . | (FUSTH.ENDE) | 3060206 |
| | 42(0) | | | | | |
| 11Q35 | 43(2) | 12Q46 | 3060202-1 | + | | 3060205 |
| 32N26 | 44(2) | 06Q45 | 6909950 | . | PROBOVER | 3060205 |
| 18N24 | 45(2) | 17Q25 | 7500100 | . | (S00-S0) | 3060205 |
| | 46(0) | | | | | |
| 32Q47 | 47(2) | 17Q20 | 6910020 | . | PROBOVER/H | 3060204 |
| | 48(0) | | | | | |
| 10Q49 | 49(0) | 12Q49 | 8301500 | . | P4VQ | 8301510 |
| 19P02 | 50(2) | 13P45 | 7501500 | . | (S15-S16) | 3060204 |
| 10Q51 | 51(0) | 12Q51 | 8303500 | . | P8VQ | 8303510 |

XDS 902306

XDS
XEROX DATA SYSTEMS

DRAWING NO.- 133264-939 AC
PROG-PNIND MODULE-12Q
TYPE-PIN INDEX TYPE-FT22

76

10/27/71

| FROM | PIN (COUNT) | TO | SOURCE LINE NO. | ELEM. TYPE | SOURCE SIGNAL NAME | REFERENCE LINE NO. |
|-------|----------------|-------|--------------------|---------------|--------------------|-----------------------|
| | 00(0) | | | | | |
| 08Q01 | 01(1) | | 3200240 | . | CL-32P24 | 2560109 |
| 10P25 | 02(1) | | 4375100 | FF | FL1 | 4375100 |
| 12P47 | 03(1) | | 4375122-1 | + | | 4375122 |
| 10P30 | 04(1) | | 4375120 | FF | FL2 | 4375120 |
| 17N15 | 05(1) | | 4375121 | NFF | NFL2 | 4375121 |
| | 06(1) | 20N31 | 2560100 | FF | BC31 | 2560100 |
| | 07(1) | 20N19 | 2560101 | NFF | NBC31 | 2560101 |
| | 08(1) | 12Q16 | 4791512 | . | GND2612 | 2560102 |
| 21N44 | 09(1) | | 2560130 | . | (R/BC31) | 2560107 |
| 20Q02 | 10(2) | 19P40 | 6902328 | . | PRE3-H | 2560102 |
| 12P29 | 11(1) | | 4375132-1 | + | | 4375132 |
| 26N17 | 12(1) | | 4375131 | NFF | NFL3 | 4375131 |
| 26P47 | 13(2) | 08Q24 | 1314940 | . | P31-1 | 4375132 |
| 11Q26 | 14(1) | | 4375130 | FF | FL3 | 4375130 |
| 31P25 | 15(2) | 13P10 | 4375150 | . | (R/FL3) | 4375137 |
| 12Q08 | 16(2) | 12Q17 | 4791512 | -GND | GND2612 | 4791512 |
| 12Q16 | 17(2) | 12Q37 | 4791512 | . | GND2612 | 4375102 |
| 12P40 | 18(1) | | 4375102-1 | + | | 4375102 |
| 16Q40 | 19(2) | 06Q19 | 2560140 | . | (S/BC31) | 2560102 |
| 11Q09 | 20(2) | 01Q03 | 3077000 | . | CC1XK23 | 4375132 |
| 32N12 | 21(1) | | 4375101 | NFF | NFL1 | 4375101 |
| 21N47 | 22(2) | 12Q23 | 6105100 | . | (MIT+CLEAR) | 4375127 |
| 12Q22 | 23(1) | | 6105100 | . | (MIT+CLEAR) | 4375107 |
| 07Q43 | 24(2) | 20Q01 | 1254940 | . | P25-1 | 4375122 |
| 18N01 | 25(2) | 17Q01 | 1006300 | . | RR0 | 4375102 |
| 10P43 | 26(1) | | 3060201 | NFF | NCC2 | 3060201 |
| 23S45 | 27(1) | 14Q04 | 3060100 | FF | CC1 | 3060100 |
| 11Q20 | 28(1) | | 3060101 | NFF | NCC1 | 3060101 |
| | 29(1) | 10P44 | 3060301 | NFF | NCC3 | 3060301 |
| 23S47 | 30(1) | 11Q21 | 3060300 | FF | CC3 | 3060300 |
| 23S43 | 31(1) | 14Q06 | 3060200 | FF | CC2 | 3060200 |
| | 32(0) | | | | | |
| 23S46 | 33(1) | 11Q23 | 3060400 | FF | CC4 | 3060400 |
| 10P45 | 34(1) | | 3060401 | NFF | NCC4 | 3060401 |
| 31Q27 | 35(2) | 13P30 | 3060410 | . | (S/CC4/1) | 3060402 |
| | 36(0) | | | | | |
| 12Q17 | 37(1) | | 4791512 | . | GND2612 | 3060102 |
| 21P33 | 38(2) | 17Q33 | 3060430 | . | (R/CC4) | 3060416 |
| | 39(1) | 13Q04 | 3060402-1 | + | | 3060402 |
| 21P15 | 40(2) | 17Q50 | 3060330 | . | (R/CC3) | 3060316 |
| | 41(1) | 13Q02 | 3060302-1 | + | | 3060302 |
| 31Q33 | 42(2) | 13P31 | 3060310 | . | (S/CC3/1) | 3060302 |
| 20P06 | 43(2) | 17Q46 | 3060265 | . | (S/CC2/3) | 3060202 |
| 21P14 | 44(2) | 17Q44 | 3060230 | . | (R/CC2) | 3060216 |
| 21P34 | 45(2) | 17Q45 | 3060130 | . | (R/CC1) | 3060116 |
| 11Q43 | 46(2) | 13Q19 | 3060202-1 | + | | 3060202 |
| 21P12 | 47(2) | 17Q47 | 3060165 | . | (S/CC1/3) | 3060102 |
| | 48(0) | | | | | |
| 11Q49 | 49(0) | 13Q49 | 8301500 | | P4VQ | 8301510 |
| 11Q07 | 50(2) | 13Q21 | 3060102-1 | + | | 3060102 |
| 11Q51 | 51(0) | 13Q51 | 8303500 | | P8VQ | 8303510 |

| FROM | PIN (COUNT) | TO | SOURCE LINE NO. | ELEM. TYPE | SOURCE SIGNAL NAME | REFERENCE LINE NO. |
|-------|----------------|-------|--------------------|---------------|--------------------|-----------------------|
| | 00(0) | | | | | |
| | 01(1) | 15Q37 | 1300110-1 | + | | 1300124 |
| 12Q41 | 02(2) | 11Q29 | 3060302-1 | + | | 3060304 |
| | 03(1) | 15Q35 | 1310110-1 | + | | 1310124 |
| 12Q39 | 04(2) | 11Q01 | 3060402-1 | + | | 3060406 |
| 32Q30 | 05(2) | 19Q24 | 1316600 | . | TR31 | 1310124 |
| 14N29 | 06(2) | 31Q35 | 1316202 | . | NR31 | 1310122 |
| 06N10 | 07(2) | 26P46 | 1316200 | . | R31 | 1310122 |
| 26N20 | 08(2) | 13P14 | 3060412 | . | (S/CC4/2) | 3060406 |
| 09Q25 | 09(2) | 16Q44 | 1276500 | . | S27 | 3060404 |
| 11N07 | 10(2) | 17Q10 | 1036500 | . | S3 | 3060404 |
| 06N18 | 11(2) | 17Q09 | 1306200 | . | R30 | 1300122 |
| 29P35 | 12(2) | 17Q06 | 2405100 | . | AXR | 1280122 |
| 14N28 | 13(2) | 31Q15 | 1306202 | . | NR30 | 1300122 |
| 32Q29 | 14(2) | 19Q41 | 1306600 | . | TR30 | 1300124 |
| 11N06 | 15(2) | 17Q15 | 1026500 | . | S2 | 3060304 |
| | 16(1) | 13Q28 | 4791513 | -GND | GND2613 | 4791513 |
| 09Q23 | 17(2) | 16Q45 | 1266500 | . | S26 | 3060304 |
| 25N47 | 18(2) | 32Q18 | 7651000 | . | SGTZ | 3060306 |
| 12Q46 | 19(2) | 13Q47 | 3060202-1 | + | | 3060214 |
| 29P38 | 20(2) | 12P28 | 4425670 | . | FUSF/1 | 3060106 |
| 12Q50 | 21(2) | 13Q50 | 3060102-1 | + | | 3060102 |
| 10P10 | 22(2) | 17Q22 | 4385900 | . | FNORM | 3060106 |
| 32N03 | 23(2) | 13P27 | 4320960 | . | (FACOMP/L.PH2) | 3060108 |
| 11Q21 | 24(2) | 14Q03 | 3060300 | . | CC3 | 3060108 |
| 11Q23 | 25(2) | 14Q05 | 3060400 | . | CC4 | 3060214 |
| 11Q36 | 26(2) | 16Q31 | 1000100 | . | A0 | 3060214 |
| 01Q46 | 27(2) | 17Q05 | 8022100 | . | TESTS | 3060106 |
| 13Q16 | 28(2) | 13Q41 | 4791513 | . | GND2613 | 3060106 |
| 09Q22 | 29(2) | 16Q05 | 1246500 | . | S24 | 3060104 |
| 26N01 | 30(2) | 23N03 | 1006500 | . | S0 | 3060104 |
| 32N33 | 31(2) | 13P28 | 3078530 | . | CCXS/3 | 3060104 |
| | 32(0) | | | | | |
| 32N30 | 33(2) | 13P29 | 3078500 | . | CCXS/0 | 3060104 |
| 29P34 | 34(2) | 17Q35 | 2405900 | . | AXTR | 1280124 |
| 32Q27 | 35(2) | 19Q36 | 1286600 | . | TR28 | 1280124 |
| 14N40 | 36(2) | 31Q14 | 1286202 | . | NR28 | 1280122 |
| 26P17 | 37(2) | 06N07 | 1286200 | . | R28 | 1280122 |
| 29P36 | 38(2) | 17Q37 | 2403900 | . | AXNR | 1280122 |
| 11N50 | 39(2) | 17Q39 | 1016500 | . | S1 | 3060210 |
| 09Q20 | 40(2) | 16Q17 | 1256500 | . | S25 | 3060212 |
| 13Q28 | 41(1) | | 4791513 | . | GND2613 | 3060212 |
| 06N12 | 42(2) | 17Q42 | 1296200 | . | R29 | 1290122 |
| 24N22 | 43(2) | 31Q43 | 1296202 | . | NR29 | 1290122 |
| 32Q28 | 44(2) | 19Q42 | 1296600 | . | TR29 | 1290124 |
| | 45(1) | 15Q28 | 1290110-1 | + | | 1290122 |
| | 46(1) | 15Q12 | 1280110-1 | + | | 1280122 |
| 13Q19 | 47(1) | | 3060202-1 | + | | 3060212 |
| | 48(0) | | | | | |
| 12Q49 | 49(0) | 14Q49 | 8301500 | . | P4VQ | 8301510 |
| 13Q21 | 50(1) | | 3060102-1 | + | | 3060102 |
| 12Q51 | 51(0) | 14Q51 | 8303500 | . | P8VQ | 8303510 |

XDS 902306

XDS
XEROX DATA SYSTEMS

DRAWING NO.- 133264-939 AC
PROG-PNIND MODULE-14Q
TYPE-PIN INDEX TYPE-FT17

78
10/27/71

| FROM | PIN (COUNT) | TO | SOURCE LINE NO. | ELEM. TYPE | SOURCE SIGNAL NAME | REFERENCE LINE NO. |
|-------|----------------|-------|--------------------|---------------|--------------------|-----------------------|
| | 00(0) | | | | | |
| 32P33 | 01(2) | 15Q01 | 3200330 | . | CL-32P33 | 1240134 |
| 15Q02 | 02(2) | 17Q03 | 2400130 | . | AX/3 | 1240130 |
| 13Q24 | 03(2) | 15Q50 | 3060300 | . | CC3 | 1260118 |
| 12Q27 | 04(2) | 15Q46 | 3060100 | . | CC1 | 1240118 |
| 13Q25 | 05(2) | 15Q43 | 3060400 | . | CC4 | 1270118 |
| 12Q31 | 06(2) | 15Q44 | 3060200 | . | CC2 | 1250118 |
| 31N36 | 07(2) | 18Q31 | 1024280 | . | MFL2 | 1260118 |
| 15Q08 | 08(2) | 13P35 | 2401140 | . | AXFC | 1240118 |
| 13N25 | 09(2) | 15Q09 | 2404420 | . | AXPARITY | 1240118 |
| 18Q27 | 10(1) | | 1034280 | . | MFL3 | 1270118 |
| 26N42 | 11(2) | 17Q11 | 1260150 | . | A26L | 1260120 |
| | 12(1) | 16Q18 | 1240110-1 | + | | 1240122 |
| 21N04 | 13(1) | | 1250150 | . | A25L | 1250120 |
| 26N41 | 14(2) | 17Q14 | 1270150 | . | A27L | 1270120 |
| 31N06 | 15(2) | 18Q35 | 1014280 | . | MFL1 | 1250118 |
| | 16(1) | 14Q33 | 4791514 | -GND | GND2614 | 4791514 |
| 18Q39 | 17(1) | | 1004280 | . | MFL0 | 1240118 |
| 15P18 | 18(2) | 15Q18 | 2403430 | . | AXLOAD-3 | 1240120 |
| 16P30 | 19(1) | | 1250100 | FF | A25 | 1250100 |
| 21N45 | 20(1) | | 1240150 | . | A24L | 1240120 |
| | 21(0) | | 1250104 | NFF | NA25 | 1250104 |
| | 22(0) | | 1270104 | NFF | NA27 | 1270104 |
| 16P31 | 23(1) | | 1240100 | FF | A24 | 1240100 |
| 10Q24 | 24(2) | 03Q39 | 1266300 | . | RR26 | 1260116 |
| | 25(0) | | 1240104 | NFF | NA24 | 1240104 |
| 10Q26 | 26(2) | 06Q39 | 1246300 | . | RR24 | 1240116 |
| 03Q24 | 27(2) | 16P28 | 1270100 | FF | A27 | 1270100 |
| | 28(1) | 16Q13 | 1250110-1 | + | | 1250118 |
| | 29(0) | | 1260104 | NFF | NA26 | 1260104 |
| | 30(0) | | | | | |
| 03Q18 | 31(1) | | 1260100 | FF | A26 | 1260100 |
| | 32(0) | | | | | |
| 14Q16 | 33(1) | | 4791514 | . | GND2614 | 1240122 |
| | 34(1) | 25Q27 | 1241510 | . | D1024/1 | 1240116 |
| 11Q13 | 35(2) | 16Q38 | 1270110-1 | + | | 1270116 |
| 10Q36 | 36(2) | 06Q34 | 1276300 | . | RR27 | 1270116 |
| | 37(1) | 16Q11 | 1260110-1 | + | | 1260116 |
| 29P11 | 38(2) | 15Q38 | 2401130 | . | AXD10-3 | 1240116 |
| 20P47 | 39(2) | 15Q39 | 2405330 | . | AXRR/3 | 1240116 |
| 10Q40 | 40(2) | 06Q35 | 1256300 | . | RR25 | 1250116 |
| 05N02 | 41(2) | 17Q40 | 2404490 | . | AXPSW2 | 1240120 |
| | 42(1) | 25Q31 | 1251510 | . | D1025/1 | 1250116 |
| 08Q33 | 43(2) | 10Q34 | 1276200 | . | RP27 | 1270120 |
| 08Q31 | 44(2) | 19Q44 | 1256200 | . | RP25 | 1250120 |
| | 45(1) | 25Q33 | 1271510 | . | D1027/1 | 1270116 |
| 08Q27 | 46(2) | 19Q45 | 1246200 | . | RP24 | 1240120 |
| | 47(1) | 25Q30 | 1261510 | . | D1026/1 | 1260116 |
| | 48(0) | | | | | |
| 13Q49 | 49(0) | 15Q49 | 8301500 | . | P4VQ | 8301510 |
| 08Q30 | 50(2) | 10Q31 | 1266200 | . | RP26 | 1260120 |
| 13Q51 | 51(0) | 15Q51 | 8303500 | . | P8VQ | 8303510 |

XDS 902306

XDS
XEROX DATA SYSTEMS

DRAWING NO.- 133264-939 AC
PROG-PNIND
TYPE-PIN INDEX

MODULE-15Q
TYPE-FT17

79

10/27/71

| FROM | PIN (COUNT) | TO | SOURCE LINE NO. | ELEM. TYPE | SOURCE SIGNAL NAME | REFERENCE LINE NO. |
|-------|----------------|-------|--------------------|---------------|--------------------|-----------------------|
| | 00(0) | | | | | |
| 14Q01 | 01(2) | 15P01 | 3200330 | . | CL-32P33 | 1280134 |
| 29P44 | 02(2) | 14Q02 | 2400130 | . | AX/3 | 1280130 |
| 18P35 | 03(2) | 10N40 | 4460100 | . | FZ | 1300120 |
| | 04(1) | 15Q16 | 4791515 | . | GND2615 | 1280120 |
| 18P31 | 05(1) | | 4385000 | . | FNF | 1310120 |
| 18P39 | 06(1) | | 4410100 | . | FS | 1290120 |
| 18P06 | 07(1) | | 1064280 | . | MFL6 | 1300118 |
| 32N07 | 08(2) | 14Q08 | 2401140 | . | AXFC | 1280120 |
| 14Q09 | 09(2) | 17Q08 | 2404420 | . | AXPARITY | 1280118 |
| 18P17 | 10(1) | | 1074280 | . | MFL7 | 1310118 |
| 06P17 | 11(2) | 22P40 | 1300150 | . | A30L | 1300120 |
| 13Q46 | 12(2) | 16Q39 | 1280110-1 | + | | 1280118 |
| 26N31 | 13(2) | 22P41 | 1290150 | . | A29L | 1290120 |
| 26N30 | 14(2) | 22P39 | 1310150 | . | A31L | 1310120 |
| 18Q17 | 15(1) | | 1054280 | . | MFL5 | 1290118 |
| 15Q04 | 16(2) | 15Q33 | 4791515 | -GND | GND2615 | 4791515 |
| 18Q06 | 17(1) | | 1044280 | . | MFL4 | 1280118 |
| 14Q18 | 18(2) | 17Q18 | 2403430 | . | AXLOAD-3 | 1280120 |
| 16P24 | 19(1) | | 1290100 | FF | A29 | 1290100 |
| 26P22 | 20(2) | 22P42 | 1280150 | . | A28L | 1280120 |
| | 21(0) | | 1290104 | NFF | NA29 | 1290104 |
| | 22(0) | | 1310104 | NFF | NA31 | 1310104 |
| 16P26 | 23(1) | | 1280100 | FF | A28 | 1280100 |
| 10Q23 | 24(2) | 05Q39 | 1306300 | . | RR30 | 1300116 |
| | 25(0) | | 1280104 | NFF | NA28 | 1280104 |
| 10Q25 | 26(2) | 06Q38 | 1286300 | . | RR28 | 1280116 |
| 05Q24 | 27(2) | 19Q27 | 1310100 | FF | A31 | 1310100 |
| 13Q45 | 28(2) | 16Q41 | 1290110-1 | + | | 1290110 |
| | 29(0) | | 1300104 | NFF | NA30 | 1300104 |
| | 30(0) | | | | | |
| 16P29 | 31(2) | 19Q31 | 1300100 | FF | A30 | 1300100 |
| | 32(0) | | | | | |
| 15Q16 | 33(1) | | 4791515 | . | GND2615 | 1280124 |
| | 34(1) | 25Q02 | 1281510 | . | D1028/1 | 1280116 |
| 13Q03 | 35(2) | 16Q06 | 1310110-1 | + | | 1310118 |
| 10Q37 | 36(2) | 06Q36 | 1316300 | . | RR31 | 1310116 |
| 13Q01 | 37(2) | 16Q42 | 1300110-1 | + | | 1300116 |
| 14Q38 | 38(2) | 17Q38 | 2401130 | . | AXD10-3 | 1280116 |
| 14Q39 | 39(2) | 17Q36 | 2405330 | . | AXRR/3 | 1280116 |
| 10Q39 | 40(2) | 06Q33 | 1296300 | . | RR29 | 1290116 |
| 11Q11 | 41(2) | 17Q41 | 2401050 | . | AXCC | 1280118 |
| | 42(1) | 25Q04 | 1291510 | . | D1029/1 | 1290116 |
| 14Q05 | 43(2) | 12N10 | 3060400 | . | CC4 | 1310118 |
| 14Q06 | 44(2) | 17P20 | 3060200 | . | CC2 | 1290118 |
| | 45(1) | 25Q06 | 1311510 | . | D1031/1 | 1310116 |
| 14Q04 | 46(2) | 12N44 | 3060100 | . | CC1 | 1280118 |
| | 47(1) | 25Q14 | 1301510 | . | D1030/1 | 1300116 |
| | 48(0) | | | | | |
| 14Q49 | 49(0) | 16Q49 | 8301500 | . | P4VQ | 8301510 |
| 14Q03 | 50(2) | 12N09 | 3060300 | . | CC3 | 1300118 |
| 14Q51 | 51(0) | 16Q51 | 8303500 | . | P8VQ | 8303510 |

XDS 902306

XDS
XEROX DATA SYSTEMS

DRAWING NO.- 133264-939 AC
PROG-PNIND
TYPE-PIN INDEX

80

MODULE-16Q
TYPE-GT12

10/27/71

| FROM | PIN (COUNT) | TO | SOURCE LINE NO. | ELEM. TYPE | SOURCE SIGNAL NAME | REFERENCE LINE NO. |
|-------|----------------|-------|--------------------|---------------|--------------------|-----------------------|
| | 00(0) | | | | | |
| 32N01 | 01(2) | 17Q04 | 2400540 | . | NAXAR24 | 2400330 |
| 20N10 | 02(2) | 16P02 | 2405700 | . | NAXSR2 | 2405680 |
| 20P03 | 03(2) | 16P03 | 2405590 | . | NAXSR1 | 2405630 |
| 12P41 | 04(2) | 18Q11 | 1306500 | . | S30 | 1290112 |
| 13Q29 | 05(2) | 16P43 | 1246500 | . | S24 | 1240112 |
| 15Q35 | 06(1) | | 1310110-1 | + | | 1310110 |
| 16P36 | 07(2) | 18P22 | 1236500 | . | S23 | 1240114 |
| 18P11 | 08(2) | 23P23 | 1226500 | . | S22 | 1240114 |
| 18Q08 | 09(1) | | 1293050 | . | KS29 | 1290110 |
| | 10(0) | | 2400330 | I | AXAR24 | 2400330 |
| 14Q37 | 11(1) | | 1260110-1 | + | | 1260112 |
| 16P12 | 12(2) | 30P17 | 2403010 | . | NAXK | 2403130 |
| 14Q28 | 13(1) | | 1250110-1 | + | | 1250114 |
| 12P39 | 14(2) | 18Q14 | 1296500 | . | S29 | 1280112 |
| 01Q10 | 15(2) | 16P15 | 7501550 | I | S1631Z | 7501558 |
| | 16(0) | | 4791516 | -GND | GND2616 | 4791516 |
| 13Q40 | 17(2) | 18Q34 | 1256500 | . | S25 | 1240112 |
| 14Q12 | 18(1) | | 1240110-1 | + | | 1240110 |
| 18Q09 | 19(1) | | 1303050 | . | KS30 | 1300110 |
| 18Q02 | 20(1) | | 1253050 | . | KS25 | 1250110 |
| 18Q42 | 21(1) | | 1313050 | . | KS31 | 1310110 |
| 18Q01 | 22(1) | | 1243050 | . | KS24 | 1240110 |
| 18Q03 | 23(1) | | 1263050 | . | KS26 | 1260110 |
| 15P06 | 24(2) | 17Q24 | 1050100 | . | A5 | 1290110 |
| 18Q04 | 25(1) | | 1273050 | . | KS27 | 1270110 |
| 15P04 | 26(2) | 17Q26 | 1040100 | . | A4 | 1280110 |
| 15P05 | 27(2) | 17Q27 | 1070100 | . | A7 | 1310110 |
| 14P05 | 28(2) | 17Q28 | 1030100 | . | A3 | 1270110 |
| 15P03 | 29(2) | 17Q29 | 1060100 | . | A6 | 1300110 |
| 11Q38 | 30(2) | 17Q30 | 1010100 | . | A1 | 1250110 |
| 13Q26 | 31(2) | 17Q31 | 1000100 | . | A0 | 1240110 |
| | 32(0) | | | | | |
| 18Q07 | 33(1) | | 1283050 | . | KS28 | 1280110 |
| 14P03 | 34(2) | 17Q34 | 1020100 | . | A2 | 1260110 |
| 09Q33 | 35(2) | 18Q18 | 1286500 | . | S28 | 1270112 |
| 12P50 | 36(2) | 18Q22 | 1316500 | . | S31 | 1300112 |
| | 37(0) | | 2405530 | I | AXS-3 | 2405530 |
| 14Q35 | 38(1) | | 1270110-1 | + | | 1270110 |
| 15Q12 | 39(1) | | 1280110-1 | + | | 1280110 |
| | 40(1) | 12Q19 | 2560140 | I | (S/BC31) | 2560140 |
| 15Q28 | 41(1) | | 1290110-1 | + | | 1290110 |
| 15Q37 | 42(1) | | 1300110-1 | + | | 1300110 |
| 26P23 | 43(2) | 17Q43 | 1310140 | . | A31EN/1 | 1310112 |
| 13Q09 | 44(2) | 18Q26 | 1276500 | . | S27 | 1260112 |
| 13Q17 | 45(2) | 18Q28 | 1266500 | . | S26 | 1250112 |
| 30P30 | 46(2) | 16P46 | 2405480 | . | NAXS | 2405530 |
| 30P31 | 47(2) | 16P47 | 2405540 | . | NAXSL1 | 2405580 |
| | 48(0) | | | | | |
| 15Q49 | 49(0) | 17Q49 | 8301500 | . | P4VQ | 8301520 |
| 10P39 | 50(2) | 17Q23 | 7900300 | . | N(S/SXAMD/1) | 2560140 |
| 15Q51 | 51(0) | 17Q51 | 8303500 | . | P8VQ | 8303520 |

| FROM | PIN (COUNT) | TO | SOURCE LINE NO. | ELEM. TYPE | SOURCE SIGNAL NAME | REFERENCE LINE NO. |
|-------|----------------|-------|--------------------|---------------|--------------------|-----------------------|
| | 00(0) | | | | | |
| 12Q25 | 01(1) | | 1006300 | T | RR0 | 1006300 |
| 11Q41 | 02(1) | | 4425850 | T | (FUSTH.ENDE) | 4425850 |
| 14Q02 | 03(1) | | 2400130 | T | AX/3 | 2400130 |
| 16Q01 | 04(1) | | 2400540 | T | NAXAR24 | 2400540 |
| 13Q27 | 05(1) | | 8022100 | T | TESTS | 8022100 |
| 13Q12 | 06(1) | | 2405100 | T | AXR | 2405100 |
| 11Q34 | 07(1) | | 3060283 | T | (S/CC2/NZ) | 3060283 |
| 15Q09 | 08(1) | | 2404420 | T | AXPARITY | 2404420 |
| 13Q11 | 09(1) | | 1306200 | T | R30 | 1306200 |
| 13Q10 | 10(1) | | 1036500 | T | S3 | 1036500 |
| 14Q11 | 11(1) | | 1260150 | T | A26L | 1260150 |
| 08Q19 | 12(1) | | 6752000 | T | OXC | 6752000 |
| 09Q50 | 13(1) | | 5919900 | T | LRXZ | 5919900 |
| 14Q14 | 14(1) | | 1270150 | T | A27L | 1270150 |
| 13Q15 | 15(1) | | 1026500 | T | S2 | 1026500 |
| | 16(0) | | 4791517 | -GND | GND2617 | 4791517 |
| 08Q36 | 17(1) | | 7395100 | T | RPXS | 7395100 |
| 15Q18 | 18(1) | | 2403430 | T | AXLOAD-3 | 2403430 |
| 05Q43 | 19(1) | | 7904530 | T | SXP-3 | 7904530 |
| 11Q47 | 20(1) | | 6910020 | T | PROBOVER/H | 6910020 |
| 05Q41 | 21(1) | | 7901130 | T | SXC-3 | 7901130 |
| 13Q22 | 22(1) | | 4385900 | T | FNORM | 4385900 |
| 16Q50 | 23(1) | | 7900300 | T | N(S/SXAMD/1) | 7900300 |
| 16Q24 | 24(1) | | 1050100 | T | A5 | 1050100 |
| 11Q45 | 25(1) | | 7500100 | T | (S00-S0) | 7500100 |
| 16Q26 | 26(1) | | 1040100 | T | A4 | 1040100 |
| 16Q27 | 27(1) | | 1070100 | T | A7 | 1070100 |
| 16Q28 | 28(1) | | 1030100 | T | A3 | 1030100 |
| 16Q29 | 29(1) | | 1060100 | T | A6 | 1060100 |
| 16Q30 | 30(1) | | 1010100 | T | A1 | 1010100 |
| 16Q31 | 31(1) | | 1000100 | T | A0 | 1000100 |
| | 32(0) | | | | | |
| 12Q38 | 33(1) | | 3060430 | T | (R/CC4) | 3060430 |
| 16Q34 | 34(1) | | 1020100 | T | A2 | 1020100 |
| 13Q34 | 35(1) | | 2405900 | T | AXTR | 2405900 |
| 15Q39 | 36(1) | | 2405330 | T | AXRR/3 | 2405330 |
| 13Q38 | 37(1) | | 2403900 | T | AXNR | 2403900 |
| 15Q38 | 38(1) | | 2401130 | T | AXDIO-3 | 2401130 |
| 13Q39 | 39(1) | | 1016500 | T | S1 | 1016500 |
| 14Q41 | 40(1) | | 2404490 | T | AXPSW2 | 2404490 |
| 15Q41 | 41(1) | | 2401050 | T | AXCC | 2401050 |
| 13Q42 | 42(1) | | 1296200 | T | R29 | 1296200 |
| 16Q43 | 43(1) | | 1310140 | T | A31EN/1 | 1310140 |
| 12Q44 | 44(1) | | 3060230 | T | (R/CC2) | 3060230 |
| 12Q45 | 45(1) | | 3060130 | T | (R/CC1) | 3060130 |
| 12Q43 | 46(1) | | 3060265 | T | (S/CC2/3) | 3060265 |
| 12Q47 | 47(1) | | 3060165 | T | (S/CC1/3) | 3060165 |
| | 48(0) | | | | | |
| 16Q49 | 49(0) | 18Q49 | 8301500 | | P4VQ | 8301520 |
| 12Q40 | 50(1) | | 3060330 | T | (R/CC3) | 3060330 |
| 16Q51 | 51(0) | 18Q51 | 8303500 | | P8VQ | 8303520 |

XDS 902306

XDS
XEROX DATA SYSTEMS

DRAWING NO.- 133264-939 AC
PROG-PNIND
TYPE-PIN INDEX

82
10/27/71

| FROM | PIN (COUNT) | TO | SOURCE LINE NO. | ELEM. TYPE | SOURCE SIGNAL NAME | REFERENCE LINE NO. |
|-------|----------------|-------|--------------------|---------------|--------------------|-----------------------|
| | 00(0) | | | | | |
| | 01(1) | 16Q22 | 1243050 | -NS | KS24 | 1243050 |
| | 02(1) | 16Q20 | 1253050 | -NS | KS25 | 1253050 |
| | 03(1) | 16Q23 | 1263050 | -NS | KS26 | 1263050 |
| | 04(1) | 16Q25 | 1273050 | -NS | KS27 | 1273050 |
| | 05(0) | | | | | |
| 31N13 | 06(2) | 15Q17 | 1044280 | . | MFL4 | 1044290 |
| | 07(1) | 16Q33 | 1283050 | -NS | KS28 | 1283050 |
| | 08(1) | 16Q09 | 1293050 | -NS | KS29 | 1293050 |
| | 09(1) | 16Q19 | 1303050 | -NS | KS30 | 1303050 |
| | 10(0) | | | | | |
| 16Q04 | 11(2) | 23P42 | 1306500 | . | S30 | 1306560 |
| 09Q29 | 12(2) | 23P44 | 1302100 | . | FP30 | 1306560 |
| 25N18 | 13(2) | 18Q21 | 5374405 | . | NKD1-0 | 1286560 |
| 16Q14 | 14(2) | 23P30 | 1296500 | . | S29 | 1296560 |
| 09Q24 | 15(2) | 23P46 | 1292100 | . | FP29 | 1296560 |
| | 16(0) | | 4791518 | -GND | GND2618 | 4791518 |
| 31N18 | 17(2) | 15Q15 | 1054280 | . | MFL5 | 1054290 |
| 16Q35 | 18(2) | 23P31 | 1286500 | . | S28 | 1286560 |
| 09Q26 | 19(2) | 23P47 | 1282100 | . | FP28 | 1286560 |
| 09Q27 | 20(2) | 23P45 | 1312100 | . | FP31 | 1316560 |
| 18Q13 | 21(2) | 18Q23 | 5374405 | . | NKD1-0 | 1316560 |
| 16Q36 | 22(2) | 23P43 | 1316500 | . | S31 | 1316560 |
| 18Q21 | 23(2) | 19Q23 | 5374405 | . | NKD1-0 | 1246560 |
| | 24(0) | | | | | |
| 09Q28 | 25(2) | 23P36 | 1272100 | . | FP27 | 1276560 |
| 16Q44 | 26(2) | 23P37 | 1276500 | . | S27 | 1276560 |
| 31N10 | 27(2) | 14Q10 | 1034280 | . | MFL3 | 1034290 |
| 16Q45 | 28(2) | 23P38 | 1266500 | . | S26 | 1266560 |
| 19Q22 | 29(2) | 30N13 | 5374400 | . | KD1-0 | 1246560 |
| 09Q34 | 30(2) | 23P41 | 1262100 | . | FP26 | 1266560 |
| 14Q07 | 31(1) | | 1024280 | . | MFL2 | 1024290 |
| | 32(0) | | | | | |
| 09Q30 | 33(2) | 23P35 | 1252100 | . | FP25 | 1256560 |
| 16Q17 | 34(2) | 23Q02 | 1256500 | . | S25 | 1256560 |
| 14Q15 | 35(1) | | 1014280 | . | MFL1 | 1014290 |
| | 36(0) | | | | | |
| 09Q31 | 37(2) | 23P34 | 1242100 | . | FP24 | 1246560 |
| 23P40 | 38(2) | 23Q05 | 1246500 | . | S24 | 1246560 |
| 31N04 | 39(2) | 14Q17 | 1004280 | . | MFL0 | 1004290 |
| | 40(1) | 06P04 | 5560210 | -NS | KUA21 | 5560210 |
| | 41(0) | | | | | |
| | 42(1) | 16Q21 | 1313050 | -NS | KS31 | 1313050 |
| | 43(1) | 06P03 | 5560220 | -NS | KUA22 | 5560220 |
| 25N04 | 44(1) | | 5374390 | -NS | NKD1 | 5374390 |
| | 45(1) | 01Q21 | 5533050 | -NS | NKSC-1 | 5533050 |
| | 46(0) | | | | | |
| | 47(0) | | | | | |
| | 48(0) | | | | | |
| 17Q49 | 49(0) | 19Q49 | 8301500 | | P4VQ | 8301520 |
| 22Q50 | 50(1) | | 8305100 | | M8VQ | 8305100 |
| 17Q51 | 51(0) | 19Q51 | 8303500 | | P8VQ | 8303520 |

| FROM | PIN (COUNT) | TO | SOURCE LINE NO. | ELEM. TYPE | SOURCE SIGNAL NAME | REFERENCE LINE NO. |
|-------|----------------|-------|--------------------|---------------|--------------------|-----------------------|
| | 00(0) | | | | | |
| 25N30 | 01(1) | 19R01 | 1090100 | C | A9 | 1090100 |
| 17P30 | 02(1) | 19R02 | 6803010 | C | (NP30.P31) | 6803010 |
| 13N31 | 03(1) | 19R03 | 1304902 | C | NP30 | 1304902 |
| 19R04 | 04(1) | 04Q36 | 1284100 | C | MB28 | 1284100 |
| 20Q05 | 05(1) | 19R05 | 1254902 | C | NP25 | 1254902 |
| 17P28 | 06(1) | 19R06 | 1294902 | C | NP29 | 1294902 |
| 20Q08 | 07(1) | 19R07 | 2100800 | C | AEENLE | 2100800 |
| 19R08 | 08(1) | 05Q36 | 1304100 | C | MB30 | 1304100 |
| 21N02 | 09(1) | 19R09 | 2055050 | C | AB0/2 | 2055050 |
| 19R10 | 10(1) | 05Q30 | 1314100 | C | MB31 | 1314100 |
| 20Q17 | 11(1) | 19R11 | 3532000 | C | DARM-1 | 3532000 |
| 08N42 | 12(1) | 19R12 | 3563100 | C | DCCL/1 | 3563100 |
| 08N40 | 13(1) | 19R13 | 3563200 | C | DCCL/2 | 3563200 |
| 17P36 | 14(1) | 19R14 | 6803000 | C | (P30.NP31) | 6803000 |
| 30P43 | 15(1) | 19R15 | 7501550 | C | S1631Z | 7501550 |
| | 16(0) | | 4791519 | -GND | GND2619 | 4791519 |
| 17P40 | 17(1) | 19R17 | 7890101 | C | NSW0 | 7890101 |
| 12P11 | 18(1) | 19R18 | 6927000 | C | PSW1XS | 6927000 |
| 20P19 | 19(1) | 19R19 | 2405640 | C | AXSR1-4 | 2405640 |
| 20P23 | 20(1) | 19R20 | 8010560 | C | T5EN | 8010560 |
| 19P45 | 21(1) | 19R21 | 8010750 | C | T8EN | 8010750 |
| 19R22 | 22(1) | 18Q29 | 5374400 | C | KDI-0 | 5374400 |
| 18Q23 | 23(1) | 19R23 | 5374405 | C | NKDI-0 | 5374405 |
| 13Q05 | 24(1) | 19R24 | 1316600 | C | TR31 | 1316600 |
| 28N35 | 25(1) | 19R25 | 6030120 | C | NMB2CRO | 6030120 |
| 28N34 | 26(1) | 19R26 | 6030130 | C | NMB3CRO | 6030130 |
| 15Q27 | 27(1) | 19R27 | 1310100 | C | A31 | 1310100 |
| 08N11 | 28(1) | 19R28 | 1283720 | C | NLR28-0 | 1283720 |
| 19R29 | 29(1) | 13N38 | 1284902 | C | NP28 | 1284902 |
| 19R30 | 30(1) | 04Q30 | 1294100 | C | MB29 | 1294100 |
| 15Q31 | 31(1) | 19R31 | 1300100 | C | A30 | 1300100 |
| | 32(0) | | | | | |
| 19R33 | 33(1) | 25N42 | 1303700 | C | LR30-0 | 1303700 |
| 19R34 | 34(1) | 26P30 | 1313700 | C | LR31-0 | 1313700 |
| 30N08 | 35(1) | 19R35 | 7430114 | C | NRW-1 | 7430114 |
| 13Q35 | 36(1) | 19R36 | 1286600 | C | TR28 | 1286600 |
| 01Q38 | 37(1) | 19R37 | 4241000 | C | EWDM | 4241000 |
| 06P31 | 38(1) | 19R38 | 3641100 | C | DG | 3641100 |
| 20Q39 | 39(1) | 19R39 | 8065500 | C | TRIG | 8065500 |
| 08N43 | 40(1) | 19R40 | 4056100 | C | EDR | 4056100 |
| 13Q14 | 41(1) | 19R41 | 1306600 | C | TR30 | 1306600 |
| 13Q44 | 42(1) | 19R42 | 1296600 | C | TR29 | 1296600 |
| 20Q44 | 43(1) | 19R43 | 3270200 | C | CNA | 3270200 |
| 14Q44 | 44(1) | 19R44 | 1256200 | C | RP25 | 1256200 |
| 14Q46 | 45(1) | 19R45 | 1246200 | C | RP24 | 1246200 |
| 30P39 | 46(1) | 19R46 | 1156500 | C | S15 | 1156500 |
| 19R47 | 47(1) | 28N07 | 4155100 | C | NENOVVD | 4155100 |
| | 48(0) | | | | | |
| 18Q49 | 49(0) | 20Q49 | 8301500 | | P4VQ | 8301520 |
| 20N01 | 50(1) | 19R50 | 2405690 | C | AXSR2-4 | 2405690 |
| 18Q51 | 51(0) | 20Q51 | 8303500 | | P8VQ | 8303520 |

XDS 902306



DRAWING NO. - 133264-939 AC
 PROG-PNIND MODULE-20Q
 TYPE-PIN INDEX TYPE-BT18

84

10/27/71

| FROM | PIN (COUNT) | TO | SOURCE LINE NO. | ELEM. TYPE | SOURCE SIGNAL NAME | REFERENCE LINE NO. |
|-------|----------------|-------|--------------------|---------------|--------------------|-----------------------|
| | 00(0) | | | | | |
| 12Q24 | 01(2) | 22P44 | 1254940 | . | P25-1 | 6047500 |
| 20Q03 | 02(2) | 12Q10 | 6902328 | . | PRE3-H | 6047500 |
| 31Q30 | 03(2) | 20Q02 | 6902328 | . | PRE3-H | 6047600 |
| 21N20 | 04(2) | 20Q06 | 4324650 | . | FASH | 6047600 |
| 13N24 | 05(2) | 19Q05 | 1254902 | . | NP25 | 6047600 |
| 20Q04 | 06(2) | 22P45 | 4324650 | . | FASH | 6047500 |
| 12N15 | 07(1) | | 6047500 | B | MCXNPL1 | 6047500 |
| | 08(1) | 19Q07 | 2100800 | B | AEENLE | 2100800 |
| 12N34 | 09(1) | | 6047600 | B | MCXPL2 | 6047600 |
| 32Q08 | 10(1) | | 6047910 | B | MCZ | 6047910 |
| 08P34 | 11(2) | 26N09 | 1230304 | . | NB23 | 2100800 |
| 17N34 | 12(2) | 20Q21 | 4845000 | . | GRP0 | 2100800 |
| | 13(0) | | | | | |
| | 14(0) | | | | | |
| 20P04 | 15(2) | 20Q22 | 6040100 | . | MC0005Z | 6047910 |
| | 16(0) | | 4791520 | -GND | GND2620 | 4791520 |
| | 17(1) | 19Q11 | 3532000 | B | DARM-1 | 3532000 |
| 17N13 | 18(2) | 20Q23 | 1064201 | . | NMC6 | 6047910 |
| 17N12 | 19(1) | | 1074201 | . | NMC7 | 6047910 |
| 17N36 | 20(2) | 20Q25 | 1210304 | . | NB21 | 3532000 |
| 20Q12 | 21(2) | 20Q27 | 4845000 | . | GRP0 | 3532000 |
| 20Q15 | 22(1) | | 6040100 | . | MC0005Z | 6040600 |
| 20Q18 | 23(1) | | 1064201 | . | NMC6 | 6040600 |
| 12N05 | 24(1) | | 1074200 | . | MC7 | 6040600 |
| 20Q20 | 25(1) | | 1210304 | . | NB21 | 2100500 |
| 09Q08 | 26(2) | 20Q46 | 1220300 | . | B22 | 2100500 |
| 20Q21 | 27(2) | 20Q38 | 4845000 | . | GRP0 | 2100500 |
| | 28(0) | | | | | |
| 19P17 | 29(1) | | 1160304 | . | NB16 | 4241000 |
| 19P18 | 30(1) | | 1170304 | . | NB17 | 4241000 |
| 19P30 | 31(1) | | 1180304 | . | NB18 | 4241000 |
| | 32(0) | | | | | |
| 09P44 | 33(2) | 27Q35 | 1190300 | . | B19 | 4241000 |
| 14N41 | 34(2) | 24P42 | 3651202 | . | D10WD | 4241000 |
| | 35(1) | 25N08 | 6040600 | B | (MC=1) | 6040600 |
| | 36(1) | 24Q30 | 2100500 | B | AEADB | 2100500 |
| 05N38 | 37(2) | 01Q38 | 4241000 | B | EWDM | 4241000 |
| 20Q27 | 38(2) | 20Q50 | 4845000 | B | GRP0 | 4845000 |
| | 39(1) | 19Q39 | 8065500 | B | TRIG | 8065500 |
| 07Q21 | 40(1) | | 1280304 | . | NB28 | 4845000 |
| 07Q05 | 41(2) | 31Q44 | 1290304 | . | NB29 | 4845000 |
| 08Q21 | 42(2) | 20N20 | 1300304 | . | NB30 | 4845000 |
| 21P40 | 43(2) | 08Q05 | 1310304 | . | NB31 | 4845000 |
| 30N33 | 44(2) | 19Q43 | 3270200 | . | CNA | 4845000 |
| 30N37 | 45(2) | 27Q24 | 1210300 | . | B21 | 8065500 |
| 20Q26 | 46(2) | 27Q13 | 1220300 | . | B22 | 8065500 |
| 09Q07 | 47(2) | 27Q08 | 1230300 | . | B23 | 8065500 |
| | 48(0) | | | | | |
| 19Q49 | 49(0) | 21Q49 | 8301500 | . | P4VQ | 8301520 |
| 20Q38 | 50(1) | | 4845000 | . | GRP0 | 8065500 |
| 19Q51 | 51(0) | 21Q51 | 8303500 | . | P8VQ | 8303520 |

XDS 902306

XDS
XEROX DATA SYSTEMS

DRAWING NO.- 133264-939 AC
PROG-PNIND MODULE-21Q
TYPE-PIN INDEX TYPE-FT22

85

10/27/71

| FROM | PIN (COUNT) | TO | SOURCE LINE NO. | ELEM. TYPE | SOURCE SIGNAL NAME | REFERENCE LINE NO. |
|-------|----------------|-------|--------------------|---------------|--------------------|-----------------------|
| | 00(0) | | | | | |
| 32P26 | 01(2) | 25Q01 | 3200260 | . | CL-32P26 | 1161518 |
| 15P34 | 02(2) | 22Q19 | 1201510 | FF | D1020/1 | 1201510 |
| | 03(1) | 23Q44 | 1211512-1 | + | | 1211512 |
| 15P42 | 04(2) | 22Q23 | 1211510 | FF | D1021/1 | 1211510 |
| | 05(0) | | 1211511 | NFF | ND1021/1 | 1211511 |
| 15P45 | 06(2) | 22Q33 | 1231510 | FF | D1023/1 | 1231510 |
| | 07(0) | | 1231511 | NFF | ND1023/1 | 1231511 |
| 22Q34 | 08(1) | | 1231500 | . | D1023 | 1231512 |
| 27P47 | 09(2) | 21Q15 | 3689020 | . | D10X-2 | 1231517 |
| 27P20 | 10(2) | 21Q36 | 3689320 | . | D10XD10-2 | 1201512 |
| | 11(1) | 23Q22 | 1221512-1 | + | | 1221512 |
| | 12(0) | | 1221511 | NFF | ND1022/1 | 1221511 |
| 22Q27 | 13(1) | | 1221500 | . | D1022 | 1221512 |
| 15P47 | 14(2) | 22Q25 | 1221510 | FF | D1022/1 | 1221510 |
| 21Q09 | 15(2) | 21Q22 | 3689020 | . | D10X-2 | 1221517 |
| | 16(1) | 21Q17 | 4791521 | -GND | GND2621 | 4791521 |
| 21Q16 | 17(2) | 21Q20 | 4791521 | | GND2621 | 4791521 |
| | 18(1) | 23Q47 | 1201512-1 | + | | 1201512 |
| 24P05 | 19(2) | 22P46 | 7502340 | . | (S23.D10XS) | 1231512 |
| 21Q17 | 20(2) | 21Q37 | 4791521 | | GND2621 | 4791521 |
| | 21(0) | | 1201511 | NFF | ND1020/1 | 1201511 |
| 21Q15 | 22(2) | 21Q23 | 3689020 | . | D10X-2 | 1211517 |
| 21Q22 | 23(2) | 21Q38 | 3689020 | . | D10X-2 | 1201517 |
| 22Q22 | 24(1) | | 1211500 | . | D1021 | 1211512 |
| 22Q20 | 25(1) | | 1201500 | . | D1020 | 1201512 |
| | 26(0) | | 1171511 | NFF | ND1017/1 | 1171511 |
| 14P34 | 27(2) | 22Q03 | 1161510 | FF | D1016/1 | 1161510 |
| | 28(0) | | 1161511 | NFF | ND1016/1 | 1161511 |
| | 29(0) | | 1181511 | NFF | ND1018/1 | 1181511 |
| 14P47 | 30(2) | 22Q12 | 1181510 | FF | D1018/1 | 1181510 |
| 14P42 | 31(2) | 22Q09 | 1171510 | FF | D1017/1 | 1171510 |
| | 32(0) | | | | | |
| 14P45 | 33(2) | 22Q15 | 1191510 | FF | D1019/1 | 1191510 |
| | 34(0) | | 1191511 | NFF | ND1019/1 | 1191511 |
| 22Q18 | 35(1) | | 1191500 | . | D1019 | 1191512 |
| 21Q10 | 36(1) | | 3689320 | . | D10XD10-2 | 1161512 |
| 21Q20 | 37(1) | | 4791521 | | GND2621 | 4791521 |
| 21Q23 | 38(2) | 21Q40 | 3689020 | . | D10X-2 | 1191517 |
| | 39(1) | 23Q41 | 1191512-1 | + | | 1191512 |
| 21Q38 | 40(2) | 21Q44 | 3689020 | . | D10X-2 | 1181517 |
| | 41(1) | 23Q34 | 1181512-1 | + | | 1181512 |
| 22Q13 | 42(1) | | 1181500 | . | D1018 | 1181512 |
| 22Q10 | 43(1) | | 1171500 | . | D1017 | 1171512 |
| 21Q40 | 44(2) | 21Q45 | 3689020 | . | D10X-2 | 1171517 |
| 21Q44 | 45(1) | | 3689020 | . | D10X-2 | 1161517 |
| | 46(1) | 23Q30 | 1171512-1 | + | | 1171512 |
| 22Q08 | 47(1) | | 1161500 | . | D1016 | 1161512 |
| | 48(0) | | | | | |
| 20Q49 | 49(0) | 22Q49 | 8301500 | | P4VQ | 8301520 |
| | 50(1) | 23Q38 | 1161512-1 | + | | 1161512 |
| 20Q51 | 51(0) | 22Q51 | 8303500 | | P8VQ | 8303520 |

XDS 902306



DRAWING NO. - 133264-939 AC
 PROG-PNIND MODULE-22Q
 TYPE-PIN INDEX TYPE-AT11

86
 10/27/71

| FROM | PIN (COUNT) | TO | SOURCE LINE NO. | ELEM. TYPE | SOURCE SIGNAL NAME | REFERENCE LINE NO. |
|-------|-------------|-------|-----------------|------------|--------------------|--------------------|
| | 00(0) | | | | | |
| 24P15 | 01(1) | | 1141519 | * | DI014/1-1 | 1141520 |
| 24P11 | 02(1) | | 1151519 | * | DI015/1-1 | 1151520 |
| 21Q27 | 03(1) | | 1161510 | * | DI016/1 | 1161520 |
| | 04(1) | 10N13 | 1141500 | -BCR | DI014 | 1141500 |
| | 05(1) | 22Q16 | 4791522 | | GND2622 | 4791522 |
| | 06(1) | 10N08 | 1151500 | -BCR | DI015 | 1151500 |
| | 07(0) | | | | | |
| | 08(1) | 21Q47 | 1161500 | -BCR | DI016 | 1161500 |
| 21Q31 | 09(1) | | 1171510 | * | DI017/1 | 1171520 |
| | 10(1) | 21Q43 | 1171500 | -BCR | DI017 | 1171500 |
| | 11(0) | | | | | |
| 21Q30 | 12(1) | | 1181510 | * | DI018/1 | 1181520 |
| | 13(1) | 21Q42 | 1181500 | -BCR | DI018 | 1181500 |
| | 14(0) | | | | | |
| 21Q33 | 15(1) | | 1191510 | * | DI019/1 | 1191520 |
| 22Q05 | 16(2) | 22Q24 | 4791522 | -GND | GND2622 | 4791522 |
| | 17(0) | | | | | |
| | 18(1) | 21Q35 | 1191500 | -BCR | DI019 | 1191500 |
| 21Q02 | 19(1) | | 1201510 | * | DI020/1 | 1201520 |
| | 20(1) | 21Q25 | 1201500 | -BCR | DI020 | 1201500 |
| | 21(0) | | | | | |
| | 22(1) | 21Q24 | 1211500 | -BCR | DI021 | 1211500 |
| 21Q04 | 23(1) | | 1211510 | * | DI021/1 | 1211520 |
| 22Q16 | 24(2) | 22Q41 | 4791522 | | GND2622 | 4791522 |
| 21Q14 | 25(1) | | 1221510 | * | DI022/1 | 1221520 |
| | 26(0) | | | | | |
| | 27(1) | 21Q13 | 1221500 | -BCR | DI022 | 1221500 |
| | 28(0) | | | | | |
| | 29(0) | | | | | |
| | 30(0) | | | | | |
| | 31(0) | | | | | |
| | 32(0) | | | | | |
| 21Q06 | 33(1) | | 1231510 | * | DI023/1 | 1231520 |
| | 34(1) | 21Q08 | 1231500 | -BCR | DI023 | 1231500 |
| 25Q27 | 35(1) | | 1241510 | * | DI024/1 | 1241520 |
| | 36(1) | 25Q47 | 1241500 | -BCR | DI024 | 1241500 |
| 25Q31 | 37(1) | | 1251510 | * | DI025/1 | 1251520 |
| | 38(1) | 25Q43 | 1251500 | -BCR | DI025 | 1251500 |
| 25Q30 | 39(1) | | 1261510 | * | DI026/1 | 1261520 |
| | 40(1) | 25Q42 | 1261500 | -BCR | DI026 | 1261500 |
| 22Q24 | 41(1) | | 4791522 | | GND2622 | 4791522 |
| | 42(1) | 25Q35 | 1271500 | -BCR | DI027 | 1271500 |
| | 43(0) | | | | | |
| | 44(0) | | | | | |
| 25Q33 | 45(1) | | 1271510 | * | DI027/1 | 1271520 |
| | 46(0) | | | | | |
| | 47(0) | | | | | |
| | 48(0) | | | | | |
| 21Q49 | 49(0) | 23Q49 | 8301500 | | P4VQ | 8301520 |
| 26Q50 | 50(2) | 18Q50 | 8305100 | | M8VQ | 8305100 |
| 21Q51 | 51(0) | 23Q51 | 8303500 | | P8VQ | 8303520 |

XDS 902306

XDS
XEROX DATA SYSTEMS

DRAWING NO. - 133264-939 AC
PROG-PNIND MODULE-23Q
TYPE-PIN INDEX TYPE-GT11

87
10/27/71

| FROM | PIN (COUNT) | TO | SOURCE LINE NO. | ELEM. TYPE | SOURCE SIGNAL NAME | REFERENCE LINE NO. |
|-------|----------------|-------|--------------------|---------------|--------------------|-----------------------|
| | 00(0) | | | | | |
| | 01(0) | | | | | |
| 18Q34 | 02(2) | 23P39 | 1256500 | . | S25 | 1251513 |
| | 03(1) | 25Q46 | 1251512-1 | + | | 1251513 |
| | 04(1) | 25Q50 | 1241512-1 | + | | 1241513 |
| 18Q38 | 05(2) | 24Q05 | 1246500 | . | S24 | 1241513 |
| | 06(0) | | | | | |
| 27P28 | 07(2) | 23Q15 | 3689430 | . | D10XS-3 | 1241513 |
| | 08(0) | | | | | |
| | 09(1) | 25Q41 | 1261512-1 | + | | 1261513 |
| 25N22 | 10(2) | 24Q10 | 1266500 | . | S26 | 1261513 |
| 23P30 | 11(2) | 24Q11 | 1296500 | . | S29 | 1291513 |
| | 12(1) | 25Q03 | 1291512-1 | + | | 1291513 |
| | 13(0) | | | | | |
| | 14(1) | 25Q18 | 1281512-1 | + | | 1281513 |
| 23Q07 | 15(1) | | 3689430 | . | D10XS-3 | 1271513 |
| | 16(0) | | 4791523 | -GND | GND2623 | 4791523 |
| | 17(1) | 25Q39 | 1271512-1 | + | | 1271513 |
| 25N21 | 18(2) | 24Q18 | 1276500 | . | S27 | 1271513 |
| | 19(0) | | | | | |
| | 20(0) | | | | | |
| 23P31 | 21(2) | 24Q21 | 1286500 | . | S28 | 1281513 |
| 21Q11 | 22(1) | | 1221512-1 | + | | 1221513 |
| 24P22 | 23(2) | 24Q23 | 1226500 | . | S22 | 1221513 |
| | 24(0) | | | | | |
| | 25(0) | | | | | |
| | 26(0) | | | | | |
| | 27(1) | 25Q11 | 1301512-1 | + | | 1301513 |
| 23P42 | 28(2) | 24Q28 | 1306500 | . | S30 | 1301513 |
| 27P29 | 29(2) | 23Q35 | 3689420 | . | D10XS-2 | 1221513 |
| 21Q46 | 30(1) | | 1171512-1 | + | | 1171513 |
| | 31(0) | | | | | |
| | 32(0) | | | | | |
| 24P40 | 33(2) | 24Q33 | 1186500 | . | S18 | 1181513 |
| 21Q41 | 34(1) | | 1181512-1 | + | | 1181513 |
| 23Q29 | 35(2) | 23Q43 | 3689420 | . | D10XS-2 | 1161513 |
| 24P24 | 36(2) | 24Q36 | 1176500 | . | S17 | 1171513 |
| | 37(0) | | | | | |
| 21Q50 | 38(1) | | 1161512-1 | + | | 1161513 |
| 24P23 | 39(2) | 24Q39 | 1166500 | . | S16 | 1161513 |
| 24P39 | 40(2) | 24Q40 | 1196500 | . | S19 | 1191513 |
| 21Q39 | 41(1) | | 1191512-1 | + | | 1191513 |
| | 42(0) | | | | | |
| 23Q35 | 43(1) | | 3689420 | . | D10XS-2 | 1191513 |
| 21Q03 | 44(1) | | 1211512-1 | + | | 1211513 |
| 24P37 | 45(2) | 24Q45 | 1216500 | . | S21 | 1211513 |
| | 46(0) | | | | | |
| 21Q18 | 47(1) | | 1201512-1 | + | | 1201513 |
| | 48(0) | | | | | |
| 22Q49 | 49(0) | 24Q49 | 8301500 | . | P4VQ | 8301530 |
| 24P38 | 50(2) | 24Q50 | 1206500 | . | S20 | 1201513 |
| 22Q51 | 51(0) | 24Q51 | 8303500 | . | P8VQ | 8303530 |

XDS 902306

XDS
XEROX DATA SYSTEMS

DRAWING NO.- 133264-939 AC
PROG-PNIND MODULE-24Q
TYPE-PIN INDEX TYPE-ZT45

88

10/27/71

| FROM | PIN (COUNT) | TO | SOURCE LINE NO. | ELEM. TYPE | SOURCE SIGNAL NAME | REFERENCE LINE NO. |
|-------|----------------|-------|--------------------|---------------|--------------------|-----------------------|
| | 00(0) | | | | | |
| 24R01 | 01(1) | 26P50 | 3315150 | C | CROSSEN | 3315150 |
| 24R02 | 02(1) | 28N37 | 6038050 | C | MBXS/0 | 6038050 |
| 24R03 | 03(1) | 30P42 | 6038200 | C | MBXS/1 | 6038200 |
| 31Q42 | 04(1) | 24R04 | 2089208 | C | (R/ADNH) | 2089208 |
| 23Q05 | 05(2) | 25N24 | 1246500 | C | S24 | 1246500 |
| 26P24 | 06(1) | 24R06 | 1334900 | C | P33 | 1334900 |
| 30N09 | 07(1) | 24R07 | 4561000 | C | GCLK-0 | 4561000 |
| 24P33 | 08(1) | 24R08 | 6038400 | C | MBXS/2 | 6038400 |
| 25N29 | 09(1) | 24R09 | 6038600 | C | MBXS/3 | 6038600 |
| 23Q10 | 10(1) | 24R10 | 1266500 | C | S26 | 1266500 |
| 23Q11 | 11(1) | 24R11 | 1296500 | C | S29 | 1296500 |
| 24R12 | 12(1) | 01Q14 | 5533010 | C | KSC-1 | 5533010 |
| 25N23 | 13(1) | 24R13 | 1256500 | C | S25 | 1256500 |
| 21N09 | 14(1) | 24R14 | 7343300 | C | RESET/C | 7343300 |
| 24P01 | 15(1) | 24R15 | 1316500 | C | S31 | 1316500 |
| | 16(0) | | 4791524 | -GND | GND2624 | 4791524 |
| 24P31 | 17(1) | 24R17 | 2000528 | C | 1MC-1 | 2000528 |
| 23Q18 | 18(1) | 24R18 | 1276500 | C | S27 | 1276500 |
| 26P27 | 19(1) | 24R19 | 1324900 | C | P32 | 1324900 |
| 31N27 | 20(1) | 24R20 | 6885000 | C | PON | 6885000 |
| 23Q21 | 21(1) | 24R21 | 1286500 | C | S28 | 1286500 |
| 31N34 | 22(1) | 24R22 | 5153000 | C | POFF | 5153000 |
| 23Q23 | 23(1) | 24R23 | 1226500 | C | S22 | 1226500 |
| 23N31 | 24(1) | 24R24 | 7343110 | C | RESET-1 | 7343110 |
| 24P43 | 25(1) | 24R25 | 3651002 | C | DIOFS | 3651002 |
| 24R26 | 26(1) | 32Q07 | 3107000 | C | CEINT | 3107000 |
| 24R27 | 27(1) | 32Q22 | 5415355 | C | KHOP-2 | 5415355 |
| 23Q28 | 28(1) | 24R28 | 1306500 | C | S30 | 1306500 |
| 25N43 | 29(1) | 24R29 | 1293700 | C | LR29-0 | 1293700 |
| 20Q36 | 30(1) | 24R30 | 2100500 | C | AEADB | 2100500 |
| 32Q42 | 31(1) | 24R31 | 6832225 | C | N(R/PEINT/2) | 6832225 |
| | 32(0) | | | | | |
| 23Q33 | 33(1) | 24R33 | 1186500 | C | S18 | 1186500 |
| 17N24 | 34(1) | 24R34 | 2080500 | C | ADBDB | 2080500 |
| 24P21 | 35(1) | 24R35 | 1236500 | C | S23 | 1236500 |
| 23Q36 | 36(1) | 24R36 | 1176500 | C | S17 | 1176500 |
| 26Q18 | 37(1) | 24R37 | 1491500 | C | DIO49 | 1491500 |
| 32Q21 | 38(1) | 24R38 | 3846015 | C | DRQ-1 | 3846015 |
| 23Q39 | 39(1) | 24R39 | 1166500 | C | S16 | 1166500 |
| 23Q40 | 40(1) | 24R40 | 1196500 | C | S19 | 1196500 |
| 26N04 | 41(1) | 24R41 | 7342000 | C | REN-1 | 7342000 |
| 32N05 | 42(1) | 24R42 | 4395300 | C | FPCLN/1 | 4395302 |
| 32Q50 | 43(1) | 24R43 | 1092590 | C | INT9 | 1092589 |
| 28N09 | 44(1) | 24R44 | 5173135 | C | NISNIP7 | 5173135 |
| 23Q45 | 45(1) | 24R45 | 1216500 | C | S21 | 1216500 |
| 32Q44 | 46(1) | 24R46 | 3651000 | C | NDIOFS | 3651000 |
| 26N47 | 47(1) | 24R47 | 1000150 | C | A0L | 1000150 |
| | 48(0) | | | | | |
| 23Q49 | 49(0) | 25Q49 | 8301500 | | P4VQ | 8301530 |
| 23Q50 | 50(1) | 24R50 | 1206500 | C | S20 | 1206500 |
| 23Q51 | 51(0) | 25Q51 | 8303500 | | P8VQ | 8303530 |

| FROM | PIN (COUNT) | TO | SOURCE LINE NO. | ELEM. TYPE | SOURCE SIGNAL NAME | REFERENCE LINE NO. |
|-------|----------------|-------|--------------------|---------------|--------------------|-----------------------|
| | 00(0) | | | | | |
| 21Q01 | 01(1) | | 3200260 | . | CL-32P26 | 1241518 |
| 15Q34 | 02(2) | 26Q01 | 1281510 | FF | D1028/1 | 1281510 |
| 23Q12 | 03(1) | | 1291512-1 | + | | 1291512 |
| 15Q42 | 04(2) | 26Q02 | 1291510 | FF | D1029/1 | 1291510 |
| | 05(0) | | 1291511 | NFF | ND1029/1 | 1291511 |
| 15Q45 | 06(2) | 26Q09 | 1311510 | FF | D1031/1 | 1311510 |
| | 07(0) | | 1311511 | NFF | ND1031/1 | 1311511 |
| 26Q10 | 08(1) | | 1311500 | . | D1031 | 1311512 |
| 27P50 | 09(2) | 25Q15 | 3689030 | . | D10X-3 | 1311517 |
| 27P21 | 10(2) | 25Q36 | 3689330 | . | D10XD10-3 | 1281512 |
| 23Q27 | 11(1) | | 1301512-1 | + | | 1301512 |
| | 12(0) | | 1301511 | NFF | ND1030/1 | 1301511 |
| 26Q08 | 13(1) | | 1301500 | . | D1030 | 1301512 |
| 15Q47 | 14(2) | 26Q03 | 1301510 | FF | D1030/1 | 1301510 |
| 25Q09 | 15(2) | 25Q22 | 3689030 | . | D10X-3 | 1301517 |
| | 16(1) | 25Q17 | 4791525 | -GND | GND2625 | 4791525 |
| 25Q16 | 17(2) | 25Q20 | 4791525 | . | GND2625 | 1281512 |
| 23Q14 | 18(1) | | 1281512-1 | + | | 1281512 |
| 24P17 | 19(2) | 28P50 | 7503140 | . | (S31.D10XS) | 1311512 |
| 25Q17 | 20(2) | 25Q37 | 4791525 | . | GND2625 | 1301512 |
| | 21(0) | | 1281511 | NFF | ND1028/1 | 1281511 |
| 25Q15 | 22(2) | 25Q23 | 3689030 | . | D10X-3 | 1291517 |
| 25Q22 | 23(2) | 25Q38 | 3689030 | . | D10X-3 | 1281517 |
| 26Q06 | 24(1) | | 1291500 | . | D1029 | 1291512 |
| 26Q04 | 25(1) | | 1281500 | . | D1028 | 1281512 |
| | 26(0) | | 1251511 | NFF | ND1025/1 | 1251511 |
| 14Q34 | 27(2) | 22Q35 | 1241510 | FF | D1024/1 | 1241510 |
| | 28(0) | | 1241511 | NFF | ND1024/1 | 1241511 |
| | 29(0) | | 1261511 | NFF | ND1026/1 | 1261511 |
| 14Q47 | 30(2) | 22Q39 | 1261510 | FF | D1026/1 | 1261510 |
| 14Q42 | 31(2) | 22Q37 | 1251510 | FF | D1025/1 | 1251510 |
| | 32(0) | | | | | |
| 14Q45 | 33(2) | 22Q45 | 1271510 | FF | D1027/1 | 1271510 |
| | 34(0) | | 1271511 | NFF | ND1027/1 | 1271511 |
| 22Q42 | 35(1) | | 1271500 | . | D1027 | 1271512 |
| 25Q10 | 36(1) | | 3689330 | . | D10XD10-3 | 1241512 |
| 25Q20 | 37(1) | | 4791525 | . | GND2625 | 1241512 |
| 25Q23 | 38(2) | 25Q40 | 3689030 | . | D10X-3 | 1271517 |
| 23Q17 | 39(1) | | 1271512-1 | + | | 1271512 |
| 25Q38 | 40(2) | 25Q44 | 3689030 | . | D10X-3 | 1261517 |
| 23Q09 | 41(1) | | 1261512-1 | + | | 1261512 |
| 22Q40 | 42(1) | | 1261500 | . | D1026 | 1261512 |
| 22Q38 | 43(1) | | 1251500 | . | D1025 | 1251512 |
| 25Q40 | 44(2) | 25Q45 | 3689030 | . | D10X-3 | 1251517 |
| 25Q44 | 45(1) | | 3689030 | . | D10X-3 | 1241517 |
| 23Q03 | 46(1) | | 1251512-1 | + | | 1251512 |
| 22Q36 | 47(1) | | 1241500 | . | D1024 | 1241512 |
| | 48(0) | | | | | |
| 24Q49 | 49(0) | 26Q49 | 8301500 | . | P4VQ | 8301530 |
| 23Q04 | 50(1) | | 1241512-1 | + | | 1241512 |
| 24Q51 | 51(0) | 26Q51 | 8303500 | . | P8VQ | 8303530 |

XDS 902306

XDS
XEROX DATA SYSTEMS

DRAWING NO.- 133264-939 AC
PROG-PNIND MODULE-26Q
TYPE-PIN INDEX TYPE-AT11

90
10/27/71

| FROM | PIN (COUNT) | TO | SOURCE LINE NO. | ELEM. TYPE | SOURCE SIGNAL NAME | REFERENCE LINE NO. |
|-------|----------------|-------|--------------------|---------------|--------------------|-----------------------|
| | 00(0) | | | | | |
| 25Q02 | 01(1) | | 1281510 | * D1028/1 | | 1281520 |
| 25Q04 | 02(1) | | 1291510 | * D1029/1 | | 1291520 |
| 25Q14 | 03(1) | | 1301510 | * D1030/1 | | 1301520 |
| | 04(1) | 25Q25 | 1281500 | -BCR D1028 | | 1281500 |
| | 05(1) | 26Q16 | 4791526 | GND2626 | | 4791526 |
| | 06(1) | 25Q24 | 1291500 | -BCR D1029 | | 1291500 |
| | 07(0) | | | | | |
| | 08(1) | 25Q13 | 1301500 | -BCR D1030 | | 1301500 |
| 25Q06 | 09(1) | | 1311510 | * D1031/1 | | 1311520 |
| | 10(1) | 25Q08 | 1311500 | -BCR D1031 | | 1311500 |
| | 11(0) | | | | | |
| 24P45 | 12(1) | | 1481520-1 | * | | 1481520 |
| | 13(0) | | | | | |
| | 14(0) | | | | | |
| 26Q16 | 15(2) | 26Q24 | 4791526 | * GND2626 | | 1491520 |
| 26Q05 | 16(2) | 26Q15 | 4791526 | -GND GND2626 | | 4791526 |
| | 17(0) | | | | | |
| 01Q13 | 18(2) | 24Q37 | 1491500 | -BCR D1049 | | 1491500 |
| 24P44 | 19(1) | | 1501520-1 | * | | 1501520 |
| | 20(0) | | | | | |
| | 21(0) | | | | | |
| | 22(0) | | | | | |
| 27Q04 | 23(1) | | 1371510 | * D1037/1 | | 1371520 |
| 26Q15 | 24(1) | | 4791526 | GND2626 | | 4791526 |
| 27Q14 | 25(1) | | 1381510 | * D1038/1 | | 1381520 |
| | 26(0) | | | | | |
| | 27(0) | | | | | |
| | 28(0) | | | | | |
| | 29(0) | | | | | |
| | 30(0) | | | | | |
| | 31(0) | | | | | |
| | 32(0) | | | | | |
| 27Q06 | 33(1) | | 1391510 | * D1039/1 | | 1391520 |
| | 34(0) | | | | | |
| 28Q02 | 35(1) | | 1441510 | * D1044/1 | | 1441520 |
| | 36(0) | | | | | |
| 28Q04 | 37(1) | | 1451510 | * D1045/1 | | 1451520 |
| | 38(0) | | | | | |
| 28Q14 | 39(1) | | 1461510 | * D1046/1 | | 1461520 |
| | 40(0) | | | | | |
| | 41(1) | 01Q08 | 3651150 | -GND ND10PIN | | 3651150 |
| | 42(0) | | | | | |
| | 43(0) | | | | | |
| | 44(0) | | | | | |
| 28Q06 | 45(1) | | 1471510 | * D1047/1 | | 1471520 |
| | 46(0) | | | | | |
| | 47(0) | | | | | |
| | 48(0) | | | | | |
| 25Q49 | 49(0) | 27Q49 | 8301500 | P4VQ | | 8301530 |
| 29Q50 | 50(2) | 22Q50 | 8305100 | M8VQ | | 8305100 |
| 25Q51 | 51(0) | 27Q51 | 8303500 | P8VQ | | 8303530 |

XDS 902306

XDS
XEROX DATA SYSTEMS

DRAWING NO.- 133264-939 AC
PROG-PNIND
TYPE-PIN INDEX

MODULE-27Q
TYPE-FT22

91

10/27/71

| FROM | PIN (COUNT) | TO | SOURCE LINE NO. | ELEM. TYPE | SOURCE SIGNAL NAME | REFERENCE LINE NO. |
|-------|----------------|-------|--------------------|---------------|--------------------|-----------------------|
| | 00(0) | | | | | |
| 32P28 | 01(2) | 28Q01 | 3200280 | . | CL-32P28 | 1321518 |
| | 02(1) | 29Q03 | 1361510 | FF | D1036/1 | 1361510 |
| | 03(0) | | 1371512-1 | + | | 1371512 |
| | 04(1) | 26Q23 | 1371510 | FF | D1037/1 | 1371510 |
| | 05(0) | | 1371511 | NFF | ND1037/1 | 1371511 |
| | 06(1) | 26Q33 | 1391510 | FF | D1039/1 | 1391510 |
| | 07(0) | | 1391511 | NFF | ND1039/1 | 1391511 |
| 20Q47 | 08(2) | 30N39 | 1230300 | . | B23 | 1391512 |
| 27P04 | 09(2) | 27Q15 | 3689212 | . | D10XB-12 | 1391517 |
| 27P01 | 10(2) | 27Q36 | 3689220 | . | D10XB-2 | 1361512 |
| | 11(0) | | 1381512-1 | + | | 1381512 |
| | 12(0) | | 1381511 | NFF | ND1038/1 | 1381511 |
| 20Q46 | 13(2) | 30N38 | 1220300 | . | B22 | 1381512 |
| | 14(1) | 26Q25 | 1381510 | FF | D1038/1 | 1381510 |
| 27Q09 | 15(2) | 27Q22 | 3689212 | . | D10XB-12 | 1381517 |
| | 16(1) | 27Q17 | 4791527 | -GND | GND2627 | 4791527 |
| 27Q16 | 17(2) | 27Q19 | 4791527 | . | GND2627 | 1361512 |
| | 18(0) | | 1361512-1 | + | | 1361512 |
| 27Q17 | 19(2) | 27Q20 | 4791527 | . | GND2627 | 1391512 |
| 27Q19 | 20(2) | 27Q37 | 4791527 | . | GND2627 | 1381512 |
| | 21(0) | | 1361511 | NFF | ND1036/1 | 1361511 |
| 27Q15 | 22(2) | 27Q23 | 3689212 | . | D10XB-12 | 1371517 |
| 27Q22 | 23(2) | 27Q38 | 3689212 | . | D10XB-12 | 1361517 |
| 20Q45 | 24(1) | | 1210300 | . | B21 | 1371512 |
| 09P35 | 25(1) | | 1200300 | . | B20 | 1361512 |
| | 26(0) | | 1331511 | NFF | ND1033/1 | 1331511 |
| | 27(1) | 29Q12 | 1321510 | FF | D1032/1 | 1321510 |
| | 28(0) | | 1321511 | NFF | ND1032/1 | 1321511 |
| | 29(0) | | 1341511 | NFF | ND1034/1 | 1341511 |
| | 30(1) | 29Q01 | 1341510 | FF | D1034/1 | 1341510 |
| | 31(1) | 29Q15 | 1331510 | FF | D1033/1 | 1331510 |
| | 32(0) | | | | | |
| | 33(1) | 29Q02 | 1351510 | FF | D1035/1 | 1351510 |
| | 34(0) | | 1351511 | NFF | ND1035/1 | 1351511 |
| 20Q33 | 35(1) | | 1190300 | . | B19 | 1351512 |
| 27Q10 | 36(1) | | 3689220 | . | D10XB-2 | 1321512 |
| 27Q20 | 37(1) | | 4791527 | . | GND2627 | 1321512 |
| 27Q23 | 38(2) | 27Q40 | 3689212 | . | D10XB-12 | 1351517 |
| | 39(0) | | 1351512-1 | + | | 1351512 |
| 27Q38 | 40(2) | 27Q44 | 3689212 | . | D10XB-12 | 1341517 |
| | 41(0) | | 1341512-1 | + | | 1341512 |
| 09P45 | 42(1) | | 1180300 | . | B18 | 1341512 |
| 09P17 | 43(1) | | 1170300 | . | B17 | 1331512 |
| 27Q40 | 44(2) | 27Q45 | 3689212 | . | D10XB-12 | 1331517 |
| 27Q44 | 45(1) | | 3689212 | . | D10XB-12 | 1321517 |
| | 46(0) | | 1331512-1 | + | | 1331512 |
| 09P05 | 47(2) | 24N43 | 1160300 | . | B16 | 1321512 |
| | 48(0) | | | | | |
| 26Q49 | 49(0) | 28Q49 | 8301500 | . | P4VQ | 8301530 |
| | 50(0) | | 1321512-1 | + | | 1321512 |
| 26Q51 | 51(0) | 28Q51 | 8303500 | . | P8VQ | 8303530 |

XDS 902306

XDS
XEROX DATA SYSTEMS

DRAWING NO.- 133264-939 AC
PROG-PNIND MODULE-28Q
TYPE-PIN INDEX TYPE-FT22

92

10/27/71

| FROM | PIN (COUNT) | TO | SOURCE LINE NO. | ELEM. TYPE | SOURCE SIGNAL NAME | REFERENCE LINE NO. |
|-------|----------------|-------|--------------------|---------------|--------------------|-----------------------|
| | 00(0) | | | | | |
| 27Q01 | 01(1) | | 3200280 | . | CL-32P28 | 1401518 |
| | 02(1) | 26Q35 | 1441510 | FF | D1044/1 | 1441510 |
| | 03(0) | | 1451512-1 | + | | 1451512 |
| | 04(1) | 26Q37 | 1451510 | FF | D1045/1 | 1451510 |
| | 05(0) | | 1451511 | NFF | ND1045/1 | 1451511 |
| | 06(1) | 26Q45 | 1471510 | FF | D1047/1 | 1471510 |
| | 07(0) | | 1471511 | NFF | ND1047/1 | 1471511 |
| 17P19 | 08(2) | 30N31 | 1310300 | . | B31 | 1471512 |
| 27P03 | 09(2) | 28Q15 | 3689213 | . | D10XB-13 | 1471517 |
| 27P02 | 10(2) | 28Q36 | 3689230 | . | D10XB-3 | 1441512 |
| | 11(0) | | 1461512-1 | + | | 1461512 |
| | 12(0) | | 1461511 | NFF | ND1046/1 | 1461511 |
| 25N07 | 13(2) | 30N24 | 1300300 | . | B30 | 1461512 |
| | 14(1) | 26Q39 | 1461510 | FF | D1046/1 | 1461510 |
| 28Q09 | 15(2) | 28Q22 | 3689213 | . | D10XB-13 | 1461517 |
| | 16(1) | 28Q17 | 4791528 | -GND | GND2628 | 4791528 |
| 28Q16 | 17(2) | 28Q19 | 4791528 | . | GND2628 | 1441512 |
| | 18(0) | | 1441512-1 | + | | 1441512 |
| 28Q17 | 19(2) | 28Q20 | 4791528 | . | GND2628 | 1471512 |
| 28Q19 | 20(2) | 28Q37 | 4791528 | . | GND2628 | 1461512 |
| | 21(0) | | 1441511 | NFF | ND1044/1 | 1441511 |
| 28Q15 | 22(2) | 28Q23 | 3689213 | . | D10XB-13 | 1451517 |
| 28Q22 | 23(2) | 28Q38 | 3689213 | . | D10XB-13 | 1441517 |
| 09Q14 | 24(2) | 30N42 | 1290300 | . | B29 | 1451512 |
| 09Q35 | 25(2) | 30N43 | 1280300 | . | B28 | 1441512 |
| | 26(0) | | 1411511 | NFF | ND1041/1 | 1411511 |
| | 27(1) | 29Q19 | 1401510 | FF | D1040/1 | 1401510 |
| | 28(0) | | 1401511 | NFF | ND1040/1 | 1401511 |
| | 29(0) | | 1421511 | NFF | ND1042/1 | 1421511 |
| | 30(1) | 29Q25 | 1421510 | FF | D1042/1 | 1421510 |
| | 31(1) | 29Q23 | 1411510 | FF | D1041/1 | 1411510 |
| | 32(0) | | | | | |
| | 33(1) | 29Q33 | 1431510 | FF | D1043/1 | 1431510 |
| | 34(0) | | 1431511 | NFF | ND1043/1 | 1431511 |
| 09Q44 | 35(1) | | 1270300 | . | B27 | 1431512 |
| 28Q10 | 36(1) | | 3689230 | . | D10XB-3 | 1401512 |
| 28Q20 | 37(1) | | 4791528 | . | GND2628 | 1401512 |
| 28Q23 | 38(2) | 28Q40 | 3689213 | . | D10XB-13 | 1431517 |
| | 39(0) | | 1431512-1 | + | | 1431512 |
| 28Q38 | 40(2) | 28Q44 | 3689213 | . | D10XB-13 | 1421517 |
| | 41(0) | | 1421512-1 | + | | 1421512 |
| 09Q45 | 42(1) | | 1260300 | . | B26 | 1421512 |
| 09Q17 | 43(2) | 31Q38 | 1250300 | . | B25 | 1411512 |
| 28Q40 | 44(2) | 28Q45 | 3689213 | . | D10XB-13 | 1411517 |
| 28Q44 | 45(1) | | 3689213 | . | D10XB-13 | 1401517 |
| | 46(0) | | 1411512-1 | + | | 1411512 |
| 09P43 | 47(1) | | 1240300 | . | B24 | 1401512 |
| | 48(0) | | | | | |
| 27Q49 | 49(0) | 29Q49 | 8301500 | . | P4VQ | 8301530 |
| | 50(0) | | 1401512-1 | + | | 1401512 |
| 27Q51 | 51(0) | 29Q51 | 8303500 | . | P8VQ | 8303530 |

XDS 902306

XDS
XEROX DATA SYSTEMS

DRAWING NO. - 133264-939 AC
PROG-PNIND MODULE-29Q
TYPE-PIN INDEX TYPE-AT11

93
10/27/71

| FROM | PIN (COUNT) | TO | SOURCE LINE NO. | ELEM. TYPE | SOURCE SIGNAL NAME | REFERENCE LINE NO. |
|-------|----------------|-------|--------------------|---------------|--------------------|-----------------------|
| | 00(0) | | | | | |
| 27Q30 | 01(1) | | 1341510 | * | DI034/1 | 1341520 |
| 27Q33 | 02(1) | | 1351510 | * | DI035/1 | 1351520 |
| 27Q02 | 03(1) | | 1361510 | * | DI036/1 | 1361520 |
| | 04(0) | | | | | |
| | 05(1) | 29Q16 | 4791529 | | GND2629 | 4791529 |
| | 06(0) | | | | | |
| | 07(0) | | | | | |
| | 08(0) | | | | | |
| | 09(0) | | | | | |
| | 10(0) | | | | | |
| | 11(0) | | | | | |
| 27Q27 | 12(1) | | 1321510 | * | DI032/1 | 1321520 |
| | 13(0) | | | | | |
| | 14(0) | | | | | |
| 27Q31 | 15(1) | | 1331510 | * | DI033/1 | 1331520 |
| 29Q05 | 16(2) | 29Q24 | 4791529 | -GND | GND2629 | 4791529 |
| | 17(0) | | | | | |
| | 18(0) | | | | | |
| 28Q27 | 19(1) | | 1401510 | * | DI040/1 | 1401520 |
| | 20(0) | | | | | |
| | 21(0) | | | | | |
| | 22(0) | | | | | |
| 28Q31 | 23(1) | | 1411510 | * | DI041/1 | 1411520 |
| 29Q16 | 24(2) | 29Q35 | 4791529 | | GND2629 | 4791529 |
| 28Q30 | 25(1) | | 1421510 | * | DI042/1 | 1421520 |
| | 26(0) | | | | | |
| | 27(0) | | | | | |
| | 28(0) | | | | | |
| | 29(0) | | | | | |
| | 30(0) | | | | | |
| | 31(0) | | | | | |
| | 32(0) | | | | | |
| 28Q33 | 33(1) | | 1431510 | * | DI043/1 | 1431520 |
| | 34(0) | | | | | |
| 29Q24 | 35(2) | 29Q37 | 4791529 | * | GND2629 | 1511520 |
| | 36(1) | 31Q36 | 1511500 | -BCR | DI051 | 1511500 |
| 29Q35 | 37(2) | 29Q41 | 4791529 | * | GND2629 | 1521520 |
| | 38(1) | 31Q37 | 1521500 | -BCR | DI052 | 1521500 |
| 24P46 | 39(1) | | 1531520-1 | * | | 1531520 |
| | 40(0) | | | | | |
| 29Q37 | 41(1) | | 4791529 | | GND2629 | 4791529 |
| | 42(0) | | | | | |
| | 43(0) | | | | | |
| | 44(0) | | | | | |
| 24P47 | 45(1) | | 1541520-1 | * | | 1541520 |
| | 46(0) | | | | | |
| | 47(0) | | | | | |
| | 48(0) | | | | | |
| 28Q49 | 49(0) | 30Q49 | 8301500 | | P4VQ | 8301530 |
| | 50(1) | 26Q50 | 8305100 | -VSP | M8VQ | 8305100 |
| 28Q51 | 51(0) | 30Q51 | 8303500 | | P8VQ | 8303530 |

XDS 902306



DRAWING NO. - 133264-939 AC
 PROG-PNIND MODULE-30Q
 TYPE-PIN INDEX TYPE-

94
 10/27/71

| FROM | PIN (COUNT) | TO | SOURCE LINE NO. | ELEM. TYPE | SOURCE SIGNAL NAME | REFERENCE LINE NO. |
|-------|----------------|-------|--------------------|---------------|--------------------|-----------------------|
| | 00(0) | | | | | |
| | 01(0) | | | | | |
| | 02(0) | | | | | |
| | 03(0) | | | | | |
| | 04(0) | | | | | |
| | 05(0) | | | | | |
| | 06(0) | | | | | |
| | 07(0) | | | | | |
| | 08(0) | | | | | |
| | 09(0) | | | | | |
| | 10(0) | | | | | |
| | 11(0) | | | | | |
| | 12(0) | | | | | |
| | 13(0) | | | | | |
| | 14(0) | | | | | |
| | 15(0) | | | | | |
| | 16(0) | | 4791530 | -GND | GND2630 | 4791530 |
| | 17(0) | | | | | |
| | 18(0) | | | | | |
| | 19(0) | | | | | |
| | 20(0) | | | | | |
| | 21(0) | | | | | |
| | 22(0) | | | | | |
| | 23(0) | | | | | |
| | 24(0) | | | | | |
| | 25(0) | | | | | |
| | 26(0) | | | | | |
| | 27(0) | | | | | |
| | 28(0) | | | | | |
| | 29(0) | | | | | |
| | 30(0) | | | | | |
| | 31(0) | | | | | |
| | 32(0) | | | | | |
| | 33(0) | | | | | |
| | 34(0) | | | | | |
| | 35(0) | | | | | |
| | 36(0) | | | | | |
| | 37(0) | | | | | |
| | 38(0) | | | | | |
| | 39(0) | | | | | |
| | 40(0) | | | | | |
| | 41(0) | | | | | |
| | 42(0) | | | | | |
| | 43(0) | | | | | |
| | 44(0) | | | | | |
| | 45(0) | | | | | |
| | 46(0) | | | | | |
| | 47(0) | | | | | |
| | 48(0) | | | | | |
| 29Q49 | 49(0) | 31Q49 | 8301500 | P4VQ | | 8301540 |
| | 50(0) | | | | | |
| 29Q51 | 51(0) | 31Q51 | 8303500 | P8VQ | | 8303540 |

XDS 902306

XDS
XEROX DATA SYSTEMS

DRAWING NO.- 133264-939 AC
PROG-PNIND MODULE-31Q
TYPE-PIN INDEX TYPE-ZT46

95

10/27/71

| FROM | PIN (COUNT) | TO | SOURCE LINE NO. | ELEM. TYPE | SOURCE SIGNAL NAME | REFERENCE LINE NO. |
|-------|----------------|-------|--------------------|---------------|--------------------|-----------------------|
| | 00(0) | | | | | |
| 02F01 | 01(1) | 29P30 | 2490100 | C | NAZ/0 | 2490100 |
| 02F02 | 02(1) | 29P31 | 2490110 | C | NAZ/1 | 2490110 |
| 02F03 | 03(1) | 29P43 | 2490120 | C | NAZ/2 | 2490120 |
| 02F04 | 04(1) | 29P42 | 2490130 | C | NAZ/3 | 2490130 |
| 02F05 | 05(1) | 21P28 | 3060185 | C | NCC1XK00 | 3060185 |
| 02F06 | 06(1) | 21P20 | 3060233 | C | N(R/CC2/1) | 3060233 |
| 02F07 | 07(1) | 20P14 | 3060253 | C | N(S/CC2/1) | 3060253 |
| 02F08 | 08(1) | 21P23 | 3060135 | C | N(R/CC1/1) | 3060135 |
| 02F09 | 09(1) | 21P05 | 3060150 | C | N(S/CC1/1) | 3060150 |
| 02F10 | 10(1) | 23P13 | 4395850 | C | NFPXS | 4395850 |
| 02F11 | 11(1) | 12P14 | 4421480 | C | FUMH | 4421480 |
| 02F12 | 12(1) | 29P38 | 4425670 | C | FUSF/1 | 4425670 |
| 02F13 | 13(1) | 10P25 | 4375100 | C | FL1 | 4375100 |
| 13Q36 | 14(1) | 02F14 | 1286202 | C | NR28 | 1286202 |
| 13Q13 | 15(1) | 02F15 | 1306202 | C | NR30 | 1306202 |
| | 16(0) | | 4791531 | -GND | GND2631 | 4791531 |
| 02F17 | 17(1) | 11Q34 | 3060283 | C | (S/CC2/NZ) | 3060283 |
| 02F18 | 18(1) | 26P37 | 6845620 | C | PH6-A | 6845620 |
| 02F19 | 19(1) | 24P31 | 2000528 | C | 1MC-1 | 2000528 |
| 02F20 | 20(1) | 17P43 | 4321250 | C | (FAHW.PRE4.(BC=1)) | 4321250 |
| 30N27 | 21(1) | 02F21 | 1161336 | C | D16-1 | 1161336 |
| 02F22 | 22(1) | 26P39 | 4323295 | C | FAMDS | 4323295 |
| 02F23 | 23(1) | 12P35 | 4334100 | C | FCXS | 4334100 |
| 02F24 | 24(1) | 11P23 | 4334130 | C | (FCXS+PSW1XS) | 4334130 |
| 02F25 | 25(1) | 08P25 | 4900630 | C | N(S/GXAND) | 4900630 |
| 02F26 | 26(1) | 30P28 | 4421640 | C | N(FUMSP.PH1/F) | 4421640 |
| 02F27 | 27(1) | 12Q35 | 3060410 | C | (S/CC4/1) | 3060410 |
| 02F28 | 28(1) | 07P25 | 4904130 | C | N(S/GXNAD) | 4904130 |
| 02F29 | 29(1) | 07Q29 | 1260304 | C | NB26 | 1260304 |
| 02F30 | 30(1) | 20Q03 | 6902328 | C | PRE3-H | 6902328 |
| 25N35 | 31(1) | 02F31 | 1001336 | C | D0-1 | 1001336 |
| | 32(0) | | | | | |
| 02F33 | 33(1) | 12Q42 | 3060310 | C | (S/CC3/1) | 3060310 |
| 07Q34 | 34(1) | 02F34 | 1270304 | C | NB27 | 1270304 |
| 13Q06 | 35(1) | 02F35 | 1316202 | C | NR31 | 1316202 |
| 29Q36 | 36(1) | 02F36 | 1511500 | C | D1051 | 1511500 |
| 29Q38 | 37(1) | 02F37 | 1521500 | C | D1052 | 1521500 |
| 28Q43 | 38(1) | 02F38 | 1250300 | C | B25 | 1250300 |
| 06N40 | 39(1) | 02F39 | 1214940 | C | P21-1 | 1214940 |
| 08P42 | 40(1) | 02F40 | 1224940 | C | P22-1 | 1224940 |
| 02F41 | 41(1) | 05P44 | 1234940 | C | P23-1 | 1234940 |
| 02F42 | 42(1) | 24Q04 | 2089208 | C | (R/ADNH) | 2089208 |
| 13Q43 | 43(1) | 02F43 | 1296202 | C | NR29 | 1296202 |
| 20Q41 | 44(1) | 02F44 | 1290304 | C | NB29 | 1290304 |
| 20P28 | 45(1) | 02F45 | 1001340 | C | ND0-1 | 1001340 |
| 02F46 | 46(1) | 16N14 | 4375120 | C | FL2 | 4375120 |
| 02F47 | 47(1) | 08Q45 | 7395100 | C | RPXS | 7395100 |
| | 48(0) | | | | | |
| 30Q49 | 49(0) | 32Q49 | 8301500 | | P4VQ | 8301540 |
| 02F50 | 50(1) | 10P03 | 4375130 | C | FL3 | 4375130 |
| 30Q51 | 51(0) | 32Q51 | 8303500 | | P8VQ | 8303540 |

XDS 902306

XDS
XEROX DATA SYSTEMS

DRAWING NO. - 133264-939 AC
PROG-PNIND MODULE-32Q
TYPE-PIN INDEX TYPE-ZT46

96

10/27/71

| FROM | PIN (COUNT) | TO | SOURCE LINE NO. | ELEM. TYPE | SOURCE SIGNAL NAME | REFERENCE LINE NO. |
|-------|----------------|-------|--------------------|---------------|--------------------|-----------------------|
| | 00(0) | | | | | |
| 01C01 | 01(1) | 21P44 | 7430120 | C | N(S/RW) | 7430160 |
| 01C02 | 02(1) | 27P17 | 3689332 | C | NDIOXD10 | 3689332 |
| 01C03 | 03(1) | 27P34 | 3689395 | C | NDIOXS | 3689395 |
| 01C04 | 04(1) | 17P39 | 8022252 | C | NTESTS/1 | 8022252 |
| 06N22 | 05(1) | 01C05 | 7300900 | C | (R.CC) | 7300900 |
| 01C06 | 06(1) | 14P46 | 4324714 | C | (FAST.PH1/E.SW6) | 4324714 |
| 24Q26 | 07(1) | 01C07 | 3107000 | C | CEINT | 3107000 |
| 01C08 | 08(1) | 20Q10 | 6047910 | C | MCZ | 6047910 |
| 01C09 | 09(1) | 08N06 | 6047900 | C | NMCZ | 6047900 |
| 01Q14 | 10(1) | 01C10 | 5533010 | C | KSC-1 | 5533010 |
| 01C11 | 11(1) | 30N15 | 5374430 | C | KD1-2 | 5374430 |
| 01C12 | 12(1) | 16N15 | 3060201 | C | NCC2 | 3060201 |
| 19P15 | 13(1) | 01C13 | 2500300 | C | NB1619Z | 2500300 |
| 16P40 | 14(1) | 01C14 | 2001600 | C | (A16-K16) | 2001600 |
| 01C15 | 15(1) | 11P35 | 2405350 | C | N(S/AXRR) | 2405350 |
| | 16(0) | | 4791532 | -GND | GND2632 | 4791532 |
| 01C17 | 17(1) | 26N24 | 4320900 | C | FACOMP | 4320900 |
| 13Q18 | 18(1) | 01C18 | 7651000 | C | SGTZ | 7651000 |
| 01C19 | 19(1) | 30N06 | 4321150 | C | (FAFL.NRW) | 4321150 |
| 01C20 | 20(1) | 21N28 | 3202720 | C | CLEAR | 3202720 |
| 01C21 | 21(1) | 24Q38 | 3846015 | C | DRQ-1 | 3846013 |
| 24Q27 | 22(1) | 01C22 | 5415355 | C | KHOP-2 | 5415355 |
| 01C23 | 23(1) | 30P24 | 2403350 | C | NAXLOAD | 2403350 |
| 23P06 | 24(1) | 01C24 | 4392400 | C | NFOPTION | 4392400 |
| 01C25 | 25(1) | 10P45 | 3060401 | C | NCC4 | 3060401 |
| 01C26 | 26(1) | 10P12 | 4413000 | C | NFSHEX | 4413005 |
| 01C27 | 27(1) | 13Q35 | 1286600 | C | TR28 | 1286600 |
| 01C28 | 28(1) | 13Q44 | 1296600 | C | TR29 | 1296600 |
| 01C29 | 29(1) | 13Q14 | 1306600 | C | TR30 | 1306600 |
| 01C30 | 30(1) | 13Q05 | 1316600 | C | TR31 | 1316600 |
| 01C31 | 31(1) | 25N34 | 1231340 | C | D23-1 | 1231340 |
| | 32(0) | | | | | |
| 01C33 | 33(1) | 10P41 | 1231350 | C | ND23-1 | 1231350 |
| 30N26 | 34(1) | 01C34 | 1300336 | C | B30-1 | 1300336 |
| 30N25 | 35(1) | 01C35 | 1310336 | C | B31-1 | 1310336 |
| 25N08 | 36(1) | 01C36 | 6040600 | C | (MC=1) | 6040600 |
| 01C37 | 37(1) | 26N17 | 4375131 | C | NFL3 | 4375131 |
| 01C38 | 38(1) | 28P14 | 4421660 | C | FUMTSIGN | 4421660 |
| 31N08 | 39(1) | 01C39 | 7860000 | C | START | 7860000 |
| 30N28 | 40(1) | 01C40 | 1324919 | C | P32-1 | 1324919 |
| 30N18 | 41(1) | 01C41 | 1334919 | C | P33-1 | 1334919 |
| 01C42 | 42(1) | 24Q31 | 6832225 | C | N(R/PEINT/2) | 6832225 |
| 01C43 | 43(1) | 10Q13 | 6196120 | C | (S/MRQ) | 6196120 |
| 01C44 | 44(1) | 24Q46 | 3651000 | C | NDIOFS | 3651000 |
| 01C45 | 45(1) | 30P25 | 2403820 | C | NAXMC | 2403820 |
| 01C46 | 46(1) | 26N21 | 4324678 | C | (FASTABORT.ENDE) | 4324678 |
| 01C47 | 47(1) | 11Q47 | 6910020 | C | PROBOVER/H | 6910020 |
| | 48(0) | | | | | |
| 31Q49 | 49(0) | | 8301500 | | P4VQ | 8301540 |
| 01C50 | 50(1) | 24Q43 | 1092590 | C | INT9 | 1092589 |
| 31Q51 | 51(0) | | 8303500 | | P8VQ | 8303540 |

| FROM | PIN (COUNT) | TO | SOURCE LINE NO. | ELEM. TYPE | SOURCE SIGNAL NAME | REFERENCE LINE NO. |
|-------|----------------|-------|--------------------|---------------|--------------------|-----------------------|
| | 00(0) | | | | | |
| 01M01 | 01(1) | 04R15 | 1082640 | C | IOFR8 | 1082640 |
| 25S18 | 02(1) | 01M02 | 1052680 | C | IS5 | 1052680 |
| 01M03 | 03(1) | 03S22 | 1033370 | C | LI03 | 1033370 |
| 26R10 | 04(1) | 01M04 | 1022680 | C | IS2 | 1022680 |
| 01M05 | 05(1) | 02S21 | 1043370 | C | LI04 | 1043370 |
| 25S23 | 06(1) | 01M06 | 1032680 | C | IS3 | 1032680 |
| 01M07 | 07(1) | 01S18 | 1053372 | C | LI05-1 | 1053372 |
| 01M08 | 08(1) | 01S29 | 1063372 | C | LI06-1 | 1063372 |
| 01M09 | 09(1) | 01S30 | 1073372 | C | LI07-1 | 1073372 |
| 27R10 | 10(1) | 01M10 | 1042680 | C | IS4 | 1042680 |
| 01M11 | 11(1) | 04R12 | 1092640 | C | IOFR9 | 1092640 |
| 01M12 | 12(1) | 02R12 | 1062640 | C | IOFR6 | 1062640 |
| 01M13 | 13(1) | 11S25 | 1086500 | C | S8 | 1086500 |
| 01M14 | 14(1) | 21R27 | 5130101 | C | NI1 | 5130101 |
| 01M15 | 15(1) | 02R15 | 1022640 | C | IOFR2 | 1022640 |
| | 16(0) | | 4791601 | -GND | GND2701 | 4791601 |
| 30S25 | 17(1) | 01M17 | 6832420 | C | PEM-1 | 6832422 |
| 01M18 | 18(1) | 17S50 | 1080100 | C | A8 | 1080100 |
| 01M19 | 19(1) | 02R19 | 1052640 | C | IOFR5 | 1052640 |
| 01M20 | 20(1) | 02R20 | 1012640 | C | IOFR1 | 1012640 |
| 01M21 | 21(1) | 21R23 | 3163101 | C | NCIF | 3163101 |
| 01M22 | 22(1) | 10S12 | 3278030 | C | CNTZREQ/1 | 3278030 |
| 01M23 | 23(1) | 07R24 | 1153100 | C | KSP15 | 1153100 |
| 23R02 | 24(1) | 01M24 | 4410500 | C | FSA | 4410499 |
| 01M25 | 25(1) | 02R25 | 1002640 | C | IOFR0 | 1002640 |
| 01M26 | 26(1) | 05R15 | 3567100 | C | DCSTOP/1 | 3567100 |
| 18S30 | 27(1) | 01M27 | 7890100 | C | SW0 | 7890100 |
| 01M28 | 28(1) | 17S03 | 7890201 | C | NSW1 | 7890201 |
| 01M29 | 29(1) | 26R04 | 3281000 | C | CPUL1 | 3281000 |
| 01M30 | 30(1) | 02R30 | 1042640 | C | IOFR4 | 1042640 |
| 17S20 | 31(1) | 01M31 | 5156465 | C | (IOPHO.SW13) | 5156465 |
| | 32(0) | | | | | |
| 01M33 | 33(1) | 02R33 | 1032640 | C | IOFR3 | 1032640 |
| 10S15 | 34(1) | 01M34 | 5153270 | C | IOFM-1 | 5153270 |
| 14T35 | 35(1) | 01M35 | 5153280 | C | NIOFM-1 | 5153280 |
| 01M36 | 36(1) | 26R14 | 3282000 | C | CPUL2 | 3282000 |
| 01M37 | 37(1) | 02R37 | 1072640 | C | IOFR7 | 1072640 |
| 01M38 | 38(1) | 18T18 | 2089200 | C | ADNH | 2089200 |
| 01M39 | 39(1) | 07R40 | 7410100 | C | RS | 7410100 |
| 01M40 | 40(1) | 23R40 | 4100101 | C | NEI | 4100101 |
| 01M41 | 41(1) | 18S02 | 6025101 | C | NMASTER | 6025101 |
| 21S43 | 42(1) | 01M42 | 6192001 | C | NMRC | 6192001 |
| 01M43 | 43(1) | 03R43 | 5154015 | C | NIOIN-1 | 5154015 |
| 01M44 | 44(1) | 27R04 | 3283000 | C | CPUL3 | 3283000 |
| 01M45 | 45(1) | 05R45 | 1030150 | C | A3L | 1030150 |
| 01M46 | 46(1) | 27R14 | 3284000 | C | CPUL4 | 3284000 |
| | 47(0) | | | | | |
| | 48(0) | | | | | |
| | 49(0) | 02R49 | 8301600 | -VSP | P4VR | 8301610 |
| 18S24 | 50(1) | 01M50 | 1106500 | C | S10 | 1106500 |
| | 51(0) | 02R51 | 8303600 | -VSP | P8VR | 8303640 |

XDS 902306

XDS
XEROX DATA SYSTEMS

DRAWING NO.- 133264-948 AC
PROG-PNIND MODULE-02R
TYPE-PIN INDEX TYPE-AT21

2

10/27/71

| FROM | PIN (COUNT) | TO | SOURCE LINE NO. | ELEM. TYPE | SOURCE SIGNAL NAME | REFERENCE LINE NO. |
|-------|----------------|-------|--------------------|---------------|--------------------|-----------------------|
| | 00(0) | | | | | |
| | 01(1) | 08R35 | 1163100 | -NS | KSP16 | 1163100 |
| | 02(1) | 08R11 | 1173100 | -NS | KSP17 | 1173100 |
| | 03(1) | 17T38 | 5425300 | -NS | NKINTRP/B | 5425300 |
| | 04(0) | | | | | |
| | 05(0) | | | | | |
| | 06(0) | | | | | |
| | 07(1) | 08R04 | 1183100 | -NS | KSP18 | 1183100 |
| | 08(1) | 08R14 | 1193100 | -NS | KSP19 | 1193100 |
| | 09(1) | 08R44 | 1233100 | -NS | KSP23 | 1233100 |
| | 10(0) | | | | | |
| | 11(1) | 07R08 | 1224900 | . | P22 | 1224990 |
| 01R12 | 12(2) | 06R12 | 1062640 | . | IOFR6 | 1224990 |
| 04R13 | 13(2) | 02R21 | 5374405 | . | NKDI-0 | 1184990 |
| 07R17 | 14(1) | | 1184940 | . | P18-1 | 1184990 |
| 01R15 | 15(2) | 06R15 | 1022640 | . | IOFR2 | 1184990 |
| | 16(0) | | 4791602 | -GND | GND2702 | 4791602 |
| | 17(1) | 08R40 | 1154900 | . | P15 | 1154990 |
| | 18(1) | 07R07 | 1214900 | . | P21 | 1214990 |
| 01R19 | 19(2) | 06R19 | 1052640 | . | IOFR5 | 1214990 |
| 01R20 | 20(2) | 01S08 | 1012640 | . | IOFR1 | 1174990 |
| 02R13 | 21(2) | 02R23 | 5374405 | . | NKDI-0 | 1174990 |
| | 22(1) | 08R08 | 1174900 | . | P17 | 1174990 |
| 02R21 | 23(2) | 14T23 | 5374405 | . | NKDI-0 | 1164990 |
| | 24(0) | | | | | |
| 01R25 | 25(2) | 01S42 | 1002640 | . | IOFR0 | 1164990 |
| | 26(1) | 08R39 | 1164900 | . | P16 | 1164990 |
| 10R34 | 27(2) | 06S27 | 1276200 | . | RP27 | 1276215 |
| 07R19 | 28(1) | | 1204940 | . | P20-1 | 1204990 |
| 14T25 | 29(2) | 04R29 | 5374400 | . | KDI-0 | 1164990 |
| 01R30 | 30(2) | 06R30 | 1042640 | . | IOFR4 | 1204990 |
| 10R31 | 31(2) | 07S26 | 1266200 | . | RP26 | 1266215 |
| | 32(0) | | | | | |
| 01R33 | 33(2) | 05T06 | 1032640 | . | IOFR3 | 1194990 |
| 07R05 | 34(1) | | 1194940 | . | P19-1 | 1194990 |
| 16S30 | 35(1) | | 1256200 | . | RP25 | 1256215 |
| | 36(0) | | | | | |
| 01R37 | 37(2) | 05T08 | 1072640 | . | IOFR7 | 1234990 |
| 07R27 | 38(1) | | 1234940 | . | P23-1 | 1234990 |
| 16S31 | 39(1) | | 1246200 | . | RP24 | 1246215 |
| | 40(1) | 08R47 | 1223100 | -NS | KSP22 | 1223100 |
| | 41(0) | | | | | |
| | 42(1) | 25S43 | 5424800 | -NS | KINTRP | 5424800 |
| | 43(1) | 08R50 | 1213100 | -NS | KSP21 | 1213100 |
| | 44(1) | 08R21 | 1203100 | -NS | KSP20 | 1203100 |
| 07R12 | 45(1) | | 5542100 | -NS | KSXS | 5542100 |
| | 46(1) | 16S40 | 5415300 | -NS | KHOP | 5415300 |
| | 47(1) | 16S23 | 5425100 | -NS | KINLVSEL | 5425100 |
| | 48(0) | | | | | |
| 01R49 | 49(0) | 03R49 | 8301600 | | P4VR | 8301600 |
| 04R50 | 50(1) | | 8305200 | | M8VR | 8305200 |
| 01R51 | 51(0) | 03R51 | 8303600 | | P8VR | 8303600 |

| FROM | PIN (COUNT) | TO | SOURCE LINE NO. | ELEM. TYPE | SOURCE SIGNAL NAME | REFERENCE LINE NO. |
|-------|----------------|-------|--------------------|---------------|--------------------|-----------------------|
| | 00(0) | | | | | |
| | 01(1) | 13R04 | 6825220 | B | PDC22 | 6825220 |
| | 02(1) | 17R02 | 6825332 | B | (NPDC31.NPUC31) | 6825332 |
| 16T41 | 03(2) | 06R04 | 6825310 | . | NPDC31 | 6825332 |
| 32S19 | 04(2) | 18S31 | 7410800 | . | RSCLN | 7410815 |
| | 05(0) | | | | | |
| 04R12 | 06(2) | 14T31 | 1092640 | . | IOFR9 | 1092635 |
| | 07(0) | | | | | |
| | 08(1) | 22S10 | 7410201 | . | NRSA | 7410815 |
| 14S20 | 09(2) | 06R09 | 6942300 | . | NPUC31 | 6825332 |
| | 10(1) | 05R10 | 6825290 | . | PDC29 | 6825220 |
| | 11(1) | 05R11 | 6802340 | . | P2329Z | 6825220 |
| | 12(1) | 01S23 | 1092635 | B | IOFR9-1 | 1092635 |
| | 13(1) | 22S34 | 7410815 | B | (RSCLN.NRSA) | 7410815 |
| | 14(1) | 03R15 | 3315120 | B | CROSSADD | 3315121 |
| 03R14 | 15(2) | 03R25 | 3315120 | B | CROSSADD | 3315120 |
| | 16(0) | | 4791603 | -GND | GND2703 | 4791603 |
| 10R17 | 17(2) | 08R41 | 1154902 | . | NP15 | 3315120 |
| 10R18 | 18(2) | 08R34 | 1164902 | . | NP16 | 3315120 |
| | 19(1) | 05R24 | 1194902 | . | NP19 | 3315121 |
| | 20(1) | 05R23 | 1204902 | . | NP20 | 3315121 |
| 10R21 | 21(2) | 05R22 | 1214902 | . | NP21 | 3315121 |
| | 22(1) | 05R19 | 1234902 | . | NP23 | 3315122 |
| | 23(1) | 05R20 | 1244902 | . | NP24 | 3315122 |
| 19R05 | 24(2) | 05R21 | 1254902 | . | NP25 | 3315122 |
| 03R15 | 25(2) | 03R34 | 3315120 | . | CROSSADD | 3315150 |
| | 26(1) | 05R36 | 6192050 | . | (MRC.DRQ) | 3315150 |
| 14S26 | 27(2) | 06R06 | 3315136 | . | NCROSSD | 3315150 |
| 10R10 | 28(2) | 09R10 | 1264902 | . | NP26 | 3315122 |
| 10R29 | 29(2) | 05R28 | 1224902 | . | NP22 | 3315121 |
| 10R30 | 30(2) | 08R10 | 1174902 | . | NP17 | 3315120 |
| | 31(1) | 07R01 | 1184902 | . | NP18 | 3315120 |
| | 32(0) | | | | | |
| | 33(1) | 03R40 | 3315150 | B | CROSSEN | 3315150 |
| 03R25 | 34(2) | 03R35 | 3315120 | B | CROSSADD | 3315122 |
| 03R34 | 35(2) | 03R36 | 3315120 | B | CROSSADD | 3315123 |
| 03R35 | 36(2) | 12S27 | 3315120 | B | CROSSADD | 3315124 |
| 32S38 | 37(2) | 06R36 | 3203110 | . | NCLEARMEM | 3315124 |
| 10R38 | 38(2) | 09R03 | 1274902 | . | NP27 | 3315123 |
| 28R02 | 39(1) | | 1062660 | . | IP6 | 6832225 |
| 03R33 | 40(2) | 14T37 | 3315150 | . | CROSSEN | 3315160 |
| 32S43 | 41(2) | 06R44 | 6038001 | . | NMBXS | 3315160 |
| 20S25 | 42(2) | 06R47 | 1062695 | . | NIS6-1 | 6832225 |
| 01R43 | 43(2) | 06R43 | 5154015 | . | NIOIN-1 | 3315123 |
| 16T07 | 44(2) | 06R45 | 7343120 | . | NRESET-1 | 3315124 |
| 24R31 | 45(1) | | 6832225 | B | N(R/PEINT/2) | 6832225 |
| 22T20 | 46(1) | | 3315160 | B | CROSSEN | 3315160 |
| | 47(0) | | | | | |
| | 48(0) | | | | | |
| 02R49 | 49(0) | 04R49 | 8301600 | | P4VR | 8301600 |
| | 50(0) | | | | | |
| 02R51 | 51(0) | 04R51 | 8303600 | | P8VR | 8303600 |

XDS 902306



DRAWING NO. - 133264-948 AC
 PROG-PNIND MODULE-04R
 TYPE-PIN INDEX TYPE-AT21

4

10/27/71

| FROM | PIN (COUNT) | TO | SOURCE LINE NO. | ELEM. TYPE | SOURCE SIGNAL NAME | REFERENCE LINE NO. |
|-------|----------------|-------|--------------------|---------------|--------------------|-----------------------|
| | 00(0) | | | | | |
| | 01(1) | 09R28 | 1243100 | -NS | KSP24 | 1243100 |
| | 02(1) | 09R35 | 1253100 | -NS | KSP25 | 1253100 |
| | 03(1) | 17S12 | 5360500 | -NS | KC | 5360500 |
| | 04(1) | 15T36 | 5360600 | -NS | NKC/B | 5360600 |
| | 05(0) | | | | | |
| 31R21 | 06(1) | | 1132660 | . | IP13 | 3279000 |
| | 07(1) | 09R11 | 1263100 | -NS | KSP26 | 1263100 |
| | 08(1) | 09R04 | 1273100 | -NS | KSP27 | 1273100 |
| | 09(1) | 09R07 | 1293100 | -NS | KSP29 | 1293100 |
| 17T35 | 10(1) | | 1132680 | . | IS13 | 3279000 |
| | 11(1) | 09R39 | 1254900 | . | P25 | 1254990 |
| 01R11 | 12(2) | 03R06 | 1092640 | . | I0FR9 | 1254990 |
| 06R13 | 13(2) | 02R13 | 5374405 | . | NKDI-0 | 1244990 |
| 07R25 | 14(1) | | 1244940 | . | P24-1 | 1244990 |
| 01R01 | 15(2) | 01T20 | 1082640 | . | I0FR8 | 1244990 |
| | 16(1) | 04R20 | 4791604 | -GND | GND2704 | 4791604 |
| | 17(0) | | | | | |
| | 18(1) | 09R08 | 1264900 | . | P26 | 1264990 |
| | 19(1) | 01S26 | 5153251 | . | I0FM | 1264990 |
| 04R16 | 20(2) | 04R23 | 4791604 | . | GND2704 | 1284990 |
| | 21(0) | | | | | |
| | 22(1) | 09R29 | 1284900 | . | P28 | 1284990 |
| 04R20 | 23(1) | | 4791604 | . | GND2704 | 1294990 |
| | 24(0) | | | | | |
| | 25(0) | | | | | |
| | 26(1) | 09R13 | 1274900 | . | P27 | 1274990 |
| | 27(0) | | | | | |
| | 28(1) | 05R09 | 1314900 | . | P31 | 1314990 |
| 02R29 | 29(2) | 06R26 | 5374400 | . | KDI-0 | 1244990 |
| | 30(0) | | | | | |
| | 31(0) | | | | | |
| | 32(0) | | | | | |
| | 33(0) | | | | | |
| | 34(1) | 05R05 | 1294900 | . | P29 | 1294990 |
| | 35(0) | | | | | |
| | 36(0) | | | | | |
| | 37(0) | | | | | |
| | 38(1) | 05R04 | 1304900 | . | P30 | 1304990 |
| | 39(0) | | | | | |
| | 40(1) | 09R42 | 1303100 | -NS | KSP30 | 1303100 |
| | 41(0) | | | | | |
| | 42(1) | 16T20 | 5370500 | -NS | KD | 5370500 |
| | 43(1) | 09R47 | 1313100 | -NS | KSP31 | 1313100 |
| | 44(1) | 09R14 | 1283100 | -NS | KSP28 | 1283100 |
| | 45(0) | | | | | |
| | 46(1) | 05R18 | 5342100 | -NS | KADDRSTOP | 5342100 |
| | 47(0) | | | | | |
| | 48(0) | | | | | |
| 03R49 | 49(0) | 05R49 | 8301600 | | P4VR | 8301600 |
| 15R50 | 50(2) | 02R50 | 8305200 | | M8VR | 8305200 |
| 03R51 | 51(0) | 05R51 | 8303600 | | P8VR | 8303600 |

XDS 902306

XDS
XEROX DATA SYSTEMS

DRAWING NO.- 133264-948 AC
PROG-PNIND MODULE-05R
TYPE-PIN INDEX TYPE-BT11

5
10/27/71

| FROM | PIN (COUNT) | TO | SOURCE LINE NO. | ELEM. TYPE | SOURCE SIGNAL NAME | REFERENCE LINE NO. |
|-------|----------------|-------|--------------------|---------------|--------------------|-----------------------|
| | 00(0) | | | | | |
| | 01(1) | 05R34 | 6825180 | B | PDC18 | 6825180 |
| 19R02 | 02(2) | 05R42 | 6803010 | B | (NP30.P31) | 6803010 |
| 19R03 | 03(2) | 05R06 | 1304902 | . | NP30 | 6803010 |
| 04R38 | 04(2) | 05R41 | 1304900 | . | P30 | 6803000 |
| 04R34 | 05(2) | 05R39 | 1294900 | . | P29 | 6802900 |
| 05R03 | 06(2) | 09R43 | 1304902 | . | NP30 | 6802900 |
| 10R11 | 07(2) | 05R08 | 1314902 | . | NP31 | 6802900 |
| 05R07 | 08(2) | 09R26 | 1314902 | . | NP31 | 6803000 |
| 04R28 | 09(2) | 09R17 | 1314900 | . | P31 | 6803010 |
| 03R10 | 10(2) | 11R10 | 6825290 | . | PDC29 | 6825180 |
| 03R11 | 11(2) | 05R14 | 6802340 | . | P2329Z | 6825180 |
| 10R12 | 12(1) | | 6802900 | B | (P29.NP30.NP31) | 6802900 |
| 19R14 | 13(1) | | 6803000 | B | (P30.NP31) | 6803000 |
| 05R11 | 14(1) | | 6802340 | B | P2329Z | 6802340 |
| 01R26 | 15(1) | | 3567100 | B | DCSTOP/1 | 3567100 |
| | 16(0) | | 4791605 | -GND | GND2705 | 4791605 |
| 32S45 | 17(2) | 06R14 | 5150110 | . | NIOACT | 3567100 |
| 04R46 | 18(1) | | 5342100 | . | KADDRSTOP | 3567100 |
| 03R22 | 19(2) | 07R22 | 1234902 | . | NP23 | 6802340 |
| 03R23 | 20(2) | 07R23 | 1244902 | . | NP24 | 6802340 |
| 03R24 | 21(2) | 09R34 | 1254902 | . | NP25 | 6802340 |
| 03R21 | 22(2) | 08R46 | 1214902 | . | NP21 | 6825182 |
| 03R20 | 23(2) | 07R03 | 1204902 | . | NP20 | 6825182 |
| 03R19 | 24(2) | 07R02 | 1194902 | . | NP19 | 6825182 |
| | 25(0) | | | | | |
| 21N15 | 26(1) | 20R02 | 1074530 | . | 07-1 | 6240400 |
| 21N50 | 27(1) | 23S03 | 6650000 | . | 0M | 6240400 |
| 03R29 | 28(2) | 08R26 | 1224902 | . | NP22 | 6825182 |
| | 29(1) | 11R11 | 6802640 | . | P2629Z | 6802340 |
| 06R46 | 30(2) | 08R22 | 2089000 | . | ADMATCH | 3567100 |
| 06R22 | 31(2) | 16S12 | 6190200 | . | MR/1 | 3567100 |
| | 32(0) | | | | | |
| | 33(1) | 23S44 | 6240400 | B | MWXCC | 6240400 |
| 05R01 | 34(2) | 12R04 | 6825180 | B | PDC18 | 6825182 |
| | 35(1) | 14R23 | 6942250 | B | PUC25 | 6942250 |
| 03R26 | 36(2) | 12S26 | 6192050 | B | (MRC.DRQ) | 6192050 |
| 16S21 | 37(2) | 06R10 | 3846000 | . | DRQ | 6192050 |
| | 38(1) | 16R23 | 6942290 | . | PUC29 | 6942250 |
| 05R05 | 39(2) | 05R40 | 1294900 | . | P29 | 1030150 |
| 05R39 | 40(2) | 09R20 | 1294900 | . | P29 | 1000150 |
| 05R04 | 41(2) | 09R19 | 1304900 | . | P30 | 1000150 |
| 05R02 | 42(1) | | 6803010 | . | (NP30.P31) | 1030150 |
| 14S08 | 43(2) | 11R15 | 6802600 | . | P2629W | 6942250 |
| | 44(1) | 18S14 | 6192000 | . | MRC | 6192050 |
| 01R45 | 45(1) | | 1030150 | B | A3L | 1030150 |
| 24R47 | 46(1) | | 1000150 | B | A0L | 1000150 |
| | 47(0) | | | | | |
| | 48(0) | | | | | |
| 04R49 | 49(0) | 06R49 | 8301600 | | P4VR | 8301600 |
| | 50(0) | | | | | |
| 04R51 | 51(0) | 06R51 | 8303600 | | P8VR | 8303600 |

XDS 902306

XDS
XEROX DATA SYSTEMS

DRAWING NO. - 133264-948 AC
PROG-PNIND
TYPE-PIN INDEX

MODULE-06R
TYPE-XT10

6

10/27/71

| FROM | PIN (COUNT) | TO | SOURCE LINE NO. | ELEM. TYPE | SOURCE SIGNAL NAME | REFERENCE LINE NO. |
|-------|----------------|-------|--------------------|---------------|--------------------|-----------------------|
| | 00(0) | | | | | |
| | 01(1) | 05T12 | 1276340 | T | RW27 | 1276340 |
| 13R02 | 02(1) | | 6942200 | T | NPUC20 | 6942200 |
| | 03(1) | 11R03 | 2055000 | T | ABO/1 | 2055000 |
| 03R03 | 04(1) | | 6825310 | T | NPDC31 | 6825310 |
| 07R04 | 05(1) | | 6970100 | T | NPX | 6970100 |
| 03R27 | 06(1) | | 3315136 | T | NCROSSD | 3315136 |
| | 07(1) | 11R07 | 6832400 | T | PEM | 6832400 |
| | 08(1) | 05S30 | 1313700 | T | LR31-0 | 1313700 |
| 03R09 | 09(1) | | 6942300 | T | NPUC31 | 6942300 |
| 05R37 | 10(1) | | 3846000 | | DRQ | 3846000 |
| 14R11 | 11(1) | | 6977300 | T | PXTR | 6977300 |
| 02R12 | 12(1) | | 1062640 | T | IOFR6 | 1062640 |
| 19R23 | 13(2) | 04R13 | 5374405 | T | NKDI-0 | 5374405 |
| 05R17 | 14(1) | | 5150110 | T | NIOACT | 5150110 |
| 02R15 | 15(1) | | 1022640 | T | IOFR2 | 1022640 |
| | 16(0) | | 4791606 | -GND | GND2706 | 4791606 |
| | 17(1) | 12R18 | 6974200 | T | PXK-2 | 6974200 |
| | 18(1) | 11R19 | 6825300 | T | PDC3033 | 6825300 |
| 02R19 | 19(1) | | 1052640 | T | IOFR5 | 1052640 |
| | 20(1) | 03T31 | 7430570 | T | RWB3 | 7430570 |
| | 21(1) | 14R18 | 6974300 | T | PXK-3 | 6974300 |
| | 22(1) | 05R31 | 6190200 | T | MR/1 | 6190200 |
| | 23(1) | 12R23 | 6942180 | T | PUC18 | 6942180 |
| | 24(1) | 13R23 | 6942190 | T | PUC1922 | 6942190 |
| | 25(1) | 01T31 | 7430550 | T | RWB2 | 7430550 |
| 04R29 | 26(2) | 19R22 | 5374400 | T | KDI-0 | 5374400 |
| | 27(1) | 05T11 | 1316340 | T | RW31 | 1316340 |
| 08R28 | 28(1) | | 1153110 | T | NKSP15 | 1153110 |
| | 29(1) | 11R29 | 6803220 | T | (NP32.NP33+PDC31) | 6803220 |
| 02R30 | 30(1) | | 1042640 | T | IOFR4 | 1042640 |
| | 31(1) | 07R31 | 5120300 | T | IEC | 5120300 |
| | 32(0) | | | | | |
| | 33(1) | 05T17 | 1306340 | T | RW30 | 1306340 |
| | 34(1) | 12R34 | 6977050 | T | PXS-2 | 6977050 |
| | 35(1) | 14R34 | 6977060 | T | PXS-3 | 6977060 |
| 03R37 | 36(1) | | 3203110 | T | NCLEARMEM | 3203110 |
| | 37(1) | 05T19 | 1266340 | T | RW26 | 1266340 |
| | 38(1) | 07R37 | 5120900 | T | IEI | 5120900 |
| | 39(1) | 07R38 | 5121500 | T | IEO | 5121500 |
| 11R37 | 40(1) | | 5779300 | T | LEVARM | 5779300 |
| 14R35 | 41(1) | | 6973900 | T | PXINT | 6973900 |
| | 42(1) | 11R42 | 5114500 | T | IBO | 5114500 |
| 03R43 | 43(1) | | 5154015 | T | NIOIN-1 | 5154015 |
| 03R41 | 44(1) | | 6038001 | T | NMBXS | 6038001 |
| 03R44 | 45(1) | | 7343120 | T | NRESET-1 | 7343120 |
| | 46(1) | 05R30 | 2089000 | T | ADMATCH | 2089000 |
| 03R42 | 47(1) | | 1062695 | T | NIS6-1 | 1062695 |
| | 48(0) | | | | | |
| 05R49 | 49(0) | 07R49 | 8301600 | | P4VR | 8301600 |
| | 50(1) | 07R30 | 4155000 | T | ENOVRD | 4155000 |
| 05R51 | 51(0) | 07R51 | 8303600 | | P8VR | 8303600 |

XDS 902306

XDS
XEROX DATA SYSTEMS

DRAWING NO.- 133264-948 AC
PROG-PNIND MODULE-07R
TYPE-PIN INDEX TYPE-IT16

7

10/27/71

| FROM | PIN (COUNT) | TO | SOURCE LINE NO. | ELEM. TYPE | SOURCE SIGNAL NAME | REFERENCE LINE NO. |
|-------|----------------|-------|--------------------|---------------|--------------------|-----------------------|
| | 00(0) | | | | | |
| 03R31 | 01(2) | 08R03 | 1184902 | . | NP18 | 1184940 |
| 05R24 | 02(2) | 08R15 | 1194902 | . | NP19 | 1194940 |
| 05R23 | 03(2) | 08R20 | 1204902 | . | NP20 | 1204940 |
| 07R09 | 04(2) | 06R05 | 6970100 | . | NPX | 6970300 |
| 10R09 | 05(2) | 02R34 | 1194940 | I | P19-1 | 1194940 |
| | 06(1) | 16T10 | 6802120 | I | N(P21.P22) | 6802120 |
| 02R18 | 07(2) | 08R19 | 1214900 | . | P21 | 6802120 |
| 02R11 | 08(2) | 08R43 | 1224900 | . | P22 | 6802120 |
| 32S14 | 09(2) | 07R04 | 6970100 | . | NPX | 6970200 |
| | 10(1) | 12R29 | 6970200 | I | PX-2 | 6970200 |
| | 11(1) | 11S46 | 5542110 | I | NKSXS | 5542110 |
| | 12(1) | 02R45 | 5542100 | . | KSXS | 5542110 |
| 10S09 | 13(1) | | 4241000 | . | EWDM | 4241010 |
| | 14(0) | | | | | |
| 20S11 | 15(2) | 23R39 | 4241010 | I | NEWDM | 4241010 |
| | 16(0) | | 4791607 | -GND | GND2707 | 4791607 |
| 10R15 | 17(2) | 02R14 | 1184940 | I | P18-1 | 1184940 |
| | 18(1) | 14R29 | 6970300 | I | PX-3 | 6970300 |
| 10R28 | 19(2) | 02R28 | 1204940 | I | P20-1 | 1204940 |
| | 20(0) | | | | | |
| 12S25 | 21(2) | 22T38 | 3315110 | . | NCROSS | 3315100 |
| 05R19 | 22(2) | 08R45 | 1234902 | . | NP23 | 1234940 |
| 05R20 | 23(2) | 09R40 | 1244902 | . | NP24 | 1244940 |
| 01R23 | 24(2) | 08R27 | 1153100 | . | KSP15 | 1153110 |
| 10R22 | 25(2) | 04R14 | 1244940 | I | P24-1 | 1244940 |
| | 26(1) | 08R28 | 1153110 | I | NKSP15 | 1153110 |
| 10R27 | 27(2) | 02R38 | 1234940 | I | P23-1 | 1234940 |
| | 28(1) | 21S03 | 3315100 | I | CROSS | 3315100 |
| | 29(0) | | | | | |
| 06R50 | 30(2) | 24S24 | 4155000 | . | ENOVRD | 4155100 |
| 06R31 | 31(2) | 29R22 | 5120300 | . | IEC | 5120310 |
| | 32(0) | | | | | |
| | 33(0) | | | | | |
| | 34(1) | 18T03 | 7410110 | I | NRS | 7410110 |
| | 35(1) | 10S11 | 3278000 | I | CNTZREQ | 3278000 |
| | 36(1) | 27S28 | 5120910 | I | NIEI | 5120910 |
| 06R38 | 37(2) | 31R22 | 5120900 | . | IEI | 5120910 |
| 06R39 | 38(2) | 25R22 | 5121500 | . | IEO | 5121510 |
| 10R43 | 39(2) | 17S01 | 7500400 | . | NS0031Z | 3278000 |
| 01R39 | 40(2) | 22S33 | 7410100 | . | RS | 7410110 |
| | 41(1) | 10R42 | 5121510 | I | NIEO | 5121510 |
| | 42(1) | 21R25 | 4154000 | . | ENIO | 4154100 |
| | 43(1) | 21R24 | 4151000 | . | ENCNTR | 4151100 |
| | 44(1) | 27S19 | 4154100 | I | NENIO | 4154100 |
| | 45(1) | 27S29 | 4151100 | I | NENCNTR | 4151100 |
| | 46(1) | 19R47 | 4155100 | I | NENOVRD | 4155100 |
| | 47(1) | 27S14 | 5120310 | I | NIEC | 5120310 |
| | 48(0) | | | | | |
| 06R49 | 49(0) | 08R49 | 8301600 | | P4VR | 8301600 |
| | 50(0) | | | | | |
| 06R51 | 51(0) | 08R51 | 8303600 | | P8VR | 8303600 |

XDS 902306

XDS
XEROX DATA SYSTEMS

DRAWING NO. - 133264-948 AC
PROG-PNIND
TYPE-PIN INDEX

8

MODULE-08R
TYPE-IT20

10/27/71

| FROM | PIN (COUNT) | TO | SOURCE LINE NO. | ELEM. TYPE | SOURCE SIGNAL NAME | REFERENCE LINE NO. |
|-------|----------------|-------|--------------------|---------------|--------------------|-----------------------|
| | 00(0) | | | | | |
| | 01(1) | 08R02 | 4791608 | . | GND2708 | 2089014 |
| 08R01 | 02(2) | 08R05 | 4791608 | . | GND2708 | 2089016 |
| 07R01 | 03(2) | 12R22 | 1184902 | . | NP18 | 2089012 |
| 02R07 | 04(2) | 12R07 | 1183100 | . | KSP18 | 2089012 |
| 08R02 | 05(2) | 09R12 | 4791608 | . | GND2708 | 2089014 |
| | 06(1) | 10S07 | 1204900 | . | P20 | 2089020 |
| 12S31 | 07(1) | | 1203110 | . | NKSP20 | 2089020 |
| 02R22 | 08(2) | 12R47 | 1174900 | . | P17 | 2089010 |
| 12S46 | 09(1) | | 1173110 | . | NKSP17 | 2089010 |
| 03R30 | 10(2) | 12R21 | 1174902 | . | NP17 | 2089010 |
| 02R02 | 11(2) | 12R06 | 1173100 | . | KSP17 | 2089010 |
| 08R05 | 12(2) | 08R16 | 4791608 | . | GND2708 | 2089024 |
| | 13(1) | 12R45 | 1184900 | . | P18 | 2089012 |
| 02R08 | 14(2) | 13R37 | 1193100 | . | KSP19 | 2089022 |
| 07R02 | 15(2) | 13R40 | 1194902 | . | NP19 | 2089024 |
| 08R12 | 16(2) | 08R36 | 4791608 | -GND | GND2708 | 4791608 |
| | 17(1) | 11R26 | 1234900 | . | P23 | 2089024 |
| 12S30 | 18(1) | | 1213110 | . | NKSP21 | 2089022 |
| 07R07 | 19(2) | 13R19 | 1214900 | . | P21 | 2089006 |
| 07R03 | 20(2) | 13R26 | 1204902 | . | NP20 | 2089020 |
| 02R44 | 21(2) | 13R50 | 1203100 | . | KSP20 | 2089020 |
| 05R30 | 22(2) | 08R23 | 2089000 | I | ADMATCH | 2089010 |
| 08R22 | 23(2) | 08R24 | 2089000 | I | ADMATCH | 2089020 |
| 08R23 | 24(2) | 08R25 | 2089000 | I | ADMATCH | 2089000 |
| 08R24 | 25(2) | 09R22 | 2089000 | I | ADMATCH | 2089030 |
| 05R28 | 26(2) | 13R22 | 1224902 | . | NP22 | 2089016 |
| 07R24 | 27(2) | 12R37 | 1153100 | . | KSP15 | 2089000 |
| 07R26 | 28(2) | 06R28 | 1153110 | . | NKSP15 | 2089000 |
| | 29(1) | 10S08 | 1194900 | . | P19 | 2089004 |
| 12S47 | 30(1) | | 1183110 | . | NKSP18 | 2089012 |
| 12S45 | 31(1) | | 1163110 | . | NKSP16 | 2089002 |
| | 32(0) | | | | | |
| 12S28 | 33(1) | | 1233110 | . | NKSP23 | 2089032 |
| 03R18 | 34(2) | 12R26 | 1164902 | . | NP16 | 2089002 |
| 02R01 | 35(2) | 12R50 | 1163100 | . | KSP16 | 2089002 |
| 08R16 | 36(2) | 08R37 | 4791608 | . | GND2708 | 2089004 |
| 08R36 | 37(1) | | 4791608 | . | GND2708 | 2089006 |
| 12S50 | 38(1) | | 1193110 | . | NKSP19 | 2089004 |
| 02R26 | 39(2) | 12R25 | 1164900 | . | P16 | 2089002 |
| 02R17 | 40(2) | 12R33 | 1154900 | . | P15 | 2089000 |
| 03R17 | 41(2) | 12R40 | 1154902 | . | NP15 | 2089000 |
| 12S29 | 42(1) | | 1223110 | . | NKSP22 | 2089030 |
| 07R08 | 43(2) | 13R05 | 1224900 | . | P22 | 2089030 |
| 02R09 | 44(2) | 14R50 | 1233100 | . | KSP23 | 2089032 |
| 07R22 | 45(2) | 14R26 | 1234902 | . | NP23 | 2089032 |
| 05R22 | 46(2) | 13R27 | 1214902 | . | NP21 | 2089034 |
| 02R40 | 47(2) | 13R07 | 1223100 | . | KSP22 | 2089030 |
| | 48(0) | | | | | |
| 07R49 | 49(0) | 09R49 | 8301600 | . | P4VR | 8301600 |
| 02R43 | 50(2) | 12S37 | 1213100 | . | KSP21 | 2089034 |
| 07R51 | 51(0) | 09R51 | 8303600 | . | P8VR | 8303600 |

| FROM | PIN (COUNT) | TO | SOURCE LINE NO. | ELEM. TYPE | SOURCE SIGNAL NAME | REFERENCE LINE NO. |
|-------|----------------|-------|--------------------|---------------|--------------------|-----------------------|
| | 00(0) | | | | | |
| | 01(1) | 09R02 | 4791609 | . | GND2709 | 2089054 |
| 09R01 | 02(2) | 09R05 | 4791609 | . | GND2709 | 2089056 |
| 03R38 | 03(2) | 11R23 | 1274902 | . | NP27 | 2089052 |
| 04R08 | 04(2) | 12S15 | 1273100 | . | KSP27 | 2089052 |
| 09R02 | 05(2) | 09R12 | 4791609 | . | GND2709 | 2089054 |
| 19R06 | 06(2) | 11R28 | 1294902 | . | NP29 | 2089062 |
| 04R09 | 07(2) | 16R07 | 1293100 | . | KSP29 | 2089062 |
| 04R18 | 08(2) | 11R30 | 1264900 | . | P26 | 2089050 |
| 12S20 | 09(1) | | 1263110 | . | NKSP26 | 2089050 |
| 03R28 | 10(2) | 11R24 | 1264902 | . | NP26 | 2089050 |
| 04R07 | 11(2) | 16R37 | 1263100 | . | KSP26 | 2089050 |
| 09R05 | 12(2) | 09R16 | 4791609 | . | GND2709 | 2089064 |
| 04R26 | 13(2) | 11R18 | 1274900 | . | P27 | 2089052 |
| 04R44 | 14(2) | 12S11 | 1283100 | . | KSP28 | 2089060 |
| | 15(1) | 11R22 | 1284902 | . | NP28 | 2089064 |
| 09R12 | 16(2) | 09R36 | 4791609 | -GND | GND2709 | 4791609 |
| 05R09 | 17(2) | 11R08 | 1314900 | . | P31 | 2089070 |
| 12S04 | 18(1) | | 1303110 | . | NKSP30 | 2089060 |
| 05R41 | 19(2) | 11R04 | 1304900 | . | P30 | 2089046 |
| 05R40 | 20(2) | 11R17 | 1294900 | . | P29 | 2089062 |
| 12S02 | 21(1) | | 1293110 | . | NKSP29 | 2089062 |
| 08R25 | 22(2) | 09R23 | 2089000 | I | ADMATCH | 2089050 |
| 09R22 | 23(2) | 09R24 | 2089000 | I | ADMATCH | 2089060 |
| 09R23 | 24(2) | 09R25 | 2089000 | I | ADMATCH | 2089040 |
| 09R24 | 25(1) | | 2089000 | I | ADMATCH | 2089070 |
| 05R08 | 26(2) | 11R20 | 1314902 | . | NP31 | 2089070 |
| 12S18 | 27(1) | | 1243110 | . | NKSP24 | 2089040 |
| 04R01 | 28(2) | 12S12 | 1243100 | . | KSP24 | 2089040 |
| 04R22 | 29(2) | 11R31 | 1284900 | . | P28 | 2089044 |
| 12S21 | 30(1) | | 1273110 | . | NKSP27 | 2089044 |
| 12S19 | 31(1) | | 1253110 | . | NKSP25 | 2089042 |
| | 32(0) | | | | | |
| 12S03 | 33(1) | | 1313110 | . | NKSP31 | 2089070 |
| 05R21 | 34(2) | 14R22 | 1254902 | . | NP25 | 2089042 |
| 04R02 | 35(2) | 12S13 | 1253100 | . | KSP25 | 2089042 |
| 09R16 | 36(2) | 09R37 | 4791609 | . | GND2709 | 2089044 |
| 09R36 | 37(2) | 09R45 | 4791609 | . | GND2709 | 2089046 |
| 12S01 | 38(1) | | 1283110 | . | NKSP28 | 2089044 |
| 04R11 | 39(2) | 11R27 | 1254900 | . | P25 | 2089042 |
| 07R23 | 40(2) | 14R21 | 1244902 | . | NP24 | 2089046 |
| | 41(1) | 11R25 | 1244900 | . | P24 | 2089040 |
| 04R40 | 42(2) | 12S08 | 1303100 | . | KSP30 | 2089072 |
| 05R06 | 43(2) | 11R21 | 1304902 | . | NP30 | 2089072 |
| | 44(0) | | | | | |
| 09R37 | 45(2) | 09R46 | 4791609 | . | GND2709 | 2089072 |
| 09R45 | 46(1) | | 4791609 | . | GND2709 | 2089074 |
| 04R43 | 47(2) | 12S07 | 1313100 | . | KSP31 | 2089070 |
| | 48(0) | | | | | |
| 08R49 | 49(0) | 10R49 | 8301600 | | P4VR | 8301610 |
| | 50(0) | | | | | |
| 08R51 | 51(0) | 10R51 | 8303600 | | P8VR | 8303610 |

XDS 902306

XDS
XEROX DATA SYSTEMS

DRAWING NO. - 133264-948 AC
PROG-PNIND MODULE-10R
TYPE-PIN INDEX TYPE-ZT45

10

10/27/71

| FROM | PIN (COUNT) | TO | SOURCE LINE NO. | ELEM. TYPE | SOURCE SIGNAL NAME | REFERENCE LINE NO. |
|-------|----------------|-------|--------------------|---------------|--------------------|-----------------------|
| | 00(0) | | | | | |
| 09S20 | 01(1) | 10Q01 | 1166300 | C | RR16 | 1166300 |
| 09S22 | 02(1) | 10Q02 | 1176300 | C | RR17 | 1176300 |
| 09S27 | 03(1) | 10Q03 | 1186300 | C | RR18 | 1186300 |
| 09S34 | 04(1) | 10Q04 | 1196300 | C | RR19 | 1196300 |
| 09S36 | 05(1) | 10Q05 | 1206300 | C | RR20 | 1206300 |
| 09S38 | 06(1) | 10Q06 | 1216300 | C | RR21 | 1216300 |
| 09S40 | 07(1) | 10Q07 | 1226300 | C | RR22 | 1226300 |
| 09S42 | 08(1) | 10Q08 | 1236300 | C | RR23 | 1236300 |
| 10Q09 | 09(1) | 07R05 | 1194940 | C | P19-1 | 1194940 |
| 10Q10 | 10(1) | 03R28 | 1264902 | C | NP26 | 1264902 |
| 10Q11 | 11(1) | 05R07 | 1314902 | C | NP31 | 1314902 |
| 10Q12 | 12(1) | 05R12 | 6802900 | C | (P29.NP30.NP31) | 6802900 |
| 10Q13 | 13(1) | 18S20 | 6196120 | C | (S/MRQ) | 6196120 |
| 10Q14 | 14(1) | 05S23 | 1283700 | C | LR28-0 | 1283700 |
| 10Q15 | 15(1) | 07R17 | 1184940 | C | P18-1 | 1184940 |
| | 16(0) | | 4791610 | -GND | GND2710 | 4791610 |
| 10Q17 | 17(1) | 03R17 | 1154902 | C | NP15 | 1154902 |
| 10Q18 | 18(1) | 03R18 | 1164902 | C | NP16 | 1164902 |
| 10Q19 | 19(1) | 11T27 | 1276202 | C | NRP27 | 1276202 |
| 10Q20 | 20(1) | 05S20 | 1256202 | C | NRP25 | 1256202 |
| 10Q21 | 21(1) | 03R21 | 1214902 | C | NP21 | 1214902 |
| 10Q22 | 22(1) | 07R25 | 1244940 | C | P24-1 | 1244940 |
| 13T40 | 23(1) | 10Q23 | 1306300 | C | RR30 | 1306300 |
| 13T27 | 24(1) | 10Q24 | 1266300 | C | RR26 | 1266300 |
| 13T36 | 25(1) | 10Q25 | 1286300 | C | RR28 | 1286300 |
| 13T20 | 26(1) | 10Q26 | 1246300 | C | RR24 | 1246300 |
| 10Q27 | 27(1) | 07R27 | 1234940 | C | P23-1 | 1234940 |
| 10Q28 | 28(1) | 07R19 | 1204940 | C | P20-1 | 1204940 |
| 10Q29 | 29(1) | 03R29 | 1224902 | C | NP22 | 1224902 |
| 10Q30 | 30(1) | 03R30 | 1174902 | C | NP17 | 1174902 |
| 10Q31 | 31(1) | 02R31 | 1266200 | C | RP26 | 1266200 |
| | 32(0) | | | | | |
| 10Q33 | 33(1) | 05S26 | 1266202 | C | NRP26 | 1266202 |
| 10Q34 | 34(1) | 02R27 | 1276200 | C | RP27 | 1276200 |
| 10Q35 | 35(1) | 05S21 | 1246202 | C | NRP24 | 1246202 |
| 13T34 | 36(1) | 10Q36 | 1276300 | C | RR27 | 1276300 |
| 13T42 | 37(1) | 10Q37 | 1316300 | C | RR31 | 1316300 |
| 10Q38 | 38(1) | 03R38 | 1274902 | C | NP27 | 1274902 |
| 13T38 | 39(1) | 10Q39 | 1296300 | C | RR29 | 1296300 |
| 13T22 | 40(1) | 10Q40 | 1256300 | C | RR25 | 1256300 |
| 10Q41 | 41(1) | 22T29 | 3405111 | C | CXS | 3405111 |
| 07R41 | 42(1) | 10Q42 | 5121510 | C | NIE0 | 5121510 |
| 10Q43 | 43(1) | 07R39 | 7500400 | C | NS0031Z | 7500400 |
| 10Q44 | 44(1) | 16T14 | 3690105 | C | NDIS | 3690105 |
| 10Q45 | 45(1) | 14T13 | 3202720 | C | CLEAR | 3202720 |
| 10Q46 | 46(1) | 22T20 | 3315160 | C | CROSSEN | 3315160 |
| 18S04 | 47(1) | 10Q47 | 3800000 | C | DM | 3800000 |
| | 48(0) | | | | | |
| 09R49 | 49(0) | 11R49 | 8301600 | | P4VR | 8301610 |
| 10Q50 | 50(1) | 16S37 | 6075460 | C | MFR/1 | 6075462 |
| 09R51 | 51(0) | 11R51 | 8303600 | | P8VR | 8303610 |

| FROM | PIN (COUNT) | TO | SOURCE LINE NO. | ELEM. TYPE | SOURCE SIGNAL NAME | REFERENCE LINE NO. |
|-------|----------------|-------|--------------------|---------------|--------------------|-----------------------|
| | 00(0) | | | | | |
| | 01(1) | 14R04 | 6825250 | B | PDC25 | 6825250 |
| | 02(1) | 32S18 | 2054900 | B | ABO | 2054900 |
| 06R03 | 03(2) | 16S08 | 2055000 | . | ABO/1 | 2054900 |
| 09R19 | 04(2) | 17R33 | 1304900 | . | P30 | 6942290 |
| | 05(0) | | | | | |
| | 06(0) | | | | | |
| 06R07 | 07(2) | 15T34 | 6832400 | . | PEM | 6832420 |
| 09R17 | 08(2) | 17R25 | 1314900 | . | P31 | 6942290 |
| 19R09 | 09(2) | 16S07 | 2055050 | . | ABO/2 | 2054900 |
| 05R10 | 10(2) | 11R14 | 6825290 | . | PDC29 | 6825250 |
| 05R29 | 11(2) | 11R34 | 6802640 | . | P2629Z | 6825250 |
| | 12(1) | 30S25 | 6832420 | B. | PEM-1 | 6832422 |
| 14S19 | 13(1) | | 6942290 | B | PUC29 | 6942290 |
| 11R10 | 14(2) | 16R04 | 6825290 | B | PDC29 | 6825290 |
| 05R43 | 15(1) | | 6802600 | B | P2629W | 6802600 |
| | 16(0) | | 4791611 | -GND | GND2711 | 4791611 |
| 09R20 | 17(2) | 16R45 | 1294900 | . | P29 | 6802600 |
| 09R13 | 18(2) | 16R25 | 1274900 | . | P27 | 6802600 |
| 06R18 | 19(2) | 17R04 | 6825300 | . | PDC3033 | 6825290 |
| 09R26 | 20(2) | 17R26 | 1314902 | . | NP31 | 6825290 |
| 09R43 | 21(2) | 17R40 | 1304902 | . | NP30 | 6825290 |
| 09R15 | 22(2) | 16R21 | 1284902 | . | NP28 | 6802640 |
| 09R03 | 23(2) | 16R26 | 1274902 | . | NP27 | 6802640 |
| 09R10 | 24(2) | 16R40 | 1264902 | . | NP26 | 6802640 |
| 09R41 | 25(2) | 14R47 | 1244900 | . | P24 | 6802300 |
| 08R17 | 26(2) | 14R25 | 1234900 | . | P23 | 6802300 |
| 09R39 | 27(2) | 14R45 | 1254900 | . | P25 | 6802300 |
| 09R06 | 28(2) | 16R22 | 1294902 | . | NP29 | 6802640 |
| 06R29 | 29(2) | 17R28 | 6803220 | . | (NP32.NP33+PDC31) | 6825290 |
| 09R08 | 30(2) | 16R33 | 1264900 | . | P26 | 6802600 |
| 09R29 | 31(2) | 15R45 | 1284900 | . | P28 | 6802600 |
| | 32(0) | | | | | |
| | 33(1) | 14S07 | 6802300 | B | P2325W | 6802300 |
| 11R11 | 34(1) | | 6802640 | B | P2629Z | 6802640 |
| | 35(1) | 29R27 | 2344100 | B | ARMCTR | 2344100 |
| | 36(1) | 31R27 | 2344700 | B | ARMIO | 2344700 |
| 11R38 | 37(2) | 06R40 | 5779300 | . | LEVARM | 2344700 |
| 11R39 | 38(2) | 11R37 | 5779300 | . | LEVARM | 2344100 |
| 23R43 | 39(2) | 11R38 | 5779300 | . | LEVARM | 2344800 |
| | 40(1) | 22S06 | 7561200 | . | SC2 | 7561250 |
| | 41(1) | 22S17 | 3107001 | . | NCEINT | 7561250 |
| 06R42 | 42(2) | 25R06 | 5114500 | . | IBO | 2344800 |
| | 43(1) | 29R06 | 5113300 | . | IBC | 2344100 |
| | 44(1) | 31R06 | 5113900 | . | IBI | 2344700 |
| | 45(1) | 26R27 | 2344800 | B | ARMOVD | 2344800 |
| | 46(1) | 22S14 | 7561250 | B | (SC2.NCEINT) | 7561250 |
| | 47(0) | | | | | |
| | 48(0) | | | | | |
| 10R49 | 49(0) | 12R49 | 8301600 | | P4VR | 8301610 |
| | 50(0) | | | | | |
| 10R51 | 51(0) | 12R51 | 8303600 | | P8VR | 8303610 |

XDS 902306

XDS
XEROX DATA SYSTEMS

DRAWING NO. - 133264-948 AC
PROG-PNIND
TYPE-PIN INDEX

12

MODULE-12R
TYPE-FT18

10/27/71

| FROM | PIN (COUNT) | TO | SOURCE LINE NO. | ELEM. TYPE | SOURCE SIGNAL NAME | REFERENCE LINE NO. |
|-------|----------------|-------|--------------------|---------------|--------------------|-----------------------|
| | 00(0) | | | | | |
| 32P30 | 01(1) | 13R01 | 3200300 | . | CL-32P30 | 1154918 |
| | 02(0) | | | | | |
| | 03(0) | | 1184914-1 | + | | 1184915 |
| 05R34 | 04(1) | | 6825180 | . | PDC18 | 1154905 |
| 12R45 | 05(2) | 15R09 | 1184900 | FF | P18 | 1184900 |
| 08R11 | 06(2) | 12S40 | 1173100 | . | KSP17 | 1174904 |
| 08R04 | 07(2) | 12S41 | 1183100 | . | KSP18 | 1184904 |
| 21R40 | 08(2) | 13S02 | 1176500 | . | S17 | 1174904 |
| | 09(0) | | | | | |
| | 10(0) | | | | | |
| | 11(0) | | | | | |
| | 12(0) | | 1184904-1 | + | | 1184904 |
| | 13(0) | | | | | |
| 21R41 | 14(2) | 13S03 | 1186500 | . | S18 | 1184904 |
| | 15(1) | 12R16 | 4791612 | . | GND2712 | 1154906 |
| 12R15 | 16(2) | 12R35 | 4791612 | -GND | GND2712 | 4791612 |
| | 17(0) | | 1174914-1 | + | | 1174914 |
| 06R17 | 18(2) | 13R18 | 6974200 | . | PXK-2 | 1154904 |
| 12R47 | 19(2) | 15R03 | 1174900 | FF | P17 | 1174900 |
| | 20(0) | | 1174904-1 | + | | 1174907 |
| 08R10 | 21(2) | 12R28 | 1174902 | NFF | NP17 | 1174902 |
| 08R03 | 22(2) | 12R27 | 1184902 | NFF | NP18 | 1184902 |
| 06R23 | 23(2) | 12R43 | 6942180 | . | PUC18 | 1164907 |
| | 24(0) | | 1164914-1 | + | | 1164914 |
| 08R39 | 25(2) | 15R02 | 1164900 | FF | P16 | 1164900 |
| 08R34 | 26(1) | | 1164902 | NFF | NP16 | 1164902 |
| 12R22 | 27(1) | | 1184902 | . | NP18 | 1154905 |
| 12R21 | 28(1) | | 1174902 | . | NP17 | 1154905 |
| 07R10 | 29(2) | 13R29 | 6970200 | . | PX-2 | 1154914 |
| | 30(0) | | 1154914-1 | + | | 1154914 |
| | 31(0) | | 1164904-1 | + | | 1164907 |
| | 32(0) | | | | | |
| 08R40 | 33(2) | 15R01 | 1154900 | FF | P15 | 1154900 |
| 06R34 | 34(2) | 13R34 | 6977050 | . | PXS-2 | 1154904 |
| 12R16 | 35(1) | | 4791612 | . | GND2712 | 1154906 |
| | 36(0) | | 1154904-1 | + | | 1154904 |
| 08R27 | 37(1) | | 1153100 | . | KSP15 | 1154904 |
| | 38(0) | | | | | |
| | 39(0) | | | | | |
| 08R41 | 40(1) | | 1154902 | NFF | NP15 | 1154902 |
| | 41(0) | | | | | |
| 21R39 | 42(2) | 13S01 | 1166500 | . | S16 | 1164904 |
| 12R23 | 43(2) | 10S06 | 6942180 | . | PUC18 | 1154907 |
| | 44(0) | | | | | |
| 08R13 | 45(2) | 12R05 | 1184900 | . | P18 | 1154907 |
| 19R46 | 46(2) | 11S01 | 1156500 | . | S15 | 1154904 |
| 08R08 | 47(2) | 12R19 | 1174900 | . | P17 | 1154907 |
| | 48(0) | | | | | |
| 11R49 | 49(0) | 13R49 | 8301600 | . | P4VR | 8301610 |
| 08R35 | 50(2) | 12S39 | 1163100 | . | KSP16 | 1164904 |
| 11R51 | 51(0) | 13R51 | 8303600 | . | P8VR | 8303610 |

XDS 902306

XDS
XEROX DATA SYSTEMS

DRAWING NO. - 133264-948 AC
PROG-PNIND MODULE-13R
TYPE-PIN INDEX TYPE-FT18

13

10/27/71

| FROM | PIN (COUNT) | TO | SOURCE LINE NO. | ELEM. TYPE | SOURCE SIGNAL NAME | REFERENCE LINE NO. |
|-------|----------------|-------|--------------------|---------------|--------------------|-----------------------|
| | 00(0) | | | | | |
| 12R01 | 01(2) | 14R01 | 3200300 | . | CL-32P30 | 1194918 |
| 16T03 | 02(2) | 06R02 | 6942200 | . | NPUC20 | 1214907 |
| | 03(0) | | 1224914-1 | + | | 1224914 |
| 03R01 | 04(1) | | 6825220 | . | PDC22 | 1194907 |
| 08R43 | 05(2) | 15R23 | 1224900 | FF | P22 | 1224900 |
| 12S37 | 06(1) | | 1213100 | . | KSP21 | 1214904 |
| 08R47 | 07(2) | 12S36 | 1223100 | . | KSP22 | 1224904 |
| 21R37 | 08(2) | 13S22 | 1216500 | . | S21 | 1214904 |
| | 09(0) | | | | | |
| | 10(0) | | | | | |
| | 11(0) | | | | | |
| | 12(0) | | 1224904-1 | + | | 1224904 |
| | 13(0) | | | | | |
| 21R36 | 14(2) | 13S23 | 1226500 | . | S22 | 1224904 |
| | 15(1) | 13R16 | 4791613 | . | GND2713 | 1194906 |
| 13R15 | 16(2) | 13R35 | 4791613 | -GND | GND2713 | 4791613 |
| | 17(0) | | 1214914-1 | + | | 1214914 |
| 12R18 | 18(2) | 24S18 | 6974200 | . | PXK-2 | 1194904 |
| 08R19 | 19(2) | 15R19 | 1214900 | FF | P21 | 1214900 |
| | 20(0) | | 1214904-1 | + | | 1214904 |
| 13R27 | 21(1) | | 1214902 | NFF | NP21 | 1214902 |
| 08R26 | 22(2) | 13R28 | 1224902 | NFF | NP22 | 1224902 |
| 06R24 | 23(2) | 13R43 | 6942190 | . | PUC1922 | 1204908 |
| | 24(0) | | 1204914-1 | + | | 1204914 |
| 10S07 | 25(2) | 15R15 | 1204900 | FF | P20 | 1204900 |
| 08R20 | 26(1) | | 1204902 | NFF | NP20 | 1204902 |
| 08R46 | 27(2) | 13R21 | 1214902 | . | NP21 | 1194907 |
| 13R22 | 28(1) | | 1224902 | . | NP22 | 1194907 |
| 12R29 | 29(2) | 20R01 | 6970200 | . | PX-2 | 1194914 |
| | 30(0) | | 1194914-1 | + | | 1194914 |
| | 31(0) | | 1204904-1 | + | | 1204904 |
| | 32(0) | | | | | |
| 10S08 | 33(2) | 15R12 | 1194900 | FF | P19 | 1194900 |
| 12R34 | 34(2) | 24S05 | 6977050 | . | PXS-2 | 1194904 |
| 13R16 | 35(1) | | 4791613 | . | GND2713 | 1194906 |
| | 36(0) | | 1194904-1 | + | | 1194904 |
| 08R14 | 37(2) | 12S42 | 1193100 | . | KSP19 | 1194904 |
| | 38(0) | | | | | |
| | 39(0) | | | | | |
| 08R15 | 40(1) | | 1194902 | NFF | NP19 | 1194902 |
| | 41(0) | | | | | |
| 21R38 | 42(2) | 13S21 | 1206500 | . | S20 | 1204904 |
| 13R23 | 43(2) | 16T13 | 6942190 | . | PUC1922 | 1194908 |
| | 44(0) | | | | | |
| 20R41 | 45(2) | 10S14 | 6802100 | . | (P21.P22+PUC20) | 1194908 |
| 21R42 | 46(2) | 13S04 | 1196500 | . | S19 | 1194904 |
| | 47(0) | | | | | |
| | 48(0) | | | | | |
| 12R49 | 49(0) | 14R49 | 8301600 | . | P4VR | 8301610 |
| 08R21 | 50(2) | 12S38 | 1203100 | . | KSP20 | 1204904 |
| 12R51 | 51(0) | 14R51 | 8303600 | . | P8VR | 8303610 |

XDS 902306

XDS
XEROX DATA SYSTEMS

DRAWING NO.- 133264-948 AC
PROG-PNIND MODULE-14R
TYPE-PIN INDEX TYPE-FT18

14

10/27/71

| FROM | PIN (COUNT) | TO | SOURCE LINE NO. | ELEM. TYPE | SOURCE SIGNAL NAME | REFERENCE LINE NO. |
|-------|----------------|-------|--------------------|---------------|--------------------|-----------------------|
| | 00(0) | | | | | |
| 13R01 | 01(2) | 16R01 | 3200300 | . | CL-32P30 | 1234918 |
| | 02(0) | | | | | |
| | 03(0) | | 1254914-1 | + | | 1254914 |
| 11R01 | 04(1) | | 6825250 | . | PDC25 | 1234907 |
| 14R45 | 05(2) | 15R35 | 1254900 | FF | P25 | 1254900 |
| 12S12 | 06(1) | | 1243100 | . | KSP24 | 1244904 |
| 12S13 | 07(1) | | 1253100 | . | KSP25 | 1254904 |
| 21R12 | 08(2) | 13S40 | 1246500 | . | S24 | 1244904 |
| 25S01 | 09(1) | | 1012590 | . | INT1 | 1244906 |
| 28S37 | 10(1) | | 1022590 | . | INT2 | 1254906 |
| 16R15 | 11(2) | 06R11 | 6977300 | . | PXTR | 1254906 |
| | 12(0) | | 1254904-1 | + | | 1254906 |
| | 13(1) | 14R16 | 4791614 | . | GND2714 | 1244906 |
| 21R13 | 14(2) | 13S39 | 1256500 | . | S25 | 1254904 |
| | 15(0) | | | | | |
| 14R13 | 16(2) | 14R38 | 4791614 | -GND | GND2714 | 4791614 |
| | 17(0) | | 1244914-1 | + | | 1244914 |
| 06R21 | 18(2) | 16R18 | 6974300 | . | PXK-3 | 1234904 |
| 14R47 | 19(2) | 15R33 | 1244900 | FF | P24 | 1244900 |
| | 20(0) | | 1244904-1 | + | | 1244904 |
| 09R40 | 21(2) | 14R28 | 1244902 | NFF | NP24 | 1244902 |
| 09R34 | 22(2) | 14R27 | 1254902 | NFF | NP25 | 1254902 |
| 05R35 | 23(1) | | 6942250 | . | PUC25 | 1234907 |
| | 24(0) | | 1234914-1 | + | | 1234914 |
| 11R26 | 25(2) | 15R25 | 1234900 | FF | P23 | 1234900 |
| 08R45 | 26(1) | | 1234902 | NFF | NP23 | 1234902 |
| 14R22 | 27(1) | | 1254902 | . | NP25 | 1234907 |
| 14R21 | 28(1) | | 1244902 | . | NP24 | 1234907 |
| 07R18 | 29(2) | 16R29 | 6970300 | . | PX-3 | 1234914 |
| | 30(0) | | | | | |
| | 31(0) | | 1234904-1 | + | | 1234906 |
| | 32(0) | | | | | |
| | 33(0) | | | | | |
| 06R35 | 34(2) | 16R34 | 6977060 | . | PXS-3 | 1234904 |
| 16R35 | 35(2) | 06R41 | 6973900 | . | PXINT | 1234906 |
| | 36(0) | | | | | |
| | 37(0) | | | | | |
| 14R16 | 38(1) | | 4791614 | . | GND2714 | 1234906 |
| | 39(0) | | | | | |
| | 40(0) | | | | | |
| 25S36 | 41(1) | | 1002590 | . | INT0 | 1234906 |
| 21R35 | 42(2) | 10S24 | 1236500 | . | S23 | 1234904 |
| | 43(0) | | | | | |
| | 44(0) | | | | | |
| 11R27 | 45(2) | 14R05 | 1254900 | . | P25 | 1234907 |
| | 46(0) | | | | | |
| 11R25 | 47(2) | 14R19 | 1244900 | . | P24 | 1234907 |
| | 48(0) | | | | | |
| 13R49 | 49(0) | 15R49 | 8301600 | . | P4VR | 8301610 |
| 08R44 | 50(2) | 12S35 | 1233100 | . | KSP23 | 1234904 |
| 13R51 | 51(0) | 15R51 | 8303600 | . | P8VR | 8303610 |

XDS 902306

XDS
XEROX DATA SYSTEMS

DRAWING NO.- 133264-948 AC
PROG-PNIND MODULE-15R
TYPE-PIN INDEX TYPE-AT12

15

10/27/71

| FROM | PIN (COUNT) | TO | SOURCE LINE NO. | ELEM. TYPE | SOURCE SIGNAL NAME | REFERENCE LINE NO. |
|-------|----------------|-------|--------------------|---------------|--------------------|-----------------------|
| | 00(0) | | | | | |
| 12R33 | 01(1) | | 1154900 | * P15 | | 1153350 |
| 12R25 | 02(1) | | 1164900 | * P16 | | 1163350 |
| 12R19 | 03(1) | | 1174900 | * P17 | | 1173350 |
| | 04(0) | | | | | |
| | 05(1) | 15R16 | 4791615 | | GND2715 | 4791615 |
| | 06(0) | | | | | |
| | 07(0) | | | | | |
| | 08(0) | | | | | |
| 12R05 | 09(1) | | 1184900 | * P18 | | 1183350 |
| | 10(0) | | | | | |
| | 11(0) | | | | | |
| 13R33 | 12(1) | | 1194900 | * P19 | | 1193350 |
| | 13(0) | | | | | |
| | 14(0) | | | | | |
| 13R25 | 15(1) | | 1204900 | * P20 | | 1203350 |
| 15R05 | 16(2) | 15R24 | 4791615 | -GND | GND2715 | 4791615 |
| | 17(0) | | | | | |
| | 18(0) | | | | | |
| 13R19 | 19(1) | | 1214900 | * P21 | | 1213350 |
| | 20(0) | | | | | |
| | 21(0) | | | | | |
| | 22(0) | | | | | |
| 13R05 | 23(1) | | 1224900 | * P22 | | 1223350 |
| 15R16 | 24(2) | 15R41 | 4791615 | | GND2715 | 4791615 |
| 14R25 | 25(1) | | 1234900 | * P23 | | 1233350 |
| | 26(0) | | | | | |
| | 27(0) | | | | | |
| | 28(0) | | | | | |
| | 29(0) | | | | | |
| | 30(0) | | | | | |
| | 31(0) | | | | | |
| | 32(0) | | | | | |
| 14R19 | 33(1) | | 1244900 | * P24 | | 1243350 |
| | 34(0) | | | | | |
| 14R05 | 35(1) | | 1254900 | * P25 | | 1253350 |
| | 36(0) | | | | | |
| 16R33 | 37(1) | | 1264900 | * P26 | | 1263350 |
| | 38(0) | | | | | |
| 16R25 | 39(1) | | 1274900 | * P27 | | 1273350 |
| | 40(0) | | | | | |
| 15R24 | 41(1) | | 4791615 | | GND2715 | 4791615 |
| | 42(0) | | | | | |
| | 43(0) | | | | | |
| | 44(0) | | | | | |
| 11R31 | 45(2) | 16R47 | 1284900 | * P28 | | 1283350 |
| | 46(0) | | | | | |
| | 47(0) | | | | | |
| | 48(0) | | | | | |
| 14R49 | 49(0) | 16R49 | 8301600 | | P4VR | 8301610 |
| 18R50 | 50(2) | 04R50 | 8305200 | | M8VR | 8305200 |
| 14R51 | 51(0) | 16R51 | 8303600 | | P8VR | 8303610 |

XDS 902306



DRAWING NO.- 133264-948 AC
 PROG-PNIND MODULE-16R
 TYPE-PIN INDEX TYPE-FT18

16

10/27/71

| FROM | PIN (COUNT) | TO | SOURCE LINE NO. | ELEM. TYPE | SOURCE SIGNAL NAME | REFERENCE LINE NO. |
|-------|----------------------------------|-------|-----------------|------------|--------------------|--------------------|
| 14R01 | 00(0) 01(1) 02(0) 03(0) | | 3200300 | . | CL-32P30 | 1264918 |
| 11R14 | 04(1) | | 1294914-1 | + | | 1294915 |
| 16R45 | 05(2) | 18R12 | 6825290 | . | PDC29 | 1264908 |
| 12S11 | 06(1) | | 1294900 | FF | P29 | 1294900 |
| 09R07 | 07(2) | 12S09 | 1283100 | . | KSP28 | 1284904 |
| 21R11 | 08(2) | 13S31 | 1293100 | . | KSP29 | 1294904 |
| 28S34 | 09(1) | | 1286500 | . | S28 | 1284904 |
| 28S35 | 10(1) | | 1052590 | . | INT5 | 1284906 |
| 19R42 | 11(2) | 20R11 | 1062590 | . | INT6 | 1294906 |
| | 12(1) | 17S04 | 1296600 | . | TR29 | 1294908 |
| 19R36 | 13(2) | 20R24 | 1294904-1 | + | | 1294904 |
| 21R09 | 14(2) | 11S30 | 1286600 | . | TR28 | 1284908 |
| 17R15 | 15(2) | 14R11 | 1296500 | . | S29 | 1294904 |
| | 16(1) | 16R38 | 6977300 | . | PXTR | 1264906 |
| | 17(0) | | 4791616 | -GND | GND2716 | 4791616 |
| 14R18 | 18(2) | 17R18 | 1284914-1 | + | | 1284914 |
| 16R47 | 19(1) | | 6974300 | . | PXK-3 | 1264904 |
| | 20(0) | | 1284900 | FF | P28 | 1284900 |
| 11R22 | 21(2) | 16R28 | 1284904-1 | + | | 1284904 |
| 11R28 | 22(2) | 16R27 | 1284902 | NFF | NP28 | 1284902 |
| 05R38 | 23(2) | 16R43 | 1294902 | NFF | NP29 | 1294902 |
| | 24(0) | | 6942290 | . | PUC29 | 1264907 |
| 11R18 | 25(2) | 15R39 | 1274914-1 | + | | 1274915 |
| 11R23 | 26(1) | | 1274900 | FF | P27 | 1274900 |
| 16R22 | 27(1) | | 1274902 | NFF | NP27 | 1274902 |
| 16R21 | 28(2) | 19R29 | 1294902 | . | NP29 | 1264908 |
| 14R29 | 29(2) | 17R29 | 1284902 | . | NP28 | 1264908 |
| | 30(0) | | 6970300 | . | PX-3 | 1264914 |
| | 31(0) | | 1264914-1 | + | | 1264915 |
| | 32(0) | | 1274904-1 | + | | 1274904 |
| 11R30 | 33(2) | 15R37 | 1264900 | FF | P26 | 1264900 |
| 14R34 | 34(2) | 17R34 | 6977060 | . | PXS-3 | 1264904 |
| 17R35 | 35(2) | 14R35 | 6973900 | . | PXINT | 1264906 |
| | 36(1) | 17S22 | 1264904-1 | + | | 1264907 |
| 09R11 | 37(2) | 12S14 | 1263100 | . | KSP26 | 1264904 |
| 16R16 | 38(2) | 16R39 | 4791616 | . | GND2716 | 1274907 |
| 16R38 | 39(1) | | 4791616 | . | GND2716 | 1264906 |
| 11R24 | 40(1) | | 1264902 | NFF | NP26 | 1264902 |
| 28S15 | 41(1) | | 1042590 | . | INT4 | 1274906 |
| 23R28 | 42(2) | 13S37 | 1276500 | . | S27 | 1274904 |
| 16R23 | 43(2) | 14S14 | 6942290 | . | PUC29 | 1264914 |
| 28S33 | 44(1) | | 1032590 | . | INT3 | 1264906 |
| 11R17 | 45(2) | 16R05 | 1294900 | . | P29 | 1264907 |
| 23R26 | 46(2) | 13S38 | 1266500 | . | S26 | 1264904 |
| 15R45 | 47(2) | 16R19 | 1284900 | . | P28 | 1264907 |
| | 48(0) | | | | | |
| 15R49 | 49(0) | 17R49 | 8301600 | | P4VR | 8301620 |
| 12S15 | 50(1) | | 1273100 | . | KSP27 | 1274904 |
| 15R51 | 51(0) | 17R51 | 8303600 | | P8VR | 8303620 |

| FROM | PIN (COUNT) | TO | SOURCE LINE NO. | ELEM. TYPE | SOURCE SIGNAL NAME | REFERENCE LINE NO. |
|-------|----------------|-------|--------------------|---------------|--------------------|-----------------------|
| | 00(0) | | | | | |
| 32P34 | 01(1) | 18S01 | 3200340 | . | CL-32P34 | 1304918 |
| 03R02 | 02(1) | | 6825332 | . | (NPDC31.NPUC31) | 1324910 |
| | 03(1) | 17S41 | 1334914-1 | + | | 1334916 |
| 11R19 | 04(2) | 16T35 | 6825300 | . | PDC3033 | 1304906 |
| 24R06 | 05(2) | 12S22 | 1334900 | FF | P33 | 1334900 |
| | 06(1) | 17R07 | 4791617 | . | GND2717 | 1324902 |
| 17R06 | 07(2) | 17R09 | 4791617 | . | GND2717 | 1334902 |
| 32S04 | 08(2) | 20R08 | 6806240 | . | P32HOLD | 1324902 |
| 17R07 | 09(2) | 17R10 | 4791617 | . | GND2717 | 1324904 |
| 17R09 | 10(2) | 17R11 | 4791617 | . | GND2717 | 1334904 |
| 17R10 | 11(2) | 17R13 | 4791617 | . | GND2717 | 1334904 |
| | 12(1) | 17S34 | 1334902-1 | + | | 1334908 |
| 17R11 | 13(2) | 17R16 | 4791617 | . | GND2717 | 1324904 |
| 32S05 | 14(2) | 20R18 | 6809190 | . | P33HOLD | 1334902 |
| 32S17 | 15(2) | 16R15 | 6977300 | . | PXTR | 1304908 |
| 17R13 | 16(1) | | 4791617 | -GND | GND2717 | 4791617 |
| | 17(0) | | 1324914-1 | + | | 1324917 |
| 16R18 | 18(2) | 24S19 | 6974300 | . | PXK-3 | 1304904 |
| 24R19 | 19(2) | 12S23 | 1324900 | FF | P32 | 1324900 |
| | 20(1) | 17S37 | 1324902-1 | + | | 1324904 |
| | 21(1) | 16T44 | 1324901 | NFF | NP32 | 1324901 |
| | 22(1) | 16T37 | 1334901 | NFF | NP33 | 1334901 |
| 20R23 | 23(2) | 17R43 | 6942330 | . | PUC3033 | 1314905 |
| | 24(0) | | 1314914-1 | + | | 1314915 |
| 11R08 | 25(2) | 18R19 | 1314900 | FF | P31 | 1314900 |
| 11R20 | 26(1) | | 1314902 | NFF | NP31 | 1314902 |
| | 27(0) | | | | | |
| 11R29 | 28(2) | 16T46 | 6803220 | . | (NP32.NP33+PDC31) | 1304906 |
| 16R29 | 29(2) | 20R03 | 6970300 | . | PX-3 | 1304914 |
| | 30(0) | | 1304914-1 | + | | 1304915 |
| | 31(1) | 17S17 | 1314904-1 | + | | 1314904 |
| | 32(0) | | | | | |
| 11R04 | 33(2) | 18R15 | 1304900 | FF | P30 | 1304900 |
| 16R34 | 34(2) | 24S17 | 6977060 | . | PXS-3 | 1304904 |
| 23R06 | 35(2) | 16R35 | 6973900 | . | PXINT | 1304907 |
| | 36(0) | | 1304904-1 | + | | 1304904 |
| 12S08 | 37(1) | | 1303100 | . | KSP30 | 1304904 |
| 19R24 | 38(2) | 20R21 | 1316600 | . | TR31 | 1314908 |
| 19R41 | 39(2) | 20R22 | 1306600 | . | TR30 | 1304908 |
| 11R21 | 40(1) | | 1304902 | NFF | NP30 | 1304902 |
| 28S13 | 41(1) | | 1082590 | . | INT8 | 1314908 |
| 21R15 | 42(2) | 13S43 | 1316500 | . | S31 | 1314904 |
| 17R23 | 43(2) | 14S05 | 6942330 | . | PUC3033 | 1304905 |
| 28S18 | 44(1) | | 1072590 | . | INT7 | 1304907 |
| 14S17 | 45(2) | 20R40 | 6803200 | . | (P32.P33+PUC31) | 1304905 |
| 21R14 | 46(2) | 13S42 | 1306500 | . | S30 | 1304904 |
| | 47(0) | | | | | |
| | 48(0) | | | | | |
| 16R49 | 49(0) | 18R49 | 8301600 | . | P4VR | 8301620 |
| 12S07 | 50(1) | | 1313100 | . | KSP31 | 1314904 |
| 16R51 | 51(0) | 18R51 | 8303600 | . | P8VR | 8303620 |

XDS 902306



DRAWING NO.- 133264-948 AC
 PROG-PNIND MODULE-18R
 TYPE-PIN INDEX TYPE-AT11

18

10/27/71

| FROM | PIN (COUNT) | TO | SOURCE LINE NO. | ELEM. TYPE | SOURCE SIGNAL NAME | REFERENCE LINE NO. |
|-------|----------------|-------|--------------------|---------------|--------------------|-----------------------|
| | 00(0) | | | | | |
| 21R01 | 01(1) | | 1284150-1 | * | | 1284150 |
| 21R02 | 02(1) | | 1294150-1 | * | | 1294150 |
| 21R04 | 03(1) | | 1304150-1 | * | | 1304150 |
| | 04(1) | 19R04 | 1284100 | -BCR | MB28 | 1284100 |
| | 05(1) | 18R16 | 4791618 | | GND2718 | 4791618 |
| | 06(1) | 19R30 | 1294100 | -BCR | MB29 | 1294100 |
| | 07(0) | | | | | |
| | 08(1) | 19R08 | 1304100 | -BCR | MB30 | 1304100 |
| 21R03 | 09(1) | | 1314150-1 | * | | 1314150 |
| | 10(1) | 19R10 | 1314100 | -BCR | MB31 | 1314100 |
| | 11(0) | | | | | |
| 16R05 | 12(1) | | 1294900 | * | P29 | 1293350 |
| | 13(0) | | | | | |
| | 14(0) | | | | | |
| 17R33 | 15(1) | | 1304900 | * | P30 | 1303350 |
| 18R05 | 16(2) | 18R24 | 4791618 | -GND | GND2718 | 4791618 |
| | 17(0) | | | | | |
| | 18(0) | | | | | |
| 17R25 | 19(1) | | 1314900 | * | P31 | 1313350 |
| | 20(0) | | | | | |
| | 21(0) | | | | | |
| | 22(0) | | | | | |
| 23S41 | 23(1) | | 6240102 | . | MW0 | 6240100 |
| 18R16 | 24(2) | 18R37 | 4791618 | | GND2718 | 4791618 |
| 23S42 | 25(1) | | 6240112 | . | MW1 | 6240110 |
| | 26(0) | | | | | |
| | 27(0) | | | | | |
| | 28(0) | | | | | |
| | 29(0) | | | | | |
| | 30(0) | | | | | |
| | 31(0) | | | | | |
| | 32(0) | | | | | |
| 23S31 | 33(1) | | 6240122 | . | MW2 | 6240120 |
| | 34(0) | | | | | |
| 23S30 | 35(1) | | 6240132 | . | MW3 | 6240130 |
| | 36(0) | | | | | |
| 18R24 | 37(2) | 18R39 | 4791618 | * | GND2718 | 3641110 |
| 19R38 | 38(1) | | 3641100 | -BCR | DG | 3641100 |
| 18R37 | 39(2) | 18R41 | 4791618 | * | GND2718 | 4056110 |
| 19R40 | 40(1) | | 4056100 | -BCR | EDR | 4056100 |
| 18R39 | 41(1) | | 4791618 | | GND2718 | 4791618 |
| | 42(0) | | | | | |
| | 43(0) | | | | | |
| | 44(0) | | | | | |
| 23S05 | 45(1) | | 6651000-1 | . | | 6651000 |
| | 46(0) | | | | | |
| | 47(0) | | | | | |
| | 48(0) | | | | | |
| 17R49 | 49(0) | 19R49 | 8301600 | | P4VR | 8301620 |
| 22R50 | 50(2) | 15R50 | 8305200 | | M8VR | 8305200 |
| 17R51 | 51(0) | 19R51 | 8303600 | | P8VR | 8303620 |

| FROM | PIN (COUNT) | TO | SOURCE LINE NO. | ELEM. TYPE | SOURCE SIGNAL NAME | REFERENCE LINE NO. |
|-------|----------------|-------|--------------------|---------------|--------------------|-----------------------|
| | 00(0) | | | | | |
| 19Q01 | 01(1) | 17S45 | 1090100 | C | A9 | 1090100 |
| 19Q02 | 02(1) | 05R02 | 6803010 | C | (NP30.P31) | 6803010 |
| 19Q03 | 03(1) | 05R03 | 1304902 | C | NP30 | 1304902 |
| 18R04 | 04(1) | 19Q04 | 1284100 | C | MB28 | 1284100 |
| 19Q05 | 05(1) | 03R24 | 1254902 | C | NP25 | 1254902 |
| 19Q06 | 06(1) | 09R06 | 1294902 | C | NP29 | 1294902 |
| 19Q07 | 07(1) | 26R37 | 2100800 | C | AEENLE | 2100800 |
| 18R08 | 08(1) | 19Q08 | 1304100 | C | MB30 | 1304100 |
| 19Q09 | 09(1) | 11R09 | 2055050 | C | ABO/2 | 2055050 |
| 18R10 | 10(1) | 19Q10 | 1314100 | C | MB31 | 1314100 |
| 19Q11 | 11(1) | 26R09 | 3532000 | C | DARM-1 | 3532000 |
| 19Q12 | 12(1) | 22T22 | 3563100 | C | DCCL/1 | 3563100 |
| 19Q13 | 13(1) | 22T27 | 3563200 | C | DCCL/2 | 3563200 |
| 19Q14 | 14(1) | 05R13 | 6803000 | C | (P30.NP31) | 6803000 |
| 19Q15 | 15(1) | 17S02 | 7501550 | C | S1631Z | 7501550 |
| | 16(0) | | 4791619 | -GND | GND2719 | 4791619 |
| 19Q17 | 17(1) | 18S29 | 7890101 | C | NSW0 | 7890101 |
| 19Q18 | 18(1) | 18S10 | 6927000 | C | PSW1XS | 6927002 |
| 19Q19 | 19(1) | 19S17 | 2405640 | C | AXSR1-4 | 2405640 |
| 19Q20 | 20(1) | 14S09 | 8010560 | C | T5EN | 8010560 |
| 19Q21 | 21(1) | 22T33 | 8010750 | C | T8EN | 8010750 |
| 06R26 | 22(1) | 19Q22 | 5374400 | C | KDI-0 | 5374400 |
| 19Q23 | 23(1) | 06R13 | 5374405 | C | NKDI-0 | 5374405 |
| 19Q24 | 24(1) | 17R38 | 1316600 | C | TR31 | 1316600 |
| 19Q25 | 25(1) | 14S37 | 6030120 | C | NMB2CRO | 6030120 |
| 19Q26 | 26(1) | 14S30 | 6030130 | C | NMB3CRO | 6030130 |
| 19Q27 | 27(1) | 17S31 | 1310100 | C | A31 | 1310100 |
| 19Q28 | 28(1) | 16S09 | 1283720 | C | NLR28-0 | 1283720 |
| 18R28 | 29(1) | 19Q29 | 1284902 | C | NP28 | 1284902 |
| 18R06 | 30(1) | 19Q30 | 1294100 | C | MB29 | 1294100 |
| 19Q31 | 31(1) | 17S39 | 1300100 | C | A30 | 1300100 |
| | 32(0) | | | | | |
| 12T29 | 33(1) | 19Q33 | 1303700 | C | LR30-0 | 1303700 |
| 12T30 | 34(1) | 19Q34 | 1313700 | C | LR31-0 | 1313700 |
| 19Q35 | 35(1) | 14S33 | 7430114 | C | NRW-1 | 7430114 |
| 19Q36 | 36(1) | 16R13 | 1286600 | C | TR28 | 1286600 |
| 19Q37 | 37(1) | 21R43 | 4241000 | C | EWDM | 4241000 |
| 19Q38 | 38(1) | 18R38 | 3641100 | C | DG | 3641100 |
| 19Q39 | 39(1) | 26R03 | 8065500 | C | TRIG | 8065500 |
| 19Q40 | 40(1) | 18R40 | 4056100 | C | EDR | 4056100 |
| 19Q41 | 41(1) | 17R39 | 1306600 | C | TR30 | 1306600 |
| 19Q42 | 42(1) | 16R11 | 1296600 | C | TR29 | 1296600 |
| 19Q43 | 43(1) | 17T04 | 3270200 | C | CNA | 3270200 |
| 19Q44 | 44(1) | 16S30 | 1256200 | C | RP25 | 1256200 |
| 19Q45 | 45(1) | 16S31 | 1246200 | C | RP24 | 1246200 |
| 19Q46 | 46(1) | 12R46 | 1156500 | C | S15 | 1156500 |
| 07R46 | 47(1) | 19Q47 | 4155100 | C | NENOVDR | 4155100 |
| | 48(0) | | | | | |
| 18R49 | 49(0) | 20R49 | 8301600 | | P4VR | 8301620 |
| 19Q50 | 50(1) | 19S40 | 2405690 | C | AXSR2-4 | 2405690 |
| 18R51 | 51(0) | 20R51 | 8303600 | | P8VR | 8303620 |

XDS 902306



DRAWING NO.- 133264-948 AC
 PROG-PNIND MODULE-20R
 TYPE-PIN INDEX TYPE-XT10

20

10/27/71

| FROM | PIN (COUNT) | TO | SOURCE LINE NO. | ELEM. TYPE | SOURCE SIGNAL NAME | REFERENCE LINE NO. |
|-------|----------------|-------|--------------------|---------------|--------------------|-----------------------|
| | 00(0) | | | | | |
| 13R29 | 01(1) | | 6970200 | T | PX-2 | 6970200 |
| 05R26 | 02(1) | | 1074530 | T | 07-1 | 1074530 |
| 17R29 | 03(1) | | 6970300 | T | PX-3 | 6970300 |
| 28R04 | 04(1) | | 6832200 | T | PEINT | 6832200 |
| 24S40 | 05(1) | | 2000528 | T | 1MC-1 | 2000528 |
| 23S03 | 06(1) | | 6650000 | T | OM | 6650000 |
| 25R47 | 07(1) | | 6886000 | T | NPON | 6886000 |
| 17R08 | 08(1) | | 6806240 | T | P32HOLD | 6806240 |
| 25R08 | 09(1) | | 1002695 | T | NIS0 | 1002695 |
| 23R13 | 10(1) | | 5779000 | T | LEVACT | 5779000 |
| 16R11 | 11(1) | | 1296600 | T | TR29 | 1296600 |
| 26R04 | 12(1) | | 3281000 | T | CPUL1 | 3281000 |
| 26R14 | 13(1) | | 3282000 | T | CPUL2 | 3282000 |
| 27R04 | 14(1) | | 3283000 | T | CPUL3 | 3283000 |
| 27R14 | 15(1) | | 3284000 | T | CPUL4 | 3284000 |
| | 16(0) | | 4791620 | -GND | GND2720 | 4791620 |
| | 17(1) | 21R17 | 4241005 | T | EWDM-1 | 4241005 |
| 17R14 | 18(1) | | 6809190 | T | P33HOLD | 6809190 |
| 31R04 | 19(1) | | 5173000 | T | IR | 5173000 |
| 18S47 | 20(1) | | 3846014 | T | (S/DRQ) | 3846014 |
| 17R38 | 21(1) | | 1316600 | T | TR31 | 1316600 |
| 17R39 | 22(1) | | 1306600 | T | TR30 | 1306600 |
| | 23(1) | 17R23 | 6942330 | T | PUC3033 | 6942330 |
| 16R13 | 24(1) | | 1286600 | T | TR28 | 1286600 |
| 22T33 | 25(1) | | 8010750 | T | T8EN | 8010750 |
| 22T26 | 26(1) | | 8010730 | T | NTBDP | 8010730 |
| 21R27 | 27(1) | | 5130101 | T | NII | 5130101 |
| | 28(1) | 14T21 | 8010720 | T | T8DP | 8010720 |
| 21S09 | 29(1) | | 8010000 | T | T11 | 8010000 |
| 17S02 | 30(1) | | 7501550 | T | S1631Z | 7501550 |
| 17S01 | 31(1) | | 7500400 | T | NS0031Z | 7500400 |
| | 32(0) | | | | | |
| 18T03 | 33(1) | | 7410110 | T | NRS | 7410110 |
| 22S33 | 34(1) | | 7410100 | T | RS | 7410100 |
| | 35(1) | 29R41 | 7342010 | T | REN-2 | 7342010 |
| 20S31 | 36(1) | | 7300280 | T | NR911 | 7300280 |
| 20S04 | 37(1) | | 7300170 | T | NR1357 | 7300170 |
| 20S42 | 38(1) | | 7300160 | T | NR1315 | 7300160 |
| | 39(1) | 16T40 | 6803260 | T | N(NP32.NP33) | 6803260 |
| 17R45 | 40(1) | | 6803200 | T | (P32.P33+PUC31) | 6803200 |
| | 41(1) | 13R45 | 6802100 | T | (P21.P22+PUC20) | 6802100 |
| 17S40 | 42(1) | | 3202720 | T | CLEAR | 3202720 |
| 21S34 | 43(1) | | 6192100 | T | MRCL | 6192100 |
| | 44(1) | 21S01 | 3840100 | T | DR/1 | 3840100 |
| 20S21 | 45(1) | | 2062820 | T | ACCL/1 | 2062820 |
| 22T38 | 46(1) | | 3315110 | T | NCROSS | 3315110 |
| 18S01 | 47(2) | 20R50 | 3200340 | T | CL-32P34 | 3200340 |
| | 48(0) | | | | | |
| 19R49 | 49(0) | 21R49 | 8301600 | | P4VR | 8301620 |
| 20R47 | 50(1) | | 3200340 | T | CL-32P34 | 3200340 |
| 19R51 | 51(0) | 21R51 | 8303600 | | P8VR | 8303620 |

XDS 902306

XDS
XEROX DATA SYSTEMS

DRAWING NO.- 133264-948 AC
PROG-PNIND MODULE-21R
TYPE-PIN INDEX TYPE-BT13

21
10/27/71

| FROM | PIN (COUNT) | TO | SOURCE LINE NO. | ELEM. TYPE | SOURCE SIGNAL NAME | REFERENCE LINE NO. |
|-------|----------------|-------|--------------------|---------------|--------------------|-----------------------|
| | 00(0) | | | | | |
| | 01(1) | 18R01 | 1284150-1 | B | | 1284150 |
| | 02(1) | 18R02 | 1294150-1 | B | | 1294150 |
| | 03(1) | 18R09 | 1314150-1 | B | | 1314150 |
| | 04(1) | 18R03 | 1304150-1 | B | | 1304150 |
| | 05(0) | | | | | |
| 24R09 | 06(2) | 23S26 | 6038600 | . | MBXS/3 | 1284150 |
| 24R15 | 07(2) | 21R15 | 1316500 | . | S31 | 1314150 |
| 24R28 | 08(2) | 21R14 | 1306500 | . | S30 | 1304150 |
| 23R37 | 09(2) | 16R14 | 1296500 | . | S29 | 1294150 |
| | 10(0) | | | | | |
| 23R34 | 11(2) | 16R08 | 1286500 | . | S28 | 1284150 |
| 24R05 | 12(2) | 14R08 | 1246500 | . | S24 | 1241400 |
| 24R13 | 13(2) | 14R14 | 1256500 | . | S25 | 1251400 |
| 21R08 | 14(2) | 17R46 | 1306500 | . | S30 | 1301400 |
| 21R07 | 15(2) | 17R42 | 1316500 | . | S31 | 1311400 |
| | 16(0) | | 4791621 | -GND | GND2721 | 4791621 |
| 20R17 | 17(2) | 21R34 | 4241005 | . | EWDM-1 | 1241400 |
| 22R25 | 18(2) | 30R08 | 1241400 | B | DAT24 | 1241400 |
| 22R33 | 19(2) | 30R25 | 1251400 | B | DAT25 | 1251400 |
| | 20(1) | 26S01 | 1301400 | B | DAT30 | 1301400 |
| | 21(1) | 26S02 | 1311400 | B | DAT31 | 1311400 |
| 20S19 | 22(2) | 27S18 | 5073510 | . | NHRQBZC | 4151000 |
| 01R21 | 23(1) | | 3163101 | . | NCIF | 4151000 |
| 07R43 | 24(2) | 30S45 | 4151000 | B | ENCNTR | 4151000 |
| 07R42 | 25(2) | 30S46 | 4154000 | B | ENIO | 4154000 |
| 20S05 | 26(2) | 27S17 | 5073540 | . | NHRQBZ I | 4154000 |
| 01R14 | 27(2) | 20R27 | 5130101 | . | NII | 4154000 |
| 22R23 | 28(2) | 29R25 | 1231400 | B | DAT23 | 1231400 |
| 22R19 | 29(2) | 29R08 | 1221400 | B | DAT22 | 1221400 |
| 22R15 | 30(2) | 28R25 | 1211400 | B | DAT21 | 1211400 |
| 22R12 | 31(2) | 28R08 | 1201400 | B | DAT20 | 1201400 |
| | 32(0) | | | | | |
| | 33(0) | | | | | |
| 21R17 | 34(2) | 23R35 | 4241005 | . | EWDM-1 | 1201400 |
| 24R35 | 35(2) | 14R42 | 1236500 | . | S23 | 1231400 |
| 24R23 | 36(2) | 13R14 | 1226500 | . | S22 | 1221400 |
| 24R45 | 37(2) | 13R08 | 1216500 | . | S21 | 1211400 |
| 24R50 | 38(2) | 13R42 | 1206500 | . | S20 | 1201400 |
| 24R39 | 39(2) | 12R42 | 1166500 | . | S16 | 1161400 |
| 24R36 | 40(2) | 12R08 | 1176500 | . | S17 | 1171400 |
| 24R33 | 41(2) | 12R14 | 1186500 | . | S18 | 1181400 |
| 24R40 | 42(2) | 13R46 | 1196500 | . | S19 | 1191400 |
| 19R37 | 43(2) | 17S26 | 4241000 | . | EWDM | 1161400 |
| | 44(0) | | | | | |
| 22R01 | 45(2) | 26R08 | 1161400 | B | DAT16 | 1161400 |
| 22R02 | 46(2) | 26R25 | 1171400 | B | DAT17 | 1171400 |
| 22R03 | 47(2) | 27R08 | 1181400 | B | DAT18 | 1181400 |
| | 48(0) | | | | | |
| 20R49 | 49(0) | 22R49 | 8301600 | | P4VR | 8301620 |
| 22R09 | 50(2) | 27R25 | 1191400 | B | DAT19 | 1191400 |
| 20R51 | 51(0) | 22R51 | 8303600 | | P8VR | 8303620 |

XDS 902306



DRAWING NO.- 133264-948 AC
 PROG-PNIND MODULE-22R
 TYPE-PIN INDEX TYPE-AT11

22

10/27/71

| FROM | PIN (COUNT) | TO | SOURCE LINE NO. | ELEM. TYPE | SOURCE SIGNAL NAME | REFERENCE LINE NO. |
|-------|-------------|-------|-----------------|--------------|--------------------|--------------------|
| | 00(0) | | | | | |
| | 01(1) | 21R45 | 1161400 | * DAT16 | | 1161410 |
| | 02(1) | 21R46 | 1171400 | * DAT17 | | 1171410 |
| | 03(1) | 21R47 | 1181400 | * DAT18 | | 1181410 |
| | 04(1) | 25S37 | 1003350 | -BCR LIN00 | | 1003350 |
| | 05(1) | 22R16 | 4791622 | GND2722 | | 4791622 |
| | 06(1) | 25S10 | 1013350 | -BCR LIN01 | | 1013350 |
| | 07(0) | | | | | |
| | 08(1) | 28S45 | 1023350 | -BCR LIN02 | | 1023350 |
| | 09(1) | 21R50 | 1191400 | * DAT19 | | 1191410 |
| | 10(1) | 28S26 | 1033350 | -BCR LIN03 | | 1033350 |
| | 11(0) | | | | | |
| | 12(1) | 21R31 | 1201400 | * DAT20 | | 1201410 |
| | 13(1) | 28S06 | 1043350 | -BCR LIN04 | | 1043350 |
| | 14(0) | | | | | |
| 22R05 | 15(1) | 21R30 | 1211400 | * DAT21 | | 1211410 |
| | 16(2) | 22R24 | 4791622 | -GND GND2722 | | 4791622 |
| | 17(0) | | | | | |
| | 18(1) | 28S41 | 1053350 | -BCR LIN05 | | 1053350 |
| | 19(1) | 21R29 | 1221400 | * DAT22 | | 1221410 |
| | 20(1) | 28S42 | 1063350 | -BCR LIN06 | | 1063350 |
| | 21(0) | | | | | |
| 22R16 | 22(1) | 28S19 | 1073350 | -BCR LIN07 | | 1073350 |
| | 23(1) | 21R28 | 1231400 | * DAT23 | | 1231410 |
| | 24(1) | | 4791622 | GND2722 | | 4791622 |
| | 25(1) | 21R18 | 1241400 | * DAT24 | | 1241410 |
| | 26(0) | | | | | |
| | 27(1) | 28S04 | 1083350 | -BCR LIN08 | | 1083350 |
| | 28(0) | | | | | |
| | 29(0) | | | | | |
| | 30(0) | | | | | |
| | 31(0) | | | | | |
| | 32(0) | | | | | |
| | 33(1) | 21R19 | 1251400 | * DAT25 | | 1251410 |
| | 34(1) | 24S47 | 5814840 | -BCR LINREQ | | 5814840 |
| | 35(1) | 23R46 | 1261400 | * DAT26 | | 1261410 |
| | 36(0) | | | | | |
| | 37(1) | 23R47 | 1271400 | * DAT27 | | 1271410 |
| | 38(0) | | | | | |
| | 39(1) | 23R44 | 1281400 | * DAT28 | | 1281410 |
| | 40(0) | | | | | |
| | 41(1) | 20S12 | 5138200 | -NS NINTOP | | 5138200 |
| | 42(0) | | | | | |
| | 43(0) | | | | | |
| | 44(0) | | | | | |
| | 45(1) | 23R45 | 1291400 | * DAT29 | | 1291410 |
| | 46(0) | | | | | |
| | 47(0) | | | | | |
| | 48(0) | | | | | |
| 21R49 | 49(0) | 23R49 | 8301600 | P4VR | | 8301620 |
| | 50(1) | 18R50 | 8305200 | -VSP M8VR | | 8305200 |
| 21R51 | 51(0) | 23R51 | 8303600 | P8VR | | 8303620 |

XDS 902306

XDS
XEROX DATA SYSTEMS

DRAWING NO.- 133264-948 AC
PROG-PNIND
TYPE-PIN INDEX

MODULE-23R
TYPE-BT10

23

10/27/71

| FROM | PIN (COUNT) | TO | SOURCE LINE NO. | ELEM. TYPE | SOURCE SIGNAL NAME | REFERENCE LINE NO. |
|-------|----------------|-------|--------------------|---------------|--------------------|-----------------------|
| | 00(0) | | | | | |
| | 01(1) | 22S24 | 2342000 | B | ARE | 2342000 |
| | 02(1) | 01R24 | 4410500 | B | FSA | 4410499 |
| | 03(1) | 26S25 | 4159520-1 | B | | 4159520 |
| | 04(1) | 17T10 | 2180520 | B | (S/AIB) | 2180520 |
| 17T21 | 05(1) | | 2182001 | . | NAIE1 | 2180520 |
| 17S08 | 06(2) | 17R35 | 6973900 | . | PXINT | 2180520 |
| | 07(0) | | | | | |
| | 08(0) | | | | | |
| | 09(1) | 23R19 | 2182000 | . | AIE1 | 4159520 |
| | 10(0) | | | | | |
| 17T47 | 11(2) | 23R30 | 2180510 | . | (AIB.LEVACT) | 4159520 |
| | 12(0) | | | | | |
| 25S41 | 13(2) | 20R10 | 5779000 | . | LEVACT | 2180520 |
| 17T28 | 14(1) | | 2182021 | . | NAIE2 | 2180520 |
| | 15(0) | | | | | |
| | 16(0) | | 4791623 | -GND | GND2723 | 4791623 |
| | 17(0) | | | | | |
| 24R17 | 18(2) | 23R20 | 2000528 | . | 1MC-1 | 2342000 |
| 23R09 | 19(2) | 23R31 | 2182000 | . | AIE1 | 2342000 |
| 23R18 | 20(2) | 24S37 | 2000528 | . | 1MC-1 | 2342000 |
| 17T27 | 21(1) | | 2182020 | . | AIE2 | 2342000 |
| 24R37 | 22(1) | | 1491500 | . | D1049 | 4410500 |
| 17T05 | 23(1) | | 3270201 | . | NCNA | 4410500 |
| 17T31 | 24(1) | | 3270250 | . | CNB | 4410500 |
| | 25(0) | | | | | |
| 24R10 | 26(2) | 16R46 | 1266500 | . | S26 | 1261400 |
| | 27(0) | | | | | |
| 24R18 | 28(2) | 16R42 | 1276500 | . | S27 | 1271400 |
| | 29(0) | | | | | |
| 23R11 | 30(2) | 24S13 | 2180510 | . | (AIB.LEVACT) | 1271400 |
| 23R19 | 31(2) | 24S29 | 2182000 | . | AIE1 | 1261400 |
| | 32(0) | | | | | |
| | 33(0) | | | | | |
| 24R21 | 34(2) | 21R11 | 1286500 | . | S28 | 1281400 |
| 21R34 | 35(2) | 10S10 | 4241005 | . | EWDM-1 | 1261400 |
| | 36(0) | | | | | |
| 24R11 | 37(2) | 21R09 | 1296500 | . | S29 | 1291400 |
| | 38(0) | | | | | |
| 07R15 | 39(2) | 25S11 | 4241010 | . | NEWDM | 1291400 |
| 01R40 | 40(2) | 24S31 | 4100101 | . | NEI | 1291400 |
| | 41(0) | | | | | |
| | 42(0) | | | | | |
| 32S11 | 43(2) | 11R39 | 5779300 | . | LEVARM | 1281400 |
| 22R39 | 44(2) | 32R08 | 1281400 | B | DAT28 | 1281400 |
| 22R45 | 45(2) | 32R25 | 1291400 | B | DAT29 | 1291400 |
| 22R35 | 46(2) | 31R08 | 1261400 | B | DAT26 | 1261400 |
| 22R37 | 47(2) | 31R25 | 1271400 | B | DAT27 | 1271400 |
| | 48(0) | | | | | |
| 22R49 | 49(0) | 24R49 | 8301600 | | P4VR | 8301630 |
| | 50(0) | | | | | |
| 22R51 | 51(0) | 24R51 | 8303600 | | P8VR | 8303630 |

XDS 902306

XDS
XEROX DATA SYSTEMS

DRAWING NO.- 133264-948 AC
PROG-PNIND MODULE-24R
TYPE-PIN INDEX TYPE-ZT45

24

10/27/71

| FROM | PIN (COUNT) | TO | SOURCE LINE NO. | ELEM. TYPE | SOURCE SIGNAL NAME | REFERENCE LINE NO. |
|-------|----------------|-------|--------------------|---------------|--------------------|-----------------------|
| | 00(0) | | | | | |
| 30S05 | 01(1) | 24Q01 | 3315150 | C | CROSSEN | 3315150 |
| 23S27 | 02(1) | 24Q02 | 6038050 | C | MBXS/0 | 6038050 |
| 23S29 | 03(1) | 24Q03 | 6038200 | C | MBXS/1 | 6038200 |
| 24Q04 | 04(1) | 18T17 | 2089208 | C | (R/ADNH) | 2089208 |
| 25N24 | 05(1) | 21R12 | 1246500 | C | S24 | 1246500 |
| 24Q06 | 06(1) | 17R05 | 1334900 | C | P33 | 1334900 |
| 24Q07 | 07(1) | 25R07 | 4561000 | C | GCLK-0 | 4561000 |
| 24Q08 | 08(1) | 23S25 | 6038400 | C | MBXS/2 | 6038400 |
| 24Q09 | 09(1) | 21R06 | 6038600 | C | MBXS/3 | 6038600 |
| 24Q10 | 10(1) | 23R26 | 1266500 | C | S26 | 1266500 |
| 24Q11 | 11(1) | 23R37 | 1296500 | C | S29 | 1296500 |
| 25S42 | 12(1) | 24Q12 | 5533010 | C | KSC-1 | 5533010 |
| 24Q13 | 13(1) | 21R13 | 1256500 | C | S25 | 1256500 |
| 24Q14 | 14(1) | 17S05 | 7343300 | C | RESET/C | 7343300 |
| 24Q15 | 15(1) | 21R07 | 1316500 | C | S31 | 1316500 |
| | 16(0) | | 4791624 | -GND | GND2724 | 4791624 |
| 24Q17 | 17(1) | 23R18 | 2000528 | C | 1MC-1 | 2000528 |
| 24Q18 | 18(1) | 23R28 | 1276500 | C | S27 | 1276500 |
| 24Q19 | 19(1) | 17R19 | 1324900 | C | P32 | 1324900 |
| 24Q20 | 20(1) | 25R04 | 6885000 | C | PON | 6885000 |
| 24Q21 | 21(1) | 23R34 | 1286500 | C | S28 | 1286500 |
| 24Q22 | 22(1) | 25R14 | 5153000 | C | POFF | 5153000 |
| 24Q23 | 23(1) | 21R36 | 1226500 | C | S22 | 1226500 |
| 24Q24 | 24(1) | 25R45 | 7343110 | C | RESET-1 | 7343110 |
| 24Q25 | 25(1) | 17S27 | 3651002 | C | DIOFS | 3651002 |
| 22S23 | 26(1) | 24Q26 | 3107000 | C | CEINT | 3107000 |
| 30S26 | 27(1) | 24Q27 | 5415355 | C | KHOP-2 | 5415355 |
| 24Q28 | 28(1) | 21R08 | 1306500 | C | S30 | 1306500 |
| 24Q29 | 29(1) | 13S13 | 1293700 | C | LR29-0 | 1293700 |
| 24Q30 | 30(1) | 26R29 | 2100500 | C | AEADB | 2100500 |
| 24Q31 | 31(1) | 03R45 | 6832225 | C | N(R/PEINT/2) | 6832225 |
| | 32(0) | | | | | |
| 24Q33 | 33(1) | 21R41 | 1186500 | C | S18 | 1186500 |
| 24Q34 | 34(1) | 26R35 | 2080500 | C | ADBDB | 2080500 |
| 24Q35 | 35(1) | 21R35 | 1236500 | C | S23 | 1236500 |
| 24Q36 | 36(1) | 21R40 | 1176500 | C | S17 | 1176500 |
| 24Q37 | 37(1) | 23R22 | 1491500 | C | D1049 | 1491500 |
| 24Q38 | 38(1) | 16S28 | 3846015 | C | DRQ-1 | 3846013 |
| 24Q39 | 39(1) | 21R39 | 1166500 | C | S16 | 1166500 |
| 24Q40 | 40(1) | 21R42 | 1196500 | C | S19 | 1196500 |
| 24Q41 | 41(1) | 26R41 | 7342000 | C | REN-1 | 7342000 |
| 24Q42 | 42(1) | 31T41 | 4395300 | C | FPCLN/1 | 4395302 |
| 24Q43 | 43(1) | 28S14 | 1092590 | C | INT9 | 1092589 |
| 24Q44 | 44(1) | 28R44 | 5173135 | C | NISNIP7 | 5173135 |
| 24Q45 | 45(1) | 21R37 | 1216500 | C | S21 | 1216500 |
| 24Q46 | 46(1) | 17T44 | 3651000 | C | NDIOFS | 3651000 |
| 24Q47 | 47(1) | 05R46 | 1000150 | C | AOL | 1000150 |
| | 48(0) | | | | | |
| 23R49 | 49(0) | 25R49 | 8301600 | | P4VR | 8301630 |
| 24Q50 | 50(1) | 21R38 | 1206500 | C | S20 | 1206500 |
| 23R51 | 51(0) | 25R51 | 8303600 | | P8VR | 8303630 |

| FROM | PIN (COUNT) | TO | SOURCE LINE NO. | ELEM. TYPE | SOURCE SIGNAL NAME | REFERENCE LINE NO. |
|-------|----------------|-------|--------------------|---------------|--------------------|-----------------------|
| | 00(0) | | | | | |
| | 01(1) | 26R01 | 7300170 | I | NR1357 | 7300170 |
| | 02(0) | | 1002660 | FF | IP0 | 1002660 |
| | 03(1) | 25R09 | 4791625 | . | GND2725 | 1002682 |
| 24R20 | 04(2) | 14T03 | 6885000 | . | PON | 1002682 |
| | 05(0) | | | | | |
| 11R42 | 06(2) | 25R27 | 5114500 | . | IB0 | 1002684 |
| 24R07 | 07(2) | 26R07 | 4561000 | . | GCLK-0 | 1002587 |
| 14T18 | 08(2) | 20R09 | 1002695 | * | NIS0 | 1002582 |
| 25R03 | 09(2) | 25R16 | 4791625 | . | GND2725 | 1002664 |
| | 10(1) | 14T04 | 1002680 | FF | IS0 | 1002680 |
| | 11(0) | | 7300100 | B | R0 | 7300100 |
| 25R20 | 12(1) | | 1012687-1 | C | | 1012687 |
| | 13(0) | | 1012680 | FF | IS1 | 1012680 |
| 24R22 | 14(1) | | 5153000 | . | POFF | 1012682 |
| | 15(0) | | | | | |
| 25R09 | 16(2) | 25R35 | 4791625 | -GND | GND2725 | 4791625 |
| | 17(0) | | | | | |
| | 18(1) | 25R25 | 1012681 | NFF | NIS1 | 1012681 |
| | 19(0) | | | | | |
| | 20(1) | 25R12 | 1012687-1 | C | | 1012687 |
| | 21(0) | | 1012660 | FF | IP1 | 1012660 |
| 07R38 | 22(2) | 26R22 | 5121500 | . | IE0 | 1002664 |
| | 23(0) | | 5173102 | I | NISNIP0 | 5173102 |
| | 24(0) | | | | | |
| 25R18 | 25(1) | | 1012681 | . | NIS1 | 1012582 |
| | 26(0) | | | | | |
| 25R06 | 27(2) | 26R06 | 5114500 | . | IB0 | 1002662 |
| | 28(0) | | | | | |
| 31N22 | 29(0) | | 6887000 | . | PONEN | 1002662 |
| | 30(0) | | 1002580 | FF | IN0 | 1002580 |
| | 31(0) | | 1012580 | FF | IN1 | 1012580 |
| | 32(0) | | | | | |
| | 33(0) | | | | | |
| 14T02 | 34(2) | 26R47 | 5173005 | B | NISIN1 | 5173005 |
| 25R16 | 35(2) | 25R41 | 4791625 | . | GND2725 | 1002584 |
| | 36(0) | | | | | |
| | 37(0) | | | | | |
| | 38(0) | | | | | |
| | 39(0) | | | | | |
| | 40(0) | | | | | |
| 25R35 | 41(1) | | 4791625 | . | GND2725 | 1002584 |
| | 42(0) | | | | | |
| | 43(1) | 30S22 | 7300110 | I | NR01 | 7300110 |
| | 44(1) | 26R05 | 5173105 | B | NISNIP1 | 5173105 |
| 24R24 | 45(2) | 26R45 | 7343110 | * | RESET-1 | 1002666 |
| | 46(0) | | 1012581 | NFF | NIN1 | 1012581 |
| 14T19 | 47(2) | 20R07 | 6886000 | . | NPON | 5173007 |
| | 48(0) | | | | | |
| 24R49 | 49(0) | 26R49 | 8301600 | | P4VR | 8301630 |
| | 50(0) | | | | | |
| 24R51 | 51(0) | 26R51 | 8303600 | | P8VR | 8303630 |

| FROM | PIN (COUNT) | TO | SOURCE LINE NO. | ELEM. TYPE | SOURCE SIGNAL NAME | REFERENCE LINE NO. |
|-------|----------------|-------|--------------------|---------------|--------------------|-----------------------|
| | 00(0) | | | | | |
| 25R01 | 01(2) | 27R01 | 7300170 | I | NR1357 | 7300171 |
| | 02(0) | | 1022660 | FF | IP2 | 1022660 |
| 19R39 | 03(2) | 27R03 | 8065500 | . | TRIG | 1022682 |
| 01R29 | 04(2) | 20R12 | 3281000 | . | CPUL1 | 1022682 |
| 25R44 | 05(1) | | 5173105 | . | NISNIP1 | 1022662 |
| 25R27 | 06(2) | 27R06 | 5114500 | . | IBO | 1022684 |
| 25R07 | 07(2) | 27R07 | 4561000 | . | GCLK-0 | 1022587 |
| 21R45 | 08(1) | | 1161400 | . | DAT16 | 1022582 |
| 19R11 | 09(2) | 27R09 | 3532000 | . | DARM-1 | 1022664 |
| | 10(1) | 01R04 | 1022680 | FF | IS2 | 1022680 |
| | 11(0) | | 7300200 | B | R2 | 7300200 |
| 26R20 | 12(1) | | 1032687-1 | C | | 1032687 |
| | 13(1) | 25S23 | 1032680 | FF | IS3 | 1032680 |
| 01R36 | 14(2) | 20R13 | 3282000 | . | CPUL2 | 1032682 |
| | 15(0) | | | | | |
| | 16(0) | | 4791626 | -GND | GND2726 | 4791626 |
| | 17(0) | | | | | |
| | 18(0) | | 1032681 | NFF | NIS3 | 1032681 |
| | 19(0) | | | | | |
| | 20(1) | 26R12 | 1032687-1 | C | | 1032687 |
| | 21(1) | 20S39 | 1032660 | FF | IP3 | 1032660 |
| 25R22 | 22(2) | 27R22 | 5121500 | . | IEO | 1022664 |
| | 23(1) | 20S37 | 5173110 | I | NISNIP2 | 5173110 |
| | 24(0) | | | | | |
| 21R46 | 25(1) | | 1171400 | . | DAT17 | 1032582 |
| | 26(0) | | | | | |
| 11R45 | 27(2) | 27R27 | 2344800 | . | ARMOVD | 1022662 |
| | 28(0) | | | | | |
| 24R30 | 29(2) | 27R29 | 2100500 | . | AEADB | 1022662 |
| | 30(0) | | 1022580 | FF | IN2 | 1022580 |
| | 31(0) | | 1032580 | FF | IN3 | 1032580 |
| | 32(0) | | | | | |
| | 33(0) | | | | | |
| | 34(1) | 27R47 | 5173015 | B | NISIN3 | 5173015 |
| 24R34 | 35(2) | 27R35 | 2080500 | . | ADBDB | 1022584 |
| | 36(0) | | | | | |
| 19R07 | 37(2) | 27R37 | 2100800 | . | AEENLE | 1022582 |
| | 38(0) | | | | | |
| | 39(0) | | | | | |
| | 40(0) | | | | | |
| 24R41 | 41(2) | 27R41 | 7342000 | . | REN-1 | 1022584 |
| | 42(0) | | | | | |
| | 43(1) | 30S03 | 7300210 | I | NR23 | 7300210 |
| | 44(1) | 27R05 | 5173115 | B | NISNIP3 | 5173115 |
| 25R45 | 45(2) | 27R45 | 7343110 | . | PESET-1 | 1022666 |
| | 46(0) | | 1032581 | NFF | NIN3 | 1032581 |
| 25R34 | 47(1) | | 5173005 | . | NISIN1 | 5173016 |
| | 48(0) | | | | | |
| 25R49 | 49(0) | 27R49 | 8301600 | . | P4VR | 8301630 |
| | 50(0) | | | | | |
| 25R51 | 51(0) | 27R51 | 8303600 | . | P8VR | 8303630 |

| FROM | PIN (COUNT) | TO | SOURCE LINE NO. | ELEM. TYPE | SOURCE SIGNAL NAME | REFERENCE LINE NO. |
|-------|----------------|-------|--------------------|---------------|--------------------|-----------------------|
| | 00(0) | | | | | |
| 26R01 | 01(2) | 28R01 | 7300170 | I | NR1357 | 7300172 |
| | 02(0) | | 1042660 | FF | IP4 | 1042660 |
| 26R03 | 03(2) | 28R03 | 8065500 | . | TR10 | 1042682 |
| 01R44 | 04(2) | 20R14 | 3283000 | . | CPUL3 | 1042682 |
| 26R44 | 05(1) | | 5173115 | . | NISNIP3 | 1042662 |
| 26R06 | 06(2) | 28R06 | 5114500 | . | IB0 | 1042684 |
| 26R07 | 07(2) | 28R07 | 4561000 | . | GCLK-0 | 1042587 |
| 21R47 | 08(1) | | 1181400 | . | DAT18 | 1042582 |
| 26R09 | 09(2) | 28R09 | 3532000 | . | DARM-1 | 1042664 |
| | 10(1) | 01R10 | 1042680 | FF | IS4 | 1042680 |
| | 11(0) | | 7300220 | B | R4 | 7300220 |
| 27R20 | 12(1) | | 1052687-1 | C | | 1052687 |
| | 13(1) | 25S18 | 1052680 | FF | IS5 | 1052680 |
| 01R46 | 14(2) | 20R15 | 3284000 | . | CPUL4 | 1052682 |
| | 15(0) | | | | | |
| | 16(0) | | 4791627 | -GND | GND2727 | 4791627 |
| | 17(0) | | | | | |
| | 18(0) | | 1052681 | NFF | NIS5 | 1052681 |
| | 19(0) | | | | | |
| | 20(1) | 27R12 | 1052687-1 | C | | 1052687 |
| | 21(1) | 20S40 | 1052660 | FF | IP5 | 1052660 |
| 26R22 | 22(2) | 28R22 | 5121500 | . | IE0 | 1042664 |
| | 23(1) | 20S38 | 5173120 | I | NISNIP4 | 5173120 |
| | 24(0) | | | | | |
| 21R50 | 25(1) | | 1191400 | . | DAT19 | 1052582 |
| | 26(0) | | | | | |
| 26R27 | 27(2) | 28R27 | 2344800 | . | ARMOVD | 1042662 |
| | 28(0) | | | | | |
| 26R29 | 29(2) | 28R29 | 2100500 | . | AEADB | 1042662 |
| | 30(0) | | 1042580 | FF | IN4 | 1042580 |
| | 31(0) | | 1052580 | FF | IN5 | 1052580 |
| | 32(0) | | | | | |
| | 33(0) | | | | | |
| | 34(1) | 28R47 | 5173025 | B | NISIN5 | 5173025 |
| 26R35 | 35(2) | 28R35 | 2080500 | . | ADBDB | 1042584 |
| | 36(0) | | | | | |
| 26R37 | 37(2) | 28R37 | 2100800 | . | AEENLE | 1042582 |
| | 38(0) | | | | | |
| | 39(0) | | | | | |
| | 40(0) | | | | | |
| 26R41 | 41(2) | 28R41 | 7342000 | . | REN-1 | 1042584 |
| | 42(0) | | | | | |
| | 43(1) | 30S04 | 7300230 | I | NR45 | 7300230 |
| | 44(1) | 28R05 | 5173125 | B | NISNIP5 | 5173125 |
| 26R45 | 45(2) | 28R45 | 7343110 | . | RESET-1 | 1042666 |
| | 46(0) | | 1052581 | NFF | NIN5 | 1052581 |
| 26R34 | 47(1) | | 5173015 | . | NISIN3 | 5173025 |
| | 48(0) | | | | | |
| 26R49 | 49(0) | 28R49 | 8301600 | | P4VR | 8301630 |
| | 50(0) | | | | | |
| 26R51 | 51(0) | 28R51 | 8303600 | | P8VR | 8303630 |

| FROM | PIN (COUNT) | TO | SOURCE LINE NO. | ELEM. TYPE | SOURCE SIGNAL NAME | REFERENCE LINE NO. |
|-------|----------------|-------|--------------------|---------------|--------------------|-----------------------|
| | 00(0) | | | | | |
| 27R01 | 01(2) | 20S04 | 7300170 | I | NR1357 | 7300173 |
| | 02(1) | 03R39 | 1062660 | FF | IP6 | 1062660 |
| 27R03 | 03(2) | 29R03 | 8065500 | . | TRIG | 1062682 |
| 32S20 | 04(2) | 20R04 | 6832200 | . | PEINT | 1062682 |
| 27R44 | 05(1) | | 5173125 | . | NISNIP5 | 1062662 |
| 27R06 | 06(2) | 24S15 | 5114500 | . | IBO | 1062684 |
| 27R07 | 07(2) | 24S36 | 4561000 | . | GCLK-0 | 1062587 |
| 21R31 | 08(1) | | 1201400 | . | DAT20 | 1062582 |
| 27R09 | 09(2) | 24S09 | 3532000 | . | DARM-1 | 1062664 |
| | 10(1) | 20S23 | 1062680 | FF | IS6 | 1062680 |
| | 11(0) | | 7300240 | B | R6 | 7300240 |
| 28R20 | 12(1) | | 1072687-1 | C | | 1072687 |
| | 13(0) | | 1072680 | FF | IS7 | 1072680 |
| 28R16 | 14(1) | | 4791628 | . | GND2728 | 1072682 |
| | 15(0) | | | | | |
| | 16(1) | 28R14 | 4791628 | -GND | GND2728 | 4791628 |
| | 17(0) | | | | | |
| | 18(0) | | 1072681 | NFF | NIS7 | 1072681 |
| | 19(0) | | | | | |
| | 20(1) | 28R12 | 1072687-1 | C | | 1072687 |
| | 21(0) | | 1072660 | FF | IP7 | 1072660 |
| 27R22 | 22(2) | 24S26 | 5121500 | . | IE0 | 1062664 |
| | 23(0) | | 5173130 | I | NISNIP6 | 5173130 |
| | 24(0) | | | | | |
| 21R30 | 25(1) | | 1211400 | . | DAT21 | 1072582 |
| | 26(0) | | | | | |
| 27R27 | 27(1) | | 2344800 | . | ARMOVD | 1062662 |
| | 28(0) | | | | | |
| 27R29 | 29(2) | 29R29 | 2100500 | . | AEADB | 1062662 |
| | 30(0) | | 1062580 | FF | IN6 | 1062580 |
| | 31(0) | | 1072580 | FF | IN7 | 1072580 |
| | 32(0) | | | | | |
| | 33(0) | | | | | |
| | 34(0) | | 5173035 | B | NISIN7 | 5173035 |
| 27R35 | 35(2) | 29R35 | 2080500 | . | ADBDB | 1062584 |
| | 36(0) | | | | | |
| 27R37 | 37(2) | 29R37 | 2100800 | . | AEENLE | 1062582 |
| | 38(0) | | | | | |
| | 39(0) | | | | | |
| | 40(0) | | | | | |
| 27R41 | 41(2) | 24S30 | 7342000 | . | REN-1 | 1062584 |
| | 42(0) | | | | | |
| | 43(1) | 30S08 | 7300250 | I | NR67 | 7300250 |
| 24R44 | 44(1) | | 5173135 | B | NISNIP7 | 5173135 |
| 27R45 | 45(2) | 29R45 | 7343110 | . | RESET-1 | 1062666 |
| | 46(0) | | 1072581 | NFF | NIN7 | 1072581 |
| 27R34 | 47(1) | | 5173025 | . | NISIN5 | 5173035 |
| | 48(0) | | | | | |
| 27R49 | 49(0) | 29R49 | 8301600 | | P4VR | 8301630 |
| | 50(0) | | | | | |
| 27R51 | 51(0) | 29R51 | 8303600 | | P8VR | 8303630 |

| FROM | PIN (COUNT) | TO | SOURCE LINE NO. | ELEM. TYPE | SOURCE SIGNAL NAME | REFERENCE LINE NO. |
|-------|-------------|-------|-----------------|------------|--------------------|--------------------|
| | 00(0) | | | | | |
| | 01(1) | 30R01 | 7300280 | I | NR911 | 7300280 |
| | 02(0) | | 1082660 | FF | IP8 | 1082660 |
| 28R03 | 03(2) | 30R03 | 8065500 | . | TRIG | 1082682 |
| 25S33 | 04(1) | | 7840080 | . | SR8 | 1082682 |
| | 05(0) | | | | | |
| 11R43 | 06(2) | 30R06 | 5113300 | . | IBC | 1082684 |
| 24S35 | 07(2) | 30R07 | 4561010 | . | GCLK-1 | 1082587 |
| 21R29 | 08(1) | | 1221400 | . | DAT22 | 1082582 |
| 24S11 | 09(2) | 30R09 | 3532020 | . | DARM-2 | 1082664 |
| | 10(0) | | 1082680 | FF | IS8 | 1082680 |
| | 11(0) | | 7300260 | B | R8 | 7300260 |
| 29R20 | 12(1) | | 1092687-1 | C | | 1092687 |
| | 13(0) | | 1092680 | FF | IS9 | 1092680 |
| 25S34 | 14(1) | | 7840090 | . | SR9 | 1092682 |
| | 15(0) | | | | | |
| | 16(0) | | 4791629 | -GND | GND2729 | 4791629 |
| | 17(0) | | | | | |
| | 18(0) | | 1092681 | NFF | NIS9 | 1092681 |
| | 19(0) | | | | | |
| | 20(1) | 29R12 | 1092687-1 | C | | 1092687 |
| | 21(0) | | 1092660 | FF | IP9 | 1092660 |
| 07R31 | 22(2) | 30R22 | 5120300 | . | IEC | 1082664 |
| | 23(0) | | 5173140 | I | NISNIP8 | 5173140 |
| | 24(0) | | | | | |
| 21R28 | 25(1) | | 1231400 | . | DAT23 | 1092582 |
| | 26(0) | | | | | |
| 11R35 | 27(2) | 30R27 | 2344100 | . | ARMCTR | 1082662 |
| | 28(0) | | | | | |
| 28R29 | 29(2) | 30R29 | 2100500 | . | AEADB | 1082662 |
| | 30(0) | | 1082580 | FF | IN8 | 1082580 |
| | 31(0) | | 1092580 | FF | IN9 | 1092580 |
| | 32(0) | | | | | |
| | 33(0) | | | | | |
| | 34(1) | 30R47 | 5173045 | B | NISIN9 | 5173045 |
| 28R35 | 35(2) | 30R35 | 2080500 | . | ADBDB | 1082584 |
| | 36(0) | | | | | |
| 28R37 | 37(2) | 30R37 | 2100800 | . | AEENLE | 1082582 |
| | 38(0) | | | | | |
| | 39(0) | | | | | |
| | 40(0) | | | | | |
| 20R35 | 41(2) | 30R41 | 7342010 | . | REN-2 | 1082584 |
| | 42(0) | | | | | |
| | 43(1) | 30S39 | 7300270 | I | NR89 | 7300270 |
| | 44(1) | 30R05 | 5173145 | B | NISNIP9 | 5173145 |
| 28R45 | 45(2) | 30R45 | 7343110 | . | RESET-1 | 1082666 |
| | 46(0) | | 1092581 | NFF | NIN9 | 1092581 |
| | 47(0) | | | | | |
| | 48(0) | | | | | |
| 28R49 | 49(0) | 30R49 | 8301600 | | P4VR | 8301630 |
| | 50(0) | | | | | |
| 28R51 | 51(0) | 30R51 | 8303600 | | P8VR | 8303630 |

| FROM | PIN (COUNT) | TO | SOURCE LINE NO. | ELEM. TYPE | SOURCE SIGNAL NAME | REFERENCE LINE NO. |
|-------|----------------|-------|--------------------|---------------|--------------------|-----------------------|
| | 00(0) | | | | | |
| 29R01 | 01(2) | 20S31 | 7300280 | I | NR911 | 7300281 |
| | 02(0) | | 1102660 | FF | IP10 | 1102660 |
| 29R03 | 03(2) | 31R03 | 8065500 | . | TRIG | 1102682 |
| 25S14 | 04(1) | | 7840100 | . | SR10 | 1102682 |
| 29R44 | 05(1) | | 5173145 | . | NISNIP9 | 1102662 |
| 29R06 | 06(2) | 25S13 | 5113300 | . | IBC | 1102684 |
| 29R07 | 07(2) | 31R07 | 4561010 | . | GCLK-1 | 1102587 |
| 21R18 | 08(1) | | 1241400 | . | DAT24 | 1102582 |
| 29R09 | 09(2) | 27S05 | 3532020 | . | DARM-2 | 1102664 |
| | 10(0) | | 1102680 | FF | IS10 | 1102680 |
| | 11(0) | | 7300120 | B | R10 | 7300120 |
| 30R20 | 12(1) | | 1112687-1 | C | | 1112687 |
| | 13(0) | | 1112680 | FF | IS11 | 1112680 |
| 25S15 | 14(1) | | 7840110 | . | SR11 | 1112682 |
| | 15(0) | | | | | |
| | 16(0) | | 4791630 | -GND | GND2730 | 4791630 |
| | 17(0) | | | | | |
| | 18(0) | | 1112681 | NFF | NIS11 | 1112681 |
| | 19(0) | | | | | |
| | 20(1) | 30R12 | 1112687-1 | C | | 1112687 |
| | 21(0) | | 1112660 | FF | IP11 | 1112660 |
| 29R22 | 22(2) | 24S25 | 5120300 | . | IEC | 1102664 |
| | 23(0) | | 5173150 | I | NISNIP10 | 5173150 |
| | 24(0) | | | | | |
| 21R19 | 25(1) | | 1251400 | . | DAT25 | 1112582 |
| | 26(0) | | | | | |
| 29R27 | 27(1) | | 2344100 | . | ARMCTR | 1102662 |
| | 28(0) | | | | | |
| 29R29 | 29(2) | 31R29 | 2100500 | . | AEADB | 1102662 |
| | 30(0) | | 1102580 | FF | IN10 | 1102580 |
| | 31(0) | | 1112580 | FF | IN11 | 1112580 |
| | 32(0) | | | | | |
| | 33(0) | | | | | |
| | 34(0) | | 5173055 | B | NISIN11 | 5173055 |
| 29R35 | 35(2) | 31R35 | 2080500 | . | ADBDB | 1102584 |
| | 36(0) | | | | | |
| 29R37 | 37(2) | 31R37 | 2100800 | . | AEENLE | 1102582 |
| | 38(0) | | | | | |
| | 39(0) | | | | | |
| | 40(0) | | | | | |
| 29R41 | 41(2) | 31R41 | 7342010 | . | REN-2 | 1102584 |
| | 42(0) | | | | | |
| | 43(1) | 20S30 | 7300130 | I | NR1011 | 7300130 |
| | 44(1) | 30S31 | 5173155 | B | NISNIP11 | 5173155 |
| 29R45 | 45(2) | 24S45 | 7343110 | . | RESET-1 | 1102666 |
| | 46(0) | | 1112581 | NFF | NIN11 | 1112581 |
| 29R34 | 47(1) | | 5173045 | . | NISIN9 | 5173055 |
| | 48(0) | | | | | |
| 29R49 | 49(0) | 31R49 | 8301600 | | P4VR | 8301640 |
| | 50(0) | | | | | |
| 29R51 | 51(0) | 31R51 | 8303600 | | P8VR | 8303640 |

| FROM | PIN (COUNT) | TO | SOURCE LINE NO. | ELEM. TYPE | SOURCE SIGNAL NAME | REFERENCE LINE NO. |
|-------|-------------|-------|-----------------|------------|--------------------|--------------------|
| | 00(0) | | | | | |
| 32R01 | 01(2) | 20S42 | 7300160 | I | NR1315 | 7300160 |
| | 02(0) | | 1122660 | FF | IP12 | 1122660 |
| 30R03 | 03(2) | 32R03 | 8065500 | . | TRIG | 1122682 |
| 32S06 | 04(2) | 20R19 | 5173000 | . | IR | 1122682 |
| | 05(0) | | | | | |
| 11R44 | 06(2) | 32R06 | 5113900 | . | IB1 | 1122684 |
| 30R07 | 07(2) | 32R07 | 4561010 | . | GCLK-1 | 1122587 |
| 23R46 | 08(1) | | 1261400 | . | DAT26 | 1122582 |
| 24S10 | 09(2) | 32R09 | 3532030 | . | DARM-3 | 1122664 |
| | 10(0) | | 1122680 | FF | IS12 | 1122680 |
| | 11(0) | | 7300140 | B | R12 | 7300140 |
| 31R20 | 12(1) | | 1132687-1 | C | | 1132687 |
| | 13(1) | 17T35 | 1132680 | FF | IS13 | 1132680 |
| 25S35 | 14(2) | 27S11 | 7840130 | . | SR13 | 1132682 |
| | 15(0) | | | | | |
| | 16(0) | | 4791631 | -GND | GND2731 | 4791631 |
| | 17(0) | | | | | |
| | 18(0) | | 1132681 | NFF | NIS13 | 1132681 |
| | 19(0) | | | | | |
| | 20(1) | 31R12 | 1132687-1 | C | | 1132687 |
| | 21(1) | 04R06 | 1132660 | FF | IP13 | 1132660 |
| 07R37 | 22(2) | 32R22 | 5120900 | . | IE1 | 1122664 |
| | 23(0) | | 5173160 | I | NISNIP12 | 5173160 |
| | 24(0) | | | | | |
| 23R47 | 25(1) | | 1271400 | . | DAT27 | 1132582 |
| | 26(0) | | | | | |
| 11R36 | 27(2) | 32R27 | 2344700 | . | ARM10 | 1122662 |
| | 28(0) | | | | | |
| 30R29 | 29(2) | 32R29 | 2100500 | . | AEADB | 1122662 |
| | 30(0) | | 1122580 | FF | IN12 | 1122580 |
| | 31(0) | | 1132580 | FF | IN13 | 1132580 |
| | 32(0) | | | | | |
| | 33(0) | | | | | |
| | 34(1) | 32R47 | 5173065 | B | NISIN13 | 5173065 |
| 30R35 | 35(2) | 32R35 | 2080500 | . | ADBDB | 1122584 |
| | 36(0) | | | | | |
| 30R37 | 37(2) | 32R37 | 2100800 | . | AEENLE | 1122582 |
| | 38(0) | | | | | |
| | 39(0) | | | | | |
| | 40(0) | | | | | |
| 30R41 | 41(2) | 32R41 | 7342010 | . | REN-2 | 1122584 |
| | 42(0) | | | | | |
| | 43(1) | 30S40 | 7300150 | I | NR1213 | 7300150 |
| | 44(1) | 32R05 | 5173165 | B | NISNIP13 | 5173165 |
| 24S43 | 45(2) | 32R45 | 7343050 | . | RESET-2 | 1122666 |
| | 46(0) | | 1132581 | NFF | NIN13 | 1132581 |
| | 47(0) | | | | | |
| | 48(0) | | | | | |
| 30R49 | 49(0) | 32R49 | 8301600 | | P4VR | 8301640 |
| | 50(0) | | | | | |
| 30R51 | 51(0) | 32R51 | 8303600 | | P8VR | 8303640 |

| FROM | PIN (COUNT) | TO | SOURCE LINE NO. | ELEM. TYPE | SOURCE SIGNAL NAME | REFERENCE LINE NO. |
|-------|----------------|-------|--------------------|---------------|--------------------|-----------------------|
| | 00(0) | | | | | |
| | 01(1) | 31R01 | 7300160 | I | NR1315 | 7300162 |
| | 02(0) | | 1142660 | FF | IP14 | 1142660 |
| 31R03 | 03(1) | | 8065500 | . | TRIG | 1142682 |
| | 04(0) | | | | | |
| 31R44 | 05(2) | 30S21 | 5173165 | . | NISNIP13 | 1142662 |
| 31R06 | 06(2) | 25S12 | 5113900 | . | IBI | 1142684 |
| 31R07 | 07(2) | 27S09 | 4561010 | . | GCLK-1 | 1142587 |
| 23R44 | 08(1) | | 1281400 | . | DAT28 | 1142582 |
| 31R09 | 09(2) | 27S06 | 3532030 | . | DARM-3 | 1142664 |
| | 10(0) | | 1142680 | FF | IS14 | 1142680 |
| | 11(0) | | 7300180 | B | R14 | 7300180 |
| 32R20 | 12(1) | | 1152687-1 | C | | 1152687 |
| | 13(0) | | 1152680 | FF | IS15 | 1152680 |
| | 14(0) | | | | | |
| | 15(0) | | | | | |
| | 16(0) | | 4791632 | -GND | GND2732 | 4791632 |
| | 17(0) | | | | | |
| | 18(0) | | 1152681 | NFF | NIS15 | 1152681 |
| | 19(0) | | | | | |
| | 20(1) | 32R12 | 1152687-1 | C | | 1152687 |
| | 21(0) | | 1152660 | FF | IP15 | 1152660 |
| 31R22 | 22(2) | 24S27 | 5120900 | . | IEI | 1142664 |
| | 23(0) | | 5173170 | I | NISNIP14 | 5173170 |
| | 24(0) | | | | | |
| 23R45 | 25(1) | | 1291400 | . | DAT29 | 1152582 |
| | 26(0) | | | | | |
| 31R27 | 27(1) | | 2344700 | . | ARM10 | 1142662 |
| | 28(0) | | | | | |
| 31R29 | 29(1) | | 2100500 | . | AEADB | 1142662 |
| | 30(0) | | 1142580 | FF | IN14 | 1142580 |
| | 31(0) | | 1152580 | FF | IN15 | 1152580 |
| | 32(0) | | | | | |
| | 33(0) | | | | | |
| | 34(0) | | 5173075 | B | NISIN15 | 5173075 |
| 31R35 | 35(1) | | 2080500 | . | ADBDB | 1142584 |
| | 36(0) | | | | | |
| 31R37 | 37(1) | | 2100800 | . | AEENLE | 1142582 |
| | 38(0) | | | | | |
| | 39(0) | | | | | |
| | 40(0) | | | | | |
| 31R41 | 41(2) | 24S46 | 7342010 | . | REN-2 | 1142584 |
| | 42(0) | | | | | |
| | 43(1) | 20S43 | 7300190 | I | NR1415 | 7300190 |
| | 44(0) | | 5173175 | B | NISNIP15 | 5173175 |
| 31R45 | 45(2) | 15T31 | 7343050 | . | RESET-2 | 1142666 |
| | 46(0) | | 1152581 | NFF | NIN15 | 1152581 |
| 31R34 | 47(1) | | 5173065 | . | NISIN13 | 5173076 |
| | 48(0) | | | | | |
| 31R49 | 49(0) | | 8301600 | | P4VR | 8301640 |
| | 50(0) | | | | | |
| 31R51 | 51(0) | | 8303600 | | P8VR | 8303640 |

| FROM | PIN (COUNT) | TO | SOURCE LINE NO. | ELEM. TYPE | SOURCE SIGNAL NAME | REFERENCE LINE NO. |
|-------|----------------|-------|--------------------|---------------|--------------------|-----------------------|
| | 00(0) | | | | | |
| | 01(1) | 02S01 | 1236300 | -HSM | RR23 | 1236302 |
| | 02(1) | 02S02 | 1196300 | -HSM | RR19 | 1196302 |
| | 03(0) | | | | | |
| | 04(1) | 02S04 | 1226300 | -HSM | RR22 | 1226302 |
| | 05(0) | | | | | |
| | 06(0) | | | | | |
| | 07(0) | | | | | |
| 02R20 | 08(1) | | 1012640 | T | IOFR1 | 1012640 |
| | 09(1) | 02S09 | 1186300 | -HSM | RR18 | 1186302 |
| | 10(1) | 01S16 | 4791701 | | GND2801 | 4791701 |
| 04T11 | 11(2) | 02S11 | 1236340 | . | RW23 | 1232600 |
| 04T12 | 12(2) | 02S12 | 1196340 | . | RW19 | 1192600 |
| 32P45 | 13(1) | 02S13 | 3180450 | . | CK-32P45 | 5140140 |
| | 14(0) | | | | | |
| | 15(0) | | | | | |
| 01S10 | 16(2) | 01S24 | 4791701 | -GND | GND2801 | 4791701 |
| 04T17 | 17(2) | 02S17 | 1226340 | . | RW22 | 1222600 |
| 01R07 | 18(2) | 02S18 | 1053372 | . | LI05-1 | 5140146 |
| 04T19 | 19(2) | 02S19 | 1186340 | . | RW18 | 1182600 |
| 14T46 | 20(2) | 02S20 | 1082645 | . | NIOFR8-1 | 5140142 |
| 14T44 | 21(2) | 03S21 | 1043384 | . | NLI04-1 | 5140142 |
| 14T45 | 22(2) | 02S22 | 1033384 | . | NLI03-1 | 5140142 |
| 03R12 | 23(2) | 02S23 | 1092635 | . | IOFR9-1 | 5140144 |
| 01S16 | 24(2) | 01S38 | 4791701 | | GND2801 | 4791701 |
| 14T47 | 25(2) | 02S25 | 1092645 | . | NIOFR9-1 | 5140142 |
| 04R19 | 26(2) | 02S26 | 5153251 | . | IOFM | 5140142 |
| | 27(0) | | | | | |
| 04T28 | 28(2) | 02S28 | 1216340 | . | RW21 | 1212600 |
| 01R08 | 29(2) | 02S29 | 1063372 | . | LI06-1 | 5140148 |
| 01R09 | 30(2) | 02S30 | 1073372 | . | LI07-1 | 5140150 |
| 02T31 | 31(2) | 02S31 | 7430550 | . | RWB2 | 5140140 |
| | 32(0) | | | | | |
| 04T33 | 33(2) | 02S33 | 1206340 | . | RW20 | 1202600 |
| 04T34 | 34(2) | 02S34 | 1176340 | . | RW17 | 1172600 |
| 04T35 | 35(2) | 02S35 | 1166340 | . | RW16 | 1162600 |
| | 36(0) | | | | | |
| | 37(0) | | | | | |
| 01S24 | 38(1) | | 4791701 | | GND2801 | 4791701 |
| 01T30 | 39(1) | | 1073372 | T | LI07-1 | 1073372 |
| 08T29 | 40(1) | | 1063372 | T | LI06-1 | 1063372 |
| | 41(1) | 02S41 | 1176300 | -HSM | RR17 | 1176302 |
| 02R25 | 42(1) | | 1002640 | T | IOFR0 | 1002640 |
| | 43(1) | 02S43 | 1166300 | -HSM | RR16 | 1166302 |
| 01T18 | 44(1) | | 1053372 | T | LI05-1 | 1053372 |
| | 45(1) | 02S45 | 1206300 | -HSM | RR20 | 1206302 |
| | 46(1) | 02S46 | 1216300 | -HSM | RR21 | 1216302 |
| | 47(0) | | | | | |
| | 48(0) | | | | | |
| | 49(0) | 02S49 | 8301700 | -VSP | P4VS | 8301700 |
| 02S50 | 50(1) | | 8305300 | | M8VS | 8305310 |
| | 51(0) | 02S51 | 8303700 | -VSP | P8VS | 8303740 |

XDS 902306



DRAWING NO.- 133264-948 AC
 PROG-PNIND MODULE-025
 TYPE-PIN INDEX TYPE-FT25

34

10/27/71

| FROM | PIN (COUNT) | TO | SOURCE LINE NO. | ELEM. TYPE | SOURCE SIGNAL NAME | REFERENCE LINE NO. |
|-------|----------------|-------|--------------------|---------------|--------------------|-----------------------|
| | 00(0) | | | | | |
| 01S01 | 01(2) | 03S01 | 1236300 | -HSM | RR23 | 1236304 |
| 01S02 | 02(2) | 03S02 | 1196300 | -HSM | RR19 | 1196304 |
| | 03(0) | | | | | |
| 01S04 | 04(2) | 03S04 | 1226300 | -HSM | RR22 | 1226304 |
| | 05(0) | | | | | |
| | 06(0) | | | | | |
| | 07(0) | | | | | |
| | 08(0) | | | | | |
| 01S09 | 09(2) | 03S09 | 1186300 | -HSM | RR18 | 1186304 |
| | 10(1) | 02S16 | 4791702 | | GND2802 | 4791702 |
| 01S11 | 11(2) | 03S11 | 1236340 | . | RW23 | 1232602 |
| 01S12 | 12(2) | 03S12 | 1196340 | . | RW19 | 1192602 |
| 01S13 | 13(2) | 03S13 | 3180450 | . | CK-32P45 | 5140240 |
| | 14(0) | | | | | |
| | 15(0) | | | | | |
| 02S10 | 16(2) | 02S24 | 4791702 | -GND | GND2802 | 4791702 |
| 01S17 | 17(2) | 03S17 | 1226340 | . | RW22 | 1222602 |
| 01S18 | 18(2) | 03S18 | 1053372 | . | LI05-1 | 5140246 |
| 01S19 | 19(2) | 03S19 | 1186340 | . | RW18 | 1182602 |
| 01S20 | 20(2) | 03S20 | 1082645 | . | NIOFR8-1 | 5140242 |
| 01R05 | 21(2) | 04S21 | 1043370 | . | LI04 | 5140242 |
| 01622 | 22(2) | 01T22 | 1033384 | . | NLI03-1 | 5140242 |
| 01S23 | 23(2) | 03S23 | 1092635 | . | IOFR9-1 | 5140244 |
| 02S16 | 24(2) | 02S38 | 4791702 | | GND2802 | 4791702 |
| 01S25 | 25(2) | 03S25 | 1092645 | . | NIOFR9-1 | 5140242 |
| 01S26 | 26(2) | 03S26 | 5153251 | . | IOFM | 5140242 |
| | 27(0) | | | | | |
| 01S28 | 28(2) | 03S28 | 1216340 | . | RW21 | 1212602 |
| 01S29 | 29(2) | 03S29 | 1063372 | . | LI06-1 | 5140248 |
| 01S30 | 30(2) | 03S30 | 1073372 | . | LI07-1 | 5140250 |
| 01S31 | 31(2) | 03S31 | 7430550 | . | RWB2 | 5140240 |
| | 32(0) | | | | | |
| 01S33 | 33(2) | 03S33 | 1206340 | . | RW20 | 1202602 |
| 01S34 | 34(2) | 03S34 | 1176340 | . | RW17 | 1172602 |
| 01S35 | 35(2) | 03S35 | 1166340 | . | RW16 | 1162602 |
| | 36(0) | | | | | |
| | 37(0) | | | | | |
| 02S24 | 38(1) | | 4791702 | | GND2802 | 4791702 |
| | 39(0) | | | | | |
| | 40(0) | | | | | |
| 01S41 | 41(2) | 03S41 | 1176300 | -HSM | RR17 | 1176304 |
| | 42(0) | | | | | |
| 01S43 | 43(2) | 03S43 | 1166300 | -HSM | RR16 | 1166304 |
| | 44(0) | | | | | |
| 01S45 | 45(2) | 03S45 | 1206300 | -HSM | RR20 | 1206304 |
| 01S46 | 46(2) | 03S46 | 1216300 | -HSM | RR21 | 1216304 |
| | 47(0) | | | | | |
| | 48(0) | | | | | |
| 01S49 | 49(0) | 03S49 | 8301700 | | P4VS | 8301700 |
| 03S50 | 50(2) | 01S50 | 8305300 | | M8VS | 8305310 |
| 01S51 | 51(0) | 03S51 | 8303700 | | P8VS | 8303700 |

| FROM | PIN (COUNT) | TO | SOURCE LINE NO. | ELEM. TYPE | SOURCE SIGNAL NAME | REFERENCE LINE NO. |
|-------|----------------|-------|--------------------|---------------|--------------------|-----------------------|
| | 00(0) | | | | | |
| 02S01 | 01(2) | 04S01 | 1236300 | -HSM | RR23 | 1236306 |
| 02S02 | 02(2) | 04S02 | 1196300 | -HSM | RR19 | 1196306 |
| | 03(0) | | | | | |
| 02S04 | 04(2) | 04S04 | 1226300 | -HSM | RR22 | 1226306 |
| | 05(0) | | | | | |
| | 06(0) | | | | | |
| | 07(0) | | | | | |
| | 08(0) | | | | | |
| 02S09 | 09(2) | 04S09 | 1186300 | -HSM | RR18 | 1186306 |
| | 10(1) | 03S16 | 4791703 | | GND2803 | 4791703 |
| 02S11 | 11(2) | 04S11 | 1236340 | . | RW23 | 1232604 |
| 02S12 | 12(2) | 04S12 | 1196340 | . | RW19 | 1192604 |
| 02S13 | 13(2) | 04S13 | 3180450 | . | CK-32P45 | 5140340 |
| | 14(0) | | | | | |
| | 15(0) | | | | | |
| 03S10 | 16(2) | 03S24 | 4791703 | -GND | GND2803 | 4791703 |
| 02S17 | 17(2) | 04S17 | 1226340 | . | RW22 | 1222604 |
| 02S18 | 18(2) | 04S18 | 1053372 | . | L105-1 | 5140346 |
| 02S19 | 19(2) | 04S19 | 1186340 | . | RW18 | 1182604 |
| 02S20 | 20(2) | 04S20 | 1082645 | . | NIOFR8-1 | 5140342 |
| 01S21 | 21(2) | 01T21 | 1043384 | . | NL104-1 | 5140342 |
| 01R03 | 22(2) | 04S22 | 1033370 | . | L103 | 5140342 |
| 02S23 | 23(2) | 04S23 | 1092635 | . | IOFR9-1 | 5140344 |
| 03S16 | 24(2) | 03S38 | 4791703 | | GND2803 | 4791703 |
| 02S25 | 25(2) | 04S25 | 1092645 | . | NIOFR9-1 | 5140342 |
| 02S26 | 26(2) | 04S26 | 5153251 | . | IOFM | 5140342 |
| | 27(0) | | | | | |
| 02S28 | 28(2) | 04S28 | 1216340 | . | RW21 | 1212604 |
| 02S29 | 29(2) | 04S29 | 1063372 | . | L106-1 | 5140348 |
| 02S30 | 30(2) | 04S30 | 1073372 | . | L107-1 | 5140350 |
| 02S31 | 31(2) | 04S31 | 7430550 | . | RWB2 | 5140340 |
| | 32(0) | | | | | |
| 02S33 | 33(2) | 04S33 | 1206340 | . | RW20 | 1202604 |
| 02S34 | 34(2) | 04S34 | 1176340 | . | RW17 | 1172604 |
| 02S35 | 35(2) | 04S35 | 1166340 | . | RW16 | 1162604 |
| | 36(0) | | | | | |
| | 37(0) | | | | | |
| 03S24 | 38(1) | | 4791703 | | GND2803 | 4791703 |
| | 39(0) | | | | | |
| | 40(0) | | | | | |
| 02S41 | 41(2) | 04S41 | 1176300 | -HSM | RR17 | 1176306 |
| | 42(0) | | | | | |
| 02S43 | 43(2) | 04S43 | 1166300 | -HSM | RR16 | 1166306 |
| | 44(0) | | | | | |
| 02S45 | 45(2) | 04S45 | 1206300 | -HSM | RR20 | 1206306 |
| 02S46 | 46(2) | 04S46 | 1216300 | -HSM | RR21 | 1216306 |
| | 47(0) | | | | | |
| | 48(0) | | | | | |
| 02S49 | 49(0) | 04S49 | 8301700 | | P4VS | 8301700 |
| 04S50 | 50(2) | 02S50 | 8305300 | | M8VS | 8305310 |
| 02S51 | 51(0) | 04S51 | 8303700 | | P8VS | 8303700 |

XDS 902306



DRAWING NO.- 133264-948 AC
 PROG-PNIND MODULE-04S
 TYPE-PIN INDEX TYPE-FT25

36

10/27/71

| FROM | PIN (COUNT) | TO | SOURCE LINE NO. | ELEM. TYPE | SOURCE SIGNAL NAME | REFERENCE LINE NO. |
|-------|----------------|-------|--------------------|---------------|--------------------|-----------------------|
| | 00(0) | | | | | |
| 03S01 | 01(2) | 05S01 | 1236300 | -HSM | RR23 | 1236308 |
| 03S02 | 02(2) | 05S02 | 1196300 | -HSM | RR19 | 1196308 |
| | 03(0) | | | | | |
| 03S04 | 04(2) | 05S04 | 1226300 | -HSM | RR22 | 1226308 |
| | 05(0) | | | | | |
| | 06(0) | | | | | |
| | 07(0) | | | | | |
| | 08(0) | | | | | |
| 03S09 | 09(2) | 05S09 | 1186300 | -HSM | RR18 | 1186308 |
| | 10(1) | 04S16 | 4791704 | | GND2804 | 4791704 |
| 03S11 | 11(2) | 05S11 | 1236340 | . | RW23 | 1232606 |
| 03S12 | 12(2) | 05S12 | 1196340 | . | RW19 | 1192606 |
| 03S13 | 13(2) | 05S44 | 3180450 | . | CK-32P45 | 5140440 |
| | 14(0) | | | | | |
| | 15(0) | | | | | |
| 04S10 | 16(2) | 04S24 | 4791704 | -GND | GND2804 | 4791704 |
| 03S17 | 17(2) | 05S17 | 1226340 | . | RW22 | 1222606 |
| 03S18 | 18(2) | 08T18 | 1053372 | . | L105-1 | 5140446 |
| 03S19 | 19(2) | 05S19 | 1186340 | . | RW18 | 1182606 |
| 03S20 | 20(2) | 05T20 | 1082645 | . | NIOFR8-1 | 5140442 |
| 02S21 | 21(2) | 02T21 | 1043370 | . | L104 | 5140442 |
| 03S22 | 22(2) | 03T22 | 1033370 | . | L103 | 5140442 |
| 03S23 | 23(2) | 01T23 | 1092635 | . | IOFR9-1 | 5140444 |
| 04S16 | 24(2) | 04S38 | 4791704 | | GND2804 | 4791704 |
| 03S25 | 25(2) | 01T25 | 1092645 | . | NIOFR9-1 | 5140442 |
| 03S26 | 26(2) | 01T26 | 5153251 | . | IOFM | 5140442 |
| | 27(0) | | | | | |
| 03S28 | 28(2) | 05S28 | 1216340 | . | RW21 | 1212606 |
| 03S29 | 29(2) | 07T29 | 1063372 | . | L106-1 | 5140448 |
| 03S30 | 30(2) | 08T30 | 1073372 | . | L107-1 | 5140450 |
| 03S31 | 31(2) | 05S31 | 7430550 | . | RWB2 | 5140440 |
| | 32(0) | | | | | |
| 03S33 | 33(2) | 05S33 | 1206340 | . | RW20 | 1202606 |
| 03S34 | 34(2) | 05S34 | 1176340 | . | RW17 | 1172606 |
| 03S35 | 35(2) | 05S35 | 1166340 | . | RW16 | 1162606 |
| | 36(0) | | | | | |
| | 37(0) | | | | | |
| 04S24 | 38(1) | | 4791704 | | GND2804 | 4791704 |
| | 39(0) | | | | | |
| | 40(0) | | | | | |
| 03S41 | 41(2) | 05S41 | 1176300 | -HSM | RR17 | 1176308 |
| | 42(0) | | | | | |
| 03S43 | 43(2) | 05S43 | 1166300 | -HSM | RR16 | 1166308 |
| | 44(0) | | | | | |
| 03S45 | 45(2) | 05S45 | 1206300 | -HSM | RR20 | 1206308 |
| 03S46 | 46(2) | 05S46 | 1216300 | -HSM | RR21 | 1216308 |
| | 47(0) | | | | | |
| | 48(0) | | | | | |
| 03S49 | 49(0) | 05S49 | 8301700 | | P4VS | 8301700 |
| 05S50 | 50(2) | 03S50 | 8305300 | | MBVS | 8305310 |
| 03S51 | 51(0) | 05S51 | 8303700 | | P8VS | 8303700 |

| FROM | PIN (COUNT) | TO | SOURCE LINE NO. | ELEM. TYPE | SOURCE SIGNAL NAME | REFERENCE LINE NO. |
|-------|----------------|-------|--------------------|---------------|--------------------|-----------------------|
| | 00(0) | | | | | |
| 04S01 | 01(2) | 06S01 | 1236300 | -HSM | RR23 | 1236310 |
| 04S02 | 02(2) | 06S02 | 1196300 | -HSM | RR19 | 1196310 |
| | 03(0) | | | | | |
| 04S04 | 04(2) | 06S04 | 1226300 | -HSM | RR22 | 1226310 |
| 05S06 | 05(2) | 06S13 | 3180450 | T | CK-32P45 | 3180450 |
| 05S07 | 06(2) | 05S05 | 3180450 | T | CK-32P45 | 3180450 |
| 05S13 | 07(2) | 05S06 | 3180450 | T | CK-32P45 | 3180450 |
| 05S18 | 08(1) | | 1293700 | T | LR29-0 | 1293700 |
| 04S09 | 09(2) | 06S09 | 1186300 | -HSM | RR18 | 1186310 |
| | 10(1) | 05S16 | 4791705 | | GND2805 | 4791705 |
| 04S11 | 11(2) | 06S11 | 1236340 | . | RW23 | 1236220 |
| 04S12 | 12(2) | 06S12 | 1196340 | . | RW19 | 1196220 |
| 05S40 | 13(2) | 05S07 | 3180450 | . | CK-32P45 | 7394040 |
| | 14(0) | | | | | |
| | 15(0) | | | | | |
| 05S10 | 16(2) | 05S24 | 4791705 | -GND | GND2805 | 4791705 |
| 04S17 | 17(2) | 06S17 | 1226340 | . | RW22 | 1226220 |
| 06S18 | 18(2) | 05S08 | 1293700 | . | LR29-0 | 7394046 |
| 04S19 | 19(2) | 06S19 | 1186340 | . | RW18 | 1186220 |
| 10R20 | 20(2) | 06S20 | 1256202 | . | NRP25 | 7394042 |
| 10R35 | 21(2) | 06S21 | 1246202 | . | NRP24 | 7394042 |
| 06S22 | 22(2) | 11S44 | 5153262 | . | NIOFM/1 | 7394042 |
| 10R14 | 23(2) | 06S23 | 1283700 | . | LR28-0 | 7394044 |
| 05S16 | 24(2) | 05S38 | 4791705 | . | GND2805 | 4791705 |
| 06S25 | 25(2) | 05S42 | 1283720 | . | NLR28-0 | 7394042 |
| 10R33 | 26(2) | 06S26 | 1266202 | . | NRP26 | 7394042 |
| 07S27 | 27(1) | | 1276202 | . | NRP27 | 7394042 |
| 04S28 | 28(2) | 06S28 | 1216340 | . | RW21 | 1216220 |
| 05S39 | 29(2) | 06S29 | 1303700 | . | LR30-0 | 7394048 |
| 06R08 | 30(2) | 06S30 | 1313700 | . | LR31-0 | 7394050 |
| 04S31 | 31(2) | 06S31 | 7430550 | . | RWB2 | 7394040 |
| | 32(0) | | | | | |
| 04S33 | 33(2) | 06S33 | 1206340 | . | RW20 | 1206220 |
| 04S34 | 34(2) | 06S34 | 1176340 | . | RW17 | 1176220 |
| 04S35 | 35(2) | 06S35 | 1166340 | . | RW16 | 1166220 |
| | 36(0) | | | | | |
| | 37(0) | | | | | |
| 05S24 | 38(1) | | 4791705 | | GND2805 | 4791705 |
| | 39(1) | 05S29 | 1303700 | T | LR30-0 | 1303700 |
| 05S44 | 40(2) | 05S13 | 3180450 | T | CK-32P45 | 3180450 |
| 04S41 | 41(2) | 06S41 | 1176300 | -HSM | RR17 | 1176310 |
| 05S25 | 42(1) | | 1283720 | T | NLR28-0 | 1283720 |
| 04S43 | 43(2) | 06S43 | 1166300 | -HSM | RR16 | 1166310 |
| 04S13 | 44(2) | 05S40 | 3180450 | T | CK-32P45 | 3180450 |
| 04S45 | 45(2) | 06S45 | 1206300 | -HSM | RR20 | 1206310 |
| 04S46 | 46(2) | 06S46 | 1216300 | -HSM | RR21 | 1216310 |
| | 47(0) | | | | | |
| | 48(0) | | | | | |
| 04S49 | 49(0) | 06S49 | 8301700 | | P4VS | 8301700 |
| 06S50 | 50(2) | 04S50 | 8305300 | | M8VS | 8305310 |
| 04S51 | 51(0) | 06S51 | 8303700 | | P8VS | 8303700 |

XDS 902306



DRAWING NO. - 133264-948 AC
 PROG-PNIND MODULE-06S
 TYPE-PIN INDEX TYPE-FT25

38

10/27/71

| FROM | PIN (COUNT) | TO | SOURCE LINE NO. | ELEM. TYPE | SOURCE SIGNAL NAME | REFERENCE LINE NO. |
|-------|-------------|-------|-----------------|------------|--------------------|--------------------|
| | 00(0) | | | | | |
| 05S01 | 01(2) | 07S01 | 1236300 | -HSM | RR23 | 1236312 |
| 05S02 | 02(2) | 07S02 | 1196300 | -HSM | RR19 | 1196312 |
| | 03(0) | | | | | |
| 05S04 | 04(2) | 07S04 | 1226300 | -HSM | RR22 | 1226312 |
| | 05(0) | | | | | |
| | 06(0) | | | | | |
| | 07(0) | | | | | |
| | 08(0) | | | | | |
| 05S09 | 09(2) | 07S09 | 1186300 | -HSM | RR18 | 1186312 |
| | 10(1) | 06S16 | 4791706 | | GND2806 | 4791706 |
| 05S11 | 11(2) | 07S11 | 1236340 | . | RW23 | 1236222 |
| 05S12 | 12(2) | 07S12 | 1196340 | . | RW19 | 1196222 |
| 05S05 | 13(2) | 07S13 | 3180450 | . | CK-32P45 | 7394140 |
| | 14(0) | | | | | |
| | 15(0) | | | | | |
| 06S10 | 16(2) | 06S24 | 4791706 | -GND | GND2806 | 4791706 |
| 05S17 | 17(2) | 07S17 | 1226340 | . | RW22 | 1226222 |
| 07S18 | 18(2) | 05S18 | 1293700 | . | LR29-0 | 7394146 |
| 05S19 | 19(2) | 07S19 | 1186340 | . | RW18 | 1186222 |
| 05S20 | 20(2) | 07S20 | 1256202 | . | NRP25 | 7394142 |
| 05S21 | 21(2) | 07S21 | 1246202 | . | NRP24 | 7394142 |
| 07S22 | 22(2) | 05S22 | 5153262 | . | NIOFM/1 | 7394142 |
| 05S23 | 23(2) | 07S23 | 1283700 | . | LR28-0 | 7394144 |
| 06S16 | 24(2) | 06S38 | 4791706 | | GND2806 | 4791706 |
| 07S25 | 25(2) | 05S25 | 1283720 | . | NLR28-0 | 7394142 |
| 05S26 | 26(2) | 09T26 | 1266202 | . | NRP26 | 7394142 |
| 02R27 | 27(2) | 08S27 | 1276200 | . | RP27 | 7394142 |
| 05S28 | 28(2) | 07S28 | 1216340 | . | RW21 | 1216222 |
| 05S29 | 29(2) | 07S29 | 1303700 | . | LR30-0 | 7394148 |
| 05S30 | 30(2) | 07S30 | 1313700 | . | LR31-0 | 7394150 |
| 05S31 | 31(2) | 07S31 | 7430550 | . | RWB2 | 7394140 |
| | 32(0) | | | | | |
| 05S33 | 33(2) | 07S33 | 1206340 | . | RW20 | 1206222 |
| 05S34 | 34(2) | 07S34 | 1176340 | . | RW17 | 1176222 |
| 05S35 | 35(2) | 07S35 | 1166340 | . | RW16 | 1166222 |
| | 36(0) | | | | | |
| | 37(0) | | | | | |
| 06S24 | 38(1) | | 4791706 | | GND2806 | 4791706 |
| | 39(0) | | | | | |
| | 40(0) | | | | | |
| 05S41 | 41(2) | 07S41 | 1176300 | -HSM | RR17 | 1176312 |
| | 42(0) | | | | | |
| 05S43 | 43(2) | 07S43 | 1166300 | -HSM | RR16 | 1166312 |
| | 44(0) | | | | | |
| 05S45 | 45(2) | 07S45 | 1206300 | -HSM | RR20 | 1206312 |
| 05S46 | 46(2) | 07S46 | 1216300 | -HSM | RR21 | 1216312 |
| | 47(0) | | | | | |
| | 48(0) | | | | | |
| 05S49 | 49(0) | 07S49 | 8301700 | | P4VS | 8301700 |
| 07S50 | 50(2) | 05S50 | 8305300 | | M8VS | 8305310 |
| 05S51 | 51(0) | 07S51 | 8303700 | | P8VS | 8303700 |

XDS 902306

XDS
XEROX DATA SYSTEMS

DRAWING NO.- 133264-948 AC
PROG-PNIND MODULE-07S
TYPE-PIN INDEX TYPE-FT25

39

10/27/71

| FROM | PIN (COUNT) | TO | SOURCE LINE NO. | ELEM. TYPE | SOURCE SIGNAL NAME | REFERENCE LINE NO. |
|-------|----------------|-------|--------------------|---------------|--------------------|-----------------------|
| | 00(0) | | | | | |
| 06S01 | 01(2) | 08S01 | 1236300 | -HSM | RR23 | 1236314 |
| 06S02 | 02(2) | 08S02 | 1196300 | -HSM | RR19 | 1196314 |
| | 03(0) | | | | | |
| 06S04 | 04(2) | 08S04 | 1226300 | -HSM | RR22 | 1226314 |
| | 05(0) | | | | | |
| | 06(0) | | | | | |
| | 07(0) | | | | | |
| | 08(0) | | | | | |
| 06S09 | 09(2) | 08S09 | 1186300 | -HSM | RR18 | 1186314 |
| | 10(1) | 07S16 | 4791707 | | GND2807 | 4791707 |
| 06S11 | 11(2) | 08S11 | 1236340 | . | RW23 | 1236224 |
| 06S12 | 12(2) | 08S12 | 1196340 | . | RW19 | 1196224 |
| 06S13 | 13(2) | 08S13 | 3180450 | . | CK-32P45 | 7394240 |
| | 14(0) | | | | | |
| | 15(0) | | | | | |
| 07S10 | 16(2) | 07S24 | 4791707 | -GND | GND2807 | 4791707 |
| 06S17 | 17(2) | 08S17 | 1226340 | . | RW22 | 1226224 |
| 08S18 | 18(2) | 06S18 | 1293700 | . | LR29-0 | 7394246 |
| 06S19 | 19(2) | 08S19 | 1186340 | . | RW18 | 1186224 |
| 06S20 | 20(2) | 08S20 | 1256202 | . | NRP25 | 7394242 |
| 06S21 | 21(2) | 08S21 | 1246202 | . | NRP24 | 7394242 |
| 08S22 | 22(2) | 06S22 | 5153262 | . | NIOFM/1 | 7394242 |
| 06S23 | 23(2) | 08S23 | 1283700 | . | LR28-0 | 7394244 |
| 07S16 | 24(2) | 07S38 | 4791707 | | GND2807 | 4791707 |
| 08S25 | 25(2) | 06S25 | 1283720 | . | NLR28-0 | 7394242 |
| 02R31 | 26(2) | 08S26 | 1266200 | . | RP26 | 7394242 |
| 09T27 | 27(2) | 05S27 | 1276202 | . | NRP27 | 7394242 |
| 06S28 | 28(2) | 08S28 | 1216340 | . | RW21 | 1216224 |
| 06S29 | 29(2) | 08S29 | 1303700 | . | LR30-0 | 7394248 |
| 06S30 | 30(2) | 08S30 | 1313700 | . | LR31-0 | 7394250 |
| 06S31 | 31(2) | 08S31 | 7430550 | . | RWB2 | 7394240 |
| | 32(0) | | | | | |
| 06S33 | 33(2) | 08S33 | 1206340 | . | RW20 | 1206224 |
| 06S34 | 34(2) | 08S34 | 1176340 | . | RW17 | 1176224 |
| 06S35 | 35(2) | 08S35 | 1166340 | . | RW16 | 1166224 |
| | 36(0) | | | | | |
| | 37(0) | | | | | |
| 07S24 | 38(1) | | 4791707 | | GND2807 | 4791707 |
| | 39(0) | | | | | |
| | 40(0) | | | | | |
| 06S41 | 41(2) | 08S41 | 1176300 | -HSM | RR17 | 1176314 |
| | 42(0) | | | | | |
| 06S43 | 43(2) | 08S43 | 1166300 | -HSM | RR16 | 1166314 |
| | 44(0) | | | | | |
| 06S45 | 45(2) | 08S45 | 1206300 | -HSM | RR20 | 1206314 |
| 06S46 | 46(2) | 08S46 | 1216300 | -HSM | RR21 | 1216314 |
| | 47(0) | | | | | |
| | 48(0) | | | | | |
| 06S49 | 49(0) | 08S49 | 8301700 | | P4VS | 8301700 |
| 08S50 | 50(2) | 06S50 | 8305300 | | M8VS | 8305300 |
| 06S51 | 51(0) | 08S51 | 8303700 | | P8VS | 8303700 |

XDS 902306

XDS
XEROX DATA SYSTEMS

DRAWING NO.- 133264-948 AC
PROG-PNIND MODULE-08S
TYPE-PIN INDEX TYPE-FT25

40

10/27/71

| FROM | PIN (COUNT) | TO | SOURCE LINE NO. | ELEM. TYPE | SOURCE SIGNAL NAME | REFERENCE LINE NO. |
|-------|----------------|-------|--------------------|---------------|--------------------|-----------------------|
| | 00(0) | | | | | |
| 07S01 | 01(2) | 09S42 | 1236300 | -HSM | RR23 | 1236316 |
| 07S02 | 02(2) | 09S34 | 1196300 | -HSM | RR19 | 1196316 |
| | 03(0) | | | | | |
| 07S04 | 04(2) | 09S40 | 1226300 | -HSM | RR22 | 1226316 |
| | 05(0) | | | | | |
| | 06(0) | | | | | |
| | 07(0) | | | | | |
| | 08(0) | | | | | |
| 07S09 | 09(2) | 09S27 | 1186300 | -HSM | RR18 | 1186316 |
| | 10(1) | 08S16 | 4791708 | | GND2808 | 4791708 |
| 07S11 | 11(2) | 10S26 | 1236340 | . | RW23 | 1236226 |
| 07S12 | 12(2) | 10S18 | 1196340 | . | RW19 | 1196226 |
| 07S13 | 13(1) | | 3180450 | . | CK-32P45 | 7394340 |
| | 14(0) | | | | | |
| | 15(0) | | | | | |
| 08S10 | 16(2) | 08S24 | 4791708 | -GND | GND2808 | 4791708 |
| 07S17 | 17(2) | 10S25 | 1226340 | . | RW22 | 1226226 |
| 09T18 | 18(2) | 07S18 | 1293700 | . | LR29-0 | 7394346 |
| 07S19 | 19(2) | 10S19 | 1186340 | . | RW18 | 1186226 |
| 07S20 | 20(2) | 09T20 | 1256202 | . | NRP25 | 7394342 |
| 07S21 | 21(2) | 09T21 | 1246202 | . | NRP24 | 7394342 |
| 09T22 | 22(2) | 07S22 | 5153262 | . | NIOFM/1 | 7394342 |
| 07S23 | 23(2) | 09T23 | 1283700 | . | LR28-0 | 7394344 |
| 08S16 | 24(2) | 08S38 | 4791708 | | GND2808 | 4791708 |
| 09T25 | 25(2) | 07S25 | 1283720 | . | NLR28-0 | 7394342 |
| 07S26 | 26(2) | 11T26 | 1266200 | . | RP26 | 7394342 |
| 06S27 | 27(2) | 10T27 | 1276200 | . | RP27 | 7394342 |
| 07S28 | 28(2) | 10S27 | 1216340 | . | RW21 | 1216226 |
| 07S29 | 29(2) | 13S12 | 1303700 | . | LR30-0 | 7394348 |
| 07S30 | 30(2) | 13S09 | 1313700 | . | LR31-0 | 7394350 |
| 07S31 | 31(2) | 14S36 | 7430550 | . | RWB2 | 7394340 |
| | 32(0) | | | | | |
| 07S33 | 33(2) | 10S28 | 1206340 | . | RW20 | 1206226 |
| 07S34 | 34(2) | 10S05 | 1176340 | . | RW17 | 1176226 |
| 07S35 | 35(2) | 10S17 | 1166340 | . | RW16 | 1166226 |
| | 36(0) | | | | | |
| | 37(0) | | | | | |
| 08S24 | 38(1) | | 4791708 | | GND2808 | 4791708 |
| | 39(0) | | | | | |
| | 40(0) | | | | | |
| 07S41 | 41(2) | 09S22 | 1176300 | -HSM | RR17 | 1176316 |
| | 42(0) | | | | | |
| 07S43 | 43(2) | 09S20 | 1166300 | -HSM | RR16 | 1166316 |
| | 44(0) | | | | | |
| 07S45 | 45(2) | 09S36 | 1206300 | -HSM | RR20 | 1206316 |
| 07S46 | 46(2) | 09S38 | 1216300 | -HSM | RR21 | 1216316 |
| | 47(0) | | | | | |
| | 48(0) | | | | | |
| 07S49 | 49(0) | 09S49 | 8301700 | | P4VS | 8301700 |
| 09S50 | 50(2) | 07S50 | 8305300 | | M8VS | 8305300 |
| 07S51 | 51(0) | 09S51 | 8303700 | | P8VS | 8303700 |

| FROM | PIN (COUNT) | TO | SOURCE LINE NO. | ELEM. TYPE | SOURCE SIGNAL NAME | REFERENCE LINE NO. |
|-------|----------------|-------|--------------------|---------------|--------------------|-----------------------|
| | 00(0) | | | | | |
| 13S06 | 01(1) | | 1283715 | * | LR28-2 | 1283750 |
| 16S10 | 02(1) | | 1283735 | * | NLR28-2 | 1283755 |
| 13S15 | 03(1) | | 1293715 | * | LR29-2 | 1293750 |
| | 04(0) | | | | | |
| | 05(1) | 09S16 | 4791709 | | GND2809 | 4791709 |
| | 06(0) | | | | | |
| | 07(0) | | | | | |
| | 08(0) | | | | | |
| 13S11 | 09(1) | | 1303715 | * | LR30-2 | 1303750 |
| | 10(0) | | | | | |
| | 11(0) | | | | | |
| 13S10 | 12(1) | | 1313715 | * | LR31-2 | 1313750 |
| | 13(0) | | | | | |
| | 14(0) | | | | | |
| 14S41 | 15(1) | | 7430555 | * | RWB2-1 | 7430560 |
| 09S05 | 16(2) | 09S24 | 4791709 | -GND | GND2809 | 4791709 |
| | 17(0) | | | | | |
| | 18(0) | | | | | |
| 13S17 | 19(1) | | 1166330-1 | * | | 1166330 |
| 08S43 | 20(2) | 10R01 | 1166300 | -BCR | RR16 | 1166300 |
| | 21(0) | | | | | |
| 08S41 | 22(2) | 10R02 | 1176300 | -BCR | RR17 | 1176300 |
| 13S05 | 23(1) | | 1176330-1 | * | | 1176330 |
| 09S16 | 24(2) | 09S41 | 4791709 | | GND2809 | 4791709 |
| 13S19 | 25(1) | | 1186330-1 | * | | 1186330 |
| | 26(0) | | | | | |
| 08S09 | 27(2) | 10R03 | 1186300 | -BCR | RR18 | 1186300 |
| | 28(0) | | | | | |
| | 29(0) | | | | | |
| | 30(0) | | | | | |
| | 31(0) | | | | | |
| | 32(0) | | | | | |
| 13S18 | 33(1) | | 1196330-1 | * | | 1196330 |
| 08S02 | 34(2) | 10R04 | 1196300 | -BCR | RR19 | 1196300 |
| 13S28 | 35(1) | | 1206330-1 | * | | 1206330 |
| 08S45 | 36(2) | 10R05 | 1206300 | -BCR | RR20 | 1206300 |
| 13S27 | 37(1) | | 1216330-1 | * | | 1216330 |
| 08S46 | 38(2) | 10R06 | 1216300 | -BCR | RR21 | 1216300 |
| 13S25 | 39(1) | | 1226330-1 | * | | 1226330 |
| 08S04 | 40(2) | 10R07 | 1226300 | -BCR | RR22 | 1226300 |
| 09S24 | 41(1) | | 4791709 | | GND2809 | 4791709 |
| 08S01 | 42(2) | 10R08 | 1236300 | -BCR | RR23 | 1236300 |
| | 43(0) | | | | | |
| | 44(0) | | | | | |
| 13S26 | 45(1) | | 1236330-1 | * | | 1236330 |
| | 46(0) | | | | | |
| | 47(0) | | | | | |
| | 48(0) | | | | | |
| 08S49 | 49(0) | 10S49 | 8301700 | | P4VS | 8301710 |
| 15S50 | 50(2) | 08S50 | 8305300 | | M8VS | 8305300 |
| 08S51 | 51(0) | 10S51 | 8303700 | | P8VS | 8303710 |

XDS 902306

XDS
XEROX DATA SYSTEMS

DRAWING NO.- 133264-948 AC
PROG-PNIND MODULE-10S
TYPE-PIN INDEX TYPE-BT16

42

10/27/71

| FROM | PIN (COUNT) | TO | SOURCE LINE NO. | ELEM. TYPE | SOURCE SIGNAL NAME | REFERENCE LINE NO. |
|-------|----------------|-------|--------------------|---------------|--------------------|-----------------------|
| | 00(0) | | | | | |
| 13S01 | 01(2) | 11S02 | 1166500 | . | S16 | 1166340 |
| 13S02 | 02(1) | | 1176500 | . | S17 | 1176340 |
| 13S03 | 03(2) | 11S04 | 1186500 | . | S18 | 1186340 |
| 13S04 | 04(2) | 11S05 | 1196500 | . | S19 | 1196340 |
| 08S34 | 05(1) | | 1176340 | B | RW17 | 1176340 |
| 12R43 | 06(2) | 16T02 | 6942180 | B | PUC18 | 6942182 |
| 08R06 | 07(2) | 13R25 | 1204900 | . | P20 | 6942182 |
| 08R29 | 08(2) | 13R33 | 1194900 | . | P19 | 6942182 |
| 17S26 | 09(2) | 07R13 | 4241000 | . | EWDM | 4241005 |
| 23R35 | 10(1) | | 4241005 | B | EWDM-1 | 4241005 |
| 07R35 | 11(2) | 25S17 | 3278000 | B | CNTZREQ | 3278002 |
| 01R22 | 12(2) | 11S13 | 3278030 | . | CNTZREQ/1 | 3278002 |
| 08T26 | 13(2) | 14T39 | 5153251 | . | 10FM | 5153270 |
| 13R45 | 14(2) | 16T01 | 6802100 | . | (P21.P22+PUC20) | 6942182 |
| | 15(1) | 01R34 | 5153270 | B | 10FM-1 | 5153270 |
| | 16(0) | | 4791710 | -GND | GND2810 | 4791710 |
| 08S35 | 17(1) | | 1166340 | B | RW16 | 1166340 |
| 08S12 | 18(1) | | 1196340 | B | RW19 | 1196340 |
| 08S19 | 19(1) | | 1186340 | B | RW18 | 1186340 |
| 11S19 | 20(2) | 10S29 | 7438120 | . | RWXS/2 | 1166340 |
| 13S21 | 21(2) | 11S21 | 1206500 | . | S20 | 1206340 |
| 13S22 | 22(2) | 11S06 | 1216500 | . | S21 | 1216340 |
| 13S23 | 23(2) | 11S23 | 1226500 | . | S22 | 1226340 |
| 14R42 | 24(2) | 11S24 | 1236500 | . | S23 | 1236340 |
| 08S17 | 25(1) | | 1226340 | B | RW22 | 1226340 |
| 08S11 | 26(1) | | 1236340 | B | RW23 | 1236340 |
| 08S28 | 27(1) | | 1216340 | B | RW21 | 1216340 |
| 08S33 | 28(1) | | 1206340 | B | RW20 | 1206340 |
| 10S20 | 29(2) | 14S35 | 7438120 | . | RWXS/2 | 1206340 |
| 11S30 | 30(2) | 13S30 | 1296500 | . | S29 | 1296340 |
| 13S31 | 31(2) | 11S31 | 1286500 | . | S28 | 1286340 |
| | 32(0) | | | | | |
| 11S29 | 33(2) | 10S50 | 7438130 | . | RWXS/3 | 1246340 |
| 12T35 | 34(1) | | 1246340 | B | RW24 | 1246340 |
| 12T34 | 35(1) | | 1256340 | B | RW25 | 1256340 |
| 12T12 | 36(1) | | 1276340 | B | RW27 | 1276340 |
| 13S37 | 37(2) | 11S37 | 1276500 | . | S27 | 1276340 |
| 13S38 | 38(2) | 11S38 | 1266500 | . | S26 | 1266340 |
| 13S39 | 39(2) | 11S39 | 1256500 | . | S25 | 1256340 |
| 13S40 | 40(2) | 11S40 | 1246500 | . | S24 | 1246340 |
| 12T19 | 41(1) | | 1266340 | B | RW26 | 1266340 |
| 13S42 | 42(2) | 11S42 | 1306500 | . | S30 | 1306340 |
| 13S43 | 43(2) | 11S43 | 1316500 | . | S31 | 1316340 |
| 12T17 | 44(1) | | 1306340 | B | RW30 | 1306340 |
| 12T11 | 45(1) | | 1316340 | B | RW31 | 1316340 |
| 12T28 | 46(1) | | 1296340 | B | RW29 | 1296340 |
| 12T33 | 47(1) | | 1286340 | B | RW28 | 1286340 |
| | 48(0) | | | | | |
| 09S49 | 49(0) | 11S49 | 8301700 | . | P4VS | 8301710 |
| 10S33 | 50(2) | 14S46 | 7438130 | . | RWXS/3 | 1286340 |
| 09S51 | 51(0) | 11S51 | 8303700 | . | P8VS | 8303710 |

XDS
XEROX DATA SYSTEMS

DRAWING NO.- 133264-948 AC
PROG-PNIND MODULE-11S
TYPE-PIN INDEX TYPE-XT10

43

10/27/71

| FROM | PIN (COUNT) | TO | SOURCE LINE NO. | ELEM. TYPE | SOURCE SIGNAL NAME | REFERENCE LINE NO. |
|-------|----------------|-------|--------------------|---------------|--------------------|-----------------------|
| | 00(0) | | | | | |
| 12R46 | 01(1) | | 1156500 | T S15 | | 1156500 |
| 10S01 | 02(1) | | 1166500 | T S16 | | 1166500 |
| | 03(0) | | | | | |
| 10S03 | 04(1) | | 1186500 | T S18 | | 1186500 |
| 10S04 | 05(1) | | 1196500 | T S19 | | 1196500 |
| 10S22 | 06(1) | | 1216500 | T S21 | | 1216500 |
| 13S07 | 07(1) | | 1283700 | T LR28-0 | | 1283700 |
| 16S07 | 08(1) | | 2055050 | T ABO/2 | | 2055050 |
| 14S02 | 09(1) | | 6942400 | T NPUC33 | | 6942400 |
| 16T23 | 10(1) | | 4392630 | T NFORCL/1 | | 4392630 |
| 18T17 | 11(1) | | 2089208 | T (R/ADNH) | | 2089208 |
| 16S24 | 12(1) | | 6832430 | T N(R/PEM) | | 6832430 |
| 10S12 | 13(1) | | 3278030 | T CNTZREQ/1 | | 3278030 |
| 15T10 | 14(1) | | 2054910 | T (S/ABO/1) | | 2054910 |
| 18S15 | 15(1) | | 3846025 | T (DRQ+RESET) | | 3846025 |
| | 16(0) | | 4791711 | -GND GND2811 | | 4791711 |
| 18T27 | 17(1) | | 3107030 | T (S/CEINT) | | 3107030 |
| 16T24 | 18(1) | | 4392610 | T NFORCL | | 4392610 |
| | 19(1) | 10S20 | 7438120 | T RWXS/2 | | 7438120 |
| | 20(1) | 13S20 | 7408200 | T RRWXS/2 | | 7408200 |
| 10S21 | 21(1) | | 1206500 | T S20 | | 1206500 |
| | 22(1) | 14S21 | 4392655 | T NFORCLEN | | 4392655 |
| 10S23 | 23(1) | | 1226500 | T S22 | | 1226500 |
| 10S24 | 24(2) | 13S24 | 1236500 | T S23 | | 1236500 |
| 01R13 | 25(2) | 18S25 | 1086500 | T S8 | | 1086500 |
| | 26(1) | 14S24 | 3315134 | T CROSSD | | 3315134 |
| 17S27 | 27(1) | | 3651002 | T DIOFS | | 3651002 |
| | 28(1) | 15T17 | 8010500 | T T5 | | 8010500 |
| | 29(1) | 10S33 | 7438130 | T RWXS/3 | | 7438130 |
| 16R14 | 30(2) | 10S30 | 1296500 | T S29 | | 1296500 |
| 10S31 | 31(1) | | 1286500 | T S28 | | 1286500 |
| | 32(0) | | | | | |
| | 33(1) | 13S33 | 7408202 | T RRWXS/3 | | 7408202 |
| 14S50 | 34(1) | | 7430114 | T NRW-1 | | 7430114 |
| 15T26 | 35(1) | | 3107020 | T (FCEINT) | | 3107020 |
| 14S43 | 36(1) | | 6030130 | T NMB3CRO | | 6030130 |
| 10S37 | 37(1) | | 1276500 | T S27 | | 1276500 |
| 10S38 | 38(1) | | 1266500 | T S26 | | 1266500 |
| 10S39 | 39(1) | | 1256500 | T S25 | | 1256500 |
| 10S40 | 40(1) | | 1246500 | T S24 | | 1246500 |
| 14S40 | 41(1) | | 6030120 | T NMB2CRO | | 6030120 |
| 10S42 | 42(1) | | 1306500 | T S30 | | 1306500 |
| 10S43 | 43(1) | | 1316500 | T S31 | | 1316500 |
| 05S22 | 44(1) | | 5153262 | T NIOFM/1 | | 5153262 |
| 17S45 | 45(1) | | 1090100 | T A9 | | 1090100 |
| 07R11 | 46(2) | 16T21 | 5542110 | T NKXSXS | | 5542110 |
| 15T11 | 47(1) | | 2055100 | T ABOT | | 2055100 |
| | 48(0) | | | | | |
| 10S49 | 49(0) | 12S49 | 8301700 | P4VS | | 8301710 |
| 17S50 | 50(1) | | 1080100 | T A8 | | 1080100 |
| 10S51 | 51(0) | 12S51 | 8303700 | P8VS | | 8303710 |

XDS 902306

XDS
XEROX DATA SYSTEMS

DRAWING NO.- 133264-948 AC
PROG-PNIND MODULE-12S
TYPE-PIN INDEX TYPE-IT13

44

10/27/71

| FROM | PIN (COUNT) | TO | SOURCE LINE NO. | ELEM. TYPE | SOURCE SIGNAL NAME | REFERENCE LINE NO. |
|-------|----------------|-------|--------------------|---------------|--------------------|-----------------------|
| | 00(0) | | | | | |
| | 01(1) | 09R38 | 1283110 | I | NKSP28 | 1283110 |
| | 02(1) | 09R21 | 1293110 | I | NKSP29 | 1293110 |
| | 03(1) | 09R33 | 1313110 | I | NKSP31 | 1313110 |
| | 04(1) | 09R18 | 1303110 | I | NKSP30 | 1303110 |
| | 05(0) | | | | | |
| | 06(0) | | | | | |
| 09R47 | 07(2) | 17R50 | 1313100 | . | KSP31 | 1313110 |
| 09R42 | 08(2) | 17R37 | 1303100 | . | KSP30 | 1303110 |
| 16R07 | 09(1) | | 1293100 | . | KSP29 | 1293110 |
| | 10(0) | | | | | |
| 09R14 | 11(2) | 16R06 | 1283100 | . | KSP28 | 1283110 |
| 09R28 | 12(2) | 14R06 | 1243100 | . | KSP24 | 1243110 |
| 09R35 | 13(2) | 14R07 | 1253100 | . | KSP25 | 1253110 |
| 16R37 | 14(1) | | 1263100 | . | KSP26 | 1263110 |
| 09R04 | 15(2) | 16R50 | 1273100 | . | KSP27 | 1273110 |
| | 16(0) | | 4791712 | -GND | GND2812 | 4791712 |
| | 17(0) | | | | | |
| | 18(1) | 09R27 | 1243110 | I | NKSP24 | 1243110 |
| | 19(1) | 09R31 | 1253110 | I | NKSP25 | 1253110 |
| | 20(1) | 09R09 | 1263110 | I | NKSP26 | 1263110 |
| | 21(1) | 09R30 | 1273110 | I | NKSP27 | 1273110 |
| 17R05 | 22(1) | | 1334900 | . | P33 | 6803240 |
| 17R19 | 23(1) | | 1324900 | . | P32 | 6803240 |
| | 24(1) | 14S03 | 6803240 | I | N(P32.P33) | 6803240 |
| | 25(1) | 07R21 | 3315110 | I | NCROSS | 3315110 |
| 05R36 | 26(2) | 22S27 | 6192050 | . | (MRC.DRQ) | 3315110 |
| 03R36 | 27(2) | 14S22 | 3315120 | . | CROSSADD | 3315110 |
| | 28(1) | 08R33 | 1233110 | I | NKSP23 | 1233110 |
| | 29(1) | 08R42 | 1223110 | I | NKSP22 | 1223110 |
| | 30(1) | 08R18 | 1213110 | I | NKSP21 | 1213110 |
| | 31(1) | 08R07 | 1203110 | I | NKSP20 | 1203110 |
| | 32(0) | | | | | |
| | 33(0) | | | | | |
| | 34(0) | | | | | |
| 14R50 | 35(1) | | 1233100 | . | KSP23 | 1233110 |
| 13R07 | 36(1) | | 1223100 | . | KSP22 | 1223110 |
| 08R50 | 37(2) | 13R06 | 1213100 | . | KSP21 | 1213110 |
| 13R50 | 38(1) | | 1203100 | . | KSP20 | 1203110 |
| 12R50 | 39(1) | | 1163100 | . | KSP16 | 1163110 |
| 12R06 | 40(1) | | 1173100 | . | KSP17 | 1173110 |
| 12R07 | 41(1) | | 1183100 | . | KSP18 | 1183110 |
| 13R37 | 42(1) | | 1193100 | . | KSP19 | 1193110 |
| | 43(0) | | | | | |
| | 44(0) | | | | | |
| | 45(1) | 08R31 | 1163110 | I | NKSP16 | 1163110 |
| | 46(1) | 08R09 | 1173110 | I | NKSP17 | 1173110 |
| | 47(1) | 08R30 | 1183110 | I | NKSP18 | 1183110 |
| | 48(0) | | | | | |
| 11S49 | 49(0) | 13S49 | 8301700 | | P4VS | 8301710 |
| | 50(1) | 08R38 | 1193110 | I | NKSP19 | 1193110 |
| 11S51 | 51(0) | 13S51 | 8303700 | | P8VS | 8303710 |

XDS 902306

XDS
XEROX DATA SYSTEMS

DRAWING NO.- 133264-948 AC
PROG-PNIND
TYPE-PIN INDEX

MODULE-13S
TYPE-BT16

45

10/27/71

| FROM | PIN (COUNT) | TO | SOURCE LINE NO. | ELEM. TYPE | SOURCE SIGNAL NAME | REFERENCE LINE NO. |
|-------|----------------|-------|--------------------|---------------|--------------------|-----------------------|
| | 00(0) | | | | | |
| 12R42 | 01(2) | 10S01 | 1166500 | . | S16 | 1166330 |
| 12R08 | 02(2) | 10S02 | 1176500 | . | S17 | 1176330 |
| 12R14 | 03(2) | 10S03 | 1186500 | . | S18 | 1186330 |
| 13R46 | 04(2) | 10S04 | 1196500 | . | S19 | 1196330 |
| | 05(1) | 09S23 | 1176330-1 | B | | 1176330 |
| | 06(1) | 09S01 | 1283715 | B | LR28-2 | 1283715 |
| 12T23 | 07(2) | 11S07 | 1283700 | . | LR28-0 | 1283715 |
| | 08(0) | | | | | |
| 08S30 | 09(2) | 09T30 | 1313700 | . | LR31-0 | 1313715 |
| | 10(1) | 09S12 | 1313715 | B | LR31-2 | 1313715 |
| | 11(1) | 09S09 | 1303715 | B | LR30-2 | 1303715 |
| 08S29 | 12(2) | 09T29 | 1303700 | . | LR30-0 | 1303715 |
| 24R29 | 13(2) | 12T18 | 1293700 | . | LR29-0 | 1293715 |
| | 14(0) | | | | | |
| | 15(1) | 09S03 | 1293715 | B | LR29-2 | 1293715 |
| | 16(0) | | 4791713 | -GND | GND2813 | 4791713 |
| | 17(1) | 09S19 | 1166330-1 | B | | 1166330 |
| | 18(1) | 09S33 | 1196330-1 | B | | 1196330 |
| | 19(1) | 09S25 | 1186330-1 | B | | 1186330 |
| 11S20 | 20(2) | 13S29 | 7408200 | . | RRWXS/2 | 1166330 |
| 13R42 | 21(2) | 10S21 | 1206500 | . | S20 | 1206330 |
| 13R08 | 22(2) | 10S22 | 1216500 | . | S21 | 1216330 |
| 13R14 | 23(2) | 10S23 | 1226500 | . | S22 | 1226330 |
| 11S24 | 24(1) | | 1236500 | . | S23 | 1236330 |
| | 25(1) | 09S39 | 1226330-1 | B | | 1226330 |
| | 26(1) | 09S45 | 1236330-1 | B | | 1236330 |
| | 27(1) | 09S37 | 1216330-1 | B | | 1216330 |
| | 28(1) | 09S35 | 1206330-1 | B | | 1206330 |
| 13S20 | 29(2) | 14S34 | 7408200 | . | RRWXS/2 | 1206330 |
| 10S30 | 30(1) | | 1296500 | . | S29 | 1296330 |
| 16R08 | 31(2) | 10S31 | 1286500 | . | S28 | 1286330 |
| | 32(0) | | | | | |
| 11S33 | 33(2) | 13S50 | 7408202 | . | RRWXS/3 | 1246330 |
| | 34(1) | 13T19 | 1246330-1 | B | | 1246330 |
| | 35(1) | 13T23 | 1256330-1 | B | | 1256330 |
| | 36(1) | 13T33 | 1276330-1 | B | | 1276330 |
| 16R42 | 37(2) | 10S37 | 1276500 | . | S27 | 1276330 |
| 16R46 | 38(2) | 10S38 | 1266500 | . | S26 | 1266330 |
| 14R14 | 39(2) | 10S39 | 1256500 | . | S25 | 1256330 |
| 14R08 | 40(2) | 10S40 | 1246500 | . | S24 | 1246330 |
| | 41(1) | 13T25 | 1266330-1 | B | | 1266330 |
| 17R46 | 42(2) | 10S42 | 1306500 | . | S30 | 1306330 |
| 17R42 | 43(2) | 10S43 | 1316500 | . | S31 | 1316330 |
| | 44(1) | 13T39 | 1306330-1 | B | | 1306330 |
| | 45(1) | 13T45 | 1316330-1 | B | | 1316330 |
| | 46(1) | 13T37 | 1296330-1 | B | | 1296330 |
| | 47(1) | 13T35 | 1286330-1 | B | | 1286330 |
| | 48(0) | | | | | |
| 12S49 | 49(0) | 14S49 | 8301700 | . | P4VS | 8301710 |
| 13S33 | 50(2) | 14S47 | 7408202 | . | RRWXS/3 | 1286330 |
| 12S51 | 51(0) | 14S51 | 8303700 | . | P8VS | 8303710 |

XDS 902306

XDS

XEROX DATA SYSTEMS

DRAWING NO. - 133264-948 AC

PROG-PNIND

TYPE-PIN INDEX

MODULE-14S

TYPE-IT16

46

10/27/71

| FROM | PIN (COUNT) | TO | SOURCE LINE NO. | ELEM. TYPE | SOURCE SIGNAL NAME | REFERENCE LINE NO. |
|-------|----------------|-------|--------------------|---------------|--------------------|-----------------------|
| | 00(0) | | | | | |
| 14S03 | 01(1) | | 6803240 | . | N(P32.P33) | 6803200 |
| 14S04 | 02(2) | 11S09 | 6942400 | . | NPUC33 | 6942330 |
| 12S24 | 03(2) | 14S01 | 6803240 | . | N(P32.P33) | 6942292 |
| 32S31 | 04(2) | 14S02 | 6942400 | . | NPUC33 | 6942291 |
| 17R43 | 05(1) | | 6942330 | I | PUC3033 | 6942330 |
| | 06(1) | 16T08 | 6942220 | I | NPUC22 | 6942220 |
| 11R33 | 07(1) | | 6802300 | . | P2325W | 6942220 |
| | 08(1) | 05R43 | 6802600 | . | P2629W | 6942220 |
| 19R20 | 09(2) | 22T13 | 8010560 | . | T5EN | 4395320 |
| | 10(1) | 31T42 | 4395320 | I | FPCLN/2 | 4395320 |
| 24T07 | 11(1) | | 2162100 | I | (NAH.AHCL) | 2162102 |
| 15S06 | 12(1) | | 2162010 | . | AH | 2162102 |
| 15T02 | 13(2) | 15T23 | 8010520 | . | T5DP | 8010530 |
| 16R43 | 14(2) | 14S18 | 6942290 | . | PUC29 | 6942220 |
| | 15(1) | 15T06 | 8010530 | I | NT5DP | 8010530 |
| | 16(0) | | 4791714 | -GND | GND2814 | 4791714 |
| | 17(1) | 17R45 | 6803200 | I | (P32.P33+PUC31) | 6803200 |
| 14S14 | 18(2) | 14S19 | 6942290 | I | PUC29 | 6942291 |
| 14S18 | 19(2) | 11R13 | 6942290 | I | PUC29 | 6942292 |
| 32S30 | 20(2) | 03R09 | 6942300 | . | NPUC31 | 6803200 |
| 11S22 | 21(2) | 22S21 | 4392655 | . | NFORCLEN | 4392650 |
| 12S27 | 22(2) | 14T09 | 3315120 | . | CROSSADD | 3315130 |
| | 23(0) | | | | | |
| 11S26 | 24(2) | 21S17 | 3315134 | . | CROSSD | 3315136 |
| | 25(0) | | | | | |
| | 26(1) | 03R27 | 3315136 | I | NCROSSD | 3315136 |
| | 27(1) | 21S38 | 3315130 | I | NCROSSADD | 3315130 |
| 30S33 | 28(2) | 19T06 | 4392650 | I | FORCLEN | 4392650 |
| | 29(0) | | | | | |
| 19R26 | 30(2) | 14S31 | 6030130 | . | NMB3CRO | 7438130 |
| 14S30 | 31(2) | 14S42 | 6030130 | . | NMB3CRO | 7408202 |
| | 32(0) | | | | | |
| 19R35 | 33(2) | 14S50 | 7430114 | . | NRW-1 | 7408200 |
| 13S29 | 34(1) | | 7408200 | I | RRWXS/2 | 7408200 |
| 10S29 | 35(1) | | 7438120 | I | RWXS/2 | 7438120 |
| 08S31 | 36(1) | | 7430550 | I | RWB2 | 7430550 |
| 19R25 | 37(2) | 14S38 | 6030120 | . | NMB2CRO | 7430550 |
| 14S37 | 38(2) | 14S39 | 6030120 | . | NMB2CRO | 7430555 |
| 14S38 | 39(2) | 14S40 | 6030120 | . | NMB2CRO | 7438120 |
| 14S39 | 40(2) | 11S41 | 6030120 | . | NMB2CRO | 7408200 |
| | 41(1) | 09S15 | 7430555 | I | RWB2-1 | 7430555 |
| 14S31 | 42(2) | 14S43 | 6030130 | . | NMB3CRO | 7430570 |
| 14S42 | 43(2) | 11S36 | 6030130 | . | NMB3CRO | 7430575 |
| 12T31 | 44(1) | | 7430570 | I | RWB3 | 7430570 |
| | 45(1) | 13T15 | 7430575 | I | RWB3-1 | 7430575 |
| 10S50 | 46(1) | | 7438130 | I | RWXS/3 | 7438130 |
| 13S50 | 47(1) | | 7408202 | I | RRWXS/3 | 7408202 |
| | 48(0) | | | | | |
| 13S49 | 49(0) | 15S49 | 8301700 | . | P4VS | 8301710 |
| 14S33 | 50(2) | 11S34 | 7430114 | . | NRW-1 | 7408202 |
| 13S51 | 51(0) | 15S51 | 8303700 | . | P8VS | 8303710 |

XDS 902306

XDS
XEROX DATA SYSTEMS

DRAWING NO. - 133264-948 AC
 PROG-PNIND MODULE-15S
 TYPE-PIN INDEX TYPE-AT11

47
 10/27/71

| FROM | PIN (COUNT) | TO | SOURCE LINE NO. | ELEM. TYPE | SOURCE SIGNAL NAME | REFERENCE LINE NO. |
|-------|----------------|-------|--------------------|---------------|--------------------|-----------------------|
| | 00(0) | | | | | |
| 16S11 | 01(1) | | 6182150-1 | * | | 6182150 |
| | 02(1) | 15S03 | 4791715 | | GND2815 | 4791715 |
| 15S02 | 03(2) | 15S05 | 4791715 | | GND2815 | 4791715 |
| | 04(0) | | | | | |
| 15S03 | 05(2) | 15S09 | 4791715 | | GND2815 | 4791715 |
| | 06(1) | 14S12 | 2162010 | -BCR | AH | 2162010 |
| | 07(0) | | | | | |
| | 08(1) | 20S24 | 2341910 | -BCR | AR | 2341910 |
| 15S05 | 09(2) | 15S12 | 4791715 | | GND2815 | 4791715 |
| | 10(1) | 21S05 | 3840110 | -BCR | DR | 3840110 |
| | 11(0) | | | | | |
| 15S09 | 12(2) | 15S15 | 4791715 | | GND2815 | 4791715 |
| | 13(1) | 15T42 | 6830155 | -BCR | PE | 6830155 |
| | 14(0) | | | | | |
| 15S12 | 15(2) | 15S16 | 4791715 | | GND2815 | 4791715 |
| 15S15 | 16(2) | 15S24 | 4791715 | -GND | GND2815 | 4791715 |
| | 17(0) | | | | | |
| | 18(0) | | 7840855 | -BCR | SRA | 7840855 |
| 15S41 | 19(1) | | 4791715 | | GND2815 | 4791715 |
| | 20(0) | | | | | |
| | 21(0) | | | | | |
| | 22(0) | | | | | |
| 16S06 | 23(1) | | 2045010-1 | * | | 2045010 |
| 15S16 | 24(2) | 15S25 | 4791715 | | GND2815 | 4791715 |
| 15S24 | 25(2) | 15S35 | 4791715 | | GND2815 | 4791715 |
| | 26(0) | | | | | |
| | 27(0) | | 6812150 | -BCR | PARITYOK | 6812150 |
| | 28(0) | | | | | |
| | 29(0) | | | | | |
| | 30(0) | | | | | |
| | 31(0) | | | | | |
| | 32(0) | | | | | |
| 16S35 | 33(1) | | 6190255-1 | * | | 6190255 |
| | 34(0) | | | | | |
| 15S25 | 35(2) | 15S41 | 4791715 | * | GND2815 | 5053120 |
| | 36(0) | | | | | |
| 16S25 | 37(1) | | 6692500-1 | * | | 6692500 |
| | 38(0) | | | | | |
| 16S34 | 39(1) | | 5415350 | * | KHOP-1 | 5053110 |
| | 40(1) | 30S26 | 5415355 | -BCR | KHOP-2 | 5415355 |
| 15S35 | 41(2) | 15S19 | 4791715 | | GND2815 | 4791715 |
| | 42(0) | | | | | |
| | 43(0) | | | | | |
| | 44(0) | | | | | |
| 16S36 | 45(1) | | 6075450 | * | MFR | 6075470 |
| | 46(0) | | | | | |
| | 47(0) | | | | | |
| | 48(0) | | | | | |
| 14S49 | 49(0) | 16S49 | 8301700 | | P4VS | 8301710 |
| 26S50 | 50(2) | 09S50 | 8305300 | | M8VS | 8305300 |
| 14S51 | 51(0) | 16S51 | 8303700 | | P8VS | 8303710 |

XDS 902306



DRAWING NO.- 133264-948 AC
 PROG-PNIND MODULE-16S
 TYPE-PIN INDEX TYPE-BT16

48

10/27/71

| FROM | PIN (COUNT) | TO | SOURCE LINE NO. | ELEM. TYPE | SOURCE SIGNAL NAME | REFERENCE LINE NO. |
|-------|-------------|-------|-----------------|------------|--------------------|--------------------|
| | 00(0) | | | | | |
| | 01(0) | | | | | |
| | 02(0) | | | | | |
| | 03(0) | | | | | |
| | 04(0) | | | | | |
| | 05(0) | | | | | |
| | 06(1) | 15S23 | 2045010-1 | B | | 2045010 |
| 11R09 | 07(2) | 11S08 | 2055050 | . | ABO/2 | 2045010 |
| 11R03 | 08(2) | 15T08 | 2055000 | . | ABO/1 | 2045010 |
| 19R28 | 09(2) | 12T25 | 1283720 | . | NLR28-0 | 1283735 |
| | 10(1) | 09S02 | 1283735 | B | NLR28-2 | 1283735 |
| | 11(1) | 15S01 | 6182150-1 | B | | 6182150 |
| 05R31 | 12(2) | 21S23 | 6190200 | . | MR/1 | 6182150 |
| | 13(0) | | | | | |
| | 14(0) | | | | | |
| | 15(0) | | | | | |
| | 16(0) | | 4791716 | -GND | GND2816 | 4791716 |
| | 17(0) | | | | | |
| | 18(0) | | | | | |
| | 19(0) | | | | | |
| | 20(0) | | | | | |
| 14T14 | 21(2) | 05R37 | 3846000 | . | DRQ | 3846015 |
| | 22(0) | | | | | |
| 02R47 | 23(1) | | 5425100 | . | KINLVSEL | 6692500 |
| 32S07 | 24(2) | 11S12 | 6832430 | . | N(R/PEM) | 6832500 |
| | 25(1) | 15S37 | 6692500-1 | B | | 6692500 |
| | 26(1) | 15T33 | 6832500 | B | N(R/PEM)-1 | 6832500 |
| | 27(0) | | | | | |
| 24R38 | 28(1) | | 3846015 | B | DRQ-1 | 3846013 |
| | 29(0) | | | | | |
| 19R44 | 30(2) | 02R35 | 1256200 | . | RP25 | 1253750 |
| 19R45 | 31(2) | 02R39 | 1246200 | . | RP24 | 1243750 |
| | 32(0) | | | | | |
| | 33(0) | | | | | |
| | 34(1) | 15S39 | 5415350 | B | KHOP-1 | 5415350 |
| | 35(1) | 15S33 | 6190255-1 | B | | 6190255 |
| | 36(1) | 15S45 | 6075450 | B | MFR | 6075450 |
| 10R50 | 37(2) | 27S07 | 6075460 | . | MFR/1 | 6075450 |
| | 38(0) | | | | | |
| 32S03 | 39(2) | 19S12 | 7343230 | . | RESET/KS | 6190255 |
| 02R46 | 40(1) | | 5415300 | . | KHOP | 5415350 |
| | 41(0) | | | | | |
| 12T26 | 42(1) | | 1266200 | . | RP26 | 1263750 |
| 12T27 | 43(1) | | 1276200 | . | RP27 | 1273750 |
| | 44(1) | 13T09 | 1263750-1 | B | | 1263750 |
| | 45(1) | 13T12 | 1273750-1 | B | | 1273750 |
| | 46(1) | 13T03 | 1253750-1 | B | | 1253750 |
| | 47(1) | 13T02 | 1243750-1 | B | | 1243750 |
| | 48(0) | | | | | |
| 15S49 | 49(0) | 17S49 | 8301700 | | P4VS | 8301720 |
| 14T41 | 50(2) | 12T22 | 5153262 | . | N10FM/1 | 1243750 |
| 15S51 | 51(0) | 17S51 | 8303700 | | P8VS | 8303720 |

| FROM | PIN (COUNT) | TO | SOURCE LINE NO. | ELEM. TYPE | SOURCE SIGNAL NAME | REFERENCE LINE NO. |
|-------|----------------|-------|--------------------|---------------|--------------------|-----------------------|
| | 00(0) | | | | | |
| 07R39 | 01(2) | 20R31 | 7500400 | . | NS0031Z | 7890104 |
| 19R15 | 02(2) | 20R30 | 7501550 | . | S1631Z | 7890106 |
| 01R28 | 03(2) | 19S11 | 7890201 | . | NSW1 | 7890106 |
| 16R12 | 04(1) | | 1294904-1 | + | | 1294910 |
| 24R14 | 05(2) | 19S05 | 7343300 | . | RESET/C | 1294910 |
| | 06(0) | | | | | |
| | 07(0) | | | | | |
| 30S11 | 08(2) | 23R06 | 6973900 | . | PXINT | 2182003 |
| 17T06 | 09(2) | 25S40 | 2180500 | . | AIB | 2182003 |
| | 10(1) | 17T18 | 2182002-1 | + | | 2182003 |
| 16T29 | 11(2) | 20S09 | 5533010 | . | KSC-1 | 7561004 |
| 04R03 | 12(1) | | 5360500 | . | KC | 7561004 |
| | 13(1) | 17T11 | 7561002-1 | + | | 7561004 |
| 32S25 | 14(2) | 19S14 | 7890155 | . | (S/SW0/NZ) | 7890104 |
| | 15(0) | | | | | |
| | 16(0) | | 4791717 | -GND | GND2817 | 4791717 |
| 17R31 | 17(1) | | 1314904-1 | + | | 1314910 |
| 32S23 | 18(2) | 19S21 | 1314930 | . | (S/P31/1) | 1314910 |
| | 19(1) | 18S41 | 7890102-1 | + | | 7890104 |
| 32S28 | 20(2) | 01R31 | 5156465 | . | (IOPH0.SW13) | 7890106 |
| | 21(0) | | | | | |
| 16R36 | 22(1) | | 1264904-1 | + | | 1264910 |
| 32S21 | 23(2) | 19S24 | 1264930 | . | (S/P26) | 1264910 |
| | 24(0) | | | | | |
| 17T26 | 25(1) | | 3270251 | . | NCNB | 3270202 |
| 21R43 | 26(2) | 10S09 | 4241000 | . | EWM | 3270202 |
| 24R25 | 27(2) | 11S27 | 3651002 | . | DIOFS | 3270202 |
| | 28(1) | 17T03 | 3270202-1 | + | | 3270202 |
| | 29(0) | | | | | |
| 19S17 | 30(1) | | 2405640 | . | AXSR1-4 | 1324906 |
| 19R27 | 31(1) | | 1310100 | . | A31 | 1324906 |
| | 32(0) | | | | | |
| 17S38 | 33(1) | | 2405690 | . | AXSR2-4 | 1334906 |
| 17R12 | 34(2) | 17S44 | 1334902-1 | + | | 1334906 |
| | 35(0) | | | | | |
| 32S29 | 36(2) | 19S35 | 5188100 | . | IXAL | 1324906 |
| 17R20 | 37(2) | 17S47 | 1324902-1 | + | | 1324902 |
| 19S40 | 38(2) | 17S33 | 2405690 | . | AXSR2-4 | 1324906 |
| 19R31 | 39(1) | | 1300100 | . | A30 | 1324906 |
| 14T13 | 40(2) | 20R42 | 3202720 | . | CLEAR | 1334914 |
| 17R03 | 41(1) | | 1334914-1 | + | | 1334914 |
| | 42(0) | | | | | |
| | 43(0) | | | | | |
| 17S34 | 44(1) | | 1334902-1 | + | | 1334902 |
| 19R01 | 45(2) | 11S45 | 1090100 | . | A9 | 1334906 |
| 32S27 | 46(2) | 19S37 | 5156460 | . | (IOPH0.SW12) | 1324908 |
| 17S37 | 47(1) | | 1324902-1 | + | | 1324908 |
| | 48(0) | | | | | |
| 16S49 | 49(0) | 18S49 | 8301700 | . | P4VS | 8301720 |
| 01R18 | 50(2) | 11S50 | 1080100 | . | A8 | 1324908 |
| 16S51 | 51(0) | 18S51 | 8303700 | . | P8VS | 8303720 |

XDS 902306



DRAWING NO.- 133264-948 AC
 PROG-PNIND MODULE-18S
 TYPE-PIN INDEX TYPE-FT22

50
 10/27/71

| FROM | PIN (COUNT) | TO | SOURCE LINE NO. | ELEM. TYPE | SOURCE SIGNAL NAME | REFERENCE LINE NO. |
|-------|----------------|-------|--------------------|---------------|--------------------|-----------------------|
| | 00(0) | | | | | |
| 17R01 | 01(2) | 20R47 | 3200340 | . | CL-32P34 | 3800008 |
| 01R41 | 02(1) | | 6025101 | FF | NMASTER | 6025101 |
| | 03(0) | | 3800004-1 | + | | 3800004 |
| | 04(1) | 10R47 | 3800000 | FF | DM | 3800000 |
| | 05(0) | | 3800002 | NFF | NDM | 3800002 |
| | 06(1) | 21S37 | 6196100 | FF | MRQ | 6196100 |
| | 07(0) | | 6196101 | NFF | NMRQ | 6196101 |
| | 08(1) | 18S13 | 4791718 | . | GND2818 | 6196102 |
| | 09(0) | | | | | |
| 19R18 | 10(2) | 18S23 | 6927000 | . | PSW1XS | 3800004 |
| | 11(0) | | 6192002-1 | + | | 6192002 |
| | 12(1) | 21S43 | 6192001 | NFF | NMRC | 6192001 |
| 18S08 | 13(2) | 18S16 | 4791718 | . | GND2818 | 6192002 |
| 05R44 | 14(2) | 21S13 | 6192000 | FF | MRC | 6192000 |
| 16T12 | 15(2) | 11S15 | 3846025 | . | (DRQ+RESET) | 6192007 |
| 18S13 | 16(2) | 18S17 | 4791718 | -GND | GND2818 | 4791718 |
| 18S16 | 17(2) | 18S37 | 4791718 | . | GND2818 | 3800004 |
| | 18(0) | | 6025102-1 | + | | 6025102 |
| 18S20 | 19(2) | 19S18 | 6196120 | . | (S/MRQ) | 6196102 |
| 10R13 | 20(2) | 18S19 | 6196120 | . | (S/MRQ) | 6192002 |
| | 21(0) | | 6025100 | NFF | MASTER | 6025100 |
| 18S23 | 22(2) | 19S23 | 6927000 | . | PSW1XS | 3800006 |
| 18S10 | 23(2) | 18S22 | 6927000 | . | PSW1XS | 6025107 |
| 30S47 | 24(2) | 01R50 | 1106500 | . | S10 | 3800004 |
| 11S25 | 25(1) | | 1086500 | . | S8 | 6025102 |
| | 26(1) | 22S42 | 7410801 | NFF | NRSCLEN | 7410801 |
| | 27(1) | 20S14 | 3846000 | FF | DRQ | 3846000 |
| | 28(1) | 20T06 | 3846001 | NFF | NDRQ | 3846001 |
| 19R17 | 29(1) | | 7890101 | NFF | NSW0 | 7890101 |
| | 30(1) | 01R27 | 7890100 | FF | SW0 | 7890100 |
| 03R04 | 31(1) | | 7410800 | FF | RSCLN | 7410800 |
| | 32(0) | | | | | |
| | 33(1) | 22S11 | 7410240 | FF | RSACLEN | 7410240 |
| | 34(1) | 22S08 | 7410241 | NFF | NRSACLEN | 7410241 |
| 32S34 | 35(2) | 19S31 | 7410270 | . | (S/RSACLEN) | 7410242 |
| 14T15 | 36(2) | 16T50 | 3202712 | . | NCLEAR-2 | 3846002 |
| 18S17 | 37(1) | | 4791718 | . | GND2818 | 3846002 |
| | 38(0) | | | | | |
| | 39(0) | | 7410242-1 | + | | 7410242 |
| 32S37 | 40(2) | 19S27 | 7890135 | . | (R/SW0) | 7890107 |
| 17S19 | 41(1) | | 7890102-1 | + | | 7890102 |
| 32S36 | 42(2) | 19S28 | 7890145 | . | (S/SW0) | 7890102 |
| 32S35 | 43(2) | 19S29 | 7410804 | . | (S/RSCLN) | 7410802 |
| | 44(0) | | | | | |
| | 45(0) | | | | | |
| | 46(0) | | 7410802-1 | + | | 7410802 |
| 32S46 | 47(2) | 20R20 | 3846014 | . | (S/DRQ) | 3846002 |
| | 48(0) | | | | | |
| 17S49 | 49(0) | 19S49 | 8301700 | . | P4VS | 8301720 |
| | 50(0) | | 3846002-1 | + | | 3846002 |
| 17S51 | 51(0) | 19S51 | 8303700 | . | P8VS | 8303720 |

| FROM | PIN (COUNT) | TO | SOURCE LINE NO. | ELEM. TYPE | SOURCE SIGNAL NAME | REFERENCE LINE NO. |
|-------|----------------|-------|--------------------|---------------|--------------------|-----------------------|
| | 00(0) | | | | | |
| 23S26 | 01(1) | | 6038600 | T | MBXS/3 | 6038600 |
| | 02(1) | 21S02 | 3315140 | T | CROSSDCL | 3315140 |
| 23S25 | 03(1) | | 6038400 | T | MBXS/2 | 6038400 |
| 24S04 | 04(1) | | 6973910 | T | PXK | 6973910 |
| 17S05 | 05(1) | | 7343300 | T | RESET/C | 7343300 |
| 24S02 | 06(1) | | 6977100 | T | PXS | 6977100 |
| 21S07 | 07(1) | | 2089300 | T | ADNHCL | 2089300 |
| 21S08 | 08(1) | | 3315100 | T | CROSS | 3315100 |
| 15T39 | 09(1) | | 7343050 | T | RESET-2 | 7343050 |
| 22S19 | 10(1) | | 3740034 | T | DL1/060S | 3740034 |
| 17S03 | 11(1) | | 7890201 | T | NSW1 | 7890201 |
| 16S39 | 12(1) | | 7343230 | T | RESET/KS | 7343230 |
| 15T33 | 13(1) | | 6832500 | T | N(R/PEM)-1 | 6832500 |
| 17S14 | 14(1) | | 7890155 | T | (S/SW0/NZ) | 7890155 |
| 22T35 | 15(1) | | 8010530 | T | NT5DP | 8010530 |
| | 16(0) | | 4791719 | -GND | GND2819 | 4791719 |
| 19R19 | 17(2) | 17S30 | 2405640 | T | AXSR1-4 | 2405640 |
| 18S19 | 18(1) | | 6196120 | T | (S/MRQ) | 6196120 |
| | 19(1) | 23T19 | 3823100 | T | (R/DPL) | 3823100 |
| 22S20 | 20(1) | | 4392600 | T | FORCL | 4392600 |
| 17S18 | 21(1) | | 1314930 | T | (S/P31/1) | 1314930 |
| | 22(0) | | | | | |
| 18S22 | 23(1) | | 6927000 | T | PSW1XS | 6927000 |
| 17S23 | 24(1) | | 1264930 | T | (S/P26) | 1264930 |
| | 25(1) | 22S40 | 2162100 | T | (NAH.AHCL) | 2162100 |
| | 26(1) | 22S26 | 3846020 | T | DRQ/1 | 3846020 |
| 18S40 | 27(1) | | 7890135 | T | (R/SW0) | 7890135 |
| 18S42 | 28(1) | | 7890145 | T | (S/SW0) | 7890145 |
| 18S43 | 29(1) | | 7410804 | T | (S/RSCLN) | 7410804 |
| | 30(1) | 22S30 | 2062856 | T | ACCLG/1 | 2062856 |
| 18S35 | 31(1) | | 7410270 | T | (S/RSACLEN) | 7410270 |
| | 32(0) | | | | | |
| 18T13 | 33(1) | | 7410220 | T | (S/RSA) | 7410220 |
| 16T38 | 34(1) | | 6825340 | T | NPDC33 | 6825340 |
| 17S36 | 35(1) | | 5188100 | T | IXAL | 5188100 |
| 21S15 | 36(1) | | 2062870 | T | (R/ACCLG) | 2062870 |
| 17S46 | 37(1) | | 5156460 | T | (10PH0.SW12) | 5156460 |
| 21S38 | 38(1) | | 3315130 | T | NCROSSADD | 3315130 |
| 18T15 | 39(1) | | 5153300 | T | N(S/10FM) | 5153300 |
| 19R50 | 40(2) | 17S38 | 2405690 | T | AXSR2-4 | 2405690 |
| 20S08 | 41(2) | 19S42 | 3200140 | T | CL-32P14 | 3200140 |
| 19S41 | 42(2) | 19S43 | 3200140 | T | CL-32P14 | 3200140 |
| 19S42 | 43(2) | 19S44 | 3200140 | T | CL-32P14 | 3200140 |
| 19S43 | 44(2) | 18T05 | 3200140 | T | CL-32P14 | 3200140 |
| | 45(1) | 15T18 | 8010700 | T | T8 | 8010700 |
| 15T23 | 46(1) | | 8010520 | T | T5DP | 8010520 |
| 16T09 | 47(1) | | 6942220 | T | NPUC22 | 6942220 |
| | 48(0) | | | | | |
| 18S49 | 49(0) | 20S49 | 8301700 | | P4VS | 8301720 |
| 17T44 | 50(1) | | 3651000 | T | NDIOFS | 3651000 |
| 18S51 | 51(0) | 20S51 | 8303700 | | P8VS | 8303720 |

XDS 902306

XDS

XEROX DATA SYSTEMS

DRAWING NO.- 133264-948 AC
PROG-PNIND MODULE-20S
TYPE-PIN INDEX TYPE-IT16

52

10/27/71

| FROM | PIN (COUNT) | TO | SOURCE LINE NO. | ELEM. TYPE | SOURCE SIGNAL NAME | REFERENCE LINE NO. |
|-------|----------------|-------|--------------------|---------------|--------------------|-----------------------|
| | 00(0) | | | | | |
| 26S20 | 01(1) | | 5013500 | . | HBZC | 5013510 |
| 31S22 | 02(1) | | 5073530 | . | HRQBZ1 | 5073540 |
| 26S22 | 03(1) | | 5073500 | . | HRQBZC | 5073510 |
| 28R01 | 04(2) | 20R37 | 7300170 | . | NR1357 | 1084600 |
| | 05(1) | 21R26 | 5073540 | I | NHRQBZ1 | 5073540 |
| | 06(1) | 21S18 | 3846030 | I | DRQAC | 3846030 |
| | 07(0) | | | | | |
| 22S13 | 08(2) | 19S41 | 3200140 | . | CL-32P14 | 3846030 |
| 17S11 | 09(2) | 25S42 | 5533010 | . | KSC-1 | 5541650 |
| | 10(1) | 15T27 | 5541650 | I | NKSC | 5541650 |
| | 11(1) | 07R15 | 4241010 | I | NEWDM | 4241015 |
| 22R41 | 12(1) | | 5138200 | . | NINTOP | 4241015 |
| 31S20 | 13(1) | | 5013530 | . | HBZ1 | 5013540 |
| 18S27 | 14(2) | 21S29 | 3846000 | . | DRQ | 3846030 |
| | 15(1) | 25S06 | 5013540 | I | NHBZ1 | 5013540 |
| | 16(0) | | 4791720 | -GND | GND2820 | 4791720 |
| | 17(1) | 25S08 | 5013510 | I | NHBZC | 5013510 |
| | 18(1) | 28S03 | 1084600 | I | OVLN8 | 1084600 |
| | 19(1) | 21R22 | 5073510 | I | NHRQBZC | 5073510 |
| | 20(0) | | | | | |
| 32T40 | 21(2) | 20R45 | 2062820 | . | ACCL/1 | 2062830 |
| | 22(0) | | | | | |
| 28R10 | 23(1) | | 1062680 | . | IS6 | 1062695 |
| 15S08 | 24(1) | | 2341910 | . | AR | 2341920 |
| | 25(1) | 03R42 | 1062695 | I | NIS6-1 | 1062695 |
| | 26(1) | 21S36 | 2341920 | I | NAR | 2341920 |
| | 27(0) | | | | | |
| | 28(1) | 22S25 | 2062830 | I | NACCL/1 | 2062830 |
| | 29(0) | | | | | |
| 30R43 | 30(2) | 30S42 | 7300130 | . | NR1011 | 1070850 |
| 30R01 | 31(2) | 20R36 | 7300280 | . | NR911 | 1080850 |
| | 32(0) | | | | | |
| | 33(0) | | | | | |
| | 34(1) | 25S30 | 1052668 | I | NIP5-1 | 1052668 |
| | 35(1) | 25S24 | 1032668 | I | NIP3-1 | 1032668 |
| | 36(1) | 25S26 | 5173108 | I | ISNIP2 | 5173108 |
| 26R23 | 37(1) | | 5173110 | . | NISNIP2 | 5173108 |
| 27R23 | 38(1) | | 5173120 | . | NISNIP4 | 5173118 |
| 26R21 | 39(1) | | 1032660 | . | IP3 | 1032668 |
| 27R21 | 40(1) | | 1052660 | . | IP5 | 1052668 |
| | 41(1) | 25S20 | 5173118 | I | ISNIP4 | 5173118 |
| 31R01 | 42(2) | 20R38 | 7300160 | . | NR1315 | 1082650 |
| 32R43 | 43(2) | 30S41 | 7300190 | . | NR1415 | 1072650 |
| | 44(1) | 28S01 | 1082650 | I | IOLN8 | 1082650 |
| | 45(1) | 28S22 | 1072650 | I | IOLN7 | 1072650 |
| | 46(1) | 28S21 | 1070850 | I | CNLN7 | 1070850 |
| | 47(1) | 28S02 | 1080850 | I | CNLN8 | 1080850 |
| | 48(0) | | | | | |
| 19S49 | 49(0) | 21S49 | 8301700 | | P4VS | 8301720 |
| | 50(0) | | | | | |
| 19S51 | 51(0) | 21S51 | 8303700 | | P8VS | 8303720 |

XDS 902306

XDS
XEROX DATA SYSTEMS

DRAWING NO.- 133264-948 AC
PROG-PNIND MODULE-21S
TYPE-PIN INDEX TYPE-LT21

53

10/27/71

| FROM | PIN (COUNT) | TO | SOURCE LINE NO. | ELEM. TYPE | SOURCE SIGNAL NAME | REFERENCE LINE NO. |
|-------|----------------|-------|--------------------|---------------|--------------------|-----------------------|
| | 00(0) | | | | | |
| 20R44 | 01(2) | 21S20 | 3840100 | . | DR/1 | 3315134 |
| 19S02 | 02(2) | 24T34 | 3315140 | . | CROSSDCL | 3315134 |
| 07R28 | 03(2) | 21S08 | 3315100 | . | CROSS | 3315134 |
| | 04(0) | | | | | |
| 15S10 | 05(2) | 21S47 | 3840110 | . | DR | 3840100 |
| 22S37 | 06(2) | 18T21 | 2089350 | . | ADNHL | 3840104 |
| 24T04 | 07(2) | 19S07 | 2089300 | . | ADNHCL | 3840104 |
| 21S03 | 08(2) | 19S08 | 3315100 | . | CROSS | 3840102 |
| 21T08 | 09(2) | 20R29 | 8010000 | . | T11 | 3840102 |
| | 10(0) | | | | | |
| 21S16 | 11(2) | 21S24 | 4791721 | . | GND2821 | 3840104 |
| | 12(0) | | | | | |
| 18S14 | 13(2) | 14T07 | 6192000 | . | MRC | 3840100 |
| 21S17 | 14(1) | | 3315134 | FB | CROSSD | 3315134 |
| 22S36 | 15(2) | 19S36 | 2062870 | . | (R/ACCLG) | 3315134 |
| | 16(1) | 21S11 | 4791721 | -GND | GND2821 | 4791721 |
| 14S24 | 17(2) | 21S14 | 3315134 | . | CROSSD | 3315134 |
| 20S06 | 18(2) | 27S23 | 3846030 | . | DRQAC | 3840100 |
| 25S02 | 19(2) | 21S40 | 7343225 | . | NRESET/F | 3840100 |
| 21S01 | 20(2) | 21S31 | 3840100 | . | DR/1 | 3840100 |
| | 21(0) | | | | | |
| 30S06 | 22(1) | | 3840100 | FB | DR/1 | 3840100 |
| 16S12 | 23(2) | 21S39 | 6190200 | FB | MR/1 | 6190200 |
| 21S11 | 24(2) | 21S25 | 4791721 | . | GND2821 | 6190200 |
| 21S24 | 25(1) | | 4791721 | . | GND2821 | 6190202 |
| | 26(0) | | | | | |
| | 27(0) | | | | | |
| | 28(0) | | | | | |
| 20S14 | 29(2) | 21S41 | 3846000 | . | DRQ | 3240100 |
| | 30(1) | 22S02 | 3240100 | B | CLEN | 3240100 |
| 21S20 | 31(2) | 30S06 | 3840100 | . | DR/1 | 3240100 |
| | 32(0) | | | | | |
| | 33(0) | | | | | |
| 23T29 | 34(2) | 20R43 | 6192100 | . | MRCL | 6190202 |
| 18T19 | 35(2) | 32S39 | 2089201 | . | NADNH | 6190200 |
| 20S26 | 36(2) | 27S15 | 2341920 | . | NAR | 6190200 |
| 18S06 | 37(1) | | 6196100 | . | MRQ | 6190202 |
| 14S27 | 38(2) | 19S38 | 3315130 | . | NCROSSADD | 6190202 |
| 21S23 | 39(1) | | 6190200 | . | MR/1 | 6190200 |
| 21S19 | 40(1) | | 7343225 | . | NRESET/F | 3240102 |
| 21S29 | 41(2) | 20T12 | 3846000 | . | DRQ | 3240102 |
| 20T06 | 42(2) | 16T05 | 3846001 | . | NDRQ | 3240102 |
| 18S12 | 43(2) | 01R42 | 6192001 | . | NMRC | 3240102 |
| | 44(0) | | | | | |
| | 45(0) | | | | | |
| | 46(0) | | | | | |
| 21S05 | 47(1) | | 3840110 | . | DR | 3240100 |
| | 48(0) | | | | | |
| 20S49 | 49(0) | 22S49 | 8301700 | | P4VS | 8301720 |
| | 50(0) | | | | | |
| 20S51 | 51(0) | 22S51 | 8303700 | | P8VS | 8303720 |

XDS 902306



DRAWING NO. - 133264-948 AC
 PROG-PNIND MODULE-22S
 TYPE-PIN INDEX TYPE-BT10

54

10/27/71

| FROM | PIN (COUNT) | TO | SOURCE LINE NO. | ELEM. TYPE | SOURCE SIGNAL NAME | REFERENCE LINE NO. |
|-------|-------------|-------|-----------------|------------|--------------------|--------------------|
| | 00(0) | | | | | |
| 22S21 | 01(1) | | 4392655 | FB | NFORCLEN | 4392655 |
| 21S30 | 02(2) | 22S03 | 3240100 | B | CLEN | 3240106 |
| 22S02 | 03(2) | 22S44 | 3240100 | B | CLEN | 3240104 |
| | 04(1) | 22S05 | 7564000 | FB | SCL | 7564000 |
| 22S04 | 05(2) | 16T42 | 7564000 | . | SCL | 7564000 |
| 11R40 | 06(2) | 16T31 | 7561200 | . | SC2 | 7564000 |
| | 07(0) | | | | | |
| 18S34 | 08(1) | | 7410241 | . | NRSACLEN | 3240104 |
| | 09(0) | | | | | |
| 03R08 | 10(2) | 18T09 | 7410201 | . | NRSA | 3240104 |
| 18S33 | 11(1) | | 7410240 | . | RSACLEN | 3240104 |
| | 12(0) | | | | | |
| 32P14 | 13(1) | 20S08 | 3200140 | . | CL-32P14 | 7564000 |
| 11R46 | 14(1) | | 7561250 | . | (SC2.NCEINT) | 7564000 |
| | 15(0) | | | | | |
| | 16(0) | | 4791722 | -GND | GND2822 | 4791722 |
| 11R41 | 17(2) | 25S39 | 3107001 | . | NCEINT | 3240106 |
| 19T08 | 18(2) | 22S20 | 4392600 | . | FORCL | 4392655 |
| 23T26 | 19(2) | 19S10 | 3740034 | . | DL1/060S | 4392655 |
| 22S18 | 20(2) | 19S20 | 4392600 | . | FORCL | 4392655 |
| 14S21 | 21(2) | 22S01 | 4392655 | . | NFORCLEN | 4392655 |
| | 22(0) | | | | | |
| 18T22 | 23(2) | 24R26 | 3107000 | . | CEINT | 3240106 |
| 23R01 | 24(1) | | 2342000 | . | ARE | 3240106 |
| 20S28 | 25(2) | 22S38 | 2062830 | . | NACCL/1 | 3846020 |
| 19S26 | 26(2) | 22S39 | 3846020 | . | DRQ/1 | 3846020 |
| 12S26 | 27(1) | | 6192050 | . | (MRC.DRQ) | 3846020 |
| 22S47 | 28(2) | 25S27 | 2062850 | . | ACCLG | 2062850 |
| | 29(0) | | | | | |
| 19S30 | 30(2) | 19T12 | 2062856 | . | ACCLG/1 | 2062850 |
| 24T29 | 31(2) | 29S40 | 4381100 | . | FMCL/1 | 3846020 |
| | 32(0) | | | | | |
| 07R40 | 33(2) | 20R34 | 7410100 | . | RS | 3240110 |
| 03R13 | 34(1) | | 7410815 | . | (RSCLEN.NRSA) | 3240110 |
| | 35(0) | | | | | |
| 23T02 | 36(2) | 21S15 | 2062870 | . | (R/ACCLG) | 2062850 |
| 22S45 | 37(2) | 21S06 | 2089350 | . | ADNHL | 2089350 |
| 22S25 | 38(2) | 27S38 | 2062830 | . | NACCL/1 | 2089350 |
| 22S26 | 39(2) | 22S46 | 3846020 | . | DRQ/1 | 2089350 |
| 19S25 | 40(2) | 24T07 | 2162100 | . | (NAH.AHCL) | 2089350 |
| | 41(0) | | | | | |
| 18S26 | 42(1) | | 7410801 | . | NRSCLEN | 3240110 |
| | 43(0) | | | | | |
| 22S03 | 44(2) | 16T33 | 3240100 | B | CLEN | 3240110 |
| | 45(1) | 22S37 | 2089350 | FB | ADNHL | 2089350 |
| 22S39 | 46(1) | | 3846020 | FB | DRQ/1 | 3846020 |
| | 47(1) | 22S28 | 2062850 | FB | ACCLG | 2062850 |
| | 48(0) | | | | | |
| 21S49 | 49(0) | 23S49 | 8301700 | | P4VS | 8301720 |
| | 50(0) | | | | | |
| 21S51 | 51(0) | 23S51 | 8303700 | | P8VS | 8303720 |

XDS 902306

XDS
XEROX DATA SYSTEMS

DRAWING NO.- 133264-948 AC
PROG-PNIND
TYPE-PIN INDEX

MODULE-23S
TYPE-BT17

55

10/27/71

| FROM | PIN (COUNT) | TO | SOURCE LINE NO. | ELEM. TYPE | SOURCE SIGNAL NAME | REFERENCE LINE NO. |
|-------|----------------|-------|--------------------|---------------|--------------------|-----------------------|
| | 00(0) | | | | | |
| | 01(0) | | | | | |
| | 02(0) | | | | | |
| 05R27 | 03(2) | 20R06 | 6650000 | . | OM | 6651000 |
| | 04(0) | | | | | |
| | 05(1) | 18R45 | 6651000-1 | B | | 6651000 |
| | 06(0) | | | | | |
| | 07(0) | | | | | |
| | 08(0) | | | | | |
| | 09(0) | | | | | |
| | 10(0) | | | | | |
| | 11(0) | | | | | |
| | 12(0) | | | | | |
| | 13(0) | | | | | |
| | 14(0) | | | | | |
| | 15(0) | | | | | |
| | 16(1) | 23S39 | 4791723 | -GND | GND2823 | 4791723 |
| | 17(0) | | | | | |
| | 18(0) | | | | | |
| | 19(0) | | | | | |
| | 20(0) | | | | | |
| | 21(0) | | | | | |
| | 22(0) | | | | | |
| | 23(0) | | | | | |
| | 24(0) | | | | | |
| 24R08 | 25(2) | 19S03 | 6038400 | . | MBXS/2 | 6240122 |
| 21R06 | 26(2) | 19S01 | 6038600 | . | MBXS/3 | 6240132 |
| 32S01 | 27(2) | 24R02 | 6038050 | . | MBXS/0 | 6240102 |
| | 28(0) | | | | | |
| 32S02 | 29(2) | 24R03 | 6038200 | . | MBXS/1 | 6240112 |
| | 30(1) | 18R35 | 6240132 | B | MW3 | 6240132 |
| | 31(1) | 18R33 | 6240122 | B | MW2 | 6240122 |
| | 32(0) | | | | | |
| | 33(0) | | | | | |
| | 34(0) | | | | | |
| | 35(0) | | | | | |
| | 36(0) | | | | | |
| | 37(0) | | | | | |
| | 38(0) | | | | | |
| 23S16 | 39(1) | | 4791723 | . | GND2823 | 6240106 |
| | 40(0) | | | | | |
| | 41(1) | 18R23 | 6240102 | B | MW0 | 6240102 |
| | 42(1) | 18R25 | 6240112 | B | MW1 | 6240112 |
| | 43(0) | 12Q31 | 3060200 | . | CC2 | 6240114 |
| 05R33 | 44(1) | | 6240400 | . | MWXCC | 6240104 |
| | 45(0) | 12Q27 | 3060100 | . | CC1 | 6240104 |
| | 46(0) | 12Q33 | 3060400 | . | CC4 | 6240134 |
| | 47(0) | 12Q30 | 3060300 | . | CC3 | 6240124 |
| | 48(0) | | | | | |
| 22S49 | 49(0) | 24S49 | 8301700 | | P4VS | 8301730 |
| | 50(0) | | | | | |
| 22S51 | 51(0) | 24S51 | 8303700 | | P8VS | 8303730 |

XDS 902306



DRAWING NO.- 133264-948 AC
 PROG-PNIND MODULE-24S
 TYPE-PIN INDEX TYPE-BT16

56

10/27/71

| FROM | PIN (COUNT) | TO | SOURCE LINE NO. | ELEM. TYPE | SOURCE SIGNAL NAME | REFERENCE LINE NO. |
|-------|----------------|-------|--------------------|---------------|--------------------|-----------------------|
| | 00(0) | | | | | |
| 32S15 | 01(2) | 24S02 | 6977100 | . | PXS | 6977060 |
| 24S01 | 02(2) | 19S06 | 6977100 | . | PXS | 6977050 |
| 32S24 | 03(2) | 24S04 | 6973910 | . | PXK | 6974300 |
| 24S03 | 04(2) | 19S04 | 6973910 | . | PXK | 6974200 |
| 13R34 | 05(1) | | 6977050 | B | PXS-2 | 6977050 |
| | 06(1) | 17T20 | 7561015 | B | (S/SC1/1) | 7561015 |
| 16T17 | 07(2) | 27S10 | 5541650 | . | NKSC | 7561015 |
| 16T30 | 08(1) | | 4392640 | . | FORCLG | 7561015 |
| 28R09 | 09(2) | 24S12 | 3532000 | . | DARM-1 | 3532030 |
| | 10(1) | 31R09 | 3532030 | B | DARM-3 | 3532030 |
| | 11(1) | 29R09 | 3532020 | B | DARM-2 | 3532020 |
| 24S09 | 12(1) | | 3532000 | . | DARM-1 | 3532020 |
| 23R30 | 13(2) | 25S04 | 2180510 | . | (AIB.LEVACT) | 5114500 |
| 17T40 | 14(1) | | 7561001 | . | NSC1 | 7561015 |
| 28R06 | 15(1) | | 5114500 | B | I80 | 5114500 |
| | 16(0) | | 4791724 | -GND | GND2824 | 4791724 |
| 17R34 | 17(1) | | 6977060 | B | PXS-3 | 6977060 |
| 13R18 | 18(1) | | 6974200 | B | PXK-2 | 6974200 |
| 17R18 | 19(1) | | 6974300 | B | PXK-3 | 6974300 |
| | 20(0) | | | | | |
| | 21(0) | | | | | |
| 28S28 | 22(1) | | 4154000 | . | ENIO | 5120900 |
| 30S45 | 23(2) | 28S29 | 4151000 | . | ENCNTR | 5120300 |
| 07R30 | 24(2) | 28S31 | 4155000 | . | ENOVDR | 5121500 |
| 30R22 | 25(1) | | 5120300 | B | IEC | 5120300 |
| 28R22 | 26(1) | | 5121500 | B | IEO | 5121500 |
| 32R22 | 27(1) | | 5120900 | B | IEI | 5120900 |
| | 28(0) | | | | | |
| 23R31 | 29(2) | 17T02 | 2182000 | . | AIE1 | 5120300 |
| 28R41 | 30(2) | 27S41 | 7342000 | . | REN-1 | 7342010 |
| 23R40 | 31(1) | | 4100101 | . | NE1 | 5814845 |
| | 32(0) | | | | | |
| 30S01 | 33(2) | 27S33 | 2180515 | . | (NAIB+NPXINT) | 4561000 |
| | 34(1) | 24S35 | 4561010 | B | GCLK-1 | 4561012 |
| 24S34 | 35(2) | 29R07 | 4561010 | B | GCLK-1 | 4561010 |
| 28R07 | 36(2) | 24S41 | 4561000 | B | GCLK-0 | 4561000 |
| 23R20 | 37(2) | 24S39 | 2000528 | . | IMC-1 | 4561000 |
| 24S39 | 38(2) | 24S40 | 2000528 | . | IMC-1 | 4561002 |
| 24S37 | 39(2) | 24S38 | 2000528 | . | IMC-1 | 4561010 |
| 24S38 | 40(2) | 20R05 | 2000528 | . | IMC-1 | 4561012 |
| 24S36 | 41(1) | | 4561000 | B | GCLK-0 | 4561002 |
| 14T27 | 42(2) | 24S43 | 7343050 | . | RESET-2 | 7343112 |
| 24S42 | 43(2) | 31R45 | 7343050 | . | RESET-2 | 7343110 |
| 24S45 | 44(1) | | 7343110 | B | RESET-1 | 7343112 |
| 30R45 | 45(2) | 24S44 | 7343110 | B | RESET-1 | 7343110 |
| 32R41 | 46(1) | | 7342010 | B | REN-2 | 7342010 |
| 22R34 | 47(2) | 28S07 | 5814840 | B | LINREQ | 5814845 |
| | 48(0) | | | | | |
| 23S49 | 49(0) | 25S49 | 8301700 | | P4VS | 8301730 |
| | 50(0) | | | | | |
| 23S51 | 51(0) | 25S51 | 8303700 | | P8VS | 8303730 |

| FROM | PIN (COUNT) | TO | SOURCE LINE NO. | ELEM. TYPE | SOURCE SIGNAL NAME | REFERENCE LINE NO. |
|-------|----------------|-------|--------------------|---------------|--------------------|-----------------------|
| | 00(0) | | | | | |
| | 01(1) | 14R09 | 1012590 | B | INT1 | 1012590 |
| | 02(1) | 21S19 | 7343225 | B | NRESET/F | 7343225 |
| 32S09 | 03(2) | 16T24 | 4392610 | . | NFORCL | 7343225 |
| 24S13 | 04(2) | 25S05 | 2180510 | . | (AIB.LEVACT) | 5113300 |
| 25S04 | 05(2) | 25S46 | 2180510 | . | (AIB.LEVACT) | 5113900 |
| 20S15 | 06(2) | 27S40 | 5013540 | . | NHBZI | 5113900 |
| | 07(0) | | | | | |
| 20S17 | 08(2) | 27S35 | 5013510 | . | NHBZC | 5113300 |
| 14T22 | 09(2) | 16T07 | 7343120 | . | NRESET-1 | 7343225 |
| 22R06 | 10(1) | | 1013350 | . | LIN01 | 1012590 |
| 23R39 | 11(2) | 25S44 | 4241010 | . | NEWDM | 1012590 |
| 32R06 | 12(1) | | 5113900 | B | IBI | 5113900 |
| 30R06 | 13(1) | | 5113300 | B | IBC | 5113300 |
| | 14(1) | 30R04 | 7840100 | B | SR10 | 7840100 |
| | 15(1) | 30R14 | 7840110 | B | SR11 | 7840110 |
| | 16(0) | | 4791725 | -GND | GND2825 | 4791725 |
| 10S11 | 17(2) | 25S19 | 3278000 | . | CNTZREQ | 7840110 |
| 27R13 | 18(2) | 01R02 | 1052680 | . | IS5 | 7840110 |
| 25S17 | 19(2) | 25S22 | 3278000 | . | CNTZREQ | 7840100 |
| 20S41 | 20(2) | 27S13 | 5173118 | . | ISNIP4 | 7840100 |
| | 21(0) | | | | | |
| 25S19 | 22(2) | 25S25 | 3278000 | . | CNTZREQ | 7840090 |
| 26R13 | 23(2) | 01R06 | 1032680 | . | IS3 | 7840090 |
| 20S35 | 24(2) | 27S24 | 1032668 | . | NIP3-1 | 7840090 |
| 25S22 | 25(2) | 27S25 | 3278000 | . | CNTZREQ | 7840080 |
| 20S36 | 26(2) | 27S27 | 5173108 | . | ISNIP2 | 7840080 |
| 22S28 | 27(2) | 25S28 | 2062850 | . | ACCLG | 7840080 |
| 25S27 | 28(2) | 25S29 | 2062850 | . | ACCLG | 7840090 |
| 25S28 | 29(2) | 25S31 | 2062850 | . | ACCLG | 7840100 |
| 20S34 | 30(2) | 27S30 | 1052668 | . | NIP5-1 | 7840110 |
| 25S29 | 31(2) | 18T35 | 2062850 | . | ACCLG | 7840110 |
| | 32(0) | | | | | |
| | 33(1) | 29R04 | 7840080 | B | SR8 | 7840080 |
| | 34(1) | 29R14 | 7840090 | B | SR9 | 7840090 |
| | 35(1) | 31R14 | 7840130 | B | SR13 | 7840130 |
| | 36(1) | 14R41 | 1002590 | B | INT0 | 1002590 |
| 22R04 | 37(1) | | 1003350 | . | LIN00 | 1002590 |
| 17T34 | 38(1) | | 3271001 | . | NCNLK | 7840130 |
| 22S17 | 39(2) | 18T24 | 3107001 | . | NCEINT | 3107050 |
| 17S09 | 40(2) | 30S10 | 2180500 | . | AIB | 2180510 |
| 32S10 | 41(2) | 23R13 | 5779000 | . | LEVACT | 2180510 |
| 20S09 | 42(2) | 24R12 | 5533010 | . | KSC-1 | 3107050 |
| 02R42 | 43(1) | | 5424800 | . | KINTRP | 7840130 |
| 25S11 | 44(2) | 27S34 | 4241010 | . | NEWDM | 1002590 |
| | 45(1) | 16T26 | 3107050 | B | (NCEINT.KSC-1) | 3107050 |
| 25S05 | 46(1) | | 2180510 | B | (AIB.LEVACT) | 2180510 |
| | 47(0) | | | | | |
| | 48(0) | | | | | |
| 24S49 | 49(0) | 26S49 | 8301700 | . | P4VS | 8301730 |
| | 50(0) | | | | | |
| 24S51 | 51(0) | 26S51 | 8303700 | . | P8VS | 8303730 |

XDS 902306



DRAWING NO. - 133264-948 AC
 PROG-PNIND MODULE-26S
 TYPE-PIN INDEX TYPE-AT13

58
 10/27/71

| FROM | PIN (COUNT) | TO | SOURCE LINE NO. | ELEM. TYPE | SOURCE SIGNAL NAME | REFERENCE LINE NO. |
|-------|-------------|-------|-----------------|------------|--------------------|--------------------|
| | 00(0) | | | | | |
| 21R20 | 01(1) | | 1301400 | * | DAT30 | 1301430 |
| 21R21 | 02(1) | | 1311400 | * | DAT31 | 1311430 |
| | 03(1) | 26S05 | 4791726 | | GND2826 | 4791726 |
| | 04(0) | | | | | |
| 26S03 | 05(2) | 26S09 | 4791726 | | GND2826 | 4791726 |
| | 06(0) | | | | | |
| | 07(0) | | | | | |
| | 08(0) | | | | | |
| 26S05 | 09(2) | 26S12 | 4791726 | | GND2826 | 4791726 |
| | 10(0) | | | | | |
| | 11(0) | | | | | |
| 26S09 | 12(2) | 26S15 | 4791726 | | GND2826 | 4791726 |
| | 13(0) | | | | | |
| | 14(0) | | | | | |
| 26S12 | 15(2) | 26S16 | 4791726 | | GND2826 | 4791726 |
| 26S15 | 16(2) | 26S24 | 4791726 | -GND | GND2826 | 4791726 |
| | 17(0) | | | | | |
| | 18(0) | | | | | |
| 30S36 | 19(1) | | 2990500 | * | BZC | 5013550 |
| | 20(1) | 20S01 | 5013500 | -BCR | HBZC | 5013500 |
| | 21(0) | | | | | |
| | 22(1) | 20S03 | 5073500 | -BCR | HRQBZC | 5073500 |
| 30S15 | 23(1) | | 7400100 | * | RQBZC | 5073550 |
| 26S16 | 24(2) | 26S33 | 4791726 | | GND2826 | 4791726 |
| 23R03 | 25(1) | | 4159520-1 | * | | 4159520 |
| | 26(0) | | | | | |
| | 27(0) | | | | | |
| | 28(0) | | | | | |
| | 29(0) | | | | | |
| | 30(0) | | | | | |
| | 31(0) | | | | | |
| | 32(0) | | | | | |
| 26S24 | 33(2) | 26S35 | 4791726 | | GND2826 | 4791726 |
| | 34(0) | | | | | |
| 26S33 | 35(2) | 26S37 | 4791726 | | GND2826 | 4791726 |
| | 36(0) | | | | | |
| 26S35 | 37(2) | 26S39 | 4791726 | | GND2826 | 4791726 |
| | 38(0) | | | | | |
| 26S37 | 39(2) | 26S41 | 4791726 | | GND2826 | 4791726 |
| | 40(0) | | | | | |
| 26S39 | 41(2) | 26S45 | 4791726 | | GND2826 | 4791726 |
| | 42(0) | | | | | |
| | 43(0) | | | | | |
| | 44(0) | | | | | |
| 26S41 | 45(1) | | 4791726 | | GND2826 | 4791726 |
| | 46(0) | | | | | |
| | 47(0) | | | | | |
| | 48(0) | | | | | |
| 25S49 | 49(0) | 27S49 | 8301700 | | P4VS | 8301730 |
| 29S50 | 50(2) | 15S50 | 8305300 | | M8VS | 8305300 |
| 25S51 | 51(0) | 27S51 | 8303700 | | P8VS | 8303730 |

| FROM | PIN (COUNT) | TO | SOURCE LINE NO. | ELEM. TYPE | SOURCE SIGNAL NAME | REFERENCE LINE NO. |
|-------|----------------|-------|--------------------|---------------|--------------------|-----------------------|
| | 00(0) | | | | | |
| 28S01 | 01(1) | | 1082650 | T | IOLN8 | 1082650 |
| 28S02 | 02(1) | | 1080850 | T | CNLN8 | 1080850 |
| 28S03 | 03(1) | | 1084600 | T | OVLN8 | 1084600 |
| | 04(0) | | | | | |
| 30R09 | 05(1) | | 3532020 | T | DARM-2 | 3532020 |
| 32R09 | 06(1) | | 3532030 | T | DARM-3 | 3532030 |
| 16S37 | 07(1) | | 6075460 | T | MFR/1 | 6075462 |
| | 08(0) | | | | | |
| 32R07 | 09(1) | | 4561010 | T | GCLK-1 | 4561010 |
| 24S07 | 10(1) | | 5541650 | T | NKSC | 5541650 |
| 31R14 | 11(1) | | 7840130 | T | SR13 | 7840130 |
| 25T41 | 12(1) | | 3315132 | T | NCROSCL | 3315132 |
| 25S20 | 13(1) | | 5173118 | T | ISNIP4 | 5173118 |
| 07R47 | 14(2) | 30S17 | 5120310 | T | NIEC | 5120310 |
| 21S36 | 15(1) | | 2341920 | T | NAR | 2341920 |
| | 16(0) | | 4791727 | -GND | GND2827 | 4791727 |
| 21R26 | 17(2) | 30S20 | 5073540 | T | NHRQBZ1 | 5073540 |
| 21R22 | 18(2) | 30S18 | 5073510 | T | NHRQBZC | 5073510 |
| 07R44 | 19(2) | 30S19 | 4154100 | T | NEN10 | 4154100 |
| 28S20 | 20(1) | | 1074600 | T | OVLN7 | 1074600 |
| 28S21 | 21(1) | | 1070850 | T | CNLN7 | 1070850 |
| 28S22 | 22(1) | | 1072650 | T | IOLN7 | 1072650 |
| 21S18 | 23(1) | | 3846030 | T | DRQC | 3846030 |
| 25S24 | 24(1) | | 1032668 | T | NIP3-1 | 1032668 |
| 25S25 | 25(1) | | 3278000 | T | CNTZREQ | 3278000 |
| 17T01 | 26(1) | | 2000535 | T | NIMCS | 2000535 |
| 25S26 | 27(1) | | 5173108 | T | ISNIP2 | 5173108 |
| 07R36 | 28(2) | 30S29 | 5120910 | T | NIEI | 5120910 |
| 07R45 | 29(2) | 30S30 | 4151100 | T | NENCNTR | 4151100 |
| 25S30 | 30(1) | | 1052668 | T | NIP5-1 | 1052668 |
| 32T41 | 31(1) | | 4395300 | T | FPCLN/1 | 4395302 |
| | 32(0) | | | | | |
| 24S33 | 33(1) | | 2180515 | T | (NAIB+NPXINT) | 2180515 |
| 25S44 | 34(2) | 28S30 | 4241010 | T | NEWDM | 4241010 |
| 25S08 | 35(2) | 30S37 | 5013510 | T | NHBZC | 5013510 |
| | 36(1) | 29S41 | 6943000 | -NS | PULLUP | 6943000 |
| 32T42 | 37(1) | | 4395320 | T | FPCLN/2 | 4395320 |
| 22S38 | 38(1) | | 2062830 | T | NACCL/1 | 2062830 |
| 28S39 | 39(1) | | 1064600 | T | OVLN6 | 1064600 |
| 25S06 | 40(2) | 30S38 | 5013540 | T | NHBZ1 | 5013540 |
| 24S30 | 41(1) | | 7342000 | T | REN-1 | 7342000 |
| 15T28 | 42(1) | | 7564000 | T | SCL | 7564000 |
| 23T30 | 43(2) | 25T40 | 2062820 | T | ACCL/1 | 2062820 |
| 22T13 | 44(1) | | 8010560 | T | T5EN | 8010560 |
| 19T06 | 45(1) | | 4392650 | T | FORCLEN | 4392650 |
| 29S40 | 46(1) | | 4381100 | T | FMCL/1 | 4381100 |
| 22T29 | 47(1) | | 3405111 | T | CXS | 3405111 |
| | 48(0) | | | | | |
| 26S49 | 49(0) | 28S49 | 8301700 | | P4VS | 8301730 |
| 16T39 | 50(1) | | 3107050 | T | (NCEINT.KSC-1) | 3107050 |
| 26S51 | 51(0) | 28S51 | 8303700 | | P8VS | 8303730 |

XDS 902306

XDS
XEROX DATA SYSTEMS

DRAWING NO.- 133264-948 AC
PROG-PNIND MODULE-28S
TYPE-PIN INDEX TYPE-FT26

60

10/27/71

| FROM | PIN (COUNT) | TO | SOURCE LINE NO. | ELEM. TYPE | SOURCE SIGNAL NAME | REFERENCE LINE NO. |
|-------|----------------|-------|--------------------|---------------|--------------------|-----------------------|
| | 00(0) | | | | | |
| 20S44 | 01(2) | 27S01 | 1082650 | . | I0LN8 | 1082592 |
| 20S47 | 02(2) | 27S02 | 1080850 | . | CNLN8 | 1082592 |
| 20S18 | 03(2) | 27S03 | 1084600 | . | OVLN8 | 1082590 |
| 22R27 | 04(1) | | 1083350 | . | LIN08 | 1082590 |
| | 05(0) | | | | | |
| 22R13 | 06(1) | | 1043350 | . | LIN04 | 1042590 |
| 24S47 | 07(1) | | 5814840 | . | LINREQ | 1092590 |
| | 08(0) | | | | | |
| | 09(0) | | | | | |
| | 10(0) | | | | | |
| | 11(0) | | | | | |
| | 12(0) | | | | | |
| | 13(1) | 17R41 | 1082590 | B | INT8 | 1082590 |
| 24R43 | 14(1) | | 1092590 | B | INT9 | 1092589 |
| | 15(1) | 16R41 | 1042590 | B | INT4 | 1042590 |
| | 16(1) | 28S17 | 4791728 | -GND | GND2828 | 4791728 |
| 28S16 | 17(2) | 28S23 | 4791728 | . | GND2828 | 1042594 |
| | 18(1) | 17R44 | 1072590 | B | INT7 | 1072590 |
| 22R22 | 19(1) | | 1073350 | . | LIN07 | 1072590 |
| 30S02 | 20(2) | 27S20 | 1074600 | . | OVLN7 | 1072590 |
| 20S46 | 21(2) | 27S21 | 1070850 | . | CNLN7 | 1072592 |
| 20S45 | 22(2) | 27S22 | 1072650 | . | I0LN7 | 1072592 |
| 28S17 | 23(2) | 28S24 | 4791728 | . | GND2828 | 1032592 |
| 28S23 | 24(2) | 28S25 | 4791728 | . | GND2828 | 1032592 |
| 28S24 | 25(2) | 28S27 | 4791728 | . | GND2828 | 1032590 |
| 22R10 | 26(1) | | 1033350 | . | LIN03 | 1032590 |
| 28S25 | 27(2) | 28S36 | 4791728 | . | GND2828 | 1022594 |
| 30S46 | 28(2) | 24S22 | 4154000 | . | ENIO | 1022592 |
| 24S23 | 29(1) | | 4151000 | . | ENCNTR | 1022592 |
| 27S34 | 30(1) | | 4241010 | . | NEWDM | 1022590 |
| 24S24 | 31(2) | 30S34 | 4155000 | . | ENOVDR | 1022590 |
| | 32(0) | | | | | |
| | 33(1) | 16R44 | 1032590 | B | INT3 | 1032590 |
| | 34(1) | 16R09 | 1052590 | B | INT5 | 1052590 |
| | 35(1) | 16R10 | 1062590 | B | INT6 | 1062590 |
| 28S27 | 36(2) | 28S40 | 4791728 | . | GND2828 | 1062592 |
| | 37(1) | 14R10 | 1022590 | B | INT2 | 1022590 |
| | 38(0) | | | | | |
| 30S13 | 39(2) | 27S39 | 1064600 | . | OVLN6 | 1062590 |
| 28S36 | 40(1) | | 4791728 | . | GND2828 | 1052590 |
| 22R18 | 41(1) | | 1053350 | . | LIN05 | 1052590 |
| 22R20 | 42(1) | | 1063350 | . | LIN06 | 1062590 |
| | 43(0) | | | | | |
| | 44(0) | | | | | |
| 22R08 | 45(1) | | 1023350 | . | LIN02 | 1022590 |
| | 46(0) | | | | | |
| | 47(0) | | | | | |
| | 48(0) | | | | | |
| 27S49 | 49(0) | 29S49 | 8301700 | | P4VS | 8301730 |
| | 50(0) | | | | | |
| 27S51 | 51(0) | 29S51 | 8303700 | | P8VS | 8303730 |

XDS 902306

XDS
XEROX DATA SYSTEMS

DRAWING NO.- 133264-948 AC
 PROG-PNIND MODULE-29S
 TYPE-PIN INDEX TYPE-AT23

61
 10/27/71

| FROM | PIN (COUNT) | TO | SOURCE LINE NO. | ELEM. TYPE | SOURCE SIGNAL NAME | REFERENCE LINE NO. |
|-------|----------------|-------|--------------------|---------------|--------------------|-----------------------|
| | 00(0) | | | | | |
| | 01(0) | | | | | |
| | 02(0) | | | | | |
| | 03(1) | 29S10 | 4791729 | . | GND2829 | 3181002 |
| | 04(0) | | | | | |
| | 05(0) | | | | | |
| | 06(0) | | | | | |
| | 07(0) | | | | | |
| | 08(0) | | | | | |
| | 09(0) | | | | | |
| 29S03 | 10(2) | 29S16 | 4791729 | . | GND2829 | 3181002 |
| | 11(0) | | | | | |
| | 12(0) | | | | | |
| | 13(1) | 26T43 | 3181000 | -CLD | CK/1 | 3181000 |
| | 14(0) | | | | | |
| | 15(1) | 26T40 | 3181004 | -CLD | CK/2 | 3181004 |
| 29S10 | 16(2) | 29S44 | 4791729 | -GND | GND2829 | 4791729 |
| | 17(1) | 26T36 | 3181006 | -CLD | CK/3 | 3181006 |
| | 18(0) | | | | | |
| | 19(1) | 26T50 | 3181008 | -CLD | CK/4 | 3181008 |
| | 20(0) | | | | | |
| | 21(1) | 26T45 | 3181010 | -CLD | CK/5 | 3181010 |
| | 22(0) | | | | | |
| | 23(1) | 28T01 | 3181012 | -CLD | CK/6 | 3181012 |
| | 24(0) | | | | | |
| | 25(0) | | 3181014 | -CLD | CK/7 | 3181014 |
| | 26(0) | | | | | |
| | 27(0) | | 3181016 | -CLD | CK/8 | 3181016 |
| | 28(0) | | | | | |
| | 29(0) | | 3181018 | -CLD | CK/9 | 3181018 |
| | 30(0) | | | | | |
| | 31(0) | | 3181020 | -CLD | CK/10 | 3181020 |
| | 32(0) | | | | | |
| | 33(0) | | 3181022 | -CLD | CK/11 | 3181022 |
| | 34(0) | | | | | |
| | 35(0) | | 3181024 | -CLD | CK/12 | 3181024 |
| | 36(0) | | | | | |
| | 37(0) | | | | | |
| | 38(0) | | | | | |
| | 39(0) | | | | | |
| 22S31 | 40(2) | 27S46 | 4381100 | . | FMCL/1 | 3181000 |
| 27S36 | 41(2) | 29S42 | 6943000 | . | PULLUP | 3181000 |
| 29S41 | 42(2) | 29S43 | 6943000 | . | PULLUP | 3181000 |
| 29S42 | 43(2) | 29T42 | 6943000 | . | PULLUP | 3181000 |
| 29S16 | 44(1) | | 4791729 | . | GND2829 | 3181003 |
| | 45(0) | | | | | |
| | 46(0) | | | | | |
| | 47(0) | | | | | |
| | 48(0) | | | | | |
| 28S49 | 49(0) | 30S49 | 8301700 | | P4VS | 8301730 |
| 31S50 | 50(2) | 26S50 | 8305300 | | M8VS | 8305300 |
| 28S51 | 51(0) | 30S51 | 8303700 | | P8VS | 8303730 |

XDS 902306

XDS
XEROX DATA SYSTEMS

DRAWING NO.- 133264-948 AC
PROG-PNIND
TYPE-PIN INDEX

62

MODULE-30S
TYPE-IT25

10/27/71

| FROM | PIN (COUNT) | TO | SOURCE LINE NO. | ELEM. TYPE | SOURCE SIGNAL NAME | REFERENCE LINE NO. |
|-------|-------------|-------|-----------------|------------|--------------------|--------------------|
| | 00(0) | | | | | |
| | 01(1) | 24S33 | 2180515 | I | (NAIB+NPXINT) | 2180515 |
| | 02(1) | 28S20 | 1074600 | I | OVLN7 | 1074600 |
| 26R43 | 03(2) | 30S23 | 7300210 | . | NR23 | 1074600 |
| 27R43 | 04(2) | 30S24 | 7300230 | . | NR45 | 1064600 |
| 14T37 | 05(2) | 24R01 | 3315150 | . | CROSSEN | 3315132 |
| 21S31 | 06(2) | 21S22 | 3840100 | . | DR/1 | 3315132 |
| | 07(0) | | | | | |
| 28R43 | 08(2) | 30S09 | 7300250 | . | NR67 | 1064600 |
| 30S08 | 09(2) | 30S28 | 7300250 | . | NR67 | 1074600 |
| 25S40 | 10(1) | | 2180500 | . | AIB | 2180515 |
| 32S33 | 11(2) | 17S08 | 6973900 | . | PXINT | 2180515 |
| | 12(1) | 32T43 | 3315132 | I | NCROSCL | 3315132 |
| | 13(1) | 28S39 | 1064600 | I | OVLN6 | 1064600 |
| | 14(1) | 31S23 | 7400150 | I | RQBZI | 7400150 |
| | 15(1) | 26S23 | 7400100 | I | RQBZC | 7400100 |
| | 16(0) | | 4791730 | -GND | GND2830 | 4791730 |
| 27S14 | 17(1) | | 5120310 | . | NIEC | 7400100 |
| 27S18 | 18(1) | | 5073510 | . | NHRQBZC | 7400100 |
| 27S19 | 19(1) | | 4154100 | . | NENIO | 7400150 |
| 27S17 | 20(1) | | 5073540 | . | NHRQBZI | 7400150 |
| 32R05 | 21(2) | 30S43 | 5173165 | . | NISNIP13 | 7400150 |
| 25R43 | 22(1) | | 7300110 | . | NR01 | 4155000 |
| 30S03 | 23(1) | | 7300210 | . | NR23 | 4155000 |
| 30S04 | 24(1) | | 7300230 | . | NR45 | 4155000 |
| 11R12 | 25(2) | 01R17 | 6832420 | . | PEM-1 | 4392652 |
| 15S40 | 26(2) | 24R27 | 5415355 | . | KHOP-2 | 4392652 |
| | 27(0) | | | | | |
| 30S09 | 28(1) | | 7300250 | . | NR67 | 4155000 |
| 27S28 | 29(1) | | 5120910 | . | NIEI | 7400150 |
| 27S29 | 30(1) | | 4151100 | . | NENCNTR | 7400100 |
| 30R44 | 31(2) | 30S44 | 5173155 | . | NISNIP11 | 7400100 |
| | 32(0) | | | | | |
| | 33(1) | 14S28 | 4392650 | I | FORCLEN | 4392652 |
| 28S31 | 34(1) | | 4155000 | I | ENOVRO | 4155000 |
| | 35(1) | 31S19 | 2990700 | I | BZI | 2990700 |
| | 36(1) | 26S19 | 2990500 | I | BZC | 2990500 |
| 27S35 | 37(1) | | 5013510 | . | NHBZC | 2990500 |
| 27S40 | 38(1) | | 5013540 | . | NHBZI | 2990700 |
| 29R43 | 39(1) | | 7300270 | . | NR89 | 4151002 |
| 31R43 | 40(1) | | 7300150 | . | NR1213 | 4154002 |
| 20S43 | 41(1) | | 7300190 | . | NR1415 | 4154002 |
| 20S30 | 42(1) | | 7300130 | . | NR1011 | 4151002 |
| 30S21 | 43(1) | | 5173165 | . | NISNIP13 | 2990700 |
| 30S31 | 44(1) | | 5173155 | . | NISNIP11 | 2990500 |
| 21R24 | 45(2) | 24S23 | 4151000 | I | ENCNTR | 4151002 |
| 21R25 | 46(2) | 28S28 | 4154000 | I | ENIO | 4154002 |
| | 47(1) | 18S24 | 1106500 | T | S10 | 1106500 |
| | 48(0) | | | | | |
| 29S49 | 49(0) | 31S49 | 8301700 | | P4VS | 8301740 |
| | 50(0) | | | | | |
| 29S51 | 51(0) | 31S51 | 8303700 | | P8VS | 8303740 |

XDS 902306

XDS
XEROX DATA SYSTEMS

DRAWING NO.- 133264-948 AC
PROG-PNIND MODULE-31S
TYPE-PIN INDEX TYPE-AT13

63

10/27/71

| FROM | PIN (COUNT) | TO | SOURCE LINE NO. | ELEM. TYPE | SOURCE SIGNAL NAME | REFERENCE LINE NO. |
|-------|----------------|-------|--------------------|---------------|--------------------|-----------------------|
| | 00(0) | | | | | |
| | 01(1) | 31S02 | 4791731 | * | GND2831 | 1301420 |
| 31S01 | 02(2) | 31S03 | 4791731 | * | GND2831 | 1311420 |
| 31S02 | 03(2) | 31S09 | 4791731 | * | GND2831 | 4820110 |
| | 04(0) | | | | | |
| | 05(0) | | | | | |
| | 06(0) | | | | | |
| | 07(0) | | | | | |
| | 08(0) | | | | | |
| 31S03 | 09(2) | 31S12 | 4791731 | * | GND2831 | 4820210 |
| | 10(0) | | | | | |
| | 11(0) | | | | | |
| 31S09 | 12(2) | 31S15 | 4791731 | * | GND2831 | 4820310 |
| | 13(0) | | | | | |
| | 14(0) | | | | | |
| 31S12 | 15(2) | 31S16 | 4791731 | * | GND2831 | 4820410 |
| 31S15 | 16(2) | 31S24 | 4791731 | -GND | GND2831 | 4791731 |
| | 17(0) | | | | | |
| | 18(0) | | | | | |
| 30S35 | 19(1) | | 2990700 | * | BZI | 5013526 |
| | 20(1) | 20S13 | 5013530 | -BCR | HBZI | 5013530 |
| | 21(0) | | | | | |
| | 22(1) | 20S02 | 5073530 | -BCR | HRQBZI | 5073530 |
| 30S14 | 23(1) | | 7400150 | * | RQBZI | 5073525 |
| 31S16 | 24(2) | 31S25 | 4791731 | | GND2831 | 4791731 |
| 31S24 | 25(2) | 31S33 | 4791731 | * | GND2831 | 4159510 |
| | 26(0) | | | | | |
| | 27(0) | | | | | |
| | 28(0) | | | | | |
| | 29(0) | | | | | |
| | 30(0) | | | | | |
| | 31(0) | | | | | |
| | 32(0) | | | | | |
| 31S25 | 33(2) | 31S35 | 4791731 | * | GND2831 | 4385403 |
| | 34(0) | | | | | |
| 31S33 | 35(2) | 31S37 | 4791731 | * | GND2831 | 4385413 |
| | 36(0) | | | | | |
| 31S35 | 37(2) | 31S39 | 4791731 | * | GND2831 | 4385423 |
| | 38(0) | | | | | |
| 31S37 | 39(2) | 31S41 | 4791731 | * | GND2831 | 3298605 |
| | 40(0) | | | | | |
| 31S39 | 41(2) | 31S45 | 4791731 | | GND2831 | 4791731 |
| | 42(0) | | | | | |
| | 43(0) | | | | | |
| | 44(0) | | | | | |
| 31S41 | 45(1) | | 4791731 | * | GND2831 | 4532010 |
| | 46(0) | | | | | |
| | 47(0) | | | | | |
| | 48(0) | | | | | |
| 30S49 | 49(0) | 32S49 | 8301700 | | P4VS | 8301740 |
| | 50(1) | 29S50 | 8305300 | -VSP | M8VS | 8305300 |
| 30S51 | 51(0) | 32S51 | 8303700 | | P8VS | 8303740 |

XDS 902306

XDS
XEROX DATA SYSTEMS

DRAWING NO.- 133264-948 AC
PROG-PNIND MODULE-32S
TYPE-PIN INDEX TYPE-ZT46

64
10/27/71

| FROM | PIN (COUNT) | TO | SOURCE LINE NO. | ELEM. TYPE | SOURCE SIGNAL NAME | REFERENCE LINE NO. |
|-------|----------------|-------|--------------------|---------------|--------------------|-----------------------|
| | 00(0) | | | | | |
| 03F01 | 01(1) | 23S27 | 6038050 | C | MBXS/0 | 6038050 |
| 03F02 | 02(1) | 23S29 | 6038200 | C | MBXS/1 | 6038200 |
| 03F03 | 03(1) | 16S39 | 7343230 | C | RESET/KS | 7343230 |
| 03F04 | 04(1) | 17R08 | 6806240 | C | P32HOLD | 6806240 |
| 03F05 | 05(1) | 17R14 | 6809190 | C | P33HOLD | 6809190 |
| 03F06 | 06(1) | 31R04 | 5173000 | C | IR | 5173000 |
| 03F07 | 07(1) | 16S24 | 6832430 | C | N(R/PEM) | 6832430 |
| 03F08 | 08(1) | 18T08 | 7410200 | C | RSA | 7410200 |
| 03F09 | 09(1) | 25S03 | 4392610 | C | NFORCL | 4392610 |
| 03F10 | 10(1) | 25S41 | 5779000 | C | LEVACT | 5779000 |
| 03F11 | 11(1) | 23R43 | 5779300 | C | LEVARM | 5779300 |
| 03F12 | 12(1) | 14T22 | 7343120 | C | NRESET-1 | 7343120 |
| 03F13 | 13(1) | 16T43 | 6825310 | C | NPDC31 | 6825310 |
| 03F14 | 14(1) | 07R09 | 6970100 | C | NPX | 6970100 |
| 03F15 | 15(1) | 24S01 | 6977100 | C | PXS | 6977100 |
| | 16(0) | | 4791732 | -GND | GND2832 | 4791732 |
| 03F17 | 17(1) | 17R15 | 6977300 | C | PXTR | 6977300 |
| 11R02 | 18(1) | 03F18 | 2054900 | C | AB0 | 2054900 |
| 03F19 | 19(1) | 03R04 | 7410800 | C | RSCLN | 7410800 |
| 03F20 | 20(1) | 28R04 | 6832200 | C | PEINT | 6832200 |
| 03F21 | 21(1) | 17S23 | 1264930 | C | (S/P26) | 1264930 |
| 03F22 | 22(1) | 15T10 | 2054910 | C | (S/AB0/1) | 2054910 |
| 03F23 | 23(1) | 17S18 | 1314930 | C | (S/P31/1) | 1314930 |
| 03F24 | 24(1) | 24S03 | 6973910 | C | PXK | 6973910 |
| 03F25 | 25(1) | 17S14 | 7890155 | C | (S/SW0/NZ) | 7890155 |
| 03F26 | 26(1) | 17T01 | 2000535 | C | NIMCS | 2000535 |
| 15F18 | 27(1) | 17S46 | 5156460 | C | (IOPH0.SW12) | 5156460 |
| 03F28 | 28(1) | 17S20 | 5156465 | C | (IOPH0.SW13) | 5156465 |
| 03F29 | 29(1) | 17S36 | 5188100 | C | IXAL | 5188100 |
| 03F30 | 30(1) | 14S20 | 6942300 | C | NPUC31 | 6942300 |
| 03F31 | 31(1) | 14S04 | 6942400 | C | NPUC33 | 6942400 |
| | 32(0) | | | | | |
| 03F33 | 33(1) | 30S11 | 6973900 | C | PXINT | 6973900 |
| 03F34 | 34(1) | 18S35 | 7410270 | C | (S/RSACLEN) | 7410270 |
| 03F35 | 35(1) | 18S43 | 7410804 | C | (S/RSCLN) | 7410804 |
| 03F36 | 36(1) | 18S42 | 7890145 | C | (S/SW0) | 7890145 |
| 03F37 | 37(1) | 18S40 | 7890135 | C | (R/SW0) | 7890135 |
| 03F38 | 38(1) | 03R37 | 3203110 | C | NCLEARMEM | 3203110 |
| 21S35 | 39(1) | 03F39 | 2089201 | C | NADNH | 2089201 |
| 03F40 | 40(1) | 18T13 | 7410220 | C | (S/RSA) | 7410220 |
| 03F41 | 41(1) | 16T11 | 6942200 | C | NPUC20 | 6942200 |
| 03F42 | 42(1) | 16T38 | 6825340 | C | NPDC33 | 6825340 |
| 03F43 | 43(1) | 03R41 | 6038001 | C | NMBXS | 6038001 |
| 03F44 | 44(1) | 18T15 | 5153300 | C | N(S/IOFM) | 5153300 |
| 03F45 | 45(1) | 05R17 | 5150110 | C | NIOACT | 5150110 |
| 03F46 | 46(1) | 18S47 | 3846014 | C | (S/DRQ) | 3846014 |
| 03F47 | 47(1) | 18T27 | 3107030 | C | (S/CEINT) | 3107030 |
| | 48(0) | | | | | |
| 31S49 | 49(0) | | 8301700 | | P4VS | 8301740 |
| 03F50 | 50(1) | 15T26 | 3107020 | C | (FCEINT) | 3107020 |
| 31S51 | 51(0) | | 8303700 | | P8VS | 8303740 |

| FROM | PIN (COUNT) | TO | SOURCE LINE NO. | ELEM. TYPE | SOURCE SIGNAL NAME | REFERENCE LINE NO. |
|-------|----------------|-------|--------------------|---------------|--------------------|-----------------------|
| | 00(0) | | | | | |
| | 01(1) | 02T01 | 1316300 | -HSM | RR31 | 1316302 |
| | 02(1) | 02T02 | 1276300 | -HSM | RR27 | 1276302 |
| | 03(0) | | | | | |
| | 04(1) | 02T04 | 1306300 | -HSM | RR30 | 1306302 |
| 06T22 | 05(1) | | 1033384 | T | NLI03-1 | 1033384 |
| 14T42 | 06(1) | | 1043370 | T | LI04 | 1043370 |
| 14T43 | 07(1) | | 1033370 | T | LI03 | 1033370 |
| 08T20 | 08(1) | | 1082645 | T | NIOFR8-1 | 1082645 |
| | 09(1) | 02T09 | 1266300 | -HSM | RR26 | 1266302 |
| | 10(1) | 01T16 | 4791801 | . | GND2901 | 4791801 |
| 09T05 | 11(2) | 02T11 | 1236340 | . | RW23 | 1312610 |
| 09T08 | 12(2) | 02T12 | 1196340 | . | RW19 | 1272610 |
| 32P47 | 13(1) | 02T13 | 3180470 | . | CK-32P47 | 5140180 |
| | 14(0) | | | | | |
| | 15(0) | | | | | |
| 01T10 | 16(2) | 01T24 | 4791801 | -GND | GND2901 | 4791801 |
| 09T06 | 17(2) | 02T17 | 1226340 | . | RW22 | 1302610 |
| 02T18 | 18(2) | 01S44 | 1053372 | . | LI05-1 | 5140186 |
| 09T42 | 19(2) | 02T19 | 1186340 | . | RW18 | 1262610 |
| 04R15 | 20(2) | 02T20 | 1082640 | . | IOFR8 | 5140182 |
| 03S21 | 21(2) | 03T21 | 1043384 | . | NLI04-1 | 5140182 |
| 02S22 | 22(2) | 02T22 | 1033384 | . | NLI03-1 | 5140182 |
| 04S23 | 23(2) | 02T23 | 1092635 | . | IOFR9-1 | 5140184 |
| 01T16 | 24(2) | 01T38 | 4791801 | . | GND2901 | 4791801 |
| 04S25 | 25(2) | 02T25 | 1092645 | . | NIOFR9-1 | 5140182 |
| 04S26 | 26(2) | 02T26 | 5153251 | . | IOFM | 5140182 |
| | 27(0) | | | | | |
| 09T44 | 28(2) | 02T28 | 1216340 | . | RW21 | 1292610 |
| 02T29 | 29(2) | 08T29 | 1063372 | . | LI06-1 | 5140188 |
| 02T30 | 30(2) | 01S39 | 1073372 | . | LI07-1 | 5140190 |
| 06R25 | 31(2) | 02T31 | 7430550 | . | RWB2 | 5140180 |
| | 32(0) | | | | | |
| 09T07 | 33(2) | 02T33 | 1206340 | . | RW20 | 1282610 |
| 09T40 | 34(2) | 02T34 | 1176340 | . | RW17 | 1252610 |
| 09T39 | 35(2) | 02T35 | 1166340 | . | RW16 | 1242610 |
| | 36(0) | | | | | |
| | 37(0) | | | | | |
| 01T24 | 38(1) | | 4791801 | . | GND2901 | 4791801 |
| 14T30 | 39(1) | | 1082640 | T | IOFR8 | 1082640 |
| 08T23 | 40(1) | | 1092635 | T | IOFR9-1 | 1092635 |
| | 41(1) | 02T41 | 1256300 | -HSM | RR25 | 1256302 |
| 08T25 | 42(1) | | 1092645 | T | NIOFR9-1 | 1092645 |
| | 43(1) | 02T43 | 1246300 | -HSM | RR24 | 1246302 |
| 07T21 | 44(1) | | 1043384 | T | NLI04-1 | 1043384 |
| | 45(1) | 02T45 | 1286300 | -HSM | RR28 | 1286302 |
| | 46(1) | 02T46 | 1296300 | -HSM | RR29 | 1296302 |
| | 47(0) | | | | | |
| | 48(0) | | | | | |
| | 49(0) | 02T49 | 8301800 | -VSP | P4VT | 8301800 |
| 02T50 | 50(1) | | 8305400 | . | M8VT | 8305430 |
| | 51(0) | 02T51 | 8303800 | -VSP | P8VT | 8303800 |

XDS 902306



DRAWING NO. - 133264-948 AC
 PROG-PNIND MODULE-02T
 TYPE-PIN INDEX TYPE-FT25

66

10/27/71

| FROM | PIN (COUNT) | TO | SOURCE LINE NO. | ELEM. TYPE | SOURCE SIGNAL NAME | REFERENCE LINE NO. |
|-------|-------------|-------|-----------------|------------|--------------------|--------------------|
| | 00(0) | | | | | |
| 01T01 | 01(2) | 03T01 | 1316300 | -HSM | RR31 | 1316304 |
| 01T02 | 02(2) | 03T02 | 1276300 | -HSM | RR27 | 1276304 |
| | 03(0) | | | | | |
| 01T04 | 04(2) | 03T04 | 1306300 | -HSM | RR30 | 1306304 |
| | 05(0) | | | | | |
| | 06(0) | | | | | |
| | 07(0) | | | | | |
| | 08(0) | | | | | |
| 01T09 | 09(2) | 03T09 | 1266300 | -HSM | RR26 | 1266304 |
| | 10(1) | 02T16 | 4791802 | | GND2902 | 4791802 |
| 01T11 | 11(2) | 03T11 | 1236340 | . | RW23 | 1312612 |
| 01T12 | 12(2) | 03T12 | 1196340 | . | RW19 | 1272612 |
| 01T13 | 13(2) | 03T13 | 3180470 | . | CK-32P47 | 5140280 |
| | 14(0) | | | | | |
| | 15(0) | | | | | |
| 02T10 | 16(2) | 02T24 | 4791802 | -GND | GND2902 | 4791802 |
| 01T17 | 17(2) | 03T17 | 1226340 | . | RW22 | 1302612 |
| 03T18 | 18(2) | 01T18 | 1053372 | . | LI05-1 | 5140286 |
| 01T19 | 19(2) | 03T19 | 1186340 | . | RW18 | 1262612 |
| 01T20 | 20(2) | 03T20 | 1082640 | . | IOFR8 | 5140282 |
| 04S21 | 21(2) | 04T21 | 1043370 | . | LI04 | 5140282 |
| 01T22 | 22(2) | 05T22 | 1033384 | . | NLI03-1 | 5140282 |
| 01T23 | 23(2) | 03T23 | 1092635 | . | IOFR9-1 | 5140284 |
| 02T16 | 24(2) | 02T38 | 4791802 | | GND2902 | 4791802 |
| 01T25 | 25(2) | 03T25 | 1092645 | . | NIOFR9-1 | 5140282 |
| 01T26 | 26(2) | 03T26 | 5153251 | . | IOFM | 5140282 |
| | 27(0) | | | | | |
| 01T28 | 28(2) | 03T28 | 1216340 | . | RW21 | 1292612 |
| 03T29 | 29(2) | 01T29 | 1063372 | . | LI06-1 | 5140288 |
| 03T30 | 30(2) | 01T30 | 1073372 | . | LI07-1 | 5140290 |
| 01T31 | 31(2) | 01S31 | 7430550 | . | RWB2 | 5140280 |
| | 32(0) | | | | | |
| 01T33 | 33(2) | 03T33 | 1206340 | . | RW20 | 1282612 |
| 01T34 | 34(2) | 03T34 | 1176340 | . | RW17 | 1252612 |
| 01T35 | 35(2) | 03T35 | 1166340 | . | RW16 | 1242612 |
| | 36(0) | | | | | |
| | 37(0) | | | | | |
| 02T24 | 38(1) | | 4791802 | | GND2902 | 4791802 |
| | 39(0) | | | | | |
| | 40(0) | | | | | |
| 01T41 | 41(2) | 03T41 | 1256300 | -HSM | RR25 | 1256304 |
| | 42(0) | | | | | |
| 01T43 | 43(2) | 03T43 | 1246300 | -HSM | RR24 | 1246304 |
| | 44(0) | | | | | |
| 01T45 | 45(2) | 03T45 | 1286300 | -HSM | RR28 | 1286304 |
| 01T46 | 46(2) | 03T46 | 1296300 | -HSM | RR29 | 1296304 |
| | 47(0) | | | | | |
| | 48(0) | | | | | |
| 01T49 | 49(0) | 03T49 | 8301800 | | P4VT | 8301800 |
| 03T50 | 50(2) | 01T50 | 8305400 | | M8VT | 8305430 |
| 01T51 | 51(0) | 03T51 | 8303800 | | P8VT | 8303800 |

| FROM | PIN (COUNT) | TO | SOURCE LINE NO. | ELEM. TYPE | SOURCE SIGNAL NAME | REFERENCE LINE NO. |
|-------|----------------|-------|--------------------|---------------|--------------------|-----------------------|
| | 00(0) | | | | | |
| 02T01 | 01(2) | 04T01 | 1316300 | -HSM | RR31 | 1316306 |
| 02T02 | 02(2) | 04T02 | 1276300 | -HSM | RR27 | 1276306 |
| | 03(0) | | | | | |
| 02T04 | 04(2) | 04T04 | 1306300 | -HSM | RR30 | 1306306 |
| | 05(0) | | | | | |
| | 06(0) | | | | | |
| | 07(0) | | | | | |
| | 08(0) | | | | | |
| 02T09 | 09(2) | 04T09 | 1266300 | -HSM | RR26 | 1266306 |
| | 10(1) | 03T16 | 4791803 | | GND2903 | 4791803 |
| 02T11 | 11(2) | 04T11 | 1236340 | . | RW23 | 1312614 |
| 02T12 | 12(2) | 04T12 | 1196340 | . | RW19 | 1272614 |
| 02T13 | 13(2) | 04T13 | 3180470 | . | CK-32P47 | 5140380 |
| | 14(0) | | | | | |
| | 15(0) | | | | | |
| 03T10 | 16(2) | 03T24 | 4791803 | -GND | GND2903 | 4791803 |
| 02T17 | 17(2) | 04T17 | 1226340 | . | RW22 | 1302614 |
| 04T18 | 18(2) | 02T18 | 1053372 | . | L105-1 | 5140386 |
| 02T19 | 19(2) | 04T19 | 1186340 | . | RW18 | 1262614 |
| 02T20 | 20(2) | 04T20 | 1082640 | . | IOFR8 | 5140382 |
| 01T21 | 21(2) | 05T21 | 1043384 | . | NL104-1 | 5140382 |
| 04S22 | 22(2) | 04T22 | 1033370 | . | L103 | 5140382 |
| 02T23 | 23(2) | 04T23 | 1092635 | . | IOFR9-1 | 5140384 |
| 03T16 | 24(2) | 03T38 | 4791803 | | GND2903 | 4791803 |
| 02T25 | 25(2) | 04T25 | 1092645 | . | NIOFR9-1 | 5140382 |
| 02T26 | 26(2) | 04T26 | 5153251 | . | IOFM | 5140382 |
| | 27(0) | | | | | |
| 02T28 | 28(2) | 04T28 | 1216340 | . | RW21 | 1292614 |
| 04T29 | 29(2) | 02T29 | 1063372 | . | L106-1 | 5140388 |
| 04T30 | 30(2) | 02T30 | 1073372 | . | L107-1 | 5140390 |
| 06R20 | 31(2) | 04T31 | 7430570 | . | RWB3 | 5140380 |
| | 32(0) | | | | | |
| 02T33 | 33(2) | 04T33 | 1206340 | . | RW20 | 1282614 |
| 02T34 | 34(2) | 04T34 | 1176340 | . | RW17 | 1252614 |
| 02T35 | 35(2) | 04T35 | 1166340 | . | RW16 | 1242614 |
| | 36(0) | | | | | |
| | 37(0) | | | | | |
| 03T24 | 38(1) | | 4791803 | | GND2903 | 4791803 |
| | 39(0) | | | | | |
| | 40(0) | | | | | |
| 02T41 | 41(2) | 04T41 | 1256300 | -HSM | RR25 | 1256306 |
| | 42(0) | | | | | |
| 02T43 | 43(2) | 04T43 | 1246300 | -HSM | RR24 | 1246306 |
| | 44(0) | | | | | |
| 02T45 | 45(2) | 04T45 | 1286300 | -HSM | RR28 | 1286306 |
| 02T46 | 46(2) | 04T46 | 1296300 | -HSM | RR29 | 1296306 |
| | 47(0) | | | | | |
| | 48(0) | | | | | |
| 02T49 | 49(0) | 04T49 | 8301800 | | P4VT | 8301800 |
| 04T50 | 50(2) | 02T50 | 8305400 | | M8VT | 8305430 |
| 02T51 | 51(0) | 04T51 | 8303800 | | P8VT | 8303800 |

XDS 902306

XDS
XEROX DATA SYSTEMS

DRAWING NO.- 133264-948 AC
PROG-PNIND
TYPE-PIN INDEX

68

MODULE-04T
TYPE-FT25

10/27/71

| FROM | PIN (COUNT) | TO | SOURCE LINE NO. | ELEM. TYPE | SOURCE SIGNAL NAME | REFERENCE LINE NO. |
|-------|----------------|-------|--------------------|---------------|--------------------|-----------------------|
| | 00(0) | | | | | |
| 03T01 | 01(2) | 05T01 | 1316300 | -HSM | RR31 | 1316308 |
| 03T02 | 02(2) | 05T02 | 1276300 | -HSM | RR27 | 1276308 |
| | 03(0) | | | | | |
| 03T04 | 04(2) | 05T04 | 1306300 | -HSM | RR30 | 1306308 |
| | 05(0) | | | | | |
| | 06(0) | | | | | |
| | 07(0) | | | | | |
| | 08(0) | | | | | |
| 03T09 | 09(2) | 05T09 | 1266300 | -HSM | RR26 | 1266308 |
| | 10(1) | 04T16 | 4791804 | | GND2904 | 4791804 |
| 03T11 | 11(2) | 01S11 | 1236340 | . | RW23 | 1312616 |
| 03T12 | 12(2) | 01S12 | 1196340 | . | RW19 | 1272616 |
| 03T13 | 13(2) | 05T13 | 3180470 | . | CK-32P47 | 5140480 |
| | 14(0) | | | | | |
| | 15(0) | | | | | |
| 04T10 | 16(2) | 04T24 | 4791804 | -GND | GND2904 | 4791804 |
| 03T17 | 17(2) | 01S17 | 1226340 | . | RW22 | 1302616 |
| 05T18 | 18(2) | 03T18 | 1053372 | . | L105-1 | 5140486 |
| 03T19 | 19(2) | 01S19 | 1186340 | . | RW18 | 1262616 |
| 03T20 | 20(2) | 14T30 | 1082640 | . | I0FR8 | 5140482 |
| 02T21 | 21(2) | 06T21 | 1043370 | . | L104 | 5140482 |
| 03T22 | 22(2) | 07T22 | 1033370 | . | L103 | 5140482 |
| 03T23 | 23(2) | 05T23 | 1092635 | . | I0FR9-1 | 5140484 |
| 04T16 | 24(2) | 04T38 | 4791804 | | GND2904 | 4791804 |
| 03T25 | 25(2) | 05T25 | 1092645 | . | N10FR9-1 | 5140482 |
| 03T26 | 26(2) | 05T26 | 5153251 | . | I0FM | 5140482 |
| | 27(0) | | | | | |
| 03T28 | 28(2) | 01S28 | 1216340 | . | RW21 | 1292616 |
| 05T29 | 29(2) | 03T29 | 1063372 | . | L106-1 | 5140488 |
| 05T30 | 30(2) | 03T30 | 1073372 | . | L107-1 | 5140490 |
| 03T31 | 31(2) | 05T31 | 7430570 | . | RWB3 | 5140480 |
| | 32(0) | | | | | |
| 03T33 | 33(2) | 01S33 | 1206340 | . | RW20 | 1282616 |
| 03T34 | 34(2) | 01S34 | 1176340 | . | RW17 | 1252616 |
| 03T35 | 35(2) | 01S35 | 1166340 | . | RW16 | 1242616 |
| | 36(0) | | | | | |
| | 37(0) | | | | | |
| 04T24 | 38(1) | | 4791804 | | GND2904 | 4791804 |
| | 39(0) | | | | | |
| | 40(0) | | | | | |
| 03T41 | 41(2) | 05T41 | 1256300 | -HSM | RR25 | 1256308 |
| | 42(0) | | | | | |
| 03T43 | 43(2) | 05T43 | 1246300 | -HSM | RR24 | 1246308 |
| | 44(0) | | | | | |
| 03T45 | 45(2) | 05T45 | 1286300 | -HSM | RR28 | 1286308 |
| 03T46 | 46(2) | 05T46 | 1296300 | -HSM | RR29 | 1296308 |
| | 47(0) | | | | | |
| | 48(0) | | | | | |
| 03T49 | 49(0) | 05T49 | 8301800 | | P4VT | 8301800 |
| 05T50 | 50(2) | 03T50 | 8305400 | | M8VT | 8305430 |
| 03T51 | 51(0) | 05T51 | 8303800 | | P8VT | 8303800 |

XDS 902306

XDS
XEROX DATA SYSTEMS

DRAWING NO. - 133264-948 AC
PROG-PNIND
TYPE-PIN INDEX

MODULE-05T
TYPE-FT25

69

10/27/71

| FROM | PIN (COUNT) | TO | SOURCE LINE NO. | ELEM. TYPE | SOURCE SIGNAL NAME | REFERENCE LINE NO. |
|-------|----------------|-------|--------------------|---------------|--------------------|-----------------------|
| | 00(0) | | | | | |
| 04T01 | 01(2) | 06T01 | 1316300 | -HSM | RR31 | 1316310 |
| 04T02 | 02(2) | 06T02 | 1276300 | -HSM | RR27 | 1276310 |
| | 03(0) | | | | | |
| 04T04 | 04(2) | 06T04 | 1306300 | -HSM | RR30 | 1306310 |
| | 05(0) | | | | | |
| 02R33 | 06(1) | | 1032640 | T | IOFR3 | 1032640 |
| | 07(0) | | | | | |
| 02R37 | 08(1) | | 1072640 | T | IOFR7 | 1072640 |
| 04T09 | 09(2) | 06T09 | 1266300 | -HSM | RR26 | 1266310 |
| | 10(1) | 05T16 | 4791805 | | GND2905 | 4791805 |
| 06R27 | 11(2) | 06T11 | 1316340 | . | RW31 | 1312600 |
| 06R01 | 12(2) | 06T12 | 1276340 | . | RW27 | 1272600 |
| 04T13 | 13(2) | 06T05 | 3180470 | . | CK-32P47 | 5140160 |
| | 14(0) | | | | | |
| | 15(0) | | | | | |
| 05T10 | 16(2) | 05T24 | 4791805 | -GND | GND2905 | 4791805 |
| 06R33 | 17(2) | 06T17 | 1306340 | . | RW30 | 1302600 |
| 06T18 | 18(2) | 04T18 | 1053372 | . | L105-1 | 5140166 |
| 06R37 | 19(2) | 06T19 | 1266340 | . | RW26 | 1262600 |
| 04S20 | 20(2) | 06T20 | 1082645 | . | NIOFR8-1 | 5140162 |
| 03T21 | 21(2) | 07T21 | 1043384 | . | NLI04-1 | 5140162 |
| 02T22 | 22(2) | 06T22 | 1033384 | . | NLI03-1 | 5140162 |
| 04T23 | 23(2) | 06T23 | 1092635 | . | IOFR9-1 | 5140164 |
| 05T16 | 24(2) | 05T38 | 4791805 | | GND2905 | 4791805 |
| 04T25 | 25(2) | 06T25 | 1092645 | . | NIOFR9-1 | 5140162 |
| 04T26 | 26(2) | 06T26 | 5153251 | . | IOFM | 5140162 |
| | 27(0) | | | | | |
| 06T44 | 28(2) | 06T28 | 1296340 | . | RW29 | 1292600 |
| 06T29 | 29(2) | 04T29 | 1063372 | . | L106-1 | 5140168 |
| 06T30 | 30(2) | 04T30 | 1073372 | . | L107-1 | 5140170 |
| 04T31 | 31(2) | 06T31 | 7430570 | . | RWB3 | 5140160 |
| | 32(0) | | | | | |
| 06T42 | 33(2) | 06T33 | 1286340 | . | RW28 | 1282600 |
| 06T40 | 34(2) | 06T34 | 1256340 | . | RW25 | 1252600 |
| 06T39 | 35(2) | 06T35 | 1246340 | . | RW24 | 1242600 |
| | 36(0) | | | | | |
| | 37(0) | | | | | |
| 05T24 | 38(1) | | 4791805 | | GND2905 | 4791805 |
| | 39(0) | | | | | |
| 14T31 | 40(1) | | 1092640 | T | IOFR9 | 1092640 |
| 04T41 | 41(2) | 06T41 | 1256300 | -HSM | RR25 | 1256310 |
| | 42(0) | | | | | |
| 04T43 | 43(2) | 06T43 | 1246300 | -HSM | RR24 | 1246310 |
| | 44(0) | | | | | |
| 04T45 | 45(2) | 06T45 | 1286300 | -HSM | RR28 | 1286310 |
| 04T46 | 46(2) | 06T46 | 1296300 | -HSM | RR29 | 1296310 |
| | 47(0) | | | | | |
| | 48(0) | | | | | |
| 04T49 | 49(0) | 06T49 | 8301800 | | P4VT | 8301800 |
| 06T50 | 50(2) | 04T50 | 8305400 | | M8VT | 8305430 |
| 04T51 | 51(0) | 06T51 | 8303800 | | P8VT | 8303800 |

XDS 902306



DRAWING NO.- 133264-948 AC
 PROG-PNIND MODULE-06T
 TYPE-PIN INDEX TYPE-FT25

70
 10/27/71

| FROM | PIN (COUNT) | TO | SOURCE LINE NO. | ELEM. TYPE | SOURCE SIGNAL NAME | REFERENCE LINE NO. |
|-------|----------------|-------|--------------------|---------------|--------------------|-----------------------|
| | 00(0) | | | | | |
| 05T01 | 01(2) | 07T01 | 1316300 | -HSM | RR31 | 1316312 |
| 05T02 | 02(2) | 07T02 | 1276300 | -HSM | RR27 | 1276312 |
| | 03(0) | | | | | |
| 05T04 | 04(2) | 07T04 | 1306300 | -HSM | RR30 | 1306312 |
| 05T13 | 05(2) | 06T06 | 3180470 | T | CK-32P47 | 3180470 |
| 06T05 | 06(2) | 06T07 | 3180470 | T | CK-32P47 | 3180470 |
| 06T06 | 07(2) | 06T08 | 3180470 | T | CK-32P47 | 3180470 |
| 06T07 | 08(2) | 06T13 | 3180470 | T | CK-32P47 | 3180470 |
| 05T09 | 09(2) | 07T09 | 1266300 | -HSM | RR26 | 1266312 |
| | 10(1) | 06T16 | 4791806 | . | GND2906 | 4791806 |
| 05T11 | 11(2) | 07T11 | 1316340 | . | RW31 | 1312602 |
| 05T12 | 12(2) | 07T12 | 1276340 | . | RW27 | 1272602 |
| 06T08 | 13(2) | 07T13 | 3180470 | . | CK-32P47 | 5140260 |
| | 14(0) | | | | | |
| | 15(0) | | | | | |
| 06T10 | 16(2) | 06T24 | 4791806 | -GND | GND2906 | 4791806 |
| 05T17 | 17(2) | 07T17 | 1306340 | . | RW30 | 1302602 |
| 07T18 | 18(2) | 05T18 | 1053372 | . | L105-1 | 5140266 |
| 05T19 | 19(2) | 07T19 | 1266340 | . | RW26 | 1262602 |
| 05T20 | 20(2) | 07T20 | 1082645 | . | N10FR8-1 | 5140262 |
| 04T21 | 21(2) | 08T21 | 1043370 | . | L104 | 5140262 |
| 05T22 | 22(2) | 01T05 | 1033384 | . | NL103-1 | 5140262 |
| 05T23 | 23(2) | 07T23 | 1092635 | . | I0FR9-1 | 5140264 |
| 06T16 | 24(2) | 06T38 | 4791806 | . | GND2906 | 4791806 |
| 05T25 | 25(2) | 07T25 | 1092645 | . | N10FR9-1 | 5140262 |
| 05T26 | 26(2) | 07T26 | 5153251 | . | I0FM | 5140262 |
| | 27(0) | | | | | |
| 05T28 | 28(2) | 07T28 | 1296340 | . | RW29 | 1292602 |
| 07T29 | 29(2) | 05T29 | 1063372 | . | L106-1 | 5140268 |
| 07T30 | 30(2) | 05T30 | 1073372 | . | L107-1 | 5140270 |
| 05T31 | 31(2) | 07T31 | 7430570 | . | RWB3 | 5140260 |
| | 32(0) | | | | | |
| 05T33 | 33(2) | 07T33 | 1286340 | . | RW28 | 1282602 |
| 05T34 | 34(2) | 07T34 | 1256340 | . | RW25 | 1252602 |
| 05T35 | 35(2) | 07T35 | 1246340 | . | RW24 | 1242602 |
| | 36(0) | | | | | |
| | 37(0) | | | | | |
| 06T24 | 38(1) | | 4791806 | | GND2906 | 4791806 |
| | 39(1) | 05T35 | 1246340 | T | RW24 | 1246340 |
| | 40(1) | 05T34 | 1256340 | T | RW25 | 1256340 |
| 05T41 | 41(2) | 07T41 | 1256300 | -HSM | RR25 | 1256312 |
| | 42(1) | 05T33 | 1286340 | T | RW28 | 1286340 |
| 05T43 | 43(2) | 07T43 | 1246300 | -HSM | RR24 | 1246312 |
| | 44(1) | 05T28 | 1296340 | T | RW29 | 1296340 |
| 05T45 | 45(2) | 07T45 | 1286300 | -HSM | RR28 | 1286312 |
| 05T46 | 46(2) | 07T46 | 1296300 | -HSM | RR29 | 1296312 |
| | 47(0) | | | | | |
| | 48(0) | | | | | |
| 05T49 | 49(0) | 07T49 | 8301800 | | P4VT | 8301800 |
| 07T50 | 50(2) | 05T50 | 8305400 | | M8VT | 8305430 |
| 05T51 | 51(0) | 07T51 | 8303800 | | P8VT | 8303800 |

XDS 902306



DRAWING NO. - 133264-948 AC
 PROG-PNIND MODULE-07T
 TYPE-PIN INDEX TYPE-FT25

71

10/27/71

| FROM | PIN (COUNT) | TO | SOURCE LINE NO. | ELEM. TYPE | SOURCE SIGNAL NAME | REFERENCE LINE NO. |
|-------|----------------|-------|--------------------|---------------|--------------------|-----------------------|
| | 00(0) | | | | | |
| 06T01 | 01(2) | 08T01 | 1316300 | -HSM | RR31 | 1316314 |
| 06T02 | 02(2) | 08T02 | 1276300 | -HSM | RR27 | 1276314 |
| | 03(0) | | | | | |
| 06T04 | 04(2) | 08T04 | 1306300 | -HSM | RR30 | 1306314 |
| | 05(0) | | | | | |
| | 06(0) | | | | | |
| | 07(0) | | | | | |
| | 08(0) | | | | | |
| 06T09 | 09(2) | 08T09 | 1266300 | -HSM | RR26 | 1266314 |
| | 10(1) | 07T16 | 4791807 | | GND2907 | 4791807 |
| 06T11 | 11(2) | 08T11 | 1316340 | . | RW31 | 1312604 |
| 06T12 | 12(2) | 08T12 | 1276340 | . | RW27 | 1272604 |
| 06T13 | 13(2) | 08T13 | 3180470 | . | CK-32P47 | 5140360 |
| | 14(0) | | | | | |
| | 15(0) | | | | | |
| 07T10 | 16(2) | 07T24 | 4791807 | -GND | GND2907 | 4791807 |
| 06T17 | 17(2) | 08T17 | 1306340 | . | RW30 | 1302604 |
| 08T18 | 18(2) | 06T18 | 1053372 | . | LI05-1 | 5140366 |
| 06T19 | 19(2) | 08T19 | 1266340 | . | RW26 | 1262604 |
| 06T20 | 20(2) | 08T20 | 1082645 | . | NIOFR8-1 | 5140362 |
| 05T21 | 21(2) | 01T44 | 1043384 | . | NLI04-1 | 5140362 |
| 04T22 | 22(2) | 08T22 | 1033370 | . | LI03 | 5140362 |
| 06T23 | 23(2) | 08T23 | 1092635 | . | IOFR9-1 | 5140364 |
| 07T16 | 24(2) | 07T38 | 4791807 | | GND2907 | 4791807 |
| 06T25 | 25(2) | 08T25 | 1092645 | . | NIOFR9-1 | 5140362 |
| 06T26 | 26(2) | 08T26 | 5153251 | . | IOFM | 5140362 |
| | 27(0) | | | | | |
| 06T28 | 28(2) | 08T28 | 1296340 | . | RW29 | 1292604 |
| 04S29 | 29(2) | 06T29 | 1063372 | . | LI06-1 | 5140368 |
| 08T30 | 30(2) | 06T30 | 1073372 | . | LI07-1 | 5140370 |
| 06T31 | 31(2) | 08T31 | 7430570 | . | RWB3 | 5140360 |
| | 32(0) | | | | | |
| 06T33 | 33(2) | 08T33 | 1286340 | . | RW28 | 1282604 |
| 06T34 | 34(2) | 08T34 | 1256340 | . | RW25 | 1252604 |
| 06T35 | 35(2) | 08T35 | 1246340 | . | RW24 | 1242604 |
| | 36(0) | | | | | |
| | 37(0) | | | | | |
| 07T24 | 38(1) | | 4791807 | | GND2907 | 4791807 |
| | 39(0) | | | | | |
| | 40(0) | | | | | |
| 06T41 | 41(2) | 08T41 | 1256300 | -HSM | RR25 | 1256314 |
| | 42(0) | | | | | |
| 06T43 | 43(2) | 08T43 | 1246300 | -HSM | RR24 | 1246314 |
| | 44(0) | | | | | |
| 06T45 | 45(2) | 08T45 | 1286300 | -HSM | RR28 | 1286314 |
| 06T46 | 46(2) | 08T46 | 1296300 | -HSM | RR29 | 1296314 |
| | 47(0) | | | | | |
| | 48(0) | | | | | |
| 06T49 | 49(0) | 08T49 | 8301800 | | P4VT | 8301800 |
| 08T50 | 50(2) | 06T50 | 8305400 | | M8VT | 8305420 |
| 06T51 | 51(0) | 08T51 | 8303800 | | P8VT | 8303800 |

XDS 902306

XDS
XEROX DATA SYSTEMS

DRAWING NO.- 133264-948 AC
PROG-PNIND MODULE-08T
TYPE-PIN INDEX TYPE-FT25

72

10/27/71

| FROM | PIN (COUNT) | TO | SOURCE LINE NO. | ELEM. TYPE | SOURCE SIGNAL NAME | REFERENCE LINE NO. |
|-------|----------------|-------|--------------------|---------------|--------------------|-----------------------|
| | 00(0) | | | | | |
| 07T01 | 01(2) | 09T01 | 1316300 | -HSM | RR31 | 1316316 |
| 07T02 | 02(2) | 09T02 | 1276300 | -HSM | RR27 | 1276316 |
| | 03(0) | | | | | |
| 07T04 | 04(2) | 09T04 | 1306300 | -HSM | RR30 | 1306316 |
| | 05(0) | | | | | |
| | 06(0) | | | | | |
| | 07(0) | | | | | |
| | 08(0) | | | | | |
| 07T09 | 09(2) | 09T09 | 1266300 | -HSM | RR26 | 1266316 |
| | 10(1) | 08T16 | 4791808 | | GND2908 | 4791808 |
| 07T11 | 11(2) | 09T11 | 1316340 | . | RW31 | 1312606 |
| 07T12 | 12(2) | 09T12 | 1276340 | . | RW27 | 1272606 |
| 07T13 | 13(2) | 09T13 | 3180470 | . | CK-32P47 | 5140460 |
| | 14(0) | | | | | |
| | 15(0) | | | | | |
| 08T10 | 16(2) | 08T24 | 4791808 | -GND | GND2908 | 4791808 |
| 07T17 | 17(2) | 09T17 | 1306340 | . | RW30 | 1302606 |
| 04S18 | 18(2) | 07T18 | 1053372 | . | L105-1 | 5140466 |
| 07T19 | 19(2) | 09T19 | 1266340 | . | RW26 | 1262606 |
| 07T20 | 20(2) | 01T08 | 1082645 | . | NIOFR8-1 | 5140462 |
| 06T21 | 21(2) | 14T42 | 1043370 | . | L104 | 5140462 |
| 07T22 | 22(2) | 14T43 | 1033370 | . | L103 | 5140462 |
| 07T23 | 23(2) | 01T40 | 1092635 | . | IOFR9-1 | 5140464 |
| 08T16 | 24(2) | 08T38 | 4791808 | | GND2908 | 4791808 |
| 07T25 | 25(2) | 01T42 | 1092645 | . | NIOFR9-1 | 5140462 |
| 07T26 | 26(2) | 10S13 | 5153251 | . | IOFM | 5140462 |
| | 27(0) | | | | | |
| 07T28 | 28(2) | 09T28 | 1296340 | . | RW29 | 1292606 |
| 01T29 | 29(2) | 01S40 | 1063372 | . | L106-1 | 5140468 |
| 04S30 | 30(2) | 07T30 | 1073372 | . | L107-1 | 5140470 |
| 07T31 | 31(2) | 09T31 | 7430570 | . | RWB3 | 5140460 |
| | 32(0) | | | | | |
| 07T33 | 33(2) | 09T33 | 1286340 | . | RW28 | 1282606 |
| 07T34 | 34(2) | 09T34 | 1256340 | . | RW25 | 1252606 |
| 07T35 | 35(2) | 09T35 | 1246340 | . | RW24 | 1242606 |
| | 36(0) | | | | | |
| | 37(0) | | | | | |
| 08T24 | 38(1) | | 4791808 | | GND2908 | 4791808 |
| | 39(0) | | | | | |
| | 40(0) | | | | | |
| 07T41 | 41(2) | 09T41 | 1256300 | -HSM | RR25 | 1256316 |
| | 42(0) | | | | | |
| 07T43 | 43(2) | 09T43 | 1246300 | -HSM | RR24 | 1246316 |
| | 44(0) | | | | | |
| 07T45 | 45(2) | 09T45 | 1286300 | -HSM | RR28 | 1286316 |
| 07T46 | 46(2) | 09T46 | 1296300 | -HSM | RR29 | 1296316 |
| | 47(0) | | | | | |
| | 48(0) | | | | | |
| 07T49 | 49(0) | 09T49 | 8301800 | | P4VT | 8301800 |
| 09T50 | 50(2) | 07T50 | 8305400 | | M8VT | 8305420 |
| 07T51 | 51(0) | 09T51 | 8303800 | | P8VT | 8303800 |

| FROM | PIN (COUNT) | TO | SOURCE LINE NO. | ELEM. TYPE | SOURCE SIGNAL NAME | REFERENCE LINE NO. |
|-------|----------------|-------|--------------------|---------------|--------------------|-----------------------|
| | 00(0) | | | | | |
| 08T01 | 01(2) | 10T01 | 1316300 | -HSM | RR31 | 1316318 |
| 08T02 | 02(2) | 10T02 | 1276300 | -HSM | RR27 | 1276318 |
| | 03(0) | | | | | |
| 08T04 | 04(2) | 10T04 | 1306300 | -HSM | RR30 | 1306318 |
| | 05(1) | 01T11 | 1236340 | | RW23 | 1236340 |
| | 06(1) | 01T17 | 1226340 | T | RW22 | 1226340 |
| | 07(1) | 01T33 | 1206340 | T | RW20 | 1206340 |
| | 08(1) | 01T12 | 1196340 | T | RW19 | 1196340 |
| 08T09 | 09(2) | 10T09 | 1266300 | -HSM | RR26 | 1266318 |
| | 10(1) | 09T16 | 4791809 | | GND2909 | 4791809 |
| 08T11 | 11(2) | 10T11 | 1316340 | . | RW31 | 1316220 |
| 08T12 | 12(2) | 10T12 | 1276340 | . | RW27 | 1276220 |
| 08T13 | 13(2) | 10T13 | 3180470 | . | CK-32P47 | 7394060 |
| | 14(0) | | | | | |
| | 15(0) | | | | | |
| 09T10 | 16(2) | 09T24 | 4791809 | -GND | GND2909 | 4791809 |
| 08T17 | 17(2) | 10T17 | 1306340 | . | RW30 | 1306220 |
| 10T18 | 18(2) | 08S18 | 1293700 | . | LR29-0 | 7394066 |
| 08T19 | 19(2) | 10T19 | 1266340 | . | RW26 | 1266220 |
| 08S20 | 20(2) | 10T20 | 1256202 | . | NRP25 | 7394062 |
| 08S21 | 21(2) | 10T21 | 1246202 | . | NRP24 | 7394062 |
| 10T22 | 22(2) | 08S22 | 5153262 | . | N10FM/1 | 7394062 |
| 08S23 | 23(2) | 10T23 | 1283700 | . | LR28-0 | 7394064 |
| 09T16 | 24(2) | 09T38 | 4791809 | | GND2909 | 4791809 |
| 10T25 | 25(2) | 08S25 | 1283720 | . | NLR28-0 | 7394062 |
| 06S26 | 26(2) | 10T26 | 1266202 | . | NRP26 | 7394062 |
| 11T27 | 27(2) | 07S27 | 1276202 | . | NRP27 | 7394062 |
| 08T28 | 28(2) | 10T28 | 1296340 | . | RW29 | 1296220 |
| 13S12 | 29(2) | 10T29 | 1303700 | . | LR30-0 | 7394068 |
| 13S09 | 30(2) | 10T30 | 1313700 | . | LR31-0 | 7394070 |
| 08T31 | 31(2) | 10T31 | 7430570 | . | RWB3 | 7394060 |
| | 32(0) | | | | | |
| 08T33 | 33(2) | 10T33 | 1286340 | . | RW28 | 1286220 |
| 08T34 | 34(2) | 10T34 | 1256340 | . | RW25 | 1256220 |
| 08T35 | 35(2) | 10T35 | 1246340 | . | RW24 | 1246220 |
| | 36(0) | | | | | |
| | 37(0) | | | | | |
| 09T24 | 38(1) | | 4791809 | | GND2909 | 4791809 |
| | 39(1) | 01T35 | 1166340 | T | RW16 | 1166340 |
| | 40(1) | 01T34 | 1176340 | T | RW17 | 1176340 |
| 08T41 | 41(2) | 10T41 | 1256300 | -HSM | RR25 | 1256318 |
| | 42(1) | 01T19 | 1186340 | T | RW18 | 1186340 |
| 08T43 | 43(2) | 10T43 | 1246300 | -HSM | RR24 | 1246318 |
| | 44(1) | 01T28 | 1216340 | T | RW21 | 1216340 |
| 08T45 | 45(2) | 10T45 | 1286300 | -HSM | RR28 | 1286318 |
| 08T46 | 46(2) | 10T46 | 1296300 | -HSM | RR29 | 1296318 |
| | 47(0) | | | | | |
| | 48(0) | | | | | |
| 08T49 | 49(0) | 10T49 | 8301800 | | P4VT | 8301810 |
| 10T50 | 50(2) | 08T50 | 8305400 | | M8VT | 8305420 |
| 08T51 | 51(0) | 10T51 | 8303800 | | P8VT | 8303810 |

XDS 902306

XDS
XEROX DATA SYSTEMS

DRAWING NO.- 133264-948 AC
PROG-PNIND MODULE-10T
TYPE-PIN INDEX TYPE-FT25

74

10/27/71

| FROM | PIN (COUNT) | TO | SOURCE LINE NO. | ELEM. TYPE | SOURCE SIGNAL NAME | REFERENCE LINE NO. |
|-------|----------------|-------|--------------------|---------------|--------------------|-----------------------|
| | 00(0) | | | | | |
| 09T01 | 01(2) | 11T01 | 1316300 | -HSM | RR31 | 1316320 |
| 09T02 | 02(2) | 11T02 | 1276300 | -HSM | RR27 | 1276320 |
| | 03(0) | | | | | |
| 09T04 | 04(2) | 11T04 | 1306300 | -HSM | RR30 | 1306320 |
| | 05(0) | | | | | |
| | 06(0) | | | | | |
| | 07(0) | | | | | |
| | 08(0) | | | | | |
| 09T09 | 09(2) | 11T09 | 1266300 | -HSM | RR26 | 1266320 |
| | 10(1) | 10T16 | 4791810 | | GND2910 | 4791810 |
| 09T11 | 11(2) | 11T11 | 1316340 | . | RW31 | 1316222 |
| 09T12 | 12(2) | 11T12 | 1276340 | . | RW27 | 1276222 |
| 09T13 | 13(2) | 11T13 | 3180470 | . | CK-32P47 | 7394160 |
| | 14(0) | | | | | |
| | 15(0) | | | | | |
| 10T10 | 16(2) | 10T24 | 4791810 | -GND | GND2910 | 4791810 |
| 09T17 | 17(2) | 11T17 | 1306340 | . | RW30 | 1306222 |
| 11T18 | 18(2) | 09T18 | 1293700 | . | LR29-0 | 7394166 |
| 09T19 | 19(2) | 11T19 | 1266340 | . | RW26 | 1266222 |
| 09T20 | 20(2) | 11T20 | 1256202 | . | NRP25 | 7394162 |
| 09T21 | 21(2) | 11T21 | 1246202 | . | NRP24 | 7394162 |
| 11T22 | 22(2) | 09T22 | 5153262 | . | N10FM/1 | 7394162 |
| 09T23 | 23(2) | 11T23 | 1283700 | . | LR28-0 | 7394164 |
| 10T16 | 24(2) | 10T38 | 4791810 | | GND2910 | 4791810 |
| 11T25 | 25(2) | 09T25 | 1283720 | . | NLR28-0 | 7394162 |
| 09T26 | 26(1) | | 1266202 | . | NRP26 | 7394162 |
| 08S27 | 27(2) | 12T27 | 1276200 | . | RP27 | 7394162 |
| 09T28 | 28(2) | 11T28 | 1296340 | . | RW29 | 1296222 |
| 09T29 | 29(2) | 11T29 | 1303700 | . | LR30-0 | 7394168 |
| 09T30 | 30(2) | 11T30 | 1313700 | . | LR31-0 | 7394170 |
| 09T31 | 31(2) | 11T31 | 7430570 | . | RWB3 | 7394160 |
| | 32(0) | | | | | |
| 09T33 | 33(2) | 11T33 | 1286340 | . | RW28 | 1286222 |
| 09T34 | 34(2) | 11T34 | 1256340 | . | RW25 | 1256222 |
| 09T35 | 35(2) | 11T35 | 1246340 | . | RW24 | 1246222 |
| | 36(0) | | | | | |
| | 37(0) | | | | | |
| 10T24 | 38(1) | | 4791810 | | GND2910 | 4791810 |
| | 39(0) | | | | | |
| | 40(0) | | | | | |
| 09T41 | 41(2) | 11T41 | 1256300 | -HSM | RR25 | 1256320 |
| | 42(0) | | | | | |
| 09T43 | 43(2) | 11T43 | 1246300 | -HSM | RR24 | 1246320 |
| | 44(0) | | | | | |
| 09T45 | 45(2) | 11T45 | 1286300 | -HSM | RR28 | 1286320 |
| 09T46 | 46(2) | 11T46 | 1296300 | -HSM | RR29 | 1296320 |
| | 47(0) | | | | | |
| | 48(0) | | | | | |
| 09T49 | 49(0) | 11T49 | 8301800 | | P4VT | 8301810 |
| 11T50 | 50(2) | 09T50 | 8305400 | | M8VT | 8305420 |
| 09T51 | 51(0) | 11T51 | 8303800 | | P8VT | 8303810 |

XDS 902306

XDS
XEROX DATA SYSTEMS

DRAWING NO.- 133264-948 AC
PROG-PNIND
TYPE-PIN INDEX

MODULE-11T
TYPE-FT25

75

10/27/71

| FROM | PIN (COUNT) | TO | SOURCE LINE NO. | ELEM. TYPE | SOURCE SIGNAL NAME | REFERENCE LINE NO. |
|-------|----------------|-------|--------------------|---------------|--------------------|-----------------------|
| | 00(0) | | | | | |
| 10T01 | 01(2) | 12T01 | 1316300 | -HSM | RR31 | 1316322 |
| 10T02 | 02(2) | 12T02 | 1276300 | -HSM | RR27 | 1276322 |
| | 03(0) | | | | | |
| 10T04 | 04(2) | 12T04 | 1306300 | -HSM | RR30 | 1306322 |
| | 05(0) | | | | | |
| | 06(0) | | | | | |
| | 07(0) | | | | | |
| | 08(0) | | | | | |
| 10T09 | 09(2) | 12T09 | 1266300 | -HSM | RR26 | 1266322 |
| | 10(1) | 11T16 | 4791811 | . | GND2911 | 4791811 |
| 10T11 | 11(2) | 12T11 | 1316340 | . | RW31 | 1316224 |
| 10T12 | 12(2) | 12T12 | 1276340 | . | RW27 | 1276224 |
| 10T13 | 13(2) | 12T13 | 3180470 | . | CK-32P47 | 7394260 |
| | 14(0) | | | | | |
| | 15(0) | | | | | |
| 11T10 | 16(2) | 11T24 | 4791811 | -GND | GND2911 | 4791811 |
| 10T17 | 17(2) | 12T17 | 1306340 | . | RW30 | 1306224 |
| 12T18 | 18(2) | 10T18 | 1293700 | . | LR29-0 | 7394266 |
| 10T19 | 19(2) | 12T19 | 1266340 | . | RW26 | 1266224 |
| 10T20 | 20(2) | 12T20 | 1256202 | . | NRP25 | 7394262 |
| 10T21 | 21(2) | 12T21 | 1246202 | . | NRP24 | 7394262 |
| 12T22 | 22(2) | 10T22 | 5153262 | . | N10FM/1 | 7394262 |
| 10T23 | 23(2) | 12T23 | 1283700 | . | LR28-0 | 7394264 |
| 11T16 | 24(2) | 11T38 | 4791811 | . | GND2911 | 4791811 |
| 12T25 | 25(2) | 10T25 | 1283720 | . | NLR28-0 | 7394262 |
| 08S26 | 26(2) | 12T26 | 1266200 | . | RP26 | 7394262 |
| 10R19 | 27(2) | 09T27 | 1276202 | . | NRP27 | 7394262 |
| 10T28 | 28(2) | 12T28 | 1296340 | . | RW29 | 1296224 |
| 10T29 | 29(2) | 12T29 | 1303700 | . | LR30-0 | 7394268 |
| 10T30 | 30(2) | 12T30 | 1313700 | . | LR31-0 | 7394270 |
| 10T31 | 31(2) | 12T31 | 7430570 | . | RWB3 | 7394260 |
| | 32(0) | | | | | |
| 10T33 | 33(2) | 12T33 | 1286340 | . | RW28 | 1286224 |
| 10T34 | 34(2) | 12T34 | 1256340 | . | RW25 | 1256224 |
| 10T35 | 35(2) | 12T35 | 1246340 | . | RW24 | 1246224 |
| | 36(0) | | | | | |
| | 37(0) | | | | | |
| 11T24 | 38(1) | | 4791811 | | GND2911 | 4791811 |
| | 39(0) | | | | | |
| | 40(0) | | | | | |
| 10T41 | 41(2) | 12T41 | 1256300 | -HSM | RR25 | 1256322 |
| | 42(0) | | | | | |
| 10T43 | 43(2) | 12T43 | 1246300 | -HSM | RR24 | 1246322 |
| | 44(0) | | | | | |
| 10T45 | 45(2) | 12T45 | 1286300 | -HSM | RR28 | 1286322 |
| 10T46 | 46(2) | 12T46 | 1296300 | -HSM | RR29 | 1296322 |
| | 47(0) | | | | | |
| | 48(0) | | | | | |
| 10T49 | 49(0) | 12T49 | 8301800 | | P4VT | 8301810 |
| 12T50 | 50(2) | 10T50 | 8305400 | | M8VT | 8305420 |
| 10T51 | 51(0) | 12T51 | 8303800 | | P8VT | 8303810 |

XDS 902306



DRAWING NO.- 133264-948 AC
 PROG-PNIND MODULE-12T
 TYPE-PIN INDEX TYPE-FT25

76

10/27/71

| FROM | PIN (COUNT) | TO | SOURCE LINE NO. | ELEM. TYPE | SOURCE SIGNAL NAME | REFERENCE LINE NO. |
|-------|-------------|-------|-----------------|------------|--------------------|--------------------|
| | 00(0) | | | | | |
| 11T01 | 01(2) | 13T42 | 1316300 | -HSM | RR31 | 1316324 |
| 11T02 | 02(2) | 13T34 | 1276300 | -HSM | RR27 | 1276324 |
| | 03(0) | | | | | |
| 11T04 | 04(2) | 13T40 | 1306300 | -HSM | RR30 | 1306324 |
| | 05(0) | | | | | |
| | 06(0) | | | | | |
| | 07(0) | | | | | |
| | 08(0) | | | | | |
| 11T09 | 09(2) | 13T27 | 1266300 | -HSM | RR26 | 1266324 |
| | 10(1) | 12T16 | 4791812 | | GND2912 | 4791812 |
| 11T11 | 11(2) | 10S45 | 1316340 | . | RW31 | 1316226 |
| 11T12 | 12(2) | 10S36 | 1276340 | . | RW27 | 1276226 |
| 11T13 | 13(1) | | 3180470 | . | CK-32P47 | 7394360 |
| | 14(0) | | | | | |
| | 15(0) | | | | | |
| 12T10 | 16(2) | 12T24 | 4791812 | -GND | GND2912 | 4791812 |
| 11T17 | 17(2) | 10S44 | 1306340 | . | RW30 | 1306226 |
| 13S13 | 18(2) | 11T18 | 1293700 | . | LR29-0 | 7394366 |
| 11T19 | 19(2) | 10S41 | 1266340 | . | RW26 | 1266226 |
| 11T20 | 20(1) | | 1256202 | . | NRP25 | 7394362 |
| 11T21 | 21(1) | | 1246202 | . | NRP24 | 7394362 |
| 16S50 | 22(2) | 11T22 | 5153262 | . | N10FM/1 | 7394362 |
| 11T23 | 23(2) | 13S07 | 1283700 | . | LR28-0 | 7394364 |
| 12T16 | 24(2) | 12T38 | 4791812 | | GND2912 | 4791812 |
| 16S09 | 25(2) | 11T25 | 1283720 | . | NLR28-0 | 7394362 |
| 11T26 | 26(2) | 16S42 | 1266200 | . | RP26 | 7394362 |
| 10T27 | 27(2) | 16S43 | 1276200 | . | RP27 | 7394362 |
| 11T28 | 28(2) | 10S46 | 1296340 | . | RW29 | 1296226 |
| 11T29 | 29(2) | 19R33 | 1303700 | . | LR30-0 | 7394368 |
| 11T30 | 30(2) | 19R34 | 1313700 | . | LR31-0 | 7394370 |
| 11T31 | 31(2) | 14S44 | 7430570 | . | RWB3 | 7394360 |
| | 32(0) | | | | | |
| 11T33 | 33(2) | 10S47 | 1286340 | . | RW28 | 1286226 |
| 11T34 | 34(2) | 10S35 | 1256340 | . | RW25 | 1256226 |
| 11T35 | 35(2) | 10S34 | 1246340 | . | RW24 | 1246226 |
| | 36(0) | | | | | |
| | 37(0) | | | | | |
| 12T24 | 38(1) | | 4791812 | | GND2912 | 4791812 |
| | 39(0) | | | | | |
| | 40(0) | | | | | |
| 11T41 | 41(2) | 13T22 | 1256300 | -HSM | RR25 | 1256324 |
| | 42(0) | | | | | |
| 11T43 | 43(2) | 13T20 | 1246300 | -HSM | RR24 | 1246324 |
| | 44(0) | | | | | |
| 11T45 | 45(2) | 13T36 | 1286300 | -HSM | RR28 | 1286324 |
| 11T46 | 46(2) | 13T38 | 1296300 | -HSM | RR29 | 1296324 |
| | 47(0) | | | | | |
| | 48(0) | | | | | |
| 11T49 | 49(0) | 13T49 | 8301800 | | P4VT | 8301810 |
| 13T50 | 50(2) | 11T50 | 8305400 | | M8VT | 8305420 |
| 11T51 | 51(0) | 13T51 | 8303800 | | P8VT | 8303810 |

XDS 902306

XDS
XEROX DATA SYSTEMS

DRAWING NO. - 133264-948 AC
PROG-PNIND
TYPE-PIN INDEX

MODULE-13T
TYPE-AT11

77

10/27/71

| FROM | PIN (COUNT) | TO | SOURCE LINE NO. | ELEM. TYPE | SOURCE SIGNAL NAME | REFERENCE LINE NO. |
|-------|----------------|-------|--------------------|---------------|--------------------|-----------------------|
| | 00(0) | | | | | |
| | 01(1) | 13T05 | 4791813 | * | GND2913 | 1233750 |
| 16S47 | 02(1) | | 1243750-1 | * | | 1243750 |
| 16S46 | 03(1) | | 1253750-1 | * | | 1253750 |
| | 04(0) | | | | | |
| 13T01 | 05(2) | 13T16 | 4791813 | | GND2913 | 4791813 |
| | 06(0) | | | | | |
| | 07(0) | | | | | |
| | 08(0) | | | | | |
| 16S44 | 09(1) | | 1263750-1 | * | | 1263750 |
| | 10(0) | | | | | |
| | 11(0) | | | | | |
| 16S45 | 12(1) | | 1273750-1 | * | | 1273750 |
| | 13(0) | | | | | |
| | 14(0) | | | | | |
| 14S45 | 15(1) | | 7430575 | * | RWB3-1 | 7430580 |
| 13T05 | 16(2) | 13T24 | 4791813 | -GND | GND2913 | 4791813 |
| | 17(0) | | | | | |
| | 18(0) | | | | | |
| 13S34 | 19(1) | | 1246330-1 | * | | 1246330 |
| 12T43 | 20(2) | 10R26 | 1246300 | -BCR | RR24 | 1246300 |
| | 21(0) | | | | | |
| 12T41 | 22(2) | 10R40 | 1256300 | -BCR | RR25 | 1256300 |
| 13S35 | 23(1) | | 1256330-1 | * | | 1256330 |
| 13T16 | 24(2) | 13T41 | 4791813 | | GND2913 | 4791813 |
| 13S41 | 25(1) | | 1266330-1 | * | | 1266330 |
| | 26(0) | | | | | |
| 12T09 | 27(2) | 10R24 | 1266300 | -BCR | RR26 | 1266300 |
| | 28(0) | | | | | |
| | 29(0) | | | | | |
| | 30(0) | | | | | |
| | 31(0) | | | | | |
| | 32(0) | | | | | |
| 13S36 | 33(1) | | 1276330-1 | * | | 1276330 |
| 12T02 | 34(2) | 10R36 | 1276300 | -BCR | RR27 | 1276300 |
| 13S47 | 35(1) | | 1286330-1 | * | | 1286330 |
| 12T45 | 36(2) | 10R25 | 1286300 | -BCR | RR28 | 1286300 |
| 13S46 | 37(1) | | 1296330-1 | * | | 1296330 |
| 12T46 | 38(2) | 10R39 | 1296300 | -BCR | RR29 | 1296300 |
| 13S44 | 39(1) | | 1306330-1 | * | | 1306330 |
| 12T04 | 40(2) | 10R23 | 1306300 | -BCR | RR30 | 1306300 |
| 13T24 | 41(1) | | 4791813 | | GND2913 | 4791813 |
| 12T01 | 42(2) | 10R37 | 1316300 | -BCR | RR31 | 1316300 |
| | 43(0) | | | | | |
| | 44(0) | | | | | |
| 13S45 | 45(1) | | 1316330-1 | * | | 1316330 |
| | 46(0) | | | | | |
| | 47(0) | | | | | |
| | 48(0) | | | | | |
| 12T49 | 49(0) | 14T49 | 8301800 | | P4VT | 8301810 |
| 18T50 | 50(2) | 12T50 | 8305400 | | M8VT | 8305410 |
| 12T51 | 51(0) | 14T51 | 8303800 | | P8VT | 8303810 |

XDS 902306

XDS
XEROX DATA SYSTEMS

DRAWING NO. - 133264-948 AC
PROG-PNIND MODULE-14T
TYPE-PIN INDEX TYPE-IT16

78

10/27/71

| FROM | PIN (COUNT) | TO | SOURCE LINE NO. | ELEM. TYPE | SOURCE SIGNAL NAME | REFERENCE LINE NO. |
|-------|----------------|-------|--------------------|---------------|--------------------|-----------------------|
| | 00(0) | | | | | |
| | 01(0) | | | | | |
| 25R04 | 02(1) | 25R34 | 5173005 | . | NISIN1 | 7400210 |
| 25R10 | 03(1) | | 6885000 | . | PON | 6886000 |
| | 04(1) | | 1002680 | . | IS0 | 1002695 |
| | 05(0) | 32N24 | 7400210 | I | RQBZP | 7400210 |
| 22T18 | 06(1) | | 8010500 | I | T5 | 8010502 |
| 21S13 | 07(1) | | 6192000 | . | MRC | 8010502 |
| 14T09 | 08(1) | | 3315120 | . | CROSSADD | 8010502 |
| 14S22 | 09(2) | 14T08 | 3315120 | . | CROSSADD | 2055010 |
| 15T03 | 10(1) | | 2055000 | I | AB0/1 | 2055010 |
| | 11(0) | | | | | |
| | 12(0) | | | | | |
| 10R45 | 13(2) | 17S40 | 3202720 | . | CLEAR | 3202712 |
| 20T12 | 14(2) | 16S21 | 3846000 | . | DRQ | 8010502 |
| | 15(1) | 18S36 | 3202712 | I | NCLEAR-2 | 3202712 |
| | 16(0) | | 4791814 | -GND | GND2914 | 4791814 |
| | 17(0) | | | | | |
| | 18(1) | 25R08 | 1002695 | I | NIS0 | 1002695 |
| | 19(1) | 25R47 | 6886000 | I | NPON | 6886000 |
| | 20(0) | | | | | |
| 20R28 | 21(2) | 15T20 | 8010720 | . | T8DP | 8010730 |
| 32S12 | 22(2) | 25S09 | 7343120 | . | NRESET-1 | 7343050 |
| 02R23 | 23(2) | 14T24 | 5374405 | . | NKDI-0 | 5374401 |
| 14T23 | 24(1) | | 5374405 | . | NKDI-0 | 5374400 |
| 14T26 | 25(2) | 02R29 | 5374400 | I | KDI-0 | 5374401 |
| | 26(1) | 14T25 | 5374400 | I | KDI-0 | 5374400 |
| | 27(1) | 24S42 | 7343050 | I | RESET-2 | 7343050 |
| | 28(1) | 22T21 | 8010730 | I | NT8DP | 8010730 |
| | 29(0) | | | | | |
| 04T20 | 30(2) | 01T39 | 1082640 | . | IOFR8 | 1082645 |
| 03R06 | 31(2) | 05T40 | 1092640 | . | IOFR9 | 1092645 |
| | 32(0) | | | | | |
| | 33(0) | | | | | |
| | 34(0) | | | | | |
| | 35(1) | 01R35 | 5153280 | I | NIOFM-1 | 5153280 |
| 14T38 | 36(2) | 18T12 | 5153251 | I | IOFM | 5153252 |
| 03R40 | 37(2) | 30S05 | 3315150 | . | CROSSEN | 5153252 |
| 14T39 | 38(2) | 14T36 | 5153251 | . | IOFM | 5153262 |
| 10S13 | 39(2) | 14T38 | 5153251 | . | IOFM | 5153280 |
| | 40(0) | | | | | |
| | 41(1) | 16S50 | 5153262 | I | NIOFM/1 | 5153262 |
| 08T21 | 42(2) | 01T06 | 1043370 | . | LI04 | 1043384 |
| 08T22 | 43(2) | 01T07 | 1033370 | . | LI03 | 1033384 |
| | 44(1) | 01S21 | 1043384 | I | NLI04-1 | 1043384 |
| | 45(1) | 01S22 | 1033384 | I | NLI03-1 | 1033384 |
| | 46(1) | 01S20 | 1082645 | I | NIOFR8-1 | 1082645 |
| | 47(1) | 01S25 | 1092645 | I | NIOFR9-1 | 1092645 |
| | 48(0) | | | | | |
| 13T49 | 49(0) | 15T49 | 8301800 | | P4VT | 8301810 |
| | 50(0) | | | | | |
| 13T51 | 51(0) | 15T51 | 8303800 | | P8VT | 8303810 |

XDS 902306

XDS
XEROX DATA SYSTEMS

DRAWING NO. - 133264-948 AC
PROG-PNIND
TYPE-PIN INDEX

MODULE-15T
TYPE-BT10

79

10/27/71

| FROM | PIN (COUNT) | TO | SOURCE LINE NO. | ELEM. TYPE | SOURCE SIGNAL NAME | REFERENCE LINE NO. |
|-------|----------------|-------|--------------------|---------------|--------------------|-----------------------|
| | 00(0) | | | | | |
| 15T20 | 01(1) | | 8010720 | FB | T8DP | 8010720 |
| | 02(1) | 14S13 | 8010520 | FB | T5DP | 8010520 |
| 15T08 | 03(2) | 14T10 | 2055000 | FB | AB0/1 | 2055000 |
| | 04(1) | 15T13 | 8010540 | FB | NT5DP/1 | 8010540 |
| 24T26 | 05(1) | | 3740154 | . | DL2/110S | 8010540 |
| 14S15 | 06(2) | 22T35 | 8010530 | . | NT5DP | 8010540 |
| | 07(0) | | | | | |
| 16S08 | 08(2) | 15T03 | 2055000 | . | AB0/1 | 2055000 |
| 15T14 | 09(1) | | 3823100 | . | (R/DPL) | 2055000 |
| 32S22 | 10(2) | 11S14 | 2054910 | . | (S/AB0/1) | 2055000 |
| 24T30 | 11(2) | 11S47 | 2055100 | . | AB0T | 2055000 |
| | 12(0) | | | | | |
| 15T04 | 13(2) | 22T19 | 8010540 | . | NT5DP/1 | 8010540 |
| 15T24 | 14(2) | 15T09 | 3823100 | . | (R/DPL) | 8010540 |
| | 15(0) | | | | | |
| | 16(0) | | 4791815 | -GND | GND2915 | 4791815 |
| 11S28 | 17(2) | 18T43 | 8010500 | . | T5 | 8010520 |
| 19S45 | 18(2) | 21T12 | 8010700 | . | T8 | 8010720 |
| | 19(0) | | | | | |
| 14T21 | 20(2) | 15T01 | 8010720 | . | T8DP | 8010720 |
| 23T19 | 21(2) | 15T24 | 3823100 | . | (R/DPL) | 8010720 |
| | 22(0) | | | | | |
| 14S13 | 23(2) | 19S46 | 8010520 | . | T5DP | 8010520 |
| 15T21 | 24(2) | 15T14 | 3823100 | . | (R/DPL) | 8010520 |
| | 25(0) | | | | | |
| 32S50 | 26(2) | 11S35 | 3107020 | . | (FCEINT) | 3107015 |
| 20S10 | 27(2) | 15T29 | 5541650 | . | NKSC | 3107015 |
| 16T42 | 28(2) | 27S42 | 7564000 | . | SCL | 7561008 |
| 15T27 | 29(2) | 16T17 | 5541650 | . | NKSC | 7561008 |
| | 30(0) | | | | | |
| 32R45 | 31(2) | 15T39 | 7343050 | . | RESET-2 | 3107015 |
| | 32(0) | | | | | |
| 16S26 | 33(2) | 19S13 | 6832500 | . | N(R/PEM)-1 | 6832400 |
| 11R07 | 34(2) | 15T44 | 6832400 | . | PEM | 6832400 |
| | 35(0) | | | | | |
| 04R04 | 36(1) | | 5360600 | . | NKC/B | 7561008 |
| | 37(1) | 18T22 | 3107000 | . | CEINT | 4392640 |
| 15T45 | 38(2) | 16T30 | 4392640 | . | FORCLG | 4392640 |
| 15T31 | 39(2) | 19S09 | 7343050 | . | RESET-2 | 4392640 |
| | 40(0) | | | | | |
| | 41(0) | | | | | |
| 15S13 | 42(1) | | 6830155 | . | PE | 6832400 |
| | 43(0) | | | | | |
| 15T34 | 44(1) | | 6832400 | FB | PEM | 6832400 |
| | 45(1) | 15T38 | 4392640 | FB | FORCLG | 4392640 |
| | 46(1) | 18T28 | 3107015 | B | (F/CEINT) | 3107015 |
| | 47(1) | 17T15 | 7561008 | B | (R/SC1) | 7561008 |
| | 48(0) | | | | | |
| 14T49 | 49(0) | 16T49 | 8301800 | | P4VT | 8301810 |
| | 50(0) | | | | | |
| 14T51 | 51(0) | 16T51 | 8303800 | | P8VT | 8303810 |

XDS 902306



DRAWING NO.- 133264-948 AC
 PROG-PNIND MODULE-16T
 TYPE-PIN INDEX TYPE-IT25

80

10/27/71

| FROM | PIN (COUNT) | TO | SOURCE LINE NO. | ELEM. TYPE | SOURCE SIGNAL NAME | REFERENCE LINE NO. |
|-------|----------------|-------|--------------------|---------------|--------------------|-----------------------|
| | 00(0) | | | | | |
| 10S14 | 01(1) | | 6802100 | I | (P21.P22+PUC20) | 6802100 |
| 10S06 | 02(1) | | 6942180 | I | PUC18 | 6942180 |
| 16T04 | 03(2) | 13R02 | 6942200 | . | NPUC20 | 6942180 |
| 16T11 | 04(2) | 16T03 | 6942200 | . | NPUC20 | 6942190 |
| 21S42 | 05(1) | | 3846001 | . | NDRQ | 3846025 |
| | 06(0) | | | | | |
| 25S09 | 07(2) | 03R44 | 7343120 | . | NRESET-1 | 3846025 |
| 14S06 | 08(2) | 16T09 | 6942220 | . | NPUC22 | 6942190 |
| 16T08 | 09(2) | 19S47 | 6942220 | . | NPUC22 | 6942180 |
| 07R06 | 10(2) | 22T03 | 6802120 | . | N(P21.P22) | 6802100 |
| 32S41 | 11(2) | 16T04 | 6942200 | . | NPUC20 | 6802100 |
| | 12(1) | 18S15 | 3846025 | I | (DRQ+RESET) | 3846025 |
| 13R43 | 13(1) | | 6942190 | I | PUC1922 | 6942190 |
| 10R44 | 14(1) | | 3690105 | I | NDIS | 3690105 |
| | 15(1) | 16T23 | 4392630 | I | NFORCL/1 | 4392630 |
| | 16(0) | | 4791816 | -GND | GND2916 | 4791816 |
| 15T29 | 17(2) | 24S07 | 5541650 | . | NKSC | 4392630 |
| 16T19 | 18(2) | 17T12 | 7561001 | . | NSC1 | 4392630 |
| | 19(1) | 16T18 | 7561001 | . | NSC1 | 3690105 |
| 04R42 | 20(1) | | 5370500 | . | KD | 3690105 |
| 11S46 | 21(1) | | 5542110 | . | NKSXS | 3690105 |
| | 22(0) | | | | | |
| 16T15 | 23(2) | 11S10 | 4392630 | . | NFORCL/1 | 4392600 |
| 25S03 | 24(2) | 11S18 | 4392610 | . | NFORCL | 4392600 |
| 17T29 | 25(1) | | 7561201 | . | NSC2 | 3240114 |
| 25S45 | 26(2) | 16T39 | 3107050 | . | (NCEINT.KSC-1) | 3240114 |
| | 27(0) | | | | | |
| | 28(0) | | | | | |
| | 29(1) | 17S11 | 5533010 | . | KSC-1 | 3690105 |
| 15T38 | 30(2) | 24S08 | 4392640 | . | FORCLG | 4392630 |
| 22S06 | 31(2) | 17T30 | 7561200 | . | SC2 | 4392630 |
| | 32(0) | | | | | |
| 22S44 | 33(2) | 16T45 | 3240100 | I | CLEN | 3240114 |
| | 34(1) | 19T08 | 4392600 | I | FORCL | 4392600 |
| 17R04 | 35(1) | | 6825300 | I | PDC3033 | 6825300 |
| 16T40 | 36(1) | | 6803260 | I | N(NP32.NP33) | 6803260 |
| 17R22 | 37(1) | | 1334901 | . | NP33 | 6803260 |
| 32S42 | 38(2) | 19S34 | 6825340 | . | NPDC33 | 6825300 |
| 16T26 | 39(2) | 27S50 | 3107050 | . | (NCEINT.KSC-1) | 3240116 |
| 20R39 | 40(2) | 16T36 | 6803260 | . | N(NP32.NP33) | 6803220 |
| 16T43 | 41(2) | 03R03 | 6825310 | . | NPDC31 | 6803220 |
| 22S05 | 42(2) | 15T28 | 7564000 | . | SCL | 3240116 |
| 32S13 | 43(2) | 16T41 | 6825310 | . | NPDC31 | 6825300 |
| 17R21 | 44(1) | | 1324901 | . | NP32 | 6803260 |
| 16T33 | 45(2) | 18T34 | 3240100 | I | CLEN | 3240116 |
| 17R28 | 46(1) | | 6803220 | I | (NP32.NP33+PDC31) | 6803220 |
| 17T20 | 47(1) | | 7561015 | T | (S/SC1/1) | 7561015 |
| | 48(0) | | | | | |
| 15T49 | 49(0) | 17T49 | 8301800 | | P4VT | 8301820 |
| 18S36 | 50(1) | | 3202712 | T | NCLEAR-2 | 3202712 |
| 15T51 | 51(0) | 17T51 | 8303800 | | P8VT | 8303820 |

| FROM | PIN (COUNT) | TO | SOURCE LINE NO. | ELEM. TYPE | SOURCE SIGNAL NAME | REFERENCE LINE NO. |
|-------|----------------|-------|--------------------|---------------|--------------------|-----------------------|
| | 00(0) | | | | | |
| 32S26 | 01(2) | 27S26 | 2000535 | . | NIMCS | 2180506 |
| 24S29 | 02(1) | | 2182000 | FF | AIE1 | 2182000 |
| 17S28 | 03(1) | | 3270202-1 | + | | 3270203 |
| 19R43 | 04(2) | 17T43 | 3270200 | FF | CNA | 3270200 |
| | 05(1) | 23R23 | 3270201 | NFF | NCNA | 3270201 |
| | 06(1) | 17S09 | 2180500 | FF | AIB | 2180500 |
| | 07(1) | 17T08 | 2180501 | NFF | NAIB | 2180501 |
| 17T07 | 08(1) | | 2180501 | . | NAIB | 2180502 |
| | 09(0) | | | | | |
| 23R04 | 10(1) | | 2180520 | . | (S/AIB) | 2180502 |
| 17S13 | 11(1) | | 7561002-1 | + | | 7561002 |
| 16T18 | 12(2) | 17T40 | 7561001 | NFF | NSC1 | 7561001 |
| | 13(1) | 17T16 | 4791817 | . | GND2917 | 7561002 |
| | 14(1) | 17T42 | 7561000 | FF | SC1 | 7561000 |
| 15T47 | 15(1) | | 7561008 | . | (R/SC1) | 7561007 |
| 17T13 | 16(2) | 17T17 | 4791817 | -GND | GND2917 | 4791817 |
| 17T16 | 17(2) | 17T19 | 4791817 | . | GND2917 | 2182002 |
| 17S10 | 18(1) | | 2182002-1 | + | | 2182002 |
| 17T17 | 19(2) | 17T24 | 4791817 | . | GND2917 | 2180502 |
| 24S06 | 20(2) | 16T47 | 7561015 | . | (S/SC1/1) | 7561002 |
| | 21(1) | 23R05 | 2182001 | NFF | NAIE1 | 2182001 |
| | 22(0) | | | | | |
| | 23(0) | | | | | |
| 17T19 | 24(2) | 17T25 | 4791817 | . | GND2917 | 3270203 |
| 17T24 | 25(2) | 17T37 | 4791817 | . | GND2917 | 2182002 |
| | 26(1) | 17S25 | 3270251 | NFF | NCNB | 3270251 |
| | 27(1) | 23R21 | 2182020 | FF | AIE2 | 2182020 |
| | 28(1) | 23R14 | 2182021 | NFF | NAIE2 | 2182021 |
| | 29(1) | 16T25 | 7561201 | NFF | NSC2 | 7561201 |
| 16T31 | 30(1) | | 7561200 | FF | SC2 | 7561200 |
| | 31(1) | 23R24 | 3270250 | FF | CNB | 3270250 |
| | 32(0) | | | | | |
| | 33(0) | | 3271000 | FF | CNLK | 3271000 |
| | 34(1) | 25S38 | 3271001 | NFF | NCNLK | 3271001 |
| 31R13 | 35(2) | 04R10 | 1132680 | . | IS13 | 3271002 |
| | 36(0) | | | | | |
| 17T25 | 37(1) | | 4791817 | . | GND2917 | 2182022 |
| 02R03 | 38(1) | | 5425300 | . | NKINTRP/B | 3271004 |
| | 39(0) | | 3271002-1 | + | | 3271002 |
| 17T12 | 40(2) | 24S14 | 7561001 | . | NSC1 | 7561207 |
| | 41(0) | | 7561202-1 | + | | 7561202 |
| 17T14 | 42(1) | | 7561000 | . | SC1 | 7561202 |
| 17T04 | 43(1) | | 3270200 | . | CNA | 3270252 |
| 24R46 | 44(2) | 19S50 | 3651000 | . | NDIOFS | 3270254 |
| | 45(0) | | | | | |
| | 46(0) | | 3270252-1 | + | | 3270252 |
| | 47(1) | 23R11 | 2180510 | . | (AIB,LEVACT) | 2182022 |
| | 48(0) | | | | | |
| 16T49 | 49(0) | 18T49 | 8301800 | | P4VT | 8301820 |
| | 50(0) | | 2182022-1 | + | | 2182022 |
| 16T51 | 51(0) | 18T51 | 8303800 | | P8VT | 8303820 |

XDS 902306

xds
XEROX DATA SYSTEMS

DRAWING NO.- 133264-948 AC
PROG-PNIND MODULE-18T
TYPE-PIN INDEX TYPE-LT29

82

10/27/71

| FROM | PIN (COUNT) | TO | SOURCE LINE NO. | ELEM. TYPE | SOURCE SIGNAL NAME | REFERENCE LINE NO. |
|-------|----------------|-------|--------------------|---------------|--------------------|-----------------------|
| | 00(0) | | | | | |
| 18T01 | 01(1) | 18T02 | 4791818 | . | GND2918 | 2089206 |
| 07R34 | 02(2) | 18T04 | 4791818 | . | GND2918 | 5153257 |
| 18T02 | 03(2) | 20R33 | 7410110 | . | NRS | 7410208 |
| 19S44 | 04(2) | 18T06 | 4791818 | . | GND2918 | 7410208 |
| 18T04 | 05(2) | 18T25 | 3200140 | . | CL-32P14 | 2089205 |
| | 06(2) | 18T16 | 4791818 | . | GND2918 | 5153257 |
| | 07(0) | | | | | |
| 32S08 | 08(1) | | 7410200 | FF | RSA | 7410200 |
| 22S10 | 09(1) | | 7410201 | NFF | NRSA | 7410201 |
| | 10(0) | | 5153250 | FF | NIOFM | 5153250 |
| | 11(0) | | | | | |
| 14T36 | 12(1) | | 5153251 | NFF | IOFM | 5153251 |
| 32S40 | 13(2) | 19S33 | 7410220 | . | (S/RSA) | 7410202 |
| | 14(0) | | | | | |
| 32S44 | 15(2) | 19S39 | 5153300 | . | N(S/IOFM) | 5153254 |
| 18T06 | 16(2) | 18T20 | 4791818 | -GND | GND2918 | 4791818 |
| 24R04 | 17(2) | 11S11 | 2089208 | . | (R/ADNH) | 2089204 |
| 01R38 | 18(1) | | 2089200 | FF | ADNH | 2089200 |
| | 19(1) | 21S35 | 2089201 | NFF | NADNH | 2089201 |
| 18T16 | 20(2) | 18T23 | 4791818 | . | GND2918 | 2089203 |
| 21S06 | 21(2) | 22T36 | 2089350 | . | ADNHL | 2089202 |
| 15T37 | 22(2) | 22S23 | 3107000 | FF | CEINT | 3107000 |
| 18T20 | 23(1) | | 4791818 | . | GND2918 | 3107008 |
| 25S39 | 24(1) | | 3107001 | NFF | NCEINT | 3107001 |
| 18T05 | 25(1) | | 3200140 | . | CL-32P14 | 3107009 |
| | 26(0) | | | | | |
| 32S47 | 27(2) | 11S17 | 3107030 | . | (S/CEINT) | 3107004 |
| 15T46 | 28(1) | | 3107015 | . | (F/CEINT) | 3107002 |
| | 29(0) | | | | | |
| | 30(0) | | | | | |
| | 31(1) | 19T15 | 3740100-1 | + | | 3740100 |
| | 32(0) | | | | | |
| | 33(1) | 21T15 | 3740300-1 | + | | 3740300 |
| 16T45 | 34(2) | 19T10 | 3240100 | . | CLEN | 3740102 |
| 25S31 | 35(2) | 22T34 | 2062850 | . | ACCLG | 3740102 |
| 22T41 | 36(2) | 18T38 | 3740044 | . | DL1/080S | 3740102 |
| 23T34 | 37(2) | 22T37 | 3740004 | . | DL1/000S | 3740102 |
| 18T36 | 38(2) | 23T03 | 3740044 | . | DL1/080S | 3740102 |
| | 39(0) | | | | | |
| | 40(0) | | | | | |
| | 41(0) | | | | | |
| | 42(0) | | | | | |
| 15T17 | 43(2) | 22T18 | 8010500 | . | T5 | 3740302 |
| 24T28 | 44(2) | 22T06 | 3740234 | . | DL3/000S | 3740302 |
| 24T18 | 45(2) | 22T04 | 3740264 | . | DL3/080S | 3740302 |
| | 46(0) | | | | | |
| | 47(0) | | | | | |
| | 48(0) | | | | | |
| 17T49 | 49(0) | 19T49 | 8301800 | P4VT | | 8301820 |
| 19T50 | 50(2) | 13T50 | 8305400 | M8VT | | 8305410 |
| 17T51 | 51(0) | 19T51 | 8303800 | P8VT | | 8303820 |

XDS 902306

XDS
XEROX DATA SYSTEMS

DRAWING NO.- 133264-948 AC
PROG-PNIND MODULE-19T
TYPE-PIN INDEX TYPE-DT14

83

10/27/71

| FROM | PIN (COUNT) | TO | SOURCE LINE NO. | ELEM. TYPE | SOURCE SIGNAL NAME | REFERENCE LINE NO. |
|-------|----------------|-------|--------------------|---------------|--------------------|-----------------------|
| | 00(0) | | | | | |
| | 01(0) | | | | | |
| | 02(0) | | | | | |
| | 03(0) | | | | | |
| | 04(0) | | | | | |
| | 05(0) | | | | | |
| 14S28 | 06(2) | 27S45 | 4392650 | . | FORCLEN | 3740100 |
| | 07(0) | | | | | |
| 16T34 | 08(2) | 22S18 | 4392600 | . | FORCL | 3740100 |
| | 09(0) | | | | | |
| 18T34 | 10(1) | | 3240100 | . | CLEN | 3740100 |
| | 11(0) | | | | | |
| 22S30 | 12(2) | 24T17 | 2062856 | . | ACCLG/1 | 3740100 |
| | 13(0) | | | | | |
| | 14(0) | | | | | |
| 18T31 | 15(1) | | 3740100-1 | + | | 3740100 |
| | 16(0) | | 4791819 | -GND | GND2919 | 4791819 |
| | 17(1) | 23T45 | 3740054 | -DL | DL1/180 | 3740054 |
| | 18(1) | 22T46 | 3740049 | -DL | DL1/160 | 3740049 |
| | 19(0) | | | | | |
| | 20(1) | 23T47 | 3740080 | -DL | DL1/240 | 3740080 |
| | 21(0) | | | | | |
| | 22(1) | 23T21 | 3740050 | -DL | DL1/170 | 3740050 |
| | 23(0) | | | | | |
| | 24(0) | | | | | |
| | 25(0) | | | | | |
| | 26(0) | | | | | |
| | 27(0) | | | | | |
| | 28(1) | 23T20 | 3740076 | -DL | DL1/210 | 3740076 |
| | 29(0) | | | | | |
| | 30(0) | | | | | |
| | 31(1) | 23T43 | 3740030 | -DL | DL1/060 | 3740030 |
| | 32(0) | | | | | |
| | 33(0) | | | | | |
| | 34(1) | 23T46 | 3740040 | -DL | DL1/080 | 3740040 |
| | 35(0) | | | | | |
| | 36(0) | | | | | |
| | 37(1) | 23T44 | 3740020 | -DL | DL1/050 | 3740020 |
| | 38(0) | | | | | |
| | 39(0) | | | | | |
| | 40(0) | | | | | |
| | 41(0) | | | | | |
| | 42(0) | | | | | |
| | 43(0) | | | | | |
| | 44(0) | | | | | |
| | 45(0) | | | | | |
| | 46(1) | 23T41 | 3740000 | -DL | DL1/000 | 3740000 |
| | 47(1) | 23T40 | 3740010 | -DL | DL1/040 | 3740010 |
| | 48(0) | | | | | |
| 18T49 | 49(0) | 20T49 | 8301800 | | P4VT | 8301820 |
| 20T50 | 50(2) | 18T50 | 8305400 | | M8VT | 8305410 |
| 18T51 | 51(0) | 20T51 | 8303800 | | P8VT | 8303820 |

XDS 902306



DRAWING NO.- 133264-948 AC
 PROG-PNIND MODULE-20T
 TYPE-PIN INDEX TYPE-DT14

84

10/27/71

| FROM | PIN (COUNT) | TO | SOURCE LINE NO. | ELEM. TYPE | SOURCE SIGNAL NAME | REFERENCE LINE NO. |
|-------|----------------|-------|--------------------|---------------|--------------------|-----------------------|
| | 00(0) | | | | | |
| | 01(0) | | | | | |
| | 02(1) | 24T44 | 3740180 | -DL | DL2/230 | 3740180 |
| | 03(0) | | | | | |
| | 04(0) | | | | | |
| | 05(0) | | | | | |
| 18S28 | 06(2) | 21S42 | 3846001 | . | NDRQ | 3740200 |
| | 07(0) | | | | | |
| 23T28 | 08(2) | 22T08 | 3740056 | . | DL1/180S | 3740200 |
| | 09(0) | | | | | |
| 23T17 | 10(2) | 22T39 | 3740078 | . | DL1/210S | 3740200 |
| | 11(0) | | | | | |
| 21S41 | 12(2) | 14T14 | 3846000 | . | DRQ | 3740200 |
| | 13(0) | | | | | |
| | 14(0) | | | | | |
| | 15(0) | | 3740200-1 | + | | 3740200 |
| | 16(0) | | 4791820 | -GND | GND2920 | 4791820 |
| | 17(1) | 22T01 | 3740160 | -DL | DL2/180 | 3740160 |
| | 18(0) | | | | | |
| | 19(0) | | | | | |
| | 20(0) | | | | | |
| | 21(0) | | | | | |
| | 22(0) | | | | | |
| | 23(0) | | | | | |
| | 24(0) | | | | | |
| | 25(1) | 22T47 | 3740170 | -DL | DL2/200 | 3740170 |
| | 26(1) | 24T42 | 3740150 | -DL | DL2/110 | 3740150 |
| | 27(0) | | | | | |
| | 28(0) | | | | | |
| | 29(0) | | | | | |
| | 30(0) | | | | | |
| | 31(0) | | | | | |
| | 32(0) | | | | | |
| | 33(0) | | | | | |
| | 34(0) | | | | | |
| | 35(0) | | | | | |
| | 36(0) | | | | | |
| | 37(0) | | 3740130 | -DL | DL2/050 | 3740130 |
| | 38(0) | | | | | |
| | 39(0) | | | | | |
| | 40(1) | 22T45 | 3740140 | -DL | DL2/070 | 3740140 |
| | 41(0) | | | | | |
| | 42(0) | | | | | |
| | 43(0) | | | | | |
| | 44(0) | | | | | |
| | 45(0) | | | | | |
| | 46(1) | 22T12 | 3740120 | -DL | DL2/000 | 3740120 |
| | 47(0) | | | | | |
| | 48(0) | | | | | |
| 19T49 | 49(0) | 21T49 | 8301800 | | P4VT | 8301820 |
| 21T50 | 50(2) | 19T50 | 8305400 | | M8VT | 8305410 |
| 19T51 | 51(0) | 21T51 | 8303800 | | P8VT | 8303820 |

XDS 902306

XDS
XEROX DATA SYSTEMS

DRAWING NO. - 133264-948 AC
PROG-PNIND
TYPE-PIN INDEX

MODULE-21T
TYPE-DT14

85

10/27/71

| FROM | PIN (COUNT) | TO | SOURCE LINE NO. | ELEM. TYPE | SOURCE SIGNAL NAME | REFERENCE LINE NO. |
|-------|----------------|-------|--------------------|---------------|--------------------|-----------------------|
| | 00(0) | | | | | |
| | 01(0) | | | | | |
| | 02(0) | | | | | |
| | 03(0) | | | | | |
| | 04(0) | | | | | |
| | 05(0) | | | | | |
| | 06(0) | | | | | |
| | 07(0) | | | | | |
| 22T23 | 08(2) | 21S09 | 8010000 | . | T11 | 3740300 |
| | 09(0) | | | | | |
| | 10(0) | | | | | |
| | 11(1) | 24T24 | 3740270 | -DL | DL3/300 | 3740270 |
| 15T18 | 12(2) | 22T31 | 8010700 | . | T8 | 3740300 |
| | 13(0) | | | | | |
| | 14(0) | | | | | |
| 18T33 | 15(1) | | 3740300-1 | + | | 3740300 |
| | 16(0) | | 4791821 | -GND | GND2921 | 4791821 |
| | 17(0) | | | | | |
| | 18(0) | | | | | |
| | 19(0) | | | | | |
| | 20(0) | | | | | |
| | 21(1) | 24T23 | 3740266 | -DL | DL3/150 | 3740266 |
| | 22(0) | | | | | |
| | 23(0) | | | | | |
| | 24(0) | | | | | |
| | 25(0) | | | | | |
| | 26(0) | | | | | |
| | 27(0) | | | | | |
| | 28(0) | | | | | |
| | 29(0) | | | | | |
| | 30(0) | | | | | |
| | 31(0) | | | | | |
| | 32(0) | | | | | |
| | 33(0) | | | | | |
| | 34(1) | 24T20 | 3740260 | -DL | DL3/080 | 3740260 |
| | 35(0) | | | | | |
| | 36(0) | | | | | |
| | 37(1) | 24T46 | 3740250 | -DL | DL3/050 | 3740250 |
| | 38(0) | | | | | |
| | 39(0) | | | | | |
| | 40(0) | | | | | |
| | 41(0) | | | | | |
| | 42(0) | | | | | |
| | 43(0) | | | | | |
| | 44(0) | | | | | |
| | 45(0) | | | | | |
| | 46(1) | 24T45 | 3740230 | -DL | DL3/000 | 3740230 |
| | 47(1) | 24T22 | 3740240 | -DL | DL3/040 | 3740240 |
| | 48(0) | | | | | |
| 20T49 | 49(0) | 22T49 | 8301800 | | P4VT | 8301820 |
| 22T50 | 50(2) | 20T50 | 8305400 | | M8VT | 8305410 |
| 20T51 | 51(0) | 22T51 | 8303800 | | P8VT | 8303820 |

XDS 902306



DRAWING NO.- 133264-948 AC
 PROG-PNIND MODULE-22T
 TYPE-PIN INDEX TYPE-HT16

86

10/27/71

| FROM | PIN (COUNT) | TO | SOURCE LINE NO. | ELEM. TYPE | SOURCE SIGNAL NAME | REFERENCE LINE NO. |
|-------|----------------|-------|--------------------|---------------|--------------------|-----------------------|
| | 00(0) | | | | | |
| 20T17 | 01(1) | | 3740160 | . | DL2/180 | 3563102 |
| 22T25 | 02(1) | | 8010540 | T | NT5DP/1 | 8010540 |
| 16T10 | 03(1) | | 6802120 | T | N(P21.P22) | 6802120 |
| 18T45 | 04(1) | | 3740264 | T | DL3/080S | 3740264 |
| | 05(0) | | | | | |
| 18T44 | 06(1) | | 3740234 | T | DL3/000S | 3740234 |
| | 07(0) | | | | | |
| 20T08 | 08(1) | | 3740056 | T | DL1/180S | 3740056 |
| | 09(0) | | | | | |
| | 10(0) | | | | | |
| | 11(0) | | | | | |
| 20T46 | 12(1) | | 3740120 | . | DL2/000 | 8010500 |
| 14S09 | 13(2) | 27S44 | 8010560 | . | T5EN | 8010500 |
| | 14(0) | | | | | |
| | 15(0) | | | | | |
| | 16(0) | | 4791822 | -GND | GND2922 | 4791822 |
| | 17(0) | | | | | |
| 18T43 | 18(2) | 14T06 | 8010500 | -BDS | T5 | 8010500 |
| 15T13 | 19(2) | 22T25 | 8010540 | . | NT5DP/1 | 3563102 |
| 10R46 | 20(2) | 03R46 | 3315160 | . | CROSSEN | 3563102 |
| 14T28 | 21(2) | 22T26 | 8010730 | . | NT8DP | 3563102 |
| 19R12 | 22(2) | 24T02 | 3563100 | -BDS | DCCL/1 | 3563102 |
| | 23(1) | 21T08 | 8010000 | -BDS | T11 | 8010000 |
| | 24(0) | | | | | |
| 22T19 | 25(2) | 22T02 | 8010540 | . | NT5DP/1 | 8010000 |
| 22T21 | 26(2) | 20R26 | 8010730 | . | NT8DP | 8010000 |
| 19R13 | 27(2) | 23T18 | 3563200 | -BDS | DCCL/2 | 3563200 |
| | 28(0) | | | | | |
| 10R41 | 29(2) | 27S47 | 3405111 | . | CXS | 3563200 |
| | 30(0) | | | | | |
| 21T12 | 31(1) | | 8010700 | -BDS | T8 | 8010700 |
| | 32(0) | | | | | |
| 19R21 | 33(2) | 20R25 | 8010750 | . | T8EN | 8010700 |
| 18T35 | 34(1) | | 2062850 | T | ACCLG | 2062850 |
| 15T06 | 35(2) | 19S15 | 8010530 | . | NT5DP | 8010700 |
| 18T21 | 36(1) | | 2089350 | T | ADNHL | 2089350 |
| 18T37 | 37(1) | | 3740004 | T | DL1/000S | 3740004 |
| 07R21 | 38(2) | 20R46 | 3315110 | . | NCROSS | 8010700 |
| 20T10 | 39(1) | | 3740078 | T | DL1/210S | 3740078 |
| | 40(0) | | | | | |
| | 41(1) | 18T36 | 3740044 | T | DL1/080S | 3740044 |
| | 42(0) | | | | | |
| | 43(0) | | | | | |
| | 44(0) | | | | | |
| 20T40 | 45(1) | | 3740140 | . | DL2/070 | 8010700 |
| 19T18 | 46(1) | | 3740049 | . | DL1/160 | 3563200 |
| 20T25 | 47(1) | | 3740170 | . | DL2/200 | 8010000 |
| | 48(0) | | | | | |
| 21T49 | 49(0) | 23T49 | 8301800 | P4VT | | 8301820 |
| 23T50 | 50(2) | 21T50 | 8305400 | M8VT | | 8305410 |
| 21T51 | 51(0) | 23T51 | 8303800 | P8VT | | 8303820 |

XDS 902306

XDS
XEROX DATA SYSTEMS

DRAWING NO.- 133264-948 AC
PROG-PNIND MODULE-23T
TYPE-PIN INDEX TYPE-HT15

87
10/27/71

| FROM | PIN (COUNT) | TO | SOURCE LINE NO. | ELEM. TYPE | SOURCE SIGNAL NAME | REFERENCE LINE NO. |
|-------|----------------|-------|--------------------|---------------|--------------------|-----------------------|
| | 00(0) | | | | | |
| | 01(1) | 23T30 | 2062820 | -IDS | ACCL/1 | 2062822 |
| | 02(1) | 22S36 | 2062870 | -IDS | (R/ACCLG) | 2062870 |
| 18T38 | 03(1) | | 3740044 | -IDS | DL1/080S | 3740044 |
| | 04(0) | | | | | |
| | 05(0) | | | | | |
| | 06(0) | | | | | |
| | 07(0) | | | | | |
| | 08(0) | | | | | |
| | 09(0) | | | | | |
| | 10(0) | | | | | |
| | 11(0) | | | | | |
| | 12(0) | | | | | |
| | 13(0) | | | | | |
| | 14(0) | | | | | |
| | 15(0) | | | | | |
| | 16(0) | | 4791823 | -GND | GND2923 | 4791823 |
| | 17(1) | 20T10 | 3740078 | -BDS | DL1/210S | 3740078 |
| 22T27 | 18(1) | | 3563200 | -IDS | DCCL/2 | 3563202 |
| 19S19 | 19(2) | 15T21 | 3823100 | -IDS | (R/DPL) | 3823100 |
| 19T28 | 20(2) | 23T22 | 3740076 | * | DL1/210 | 3563202 |
| 19T22 | 21(2) | 24T41 | 3740050 | * | DL1/170 | 3823100 |
| 23T20 | 22(1) | | 3740076 | * | DL1/210 | 3740078 |
| | 23(0) | | | | | |
| | 24(0) | | | | | |
| | 25(0) | | | | | |
| | 26(1) | 22S19 | 3740034 | -BDS | DL1/060S | 3740034 |
| | 27(0) | | | | | |
| | 28(1) | 20T08 | 3740056 | -BDS | DL1/180S | 3740056 |
| | 29(1) | 21S34 | 6192100 | -BDS | MRCL | 6192100 |
| 23T01 | 30(2) | 27S43 | 2062820 | -BDS | ACCL/1 | 2062820 |
| | 31(0) | | | | | |
| | 32(0) | | | | | |
| | 33(0) | | | | | |
| | 34(1) | 18T37 | 3740004 | -BDS | DL1/000S | 3740004 |
| | 35(0) | | | | | |
| | 36(0) | | | | | |
| | 37(0) | | | | | |
| | 38(0) | | | | | |
| | 39(0) | | | | | |
| 19T47 | 40(1) | | 3740010 | * | DL1/040 | 2062822 |
| 19T46 | 41(2) | 23T42 | 3740000 | * | DL1/000 | 3740004 |
| 23T41 | 42(1) | | 3740000 | * | DL1/000 | 2062820 |
| 19T31 | 43(1) | | 3740030 | * | DL1/060 | 3740034 |
| 19T37 | 44(1) | | 3740020 | * | DL1/050 | 2062870 |
| 19T17 | 45(1) | | 3740054 | * | DL1/180 | 3740056 |
| 19T34 | 46(1) | | 3740040 | * | DL1/080 | 3740044 |
| 19T20 | 47(1) | | 3740080 | * | DL1/240 | 6192100 |
| | 48(0) | | | | | |
| 22T49 | 49(0) | 24T49 | 8301800 | P4VT | | 8301830 |
| 24T50 | 50(2) | 22T50 | 8305400 | M8VT | | 8305400 |
| 22T51 | 51(0) | 24T51 | 8303800 | P8VT | | 8303830 |

XDS 902306

XDS
XEROX DATA SYSTEMS

DRAWING NO.- 133264-948 AC
PROG-PNIND MODULE-24T
TYPE-PIN INDEX TYPE-HT15

88
10/27/71

| FROM | PIN (COUNT) | TO | SOURCE LINE NO. | ELEM. TYPE | SOURCE SIGNAL NAME | REFERENCE LINE NO. |
|-------|----------------|-------|--------------------|---------------|--------------------|-----------------------|
| | 00(0) | | | | | |
| | 01(0) | | | | | |
| 22T22 | 02(1) | | 3563100 | -IDS | DCCL/1 | 3563100 |
| | 03(1) | 24T29 | 4381100 | -IDS | FMCL/1 | 4381102 |
| | 04(1) | 21S07 | 2089300 | -BDS | ADNHCL | 2089300 |
| | 05(0) | | | | | |
| | 06(0) | | | | | |
| 22S40 | 07(2) | 14S11 | 2162100 | -BDS | (NAH.AHCL) | 2162100 |
| | 08(0) | | | | | |
| | 09(0) | | | | | |
| | 10(0) | | | | | |
| | 11(0) | | | | | |
| | 12(0) | | | | | |
| | 13(0) | | | | | |
| | 14(0) | | | | | |
| | 15(0) | | | | | |
| | 16(0) | | 4791824 | -GND | GND2924 | 4791824 |
| 19T12 | 17(2) | 24T19 | 2062856 | -BDS | ACCLG/1 | 2062856 |
| | 18(1) | 18T45 | 3740264 | -IDS | DL3/080S | 3740264 |
| 24T17 | 19(1) | | 2062856 | -IDS | ACCLG/1 | 2062858 |
| 21T34 | 20(2) | 24T21 | 3740260 | * | DL3/080 | 3740264 |
| 24T20 | 21(1) | | 3740260 | * | DL3/080 | 2062858 |
| 21T47 | 22(1) | | 3740240 | * | DL3/040 | 2062856 |
| 21T21 | 23(1) | | 3740266 | * | DL3/150 | 2162100 |
| 21T11 | 24(1) | | 3740270 | * | DL3/300 | 2089300 |
| | 25(0) | | | | | |
| | 26(1) | 15T05 | 3740154 | -BDS | DL2/110S | 3740154 |
| | 27(0) | | | | | |
| | 28(1) | 18T44 | 3740234 | -BDS | DL3/000S | 3740234 |
| 24T03 | 29(2) | 22S31 | 4381100 | -BDS | FMCL/1 | 4381100 |
| | 30(1) | 15T11 | 2055100 | -BDS | ABOT | 2055100 |
| | 31(0) | | | | | |
| | 32(0) | | | | | |
| | 33(0) | | | | | |
| 21S02 | 34(1) | | 3315140 | -BDS | CROSSDCL | 3315140 |
| | 35(0) | | | | | |
| | 36(0) | | | | | |
| | 37(0) | | | | | |
| | 38(0) | | | | | |
| | 39(0) | | | | | |
| | 40(0) | | | | | |
| 23T21 | 41(1) | | 3740050 | * | DL1/170 | 3315140 |
| 20T26 | 42(2) | 24T43 | 3740150 | * | DL2/110 | 2055100 |
| 24T42 | 43(1) | | 3740150 | * | DL2/110 | 3740154 |
| 20T02 | 44(1) | | 3740180 | * | DL2/230 | 3563100 |
| 21T46 | 45(2) | 24T47 | 3740230 | * | DL3/000 | 3740234 |
| 21T37 | 46(1) | | 3740250 | * | DL3/050 | 4381102 |
| 24T45 | 47(1) | | 3740230 | * | DL3/000 | 4381100 |
| | 48(0) | | | | | |
| 23T49 | 49(0) | 25T49 | 8301800 | P4VT | | 8301830 |
| 25T50 | 50(2) | 23T50 | 8305400 | M8VT | | 8305400 |
| 23T51 | 51(0) | 25T51 | 8303800 | P8VT | | 8303830 |

XDS 902306

XDS
XEROX DATA SYSTEMS

DRAWING NO. - 133264-948 AC
PROG-PNIND
TYPE-PIN INDEX

MODULE-25T
TYPE-AT23

89

10/27/71

| FROM | PIN (COUNT) | TO | SOURCE LINE NO. | ELEM. TYPE | SOURCE SIGNAL NAME | REFERENCE LINE NO. |
|-------|----------------|-------|--------------------|---------------|--------------------|-----------------------|
| | 00(0) | | | | | |
| | 01(0) | | | | | |
| | 02(1) | 25T06 | 4791825 | . | GND2925 | 3201004 |
| | 03(0) | | | | | |
| | 04(0) | | | | | |
| | 05(0) | | | | | |
| 25T02 | 06(2) | 25T07 | 4791825 | . | GND2925 | 3201002 |
| 25T06 | 07(2) | 25T14 | 4791825 | . | GND2925 | 4791825 |
| | 08(0) | | | | | |
| | 09(1) | 27T09 | 3202300 | -NS | CLBUSSB1 | 3202300 |
| | 10(0) | | | | | |
| | 11(1) | 27T11 | 3202302 | -NS | CLBUSSB2 | 3202302 |
| | 12(1) | 27T12 | 3202310 | -NS | CLBUSSC3 | 3202310 |
| | 13(1) | 27T13 | 3201000 | -CLD | CL/1 | 3201000 |
| 25T07 | 14(2) | 25T16 | 4791825 | . | GND2925 | 4791825 |
| | 15(1) | 26T24 | 3201018 | -CLD | CL/2 | 3201018 |
| 25T14 | 16(2) | 25T18 | 4791825 | -GND | GND2925 | 4791825 |
| | 17(1) | 26T19 | 3201024 | -CLD | CL/3 | 3201024 |
| 25T16 | 18(2) | 25T20 | 4791825 | . | GND2925 | 4791825 |
| | 19(1) | 26T12 | 3201030 | -CLD | CL/4 | 3201030 |
| 25T18 | 20(2) | 25T22 | 4791825 | . | GND2925 | 4791825 |
| | 21(1) | 26T06 | 3201036 | -CLD | CL/5 | 3201036 |
| 25T20 | 22(2) | 25T24 | 4791825 | . | GND2925 | 4791825 |
| | 23(1) | 26T34 | 3201042 | -CLD | CL/6 | 3201042 |
| 25T22 | 24(2) | 25T26 | 4791825 | . | GND2925 | 4791825 |
| | 25(1) | 26T26 | 3201048 | -CLD | CL/7 | 3201048 |
| 25T24 | 26(2) | 25T28 | 4791825 | . | GND2925 | 4791825 |
| | 27(1) | 26T18 | 3201054 | -CLD | CL/8 | 3201054 |
| 25T26 | 28(2) | 25T30 | 4791825 | . | GND2925 | 4791825 |
| | 29(1) | 26T10 | 3201060 | -CLD | CL/9 | 3201060 |
| 25T28 | 30(2) | 25T34 | 4791825 | . | GND2925 | 4791825 |
| | 31(1) | 26T03 | 3201066 | -CLD | CL/10 | 3201066 |
| | 32(0) | | | | | |
| | 33(1) | 27T33 | 3201072 | -CLD | CL/11 | 3201072 |
| 25T30 | 34(2) | 25T39 | 4791825 | . | GND2925 | 4791825 |
| | 35(1) | 27T35 | 3201078 | -CLD | CL/12 | 3201078 |
| | 36(1) | 27T36 | 3202308 | -NS | CLBUSSC2 | 3202308 |
| | 37(1) | 27T37 | 3202304 | -NS | CLBUSSB3 | 3202304 |
| | 38(1) | 27T38 | 3202306 | -NS | CLBUSSC1 | 3202306 |
| 25T34 | 39(2) | 25T47 | 4791825 | . | GND2925 | 4791825 |
| 27S43 | 40(2) | 27T40 | 2062820 | . | ACCL/1 | 3201000 |
| 27T41 | 41(2) | 27S12 | 3315132 | . | NCROSCL | 3201000 |
| 27T43 | 42(2) | 25T43 | 6943000 | . | PULLUP | 3201000 |
| 25T42 | 43(1) | | 6943000 | . | PULLUP | 3201000 |
| | 44(0) | | | | | |
| | 45(0) | | | | | |
| | 46(0) | | | | | |
| 25T39 | 47(1) | | 4791825 | . | GND2925 | 3201002 |
| | 48(0) | | | | | |
| 24T49 | 49(0) | 26T49 | 8301800 | P4VT | | 8301830 |
| 27T50 | 50(2) | 24T50 | 8305400 | M8VT | | 8305400 |
| 24T51 | 51(0) | 26T51 | 8303800 | P8VT | | 8303830 |

XDS 902306

XDS
XEROX DATA SYSTEMS

DRAWING NO.- 133264-948 AC
PROG-PNIND MODULE-26T
TYPE-PIN INDEX TYPE-ZT23

90

10/27/71

| FROM | PIN (COUNT) | TO | SOURCE LINE NO. | ELEM. TYPE | SOURCE SIGNAL NAME | REFERENCE LINE NO. |
|-------|----------------|-------|--------------------|---------------|--------------------|-----------------------|
| | 00(0) | | | | | |
| 26T03 | 01(2) | 27T31 | 3201066 | C | CL/10 | 3201066 |
| | 02(1) | 26T05 | 4791826 | | GND2926 | 4791826 |
| 25T31 | 03(2) | 26T01 | 3201066 | C | CL/10 | 3201066 |
| 26T06 | 04(2) | 27T21 | 3201036 | C | CL/5 | 3201036 |
| 26T02 | 05(2) | 26T09 | 4791826 | | GND2926 | 4791826 |
| 25T21 | 06(2) | 26T04 | 3201036 | C | CL/5 | 3201036 |
| 26T10 | 07(2) | 27T29 | 3201060 | C | CL/9 | 3201060 |
| | 08(0) | | | | | |
| 26T05 | 09(2) | 26T11 | 4791826 | | GND2926 | 4791826 |
| 25T29 | 10(2) | 26T07 | 3201060 | C | CL/9 | 3201060 |
| 26T09 | 11(2) | 26T15 | 4791826 | | GND2926 | 4791826 |
| 25T19 | 12(2) | 27T19 | 3201030 | C | CL/4 | 3201030 |
| | 13(0) | | | | | |
| 26T18 | 14(2) | 27T27 | 3201054 | C | CL/8 | 3201054 |
| 26T11 | 15(2) | 26T16 | 4791826 | | GND2926 | 4791826 |
| 26T15 | 16(2) | 26T20 | 4791826 | -GND | GND2926 | 4791826 |
| 26T19 | 17(2) | 27T17 | 3201024 | C | CL/3 | 3201024 |
| 25T27 | 18(2) | 26T14 | 3201054 | C | CL/8 | 3201054 |
| 25T17 | 19(2) | 26T17 | 3201024 | C | CL/3 | 3201024 |
| 26T16 | 20(2) | 26T23 | 4791826 | | GND2926 | 4791826 |
| 26T24 | 21(2) | 27T15 | 3201018 | C | CL/2 | 3201018 |
| | 22(0) | | | | | |
| 26T20 | 23(2) | 26T25 | 4791826 | | GND2926 | 4791826 |
| 25T15 | 24(2) | 26T21 | 3201018 | C | CL/2 | 3201018 |
| 26T23 | 25(2) | 26T27 | 4791826 | | GND2926 | 4791826 |
| 25T25 | 26(2) | 27T25 | 3201048 | C | CL/7 | 3201048 |
| 26T25 | 27(2) | 26T31 | 4791826 | | GND2926 | 4791826 |
| 26T33 | 28(1) | | 3201000 | C | CL/1 | 3201000 |
| | 29(0) | | | | | |
| 26T34 | 30(2) | 27T23 | 3201042 | C | CL/6 | 3201042 |
| 26T27 | 31(2) | 26T35 | 4791826 | | GND2926 | 4791826 |
| | 32(0) | | | | | |
| 29T13 | 33(2) | 26T28 | 3201000 | C | CL/1 | 3201000 |
| 25T23 | 34(2) | 26T30 | 3201042 | C | CL/6 | 3201042 |
| 26T31 | 35(2) | 26T37 | 4791826 | | GND2926 | 4791826 |
| 29S17 | 36(1) | | 3181006 | C | CK/3 | 3181006 |
| 26T35 | 37(2) | 26T39 | 4791826 | | GND2926 | 4791826 |
| | 38(0) | | | | | |
| 26T37 | 39(2) | 26T41 | 4791826 | | GND2926 | 4791826 |
| 29S15 | 40(1) | | 3181004 | C | CK/2 | 3181004 |
| 26T39 | 41(2) | 26T44 | 4791826 | | GND2926 | 4791826 |
| | 42(0) | | | | | |
| 29S13 | 43(1) | | 3181000 | C | CK/1 | 3181000 |
| 26T41 | 44(2) | 26T46 | 4791826 | | GND2926 | 4791826 |
| 29S21 | 45(1) | | 3181010 | C | CK/5 | 3181010 |
| 26T44 | 46(1) | | 4791826 | | GND2926 | 4791826 |
| | 47(0) | | | | | |
| | 48(0) | | | | | |
| 25T49 | 49(0) | 27T49 | 8301800 | | P4VT | 8301830 |
| 29S19 | 50(1) | | 3181008 | C | CK/4 | 3181008 |
| 25T51 | 51(0) | 27T51 | 8303800 | | P8VT | 8303830 |

XDS 902306

XDS
XEROX DATA SYSTEMS

DRAWING NO.- 133264-948 AC
PROG-PNIND MODULE-27T
TYPE-PIN INDEX TYPE-AT23

91

10/27/71

| FROM | PIN (COUNT) | TO | SOURCE LINE NO. | ELEM. TYPE | SOURCE SIGNAL NAME | REFERENCE LINE NO. |
|-------|----------------|-------|--------------------|---------------|--------------------|-----------------------|
| | 00(0) | | | | | |
| | 01(0) | | | | | |
| 27T06 | 02(2) | 27T47 | 4791827 | . | GND2927 | 3201010 |
| | 03(0) | | | | | |
| | 04(0) | | | | | |
| | 05(0) | | | | | |
| 27T16 | 06(2) | 27T02 | 4791827 | . | GND2927 | 3201008 |
| | 07(0) | | | | | |
| | 08(0) | | | | | |
| 25T09 | 09(2) | 29T09 | 3202300 | | CLBUSSB1 | 3202300 |
| | 10(0) | | | | | |
| 25T11 | 11(2) | 29T11 | 3202302 | | CLBUSSB2 | 3202302 |
| 25T12 | 12(2) | 29T12 | 3202310 | | CLBUSSC3 | 3202310 |
| 25T13 | 13(2) | 29T13 | 3201000 | -CLD | CL/1 | 3201006 |
| | 14(0) | | | | | |
| 26T21 | 15(2) | 29T15 | 3201018 | -CLD | CL/2 | 3201020 |
| | 16(1) | 27T06 | 4791827 | -GND | GND2927 | 4791827 |
| 26T17 | 17(2) | 29T17 | 3201024 | -CLD | CL/3 | 3201026 |
| | 18(0) | | | | | |
| 26T12 | 19(2) | 29T19 | 3201030 | -CLD | CL/4 | 3201032 |
| | 20(0) | | | | | |
| 26T04 | 21(2) | 29T21 | 3201036 | -CLD | CL/5 | 3201038 |
| | 22(0) | | | | | |
| 26T30 | 23(2) | 29T23 | 3201042 | -CLD | CL/6 | 3201044 |
| | 24(0) | | | | | |
| 26T26 | 25(2) | 29T25 | 3201048 | -CLD | CL/7 | 3201050 |
| | 26(0) | | | | | |
| 26T14 | 27(2) | 29T27 | 3201054 | -CLD | CL/8 | 3201056 |
| | 28(0) | | | | | |
| 26T07 | 29(2) | 29T29 | 3201060 | -CLD | CL/9 | 3201062 |
| | 30(0) | | | | | |
| 26T01 | 31(2) | 29T31 | 3201066 | -CLD | CL/10 | 3201068 |
| | 32(0) | | | | | |
| 25T33 | 33(2) | 29T33 | 3201072 | -CLD | CL/11 | 3201074 |
| | 34(0) | | | | | |
| 25T35 | 35(2) | 29T35 | 3201078 | -CLD | CL/12 | 3201080 |
| 25T36 | 36(2) | 29T36 | 3202308 | | CLBUSSC2 | 3202308 |
| 25T37 | 37(2) | 29T37 | 3202304 | | CLBUSSB3 | 3202304 |
| 25T38 | 38(2) | 29T38 | 3202306 | | CLBUSSC1 | 3202306 |
| | 39(0) | | | | | |
| 25T40 | 40(2) | 29T40 | 2062820 | . | ACCL/1 | 3201006 |
| 29T41 | 41(2) | 25T41 | 3315132 | . | NCROSC1 | 3201006 |
| 29T43 | 42(2) | 27T43 | 6943000 | . | PULLUP | 3201006 |
| 27T42 | 43(2) | 25T42 | 6943000 | . | PULLUP | 3201006 |
| | 44(0) | | | | | |
| | 45(0) | | | | | |
| | 46(0) | | | | | |
| 27T02 | 47(1) | | 4791827 | . | GND2927 | 3201008 |
| | 48(0) | | | | | |
| 26T49 | 49(0) | 28T49 | 8301800 | | P4VT | 8301830 |
| 29T50 | 50(2) | 25T50 | 8305400 | | M8VT | 8305400 |
| 26T51 | 51(0) | 28T51 | 8303800 | | P8VT | 8303830 |

XDS 902306



DRAWING NO.- 133264-948 AC
 PROG-PNIND MODULE-28T
 TYPE-PIN INDEX TYPE-ZT23

92
 10/27/71

| FROM | PIN (COUNT) | TO | SOURCE LINE NO. | ELEM. TYPE | SOURCE SIGNAL NAME | REFERENCE LINE NO. |
|-------|----------------|-------|--------------------|---------------|--------------------|-----------------------|
| | 00(0) | | | | | |
| 29S23 | 01(1) | | 3181012 | C | CK/6 | 3181012 |
| | 02(1) | 28T05 | 4791828 | | GND2928 | 4791828 |
| | 03(0) | | | | | |
| | 04(0) | | | | | |
| 28T02 | 05(2) | 28T09 | 4791828 | | GND2928 | 4791828 |
| | 06(0) | | | | | |
| | 07(0) | | | | | |
| | 08(0) | | | | | |
| 28T05 | 09(2) | 28T11 | 4791828 | | GND2928 | 4791828 |
| | 10(0) | | | | | |
| 28T09 | 11(2) | 28T15 | 4791828 | | GND2928 | 4791828 |
| | 12(0) | | | | | |
| | 13(0) | | | | | |
| | 14(0) | | | | | |
| 28T11 | 15(2) | 28T16 | 4791828 | | GND2928 | 4791828 |
| 28T15 | 16(2) | 28T20 | 4791828 | -GND | GND2928 | 4791828 |
| | 17(0) | | | | | |
| | 18(0) | | | | | |
| | 19(0) | | | | | |
| 28T16 | 20(2) | 28T23 | 4791828 | | GND2928 | 4791828 |
| | 21(0) | | | | | |
| | 22(0) | | | | | |
| 28T20 | 23(2) | 28T25 | 4791828 | | GND2928 | 4791828 |
| | 24(0) | | | | | |
| 28T23 | 25(2) | 28T27 | 4791828 | | GND2928 | 4791828 |
| | 26(0) | | | | | |
| 28T25 | 27(2) | 28T31 | 4791828 | | GND2928 | 4791828 |
| | 28(0) | | | | | |
| | 29(0) | | | | | |
| | 30(0) | | | | | |
| 28T27 | 31(2) | 28T35 | 4791828 | | GND2928 | 4791828 |
| | 32(0) | | | | | |
| | 33(0) | | | | | |
| | 34(0) | | | | | |
| 28T31 | 35(2) | 28T37 | 4791828 | | GND2928 | 4791828 |
| | 36(0) | | | | | |
| 28T35 | 37(2) | 28T39 | 4791828 | | GND2928 | 4791828 |
| | 38(0) | | | | | |
| 28T37 | 39(2) | 28T41 | 4791828 | | GND2928 | 4791828 |
| | 40(0) | | | | | |
| 28T39 | 41(2) | 28T44 | 4791828 | | GND2928 | 4791828 |
| | 42(0) | | | | | |
| | 43(0) | | | | | |
| 28T41 | 44(2) | 28T46 | 4791828 | | GND2928 | 4791828 |
| | 45(0) | | | | | |
| 28T44 | 46(1) | | 4791828 | | GND2928 | 4791828 |
| | 47(0) | | | | | |
| | 48(0) | | | | | |
| 27T49 | 49(0) | 29T49 | 8301800 | | P4VT | 8301830 |
| | 50(0) | | | | | |
| 27T51 | 51(0) | 29T51 | 8303800 | | P8VT | 8303830 |

XDS 902306

XDS
XEROX DATA SYSTEMS

DRAWING NO. - 133264-948 AC
PROG-PNIND MODULE-29T
TYPE-PIN INDEX TYPE-AT23

93

10/27/71

| FROM | PIN (COUNT) | TO | SOURCE LINE NO. | ELEM. TYPE | SOURCE SIGNAL NAME | REFERENCE LINE NO. |
|-------|----------------|-------|--------------------|---------------|--------------------|-----------------------|
| | 00(0) | | | | | |
| | 01(0) | | | | | |
| | 02(1) | 29T06 | 4791829 | | GND2929 | 4791829 |
| | 03(0) | | | | | |
| | 04(0) | | | | | |
| | 05(0) | | | | | |
| 29T02 | 06(2) | 29T07 | 4791829 | | GND2929 | 4791829 |
| 29T06 | 07(2) | 29T14 | 4791829 | | GND2929 | 4791829 |
| | 08(0) | | | | | |
| 27T09 | 09(1) | | 3202300 | | CLBUSSB1 | 3202300 |
| | 10(0) | | | | | |
| 27T11 | 11(1) | | 3202302 | | CLBUSSB2 | 3202302 |
| 27T12 | 12(1) | | 3202310 | | CLBUSSC3 | 3202310 |
| 27T13 | 13(2) | 26T33 | 3201000 | -CLD | CL/1 | 3201012 |
| 29T07 | 14(2) | 29T16 | 4791829 | | GND2929 | 4791829 |
| 27T15 | 15(1) | | 3201018 | -CLD | CL/2 | 3201022 |
| 29T14 | 16(2) | 29T18 | 4791829 | -GND | GND2929 | 4791829 |
| 27T17 | 17(1) | | 3201024 | -CLD | CL/3 | 3201028 |
| 29T16 | 18(2) | 29T20 | 4791829 | | GND2929 | 4791829 |
| 27T19 | 19(1) | | 3201030 | -CLD | CL/4 | 3201034 |
| 29T18 | 20(2) | 29T22 | 4791829 | | GND2929 | 4791829 |
| 27T21 | 21(1) | | 3201036 | -CLD | CL/5 | 3201040 |
| 29T20 | 22(2) | 29T24 | 4791829 | | GND2929 | 4791829 |
| 27T23 | 23(1) | | 3201042 | -CLD | CL/6 | 3201046 |
| 29T22 | 24(2) | 29T26 | 4791829 | | GND2929 | 4791829 |
| 27T25 | 25(1) | | 3201048 | -CLD | CL/7 | 3201052 |
| 29T24 | 26(2) | 29T28 | 4791829 | | GND2929 | 4791829 |
| 27T27 | 27(1) | | 3201054 | -CLD | CL/8 | 3201058 |
| 29T26 | 28(2) | 29T30 | 4791829 | | GND2929 | 4791829 |
| 27T29 | 29(1) | | 3201060 | -CLD | CL/9 | 3201064 |
| 29T28 | 30(2) | 29T34 | 4791829 | | GND2929 | 4791829 |
| 27T31 | 31(2) | 30T21 | 3201066 | -CLD | CL/10 | 3201070 |
| | 32(0) | | | | | |
| 27T33 | 33(2) | 30T19 | 3201072 | -CLD | CL/11 | 3201076 |
| 29T30 | 34(2) | 29T39 | 4791829 | | GND2929 | 4791829 |
| 27T35 | 35(2) | 30T08 | 3201078 | -CLD | CL/12 | 3201082 |
| 27T36 | 36(1) | | 3202308 | | CLBUSSC2 | 3202308 |
| 27T37 | 37(1) | | 3202304 | | CLBUSSB3 | 3202304 |
| 27T38 | 38(1) | | 3202306 | | CLBUSSC1 | 3202306 |
| 29T34 | 39(2) | 29T47 | 4791829 | | GND2929 | 4791829 |
| 27T40 | 40(2) | 31T40 | 2062820 | . | ACCL/1 | 3201012 |
| 31T43 | 41(2) | 27T41 | 3315132 | . | NCROSCL | 3201012 |
| 29S43 | 42(2) | 29T43 | 6943000 | . | PULLUP | 3201012 |
| 29T42 | 43(2) | 27T42 | 6943000 | . | PULLUP | 3201012 |
| | 44(0) | | | | | |
| | 45(0) | | | | | |
| | 46(0) | | | | | |
| 29T39 | 47(1) | | 4791829 | | GND2929 | 4791829 |
| | 48(0) | | | | | |
| 28T49 | 49(0) | 30T49 | 8301800 | | P4VT | 8301830 |
| 31T50 | 50(2) | 27T50 | 8305400 | | M8VT | 8305400 |
| 28T51 | 51(0) | 30T51 | 8303800 | | P8VT | 8303830 |

XDS 902306



DRAWING NO. - 133264-948 AC
 PROG-PNIND MODULE-30T
 TYPE-PIN INDEX TYPE-ZT23

94

10/27/71

| FROM | PIN (COUNT) | TO | SOURCE LINE NO. | ELEM. TYPE | SOURCE SIGNAL NAME | REFERENCE LINE NO. |
|-------|----------------|-------|--------------------|---------------|--------------------|-----------------------|
| | 00(0) | | | | | |
| 31T35 | 01(1) | | 3241110 | C | CLFP/12 | 3241110 |
| | 02(1) | 30T05 | 4791830 | | GND2930 | 4791830 |
| 31T33 | 03(1) | | 3241100 | C | CLFP/11 | 3241100 |
| 30T06 | 04(1) | | 3201078 | C | CL/12 | 3201078 |
| 30T02 | 05(2) | 30T09 | 4791830 | | GND2930 | 4791830 |
| 30T08 | 06(2) | 30T04 | 3201078 | C | CL/12 | 3201078 |
| 31T31 | 07(1) | | 3241090 | C | CLFP/10 | 3241090 |
| 29T35 | 08(2) | 30T06 | 3201078 | C | CL/12 | 3201078 |
| 30T05 | 09(2) | 30T11 | 4791830 | | GND2930 | 4791830 |
| 31T29 | 10(1) | | 3241080 | C | CLFP/9 | 3241080 |
| 30T09 | 11(2) | 30T15 | 4791830 | | GND2930 | 4791830 |
| 30T17 | 12(1) | | 3201072 | C | CL/11 | 3201072 |
| | 13(0) | | | | | |
| 31T27 | 14(1) | | 3241070 | C | CLFP/8 | 3241070 |
| 30T11 | 15(2) | 30T16 | 4791830 | | GND2930 | 4791830 |
| 30T15 | 16(2) | 30T20 | 4791830 | -GND | GND2930 | 4791830 |
| 30T19 | 17(2) | 30T12 | 3201072 | C | CL/11 | 3201072 |
| 31T25 | 18(1) | | 3241060 | C | CLFP/7 | 3241060 |
| 29T33 | 19(2) | 30T17 | 3201072 | C | CL/11 | 3201072 |
| 30T16 | 20(2) | 30T23 | 4791830 | | GND2930 | 4791830 |
| 29T31 | 21(1) | | 3201066 | C | CL/10 | 3201066 |
| 31T23 | 22(1) | | 3241050 | C | CLFP/6 | 3241050 |
| 30T20 | 23(2) | 30T25 | 4791830 | | GND2930 | 4791830 |
| | 24(0) | | | | | |
| 30T23 | 25(2) | 30T27 | 4791830 | | GND2930 | 4791830 |
| 31T21 | 26(1) | | 3241040 | C | CLFP/5 | 3241040 |
| 30T25 | 27(2) | 30T31 | 4791830 | | GND2930 | 4791830 |
| | 28(0) | | | | | |
| | 29(0) | | | | | |
| 31T19 | 30(1) | | 3241030 | C | CLFP/4 | 3241030 |
| 30T27 | 31(2) | 30T35 | 4791830 | | GND2930 | 4791830 |
| | 32(0) | | | | | |
| | 33(0) | | | | | |
| 31T17 | 34(1) | | 3241020 | C | CLFP/3 | 3241020 |
| 30T31 | 35(2) | 30T37 | 4791830 | | GND2930 | 4791830 |
| | 36(0) | | | | | |
| 30T35 | 37(2) | 30T39 | 4791830 | | GND2930 | 4791830 |
| 31T15 | 38(2) | 30T42 | 3241010 | C | CLFP/2 | 3241010 |
| 30T37 | 39(2) | 30T41 | 4791830 | | GND2930 | 4791830 |
| | 40(0) | | | | | |
| 30T39 | 41(2) | 30T44 | 4791830 | | GND2930 | 4791830 |
| 30T38 | 42(1) | | 3241010 | C | CLFP/2 | 3241010 |
| | 43(0) | | | | | |
| 30T41 | 44(2) | 30T46 | 4791830 | | GND2930 | 4791830 |
| 31T13 | 45(2) | 30T50 | 3241000 | C | CLFP/1 | 3241000 |
| 30T44 | 46(1) | | 4791830 | | GND2930 | 4791830 |
| | 47(0) | | | | | |
| | 48(0) | | | | | |
| 29T49 | 49(0) | 31T49 | 8301800 | | P4VT | 8301840 |
| 30T45 | 50(1) | | 3241000 | C | CLFP/1 | 3241000 |
| 29T51 | 51(0) | 31T51 | 8303800 | | P8VT | 8303840 |

XDS 902306

XDS
XEROX DATA SYSTEMS

DRAWING NO.- 133264-948 AC
PROG-PNIND MODULE-31T
TYPE-PIN INDEX TYPE-AT23

95
10/27/71

| FROM | PIN (COUNT) | TO | SOURCE LINE NO. | ELEM. TYPE | SOURCE SIGNAL NAME | REFERENCE LINE NO. |
|-------|----------------|-------|--------------------|---------------|--------------------|-----------------------|
| | 00(0) | | | | | |
| | 01(0) | | | | | |
| | 02(1) | 31T06 | 4791831 | | GND2931 | 4791831 |
| | 03(0) | | | | | |
| | 04(0) | | | | | |
| | 05(0) | | | | | |
| 31T02 | 06(2) | 31T07 | 4791831 | | GND2931 | 4791831 |
| 31T06 | 07(2) | 31T14 | 4791831 | | GND2931 | 4791831 |
| | 08(0) | | | | | |
| | 09(1) | 32T09 | 3241200 | -NS | CLFPBUSSB1 | 3241200 |
| | 10(0) | | | | | |
| | 11(1) | 32T11 | 3241210 | -NS | CLFPBUSSB2 | 3241210 |
| | 12(1) | 32T12 | 3241230 | -NS | CLFPBUSSC1 | 3241230 |
| 32T13 | 13(2) | 30T45 | 3241000 | -CLD | CLFP/1 | 3241000 |
| 31T07 | 14(2) | 31T16 | 4791831 | | GND2931 | 4791831 |
| 32T15 | 15(2) | 30T38 | 3241010 | -CLD | CLFP/2 | 3241010 |
| 31T14 | 16(2) | 31T18 | 4791831 | -GND | GND2931 | 4791831 |
| 32T17 | 17(2) | 30T34 | 3241020 | -CLD | CLFP/3 | 3241020 |
| 31T16 | 18(2) | 31T20 | 4791831 | | GND2931 | 4791831 |
| 32T19 | 19(2) | 30T30 | 3241030 | -CLD | CLFP/4 | 3241030 |
| 31T18 | 20(2) | 31T22 | 4791831 | | GND2931 | 4791831 |
| 32T21 | 21(2) | 30T26 | 3241040 | -CLD | CLFP/5 | 3241040 |
| 31T20 | 22(2) | 31T24 | 4791831 | | GND2931 | 4791831 |
| 32T23 | 23(2) | 30T22 | 3241050 | -CLD | CLFP/6 | 3241050 |
| 31T22 | 24(2) | 31T26 | 4791831 | | GND2931 | 4791831 |
| 32T25 | 25(2) | 30T18 | 3241060 | -CLD | CLFP/7 | 3241060 |
| 31T24 | 26(2) | 31T28 | 4791831 | | GND2931 | 4791831 |
| 32T27 | 27(2) | 30T14 | 3241070 | -CLD | CLFP/8 | 3241070 |
| 31T26 | 28(2) | 31T30 | 4791831 | | GND2931 | 4791831 |
| 32T29 | 29(2) | 30T10 | 3241080 | -CLD | CLFP/9 | 3241080 |
| 31T28 | 30(2) | 31T34 | 4791831 | | GND2931 | 4791831 |
| 32T31 | 31(2) | 30T07 | 3241090 | -CLD | CLFP/10 | 3241090 |
| | 32(0) | | | | | |
| 32T33 | 33(2) | 30T03 | 3241100 | -CLD | CLFP/11 | 3241100 |
| 31T30 | 34(2) | 31T39 | 4791831 | | GND2931 | 4791831 |
| 32T35 | 35(2) | 30T01 | 3241110 | -CLD | CLFP/12 | 3241110 |
| | 36(1) | 32T36 | 3241240 | -NS | CLFPBUSSC2 | 3241240 |
| | 37(1) | 32T37 | 3241220 | -NS | CLFPBUSSB3 | 3241220 |
| | 38(1) | 32T38 | 3241250 | -NS | CLFPBUSSC3 | 3241250 |
| 31T34 | 39(2) | 31T47 | 4791831 | | GND2931 | 4791831 |
| 29T40 | 40(2) | 32T40 | 2062820 | . | ACCL/1 | 3241000 |
| 24R42 | 41(2) | 32T41 | 4395300 | . | FPCLN/1 | 3241000 |
| 14S10 | 42(2) | 32T42 | 4395320 | . | FPCLN/2 | 3241000 |
| 32T43 | 43(2) | 29T41 | 3315132 | . | NCROSCL | 3241000 |
| | 44(0) | | | | | |
| | 45(0) | | | | | |
| | 46(0) | | | | | |
| 31T39 | 47(1) | | 4791831 | | GND2931 | 4791831 |
| | 48(0) | | | | | |
| 30T49 | 49(0) | 32T49 | 8301800 | | P4VT | 8301840 |
| 32T50 | 50(2) | 29T50 | 8305400 | | M8VT | 8305400 |
| 30T51 | 51(0) | 32T51 | 8303800 | | P8VT | 8303840 |

XDS 902306



DRAWING NO. - 133264-948 AC
 PROG-PNIND MODULE-32T
 TYPE-PIN INDEX TYPE-AT23

96

10/27/71

| FROM | PIN (COUNT) | TO | SOURCE LINE NO. | ELEM. TYPE | SOURCE SIGNAL NAME | REFERENCE LINE NO. |
|-------|-------------|-------|-----------------|------------|--------------------|--------------------|
| | 00(0) | | | | | |
| | 01(0) | | | | | |
| | 02(1) | 32T06 | 4791832 | | GND2932 | 4791832 |
| | 03(0) | | | | | |
| | 04(0) | | | | | |
| | 05(0) | | | | | |
| 32T02 | 06(2) | 32T07 | 4791832 | | GND2932 | 4791832 |
| 32T06 | 07(2) | 32T14 | 4791832 | | GND2932 | 4791832 |
| | 08(0) | | | | | |
| 31T09 | 09(1) | | 3241200 | | CLFPBUSSB1 | 3241200 |
| | 10(0) | | | | | |
| 31T11 | 11(1) | | 3241210 | | CLFPBUSSB2 | 3241210 |
| 31T12 | 12(1) | | 3241230 | | CLFPBUSSC1 | 3241230 |
| | 13(1) | 31T13 | 3241000 | -CLD | CLFP/1 | 3241005 |
| 32T07 | 14(2) | 32T16 | 4791832 | | GND2932 | 4791832 |
| | 15(1) | 31T15 | 3241010 | -CLD | CLFP/2 | 3241012 |
| 32T14 | 16(2) | 32T18 | 4791832 | -GND | GND2932 | 4791832 |
| | 17(1) | 31T17 | 3241020 | -CLD | CLFP/3 | 3241022 |
| 32T16 | 18(2) | 32T20 | 4791832 | | GND2932 | 4791832 |
| | 19(1) | 31T19 | 3241030 | -CLD | CLFP/4 | 3241032 |
| 32T18 | 20(2) | 32T22 | 4791832 | | GND2932 | 4791832 |
| | 21(1) | 31T21 | 3241040 | -CLD | CLFP/5 | 3241042 |
| 32T20 | 22(2) | 32T24 | 4791832 | | GND2932 | 4791832 |
| | 23(1) | 31T23 | 3241050 | -CLD | CLFP/6 | 3241052 |
| 32T22 | 24(2) | 32T26 | 4791832 | | GND2932 | 4791832 |
| | 25(1) | 31T25 | 3241060 | -CLD | CLFP/7 | 3241062 |
| 32T24 | 26(2) | 32T28 | 4791832 | | GND2932 | 4791832 |
| | 27(1) | 31T27 | 3241070 | -CLD | CLFP/8 | 3241072 |
| 32T26 | 28(2) | 32T30 | 4791832 | | GND2932 | 4791832 |
| | 29(1) | 31T29 | 3241080 | -CLD | CLFP/9 | 3241082 |
| 32T28 | 30(2) | 32T34 | 4791832 | | GND2932 | 4791832 |
| | 31(1) | 31T31 | 3241090 | -CLD | CLFP/10 | 3241092 |
| | 32(0) | | | | | |
| | 33(1) | 31T33 | 3241100 | -CLD | CLFP/11 | 3241102 |
| 32T30 | 34(2) | 32T39 | 4791832 | | GND2932 | 4791832 |
| | 35(1) | 31T35 | 3241110 | -CLD | CLFP/12 | 3241112 |
| 31T36 | 36(1) | | 3241240 | | CLFPBUSSC2 | 3241240 |
| 31T37 | 37(1) | | 3241220 | | CLFPBUSSB3 | 3241220 |
| 31T38 | 38(1) | | 3241250 | | CLFPBUSSC3 | 3241250 |
| 32T34 | 39(2) | 32T47 | 4791832 | | GND2932 | 4791832 |
| 31T40 | 40(2) | 20S21 | 2062820 | . | ACCL/1 | 3241005 |
| 31T41 | 41(2) | 27S31 | 4395300 | . | FPCLEN/1 | 3241005 |
| 31T42 | 42(2) | 27S37 | 4395320 | . | FPCLEN/2 | 3241005 |
| 30S12 | 43(2) | 31T43 | 3315132 | . | NCROSCL | 3241005 |
| | 44(0) | | | | | |
| | 45(0) | | | | | |
| | 46(0) | | | | | |
| 32T39 | 47(1) | | 4791832 | | GND2932 | 4791832 |
| | 48(0) | | | | | |
| 31T49 | 49(0) | | 8301800 | | P4VT | 8301840 |
| | 50(1) | 31T50 | 8305400 | -VSP | M8VT | 8305420 |
| 31T51 | 51(0) | | 8303800 | | P8VT | 8303840 |

XDS 902306

SECTION II
ENGINEERING TECHNICAL INFORMATION

1

Modules required for Floating Point Feature Assy No. 134099.

| <u>Module Type</u> | <u>CPU Location</u> | <u>F.P. Location</u> |
|-------------------------------|---------------------|----------------------|
| IT16 _____ | 16M | |
| AT23 _____ | 31T | |
| AT23 _____ | 32T | |
| XT10 _____ | 31L | |
| 137482-113 (100Ω Cable) _____ | 32L | 32B |
| IT16 _____ | 23P | |
| Clock Cable _____ | 30T (etch) | 32D (Comp) |

2

Modules required for Memory Protect Feature Assy. No. 134101.

| <u>Module Type</u> | <u>CPU Location</u> |
|--------------------|---------------------|
| FT25 _____ | 01N |
| FT25 _____ | 02N |
| FT25 _____ | 03N |
| FT25 _____ | 04N |

| | | | | | |
|---------------|---|--------------|---|---|--------|
| M | SEE DCR #90476 INCORPORATED RES E.O'S 133279 K.L. REVISED NOTE 9 WAS 134077, ADDED NOTE 16 | AML | 9/8/71 | TR PM | |
| L | SEE RES E0 | | | | |
| X K | SEE RES E0 | | | | |
| J | SEE DCR 37750; DELETED NOTE 15 | AML | 8/11/71 | TR PM | |
| X H | SEE REV E.O. 117232Z; CHASSIS B LOC. 5, ADDED BT17. CHASSIS S LOC. 23 ADDED IT25 | | 8/24/71 | TR PM | |
| G | SEE DCR 39849 : ADDED NOTE 15 | S.E | 11/11/71 | TR PM | |
| F | SEE DCR 41215; RETYPED. 10 | RL | 11/2/71 | TR PM | |
| X A | MFG RELEASE | BM | 11/2/71 | TR PM | |
| LAL | REV | DESCRIPTION | CHK | DATE | APP |
| REVISIONS | | | | | 123 |
| MATERIALS | | | | | |
| DESIGNED BY | DRG. NO. | L.N. | 11/16/71 | SOS Scientific Data Systems A MAJOR COMPANY | |
| ENGINEERED BY | CONTR. | ALCALA | 11/16/71 | | |
| APPROVED BY | APP. | L.M.A. | 11/17/71 | | |
| TITLE | | | CHART, MODULE LOCATION, CENTRAL PROCESSING UNIT (SIGMA 5) | | |
| PROJ. NO. | 8201 | CONTRACT NO. | 18338 | B | 133279 |
| PROJ. NAME | 117282 | DATE | | | M |
| PAGE 1 OF 11 | | | | | |

3

Modules required for External Interface Feature, Assy. No. 137086.

| <u>Option Installed</u> | <u>Option not Installed (M)</u> | <u>CPU Location</u> |
|-------------------------|---------------------------------|---------------------|
| GT11 | | 06M |
| FT22 | XT18 | 07M |
| FT22 | | 08M |
| AT11 | | 09M |
| IT13 | | 27P |
| FT22 | XT18 | 21Q |
| AT11 | | 22Q |
| GT11 | | 23Q |
| FT22 | | 25Q |
| AT11 | | 26Q |
| FT22 | XT18 | 27Q |
| FT22 | | 28Q |
| AT11 | | 29Q |
| AT11 | | 22R |

16

NOTE: The modules listed under column "M" are required if the associated, optional modules are not installed.

4

Modules required for Additional Register Blocks, Assy. No. 117621.

1. Register Page 1

| <u>Module Type</u> | <u>CPU Location</u> |
|--------------------|---------------------|
| FT25 | 10K |
| FT25 | 18K |
| FT25 | 06S |
| FT25 | 10T |

| | | | | | |
|--|--------|---|----------------|---------|--------|
| / / | | SEE SHEET 1 | | / / | |
| LAL | REV | DESCRIPTION | CHK | DATE | APP |
| REVISIONS | | | 12 | | |
| MATERIAL LIST | | | | | |
| NOTES UNLESS SPECIFIED | | DRAWN | L.N. 1/14/67 | | |
| 1. TOLERANCES UNLESS SPECIFIED ARE AS SHOWN | | CHECK | ALCALA 1/14/67 | | |
| 2. DIMENSIONS ARE IN INCHES UNLESS OTHERWISE SPECIFIED | | APP'D | L.H.A. 1/17/67 | | |
| 3. DIMENSIONS ARE IN INCHES UNLESS OTHERWISE SPECIFIED | | SDS Scientific Data Systems | | | |
| 4. ALL DIMENSIONS ARE TO CENTER UNLESS OTHERWISE SPECIFIED | | CHART, MODULE LOCATION, CENTRAL PROCESSING UNIT (SIGMA 5) | | | |
| ORDER NO | 8201 | FORM | CODE | 18338 B | 133279 |
| PRINT USE | 117282 | SCALE | | 2 OF 11 | |

4

(Cont'd.)

2. Register Page 2

| <u>Module Type</u> | <u>CPU Location</u> |
|--------------------|---------------------|
| FT25 | 11K |
| FT25 | 17K |
| FT25 | 07S |
| FT25 | 11T |

3. Register Page 3

| <u>Module Type</u> | <u>CPU Location</u> |
|--------------------|---------------------|
| FT25 | 12K |
| FT25 | 16K |
| FT25 | 08S |
| FT25 | 12T |

5

Modules required for Register Extension Interface Feature, Assy. No. 145977.

| <u>Module Type</u> | <u>CPU Location</u> |
|--------------------|---------------------|
| AT11 | 13K |
| AT11 | 15K |
| BT16 | 14L |
| AT11 | 09S |
| BT16 | 13S |
| AT11 | 13T |
| ZT23 | 28T |

6

Modules required for Power Failsafe Feature, Assy. No. 117612.

| <u>Module Type</u> | <u>CPU Location</u> |
|--------------------|---------------------|
| LT16 | 25R |

| | | | |
|--|-----|--|--------------|
| SEE SHEET 1 | | | |
| LAL | REV | DESCRIPTION | CHE DATE APP |
| | | REVISIONS | 123 |
| DRAWN: L.N. 1/17/62 CHECKED: ALCALA 1/16/62 APPR: L.M.A. 1/17/62 | | SDS Scientific Data Systems CHART, MODULE LOCATION, CENTRAL PROCESSING UNIT (SIGMA 5) | |
| 8201 | | 18338 B | 133279 M |
| 117282 | | | |

7

Modules required for Two Additional Real Time Clocks, Assy. No. 117616.

| <u>Option Installed</u> | <u>Module Type</u> | <u>Option Not Installed (M)</u> | <u>CPU Location</u> |
|-------------------------|--------------------|---------------------------------|---------------------|
| | LT16 | ZT50 | 26R |
| | LT16 | | 29R |

8

Modules required for Integral IOP with eight multiplexor channels. (Address 0-7)
Assy. No. 145978.

| <u>Optional Installed</u> | <u>Module Type</u> | <u>Option not Installed (M)</u> | <u>CPU Location</u> |
|---------------------------|--------------------|---------------------------------|---------------------|
| | FT25 | | 05K |
| | LT12 | | 14K |
| | FT25 | | 23K |
| | LT12 | | 06L |
| | FT41 | XT18 | 07L |
| | AT11 | | 08L |
| | FT41 | | 09L |
| | AT10 | | 10L |
| | FT25 | | 01S |
| | FT25 | | 01T |
| | FT25 | | 05T |
| | AT11 | | C9E |
| | AT12 | | C9F |
| 1. | AT13 | | 07F |

Required only if an external IOP is installed.

| | | | |
|--|-------------------------------|--|--------------|
| SEE SHEET 1 | | | |
| LAL | REV | DESCRIPTION | CHK DATE APP |
| REVISIONS | | | 123 |
| DST CODE | | | |
| DATED BY: <u>L.N.</u> 1/17/67 CHECKED BY: <u>ALCALA</u> 1/16/67 APPROVED BY: <u>L.M.A.</u> 1/17/67 | | SDS Scientific Data Systems TITLE: CHART, MODULE LOCATION, CENTRAL PROCESSING UNIT (SIGMA 5) | |
| PART NO. 8201 PART NAME 117282 | PART NO. 18338 PART NAME B | PART NO. 133279 PART NAME M | PART NO. M |

9

Modules required for Additional Groups of Eight Multiplexor Channels for the integral IOP, Assy No. 149998.

1. 8 additional channels (Address 8 → 15)

| <u>Module Type</u> | <u>Option</u> | <u>CPU Location</u> |
|---------------------------|--------------------------|---------------------|
| <u>Optional Installed</u> | <u>Not installed (M)</u> | |
| FT25 | | 06K |
| FT25 | | 22K |
| FT25 | | 02S |
| FT25 | XT10 | 06T |
| FT25 | | 02T |

2. 8 additional channels (Address 16 → 23)

| <u>Option Installed</u> | <u>Option Not Installed</u> | <u>CPU Location</u> |
|-------------------------|-----------------------------|---------------------|
| FT25 | | 07K |
| FT25 | | 21K |
| FT25 | | 03S |
| FT25 | | 03T |
| FT25 | | 07T |

3. 8 additional channels (Address 24 - 31)

| <u>Module Type</u> | <u>Option not installed</u> | <u>CPU Location</u> |
|-------------------------|-----------------------------|---------------------|
| <u>Option Installed</u> | | |
| FT25 | XT10 | 08K |
| FT25 | | 20K |
| FT25 | | 04S |
| FT25 | | 04T |
| FT25 | | 08T |

| | | | | | | | | |
|--|---|----------------------|---|-----------------------------|--|-------------------------|------|-----|
| LAL | | REV | | DESCRIPTION | | CHK | DATE | APP |
| | | | | SEE SHEET 1 | | | | |
| | | | | REVISIONS | | | | 23 |
| | | | | MATERIAL | | | | |
| NOTES UNLESS SPECIFIED | | L.N. 1/11/67 | | SDS Scientific Data Systems | | | | |
| 1. HOLDINGS | | ALCALA 1/14/67 | | L.M.A. 1/17/67 | | CHART, MODULE LOCATION, | | |
| 2. ALL DIMENSIONS UNLESS SHOWN OTHERWISE | | | | | | CENTRAL PROCESSING UNIT | | |
| 3. MAKE ALL CHART DIMENSIONS CLEAR | | | | | | (SIGMA 5) | | |
| 4. MAKE DIMENSIONS CLEAR | | | | | | | | |
| 5. ALL DIMENSIONS UNLESS SHOWN OTHERWISE | | | | | | | | |
| 6. ALL DIMENSIONS UNLESS SHOWN OTHERWISE | | | | | | | | |
| 8201 | 8 | 18338 | B | 133279 | | | | M |
| 117282 | | | | | | | | |
| | | DO NOT SCALE DRAWING | | SHEET 5 OF 11 | | | | |

10

Module required for the External IOP Interface Feature, Assy No.

Module Type

CPU Location

AT13 _____ 05F

11

Use cable Part No. 137482-602

| | |
|-------------|-----------|
| <u>From</u> | <u>To</u> |
| 01C | 320 |
| 03E | 32M |
| 03F | 32S |

12

Use cable Part No. 137482-362

| | |
|-------------|-----------|
| <u>From</u> | <u>To</u> |
| 01A | 32K |
| 02A | 31K |

13

Use cable Part No. 137482-442

| | |
|-------------|-----------|
| <u>From</u> | <u>To</u> |
| 02F | 31Q |
| 01D | 32N |
| 02E | 31P |

14

Use cable Part No. 137481-182

| | |
|-------------|-----------|
| <u>From</u> | <u>To</u> |
| 01M | 01R |

NOTE: Use Part No. 137481-171 for other cables referenced by this note.

~~15. All changes to this chart must be coordinated with Module Location Strip 159297.~~

16

The AT11 Module in Location 22R is to be installed only when the priority interrupt control unit, Assy 117330 is installed.

| | | | |
|--------------------------|-------|-----------------------------|--------------|
| SEE SHEET 1 | | | |
| LAL | REV | DESCRIPTION | CHK DATE APP |
| | | REVISIONS | 123 |
| DRAWN: L. No. 11/1/67 | | SDS Scientific Data Systems | |
| CHECKED: ALCALA 1/14/67 | | CHART, MODULE LOCATION, | |
| APPROVED: L.M.A. 1/17/67 | | CENTRAL PROCESSING UNIT | |
| | | (SIGMA 5) | |
| 8201 | 18338 | B | 133279 |
| 117282 | | | M |
| SHEET 6 OF 11 | | | |

| CHASSIS | MODULE LOCATION | | | | | | | | | | | | | | | | | | | | | | | | | | | | | | | |
|---------|-----------------|------|------|------|------|------|------|------|------|------|------|------|------|------|------|------|------|------|------|------|------|------|------|------|------|------|------|------|------|------|------|---|
| | 32 | 31 | 30 | 29 | 28 | 27 | 26 | 25 | 24 | 23 | 22 | 21 | 20 | 19 | 18 | 17 | 16 | 15 | 14 | 13 | 12 | 11 | 10 | 9 | 8 | 7 | 6 | 5 | 4 | 3 | 2 | 1 |
| A | FT22 | FT22 | GT11 | FT22 | FT22 | GT11 | XT10 | FT22 | FT22 | FT22 | FT22 | BT11 | XT10 | BT10 | IT25 | BT11 | IT16 | AT21 | BT16 | ZT23 | XT10 | IT16 | LT13 | IT25 | BT11 | IT25 | LT20 | BT18 | BT18 | BT18 | | |
| B | BT11 | BT11 | IT16 | XT10 | BT16 | IT25 | IT20 | LT20 | LT14 | IT20 | XT10 | LT14 | IT17 | IT25 | LT13 | BT11 | XT10 | LT14 | IT20 | IT20 | LT20 | IT16 | IT25 | IT16 | IT16 | IT25 | XT10 | IT25 | IT16 | BT16 | | |
| C | IT25 | | BT16 | IT25 | LT13 | | BT11 | XT10 | IT16 | | LT20 | IT18 | IT16 | | IT20 | LT20 | | | LT14 | IT16 | BT11 | | IT20 | XT10 | IT25 | | IT25 | IT16 | LT21 | | IT16 | |

NOTES:

| | | | |
|---------------|--------|-------------|--------------|
| SEE SHEET 1 | | | |
| LAL | REV. | DESCRIPTION | CHK DATE APP |
| REVISIONS | | | 123 |
| MATERIAL LIST | | | |
| DESIGNED BY | DRN | L.N. | 1/11/57 |
| CHECKED BY | ALCRLA | 1/15/57 | |
| APPROVED BY | L.M.A. | 1/17/57 | |
| PART NO | | 8201 | |
| PART NO | | 117282 | |
| PART NO | | 18338 B | |
| PART NO | | 133279 | |
| PART NO | | M | |

| CHASSIS | MODULE LOCATION | | | | | | | | | | | | | | | | | | | | | | | | | | | | | | | |
|---------|-----------------|------|------|------|------|------|------|------|------|------|------|------|------|------|------|------|------|------|------|------|------|------|------|------|------|------|------|------|------|------|------|---|
| | 32 | 31 | 30 | 29 | 28 | 27 | 26 | 25 | 24 | 23 | 22 | 21 | 20 | 19 | 18 | 17 | 16 | 15 | 14 | 13 | 12 | 11 | 10 | 9 | 8 | 7 | 6 | 5 | 4 | 3 | 2 | 1 |
| D | BT11 | | IT25 | BT16 | BT10 | | XT10 | LT14 | BT11 | | IT20 | IT16 | IT25 | | IT20 | IT20 | | | IT20 | LT20 | XT10 | | IT20 | IT25 | IT26 | | IT20 | IT20 | LT14 | | LT20 | |
| | | 14 | | | | 14 | | | | 14 | | | | 14 | | 14 | 14 | | | | | 14 | | | | 14 | | | | 14 | | |
| E | BT16 | IT16 | XT10 | LT14 | LT14 | IT16 | IT25 | LT14 | | LT13 | XT10 | IT16 | IT20 | XT10 | IT17 | IT25 | XT10 | IT25 | LT14 | IT17 | LT20 | BT18 | BT18 | AT11 | LT14 | IT20 | XT10 | IT20 | LT14 | | ZT23 | |
| | | | | | | | | | | | | | | | | | | | | | | | | 8 | | | | | | 11 | 13 | |
| F | IT16 | IT16 | FT41 | FT22 | IT16 | BT11 | XT10 | IT22 | FT22 | GT11 | FT22 | BT11 | BT11 | IT25 | IT17 | BT18 | BT11 | BT16 | BT16 | BT16 | BT16 | BT10 | IT25 | XT10 | AT12 | IT25 | AT13 | BT16 | AT13 | IT16 | | |
| | | | | | | | | | | | | | | | | | | | | | | | | 8 | | 8 | | 10 | | 11 | 13 | |

NOTES:

| | | | | | | | | | | | | |
|---|--------|---|--------------|-------------|------|---------|------------|--------|---------|-------------|--------|---------|
| SEE SHEET 1 | | | | | | | | | | | | |
| LAL | REV. | DESCRIPTION | CHK DATE APP | | | | | | | | | |
| REVISIONS | | | 123 | | | | | | | | | |
| DATE CODE | | | | | | | | | | | | |
| <table border="1"> <tr> <td>DESIGNED BY</td> <td>L.N.</td> <td>1/11/65</td> </tr> <tr> <td>CHECKED BY</td> <td>ALCALA</td> <td>1/14/65</td> </tr> <tr> <td>APPROVED BY</td> <td>L.M.A.</td> <td>1/17/65</td> </tr> </table> | | | | DESIGNED BY | L.N. | 1/11/65 | CHECKED BY | ALCALA | 1/14/65 | APPROVED BY | L.M.A. | 1/17/65 |
| DESIGNED BY | L.N. | 1/11/65 | | | | | | | | | | |
| CHECKED BY | ALCALA | 1/14/65 | | | | | | | | | | |
| APPROVED BY | L.M.A. | 1/17/65 | | | | | | | | | | |
| 8201 117282 | | SDS Scientific Data Systems & SERVICE COMPANY EL SEGUNDO, CALIFORNIA CHART, MODULE LOCATION, CENTRAL PROCESSING UNIT (SIGMA 5) 18338 B 133279 | | | | | | | | | | |

| CHASSIS | MODULE LOCATION | | | | | | | | | | | | | | | | | | | | | | | | | | | | | | | | | | |
|---------|-----------------|------|------|------|------|------|------|------|------|------|------|------|------|------|------|------|------|------|------|------|------|------|------|------|------|------|------|------|------|------|------|------|--|----|--|
| | 32 | 31 | 30 | 29 | 28 | 27 | 26 | 25 | 24 | 23 | 22 | 21 | 20 | 19 | 18 | 17 | 16 | 15 | 14 | 13 | 12 | 11 | 10 | 9 | 8 | 7 | 6 | 5 | 4 | 3 | 2 | 1 | | | |
| K | | | LT18 | LT18 | XT10 | BT11 | BT17 | | BT16 | FT25 | FT25 | FT25 | FT25 | FT25 | FT25 | FT25 | AT11 | LT12 | AT11 | FT25 | FT25 | FT25 | FT25 | FT25 | FT25 | FT25 | FT25 | BT10 | ST14 | ST29 | CT16 | | | | |
| | 12 | 12 | | | | | | | | 8 | 9 | 9 | 9 | | 4 | 4 | 4 | 5 | 8 | 5 | 4 | 4 | 4 | | 9 | 9 | 9 | 8 | | | | | | | |
| | | | | | | | | | | | 1 | 2 | 3 | | 1 | 2 | 3 | | | | 3 | 2 | 1 | | M 3 | 2 | 1 | | | | | | | | |
| L | | XT10 | IT16 | LT42 | LT42 | LT42 | LT42 | LT42 | XT10 | FT22 | FT22 | GT12 | BT16 | IT16 | IT25 | AT21 | XT10 | IT16 | BT16 | BT16 | IT25 | BT11 | AT10 | FT41 | AT11 | FT41 | LT12 | GT10 | FT18 | FT18 | GT12 | XT10 | | | |
| | 1 | 1 | | | | | | | | | | | | | | | | 5 | | | | | 8 | 8 | 8 | 8 | 8 | | | | | | | | |
| | | | | | | | | | | | | | | | | | | | | | | | | | | | | | | | | | | | |
| M | | | XT10 | | LT42 | LT42 | LT42 | LT42 | | FT18 | XT10 | FT22 | FT22 | GT12 | | AT21 | IT16 | IT16 | | BT16 | AT11 | XT10 | | AT11 | FT22 | FT22 | GT11 | | FT17 | FT17 | GT12 | | | | |
| | 11 | | | 14 | | | | | 14 | | | | | 14 | | 1 | | 14 | | | | | 14 | 3 | 3 | 3 | 3 | 3 | 14 | | | | | 14 | |
| | | | | | | | | | | | | | | | | | | | | | | | | | | | | | | | | | | | |
| | | | | | | | | | | | | | | | | | | | | | | | | | | | | | | | | | | | |

NOTES:

| | | | |
|---------------|--------------|---|---------------|
| SEE SHEET 1 | | | |
| LAL | REV. | DESCRIPTION | CHK DATE APP |
| | | REVISIONS | 123 |
| | | DIST CODE | |
| DESIGNER | DATE | SOS Scientific Data Systems A PERMITS COMPANY E. S. JAMES CO. ST. LOUIS, MO. | |
| CHECKER | DATE | TITLE | |
| APPR. | DATE | CHART, MODULE LOCATION, CENTRAL PROCESSING UNIT (SIGMA 5) | |
| NO. OF SHEETS | TOTAL SHEETS | CODE | NO. OF SHEETS |
| 8201 | | 18338 | B 133279 |
| 117282 | | SCALE: NO. OF SHEETS DRAWING: SHEET 9 OF 11 | |

| CHASSIS | MODULE LOCATION | | | | | | | | | | | | | | | | | | | | | | | | | | | | | | | | |
|---------|-----------------|------|------|------|------|------|------|------|------|------|------|------|------|------|------|------|------|------|------|------|------|------|------|------|------|------|------|------|------|------|------|------|--|
| | 32 | 31 | 30 | 29 | 28 | 27 | 26 | 25 | 24 | 23 | 22 | 21 | 20 | 19 | 18 | 17 | 16 | 15 | 14 | 13 | 12 | 11 | 10 | 9 | 8 | 7 | 6 | 5 | 4 | 3 | 2 | 1 | |
| N | | AT10 | BT16 | | IT16 | AT12 | BT17 | BT16 | | IT25 | | BT10 | IT25 | XT10 | | LT18 | LT18 | LT18 | | IT16 | FT18 | FT18 | | XT10 | IT16 | BT11 | LT21 | | FT25 | FT25 | FT25 | FT25 | |
| | | | | | | | | | | | | | | | | | | | | | | | | | | | | | | | | | |
| | | | | | | | | | | | | | | | | | | | | | | | | | | | | | | | | | |
| P | ZT23 | | BT11 | IT16 | XT10 | IT13 | LT21 | AT11 | BT16 | IT16 | XT10 | IT25 | IT16 | IT25 | AT21 | BT10 | GT12 | FT17 | FT17 | XT10 | GT11 | FT22 | LT13 | GT12 | FT22 | FT22 | BT16 | LT42 | LT42 | LT42 | LT42 | XT10 | |
| | | | | | | | | | | | | | | | | | | | | | | | | | | | | | | | | | |
| | | | | | | | | | | | | | | | | | | | | | | | | | | | | | | | | | |
| Q | | | | AT11 | FT22 | FT22 | AT11 | FT22 | | GT11 | AT11 | FT22 | BT18 | | AT21 | XT10 | GT12 | FT17 | FT17 | GT10 | FT22 | GT11 | | GT12 | FT22 | FT22 | XT10 | LT42 | LT42 | LT42 | LT42 | IT25 | |
| | | | | | | | | | | | | | | | | | | | | | | | | | | | | | | | | | |
| | | | | | | | | | | | | | | | | | | | | | | | | | | | | | | | | | |

NOTES:

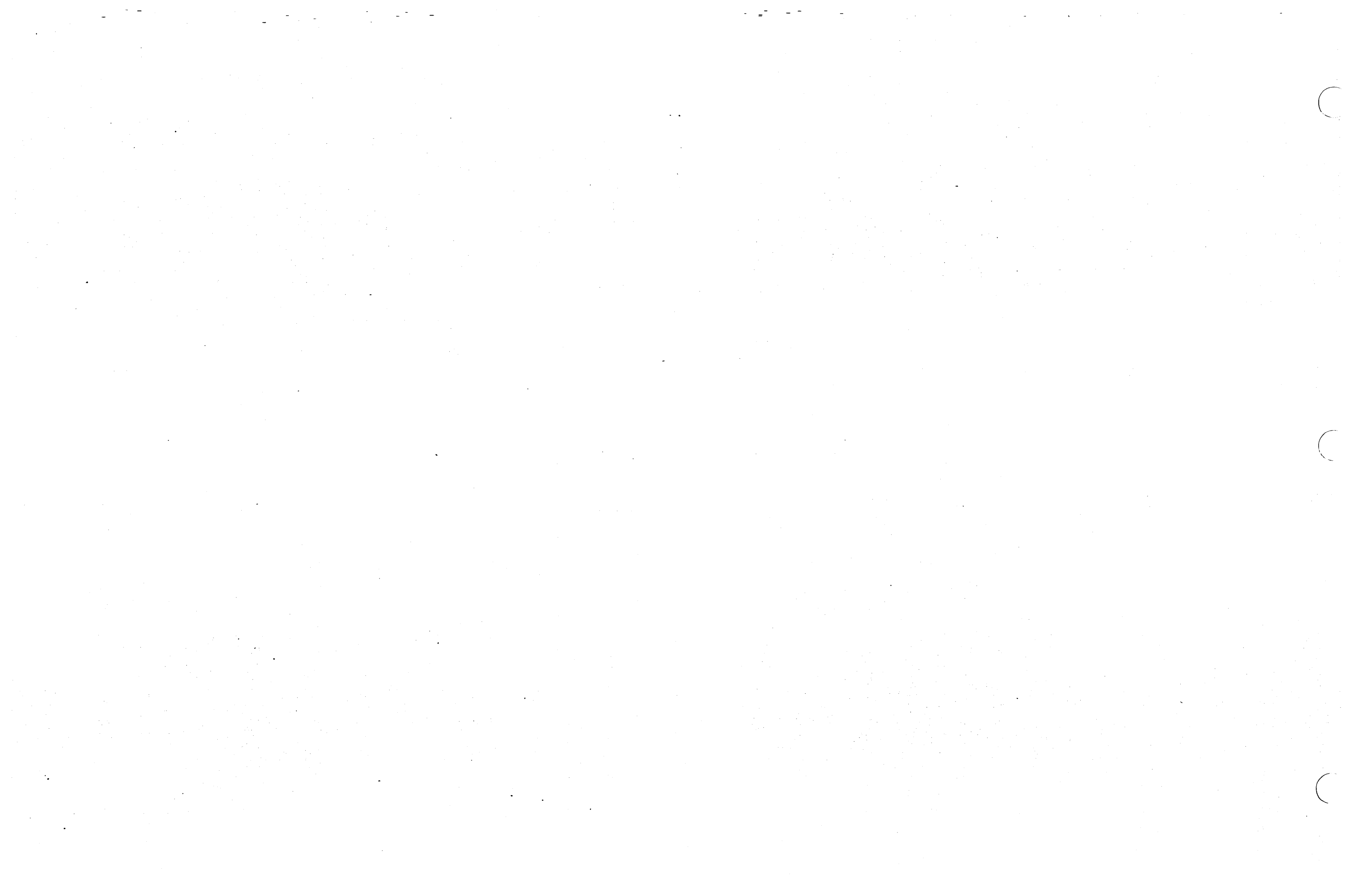
XDS Xerox Data Systems
Formerly
Scientific Data Systems

| | | | |
|---------------|-------------|-------------|--------------|
| SEE SHEET 1 | | | |
| LAL | REV. | DESCRIPTION | CHK DATE APP |
| | | REVISIONS | 23 |
| MATERIAL LIST | | | |
| QTY | DESCRIPTION | DATE | BY |
| | | 1/1/67 | L.N. |
| | | 1/1/67 | R.L.C.R. |
| | | 1/1/67 | L.N.A. |
| 8201 | | 18338 | B |
| 117282 | | 133279 | M |
| | | 10 OF 11 | |

| CHASSIS | MODULE LOCATION | | | | | | | | | | | | | | | | | | | | | | | | | | | | | | | | |
|---------|-----------------|------|------|------|------|------|------|------|------|------|------|------|------|------|------|------|------|------|------|------|------|------|------|------|------|------|------|------|------|------|------|------|--|
| | 32 | 31 | 30 | 29 | 28 | 27 | 26 | 25 | 24 | 23 | 22 | 21 | 20 | 19 | 18 | 17 | 16 | 15 | 14 | 13 | 12 | 11 | 10 | 9 | 8 | 7 | 6 | 5 | 4 | 3 | 2 | 1 | |
| R | | LT16 | LT16 | LT16 | LT16 | LT16 | LT16 | LT16 | | BT10 | AT11 | BT13 | XT10 | | AT11 | FT18 | FT18 | AT12 | FT18 | FT18 | FT18 | BT11 | | IT20 | IT20 | IT16 | XT10 | BT11 | AT21 | BT11 | AT21 | | |
| | | | | 7 | | | 7 | 6 | 14 | | 3 | | | 14 | | | | | | | | | 14 | | | | | | | | | | |
| | | | | | | | M | | | | 16 | | | | | | | | | | | | | | | | | | | | | | |
| S | | AT13 | IT25 | AT23 | FT26 | XT10 | AT13 | BT11 | BT16 | BT17 | BT10 | LT21 | IT16 | XT10 | FT22 | GT11 | BT16 | AT11 | IT16 | BT16 | IT13 | XT10 | BT16 | AT11 | FT25 | FT25 | FT25 | FT25 | FT25 | FT25 | FT25 | FT25 | |
| | 11 | | | | | | | | | | | | | | | | | | | 5 | | | | 5 | 4 | 4 | 4 | | 9 | 9 | 9 | 8 | |
| | | | | | | | | | | | | | | | | | | | | | | | | | | 3 | 2 | 1 | | 3 | 2 | 1 | |
| T | AT23 | AT23 | ZT23 | AT23 | ZT23 | AT23 | ZT23 | AT23 | HT15 | HT15 | HT16 | DT14 | DT14 | DT14 | LT29 | FT22 | IT25 | BT10 | IT16 | AT11 | FT25 | FT25 | FT25 | FT25 | FT25 | FT25 | FT25 | FT25 | FT25 | FT25 | FT25 | | |
| | 1 | 1 | | | 5 | | | | | | | | | | | | | | | 5 | 4 | 4 | 4 | | 9 | 9 | 9 | 8 | 9 | 9 | 9 | 8 | |
| | | | | | | | | | | | | | | | | | | | | | | | | | | 3 | 2 | 1 | | 3 | 2 | 1 | |

NOTES:

| | | | |
|---------------|---------------|-------------|----------------------|
| SEE SHEET 1 | | | |
| LAL | REV. | DESCRIPTION | CHE DATE APP |
| | | REVISIONS | 23 |
| MATERIAL LIST | | | |
| QUANTITY | DESCRIPTION | DATE | BY |
| | L.M.A. V/1/57 | | |
| | RLCRL/1/57 | | |
| | L.M.A. V/1/57 | | |
| 8201 | | 18338 | B |
| 117282 | | 133279 | M |
| | | SCALE | DO NOT SCALE DRAWING |
| | | SHEET | 11 OF 11 |




| REVISIONS | | | | 1357 | A |
|-----------|-------------|-----|--------|-----------|---|
| REV. | DESCRIPTION | CHK | DATE | APPROVED | |
| A | MFG. REL. | A. | 4/4/67 | W. Walden | |

XDS 902306

123

| NO. REQ. | DRAWING NO. | DESCRIPTION | REFERENCE DESIGNATION | ITEM NO. |
|----------|-------------|-------------|-----------------------|----------|
|----------|-------------|-------------|-----------------------|----------|

MATERIAL LIST

| | | | | |
|--|-------------------------------|---|----------------------|--------------------|
| NOTES UNLESS SPECIFIED 1. TOLERANCES .XX ±.030 ANGULAR .XXX ±.010 ± 1/2° 2. BREAK ALL SHARP EDGES .010 APPROX. 3. MACH. SURFACES ✓ 4. ALL DIM. IN INCHES | DRAWN A. Walden 2/8/67 | <div style="text-align: center;">  SANTA MONICA, CALIFORNIA TITLE CHART, MODULE LOCATION PROCESSOR CONTROL PANEL (SIGMA 5) </div> | | |
| | CHECK <i>Alcala</i> 7/8/67 | | | |
| | APPR. <i>Walden</i> 2-8-67 | | | |
| MODEL NO. First Use 8201 | | SIZE A | DWG. NO. 135716 | CHANGE LETTER A |
| NEXT ASSY. First Use 133280 | | SCALE | DO NOT SCALE DRAWING | SHEET 1 of 2 |

CONNECTOR LOCATION

| | 8 | 7 | 6 | 5 | 4 | 3 | 2 | 1 |
|---------|------|---|------|------|---|------|---|------|
| Type | NT26 | | NT26 | NT26 | | NT26 | | NT26 |
| Key Loc | 2-16 | | 2-16 | 2-16 | | 2-16 | | 2-16 |

CONNECTOR LOCATION

| | 16 | 15 | 14 | 13 | 12 | 11 | 10 | 9 |
|---------|----|------|-------|------|----|----|------|---|
| Type | | NT26 | QT14 | ZT23 | | | NT26 | |
| Key Loc | | 2-26 | 14-23 | 8-23 | | | 2-16 | |

CONNECTOR LOCATION

| | 24 | 23 | 22 | 21 | 20 | 19 | 18 | 17 |
|---------|----|----|----|----|----|----|----|----|
| Type | | | | | | | | |
| Key Loc | | | | | | | | |

CONNECTOR LOCATION

| | 32 | 31 | 30 | 29 | 28 | 27 | 26 | 25 |
|---------|----|----|----|----|----|----|----|----|
| Type | | | | | | | | |
| Key Loc | | | | | | | | |

| | |
|---------|-----|
| | LTR |
| CHASSIS | |


| | | | | |
|-------|---------------------------------------|--|------------------------------------|---|
| TITLE | CHART, MODULE LOCATION P. T. P. | | SDS SCIENTIFIC DATA SYSTEMS | |
| | | | 135716 | A |
| | | | SHEET 2 OF 2 | |

XDS 902306

| REVISIONS | | | | 1 | B |
|-----------|-----------------------|-------------|---------|-----------|-----------|
| REV. | DESCRIPTION | CHK | DATE | APPROVED | |
| A | ENGINEERING RELEASE | <i>H.P.</i> | 6/15/66 | <i>MJ</i> | <i>JS</i> |
| B | MANUFACTURING RELEASE | <i>H.P.</i> | 8/25/66 | <i>MJ</i> | <i>JS</i> |

XDS 902306
12

| NO. REQ. | DRAWING NO. | DESCRIPTION | REFERENCE DESIGNATION | ITEM NO. |
|----------|-------------|-------------|-----------------------|----------|
|----------|-------------|-------------|-----------------------|----------|

| MATERIAL LIST | | | | | |
|--|-----------|-----------------------|---------|---|---------------|
| NOTES UNLESS SPECIFIED 1. TOLERANCES .XX ±.030 ANGULAR .XXX ±.010 ±½° 2. BREAK ALL SHARP EDGES .010 APPROX. 3. MACH. SURFACES J 4. ALL DIM. IN INCHES | DRAWN | <i>R. Bockelman</i> | 6-15-66 | <div style="text-align: center;">  SANTA MONICA, CALIFORNIA TITLE CHART, MODULE LOCATION </div> | |
| | CHECK | <i>H. P.</i> | 6-15-66 | | |
| | APPR. | <i>T. J. Anderson</i> | 6-18-66 | | |
| | | | | | |
| MODEL NO. | FIRST USE | | SIZE | DWG. NO. | CHANGE LETTER |
| | | | A | 133091 | B |
| NEXT ASSY. | FIRST USE | 132389 | SCALE | DO NOT SCALE DRAWING | SHEET 1 of 2 |

CONNECTOR LOCATION

| | J3 | J2 | J1 |
|-----------------|---------|----------|----------|
| TYPE | AT13 | WT22 | WT21 |
| KEY LOCATION | 7 22 | 16 18 | 15 24 |

XDS 902306

| | | |
|--|--------------|---|
| TITLE MODULE CHART, LOCATION | SDS | |
| | 133091 | B |
| | SHEET 2 OF 2 | |

- NOTES:
1. REV. LETTERS LISTED INDICATE STATUS OF EACH SHEET OF THIS MULTIPLE SHEET DRAWING.
 2. CHECK INDIVIDUAL SHEETS FOR REVISION LETTER AGAINST THIS SHEET BEFORE USING THIS DRAWING.

REVISION INDEX

| PAGE | CHG | PAGE | CHG | PAGE | CHG | PAGE | CHG | PAGE | CHG | PAGE | CHG | PAGE | CHG |
|------|-----|------|-----|------|-----|------|-----|------|-----|------|-----|------|-----|
| 1 | J | 4 | B | 7 | B | 10 | B | | | | | | |
| 2 | J | 5 | B | 8 | B | 11 | E | | | | | | |
| 3 | H | 6 | B | 9 | B | 12 | G | | | | | | |

MODULE LOCATION
VIEW FROM WIRING SIDE

| | | | | | |
|-----|------|-----|------|----|------|
| J15 | NT26 | J10 | NT26 | J5 | NT26 |
| J14 | QT14 | | | | |
| J13 | ZT23 | J8 | NT26 | J3 | NT26 |
| | | J6 | NT26 | J1 | NT26 |

| PCP LOCATION | → | FRAME 1 | FRAME 2 |
|--------------|---|---------|---------|
| P1 | | | 02R |
| P3 | | | 04R |
| P5 | | | 17L |
| P6 | | | 17M |
| P8 | | | 18P |
| P10 | | | 18Q |
| P13 | | 13A | |
| P15 | | 15A | |

REPLACEMENT PARTS LIST

| ITEM | DESCRIPTION | DESIGNATORS | QTY | SUPPLIER AND PART NO. | ZIP |
|------|--|--|-----|---|-------------------|
| 1 | SWITCH, ROTARY TOTOAL | S1 | 1 | CENTRALAB OAK MFG. PA2005 MODIFIED 399471-VC | 53201 60014 |
| 2 | SWITCH, LEVER, AM NONE-NEUT-2C LCK | S2, S4, S6, THRU S12, S40, & S41 | 11 | SWITCHCRAFT 31206L | 60630 |
| 3 | SWITCH, ROTARY TOTAL | S3 | 1 | CENTRALAB OAK MFG. P278-3-UP+4-P187 HC SERIES | 53201 60014 |
| 4 | SWITCH, LEVER CB LEVER, 2C LOCK-NEUT-2CNBL-2CNBL | S5, S20, S42 | 3 | CAPITAL SWITCH SWITCHCRAFT GEN CONTROLS HLS SERIES 225-1001 MCT1-T4-4C-SPEC | 06813 60630 02134 |
| 5 | SWITCH, SNAP ACTION DPDT | S13, S14, S16 THRU S18 | 5 | KORRY MASTER SPECIALTIES MINN-HONEYWELL 300 SERIES 10EF1 202 | 98108 90247 61033 |
| 6 | SWITCH, 5S THUMB WHEEL WHITE BEZEL | S15 | 1 | CDI DIGITRAN EECO XDE 126600-001 33644B-3 188923 | 60614 91105 92702 |
| 7 | SWITCH, SNAP ACTION DPDT | S19 | 1 | KORRY MASTER SPECIALTIES MINN HONEYWELL 300 SERIES 10EF3 JC SERIES | 98109 90247 60014 |
| 8 | SWITCH, DH LEVER 2C NONL - NEUT - 2C NONL | S21 THRU S23 S43 | 4 | CAPITOL SWITCH SWITCHCRAFT GEN CONTROLS HLS SERIES 4103121M1066-4 MCT1-T3-43-SPEC | 06813 60630 01248 |
| 9 | SWITCH, DP LEVER 8 STA 2 POS. | S24 THRU S39 S44 THRU S75 | 6 | SWITCHCRAFT 188-1022 | 60630 |
| 10 | SWITCH, LEVER, AM | S76 & S77 | 2 | SWITCHCRAFT 31206L | 60630 |
| 11 | LAMP, INCANDESCENT 4.8V, .053 AMP | DS1 THRU DS21 DS29 THRU DS32 DS34 THRU DS56 DS59 THRU DS98 | 88 | ELDEMA TRANSISTOR ELEC. CORP CF03-WTS-2114 RLC-B55-2114 | 90221 55424 |

PAGE 1

| REV. | DESCRIPTION | CHK | DATE | APPROVED | |
|------|--|-----|------|----------|--|
| X | A ENGRG RELEASE | | | | |
| X | B MFG RELEASE NO EO | | | | |
| X | C SEE P. 13573-C ADDED ITEM 11 IN REPLACEMENT PARTS LIST. U.S. 4 | | | | |
| X | D SEE DCR NO 28613 -PAGE 1 WA: REV C & PAGES 2 & 12 WERE: REV B | | | | |
| X | E SEE REV E.O. 133282E IN REV INDEX PAGE 1 WMS: REV D, PAGE 11 WMS: REV B, 20 | | | | |
| X | F SEE REV E.O. 13280 U.S. PAGE 2 REV LTR WMS: D, PAGE 3 REV LTR WMS: E, PAGE 4 REV LTR WMS: F, REV LTR WMS: G, REV LTR WMS: H, REV LTR WMS: I, REV LTR WMS: J, REV LTR WMS: K, REV LTR WMS: L, REV LTR WMS: M, REV LTR WMS: N, REV LTR WMS: O, REV LTR WMS: P, REV LTR WMS: Q, REV LTR WMS: R, REV LTR WMS: S, REV LTR WMS: T, REV LTR WMS: U, REV LTR WMS: V, REV LTR WMS: W, REV LTR WMS: X, REV LTR WMS: Y, REV LTR WMS: Z, REV LTR WMS: AA, REV LTR WMS: AB, REV LTR WMS: AC, REV LTR WMS: AD, REV LTR WMS: AE, REV LTR WMS: AF, REV LTR WMS: AG, REV LTR WMS: AH, REV LTR WMS: AI, REV LTR WMS: AJ, REV LTR WMS: AK, REV LTR WMS: AL, REV LTR WMS: AM, REV LTR WMS: AN, REV LTR WMS: AO, REV LTR WMS: AP, REV LTR WMS: AQ, REV LTR WMS: AR, REV LTR WMS: AS, REV LTR WMS: AT, REV LTR WMS: AU, REV LTR WMS: AV, REV LTR WMS: AW, REV LTR WMS: AX, REV LTR WMS: AY, REV LTR WMS: AZ, REV LTR WMS: BA, REV LTR WMS: BB, REV LTR WMS: BC, REV LTR WMS: BD, REV LTR WMS: BE, REV LTR WMS: BF, REV LTR WMS: BG, REV LTR WMS: BH, REV LTR WMS: BI, REV LTR WMS: BJ, REV LTR WMS: BK, REV LTR WMS: BL, REV LTR WMS: BM, REV LTR WMS: BN, REV LTR WMS: BO, REV LTR WMS: BP, REV LTR WMS: BQ, REV LTR WMS: BR, REV LTR WMS: BS, REV LTR WMS: BT, REV LTR WMS: BU, REV LTR WMS: BV, REV LTR WMS: BW, REV LTR WMS: BX, REV LTR WMS: BY, REV LTR WMS: BZ, REV LTR WMS: CA, REV LTR WMS: CB, REV LTR WMS: CC, REV LTR WMS: CD, REV LTR WMS: CE, REV LTR WMS: CF, REV LTR WMS: CG, REV LTR WMS: CH, REV LTR WMS: CI, REV LTR WMS: CJ, REV LTR WMS: CK, REV LTR WMS: CL, REV LTR WMS: CM, REV LTR WMS: CN, REV LTR WMS: CO, REV LTR WMS: CP, REV LTR WMS: CQ, REV LTR WMS: CR, REV LTR WMS: CS, REV LTR WMS: CT, REV LTR WMS: CU, REV LTR WMS: CV, REV LTR WMS: CW, REV LTR WMS: CX, REV LTR WMS: CY, REV LTR WMS: CZ, REV LTR WMS: DA, REV LTR WMS: DB, REV LTR WMS: DC, REV LTR WMS: DD, REV LTR WMS: DE, REV LTR WMS: DF, REV LTR WMS: DG, REV LTR WMS: DH, REV LTR WMS: DI, REV LTR WMS: DJ, REV LTR WMS: DK, REV LTR WMS: DL, REV LTR WMS: DM, REV LTR WMS: DN, REV LTR WMS: DO, REV LTR WMS: DP, REV LTR WMS: DQ, REV LTR WMS: DR, REV LTR WMS: DS, REV LTR WMS: DT, REV LTR WMS: DU, REV LTR WMS: DV, REV LTR WMS: DW, REV LTR WMS: DX, REV LTR WMS: DY, REV LTR WMS: DZ, REV LTR WMS: EA, REV LTR WMS: EB, REV LTR WMS: EC, REV LTR WMS: ED, REV LTR WMS: EE, REV LTR WMS: EF, REV LTR WMS: EG, REV LTR WMS: EH, REV LTR WMS: EI, REV LTR WMS: EJ, REV LTR WMS: EK, REV LTR WMS: EL, REV LTR WMS: EM, REV LTR WMS: EN, REV LTR WMS: EO, REV LTR WMS: EP, REV LTR WMS: EQ, REV LTR WMS: ER, REV LTR WMS: ES, REV LTR WMS: ET, REV LTR WMS: EU, REV LTR WMS: EV, REV LTR WMS: EW, REV LTR WMS: EX, REV LTR WMS: EY, REV LTR WMS: EZ, REV LTR WMS: FA, REV LTR WMS: FB, REV LTR WMS: FC, REV LTR WMS: FD, REV LTR WMS: FE, REV LTR WMS: FF, REV LTR WMS: FG, REV LTR WMS: FH, REV LTR WMS: FI, REV LTR WMS: FJ, REV LTR WMS: FK, REV LTR WMS: FL, REV LTR WMS: FM, REV LTR WMS: FN, REV LTR WMS: FO, REV LTR WMS: FP, REV LTR WMS: FQ, REV LTR WMS: FR, REV LTR WMS: FS, REV LTR WMS: FT, REV LTR WMS: FU, REV LTR WMS: FV, REV LTR WMS: FW, REV LTR WMS: FX, REV LTR WMS: FY, REV LTR WMS: FZ, REV LTR WMS: GA, REV LTR WMS: GB, REV LTR WMS: GC, REV LTR WMS: GD, REV LTR WMS: GE, REV LTR WMS: GF, REV LTR WMS: GG, REV LTR WMS: GH, REV LTR WMS: GI, REV LTR WMS: GJ, REV LTR WMS: GK, REV LTR WMS: GL, REV LTR WMS: GM, REV LTR WMS: GN, REV LTR WMS: GO, REV LTR WMS: GP, REV LTR WMS: GQ, REV LTR WMS: GR, REV LTR WMS: GS, REV LTR WMS: GT, REV LTR WMS: GU, REV LTR WMS: GV, REV LTR WMS: GW, REV LTR WMS: GX, REV LTR WMS: GY, REV LTR WMS: GZ, REV LTR WMS: HA, REV LTR WMS: HB, REV LTR WMS: HC, REV LTR WMS: HD, REV LTR WMS: HE, REV LTR WMS: HF, REV LTR WMS: HG, REV LTR WMS: HH, REV LTR WMS: HI, REV LTR WMS: HJ, REV LTR WMS: HK, REV LTR WMS: HL, REV LTR WMS: HM, REV LTR WMS: HN, REV LTR WMS: HO, REV LTR WMS: HP, REV LTR WMS: HQ, REV LTR WMS: HR, REV LTR WMS: HS, REV LTR WMS: HT, REV LTR WMS: HU, REV LTR WMS: HV, REV LTR WMS: HW, REV LTR WMS: HX, REV LTR WMS: HY, REV LTR WMS: HZ, REV LTR WMS: IA, REV LTR WMS: IB, REV LTR WMS: IC, REV LTR WMS: ID, REV LTR WMS: IE, REV LTR WMS: IF, REV LTR WMS: IG, REV LTR WMS: IH, REV LTR WMS: II, REV LTR WMS: IJ, REV LTR WMS: IK, REV LTR WMS: IL, REV LTR WMS: IM, REV LTR WMS: IN, REV LTR WMS: IO, REV LTR WMS: IP, REV LTR WMS: IQ, REV LTR WMS: IR, REV LTR WMS: IS, REV LTR WMS: IT, REV LTR WMS: IU, REV LTR WMS: IV, REV LTR WMS: IW, REV LTR WMS: IX, REV LTR WMS: IY, REV LTR WMS: IZ, REV LTR WMS: JA, REV LTR WMS: JB, REV LTR WMS: JC, REV LTR WMS: JD, REV LTR WMS: JE, REV LTR WMS: JF, REV LTR WMS: JG, REV LTR WMS: JH, REV LTR WMS: JI, REV LTR WMS: JJ, REV LTR WMS: JK, REV LTR WMS: JL, REV LTR WMS: JM, REV LTR WMS: JN, REV LTR WMS: JO, REV LTR WMS: JP, REV LTR WMS: JQ, REV LTR WMS: JR, REV LTR WMS: JS, REV LTR WMS: JT, REV LTR WMS: JU, REV LTR WMS: JV, REV LTR WMS: JW, REV LTR WMS: JX, REV LTR WMS: JY, REV LTR WMS: JZ, REV LTR WMS: KA, REV LTR WMS: KB, REV LTR WMS: KC, REV LTR WMS: KD, REV LTR WMS: KE, REV LTR WMS: KF, REV LTR WMS: KG, REV LTR WMS: KH, REV LTR WMS: KI, REV LTR WMS: KJ, REV LTR WMS: KK, REV LTR WMS: KL, REV LTR WMS: KM, REV LTR WMS: KN, REV LTR WMS: KO, REV LTR WMS: KP, REV LTR WMS: KQ, REV LTR WMS: KR, REV LTR WMS: KS, REV LTR WMS: KT, REV LTR WMS: KU, REV LTR WMS: KV, REV LTR WMS: KW, REV LTR WMS: KX, REV LTR WMS: KY, REV LTR WMS: KZ, REV LTR WMS: LA, REV LTR WMS: LB, REV LTR WMS: LC, REV LTR WMS: LD, REV LTR WMS: LE, REV LTR WMS: LF, REV LTR WMS: LG, REV LTR WMS: LH, REV LTR WMS: LI, REV LTR WMS: LJ, REV LTR WMS: LK, REV LTR WMS: LL, REV LTR WMS: LM, REV LTR WMS: LN, REV LTR WMS: LO, REV LTR WMS: LP, REV LTR WMS: LQ, REV LTR WMS: LR, REV LTR WMS: LS, REV LTR WMS: LT, REV LTR WMS: LU, REV LTR WMS: LV, REV LTR WMS: LW, REV LTR WMS: LX, REV LTR WMS: LY, REV LTR WMS: LZ, REV LTR WMS: MA, REV LTR WMS: MB, REV LTR WMS: MC, REV LTR WMS: MD, REV LTR WMS: ME, REV LTR WMS: MF, REV LTR WMS: MG, REV LTR WMS: MH, REV LTR WMS: MI, REV LTR WMS: MJ, REV LTR WMS: MK, REV LTR WMS: ML, REV LTR WMS: MM, REV LTR WMS: MN, REV LTR WMS: MO, REV LTR WMS: MP, REV LTR WMS: MQ, REV LTR WMS: MR, REV LTR WMS: MS, REV LTR WMS: MT, REV LTR WMS: MU, REV LTR WMS: MV, REV LTR WMS: MW, REV LTR WMS: MX, REV LTR WMS: MY, REV LTR WMS: MZ, REV LTR WMS: NA, REV LTR WMS: NB, REV LTR WMS: NC, REV LTR WMS: ND, REV LTR WMS: NE, REV LTR WMS: NF, REV LTR WMS: NG, REV LTR WMS: NH, REV LTR WMS: NI, REV LTR WMS: NJ, REV LTR WMS: NK, REV LTR WMS: NL, REV LTR WMS: NM, REV LTR WMS: NO, REV LTR WMS: NP, REV LTR WMS: NQ, REV LTR WMS: NR, REV LTR WMS: NS, REV LTR WMS: NT, REV LTR WMS: NU, REV LTR WMS: NV, REV LTR WMS: NW, REV LTR WMS: NX, REV LTR WMS: NY, REV LTR WMS: NZ, REV LTR WMS: OA, REV LTR WMS: OB, REV LTR WMS: OC, REV LTR WMS: OD, REV LTR WMS: OE, REV LTR WMS: OF, REV LTR WMS: OG, REV LTR WMS: OH, REV LTR WMS: OI, REV LTR WMS: OJ, REV LTR WMS: OK, REV LTR WMS: OL, REV LTR WMS: OM, REV LTR WMS: ON, REV LTR WMS: OO, REV LTR WMS: OP, REV LTR WMS: OQ, REV LTR WMS: OR, REV LTR WMS: OS, REV LTR WMS: OT, REV LTR WMS: OU, REV LTR WMS: OV, REV LTR WMS: OW, REV LTR WMS: OX, REV LTR WMS: OY, REV LTR WMS: OZ, REV LTR WMS: PA, REV LTR WMS: PB, REV LTR WMS: PC, REV LTR WMS: PD, REV LTR WMS: PE, REV LTR WMS: PF, REV LTR WMS: PG, REV LTR WMS: PH, REV LTR WMS: PI, REV LTR WMS: PJ, REV LTR WMS: PK, REV LTR WMS: PL, REV LTR WMS: PM, REV LTR WMS: PN, REV LTR WMS: PO, REV LTR WMS: PP, REV LTR WMS: PQ, REV LTR WMS: PR, REV LTR WMS: PS, REV LTR WMS: PT, REV LTR WMS: PU, REV LTR WMS: PV, REV LTR WMS: PW, REV LTR WMS: PX, REV LTR WMS: PY, REV LTR WMS: PZ, REV LTR WMS: QA, REV LTR WMS: QB, REV LTR WMS: QC, REV LTR WMS: QD, REV LTR WMS: QE, REV LTR WMS: QF, REV LTR WMS: QG, REV LTR WMS: QH, REV LTR WMS: QI, REV LTR WMS: QJ, REV LTR WMS: QK, REV LTR WMS: QL, REV LTR WMS: QM, REV LTR WMS: QN, REV LTR WMS: QO, REV LTR WMS: QP, REV LTR WMS: QQ, REV LTR WMS: QR, REV LTR WMS: QS, REV LTR WMS: QT, REV LTR WMS: QU, REV LTR WMS: QV, REV LTR WMS: QW, REV LTR WMS: QX, REV LTR WMS: QY, REV LTR WMS: QZ, REV LTR WMS: RA, REV LTR WMS: RB, REV LTR WMS: RC, REV LTR WMS: RD, REV LTR WMS: RE, REV LTR WMS: RF, REV LTR WMS: RG, REV LTR WMS: RH, REV LTR WMS: RI, REV LTR WMS: RJ, REV LTR WMS: RK, REV LTR WMS: RL, REV LTR WMS: RM, REV LTR WMS: RN, REV LTR WMS: RO, REV LTR WMS: RP, REV LTR WMS: RQ, REV LTR WMS: RR, REV LTR WMS: RS, REV LTR WMS: RT, REV LTR WMS: RU, REV LTR WMS: RV, REV LTR WMS: RW, REV LTR WMS: RX, REV LTR WMS: RY, REV LTR WMS: RZ, REV LTR WMS: SA, REV LTR WMS: SB, REV LTR WMS: SC, REV LTR WMS: SD, REV LTR WMS: SE, REV LTR WMS: SF, REV LTR WMS: SG, REV LTR WMS: SH, REV LTR WMS: SI, REV LTR WMS: SJ, REV LTR WMS: SK, REV LTR WMS: SL, REV LTR WMS: SM, REV LTR WMS: SN, REV LTR WMS: SO, REV LTR WMS: SP, REV LTR WMS: SQ, REV LTR WMS: SR, REV LTR WMS: SS, REV LTR WMS: ST, REV LTR WMS: SU, REV LTR WMS: SV, REV LTR WMS: SW, REV LTR WMS: SX, REV LTR WMS: SY, REV LTR WMS: SZ, REV LTR WMS: TA, REV LTR WMS: TB, REV LTR WMS: TC, REV LTR WMS: TD, REV LTR WMS: TE, REV LTR WMS: TF, REV LTR WMS: TG, REV LTR WMS: TH, REV LTR WMS: TI, REV LTR WMS: TJ, REV LTR WMS: TK, REV LTR WMS: TL, REV LTR WMS: TM, REV LTR WMS: TN, REV LTR WMS: TO, REV LTR WMS: TP, REV LTR WMS: TQ, REV LTR WMS: TR, REV LTR WMS: TS, REV LTR WMS: TT, REV LTR WMS: TU, REV LTR WMS: TV, REV LTR WMS: TW, REV LTR WMS: TX, REV LTR WMS: TY, REV LTR WMS: TZ, REV LTR WMS: UA, REV LTR WMS: UB, REV LTR WMS: UC, REV LTR WMS: UD, REV LTR WMS: UE, REV LTR WMS: UF, REV LTR WMS: UG, REV LTR WMS: UH, REV LTR WMS: UI, REV LTR WMS: UJ, REV LTR WMS: UK, REV LTR WMS: UL, REV LTR WMS: UM, REV LTR WMS: UN, REV LTR WMS: UO, REV LTR WMS: UP, REV LTR WMS: UQ, REV LTR WMS: UR, REV LTR WMS: US, REV LTR WMS: UT, REV LTR WMS: UV, REV LTR WMS: UW, REV LTR WMS: UX, REV LTR WMS: UY, REV LTR WMS: UZ, REV LTR WMS: VA, REV LTR WMS: VB, REV LTR WMS: VC, REV LTR WMS: VD, REV LTR WMS: VE, REV LTR WMS: VF, REV LTR WMS: VG, REV LTR WMS: VH, REV LTR WMS: VI, REV LTR WMS: VJ, REV LTR WMS: VK, REV LTR WMS: VL, REV LTR WMS: VM, REV LTR WMS: VN, REV LTR WMS: VO, REV LTR WMS: VP, REV LTR WMS: VQ, REV LTR WMS: VR, REV LTR WMS: VS, REV LTR WMS: VT, REV LTR WMS: VU, REV LTR WMS: VV, REV LTR WMS: VW, REV LTR WMS: VX, REV LTR WMS: VY, REV LTR WMS: VZ, REV LTR WMS: WA, REV LTR WMS: WB, REV LTR WMS: WC, REV LTR WMS: WD, REV LTR WMS: WE, REV LTR WMS: WF, REV LTR WMS: WG, REV LTR WMS: WH, REV LTR WMS: WI, REV LTR WMS: WJ, REV LTR WMS: WK, REV LTR WMS: WL, REV LTR WMS: WM, REV LTR WMS: WN, REV LTR WMS: WO, REV LTR WMS: WP, REV LTR WMS: WQ, REV LTR WMS: WR, REV LTR WMS: WS, REV LTR WMS: WT, REV LTR WMS: WU, REV LTR WMS: WV, REV LTR WMS: WX, REV LTR WMS: WY, REV LTR WMS: WZ, REV LTR WMS: XA, REV LTR WMS: XB, REV LTR WMS: XC, REV LTR WMS: XD, REV LTR WMS: XE, REV LTR WMS: XF, REV LTR WMS: XG, REV LTR WMS: XH, REV LTR WMS: XI, REV LTR WMS: XJ, REV LTR WMS: XK, REV LTR WMS: XL, REV LTR WMS: XM, REV LTR WMS: XN, REV LTR WMS: XO, REV LTR WMS: XP, REV LTR WMS: XQ, REV LTR WMS: XR, REV LTR WMS: XS, REV LTR WMS: XT, REV LTR WMS: XU, REV LTR WMS: XV, REV LTR WMS: XW, REV LTR WMS: XX, REV LTR WMS: XY, REV LTR WMS: XZ, REV LTR WMS: YA, REV LTR WMS: YB, REV LTR WMS: YC, REV LTR WMS: YD, REV LTR WMS: YE, REV LTR WMS: YF, REV LTR WMS: YG, REV LTR WMS: YH, REV LTR WMS: YI, REV LTR WMS: YJ, REV LTR WMS: YK, REV LTR WMS: YL, REV LTR WMS: YM, REV LTR WMS: YN, REV LTR WMS: YO, REV LTR WMS: YP, REV LTR WMS: YQ, REV LTR WMS: YR, REV LTR WMS: YS, REV LTR WMS: YT, REV LTR WMS: YU, REV LTR WMS: YV, REV LTR WMS: YW, REV LTR WMS: YX, REV LTR WMS: YY, REV LTR WMS: YZ, REV LTR WMS: ZA, REV LTR WMS: ZB, REV LTR WMS: ZC, REV LTR WMS: ZD, REV LTR WMS: ZE, REV LTR WMS: ZF, REV LTR WMS: ZG, REV LTR WMS: ZH, REV LTR WMS: ZI, REV LTR WMS: ZJ, REV LTR WMS: ZK, REV LTR WMS: ZL, REV LTR WMS: ZM, REV LTR WMS: ZN, REV LTR WMS: ZO, REV LTR WMS: ZP, REV LTR WMS: ZQ, REV LTR WMS: ZR, REV LTR WMS: ZS, REV LTR WMS: ZT, REV LTR WMS: ZU, REV LTR WMS: ZV, REV LTR WMS: ZW, REV LTR WMS: ZX, REV LTR WMS: ZY, REV LTR WMS: ZZ | | | | |

NOTES UNLESS SPECIFIED

1. DIMENSIONS ARE IN INCHES UNLESS OTHERWISE SPECIFIED
2. MATERIAL SPECIFICATIONS ARE TO BE OBTAINED FROM THE SUPPLIER
3. ALL DIMENSIONS ARE TO BE TAKEN TO THE CENTER UNLESS OTHERWISE SPECIFIED

SCALE: 1" = 1"

MODEL NO. 8201

REV. 133280

DATE: 1/13/67

BY: [Signature]

CHECKED: [Signature]

APPROVED: [Signature]

TITLE: SCHEMATIC, (SIGMA 5) PROCESSOR CONTROL PANEL

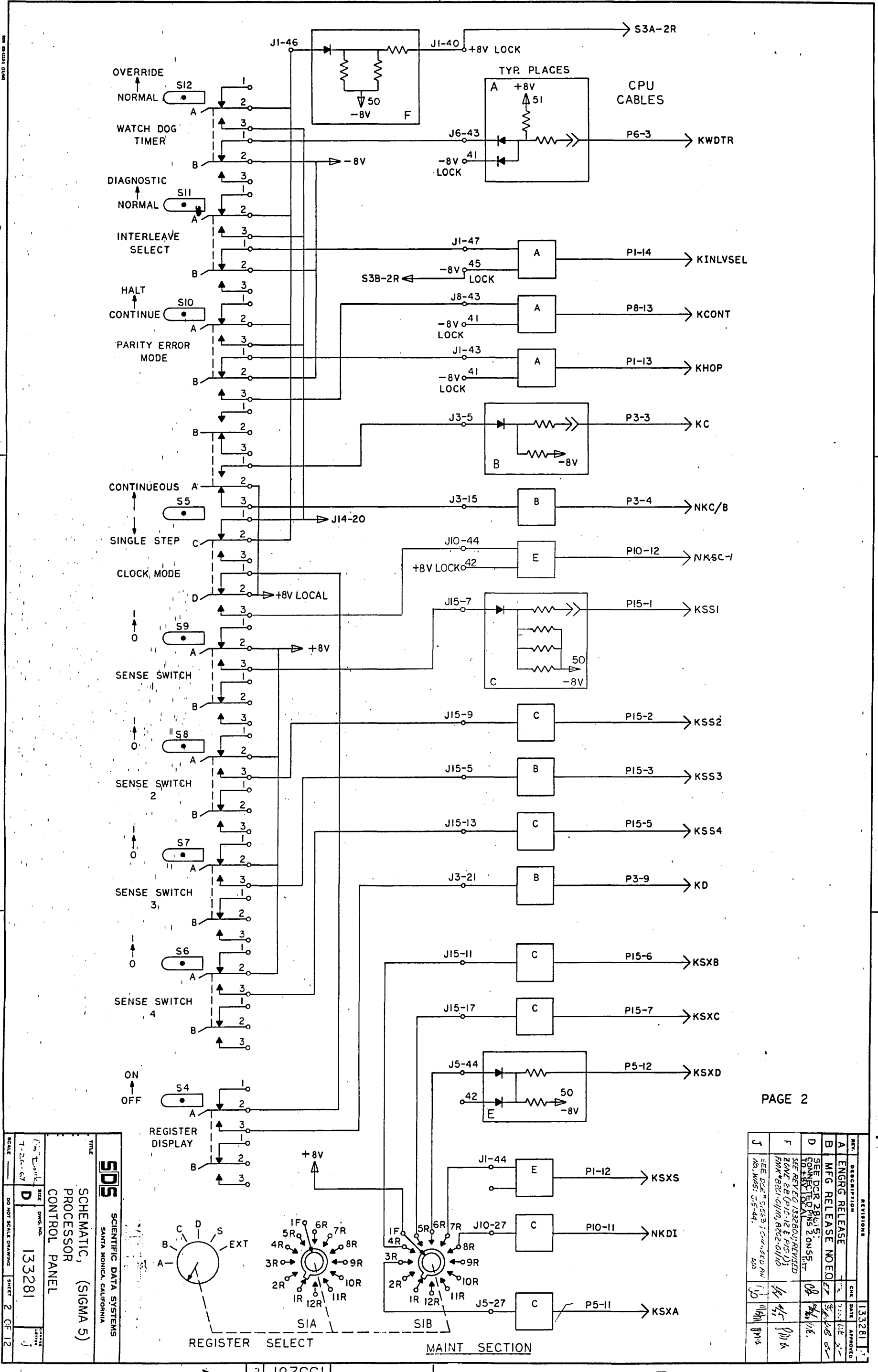
505 SCIENTIFIC DATA SYSTEMS, SANTA MONICA, CALIFORNIA

DIST CODE 113

SHEET 1 OF 12

XDS 902306

133281 J



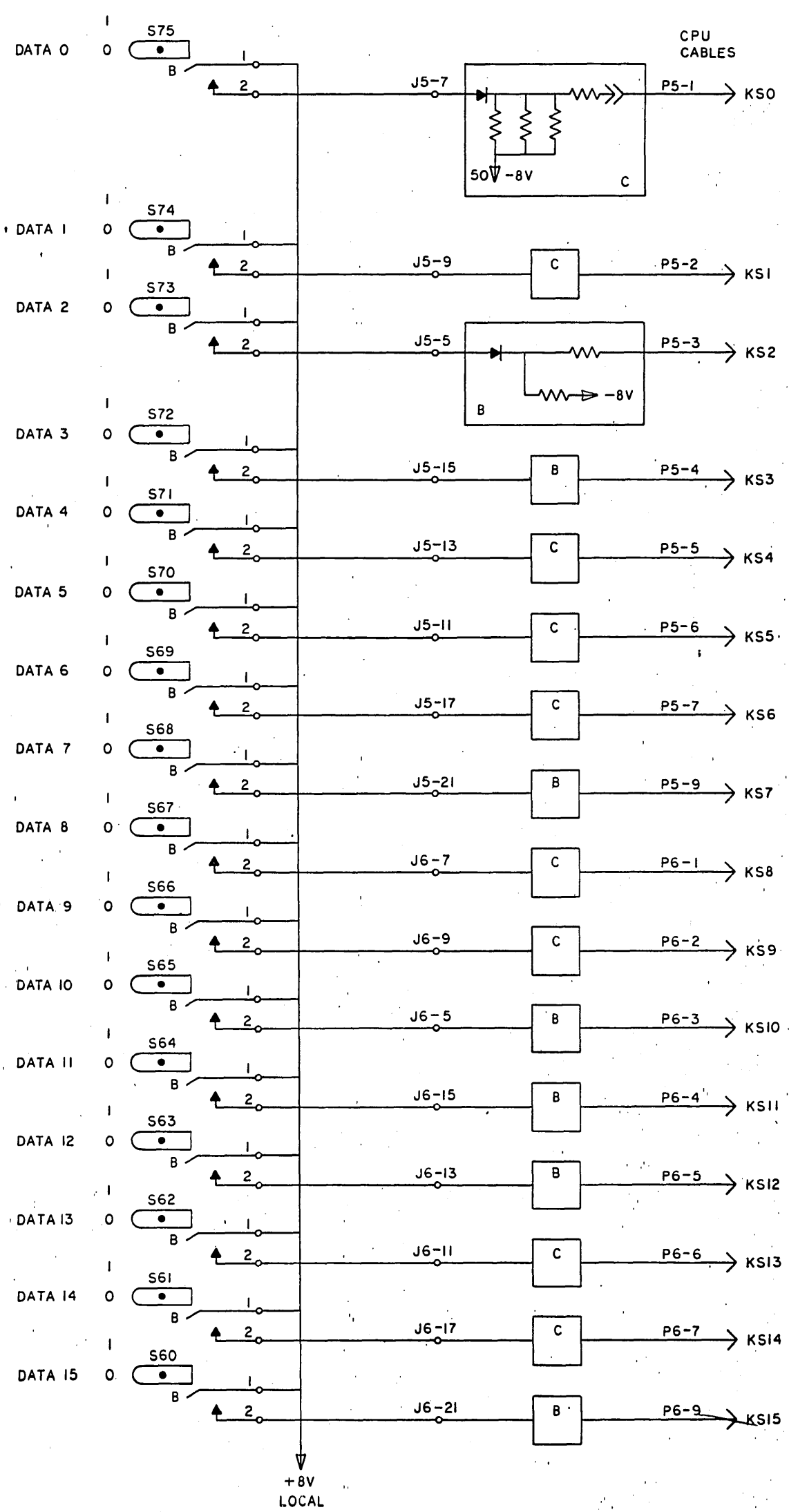
| REVISIONS | | REV. | DESCRIPTION | DATE | APPROVED |
|-----------|-------------------------------|------|-------------|------|----------|
| A | ENGRG RELEASE | | | | |
| B | MFG RELEASE NO EQ | | | | |
| D | SEE DCR 2815; 20NSP, 17 | | | | |
| F | SEE REV 20135280/REVISED | | | | |
| | ZONE 2E (P15-12 & P15-13) | | | | |
| | LINK-BE1-0110, BE2-0110 | | | | |
| | SEE DCR 51553; 1 COMPLETED RM | | | | |
| | NO. 51553; 51-44, 120 | | | | |

SDS
 SCIENTIFIC DATA SYSTEMS
 SANTA MONICA, CALIFORNIA

SCHEMATIC, (SIGMA 5)
PROCESSOR
CONTROL PANEL

TITLE: SCHEMATIC, (SIGMA 5) PROCESSOR CONTROL PANEL
 SIZE: D
 DWG. NO.: 133281
 SHEET: 2 OF 12

XDS 902306

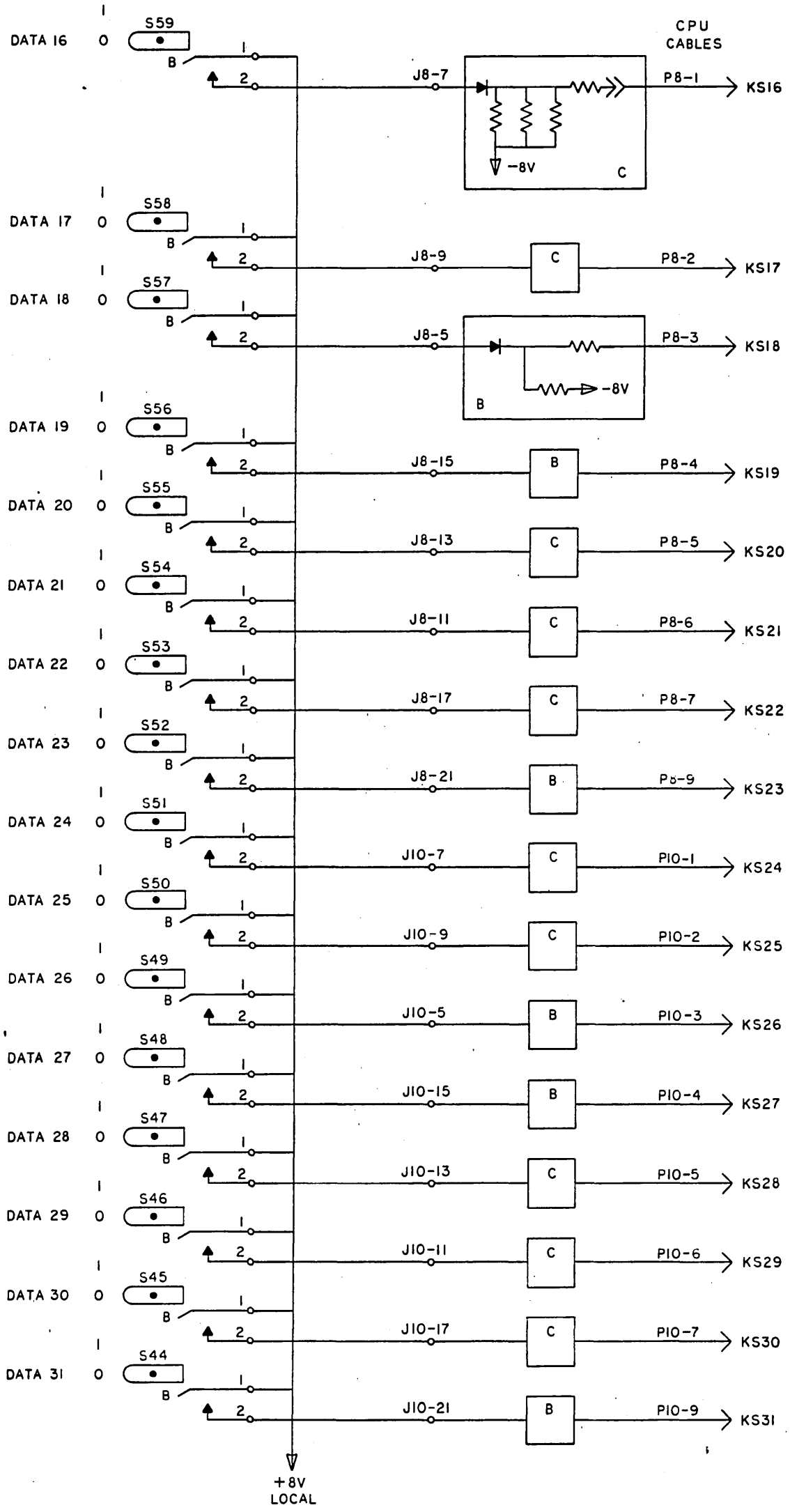


| REV. | | DESCRIPTION | | CHK. | | DATE | |
|------|-------|-------------|-----|------|--|------|--|
| A | ENGRG | RELEASE | | | | | |
| B | MFG | RELEASE | NOI | | | | |

| | |
|--|-------------------------|
| SDS SCIENTIFIC DATA SYSTEMS SANTA MONICA, CALIFORNIA | |
| TITLE SCHEMATIC, (SIGMA 5) PROCESSOR CONTROL PANEL | |
| DRAWING NO. 133281 | SHEET 5 OF 12 |
| SCALE D | DO NOT SCALE DRAWING |

A

B



PAGE 6

SOS SCIENTIFIC DATA SYSTEMS
 SANTA MONICA, CALIFORNIA

TITLE
 SCHEMATIC, (SIGMA 5)
 PROCESSOR
 CONTROL PANEL

SIZE D
 DWG. NO. 133281
 SCALE 6 OF 12

DO NOT SCALE DRAWING SHEET 6 OF 12

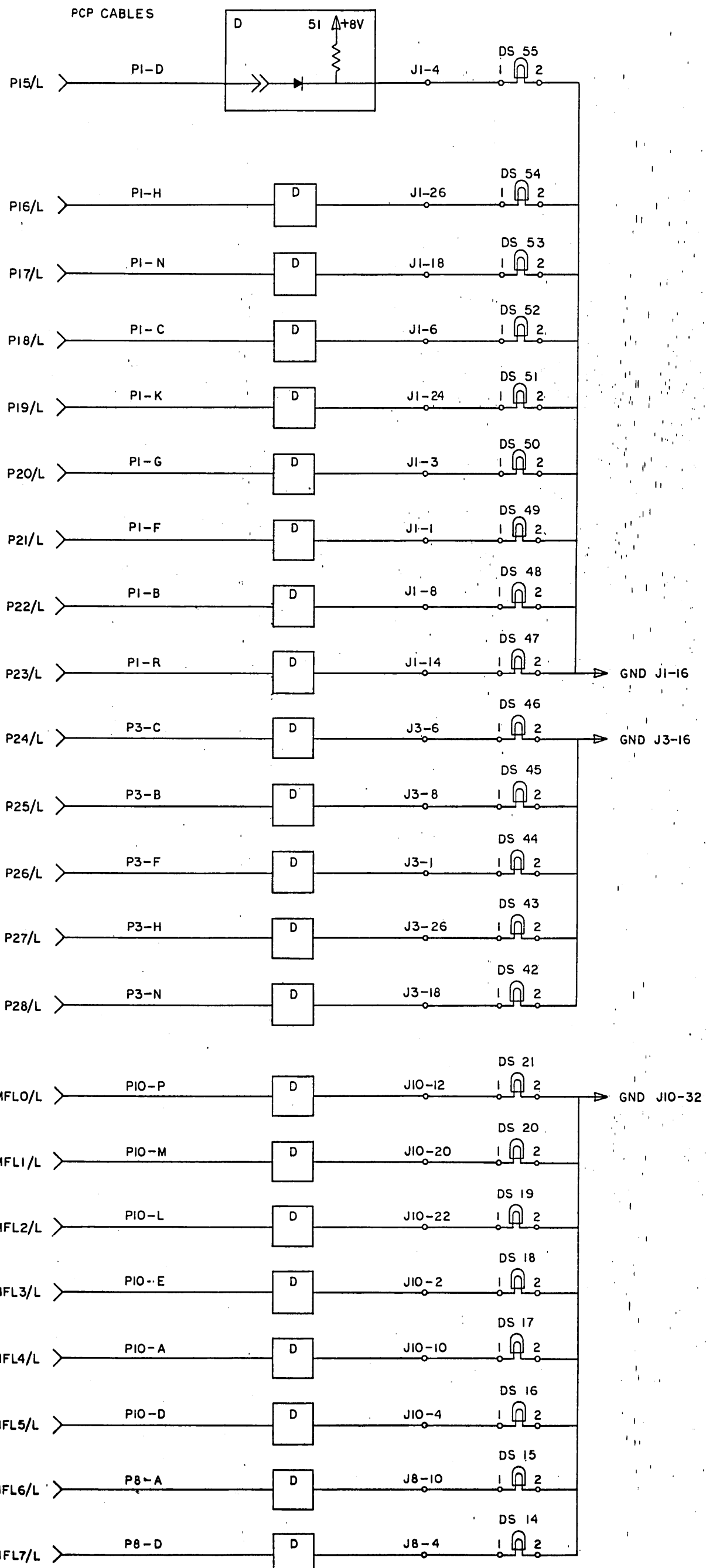
| REVISIONS | | CHK. | DATE | APPROVED |
|-----------|-------------------|------|------|----------|
| A | ENGRG RELEASE | | | |
| B | MFG RELEASE NO EQ | | | |

XDS 902306

A

B

133281 B



PAGE 7

| REVISIONS | | REV. | DESCRIPTION | CHK. | DATE | APPROVED |
|-----------|-------------------|------|-------------|------|------|----------|
| A | ENGRG RELEASE | | | | | |
| B | MFG RELEASE NO EQ | | | | | |

SDS SCIENTIFIC DATA SYSTEMS
SANTA MONICA, CALIFORNIA

TITLE
SCHEMATIC, (SIGMA 5)
PROCESSOR CONTROL
PANEL

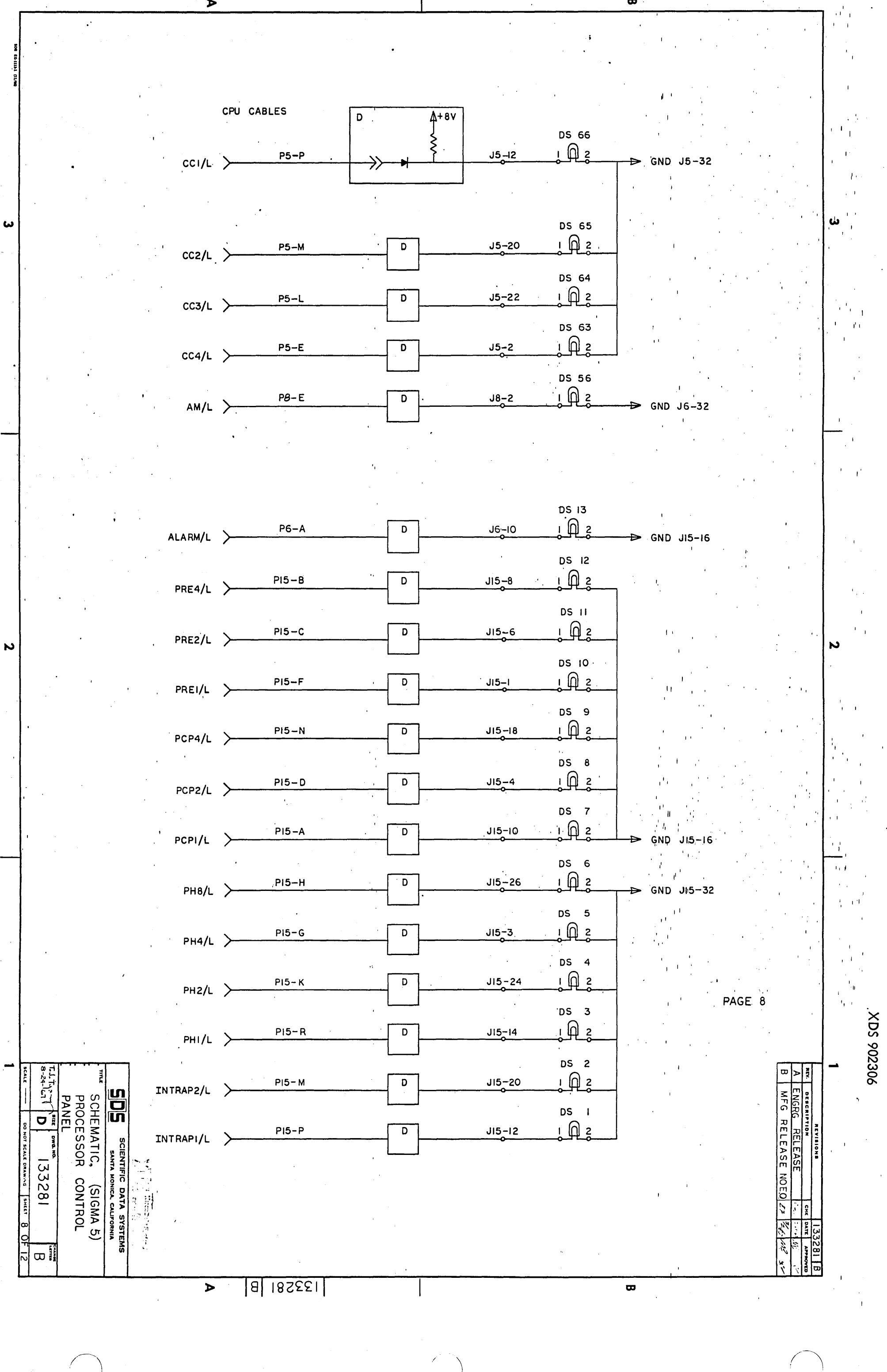
DATE
133281

SCALE
DO NOT SCALE DRAWING

SHEET 7 OF 12

XDS 902306

133281 B



| REVISIONS | | REV. | DESCRIPTION | CHK. | DATE | APPROVED |
|-----------|------------------|------|-------------|------|------|----------|
| A | ENGRG RELEASE | | | | | |
| B | MFG RELEASE NOEQ | 27 | | | | |

SDS SCIENTIFIC DATA SYSTEMS
SANTA MONICA, CALIFORNIA

TITLE: SCHEMATIC, (SIGMA 5) PROCESSOR CONTROL PANEL

SIZE: 8-24-61
D

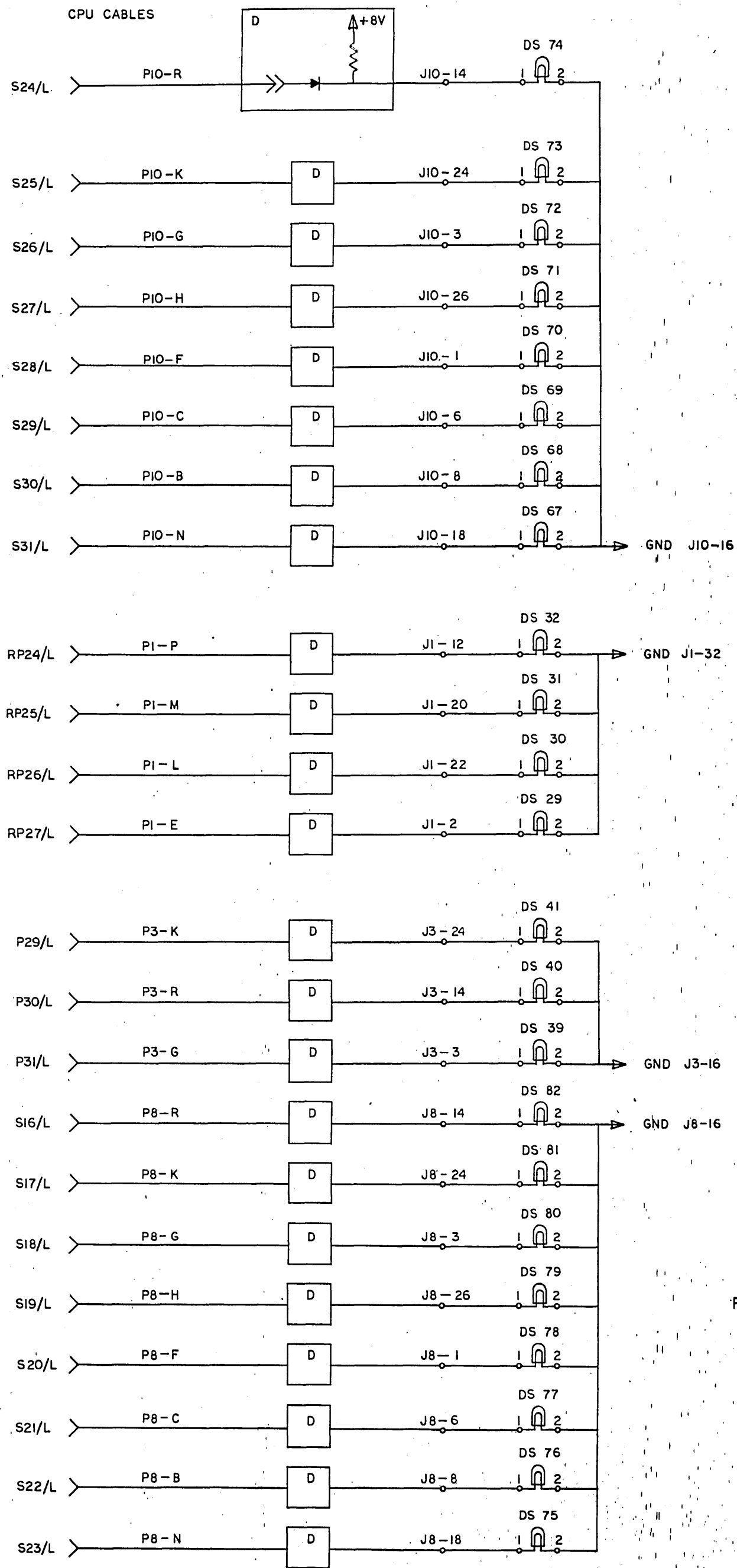
DWG NO.: 133281

SCALE: DO NOT SCALE DRAWING SHEET 8 OF 12

DATE: 133281 B

XDS 902306

CPU CABLES



XDS 902306

| REV. | DESCRIPTION | DATE | APPROVED |
|------|-------------------|------|----------|
| A | ENGRG RELEASE | | |
| B | MFG RELEASE NO EQ | | |

SDS SCIENTIFIC DATA SYSTEMS
SANTA MONICA, CALIFORNIA

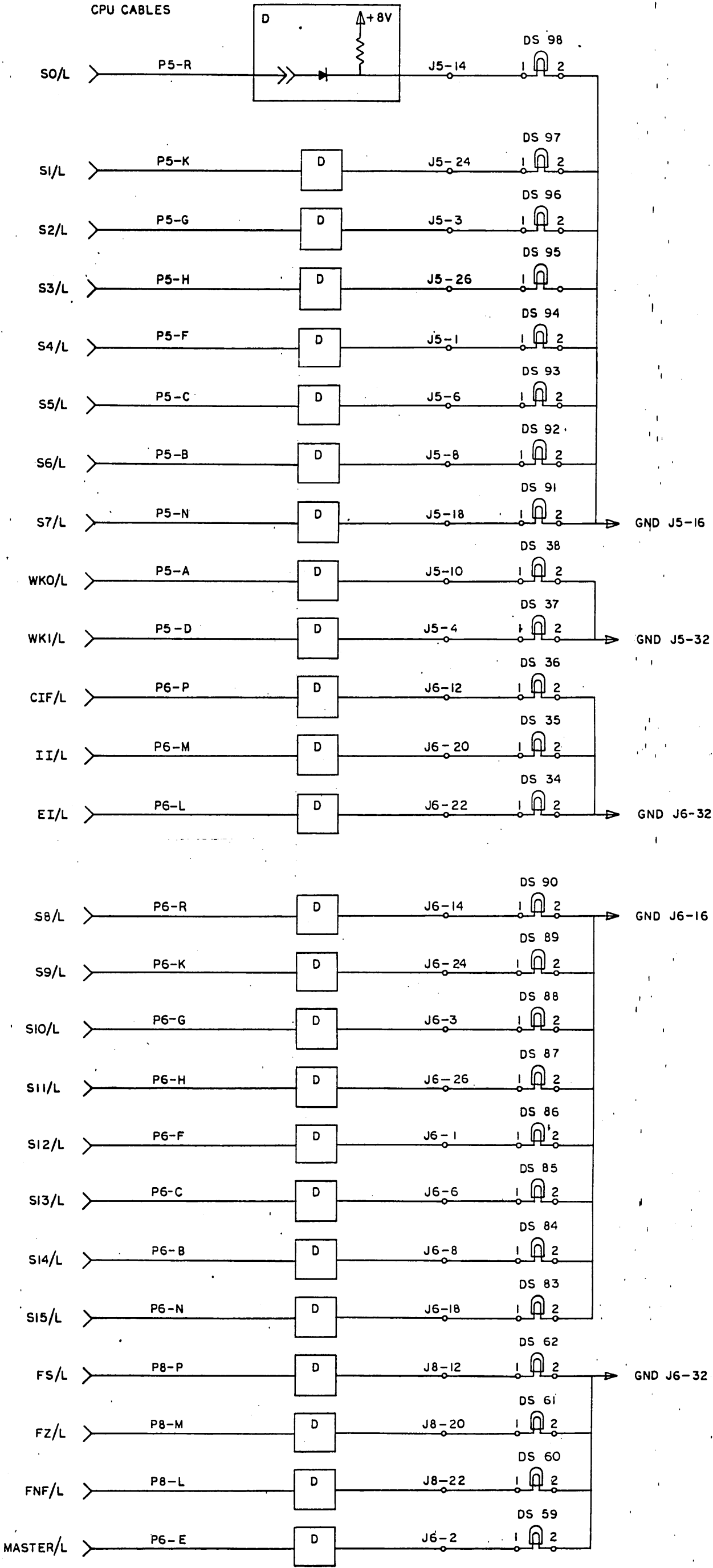
TITLE: SCHEMATIC, (SIGMA 5) PROCESSOR CONTROL PANEL

SIZE: D
DWG. NO.: 133281

SCALE: DO NOT SCALE DRAWING SHEET 9 OF 12

133281 B

CPU CABLES



PAGE 10

| REVISIONS | | CHK | DATE | APPROVED |
|-----------|------------------|-----|------|----------|
| A | ENGRC RELEASE | | | |
| B | MFG RELEASE NOEQ | | | |

SOS SCIENTIFIC DATA SYSTEMS
SANTA MONICA, CALIFORNIA

TITLE: SCHEMATIC, (SIGMA 5) PROCESSOR CONTROL PANEL

SCALE: 1:1

DRWG. NO.: 133281

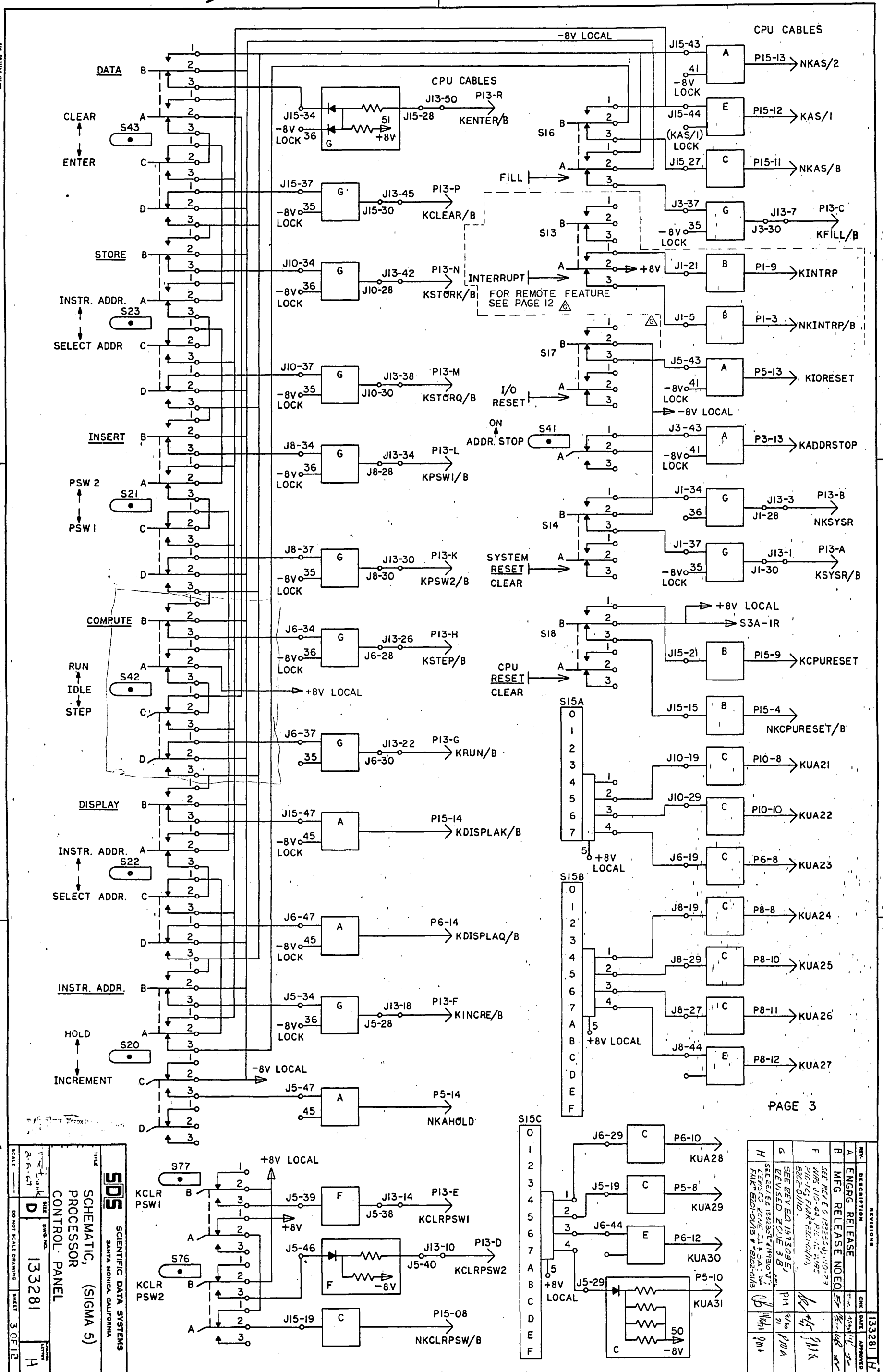
REV. NO.: B

DO NOT SCALE DRAWING

SHEET 10 OF 12

XDS 902306

XDS 902306



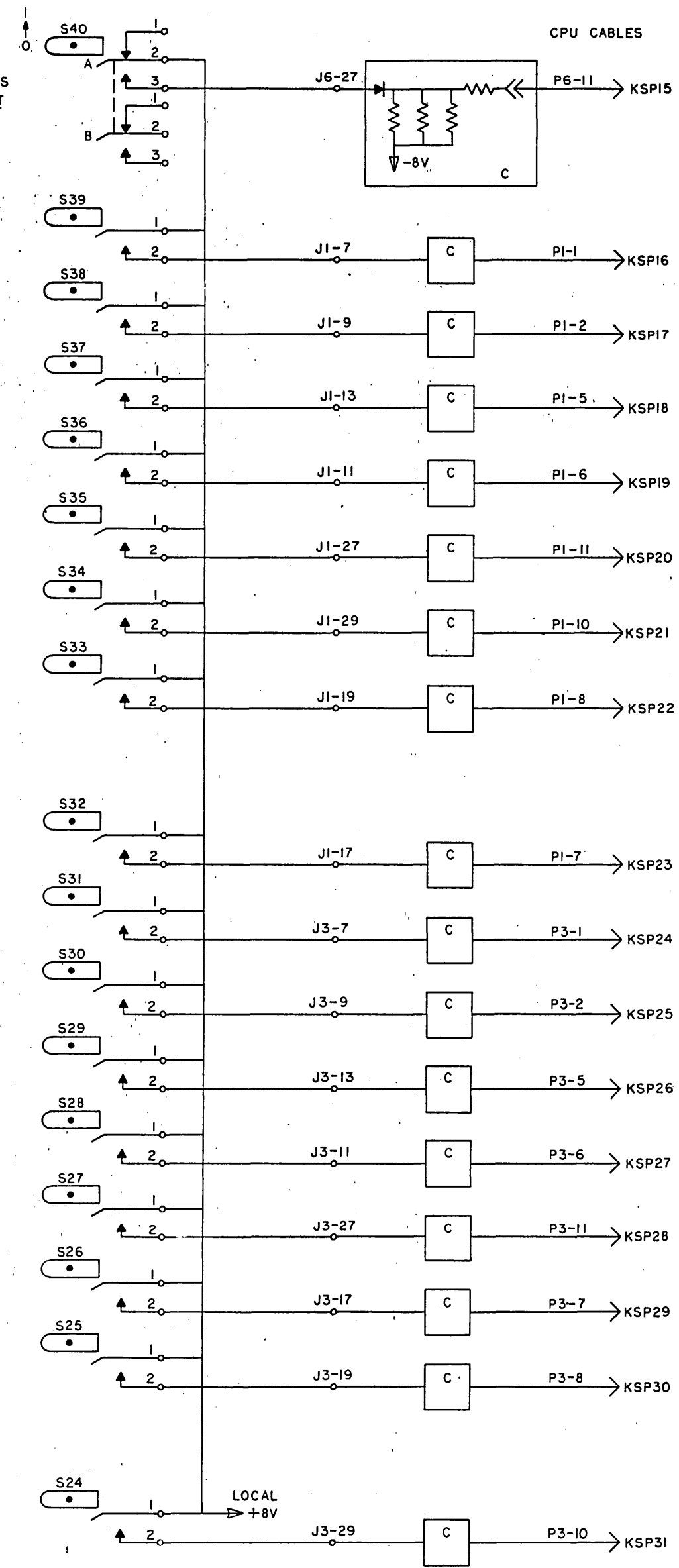
PAGE 3

| REV | DESCRIPTION | CHK | DATE | APPROVED |
|-----|---|-----|------|----------|
| A | ENGRG RELEASE | | | |
| B | MFG RELEASE NOEO | | | |
| F | SEE REV E 012252-01-10-27 WBS J15-44, P15-11, P15-12 P15-13; FAN#FE21-01/10 | | | |
| G | SEE REV ED 193306-01 REVISED ZOLE 3 B SEE REV EC 12252-01-10-27 FAN#FE21-01/10 | | | |
| H | SEE REV EC 12252-01-10-27 FAN#FE21-01/10 | | | |

SOS SCIENTIFIC DATA SYSTEMS
 SANTA MONICA, CALIFORNIA
SCHEMATIC, (SIGMA 5)
PROCESSOR
CONTROL PANEL
 Dwg. No. 133281
 SHEET 3 OF 12

133281 H

A B



ADDRESS SELECT

CPU CABLES

PAGE 4

SDS SCIENTIFIC DATA SYSTEMS
SANTA MONICA, CALIFORNIA

TITLE: SCHEMATIC, (SIGMA 5) PROCESSOR CONTROL PANEL

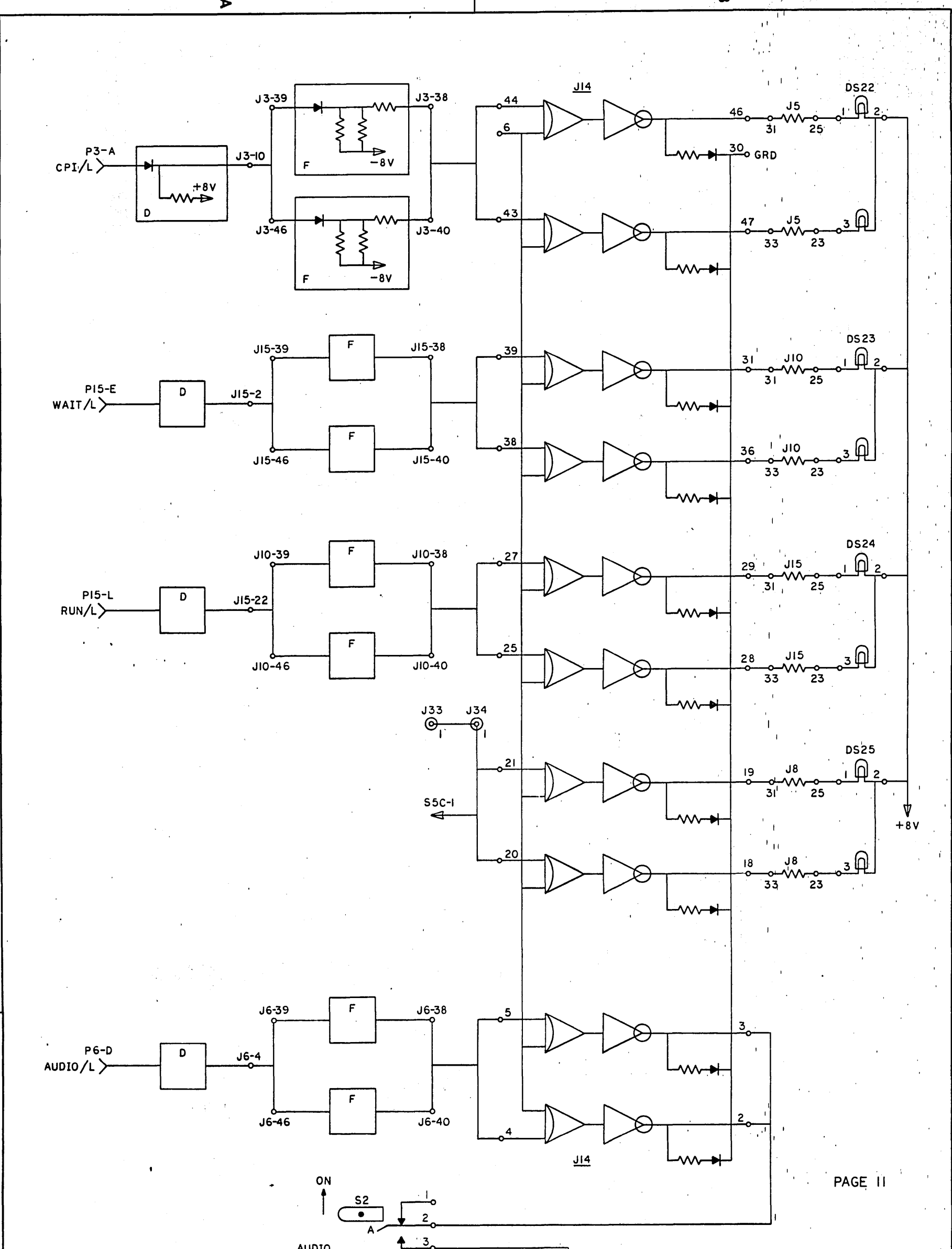
REV. 1 8-14-67
REV. 2
REV. 3
REV. 4
REV. 5
REV. 6
REV. 7
REV. 8
REV. 9
REV. 10

DO NOT SCALE DRAWING SHEET 4 OF 12

| REVISIONS | | CHK | DATE | APPROVED |
|-----------|-------------------|-----|------|----------|
| A | ENGRG RELEASE | | | |
| B | MFG RELEASE NO EQ | | | |

XDS 902306

A B | 133281 | B



PAGE 11

| REVISIONS | | CHK | DATE | APPROVED |
|-----------|----------------------------|-----|------|----------|
| REV | DESCRIPTION | | | |
| A | ENGRG RELEASE | | | |
| B | MFG RELEASE NO E.O. | | | |
| E | SEE REV E.O. 133292E, S.A. | | | |
| | J14-46 WBS J14-6 | | | |

SDS SCIENTIFIC DATA SYSTEMS
SANTA MONICA, CALIFORNIA

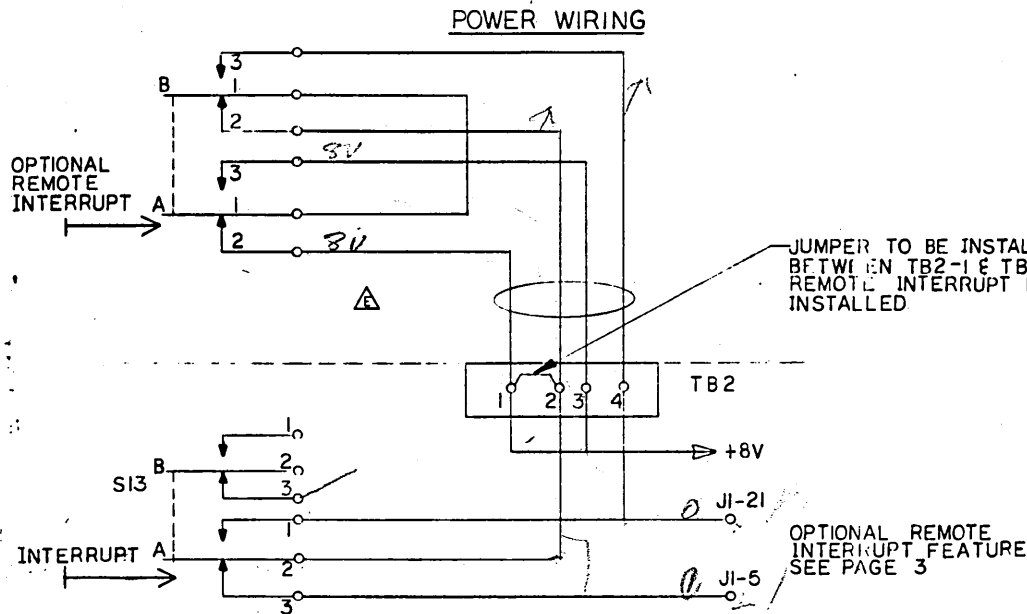
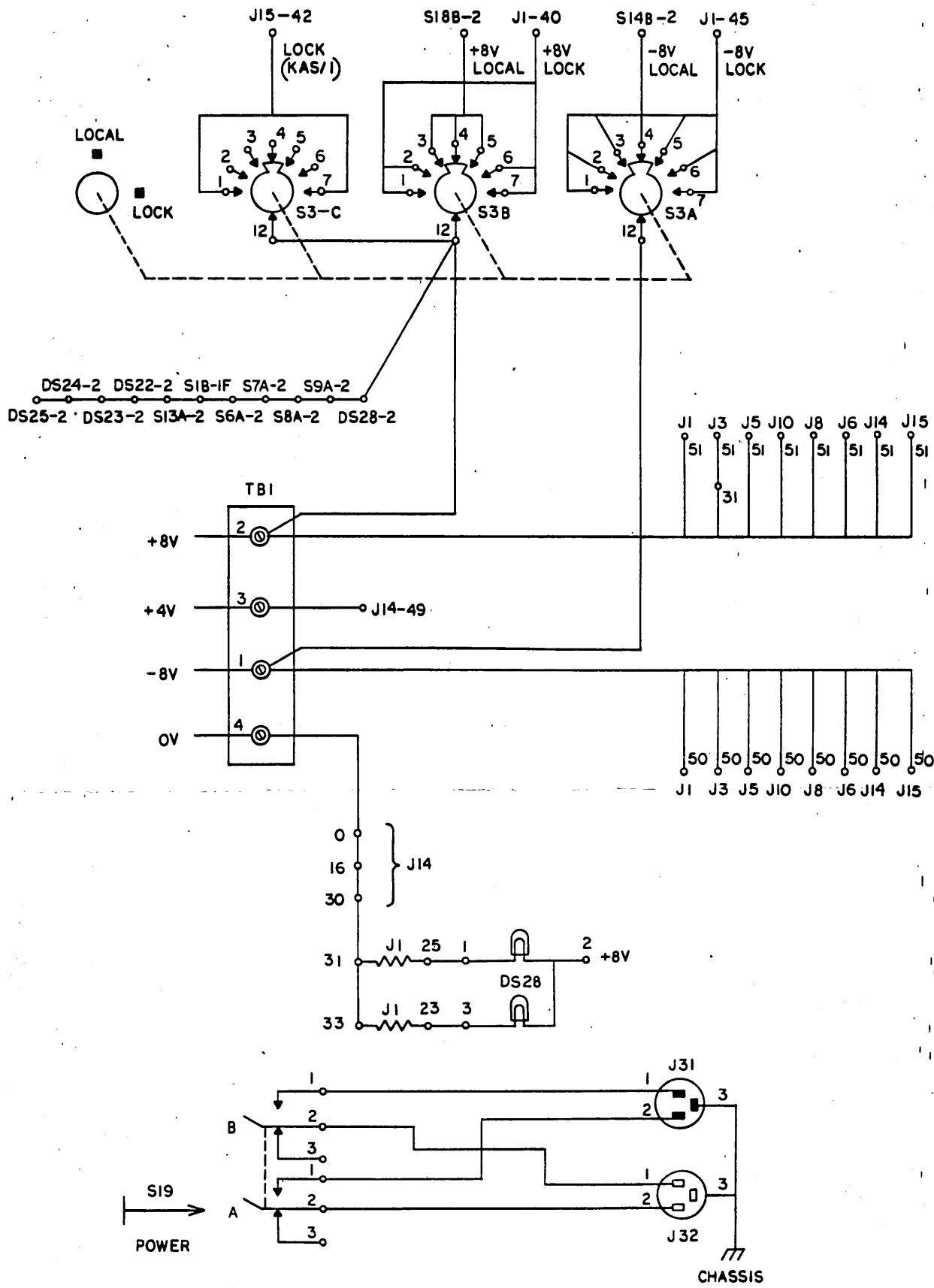
TITLE
SCHEMATIC, (SIGMA 5)
PROCESSOR
CONTROL PANEL

Wks. Chgs. 1
R. 50-67
D

SIZE Dwg. No. 133281

SCALE DO NOT SCALE DRAWING SHEET 11 OF 12

133281 TT



| REVISIONS | | REV. | DESCRIPTION | CHK. | DATE | APPROVED |
|-----------|--|------|-------------|------|------|----------|
| A | ENGRG RELEASE | | | | | |
| B | MFG RELEASE NO EQ | | | | | |
| D | SEE USER MANUALS TB1 PINS CHANGE FROM: 14V(1), 14V(2), -8V(3) TO: +8V(2), +4V(3), -8V(1) | | | | | |
| G | SEE REV EDITION 1309E... REVISED ZONES IN TB1... | P11 | 7/1 | | | PM/A |

SDS SCIENTIFIC DATA SYSTEMS
SANTA MONICA, CALIFORNIA

TITLE: SCHEMATIC, (SIGMA 5) PROCESSOR CONTROL PANEL

SIZE: D
DRAWING NO.: 133281
SCALE: DO NOT SCALE DRAWING




SHEET 12 OF 12

133281 | G

| | | REVISIONS | | |
|-----|------|---|-----|----------------|
| LAL | REV. | DESCRIPTION | CHK | DATE APPROVED |
| | A | ENGINEERING RELEASE | JK | 12/5/67 UB JV |
| X | B | MANUFACTURING RELEASE | BW | 7/10/72 PM, ex |
| | C | SEE REV E.O. FOR REWORK INSTRUCTIONS | CB | 2/17/67 UB |
| | D | SEE REV. E.O. FOR REWORK INSTRUCTIONS | CB | 11/27/67 UB |
| X | E | SEE REV E.O. REVISED WIRE NO. 349. | PK | 11/16/67 PM-A |
| X | F | SEE REV E.O. FMK# 8201-01/10 & 8202-01/10. | PK | 4/6/71 PM-A |
| X | G | SEE REV E.O. | PM | 8/30/71 PM-A |
| X | H | SEE REV. E.O., FMK# 8201-01/13 & 8202-01/13 REV | CB | 11/6/71 PM-A |

NOTE: THIS DOCUMENT IS REFERENCED ON THE FOLLOWING ASSYS: 133280 & 14931

XDS 902306

| NO. REQ. | DRAWING NO. | DESCRIPTION | REFERENCE DESIGNATION | ITEM NO. |
|---|-------------|---|---|------------------------------------|
| MATERIAL LIST | | | | |
| NOTES UNLESS SPECIFIED | | DRAWN <i>Alcala</i> 11/5/66 CHECK <i>Alcala</i> 11/5/66 APPR. <i>W. J. Anderson</i> 1-6-67 |  SANTA MONICA, CALIFORNIA  | |
| 1. TOLERANCES .XX ±.030 ANGULAR .XXX ±.010 ± 1/2° 2. BREAK ALL SHARP EDGES .010 APPROX. 3. MACH. SURFACES <input checked="" type="checkbox"/> 4. ALL DIM. IN INCHES | |  Kerox Data Systems Formerly Scientific Data Systems | TITLE LIST, WIRE - PROCESSOR CONTROL PANEL (SIGMA 5) | |
| MODEL NO. FIRST USE 8201 | | SIZE DWG. NO. A 133282 | | CHANGE LETTER H |
| NEXT ASSY. FIRST USE 133280 | | SCALE NONE | | DO NOT SCALE DRAWING SHEET 1 OF 27 |

| Wire No. | Term. | From | To | Term. | Wire Type | Notes | Signal | Chg Let. |
|----------|-------|----------|----------|-------|-----------|-------|--------|----------|
| 1 | | | | | | | | |
| 2 | SOL | S16B-E-1 | S21A-E-1 | SOL | (102) | | KAS/1 | A |
| 3 | | S21A-E-1 | S21C-E-3 | | | | | |
| 4 | | S21C-E-3 | S20A-E-1 | | | | | |
| 5 | | S20A-E-1 | S22C-E-3 | | | | | |
| 6 | | S22C-E-3 | S22A-E-1 | | | | | |
| 7 | | S22A-E-1 | S23A-E-1 | | | | | |
| 8 | | S23A-E-1 | S23C-E-3 | | | | | |
| 9 | | S23C-E-3 | S43A-E-1 | | | | | |
| 10 | | S43A-E-1 | S43C-E-3 | | | | | |
| 11 | | S43C-E-3 | S42A-E-1 | | | | | |
| 12 | | S42A-E-1 | S42C-E-3 | | | | | |
| 13 | | S42C-E-3 | J15-E-44 | | | | KAS/1 | A |
| 14 | | | | | | | | |
| 15 | | S16A-E-1 | S21B-E-1 | | | | NKAS/2 | A |
| 16 | | S21B-E-1 | S21D-E-3 | | | | | |
| 17 | | S21D-E-3 | S20B-E-1 | | | | | |
| 18 | | S20B-E-1 | S22B-E-1 | | | | | |
| 19 | | S22B-E-1 | S22D-E-3 | | | | | |
| 20 | | S22D-E-3 | S23B-E-1 | | | | | |
| 21 | | S23B-E-1 | S23D-E-3 | | | | | |
| 22 | | S23D-E-3 | S43B-E-1 | | | | | |
| 23 | | S43B-E-1 | S43D-E-3 | | | | | |
| 24 | | S43D-E-3 | S42B-E-1 | | | | | |
| 25 | | S42B-E-1 | S42D-E-3 | | | | | |
| 26 | SOL | S42D-E-3 | J15-E-43 | SOL | (102) | | NKAS/2 | A |

XDS 902306

1. Ref item no's in applicable material list
2. Ref designations are abbreviated
Prefix each designation with

TITLE
LIST, WIRE -
PROCESSOR CONTROL PANEL

SDS
133282
SHEET 2 OF 74

| Wire No. | Term. | From | To | Term. | Type | Notes | Signal | Chg Let. |
|----------|-------|----------|----------|-------|-------|-------|------------|----------|
| 27 | | | | | | | | |
| 28 | SOL | J15-E-34 | S43B-E-3 | SOL | (102) | | KENTER/B | A |
| 29 | | J15-E-37 | S43D-E-1 | | | | KCLEAR/B | A |
| 30 | | J10-E-34 | S23B-E-3 | | | | KSTORK/B | |
| 31 | | J10-E-37 | S23D-E-1 | | | | KSTORQ/B | |
| 32 | | J8-E-34 | S21B-E-3 | | | | KPSWI1/B | |
| 33 | | J8-E-37 | S21D-E-1 | | | | KPSWI2/B | |
| 34 | | J6-E-34 | S42B-E-3 | | | | KSTEP/B | |
| 35 | | J6-E-37 | S42D-E-1 | | | | KRUN/B | |
| 36 | | J15-E-47 | S22B-E-3 | | | | KDISPLAK/B | |
| 37 | | J6-E-47 | S22D-E-1 | | | | KDISPLAQ/B | |
| 38 | | J5-E-34 | S20B-E-3 | | | | KINCRE/B | A |
| 39 | | J5-E-47 | S20C-E-3 | | | | NKAHOLD | A |
| 40 | | J5-E-39 | S77BE-3 | | | | KCLRPSWI | B |
| 41 | | J5-E-46 | S76BE-3 | | | | KCLRPSWI2 | B |
| 42 | | J15-E-27 | S16B-E-3 | | | | NKAS/B | A |
| 43 | | J3-E-37 | S16A-E-3 | | | | KFILL/B | A |
| 44 | | J1-E-21 | S13A-E-1 | | | | KINTRP | A |
| 45 | | J1-E-5 | S13A-E-3 | | | | NKINTRP/B | A |
| 46 | | J5-E-43 | S17B-E-3 | | | | NKIORESET | A |
| 47 | | J3-E-43 | S41B-E-1 | | | | KADDRSTOP | C |
| 48 | | J1-E-34 | S14B-E-1 | | | | NKSYSR | A |
| 49 | | J1-E-37 | S14B-E-3 | | | | KSYSR/B | A |
| 50 | | J15-E-21 | S18B-E-1 | | | | KCPURESET | A |
| 51 | SOL | J15-E-15 | S18B-E-3 | SOL | (102) | | NKCPURESET | A |
| 52 | | | | | | | | |

XDS 902306

| | | | |
|---|--|---------------|---|
| 1. Ref item no's in applicable material list 2. Ref designations are abbreviated Prefix each designation with | TITLE LIST, WIRE - PROCESSOR CONTROL PANEL | SDS | |
| | | 133282 | H |
| | | SHEET 3 OF 27 | |

| Wire No. | Term. | From | To | Term. | Wire Type | Notes | Signal | Chg Let. |
|----------|-------|----------|----------|-------|-----------|-------|--------|----------|
| 53 | | | | | | | | |
| 54 | SOL | J15-E-9 | S8A-E-3 | SOL | (102) | | KSS2 | A |
| 55 | | J15-E-5 | S7A-E-3 | | | | KSS3 | |
| 56 | | J15-E-13 | S6A-E-3 | | | | KSS4 | |
| 57 | | J3-E-21 | S4A-E-3 | | | | KD | |
| 58 | | J15-E-11 | S1B-E-4R | | | | KSX B | |
| 59 | | J15-E-17 | S1B-E-5R | | | | KSX C | |
| 60 | | J5-E-44 | S1B-E-6R | | | | KSX D | |
| 61 | | J1-E-44 | S1B-E-7R | | | | KSX S | |
| 62 | | J10-E-27 | S1B-E-8R | | | | KDI | |
| 63 | | J5-E-27 | S1B-E-3R | | | | KSX A | |
| 64 | | J14-E-20 | S5C-E-1 | | | | | |
| 65 | | S5C-E-1 | S10A-E-3 | | | | | |
| 66 | | S10A-E-3 | S11A-E-3 | | | | | |
| 67 | | S11A-E-3 | S12A-E-3 | | | | | |
| 68 | | S43A-E-3 | S43C-E-2 | | | | | |
| 69 | | S43C-E-1 | S23A-E-2 | | | | | |
| 70 | | S23A-E-3 | S23C-E-2 | | | | | |
| 71 | | S23C-E-1 | S21A-E-2 | | | | | |
| 72 | | S21A-E-3 | S21C-E-2 | | | | | A |
| 73 | | S21C-E-1 | S22A-E-2 | | | | | H |
| 74 | | S42A-E-3 | S42C-E-2 | | | | | A |
| 75 | | S42C-E-1 | S43A-E-2 | | | | | H |
| 76 | | S22A-E-3 | S22C-E-2 | | | | | A |
| 77 | | S22C-E-1 | S20A-E-2 | | | | | A |
| 78 | SOL | S20A-E-3 | S16B-E-2 | SOL | (102) | | | A |

XDS 902306

1. Ref item no's in applicable material list
2. Ref designations are abbreviated
Prefix each designation with

TITLE

LIST, WIRE -

PROCESSOR CONTROL PANEL

SDS

133282

SHEET 4 OF

H

| Wire No. | Term. | From | To | Term. | Type | Notes | Signal | Chg Let. |
|----------|-------|----------|----------|-------|-------|-------|----------|----------|
| 79 | | | | | | | | |
| 80 | SOL | J10-E-19 | S15A-E-2 | SOL | (102) | | KUA21 | A |
| 81 | | J10-E-29 | S15A-E-3 | | | | KUA22 | F |
| 82 | | J6-E-19 | S15A-E-4 | | | | KUA23 | A |
| 83 | | J8-E-19 | S15B-E-1 | | | | KUA24 | A |
| 84 | | J8-E-29 | S15B-E-2 | | | | KUA25 | |
| 85 | | J8-E-27 | S15B-E-3 | | | | KUA26 | |
| 86 | | J8-E-44 | S15B-E-4 | | | | KUA27 | |
| 87 | | J6-E-29 | S15C-E-1 | | | | KUA28 | |
| 88 | | J5-E-19 | S15C-E-2 | | | | KUA29 | |
| 89 | | J6-E-44 | S15C-E-3 | | | | KUA30 | |
| 90 | | J5-E-29 | S15C-E-4 | | | | KUA31 | |
| 91 | | J1-E-46 | S5C-E-2 | | | | | |
| 92 | | S5C-E-2 | S10A-E-2 | | | | | |
| 93 | | S10A-E-2 | S11A-E-2 | | | | | |
| 94 | | S11A-E-2 | S12A-E-2 | | | | | |
| 95 | | J6-E-43 | S12B-E-1 | | | | KWDTR | |
| 96 | | J1-E-47 | S11B-E-1 | | | | KINLVSEL | |
| 97 | | J8-E-43 | S10B-E-3 | | | | KCONT | |
| 98 | | J3-E-5 | S5A-E-1 | | | | KC | |
| 99 | | J1-E-43 | S10B-E-1 | | | | KHOP | V |
| 100 | | J3-E-15 | S5A-E-3 | | | | NKC1B | A |
| 101 | | J10-E-44 | S5D-E-3 | | | | NKSC-1 | F |
| 102 | | S5D-E-1 | S4A-E-2 | | | | KSC | A |
| 103 | SOL | J15-E-7 | S9A-E-3 | SOL | (102) | | KSSI | A |
| 104 | | | | | | | | |

XDS 902306

1. Ref item no's in applicable material list
 2. Ref designations are abbreviated
 Prefix each designation with

TITLE
 LIST, WIRE -
 PROCESSOR CONTROL PANEL

SDS
 133282
 SHEET 5 OF 27

| Wire No. | Term. | From | To | Term. | Wire Type | Notes | Signal | Chg Let. |
|----------|-------|----------|----------|-------|-----------|-------|------------|----------|
| 105 | | | | | | | | |
| 106 | SOL | J6-E-27 | S40A-E-3 | SOL | (103) | | KSP15 | A |
| 107 | | J1-E-07 | S39-E-2 | | | | KSP16 | |
| 108 | | -09 | S38 | | | | KSP17 | |
| 109 | | -13 | S37 | | | | KSP18 | |
| 110 | | -11 | S36 | | | | KSP19 | |
| 111 | | -27 | S35 | | | | KSP20 | |
| 112 | | -29 | S34 | | | | KSP21 | |
| 113 | | -19 | S33 | | | | KSP22 | |
| 114 | | J1-E-17 | S32 | | | | KSP23 | |
| 115 | | J3-E-07 | S31 | | | | KSP24 | |
| 116 | | -09 | S30 | | | | KSP25 | |
| 117 | | -13 | S29 | | | | KSP26 | |
| 118 | | -11 | S28 | | | | KSP27 | |
| 119 | | -27 | S27 | | | | KSP28 | |
| 120 | | -17 | S26 | | | | KSP29 | |
| 121 | | -19 | S25 | | | | KSP30 | |
| 122 | SOL | J3-E-29 | S24-E-2 | SOL | (102) | | KSP31 | A |
| 123 | | | | | | | | |
| 124 | SOL | S77A-E-2 | S76A-E-1 | SOL | (102) | | KCLRPSW1,2 | B |
| 125 | SOL | S76A-E-2 | J15-E-19 | SOL | (102) | | NKCLRPSW/B | B |
| 126 | | | | | | | | |
| 127 | | | | | | | | |
| 128 | | | | | | | | |
| 129 | | | | | | | | |
| 130 | | | | | | | | |

XDS 902306

1. Ref item no's in applicable material list
2. Ref designations are abbreviated
Prefix each designation with

TITLE
LIST, WIRE -
PROCESSOR CONTROL PANEL

SDS
133282
SHEET 6 OF H

| Wire No. | Term. | From | To | Term. | Type | Notes | Signal | Chg Let. |
|----------|-------|---------|---------|-------|-------|-------|--------|----------|
| 131 | | | | | | | | |
| 132 | SOL | J5-E-7 | S75-E-2 | SOL | (102) | | KS 0 | A |
| 133 | | -9 | S74 | | | | 1 | A |
| 134 | | -5 | S73 | | | | 2 | |
| 135 | | -15 | S72 | | | | 3 | |
| 136 | | -13 | S71 | | | | 4 | |
| 137 | | -11 | S70 | | | | 5 | |
| 138 | | -17 | S69 | | | | 6 | |
| 139 | | J5-E-21 | S68 | | | | 7 | |
| 140 | | J6-E-7 | S67 | | | | 8 | |
| 141 | | -9 | S66 | | | | 9 | |
| 142 | | -5 | S65 | | | | 10 | |
| 143 | | -15 | S64 | | | | 11 | |
| 144 | | -13 | S63 | | | | 12 | |
| 145 | | -11 | S62 | | | | 13 | |
| 146 | | -17 | S61 | | | | 14 | |
| 147 | | J6-E-21 | S60 | | | | 15 | |
| 148 | | J8-E-7 | S59 | | | | 16 | |
| 149 | | 9 | S58 | | | | 17 | |
| 150 | | 5 | S57 | | | | 18 | |
| 151 | | 15 | S56 | | | | 19 | |
| 152 | | 13 | S55 | | | | 20 | |
| 153 | | 11 | S54 | | | | 21 | |
| 154 | | 17 | S53 | | | | 22 | |
| 155 | SOL | J8-E-21 | S52-E-2 | SOL | (102) | | KS 23 | A |
| 156 | | | | | | | | |

XDS 902306

1. Ref item no's in applicable material list
 2. Ref designations are abbreviated
- Prefix each designation with

TITLE

LIST, WIRE -
PROCESSOR CONTROL PANEL

SDS

133282

H

SHEET 7 OF 27

| Wire No. | Term. | From | To | Term. | Wire Type | Notes | Signal | Chg Let. |
|----------|-------|----------|---------|-------|-----------|-------|--------------|----------|
| 157 | | | | | | | | |
| 158 | SOL | J10-E-7 | S51-E-2 | SOL | (102) | | KS 24 | A |
| 159 | | -9 | S50 | | | | 25 | A |
| 160 | | -5 | S49 | | | | 26 | |
| 161 | | -15 | S48 | | | | 27 | |
| 162 | | -13 | S47 | | | | 28 | |
| 163 | | -11 | S46 | | | | 29 | |
| 164 | | -17 | S45 | | | | 30 | |
| 165 | SOL | J10-E-21 | S44-E-2 | SOL | (102) | | KS 31 | A |
| 166 | | | | | | | | |
| 167 | SOL | S3C-E-1 | S3C-E-7 | SOL | (102) | | LOCK (KHS/1) | B |
| 168 | | | | | | | | |
| 169 | | S3B-E-1 | S3B-E-2 | | | | +8V LOCK | B |
| 170 | | S3B-E-2 | S3B-E-6 | | | | +8V LOCK | |
| 171 | | S3B-E-6 | S3B-E-7 | | | | +8V LOCK | |
| 172 | | | | | | | | |
| 173 | | S3A-E-1 | S3A-E-2 | | | | -8V LOCK | |
| 174 | | S3A-E-2 | S3A-E-3 | | | | | |
| 175 | | S3A-E-3 | S3A-E-5 | | | | | |
| 176 | | S3A-E-5 | S3A-E-6 | | | | | |
| 177 | | S3A-E-6 | S3A-E-7 | | | | -8V LOCK | |
| 178 | | | | | | | | |
| 179 | | S3B-E-3 | S3B-E-4 | | | | +8V LOCAL | |
| 180 | SOL | S3B-E-4 | S3B-E-5 | SOL | (102) | | +8V LOCAL | B |
| 181 | | | | | | | | |
| 182 | | | | | | | | |

XDS 902306

1. Ref item no's in applicable material list
 2. Ref designations are abbreviated
- Preach designation with

TITLE

LIST, WIRE -
PROCESSOR CONTROL PANEL

SDS

133282

SH

SHEET 8 OF

| Wire No. | Term. | From | To | Term. | Type | Notes | Signal | Chg Let. |
|----------|-------|---------|----------|-------|-------|-------|--------|----------|
| 183 | SOL | J5-E-14 | DS98-E-1 | SOL | (102) | | S0/L | A |
| 184 | | -24 | DS97 | | | | S1/L | |
| 185 | | -3 | DS96 | | | | S2/L | |
| 186 | | -26 | DS95 | | | | S3/L | |
| 187 | | -1 | DS94 | | | | S4/L | |
| 188 | | -6 | DS93 | | | | S5/L | |
| 189 | | -8 | DS92 | | | | S6/L | |
| 190 | | J5-E-18 | DS91 | | | | S7/L | |
| 191 | | J6-E-14 | DS90 | | | | S8/L | |
| 192 | | -24 | DS89 | | | | S9/L | |
| 193 | | -3 | DS88 | | | | S10/L | |
| 194 | | -26 | DS87 | | | | S11/L | |
| 195 | | -1 | DS86 | | | | S12/L | |
| 196 | | -6 | DS85 | | | | S13/L | |
| 197 | | -8 | DS84 | | | | S14/L | |
| 198 | | J6-E-18 | DS83 | | | | S15/L | |
| 199 | | J8-E-14 | DS82 | | | | S16/L | |
| 200 | | -24 | DS81 | | | | S17/L | |
| 201 | | -3 | DS80 | | | | S18/L | |
| 202 | | -26 | DS79 | | | | S19/L | |
| 203 | | -1 | DS78 | | | | S20/L | |
| 204 | | -6 | DS77 | | | | S21/L | |
| 205 | | -8 | DS76 | | | | S22/L | |
| 206 | SOL | J8-E-18 | DS75-E-1 | SOL | (102) | | S23/L | A |
| 207 | | | | | | | | |
| 208 | | | | | | | | |

XDS 902306

1. Ref item no's in applicable material list
2. Ref designations are abbreviated
Prefix each designation with

TITLE

LIST, WIRE -
PROCESSOR CONTROL PANEL

SDS

133282

EH

SHEET 9 OF 27

| Wire No. | Term. | From | To | Term. | Wire Type | Notes | Signal | Chg Let. |
|----------|-------|----------|----------|-------|-----------|-------|--------|----------|
| 209 | SOL | J10-E-14 | DS74-E-1 | SOL | (102) | | S24/L | A |
| 210 | | -24 | DS73 | | | | S25/L | |
| 211 | | -3 | DS72 | | | | S26/L | |
| 212 | | -26 | DS71 | | | | S27/L | |
| 213 | | -1 | DS70 | | | | S28/L | |
| 214 | | -6 | DS69 | | | | S29/L | |
| 215 | | -8 | DS68 | | | | S30/L | |
| 216 | | J10-E-18 | DS67 | | | | S31/L | A |
| 217 | | | | | | | | |
| 218 | | J1-E-12 | DS32 | | | | RP24/L | A |
| 219 | | -20 | DS31 | | | | RP25/L | |
| 220 | | -22 | DS30 | | | | RP26/L | |
| 221 | | J1-E-2 | DS29 | | | | RP27/L | A |
| 222 | | | | | | | | |
| 223 | | J10-E-12 | DS21 | | | | MFL0/L | A |
| 224 | | -20 | DS20 | | | | MFL1/L | |
| 225 | | -22 | DS19 | | | | MFL2/L | |
| 226 | | -2 | DS18 | | | | MFL3/L | |
| 227 | | -10 | DS17 | | | | MFL4/L | |
| 228 | | J10-E-4 | DS16 | | | | MFL5/L | |
| 229 | | J8-E-10 | DS15 | | | | MFL6/L | |
| 230 | | J8-E-4 | DS14 | | | | MFL7/L | A |
| 231 | | | | | | | | |
| 232 | | J5-E-10 | DS38 | | | | WK0/L | A |
| 233 | SOL | J5-E-4 | DS37-E-1 | SOL | (102) | | WK1/L | A |
| 234 | | | | | | | | |

XDS 902306

1. Ref item no's in applicable material list
2. Ref designations are abbreviated
Prefix each designation with

TITLE
LIST, WIRE -
PROCESSOR CONTROL PANEL

SDS
133282 H
SHEET 10 OF

| Wire No. | Term. | From | To | Term. | Type | Notes | Signal | Chg Let. |
|----------|-------|----------|----------|-------|-------|-------|-----------|----------|
| 235 | SOL | J15-E-8 | DS12-E-1 | SOL | (102) | | PRE4/L | A |
| 236 | | -6 | DS11 | | | | PRE2/L | |
| 237 | | -1 | DS10 | | | | PRE1/L | |
| 238 | | -18 | DS9 | | | | PCP4/L | |
| 239 | | -4 | DS8 | | | | PCP2/L | |
| 240 | | -10 | DS7 | | | | PCP1/L | |
| 241 | | -26 | DS6 | | | | PH8/L | |
| 242 | | -3 | DS5 | | | | PH4/L | |
| 243 | | -24 | DS4 | | | | PH2/L | |
| 244 | | -14 | DS3 | | | | PH1/L | |
| 245 | | -20 | DS2 | | | | INTRAP2/L | |
| 246 | | J15-E-12 | DS1 | | | | INTRAP1/L | |
| 247 | | J6-E-10 | DS13 | | | | ALARM/L | |
| 248 | | J5-E-12 | DS66 | | | | CC1/L | |
| 249 | | -20 | DS65 | | | | CC2/L | |
| 250 | | -22 | DS64 | | | | CC3/L | |
| 251 | | J5-E-2 | DS63 | | | | CC4/L | |
| 252 | | J8-E-2 | DS56 | | | | AM/L | |
| 253 | | -12 | DS62 | | | | FS/L | |
| 254 | | -20 | DS61 | | | | F2/L | |
| 255 | | J8-E-22 | DS60 | | | | FNF/L | |
| 256 | | J6-E-2 | DS59 | | | | MASTER/L | |
| 257 | | -12 | DS36 | | | | CIF/L | |
| 258 | | -20 | DS35 | | | | II/L | |
| 259 | SOL | J6-E-22 | DS34-E-1 | SOL | (102) | | EI/L | A |
| 260 | | | | | | | | |

XDS 902306

1. Ref item no's in applicable material list
2. Ref designations are abbreviated
Prefix each designation with

TITLE

LIST, WIRE -
PROCESSOR CONTROL PANEL

SDS

133282

H

SHEET 11 OF 27

| Wire No. | Term. | From | To | Term. | Wire Type | Notes | Signal | Chg Let. |
|----------|-------|---------|----------|-------|-----------|-------|--------|----------|
| 261 | | | | | | | | |
| 262 | SOL | J1-E-4 | DS55-E-1 | SOL | (102) | | P15/L | A |
| 263 | | -26 | DS51 | | | | P16/L | |
| 264 | | -18 | DS53 | | | | P17/L | |
| 265 | | -6 | DS52 | | | | P18/L | |
| 266 | | -24 | DS51 | | | | P19/L | |
| 267 | | -3 | DS50 | | | | P20/L | |
| 268 | | -1 | DS49 | | | | P21/L | |
| 269 | | -8 | DS48 | | | | P22/L | |
| 270 | | J1-E-14 | DS47 | | | | P23/L | |
| 271 | | J3-E-6 | DS46 | | | | P24/L | |
| 272 | | -8 | DS45 | | | | P25/L | |
| 273 | | -1 | DS44 | | | | P26/L | |
| 274 | | -26 | DS43 | | | | P27/L | |
| 275 | | -18 | DS42 | | | | P28/L | |
| 276 | | -24 | DS41 | | | | P29/L | |
| 277 | | -14 | DS40 | | | | P30/L | |
| 278 | SOL | J3-E-3 | DS39-E-1 | SOL | (102) | | P31/L | A |
| 279 | | | | | | | | |
| 280 | | | | | | | | |
| 281 | | | | | | | | |
| 282 | | | | | | | | |
| 283 | | | | | | | | |
| 284 | | | | | | | | |
| 285 | | | | | | | | |
| 286 | | | | | | | | |

XDS 902306

1. Ref item no's in applicable material list
2. Ref designations are abbreviated
Prefix each designation with

TITLE

LIST, WIRE -
PROCESSOR CONTROL PANEL

SDS

133282

H

SHEET 12 OF

| Wire No. | Term. | From | To | Term. | Type | Notes | Signal | Chg Let. |
|----------|-------|----------|----------|-------|-------|-------|---------|----------|
| 287 | | | | | | | | |
| 288 | SOL | J3-E-10 | J3-E-39 | SOL | (102) | | CPI/L | A |
| 289 | | J3-E-39 | J3-E-46 | | | | CPI/L | |
| 290 | | J15-E-2 | J15-E-39 | | | | WAIT/L | |
| 291 | | J15-E-39 | J15-E-46 | | | | WAIT/L | |
| 292 | | J15-E-22 | J10-E-39 | | | | RUN/L | |
| 293 | | J10-E-39 | J10-E-46 | | | | RUN/L | |
| 294 | | J6-E-4 | J6-E-39 | | | | AUDIO/L | |
| 295 | | J6-E-39 | J6-E-46 | | | | AUDIO/L | |
| 296 | | J3-E-38 | J3-E-40 | | | | CPI/L | |
| 297 | | J3-E-40 | J14-E-44 | | | | CPI/L | |
| 298 | | J14-E-44 | J14-E-43 | | | | CPI/L | |
| 299 | | J15-E-38 | J15-E-40 | | | | WAIT/L | |
| 300 | | J15-E-40 | J14-E-39 | | | | WAIT/L | |
| 301 | | J14-E-39 | J14-E-38 | | | | WAIT/L | |
| 302 | | J10-E-38 | J10-E-40 | | | | RUN/L | |
| 303 | | J10-E-40 | J14-E-27 | | | | RUN/L | |
| 304 | | J14-E-27 | J14-E-25 | | | | RUN/L | |
| 305 | | J6-E-38 | J6-E-40 | | | | AUDIO/L | |
| 306 | | J6-E-40 | J14-E-5 | | | | AUDIO/L | |
| 307 | SOL | J14-E-5 | J14-E-4 | SOL | (102) | | AUDIO/L | A |
| 308 | | | | | | | | |
| 309 | | | | | | | | |
| 310 | | | | | | | | |
| 311 | | | | | | | | |
| 312 | | | | | | | | |

XDS 902306

1. Ref item no's in applicable material list
2. Ref designations are abbreviated
Prefix each designation with

TITLE

LIST, WIRE -
PROCESSOR CONTROL DRIVE

SDS

133282

FH

SHEET 13 OF 27

| Wire No. | Term. | From | To | Term. | Wire Type | Notes | Signal | Chg Let. |
|----------|-------|----------|----------|-------|-----------|-------|-----------|----------|
| 313 | | | | | | | | |
| 314 | SOL | J15-E-28 | J13-E-50 | SOL | (102) | | KENTERD/B | A |
| 315 | | J15-E-30 | -45 | | | | KCLEAR/B | |
| 316 | | J10-E-28 | -42 | | | | KSTORK/B | |
| 317 | | J10-E-30 | -38 | | | | KSTORQ/B | |
| 318 | | J8-E-28 | -34 | | | | KPSWI/B | |
| 319 | | J8-E-30 | -30 | | | | KPSW2/B | |
| 320 | | J6-E-28 | -26 | | | | KSTEP/B | |
| 321 | | J6-E-30 | -22 | | | | KRUN/B | |
| 322 | | J5-E-28 | -18 | | | | KINCR/B | A |
| 323 | | J5-E-28 | -14 | | | | KCLR PSW1 | B |
| 324 | | J5-E-40 | -10 | | | | KCLR PSW2 | B |
| 325 | | J3-E-30 | -7 | | | | KFILL/B | A |
| 326 | | J1-E-28 | -3 | | | | NKSYSR | A |
| 327 | SOL | J1-E-30 | J13-E-1 | | (102) | | KSYSR/B | A |
| 328 | | | | | | | | |
| 329 | | | | | | | | |
| 330 | | | | | | | | |
| 331 | | | | | | | | |
| 332 | MECH | TB1-E-3 | J14-E-49 | | (100) | | +4V | D |
| 333 | MECH | TB1-E-4 | J14-E-0 | | | | GND | A |
| 334 | SOL | J14-E-0 | J14-E-16 | | | | GND | |
| 335 | | J14-E-16 | J14-E-30 | | | | GND | |
| 336 | | J14-E-30 | J1-E-31 | | | | | |
| 337 | SOL | J1-E-31 | J1-E-33 | SOL | (100) | | | A |
| 338 | | | | | | | | |

XDS 902306

| | | | |
|---|-----------------------|---------------|---|
| 1. Ref item no's in applicable material list 2. Ref designations are abbreviated Prefix each designation with | TITLE | SDS | |
| | LIST, WIRE - | 133282 | H |
| | PROCESS CONTROL PANEL | SHEET 14 OF 7 | |

| Wire No. | Term. | From | To | Term. | Type | Notes | Signal | Chg Let. |
|----------|-------|----------|----------|-------|-------|-------|-----------|----------|
| 339 | | | | | | | | |
| 340 | SOL | J5-E-25 | DS22-E-1 | SOL | (102) | | CPI/L | A |
| 341 | | J5-E-23 | DS22-E-3 | | | | CPI/L | A |
| 342 | | J10-E-25 | DS23-E-1 | | | | WAIT/L | |
| 343 | | J10-E-23 | DS23-E-3 | | | | WAIT/L | |
| 344 | | J15-E-25 | DS24-E-1 | | | | RUN/L | |
| 345 | | J15-E-23 | DS24-E-3 | | | | RUN/L | |
| 346 | | J8-E-25 | DS25-E-1 | | | | NORM MODE | V |
| 347 | | J8-E-23 | DS25-E-3 | | | | NORM MODE | A |
| 348 | | | | | | | | |
| 349 | | J14-E-46 | J5-E-31 | | | | CPI/L | E |
| 350 | | -47 | J5-E-33 | | | | CPI/L | A |
| 351 | | -31 | J10-E-31 | | | | WAIT/L | A |
| 352 | | -36 | J10-E-33 | | | | WAIT/L | |
| 353 | | -29 | J15-E-31 | | | | RUN/L | |
| 354 | | -28 | J15-E-33 | | | | RUN/L | |
| 355 | | -19 | J8-E-31 | | | | NORM MODE | |
| 356 | | -18 | J8-E-33 | | | | NORM MODE | |
| 357 | | -3 | J14-E-2 | | | | AUDIO/L | |
| 358 | | J14-E-2 | S2A-E-2 | | | | AUDIO/L | |
| 359 | | S2A-E-3 | SPI-E-1 | | | | SPEAKER | V |
| 360 | SOL | SPI-E-2 | J3-E-25 | SOL | (102) | | SPEAKER | A |
| 361 | | | | | | | | |
| 362 | | | | | | | | |
| 363 | | | | | | | | |
| 364 | | | | | | | | |

XDS 902306

1. Ref item no's in applicable material list
 2. Ref designations are abbreviated
- Prefix each designation with

TITLE

LIST, WIRE -
PROCESSOR CONTROL PANEL

SDS

133282

CH

SHEET 15 OF 27

| Wire No. | Term. | From | To | Term. | Wire Type | Notes | Signal | Chg Let. |
|----------|-------|-----------|-----------|-------|-----------|-------|------------|----------|
| 365 | | | | | | | | |
| 366 | SOL | D.S21-E-2 | D.S20-E-2 | SOL | (99) | | GND J10-32 | A |
| 367 | | D.S20 | D.S19 | | | | | |
| 368 | | D.S19 | D.S18 | | | | | |
| 369 | | D.S18 | D.S17 | | | | | |
| 370 | | D.S17 | D.S16 | | | | | |
| 371 | | D.S16 | D.S15 | | | | | |
| 372 | | D.S15 | D.S14 | | (99) | | J10-32 | A |
| 373 | | | | | | | | |
| 374 | | D.S13 | D.S12 | | (102) | | J15-16 | A |
| 375 | | D.S12 | D.S11 | | (99) | | | |
| 376 | | D.S11 | D.S10 | | | | | |
| 377 | | D.S10 | D.S9 | | | | | |
| 378 | | D.S9 | D.S8 | | | | | |
| 379 | | D.S8 | D.S7 | | | | J15-16 | A |
| 380 | | | | | | | | |
| 381 | | D.S6 | D.S5 | | | | J15-32 | A |
| 382 | | D.S5 | D.S4 | | | | | |
| 383 | | D.S4 | D.S3 | | | | | |
| 384 | | D.S3 | D.S2 | | | | | |
| 385 | SOL | D.S2-E-2 | D.S1-E-2 | SOL | (99) | | GND J15-32 | A |
| 386 | | | | | | | | |
| 387 | | | | | | | | |
| 388 | | | | | | | | |
| 389 | | | | | | | | |
| 390 | | | | | | | | |

XDS 902306

1. Ref item no's in applicable material list
2. Ref designations are abbreviated
Prefix designation with

TITLE

LIST, WIRE -

PROCESSOR CONTROL PANEL

SDS

133282

H

SHEET 16 OF

| Wire No. | Term. | From | To | Term. | Type | Notes | Signal | Chg Let. |
|----------|-------|----------|----------|-------|------|-------|------------|----------|
| 391 | | | | | | | | |
| 392 | SOL | DS34-E-2 | DS35-E-2 | SOL | 99 | | GND J6-32 | A |
| 393 | | DS35 | DS36 | | 99 | | | |
| 394 | | DS36 | DS62 | | 102 | | | |
| 395 | | DS62 | DS61 | | 99 | | | |
| 396 | | DS61 | DS60 | | | | | |
| 397 | | DS60 | DS59 | | | | | |
| 398 | | DS59 | DS56 | | | | J6-32 | A |
| 399 | | | | | | | | |
| 400 | | DS82 | DS81 | | | | J8-16 | A |
| 401 | | DS81 | DS80 | | | | | |
| 402 | | DS80 | DS79 | | | | | |
| 403 | | DS79 | DS78 | | | | | |
| 404 | | DS78 | DS77 | | | | | |
| 405 | | DS77 | DS76 | | | | | |
| 406 | | DS76 | DS75 | | | | J8-16 | A |
| 407 | | | | | | | | |
| 408 | | DS74 | DS73 | | | | J10-16 | A |
| 409 | | DS73 | DS72 | | | | | |
| 410 | | DS72 | DS71 | | | | | |
| 411 | | DS71 | DS70 | | | | | |
| 412 | | DS70 | DS69 | | | | | |
| 413 | | DS69 | DS68 | | | | | |
| 414 | SOL | DS68-E-2 | DS67-E-2 | SOL | 99 | | GND J10-16 | A |
| 415 | | | | | | | | |
| 416 | | | | | | | | |

XDS 902306

1. Ref item no's in applicable material list
 2. Ref designations are abbreviated
 Prefix each designation with

TITLE
 LIST, WIRE-
 PROCESSOR CONTROL DRIVE

SDS
 133282 H
 SHEET 17 OF 27

| Wire No. | Term. | From | To | Term. | Wire Type | Notes | Signal | Chg Let. |
|----------|-------|----------|----------|-------|-----------|-------|-----------|----------|
| 417 | | | | | | | | |
| 418 | SDL | DS98-E-2 | DS97-E-2 | SOL | (99) | | GND J5-16 | A |
| 419 | | DS97 | DS96 | | | | | |
| 420 | | DS96 | DS95 | | | | | |
| 421 | | DS95 | DS94 | | | | | |
| 422 | | DS94 | DS93 | | | | | |
| 423 | | DS93 | DS92 | | | | | |
| 424 | | DS92 | DS91 | | | | J5-16 | A |
| 425 | | | | | | | | |
| 426 | | DS38 | DS37 | | (99) | | J5-32 | A |
| 427 | | DS37 | DS63 | | (102) | | | |
| 428 | | DS63 | DS64 | | (99) | | | |
| 429 | | DS64 | DS65 | | | | | |
| 430 | | DS65 | DS66 | | | | J5-32 | A |
| 431 | | | | | | | | |
| 432 | | DS90 | DS89 | | | | J6-16 | A |
| 433 | | DS89 | DS88 | | | | | |
| 434 | | DS88 | DS87 | | | | | |
| 435 | | DS87 | DS86 | | | | | |
| 436 | | DS86 | DS85 | | | | | |
| 437 | | DS85 | DS84 | | | | | |
| 438 | SDL | DS84-E-2 | DS83-E-2 | SOL | (99) | | GND J6-16 | A |
| 439 | | | | | | | | |
| 440 | | | | | | | | |
| 441 | | | | | | | | |
| 442 | | | | | | | | |

XDS 902306

1. Ref item no's in applicable material list
2. Ref designations are abbreviated
Prefix each designation with

TITLE

LIST, WIRE-
PROCESSOR CONTROL PANEL

SDS

133282

H

SHEET 18 OF

| Wire No. | Term. | From | To | Term. | Type | Notes | Signal | Chg Let. |
|----------|-------|----------|----------|-------|------|-------|-----------|----------|
| 443 | | | | | | | | |
| 444 | SOL | DS55-E-2 | DS54-E-2 | SOL | (99) | | GND J1-16 | A |
| 445 | | DS54 | DS53 | | | | | |
| 446 | | DS53 | DS52 | | | | | |
| 447 | | DS52 | DS51 | | | | | |
| 448 | | DS51 | DS50 | | | | | |
| 449 | | DS50 | DS49 | | | | | |
| 450 | | DS49 | DS48 | | | | | |
| 451 | | DS48 | DS47 | | | | J1-16 | A |
| 452 | | | | | | | | |
| 453 | | DS32 | DS31 | | | | J1-32 | A |
| 454 | | DS31 | DS30 | | | | | A |
| 455 | | DS30 | DS29 | | | | J1-32 | A |
| 456 | | | | | | | | |
| 457 | | | | | | | | |
| 458 | | DS46 | DS45 | | | | J3-16 | A |
| 459 | | DS45 | DS44 | | | | | |
| 460 | | DS44 | DS43 | | | | | |
| 461 | | DS43 | DS42 | | | | | |
| 462 | | DS42 | DS41 | | | | | |
| 463 | | DS41 | DS40 | | | | | |
| 464 | SOL | DS40-E-2 | DS39-E-2 | SOL | (99) | | GND J3-16 | A |
| 465 | | | | | | | | |
| 466 | | | | | | | | |
| 467 | | | | | | | | |
| 468 | | | | | | | | |

XDS 902306

1. Ref item no's in applicable material list
2. Ref designations are abbreviated
Prefix each designation with

TITLE

LIST, WIRE -
PROCESSOR CONTROL PANEL

SDS

133282

H

SHEET 19 OF 27

| Wire No. | Term. | From | To | Term. | Wire Type | Notes | Signal | Chg Let. |
|----------|-------|----------|----------|-------|-----------|-------|------------|----------|
| 469 | | | | | | | | |
| 470 | SOL | J1-E-16 | DS47-E-2 | SOL | (100) | | GND J1-16 | A |
| 471 | | J1-E-32 | DS29 | | | | J1-16 | |
| 472 | | J3-E-16 | DS39 | | | | J3-16 | |
| 473 | | J5-E-16 | DS91 | | | | J5-16 | |
| 474 | | J5-E-32 | DS66 | | | | J5-32 | |
| 475 | | J6-E-16 | DS83 | | | | J6-16 | |
| 476 | | J6-E-32 | DS56 | | | | J6-32 | |
| 477 | | J8-E-16 | DS75 | | | | J8-16 | |
| 478 | | J10-E-16 | DS67 | | | | J10-16 | |
| 479 | | J10-E-32 | DS14 | | | | J10-32 | |
| 480 | | J15-E-16 | DS7 | | | | J15-16 | |
| 481 | SOL | J15-E-32 | DS1-E-2 | SOL | (100) | | GND J15-32 | A |
| 482 | | | | | | | | |
| 483 | | | | | | | | |
| 484 | | | | | | | | |
| 485 | | | | | | | | |
| 486 | | | | | | | | |
| 487 | | | | | | | | |
| 488 | | | | | | | | |
| 489 | | | | | | | | |
| 490 | | | | | | | | |
| 491 | | | | | | | | |
| 492 | | | | | | | | |
| 493 | | | | | | | | |
| 494 | | | | | | | | |

XDS 902306

1. Ref item no's in applicable material list
2. Ref designations are abbreviated
Prefix each designation with

TITLE

LIST, WIRE -
PROCESSOR CONTROL PANEL

SDS

133282

H

SHEET 20 OF 2

| Wire No. | Term. | From | To | Term. | Type | Notes | Signal | Chg Let. |
|----------|-------|----------|----------|-------|-------|-------|--------|----------|
| 495 | | | | | | | | |
| 496 | SOL | DS22-E-2 | DS23-E-2 | SOL | (100) | | +8V | A |
| 497 | | DS23-E-2 | DS24-E-2 | | | | | |
| 498 | SOL | DS24-E-2 | DS25-E-2 | | | | | V |
| 499 | | | | | | | | A |
| 500 | MECH | TB1-E-2 | J1-E-51 | | | | | D |
| 501 | MECH | J1-E-51 | J3-E-31 | | | | | A |
| 502 | SOL | J3-E-31 | J3-E-51 | | | | | A |
| 503 | | J3-E-51 | J5-E-51 | | | | | |
| 504 | | J5-E-51 | J10-E-51 | | | | | |
| 505 | | J10-E-51 | J8-E-51 | | | | | |
| 506 | | J8-E-51 | J6-E-51 | | | | | |
| 507 | | J6-E-51 | J14-E-51 | | | | | |
| 508 | SOL | J14-E-51 | J15-E-51 | | | | +8V | A |
| 509 | | | | | | | | |
| 510 | MECH | TB1-E-1 | S3A-E-12 | | | | -8V | D |
| 511 | MECH | TB1-E-1 | J1-E-50 | | | | | D |
| 512 | SOL | J1-E-50 | J3-E-50 | | | | | A |
| 513 | | J3-E-50 | J5-E-50 | | | | | |
| 514 | | J5-E-50 | J10-E-50 | | | | | |
| 515 | | J10-E-50 | J8-E-50 | | | | | |
| 516 | | J8-E-50 | J6-E-50 | | | | | |
| 517 | | J6-E-50 | J14-E-50 | | | | | |
| 518 | SOL | J14-E-50 | J15-E-50 | SOL | (100) | | -8V | A |
| 519 | | | | | | | | |
| 520 | | | | | | | | |

XDS 902306

1. Ref item no's in applicable material list
2. Ref designations are abbreviated
Prefix each designation with

TITLE

LIST, WIRE -
PROCESSOR CONTROL PANEL

SDS

133282

H

SHEET 21 OF 27

| Wire No. | Term. | From | To | Term. | Wire Type | Notes | Signal | Chg Let. |
|----------|-------|----------|----------|-------|-----------|-------|-----------|----------|
| 521 | | | | | | | | |
| 522 | SOL | S3A-E-4 | S14B-E-2 | SOL | (102) | | -8V LOCAL | C |
| 523 | | S12B-E-2 | S11B-E-2 | | | | -8V | C |
| 524 | | S11B | S10B-E-2 | | | | -8V | C |
| 525 | | S10B | S3A-E-12 | | | | -8V | C |
| 526 | | S14B | S16A-E-2 | | | | -8V LOCAL | A |
| 527 | | S16A | S17B-E-2 | | | | | C |
| 528 | SOL | S17B-E-2 | S41B-E-2 | | | | | B |
| 529 | | | | | | | | |
| 530 | | | | | | | | |
| 531 | SOL | S41B-E-2 | S21B-E-2 | | | | | A |
| 532 | | S21B | S21D | | | | | A |
| 533 | | S21D | S20B | | | | | |
| 534 | | S20B | S20C | | | | | |
| 535 | | S20C | S22B | | | | | |
| 536 | | S22B | S22D | | | | | |
| 537 | | S22D | S23B | | | | | |
| 538 | | S23B | S23D | | | | | |
| 539 | | S23D | S43B | | | | | |
| 540 | | S43B | S43D | | | | | |
| 541 | | S43D | S42B | | | | | |
| 542 | SOL | S42B-E-2 | S42D-E-2 | SOL | (102) | | -8V LOCAL | A |
| 543 | | | | | | | | |
| 544 | | | | | | | | |
| 545 | | | | | | | | |
| 546 | | | | | | | | |

XDS 902306

| | | |
|---|--|--|
| <p>1. Ref item no's in applicable material list 2. Ref designations are abbreviated Pre each designation with</p> | <p>TITLE</p> <p>LIST, WIRE-</p> <p>PROCESSOR CONTROL PANEL</p> | <p>SDS</p> <p>133282</p> <p>SHEET 22 OF</p> |
|---|--|--|

| Wire No. | Term. | From | To | Term. | Type | Notes | Signal | Chg Let. |
|----------|-------|----------|----------|-------|-------|-------|-----------|----------|
| 547 | SOL | S75-E-1 | S76B-E-2 | SOL | (99) | | | C |
| 548 | SOL | S76B-2 | S77B-E-2 | SOL | (99) | | | C |
| 549 | SOL | S3B-E-4 | S18B-E-2 | SOL | (100) | | +8V LOCAL | C |
| 550 | | S18B-E-2 | S75-E-1 | | (100) | | | A |
| 551 | | S77B-2 | S74 | | (99) | | | B |
| 552 | | S74 | S73 | | | | | A |
| 553 | | S73 | S72 | | | | | A |
| 554 | | S72 | S71 | | | | | A |
| 555 | | S71 | S70 | | | | | A |
| 556 | | S70 | S69 | | | | | A |
| 557 | | S69 | S68 | | | | | A |
| 558 | | S68 | S67 | | | | | A |
| 559 | | S67 | S66 | | | | | A |
| 560 | | S66 | S65 | | | | | A |
| 561 | | S65 | S64 | | | | | A |
| 562 | | S64 | S63 | | | | | A |
| 563 | | S63 | S62 | | | | | A |
| 564 | | S62 | S61 | | | | | A |
| 565 | | S61 | S60 | | | | | A |
| 566 | | S60 | S59 | | | | | A |
| 567 | | S59 | S58 | | | | | A |
| 568 | | S58 | S57 | | | | | A |
| 569 | | S57 | S56 | | | | | A |
| 570 | | S56 | S55 | | | | | A |
| 571 | SOL | S55-E-1 | S54-E-1 | SOL | (99) | | +8V LOCAL | A |
| 572 | | | | | | | | |

XDS 902306

| | | | |
|---|--|----------------|---|
| 1. Ref item no's in applicable material list 2. Ref designations are abbreviated Prefix each designation with | TITLE LIST, WIRE - PROCESSOR CONTROL PANEL | SDS | |
| | | 133282 | H |
| | | SHEET 23 OF 27 | |

| Wire No. | Term. | From | To | Term. | Wire Type | Notes | Signal | Chg Let. |
|----------|-------|----------|----------|-------|-----------|-------|-----------|----------|
| 573 | | | | | | | | |
| 574 | SOL | S54-E-1 | S53-E-1 | SOL | (99) | | +8V LOCAL | A |
| 575 | | S53 | S52 | | | | | |
| 576 | | S52 | S51 | | | | | |
| 577 | | S51 | S50 | | | | | |
| 578 | | S50 | S49 | | | | | |
| 579 | | S49 | S48 | | | | | |
| 580 | | S48 | S47 | | | | | |
| 581 | | S47 | S46 | | | | | |
| 582 | | S46 | S45 | | | | | Y |
| 583 | | S45 | S44-E-1 | | (99) | | | A |
| 584 | | S44-E-1 | S42A-E-2 | | (100) | | | H |
| 585 | | S42A-E-2 | S24-E-1 | | (100) | | | H |
| 586 | | S24-E-1 | S25 | | (99) | | | A |
| 587 | | S25 | S26 | | | | | |
| 588 | | S26 | S27 | | | | | |
| 589 | | S27 | S28 | | | | | |
| 590 | | S28 | S29 | | | | | |
| 591 | | S29 | S30 | | | | | |
| 592 | | S30 | S31 | | | | | |
| 593 | | S31 | S32 | | | | | |
| 594 | | S32 | S33 | | | | | |
| 595 | | S33 | S34 | | | | | |
| 596 | SOL | S34-E-1 | S35-E-1 | SOL | (99) | | +8V LOCAL | A |
| 597 | | | | | | | | |
| 598 | | | | | | | | |

XDS 902306

1. Ref item no's in applicable material list
2. Ref designations are abbreviated
Prefix each designation with

TITLE

LIST, WIRE -
PROCESSOR CONTROL PANEL

SDS

133282

H

SHEET 24 OF

| Wire No. | Term. | From | To | Term. | Type | Notes | Signal | Chg Let. |
|----------|-------|---------------------|---------------------|-------|-------|------------------|--------------|----------|
| 599 | | | | | | | | |
| 600 | SOL | S35-E-1 | S36-E-1 | SOL | (99) | | +8V LOCAL | A |
| 601 | | S36 | S37 | | | | | A |
| 602 | | S37 | S38 | | | | | A |
| 603 | | S38 | S39-E-1 | | | | | A |
| 604 | | S39-E-1 | S40A-E-2 | | (99) | | | B |
| 605 | | S40A-E-2 | S15A-E-5 | | (100) | | | B |
| 606 | | S15A-E-5 | S15B-E-5 | | | | | A |
| 607 | | S15B-E-5 | S15C-E-5 | | | | | A |
| 608 | | S15C-E-5 | S5A-E-2 | | | | | A |
| 609 | | S5A-E-2 | S5D-E-2 | | | | +8V LOCAL | A |
| 610 | | | | | | | | |
| 611 | | J1-E-40 | J10-E-42 | | | | | F |
| 612 | | S3B-E-7 | J1-E-40 | | | | +8V LOCK | A |
| 613 | SOL | S3C-E-7 | J15-E-42 | | | | LOCK (KAS/1) | B |
| 614 | SOL | S3B-E-12 | S3C-E-12 | | | | +8V | D |
| 615 | MECH | TBI-E-2 | S3C-E-12 | | | | +8V | D |
| 616 | SOL | S3B-E-12 | DS28-E-2 | | | | | A |
| 617 | | S77A-E-1 | S9A-E-2 | | | | | B |
| 618 | | S9A-E-2 | S8A | | | | | A |
| 619 | | S8A | S7A | | | | | A |
| 620 | | S7A | S6A-E-2 | | | | | A |
| 621 | SOL | S6A-E-2 | S1B-E-1F | SOL | (100) | | | A |
| 622 | | S1B-E-1F | S13A-E-2 | | | DELETED FOR | | G |
| 623 | SOL | S13A-E-2 | DS22-E-2 | SOL | (100) | REMOTE INTERRUPT | +8V | G |
| 624 | SOL | DS28-E-2 | S77A-E-1 | SOL | (100) | | | B |

XDS 902306

1. Ref item no's in applicable material list
2. Ref designations are abbreviated
Prefix each designation with

TITLE
LIST, WIRE -
PROCESSOR CONTROL PANEL

SDS

133282

4

SHEET 25 OF 27

| Wire No. | Term. | From | To | Term. | Wire Type | Notes | Signal | Chg Let. |
|----------------|-------|--------------------|--------------------|-------|-----------|-------|----------|--------------|
| 625 | SOL | S3A-E-71 | J1-E-45 | SOL | (102) | | -8V LOCK | A |
| 626 | | J1-E-45 | J1-E-41 | | | | | A |
| 627 | | J1-E-41 | J1-E-35 | | | | | A |
| 628 | | J1-E-35 | J1-E-36 | | | | | C |
| 629 | | J1-E-35 | J3-E-41 | | | | | A |
| 630 | | J3-E-41 | J3-E-36 | | | | | A |
| 631 | | J3-E-41 | J3-E-35 | | | | | B |
| 632 | | J3-E-35 | J5-E-41 | | | | | A |
| 633 | | J5-E-41 | J5-E-36 | | | | | A |
| 634 | | J5-E-36 | J5-E-35 | | | | | A |
| 635 | | J5-E-36 | J6-E-45 | | | | | B |
| 636 | | J6-E-45 | J6-E-36 | | | | | A |
| 637 | | J6-E-36 | J6-E-41 | | | | | A |
| 638 | | J6-E-41 | J8-E-41 | | | | | |
| 639 | | J8-E-41 | J8-E-36 | | | | | |
| 640 | | J8-E-36 | J8-E-35 | | | | | |
| 641 | | J8-E-35 | J10-E-35 | | | | | |
| 642 | | J10-E-35 | J10-E-36 | | | | | |
| 643 | | J10-E-36 | J15-E-45 | | | | | |
| 644 | | J15-E-45 | J15-E-41 | | | | | |
| 645 | | J15-E-41 | J15-E-36 | | | | | |
| 646 | SOL | J15-E-36 | J15-E-35 | SOL | (102) | | -8V LOCK | A |
| 647 | | | | | | | | |
| 648 | | | | | | | | |
| 649 | | | | | | | | |
| 650 | | | | | | | | |

XDS 902306

1. Ref item no's in applicable material list
2. Ref designations are abbreviated
Prefix each designation with

TITLE

LIST, WIRE -
PROCESSOR CONTROL PANEL

SDS

133282

H

SHEET 26 OF

| Wire No. | Term. | From | To | Term. | Type | Notes | Signal | Chg Let. |
|----------|-------|----------|----------|-------|-------|------------------|---------------------|----------|
| 651 | | | | | | | | |
| 652 | (98) | J31-E-1 | S19B-E-1 | SOL | (100) | | POWER | A |
| 653 | | J31-E-2 | S19A-E-1 | | | | | |
| 654 | | | | | | | | |
| 655 | | J32-E-1 | S19B-E-2 | | | | | |
| 656 | (98) | J32-E-2 | S19A-E-2 | | (100) | | POWER | A |
| 657 | | | | | | | | |
| 658 | SOL | J14-E-20 | J14-E-21 | | (102) | | MARGINS NORM | A |
| 659 | | J14-E-21 | J33-E-1 | | | | MARGINS NORM | A |
| 660 | | J33-E-1 | J34-E-1 | | | | MARGINS NORM | A |
| 661 | | | | | | | | |
| 662 | | | | | | | | |
| 663 | | | | | | | | |
| 664 | | J1-E-25 | DS28-E-1 | | | | POWER/L | A |
| 665 | SOL | J1-E-23 | DS28-E-3 | SOL | (102) | | POWER/L | A |
| 666 | | | | | | | | |
| 667 | | | | | | | | |
| 668 | | J31-E-3 | J32-E-3 | | | | CHASSIS GND | A |
| 669 | | J32-E-3 | CHASSIS | | | | CHASSIS GND | A |
| 670 | | | | | | | | |
| 671 | SOL | S1B-E-1F | DS22-E-2 | SOL | (100) | | | G |
| 672 | | | | | | | | |
| 673 | (103) | TB2-E-1 | TB2-E-3 | (103) | (104) | REMOTE INTERRUPT | TAG "TB2-1" "TB2-3" | |
| 674 | (103) | TB2-E-1 | DS22-E-2 | SOL | (104) | FEATURE | ↑ "TB2-1" | |
| 675 | (103) | TB2-E-2 | S13A-E-2 | SOL | (104) | | ↓ "TB2-2" | |
| 676 | (103) | TB2-E-4 | S13A-E-1 | SOL | (104) | | TAG "TB2-4" | G |

XDS 902306

1. Ref item no's in applicable material list
2. Ref designations are abbreviated
Prefix each designation with

TITLE

LIST, WIRE -
PROCESSOR CONTROL PANEL

SDS

133282

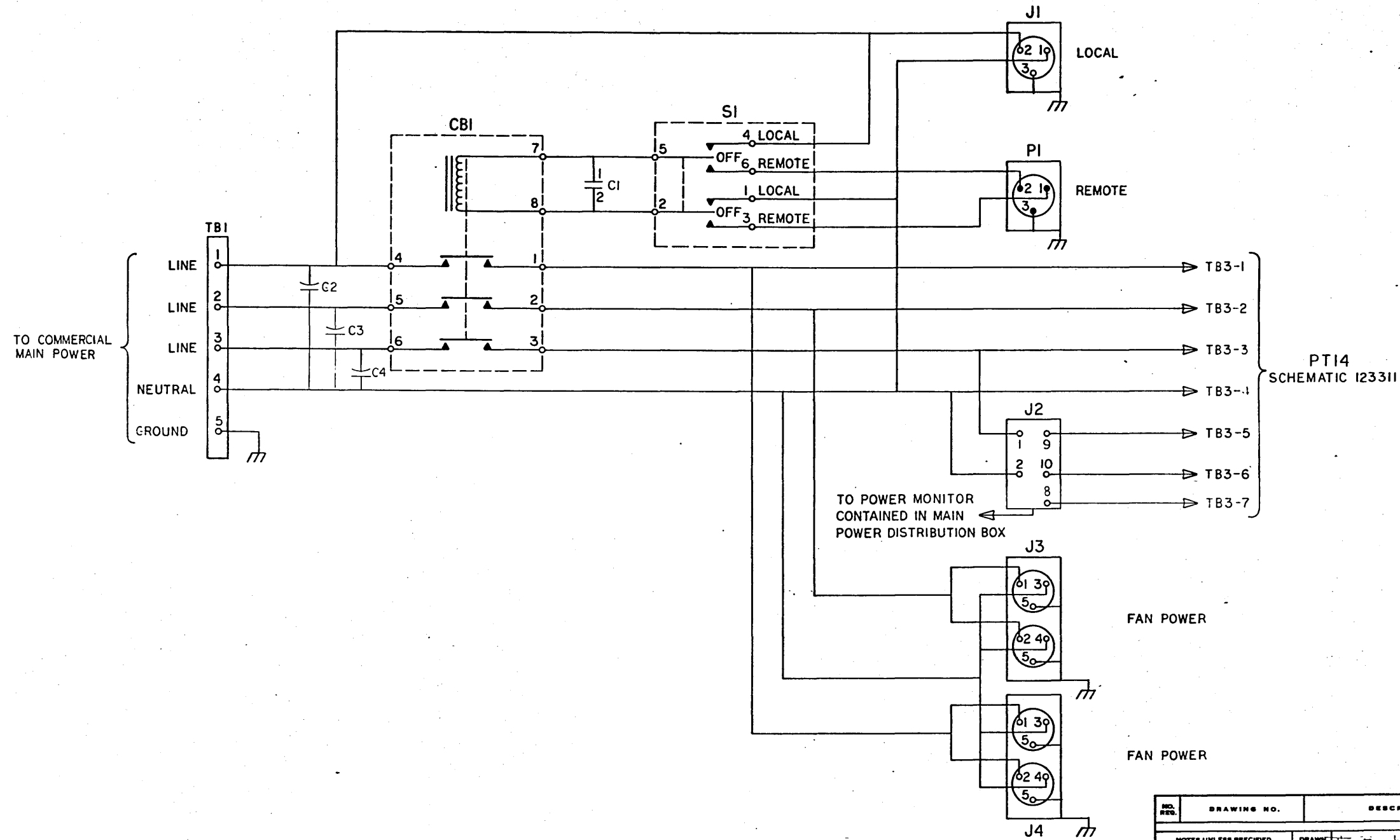
H

SHEET 27 OF 27

XDS 902306




| REVISIONS | | | | 130160 | F |
|-----------|---|------|---------|----------|---|
| REV. | DESCRIPTION | CHK. | DATE | APPROVED | |
| X A | MFG RELEASE | | 7/8/60 | J.L.B. | |
| B | SEE REV. E.O. | | 7/13/60 | E.K.M. | |
| C | SEE REV. E.O. | | 7/15/60 | | |
| D | SEE REV. E.O. ADDED C1 TO FID ZONE B2. ADDED ITEM 7 TO PARTS LIST | | 7/15/60 | | |
| X E | SEE REV. E.O. 117262U; ZONE 1A ADDED TB3-7 TO J2 | | 10/1/60 | | |
| X F | SEE REV. E.O. 130155S; ZONE 3 B: ADDED C2, 3 + 4. | | 11/5/60 | | |

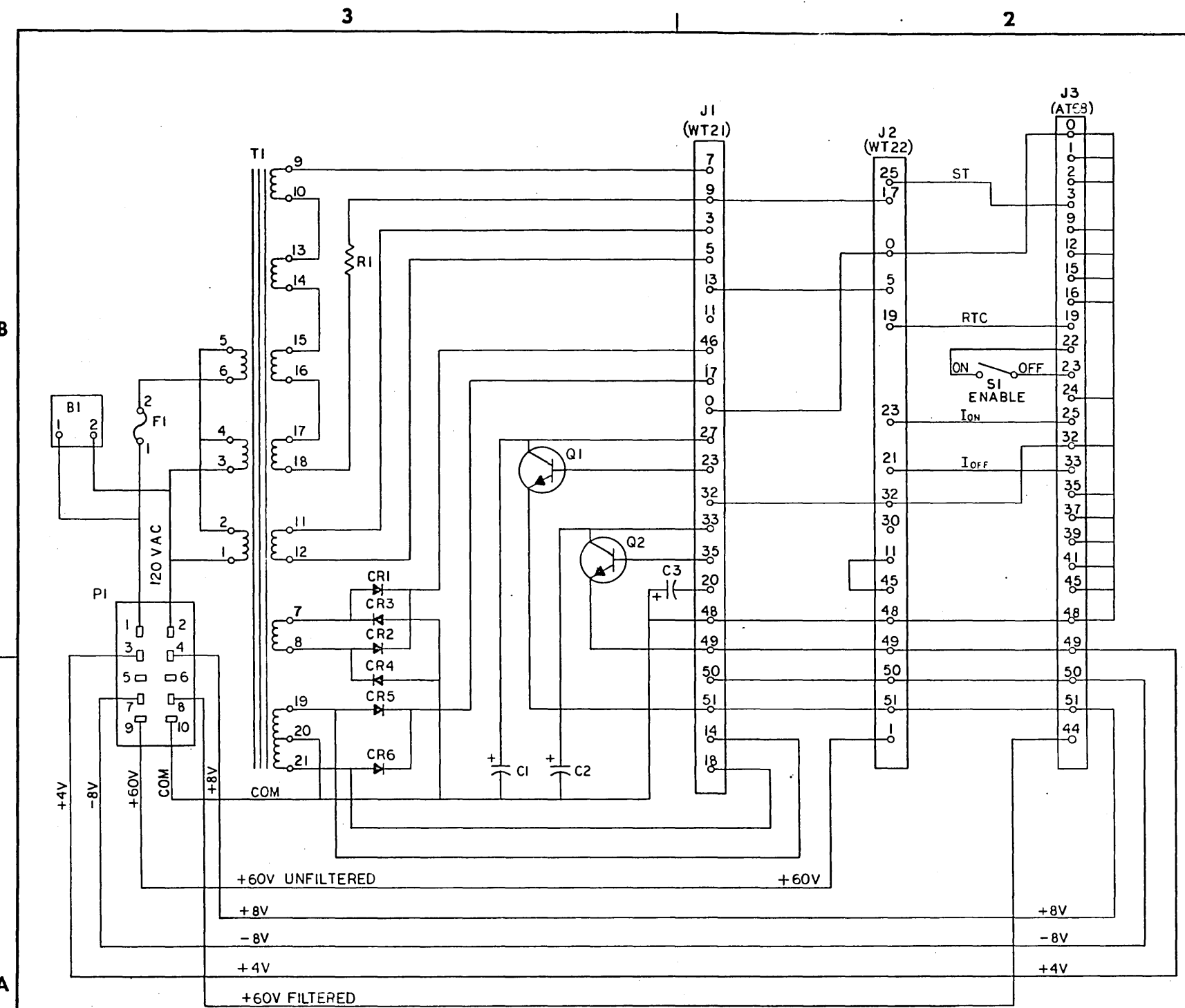


PT14 SCHEMATIC I23311

XDS Xerox Data Systems
Formerly Scientific Data Systems

| NO. REV. | DRAWING NO. | DESCRIPTION | REFERENCE DESIGNATION | ITEM NO. |
|---------------------------------------|-------------|--------------------|-----------------------|--|
| MATERIAL LIST | | | | |
| NOTES UNLESS SPECIFIED | | DRAWN: <i>W.S.</i> | DATE: <i>6-29-60</i> |  SCIENTIFIC DATA SYSTEMS SANTA MONICA, CALIFORNIA |
| 1. TOLERANCES UNLESS SPECIFIED | | CHECK: <i>W.S.</i> | APPR: <i>W.S.</i> | |
| 2. BREAK ALL SHARP EDGES .010 APPROX. | | | | |
| 3. BACK SURFACES | | | | TITLE |
| 4. ALL DIM. IN INCHES | | | | SCHEMATIC, MAIN POWER DISTRIBUTION BOX |
| MODEL NO. | NONE | REV. | DWG. NO. | CHANG. LETTER |
| NEXT ASSY. | 130155 | | D | F |
| | | SCALE | DO NOT SCALE DRAWING | SHEET 1 OF 1 |

| REV. | | DESCRIPTION | CHK | DATE | APPROVED |
|------|---|---|-----|------|----------|
| X | A | MFG RELEASE | | | |
| | B | SEE REV. E.O. | | | |
| | C | SEE REV. E.O. | | | |
| X | D | SEE REV. E.O. 132387N, ADDED JUMPER FROM P1-8 TO J3-44 | | | |
| X | E | SEE E.O. 135741D ITEM 3 WAS ASSY. CABLE DRIVER (AT13) PART NO 125260. | | | |



REPLACEMENT PARTS LIST

| ITEM | DESCRIPTION | DESIGNATORS | QTY | SUPPLIER AND PART NO. | ZIP |
|------|--|--------------|-----|--|-------------------------------|
| 1 | ASSY, REGULATOR (WT21) | J1 | 1 | XDS 131181 | 90404 |
| 2 | ASSY, DETECTOR (WT22) | J2 | 1 | XDS 131183 | 90404 |
| 3 | ASSY, CABLE DRIVER (AT68) | J3 | 1 | XDS 152687 | 90404 |
| 4 | CAPACITOR, ELECTROLYTIC 4,500 MFD, ± 2%, 50V | C1, C2 | 2 | GENERAL ELECTRIC MALLORY COMPUTER GRADE 43F/86F | 29063 46206 |
| 5 | CAPACITOR, ELECTROLYTIC 2,700 MFD, ± 2%, 30V | C3 | 1 | STM SPRAGUE COMPUTER GRADE 32D SERIES | 94601 01248 |
| 6 | DIODE, RECTIFIER (SDS 125) | CR1 THRU CR6 | 6 | XDS 123939 | 90404 |
| 7 | CONNECTOR, 10 PIN MALE | P1 | 1 | CINCH MFG. P310CCT | 60624 |
| 8 | TRANSISTOR, NPN SILICON POWER | Q1, Q2 | 2 | MOTOROLA 2N3055 RCA 2N3055 SILICON TRANSISTOR 2N3235 | 85002 07029 11514 |
| 9 | RESISTOR, FIXED, WW 1K, ± 5%, 20W | R1 | 1 | HARDWICK-HINDLE F2C3 8450 OHMITE 60076 WARD LEONARD 20S 1055C LECTOHM 0VM-25 60630 DALE HLM-20 68601 | 46750 60076 1055C 60630 68601 |
| 10 | TRANSFORMER | T1 | 1 | XDS 117115 | 90404 |
| 11 | FUSE, HOLDER 3AG | F1 | 1 | BUSSMAN MFG HKP-N | 63107 |
| 12 | FAN, SLEEVE 100 CFM | B1 | 1 | ROTRON MAR-4 VENTURI | 12498 |

XDS Xerox Data Systems
Formerly Scientific Data Systems

| | | | | |
|---------------------------------------|-------------|---|-----------------------|-----------------|
| NO. REQ. | DRAWING NO. | DESCRIPTION | REFERENCE DESIGNATION | ITEM NO. |
| | | | | |
| NOTES UNLESS SPECIFIED | | | | |
| 1. TOLERANCES UNLESS SPECIFIED | | | | |
| 2. BREAK ALL SHARP EDGES .030 APPROX. | | | | |
| 3. HADL SURFACES | | | | |
| 4. ALL DIM. IN INCHES | | | | |
| MODEL NO. | FINISH | MATERIAL LIST | | |
| NEXT ASSY. | | SCIENTIFIC DATA SYSTEMS SANTA MONICA, CALIFORNIA | | |
| 132389 | | TITLE SCHEMATIC, POWER MONITOR | | |
| | | SIZE D | DWG. NO. 132391 | CHECKED DATE |
| | | SCALE | DO NOT SCALE DRAWING | SHEET 1 OF 1 |

132391 E A

| | | | | |
|-----------|-----------------------|-----|--------|----------|
| REVISIONS | | | 13 | A |
| REV. | DESCRIPTION | CHK | DATE | APPROVED |
| A | MANUFACTURING RELEASE | BW | 8/9/67 | ED-MUK |


1 Wire & terminals are from assy, clock cable no. 128147-372.

NOTES: UNLESS OTHERWISE SPECIFIED

XDS 902306

| NO. REQ. | DRAWING NO. | DESCRIPTION | REFERENCE DESIGNATION | ITEM NO. |
|----------|-------------|-------------|-----------------------|----------|
|----------|-------------|-------------|-----------------------|----------|

MATERIAL LIST

| | | | | | | | | |
|--|-----------|--------|-------------------|--------|---|--------|---------------|-------|
| NOTES UNLESS SPECIFIED | | DRAWN | L. Naylor | 2/8/67 |  SANTA MONICA, CALIFORNIA | | | |
| 1. TOLERANCES .XX ±.030 ANGULAR .XXX ±.010 ± 1/2° 2. BREAK ALL SHARP EDGES .010 APPROX. 3. MACH. SURFACES ✓ 4. ALL DIM. IN INCHES | | CHECK | <i>Alcala</i> | 2/9/67 | | | | |
| | | APPR. | <i>W. Johnson</i> | 2-9-67 | | | | TITLE |
| MODEL NO. | FIRST USE | 8201 | SIZE | A | DWG. NO. | 133272 | CHANGE LETTER | A |
| NEXT ASSY. | FIRST USE | 133267 | SCALE | NONE | DO NOT SCALE DRAWING | SHEET | 1 of 2 | |

| REVISIONS | | | | 12 | B |
|-----------|---|-----------|---------|------------|---|
| REV. | DESCRIPTION | CHK | DATE | APPROVED | |
| A | MANUFACTURING RELEASE | <i>Bo</i> | 8/1/67 | <i>EDM</i> | |
| B | SEE REV. E. O. REV. WIRE NO. 1038 <i>FF</i> | <i>CB</i> | 8/23/67 | <i>WHP</i> | |


1 All wire & terminals are from assy, clock cable no. 128147-372.

NOTES: UNLESS OTHERWISE SPECIFIED

XDS 902306
10

| NO. REQ. | DRAWING NO. | DESCRIPTION | REFERENCE DESIGNATION | ITEM NO. |
|----------|-------------|-------------|-----------------------|----------|
|----------|-------------|-------------|-----------------------|----------|

MATERIAL LIST

| | | | | | | | |
|--|-----------|-----------|----------------------|----------|---|----------------------|--------------|
| NOTES UNLESS SPECIFIED | | DRAWN | L. Naylor | 2/9/67 |  SANTA MONICA, CALIFORNIA TITLE LIST, WIRE CLOCK, CABLE INSTALLATION CPU FRAME NO. 2 | | |
| 1. TOLERANCES .XX ±.030 ANGULAR ± 1/2° .XXX ±.010 2. BREAK ALL SHARP EDGES .010 APPROX. 3. MACH. SURFACES <i>J</i> 4. ALL DIM. IN INCHES | | CHECK | <i>Alcala</i> | 7/11/67 | | | |
| | | APPR. | <i>M. S. Jackson</i> | 2-11-67 | | | |
| MODEL NO. | FIRST USE | 8201 | SIZE | DWG. NO. | CHANGE LETTER | | |
| | FIRST USE | 139273 | A | 136585 | B | | |
| NEXT ASBY. | | FIRST USE | 139273 | SCALE | NONE | DO NOT SCALE DRAWING | SHEET 1 of 3 |

| Wire No. | Term. | From | To | Term. | Wire Type | Notes | Signal | Chg Let. |
|----------|-------|------------------|------------------|-------|-----------|----------------------------|--------|----------|
| 1001 | ① | 32P07 | 04M01 | ① | Ⓜ | Inner Conductor | | A |
| 1002 | ↑ | 32P09 | 04M00 | ↑ | Ⓜ | 1001 Shield | | ↑ |
| 1003 | | 32P08 | 08M01 | | Ⓜ | Inner Conductor | | |
| 1004 | | 32P09 | 08M00 | | Ⓜ | 1003 Shield | | |
| 1005 | | 32P10 | 21M01 | | Ⓜ | Inner Conductor | | |
| 1006 | | 32P11 | 21M00 | | Ⓜ | 1005 Shield | | |
| 1007 | | 32P12 | 28M09 | | Ⓜ | Inner Conductor | | |
| 1008 | | 32P13 | 28M00 | | Ⓜ | 1007 Shield | | |
| 1009 | | 32P14 | 22S13 | | Ⓜ | Inner Conductor | | |
| 1010 | | 32P15 | 22S16 | | Ⓜ | 1009 Shield | | |
| 1011 | | 32P17 | 12N01 | | Ⓜ | Inner Conductor | | |
| 1012 | | 32P16 | 12N00 | | Ⓜ | 1011 Shield | | |
| 1013 | | 32P18 | 07P01 | | Ⓜ | Inner Conductor | | |
| 1014 | | 32P16 | 07P00 | | Ⓜ | 1013 Shield | | |
| 1015 | | 32P19 | 11P01 | | Ⓜ | Inner Conductor | | |
| 1016 | | 32P20 | 11P00 | | Ⓜ | 1015 Shield | | |
| 1017 | | 32P21 | 15P01 | | Ⓜ | Inner Conductor | | |
| 1018 | | 32P20 | 15P00 | | Ⓜ | 1017 Shield | | |
| 1019 | | 32P22 | 02Q09 | | Ⓜ | Inner Conductor | | |
| 1020 | | 32P23 | 02Q16 | | Ⓜ | 1019 Shield | | |
| 1021 | | 32P24 | 08Q01 | | Ⓜ | Inner Conductor | | |
| 1022 | | 32P25 | 08Q00 | | Ⓜ | 1021 Shield | | |
| 1023 | | 32P26 | 21Q01 | | Ⓜ | Inner Conductor | | |
| 1024 | | 32P27 | 21Q00 | | Ⓜ | 1023 Shield | | |
| 1025 | ∇ | 32P28 | 27Q01 | ∇ | Ⓜ | Inner Conductor | | ∇ |
| 1026 | ① | 32P29 | 27Q00 | ① | Ⓜ | 1025 Shield | | A |

XDS 902306

| | | |
|--|--|---|
| <p>1. Ref item no's in applicable material list 2. Ref designations are abbreviated Prefix each designation with</p> | <p>TITLE</p> <p>LIST, WIRE CABLE INSTALLATION CPU FR NO. 2</p> | <p>SDS</p> <p>136585</p> <p>SHEET 2 OF ?</p> |
|--|--|---|

| Wire No. | Term. | From | To | Term. | Wire Type | Notes | Signal | Chg Let. |
|----------|-------|-------|-------|-------|-----------|------------------|--------|----------|
| 1027 | (1) | 32P30 | 12R01 | (1) | J1 | Inner Conductors | | A |
| 1028 | ↑ | 32P31 | 12R00 | ↑ | J1 | 1027 Shield | | ↑ |
| 1029 | | 32P33 | 14Q01 | | J1 | Inner Conductor | | |
| 1030 | | 32P32 | 14Q00 | | J1 | 1029 Shield | | |
| 1031 | | 32P34 | 17R01 | | J1 | Inner Conductor | | |
| 1032 | | 32P35 | 17R00 | | J1 | 1031 Shield | | |
| 1033 | | 32P38 | 27K43 | | J1 | Inner Conductor | | |
| 1034 | | 32P39 | 27K48 | | J1 | 1033 Shield | | |
| 1035 | | 32P42 | 12K13 | | J1 | Inner Conductor | | |
| 1036 | | 32P41 | 12K16 | | J1 | 1035 Shield | | ↓ |
| 1037 | | 32P43 | 07N42 | | J1 | Inner Conductor | | A |
| 1038 | | 32P44 | 03N48 | | J1 | 1037 Shield | | B |
| 1039 | | 32P45 | 01S13 | | J1 | Inner Conductor | | A |
| 1040 | | 32P46 | 01S16 | | J1 | 1039 Shield | | ↑ |
| 1041 | | 32P47 | 01T13 | | J1 | Inner Conductor | | |
| 1042 | | 32P48 | 01T16 | | J1 | 1041 Shield | | |
| 1043 | | 32P01 | 04L01 | | J1 | Inner Conductor | | |
| 1044 | | 32P00 | 04L00 | | J1 | 1043 Shield | | |
| 1045 | | 32P03 | 09L01 | | J1 | Inner Conductor | | |
| 1046 | | 32P02 | 09L00 | | J1 | 1045 Shield | | |
| 1047 | | 32P04 | 23L01 | | J1 | Inner Conductor | | |
| 1048 | | 32P05 | 23L00 | | J1 | 1047 Shield | | |
| 1049 | ↓ | 32P06 | 29L09 | ↓ | J1 | Inner Conductor | | ↓ |
| 1050 | (1) | 32P05 | 29L00 | (1) | J1 | 1049 Shield | | A |

1. Ref item no's in applicable material list
2. Ref designations are abbreviated
Prefix each designation with

TITLE

LIST, WIRE
CABLE INSTALLATION
CPU FRAME NO. 2

SDS

136585

B

SHEET 3 OF 3


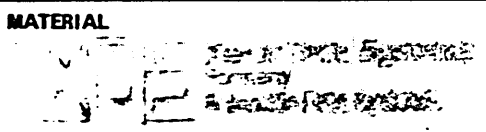
XDS 902306

| | | REVISIONS | | | 155 | B |
|-----|------|---|------|---------|-------------|---|
| LAL | REV. | DESCRIPTION | CHK | DATE | APPROVED | |
| X | A | MFG RELEASE, NO E.O. | C.B. | 8/27/69 | W.R.L. | |
| | B | SEE DCR # 42710. ADDED NEW SH. 26 & RENUMBERED EXISTING SHS. SH 4, REVISED INDEX. SH 5, COL 2, LINE 6 ADDED LAS, LINE D ADDED LMS. SH 16, PHASE PRE 2, ADDED NFAIM. SH 23, PHASE PREP, ADDED LAS, LMS. SH 32, PHASE PREP & SH 52, PHASE END OF PREP, ADDED N(ANLZ. PRE 3). SHS 85, 93, & 101, PHASE PRE 3, ADDED NANLZ. SH 97, PHASE PH 7 & PH 9, DELETED + MUL. NR 31 & (EVEN R ADDRESS). P.A.S. | PK | 2/11/70 | pmca JLB | |

XDS 902306

DIST CODE 109

MATERIAL LIST

| | | | | | | | |
|---|---|---|-----------------------------|--------------------------------|----------------------|-------------------------------|--|
| NOTES UNLESS SPECIFIED 1. TOLERANCES .XX ±.030 ANGULAR .XXX ±.010 ± 1/2° 2. BREAK ALL SHARP EDGES .010 APPROX. 3. MACH. SURFACES ✓ 4. ALL DIM. IN INCHES | DRAWN B. Jones 8-27-69 |  | | | | | |
| | CHECK C.L. Benesh 8-27-69 | | | | | APPR. WRL 9-8-69 | TITLE ENGINEERING TECHNICAL DATA |
| | MATERIAL  | MODEL NO. FIRST USE SIGMA 5 | FINISH | CODE IDENT 18338 | SIZE A | DWG. NO. 155094 | CHANGE LETTER B |
| | NEXT ASSY. FIRST USE 117282 | SCALE | DO NOT SCALE DRAWING | SHEET 1 of 184 | | | |

NOTES: UNLESS OTHERWISE SPECIFIED

1. This document contains 184 sheets.

| TABLE OF CONTENTS | |
|-----------------------------|-------------|
| DESCRIPTION | SHEET NO.'s |
| Sheet Revision Level Index | 3 |
| Phase Sequence Charts Index | 4 |
| See Index Sheet 4 | 5 - 184 |

XDS 902306

See to Order Engineering
Drawing
See also: See Drawing

| | | |
|-------------------------------------|--------------|---|
| TITLE ENGINEERING TECHNICAL DATA | SDS | |
| | 155094 | B |
| | SHEET 2 OF 1 | |

| SHT REV | SHT REV | SHT REV | SHT REV | SHT REV | SHT REV | SHT REV | SHT REV | SHT REV | SHT REV | SHT REV | SHT REV | SHT REV | SHT REV | SHT REV | SHT REV | SHT REV | SHT REV | SHT REV | SHT REV | SHT REV | | | | | |
|---------|---------|---------|---------|---------|---------|---------|---------|---------|---------|---------|---------|---------|---------|---------|---------|---------|---------|---------|---------|---------|--|-----|--|-----|--|
| 1 | B | 26 | B | 51 | B | 76 | B | 101 | B | 126 | B | 151 | B | 176 | B | 201 | | 226 | | 251 | | 276 | | 301 | |
| 2 | B | 27 | B | 52 | B | 77 | B | 102 | B | 127 | B | 152 | B | 177 | B | 202 | | 227 | | 252 | | 277 | | 302 | |
| 3 | B | 28 | B | 53 | B | 78 | B | 103 | B | 128 | B | 153 | B | 178 | B | 203 | | 228 | | 253 | | 278 | | 303 | |
| 4 | B | 29 | B | 54 | B | 79 | B | 104 | B | 129 | B | 154 | B | 179 | B | 204 | | 229 | | 254 | | 279 | | 304 | |
| 5 | B | 30 | B | 55 | B | 80 | B | 105 | B | 130 | B | 155 | B | 180 | B | 205 | | 230 | | 255 | | 280 | | 305 | |
| 6 | B | 31 | B | 56 | B | 81 | B | 106 | B | 131 | B | 156 | B | 181 | B | 206 | | 231 | | 256 | | 281 | | 306 | |
| 7 | B | 32 | B | 57 | B | 82 | B | 107 | B | 132 | B | 157 | B | 182 | B | 207 | | 232 | | 257 | | 282 | | 307 | |
| 8 | B | 33 | B | 58 | B | 83 | B | 108 | B | 133 | B | 158 | B | 183 | B | 208 | | 233 | | 258 | | 283 | | 308 | |
| 9 | B | 34 | B | 59 | B | 84 | B | 109 | B | 134 | B | 159 | B | 184 | B | 209 | | 234 | | 259 | | 284 | | 309 | |
| 10 | B | 35 | B | 60 | B | 85 | B | 110 | B | 135 | B | 160 | B | 185 | | 210 | | 235 | | 260 | | 285 | | 310 | |
| 11 | B | 36 | B | 61 | B | 86 | B | 111 | B | 136 | B | 161 | B | 186 | | 211 | | 236 | | 261 | | 286 | | 311 | |
| 12 | B | 37 | B | 62 | B | 87 | B | 112 | B | 137 | B | 162 | B | 187 | | 212 | | 237 | | 262 | | 287 | | 312 | |
| 13 | B | 38 | B | 63 | B | 88 | B | 113 | B | 138 | B | 163 | B | 188 | | 213 | | 238 | | 263 | | 288 | | 313 | |
| 14 | B | 39 | B | 64 | B | 89 | B | 114 | B | 139 | B | 164 | B | 189 | | 214 | | 239 | | 264 | | 289 | | 314 | |
| 15 | B | 40 | B | 65 | B | 90 | B | 115 | B | 140 | B | 165 | B | 190 | | 215 | | 240 | | 265 | | 290 | | 315 | |
| 16 | B | 41 | B | 66 | B | 91 | B | 116 | B | 141 | B | 166 | B | 191 | | 216 | | 241 | | 266 | | 291 | | 316 | |
| 17 | B | 42 | B | 67 | B | 92 | B | 117 | B | 142 | B | 167 | B | 192 | | 217 | | 242 | | 267 | | 292 | | 317 | |
| 18 | B | 43 | B | 68 | B | 93 | B | 118 | B | 143 | B | 168 | B | 193 | | 218 | | 243 | | 268 | | 293 | | 318 | |
| 19 | B | 44 | B | 69 | B | 94 | B | 119 | B | 144 | B | 169 | B | 194 | | 219 | | 244 | | 269 | | 294 | | 319 | |
| 20 | B | 45 | B | 70 | B | 95 | B | 120 | B | 145 | B | 170 | B | 195 | | 220 | | 245 | | 270 | | 295 | | 320 | |
| 21 | B | 46 | B | 71 | B | 96 | B | 121 | B | 146 | B | 171 | B | 196 | | 221 | | 246 | | 271 | | 296 | | 321 | |
| 22 | B | 47 | B | 72 | B | 97 | B | 122 | B | 147 | B | 172 | B | 197 | | 222 | | 247 | | 272 | | 297 | | 322 | |
| 23 | B | 48 | B | 73 | B | 98 | B | 123 | B | 148 | B | 173 | B | 198 | | 223 | | 248 | | 273 | | 298 | | 323 | |
| 24 | B | 49 | B | 74 | B | 99 | B | 124 | B | 149 | B | 174 | B | 199 | | 224 | | 249 | | 274 | | 299 | | 324 | |
| 25 | B | 50 | B | 75 | B | 100 | B | 125 | B | 150 | B | 175 | B | 200 | | 225 | | 250 | | 275 | | 300 | | 325 | |

XDS 902306

| |
|----------------------------|
| TITLE |
| ENGINEERING TECHNICAL DATA |
| SHEET 3 OF 184 |

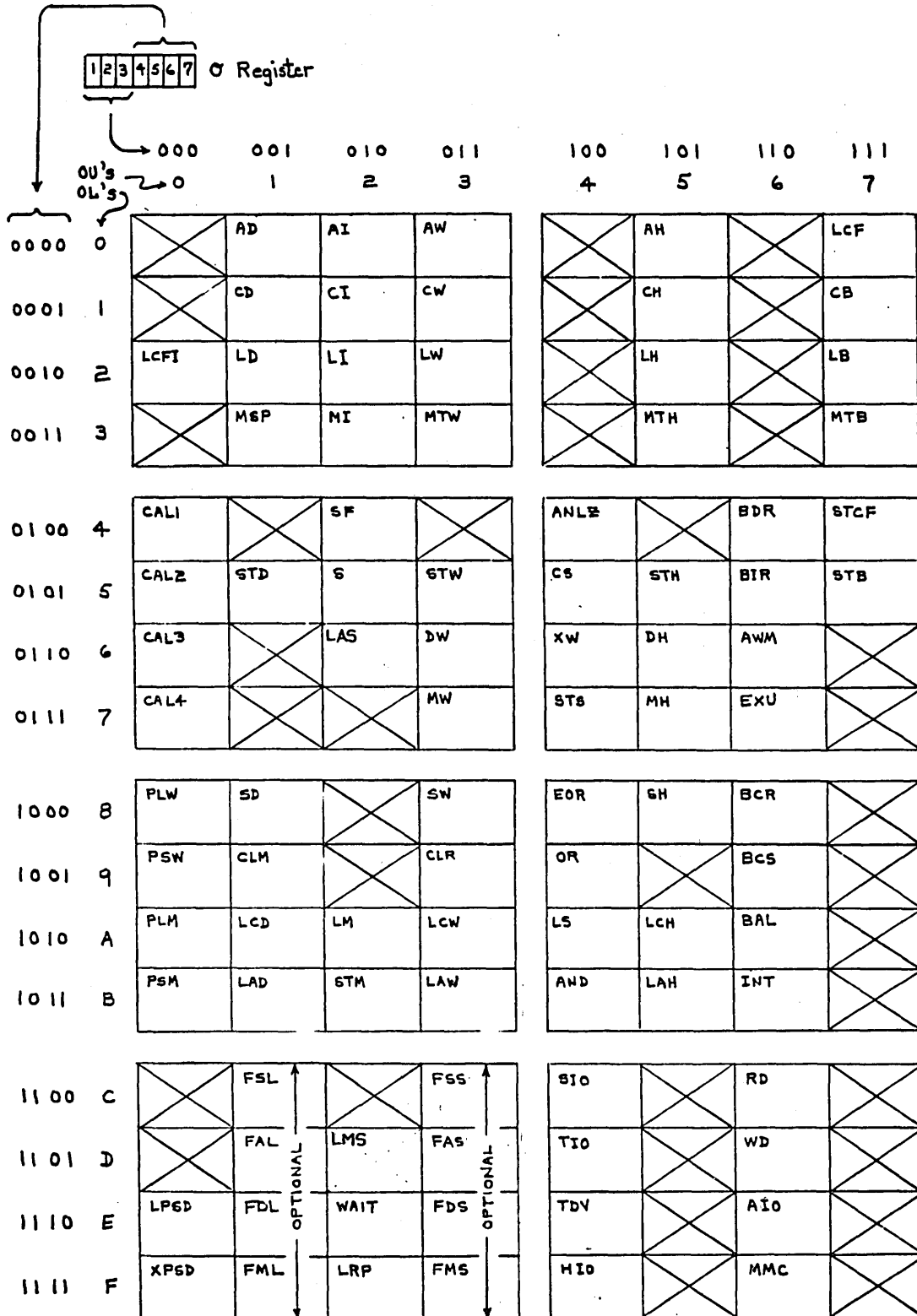
| |
|--------|
| SDS |
| 155094 |
| B |

SIGMA 5 INSTRUCTION PHASE SEQUENCE CHARTS

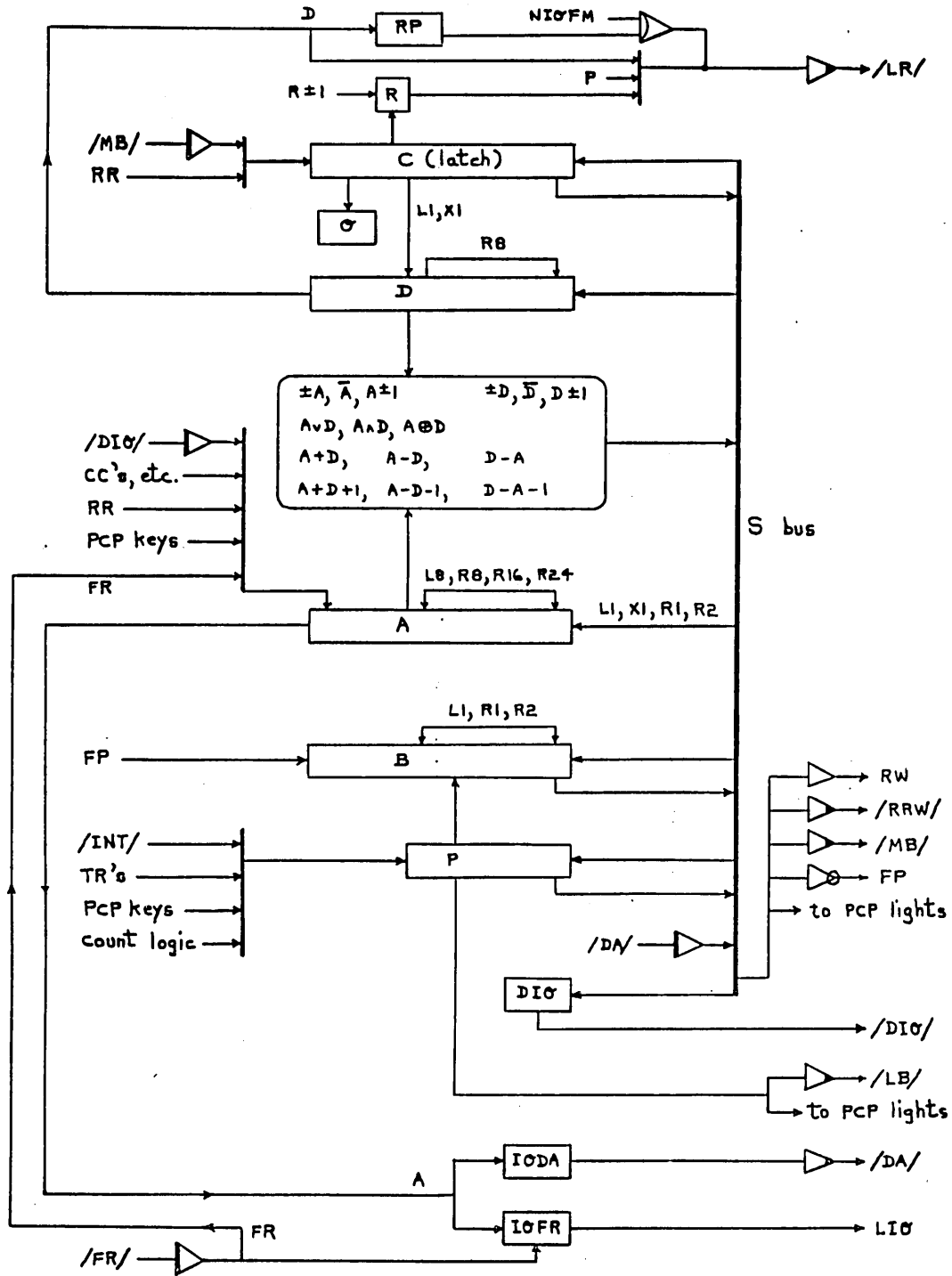
| Mnemonic | Code | SHEET | Instruction-Name | Mnemonic | Code | SHEET | Instruction-Name |
|----------------------------------|------|-------|--|----------------------------------|---|-------|------------------------------------|
| <u>LOAD/STORE</u> | | | | <u>LOGICAL</u> | | | |
| LX | 22 | 23 | Load Immediate | OR | 49 | 27 | OR Word |
| LB | 72 | 23 | Load Byte | EOR | 48 | 27 | Exclusive OR Word |
| LE | 52 | 23 | Load Halfword | AND | 48 | 27 | AND Word |
| LW | 32 | 23 | Load Word | <u>SHIFT</u> | | | |
| LD | 12 | 23 | Load Doubleword | S | 25 | 75 | Shift |
| LCH | 5A | 23 | Load Complement Halfword | SF | 24 | 78 | Shift Floating |
| LAH | 5B | 24 | Load Absolute Halfword | <u>FLOATING-POINT ARITHMETIC</u> | | | |
| LCW | 3A | 23 | Load Complement Word | FAS | 3D | 83 | Floating Add Short |
| LAW | 3B | 24 | Load Absolute Word | FAL | 1D | 83 | Floating Add Long |
| LCD | 1A | 23 | Load Complement Doubleword | FSS | 3C | 83 | Floating Subtract Short |
| LAD | 1B | 24 | Load Absolute Doubleword | FSL | 1C | 83 | Floating Subtract Long |
| LS | 4A | 33 | Load Selective | FMS | 3F | 91 | Floating Multiply Short |
| LM | 2A | 40 | Load Multiple | FML | 1F | 91 | Floating Multiply Long |
| LCYI | 02 | 23 | Load Conditions & Floating Control Immediate | FDS | 3E | 94 | Floating Divide Short |
| LCF | 70 | 23 | Load Conditions & Floating Control | FDL | 1E | 99 | Floating Divide Long |
| XW | 46 | 32 | Exchange Word | <u>PUSH DOWN</u> | | | |
| STB | 75 | 32 | Store Byte | PSW | 09 | 40 | Push Word |
| STH | 55 | 32 | Store Halfword | PLW | 08 | 40 | Push Word |
| STW | 35 | 32 | Store Word | PSM | 0B | 40 | Push Multiple |
| STD | 15 | 32 | Store Doubleword | PLM | 0A | 40 | Push Multiple |
| STS | 47 | 33 | Store Selective | MSP | 13 | 40 | Modify Stack Pointer |
| STM | 2B | 40 | Store Multiple | <u>EXECUTE/BRANCH</u> | | | |
| STCF | 74 | 32 | Store Conditions & Floating CONTROL | EXU | 67 | 50 | Execute |
| LAS | 2C | 26 | LOAD AND SET | BCS | 69 | 50 | Branch on Conditions Set |
| LMS | 2D | 26 | LOAD MEMORY STATUS | BCR | 68 | 50 | Branch on Conditions Reset |
| <u>ANALYZE/INTERPRET</u> | | | | BIR | 65 | 60 | Branch on Incrementing Register |
| ANLZ | 44 | 48 | Analyze | BDR | 64 | 50 | Branch on Decrementing Register |
| INT | 6B | 36 | Interpret | BAL | 6A | 50 | Branch and Link |
| <u>FLOATING-POINT ARITHMETIC</u> | | | | <u>CALL</u> | | | |
| AX | 20 | 28 | Add Immediate | CAL1 | 04 | 53 | Call 1 |
| AH | 50 | 28 | Add Halfword | CAL2 | 05 | 53 | Call 2 |
| AW | 30 | 28 | Add Word | CAL3 | 06 | 53 | Call 3 |
| AD | 10 | 28 | Add Doubleword | CAL4 | 07 | 53 | Call 4 |
| SH | 58 | 28 | Subtract Halfword | <u>CONTROL</u> | | | |
| SW | 38 | 28 | Subtract Word | LPSD | 0E | 52 | Load Program Status Doubleword |
| SD | 18 | 28 | Subtract Doubleword | XPSD | 0F | 52 | Exchange Program Status Doubleword |
| MI | 23 | 65 | Multiply Immediate | LRP | 2F | 23 | Load Register Pointer |
| MH | 57 | 65 | Multiply Halfword | MMC | 6F | 46 | Move to Memory Control |
| MW | 37 | 65 | Multiply Word | WAIT | 2E | 39 | Wait |
| DH | 56 | 70 | Divide Halfword | RD | 6C | 54 | Read Direct |
| DW | 36 | 70 | Divide Word | WD | 6D | 54 | Write Direct |
| AWM | 66 | 32 | Add Word to Memory | <u>INPUT/OUTPUT</u> | | | |
| MTB | 73 | 30 | Modify & Test Byte | SIO | 4C | 57 | Start Input/Output |
| MTH | 53 | 30 | Modify & Test Halfword | HIO | 4F | 57 | Halt Input/Output |
| MTW | 33 | 30 | Modify & Test Word | TIO | 4D | 57 | Test Input/Output |
| <u>COMPARISON</u> | | | | TDV | 4E | 57 | Test Device |
| CI | 21 | 36 | Compare Immediate | AIO | 6E | 57 | Acknowledge Input/Output Interrupt |
| CB | 71 | 36 | Compare Byte | <u>MISCELLANEOUS:</u> | | | |
| CH | 51 | 36 | Compare Halfword | <u>SHEET</u> | | | |
| CW | 31 | 36 | Compare Word | <u>Subject</u> | | | |
| CD | 11 | 36 | Compare Doubleword | 4 | Index | | |
| CS | 45 | 33 | Compare Selective | 5 | Opcode decoding | | |
| CLR | 39 | 38 | Compare with Limits in Register | 6 | Overall block | | |
| CLM | 19 | 38 | Compare with Limits in Memory | 7-8 | Adder control | | |
| | | | | 9 | Adder module | | |
| | | | | 10 | Clock system | | |
| | | | | 11 | BRP logic | | |
| | | | | 12-14 | PCP phases | | |
| | | | | 15-21 | PREPARATION | | |
| | | | | 22 | ENDE | | |
| | | | | 23-81 | SIGMA 5 INSTRUCTION PHASE SEQUENCE CHARTS (SEE INDEX ABOVE) | | |

OPTIONS:

| SHEET | Subject |
|---------|--|
| 82-112 | FLOATING POINT sequences and notes (index on SHEET 82) |
| 113-116 | FLOATING POINT glossary |
| 117-143 | INTEGRAL IOP sequences (index on SHEET 117) |
| 144-184 | SIGMA 5 CPU GLOSSARY OF TERMS |



OPCODE DECODING



OVERALL BLOCK - SIGMA 5 CPU

155094-B
SH6

XDS 902306

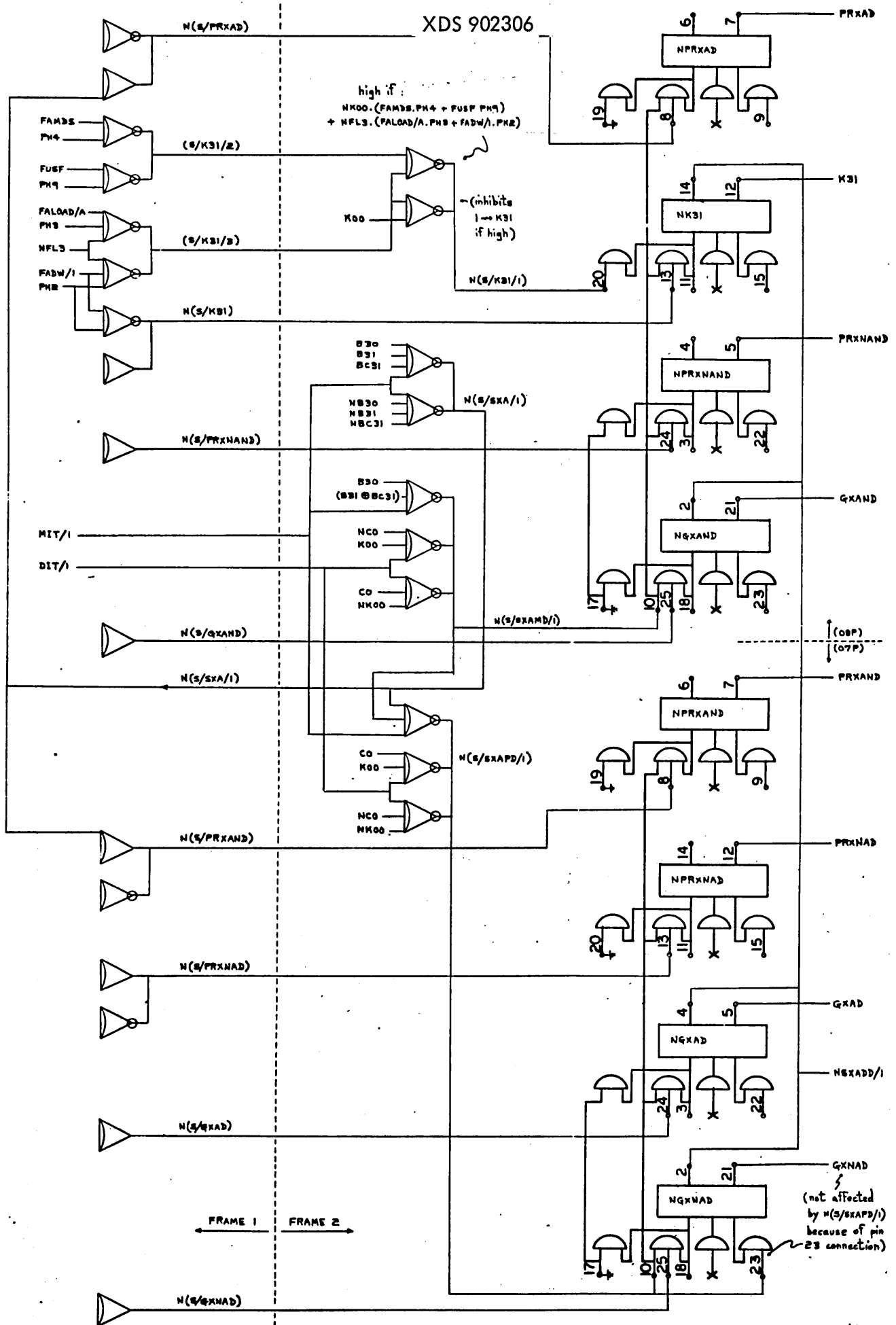
| function | name of signal causing function [less N()] | S/PRXAD | S/PRXAND | S/PRXNAD | S/PRXNAND | S/GXAD | S/GXAND | S/GXNAD | S/K31 | test point for N(S/SX--) |
|-----------|---|---------|----------|----------|-----------|--------|---------|---------|-------|--------------------------|
| A + D | * S/SXAPD | • | • | • | • | • | • | • | • | 13D30 |
| A + D + 1 | # (see below) | • | • | • | • | • | • | • | • | — |
| A - D | * S/SXAMD | • | • | • | • | • | • | • | • | 17E45 |
| A - D - 1 | † (see below) | • | • | • | • | • | • | • | • | — |
| D - A | S/SXDMA | • | • | • | • | • | • | • | • | 17E36 |
| D - A - 1 | S/SXDMAMI | • | • | • | • | • | • | • | • | 17E13 |
| A ^ D | S/PRXAD | • | • | • | • | • | • | • | • | 12E23 |
| A ^ D | S/PRXNAD | • | • | • | • | • | • | • | • | 10E08 |
| A ^ D | S/PRXAND | • | • | • | • | • | • | • | • | 04E15 |
| A v D | S/SXADRD | • | • | • | • | • | • | • | • | 13E30 |
| A ⊕ D | S/SXAORD | • | • | • | • | • | • | • | • | 17E12 |
| A | * S/SXA | • | • | • | • | • | • | • | • | 05E25 |
| D | S/SXD | • | • | • | • | • | • | • | • | 14D22 |
| A | S/SXNA | • | • | • | • | • | • | • | • | 17E02 |
| D | S/SXND | • | • | • | • | • | • | • | • | 07E45 |
| -A | S/SXMA | • | • | • | • | • | • | • | • | 04E47 |
| -D | S/SXMD | • | • | • | • | • | • | • | • | 14E01 |
| A + 1 | S/SXAPI | • | • | • | • | • | • | • | • | 13E05 |
| D + 1 | S/SXDPI | • | • | • | • | • | • | • | • | 13E20 |
| A - 1 | S/SXAMI | • | • | • | • | • | • | • | • | 16E12 |
| D - 1 | S/SXDMI | • | • | • | • | • | • | • | • | 17D25 |
| 2A | S/SX2A | • | • | • | • | • | • | • | • | } functions not used |
| 2D | S/SX2D | • | • | • | • | • | • | • | • | |
| 2A + 1 | S/SX2API | • | • | • | • | • | • | • | • | |
| 2D + 1 | S/SX2DPI | • | • | • | • | • | • | • | • | |

* { (N(S/SXA/1) - 20N15, N(S/SXAPD/1) - 10P23, N(S/SXAMD/1) - 20N34)
 † uses S/SXAMD with S/K31 inhibited by raising N(S/K31/1)
 # uses S/SXAPD with S/K31, where S/K31 reduces to FADW/1.PH2.FL3

ADDER CONTROL - chart

155094-B
 SH7

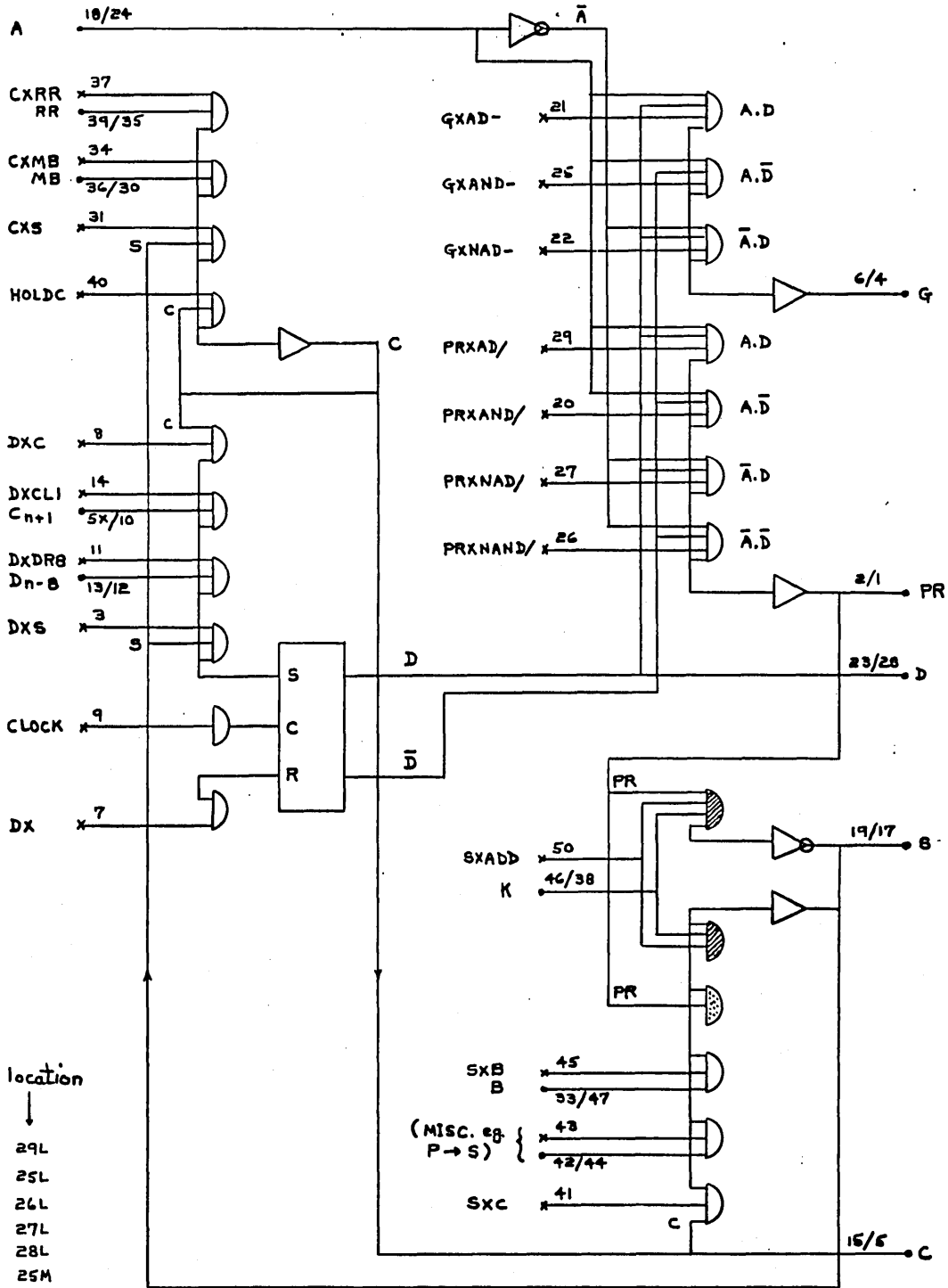
XDS 902306



ADDER CONTROL - Schematic

155094-B SH 8

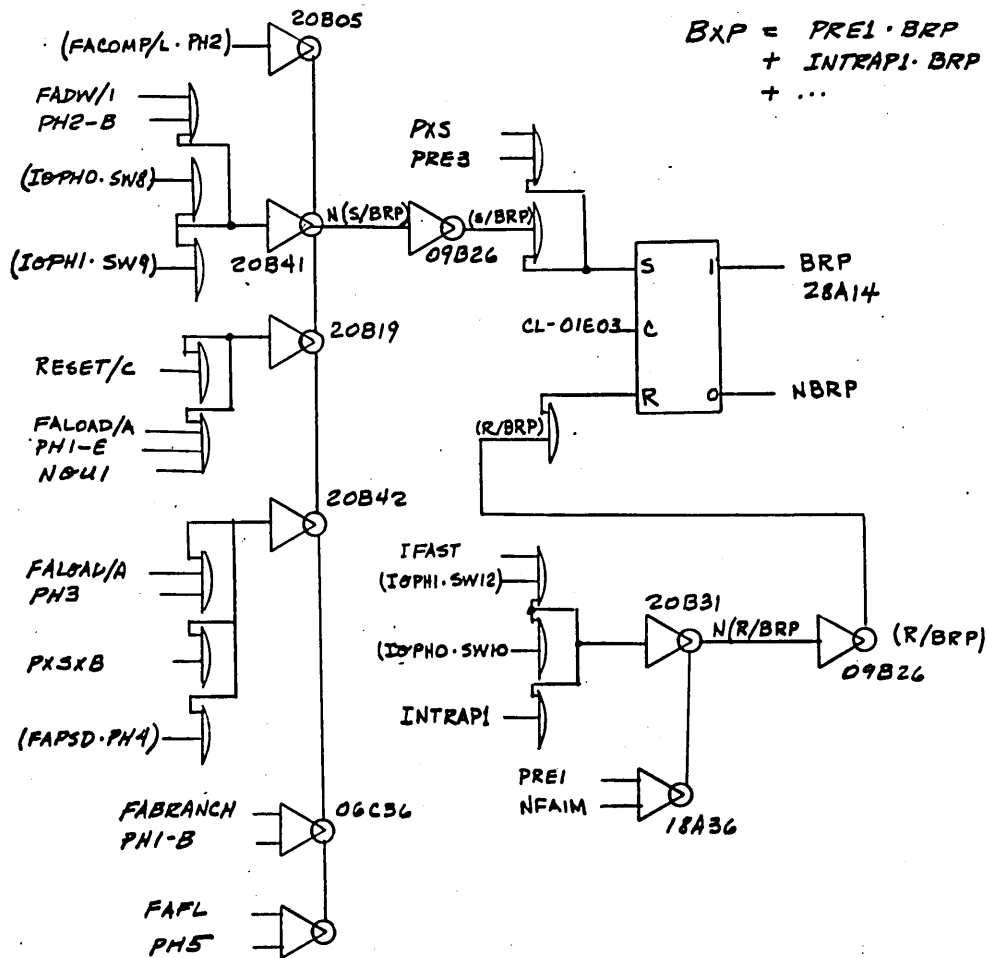
XDS 902306



| bit | location |
|--------|----------|
| 000/00 | 29L |
| 0/1 | 25L |
| 2/3 | 26L |
| 4/5 | 27L |
| 6/7 | 28L |
| 8/9 | 25M |
| 10/11 | 26M |
| 12/13 | 27M |
| 14/15 | 28M |
| 16/17 | 02P |
| 18/19 | 03P |
| 20/21 | 04P |
| 22/23 | 05P |
| 24/25 | 02Q |
| 26/27 | 03Q |
| 28/29 | 04Q |
| 30/31 | 05Q |

LT42 ADDER MODULE (1/2)

THE LOCATION OF THE PROGRAM ADDR. DURING AN INSTRUCTION IS HELD IN EITHER THE P OR B REGISTER. THE BRP FLIP FLOP POINTS TO P REGISTER WHEN IT IS SET, INDICATING THAT P CONTAINS THE PROGRAM ADDRESS. WHEN BRP IS RESET THE PROGRAM ADDRESS IS TRANSFERRED TO B. THIS PRESERVES THE ADDRESS WHEN A TRAP OCCURS AND PREVENTS P → B TRANSFER IN PRE1 FOLLOWING INTRAP SEQUENCE.



$$BXP = PRE1 \cdot BRP + INTRAP1 \cdot BRP + \dots$$

"BRP" LOGIC

NOTES ON PCP PHASES

XDS 902306

1. INTERRUPTS ARE INHIBITED DURING PCP PHASES BY DISABLING (S/INTRAP)

$$(S/INTRAP) = N(PCP2.NKRUN).NPCACT, \text{ WHERE } NPCACT = PCP1 + PCP3 + PCP4 + PCP5 + PCP6$$

2. I/O IS NOT DISABLED DURING PCP2 BUT IS INHIBITED DURING PCPACT

$$(S/IEN) = IDFS.PCP2/I + \dots$$

$$SCINH = PCPACT + \dots$$

3. THE SIGNALS LISTED BELOW ARE TRUE WHEN THE SWITCHS INDICATED ARE ENERGIZED

- SWK1 — "CLEAR" (CPU RESET AND SYSTEM RESET) OR "LOAD"
- SWK2 — "INSERT PSW1" OR "INSERT PSW2"
- SWK3 — "STORE INSTR ADDR" OR "STORE SELECT ADDR"
- SWK4 — "INSTR ADDR INCREMENT" OR "DISPLAY INSTR ADDR" OR "DISPLAY SELECT ADDR"
- SWK5 — "DISPLAY SELECT ADDR" OR "STORE SELECT ADDR"
- SWK6 — "COMPUTE RUN" OR "COMPUTE STEP"
- SWK12 = SWK1 + SWK2

| PHASE | FUNCTION PERFORMED | SIGNALS INVOLVED | COMMENTS |
|----------------------------|-----------------------|--|--|
| PH IO OR PCP 6 | | BRPCP1 = N(INT.IEN).NFUEXU.NIOSC .HALT/I.PHIO S/PCP1 = BRPCP1 + PCP6 | ENTERING PCP1 AT PHIO IS INHIBITED IF AN INTERRUPT REQ. IS PRESENT AND IEN IS TRUE |
| P C P 1 | PRESET D → S FOR PCP2 | S/SXD = PCP1 R/PCP1 = . S/PCP2 = PCP1 + RESET/KS | |

PCP PHASES

1 of 6

| PHASE | FUNCTION PERFORMED | SIGNALS INVOLVED | COMMENTS |
|-----------------------|---|--|---|
| P C P 2 | NO CONTROL SW. ACTIVE ⇒ R/HALT FF INHIBIT INTERRUPTS DURING IDLE D → S → DISPLAY LIGHTS | R/HALT = PCP2.NKAS/B (S/INTRAP) = I.PCP2.NKRUN S/SXD = PCP2/I.NRESET/C.NKCLRPSW/B .NIOCON PCP2/I = PCP2.NPCP3 (S/CXS) = PCP2/I.NIOCON. (KSTEP/B+KRUN/B) | SXD - ALSO PRESET DURING PCP1 |
| | COMPUTE STEP, RUN ⇒ PRESET CXS | PSWIXS = KCLRPSW1.NIOCON.NKAS/B (R/CCn) = (R/CC) (R/CC) = CCXS/O CCXS/O = PSWIXS PXS = PSWIXS | S = 0's because S/SXD is inhibited. n = 1 → 4 |
| I D L E | CLEAR PSW1 ⇒ 0 → PSW1 | PSW1XS = KCLRPSW1.NIOCON.NKAS/B | n = 24 → 27 |
| | CLEAR PSW2 ⇒ 0 → PSW2 | R/RPn = RPXS = PSW2XS | |
| P H A S E | CPU RESET ⇒ 02000000 → D | DX = RESET S/D6 = RESET/C | S = 0's, S/SXD INHIBITED |
| | 0 → PSW1 0 → PSW2 25 → P SET BRP | PSWIXS = RESET PSW2XS = RESET S/Pn = RESET/C, PX = PSWIXS S/BRP = RESET/C | n = 26, 29, 431 |
| | ANY CONTROL SWITCH (OTHER THAN RESET) ACTIVATED - GO TO PCP3 | R/PCP2 = PCP3 S/PCP3 = (PCP2/I.NIOCON.NDCSTOP) . (CLEARMEM + INT.KRUN + NHALT.KAS/I.KAS/2) | |

PCP

2 of 6

155094-B

SH 12

| PHASE | FUNCTION PERFORMED | SIGNALS XDS 902306 | COMMENTS |
|----------|---|--|----------------|
| PCP 5 | AVD → S PRESET B → S FOR PCP6 | PRESET IN PCP4 S/SXB = PCP5.NBRPCP5 | |
| | INSERT PSW1 → S → PSW1 | PSW1XS = PCP5.KPSW1/B | |
| | INSERT PSW2 → S → PSW2 | PSW2XS = PCP5.KPSW2/B | |
| | ENTER DATA → S → D S → C | RPXS = PSW2XS DXS = PCP5.KENTER/B CX5 | PRESET IN PCP4 |
| | DISPLAY INST. ADDR } DISPLAY SEL. ADDR } → C → D INST ADDR INCRE } | DXC = PCP5.SWK4 | |
| | STORE INST. ADDR } STORE SEL. ADDR } → WRITE CLEAR MEM } S → MB LOAD } | MBXS = PRESET IN PCP4 /MWO1 - /MWS1 = ZERO ⇐ READ OUT MEMORY = ONES ⇐ WRITE INTO MEMORY (CONTROLLED BY MBXS) | |
| | CLEAR MEM } → P+1 → P LOAD } S/DRQ BRPCP5 | PLC31 = PCP5.SWK1 S/MBXS = PCP5.SWK1 BRPCP5 = PCP5.CLEARMEM + PCP5.N(P28,P31).KFILL/B | |
| | LOAD → LOAD → A | S/SXA = BRPCP5 AXLOAD = PCP5.KFILL/B S/MRQ/2 = BRPCP5 | |
| | | R/PCP5 = . S/PCP6 = PCP5.NBRPCP5 | |

PCP

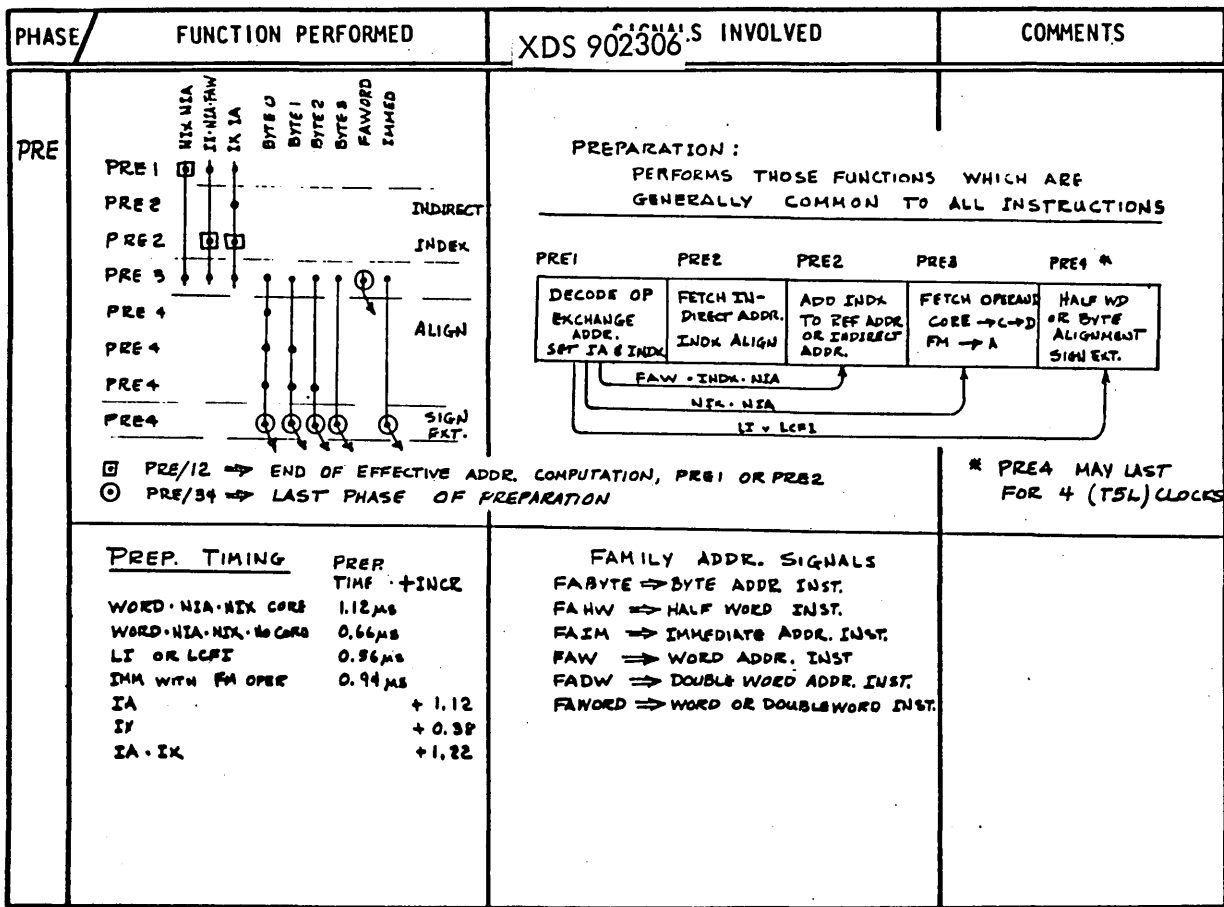
5 of 6

| PHASE | FUNCTION PERFORMED | SIGNALS INVOLVED | COMMENTS |
|----------|---|--|----------|
| PCP 6 | B → S PRESET IN PCP5 | | |
| | S/HALT | S/HALT = PCP6 | |
| | STORE SEL. ADDR } → S → P DISPLAY SEL. ADDR } | PXS = PCP6.SWK5 | |
| | INSERT PSW1 } INSERT PSW2 } → S → D CLEAR MEM } LOAD } | DXS = PCP6.SWK12 | |
| | LOAD → 25 → P | PX = PCP6.KFILL/B S/P26,29,31 = RESET/C RESET/C = PCP6.KFILL/B S/D6 = RESET/C | |
| | 02000000 → D | | |
| | | R/PCP6 = . S/PCP1 = PCP6 | |

PCP

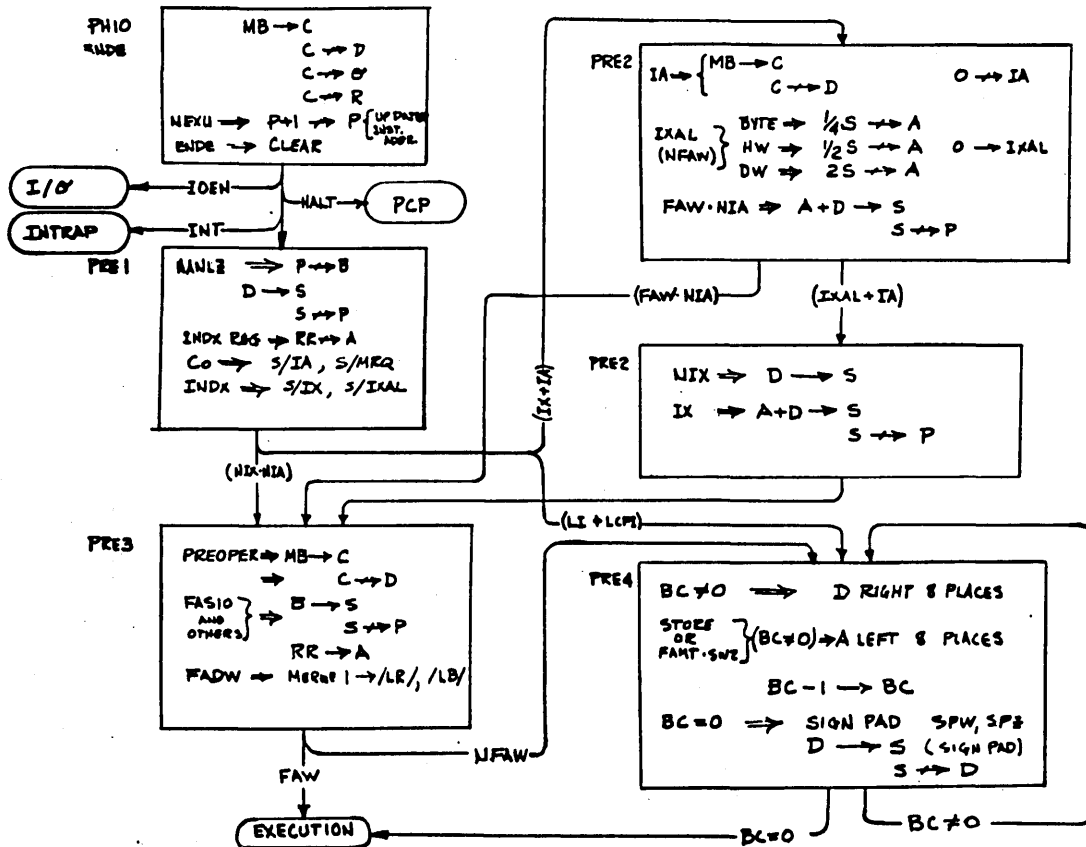
6 of 6

155094-B
SH14



PREPARATION

1 of 13



PREP.

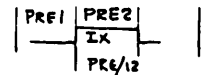
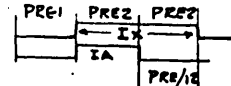

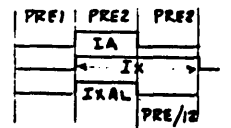
2 of 13

155094-B
SH15

| PHASE | FUNCTION PERFORMED | SIGNALS INVOLVED | COMMENTS |
|-------|---|---|--|
| PRE 1 | $NANLZ \Rightarrow P \rightarrow B$ $(REF\ ADDR) \Rightarrow D \rightarrow S$ $NFAIM \Rightarrow S \rightarrow P$ | $BXP/1 = BRP \cdot PRE1$ $S_n = PR_n$ $PXS = NFAIM \cdot PRE1$ | MOVE PROG. ADDR TO B. IF NOT IMMED INST, MOVE OPERAND REF ADDR TO P X FIELD TO LR INDX. INCR \rightarrow A |
| T5L | $(INDX) \Rightarrow DI214 \rightarrow /LR/$ $RR \rightarrow A$ | $/LR/ = DI2-14 \cdot LRXD$ $S/A_n = RR_n \cdot AXRR$ | |
| | $INDX \Rightarrow$ SET INDEX FLIP FLOP $INDX \cdot NFAW \Rightarrow$ SET INDEX ALIGN | $S/IX = INDX \cdot PRE1$ $S/IXAL = INDX \cdot PRE1 \cdot NFAW$ | |
| | $CO \Rightarrow$ { SET IA CORE MEM REQ | $S/IA = CO \cdot PRE1$ $S/MRQ/2 = CO \cdot PRE1 \cdot NFAIM$ | REQUEST INDIRECT ADDR. |
| | $FAW \cdot N(S/IA) \cdot INDX \Rightarrow$ PRESET $A+D \rightarrow S$ | $S/SXAPD = FAW \cdot PRE1 \cdot NCO \cdot INDX$ | |
| | $NFAW \cdot INDX \Rightarrow$ PRESET $A \rightarrow S$ | $S/SXA = (S/IXAL)$ | |
| | LI $LCFI$ } \Rightarrow PRESET $D \rightarrow S$ SIGN EXTEND | $S/SXD = (FULI + FULCFI) \cdot PRE1$ $S/SPIM = (FULI + FULCFI) \cdot PRE1$ $S/SPW = SPIM \cdot DI2$ $S/SPZ = SPIM \cdot ND12$ $BRPRE4 = (FULI + FULCFI) \cdot PRE1 \cdot NANLZ \cdot NCO$ | |
| | LI $LCFI$ } \Rightarrow BRANCH TO PRE4 | | |
| | $INDX$ $INDIRECT$ } \Rightarrow BRANCH TO PRE2 | $BRPRE2 = INDX \cdot PRE1 + CO \cdot PRE1$ | |
| | $ENABLE TRAP TO '40' \Rightarrow$ PRETR | $S/PRETR = PRE1 \cdot NANLZ$ | |
| | $IDLE MODE \Rightarrow$ SET HALT | $S/HALT = NKRUN \cdot PRE1 \cdot NFUEXU$ | |

PREP.

3 of 13

| PHASE | FUNCTION PERFORMED | SIGNALS INVOLVED | COMMENTS |
|-------|---|--|---|
| PRE 2 | <u>INDEX REG. ALIGN</u> $IXAL \Rightarrow$ { $0 \rightarrow IXAL$ $A \rightarrow S$ } $BYTE\ ALIGN \Rightarrow \frac{1}{4}S \rightarrow A$ $HALF\ WD\ ALIGN \Rightarrow \frac{1}{2}S \rightarrow A$ $DOUBLE\ WD.\ ALIGN \Rightarrow 2S \rightarrow A$ $S \rightarrow P$ | $R/IXAL = \cdot$ $S_n = PR_n$ $AXSR2 = IXAL \cdot PRE2 \cdot FABYTE$ $AXSR1 = IXAL \cdot PRE2 \cdot FAHW$ $AXSL1 = IXAL \cdot PRE2 \cdot FADW$ $PXS = PRE2 \cdot NFAIM$ | <u>PRE2 STATES</u> WORD INDEX ONLY  WORD IA & INDEX  IA ONLY  |
| | <u>INDIRECT ADDR.</u> $Clear\ IA \Rightarrow 0 \rightarrow IA$ $IA \Rightarrow$ { $MB \rightarrow C$ $C \rightarrow D$ } | $R/IA = \cdot$ $C_n = MB_n \cdot CXMB$ $DXC = IA \cdot PRE2$ | |
| | <u>SUB BUS PRESETS</u> $IA\ to\ BUS \Rightarrow D \rightarrow S$ $IA\ plus\ INDX \Rightarrow A+D \rightarrow S$ $RA\ plus\ INDX \Rightarrow A+D \rightarrow S$ | $S/SXD = IA \cdot NIX \cdot PRE2$ $S/SXAPD = IA \cdot IX \cdot PRE2 + IXAL \cdot PRE2$ | <u>INDEX ALIGN AND IA</u>  |
| | $SUSTAIN\ PRE2$ | $BRPRE2 = IXAL \cdot PRE2 + IA \cdot PRE2$ | |
| | $NBRPRE2 \Rightarrow PRE/12$ $PRE/12 = (PRE1 + PRE2) \cdot NBRPRE2$ | $PRE/12 = NIA \cdot NIXAL \cdot PRE2$ | |
| | $ANLZ \cdot IA \Rightarrow$ SET SWS | $S/SWS = ANLZ \cdot IA$ | |

PREP.

4 of 13

155094-B
SH 16

| PHASE | FUNCTION PERFORMED | SIGNALS INVOLVED | COMMENTS |
|------------|--|---|--|
| | | XDS 902306 | |
| PRE /12 | <p>PRE/12 ⇒ END OF ADDR VARIANT</p> <p>PREOPER ⇒ SET MEM REQUEST</p> <p>FABRANCH ⇒ SET MEM REQUEST EXECUTE SET DATA RELEASE ENABLE FM READ ⇒ PRESET RR → A</p> <p>AD } ⇒ PRESET MERGE 1 → /LR/ CD STD SD CLR S FAMULNH FASEL }</p> <p>FADW } ⇒ PRESET MERGE 1 → /LB/ EXCEPT FLOAT PT AND LAD }</p> <p>NINDEX ⇒ D → S</p> <p>INDEX ⇒ A + D → S → D</p> <p>FAIO ⇒ S → P</p> <p>NFAIM ⇒ S → P</p> <p>FADW ⇒ CRUSH S31</p> <p>SET T8L PRESET B → S</p> | <p>PRE/12 = PRE1 · NINDX · NCO + PRE2 · NIA · NIXAL</p> <p>S/MRQ/2 = PREOPER · PRE/12</p> <p>S/MRQ/1 = FABRANCH · PRE/12 · NANLZ</p> <p>S/DRQ/2 = OUG · OLT · PRE/12</p> <p>S/AXRR = PRE/12</p> <p>(S/LR31/1) = OUI · OLO + OUI · OLI + OUI · OLS + OUI · OLS + OUI · OLS + OUI · OLS</p> <p>(S/LR31/2) = FAMULNH + FASEL + (S/LR31/1)</p> <p>(S/LR31) = (S/LR31/2) · PRE/12</p> <p>(S/P31/1) = FADW · PRE/12 · N(O4 · O5) · N(OUI · OLB)</p> <p>S_n = PR_n</p> <p>S_n = (PR_n ⊕ K_n) SXADD</p> <p>DXS = FAIO · PRE/12</p> <p>PXS = NFAIM · PRE1 + PRE2</p> <p>S31INH = FADW · PRE/12</p> <p>S/T8L = PRE/12</p> <p>S/SXB = PRE/12 · NFAIM</p> | <p>FETCH OPERAND PREOPER IS ONLY THOSE INST WHICH REQ. READ- ING THE EFF. ADDR FROM MEMORY. PREOPER IS QUALIFIED WITH NANLZ</p> <p>BRINGS UP EVEN DOUBLE WORD ADDRES</p> |

PREP.

5 of 13

| PHASE | FUNCTION PERFORMED | SIGNALS INVOLVED | COMMENTS |
|-----------------|---|---|--|
| PRE 3 | <p>PROGRAM ADDR. BACK TO P B → S S → P</p> | <p>S_n = B_n · SBX</p> <p>PXS = FASIO · NFAIM · PRE3 · NANLZ + FUWAIT · PRE3 · NANLZ + FASEL · PRE3 · NOLT · NANLZ + FUEQL · PRE3 · NANLZ + FARWD · PRE3 · NANLZ + FAMDS · NFAIM · PRE3 · NANLZ</p> | <p>TRANSFER PROGRAM ADDR. BACK TO (P)</p> |
| T8L OR DR | <p>NFAWORD → LOAD BYTE COUNTER</p> <p>NFAWORD → SET SIGN EXTENSION</p> <p>NFAWORD } ⇒ PRESET D → S · NFUMH } ⇒ BRANCH TO PRE4</p> <p>FAST FUMI } ⇒ PRESET S → C FASEL }</p> | <p>S/BCO = NP32 · PRE3 · NPRE/34 · O1</p> <p>BCX = PRE3 · NPRE/34</p> <p>S/BC1 = NP33 · PRE3 · NPRE/34 · O07 (BC=1) → 0 1</p> <p>S/SPW = SPIM · D12 FAHW · C16 · P32 · PRE3</p> <p>SPIM = FAIM · PRE3</p> <p>S/SPZ = SPIM · ND12 + FAHW · NC16 · P32 · PRE3 + FABYTE · P32 · P33 · PRE3</p> <p>S/SXD = PRE3 · BRPRE4</p> <p>BRPRE4 = PRE3 · NPRE/34 · NANLZ</p> <p>S/CXS = FUMI · PRE3 + FAST · PRE3 + FASEL · PRE3</p> | <p>BYTE COUNT DECODE HCO 15C1 (BC=1) → 0 1</p> <p>PRE/34</p> |

PREP.

6 of 13

155094-B
SH17

| PHASE | FUNCTION PERFORMED | SIGNALS XDS 902306 | COMMENTS |
|---------------|--|--|--|
| PRE 3 CONT | <p>PREOPER → { MB → C C → D</p> <p>UNCONDITIONAL EXCEPT: FAST/M FAPSD STFC } { RR → A READ INHIBIT</p> <p>STCF ⇒ CF → A2431</p> <p>XPSD ⇒ PSWI → A</p> <p>FAST/M.06 ⇒ CC → A2831 CC → MC0407</p> <p>FAST/M.N06 ⇒ 1 → MC</p> <p>FAIO ⇒ 0 → /LR/</p> <p>FADW/I } FAST } ⇒ P-1 → P CLM }</p> <p>FULAD ⇒ { SET MEM. REQ. P+1 → P</p> | <p>$C_n = MB_n \cdot CXMB$ $DXC = PREOPER \cdot PRE3$</p> <p>$S/An = RR_n \cdot AXRE \cdot NAXREINH$ $AXRINH = FASTORE \cdot PRE3 \cdot 0L4$ + FAPSD · PRE3 + FAST/M · PRE3 + FARWD · 0LC · PRE3 $AXFC = FASTORE \cdot PRE3 \cdot 0L4$</p> <p>$AXPSWI = FAPSD \cdot PRE3$ $AXS = FAPSD \cdot PRE3$ $AXCC = FAST/M \cdot PRE3 \cdot 06$ $AX2 = FAST/M \cdot PRE3$ $S/MC7 = FAST/M \cdot PRE3 \cdot N06$</p> <p>$LRXZ = FUSIO \cdot PRE3$</p> <p>$PDC31 = FADW/I \cdot PRE3$ + FAST · PRE3 + FACOMP/L · PRE3 · 0U1</p> <p>$S/MRQ/2 = FALOAD/A \cdot 0UL \cdot PRE3$ $PUC31 = FULAD \cdot PRE3$</p> | <p>NFADW (C) : EL (D) : EL FADW/I (C) : ELV1 (D) : ELV1</p> <p>← STACK MULTIPLE AND LM, STM</p> <p>← STACK WORD</p> <p>FADW/I } ⇒ (P) : EWADDR. FAST } CLM }</p> |

PREP.

7 of 13

| PHASE | FUNCTION PERFORMED | SIGNALS INVOLVED | COMMENTS |
|--------------|---|---|--|
| PRE 4 T5L | <p>SIGN PAD ⇒ { D → S S → D S → C</p> <p>FULAD { MB → C C → D (P-1) → P</p> <p>RIGHT ALIGN D ⇒ LOAD LEFT ALIGN A ⇒ STORE</p> <p>PRESET SIGN PAD PRESET D → S PRESET NEGATIVE SIGN PRESET POSITIVE SIGN</p> <p>DECREMENT BYTE COUNTER</p> <p>COMPARE BYTE ⇒ 0 → A0023</p> <p>BC ≠ 0 ⇒ SUSTAIN PRE4</p> | <p>$S_n = PR_n^*$ $Dxs = BCZ \cdot PRE4 \cdot NFULAD$ $S/CXS = FADIVH \cdot PRE4$</p> <p>$C_n = MB_n \cdot CXMB$ $DXC = FULAD \cdot PRE4$ $PDC31 = FULAD \cdot PRE4$</p> <p>$DXDR8 = NBCZ \cdot PRE4$ $AXAL8 = FASTORE \cdot NBCZ \cdot PRE4$ + FAMT · SW2 · NBCZ · PRE4</p> <p>$S/SxD = PRE4 \cdot (BC=1)$ $S/SPW = FAHW \cdot DOB \cdot (BC=1) \cdot PRE4$ $S/SPZ = FAHW \cdot NDOB \cdot (BC=1) \cdot PRE4$ + FABYTE · (BC=1) · PRE4</p> <p>$BCDC1 = NBCZ \cdot PRE4$</p> <p>$AXZ/012 = FACOMP/I \cdot 0U7 \cdot PRE4$</p> <p>$BRPRE4 = PRE4 \cdot NBCZ$</p> | <p>* SEE SIGN PAD LOGIC. PROPOGATES ARE CRUSHED (SPZ) OR ENABLED (SPW) UPWARD FROM SIGN POSITION</p> |

PREP.

8 of 13

155094-B
SH 12

| PHASE | FUNCTION PERFORMED | XDS 902306 LS INVOLVED | COMMENTS |
|----------------------|--|---|--|
| PREP END PHASE | ADDER Presets $A + D \rightarrow S$ $A - D \rightarrow S$ $D - A \rightarrow S$ $A \rightarrow S$ $D \rightarrow S$ | $S/SXAPD = FAADD \cdot (PRE/34 + PH2)$ $+ FAST/A \cdot (PRE3 + PH1/F)$ $+ FAST/A \cdot PH8$ | PRE/34 IS THE LAST CLOCK DURING PREP. WHEN REG ALIGNMENT TAKES PLACE, PRE/34 IS COINCIDENT WITH PRE4. (BC=0). ELSE PRE/34 IS COINCIDENT WITH PRE3. |
| PRE /34 | | $S/SXAMD = FASUB \cdot (PRE/34 + PH2)$ | |
| | | $S/SXDMA = FUPLM \cdot (PRE3 + PH1/F)$ $+ FUPLM \cdot PH8$ | |
| | | $S/SXA = FASTORE \cdot PRE/34$ $+ FARWD \cdot (PRE/34 + PH2) \cdot NRZ$ $+ FANT \cdot PRE/34$ $+ FAPSD \cdot PRE3$ $+ FUMMC \cdot PRE3$ | |
| | | $S/SXD = FUINT \cdot PRE3$ $+ FALCFP \cdot PRE/34$ $+ FALOAD \cdot (PRE/34 + PH2)$ $+ FUXW \cdot PRE3$ | |

PREP.

9 of 13

| PHASE | FUNCTION PERFORMED | SIGNALS INVOLVED | COMMENTS |
|----------------------|---|--|----------|
| PREP END PHASE | ADDER Preset CONT. $D - 1 \rightarrow S$ $D + 1 \rightarrow S$ $A + 1 \rightarrow S$ $A - 1 \rightarrow S$ $-D \rightarrow S$ $A \wedge D \rightarrow S$ $NA \wedge D \rightarrow S$ $A \oplus D \rightarrow S$ $A \vee D \rightarrow S$ | $S/SXDMI = FUPLW \cdot (PRE3 + PH1/F + PH8)$ | |
| PRE /34 | | $S/SXDPI = FUPSW \cdot (PRE3 + PH1/F + PH8)$ | |
| | | $S/SXAPI = FUBIR \cdot PRE3$ | |
| | | $S/SXAMI = FUBDR \cdot PRE3$ | |
| | | $S/SXMD = FALOAD/C \cdot (PRE/34 + PH2)$ | |
| | | $S/PRXAD = FASEL \cdot PRE3 \cdot NOL7$ $+ OUL4 \cdot OLB \cdot PRE3$ | |
| | | $S/PRXNAD = FASEL \cdot PRE3 \cdot OLB7$ | |
| | | $S/SXAEORD = OUL4 \cdot OLB \cdot PRE3$ | |
| | | $S/SXAORD = OUL4 \cdot OLB \cdot PRE3$ | |

PREP.

10 of 13

155094-B
SH19

| PHASE | FUNCTION PERFORMED | SIGNALS INVOLVED XDS 902306 | COMMENTS |
|----------------------|---|--|---|
| PREP END PHASE | CORE READ/WRITE | $(S/MRQ) = [(S/MRQ/1) + (S/MRQ/2) + (S/MRQ/3) + (S/MBXS)]$ $\cdot N(ANLZ \cdot PRE3)$ | <p>ALL MEMORY REQUESTS ARE INHIBITED IF <u>$(ANLZ \cdot PRE3)$</u></p> |
| | SET MEMORY REQUEST | $(S/MRQ/1) = FUINT \cdot PRE3$ $+ FUWAIT \cdot PRE3$ $+ FASIO \cdot PRE3$ | |
| PRE /34 | SET MEM. REQ AND DATA REL. | $(S/MRQ/2) = FAPSD \cdot (PRE/34 + PH2)$ $+ (FAST/M \cdot PRE3 \cdot NOUO) \cdot 0LA$ $+ (S/MBXS)$ | |
| | SET MEMORY REQUEST DATA REL. DELAYED | $(S/MRQ/3) = FADW/L \cdot (PRE/34 + PH2)$ $+ FACOMP/L \cdot 0U1 \cdot PRE3$ | |
| | SET WRITE MEM. REQ. | $(S/MBXS) = FASTORE \cdot PRE/34$ $+ FANT \cdot SW2 \cdot PLE/34$ $+ FAPSD \cdot PRE3 \cdot 07$ | |
| | PRESET B → S | $S/SXB = FUBAL \cdot PRE3$ $+ FALOAD/A \cdot (PRE/34 + PH2)$ | |

PREP.

11 of 13

| PHASE | FUNCTION PERFORMED | SIGNALS INVOLVED | COMMENTS |
|----------------------|--------------------|--|--|
| PREP END PHASE | FAST MEMORY READ | $S/AXRR = FUSF.D23 \cdot PRE3$ $+ FUDW.NR31 \cdot PRE3$ $+ FASTORE \cdot PRE/34 \cdot NO2$ $+ (FAST/M \cdot PRE3 \cdot NOUO) \cdot 0LA$ $+ FUMMC \cdot PRE3$ $+ FUS \cdot PRE3$ | <p>SW8 is PHI sequence flip flops</p> <p>SW7 INDICATES SECOND PASS TO FAST SEQUENCE AND SIGN OF LOAD ABSOLUTE.</p> |
| | PRESET RR → A | | |
| PRE /34 | MERGE 1 → LR31 | $S/LR31 = FADW/L \cdot PRE3$ $+ FUMMC \cdot PRE3$ | |
| | FAST MEMORY WRITE | | |
| | PRESET S → RW | $S/RW = FUXW \cdot PRE3 \cdot NANLZ$ $+ FASII \cdot 0L1 \cdot (PRE/34 + PH2)$ $+ FUBAL \cdot PRE3 \cdot NANLZ$ $+ FUBDR \cdot PRE3 \cdot NANLZ$ $+ FUBIR \cdot PRE3 \cdot NANLZ$ | |
| | FAST → SET SW8 | $S/SW8 = FAST \cdot PRE3$ | |
| | FUMSP → SET SW7 | $S/SW7 = FAST \cdot PRE3 \cdot NO4$ $+ FULAWORDW \cdot NO4 \cdot PRE/34$ $+ FALOAD/A \cdot 0U5 \cdot ND16 \cdot PRE/34$ | |

PREP.

12 of 13

155094-B
SH 20

| PHASE | FUNCTION PERFORMED | XDS 902306 LS INVOLVED | COMMENTS |
|----------------------|---|--|----------|
| PREP END PHASE | (STM) ⇒ P-1 → P (LM) ⇒ R-1 → R | PDC31 = (FAST/M · PRES · NOUO) · NOLA RDC31 = (FACT/M · PRES · NOUO) · OLA | |
| PRE /34 | TIMING SELECT FLIP FLOPS T11L NBR ⇒ SET PHASE 1 BRANCH LOGIC <ul style="list-style-type: none"> (FADIV) ⇒ SET PH3 (FAMUL) ⇒ SET PH3 (LPSD) ⇒ SET PH3 (ANLZ) ⇒ SET PH5 (FUS) ⇒ SET PH5 (FUSF · ND23) ⇒ SET PH5 (LMVSTM) ⇒ SET PH6 FUSF · D23 ⇒ SET PH3 (FAMT · SWO) ⇒ SET PH8 (EXU) ⇒ SET PH10 | S/T11L = FACOMP/1 · (PRE/34 + PH2) + FAST · PRES + (ANLZ · PRES) + FACOMP/L · (PRE/34 + PH2) S/PH1 = PRE/34 · NBR BRPH3 = + FAMDS · PRE/34 · NBRPH5 · NANLZ + FAPSD · PRES · NANLZ · N07 BRPH5 = (ANLZ · PRES) + FUS · PRES + FUSF · PRES · ND23 BRPH6 = (FAST/M · PRES · NOUO) · NANLZ BRPH4 = FAMT · SW2 · PRE/34 BRPH10 = FUEXU · PRES · NANLZ | |

PREP.

13 of 13

| PHASE | FUNCTION PERFORMED | SIGNALS INVOLVED XDS 902306 | COMMENTS |
|------------------------------|---|---|--|
| PH 10 TSL OR DR | <p>END OF EXECUTION ⇒ ENDE</p> <p>MB → C</p> <p>C → D</p> <p>C₁₋₇ → 0 } →</p> <p>C₈₋₁₁ → R</p> <p>UPDATE PROGRAM ADDR.</p> <p>INCR. PROG. ADDR IF NOT AS NOTED } ① P+1 → P</p> <p>DECR. PROG. ADDR IF INST. IS TO BE REPEATED } ② P-1 → P</p> <p>REFERENCE ADDR. ⇒ PRESET D → S</p> | <p>ENDE = EXC · PHIO</p> <p>C_n = MB_n · CXMB</p> <p>DXC = PHIO</p> <p>0XC = PHIO</p> <p>PUC31 = N(FUEXU · ENDE) · NIOSC · PHIO · NHALT · N(INT · KRUN) · NKAHOLD</p> <p>PDC31 = FUEXU · (INT + IOSC) · ENDE + FUMMC · NMCE · ENDE · (INT + IOSC)</p> <p>S/SXD = PHIO</p> | <p>ENDE IS PHASE 10 FOR ALL INST.</p> <p>EXC IS SET WITH PRE1 AND INDICATES THAT INST. EXECUTION PRECEDED THIS PHIO.</p> <p>① FUNCTIONS WHICH PROG ADDR IS NOT UPDATE ARE (A.) EXECUTE INST (B.) IOSERVICE CALL (C.) INTERRUPT (D.) HALT (E.) P HOLD</p> <p>② INST. IS REPEATED IF MMC OF EXU CHAIN WAS TERMINATED BY INTERRUPT OR IO SERVICE CALL</p> |

ENDE

1 of 2

| PHASE | FUNCTION PERFORMED | SIGNALS INVOLVED | COMMENTS |
|-------|---|---|----------|
| PH 10 | <p>IOENABLE ⇒ IOEN</p> <p>INTERRUPT ENABLE ⇒ IEN</p> <p>SET ARITH OVERFLOWTRAP</p> <p>INDEX ⇒ { PRESET D08-11 → LR/ PRESET RR → A</p> <p>HALT ⇒ BRANCH TO PCPI</p> <p>ENABLE PRE1 ⇒ PRE1EN</p> <p>CLEAR & RESET/A</p> <p>CLEAR ⇒ ZERO → { PHASE F/F NBR SW_n MC_n ANLE BC_n DIOT_n EXC IX OVERIND DIOWD DIOIND INTRAP</p> | <p>S/IOEN = IOSC · PHIO · NIOINH</p> <p>IEN = KRUN · PHIO · NIOSC · NDCSTOP</p> <p>S/TRAP = AM · CC2 · PHIO · OVERIND</p> <p>S/LRXD = 0XC</p> <p>S/AXRR = PHIO</p> <p>BRPCPI = HALT/1 · PHIO · NFUEXU · NIOSC · N(INT · IEN) · N(S/TRAP)</p> <p>PRE1EN = N(S/TRAP) · N(S/INTRAP) · NIOSC · NHALT</p> <p>S/PRE1 = PRE1EN · PHIO</p> <p>CLEAR = PHIO + RESET/B</p> <p>RESET/A = CLEAR + ...</p> | |

ENDE

2 of 2

155094-B
SH 22

| PHASE | FUNCTION PERFORMED | SIGNALS INVOLVED | COMMENTS |
|-------|---|---|--|
| | | XDS 902306 | |
| PREP | <p>CONTENTS OF REGISTERS AT END OF PREPARATION</p> <p>NFADW/1 \Rightarrow (D) : EW</p> <p>" \Rightarrow (P) : PROG. ADDR.</p> <p>FADW/1 \Rightarrow (D) : EW v1</p> <p>" \Rightarrow (P) : EFF. ADDR.</p> <p>" \Rightarrow (B) : PROG ADDR.</p> <p>LOAD RELATED EVENTS DURING PREP.</p> <p>LI } \Rightarrow { SIGN PAD IMMED. LCFI } \Rightarrow { PRESET D \rightarrow S BRANCH TO PRE4</p> <p>FALOAD } \Rightarrow PRESET D \rightarrow S FALCFP }</p> <p>FALOAD/C \Rightarrow PRESET -D \rightarrow S</p> <p>FAS10 } \Rightarrow SET MEMORY REQUEST FADW/1 }</p> <p>FAS11 \Rightarrow SET FAST MEM WRITE</p> <p>FADW/1 \Rightarrow MERGE1 \rightarrow LR</p> | <p><u>INSTRUCTION FAMILIES</u></p> <p>FALOAD: LI, LB, LH, LW, LD, LAS, LMS</p> <p>FALOAD/C: LCH, LCW, LCD</p> <p>FALCFP : LCFI, LCF, LRP</p> <p>FALCF : LCFI, LCF</p> <p>FADW/1 : LD, LCD; ALSO: AD, SD, CD</p> <p>FAS10 : LI, LB, LH, LW, LCF, LCFI, LRP LCH, LCW, LAS, LMS plus others</p> <p>FAS11 : LI, LB, LH, LW, LD, LCH, LCW, LCD, LAS, LMS</p> <p>SPIM = (FULI + FULCFI) · PRE1</p> <p>S/SXD = (FULI + FULCFI) · PRE1</p> <p>BRPRE4 = (FULI + FULCFI) · PRE1 · NANL3</p> <p>S/SXD = FALOAD · (PRE/34 + PH2) + FALCFP · PRE/34</p> <p>S/SXMD = FALOAD/C · (PRE/34 + PH2)</p> <p>S/MRQ/1 = FAS10 · PRE/34</p> <p>S/MRQ/3 = FADW/1 · (PRE/34 + PH2)</p> <p>S/RW = FAS11 · (PRE/34 + PH2) · NOL1</p> <p>S/LR31 = FADW/1 · (NANL3 · PRE3)</p> | <p>INST DESCRIBED BY THIS SEQUENCE</p> <p>THESE FAMILIES INCLUDE SEVERAL TYPES OF INSTRUCTIONS</p> <p>PRE/34 IS LAST PHASE OF PREPARATION</p> <p>FAS10: FETCH NEXT INST FADW/1: FETCH EW</p> |

FALOAD: LI (22), LB (72), LH (52), LW (32), LD (12), LCH (5A), LCW (3A), LCD (1A), LCFI (02), LCF (70), LRP (2F)
1 of 3

| PHASE | FUNCTION PERFORMED | SIGNALS INVOLVED | COMMENTS |
|-------|---|--|------------------------------------|
| PH 1 | <p>FALOAD } \Rightarrow D \rightarrow S FALCFP } \Rightarrow S \rightarrow RR</p> <p>FALOAD/C \Rightarrow -D \rightarrow S</p> <p>FALCF \Rightarrow { S2427 \rightarrow CC S2431 \rightarrow FC</p> <p>FULRP \Rightarrow S2427 \rightarrow RP</p> <p>FAS11 \Rightarrow SET CC3 & CC4</p> <p>LOAD POSITIVE \Rightarrow SET CC3</p> <p>LOAD NEGATIVE \Rightarrow SET CC4</p> <p>FADW/1 { PRESET B \rightarrow S PRESET RR \rightarrow A</p> <p>FULCD \Rightarrow HOLD END CARRY</p> <p>FAS10 \Rightarrow BRANCH TO ENDE</p> | <p>S_n = PR_n</p> <p>S/RR_n = S_n · R_w</p> <p>CCXS/3 = FALCF · PH1 · R30</p> <p>FCXS = FALCF · PH1 · R31</p> <p>RPXS = FULRP · PH1</p> <p>TESTS = FAS11 · (PH1 + PH3)</p> <p>S/CC3 = SGTZ · TESTS</p> <p>S/CC4 = S₀ · TESTS</p> <p>S/SXB = FADW/1 · PH1</p> <p>S/AXRR = FADW/1 · PH1</p> <p>KOOHOLD = FADW/1 · PH1</p> <p>S/SWO/NZ = KOOHOLD</p> <p>BRPH10 = FAS10 · PH1</p> | <p>SGTZ: SUM GREATER THAN ZERO</p> |
| PH 2 | <p>RR \rightarrow A</p> <p>MB \rightarrow C</p> <p>C \rightarrow D</p> <p>B \rightarrow S</p> <p>S \rightarrow P</p> <p>PRESETS</p> <p>FULD \rightarrow PRESET D \rightarrow S</p> <p>FULCD \rightarrow PRESET -D \rightarrow S</p> <p>FADW/1 \rightarrow { PRESET FM WRITE MEM REA</p> | <p>S/An = RR_n · AXRR</p> <p>C_n = MB_n · CXMB</p> <p>DxC = FADW/1 · PH2</p> <p>S_n = B_n · SxB</p> <p>PxS = FADW/1 · PH2</p> <p>S/SXD = FALOAD · (PRE/34 + PH2)</p> <p>S/SXMD = FALOAD/C · (PRE/34 + PH2)</p> <p>S/RW = FAS11 · (PRE/34 + PH2)</p> <p>S/MRQ/3 = FADW/1 · PH2</p> | |

FALOAD

2 of 3

155094-B
SH 23

| PHASE | FUNCTION PERFORMED | SIGN XDS 902306 | COMMENTS |
|------------|--|---|----------|
| PH3 TBL | $\pm D \rightarrow S$ $S \rightarrow RR$ LD } \rightarrow SET CC3, CC4 VIA TESTS LCD } AND S3263Z LOAD POSITIVE \rightarrow SET CC3 LOAD NEGATIVE \rightarrow SET CC4 BRANCH TO ENDE | $S_n = PR_n$ $S/RR_n = S_n \cdot RW$ $TESTS = FAS11 \cdot (PH1 + PH3)$ $S3263Z = NSWO \cdot NTESTS$ $S/CC3 = SGTZ \cdot TESTS$ $S/CC4 = SO \cdot TESTS$ $BRPH10 = FADW/i \cdot PH3$ | |
| PH10 DR | NORMAL ENDE | | |

FALOAD

3 of 3

| PHASE | FUNCTION PERFORMED | SIGNALS INVOLVED | COMMENTS |
|------------|--|---|--|
| PREP | CONTENTS OF REGISTERS AT THE END OF PREPARATION $LAD \rightarrow (D) : EW1$ $FALOAD/A \cdot N0U1 \rightarrow (D) : EW$ $FALOAD/A \rightarrow \begin{cases} (A) : RR \\ (P) : EW ADDR. \\ (B) : PROG. ADDR. \end{cases}$ $FALOAD/A \Rightarrow$ PRESET $B \rightarrow 9$ POS SIGN \Rightarrow SET SW7 | INSTRUCTION FAMILY $FALOAD/A : LAH, LAW, LAD$ $FULAWORDW : LAW OR LAD$ $S/SxB = FALOAD/A \cdot (PRE/34 + PH2)$ $S/SW7 = FULAWORDW \cdot NDO \cdot PRE/34$ $+ FALOAD/A \cdot OUS \cdot ND16 \cdot PRE/34$ | $FALOAD/A \cdot N0U1 \Rightarrow LAH, LAW$ $RR \rightarrow A$ IS AUTO FUNCTION AND CONTENTS OF RR ARE NOT USED BY THIS SEQUENCE. |
| PH1 T5L | $B \rightarrow S$ $FALOAD/A \cdot N0U1 \rightarrow S \rightarrow P$ $FALOAD/A \rightarrow$ SET CORE MEM REQ. \rightarrow SET FM WRITE POS. SIGN \rightarrow SET $D \rightarrow S$ NEG. SIGN \rightarrow SET $-D \rightarrow S$ MERGE 1 $\rightarrow /LR31/$ | $S_n = B_n \cdot SxB$ $PXS = FALOAD/A \cdot N0U1 \cdot PH1$ $S/MRQ/3 = FALOAD/A \cdot (PH1 + PH3)$ $S/RW = FALOAD/A \cdot (PH1 + PH3)$ $S/SXD = FALOAD/A \cdot (PH1 + PH3) \cdot SW7$ $S/SXMD = FALOAD/A \cdot (PH1 + PH3) \cdot NSW7$ $S/LR31 = FULAD \cdot PH1$ | $S/MRQ/3 \Rightarrow$ CORE REQ WITH DATA RELEASE AUTO. SET ON FOLLOWING CLOCK. LAD: FETCH EWO NLAD: FETCH NEXT INST |

"FALOAD/A" (Load Absolute): LAH (5B), LAW (3B), LAD (1B)

1 of 3

155094-B
SH 24

| PHASE/ | FUNCTION PERFORMED | XDS 902306 INVOLVED | COMMENTS |
|------------|---|--|--|
| PH2 T8L | $\pm D \rightarrow S$ $S \rightarrow RR$ FALOAD/A \Rightarrow PRESET B \rightarrow S SET CC3 AND CC4 VIA TESTS SUM \neq 0 \Rightarrow SET SWO END CARRY HOLD OVERFLOW \Rightarrow SET CC2 N(LAD) \Rightarrow BRANCH TO PH10 | $S_n = PR_n$ $S/RR_n = S_n \cdot R_w$ $S/SXB = FALOAD/A \cdot (PRE/34 + PH2)$ $TESTS = FALOAD/A \cdot PH2$ $S/SWO = KOOHOLD \cdot NS00313$ $KOOHOLD = FALOAD/A \cdot PH2$ $S/FL3 = KOOHOLD \cdot K00$ $PROBOVER = FALOAD/A \cdot PH2 \cdot N01$ $BRPH10 = FALOAD/A \cdot PH2 \cdot N011$ | LOAD EWO NO OVFL INDICATION FOR LAM INST |
| PH3 DR | $B \rightarrow S$ $S \rightarrow P$ LAD \Rightarrow { SET CORE MEM. REQ SET FM WRITE $MB \rightarrow C$ $C \rightarrow D$ POS. SIGN \Rightarrow PRESET D \rightarrow S NEG. SIGN \Rightarrow PRESET -D \rightarrow S FL3 \Rightarrow PRESET K31 | $S_n = B_n \cdot SxB$ $PXS = FALOAD/A \cdot PH3$ $S/MRQ3 = FALOAD/A \cdot (PH1 + PH3)$ $S/RW = FALOAD/A \cdot (PH1 + PH3)$ $C_n = MB_n \cdot MBxC$ $DxC = FALOAD/A \cdot PH3$ $S/SXD = FALOAD/A \cdot (PH1 + PH3) \cdot NDO$ $S/SXMD = FALOAD/A \cdot (PH1 + PH3) \cdot DO$ $S/K31 = FALOAD/A \cdot PH3 \cdot FL3$ | LAD - ONLY FETCH NEXT INST |

FALOAD/A

2 of 3

| PHASE/ | FUNCTION PERFORMED | SIGNALS INVOLVED | COMMENTS |
|----------------------|--|---|--|
| PH4 T8L | $\pm D \rightarrow S$ $S \rightarrow RR$ SET CC3 AND CC4 VIA TESTS LOAD \neq 0 \Rightarrow SET CC3 SUM GREATER THAN ZERO OVERFLOW \Rightarrow SET CC2 BRANCH TO ENDE | $S_n = PR_n$ $S/RR_n = S_n \cdot R_w$ $TESTS = FALOAD/A \cdot PH4$ $S/CC3 = SGTZ \cdot TESTS$ $S3263Z = NTESTS/1 \cdot NSWO$ $SGTZ = NS0063 \cdot NS0$ $PROBOVER = FALOAD/A \cdot PH4$ $S/OVERIND = PROBOVER$ $S/CC2 = PROBOVER \cdot (500 \oplus 50)$ $BRPH10 = FALOAD/A \cdot PH4$ | $S0063 = 0$ CC3 CC4 $S0068 > 0$ 0 0 |
| PH10 (ENDE) DR | NORMAL ENDE | $S/TRAP = ENDE \cdot CC2 \cdot AM \cdot OVERIND$ | |

FALOAD/A

3 of 3

155094-B
SH 25

| PHASE | FUNCTION PERFORMED | SIGNALS INVOLVED | COMMENTS |
|-------|---|---|------------|
| PREP | <p>FUNCTIONS RELATED TO OPERAND MEMORY CYCLE</p> <p>SET MEMORY REQUEST LAS, LMS ⇒ PREOPER OPERATING MODE.</p> <p>SET MEMORY WRITES</p> <p>END PREP EVENTS PRESET D → S SET FAST MEMORY WRITE REQUEST NEXT INST.</p> <p>CONTENTS OF REGISTERS AT END OF PREP</p> <p>(D) : EW (P) : PROG. ADDR.</p> | <p>S/MRQ/1 = PREOPER. PRE/12</p> <p>OM = FALOAD. PRE 3. NOL2 /OM/ = BCD * DM</p> <p>/MWO/ = BCD * B * + . MBXS/0 + . MWXCC. CCI</p> <p>/MW1/ = BCD * B * + . MBXS/1 + . MWXCC. CC2</p> <p>/MW2/ = BCD * B * + . MBXS/2 + . MWXCC. CC3</p> <p>/MW3/ = BCD * B * + . MBXS/3 + . MWXCC. CC4</p> <p>S/SXD = FALOAD . PRE/34 S/RW = FAS11. PRE/34. NOL1 S/MRQ/1 = FAS10. PRE/34</p> | SEE FALOAD |

LAS(26), LMS(2D)

| PHASE | FUNCTION PERFORMED | SIGNALS INVOLVED | COMMENTS |
|-------------|---|---|----------|
| PH 1 | <p>FALOAD ⇒ D → S S → RR</p> <p>FAS11 ⇒ SET CC3, CCA POSITIVE ⇒ NEGATIVE ⇒</p> <p>FAS10 ⇒ BRANCH TO ENDE</p> | <p>$S_n = PR_n$ $S/RR_n = S_n \cdot R_w$</p> <p>TESTS = FAS 11. (PH 1 + PH 3) $S/CC3 = SGTZ . TESTS$ $S/CC4 = S_0 . TESTS$</p> <p>BRPH10 = FAS10. PH 1</p> | |
| PH 10 DR | NORMAL END | | |

LAS(26), LMS(2D)

| PHASE/ | FUNCTION PERFORMED | XDS 902306 INVOLVED | COMMENTS |
|--------|---|---|---|
| PREP | <p><u>CONTENTS OF REGISTERS AT THE END OF PREPARATION</u></p> <p>(D) : EW (A) : RR (P) : PROG. ADDRESS</p> <p>AND → PRESET A ∧ D → S OR → PRESET A ∨ D → S EOR → PRESET A ⊕ D → S FASIO → SET CORE MEM. REQ. FASII → SET FM WRITE</p> | <p><u>INSTRUCTION FAMILIES</u></p> <p>FASIO : AND, OR, EOR, PLUS OTHERS FASII : AND, OR, EOR, PLUS OTHERS</p> <p>0U4-0L9 : EOR 0U4-0L9 : OR 0U4-0LB : AND } FALOGIC</p> <p>S/PRIAD = 0U4-0LB · PRE3 S/SXABD = 0U4-0L9 · PRE3 S/SXAEOR = 0U4-0LB · PRE3 S/MRQ/1 = FASIO · PRE/34 S/RW = FASII · (PRE/34 + PH2) · ND1</p> | <p>THESE FAMILIES INCLUDE SEVERAL TYPES OF INSTRUCTIONS</p> <p>FETCH NEXT INST.</p> |

OR (49), EOR (48), AND (48)

1 of 2

| PHASE/ | FUNCTION PERFORMED | SIGNALS INVOLVED | COMMENTS |
|---------------------|--|---|---|
| PH 1 T8L | <p>AND → A ∧ D → S OR → A ∨ D → S EOR → A ⊕ D → S S → RR</p> <p>FASII → SET CC1 & CC2 VIA TESTS FASIO → BRANCH TO ENDE</p> | <p>$S_n = PR_n$</p> <p>$S/RR_n = S_n \cdot RW$</p> <p>TESTS = FASII · (PH1 + PH3) S/CC3 = SGTZ. TESTS S/CC4 = SO · TESTS BRPHIO = FASIO · PH1</p> | <p>WHERE n IS DEFINED AS EACH OF 32 BITS</p> <p>SEE FAARITH, PH3 SEQUENCE FOR TESTS DETAILS</p> |
| PH 10 ENDE DR | NORMAL ENDE | | |

OR, EOR, AND

2 of 2

155094-B
SH 27

| PHASE | FUNCTION PERFORMED | SIG XDS 902306 | COMMENTS |
|-------|--|---|---|
| PREP | <p>CONTENTS OF REGISTERS AT THE END OF PREPARATION</p> <p>NFADW/I → { (D) : SW (A) : RR0031 (P) : PROG ADDR</p> <p>FADW/I → { (D) : EWV1 (A) : RRv1 (P) : EW ADDR. (B) : PROG ADDR.</p> <p>EVENTS DURING PREP.</p> <p>FAADD → PRESET A + D → S</p> <p>FASUB → PRESET A - D → S</p> <p>FASIO } → SET MEMORY REQUEST</p> <p>FADW/I }</p> <p>FASII → SET FAST MEMORY WRITE</p> <p>FADW/I → MERGE I → LR</p> | <p>INSTRUCTION FAMILIES</p> <p>FAARITH : AD, AI, AW, AH, SD, SW, SH</p> <p>FAADD : AD, AI, AW, AH, AWM</p> <p>FASUB : SD, SW, SH, CD, CE, CW, CH, CB CLM, CLC</p> <p>FASIO : AW, AI, AH, SW, SH, PLUS OTHERS</p> <p>FASII : AD, AW, AI, AH, SD, SW, SH PLUS OTHERS</p> <p>FADW/I : AD, SD ALSO LD, LCD, CD</p> <p>S/SXAPD = FAADD · (PRE/34 + PH2)</p> <p>S/SXAMD = FASUB · (PRE/34 + PH2)</p> <p>S/MRQ/1 = FASIO · PRE/34</p> <p>S/MRQ/3 = FADW/I · (PRE/34 + PH2)</p> <p>S/RW = FASII · (PRE/34 + PH2) · NOL1</p> <p>S/LR31 = FADW/I · (NANLZ · PRE3)</p> | <p>← INST(s) COVERED BY THIS SEQUENCE</p> <p>THESE FAMILIES INCLUDE SEVERAL TYPES OF INSTRUCTIONS, SEE COMBINED LISTS P.</p> <p>PRE/34: LAST PHASE OF PREP</p> <p>PH2: REPEAT FOR FADW/I</p> <p>FASIO: FETCH NEXT INST.</p> <p>FADW/I: FETCH EW</p> |

FAARITH: AI(20), AH(50), AW(30), AD(10), SH(58), SW(38), SD(18)

1 of 4

| PHASE | FUNCTION PERFORMED | SIGNALS INVOLVED | COMMENTS |
|-------|--|--|--|
| PH 1 | <p>FAADD → A + D → S</p> <p>FASUB → A - D → S</p> <p>S → RR</p> <p>FASII → PROBE CCI #CC2 VIA TESTS</p> <p>FAARITH → { PROBE OVERFLOW SET CCI IF END CARRY</p> <p>FADW/I → { PRESET B → S PRESET RR → A SAVE S ≠ 0 HOLD END CARRY</p> <p>FASIO → BRANCH TO ENDE</p> <p>END CARRY → SET CCI</p> <p>OVERFLOW → SET CC2</p> <p>POSITIVE RESULT → SET CC3</p> <p>NEGATIVE RESULT → SET CC4</p> | <p>$S_n = (PR_n \oplus K_n) \cdot SXADD$</p> <p>$SXADD = GXAD + GXNAD + GXAND + K31$</p> <p>$RR_n = S_n \cdot R_w$</p> <p>TESTS = FASII · (PH1 + PH3)</p> <p>PROBE OVER = FAARITH · (PH1 + PH3)</p> <p>CCIXK00 = FAARITH · (PH1 + PH3)</p> <p>S/SXB = (FADW/I · PH1)</p> <p>S/AXRR = (FADW/I · PH1)</p> <p>S/SWO/NZ = K00HOLD · NS0031Z</p> <p>S/FL3 = K00HOLD · K00</p> <p>K00HOLD = FADW/I · PH1 + FALOAD/A · PH2</p> <p>BRPH10 = FASIO · PH1</p> <p>S/CCI = CCIXK00</p> <p>S/CC2 = PROBE OVER · (S00 ⊕ S0)</p> <p>S/OVERIND = PROBE OVER</p> <p>S/CC3 = SGTZ · TESTS</p> <p>S/CC4 = S0 · TESTS</p> | <p>WHERE n is defined as each of 32 bits</p> <p>FADW/I → S → RRv1</p> <p>SEE PH3 OF THIS SEQUENCE FOR TESTS, OVERFLOW, AND END CARRY DETAILS FOR DOUBLEWORD ADD MOST SIGNIFICANT HALF.</p> |

FAARITH

2 of 4

155094-B
SH 28

| PHASE | FUNCTION PERFORMED | SIGNALS INVOLVED | COMMENTS |
|------------|---|--|---|
| PH 2 DR | <p> $B \rightarrow S$ $S \rightarrow P$ $MB \rightarrow C$ $C \rightarrow D$ $RR \rightarrow A$ </p> <p> FADW/I → PRESET A + D → S FASUB → PRESET A - D → S FADW/I → SET CORE MEM. REQ. </p> <p> DOUBLE PRECISION ADD OR SUBTRACT END CARRY GOES TO LSB CARRY $K00[PH2] \rightarrow K31[PH3]$ </p> <p> FAS11 → PRESET WRITE TO FM </p> | <p> $S_n = B_n \cdot SXB$ $PXS = FADW/I \cdot PH2$ $C_n = MB_n \cdot CXMB$ $DXC = FADW/I \cdot PH2$ $S/A_n = RR_n \cdot AXRR$ </p> <p> $S/SXAPD = FAADD \cdot (PRE/34 + PH2)$ $S/SXAMD = FASUB \cdot (PRE/34 + PH2)$ $S/MRQ/3 = FADW/I \cdot (PRE/34 + PH2)$ </p> <p> $S/K31 = FADW/I \cdot PH2 \cdot FL3$ </p> <p> $S/RW = FAS11 \cdot (PRE/34 + PH2) \cdot NOL$ </p> | <p>FADW/I ONLY</p> <p>XPER PROG ADDR TO P REQ.</p> <p>FETCH NEXT INST</p> <p>K31 IS BUILT UPSIDE DOWN</p> |

FAARITH

3 of 4

| PHASE | FUNCTION PERFORMED | SIGNALS INVOLVED | COMMENTS |
|--------------|---|--|---|
| PH 3 TILL | <p> $FAADD \rightarrow A + D \rightarrow S$ $FASUB \rightarrow A - D \rightarrow S$ $S \rightarrow RR$ </p> <p> PROBE CC3 & CC4 WITH TESTS </p> <p> $NSWO \rightarrow 53263 = 0$ </p> <p> POSITIVE RESULT → SET CC3 NEGATIVE RESULT → SET CC4 PROBE OVERFLOW </p> <p> SET CC1 IF END CARRY BRANCH TO ENDE </p> | <p> $S_n = (PR_n \oplus K_n) \cdot SXADD$ $SXADD = GXAD + GXND + GXAND + K31$ $RR_n = S_n \cdot R_w$ </p> <p> $TESTS = FAS11 \cdot (PH1 + PH3)$ </p> <p> $53263E = NTESTS/I \cdot NSWO$ $SGTz = (50063 \neq 0) \cdot NSO \cdot NFACOMP$ $S/CC3 = SGTz \cdot TESTS$ $S/CC4 = SO \cdot TESTS$ </p> <p> $PROBEVER = FAARITH \cdot (PH1 + PH3)$ $S/CC2 = PROBEVER \cdot (500 \oplus 50)$ $S/OVERIND = PROBEVER$ $CC1XK00 = FAARITH \cdot (PH1 + PH3)$ $S/CC1 = CC1XK00 \cdot K00$ </p> <p> $BRPH10 = FADW/I \cdot PH3$ </p> | <p>MOST SIGNIFICANT HALF OF DOUBLEWORD ADD.</p> <p>SWO (53263 ≠ 0) INTO SGTz (SUM GREATER THAN ZERO)</p> <p>CONDITION CODES SET IN PHASE 1 ARE OVERRIDEN BY R/CC DURING PH3</p> |
| ENDE DR | <p> $AM(ARITH.NASL) \rightarrow TRAP TO '43' ON OVERFLOW$ </p> <p> NOL MA: ENDE </p> | <p> $S/TRAP = ENDE \cdot CC2 \cdot AM \cdot OVERIND$ $S/TR30 = ENDE \cdot CC2 \cdot AM \cdot OVERIND$ $S/TR31 = ENDE \cdot CC2 \cdot AM \cdot OVERIND$ </p> | |

FAARITH

4 of 4

155094-B
SH 29

| PHASE | FUNCTION PERFORMED | SIGNALS INVOLVED XDS 902306 | COMMENTS |
|-------|---|--|---|
| PRE | <p>CONTENTS OF REGISTERS</p> <p>(A) : RR (NOT USED)</p> <p>(D) : EFF. LOCATION</p> <p>(B) : PROG. ADDR.</p> <p>(P) : EFF. ADDR.</p> <p>PRESET A → S</p> <p>INTRAP → TEST FOR FAMT</p> | <p>S/SXA = FAMT · PRE/34</p> <p>S/HALT = INTRAP · PRETR (FAMT + XPS3)</p> | <p>FAMT</p> <p>MTW (33)</p> <p>MTH (53)</p> <p>MTB (73)</p> |
| PH 1 | <p>(R ≠ 0) ⇒ SET SW2</p> <p>R POSITIVE (NR28) ⇒ R → A</p> <p>R NEGATIVE (R28) ⇒ NR → A</p> <p>R > 0 ⇒ PRESET A + D → S</p> <p>R < 0 ⇒ PRESET D - A - 1 → S</p> <p>R = 0 ⇒ PRESET D → S</p> <p>INTRAP ⇒ SET INTERRUPT CLOCK ENABLE</p> | <p>S/SW2 = FAMT · PH1 · NRZ</p> <p>AXR = FAMT · PH1 · NR28</p> <p>AXNR = FAMT · PH1 · R28</p> <p>S/SXAPD = FAMT · PH1 · NR28 · NRZ</p> <p>S/SXDMAM1 = FAMT · PH1 · R28</p> <p>S/SXD = FAMT · PH1 · RZ</p> <p>S/CEINT = FAMT · PH1 · INTRAP</p> | <p>Align Mod?</p> <p>STORE MOD</p> |
| T5L | | | |

"FAMT": MTB (73), MTH (53), MTW (33)

1 of 4

| PHASE | FUNCTION PERFORMED | SIGNALS INVOLVED | COMMENTS |
|-------|--|--|--|
| PH 2 | <p>MTH } · (R ≠ 0) ⇒ LOAD BYTE</p> <p>MTB } COUNTER</p> <p>R > 0 ⇒ A + D → S</p> <p>R < 0 ⇒ D - A - 1 → S</p> <p>R = 0 ⇒ D → S</p> <p>S → A</p> <p>NINTRAP</p> <p>SET CC3 & CC4 VIA TESTS</p> <p>RESULT POS ⇒ SET CC3</p> <p>NEG ⇒ SET CC4</p> <p>END CARRY ⇒ SET CC1</p> <p>BYTE END CARRY</p> <p>FUMTB ⇒ SET FLAG3</p> <p>OVERFLOW ⇒ SET CC2</p> <p>HALF WD OVEL</p> <p>MTB → CRUSH S23</p> <p>END CARRY → CC1</p> <p>PHASE 2 CONTINUED</p> | <p>S/BCL0 = FAMT · PH2 · 01 · NP32 · NRZ</p> <p>S/BCL1 = FAMT · PH2 · 0U7 · NP33 · NRZ</p> <p>BCK = FAMT · PH2 · 01 · NRZ</p> <p>S_n = (K_n ⊕ PR_n) · SXADD + PR_n</p> <p>AXS = FAMT · PH2</p> <p>TESTS = FAMT · PH2 · NINTRAP</p> <p>SGT Z = (S00G3 ≠ 0) · NS0 · NFACOMP</p> <p>S/CC3 = TESTS · SGT Z</p> <p>S/CC4 = TESTS · S0</p> <p>CC1 X K00 = FAMT · PH2 · NINTRAP</p> <p>CC1 X K23 = FAMT · PH2 · NINTRAP · 0U7</p> <p>S/FL3 = CC1 X K23</p> <p>PROB OVER = FAMT · PH2 · NINTRAP</p> <p>PROB OVER/H = FAMT · PH2 · NINTRAP · 0U5</p> <p>OVERIND = PROB OVER</p> <p>S/CC2 = PROB OVER · (S00 ⊕ S0) + PROB OVER/H · (S15 ⊕ S16)</p> <p>S23 = I · CC1 X K23</p> <p>S/CC1 = K23 · CC1 X K23 (BYTE) + K00 · CC1 X K00 (WORD)</p> | <p>* TIMING</p> <p>NINTRAP } = TBL</p> <p>R ≠ 0 }</p> <p>R = 0 = T5L</p> <p>INTRAP = COUNT</p> |

FAMT

2 of 4

155094-B
SH 30

| PHASE | FUNCTION PERFORMED | SIGNALS INVOLVED XDS 902306 | COMMENTS |
|--------------------|---|---|---|
| PH 2 | INTRAP → { EXIT HIGHEST PRIORITY ARM HIGHEST PRIORITY TEIGGER COUNT ZERO PRESET A → S (R≠0) · MTW → SET CORE WRITE { R=0 OR MTW } ⇒ BRANCH TO PH8 | LEVACT = FAMT. PH2. INTRAP LEVARM = FAMT. PH2. INTRAP CNTZERO = FAMT. PH2. INTRAP. S0031Z S/SXA = FAMT. (PRE/34 + PH2) S/MBXS = FAMT. PH2. N01. NRZ BRPH8 = FAMT. PH2. (RZ + N01) | |
| PH 3 TSL | MTH. OVFL. NINTRAP } ADJUST SIGN OR MTB · NINTRAP } MTH. OVFL ⇒ EXCHANGE CC3 ↔ CC4 MTB ⇒ TEST BYTE = 0 FUMTSIGN ⇒ CC3 & CC4 RESET BRANCH TO PRE4 FOR PREWRITE ALIGN | FUMTSIGN = FAMT. PH3. NINTRAP. (CG2 + N05) FUMTOVER = FUMTSIGN. NFL3 S/CC3 = FUMTOVER. CC4 S/CC4 = FUMTOVER. CC3 S/CC3 = FUMTSIGN. FL3. NS1631Z R/CC3 = FUMTSIGN R/CC4 = FUMTSIGN BRPRE4 = FAMT. PH3 | SIG23 WILL BE ZERO DUE TO PH2 (CRUSH 523) |

FAMT

3 of 4

| PHASE | FUNCTION PERFORMED | SIGNALS INVOLVED | COMMENTS |
|----------------------|---|---|----------|
| PRE 4 TSL | LEFT ALIGN A BRANCH TO PH8 SET A → S SET CORE MEM. WRITE BC ≠ 0 SUSTAIN PH4 | AXAL8 = FAMT. SW2 · NBC2 · PRE4 BRPH8 = FAMT. SW2 · PRE/34 S/SXA = FAMT. PRE/34 S/MBXS = FAMT. SW2 · PRE/34 BPPRE4 = PRE4. NBC2 | |
| PH 8 DR | A → S S → MB | S _n = PR _n MB _n = S _n · MBXS | |
| PH 9 TSL | B → S → P SET CORE MEM REQ RESET INTRAP | PXSXB = NFAFL · NFAMDS · PH9 S/MRQ/2 = PXSXB R/INTRAP = FAMT. PH9 | |
| PH 10 ENDE | NORMAL ENDE | | |

FAMT

4 of 4

 155094-B
 SH 31

| PHASE | FUNCTION PERFORMED | SIGN XDS 902306 | COMMENTS |
|-------|---|---|---|
| PREP | <p><u>CONTENTS OF REGISTERS AT THE END OF PREPARATION</u></p> <p>STCF ⇒ (A) : BYTE ALIGNED CF STB ⇒ (A) : BYTE ALIGNED R₂₀₃₁ STH ⇒ (A) : HW ALIGNED R₁₆₃₁ STW ⇒ (A) : R₀₀₃₁ STD ⇒ (A) : RV1 XW } ⇒ (A) : R₀₀₃₁ AWM } ⇒ (D) : EW (B) : PROG. ADDR. (P) : EFF. ADDR STD ⇒ (P) : EFF. ADDR v1</p> <p>EVENTS DURING PREP</p> <p>STCF ⇒ INHIBIT R → A ENABLE CF → A</p> <p>STCF } ⇒ LEFT. ALIGN A STB } STH }</p> <p>AWM ⇒ PRESET A + D → S XW ⇒ { PRESET D → S SET FM WRITE</p> <p>FASTORE ⇒ { SET CORE MEM REQ PRESET A → S</p> <p>STH } ⇒ PRESET RR → A STD }</p> | <p><u>INSTRUCTION FAMILIES</u></p> <p>FASTORE: STB, STH, STW, STD, STCF, (XW-NPRE), (AWM-NPRE) FASTORE/I: STD, (XW-NPRE), (AWM-NPRE)</p> <p>AXRRINH = FASTORE · PRE3 · 0L4 AXFC = FASTORE · PRE3 · 0L4</p> <p>AXALB = FASTORE · PRE4 · NBCE</p> <p>S/SXAPD = FAADD · (PRE/34 + PH2) S/SXD = FUXW · PRE3 S/RW = FUXW · PRE3</p> <p>S/MBXS = FASTORE · PRE/34 · N(ANLZ.PRE3) S/SXA = FASTORE · PRE/34</p> <p>S/AXRR = FASTORE · PRE/34 · N0E</p> | <p>THE TRANSFER R → A IS AN AUTO FUNCTION IN PREP.</p> <p>FAADD IS QUALIFIED WITH (FUAWM · PRE3)</p> <p>STD ⇒ STORE RV1 NSTD ⇒ STORE R</p> |

"FASTORE": STB (75), STH (55), STW (35), STD (15), STCF (74), XW (44), AWM (66) 1 of 3

| PHASE | FUNCTION PERFORMED | SIGNALS INVOLVED | COMMENTS |
|-----------|---|---|----------|
| PHI | <p>AWM ⇒ { A + D → S S → A</p> <p>XW ⇒ { D → S S → RR</p> | <p>$S_n = (PR_n + K_n) \cdot N(PR_n - K_n) \cdot SXADD$ AXS = FUAWM · PHI</p> <p>$S_n = PR$ $R_n = S_n \cdot R_w$</p> | |
| XW OR AWM | <p>FASTORE ⇒ { A → S S → MB</p> | <p>$S_n = PR$ $MB_n = S_n \cdot MBXS$</p> | |
| T&L | <p>STH } ⇒ RR → A STD }</p> | <p>$S/A_n = RR_n \cdot AXRR$</p> | |
| STORE DR | <p>FASTORE/I ⇒ { PRESET A → S SET CORE WRITE REQ.</p> <p>STD ⇒ RESET P31</p> <p>AWM } ⇒ SET CC3 AND CC4 XW } VIA TESTS</p> <p>AWM, OVERFLOW ⇒ SET CC2 AWM, END CARRY ⇒ SET CC1</p> <p>NFASTORE/I ⇒ BRANCH TO PH9</p> | <p>S/SXA = FASTORE/I · PHI S/MBXS = FASTORE/I · PHI</p> <p>PDC31 = FASTORE · PHI · 0U1</p> <p>TESTS = FUXW · PHI + FUAWM · PHI</p> <p>PROBOVER = FUAWM · (PH1 + PH3) CCI x K00 = FUAWM · (PH1 + PH3)</p> <p>BRPH9 = FASTORE · NFASTORE/I · PHI</p> | |

| PHASE/ | FUNCTION PERFORMED | SIGNALS INVOLVED | COMMENTS |
|------------|---|--|----------|
| XDS 902306 | | | |
| PH2 DR | $\text{FASTORE}/1 \Rightarrow \begin{cases} A \rightarrow S \\ S \rightarrow MB \end{cases}$ <p style="text-align: center;">BRANCH TO PH9</p> | $S_n = PR_n$ $MB_n = S_n \cdot MB \times S$ $BRPH9 = \text{FASTORE} \cdot \text{PH2}$ | |
| PH9 T5L | $B \rightarrow S$ $S \rightarrow P$ <p style="text-align: center;">PRESET $A \rightarrow S$</p> | $S \times B = P \times S \times B$ $P \times S = P \times S \times B$ $S/S \times A = \text{FASTORE} \cdot \text{PH9}$ | |
| PH10 DR | $A \rightarrow S$ $\text{STH} \Rightarrow \begin{cases} \text{SET CC2 IF } S_{0016} \neq 0 \\ \text{OR ALL ONES} \end{cases}$ $\text{AWM} \Rightarrow \begin{cases} \text{SET TRAP} \\ \text{IF OVERFLOW} \cdot \text{AM} \end{cases}$ <p style="text-align: center;">NORMAL ENDE</p> | $S_n = PR_n$ $S/CC2 = N(S_{0016Z} + S_{0016W}) \cdot (\text{FUSTH} \cdot \text{ENDE})$ $S/\text{TRAP} = \text{ENDE} \cdot \text{CC2} \cdot \text{AM} \cdot \text{OVERIND}$ $S/\text{TR30} = \text{ENDE} \cdot \text{CC2} \cdot \text{AM} \cdot \text{OVERIND}$ $S/\text{TR31} = \text{ENDE} \cdot \text{CC2} \cdot \text{AM} \cdot \text{OVERIND}$ | |

FASTORE

3 of 3

| PHASE/ | FUNCTION PERFORMED | SIGNALS INVOLVED | COMMENTS |
|----------------|---|--|---|
| PREP | <p style="text-align: center;">CONTENT OF REGISTERS AT THE END OF PREPARATION</p> <p>(C): EW (D): EW (A): RRV1</p> $\left. \begin{matrix} LS \\ CS \end{matrix} \right\} \Rightarrow (P): \text{PROG. ADDR.}$ $\text{STS} \Rightarrow (P): \text{EW ADDR.}$ $\text{STS} \Rightarrow (B): \text{PROG. ADDR.}$ <p style="text-align: center;">END OF PREP.</p> $\left. \begin{matrix} LS \\ CS \end{matrix} \right\} \Rightarrow \text{PRESET } A \Delta D \rightarrow S$ $\text{STS} \Rightarrow \text{PRESET } NA \Delta D \rightarrow S$ $\text{FASEL} \Rightarrow \text{PRESET } S \rightarrow C$ | <p style="text-align: center;">FAMILY SIGNALS</p> $\text{FASEL} = LS, STS, CS$ $\text{FACOMP} = CS, \text{ OTHER COMP INST(S).}$ $A_{00} = A_0 \cdot N_{FUGS} \dots$ $(\text{D} \times C + \text{D} \times \text{C} \text{L} \text{I}) = (\text{D} \times C + \text{D} \times \text{C} \text{L} \text{I}) \cdot N_{FUGS}$ $S/\text{PRXAD} = \text{FASEL} \cdot \text{PRE3} \cdot N_{0L7}$ $S/\text{PRXNAD} = \text{FASEL} \cdot \text{PRE3} \cdot 0L7$ $S/\text{CXS} = \text{FASEL} \cdot \text{PRE3}$ | <p style="text-align: center;">SELECTIVE INST(S).</p> <p>CS - COMPARE SEL. 45 LS - LOAD SEL. 4A STS - STORE SEL. 47</p> <p style="text-align: center;">NOTE: SPECIAL LOGIC FOR CS TO CAUSE NA00 AND ND00 FOR POSITIVE INTEGER SIGN.</p> |
| PH 1 T5L | $\left. \begin{matrix} LS \\ CS \end{matrix} \right\} \Rightarrow A \Delta D \rightarrow S$ $\text{STS} \Rightarrow NA \Delta D \rightarrow S$ $S \rightarrow C$ $\text{FASEL} \Rightarrow \begin{cases} \text{PRESET } A \rightarrow S \\ \text{PRESET } RR \rightarrow A \end{cases}$ | $S_n = PR_n$ $C_n = S_n \cdot C \times S$ $S/S \times A = \text{FASEL} \cdot \text{PH1}$ $S/\text{AXRR} = \text{FASEL} \cdot \text{PH1}$ | $\left. \begin{matrix} LS \\ CS \end{matrix} \right\} \Rightarrow (C): [EW \wedge (\overline{RRV1})]$ $\text{STS} \Rightarrow (C): [EW \wedge (\overline{RRV1})]$ |

FASEL: LS (4A), STS (47), CS (45)

1 of 3

155094-B
SH 33

| PHASE | FUNCTION PERFORMED | SIGNALS INVOLVED | COMMENTS |
|-------------|---|--|---|
| PH 2 T5L | $A \rightarrow S$ $\dot{S} \rightarrow D$ $RR \rightarrow A$ CS } \Rightarrow PRESET AAD $\rightarrow S$ STS } LS \Rightarrow PRESET AAND $\rightarrow S$ | $S_n = PR_n$ $DXS = FASEL \cdot PH2$ $S/An = RR_n \cdot AxRR$ $S/PRXAD = FASEL \cdot PH2 \cdot NOLA$ $S/PRXAND = FASEL \cdot PH2 \cdot OLA$ | (D): RRVI (A): RR |
| PH 3 T5L | CS } \Rightarrow AAD $\rightarrow S$ STS } LS \Rightarrow AAND $\rightarrow S$ $S \rightarrow A$ LS } \Rightarrow PRESET AVD $\rightarrow S$ STS } CS \Rightarrow PRESET A-D $\rightarrow S$ LS } \Rightarrow SET CORE MEM REQUEST CS } STS \Rightarrow SET CORE MEM. WRITE LS \Rightarrow SET FM WRITE CS \Rightarrow SET TILL $C \rightarrow D$ | $S_n = PR_n$ $AxS = FASEL \cdot PH3$ $S/SXAORD = FASEL \cdot PH3 \cdot NOLA$ $S/SXAMD = FASEL \cdot PH3 \cdot OLS$ $S/MRQ/1 = FASEL \cdot PH3 \cdot NOLA$ $S/MBXS = FASEL \cdot PH3 \cdot OLS$ $S/RW = FASEL \cdot PH3 \cdot OLA$ $S/TILL = FASEL \cdot PH3 \cdot OLS$ $DXC = FASEL \cdot PH3$ | CS } \Rightarrow (A): [RR(RRVI)] STS } LS \Rightarrow (A): [RR(RRVI)] FETCH NEXT INST. STORE RESULT IN EW |

FASEL

2 of 3

| PHASE | FUNCTION PERFORMED | SIGNALS INVOLVED | COMMENTS |
|-------------------------------------|---|--|---|
| PH 4 STS DR CS TILL LS TBL | LS } \Rightarrow AVD $\rightarrow S$ STS } CS \Rightarrow A-D $\rightarrow S$ STS \Rightarrow $S \rightarrow MB$ LS \Rightarrow $S \rightarrow RR$ CS } \Rightarrow SET CC3 AND CC4 LS } ACCORDING TO TESTS CS } \Rightarrow BRANCH TO ENDE LS } STS \Rightarrow BRANCH TO PH9 | $S_n = PR_n$ $S_n = (PR_n \oplus K_n) \cdot SXADD$ $MB_n = S_n \cdot MBXS$ $RR_n = S_n \cdot RW$ $SGTZ = (50031 \neq 0) \cdot NS00 \cdot FACOMP$ $SGTZ = (50031 \neq 0) \cdot NS0 \cdot NFACOMP$ $TESTS = FASEL \cdot PH4 \cdot NOLA$ $S/CC3 = SGTZ \cdot TESTS$ $S/CC4 = S0 \cdot TESTS$ $BRPH0 = FASEL \cdot PH4 \cdot NOLA$ $BRPH9 = FASEL \cdot PH4 \cdot OLS$ | $LS \Rightarrow [R \wedge (RV1)] \vee [EW \wedge (RV1)]$ $CS \Rightarrow [(R) \wedge (RV1)] : [EW \wedge (RV1)]$ $STS \Rightarrow [(R) \wedge (RV1)] \vee [EW \wedge (RV1)]$ SIGN EXTEND FOR CS FOR DETAIL ON TESTS SEE FAARITH PH3 |
| PH 9 T5L | $STS \Rightarrow \left\{ \begin{array}{l} B \rightarrow S \rightarrow P \\ \text{SET CORE MEM REQ.} \end{array} \right.$ | $PXSXB = NFAFL \cdot NFAMDS \cdot PH9$ $MRQ/2 = PXSXB$ | |
| PH10 ENDE DR | NORMAL ENDE | SEE ENDE SEQUENCE | |

FASEL

3 of 3

155094-B
SH 34

| PHASE | FUNCTION PERFORMED | XDS 902306 LS INVOLVED | COMMENTS |
|-------------|--|--|--------------------------------------|
| END OF PREP | CONTENTS OF REGISTERS (D) : SW (P) : PROG. ADDR. SET MEM REQUEST (NEXT INST.) PRESET D → S | S/MRQ/1 = FUINT·PRE3 S/SXD = FUINT·PRE3 | |
| PH 1 T5L | D → S S → CC CLEAR D0003 SET MERGE 1 → /LR/ PRESET D → S PRESET FM WRITE | S _n = PR _n CCXS/O = FUINT·PH1 DX/OA = FUINT·PH1 S/LR31 = FUINT·PH1 S/SXD = FUINT·(PH1 + PH3) S/RW = FUINT·(PH1 + PH3) | |
| PH 2 T8L | D → S S ₁₆₃₁ → RR DOWN ALIGN D IF R FIELD IS ODD R31 = 1 ⇒ BRANCH TO ENDE | S _n = PR _n S/RR _n = S _n ·RW RWXZ/O1 = FUINT·PH2 DXDR8 = FUINT·PH2 BRPH10 = FUINT·PH2·R31 | RWXZ/O1 TRANSFERS ZEROS TO RR0015 |

INT (63)

1 of 2

| PHASE | FUNCTION PERFORMED | SIGNALS INVOLVED | COMMENTS |
|----------------------|---|---|--|
| PH 3 T5L | PRESET D → S PRESET FM WRITE DOWN ALIGN D | S/SXD = FUINT·(PH1 + PH3) S/RW = FUINT·(PH1 + PH3) DXDR8 = FUINT·PH3 | |
| PH 4 T8L | D → S S ₁₆₃₁ → RR BRANCH TO ENDE | S _n = PR _n S/RR _n = S _n ·RW RWXZ/O1 = FUINT·PH4 BRPH10 = FUINT·PH4 | RWXZ/O1 INHIBITS BYTES 0 AND 1 TO RR |
| PH 10 ENDE T5L | NORMAL ENDE | | |

INT

2 of 2

155094-B
SH 35

| PHASE | FUNCTION PERFORMED | SIGI XDS 902306 | COMMENTS |
|-------|---|--|---|
| PREP | <p>CONTENTS OF REGISTERS AT THE END OF PREP:</p> <p>NFADW/I → { (D) : EL (ALIGNED) (A) : RR (P) : PROG. ADDR.</p> <p>FADW/I → { (D) : EWVI (A) : RRVI (P) : EW ADDR. (B) : PROG. ADDR.</p> <p>END OF PREP.</p> <p>FASUB ⇒ PRESET A-D → S</p> <p>FASIO } ⇒ SET CORE MEM REQ. FADW/I }</p> <p>FACOMP/I ⇒ SET TIL</p> <p>FADW/I ⇒ MERGE I → LR</p> <p>CB ⇒ CLEAR A0023</p> | <p><u>INSTRUCTION FAMILIES</u></p> <p>FACOMP/I : CD, CI, CW, CH, CB FASUB : CD, CI, CW, CH, CB, PLUS OTHERS FASIO : CI, CW, CH, CB, PLUS OTHERS FADW/I : CD, PLUS OTHERS</p> <p>S/SXAMD = FASUB · (PRE/34 + PH2) S/MRQ/I = FASIO · (PRE/34 + PH2) S/MRQ/3 = FADW/I · (PRE/34 + PH2)</p> <p>S/TIL = FACOMP/I · (PRE/34 + PH2) S/LR3I = FADW/I · NANLZ · PRE3</p> <p>AXZ/OIE = FACOMP/I · OUT · PRE4</p> | <p>FETCH NEXT INST.</p> <p>FETCH EW</p> |

FACOMP/I : CI (21), CB (71), CH (51), CW (31), CD (11)

1 of 4

| PHASE | FUNCTION PERFORMED | SIGNALS INVOLVED | COMMENTS |
|--------------------|--|--|----------|
| PH 1 TIL | <p>FASUB ⇒ A-D → S</p> <p>FASII ⇒ SET CC3 & CC4 VIA TESTS</p> <p>NFADW/I ⇒ PRESET AAD → S</p> <p>FACOMP/I ⇒ SET TOL</p> <p>FADW/I ⇒ { PRESET B → S PRESET RR → A SAVE S ≠ 0 HOLD END CARRY</p> <p>FASIO ⇒ BRANCH TO ENDE</p> | <p>$S_n = (K_n \oplus PR_n) \cdot SXADD$</p> <p>{ TESTS = FASII · (PHI + PH3) SGTZ = (S003I ≠ 0) · NS00 · FACOMP S/CC3 = SGTZ · TESTS S/CC4 = S0 · TESTS</p> <p>S/PRXAD = FACOMP/I · PHI · N001 S/TBL = FACOMP/I · PHI S/SXB = (FADW/I · PHI) S/AXRR = (FADW/I · PHI) S/SW0/NZ = K00HOLD · NS003IZ S/FL3 = K00HOLD · K00 BRPHIO = FASIO · PHI</p> | |

FACOMP/I

2 of 4

155094-B
SH 36

| PHASE | FUNCTION PERFORMED | XDS 902306 ALS INVOLVED | COMMENTS |
|-------------------|---|---|------------------------------|
| PH 2 DR | $\begin{matrix} B \rightarrow S \\ S \rightarrow C \\ MB \rightarrow C \\ C \rightarrow D \\ RR \rightarrow A \end{matrix}$ <p> CD → { RR → A </p> <p> FASUB → PRESET A-D → S FADW/1 ⇒ SET CORE MEM. REQUEST. </p> <p> DOUBLE PRECISION SUBTRACT END CARRY GOES TO LSB CARRY K00[PH1] → FL3 → K31[PH3] </p> <p> FACOMP/1 ⇒ SET TIIL </p> | $S_n = B_n \cdot S \cdot X B$ $PXS = FADW/1 \cdot PH2$ $C_n = MB_n \cdot C \cdot XMB$ $DXC = FADW/1 \cdot PH2$ $S/A_n = RR_n \cdot A \cdot XRR$ $S/SXAMD = FASUB \cdot (PRE/34 + PH2)$ $S/MRQ/3 = FADW/1 \cdot (PRE/34 + PH2)$ $S/K31/3 = FADW/1 \cdot PH2 \cdot FL3$ $S/TIIL = FACOMP/1 \cdot (PRE/34 + PH2)$ | XFER. PROG ADDR TO P REQ. |

FACOMP/1

3 of 4

| PHASE | FUNCTION PERFORMED | SIGNALS INVOLVED | COMMENTS |
|----------------------------|---|--|----------|
| PH 3 TIIL | <p>FASUB → A-D → S</p> <p>SET CC3 & CC4 WITH TESTS</p> <p>COMPARE RESULT POS →</p> <p>COMPARE RESULT NEG →</p> <p>CD → BRANCH TO ENDE</p> | $S_n = (K_n \oplus PR_n) \cdot S \cdot XADD$ $\begin{cases} TESTS & = FAS11 \cdot (PH1 + PH3) \\ S3263Z & = NTESTS/1 \cdot NSWO \\ SGTZ & = (S0063 \neq 0) \cdot NS00 \cdot FACOMP \\ S/CC3 & = SGTZ \cdot TESTS \\ S/CC4 & = S0 \cdot TESTS \\ BRPH10 & = FADW/1 \cdot PH3 \end{cases}$ | |
| PH 10 ENDE DR | <p>NFADW/1 → { AAD → S IF (S ≠ 0) THEN 1 → CC2 } </p> <p>NORMAL ENDE</p> | $S_n = PR_n$ $S/CC2/NE = FACOMP/1 \cdot ENDE \cdot NOUL$ | |

FACOMP/1

4 of 4

155094-B
SH 37

| PHASE | FUNCTION PERFORMED | SIGNALS INVOLVED | COMMENTS |
|-------|--|---|--|
| PREP | <p>CONTENTS OF REGISTERS AT THE END OF PREPARATION</p> <p>CLR → { (D) : EW (A) : RRv1 (P) : EW ADDR (B) : PROG. ADDR.</p> <p>CLM → { (D) : EWv1 (A) : RR (P) : EW ADDR (B) : PROG ADDR.</p> <p>END OF PREPARATION</p> <p>CLM → SET CORE MEMORY REQ. FASUB → PRESET A-D → S FACOMP/L → SET TILL</p> | <p>FAMILY SIGNALS</p> <p>COMP/L : CLR, CLM</p> <p>FASUB : CLR, CLM PLUS OTHERS</p> <p>FACOMP : CLR, CLM, CD, CI, EW, CH, CB CS</p> <p>S/MRQ/3 = FACOMP/L · PRE/34 · OUT S/SXAMD = FASUB · (PRE/34 + PH2) S/TILL = FACOMP/L (PRE/34 + PH2)</p> | <p>COMPARE LIMITS INSTRUCTIONS</p> <p>CLR - COMPARE WITH LIMITS IN REGISTER</p> <p>CLM - COMPARE WITH LIMITS IN MEMORY</p> <p>MRQ/3 AUTO SETS DATA RELEASE ONE CLOCK LATER THAN MEMORY REQUEST.</p> <p>TILL IS REQUIRED TO ALLOW TESTS WHEN ADDR → FM IS NOT PERFORMED</p> |

"FACOMP/L" : CLR (39), CLM (19)

1 of 3

| PHASE | FUNCTION PERFORMED | SIGNALS INVOLVED | COMMENTS |
|-------------------------------------|--|--|---|
| PH 1 TILL | <p>A-D → S</p> <p>FACOMP/L → { TESTS SET CC3 IF S > 0 SET CC4 IF S < 0</p> <p>FACOMP/L → PRESET B → S CLR → PRESET RR → A</p> | <p>$S_n = (PR_n \oplus K_n) \cdot SxADD$</p> <p>{ TESTS = FACOMP/L · (PH1 + PH3) S/CC3 = SGTZ · TESTS S/CC4 = SO · TESTS SGTZ = (S0031 ≠ 0) · NS00 · FACOMP</p> <p>S/SXB = FACOMP/L · PH1 S/AXRR = FACOMP/L · PH1 · OUT</p> | <p>CLM → [-EWv1 + RR]</p> <p>CLR → [-EW + RRv1]</p> |
| PH 2 (CLM) DR (CLR) TSL | <p>CLM → { MB → C C → D</p> <p>CLR → RR → A</p> <p>FACOMP/L { B → S S → P</p> <p>FACOMP/L { XFER CC3 → CC1 XFER CC4 → CC2 PRESET A-D → S SET CORE MEMORY REQ. SET TILL</p> | <p>$C_n = MB_n \cdot CxMB$ $DXC = FACOMP/L \cdot PH2 \cdot OUT$ $S/A_n = RR_n \cdot AXRR$ $S_n = B_n \cdot SxB$ PXS = FACOMP/L · PH2</p> <p>S/CC1 = CC3 · FACOMP/L · PH2 S/CC2 = CC4 · FACOMP/L · PH2 S/SXAMD = FASUB · (PRE/34 + PH2) S/MRQ/1 = FACOMP/L · PH2 S/TILL = FACOMP/L · (PRE/34 + PH2)</p> | <p>CLM(D) : EW</p> <p>CLR(A) : RR</p> |

FACOMP/L

2 of 3

155094-B
SH 38

| PHASE | FUNCTION PERFORMED | SIGNALS INVOLVED | COMMENTS |
|---------------------|--|--|--|
| PH 3 TIIL | FACOMP/L → A-D → S FACOMP/L → { TESTS SET CC3 IF S > 0 SET CC4 IF S < 0. BRANCH TO ENDE | XDS 902306 $S_n = (K_n \oplus PR_n) \cdot SXADD$ TESTS = FACOMP/L · (PH1 + PH3) S/CC3 = SGTZ · TESTS S/CC4 = S0 · TESTS SGTZ = (S0031 ≠ 0) · NS00 · FACOMP BRPH10 = FACOMP/L · PH3 | CLM } → [EW + RR] CLR } BRPH10 SETS DATA RELEASE |
| PH 10 ENDE DR | NORMAL ENDE | | |

FACOMP/L

3 of 3

| PHASE | FUNCTION PERFORMED | SIGNALS INVOLVED | COMMENTS |
|---------------|--|--|----------|
| END OF PREP | CONTENTS OF REGISTERS (P) : PROG. ADDR. SET CORE MEM. REQUEST | S/MRQ/1 = FUWAIT · PRE3 | |
| PH 1 T5L | SET HALT BRANCH TO ENDE | S/HALT/1 = FUWAIT · PH1 BRPH10 = FUWAIT PH1 | |
| PH 10 ENDE | INHIBIT ADVANCE OF PROG. ADDR. BRANCH TO PCP1 INHIBIT PRE1 SEE PCP SEQUENCE | PUC31 = NFUEKU · PH10 · <u>NHALT</u> · ... BRPCP1 = NFUEKU · HALT/1 · ENDE · NI05C · N(INTRAP) · N(S/TRAP) PRE1EN = N(S/TRAP) · N(S/INTRAP) · NI05C · <u>NHALT</u> | |

WAIT (ZE)

1 of 1

155094-B
SH 39

| PHASE | FUNCTION PERFORMED | SIGNALS INVOLVED | COMMENTS |
|-------|---|--|----------|
| PREP | <p><u>CONTENTS OF REGISTERS</u></p> <p>FAST → (C): SPW1 (D): SPW1</p> <p>FAST/M → (B): PROG. ADDR</p> <p>FAST → (P): SPWO ADDR</p> <p>LM, STM → (P): 1ST EFF. LOCATION</p> <p>MSP (A): RR (MODIFIER)</p> <p>(FAST/M.06) { (A): CC } NO. OF WORDS (MC): CC</p> <p>PSW, PLW → (MC): 1</p> <p><u>PRESET CONDITIONS WITH PRE3</u></p> <p>FAST/C → PRESET A + D → S PLM → PRESET D - A → S PSW → PRESET D + 1 → S PLW → PRESET D - 1 → S FAST → SET SW8 MSP → SET SW7</p> <p>LM → { R-1 → R SET CORE MEM REQ.</p> <p>STM → { PRESET RR → A FAST → P-1 → P</p> <p>LM, STM → BRANCH TO PHASE 6 FAST → { PRESET S → C SET TILL</p> | <p><u>INSTRUCTION FAMILIES</u></p> <p>FAST : PSM, PSW, PLM, PLW, MSP FAST/A : PSM, PSW, PLM, PLW FAST/M : PSM, PLM, PSW, PLW, LM, STM FAST/L : PLM, PLW, LM FAST/S : PSM, PSW, STS FAST/C : PSM, MSP</p> <p>FAST/A → <u>STACK POINTER DOUBLEWORD</u></p> <p>SPWO (R) </p> <p>SPWI - (Rv1) </p> <p>MSP → <u>STACK POINTER MODIFIER</u></p> <p>(R) </p> <p>S/SXAPD = FAST/C · (PRE3 + PH1/F + PH8) S/SXDMA = FUPLM · (PRE3 + PH1/F + PH8) S/SXDPI = FUPSW · (PRE3 + PH1/F + PH8) S/SXDMI = FUPLW · (PRE3 + PH1/F + PH8) BRSWB = FAST · PRE3 S/SW7 = FAST · PRE3 · N04</p> <p>RDC31 = FAST/M · PRE3 · N040 · 0LA S/MRQ/2 = FAST/M · PRE3 · N040 · 0LA</p> <p>S/AXRR = FAST/M · PRE3 · N040 · N0LA PDC31 = FAST/M · PRE3 · N040 · N0LA + FAST · PRE3 BRPH6 = FAST/M · PRE3 · N040 · NANLE S/CXS = FAST · PRE3 S/TILL = FAST · PRE3</p> | |

FAST: PSW (09), PLW (08), PSM (0B), PLM (0A), MSP (13), LM (2A), STM (2B) 1 of 11

| PHASE | FUNCTION PERFORMED | SIGNALS INVOLVED | COMMENTS |
|--------|--|---|---|
| PH 1/A | <p>FAST/C → D + A → S } PLM → D - A → S } PSW → D + 1 → S } PLW → D - 1 → S } CRUSH SIG</p> <p>SIG31 → C1631 } ZERO → C0015 }</p> | <p>PH1/A = PH1 · SW8 · FAST</p> <p>Sn = (Kn ⊕ PRn) · SXADD</p> <p>SIGINH = FAST · PH1/A</p> <p>CXS/0 = CXS · N (FAST · PH1/A)</p> <p>CXS/1 = CXS · N (FAST · PH1/A)</p> <p>Cn (BYTES) = Sn · CXS</p> <p>Cn (BYTE4) = Sn · CXS</p> | <p>UP DATE WORD COUNT TO C REG</p> <p>N06 → (C): WC±1</p> <p>0C → (C): WC±A</p> |
| TILL | <p>A16 ⊕ K16 (WORD COUNT OVFL OR UNDFL) → SET SW3</p> <p>TS (D0) ⇒ SET SW5</p> <p>TW (D16) ⇒ SET SW6</p> <p>WORD COUNT = 0 ⇒ SET SW4</p> <p>FAST ⇒ DOWN ALIGN D</p> <p><u>SUSTAIN PH1</u></p> <p>HOLD PH1 AND STEP SW8 - SW14</p> <p>STEP TO SW9</p> | <p>S/SW3 = (A16 - K16) · FAST · PH1/A</p> <p>S/SW5 = D0 · FAST · PH1/A</p> <p>S/SW6 = D16 · FAST · PH1/A</p> <p>S/SW4 = [N(A16 - K16) · SIG31Z] · FAST · PH1/A</p> <p>DXDR8 = FAST · PH1/A</p> <p>BRPH1/1 = FAST · PH1 · N [(NSW7 · PH1/C) + PH1/G + (SW3 · PH1/C) + (SIG31Z · N(A16 - K16)) · PH1/C]</p> <p>STEP815 = NBRSW8 · NBRSW10 · NBRPH11 · NBRSW13 · NBRSW15 · NRESET</p> <p>3/SW9 = SW8 · STEP815</p> | |

155094-B
SH40

| PHASE | FUNCTION PERFORMED | XDS 902306 LS INVOLVED | COMMENTS |
|-----------------------|--|---|---|
| PH 1/B T8L | PLM \Rightarrow PRESET A+D \rightarrow S PLW \Rightarrow PRESET D+1 \rightarrow S PSW \Rightarrow PRESET D-1 \rightarrow S FAST/C \Rightarrow PRESET D-A \rightarrow S FAST = $\left\{ \begin{array}{l} \text{DOWN ALIGN D} \\ \text{SET TIIL} \end{array} \right.$ STEP TO SW10 | S/SXAPD = FUPLM · PHI/B S/SXDPI = FUPLW · PHI/B S/SXDMI = FUPSW · PHI/B S/SXDMA = FAST/C · PHI/B DXDR8 = FAST · PHI/B S/TIIL = FAST · PHI/B S/SW10 = SW9 · STEP 815 | PHI/B = PHI · SW9 |
| PH 1/C TIIL | $\left. \begin{array}{l} \text{PLM} \rightarrow \text{A+D} \rightarrow \text{S} \\ \text{PLW} \rightarrow \text{D+1} \rightarrow \text{S} \\ \text{PSW} \rightarrow \text{D-1} \rightarrow \text{S} \\ \text{FAST/C} \rightarrow \text{D-A} \rightarrow \text{S} \end{array} \right\} \text{ CRUSH SIG}$ S \leftrightarrow A C \leftrightarrow D A16 \oplus K16 (SPACE COUNT OVFL. OR UNDFL.) \Rightarrow SET SW1 (SPACE COUNT = 0) \Rightarrow SET SW2 FAST/ANSW7 (FIRST PASS) \rightarrow (SECOND PASS) \rightarrow FAST \rightarrow SET CORE MEM REQ. FIRST PASS - PLM \Rightarrow PRESET A-1 \rightarrow S (SECOND PASS) \Rightarrow SUSTAIN PHI | PHI/C = PHI · SW10 · FAST Sn = (Kn \oplus PRn) · SXADD SIGINH = FAST · PHI/C AX5 = FAST · PHI/C · SW7 DXC = FAST · PHI/C S/SW1 = (A16 - K16) · FAST · PHI/C S/SW2 = [N(A16 - K16) · S1631Z] · FAST · PHI/C SW7 : SET INDICATES STORE NEW WORD, SPACE AND NEW T3A R/SW7 = FAST · SW7 · PHI/C S/MRQ/3 = FAST · PHI/C S/SXAM1 = FUPLM · PHI/C · NSW7 BRPHI/1 = FAST · PHI · N[(NSW7 · PHI/C) + (PHI/C · SW3) + (A16 - K16) · PHI/C] | (A): NEW SC (D): NEW WC (SW1): QVFL: SC UNDFL (SW2): SC = 0 GO TO PH2 IF ABOBT OR TRAP OR FIRST PASS. |

FAST

3 of 11

| PHASE | FUNCTION PERFORMED | SIGNALS INVOLVED | COMMENTS |
|----------------------|---|---|----------|
| PH 1/D T8L | FAST \rightarrow ALIGN A STEP TO SW12 | PHI/D = PHI · SW11 · FAST AXAL8 = FAST · PHI/D BRSW12 = SW11 · STEP 815 | |
| PH 1/E DR | MB \rightarrow C FAST \rightarrow UP ALIGN A PRESET A+D \rightarrow S TS (SW5) \rightarrow SET A0 TW (SW6) \rightarrow SET A16 SET CORE MEM WRITE SPW1 ADDR \rightarrow P+1 \rightarrow P STEP TO SW13 | PHI/E = PHI · SW12 · FAST Cn = MBn · CXMB AXAL8 = FAST · PHI/E S/SXAORD = FAST · PHI/E S/A0 = FAST · PHI/E · SW5 S/A16 = FAST · PHI/E · SW6 S/MBX5 = FAST · PHI/E PUC91 = FAST · PHI/E BRSW13 = SW12 · STEP 815 | |

FAST

4 of 11

155094-B
SH 41

| PHASE | FUNCTION PERFORMED | SIGNAL/XDS 902306 | COMMENTS |
|-----------|---|--|--|
| PH 1/F | MERGE } → A VD → S SPW1 } S → MB SET CORE MEM WRITE | PH1/F = PHI · SW13 · FAST Sn = PRn MBn = Sn · MBx5 S/MBx5 = FAST · PH1/F | STORE NEW SPW1 |
| DR | C → D MSP ⇒ { RR1631 → A1631 RR16 → A15 | DXC = FAST · PH1/F AXRR/2 = FUMSP · PH1/F S/A15 = FUMSP · PH1/F | (D) : TSA AXRR/3 SAME AS... WHERE 13 GOES TO BYTE 3 AND 12 GOES TO BYTE 2. DIRECT NOT PRESET. |
| | FAST/C ⇒ PRESET A+D → S PLM ⇒ PRESET D-A → S PSW ⇒ PRESET D+1 → S PLW ⇒ PRESET D-1 → S FAST/M.06 ⇒ CC → A SPWO ADDR. TO P ⇒ P-1 → P SUSTAIN PHASE STEP TO SW | S/SXAPD = FAST · C · (PRE3+PH1/F+PH8) S/SXDMA = FULPM · (PRE3+PH1/F+PH8) S/SXDPI = FULPSW · (PRE3+PH1/F+PH8) S/SXDMI = FULPW · (PRE3+PH1/F+PH8) AXCC = FAST/M · (PRE3+PH1/F+PH8) · 06 AX2 = FAST/M · (" ") PDC31 = FAST · PH1/F BRPH1/1 = FAST · PH1 · N [PH1/C ... BRSW14 = SW13 · STEP 815 AXRR/2 = AXRR/12 AXRR/3 = AXRR/13 AXRR/12 = FUMSP · PH1/F AXRR/13 = FUMSP · PH1/F | MSP ⇒ (A) : MODIFIER FAST/A ⇒ (A) : NR. OF WORDS |

FAST

5 of 11

| PHASE | FUNCTION PERFORMED | SIGNALS INVOLVED | COMMENTS |
|---------------------------|---|---|---|
| PH 1/G | FAST/C A+D → S PLM D-A → S PLW D-1 → S PSW D+1 → S S → MB | PH1/G = PHI · SW14 · FAST Sn = (Kn ⊕ PRn) · SXADD MBn = Sn · MBx5 BRPH1/1 = FAST · PH1 · NPH1/G BRPH9 = FAST · PH1/G | STORE UPDATED TSA MULTIPLE → TSA ± CC WORD → TSA ± 1 MSP → TSA + ER |
| DR | DROP PHASE 1 BRANCH TO PH9 | | |
| PH 2 | PLM ⇒ { A-1 → S S → D R FIELD TO A ⇒ R → A PRESET A+D → S | Sn = (Kn ⊕ PRn) · SXADD DXS = FULPM · PH2 AXR = FULPM · PH2 S/SXAPD = FULPM · PH2 | FROM PH1/C PLM ⇒ (D) : CC-1 DETERMINE STARTING REG. IF PULL MULTIPLE |
| PLM T8L ELSE T5L | TRAP CONDITIONS SW3 · NSW6 } ⇒ SET TRAP OR SW1 · NSW5 } SW1 + SW3 ⇒ SET ABORT | S/TRAP = FAST · PH2 · SW3 · NSW6 + FAST · PH2 · SW1 · NSW5 S/TR30 = " " S/FASTABORT = FAST · PH2 · SW1 + FAST · PH2 · SW3 | NOTE FASTABORT IS BUILT WITH TWO FLIP FLOPS FASTF1 & FASTF2 |

FAST

6 of 11

155094-B
SH 42

| PHASE | FUNCTION PERFORMED | SIGNALS INVOLVED XDS 902306 | COMMENTS |
|-------------|--|---|--|
| PH 3 DR | $SPWO \Rightarrow MB \rightarrow C$ (TOP OF STACK ADDRESS) $C \rightarrow D$ $PLM \Rightarrow A+D \rightarrow S$ $S \rightarrow R$ $\left. \begin{matrix} NABORT \\ FAST/A \end{matrix} \right\} \Rightarrow \text{PRESET } S \rightarrow C$ $SPWI \text{ ADDR} \Rightarrow P+1 \rightarrow P$ $ABORT \Rightarrow \text{SET MEM. REQ}$ | $C_n = MB_n \cdot CXMB$ $DXC = FAST/A \cdot PH3$ $S_n = (Kn \oplus PR_n) \cdot SXADD$ $RXS = FUPLM \cdot PH3$ $S/CXS = FAST/A \cdot PH3 \cdot NFASTFI$ $PUC3I = FAST/A \cdot PH3$ $S/MEQ/2 = FASTABORT \cdot PH3$ | (C): TSA (D): TSA (R): 1ST REG |
| PH 4 T5L | $P \rightarrow S$ $S \rightarrow C$ $S \rightarrow A$ <u>ABORT CONDITIONS</u> $\left. \begin{matrix} SW3 \cdot SWG \\ \text{OR} \\ SWI \cdot SW5 \end{matrix} \right\} \Rightarrow \text{BRANCH TO PHASE 9}$ $NABORT \Rightarrow \text{PRESET } D \rightarrow S$ $ABORT \Rightarrow \left\{ \begin{matrix} MB \rightarrow C \\ C \rightarrow D \end{matrix} \right.$ | $SXP = FAST \cdot PH4$ $C_n = S_n \cdot CXS$ $AXS = FAST \cdot PH4$ $BRPH9 = FAST/A \cdot PH4 \cdot SW3 + FAST/A \cdot PH4 \cdot SWI$ $S/SXD = FAST/A \cdot PH4 \cdot NBRPH9$ $C_n = MB_n \cdot CXMB$ $DXC = FASTABORT \cdot PH4$ | FOR PUSH \rightarrow (C): SPWI ADDR. FOR PULL \rightarrow (A): SPWI ADDR. |

FAST

7 of 11

| PHASE | FUNCTION PERFORMED | SIGNALS INVOLVED | COMMENTS |
|-------|--|---|----------|
| PH 5 | $D \rightarrow S$ $S \rightarrow P$ $FAST/L \Rightarrow \left\{ \begin{matrix} \text{SET MEMORY REQ} \\ \text{FETCH 1ST WOKD} \end{matrix} \right.$ $R+1 \rightarrow R$ $FAST/S \Rightarrow \text{PRESET FM READ}$ | $S_n = PR_n$ $PXS = FAST/A \cdot PH5$ $S/MRQ/2 = FAST/L \cdot PH5$ $RUC3I = FAST/L \cdot PH5$ $S/AXRR = FAST/S \cdot PH5$ | |

FAST

8 of 11

155094-B
SH 43

| PHASE | FUNCTION PERFORMED | SIGNALS INVOLVED XDS 902306 | COMMENTS |
|---------------|--|--|----------|
| PH 6 DR | $MB \rightarrow C$ $C \rightarrow D$ $D \rightarrow S$ $S \rightarrow RR$ $RR \rightarrow A$ $FAST/S \rightarrow A \rightarrow S$ $S \rightarrow MB$ <u>(P) AND (R) COUNT CONTROL</u> $FAST/S \} \Rightarrow P+1 \rightarrow P$ LM $PLM \Rightarrow P-1 \rightarrow P$ $FAST/S \} \Rightarrow R+1 \rightarrow R$ LM $PLM \Rightarrow R-1 \rightarrow R$ DECREMENT MACRO COUNTER (PLM, PLW) $MC=0 \Rightarrow$ PRESET $A \rightarrow S$ (PSM, PSW) $MC=0 \Rightarrow$ PRESET $C \rightarrow S$ I/O SERVICE CALL ENABLE ($MC > 4$) $MC \neq 0 \Rightarrow$ SUSTAIN PHASE 6 (LM, STM) $\cdot (MC=0) \Rightarrow$ BRANCH TO 9 | $Cn = MBn \cdot CXMB$ $DXC = FAST/L \cdot PH6$ $S/SXD = FAST/L \cdot PH6 \cdot NMCZ$ $S/RW = FAST/L \cdot PH6 \cdot NMCZ$ $S/AXRR = FAST/S \cdot PH6$ $S/SXA = FAST/S \cdot PH6 \cdot NMCZ$ $S/MBXS = FAST/S \cdot PH6 \cdot NMCZ$ $S/MRQ/2 = FAST/L \cdot PH6 \cdot (NMCZ + MC=1)$ $PUC31 = FAST/S \cdot PH6$ $+ FAST/L \cdot PH6 \cdot NOUO$ $PDC31 = FAST/L \cdot PH6 \cdot O U O$ $RUC31 = FAST/S \cdot PH6$ $+ FAST/L \cdot PH6 \cdot NOUO$ $RDC31 = FAST/L \cdot PH6 \cdot O U O$ $MDCD7 = FAST/M \cdot PH6 \cdot NIDEN \cdot NMCZ$ $S/SXA = FAST/L \cdot PH6 \cdot O U O \cdot M C Z$ $S/SXC = FAST/S \cdot PH6 \cdot O U O \cdot M C Z$ $IOENG = FAST/M \cdot NMC0005Z \cdot PH6$ $BRPH6 = FAST/M \cdot PH6 \cdot NMCZ$ $BRPH9 = FAST/M \cdot PH6 \cdot M C Z \cdot NOUO$ | |

FAST

9 of 11

| PHASE | FUNCTION PERFORMED | SIGNALS INVOLVED | COMMENTS |
|-----------------|--|---|-----------------|
| PH 7 T5L | $PULL \rightarrow A \rightarrow S$ $PUSH \rightarrow C \rightarrow S$ $SPWI ADDR \Rightarrow S \rightarrow P$ SET CORE MEM REQ. | $Sn = PR$ $+ Cn \cdot SXC$ $PXS = FAST/A \cdot PH7$ $S/MRQ/2 = FAST/A \cdot PH7$ | (P): SPWI ADDR. |
| PH 8 TIIL | $MB \rightarrow C$ $C \rightarrow D$ (PSM, PLM, STM, LM) $\Rightarrow CL \rightarrow A$ $FAST/C \Rightarrow$ PRESET $A+D \rightarrow S$ $PLM \Rightarrow$ PRESET $D-A \rightarrow S$ $PSW \Rightarrow$ PRESET $D+1 \rightarrow S$ $PLW \Rightarrow$ PRESET $D-1 \rightarrow S$ $FAST/A \Rightarrow$ { SET SW8 PRESET $C \rightarrow S$ $FAST \Rightarrow$ SET TIIL TIMING $SPWO ADDR \Rightarrow P-1 \rightarrow P$ BRANCH TO PH1 | $Cn = MBn \cdot CXMB$ $DXC = FAST/A \cdot PH8$ $AXCC = FAST/M \cdot (PRE3 + PH1/F + PH8) \cdot O6$ $AXZ = FAST/M \cdot (PRE3 + PH1/F + PH8)$ $S/SXAPD = FAST/C \cdot (PRE3 + PH1/F + PH8)$ $S/SXDMA = FUPLM \cdot (PRE3 + PH1/F + PH8)$ $S/SXDPI = FUPSW \cdot (PRE3 + PH1/F + PH8)$ $S/SXDMI = FUPLW \cdot (PRE3 + PH1/F + PH8)$ $BRSW8 = FAST/A \cdot PH8$ $S/SXC = FAST/A \cdot PH8$ $S/TIIL = FAST \cdot PH8$ $PDC31 = FAST/A \cdot PH8$ $BRPH1 = FAST/A \cdot PH8$ | |

FAST

10 of 11

155094-B
SH 44

| PHASE | FUNCTION PERFORMED | XDS 902306 ^{APPROVALS} INVOLVED | COMMENTS |
|--------------------|--|---|---|
| PH 9 T5L | <p>B → S S → P</p> <p>SET CONDITION CODE</p> <p>SW3 · SW6 ⇒ ABORT SET CC3 SW1 · SW5 ⇒ ABORT SET CC1 SW2 (SPACE COUNT = 0) ⇒ SET CC2 SW4 (WORD COUNT = 0) ⇒ SET CC4</p> <p>ABORT ⇒ PRESET D → S</p> | <p>S_n = B_n · SxB PXSxB = NFAFL · NFAMDS · PH9 S/MRQ/Z = PXSxB FASTNABORT = FAST · PH9 · NFASTABORT S/CC3 = FAST · PH9 · SW3 S/CC1 = FAST · PH9 · SW1 S/CC2 = FASTNABORT · PH9 · SW2 S/CC4 = FASTNABORT · PH9 · SW4 R/CC = FAST · PH9 S/SXD = FASTABORT · PH9</p> | |
| PH 10 | <p>NORMAL ENDE</p> <p>ABORT ⇒ CORRECT CC2 & CC4</p> <p>CRUSH S > 0 CRUSH S 16 CRUSH S 0</p> | <p>TESTS = FASTABORT · ENDE S/CC4 = FASTABORT · ENDE · S16D1Z S/CC2 = FASTABORT ENDE · S0115Z SGT Z = I. FASTABORT · ENDE S16 = I. FASTABORT · ENDE S0 = I. FASTABORT · ENDE</p> | <p>← TESTS · S1731Z ← TESTS · 60007Z · S0815Z</p> |

FAST

11 of 11

| PHASE | FUNCTION PERFORMED | SIGNALS INVOLVED | COMMENTS |
|-------------|--|--|--|
| END PREP | <p>CONTENT OF REGISTERS AT THE END OF PREP</p> <p>(A) : CONTROL IMAGE ADDRESS (B) : PROG. ADDRESS</p> <p><u>PREP PRESETS</u> SET 1 → LR31 FAST MEMORY READ PRESET A → S</p> | <p>S/LR31 = FUMMC.PRE3 S/AXRR = FUMMC.PRE3 S/SXA = FUMMC.PRE3</p> | <p><u>NOTE</u> A MAPPING OR READ PROTECT MMC INSTRUCTION IS DECODED AS AN ILLEGAL INSTRUCTION AND WILL TRAP TO X'40'</p> |
| PH 1 | <p>A → S S → P S → D</p> <p>RRU1 → A</p> <p>SET CORE MEM REQUEST AND DATA RELEASE PRESET A → S</p> | <p>S_n = PR_n PXS = FUMMC.PH1 DXS = FUMMC.PH1</p> <p>S/A_n = RR_n. AXRR S/MRQ/2 = FUMMC.PH1 S/SXA = FUMMC.(PH1+PH3)</p> | <p>TRANSFER COUNT AND CONTROL START TO A</p> |
| PH 2 | <p>A → S S → MC0007 S → P</p> <p>MB → C</p> <p>PRESET C → S</p> | <p>S_n = PR_n MCXS = FUMMC.PH2 PXS = FUMMC.PH2</p> <p>C_n = MB_n. CXMB S/SXC = FUMMC.PH2</p> | <p>(A): RRU1 (P): CONTROL IMAGE ADDRESS (D): " " "</p> <p>(C): MEMORY LOCK CONTROL IMAGE</p> |
| PH 3 | <p>C → S S → A</p> <p>PRESET A → S PRESET WRITE TO LOCK BRANCH TO PH6</p> | <p>S_n = PR_n AXS = FUMMC.PH3 S/SXA = FUMMC.(PH1+PH3) S/LOCKW = FUMMC.PH3 BRPH6 = FUMMC.PH3</p> | <p>(P): CONTROL START</p> |
| PH 6 | <p>A → S S0007 → LOCK P1520+1 → P1520 BC - 1 → BC MC - 1 → MC</p> <p>ALIGN A LEFT 1 BYTE PRESET A → S</p> <p>SUSTAIN PH6 LAST PH6 ⇒ (BC=1)</p> <p>(BC=1) { UP DATE WORD CT. IN A MERGE 1 → LR/ PRESET FM WRITE</p> | <p>S_n = PR_n S/LOCKW = FUMMC.PH6.N(BC=1) PUC20 = FUMMC.PH6 BCDC1 = FUMMC.PH6 MDCDC1 = FUMMC.PH6.BCZ</p> <p>AXAL8 = FUMMC.PH6.N(BC=1) S/SXA = FUMMC.PH6 BRPH6 = FUMMC.PH6.N(BC=1)</p> <p>AXMC = FUMMC.PH6.(BC=1) S/LR31 = FUMMC.PH6.(BC=1) S/RWXS = FUMMC.PH6.(BC=1)</p> | |

| PHASE | FUNCTION PERFORMED | XDS 902306 INVOLVED | COMMENTS |
|-------|--|---|---|
| PH 7 | $P1520 \rightarrow S$ $A \rightarrow S$ $S \rightarrow A$ $S \rightarrow RRU1$ PRESET WRITE TO FM PRESET $D+1 \rightarrow S$ | $SXP = FUMMC.PH7$ $S_n = PR_n + P_n \cdot SXP$ $AXS = FUMMC.PH7$ $S/RR_n = S_n \cdot RWXS$ $S/RW = FUMMC.PH7$ $S/SXDPI = FUMMC.PH7$ | LOAD A AND RRU1 WITH NEW START, COUNT |
| PH 8 | $D+1 \rightarrow S$ $S \rightarrow D$ $S \rightarrow P$ $S \rightarrow RR$ PRESET $A \rightarrow S$ PRESET CORE MEMORY REQUEST AND DATA RELEASE NOT (INTERUPT OR IOSC) AND NOT $MC=0$ } \Rightarrow BRANCH TO PH 2 | $S_n = (K_n \oplus PR_n) \cdot SXADD$ $DXS = FUMMC.PH8$ $PXS = FUMMC.PH8$ $S/RR_n = S_n \cdot RWXS$ $S/SXA = FUMMC.BRPH2$ $S/MRQ = FUMMC.BRPH2$ $BRPH2 = FUMMC.PH8, NMCE \cdot N(INT + IOSC)$ | BRPH2 \Rightarrow INST CONTINUED, ELSE INST. EXIT |
| PH 9 | $B \rightarrow S$ $S \rightarrow P$ PRESET CORE MEMORY REQUEST AND DATA REL. | $PXSXB = NFAFL.NFAMDS.PH9$ $S/MRQ/2 = PXSXB$ | |
| PH 10 | NORMAL ENDE EXCEPT IF FUMMC DID NOT FINISH DECEMENT P. THIS WILL RETURN TO FUMMC INSTRUCTION AFTER INTERRUPT OR IOSC | $PDC31 = FUMMC.PH10$ $NMCE (INT+IOSC)$ | |

| PHASE | FUNCTION PERFORMED | SIGNALS INVOLVED XDS 902306 | COMMENTS |
|-------------|---|---|---|
| PREP | CONTENTS OF REGISTERS AT THE END OF PREP. (C): } INSTRUCTION TO (D): } BE ANALYZED (P): EFF. ADDR OF INST. (B): PRG. ADDR. | FAMILY SIGNAL (ADDRESSING) FAIM: ALL IMMEDIATE INSTS. FABYTE: ALL BYTE INSTS. FAHW: ALL HALF WORD INSTS. FAW: ALL WORD ADDRESS INSTS. FADW: ALL DOUBLE WORD INSTS. | |
| PH 1 T5L | C0107 → 01-7 PRESET D → S PRESET D1214 → /LR/ PRESET RR → A SET ANLZ FLIP-FLOP BRANCH TO PRE1 | OXC = FUANLZ · PH1 S/SXD = FUANLZ · PH1 S/LRXD = OXC S/AXRR = FUANLZ · PH1 S/ANLZ = FUANLZ · PH1 { S/PRE1 = NCLEAR · FUANLZ · PH1 NBR = N(FUANLZ · PH1) | INST. TO BE ANALYZED IS LOADED INTO INSTRUCTION REGISTER THE ANLZ FLIP FLOP IS REQUIRED TO MAINTAIN ANALYZE SEQUENCE. |

ANLZ (44)

1 of 4

| PHASE | FUNCTION PERFORMED | SIGNALS INVOLVED | COMMENTS |
|----------------------|---|---|---|
| PRE 1 ANLZ T5L | D → S S → P INDEX ⇒ { SET INDEX FLIP FLOP SET INDEX ALIGN D1214 → LR RR → A WORD INDX } ⇒ PRESET A+D → S NOT INDIRECT INDIRECT ADDR. ⇒ { SET IA SET CORE MEM. REQ. | Sn = PRn PKS = NFAIM · PRE/12 S/IX = INDX · PRE1 S/IXAL = INDX · PRE1 · NFAW /LR283/ = D1214 · LRXD S/An = RRn · AXRR S/SXAPD = FAW · PRE1 · INDX · NCO S/IA = CO · PRE1 S/MRQ/2 = CO · PRE1 · NFAIM | (P): INST ADDR (A): INDX NFAIM INHIBITS CORE FETCH DURING ANLZ INST. THIS IS AN ILLEGAL INST. HOW EVER DURING ANLZ, THE ILLEGAL INST. TRAP IS DIS- ABLED. THEREFORE THIS REQUEST CAN NOT BE ALLOWED. |
| PRE 3 ANLZ T8L | SET CONDITION CODE TO ANALYZED INST ADDR. CLASS BRANCH TO PH5 SET T11L CLEAR 0 REGISTER | { S/CC1 = N01 · (ANLZ · PRE3) + N03 · NFAIM · (ANLZ · PRE3) S/CC2 = FADW · (ANLZ · PRE3) + FAHW · (ANLZ · PRE3) S/CC3 = (ANLZ · PRE3) · SWS S/CC4 = FAIM · (ANLZ · PRE3) R/CC = (ANLZ · PRE3) BRPH5 = ANLZ · PRE3 S/T11L = ANLZ · PRE3 OXZ = " " | (LIVLCFI) BRANCH TO PRE4 IS DISABLED. |
| PRE 2 ANLZ | INDEXING AND INDIRECT ADDRESS OPERATIONS: SEE PLEPHRATION NFAW · NIA - T5L + T8L NFAW · IA - MEM. CYCLE + T8L NFAW · NIX · IA - MEM. CYC. + T5L | FAW · NIA - T8L FAW · IA - MEM. CYCLE + T8L S/SWS = ANLZ · IA | |

ANLZ

2 of 4

155094-B
SH 48

| PHASE | FUNCTION PERFORMED | XDS 902306 INVOLVED | COMMENTS |
|--------------|---|---|--|
| PH 5 T11L | DEAD PHASE TO ALLOW FAMILY SIGNALS TO DIE OUT. | ADDER TO BUS FUNCTIONS OCCUR DEPENDENT ON ANALYZED INST. HOWEVER WRITE TO CORE OR FM IS INHIBITED. | |
| PH 6 T5L | $P \rightarrow S$ $CC1 \rightarrow S \rightarrow A$ $NCC1 \rightarrow S \rightarrow 2A$ $NCC1 \rightarrow P32 \rightarrow A31$ PRESET $A \rightarrow S$ | $S \times P = ANLZ \cdot PH6$ $AXS = CC1 \cdot ANLZ \cdot PH6$ $AXSL1 = NCC1 \cdot ANLZ \cdot PH6$ $A31 \times P32 = NCC1 \cdot ANLZ \cdot PH6$ $S/SXA = ANLZ \cdot PH6$ | DISPLACEMENT ALIGNMENT |
| PH 7 T5L | $A \rightarrow S$ $FABYTE^* \rightarrow S \rightarrow 2A$ $FADW^* \Rightarrow S \rightarrow \frac{1}{2}A$ PRESET $A \rightarrow S$ $NFAIM^* \Rightarrow$ PRESET FM WRITE <small>* FAMILY BYTE ADDRESS OF ANALYSED INST. FABYTE, ETC. HAS BEEN CLEARED BY OXZ IN PRE3. ADDR. GROUP HELD IN COND. CODE SETTING</small> | $S_n = PR_n$ $AXSL1 = NCC1 \cdot NCC2 \cdot ANLZ \cdot PH7$ $A31 \times P33 = NCC1 \cdot NCC2 \cdot ANLZ \cdot PH7$ $AXSRI = CC1 \cdot CC2 \cdot ANLZ \cdot PH7$ $S/SXA = ANLZ \cdot PH7$ $S/RW = ANLZ \cdot PH7 \cdot NCC4, NOLL$ | DISPLACEMENT ALIGNMENT SET ONLY IF TYPE OF INST WAS NOT IMMEDIATE ADDRESSING TYPE |

ANLZ

3 of 4

| PHASE | FUNCTION PERFORMED | SIGNALS INVOLVED | COMMENTS |
|---------------------|---|---|-----------------|
| PH 8 T8L | $A \rightarrow S$ $NFAIM^* \rightarrow S \rightarrow RW$ | $S_n = PR_n$ $S/RR_n = S_n \cdot RW$ | |
| PH 9 T5L | $B \rightarrow S \rightarrow P$ SET CORE MEM. REQUEST | $PXS \times B = NFAFL \cdot NFAMDS \cdot PH9$ $S/MRQ/2 = PXS \times B$ | FETCH NEXT INST |
| PH 10 ENDE DR | NORMAL ENDE $ZERO \rightarrow ANLZ$ | SEE ENDE SEQUENCE $R/ANLZ = CLEAR$ | |

ANLZ

4 of 4

155094-B
SH 49

| PHASE | FUNCTION PERFORMED | SIGNALS XDS 902306 | COMMENTS |
|-------|--|---|-------------------------------------|
| PRE | <p>CONTENTS OF REGISTERS AT THE END OF PREPARATION</p> <p>NEXU \rightarrow $\left\{ \begin{array}{l} (B): \text{UPDATED PROG. ADDR.} \\ (P): \text{EFFECTIVE ADDR.} \end{array} \right.$</p> <p>FABRANCH \Rightarrow (A): RR</p> <p>EXU \Rightarrow (P): UPDATED PROG. ADDR.</p> <p>FABRANCH \Rightarrow SET MEM REQUEST</p> <p>BIR \Rightarrow PRESET A+1 \rightarrow S</p> <p>BDR \Rightarrow PRESET A-1 \rightarrow S</p> <p>BAL } \Rightarrow PRESET FM WRITE</p> <p>BIR }</p> <p>BDR }</p> <p>EXU \Rightarrow BRANCH TO ENDE</p> <p>BAL \Rightarrow PRESET B \rightarrow S</p> <p>SET DATA RELEASE</p> | <p>FAMILY SIGNAL</p> <p>FABRANCH: BAL, BCS, BCR BDR, BIR, EXU</p> <p>FUBAL: BAL, FUEXU: EXU</p> <p>FUBIR: BIR, FUBDR: BDR</p> <p>FUBCR: BCR, FUBCS: BCS</p> <p>PXS = FUEXU · PRE3 · NANLZ</p> <p>S/MRQ/1 = FABRANCH · PRE/12 · NANLZ</p> <p>S/SXAP1 = FUBIR · PRE3</p> <p>S/SXAM1 = FUBDR · PRE3</p> <p>S/RW = FUBAL · PRE3 · NANLZ + FUBIR · PRE3 · NANLZ + FUBDR · PRE3 · NANLZ</p> <p>BRPH10 = FUEXU · PRE3 · NANLZ</p> <p>S/SXB = FUBAL · PRE3</p> <p>S/DRQ/2 = FABRANCH · PRE3</p> | <p>MOVE PROG. ADDR BACK TO (P).</p> |

"FABRANCH": EXU(67), BCS(69), BCR(68), BIR(65), BDR(64), BAL(6A)

1 of 2

| PHASE | FUNCTION PERFORMED | SIGNALS INVOLVED | COMMENTS |
|---|---|---|--|
| PH 1 | <p>BAL \Rightarrow B \rightarrow S</p> <p>BIR \Rightarrow A+1 \rightarrow S</p> <p>BDR \Rightarrow A-1 \rightarrow S</p> <p>S \rightarrow RR</p> | <p>$S_n = B_n \cdot SxB$</p> <p>$S_n = (K_n \oplus PR_n) \cdot SXADD$</p> <p>$RR_n = S_n \cdot RW$</p> | <p>BIR: BRANCH UNTIL NEG RR = ZERO OR POS.</p> <p>BDR: BRANCH UNTIL POS RR = ZERO OR NEG.</p> |
| BCS OR BCR T5L BIR BDR T11L BAL T8L | <p>BCS · (CCAR \neq 0) } \Rightarrow BRANCH TO ENDE</p> <p>BCR · (CCAR = 0)</p> <p>BAL</p> <p>BIR · (S < 0) } \Rightarrow SET PH10 * BDR · (S > 0) } (ENDE)</p> <p>BCS · (CCAR = 0) } \Rightarrow BRANCH TO PH 9</p> <p>BCR · (CCAR \neq 0)</p> <p>BIR · (S \geq 0)</p> <p>BDR · (S \leq 0) } \Rightarrow SET PH9 *</p> | <p>BRPH10 = FUBCS · PH1 · (R · CC) + FUBCR · PH1 · N(R · CC) + FUBAL · PH1</p> <p>S/PH10 = FUBIR · PH1 · NBRPH9 + FUBDR · PH1 · SGTZ</p> <p>NBR = I · FABRANCH · PH1</p> <p>BRPH9 = FUBCS · PH1 · N(R · CC) + FUBCR · PH1 · (R · CC) + FUBIR · PH1 · NS0</p> <p>S/PH9 = FUBDR · PH1 · NSGTZ</p> | <p>GO TO ENDE FOR PROGRAM LOOP (BRANCH).</p> <p>GO TO PH9 FOR PROGRAM END LOOP (NOBRANCH)</p> <p>* SPECIAL MECH. TO AVOID LEVEL PILE UP. KILL NBR BY (FUBDR · PH1)</p> |
| PH 9 DR | <p>B \rightarrow S \rightarrow P</p> <p>SET MEMORY REQUEST</p> | <p>PXSXB = NFAFL · NFAMDS · PH9</p> <p>S/MRQ/2 = PXSXB</p> | <p>NO BRANCH PLACE PROG. ADDR INTO (P) AND REQUEST NEXT INST IN SEQUENCE.</p> |
| PH 10 ENDE DR | <p>NORMAL ENDE WITH ADDITIONAL REQUIREMENT REQUIRE FOR EXU LISTED</p> <p>EXU \Rightarrow $\left\{ \begin{array}{l} \text{INHIBIT P+1} \rightarrow \text{P} \\ \text{IF (INT+ISOC) - P-1} \rightarrow \text{P} \end{array} \right.$</p> <p>IS0ENABE \Rightarrow</p> | <p>PUC31 = NFUEXU · PH10 · NHAJ · NINT · NIOSC</p> <p>PDC31 = FUEXU · (INT + ISOC) · ENDE</p> <p>IS0EN = ISOC · PH10 · NIDINH</p> | |

FABRANCH

2 of 2

155094-B

| PHASE/ | FUNCTION PERFORMED | XDS 902306 LS INVOLVED | COMMENTS |
|----------------------|---|--|---|
| Prelim | SET TRAP SET INTRAP SET INTRAPI SET INTRAPZ INHIBIT SET PREI CLEAR | $S/TRAP = (S/TRAP) \cdot NRESET$ $S/INTRAP = (S/INTRAP) \cdot NRESET$ $S/INTRAPI = (S/INTRAP) \cdot NRESET$ $(S/INTRAPZ) = (S/INTRAP)$ $PREIEN = N(S/TRAP) \cdot N(S/INTRAP)$ $CLEAR = (S/INTRAP)$ | |
| INTRAPI INTRAPZ | SET CEINT SET DRQ BRP → P → B RESET BRP C → D RESET INTRAPZ CLEAR P | $(S/CEINT) = INTRAPI \cdot INTRAPZ \cdot NTRAP$ $N(S/DRQ/Z) = I \cdot INTRAPI \cdot TRAP$ $BXP = BRP \cdot INTRAPI$ $(R/BRP) = INTRAPI$ $NDXC = I \cdot INTRAPZ$ $R/INTRAPZ = 0$ $PX = INTRAPI$ | REDUNDANT TERM REDUNDANT TERM |
| INTRAPI ARE DR | INT → INT ₀₋₃ → P ₂₀₋₃₁ CLEAR P TRAP → TR ₂₀₋₃₁ → P ₂₀₋₃₁ SET DRQ SET MRQ SET DRQ RESET CEINT RESET INTRAPI SET INTRAPZ | PRINT = $NTRAP \cdot (INTRAPI \cdot NINTRAPZ)$ PX = INTRAPI PxTR = $TRAP \cdot (INTRAPI \cdot NINTRAPZ)$ $N(S/DRQ/Z) = I \cdot INTRAPI \cdot TRAP$ $N(S/MRQ/Z) = I \cdot INTRAPI \cdot NINTRAPZ$ $(S/DRQ) = I \cdot N(S/MRQ/Z)$ $R/CEINT = 0$ $(R/INTRAPI) = I \cdot INTRAPZ$ $(S/INTRAPZ) = (INTRAPI \cdot NINTRAPZ)$ | PRINT → ENTER ACTIVE TO INTERRUPT LOGIC REDUNDANT TERM |
| INTRAPZ DR | MB → C → D → 0 → R SET SKD RESET INT RESET INTRAPZ SET PREI | NDXC = $I \cdot INTRAPZ$ $NMXC = B \cdot N(NINTRAPI \cdot INTRAPZ)$ $RXC = I \cdot N(NINTRAPI \cdot INTRAPZ)$ $RK = I \cdot N(NINTRAPI \cdot INTRAPZ)$ $N(S/SKD) = B \cdot N(NINTRAPI \cdot INTRAPZ)$ $(R/INT) = I \cdot N(NINTRAPI \cdot INTRAPZ)$ $R/INTRAPZ = 0$ $N(S/PREI) = I \cdot INTRAPZ \cdot NINTRAPI$ | |
| | | | |

INTRAP SEQUENCE

1 of 1

155094-B
SH 51

| PHASE | FUNCTION PERFORMED | SIGNALS INVOLVED | COMMENTS |
|-------------------|--|--|---|
| XDS 902306 | | | |
| END OF PREP | <p>CONTENTS OF REGISTERS</p> <p>(A): PSW1 (B): PROG ADDR (P): CURRENT PSW1 ADDR</p> <p>XPSD → { NTRAP → PRESET A → S TRAP → PRESET A-1 → S ⇒ SET CORE MEM. WRITE</p> <p>LPSD → { BRANCH TO PH3 SET CORE MEM. REQ.</p> <p>INTRAP. PRETR ⇒ TEST FOR XPSD</p> | <p>AXPSW1 = FAPSD · PRE3 AXZ = FAPSD · PRE3</p> <p>S/SXA = FAPSD · PRE3 · NTRAP S/SXAM1 = FAPSD · PRE3 · TRAP S/MBXS = FAPSD · PRE3 · 07 · N(ANLZ, PRE3) BRPH3 = FAPSD · PRE3 · NO7 · NANLZ S/MRQ/2 = FAPSD · (PRE/34 + PH2) S/HALT = INTRAP. PRETR · N(FAMT + YPSD)</p> | |
| PH 1 DR | <p>NTRAP → A → S TRAP → A-1 → S S → MB XPSD → { CURRENT PSW2 ADDR. → P CURRENT PSW2 → A SET CORE MEM WRITE PRESET A → S TRACCS → TRs</p> | <p>S_n = PR_n + (PR_n ⊕ K_n) · SXADD MB_n = S_n · MBXS PUC31 = FAPSD (PH1 + PH3) AXPSW2 = FAPSD · PH1 S/MBXS = FAPSD · PH1 S/SXA = FAPSD · PH1 S/TR28 = FAPSD · PH1 · TRACC1</p> | <p>XPSD: STORE CURRENT PSW1</p> <p>NOTE TRACC1 → TR28 TRACC2 → TR29 TRACC3 → TR30 TRACC4 → TR31</p> |
| PH 2 DR | <p>A → S S → MB SET CORE MEMORY L'EQ NEXT PSW1 ADDR → P</p> | <p>S_n = PR_n MB_n = S_n · MBXS S/MRQ/2 = FAPSD · (PRE/34 + PH2) PUC31 = FAPSD · PH2</p> | <p>XPSD: STORE CURRENT PSW2</p> |

FAPSD: LPSD (OE), XPSD (OF)

1 of 3

| PHASE | FUNCTION PERFORMED | SIGNALS INVOLVED | COMMENTS |
|---------|--|---|---|
| PH 3 DR | <p>MB → C C → D FAPSD → { SET CORE MEM. REQUEST NEXT PSW2 → P PRESET A + D → S</p> <p>XPSD (IF TRAP · R29) ⇒ TR's → A</p> | <p>C_n = MB_n · CXMB DXC = FAPSD · PH3 S/MRQ/2 = FAPSD · PH3 PUC31 = FAPSD · PH3 S/SXAPD = FAPSD · PH3</p> <p>AXTR = FAPSD · PH3 · 07 · R29 · TRAP AXZ = FAPSD · PH3</p> | <p>FETCH NEXT PSW1</p> <p>LOAD A WITH TRs OR ZERO</p> |
| PH 4 DR | <p>MB → C C → D A + D → S S → PSW1 S → P XPSD ⇒ IF TRAP, TRACC → CC FAPSD ⇒ { SET MEM REQUEST PRESET D → S LPSD · R30 ⇒ INTERLOCK CLOCK WITH ARE</p> | <p>C_n = MB_n · CXMB DXC = FAPSD · PH4 S_n = (K_n ⊕ PR_n) · SXADD PSWIXS = FAPSD · PH4 PKS = FAPSD · PH4 CCXTRACC = FAPSD · PH4 · 07 · TRAP S/MRQ/1 = FAPSD · PH4 S/SXD = FAPSD · PH4 S/CEINT = FAPSD · PH4 · NO7 · R30</p> | <p>FETCH NEXT PSW2</p> <p>LOAD NEXT PSW1</p> <p>IF XPSD · TRAP MERGE CC WITH TRACCS</p> |

FAPSD

2 of 3

155094-B
SH 52

| PHASE | FUNCTION PERFORMED | SIGNALS INVOLVED | COMMENTS |
|-------------|---|---|---|
| PH 5 TSL | LOAD NEXT PSW2 LPSD \Rightarrow $\begin{cases} R30, & \text{LEVACT} \\ R31, & \text{LEVARM} \end{cases}$ FAPSD $\begin{cases} D \rightarrow S \\ S \rightarrow \text{PSW2} \end{cases}$ LPSD \Rightarrow ZERO \rightarrow INT INHIBITS FAPSD \Rightarrow $\begin{matrix} \text{RESET INTRAP} \\ \text{" TRAP} \\ \text{" TRACC} \end{matrix}$ | XDS 902306 PSW2X5 = FAPSD · PH5 LEVACT = FAPSD · PH5 · N07 · R30 LEVARM = FAPSD · PH5 · N07 · R30 · R31 Sn = PRn PSW2X3 = FAPSD · PH5 PSW2X5/1 = PSW2X5 · N07 (R/INTRAP) = (R/TRAP) (R/TRAP) = FAPSD · PH5 (R/TRACC) = FAPSD · PH5 | INTERRUPT INHIBITS XPSD \Rightarrow MERGE CURRENT SETTING WITH NEW LPSD \Rightarrow LOAD NEW VALUES |
| PH 6 | ADDITIONAL PHASE TO ALLOW INTERRUPT INHIBITS TIME TO DROP INT. BRANCH TO ENDE | BRPH10 = FAPSD · PH6 S/INT = INT 9 R/INT = . | |
| PH 10 DR | | | |

FAPSD

3 of 3

| PHASE | FUNCTION PERFORMED | SIGNALS INVOLVED | COMMENTS |
|-------------|--|--|--|
| PRE | CONTENTS OF REGISTERS (B) : PROGRAM ADDR. | | |
| PH 1 TSL | R \rightarrow TRACC1, 2, 3/4 SET TR28 CAL3 OR CAL4 \Rightarrow SET TR30 CAL2 OR CAL4 \Rightarrow SET TR31 SET TRAP | $S/\text{TRACC1} = (\text{FACAL} \cdot \text{PH1}) \cdot \text{NTRAP} \cdot \text{NSTRAP} \cdot \text{R28}$ $S/\text{TRACC2} = (\text{FACAL} \cdot \text{PH1}) \cdot \text{NTRAP} \cdot \text{NSTRAP} \cdot \text{R29}$ $S/\text{TRACC3} = (\text{FACAL} \cdot \text{PH1}) \cdot \text{NTRAP} \cdot \text{NSTRAP} \cdot \text{R30}$ $S/\text{TRACC4} = (\text{FACAL} \cdot \text{PH1}) \cdot \text{NTRAP} \cdot \text{NSTRAP} \cdot \text{R31}$ $S/\text{TR28} = (\text{FACAL} \cdot \text{PH1}) \cdot \text{NTRAP} \cdot \text{NSTRAP}$ $S/\text{TR30} = (\text{FACAL} \cdot \text{PH1}) \cdot 06$ $S/\text{TR31} = (\text{FACAL} \cdot \text{PH1}) \cdot 07 \cdot \text{NSTRAP} \cdot \text{NTRAP}$ $(S/\text{TRAP}) = (\text{FACAL} \cdot \text{PH1})$ | SET CONDITION CODES DURING XPSD MODIFIES ADDRESS OF INST POINTED TO BY XPSD PROCEED TO INTRAP SEQ. |
| INTRAP | SEE INTRAP SEQUENCE | | |

"FACAL": CAL1 (04), CAL2 (05), CAL3 (06), CAL4 (07)

1 of 1

155094-B
SH 53

| PHASE | FUNCTION PERFORMED | SIGNALS INVOLVED XDS 902306 | COMMENTS |
|----------------|---|---|----------|
| END OF PREP | <p>CONTENTS OF REGISTERS</p> <p>(P) : PROG. ADDR. (B) : EFFECTIVE ADDR.</p> <p>WD → (A) : RR NRZ → PRESET A → S RD → CLEAR A</p> | <p>B1619Z ⇒ INTERNAL MODE S/SXA = FARWD · (PRE/34 + PH2) · NRZ AXRRINH = FARWD · 0LC · PRE3</p> | |
| PH 1 T5L | <p>WD · N (INTERNAL MODE) } A → S ⇒ S → DI00031 B → DI03247</p> <p>NRZ ⇒ PRESET A → S</p> <p>INTERNAL MODE ⇒ { KSS → CC INTERRUPT INH WRITE DIRECT</p> <p>WD SET WRITE LINE</p> | <p>S_n = PR_n DIOXS = FARWD · PH1 · 0LD · NB1619Z DIOXB = FARWD · PH1 S/SXA = FARWD · (PH1 + PH3) · NRZ CCXRWD = FARWD · PH1 · B1619Z INHXWD = CCXRWD · 0LD · B26 WDINT = CCXRWD · 0LD · B25 S/DI0WD = FARWD · PH1 · 0LD</p> <p>S/CIF = INHXWD · B29 · B27 R/CIF = INHXWD · B29 S/II = INHXWD · B30 · B27 R/II = INHXWD · B30 S/EI = INHXWD · B31 · B27 R/EI = INHXWD · B31</p> | |
| CONT NEXT PAGE | WD · (INTERNAL MODE) · B27 ⇒ SET INTERRUPT INHIBITS | | |

FARWD: RD(6C), WD(6D)

1 of 5

| PHASE | FUNCTION PERFORMED | SIGNALS INVOLVED | COMMENTS |
|-------|---|--|----------|
| | <p>READ SENSE SWITCHES INTERNAL MODE</p> | <p>S/CC1 = CCXRWD · KSS1 S/CC2 = CCXRWD · KSS2 S/CC3 = CCXRWD · KSS3 S/CC4 = CCXRWD · KSS4 R/CC = CCXRWD</p> | |
| | ALARM CONTROL | <p>S/ALARM = WDINT · B31 R/ALARM = WDINT · + RESET</p> | |
| | AUDIO TOGGLE | <p>S/MUSIC = WDINT · B30 · NMUSIC R/MUSIC = WDINT · B30</p> <p>AUDIO = MUSIC · NALARM + ALARM · KRUN · IKC</p> | |
| | <p>READ AND RESET MEMORY FAULT INDICATORS</p> <p>MFI0-7 → A2531 ZERO → A0024 ZERO → MRI</p> | <p>RDXMFI = CCXRWD · 0LC · B27 AXPARITY = RDXMFI · PH1 MFR = RDXMFI · NRZ + RESET</p> | |
| | INTERNAL MODE ⇒ BRPH8 | <p>BRPH8 = FARWD · PH1 · B1619Z B1619Z = NB16 · NB17 · NB18 · NB19</p> | |

FARWD

2 of 5

155094-B
SH 54

| PHASE | | FUNCTION PERFORMED | XDS 902306 SIGNALS INVOLVED | COMMENTS |
|-------------|--|--|---|----------|
| PH 2 TSL | A → S EWDM ⇒ S ₁₆₃₁ → DAT ₁₆₃₁ WD · INTERRUPT CONTROL ⇒ EWDM PRESET A → S | S _n = PR _n DAT _n = S _n · EWDM EWDM = NB16 · NB17 · NB18 · B19 · DIOWD S/SXA = FARWD · (PRE/34 + PH2) · NRZ | | |
| PH 3 TSL | A → S EWDM ⇒ S ₁₆₃₁ → DAT ₁₆₃₁ PRESET A → S DECREMENT MC BRANCH TO PH6 SET FUNCTION STROBE | S _n = PR _n DAT _n = S _n · EWDM S/SXA = FARWD · (PH1 + PH3) · NRZ MCDC7 = FARWD · PH3 BRPH6 = FARWD · PH3 S/DIOFS = FARWD · PH3 | | |
| PH 6 TSL | A → S S ₁₆₃₁ → DAT ₁₆₃₁ PRESET A → S IO ENABLE DIOEXIT ⇒ CLEAR DIOWD NDIOEXIT ⇒ SUSTAIN PH6 FSA ⇒ ENABLE DIOIND DIOIND ⇒ DIO → DIO(REQ) DIO51 → CC3 DIO52 → CC4 | S _n = PR _n DAT _n = S _n · EWDM S/SXA = FARWD · PH6 · NDIOEXIT · NRZ IOENG = FARWD · PH6 · NEWDM · NDIOEXIT · NMCOO5Z R/DIOWD = DIOEXIT BRPH6 = FARWD · PH6 · NDIOEXIT DIOIND = FSA · DIO73 · NDIO72 = DIOXDIO S/CC3 = DIOIND · DIO51 S/CC4 = DIOIND · DIO52 | NOTE SEE SHEET 5 FOR PHASE 6 CONTROL. | |

FARWD

3 of 5

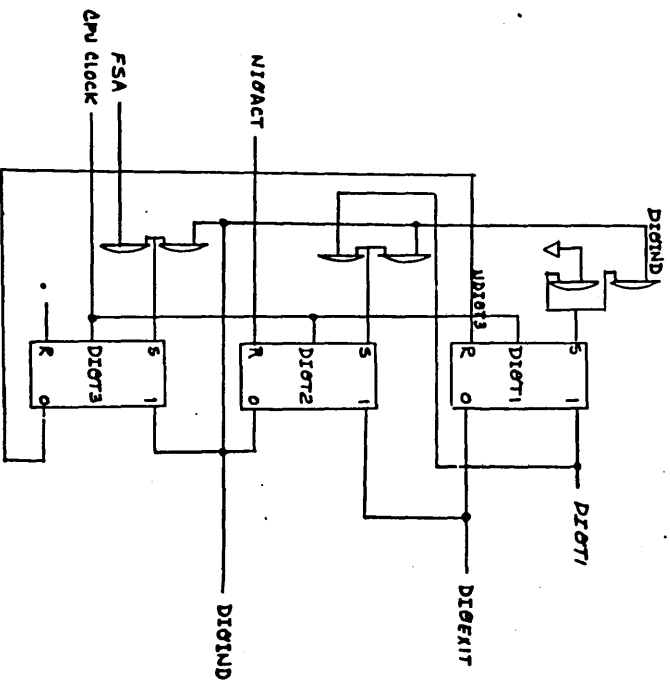
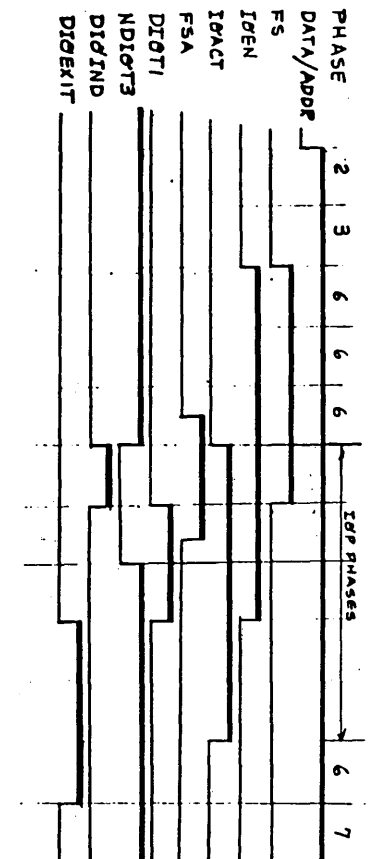
| PHASE | | FUNCTION PERFORMED | SIGNALS INVOLVED | COMMENTS |
|--------------|--|--|------------------|----------|
| PH 7 TSL | DIO → A PRESET A → S RD ⇒ SET FM WRITE | AXDIO = FARWD · PH7 S/SXA = FARWD · PH7 S/RW = FARWD · PH7 · OLC · NRZ | | |
| PH 8 TSL | A → S RD · NRZ ⇒ S → RR. BRANCH TO PH10 NEXT INST ⇒ SET MEM REQ | S _n = PR _n S/RR _n = S _n · RW BRPH10 = FARWD · PH8 S/MRQ/I = FARWD · PH8 | | |
| PH 10 TSL | NORMAL ENDE | | | |

FARWD

4 of 5

155094-B
SH 55

DIRECT I/O CONTROL LOGIC XDS 902306



| PHASE | FUNCTION PERFORMED | SIGNALS INVOLVED | COMMENTS |
|-------|---|---|--------------|
| | | SIGNALS INVOLVED XDS 902306 | |
| PREP | <p>CONTENTS OF REGISTERS AT THE END OF PREPARATION</p> <p>(B): PROG. ADDR (D) & (P): IOPADDR SIO ⇒ (A): R[0]</p> | <p><u>INSTRUCTION FAMILY SIGNALS</u></p> <p>FAIO: SIO, TIO, TDV, HIO, AIO FAIO/1: SIO, TIO, TDV, HIO</p> | 1ST CMD ADDR |
| | <p>EVENTS DURING PREP</p> <p>P → B D → S NIDX → S → P IA ⇒ { MB → C C → D INDX A+D → S S → D S → P</p> <p>SIO ⇒ { 0 → /LR/ R[0] → A</p> | <p>BXP/1 = BRP·PRE1 S_n = PR_n PXS = NFAIM·PRE1</p> <p>DXC = IA·PRE2 S/SXPAD = FAW·PRE1·INDX·NCO + IA·IX·PRE2 DXS = FAIO·PRE/12 PXS = PRE2</p> <p>LRXZ = FUSIO·PRE3 S/AXRR = PRE/12</p> <div style="border: 1px solid black; padding: 5px; width: fit-content; margin: 10px auto;"> <p>0000000000000000 COMMAND DW. ADDR 0 4 8 12 16 20 24 28 31</p> </div> <p>WORD IN R[0]</p> | |

“FAIO”: SIO(4C), HIO(4F), TIO(4D), TDV(4E), AIO(4E)

1 of 15

| PHASE | FUNCTION PERFORMED | SIGNALS INVOLVED | COMMENTS |
|-------|--|---|---|
| PH. 1 | <p>FUNCTION LINES TO MIOP</p> <p style="text-align: center;">AIO SIO TIO TDV HIO</p> <p>02 → /FNC0/ 1 0 0 0 0 06 → /FNC1/ 1 0 0 1 1 07 → /FNC2/ 0 0 1 0 1</p> <p>FUNCTION LINES TO IOIP</p> <p>FUSIO → /SIO/ N06.07 → /TIO/ N02.06.N07 → /TDV/ 06.07 → /HIO/ FUAI0 → /AIO/ CLEAR CCI AND CCR SET IOP ADDR LINES</p> <p>P21 ↔ SWS → /IOPA0/ P22 ↔ SW6 → /IOPA1/ P23 ↔ SW3 → /IOPA2/</p> <p>NSIO ⇒ CLEAR A PRESET → D → S DEVICE ADDR D2431 → D₀₀₀₇ X'20' → P</p> | <p>/FNC0/ = BCD * B.02.IOPXFNC /FNC1/ = BCD * B.06.IOPXFNC /FNC2/ = BCD * B.07.IOPXFNC</p> <p>IOPXFNC = FAIO·EXC·NPHIO</p> <p>/SIO/ = BCD * B. FUSIO·IOPXFNC /TIO/ = BCD * B. N06.07.IOPXFNC /TDV/ = BCD * B. N02.06.IOPXFNC /HIO/ = BCD * B.06.07.IOPXFNC /AIO/ = BCD * B. FUAI0·IOPXFNC·I0IR</p> <p>R/CCI = FAIO·PH1 R/CCR = FAIO·PH1</p> <p>S/SWS = (FAIO·PH1). P21 /IOPA0/ = BCD * B. SWS S/SW6 = (FAIO·PH1). P22 /IOPA1/ = BCD * B. SW6 S/SW3 = (FAIO·PH1). P23 /IOPA2/ = BCD * B. SW3</p> <p>AXE = FAIO·PH1·NFUSIO S/SXD = (FAIO·PH1) DXDRB = (FAIO·PH1) PX = (FAIO·PH1) S/P26 = (FAIO·PH1)</p> | <p>SW FLIP/FLOPS HOLD IOP ADDR. LINES UNTIL INST. COMPLETED.</p> <p>ALIGN DEVICE ADDR. CORE ADDR. FOR MIOIP TRANSFER DOUBLEWORD</p> |

FAIO

2 of 15

155094-B
SH 57

| PHASE | FUNCTION PERFORMED | SIGNALS XDS 902306 | COMMENTS |
|---------|--|---|--|
| PH 2 | <p>$D \rightarrow S$ $S_{0007} \rightarrow A_{0007}$</p> <p>$R \neq 0 \Rightarrow$ SET A09 R IS EVEN \Rightarrow SET A08 CLEAR A0815</p> <p>MIOP NOT AI0 } \Rightarrow PRESET CORE WRITE</p> <p>PRESET $A \rightarrow S$</p> <p>PROCEED LOW \Rightarrow SET SWO</p> <p>INTEGRAL IOP ADDR</p> | <p>$S_n = PR_n$ $AxS/0 = AxS/2$ $AxS/2 = (FAI0.PH2)$</p> <p>$(S/A9) = (FAI0.PH2). NRZ$ $(S/A8) = (FAI0.PH2). NRZ. NR31$ $AZ / 1 = (FAI0.PH2)$</p> <p>$S/MBXS = FAI0/1.PH2.N (IOP0P. IOPADD)$ $S/MRQ = S/MBXS$ $S/DRQ = S/MBXS$</p> <p>$S/SXA = (FAI0.PH2)$</p> <p>$S/SWO = (FAI0.PH2). NPR$</p> <p>$IOPADD = NSW3.NSW5.NSW6$</p> <p>$IOPAXST = FAI0.PH2$</p> | <p>DEVICE ADDR. TO A0007</p> <p>GENERATE R FOR TRANSFER TO X'20'</p> |

FAI0

3 of 15

| PHASE | FUNCTION PERFORMED | SIGNALS INVOLVED | COMMENTS | | | | | | | | | | | | |
|-----------------|--|---|-----------------------------|---|--------|-----------------------------|---|---|---|----|----|----|----|----|---|
| PH 3 | <p>MIOP } $A \rightarrow S$ NAI0 } $S \rightarrow MB$ $S \rightarrow D$</p> <p>DEVICE ADDR. $\Rightarrow A \rightarrow IOPR$ $A \rightarrow IODA$</p> <p>NAI0. R31 $\Rightarrow P+1 \rightarrow P$</p> <p>PROCEED LOW \Rightarrow SET SWO</p> <p>NSWO \Rightarrow BRPH3</p> <p>SWO \Rightarrow SET CONTROL STROBE</p> | <p>$S_n = PR_n$ $MB_n = S_n \cdot MBXS$ $DXS = (FAI0.PH3)$</p> <div style="border: 1px solid black; padding: 5px; width: fit-content; margin: 10px auto;"> <table style="border-collapse: collapse;"> <tr> <td style="border: 1px solid black; padding: 2px;">DEVICE ADDR.</td> <td style="border: 1px solid black; padding: 2px;">R</td> <td style="border: 1px solid black; padding: 2px;">000000</td> <td style="border: 1px solid black; padding: 2px;">COMMAND DOUBLE WD. ADDR.</td> </tr> <tr> <td style="border: none; text-align: center;">0</td> <td style="border: none; text-align: center;">4</td> <td style="border: none; text-align: center;">8</td> <td style="border: none; text-align: center;">12</td> </tr> <tr> <td style="border: none; text-align: center;">16</td> <td style="border: none; text-align: center;">20</td> <td style="border: none; text-align: center;">24</td> <td style="border: none; text-align: center;">28</td> </tr> </table> </div> <p>$IOPRxA = FAI0.PH3-B$ $IOPDAXA = (FAI0.PH3)$</p> <p>$PUC31 = (FAI0/1.PH3). R31$</p> <p>$S/SWO = (FAI0.PH3). NPR$</p> <p>$BRPH3 = FAI0.PH3. NSWO$</p> <p>$S/IOPCONST = (FAI0.PH3). SWO$</p> | DEVICE ADDR. | R | 000000 | COMMAND DOUBLE WD. ADDR. | 0 | 4 | 8 | 12 | 16 | 20 | 24 | 28 | <p>WRITE COMH TO CORE X'20' FOR MIOP ONLY</p> <p>DEVICE ADDR. TO DEVICE SUBCONTROLLER</p> <p>CORE ADDR. = X'21'</p> <p>WAIT FOR PROCEED TO GO LOW</p> |
| DEVICE ADDR. | R | 000000 | COMMAND DOUBLE WD. ADDR. | | | | | | | | | | | | |
| 0 | 4 | 8 | 12 | | | | | | | | | | | | |
| 16 | 20 | 24 | 28 | | | | | | | | | | | | |

FAI0

4 of 15

155094-B
C U E O

INTEGRAL IOP FA XDS 902306 (D.C. CHANNEL)

| CONTENT | READ PRESET | WRITE PRESET | WORD ADDR | | |
|---|-----------------------|---------------------|-----------|-------|-------|
| | | | I0FM | I0FRB | I0FR9 |
| STATUS, BYTE ADDRESS BITS 0 TO 15 BITS 15 TO 31 | S/AXRR/2 | S/RW/2 | 1 | 0 | 0 |
| FLAGS, BYTE ADDR, BYTE COUNT BITS 0 TO 7 BITS 8 TO 9 BITS 16 TO 31 | S/AXRR/3 | S/RW/3 | 1 | 0 | 1 |
| BYTE COUNT (ONLY) BITS 16 TO 31 | S/AXRR/6 | NOT DONE | 1 | 0 | 1 |
| MOST SIGNIFICANT BYTE ⇒ { COMMAND DBW ADDR. BITS 24 TO 31 | S/AXRR/4 | S/RW/4 | 1 | 1 | 0 |
| LEAST SIGNIFICANT BYTE ⇒ { COMMAND DBW ADDR. BITS 24 TO 31 | S/AXRR/4 AND S/AXRR/3 | S/RW/4 AND S/AXRR/3 | 1 | 1 | 1 |

STATUS BITS

- BIT 0 READ BACKWARD
- BIT 1 CHAINING MODIFIER
- BIT 2 ZERO BYTE COUNT INT.
- BIT 3 CHANNEL END INT
- BIT 4 UNUSUAL END INT
- BIT 8 INCORRECT LENGTH

- BIT 9 TRANSM. DATA ERROR
- BIT 10 TRANSM. MEM. ERROR
- BIT 11 MEMORY ADDR. ERROR
- BIT 12 IOP MEMORY ERROR
- BIT 13 IOP CONTROL ERROR
- BIT 14 IOP HALT

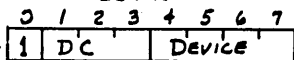
FLAGS

- BIT 0 DATA CHAIN
- BIT 1 INT. AT 0 BYTE CT.
- BIT 2 COMMAND CHAIN
- BIT 3 INT AT CHAN. END
- BIT 4 HALT ON TRANS. ERR.
- BIT 5 INT UNUSUAL END
- BIT 6 SUPPRESS INCR. LENGTH
- BIT 7 SKIP

DEVICE CONTROLLER ADDRESS DECODE

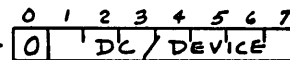
MULTIUNIT DEVICE CONTROLLER

I0FRO = 1



SINGLE DEVICE CONTROLLER

I0FRO = 0



$LI0^n = I0FR_p$ WHERE $n = 3-7$, $p = 1-7$ AS PER TABLE BELOW

| SELECT ONE OF 4 GROUPS | CHANNEL SELECT | I0FRO = 1 | I0FRO = 0 |
|------------------------------|----------------|-----------|-----------|
| | } | LI03 = | 0 |
| LI04 = | | 0 | I0FR4 |
| SELECT ONE OF EIGHT CHANNELS | LI05 = | I0FR1 | I0FR5 |
| | LI06 = | I0FR2 | I0FR6 |
| | LI07 = | I0FR3 | I0FR7 |

STANDARD EIGHT CHS.

* $L/I0^1Bi = NLI0S.NLI04$

OPTIONAL CHANNELS (EIGHT EACH)

$L/I02Bi = NLI0S.LI04$
 $L/I03Bi = LI03.NLI04$
 $L/I04Bi = LI03.LI04$

* EQUATIONS NOT COMPLETE

PRESET FLIP FLOPS

I0FM

$$S/I0FM = S/AXRR/2 + S/AXRR/3 + S/AXRR/4 + S/AXRR/6 + S/RW/2 + S/RW/3 + S/RW/4$$

I0FMB

$$S/I0FMB = S/AXRR/4 + S/RW/4$$

AXRR

$$S/AXRR = S/AXRR/2 + S/AXRR/3$$

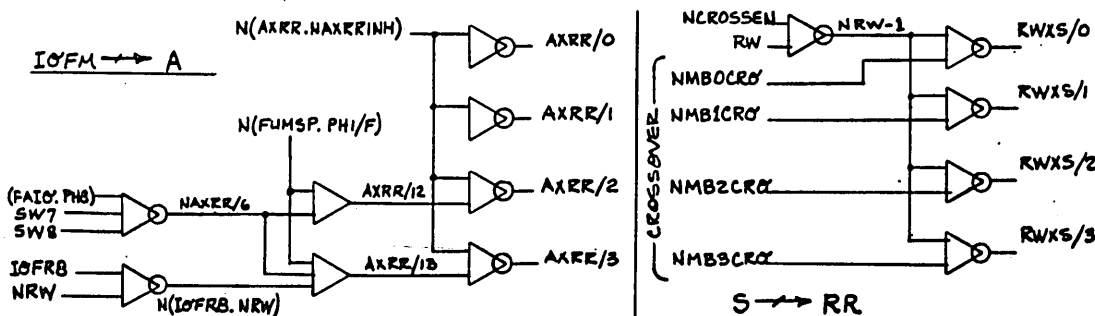
I0FM9

$$S/I0FM9 = S/AXRR/3 + S/AXRR/6 + S/RW/3$$

RW

$$S/RW = S/RW/2 + S/RW/3 + S/RW/4$$

BYTE DRIVER LOGIC



| PHASE | FUNCTION PERFORMED | SIG XDS 902306 | COMMENTS |
|----------------|---|--|--|
| PH 4 | <p>IOCONST → /CNSTC/ CNST → INTEGRAL IOP</p> <p>NIOPADD } → IIOP PASS AIO, NIOR } CNST ON</p> <p>INTEGRAL IOP PROCEED CNST { AIO, IOIR } → IIOP PROCEED</p> <p>WAIT FOR PROCEED → BRPH4</p> | <p>/CNSTC/ = BCD * B. IOCONST CNST = IOCONST. IOPOP. NIOPEX + /CNST/. IOPOP. IOPEX</p> <p>CNSTI = FAIO/L. NIOPADD. CNST + FUAIO. NIOR. CNST</p> <p>PRI = CNSTI. [LAST IOP]</p> <p>S/SW2 = FAIO/L. PH4. IDPADD. CNST + FUAIO. PH4. IOIR. CNST</p> <p>BRPH4 = FAIO. PH4. SWO. NSW2</p> | <p>CONTROL STROBE TO IOP(S) (IOPEX = MIOP CABLE)</p> <p>NOT INTEGRAL IOP ADDR. AND NO IOP INT. PENDING</p> <p>INTEGRAL IOP ADDR. OR INT. PENDING</p> |
| PH 4 (MIOP) | <p>MIOP ADDRESSED PROCEED → RESET SWO</p> <p>CLEAR → IOCONST COND1, 2 → CC1, CC2</p> <p>NRE ⇒ READ CORE SET MRQ & DRQ</p> <p>RZ ⇒ BRPH9</p> | <p>R/SWO = FAIO. PH4. PR</p> <p>R/IOCONST = FAIO/L. PH4. NSWO</p> <p>S/CC1 = FAIO. PH4. NSWO. COND1</p> <p>S/CC2 = FAIO. PH4. NSWO. COND2</p> <p>S/MRQ/2 = FAIO. PH4. NSWO. NRE</p> <p>BRPH9 = FAIO. PH4. NSWO. RZ + FAIO. PH4. NSWO. COND1</p> | <p>NSWO = MIOP PROCEED</p> <p>NO REG. STATUS REQ'D.</p> |

FAIO

6 of 15

| PHASE | FUNCTION PERFORMED | SIGNALS INVOLVED | COMMENTS |
|-------|--|---|---|
| PH 4 | <p>INTEGRAL IOP ADDRESSED (SECOND CLOCK) SET FUNCTION STROBE</p> <p>PRESET [IOFM(00)] → A</p> <p>START SEQUENCE SWB-15</p> <p>RESET SW2</p> | <p>IO PADD = NSW3. NSW5. NSW6</p> <p>S/IOFS = FAIO. PH4. SW2</p> <p>S/AXRR/2 = FAIO/L. PH4. SW2 S/IOFM = S/AXRR/2</p> <p>BRSWB = FAIO. PH4. SW2</p> <p>R/SW2 = FAIO. PH4. SW2</p> | <p>(SWO = SW2 = 1) ⇒ IIOP DURING SECOND PH4 SW2 IS RESET</p> <p>READ PREVIOUS STATUS AND BYTE ADDRESS</p> |
| PH 5 | <p>MIOP ADDRESSED</p> <p>MB → C C → D</p> <p>NAIO. NR31 ⇒ P+1 → P SET CORE READ, DRQ DELAYED</p> <p>R31 } ⇒ { PRESET D → S AIO } ⇒ { PRESET S → FM</p> <p>MIOP ADDRESSED GO TO PH6</p> | <p>Cn = MB_n. CXMB</p> <p>DXC = FAIO. PH5. NSWO</p> <p>PUC31 = FAIO/L. PH5. NSWO. NR31</p> <p>S/MRQ/3 = FAIO/L. PH5. NSWO. NR31</p> <p>S/SKD = FAIO. PH5. NSWO. R31 + FUAIO. PH5. NSWO.</p> <p>S/RW = FAIO/L. PH5. NSWO. R31 + FUAIO. PH5. NSWO</p> <p>S/PH6 = PH5. NBR. NIOPEN</p> | <p>NSWO ⇒ MIOP</p> <p>REVEN ⇒ X'20' → D RODD ⇒ X'21' → D</p> <p>INCREMENT P IF REVEN READ X'21' IF REVEN</p> <p>AIO ⇒ X'20' CONTAINS [STATUS, IOP ADDR]</p> |

FAIO

7 of 15

155094-B
SH 60

| PHASE | FUNCTION PERFORMED | XDS 902306 INVOLVED | COMMENTS |
|---------------------|---|--|--|
| PH 5 SW8 NSW7 | <p><u>INTEGRAL IOP ADDRESSED</u> ← SWO</p> <p>NSW7 ⇒ SUSTAIN SW8 [IOFM(00)] → A SWO ⇒ SUSTAIN PH5 /AVO+/FSL/ ⇒ SET SW7</p> <p>NAIO ⇒ PRESET [FM(01)] → A</p> <p>AIO ⇒ { CLEAR IODA PRESET [FM(00)] → A</p> | <p>S/A_n = FAIO.PH5.SW8.NSW7 S/A_n = RR_n.AXRR BRPH5 = FAIO.PH5.SWO.NSW14.N(NVALST.SW13) S/SW7 = FAIO.PH5.SW8.NSW7.FSL + FAIO.PH5.SW8.NSW7.AVO</p> <p>S/AXRR/6 = FAIO/1.PH5.SW8.NSW7</p> <p>IODAX = FUAIO.PH5.SW8.NSW7 S/AXRR/2 = FUAIO.PH5.SW8</p> | <p>SUSTAIN PH5</p> <p>WAIT FOR DEVICE CONTROLLER RESPONSE N(NVALST.SW13)</p> <p>D.C. RESPONSE RECEIVED FSL ⇒ FUNCTION STROBE ACKNOWLEDGE AVO ⇒ FUNCTION NOT ACCEPTED</p> |
| PH 5 SW8 SW7 | <p>NAIO ⇒ [FM(01)] → A1631 AIO ⇒ [FM(00)] → A</p> <p>SW7 ⇒ SET CONDITION CODE</p> <p>RESET SW7</p> <p>SIO ⇒ CLEAR OLD STATUS</p> <p>SWO ⇒ SUSTAIN PH5</p> <p>AIO ⇒ { /FR/ → IOFR PRESET A → S PRESET [FM(00)] → A</p> | <p>S/A_n = RR_n.AXRR/6 S/A_n = RR_n.AXRR AXRR/6 = FAIO/1.PH5.SW8.SW7 S/CC1 = FAIO.PH5.SW8.SW7.NDOR S/CC2 = FAIO.PH5.SW8.SW7.NIOR R/SW7 = FAIO.PH5.SW8.SW7 SIOSP/1 = FUSIO.PH5.SW8.SW7 S/RW/2 = SIOSP/1.DOR.IOR BRPH5 = FAIO.PH5.SWO.NSW14.N(NVALST.SW13) IOFRXFR = (FUAIO.P5.8.7) IOFRX = (FUAIO.P5.8.7) S/SXA = (FUAIO.P5.8.7) S/AXRR/2 = FUAIO.PH5.SW8</p> | <p>NAIO ⇒ BYTE C → A1631 AIO ⇒ STATUS → A (FROM INT. ACKND DEVICE)</p> |

FAIO

8 of 15

| PHASE | FUNCTION PERFORMED | SIGNALS INVOLVED | COMMENTS |
|-------------|---|---|--|
| PH 5 SW9 | <p>VALID START ⇒ VALST VALST ⇒ ZERO → S → IOFM(00) NAIO ⇒ FR → A0007</p> <p>AIO ⇒ A → S PRESET A → S AIO ⇒ [IOFM(00)] → A NAIO ⇒ { PRESET Ru1 → /LR/ PRESET WRITE TO Ru1</p> <p>AIO ⇒ PRESET WRITE TO [IOFM(00)]</p> <p>RZ } ⇒ BRANCH TO SW13 AVO }</p> <p>SWO ⇒ SUSTAIN PH5 CCI ⇒ RAISE RZ</p> | <p>VALST = FUSIO.NCC1.NCC2 RR_n = S_n.KW S/A_n = FR_n.AXFR AXFR = FAIO/1.PH5.SW9 S_n = PR_n S/SXA = FAIO.PH5.SW9 S/A_n = RR_n.AXRR S/LR31 = FAIO/1.PH5.SW9 S/RW = FAIO/1.PH5.SW9.NRZ S/RW/2 = FUAIO.PH5.SW9 BRSW13 = FAIO/1.PH5.SW9.RZ + FAIO.PH5.SW9.AVO BRPH5 = FAIO.PH5.SWO.NSW14.N(NVALST.SW13) RZ = NR28.NR29.NR30.NR31 + FAIO.CCI</p> | <p>CLEAR OLD STATUS</p> <p>AIO ⇒ STATUS → A STATUS TO Ru1</p> <p>No STATUS REQUIRED</p> <p>NOTE: IF CCI IS SET STATUS IS NOT LOADED INTO REGISTER (S).</p> |

FAIO

9 of 15

155094-B
SH 61

| PHASE | FUNCTION PERFORMED | SIGNALS INVOLVED | COMMENTS |
|---------------|---|--|--|
| PH 5 SW 10 | $A \rightarrow S$ $S \rightarrow Ru1$ $S \rightarrow Ru1$ $ZERO \rightarrow RW15$ | $S_n = PR_n$ $RW_n = S_n \cdot RWX5$ $RW15 = S15 \cdot RWX5/1 \cdot RW15XZ$ $NRW15XZ = FAIO/1 \cdot PH5 \cdot SW10$ | LOAD IO STATUS BUT INHIBIT SIS WHICH INDICATES A BUSY SELECTOR IOP |
| | $S \rightarrow [IOFM(0)]$ $ZERO \rightarrow \begin{cases} IO \text{ STATUS} \\ INTERRUPT \text{ BITS} \end{cases}$ | $RW_n = S_n \cdot RWX5$ $RW3 = S3 \cdot RWX5 \cdot N(FUALD \cdot PH5 \cdot SW10)$ $RW4 = S4 \cdot " \cdot "$ $RW5 = S5 \cdot " \cdot "$ | AIO STATUS RETURNED WITH INTERRUPT STATUS BITS CLEARED |
| | $IOFR \rightarrow A0007$ $IOP \text{ STATUS} \rightarrow A0015$ CLEAR TO BYTE 1 | $AXFR = FUAIO \cdot PH5 \cdot SW10$ $IOAXST = IOINST$ $IOINST = FUAIO \cdot PH5 \cdot SW10 \cdot (A2 + A3 + A4 + NIOFRO)$ $AZ/1 = FUAIO \cdot PH5 \cdot SW10$ | DEVICE ADDR $\rightarrow A$ |
| | $NAIO \{ NR31 \} \rightarrow \text{PRESET } [IOFM(10)] \rightarrow A$ SUSTAIN PH5 | $S/AXRR/4 = FAIO/1 \cdot PH5 \cdot SW10 \cdot NR31$ $BRPH5 = FAIO \cdot PH5 \cdot SW10 \cdot NSW/4 \cdot N(NVALST \cdot SW13)$ | |
| | $NAIO \{ R31 \} \rightarrow \text{BRANCH TO SW13}$ | $BRSW13 = FAIO/1 \cdot PH5 \cdot SW10 \cdot R31$ | ODD R FIELD ONE STATUS WORD REQUIRED |
| | $FAIO \rightarrow ZERO \rightarrow A$ | $AXE = FAIO \cdot PH5 \cdot SW10$ | |

FAIO

10 of 15

| PHASE | FUNCTION PERFORMED | SIGNALS INVOLVED | COMMENTS |
|---------------|--|---|---|
| PH 5 SW 11 | $[IOFM(10)] \rightarrow A$ $\text{PRESET } [IOFM(11)] \rightarrow A$ SUSTAIN PH5 | $S/An = RR_n \cdot AXRR/3$ $S/AXRR/4 = FAIO/1 \cdot PH5 \cdot SW11$ $S/AXRR/6 = FAIO/1 \cdot PH5 \cdot SW11$ $BRPH5 = FAIO \cdot PH5 \cdot SW10 \cdot NSW/4 \cdot N(NVALST \cdot SW13)$ | READ MSB OF CDW ADDRESS TO A2431 |
| | $AIO \rightarrow A0008 \rightarrow A2431$ | $AXAR24 = FUAIO \cdot PH5 \cdot SW11$ | TRANSFER DEVICE ADDR. TO BYTE 3 OF A |
| PH 5 SW 12 | $A2431 \rightarrow A1623$ $[IOFM(11)] \rightarrow A2431$ PRESET $A \rightarrow S$ PRESET WRITE TO R | $AXALB = FAIO/1 \cdot PH5 \cdot SW12$ $S/An = RR_n \cdot AXRR/3$ $S/SXA = FAIO \cdot PH5 \cdot SW12$ $S/RW = FAIO \cdot PH5 \cdot SW12 \cdot NRZ$ $BRPH5 = FAIO \cdot PH5 \cdot SW10 \cdot NSW/4 \cdot N(NVALST \cdot SW13)$ $SXDA = FUAIO \cdot PH5 \cdot SW12$ $AXS/2 = FUAIO \cdot PH5 \cdot SW12$ $S/CC2 = FUAIO \cdot PH5 \cdot SW12 \cdot A12$ | LOAD MSB OF CDW ADDRESS TO A1623 AND READ LSB OF CDW TO BYTE 3 OF A |
| | $DA \rightarrow S$ $S \rightarrow A0007$ $A12 \rightarrow \text{SET CC2}$ $\text{STATUS} \rightarrow A$ | | READ DEVICE STATUS TO BYTE 0 OF A |
| | $SIO \rightarrow$ | | CC2 INDICATES UNUSUAL INTERRUPT |
| | $AIO \rightarrow$ | | |

FAIO

11 of 15

155094-B
SH 62

| PHASE | FUNCTION PERFORMED | XDS 902306 S INVOLVED | COMMENTS |
|---------------|--|---|---|
| PH 5 SW 13 | $\begin{matrix} \text{REVEN} \{ A \rightarrow S \\ S \rightarrow RR \end{matrix}$ <p>DROP FUNCTION STROBE DROP CONNECT STROBE</p> $\text{VALST} \begin{cases} \text{PRESET } D-1 \rightarrow S \\ \text{PRESET } S \rightarrow [IOFM(10)] \end{cases}$ <p>NVALST \Rightarrow BRANCH TO PH9 VALST \Rightarrow SUSTAIN PHS</p> | $\begin{matrix} S_n & = & PR_n \\ R_{Wn} & = & S_n \cdot RWXS \end{matrix}$ <p>$R/IOFS = FAIO.PH5.SW13$ $R/IOCONST = FAIO.PH5.SW13$</p> $\begin{matrix} S/SXDM1 & = & FAIO.PH5.SW13.VALST \\ S/RW/4 & = & FAIO.PH5.SW13.VALST \end{matrix}$ <p>$BRPH9 = FAIO.PH5.SW0.SW13.NVALST$ $BRPH5 = FAIO.PH5.SW0.N(SW13,NVALST)$</p> | <p>CDW ADDR. \rightarrow (R)</p> <p>DISCONNECT DEVICE CONTROLLER</p> <p>IF SIO VALID START STORE NEW CDW ADDR</p> <p>NVALST ALSO INCLUDE ALL FAIO EXCEPT SIO</p> |
| PH 5 SW 14 | <p><u>SIO VALST ONLY:</u></p> $\begin{matrix} D-1 \rightarrow S \\ SIO \rightarrow [IOFM(10)] \\ S \rightarrow A \end{matrix}$ <p>SEE EXPLANATION OF IOFM ADDRESSING ON P.</p> <p>IIOP \Rightarrow BRANCH TO PH9 INHIBIT BRANCH TO PHS</p> | $\begin{matrix} S_n & = & (K_n \oplus PR_n) \cdot SXADD \\ R_{Wn} & = & S_n \cdot RWXS/2 \end{matrix}$ <p>$A \times S = FAIO.PH5.SW14$</p> <p>$BRPH9 = FAIO.PH5.SW0.SW14$ $BRPH5 = FAIO.PH5.SW0.NSW14$</p> | <p>MSB NEW CDW ADDR TO IOFM 10</p> |

FAIO

12 of 15

| PHASE | FUNCTION PERFORMED | SIGNALS INVOLVED | COMMENTS |
|-------------|--|--|--|
| PH 6 DRQ | <p><u>MIOP ADDRESSED</u></p> $\begin{matrix} R_{31} \\ + \\ AIO \end{matrix} \Rightarrow \begin{matrix} D \rightarrow S \\ S \rightarrow RR \\ S \rightarrow D \end{matrix}$ <p>SET DRQ DELAYED</p> <p>DOWN ALIGN D</p> <p>$\begin{matrix} R_{31} \\ + \\ AIO \end{matrix} \Rightarrow$ BRANCH TO PH9</p> | $\begin{matrix} S_n & = & PR_n \\ R_{Wn} & = & S_n \cdot RWXS \\ DXS & = & FAIO/1.PH6.NR31 \\ S/DRQ & = & MRQP1 \end{matrix}$ <p>$DXDR8 = FAIO.PH6$</p> <p>$BRPH9 = FAIO.PH6.NSW0.R31 + FAIO.FAIO.PH6$</p> | <p>MIOP STATUS \rightarrow R</p> <p>REVEN ALIGN CDW ADDRESS</p> <p>R ODD OR AIO BRANCH TO PH9</p> |
| PH 7 | <p>$MB \rightarrow C$</p> <p>DOWN ALIGN D CLEAR DOOIS</p> <p>PRESET $D \rightarrow S$ PRESET WRITE TO FM</p> | $C_n = MB_n \cdot CXMB$ <p>$DXDR8 = FAIO.PH7$ $NDXDR8/0, /1 = FAIO.PH7$</p> <p>$S/SXD = FAIO.PH7$ $S/RW = FAIO.PH7$</p> | |
| PH 8 | <p>$D \rightarrow S$ $S \rightarrow RR$</p> <p>$C \rightarrow D$</p> | $\begin{matrix} S_n & = & PR_n \\ R_{Wn} & = & S_n \cdot RWXS \end{matrix}$ <p>$DXC = FAIO.PH8$</p> | <p>$[X'20'] \rightarrow R$</p> <p>$[X'21] \rightarrow D$</p> |

FAIO

13 of 15

155094-B
CU 22

| PHASE | FUNCTION PERFORMED | SIG XDS 902306 | COMMENTS |
|---------|---|---|---|
| PH 9 | <u>MIOP ADDRESSED</u> NAIO. REVEN \Rightarrow IOBR9 IOBR9 \Rightarrow { PRESET D \rightarrow S PRESET S \rightarrow Ru1 <u>INTEGRAL IOP ADDRESSED</u> UP ALIGN LSB CDW ADDR. VALST { PRESET A \rightarrow S PRESET S \rightarrow [IOFH(11)] <u>EITHER IOP</u> B \rightarrow S S \rightarrow P | IOBR9 = FAIO/1. PH9. NR31. NR2 S/SXD = IOBR9. NSW0 S/RW = IOBR9. NSW0 S/LR31 = FAIO. PH9. NSW0 AXAL8 = FAIO. PH9. SW0 S/SXA = FAIO. PH9. SW0. VALST S/RW4 = FAIO. PH9. SW0. VALST S/RW3 = FAIO. PH9. SW0. VALST SKB = PK5XB PXS = PK5XB MRQ/z = PK5XB | REVEN STATUS \rightarrow Ru1 PRESETS TO STORE LSB CDW ADDR. FETCH NEXT INSTRUCTION |
| DEQ | | | |

FAIO

14 of 15

| PHASE | FUNCTION PERFORMED | SIGNALS INVOLVED | COMMENTS |
|-----------------|---|--|----------|
| PH 10 END | <u>MIOP ADDRESSED</u> REVEN \Rightarrow { D \rightarrow S S \rightarrow Ru1 <u>INTEGRAL IOP ADDRESS</u> VALST A \rightarrow S S \rightarrow [IOFH(11)] SEE NORMAL END | Sn = PRn RWn = Sn . RWXS Sn = PRn RWn = Sn . RWXS/z | |
| | | | |

FAIO

15 of 15

155094-B
SH 24

MULTIPLY: general sequence of events

MW, MI

- 1) put multiplicand in C (and D insignificantly). (extend sign if MI)
- 2) put multiplier in B (via A)
- 3) iterate, clearing A and B0001 on the first clock of PH6
(double length product is formed in AB)
- 4) set CC2 if all bits in A* are \neq B0
- 5) store A* in R (replaced by B later if R is odd)
- 6) store B in Rv1

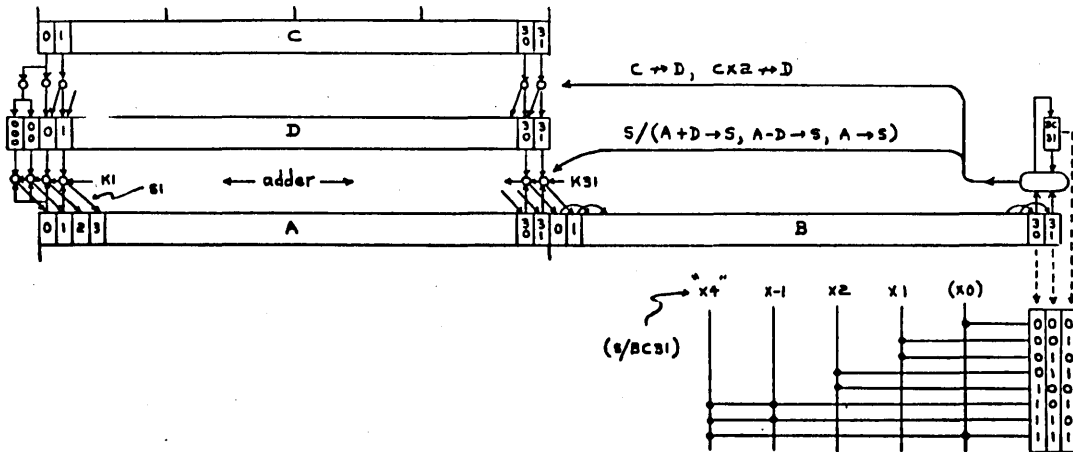
MH

- 1) put multiplicand in C (and D insignificantly), upward-aligned, hence C1631 = 0.
- 2) put multiplier in B (via A) with 0's in B0815 (B1631 contains the 16 bit multiplier)
- 3) iterate, clearing A (and B0001) on the first clock of PH6
(single length product is formed in A)
- 4) store A* in Rv1

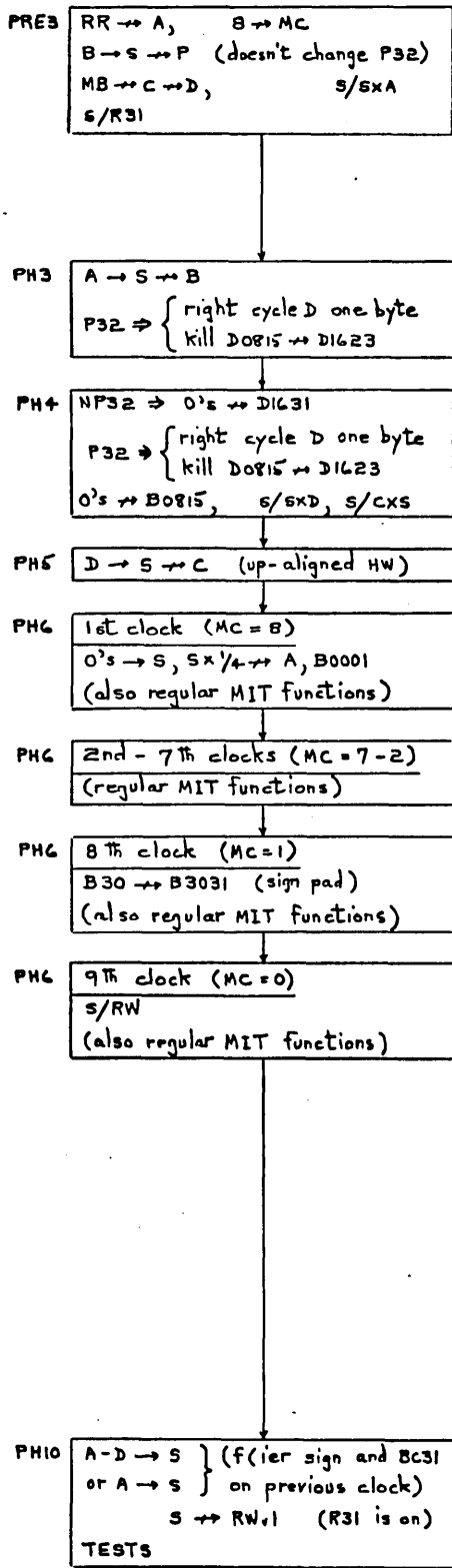
(note: The reference manual considers (R) to be the multiplicand, though the hardware uses (R) as the multiplier. Obviously the product is unaffected by this contradiction in nomenclature.)

x: will be A-D in certain cases where multiplier is negative.

Register organization during MULTIPLY iterations:

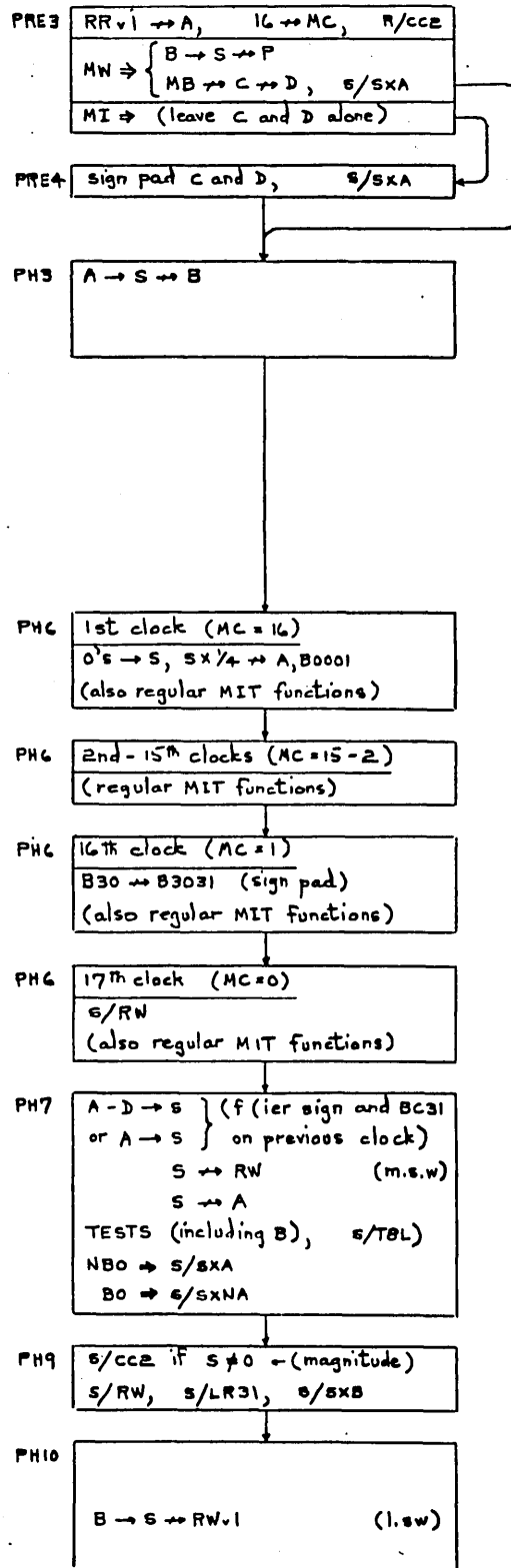


XDS 902306



MH : EHW x R1631 → R,1

"FUMH"



MW : EW x R,1 → R,R,1

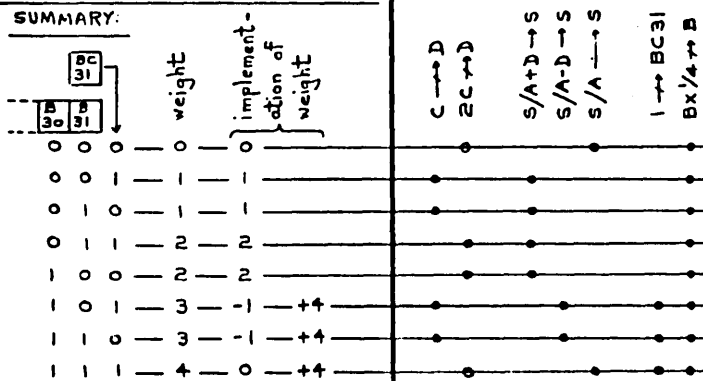
MI : I_{se} x R,1 → R,R,1

"FAMULNH"

MULTIPLY

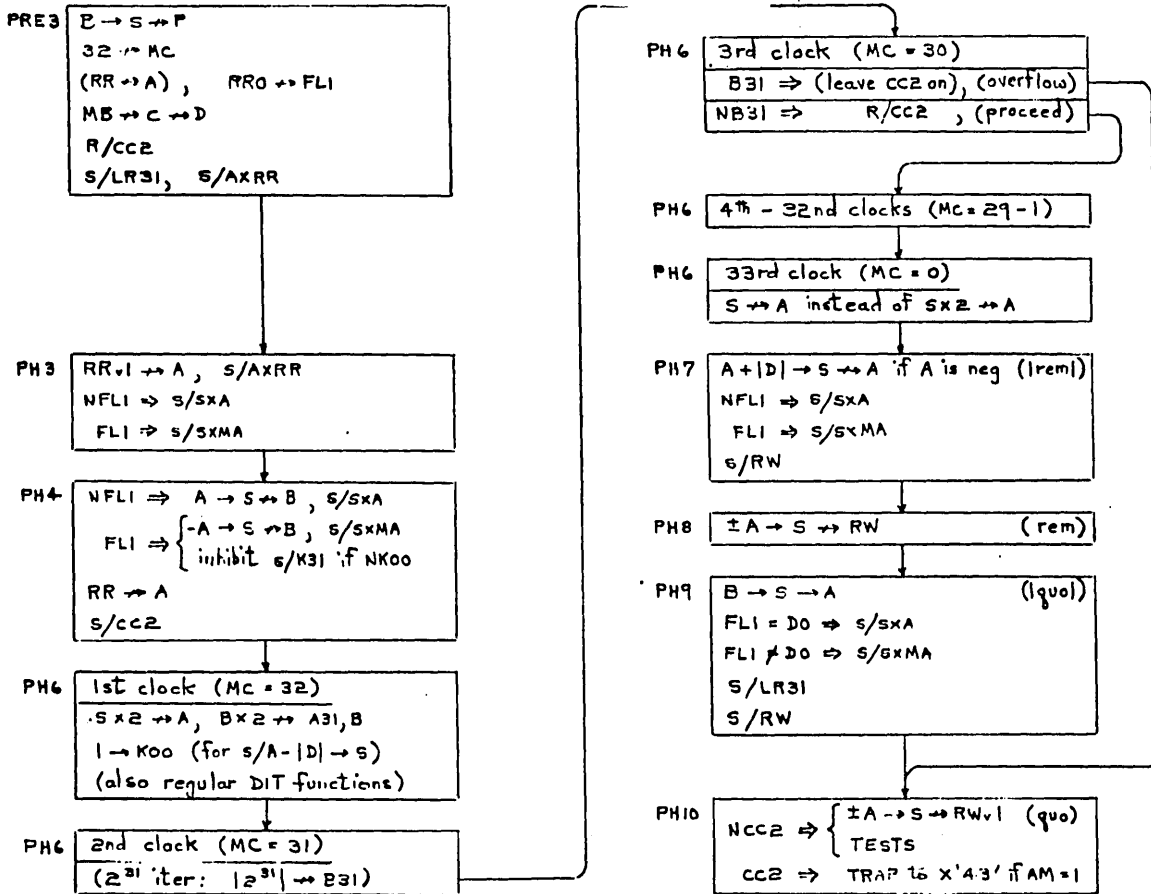
155094-B
5H 66

| PHASE | FUNCTION PERFORMED | INSTRUCTIONS INVOLVED | COMMENTS |
|-------|--|---|---|
| | <u>Family signals:</u> FUMH (MH) FAMULNH (MW, MI) FAMUL (MH, MW, MI) FAMDS (MH, MW, MI, DW, DH, S, SF) | = 005.0L7 = 003.0L7 + 002.0L3 = FAMULNH + FUMH = FAMULNH + FUMH + ... | (EHW x R1631 → Rv1) (EW x (Rv1) → R, Rv1) |
| PRE3 | B → S S → P if MW or MH RRv1 → A if NMH } multiplier RR → A if MH } MB → C → D if NMI } multiplicand (C, D unchanged if MI) } 16 → MC if NMH } set iter. ctr. 8 → MC if MH } set R reg. to Rv1 if MH S/A → S if NMI (for A → S → B in PH3) R/CC2 if NMH (for magnitude test) S/PH3 if NMI S/PRE4 if MI | SXB : S/SXB = PRE/12 PXS = FAMDS.PRE3.NANL2.NFAIM AXRR : S/AXRR = PRE/12 LR31 : S/LR31 = PRE/12. (S/LR31/12) ← FAMULNH DXC = PREOPER.PRE3 S/MC3 = PRE3.FAMULNH S/MC4 = PRE3.FUMH S/R31 = FUMH.PRE3 S/SXA = FAMUL.PRE/34 ← low if MI R/CC2/1 = FAMDS.NFUMH.PRE3 BRPH3 = FAMDS.NBRPHS.NANL2.PRE/34 BRPRE4 = PRE3.NANL2.NPRE/34 | (for product → Rv1 in PH10, and to render R (if even) unchanged if I/O) |
| PRE4 | (entered only if MI) The IMMEDIATE OPERAND in C and D is sign padded in both C and D as per chart on "PREPARATION" S/A → S S/PH3 | S/SXA = FAMUL.PRE/34 BRPH3 = FAMDS.NBRPHS.NANL2.PRE/34 | |
| PH3 | A → S S → B NMW → S/PHC MW → { Right-cycle D 1 byte } if P32 { 0's → D1623 } { S/PH4 } | (Preset in PRE3 or PRE4) BXS = FAMUL PH3 BRPH6 = FAMULNH.PH3 DXDR8 = FUMH.PH3.P32 DXDR8/2 = DXDR8.NFUMH (NBR is high) | (partial up-align HW if initially in l.s. HW) |
| PH4 | (entered only if MH) P32 → { Right-cycle D 1 byte } { 0's → D1623 } NP32 → 0's → D1631 0's → B0815 (clear B1415 for sign logic) S/D → S } (for D → S → C in PH5) S/CXS } (advance to PH5) | DXDR8 = FUMH.PH4.P32 DXDR8/2 = DXDR8.NFUMH DX/2 = DX/3 = FUMH.PH4 ← redun if P32 Bx/1 = FUMH.PH4 S/SXD = FUMH.PH4 S/CXS = FUMH.PH4 | (complete up-align HW if initially in l.s. HW) (HW initially in m.s. HW) |

| | | XDS 902306 | |
|-------|---|---|---------------------|
| PHASE | FUNCTION PERFORMED | SIGNALS INVOLVED | COMMENTS |
| PHS | (entered only if MH) D → S → C | (preset in PH4) | (up-aligned HW → C) |
| PHG | (ITERATION phase) (17 clocks CONTROL SIGNALS: MIT (handles direct logic) MIT/I (handles preset logic) REGISTER CONTROL - PRESET LOGIC: SUMMARY:  FROM ABOVE SUMMARY: enable D C → D 2C → D C0 → D00 and D000 S/A+D → S S/A-D → S S/A → S I → BC31 (holds until reset) 0 → BC31 (" " set) S30/I → B0 } (product bits) S31/I → B1 } B0029 → B0231 REGISTER CONTROL - DIRECT LOGIC: S000 → A0 S00 → A1 S0029 → A0231 S30 → FL1 } 2-bit extension S31 → FL2 } of A (for I/O) CONTROL FUNCTIONS - GENERAL: MC-1 → MC sustain PHG until MC = 0 | if MW or MI, 9 clocks if MH) MIT = FAMUL.PHG MIT/I = FAMUL.NIOEN.(PHG+S/PHG/IO) (similar to "BCON" in Z7) C → D 2C → D S/A+D → S S/A-D → S S/A → S I → BC31 Bx1/4 → B DX = MIT/I + DXC + ... DXC = MIT/I.(B31 ⊕ BC31) DXCLI = MIT/I.NDXC S/D00 = S/D000 = C0.(DXC+DXCLI) S/SXAPD/I = MIT/I.N(S/SXAMD/I).N(S/SXA/I) S/SXAMD/I = MIT/I.B30.(B31 ⊕ BC31) S/SXA/I = MIT/I.(NB30.NB31.NBC31 + B30.B31.BC31) S/BC31 = (S/SXAMD/I) R/BC31 = MIT/I.NB30 + CLEAR } (set-reset logic convenient for I/O interruptability) S/B0 = BxBR2.S30/I ← S30.B000IE N/I + FL1.(S/PHG/IO) S/B1 = BxBR2.S31/I ← S31.B000IE N/I + FL2.(S/PHG/IO) BxBR2 = MIT/I = MIT AXSR2 = MIT S/FL1 = S30.MIT; R/FL1 = (MIT + CLEAR) S/FL2 = S31.MIT; R/FL2 = (" + ") } (adder extension; (A00 red. to A0)) MCDC7 = MIT/I BRPHG = FAMDS.PHG.NMCZ.NBRPHIO.NFSHEx | |

| PHASE | FUNCTION PERFORMED | SIGNALS INVOLVED | COMMENTS |
|-------|--|--|---|
| PH6 | <p>(Cont'd)</p> <p><u>ON THE FIRST CLOCK:</u> 0's → A, B0001</p> <p><u>ON THE NEXT TO FINAL CLOCK:</u> B30 → B3031 (B2B29 = 0 at this time, hence cannot interfere with the above)</p> <p><u>ON THE FINAL CLOCK:</u> MIT/I sets up the sign iteration logic, the result of which will be on S during the next clock. (will be S/A-D → S if (negative multiplier). (BC31 = 0); otherwise will be S/A → S)</p> <p>S/MRQ (for next instruction) S/MRQ/I = FAMDS.PH6.NBRPH6.NIOEN S/RW (insig if NMH.Rodd) S/RW = MIT.MCZ MH → S/PH10, S/DRQ BRPH10 = FUMH.PH6.MCZ, S/DRQ = BRPH10 NMH → advance to PH7 (NBR is high)</p> <p><u>I/O SERVICE CALL:</u> IOENG (enable entry) IOENG = FAMDS.PH6.NFPRR.NFSHEX.I inhibit S/PH6 if IOEN S/PH6 = BRPH6.NCLEAR.NIOEN</p> <p>when returning from I/O (at S/PH6/I/O time), the C → D function - normally performed by I/O logic - is inhibited to enable C → D or ZC → D to take place (MIT/I is raised by S/PH6/I/O); also, 2 product bits (stored in FL1, Z) are put in B0,1 as B shifts right.</p> <p>inhibit C → D DXC = IOPHI.SW13.NBXBR2 ← low FL1 → B0 S/B0 = BXBR2.S30/I ← FL1.(S/PH6/I/O) FL2 → B1 S/B1 = BXBR2.S31/I ← FL2.(S/PH6/I/O)</p> | <p>(MC = 16 if MW, MI; MC = 8 if MH) (nothing has been preset → S)</p> <p>(MC = 1) S/B3031 = B30.MIT.(MC=1)</p> <p>(MC = 0)</p> <p>IOENG = FAMDS.PH6.NFPRR.NFSHEX.I S/PH6 = BRPH6.NCLEAR.NIOEN</p> | <p>(clear accumulator)</p> <p>(extend sign 2 bit posit.) due to BXBR2.</p> <p>(TESTS next clock)</p> <p>BRPH10</p> <p>(excludes final 4 iter.)</p> |
| PH7 | <p>(bypassed if MH)</p> <p>A → S or A-D → S S → RW (store $2^{62} - 2^{32}$ of prod.) S → A S/TBL } (for magnitude test) NBO → S/A → S BO → S/NA → S</p> <p>TESTS (including B register) S/PH9</p> | <p>(preset in PH6)</p> <p>AXS = (FAMULNH.PH7) S/TBL = (") S/SXA = (").NBO S/SXNA = (").BO TESTS = (") TESTS/I = (") BRPH9 = (")</p> | <p>m.s.w. of product (NS0031 is slow (PH9))</p> <p>(CC3, CC4 control)</p> |
| PH9 | <p>(bypassed if MH)</p> <p>S/CC2 if S ≠ 0 (i.e. if the top 33 product bits are not all the same)</p> <p>S/RW } (to store l.s.w. of prod.) S/LR31 S/B → S S/DRQ</p> | <p>S/CC2 = NS0031Z.(S/CC2/NZ) ← FAMULNH.PH9 (TB timing) S/RW = FAMDS.PH9 S/LR31 = FAMULNH.PH9 S/SXB = FAMULNH.PH9 S/DRQ/I = PH9</p> | |
| PH10 | <p>NMH → { B → S S → RW v1 } (preset in PH9)</p> <p>MH → { A → S or A-D → S S → RW v1 TESTS } (preset in PH6) (RW preset in PH6, R31 set in PRE3)</p> <p>ENDE</p> | <p>TESTS = FUMH.ENDE ENDE = PH10.EXC</p> | <p>$2^{31} - 2^0$ of product (replaces $2^{62} - 2^{32}$ if R odd)</p> <p>entire product $2^{31} - 2^0$ (CC3, CC4 control)</p> |

XDS 902306



"NFADIVH" (DW with even R) : $R, Rv1 \div EW \rightarrow Rv1$, remainder $\rightarrow R$ (sign matched to numerator)

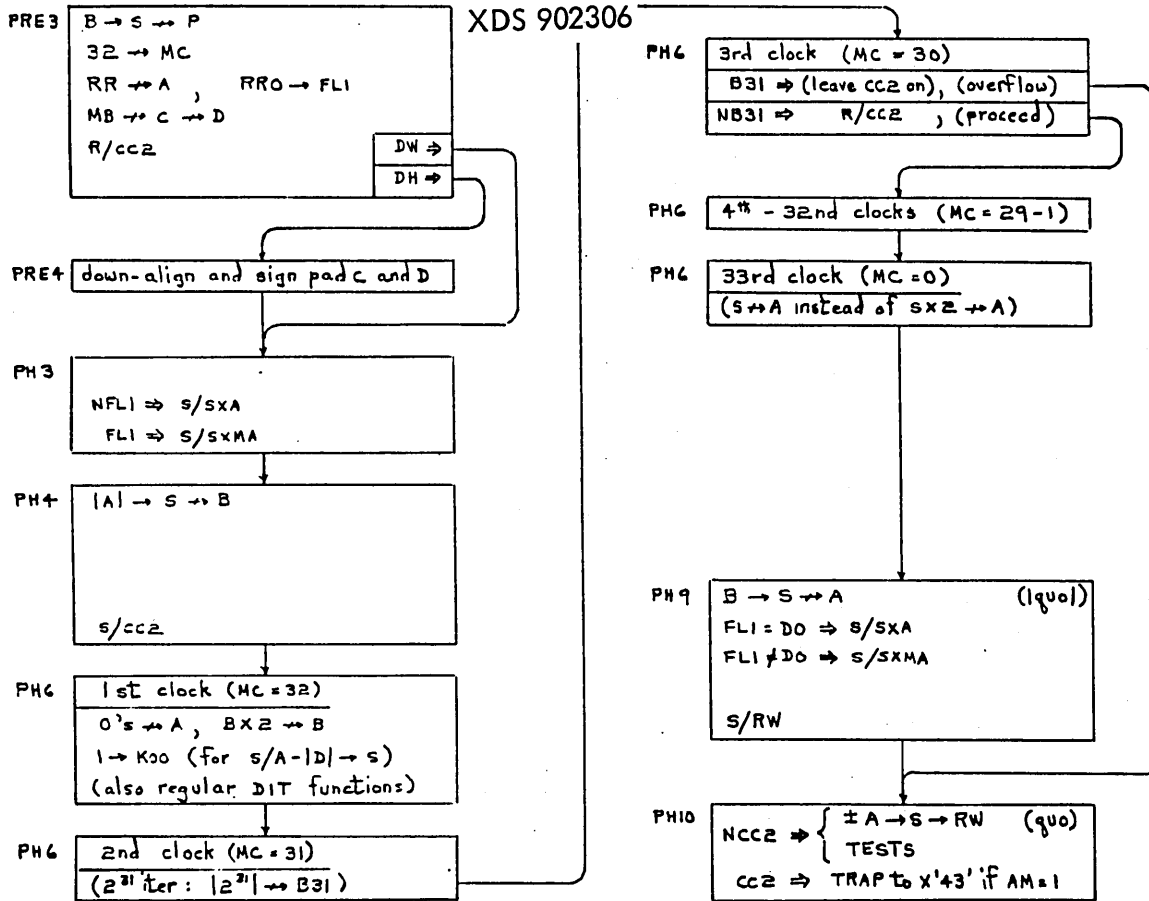
DIVIDE : general sequence of events

- 1) Put $2 \times$ |numerator| in AB (2^0 bit being in B30 in all cases)
 - 2) Put denominator in D (down-aligned if DH) (i.e. 2^0 bit is in D31)
 - 3) iterate, left-shifting the |quotient| into B. (Indicate overflow if |quotient| $> 2^{31}$)
 - 4) store remainder in R if DW with even R (otherwise discard it)
 - 5) store quotient in Rv1 if DW or R if DH
- } don't store if overflow (CC2=1)

Differences in nomenclature :

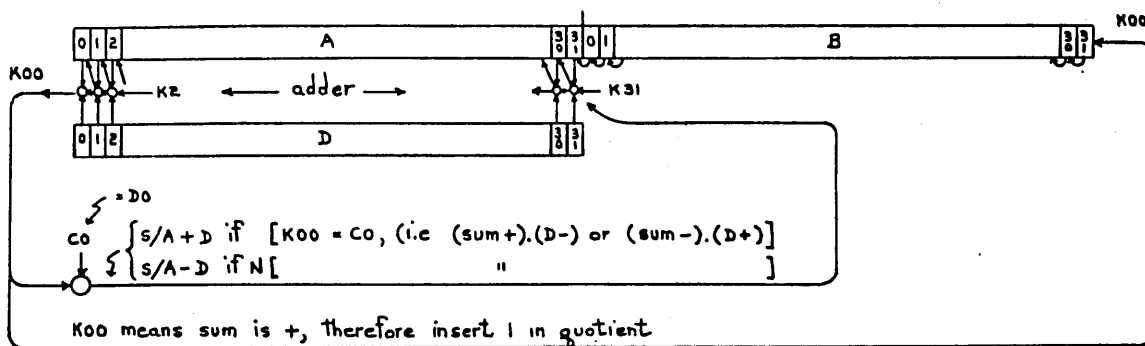
Reference Manual : DIVIDEND \div DIVISOR

Hardware : NUMERATOR \div DENOMINATOR



"FADIVH" (DW with add R) : $R \div EW \rightarrow R$, (discard remainder)
 or DH : $R \div EHW \rightarrow R$, (" ")

Register organization during DIVIDE iterations:



DIVIDE

155094-B
SH 71

| PHASE | FUNCTION PERFORMED | SIGNALS INVOLVED | COMMENTS |
|-------|---|--|---|
| | <p><u>Family signals</u> (FUDW.NR31): [DW with even R]</p> <p>FADIVH: [DW with odd R or DH]</p> <p>FADIV [DW or DH]</p> <p>FAMDS [DW or DH or MI, MW, MH, S, SF]</p> | <p>= OUS.OLG.NR31 operation: $R, Rv1 \div EW \rightarrow Rv1$, remainder $\rightarrow R$</p> <p>= OUS.OLG.R31 + OUS.OLG operation: $R \div EW$ or $EHW \rightarrow R$, (discard remainder)</p> | |
| PRE3 | <p>B \rightarrow S S \rightarrow P</p> <p>RR \rightarrow A RRO \rightarrow FL1 (store numerator sign) MB \rightarrow C \rightarrow D (denominator)</p> <p>32 \rightarrow MC R/CC2 (for overflow test and control)</p> <p>S/LR31 } if [DW with even R] S/AXRR }</p> <p>S/PH3 if DW S/PRE4 if DH</p> | <p>S_n = B_n.SXB, (S/SXB = PRE/12) PXS = FAMDS.PRES.NANLZ.NFAIM</p> <p>A_n = RR_n.AXRR, (S/AXRR = PRE/12) S/FL1 = PRE3.RRO DXC = PREOPER.PRE3</p> <p>S/MC2 = FADIV.PRE3 R/CC2/1 = FAMDS.NFUMH.PRE3</p> <p>S/LR31 = (FUDW.NR31.PRE3) S/AXRR = (")</p> <p>BRPH3 = FAMDS.NBRPHS.NANLZ.PRE/34 BRPRE4 = PRE3.NANLZ.NPRE/34</p> | <p>} for numer. l.s.w \rightarrow A</p> <p>} PRE/34 high if DW</p> |
| PRE4 | <p>(entered only if DH) The HALF WORD in C and D is down-aligned and sign-padded as per chart on "PREPARATION" S/PH3 when finished</p> | <p>BRPH3 = FAMDS.NBRPHS.NANLZ.PRE/34</p> | <p>on "PREPARATION"</p> |
| PH3 | <p>RRv1 \rightarrow A if [DW with even R] (A retains R if N["])</p> <p>NFL1 \rightarrow S/A \rightarrow S } FL1 \rightarrow S/-A \rightarrow S } S/ A \rightarrow S</p> <p>S/AXRR if [DW with even R]</p> | <p>(preset in PRE3)</p> <p>S/SXA = NFL1.(S/SX/FL1) \leftarrow FADIV.PH3 S/SXMA = FL1.(") \leftarrow</p> <p>S/AXRR = FUDW.NR31.PH3</p> | <p>(numer. l.s.w.)</p> <p>+ FUDW.NR31.PH3 (redun. - mech. conv.)</p> |
| PH4 | <p> A \rightarrow S S \rightarrow B (numer.)</p> <p>NFL1 \rightarrow S/A \rightarrow S } if [DW { FL1 \rightarrow S/NA + Carry \rightarrow S } with { don't set K31 if K00 = 0 } even R]</p> <p>RR \rightarrow A if [DW with even R] S/CC2 S/PHG</p> | <p>(preset in PH3) BXS = FADIV.PH4</p> <p>S/SXA = NFL1.(S/SX/FL1) \leftarrow FUDW.NR31.PH4 S/SXMA = FL1.(") \leftarrow</p> <p>{ N(S/K31/1) will be high if NK00, holding NK31 on (i.e. K31 off) N(") = N(K00.(S/K31/3) + (S/K31/2).(S/K31/3)), where (S/K31/3) is high and (S/K31/2) = N(FAMDS.PH4), hence is low, Therefore N(S/K31/1) reduces to NK00</p> <p>A_n = RR_n.AXRR S/CC2/1 = (FADIV.PH4) BRPHG = (")</p> | <p>(l.s.w. if DW with even R)</p> <p>(m.s.w. of numer.)</p> |

| PHASE | FUNCTION PERFORMED | SIGNALS INVOLVED | COMMENTS |
|-------|--|--|---|
| PHG | <p>(ITERATIONS PHASE) - 33 clocks</p> <p><u>CONTROL SIGNALS:</u> DIT/1 (handles preset logic)</p> <p><u>CONTROL FUNCTIONS:</u> MC-1 → MC sustain PHG until MC=0 or until overflow detected.</p> <p><u>REGISTER CONTROL, etc.:</u> S/A+D → S if CO = K00 S/A-D → S if CO ≠ K00 S0131 ↔ A0030 } except on B0 → A31 } final clock B0131 → B0030 K00 → B31</p> <p><u>ON THE 1st CLOCK:</u> 1 → K00 NA + Carry → S if [DW with even R] FL1 A → S if [.] NFL1 0's → S if N[.]</p> <p style="margin-left: 40px;">↓ 0's if N[DW with even R]</p> <p style="margin-left: 40px;">S0131 → A0030, B0 → A31 B0131 → B0030 1 → B31 (insig)</p> <p><u>ON THE 2nd CLOCK:</u> A- D → S, SX2 → A0030 BX2 → A31, B0030 K00 → B31 (2³¹ quotient bit)</p> <p><u>ON THE 3rd CLOCK:</u> <u>(OVERFLOW TEST)</u> B31 = 1 means OVERFLOW since it indicates quotient ≥ 2³¹ B31 → { raise D1VOVER leave CC2 on S/PH10, S/MRQ, S/DRQ Stop sustaining PHG</p> <p>NB31 → { R/CC2 (continue iterations)</p> <p><u>4th - 32nd CLOCKS:</u> (iterations for quo. 2²⁹ -- 2¹ → B)</p> | <p>DIT/1 = FADIV.NI0EN.(PHG + (S/PHG/10)).N(FADIVH.MC2)</p> <p>MCDC7 = DIT/1 BRPHG = FAMDS.PHG.NFSHEX.NMC2.NBRPH10</p> <p>S/SXAPD/1 = DIT/1.N(CO ⊕ K00) S/SXAMD/1 = DIT/1.(CO ⊕ K00) AXSL1 = FADIV.PHG.NMC2 S/A31 = AXSL1.A31EN/1 ← B0.FAMDS.PHG BXBL1 = FADIV.PHG S/B31 = BXBL1.B31EN/1 ← K00.FADIV</p> <p>(MC = 32, CC2 = 1) K00 = G0003 = FADIV.K00/1 ← CC2.MC2</p> <p>preset in PH4</p> <p>(see REGISTER CONTROL)</p> <p>(first iteration - for quotient 2³¹ bit)</p> <p>(see REGISTER CONTROL)</p> <p>(OVERFLOW TEST) D1VOVER = B31.(DIT.(MC=30)) ← FADIV.CC2.MC6.NMC7 (no reset active) BRPH10 = D1VOVER, S/MRQ/1 = FAMDS.PHG.NBRPH6.NI0EN, S/DRQ = BRPH6 = NBRPH10.FAMDS.PHG.NFSHEX.NMC2</p> <p>R/CC2/2 = NB31.(DIT.(MC=30)) ← FADIV.CC2.MC6.NMC7 (quo. 2³⁰ → B31 This clock)</p> | <p>(initially set to 32)</p> <p>K00 means positive residue residue x 2 → AB quotient bit = 1</p> <p>(to cause S/A- D → S) 2⁶³ 2³² of numer. </p> <p>(2x numer. → AB) (K00 is forced high)</p> <p>(MC = 31) (K00 means + residue)</p> <p>(MC = 30)</p> <p>(quo. 2³⁰ → B31 This clock)</p> <p>(MC = 29 Thru 1)</p> |

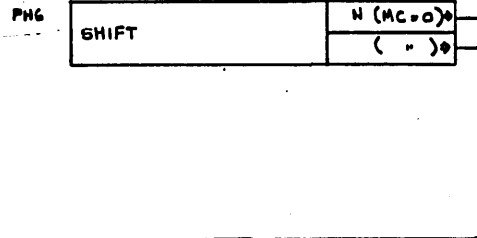
XDS 902306

| PHASE | FUNCTION PERFORMED | SIGNALS INVOLVED | COMMENTS |
|-------|--|---|---|
| PH6 | (Cont'd) <u>ON THE 33rd (final) CLOCK:</u> inhibit $SXZ \rightarrow A$ enable $S \rightarrow A$ (B still shifts left with 2° quad S/MRQ (for next instruction) stop sustaining PH6 $N [DW \text{ with even } R] \Rightarrow$ inhibit $S/A \pm D \rightarrow S$ $S/PH9$ $[DW \text{ with even } R] \Rightarrow$ $S/A \pm D \rightarrow S$ advance to PH7 <u>I/O SERVICE CALL:</u> IOENG (enable entry) inhibit $S/PH6$ if IOEN DIT/I, used for preset logic, is inhibited by IOEN on exit and enabled by hence is one clock ahead of PH6 when PH6 is interrupted. $B31 \rightarrow K00$ when $(S/PH6/IO)$ | $AXSL1 = (B \text{ DIV } PH6).NMCZ$ $AXS = (").MCZ$ bit $\rightarrow B31$ $S/MRQ/I = FAMDS.PH6.NBRPH6.NIOEN$ $BRPH6 = NMCZ.FAMDS.PH6.NFSHEX.N$ (discard remainder) DIT/I is qualified by $N(FADIVH.MCZ)$ $BRPH9 = FADIVH.MCZ$ (save remainder) DIT/I is still high. NBR is high $IOENG = FAMDS.PH6.NFPRR.NFSHEX.NIO$ $S/PH6 = BRPH6.NCLEAR.NIOEN$ DIT/I is inhibited by IOEN on exit and enabled by $K00 = G0003 = FADIV.K00/I \leftarrow B31.(S/PH6/IO)$ | (MC=0) (residue $X1 \rightarrow A$) BRPHIO (see REGISTER CONTROL) (exclude 1st 3 and final 4 iterations) $N(FADIV.CC2 + MC0005Z)$ ENG/I (S/PH6/IO) on return, (For $S/A \pm D \rightarrow S$) |
| PH7 | (entered if [DW with even R], no overflow) $A \pm D \rightarrow S$ $S \rightarrow A$ if A is neg. $NFL1 \Rightarrow S/A \rightarrow S$ $FL1 \Rightarrow S/-A \rightarrow S$ S/RW | (preset on last clock of PH6) $AXS = FUDW.NR31.PH7.NB31$ $S/SXA = NFL1.(S/SX/FL1)$ $S/SXMA = FL1.(")$ $S/RW = FUDW.NR31.PH7$ | restored remainder |
| PH8 | (entered if [DW with even R], no overflow) $S \rightarrow RW$ | (PRESET IN PH7) | remainder $\rightarrow R$ with polarity matched to original numerator. |
| PH9 | $B \rightarrow S$ (Phase by-passed if overflow) $S \rightarrow A$ $S/A \rightarrow S$ if $+/-$ or $7/-$ $S/-A \rightarrow S$ if $+/-$ or $7/+$ S/RW $S/LR31$ if [DW with even R] S/DRQ | $SXB = (FADIV.PH9).NDIS$ $AXS = (")$ $S/SXA = (").N(FL1 \oplus D0)$ $S/SXMA = (").N(S/SXA)$ $S/RW = FAMDS.PH9$ $S/LR31 = FUDW.NR31.PH9$ $S/DRQ/I = PH9$ | quotient |
| PH10 | <u>NO OVERFLOW (CC2=0) \Rightarrow</u> $\pm A \rightarrow S$ $S \rightarrow RW$ if [DW with even R] $S \rightarrow RW$ if N["] TESTS (CC3, CC4 control) <u>OVERFLOW (CC2=1) \Rightarrow</u> (don't change SCRATCHPAD, CC3 or CC4) TRAP to X'43' if AM=1 ENDE | (entry from PH9) (preset in PH9) TESTS = FADIV.ENDE.NCC2 (entry from PH6 in which RW is not set) $S/TRAP = ENDE.CC2.AM.0$ $S/TR30 = S/TR31 = PH10.CC2.AM.0$ ENDE = PH10.EXC | quotient $\rightarrow Rv1$ " $\rightarrow R$ $VERIND \leftarrow$ $VERIND \leftarrow$ = FADIV + ... |

XDS 902306

PRE3 B → S → P, 0's → B
 set up MC, FL2, FL3 f(P)
 RR+1 → A (insig if short)
 S/SA, S/AXRR R/CCI, R/CCZ

PH5 A → S, S → B if long S/SA
 RR → A
 MC → MC if NFLZ N(NFLZ.(MC=0))
 hold FL3 (")



PH7 A → S → RW if entered from PH6
 S/LR31, S/SXB
 S/RW if long

PH10 B → S
 S → RW+1 if long

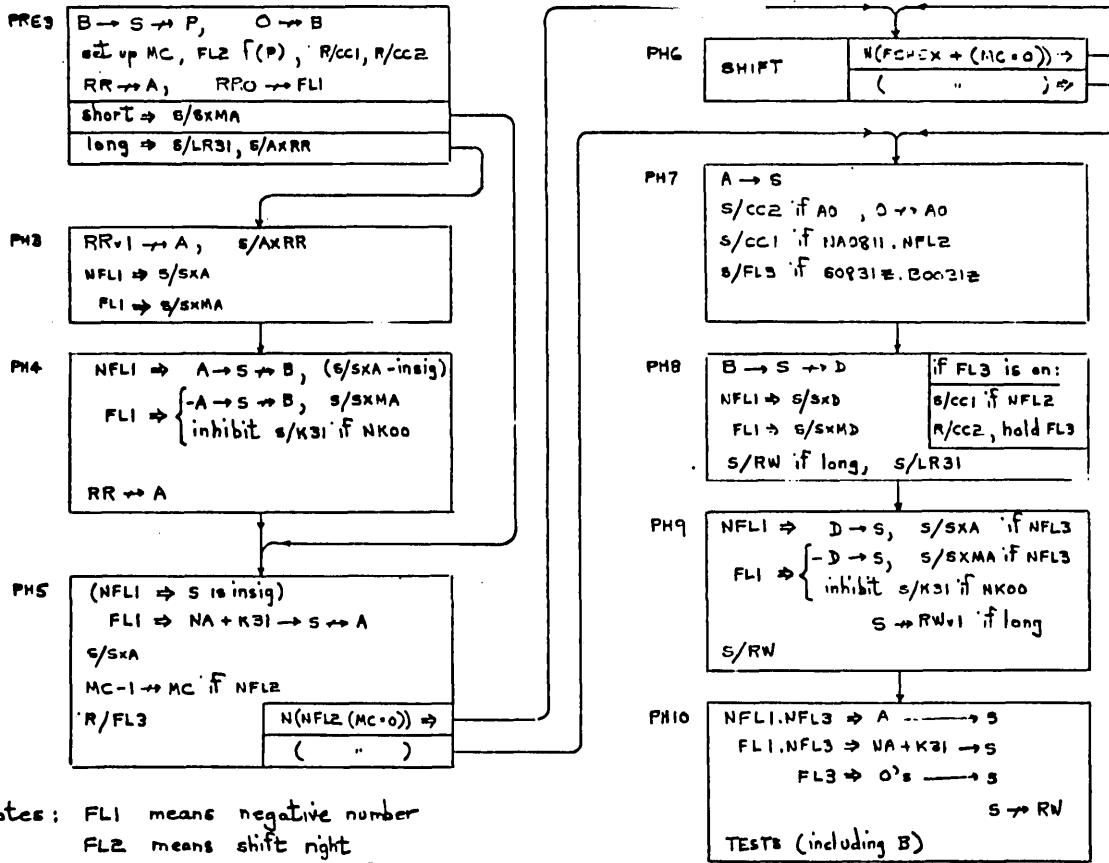
notes: FL2 means shift right
 FL3 means shift odd number of bits

SHIFT (fixed point) (S)

| PHASE | FUNCTION PERFORMED | SIGNALS INVOLVED | COMMENTS |
|--------------------|---|---|---|
| END of PREP (PRE3) | <p>arith. cyclic long</p> <p>FL2 0 5 6 7 MC FL3</p> <p>Family signals:</p> <p>FUS : S FASH : S, SF FAMDS : S, SF, MI, MW, MH, DW, DH</p> <p>P25 ⇒ { 1 → FL2 (store direction) NP2630 → MC0105 P31 → FL3 (odd no. bits) NP25 → P2631 → MC0005</p> <p>B → S S → P</p> <p>RR+1 → A (insig if short) 0's → B (for short left shift) S/A → S (insig if short) S/AXRR (for RR → A)</p> <p>R/CCI (for parity check) R/CCZ (for overflow test)</p> <p>S/PH5</p> | <p>± (bits)</p> <p>1 2 3 4 5 6 7 8 9 10 11 12 13 14 15 16 17 18 19 20 21 22 23 24 25 26 27 28 29 30 31</p> <p>0 5 6 7 MC</p> <p>S/FL2 = PRE3.P25, (R/FL2 = CLEAR) MCXNPL1 = FASH.PRE3.P25 S/FL3 = PRE3.P31 MCXPL2 = FASH.PRE3.NP25</p> <p>Sn = Bn.SXB, (S/SXB = PRE/12) PXS = FAMDS.PRE3.NANLE.NFAIM</p> <p>An = RRn.AXRR, (S/AXRR = PRE/12) BX = FAMDS.PRE3 S/SA = FUS.PRE3 S/AXRR = FUS.PRE3</p> <p>R/cci/1 = FASH, PRE3 R/ccz/1 = FAMDS, NFUMH, PRE3</p> <p>BRPH5 = FUS.PRE3</p> | <p>P25 = 1 means right { even → (2 P -4) → MC { odd → (2 P -2) → MC + P → MC</p> <p>(S/LR31/1) = 0U2.0L5 S/LR31 = PRE/12.(S/LR31/12)</p> |

| PHASE | FUNCTION PERFORMED | SIGNALS INVOLVED | COMMENTS | | | | | | | | | |
|-------|--|---|---|-------|--|---|---|------|---|-----|---|----------------------------------|
| PHS | <p>A → S S → B if long RR → A sustain FL3 (on if bit count is odd) S/A → S <u>LEFT SHIFT CASE:</u> MC - 4 → MC (4/P) - 4 → MC)</p> <p>shift count = 0 ⇒ { S/PH7 S/MRQ</p> | <p>Sn = An, AXRR BxS = FUS.PHS.D23 An = RRn, AXRR R/FL3 = N(FUS.PHS) S/SxA = FASH.PHS</p> <p>MCDC7 = (FASH.PHS.NFL2) (FUS holds MCG and MC7 = 0, hence down-counting starts at MC5)</p> <p>BRPH7 = () .MCG S/MRQ/1 = () .MCE</p> | <p>(B remains = 0 if short) (For first clock of PHG) (For next instruction)</p> | | | | | | | | | |
| PHG | <p>(SHIFTING PHASE)</p> <p><u>CONTROL SIGNALS:</u> SFT</p> <p><u>SUM BUS:</u> A → S</p> <p><u>INITIAL REGISTER CONTENTS:</u></p> <table border="1" data-bbox="305 856 558 968"> <tr> <td>short</td> <td>R</td> <td>(0's)</td> </tr> <tr> <td></td> <td>A</td> <td>B</td> </tr> <tr> <td>long</td> <td>R</td> <td>R+1</td> </tr> </table> <p><u>LEFT SHIFT CASE:</u> Initially MC contains 4/P - 4, where P is the number of bit positions to be shifted. AB shifts left by 1's until MC has down-counted (by 4's) to zero.</p> <p><u>REGISTER CONTROL:</u> S0131 → A0030 B0 → A31 (insig if short) A0 → A31 if short cyclic B0131 → B0030 A0 → B31 if long cyclic</p> <p><u>CONDITION CODES:</u> Toggle CC1 as 1's shift Through A0 (parity check) 1 → CC2 if overflow</p> <p><u>RIGHT SHIFT CASES:</u> 1) Odd no. of bits: (FL3 is on during first clock.) Initially MC contains 2/P - 2. AB shifts right one position and MC counts down by 4, yielding 2/P - 6. When the shift by 1 is finished, shifting takes place by 2's until MC has down-counted (by 4's) to zero.</p> <p><u>REGISTER CONTROL:</u> S00 → A0 S0030 → A0131 S31 → B0 if long B0030 → B0131</p> | short | R | (0's) | | A | B | long | R | R+1 | <p>SFT = FASH.NIOEN.PHG</p> <p>{ S/SxA = FASH.PHS + SFT + FASH.(S/PHG/IO)</p> <p>(preset) (sustain) (return from I/O service)</p> <p>AXSL1 = SFT.NFL2.NFSHEX S/A31 = AXSL1.A31EN/1 ← { = B0.FAMDS.PHG + A0.(FUS.D22.ND23).PHG</p> <p>BXB11 = SFT.NFL2.NFSHEX S/B31 = BXBL1.B31EN/1 ← A0.(FUS.D22.D23)</p> <p>FUS/1 = SFT.NFL2.FUS (i.e. shift left)</p> <p>{ S/CC1 = FUS/1.A0.NCC1 R/CC1/2 = FUS/1.A0 S/CC2 = FUS/1.(A0 ⊕ A1)</p> <p>AXSR1 = SFT.FL2.FL3 S/B0 = BXBR1.S31/1 ← S31.B0001EN/1 ← FASH.D23 BXBR1 = SFT.FL2.FL3</p> | <p>(S00 described next page)</p> |
| short | R | (0's) | | | | | | | | | | |
| | A | B | | | | | | | | | | |
| long | R | R+1 | | | | | | | | | | |

| PHASE | FUNCTION PERFORMED | SIGNALS INVOLVED | COMMENTS |
|-------|--|---|---|
| PH6 | <p>(Cont'd)</p> <p>2) Even no. of bits: (FL3 is off right by 2's until MC has REGISTER CONTROL:</p> <p>S000 → A0 S00 → A1 S0029 → A0231 S30 → B0 } if long S31 → B1 } B0029 → B0231</p> <p>PHASE CONTROL, etc:</p> <p>MC ← 4 → MC (MC ≠ 0) ⇒ sustain PH6 (MC = 0) ⇒ { advance to PH7 s/MRQ (for next instr.) s/RW (to store A)</p> <p>MISC:</p> <p>sum bus extension:</p> <p>S000 = A30. S00 = A31.</p> <p>I/O SERVICE CALL:</p> <p>IOENG (enable entry) inhibit s/PH6 if IOEN • SFT " "</p> | <p>during first clock) Initially MC contains down-counted (by 4's) to zero)</p> <p>AXSR2 = SFT, FL2, NFL3, NFSHEX</p> <p>S/B0 = BXBR2, S30/I → S30, B0001EN/I S/B1 = BXBR2, S31/I → S31, B0001EN/I BXBR2 = SFT, FL2, NFL3, NFSHEX</p> <p>MCDC7 = SFT (FUS holds MC6 and MC7 = 0, hence down-count by 4's) BRPH6 = FAMDS, PH6, NMCZ, NFSHEX, NBRPH10 (NBR is high) S/MRQ/I = FAMDS, PH6, NBRPH6, NIOEN S/RW = SFT, MCZ, FUS</p> <p>short cyclic long cyclic arithmetic</p> <p>(FUS.D22.ND23) + B30. (FUS.D22.D23) + A00 → (A0.N(FUS.ND21)) (") + B31. (") + A00 → (")</p> <p>(MC ← 4)</p> <p>IOENG = FAMDS, PH6, NFPRR, NFSHEX, IOENG/I → NMC0005Z S/PH6 = BRPH6, NCLEAR, NIOEN SFT = FASH, PH6, NIOEN</p> | <p>2 P -4. AB shifts (S000 described below) (S00 " ")</p> <p>FASH.D23</p> <p>(keep shifting)</p> |
| PH7 | <p>A → S S → RW (note: S → RW does not take place if PH6 was skipped, but that is the case of shift zero positions, hence there would be no change in the contents of R)</p> <p>S/LR31 S/RW if long } for B → S → RW, if long S/B → S } S/DRQ S/PH10</p> | <p>Sn = An, AXRR RWn = Sn, RW</p> <p>S/LR31 = (FUS, PH7) S/RW = ("), D23, NR31 → inhibit its store when R is odd, hence R will contain the M.S.W. in this case. S/SXB = FASH, PH7</p> <p>S/DRQ = BRPH10 BRPH10 = FUS, PH7</p> | <p>case of shift zero</p> |
| PH10 | <p>B → S, S → RW, 1 if long</p> <p>ENDE</p> | <p>(preset in PH7)</p> <p>ENDE = PH10, EXC</p> | |



notes: FL1 means negative number
 FL2 means shift right
 FL3 means result = 0 if on in PH9

SHIFT FLOATING (SF)

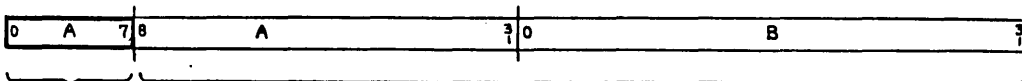
SHIFT FLOATING: general sequence of events

- 1) Put the absolute value of the number in AB
- 2) Shift the mantissa by the number of hexes specified unless early stop:
 LEFT: decrement exponent, stop if exponent underflow (S/CC2), or if mantissa = 0 or is > 16 (S/CC1).
 RIGHT: increment " " " " overflow (S/CC2), " " " = 0.
- 3) Store the result (negated if originally negative). (Store true zero if mantissa = 0)

note: nomenclature differences:

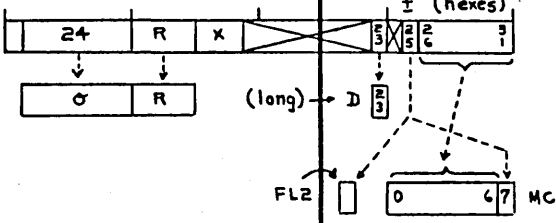
| | Reference manual | Hardware |
|----------------|------------------|----------|
| CHARACTERISTIC | - | EXPONENT |
| FRACTION | - | MANTISSA |

Register organization:



(exponent: counts up or down but does not shift)

(|mantissa|: shifts left by 1's or right by 2's. B will = 0 throughout a short shift)

| PHASE | FUNCTION PERFORMED | SIGNALS INVOLVED | COMMENTS |
|-----------------------------|--|--|--|
| <p>END of PREP PRE3</p> |  <p> $P25 \Rightarrow \begin{cases} 1 \rightarrow FL2 \text{ (store direction)} \\ NP2631 \rightarrow MC0106, 1 \rightarrow MC7 \end{cases}$ $NP25 \Rightarrow P2631 \rightarrow MC0005$ $B \rightarrow S$ $S \rightarrow P$ $RR \rightarrow A$ $RR0 \rightarrow FL1 \text{ (store sign)}$ $0's \rightarrow B \text{ (for short cases)}$ $short \Rightarrow \begin{cases} S/-A \rightarrow S \\ S/PH5 \end{cases}$ $long \Rightarrow \begin{cases} S/AXRR \\ S/LR31 \\ S/PH3 \end{cases} \text{ for } RR_v1 \rightarrow A$ $R/CC1 \text{ (for normalization test)}$ $R/CC2 \text{ (for exp. overflow/underflow test)}$ </p> | <p> $S/FL2 = PRE3.P25; (R/FL2 = CLEAR)$ $MCXNPL1 = FASH.PRE3.P25$ $MCXPL2 = FASH.PRE3.NP25$ $S_n = B_n.SXB, (S/SXB = PRE/12)$ $PXS = FAMDS.PRE3.NANLZ.NFAIM$ $A_n = RR_n.AXRR, (S/AXRR = PRE/12)$ $S/FL1 = PRE3.RR0, (R/FL1 = CLEAR)$ $BXZ = FAMDS.PRE3$ $S/SXMA = (FUSF.PRE3.D23)$ $BRPH5 = (\quad)$ $S/AXRR = (FUSF.PRE3.D23)$ $S/LR31 = (\quad)$ $BRPH3 = FAMDS.PRE/34.NBRPH5.NANLZ$ $R/CC1 = FASH.PRE3$ $R/CC2 = FAMDS.IIFUMH.PRE3$ </p> | <p> Family signals: FUSF : SF FASH : SF, S FAMDS : SF, S, </p> <p> MT, MW, MH, DW, DH $P25 = 1 \text{ means RIGHT}$ $(2 P -1) \rightarrow MC$ $4 P \rightarrow MC$ $(\text{replaced in PH3 if long})$ $(\text{for } A \rightarrow S \rightarrow A \text{ in PH5 in case A is neg.})$ </p> |
| PH3 | <p>(entered if long only)</p> <p> $RR_v1 \rightarrow A \text{ (l.s.w)}$ $NFL1 \Rightarrow S/A \rightarrow S$ $FL1 \Rightarrow S/-A \rightarrow S$ $S/AXRR \text{ (for m.s.w)}$ </p> | <p> $A_n = RR_n.AXRR$ $S/SXA = NFL1.(S/SX/FL1)$ $S/SXMA = FL1.(\quad)$ $S/AXRR = FUSF.D23.PH3$ </p> | <p> $(LR31 \text{ is high})$ $(S/ A \rightarrow S, \text{ (l.s.w.)})$ </p> |
| PH4 | <p>(entered if long only)</p> <p> $A \rightarrow S$ $S \rightarrow B \text{ (l.s.w)}$ $NFL1 \Rightarrow S/A \rightarrow S \text{ (insig.)}$ $\begin{cases} FL1 \Rightarrow S/NA + Carry \rightarrow S \\ \text{don't set } K31 \text{ if } K00 = 0 \end{cases}$ $RR \rightarrow A \text{ (m.s.w)}$ </p> | <p>(see PH3)</p> <p> $BXS = FUSF.D23.PH4$ $S/SXA = NFL1.(S/SX/FL1)$ $S/SXMA = FL1.(\quad)$ $\begin{cases} N(S/K31/1) \text{ will be high if } NK00, \text{ holding } NK31 \text{ on (i.e. } K31 \text{ off)} \\ N(\quad) = N(K00.(S/K31/3) + (S/K31/2).(S/K31/3)) \\ \text{where } (S/K31/3) \text{ is high, and} \\ (S/K31/2) = N(FAMDS.PH4), \text{ hence is low,} \\ \text{Therefore } N(S/K31/1) \text{ reduces to } NK00 \end{cases}$ $A_n = RR_n.AXRR$ </p> | <p> $(S/ A \rightarrow S, \text{ (m.s.w)})$ $\left. \begin{matrix} N(S/K31/1) \text{ will be high if } NK00, \text{ holding } NK31 \text{ on (i.e. } K31 \text{ off)} \\ N(\quad) = N(K00.(S/K31/3) + (S/K31/2).(S/K31/3)) \\ \text{where } (S/K31/3) \text{ is high, and} \\ (S/K31/2) = N(FAMDS.PH4), \text{ hence is low,} \\ \text{Therefore } N(S/K31/1) \text{ reduces to } NK00 \end{matrix} \right\}$ </p> |
| PH5 | <p> $-A \rightarrow S \text{ if short}$ $NA + Carry \rightarrow S \text{ if long and no. is neg.}$ $S \rightarrow A \text{ if no. is neg.}$ $S/A \rightarrow S$ $MC-1 \rightarrow MC \text{ if left shift}$ $shift \text{ count} = 0 \Rightarrow \begin{cases} S/PH7 \\ S/MRQ \text{ (for next instr.)} \end{cases}$ </p> | <p>(see PRE3)</p> <p>(see PH4)</p> <p> $AXS = FUSF.PH5.FL1$ $S/SXA = (FASH.PH5)$ $MCDC7 = (\quad).NFL2$ $BRPH7 = (\quad).NFL2.MCZ$ $S/MRQ/1 = (\quad).NFL2.MCZ$ </p> | <p> $(A \rightarrow S \text{ if pos. no. - insig})$ $(\text{don't change } A \text{ if pos. no.})$ $(4 P -1 \rightarrow MC)$ $\left. \begin{matrix} (NFL2 \text{ term needed for} \\ \text{fixed point shift}) \end{matrix} \right\}$ </p> |

| PHASE | FUNCTION PERFORMED | SIGNALS INVOLVED | COMMENTS |
|-------|--|--|---|
| PHC | <p>(SHIFTING PHASE)</p> <p><u>CONTROL SIGNALS</u></p> <p>FUSF/1 SFT FNORM (mantissa is normalized) FL3 (mantissa = zero indicator) FSHEX (stop shifting)</p> <p><u>SUM BUS</u></p> <p>A → 50831</p> <p>(0's → 50007 - exponent field)</p> <p><u>A REGISTER EXPONENT FIELD:</u> enable (AX/O) by FUSF/1, also paths. A0007 are under the control of AUC7 and ADC7 which count for each hex shifted. A0: if A0 becomes a 1 it clock by $\overline{A}/A0 = FUSF/1$, after FSHEX). It must be cleared before preparing the result for scratch-pad</p> <p><u>INITIAL REGISTER CONTENTS:</u> The AB registers contain the absolute value of the floating point number (with B containing zeros in the short case). The illegal number "minus 1" will yield a result of true zero.</p> <p><u>LEFT SHIFT CASE:</u> Initially MC contains $4 P -1$, where P is the number of hexes to be shifted. The mantissa in AB shifts left by 1's until the MC has down-counted to zero or until FSHEX stops the shift due to normalization, exponent underflow, or mantissa originally being zero. REGISTER control: S0831 → A0731 (50007 = 0) B0 → A31 B0131 → B0030, (0's → B31) A0007-1 → A0007 s/cc1 if mantissa is normalized</p> <p><u>RIGHT SHIFT CASE:</u> Initially MC contains $2 P -1$, where P is the number of hexes to be shifted. The mantissa in AB shifts right by 2's until the MC has down-counted to zero or until FSHEX stops the shift due to exponent overflow or mantissa originally being zero or being shifted off the end of AB if long or A if short. REGISTER control: S0829 → A1031 (0's → A0809) S30 → B0 } if long S31 → B1 } B0029 → B0231 A0007 + 1 → A0007</p> | <p>FUSF/1 = FUSF.NIOEN.(PH6 + PH7) SFT = FASH.NIOEN.PHC FNORM = (A8+A9+A10+A11).NFL2.MC6.MC7 S/FL3 = FUGF/1.S0815E.S1631E.B0031E FSHEX = FUSF.FNORM + FUSF.FL3 + FUSF.A0</p> <p>S/SXA = FASH.PHS + SFT + FASH.(S/PHC/IO)</p> <p>PRXAD/O and PRXAND/O are each inhibited by FUSF/1</p> <p>A0007 are isolated from the rest of A since 50007 are held = 0; no 1's can set A0007 via the shift control of AUC7 and ADC7 which count the exponent once signifies exponent overflow. It will be reset on the following clock by $\overline{A}/A0 = FUSF/1$, after having performed it's functions (i.e. set CC2 and raise before preparing the result for scratch-pad for compatibility with E7.</p> <p>The AB registers contain the absolute value of the floating point number (with B containing zeros in the short case). The illegal number "minus 1" will yield a result of true zero.</p> <p>contains $4 P -1$, where P is the number of hexes to be shifted. The mantissa in AB shifts left by 1's until the MC has down-counted to zero or until FSHEX stops the shift due to normalization, exponent underflow, or mantissa originally being zero.</p> <p>AXSL1 = SFT.NFL2.NFSHEX S/A31 = AXSL1.A31EN/1-B0.FAMDS.PHC BXBL1 = SFT.NFL2.NFSHEX ADC7 = FUSF/1.NFL2.NMC6.NMC7 S/CC1 = FUSF/1.FNORM</p> <p>(FNORM prevents SB → A7 by raising FSHEX) (on 0 mod. 4 clocks) (on 1 mod. 4 clocks)</p> <p>contains $2 P -1$, where P is the number of hexes to be shifted. The mantissa in AB shifts right by 2's until the MC has down-counted to zero or until FSHEX stops the shift due to exponent overflow or mantissa originally being zero or being shifted off the end of AB if long or A if short.</p> <p>AXSR2 = SFT.FL2.NFL3.NFSHEX S/B0 = BXBR2.S30/1 → S30.B0001E N/1 S/B1 = BXBR2.S31/1 → S31.B0001E N/1 } FASH.D23 BXBR2 = SFT.FL2.NFL3.NFSHEX AUC7 = FUSF/1.FL2.NMC7.NCC2 (NFL3 is for fixed point) (NFL3 is for fixed point) (on 0 mod. 2 clocks) L (prevents surplus count in PH7 in case where exp. overflow causes FSHEX)</p> | <p>(floating shift only) (any shift) (left only, on 1 mod. 4 clocks) (normalized on left shift) (mantissa = zero) (exponent has under/overflowed) (preset) (sustain) (return from I/O service)</p> <p>by inhibiting the reset The shift once The following raise with E7.</p> <p>of the floating "minus 1" zero.</p> <p>of hexes to be shifted. zero or until FSHEX being zero.</p> <p>of hexes to be shifted. zero or until FSHEX or being shifted off</p> |

| PHASE | FUNCTION PERFORMED | SIGNALS INVOLVED | COMMENTS |
|-------|--|---|---|
| PH6 | <p>(cont'd)</p> <p><u>PHASE CONTROL:</u> MC-1 → MC (MC ≠ 0).NFSHEX ⇒ sustain PH6 (MC = 0) + FSHEX ⇒ advance to PH7 s/MRQ</p> <p><u>MISC:</u> s/cc2 if exponent under/overflow</p> <p><u>I/O SERVICE CALL:</u> IOENG (enable entry) inhibit s/PH6 if IOEN (SFT and FUSF/1 are each inhibited by IOEN)</p> | <p>MCDC7 = SFT BRPH6 = FAMDS.PH6.NMCZ.NFSHEX.NBRPH10 (NBR is high) s/MRQ/1 = FAMDS.PH6.NBRPH6.NIOEN</p> <p>s/cc2 = FUSF/1.A0</p> <p>IOENG = FAMDS.PH6.NFPRR.NFSHEX.IOENG/1 ← NMC005E s/PH6 = BRPH6.NIOEN.NCLEAR</p> | <p>(For next instruction)</p> <p>(MC < 4) ↓ ENG/1 ← NMC005E</p> |
| PH7 | <p>(PROBE RESULT) (FUSF/1 is still high) s/cc1 if left and mantissa normalized s/cc2 if exponent over/underflow R/A0 (render sign bit +) s/FL3 if mantissa = 0</p> <p>s/B → S</p> | <p>FUSF/1 = FUSF.NIOEN.(PH6 + PH7) s/cc1 = FUSF/1.FNORM ← (A8+A9+A10+A11).NFL2.MC6.MC7 s/cc2 = FUSF/1.A0 R/A0 = FUSF/1 s/FL3 = FUSF/1.S0B1SE.S1G31Z.B0031Z ↳ always high if short</p> <p>s/sxB = FASH.PH7</p> | <p>(will be low (in left case) when FSHEX caused by exp. underflow)</p> <p>(A is on S0B31) ↳ always high if short</p> |
| PH8 | <p>B → S S → D NFL1 ⇒ S/D → S FL1 ⇒ S/-D → S s/LR31 s/RW if long</p> <p><u>IF MANTISSA = 0:</u> s/cc1 if left shift R/cc2 hold FL3 on (for s contr. in PH9)</p> | <p>S_n = B_n.SxB DXS = (FUSF.PH8) s/sxD = (").NFL1 s/sxMD = (").FL1 s/LR31 = (") s/RW = (").D23</p> <p>s/cc1/1 = (").FL3.NFL2 R/cc2/1 = (").FL3 R/FL3 = N(")</p> | <p>(B = 0 if short)</p> <p>{ negate l.s.w. if original sign was negative.</p> <p>(0 is considered normalized) (cancel over/underflow ind.)</p> |
| PH9 | <p>± D → S, S → RW + 1 if long <u>IF MANTISSA ≠ 0:</u> NFL1 ⇒ S/A → S { FL1 ⇒ S/NA + Carry → S don't set K31 if K00 = 0</p> <p>s/RW s/DRQ</p> | <p>(preset in PH8)</p> <p>s/sxA = NFL1.(s/sx/FL1) } FUSF.PH9.N FL3 s/sxMA = FL1.(") } (s/K31/Z) = N(FUSF.PH9) --- (see discussion in PH4)</p> <p>s/RW = FAMDS.PH9 s/DRQ/1 = PH9</p> | <p>(l.s.w.)</p> |
| PH10 | <p>A or NA + Carry or 0's → S → RW s/cc3 if result > 0 } s/cc4 " " < 0 }</p> <p>ENDE</p> | <p>(preset in PH9) TESTS = (FUSF.ENDE) TESTS/1 = (")</p> <p>ENDE = PH10.Exc</p> | <p>(true zero if mantissa = 0) (includes B reg in test)</p> |

XDS 902306
FLOATING POINT BOX OPTION

Table of contents:

| | |
|-----------|------------------------------|
| 81 - 82 | GENERAL INFO. |
| 82 - 89 | ADD/SUB |
| 90 - 97 | MULTIPLY |
| 98 - 105 | DIVIDE |
| 106 | FLOW CHART: CPU ↔ BOX |
| 107 | "FAFL PH4-5" |
| 108 - 109 | DISPLAY - BUS SYSTEM |
| 110 - 111 | ADDER MODULE - ADDER CONTROL |

σ decoding:

| | $\overline{\sigma 2}$ | $\sigma 2$ |
|---------------------------------|-----------------------|------------|
| $\overline{\sigma 6. \sigma 7}$ | FSL IC | FSS 3C |
| $\overline{\sigma 6. \sigma 7}$ | FAL ID | FAS 3D |
| $\overline{\sigma 6. \sigma 7}$ | FDL IE | FDS 3E |
| $\overline{\sigma 6. \sigma 7}$ | FML IF | FMS 3F |

FAFL = $\overline{\sigma 1. \sigma 3. \sigma 4. \sigma 5}$

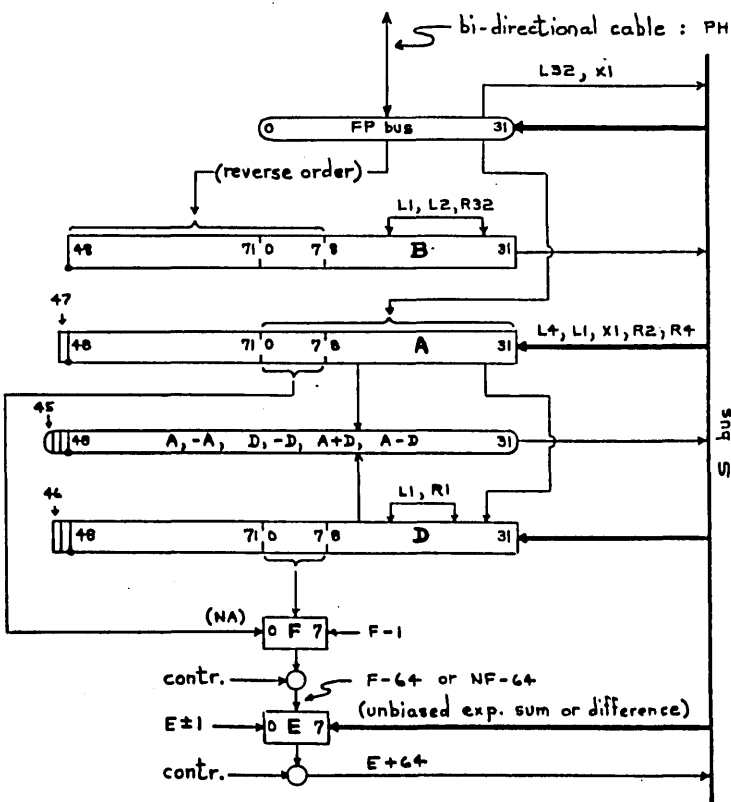
Notes on documentation:

- 1) CPU and BOX activity are combined on the sequence charts. CPU functions are all printed on a slant.
- 2) The "General sequence of events" notes on pages 302, 310, and 318 are intended only to give an impression of what is to take place. They cannot be either complete or accurate in every detail without becoming too complicated to serve their intended purpose.

Misc.:

- 1) To simulate absence of box: Ground 12F01 (kills FPCON), ground 23P07 (raises NFOPTION). (pts. in CPU)

OVERALL BLOCK OF BOX:



Principal use of registers:

| | <u>ADD/SUB</u> | <u>MUL</u> | <u>DIV</u> |
|-------|-----------------------|------------------------|-------------------|
| ← B : | postnorm ctr. | multiplier (backwards) | quotient |
| ← A : | augend, scaler | product, scaler | numerator, scaler |
| ← D : | addend, sum | multiplicand | denominator |
| ← F : | exponent buffer | iterations ctr. | iterations ctr. |
| ← E : | align. ctr., sum exp. | prod. exp. | quo. exp. |

Condition Code Settings for Floating-point Instructions

| Condition Code 1 2 3 4 | Meaning if no trap to location X'44' occurs | Meaning if trap to location X'44' occurs |
|--|--|---|
| 0 0 0 0 0 0 0 1 0 0 1 0 | A × 0, 0/A, or -A + A ^① with FN=1 N < 0 N > 0 | normal results • • |
| 0 1 0 0 0 1 0 1 0 1 1 0 | • ^② • • | divide by zero overflow, N < 0 overflow, N > 0 always trapped |
| ③ 1 0 0 0 1 0 0 1 1 0 1 0 | -A + A ^① N < 0 > 2 postnormal-izing shifts FS=0, FN=0, and no underflow N > 0 | -A + A N < 0 > 2 postnormal-izing shifts FS=1, FN=0, and no underflow with FZ=1 N > 0 |
| 1 1 0 0 1 1 0 1 1 1 1 0 | underflow with FZ=0 and no trap by FS=1 ^① • • | • underflow, N < 0 FZ=1 underflow, N > 0 |
| <p>① result set to true zero ② "*" indicates impossible configurations ③ applies to add and subtract only where FN=0</p> | | |

ADD/SUB: General sequence of events:

- 1) Put augend (R) in A
- 2) Put addend (EW) in D
- 3) Put (augend exponent) - (addend exponent) in E
- 4) Hexadecimally right shift the mantissa with the smaller exponent by the difference in E
- 5) Put the larger of the two exponents in E
- 6) Add/Subtract, result goes to D
- 7) Scale |result| until normalized (unless = 0, or left shifting inhibited by FN = 1). 0 ≤ |result| < 1 is put in A
- 8) Assemble adjusted exponent (E) and mantissa (A) on S in proper polarity
- 9) Store S if not TRAP

CONTROL FLAGS (in PSW):

FZ ("floating zero"):

when = 1 causes trap to X'44' if underflow

when = 0 causes ZEROS to be stored (except where significant trap concurs)

ADD/SUB control flags:

FN (called FNF in hardware):

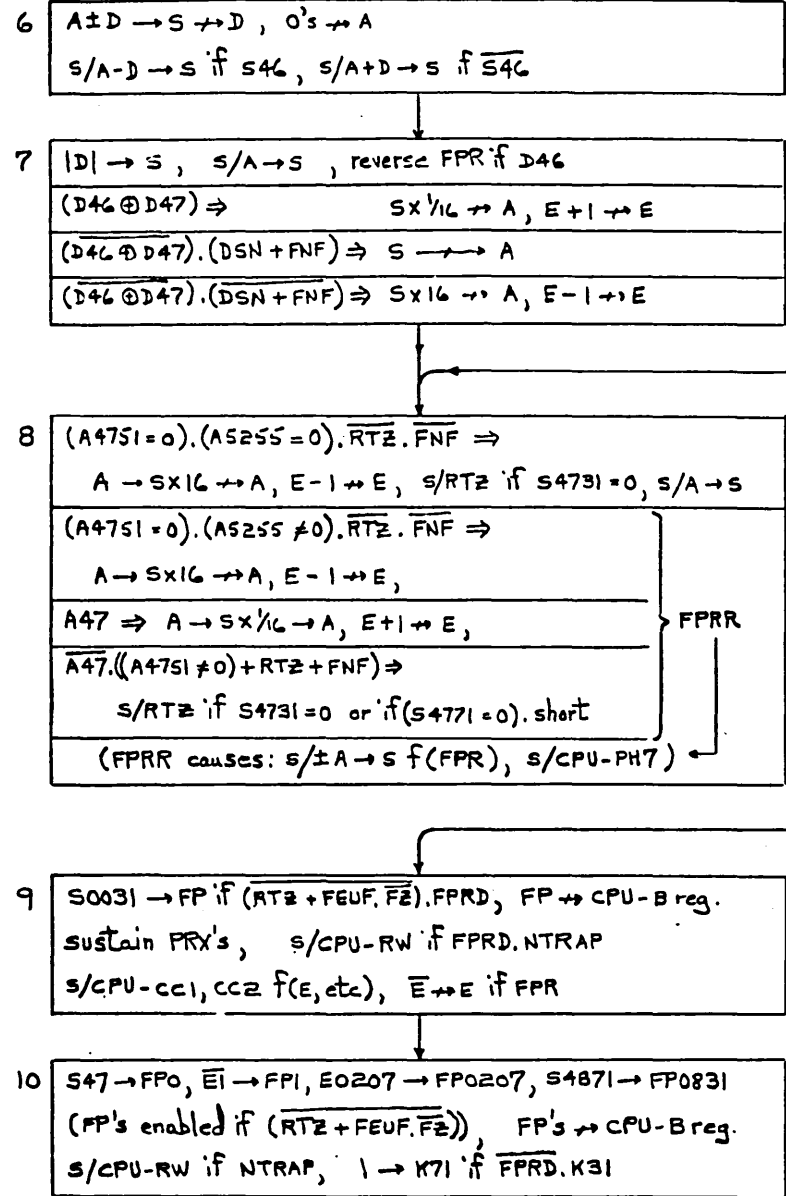
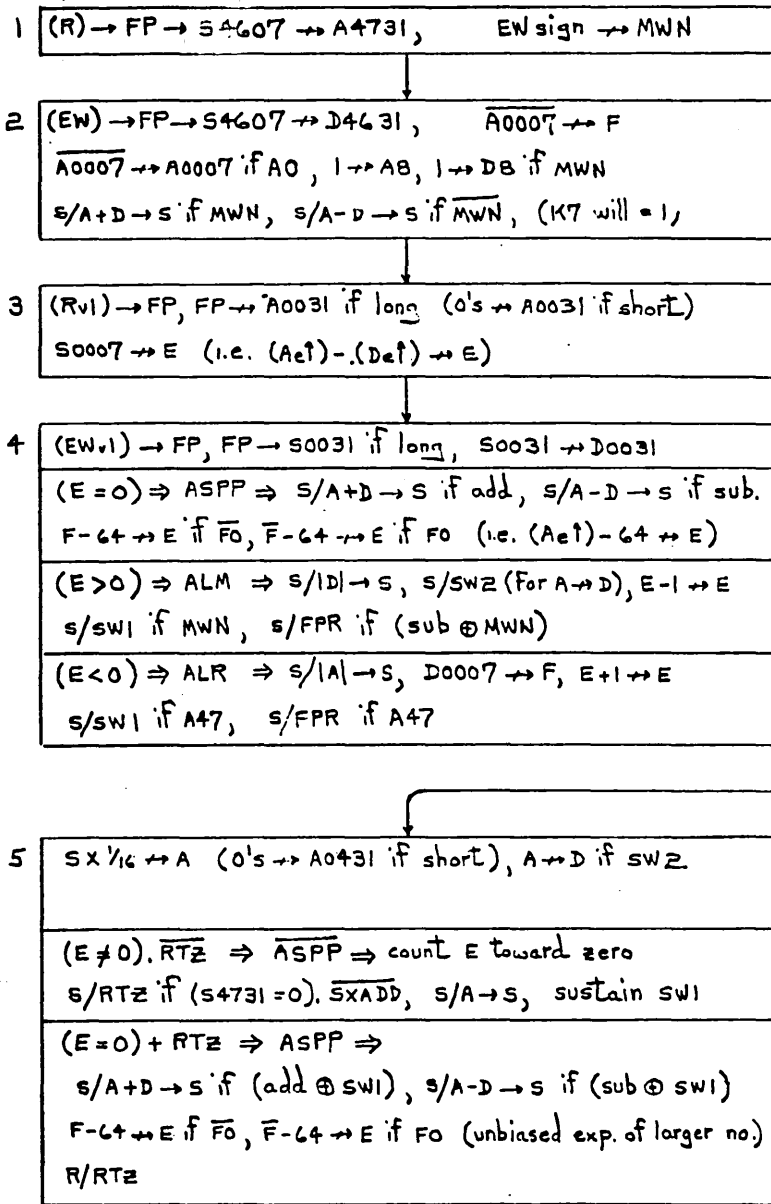
when = 1 inhibits normalization of results

when = 0 allows normalization of results and setting of cc1 if top 3 hexes of |unnormalized result| = 0

FS (significance trap):

when = 1 causes trap to X'44' if FN = 0 and top 3 hexes of |unnormalized result| = 0

FLOATING POINT: GENERAL INFO., ADD/SUB

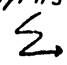


XDS 902306

ADD/SUB

ADD/SUB
 155094-B
 SH84

| PHASE | FUNCTION PERFORMED | XDS 902306 SIGNALS INVOLVED | COMMENTS |
|------------|--|--|--|
| PRE3 | <p>(will not be reached if NFOPTION and PRE2 was entered)</p> <p>CLOCK TIMING: (TBL unless I/O service call, in which case FPCLN/2 rejects S/TBL</p> <p>RR → A MB → C → D (from even location) C (address forced even by S31ZNH in earlier phase (see "PREPARATION"))</p> <p>I → P31 } if long (request S/MRQ } l.s.w. of addend)</p> <p>S/NA → S</p> <p>S/PHI if FOPTION (TRAP if NFOPTION)</p> <p>FPCON → box S/PHI (in box)</p> | <p>S/TBL = PRE/12 + FAFL.NIOACT.NPHIO + FAFL.(S/PHG/I0)</p> <p>(S/AXRR = PRE/12) DXC = PREOPER.PRE3</p> <p>FUC31 = (FAFL.NO2.PRE3.NANLZ) S/MRQ/I = (")</p> <p>S/SXNA = FAFL.PRE/34</p> <p>S/PHI = PRE/34.NBR</p> <p>FPCON = FAFL.PRE3.NANLZ S/PHI = FPCON.NPHI ↑ (prevent S/PHI</p> | <p>TSL clocks to box (initial turn-on (redun.)) (hold until IOACT or PHIO) (return from I/O)</p> <p>(augend - m.s.w.) (addend - m.s.w.)</p> <p>(P31 = 0) (inhibited if NFOPTION)</p> <p>} start the box on next clock)</p> |
| PHI PHI | <p>NA → S NS → FP</p> <p>FP0 → S47 (→ S46) FP0831 → S4871 FP0007 → S0007 0's → S0831 S → A</p> <p>DO → FPCON FPCON → MWN</p> <p>0's → B (for PH7, 8) 0's → E (for PH3) 0's → F (for PH2)</p> <p>S/LR31 } if long S/AXRR } S/ND → S</p> <p>S/PH2 S/PH2</p> | <p>(preset in PRE3) FP_n = I. S_n. FPXS ← = NPHB.NDIS</p> <p>SXFP/U = S4607XFP = PHI.NFPDIS SXFP/4 = S4607XFP = PHI.NFPDIS (no enable hi) AXS = PHI</p> <p>FPCON = FAFL.PHI.DO S/MWN = FPCON.PHI; R/MWN = PHI</p> <p>BX = PHI EX = PHI FX = PHI</p> <p>S/LR31 = (FAFL.NO2.PHI) S/AXRR = (") S/SXND = FAFL.PHI</p> <p>S/PH2 = PHI.NBR S/PH2 = PHI</p> | <p>(R) → FP (augend mantissa - m.s.w.) (augend exponent)</p> <p>(store addend sign)</p> <p>(post-normalisation ctr.) (exponent reg.) (augend exponent reg.)</p> <p>} (for augend-l.s.w.)</p> |
| PH2 PH2 | <p>ND → S NS → FP</p> <p>FP0 → S47 → S46 FP0831 → S4871 FP0007 → S0007 0's → S0831 S → D</p> <p>NA0007 → F</p> | <p>(preset in PHI) FP_n = I. S_n. FPXS ← = NPHB.NDIS</p> <p>SXFP/U = S4607XFP = PH2.NFPDIS SXFP/4 = S4607XFP = PH2.NFPDIS (no enable hi) DXS = PH2</p> <p>FXNA = PH2.N06</p> | <p>(EW) → FP (addend mantissa - m.s.w.) (addend exponent)</p> <p>(store augend exponent)</p> |

| PHASE | FUNCTION PERFORMED | SI XDS 902306 ED | COMMENTS |
|-----------------------|--|---|---|
| PH2 PH2 cont'd. | <p>PRESET FOR EXPONENT ARITH:</p> <p>NA0007 → A0007 if A0 = 1 1 → AB 1 → DB S/A + D → S } if addend is neg. S/A - D → S } if addend is pos.</p> <p>RR = 1 → A S/DRQ (for EW = 1) } if long S/NA → S</p> <p>S/PH3 S/PH3</p> | <p>S/AI = (PH2.A0).NAI, (similarly AE - AB) AX/L = AXL = (PH2.A0) S/AB = PH2.NMUL S/DB = PH2.MWN S/SXAPD = S/SXAPD/I = PH2.MWN.NMUL S/SXAMD = N(S/SXAPD).S/SXAMD/2 ← PH2</p> <p>(preset in PH1) S/DRQ/I = FAFL.N02.PH2 S/SXNA = FAFL.PH2</p> <p>S/PH3 = PH2.NBR S/PH3 = PH2</p> | <p>(un-invert augend exponent) (K7 control) → (for (Ac?) + (De?) + 1 → S) (for (Ac?) + N(De?) + 1 → S)</p> <p>K7 = G8 = 1 (augend - l.s.w.)</p> |
| PH3 PH3 | <p>(Ac?) - (De?) → S S → E</p> <p>NA → S NS → FP FP → A0031 if long 0's → A0031 if short</p> <p>MB = 1 → C → D if long S/ND → S</p> <p>S/PH4 S/PH4</p> | <p>(preset in PH2) S/En = Sn.PH3</p> <p>(preset in PH2) FPn = I. Sn.FPXS ← NPHB.NDIS AXFP = PH3.N02 AX/L = AXL = PH3</p> <p>DXC = FAFL.N02.PH3 S/SXND = FAFL.PH3</p> <p>S/PH4 = PH3.NBR S/PH4 = PH3</p> | <p>(unbiased exponent difference → E) ((Rv1) → FP if long, (R) → FP if short-insig.) (augend - l.s.w.) (addend - l.s.w.)</p> |
| PH4 PH4 | <p>ND → S NS → FP FP → S0031 if long 0's → S0031 if short S → D0031</p> <p>Clear Condition Codes S/B → S</p> <p>S/PH5  <div data-bbox="267 1417 560 1480" style="border: 1px solid black; padding: 2px; display: inline-block;"> see separate chart: "FAFL PH5-6" </div> </p> <p>(PH4, PH4 continued on next page)</p> | <p>(preset in PH3) FPn = I. Sn.FPKS ← NPHB.NDIS SXFP/4 = SXFP/A = S0031XFP = PH4.N02.NFPDIS (no enable hi) DX/L = DXS/L = PH4</p> <p>R/CC = (FAFL.PH4) S/SXB = (" ")</p> <p>S/PH5 = PH4.NBR</p> | <p>((EW = 1) → FP if long, (EW) → FP if short-insig.) (addend l.s.w.)</p> |

| PHASE | FUNCTION PERFORMED | SIGNALS INVOLVED | COMMENTS |
|-----------------------------------|--|--|---|
| <p>PH4 PH4 cont'd.</p> | <p><u>EXISTING CONDITIONS:</u> A contains (R), (Rv1)/0's B " 0's D " (EW), (De) in D0007 E " (Ae1) - (De1) F " N(Ae)</p> <p><u>IF E = 0 : ASPP →</u> S/A+D → S if add S/A-D → S if sub F-64 → E if NFO NF-64 → E if FO S/PH6 (add/sub phase)</p> <p><u>IF E > 0 : ALM →</u> S/ D → S S/SWI if MWN S/FPR if (sub ⊕ MWN) E-1 → E S/A → D S/PH5 (alignment phase)</p> <p><u>IF E < 0 : ALR →</u> S/ A → S S/SWI if A47 S/FPR if A47 E+1 → E D0007 → F S/PH5 (alignment phase)</p> | <p>(mantissa of augend) ((EWv1)/0's is being clocked into D0031 AGPP = PH4.N06.E0003E.E0407E S/SXAPD = S/SXAPD/1 = ASPP.07.NSW S/SXAMD = N(S/SXAPD) · S/SXAMD/2 EXFM64 = ASPP.NFO EXNFM64 = ASPP.FO S/PH6 = ASPP</p> <p>ALM = PH4.N06.NE0.NASPP { S/SXD = ND46.S/SXAVD } { S/SXMD = D46.S/SXAVD } ← PH4.ALM S/SWI = (S/SWI/1) = ALM.MWN S/FPR = ALM.N(07 ⊕ MWN) EDC7 = ALM S/SW2 = ALM.PH4.NPH7 ← (mech. conv.) S/PH5 = PH4.N06.NASPP</p> <p>ALR = PH4.N06.E0.NRT2 ← (R/RT2 · PH1) { S/SXA = NA47.S/SXAVA } { S/SXMA = A47.S/SXAVA } ← PH4.ALR S/SWI = ALR.A47 S/FPR = ALR.A47 EUC7 = ALR FXD = ALR.PH4 S/PH5 = PH4.N06.NASPP</p> | <p>This phase) ← (R/SWI = NPH9) = ASPP (uninverted, unbiased A exponent → E)</p> <p>(R) > (EW) (reversing sign of D oper.) (result of PH6 will be in reverse polarity) (down-count toward zero)</p> <p>(EW) > (R) (reversing sign of A oper.) (result of PH6 will be in reverse polarity) (up-count E toward zero) (larger exponent → F)</p> |
| <p>PH5 or PH6 PH5</p> | <p>(ALIGNMENT PHASE - entered only if E ≠ 0 in PH4) <u>FIRST CLOCK ONLY:</u> A → D } if E > 0 in PH4 D → S } A → S " E < 0 " " (inhibit S/RT2 if number → S</p> <p><u>ALL CLOCKS:</u> SX 1/16 → A 0's → A0407 if short "GUARD DIGIT" logic permits right alignment into</p> | <p>if E ≠ 0 in PH4) DXA = PH5.SW2 ← (repeater) (preset in PH4) requires negation hence involves carry propagation</p> <p>AXSR4 = AXSR4/1 = PH5.N06 S/A4 = S0.AXSR4-A.N02 ← (long only) "GUARD DIGIT" logic permits right alignment into</p> | <p>(larger operand → D) (similarly A5, A6, A7) A0003</p> |

| PHASE | FUNCTION PERFORMED | XDS 902306 VED | COMMENTS |
|------------------------------------|---|--|---|
| PH5 or PH6 PH5 cont'd. | <p><u>ALL BUT FINAL CLOCK ((E≠0).NRTZ):</u></p> <p>E + 1 → E if E < 0 E - 1 → E if E > 0 sustain SW1 S/A → S (for Sx1/6 → A) S/RTZ if 4731 = 0 sustain PH5</p> <p><u>ON FINAL CLOCK ((E=0) + RTZ):</u></p> <p>S/A + D → S if (add ⊕ SW1) S/A - D → S if (sub ⊕ SW1) F - 64 → E if NFO NF - 64 → E if FO R/RTZ S/PH6</p> | <p>ALM = PH5.N06.NE0.NASPP ALR = PH5.N06.E0.NRTZ NASPP = N(PH5.N06.(E0003Z.E0407Z + RTZ)) EUC7 = ALR EDC7 = ALM S/SWI/1 = ALM.MWN + ALR.SWI S/SXA = PH5.N06.NASPP S/RTZ = PH5.SZU.SZL.NASPP.NSXADD S/PH5 = PH5.N06.NASPP</p> <p>ASPP = PH5.N06.(E0003Z.E0407Z + RTZ)</p> <p>S/SXAPD = S/SXAPD/1 = ASPP.(N07.SWI + 07.NSWI) S/SXAMD = N(S/SXAPD).S/SXAMD/2 ← = ASPP EXFM64 = ASPP.NFO EXNFM64 = ASPP.F0 R/RTZ = ASPP S/PH6 = ASPP</p> | <p>((E > 0).NRTZ) ((E < 0).NRTZ) N((E = 0) + RTZ)</p> <p>(R/SWI = NPH9)</p> <p>← NPRXNAND.NGXADD</p> <p>(uninverted, unbiased exponent of larger number.)</p> |
| PH5 or PH6 PH6 | <p>(ADD/SUB PHASE)</p> <p>A ± D → S S → D</p> <p>S/A + D → S if NS46 S/A - D → S if S46 } S/D → S 0's → A (for 0 ± D → S) S/PH7</p> | <p>(preset in PH4 or PH5 by ASPP)</p> <p>DXS = PH6.N06 S/SXAPD reduces to PH6.N06.N(PR46 ⊕ X46) S/SXAMD = N(S/SXAPD).S/SXAMD/2 ← = PH6.N06 AX = PH6.N06 S/PH7 = PH6.N06</p> | <p>(1-bit extension on left handles overflows) (special mech.)</p> |
| PH6 PH7 | <p>(FIRST ADJUST SUM PHASE)</p> <p> D → S reverse FPR if D46</p> <p><u>(D46 ≠ D47) →</u> Sx1/6 → A E + 1 → E</p> <p><u>(D46 = D47).N(DSN + FNF) →</u> Sx1/6 → A E - 1 → E BX2 → B, 1 → B67</p> <p><u>(D46 = D47).(DSN + FNF) →</u> S → A</p> <p>S/A → S S/PH8</p> | <p>(preset in PH6)</p> <p>S/FPR = (PH7.N06.D46).NFPR R/FPR = (") AXSR4/1 = PH7.N06.(D46 ⊕ D47) AXSR4 = AXSR4/1 EUC7 = AXSR4/1.NPH5</p> <p>AXSL4/1 = PH7.N06.NAXSR4/1.NDSN.N(FNF.N06) AXSL4 = AXSL4/1 EDC7 = AXSL4/1.N(PH5.DIV) BXBL1 = AXSL4/1.N06, S/B67 = BXBL1.N06 (postnorm ctr.)</p> <p>AXS = PH7.N06.NAXSR4/1.NAXSL4/1 S/SXA = PH7.N(S/PH7) + AXSL4/1.NFPRR S/PH8 = PH7.N(S/PH7)</p> | <p>(FPR could have been set in PH4)</p> |
| PH6 PH8 | <p>(FINAL ADJUST SUM PHASE)</p> <p>(A contains the SUM in the range CONTROL SIGNALS:</p> <p>ASN (A Simple-Normalized)</p> <p>FPRR (Floating Point Result Ready)</p> | <p>0 ≤ S ≤ 1)</p> <p>(inhibit postnorm.) → high if A4751 ≠ all zeros (i.e. 1/6 ≤ S ≤ 1) or if FNF = 1 ASN = N(A47.A48.A49.A50.A51).N(A47.A4851Z.N(FNF.N06)) FPRR = PH8.NDIV.ASN + PH8.NDIV.NAS255Z + PH8.RTZ.NPH5</p> | <p>(1/6 ≤ S ≤ 1 or FNF = 1) (ASN assured next clock) (S = 0 (2nd PH8 clock))</p> |

| PHASE | FUNCTION PERFORMED | SIGNALS INVOLVED | COMMENTS |
|------------------------|---|--|--|
| <p>PH8 cont'd.</p> | <p>RTZ (Result is zero)</p> <p>NASN ⇒ ((0 < A < 1/16). (FNF=0))</p> <p>A → S Sx16 → A</p> <p>E-1 → E</p> <p>Bx2 → B, 1 → B67</p> <p>S/RTZ if S=0</p> <p>S/A → S } if (AS255=0). NRTZ sustain PH8</p> <p>← raise FPRR if (AS255 ≠ 0) + RTZ</p> <p>ASN.A47 ⇒ (A=1)</p> <p>A → S Sx 1/16 → A</p> <p>E+1 → E</p> <p>← raise FPRR</p> <p>ASN.NA47 ⇒ ((1/16 < A < 1) + (FNF=1))</p> <p>A → S S/RTZ if S=0 (FNF=1 case)</p> <p>← raise FPRR</p> <p>→ FPRR ⇒ (Floating Point Result Ready)</p> <p>stop CLOCK → box if I/O service call has CPU: FPCLN/1 = NFPRR + NIOEN.NICIN</p> <p>S/PH7</p> <p>S/MRQ (for next instruction)</p> <p>S/A → S if NFPR</p> <p>S/-A → S if FPR</p> <p>S/PH9</p> | <p>S/RTZ = PH8.SZU.SZL.NASPP.N6XADD + PH8.SZU.02.N06 (needed for FNF=1 case where signifance in guard digit only)</p> <p>AXSL4/1 = PH8.NDIV.NASN (preset in PH7 or PH8)</p> <p>AXSL4 = AXSL4/1</p> <p>EDC7 = AXSL4/1.N(PH8.DIV)</p> <p>BXBL1 = AXSL4/1.N06, S/B67 = BXBL1.N06 (postnorm. ctr.) (see above)</p> <p>S/SXA = AXSL4/1.NFPRR</p> <p>S/PH8 = PH8.NFPRR</p> <p>FPRR = PH8.NAS255Z.NDIV + PH8.RTZ.NPH5</p> <p>(preset in PH7) (NOTE: S46 forced = 0, otherwise = A47)</p> <p>AXSR4 = AXSR4/1</p> <p>EUC7 = NPH5.AXSR4/1 = PH8.NDIV.A47</p> <p>FPRR = PH8.NDIV.ASN</p> <p>(preset in PH7) (see above)</p> <p>FPRR = PH8.NDIV.ASN</p> <p>(don't shift registers)</p> <p>S/SXA = FPRR.NFPR</p> <p>S/SXMA = FPRR.FPR</p> <p>S/PH9 = FPRR</p> | <p>(S4731 = 0) (S4771 = 0) if short ifance in guard digit only)</p> <p>RTZ.NPH5</p> <p>(put result in proper polarity)</p> |
| <p>PH7 PH9</p> | <p>CONTROL SIGNALS USED IN PH9-10:</p> <p>FPRD TRAP</p> <p>FE0F FEUF</p> <p>A or -A → S</p> <p>S0001 → FP if not 2 0's → FP if (short FP → B</p> <p>S/B → S</p> <p>S/LR31</p> <p>S/RW if long and not trap case</p> <p>S/CC1 if exponent underflow or S/CC2 if exponent underflow or</p> | <p>FPRD = N02</p> <p>TRAP = FE0F + FEUF.N(FEUF.NFZ) = FEUF.FZ ((exp. underflow).FZ) + B65.N06.FS (significance trap)</p> <p>FE0F = NE0.E1.NRTZ (exp. overflow)</p> <p>FEUF = E0.NE1.NRTZ.N(B65.N06.FS.NFZ) (exp. underflow)</p> <p>(preset in PH8 by FPRR)</p> <p>FPXSL = PH9.NFPDIS.FPRD.NRTZ.N(FEUF.NFZ) or result zero or underflow and FZ=0</p> <p>BXFP = FAFL.PH7</p> <p>S/BXS = FAFL.PH7</p> <p>S/LR31 = FAFL.PH7</p> <p>S/RN = S/RW/FP = PH9.FPRD.NTRAP</p> <p>if FN=0 and > 2 post-normalizing shifts required (includes RTZ).</p> <p>S/CC1 = S/CC1/FP = PH9.FEUF + PH9.N06.B65</p> <p>overflow. S/CC2 = S/CC2/FP = PH9.FEUF + PH9.FE0F</p> | <p>(result double length) (exp. overflow)</p> <p>FZ ((exp. underflow).FZ) (significance trap)</p> <p>(exp. overflow)</p> <p>(exp. underflow)</p> <p>(result -l.s.w.)</p> |

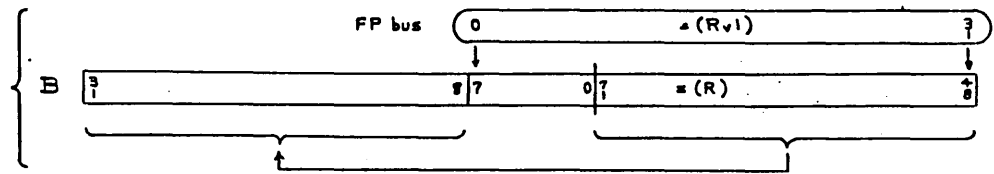
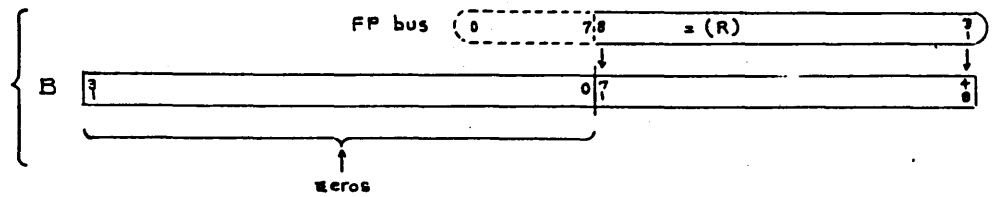
| PHASE | FUNCTION PERFORMED | SIGNALS INVOLVED | COMMENTS |
|-----------------------|---|---|---|
| PH7 PH9 cont'd. | S/A → S if NFPR S/-A → S if FPR NE → E if FPR. (EO = E1) ↳ qualifier S/PHB S/PHIO | S/SXA = PH9.NFPR S/SXMA = PH9.FPR EXNE = PH9.FPR.NTRAP.N(FEUF.NFZ) prevents interchanging FEUF and FEOF S/PHB = PH7.NBR S/PHIO = PH9 | (sustaining from PHB) (invert exp. when result neg.) |
| PHB PHIO | B → S S → RW, 1 if long and not trap S > 0 → 1 → SWO (for TESTS) A or -A → S S47 → FP0 (exp.) { NE1 → FP1 (+64 bins) { E0207 → FP0207 { S4871 → FP0831 { FP → B S/B → S S/RW if not trap case S/DRQ S/PHIO R/PHIO (no more box action) | (preset in PH7) S/SWO = NS0031Z. (S/SWO/NZ) ← = FAFL.N02.PHB (preset in PH9) ← { note: K71 is forced high in short "-A" { case to assure proper truncation: { K71 = 00003 = PH10.NFPRD.K31 FPSXU = PH10.NFPDIS.NRTZ.N(FEUF.NFZ) (FPXS = NPHB.NDIS -- blocks S (=B) → FP) BXFP = FAFL.PHB S/SXB = FAFL.PHB S/RW = S/RW/FP = PH10.NTRAP S/DRQ = BRPHIO = FAFL.PHB S/PHIO = BRPHIO = FAFL.PHB (no set term hi) | (result -l.s.w.) (result m.s.w) |
| PHIO | B → S S → RN TESTS (CC3, CC4 control) (note: SWO = 1 causes S > 0 (ADD/SUB). (FN=1) case only, where Stop sustaining TBL TRAP to X'44' if RW is off ENDE | (preset in PHB) TESTS = FAFL.ENDE indication for double length zero test; This is needed for the result is +, exp. = -64, and significance in l.s.w. only.) S/TBL = FAFL.NIOACT.NPHIO { S/TRAP = (FAFL.ENDE.NRW) { S/TR29 = (") ENDE = PHIO.EXC | (result - m.s.w.) (NRW means TRAP in The box was hi last cl.) |

General sequence of events:

- 1) Put multiplier (R) in A, and backwards in B
- 2) Put multiplicand (EW) in D
- 3) Put exponent sum in E
- 4) Normalize (D) if necessary; early exit if = 0
- 5) " (A) " " ; " " " = 0
(B doesn't change but 2 2-bit iterations are deleted for each hex of A shift required)
- 6) Clear A
- 7) Iterate, producing $\frac{1}{2} \leq |prod.| \leq 1$ in AB
- 8) Normalize AB
- 9) Assemble adjusted exponent (E) and mantissa (A) on S in proper polarity
- 10) Store S if not TRAP

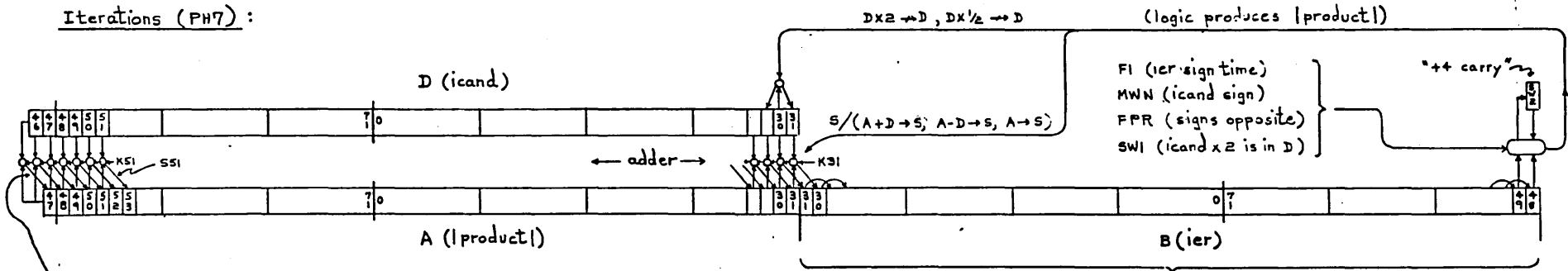
Load ier - m.s.w
(unconditional in PH1)

Load ier - l.s.w.
(only if long in PH3)



Loading The multiplier into B - backwards

Iterations (PH7):



s45 = PR46.K+5, which red. to PR46.K+6 + q46

Note that the E register is "played backwards" (this enabled efficient use of the FT+1 flip-flop module)

MUL

MUL

XDS 902306

155094-B
CH01

1. (R) → FP → S4607 → A4731, EW sign → MWN
 FP0831 → B7148, 1's → F5, F7

2. (EW) → FP → S4607 → D4631, S/FPR if (MWN ⊕ A47)
 A0007 → A0007 if A0, 1 → A0 (i.e. -128), 1 → D8 if MWN
 S/A + D → S if MWN, S/A - D → S if MWN, (K7 will = 0)

3. (Rv1) → FP, FP → A0031 if long (0's → A0031 if short)
 [1 → F4, FP0031 → B0748, B7148 → B3108] if long
 S0007 → E (i.e. (Ae↑) + (De↑) - 128 → E)

4. (EWv1) → FP, FP → S0031 if long, S0031 → D0031
 DSN.ASN → (S/O → S), S/SW2 if FPR
 DSN.ASN → S/|A| → S
 DSN → S/D → S, S/SW2 (for A → D)

5. SW2 (first clock) ⇒ A → D, D → Sx16 → A, E-1 → E
 S/A → S, S/RTZ if S4731 = 0

| | |
|--|------------|
| ASN (after first clock) ⇒ | RTZ ⇒ |
| A → Sx16 → A, E-1 → E; S/A → S | RTZ ⇒ FPRR |
| (ASN.SW2) ⇒ S/ D → S, S/SW2 (for A → D) | |

6. (ASN + DSN) ⇒ Sx16 → A, E-1 → E, F-1 → F RTZ ⇒
 S/A → S, A → D if SW2, S/RTZ if (S4731 = 0). SXADD RTZ ⇒ FPRR
 (ASN.DSN) ⇒ (S → A - insig), (S/O → S), A → D if SW2
 S/SW2 if FPR

7. FO ⇒ MIT functions (0 → S on 1st clock)
 FO.SW0 ⇒ " " (sign into)
 FO.SW0 ⇒ S → A, S/A → S

8. ASN ⇒ A → Sx16 → A, E-1 → E
 ASN.A47 ⇒ A → Sx16 → A, E+1 → E
 ASN.A47 ⇒ (don't change A or E)
 all cases: FPRR ⇒ S/±A → S f(FPR), S/CPU-PH7

9. S0031 → FP if (RTZ + FEUF.FE), FPRD, FP → CPU-B reg.
 sustain PRX's
 S/CPU-RW if FPRD.NTRAP
 S/CPU-CC1, CC2 f(E), E → E if FPR

10. S47 → FP0, E1 → FP1, E0207 → FP0207, S4871 → FP0831
 (FP's enabled if (RTZ + FEUF.FE), FP → CPU-B reg.
 S/CPU-RW if NTRAP

XDS 902306

155794-RCH Q2

MUL

MUL

| PHASE | FUNCTION PERFORMED | SIGNALS INVOLVED | COMMENTS |
|------------|--|---|--|
| PRE3 | <p>(will not be reached if NFOPTION and PRE2 was entered)</p> <p><u>CLOCK TIMING</u>: (TBL unless I/O service call, in which case FPCLN/2 rejects S/TBL</p> <p>RR → A MB → C → D, (from even location) (address forced even)</p> <p>I → P31 } if long (request S/MRQ } l.s.w. of icand)</p> <p>S/NA → S</p> <p>S/PHI if FOPTION (TRAP if NFOPTION)</p> <p>FPCON → box S/PHI (in box)</p> | <p>S/TBL = PRE/12 + FAFL.NIDACT.NPHIO + FAFL.(S/PHL/IO)</p> <p>(S/AXRR = PRE/12) DXC = PREOPER.PRE3 by S31NH in earlier phase (see "PREPARATION")</p> <p>PUC31 = (FAFL.ND2.PRE3.NANLZ) S/MRQ/I = (")</p> <p>S/SXNA = FAFL.PRE/34</p> <p>S/PHI = PRE/34.NBR</p> <p>FPCON = FAFL.PRE3.NANLZ S/PHI = FPCON.NPHI ↑ (prevents S/PHI on next clock)</p> | <p>75L clocks to box) (initial turn-on (redun.)) (hold until 30ACT or PH10) (return from I/O)</p> <p>(ier - m.s.w.) (icand - m.s.w.)</p> <p>(P31 = 0) (inhibited if NFOPTION)</p> <p>} start the box</p> |
| PHI PHI | <p>NA → S NS → FP</p> <p>FPO → S47 (→ S46) FP0831 → S4871 FP0007 → S0007 0's → S0831 S → A</p> <p>FP3108 → B4871 0's → B0031</p> <p>0's → E (for PH3)</p> <p>S → F (enable F) 0 → SWO</p> <p>DO → FPCON FPCON → MWN</p> <p>S/LR31 } if long S/AXRR } S/ND → S</p> <p>S/PH2 S/PH2</p> | <p>(preset in PRE3) FP_n = I. S_n. FPXS = NPHB.NDIS</p> <p>SXFP/U = S4607XFP = PHI.NFPDIS SXFP/A = S4607XFP = PHI.NFPDIS (no enable hi) AXS = PHI</p> <p>BXFP/U = BXFPU = PHI.MUL BX = PHI</p> <p>EX = PHI</p> <p>S/FS = S/F7 = BXFP/U = BXFPU = PHI.MUL FX = PHI R/SWO = BX = PHI</p> <p>FPCON = FAFL.PHI.DO S/MWN = FPCON.PHI; R/MWN = PHI</p> <p>S/LR31/I = (FAFL.ND2.PHI) S/AXRR = (") S/SXND = FAFL.PHI</p> <p>S/PH2 = PHI.NBR S/PH2 = PHI</p> | <p>(R) → FP (ier mantissa - m.s.w.) (ier exponent)</p> <p>(ier mantissa m.s.w. → B, backwards)</p> <p>(exponent req.)</p> <p>} (iterations ctr.)</p> <p>(store icand sign)</p> <p>} (for ier l.s.w.)</p> |
| PH2 PH2 | <p>I → FPR if operand signs ≠</p> | <p>S/FPR = PH2.06. (MWN ⊕ A47); R/FPR = PHI</p> | |

| PHASE | FUNCTION PERFORMED | SIGNALS INVOLVED | COMMENTS |
|----------------------|---|--|--|
| PH2 PH2 cont'd | <p> $ND \rightarrow S$ $NS \rightarrow FP$ $FP0 \rightarrow S47 \rightarrow S46$ $FP0831 \rightarrow S4871$ $FP0007 \rightarrow S0007$ $0's \rightarrow S0831$ $S \rightarrow D$ </p> <p> <u>PRESET FOR EXPONENT ARITH:</u> $NA0007 \rightarrow A0007$ if $A0=1$ $I \rightarrow A0$ $S/A+D \rightarrow S$ if icand is pos. $S/A-D \rightarrow S$ if icand is neg. $I \rightarrow DB$ </p> <p> $RRv1 \rightarrow A$ S/DRQ (for $EW=1$) $S/NA \rightarrow S$ </p> <p> $S/PH3$ $S/PH3$ </p> | <p> (preset in PH1) $FP_n = I, S_n, FPXS = NPHB, NDIS$ $SXFP/U = S4607XFP = PH2.NFPDIS$ $SXFP/4 = S4607XFP = PH2.NFPDIS$ (no enable hi) $DXS = PH2$ </p> <p> $\{ S/A1 = (PH2.A0).NA1, \text{ (similarly } A2-A8)$ $AX/L = AXL = (PH2.A0)$ $S/A0 = PH2.MUL$ $S/SXAPD = S/SXAPD/1 = PH2.NMWN.MUL$ $S/SXAMD = N(S/SXAPD).S/SXAMD/2 = PH2$ $S/DB = PH2.MWN$ </p> <p> (preset in PH1) $S/DRQ/1 = FAFL.N02.PH2$ $S/SXNA = FAFL.PH2$ </p> <p> $S/PH3 = PH2.NBR$ $S/PH3 = PH2$ </p> | <p> $(EW) \rightarrow FP$ (icand mantissa - m.s.w.) (icand exponent) (un-invert ier exponent) (minus 128) \rightarrow (for $(Aet) + (Det) + 0 - 128 \rightarrow S$) (for $(Aet) + N(Det) + 0 - 128 \rightarrow S$) </p> <p> $K7=0$ since $PRB=GB=0$ (ier - l.s.w.) </p> |
| PH3 PH3 | <p> $(Aet) + (Det) - 128 \rightarrow S$ $S \rightarrow E$ </p> <p> $NA \rightarrow S$ $NS \rightarrow FP$ $FP \rightarrow A0031$ if long $0' \rightarrow A0031$ if short </p> <p> $B4871 \rightarrow B0831$ $FP0700 \rightarrow B0007$ $FP3108 \rightarrow B4871$ $I \rightarrow F4$ </p> <p> $MBv1 \rightarrow C \rightarrow D$ if long $S/ND \rightarrow S$ </p> <p> $S/PH4$ $S/PH4$ </p> | <p> (preset in PH2) $S/E_n = S_n.PH3$ </p> <p> (preset in PH2) $FP_n = I, S_n, FPXS = NPHB, NDIS$ $AXFP = PH3.N02$ $AX/L = AXL = PH3$ </p> <p> $BXFP/L$ $BXFP/L$ $BXFP/U$ $S/F4 = BXFP/L$ </p> <p> $DXC = FAFL.N02.PH3$ $S/SXND = FAFL.PH3$ </p> <p> $S/PH4 = PH3.NBR$ $S/PH4 = PH3$ </p> | <p> (unbiased exponent sum $\rightarrow E$) (($R=1$) $\rightarrow FP$ if long, (R) $\rightarrow FP$ if short-insig.) </p> <p> (ier - l.s.w.) </p> <p> (double-length ier $\rightarrow B$, backwards) (change F from 5 to 13) </p> <p> (icand - l.s.w.) </p> |
| PH4 PH4 | <p> $ND \rightarrow S$ $NS \rightarrow FP$ $FP \rightarrow S0031$ if long $0's \rightarrow S0031$ if short $S \rightarrow D0031$ </p> <p> Clear Condition Codes $S/B \rightarrow S$ </p> <p> $S/PH5$ see separate chart: "FAFL PH5-L" </p> | <p> (preset in PH3) $FP_n = I, S_n, FPXS = NPHB, NDIS$ $SXFP/4 = SXFP/A = S0031XFP = PH4.N02.NFPDIS$ (no enable hi) $DX/L = DXS/L = PH4$ </p> <p> $R/CC = FAFL.PH4$ $S/SXB = FAFL.PH4$ </p> <p> $S/PH5 = PH4.NBR$ </p> | <p> (($EW=1$) $\rightarrow FP$ if long, (EW) $\rightarrow FP$ if short-insig.) </p> <p> (icand - l.s.w.) </p> |

| PHASE | FUNCTION PERFORMED | XDS 902306 INVOLVED | COMMENTS |
|-----------------------------|--|--|--|
| PH4 | <p>EXISTING CONDITIONS:</p> <p>A contains (R), (R+1)/0's B3148 " (R), (R+1) if long B7148 " (R) if short D " (EW), (De) in D0007 E " (Ae1) + (De1) - 128 F " 5 if short, 13 if long</p> <p>DSN.ASN \Rightarrow S/PH7 S/SW2 if +x- or -x+</p> <p>DSN.NASN \Rightarrow S/ A \rightarrow 6 S/PH6</p> <p>NDSN \Rightarrow S/D \rightarrow S S/A \rightarrow D S/PH5</p> | <p>(mantissa of multiplier) (mantissa of multiplier (without sign bit), with least significant bit in B48. Reverse-loading of B is for mech. conv.) ((EW+1)/0's is being clocked into D0031 this phase.) (tentative product exponent (unbiased)) (number of hexes - minus one - in multiplier)</p> <p>S/PH7 = PH4.MUL.06.DSN.ASN S/SW2 = (S/PH7).NPH7.MUL.FPR</p> <p>{ S/SXA = NA47.SXAVA S/SXMA = A47.SXAVA } = PH4.06.DSN.N(S/PH7) S/PH6 = PH4.06.DSN.N(S/PH7)</p> <p>S/SXD = PH4.06.NDSN S/SW2 = S/SW2/1 = PH4.06.NDSN S/PH5 = PH4.06.NDSN</p> | <p>(multiplier carry ff.)</p> |
| PH5 or PH6 PH5 | <p>(entered only if multiplicand requires prenormalization) (SW2 + NASN) \Rightarrow N(S/PH6) \Rightarrow A \rightarrow D (first clock only) { D \rightarrow S (" ") A \rightarrow S (after first clock) SX16 \rightarrow A E-1 \rightarrow E { S/RTZ if s=0 (on first clock) RTZ \Rightarrow { raise FPRR S/PH9, etc. - (see FPRR functions at end of PH8) NRTZ \Rightarrow sustain PH5</p> <p>(NSW2.ASN) \Rightarrow (multiplicand is "simple-normalized" - 2nd clock or later)</p> <p>S/ D \rightarrow S S/A \rightarrow D S/PH6</p> | <p>N(S/PH6) = N(PH5.06.ASN.NSW2) DXA = PH5.SW2 (repeater, set in PH4) (save multiplier) (preset in PH4) S/SXA = NFPRR.AXSL4/1 \leftarrow PH5.06.N(S/PH6) AXSL4 = AXSL4/1 \leftarrow PH5.06.N(S/PH6) EDC7 = N(PH5.DIV).AXSL4/1 \leftarrow PH5.06.N(S/PH6) S/RTZ = PH5.SZU.SZL.NASPP.NSXADD FPRR = PH5.06.RTZ S/PH5 = PH5.06.N(S/PH6).NRTZ</p> <p>{ S/SXD = ND46.SXAVD S/SXMD = D46.SXAVD } \leftarrow PH5.06.ASN.NSW2 S/SW2 = S/SW2/1 S/PH6</p> | <p>(multiplicand = 0 \therefore product = 0; store zero result)</p> |
| PH5 or PH6 PH6 | <p>(entered from PH5 or conditionally ON THE FIRST CLOCK: A \rightarrow S if entry from PH4 D \rightarrow S " " " PH5 A \rightarrow D " " " PH5</p> <p>(NASH + NDSN) \Rightarrow N(S/PH7) \Rightarrow S/A \rightarrow S (for clocks after first) SX16 \rightarrow A E-1 \rightarrow E F-1 \rightarrow F</p> <p>(to delete 2 2-bit iterations per hex of normalization required)</p> | <p>From PH4) (preset logic) DXA = PH6.SW2 (return "simple-normalized" multiplicand \rightarrow D)</p> <p>N(S/PH7) = N(PH6.06.ASN.DSN) (multiplier not "simple-norm'd.") S/SXA = NFPRR.AXSL4/1 \leftarrow PH6.06.N(S/PH7) AXSL4 = AXSL4/1 \leftarrow PH6.06.N(S/PH7) EDC7 = N(PH5.DIV).AXSL4/1 FDC7 = PH6.MUL.N(S/PH7)</p> | <p> multiplier \rightarrow S</p> |

| PHASE | FUNCTION PERFORMED | XDS 902306 ED | COMMENTS |
|-----------------------------------|--|---|---|
| PH5 or PH6 PH6 cont'd | $\left\{ \begin{array}{l} S/RTZ \text{ if } S=0 \text{ (on first clock)} \\ RTZ \rightarrow \left\{ \begin{array}{l} \text{raise FPRR} \\ S/PH7, \text{ etc. - (see FPRR functions at end of PH8)} \end{array} \right. \\ NRTZ \rightarrow \text{sustain PH6} \end{array} \right.$ <p>(ASN.DSN) \Rightarrow (multiplicand is "simple normalized" and iterations count has been adjusted for un-normalized multiplier)</p> <p>S \rightarrow A (insig, needed for DIV.) S/PH7 I \rightarrow SW2 if +x- or -x+</p> | $\begin{aligned} S/RTZ &= PH6.SZU.SZL.NASFP.NSXADD \\ FPRR &= PH6.RTZ.NPH5 \\ S/PH6 &= PH6.06.N(S/PH7).NRTZ \\ AXS &= PH6.06.ASN.DSN \\ S/PH7 &= PH6.06.ASN.DSN \\ S/SW2 &= (S/PH7).NPH7.MUL.FPR \end{aligned}$ | <p>(multiplier = 0 \therefore product = 0; store zero result)</p> <p>(multiplier carry f.f.)</p> |
| PH5 or PH6 PH7 | <p>(ITERATIONS PHASE) (entered from PH4 or PH6)</p> <p><u>SUMMARY OF REGISTER CONTROL:</u></p> <p><u>CONTROL SIGNALS:</u></p> <p>MIT (high except final clock) M1 } (multiplier: M2 } B if +x+ or -x- SW2 } NB+1 if +x- or -x+) SW1 (on when D contains multiplicand x 2) SW0 (high on even numbered clocks)</p> <p><u>REGISTER CONTROL:</u></p> <p>DX2 \rightarrow D (multiplicand x 2 \rightarrow D) DX 1/2 \rightarrow D (" x 1 \rightarrow D)</p> <p>S/A + D \rightarrow S } (S = 0 on first S/A - D \rightarrow S } clock, hence S/A \rightarrow S } A clears)</p> <p>(S,B) x 1/4 \rightarrow A, B $\left\{ \begin{array}{l} S45 \rightarrow A47 \\ S4629 \rightarrow A4831 \\ S3031 \rightarrow B3130 \\ B3150 \rightarrow B2948 \end{array} \right.$</p> <p><u>CONTROL FUNCTIONS - GENERAL:</u></p> <p>F-1 \rightarrow F on even numbered clocks sustain PH7 until final clock</p> | $\begin{aligned} SW1 &\rightarrow SW1 \\ DX2 &\rightarrow D \text{ if } NSW1 \\ DX1/2 &\rightarrow D \text{ if } SW1 \\ S/A+D &\rightarrow S \\ S/A-D &\rightarrow S \\ S/A &\rightarrow S \\ SW2 &\rightarrow BXBL2 \end{aligned}$ <p>(high on final 2 clocks)</p> $\begin{aligned} MIT &= PH7.MUL.N(FO.SW0) \\ M1 &= B49.(NFI.NFPR) + NB49.(NFI.FPR) + (MWN.F1) \\ M2 &= B48.(") + NB48.(") + (") \\ S/SW2 &= MIT.MUL.M1.N(S/SXAPD/1) \\ S/SW1 &= MIT.N(MIT.(M2 \oplus SW2)) \\ S/SW0 &= NSW0.BXBL2 \leftarrow MIT, R/SW0 = BX \end{aligned}$ <p>(B register is played backwards)</p> | |

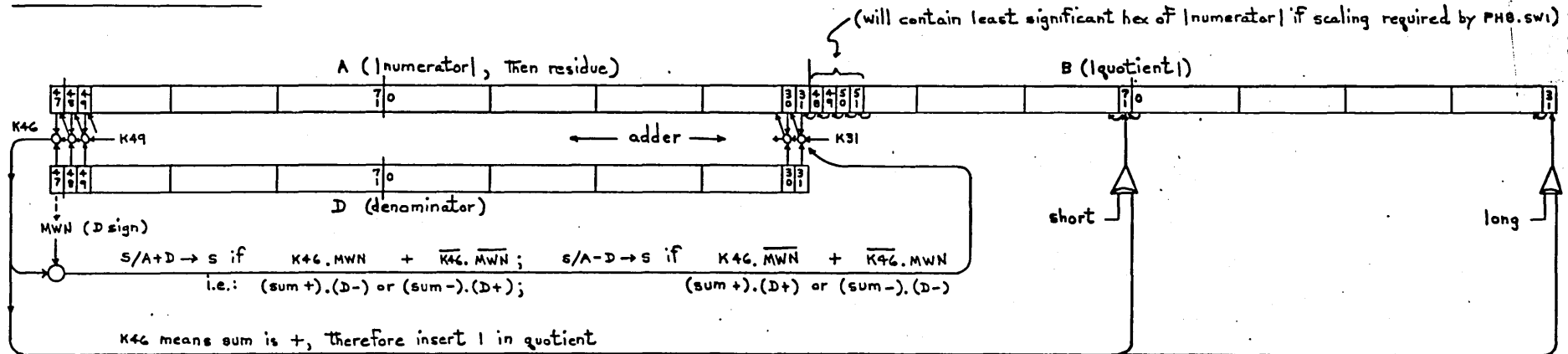
| PHASE | FUNCTION PERFORMED | SIGNALS INVOLVED | COMMENTS |
|---------------------------------------|--|---|--|
| PH5 or PH6 PH7 cont'd | <p><u>ON THE FINAL CLOCK :</u> S → A (sign iteration) S/A → S S/PH8</p> | <p>((F = -1), (Swo = 1)) AX6 = PH7.N(S/PH7).MUL S/SXA = PH7.N(S/PH7) S/PH8 = PH7.N(S/PH7)</p> | |
| PH6 PH8 | <p>(ADJUST PRODUCT PHASE) <u>NASN → (1/256 ≤ A < 1/16)</u> A → S SX16 → A B3128 → A2831 E-1 → E</p> <p><u>ASN.A47 → (A = 1)</u> A → S Sx 1/16 → A E+1 → E</p> <p><u>ASN.NA47 → (1/16 ≤ A < 1)</u> (nothing is changed)</p> <p><u>FPRR → (Floating Point Result Ready)</u> raise FPRR { (Prod. ≠ 0) (ier = 0) (icand = 0)</p> <p>stop CLOCK → box if I/O service call has CPU: FPCLN/1 = NFPRR + NIOEN.NIOIN S/PH7 S/MRQ (for next instruction)</p> <p>S/A → S if ++ or -- S/A → S if +- or -+ S/PH9</p> | <p>(1/256 ≤ product ≤ 1) AXSL4/1 = PH8.NDIV.NASN (preset in PH7) AXSL4 = AXSL4/1 S/A28 = B31.A2831XB ← PH8.MUL.NASN.N. (similarly, A29,A30,A31) EDC7 = AXSL4/1.N(PH5.DIV)</p> <p>AXSR4/1 = PH8.NDIV.A47 (preset in PH7) AXSR4 = AXSR4/1 (note: S46 is inhibited by PH8 to prevent setting A50) EUC7 = AXSR4/1.NPH5</p> <p>FPRR = PH8.NDIV.(ASN + NAS255E) + PH5.06.RTZ + PH6.RTZ.NPH5</p> <p>call has CPU: FPCLN/1 = NFPRR + NIOEN.NIOIN S/PH7 = PH6.NBR ← NBRPH6 = N(FAFL.PH6.NFPRR) S/MRQ/1 = FAFL.PH6.NBRPH6.NIOEN</p> <p>S/SXA = FPRR.NFPR S/SXMA = FPRR.FPR S/PH9 = FPRR</p> | <p>(all cases in PH8) (2nd clock of PH5) (2nd clock of PH6)</p> <p>(put result in proper polarity)</p> |
| PH7 PH9 | <p><u>CONTROL SIGNALS USED IN PH9-10:</u> FPRD (result double length)</p> <p>TRAP</p> <p>FEUF FEUF</p> <p>A or -A → S S0031 → FP if not 0's → FP if (short) FP → B</p> <p>S/B → S S/LR31 S/RW if (long or R is even), not trap</p> <p>S/CC1 if exponent underflow S/CC2 if exponent underflow or overflow</p> | <p>FPRD = N02 — MUL.NR01 —</p> <p>TRAP = FEUF + FEUF.N(FEUF.NF2) = FEUF.FZ FEUF = NEO.E1.NRTZ FEUF = EO.NE1.NRTZ.N(B65.N06.FS.NF2); (exp.underflow)</p> <p>(preset in PH5, 6, or 8 by FPRR) FPXSL = PH9.NFPDIS.FPRD.NRTZ.N (FEUF.NF2) and R is odd or result = 0 or underflow and Fz = 0 BXFP = FAFL.PH7</p> <p>S/BXS = FAFL.PH7 S/LR31 = FAFL.PH7 S/RW = S/RW/FP = PH9.FPRD.NTRAP</p> <p>S/CC1 = S/CC1/FP = PH9.FEUF S/CC2 = S/CC2/FP = PH9.FEUF + PH9.FEUF</p> | <p>(long) (even R address) (exp. overflow) (exp. underflow). (FZ = 1) (exp. overflow) (FS.NF2); (exp.underflow)</p> <p>(result - 1,sw)</p> |

| PHASE | FUNCTION PERFORMED | SIGNALS INVOLVED | COMMENTS |
|----------------------|--|---|---|
| PH7 PH9 cont'd | S/A → S if NFPR S/-A → S if FPR NE ↔ E if FPR. (EO = E1) ↳ qualifier S/PHB S/PHIO | S/SXA = PH9.NFPR S/SXMA = PH9.FPR EXNE = PH9.FPR.NTRAP.N(FEUF.NFZ) prevents interchanging FEUF and FE0F S/PHB = PH7.NBR S/PHIO = PH9 | (sustaining from PHB) (invert exp. when result neg.) |
| PHB PHIO | B → S S ↔ RW + 1 if long and not trap S > 0 → 1 → SWO (for TESTS) A or -A → S S47 → FPO (exp.) { NE1 → FPI (+64 bias) { E0207 → FPO207 { S4871 → FPO831 { FP ↔ B S/B → S S/RW if not trap case S/DRQ S/PHIO R/PHIO (no more box action) | (preset in PH7) S/SWO = NS0031Z. (S/SWO/NZ) ← = FAFL.N02.PHB (preset in PH9) ← { note: K71 is forced high in short "-A" { case to assure proper truncation: { K71 = G0003 = PHIO.NFPRD.K31 { FPSXU = PHIO.NFPDIS.NRTZ.N(FEUF.NFZ) { (FPXS = NPHB.NDIS -- blocks S (-B) → FP) { BXFP = FAFL.PHB S/SXB = FAFL.PHB S/RW = S/RW/FP = PHIO.NTRAP S/DRQ = BRPHIO = FAFL.PHB S/PHIO = BRPHIO = FAFL.PHB (no set term hi) | (result - l.s.w.) (result m.s.w.) |
| PHIO | B → S S ↔ RW TESTS (CC3, CC4 control) (note: SWO = 1 causes S > 0 (ADD/SUB).(FN=1) case only, where Stop sustaining TBL TRAP to X'44' if RW is off ENDE | (preset in PHB) TESTS = FAFL.ENDE indication for double length zero test; This is needed for where result is +, exp. = -64, and significance in l.s.w. only.) S/TBL = FAFL.NIGACT.NPHIO { S/TRAP = (FAFL.ENDE.NRW) { S/TR29 = (" ") ENDE = PHIO.EXC | (result - m.s.w.) (NRW means TRAP in The box was hi last cl.) |

General sequence of events:

- 1) Put numerator (R) in A
- 2) Put denominator (EW) in D
- 3) Put (numerator exponent) - (denominator exponent) in E
- 4) Normalize (D) if necessary; TRAP and set CCZ if $\neq 0$
- 5) " (A) " " ; early exit if $= 0$
- 6) Put |normalized numerator| in A
- 7) Hexadecimally right shift A until $|A| < |D|$ (0-2 clocks)
- 8) Iterate, producing $1/16 \leq |\text{quotient}| < 1$ in B
- 9) Put |quotient| in A
- 10) Assemble adjusted exponent (E) and mantissa (A) on S in proper polarity
- 11) Store S if not TRAP

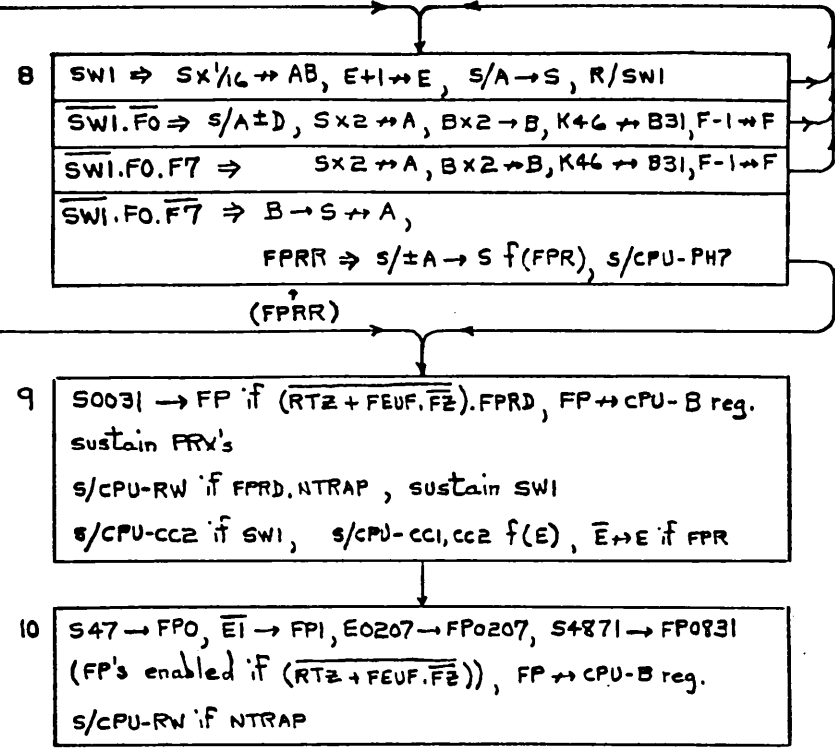
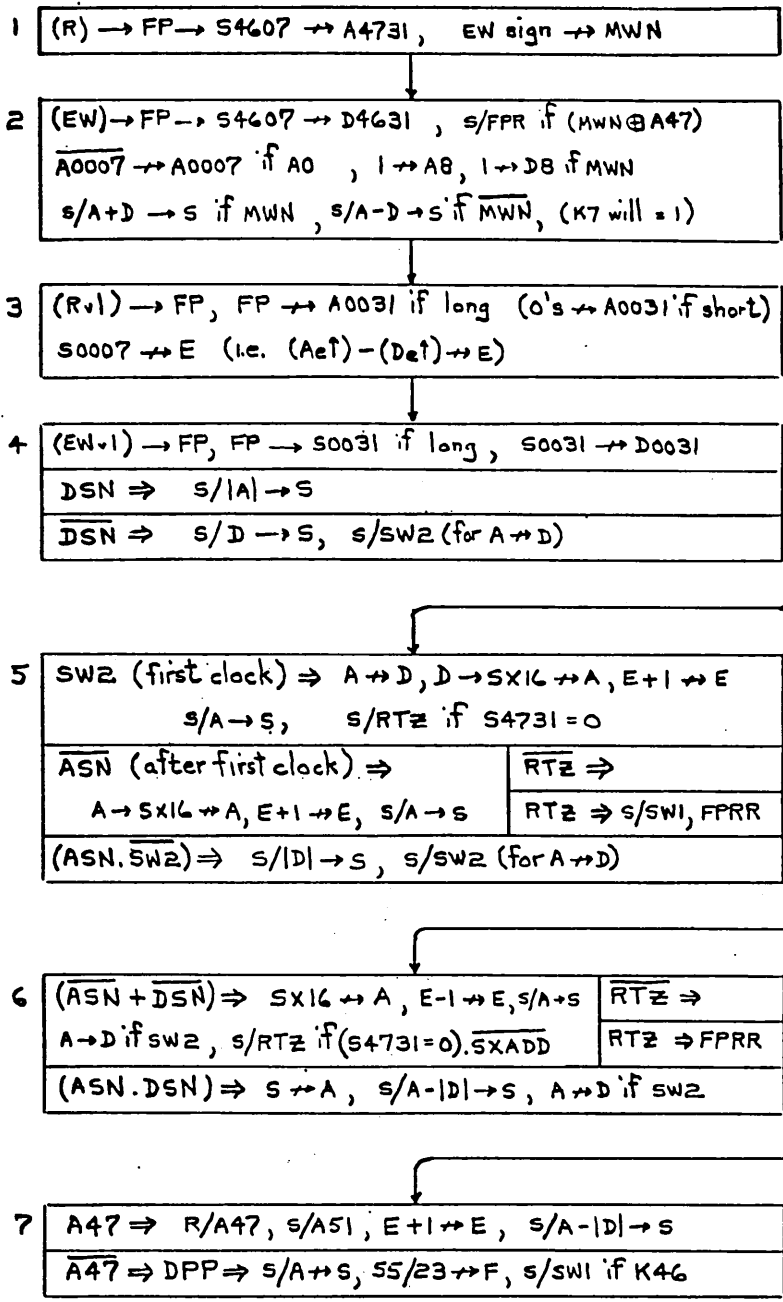
ITERATIONS (PHB.SW1):



XDS 902306

DIV
155094-B
CH00

DIV



DIV
 155094-B
 SH100

XDS 902306

DIV

| PHASE | FUNCTION PERFORMED | SIGNALS INVOLVED | COMMENTS |
|--------------------|--|---|--|
| <p>PRE3</p> | <p>(will not be reached if NFOPTION and PRE2 was entered)</p> <p><u>CLOCK TIMING:</u> (TBL unless I/O service call, in which case FPCLN/E rejects TSL clocks to box)</p> <p>S/TBL</p> <p>RR → A MB → C → D (from even location) ↳ (address forced even by S31INH in earlier phase (see "PREPARATION"))</p> <p>I → P31 } if long (request S/MRQ } i.s.w. of denom)</p> <p>S/NA → S</p> <p>S/PHI if FOPTION (TRAP if NFOPTION)</p> <p>FPCON → box S/PHI (in box)</p> | <p>(S/AXRR = PRE/12) DXC = PREOPER.PRE3</p> <p>PUC31 = (FAFL.NO2.PRE3.NANLZ) S/MRQ/1 = (")</p> <p>S/SXNA = FAFL.PRE/34 S/PHI = PRE/34.NBR</p> <p>FPCON = FAFL.PRE3.NANLZ S/PHI = FPCON.NPHI ↳ (prevents S/PHI on next clock)</p> | <p>(initial turn-on (redun.)) (hold until I/OACT or PH10) (return from I/O)</p> <p>(numer. - m.s.w.) (denom. - m.s.w.)</p> <p>(P31 = 0) (inhibited if NFOPTION)</p> <p>} start the box</p> |
| <p>PH1 PHI</p> | <p>NA → S NS → FP</p> <p>FPO → S47 (→ S46) FP0831 → S4871 FP0007 → S0007 0's → S0831 S → A</p> <p>0's → B (for PH8) 0's → E (for PH3) 0's → F (for PH7)</p> <p>DO → FPCON FPCON ↔ MWN</p> <p>S/LR31 } if long S/AXRR } S/N3 → S</p> <p>S/PH2 S/PH2</p> | <p>(preset in PRE3)</p> <p>FP_n = I.S_n.FPXS ← = NPHB.NDIS</p> <p>SXFP/U = SX4607XFP = PHI.NFPDIS SXFP/4 = SX4607XFP = PHI.NFPDIS (no enable hi) AXS = PHI</p> <p>BX = PHI EX = PHI FX = PHI</p> <p>FPCON = FAFL.PHI.DO S/MWN = FPCON.PHI; R/MWN = PHI</p> <p>S/LR31/1 = (FAFL.NO2.PHI) S/AXRR = (") S/SXND = FAFL.PHI</p> <p>S/PH2 = PHI.NBR S/PH2 = PHI</p> | <p>(R) → FP (numer. mantissa - m.s.w.) (numer. exponent)</p> <p>(quotient reg.) (exponent reg.) (iterations ctr.)</p> <p>(store denom. sign)</p> <p>} (for numer. i.s.w.)</p> |
| <p>PH2 PHZ</p> | <p>ND → S NS → FP</p> <p>FPO → S47 → S46 FP0831 → S4871 FP0007 → S0007 0's → S0831 S → D</p> <p>I → FPR if operand signs ≠</p> | <p>(preset in PH1)</p> <p>FP_n = I.S_n.FPXS ← = NPHB.NDIS</p> <p>SXFP/U = (SX4607XFP = PHI.NFPDIS) SXFP/4 = (") (no enable hi) DXS = PHZ</p> <p>S/FPR = PHZ.06.(MWN ⊕ A47); R/FPR = PHI</p> | <p>(EN) → FP (denom. mantissa - m.s.w.) (denom. exponent)</p> |

| PHASE | FUNCTION PERFORMED | SIIXDS 902306.D | COMMENTS |
|----------------------|---|---|--|
| PH2 PH2 cont'd | <p><u>PRESET FOR EXPONENT ARITH:</u></p> <p>NA0007 \leftrightarrow A0007 if A0 = 1 1 \leftrightarrow AB 1 \leftrightarrow DB S/A+D \rightarrow S } if denom. is neg. S/A-D \rightarrow S if denom. is pos.</p> <p>RR, I \rightarrow A S/DRQ (for EW, I) } if long S/NA \rightarrow S</p> <p>S/PH3 S/PH3</p> | <p>S/A1 = (PH2.A0).NA1, (similarly A2-AB) AX/L = AXL = (PH2.A0) S/AB = PH2.NMUL S/DB = PH2.MWN S/SXAPD = S/SXAPD/I = PH2.MWN.NMUL S/SXAMD = N(S/SXAPD).S/SXAMD/E \leftarrow PH2</p> <p>(preset in PH1) S/DRQ/I = FAFL.N02.PH2 S/SXNA = FAFL.PH2</p> <p>S/PH3 = PH2.NBR S/PH3 = PH2</p> | <p>(un-invert numer. exponent) (K7 control) \rightarrow (for (Act) + (Det) + 1 \rightarrow S) (for (Act) + N(Det) + 1 \rightarrow S)</p> <p>K7 = QB = 1 (numer. - l.s.w.)</p> |
| PH3 PH3 | <p>(Act) - (Det) \rightarrow S S \rightarrow E numer. denom</p> <p>NA \rightarrow S NS \rightarrow FP FP \leftrightarrow A0031 if long 0's \leftrightarrow A0031 if short</p> <p>MB, I \rightarrow C \leftrightarrow D if long S/ND \rightarrow S</p> <p>S/PH4 S/PH4</p> | <p>(preset in PH2) S/E_n = S_n.PH3</p> <p>(preset in PH2) FP_n = I. S_n. FPXS \leftarrow NPHB.NDIS AXFP = PH3.N02 AX/L = AXL = PH3</p> <p>DXC = FAFL.N02.PH3 S/SXND = FAFL.PH3</p> <p>S/PH4 = PH3.NBR S/PH4 = PH3</p> | <p>(unbiased exponent difference \rightarrow E)</p> <p>((R, I) \rightarrow FP if long, (R) \rightarrow FP if short-insig.) (numer. - l.s.w.)</p> <p>(denom - l.s.w.)</p> |
| PH4 PH4 | <p>ND \rightarrow S NS \rightarrow FP FP \rightarrow S0031 if long 0's \rightarrow S0031 if short S \rightarrow D0031</p> <p>Clear Condition Codes S/B \rightarrow S</p> <p>S/PH5 see separate chart: "FAFL PH5-6"</p> <p>(PH4, PH4 continued on next page)</p> | <p>(preset in PH3) FP_n = I. S_n. FPXS \leftarrow NPHB.NDIS SXFP/4 = SXFP/A = S0031XFP = PH4.N02.NFPDIS (no enable hi) DX/L = DXS/L = PH4</p> <p>R/CC = (FAFL.PH4) S/SXB = (FAFL.PH4)</p> <p>S/PH5 = PH4.NBR</p> | <p>((EW, I) \rightarrow FP if long, (EW) \rightarrow FP if short-insig.) N02.NFPDIS (denom. - l.s.w.)</p> |

| PHASE | FUNCTION PERFORMED | SIGNALS INVOLVED | COMMENTS |
|-----------------------------------|--|---|--|
| <p>PH4 PH4</p> | <p><u>EXISTING CONDITIONS:</u> A contains (R), (Rv1)/0's B " 0's D " (EW), (De) in D0007 E " (Aet) - (Det) F " 0's</p> <p><u>DSN</u> ⇒ S/ A → S S/PHG</p> <p><u>NDSN</u> ⇒ S/D → S S/SW2 (for A ↔ D in PHS) S/PHS</p> | <p>(mantissa of numerator) ((EWv1)/0's is being clocked in D0031 (tentative quotient exponent)</p> <p>(denominator is "simple normalized") S/SXA = NA47. SXAVA S/SXMA = A47. SXAVA } PH4.06.DSN. N(S/PH7) S/PHG = PH4.06.DSN. N(S/PH7)</p> <p>S/SXD = PH4.06.NDSN S/SW2 = S/SW2/1 = PH4.06.NDSN S/PH5 = PH4.06.NDSN</p> | <p>This phase)</p> |
| <p>PH5 or PH6 PH5</p> | <p>(entered only if denominator requires prenormalization)</p> <p><u>(SW2 + NASN) ⇒ N(S/PH6) ⇒</u> A ↔ D (first clock only) { D → S (") { A → S (after first clock) { S x 16 ↔ A E + 1 ↔ E</p> <p>{ S/RTZ if S = 0 (on first clock) { RTZ ⇒ { raise FPRR { S/PH9, etc. - (see { S/SW1 NRTZ ⇒ sustain PHS</p> <p><u>(NSW2.ASN) ⇒</u> (denominator</p> <p>S/ D → S S/A ↔ D S/PHG</p> | <p>N(S/PH6) = N(PH5.06.ASN.NSW2) DXA = PH5.SW2 ← (repeater, set in PH4) (save numerator) (preset in PH4) S/SXA = AXSL4/1 AXSL4 = AXSL4/1 } = PH5.06.N(S/PH6) EUC7 = PH5.DIV.N(S/PH6)</p> <p>S/RTZ = PH5.SZU.SZL.NASPP.NSXAD } (denom. = 0 means FPRR = PH5.06.RTZ } overflow -- will FPRR functions at end of PH6) } cause trap) S/SW1 = PH5.DIV.RTZ S/PH5 = PH5.06.N(S/PH6).NRTZ</p> <p>is "simple normalized" - 2nd clock or later) { S/SXD = ND46.S/SXAVD { S/SXMD = D46.S/SXAVD } = (PH5.06.ASN.NSW2) S/SW2 = S/SW2/1 S/PHG =</p> | <p>(save numerator)</p> <p>(denom. = 0 means overflow -- will cause trap)</p> |
| <p>PH5 or PH6 PH6</p> | <p>(entered from PH4 or PH5)</p> <p><u>ON THE FIRST CLOCK:</u> A → S if entry from PH4 D → S " " " PH5 A ↔ D } " " " PH5</p> <p><u>(NASN + NDSN) ⇒ N(S/PH7) ⇒</u> S/A → S (for clocks after first) S x 16 ↔ A E - 1 ↔ E</p> | <p>(preset logic) DXA = PH6.SW2</p> <p>N(S/PH7) = N(PH6.06.ASN.DSN) (numerator requires normalization) S/SXA = NFPRR.AXSL4/1 } = PH6.06.N(S/PH7) AXSL4 = AXSL4/1 } EDC7 = N(PH5.DIV).AXSL4/1</p> | <p>} numerator → S "simple normalized" denom. ↔ D</p> |

| | | XDS 902306 | |
|-----------------------------------|---|--|---|
| PHASE | FUNCTION PERFORMED | SIGNALS INVOLVED | COMMENTS |
| PH5 of PH6 PH6 cont'd | $\left\{ \begin{array}{l} S/RTZ \text{ if } S=0 \text{ (on first clock)} \\ RTZ \Rightarrow \left\{ \begin{array}{l} \text{raise FPRR} \\ S/PH9, \text{ etc. - (see} \\ NRTZ \Rightarrow \text{sustain PH6} \end{array} \right. \end{array} \right.$ <p>(ASN.DSN) \Rightarrow (both numerator and denominator are simple normalized)</p> $S \rightarrow A$ $S/A - D \rightarrow S$ $S/PH7$ | $S/RTZ = PH6.S2U.S2L.NASPP.NSXADD$ $FPRR = PH6.RTZ.NPH5$ FPRR functions at end of PH8) $S/PH6 = PH6.06.N(S/PH7).NRTZ$ | (numerator = 0 with denominator $\neq 0$ $\therefore \text{quo} = 0$) $ \text{numerator} \rightarrow A$ $AXS = PH6.06.ASN.DSN$ $\left\{ \begin{array}{l} S/SXAPD/1 = MWN.DIV.(S/PH7) \\ S/SXAMD/1 = NMWN.DIV.(S/PH7) \end{array} \right. \leftarrow = PH6.06.ASN.DSN$ $S/PH7 = \leftarrow$ |
| PH6 PH7 | (scaling phase) (A47 = 1) \Rightarrow (can occur only if original numerator was = -1 or -1/16) (numer. = +1) $0 \rightarrow A$ $1 \rightarrow AS1$ } $A \times 1/16 \rightarrow A$ $E+1 \rightarrow E$ sustain PH7 $S/A - D \rightarrow S$ | $AX = (PH7.DIV.A47)$ $S/AS1 = (\quad)$ $EUC7 = (\quad)$ $S/PH7 = \leftarrow = PH7.DIV.A47$ $\left\{ \begin{array}{l} S/SXAPD/1 = MWN.DIV.(S/PH7) \\ S/SXAMD/1 = NMWN.DIV.(S/PH7) \end{array} \right. \leftarrow$ | (numer. < +1) $DPP = PH7.DIV.NA47$ $(S/F3 = S/F5 = S/F6 = S/F7 = DPP)$ $(\quad) , S/F2 = DPP.N02$ |
| (PH8. PH6 | (A47 = 0) \Rightarrow DPP \Rightarrow $23 \rightarrow F$ if short (00010111) $55 \rightarrow F$ if long (00110111) $S/A \rightarrow S$ $S/SW1$ if $ \text{numer} \geq \text{denom} $ $S/PH8$ | $DPP = PH7.DIV.NA47$ $(S/F3 = S/F5 = S/F6 = S/F7 = DPP)$ $(\quad) , S/F2 = DPP.N02$ $S/SXA = PH7.N(S/PH7)$ $S/SW1 = DPP.K46.DIV$ $S/PH8 = PH7.N(S/PH7)$ | (K46 means τ sum) |
| (PH8. PH6 | (PH8.SW1): (entered only if $ \text{numer} \geq \text{denom} $) (lasts one clock.) $A \rightarrow S$ $S \times 1/16 \rightarrow A$ $S2831 \rightarrow B4051$ $E+1 \rightarrow E$ $R/SW1$ $S/A \rightarrow S$ sustain PH8 (with SW1 = 0) | (preset in PH7) $AXSR4 = AXSR4/1 = PH8.DIV.SW1$ $S/B48 = S/B48/1 = S28.(PH8.DIV.SW1)$, similarly B49, B50, B51 $EUC7 = AXSR4/1.NPH5$ $R/SW1 = NPH9$ $S/SXA = PH8.DIV.SW1$ $S/PH8 = PH8.NFPRR$ | |
| (PH8. PH6 | (PH8.NSW1): (Iterations phase.) (26 clocks if short; 58 clocks if long) <u>CONTROL SIGNALS:</u> DIT (all but final 2 clocks) DIT/1 (all but final clock) FPRR (final clock) <u>CONTROL FUNCTIONS:</u> $F-1 \rightarrow F$ (count iterations) sustain PH8 | $DIT = (PH8.DIV.NSW1).NFO$ $DIT/1 = (\quad).NFPRR$ $FPRR = PH8.DIV.F0.NF7$ $FDC7 = DIT/1$ $S/PH8 = PH8.NFPRR$ | $(F > -1)$ $(F > -2)$ $(F = -2)$ |

| PHASE | FUNCTION PERFORMED | FUNCTIONS INVOLVED | COMMENTS |
|--------------------------------------|--|--|--|
| <p>(PH8.NSW1) PH6 cont'd</p> | <p>REGISTER CONTROL, etc.:</p> <p>S/A+D → S if (K46 ⊕ SXADD ⊕ MWN) S/A-D → S if N(") S4831 → A4730 B48 → A31 B4931 → B4830 K46 → B31 if long K46 → B71 if short</p> <p>ON THE 1st CLOCK: (DIT.NSXADD) A → S K46 = 0, SXADD = 0 hence the operation amounts to: [AB x 2 → AB, and S/A - D → S] S/SWO if long</p> <p>ON THE NEXT TO FINAL CLOCK: (don't S/A ± D → S)</p> <p>FPRR → (Floating Point Result Ready) raise FPRR { (1/16 ≤ quo < 1) (denom = 0) (denom ≠ 0). (num = 0)</p> <p>stop CLOCK → box if I/O service call has CPU: FPCLN/1 = NFPRR + NIDEN.NIDIN S/PH7 S/MRQ (for next instruction)</p> <p>B → S (0 → S47) S → A</p> <p>S/A → S if +/+ or -/- S/-A → S if +/- or -/+ S/PH9</p> | <p>{ on first clock reduces to MWN since after " " " " (MWN = K46)</p> <p>S/SXAPD reduces to DIT. (K46 ⊕ SXADD ⊕ MWN) (spec. mech.) S/SXAMD = N(S/SXAPD). S/SXAMD/2 ← = DIT AXSL1 = DIT/1 S/A31 = AXSL1-7. B48 (for PH8.SW1 case) BXBL1 = DIT/1 S/B31 = BXBL1-L. K46.SWO } quotient bit = 1 S/B71 = BXBL1-U. K46.NSWO</p> <p>(F = 55 if long, 23 if short --- i.e. initial setting) (preset by previous clock) (arithmetic unit not adding - i.e. A → S was preset) S/SWO = BXBL1-L. N02 (for K46 → B71/B31)</p> <p>(F = -1) (see REGISTER CONTROL - DIT is low because FO = 1)</p> <p>(F = -2) FPRR = PH8.DIV. FO.NF7 + PH5.06.RTZ + PH6.RTZ.NPH5</p> <p>SXB = FPRR.DIV.NSDIS (B = 0 if NPH8) AXS = FPRR.DIV (quo → A)</p> <p>S/SXA = FPRR.NFPR S/SXMA = FPRR.FPR S/PH9 = FPRR } (put result in proper polarity)</p> | <p>K46 = SXADD = 0 } since SXADD = 1 }</p> <p>(for PH8.SW1 case)</p> <p> quotient bit = 1</p> <p>(F = 55 if long, 23 if short --- i.e. initial setting) (preset by previous clock) (arithmetic unit not adding - i.e. A → S was preset) S] - i.e. "go for quo. 2⁻¹" (for K46 → B71/B31)</p> <p>because FO = 1)</p> <p>(FINAL CLOCK PH8.NSW1) (2nd clock of PH5) (2nd clock of PH6)</p> <p>call has CPU: FPCLN/1 = NFPRR + NIDEN.NIDIN S/PH7 = PH6.NBR ← = NBRPH6 = N(FAFL.PH6.NFPRR) S/MRQ/1 = FAFL.PH6.NBRPH6.NIDEN</p> <p>(B = 0 if NPH8) (quo → A)</p> <p>(put result in proper polarity)</p> |
| <p>PH7 PH9</p> | <p>CONTROL SIGNALS USED IN PH9-10:</p> <p>FPRD TRAP</p> <p>FEOF FEUF</p> <p>A or -A → S S0031 → FP if not 0's → FP if (short) FP → B</p> <p>S/B → S S/LR31 S/RW if long and not trap</p> <p>S/CC1 if exponent underflow S/CC2 if exponent underflow or overflow or if divide by zero</p> | <p>FPRD = N02 TRAP = SW1 + FEOF + FEUF.N(FEUF.NF2) = FEUF.F2 FEOF = NEO.E1.NRTZ FEUF = EO.NE1.NRTZ.N(B65.N06.FS.NF2); (exp underflow)</p> <p>(preset in PH5, 6, or 8 by FPRR) FPXSL = PH9.NFPDIS.FPRD.NRTZ.N(FEUF.NF2) or result = 0 or underflow and F2 = 0</p> <p>BxFP = (FAFL.PH7) S/BX5 = (") S/LR31 = (") S/RW = S/RW/FP = PH9.FPRD.NTRAP</p> <p>S/CC1 = S/CC1/FP = PH9.FEUF S/CC2 = S/CC2/FP = PH9.FEUF + PH9.FEUF + PH9.CW1</p> | <p>(result double length) (divide by zero) (exp. overflow) (exp. underflow). (F2 = 1) (exp. overflow)</p> <p>(result - l.s.w.)</p> |

| PHASE | FUNCTION PERFORMED | SIGNALS INVOLVED | COMMENTS |
|-----------------------|---|---|---|
| PH7 PH9 cont'd. | S/A → S if NFPR S/-A → S if FPR NE → E if FPR. (EO = EI) ↳ qualifier S/PHB S/PHIO | S/SXA = PH9.NFPR S/SXMA = PH9.FPR EXNE = PH9.FPR.NTRAP.N(FEUF.NFZ) prevents interchanging FEUF and FE0F S/PHB = PH7.NBR S/PHIO = PH9 | } (sustaining from PHB) (invert exp. when result neg.) |
| PHB PHIO | B → S S → RW, 1 if long and not trap S ≠ 0 → 1 → SWO (for TESTS) A or -A → S S47 → FP0 (exp.) { NEI → FP1 (+64 bias) E0207 → FP0207 S4871 → FP0831 FP → B S/B → S S/RW if not trap case S/DRQ S/PHIO R/PHIO (no more box action) | (preset in PH7) S/SWO = NS0031Z. (S/SWO/NZ) ← = FAFL.N02.PHB (preset in PH9) ← { note: K71 is forced high in short "-A" case to assure proper truncation: K71 = G0003 = PHIO.NFPRD.K31 FPXSU = PHIO.NFPDIS.NRTZ.N(FEUF.NFZ) (FPXS = NPHB.NDIS -- blocks S (=B) → FP) BXFP = FAFL.PHB S/SXB = FAFL.PHB S/RW = S/RW/FP = PHIO.NTRAP S/DRQ = BRPHIO = FAFL.PHB S/PHIO = BRPHIO = FAFL.PHB (no set term hi) | (result - l.s.w.) } (result m.s.w.) |
| PHIO | B → S S → RW TESTS (CC3, CC4 control) (note: SWO = 1 causes S > 0 (ADD/SUB).(FN=1) case only, where result is +, exp. = -64, and significance in l.s.w. only.) Stop sustaining TBL TRAP to X'44' if RW is off ENDE | (preset in PHB) TESTS = FAFL.ENDE indication for double length zero test; This is needed for S/TBL = FAFL.NIOACT.NPHIO { S/TRAP = (FAFL.ENDE.NRW) S/TR29 = (") ENDE = PHIO.EXC | (result - m.s.w.) } (NRW means TRAP in The box was hi last cl.) |

CPU

XDS 902306

BOX

PRE3 MB → C → D S/PHI in box
RR → A
S/SXNA,
long → S/PSI, S/MRQ

PH1 NA → E (R)
NS → FP
S/SXND, DO → FPCON
long → S/LRBI, S/AXRR

PH2 ND → S (EW)
NS → FP
S/SXNA
long → RRv1 → A, S/DRQ

PH3 NA → S (Rv1)
NS → FP (insig. if short)
S/SXND
long → MEv1 → C → D

PH4 ND → S (EWv1)
NS → FP (insig. if short)
S/SXB
Clear cc's

PH5 B → S
S → P, S/BRP

PH6 (WAIT FOR RESULT)
(I/O service call can take over)
NFPRR →
FPRR →

PH7 LP → B, S/SXB, (0's → S)
S/CCI, CC2 f(box)
S/RW f(box)

PH8 B → S (L6W)
S → RWv1 if RW
S/SWO if S ≠ 0
FP → B
S/RW f(box)

PH10 B → S (MSW)
S → RW f RW
TRAP to X'44' if NRW
TESTS (includes SWO)

FPCON

(S/PHI)

FPCON
FP bus

PH1 store signs of operands
(R) → reg's

FP bus

PH2 (EW) → reg's
set up exponent arithmetic

FP bus

PH3 (Rv1) or 0's → reg's
(Act) ± (Det) → E (exp. arith)

FP bus

PH4 (EWv1) or 0's → reg's
Go to PH5, 6, or 7 depending on situation

PH5, 6, 7 or 8
(minimum clock total = 2)

(DO THE ARITHMETIC)

FPRR (final clock - result ready)

FPRR

S/RW/FP
FP bus
S/CCI/FP
S/CC2/FP

PH9 LSW of result → FP bus
S/CCI, CC2 in CPU as required
S/RW in CPU if NTRAP, FPRD

S/RW/FP
FP bus

PH10 MSW of result → FP bus
S/RW in CPU if NTRAP

other signals from CPU → Box:

| CPU | BOX |
|-----------|-------|
| FS | FS |
| NFZ | NFZ |
| FNF | FNF |
| NR31 - FP | NR31 |
| N02 - FP | N02 |
| N06 - FP | N06 |
| N07 - FP | N07 |
| FPDIS | FPDIS |

(cable from 32L of CPU → 32B of box)

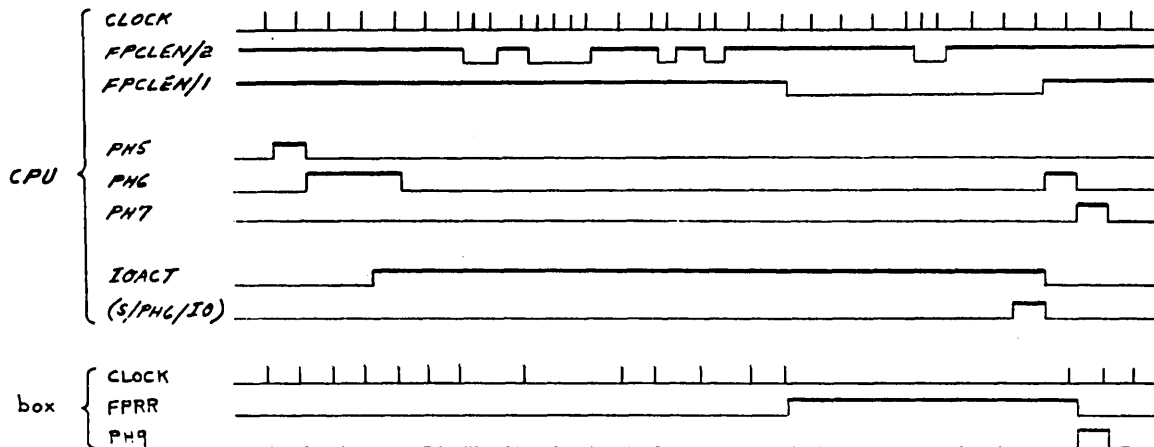
CPU ↔ BOX "BIG PICTURE"

155094-B
SH107

XDS 902306

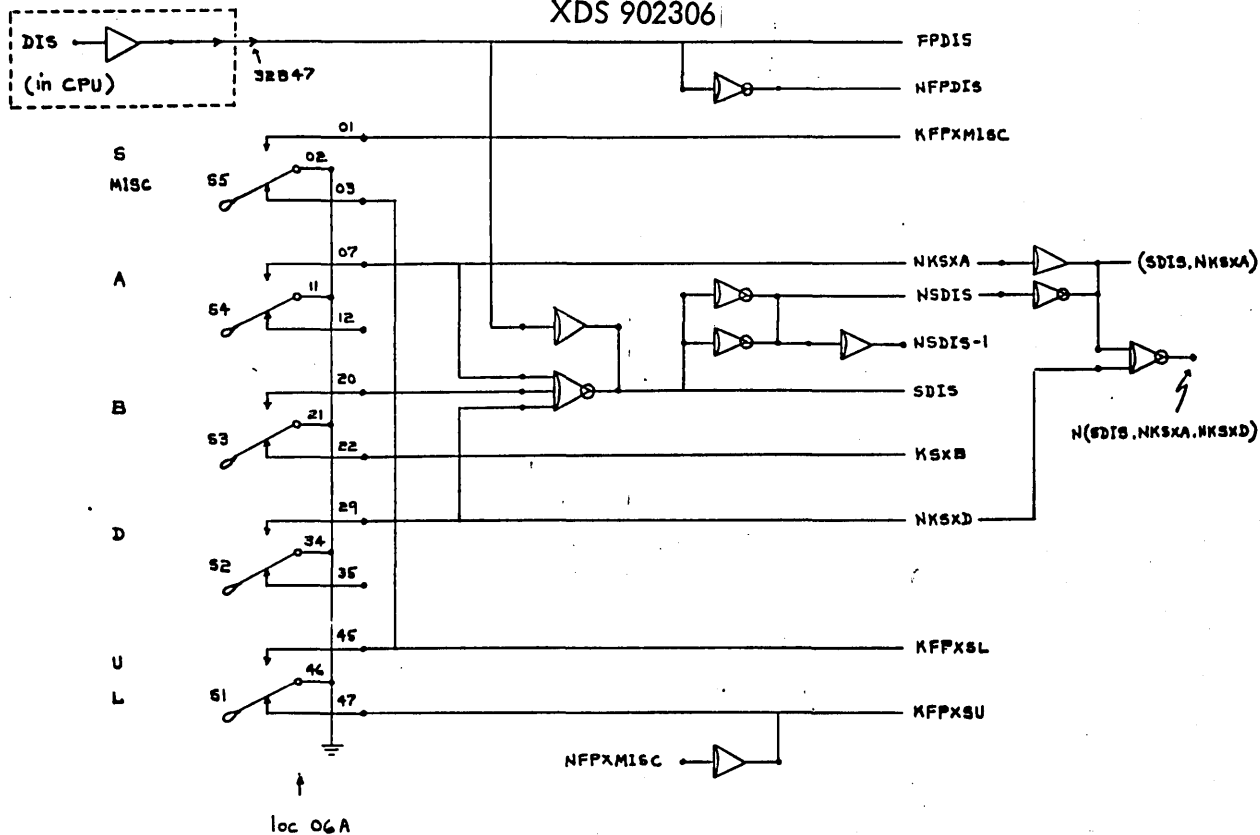
NOTE: Since PHS and PH6 in the CPU can occur during a variety of box phases, the activity is shown on this separate chart. The last phase where the CPU feeds the box is PH4; The box starts feeding the CPU in PH7 (box PH9).

During PH6 an I/O service call can grab the CPU, but the box will continue to compute its results, subject to CPU control of clock to the box. Example:



| PHASE | FUNCTION PERFORMED | SIGNALS INVOLVED | COMMENTS |
|-------|---|---|--|
| PH5 | <p>(can concur with box PH5, 6, or 7, but never with FPRR)</p> <p>$B \rightarrow S$ $S \rightarrow P$ S/BRP (The above releases the B register for use later as receiver of results from the box)</p> <p>S/PH6</p> | <p>(preset in PH4 by FAFL.PH4)</p> <p>$PXS = FAFL.PH5$ $S/BRP = FAFL.PH5$</p> <p>$S/PH6 = PH5.NBR$</p> | <p>(lasts one clock)</p> <p>(program addr. $\rightarrow P$) (set prog. addr. pointer)</p> |
| PH6 | <p>(Can concur with box PH5, 6, 7, or 8)</p> <p>"WAIT PHASE": terminated by or interrupted by</p> <p><u>NIOACT.NFPRR</u> \Rightarrow sustain PH6 enable I/O entry</p> <p><u>IOACT</u> \Rightarrow S/TBL control</p> <p>Block CLOCK \rightarrow box if TSL or FPRR</p> <p>S/PH6 on final clock</p> <p><u>NIOACT.FPRR</u> \Rightarrow S/MRQ (for next instruction) S/PH7</p> | <p>FPRR (from box) IOACT = IOEN + IOIN</p> <p>$S/PH6 = NIOEN.NCLEAR.BRPH6 \leftarrow = FAFL.PH6.NFPRR$ $IOEN6 = FAFL.PH6.NFPRR.NDIOEXIT.NFSHEX.IOEN6/I$</p> <p>$S/TBL = FAFL.NIOACT.NPHIO + FAFL.(S/PH6/IO)$ + terms not associated with FAFL</p> <p>$FPCLN/2 = NTSEN$ $FPCLN/1 = NFPRR + NIOEN.NIOIN$ $BRPH6 = IOPH1.SW13.(S/PH6/IO)$</p> <p>$S/MRQ/I = FAFL.PH6.NBRPH6.NIOEN$ $S/PH7 = PH6.NBR \leftarrow = NBRPH6$</p> | <p>(FP Result Ready) (I/O service call)</p> <p>(low during IOACT) (final clock of IOACT)</p> <p>(low if TSEN) (low if FPRR.IOACT)</p> |

XDS 902306



loc 06A

down/up
↓ ↓
Misc/S
- /A
- /B
- /D
SL/SU

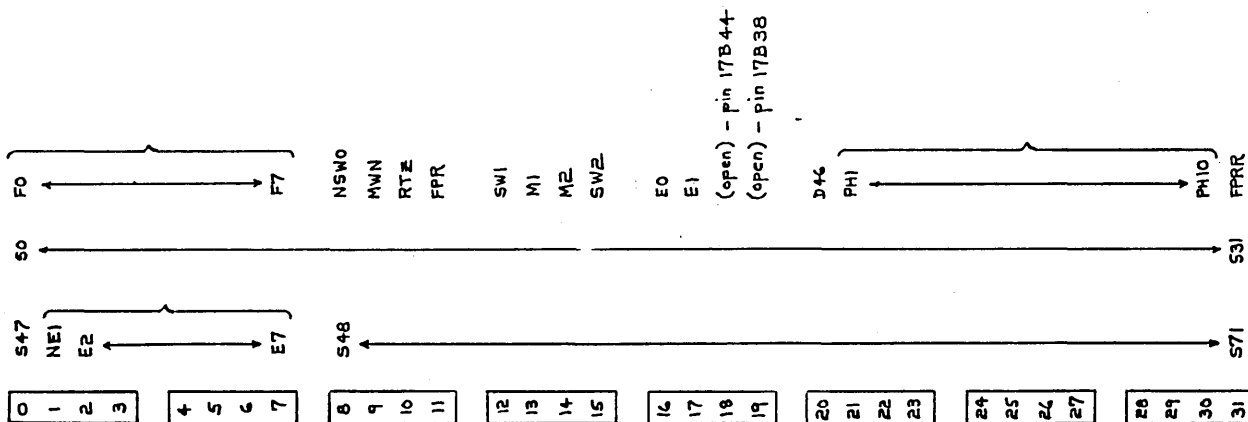
| | MISC | SL (norm) | SU (norm) | AL | AU | BL | BU | DL | DU |
|----|------|-----------|-----------|----|----|----|----|----|----|
| S5 | 0 | - | - | - | - | - | - | - | - |
| S4 | x | - | - | - | - | - | - | - | - |
| S3 | x | - | - | - | - | - | - | - | - |
| S2 | x | - | - | - | - | - | - | - | - |
| S1 | x | - | - | - | - | - | - | - | - |

↳ 0's will be displayed when input to S is FP

CPU :

REGISTER SELECT rotary switch must be on EXT to display the box

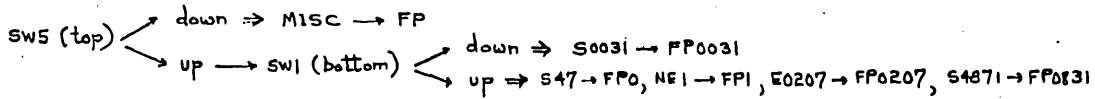
REGISTER DISPLAY toggle switch must be ON to obtain displays selected by the switches in module 06A in the box. (OFF position will display normal FP bus info.)



DISPLAY 155094-B
SH109

XDS 902306

FPDIS = DIS from CPU. High if DISPLAY SWITCH is ON



(note: FP \rightarrow S qualified by NFPDIS to prevent latch resulting from $\rightarrow \text{FP} \rightarrow \text{S} \rightarrow$)

SDIS = FPDIS.(KsxA + KsxB + KsxD) (S4 or S3 or S2 up)
 Causes removal of normal logic from S and substitutes:
 A \rightarrow S if S4 up, B \rightarrow S if S3 up, D \rightarrow S if S2 up
 (a merge takes place if more than one switch is up)

defines BOX \rightarrow CPU cases

NFPX = N(FPDIS + PH9 + PH10) (raises "Box" end of FP bus to enable CPU to control it in early phases)

FPXMISC = FPDIS.KFPXMISC

FPXSL = FPDIS.KFPXSL + NFPDIS.PH9.NRTZ.N(FEUF,NFZ), FPRD

FPXSU = FPDIS.KFPXSU + NFPDIS.PH10.NRTZ.N(FEUF,NFZ)

SXFP $\begin{cases} \text{S47} \rightarrow \text{S46, FP0} \rightarrow \text{S47, FP0831} \rightarrow \text{64871: SXFP/U} = \text{NFPDIS.(PH1 + PH2)} \\ \text{FP0007} \rightarrow \text{S0007: SXFP/4} = \text{NFPDIS.(PH1 + PH2 + PH4.N02)} \\ \text{FP0831} \rightarrow \text{60831: SXFP/A} = \text{NFPDIS.PH4.N02} \end{cases}$

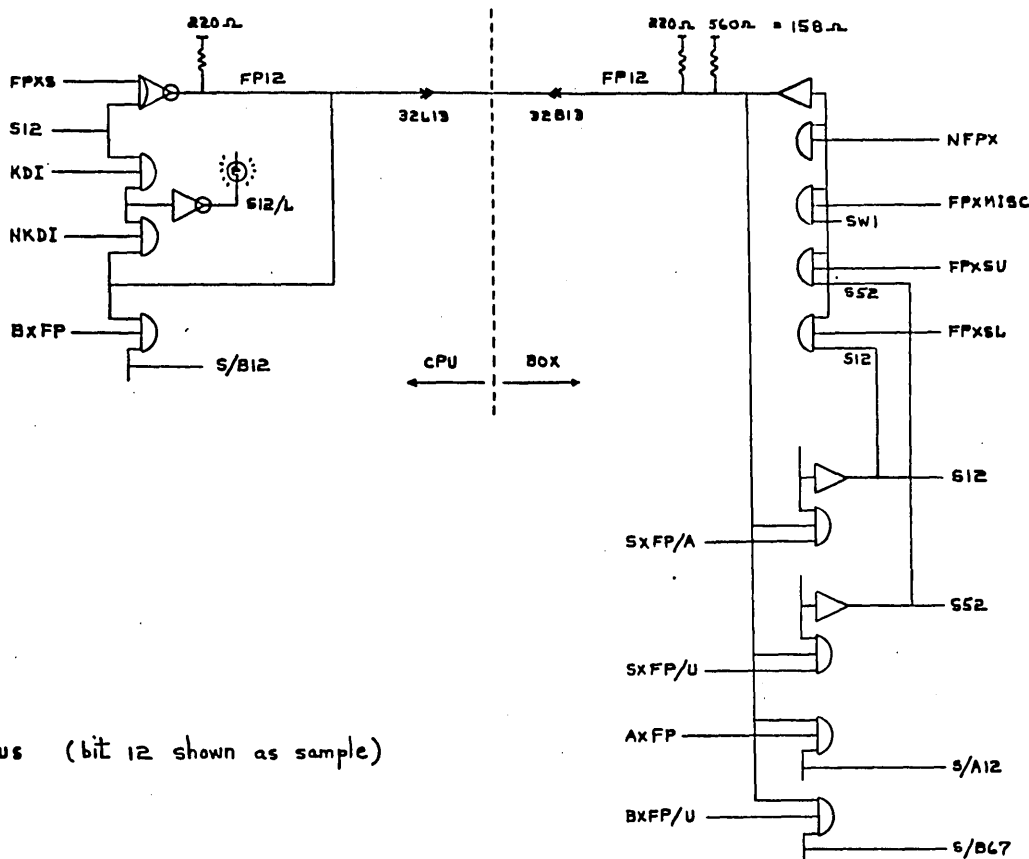
SXB = SDIS.KsxB + NSDIS.FPRR.DIV

PRXAD/ = SDIS.(KsxA + KsxD) + NSDIS.PRXAD

PRXAND/ = SDIS.KsxA + NSDIS.PRXAND

PRXNAD/ = SDIS.KsxD + NSDIS.PRXNAD

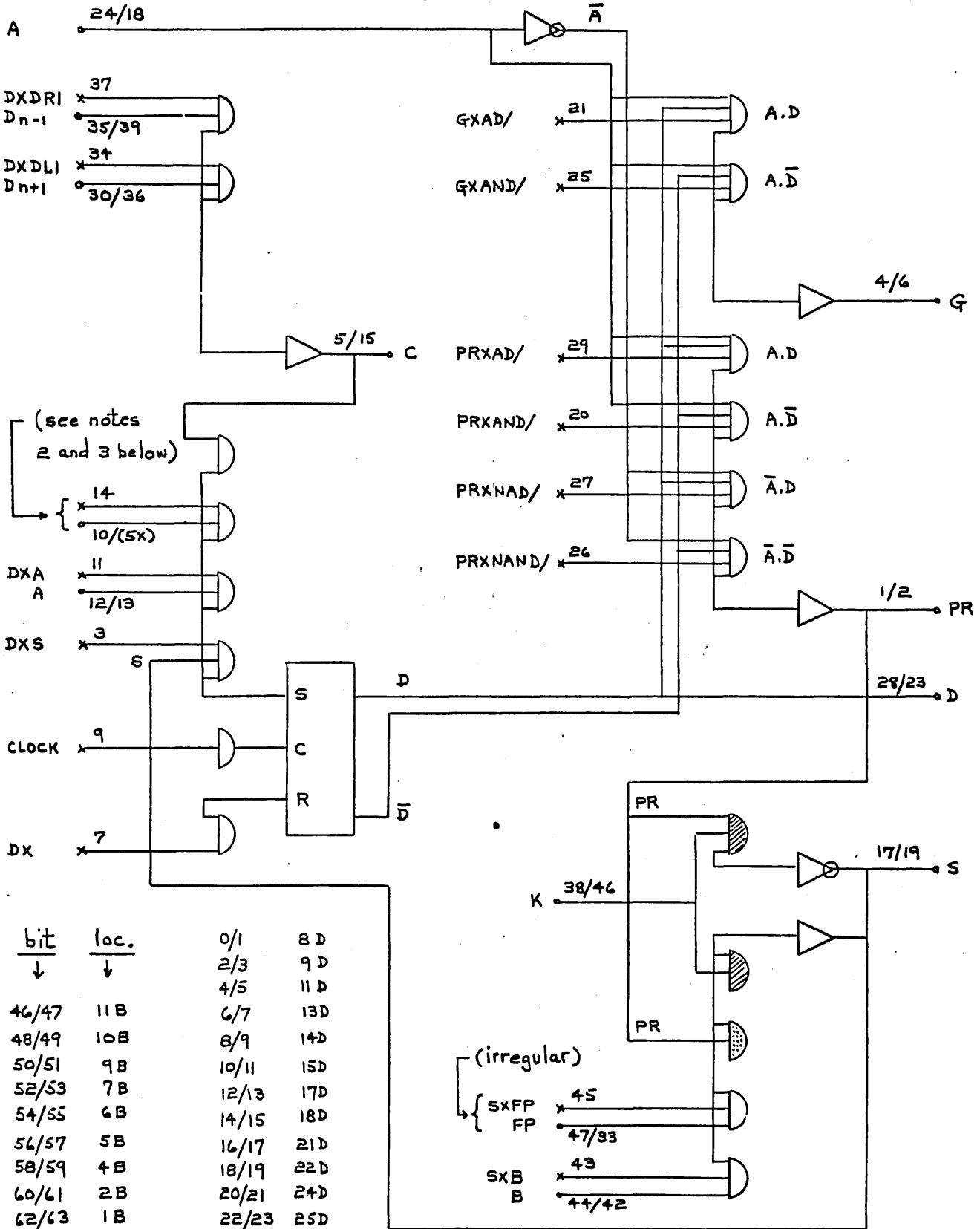
PRXNAND/, GX/'s, and K31 are all qualified by NSDIS



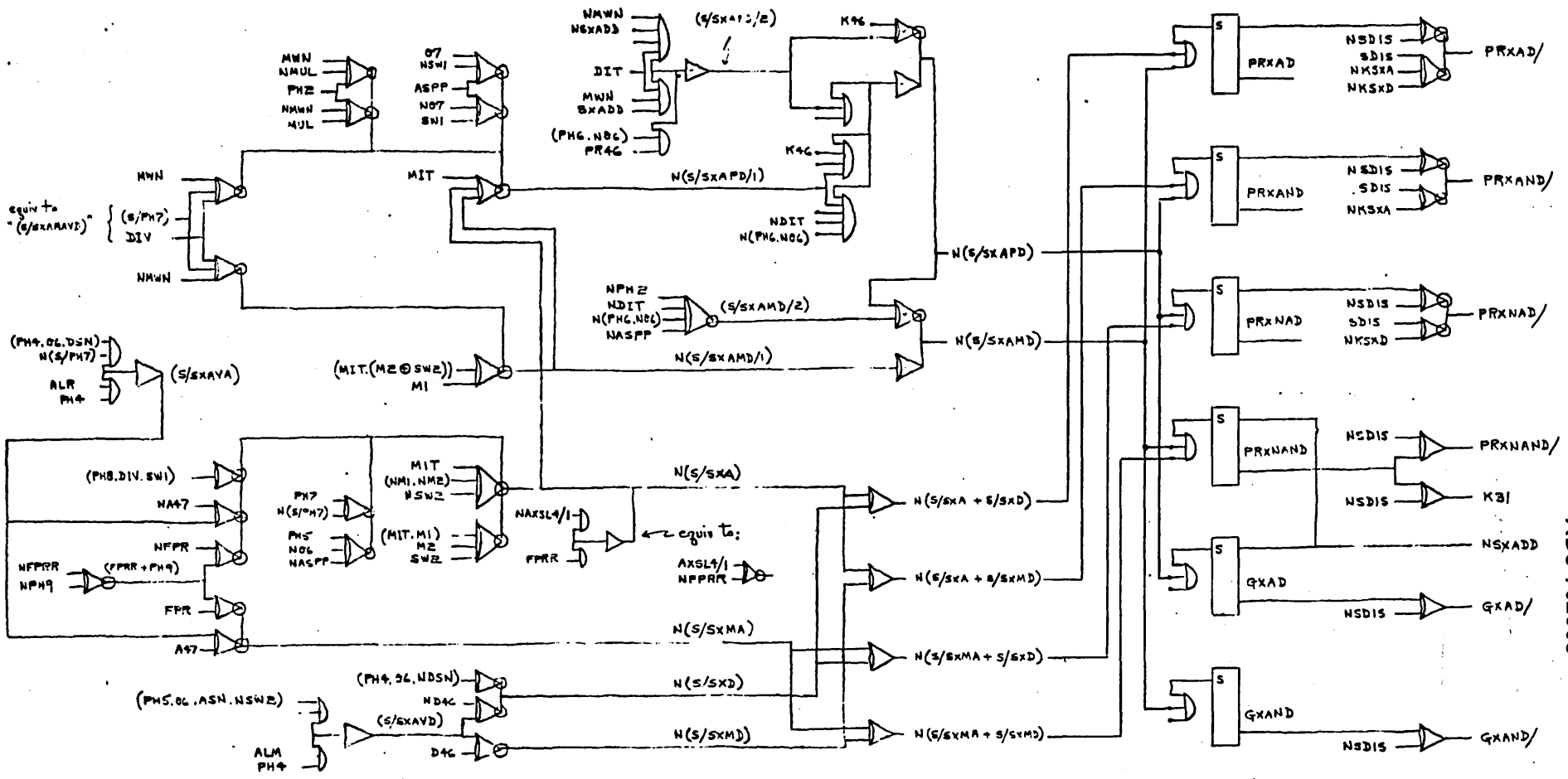
FP bus (bit 12 shown as sample)

BUS SYSTEM

XDS 902306

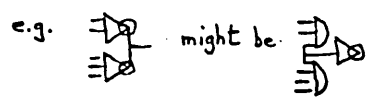


- 1) grounded gates and unused pins not shown.
- 2) pin 14: PHZ on bit B (and 9 - insig), gnd. on others.
- 3) pin 10: MWN on bit B (open or C_{n-1} on others - insig.)



↑
(repeaters, played upside-down)

(see equations for mechanization details)



ADDER CONTROL

155094-B
SH112

GLOSSARY - SIGMA 5 FLOATING POINT BOX XDS 902306 DRY NOTES:

- 1) Notations generally follow the conventions established in the CPU.
- 2) "N" prefixes are stripped, hence the un-inverted versions of the terms are defined (even though the term may exist only in inverted form in the hardware for mechanization convenience).
- 3) As much as possible signal names were kept the same as their equivalents in the SIGMA 7, even though the SIGMA 7 name could be improved upon.
- 4) Bit series are noted by four digits. (e.g. A0031 means A0 thru A31 as in the CPU). The left two digits define one end of the range while the right two define the other. A4731 should be interpreted as meaning A47 thru A71 and A0 thru A31 (57 bits). The discontinuity in bit numbering (i.e. --A70, A71, A0, A1--) is admittedly ghastly, but unavoidable. The bit ranges are always noted from left to right except where the B register is loaded backwards from FP by the BXFP terms (e.g. FP3100 → B4807 means FP31 → B48, FP30 → B49 --- FP1 → B6, FP0 → B7).
- 5) "enable" as applied to a register (e.g. "enable A4731") means raise the resets on all flip-flops. In the absence of any set terms the bits will clear; otherwise "set overrides reset".
- 6) DRIVERS (for registers and buses):
 - a) They are not listed independently unless their logic differs
 - b) "(via -1 thru -7)" means the register (or bus) is driven by the buffers listed. The "dash" means they are logically identical to the un-dashed term and simply provide isolation and power.
 - c) "(via -U, /L)" indicates the driver outputs are different logically, therefore they will be listed in the glossary to show the difference
 - d) suffixes: -U or /U means drive "upper" bits (eg. A4771) (usually two elements in parallel)
-L or /L " " "lower" " (eg. A0031) (" Three " " ")
- 7) Relatively insignificant terms are omitted from the glossary:
 - a) Grounds (e.g. GND1106, AXSRIGND-1), clocks, voltages, etc.
 - b) Buffers not associated with registers or buses (eg. FPRR-1)
 - c) Buffers for the sole purpose of expanding the input gate to a flip-flop and where its name, placement in the equations, and inputs render its function and purpose obvious (e.g. (S/B4/1)).
- 8) Some of the terms in this glossary are more completely defined in the sequence charts and supplementary drawings (e.g. page 311 elaborates on the "S/SX--"'s, Gx--/'s, PRX--/'s, etc.) The equations are rather helpful too.
- 9) Deviations: some /'d terms could be -'d (e.g. BXFP/L should be called BXFP-L since it is logically identical to BXFP). These harmless deviations usually have a historical significance. (a "/" means "related to", which does not rule out "logically identical to".)
- 10) The glossary and the sequence charts deliberately avoid the exact mechanization details which could add nothing but confusion. (e.g. repeater flip-flops played up-side down, NAND logic used to perform "and-or"). These details can be found in the equations.

| | | | |
|-----------|--|--|------------------|
| A47-A31 | A Reg. (57 bits, multi-purpose) | | |
| A2831XB | B3128 → A2831 (for post-normalizing in MULTIPLY - see AXSL4) | | |
| A4851Z | A4851 = 0 (for normalization logic) | | |
| A5255Z | A5255 = 0 (for normalization prediction logic) | | |
| ALM | Right-align memory operand (augend (EW) in ADD/SUB) | | |
| ALR | Right-align Register operand (addend (R) in ADD/SUB) | | |
| ASN | A register is simple-normalized: i.e. $\frac{1}{16} \leq A < 1$ or $-1 \leq A < -\frac{1}{16}$ } (A47 Thru A51 are not equal to one another) or forced hi if FN=1 in ADD/SUB (when interrogated) to inhibit normalization | | |
| ASPP | Add/Subtract preparation (mantissas are aligned, therefore prepare to add or subtract) | | |
| { AX | enable A4731 | } (via -U, /L - see below) | |
| { AXL | enable A0031 only | | |
| { AX-U | enable A4771 | | (= AX) |
| { AX/L | enable A0031 | | (= AX + AXL) |
| AXFP | FP0031 → A0031 | (via -4 Thru -7) | |
| AXS | S4731 → A4731 | (via -1 Thru -7) | |
| AXSL1 | S4831 → A4730, B48 → A31 | (via -1 Thru -7) | |
| { AXSL4 | S5131 → A4727, 0's → A2831 | except where A2831XB is hi (via -1 Thru -7) | |
| { AXSL4/1 | high speed version of AXSL4 used for control logic | | |
| AXSR2 | S4629 → A4831, "S45" → A47 | (via -1 Thru -7) $(s/A47/2) = (G46 + PR46.NK46).BXBL2 \leftarrow = AXSR2$ | |
| AXSR4 | S4627 → A5031, 0's → A4749 | (via -1 Thru -7) | |
| AXSR4/1 | high speed version of AXSR4 used for control logic | | |
| B48-B31 | B Reg. (56 bits, multi-purpose) | | |
| BX | enable B4831 | (via -U, -L) | |
| BXBL1 | B4931 → B4830 | (") | |
| | (K46 → B31 if long DIV; K46 → B71 if short DIV) | | |
| BXBL2 | B5031 → B4829, B3130 → B3031 | (via -U, -L) | |
| { BXFP | FP3100 → B4807, B4871 → B0831 | } (via /U, /L - see below) (MULTIPLY functions where B register is played backwards) | |
| { BXFPU | FP3108 → B4871, 0's → B0031 | | |
| { BXFP/L | FP0700 → B0007, B4871 → B0831 | | (= BXFP) |
| { BXFP/U | FP3108 → B4871 | | (= BXFP + BXFPU) |
| C46-C31 | Buffers for DXDL1 and DXDR1 logic | | |
| S/CC1/FP | set cc1 in CPU | | |
| S/CC2/FP | set cc2 in CPU | | |
| D46-D31 | D Reg. (58 bits, multi-purpose) | | |
| { DIT | Divide Iterations (excluding final ≥ clocks of PHB) | | |
| { DIT/1 | " " " " " clock " " | | |
| DIV | DIVIDE (0 decoding) | | |
| DPP | Divide preparation (operands are simple-normalized, therefore prepare to divide) | | |
| DSN | D register is simple-normalized i.e. $\frac{1}{16} \leq D < 1$ or $-1 \leq D < -\frac{1}{16}$ } (D47 Thru D51 are not equal to one another) | | |
| { DX | enable D4631 | (via -U, /L - see below) | |
| { DX-U | enable D4671 | (= DX) | |
| { DX/L | enable D0031 | (= DX + PH4) | |
| DXA | A4731 → D4731 | (A47 → D46) | |
| DXDL1 | D4831 → D4730, sustain D46, 0 → D31 | (via -U, -L and C4631) (DX2 → D) | |
| DXDR1 | D4630 → D4731, sustain D46 | (via -U, -L and C4631) (DX1/2 → D) | |
| DXS | S4631 → D4631 | (via -U, /L - see below) | |
| { DXS-U | S4671 → D4671 | (= DXS) | |
| { DXS/L | S0031 → D0031 | (= DXS + PH4) | |

E0 - E7 E Register (8 bits, for EXPONE)
 E0003Z E0003 = 0
 E0407Z E0407 = 0
 EDC3 Down count E0003 (inhibited if $E < -96_{10}$ to prevent false OVERFLOW indication arising from certain cases of unrecoverable UNDERFLOWS (e.g. $00000001_{16} \times 00000001_{16}$))
 EDC7 Down count E0407
 EUC3 Up count E0003 (inhibited if $E \geq 96_{10}$ to prevent false UNDERFLOW indication arising from certain cases of unrecoverable OVERFLOWS (e.g. $7FFFFFFF_{16} \div 00000001_{16}$))
 EX enable E0007
 EXFM64 F minus 64 \rightarrow E
 EXNE invert E0007
 EXNFM64 [inverted F] minus 64 \rightarrow E

F0 - F7 F Register (8 bits, iterations ctr. - primarily)
 FDC3 Down-count F0003
 FDC7 Down-count F0407
 FEOF Floating exponent overflow ($E \geq 64$). (result $\neq 0$)
 FEUF " " underflow ($E < -64$). (result $\neq 0$). N (significance trap with $FZ = 0$)
 FN/FNF FN flag in CPU PSW (called FNF in hardware). $FN=1$ inhibits normalization in ADD/SUB
 FPO-FP31 Bidirectional bus between CPU and BOX for transmission of data
 FPCON Floating Point box control (from CPU). Dual purpose: 1) starts box by setting PH1, 2) stores sign of EW in MWN during PH1.
 FPDIS Floating Point DISPLAY. Substitutes information to be displayed onto the FP bus in place of normal logic. (also contributes to SDIS logic)
 FPR Floating Polarity Reversed. When high indicates that the sign of an intermediate result is opposite to that of the final result.
 FPRR Floating Point Result Ready. Signals the CPU that the results are to be available on the FP bus starting with the next clock (which is PH9 in the box).
 FPX High when the BOX is feeding the FP bus
 FPMISC "MISCELLANEOUS" SIGNALS \rightarrow FPO031 for display purposes
 FPXSL S0031 \rightarrow FPO031
 FPXSU S47 \rightarrow FPO, E1 \rightarrow FPI, E0207 \rightarrow FPO207, S4871 \rightarrow FPO831
 FS FS flag in CPU PSW. $FS=1$ causes trap if > 2 post-normalizing shifts are needed or if result = 0 in ADD/SUB.
 FX enable F0007
 FXD D0007 \rightarrow F0007
 FXNA inverted A0007 \rightarrow F0007 (storing inverted A0007 instead of true outputs is for reasons of signal loading only and has no logical significance)
 FZ FZ flag in CPU PSW. $FZ=1$ causes trap on UNDERFLOW instead of store zero.

G46-G31 Generate terms in Adder
 G0003, etc. Group Generate terms in Carry system. (high when a carry is generated out of the specified bit range)
 GXAD A.D \rightarrow G if NSDIS (via /7, /A thru /E) } (flip-flops set by the 'S/SX---' terms)
 GXAND A.D \rightarrow G if " (") }

K46-K31 Adder Carries (none can be high unless SXADD.NSDIS)
 Special cases: K15: output directly enabled by SXADD to assure early turn-off of higher order carries derived from K15 (for benefit of S=0 test following an add)
 K31: input carry for "2's complementing" (= PRXNAND.NSDIS)
 K71: can be forced hi by special input to G0003 = K31.PH10.NFPRD for cases where only bits 4771 are to be "2's complemented"

| | | |
|----------|-----------------------|---|
| KFPXMISC | Switch signal raising | FPMISC if FPDIS |
| KFPXSL | " " " | FPMISC " " |
| KFPXSU | " " " | FPMISC " " |
| KSXA | " " " | PRXAD/'s and PRXAND/'s if SDIS (for A \rightarrow PR \rightarrow S) |
| KSXB | " " " | SXB if SDIS (for B \rightarrow S) |
| KSX D | " " " | PRXAD/'s and PRXAND/'s if SDIS (for D \rightarrow PR \rightarrow S) |

XDS 902306

M1 2¹ of multiplier bit pair } polarity matched to that of multiplicand to produce |product|
M2 2⁰ " " " " }
MIT Multiply iterations (excluding final clock of PH7)
MUL MULTIPLY (0 decoding)
MWN Memory word negative. Flip-Flop that stores sign of the EW operand

O2, O6, O7 OPCODE bits from CPU (define particular floating point instruction)

PH1 - PH10 PHASE Flip-flops
PR46 - PR31 Propagate terms in adder
PR0003, etc Group Propagate terms in Carry system (PR0003 means PR00-PR03 are all high)
PRXAD A.D → PR if NSDIS (via /7, /A Thru /E) }
PRXAND A.D → PR " " (" ") } (flip-flops set by the "s/sx..." terms)
PRXNAD A.D → PR " " (" ") }
PRXNAND A.D → PR " " (" ") } ← PRXNAND.NSDIS → 1 → K31

R31 R31 from CPU (register address odd - used to determine product length in multiply)
RTZ Result is zero flip-flop. Detects zero result in mantissa
S/RW/FP sets RW flip-flop in CPU, causing write into CPU scratch-pad

S46 - S31 Sum bus bits ("S45" is synthesized - see AXSR2)
S0031XFP FP0031 → S0031 (via SXFP/4, /A)
S4607XFP FP0 → S4647 (sign), FP0831 → 64871 (mantissa - m.s.w.), FP0007 → S0007 (exponent)
(via SXFP/4, /U)

SDIS S display. (substitutes A, B, or D for normal logic on S bus; also kills all carries)
SWO, 1, 2 General purpose control flip flops
S/SXA Preset A → S (i.e. S/PRXAD, PRXAND) (A → PR)
SXADD The S bus is performing an arithmetic operation, where carries are involved (=PRXNAND + GXAD)
S/SXAMD Preset A-D → S (i.e. S/PRXAD, PRXNAND, GXAND) ((A ⊕ D) → PR, A.D → G, 1 → K31)
S/SXAMD/1 S/SXAMD unconditionally
S/SXAMD/2 S/SXAMD if conditions do not call for S/SXAPD
S/SXAPD Preset A+D → S (i.e. S/PRXAND, PRXNAND, GXAD) ((A ⊕ D) → PR, A.D → G)
S/SXAPD/1 S/SXAPD unconditionally
S/SXAPD/2 S/SXAPD as a condition of signals demanding a minimum number of logic levels.
when S/SXAPD/2 is high, S/SXAPD reduces to:
DIT. (K46 ⊕ MWN ⊕ SXADD) (divide: = MWN on 1st clock, Then = (K46 - MWN))
+ PHG.NOG.N(K46 ⊕ PR46) (add/sub: = (S46 = 0))

S/SXAVA Preset |A| → S (i.e. S/SXA if A47 = 0, or S/SXMA if A47 = 1)
S/SXAVD Preset |D| → S (i.e. S/SXD if D46 = 0, or S/SXMD if D46 = 1)
SXB B4831 → S4831, 0's → S4647 (via -L, -U)
S/SXD Preset D → S (i.e. S/PRXAD, PRXNAD) (D → PR)
SXFP/4 FP0007 → S0007 (= S4607XFP + S0031XFP)
SXFP/A FP0831 → S0831 (= S0031XFP)
SXFP/U FP0 → S4647, FP0831 → S4871 (= S4607XFP)
S/SXMA Preset -A → S (i.e. S/PRXNAD, PRXNAND) (A → PR, 1 → K31)
S/SXMD Preset -D → S (i.e. S/PRXAND, PRXNAND) (D → PR, 1 → K31)
SZL S0031 = 0
SEU S4771 = 0

TRAP TRAP to X'44' and inhibit write into scratchpad in CPU
conditions: UNDERFLOW (exp. < 64₁₀). (Result ≠ 0). (FZ = 1)
+ OVERFLOW (exp. > 64₁₀). (Result ≠ 0)
+ DIVIDE BY ZERO (SWI = 1 when interrogated)
+ SIGNIFICANCE TRAP (FS = 1). (FN = 0). (top 3 hexes of unnormalised
|result| in ADD/SUB = 0)

INTEG XDS 902306 OPTION

Table of contents:

| | |
|-----------|----------------------------|
| 116 - 117 | GENERAL INFO. |
| 118 | I/O FAST MEMORY ADDRESSING |
| 119 | SERVICE CALL |
| 120 | CONNECT |
| 121 - 122 | I/O SET UP PHASES |
| 123 - 126 | ORDER OUT |
| 127 - 130 | DATA OUT |
| 131 - 134 | DATA CHAIN |
| 135 - 138 | DATA IN |
| 139 - 141 | ORDER IN |
| 142 | SERVICE CALL ABORT |

I/O FUNCTIONS DISPLAYED

The IOP may be single clocked thru a service cycle and the PCP panel will display the I/O phase, device address, fast memory channel address and all of the normal internal registers. The displays are:

REGISTER DISPLAY SWITCH TO EXTERNAL

1.) PREPARATION PHASE LIGHTS - BINARY DISPLAY OF SW8-SW15

| 4 | 2 | 1 | LITE SW |
|---|---|---|---------|
| 0 | 0 | 0 | SW8 |
| 0 | 0 | 1 | SW9 |
| 0 | 1 | 0 | SW10 |
| 0 | 1 | 1 | SW11 |
| 1 | 0 | 0 | SW12 |
| 1 | 0 | 1 | SW13 |
| 1 | 1 | 0 | SW14 |
| 1 | 1 | 1 | SW15 |

2.) EXECUTION PHASE LIGHTS

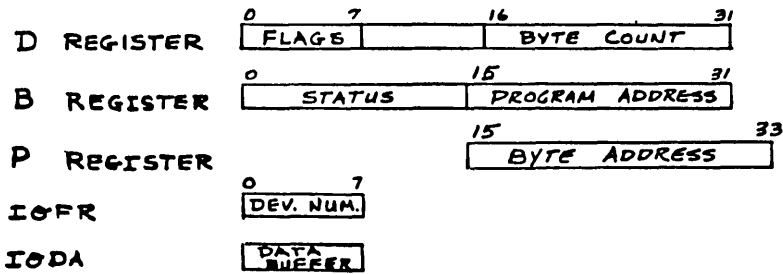
- LITE 1 ⇒ IOPH0
- LITE 2 ⇒ IOPH1
- LITE 4 ⇒ IOPH2
- LITE 8 ⇒ IOPH3

3.) INSTRUCTION ADDRESS REGISTER LIGHTS

- BITS 16 - 23 IOFRO - 7 ⇒ DEVICE NUMBER
- BIT 24 IOFR8 } IOPM CHANNEL
- BIT 25 IOFR9 } ADDR. SEE P. 403
- BIT 26 IOFM }

4.) GENERAL REGISTERS DISPLAY WITH REG. SELECT SWITCH

5.) PCP4 = IOSC (ASC)

REGISTER ALLOCATION DURING I/O SERVICE CALLLOGICAL SWITCH ASSIGNMENTS

| | | | |
|-------|-----------------|-------|---------------------|
| SW0 ⇒ | BYTE COUNT = 0 | SW5 ⇒ | TRANSFER IN CHANNEL |
| SW1 ⇒ | DOR (1 = ORDER) | SW6 ⇒ | ED |
| SW2 ⇒ | IOR (1 = OUT) | SW7 ⇒ | ES |
| SW3 ⇒ | TERMINAL ORDER | | |
| SW4 ⇒ | DATA CHAIN | | |

SET STATUS

| | |
|---------------------------|---|
| READ BACKWARD | S/B0 = IORB, ORDEROUT, IOPHI, SW8 |
| CHANNEL MODIFIER | S/B1 = TORDIN, A2 |
| ZERO BYTE CT INT. | S/B2 = DI, SW0, NSW1, NSW4, IOPHI, SW8 |
| INT. ON CHANNEL END | S/B3 = TORDIN, A3, D3 |
| INT. ON UNUSUAL END | S/B4 = TORDIN, [(A4, D5) + A0, (A3, D4, D5) + A1, ND6, (A3, D4, D5)] |
| INCORRECT LENGTH | S/B8 = A1, ODINST |
| TRANSMISSION DATA ERROR | S/B9 = A0, ODINST + DATAIN, IOUAP, IOPHI, SW8 |
| TRANSMISSION MEMORY ERROR | S/B10 = PEM, NSW1, NSW4, (IOPHI, SW9 + IOPH3 SW9) |
| MEMORY ADDRESS ERROR | S/B11 = ADN, IOIN |
| IOP MEMORY ERROR | S/B12 = PEM, IOPHI, SW8, (ORDEROUT + SW4) |
| IOP CONTROL ERROR | S/B13 = ORDEROUT, SW5, (IOPHI, SW8) |
| IOP HALT | S/B14 = (S/B12) + (S/B10) + (S/B8), ND6, D4 + (S/B9), D4 + (S/B11) + (S/B13) |

MECHANICAL SWITCH

LAST IOP SW 03KSI-1 RETURNS PRI

INTEGRAL IOP FAST MEMORY (D.C. CHANNEL)
XDS 902306

| CONTENT | READ PRESET | WRITE PRESET | WORD ADDR | | |
|---|-----------------------|---------------------|-----------|-------|-------|
| | | | IOFM | IOFRB | IOFR9 |
| STATUS, BITS 0 TO 15 BYTE ADDRESS BITS 15 TO 31 | S/AXRR/2 | S/RW/2 | 1 | 0 | 0 |
| FLAGS, BYTE ADDR, BYTE COUNT BITS 0 TO 7 BITS 8 TO 9 BITS 16 TO 31 | S/AXRR/3 | S/RW/3 | 1 | 0 | 1 |
| BYTE COUNT (ONLY) BITS 16 TO 31 | S/AXRR/6 | NOT DONE | 1 | 0 | 1 |
| MOST SIGNIFICANT BYTE ⇒ COMMAND DBW ADDR. BITS 24 TO 31 | S/AXRR/4 | S/RW/4 | 1 | 1 | 0 |
| LEAST SIGNIFICANT BYTE ⇒ COMMAND DBW ADDR. BITS 24 TO 31 | S/AXRR/4 AND S/AXRR/3 | S/RW/4 AND S/AXRR/3 | 1 | 1 | 1 |

STATUS BITS

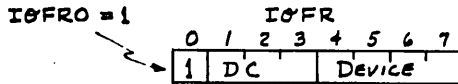
| | |
|----------------------------|---------------------------|
| BIT 0 READ BACKWARD | BIT 9 TRANSM. DATA ERROR |
| BIT 1 CHAINING MODIFIER | BIT 10 TRANSM. MEM. ERROR |
| BIT 2 ZERO BYTE COUNT INT. | BIT 11 MEMORY ADDR ERROR |
| BIT 3 CHANNEL END INT | BIT 12 IOP MEMORY ERROR |
| BIT 4 UNUSUAL END INT | BIT 13 IOP CONTROL ERROR |
| BIT 8 INCORRECT LENGTH | BIT 14 IOP HALT |

FLAGS

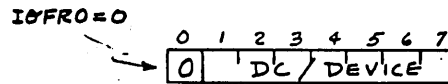
| |
|-----------------------------|
| BIT 0 DATA CHAIN |
| BIT 1 INT. AT 0 BYTE CT. |
| BIT 2 COMMAND CHAIN |
| BIT 3 INT AT CHAN. END |
| BIT 4 HALT ON TRANS. ERR. |
| BIT 5 INT UNUSUAL END |
| BIT 6 SUPPRESS INCR. LENGTH |
| BIT 7 SKIP |

DEVICE CONTROLLER ADDRESS DECODE

MULTIUNIT DEVICE CONTROLLER



SINGLE DEVICE CONTROLLER



$LI0^n = IOFR_p$ WHERE $n = 3-7$, $p = 1-7$ AS PER TABLE BELOW

| CHANNEL SELECT | IOFRO = 1 | IOFRO = 0 |
|--|-----------|-----------|
| SELECT ONE OF 4 GROUPS LI03 = | 0 | IOFR3 |
| LI04 = | 0 | IOFR4 |
| SELECT ONE OF EIGHT CHANNELS LI05 = | IOFR1 | IOFR5 |
| LI06 = | IOFR2 | IOFR6 |
| LI07 = | IOFR3 | IOFR7 |

STANDARD EIGHT CHS. * $L/IO1B1 = NLI03.NLI04$

OPTIONAL CHANNELS (EIGHT PACK)
 $L/IO2B1 = NLI03.LI04$
 $L/IO3B1 = LI03.NLI04$
 $L/IO4B1 = LI03.LI04$

* EQUATIONS NOT COMPLETE

PRESET FLIP FLOPS

IOFM

$$S/IOFM = S/AXRR/2 + S/AXRR/3 + S/AXRR/4 + S/AXRR/6 + S/RW/2 + S/RW/3 + S/RW/4$$

IOFMB

$$S/IOFMB = S/AXRR/4 + S/RW/4$$

IOFM9

$$S/IOFM9 = S/AXRR/3 + S/AXRR/6 + S/RW/3$$

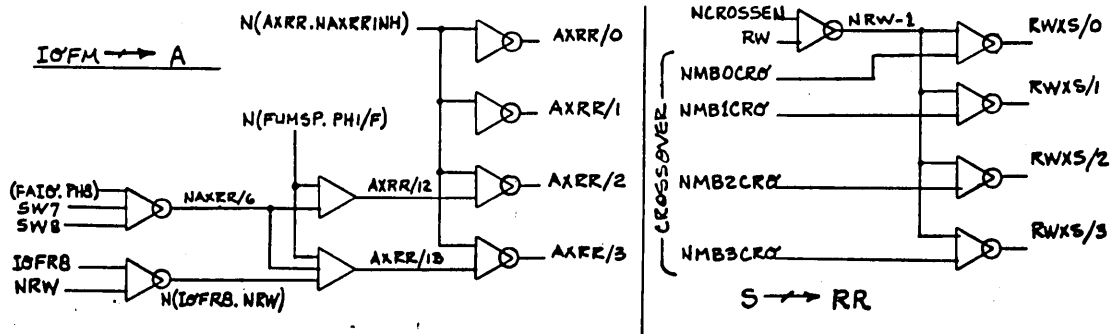
AXRR

$$S/AXRR = S/AXRR/2 + S/AXRR/3$$

RW

$$S/RW = S/RW/2 + S/RW/3 + S/RW/4$$

BYTE DRIVER LOGIC



IOP FAST MEMORY ADDRESSING

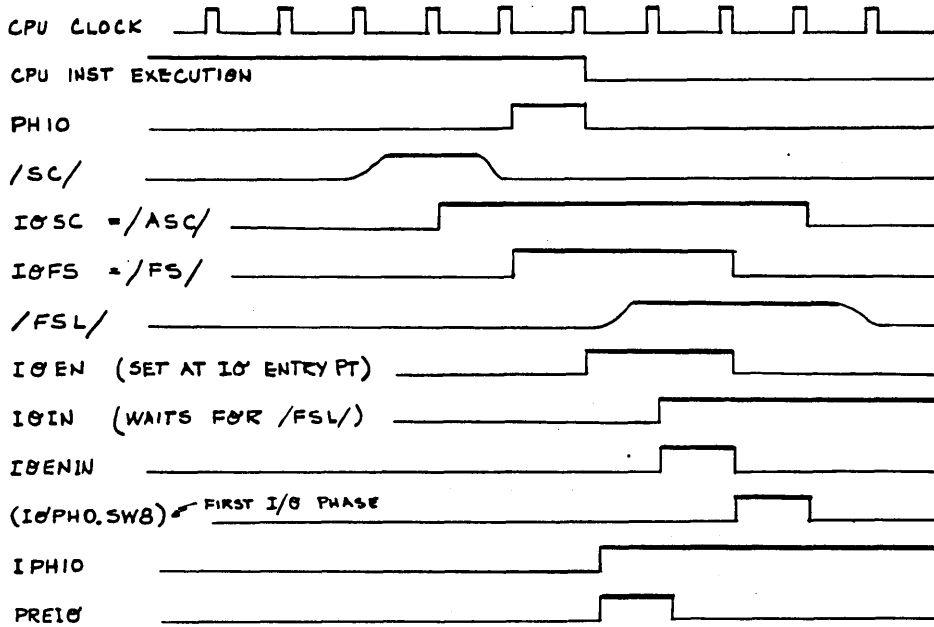
155094-B
SH119

| PHASE | FUNCTION PERFORMED | SIGNALS INVOLVED XDS 902306 | COMMENTS |
|------------------------|---|--|--|
| ANY CPU PHASE ENTRY | DEVICE CONTROLLER MAY RAISE SERVICE CALL DURING ANY CPU PHASE <u>SC INHIBIT DURING OVERRIDE INTERRUPT BUSY, PH10, PCP ACTIVE, I/O WATCHDOG TIMER RUNOUT, EXECUTION OF I/O INST., I/O ACTIVE UNTIL DISCONNECT, RESET/KS.</u> SC . NSCINH ⇒ SET I/O SERVICE | SC = BCR#./SC/ SCINH = NPCP2.RQBZ0 + PH10 + IOWD + PCPACT + FAIO.UPH9.NPCP2 + N(IOPHI.SW9).IOACT + PCP2/1.IOACT + RESET/KS S/IOSC = SC.NSCINH.IOPOP | { I/O P MAY DEFER SERVICE CALL UNTIL IT CAN BE ACCEPTED. INTEGRAL I/O OPTION IS PRESENT ⇒ IOPOP |
| I/O SC | IOSC ⇒ { RETURN ASC SET FS IOCONNECT IOCON ⇒ INHIBIT RESET I/O { INHIBIT PRESET CKS INHIBIT SET PCP3 INHIBIT 0 ⇒ PSW1 INHIBIT 0 ⇒ PSW2 INHIBIT PRESET D ⇒ S (DURING PCP2) <u>SC ENTRY FROM PH10</u> { INHIBIT P+1 ⇒ P PRE1 NOT SET INHIBIT INTERRUPT ENABLE INHIBIT BRANCH TO PCP1 SET IPH10 SET I/O ENABLE INTRAP ⇒ INHIBIT IOEN (S/TRAP) <u>SC ENTRY FROM PCP2</u> SET I/O ENABLE <u>SC ENTRY FROM PREVIOUS</u> <u>SC ENTRY FROM PH6</u> IOENG (ENABLE ENTRY) SET I/O ENABLE | /ASC/ = BCD * B. IOSC S/IOFS = IOSC.NPCP3 IOCON = IOSC + IOIN NRCPUIOCON = IOCON + S/CXS = PCP2/1.NIOCON.(KSTEP/B + KRUN/B) S/PCP3 = (PCP2/1.NIOCON.NDCSTEP). PSW1XS = KCLRPSW1.NIOCON.NKAS/B PSW2XS = KCLRPSW2.NIOCON.NKAS/B S/SXD = PCP2/1.NIOCON. PUC31 = N(FIEXU.ENDE).PH10.NIOSC.... PRE1EN = N(S/TRAP).N(S/INTRAP).NHALT.NIOSC IEN = KRUN.PH10.NIOSC BRPCP1 = HALT.PH10.NIOSC.... S/IPH10 = IOSC.PH10.NIOINH S/IOEN = IOSC.PH10.NIOINH IOINH = NPCP2.INTRAP + (S/TRAP) S/IOEN = IOFS.PCP2/1 IOINH. = (AB0 + ADNH).PH6 IOENG = IOENG/1.PH6.NDIOEXIT.(FAMDS + FAST + FAFL + FARWD + FPRR + FSHEX) IOENG/1 = NMCOO05Z.N(FADIV.CC2).NEWDM S/IOEN = IOSC.IOENG.NIOINH | IPH10 IS CPU REENTRY INDICATOR PCP2/1 = IDLE PHASE WHEN I/O SC OCCURS DURING PCP2 THE CPU REMAINS IN IDLE UNTIL CONCLUSION SEE IOCON INHIBIT. |

I/O SERVICE CALL

155094-B
SH120

SERVICE CALL CONNECT (ASC) TIMING EXAMPLE



| PHASE | FUNCTION PERFORMED | SIGNALS INVOLVED | COMMENTS |
|------------------|--|---|--|
| PRE I/O IO EN | <p>NPCP2 ⇒ PREIO IO EN ABLE BUT NOT IN. FSL ⇒ SET IO IN PREIO ⇒ PRESET SUM BUS ENTRY/EXIT INDICATORS</p> | <p>PREIO = IO EN.NIO IN.NPCP2.NIO INH IO ENIN = IO EN.NIO IN.NIO PHI S/IO IN = FSL.IO EN.NPH6.NIO INH S/SXA = FAM DST.PREIO</p> | |
| NIO IN | <p>STACK AND ARITHMETIC FROM PH6 } ⇒ IFAST/L IFAST/S IFAMDS IFAST IFAM IPHIO AVO ⇒ SET ABORT FF IFAMDS ⇒ PRESET S → RR IFAST/L ⇒ PRESET S → C</p> | <p>IFAST/L = FAST/L.NIPHIO.NPCP2 IFAST/S = FAST/S.NIPHIO.NPCP2 IFAMDS = FAMDS.NIPHIO.NPCP2 IFAST = IFAST/L + IFAST/S IFAM = IFAST + IFAMDS IO PHI = NPCP2.(FAMD+FAML+IPHIO) S/IO BO = IO ENIN.NIO INH.AVO S/RW = IFAMDS.PREIO S/CXS = IFAST/L.PREIO</p> | <p>THESE INDICATORS ARE USED TO SAVE AND RESTORE CONDITIONS OF INTERRUPTED INSTRUCTION</p> |
| IO EN IO BO | <p><u>ABORT</u> SET IO PHI BRANCH TO SW 13 SET T8L CLEAR SERVICE CALL</p> | <p>S/IO PHI = IO ENIN.IO BO BR SW 13 = IO ENIN.IO BO.AVO S/T8L = IO ENIN.IO BO R/IO SC = IO BO</p> | <p>ABORT ← AVO BRANCH TO EXIT (IO PHI.SW 13)</p> |

IO CONNECT

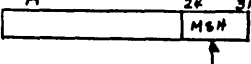
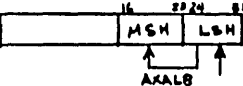
| | | XDS 902306 | |
|--------------------|--|---|---|
| PHASE | FUNCTION PERFORMED | SIGNALS | COMMENTS |
| IØEN IØIN | <u>IØENIN</u> SET IØPHO. SW8 PRESET CLEAR DAN PRESET [IØFM(00)] → A PRESET B → S RESET IØFR /FR/ → IØFR RESET IØEN FAMDS → A → S IFAMDS → S → RR IFAST/L → S → C | S/IØPHO = IØENIN BRSWB = IØENIN R/IØDA = IØENIN S/AXRR/2 = IØENIN S/SXB = IØENIN. IFAST R/IØFR = IØIN. NIØPHI IØFRXFR = IØENIN IØFRX = IØENIN R/IØEN = IØIN. NIØPHI Sn = PRn RRn = Sn · RWXS Cn = Sn · CXS | |
| IØPHO SW8 | [IØFM(00)] → A IFAST → { B → S S → P P → B SET PROG ADDR. POINTER RESET IØ SERVICE CALL RESET PARITY ERROR SET RS CLOCK ENABLE NOTE: IØPHIO IS FAFL, FARWD, IØPHIO INDICATOR IØPHIO → BRANCH TO SWIO <u>NIØPHIO PRESETS</u> PRESET S → [IØFM(00)] PRESET B → S <u>IØPHIO PRESETS</u> PRESET A → S PRESET [IØFM(01)] → A | S/An = RRn · AXRR Sn = Bn · SXB PXS = IØPHO. SW8. IFAST BXP/1 = IØPHO. SW8. IFAST S/BRP = IØPHO. SW8 R/IØSC = IØPHO. SW8 R/PEM = IØPHO. SW8 R/RSCLEN = IØPHO. SW8 BRSWIO = IØPHIO. IØPHO. SW8 S/RW/2 = NIØPHIO. IØPHO. SW8 S/SXB = NIØPHIO. IØPHO. SW8 S/SXA = IØPHIO. IØPHO. SW8 S/AXRR/3 = IØPHIO. IØPHO. SW8 | R/IØSC → DROP/ASC/ |
| IØPHO SW9 RS | <u>ENTER IF NIØPHIO</u> B → S S → [IØFM(00)] PRESET A → S PRESET [IØFM(01)] → A | Sn = Bn · SXB RRn = Sn · RWXS S/SXA = IØPHO. SW9 S/AXRR/3 = IØPHO. SW9 | STORES CPU CONTENT OF B INTO [IØFM(00)] |
| IØPHO SWIO | A → S S → P S → B0014 P → B1531 RESET PROG. ADDR. POINTER IØPHIO → BRANCH TO SWI2 IØPHIO → PRESET A → S [IØFM(01)] → A <u>NIØPHIO PRESETS</u> PRESET C → S PRESET S → [IØFM(01)] | Sn = PRn PXS = IØPHO. SWIO BXP/2 = IØPHO. SWIO R/BRP = IØPHIO. SWIO BRSWI2 = IØPHIO. IØPHO. SWIO S/SXA = IØPHIO. IØPHO. SWIO S/An = RRn · AXRR S/SXC = NIØPHIO. IØPHO. SWIO S/RW/3 = NIØPHIO. IØPHO. SWIO | Byte ADDR → P STATUS → B0014 CPU PROG. ADDR → B1531 |

| PHASE | FUNCTION PERFORMED | LOGIC INVOLVED | COMMENTS |
|------------|---|---|--|
| IOPHO SW11 | <p>ENTER IF NIOPH10</p> <p>C → S S → [IOFH(01)]</p> <p>PRESET A → S</p> | <p>S_n = C_n. SXC RR_n = S_n. RWXS</p> <p>S/SxA = IOPHO. SW11</p> | |
| IOPHO SW12 | <p>A → S S → D</p> <p>DOR → SW1 IOR → SW2</p> <p>A₈ → P32 A₉ → P33</p> <p>IOR ⇒ RESET IOPHO</p> <p>ORDER OUT → TO IOPH3. SW8</p> <p>SET IOPH3 BRSW8</p> <p>PRESET [IOFH(10)] → A</p> <p><u>ORDERIN CONTINUES WITH (IOPHO. SW13)</u></p> <p><u>DATAOUT GOES TO (IOPH2. SW13)</u></p> <p>SET IOPH2 SET MRQ, DRQ</p> <p><u>DATAIN CONTINUES WITH (IOPHO. SW13)</u></p> <p>PRESET D-1 → S</p> | <p>S/An = PR_n DxS = IOPHO. SW12</p> <p>S/SW1 = DOR. IOPHO. SW12 S/SW2 = IOR. IOPHO. SW12</p> <p>S/P32 = A₈. IOPHO. SW12. S/P33 = A₉. IOPHO. SW12</p> <p>R/IOPHO = IOR. IOPHO. SW12</p> <p>S/IOPH3 = DOR. IOR. IOPHO. SW12 BRSW8 = DOR. IOR. IOPHO. SW12</p> <p>S/AXR/4 = DOR. IOR. IOPHO. SW12</p> <p>S/IOPH2 = NDOR. IOR. IOPHO. SW12 S/MRQ/2 = NDOR. IOR. IOPHO. SW12</p> <p>S/SXDMI = NDOR. NIOR. IOPHO. SW12</p> | <p>FLAGS & Byte COUNT → D</p> <p>DOR ⇒ ORDER IOR ⇒ OUTPUT</p> <p>A₈, A₉ completes Byte Address</p> |

I/O SET UP

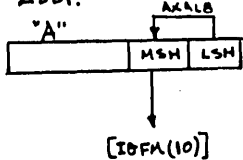
2 of 2

155094-B
SH173

| PHASE | FUNCTION PERFORMED | SIGNALS INVOLVED | COMMENTS |
|------------|---|---|--|
| IOPH3 SW8 | SW1, SW2 ⇒ ORDEROUT VALID ORDER ⇒ VORDER [IOFM(10)] → A INDICATE TERMINAL ORDER REQ'D PRESET [IOFM(11)] → A | ORDEROUT = SW1, SW2 VORDER = ORDEROUT, NPMH, NADNH, NSW5 BRDSW4 = SW1 S/AN = RR _n , AXRR S/SW3 = IOPH3 S/AXRR/4 = IOPH3, SW8 S/AXRR/6 = IOPH3, SW8 | MOST SIGNIF. HALF COMMAND DW. ADDE. TO A REG "A"  |
| IOPH3 SW9 | [IOFM(11)] → A LEFT ALIGN A PRESET A+1 → S | S/AN = RR _n , AXRR AXALB = IOPH3, SW9 S/SKAP1 = IOPH3, SW9 | LEFT ALIGN MSH OF CDW ADDE. AND LSH TO A  |
| IOPH3 SW10 | A+1 → S 2S → A CHAINING MODIFIER ⇒ { S → A | S _n = (K _n ⊕ PR _n) SKADD AXSL1 = NB1, IOPH3, SW10 AXS = B1, IOPH3, SW10 BRW10 = B1, IOPH3, SW10 R/B1 = IOPH3, SW10 | END OF SIO INST DECREMENTED CDW ADDR. BY 1. THERE FORE THE DW ADDR IS INCR. BY 1 AND LEFT SHIFT |

ORDEROUT

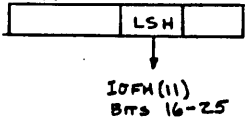
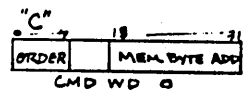
1 of 6

| PHASE | FUNCTION PERFORMED | SIGNALS INVOLVED | COMMENTS |
|------------|---|--|--|
| IOPH3 SW11 | A → S S → P 1/2 S → A SET MRQ, DELAYED DRQ RESET MEM. PARITY ERROR PRESET S → [IOFM(10)] PRESET A → S | S _n = PR _n PXS = IOPH3, SW11 AXSR1 = IOPH3, SW11 S/MRQ/3 = IOPH3, SW11 S/MRQP1 = (S/MRQ/3) R/PEM = IOPH3, SW11, NSW5 S/RW/4 = IOPH3, SW11 S/SXA = IOPH3, SW11 | CURRENT CDW ADDR. TO P (WORD ADDR) AND SHIFT CDW ADDR RIGHT 1 IN A (DOUBLEWD ADDR) NSW5 ⇒ NOT TRANSFER IN CHANNEL |
| IOPH3 SW12 | A → S S → [IOFM(10)] LEFT ALIGN A SET DRQ PRESET A → S PRESET S → [IOFM(11)] | S _n = PR _n S/RR _n = S _n , RWXS AXALB = IOPH3, SW12 S/DRQ = MRQP1 S/SXA = IOPH3, SW12 S/RW/3 = IOPH3, SW12 S/RW/4 = IOPH3, SW12 | MSH OF CDW ADDR. LOADED IN [IOFM(10)] UP ALIGN LSH CDW ADDR.  |

ORDEROUT

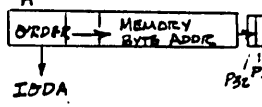
2 of 6

155094-B
SH124

| PHASE | FUNCTION PERFORMED | SIGNALS INVOLVED | COMMENTS |
|---------------------|---|--|--|
| IOPH3 SW13 DR | MEMORY DG ⇒ CXMB MB ⇒ C A → S S → [IOFM(11)] INCR. CDW ADDRESS } P+1 → P PRESET C → S ADNH ⇒ SET B11 | CXMB = DG C _n = MB _n . CXMB S _n = PR _n S/RR _n = S _n . RWXS PUL31 = IOPH3. SW13 S/SXC = IOPH3. SW13 S/B11 = ADNH IOIN | LOAD CMD WORD 0 INTO C REGISTER LSH OF CDW ADDR LOADED IN [IOFM(11)] "A"  |
| IOPH3 SW14 | C → S S → A NOT TRANSF IN CHAN } ⇒ { RESET SW5 { SET MRQ, DRQ PRESET A → S TRANSFER IN CHANNEL ⇒ IOINTRIN BRANCH TO SW10 SET SW5 | S _n = C _n . SXC AXS = IOPH3. SW14 R/SW5 = IOPH3. SW14. NIOTRIN S/MRQ/2 = IOPH3. SW14. NIOTRIN IOINTRIN = C4. NC5. NC6. NC7. NSW4 S/SXA = IOPH3. SW14 BRSW10 = IOPH3. SW14. IOINTRIN. VORDER S/SW5 = IOPH3. SW14. IOINTRIN. VORDER | "C"  |

ORDERJUT

3 of 6

| PHASE | FUNCTION PERFORMED | SIGNALS INVOLVED | COMMENTS |
|---------------------|--|--|--|
| IOPH3 SW15 DR | DG ⇒ CXMB MB ⇒ C C → D A → S S (RIGHT2) → A NSW4 ⇒ ORDER → IOIDA BRANCH TO IOPHO } SW15 } | CXMB = DG C _n = MB _n . CXMB DXC = VORDER S _n = PR _n AXSR2 = IOPH3. SW15 S/P32 = A30. AXSR2 S/P33 = A31. AXSR2 IOIDAXA = IOPH3. SW15. NSW4 { R/IOPH3 = IOPH3. SW15 { S/IOPHO = IOPH3. SW15 BRSW15 = IOPH3. SW15 | LOAD CMD WORD 1 INTO C AND D DOWN ALIGN MEMORY BYTE ADDR. "A"  |
| IOPHO SW15 | REQUEST T.O. ⇒ SW3 (WAS SET BY IOPH3) PRESET A → B ORDER } ⇒ S/ED ⇒ T.O. OR DATA CHAIN } R/ES ⇒ TO DEVICE SET T8 BRANCH TO IOPHI SW9 | S/SXA = IOPHO. SW15. VORDER S/SW6 = IOPHO. SW15. (SW1 + SW4) R/SW7 = IOPHO. SW15 /ED/ = BCD*. SW6 /ES/ = BCD*. SW7 S/T8L = IOPHO. SW15 { R/IOPHO = IOPHO. SW15 { S/IOPHI = IOPHO. SW15 BRSW8 = IOPHO. SW15 | |

ORDEROUT

4 of 6

155094-B
SH 125

| PHASE | FUNCTION PERFORMED | SIGNAL XDS 902306 | COMMENTS | | | | | | | | | | | | |
|------------------|---|--|--|-------|---|------|-------|---|--|--|--|--------|-----|--|------------|
| IØ PHI SW8 | <p>VORDER ⇒ A → S S → P PRESET B → S ORD SW4 ⇒ { S/RSCLEN S/RSA NRS ⇒ R/RSA SET TB TIMING IFAM ⇒ PRESET [IOFM(01)] → A <u>SET STATUS</u></p> <p>READ BACKWARDS ⇒ IØRB</p> <p>IØRB ⇒ S/B0</p> <p>ADNH ⇒ S/B11</p> <p>PEM ⇒ S/B12</p> <p>SWS ⇒ INDICATES TWO CONSECUTIVE TRANSF. IN CHANNEL ORDERS SWS ⇒ S/B13</p> <p>IØP HALT ⇒ S/B14</p> | <p>$S_n = PR_n$ $PXS = IØPHI. SW8. VORDER$ $S/SXB = IØPHI. SW8$ $S/RSCLEN = IØPHI. SW8. ORDSW4$ $S/RSA = IØPHI. SW8. ORDSW4$ $E/RSA = NRS$ $S/TBL = IØPHI. SW8$ $S/AXRR/2 = IØPHI. SW8. IFAM$</p> <p>IØRB = IØDA4. IØDA5. NIODA6 .NIODA7</p> <p>S/B0 = IØPHI. SW8. ORDEROUT. IØRB</p> <p>S/B11 = IØIN. ADNH</p> <p>S/B12 = IØPHI. SW8. PEM. SW4 + IØPHI. SW8. PEM. ORDEROUT</p> <p>S/B13 = IØPHI. SW8. SWS. ORDEROUT</p> <p>S/B14 = (S/B11) + (S/B12) + (S/B13)</p> | <p>MEM BYTE (WORD) ADDR TO P REQ.</p> <p>"D"</p> <table border="1"> <tr> <td>FLAGS</td> <td>B</td> <td>BYTE</td> <td>COUNT</td> </tr> <tr> <td>A</td> <td></td> <td></td> <td></td> </tr> </table> <p>"B"</p> <table border="1"> <tr> <td>STATUS</td> <td>CPU</td> </tr> <tr> <td></td> <td>PROG. ADDR</td> </tr> </table> <p>↑ SET STATUS</p> | FLAGS | B | BYTE | COUNT | A | | | | STATUS | CPU | | PROG. ADDR |
| FLAGS | B | BYTE | COUNT | | | | | | | | | | | | |
| A | | | | | | | | | | | | | | | |
| STATUS | CPU | | | | | | | | | | | | | | |
| | PROG. ADDR | | | | | | | | | | | | | | |
| IØ PHI SW9 | <p>IFAM ⇒ [IOFM(01)] → A</p> <p>B → S S → P P → B15B1 SET PROGRAM ADDR POINTER <u>LAST TRANSMISSION ⇒ S/ES, S/ED</u></p> <p>TERM. ORDER DATA ⇒ TØDATA</p> <p>TØDATA ⇒ { S/SW6 S/SW7</p> <p><u>FLAG DEFINITION IN D REGISTER</u></p> <p>DØ ⇒ DATA CHAINING D1 ⇒ INTERRUPT AT ZERO BYTE COUNT D2 ⇒ COMMAND CHAINING ENABLE NEXT IØ SERVICE ⇒ SCINH = N(IØPHI. SW9). IØACT</p> <p>IFAM ⇒ { PRESET S → C PRESET IOFM(00) → A PRESET A → S</p> <p><u>SET T.Ø. DATA → IØDAN</u></p> <p>ZERO BYTE COUNT INT. ⇒ COUNT DONE ⇒ COMMAND CHAIN ⇒ IØP HALT ⇒</p> | <p>$S/A_n = RR_n. AXRR$</p> <p>$S_n = B_n. SXB$ $PXS = IØPHI. SW9$ $BXP/1 = IØPHI. SW9$ $S/BRP = IØPHI. SW9$</p> <p>TØDATA = IØPHI. SW9. ORDSW4</p> <p>S/SW6 = TØDATA S/SW7 = TØDATA</p> <p>S/CXS = IFAM. IØPHI. SW9 S/AXRR/2 = IFAM. IØPHI. SW9 S/SXA = IFAM. IØPHI. SW9</p> <p>S/IØDAØ = SWØ. D1. TØDATA S/IØDA1 = SWØ. NDØ. TØDATA S/IØDA2 = D2. TØDATA S/IØDA3 = B14. TØDATA IØDAX = TØDATA</p> | <p>CPU RESTORES SEQUENCE</p> | | | | | | | | | | | | |
| RS | | | | | | | | | | | | | | | |

| PHASE | FUNCTION PERFORMED | XDS 902306 INVOLVED | COMMENTS |
|-------------------|---|--|--|
| IØ PHI SWIO | $IFAM \Rightarrow \begin{cases} A \rightarrow S \\ S \rightarrow C \\ [IOFM(00)] \rightarrow A \end{cases}$ <p>IOSC \Rightarrow SET IOFS</p> <p>PRESET S \rightarrow [IOFM(00)] PRESET B \rightarrow S</p> | $S_n = PR_n$ $C_n = S_n \cdot CXS$ $S/A_n = RR_n \cdot AXRR$ $S/IOFS = IOSC \cdot NPCP3$ $S/RW/2 = IOPHI \cdot SWIO$ $S/SXB = IOPHI \cdot SWIO$ | |
| IØ PHI SWII | $B \rightarrow S$ $S \rightarrow [IOFM(00)]$ <p>IOSC \Rightarrow SET IO ENABLE RESET ADDR. NOT HERE RESET DOBIS</p> <p>NIFAM . NSW3 \Rightarrow BRSW13 NIFAM . NSW3 \Rightarrow PRESET D \rightarrow S IFAM \Rightarrow PRESET A \rightarrow S IFAMDS \Rightarrow RR \rightarrow A IFAST \Rightarrow [IOFM(01)] \rightarrow A</p> | $S_n = B_n \cdot SXB$ $S/RR_n = S_n \cdot RWXS$ $S/IOEN = IOSC \cdot NIOINH \cdot IOPHI \cdot SWII$ $R/ADNH = IOPHI \cdot SWII$ $DOBISXZ = IOPHI \cdot SWII$ $DX/1 = DOBISXZ$ $BRSW13 = NIFAM \cdot NSW3 \cdot IOPHI \cdot SWII$ $S/SXB = NIFAM \cdot NSW3 \cdot IOPHI \cdot SWII$ $S/SXA = IFAM \cdot IOPHI \cdot SWII$ $S/AXRR = IFAMDS \cdot IOPHI \cdot SWII$ $S/AXRR/3 = IFAST \cdot IOPHI \cdot SWII$ | STORE STATUS, BYTE ADDR IN IOFM(00) |
| IØ PHI SWI2 | $IFAM \Rightarrow A \rightarrow S$ $IFAST \Rightarrow \begin{cases} S \rightarrow P \\ S \rightarrow B \\ P \rightarrow B \end{cases}$ <p>IFAMDS \Rightarrow RR \rightarrow A IFAST \Rightarrow [IOFM(01)] \rightarrow A</p> <p>SW3 \Rightarrow $\begin{cases} \text{SET RSALEN} \\ \text{SET RSA} \end{cases}$ PRESET D \rightarrow S PRESET S \rightarrow [IOFM(01)]</p> | $S_n = PR_n$ $PXS = IFAST \cdot IOPHI \cdot SWI2$ $BXP/1 = IFAST \cdot IOPHI \cdot SWI2$ $S/A_n = RR_n \cdot AXRR$ $S/RSALEN = SW3 \cdot IOPHI \cdot SWI2$ $S/RSA = SW3 \cdot IOPHI \cdot SWI2$ $S/SXD = IOPHI \cdot SWI2$ $S/RW/3 = IOPHI \cdot SWI2$ | T.O. \Rightarrow SW3 |
| IØ PHI SWI3 | $D \rightarrow S$ $S \rightarrow [IOFM(01)]$ <p><u>RETURN TO PHIO</u> SET MRQ, DRQ RESET IPHIO</p> <p><u>RETURN TO PH6</u> IFAST/L \Rightarrow SET MRQ, DRQ FAFL \Rightarrow SET TBL FASH \Rightarrow PRESET A \rightarrow S FAMUL \Rightarrow I \rightarrow MIT/I FADIV \Rightarrow I \rightarrow DIT/I FUPLM \Rightarrow $\begin{cases} P+1 \rightarrow P \\ R+1 \rightarrow R \end{cases}$ FULM } \Rightarrow $\begin{cases} P-1 \rightarrow P \\ R-1 \rightarrow R \end{cases}$ + FUPSM } FUPSM \Rightarrow PRESET RR \rightarrow A</p> <p><u>ENTER NEXT IO SERVICE CALL</u> \Rightarrow IOEN IOEN \Rightarrow TAKE NEXT SC FAMDST \Rightarrow PRESET A \rightarrow S</p> | $S_n = PR_n$ $RR_n = S_n \cdot RWXS$ $BRPHIO = IPHIO \cdot IOPHI \cdot SWI3 \cdot NIOEN$ $S/MRQ/2 = IPHIO \cdot IOPHI \cdot SWI3 \cdot NIOEN$ $RESIØPHIO = IOPHI \cdot SWI3 \cdot NIOEN$ $(S/PH6/IO) = NIPHIO \cdot IOPHI \cdot SWI3 \cdot NIOEN \cdot NPCP2$ $BRPH6 = (S/PH6/IO)$ $S/MKQ/2 = IFAST/L \cdot IOPHI \cdot SWI3 \cdot NIOEN$ $S/TBL = (S/PH6/IO) \cdot FAFL$ $S/SXA = (S/PH6/IO) \cdot FASH$ $MIT/I = FAMUL \cdot NIOEN \cdot (S/PH6/IO)$ $DIT/I = FADIV \cdot NIOEN \cdot (S/PH6/IO)$ $PUC31 = IFAST/L \cdot OUI \cdot IOPHI \cdot SWI3 \cdot NIOEN$ $RUC31 = IFAST/L \cdot OUI \cdot IOPHI \cdot SWI3 \cdot NIOEN$ $PDC31 = IFAST/L \cdot NOUI \cdot IOPHI \cdot SWI3 \cdot NIOEN$ $RDC31 = IFAST/L \cdot NOUI \cdot IOPHI \cdot SWI3 \cdot NIOEN$ $S/AXRR = IFAST/S \cdot IOPHI \cdot SWI3 \cdot NIOEN$ $PREID/1 = IOEN \cdot IOPHI \cdot SWI3 \cdot NPCP2$ $S/SXA = FAMDST \cdot PREID/1$ | <u>LAST IO PHASE</u> STORE FLAGS & BT. COUNT IN FM(01) |

| PHASE | FUNCTION PERFORMED | SIGN XDS 902306 | COMMENTS |
|---------------|---|--|-------------------------------|
| IOPH2 SW13 | DATA OUT \Rightarrow NSW1, SW2 DASWA MB \rightarrow C ADNH \Rightarrow SET MEM TRANS. ERROR P32, P33 \rightarrow BYTE ALIGNMENT COUNTER P32 \rightarrow BCO P33 \rightarrow BCI CLEAR \rightarrow BC | DATAOUT = NSW1, SW2 DASWA = NSW1, NSW4 C _n = MB _n , CXMB CXMB = DG S/B11 = ADNH IOPH S/BCO = P32, IOPH2, SW13 S/BCI = P33, IOPH2, SW13 BCX = IOPH2, SW13 | FIRST DATA WORD TO C REGISTER |
| DR | PRESET C \rightarrow S | S/SXC = IOPH2, SW13 | |
| IOPH2 SW14 | C \rightarrow S S \rightarrow A DECREMENT BC \Rightarrow BCDCI BC=0 \Rightarrow { PRESET (D-1) \rightarrow S RESET IOPH2 SET IOPHO BRANCH TO SW13 | S _n = C _n , SXC S/An = S _n , AXS AXS = IOPH2, SW14 BCDCI = IOPH2, SW14 S/SXDMI = BCZ, IOPH2, SW14 R/IOPH2 = BCZ, IOPH2, SW14 S/IOPHO = (R/IOPH2) BRSW13 = BCZ, IOPH2, SW14 | FIRST DATA WORD TO A |

DATAOUT

1 of 6

| PHASE | FUNCTION PERFORMED | SIGNALS INVOLVED | COMMENTS |
|---------------|---|---|--|
| IOPH2 SW15 | ALIGN DATA \Rightarrow SHIFT A LEFT 8 DECREMENT BC \Rightarrow BCDCI BC \neq 0 \Rightarrow SUSTAIN PHASE BC=0 \Rightarrow { PRESET (D-1) \rightarrow S RESET IOPH2 SET IOPHO BRANCH TO SW13 | AXALB = IOPH2, SW15 BCDCI = IOPH2, SW15 BRSW15 = NBCZ, IOPH2, SW15 S/SXDMI = BCZ, IOPHO, SW15 R/IOPH2 = BCZ, IOPHO, SW15 S/IOPHO = (R/IOPH2) BRSW13 = IOPH2, SW15, BCZ | |
| IOPHO SW13 | D-1 \rightarrow S S1631 \rightarrow D TEST: BYTE } \Rightarrow S1631Z \Rightarrow SWO COUNT = ZERO } <u>TRANSFER DATA TO DATA OUTPUT REGISTER</u> NSKIP \Rightarrow A0007 \rightarrow IODA PARITY \Rightarrow A0007 \rightarrow DAP GEN. ALIGN NEXT BYTE \Rightarrow SHIFT A LEFT RSCLEN \Rightarrow INCR. BYTE ADDRESS NRS \Rightarrow RESET RSA | S _n = (K _n \oplus PR _n), SXADD DXS/4 = IOPHO, SW13, NSW1 S/SWO = S1631Z, IOPHO, SW13, NSW1 IODAXA = DATAOUT, IOPHO, SW13, ND7 IOPG \Rightarrow (A0007 PARITY GEN) S/IODAP = IOPG, IOPHO, SW13, DATAOUT R/IODAP = IOPHO, SW13 AXALB = DATAOUT, IOPHO, SW13 P1633 = RSCLEN, DATAOUT, IOPHO, SW13 E/RSA = NRS | REDUCE BYTE COUNT DXS/4 ENABLES D BYTES 2 & 3 ONLY NSLIP \Rightarrow ND7 (FLAG) |

DATAOUT

2 of 6

155094-B
SH 128

| PHASE | FUNCTION PERFORMED | XDS 902306 INVOLVED | COMMENTS |
|------------|---|--|----------|
| IOPHO SW14 | VALID DATA OUT ⇒ WHERE: NED ⇒ NOT END DATA NSWO ⇒ BYTE COUNT ≠ 0 NPEM ⇒ NOT MEMORY PARITY ERROR NADNH ⇒ VALID MEMORY ADDRESS N(P32.P33) ⇒ NOT WORD BOUNDARY SET T8L VDATAOUT ⇒ { PRESET (D-1) → S SET RSCLEN SET RSA BRANCH TO SW13 NYDATAOUT ⇒ BRANCH TO IOPHI.SWB | VDATAOUT = DATAOUT, NED, NSWO, IOPHO, SW14 . NPEM, NADNH, N(P32.P33) S/T8L = DATAOUT, IOPHO, SW14 S/SXDMI = VDATAOUT S/RSCLEN = VDATAOUT S/RSA = VDATAOUT BRSW13 = VDATAOUT BRDWB = NYDATAOUT, DATAOUT, IOPHO, SW14 R/IOPHO = NYDATAOUT, DATAOUT, IOPHO, SW14 S/IOPHI = NYDATAOUT, DATAOUT, IOPHO, SW14 | |

DATAOUT

3 of 6

| PHASE | FUNCTION PERFORMED | SIGNALS INVOLVED | COMMENTS |
|-----------|--|---|--|
| IOPHI SW8 | IOP HALT ⇒ B14 PEM ⇒ (S/B10) BT.CT. = 0 ⇒ SW0 LTO ⇒ SW3 REQUEST TERMINAL ORDER NSW4, RT09 ⇒ SET SW3 STATUS ⇒ EEEO BT CT INTR ⇒ INCR. BYTE COUNT ⇒ P+1 → P <u>DATA CHAIN</u> DATA CHAIN FLAG (DO) ⇒ IODC DATA CHAIN ⇒ { SET SW4 PRESET [IOPHI(0)] RESET IOPHI SET IOPHI3 BRSW8 IFAM ⇒ PRESET [IOPHI(0)] → A PRESET B → S <u>RAISE ED, ES</u> ED ⇒ SW6 ES ⇒ SW7 | RT09 = (S/B10) + B14 + SW0 + SW3 S/SW3 = IOPHI, SW9, DASW4, RT09 S/B2 = DI, SW0, NSW1, NSW4, IOPHI, SW8 PUC33 = DATAOUT, NSW4, IOPHI, SW8 IODC = DO, SW0, NADNH S/SW4 = IODC, DASW4, IOPHI, SW8 S/AXRR/4 = IODC, DASW4, IOPHI, SW8 R/IOPHI = IODC, DASW4, IOPHI, SW8 S/IOPHI3 = IODC, DASW4, IOPHI, SW8 BRSW8 = IODC, DASW4, IOPHI, SW8 S/AXRR/3 = NIODC, DASW4, IOPHI, SW8 S/EXB = IOPHI, SW8 S/SW6 = IOPHI, SW8, DASW8 S/SW7 = IOPHI, SW8, DASW8 | IF DO FLAG GO TO DATA CHAIN SEQUENCE |

DATAOUT

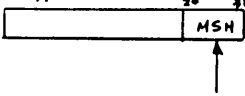
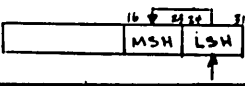
4 of 6

155094-B
SH 129

| PHASE | FUNCTION PERFORMED | SIGNALS INVOLVED | COMMENTS |
|----------------------------|---|--|---|
| <p>IØ PHI SW9</p> | <p>IFAM ⇒ [IØFM(01)] → A</p> <p>B → S S → P P → B1531</p> <p>SET PROGRAM ADDR POINTER</p> <p>IØPHALT ⇒ B14 } REQUEST PEM ⇒ (S/B10) } TERMINAL BT CT=0 ⇒ SW0 } ORDER</p> <p><u>NO TERMINAL ORDER</u></p> <p>NRTØ9 ⇒ { S/RSACLEN NIFAM ⇒ B15W11, { S/RSA →</p> <p><u>TERMINAL ORDER</u></p> <p>RTØ9 ⇒ { S/SW3 { S/ED ⇒</p> <p>R/ES</p> <p>ENABLE NEXT IØ SERVICE</p> <p>IFAM → { PRESET S → C { PRESET IØFM(00) → A { PRESET A → S</p> <p>NIFAM.NRTØ9 ⇒ PRESET B → S → [IØFM(00)]</p> | <p>S/An = PR_n</p> <p>S_n = B_n. SXB</p> <p>PXS = IØPHI. SW9</p> <p>BXP/I = IØPHI. SW9</p> <p>S/BRP = IØPHI. SW9</p> <p>RTØ9 = (S/B10) + B14 + SW0 + SW3</p> <p>S/RSACLEN = NRTØ9.DASW4. IØPHI. SW9</p> <p>S/RSA = NRTØ9.DASW4. IØPHI. SW9</p> <p>BRSW11 = NRTØ9.NIFAM. IØPHI. SW9</p> <p>S/SW3 = RTØ9. DASW4. IØPHI. SW9</p> <p>S/SW6 = RTØ9. DASW4. IØPHI. SW9</p> <p>R/SW7 = RTØ9. DASW4. IØPHI. SW9</p> <p>SCINH = N(IØPHI. SW9) IØACT</p> <p>S/CXS = IFAM. IØPHI. SW9</p> <p>S/AXER/E = IFAM. IØPHI. SW9</p> <p>S/SXA = IFAM. IØPHI. SW9</p> <p>S/SXB = NIFAM.NRTØ9. IØPHI. SW9</p> <p>S/RW/2 = NIFAM.NRTØ9. IØPHI. SW9</p> | <p>BEGIN CPU RESTORE SEQUENCE</p> |
| <p>IØ PHI SW10</p> | <p>IFAM ⇒ { A → S { S → C { IØFM(00) → A</p> <p>IØSC ⇒ S/IØFS</p> <p>PRESET S → [IØFM(00)]</p> <p>PRESET B → S</p> <p>SW3 ⇒ T.Ø. ⇒ { S/RSCLLEN { S/RSA</p> | <p>S_n = PR_n</p> <p>C_n = S_n. CXS</p> <p>S/An = RR_n. AXRR</p> <p>S/IØFS = IØSC. NPLCPB</p> <p>S/RW/2 = IØPHI. SW10</p> <p>S/SXB = IØPHI. SW10</p> <p>S/RSCLLEN = SW3. DASW4. IØPHI. SW10</p> <p>S/RSA = SW3. DASW4. IØPHI. SW10</p> | |
| <p>IØ PHI SW11</p> | <p>B → S S → [IØFM(00)]</p> <p>IØSC ⇒ SET IØ ENABLE. RESET ADDR NOT HERE RESET DØB15</p> <p>(N.T.Ø.) NIFAM.NSW3 ⇒ { BRSW13 { PRESET D → S</p> <p>IFAM ⇒ PRESET A → S</p> <p>IFAMDS ⇒ RR → A</p> <p>IFAST ⇒ [IØFM(01)] → A</p> <p>SW3 ⇒ T.Ø. DATA</p> <p>TØDATA ⇒ { S/ED { S/ES</p> <p><u>TØ DATA → IØDA</u></p> <p>ZERO BYTE CT. INT. ⇒</p> <p>COUNT DONE ⇒</p> <p>COMMAND CHAIN ⇒</p> <p>IØPHALT ⇒</p> | <p>S_n = B_n SXB</p> <p>S/RE_n = S_n. RWXS</p> <p>S/IØEN = IØSC.NIØNH. IØPHI. SW11</p> <p>R/ADNH = IØPHI. SW11</p> <p>DØB15XZ = IØPHI. SW11</p> <p>DX/I = DØB15XZ</p> <p>BRSW13 = NIFAM.NSW3. IØPHI. SW11</p> <p>S/SXD = NIFAM.NSW3. IØPHI. SW11</p> <p>S/SXA = IFAM. IØPHI. SW11</p> <p>S/AXER = IFAMDS. IØPHI. SW11</p> <p>S/AXRR/B = IFAST. IØPHI. SW11</p> <p>TØDATA = SW3. DASW4. IØPHI. SW11</p> <p>S/SW6 = TØDATA</p> <p>S/SW7 = TØDATA</p> <p>S/IØVAØ = SWØ. DI. TØDATA</p> <p>S/IØDA1 = SWØ. NDO. TØDATA</p> <p>S/IØDA2 = DZ. TØDATA</p> <p>S/IØDA3 = B14. TØDATA</p> <p>IØDAX = TØDATA</p> | <p>STORE STATUS IN [IØFM(00)]</p> |

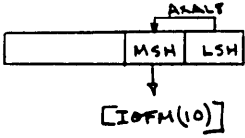
| PHASE | FUNCTION PERFORMED | XDS 902306 INVOLVED | COMMENTS |
|-------------------|---|--|--|
| IO PHI SWIZ | <p>IFAM \Rightarrow A \rightarrow S</p> <p>S \rightarrow P S \rightarrow B P \rightarrow B RR \rightarrow A [IOFM(01)] \rightarrow A</p> <p>SW3 \Rightarrow { S/RSACLEN (TERM. ORDER) S/RSA</p> <p>PRESET D \rightarrow S PRESET S \rightarrow [IOFM(01)]</p> | <p>$S_n = PR_n$ $PXS = IFAST.IOPHI.SWIZ$ $BXP/I = IFAST.IOPHI.SWIZ$ $S/An = RR_n \cdot AxRR$</p> <p>$S/RSACLEN = SW3.IOPHI.SWIZ$ $S/RSA = SW3.IOPHI.SWIZ$</p> <p>$S/SxD = IOPHI.SWIZ$ $S/RW/3 = IOPHI.SWIZ$</p> | |
| IO PHI SWIZ | <p>D \rightarrow S S \rightarrow [IOFM(01)]</p> <p><u>RETURN TO PHIO</u></p> <p><u>RETURN TO PHG</u></p> <p>IFAST/L \Rightarrow SET MRQ; DRQ FAFL \Rightarrow SET T&L FASH \Rightarrow PRESET A \rightarrow S FAMUL \Rightarrow I \rightarrow MIT/I FADIV \Rightarrow I \rightarrow DIT/I</p> <p>FUPLK \Rightarrow { P+1 \rightarrow P R+1 \rightarrow R P-1 \rightarrow P FULH } FUPSH \Rightarrow { R-1 \rightarrow R FUPSM \Rightarrow PRESET RR \rightarrow A</p> <p><u>ENTER NEXT SERVICE CALL \Rightarrow IOEN</u></p> <p>IOEN \Rightarrow TAKE NEXT SC FAMDST \Rightarrow PRESET A \rightarrow S</p> | <p>$S_n = PR_n$ $S/RR_n = S_n \cdot RWXS$</p> <p>$BRPHIO = IPHIO.IOPHI.SWIZ.NIOEN$ $S/MRQ/2 = IPHIO.IOPHI.SWIZ.NIOEN$ $RESIPHIO = IOPHI.SWIZ.NIOEN$</p> <p>$(S/PHG/IO) = NIPHIO.IOPHI.SWIZ.NIOEN.NPCPZ$</p> <p>$BRPHG = (S/PHG/IO)$ $S/MRQ/2 = IFAST/L.IOPHI.SWIZ.NIOEN$ $S/T&L = (S/PHG/IO).FAFL$ $S/SXA = (S/PHG/IO).FASH$ MIT/I = FAMUL.NIOEN.(S/PHG/IO) DIT/I = FADIV.NIOEN.(S/PHG/IO)</p> <p>PUC3I = IFAST/L. OUI. IOPHI.SWIZ.NIOEN RUC3I = IFAST/L. OUI. IOPHI.SWIZ.NIOEN PDC3I = IFAST/L. NOUI. IOPHI.SWIZ.NIOEN + IFAST/S. IOPHI.SWIZ.NIOEN RDC3I = IFAST/L. NOUI. IOPHI.SWIZ.NIOEN + IFAST/S. IOPHI.SWIZ.NIOEN S/AXRR = IFAST/S. IOPHI.SWIZ.NIOEN</p> <p><u>CALL \Rightarrow IOEN</u></p> <p>$PREIO/I = IOEN.IOPHI.SWIZ.NPCPZ$ $S/SXA = FAMDST.PREIO/I$</p> | <p><u>LAST IO PHASE</u> STORE FLAGS, BT COUNT IN FM(01)</p> <p>IOEN \Rightarrow TAKE NEXT SC.</p> |

DATA OUT

| PHASE | FUNCTION PERFORMED | SIGN XDS 902306 | COMMENTS |
|-------------------|--|---|--|
| I0 PH3 SW8 | DATA CHAIN \Rightarrow SW4 VALID ORDER \Rightarrow VORDER [IOPM(10)] \rightarrow A INDICATE TERMINAL ORDER REQ PRESET [IOPM(11)] \rightarrow A | VORDER = SW4. NSW5. NPEM. NADNH. ORDSW4 = SW4 S/An = RRn. AXRR S/SW3 = IOPH3 S/AXRR/4 = IOPH3. SW8 S/AXRR/6 = IOPH3. SW8 | MOST SIGNIF. HALF OF COMMAND DW ADDR "A"  |
| I0 PH3 SW9 | [IOPM(11)] \rightarrow A LEFT ALIGN A PRESET A+1 \rightarrow S | S/An = RRn. AXRR AXALB = IOPH3. SW9 S/SXAPI = IOPH3. SW9 | LEFT ALIGN MSH OF CDW ADDR AND LSH TO "A"  |
| I0 PH3 SW10 | A+1 \rightarrow S 2S \rightarrow A | Sn = (Kn \oplus PRn) SXADD AXSLI = NBI. IOPH3. SW10 | |

DATACHAIN

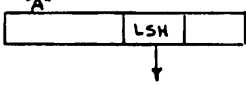
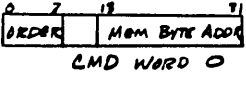
1 of 6

| PHASE | FUNCTION PERFORMED | SIGNALS INVOLVED | COMMENTS |
|-------------------|--|--|--|
| I0 PH3 SW11 | A \rightarrow S S \rightarrow P $\frac{1}{2}$ S \rightarrow A SET MRQ, DELAYED DRQ RESET MEM PARITY ERROR PRESET S \rightarrow [IOPM(10)] PRESET A \rightarrow S | Sn = PRn PKS = IOPH3. SW11 AXSR1 = IOPH3. SW11 S/MRQ/3 = IOPH3. SW11 S/MRQP1 = (S/MRQ/3) R/PEM = IOPH3. SW11. NSW5 S/RW/4 = IOPH3. SW11 S/SXA = IOPH3. SW11 | CURRENT CDW ADDR TO P (WORD ADDR) AND SHIFT CDW ADDR RIGHT 1 IN A (Double word Addr.) |
| I0 PH3 SW12 | A \rightarrow S S \rightarrow [IOPM(10)] LEFT ALIGN A SET DRQ PRESET A \rightarrow S PRESET S \rightarrow [IOPM(11)] | Sn = PRn S/RRn = Sn. RWXS AXALB = IOPH3. SW12 S/DRQ = MRQP1 S/SXA = IOPH3. SW12 S/RW/3 = IOPH3. SW12 S/RW/4 = IOPH3. SW12 |  |

DATACHAIN

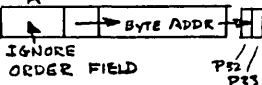
2 of 6

155094-B
SH132

| PHASE | FUNCTION PERFORMED | XDS 902306 INVOLVED | COMMENTS |
|------------------|---|---|---|
| IOPH3 SW13 DR | MEMORY DG ⇒ CXMB MB ↔ C A → S S → [IOFM(11)] INCR CDW } ADDR } P+1 → P PRESET C → S ADNH SET B11 (S/B11) ⇒ IOP HALT | CXMB = DG Cn = MBn. CXMB Sn = PRn S/RRn = Sn. RWXS PUL31 = IOPH3. SW13 S/SXC = IOPH3. SW13 S/B11 = IOPH3. SW13 S/B14 = (S/B11) | LOAD COMM. WORD 0 INTO C REGISTER LSH OF CDW ADDR LOADED IN [IOFM(11)] "A"  |
| IOPH3 SW14 | C → S S → A SET MRQ, DRQ PRESET A → S | Sn = Cn. SXC AXS = IOPH3. SW14 S/MRQ = IOPH3. SW14. NIOTRIN S/SXA = IOPH3. SW14 |  |

DATACHAIN

3 of 6

| PHASE | FUNCTION PERFORMED | SIGNALS INVOLVED | COMMENTS |
|------------------|--|--|---|
| IOPH3 SW15 DR | DG ⇒ CXMB MB → C C → D A → S S (RIGHT2) → A A30, A31 → P32, P33 BRANCH TO IOPHO. SW15 | CXMB = DG Cn = MBn. CXMB DXC = VORDER AXSR2 = IOPH3. SW15 S/P32 = A30. AXSR2 S/P33 = A31. AXSR2 R/IOPH3 = IOPH3. SW15 S/IOPHO = IOPH3. SW15 BRSW15 = IOPH3. SW15 | LOAD CMD WORD 1 INTO C & D DOWN ALIGN MEMORY BYTE ADDR A  |
| IOPHO SW15 | REQUEST TO ⇒ SW3 (SW3 WAS SET BY IOPH3) PRESET A → S T8 ⇒ S/ED, R/ES S/T8L BRANCH TO IOPHI SW8 | S/SXA = IOPHO. SW15. VORDER S/SWG = IOPHO. SW15. SW4 R/SW7 = IOPHO. SW15 /ED/ = BCD#. SW6 /ES/ = BCD#. SW7 S/T8L = IOPHO. SW15 R/IOPHO = IOPHO. SW15 S/IOPHI = IOPHO. SW15 BRSW8 = IOPHO. SW15 | |

DATACHAIN

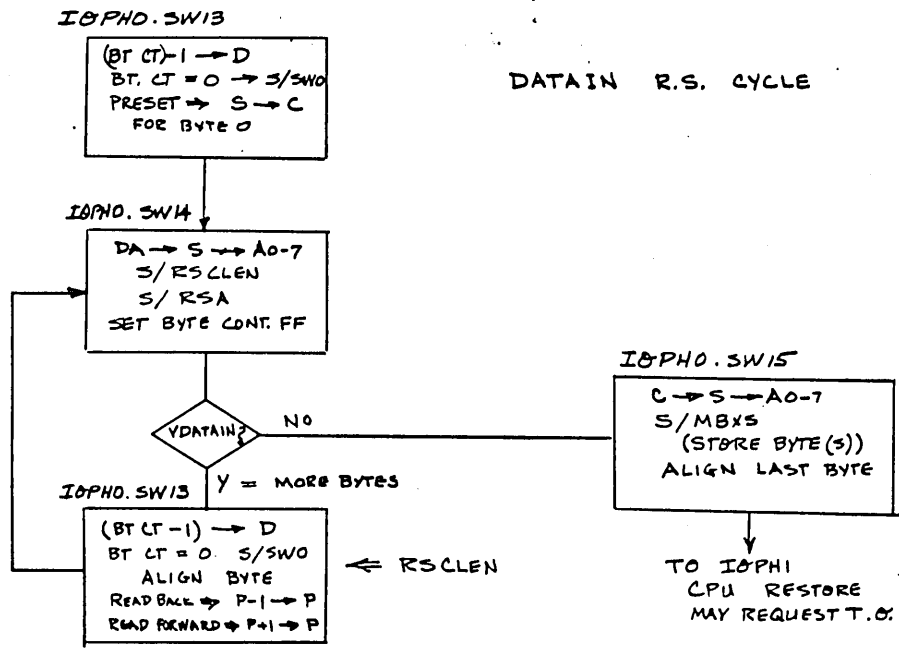
4 of 6

155094B
SH 133

| PHASE | FUNCTION PERFORMED | SIGNALS XDS 902306 | COMMENTS | | | | | | | | |
|------------------|--|---|---|-------|---|---|------|-------|--------|-----|-------------|
| IØ PHI SW8 | <p>VORDER ⇒ A → S S → P PRESET B → S GRD SW4 ⇒ { S/RSCLN S/RSA NRS ⇒ R/RSA SET T8 TIMING IFAM ⇒ PRESET [IOFM(01)] → A <u>SET STATUS</u></p> <p>READ BACKWARDS ⇒ IØRB</p> <p>IØRB ⇒ S/B0</p> <p>ADNH ⇒ S/B11</p> <p>PEM ⇒ S/B12</p> <p>SW5 ⇒ INDICATES TWO CONSECUTIVE TRANSF. IN CHANNEL ORDERS CWS ⇒ S/B13</p> <p>ISP HALT ⇒ S/B14</p> | <p>S_n = PR_n PXS = IØPHI. SW8. VORDER S/SXB = IØPHI. SW8 S/RSCLN = IØPHI. SW8. GRDSW4 S/RSA = IØPHI. SW8. GRDSW4 E/RSA = NRS S/TBL = IØPHI. SW9 S/AXRR/3 = IØPHI. SW8. GRDSW4</p> <p>IØRB = IØDA4. IØDA5. NIØDA6 . NIØDA7 S/B0 = IØPHI. SW8. ORDEROUT. IØRB S/B11 = IØIN. ADNH S/B12 = IØPHI. SW8. PEM. SW4 + IØPHI. SW8. PEM. ORDEROUT S/B13 = IØPHI. SW8. SW5. ORDEROUT S/B14 = (S/B11 + (S/B12) + (S/B13)</p> | <p>MEM BYTE (WORD) ADDR TO P REQ.</p> <p>"D"</p> <table border="1"> <tr> <td>FLAGS</td> <td>B</td> <td>A</td> <td>Byte</td> <td>Count</td> </tr> </table> <p>"B"</p> <table border="1"> <tr> <td>STATUS</td> <td>CPU</td> <td>Prog. Addr.</td> </tr> </table> <p>↑ -BT STATUS</p> | FLAGS | B | A | Byte | Count | STATUS | CPU | Prog. Addr. |
| FLAGS | B | A | Byte | Count | | | | | | | |
| STATUS | CPU | Prog. Addr. | | | | | | | | | |
| IØ PHI SW9 | <p>IFAM → [IOFM(01)] → A B → S S → P P → B1531 SET PROGRAM ADDR POINTER LAST TRANSMISSION ⇒ S/ES</p> <p>TEMP. ORDER DATA ⇒ TØDATA</p> <p>TØDATA ⇒ { S/SW6 S/SW7</p> <p><u>FLAG DEFINITION IN D REGISTER</u></p> <p>DØ ⇒ DATA CHAINING D1 ⇒ INTERRUPT AT ZERO BYTE COUNT D2 ⇒ COMMAND CHAINING ENABLE NEXT IØ SERVICE ⇒</p> <p>IFAM ⇒ { PRESET S → C PRESET IOFM(00) → A PRESET A → S</p> <p><u>SET T.Ø. DATA → IØDAn</u></p> <p>ZERO BYTE COUNT INT. ⇒ COUNT DONE ⇒ COMMAND CHAIN ⇒ IØP HALT ⇒</p> | <p>S/A_n = RR_n. AXRR</p> <p>S_n = B_n. SXB PXS = IØPHI. SW9 BK P/1 = IØPHI. SW9 S/BRP = IØPHI. SW9</p> <p>S/ED</p> <p>TØDATA = IØPHI. SW9. GRDSW4 S/SW6 = TØDATA S/SW7 = TØDATA</p> <p>SCINH = N(IØPHI. SW9). IØACT</p> <p>S/CXS = IFAM. IØPHI. SW9 S/AXRR/2 = IFAM. IØPHI. SW9 S/SXA = IFAM. IØPHI. SW9</p> <p>S/IØDAØ = SWØ. D1. TØDATA S/IØDA1 = SWØ. NDO. TØDATA S/IØDA2 = D2. TØDATA S/IØDA3 = B14. TØDATA IØDAX = TØDATA</p> | <p>CPU RESTORE SEQUENCE</p> | | | | | | | | |
| RS | | | | | | | | | | | |

| PHASE | FUNCTION PERFORMED | XDS 902306 INVOLVED | COMMENTS |
|-------------------|---|---|--|
| IØ PHI SW10 | $IFAM \Rightarrow \begin{cases} A \rightarrow S \\ S \rightarrow C \\ [IØFM(00)] \rightarrow A \end{cases}$ $IØSC \Rightarrow \text{SET } IØFS$ $\text{PRESET } S \rightarrow [IØFM(00)]$ $\text{PRESET } B \rightarrow S$ | $S_n = PR_n$ $C_n = S_n \cdot CXS$ $S/A_n = RR_n \cdot AXRR$ $S/IØFS = IØSC \cdot NPCP3$ $S/RW/2 = IØPHI \cdot SW10$ $S/SXB = IØPHI \cdot SW10$ | |
| IØ PHI SW11 | $B \rightarrow S$ $S \rightarrow [IØFM(00)]$ $IØSC \Rightarrow \text{SET } IØ \text{ ENABLE}$ $\text{RESET ADDR. NOT HERE}$ $\text{RESET } DOB15$ $NIFAM \cdot NSW3 \Rightarrow BRSW13$ $NIFAM \cdot NSW3 \Rightarrow \text{PRESET } D \rightarrow S$ $IFAM \Rightarrow \text{PRESET } A \rightarrow S$ $IFAMDS \Rightarrow RR \rightarrow A$ $IFAST \Rightarrow [IØFM(01)] \rightarrow A$ | $S_n = B_n \cdot SXB$ $S/RR_n = S_n \cdot RWXS$ $S/IØEN = IØSC \cdot NIØINH \cdot IØPHI \cdot SW11$ $R/ADNH = IØPHI \cdot SW11$ $DOB15XZ = IØPHI \cdot SW11$ $DX/1 = DOB15XZ$ $BRSW13 = NIFAM \cdot NSW3 \cdot IØPHI \cdot SW11$ $S/SXD = NIFAM \cdot NSW3 \cdot IØPHI \cdot SW11$ $S/SXA = IFAM \cdot IØPHI \cdot SW11$ $S/AXRR = IFAMDS \cdot IØPHI \cdot SW11$ $S/AXRR/3 = IFAST \cdot IØPHI \cdot SW11$ | STORE STATUS, BYTE ADDR IN IØFM(00) |
| IØ PHI SW12 | $IFAM \Rightarrow A \rightarrow S$ $IFAST \Rightarrow \begin{cases} S \rightarrow P \\ S \rightarrow B \\ P \rightarrow B \end{cases}$ $IFAMDS \Rightarrow RR \rightarrow A$ $IFAST \Rightarrow [IØFM(01)] \rightarrow A$ $SW3 \Rightarrow \begin{cases} \text{SET } RSACLN \\ \text{SET } ISA \end{cases}$ $\text{PRESET } D \rightarrow S$ $\text{RESET } S \rightarrow [IØFM(01)]$ | $S_n = PR_n$ $PXS = IFAST \cdot IØPHI \cdot SW12$ $BXP/1 = IFAST \cdot IØPHI \cdot SW12$ $S/A_n = RR_n \cdot AXRR$ $S/RSACLN = SW3 \cdot IØPHI \cdot SW12$ $S/RSA = SW3 \cdot IØPHI \cdot SW12$ $S/SXD = IØPHI \cdot SW12$ $S/RW/3 = IØPHI \cdot SW12$ | T.O. \Rightarrow SW3 |
| IØ PHI SW13 | $D \rightarrow S$ $S \rightarrow [IØFM(01)]$ <u>RETURN TO PH10</u> $\text{SET } MRQ, DRQ$ $\text{RESET } IPH10$ <u>RETURN TO PH6</u> $IFAST/L \Rightarrow \text{SET } MRQ, DRQ$ $FAFL \Rightarrow \text{SET } T8L$ $FASH \Rightarrow \text{PRESET } A \rightarrow S$ $FAMUL \Rightarrow I \rightarrow MIT/1$ $FADIV \Rightarrow I \rightarrow DIT/1$ $FUPLM \Rightarrow \begin{cases} P+1 \rightarrow P \\ R+1 \rightarrow R \end{cases}$ $\left. \begin{matrix} FULM \\ + \\ FUPSM \end{matrix} \right\} \Rightarrow \begin{cases} P-1 \rightarrow P \\ R-1 \rightarrow R \end{cases}$ $FUPSM \Rightarrow \text{PRESET } RR \rightarrow A$ <u>ENTER NEXT IØ SERVICE CALL</u> \Rightarrow IØEN $IØEN \Rightarrow \text{TAKE NEXT SC}$ $FAMDST \Rightarrow \text{PRESET } A \rightarrow S$ | $S_n = PR_n$ $RR_n = S_n \cdot RWXS$ $BRPH10 = IPH10 \cdot IØPHI \cdot SW13 \cdot NIØEN$ $S/MRQ/2 = IPH10 \cdot IØPHI \cdot SW13 \cdot NIØEN$ $RESIPH10 = IØPHI \cdot SW13 \cdot NIØEN$ $(S/PH6/IØ) = NIPH10 \cdot IØPHI \cdot SW13 \cdot NIØEN \cdot NPCP2$ $BRPH6 = (S/PH6/IØ)$ $S/MRQ/2 = IFAST/L \cdot IØPHI \cdot SW13 \cdot NIØEN$ $S/T8L = (S/PH6/IØ) \cdot FAFL$ $S/SXA = (S/PH6/IØ) \cdot FASH$ $MIT/1 = FAMUL \cdot NIØEN \cdot (S/PH6/IØ)$ $DIT/1 = FADIV \cdot NIØEN \cdot (S/PH6/IØ)$ $PUC31 = IFAST/L \cdot OUI \cdot IØPHI \cdot SW13 \cdot NIØEN$ $RUC31 = IFAST/L \cdot OUI \cdot IØPHI \cdot SW13 \cdot NIØEN$ $PDC31 = IFAST/L \cdot NOUI \cdot IØPHI \cdot SW13 \cdot NIØEN$ $RDC31 = IFAST/L \cdot NOUI \cdot IØPHI \cdot SW13 \cdot NIØEN$ $+ IFAST/S \cdot IØPHI \cdot SW13 \cdot NIØEN$ $+ IFAST/S \cdot IØPHI \cdot SW13 \cdot NIØEN$ $S/AXRR = IFAST/S \cdot IØPHI \cdot SW13 \cdot NIØEN$ $\text{PREIØ/1} = IØEN \cdot IØPHI \cdot SW13 \cdot NPCP2$ $S/SXA = FAMDST \cdot \text{PREIØ/1}$ | <u>LAST IØ PHASE</u> STORE FLAGS & BT. COUNT IN FM(01) |

| PHASE | FUNCTION PERFORMED | SIGI XDS 902306 | COMMENTS | | | | | | | | | | | | | | | |
|------------|--|--|---|--|-----|-----|-------|---|---|-------|---|---|--------|---|---|--------|---|---|
| IOPHO SW13 | <p>D-1 → S S → D1631 (S1631 = 0) ⇒ SET SWO</p> <p>READ BACKWARD ⇒ B0 READ BACKWARD ⇒ DEC. BY. ADDR N150 ⇒ INCL. W/VE ADDR</p> <p>DATA ALIGN (SEE TABLE)</p> <p>SET PALL (NP32, NP33) PRESET C → C TO GET 1st BYTE OUT OF DATA PATH. OTHER BYTES DIRECTLY ALIGNED</p> <p>SET T8L DC CLEAR RSA ⇒ NRS</p> | <p>$S_n = (K_n \oplus PR_n) SXADD$ $DXS/4 = IOPHO, SW13, NSW1$ $S/SWO = S1631Z, NSW1, IOPHO, SW13$ $RSCLN ⇒ NOT FIRST (IOPHO, SW13)$ $PDC33 = B0, RSCLN, DATAIN, IOPHO, SW13$ $PUC33 = NBO, RSCLN, DATAIN, IOPHO, SW13$</p> <p>S/CXS = NP32, NP33, RSCLN, DATAIN, IOPHO, SW13 AXAR8 = NP32, P33, DATAIN, IOPHO, SW13 AXAR16 = P32, NP33, DATAIN, IOPHO, SW13 AXAR24 = P32, P33, DATAIN, IOPHO, SW13</p> <p>S/T8L = IOPHO, SW13 E/RSA = NRS</p> | <p>DECR. BYTE COUNT</p> <p>SW13 ⇒ ZERO BY. CT.</p> <p>DATA ALIGN</p> <table border="1"> <tr> <td></td> <td>P32</td> <td>P33</td> </tr> <tr> <td>S/CXS</td> <td>0</td> <td>0</td> </tr> <tr> <td>AXAR8</td> <td>0</td> <td>1</td> </tr> <tr> <td>AXAR16</td> <td>1</td> <td>0</td> </tr> <tr> <td>AXAR24</td> <td>1</td> <td>1</td> </tr> </table> | | P32 | P33 | S/CXS | 0 | 0 | AXAR8 | 0 | 1 | AXAR16 | 1 | 0 | AXAR24 | 1 | 1 |
| | P32 | P33 | | | | | | | | | | | | | | | | |
| S/CXS | 0 | 0 | | | | | | | | | | | | | | | | |
| AXAR8 | 0 | 1 | | | | | | | | | | | | | | | | |
| AXAR16 | 1 | 0 | | | | | | | | | | | | | | | | |
| AXAR24 | 1 | 1 | | | | | | | | | | | | | | | | |
| IOPHO SW14 | <p>DA0-7 → S0-7 S0-7 → A0-7 BYTE 0</p> <p>FIRST BYTE (NP32, NP33) ⇒ S0-7 → C</p> <p>PC ⇒ TEST PARITY PARITY FAIL ⇒ S/ISDAP</p> <p>VDATAIN ⇒ CONDITIONS</p> <p>NOT END DATA BYTE COUNT ≠ 0 NOT WORD BOUNDARY DATA PARITY PASS</p> <p>VDATAIN ⇒</p> <p>S/KSCLN S/RSA PRESET D-1 → S BR SW13</p> <p>SET BYTE MBXS CONTROL</p> <p>NP32, NP33 ⇒ BYTE 0 NP32, P33 ⇒ BYTE 1 P32, NP33 ⇒ BYTE 2 P32, P33 ⇒ BYTE 3</p> <p>NVDATAIN ⇒ PRESET C → S</p> | <p>SXDA = DATAIN, IOPHO, SW14 AXS/2 = IOPHO, SW14, DATAIN AXS/4 = AXS/2 AXS/0 = AXS/4 + AXS $C_n = S_n, CXS$</p> <p>PC = BCR*/PC/ S/ISDAP = IOPC, PC, DATAIN, IOPHO, SW13 IOPC ⇒ OUTPUT OF PARITY CHECK CKC.</p> <p>ALLOWING ANOTHER DATA BYTE IN</p> <p>VDATAIN = NED, NSW0, (IOPC + NPC), N(NP32, NP33 B0), DATAIN, IOPHO, SW14</p> <p>S/KSCLN = VDATAIN S/RSA = VDATAIN S/SXDMI = VDATAIN BR SW13 = VDATAIN</p> <p>FF'S (MR2 IS NOT SET)</p> <p>S/MBXS/0 = NP32, NP33, DATAIN, IOPHO, SW14 S/MBXS/1 = NP32, P33, DATAIN, IOPHO, SW14 S/MBXS/2 = P32, NP33, DATAIN, IOPHO, SW14 S/MBXS/3 = P32, P33, DATAIN, IOPHO, SW14</p> <p>S/SXC = NVDATAIN, DATAIN, IOPHO, SW14</p> | <p>ND15 } DATA BYTE TO A007</p> <p>TEMP. STORE BYTE 0 IN C (OUT OF DATA PATH)</p> <p>RETURN TO (IOPHO, SW13) FOR NEXT BYTE</p> | | | | | | | | | | | | | | | |
| IOPHO SW15 | <p>C → S S0-7 → A0-7</p> <p>ALIGN DATA SEE TABLE (@ IOPHO, SW15)</p> <p>STORE DATA ND7 ⇒ NSKIP ⇒ S/MBXS BRANCH TO (IOPHO, SW8)</p> <p>PRESET A → S</p> | <p>$S_n = C_n, SXC$ $AXS/2 = DATAIN, NSW4, NBO, IOPHO, SW15$</p> <p>AXAR8 = DATAIN, NSW4, NP32, P33, IOPHO, SW15 AXAR16 = DATAIN, NSW4, P32, NP33, IOPHO, SW15 AXAR24 = DATAIN, NSW4, P32, P33, IOPHO, SW15</p> <p>S/MBXS = ND7, DATAIN, NSW4, IOPHO, SW15 R/IOPHO = IOPHO, SW15 S/IOPHI = IOPHO, SW15 BR SW8 = IOPHO, SW15 S/SXA = DATAIN, NSW4, IOPHO, SW15</p> | | | | | | | | | | | | | | | | |



| PHASE | FUNCTION PERFORMED | SIGNALS INVOLVED | COMMENTS |
|------------------------------|--|--|--|
| IOPHI SW8 | A → S S → MB | S _n = PR _n MB _n = S _n . MBXS | DATA TRANSFER TO CORE BYTES WRITTEN DEPEND ON MBXS CONTROL FF'S SET (IOPHO.SW14). |
| | <u>SET STATUS</u> | | |
| | MEMORY ADDR ERROR → | S/B11 = ADN.H. IOPH | |
| | ZERO BYTE COUNT INTR. → | S/B2 = DI. SWO. NSW1. . NSW4. IOPHI. SW8 | |
| | SET IOP HALT | S/B14 = (S/B11) + D4. (S/B9) | |
| | TRANSMISSION DATE ERROR | S/B9 = DATAIN. IOPDAP. IOPHI. SW8 | |
| | <u>DATA CHAIN</u> | | |
| | DATA CHAIN FLAG → IODC | IODC = DO. SWO. NADNH | |
| | IODC → { SET SW4 PRESET [IOFM(10)] → A RESET IOPHI SET IOPH3 BR SW8 | S/SW4 = IODC. DASW4. IOPHI. SW8 S/AXRR/4 = IODC. DASW4. IOPHI. SW8 R/IOPHI = IODC. DASW4. S/IOPH3 = IODC. DASW4. BR SW8 = IODC. DASW4. | |
| | READ FORWARD → INCR. BYTE AD READ BACKWARD → DECR. BYTE AD | PUC33 = DATAIN. NSW4. NBO. IOPHI. SW8 PDC33 = DATAIN. NSW4. BO. IOPHI. SW8 | |
| RAISE ED, ES | S/SW6 = DASW4. IOPHI. SW8 S/SW7 = DASW4. IOPHI. SW8 /ED/ = BCD*. SW6 /ES/ = BCD*. SW7 | | |
| PRESET B → S | S/SXB = IOPHI. SW8 | | |
| IFAM → Preset [IOFM(01)] → A | S/AXRR/3 = NIODC. DASW4. IOPHI. SW8 | | |

| PHASE | FUNCTION PERFORMED | SIGN/XDS 902306 | COMMENTS |
|-------------------|---|---|---|
| IØ PHI SW9 | <p>IFAM \Rightarrow [IØFM(01)] \rightarrow A</p> <p>B \rightarrow S S \rightarrow P P \rightarrow B1531</p> <p>SET PROGRAM ADDR POINTER</p> <p>IØP HALT \Rightarrow B14 } REQUEST PEM \Rightarrow (S/B10) } TERMINAL BT CT=0 \Rightarrow SW0 } ORDER</p> <p>No TERMINAL ORDER</p> <p>NRTØ9 \Rightarrow { S/RSACLEN NIFAM \Rightarrow BRSW11, { S/RSA \Rightarrow } TERMINAL ORDER</p> <p>RTØ9 \Rightarrow { S/SW3 S/ED \Rightarrow } R/ES</p> <p>ENABLE NEXT IØ SERVICE</p> <p>IFAM \Rightarrow { PRESET S \rightarrow C PRESET IØFM(00) \rightarrow A PRESET A \rightarrow S</p> <p>NIFAM, NRTØ9 \Rightarrow PRESET B \rightarrow S \rightarrow [IØFM(00)]</p> | <p>S/An = PR_n</p> <p>S_n = B_n. SXB</p> <p>PXS = IØPHI. SW9</p> <p>BXP/1 = IØPHI. SW9</p> <p>S/BRP = IØPHI. SW9</p> <p>RTØ9 = (S/B10) + B14 + SW0 + SW3</p> <p>S/RSACLEN = NRTØ9. DASW4. IØPHI. SW9</p> <p>S/RSA = NRTØ9. DASW4. IØPHI. SW9</p> <p>BRSW11 = NRTØ9. NIFAM. IØPHI. SW9</p> <p>S/SW3 = RTØ9. DASW4. IØPHI. SW9</p> <p>S/SW6 = RTØ9. DASW4. IØPHI. SW9</p> <p>R/SW7 = RTØ9. DASW4. IØPHI. SW9</p> <p>SCINH = N(IØPHI. SW9) IØACT</p> <p>S/CXS = IFAM. IØPHI. SW9</p> <p>S/AXRR/2 = IFAM. IØPHI. SW9</p> <p>S/SXA = IFAM. IØPHI. SW9</p> <p>S/SXB = NIFAM. NRTØ9. IØPHI. SW9</p> <p>S/RW/2 = NIFAM. NRTØ9. IØPHI. SW9</p> | <p>BEGIN CPU RESTORE SEQUENCE</p> |
| IØ PHI SW10 | <p>IFAM \Rightarrow { A \rightarrow S S \rightarrow C [IØFM(00)] \rightarrow A</p> <p>IØSC \Rightarrow S/IØFS</p> <p>PRESET S \rightarrow [IØFM(00)]</p> <p>PRESET B \rightarrow S</p> <p>SW3 \Rightarrow T.Ø. \Rightarrow { S/RSCLN S/RSA</p> | <p>S_n = PR_n</p> <p>C_n = S_n. CXS</p> <p>S/An = RR_n; AXRR</p> <p>S/IØFS = IØSC. NPLCP3</p> <p>S/RW/2 = IØPHI. SW10</p> <p>S/SXB = IØPHI. SW10</p> <p>S/RSCLN = SW3. DASW4. IØPHI. SW10</p> <p>S/RSA = SW3. DASW4. IØPHI. SW10</p> | |
| IØ PHI SW11 | <p>B \rightarrow S S \rightarrow [IØFM(00)]</p> <p>IØSC \Rightarrow SET IØ ENABLE RESET ADDR NOT HERE RESET DO815 N(T.Ø.) NIFAM. NSW3 \Rightarrow { BRSW13 PRESET D \rightarrow S</p> <p>IFAM \Rightarrow PRESET A \rightarrow S</p> <p>IFAMDS \Rightarrow RR \rightarrow A</p> <p>IFAST \Rightarrow [IØFM(01)] \rightarrow A</p> <p>SW3 \Rightarrow T.Ø. DATA</p> <p>TØDATA \Rightarrow { S/ED S/ES</p> <p>TØ DATA \rightarrow IØDA</p> <p>ZERO BYTE CT. INT. \Rightarrow</p> <p>COUNT DONE \Rightarrow</p> <p>COMMAND CHAIN \Rightarrow</p> <p>IØP HALT \Rightarrow</p> | <p>S_n = B_n SXB</p> <p>S/REN = S_n. RWXS</p> <p>S/IØEN = IØSC. NISINH. IØPHI. SW11</p> <p>R/ADNH = IØPHI. SW11</p> <p>DO815XZ = IØPHI. SW11</p> <p>DX/1 = DO815XZ</p> <p>BRSW13 = NIFAM. NSW3. IØPHI. SW11</p> <p>S/SXD = NIFAM. NSW3. IØPHI. SW11</p> <p>S/SXA = IFAM. IØPHI. SW11</p> <p>S/AXER = IFAMDS. IØPHI. SW11</p> <p>S/AXRR/3 = IFAST. IØPHI. SW11</p> <p>TØDATA = SW3. DASW4. IØPHI. SW11</p> <p>S/SW6 = TØDATA</p> <p>S/SW7 = TØDATA</p> <p>S/IØVA0 = SW0. DI. TØDATA</p> <p>S/IØDA1 = SW0. NDO. TØDATA</p> <p>S/IØDA2 = D2. TØDATA</p> <p>S/IØDA3 = B14. TØDATA</p> <p>IØDAX = TØDATA</p> | <p>STORE STATUS IN [IØFM(00)]</p> |

| PHASE | FUNCTION PERFORMED | SIGNALS INVOLVED XDS 902306 | COMMENTS |
|-------------------|--|---|--|
| IØ PHI SWIØ | <p>IFAM \Rightarrow A \rightarrow S</p> <p>S \rightarrow P</p> <p>S \rightarrow B</p> <p>P \rightarrow B</p> <p>RR \rightarrow A</p> <p>[IØFM(01)] \rightarrow A</p> <p>SW3 \Rightarrow { S/RSACLEN (TERM. ORDER) S/RSA</p> <p>PRESET D \rightarrow S</p> <p>PRESET S \rightarrow [IØFM(01)]</p> | <p>$S_n = PR_n$</p> <p>PXS = IFAST.IØPHI.SWIØ</p> <p>BXP/I = IFAST.IØPHI.SWIØ</p> <p>S/An = RR_n. AxRR</p> <p>S/RSACLEN = SW3.IØPHI.SWIØ</p> <p>S/RSA = SW3 IØPHI.SWIØ</p> <p>S/SXD = IØPHI.SWIØ</p> <p>S/RW/3 = IØPHI.SWIØ</p> | |
| IØ PHI SWIØ | <p>D \rightarrow S</p> <p>S \rightarrow [IØFM(01)]</p> <p><u>RETURN TO PHIO</u></p> <p><u>RETURN TO PHG</u></p> <p>IFAST/L \Rightarrow SET MRQ, DRQ</p> <p>FAFL \Rightarrow SET T&L</p> <p>FASH \Rightarrow PRESET A \rightarrow S</p> <p>FAMUL \Rightarrow I \rightarrow MIT/I</p> <p>FADIV \Rightarrow I \rightarrow DIT/I</p> <p>FUPLH \Rightarrow { P+1 \rightarrow P R+1 \rightarrow R P-1 \rightarrow P</p> <p>FULH } FUPSM \Rightarrow { R-1 \rightarrow R</p> <p>FUPSM \Rightarrow PRESET RR \rightarrow A</p> <p><u>ENTER NEXT SERVICE</u></p> <p>IØEN \Rightarrow TAKE NEXT SC</p> <p>FAMDST \Rightarrow PRESET A \rightarrow S</p> | <p>$S_n = PR_n$</p> <p>S/RR_n = S_n. RWXS</p> <p>BRPHIO = IØPHIØ.IØPHI.SWIØ.NIØEN</p> <p>S/MRQ/2 = IØPHIØ.IØPHI.SWIØ.NIØEN</p> <p>RESIØPHIØ = IØPHI.SWIØ.NIØEN</p> <p>(S/PHG/IØ) = NIØPHIØ. IØPHI.SWIØ.NIØEN.NPCPZ</p> <p>BRPHG = (S/PHG/IØ)</p> <p>S/MRQ/2 = IFAST/L. IØPHI.SWIØ.NIØEN</p> <p>S/T&L = (S/PHG/IØ). FAFL</p> <p>S/SXA = (S/PHG/IØ). FASH</p> <p>MIT/I = FAMUL. NIØEN.(S/PHG/IØ)</p> <p>DIT/I = FADIV. NIØEN.(S/PHG/IØ)</p> <p>PUC3I = IFAST/L. ØUI. IØPHI.SWIØ.NIØEN</p> <p>RUC3I = IFAST/L. ØUI. IØPHI.SWIØ.NIØEN</p> <p>PDC3I = IFAST/L. NØUI. IØPHI.SWIØ.NIØEN + IFAST/S. IØPHI.SWIØ.NIØEN</p> <p>RDC3I = IFAST/L. NØUI. IØPHI.SWIØ.NIØEN + IFAST/S. IØPHI.SWIØ.NIØEN</p> <p>S/AXRR = IFAST/S. IØPHI.SWIØ.NIØEN</p> <p>PREIØ/I = IØEN. IØPHI.SWIØ.NPCPZ</p> <p>S/SXA = FAMDST. PREIØ/I</p> | <p><u>LAST IØ PHASE</u></p> <p>STORE FLAGS, BT COUNT IØFM(01)</p> <p>IØEN \Rightarrow TAKE NEXT SC.</p> |

DATA IN

4 of 4

155094-B
SH 139

| PHASE | FUNCTION PERFORMED | SIGNALS INVOLVED XDS 902306 | COMMENTS |
|---------------|---|--|--|
| IOPHO SW13 | DA0-7 → S0-7 S0-7 → A0-7 A BYTE 0 ⇒ BRANCH TO (IOPHO.SW15) | ORDERIN = NSW2.SW1 ORDSW4 = SW1 + SW4 SXDA = ORDERIN.IOPHO.SW13.NDIS AXS/Z = ORDERIN.IOPHO.SW13 { AXS/4 = AXS/Z AXS/0 = AXS/4 + AXS } BRSW15 = ORDERIN.IOPHO.SW13 | |
| IOPHO SW15 | RAISE ØDINST <u>REQUEST TERMINAL ORDER</u> S/ED, R/ES <u>SET STATUS</u> A0 ⇒ TRANSMISSION DATA ERROR A1 ⇒ INCORRECT LEN. SET IOPHALT D4 ⇒ HALT ON ERROR BRANCH TO (IOPHI.SW8) | ØDINST = ORDERIN.IOPHO.SW15 S/SW3 = ØDINST S/SW6 = IOPHO.SW15.(SW1 + SW4) R/SW7 = IOPHO.SW15. /ED/ = BCD#.SW6 /ES/ = BCD#.SW7 S/B9 = ØDINST.A0 S/B8 = ØDINST.A1 S/B14 = ND6.D4.(S/B8) + (S/B9).D4 R/IOPHO = IOPHO.SW15 S/IOPHI = IOPHO.SW15 BRSW8 = IOPHO.SW15 | |
| IOPHI SW8 | ORDSW4 ⇒ { S/RSCLEN S/RSA NRS ⇒ CLEAR RSA SET T8 TIMING PRESET B → S IFAM ⇒ PRESET [IOPMO] → A <u>DATA LINES ⇒ A REG FOR ORDER IN</u> A0 ⇒ TRANSMISSION ERROR A1 ⇒ INCORRECT LENGTH A2 ⇒ CHAINING MODIFIER A3 ⇒ CHANNEL END A4 ⇒ UNUSUAL END | S/RSCLEN = ORDSW4.IOPHI.SW8 S/RSA = ORDSW4.IOPHI.SW8 E/RSA = NES S/T8L = IOPHI.SW8 S/SXB = IOPHI.SW8 S/AXRR/3 = ORDSW4.IOPHI.SW8 | NOTE: DEVICE CONTROLLER MUST BE PRESENT, AT LEAST, CHANNEL END OR UNUSUAL END DURING EACH ORDER IN |

ORDER IN

| PHASE | FUNCTION PERFORMED | SIGNALS INVOLVED XDS 902306 | COMMENTS |
|-------------------|--|---|--|
| IØ PHI SW10 | $IFAM \Rightarrow \begin{cases} A \rightarrow S \\ S \rightarrow C \\ [IØFM(00)] \rightarrow A \end{cases}$ <p>$IØSC \Rightarrow$ SET IØFS</p> <p>PRESET $S \rightarrow [IØFM(00)]$ PRESET $B \rightarrow S$</p> | $S_n = PR_n$ $C_n = S_n : CxS$ $S/A_n = RR_n \cdot AXRR$ $S/IØFS = IØSC \cdot NPCP3$ $S/RW/2 = IØPHI \cdot SW10$ $S/SxB = IØPHI \cdot SW10$ | |
| IØ PHI SW11 | $B \rightarrow S$ $S \rightarrow [IØFM(00)]$ <p>$IØSC \Rightarrow$ SET IØ ENABLE RESET ADDR. NOT HERE RESET DOB15</p> <p>NIFAM . NSW3 \Rightarrow BRSW13 NIFAM . NSW3 \Rightarrow PRESET D \rightarrow S IFAM \Rightarrow PRESET A \rightarrow S IFAMDS \Rightarrow RR \rightarrow A IFAST $\Rightarrow [IØFM(01)] \rightarrow A$</p> | $S_n = B_n \cdot SxB$ $S/RR_n = S_n \cdot RWXS$ $S/IØEN = IØSC \cdot NIØINH \cdot IØPHI \cdot SW11$ $R/ADNH = IØPHI \cdot SW11$ $DOB15x2 = IØPHI \cdot SW11$ $DX/1 = DOB15x2$ $BRSW13 = NIFAM \cdot NSW3 \cdot IØPHI \cdot SW11$ $S/SxD = NIFAM \cdot NSW3 \cdot IØPHI \cdot SW11$ $S/SxA = IFAM \cdot IØPHI \cdot SW11$ $S/AXRR = FAMDS \cdot IØPHI \cdot SW11$ $S/AXRR/3 = IFAST \cdot IØPHI \cdot SW11$ | STORE STATUS, BYTE ADDR IN IØFM(00) |
| IØ PHI SW12 | $IFAM \Rightarrow A \rightarrow S$ $IFAST \Rightarrow \begin{cases} S \rightarrow P \\ S \rightarrow B \\ P \rightarrow B \end{cases}$ <p>IFAMDS \Rightarrow RR \rightarrow A IFAST $\Rightarrow [IØFM(01)] \rightarrow A$</p> <p>SW3 \Rightarrow $\begin{cases} \text{SET } IØACLEN \\ \text{SET } ISA \\ \text{PRESET } D \rightarrow S \\ \text{RESET } S \rightarrow [IØFM(01)] \end{cases}$</p> | $S_n = PR_n$ $PXS = IFAST \cdot IØPHI \cdot SW12$ $BXP/1 = IFAST \cdot IØPHI \cdot SW12$ $S/A_n = RR_n \cdot AXRR$ $S/RSACLEN = SW3 \cdot IØPHI \cdot SW12$ $S/RSA = SW3 \cdot IØPHI \cdot SW12$ $S/SxD = IØPHI \cdot SW12$ $S/RW/3 = IØPHI \cdot SW12$ | T.O. \Rightarrow SW3 |
| IØ PHI SW13 | $D \rightarrow S$ $S \rightarrow [IØFM(01)]$ <p><u>RETURN TO PH10</u> SET MRQ, DRQ RESET IØPH10</p> <p><u>RETURN TO PH6</u></p> <p>IFAST/L \Rightarrow SET MRQ, DRQ FAFL \Rightarrow SET T8L FASH \Rightarrow PRESET A \rightarrow S FAMUL \Rightarrow I \rightarrow MIT/1 FADIV \Rightarrow I \rightarrow DIT/1 FUPLM \Rightarrow $\begin{cases} P+1 \rightarrow P \\ R+1 \rightarrow R \end{cases}$ FULM } \Rightarrow $\begin{cases} P-1 \rightarrow P \\ R-1 \rightarrow R \end{cases}$ + FUPSM } FUPSM \Rightarrow PRESET RR \rightarrow A</p> <p><u>ENTER NEXT IØ SERVICE CALL</u> \Rightarrow IØEN IØEN \Rightarrow TAKE NEXT SC FAMDST \Rightarrow PRESET A \rightarrow S</p> | $S_n = PR_n$ $RR_n = S_n \cdot RWXS$ $BRPH10 = IØPH10 \cdot IØPHI \cdot SW13 \cdot NIØEN$ $S/MRQ/2 = IØPH10 \cdot IØPHI \cdot SW13 \cdot NIØEN$ $RESIØPH10 = IØPHI \cdot SW13 \cdot NIØEN$ $(S/PH6/IØ) = NIFPH10 \cdot IØPHI \cdot SW13 \cdot NIØEN \cdot NPCP2$ $BRPH6 = (S/PH6/IØ)$ $S/MRQ/2 = IFAST/L \cdot IØPHI \cdot SW13 \cdot NIØEN$ $S/T8L = (S/PH6/IØ) \cdot FAFL$ $S/SxA = (S/PH6/IØ) \cdot FASH$ $MIT/1 = FAMUL \cdot NIØEN \cdot (S/PH6/IØ)$ $DIT/1 = FADIV \cdot NIØEN \cdot (S/PH6/IØ)$ $PUC31 = IFAST/L \cdot OUI \cdot IØPHI \cdot SW13 \cdot NIØEN$ $RUC31 = IFAST/L \cdot OUI \cdot IØPHI \cdot SW13 \cdot NIØEN$ $PDC31 = IFAST/L \cdot NOUI \cdot IØPHI \cdot SW13 \cdot NIØEN$ $RDC31 = IFAST/L \cdot NOUI \cdot IØPHI \cdot SW13 \cdot NIØEN$ $S/AXRR = IFAST/S \cdot IØPHI \cdot SW13 \cdot NIØEN$ $PREIØ/1 = IØEN \cdot IØPHI \cdot SW13 \cdot NIØEN$ $S/SxA = FAMDST \cdot PREIØ/1$ | <u>LAST IØ PHASE</u> STORE FLAGS & HT. COUNT IN FM(01) |

ORDER IN

155094-B
C11112

| PHASE | FUNCTION PERFORMED | XDS 902306'OLVED | COMMENTS |
|-------------------|--|--|---|
| IØ PH1 SW13 | <p><u>RETURN TO PH10</u></p> <p>SET MRQ, DRQ BRANCH TO PH10 RESET IPH10</p> <p><u>RETURN TO PH6</u></p> <p>IFAST/L ⇒ MRQ, DRQ NPCP2 + IIPH10 ⇒ SET PH6 FAFL ⇒ SET TBL FASH ⇒ PRESET A → S FAMUL ⇒ I → MIT/I FADIV ⇒ I → DIT/I FUPLM ⇒ { P+1 → P R+1 → R FULM } ⇒ { P-1 → P + FUPSM } ⇒ { R-1 → R FUPSM ⇒ PRESET RR → A</p> <p><u>ENTER NEXT SC</u></p> <p>IØEN ⇒ TAKE NEXT SC FAMST ⇒ PRESET A → S</p> | <p>IØABORT = IØBØ ⇒ AVØ ⇒ (CONNECT PHASE IØENNIN)</p> <p>S/MRQ/2 = NPCP2.IPH10.IØPH1.SW13.(N1ØEN+IØBØ) BRPH10 = NPCP2.IPH10.IØPH1.SW13.(N1ØEN+IØBØ) RESIPH10 = IØPH1.SW13.(N1ØEN+IØBØ)</p> <p>BRPH6 = (S/PH6/IØ) S/MRQ/2 = IFAST/L.IØPH1.SW13.(N1ØEN+IØBØ) (S/PH6/IØ) = NIPH10.NPCP2.IØPH1.SW13.(N1ØEN+IØBØ) S/TBL = (S/PH6/IØ).FAFL S/SXA = FASH.(S/PH6/IØ) MIT/I = FAMUL.N1ØEN.(S/PH6/IØ) DIT/I = FADIV.N1ØEN.(S/PH6/IØ) PUC31 = FAST/L.ØU1.IØPH1.SW13.(N1ØEN+IØBØ) RUC31 = FAST/L.ØU1.IØPH1.SW13.(N1ØEN+IØBØ) PDC31 = FAST/L.NØU1.IØPH1.SW13.(N1ØEN+IØBØ) + FAST/S.IØPH1.SW13.(N1ØEN+IØBØ) RDC31 = FAST/L.NØU1.IØPH1.SW13.(N1ØEN+IØBØ) + FAST/S.IØPH1.SW13.(N1ØEN+IØBØ) S/AXRR = FAST/S.IØPH1.SW13.(N1ØEN+IØBØ) R/IØFS = IØPH1.SW13.IØBØ</p> <p>PREIØ/1 = IØEN.IØPH1.SW13.NPCP2 S/SXA = FAMST.PREIØ/1</p> | <p>FUNCTION (S.C.) WAS NOT ACCEPTED</p> |

SERVICE CALL ABORT

1 of 1

155094-B
SH 143

SIGMA 5 GLOSSARY OF TERMS--CPU

PREFIXES

| | |
|----|---|
| N | not - same as older bar or overscore |
| S/ | set input to flip-flop |
| R/ | reset input to flip-flop |
| C/ | clock input to flip-flop |
| E/ | erase input to flip-flop (DC reset) |
| F/ | force input to flip-flop (DC set) |
| W/ | data write input to high speed memory |
| L/ | address line to high speed memory |
| K/ | read/write control to high speed memory |

SUFFIXES

| | |
|---|--|
| - | dash followed by number or letter. Same logic signal generated by different driver |
| / | similar logic signal generated by different driver |

INTRODUCTION

S/name. The s/ says this is a flip-flop. So "name" is a flip-flop output. So this is a preset control.

S/r, rep, dc. Against flip-flops says what sort of flip-flop:

| | |
|-----|-----------|
| s/r | set/reset |
| rep | repeater |
| dc | dc |

(S/NGX). Names such as this imply a signal that sets NGX but also something else, hence the parentheses. The parentheses are needed because "S/NGX" is not allowed as a signal name.

NAX/1, NAX1. The "/1" means "related to." So NAX/1 means "related to NAX."

/2, /3, etc. also means related to; but of course all different from each other.

NAX1 means "1 → A", without specifying exactly which bits of A get the 1. The same conventions apply to the other registers.

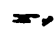

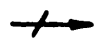


Unmentioned parts of a register which is having something put into it are always made 0.

Suffix Z usually means "zero" as in A0031Z, meaning A0 through 31 = 0 (but in P31Z means "force zero. ").

Suffix W usually means "one."

Suffix F means either "floating point" or "flip-flop".

PHASE CHART SYMBOLS

| | |
|---|---------------------|
|  | implies |
|  | transfer to |
|  | clocked transfer to |
|  | logical and |
|  | logical or |

XDS 902306

128KC

128 Kilocycle per second clock

n KC

n Kilocycle per second clock

1 MC

1 megacycle per second clock

N1MCS

Clock pulse formed from the combination of N1MC . 2MC

500 CPS

500 cycles per second

| | |
|------------------------|---|
| A0 | Bit 0 of the "A" register |
| A1-A31 | Similar to A0 |
| A00 | One bit extension to most significant end of "A" register |
| A0L-A7L A21L-A31L | Logic used for setting up bootstrap program during the time "LOAD" is activated |
| A31 x P32 A31 x P33 | P32 to be transferred to A31 P33 to be transferred to A31 |
| ABO | Abort requested memory operation, and trap to location X'40' |
| /ABOC/ | Abort signal to memory |
| ABOT ACCL/1 | Abort timing pulse from delay line 2, (DL2/110S) AC clock pulse derived from DL1 |
| ACCLG | "AC clock generate." Buffered latch used to retain clock pulse as it comes out of DL3, until another clock pulse is started down DL1 |
| ADBDB | (Arm and disable) or (Disable) interrupts |
| ADC3 | Down-Count "A" register. Begin looking at A3 |
| ADMATCH | Address match between KSP15-31 and P15-31 |
| ADNH | Memory-address-not-here flip-flop |
| ADNHCL | Memory-address-not-here clock. Timing pulse derived from DL3 which implies that sufficient time has elapsed for Memory to have recognized the address |
| ADNHL | Logic term used for setting ADNHL ff |
| AEADB | (Arm and enable) or (Arm and disable) interrupts |
| AEENLE | (Arm and enable) or (Enable) or (Load enable) interrupts |
| AH | Memory-address-here signal |
| (NAH . AHCL) | Memory-address-NOT-here and address recognition time |
| /AHC/ | Memory-address-here signal from "C" port |

AIB Control flip-flop used in interrupt logic. Used during Enter-Active and Leave-Active interrupt level states

AIEI Control flip-flop used by interrupt logic. Used when interrupt level enters Active state

AIE2 Control flip-flop used by interrupt logic. Used when interrupt level leaves Active state

/AIO/ Acknowledge IO interrupt request

ALARM Flip-flop which causes Audio light to go on if COMPUTE switch in RUN and AUDIO switch is ON

AM Arithmetic trap mask bit, part of PSW1

AM/L AM light indicator on PCP panel

ANLZ Analyze

(ANLZ.IA) Analyze and indirect address

AR Memory address release signal

/ARC/ AR from port C

ARE Action-response signal from interrupt logic. Notifies CPU that action-to-interrupts has been accepted, and CPU can start clock and continue.
ARE is used in conjunction with CEINT

ARMCTR Arm Counter interrupts

ARMIO Arm IO interrupts

ARMOVD Arm Override interrupts
(Recall that basic interrupts are divided into three groups - Override, Counter, and IO)

/ASC/ Acknowledge Service Call

AUC3 Up-Count "A" register. Begin looking at A3

AUDIO Signal sent to PCP speaker
AUDIO/L AUDIO indicator on PCP panel

AVO Available output priority signal which is generated when a function is not accepted

| | |
|----------|--|
| AX | Reset "A" register. This term is overridden if a set term is present |
| AXAL8 | Shift "A" register left 8 places |
| AXAR16 | Shift "A" register right 16 places (Similarly AXAR8, AXAR24) |
| AXCC | Condition codes transferred to "A" $CC_{1-4} \rightarrow A_{28-31}$, $CCZ \rightarrow A_{27}$ $CCZ \Rightarrow CC1 + CC2 + CC3 + CC4 = 0$ |
| AXDIO | Transfer DIO data to "A" register |
| AXFC | Transfer condition codes and Floating Control to A_{24-31} |
| AXFR | Transfer Function Response Lines (FRn) to "A" register |
| AXK | Transfer Data Switches (KSn) from PCP panel to "A" register |
| AXLOAD | Logic term used to enable data to "A" register during "LOAD" procedure |
| AXMC | Transfer Micro-counter (MC) to "A" $MC_{0-7} \rightarrow A_{0-7}$ |
| AXNR | $NR_{28-31} \rightarrow A_{28-31}$ |
| AXPARITY | Transfer Memory Fault Indicators to "A" register $MFL_{0-7} \rightarrow A_{24-31}$ |
| AXPSW1 | Transfer PSW1 to "A" register |
| AXPSW2 | Transfer PSW2 to "A" register |
| AXR | $R_{28-31} \rightarrow A_{28-31}$ |
| AXRR | $RR_{00-31} \rightarrow A_{00-31}$ |
| AXRRINH | Inhibit "RR to A" transfer, or Inhibit reading Fast Memory |
| AXS | Transfer Sum bus to "A" |
| AXSL1 | Transfer "Sum bus shifted left one position" to "A" |
| AXSR1 | Transfer "Sum bus shifted right one position" to "A" |

XDS 902306

AXTR
AXZ

TR₂₈₋₃₁ ~~→~~ A₂₈₋₃₁
"Zero" the "A" register

155094-B
SH 151

| | |
|------------------|---|
| B0 | Bit 0 of B register |
| B1-B31 | Similar to B0 |
| B0001EN/1 | Enables the two upper bits of B during multiply and double register shift |
| B0031Z | B0 thru B31 contain zeros |
| (B31-BC31) | (B31 ⊕ BC31) |
| BC31 | One bit extension to least significant end of B register |
| (BC = 1) | Byte count equals one |
| BC0, BC1 | Byte count flip-flops |
| NBCDC0 BCDC1 | Logic used for decrementing byte counter |
| NBCX | Logic used to reset byte counter |
| BCZ | Contents of byte counter equal zero |
| NBR | Not BRANCH. NBR being high, allows a binary progression from one execution phase to the next (i.e., PH6 to PH7, or PH1 to PH2, etc) |
| BRP | Flip-flop which is used to keep track of location of program address. BRP = 1, program address in P-register BRP = 0, program address in B-register |
| BRPCP1 BRPCP5 | Branch to PCP1 and PCP5, respectively |
| BRPH1 | Branch to PH1 |
| BRPHn | Branch to PHn |
| BRPRE 4 | Branch to PRE2 and PRE4, respectively |
| BRSW8 | Branch to SW8 |
| BRSWn | Branch to SWn |
| BX | Reset "B" register |

BXB-0
 BXB-1 Logic which effects $B_{0-15} \rightarrow B_{0-15}$. This is useful at
 BXP time

BXBGND-2
 BXBGND-3 Inhibit transfer of $B_{16-31} \rightarrow B_{16-31}$. Used in conjunction
 with BXB, BXP

BXBL1 Shift "B" left one position

BXBR2 Shift "B" right one position

BXFP Transfer $FP_{00-31} \rightarrow B_{00-31}$. $FP \Leftrightarrow$ FLOATING POINT

BXP Transfer (P) to B

BZC BUSY signal generated by COUNTER Interrupt group

BZI Busy signal generated by IO interrupt group

BZO BUSY signal generated by OVERRIDE interrupt group

| | |
|-----------------------|--|
| N(R/CC) | (R/CC) \Rightarrow Reset CC_{1-4} |
| CC1, CC2, CC3, CC4 | Four bit condition code register. Part of PSW1 |
| CCXRWD | Enable setting of sense switches to be used to set condition codes. $KSS_{1-4} \rightarrow CC_{1-4}$ |
| CCXRACC | $TRACC_{1-4} \rightarrow CC_{1-4}$ |
| CCZ | Contents of condition codes equal zero |
| CEINT | Flip-flop used to inhibit clock enable (CLEN). Used in conjunction with INTERRUPTS and WATCHDOG TIMER. During WATCHDOG TIMER runout, CEINT insures that a clock has not just been sent down the delay line. During INTERRUPT processing, CEINT inhibits clock until ARE is received from interrupt logic |
| CIF | Inhibit COUNTER INTERRUPT group flip-flop. Part of PSW2. |
| CK-32P38 | (CK-) \Rightarrow Fast-Memory clock. 32P38 is a point of distribution of Fast-Memory clock. |
| CK/1 | CK/n is logic name given to the output of a Fast-Memory clock driver, where $1 \leq n \leq 12$. |
| CL-01E01 | (CL-) \Rightarrow CPU AC clock. 01E01 is a point of distribution of CPU AC clock. |
| CL/1 | CL/n is logic name given to CPU AC clock driver, where $1 \leq n \leq 12$. |
| CLEARMEM | Write zeros throughout core memory. KCPURESET and KSYSR must be activated simultaneously for CLEARMEM to be true. |
| CLEN | Clock Enable. Must be true for an AC clock to be generated in delay line. |
| CLFP/1 | CLFP/n AC clock for FLOATING POINT. FP \Rightarrow Floating Point. $1 \leq n \leq 12$ |
| CLIS | IMC clock transmitted to external IOP. |
| CNA, CNB | Control flip-flops used in Basic Interrupt logic. Used during WRITE DIRECT mode of communication with Basic Interrupt logic. |
| CNLK | Flip-flop used as interlock so that only one interrupt request can be made for each time the interrupt button on the PCP panel is activated. |

| | |
|-------------------------------|---|
| CNLN7 CNLN8 | Address lines generated by Counter interrupt group. |
| CNST | Control strobe generated for use by the IOP. |
| COND1 COND2 | Data used to set CC1 and CC2. IOP generates COND1 and COND2 as a result of whether or not an instruction is acceptable. |
| CPUL1, CPUL2, CPUL3, CPUL4 | Flip-flop outputs used to set IS2, IS3, IS4, and IS5. IS2 - IS5 correspond to the count pulse interrupt levels of the OVERRIDE group. |
| /CPURST/ | Reset signal to be used by External Interrupts |
| NCROSSCL | This term being low will inhibit CPU AC clock, because CROSSOVER clock has been requested. |
| CROSSADD | Crossover address. Fast memory register has been addressed. |
| CROSS | Combination of CROSSADD and memory request has been made. |
| CROSSDCL | Crossover clock taken from DL1. (DL1/170) |
| CROSSD | Disables AC clock |
| CROSSEN | Crossover Enable. Enables LR → P |
| CROSSEN R | Enable crossover read |
| CXMB | Enable Memory Bus (MB) to "C" register |
| CXRR | Enable Fast Memory Register data to "C" register |
| CXS | Enable Sum Bus data to "C" register |

| | |
|------------------------|---|
| D0 | Bit 0 of "D" register |
| D1-D31 | Similar to D0 |
| DA0-DA7 | Data lines between IOP and device controller |
| DAP | Odd parity line between IOP and device subcontroller |
| DARM | Disarm selected levels in Basic Interrupt (pertains to all three groups). |
| DASW4 | (DATAIN + DATAOUT), NSW4 |
| DAT16-DAT31 | 16 bits of data presented to Interrupt logic during Write Direct mode. |
| DATAIN | IOP has been requested to read data. |
| DATAOUT | IOP has been requested to write data. |
| DCCL/1 | Clock to be used on "C" register, used in HOLDC logic. |
| DCSTOP | Signal to stop CPU if address switches match memory address, and KADDRSTOP switch is on. |
| DG | Data-Gate signal from memory |
| DIO0-DIO54 | DIRECT INPUT/OUTPUT lines. (See Interface Design Manual for purpose of individual lines). |
| DIOEXIT | DIRECT INPUT/OUTPUT EXIT signal. |
| DIOFS | DIRECT INPUT/OUTPUT FUNCTION STROBE |
| DIOIND | DIRECT INPUT/OUTPUT INDICATOR. Used to enable DIO51 and DIO52 to set CC3 and CC4. |
| DIOT1, DIOT2, DIOT3 | Three flip-flops used to accept FSA and generate DIOIND and DIOEXIT. |
| DIOWD | Signifies that DIRECT INPUT/OUTPUT function is a WRITE DIRECT. |
| DIOX | Reset DIO register, bits 0 through 31. |
| DIOXB | Reset DIO register, bits 32 through 47. |
| DIOXDIO | Enable Direct Input/Output data lines to DIO register. |

| | |
|---------|---|
| DIOXS | Enable SUM bus to DIO register |
| DIS | Display. Allows a register other than the SUM bus to be displayed. |
| DIT/1 | Divide iteration signal |
| DIVOVER | Divide overflow |
| DL1/040 | 40 ns tap on delay line 1 |
| DL2/050 | 50 ns tap on delay line 2 |
| DL3/080 | 80 ns tap on delay line 3 |
| DM | Decimal Trap mask bit. |
| DOR | Data-order request. DOR = 1 implies order, DOR = 0 implies data. During an instruction, DOR is used to set Condition Code 1. |
| DR | Data-Release from core memory |
| DR/1 | Data-Release latch. Used to force a data release for crossover. Used to force data release if Address-not-here (ADNH). Used to save DR if DR is received from memory before DRQ has been set. |
| /DRC/ | DR from memory Port C. |
| DRQ | Data request flip-flop (data from memory). |
| DRQAC | Combination of DRQ and AC clock. Hold term for DR/1 latch. |
| DX | Reset "D" register |
| DXC | Transfer "C" register to "D" register |
| DXCL1 | Transfer "C" to "D" left one bit position. |
| DXDR8 | Shift "D" right 8 places. |
| DXS | Transfer Sum bus to "D" register. |
| DXZ | Zero "D" register. |

| | |
|---------------------------|---|
| ECPUL1, ECPUL2, ECPUL3 | External count pulse (CPUL) request to Count Pulse interrupt levels 1, 2, 3 |
| ED | END DATA line. Indicates last data or order byte is being transmitted. |
| EI | External Interrupt inhibit flip-flop. Part of PSW2. |
| ENCNTR | Enable Counter Interrupt group request. |
| ENIO | Enable IO Interrupt group request. |
| ENOVRD | Enable Override Interrupt group request. |
| ENDE | End-of-Execution. |
| /ENXSTRI/ | Enter-Exit strobe, pertaining to interrupt logic. |
| /ES/ | End service line. Indicates last byte of service is being transmitted. |
| EWDM | Enable Write Direct mode, pertains to interrupt logic. |
| EXC | Execution flip-flop. Set when preparation phase is entered. |

| | |
|----------|--|
| FAADD | Family of ADD. (FA implies FAMILY OF) |
| FAARITH | Family of Arithmetic instructions. |
| FABRANCH | Family of Branch instructions |
| FABYTE | Family of Byte instructions. |
| FACAL | Family of CALL. |
| FACOMP | Family of COMPARE |
| FADIV | Family of DIVIDE |
| FADIVH | Family of DIVIDE HALFWORD |
| FADW | Family of DIVIDE WORD |
| FAFL | Family of FLOATING POINT |
| FAHW | Family of HALFWORD |
| FAILL | Family of ILLEGAL |
| FAIM | Family of IMMEDIATE |
| FAIO | Family of Input/Output (IO) |
| FALCF | Family of "LOAD CONDITIONS and FLOATING CONTROL" |
| FALCFP | FALCF or Function of Load Register Pointer |
| FALOAD | Family of LOAD |
| FALOGIC | Family of LOGIC |
| FAMDS | Family of MULTIPLY, DIVIDE, or SHIFT |
| FAMDST | IFAST/L or IFAMDS |
| FAMT | Family of MODIFY and TEST |
| FAMUL | Family of MULTIPLY |
| FAMULNH | Family of MULTIPLY-NOT-HALFWORD |
| FANIMP | Family of NON-IMPLEMENTED |

| | |
|------------------|---|
| FAPRIV | Family of PRIVILEGED |
| FAPSD | Family of PROGRAM STATUS DOUBLEWORD |
| FARWD | Family of READ DIRECT-WRITE DIRECT |
| FASEL | Family of SELECT |
| FASH | Family of SHIFT |
| FASTABORT | "Family of STORE" ABORT |
| FAST/L | Family of Pull Word, Pull Multiple, Load Multiple |
| FAST/S | Push Word, Push Multiple, Store Multiple |
| FAST/A | Family of Pull or Push Word, Pull or Push Multiple |
| FAST/B | Family of Load Multiple or Store Multiple |
| FASTORE | Family of STORE |
| FASUB | Family of SUBTRACT |
| FAW | Family of WORD INSTRUCTIONS |
| FAWORDW | Family of WORD or DOUBLEWORD |
| FCXS | Transfer Sum Bus to Condition Code flip-flops and Floating Control flip-flops |
| FL1, FL2, FL3 | Flag register |
| FMCL | Fast Memory clock |
| FNC0, FNC1, FNC2 | Function lines to IOP. See Interface Design Manual for coding of lines. |
| FNF | Normalize mask bit, part of PSW1. |
| FNL0, FNL1, FNL2 | Function lines to interrupt logic. Decoded to determine function requested by Write Direct instruction. |
| FNORM | Floating Point Normalize. |
| FORCL | Force clock. |
| FORCLEN | "Force clock" enable. |
| FORCLG | "Force clock gate" signal. |

| | |
|-----------|---|
| FP0-FP31 | Floating Point data lines 0 through 31. |
| FPCLEN | Floating Point clock enable |
| FPCON | Floating Point connect. |
| NFPOPTION | Not-Floating-Point option. |
| NFPRR | Not "Floating Point Result Ready" |
| NFPXS | FPXS Transfer Sum bus to Floating Point |
| FR0-FR7 | Function Response lines, pertaining to IOP. |
| FS | Function Strobe |
| FSA | Function Strobe Acknowledge |
| NFSHEX | Not "Floating Shift Exit" |
| FSL | Function Strobe leading acknowledge |
| FUAIO | Function of AIO, (FU Function of) |
| FUANLZ | Function of ANALYZE |
| FUAWM | Function of ADD WORD to MEMORY |
| FUBAL | Function of BRANCH and LINK |
| FUBCR | Function of Branch on Conditions Reset |
| FUBCS | Function of Branch on Conditions Set |
| FUBDR | Function of Branch on Decrementing Register |
| FUBIR | Function of Branch on Incrementing Register |
| NFUCS | Not Function of Compare Selective |
| FUDW | Function of DIVIDE WORD |
| FUEXU | Function of EXECUTE |
| FUINT | Function of INTERPRET |
| FULAD | Function of LOAD ABSOLUTE DOUBLEWORD |

| | |
|-----------|---|
| FULRP | Function of LOAD REGISTER POINTER |
| FUMH | Function of MULTIPLY HALFWORD |
| FUMI | Function of MULTIPLY IMMEDIATE |
| FUMMC | Function of MOVE TO MEMORY CONTROL |
| FUMSP | Function of MODIFY STACK POINTER |
| FUMTHOVER | Function of MODIFY and TEST HALFWORD OVERFLOW |
| FUMTSIGN | Function of "MODIFY and TEST" SIGN adjustment |
| FUPLW | Function of PULL WORD |
| FUPLM | Function of PULL MULTIPLE |
| FUPSW | Function of PUSH WORD |
| FUS | Function of SHIFT |
| FUSF | Function of SHIFT FLOATING |
| FUSIO | Function of SIO |

| | |
|-------------------|--|
| G0-G31 | "Generate" terms from adder |
| G00 | Extension to most significant end of "Generate" logic |
| /GATCLK/ | "Gated clock". Used by External interrupts |
| GCLK | "Gated clock". Used by Basic interrupts |
| GND1101 | Ground signal on frame #1, row #1, module location 01. |
| GND2110 | Ground signal on frame #2, row #1, module location 10. |
| /GPADR0/-/GPADR3/ | "Group address" data. Defines which external chassis of interrupts is addressed by WD instruction. |
| GRP0 | Group #0, (Basic interrupts). |
| GXAD | Generate A.D |
| GXAND | Generate A.ND |
| GXNAD | Generate NA.D |

HALT Flip-flop which causes CPU to stop in PCP2, (PCP2 = Idle phase).

/HBZC/ Busy signal transmitted by OVERRIDE group to interrupts of lower priority.

/HBZI/ Busy signal transmitted by Counter group to interrupts of lower priority.

/HBZE/ Busy signal transmitted by I/O group to interrupts of lower priority.

/HIO/ Halt I/O

/HOF/ Halt-on-parity error signal transmitted to memory.

HOLDC Hold term used on "C" register latches.

/HRQBZC/ "Higher requesting or busy" signal transmitted by OVERRIDE group

/HRQBZI/ "Higher requesting or busy" signal transmitted by COUNTER group

/HRQBZE/ "Higher requesting or busy" signal transmitted by I/O group.

/HRQBZI/ "Higher requesting or busy" signal transmitted by COUNTER group.

/HRQBZE/ "Higher requesting or busy" signal transmitted by I/O group.

| | |
|-----------|--|
| RSA | Request-Service Acknowledge |
| RSCLEN | RS Clock Enable |
| /RST/ | Reset signal to internal IOP |
| RTC | Real Time Clock signal - generated by Power Monitor. |
| RTO9 | Request Terminal Order |
| RUC31 | Up-count R_{28-31} |
| RW | Write signal to fast memory |
| RW0-RW31 | Write-data lines to internal CPU or internal IOP fast memory |
| RW15XZ | Zero RW15 |
| RX | Clear R_{28-31} |
| RXC | Transfer C to R_{28-31} |
| RXS | Transfer Sum Bus to R_{28-31} |
| RZ | Contents of R_{28-31} equal zero |
| RWBO-RWB3 | Read/Write Byte lines to fast memory |

| | |
|-------------------------|--|
| S0-S31 | 32 Sum Bus bits |
| NSCINH | Not Service Call Inhibit |
| SC | Service Call |
| SCL | Single Clock Latch |
| SFT | Shift |
| SGTZ | Sum greater than zero |
| /SIO/ | Start IO |
| SPIM | Sign Pad Immediate. Extend sign of data for immediate instructions. |
| SPW | Sign Pad with "ones" |
| SPZ | Sign Pad with "zeros" |
| SR8, 9, 10, 11, and 13 | Set term to IS flip-flops of interrupt levels 8, 9, 10, 11 and 13, respectively. |
| /ST/ | Start signal from power monitor. |
| START | Derived from /ST/ |
| STEP 815 | Signal which allows switches to progress in a binary fashion from SW8 thru SW15. |
| STRAP | SET-TRAP signal caused by Watchdog Timer runout. |
| SW0-SW15 | Sixteen switch signals which help to define certain states of the CPU. |
| SWK1, 2, 3, 4, 5, 6, 12 | Logical decoding of functions performed by the PCP switches. |
| N(S/SXAEORD) | Not Transfer the exclusive OR of A and D to Sum Bus |
| N(S/SXAMD) | Not Transfer (A minus D) to Sum Bus |
| N(S/SXAORD) | Not Transfer (A or D) to Sum Bus |
| N(S/SXAPI) | Not Transfer (A plus one) to Sum Bus |
| SXBF | SXB flip-flop |
| SXB | Transfer B to Sum Bus |

XDS 902306

SXDA
 NSYSR

Transfer DA data lines to Sum Bus
NOT (SYSTEM RESET or START)

155094-B
SH 167

| | |
|---------------|---|
| T5, T8, T11 | CPU clock pulses. Nominal values: T5 = 280 ns T8 = 330 ns T11 = 500 ns |
| T5EN | Enable T5 clock pulse |
| T8EN | Enable T8 Clock pulse. (T11 is automatically selected if T5 or T8 are not enabled). |
| /TDV/ | Test Device |
| /TIO/ | Test I/O |
| TESTS | Signal which enables the testing of the contents of the Sum Bus |
| TODATA | Terminal Order Data |
| TORDIN | Terminal Order-In |
| TR28-TR31 | Four bit TRAP address register |
| (R/TR) | Reset TR register) |
| TRACC1-TRACC4 | Four bit TRAP accumulator register. Holds least significant hex digit of CALL instruction trap address, as well as data for setting CC1-4 for certain types of TRAP conditions. |
| TRAP | Flip-flop which is set when CPU attempts to perform an illegal operation. |
| TRIG | Enable signal which GATES the setting of IS Flip-Flops (TRIG ⇒ Trigger) |

XDS 902306

VALST

Valid Start

VDATAIN

Valid Data In

VORDER

Valid Order

155094-B
SH 169

WAIT/L Wait Indicator on PCP panel

WCT1-WCT6 Six bit flip-flop register used for Watchdog Timer accumulator

WDINT Internal Write Direct

WDTA Flip-flop set when Watchdog accumulator has reached the length of time when an operation should have been completed.

WDTR Watchdog Timer Reset. One of the terms used to set WDTRAC

WDTRAC Reset Watchdog Timer accumulator. This allows count to start over.

WK0-WK1 Write Key flip-flops

XDS 902306

ZXX

Set IOWD because Watchdog Timer ran out during an I/O
operation.

155094-B
SH 171

| | |
|----------------------------------|---|
| IA | Indirect address |
| IBC | "Leave active state" signal to Counter group |
| IBI | "Leave active state" signal to I/O group. |
| IBO | "Leave active state" signal to Override |
| IC | Interrupt request from internal I/O |
| IEC | "Enter active state" signal to Counter group. |
| IEI | "Enter active state" signal to I/O group |
| IEO | "Enter active state" signal to Override group. |
| IEN | CPU Interrupt Enable |
| IFAM | IFAST/S or IFAST/L or IFAMDS |
| IFAMDS | (FAMDS and NIPH10) or PCP2 |
| IFAST/L IFAST/S | (FAST/L and NIPH10 and NPCP2) |
| II | Inhibit I/O interrupt group, part of PSW2. |
| IN0-IN15 | "Enable" flip-flops contained in Basic interrupts. |
| INDX | Index |
| INHXWD | Transfer Write Direct data to interrupt inhibit bits. |
| INT | Interrupt request flip-flop used by CPU logic. |
| INT0-INT8 | Interrupt subroutine address lines received by CPU from Interrupt logic. |
| INT9 | Interrupt request received by CPU from Interrupt logic. |
| INTRAP, INTRAP1, INTRAP2 | Interrupt/trap sequence phase flip-flops |
| K/IO _m B _n | Where $0 \leq n \leq 4$. Clock to IO fast memory. where $1 \leq m \leq 4$. |
| L/IO _m B _n | Address lines to IO fast memory. |

| | |
|-------------|---|
| w/IOmBn | Data lines to IO fast memory. |
| IOACT | Internal IO Active |
| IOAXST | Align I/O status in "A" register. |
| IOBO | Abort IO operation. No recognition due to AVO. |
| IOCON | Internal I/O Connect |
| IOCONST | I/O Control Strobe |
| IODA0-IODA7 | I/O Data Register. Used for Terminal Order Dataout and regular DATAOUT. |
| IODAP | PARITY bit for IODA register. |
| IODAX | Clear IODA register. |
| IODAXA | Transfer "A" register to IODA register. |
| IODC | I/O DATA CHAIN |
| IOEN | I/O Enable. Comes true when permissible for I/O to interrupt CPU. |
| IOEN6 | I/O Enable during execution PH6. |
| IOENIN | IO is enabled and FSL has been received. |
| IOFF | Power-off interrupt request from Power Fail Safe monitor. |
| IOFM | I/O Fast Memory. True when "reading from" or "writing to" Internal I/O fast memory. |
| IOFR0-IOFR9 | I/O Function Response register. Outputs decoded to define Fast Memory address. |
| IOFRX | Clear IOFR register. |
| IOFRXA | Transfer "A" to "IOFR" |
| IOFRXFR | Transfer FR to IOFR. FR Function Response lines. |
| IOFS | I/O Function Strobe |
| IOIN | I/O IN. Accepts FSL. |

IOINH Inhibit I/O, because of ABORT, processing INTRAP sequence, or ADNH.

IOINTST Used to align interrupt status in "A" register, status was returned in response to an AIO instruction.

IOIR Flip-flop that receives Interrupt call (IC) from Internal IOP. IOIR is put on IR line thru a cable driver. IR is used to set common I/O interrupt level in basic interrupt chassis.

IOLN7-IOLN8 Interrupt address lines 7 and 8 brought high by I/O interrupt group.

/IONEN/ ION ENABLE. Power-on enable from Power Fail Safe Monitor.

/IONN/ Power-on signal from Power Fail Safe Monitor.

IOPA0-IOPA2 IOP Address Lines 0, 1, and 2.

IOPADD Internal IOP is addressed.

IOPC IO Parity Check.

NIOPEX No External IOP in system.

IOPG IO Parity Generator on most significant byte of "A" register.

IOPH0-IOPH3 Internal IO Phases 0 through 3.

IOPOP Internal IOP is plugged in.

IOR Input-output line during IOP service. IOR = 1, output, IOR = 0 input.

IORB I/O Read Backwards.

IOSC Internal IO Service Call flip-flop

IOTRIN I/O Transfer-in-Channel

IOWD Watch Dog Timer Runout during I/O operation

IP0-IP15 Sixteen ARM flip-flops of Basic Interrupt logic.

IPH10 IOSC Interrupted CPU during execution PH10

IR IOP interrupt request. Used to set common IOP interrupt level in Basic Interrupt.

ISO-IS15

Sixteen request flip-flops of Basic Interrupt logic.

NISINO

N(ISO.INO)

NISNIP0

N(ISO.NIP0)

IX

Index flip-flop

IXAL

Index Alignment flip-flop

K0-K31 32 "Carry" bits of Sum Bus
K00 Extension to most significant end of "Carry" logic
KADDRSTOP Address Stop signal from PCP panel.
NKAHOLD Not address hold
KAS/1
NKAS/2 If KAS/1 is true and NKAS/2 is false, one of the following PCP
NKAS/B switches is activated: Data Enter Data Clear, Store Select
Address, Store Instruction Address, Insert PSW1, Insert PSW2,
Compute Step, Compute Run, Display Select Address, Display
Instruction Address, Instruction Address Increment, or Fill.
If NKAS/B is true, none of the above listed switches are
activated.
KC Signal from PCP, low during No clock or Continuous clock.
NKC/B Signal from PCP, high during No clock or Continuous clock.
KCLEAR/B Data Clear signal from PCP
KCLRPSW1 Clear PSW1 signal from PCP
KCLRPSW2 Clear PSW2 signal from PCP.
NKCLRPSW/B Not CLEAR PSW signal from PCP
KCONT True if Parity Error switch is in continuous position
KCPURESET True if CPU RESET SWITCH is activated.
KD True if Register Display switch is ON and clock Mode switch is
not in CONTINUOUS position.
NKDI True if Register Select switch is not in the EXT position.
KDISPLAK/B Display contents of Select Address switches.
KDISPLAQ/B Display contents of Instruction Address indicators.
KENTER/B "Enter Data" signal
KFILL/B True if FILL switch is activated.
KHOP Halt on Parity Error.
KINCRE/B Increment Instruction Address

| | |
|---------------------------------|---|
| KINLVSEL | True if Interleave Select switch is in the Diagnostic position. |
| KINTRP | True if Interrupt button is activated. |
| KIORESET | True if IORESET button is activated |
| KPSW1/B | True if Insert PSW1 switch is activated |
| KPSW2/B | True if Insert PSW2 switch is activated |
| KRUN | True if COMPUTE switch is in RUN position |
| KS0-KS31 | 32 Data Switches, true if particular switch is in the "one" position. |
| KSC | Low during Continuous clock. |
| KSP15-KSP31 | 17 Address Select switches, true if particular switch is in the "one" position. |
| KSS1-KSS4 | Sense switches, true if particular switch is in the "one" position. |
| KSTEP/B | True if the COMPUTE switch is in the STEP position. |
| KSTORK/B | STORE in SELECT ADDRESS location |
| KSTORQ/B | STORE in INSTRUCTION ADDRESS location |
| KSXA, KSXB, KSXC, KSXD, KSXS | Register Select switch signals, select A, B, C, D, or Sum Bus |
| KYSR | True if SYSTEM RESET switch is activated |
| KUA21-KUA31 | True as a function of UNIT ADDRESS switch. |
| KWDTR | True if WATCHDOG TIMER switch is in the OVERRIDE position. |

| | |
|--------------------|---|
| /LB15/ - /LB31/ | Address lines to CORE memory |
| LCK0-LCK1 | Write Lock decoding used to cause abort |
| LEVACT | "Leave Active State" signal to interrupt logic |
| LEVARM | When exiting an interrupt level, leave level in ARMED state. |
| LIN00-LIN08 | Nine address lines associated with an interrupt request to CPU. |
| LINREQ | Interrupt request from EXTERNAL interrupts. |
| LIO3-LIO7 | Address lines to Internal IO fast memory |
| LK0, LK1, LK2, LK3 | Signals which are decoded to define a particular location in fast memory which is used for Write Lock Data. |
| K/LKn | Where $0 \leq n \leq 3$. Clock to fast memory used for Write Lock Data. |
| W/LKn/m | Where $0 \leq n \leq 3$, $m \leq 5$. "Write data" lines to Write Lock fast memory. |
| LOCK0-LOCK7 | Data output from Write Lock fast memory modules. |
| LOCKW | Enable clock to FAST MEMORY WRITE LOCKS |
| /LR23/-/LR31/ | Address Lines to CPU FAST MEMORY |
| LRXD | Transfer $D_{12-14} \longrightarrow LR_{29-31}$, where D_{12-14} equals index register selection. |
| LRXR | Transfer $R_{28-31} \longrightarrow LR_{28-31}$ |
| LRXZ | "Zero" LR Lines |

| | |
|-----------------|---|
| MASTER | Flip-flop denoting SLAVE mode when MASTER = 0. |
| NMBOCRO-NMB3CRO | CRO \Rightarrow Memory address is a crossover address, or address of Fast Memory Register. MBO-MB3 \Rightarrow Bytes 0 thru 3. NMBOCRQ being low, implies write byte 0 data in Fast Memory. |
| MBXS | Transfer sum Bus to Memory Bus (MB) data lines. |
| MBO-MB31 | Memory data bits 0 thru 31. |
| MC0-MC7 | Eight bit micro-counter, used to keep record of multiply iterations, etc. |
| MCDC3, MCDC7 | Decrement Micro Counter. If MCDC3 is true, MICRO counter will be decremented by 10_{16} . If MCDC7 is true, micro counter will be decremented by 1. |
| MCX | Clear micro counter |
| MCXNPL1 | Transfer "NP" left one to MC. (i.e., NP26 \rightarrow MC1) |
| MCXPL2 | Transfer "P" left two to MC. (i.e., P26 \rightarrow MC0) |
| MCXS | Transfer $S_{0-7} \rightarrow MC_{0-7}$ |
| MCZ | Contents of micro counter equal zero. |
| MFL0-MFL7 | Memory fault Lights 0 thru 7 |
| MFR | Memory Fault Reset signal |
| MIT | Multiply Iteration signal |
| /MQC/ | Memory Request to C port |
| /MR/ | Memory Reset signal |
| MRC | Flip-flop set if memory request out. If DRQ set and no memory request was made, NMRC = 1, in this case DRQ, NMRC generates CLEN. |
| MRCL | "Memory request" clock |
| MRQ | Memory request flip-flop set by CPU |
| MRQP1 | Flip-flop which causes DRQ to be set on clock following the clock which set MRQ. |

XDS 902306

MUSIC

Flip-flop used to drive speaker on PCP panel.

/MWO/-/MW3/

Write byte lines to Core Memory

155094-B
SH 180

| | |
|-------------------|---|
| O1-O7 | Seven bit opcode register |
| ODINST | Order-In Status Enable |
| OL0-OLF | Decode of bits 4 thru 7 of opcode register (O Lower) |
| ORAB | Override memory requests to ports A and B, and give highest priority to port C. |
| ORDERIN, ORDEROUT | Order-in, Order-out. Applicable during internal IOP operations. |
| ORDSW4 | Implies ORDER or Switch 4 (SW4). SW4 \Rightarrow Data chain. |
| OU0-OU7 | Decode of bits 1 thru 3 of opcode register (O Upper). |
| OVERIND | Overflow Indicator flip-flop |
| OVLN6-OVLN8 | Interrupt address lines 6, 7, and 8 driven by Override Interrupt group. |
| OX | Clear O register. |
| OXC | Transfer $C_{1-7} \rightarrow O_{1-7}$ |

| | |
|-------------------------------|---|
| P15-P31 P32-P33 | 17 bit Address register Two additional bits of Address registers, used for byte count, etc. |
| P32HOLD, P33HOLD | HOLD P32 and P33 at their current value. |
| PARITYOK | Parity-OK signal from memory port C |
| PBAHOLD | HOLD Byte Address in P32 and P33 at current value. |
| PC | Parity Check signal received by internal IOP from a device controller. |
| PCP1-PCP6 | Processor Control Panel phases 1 thru 6. |
| PCPACT | Processor is ACTIVE in PCP phases. |
| PDC18, PDC22, PDC25, PDC29 | PDC Decrement P counter. PDC18 explained as follows: P19-P33 = 0, then decrement P15-P18 by one. |
| PE | Parity Error from memory port C |
| PEINT | Flip-flop which accepts PEM, and is used to set Parity Error interrupt level. |
| PEM | "Parity Error in Memory" latch |
| PH1-PH10 | CPU Execution phases 1 thru 10. |
| /POKC/ | Parity-OK from "C" port. Used to generate PARITYOK signal. |
| PON | Power-On request to power-on interrupt level. |
| PR | Proceed signal from External IOP |
| PRO-PR31 | Propagate signals for Sum Bus |
| PROO | Extension to most significant end of Propagate logic. |
| /PRC/ | Proceed signal on cable, used to generate PR. |
| PRE1-PRE4 | CPU Preparation Phases 1 thru 4. |
| PREIO | Preparation for IO service. |
| PREOPER | Signal true for those instructions which require reading contents of effective address. |

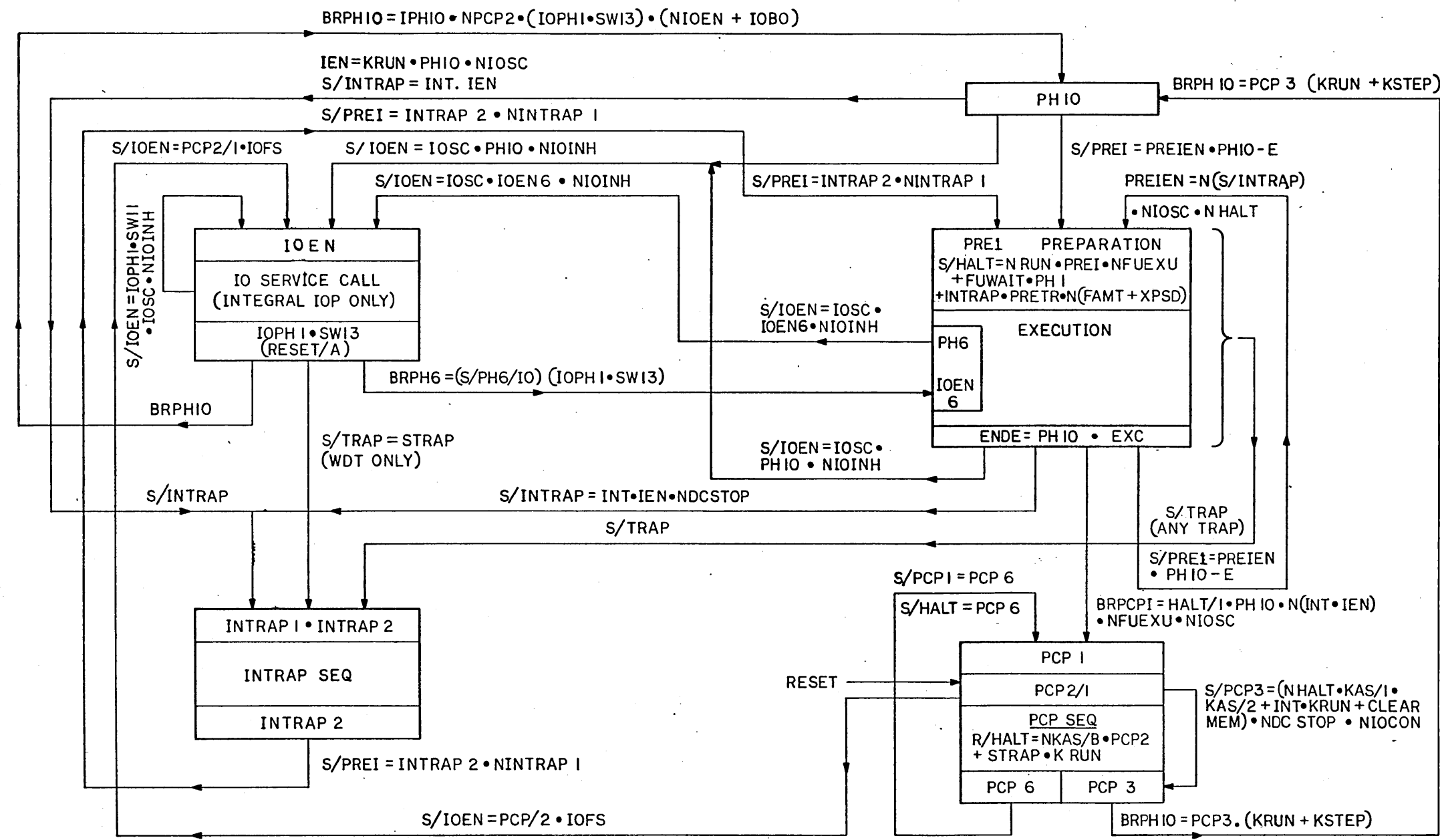
XDS 902306

| | |
|-------------|--|
| NPREP | CPU NOT-IN PRE1, 2, 3, or PRE4 |
| PRETR | PRE-TRAP. Flip-flop denoting when CPU may TRAP out of Preparation phases. |
| PRI | Proceed Signal |
| PROBEOVER | Probe for OVERFLOW |
| PROBEOVER/H | Probe for Overflow, halfword. |
| PRXAD | Enable Propagation of A, D |
| PRXAND | Enable Propagation of A, ND |
| PRXNAD | Enable Propagation of NA, D |
| PRXNAND | Enable Propagation of NA, ND |
| PSW1XS | Transfer Sum Bus to PSW1 |
| PSW2XS | Transfer Sum Bus to PSW2 |
| PUC18 | UP-Count P register. Add "1" to Bit 18 level of P register. |
| PULLUP | Source is a terminator. Provides additional drive input to Clock Drivers. |
| NPX | NOT CLEAR P REGISTER |
| PXINT | Transfer Interrupt Address to P register. Also used as source of Enter-Active State signal to Interrupt logic. |
| PXK | Transfer Address switches to P. (i.e., Store Select Address, Display Select Address). |
| PXS | Transfer Sum Bus to P register. |
| PXSXB | Transfer "B" to "P" via the Sum Bus. |
| PXTR | Transfer TRAP address to P. |

| | |
|----------------|--|
| R0 | Interrupt level "0" requesting service |
| R2 | Interrupt level "2" requesting service |
| NR01 | Interrupt levels 0 and 1 are NOT requesting service |
| NR23 | Interrupt levels 0 thru 3 are NOT requesting service |
| R28-R31 | Four bit R register. Used to retain the R-field of instructions |
| RDC31 | Decrement contents of R register |
| RDXMFI | Read and Reset-Memory Fault Indicators |
| REIP1 | Interrupt level 1 is requesting service. Level 0 is not active or requesting. |
| REIP3 | Interrupt level 3 is requesting service. Levels 0 thru 2 are not ACTIVE or Requesting. |
| REN | "Reset Enable flip-flops" signal to Interrupt logic. |
| REU | Register Extension Unit |
| RIO | Reset I/O |
| RP24-RP27 | Four bit "Register Pointer" register |
| K/RPOB0 | Clock signal to CPU internal fast memory, byte 0. |
| L/RPOB0 | CPU internal fast memory address line. |
| W/RPOB0 | CPU internal fast memory Data Write line. |
| RR0-RR31 | CPU internal fast memory Read Data lines. |
| RPXS | Transfer Sum Bus to Register Pointer (RP) register. |
| RQBZC | Requesting or Busy signal from Counter interrupt group. |
| RQBZI | Requesting or Busy signal from I/O interrupt group. |
| RQBZO | Requesting or Busy signal from Override interrupt group. |
| /RRW0/-/RRW31/ | Read/Write data signals on cable from CPU to internal fast memory. |
| RS | Request-Service strobe |

XDS 902306

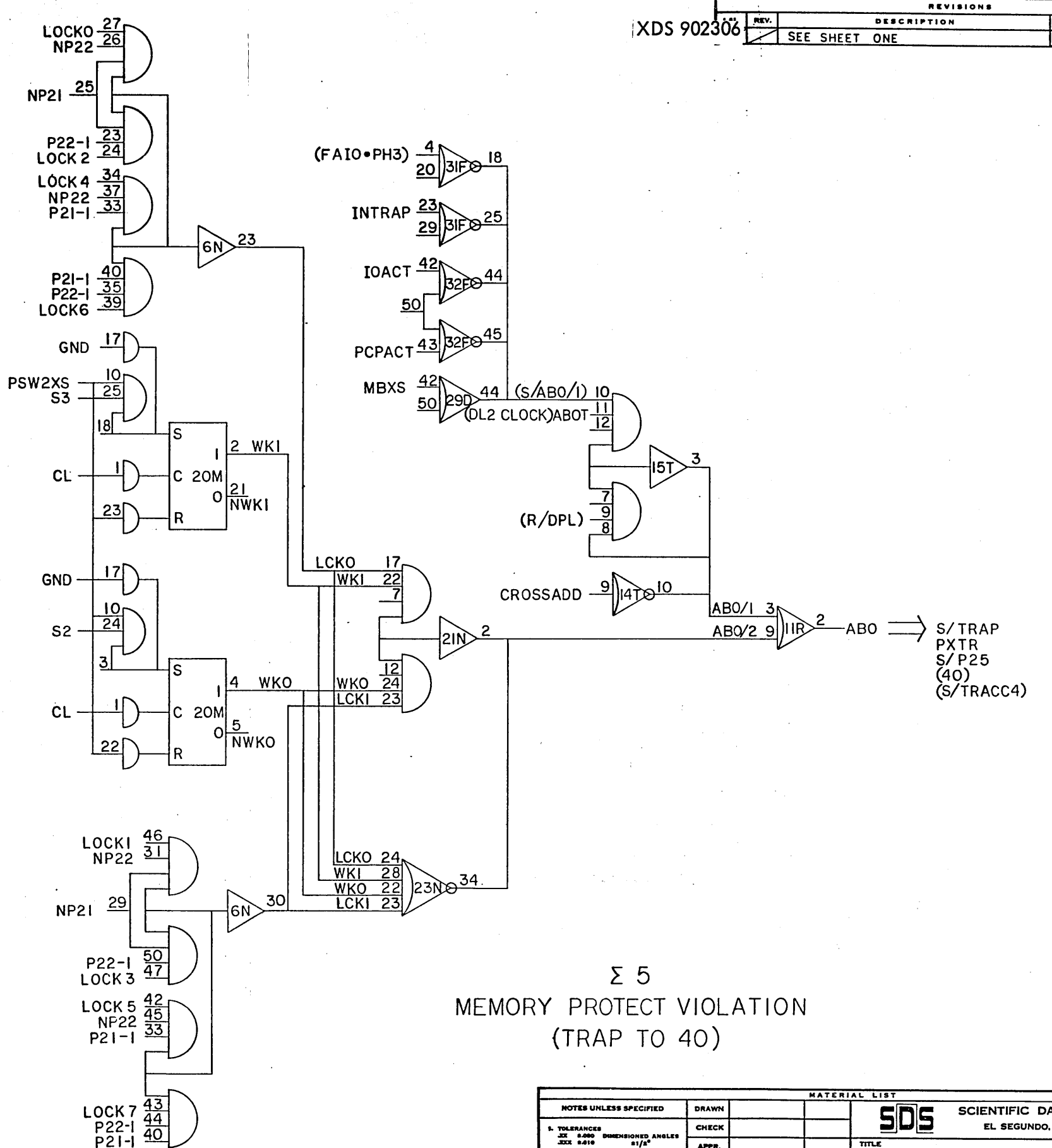
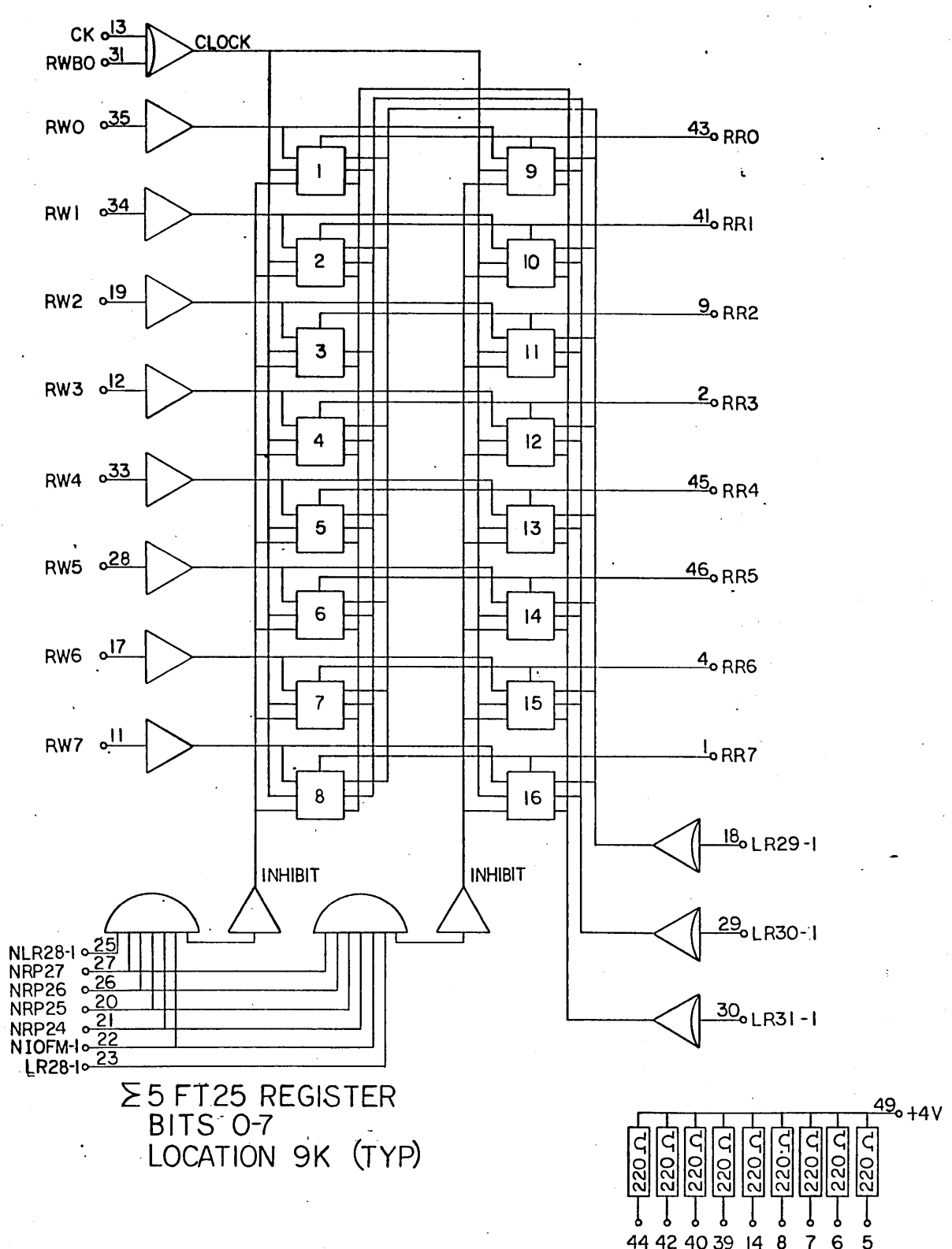
| REVISIONS | | | | 154832 | A |
|-----------|-------------|-----|------|----------|-----|
| REV. | DESCRIPTION | CHK | DATE | APPROVED | |
| X | A | MFG | REL | NO | EQ. |
| | | | | | |



STATE DIAGRAM

| NOTES UNLESS SPECIFIED | | DRAWN | | MATERIAL LIST | | SDS | | SCIENTIFIC DATA SYSTEMS | |
|--|--|-------------------------|--|---------------|--|---|--|-------------------------|--|
| 1. TOLERANCES XX 0.00 DIMENSIONED ANGLES XXX 0.010 01/2" | | E. SANTIAGO 8/26/69 | | | | EL SEGUNDO, CALIFORNIA | | | |
| 2. BREAK ALL SHARP EDGES 0.10 APPROX. | | CHECK N. Kurnick 9-5-69 | | | | | | | |
| 3. MACH. SURFACES | | APPR. WBF 9-9-69 | | | | | | | |
| 4. ALL DIM. IN INCHES | | | | | | | | | |
| 5. ALL TRUE POSITION TOLERANCES APPLY AT MMC | | | | | | | | | |
| MODEL NO. FIRST USE | | FINISH | | MATERIAL | | TITLE | | CHANGE LETTER | |
| 8201 | | | | | | ENGRG TECH. INFO. Σ5 CPU (SUPPLEMENTAL) | | A | |
| NEXT ASSY. FIRST USE | | | | | | CODE IDENT. SIZE DWG. NO. | | | |
| 117282 | | | | | | 18338 D 154832 | | | |

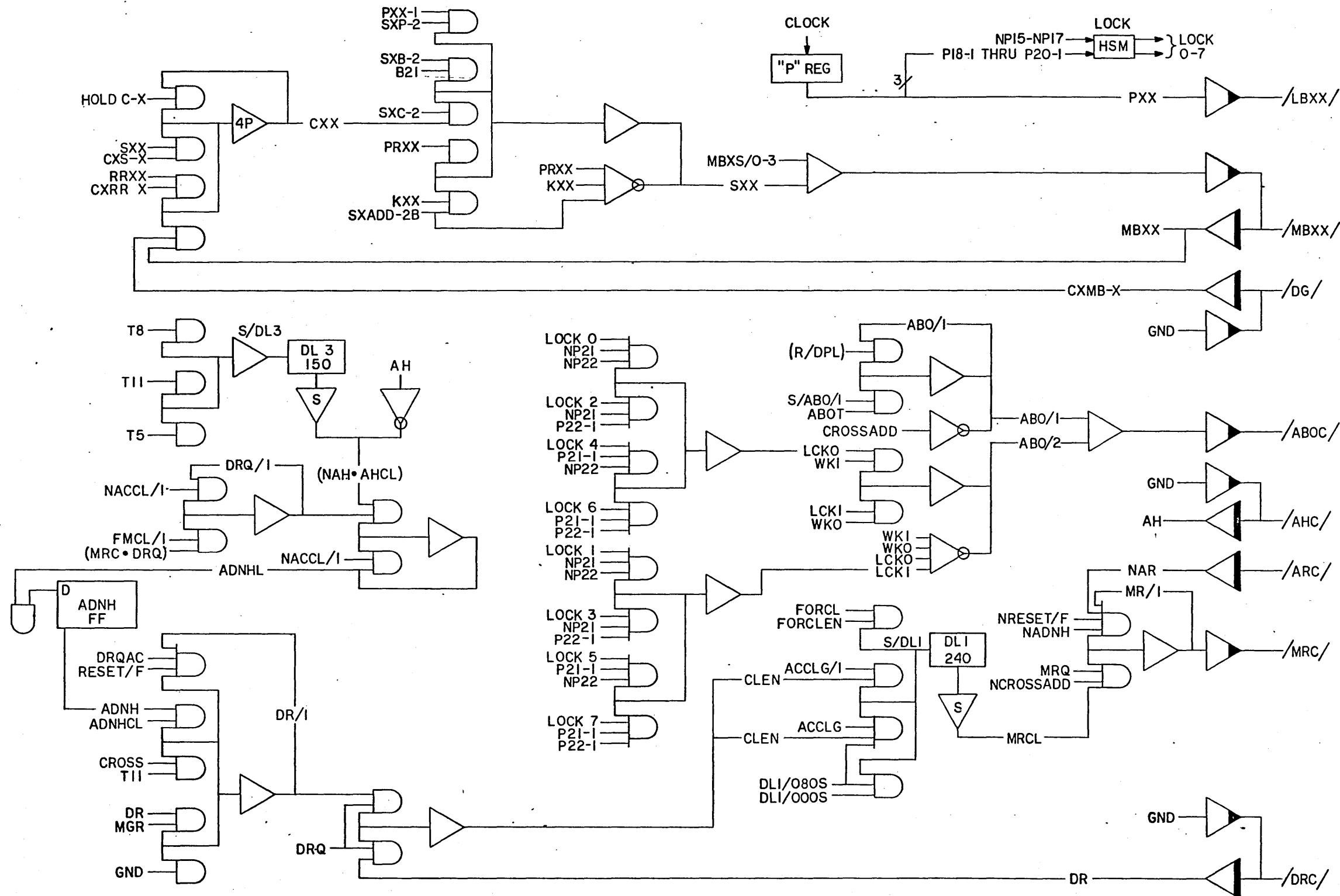
DIST CODE 109



| NOTES UNLESS SPECIFIED | | DRAWN | | MATERIAL LIST | |
|--|--|----------------------|--|---|--|
| 1. TOLERANCES UNLESS SPECIFIED | | DRAWN | | MATERIAL LIST | |
| 2. DIMENSIONS UNLESS SPECIFIED | | CHECK | | TITLE | |
| 3. BREAK ALL SHARP EDGES .010 APPROX. | | APPR. | | ENGRG TECH. INFO. Σ5 CPU (SUPPLEMENTAL) | |
| 4. ALL DIM. IN INCHES | | MATERIAL | | CODE IDENT. 18338 | |
| 5. ALL TRUE POSITION TOLERANCES APPLY AT MMC | | FINISH | | SIZE D | |
| MODEL NO. FIRST USE | | FINISH | | DWG. NO. 154832 | |
| NEXT ASSEMBLY FIRST USE | | FINISH | | CHANGE LETTER A | |
| SCALE | | DO NOT SCALE DRAWING | | SHEET 2 OF 7 | |

B

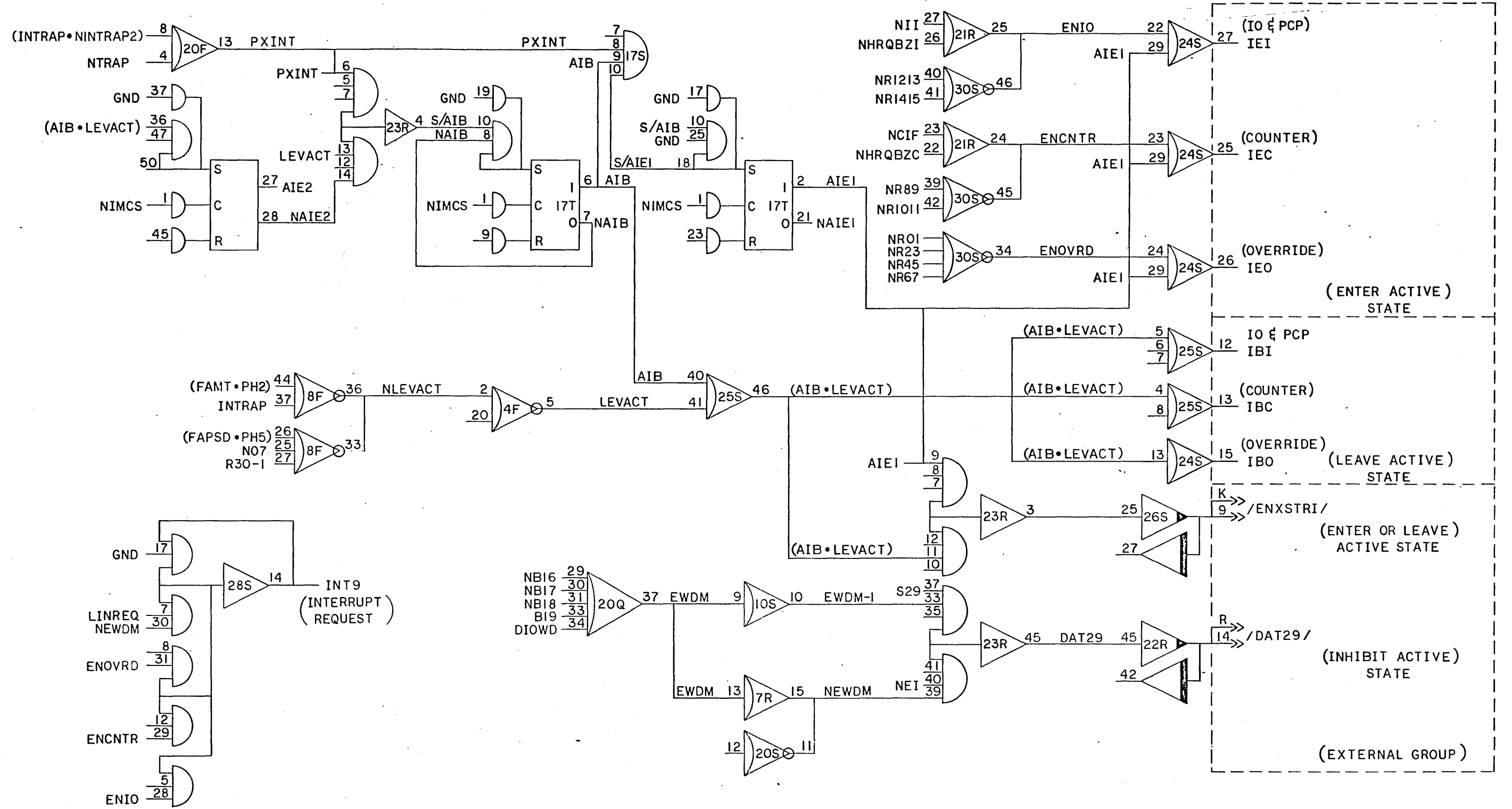
A



Σ5 MEMORY REQUEST LOGIC

| NOTES UNLESS SPECIFIED | | DRAWN | | MATERIAL LIST | | DIST CODE | |
|--|--|-------------------------|--|---------------|--|---|----------|
| 1. TOLERANCES SEE 5.000 DIMENSIONED ANGLES XXX 5.010 1/16" | | CHECK | | SDS | | SCIENTIFIC DATA SYSTEMS EL SEGUNDO, CALIFORNIA | |
| 2. BREAK ALL SHARP EDGES .010 APPROX. | | APPR. | | TITLE | | ENGRG TECH. INFO, Σ5 CPU (SUPPLEMENTAL) | |
| 3. MACH SURFACES | | MATERIAL | | CODE IDENT. | | SIZE | DWG. NO. |
| 4. ALL DIM. IN INCHES | | FINISH | | 18338 | | D | 154832 |
| 5. ALL TRUE POSITION TOLERANCES APPLY AT MMC | | NEXT ASSY. FIRST USE | | SCALE | | DO NOT SCALE DRAWING | |
| MODEL NO. FIRST USE | | NEXT ASSY. FIRST USE | | SHEET | | 4 OF 7 | |

154832 A A

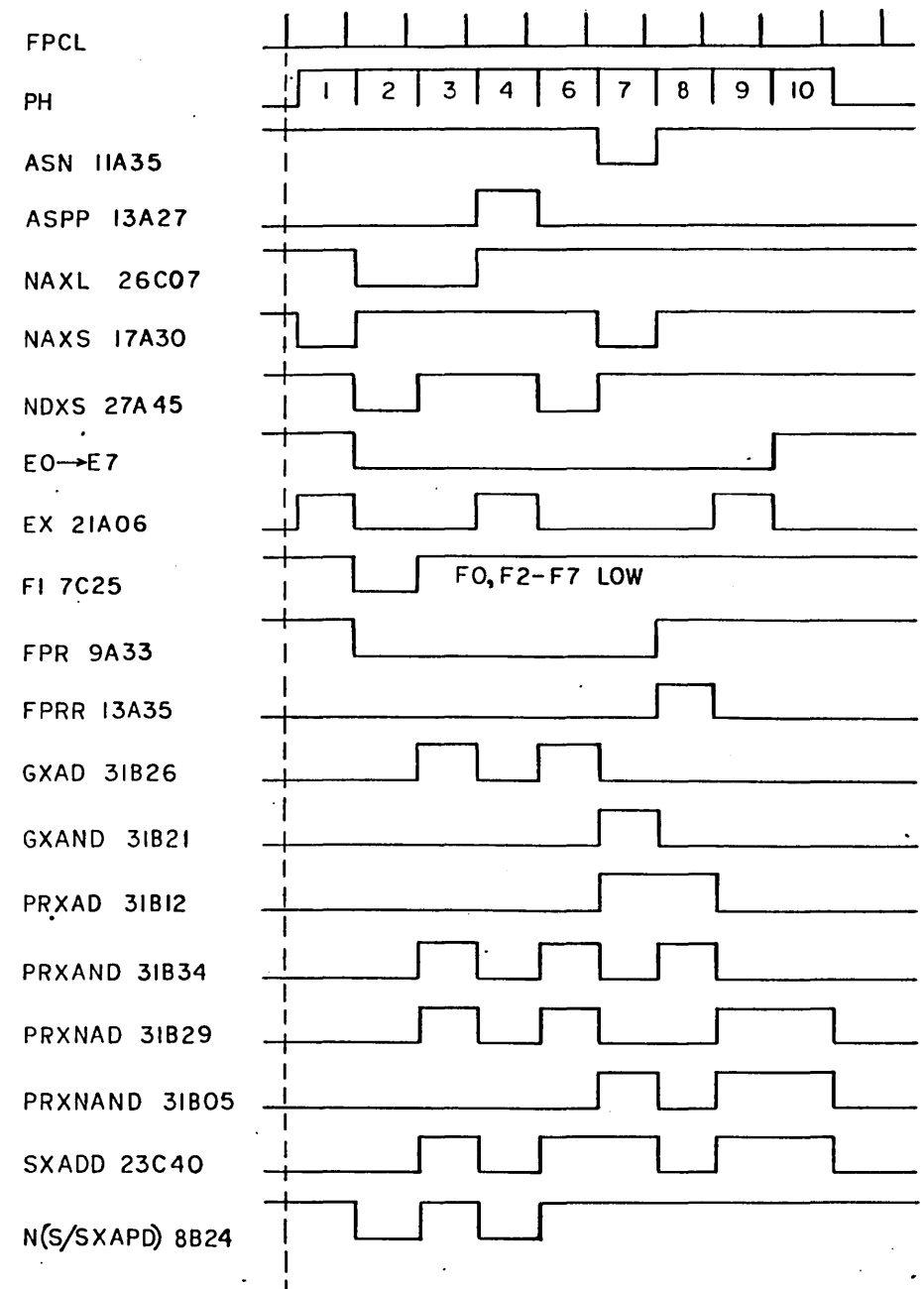


CPU INTERRUPT SERVICE LOGIC

| NOTES UNLESS SPECIFIED | | DRAWN | | MATERIAL LIST | | SCIENTIFIC DATA SYSTEMS EL SEGUNDO, CALIFORNIA | |
|---|----------|-------------|----------------------|---------------|---------------|---|--|
| 1. TOLERANCES XX .000 DIMENSIONED ANGLES XXX .010 | CHECK | | | | | | |
| 2. BREAK ALL SHARP EDGES .010 APPROX. | APPR. | | | | | | |
| 3. MACH SURFACES | MATERIAL | | | | | | |
| 4. ALL DIM. IN INCHES | | | | | | | |
| 5. ALL TRUE POSITION TOLERANCES APPLY AT MMC | | | | | | | |
| MODEL NO. FIRST USE | FINISH | | | | | | |
| NEXT ASSY. FIRST USE | | | | | | | |
| | | CODE IDENT. | SIZE | DWG. NO. | CHARGE LETTER | | |
| | | 18338 | D | 154832 | A | | |
| | | SCALE | DO NOT SCALE DRAWING | SHEET | 5 OF 7 | | |

154832/A A

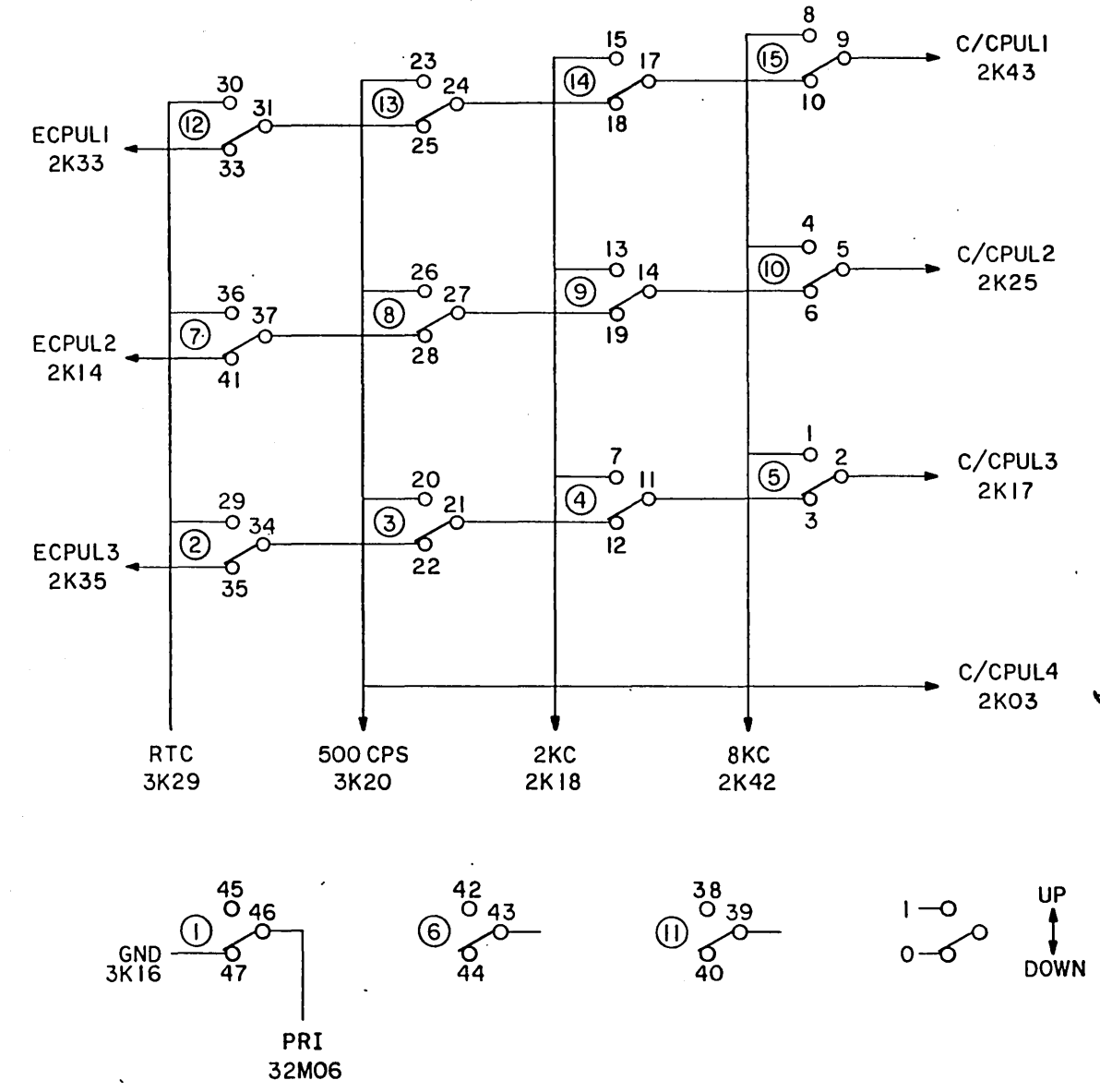
FLOAT BOX EXU. LOC. 140 EXU. LOC. 143
 DIAG. 32C (ID FAL) NEW 5/7 DIAG. 408 (ID FAL)



SINGLE CLOCK RESULTS TO CPU

| | SU | SL | 40 | AU | 71 | A0 | AL | A31 | DU | DL |
|------------|----------|----------|----------|----------|----------|----------|----------|-----|----|----|
| PH4 31B27 | 40000000 | 00000000 | COAAAAAA | AAAAAAA | AAAAAAA | COAAAAAA | BF800000 | | | |
| PH6 9A05 | C0555555 | 55555554 | COAAAAAA | AAAAAAA | AAAAAAA | COAAAAAA | AAAAAAA | | | |
| PH7 9A12 | 40AAAAAA | AAAAAAAC | 40000000 | 00000000 | C0555555 | 55555554 | | | | |
| PH8 9A07 | 40AAAAAA | AAAAAAA | 40AAAAAA | AAAAAAAC | C0555555 | 55555554 | | | | |
| PH9 30C06 | C0555555 | 55555554 | 40AAAAAA | AAAAAAAC | C0555555 | 55555554 | | | | |
| PH10 31B06 | 8F555555 | 55555554 | 3FAAAAAA | AAAAAAAC | BF555555 | 55555554 | | | | |

SW. REAL TIME CLOCK MODULE ST14 (3K)



MATERIAL LIST

SDS SCIENTIFIC DATA SYSTEMS
 EL SEGUNDO, CALIFORNIA

ENGRG TECH.
 INFO. Σ5 CPU.
 (SUPPLEMENTAL)

CODE IDENT. 18338 SIZE D DWG. NO. 154832 CHANGE LETTER A

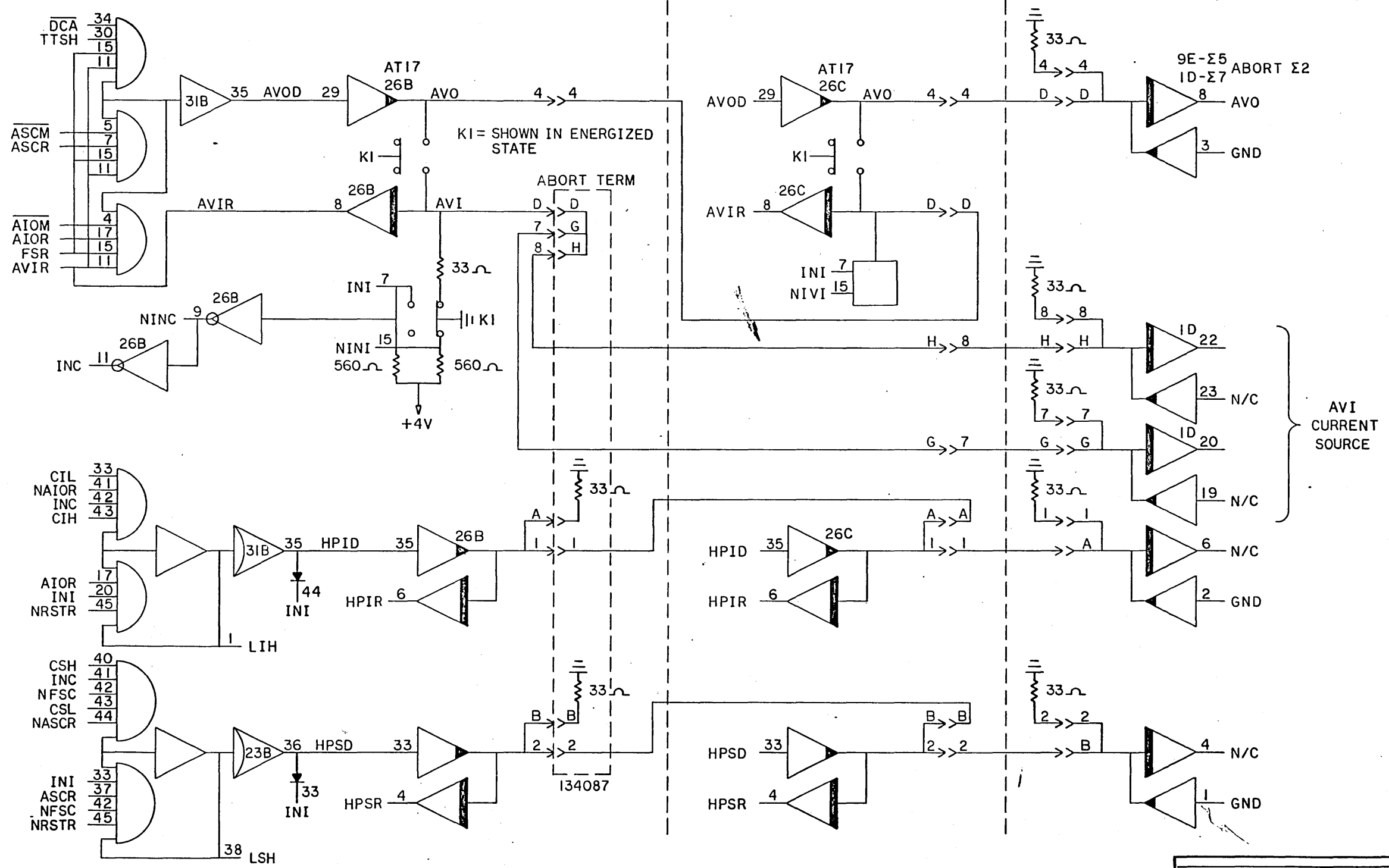
SCALE DO NOT SCALE DRAWING SHEET 6 OF 7

IO PRIORITY CHAIN

DEVICE SUBCONTROLLER
 HIGHEST PRIORITY

DEVICE SUBCONTROLLER
 LOWEST PRIORITY

MIOP OR IIOP
 Σ5/7



NOTE: KI WILL BE ENERGIZED ONLY IF:
 1 POWER ON
 2 ON LINE SW TO UP
 3 DEVICE IS CABLED TO CONTROLLER

| NOTES UNLESS SPECIFIED | | DRAWN | | MATERIAL LIST | |
|--|----------|-------|--|--|-----------------------|
| 1. TOLERANCES UNLESS SPECIFIED SEE 8-200 DIMENSIONED ANGLES SEE 8-010 91/8" | CHECK | | | SDS SCIENTIFIC DATA SYSTEMS EL SEGUNDO, CALIFORNIA | |
| 2. BREAK ALL SHARP EDGES 0.01 APPROX. | APPR. | | | TITLE ENGRG TECH. INFO. Σ5 CPU (SUPPLEMENTAL) | |
| 3. MACH. SURFACES APPLY AT MMC | MATERIAL | | | CODE IDENT. 18338 | SIZE D |
| 4. ALL DIM. IN INCHES | FINISH | | | DWG. NO. 154832 | CHANGE LETTER A |
| 5. ALL TRUE POSITION TOLERANCES APPLY AT MMC | | | | SCALE | DO NOT SCALE DRAWING |
| MODEL NO. FIRST USE | | | | | SHEET 7 OF 7 |
| NEXT ASSY. FIRST USE | | | | | |

B
 154832/A
 A

| SHT | REV | SHT | REV |
|-----|-----|-----|-----|
| 1 | A | 21 | A |
| 2 | A | 22 | A |
| 3 | A | 23 | A |
| 4 | A | 24 | A |
| 5 | A | 25 | A |
| 6 | A | 26 | A |
| 7 | A | | |
| 8 | A | | |
| 9 | A | | |
| 10 | A | | |
| 11 | A | | |
| 12 | A | | |
| 13 | A | | |
| 14 | A | | |
| 15 | A | | |
| 16 | A | | |
| 17 | A | | |
| 18 | A | | |
| 19 | A | | |
| 20 | A | | |

TABLE OF CONTENTS

| | Sheet No. |
|-------------------------------------|-----------|
| CPU - Memory | 2 - 7 |
| CPU (DIO) | 8 - 11 |
| CPU - IOP | 12 |
| CPU (INT. IOP) - DEVICE CONTROLLERS | 13 - 16 |
| CPU - INTERRUPT SYSTEM | 17 - 20 |
| CPU - REU | 21 - 25 |
| CPU - FLOATING POINT | 26 |

NOTE: THIS DOCUMENT CONTAINS 26 SHEETS

| | | | |
|--|--------|--------------|---|
| X A MFG RELEASE NO E.O. | | MK 9-17-79 | |
| LAL | REV. | DESCRIPTION | CHK DATE APP |
| REVISIONS | | | |
| DIRT CODE | | | |
| MATERIAL LIST | | | |
| NOTES UNLESS SPECIFIED | DRAWN | 1.L. 9-15 | SDS Scientific Data Systems A XEROX COMPANY EL SEGUNDO, CALIFORNIA |
| 1 TOLERANCES BY DIM DIMENSIONED ANGLES SEE 1.010 0.125 | CHECK | MK 9-17-79 | |
| 2 BREAK ALL SHARP EDGES R10 APPROX | APPR | DK 7 10-9-79 | TITLE |
| 3 DASH SUPPRESSED | | | CABLE TABLES, SIGMA 5 |
| 4 ALL DIM IN INCHES | | | |
| 5 ALL THIS POSITION TOLERANCES APPLY AT MMC | | | |
| MODEL NO. FIRST USE | 8201 | FINISH | |
| CODE IDENT | 18338 | SIZE | B |
| DWG NO | 156389 | CHGNO | A |
| NEXT REV FIRST USE | 117282 | SCALE | DO NOT SCALE DRAWING SHEET 1 |

CABLE TABLE

| UNIT <u>CPU</u> | | | CABLE 6 ASSEMBLY NO. | UNIT <u>8251-MEM</u> | | | | |
|------------------------------|---------------|---------|-------------------------|---------------------------|-----------|---------|---------------|--------------|
| MODULE LOCATION <u>31N</u> ① | | | | MODULE LOCATION <u>2C</u> | | | | |
| MODULE TYPE <u>AT10</u> | | | MODULE TYPE <u>AT31</u> | | | | | |
| LOGIC SIGNAL | CONNECTOR PIN | CIRCUIT | CABLE PIN | CABLE SIGNAL | CABLE PIN | CIRCUIT | CONNECTOR PIN | LOGIC SIGNAL |
| GND | 2 | D | 1. | | A. | R | 6 | OPEN |
| MFL1 * | 6 | R | A | /MFL1/ | 1 | D | 2 | MFL01 |
| GND | 1 | D | 2. | | B. | R | 4 | OPEN |
| MFL0 * | 4 | R | B | /MFL0/ | 2 | D | 1 | MFL00 |
| GND | 9 | D | 3. | | C. | R | 10 | OPEN |
| MFL3* | 10 | R | C | /MFL3/ | 3 | D | 9 | MFL03 |
| GND | 3. | D | 4. | | D. | R | 8 | ST |
| START | 8 | R | D | /ST/ ② | 4 | D | 3 | GND |
| GND | 12 | D | 5. | | E. | R | 13 | OPEN |
| MFL4* | 13 | R | E | /MFL4/ | 5 | D | 12 | MFL04 |
| GND | 15 | D | 6. | | F. | R | 18 | OPEN |
| MFL5* | 18 | R | F | /MFL5/ | 6 | D | 15 | MFL05 |
| GND | 19 | D | 7. | | G. | R | 20 | OPEN |
| RTC | 20 | R | G | /RTC/ ② | 7 | D | 19 | GND |
| GND | 23 | D | 8. | | H. | R | 22 | OPEN |
| PON | 22 | R | H | /IOON/ ② | 8 | D | 23 | GND |
| GND | 25 | D | 9. | | K. | R | 27 | OPEN |
| PON | 27 | R | K | /IONEN/ ② | 9 | D | 25 | GND |
| GND | 33 | D | 10. | | L. | R | 34 | OPEN |
| IOFF | 34 | R | L | /IOFF/ ② | 10 | D | 33 | GND |
| GND | 35 | D | 11. | | M. | R | 36 | OPEN |
| MFL2 * | 36 | R | M | /MFL2/ | 11 | D | 35 | MFL02 |
| GND | 37 | D | 12 | | N. | R | 33 | OPEN |
| OPEN | 38 | R | N | - | 12 | D | 37 | GND |
| GND | 39 | D | 13. | | P. | R | 40 | OPEN |
| MFL6* | 40 | R | P | /MFL6/ | 13 | D | 39 | MFL06 |
| GND | 45 | D | 14. | | R. | R | 42 | OPEN |
| MFL7* | 42 | R | R | /MFL7/ | 14 | D | 45 | MFL07 |

NOTES:

* MEMORY FAULT INDICATION

- ① The cable from 31N connects to each memory and then connects to each power monitor.
- ② Signals generated by power monitor.

| | | | |
|-----------------------------|--------|---|--------------|
| X A MFG RELEASE NO E.O. | | CIB/10/10/10 | |
| LAL | REV. | DESCRIPTION | CHK DATE APP |
| REVISIONS | | | |
| DIST CODE | | | |
| NOTES UNLESS SPECIFIED | | DRAWN | I.L. 9-15 |
| | | CHECK | PXB 10/8 |
| | | APPR | WKF 10/9 |
| | | MATERIAL | |
| | | SDS Scientific Data Systems A XEROX COMPANY EL SEGUNDO, CALIFORNIA | |
| | | CABLE TASTE | |
| MODEL NO | FINISH | CODE IDENT | SIZE DWG NO |
| FIRST USE | | 18338 | B 156389 |
| NEXT ADOP | | | |
| FIRST USE | | SCALE DO NOT SCALE DRAWING SHEET 2 | |

CABLE TABLE

| UNIT <u>CPU</u> | | | CABLE 1 ASSEMBLY NO. | | | UNIT <u>8251-MEM</u> | | |
|----------------------------|---------------|---------|----------------------|--------------|-----------|---------------------------|---------------|---------------------|
| MODULE LOCATION <u>12M</u> | | | | | | MODULE LOCATION <u>8A</u> | | |
| MODULE TYPE <u>AT11</u> | | | | | | MODULE TYPE <u>AT11</u> | | |
| LOGIC SIGNAL | CONNECTOR PIN | CIRCUIT | CABLE PIN | CABLE SIGNAL | CABLE PIN | CIRCUIT | CONNECTOR PIN | NOTE 1 LOGIC SIGNAL |
| S1. MBXS/0 MB1 | 2 6 | D R | 1. A | /MB1/ | A, 1 | R D | 6 2 | MC01 MC001 |
| S0. MBXS/0 MB0 | 1 4 | D R | 2. B | /MB0/ | B, 2 | R D | 4 1 | MC00 MC000 |
| S3. MBXS/0 MB3 | 9 10 | D R | 3. C | /MB3/ | C, 3 | R D | 10 9 | MC03 MC003 |
| S2. MBXS/0 MB2 | 3. 8 | D R | 4. D | /MB2/ | D, 4 | R D | 3 3 | MC02 MC002 |
| S4. MBXS/0 MB4 | 12 13 | D R | 5. E | /MB4/ | E, 5 | R D | 13 12 | MC04 MC004 |
| S5. MBXS/0 MB5 | 15 18 | D R | 6. F | /MB5/ | F, 6 | R D | 18 15 | MC05 MC005 |
| S6. MBXS/0 MB6 | 19 20 | D R | 7. G | /MB6/ | G, 7 | R D | 20 19 | MC06 MC006 |
| S7. MBXS/0 MB7 | 23 22 | D R | 8. H | /MB7/ | H, 8 | R D | 22 23 | MC07 MC007 |
| S8. MBXS/1 MB8 | 25 27 | D R | 9. K | /MB8/ | K, 9 | R D | 27 25 | MC08 MC008 |
| S9.. MBXS/1 MB9 | 33 34 | D R | 10. L | /MB9/ | L, 10 | R D | 34 33 | MC09 MC009 |
| S10. MBXS/1 MB10 | 35 36 | D R | 11. M | /MB10/ | M, 11 | R D | 35 35 | MC10 MC010 |
| S11. MBXS/1 MB11 | 37 38 | D R | 12 N | /MB11/ | N, 12 | R D | 39 37 | MC11 MC011 |
| S12. MBXS/1 MB12 | 39 40 | D R | 13. P | /MB12/ | P, 13 | R D | 40 39 | MC12 MC012 |
| S13. MBXS/1 MB13 | 45 42 | D R | 14. R | /MB13/ | R, 14 | R D | 42 45 | MC13 MC013 |

NOTES:

- THE A, B AND C LETTERS IN THE NOMENCLATURE OF A LOGIC SIGNAL WITHIN MEMORY INDICATE THE CHASSIS PORT.
e.g., MB13 INDICATES PORT B
MC13 INDICATES PORT C, ETC.

| | | | | | | | |
|------------------------|--------|---------------------|------|------------|------------|--|-----|
| X | A | MFG RELEASE NO E.O. | | | <i>WKF</i> | | |
| LAL | REV. | DESCRIPTION | | | CHK | DATE | APP |
| REVISIONS | | | | | | | |
| LIST CODE | | | | | | | |
| NOTES UNLESS SPECIFIED | | | | | | | |
| DRAWN | | I.L. | | 9-15 | | SDS | |
| CHECK | | <i>WKF</i> | | <i>WKF</i> | | Scientific Data Systems A AIRBORNE COMPANY | |
| APPD | | <i>WKF</i> | | <i>WKF</i> | | EL PASO, TEXAS | |
| MATERIAL | | CABLE TABLE | | | | | |
| MODEL NO | FINISH | CODE IDENT | SIZE | DWG NO | SHEET | | |
| 18338 | B | 156389 | | | A | | |
| DO NOT SCALE DRAWING | | | | SHEET 3 | | | |

CABLE TABLE

| UNIT <u>CPU</u> | | | | CABLE 2 ASSEMBLY NO. | UNIT <u>8251-MEM</u> | | | |
|----------------------------|---------------|---------|-----------|-------------------------|---------------------------|---------|---------------|---------------|
| MODULE LOCATION <u>25P</u> | | | | | MODULE LOCATION <u>8B</u> | | | |
| MODULE TYPE <u>AT11</u> | | | | MODULE TYPE <u>AT11</u> | | | | |
| LOGIC SIGNAL | CONNECTOR PIN | CIRCUIT | CABLE PIN | CABLE SIGNAL | CABLE PIN | CIRCUIT | CONNECTOR PIN | NOTE 1 |
| S15. MBXS/1 MB15 | 2 6 | D R | 1. A | /MB15/ | A, 1 | R D | 6 2 | MC15 MC015 |
| S14. MBXS/1 MB14 | 1 4 | D R | 2. B | /MB14/ | B, 2 | R D | 4 1 | MC14 MC014 |
| S17. MBXS/2 MB17 | 9 10 | D R | 3. C | /MB17/ | C, 3 | R D | 10 9 | MC17 MC017 |
| S16. MBXS/2 MB16 | 3, 8 | D R | 4. D | /MB16/ | D, 4 | R D | 8 3 | MC16 MC016 |
| S18. MBXS/2 MB18 | 12 13 | D R | 5. E | /MB18/ | E, 5 | R D | 13 12 | MC18 MC018 |
| S19. MBXS/2 MB19 | 15 18 | D R | 6. F | /MB19/ | F, 6 | R D | 18 15 | MC19 MC019 |
| S20. MBXS/2 MB20 | 19 20 | D R | 7. G | /MB20/ | G, 7 | R D | 20 19 | MC20 MC020 |
| S21. MBXS/2 MB21 | 23 22 | D R | 8. H | /MB21/ | H, 8 | R D | 22 23 | MC21 MC021 |
| S22. MBXS/2 MB22 | 25 27 | D R | 9. K | /MB22/ | K, 9 | R D | 27 25 | MC22 MC022 |
| S23. MBXS/2 MB23 | 33 34 | D R | 10. L | /MB23/ | L, 10 | R D | 34 33 | MC23 MC023 |
| S24. MBXS/3 MB24 | 35 36 | D R | 11. M | /MB24/ | M, 11 | R D | 36 35 | MC24 MC024 |
| S25. MBXS/3 MB25 | 37 38 | D R | 12. N | /MB25/ | N, 12 | R D | 38 37 | MC25 MC025 |
| S26. MBXS/3 MB26 | 39 40 | D R | 13. P | /MB26/ | P, 13 | R D | 40 39 | MC26 MC026 |
| S27. MBXS/3 MB27 | 45 42 | D R | 14. R | /MB27/ | R, 14 | R D | 42 45 | MC27 MC027 |

NOTES:

- THE A, B AND C LETTERS IN THE NOMENCLATURE OF A LOGIC SIGNAL WITHIN MEMORY INDICATES THE CHASSIS PORT.
e.g., MC27 INDICATES PORT C
MB27 INDICATES PORT B, ETC.

| | | | | | |
|----------------------|--------|---------------------|------|----------------------|----------|
| X | A | MFG RELEASE NO E.O. | | P. D. WKF | |
| LAL | REV | DESCRIPTION | | CHK | DATE |
| REVISIONS | | | | | |
| DRAWN I.L. 9-15 | | | | | |
| CHECK CKB DB | | | | | |
| APPR WKF | | | | | |
| MATERIAL | | | | | |
| TITLE CABLE TABLE | | | | | |
| MODEL NO | FINISH | CODE IDENT | SIZE | UWG NO | QUANTITY |
| FIRST USE | | 18338 | B | 156389 | A |
| NEXT ADDY | | SCALE | | DO NOT SCALE DRAWING | SHEET 4 |

CABLE TABLE

| UNIT <u>CPU</u> | | | CABLE 3 ASSEMBLY NO. | | | UNIT <u>8251-MEM</u> | | |
|----------------------------|---------------|---------|-------------------------|--------------|-----------|---------------------------|---------------|------------------------|
| MODULE LOCATION <u>18R</u> | | | | | | MODULE LOCATION <u>8C</u> | | |
| MODULE TYPE <u>AT11</u> | | | | | | MODULE TYPE <u>AT11</u> | | |
| LOGIC SIGNAL | CONNECTOR PIN | CIRCUIT | CABLE PIN | CABLE SIGNAL | CABLE PIN | CIRCUIT | CONNECTOR PIN | NOTE 1 LOGIC SIGNAL |
| S29. MBXS/3 MB29 | 2 6 | D R | 1. A | /MB29/ | A, 1 | R D | 6 2 | MC29 MCO29 |
| S28. MBXS/3 MB28 | 1 4 | D R | 2. B | /MB28/ | B, 2 | R D | 4 1 | MC28 MCO28 |
| S31. MBXS/3 MB31 | 9 10 | D R | 3. C | /MB31/ | C, 3 | R D | 10 9 | MC31 MCO31 |
| S30. MBXS/3 MB30 | 3. 8 | D R | 4. D | /MB30/ | D, 4 | R D | 8 3 | MC30 MCO30 |
| P29 OPEN | 12 13 | D R | 5. E | /LB29/ | E, 5 | R D | 13 12 | LC29 GND |
| P30 OPEN | 15 18 | D R | 6. F | /LB30/ | F, 6 | R D | 18 15 | LC30 GND |
| P31 OPEN | 19 20 | D R | 7. G | /LB31/ | G, 7 | R D | 20 19 | LC31 GND |
| - MBXS/0 OPEN | 23 22 | D R | 8. H | /MW0/ | H, 8 | R D | 22 23 | MW0C GND |
| - MBXS/1 OPEN | 25 27 | D R | 9. K | /MW1/ | K, 9 | R D | 27 25 | MW1C GND |
| - MBXS/2 OPEN | 33 34 | D R | 10. L | /MW2/ | L, 10 | R D | 34 33 | MW2C GND |
| - MBXS/3 OPEN | 35 36 | D R | 11. M | /MW3/ | M, 11 | R D | 36 35 | MW3C GND |
| GND DG | 37 38 | D R | 12. N | /DG/ | N, 12 | R D | 38 37 | OPEN DGCO |
| GND EDR | 39 40 | D R | 13. P | /EDR/ | P, 13 | R D | 40 39 | OPEN EDROC |
| OPEN OPEN | 45 42 | D R | 14. R | - | R, 14 | R D | 42 45 | OPEN GND |

NOTES:

1. THE A, B AND C LETTERS IN THE NOMENCLATURE OF A LOGIC SIGNAL WITHIN MEMORY INDICATES THE CHASSIS PORT.

e.g., MC29 INDICATES PORT C.

MB29 INDICATES PORT B, ETC.

| | | | | | |
|-------------------------|------|---------------------|------------|---|----------------------|
| X | A | MFG RELEASE NO E.O. | | C. B. 10/18 WKF | |
| LAL | REV. | DESCRIPTION | | CHK | DATE |
| REVISIONS | | | | | |
| MATERIAL LIST | | | | | |
| NOTES UNLESS SPECIFIED | | DRAWN | I.L. 9-15 | SDS Scientific Data Systems A XEROX COMPANY EL SEGUNDO, CALIFORNIA | |
| | | CHECK | C.B. 10/18 | TITLE | |
| | | APPV. | WKF 10/19 | CABLE TABLE | |
| MODEL NO. FIRST USE | | FINISH | | CODE IDENT. | SIZE |
| | | | | 18338 | B |
| NEXT ASMT. FIRST USE | | | | DWG NO. | 156389 |
| | | | | SCALE | DO NOT SCALE DRAWING |
| | | | | SHEET | 5 |

CABLE TABLE

| UNIT <u>CPU</u> | | | | CABLE 4 ASSEMBLY NO. | UNIT <u>8251-MEM</u> | | | |
|----------------------------|---------------|---------|-----------|-------------------------|---------------------------|---------|---------------|------------------------|
| MODULE LOCATION <u>15R</u> | | | | | MODULE LOCATION <u>6D</u> | | | |
| MODULE TYPE <u>AT12</u> | | | | MODULE TYPE <u>AT10</u> | | | | |
| LOGIC SIGNAL | CONNECTOR PIN | CIRCUIT | CABLE PIN | CABLE SIGNAL | CABLE PIN | CIRCUIT | CONNECTOR PIN | NOTE 1 LOGIC SIGNAL |
| P16 OPEN | 2 6 | D R | 1. A | /LB16/ | A. 1 | R D | 6 2 | LC16 GND |
| P15 OPEN | 1 4 | D R | 2. B | /LB /LB15/ | B. 2 | R D | 4 1 | LC15 GND |
| P18 OPEN | 9 10 | D R | 3. C | /LB18/ | C. 3 | R D | 10 9 | LC18 GND |
| P17 OPEN | 3. 8 | D R | 4. D | /LB17/ | D. 4 | R D | 8 3 | LC17 GND |
| P19 OPEN | 12 13 | D R | 5. E | /LB19/ | E. 5 | R D | 13 12 | LC19 GND |
| P20 OPEN | 15 18 | D R | 6. F | /LB20/ | F. 6 | R D | 18 15 | LC20 GND |
| P21 OPEN | 19 20 | D R | 7. G | /LB21/ | G. 7 | R D | 20 19 | LC21 GND |
| P22 OPEN | 23 22 | D R | 8. H | /LB22/ | H. 8 | R D | 22 23 | LC22 GND |
| P23 OPEN | 25 27 | D R | 9. K | /LB23/ | K. 9 | R D | 27 25 | LC23 GND |
| P24 OPEN | 33 34 | D R | 10. L | /LB24/ | L. 10 | R D | 34 33 | LC24 GND |
| P25 OPEN | 35 36 | D R | 11. M | /LB25/ | M. 11 | R D | 36 35 | LC25 GND |
| P26 OPEN | 37 38 | D R | 12 N | /LB26/ | N. 12 | R D | 38 37 | LC26 GND |
| P27 OPEN | 39 40 | D R | 13. P | /LB27/ | P. 13 | R D | 40 39 | LC27 GND |
| P28 OPEN | 45 42 | D R | 14. R | /LB28/ | R. 14 | R D | 42 45 | LC28 GND |

NOTES:

- THE A, B AND C LETTERS IN THE NOMENCLATURE OF A LOGIC SIGNAL WITHIN MEMORY INDICATES THE CHASSIS PORT.
e.g., LC16 INDICATES PORT C
LB16 INDICATES PORT B, ETC.

| | | | | | | | |
|------------------------|------|---------------------|--|---|------------|----------|-----|
| X | A | MFG RELEASE NO E.O. | | | <i>WFF</i> | | |
| LAL | REV. | DESCRIPTION | | | CHK | DATE | APP |
| REVISIONS | | | | | | | |
| NOTES UNLESS SPECIFIED | | | | | | | |
| DRAWN | | DATE | | SOS Scientific Data Systems, A Division of RAND | | | |
| <i>WFF</i> | | 9-15 | | CABLE TABLE | | | |
| APP'D | | DATE | | GROUP IDENT | | | |
| <i>WFF</i> | | 10/9 | | 18338 | | B 156389 | |
| MATERIAL | | FINISH | | SCALE | | SHEET 6 | |
| MATERIAL | | FINISH | | SCALE | | SHEET 6 | |

CABLE TABLE

| UNIT <u>CPU</u> | | | | CABLE 5 ASSEMBLY NO. | UNIT <u>8251-MEM</u> | | | |
|----------------------------|---------------|---------|-----------|-------------------------|---------------------------|---------|---------------|------------------------|
| MODULE LOCATION <u>15S</u> | | | | | MODULE LOCATION <u>8D</u> | | | |
| MODULE TYPE <u>AT11</u> | | | | MODULE TYPE <u>AT11</u> | | | | |
| LOGIC SIGNAL | CONNECTOR PIN | CIRCUIT | CABLE PIN | CABLE SIGNAL | CABLE PIN | CIRCUIT | CONNECTOR PIN | NOTE 1 LOGIC SIGNAL |
| GND | 2 | D | 1. | | A. | R | 6 | |
| AH | 6 | R | A | /AHC/ | 1 | D | 2 | AHOC |
| MR/1 | 1 | D | 2. | | B. | R | 4 | MQC |
| OPEN | 4 | R | B | /MQC/ | 2 | D | 1 | GND |
| GND | 9 | D | 3. | | C. | R | 10 | OPEN |
| DR | 10 | R | C | /DRC/ | 3 | D | 9 | DROC |
| GND | 3. | D | 4. | | D. | R | 8 | OPEN |
| AR | 8 | R | D | /ARC/ | 4 | D | 3 | AROC |
| GND | 12 | D | 5. | | E. | R | 13 | OPEN |
| PE | 13 | R | E | /PEC/ | 5 | D | 12 | PGOC |
| GND | 15 | D | 6. | | F. | R | 18 | OPEN |
| SRA | 18 | R | F | /SRAC/ | 6 | D | 15 | SRAOC |
| OPEN | 19 | D | 7. | | G. | R | 20 | OPEN |
| OPEN | 20 | R | G | - | 7 | D | 19 | GND |
| ABO/1.ABO/2 | 23 | D | 8. | | H. | R | 22 | ABOC |
| OPEN | 22 | R | H | /ABOC/ | 8 | D | 23 | GND |
| GND | 25 | D | 9. | | K. | R | 27 | OPEN |
| PARITY OK | 27 | R | K | /POKC/ | 9 | D | 25 | POKDC |
| RESET/KS | 33 | D | 10. | | L. | R | 34 | MRC |
| OPEN | 34 | R | L | /MR/ | 10 | D | 33 | GND |
| ORAB-1 | 35 | D | 11. | | M. | R | 36 | ORAB |
| OPEN | 36 | R | M | /ORAB/ | 11 | D | 35 | GND |
| KINLVSEL | 37 | D | 12. | | N. | R | 38 | ORILC |
| OPEN | 38 | R | N | /ORIL/ | 12 | D | 37 | GND |
| KHOP-1 | 39 | D | 13. | | P. | R | 40 | HOFc |
| KHOP-2 | 40 | R | P | /HOF/ | 13 | D | 39 | GND |
| MFR | 45 | D | 14. | | R. | R | 42 | MFRPC |
| OPEN | 42 | R | R | /MFR/ | 14 | D | 45 | GND |

NOTES:

- THE A, B AND C LETTERS IN THE NOMENCLATURE OF A LOGIC SIGNAL WITHIN MEMORY INDICATES THE CHASSIS PORT.
e.g., AHOC INDICATES PORT C
AHOB INDICATES PORT B, ETC.

| | | | | | | | |
|------------------------|--------|---------------------|------------|----------------------|---|---------|-----|
| X | A | MFG RELEASE NO E.O. | | | <i>CIA/CPA/WCF</i> | | |
| LAL | REV | DESCRIPTION | | | CHK | DATE | APP |
| REVISIONS | | | | | | | |
| DIST CODE | | | | | | | |
| MATERIAL LIST | | | | | | | |
| NOTES UNLESS SPECIFIED | | DRAWN | I.L. | 9-15 | SDS Scientific Data Systems, A XEROX COMPANY EL SEGUNO, CALIFORNIA | | |
| | | CHECK | <i>CPA</i> | <i>10/8</i> | TITLE | | |
| | | APPR | <i>WCF</i> | <i>PA</i> | CABLE TABLE | | |
| | | MATERIAL | | | | | |
| MODEL NO. | FINISH | CODE IDENT | SIZE | DRG NO | SHEET | | |
| | | 18338 | B | 156389 | A | | |
| NEXT ASSY | | SCALE | | DO NOT SCALE DRAWING | | SHEET 1 | |

CABLE TABLE

| UNIT CPU (DIO) | | | | J1 CABLE ASSEMBLY NO. | | UNIT DEVICE | | | | | | |
|---------------------|--|--|---------------|-----------------------|-----------|-------------------|--|--|-----------|---------|---------------|----------------|
| MODULE LOCATION 09M | | | | | | MODULE LOCATION ① | | | | | | |
| MODULE TYPE AT11 | | | | | | MODULE TYPE ③ | | | | | | |
| LOGIC SIGNAL | | | CONNECTOR PIN | CIRCUIT | CABLE PIN | CABLE SIGNAL | | | CABLE PIN | CIRCUIT | CONNECTOR PIN | LOGIC SIGNAL ② |
| DIO1/1 | | | 2 | D | 1 | /DIO1/ | | | A | R | 6 | |
| DIO1 | | | 6 | R | A | | | | 1 | D | 2 | |
| DIO0/1 | | | 1 | D | 2 | /DIO0/ | | | B | R | 4 | |
| DIO0 | | | 4 | R | B | | | | 2 | D | 1 | |
| DIO3/1 | | | 9 | D | 3 | /DIO3/ | | | C | R | 10 | |
| DIO3 | | | 10 | R | C | | | | 3 | D | 9 | |
| DIO2/1 | | | 3 | D | 4 | /DIO2/ | | | D | R | 8 | |
| DIO2 | | | 8 | R | D | | | | 4 | D | 3 | |
| DIO4/1 | | | 12 | D | 5 | /DIO4/ | | | E | R | 13 | |
| DIO4 | | | 13 | R | E | | | | 5 | D | 12 | |
| DIO5/1 | | | 15 | D | 6 | /DIO5/ | | | F | R | 18 | |
| DIO5 | | | 18 | R | F | | | | 6 | D | 15 | |
| DIO6/1 | | | 19 | D | 7 | /DIO6/ | | | G | R | 20 | |
| DIO6 | | | 20 | R | G | | | | 7 | D | 19 | |
| DIO7/1 | | | 23 | D | 8 | /DIO7/ | | | H | R | 22 | |
| DIO7 | | | 22 | R | H | | | | 8 | D | 23 | |
| DIO8/1 | | | 25 | D | 9 | /DIO8/ | | | K | R | 27 | |
| DIO8 | | | 27 | R | K | | | | 9 | D | 25 | |
| DIO9/1 | | | 33 | D | 10 | /DIO9/ | | | L | R | 34 | |
| DIO9 | | | 34 | R | L | | | | 10 | D | 33 | |
| DIO10 | | | 35 | D | 11 | /DIO10/ | | | M | R | 36 | |
| DIO10 | | | 36 | R | M | | | | 11 | D | 35 | |
| DIO11/1 | | | 37 | D | 12 | /DIO11/ | | | N | R | 38 | |
| DIO11 | | | 38 | R | N | | | | 12 | D | 37 | |
| DIO12/1 | | | 39 | D | 13 | /DIO12/ | | | P | R | 40 | |
| DIO12 | | | 40 | R | P | | | | 13 | D | 39 | |
| DIO13/1 | | | 45 | D | 14 | /DIO13/ | | | R | R | 42 | |
| DIO13 | | | 42 | R | R | | | | 14 | D | 45 | |

NOTES:

- ① LOCATION IN DEVICE MAY VARY.
- ② LOGIC SIGNAL NAMES MAY VARY FROM DEVICE TO DEVICE. SEE CABLE TABLES OF INDIVIDUAL DEVICES.
- ③ MODULE TYPE WILL VARY DEPENDING ON DIO APPLICATION.

| | | | | | |
|------------------------|-----------|---------------------|------------|----------------------|---|
| X | A | MFG RELEASE NO E.O. | | P. D. WKF | |
| LAL | REV | DESCRIPTION | | CHK | DATE |
| REVISIONS | | | | | |
| DATE CORR | | | | | |
| NOTES UNLESS SPECIFIED | | DRAWN | I.L. | 9-15 | SDS |
| | | CHECK | WKF | 10/9 | SCIENTIFIC DATA SYSTEMS A XEROX COMPANY |
| | | APP | WKF | 10/9 | TITLE |
| | | CABLE TABLE | | | |
| MODEL NO | FIRST USE | FINISH | COUR IDENT | SIZE | DWG NO |
| | | | 18338 | B | 156389 |
| NEXT ASBY | FIRST USE | SCALE | | DO NOT SCALE DRAWING | SHEET 8 |

CABLE TABLE

| UNIT CPU (DIO) | | | | J2 CABLE ASSEMBLY NO. | | UNIT _____ DEVICE | | | | |
|---------------------|--|--|---------------|-----------------------|-----------|-------------------|-----------|---------|---------------|----------------|
| MODULE LOCATION 220 | | | | | | MODULE LOCATION ① | | | | |
| MODULE TYPE AT11 | | | | | | MODULE TYPE ③ | | | | |
| LOGIC SIGNAL | | | CONNECTOR PIN | CIRCUIT | CABLE PIN | CABLE SIGNAL | CABLE PIN | CIRCUIT | CONNECTOR PIN | LOGIC SIGNAL ② |
| DIO15/1-1 | | | 2 | D | 1. | | A. | R | 6 | |
| DIO15 | | | 6 | R | A | /DIO15/ | 1 | D | 2 | |
| DIO14/1-1 | | | 1 | D | 2. | | B. | R | 4 | |
| DIO14 | | | 4 | R | B | /DIO14/ | 2 | D | 1 | |
| DIO17/1 | | | 9 | D | 3. | | C. | R | 10 | |
| DIO17 | | | 10 | R | C | /DIO17/ | 3 | D | 9 | |
| DIO16/1 | | | 3. | D | 4. | | D. | R | 8 | |
| DIO16 | | | 8 | R | D | /DIO16/ | 4 | D | 3 | |
| DIO18/1 | | | 12 | D | 5. | | E. | R | 13 | |
| DIO18 | | | 13 | R | E | /DIO18/ | 5 | D | 12 | |
| DIO19/1 | | | 15 | D | 6. | | F. | R | 18 | |
| DIO19 | | | 18 | R | F | /DIO19/ | 6 | D | 15 | |
| DIO20/1 | | | 19 | D | 7. | | G. | R | 20 | |
| DIO20 | | | 20 | R | G | /DIO20/ | 7 | D | 19 | |
| DIO21/1 | | | 23 | D | 8. | | H. | R | 22 | |
| DIO21 | | | 22 | R | H | /DIO21/ | 8 | D | 23 | |
| DIO22/1 | | | 25 | D | 9. | | K. | R | 27 | |
| DIO22 | | | 27 | R | K | /DIO22/ | 9 | D | 25 | |
| DIO23/1 | | | 33 | D | 10. | | L. | R | 34 | |
| DIO23 | | | 34 | R | L | /DIO23/ | 10 | D | 33 | |
| DIO24/1 | | | 35 | D | 11. | | M. | R | 36 | |
| DIO24 | | | 36 | R | M | /DIO24/ | 11 | D | 35 | |
| DIO25/1 | | | 37 | D | 12 | | N. | R | 38 | |
| DIO25 | | | 38 | R | N | /DIO25/ | 12 | D | 37 | |
| DIO26/1 | | | 39 | D | 13. | | P. | R | 40 | |
| DIO26 | | | 40 | R | P | /DIO26/ | 13 | D | 39 | |
| DIO27/1 | | | 45 | D | 14. | | R. | R | 42 | |
| DIO27 | | | 42 | R | R | /DIO27/ | 14 | D | 45 | |

NOTES:

- ① LOCATION IN DEVICE MAY VARY.
- ② LOGIC SIGNALS MAY VARY FROM DEVICE TO DEVICE. SEE CABLE TABLES OF INDIVIDUAL DEVICES.
- ③ MODULE TYPE WILL VARY DEPENDING ON DIO APPLICATION.

| | | | | | |
|------------------------|-------------|---------------------|---|--------------|---------------|
| X | A | MFG RELEASE NO E.O. | | C. I. L. WKF | |
| LAL | REV. | DESCRIPTION | | CHK | DATE |
| REVISIONS | | | | | |
| MATERIAL LIST | | | | | |
| NOTES UNLESS SPECIFIED | | | | | |
| DRAWN | I. L. | 9-15 | SDS Scientific Data Systems A XEROX COMPANY EL SEGUIPO, CALIFORNIA | | |
| CHECK | C. I. L. | 10/8 | TITLE | | |
| APPR | WKF | 10/9 | CABLE TABLE | | |
| MATERIAL | | | | | |
| FINISH | | | | | |
| MODEL NO | CODE IDENT. | | SIZE | DWG NO | CHANGE LETTER |
| FIRST USE | 18338 | | B | 156389 | A |
| NEXT APPY | SCALE | | DO NOT SCALE DRAWING | | SHEET 9 |

CABLE TABLE

| UNIT CPU (DIO) | | | | J3 CABLE ASSEMBLY NO. | | UNIT DEVICE | | | | |
|---------------------|--|--|---------------|-----------------------------|-----------|-------------------|-----------|---------|---------------|----------------|
| MODULE LOCATION 26Q | | | | | | MODULE LOCATION ① | | | | |
| MODULE TYPE AT11 | | | | | | MODULE TYPE ③ | | | | |
| LOGIC SIGNAL | | | CONNECTOR PIN | CIRCUIT | CABLE PIN | CABLE SIGNAL | CABLE PIN | CIRCUIT | CONNECTOR PIN | LOGIC SIGNAL ② |
| DIO29/1 | | | 2 | D | 1. | | A. | R | 6 | |
| DIO29 | | | 6 | R | A | /DIO29/ | 1 | D | 2 | |
| DIO28/1 | | | 1 | D | 2. | | B. | R | 4 | |
| DIO28 | | | 4 | R | B | /DIO28/ | 2 | D | 1 | |
| DIO31/1 | | | 9 | D | 3. | | C. | R | 10 | |
| DIO31 | | | 10 | R | C | /DIO31/ | 3 | D | 9 | |
| DIO30/1 | | | 3. | D | 4. | | D. | R | 8 | |
| DIO30 | | | 8 | R | D | /DIO30/ | 4 | D | 3 | |
| DIORS | | | 12 | D | 5. | | E. | R | 13 | |
| OPEN | | | 13 | R | E | /DIO48/ | 5 | D | 12 | |
| GND | | | 15 | D | 6. | | F. | R | 18 | |
| DIO49 | | | 18 | R | F | /DIO49/ | 6 | D | 15 | |
| DIOWD | | | 19 | D | 7. | | G. | R | 20 | |
| OPEN | | | 20 | R | G | /DIO50/ | 7 | D | 19 | |
| DIO37/1 | | | 23 | D | 8. | | H. | R | 22 | |
| OPEN | | | 22 | R | H | /DIO37/ | 8 | D | 23 | |
| DIO38/1 | | | 25 | D | 9. | | K. | R | 27 | |
| OPEN | | | 27 | R | K | /DIO38/ | 9 | D | 25 | |
| DIO39/1 | | | 33 | D | 10. | | L. | R | 34 | |
| OPEN | | | 34 | R | L | /DIO39/ | 10 | D | 33 | |
| DIO44/1 | | | 35 | D | 11. | | M. | R | 36 | |
| OPEN | | | 36 | R | M | /DIO44/ | 11 | D | 35 | |
| DIO45/1 | | | 37 | D | 12 | | N. | R | 38 | |
| OPEN | | | 38 | R | N | /DIO45/ | 12 | D | 37 | |
| DIO46/1 | | | 39 | D | 13. | | P. | R | 40 | |
| OPEN | | | 40 | R | P | /DIO46/ | 13 | D | 39 | |
| DIO47/1 | | | 45 | D | 14. | | R. | R | 42 | |
| OPEN | | | 42 | R | R | /DIO47/ | 14 | D | 45 | |

NOTES:

- ① LOCATION IN DEVICE MAY VARY.
- ② LOGIC SIGNALS MAY VARY FROM DEVICE TO DEVICE. SEE CABLE TABLES OF INDIVIDUAL DEVICE.
- ③ MODULE TYPE WILL VARY DEPENDING ON DIO APPLICATION.

| | | | | | |
|------------------------|--------|---------------------|-------------|---|----------|
| X | A | MFG RELEASE NO E.O. | | CIB/WH WKF | |
| LAL | RLV. | DESCRIPTION | | CHK | DATE |
| REVISIONS | | | | | |
| NOTES UNLESS SPECIFIED | | | | | |
| DRAWN | I, L | 9-15 | SDS | Scientific Data Systems A XEROX COMPANY | |
| CHECK | WKB | 10/18 | | | |
| APPD | WKF | 10/19 | | | |
| MATERIAL | | | CABLE TABLE | | |
| MODEL NO | FINISH | SIZE IDENT | SIZE | DWG NO | DATE |
| FIRST USE | | 18338 | B | 156389 | A |
| NEXT APPD | | SCALE | | DO NOT SCALE DRAWING | SHEET 10 |

CABLE TABLE

| UNIT _____ CPU (DIO) | | | | J4 CABLE ASSEMBLY NO. | | | UNIT _____ DEV | | | |
|---------------------------|---------------|---------|-----------|-----------------------------|-----------|---------|-------------------------|--------------|---|--|
| MODULE LOCATION _____ 29Q | | | | | | | MODULE LOCATION _____ ① | | | |
| MODULE TYPE _____ AT11 | | | | | | | MODULE TYPE _____ ② | | | |
| LOGIC SIGNAL | CONNECTOR PIN | CIRCUIT | CABLE PIN | CABLE SIGNAL | CABLE PIN | CIRCUIT | CONNECTOR PIN | LOGIC SIGNAL | ③ | |
| DIO35/1 OPEN | 2 6 | D R | 1. A | /DIO35/ | A. 1 | R D | 6 2 | | | |
| DIO34/1 OPEN | 1 4 | D R | 2. B | /DIO34/ | B. 2 | R D | 4 1 | | | |
| NOT USED | 9 10 | D R | 3. C | NOT USED | C. 3 | R D | 10 9 | | | |
| DIO36/1 OPEN | 3. 8 | D R | 4. D | /DIO36/ | D. 4 | R D | 8 3 | | | |
| DIO32/1 OPEN | 12 13 | D R | 5. E | /DIO32/ | E. 5 | R D | 13 12 | | | |
| DIO33/1 OPEN | 15 18 | D R | 6. F | /DIO33/ | F. 6 | R D | 18 15 | | | |
| DIO40/1 OPEN | 19 20 | D R | 7. G | /DIO40/ | G. 7 | R D | 20 19 | | | |
| DIO41/1 OPEN | 23 22 | D R | 8. H | /DIO41/ | H. 8 | R D | 22 23 | | | |
| DIO42/1 OPEN | 25 27 | D R | 9. K | /DIO42/ | K. 9 | R D | 27 25 | | | |
| DIO43/1 OPEN | 33 34 | D R | 10. L | /DIO43/ | L. 10 | R D | 34 33 | | | |
| GND DIO51 | 35 36 | D R | 11. M | /DIO51/ | M. 11 | R D | 36 35 | | | |
| GND DIO52 | 37 38 | D R | 12. N | /DIO52/ | N. 12 | R D | 38 37 | | | |
| RESET IO OPEN | 39 40 | D R | 13. P | /DIO53/ | P. 13 | R D | 40 39 | | | |
| IMC-1 OPEN | 45 42 | D R | 14. R | /DIO54/ | R. 14 | R D | 42 45 | | | |

NOTES:

- ① LOCATION IN DEVICE MAY VARY.
- ② MODULE TYPE WILL VARY DEPENDING ON DIO APPLICATION.
- ③ LOGIC SIGNALS WILL VARY FROM DEVICE TO DEVICE. SEE CABLE TABLES OF INDIVIDUAL DEVICE.

| | | | | | |
|------------------------|------|---------------------|--|---|---------|
| X A | | MFG RELEASE NO E.O. | | <i>MK 9-17-79 WKF</i> | |
| LAL | REV. | DESCRIPTION | | CHK | DATE |
| DIVISIONS | | | | | |
| NOTES UNLESS SPECIFIED | | | | | |
| DRAWN | | I.L. 9-15 | | Scientific Data Systems & Vehicle Company | |
| CHECKED | | <i>MK 9-17-79</i> | | MATERIAL | |
| APPR | | <i>WKF VOA</i> | | CABLE TABLE | |
| MODEL NO | | FINISH | | CODE IDENT | UNIT NO |
| FIRST USE | | | | 18338 B | 156389 |
| NEXT ASSY | | | | SCALE | |
| FIRST USE | | | | DO NOT SCALE DRAWING SHEET 11 | |

CABLE TABLE

| UNIT SIGMA 5 CPU | | | | CABLE ASSEMBLY NO. | UNIT SIGMA 5 CPU (INTEGRAL IOP) | | | |
|----------------------------|---------------|---------|-----------|--------------------|---------------------------------|---------------|------------------|--|
| MODULE LOCATION 5F (2) (3) | | | | | MODULE LOCATION 7F (2) (4) | | | |
| MODULE TYPE AT13 | | | | MODULE TYPE AT13 | | | | |
| LOGIC SIGNAL | CONNECTOR PIN | CIRCUIT | CABLE PIN | CABLE PIN | CIRCUIT | CONNECTOR PIN | LOGIC SIGNAL (4) | |
| Ø2. IOPXFNC OPEN | 2 6 | D R | 1. A | | | | FNCØ GND | |
| Ø6-1. IOPXFNC OPEN | 1 4 | D R | 2. B | | | | FNC1 GND | |
| Ø7. IOPXFNC OPEN | 9 10 | D R | 3. C | | | | FNC2 GND | |
| SW5 OPEN | 3. 8 | D R | 4. D | | | | IOPAØ GND | |
| SW6 OPEN | 12 13 | D R | 5. E | | | | IOPA1 GND | |
| SW3 OPEN | 15 18 | D R | 6. F | | | | IOPA2 GND | |
| IOCONST. IOPXFNC OPEN | 19 20 | D R | 7. G | | | | CNST CNSTI | |
| OPEN OPEN | 23 22 | D R | 8. H | | | | OPEN OPEN | |
| GND NCOND1 | 25 27 | D R | 9. K | | | | OPEN GND | |
| GND NCOND2 | 33 34 | D R | 10. L | | | | OPEN GND | |
| LMC OPEN | 35 36 | D R | 11. M | | | | CLIS GND | |
| RESET IO OPEN | 37 38 | D R | 12 N | | | | RIO GND | |
| GND IR | 39 40 | D R | 13. P | | | | OPEN IOIR | |
| GND PR | 45 42 | D R | 14. R | | | | OPEN PRI | |

NOTES:

1. REFERENCE SIGMA 5 SYSTEM INSTALLATION DRAWING, 137112, FOR INTERCONNECTION OF INTEGRAL IOP AND EXTERNAL IOP'S.
- (2) A CABLE FROM 05F to 07F IS NOT REQUIRED IF INTEGRAL IOP IS THE ONLY IOP.
- (3) CABLES CHAIN FROM 05F WILL CONNECT TO ANY HIGHER PRIORITY IOP'S BEFORE CONNECTING TO 07F.
- (4) REFER TO APPLICABLE IOP CABLE TABLES FOR MODULE LOCATION AND LOGIC SIGNAL INFORMATION.

| | | | | | |
|------------------------|--------|---------------------|---------------------------------------|------------|------|
| X | A | MFG RELEASE NO E.O. | | CIB/DH/WKF | |
| LAL | REV | DESCRIPTION | | CHK | DATE |
| REVISIONS | | | | | |
| NOTES UNLESS SPECIFIED | | | | | |
| DRAWN | I.L. | 9-15 | SDS Scientific Data Systems & COMPANY | | |
| CHECK | WKF | 10/8 | ELECTRONIC SYSTEMS | | |
| APPR | WKF | 10/9 | TITLE | | |
| MATERIAL | | | CABLE TABLE | | |
| MODEL NO | FINISH | CODE IDENT | SIF | DWG NO | |
| FIRST USE | | 18338 | B | 156389 | |
| REPT ARMY | | SCALE | DO NOT SCALE DRAWING | SHEET | 12 |

CABLE TABLE

| UNIT <u> CPU (INT. IOP) </u> | | | J1 CABLE ASSEMBLY NO. | | | UNIT <u> DEVICE CONTROLLERS </u> | | |
|--------------------------------|---------------|---------|-----------------------------|--------------|-----------|------------------------------------|---------------|----------------|
| MODULE LOCATION <u> 10L </u> | | | | | | MODULE LOCATION <u> ① </u> | | |
| MODULE TYPE <u> AT10 </u> | | | | | | MODULE TYPE <u> ① </u> | | |
| LOGIC SIGNAL | CONNECTOR PIN | CIRCUIT | CABLE PIN | CABLE SIGNAL | CABLE PIN | CIRCUIT | CONNECTOR PIN | LOGIC SIGNAL ② |
| GND | 2 | D | 1. | | A. | R | 6 | |
| FR7 | 6 | R | A | /FR7/ | 1 | D | 2 | |
| GND | 1 | D | 2. | | B. | R | 4 | |
| FR6 | 4 | R | B | /FR6/ | 2 | D | 1 | |
| GND | 9 | D | 3. | | C. | R | 10 | |
| FR5 | 10 | R | C | /FR5/ | 3 | D | 9 | |
| GND | 3. | D | 4. | | D. | R | 8 | |
| FR4 | 8 | R | D | /FR4/ | 4 | D | 3 | |
| GRD | 12 | D | 5. | | E. | R | 13 | |
| FR3 | 13 | R | E | /FR3/ | 5 | D | 12 | |
| GRD | 16 | D | 6. | | F. | R | 18 | |
| FR2 | 18 | R | F | /FR2/ | 6 | D | 15 | |
| GRD | 19 | D | 7. | | G. | R | 20 | |
| FR1 | 20 | R | G | /FR1/ | 7 | D | 19 | |
| GRD | 23 | D | 8. | | H. | R | 22 | |
| FR0 | 22 | R | H | /FR0/ | 8 | D | 23 | |
| GND | 25 | D | 9. | | K. | R | 27 | |
| RS | 27 | R | K | /RS/ | 9 | D | 25 | |
| GND | 33 | D | 10. | | L. | R | 34 | |
| IOR | 34 | R | L | /IOR/ | 10 | D | 33 | |
| GND | 35 | D | 11. | | M. | R | 36 | |
| FSL | 36 | R | M | /FSL/ | 11 | D | 35 | |
| NOT USED | 37 | D | 12 | | N. | R | 38 | |
| | 38 | R | N | /DX2/ | 12 | D | 37 | |
| GND | 39 | D | 13. | | P. | R | 40 | |
| IC | 40 | R | P | /IC/ | 13 | D | 39 | |
| NOT USED | 45 | D | 14. | | R. | R | 42 | |
| | 42 | R | R | /DX4/ | 14 | D | 45 | |

NOTES:

- ① LOCATION AND MODULE TYPE IN DEVICE CONTROLLER MAY VARY.
- ② LOGIC SIGNALS MAY VARY FROM DEVICE TO DEVICE. SEE CABLE TABLES OF INDIVIDUAL DEVICES.

| | | | | | |
|------------------------|------------|----------------------|-------|---|-------|
| X | A | MFG RELEASE NO E.O. | | <i>WKF</i> | |
| LAL | REV. | DESCRIPTION | | CHK | DATE |
| REVISIONS | | | | | |
| MATERIAL LIST | | | | | |
| NOTES UNLESS SPECIFIED | | | | | |
| DRAWN | I.L. | 9-15 | SDS | Scientific Data Systems A XEROX COMPANY EL SEGUNDO, CALIFORNIA | |
| CHECK | <i>WKF</i> | <i>10/8</i> | | | |
| APPR | <i>WKF</i> | <i>10/9</i> | TITLE | CABLE TABLE | |
| MATERIAL | | | | | |
| MODEL NO | FINISH | CODE IDENT | SIZE | DWG NO | SCALE |
| | | 18338 | B | 156389 | |
| NEXT ASSY | FIRST USE | DO NOT SCALE DRAWING | | SHEET | 13 |

CABLE TABLE

| UNIT CPU (INT. IOP) | | | | J2 CABLE ASSEMBLY NO. | | UNIT DEVICE CONTROLLERS | | | | |
|----------------------|----|---|---------------|-----------------------|-----------|-------------------------|-----------|---------|---------------|----------------|
| MODULE LOCATION 08L | | | | | | MODULE LOCATION ① | | | | |
| MODULE TYPE AT11 | | | | | | MODULE TYPE ① | | | | |
| LOGIC SIGNAL | | | CONNECTOR PIN | CIRCUIT | CABLE PIN | CABLE SIGNAL | CABLE PIN | CIRCUIT | CONNECTOR PIN | LOGIC SIGNAL ② |
| IODA7 | 2 | D | 1. | | | | A. | R | 6 | |
| DA7 | 6 | R | A | /DA7/ | | | 1 | D | 2 | |
| IODA6 | 1 | D | 2. | | | | B. | R | 4 | |
| DA6 | 4 | R | B | /DA6/ | | | 2 | D | 1 | |
| IODA5 | 9 | D | 3. | | | | C. | R | 10 | |
| DA5 | 10 | R | C | /DA5/ | | | 3 | D | 9 | |
| IODA4 | 3. | D | 4. | | | | D. | R | 8 | |
| DA4 | 8 | R | D | /DA4/ | | | 4 | D | 3 | |
| IODA3 | 12 | D | 5. | | | | E. | R | 13 | |
| DA3 | 13 | R | E | /DA3/ | | | 5 | D | 12 | |
| IODA2 | 15 | D | 6. | | | | F. | R | 13 | |
| DA2 | 18 | R | F | /DA2/ | | | 6 | D | 15 | |
| IODA1 | 19 | D | 7. | | | | G. | R | 20 | |
| DA1 | 20 | R | G | /DA1/ | | | 7 | D | 19 | |
| IODA0 | 23 | D | 8. | | | | H. | R | 22 | |
| DA0 | 22 | R | H | /DA0/ | | | 8 | D | 23 | |
| IODAP | 25 | D | 9. | | | | K. | R | 27 | |
| DAP | 27 | R | K | /DAP/ | | | 9 | D | 25 | |
| SW6 | 33 | D | 10. | | | | L. | R | 34 | |
| ED | 34 | R | L | /ED/ | | | 10 | D | 33 | |
| GND | 35 | D | 11. | | | | M. | R | 35 | |
| PC | 36 | R | M | /PC/ | | | 11 | D | 35 | |
| GND | 37 | D | 12. | | | | N. | R | 38 | |
| DOR | 38 | R | N | /DOR/ | | | 12 | D | 37 | |
| GND | 39 | D | 13. | | | | P. | R | 40 | |
| SC | 40 | R | P | /SC/ | | | 13 | D | 39 | |
| - | 45 | D | 14. | | | | R. | R | 42 | |
| - | 42 | R | R | - | | | 14 | D | 45 | |

NOTES:

- ① MODULE LOCATION AND MODULE TYPE IN DEVICE CONTROLLER MAY VARY.
- ② LOGIC SIGNALS MAY VARY FROM DEVICE TO DEVICE. SEE CABLE TABLES OF INDIVIDUAL DEVICES.

| | | | | |
|--|---------------------|-------------|-----------|----------|
| X A | MFG RELEASE NO E.O. | | C.A. W.F. | |
| LAL | REV | DESCRIPTION | CHK | DATE |
| REVISIONS | | | | |
| I.L. 9-15 C/B W.F. | | | | |
| SDS Scientific Data Systems CABLE TABLE | | | | |
| PROJECT NO | DATE | REV | FORM NO | APP |
| FIRST USE | | | 18338 B | 156389 A |
| NEXT APPV | | | | |
| FIRST USE | | | | |
| SCALE | | | | SHEET 14 |

CABLE TABLE

| UNIT <u>CPU (INT. IOP)</u> | | | | J3 CABLE ASSEMBLY NO. | | | UNIT <u>DEVICE CONTROLLERS</u> | | | |
|----------------------------|---------------|---------|-----------|-----------------------------|-----------|---------|--------------------------------|--------------|---|--|
| MODULE LOCATION <u>09F</u> | | | | | | | MODULE LOCATION <u>①</u> | | | |
| MODULE TYPE <u>AT12</u> | | | | | | | MODULE TYPE <u>①</u> | | | |
| LOGIC SIGNAL | CONNECTOR PIN | CIRCUIT | CABLE PIN | CABLE SIGNAL | CABLE PIN | CIRCUIT | CONNECTOR PIN | LOGIC SIGNAL | ② | |
| RESET IO | 2 | D | 1. | | A. | R | 6 | | | |
| - | 6 | R | A | /RST/ | 1 | D | 2 | | | |
| LMC | 1 | D | 2. | | B. | R | 4 | | | |
| - | 4 | R | B | /CL1/ | 2 | D | 1 | | | |
| SW7 | 9 | D | 3. | | C. | R | 10 | | | |
| - | 10 | R | C | /ES/ | 3 | D | 9 | | | |
| RSA | 3. | D | 4. | | D. | R | 8 | | | |
| - | 8 | R | D | /RSA/ " | 4 | D | 3 | | | |
| FUSIO.IOPXFNC | 12 | D | 5. | | E. | R | 13 | | | |
| - | 13 | R | E | /SIO/ " | 5 | D | 12 | | | |
| 07.IOPXFNC | 15 | D | 6. | | F. | R | 18 | | | |
| - | 18 | R | F | /HIO/ " | 6 | D | 15 | | | |
| N06-1.07.IOPXFNC | 19 | D | 7. | | G. | R | 20 | | | |
| - | 20 | R | G | /TIO/ " | 7 | D | 19 | | | |
| N02.06-1.N07.IOPXFNC | 23 | D | 8. | | H. | R | 22 | | | |
| - | 22 | R | H | /TDV/ " | 8 | D | 23 | | | |
| FUAIO.IOPXFNC.IOIR | 25 | D | 9. | | K. | R | 27 | | | |
| - | 27 | R | K | /AIO/ " | 9 | D | 25 | | | |
| IOSC | 33 | D | 10. | | L. | R | 34 | | | |
| - | 34 | R | L | /ASC/ " | 10 | D | 33 | | | |
| IOFS | 35 | D | 11. | | M. | R | 36 | | | |
| - | 36 | R | M | /FS/ " | 11 | D | 35 | | | |
| - | 37 | D | 12 | - | N. | R | 38 | | | |
| - | 38 | R | N | - | 12 | D | 37 | | | |
| - | 39 | D | 13. | - | P. | R | 40 | | | |
| - | 40 | R | P | - | 13 | D | 39 | | | |
| - | 45 | D | 14. | - | R. | R | 42 | | | |
| - | 42 | R | R | - | 14 | D | 45 | | | |

NOTES:

- ① MODULE LOCATION AND MODULE TYPE IN DEVICE CONTROLLER MAY VARY.
- ② SOME SIGNALS MAY VARY FROM DEVICE TO DEVICE. SEE CABLE TABLES OF INDIVIDUAL DEVICES.

| | | | | | |
|------------------------|--------|---------------------|--|-------------|-----------------|
| X A | | MFG RELEASE NO E.O. | | C.B. W.K.F. | |
| LAL | REV. | DESCRIPTION | | CHK | DATE |
| REVISIONS | | | | | |
| NOTES UNLESS SPECIFIED | | | | | |
| DRAWN | I.L. | 9-15 | SDS Scientific Data Systems, A REMEX COMPANY EL SEGUNDO, CALIFORNIA | | |
| CHECK | C.B. | 10/8 | TITLE | | |
| APPR | W.K.F. | 10/9 | CABLE TABLE | | |
| MATERIAL | | | | | |
| MODEL NO. FIRST USE | FINISH | CODE IDENT | SIZE | DWG NO | OTHER LETTER |
| | | 18338 | B | 156389 | A |
| NEXT APPR FIRST USE | | SCALE | DO NOT SCALE DRAWING | SHEET | 15 |

CABLE TABLE

| UNIT CPU (INT IOP) | | | | J4 CABLE ASSEMBLY NO. | | UNIT DEVICE CONTROLLERS | | | | |
|---------------------|--|--|---------------|-----------------------|-----------|-------------------------|-----------|---------|---------------|----------------|
| MODULE LOCATION 09E | | | | | | MODULE LOCATION ① | | | | |
| MODULE TYPE AT11 | | | | | | MODULE TYPE AT17 | | | | |
| LOGIC SIGNAL | | | CONNECTOR PIN | CIRCUIT | CABLE PIN | CABLE SIGNAL | CABLE PIN | CIRCUIT | CONNECTOR PIN | LOGIC SIGNAL ② |
| GND | | | 2 | D | 1 | ALWAYS LOW | A | R | 6 | |
| - | | | 6 | R | A | AT CPU | 1 | D | 35 | |
| GND | | | 1 | D | 2 | ALWAYS LOW | B | R | 4 | |
| - | | | 4 | R | B | AT CPU | 2 | D | 33 | |
| - | | | 9 | D | 3 | ALWAYS HIGH | 3 | R | | |
| - | | | 10 | R | C | AT CPU | 3 | D | 31 | |
| GND | | | 3 | D | 4 | | D | R | 8 | |
| AVO | | | 8 | R | D | /AVO/ | 4 | D | 29 | |
| - | | | 12 | D | 5 | | E | R | | |
| - | | | 13 | R | E | - | 5 | D | | |
| - | | | 15 | D | 6 | | F | R | | |
| - | | | 18 | R | F | - | 6 | D | | |
| - | | | 19 | D | 7 | | G | R | | |
| - | | | 20 | R | G | /AVI/ | 7 | D | | |
| - | | | 23 | D | 8 | | H | R | | |
| - | | | 22 | R | H | /AVI/ | 8 | D | | |

NOTES:

- ① MODULE LOCATION AND MODULE TYPE IN DEVICE CONTROLLER MAY VARY.
- ② LOGIC SIGNALS MAY VARY FROM DEVICE TO DEVICE. SEE CABLE TABLES OF INDIVIDUAL DEVICES.

X A MFG RELEASE NO E.O. MK 9-17-9 WKF

| | | | | | |
|------------------------|-----------|-------------|--|--------|----------------------|
| LAL | REV. | DESCRIPTION | CHK | DATE | APP |
| REVISIONS | | | | | |
| MATERIAL LIST | | | | | |
| NOTES UNLESS SPECIFIED | | | | | |
| DRAWN | I.L. | 9-15 | SDS Scientific Data Systems A 4800 LEMAY RD. SANTA CLARA, CALIF. 95050 | | |
| CHECK | MK 9-17-9 | | TITLE | | |
| APPR | WKF 10/9 | | CABLE TABLE | | |
| MATERIAL | | | | | |
| MODEL NO | FINISH | CODE IDENT | SIZE | DWG NO | SCALE |
| FIRST USE | | 18338 | B | 156389 | DO NOT SCALE DRAWING |
| NEXT REV | | | | | SHEET 16 |

CABLE TABLE

| UNIT _____ CPU | | | | CABLE ASSEMBLY NO. | UNIT _____ EXT. INT. | | | |
|---------------------------|---------------|---------|-----------|--------------------|---------------------------|---------|---------------|------------------|
| MODULE LOCATION _____ 22R | | | | | MODULE LOCATION _____ 26J | | | |
| MODULE TYPE _____ AT11 | | | | | MODULE TYPE _____ AT11 | | | |
| LOGIC SIGNAL | CONNECTOR PIN | CIRCUIT | CABLE PIN | CABLE SIGNAL | CABLE PIN | CIRCUIT | CONNECTOR PIN | LOGIC SIGNAL |
| DAT17 LIN01 | 2 6 | D R | 1. A | /DAT17/ | A. 1 | R D | 6 2 | DATA17 LIN01 |
| DAT16 LIN00 | 1 4 | D R | 2. B | /DAT16/ | B. 2 | R D | 4 1 | DATA16 LIN00 |
| DAT19 LIN03 | 9 10 | D R | 3. C | /DAT19/ | C. 3 | R D | 10 9 | DATA19 LIN03 |
| DAT18 LIN02 | 3. 8 | D R | 4. D | /DAT18/ | D. 4 | R D | 8 3 | DATA18 LIN02 |
| DAT20 LIN04 | 12 13 | D R | 5. E | /DAT20/ | E. 5 | R D | 13 12 | DATA20 LIN04 |
| DAT21 LIN05 | 15 18 | D R | 6. F | /DAT21/ | F. 6 | R D | 18 15 | DATA21 LIN05 |
| DAT22 LIN 06 | 19 20 | D R | 7. G | /DAT22/ | G. 7 | R D | 20 19 | DATA22 LIN06 |
| DAT23 LIN07 | 23 22 | D R | 8. H | /DAT23/ | H. 8 | R D | 22 23 | DATA23 LIN07 |
| DAT24 LIN08 | 25 27 | D R | 9. K | /DAT24/ | K. 9 | R D | 27 25 | DATA24 LIN08 |
| DAT25 LIN REQ | 33 34 | D R | 10. L | /DAT 25/ | L. 10 | R D | 34 33 | DATA25 LINREQ |
| DAT26 OPEN | 35 36 | D R | 11. M | /DAT26/ | M. 11 | R D | 36 35 | DATA26 GND |
| DAT27 OPEN | 37 38 | D R | 12 N | /DAT27/ | N. 12 | R D | 38 37 | DATA27 GND |
| DAT28 OPEN | 39 40 | D R | 13. P | /DAT28/ | P. 13 | R D | 40 39 | DATA28 GND |
| DAT29 OPEN | 45 42 | D R | 14. R | /DAT29/ | R. 14 | R D | 42 45 | DATA29 GND |

NOTES:

| | | | | | |
|------------------------|-----------|----------------------------|-----------------|----------------------|---|
| X A | | MFG RELEASE NO E.O. | | <i>NK 4-178 WKF</i> | |
| LAL | REV. | DESCRIPTION | | CHK | DATE |
| REVISIONS | | | | | |
| DIST CODE | | | | | |
| NOTES UNLESS SPECIFIED | | DRAWN | I.L. 9-15 | | SDS Scientific Data Systems A XEROX COMPANY EL SEGUNDO, CALIFORNIA |
| | | CHECKED | <i>NK 4-178</i> | | |
| | | APPR | <i>WKF 10/8</i> | | |
| | | MATERIAL | | TITLE | |
| | | | | CABLE TABLE | |
| MODEL NO | FIRST USE | FINISH | CODE IDENT. | SHEET | DWG. NO |
| | | | 18338 | B | 156389 |
| NEXT APPR. | FIRST USE | | SCALE | DO NOT SCALE DRAWING | SHEET |
| | | | | | 17 |

CABLE TABLE

| UNIT CPU, BASIC INT. (OVERRIDE GR) | | | | CABLE ASSEMBLY NO. | UNIT INTERRUPT SYSTEM (2) | | | |
|------------------------------------|---------------|---------|-----------|--------------------|---------------------------|---------|---------------|------------------|
| MODULE LOCATION 27N | | | | | MODULE LOCATION (2) | | | |
| MODULE TYPE AT12 | | | | MODULE TYPE AT13 | | | | |
| LOGIC SIGNAL | CONNECTOR PIN | CIRCUIT | CABLE PIN | CABLE SIGNAL | CABLE PIN | CIRCUIT | CONNECTOR PIN | LOGIC SIGNAL (3) |
| GND | 2 | D | 1. | /DAT31/ | A. | R | 6 | |
| OPEN | 6 | R | A | | 1 | D | 2 | |
| GND | 1 | D | 2. | /DAT30/ | B. | R | 4 | |
| OPEN | 4 | R | B | | 2 | D | 1 | |
| B29 | 9 | D | 3. | /GPADR1/ | C. | R | 10 | |
| OPEN | 10 | R | C | | 3 | D | 9 | |
| B28 | 3. | D | 4. | /GPADR0/ | D. | R | 8 | |
| OPEN | 8 | R | D | | 4 | D | 3 | |
| B30 | 12 | D | 5. | /GPADR2/ | E. | R | 13 | |
| OPEN | 13 | R | E | | 5 | D | 12 | |
| B31 | 15 | D | 6. | /GPADR3/ | F. | R | 18 | |
| OPEN | 18 | R | F | | 6 | D | 15 | |
| BZO | 19 | D | 7. | /HBZ/ | G. | R | 20 | |
| OPEN | 20 | R | G | | 7 | D | 19 | |
| RQBZO | 23 | D | 8. | /HRQBZ/ | H. | R | 22 | |
| OPEN | 22 | R | H | | 8 | D | 23 | |
| GND | 25 | D | 9. | /ENXSTR/ | K. | R | 27 | |
| OPEN | 27 | R | K | | 9 | D | 25 | |
| B21.CNA | 33 | D | 10. | /FNL00/ | L. | R | 34 | |
| OPEN | 34 | R | L | | 10 | D | 33 | |
| B22.CNA | 35 | D | 11. | /FNL01/ | M. | R | 36 | |
| OPEN | 36 | R | M | | 11 | D | 35 | |
| B23.CNA | 37 | D | 12. | /FNL02/ | N. | R | 38 | |
| OPEN | 38 | R | N | | 12 | D | 37 | |
| RESET-1 | 39 | D | 13. | /CPURST/ | P. | R | 40 | |
| OPEN | 40 | R | P | | 13 | D | 39 | |
| GCLK-0 | 45 | D | 14. | /GATCLK/ | R. | R | 42 | |
| OPEN | 42 | R | R | | 14 | D | 45 | |

- NOTES:
- REFERENCE SIGMA 5 INSTALLATION DRAWING 137112 FOR INTERCONNECTION OF INTERRUPT SYSTEM.
 - (2) THIS CABLE IS PART OF THE INTERRUPT SYSTEM PRIORITY CHAIN AND CONNECTS TO 31S OR 26S IN SIGMA 5 CPU OR 28J IN EXTERNAL PRIORITY INTERRUPT.
 - (3) FOR LOGIC SIGNAL NAMES SEE CABLE TABLE FOR LOCATIONS 31S AND 26S IN SIGMA 5 CPU OR 28J IN EXTERNAL PRIORITY INTERRUPT.

| | | | | | |
|------------------------|-----------|---------------------|---|----------------------|----------|
| X | A | MFG RELEASE NO E.O. | | C.A. 10/81 WKF | |
| LAL | REV. | DESCRIPTION | | CHA | DATE |
| REVISIONS | | | | | |
| FIRST COOP | | | | | |
| NOTES UNLESS SPECIFIED | | | | | |
| DRAWN | I.L. 9-15 | | SDS Scientific Data Systems A SERVICE COMPANY | | |
| CHECK | WKB 10/8 | | 18338 B 156389 | | |
| APPR | WKF 10/9 | | CABLE TABLE | | |
| MATERIAL | | | | | |
| MODEL NO | FINISH | | QUANT | SIZE | DWG NO |
| FIRST USE | | | 18338 | B | 156389 |
| NEXT ADOP | | | A | | |
| FIRST USE | | | SCALE | DO NOT SCALE DRAWING | SHEET 18 |

CABLE TABLE

| UNIT <u>CPU, BASIC INT. (COUNTER GR.)</u> | | | | CABLE ASSEMBLY NO. | UNIT <u>INTERRUPT SYSTEM</u> ② | | | |
|---|---------------|---------|-----------|-------------------------|--------------------------------|---------|---------------|----------------|
| MODULE LOCATION <u>26S</u> | | | | | MODULE LOCATION <u>2</u> | | | |
| MODULE TYPE <u>AT13</u> | | | | MODULE TYPE <u>AT13</u> | | | | |
| LOGIC SIGNAL | CONNECTOR PIN | CIRCUIT | CABLE PIN | CABLE SIGNAL | CABLE PIN | CIRCUIT | CONNECTOR PIN | LOGIC SIGNAL ③ |
| DAT31 | 2 | D | 1. | /DAT31/ | A. | R | 6 | |
| OPEN | 6 | R | A | | 1 | D | 2 | |
| DAT30 | 1 | D | 2. | /DAT30/ | B. | R | 4 | |
| OPEN | 4 | R | B | | 2 | D | 1 | |
| GND | 9 | D | 3. | /GPADR1/ | C. | R | 10 | |
| OPEN | 10 | R | C | | 3 | D | 9 | |
| GND | 3. | D | 4. | /GPADR0/ | D. | R | 8 | |
| OPEN | 8 | R | D | | 4 | D | 3 | |
| GND | 12 | D | 5. | /GPADR2/ | E. | R | 13 | |
| OPEN | 13 | R | E | | 5 | D | 12 | |
| GND | 15 | D | 6. | /GPADR3/ | F. | R | 18 | |
| OPEN | 18 | R | F | | 6 | D | 15 | |
| BZC | 19 | D | 7. | /HBZ/ | G. | R | 20 | |
| HBZC | 20 | R | G | | 7 | D | 19 | |
| RQBZC | 23 | D | 8. | /HRQBZ/ | H. | R | 22 | |
| HRQBZC | 22 | R | H | | 8 | D | 23 | |
| AIE1 + (AIB.LEVACT) | 25 | D | 9. | /ENXSTR/ | K. | R | 27 | |
| OPEN | 27 | R | K | | 9 | D | 25 | |
| GND | 33 | D | 10. | /FNL00/ | L. | R | 34 | |
| OPEN | 34 | R | L | | 10 | D | 33 | |
| GND | 35 | D | 11. | /FNL01/ | M. | R | 36 | |
| OPEN | 36 | R | M | | 11 | D | 35 | |
| GND | 37 | D | 12. | /FNL02/ | N. | R | 38 | |
| OPEN | 38 | R | N | | 12 | D | 37 | |
| GND | 39 | D | 13. | /CPURST/ | P. | R | 40 | |
| OPEN | 40 | R | P | | 13 | D | 39 | |
| GND | 45 | D | 14. | /GATCLK/ | R. | R | 42 | |
| OPEN | 42 | R | R | | 14 | D | 45 | |

NOTES:

1. REFERENCE SIGMA 5 INSTALLATION DRAWING 137112 FOR INTERCONNECTION OF INTERRUPT SYSTEM.
- ② THIS CABLE IS PART OF THE INTERRUPT SYSTEM PRIORITY CHAIN AND CONNECTS TO 31S IN THE CPU OR 28J IN THE EXTERNAL PRIORITY INTERRUPT.
- ③ FOR LOGIC SIGNAL NAMES SEE CABLE TABLE FOR LOCATIONS 31S IN THE CPU OR 28J IN THE EXTERNAL INTERRUPT

| | | | | | |
|------------------------|------|---------------------|---|--------------|-------------------------------|
| X A | | MFG RELEASE NO E.O. | | CWA 10/19/79 | |
| LAL | REV. | DESCRIPTION | | | CHK DATE APP |
| REVISIONS | | | | | |
| MATERIAL LIST | | | | | |
| NOTES UNLESS SPECIFIED | | | | | |
| DRAWN | I.L. | 9-15 | SDS Scientific Data Systems A XERIX COMPANY EL SEGUNDO, CALIFORNIA | | |
| CHECK | CWA | 10/8 | TITLE | | |
| APPD | WKF | 10/9 | CABLE TABLE | | |
| MODEL NO. FIRST USE | | FINISH | CODE IDENT | SIZE | DWG. NO. |
| | | | 18338 | B | 156389 |
| NEXT COPY FIRST USE | | | SCALE | | DO NOT SCALE DRAWING SHEET 10 |

CABLE TABLE

| UNIT CPU, BASIC INT. (I/O GR.) | | | | CABLE ASSEMBLY NO. | UNIT ② | | | |
|--------------------------------|---------------|---------|-----------|--------------------|-------------------|---------|---------------|----------------|
| MODULE LOCATION 31S | | | | | MODULE LOCATION ② | | | |
| MODULE TYPE AT13 | | | | MODULE TYPE AT13 | | | | |
| LOGIC SIGNAL | CONNECTOR PIN | CIRCUIT | CABLE PIN | CABLE SIGNAL | CABLE PIN | CIRCUIT | CONNECTOR PIN | LOGIC SIGNAL ③ |
| GND | 2 | D | 1. | /DAT31/ | A. | R | 6 | |
| OPEN | 6 | R | A | | 1 | D | 2 | |
| GND | 1 | D | 2. | /DAT30/ | B. | R | 4 | |
| OPEN | 4 | R | B | | 2 | D | 1 | |
| GND | 9 | D | 3. | /GPADR1/ | C. | R | 10 | |
| OPEN | 10 | R | C | | 3 | D | 9 | |
| GND | 3. | D | 4. | /GPADR0/ | D. | R | 8 | |
| OPEN | 8 | R | D | | 4 | D | 3 | |
| GND | 12 | D | 5. | /GPADR2/ | E. | R | 13 | |
| OPEN | 13 | R | E | | 5 | D | 12 | |
| GND | 15 | D | 6. | /GPADR3/ | F. | R | 18 | |
| OPEN | 18 | R | F | | 6 | D | 15 | |
| BZI | 19 | D | 7. | /HBZ/ | G. | R | 20 | |
| HBZI | 20 | R | G | | 7 | D | 19 | |
| RQBZI | 23 | D | 8. | /HRQBZ/ | H. | R | 22 | |
| HRQBZI | 22 | R | H | | 8 | D | 23 | |
| GND | 25 | D | 9. | /ENXSTR/ | K. | R | 27 | |
| OPEN | 27 | R | K | | 9 | D | 25 | |
| GND | 33 | D | 10. | /FNL00/ | L. | R | 34 | |
| OPEN | 34 | R | L | | 10 | D | 33 | |
| GND | 35 | D | 11. | /FNL01/ | M. | R | 36 | |
| OPEN | 36 | R | M | | 11 | D | 35 | |
| GND | 37 | D | 12 | /FNL02/ | N. | R | 36 | |
| OPEN | 38 | R | N | | 12 | D | 37 | |
| GND | 39 | D | 13. | /CPURST/ | P. | R | 40 | |
| OPEN | 40 | R | P | | 13 | D | 39 | |
| GND | 45 | D | 14. | /GATCLK/ | R. | R | 42 | |
| OPEN | 42 | R | R | | 14 | D | 45 | |

NOTES:

1. REFERENCE SIGMA 5 INSTALLATION DRAWING 137112 FOR INTERCONNECTION OF INTERRUPT SYSTEM.
- ② THIS CABLE IS PART OF THE INTERRUPT SYSTEM PRIORITY CHAIN AND MAY CONNECT TO 26S IN THE CPU OR 28J IN THE EXTERNAL PRIORITY INTERRUPT.
- ③ FOR LOGIC SIGNAL NAMES SEE CABLE TABLE FOR MODULE LOCATIONS 26S IN THE CPU OR 28J IN THE EXTERNAL PRIORITY INTERRUPT.

| | | | | | |
|------------------------|--------|----------------------|-----------|---|-------|
| X | A | MFG RELEASE NO E.O. | | CBA 10/68 CBA | |
| LAL | REV. | DESCRIPTION | | CHK | DATE |
| REVISIONS | | | | | |
| DIST CODE | | | | | |
| NOTES UNLESS SPECIFIED | | DRAWN | I.L. 9-15 | SDS Scientific Data Systems A XEROX COMPANY | |
| | | CHECK | CLB 10/68 | TITLE | |
| | | APPD | WKF 10/68 | CABLE TABLE | |
| | | MATERIAL | | | |
| MODEL NO | FINISH | COOP IDENT | SIZE | DWG NO | SCALE |
| FIRST USE | | 18338 | B | 156389 | A |
| REVISION | | DO NOT SCALE DRAWING | | SHEET 20 | |

CABLE TABLE

| UNIT CPU | | | | CABLE ASSEMBLY NO. | UNIT REU | | | |
|---------------------|---------------|---------|-----------|--------------------|-------------------------|---------|---------------|-------------------|
| MODULE LOCATION 9S | | | | | MODULE LOCATION 25A 10A | | | |
| MODULE TYPE AT11 | | | | | MODULE TYPE AT11 AT11 | | | |
| LOGIC SIGNAL | CONNECTOR PIN | CIRCUIT | CABLE PIN | CABLE SIGNAL | CABLE PIN | CIRCUIT | CONNECTOR PIN | LOGIC SIGNAL |
| NLR28-2 OPEN | 2 6 | D R | 1. A | /NLR28/ | A. 1 | R D | 6 2 | NWDAØ GND |
| LR28-2 OPEN | 1 4 | D R | 2. B | /LR28/ | B. 2 | R D | 4 1 | WDAØ GND |
| LR3Ø-2 OPEN | 9 10 | D R | 3. C | /LR3Ø/ | C. 3 | R D | 10 9 | WDA2 GND |
| LR29-2 OPEN | 3. 8 | D R | 4. D | /LR29/ | D. 4 | R D | 8 3 | WDA1 GND |
| LR31-2 OPEN | 12 13 | D R | 5. E | /LR31/ | E. 5 | R D | 13 12 | WDA3 GND |
| RWB2-1 OPEN | 15 18 | D R | 6. F | /RWB2/ | F. 6 | R D | 18 15 | WRB2 GND |
| S16.RRWXS/2 RR16 | 19 20 | D R | 7. G | /RRW16/ | G. 7 | R D | 20 19 | WR16 FD16.RDB2 |
| S17.RRWXS/2 RR17 | 23 22 | D R | 8. H | /RRW17/ | H. 8 | R D | 22 23 | WR17 FD16.RDB2 |
| S18.RRWXS/2 RR18 | 25 27 | D R | 9. K | /RRW18/ | K. 9 | R D | 27 25 | WR17 FD17.RDB2 |
| S19.RRWXS/2 RR19 | 33 34 | D R | 10. L | /RRW19/ | L. 10 | R D | 34 33 | WR18 FD18.RDB2 |
| S2Ø.RRWXS/2 RR2Ø | 35 36 | D R | 11. M | /RRW2Ø/ | M. 11 | R D | 36 35 | WR19 FD19.RDB2 |
| S21.RRWXS/2 RR21 | 37 38 | D R | 12. N | /RRW21/ | N. 12 | R D | 38 37 | WR2Ø FD2Ø.RDB2 |
| S22.RRWXS/2 RR22 | 39 40 | D R | 13. P | /RRW22/ | P. 13 | R D | 40 39 | WR21 FD21.RDB2 |
| S23.RRWXS/2 RR23 | 45 42 | D R | 14. R | /RRW23/ | R. 14 | R D | 42 45 | WR23 FD23.RDB2 |

NOTES:

| | | | | | | | |
|------------------------|--------|---------------------|--|----------------------|----------|------|-----|
| X | A | MFG RELEASE NO E.O. | | | C.A. WKF | | |
| LAL | REV. | DESCRIPTION | | | CHK | LATE | APP |
| REVISIONS | | | | | | | |
| DATE CODE | | | | | | | |
| NOTES UNLESS SPECIFIED | | | | | | | |
| DRAWN | I.L. | 9-15 | SDS Scientific Data Systems A BUREAU COMPANY | | | | |
| CHECK | C.A. | 108 | | | | | |
| APPD | WKF | 109 | | | | | |
| MATERIAL | | | | | | | |
| CABLE TABLE | | | | | | | |
| MODEL NO | FINISH | COND IDENT | SIZE | DWG NO | PARTS | | |
| FIRST USE | | 18338 | B | 156389 | A | | |
| REVISED | | SCALE | | DO NOT SCALE DRAWING | SHEET 22 | | |

CABLE TABLE

| UNIT <u>GPU</u> | | | CABLE ASSEMBLY NO. | UNIT <u>REU</u> | | | | |
|----------------------------|---------------|---------|-------------------------|---------------------------|-----------|---------|---------------|-------------------|
| MODULE LOCATION <u>13T</u> | | | | MODULE LOCATION <u>6A</u> | | | | |
| MODULE TYPE <u>AT11</u> | | | MODULE TYPE <u>AT11</u> | | | | | |
| LOGIC SIGNAL | CONNECTOR PIN | CIRCUIT | CABLE PIN | CABLE SIGNAL | CABLE PIN | CIRCUIT | CONNECTOR PIN | LOGIC SIGNAL |
| RP24.NIORM OPEN | 2 6 | D R | 1. A | /LR24/ | A. 1 | R D | 6 2 | REU1 GND |
| GND OPEN | 1 4 | D R | 2. B | /LR23/ | B. 2 | R D | 4 1 | REU0 GND |
| RP26 OPEN | 9 10 | D R | 3. C | /LR26/ | C. 3 | R D | 10 9 | PAG0 GND |
| RP25 OPEN | 3. 8 | D R | 4. D | /LR25/ | D. 4 | R D | 8 3 | REU2 GND |
| RP27 OPEN | 12 13 | D R | 5. E | /LR27/ | E. 5 | R D | 13 12 | PAG1 GND |
| RWB3-1 OPEN | 15 18 | D R | 6. F | /RWB3/ | F. 6 | R D | 18 15 | WRB3 GND |
| S24.RRWXS/3 RR24 | 19 20 | D R | 7. G | /RRW24/ | G. 7 | R D | 20 19 | WR24 FD24.RDB3 |
| S25.RRWXS/3 RR25 | 23 22 | D R | 8. H | /RRW25/ | H. 8 | R D | 22 23 | WR25 FD25.RDB3 |
| S26.RRWXS/3 RR26 | 25 27 | D R | 9. K | /RRW26/ | K. 9 | R D | 27 25 | WR26 FD26.RDB3 |
| S27.RRWXS/3 RR27 | 33 34 | D R | 10. L | /RRW27/ | L. 10 | R D | 34 33 | WR27 FD27.RDB3 |
| S28.RRWXS/3 RR28 | 35 36 | D R | 11. M | /RRW28/ | M. 11 | R D | 36 35 | WR28 FD28.RDB3 |
| S29.RRWXS/3 RR29 | 37 38 | D R | 12. N | /RRW29/ | N. 12 | R D | 38 37 | WR29 FD29.RDB3 |
| S30.RRWXS/3 RR30 | 39 40 | D R | 13. P | /RRW30/ | P. 13 | R D | 40 39 | WR30 FD30.RDB3 |
| S31.RRWXS/3 RR31 | 45 42 | D R | 14. R | /RRW31/ | R. 14 | R D | 42 45 | WR31 FD31.RDB3 |

NOTES:

| | | | | | |
|------------------------|-----------|---------------------|------------|---|----------|
| X | A | MFG RELEASE NO E.O. | | <i>WKF</i> | |
| LAL | REV | DESCRIPTION | | CHK | DATE |
| REVISIONS | | | | | |
| MATERIAL LIST | | | | | |
| NOTES UNLESS SPECIFIED | | DRAWN | I.L. 9-15 | SDS Scientific Data Systems A XEROX COMPANY EL SEGUNDO, CALIFORNIA | |
| | | CHECK | <i>WKF</i> | TITLE | |
| | | APPR | <i>WKF</i> | CABLE TABLE | |
| | | MATERIAL | | | |
| MODEL NO | FIRST USE | FINISH | CODE IDENT | SIZE | DBS NO |
| | | | 18338 | B | 156389 |
| REVISED | DATE | | | | A |
| | | | SCALE | DO NOT SCALE DRAWING | SHEET 23 |

CABLE TABLE

| UNIT <u>CPU</u> | | | | CABLE ASSEMBLY NO. | UNIT <u>REU</u> | | | |
|----------------------------|---------------|---------|-----------|--------------------|----------------------------|---------|---------------|--------------|
| MODULE LOCATION <u>13K</u> | | | | | MODULE LOCATION <u>27A</u> | | | |
| MODULE TYPE <u>AT11</u> | | | | | MODULE TYPE <u>AT11</u> | | | |
| LOGIC SIGNAL | CONNECTOR PIN | CIRCUIT | CABLE PIN | CABLE SIGNAL | CABLE PIN | CIRCUIT | CONNECTOR PIN | LOGIC SIGNAL |
| OPEN | 2 | D | 1. | | A. | R | 6 | OPEN |
| OPEN | 6 | R | A | - | 1 | D | 2 | GND |
| NIOFM-R | 1 | D | 2. | | B. | R | 4 | NIOFM |
| OPEN | 4 | R | B | /NIOFM-R/ | 2 | D | 1 | GND |
| OPEN | 9 | D | 3. | | C. | R | 10 | OPEN |
| OPEN | 10 | R | C | - | 3 | D | 9 | GND |
| OPEN | 3. | D | 4. | | D. | R | 8 | OPEN |
| OPEN | 8 | R | D | - | 4 | D | 3 | GND |
| OPEN | 12 | D | 5. | | E. | R | 13 | OPEN |
| OPEN | 13 | R | E | - | 5 | D | 12 | GND |
| RWBØ-1 | 15 | D | 6. | | F. | R | 18 | WRBØ |
| OPEN | 18 | R | F | /RWBØ/ | 6 | D | 15 | GND |
| SØ.RRWXS/Ø | 19 | D | 7. | | G. | R | 20 | WROØ |
| RRØ | 20 | R | G | /RRWØ/ | 7 | D | 19 | FDØØ.RDBØ |
| S1.RRWXS/Ø | 23 | D | 8. | | H. | R | 22 | WRØ1 |
| RR1 | 22 | R | H | /RRW1/ | 8 | D | 23 | FDØ1.RDBØ |
| S2.RRWXS/Ø | 25 | D | 9. | | K. | R | 27 | WRØ2 |
| RR2 | 27 | R | K | /RRW2/ | 9 | D | 25 | FDØ2.RDBØ |
| S3.RRWXS/Ø | 33 | D | 10. | | L. | R | 34 | WRØ3 |
| RR3 | 34 | R | L | /RRW3/ | 10 | D | 33 | FDØ3.RDBØ |
| S4.RRWXS/Ø | 35 | D | 11. | | M. | R | 36 | WRØ4 |
| RR4 | 36 | R | M | /RRW4/ | 11 | D | 35 | FDØ4.RDBØ |
| S5.RRWXS/Ø | 37 | D | 12. | | N. | R | 38 | WRØ5 |
| RR5 | 38 | R | N | /RRW5/ | 12 | D | 37 | FDØ5.RDBØ |
| S6.RRWXS/Ø | 39 | D | 13. | | P. | R | 40 | WRØ6 |
| RR6 | 40 | R | P | /RRW6/ | 13 | D | 39 | FDØ6.RDBØ |
| S7.RRWXS/Ø | 45 | D | 14. | | R. | R | 42 | WRØ7 |
| RR7 | 42 | R | R | /RRW7/ | 14 | D | 45 | FDØ7.RDBØ |

NOTES:

| | | | | | |
|------------------------|--------|--|--|--------------|----------|
| X | A | MFG RELEASE NO E.O. | | CHK DATE APP | |
| LAL | REV. | DESCRIPTION | | REVISIONS | |
| | | | | DIST CODE | |
| NOTES UNLESS SPECIFIED | | DRAWN I.L. 9-15 CHECK CJP 10/8 APPR WKF 10/9 MATERIAL | Scientific Data Systems, A REBUS COMPANY EL SEGUNDO, CALIFORNIA | | |
| | | CABLE TABLE | | | |
| MODEL NO FIRST USE | FINISH | CODE IDENT | SIZE | DWG NO | REVISION |
| | | 18338 | B | 156389 | A |
| NEXT COPY FIRST USE | | SCALE | | SHEET 24 | |

CABLE TABLE

| UNIT <u>CPU</u> | | | CABLE ASSEMBLY NO. | UNIT <u>REU</u> | | | | |
|----------------------------|---------------|---------|-------------------------|----------------------------|-----------|---------|---------------|--------------|
| MODULE LOCATION <u>15K</u> | | | | MODULE LOCATION <u>15A</u> | | | | |
| MODULE TYPE <u>AT11</u> | | | MODULE TYPE <u>AT11</u> | | | | | |
| LOGIC SIGNAL | CONNECTOR PIN | CIRCUIT | CABLE PIN | CABLE SIGNAL | CABLE PIN | CIRCUIT | CONNECTOR PIN | LOGIC SIGNAL |
| OPEN | 2 | D | 1. | - | A. | R | 6 | OPEN |
| OPEN | 6 | R | A | - | 1 | D | 2 | GND |
| OPEN | 1 | D | 2. | - | B. | R | 4 | OPEN |
| OPEN | 4 | R | B | - | 2 | D | 1 | GND |
| OPEN | 9 | D | 3. | - | C. | R | 10 | OPEN |
| OPEN | 10 | R | C | - | 3 | D | 9 | GND |
| OPEN | 3. | D | 4. | - | D. | R | 8 | OPEN |
| OPEN | 8 | R | D | - | 4 | D | 3 | GND |
| OPEN | 12 | D | 5. | - | E. | R | 13 | OPEN |
| OPEN | 13 | R | E | - | 5 | D | 12 | GND |
| RWB1-1 | 15 | D | 6. | /RWB1/ | F. | R | 18 | WRB1 |
| OPEN | 18 | R | F | | 6 | D | 15 | GND |
| S8.RRWXS/1 | 19 | D | 7. | /RRW8/ | G. | R | 20 | WR08 |
| RR8 | 20 | R | G | | 7 | D | 19 | FD08.RDB1 |
| S9.RRWXS/1 | 23 | D | 8. | /RRW9/ | H. | R | 22 | WR09 |
| RR9 | 22 | R | H | | 8 | D | 23 | FD09.RDB1 |
| S10.RRWXS/1 | 25 | D | 9. | /RRW10/ | K. | R | 27 | WR10 |
| RR10 | 27 | R | K | | 9 | D | 25 | FD10.RDB1 |
| S11.RRWXS/1 | 33 | D | 10. | /RRW11/ | L. | R | 34 | WR11 |
| RR11 | 34 | R | L | | 10 | D | 33 | FD11.RDB1 |
| S12.RRWXS/1 | 35 | D | 11. | /RRW12/ | M. | R | 36 | WR12 |
| RR12 | 36 | R | M | | 11 | D | 35 | FD12.RDB1 |
| S13.RRWXS/1 | 37 | D | 12. | /RRW13/ | N. | R | 38 | WR13 |
| RR13 | 38 | R | N | | 12 | D | 37 | FD13.RDB1 |
| S14.RRWXS/1 | 39 | D | 13. | /RRW14/ | P. | R | 40 | WR14 |
| RR14 | 40 | R | P | | 13 | D | 39 | FD14.RDB1 |
| S15.RRWXS/1 | 45 | D | 14. | /RRW15/ | R. | R | 42 | WR15 |
| RR15 | 42 | R | R | | 14 | D | 45 | FD15.RDB1 |

NOTES:

| | | | | | | | |
|------------------------|------------|---------------------|------------|---|-------------------------------|------|-----|
| X | A | MFG RELEASE NO E.O. | | | <i>WKF</i> | | |
| LAL | REV. | DESCRIPTION | | | CHK | DATE | APP |
| REVISIONS | | | | | | | |
| DIST CODE | | | | | | | |
| NOTES UNLESS SPECIFIED | | | | | | | |
| DRAWN | I.L. | | 9-15 | SDS Scientific Data Systems A XEROX COMPANY EL SEGUNDO, CALIFORNIA | | | |
| CHECK | <i>WKF</i> | | <i>WKF</i> | TITLE | | | |
| APPR. | <i>WKF</i> | | <i>WKF</i> | CABLE TABLE | | | |
| MATERIAL | | | | | | | |
| MODEL NO | FINISH | CODE IDENT. | SHEET | DWG. NO. | CHECKED | | |
| FIRST LSK | | 18338 | B | 156389 | LETTER | | |
| NEXT AMBY | | | | | SCALE | | |
| FIRST LSK | | | | | DO NOT SCALE DRAWING SHEET 25 | | |

CABLE TABLE

| UNIT <u>CPU</u> | | | CABLE ASSEMBLY NO. | UNIT <u>FLOATING POINT</u> | | | |
|----------------------------|---------------|---------|--------------------|----------------------------|---------|---------------|--------------|
| MODULE LOCATION <u>30T</u> | | | | MODULE LOCATION <u>32D</u> | | | |
| MODULE TYPE <u>ZT23</u> | | | | MODULE TYPE <u>ZT23</u> | | | |
| LOGIC SIGNAL | CONNECTOR PIN | CIRCUIT | CABLE PIN | CABLE SIGNAL | CIRCUIT | CONNECTOR PIN | LOGIC SIGNAL |
| CLFP/12 | 01 | | | | | 04 | CL-09A01 |
| CLFP/11 | 03 | | | | | 06 | CL-05B09 |
| CLFP/10 | 07 | | | | | 08 | CL-31B01 |
| CLFP/9 | 10 | | | | | 12 | CL-03C01 |
| CLFP/8 | 14 | | | | | 17 | CL-06C01 |
| CLFP/7 | 18 | | | | | 19 | CL-08C01 |
| CLFP/6 | 22 | | | | | 21 | CL-11C01 |
| CLFP/5 | 26 | | | | | 24 | CL-17C01 |
| CLFP/4 | 30 | | | | | 28 | CL-20C01 |
| CLFP/3 | 34 | | | | | 33 | CL-25C01 |
| CLFP/2 | 38 | | | | | 36 | CL-27C01 |
| CLFP/12 | 42 | | | | | 40 | CL-07D09 |
| CLFP/1 | 45 | | | | | 43 | CL-18D09 |
| CLFP/1 | 50 | | | | | 47 | CL-31D09 |

NOTES:

| | | | | | |
|------------------------|------------|---------------------|---|------------|----------|
| X | A | MFG RELEASE NO E.O. | | <i>WKF</i> | |
| LAL | REV. | DESCRIPTION | CHK | DATE | APP |
| REVISIONS | | | | | |
| NOTES UNLESS SPECIFIED | | | | | |
| DRAWN | I.L. | 9-15 | 505 Scientific Data Systems AERBY COMPANY | | |
| CHECK | <i>WKF</i> | <i>10/8</i> | CABLE TABLE | | |
| APPR | <i>WKF</i> | <i>10/8</i> | | | |
| MATERIAL | | | | | |
| MODEL NO | FIRST USE | FINISH | DATE IDENT | SIST | DWG NO |
| | | | 18338 | B | 156389 |
| NEXT ASSY | FIRST USE | | DO NOT SCALE DRAWING | | SHEET 26 |

XDS 902306

SECTION III
ADDITIONAL ENGINEERING DOCUMENTS

C

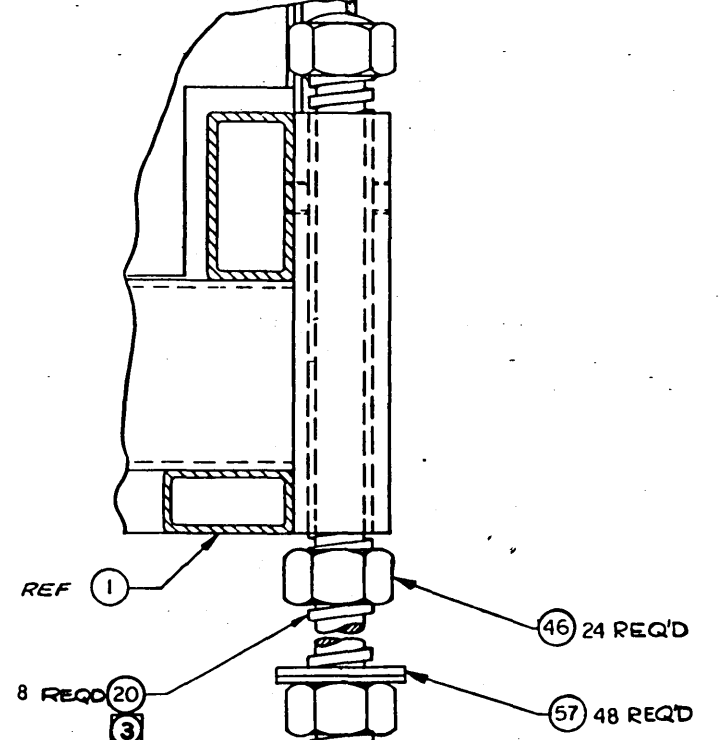
C

C

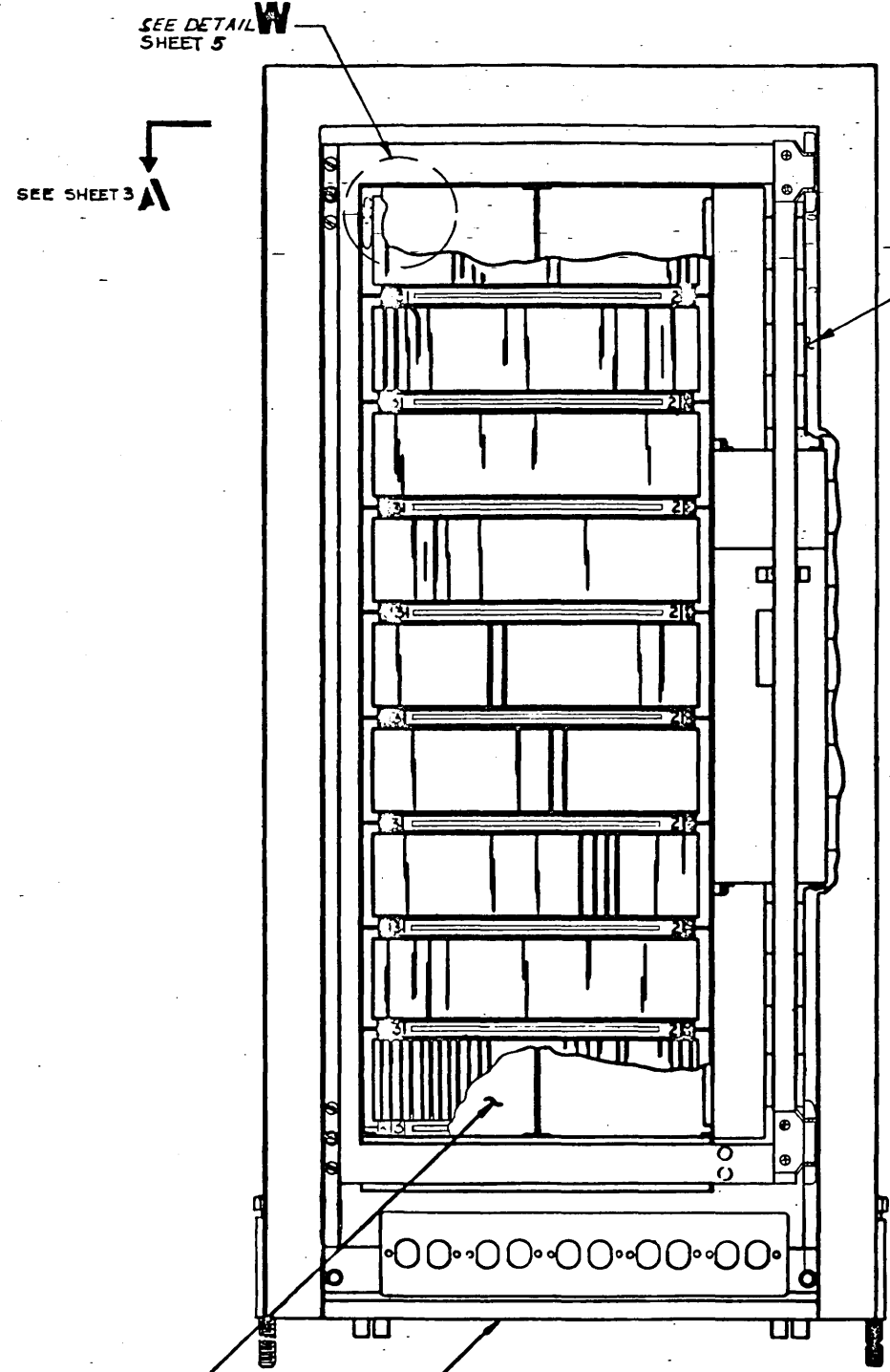
| | | REVISIONS | | | 117282 |
|-----|------|--|------|---------|----------|
| LAL | REV. | DESCRIPTION | CHK | DATE | APPRO. |
| X | C | MFG RELEASE | V.S. | 7/19/67 | G. G. |
| | W | SEE REV E.O. ADDED NOTE 10 L.A.L. WAS REV "L" ADDED ITEM 92 K.T. | B | 7/16/67 | 11/16/67 |
| X | X | SEE REV E.O.; M/L: ITEM 85 DWG NO. WAS 133263-001N. ITEM 86 DWG NO. WAS 133264-001N. S.A. | CB | 7/16/67 | PM |
| | Y | SEE REV. E.O. ADDED NOTE 11, ITEM 84 WAS REF. ADDED ITEMS 93 & 95 SE | RLC | 7/16/67 | Raymond |
| X | Z | SEE REV E.O. FIELD MOD. KIT NO. 151792 M/L ITEMS 85 & 86 REV LTR WAS "S" | B | 7/16/67 | PM |
| | AA | SEE REV E.O.; M/L: DELETED ITEMS 93 & 95. ITEM 84 WAS QTY 1; F/D: INCORPORATED M/L CHG'S & DELETED NOTE 11 | W. | 7/16/67 | Raymond |
| X | AB | SEE REV E.O.; FIELD MOD KIT 181466. M/L: ITEMS 85 & 86 REV LTR WAS "U" S.A. | CB | 7/16/67 | PM |
| X | AC | SEE RESERVE E. O. | | | |
| X | AD | SEE RESERVE E. O. | | | |
| X | AE | SEE REV E.O.; FMK NO'S. 8201-01/08 & 8202-01/08. S.A. | RL | 7/16/67 | Jim |
| X | AF | SEE REV E.O.; FMK # 8201-01/09 | RL | 7/16/67 | Jim |
| | AG | SEE REV E.O. | | | |
| X | AH | SEE REV E.O.; FMK # 8201-01/10, 8202-01/10 | RL | 7/16/67 | Jim |
| X | AJ | SEE REV E.O.; FMK # 8201-01/11, 8202-01/11 | RL | 7/16/67 | Jim |
| X | AK | SEE REV E.O.; FMK # 8201-01/12, 8202-01/12 | RL | 7/16/67 | Jim |

NOTES: UNLESS OTHERWISE SPECIFIED:

- 1 DELETED
- 2 FOR MODULE LOCATION REFER TO DWG. 133297, MODULE LOCATION CHART.
- 3 8 BOLTS ARE SUPPLIED WITH ASSY. USE ONE ON EACH CORNER OF UNIT. USE OTHER 4 FOR SHIPMENT.
- 4 REFERENCE DRAWINGS:
 MODULE LOCATION CHART - 133279
 TEST SPECIFICATION - 133261
 PRODUCT DESIGN SPEC - 133260
 SIGMA 5 SYSTEM INST. DRAWING -137112
 LIST, EQUATIONS - 133263
 PIN LIST - 133264
 CPU SIGMA 5 INST. DRAWING -135273
 SPARES KIT - 134005
 ASSY, MAINT DOCUMENT - 145206
- 5 DELETED
- 6 REMOVE EXISTING MOUNTING ANGLE AND REPLACE WITH ITEM 18.
- 7 SHEAR PIN AND LATCHING ASSEMBLY FURNISHED WITH SWING FRAME ASSEMBLIES, TYPICAL 2 PLACES EACH, ITEMS 2, 3
- 8 FOR IDENTIFICATION AND SERIALIZATION MARK CHARACTERS .12 HIGH, COLOR, BLACK PER XDS SPEC 101624, AND 100198 APPROX AS SHOWN.
- 9 EACH BUNDLE OF CABLES EXITING FROM A CHASSIS BE TIED WITH ITEM 11. THE QUANTITY AND LENGTH OF TIES ARE CONTINGENT ON THE SYSTEM AND IS TO BE DETERMINED BY MANUFACTURING AT TIME OF FINAL ASSEMBLY.
- 10 CABLES EXITING FROM AREAS THAT CREATE STRESS ON CABLE PLUG MODULES TO BE SECURED WITH ITEM 92, QUANTITY AND PLACEMENT TO BE DETERMINED BY FINAL ASSY.
- 11 ADHERE STRIP TO CORRESPONDING CHASSIS. ITEM 93 INCLUDES (1) STRIP FOR EACH CHASSIS LEVEL ON EACH FRAME. FOR LOCATING CORRECT CHASSIS LEVEL FOR EACH STRIP SEE ITEM 84.
- 12 CABLES SUPPLIED FROM ITEM 3 TO BE CONNECTED TO LIKE VOLTAGES ON ITEM 2, PT-16B.
- 13 HARDWARE CALLOUTS PER XDS SPEC 155984.



SEE SHEET 2
DETAIL N
 TYPICAL CORNER BOLT & PLACES
 SCALE: 1/1



CPU CABINET NO. 1
FRONT VIEW
 CABLES NOT SHOWN FOR CLARITY

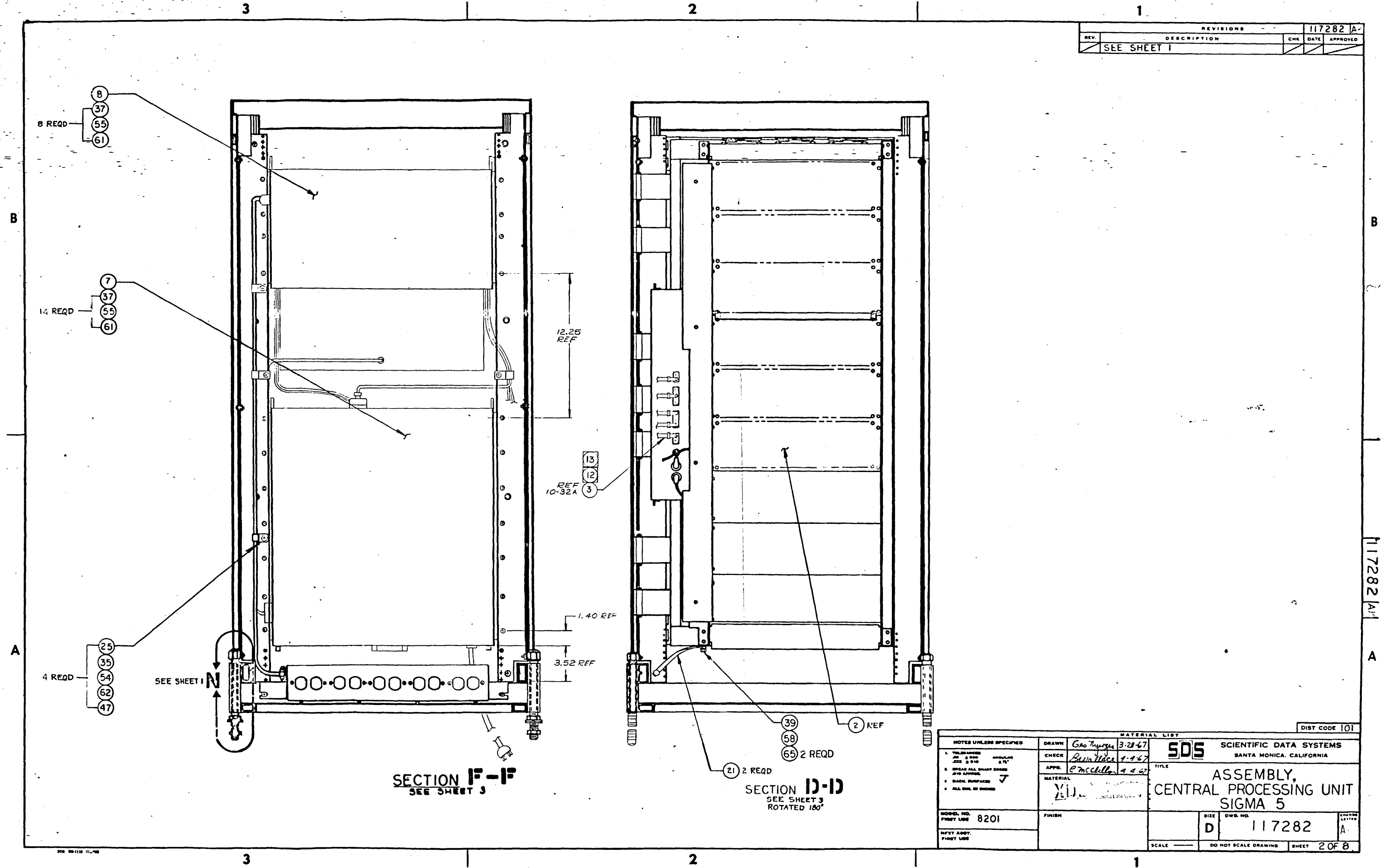
| DWG. NO. | DESCRIPTION | REFERENCE DESIGNATION | REV. NO. |
|----------|---|-----------------------|----------|
| 3-27-67 | ASSEMBLY, CENTRAL PROCESSING UNIT SIGMA 5 | | |

| MATERIAL LIST | |
|---------------|-------------|
| QTY | DESCRIPTION |
| | 8201-01/08 |
| | 8201-01/09 |
| | 8201-01/10 |
| | 8201-01/11 |
| | 8201-01/12 |

| | |
|---------------|----------------|
| DATE: 3-27-67 | BY: Geo Mygale |
| CHKD: 4/4/67 | BY: P. Walker |
| APPR: 4-4-67 | BY: P. Walker |

| | | | |
|-----------------|------------|-----------------|------------|
| FIRST USE: 8201 | REV. NO. D | DWG. NO. 117282 | SCALE: 1/1 |
|-----------------|------------|-----------------|------------|

| REVISIONS | | | | 117282 | A- |
|-----------|-------------|------|------|----------|----|
| REV. | DESCRIPTION | CHK. | DATE | APPROVED | |
| 1 | SEE SHEET 1 | | | | |



SECTION F-F
SEE SHEET 3

SECTION D-D
SEE SHEET 3
ROTATED 180°

| NOTES UNLESS SPECIFIED | | DRAWN | | MATERIAL LIST | | SDS | | SCIENTIFIC DATA SYSTEMS | |
|--|--|---------------------|--|---------------|--|-----------|--|--------------------------|--|
| 1. TOLERANCES UNLESS SPECIFIED | | Geo. Hughes 3-28-67 | | 3-28-67 | | SDS | | SANTA MONICA, CALIFORNIA | |
| 2. DIMENSIONS ARE IN INCHES UNLESS OTHERWISE SPECIFIED | | CHECK | | 4-1-67 | | TITLE | | ASSEMBLY, | |
| 3. BREAK ALL SHARP EDGES AT 45° ANGLE | | APPR. | | 4-1-67 | | MATERIAL | | CENTRAL PROCESSING UNIT | |
| 4. BACK SURFACES | | MATERIAL | | X.D. | | TITLE | | SIGMA 5 | |
| 5. ALL DIM. TO DIMS | | FINISH | | | | MODEL NO. | | 8201 | |
| 6. ALL DIM. TO DIMS | | FINISH | | | | SIZE | | D | |
| 7. ALL DIM. TO DIMS | | FINISH | | | | DWS. NO. | | 117282 | |
| 8. ALL DIM. TO DIMS | | FINISH | | | | SCALE | | DO NOT SCALE DRAWING | |
| 9. ALL DIM. TO DIMS | | FINISH | | | | SHEET | | 2 OF 8 | |

117282 [A]

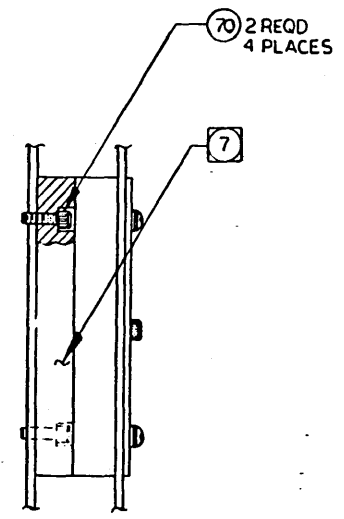
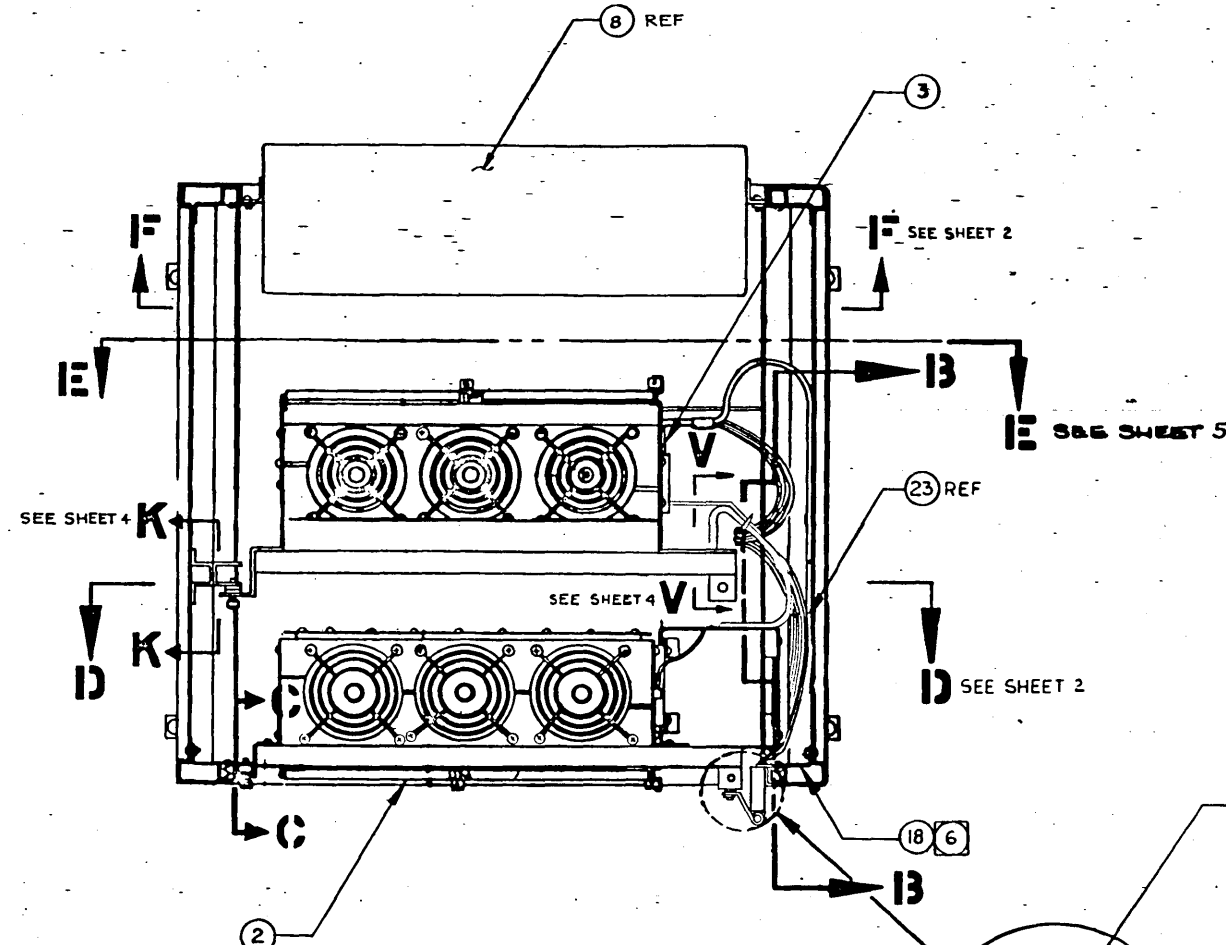
A

3

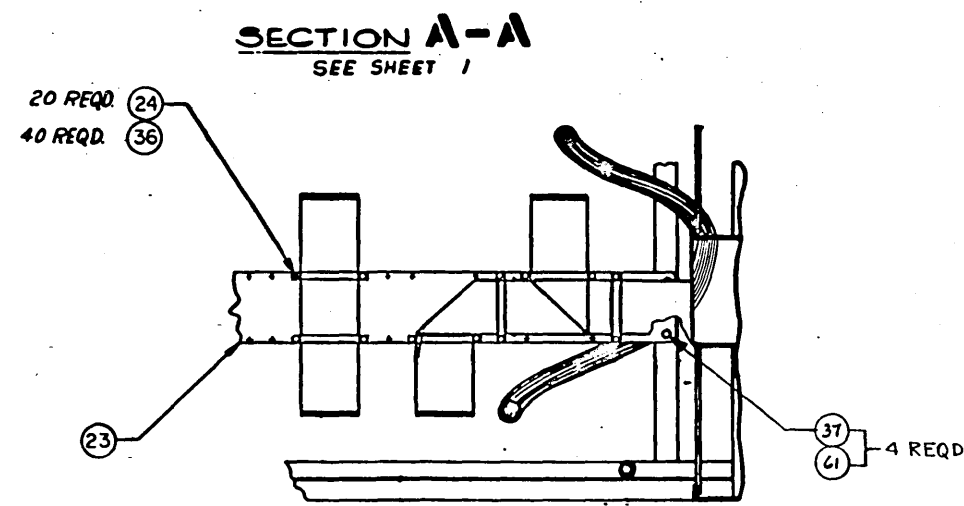
2

1

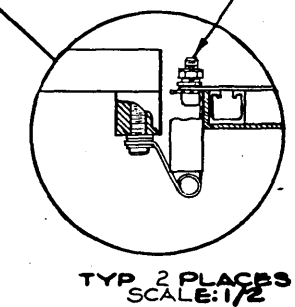
| REVISIONS | | | | 117282 JA | |
|-------------|-------------|------|------|-----------|--|
| REV. | DESCRIPTION | CHK. | DATE | APPROVED | |
| SEE SHEET 1 | | | | | |



SECTION C-C
TYP 4 PLACES



SECTION A-A
SEE SHEET 1



TYP 2 PLACES
SCALE: 1/2

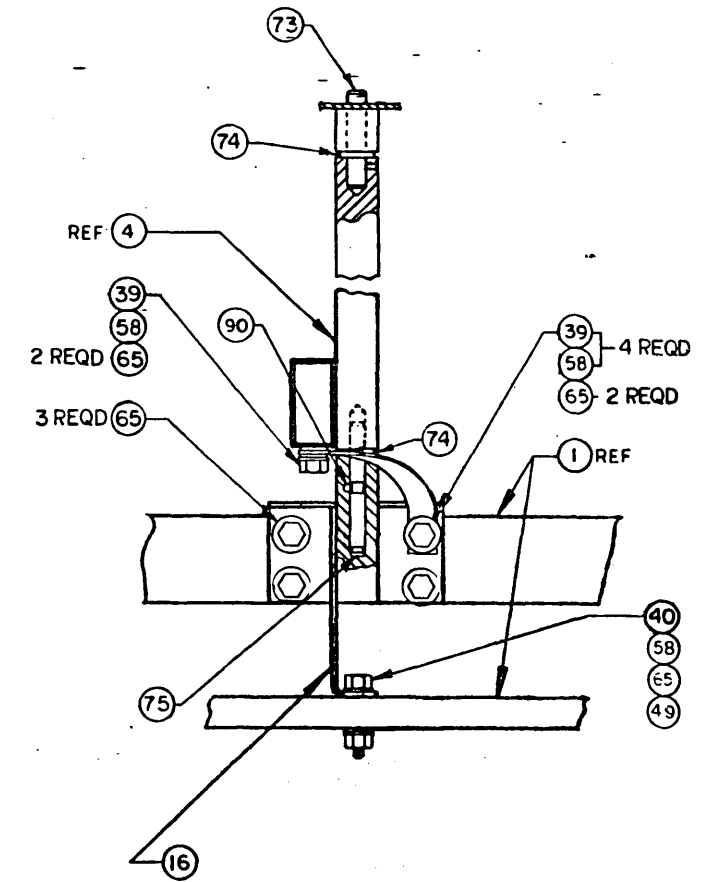
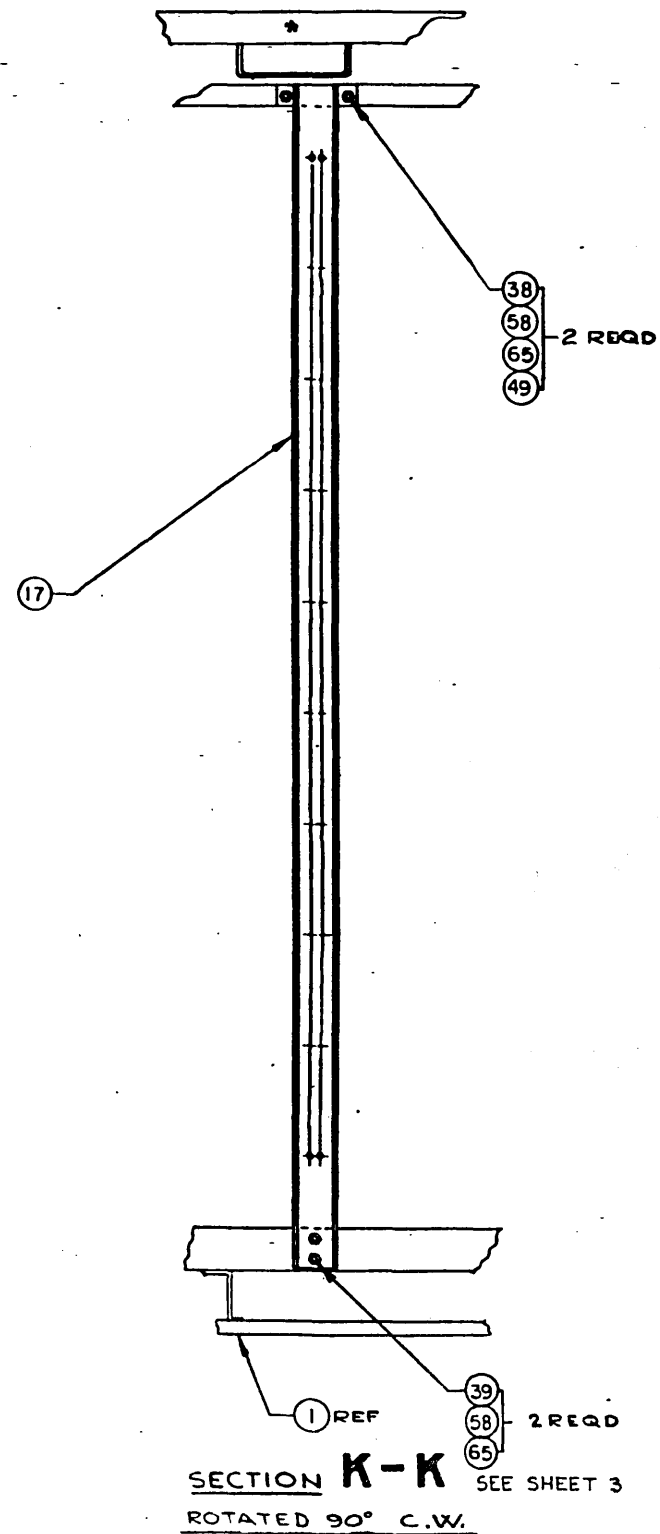


SECTION B-B
TYPICAL CABLE CLAMPING
CONFIGURATION

| NOTES UNLESS SPECIFIED | | DRAWN | | MATERIAL LIST | | SDS SCIENTIFIC DATA SYSTEMS SANTA MONICA, CALIFORNIA | |
|---|-----------------------|---------|---------|---------------|--|--|----------------------|
| 1. TOLERANCES UNLESS SPECIFIED | ANGULAR DIM. 2.015 | 3-28-67 | 3-28-67 | | | TITLE ASSEMBLY, CENTRAL PROCESSING UNIT SIGMA 5 | |
| 2. BREAK ALL SHARP EDGES AND APPROX. | | CHKD | APPR. | | | SIZE | DWG. NO. |
| 3. HIDDEN SURFACES | | | | | | D | 117282 |
| 4. ALL DIM. IN INCHES | | | | | | SCALE | DO NOT SCALE DRAWING |
| MODEL NO. FIRST LINE | 8201 | FINISH | | | | SHEET 3 OF 8 | |
| NEXT ASSEMBLY PART LINE | | | | | | | |

117282 AK

A

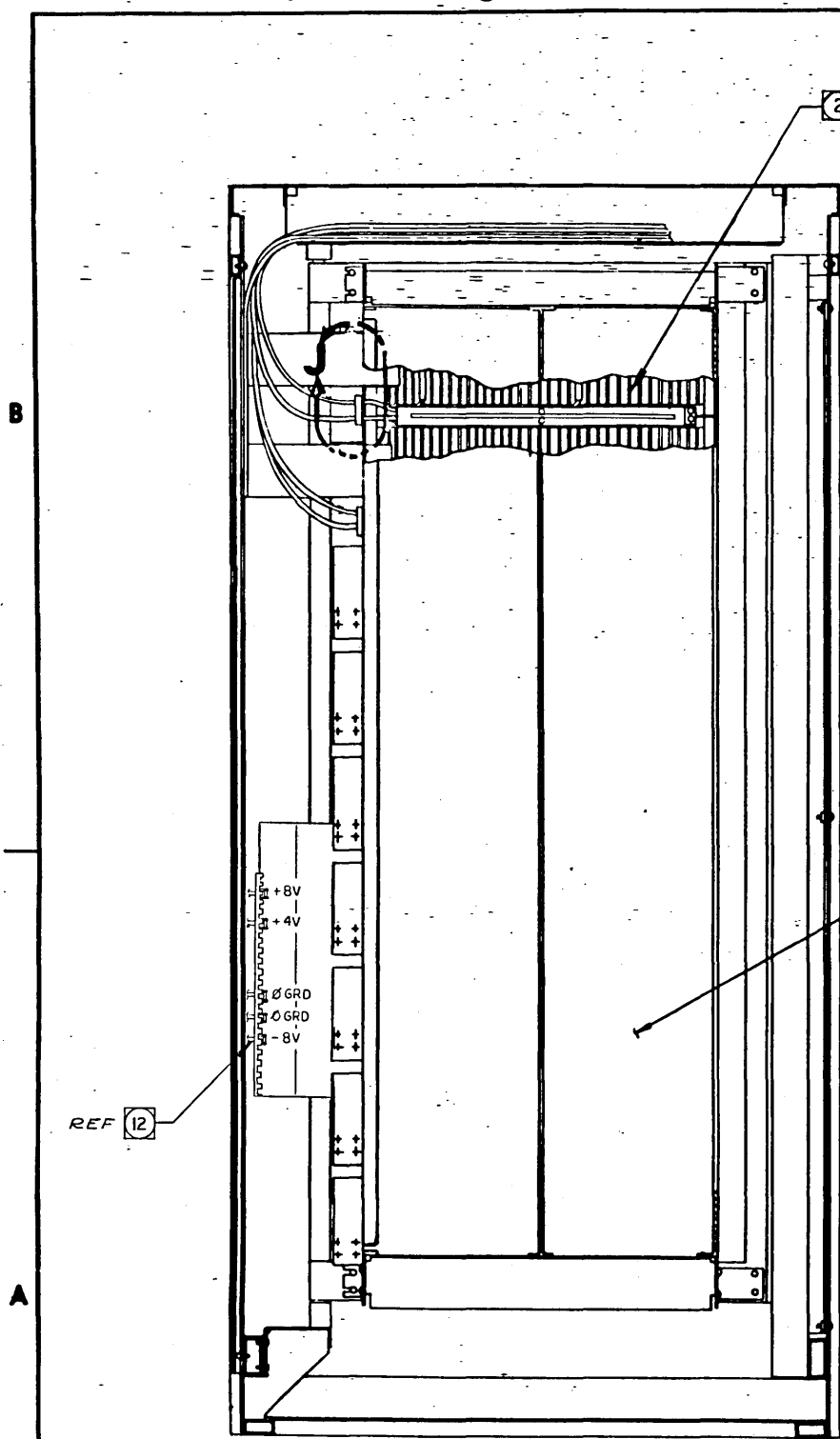


| REVISIONS | | | 117282 AK |
|-------------|-------------|------|-----------|
| REV. | DESCRIPTION | CHK. | DATE |
| SEE SHEET 1 | | | |

| NO. REQ. | DRAWING NO. | DESCRIPTION | REFERENCE DESIGNATION | ITEM NO. |
|---------------------------------------|-------------|--|--|----------|
| MATERIAL LIST | | | | |
| NOTES UNLESS SPECIFIED | | DRAWN <i>Geo. Hyslop</i> 3-9-67 | SDS SCIENTIFIC DATA SYS SANTA MONICA, CALIFORNIA | |
| 1. TOLERANCES SEE 2-910 | | CHECKED <i>Paula...</i> 8-10-67 | | |
| 2. BREAK ALL SHARP EDGES .010 APPROX. | | APPR. <i>E. M. Clifton</i> 9-4-67 | TITLE ASSEMBLY, CENTRAL PROCESSING UNIT SIGMA 5 | |
| 3. HAZ. SURFACES | | MATERIAL XDS Xerox Dat. System Formerly Scientific Data System | | |
| 4. ALL DIM. IN INCHES | | FINISH | DWG. NO. 117282 | AK |
| MODEL NO. FIRST USE 8201 | | SCALE: | 101 | |

117282 AK

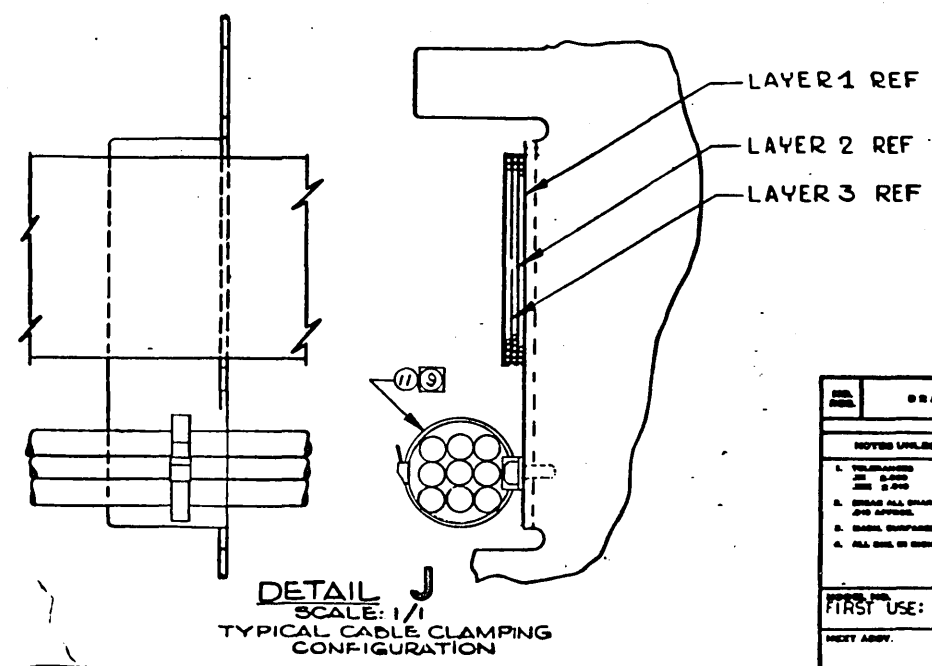
| | | | |
|------|-------------|------|----------|
| REV. | DESCRIPTION | DATE | APPROVAL |
| | SEE SHEET 1 | | |



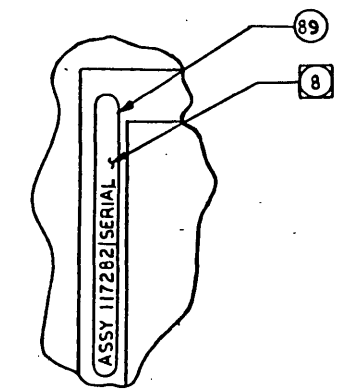
REF 12

3 REF

SECTION 1-1
ROTATED 180° SEE SHEET 3



DETAIL J
SCALE: 1/1
TYPICAL CABLE CLAMPING CONFIGURATION



DETAIL W
SCALE: NONE
SEE SH 1

| | | | | |
|------------------------|-------|---------------|---------|---|
| DRAWING NO. | | DESCRIPTION | | REFERENCE DESIGNATION |
| NOTED UNLESS SPECIFIED | | MATERIAL LIST | | |
| 1. VERIFICATION | DRAWN | Geo. Ruppel | 3-28-67 | XDS Xerox Data Systems FORM 100 SCIENTIFIC DATA SYSTEMS |
| 2. DIMENSIONS | CHECK | Bellucci | 4/20/67 | |
| 3. SERIAL ALL SHOWN | APPR. | G. M. Clark | 4-11-67 | |
| 4. SERIAL ALL SHOWN | | | | |
| 5. SERIAL ALL SHOWN | | | | |
| 6. SERIAL ALL SHOWN | | | | |
| 7. SERIAL ALL SHOWN | | | | |
| 8. SERIAL ALL SHOWN | | | | |
| 9. SERIAL ALL SHOWN | | | | |
| 10. SERIAL ALL SHOWN | | | | |
| 11. SERIAL ALL SHOWN | | | | |
| 12. SERIAL ALL SHOWN | | | | |
| 13. SERIAL ALL SHOWN | | | | |
| 14. SERIAL ALL SHOWN | | | | |
| 15. SERIAL ALL SHOWN | | | | |
| 16. SERIAL ALL SHOWN | | | | |
| 17. SERIAL ALL SHOWN | | | | |
| 18. SERIAL ALL SHOWN | | | | |
| 19. SERIAL ALL SHOWN | | | | |
| 20. SERIAL ALL SHOWN | | | | |
| 21. SERIAL ALL SHOWN | | | | |
| 22. SERIAL ALL SHOWN | | | | |
| 23. SERIAL ALL SHOWN | | | | |
| 24. SERIAL ALL SHOWN | | | | |
| 25. SERIAL ALL SHOWN | | | | |
| 26. SERIAL ALL SHOWN | | | | |
| 27. SERIAL ALL SHOWN | | | | |
| 28. SERIAL ALL SHOWN | | | | |
| 29. SERIAL ALL SHOWN | | | | |
| 30. SERIAL ALL SHOWN | | | | |
| 31. SERIAL ALL SHOWN | | | | |
| 32. SERIAL ALL SHOWN | | | | |
| 33. SERIAL ALL SHOWN | | | | |
| 34. SERIAL ALL SHOWN | | | | |
| 35. SERIAL ALL SHOWN | | | | |
| 36. SERIAL ALL SHOWN | | | | |
| 37. SERIAL ALL SHOWN | | | | |
| 38. SERIAL ALL SHOWN | | | | |
| 39. SERIAL ALL SHOWN | | | | |
| 40. SERIAL ALL SHOWN | | | | |
| 41. SERIAL ALL SHOWN | | | | |
| 42. SERIAL ALL SHOWN | | | | |
| 43. SERIAL ALL SHOWN | | | | |
| 44. SERIAL ALL SHOWN | | | | |
| 45. SERIAL ALL SHOWN | | | | |
| 46. SERIAL ALL SHOWN | | | | |
| 47. SERIAL ALL SHOWN | | | | |
| 48. SERIAL ALL SHOWN | | | | |
| 49. SERIAL ALL SHOWN | | | | |
| 50. SERIAL ALL SHOWN | | | | |
| 51. SERIAL ALL SHOWN | | | | |
| 52. SERIAL ALL SHOWN | | | | |
| 53. SERIAL ALL SHOWN | | | | |
| 54. SERIAL ALL SHOWN | | | | |
| 55. SERIAL ALL SHOWN | | | | |
| 56. SERIAL ALL SHOWN | | | | |
| 57. SERIAL ALL SHOWN | | | | |
| 58. SERIAL ALL SHOWN | | | | |
| 59. SERIAL ALL SHOWN | | | | |
| 60. SERIAL ALL SHOWN | | | | |
| 61. SERIAL ALL SHOWN | | | | |
| 62. SERIAL ALL SHOWN | | | | |
| 63. SERIAL ALL SHOWN | | | | |
| 64. SERIAL ALL SHOWN | | | | |
| 65. SERIAL ALL SHOWN | | | | |
| 66. SERIAL ALL SHOWN | | | | |
| 67. SERIAL ALL SHOWN | | | | |
| 68. SERIAL ALL SHOWN | | | | |
| 69. SERIAL ALL SHOWN | | | | |
| 70. SERIAL ALL SHOWN | | | | |
| 71. SERIAL ALL SHOWN | | | | |
| 72. SERIAL ALL SHOWN | | | | |
| 73. SERIAL ALL SHOWN | | | | |
| 74. SERIAL ALL SHOWN | | | | |
| 75. SERIAL ALL SHOWN | | | | |
| 76. SERIAL ALL SHOWN | | | | |
| 77. SERIAL ALL SHOWN | | | | |
| 78. SERIAL ALL SHOWN | | | | |
| 79. SERIAL ALL SHOWN | | | | |
| 80. SERIAL ALL SHOWN | | | | |
| 81. SERIAL ALL SHOWN | | | | |
| 82. SERIAL ALL SHOWN | | | | |
| 83. SERIAL ALL SHOWN | | | | |
| 84. SERIAL ALL SHOWN | | | | |
| 85. SERIAL ALL SHOWN | | | | |
| 86. SERIAL ALL SHOWN | | | | |
| 87. SERIAL ALL SHOWN | | | | |
| 88. SERIAL ALL SHOWN | | | | |
| 89. SERIAL ALL SHOWN | | | | |
| 90. SERIAL ALL SHOWN | | | | |
| 91. SERIAL ALL SHOWN | | | | |
| 92. SERIAL ALL SHOWN | | | | |
| 93. SERIAL ALL SHOWN | | | | |
| 94. SERIAL ALL SHOWN | | | | |
| 95. SERIAL ALL SHOWN | | | | |
| 96. SERIAL ALL SHOWN | | | | |
| 97. SERIAL ALL SHOWN | | | | |
| 98. SERIAL ALL SHOWN | | | | |
| 99. SERIAL ALL SHOWN | | | | |
| 100. SERIAL ALL SHOWN | | | | |
| 101. SERIAL ALL SHOWN | | | | |
| 102. SERIAL ALL SHOWN | | | | |
| 103. SERIAL ALL SHOWN | | | | |
| 104. SERIAL ALL SHOWN | | | | |
| 105. SERIAL ALL SHOWN | | | | |
| 106. SERIAL ALL SHOWN | | | | |
| 107. SERIAL ALL SHOWN | | | | |
| 108. SERIAL ALL SHOWN | | | | |
| 109. SERIAL ALL SHOWN | | | | |
| 110. SERIAL ALL SHOWN | | | | |
| 111. SERIAL ALL SHOWN | | | | |
| 112. SERIAL ALL SHOWN | | | | |
| 113. SERIAL ALL SHOWN | | | | |
| 114. SERIAL ALL SHOWN | | | | |
| 115. SERIAL ALL SHOWN | | | | |
| 116. SERIAL ALL SHOWN | | | | |
| 117. SERIAL ALL SHOWN | | | | |
| 118. SERIAL ALL SHOWN | | | | |
| 119. SERIAL ALL SHOWN | | | | |
| 120. SERIAL ALL SHOWN | | | | |
| 121. SERIAL ALL SHOWN | | | | |
| 122. SERIAL ALL SHOWN | | | | |
| 123. SERIAL ALL SHOWN | | | | |
| 124. SERIAL ALL SHOWN | | | | |
| 125. SERIAL ALL SHOWN | | | | |
| 126. SERIAL ALL SHOWN | | | | |
| 127. SERIAL ALL SHOWN | | | | |
| 128. SERIAL ALL SHOWN | | | | |
| 129. SERIAL ALL SHOWN | | | | |
| 130. SERIAL ALL SHOWN | | | | |
| 131. SERIAL ALL SHOWN | | | | |
| 132. SERIAL ALL SHOWN | | | | |
| 133. SERIAL ALL SHOWN | | | | |
| 134. SERIAL ALL SHOWN | | | | |
| 135. SERIAL ALL SHOWN | | | | |
| 136. SERIAL ALL SHOWN | | | | |
| 137. SERIAL ALL SHOWN | | | | |
| 138. SERIAL ALL SHOWN | | | | |
| 139. SERIAL ALL SHOWN | | | | |
| 140. SERIAL ALL SHOWN | | | | |
| 141. SERIAL ALL SHOWN | | | | |
| 142. SERIAL ALL SHOWN | | | | |
| 143. SERIAL ALL SHOWN | | | | |
| 144. SERIAL ALL SHOWN | | | | |
| 145. SERIAL ALL SHOWN | | | | |
| 146. SERIAL ALL SHOWN | | | | |
| 147. SERIAL ALL SHOWN | | | | |
| 148. SERIAL ALL SHOWN | | | | |
| 149. SERIAL ALL SHOWN | | | | |
| 150. SERIAL ALL SHOWN | | | | |
| 151. SERIAL ALL SHOWN | | | | |
| 152. SERIAL ALL SHOWN | | | | |
| 153. SERIAL ALL SHOWN | | | | |
| 154. SERIAL ALL SHOWN | | | | |
| 155. SERIAL ALL SHOWN | | | | |
| 156. SERIAL ALL SHOWN | | | | |
| 157. SERIAL ALL SHOWN | | | | |
| 158. SERIAL ALL SHOWN | | | | |
| 159. SERIAL ALL SHOWN | | | | |
| 160. SERIAL ALL SHOWN | | | | |
| 161. SERIAL ALL SHOWN | | | | |
| 162. SERIAL ALL SHOWN | | | | |
| 163. SERIAL ALL SHOWN | | | | |
| 164. SERIAL ALL SHOWN | | | | |
| 165. SERIAL ALL SHOWN | | | | |
| 166. SERIAL ALL SHOWN | | | | |
| 167. SERIAL ALL SHOWN | | | | |
| 168. SERIAL ALL SHOWN | | | | |
| 169. SERIAL ALL SHOWN | | | | |
| 170. SERIAL ALL SHOWN | | | | |
| 171. SERIAL ALL SHOWN | | | | |
| 172. SERIAL ALL SHOWN | | | | |
| 173. SERIAL ALL SHOWN | | | | |
| 174. SERIAL ALL SHOWN | | | | |
| 175. SERIAL ALL SHOWN | | | | |
| 176. SERIAL ALL SHOWN | | | | |
| 177. SERIAL ALL SHOWN | | | | |
| 178. SERIAL ALL SHOWN | | | | |
| 179. SERIAL ALL SHOWN | | | | |
| 180. SERIAL ALL SHOWN | | | | |
| 181. SERIAL ALL SHOWN | | | | |
| 182. SERIAL ALL SHOWN | | | | |
| 183. SERIAL ALL SHOWN | | | | |
| 184. SERIAL ALL SHOWN | | | | |
| 185. SERIAL ALL SHOWN | | | | |
| 186. SERIAL ALL SHOWN | | | | |
| 187. SERIAL ALL SHOWN | | | | |
| 188. SERIAL ALL SHOWN | | | | |
| 189. SERIAL ALL SHOWN | | | | |
| 190. SERIAL ALL SHOWN | | | | |
| 191. SERIAL ALL SHOWN | | | | |
| 192. SERIAL ALL SHOWN | | | | |
| 193. SERIAL ALL SHOWN | | | | |
| 194. SERIAL ALL SHOWN | | | | |
| 195. SERIAL ALL SHOWN | | | | |
| 196. SERIAL ALL SHOWN | | | | |
| 197. SERIAL ALL SHOWN | | | | |
| 198. SERIAL ALL SHOWN | | | | |
| 199. SERIAL ALL SHOWN | | | | |
| 200. SERIAL ALL SHOWN | | | | |

117282 AK

101

AK

SHEET 5 OF 8

DRAWING TITLE **ASSY, CPU (SIGMA 5)** MODEL NO. **8201** DATE **3/27/67** SHEET **6** OF **8**

| ITEM NO. | DRAWING TITLE | DWG. NO. | NO. REQ. | REMARKS ON CKT. DESIG. |
|----------|---|-----------------------|--------------|------------------------|
| 1 | Assy, Basic Cabinet | 131416 | 1 | Model No. 8900 |
| 2 | Assy, Frame #1, CPU Cab. #1 | 133267 | 1 | |
| 3 | Assy, Frame #2, CPU Cab. #1 | 133273 | 1 | |
| 4 | Assy, Access Cab. Frame I/O | 134187 | 1 | |
| 5 | ASSY, MODULES | 146275 | 1 | |
| 6 | Procurement Documentation Cabinet | 154177 | 1 | |
| 7 | Assy, Converter/AC-DC | 148803 | 1 | PT14-B |
| 8 | Assy, Power Supply ^{-Inverter} DC/AC | 148804 | 1 | PT15-B |
| 9 | Assy, Power Dist. | 130155 | 1 | |
| 10 | | | | |
| 11 | STRAP, CABLE TIE | 124752-001 | A/R | ⑨ |
| 12 | Assy, Swing Frame Stop | 131345 | 1 | |
| 13 | Assy, Swing Frame Front Stop | 131373 | 1 | |
| 14 | Pivot, Hinge Swing Frame | 117136 | 2 | |
| 15 | Block, Swing Frame Hinge | 117137 | 2 | |
| 16 | Block, Hinge Lower | 128285 | 1 | |
| 17 | Channel, Swing Frame Stop | 126931 | 1 | |
| 18 | Angle, Swing Frame Mtg. | 139602 | 1 | ⑥ |
| 19 | | | | |
| 20 | Bolt, Hex. Hd. | 101918 | 8 | ③ |
| 21 | Cable, Braided | 132109-001 | 2 | |
| 22 | | | | |
| 23 | Bracket, Cable Mtg. | 131158 | 1 | |
| 24 | Clamp, Cable | 131159 | A/R | |
| 25 | Clamp, Cable | 100657-009 | 4 | |
| 26 | Pin, Hinge | 134697 | 2 | |
| 27 | | | | |
| 28 | | | | |
| 29 | | | | |
| 30 | Screw, Cap, Stl. Soc. Hd. | 113440-510 | 8 | |
| 31 | Screw, Set, (Socket) | 109307-306 | 2 | |
| 32 | | | | |

REV. A.K.
DRAWING NO. 117282
ML

SDS

MATER. XDS 902306 T

101

ML

DRAWING NO.

REV.

117282

A.K.

DRAWING TITLE ASSY, CPU (SIGMA 5)

MODEL NO. 8201

DATE 3/27/67 SHEET 7 OF

| ITEM NO. | DRAWING TITLE | DWG. NO. | NO. REQ. | REMARKS ON CKT. DESIG. |
|---------------|----------------------------|-----------------------|--------------|------------------------|
| 33 | | | | |
| 34 | Screw, Flat Hd. | 100039-408 | 4 | |
| 35 | Screw, Pan Hd. | 100012-408 | 4 | |
| 36 | Screw, Pan Hd. | 100012-410 | 40 | |
| 37 | Screw, Pan Hd. | 100012-508 | 26 | |
| 38 | Screw, Pan Hd. | 100012-610 | 2 | |
| 39 | Screw, Hex Hd. | 101441-103 | 8 | |
| 40 | Screw, Hex Hd. | 101441-108 | 1 | |
| 41 | Screw, Hex Hd. | 101441-204 | 4 | |
| 42 | | | | |
| 43 | | | | |
| 44 | | | | |
| 45 | | | | |
| 46 | Nut, Hex Mach. | 100008-410 | 24 | |
| 47 | Nut, Hex Mach. | 100008-400 | 4 | |
| 48 | NUT, HEX, MACHINE | 100008-700 | 4 | |
| 49 | Nut, Hex Mach. | 100008-600 | 3 | |
| 50 | | | | |
| 51 | | | | |
| 52 | | | | |
| 53 | | | | |
| 54 | Washer, Flat | 100018-400 | 4 | |
| 55 | Washer, Flat | 100018-500 | 22 | |
| 56 | Washer, Flat | 100018-700 | 5 | |
| 57 | Washer, Flat | 100018-310 | 48 | |
| 58 | Washer, Flat | 100018-600 | 14 | |
| 59 | | | | |
| 60 | | | | |
| 61 | Washer, Lock Int. Tooth | 100024-500 | 26 | |
| 62 | Washer, Lock Int. Tooth | 100024-400 | 4 | |
| 63 | | | | |
| 64 | | | | |

| REV. | AK | XDS 902306 MATERIAL LIST | | ML | DRAWING NO. | REV. | | |
|---------------------|---|-----------------------------|--------------|---------|-------------|------|--------|--|
| | | | | | 117282 | AK | | |
| DRAWING TITLE | | MODEL NO. | | DATE | | | SHEET | |
| ASSY, CPU (SIGMA 5) | | 8201 | | 3/27/67 | | | 8 OF 8 | |
| ITEM NO. | DRAWING TITLE | DWG. NO. | NO. REQ. | REMARKS | | | | |
| 65 | Washer, Lock Int. Tooth | 100024-600 | 14 | | | | | |
| 66 | | | | | | | | |
| 67 | Washer, Lock Int. Tooth | 100024-700 | 4 | | | | | |
| 68 | Washer, Lock, Spring | 100023-700 | 4 | | | | | |
| 69 | Screw, Cap | 108605-712 | 4 | | | | | |
| 70 | Screw, Cap Stl. Soc. Hd. | 113440-508 | 12 | | | | | |
| 71 | | | | | | | | |
| 72 | | | | | | | | |
| 73 | Pin, Prec. Dowel | 145223-001 | 1 | | | | | |
| 74 | Washer, Flat | 100018-800 | 2 | | | | | |
| 75 | Pin, Prec. Dowel | 145223-002 | 1 | | | | | |
| 76 | | | | | | | | |
| 77 | | | | | | | | |
| 78 | Spec. Prod. Design | 133260 | Ref | | | | | |
| 79 | | | | | | | | |
| 80 | | | | | | | | |
| 81 | Test, Spec. Sigma 5 | 133261 | Ref | | | | | |
| 82 | Installation Dwg. CPU Sigma 5 | 135273 | Ref | | | | | |
| 83 | Sigma 5 System Inst. Dwg. | 137112 | Ref | | | | | |
| 84 | Module Location Chart | 133279 | Ref | | | | | |
| 85 | List, Equations | 133263AB | Ref | | | | | |
| 86 | Pin List | 133264AB | Ref | | | | | |
| 87 | Spare Parts Kit | 134005 | Ref | | | | | |
| 88 | Assy, Maintenance Documents | 145206 | Ref | | | | | |
| 89 | Strip, Marker | 135171 | 1 | | | | | |
| 90 | Pin, Roll | 107199-620 | 1 | | | | | |
| 91 | | | | | | | | |
| 92 | Clamp, Strap | 154377-001 | A/R | 10 | | | | |
| 93 | Label, Mod, Ident | 159297 | 1 | | | | | |
| 94 | | | | | | | | |
| 95 | Holder, Module Designation Reference Chart | 154529 | 1 | | | | | |
| 96 | Installation Dwg, PT14-B & PT15-B Pwr. Sup. | 152047 | Ref. | | | | | |

XDS 902306

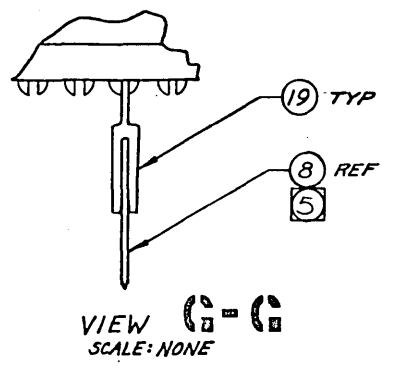
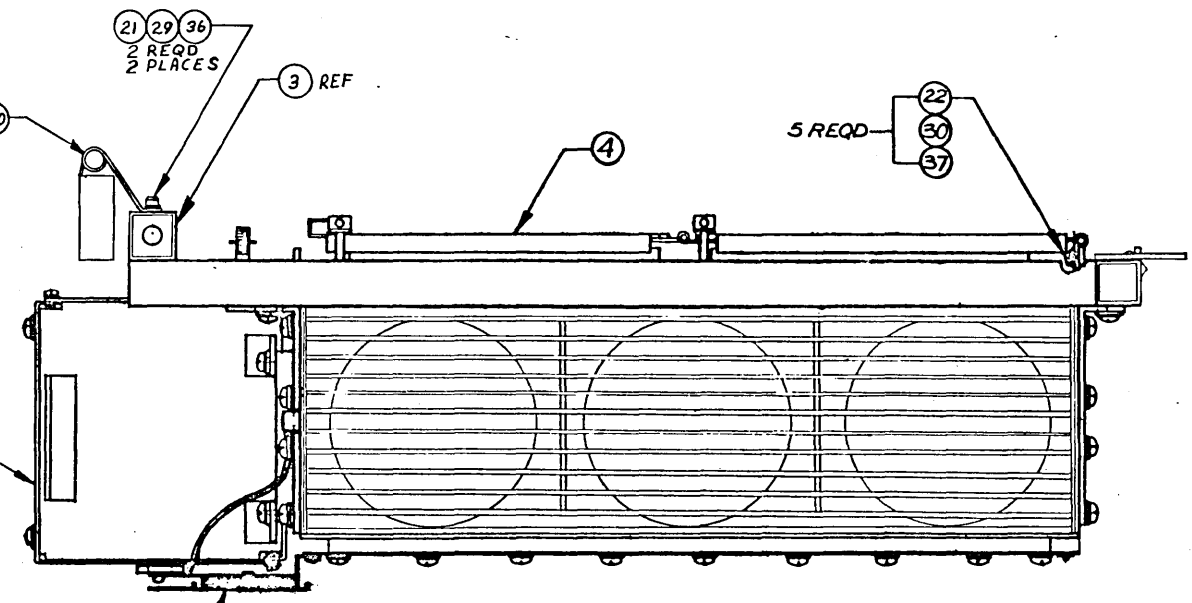
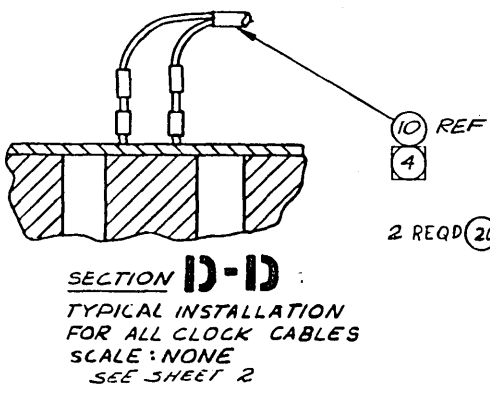
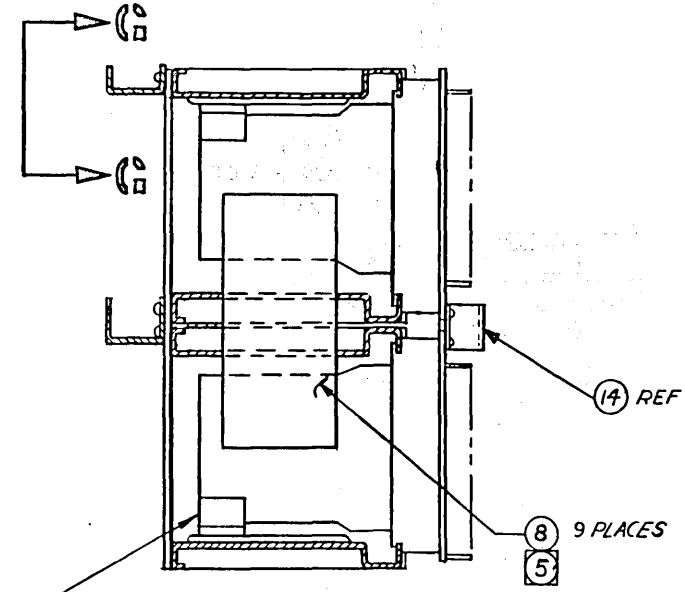
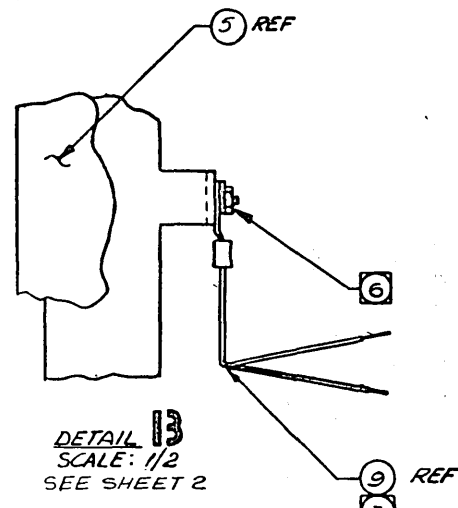
XDS 902306

- NOTES, UNLESS OTHERWISE SPECIFIED
- IDENTIFY ASSEMBLY PER XDS SPEC 100198.
 - FOR MATERIAL LIST SEE SHEET 3 AND 4.
 - INSTALL ITEMS 9 AND 13 AS INDICATED. BOTH WIRES OF ITEM 9 AND 13 TO BE TRIMMED TO LENGTH AND WIRED TO INDICATED PIN.

| FROM | TO |
|---------------|-------|
| 1. -8V BUSBAR | 15A50 |
| 2. -8V BUSBAR | 01B50 |
| 3. -8V BUSBAR | 09E50 |
| 4. -8V BUSBAR | 05F50 |
 - INSTALL ITEM 10 PER LIST, CLOCK CABLE INSTALL 133272.
 - FOR INSTALLATION OF ITEM 8 SEE VIEW G-G AND CPU MODULE LOCATION CHART 133279.
 - USE EXISTING HARDWARE.
 - REFERENCE DRAWINGS:

| | |
|---------------------------|--------|
| MASTER DRAWING LIST | 133259 |
| PRODUCT DESIGN SPEC | 133260 |
| INSTALLATION DRAWING | 133273 |
| MODULE LOCATION CHART | 133279 |
| LIST, EQUATION | 133263 |
| LIST, WIRE | 133264 |
| LIST, CLOCK CABLE INSTAL. | 133272 |
| TEST, SPEC | 133261 |
 - CABLES EXITING FROM AREAS THAT CREATE STRESS ON CABLE PLUG MODULES, TO BE SECURED WITH ITEM 56. QUANTITY AND PLACEMENT TO BE DETERMINED BY MFG. AT FINAL ASSY.

| REVISIONS | | CHK | DATE | APPROVED |
|-----------|--|-----|---------|----------|
| 133267 | L | | | |
| A | ENGR RELEASE | | 2/1/67 | |
| X B | ADDED IDENTIFICATION NOTE & ITS CALL-OUT, NOTES 2 THRU 7 WAS: NUMBERED 1 THRU 6 & CHANGED RELATING CALL-OUTS. NOTE 6 WAS: HARDWARE FURNISHED WITH ITEM 5. IN NOTE 7, ADDED TEST SPEC-133261 TO REF DWGS. DELETED DETAIL 'E'. ADDED ITEM CALL-OUTS 6 & 10 AND NOTE CALL-OUTS 4 & 6. -M/L- DELETED ITEMS 27, 32, AND 39. ITEM 1 WAS: ASSY, CHASSIS NO. 1. ADDED ITEMS: 47 THRU 54. ITEM 50 WAS: 17 & 53 WAS: 18 ITEM 51, QTY. WAS: 180 ITEM 22, DWG. NO. WAS: 100012-206 DELETED: SECTION C-C SHOWING ITEM 8 DELETED: NOTES 5 & 7. REVISED: ITEM 6 WAS: 009, ITEM 7 WAS: 132523, ITEM 26 WAS: 508, NO REQD 13 ITEM 33 WAS: NO REQD 23, ITEM 40 WAS: NO REQD 23. ON M/L, ADDED ITEMS 15 & 16, AND DETAIL C 'MFG RELEASE' | | 1/16/67 | ECM |
| C | SEE REV. F.D. NOTE 5 REINSTATED, RELOCATED DETAIL 'C' DETAIL 'E' ADDED M/L ITEM 8 REINSTATED | | 1/11/67 | UB |
| D | SEE REV. E.O. M/L ITEM NO. 8 DWG. NO. WAS: 133212-171 | | 1/11/67 | UB |
| E | SEE REV. E.O. SHT. 2: ADDED SECTION F-F (ZONE A2 & A3) ITEM 11 DELETED FROM 23 & 24 REQD. (ZONE A2). M/L ITEM 23 DWG. NO. WAS: 100012-308. ITEM 44 NO. REQD WAS: 72. | | 1/10/67 | UB |
| F | SEE REV. E.O. ADDED: VIEWS G-G (SHT) & ITEM 19 TO M/L & F.D. ADDED REV. LTR TO ITEM 51, 52 & 54 OF M/L | | 1/11/67 | UB |
| G | SEE REV. 133263N & 133264N, ADDED REV. LTR "N" TO ITEMS 51 & 52. | | 1/11/67 | UB |
| X H | SEE REV. E.O. & E.O. 117282T ADDED ITEMS 20, 21, 29, AND 36 TO F/D AND M/L. INCORPORATED MCA'S 389 & 460. ITEM 11 WAS, CLAMP, MULTI-CABLE NYLON, 100943-004. ITEM 12 WAS 3 REQD. | | 1/11/67 | UB |
| J | SEE REV. E.O. ADDED ITEM 56 & NOTE 8 | | 1/11/67 | UB |
| K | SEE REV. E.O. M/L ITEM 3 DWG. NO. WAS 117319, DELETED ITEMS 6, 7 & 15, ITEM 26 QTY WAS 13, ITEM 33 QTY WAS 27, ITEM 40 QTY WAS 27, ADDED ITEMS 57 THRU 63 REVISED SECTION C-C, M/L DELETED ITEM 16. | | 1/11/67 | UB |
| X L | SEE REV. E.O. 117282Z; NEXT ASSY NO. WAS 135274, M/L DELETED ITEMS 51 & 52 | | 1/11/67 | UB |



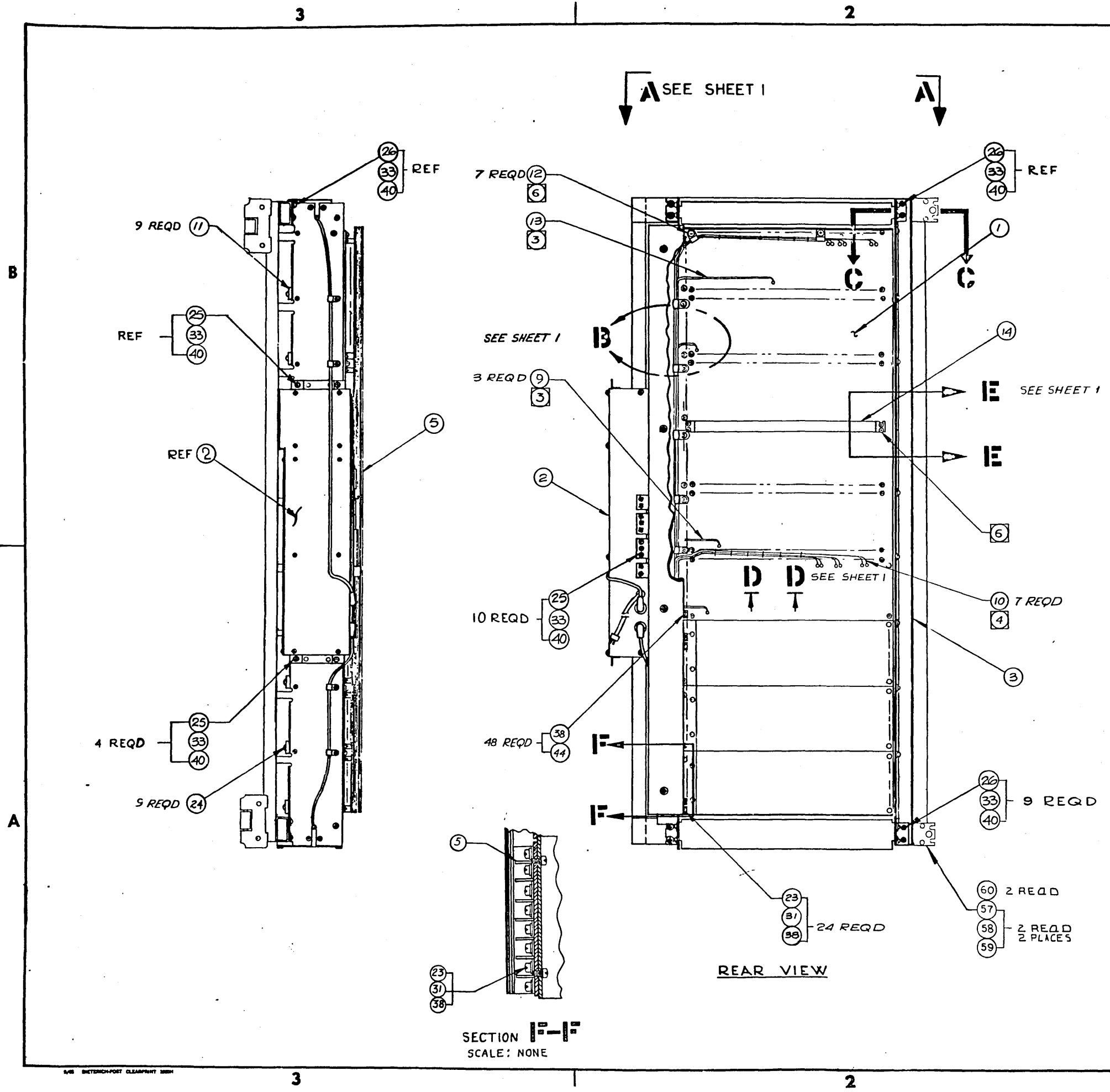
VIEW A-A
SCALE 1:2
SEE SHEET 2


SECTION C-C
SCALE: 1/1
SEE SHEET 2

| NO. | DRAWING NO. | DESCRIPTION | REFERENCE DESIGNATION | ITEM NO. |
|---------------------------------------|-------------|--|-----------------------|--------------|
| NOTES UNLESS SPECIFIED | | | | |
| 1. VOLTAIRES 25 2-AMM | DRAWN | C. Tando | 1-10-67 | |
| 2. JUNE 2-AMM | CHECK | W. J. ... | 2/1/67 | |
| 3. BREAK ALL SHARP EDGES .010 APPROX. | APPR. | W. J. ... | 2/13/67 | |
| 4. HAZ. SURFACES | | | | |
| 5. ALL DIM. IN INCHES | | | | |
| MATERIAL LIST | | | | |
| TITLE | | ASSY, LOGIC FRAME NO. 1. (SIGMA 5 CPU) | | |
| 8201 | FIRST USE | 8201 | 133267 | L |
| 117282 | FIRST USE | 117282 | | |
| SCALE 1/4" = 1" | | DO NOT SCALE DRAWING | | SHEET 1 OF 4 |

133267 L

| REVISIONS | | | | 133267 | IL |
|-------------|-------------|-----|------|----------|----|
| REV. | DESCRIPTION | CHK | DATE | APPROVED | |
| SEE SHEET 1 | | | | | |



| NO. | DRAWING NO. | DESCRIPTION | REFERENCE DESIGNATION | ITEM NO. |
|-------------------------------------|-------------|--|--|----------|
| MATERIAL LIST | | | | |
| NOTES UNLESS SPECIFIED | | DRAWN <i>E. Truitt</i> 11-10-67 |  SCRIBING DATA SYSTEMS SANTA MONICA, CALIFORNIA | |
| 1. TOLERANCES UNLESS SPECIFIED | | CHECK <i>W. G. ...</i> 7/6/67 | | |
| 2. DIMENSIONS ARE IN INCHES | | APPR. <i>W. G. ...</i> 2-15-67 | | |
| 3. BREAK ALL SHARP EDGES AND ANGLES | | TITLE ASSY LOGIC FRAME NO 1 (SIGMA 5 CPU) | | |
| 4. SHOW SURFACES | | | | |
| 5. ALL DIM. IN INCHES | | MODEL NO. 8201 FIRST USE 117282 DRAWING NO. 133267 SHEET 2 OF 4 | | |

| REV. | L | XDS 902306 MATERIAL LIST | | ML | DRAWING NO. | REV. |
|-------------------|-----------------------------------|------------------------------------|----------|-----------|-------------|--------------------------|
| | | | | | 133267 | L |
| DRAWING 133267 | | ASSY, FRAME NO. 1 (SIGMA 5 CPU) | | MODEL NO. | 8201 | DATE 2/9/67 SHEET 3 OF 4 |
| ITEM NO. | DRAWING TITLE | DWG. NO. | NO. REQ. | REMARKS | | |
| 1 | ASSY, WIRED CHASSIS NO. 1 (LOGIC) | 136180 | 1 | | | |
| 2 | ASSY, POWER SUPPLY | 117264 | 1 | PT16 | | |
| 3 | FRAME SWING | 152009 | 1 | | | |
| 4 | DOOR, CHASSIS | 134169 | 1 | | | |
| 5 | ASSY, BUSBAR | 130072 | 1 | | | |
| 6 | | | | | | |
| 7 | | | | | | |
| 8 | ASSY, RIBBON CABLE | 137481-171 | 9 | ZT45 | | |
| 9 | ASSY, CABLE BUSBAR PICKUP | 131891-001 | 3 | | | |
| 10 | ASSY, CABLE 33 SINGLE PICKUP | 128147-372 | 7 | | | |
| 11 | ANCHOR, CABLE TIE | 124856 | 9 | | | |
| 12 | CLAMP, CABLE | 100657-003 | 7 | | | |
| 13 | ASSY, CABLE BUSBAR PICKUP | 131891-002 | 1 | | | |
| 14 | BRACKET, PIN PROJECT | 132165-002 | 1 | | | |
| 15 | | | | | | |
| 16 | | | | | | |
| 17 | | | | | | |
| 18 | | | | | | |
| 19 | CARD ASSY RETAINER | 149850 | 18 | | | |
| 20 | ASSY, HINGE | 149219 | 2 | | | |
| 21 | SCREW, SOCKET HD. | 108605-714 | 4 | | | |
| 22 | SCREW, PAN HD PHILLIPS | 100012-205 | 5 | | | |
| 23 | SCREW, PAN HD PHILLIPS | 100012-304 | 24 | | | |
| 24 | SCREW, PAN HD PHILLIPS | 100012-404 | 9 | | | |
| 25 | SCREW, PAN HD PHILLIPS | 100012-505 | 14 | | | |
| 26 | SCREW, PAN HD PHILLIPS | 100012-507 | 9 | | | |
| 27 | | | | | | |
| 28 | | | | | | |
| 29 | WASHER, FLAT | 100018-700 | 4 | | | |
| 30 | WASHER, FLAT | 100018-200 | 5 | | | |
| 31 | WASHER, FLAT | 100018-300 | 24 | | | |
| 32 | | | | | | |

| REV. | L | SDS | | MATERIAL | XDS 902306 | ML | DRAWING NO. | 133267 | REV. | L | | |
|---------------|----------------------------|--------------------|----------------|------------------------------------|------------|------|-------------|--------|-------|---|----|---|
| DRAWING NO. | 133267 | DRAWING TITLE | | ASSY, FRAME NO. 1 (SIGMA 5 CPU) | MODEL NO. | 8201 | DATE | 2/9/67 | SHEET | 4 | OF | 1 |
| ITEM NO. | DRAWING TITLE | DWG. NO. | NO. REQ. | REMARKS | | | | | | | | |
| 33 | WASHER FLAT | 100018-500 | 23 | | | | | | | | | |
| 34 | | | | | | | | | | | | |
| 35 | | | | | | | | | | | | |
| 36 | WASHER, LOCK | 100023-700 | 4 | | | | | | | | | |
| 37 | WASHER, LOCK INT. TOOTH | 100024-200 | 5 | | | | | | | | | |
| 38 | WASHER, LOCK INT. TOOTH | 100024-300 | 72 | | | | | | | | | |
| 39 | | | | | | | | | | | | |
| 40 | WASHER, LOCK INT. TOOTH | 100024-500 | 23 | | | | | | | | | |
| 41 | | | | | | | | | | | | |
| 42 | | | | | | | | | | | | |
| 43 | | | | | | | | | | | | |
| 44 | NUT, HEX MACHINE | 100008-300 | 48 | | | | | | | | | |
| 45 | | | | | | | | | | | | |
| 46 | | | | | | | | | | | | |
| 47 | MASTER DWG. LIST | 133259 | Ref | | | | | | | | | |
| 48 | PRODUCT DESIGN SPEC | 133260 | Ref | | | | | | | | | |
| 49 | INSTALLATION DWG | 135273 | Ref | | | | | | | | | |
| 50 | MODULE LOC. CHART | 133279 | Ref | | | | | | | | | |
| 51 | LIST, EQUATIONS | 133263N | Ref | | | | | | | | | |
| 52 | LIST, WIRE | 133264N | Ref | | | | | | | | | |
| 53 | LIST, CLOCK CABLE INST. | 133272 | Ref | | | | | | | | | |
| 54 | TEST SPEC | 133261 | Ref | | | | | | | | | |
| 55 | | | | | | | | | | | | |
| 56 | CLAMP, STRAP TYPE | 154377-001 | A/R | 8 | | | | | | | | |
| 57 | SCREW PAN HD RECESSED | 100012-408 | 4 | | | | | | | | | |
| 58 | WASHER, FLAT | 100018-400 | 4 | | | | | | | | | |
| 59 | WASHER, LOCK INT. TOOTH | 100024-400 | 4 | | | | | | | | | |
| 60 | PLATE, FRAME LATCH | 152240 | 2 | | | | | | | | | |
| 61 | LATCH | 147595 | 1 | | | | | | | | | |
| 62 | BRACKET LATCH | 147596 | 1 | | | | | | | | | |
| 63 | SPRING PRE-LOAD | 108051 | 1 | | | | | | | | | |

| | | | | | | | | | |
|--|--|--|--------------|----------------|-------------|------------------------------|---------------|---------------------|--|
| ENGINEERING ORDER | | DRAWING TITLE ASSY, LOGIC FRAME NO.1 (SIGMA 5 CPU) | | | | DRAWING NUM 133267 | | CHG LTR M | |
| EO TYPE | EFFECTIVITY | DRAWING TYPE | DCR NO. | DCR DATE | MODEL NO. | NEXT ASSEMBLY NO. | SHEET | | |
| <input type="checkbox"/> REVISION <input checked="" type="checkbox"/> RESERVE <input type="checkbox"/> VARIATION | <input type="checkbox"/> IMMEDIATE SERIAL NO./DATE _____ <input checked="" type="checkbox"/> NEXT PRODUCTION | 101 | 90529 | 2-23-71 | 8201 | 117282 | 1 OF 1 | | |

| AFFECTED BY THIS CHANGE | | | | DISPOSITION OF EXISTING PARTS | | | | | MANDATORY PRIOR REVISIONS: B, H & L | |
|-------------------------|-------------------------------------|-------------------------------------|---------|-------------------------------|----------------------------------|-----------------|--------|-----|---|-------|
| | YES | NO | DWG NO. | OTHER DWGS | STATUS | RETURN TO STOCK | REWORK | USE | | SCRAP |
| SPARE PARTS | <input checked="" type="checkbox"/> | <input type="checkbox"/> | _____ | _____ | ON ORDER | | | N/A | | |
| TOOLING | <input type="checkbox"/> | <input checked="" type="checkbox"/> | _____ | _____ | IN PROCESS | | | ✓ | | |
| TEST PROCEDURES | <input type="checkbox"/> | <input checked="" type="checkbox"/> | _____ | _____ | IN STOCK | | | ✓ | | |
| TEST EQUIPMENT | <input type="checkbox"/> | <input checked="" type="checkbox"/> | _____ | _____ | IN NEXT ASSY | | | ✓ | | |
| PROGRAMS | <input type="checkbox"/> | <input checked="" type="checkbox"/> | _____ | _____ | IN FIELD | | | ✓ | | |
| TECH PUBLICATIONS | <input type="checkbox"/> | <input checked="" type="checkbox"/> | _____ | _____ | LOWEST ACCEPTABLE REVISION LEVEL | L | | | | |

REASON FOR CHANGE
(IF REASON IS DESIGN ERROR OR RELIABILITY DESCRIBE SYMPTOMS & CONDITIONS UNDER WHICH THEY OCCUR.)

| | |
|---|--|
| <input type="checkbox"/> DESIGN ERROR <input type="checkbox"/> DRAWING ERROR <input checked="" type="checkbox"/> PRODUCIBILITY <input type="checkbox"/> MAINTAINABILITY <input type="checkbox"/> RELIABILITY <input type="checkbox"/> COST REDUCTION | <p style="font-size: 1.2em;">PHASE-IN OF "B" SERIES POWER SUPPLIES</p> <p style="font-size: 2em; opacity: 0.5; text-align: right;">RESERVE L</p> |
|---|--|

REWORK INSTRUCTIONS

USE ALL SIGMA SUPPLIES UNTIL STOCK IS DEPLETED

DRAWING CHANGE:

ITEM 2 IS: ASSY, POWER SUPPLY-LOGIC, 148805, 1, PT16-B
WAS: ASSY, POWER SUPPLY, 117264, 1, PT16

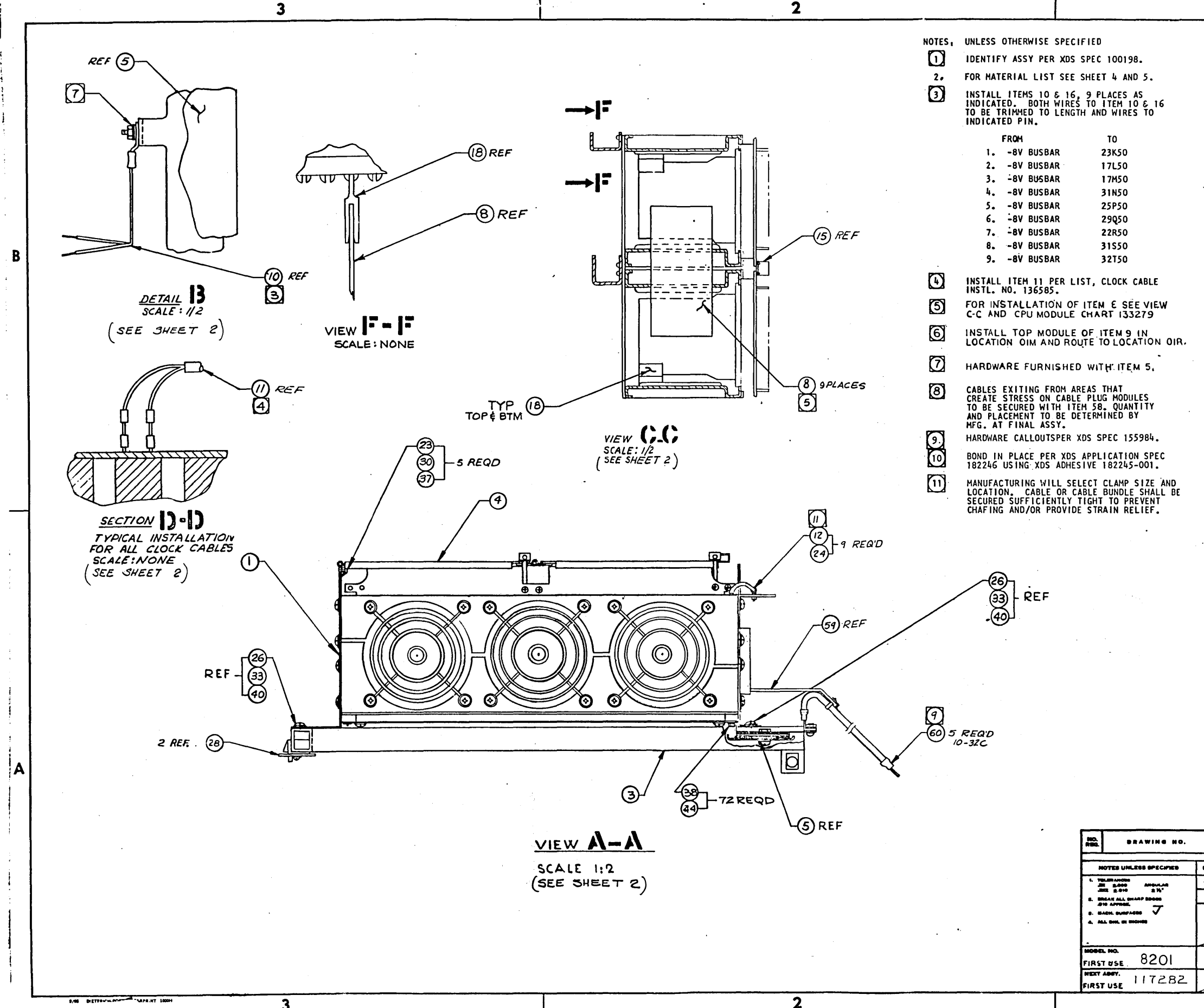
TEST PROCEDURE TO VERIFY CHANGE

N/A

| | | | | | | | |
|---|------|-----------------------------|-----------------------|---------------------------------|------------------------|---------------------------|------------------------|
| DRAFTSMAN 3-1-71 <i>Mike Leonard</i> | DATE | CHECK <i>[Signature]</i> | DATE 3-2-71 | PROJ ENGR <i>[Signature]</i> | DATE 3-15-71 | DCB <i>[Signature]</i> | JATE 3-17-71 |
|---|------|-----------------------------|-----------------------|---------------------------------|------------------------|---------------------------|------------------------|

XDS 902305

XDS 902306



- NOTES: UNLESS OTHERWISE SPECIFIED
- IDENTIFY ASSY PER XDS SPEC 100198.
 - FOR MATERIAL LIST SEE SHEET 4 AND 5.
 - INSTALL ITEMS 10 & 16, 9 PLACES AS INDICATED. BOTH WIRES TO ITEM 10 & 16 TO BE TRIMMED TO LENGTH AND WIRES TO INDICATED PIN.

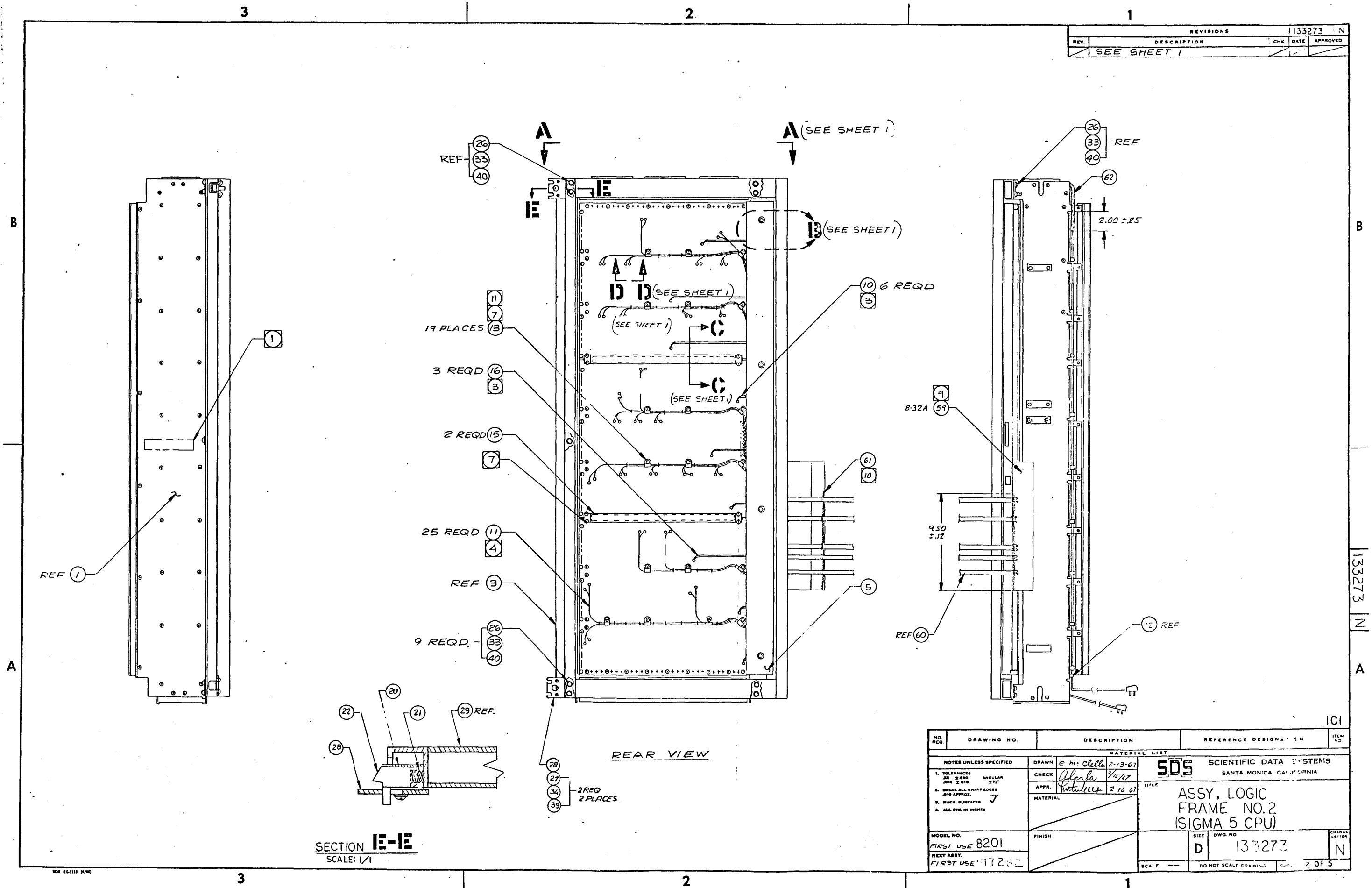
| FROM | TO |
|---------------|-------|
| 1. -8V BUSBAR | 23K50 |
| 2. -8V BUSBAR | 17L50 |
| 3. -8V BUSBAR | 17M50 |
| 4. -8V BUSBAR | 31N50 |
| 5. -8V BUSBAR | 25P50 |
| 6. -8V BUSBAR | 29Q50 |
| 7. -8V BUSBAR | 22R50 |
| 8. -8V BUSBAR | 31S50 |
| 9. -8V BUSBAR | 32T50 |
 - INSTALL ITEM 11 PER LIST, CLOCK CABLE INSTL. NO. 136585.
 - FOR INSTALLATION OF ITEM E SEE VIEW C-C AND CPU MODULE CHART 133279
 - INSTALL TOP MODULE OF ITEM 9 IN LOCATION OIM AND ROUTE TO LOCATION OIR.
 - HARDWARE FURNISHED WITH ITEM 5.
 - CABLES EXITING FROM AREAS THAT CREATE STRESS ON CABLE PLUG MODULES TO BE SECURED WITH ITEM 58. QUANTITY AND PLACEMENT TO BE DETERMINED BY MFG. AT FINAL ASSY.
 - HARDWARE CALLOUTS PER XDS SPEC 155984.
 - BOND IN PLACE PER XDS APPLICATION SPEC 182246 USING XDS ADHESIVE 182245-001.
 - MANUFACTURING WILL SELECT CLAMP SIZE AND LOCATION. CABLE OR CABLE BUNDLE SHALL BE SECURED SUFFICIENTLY TIGHT TO PREVENT CHAFING AND/OR PROVIDE STRAIN RELIEF.

| REVISIONS | | | | | |
|-----------|------|---|-----|---------|----------|
| LAL | REV. | DESCRIPTION | CHK | DATE | APPROVED |
| | A | ENGRG RELEASE | A | 2/16/67 | WLB |
| X | B | REVISED NOTES SHT 1, ADDED: ASSY PART MARKING NOTE AND CALLOUT DELETED: FROM M/L AND F/D ITEMS: 31, 32, 45, 33 AND F/D 31 WAS: WASHER, FL 100018-200 30, 32 WAS: WASHER FLAT 100018-400 3, 45 WAS: NUT, STRIP SPEED 129567-00 18, 46 WAS: SCREW, SHEET METAL 114558-216 162, ITEM 39 WAS: WASHER LOCK INT. TOOTH 100024-200 9, ADDED ITEMS 50 THRUST, ITEM 53 WAS: DELETED FROM SHT 2 DETAIL "E" WAS: ITEM 45 ADDED SECTION E AND ITEMS 7 & 17. MFG RELEASE | | 7/10/67 | EWAL |
| | C | NOTE 3: VIEW C-C REINSTATED SHEET 3 REAR VIEW: DELETED: ITEM 9 & NOTE 6: CUTAWAY: DELETED. M/L ITEM 8 & 9 REINSTATED | OS | 7/10/67 | |
| | D | SEE REV E.O. M/L ITEM NO. 8 DWG NO. WAS: 133212-171 ITEM NO. 9 WAS: 133212-182 | OS | 12/1/67 | WLB |
| | E | DCE JO 21456 ADDED TO REMARKS COLUMN SH 4 M/L ITEM 5 & ITEM 11 CHGD IN REMARKS COLUMN ITEM 10 WAS: DELETED IN REMARKS COLUMN ITEM 5 | WLB | 2/16/68 | |
| | F | SEE REV E.O. SH 243: RELOCATED PTIC PWR SUPPLY DOWNWARD. M/L, SH 4, ITEM 5 DWG NO WAS: 130111, ADDED ITEM 18. REV'D F/D, SH TO INC. M/L CHANGES. | WLB | 10/2/68 | |
| | G | SEE REV 133263N & 13326-4, ADDED REV LTR "N" TO ITEMS 55 & 56. | OS | 1/1/68 | EWAL |
| | H | SEE REV E.O.; DELETED: ITEM 3, 6, 7, 14, 17 ADDED: ITEM 29, 20, 21, 22, 27, 28, 34, E 39 - ITEM 26: NO REQD WAS 3. ITEM 32: NO REQD WAS 27. ITEM 42: NO REQD WAS 27 | | | |
| | J | SEE REV E.O. ADDED NOTE 8 AND ITEM 58. | WLB | 1/1/68 | |
| | K | SEE HMI 130 REVISED: ITEM 12 ON M/L E. | WLB | 1/1/68 | |
| X | L | SEE REV E.O. 117282; NEW ASSY NO WAS 135274, M/L DELETED ITEMS 55 & 56. | | | |
| | M | SEE RES E.O. | | | |
| | N | SEE REV E.O. | | | |

| NO. REV. | DRAWING NO. | DESCRIPTION | REFERENCE DESIGNATION | ITEM NO. |
|--|-------------|---|--|----------|
| | | | | 101 |
| NOTES UNLESS SPECIFIED | | MATERIAL LIST | | |
| 1. UNLESS OTHERWISE SPECIFIED 2. ALL DIMENSIONS ARE IN INCHES UNLESS OTHERWISE SPECIFIED 3. BREAK ALL SHARP EDGES 2/16 APPROX. 4. HATCH SURFACES 5. ALL DIM. IN INCHES | | DRAWN: E. Tanaka 2-16-67 CHECK: [Signature] 2-16-67 APPR: [Signature] 2-16-67 | TITLE: ASSY, LOGIC FRAME NO. 2 (SIG'A 5 CPU) SIZE: D DWG NO: 133273 SHEET: 1 OF 5 | |
| MODEL NO. | 8201 | | | |
| FIRST USE | 117282 | | | |

133273 IN A

| REVISIONS | | | |
|-----------|-------------|-----|------|
| REV. | DESCRIPTION | CHK | DATE |
| 1 | SEE SHEET 1 | | |



SECTION I-E-I
SCALE: 1/1

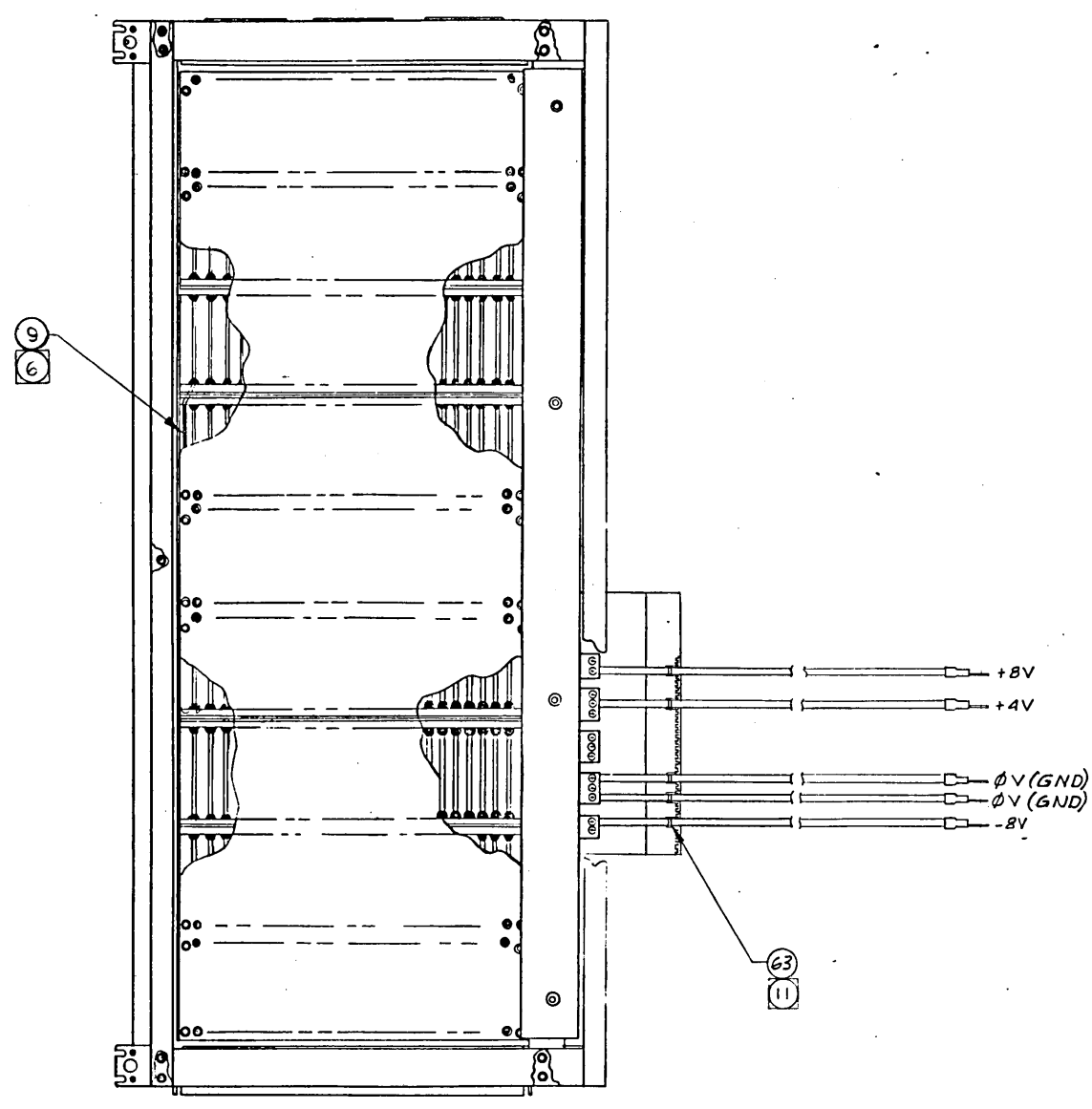
REAR VIEW

| NO. REQ. | DRAWING NO. | DESCRIPTION | REFERENCE DESIGNATION | ITEM NO. |
|--------------------------|-------------|---------------|-----------------------|----------------------|
| NOTES UNLESS SPECIFIED | | | | |
| 1. TOLERANCES | | DRAWN | 2-13-67 | |
| XX ±.030 | | CHECK | Helen 7/1/67 | |
| XXX ±.010 | | APPR. | Helen 2/16/67 | |
| X. BREAK ALL SHARP EDGES | | MATERIAL | | |
| X. .010 APPL. | | | | |
| X. HATCH SURFACES | | | | |
| X. ALL DIM. IN INCHES | | | | |
| MODEL NO. | | FINISH | | CHANGE LETTER |
| FIRST USE 8201 | | | | N |
| NEXT ASSY. | | SIZE DWG. NO. | | |
| FIRST USE 117282 | | D 133273 | | |
| | | SCALE | | DO NOT SCALE DRAWING |
| | | | | 2 OF 5 |

133273 N A

101

| REVISIONS | | | | |
|-----------|-------------|-----|-------|----------|
| REV. | DESCRIPTION | CHK | DATE | APPROVED |
| | SEE SHEET 1 | | | |
| | | | 33273 | N |



REAR VIEW

| NO. REV. | DRAWING NO. | DESCRIPTION | REFERENCE DESIGNATION | ITEM NO. |
|---------------------------------------|-------------|--|-----------------------|----------|
| | | | | |
| NOTES UNLESS SPECIFIED | | | | |
| 1. TOLERANCES UNLESS SPECIFIED | | | | |
| 2. DIM. 2.000 ANGULAR 2 IN | | | | |
| 3. DIM. 2.500 2 IN | | | | |
| 4. BREAK ALL SHARP EDGES .015 APPROX. | | | | |
| 5. BACK SURFACES .7 | | | | |
| 6. ALL DIM. IN INCHES | | | | |
| DRAWN: E. Tanaka 2-11-67 | | MATERIAL LIST | | |
| CHECK: [Signature] 2/14/67 | | TITLE: ASSY, LOGIC FRAME NO. 2 (SIGMA 5 CPU) | | |
| APPR: [Signature] 2-16-67 | | DRAWING NO. 133273 | | |
| MODEL NO. 8201 | | SHEET 3 OF 5 | | |
| NEXT ASBY. 117222 | | SCALE — DO NOT SCALE DRAWING | | |
| FIRST USE. | | SHEET 3 OF 5 | | |

133273 | N | A

101

XDS 902306

XDS 902306

| REV. | SDS | | MATERIAL LIST | 101 | ML | DRAWING NO. | REV. |
|------------|-----------------------------------|---------------------------------------|---------------|-----------------|---------|-------------|------|
| N | | | | | | 133273 | N |
| DRAWING N° | | DRAWING TITLE | | MODEL NO. | DATE | SHEET OF | |
| 133273 | | ASSY, LOGIC FRAME NO. 2 (SIGMA 5 CPU) | | 8201 | 1/26/67 | 4 5 | |
| ITEM NO. | DRAWING TITLE | DWG. NO. | NO. REQ. | REMARKS | | | |
| 1 | Assy, Wired Chassis No. 2 | 136181 | 1 | | | | |
| 2 | Assy, Power Supply | 117264 | 1 | PT16 | | | |
| 3 | | | | | | | |
| 4 | Door, Chassis | 134169 | 1 | | | | |
| 5 | Assy, Busbar | 130205 | 1 | 7 | | | |
| 6 | | | | | | | |
| 7 | | | | | | | |
| 8 | Assy, Ribbon Cable | 137481-171 | 9 | 5 ZT45 | | | |
| 9 | Assy, Ribbon Cable | 137481-182 | 1 | ZT45 | | | |
| 10 | Assy, Cable, Busbar Pickup | 131891-001 | 6 | 3 | | | |
| 11 | Assy, Cable 33Ω Single Cond | 128147-372 | 25 | 4 | | | |
| 12 | Anchor, Cable Tie | 124856 | A/R | 11 | | | |
| 13 | Clamp, Cable | 100657-XXX | A/R | 11 | | | |
| 14 | | | | | | | |
| 15 | Bracket, Pin Protect | 132165-002 | 2 | | | | |
| 16 | Assy, Cable, Busbar Pickup | 131891-004 | 3 | 3 | | | |
| 17 | | | | | | | |
| 18 | Card Assembly Retainer | 149850 | 2 | | | | |
| 19 | | | | | | | |
| 20 | Bracket, Latch Mtg | 147596 | 1 | | | | |
| 21 | Spring Pre-Load | 108051 | 1 | | | | |
| 22 | Latch | 147595 | 1 | | | | |
| 23 | Screw, Pan Hd Phillips | 100012-205 | 5 | | | | |
| 24 | Screw, Pan Hd Phillips | 100012-404 | 9 | | | | |
| 25 | Screw, Pan Hd Phillips | 100012-505 | 14 | | | | |
| 26 | Screw, Pan Hd Phillips | 100012-507 | 9 | | | | |
| 27 | Screw, Pan Hd Phillips | 100012-408 | 4 | | | | |
| 28 | Plate, Frame Latch | 152240 | 2 | | | | |
| 29 | Frame, Swing | 152009 | 1 | | | | |
| 30 | Washer, Flat | 100018-200 | 5 | | | | |
| 31 | | | | | | | |
| 32 | | | | | | | |

| | | | | | | | |
|-------------|-------------|---|------------|-----------------------------|--------------|-------------|--------------|
| REV. | N | SDS | XDS 902306 | 101 | ML | DRAWING NO. | REV. |
| DRAWING NO. | 133273 | | MATERIAL | | | | 133273 |
| | | DRAWING TITLE ASSY, LOGIC FRAME NO. 2 (SIGMA 5 CPU) | | 8201 | DATE 1/26/67 | | SHEET 5 OF 0 |
| ML | DRAWING NO. | 133273 | ITEM NO. | DRAWING TITLE | DWG. NO. | NO. REQ. | REMARKS |
| | | | 33 | Washer, Flat | 100018-500 | 9 | |
| | | | 34 | Washer, Flat | 100018-400 | 4 | |
| | | | 35 | | | | |
| | | | 36 | | | | |
| | | | 37 | Washer, Lock Int Tooth | 100024-200 | 5 | |
| | | | 38 | Washer, Lock Int Tooth | 100024-300 | 72 | |
| | | | 39 | Washer, Lock Int Tooth | 100024-400 | 4 | |
| | | | 40 | Washer, Lock Int Tooth | 100024-500 | 9 | |
| | | | 41 | | | | |
| | | | 42 | | | | |
| | | | 43 | | | | |
| | | | 44 | Nut, Hex Machine | 100008-300 | 72 | |
| | | | 45 | | | | |
| | | | 46 | | | | |
| | | | 47 | | | | |
| | | | 48 | | | | |
| | | | 49 | | | | |
| | | | 50 | Master Dwg List | 133259 | Ref | |
| | | | 51 | Product Design Spec | 133260 | Ref | |
| | | | 52 | Test Spec | 133261 | Ref | |
| | | | 53 | Module Loc Chart | 133279 | Ref | |
| | | | 54 | Installation Dwg | 135273 | Ref | |
| | | | 55 | | | | |
| | | | 56 | | | | |
| | | | 57 | List, Clock Cable Instl | 136585 | Ref | |
| | | | 58 | Clamp, Strap Type | 154377-001 | A/R | 8 |
| | | | 59 | Bracket, Gable Mounting | 181345 | 1 | |
| | | | 60 | Assy, Cable-Power Interface | 186090 | 5 | |
| | | | 61 | Grommet, Nylon | 100840-003 | A/R | |
| | | | 62 | Tubing, Spiral | 101625-002 | A/R | |
| | | | 63 | Strap, Cable Tie | 124752-XXX | A/R | 11 |



| | | REVISIONS | | | 14627- | D |
|-----|------|---|-----|----------|----------|---|
| LAL | REV. | DESCRIPTION | CHK | DATE | APPROVED | |
| X | A | Manufacturing Release | BW | 9/5/67 | WB CTZ | |
| | B | SEE REV. E. O. ITEM 21 DWG. NO WAS: 124750, ITEM 22 DWG. NO. WAS: 125271, ITEM 43 DWG. NO WAS: 116527 ADDED: ITEM 48, 49 & 50 | B | 11/22/67 | WB | |
| | C | DCR NO. 19091 - ITEM NO. 22 DWG. NO. WAS: 125881 287 | aqB | 1/18/68 | WB | |
| X | D | SEE REV E.O. 117282Z M/L ITEM 10 QTY WAS 2, ITEM 30 QTY WAS 29. | B | 2/24/70 | PMM-O | |

XDS 902306

101

| NO. REQ. | DRAWING NO. | DESCRIPTION | REFERENCE DESIGNATION | ITEM NO. |
|----------|-------------|-------------|-----------------------|----------|
|----------|-------------|-------------|-----------------------|----------|

MATERIAL LIST

| | | | | | |
|---|--|------------------|---------|---|---------------|
| NOTES UNLESS SPECIFIED 1. TOLERANCES .XX ±.030 ANGULAR ± 1/2° .XXX ±.010 2. BREAK ALL SHARP EDGES .010 APPROX. 3. MACH. SURFACES ✓ 4. ALL DIM. IN INCHES | DRAWN | A. Walden | 9/5/67 |  SANTA MONICA, CALIFORNIA | |
| | CHECK | <i>B. Walden</i> | 9/5/67 | | |
| | APPR. | <i>A. Walden</i> | 9-19-67 | | |
| |  Xerox Data Systems Formerly Scientific Data Systems | | | | TITLE |
| MODEL NO. | First Use | 8201 | SIZE | DWG. NO. | CHANGE LETTER |
| | | | A | 146275 | D |
| NEXT ASSY. | First Use | 117282 | SCALE | DO NOT SCALE DRAWING | SHEET 1 of 3 |

SDS

XDS 902306
MATERIAL LIST

ML

DRAWING NO.

REV.

146275

0

REV. D
DRAWING NO. 146275
ML

DRAWING TITLE ASSEMBLY, MODULES MODEL NO. 8201 DATE 9/5/67 SHEET 2 OF

| ITEM NO. | DRAWING TITLE | DWG. NO. | NO. REQ. | REMARKS ON CKT. DESIG. |
|----------|--------------------------|----------|----------|------------------------|
| 1 | Assy, PW, Cable Receiver | 123018 | 1 | AT10 |
| 2 | Cable Drive/Revtr | 123019 | 4 | AT11 |
| 3 | Cable Driver | 124629 | 2 | AT12 |
| 4 | Cable Driver | 127797 | 7 | AT21 |
| 5 | Clock Driver No. 1 | 128166 | 4 | AT23 |
| 6 | Cable Driver | 125260 | 2 | AT13 |
| 7 | Buffered And/Or Gate | 116056 | 9 | BT10 |
| 8 | Band Gate | 116029 | 22 | BT11 |
| 9 | Gated Buffer | 125262 | 21 | BT16 |
| 10 | Gated Buffer | 126330 | 3 | BT17 |
| 11 | Band Gate | 126613 | 7 | BT18 |
| 12 | Buffered Matrix | 116407 | 1 | BT13 |
| 13 | Clock Oscillator | 133694 | 1 | CT16 |
| 14 | Delay Line | 127319 | 3 | DT14 |
| 15 | Register Flip Flop | 124628 | 6 | FT17 |
| 16 | Counter Flip Flop | 124634 | 10 | FT18 |
| 17 | Universal Flip Flop | 124713 | 24 | FT22 |
| 18 | Fast Access Mem.16x8 | 126743 | 4 | FT25 |
| 19 | Buffered Latch No.3 | 126856 | 1 | FT26 |
| 20 | Register Flip Flop | 133251 | 1 | FT41 |
| 21 | Gate Expander No. 1 | 124715 | 2 | GT10 |
| 22 | Gate Expander No. 2 | 124881 | 6 | GT11 |
| 23 | Gate Expander | 133375 | 8 | GT12 |
| 24 | Delay Line Sensors | 127391 | 2 | HT15 |
| 25 | Gated Delay Line Sen | 128011 | 1 | HT16 |
| 26 | Inverter Matrix | 117000 | 1 | IT13 |
| 27 | Gated Inverter | 125264 | 33 | IT16 |
| 28 | Gated Inverter | 126331 | 4 | IT17 |
| 29 | Gated Inverter | 126747 | 18 | IT20 |
| 30 | Nand Gate | 128190 | 30 | IT25 |
| 31 | Nand Gate | 126372 | 1 | IT18 |
| 32 | Assy, PW, Nand Gate | 128192 | 1 | IT26 |

Formerly

XDS 902306

SDS

MATERIAL LIST

ML

DRAWING NO.

REV.

146275

D

DRAWING TITLE

ASSEMBLY, MODULES

MODEL NO. 8201

DATE 9/5/67 SHEET 3 OF 3

REV. D
DRAWING 146275
ML

| ITEM NO. | DRAWING TITLE | DWG. NO. | NO. REQ. | REMARKS ON CKT. DESIG. |
|----------|--------------------------------|------------|----------|------------------------|
| 33 | Assy, PW, Buffer Inverter No.1 | 123016 | 5 | LT13 |
| 34 | Buffer Inverter No.2 | 123017 | 12 | LT14 |
| 35 | Priority Interrupt | 123379 | 4 | LT16 |
| 36 | Carry No. 1 | 123590 | 5 | LT18 |
| 37 | Logic Element | 124717 | 8 | LT20 |
| 38 | Logic Element | 126615 | 4 | LT21 |
| 39 | Clock Logic | 127643 | 1 | LT29 |
| 40 | Adder No. 3 | 133383 | 17 | LT42 |
| 41 | | | | |
| 42 | Time Base Selector | 129460 | 1 | ST29 |
| 43 | Terminator Module | 116257 | 40 | XT10 |
| 44 | Assy, PW, Cable Plug-Clock | 128164 | 5 | ZT23 |
| 45 | Assy, PW, Clock Term. | 132009 | 4 | XT18 |
| 46 | Assy, PW, Jumper Module | 139244 | 1 | ZT50 |
| 47 | Assy, PW, SW Module | 123008 | 1 | ST14 |
| 48 | Assy, Ribbon Cable Interframe | 137482-362 | 2 | |
| 49 | Assy, Ribbon Cable Interframe | 137482-442 | 3 | |
| 50 | Assy, Ribbon Cable Interframe | 137482-602 | 3 | |
| | | | | |
| | | | | |
| | | | | |
| | | | | |
| | | | | |
| | | | | |
| | | | | |
| | | | | |
| | | | | |
| | | | | |
| | | | | |
| | | | | |
| | | | | |
| | | | | |
| | | | | |
| | | | | |
| | | | | |
| | | | | |
| | | | | |

XDS 902306

3 2 1

11 ITEM 116 TO BE SUPPLIED AS LOOSE ITEM

12 MARK, (MAY BE TYPEWRITTEN), BLACK PER XDS 101624. NOTE THAT "SIGMA" AND "SIGMA INSTRUMENTS, INC" ARE TO BE UPPER CASE. ALL OTHERS TO BE LOWER CASE.

6 SWITCH TO LOCK IN THE "UP" POSITION ONLY.

7 REMOVE STOP SO THAT SWITCH SHAFT ROTATES CONTINUOUSLY.

8 OVERLAY PANEL (ITEM 2) MUST BE MOUNTED TO SUB PANEL (ITEM 1) BEFORE MOUNTING ANY COMPONENTS.

9 RUBBER STAMP, 12 HIGH CHARACTERS, COLOR; BLACK PER XDS SPEC 101624.

10 INSTALL SWITCH "S3" SO THAT THE UNNOTCHED EDGE OF THE KEY POINTS TO "LOCK" WHEN THE SWITCH IS IN THE EXTREME COUNTERCLOCKWISE POSITION.

NOTES, UNLESS OTHERWISE SPECIFIED

1. IDENTIFY ASSEMBLY PER XDS SPEC 100198.

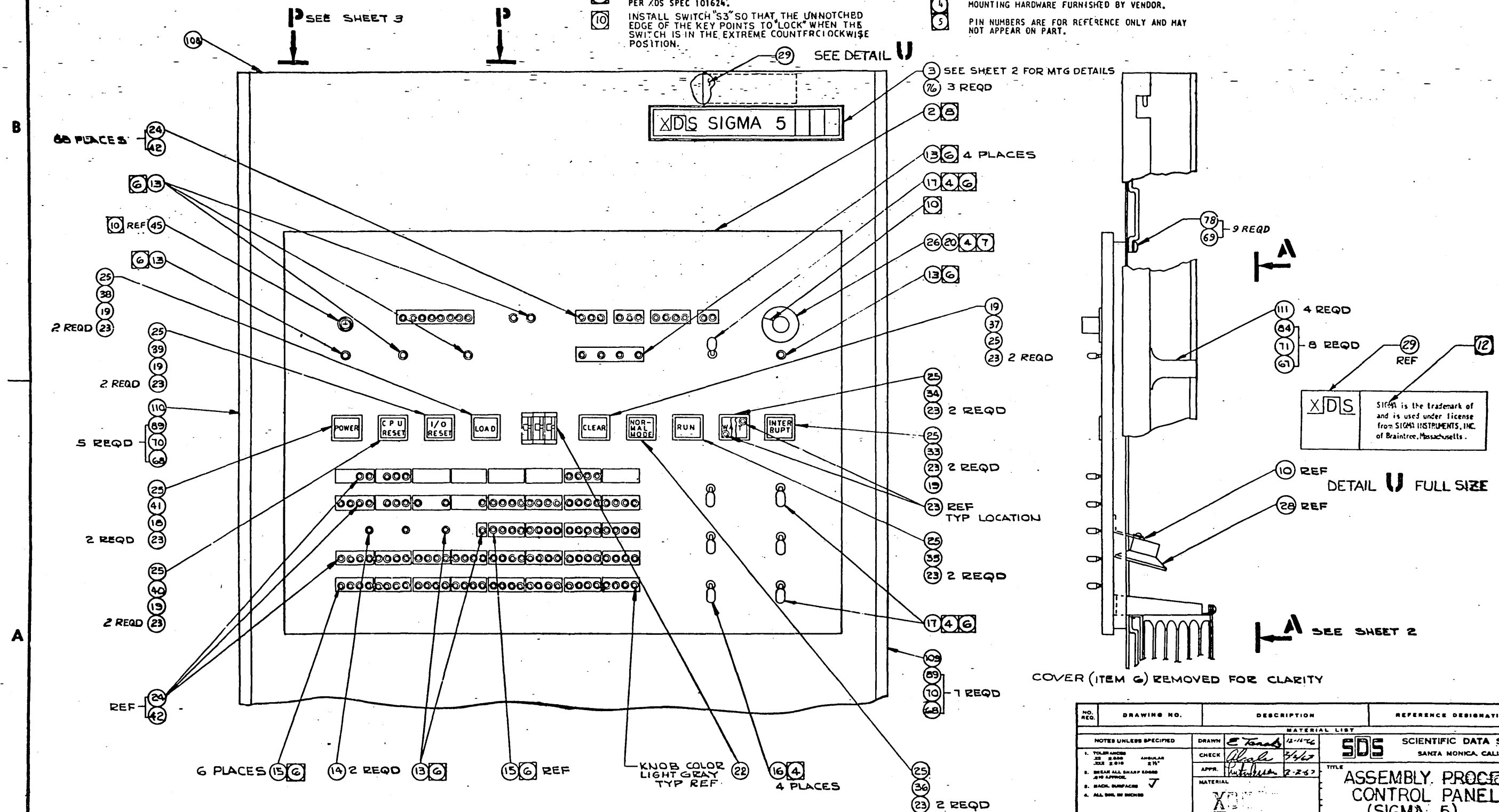
2. FOR MATERIAL LIST SEE SHEETS 4, 5, 6, & 7.

3. KNOB POINTER IS TO BE IN "A" POSITION WHEN SWITCH ARM IS IN "IR" POSITION (SEE VIEW T-T).

4. MOUNTING HARDWARE FURNISHED BY VENDOR.

5. PIN NUMBERS ARE FOR REFERENCE ONLY AND MAY NOT APPEAR ON PART.

| REVISIONS | | 133280 | L |
|-----------|------|--|----------|
| LAL | REV. | DESCRIPTION | DATE |
| X | L | MFG RELEASE AT REV. B, LAL REV B, F, H, J+K; SEE REV. E.O. | 11/16/71 |

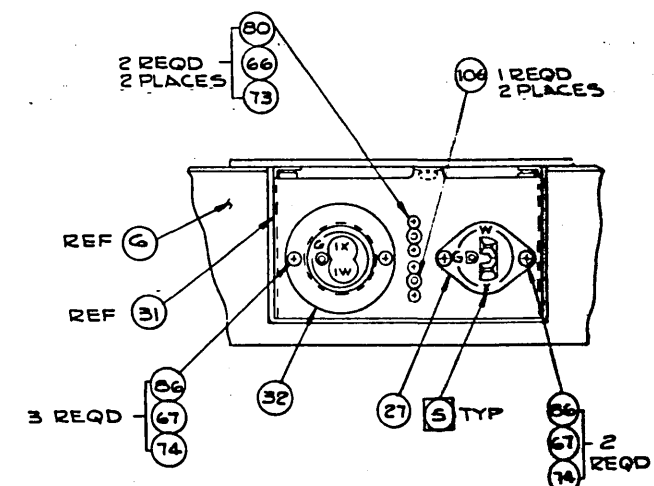
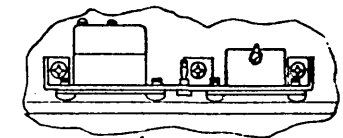
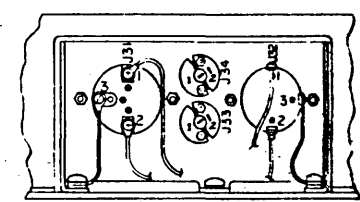
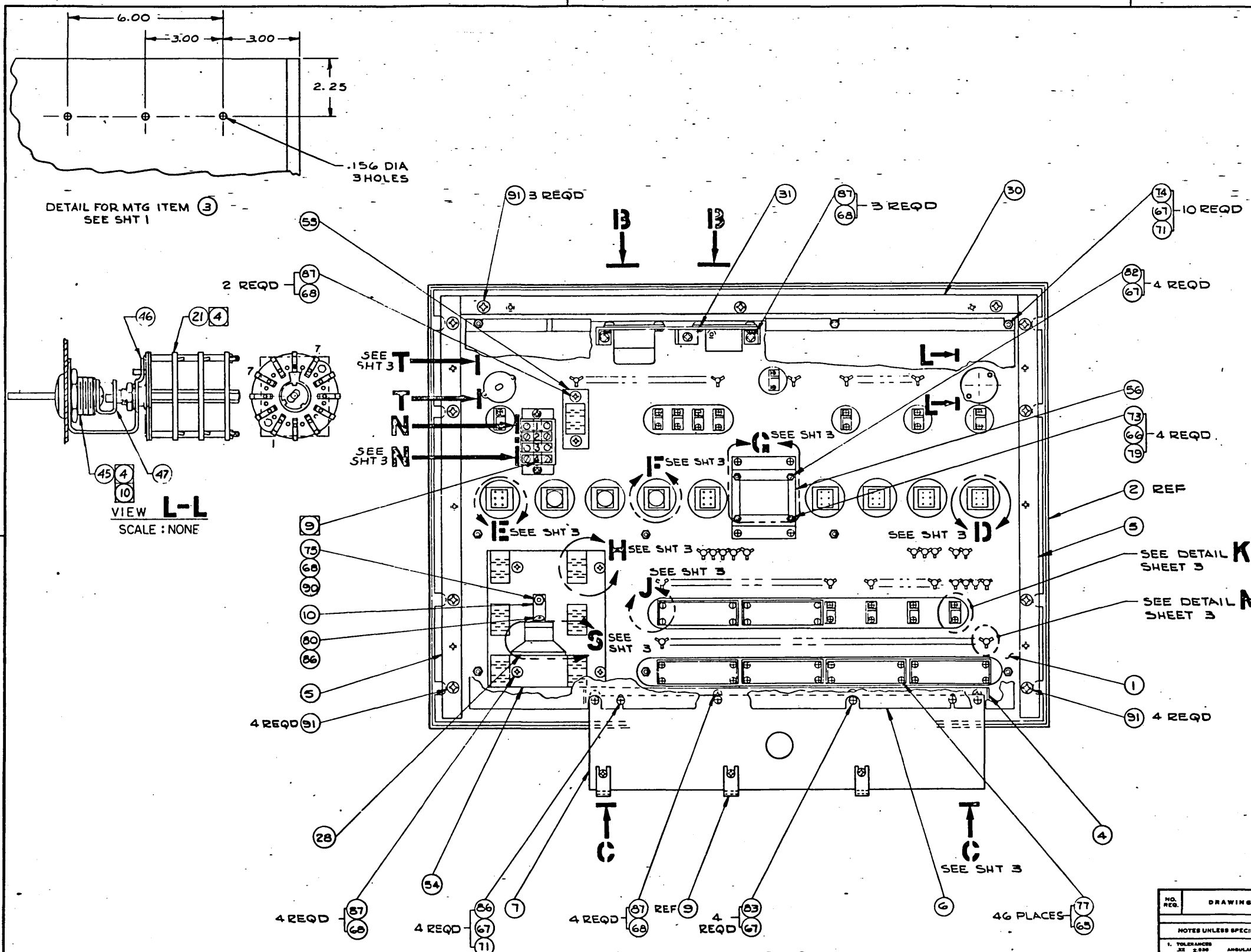


| NO. REQ. | DRAWING NO. | DESCRIPTION | REFERENCE DESIGNATION | ITEM NO. |
|--------------------------------------|-------------|--|-----------------------|----------|
| NOTES UNLESS SPECIFIED | | | | |
| 1. TOLERANCES: .0005 ANGULAR .25" | | | | |
| 2. BEAR ALL SHARP EDGES .010 APPROX. | | | | |
| 3. HADL SURFACES | | | | |
| 4. ALL DIM. IN INCHES | | | | |
| DRAWN: <i>E. Tandy</i> 12-14-76 | | MATERIAL LIST | | |
| CHECK: <i>Alcala</i> 3/4/77 | | SDS SCIENTIFIC DATA SYSTEMS SANTA MONICA, CALIFORNIA | | |
| APPR: <i>Patricia</i> 2-2-77 | | TITLE: ASSEMBLY, PROCESSOR CONTROL PANEL (SIGMA 5) | | |
| MATERIAL: XDS | | FINISH: D | | |
| MODEL NO. 8201 | | DWG. NO. 133280 | | |
| NEXT ASBY. 136203 | | SCALE: 1/16" = 1" | | |

3 2 1

133280 L

| REVISIONS | | | 133280 |
|-------------|-------------|------|----------|
| REV. | DESCRIPTION | CHK. | APPROVED |
| SEE SHEET 1 | | | |



VIEW 13-13
SCALE: NONE

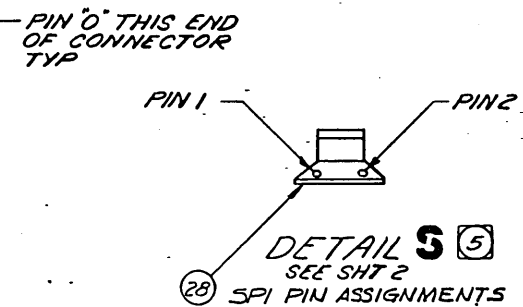
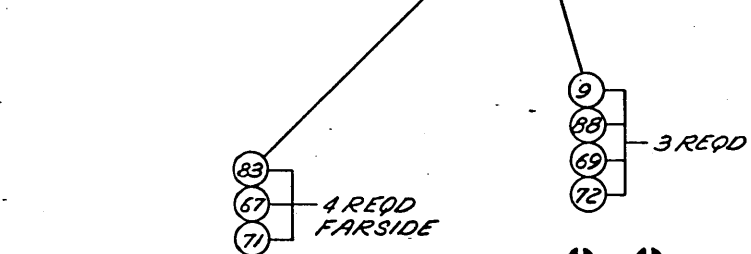
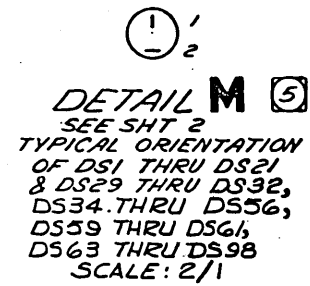
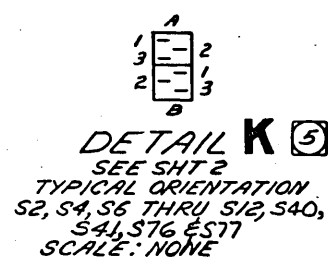
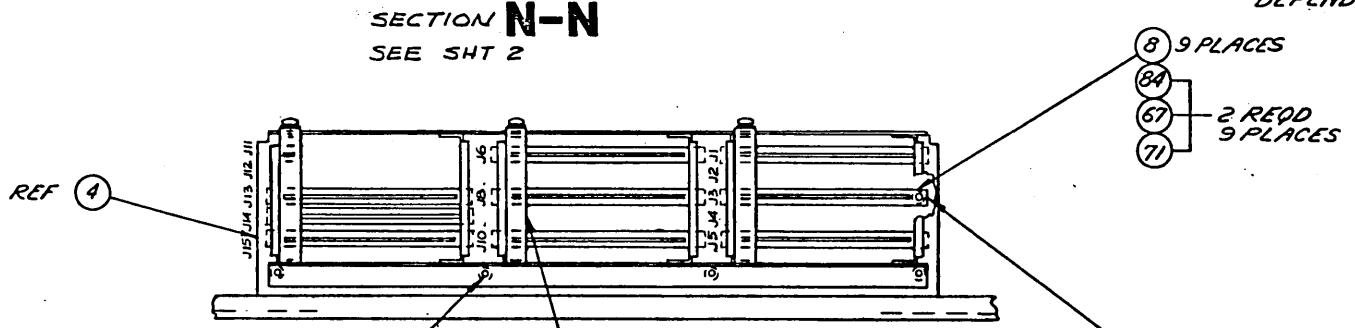
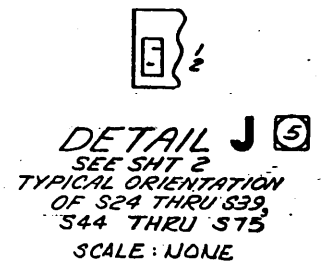
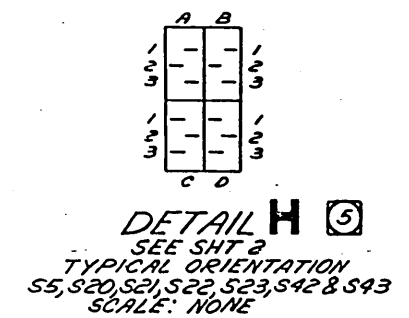
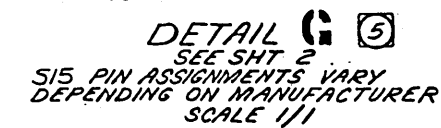
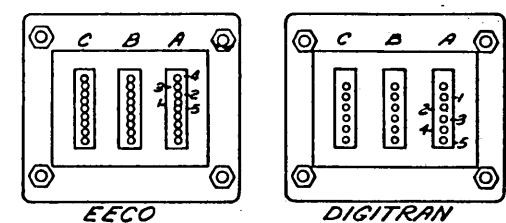
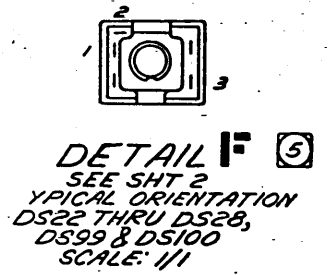
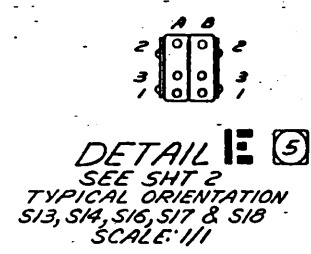
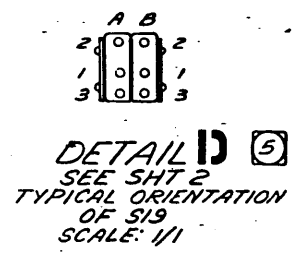
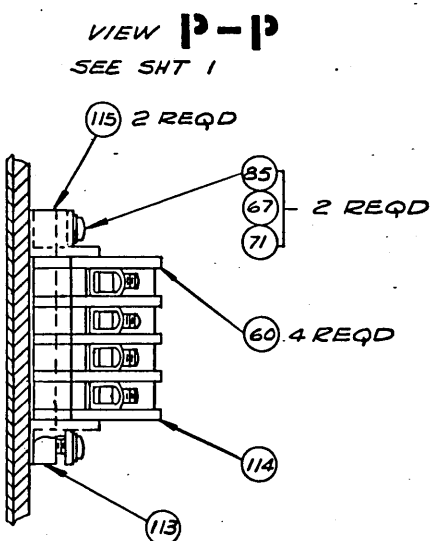
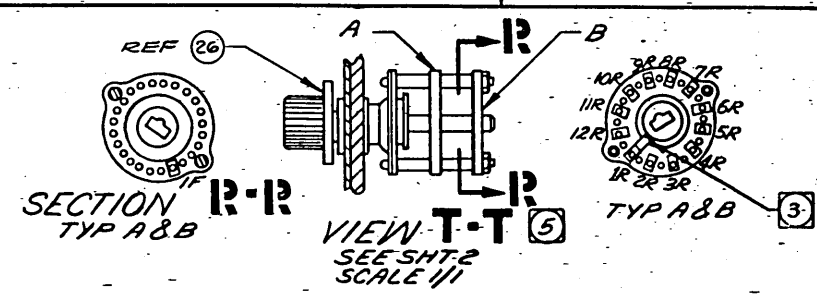
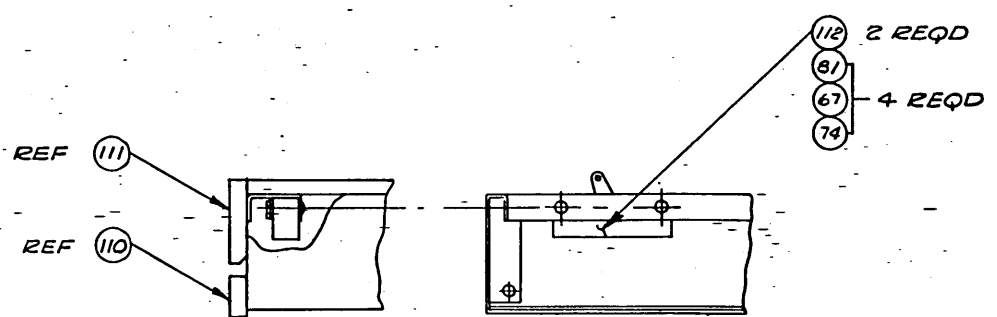
VIEW A-A
DOOR (ITEM 108) & CONTROL PANEL COVER (ITEM 6)
OMITTED FOR CLARITY

| NO. REQ. | DRAWING NO. | DESCRIPTION | REFERENCE DESIGNATION | ITEM NO. |
|---|-------------|----------------------|-----------------------|--------------------|
| NOTES UNLESS SPECIFIED | | | | |
| DRAWN <i>E. T. ...</i> 2-24-64 | | | | |
| CHECK <i>...</i> 7/62 | | | | |
| APPR. <i>...</i> 2-20-64 | | | | |
| MATERIAL | | | | |
| SDS SCIENTIFIC DATA SYSTEMS SANTA MONICA, CALIFORNIA | | | | |
| TITLE ASSEMBLY PROCESSOR CONTROL PANEL (SIGMA 5) | | | | |
| MODEL NO. FIRST USE 8201 | | FINISH | | SIZE D |
| NEXT ASSY. FIRST USE 136203 | | SCALE | | DWG. NO. 133280 |
| | | DO NOT SCALE DRAWING | | SHEET 2 OF 7 |

133280/1

101

| REVISIONS | | | |
|-----------|-------------|------|------|
| REV. | DESCRIPTION | CHK. | DATE |
| 1 | SEE SHEET 1 | | |



| NO. REV. | DRAWING NO. | DESCRIPTION | REFERENCE DESIGNATION | ITEM NO. |
|---|-------------|---|-----------------------|--|
| NOTES UNLESS SPECIFIED | | | | |
| MATERIAL LIST | | | | |
| 1. TOLERANCES XX 2.000 ANGULAR 2 IN. XX 2.010 2. BREAK ALL SHARP EDGES 3/16 APPROX. 3. HATCH SURFACES 4. ALL DIM. IN INCHES | | | | |
| MODEL NO. FIRST USE 8201 | | TITLE ASSEMBLY PROCESSOR CONTROL PANEL (SIGMA 5) | | DRAWN E. Tomala 1/14/66 CHECK J. Pfeiffer 7/67 APPR. J. Tomala 2-2-67 |
| NEXT AWY. FIRST USE 136203 | | DWS. NO. 133280 | | SHEET L |
| SCALE — DO NOT SCALE DRAWING SHEET 3 OF 7 | | | | |

495-4422

133280/L

25138X

REV. L
DRAWING 133280
ML

SDS XDS

MATERIAL XDS 902306
Scientific Data Systems

| | | |
|-----------|-------------|----------|
| ML | DRAWING NO. | REV. |
| | 133280 | <u>L</u> |

DRAWING TITLE: ASSY, PROCESSOR CONT. PANEL (SIGMA 5) MODEL NO. 8201 DATE 12/15/66 SHEET 4 OF 7

| ITEM NO. | DRAWING TITLE | DWG. NO. | NO. REQ. | REMARKS ON CKT. DESIG. |
|----------|----------------------------|------------|----------|---------------------------------|
| 1 | Panel, Sub | 126387 | 1 | |
| 2 | Panel, Overlay | 135423 | 1 | |
| 3 | Name Plate Sigma Processor | 126665-002 | 1 | |
| 4 | Chassis, Connector Mtg. | 126389-001 | 1 | |
| 5 | Spacer, Control Panel Mtg. | 126391 | 2 | |
| 6 | Cover, Control Panel | 134934 | 1 | |
| 7 | Guide, Module | 126392 | 1 | |
| 8 | Spec, Cont. Dwg. Connector | 117874 | 9 | |
| 9 | Angle, Module Retaining | 131992 | 3 | |
| 10 | Bracket, Speaker Mtg. | 126398 | 1 | |
| 11 | Schematic, P. C. P. | 133281 | ref. | |
| 12 | List, Wire, Cont. Panel | 133282 H | ref. | |
| 13 | Switch, Lever, Single Sta. | 124406-001 | 11 | S2, S4, S6 thru S12, S40 & S41) |
| 14 | Switch, Lever | 124406-003 | 2 | S76 & S77 |
| 15 | Switch, Lever, 8 Station | 124404 | 6 | S24 thru S39, S44 thru S75 |
| 16 | Switch, Lever | 126993 | 4 | S21, S22, S23, S43 |
| 17 | Switch, Lever | 126994 | 3 | S5, S20, S42 |
| 18 | Switch, Alt. Action DPDT | 111455 | 1 | S19 |
| 19 | Switch, Momentary, DPDT | 111459 | 5 | S13, S14, S16, S17, S18 |
| 20 | Switch, Rotary | 115928 | 1 | S1 |
| 21 | Switch Rotary | 133967 | 1 | S3 |
| 22 | Switch, Thumbwheel 1-6 Pos | 126600-003 | 1 | S15 |
| 23 | Lamp, Min, Incandescent | 102266 | 18 | |
| 24 | Lamp, Min. Incandescent | 123710 | 88 | |
| 25 | Housing, Lampholder | 116283-001 | 9 | |
| 26 | Knob, Skirted | 126876 | 1 | |
| 27 | Receptacle, Female | 101430 | 1 | J32 |
| 28 | Speaker, Miniature | 108042 | 1 | SP1 |
| 29 | Nameplate, Blank | 101109 | 1 | |
| 30 | Spacer, Cont. Panel Mtg. | 126394 | 1 | |
| 31 | Bracket, Connector Mtg. | 132212 | 1 | |
| 32 | Receptacle, Male | 127675 | 1 | J31 |

| | | | | | |
|-------------|--------|--|----------------|---------------|------------|
| DRAWING NO. | 133280 | DRAWING TITLE ASSY, PROCESSOR CONT. PANEL (SIGMA 5) | MODEL NO. 8201 | DATE 12/15/66 | SHEET 5 OF |
|-------------|--------|--|----------------|---------------|------------|

| ITEM NO. | DRAWING TITLE | DWG. NO. | NO. REQ. | REMARKS ON CKT. DESIG. |
|----------|-------------------------------|-------------------|--------------|---|
| 33 | Lampholder | 116284-002 | 1 | DS22 (Interrupt) |
| 34 | Lampholder | 116284-003 | 1 | DS23 (Wait) |
| 35 | Lampholder | 116284-004 | 1 | DS24 (Run) |
| 36 | Lampholder | 116284-005 | 1 | DS25 (Normal Mode) |
| 37 | Lampholder | 116284-006 | 1 | DS26 (Clear) |
| 38 | Lampholder | 116284-007 | 1 | DS27 (Load) |
| 39 | Lampholder | 116284-008 | 1 | DS99 (I/O Reset) |
| 40 | Lampholder | 116284-009 | 1 | DS100 (CPU) Reset) |
| 41 | Lampholder | 116284-010 | 1 | DS28 (Power) |
| 42 | Clip, Lamp Mtg. | 126848 | 88 | DS1 thru DS21, DS29 thru DS32 |
| 43 | | | | DS34 thru DS56, DS59, DS60 DS61, DS63, thru DS98 |
| 44 | Key, Single Bitted | 133412 | 1 | |
| 45 | Lock, Cylinder | 133964 | 1 | |
| 46 | Bracket, Lock Sw.Mtg. | 139104 | 1 | |
| 47 | Bracket, Coupling | 139103 | 1 | |
| 48 | | | | |
| 49 | Assy, PW, Lamp Driver | 132055 | 1 | QT14 |
| 50 | Assy, PW, Console Interface | 134936 | 7 | NT26 |
| 51 | Assy, PW, Cable Plug-Clock | 128164 | 1 | ZT23 |
| 52 | | | | |
| 53 | | | 1 | |
| 54 | Plate, Switch Mtg. | 129840 | 1 | |
| 55 | Plate, Switch Mtg. | 129841 | 1 | |
| 56 | Bracket, Switch Mtg. | 129842 | 1 | |
| 57 | | | | |
| 58 | Chart, Module Location | 135716 | ref. | |
| 59 | | | | |
| 60 | Block, Terminal | 109432-009 | 4 | TB1 |
| 61 | | | | |
| 62 | | | | |
| 63 | | | | |
| 64 | Procedure, Test | 137427 | ref. | |

REV. 7
DRAWING 13328
ML

SDS

XDS

X-MATERI... XDS 902306

Scientific

ML

| | |
|-------------|------|
| DRAWING NO. | REV. |
| 133280 | 7 |

DRAWING TITLE **ASSY, PROCESSOR CONT. PANEL** MODEL NO. **8201** DATE **12/15/66** SHEET **6** OF **7**
(SIGMA 5)

| ITEM NO. | DRAWING TITLE | DWG. NO. | NO. REQ. | REMARKS ON CKT. DESIG. |
|----------|-------------------------|------------|----------|------------------------|
| 65 | Washer, Lock Int. Tooth | 100024-100 | 46 | |
| 66 | Washer, Lock Int. Tooth | 100024-200 | 9 | |
| 67 | Washer, Lock Int. Tooth | 100024-300 | 63 | |
| 68 | Washer, Lock Int. Tooth | 100024-400 | 26 | |
| 69 | Washer, Lock Int. Tooth | 100024-500 | 12 | |
| 70 | Washer, Flat | 100018-400 | 12 | |
| 71 | Washer, Flat | 100018-300 | 46 | |
| 72 | Washer, Flat | 100018-500 | 3 | |
| 73 | Nut, Hex Machine | 100008=200 | 8 | |
| 74 | Nut, Hex Machine | 100008-300 | 19 | |
| 75 | Nut, Hex Machine | 100008-400 | 1 | |
| 76 | Nut Speed | 108065-003 | 3 | |
| 77 | Screw, Pan Hd. Rec. | 100012-104 | 46 | |
| 78 | Screw, Pan Hd. Rec. | 100012-508 | 9 | |
| 79 | Screw, Pan Hd, Rec. | 100012-203 | 4 | |
| 80 | Screw, Pan Hd, Rec. | 100012-204 | 5 | |
| 81 | Screw, Pan Hd, Rec. | 100012-320 | 4 | |
| 82 | Screw, Pan Hd, Rec. | 100012-303 | 4 | |
| 83 | Screw, Pan Hd. Rec. | 100012-304 | 8 | |
| 84 | Screw, Pan Hd. Rec. | 100012-308 | 26 | |
| 85 | Screw, Pan Hd, Rec. | 100012-310 | 2 | |
| 86 | Screw, Pan Hd. Rec | 100012-305 | 9 | |
| 87 | Screw, Pan Hd. Rec. | 100012-404 | 13 | |
| 88 | Screw, Pan Hd. Rec. | 100012-504 | 3 | |
| 89 | Screw, Pan Hd. Rec. | 100012-406 | 12 | |
| 90 | Screw, Flat Hd, (100°) | 100039-405 | 1 | |
| 91 | Screw, Flat Hd, (100°) | 100039-510 | 7 | |
| 92 | | | | |
| 93 | | | | |
| 94 | | | | |
| 95 | | | | |
| 96 | | | | |

REV. Z
DRAWING NO. 133280

SDS

XDS

X-MATER XDS 902306, T

Scientific Data Systems

ML

DRAWING NO.

133280

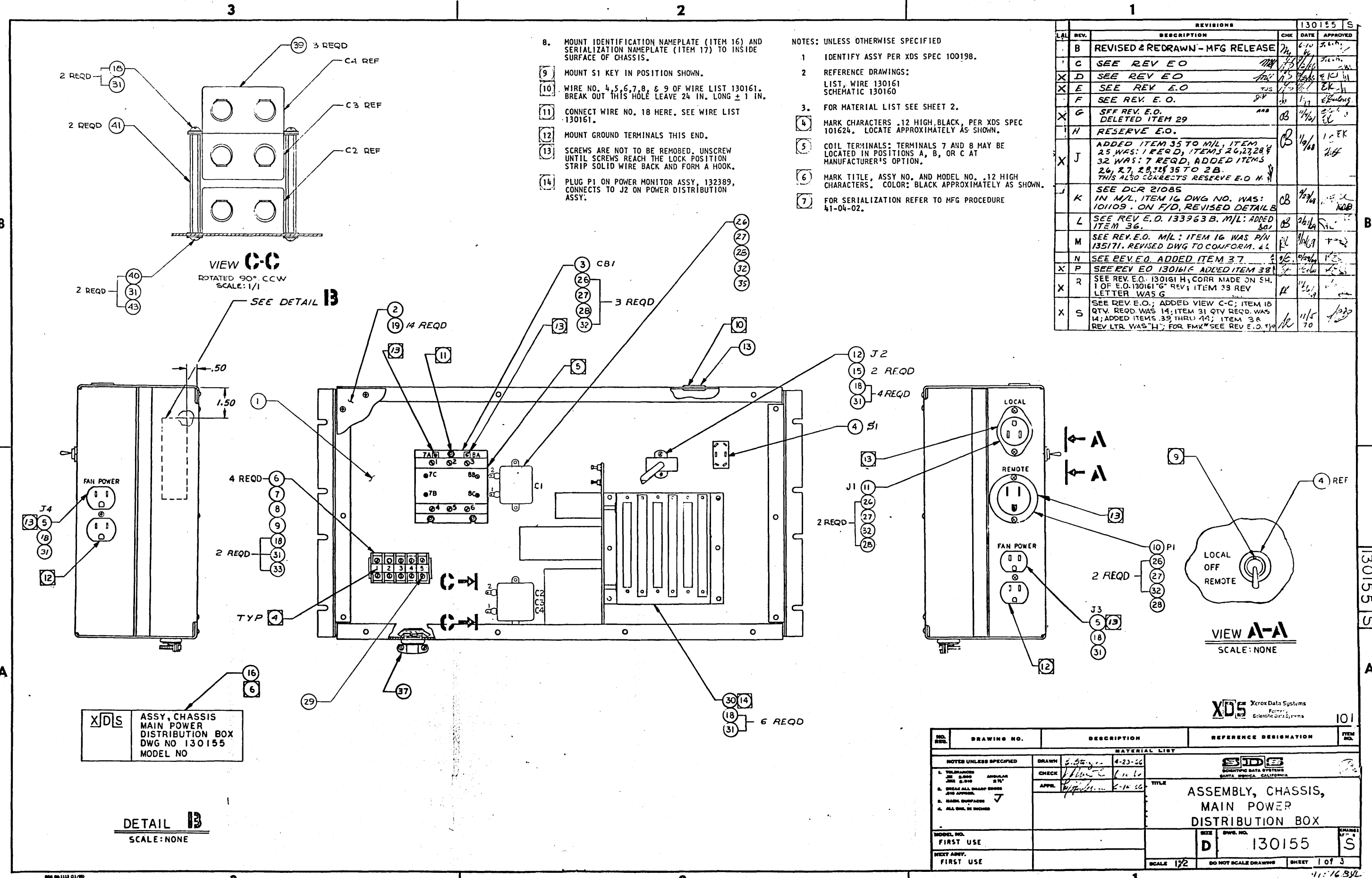
REV.

Z

DRAWING TITLE ASSY, PROCESSOR CONT. PANEL MODEL NO. 8201 DATE 12/15/66 SHEET 7 OF 7
(SIGMA5)

| ITEM NO. | DRAWING TITLE | DWG. NO. | NO. REQ. | REMARKS ON CKT. DESIG. |
|----------|------------------------------|------------|----------|------------------------|
| 97 | | | | |
| 98 | Terminal, Ring Tongue | 132570-001 | 4 | See Wire List |
| 99 | Wire Solid Bare | 100042-024 | A/R | See Wire List |
| 100 | Wire, Solid, Insulated | 130123-920 | A/R | See Wire List |
| 101 | | | | |
| 102 | Wire, Solid Insul. | 130123-924 | A/R | See Wire List |
| 103 | | | | |
| 104 | | | | |
| 105 | | | | |
| 106 | Connector, One Pin | 130811 | 2 | |
| 107 | | | | |
| 108 | Door, PCP | 117421 | 1 | |
| 109 | Hinge, Door | 127335-002 | 1 | |
| 110 | Trim, Door | 127336 | 1 | |
| 111 | Trim, Side | 127382 | 4 | |
| 112 | Catch, Spring Loaded | 106829 | 2 | |
| 113 | Mounting, Channel | 109432-006 | 2.51" | |
| 114 | End Plate | 109432-010 | 1 | |
| 115 | End Anchor | 109432-011 | 2 | |
| 116 | Bracket, Hinge, Cabinet Door | 128030 | 1 | Ⓜ |
| | | | | |
| | | | | |
| | | | | |
| | | | | |
| | | | | |
| | | | | |
| | | | | |
| | | | | |
| | | | | |
| | | | | |
| | | | | |
| | | | | |
| | | | | |
| | | | | |
| | | | | |
| | | | | |
| | | | | |

ML



- 8. MOUNT IDENTIFICATION NAMEPLATE (ITEM 16) AND SERIALIZATION NAMEPLATE (ITEM 17) TO INSIDE SURFACE OF CHASSIS.
- 9. MOUNT S1 KEY IN POSITION SHOWN.
- 10. WIRE NO. 4, 5, 6, 7, 8, & 9 OF WIRE LIST 130161. BREAK OUT THIS HOLE LEAVE 24 IN. LONG ± 1 IN.
- 11. CONNECT WIRE NO. 18 HERE. SEE WIRE LIST 130161.
- 12. MOUNT GROUND TERMINALS THIS END.
- 13. SCREWS ARE NOT TO BE REMOVED. UNSCREW UNTIL SCREWS REACH THE LOCK POSITION. STRIP SOLID WIRE BACK AND FORM A HOOK.
- 14. PLUG P1 ON POWER MONITOR ASSY, 132389, CONNECTS TO J2 ON POWER DISTRIBUTION ASSY.

- NOTES: UNLESS OTHERWISE SPECIFIED
- 1. IDENTIFY ASSY PER XDS SPEC 100198.
 - 2. REFERENCE DRAWINGS: LIST, WIRE 130161 SCHEMATIC 130160
 - 3. FOR MATERIAL LIST SEE SHEET 2.
 - 4. MARK CHARACTERS .12 HIGH, BLACK, PER XDS SPEC 101624. LOCATE APPROXIMATELY AS SHOWN.
 - 5. COIL TERMINALS: TERMINALS 7 AND 8 MAY BE LOCATED IN POSITIONS A, B, OR C AT MANUFACTURER'S OPTION.
 - 6. MARK TITLE, ASSY NO. AND MODEL NO. .12 HIGH CHARACTERS. COLOR: BLACK APPROXIMATELY AS SHOWN.
 - 7. FOR SERIALIZATION REFER TO MFG PROCEDURE 41-04-02.

| REVISIONS | | 130155 | S |
|-----------|---|--------|----------|
| REV. | DESCRIPTION | CHK | DATE |
| B | REVISED & REDRAWN - MFG RELEASE | JL | 6-10-66 |
| C | SEE REV E.O. | JL | 7-15-66 |
| X D | SEE REV E.O. | JL | 7-15-66 |
| X E | SEE REV E.O. | JL | 7-15-66 |
| F | SEE REV. E.O. | JL | 7-15-66 |
| X G | SFF REV. E.O. DELETED ITEM 29 | AB | 11/10/68 |
| H | RESERVE E.O. | AB | 11/10/68 |
| X J | ADDED ITEM 35 TO M/L, ITEM 25 WAS: 1 REQD, ITEMS 26, 27, 28 & 32 WAS: 7 REQD, ADDED ITEMS 26, 27, 28, 29, 35 TO 2 B. THIS ALSO CORRECTS RESERVE E.O. H. | AB | 11/10/68 |
| K | SEE DCR 21085 IN M/L, ITEM 16 DWG NO. WAS: 10109. ON F/D, REVISED DETAIL | AB | 11/10/68 |
| L | SEE REV E.O. 133963 B. M/L: ADDED ITEM 36. | AB | 26/1/69 |
| M | SEE REV. E.O. M/L: ITEM 16 WAS P/N 135171. REVISED DWG TO CONFORM. 62 | JL | 11/10/68 |
| N | SEE REV. E.O. ADDED ITEM 37. | JL | 11/10/68 |
| X P | SEE REV E.O. 130161C ADDED ITEM 38 | JL | 11/10/68 |
| X R | SEE REV. E.O. 130161 H, CORR MADE ON SH. 1 OF E.O. 130161 G REV; ITEM 39 REV LETTER WAS G | JL | 11/10/68 |
| X S | SEE REV. E.O.; ADDED VIEW C-C; ITEM 18 QTY. REQD WAS 14; ITEM 31 QTY. REQD WAS 14; ADDED ITEMS 39 THRU 44; ITEM 38 REV LTR WAS "H"; FOR FMX SEE REV E.O. 130161 | JL | 11/5/70 |

| NO. REV. | DRAWING NO. | DESCRIPTION | REFERENCE DESIGNATION | ITEM NO. |
|--------------------------------------|-------------|---|-----------------------|---------------|
| MATERIAL LIST | | | | |
| NOTES UNLESS SPECIFIED | | DRAWN: J. Steyer | 4-23-66 | |
| 1. UNLESS OTHERWISE SPECIFIED | | CHECK: J. Steyer | 11-10-68 | |
| 2. BREAK ALL SHARP EDGES AND APPROX. | | APPR: J. Steyer | 2-14-66 | |
| 3. MARK SURFACE | | | | |
| 4. ALL DIM. IN INCHES | | | | |
| MODEL NO. FIRST USE | | | | |
| NEXT ARMY. FIRST USE | | ASSEMBLY, CHASSIS, MAIN POWER DISTRIBUTION BOX | | |
| | | SIZE: D | DWG. NO.: 130155 | SHRINK: S |
| | | SCALE: 1/2 | DO NOT SCALE DRAWING | SHEET: 1 of 3 |



XDS 902306

MATERIAL LIST

ML

DRAWING NO.

REV.

130155

S

XDS

 Assy, Chassis,
 DRAWING TITLE Main Power Distribution Box

MODEL NO.

DATE 5/2/66 SHEET 2 OF 3

DRAWING NO.

130155

ML

| ITEM NO. | DRAWING TITLE | DWG. NO. | NO. REQ. | REMARKS |
|----------|-------------------------|------------|----------|---------|
| 1 | Chassis, Dist. Box | 130156 | 1 | |
| 2 | Cover, Access | 130157 | 1 | |
| 3 | Contactor, 3 Pole St | 130422-001 | 1 | CB1 |
| 4 | Switch, Toggle 3 Pos. | 130462 | 1 | S1 |
| 5 | Outlet, Duplex, Female | 127672 | 2 | J3, J4 |
| 6 | Block, Terminal | 109432-007 | 5 | } TB1 |
| 7 | Plate End | 109432-008 | 1 | |
| 8 | Channel, Mtg | 109432-006 | 2.93in | |
| 9 | Clip, Retaining | 109432-005 | 2 | |
| 10 | Inlet, Flanged, Male | 127675 | 1 | P1 |
| 11 | Connector, Female | 101430 | 1 | J1 |
| 12 | Socket, Female | 100544 | 1 | J2 |
| 13 | Grommet, Nylon | 100840-002 | A/R | |
| 14 | | | | |
| 15 | Standoff, Thd, Hex | 107018-316 | 2 | |
| 16 | Nameplate, Blank | 101109 | 1 | |
| 17 | | | | |
| 18 | Screw, Pan Hd, Phillips | 100012-304 | 16 | |
| 19 | Screw, Mach Truss Hd. | 100045-404 | 14 | |
| 20 | Wire, Stranded | 131436-908 | X | A/R |
| 21 | Wire, Stranded | 131436-910 | X | A/R |
| 22 | Wire, Stranded | 131436-916 | X | A/R |
| 23 | | | | |
| 24 | Wire, Solid, Insulated | 130123-916 | X | A/R |
| 25 | Terminal, Ring Tongue | 132570-004 | 3 | |
| 26 | Screw, Pan Hd. Phillips | 100012-406 | 9 | |
| 27 | Washer, Flat | 100018-400 | 9 | |

| | | | | | | |
|-------------|--------|------------|--|-----------------|-----------------------|-----------|
| REV. | S | XDS | XDS 902306 MATERIAL LIST | ML | DRAWING NO. 130155 | REV. S |
| DRAWING NO. | 130155 | | DRAWING TITLE Assy, Chassis, Main Power Distribution Box | MODEL NO. _____ | DATE: 11/9/66 | SHEET 3 |

| ITEM NO. | DRAWING TITLE | DWG. NO. | NO. REQ. | REMARKS |
|----------|-------------------------------------|------------|----------|--------------|
| 28 | Nut, Hex, Machine | 100008-400 | 9 | |
| 29 | | | | |
| 30 | Assy, Power Monitor | 132389 | 1 | (MDL 132388) |
| 31 | Washer, Lock Int. Tooth | 100024-300 | 18 | |
| 32 | Washer, Lock Spring | 100023-400 | 9 | |
| 33 | Nut, Hex Machine | 100008-300 | 2 | |
| 34 | Installation Drawing, Power Monitor | 132390 | Ref. | |
| 35 | Capacitor, Oil Impregnated | 100992-004 | 1 | C-1 |
| 36 | Specification, Test | 133963 | Ref. | |
| 37 | Clamp, Cable (conduit fitting) | 130191-003 | 1 | |
| 38 | List, Wire | 130161 J | Ref. | |
| 39 | Capacitor, Oil Impregnated | 100992-006 | 3 | C-2, 3 & 4 |
| 40 | Screw, Pan Hd. Phillips | 100012-307 | 2 | |
| 41 | Standoff, Thd. Hex. | 107018-338 | 2 | |
| 42 | Wire, Solid Bare | 100042-022 | A/R | |
| 43 | Washer, Flat | 100018-300 | 2 | |
| 44 | Schem, Main Power Distribution Box | 130160 | Ref. | |
| | | | | |
| | | | | |
| | | | | |
| | | | | |
| | | | | |
| | | | | |
| | | | | |
| | | | | |
| | | | | |
| | | | | |
| | | | | |
| | | | | |
| | | | | |
| | | | | |
| | | | | |
| | | | | |
| | | | | |
| | | | | |
| | | | | |
| | | | | |

XDS

ENGINEERING ORDER

SFM 1

DRAWING TITLE

ASSY, CHASSIS, MAIN POWER DISTRIBUTION BOX

DRAWING NUMB

130155

CHG LTR

T

EO TYPE

EFFECTIVITY

- REVISION
- RESERVE
- VARIATION

- IMMEDIATE
- SERIAL NO./DATE **** WW 49**
- NEXT PRODUCTION

DRAWING TYPE

101

DCR NO.

93090

DCR DATE

11-24-70

MODEL NO.

—

NEXT ASSEMBLY NO.

—

SHEET

1 OF 2

AFFECTED BY THIS CHANGE

| | YES | NO | DWG NO. |
|-------------------|--------------------------|-------------------------------------|---------|
| SPARE PARTS | <input type="checkbox"/> | <input checked="" type="checkbox"/> | _____ |
| TOOLING | <input type="checkbox"/> | <input checked="" type="checkbox"/> | _____ |
| TEST PROCEDURES | <input type="checkbox"/> | <input checked="" type="checkbox"/> | _____ |
| TEST EQUIPMENT | <input type="checkbox"/> | <input checked="" type="checkbox"/> | _____ |
| PROGRAMS | <input type="checkbox"/> | <input checked="" type="checkbox"/> | _____ |
| TECH PUBLICATIONS | <input type="checkbox"/> | <input checked="" type="checkbox"/> | _____ |

OTHER DWGS
130156 L (FAB)

DISPOSITION OF EXISTING PARTS

| STATUS | RETURN TO STOCK | REWORK | USE | SCRAP |
|----------------------------------|-----------------|--------|-----|-------|
| ON ORDER | | N/A | | |
| IN PROCESS | | ✓ | | |
| IN STOCK | | ✓ | | |
| IN NEXT ASSY | | ✓ | | |
| IN FIELD | | * ✓ | | |
| LOWEST ACCEPTABLE REVISION LEVEL | T | | | |

MANDATORY PRIOR REVISIONS:

D, E, G, J, P, R # S

REASON FOR CHANGE

(IF REASON IS DESIGN ERROR OR RELIABILITY DESCRIBE SYMPTOMS & CONDITIONS UNDER WHICH THEY OCCUR.)

- DESIGN ERROR
- DRAWING ERROR
- PRODUCIBILITY
- MAINTAINABILITY
- RELIABILITY
- COST REDUCTION

MTG OF CAPACITORS 2, 3 & 4 INTERFERES WITH POWER MONITOR ASSY.

XDS 902306

REWORK INSTRUCTIONS

LOCATING DIM. 9.130 IS INCORRECT S/B 7.50

SEE SHEET 2

* FIELD TO REWORK PER 130155 "S", PAGE 3.

** MFG COMPLYING

TEST PROCEDURE TO VERIFY CHANGE

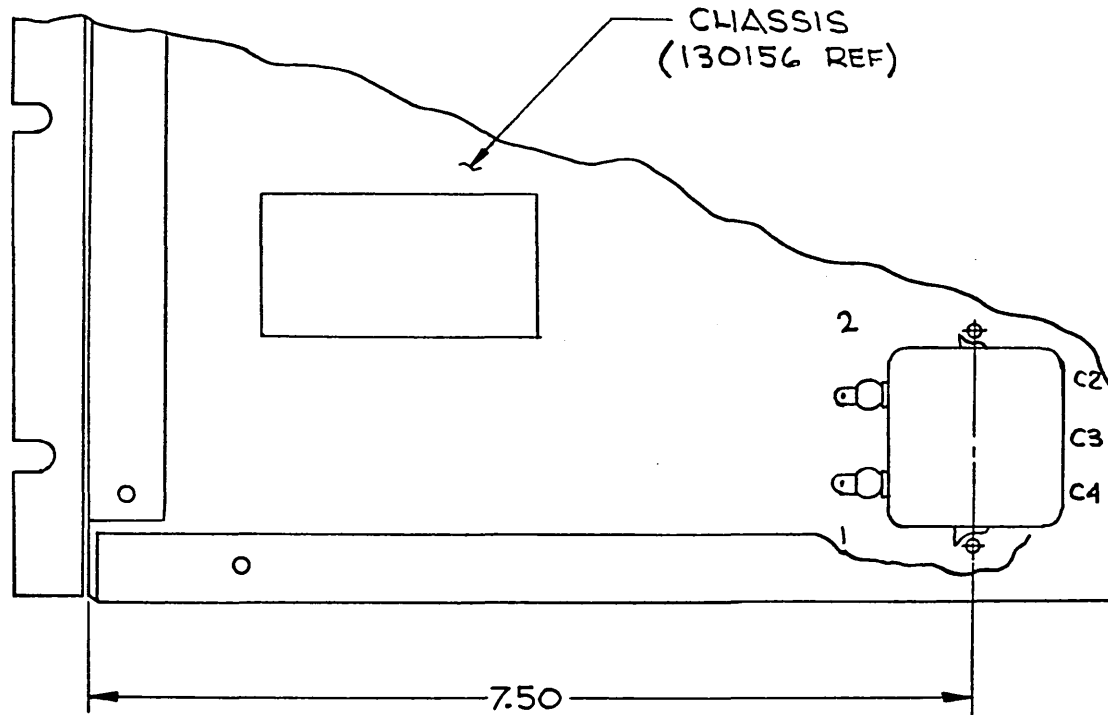
N/A

RESERVE E. O.

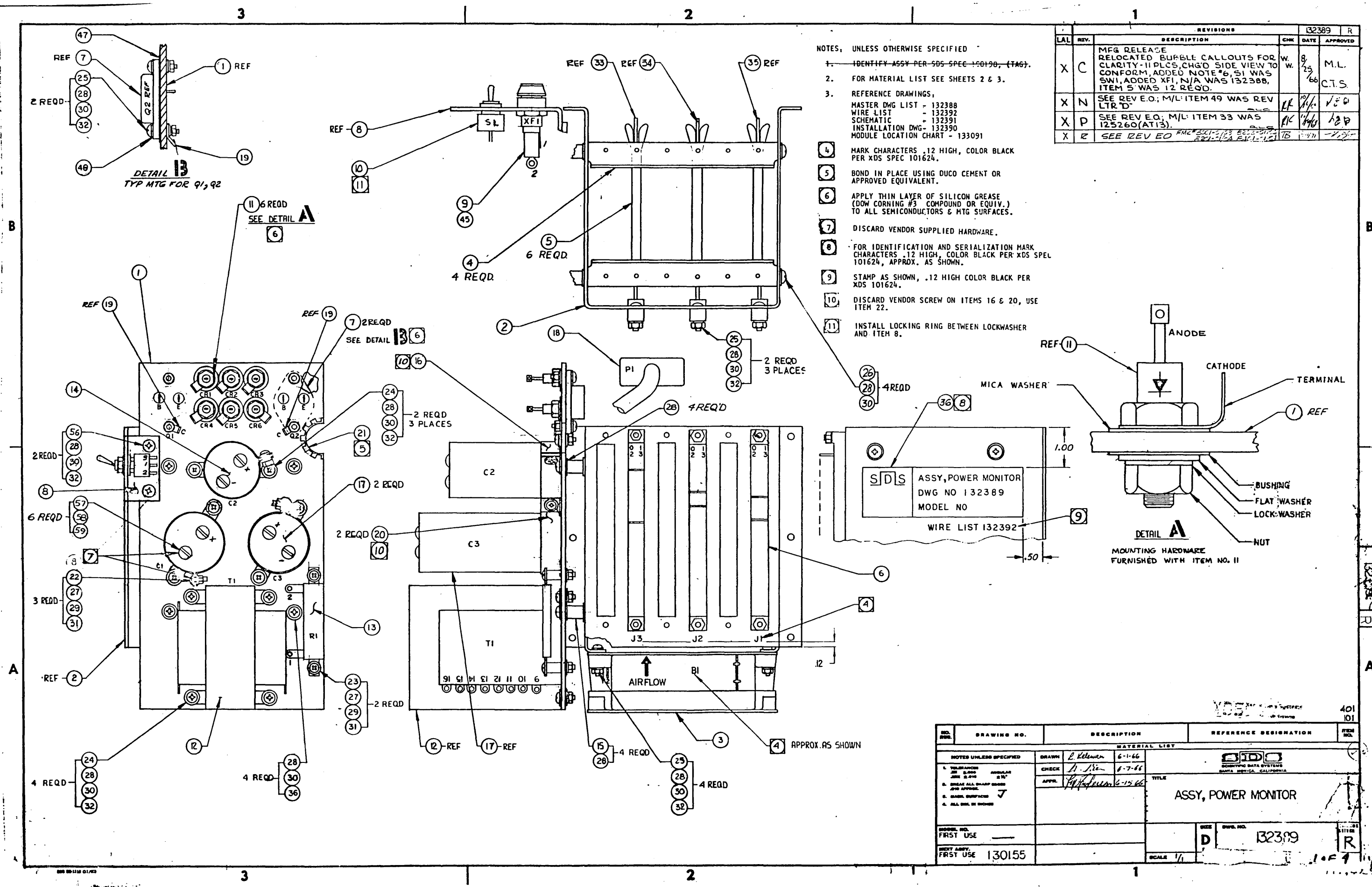
| | | | | | | | |
|-----------|----------|-----------|----------|--------------------|---------|--------------------|---------|
| DRAFTSMAN | DATE | CHECK | DATE | PROJ ENGR | DATE | DCB | DATE |
| Ed Adams | 11-27-70 | <i>CB</i> | 11-30-70 | <i>[Signature]</i> | 12/1/70 | <i>[Signature]</i> | 12-2-70 |

REWORK INSTRUCTIONS,

MFG TO IMPLEMENT REWORK OF E.O. 130155 REV "S",
USING CORRECTED LOCATION, DIM. FOR C2, C3 & C4
AS SHOWN BELOW:



XDS 902306



- NOTES, UNLESS OTHERWISE SPECIFIED
1. IDENTIFY ASSY PER SDS SPEC 100190, (TAG).
 2. FOR MATERIAL LIST SEE SHEETS 2 & 3.
 3. REFERENCE DRAWINGS:
 MASTER DWG LIST - 132388
 WIRE LIST - 132392
 SCHEMATIC - 132391
 INSTALLATION DWG - 132390
 MODULE LOCATION CHART - 133091
 4. MARK CHARACTERS .12 HIGH, COLOR BLACK PER XDS SPEC 101624.
 5. BOND IN PLACE USING DUCO CEMENT OR APPROVED EQUIVALENT.
 6. APPLY THIN LAYER OF SILICON GREASE (DOW CORNING #3 COMPOUND OR EQUIV.) TO ALL SEMICONDUCTORS & MTG SURFACES.
 7. DISCARD VENDOR SUPPLIED HARDWARE.
 8. FOR IDENTIFICATION AND SERIALIZATION MARK CHARACTERS .12 HIGH, COLOR BLACK PER XDS SPEC 101624, APPROX. AS SHOWN.
 9. STAMP AS SHOWN, .12 HIGH COLOR BLACK PER XDS 101624.
 10. DISCARD VENDOR SCREW ON ITEMS 16 & 20, USE ITEM 22.
 11. INSTALL LOCKING RING BETWEEN LOCKWASHER AND ITEM 8.

| | | REVISIONS | | | 132389 | R |
|-----|------|---|-------|----------|----------|--------|
| LAL | REV. | DESCRIPTION | CHK | DATE | APPROVED | |
| X | C | MFG RELEASE RELOCATED BURBLE CALLOUTS FOR CLARITY-11 PLCS, CH'G'D SIDE VIEW TO CONFORM, ADDED NOTE #6, S1 WAS SW1, ADDED XFI, N/A WAS 132388, ITEM 5 WAS 12 REQD. | W. W. | 8/25/66 | M.L. | C.T.S. |
| X | N | SEE REV E.O.; M/L ITEM 49 WAS REV LTR'D | AK | 10/10/66 | VED | |
| X | P | SEE REV E.O.; M/L ITEM 33 WAS 125260(AT13) | AK | 11/16/66 | ABP | |
| X | R | SEE REV E.O. FMC 2511-112 200-211 2511-112 2511-112 2511-112 | TS | 1/17/71 | | |

| NO. REV. | DRAWING NO. | DESCRIPTION | REFERENCE DESIGNATION | ITEM NO. |
|--|-------------------------|--|-----------------------|----------|
| NOTES UNLESS SPECIFIED | | MATERIAL LIST | | |
| 1. TOLERANCES UNLESS SPECIFIED | DRAWN E. Kellman 6-1-66 | SDS SCIENTIFIC DATA SYSTEMS SANTA MONICA, CALIFORNIA | ASSY, POWER MONITOR | |
| 2. BREAK ALL DIMENSIONS AND SPACES | CHECK D. J. ... 8-7-66 | | | |
| 3. DIMENSIONS TO CENTER UNLESS SPECIFIED | APPR. ... 6-15-66 | | | |
| 4. ALL DIMENSIONS TO CENTER UNLESS SPECIFIED | | | | |
| MODEL NO. FIRST USE | | SIZE D | DWG. NO. 132389 | REV. R |
| NEXT ASSY. FIRST USE 130155 | | SCALE 1/1 | | |

REV.

R

XDS

XDS 902306
MATERIAL LIST

ML

DRAWING NO.

REV.

132389

R

DRAWING TITLE ASSY, POWER MONITOR

MODEL NO.

DATE 6-4-66 SHEET 2 OF 4

DRAWING

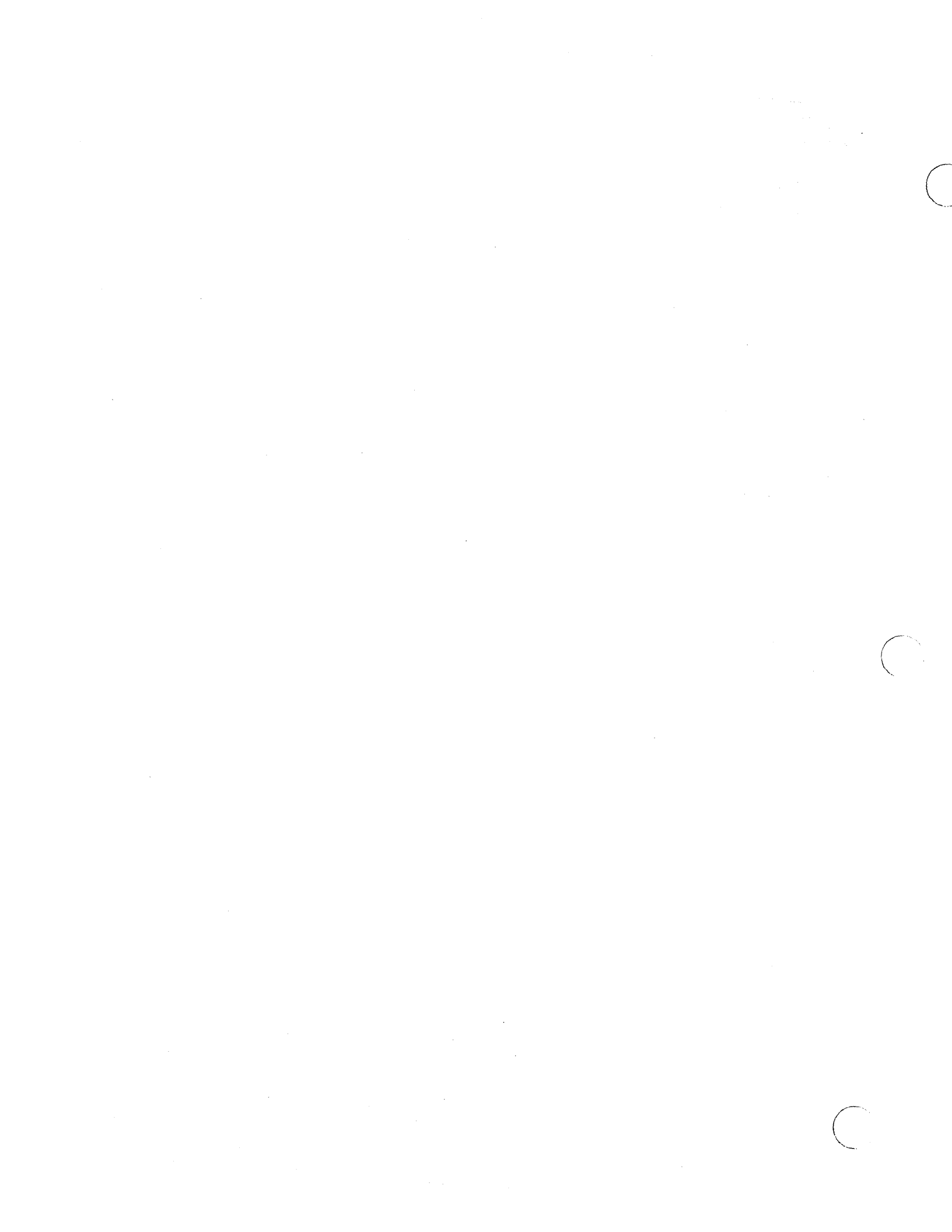
132389

ML

| ITEM NO. | DRAWING TITLE | DWG. NO. | NO. REQ. | REMARKS |
|----------|---------------------------------------|------------|----------|------------------------------|
| 1 | Plate, Component Mounting | 132395 | 1 | |
| 2 | Bracket, Module Guide & Conn Mounting | 123317 | 1 | |
| 3 | Fan, Electric | 104052 | 1 | B1 |
| 4 | Bracket, Module Guide Mounting | 123318 | 4 | |
| 5 | Guide, Module (Snap In) | 108800 | 6 | |
| 6 | Connector, Solder Tail | 152899 | 3 | J1, J2, J3 |
| 7 | Transistor, XDS 225 | 107820 | 2 | Q1, Q2 |
| 8 | Bracket, Switch Mounting | 132736 | 1 | |
| 9 | Post, Extractor, Fuse | 100331 | 1 | XF1 |
| 10 | Switch, Submin. Toggle, SPDT | 107396 | 1 | S1 |
| 11 | Diode, Rectifier, XDS 125 | 123939 | 6 | CR1, CR2, CR3, CR4, CR5, CR6 |
| 12 | Transformer, Power Supply | 117115 | 1 | T1 |
| 13 | Resistor, Wirewound, 20 Watt | 101155-102 | 1 | R1 |
| 14 | Capacitor, Electrolytic | 108474-019 | 1 | C2 |
| 15 | Spacer, Round | 107132-005 | 4 | |
| 16 | Bracket, Capacitor Mounting | 126945-001 | 1 | |
| 17 | Capacitor, Electrolytic | 108474-004 | 2 | C1, C3 |
| 18 | Plug, 10 Pin | 100532 | 1 | P1 |
| 19 | Lug, Solder | 101515-002 | 2 | |
| 20 | Bracket, Capacitor Mounting | 126945-004 | 2 | |
| 21 | Grommet, Nylon | 100840-003 | A/R | |
| 22 | Screw, Pan Hd | 100012-308 | 3 | |
| 23 | Screw, Pan Hd | 100012-210 | 2 | |
| 24 | Screw, Pan Hd | 100012-306 | 10 | |
| 25 | Screw, Pan Hd | 100012-310 | 14 | |
| 26 | Screw, Pan Hd | 100012-305 | 4 | |
| 27 | Washer, Flat | 100018-200 | 2 | |



| REV. | R | XDS | MATERIAL LIST | | ML | DRAWING NO. | REV. |
|-------------|--------------------------------|---------------------|---------------|------------|----------|-----------------------|------|
| | | | | | | 132389 | R |
| DRAWING NO. | | DRAWING TITLE | | MODEL NO. | DATE | SHEET 3 OF | |
| 132389 | | ASSY, POWER MONITOR | | | 6/4/66 | | |
| ITEM NO. | DRAWING TITLE | | | DWG. NO. | NO. REQ. | REMARKS | |
| 28 | Washer, Flat | | | 100018-300 | 42 | | |
| 29 | Washer, Lock | | | 100024-200 | 2 | | |
| 30 | Washer, Lock, Int. Tooth | | | 100024-300 | 34 | | |
| 31 | Nut, Hex Machine | | | 100008-200 | 2 | | |
| 32 | Nut, Hex Machine | | | 100008-300 | 26 | | |
| 33 | Assy, Cable Driver | | | 152687 | 1 | J3 (AT-68) MDL 125261 | |
| 34 | Assy, Detector | | | 131183 | 1 | J2 (WT-22) MDL 131184 | |
| 35 | Assy, Regulator | | | 131181 | 1 | J1 (WT-21) MDL 131182 | |
| 36 | Nameplate, Blank | | | 101109 | 1 | | |
| 37 | | | | | | | |
| 38 | | | | | | | |
| 39 | | | | | | | |
| 40 | Wire, Stranded | | | 131436-920 | A/R | | |
| 41 | Wire, Stranded | | | 131436-924 | A/R | | |
| 42 | Ring, Tongue | | | 132570-002 | 5 | | |
| 43 | Wire, Stranded | | | 131436-916 | A/R | | |
| 44 | Ring, Tongue | | | 132570-003 | 6 | | |
| 45 | Fuse, 3AG, Slow Blowing | | | 124865-011 | 1 | F1 | |
| 46 | Bushing Transistor Mtg | | | 127968 | 4 | | |
| 47 | Insulator, Transistor Mounting | | | 127967 | 2 | | |
| 48 | Master Drawing List | | | 132388 | Ref | | |
| 49 | Wire List | | | 132392F | Ref | | |
| 50 | Schematic | | | 132391 | Ref | | |
| 51 | Installation Drawing | | | 132390 | Ref | | |
| 52 | Module Location Chart | | | 133091 | Ref | | |
| 53 | Wire Solid Teflon | | | 100239-020 | A/R | | |
| 54 | Wire Solid Teflon | | | 100239-024 | A/R | | |



XDS



| | | | | | | | | | | |
|--|--|--|--|--------------------------------|--|---------------------------------|----------------------------|-----------------------|------------------------------------|------------------------|
| ENGINEERING ORDER | | DRAWING TITLE ASSY, POWER MONITOR | | | | DRAWING NUMBER 132389 | | CHG LTR S | | |
| EO TYPE | | EFFECTIVITY | | | | | | | | |
| <input type="checkbox"/> REVISION <input checked="" type="checkbox"/> RESERVE <input type="checkbox"/> VARIATION | | <input checked="" type="checkbox"/> IMMEDIATE * SERIAL NO./DATE _____ <input type="checkbox"/> NEXT PRODUCTION | | DRAWING TYPE 401/101 | | DCR NO. 93677 | DCR DATE 3-10-71 | MODEL NO. - | NEXT ASSEMBLY NO. 130155 | SHEET 1 OF 1 |

| | | | | | | | | | | | |
|-------------------------|--------------------------|-------------------------------------|---------|-------------------------------|----------------------------------|-----------------|------------|-----|-------|----------------------------|--|
| AFFECTED BY THIS CHANGE | | | | DISPOSITION OF EXISTING PARTS | | | | | | | |
| | YES | NO | DWG NO. | OTHER DWGS | STATUS | RETURN TO STOCK | REWORK | USE | SCRAP | MANDATORY PRIOR REVISIONS: | |
| SPARE PARTS | <input type="checkbox"/> | <input checked="" type="checkbox"/> | _____ | 132392 G (W.L.) | ON ORDER | | N/A | | | C, N, P & R | |
| TOOLING | <input type="checkbox"/> | <input checked="" type="checkbox"/> | _____ | _____ | IN PROCESS | | ✓ | | | | |
| TEST PROCEDURES | <input type="checkbox"/> | <input checked="" type="checkbox"/> | _____ | _____ | IN STOCK | | ✓ | | | | |
| TEST EQUIPMENT | <input type="checkbox"/> | <input checked="" type="checkbox"/> | _____ | _____ | IN NEXT ASSY | | ✓ | | | | |
| PROGRAMS | <input type="checkbox"/> | <input checked="" type="checkbox"/> | _____ | _____ | IN FIELD | | ✓ | | | | |
| TECH PUBLICATIONS | <input type="checkbox"/> | <input checked="" type="checkbox"/> | _____ | _____ | LOWEST ACCEPTABLE REVISION LEVEL | | S | | | | |

REASON FOR CHANGE

(IF REASON IS DESIGN ERROR OR RELIABILITY DESCRIBE SYMPTOMS & CONDITIONS UNDER WHICH THEY OCCUR.)

| | | |
|---|--|-------------------|
| <input type="checkbox"/> DESIGN ERROR <input checked="" type="checkbox"/> DRAWING ERROR <input type="checkbox"/> PRODUCIBILITY <input type="checkbox"/> MAINTAINABILITY <input type="checkbox"/> RELIABILITY <input type="checkbox"/> COST REDUCTION | <p align="center">TO CORRECT "F" REV CHANGE OF WIRE LIST 132392</p> | XDS 902306 |
|---|--|-------------------|

REWORK INSTRUCTIONS

* ALL 132389 ASSY'S THAT HAVE BEEN REWORKED TO "F" REV. WIRE LIST 132392 TO BE REWIRED PER RES. E.O. 132392G. SAME EFFECTIVITY AS "R" REV DWG CHANGE, N/L: ITEM 49 (WIRE LIST) 132392G W/IS 132392 F

| | |
|---|------------|
| TEST PROCEDURE TO VERIFY CHANGE | |
| FMK* 8001-01/03 8201-01/04 8202-02/04 8401-01/04 | N/A |

RESERVE E.O.

| | | | | | | | |
|-------------------------------|------------------------|-------------------------------|------------------------|---------------------------------|------------------------|---------------------------|------------------------|
| DRAFTSMAN <i>J. Bar...</i> | DATE 3-11-71 | CHECKED <i>[Signature]</i> | DATE 3/12/71 | PROJ ENGR <i>[Signature]</i> | DATE 3/15/71 | DCB <i>[Signature]</i> | JATE 3-16-71 |
|-------------------------------|------------------------|-------------------------------|------------------------|---------------------------------|------------------------|---------------------------|------------------------|

XDS 902306

3

2

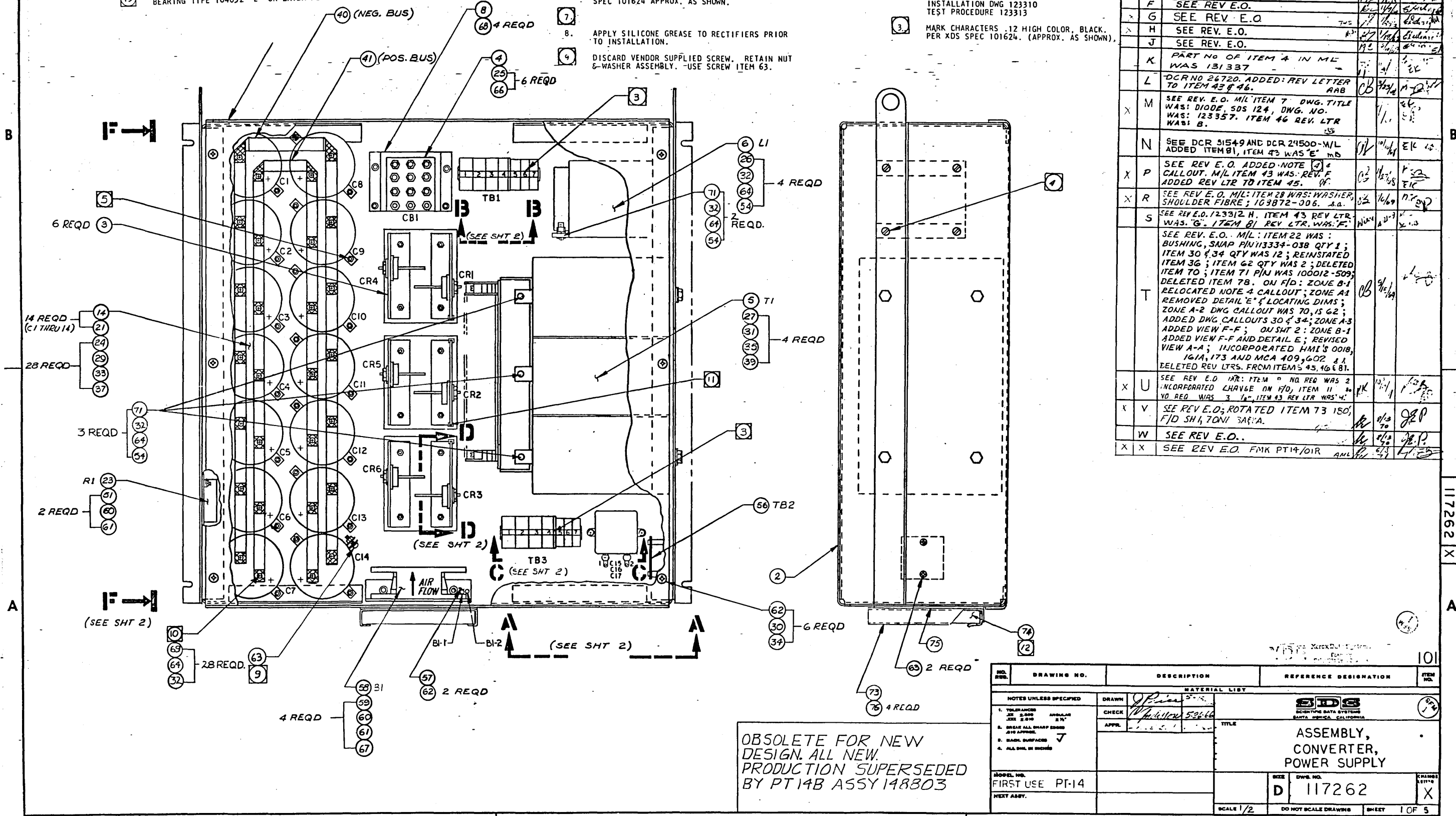
1

- 11 INSTALL M/L ITEM 72 BETWEEN CR1-CR2 PLATE AND CR2-CR3 PLATE SEE VIEW D-D.
- 12 INSTALL FILTER WITH SCREEN SIDE FACING THE FAN.
- 13 FOR REPLACEMENTS OF B1, USE ONLY BALL BEARING TYPE 104052 "E" OR LATER REVISION.

- 10 DISCARD VENDOR SUPPLIED SCREW. USE M/L ITEMS 32, 64, 70.

- 4 CONNECT WIRE 15 ON WIRE LIST 123312 TO POINT INDICATED.
- 5 CONNECT WIRE #37 ON WIRE LIST 123312 TO POINT INDICATED.
- 6 FOR IDENTIFICATION AND SERIALIZATION, MARK CHARACTERS .12 HIGH COLOR BLACK, PER XDS SPEC 101624 APPROX. AS SHOWN.
- 7 APPLY SILICONE GREASE TO RECTIFIERS PRIOR TO INSTALLATION.
- 8 DISCARD VENDOR SUPPLIED SCREW. RETAIN NUT & WASHER ASSEMBLY. -USE SCREW ITEM 63.

- NOTES, UNLESS OTHERWISE SPECIFIED
1. FOR MATERIAL LIST SEE SHEETS 3, 4 & 5.
 2. REFERENCE DRAWINGS, SCHEMATIC 123311 LIST WIRE 123312 INSTALLATION DWG 123310 TEST PROCEDURE 123313
 3. MARK CHARACTERS .12 HIGH COLOR BLACK, PER XDS SPEC 101624. (APPROX. AS SHOWN).



| REV. NO. | | DESCRIPTION | CHK | DATE | APPROVED |
|----------|---|---|-----|---------|----------|
| X | B | REVISED & REDRAWN MFG. RELEASE | | 5-27-66 | J.L.G. |
| | C | SEE REV. E.O. | | 7-16-66 | J.L.G. |
| | D | SEE REV. E.O. | | 7-16-66 | J.L.G. |
| | E | SEE REV. E.O. | | 7-16-66 | J.L.G. |
| | F | SEE REV. E.O. | | 7-16-66 | J.L.G. |
| X | G | SEE REV. E.O. | | 7-16-66 | J.L.G. |
| X | H | SEE REV. E.O. | | 7-16-66 | J.L.G. |
| | J | SEE REV. E.O. | | 7-16-66 | J.L.G. |
| | K | PART NO OF ITEM 4 IN M/L WAS 131337 | | 7-16-66 | J.L.G. |
| | L | DCR NO 24720 ADDED: REV LETTER AAB TO ITEM 43 & 46. | | 7-16-66 | J.L.G. |
| X | M | SEE REV. E.O. M/L ITEM 7 DWG. TITLE WAS: DIODE, SDS 124, DWG. NO. WAS: 123357. ITEM 46 REV. LTR WAS: B. | | 7-16-66 | J.L.G. |
| | N | SEE DCR 31549 AND DCR 24500-M/L ADDED ITEM 81, ITEM 43 WAS 'E' M/L | | 7-16-66 | J.L.G. |
| X | P | SEE REV. E.O. ADDED NOTE 3 & CALLOUT. M/L ITEM 43 WAS: REV. F ADDED REV LTR 70 ITEM 45. | | 7-16-66 | J.L.G. |
| X | R | SEE REV. E.O. M/L: ITEM 28 WAS: WASHER, SHOULDER FIBRE; 103872-306. S.A. | | 7-16-66 | J.L.G. |
| | S | SEE REV. E.O. 123312 H. ITEM 43 REV LTR WAS: 'G'. ITEM 81 REV LTR WAS: 'F'. | | 7-16-66 | J.L.G. |
| | T | SEE REV. E.O. M/L: ITEM 22 WAS: BUSHING, SNAP PIN 113334-038 QTY 1; ITEM 30 & 34 QTY WAS 12; REINSTATED ITEM 36; ITEM 62 QTY WAS 2; DELETED ITEM 70; ITEM 71 PIN WAS 100012-509; DELETED ITEM 78. ON F/D: ZONE B-1 RELOCATED NOTE 4 CALLOUT; ZONE A-1 REMOVED DETAIL 'E' LOCATING DIMS; ZONE A-2 DWG CALLOUT WAS 70, IS 62; ADDED DWG CALLOUTS 30 & 34; ZONE A-3 ADDED VIEW F-F; ON SHT 2: ZONE B-1 ADDED VIEW F-F AND DETAIL E; REVISED VIEW A-A; INCORPORATED HMI'S 0018, 161A, 173 AND MCA 409, 602 & 1. DELETED REV LTRS. FROM ITEMS 45, 46 & 81. | | 7-16-66 | J.L.G. |
| X | U | SEE REV. E.O. M/L: ITEM 4 NO. REQ WAS 2 INCORPORATED CHANGE ON F/D, ITEM 11 NO. REQ WAS 3 1/2, ITEM 43 REV LTR WAS '4'. | | 7-16-66 | J.L.G. |
| X | V | SEE REV. E.O.; ROTATED ITEM 73 180°, F/D SH 1, 70N1 3A'S A. | | 7-16-66 | J.L.G. |
| | W | SEE REV. E.O. | | 7-16-66 | J.L.G. |
| X | X | SEE REV. E.O. FMK PT14/DIR | | 7-16-66 | J.L.G. |

OBSOLETE FOR NEW DESIGN. ALL NEW PRODUCTION SUPERSEDED BY PT14B ASSY 148803

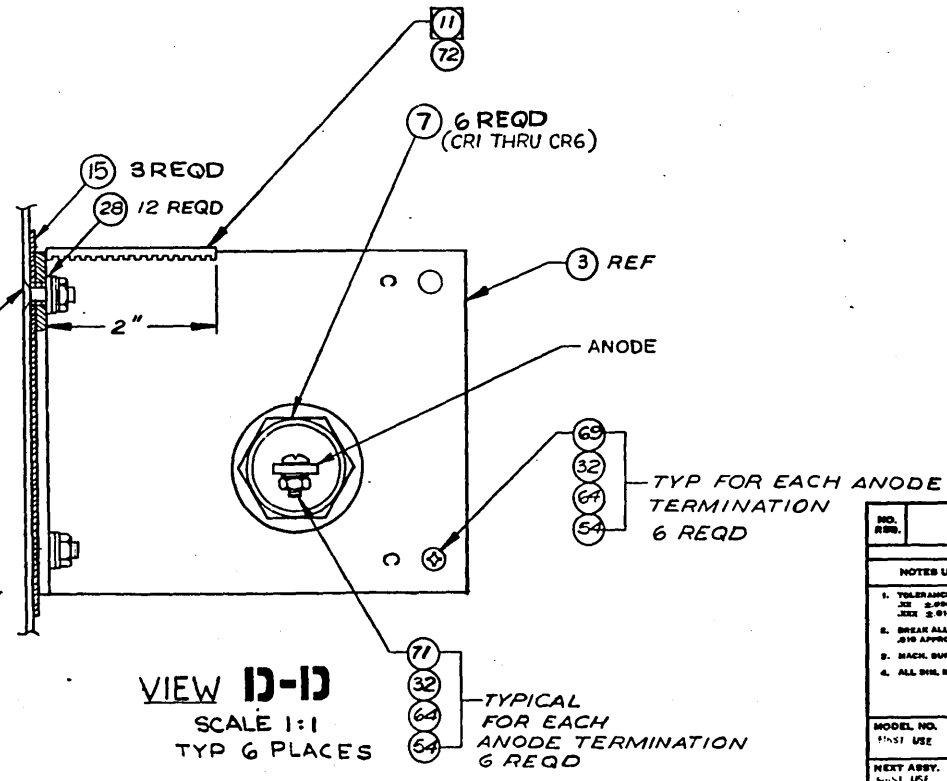
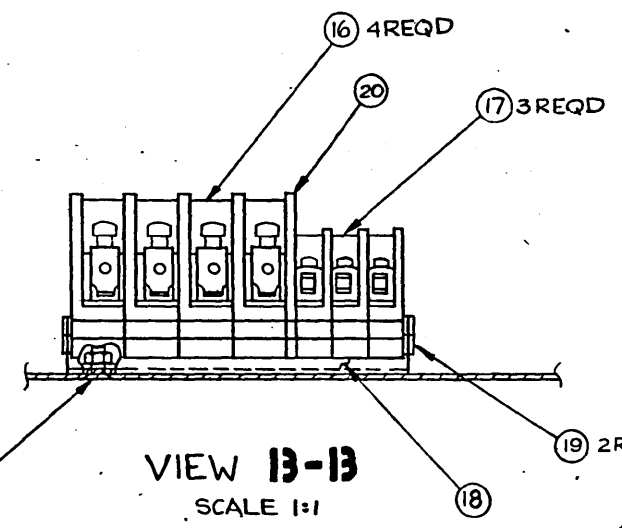
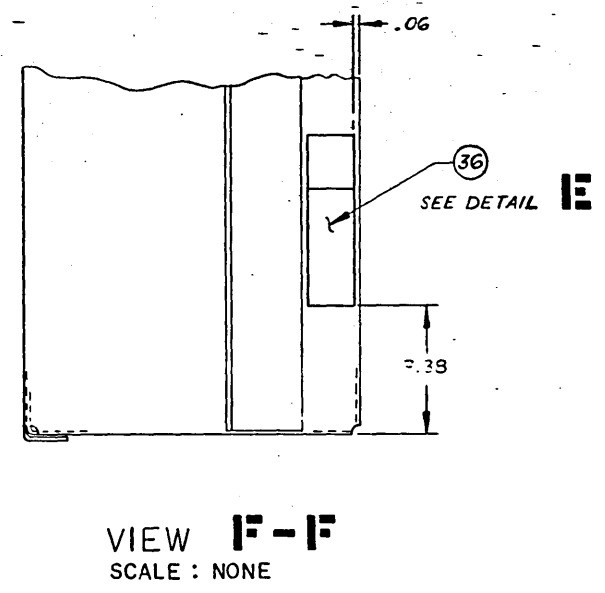
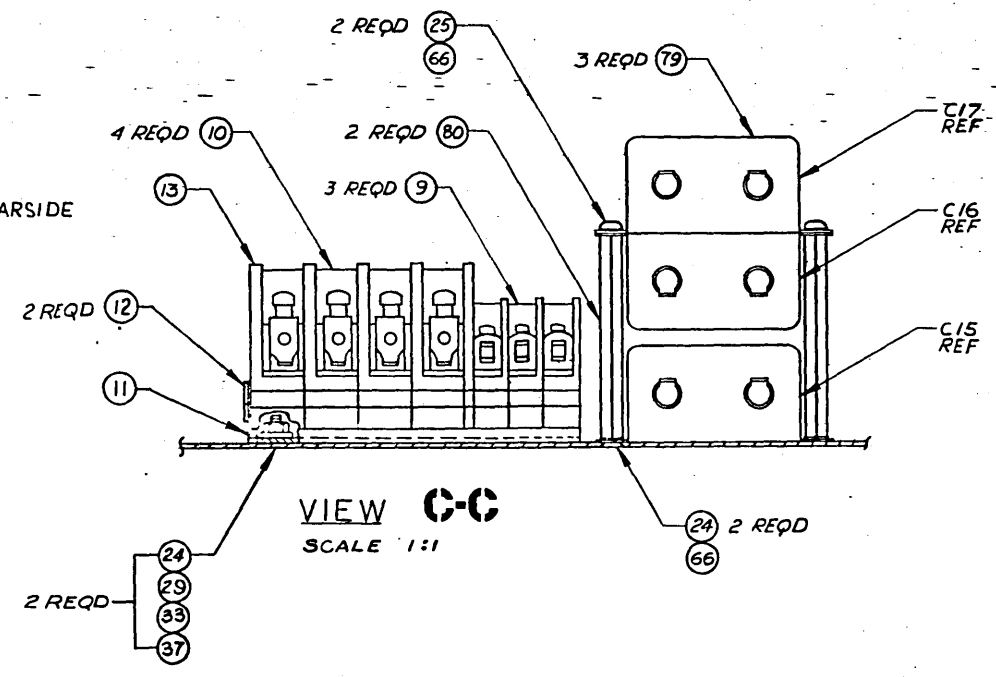
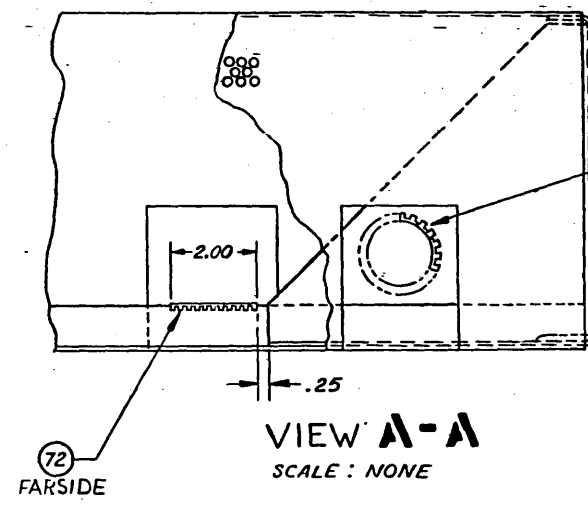
| NO. REQD. | DRAWING NO. | DESCRIPTION | REFERENCE DESIGNATION | ITEM NO. |
|--|--|--|--|--|
| NOTES UNLESS SPECIFIED | | | | |
| 1. TOLERANCES | 2. DIMENSIONS | 3. FINISHES | 4. SURFACES | 5. ALL DIMS IN INCHES |
| 1. TOLERANCES UNLESS OTHERWISE SPECIFIED | 2. DIMENSIONS UNLESS OTHERWISE SPECIFIED | 3. FINISHES UNLESS OTHERWISE SPECIFIED | 4. SURFACES UNLESS OTHERWISE SPECIFIED | 5. ALL DIMS IN INCHES UNLESS OTHERWISE SPECIFIED |
| DRAWN: J.P. | | CHECK: J.P. | APPR.: J.P. | TITLE: ASSEMBLY, CONVERTER, POWER SUPPLY |
| MODEL NO. FIRST USE | PT-14 | DWG. NO. | 117262 | SCALE: 1/2 |
| DO NOT SCALE DRAWING | | | SHEET 1 OF 5 | 117262 X |

3

2

1

| REVISIONS | | | |
|-----------|-------------|-----|------|
| REV. | DESCRIPTION | CHK | DATE |
| 1 | SEE SHEET 1 | | |



XDS ASSY, CONVERTER, POWER SUPPLY
DWG NO 117262
MODEL NO PT 14

DETAIL E
SCALE: FULL

| NO. REV. | DRAWING NO. | DESCRIPTION | REFERENCE DESIGNATION | ITEM NO. |
|--|-------------|--|-----------------------|--------------|
| NOTES UNLESS SPECIFIED | | | | |
| 1. TOLERANCES UNLESS OTHERWISE SPECIFIED | | 2. BREAK ALL SHARP EDGES .010 APPROX. | 3. ALL DIM. IN INCHES | |
| DRAWN: [Signature] | | CHECK: [Signature] | APPR. [Signature] | |
| MODEL NO. PT14 | | TITLE: ASSEMBLY, CONVERTER, POWER SUPPLY | | |
| NEXT ASSY. [Blank] | | SCALE: 1/2 | DO NOT SCALE DRAWING | SHEET 2 OF 5 |

117262 X

101

| REV. | X | XDS | MATERIAL LIST | XDS 902306 | 101 | ML | DRAWING NO. | REV. |
|--------------------------------------|------------------------------|------------|---------------|------------|-----|--------|-------------|------|
| | | | | | | | 117262 | X |
| DRAWING TITLE | | MODEL NO. | | DATE | | SHEET | | |
| ASSEMBLY, CONVERTER, POWER SUPPLY | | PT14 | | 10-25-65 | | 3 OF 5 | | |
| ITEM NO. | DRAWING TITLE | DWG. NO. | NO. REQ. | REMARKS | | | | |
| 1 | Chassis, Power Supply | 132491 | 1 | | | | | |
| 2 | Cover, Chassis Pwr Supply | 135535 | 1 | | | | | |
| 3 | Angle, Diode Mounting | 123265 | 6 | | | | | |
| 4 | Circuit Breaker, 3 Pole | 131337-002 | 1 | CB1 | | | | |
| 5 | XFMR, 3 ϕ , 6KW, 60 Hz | 135672 | 1 | | | | | |
| 6 | 6.3 MH; Choke | 135671 | 1 | L1 | | | | |
| 7 | Diode XDS 150 | 135454 | 6 | CR1 thru 6 | | | | |
| 8 | Bracket, Circuit Breaker Mtg | 132091 | 1 | | | | | |
| 9 | Block, Term | 109432-009 | 3 | } TB3 | | | | |
| 10 | Block, Term | 109432-007 | 4 | | | | | |
| 11 | Channel, Mtg | 109432-006 | 3 1/2" | | | | | |
| 12 | Clip, Retaining | 109432-005 | 2 | | | | | |
| 13 | Plate, End | 109432-008 | 1 | | | | | |
| 14 | Capacitor, Electrolytic | 108474-009 | 14 | C1 thru 14 | | | | |
| 15 | Strip Insulating | 123319 | 3 | | | | | |
| 16 | Block Terminal | 109432-007 | 4 | } TB1 | | | | |
| 17 | Block Terminal | 109432-009 | 3 | | | | | |
| 18 | Channel, Mounting | 109432-006 | 3 1/2" | | | | | |
| 19 | Clip, Retaining | 109432-005 | 2 | | | | | |
| 20 | Plate, End | 109432-008 | 1 | | | | | |
| 21 | Bracket, Capacitor Mtg | 100607 | 14 | | | | | |
| 22 | Grommet, Nylon | 100840-002 | 1 ft | | | | | |
| 23 | Resistor | 101517-057 | 1 | R1 | | | | |
| 24 | Screw, Flat Hd | 100039-306 | 34 | | | | | |
| 25 | Screw, Pan Hd | 100012-304 | 8 | | | | | |
| 26 | Screw, Pan Hd | 100012-510 | 4 | | | | | |
| 27 | Screw, Cap, Stl, Hex Hd | 101441-102 | 4 | | | | | |

ASSEMBLY,
 DRAWING TITLE CONVERTER, POWER SUPPLY MODEL NO. PT14 DATE: 10-25-65 SHEET 4 5

DRAWING NO.
117262

ML

| ITEM NO. | DRAWING TITLE | DWG. NO. | NO. REQ. | REMARKS |
|----------|-----------------------|------------|----------|---------|
| 28 | Bushing, Insulating | 158814 | 12 | |
| 29 | Washer, Flat | 100018-300 | 32 | |
| 30 | Washer, Flat | 100018-400 | 18 | |
| 31 | Washer, Flat | 100018-600 | 4 | |
| 32 | Washer, Flat | 100018-500 | 49 | |
| 33 | Washer, Lock | 100023-300 | 32 | |
| 34 | Washer, Lock | 100023-400 | 18 | |
| 35 | Washer, Lock | 100023-600 | 4 | |
| 36 | Nameplate, Blank | 101109 | 1 | |
| 37 | Nut, Hex | 100008-300 | 32 | |
| 38 | Nut, Hex | 100008-400 | 12 | |
| 39 | Nut, Hex | 100008-600 | 4 | |
| 40 | Assy, Neg Bus | 123258 | 1 | |
| 41 | Assy, Pos Bus | 123259 | 1 | |
| 42 | | | | |
| 43 | List, Wire | 123312 K | X | Ref. |
| 44 | Installation Dwg | 123310 | X | Ref. |
| 45 | Test Specifications | 123313 | X | Ref. |
| 46 | Schematic | 123311 | X | Ref. |
| 47 | Wire, Stranded, Ins | 131436-906 | X | A/R |
| 48 | Wire, Stranded, Ins | 131436-910 | X | A/R |
| 49 | Wire, Stranded, Ins | 131436-920 | X | A/R |
| 50 | Wire, Solid | 100042-020 | X | A/R |
| 51 | Screw, Pan Hd | 100012-205 | 2 | |
| 52 | Terminal, Rong Tongue | 132570-002 | 9 | |
| 53 | Terminal, Ring Tongue | 132570-004 | 16 | |
| 54 | Nut, Hex | 100008-500 | 21 | |

XDS 902306 101
 MATERIAL LIST

ML DRAWING NO. 117262 REV. X

ASSEMBLY
 DRAWING TITLE CONVERTER, POWER SUPPLY MODEL NO. PT14 DATE 10-13-65 SHEET 5 OF 5

REV. X
 DRAWING 117262
ML

| ITEM NO. | DRAWING TITLE | DWG. NO. | NO. REQ. | REMARKS |
|----------|---------------------------|------------|----------|---------------|
| 55 | Terminal, Ring Tongue | 132570-006 | 26 | |
| 56 | Assy, Diode Board | 132218 | 1 | TB2 |
| 57 | Bracket, Fan Mtg | 132217 | 1 | |
| 58 | Fan, Electric | 104052 | 1 | B1 (13) |
| 59 | Screw, Flat Hd | 100039-209 | 4 | |
| 60 | Washer, Lock, Int Tooth | 100024-200 | 6 | |
| 61 | Nut, Hex Hach | 100008-200 | 6 | |
| 62 | Screw, Pan Hd | 100012-405 | 8 | |
| 63 | Screw, Pan Hd | 100012-306 | 16 | |
| 64 | Washer, Lock, Spring | 100023-500 | 49 | |
| 65 | Screw, Flat Hd | 100039-409 | 12 | |
| 66 | Washer, Lock | 100024-300 | 10 | |
| 67 | Washer, Flat | 100018-200 | 4 | |
| 68 | Screw, Flat Hd | 100039-304 | 4 | |
| 69 | Screw, Pan Hd | 100012-507 | 34 | |
| 70 | | | | |
| 71 | Screw, Pan Hd | 100012-507 | 11 | |
| 72 | Nylon Grommet | 100840-003 | 1 ft | |
| 73 | Bracket Filter Mtg | 134704 | 1 | |
| 74 | Filter Power Supply | 134492 | 1 | |
| 75 | Spacer, Fan Mtg Bracket | 135534 | 1 | |
| 76 | Screw, Flat Head | 100039-403 | 4 | |
| 77 | Wire Stranded/DS | 131436-916 | A/R | |
| 78 | | | | |
| 79 | Capacitor, 1 MFD 1000 VDC | 100992-005 | 3 | C15, C16, C17 |
| 80 | Standoff, Thd, Hex | 107018-338 | 2 | |
| 81 | Procedure, Test | 130318 | Ref | |

XDS 902306



T

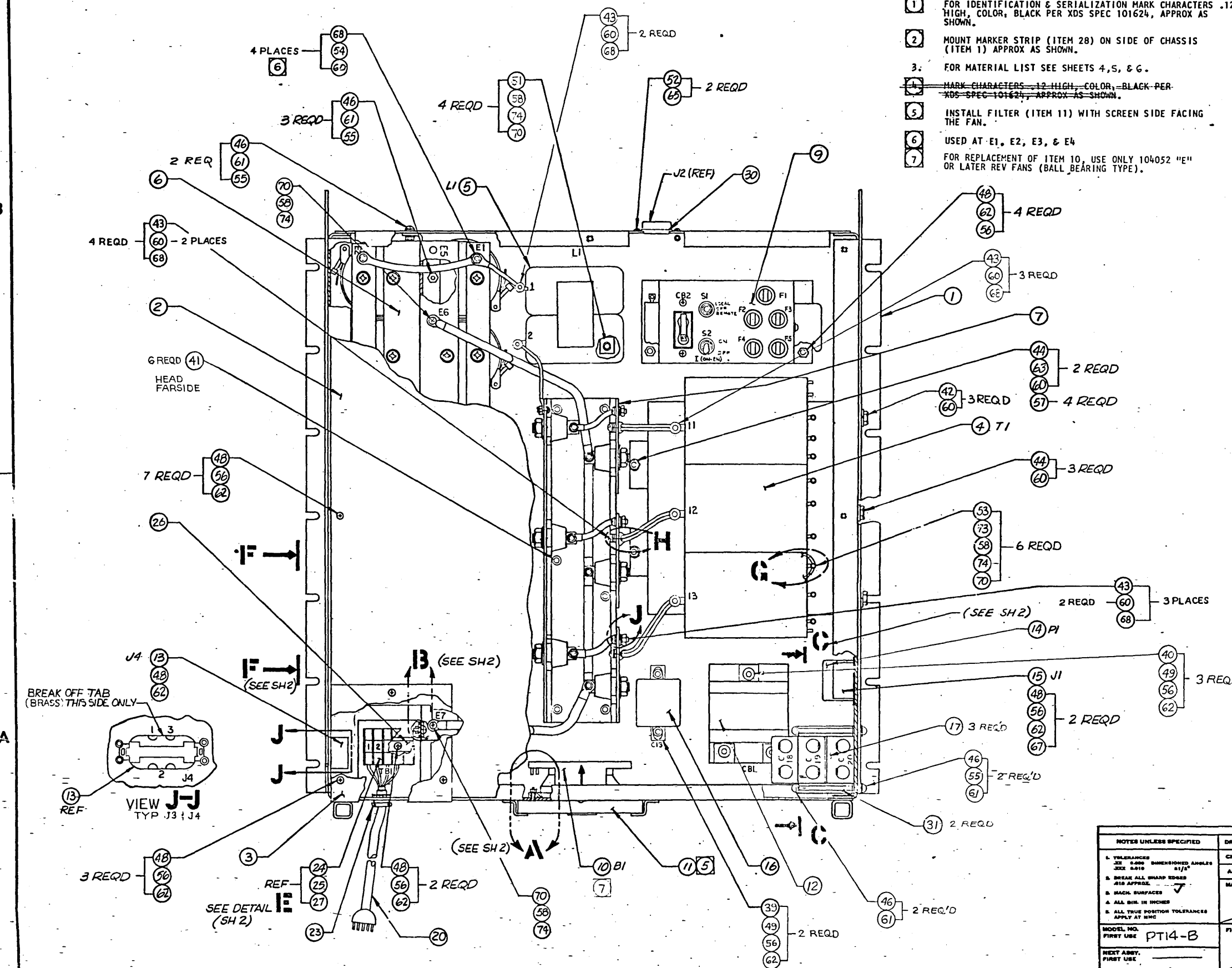
3

2

1

- NOTES: UNLESS OTHERWISE SPECIFIED
- 1 FOR IDENTIFICATION & SERIALIZATION MARK CHARACTERS HIGH, COLOR, BLACK PER XDS SPEC 101624, APPROX AS SHOWN.
 - 2 MOUNT MARKER STRIP (ITEM 28) ON SIDE OF CHASSIS (ITEM 1) APPROX AS SHOWN.
 - 3: FOR MATERIAL LIST SEE SHEETS 4, 5, & 6.
 - 4 MARK CHARACTERS HIGH, COLOR, BLACK PER XDS SPEC 101624, APPROX AS SHOWN.
 - 5 INSTALL FILTER (ITEM 11) WITH SCREEN SIDE FACING THE FAN.
 - 6 USED AT E1, E2, E3, & E4
 - 7 FOR REPLACEMENT OF ITEM 10, USE ONLY 104052 "E" OR LATER REV FANS (BALL BEARING TYPE).

| REV. NO. | | DESCRIPTION | CHK | DATE | APPROVED |
|----------|---|---|-----|----------|----------|
| A | | ENGRG RELEASE | | | |
| X | B | REVISED & REDRAWN MFG. RELEASE NO E.O. | BDO | 3/16/69 | EX |
| X | C | SEE REVISED E.O. 152499C. ADDED REV. LTR TO ITEM 77. SHEET 3; ZONE 3B POINTS WERE NUMBERED 1, 2, 3, & 4; ZONE 1A ADDED T1-8 & T1-3 TO FAN | RK | 4/1/69 | EX |
| D | | SEE DCR 36536/M/ITEM 77 REV LET WASC; SH 3 LINE 3 WAS: BLUE; ADDED TO ITEM 20 P2(REF)REMS. | RK | 4/1/69 | EX |
| X | E | SEE REV. E.O., M/L: ITEM 23 WAS 130191; 44 WAS 8 REQD, 54 WAS 1 REQD, 55 WAS 8 REQD, 58 WAS 9 REQD, 60 WAS 1 REQD, 61 WAS 8 REQD, 62 WAS 3 REQD, 70 WAS 9 REQD & 72 WAS 1 REQD; ADDED ITEMS 42, 43, 53, 73, 74 & 81; DELETED ITEM 17, 19, 31, 49, 50, 63, 64, 72 & 77; SH1, ZONE 3B: ADDED TERM. LEADS FROM E1 TO E2; ITEM 4 ADDED TERM. ADDED VIEWS G, H & J-J & INCORP. ON SH 3; DELETED NOTE 4, NOTE 2; REV. SH 2 VIEW F-F; DELETED NAMEPLATE; REV. VIEW C-C; SH3 ZONE A2: CR1 WAS CR2, CR2 WAS CR1, E10 WAS E8, CR4 WAS CR5, E8 WAS E10, CR5 WAS CR4; ADDED TERM 1 & 2 TO C16, C16 & C17. ADDED FUSES F1 THRU F5. | RK | 4/1/69 | EX |
| X | F | SEE REV. E.O.; SH1 ZONE 2B & SH3 ZONE 1A S2 TOGGLE SWITCH SPDT WAS: TOGGLE SWITCH DPDT CENTER OFF. M/L ITEM B1 & B2 WAS ASSY WIRING, REV LTR WAS E | RK | 3/10/69 | |
| G | | SEE REV. E.O. ITEMS B1 & B2 REV LTR WAS F | RK | 4/1/69 | |
| H | | SEE REV. E.O.; F/D & M/L: DELETED ITEMS 45 & 69; ADDED ITEMS 39, 40, 41 & 43; ITEMS: 43 WAS 7 REQD, 46 WAS 10 REQD, 48 WAS 24 REQD, 54 WAS 7 REQD, 55 WAS 10 REQD, 56 WAS 37 REQD, 60 WAS 26 REQD, 61 WAS 10 REQD, 62 WAS 30 REQD, 67 WAS 2 REQD, 68 WAS 13 REQD & 73 WAS 9 REQD. | | 5/1/70 | |
| X | J | SEE REV. E.O.; ZONE 3A: REV'D VIEW J-J. ADDED TYP J3 & J4. * BREAK OFF TAB (BRASS) * BREAK OFF TAB (SILVER) | | 10/7/70 | |
| X | K | SEE REV. E.O. | AML | 11/19/71 | |
| X | L | SEE REV. E.O.; FMK: 8001-01/05 R, 8101-01/17 R, 8102-01/17 R, 8201-01/11 R, 8202-01/11 R, 8301-01/05 R, 8401-01/09 R. | | 4/3/71 | |
| X | M | SEE REV. E.O.; FMK PT: 43101 R | | 4/23/71 | |
| N | | SEE DCR NO. 9587. ADDED REF. PHASE DESIGNATIONS FOR FAN POWER OUTLETS ON THE SCHEMATIC. 5-13. ADDED ITEM 64 | | 10/22/71 | |



| | | | | | |
|--|--------------------------|----------|----------|---|-----------------------------------|
| NOTES UNLESS SPECIFIED | | DRAWN | DATE | SDS SCIENTIFIC DATA SYSTEMS SANTA MONICA, CALIFORNIA | |
| L. TOLERANCES UNLESS OTHERWISE SPECIFIED | 1/16" DIMENSIONED ANGLES | CHKD | 1-11-9 | TITLE | |
| M. BREAK ALL SHARP EDGES R10 APPROX. | 7 | APPR. | 11/13/68 | ASSEMBLY, CONVERTER / AC-DC | |
| N. ALL SURFACES UNLESS OTHERWISE SPECIFIED | | MATERIAL | | CODE IDENT. 18338 | |
| O. ALL TRUE POSITION TOLERANCES APPLY AT MMC | | FINISH | | SIZE D | DWG. NO. 148803 |
| MODEL NO. PT14-B | | | | CHECKED LETTER N | |
| NEXT ASSY. FIRST USE | | | | SCALE 1/2" = 1" | DO NOT SCALE DRAWING SHEET 1 OF 6 |

148803 IN

3

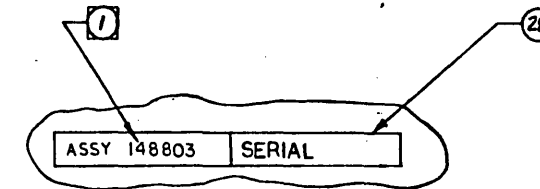
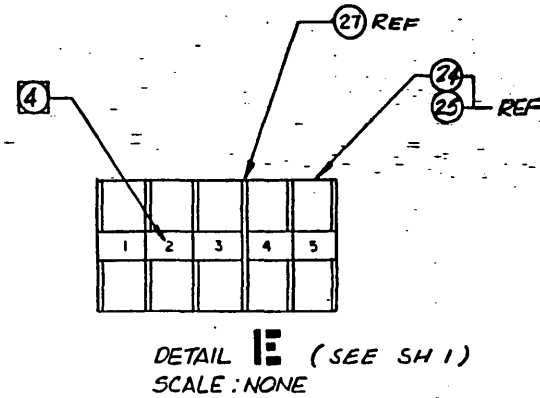
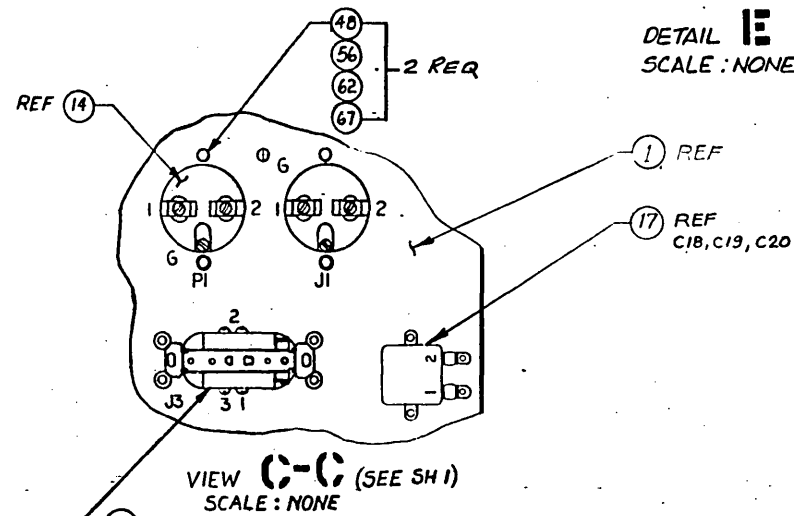
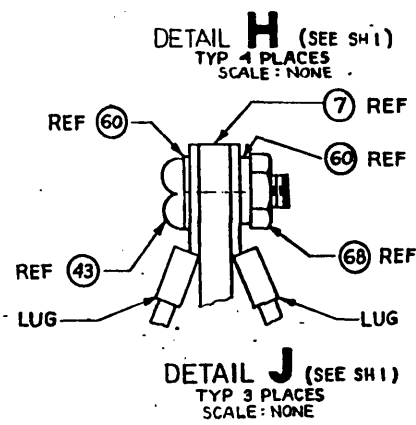
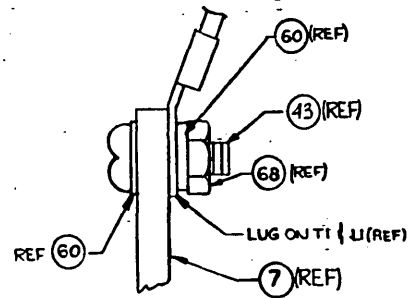
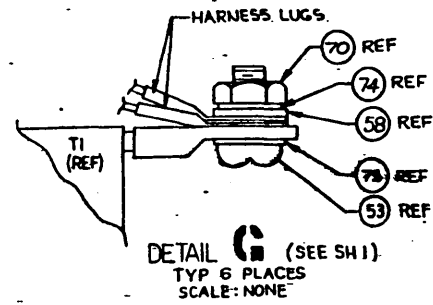
2

1

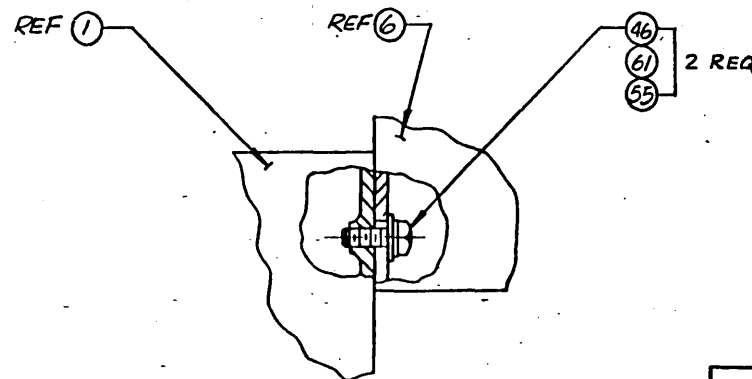
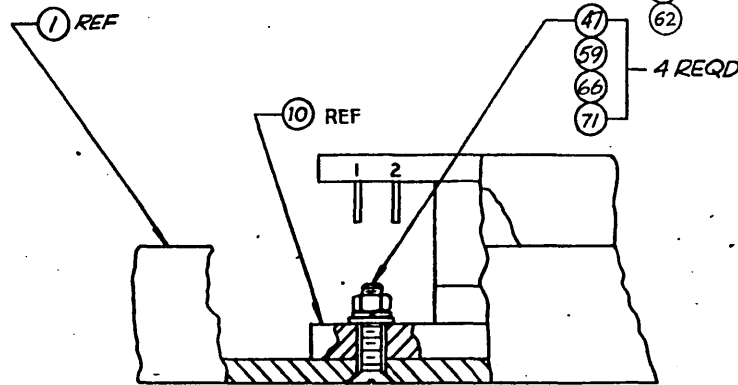
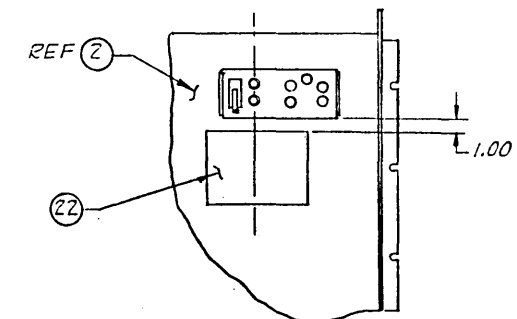
3

2

| REVISIONS | | | |
|-----------|-------------|------|------|
| REV. | DESCRIPTION | CHK. | DATE |
| 1 | SEE SH 1 | | |



VIEW F-F (SEE SH 1)
SCALE: NONE



| | | | | | |
|------------------------|----------------|----------|------|---|----------------------|
| NOTES UNLESS SPECIFIED | | DRAWN | DATE | SDS SCIENTIFIC DATA SYSTEMS SANTA MONICA, CALIFORNIA | |
| 1. TOLERANCES | 2. DIMENSIONS | CHECK | DATE | TITLE | |
| 3. DIMENSIONS | 4. DIMENSIONS | APPR. | DATE | ASSEMBLY, CONVERTER/ AC-DC | |
| 5. DIMENSIONS | 6. DIMENSIONS | MATERIAL | | CODE IDENT. | SIZE |
| 7. DIMENSIONS | 8. DIMENSIONS | | | 18338 | D |
| 9. DIMENSIONS | 10. DIMENSIONS | | | DWG. NO. | 148803 |
| 11. DIMENSIONS | 12. DIMENSIONS | | | CHANGES | LETTER |
| 13. DIMENSIONS | 14. DIMENSIONS | | | | N |
| 15. DIMENSIONS | 16. DIMENSIONS | | | SCALE | DO NOT SCALE DRAWING |
| 17. DIMENSIONS | 18. DIMENSIONS | | | | SHEET 2 OF 6 |

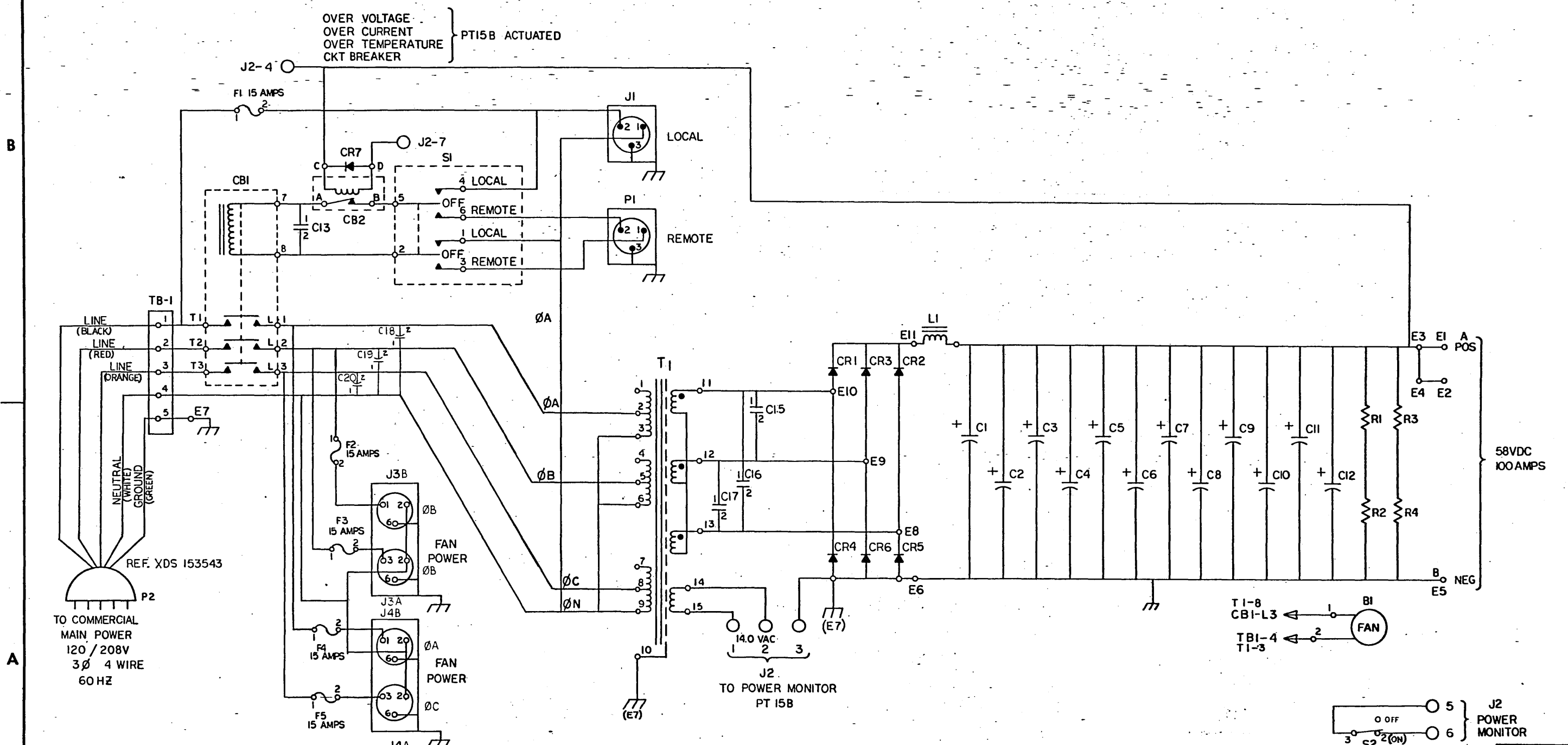
148803 N

3

2

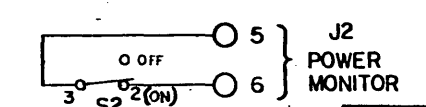
1

| REVISIONS | | | | 148803 |
|-----------|-------------|------|------|----------|
| REV. | DESCRIPTION | CHK. | DATE | APPROVED |
| | SEE SHEET | | | |



TO COMMERCIAL MAIN POWER
120 / 208V
3Ø 4 WIRE
60 HZ

58VDC
100AMPS



| NOTES UNLESS SPECIFIED | | DRAWN | | MATERIAL LIST | | SDS SCIENTIFIC DATA SYSTEMS | |
|--------------------------------|-----------------------------|----------------|------|----------------------|-------|-----------------------------|--|
| 1. TOLERANCES UNLESS SPECIFIED | 2. DIMENSIONS ARE IN INCHES | 3. DRAWN BY | DATE | 10-11-68 | | | |
| 4. BREAK ALL SHARP EDGES | 5. DIMENSIONS ARE IN INCHES | 6. CHECKED BY | DATE | 5/1/69 | | | |
| 7. DIMENSIONS ARE IN INCHES | 8. DIMENSIONS ARE IN INCHES | 9. APPROVED BY | DATE | 2/2/69 | | | |
| 9. ALL DIM. IN INCHES | | | | | | | |
| MODEL NO. PT14-B | FINISH | SCALE | NONE | DO NOT SCALE DRAWING | SHEET | 3 OF 6 | |

148803 / N

DRAWING TITLE ASSEMBLY, CONVERTER - AC-DC MODEL NO. PT14-B DATE 1/3/69 SHEET 4 OF 6

| ITEM NO. | DRAWING TITLE | DWG. NO. | NO. REQ. | REMARKS |
|----------|-------------------------------|------------|----------|---------------|
| 1 | Chassis, AC/DC Converter | 152458 | 1 | |
| 2 | Cover, Power Supply | 152459 | 1 | |
| 3 | Cover, Input-Power Connector | 153115 | 1 | |
| 4 | Assy, Transformer | 152460 | 1 | T1 |
| 5 | Assy, Choke | 152451 | 1 | L1 |
| 6 | Assy, Capacitor Bracket | 152454 | 1 | |
| 7 | Assy, Diode Bracket | 153323 | 1 | |
| 8 | | | | |
| 9 | Assy, Component Bracket | 158186 | 1 | |
| 10 | Fan, Electric | 104052 | 1 | B1 |
| 11 | Filter, Power Supply | 134492 | 1 | |
| 12 | Contact, 3 Pole St | 130422-001 | 1 | CB1 |
| 13 | Receptacle, Duplex, Female | 127672 | 2 | J3, J4 |
| 14 | Receptacle, Male, 3 Contact | 127675 | 1 | P1 |
| 15 | Receptacle, Female, 3 Contact | 101430 | 1 | J1 |
| 16 | Capacitor, Oil Impregnated | 100992-004 | 1 | C13 |
| 17 | Capacitor, Oil Impregnated | 100992-006 | 3 | C18, C19, C20 |
| 18 | | | | |
| 19 | | | | |
| 20 | Assy, Cable, Input, AC | 153543 | 1 | P2(REF) |
| 21 | | | | |
| 22 | Decal, Instruction | 153648 | 1 | |
| 23 | Clamp, Cable, Conduit | 130191-003 | 1 | |
| 24 | Block, Terminal, Stack Type | 109432-001 | 5 | TB1 |
| 25 | Retaining Clip | 109432-005 | 2 | |
| 26 | Channel, Mtg. | 109432-006 | 2.25 | |
| 27 | End Plate | 109432-008 | 1 | |
| 28 | Strip, Marker | 135171 | 1 | |
| 29 | | | | |
| 30 | Grommet, Nylon | 100840-002 | A/R | |
| 31 | Standoff, Threaded Hex | 107018-438 | 2 | |
| 32 | | | | |

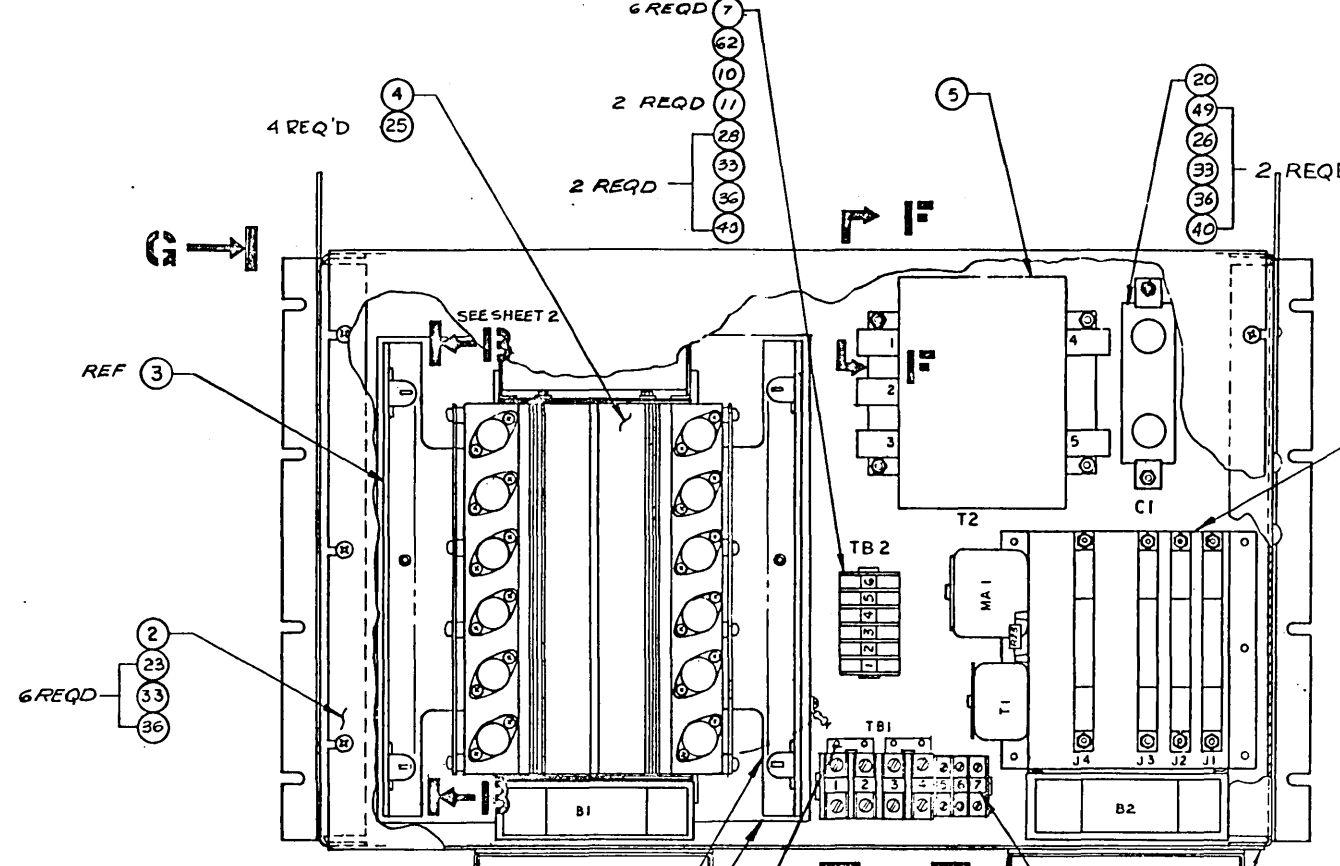
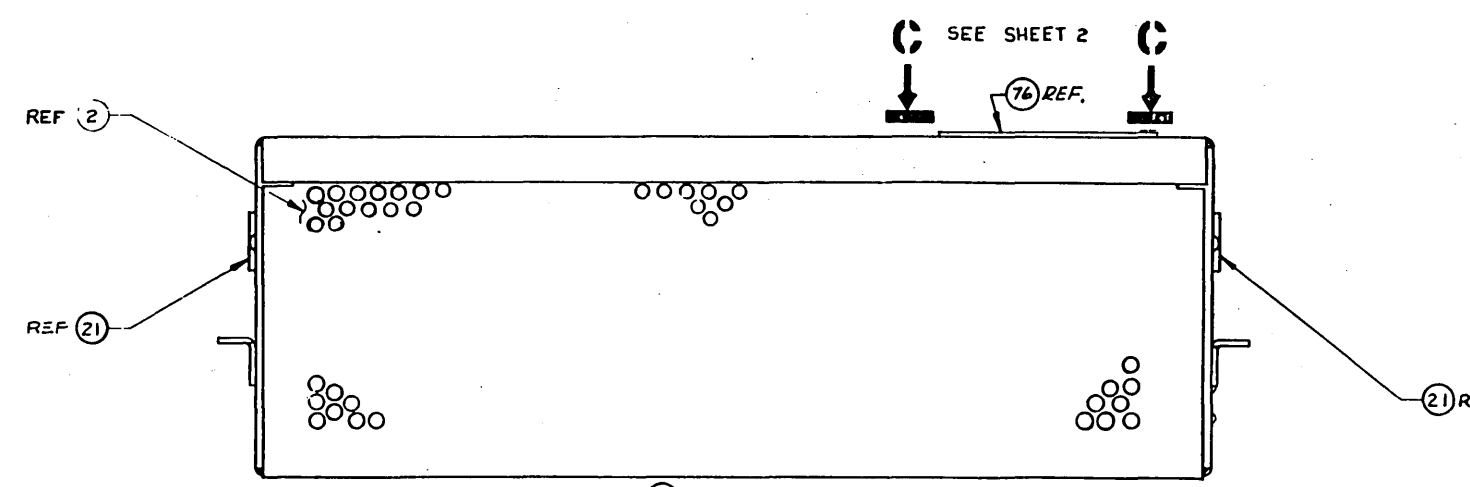
DRAWING 148803

ML

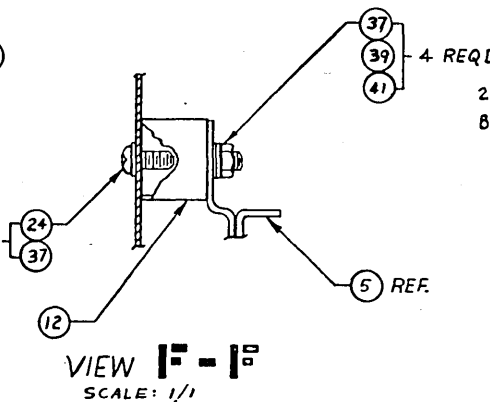
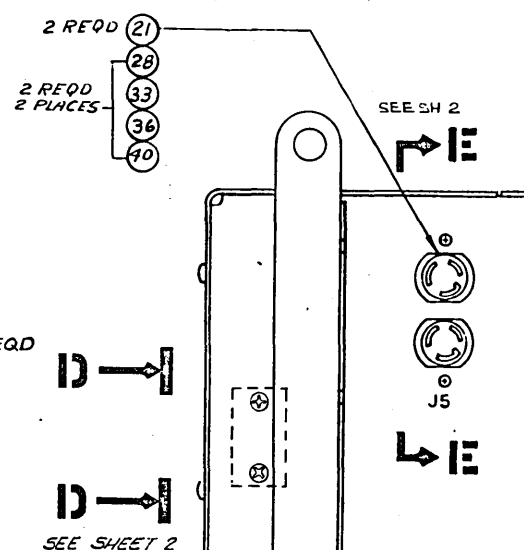
DRAWING TITLE ASSEMBLY, CONVERTER - AC-DC MODEL NO. PT14-B DATE 1-3-69 SHEET 5 6

| ITEM NO. | DRAWING TITLE | DWG. NO. | NO. REQ. | REMARKS |
|---------------|--|-----------------------|--------------|---------|
| 33 | | | | |
| 34 | | | | |
| 35 | | | | |
| 36 | | | | |
| 37 | | | | |
| 38 | | | | |
| 39 | Nut, Speed - Clip On | 155299-001 | 2 | |
| 40 | Nut, Speed - Clip On | 155299-002 | 3 | |
| 41 | Rivet, Blind-Pull thru | 156111-001 | 6 | |
| 42 | Screw, Cap, Steel, Hex Head | 101441-104 | 3 | |
| 43 | Screw, Pan Hd Recessed, Phillips | 100012-610 | 12 | |
| 44 | Screw, Cap, Hex Head | 101441-103 | 5 | |
| 45 | Screw, Pan Head | 100012-312 | 6 | |
| 46 | Screw, Pan Head | 100012-407 | 11 | |
| 47 | Screw, Flat Head (100°) | 100039-208 | 4 | |
| 48 | Screw, Pan Head | 100012-306 | 22 | |
| 49 | Screw, Pan Head | 100012-307 | 5 | |
| 50 | Screw, Pan Head | 100012-308 | 4 | |
| 51 | Screw, Pan Head | 100012-508 | 4 | |
| 52 | Screw, Pan Head | 100012-104 | 2 | |
| 53 | Screw, Machine Truss Hd, Phillips Rec Hd | 100045-608 | 6 | |
| 54 | Washer, Flat | 100018-600 | 4 | |
| 55 | Washer, Flat | 100018-400 | 9 | |
| 56 | Washer, Flat | 100018-300 | 25 | |
| 57 | Washer, Flat | 100018-600 | 4 | |
| 58 | Washer, Flat | 100018-500 | 12 | |
| 59 | Washer, Flat | 100018-200 | 4 | |
| 60 | Washer, Lock, Int Tooth | 100024-600 | 31 | |
| 61 | Washer, Lock, Int Tooth | 100024-400 | 11 | |
| 62 | Washer, Lock, Int Tooth | 100024-300 | 27 | |
| 63 | | | | |
| 64 | | | | |

XDS 902306



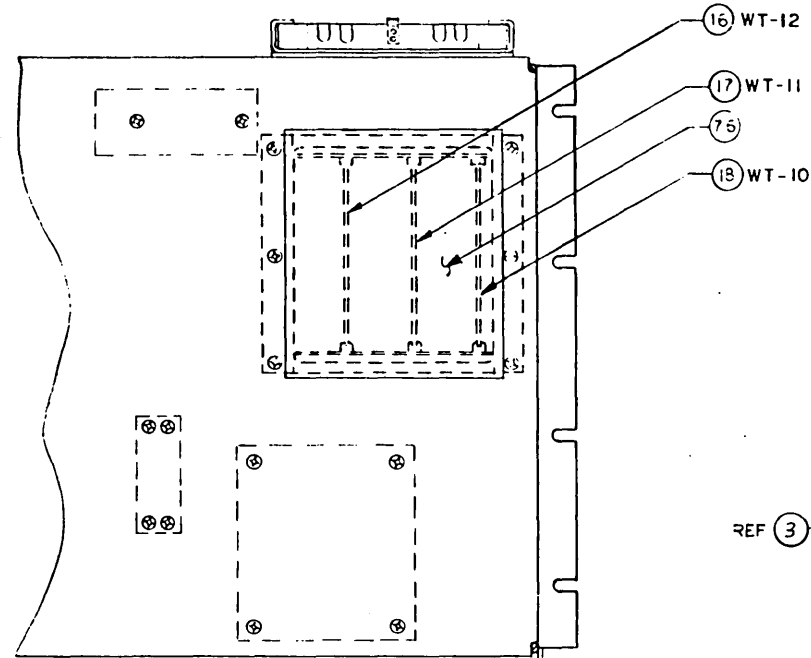
- NOTES: UNLESS OTHERWISE SPECIFIED
- IDENTIFY ASSY PER XDS SPEC 100198.
 - REFERENCE DRAWINGS:
LIST, WIRE 123282
SCHEMATIC, 123281
INSTALLATION DWG 123310
TEST PROCEDURE SPEC 123283
 - FOR MATERIAL LIST SEE SHEETS 3 & 4.
 - MARK CHARACTERS .12 HIGH COLOR: BLACK, PER XDS SPEC 101624. LOCATE APPROXIMATELY AS SHOWN.
 - FOR IDENTIFICATION AND SERIALIZATION: MARK CHARACTERS .12 HIGH COLOR BLACK, PER XDS SPEC 101624 APPROX. AS SHOWN.
 - TRANSFORMER (ITEM 48) MUST BE MOUNTED LOOSELY. CARE MUST BE TAKEN DURING ASSY NOT TO CRUSH CORE.
 - INSTALL FILTERS WITH THE SCREEN SIDE FACING THE FANS.
 - APPLY THIN LAYER OF SILICONE GREASE (DOW CORNING #3 COMPOUND OR EQUIV.) BETWEEN ALL RESISTORS AND MOUNTING SURFACES.
 - FOR INSTALLATION OF ITEM 75 REFER TO INSTALLATION DWGS. 123310 & 139273.



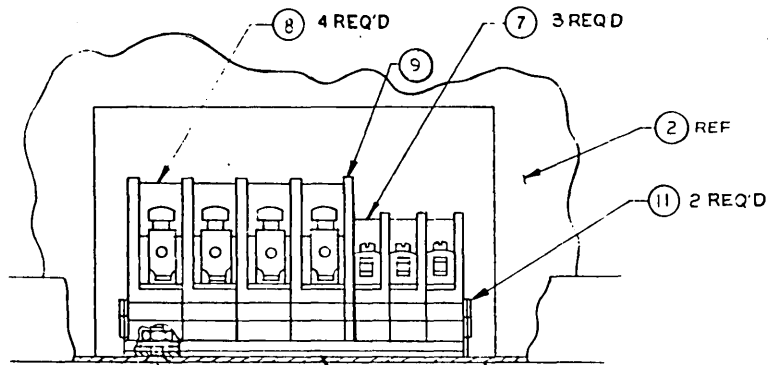
| REVISIONS | | 117263 W |
|-----------|------|--|
| LAL | REV. | DESCRIPTION |
| | A | ENGRG RELEASE |
| X | B | REVISED & REDRAWN MFG RELEASE |
| | C | SEE REV. E.O. |
| | D | SEE REV. E.O. |
| | E | SEE REV. E.O. |
| | F | SEE REV. E.O. |
| | G | SEE REV. E.O. |
| | H | SEE REV. E.O. |
| | J | SEE REV. E.O. M/L ITEM # 30, DWG NO. 100012-634 WAS 100012-642, ITEM # 47, DWG NO. 123282 E WAS 123282, ITEM # 49, DWG NO. 132488-001 WAS 132488, ITEM # 72, NO REQD 13 WAS 9 |
| | K | SEE REV. E.O. M/L ITEM 69 DWG NO. WAS 132570-001 ITEMS 71, 78, 79 ADDED. |
| X | L | SEE REV. E.O. SHT. 1, ADDED NOTE (10) SHT. 2, ADDED CALLOUT (76) M/L ITEM 69, NO REV. WAS. 12 ADDED ITEMS 76 & 77 TO M/L 4 F.D. ITEM 47 WAS: DWG NO. 123282C, ADDED REV. LTR TO ITEM 44. |
| | M | SEE DCR 29993 ADDED REV. 'D' TO ITEM 44 DWG. 123281. M/L |
| | N | SEE DCR 31549-M/L ADDED ITEM 43 |
| | P | SEE REV. E.O. 123283C. ADDED REV. LTR TO ITEM 46 ON M/L. |
| | R | SEE REV. E.O. M/L: ITEM 22 WAS 10012-204, ITEM 25 WAS WASHER, LO. K, INT. TOOTH, 100024-217; ADDED T7 INCORPORATE IN F.D. |
| | S | SEE REV. E.O. SHEET NUMBER ONE, RELOCATED VIEW D-D, ADDED FAN HEAD SCREWS; ADDED FAN HEAD SCRS, SHT. VIEW D-D; M/L ITEM 27 WAS: SCR, FLAT HD, PIN 100033-312, QTY 6 |
| | T | SEE REV. E.O. M/L: ITEM 32 WAS PIN 100039-403. DELETED ITEM 70 AND LOCATING DIMS. REINSTATED ITEM 63, ADDED VIEW G-G & DETAIL 'H' TO SHOW RELOCATION OF ITEM 63. INCORP MCA501/600. REMD REV LTR FROM ITEM 44 & 45 |
| | U | SEE REV. E.O. S-1 ZONE 1A, 2A & 3A S-2 VIEW C-C ROTATED ITEM 65 180° |
| | V | SEE REV. E.O. |
| | W | REVISED & REISSUED |

| NO. REQ. | DRAWING NO. | DESCRIPTION | REFERENCE DESIGNATION | ITEM NO. |
|--|-------------|------------------------------------|-----------------------|----------|
| MATERIAL LIST | | | | |
| NOTES UNLESS SPECIFIED | | | | |
| 1. TOLERANCES UNLESS OTHERWISE SPECIFIED | | | | |
| 2. BREAK ALL SHARP EDGES .5/16 APPROX. | | | | |
| 3. HATCH SURFACES | | | | |
| 4. ALL DIM. IN INCHES | | | | |
| DRAWN: 2/8/66 | | CHECK: 8/7/66 | | |
| APPR.: | | TITLE: ASSY, INVERTER POWER SUPPLY | | |
| MODEL NO. PT15 | REV. D | DWG. NO. 117263 | SHEET 1 OF 6 | |
| NEXT ASSY. FIRST USE | SCALE 1/2 | | DO NOT SCALE DRAWING | |

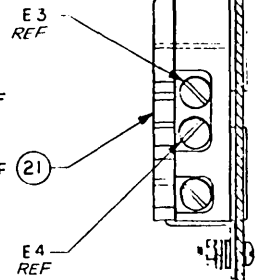
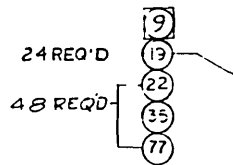
| REVISIONS | | | |
|-----------|---------------|-----|------|
| REV. | DESCRIPTION | CHK | DATE |
| | SEE SHEET ONE | | |



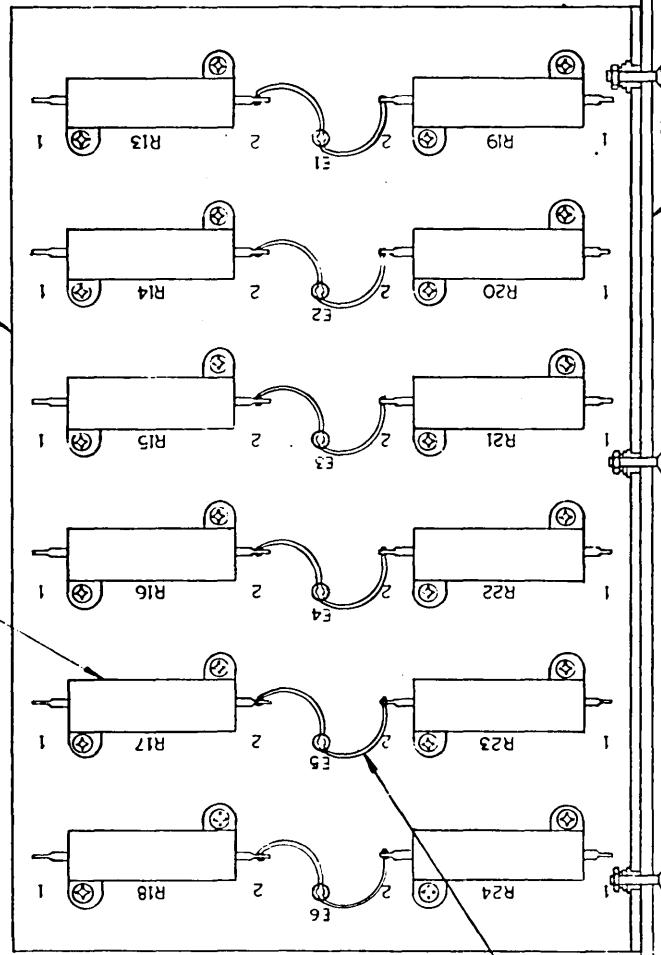
VIEW C-C
SCALE 1/2



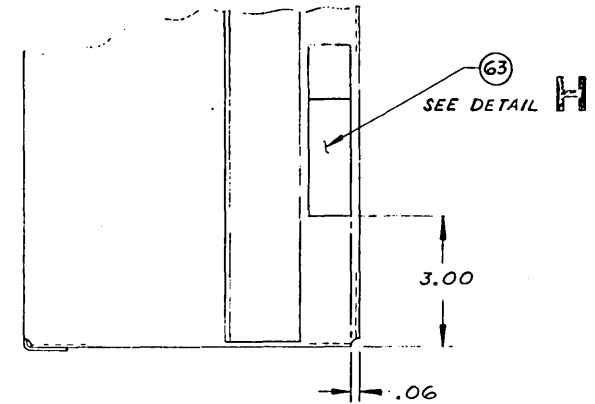
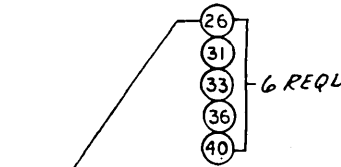
VIEW A-A
SCALE: NONE



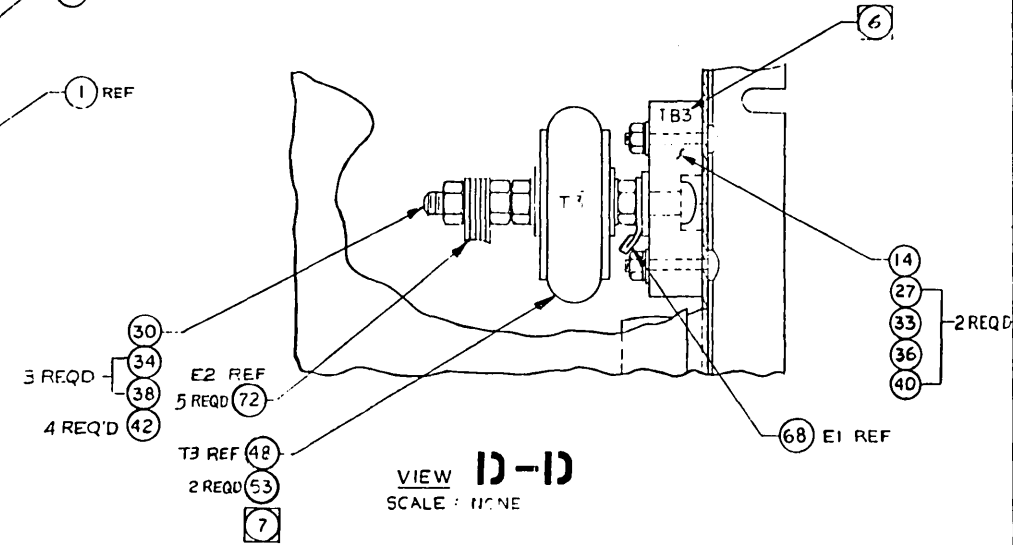
SECTION E-E
TYPICAL FOR J5 & J6



VIEW B-B
SCALE 1:1
TYPICAL WIRING FOR
RESISTOR PLATES



VIEW G-G
SCALE: NONE



VIEW D-D
SCALE: NONE

XDIS ASSY, INVERTER
POWER SUPPLY
DWG NO 117263
MODEL NO PT 15

DETAIL H
SCALE: FULL

| NO. REQ. | DRAWING NO. | DESCRIPTION | REFERENCE DESIGNATION | ITEM NO. |
|--|-------------|---------------|-----------------------|--------------------------------|
| NOTES UNLESS SPECIFIED | | | | |
| 1. TOLERANCES XX ± .004 XXX ± .015 | | DRAWN 2/18/66 | | |
| 2. BREAK ALL SHARP EDGES 3/16 APPROX. | | CHECK | | |
| 3. MACH. SURFACES | | APPR. | | TITLE |
| 4. ALL DIM. IN INCHES | | | | ASSY, INVERTER POWER SUPPLY |
| MODEL NO. PT 15 | | | SIZE D | DWG. NO. 117263 |
| NEXT ASSY. FIRST USE | | | | CHAR. LETTER W |
| SCALE | | | DO NOT SCALE DRAWING | SHEET 2 OF 6 |

117263 W

XDS 902306
MATERIAL LIST

ML

DRAWING NO.

REV.

117263

W

DRAWING TITLE ASSY, INVERTER PWR SUPPLY MODEL NO. PT-15 DATE 2/11/66 SHEET 3 OF 6

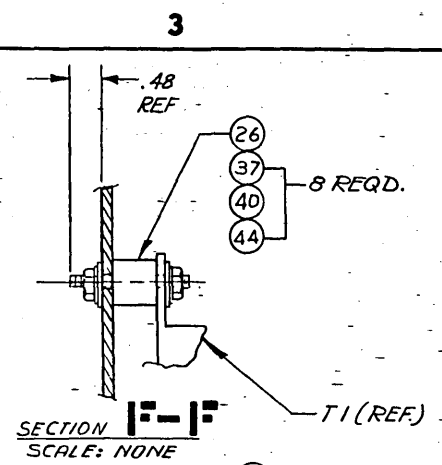
DRAWING

117263

ML

| ITEM NO. | DRAWING TITLE | DWG. NO. | NO. REQ. | REMARKS |
|----------|------------------------------------|------------|----------|---------|
| 1 | Chassis, Pwr Supply | 123697 | 1 | |
| 2 | Cover, Chassis, Pwr Supply | 135511 | 1 | |
| 3 | Plate, Resistor Mtg | 123705 | 1 | |
| 4 | Assy, Heatsink | 123695 | 1 | |
| 5 | Assy, Transformer | 135676 | 1 | T2 |
| 6 | Assy, Module Holder | 123326 | 1 | |
| 7 | Block, Terminal (22-14 AWG) | 109432-009 | 9 | |
| 8 | Block, Terminal (12-4 AWG) | 109432-007 | 4 | |
| 9 | Plate, End | 109432-008 | 1 | |
| 10 | Channel, Mounting | 109432-006 | 2 | |
| 11 | Clip, Retaining | 109432-005 | 4 | |
| 12 | Mount, Shear | 117026-002 | 4 | |
| 13 | | | | |
| 14 | Block, Insulating | 131934 | 1 | TB3 |
| 15 | Jumper, Terminal Block | 129462 | 2 | |
| 16 | Assy, PW, OV-OC | 127664 | 1 | WT-12 |
| 17 | Assy, PW, Control | 127662 | 1 | WT-11 |
| 18 | Assy, PW, Oscillator | 127660 | 1 | WT-10 |
| 19 | Resistor, 50W, Wirewound | 101517-136 | 24 | R1-R24 |
| 20 | Capacitor, Oil/Paper | 132364 | 1 | C1 |
| 21 | Receptacle, Duplex output (Female) | 127677 | 2 | J5-J6 |
| 22 | Screw, Pan Head | 100012-206 | 48 | |
| 23 | Screw, Pan Head | 100012-304 | 6 | |
| 24 | Screw, Pan Head | 100012-604 | 4 | |
| 25 | Screw, Flat Head | 100039-306 | 4 | |
| 26 | Screw, Flat Head | 100039-308 | 8 | |
| 27 | Screw, Pan Head | 100012-312 | 2 | |

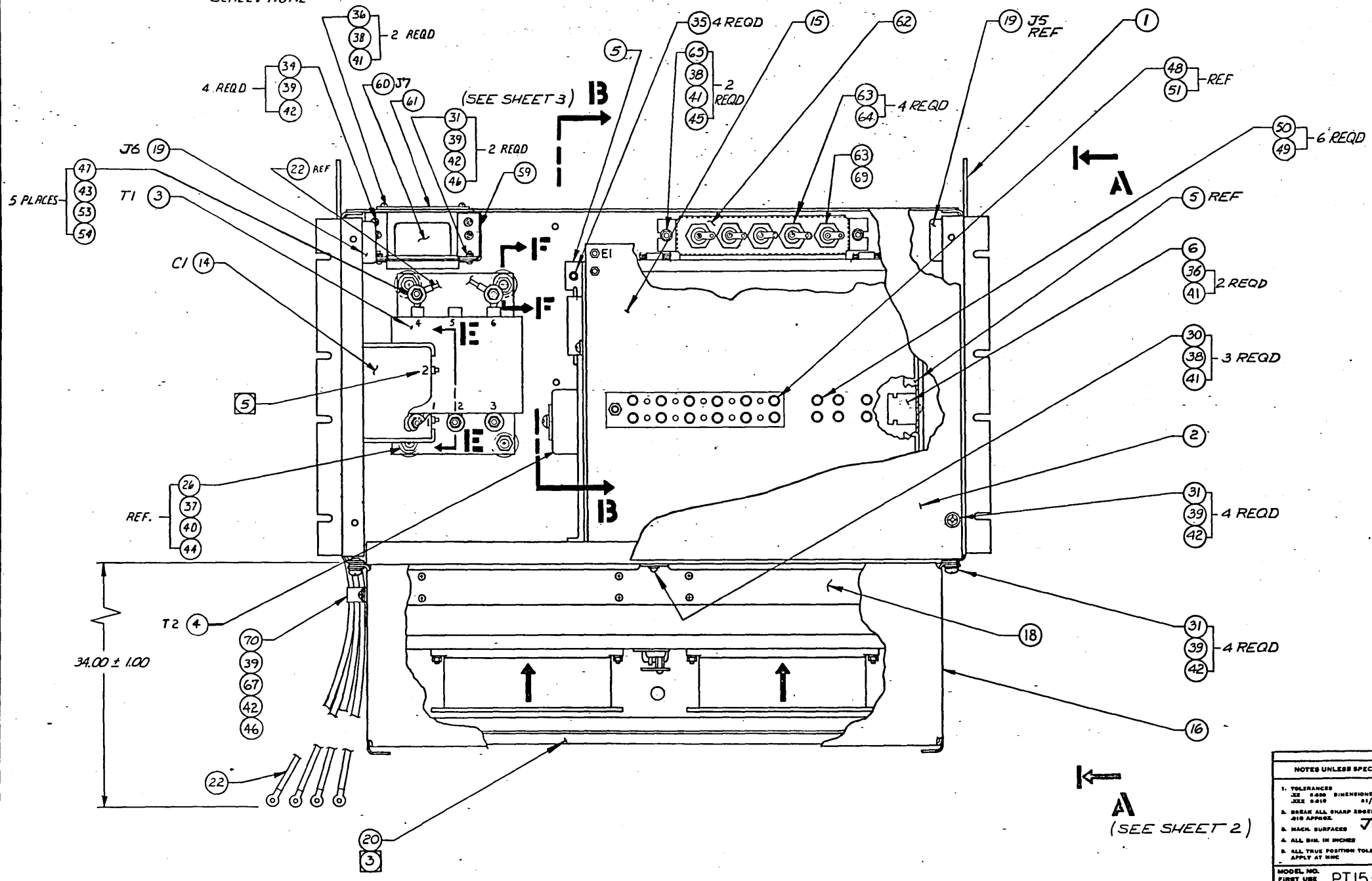
| REV. | W | XDS | | XDS 902306 MATERIAL LIST | | ML | DRAWING NO. | REV. |
|-------------|---------------------------|---------------------------|--|-----------------------------|----------|-----------------|-------------|------|
| | | | | | | | 117263 | W |
| DRAWING NO. | | DRAWING TITLE | | MODEL NO. | | DATE | | |
| 117263 | | ASSY, INVERTER PWR SUPPLY | | PT-15 | | 2/11/66 SHEET 4 | | |
| ITEM NO. | DRAWING TITLE | | | DWG. NO. | NO. REQ. | REMARKS | | |
| 28 | Screw, Flat Head | | | 100039-307 | 8 | | | |
| 29 | Screw, Flat Head | | | 100039-305 | 6 | | | |
| 30 | Screw, Pan Head | | | 100012-636 | 1 | | | |
| 31 | Washer, Shoulder, Fibre | | | 108872-011 | 6 | | | |
| 32 | Screw, Flat Head | | | 100039-404 | 8 | | | |
| 33 | Washer, Flat | | | 100018-300 | 24 | | | |
| 34 | Washer, Flat | | | 100018-600 | 3 | | | |
| 35 | Washer, Lock, Split | | | 100023-200 | 48 | | | |
| 36 | Washer, Lock, Int Tooth | | | 100024-300 | 26 | | | |
| 37 | Washer, Lock, Int Tooth | | | 100024-600 | 8 | | | |
| 38 | Washer, Lock, Int Tooth | | | 100024-600 | 3 | | | |
| 39 | Washer, Flat | | | 100018-600 | 4 | | | |
| 40 | Nut, Hex Machine | | | 100008-300 | 18 | | | |
| 41 | Nut, Hex Machine | | | 100008-600 | 4 | | | |
| 42 | Nut, Hex Machine | | | 100008-600 | 4 | | | |
| 43 | Procedure, Test | | | 130318F | Ref | | | |
| 44 | Schematic | | | 123281D | * | Ref | | |
| 45 | Installation Dwg | | | 123310 | * | Ref | | |
| 46 | Test Spec | | | 123283C | * | Ref | | |
| 47 | List, Wire | | | 123282F | * | Ref | | |
| 48 | Assy, Transformer Current | | | 135677 | 1 | T3 | | |
| 49 | Bracket, Capacitor Mtg | | | 132488-001 | 2 | | | |
| 50 | Insulator, Resistor Plate | | | 132381 | 1 | | | |
| 51 | | | | | | | | |
| 52 | Cable, Braided | | | 108497-001 | * | As req'd | | |
| 53 | Disc, Transformer Mtg | | | 123325-002 | 2 | | | |
| 54 | Wire, Solid, Bare | | | 100042-016 | * | As req'd | | |



- 7 BOND IN PLACE USING SUITABLE ENGRG. APPROVED ADHESIVE.
- 8 LOCATION OF PIN HO - ALL MODULES.

- NOTES: UNLESS OTHERWISE SPECIFIED
- 1 FOR IDENTIFICATION & SERIALIZATION MARK CHARACTERS .12 HIGH, COLOR, BLACK PER XDS SPEC. 101624, APPROX. AS SHOWN.
 - 2 MOUNT MARKER STRIP (ITEM 21) ON CHASSIS (ITEM 1) APPROX. AS SHOWN.
 - 3 INSTALL FILTER (ITEM 20) WITH SCREEN SIDE FACING THE FANS.
 - 4 FOR MATERIAL LIST SEE SHEETS 3, 4 & 5.
 - 5 MARK CHARACTERS .12 HIGH, COLOR, BLACK, PER XDS SPEC. 101624, APPROX. AS SHOWN.
 - 6 APPLY THIN LAYER OF SILICONE GREASE (DOW CORNING #3 COMPOUND OR EQUIV) BETWEEN RESISTORS AND MTG SURFACES.

| LAL | | REVISIONS | | 148804 | |
|------|---|-----------|----------|----------|--|
| REV. | DESCRIPTION | CHK | DATE | APPROVED | |
| A | ENGRG RELEASE | EB | 1/20/69 | EF | |
| X B | ROTATED BLOWER ASSY (ITEM 16) 180° ON VERTICAL AXIS MOVED T1, CI & T2 TO NEW LOCATION SHOWN. ADDED R5, R6 & ASSOCIATED HARDWARE. ITEM 22 WAS 132030; ITEM 26 WAS 107018; ITEM 12 WAS 153102. ADDED ITEMS 26, 55, 57, 58; NOTE 6 VIEW 'C-C' & SECTION 'F-F'. MODIFIED DETAIL 'D'. MFG. RELEASE NO E.O. | EB | 3/10/69 | EF | |
| X C | SEE REV E.O.; REVISED & REDRAWN. | EB | 3/30/69 | EF | |
| D | SEE REV E.O.; REVISED & REDRAWN. | EB | 1/10/70 | EF | |
| X E | SEE DCR No. 40429; SH. 4 ZONE 1A REVISED TH1 & TH2 | EB | 3/10/70 | EF | |
| X F | SEE REV E.O.; ADDED ITEMS 68 & 69 TO M/L. ITEMS 22 & 72 REV LTR "NEED E" | EB | 3/10/70 | EF | |
| G | SEE DCR 90879 ADDED NOTE 8 SHEET 2 ZONE 2B ADDED CALLOUTS WTT1, WTT2, WTT3, AT 67 & WTB3 REF. | EB | 3/10/70 | EF | |
| H | SEE REV. E.O.; M/L ITEM 16, DWG. NO. WAS 156421 | EB | 11/12/70 | EF | |
| J | SEE REV. E.O.; M/L ITEM 6 DWG. NO. WAS 152795-003; ITEM 35 WAS 6 REQ. ITEM 36 WAS 2 REQ. ITEM 41 WAS 2 REQ. SEE RESERVE E.O. | EB | 11/12/70 | EF | |
| K | SEE RESERVE E.O. | | | | |
| L | SEE DCR #90357; M/L & F/D. DELETED F1, F2, F3, F4 & F5 MARKINGS INCORPORATED RES. E.O. 148804 K | EB | 3/23/71 | EF | |
| X M | SEE REV E.O.; FMK # PT15/DIR | EB | 3/11/71 | EF | |



| NOTES UNLESS SPECIFIED | | DRAWN | DATE | SDS SCIENTIFIC DATA SYSTEMS | |
|--|-----------------------------|---------------------|---------|---|-----------------------------------|
| 1. TOLERANCES | SEE 2-88 DIMENSIONED ANGLES | <i>L. Klemm</i> | 1-10-69 | SANTA MONICA, CALIFORNIA | |
| 2. BREAK ALL SHARP EDGES | .010 APPROX. | <i>B. Jorgensen</i> | 1-20-69 | TITLE | |
| 3. MACH. SURFACES | ✓ | <i>B. Waller</i> | 2-28-65 | ASSY, POWER SUPPLY- INVERTER - DC/AC | |
| 4. ALL DIM. IN INCHES | | | | CODE IDENT. | SIZE |
| 5. ALL TRUE POSITION TOLERANCES APPLY AT MMC | | | | 18338 | D |
| MODEL NO. | PT15-B | FINISH | | DWG. NO. | 148804 |
| FIRST USE | | | | CHANGED LETTER | M |
| NEXT ASSY. FIRST USE | | | | SCALE 1/4" = 1" | DO NOT SCALE DRAWING SHEET 1 OF 7 |

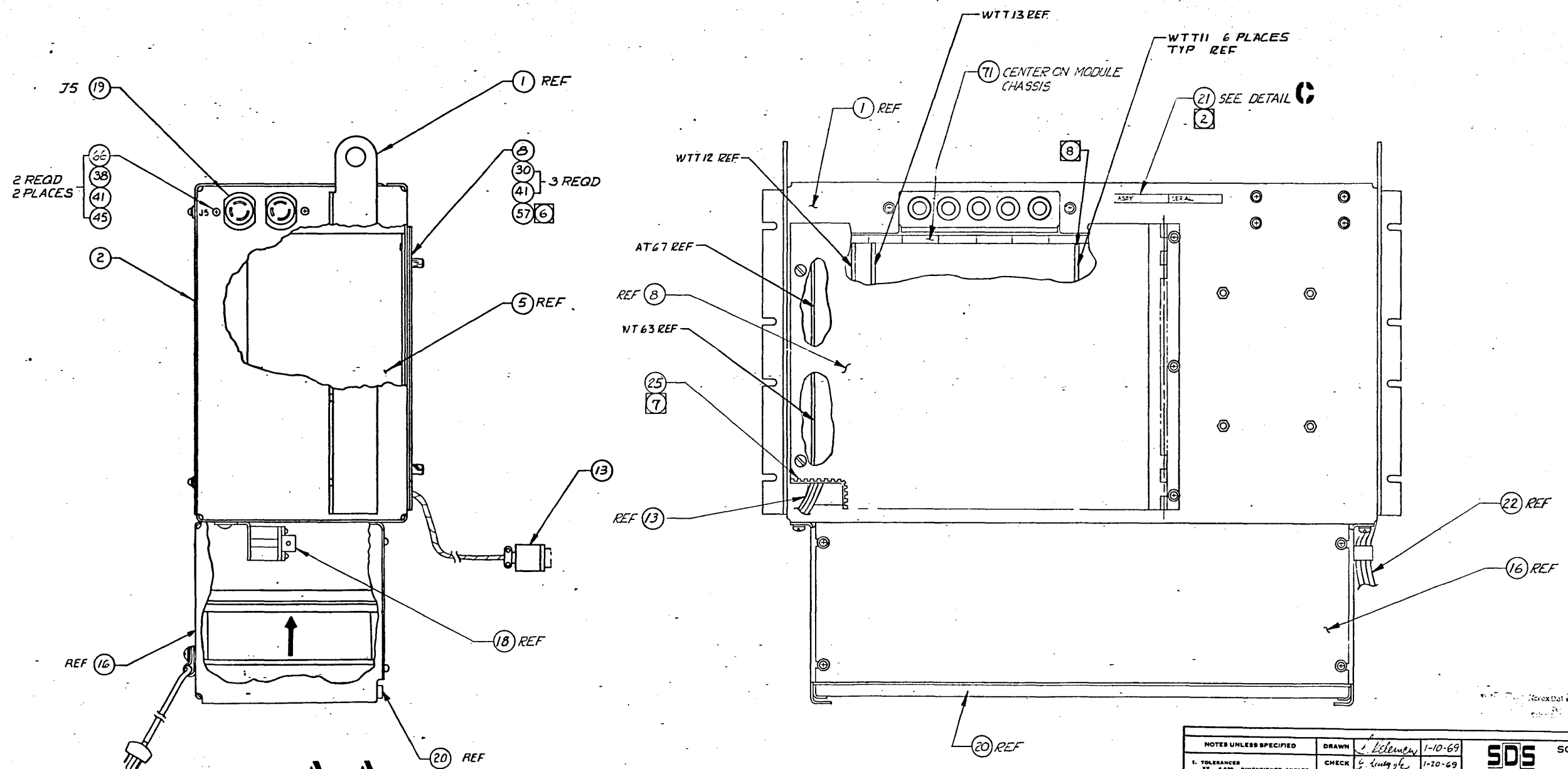
148804 M

A

| REVISIONS | | | |
|-----------|--------------|-----|------|
| REV. | DESCRIPTION | CHK | DATE |
| 1 | SEE SHEET 1. | | |

ASSY. 148804 PT 15-B SERIAL

DETAIL C
SCALE 1/1

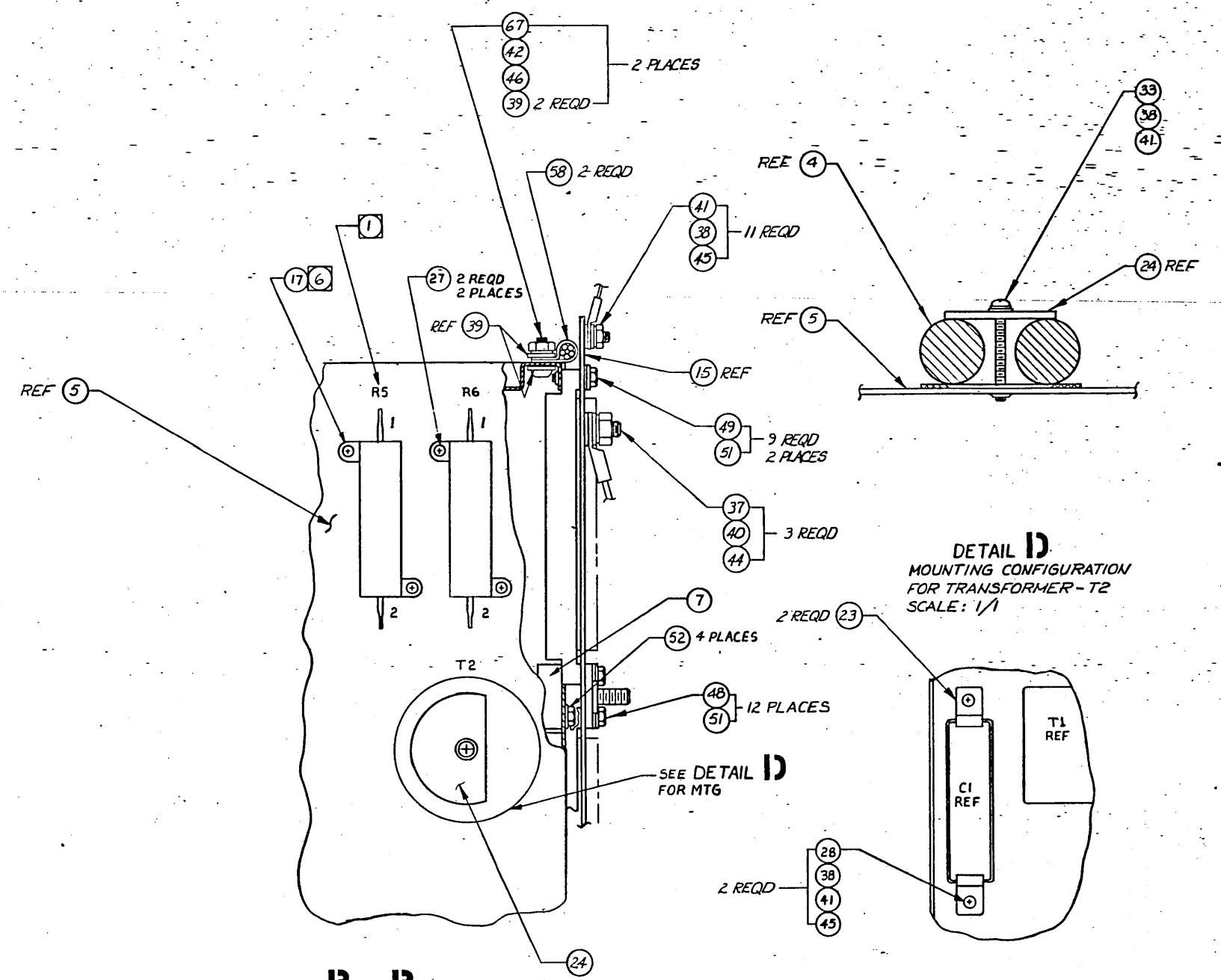


VIEW A-A
SEE SHEET 1.

| | | | | | |
|---|-------------------------|---------|----------------------|--|---|
| NOTES UNLESS SPECIFIED | | DRAWN | 1-10-69 | SDS SCIENTIFIC DATA SYSTEMS SANTA MONICA, CALIFORNIA | TITLE ASSY, POWER SUPPLY - INVERTER - DC/AC |
| 1. TOLERANCES UNLESS SPECIFIED | CHECK | 1-20-69 | | | |
| 2. 3X DIMENSIONED ANGLES 3X 90° | APPR. | 1-22-69 | | | |
| 3. BREAK ALL SHARP EDGES R10 APPROX. | MATERIAL | | | CODE IDENT. | SIZE |
| 4. MACH. SURFACES | FINISH | | | 18338 | D |
| 5. ALL DIM. IN INCHES | MODEL NO. | | PT 15-B | DWG. NO. | 148804 |
| 6. ALL TRUE POSITION TOLERANCES APPLY AT MMC | NEXT ASSY. FIRST USE | | | CHANGE LETTER | M |
| | SCALE | | DO NOT SCALE DRAWING | SHEET 2 OF 7 | |

148804 M

| REVISIONS | | | | 148804 | M |
|-----------|--------------|-----|------|----------|---|
| REV. | DESCRIPTION | CRK | DATE | APPROVED | |
| | SEE SHEET 1. | | | | |



VIEW B-B
SEE SHEET 1.
SCALE: 1/1

VIEW E-E
SEE SHT 1
SCALE: 1/1

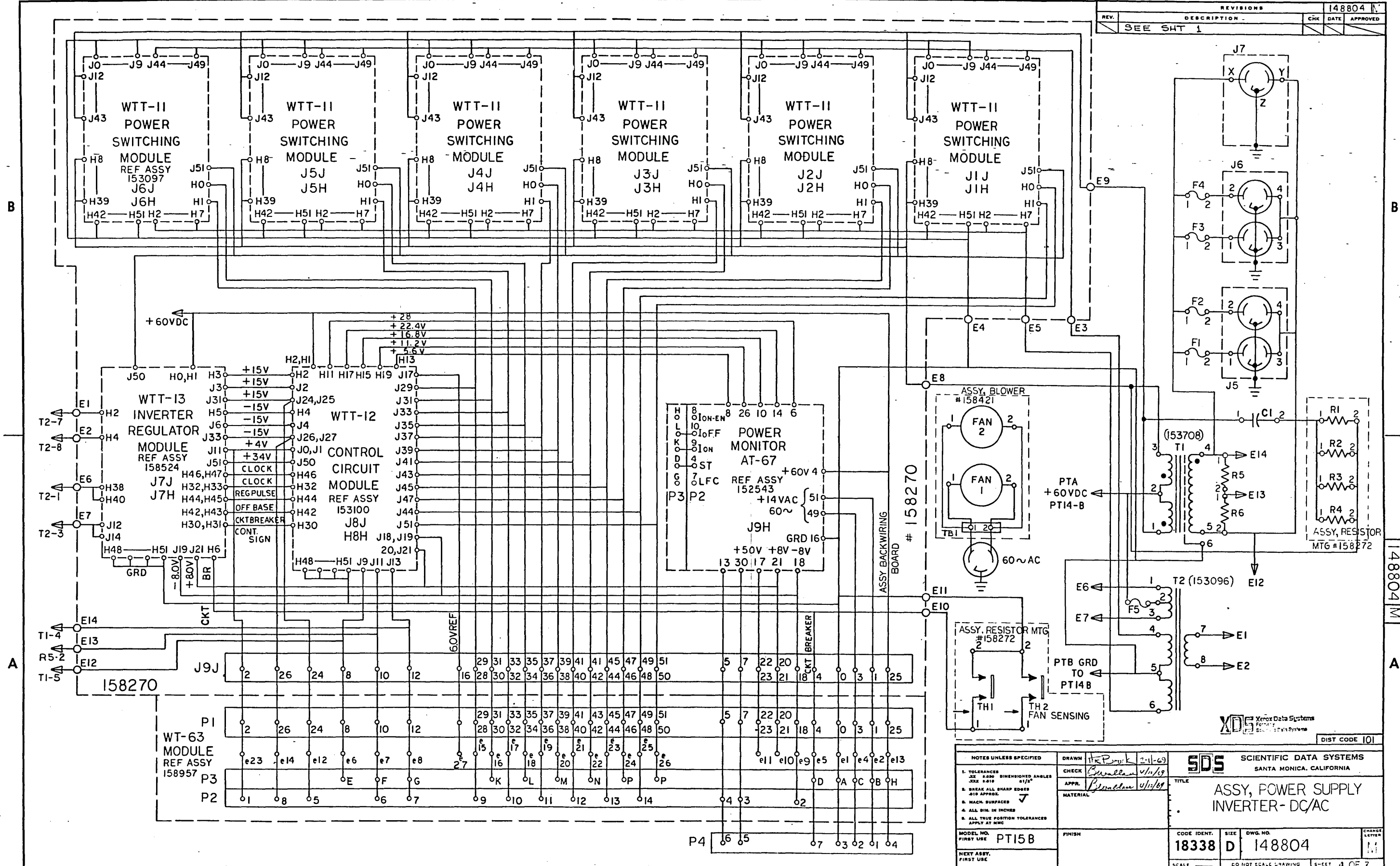
| | | | | | | |
|--|---------|---------------------------------|--|----------------------|--------------|---------------|
| NOTES UNLESS SPECIFIED | | DRAWN <i>J. Klemm</i> 1-10-69 | SDS SCIENTIFIC DATA SYSTEMS SANTA MONICA, CALIFORNIA | | | |
| 1. TOLERANCES XX .000 DIMENSIONED ANGLES XX .010 | | CHECK <i>E. Hunsler</i> 1-20-69 | TITLE ASSY, POWER SUPPLY- INVERTER - DC/AC | | | |
| 2. BREAK ALL SHARP EDGES 3/16 APPROX. | | APPR. <i>J. Wallace</i> 1-22-69 | | | | |
| 3. HATCH SURFACES | | MATERIAL | CODE IDENT. | SIZE | DWG. NO. | CHANGE LETTER |
| 4. ALL DIM. IN INCHES | | FINISH | 18338 | D | 148804 | M |
| 5. ALL TRUE POSITION TOLERANCES APPLY AT MMC | | | SCALE | DO NOT SCALE DRAWING | SHEET 3 OF 7 | |
| MODEL NO. FIRST USE | PT 15-B | | | | | |
| NEXT ASSY. FIRST USE | | | | | | |

3

2

1

| REVISIONS | | | 148804 |
|-----------|-------------|-----|--------|
| REV. | DESCRIPTION | CHK | DATE |
| SEE SHT 1 | | | |



| | | | | | |
|--|--|----------------------|------|--|---|
| NOTES UNLESS SPECIFIED | | DRAWN | DATE | SDS SCIENTIFIC DATA SYSTEMS SANTA MONICA, CALIFORNIA | TITLE ASSY, POWER SUPPLY INVERTER-DC/AC |
| 1. TOLERANCES UNLESS SPECIFIED 2. DIMENSIONS DIMENSIONED ANGLES 3. BREAK ALL SHARP EDGES 4. MACH. SURFACES 5. ALL DIM. IN INCHES 6. ALL TRUE POSITION TOLERANCES APPLY AT MMC | | CHECK | DATE | | |
| MODEL NO. FIRST USE PT15B | | APPR. | DATE | CODE IDENT. 18338 | SIZE D |
| NEXT ASSY. FIRST USE | | MATERIAL | | DWG. NO. 148804 | CHANGE LETTER 1 |
| SCALE | | DO NOT SCALE DRAWING | | SHEET 4 OF 7 | |

3

2

1

148804 M

A

DRAWING TITLE **ASSY., POWER SUPPLY - INVERTER - DC/AC** MODEL NO. **PT15-B** DATE **1-14-69** SHEET **5** OF **7**

| ITEM NO. | DRAWING TITLE | DWG. NO. | NO. REQ. | REMARKS |
|---------------|--|-----------------------|--------------|---------|
| 1 | Chassis, Power Supply | 153104 | 1 | |
| 2 | Cover, Chassis | 153106 | 1 | |
| 3 | Assy, Transformer, Pwr. | 153708 | 1 | T1 |
| 4 | Assy., Transformer-Base Drive | 153096 | 1 | T2 |
| 5 | Chassis, Module | 158273 | 1 | |
| 6 | Guide, Module | 152795-004 | 1 | |
| 7 | Stiffener, Chassis | 158463 | 1 | |
| 8 | Door Hinged Module Access | 158274 | 1 | |
| 9 | Assy., P.W. Power Switch | 153097 | 6 | WTT-11 |
| 10 | Assy., P.W. Control Circuit | 153100 | 1 | WTT-12 |
| 11 | Assy., P.W. Convert. Regulator | 158524 | 1 | WTT-13 |
| 12 | Assy., P.W. Power Monitor | 152543 | 1 | AT-67 |
| 13 | Assy., Cable, Interface | 158652 | 1 | |
| 14 | Capacitor, Oil/Paper, 2 μ f, 130V Peak | 132364 | 1 | C1 |
| 15 | Assy., Back Wiring Board | 158270 | 1 | |
| 16 | Assy., Blower | 159426 | 1 | |
| 17 | Resistor 300 Ω , 50 W, 1% | 101517-062 | 2 | R5, R6 |
| 18 | Assy., Resistor Mtg. | 158272 | 1 | |
| 19 | Receptacle, Female, Duplex | 127677 | 2 | J5, J6 |
| 20 | Filter, Air | 158348 | 1 | |
| 21 | Strip, Marker | 135171 | 1 | |
| 22 | Assy, Harness Inverter, Power Supply | 153094-002 | 1 | |
| 23 | Bracket, Hook, Capacitor, Mtg. | 132488-001 | 2 | |
| 24 | Disc, Transformer Mtg. | 123325-001 | 1 | |
| 25 | Grommet, Nylon | 100840-002 | A/R | |
| 26 | Mount, Shock | 117026-004 | 4 | |
| 27 | Screw, Thread Forming | 148832-304 | 4 | |
| 28 | Screw, Pan Head, Recessed, Phillips | 100012-310 | 2 | |
| 29 | Screw, Pan Head, Recessed, Phillips | 100012-308 | 3 | |
| 30 | Screw, Pan Head, Recessed, Phillips | 100012-305 | 6 | |
| 31 | Screw, Pan Head, Recessed, Phillips | 100012-406 | 10 | |
| 32 | Assy, Harness, Wiring | 153703 | 1 | |

DRAWING TITLE ASSY., POWER SUPPLY - INVERTER - DC/AC
 MODEL NO. PT15-B
 DATE 1-14-69 SHEET 6 of 7

| DRAWING NO. | ITEM NO. | DRAWING TITLE | DWG. NO. | NO. REQ. | REMARKS |
|-------------|---------------|---|-------------------|--------------|--------------|
| 148804 | 33 | Screw, Pan Head, Recessed, Phillips | 100012-324 | 1 | |
| | 34 | Screw, Pan Head, Recessed, Phillips | 100012-405 | 4 | |
| ML | 35 | Screw, Flat Head, Phillips, 100° | 100039-304 | 4 | |
| | 36 | Screw, Pan Head, Recessed Phillips | 100012-304 | 4 | |
| | 37 | Washer, Flat | 100018-600 | 11 | |
| | 38 | Washer, Flat | 100018-300 | 25 | |
| | 39 | Washer, Flat | 100018-400 | 19 | |
| | 40 | Washer, Lock, Int. Tooth | 100024-600 | 11 | |
| | 41 | Washer, Lock, Int. Tooth | 100024-300 | 30 | |
| | 42 | Washer, Lock, Int. Tooth | 100024-400 | 17 | |
| | 43 | Nut, Hex, Machine | 100008-500 | 5 | |
| | 44 | Nut, Hex Machine | 100008-600 | 11 | |
| | 45 | Nut, Hex Machine | 100008-300 | 19 | |
| | 46 | Nut, Hex Machine | 100008-400 | 5 | |
| | 47 | Screw, Cap, Hex Hd. | 101441-003 | 5 | |
| | 48 | Bushing, Insulating | 158814 | 12 | |
| | 49 | Washer, Flat, Nylon | 100204-200 | 24 | |
| | 50 | Screw, Thread Forming | 148832-510 | 24 | |
| | 51 | Screw, Thread Forming | 148832-514 | 12 | |
| | 52 | Screw, Thread Forming | 148832-508 | 4 | |
| | 53 | Washer, Lock, Int. Tooth | 100024-500 | 5 | |
| | 54 | Washer, Flat | 100018-500 | 5 | |
| | 55 | Assy, PW, 5V Regulator | 158957 | 1 | WT-63 |
| | 56 | | | | |
| | 57 | Label, Instruction | 153649 | 1 | 6 |
| | 58 | Clamp, Cable | 100657-003 | 2 | |
| | 59 | Bracket, Receptacle - Mounting | 156012 | 1 | |
| | 60 | Plug, Female 3 Contact, 50 AMP, 600V, AC | 154820 | 1 | J7 |
| | 61 | Cover, Receptacle | 156013 | 1 | |
| | 62 | Bracket, Fuse Mtg | 156523 | 1 | |
| | 63 | Fuseholder, Lamp Indicating - Panel Mount | 154819 | 5 | |
| | 64 | Fuse, 250V Ceramic Case, 15 Amps. | 131252-003 | 4 | |

XDS 902306

| REVISIONS | | | | |
|-----------|------|-------------|-----|------|
| LAL | REV. | DESCRIPTION | CHK | DATE |
| | | SEE SHEET 1 | | |

- 21. ALL CABLE CONNECTOR MODULES ARE TO ACCOMMODATE:
 - A. EITHER TWO CABLE CONNECTORS, ONE ETCHED AND ONE ON COMPONENT SIDE OF THE MODULE, WHEN CONTINUING A CABLE CHAIN.
 - B. OR ONE CABLE CONNECTOR AND ONE TERMINATOR CONNECTOR, T, T1, OR B, WHEN ENDING A CABLE CHAIN.
- 22. FOR CHASSIS LOCATIONS SEE CUSTOMER INSTALLATION INSTRUCTIONS.
- 23. EACH PRIORITY INTERRUPT CHASSIS CAN SEND AND RECEIVE ONLY ONE CABLE FOR SEQUENCING THE LEVELS OF PRIORITY INTERRUPTS.
- 24.
- 25. CLOCKING - CLOCK CABLE FROM THE CPU PLUGS INTO POSITION 30A OF REU NO. 1 COAXIAL (PART NO. 128147-372) AND ADDITIONAL CPU WIRING FOR REU'S ARE AS FOLLOWS:

| FOR | ADD WIRE IN SIGMA 5, CPU | FROM | | TO | |
|---------|--------------------------|--------------|--------|--------------|--------|
| | | COAX | SHIELD | COAX | SHIELD |
| REU # 1 | | 30A04 REU #1 | 30A02 | 12A13 REU #1 | 12A16 |
| 2 | 29S25-28T03 | 30A06 REU #1 | 30A05 | 12A13 REU #2 | 12A16 |
| 3 | 29S27-28T07 | 30A08 REU #1 | 30A09 | 12A13 REU #3 | 12A16 |

- 26. WITH THE EXCEPTION OF POWER MONITOR CABLE CHAIN THE TOTAL CABLE LENGTH BETWEEN THE CPU AND ITS FURTHEST MEMORY MUST NOT EXCEED 40 FT.
- 27. CABLE LENGTH SKEW FOR INTERCONNECTING CABLES BETWEEN MEMORY AND CPU OR IOP SHALL NOT EXCEED 2 FEET.
- 28. ROUTE AND HARNESS CABLES AS REQUIRED USING XDS CABLE STRAP 124712.
- 29. LOWER TWO CABINETS ARE MINIMUM SIGMA 5 SYSTEM CABINET REQUIREMENTS. CABINETS & FRAMES SHOWN BY BROKEN LINES ARE OPTIONAL.
- 30. POWER MONITOR & STATUS CABLE MUST CONNECT TO ALL POWER DISTRIBUTION PANELS IN ACCESSORY, CPU AND DEVICE CONTROLLER CABINETS. SYSTEM CONFIGURATION WILL DETERMINE CABLE CHAIN SEQUENCE AND CABLE LENGTH. (SEE SYSTEM ASSEMBLY DRAWING).
- 31. THE MAXIMUM PERMISSIBLE CABLE LENGTH FROM THE CPU TO THE FIRST IOP (HIGHEST PRIORITY) IS 20 FEET. THE MAXIMUM PERMISSIBLE CABLE LENGTH TO INTERCONNECT ALL IOP'S AND THE CPU SHOULD BE LESS THAN 64 FEET.
- 32. SEE INTEGRATION DRAWING, MEMORY SUBSYSTEM- 139594 FOR MEMORY CABLE INTERCONNECTIONS.
- 33. SEE INTEGRATION DRAWING, I/O INTERFACE SUBSYSTEM - 137113 FOR IOP CABLE INTERCONNECTIONS.
- 34. S1OP TO MEMORY INTERFACE CABLE LENGTH SHALL NOT EXCEED 40 FT. (25 FT. WHEN USED WITH HIGH SPEED 3 MEG-BYTE RAD.)
- 35. TWO S1OP'S CANNOT SHARE THE SAME MEMORY PORT WHEN USED WITH A HIGH SPEED 3 MEG-BYTE RAD.
- 36. UNITS SHALL BE PHYSICALLY LOCATED AS SHOWN ON SHEET 5 (SIGMA 5 DEDICATED LOCATIONS). DEVIATIONS FROM THE "DEDICATED" LOCATIONS SHALL BE AVOIDED.
- 37. A CABLE FROM 05F TO 07F IS NOT REQUIRED IF THE INTERNAL IOP IS THE ONLY IOP.
- 38. WHEN AN EXTERNAL IOP IS USED, AN AT13 MODULE MUST BE INSTALLED IN 05F OF THE SIGMA 5 CPU (PIF).
- 39. TO BE USED FOR PURPOSE OF DUAL PROCESSOR CONFIGURATION ONLY.
- 40. THIS LOCATION IS RESERVED FOR IOP MAINTENANCE SUB-CONTROLLER.
- 41. THE MAINTENANCE SUB-CONTROLLER WHEN USED IN CONJUNCTION WITH M1OP ASSY. NO. 154560 OR S1OP ASSY. NO. 153126 WILL BE CABLED TO BE FIRST LOW PRIORITY DEVICE ON THE STRING. SEE I/O INTERFACE DRAWING NO. 137113.
- 42. AT11 MODULE IN LOCATION P1C 22R IS PART OF EXTERNAL INTERFACE UNIT ASSY 137608. THIS MODULE MUST NOT BE INSTALLED IF PRIORITY INTERRUPT CONTROL ASSY 117330 IS NOT INSTALLED.

NOTES, UNLESS OTHERWISE SPECIFIED

- 1. REFERENCE DRAWINGS:
 - 1.1 INSTALLATION DRAWING, CPU, SIGMA 5-135273
 - 1.2 INSTALLATION DRAWING, CABINET, SIDE PANEL - 131411
 - 1.3 INSTALLATION DRAWING, PCP DOOR ASSEMBLY
 - 1.4
 - 1.5 INSTALLATION DRAWING "7" HIGH FRAME ASSY - 131829
 - 1.6 INSTALLATION DRAWING "9" HIGH FRAME ASSY - 132353
 - 1.7 INSTALLATION DRAWING, CABINET BASIC - 131417
 - 1.8 INSTALLATION DRAWING, CABINET DOOR ASSY (HINGE LEFT) - 131414
 - 1.9 INSTALLATION DRAWING, CABINET DOOR ASSY (HINGE RIGHT) - 131420
- 2. SUBSYSTEM REFERENCE DRAWINGS:
 - 2.1 INTEGRATION DRAWING, SIGMA SYSTEM POWER INTERCONNECTIONS - 139273
 - 2.2 INTEGRATION DRAWING, MAGNETIC TAPE - 137114
 - 2.3 INTEGRATION DRAWING, SIGMA RAD - 137115
 - 2.4 INTEGRATION DRAWING, CFE-3 SUBSYSTEM - 147495.
 - 2.5 INTEGRATION DRAWING, COMMUNICATION SUBSYSTEM, SIGMA - 147494
 - 2.6 INSTALLATION DRAWING, PRIORITY INTERRUPT ASSY - 124469.
 - 2.7 INSTALLATION DRAWING, REU - 124816.
 - 2.8 INSTALLATION DRAWING, MAINTENANCE SUBCONTROLLER - 154686
 - 2.9 INSTALLATION DRAWING, M1OP (M.S. COMPATABLE) - 154993.
 - 2.10 INSTALLATION DRAWING, S1OP (M.S. COMPATABLE) - 155944
- 3. FOR MATING COAX CABLE ASSEMBLIES OF VARIOUS DESIGN LEVELS REFER TO SPECIFICATION, INTERCHANGE COAX CONN. 182841.
- 4.
- 5. USE AUX FRAME ASSY XDS PART NO. 136978 WHEN MOUNTING ELECTRONICS IN REAR FRAME POSITION.
- 6. WHERE CABLE LENGTH IS NOT SPECIFIED (-L), SYSTEM ASSEMBLY DRAWING WILL ASSIGN REQUIRED LENGTH.
- 7. MOUNT PCP DOOR ASSEMBLY ON CABINET D1.
- 8. INSTALL CABINET SIDE PANELS AT THE EXTREME ENDS OF SYSTEM CONFIGURATION.
- 9. ALL MAIN FRAME CABINETS MUST BE BOLTED TOGETHER FOR COMMON SYSTEM GROUND.
- 10. NUMBERS 1 THRU 9 WITHIN FRAMES DENOTE SYSTEM LEVEL CHASSIS POSITION. CABINET DESIGNATORS, FRAME AND CHASSIS POSITIONS ARE NECESSARY TO DESCRIBE THE LOCATION OF ANY HARDWARE WITHIN A GIVEN SYSTEM.
- 11. CHASSIS LETTER DESIGNATIONS SHOWN FOR DEDICATED ASSEMBLY LOCATIONS.
- 12. PORT EXPANDERS AND REU'S REQUIRE REAR ACCESS.
- 13. CORNER TURNING PERMITTED ON I/O CABINETS, PROVIDING PCP POSITIONING REQUIREMENTS IS FULFILLED. (SEE NOTE 17).
- 14.
- 15. ANY GIVEN SYSTEM MAY CONTAIN A MAXIMUM OF 14 EXTERNAL PRIORITY INTERRUPT CONTROL CHASSIS. FOR PHYSICAL LOCATIONS AND INTERCONNECTIONS OF PRIORITY INTERRUPT CHASSIS SEE THE SPECIFIC SYSTEM ASSEMBLY DRAWING. LEVELS OF PRIORITY TO BE ASSIGNED PER CUSTOMER REQUIREMENT.
- 16. PHYSICAL LOCATION OF ANY GIVEN PRIORITY INTERRUPT CHASSIS AND ITS LEVEL OF PRIORITY SHALL DETERMINE ROUTING AND LENGTH OF CABLE.
- 17. SYMBOL (→) DENOTES CABLE GOING TO NEXT LOWER PRIORITY INTERRUPT CHASSIS.
- 18. SYMBOL (←) DENOTES CABLE COMING FROM PREVIOUS HIGHER PRIORITY INTERRUPT CHASSIS.
- 19. FOR CONFIGURING PROCEDURE, POWER CALCULATIONS, AND SYSTEM SWITCH SETTINGS SEE: INSTRUCTIONS, INSTALLATION AND CONFIGURATION, SIGMA SYSTEMS - 147302.
- 20. ALL CABLES SHALL BE ROUTED IN THE FOLLOWING MANNER:
 - A) AT THE TOP OR BOTTOM OF EACH CABINET WHEN CABLING BETWEEN CABINETS
 - B) OR DIRECTLY WHEN CABLING BETWEEN FRAMES (ALLOWING FOR SERVICE LOOPS) OR WITHIN A FRAME.

137112 | G | A

| MATERIAL LIST | | | | DIST CODE 108 | |
|---|----------|------------|----------|--|--|
| NOTES UNLESS SPECIFIED | DRAWN | JULIAN | 3-21-67 | XDS Xerox Data Systems EL SEGUNDO, CALIFORNIA | |
| 1. TOLERANCES 3/16 .000 DIMENSIONED ANGLES 3/16 .010 | CHECK | BILL KLINE | 2-5-68 | TITLE SIGMA 5 SYSTEM INTEGRATION DRAWING | |
| 2. BREAK ALL SHARP EDGES 3/16 APPROX. | APPR. | DMS OLELLA | 10-10-67 | CODE IDENT. 18338 SIZE D DWG. NO. 137112 CHANGE LETTER G | |
| 3. HATCH SURFACES 4. ALL DIM. IN INCHES 5. ALL TRUE PORTION TOLERANCES APPLY AT MMC | MATERIAL | | | SCALE — DO NOT SCALE DRAWING SHEET 2 OF 9 | |
| MODEL NO. FIRST USE | SIGMA 5 | FINISH | | | |
| NEXT ASSY. FIRST USE | | | | | |

3

2

1

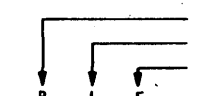
LEGEND, CON'T.

| CODE | DESCRIPTION/FUNCTION | OLD XDS PART NO. | CURRENT XDS PART NO. |
|------|---|--------------------------------|----------------------|
| EC-L | ETCHED TO COMPONENT SIDE TYPE CABLE | 127314-CHARTED | 153732-CHARTED |
| EE-L | ETCHED TO ETCHED SIDE TYPE CABLE | 129797-CHARTED | 153730-CHARTED |
| CC-L | COMPONENT TO COMPONENT SIDE TYPE CABLE | 129796-CHARTED | 153731-CHARTED |
| T | TERMINATOR | 127315 | 153728 |
| T1 | TERMINATOR, SPECIAL, DEV. CONT. PRIORITY CHAIN | 128047 | 153729 |
| B | BLANK TERMINATOR | 115832, OR 136529 | 182299 |
| E | CABLE CONNECTION MADE TO ETCH SIDE MODULE | USED ON CABLE ROUTING DIAGRAMS | |
| C | CABLE CONNECTION MADE TO COMPONENT SIDE OF MODULE | | |


 TERMINATE WITH APPLICABLE TERMINATOR IF CABLE CHAIN SHOULD END AT THIS POINT.

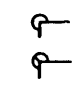
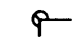
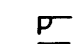


LEGEND

A. CABINET AND FRAME DESIGNATIONS


 CABINET FUNCTIONAL DESIGNATION
 CABINET NUMBER (FUNCTIONAL ORDER)
 FRAME LOCATION

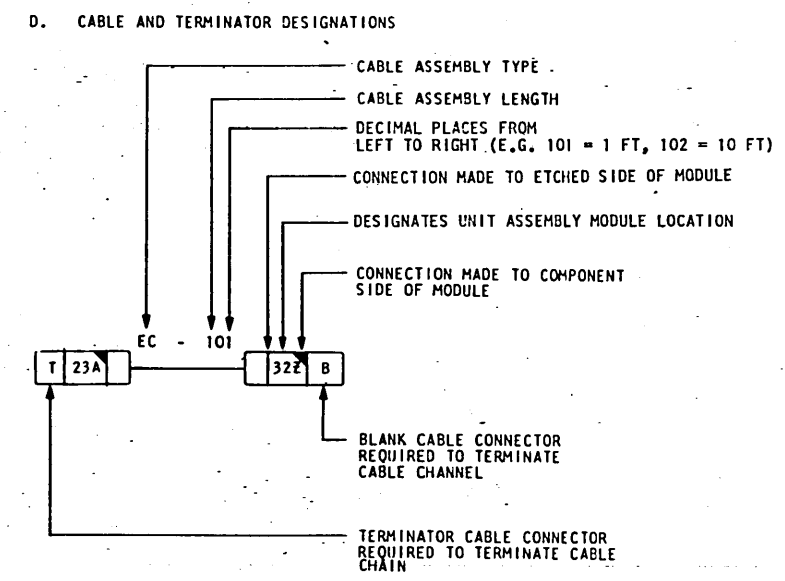
| CODE | CABINET | CODE | FRAME |
|------|--|------|--------|
| P | PROCESSOR | F | FRONT |
| M | MEMORY | C | CENTER |
| R | ACCESSORY TO THE RIGHT OF CPU | R | REAR |
| L | ACCESSORY TO THE LEFT OF MEMORY CABINETS | | |
| D | DEVICE CONTROLLER | | |

B. MODULE AND HINGE POSITION DESIGNATIONS


 DENOTES HINGE PIVOT POINT WITH MODULE POSITION "32" NEAREST THE HINGE.

 DENOTES HINGE PIVOT POINT WITH MODULE POSITION "1" NEAREST THE HINGE.

 DENOTES WIRING FACES FRONTWARD

 DENOTES MODULE SERVICE FACES FRONTWARD

 DENOTES OPTIONAL AND NOT DEDICATED HARDWARE OR POWER SUPPLY ASSEMBLIES

C. POWER SUPPLY DESIGNATIONS

| CODE | POWER SUPPLY |
|------|---------------|
| C | COMMON (PT16) |
| M | MEMORY (PT17) |
| D | DEVICE (PT18) |



| REVISIONS | | | | 137112 | G |
|-----------|-------------|-----|------|----------|---|
| REV. | DESCRIPTION | CHK | DATE | APPROVED | |
| | SEE SHEET 1 | | | | |

| | | | | | |
|---------------------------------------|---------------------------------|--|--|---------------|------------------------|
| NOTES UNLESS SPECIFIED | | DRAWN <i>H. S. ... 9-19-67</i> | | MATERIAL LIST | |
| 1. VENDOR'S DIM. 2.000 ANGULAR 2.15" | CHECK <i>Fuller 2/6/68</i> | SDS SCIENTIFIC DATA SYSTEMS SANTA MONICA, CALIFORNIA | | | |
| 2. BREAK ALL SHARP EDGES 0.10 APPROX. | APPR. <i>V. S. ... 11-30-68</i> | TITLE SIGMA 5 SYSTEM INTEGRATION DRAWING | | | |
| 3. BACK SURFACES ✓ | MATERIAL | MODEL NO. SIGMA 5 | | FINISH | SIZE DWG. NO. D 137112 |
| 4. ALL DIM. IN INCHES | | NEXT ASBY. FIRST USE | | | CHANGE LETTER G |
| SCALE | | DO NOT SCALE DRAWING | | SHEET 30F 9 | |

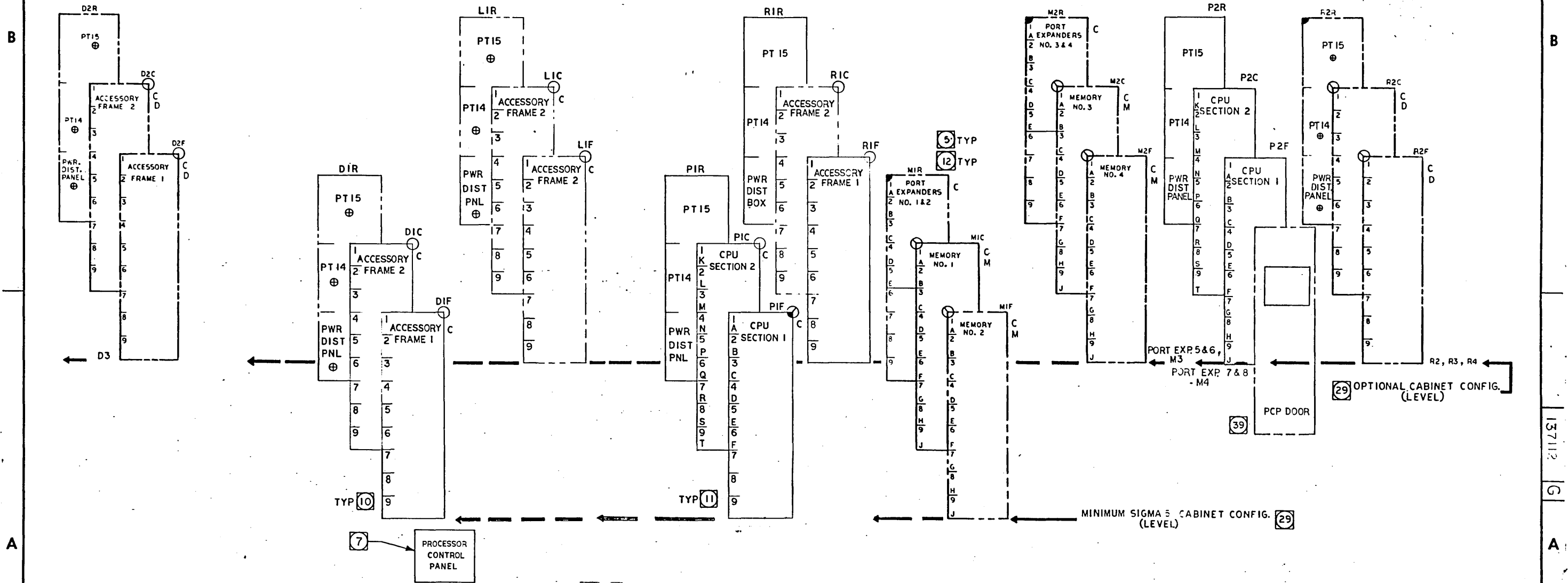
3

2

1

FOR REFERENCE SEE NOTES: 1,2,5,7,8,9,10,11,12,29,19,20
FOR LEGENDS SEE SHEET: 3

| REVISIONS | | | | 137112 | C3 |
|-------------|-------------|-----|------|----------|----|
| REV. | DESCRIPTION | CHK | DATE | APPROVED | |
| SEE SHEET 1 | | | | | |



SIGMA 5 CONFIGURATOR

| NO. REQ. | DRAWING NO. | DESCRIPTION | REFERENCE DESIGNATION | ITEM NO. |
|--------------------------|-------------|--------------------------|------------------------------------|--------------------|
| NOTES UNLESS SPECIFIED | | | | |
| 1. TOLERANCES | | 2. DRAWN | MATERIAL LIST | |
| 3. BREAK ALL SHARP EDGES | | 4. CHECK | SDS SCIENTIFIC DATA SYSTEMS | |
| 5. HATCH SURFACES | | 6. APPR. | SANTA MONICA, CALIFORNIA | |
| 6. ALL DIM. IN INCHES | | 7. MATERIAL | TITLE | |
| MODEL NO. SIGMA 5 | | 8. FINISH | SIGMA 5 SYSTEM INTEGRATION DRAWING | |
| NEXT ASSY. | | 9. SCALE | 10. SIZE DWG. NO. D 137112 | 11. CHANGE LAYER C |
| | | 12. DO NOT SCALE DRAWING | 13. SHEET 4 OF 9 | |

108

3

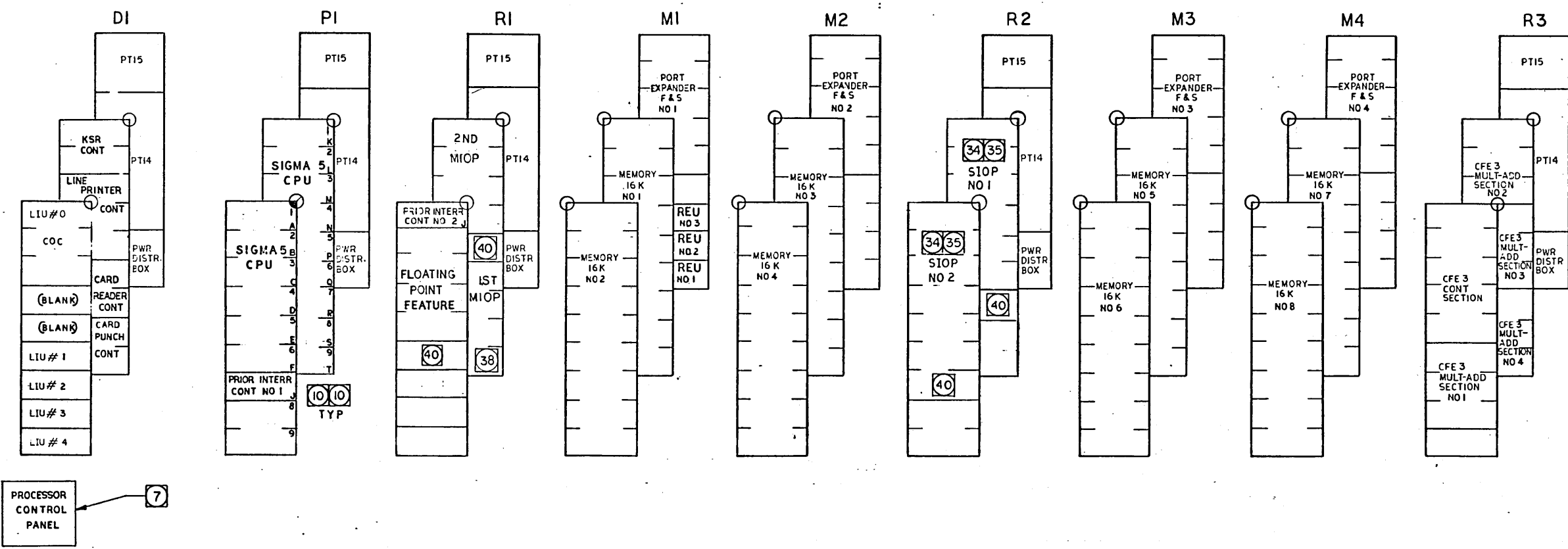
2

1

FOR REFERENCE SEE NOTES: 1,2,4,5,7,8,12,34,35,36,38,9,19,20,40

FOR LEGENDS SEE SHEET 3

| REVISIONS | | | 137112 | G |
|-----------|-------------|-----|--------|----------|
| REV. | DESCRIPTION | CHK | DATE | APPROVED |
| | SEE SHEET 1 | | | |



SIGMA 5 DED. LOC. 36
SINGLE CPU CONFIGURATION

| NOTES UNLESS SPECIFIED | | DRAWN | | MATERIAL LIST | | SDS | | SCIENTIFIC DATA SYSTEMS | |
|--|--|------------------|-----------------------|-----------------|---------|--|---------|--------------------------|--|
| 1. TOLERANCES DIM 2:010 ANGULAR DIM 2:010 | 2. BREAK ALL SHARP EDGES .010 APPROX. | 3. BACK SURFACES | 4. ALL DIM. IN INCHES | V. St. R. J. J. | 1-23-65 | 1-23-65 | 1-23-65 | SANTA MONICA, CALIFORNIA | |
| MODEL NO. SIGMA 5 | | FINISH | | TITLE | | SIGMA 5 SYSTEM INTEGRATION DRAWING | | SIZE DWG. NO. | |
| NEXT ASSY. FIRST USE | | | | SCALE | | DO NOT SCALE DRAWING | | SHEET 5 OF 9 | |

3

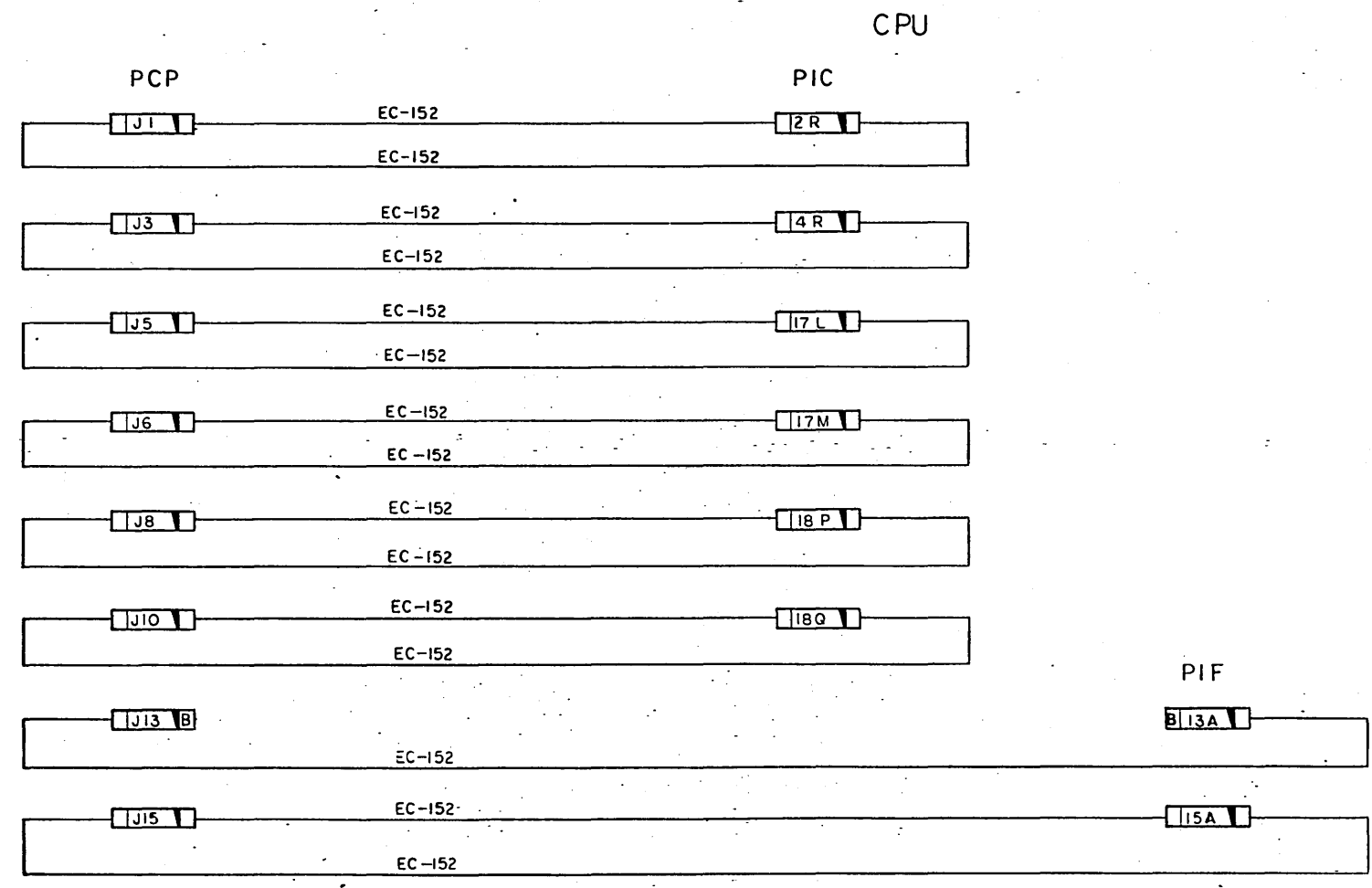
2

1

137112 | G | A

FOR REF., SEE NOTES 1, 6, 7, 11, 21, 13, 28, 35, 19, 20
FOR LEGENDS, SEE SHEET 3.

| REVISIONS | | | | 137112 | |
|-----------|---------------|-----|------|----------|--|
| REV. | DESCRIPTION | CHK | DATE | APPROVED | |
| A | SEE SHEET ONE | | | | |



PCP/CPU INTERCONNECTIONS

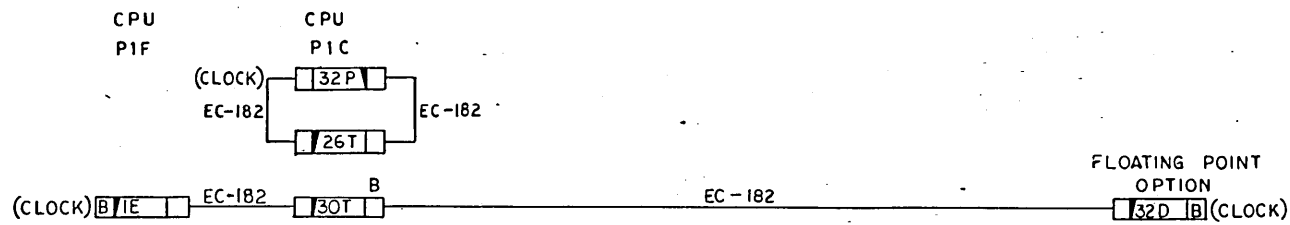
| | | | | | |
|--|--|--|--|---|--|
| NOTES UNLESS SPECIFIED | | DRAWN <i>[Signature]</i> 9-27-67 | | MATERIAL LIST | |
| 1. TOLERANCES XX ±.030 ANGLULAR XX ±.010 2 1/2° 2. BREAK ALL SHARP EDGES @10 APPROX. 3. HATCH SURFACES ✓ 4. ALL DIM. IN INCHES | | CHECK <i>[Signature]</i> 10/1/67 APPR. <i>[Signature]</i> 1-20-68 | | TITLE SIGMA 5 SYSTEM INTEGRATION DRAWING | |
| MODEL NO. FIRST USE SIGMA 5 | | FINISH | | DIST CODE 103 | |
| NEXT ASBY. FIRST USE | | SCALE | | SIZE DWG. NO. D 137112 CHANGE LETTER G | |
| | | | | DO NOT SCALE DRAWING SHEET 3 OF 3 | |

137112 | G | A

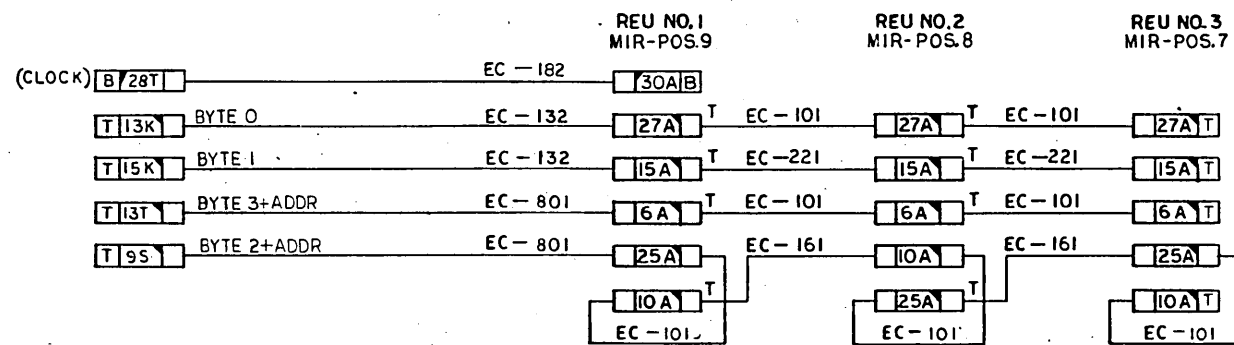
FOR REFERENCE NOTES 1,5,14,15,16,17,18,21,22,23,24,28,36,19,20

FOR LEGENDS SEE SHEETS 3

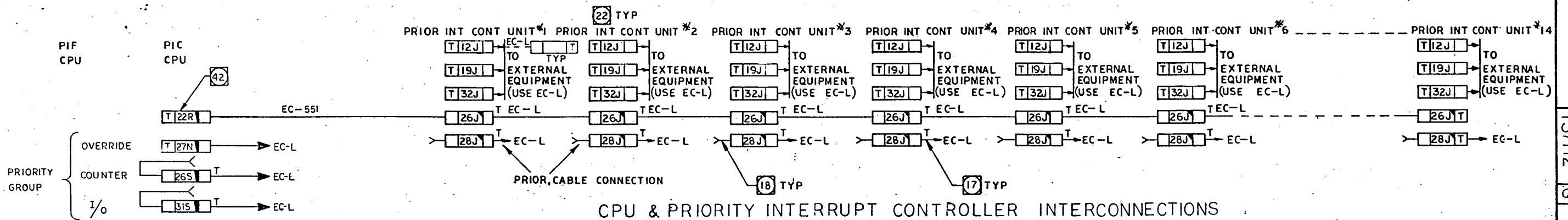
| REVISIONS | | | | 137112 | G |
|-----------|-------------|-----|------|----------|---|
| REV. | DESCRIPTION | CHK | DATE | APPROVED | |
| | SEE SHEET I | | | | |



CPU & FLOATING POINT-OPTION INTERCONNECTIONS



CPU AND REU INTERCONNECTIONS



CPU & PRIORITY INTERRUPT CONTROLLER INTERCONNECTIONS

| NO. REQ. | DRAWING NO. | DESCRIPTION | REFERENCE DESIGNATION | ITEM NO. |
|---------------------------------------|-------------|-------------------------------|--|--|
| NOTES UNLESS SPECIFIED | | | | |
| 1. TOLERANCES UNLESS SPECIFIED | | DRAWN <i>W. Sudam</i> 9-24-67 | SDS | SCIENTIFIC DATA SYSTEMS SANTA MONICA, CALIFORNIA |
| 2. ANGULAR 2.010 2.14" | | CHECK <i>W. Sudam</i> 9/26/67 | TITLE SIGMA 5 SYSTEM INTEGRATION DRAWING | |
| 3. BREAK ALL SHARP EDGES .010 APPROX. | | APPR. <i>W. Sudam</i> 9/26/67 | MODEL NO. SIGMA 5 | |
| 4. MACH SURFACES .7 | | MATERIAL | FINISH | |
| 5. ALL DIM. IN INCHES | | SIZE DWG. NO. D 137112 | | CHANGE LETTER G |
| NEXT ASSY. | | SCALE | | DO NOT SCALE DRAWING SHEET 7 OF 9 |

137112 G A

3

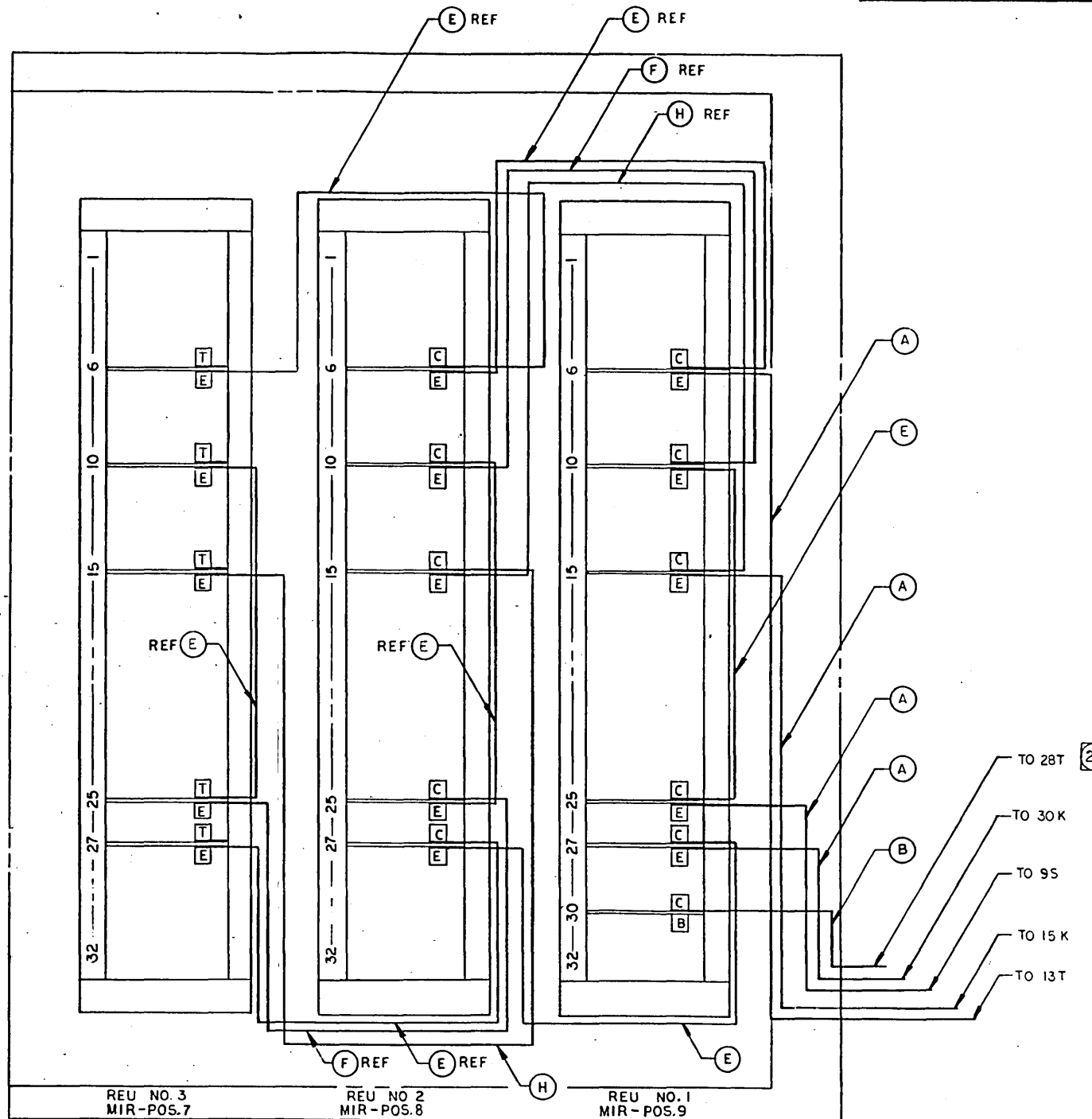
2

1

FOR REFERENCE SEE NOTES: 1,21,24,25,2F,36,19,20

FOR LEGENDS SEE SHEET: 3

| REVISIONS | | | |
|-----------|-------------|-----|--------|
| REV. | DESCRIPTION | CHK | DATE |
| 1 | SEE SHEET 1 | | 157112 |



| CABLE CHART | |
|-------------|----------------|
| SYMBOL | DESCRIPTION |
| A | SDS 127314-L |
| B | -182 |
| C | |
| D | |
| E | -101 |
| F | -161 |
| G | |
| H | SDS 127314-221 |

CARD SIDE OF SWING FRAME
REGISTER EXTENSION UNIT CABLE ROUTING

| NO. REQ. | DRAWING NO. | DESCRIPTION | REFERENCE DESIGNATION | NO. |
|--|-------------|---------------------------------|---|------------------|
| NOTES UNLESS SPECIFIED | | | | |
| 1. TOLERANCES UNLESS SPECIFIED: ANGULAR 2 1/2" | | DRAWN: <i>H. Fisher</i> 2-21-67 | MATERIAL LIST | |
| 2. BREAK ALL SHARP EDGES 2 1/2" | | CHECK: <i>W. Miller</i> 2/21/67 | SDS SCIENTIFIC DATA SYSTEMS | |
| 3. HATCH SURFACES 2 1/2" | | APPR: <i>W. Miller</i> 12-20-67 | SANTA MONICA, CALIFORNIA | |
| 4. ALL DIM. IN INCHES | | MATERIAL: | TITLE: SIGMA 5 SYSTEM INTEGRATION DRAWING | |
| MODEL NO. SIGMA 5 | | FINISH: | SIZE: D | DWG. NO. 137112 |
| NEXT ASSY. | | SCALE: DO NOT SCALE DRAWINGS | | CHANG. LETTER: G |

137112 | G

108

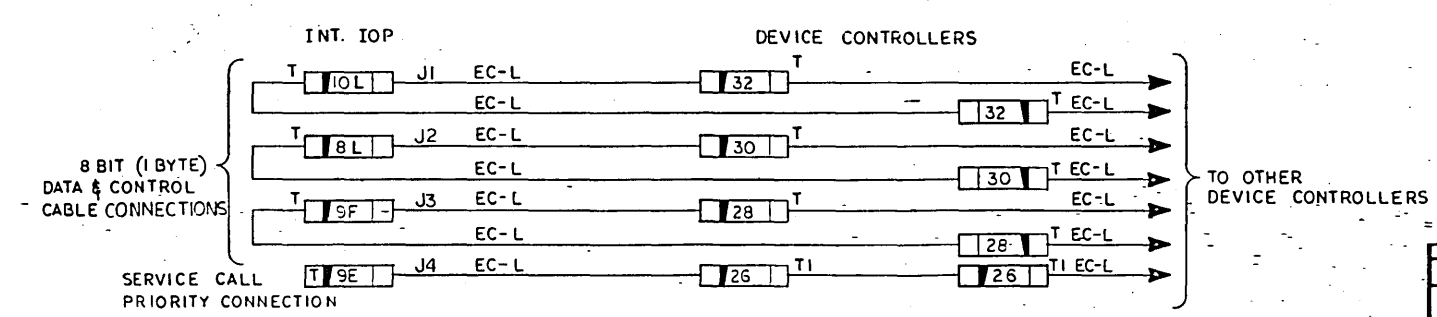
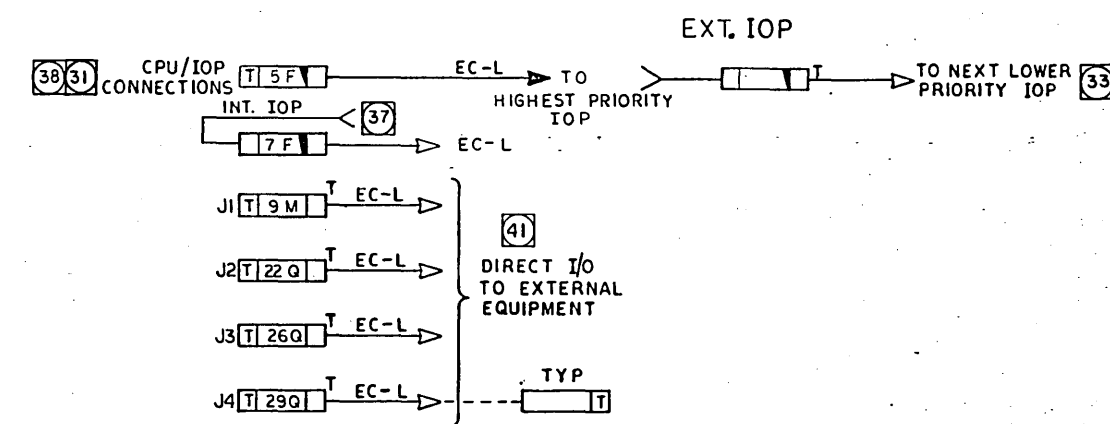
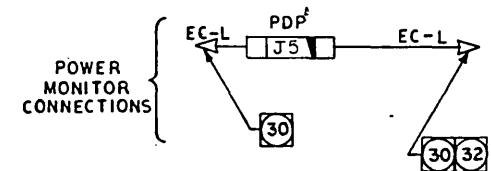
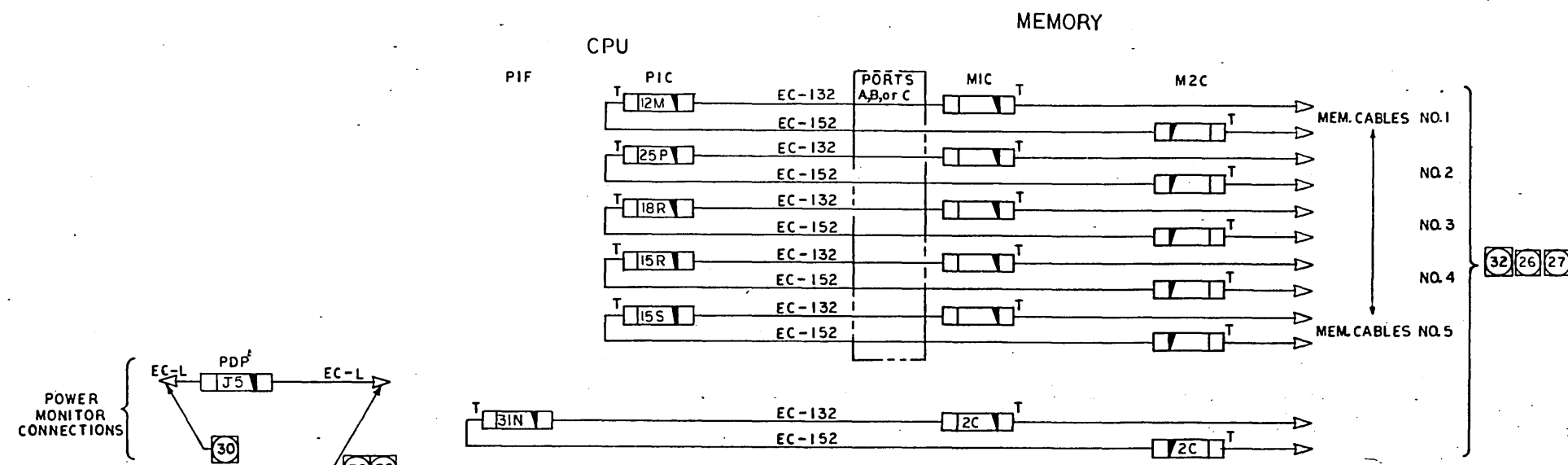
3

2

1

FOR REFERENCE SEE NOTES: 1,2,6,26,27,28,29,30,31,32,33,21,36,27,38,19,20,41
 FOR LEGENDS SEE SHEET 3

| REVISIONS | | | |
|-----------|-------------|-----|------|
| REV. | DESCRIPTION | CHK | DATE |
| | SEE SHEET 1 | | |



| NOTES UNLESS SPECIFIED | | DRAWN | | MATERIAL LIST | |
|---|-----------------------------|---|--|--|-----------------------------|
| 1. TOLERANCES UNLESS SPECIFIED | 2. DIMENSIONS ARE IN INCHES | 3. DIMENSIONS ARE IN MILLIMETERS | 4. DIMENSIONS ARE IN INCHES | 5. DIMENSIONS ARE IN MILLIMETERS | 6. DIMENSIONS ARE IN INCHES |
| 1. TOLERANCES UNLESS SPECIFIED 2. DIMENSIONS ARE IN INCHES 3. DIMENSIONS ARE IN MILLIMETERS 4. DIMENSIONS ARE IN INCHES 5. DIMENSIONS ARE IN MILLIMETERS 6. DIMENSIONS ARE IN INCHES | | DRAWN: <i>[Signature]</i> CHECK: <i>[Signature]</i> APPR: <i>[Signature]</i> MATERIAL: | DATE: 9-21-68 DATE: 10-10-68 FINISH: | DIST CODE: 108 SDS SCIENTIFIC DATA SYSTEMS SANTA MONICA, CALIFORNIA TITLE: SIGMA 5 SYSTEM INTEGRATION DRAWING MODEL NO.: SIGMA 5 SIZE: D DWG. NO.: 137112 SHEET: 9 OF 9 | SCALE: DO NOT SCALE DRAWING |

137112 G 1 A

L K J H G F E D C B A

| REVISIONS | | | | | |
|-----------|------|---|-----|---------|----------|
| LAL | REV. | DESCRIPTION | CHK | DATE | APPROVED |
| L | | MFG RELEASE AT REV. "A", LAL REV "A", SEE REV. E.O. 447 | K | 1/9/77 | RM |
| M | | SEE DCR #A1222; REVISED SH. 1, 2, 5, 6, 7, 8, 10 & 11; SH. 11 WAS 10, SH. 12 WAS 11, ADDED SH. 10 & RENUMBERED EXISTING SHEETS. | CB | 1/24/77 | TS |

7
6
5
4
3
2
1

| SHEET NO. | DESCRIPTION |
|-----------|--|
| 1 | INDEX, SIGMA SYSTEM POWER INTERCONNECTIONS |
| 2 | NOTES |
| 3 | LEGEND |
| 4 | TYPICAL SYSTEM POWER DISTRIBUTION AND TYPICAL SYSTEM POWER CONFIGURATION |
| 5 | TYPICAL SYSTEM AC INTERCONNECTIONS (MAIN FRAME CABINETS) SIGMA 2/5/6/7 |
| 6 | TYPICAL SYSTEM AC INTERCONNECTIONS WITH "B" POWER SUPPLIES SIGMA 5/6/7 |
| 7 | TYPICAL SIGMA 3 POWER CABLING |
| 8 | TYPICAL SIGMA 8/9 POWER INTERCONNECTIONS |
| 9 | TYPICAL SYSTEM AC INTERCONNECTIONS (PERIPHERAL STATIONS) AND TYPICAL PERIPHERAL STATION POWER CONTROL (FUNCTIONAL DIAGRAM) |
| 10 | TYPICAL DISK DRIVE SUBSYSTEM POWER, POWER CONTROL AND GROUNDING (FUNCTIONAL DIAGRAM) |
| 11 | TYPICAL MARGINAL VOLTAGE INDICATOR INTERCONNECTIONS. |
| 12 | COLOR CODE DIAGRAM |

139273/M

DIST CODE 108

| NOTES UNLESS SPECIFIED | | DRAWN | | CHECKED | | APPROVED | | MATERIAL | | TITLE | |
|--|--|---|--|----------------|--|------------------|--|----------------------|--|---|--|
| 1. TOLERANCES X.XX .010 X.XX .015 X.XX .020 | | J.C. PRICE 5-2267 | | M.LING 5-28-67 | | MCCLELLAN 5-2667 | | | | XEROX DATA SYSTEMS XEROX INTEGRATION DWG, SIGMA SYSTEM PWR INTERCONNECTIONS | |
| 2. BREAK ALL SHARP EDGES 3/16 APPROX. | | 3. HATCH SURFACES 4. ALL DIM. IN INCHES 5. ALL TRUE POSITION TOLERANCES APPLY AT MMC | | FINISH | | CODE IDENT. | | SIZE | | DWG. NO. | |
| MODEL NO. FIRST USE | | ALL SIGMA SYSTEMS | | | | 18338 | | D | | 139273 | |
| NEXT ASSY. FIRST USE | | | | | | SCALE | | DO NOT SCALE DRAWING | | SHEET 1 OF 12 | |

L K J H G F E D C B A

| REVISIONS | | | |
|-----------|-------------|-----|------|
| REV. | DESCRIPTION | CHK | DATE |
| | SEE SHT ONE | | |

13 J3 AND J4 ON THE MAIN POWER DISTRIBUTION BOXES OR PT14B'S (60 HZ "SWITCHED") ARE USED TO POWER FANS, ETC. CONNECTIONS TO J3 AND J4 SHALL BE MADE SO AS TO APPROACH BALANCED LOADING ON EACH PHASE AT EACH MAIN POWER DISTRIBUTION BOX OR PT14B AND FOR THE SYSTEM AS A WHOLE. TYPICAL CONNECTIONS.

| CPU, ETC. | POWER JUNCTION BOX | PT15B FANS | REMOTE POWER ON (OUT) |
|------------|--------------------|------------|-----------------------|
| PT14B #1 | 0C | 0A | 0B |
| PT14B #2 | 0B | 0C | 0B |
| PT14B #3 | 0A | 0B | 0B |
| PT14B ETC. | | | |
| MEMORY | | | |
| PT14B #1 | 0A | 0B | 0B |
| PT14B #2 | 0B | 0C | 0B |
| PT14B #3 | 0C | 0A | 0B |
| PT14B ETC. | | | |

34 FOR SYSTEMS REQUIRING MOTOR-GENERATORS, SEE PROCUREMENT SPECIFICATION, MOTOR-GENERATOR, SYNCHRONOUS, 60/60 HZ, XDS 155100, AND APPLICATION INFORMATION, MOTOR-GENERATOR, SYNCHRONOUS, 60/60 HZ, XDS 187854.

35 ALL SIGMA 9 SYSTEMS SHALL REQUIRE A MOTOR-GENERATOR WITH MINIMUM OUTPUT POWER CAPACITY OF 125 KVA/100 KW. SEE NOTE 34.

36 A PT16B MAY BE USED IN ANY APPLICATION FOR WHICH A PT16 IS SPECIFIED.

14 AN ADDITIONAL J - BOX (117428) IS REQUIRED ONLY WHEN A REAR FIXED FRAME IS USED.

15 THESE 60 HZ OUTLETS ARE AVAILABLE FOR CONNECTIONS TO J - BOX(S) IN MEMORY CABINET NO. 2 PROVIDING POWER LIMITS ARE NOT EXCEEDED (SEE NOTE 12).

16 IF NECESSARY, 1.8KHZ POWER FOR PERIPHERAL STATIONS MAY BE OBTAINED FROM PT15 SOURCES OTHER THAN THE ONE LOCATED IN THE DEVICE CONTROLLER CABINET, WITH THE EXCEPTION OF THE LINE PRINTER (SEE NOTE 17).

17 IF REQUIRED, 1.8 KHZ POWER TO LINE PRINTER STATION MUST ORIGINATE FROM THE SAME 1.8 KHZ SOURCE THE PRINTER CONTROLLER'S DC SUPPLIES ARE CONNECTED.

18 TYPICAL SYSTEM AC INTERCONNECTIONS (PERIPHERAL STATIONS, SHEETS 9 & 10) SHOWS SYSTEM POWER CABLING ONLY, FOR UNIT ASSEMBLY POWER INTERCONNECTIONS SEE APPLICABLE UNIT INSTALLATION DRAWING.

19 WITH THE EXCEPTION OF THE RAD, PERIPHERAL STATIONS HAVE A DELAY RELAY AT THE REMOTE INPUT TO LIMIT POWER SURGES DURING EQUIPMENT TURN-ON.

20 THE AC REMOTE LINE TO PERIPHERAL STATIONS CONNECT IN SEQUENCE TO STATIONS WITH HIGHEST STARTING SURGE (I.E. HIGHEST FIRST), IF THE SYSTEM CONTAINS A RAD SUBSYSTEM SEE NOTE 21 .

| PERIPHERAL STATION | DEGREE OF STARTING SURGE IN ORDER |
|--------------------------------------|-----------------------------------|
| MAGNETIC TAPE CONTROLLER & TRANSPORT | HIGHEST |
| MAGNETIC TAPE TRANSPORT | |
| RAD SUBSYSTEM | |
| DISK DRIVE SUBSYSTEM | |
| CARD PUNCH | |
| PRINTER | |
| PAPER TAPE | |
| CARD READER | LOWEST |

21 IF THE SYSTEM CONTAINS A RAD SUBSYSTEM, A DEVICE WITH A LOWER STARTING SURGE SUCH AS CARD READER OR PAPER TAPE CABINET SHOULD BE CONNECTED REMOTE SEQUENCE-WISE IMMEDIATELY BEFORE THE RAD. THE PERIPHERAL STATION AND RAD SUBSYSTEM WILL TURN-ON SIMULTANEOUSLY AFTER PREVIOUS LINE SURGE HAS SETTLED.

22 EIGHT MAGNETIC TAPE UNITS ARE THE MAXIMUM CONFIGURATION PER MAGNETIC TAPE SUBSYSTEM. SEE INSTALLATION DWG, MAGNETIC TAPE SUBSYSTEM- 137114.

23 EIGHT RAD STORAGE UNITS ARE THE MAXIMUM CONFIGURATION PER RAD SUBSYSTEM. SEE INSTALLATION DWG, RAD SUBSYSTEM - 137115.

24 ONLY TWO PHASES ARE USED BY THE CARD PUNCH, THE THIRD PHASE IS NOT WIRED TO CONNECTOR.

25 MARGINAL VOLTAGE CABLING MUST CONNECT TO ALL PT16'S IN THE SYSTEM AND CAN BE CHAINED FROM CABINET TO CABINET IN ANY SEQUENCE. FOR SYSTEMS USING "B" SERIES SUPPLIES, ALL PT16B'S AND PT17B'S MUST BE CONNECTED WITH MARGIN CABLES. MARGIN VOLTAGE CABLE NOT USED IN SIGMA 2 & 3.

26 WHERE A PT18 IS LOCATED IN THE PERIPHERAL STATION, THE 1.8 KHZ POWER INPUT IS ALSO SWITCHED.

27 REFER TO 2.15 FOR GROUNDING INSTRUCTIONS, SECTION 4.2.

28 POWER FOR KEYBOARD PRINTER (ASR OR KSR) IS TO BE DERIVED FROM PT14B OR MAIN POWER DISTRIBUTION BOX. IF J3 OR AN ALTERNATE IS NOT AVAILABLE, THEN THE KEYBOARD PRINTER MUST BE PROVIDED WITH ITS OWN FLOOR PLAN OUTLET.

29 THE PT16B IS CAPABLE OF DRIVING TWO TYPICAL FRAMES OF LOGIC. LOGIC VOLTAGES ARE BUSED BETWEEN FRAMES WITH POWER CABLE ASSEMBLY NO. 158595.

30 IN SIGMA 8/9/PT14B'S AND PT15B'S ARE MOUNTED IN SEPARATE POWER SUPPLY CABINETS. TWO PT14B AND PT15B COMBINATIONS MAY BE MOUNTED IN A POWER SUPPLY CABINET.

31 FOR SIGMA 8/9 CONTAINING MCP, INTERCABINET MEMORY CABLES ARE DELETED.

32 THE MAXIMUM TOTAL LENGTH OF THE REMOTE LINE POWER CORDS SHALL BE 250 FEET.

33 SOURCE FOR 1.8 KHZ POWER IF REQUIRED FOR 716C CARD PUNCH DEVICE AND OR 7120 CARD READER DEVICE WHEN CONTROLLERS FOR THESE DEVICES ARE LOCATED IN CPU - ACCESSORY FRAME.

NOTES, UNLESS OTHERWISE SPECIFIED

- INTEGRATION DRAWING, SIGMA SYSTEM POWER INTERCONNECTIONS 139273, ILLUSTRATES ONLY A GENERAL SYSTEM POWER INTER-CONNECTION CONFIGURATION. CABLE LENGTHS AND CONNECTIONS MAY DIFFER DEPENDING ON HARDWARE CONFIGURATION, AVAILABILITY OF CONNECTORS AND AC LOADING. THE SPECIFIC SYSTEM ASSEMBLY DRAWING GENERATED BY MARKETING, WILL DETERMINE THE ACTUAL HARDWARE CONFIGURATION.
- REFERENCE DRAWINGS:
 - 2.1 INSTALLATION DRAWING, MAGNETIC TAPE STATION - 128336
 - 2.2 INTEGRATION DRAWING, MAGNETIC TAPE SUBSYSTEM - 137114
 - 2.3 INSTALLATION DRAWING, RAD MEMORY - 132841
 - 2.4 INSTALLATION DRAWING, RAD MEMORY - 126657
 - 2.5 INTEGRATION DRAWING, RAD SUBSYSTEM - 137115
 - 2.6 INSTALLATION DRAWING, CARD PUNCH - 124638
 - 2.7 INSTALLATION DRAWING, CARD READER - 124773
 - 2.8 INSTALLATION DRAWING, LINE PRINTER - 123898
 - 2.9 INSTALLATION DRAWING, PAPER TAPE STATION - 127714
 - 2.10 INSTALLATION DRAWING, PT14, PT15, & MAIN PWR DIST. BOX 123310
 - 2.11 INSTALLATION DRAWING, PT16 - 123509
 - 2.12 INSTALLATION DRAWING, PT17 - 123636
 - 2.13 INSTALLATION DRAWING, DISK PACK - 152864
 - 2.14 INSTALLATION DRAWING, PT19 - 127192
 - 2.15 INSTRUCTIONS, CONFIGURATIONS AND INTEGRATION: SIGMA SYSTEMS - 147302
 - 2.16 INSTALLATION DRAWING PT14B - 152047
 - 2.17 INSTALLATION DRAWING PT15B - 152048
 - 2.18 INSTALLATION DRAWING PT16B - 152049
 - 2.19 INSTALLATION DRAWING PT17B - 152050

3. ALL CONNECTOR DESIGNATIONS ARE UNIT ASSEMBLY LEVEL DESIGNATIONS.

4. THE LENGTHS OF CABLES DESIGNATED BY (-L) ARE DETERMINED BY CUSTOMER'S REQUIRED SYSTEM FLOOR LAYOUT. ASSIGNED CABLE LENGTHS (I.E. LENGTHS NOT FIXED BY UNIT ASSEMBLIES, DESIGNATED ON F/D BY "REF") ARE RECOMMENDED LENGTHS PARTICULAR TO THIS ILLUSTRATIVE SYSTEM CONFIGURATION.

5. PT14, PT15, AND MAIN POWER DISTRIBUTION BOX OR PT14B AND PT15B FOR CPU CABINET NO. 2 ARE OPTIONAL HARDWARE AND IS A REQUIREMENT IF THE SYSTEM HAS FOUR MEMORY CABINETS. EXCEPTION, MEMORY CABINETS MAY OBTAIN POWER FROM RIGHT ACCESSORY CABINET WITH PT14/15B WHEN AVAILABLE. (AS SHOWN ON SHEET 4.)

6. MAIN FRAME CABINETS (CPU, ACCESSORY, ETC.) AND RAD'S ARE BALANCED LOADS TO 30 SOURCE. PERIPHERAL STATIONS ARE NOT BALANCED LOADS, THEREFORE THEY MUST BE SELECTIVELY CONNECTED TO BALANCE THE 30 SOURCE.

7. P1 ON ANY JUNCTION BOX (1.8KHZ - IN) MUST CONNECT DIRECTLY OR VIA AN EXTENSION CORD (124418 - L) TO A PT15 POWER SUPPLY.

8. "LOCAL" INDICATES "LOCAL LINE POWER", I.E. SINGLE PHASE POWER DIRECTLY FROM THE LINE BEFORE THE CONTACTOR. "REMOTE IN" INDICATES INPUT THAT WILL ENERGIZE THE CONTACTOR.

9. REMOTE POWER INTERCONNECTIONS, (CONNECTIONS FOR SIGMA 7 WITH FSC SHOWN, SHEET 5)

| FROM | TO | | | | |
|----------------------|-------------|-------------|---------------|-------------|---------------|
| MAIN PWR. DISTR. BOX | SIGMA 2 PCP | SIGMA 5 PCP | SIGMA 6/7 PCP | SIGMA 3 PCP | SIGMA 8/9 PCP |
| LOCAL J1 | J1 | J31 | J31 | J201 | J2 |
| REMOTE P1 | J2 | J32 | J32 | J202 | J1 |

10. POWER EXTENSION CORDS TO FSC CAN CONNECT TO ANY JUNCTION BOX IF CABLE LENGTH, POWER OR CONNECTOR LIMITATIONS OCCUR. (SEE NOTES 11 & 12).

11. THE TOTAL LENGTH OF ANY 1.8KHZ LINE (FROM PT15, J5 OR J6, TO DC SUPPLY) MUST NOT EXCEED 60 FT. THE PREFERRED LENGTH OF CABLE 124418-L (1.8KHZ EXTENSION CORD) SHALL BE LESS THAN 50 FT. THE TOTAL LENGTH OF ANY 1.8KHZ LINE (FROM PT15B, J7, TO POWER JUNCTION BOX) MUST NOT EXCEED 50 FT. THE CABLE ASSEMBLY FROM J7 IS 181112-L.

12. WHEN CHAINING 60 HZ LINE FROM J-BOX TO J-BOX INPUT LINE ON FIRST J-B (WHERE P2 CONNECTS TO MAIN POWER DISTRIBUTION BOX) SHOULD NOT EXCEED 10A. A TOTAL OF 28 FANS ARE SHOWN DRAWING CURRENT THROUGH J-BOX INPUT LINE. @ 0.16 PER FAN, TOTAL CURRENT = 0.16 X 28 = 4.5A. ANY DEVICE DRAWING MORE THAN 5.5A SHOULD NOT BE CONNECTED TO ANY OF THE TWO RESPECTIVE J-BOXES. CHAINING NOT PERMITTED ON SIGMA 8/9.

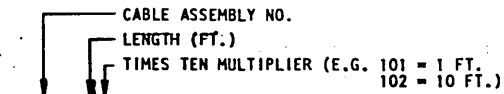
| | | | | | |
|------------------------|----------|-------------------------------------|--|---------------|--|
| NOTED UNLESS SPECIFIED | | DRAWN <i>J. Chinn</i> 6-16-67 | | MATERIAL LIST | |
| 1. DIMENSIONS | AS SHOWN | CHECK <i>M. J.</i> 6-28-67 | SDS SCIENTIFIC DATA SYSTEMS SANTA MONICA, CALIFORNIA | | |
| 2. TOLERANCES | AS SHOWN | APPR. <i>E. M. C. Della</i> 6-26-67 | TITLE INTEGRATION DWG, SIGMA SYSTEM PWR INTERCONNECTIONS | | |
| 3. HOLE ALL SHAPES | AS SHOWN | MATERIAL | SIZE DWG. NO. D 139273 | | |
| 4. HOLE SQUARE | AS SHOWN | FINISH | SCALE DO NOT SCALE DRAWING SHEET 2 of 12 | | |
| 5. HOLE ROUND | AS SHOWN | MODEL NO. ALL SIGMA SYSTEMS | CHANGE LETTER | | |

139273

A

| REVISIONS | | | | 139273 | M |
|-----------|-------------|------|------|----------|---|
| REV. | DESCRIPTION | CHK. | DATE | APPROVED | |
| | SEE SHT ONE | | | | |

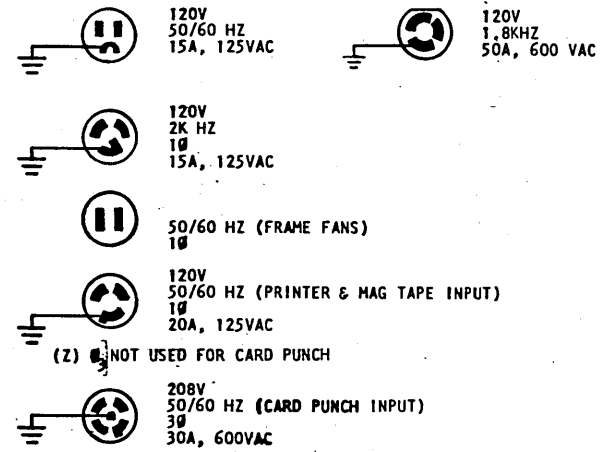
C. CABLE DESIGNATIONS



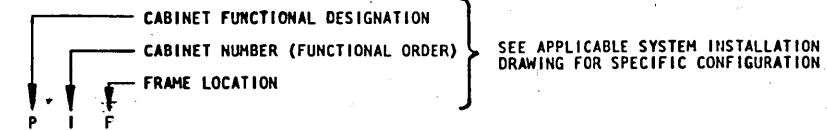
| DESCRIPTION | ASSEMBLY NO. |
|-------------------------|--------------|
| 50/60 HZ EXTENSION CORD | 129944-L |
| 12K HZ EXTENSION CORD | 124418-L |
| MARGINS NORMAL CABLE | 135633-L |

LEGEND,

A. CONNECTORS (MALE TYPE SHOWN ONLY)



B. CABINET AND FRAME DESIGNATIONS:

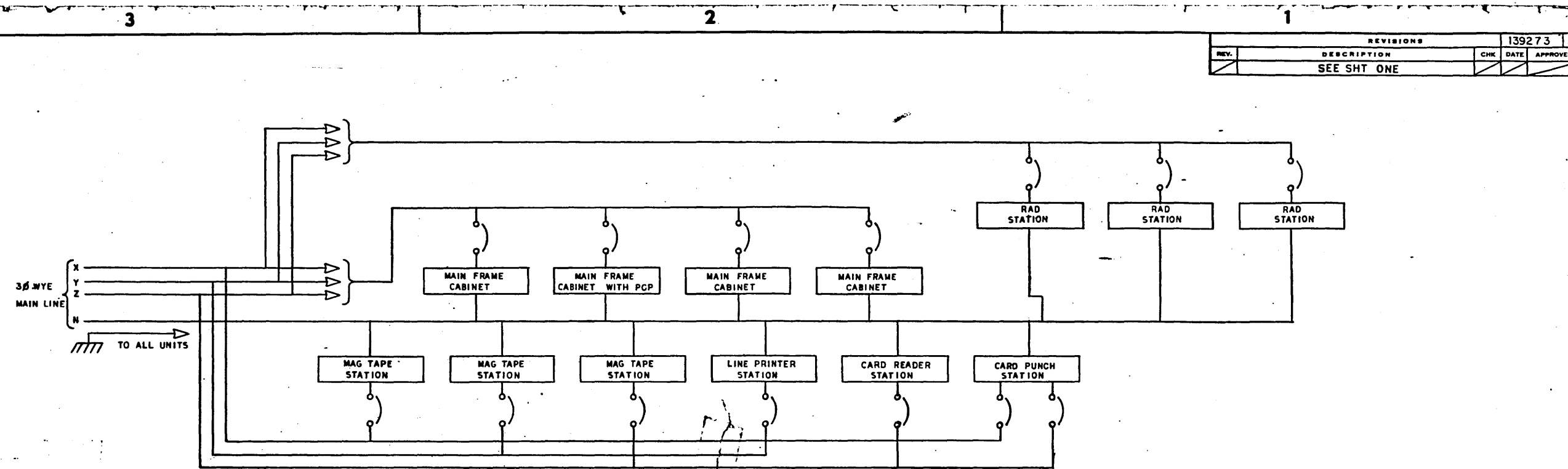


| CODE | CABINET | CODE | FRAME LOCATION |
|------|-------------------------------|------|----------------|
| P | PROCESSOR | F | FRONT |
| M | MEMORY | C | CENTER |
| R | ACCESSORY TO THE RIGHT OF CPU | R | REAR |
| L | ACCESSORY TO THE LEFT OF CPU | | |
| D | DEVICE CONTROLLER | | |

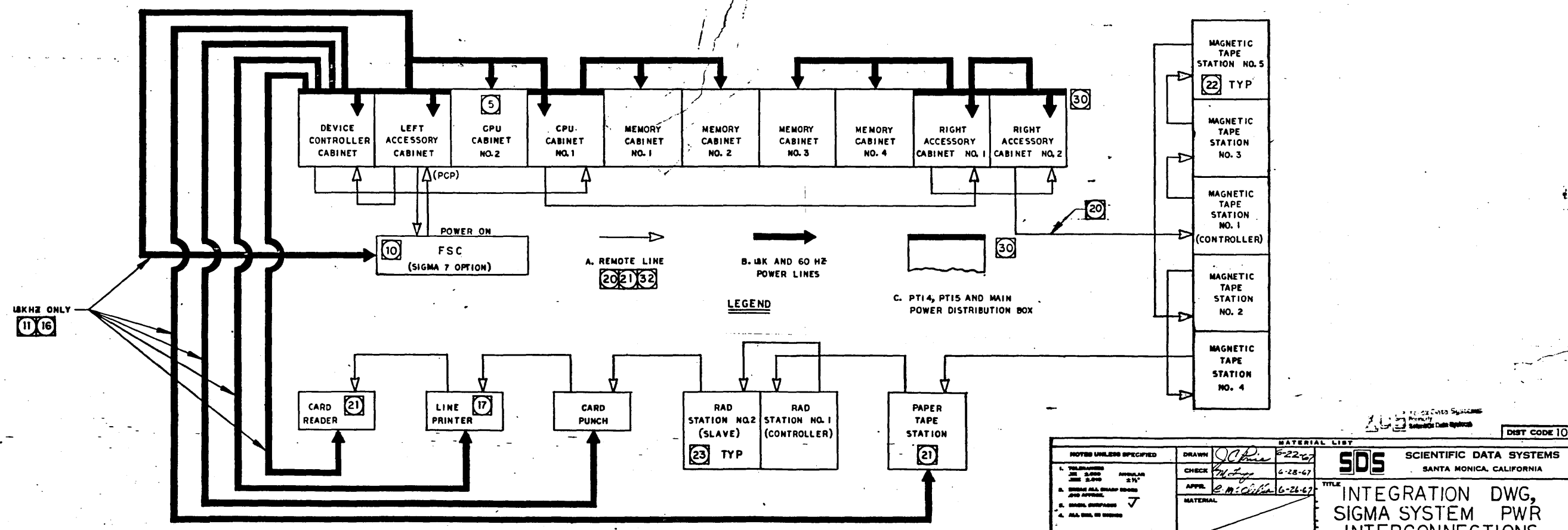
XDS Scientific Data Systems
DIST CODE 108

| NOTED UNLESS SPECIFIED | | DRAWN | | MATERIAL LIST | | SDS SCIENTIFIC DATA SYSTEMS | | SANTA MONICA, CALIFORNIA | |
|---|--------------------------------|----------------------------|-----------------------|---------------|---------|--|---------|------------------------------|----------------------|
| 1. TOLERANCES UNLESS SPECIFIED | 2. DIMENSIONS UNLESS SPECIFIED | 3. FINISH UNLESS SPECIFIED | 4. ALL DIM. IN INCHES | DR. J. P. ... | 6-22-67 | CHK. M. L. ... | 6-28-67 | APPR. E. M. ... | 6-26-67 |
| MODEL NO. ALL SIGMA SYSTEMS FIRST USE NEXT REV. FIRST USE | | | | FINISH | | TITLE INTEGRATION DWG, SIGMA SYSTEM PWR INTERCONNECTIONS | | SHEET NO. D 139273 | DRAWN BY M |
| SCALE | | | | | | DO NOT SCALE DRAWING SHEET 3 of 12 | | | |

139273 M



TYPICAL SYSTEM POWER DISTRIBUTION ⑥



TYPICAL SYSTEM POWER CONFIGURATION (FLOOR PLAN)

| NOTES UNLESS SPECIFIED | | MATERIAL LIST | |
|--------------------------------|--------------------------------|---|--|
| 1. TOLERANCES UNLESS SPECIFIED | DRAWN <i>J. P. ...</i> 6-22-67 | SDS SCIENTIFIC DATA SYSTEMS SANTA MONICA, CALIFORNIA | |
| 2. DIMENSIONS UNLESS SPECIFIED | CHECK <i>M. ...</i> 6-28-67 | TITLE INTEGRATION DWG, SIGMA SYSTEM PWR INTERCONNECTIONS | |
| 3. FINISH UNLESS SPECIFIED | APPR. <i>E. ...</i> 6-28-67 | SCALE | |
| 4. ALL DIM. IN INCHES | MATERIAL | SHEET 4 OF 12 | |
| MODEL NO. ALL SIGMA SYSTEMS | FINISH | DWG. NO. 139273 | |
| INSTR. ASST. FIRST LINE | | DO NOT SCALE DRAWING | |

139273 M

A

3

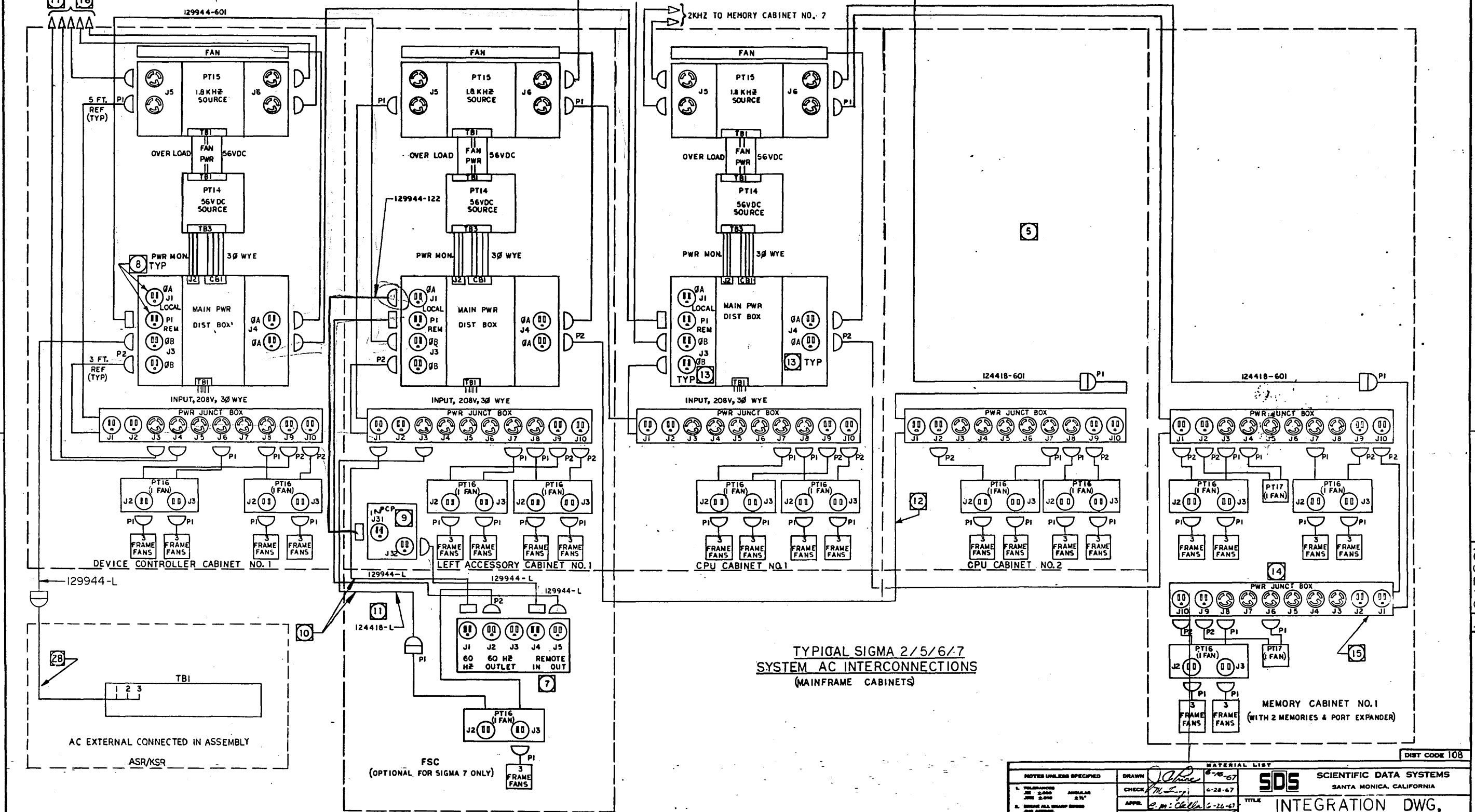
2

1

1.8KHZ TO PERIPHERAL STATIONS SEE SHT 6

REMOTE TO PERIPHERAL STATIONS OR OTHER MAINFRAME CABINETS WITH MAIN PWR DISTR BOX.

| REVISIONS | | | | 139273 |
|-----------|-------------|-----|------|----------|
| REV. | DESCRIPTION | CHK | DATE | APPROVED |
| | SEE SHT ONE | | | |



TYPICAL SIGMA 2/5/6/7 SYSTEM AC INTERCONNECTIONS (MAINFRAME CABINETS)

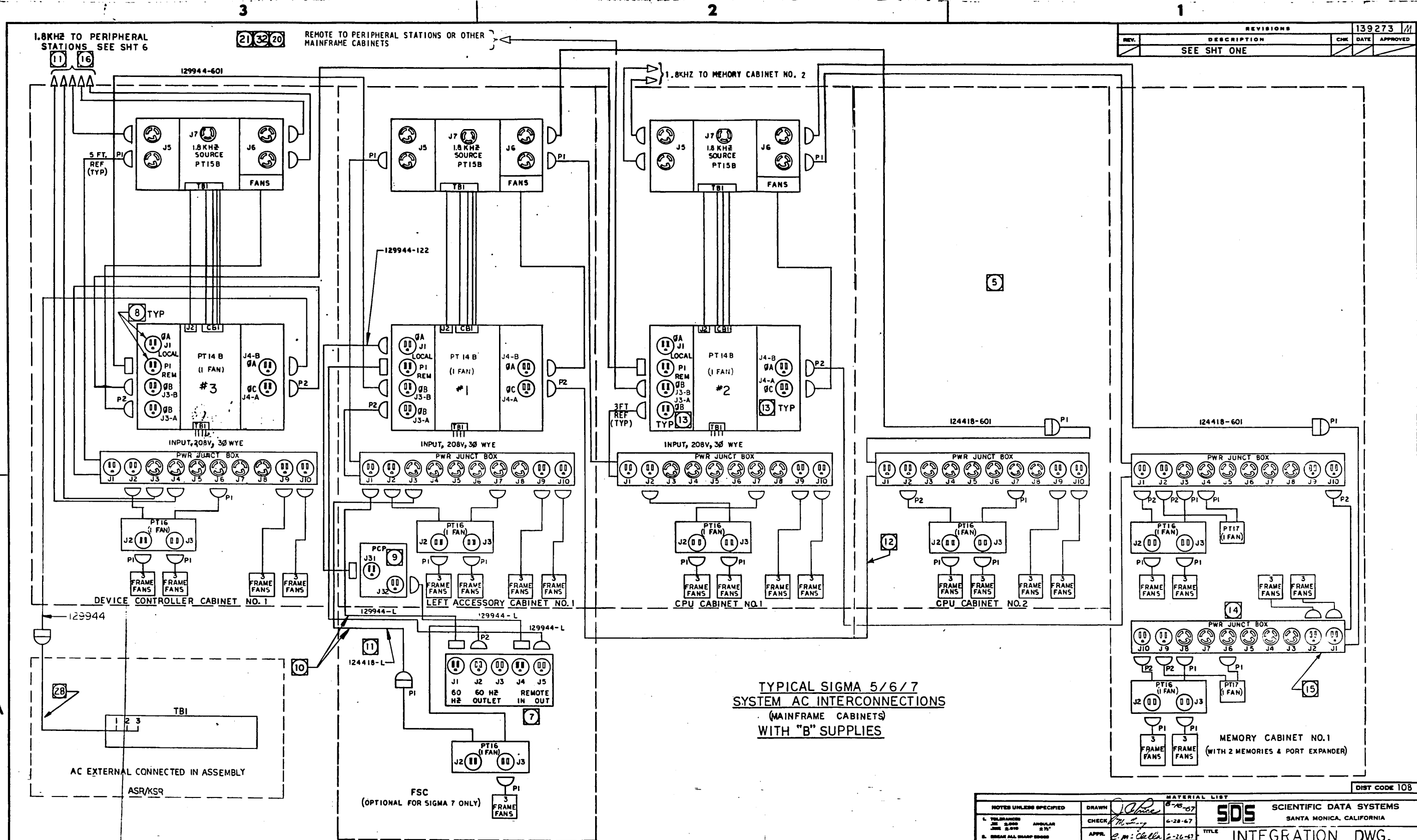
AC EXTERNAL CONNECTED IN ASSEMBLY ASR/KSR

FSC (OPTIONAL FOR SIGMA 7 ONLY)

| NOTES UNLESS SPECIFIED | | DRAWN | | MATERIAL LIST | | SCIENTIFIC DATA SYSTEMS | |
|--|----------|----------|---------|--|----------|--------------------------------|----------|
| 1. TELEPHONE | 2. 2.000 | 3. 2.000 | 4. 2.1% | 5. 2.000 | 6. 2.000 | 7. 2.000 | 8. 2.000 |
| MODEL NO. ALL SIGMA SYSTEMS FINISH: _____ SHEET AMBY. FINISH LINE: _____ | | | | TITLE: INTEGRATION DWG, SIGMA SYSTEM PWR INTERCONNECTIONS SCALE: _____ DO NOT SCALE DRAWING | | SHEET 5 OF 12 DIST CODE 108 | |

139273 M

| REV. | | DESCRIPTION | | REVISIONS | | 139273 | |
|------|------|-------------|-----|-----------|----------|--------|--|
| NO. | DATE | BY | CHK | DATE | APPROVED | | |
| | | SEE SHT ONE | | | | | |



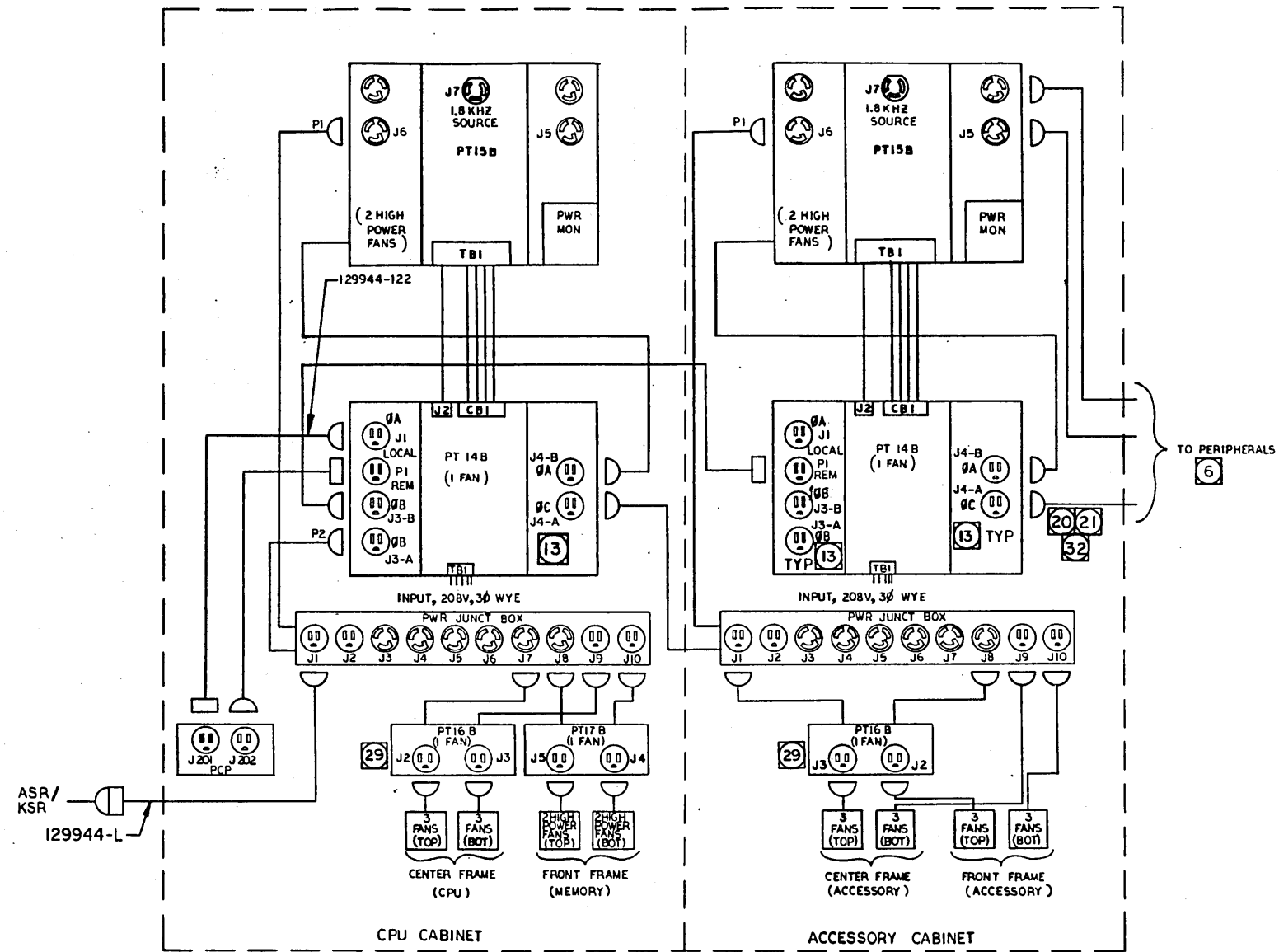
TYPICAL SIGMA 5/6/7
SYSTEM AC INTERCONNECTIONS
(MAINFRAME CABINETS)
WITH "B" SUPPLIES

| NOTES UNLESS SPECIFIED | | DRAWN | | MATERIAL LIST | |
|-----------------------------------|-----------------------------------|-----------|-------------|--|----------------|
| 1. TOLERANCES UNLESS SPECIFIED | 2. DIMENSIONS UNLESS SPECIFIED | 3. FINISH | 4. MATERIAL | 5. QUANTITY | 6. PART NUMBER |
| 1. TOLERANCES UNLESS SPECIFIED | 2. DIMENSIONS UNLESS SPECIFIED | 3. FINISH | 4. MATERIAL | 5. QUANTITY | 6. PART NUMBER |
| MODEL NO. ALL SIGMA SYSTEMS | | FINISH | | SCALE | |
| NEXT ASSY. FIRST USE | | FINISH | | SCALE | |
| DRAWN | | CHECK | | DATE | |
| APPR. | | DATE | | TITLE | |
| | | | | SCIENTIFIC DATA SYSTEMS SANTA MONICA, CALIFORNIA | |
| | | | | INTEGRATION DWG, SIGMA SYSTEM PWR INTERCONNECTIONS | |
| | | | | SIZE D | |
| | | | | DWG. NO. 139273 | |
| | | | | SHEET 6 OF 12 | |

139273 M A

DIST CODE 108

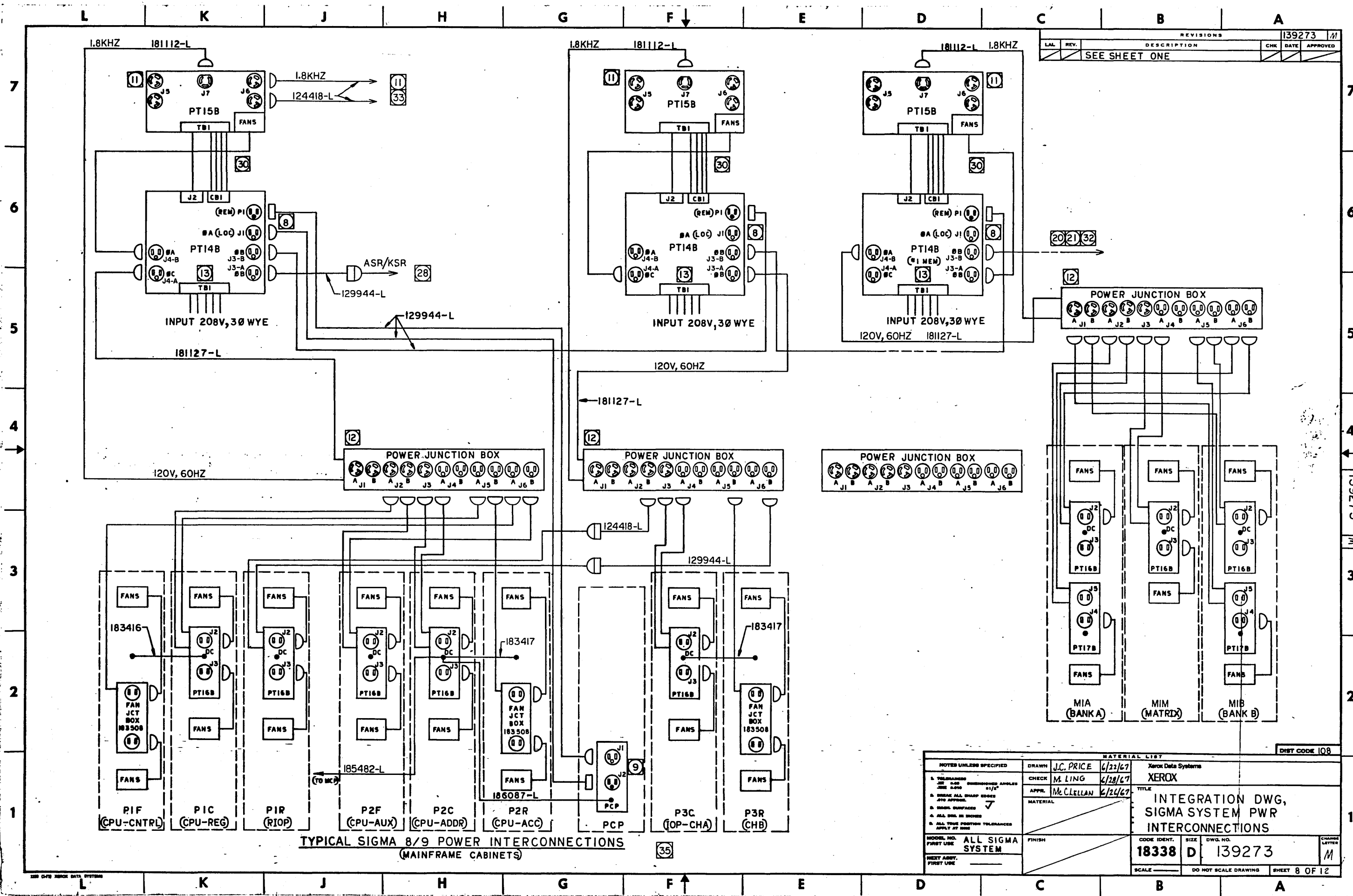
| REVISIONS | | | | 139273 | M |
|-----------|------|-------------|-----|--------|----------|
| LAL | REV. | DESCRIPTION | CHK | DATE | APPROVED |
| | | SEE SHY ONE | | | |



TYPICAL SIGMA 3 POWER CABLING

| NOTES UNLESS SPECIFIED | | DRAWN | | MATERIAL LIST | |
|---|--|----------------------|--|--|--|
| 1. TOLERANCES UNLESS OTHERWISE SPECIFIED | | J.C. PRICE G-22-7 | | XDS Xerox Data Systems EL SEGUNDO, CALIFORNIA | |
| 2. DIMENSIONS UNLESS OTHERWISE SPECIFIED | | M. LING G-28-7 | | INTEGRATION DWG, SIGMA SYSTEM PWR INTERCONNECTIONS | |
| 3. DIMENSIONS UNLESS OTHERWISE SPECIFIED | | C. McCLELLAN G-26-7 | | CODE IDENT. 18338 | |
| 4. ALL DIMENSIONS UNLESS OTHERWISE SPECIFIED | | MATERIAL | | SIZE D | |
| 5. ALL DIMENSIONS UNLESS OTHERWISE SPECIFIED | | FINISH | | DWG. NO. 139273 | |
| 6. ALL DIMENSIONS UNLESS OTHERWISE SPECIFIED | | SCALE | | SHEET 7 OF 12 | |
| 7. ALL DIMENSIONS UNLESS OTHERWISE SPECIFIED | | DO NOT SCALE DRAWING | | CHANGE LETTER M | |
| 8. ALL DIMENSIONS UNLESS OTHERWISE SPECIFIED | | APPLY AT TIME | | | |
| 9. ALL DIMENSIONS UNLESS OTHERWISE SPECIFIED | | | | | |
| 10. ALL DIMENSIONS UNLESS OTHERWISE SPECIFIED | | | | | |
| 11. ALL DIMENSIONS UNLESS OTHERWISE SPECIFIED | | | | | |
| 12. ALL DIMENSIONS UNLESS OTHERWISE SPECIFIED | | | | | |
| 13. ALL DIMENSIONS UNLESS OTHERWISE SPECIFIED | | | | | |
| 14. ALL DIMENSIONS UNLESS OTHERWISE SPECIFIED | | | | | |
| 15. ALL DIMENSIONS UNLESS OTHERWISE SPECIFIED | | | | | |
| 16. ALL DIMENSIONS UNLESS OTHERWISE SPECIFIED | | | | | |
| 17. ALL DIMENSIONS UNLESS OTHERWISE SPECIFIED | | | | | |
| 18. ALL DIMENSIONS UNLESS OTHERWISE SPECIFIED | | | | | |
| 19. ALL DIMENSIONS UNLESS OTHERWISE SPECIFIED | | | | | |
| 20. ALL DIMENSIONS UNLESS OTHERWISE SPECIFIED | | | | | |
| 21. ALL DIMENSIONS UNLESS OTHERWISE SPECIFIED | | | | | |
| 22. ALL DIMENSIONS UNLESS OTHERWISE SPECIFIED | | | | | |
| 23. ALL DIMENSIONS UNLESS OTHERWISE SPECIFIED | | | | | |
| 24. ALL DIMENSIONS UNLESS OTHERWISE SPECIFIED | | | | | |
| 25. ALL DIMENSIONS UNLESS OTHERWISE SPECIFIED | | | | | |
| 26. ALL DIMENSIONS UNLESS OTHERWISE SPECIFIED | | | | | |
| 27. ALL DIMENSIONS UNLESS OTHERWISE SPECIFIED | | | | | |
| 28. ALL DIMENSIONS UNLESS OTHERWISE SPECIFIED | | | | | |
| 29. ALL DIMENSIONS UNLESS OTHERWISE SPECIFIED | | | | | |
| 30. ALL DIMENSIONS UNLESS OTHERWISE SPECIFIED | | | | | |
| 31. ALL DIMENSIONS UNLESS OTHERWISE SPECIFIED | | | | | |
| 32. ALL DIMENSIONS UNLESS OTHERWISE SPECIFIED | | | | | |
| 33. ALL DIMENSIONS UNLESS OTHERWISE SPECIFIED | | | | | |
| 34. ALL DIMENSIONS UNLESS OTHERWISE SPECIFIED | | | | | |
| 35. ALL DIMENSIONS UNLESS OTHERWISE SPECIFIED | | | | | |
| 36. ALL DIMENSIONS UNLESS OTHERWISE SPECIFIED | | | | | |
| 37. ALL DIMENSIONS UNLESS OTHERWISE SPECIFIED | | | | | |
| 38. ALL DIMENSIONS UNLESS OTHERWISE SPECIFIED | | | | | |
| 39. ALL DIMENSIONS UNLESS OTHERWISE SPECIFIED | | | | | |
| 40. ALL DIMENSIONS UNLESS OTHERWISE SPECIFIED | | | | | |
| 41. ALL DIMENSIONS UNLESS OTHERWISE SPECIFIED | | | | | |
| 42. ALL DIMENSIONS UNLESS OTHERWISE SPECIFIED | | | | | |
| 43. ALL DIMENSIONS UNLESS OTHERWISE SPECIFIED | | | | | |
| 44. ALL DIMENSIONS UNLESS OTHERWISE SPECIFIED | | | | | |
| 45. ALL DIMENSIONS UNLESS OTHERWISE SPECIFIED | | | | | |
| 46. ALL DIMENSIONS UNLESS OTHERWISE SPECIFIED | | | | | |
| 47. ALL DIMENSIONS UNLESS OTHERWISE SPECIFIED | | | | | |
| 48. ALL DIMENSIONS UNLESS OTHERWISE SPECIFIED | | | | | |
| 49. ALL DIMENSIONS UNLESS OTHERWISE SPECIFIED | | | | | |
| 50. ALL DIMENSIONS UNLESS OTHERWISE SPECIFIED | | | | | |

139273 M



TYPICAL SIGMA 8/9 POWER INTERCONNECTIONS
(MAINFRAME CABINETS)

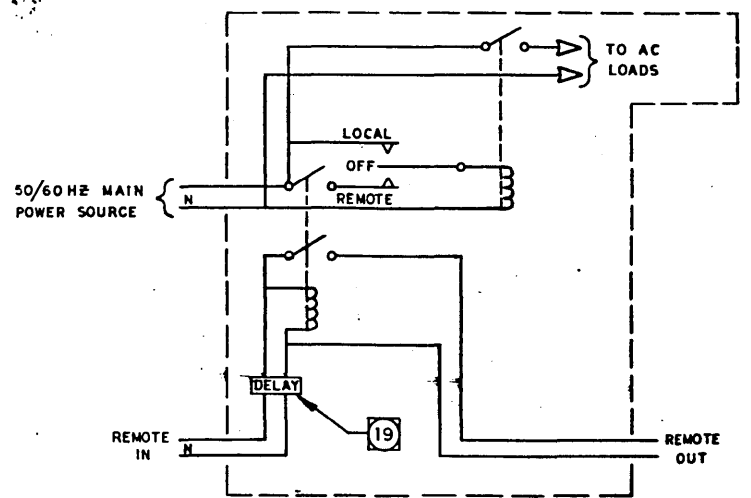
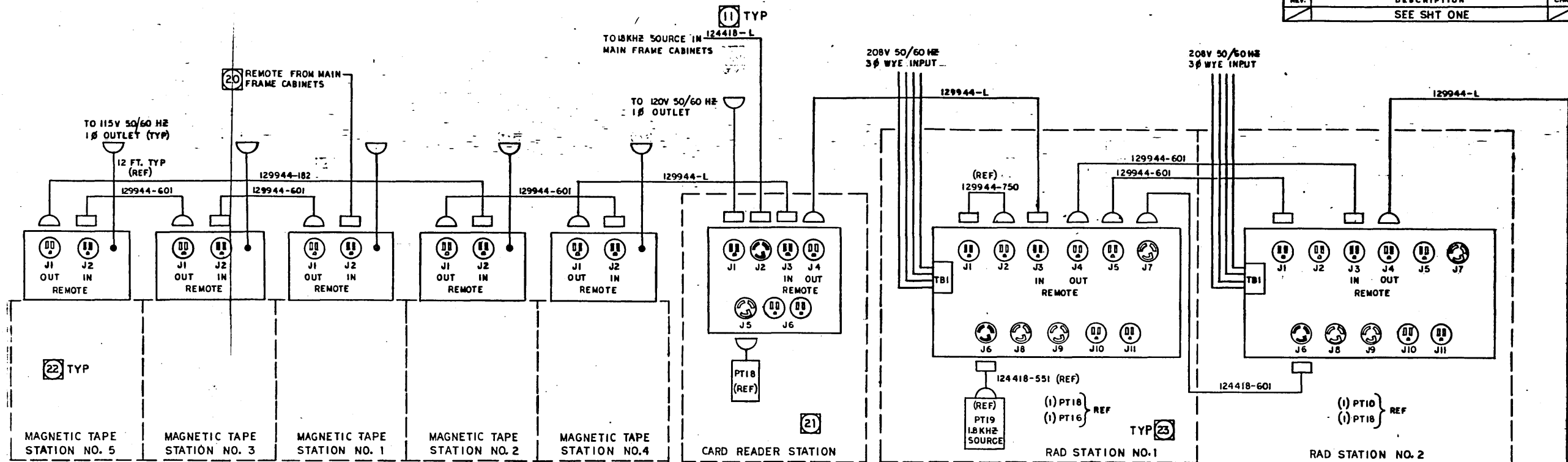
| REVISIONS | | | |
|-----------|------|---------------|-------------------|
| LAL | REV. | DESCRIPTION | CHK DATE APPROVED |
| | | SEE SHEET ONE | 139273 /M |

| MATERIAL LIST | | | |
|--|------------------|----------------------|----------|
| NOTES UNLESS SPECIFIED | DRAWN | J.C. PRICE | 6/23/67 |
| 1. TOLERANCES UNLESS SPECIFIED ARE AS SHOWN | CHECK | M. LING | 6/28/67 |
| 2. BREAK ALL SHARP EDGES AND APPROX. | APPR. | McCLELLAN | 6/24/67 |
| 3. DIMENSIONS ON SURFACES | MATERIAL | | |
| 4. ALL DIMENSIONS UNLESS OTHERWISE SPECIFIED APPLY AT 25°C | FINISH | | |
| MODEL NO. FIRST USE | ALL SIGMA SYSTEM | | FINISH |
| NEXT ASSY. FIRST USE | | | FINISH |
| CODE IDENT. | | SIZE | DWG. NO. |
| 18338 | | D | 139273 |
| SCALE | | DO NOT SCALE DRAWING | |
| | | SHEET 8 OF 12 | |

INTEGRATION DWG,
SIGMA SYSTEM PWR
INTERCONNECTIONS

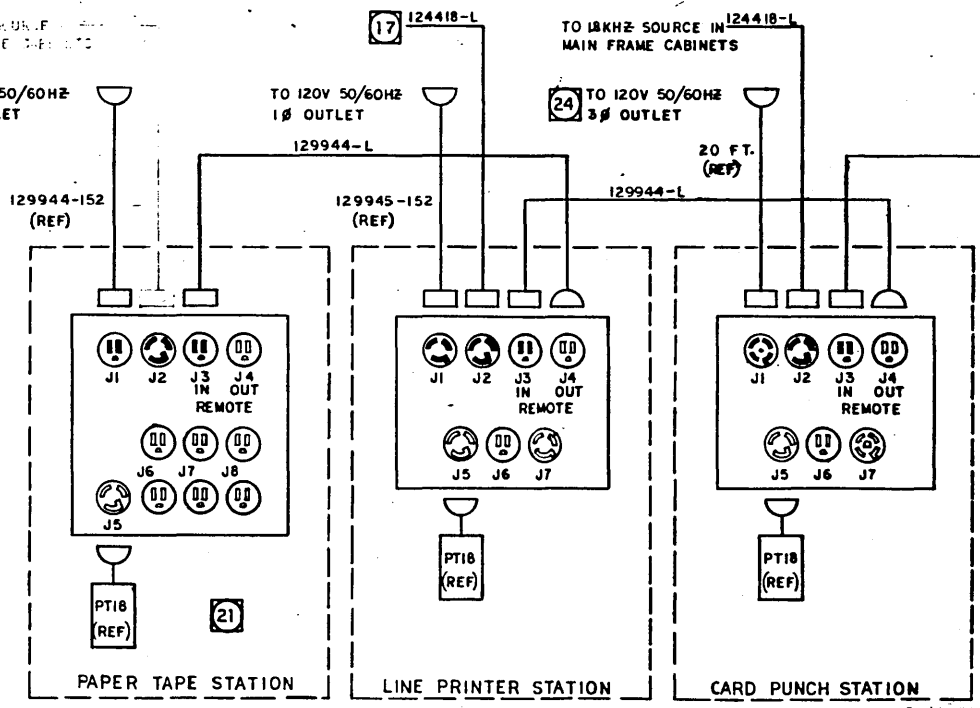
DIST CODE 108

| REVISIONS | | | |
|-----------|-------------|------|------|
| REV. | DESCRIPTION | CHK. | DATE |
| 1 | SEE SHT ONE | | |



TYPICAL PERIPHERAL STATION POWER CONTROL (FUNCTIONAL DIAGRAM)

TYPICAL AC INTERCONNECTIONS (PERIPHERAL STATIONS)



| NOTES UNLESS SPECIFIED | | DRAWN | | MATERIAL LIST | | SDS SCIENTIFIC DATA SYSTEMS | |
|---|--------------|----------|---------|---------------|---------|--|------------------------------------|
| 1. TOLERANCES UNLESS SPECIFIED | ANGULAR ±15' | DATE | 6-21-67 | CHECKED | 6-28-67 | SANTA MONICA, CALIFORNIA | |
| 2. BREAK ALL SHARP EDGES TO APPROX. 1/16" APPROX. | | APPROVED | 6-26-67 | | | TITLE INTEGRATION DWG. SIGMA SYSTEM PWR INTERCONNECTIONS | |
| 3. HARK SURFACES | | | | | | SIZE | DWG. NO. 139273 |
| 4. ALL DIM. IN INCHES | | | | | | SCALE | DO NOT SCALE DRAWING SHEET 9 OF 12 |
| MODEL NO. ALL SIGMA SYSTEMS | FINISH | | | | | CHANGED LETTERS | |

139273 M

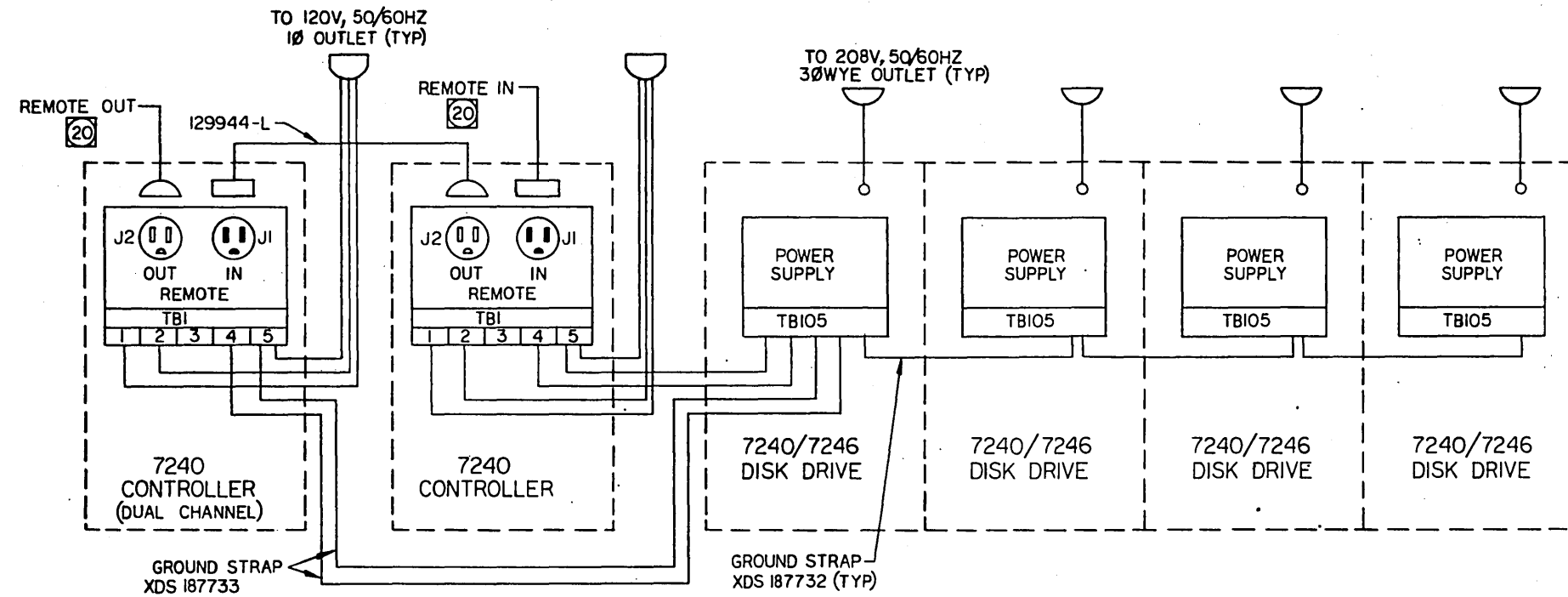
A

3

2

1

| REV. | | DESCRIPTION | CHK | DATE | APPROVED |
|------|--|-------------|-----|------|----------|
| 20 | | SEE SH. 1 | | | |



NOTES:

- A REMOTE POWER SEQUENCING FOR DISK DRIVES IS CARRIED IN THE (I.O. CABLE) "B" CABLE - J202. SEE INTEGRATION DRAWING, SIGMA I/O INTERFACE SUBSYSTEM, XDS 137113, FOR INTERCONNECTION OF THE "B" CABLE. SEE INSTALLATION DRAWING, DISK PACK, XDS 152864, FOR AC POWER CONTROL AND POWER SEQUENCE SWITCH SETTING INFORMATION.
- B GROUND STRAPS (XDS 187733) BETWEEN CONTROLLER POWER FILTER TB1 LUGS 4 & 5 AND DISK DRIVE POWER SUPPLY TB105 ARE TO BE CUT FOR MINIMUM LENGTH CONSISTENT WITH SITE REQUIREMENTS.
- C FOR A DUAL CHANNEL (2 CONTROLLERS) SYSTEM THE GROUND STRAPS (XDS 187733) FROM BOTH CONTROLLERS SHOULD BE CONNECTED TO THE SAME DISK DRIVE.
- D GROUND STRAPS (XDS 187732) SHOULD BE CONNECTED IN A DAISY CHAIN FROM DISK DRIVE POWER SUPPLY TB105 TO DISK DRIVE POWER SUPPLY TB105.

TYPICAL DISK DRIVE SUBSYSTEM
POWER, POWER CONTROL & GROUNDING
(FUNCTIONAL DIAGRAM) (18)

139273 | M

DIST CODE 108

XDS Xerox Data Systems
EL SEGUNDO, CALIFORNIA

TITLE
**INTEGRATION DWG,
SIGMA SYSTEM PWR
INTERCONNECTIONS**

| | | | |
|-------------|------|----------|-------------------|
| CODE IDENT. | SIZE | DWG. NO. | CHARACTER LETTERS |
| 18338 | D | 139273 | M |

SCALE — DO NOT SCALE DRAWING SHEET 10 OF 12

3

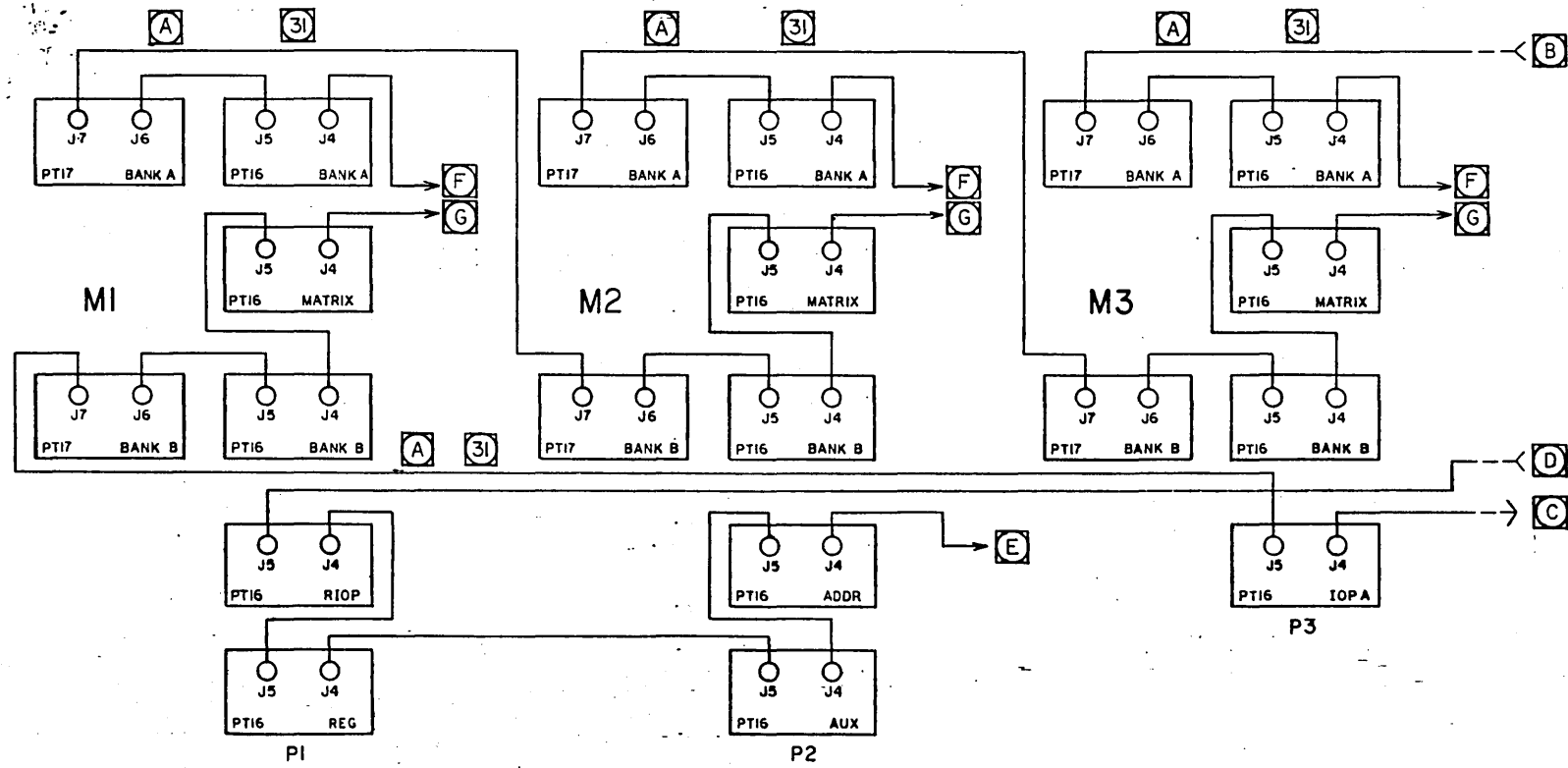
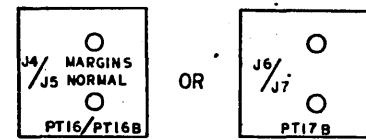
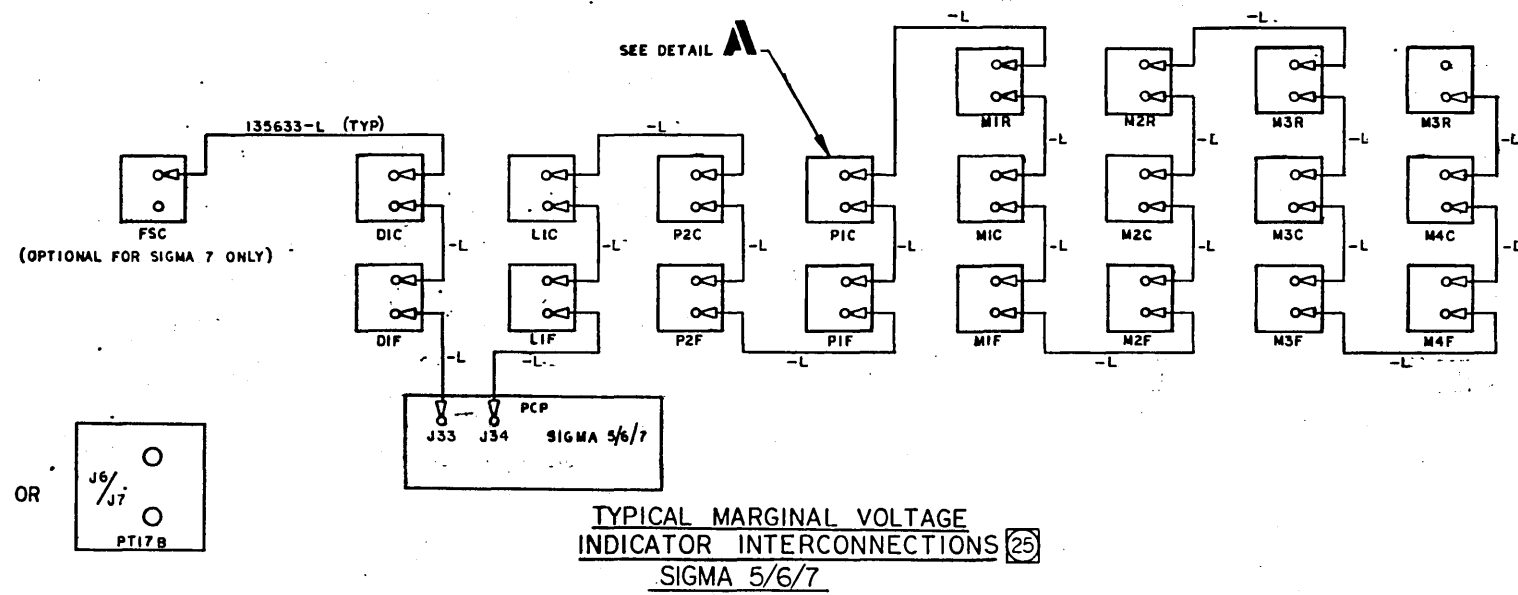
2

1

| REV. | | DESCRIPTION | CHK | DATE | APPROVED |
|------|--|-------------|-----|------|----------|
| | | SEE SH1 ONE | | | |

NOTES:

- A. CABLE OMITTED IF SYSTEM CONTAINS MCP.
- B. FROM ADDITIONAL MEMORIES.
- C. TO ADDITIONAL PT16'S
- D. FROM LAST ADDITIONAL PT16.
- E. HARDWIRED TO 01LD1 IN ADDRESS FRAME.
- F. HARDWIRED TO 29A13 IN MATRIX 0.
- G. HARDWIRED TO 02A13 IN MATRIX 0.
- H. ALL CABLES (XDS 135633-L) EXCEPT THOSE HARDWIRED WHICH ARE FURNISHED WITH MEMORY UNIT AND CPU.



MARGINS NORMAL INTERCONNECTIONS
SIGMA 8&9 TYPICAL

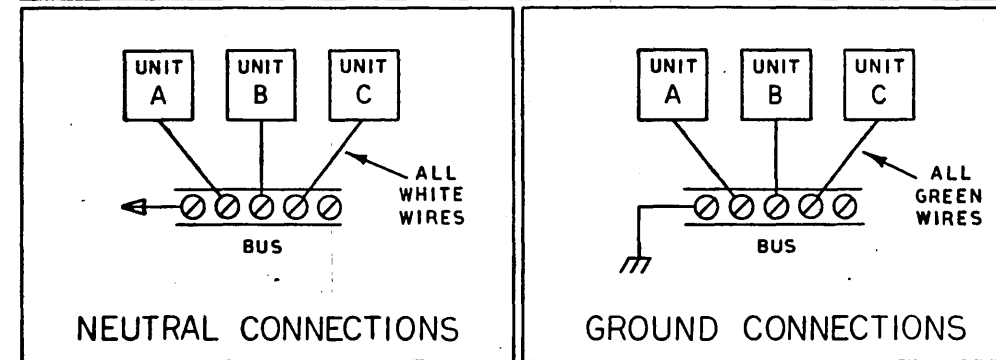
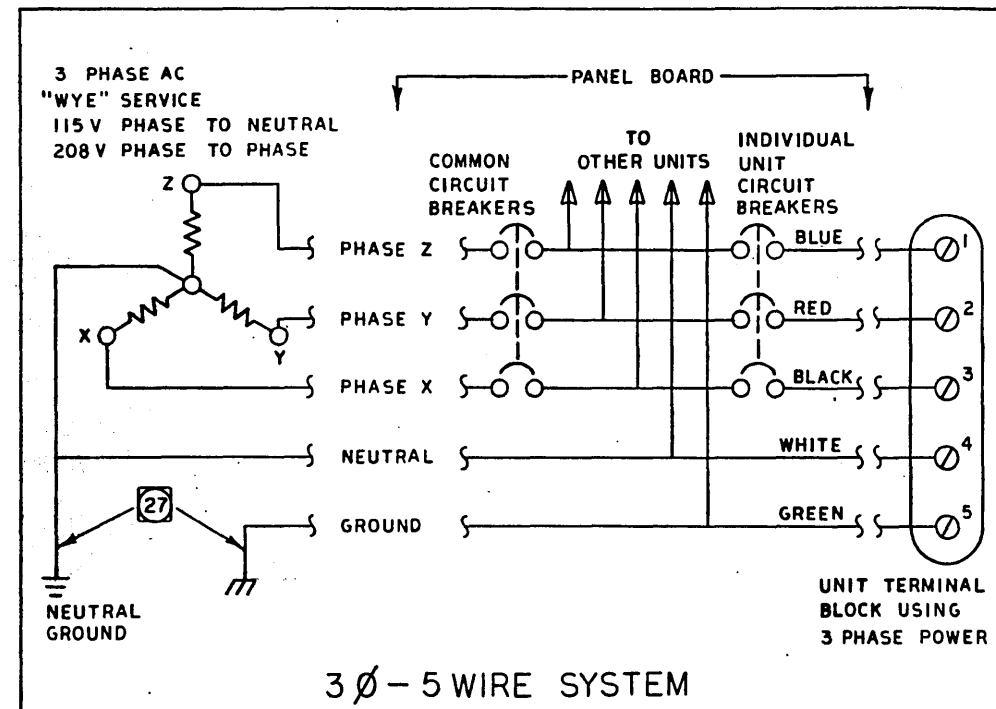
| NOTES UNLESS SPECIFIED | | DRAWN | | MATERIAL LIST | | SDS SCIENTIFIC DATA SYSTEMS | |
|--------------------------------|------------------------------|-----------------------------|----------------------------------|----------------------------------|----------------------------------|----------------------------------|----------------------------------|
| 1. TOLERANCES UNLESS SPECIFIED | 2. DIMENSIONS IN PARENTHESES | 3. ALL DIMENSIONS IN INCHES | 4. ALL DIMENSIONS IN MILLIMETERS | 5. ALL DIMENSIONS IN MILLIMETERS | 6. ALL DIMENSIONS IN MILLIMETERS | 7. ALL DIMENSIONS IN MILLIMETERS | 8. ALL DIMENSIONS IN MILLIMETERS |
| CHECKED | | DATE | | DATE | | DATE | |
| APPROVED | | DATE | | DATE | | DATE | |
| MATERIAL | | FINISH | | SCALE | | DO NOT SCALE DRAWING | |
| MODEL NO. ALL SIGMA SYSTEMS | | DWG. NO. 139273 | | SHEET 11 of 12 | | DIST CODE 108 | |

139273 11A

| REVISIONS | | | |
|-----------|---------------|-----|------|
| REV. | DESCRIPTION | CHK | DATE |
| | SEE SHEET ONE | | |

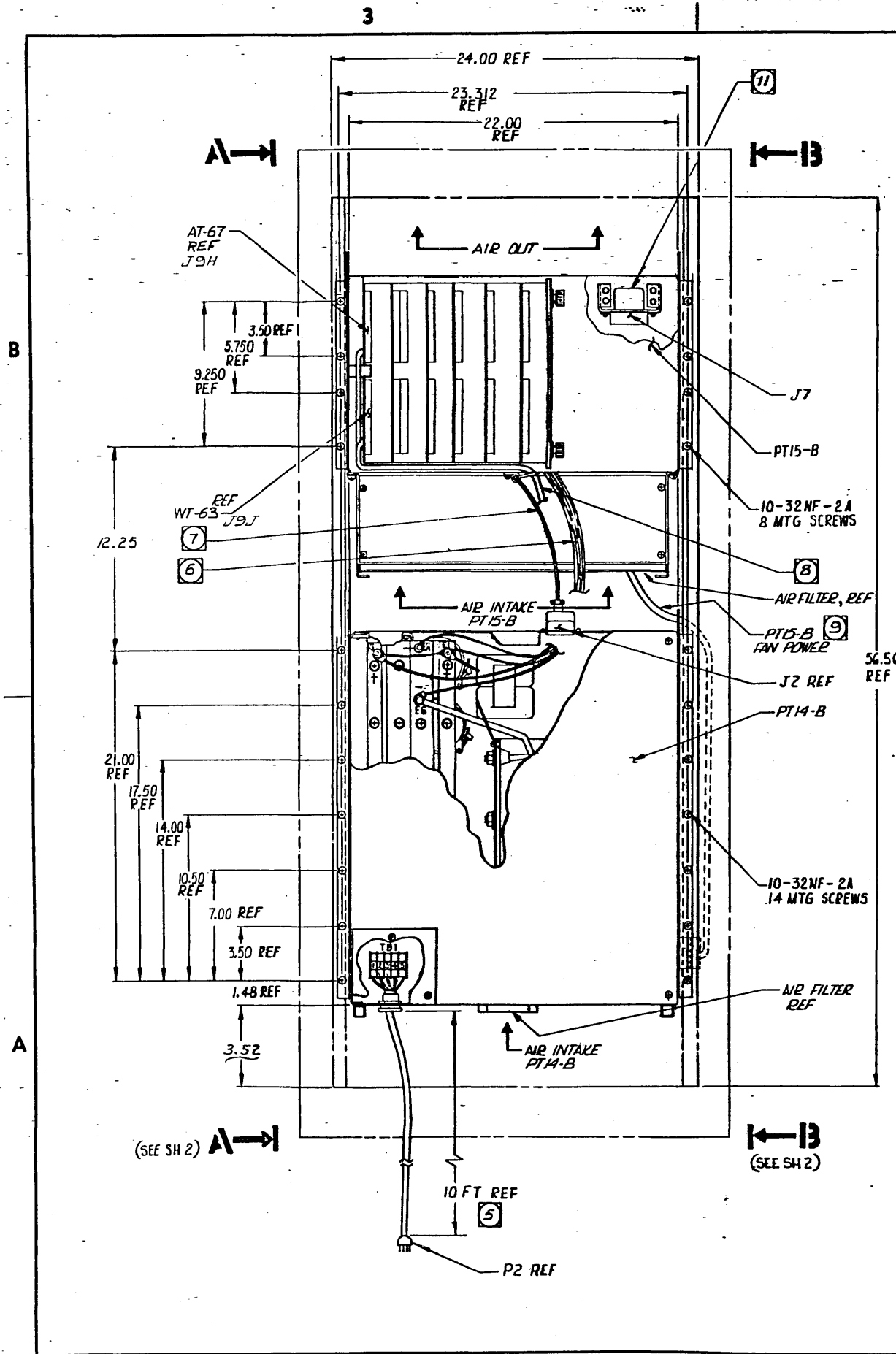
POWER RECEPTACLES

| TYPE | FACE VIEW — DISCONNECT SIDE | PANEL BOX INCLUDING CIRCUIT BREAKERS | UNIT CONNECTION |
|------------------------------|-----------------------------|---|---|
| CONDUIT | | PHASE Z — BLUE — 1 PHASE Y — RED — 2 PHASE X — BLACK — 3 NEUTRAL — WHITE — 4 GROUND — GREEN — 5 | CONNECTIONS TO TERMINAL BLOCKS 1 2 3 4 5 |
| 45105 (HUBBELL) | | PHASE X — BLACK — X PHASE Y — RED — Y PHASE Z — BLUE — Z NEUTRAL — WHITE — N GROUND — GREEN — GRD | BOX |
| 3121 (HUBBELL) | | SELECTED PHASE — COLOR SELECTED TO AGREE WITH PHASE — Y NEUTRAL — WHITE — X GROUND — GREEN — W | BOX |
| 5261 (HUBBELL) SINGLE OUTLET | | SELECTED PHASE — COLOR SELECTED TO AGREE WITH PHASE — (Y) NEUTRAL — WHITE — W GROUND — GREEN — GR | BOX |
| 5262 (HUBBELL) DUAL OUTLET | | | |



| NOTES UNLESS SPECIFIED | | DRAWN | | MATERIAL LIST | | SDS SCIENTIFIC DATA SYSTEMS | |
|--------------------------------|--------------------------------|----------------------|--------|----------------------|--------|--|----------|
| 1. UNLESS OTHERWISE SPECIFIED | 2. UNLESS OTHERWISE SPECIFIED | J.C. PRICE | 6-22-7 | 6-22-7 | 6-22-7 | SANTA MONICA, CALIFORNIA | |
| 3. UNLESS OTHERWISE SPECIFIED | 4. UNLESS OTHERWISE SPECIFIED | M. LING | 6-28-7 | 6-28-7 | 6-28-7 | TITLE | |
| 5. UNLESS OTHERWISE SPECIFIED | 6. UNLESS OTHERWISE SPECIFIED | C. M. CLELLAN | 6-26-7 | 6-26-7 | 6-26-7 | INTEGRATION DWG, SIGMA SYSTEM PWR INTERCONNECTIONS | |
| 7. UNLESS OTHERWISE SPECIFIED | 8. UNLESS OTHERWISE SPECIFIED | FINISH | | SCALE | | SIZE | DWG. NO. |
| 9. UNLESS OTHERWISE SPECIFIED | 10. UNLESS OTHERWISE SPECIFIED | ALL SIGMA SYSTEMS | | DO NOT SCALE DRAWING | | D | 139273 |
| 11. UNLESS OTHERWISE SPECIFIED | 12. UNLESS OTHERWISE SPECIFIED | NEXT REV. FIRST LINE | | SHEET | | CHANGE LETTER | 12 OF 12 |
| | | | | 12 OF 12 | | M | |

139273/M/A



NOTES: UNLESS OTHERWISE SPECIFIED

- 1 INPUT & OUTPUT CHARACTERISTICS
 PT14-B
 INPUT: 120/208 VOLTS AC, 60 HZ, 3 PHASE, 5 WIRE COMMERCIAL POWER INPUT SHALL BE WIRED WITH CIRCUIT BREAKER PROTECTION RATED AT 30 AMPS MAXIMUM PER PHASE. UNIT IS SUPPLIED WITH 10 GA FLEXIBLE CABLE, XDS 153543, BUT MAY BE REMOVED AND WIRED WITH #10 AWG SOLID VINYL JACKETED WIRE IN CONDUIT.
 OUTPUT: NOMINAL OF 60 VOLTS DC, AT 100 AMPS MAXIMUM.
 PT15-B
 INPUT: RECEIVES THE OUTPUT OF THE PT14-B
 OUTPUT: 109 VOLTS AC AVG, 1800 HZ, MODIFIED SQUARE WAVE.
- 2 MATERIAL: PT14-B, PT15-B CHASSIS; STEEL CAD PLATED FILTER; ESTER TYPE POLYURETHANE.
- 3 WEIGHT: PT14-B, 178 LBS
 PT15-B, 78 LBS
- 4 REFERENCE DRAWINGS:
 PT14-B - ASSY 148803
 APPLICATION INFO 154573
 POWER SUPPLY DATA PACKAGE, PT14-B - 901655
 PT15-B - ASSY 148804
 APPLICATION INFO 154574
 POWER SUPPLY DATA PACKAGE, PT15-B - 901656
 INTERCONNECT UNITS AS FOLLOWS,

| REVISIONS | | | | | 152047 | E |
|-----------|------|--|-----|----------|----------|----------|
| LAI | REV. | DESCRIPTION | CHK | DATE | APPROVED | |
| X | A | MFG RELEASE, NO E.O. | 6/3 | 9/2/69 | EV | |
| | B | SEE DCR #42093; SH1, NOTE 6, WIRE DESIGN, COLORS: RED WAS BLACK, WHITE WAS YELLOW. REV'D NOTE 1 & 5. | CB | 9/2/70 | JF | 9/2/70 |
| | C | SEE DCR #93071. REVISED. NOTE 1. | CB | 1/4/70 | JF | 1/4/70 |
| | D | SEE DCR #91397; ZONE 3A; 3.52 DIM. WAS 1.85. | CB | 11/23/70 | JF | 11/23/70 |
| | E | SEE DCR #41064; NOTE 5, WIRE SIZE COLUMN, 5 CONDUCTOR CABLE WAS (#12 AWG). | CB | 9/24/71 | JF | 9/24/71 |

| FUNCTION | FROM - TO | WIRE SIZE (REF) | WIRE DESIGN, COLORS, | TERMINATION DESIGNATION | DESCRIPTION |
|------------------------------------|--------------------------------------|----------------------------------|------------------------------|------------------------------|--|
| 5. SYSTEM INPUT POWER | PT14-B TO BUILDING SERVICE | 5 CONDUCTOR CABLE (#10 AWG) (P2) | — | — | THIS CABLE IS "HARDWIRED" INTO THE PT14-B AT ASSY LEVEL, AND MUST BE PLUGGED INTO BUILDING SERVICE AT COMPUTER INSTALLATION. |
| 6. +60 VDC 100 AMPS 460 VDC RETURN | PT-15B TO PT-14B | #6 AWG #6 AWG #6 AWG | RED RED WHITE WHITE | PT-14B, E1 E2 E5 E6 | THIS CABLE IS "HARDWIRED" INTO THE PT-15B AT ASSY LEVEL, AND MUST BE CONNECTED AT INSTALLATION TO THE PT-14B. THE PT-14B COVER MUST BE REMOVED FOR THIS INTERCONNECTION. |
| 7. INTER-FACE CABLE | PT-15B TO PT-14B | 7 CONDUCTOR CABLE (#24 AWG) | WHITE | PT-14B, J2 PT-15B, J9J | THE PT-15B END OF THIS CABLE IS A CABLE PLUG ATTACHED TO THE WT-63 MODULE. |
| 8. POWER MONITOR CABLE | MPM (MEMORY PORT MULTIPLE) TO PT15-B | 14 CONDUCTOR SHIELDED CABLE | BLACK | PT-15B, J9H | THE PT15-B END OF THIS CABLE IS A CABLE PLUG ATTACHED TO THE AT67 MODULE (POWER MONITOR) |
| 9. FAN CABLE | PT-15B TO PT-14B | 3 WIRE CABLE | GREY | PT-14B, J3 OR J4 | |
| 10. PT-15B OUTPUT | RECEPTACLE 15A (REF) | — | — | J5, J6 | |
| 11. PT-15B OUTPUT | RECEPTACLE 50A (REF) | — | — | J7 | |

(SEE SH 2)

(SEE SH 2)

XDS Xerox Data Systems
 Scientific Data Systems
 DIST CODE 108

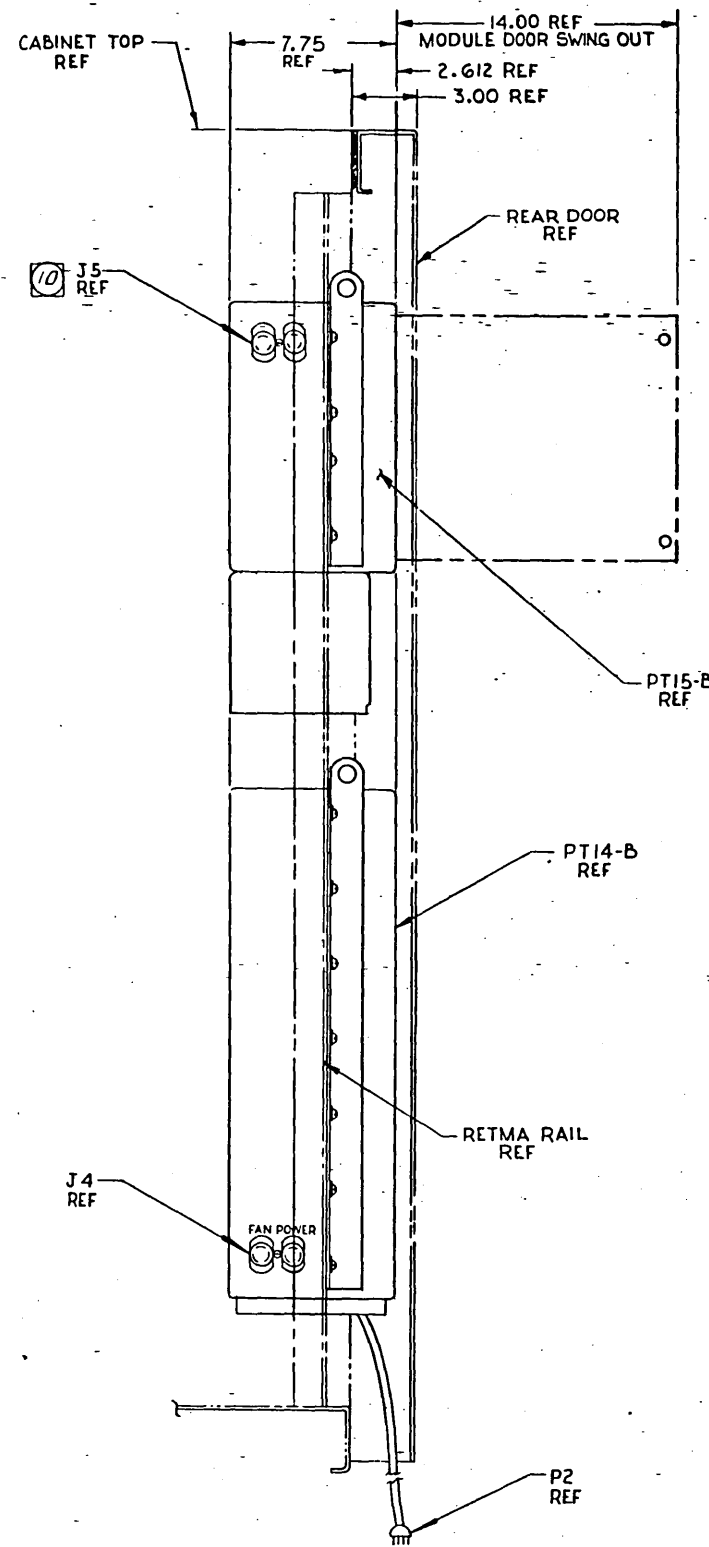
| | | | | |
|---|---|--|---|-----------------------------------|
| NOTES UNLESS SPECIFIED | | DRAWN: <i>W. K. ...</i> 9/17/69 | SDS SCIENTIFIC DATA SYSTEMS SANTA MONICA, CALIFORNIA | |
| 1. TOLERANCES XDS 902306 DIMENSIONS ANGLES XDS 9010 .015" | CHECK: <i>E. Keller</i> 6-27-69 | TITLE INSTALLATION DWG, PT14-B & PT15-B PWR SUPPLIES | | CHARGE LETTER E |
| 2. BREAK ALL SHARP EDGES .010 APPROX. | APPR. <i>E. Keller</i> 7/1/69 | MATERIAL | | CODE IDENT. 18338 |
| 3. HATCH SURFACES | | FINISH | | SIZE D |
| 4. ALL DIM. IN INCHES | | | | DWG. NO. 152047 |
| 5. ALL TRUE POSITION TOLERANCES APPLY AT RUC | | | | SCALE 1/4 |
| MODEL NO. FIRST USE PT14-B, PT15-B | NEXT ASSY. FIRST USE 148803 148804 | | | DO NOT SCALE DRAWING SHEET 1 OF 2 |

3

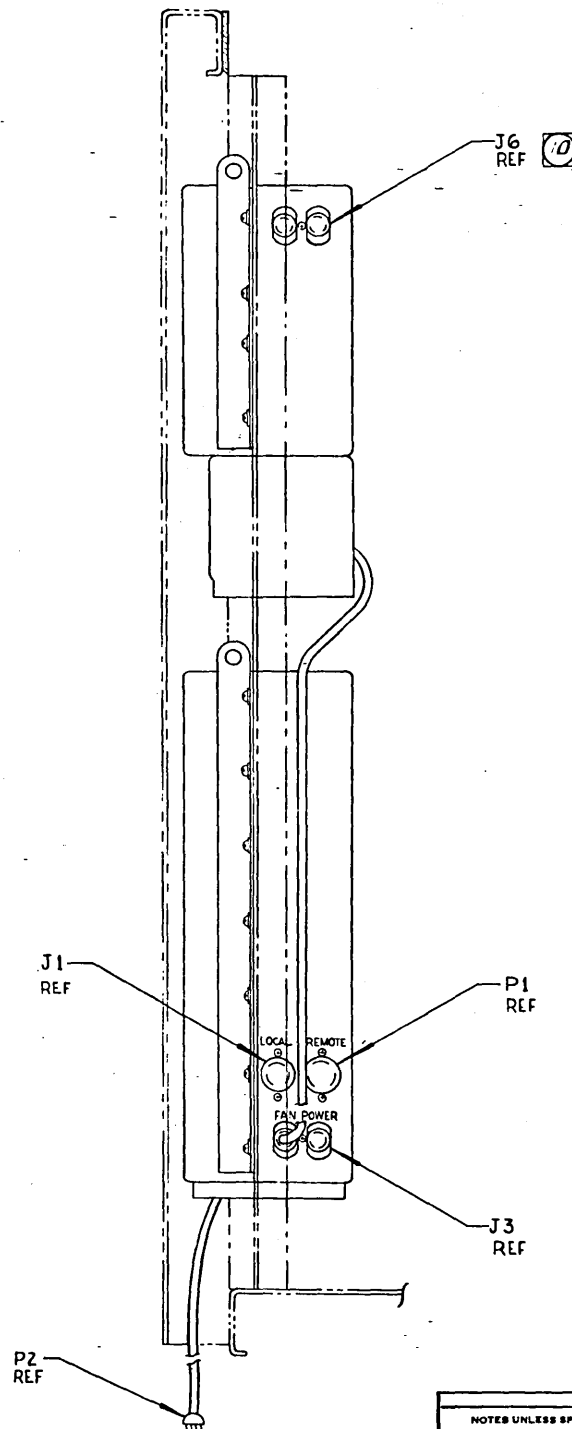
2

1

| REVISIONS | | | | 152047 E | |
|-----------|-------------|-----|------|----------|--|
| REV. | DESCRIPTION | CHK | DATE | APPROVED | |
| SEE SH 1 | | | | | |



VIEW A-A
(SEE SH 1)



VIEW B-B
(SEE SH 1)

| | | | | |
|---|--------------------------|--------------------------|---|-----------------------------------|
| NOTES UNLESS SPECIFIED | | DRAWN <i>[Signature]</i> | SDS Xerox Data Systems Scientific Data Systems Santa Monica, California | |
| 1. TOLERANCES JE ±.030 DIMENSIONED ANGLES JXX ±.010 | CHECK <i>[Signature]</i> | DATE <i>12-2-69</i> | DIST CODE 108 | |
| 2. BREAK ALL SHARP EDGES S10 APPROX. | APPR. <i>[Signature]</i> | DATE <i>12/2/69</i> | TITLE INSTALLATION DWG, PTI4-B & PTI5-B PWR SUPPLIES | |
| 3. MACH. SURFACES ✓ | MATERIAL | FINISH | CODE IDENT. 18338 | SIZE D |
| 4. ALL DIM. IN INCHES | | | DWG. NO. 152047 | CHANGE LETTER E |
| 5. ALL TRUE POSITION TOLERANCES APPLY AT MMC | | | SCALE 1/1 | DO NOT SCALE DRAWING SHEET 2 OF 2 |
| MODEL NO. FIRST USE PTI4-B, PTI5-B | | | | |
| NEXT ASBY. 148803 | | | | |
| FIRST USE 148804 | | | | |

3

2

1

152047 E

22. REAL TIME CLOCK INPUTS

INPUT TO COUNTER 4 IS WIRED TO 500 CPS. INPUTS TO COUNTER 3 AND OPTIONAL COUNTER 2 AND COUNTER 1 ARE CONTROLLED BY A SWITCH MODULE, ST14, IN CPU LOCATION 03K. SELECTION OF INPUTS TO THE COUNTERS IS PER THE FOLLOWING TABLE:

Table with columns: COUNTER 1, COUNTER 2, COUNTER 3, S1-12, S1-7, S1-2, S1-13, S1-8, S1-3, S1-14, S1-9, S1-4, S1-15, S1-10, S1-5. Rows include EXTERNAL FREQUENCY, 500 CPS, 2000 CPS, 8000 CPS.

X DENOTES THAT SWITCH SETTING IRRELEVANT FOR INDICATED FREQUENCY.

23. INSTALLATION OF SIGMA 5/7 MEMORY, ASSY 132546.

REFER TO THE SIGMA 5/7 MEMORY INSTALLATION DRAWING, 127409, AND TO THE SIGMA 7 SYSTEM INSTALLATION DRAWING, 134056, FOR INSTALLATION OF THE SIGMA 5/7 MEMORY.

24. POWER MONITOR ENABLE SWITCH

THE POWER MONITOR ASSY IS LOCATED IN THE POWER DISTRIBUTION PANEL. THE ENABLE ON-OFF SWITCH SHOULD BE IN THE "ON" POSITION ON ALL POWER MONITOR ASSEMBLIES EXCEPT FOR THE LAST ONE (FURTHEST CABLING-WISE FROM THE CPU). THE LAST ONE SHALL HAVE THE ENABLE ON-OFF SWITCH IN THE "OFF" POSITION.

25. INSTALLATION OF MULTIPLEXING INPUT - OUTPUT PROCESSOR, MIOP, ASSY 117160:

REFER TO THE MIOP, INSTALLATION DRAWING, 123652, AND TO THE SIGMA 5 SYSTEM INSTALLATION DRAWING, 137112, FOR INSTALLATION OF THE MIOP.

26. INSTALLATION OF THE SELECTOR INPUT - OUTPUT PROCESSOR, SIOP, ASSY 117620:

REFER TO THE SIOP INSTALLATION DRAWING, AND TO THE SIGMA 5 SYSTEM INSTALLATION DRAWING, 137112, FOR INSTALLATION OF THE SIOP.

27. INSTALLATION OF PRIORITY INTERRUPT CONTROL UNIT, ASSY 117330:

REFER TO THE PRIORITY INTERRUPT CONTROL UNIT INSTALLATION DRAWING, 124469, AND TO THE SIGMA 5 SYSTEM INSTALLATION DRAWING 137112 FOR INSTALLATION OF THE PRIORITY INTERRUPT CONTROL UNIT.

28. ADD PANEL, BLANK (129694) AND STRIP, INSULATING (129693) TO ALL EMPTY CHASSIS ROWS.

29. INSTALLATION OF EXTERNAL INTERFACE UNIT ASSY 137068 AT11 MODULE IN LOC 22R TO BE INSTALLED ONLY IF PRIORITY INTERRUPT CONTROL UNIT, ASSY 117330 IS USED.

13. INSTALLATION OF FLOATING POINT ARITHMETIC, ASSY 134099:

TO INSTALL THE FLOATING POINT ARITHMETIC, OPTION USE MODULE LOCATION CHART 133279.

14. INSTALLATION OF MEMORY PROTECT, ASSY 134101:

TO INSTALL THE MEMORY PROTECT OPTION USE MODULE LOCATION CHART - 133279.

15. INSTALLATION OF ADDITIONAL HIGH SPEED REGISTER BLOCKS, ASSY - 130071:

TO INSTALL THE FIRST 3 ADDITIONAL HIGH SPEED REGISTER BLOCKS IN THE CPU USE MODULE LOCATION CHART - 133279 ADDITIONAL HIGH SPEED REGISTER BLOCKS (BEYOND THE FIRST THREE) ARE INSTALLED IN THE REGISTER EXTENSION UNIT (S). SEE INSTALLATION DWG. REGISTER EXTENSION UNIT, 124816, FOR INSTALLATION OF ADDITIONAL HIGH SPEED REGISTER BLOCKS IN THE REU.

16. INSTALLATION OF REGISTER EXTENSION UNIT (REU) INTERFACE UNIT, ASSY 145977:

THE SIGMA 5 SYSTEM PROVIDES FOR ADDITIONAL HIGH SPEED REGISTER BLOCKS, ASSY 130071, BEYOND THE THREE DESCRIBED IN NOTE 16. THE PREREQUISITES FOR EXPANDING BEYOND THREE ARE THE REU INTERFACE UNIT AND UP TO 3 (AS REQUIRED) REGISTER EXTENSION UNITS, ASSY 130071. EACH REGISTER EXTENSION UNIT MAY ACCOMMODATE UP TO 4 ADDITIONAL HIGH SPEED REGISTER BLOCKS.

USE MODULE LOCATION CHART 133279 TO INSTALL REU INTERFACE MODULES IN THE CPU. USE MODULE LOCATION CHART, 124819, TO INSTALL REU INTERFACE MODULE IN THE FIRST REU.

17. REGISTER EXTENSION UNIT (REU) JUMPERS:

UP TO THREE REU'S ASSY 130071 MAY BE ATTACHED TO A SIGMA 5 SYSTEM. JUMPERS MUST BE ADDED TO THE CPU FOR EACH REU AS FOLLOWS:

Table with columns: REU #, JUMPER. Rows: 1 NO JUMPER, 2 28T03 29525, 3 28T07 29527

18. CABLING INTERCONNECTIONS:

REFER TO THE SIGMA 5 SYSTEM INSTALLATION DRAWING, 137112 FOR DETAILS ON THE CABLING INTERCONNECTIONS AND TERMINATION OF THE FOLLOWING UNITS WITH THE CPU.

Table with columns: CPU TO, UNIT. Rows: CPU TO CPU, CPU TO PCP, CPU TO MIOP(S) AND/OR SIOP(S), CPU TO MEMORY(S), CPU TO POWER MONITOR, CPU TO REU(S), CPU TO DIRECT INPUT OUTPUT, CPU TO PRIORITY INTERRUPT SYSTEM, CPU TO EXTERNAL REAL TIME CLOCK

19. PROCESSOR CONTROL PANEL (PCP), DOOR ASSY 149308:

THE PCP IS INSTALLED ON THE SIGMA 5 SYSTEM. THE PCP IS PHYSICALLY LOCATED ON THE CABINET ADJACENT TO AND TO THE LEFT OF THE CPU CABINET.

20. INSTALLATION OF TWO ADDITIONAL REAL - TIME CLOCKS, ASSY 117616:

TO INSTALL THE TWO ADDITIONAL REAL - TIME CLOCKS OPTION USE MODULE LOCATION CHART 133279.

21. INSTALLATION OF POWER FAIL SAFE, ASSY 117612.

TO INSTALL THE POWER FAIL SAFE OPTION USE MODULE LOCATION CHART, 133279.

NOTES: UNLESS OTHERWISE SPECIFIED

1. CABINETS ARE WELDED STEEL CONSTRUCTION WITH BLACK TEXTURED FINISH. CABINETS ARE SUPPLIED WITH REMOVABLE, FULL SWIVEL CASTERS RATED AT 350 LBS. EACH AND LEVELING SCREWS ON BOTH SIDES OF CABINET. ALL HARDWARE IS CADMIUM PLATED. COLOR OF DOORS IS LIGHT GRAY TEXTURED EXCEPT PCP DOOR WHICH IS BLUE TEXTURED AND DOOR TRIM STRIPS ARE BRUSHED ALUMINUM.

2. BOTTOM PLATE IS PERFORATED FOR VENTILATION AND REMOVABLE FOR SUBFLOOR INSTALLATION.

3. THESE CABINETS ARE CONSTRUCTED TO ACCEPT LIFT OFF SIDE PANELS, SDS 131410.

4. FLOOR LOADING, APPROX. 900 LBS.

5. OPENING BOTTOM OF DOOR PROVIDES 50 SQ. INCHES TO BE USED AS CABLE AND/OR AIR ENTRY.

6. CABINET TOP CAP WITH BLACK TEXTURED FINISH IS REMOVABLE.

7. MOUNTING HOLES ARE PROVIDED IN FRONT AND REAR OF CABINET STRUCTURE TO MOUNT RIGHT HINGE DOOR, 131419.

8. DOOR, SIDE PANELS AND PCP DOOR ARE SHOWN FOR REFERENCE ONLY.

9. COLOR OF SIDE PANELS IS DARK GRAY TEXTURED.

10. ADJUSTMENT OF LEVELING SCREWS IS 6 INCH MAX.

11. REFERENCE DRAWINGS:

Table with columns: Description, Part Number. Rows: ASSY, BASIC CABINET - 131416, INSTALLATION, DOOR - 131420, ASSY, PCP - 149308, PRODUCT DESIGN SPEC SIGMA 5 - 133260, TEST, SPEC - 133261, ASSY, CPU MODULES - 146275, MODULE LOC CHART - 133279, MASTER DWG. LIST - 133259, INSTALLATION, SIGMA SYSTEM - 137112

12. D.C. POWER REQUIREMENTS

CPU CABINET NO. 1, FRONT FRAME, ROW 1 THRU 6 (WITH ALL OPTIONAL MODULES INSTALLED)

Table with columns: Voltage, Current. Rows: +8V 11A, +4V 22A, -8V 1A

CPU CABINET NO. 1, CENTER FRAME, ROW 1 THRU 9 (WITH ALL OPTIONAL MODULES INSTALLED)

Table with columns: Voltage, Current. Rows: +8V 27A, +4V 55A, -8V 4A

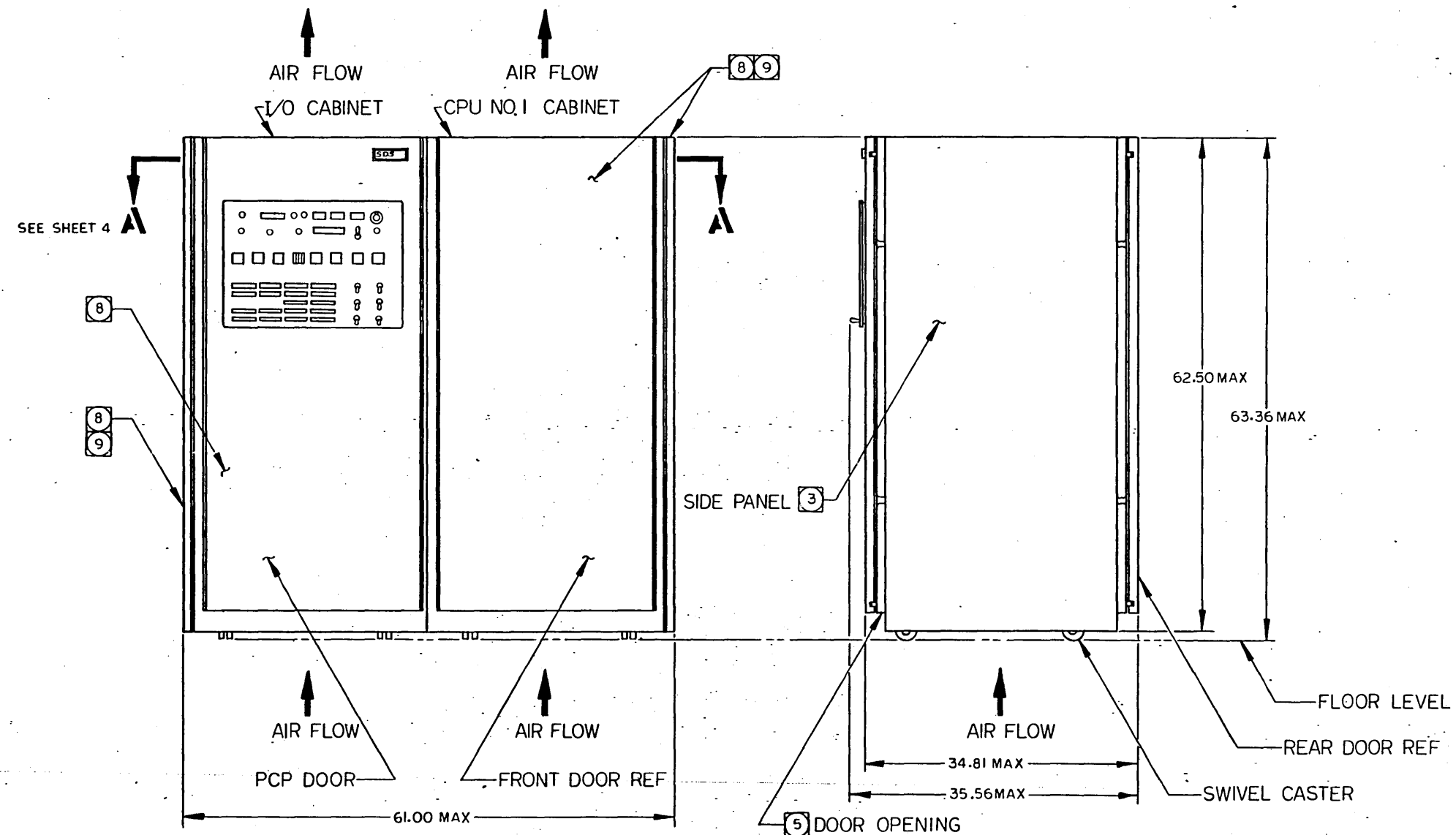
PCP DOOR

Table with columns: Voltage, Current. Rows: +8V 3.5A, +4V 0.1A, -8V 2.5A

REVISIONS table with columns: REV., DESCRIPTION, CHK, DATE, APPROVED. Rows A, B, C, D.

MATERIAL LIST and drawing title block containing: NOTES UNLESS SPECIFIED, DRAWN, CHECK, APPR, MATERIAL, FINISH, MODEL NO. 8201, NEXT ASSY. FIRST LINE 117282, TITLE: INSTALLATION DWG, C.P.U. (SIGMA 5), SIZE D, DWG. NO. 135273, SHEET 1 OF 4.

| REVISIONS | | | |
|-----------|-------------|-----|------|
| REV. | DESCRIPTION | CHK | DATE |
| 1 | SEE SHEET 1 | | |



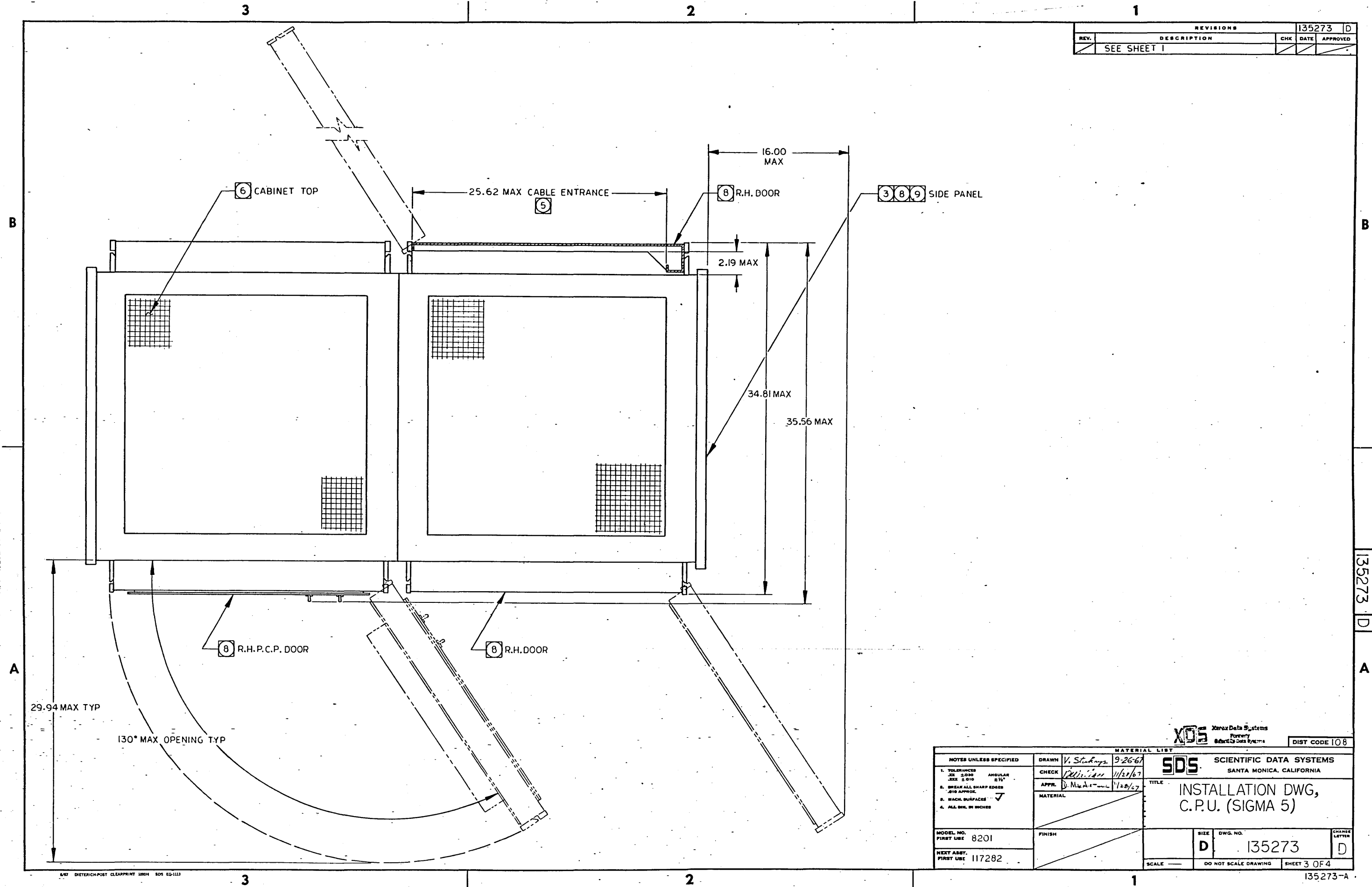
FRONT VIEW
SCALE: 1/8"

XDS Scientific Data Systems
Santa Monica, California
DIST CODE 108

| NOTES UNLESS SPECIFIED: | | DRAWN | | MATERIAL LIST | | SDS SCIENTIFIC DATA SYSTEMS | |
|--------------------------------------|---------|--------|----------|---------------|----------|------------------------------------|--|
| 1. TOLERANCES UNLESS SPECIFIED: | ANGULAR | 9-256 | 9-256 | CHECK | 11/28/67 | SANTA MONICA, CALIFORNIA | |
| 2. BREAK ALL SHARP EDGES AND APPROX. | 2 X | APPR. | 11/28/67 | TITLE | | INSTALLATION DWG, C.P.U. (SIGMA 5) | |
| 3. BACK SURFACE | ✓ | FINISH | | SIZE | | DWG. NO. | |
| 4. ALL DIM. IN INCHES | | | | D | | 135273 | |
| MODEL NO. 8201 | | | | SCALE | | DO NOT SCALE DRAWING | |
| NEXT ASSY. FIRST USE 117282 | | | | SHEET | | 2 OF 4 | |

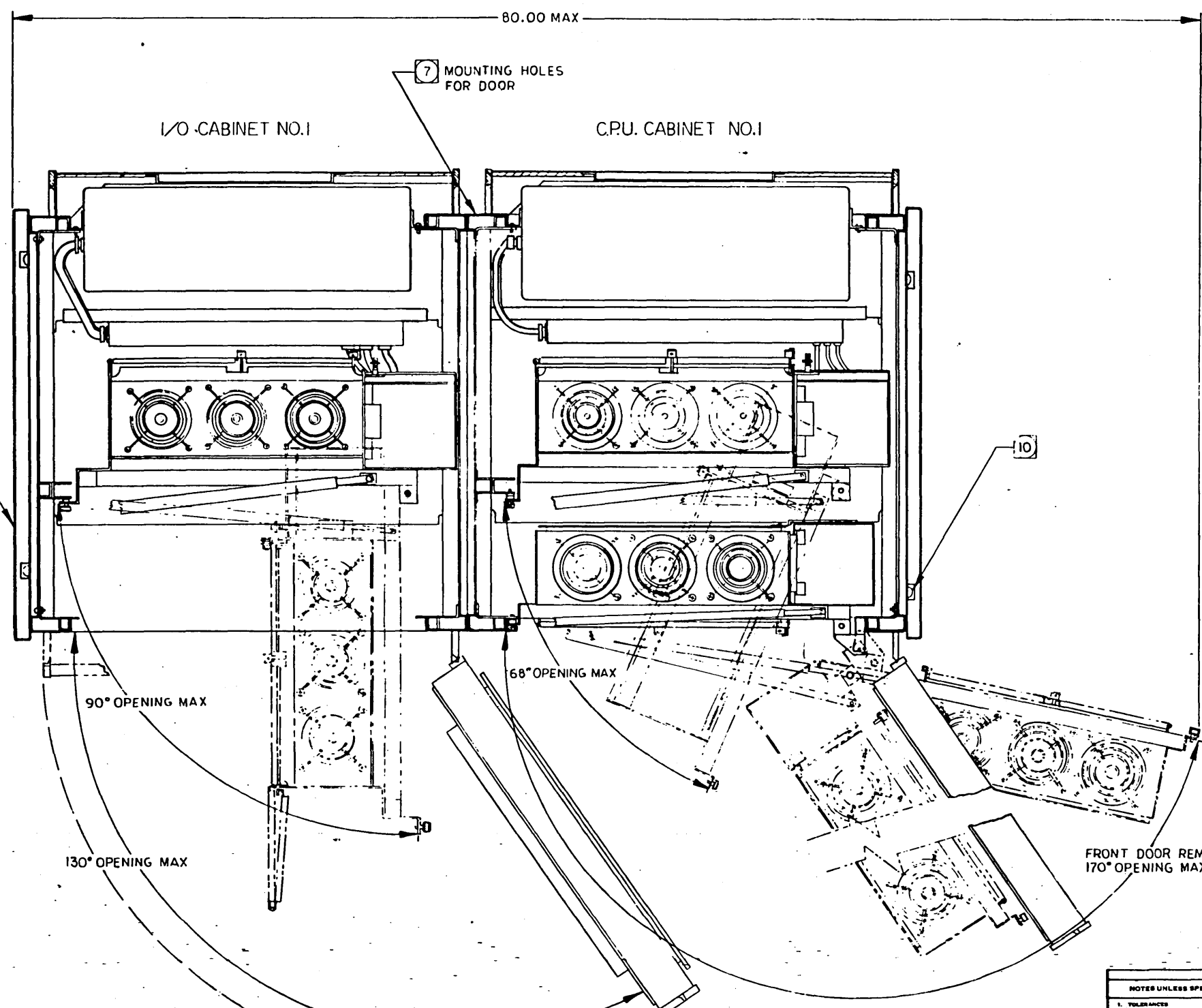
135273 | D | A

| REVISIONS | | | | 135273 | D |
|-----------|-------------|-----|------|----------|---|
| REV. | DESCRIPTION | CHK | DATE | APPROVED | |
| | SEE SHEET I | | | | |



| NOTES UNLESS SPECIFIED | | DRAWN | | MATERIAL LIST | | SDS SCIENTIFIC DATA SYSTEMS | |
|--------------------------|------------------|------------|-------------|---------------|---|---------------------------------------|---------------|
| 1. TOLERANCES | UNLESS SPECIFIED | V. Stuckey | 9-26-67 | | | SANTA MONICA, CALIFORNIA | |
| 2. ANGULAR | 2 1/2° | CHK | 11/20/67 | | | TITLE | |
| 3. BREAK ALL SHARP EDGES | .010 APPROX. | APPR. | D. McArthur | | | INSTALLATION DWG, C.P.U. (SIGMA 5) | |
| 4. BACK SURFACES | | | | | | | |
| 5. ALL DIM. IN INCHES | | | | | | | |
| MODEL NO. | 8201 | FINISH | | SIZE | D | DWG. NO. | 135273 |
| NEXT ASBY. | 117282 | | | SCALE | | DO NOT SCALE DRAWING | SHEET 3 OF 4 |
| | | | | | | | CHANGE LETTER |
| | | | | | | | D |

| REVISIONS | | | | |
|-----------|-------------|-----|------|----------|
| REV. | DESCRIPTION | CHK | DATE | APPROVED |
| 1 | SEE SHEET 1 | | | |



SECTION A-A

| NOTES UNLESS SPECIFIED | | DRAWN | | MATERIAL LIST | | SDS Xerox Data Systems | |
|--------------------------|------------|------------|---------|---------------|----------------------|------------------------|---------------------------------------|
| 1. TOLERANCES | AS SHOWN | V. St. ... | 9-26-67 | | | SDS | SCIENTIFIC DATA SYSTEMS |
| 2. BREAK ALL SHARP EDGES | AS APPROX. | | 11/5/67 | | | | SANTA MONICA, CALIFORNIA |
| 3. HATCH SURFACES | ✓ | | | | | | TITLE |
| 4. ALL DIM. IN INCHES | | | | | | | INSTALLATION DWG, C.P.U. (SIGMA 5) |
| MODEL NO. | 9201 | FINISH | | SIZE | DWG. NO. | CHANGE LETTER | |
| NEXT ASSY. | 117282 | | | D | 135273 | D | |
| FIRST USE | | | | SCALE | DO NOT SCALE DRAWING | SHEET 4 OF 4 | |

135273 | D | A

| SHEET NO. | DESCRIPTION |
|-----------|--|
| 1 | INDEX, SIGMA I/O INTERFACE SUBSYSTEM |
| 2 | NOTES |
| 3 | LENGEND |
| 4 | MIOP INTERFACE CONNECTIONS |
| 5 | BUS-SHARED MIOP INTERFACE CONNECTION |
| 6 | SIOP INTERFACE CONNECTIONS |
| 7 | MIOP/DEVICE CONTROLLER CABLING DIAGRAM |
| 8 | MAINTENANCE SUBCONTROLLER |
| 9 | KSR & ASR INTERFACE |
| 10 | PAPER TAPE SYSTEM INTERFACE |
| 11 | CARD EQUIPMENT INTERFACE |
| 12 | RAD CONTROLLER INTERFACE |
| 13 | LINE PRINTER INTERFACE |
| 14 | PERIPHERAL SWITCH EQUIPMENT |
| 15 | MAG TAPE INTERFACE |
| 16 | REMOVABLE DISC PACK SUBSYSTEM |

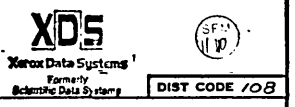
| REVISIONS | | | | | 187113 | 0 |
|-----------|------|--|-----|---------|----------|----|
| LAL | REV. | DESCRIPTION | CHK | DATE | APPROVED | |
| X | B | REVISED & REDRAWN ~ MFG RELEASE | ML | 7-28 | MAT-1-L | |
| | C | DCR 29401 SHT. 2: ADDED NOTES (23) THRU (27). SHT. 3: ADDED: "DOTTED & SOLID LINES ARE INTERMIXED FOR THE PURPOSES OF CLARITY AND SIMPLICITY OF TRACING". SHT. 7: 32A WAS: 03A, 30A WAS: 01A (ZONE A2). DELETED: 133570-L AND ADDED (2) (ZONE B2, 1) ADDED SHT. 8. | CB | 7/24/67 | | CB |
| | D | REF DCR 29847, SHEET 7 O3C WAS O1C, O1C WAS O3C | ML | 7/26 | | |
| | E | SEE DCR 28970 DWG TITLE WAS: "INSTALLATION DWG"; ADDED SH. 9 SH. 2, ADDED NOTES 28 THRU 34 REV. NOTES 2 THRU 2.5, 3 & 2.0; REV SH. 5 & 8. | CB | 7/26 | | |
| | F | SEE DCR 35331. SHTS. 4 & 10: J1, J2, J3 & J4 LABELED. SHT. 5 ADDED. SHT. 6: J1 THRU J6 LABELED. BX LABELED SHT. 10 | CB | 7/29 | | |
| | G | SEE REV. E.O. SHT. 9: ADDED 32A, 30A, 28A & 26A | CB | 7/29 | | |
| | H | SEE REV. E.O.; REVISED & REDRAWN | ML | 7/29 | | |
| | J | SEE DCR 44007; REVISED & REDRAWN | RK | 8/10 | | |
| | K | SEE DCR NO'S 37106 & 43642; REVISED & REDRAWN | CB | 7/30 | | |
| | L | SEE DCR 39982 SHIS NOTES B, C, D & E REVISED | AML | 7/30 | | |
| | M | SEE REV. EQ; ADDED NOTE Z1 AML | AML | 7/30 | | |
| | N | SEE DCR 37111 SH14 REVISED GENERAL NOTE | AML | 7/30 | | |
| | P | SEE DCR 40033; REVISED NOTES: 8, 13, 14. DELETED NOTES: 1, 2, 2.5, 2.6, 7, 12, 16. | CC | 8-11 | | |
| | R | SEE DCR 42747; REVISED SH 1, 2, 3, 5, 6 & 8 THRU 16 | AML | 7-1 | | |

B

A

B

A



| NOTES UNLESS SPECIFIED | | DRAWN | DATE | MATERIAL LIST | |
|--------------------------------|---------|-------------------|---------|--|----------------------|
| 1. TOLERANCES UNLESS SPECIFIED | ANGULAR | V. Stakney | 7-10-67 | SDS SCIENTIFIC DATA SYSTEMS | |
| 2. BREAK ALL SHARP EDGES | BY | M. Long | 7-29-67 | SANTA MONICA, CALIFORNIA | |
| 3. HATCH SURFACES | ✓ | APPR. K. Harrison | 1-25-68 | TITLE | |
| 4. ALL DIM. IN INCHES | | | | INTEGRATION DWG, SIGMA I/O INTERFACE SUBSYSTEM | |
| MODEL NO. ALL SIGMA SYSTEMS | FINISH | | | SIZE | DWG. NO. |
| FIRST USE | | | | D | 137113 |
| NEXT ASBY. FIRST USE | | | | SCALE | DO NOT SCALE DRAWING |
| | | | | | SHEET 1 OF 16 |

| REV. NO. | | DESCRIPTION | CHK | DATE | APPROVED |
|----------|--|-------------|-----|------|----------|
| | | SEE SHEET 1 | | | |

17. STANDARD LENGTHS OF 30, 40, 50 AND 60 FT. ARE AVAILABLE FOR THE FOLLOWING CABLE ASSEMBLIES:

- 17.1 P103-P107 124781-CHARTED
- 17.2 P099-P100 131923-CHARTED
- 17.3 P105-P106 123901-CHARTED

STANDARD LENGTHS OF 10 THROUGH 100 FT. IN 10 FT. INCREMENTS ARE AVAILABLE FOR CABLE ASSEMBLY 133570-CHARTED.

18. THE MIOP/SIOP TO FIRST MEMORY CABLES SHALL NOT EXCEED 20 FEET. THE TOTAL LENGTH OF THE CABLE CHAIN BETWEEN THE IOP AND ITS FURTHEST MEMORY BUS CONNECTION SHALL NOT EXCEED 40 FEET IN EITHER DIRECTION.

19. ALL CABLES SHALL BE ROUTED IN THE FOLLOWING MANNER:

- A) AT THE TOP OR BOTTOM OF EACH CABINET WHEN CABLING BETWEEN CABINETS
- B) OR DIRECTLY WHEN CABLING BETWEEN FRAMES (ALLOWING FOR SERVICE LOOPS) OR WITHIN A FRAME.

20. SEE INSTRUCTIONS, INTEGRATION & CONFIGURATION, SIGMA SYSTEMS 147302, FOR CONFIGURING PROCEDURE, POWER CALCULATIONS AND SYSTEM SWITCH SETTINGS.

21. ALL DEVICE CONTROLLERS ON AN I/O TRUNK WITH THE MAINTENANCE SUBCONTROLLER MUST, TO ALLOW FULLY AUTOMATIC OPERATION OF THE MAINTENANCE PROGRAMS, USE AN AT83 MODULE ON THE PRIORITY CABLE AND NOT AN AT17 NOR AT73. OTHERWISE ONLY MANUAL OPERATION IS POSSIBLE REQUIRING THAT THE DEVICE CONTROLLERS EACH BE SWITCHED "OFF LINE" MANUALLY WHILE THE TEST IS BEING RUN.

22. TWO SIOP'S CANNOT SHARE THE SAME MEMORY PORT WHEN USED WITH A HIGH SPEED 3-MEG BYTE RAD.

23.

24. MAX CABLE LENGTH FROM SIOP TO CONTROLLER IS 40 FEET.

25. MAX. CABLE LENGTH FROM CONTR. TO MIOP IS SIXTY (60) FEET.

26. MAX. CABLE LENGTH FROM CONTR. TO INT. IOP IS FORTY (40) FEET.

27. MAXIMUM CABLE LENGTH (MIOP TO MIOP) SHALL BE 5 FEET. ALL 6 CABLES MUST BE THE SAME NOMINAL LENGTH.

28. NORMAL DIO BUS

29. SWITCHED DIO BUS

30. NORMAL IOP BUSS SHOWN WITH FOUR BYTE EXTENSION.

31. MAX. LENGTH FOR J1, 2, 3, 5 & 6 FROM PERIPHERAL SWITCH SHALL BE 60 FT. MAX. LENGTH FOR J4 SHALL BE 100 FT.

32. CABLE TYPE 146942-L FROM REMOTE SWITCH TO FIRST PERIPHERAL SWITCH. CABLE TYPE 147627-L BETWEEN PERIPHERAL SWITCHES. J1 OR J2 CAN CONTROL UP TO THREE PERIPHERAL SWITCHES EACH. MAXIMUM LENGTH EACH CABLE STRING IS 150 FEET.

33. REQUIRED ONLY ON MULTI-BYTE INTERFACE.

34. DIO ADAPTER MUST TERMINATE INTERNAL DIO CABLES.

35. IN THE ABSENCE OF SPECIFIC CUSTOMER IOP PRIORITY REQUIREMENTS, THE ROUTE OF THE IOP/CPU CABLES SHOULD BE BY THE SHORTEST ROUTE IN ORDER TO MINIMIZE CABLE LENGTH.

36. THE MAINTENANCE SUBCONTROLLER MOUNTED DIRECTLY ADJACENT TO ITS IOP PER RESPECTIVE SYSTEM INTEGRATION DRAWING REQUIRES INTERFACE CABLES 137481 (CHARTED-2745) OR 137482 (CHARTED - 2746).

37. A SIGMA 5 SYSTEM WHEN USING THE MAINTENANCE SUBCONTROLLER MUST HAVE THE DIO OPTION (MOD. 8270) INSTALLED.

38. USE OF THE MAINTENANCE SUBCONTROLLER IN A SYSTEM REQUIRES USING TERMINATOR 153729 ON HIGHEST PRIORITY DEVICE.

39. TO REDUCE CONGESTION IN CABLE TROUGHS, THE DIO CABLES SHOULD BE ROUTED INTO AND OUT OF THE MS AT LEAST ONE CHASSIS TROUGH REMOTE.

40. THE MAINTENANCE SUBCONTROLLER MAY BE INSTALLED IN EITHER BRANCH OF THE IOP/DC CABLE CHAIN.

41. BECAUSE OF CABLE BULK CONSIDERATIONS THE DIO CABLES SHOULD TERMINATE AT A DIO ADAPTER.

42. FOR MATING COAX CABLE ASSEMBLIES OF VARIOUS DESIGN LEVELS REFER TO SPECIFICATION, INTERCHANGE COAX CONN. 182841.

8. THE DEVICE CONTROLLER SERVICE CALL PRIORITY CABLE SHALL BE SEQUENCED IN THE ORDER OF INCREASING RELATIVE SERVICE CALL PRIORITY. THE FOLLOWING REFERENCE DRAWINGS CONTAIN DETAILED INFORMATION ON DEVICE I/O LOAD FACTORS AND CONSIDERATIONS FOR DETERMINING DEVICE PRIORITY.

- 154847 SIGMA 3 SYSTEM PERFORMANCE SPECIFICATION
- 180934 SIGMA 5/7 SYSTEM PERFORMANCE SPECIFICATION
- 181240 SIGMA 6 SYSTEM PERFORMANCE SPECIFICATION
- 182341 SIGMA 8/9 SYSTEM PERFORMANCE SPEC

THE RECOMMENDED DEVICE CONTROLLER PRIORITY SEQUENCE IS TABULATED BELOW IN THE ORDER OF DECREASING RELATIVE PRIORITY.

| MODEL NUMBER | DEVICE CONTROLLER |
|---------------|--------------------------------|
| 7231 | EXTENDED PERFORMANCE RAD |
| 7240 | REMOVABLE DISK |
| 7201 | RAD |
| 7320/23 | 120 KB 9 CHANNEL MAGNETIC TAPE |
| 7320/22 | 60 KB 9 CHANNEL MAGNETIC TAPE |
| 7225 | MAGNETIC CARD MEMORY |
| 7371 | 60 KB 7 CHANNEL MAGNETIC TAPE |
| 7361 | 20 KC 7 CHANNEL MAGNETIC TAPE |
| 7611 | COC |
| 7601 | DATA SET CONTROLLER |
| 7140 | CARD READER, 1500 CPM |
| 7122 | CARD READER, 400 CPM |
| 7160 | CARD PUNCH, 300 CPM |
| 7121 (1) | CARD READER, 200 CPM |
| 7060 (1) | PAPER TAPE |
| 7530 (1) | GRAPH PLOTTER |
| 7165 (1) | CARD PUNCH, 100 CPM |
| 7012 (1), (2) | KSR |
| 7446 | LINE PRINTER, 1500 LPM |
| 7441 | LINE PRINTER, 1100 LPM |
| 7445 | LINE PRINTER, 1000 LPM |
| 7450 | LINE PRINTER, 450 |
| 7440 | LINE PRINTER, 600 |
| 7650 | CHANNEL INTERFACE UNIT |
| (3) | MAINTENANCE SUBCONTROLLER |

(1) RELATIVE PRIORITY SEQUENCE OF PERIPHERALS IN THIS GROUP IS NOT SIGNIFICANT. THIS GROUP MAY BE SEQUENCED FOR CONVENIENCE OF CABLING.

(2) MAY BE SEQUENCED AFTER LINE PRINTERS.

(3) PRIORITY NOT APPLICABLE, SEQUENCE IS FOR CONVENIENCE OF CABLING ONLY.

9. THE DEVICE CONTROLLER PRIORITY CABLE CHAIN IS TERMINATED ON THE COMPONENT SIDE OF 10 ON THE MIOP AND 9E FOR THE SIOP WITH TERMINATOR (T) - 153728 AND ON THE ETCHED SIDE OF 26 (RELATIVE MODULE LOCATION) OF THE HIGHEST RELATIVE PRIORITY DEVICE CONTROLLER IN THE CHAIN WITH TERMINATOR (T) 153729.

10. THE TOTAL LENGTH OF THE DEVICE CONTROLLER PRIORITY CABLE CHAIN, (I.E. LENGTH FROM TERMINATOR TO TERMINATOR), SHALL NOT EXCEED 200 FT. THE LENGTH OF ANY CABLE SEGMENT, I.E. LENGTH FROM THE IOP TO THE LOWEST PRIORITY DEVICE CONTROLLER, OR FROM DEVICE CONTROLLER TO DEVICE CONTROLLER SHALL NOT EXCEED 100 FT.

11. THE IOP/CPU CABLE CHAIN IS CONNECTED SEQUENTIALLY IN ORDER OF I/O INTERRUPT PRIORITY, THE IOP CONNECTED DIRECTLY TO THE CPU BEING ASSIGNED THE HIGHEST PRIORITY AND THE IOP CONNECTED AT THE END OF THE CHAIN BEING ASSIGNED THE LOWEST PRIORITY.

12. THE TOTAL LENGTH OF THE CPU/IOP CABLE CHAIN, (I.E. THE LENGTH FROM THE CPU TO THE LOWEST PRIORITY IOP), SHALL NOT BE GREATER THAN 64 FT. THE CABLE LENGTH FROM THE CPU TO THE FIRST IOP (HIGHEST PRIORITY) SHALL NOT EXCEED 20 FT.

13. TO MINIMIZE CABLE LENGTHS, IOP/DEVICE CONTROLLER DATA ADDRESS AND CONTROL SIGNAL INTERFACE CABLES ARE DIVIDED INTO TWO BRANCHES. THE TOTAL LENGTH OF EACH BRANCH SHALL NOT EXCEED 100 FEET. TERMINATORS (T) ARE REQUIRED AT BOTH EXTREMITIES.

14. THE TOTAL LENGTH OF EACH BRANCH (SEE NOTE 9) SHALL NOT EXCEED 100 FT. IF THE EXTERNAL DEVICE CONTROLLERS ARE PHYSICALLY SITUATED SO THAT THE EXTERNAL BRANCH REQUIRES MORE THAN A 100 FT., AN ADDITIONAL SEGMENT MAY BE ADDED TO THE LAST CONTROLLER ON THE INTERNAL BRANCH PROVIDED THE TOTAL ALLOWABLE CABLE LENGTH IS NOT EXCEEDED.

15. THE 4 BYTE INTERFACE FEATURE CABLES WILL BE ROUTED VIA THE MOST DIRECT PATH TO THE DEVICE CONTROLLER(S) HAVING THE 4 BYTE OPTION.

16. THE SIOP DEDICATED LOCATION TO BE MOUNTED IN ACCESSORY CABINET PER SYSTEM INSTALLATION DWG. 137112 & 134056, CABINET R1.

NOTES, UNLESS OTHERWISE SPECIFIED

1.0 REFERENCE DRAWINGS

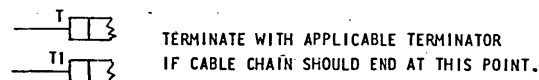
- 1.1 INSTL. DWG. CARD READER CONTROLLER - 124744
- 1.2 INSTL. DWG. CARD READER - 124773
- 1.3 INSTL. DWG. CARD PUNCH & CONTROLLER - 124638
- 1.4 INSTL. DWG. LINE PRINTER CONTROLLER - 123899
- 1.5 INSTL. DWG. LINE PRINTER - 123898
- 1.6 INSTL. DWG. PAPER TAPE CONTROLLER - 127747
- 1.7 INSTL. DWG. PAPER TAPE STATION - 127714
- 1.8 INSTL. DWG. MAGNETIC TAPE CONTROLLER -
- 1.9 INSTL. DWG. MAGNETIC TAPE STATION - 128336
- 1.10 INSTL. DWG. KBD PRINTER KSR CONTROLLER - 124824
- 1.11 INSTL. DWG. KBD PRINTER KSR TELETYPE - 124847
- 1.12 INSTL. DWG. KBD PRINTER ASR WITH PAPER TAPE-CONTROLLER 130979
- 1.13 INSTL. DWG. KBD PRINTER ASR WITH PAPER TAPE OPTION - 133183
- 1.14 INSTL. DWG. RAD CONTROLLER - 130698
- 1.15 INSTL. DWG. RAD STATION - 132841
- 1.16 INSTL. DWG. MIOP - 123652
- 1.17 INSTL. DWG. SIOP - 133995
- 1.18 INSTL. DWG. MIOP (BUS-SHARE) 148250
- 1.19 INSTL. DWG. PERIPHERAL SWITCH EQUIPMENT
- 1.20 INSTL. DWG. MAINTENANCE SUBCONTROLLER 154686
- 1.21 INSTL. DWG. MIOP (M.S. COMPATIBLE) 154993
- 1.22 INSTL. DWG. SIOP (M.S. COMPATIBLE) 155944
- 2.0 FOR MODULE LOCATIONS OF INTERFACE CONNECTIONS ON CPU, MEMORY, ETC. SEE APPLICABLE SYSTEM INTEGRATION DRAWING.
- 2.1 INTEGRATION DRAWING, SIGMA 2 - 136177
- 2.2 INTEGRATION DRAWING, SIGMA 5 - 137112
- 2.3 INTEGRATION DRAWING, SIGMA 7 - 134056
- 2.4 INTEGRATION DRAWING, SIGMA MEMORY - 139594
- 2.5 INTEGRATION DRAWING, SIGMA COMMUNICATION EQUIPMENT-147494
- 2.6 INTEGRATION DRAWING, SIGMA SERIES MAGNETIC TAPE SUBSYSTEM - 137114
- 2.7 INTEGRATION DRAWING, SIGMA 8/9 - 182339
- 2.8 INTEGRATION DRAWING, RAD SUBSYSTEM 137115
- 3.0 FOR POWER CONNECTIONS TO PERIPHERAL STATIONS SEE INTEGRATION DRAWING, SIGMA SYSTEM POWER INTERCONNECTIONS - 139273.
- 4.0 ALL CHASSIS DESIGNATORS ARE UNIT ASSEMBLY LEVEL DESIGNATIONS.
- 5.0 CABLE LENGTHS WHICH ARE NOT SPECIFIED (I.E. DESIGNATED BY AN "L"), SHALL BE ASSIGNED ON COMPUTER SYSTEM ASSEMBLY DRAWING.
- 6.0 ROUTE AND HARNESS CABLES AS REQUIRED USING CABLE STRAP - 124712.
- 7.0 ALL CABLE CONNECTOR MODULES ARE TO ACCOMMODATE (WHICHEVER APPLICABLE):
 - A. EITHER TWO CABLE CONNECTORS, ONE ON ETCHED AND ONE ON COMPONENT SIDE OF THE MODULE, WHEN CONTINUING A CABLE CHAIN.
 - B. OR ONE CABLE CONNECTOR AND ONE TERMINATOR CONNECTOR (T, OR T1), WHEN ENDING A CABLE CHAIN.

| NOTES UNLESS SPECIFIED | | DRAWN | | MATERIAL LIST | | TITLE | |
|--|--|---------------------|--|------------------------------|--|----------------------------|--|
| 1. TOLERANCES UNLESS OTHERWISE SPECIFIED | | V. STUKNYS 7/10/67 | | XDS Xerox Data Systems | | EL SEGUNDO, CALIFORNIA | |
| 2. DIMENSIONS UNLESS OTHERWISE SPECIFIED | | CHECK M. TYG 3/8/67 | | APPR. L.V. ANDERSON 11/29/68 | | INTEGRATION DWG. | |
| 3. BREAK ALL SHARP EDGES | | | | | | SIGMA I/O INTERFACE | |
| 4. HATCH SURFACES | | | | | | SUBSYSTEM | |
| 5. ALL DIM. IN INCHES | | | | | | MODEL NO. ALL SIGMA SYSTEM | |
| 6. ALL TRUE POSITION TOLERANCES APPLY AT MMC | | | | | | CODE IDENT. 18338 | |
| | | | | | | SIZE D | |
| | | | | | | DWG. NO. 137113 | |
| | | | | | | CHANGE LETTER R | |
| | | | | | | SCALE DO NOT SCALE DRAWING | |
| | | | | | | SHEET 2 OF 16 | |

| REVISIONS | | | | |
|-----------|-------------|-----|------|----------|
| REV. | DESCRIPTION | CHK | DATE | APPROVED |
| | SEE SHEET 1 | | | |

LEGEND: CONT.

| CODE | DESCRIPTION/FUNCTION | OLD XDS PART NO. | 42 | CURRENT XDS PART NO. |
|------|--|------------------|----|----------------------|
| EC-L | ETCHED TO COMPONENT SIDE TYPE CABLE | 127314 - CHARTED | | 153732 - CHARTED |
| EE-L | ETCHED TO ETCHED SIDE TYPE CABLE | 129797 - CHARTED | | 153730 - CHARTED |
| CC-L | COMPONENT TO COMPONENT SIDE TYPE CABLE | 129796 - CHARTED | | 153731 - CHARTED |
| T | TERMINATOR | 127315 | | 153728 |
| TI | TERMINATOR, SPECIAL (FOR DEVICE CONTROLLER PRIORITY CABLE CHAIN) | 128047 | | 153729 |
| B | TERMINATOR, BLANK | 115832, 136529 | | 182299 |

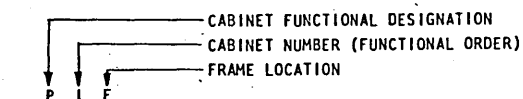


CABLE HARDWIRED (SOLDERED, CRIMPED, ETC.) TO ASSEMBLY.

DOTTED LINES REPRESENT POTENTIAL EXPANSION OR ALTERNATE CONNECTIONS FOR CABLE CHAIN.

LEGEND:

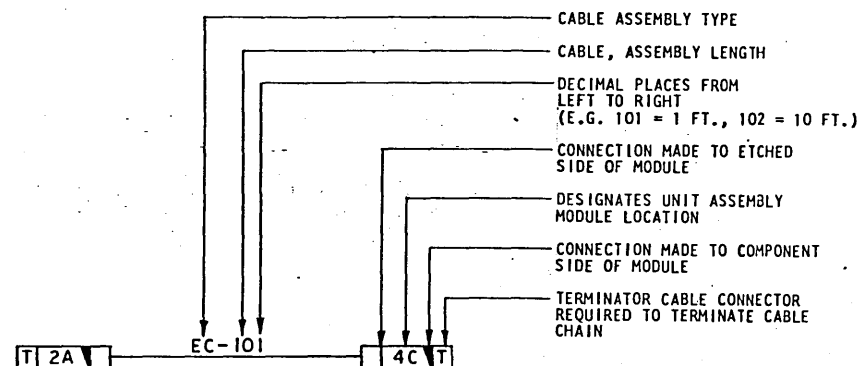
A. CABINET AND FRAME DESIGNATIONS



CODE CABINET
P = PROCESSOR
M = MEMORY
R = RIGHT ACCESSORY
L = LEFT ACCESSORY
D = DEVICE CONTROLLER

CODE FRAME LOCATION
F = FRONT
C = CENTER
R = REAR

B. CABLE AND TERMINATOR DESIGNATIONS



| NOTES UNLESS SPECIFIED | | DRAWN | | MATERIAL LIST | | SDS SCIENTIFIC DATA SYSTEMS | |
|--------------------------------------|----------------|---------|---------|---------------|--|---|------------------------------------|
| 1. TOLERANCES UNLESS SPECIFIED | ANGULAR 2 1/2° | 7-10-67 | 7-10-67 | | | SANTA MONICA, CALIFORNIA | |
| 2. BREAK ALL SHARP EDGES AND APPROX. | | | | | | TITLE INTEGRATION DWG SIGMA I/O INTERFACE SUBSYSTEM | |
| 3. BACK SURFACES | | | | | | SIZE D | DWG. NO. 137113 |
| 4. ALL DIM. IN INCHES | | | | | | SCALE | DO NOT SCALE DRAWING SHEET 3 OF 15 |

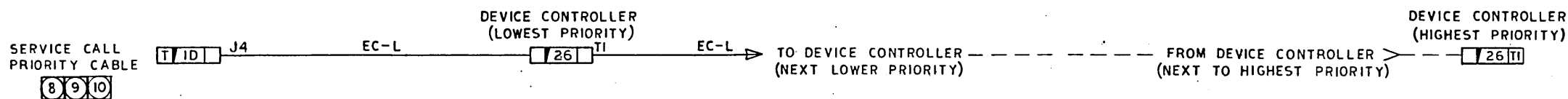
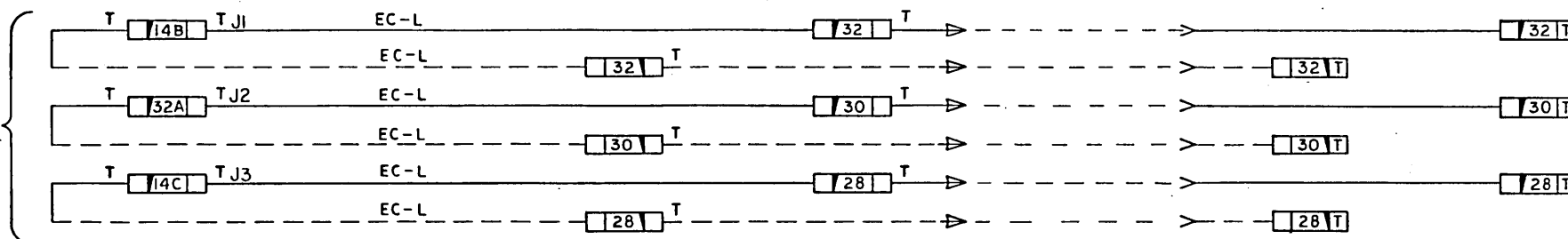
137113 R A

| REVISIONS | | | |
|-----------|-------------|-----|------|
| REV. | DESCRIPTION | CHK | DATE |
| 1 | SEE SHEET 1 | | |

MIOP

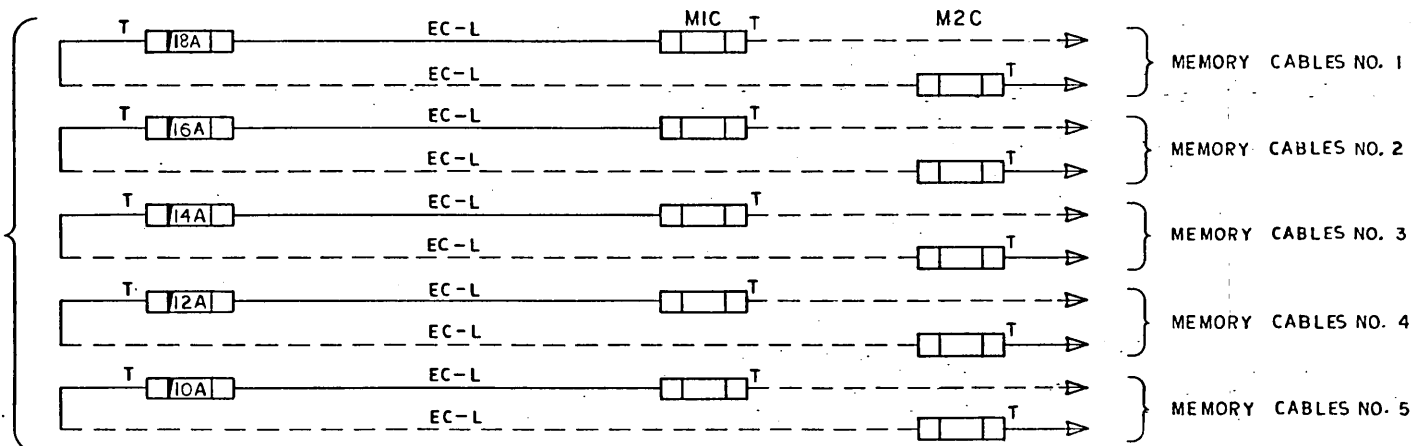
DEVICE CONTROLLERS

8-BIT (BYTE) INTERFACE AND CONTROL CABLES (13)

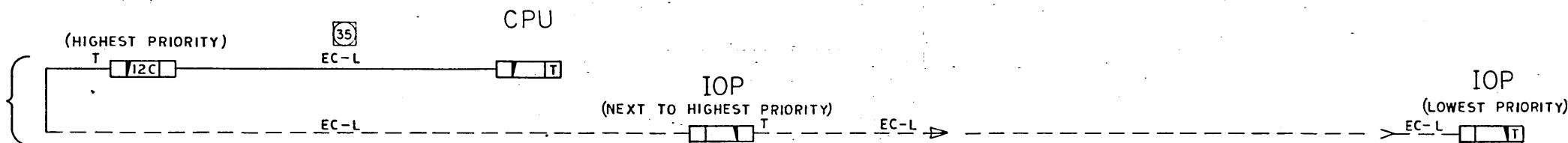


MEMORIES OR PORT EXPANDERS

MEMORY/MIOP INTERFACE CABLES (18)



IOP/CPU INTERFACE CABLES (11, 12)



MIOP INTERFACE CONNECTIONS (8271/8471)

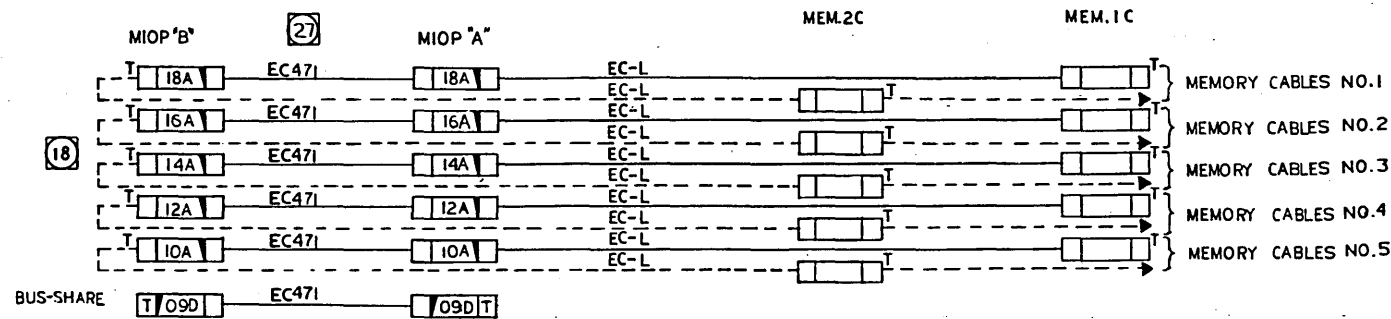
| NOTES UNLESS SPECIFIED | | DRAWN | | MATERIAL LIST | | SDS SCIENTIFIC DATA SYSTEMS | |
|---------------------------------------|---------|--------------|--------|---------------|-------------------------|--|----------------------|
| 1. TOLERANCES UNLESS SPECIFIED | ANGULAR | H.W. Stinson | 6-8-67 | SDS | SCIENTIFIC DATA SYSTEMS | SANTA MONICA, CALIFORNIA | |
| 2. ±.000 | ±.010 | W. Long | 3-8-68 | APPR. | S.M. Clifton | 6-6-67 | |
| 3. ±.010 | ±.015 | | | MATERIAL | | TITLE | |
| 4. BREAK ALL SHARP EDGES .010 APPROX. | | | | | | INTEGRATION DWG, SIGMA I/O INTERFACE SUBSYSTEM | |
| 5. MACH. SURFACES | | | | | | MODEL NO. | CHANGE LETTER |
| 6. ALL DIM. IN INCHES | | | | | | ALL SIGMA SYSTEMS | R |
| | | | | | | SIZE | DWG. NO. |
| | | | | | | D | 1371 3 |
| | | | | | | NEXT ASSEMBLY FIRST USE | SCALE |
| | | | | | | | DO NOT SCALE DRAWING |
| | | | | | | | SHEET 4 OF 16 |

137113 R

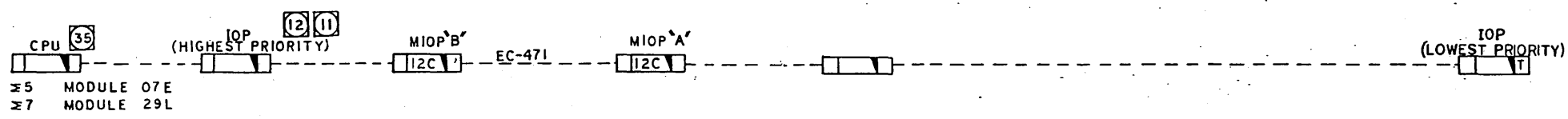
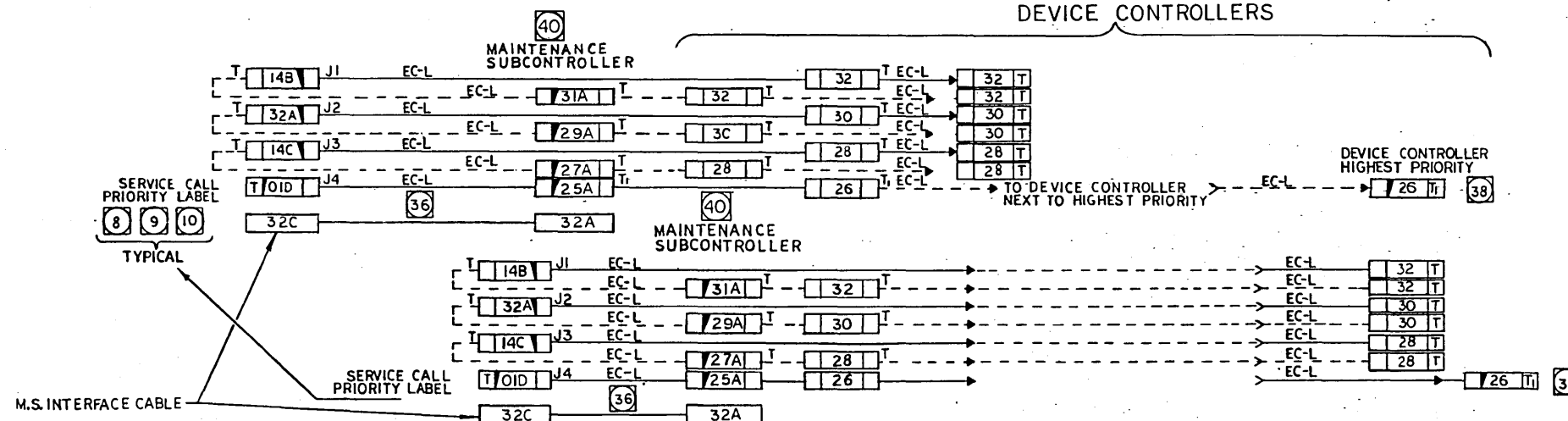
A

| REVISIONS | | | | 13713 | R |
|-----------|-------------|-----|------|----------|---|
| REV. | DESCRIPTION | CHK | DATE | APPROVED | |
| 1 | SEE SHT. 1 | | | | |

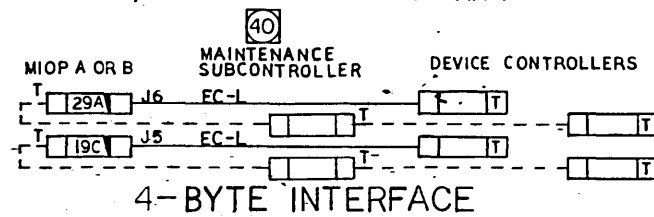
MEMORIES OR PORT EXPANDERS



DEVICE CONTROLLERS



CPU/IOP SERVICE CALL PRIORITY



BUS-SHARED MIOP INTERFACE
CONNECTION 8273-8473/8X77
(MAINTENANCE SUBCONTROLLER CONNECTIONS)
(APPLICABLE TO ASSY # 154560 MIOP ONLY)

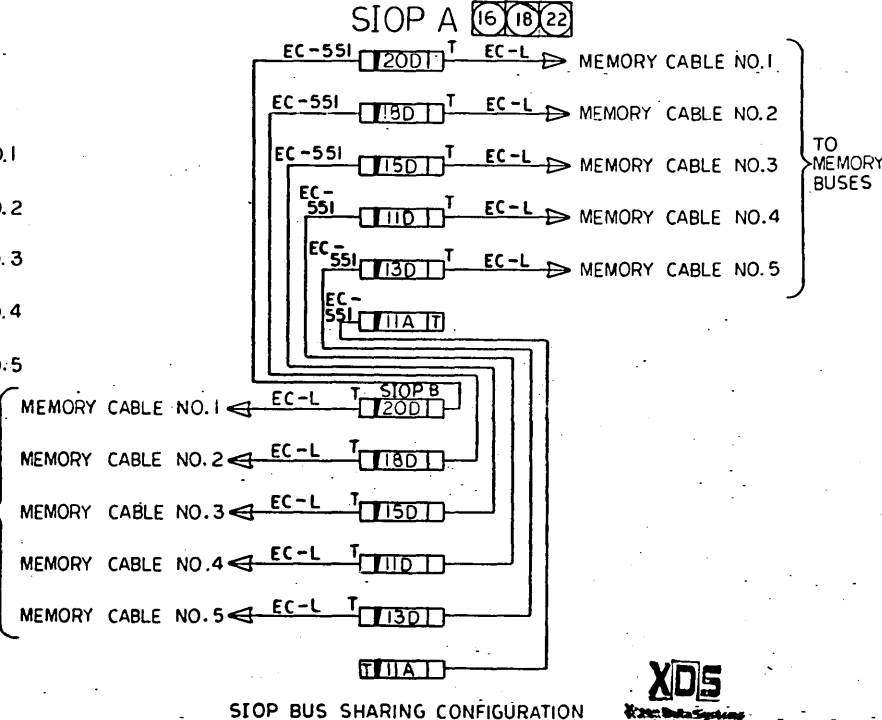
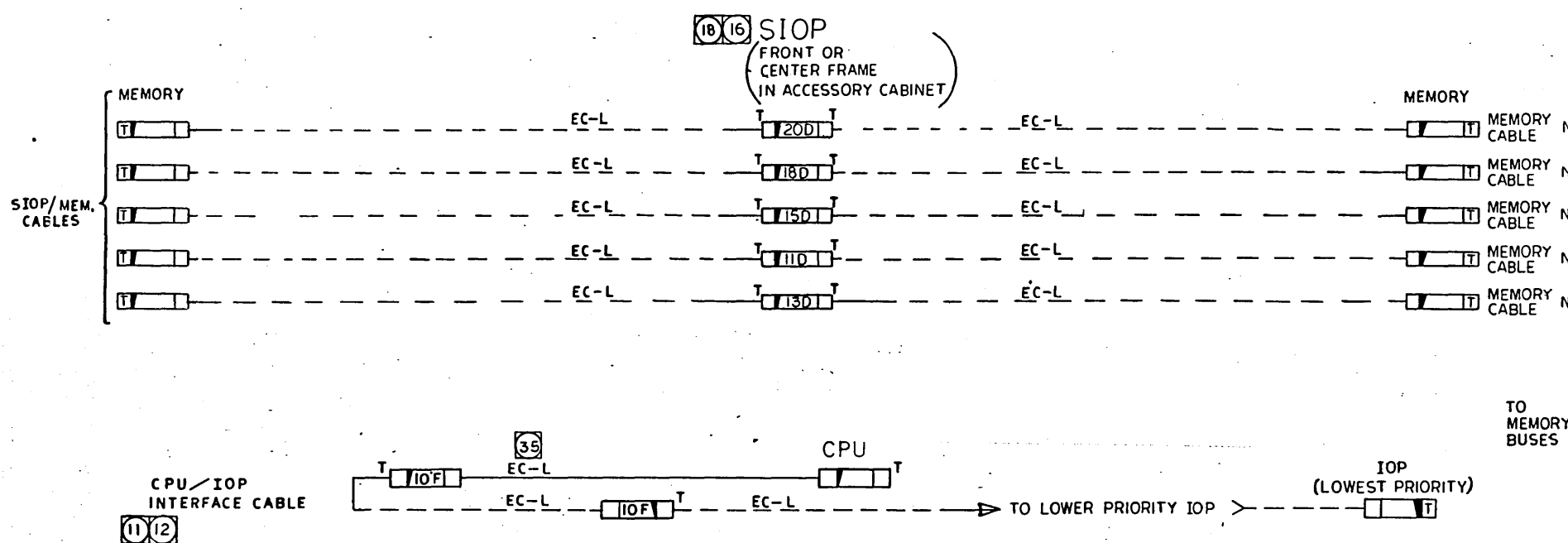
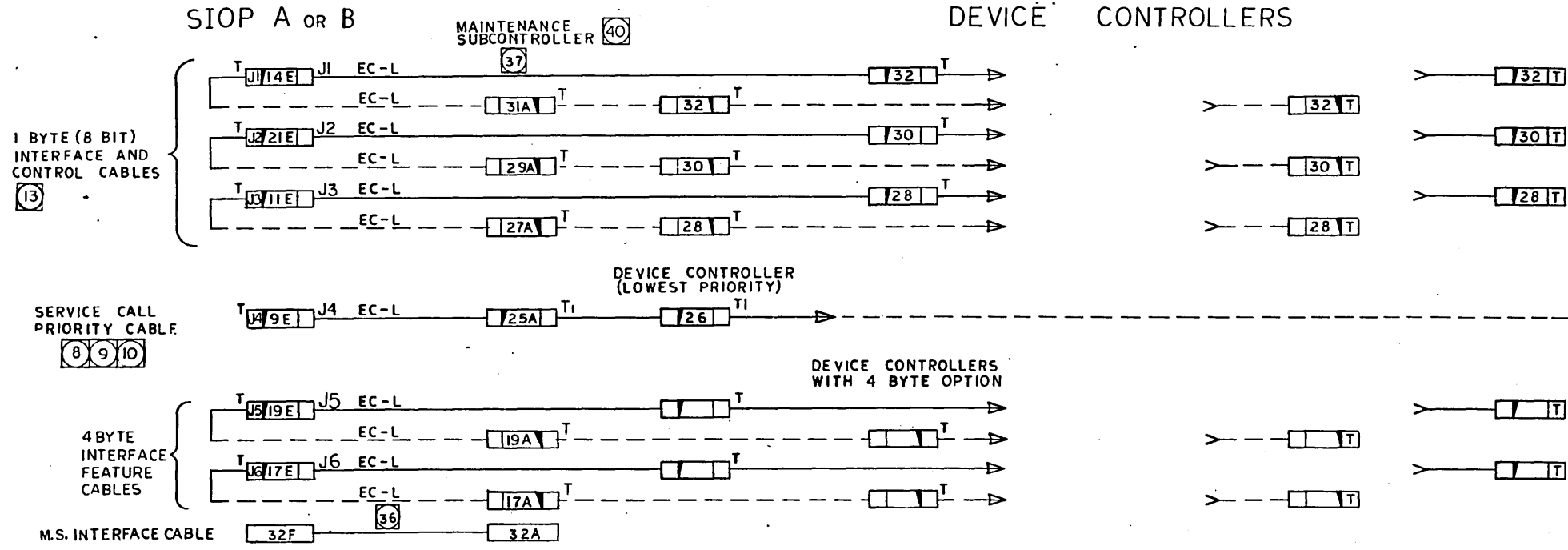


| | | | | | |
|---------------------------------------|---|----------------------|--------|---|--------|
| NOTES UNLESS SPECIFIED | | DRAWN | 4-2-69 | SDS SCIENTIFIC DATA SYSTEMS SANTA MONICA, CALIFORNIA | |
| 1. TOLERANCES UNLESS SPECIFIED | 2. DIMENSIONS DIMENSIONED ANGLES UNLESS SPECIFIED | CHECK | | TITLE | |
| B. BREAK ALL SHARP EDGES .015 APPROX. | C. HATCH SURFACES | APPR. | | INTEGRATION DWG, SIGMA I/O INTERFACE SUBSYSTEM | |
| D. ALL DIM. ON DIMENSION LINES | E. ALL TRUE POSITION TOLERANCES APPLY AT MMC | MATERIAL | | MODEL NO. ALL SIGMA SYSTEMS | FINISH |
| CODE IDENT. | SIZE | DWG. NO. | CHANGE | | |
| 18338 | D | 137113 | | | |
| NEXT ASSY. FIRST USE | SCALE | DO NOT SCALE DRAWING | SHEET | 5 OF 5 | |

3

2

| REVISIONS | | | | 137113 | R |
|-----------|-------------|-----|------|----------|---|
| REV. | DESCRIPTION | CHK | DATE | APPROVED | |
| | SEE SHEET 1 | | | | |



SIOP BUS SHARING CONFIGURATION

8285 & 8485
SIOP INTERFACE CONNECTIONS
 (MAINTENANCE SUBCONTROLLER CONNECTIONS)
 (APPLICABLE TO ASSY #155126 SIOP ONLY)

| NOTES UNLESS SPECIFIED | | DRAWN | | MATERIAL LIST | | SDS | | SCIENTIFIC DATA SYSTEMS | |
|---------------------------------------|-------------------------|---------------------------------------|------------------|--|--------|----------------------|--------|---------------------------|--------|
| 1. DIMENSIONS PER 2.000 | 2. DIMENSIONS PER 2.010 | 3. BREAK ALL SHARP EDGES .010 APPROX. | 4. BACK SURFACES | 5. ALL DIM. IN INCHES | 6-6-67 | 3-8-67 | 3-8-67 | 3-8-67 | 3-8-67 |
| MODEL NO. ALL SIGMA SYSTEMS FINISH | | | | TITLE INTEGRATION D.W.G. SIGMA I/O INTERFACE SUBSYSTEM | | SIZE D | | DWG. NO. 137113 | |
| NEXT ASSY. FIRST USE | | | | SCALE | | DO NOT SCALE DRAWING | | SHEET 6 OF 16 | |

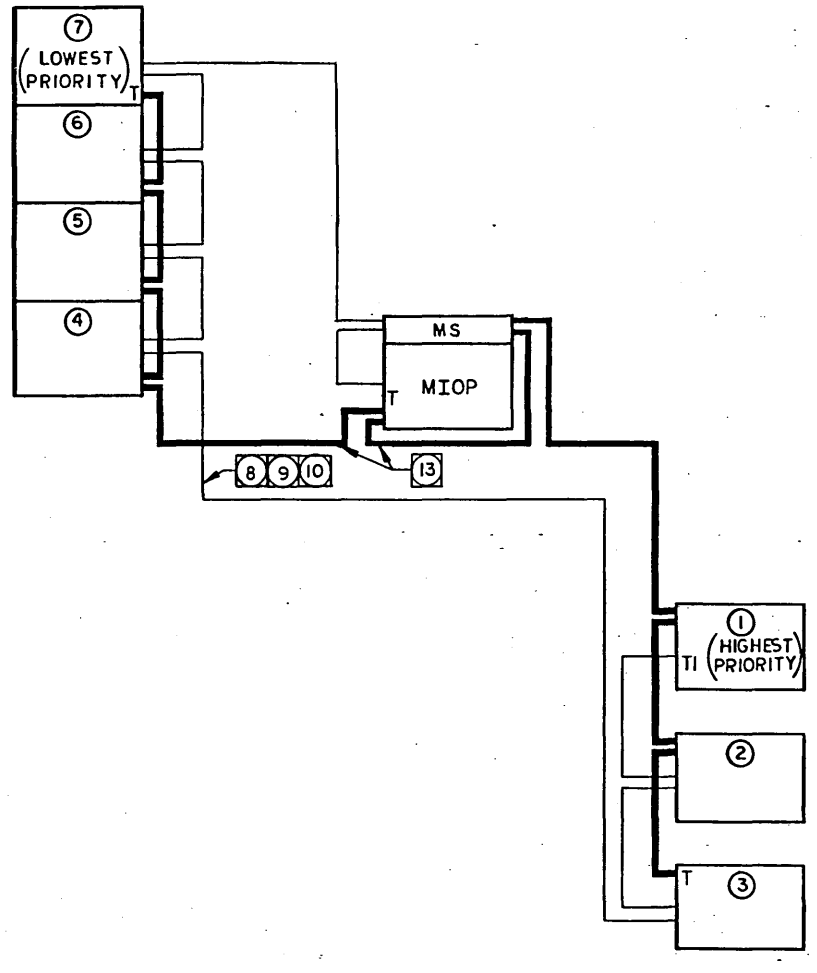
3

2

1

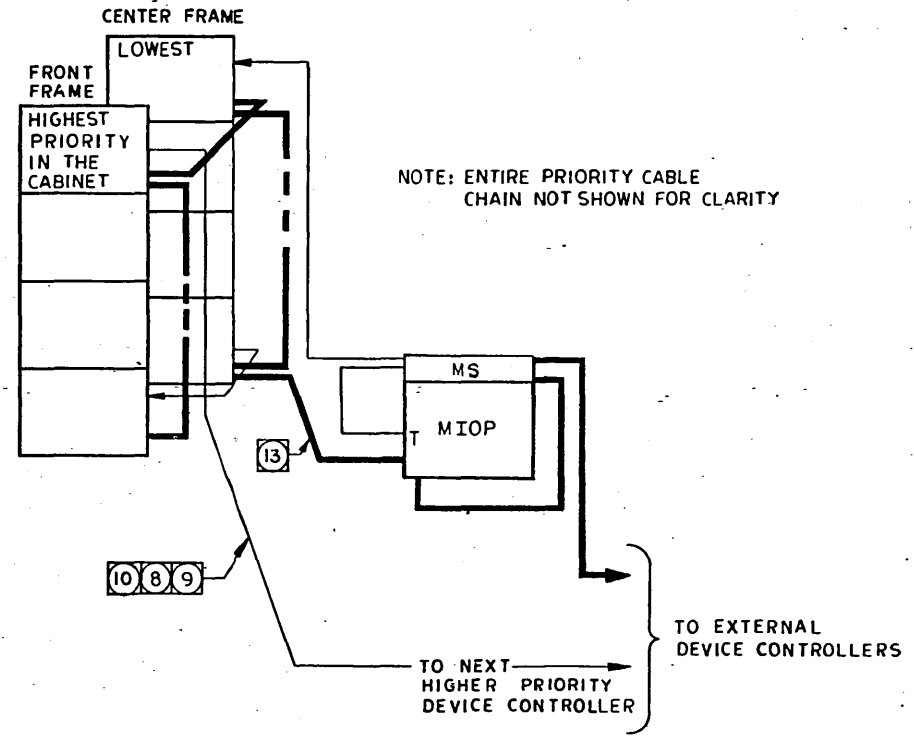
| REVISIONS | | | | 137113 | R |
|-------------|-------------|-----|------|----------|---|
| REV. | DESCRIPTION | CHK | DATE | APPROVED | |
| SEE SHEET 1 | | | | | |

DEVICE CONTROLLERS
IN MAIN FRAME CABINET



EXTERNAL
DEVICE CONTROLLERS

DEVICE CONTROLLERS
IN MAIN FRAME CABINET



(CONFIGURATION - USE OF TWO DEVICE CONTROLLER
CABINET FRAMES)

M.S.(AS APPLICABLE) MIOP/DEVICE CONTROLLERS CABLING DIAGRAMS

- - RELATIVE SERVICE CALL PRIORITY;
① BEING HIGHEST PRIORITY IN THE CABLE CHAIN
- 1 BYTE (8 BIT) INTERFACE
& CONTROL CABLES (3)
- PERIPHERAL SERVICE CALL
PRIORITY CABLE

XDS Xerox Data Systems
Santa Monica, California

DIST CODE 108

| NOTES UNLESS SPECIFIED | | DRAWN | | MATERIAL LIST | | SDS SCIENTIFIC DATA SYSTEMS | |
|--|-------------------|--------------------------|-------------|---------------|---|-----------------------------|------------------|
| L. TOLERANCES UNLESS SPECIFIED | ANGULAR ± 1/4" | H.W. Jensen | 6-6-67 | CHECK | 3-8-68 | SANTA MONICA, CALIFORNIA | |
| A. BREAK ALL SHARP EDGES 3/16 APPROX. | | APPR. | e. m. chell | 6-6-67 | TITLE INTEGRATION DWG. SIGMA I/O INTERFACE SUBSYSTEM | | |
| A. HONED SURFACES | | FINISH | | SIZE | | DWG. NO. | CHANGE LETTER |
| A. ALL DIM. IN INCHES | | ALL SIGMA SYSTEMS | | D | | 137113 | R |
| | | NEXT ASBY. FIRST LINE | | SCALE NONE | | DO NOT SCALE DRAWING | SHEET 7 OF 15 |

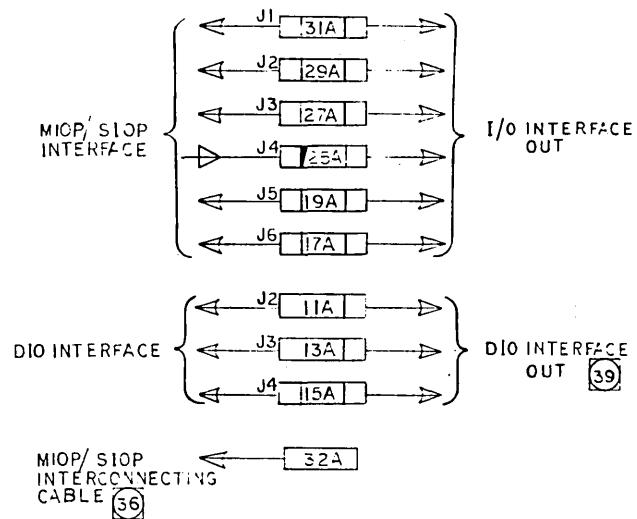
3

2

1

| REVISIONS | | | 3 | R |
|-----------|------|-------------|-----|------|
| LAL | REV. | DESCRIPTION | CHK | DATE |
| | | SEE SHEET 1 | | |

MAINTENANCE SUBCONTROLLER 37,40



INTERCONNECTING CABLE

| IOP CONNECTION | MS CONNECTION |
|----------------|---------------|
| MIOP/32C | A 32 |
| SIOP/32F | |

| NOTES UNLESS SPECIFIED | | DRAWN | | MATERIAL LIST | |
|---|--|------------|-------------|--|---|
| 1. TOLERANCES XX .005 DIMENSIONED ANGLES X.XX .010 X.XX .015 | | W. STUKKYS | 7/10/67 | XDS Xerox Data Systems EL SEGUNDO, CALIFORNIA | |
| 2. BREAK ALL SHARP EDGES .010 APPROX. | | CHECK | M. TINS | 7/24/67 | TITLE INTEGRATION DWG. SIGMA I/O INTERFACE SUBSYSTEM |
| 3. MACH. SURFACES 4. ALL DIM. IN INCHES 5. ALL TRUE POSITION TOLERANCES APPLY AT MMC | | APPR. | E. MANDELLI | 7/29/67 | |
| MODEL NO. ALL SIGMA SYSTEMS | | FINISH | | CODE IDENT. | SIZE |
| NEXT ASBY. FIRST USE | | | | 18338 | D |
| | | | | DWG. NO. | 137113 |
| | | | | CHANGE LETTER | R |
| | | | | SCALE | DO NOT SCALE DRAWING |
| | | | | SHEET 3 OF 16 | |

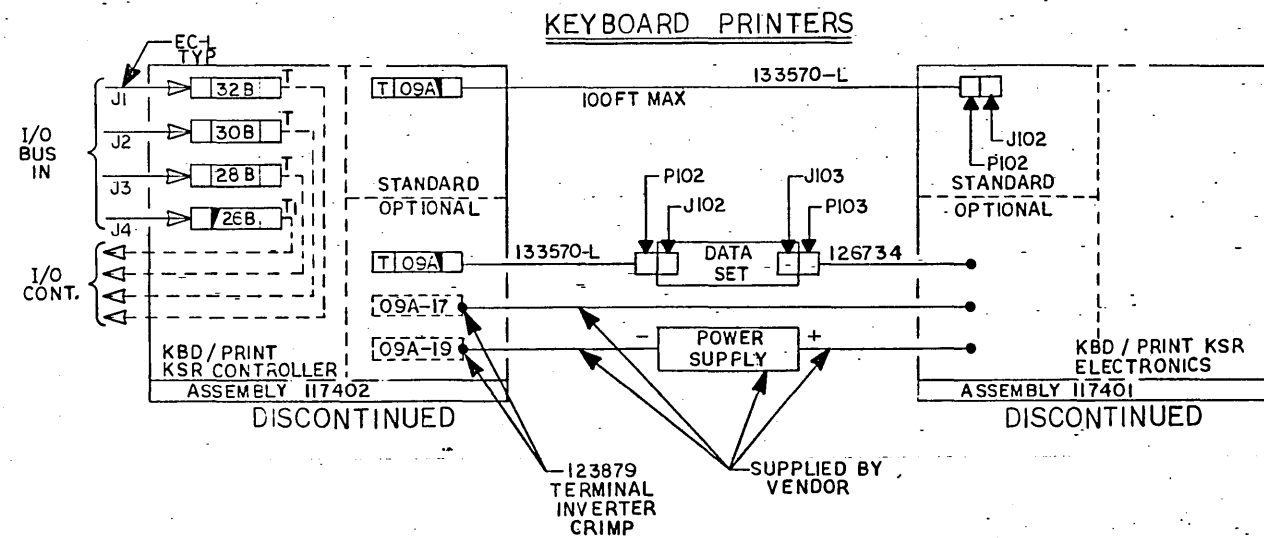
137113 R A

3

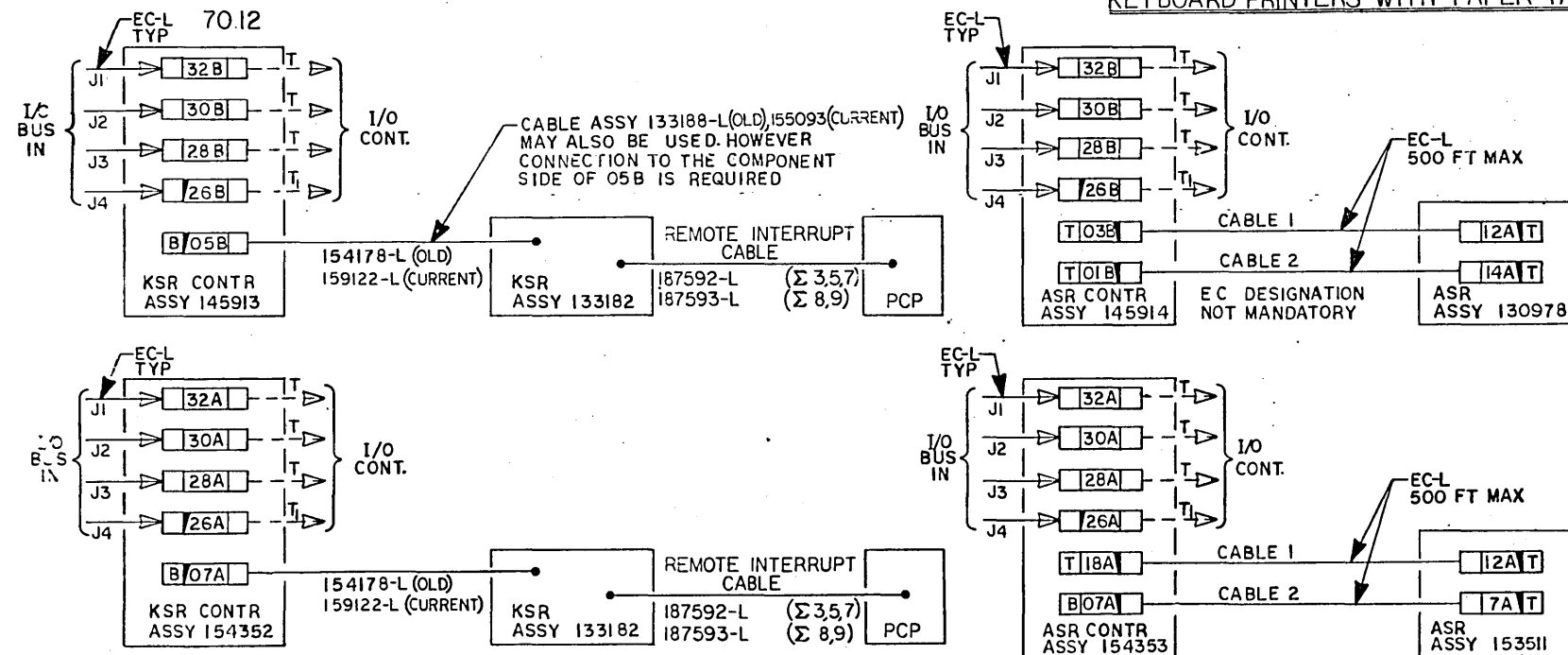
2

1

| REVISIONS | | | | 137113 | R |
|-----------|------|-------------|-----|--------|----------|
| LAL | REV. | DESCRIPTION | CHK | DATE | APPROVED |
| | | SEE SHEET 1 | | | |



7020 KEYBOARD PRINTERS WITH PAPER TAPE



EITHER OF THE ABOVE ASR CONTROLLERS MAY BE CONNECTED TO EITHER OF THE ASRS PROVIDED THE CABLE "CABLE 1-CABLE 2" CORRESPONDANCE IS MAINTAINED, AND CABLES TO EACH ASSY ARE CONNECTED AS SHOWN.

| NOTES UNLESS SPECIFIED | | DRAWN | | MATERIAL LIST | | SDS SCIENTIFIC DATA SYSTEMS | |
|--|--|----------------------|--|---------------|--|-----------------------------|--|
| 1. TOLERANCES UNLESS SPECIFIED | | V. Stuknys 7/10/67 | | 7/24/67 | | EL SEGUNDO, CALIFORNIA | |
| 2. BREAK ALL SHARP EDGES | | M. Ting | | 7/24/67 | | TITLE | |
| 3. MACH. SURFACES | | L.M. Anderson | | 1/29/68 | | INTEGRATION DRAWING | |
| 4. ALL DIM. IN INCHES | | | | | | SIGMA I/O INTERFACE | |
| 5. ALL TRUE POSITION TOLERANCES APPLY AT MMC | | | | | | SUBSYSTEM | |
| MODEL NO. ALL SIGMA SYSTEMS | | FINISH | | CODE IDENT. | | SIZE | |
| FIRST USE | | | | 18338 | | D | |
| NEXT ASSEMBLY FIRST USE | | | | 137113 | | R | |
| SCALE | | DO NOT SCALE DRAWING | | SHEET 9 OF 16 | | | |

137113 R A

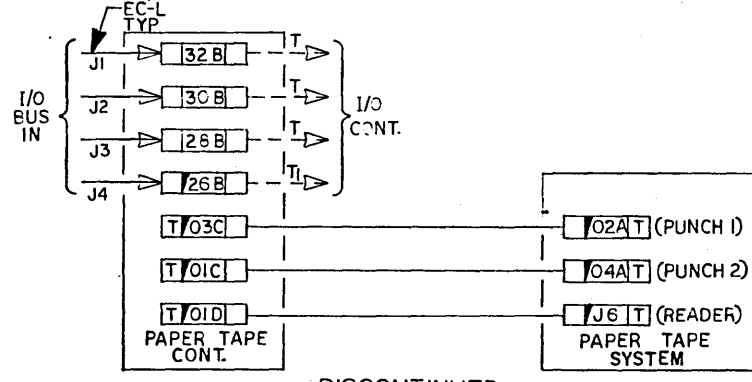
3

2

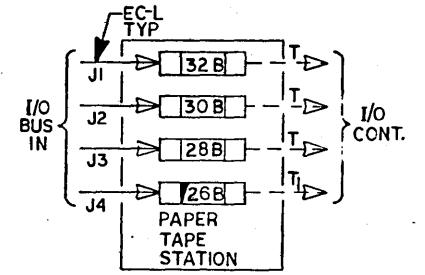
1

| REVISIONS | | | | |
|-----------|------|-------------|-----|------|
| LAL | REV. | DESCRIPTION | CHK | DATE |
| | | SEE SHEET 1 | | |

7060
PAPER TAPE SYSTEMS



DISCONTINUED
ASSY 117447



SELF CONTAINED
ASSY 152449

137113
R
A

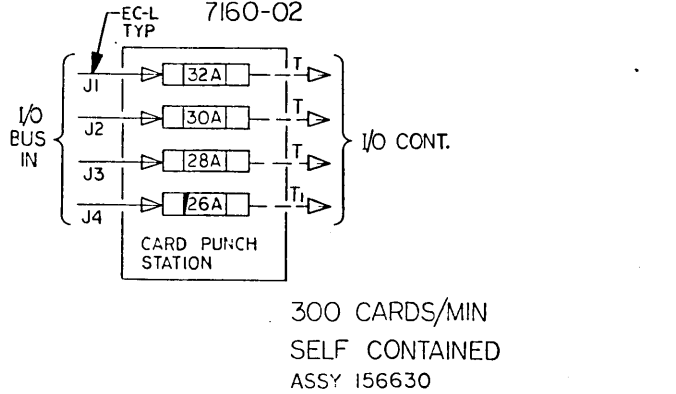
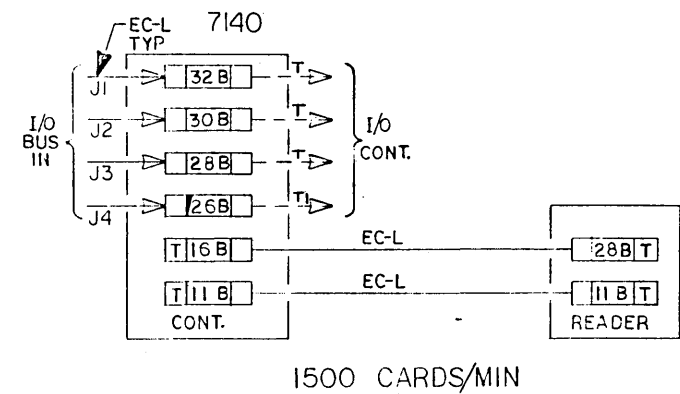
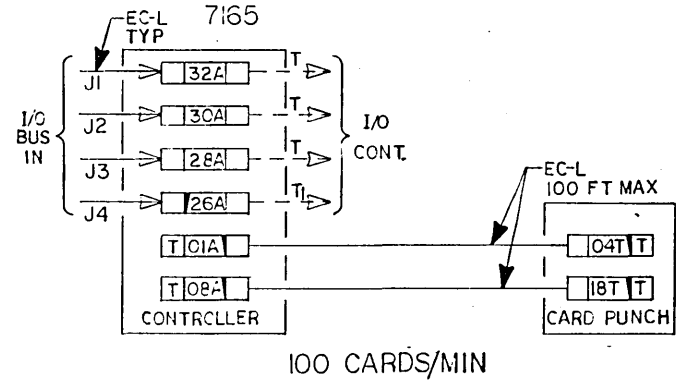
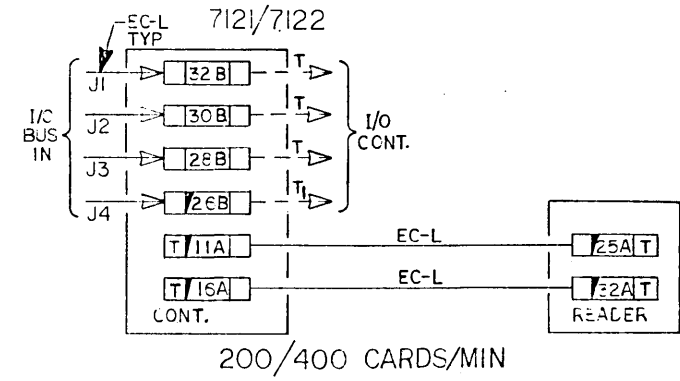
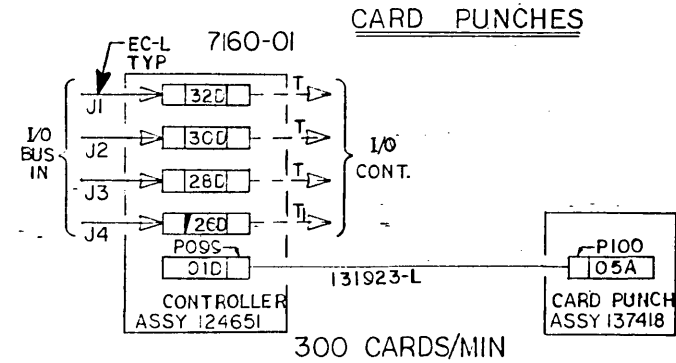
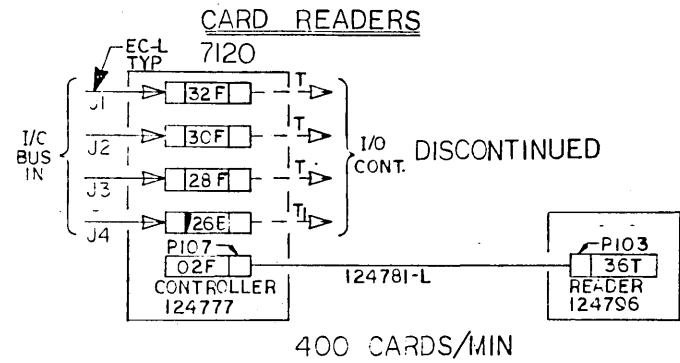
| NOTES UNLESS SPECIFIED | | DRAWN | | MATERIAL LIST | | SDS SCIENTIFIC DATA SYSTEMS | |
|---|--|---------------------------|--|---------------|--|---|--|
| 1. TOLERANCES X.XX 0.000 DIMENSIONED ANGLES X.XX 0.010 | | V. Stuknys 7/10/67 | | | | EL SEGUNDO, CALIFORNIA | |
| 2. BREAK ALL SHARP EDGES #10 APPROX. | | M. Ting 7/24/67 | | | | TITLE INTEGRATION DRAWING, SIGMA I/O INTERFACE SUBSYSTEM | |
| 3. MACH. SURFACES 4. ALL DIM. IN INCHES 5. ALL TRUE POSITION TOLERANCES APPLY AT MMC | | APPR. M. Anderson 1/29/69 | | | | CODE IDENT. 18338 | |
| MODEL NO. ALL SIGMA SYSTEMS | | FINISH | | | | SIZE D DWG. NO. 137113 | |
| NEXT ASSY. FIRST USE | | | | | | SHEET 10 OF 16 | |

3

2

1

| REVISIONS | | | 137113 | R |
|-----------|------|-------------|--------|------|
| LAL | REV. | DESCRIPTION | CHK | DATE |
| | | SEE SHEET 1 | | |

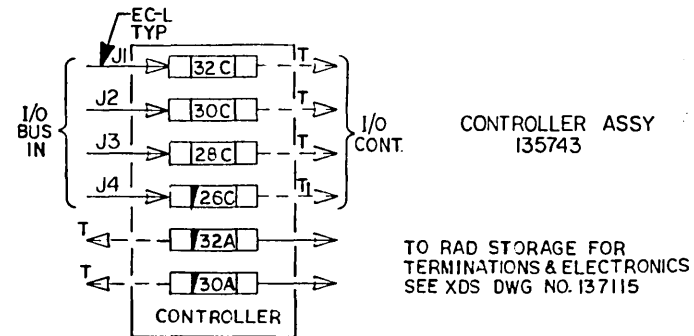


| | | | | | | | |
|--|--|-------------------------|--|--------|--|---|--|
| NOTES UNLESS SPECIFIED | | DRAWN V.St.Lan/ys | | 7/28/7 | | MATERIAL LIST | |
| 1. TOLERANCES XX ±.000 DIMENSIONED ANGLES XX ±.010 | | CHECK M.T.H. | | 7/28/7 | | SDS SCIENTIFIC DATA SYSTEMS EL SEGUNDO, CALIFORNIA | |
| 2. BREAK ALL SHARP EDGES 210 APPROX. | | APPR. L.M.P. 1/28/7 | | 1/28/7 | | TITLE INTEGRATION DRAWING, SIGMA I/O INTERFACE SUBSYSTEM | |
| 3. HATCH SURFACES | | MATERIAL | | SCALE | | PART NO. 18338 | |
| 4. ALL DIM. IN INCHES | | FINISH | | SIZE | | DATE 137113 | |
| 5. ALL TRUE POSITION TOLERANCES APPLY AT MMC | | NEXT ASSY. FIRST USE | | SHEET | | 11 OF 15 | |

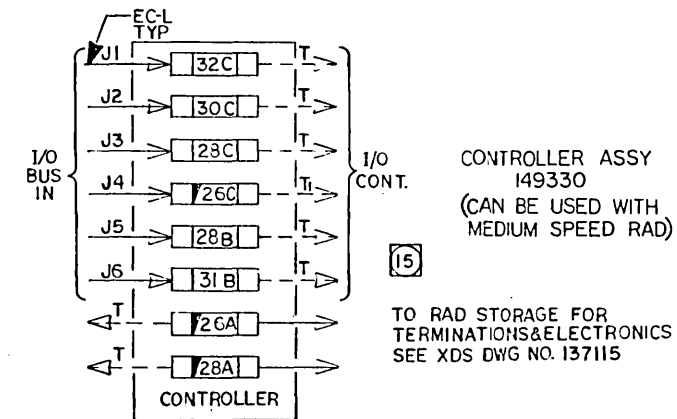
137113 R A

| LAL | | REV. | DESCRIPTION | CHK | DATE | APPROVED |
|-----|--|------|-------------|-----|------|----------|
| | | | SEE SHEET | | | |

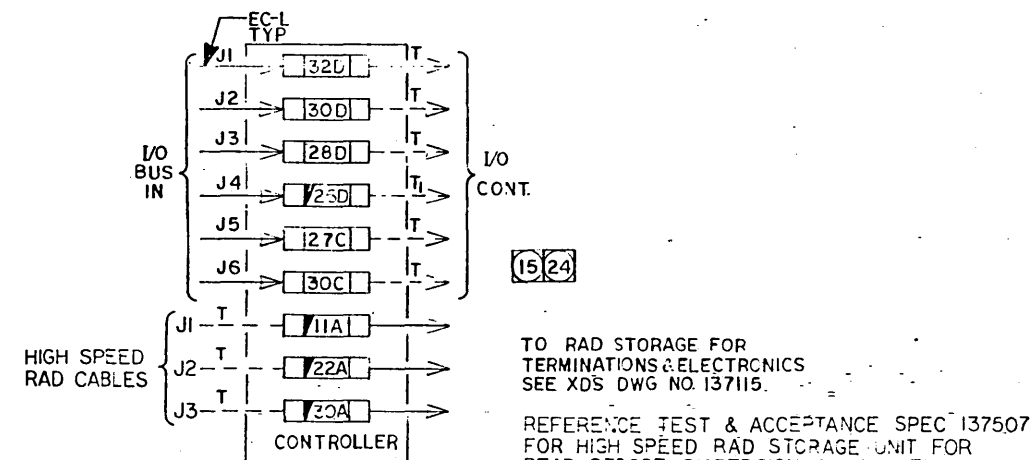
RAD FILES



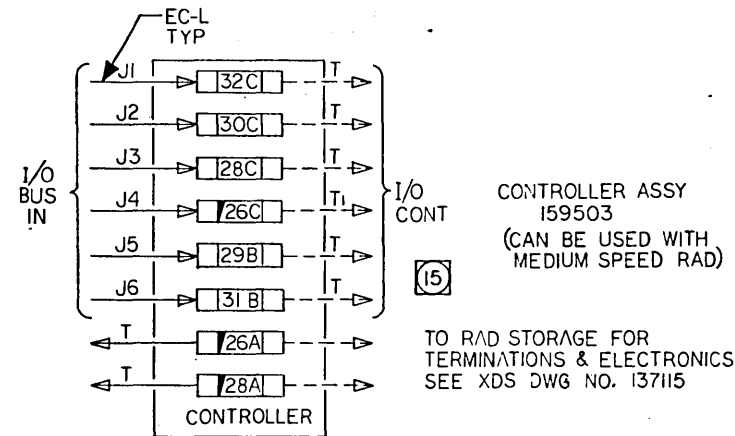
7201 MEDIUM SPEED RAD



7231 EXTENDED PERFORMANCE RAD



7211 HIGH SPEED RAD



7236 EXTENDED PERFORMANCE RAD

| NOTES UNLESS SPECIFIED | | DRAWN | | MATERIAL LIST | | SDS SCIENTIFIC DATA SYSTEMS | |
|--|--|---------------------|----------|---------------|--|--|--|
| 1. TOLERANCES PER ASME DIMENSIONED ANGLES PER ASME | | V. Stuknys | 7/10/57 | | | EL SEGUNDO, CALIFORNIA | |
| 2. BREAK ALL SHARP EDGES 0.125 APPROX. | | M. Ting | 7/24/57 | | | TITLE | |
| 3. BACK SURFACES | | APPR. L.M. Anderson | 11/29/58 | | | INTEGRATION DRAWING, SIGMA I/O INTERFACE SUBSYSTEM | |
| 4. ALL DIM. IN INCHES | | | | | | CODE IDENT. | |
| 5. ALL TRUE POSITION TOLERANCES APPLY AT MMC | | | | | | 18338 | |
| | | | | | | SIZE | |
| | | | | | | D | |
| | | | | | | DWG. NO. | |
| | | | | | | 137113 | |
| | | | | | | SCALE | |
| | | | | | | DO NOT SCALE DRAWING | |
| | | | | | | SHEET 12 OF 15 | |

3

2

1

3

2

1

137113 R A

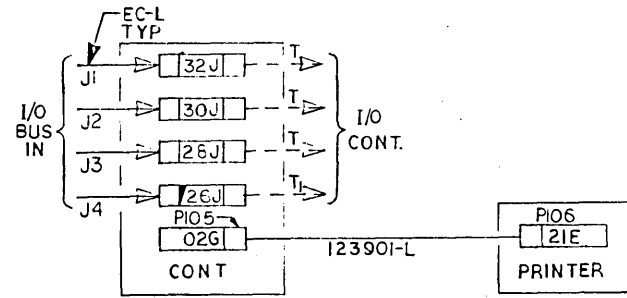
3

2

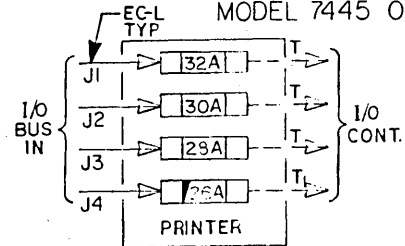
1

| LAL | | REV. | | REVISIONS | | | 137113 | |
|-----|--|------|--|-------------|-----|------|----------|--|
| | | | | DESCRIPTION | CHK | DATE | APPROVED | |
| | | | | SEE SHEET 1 | | | | |

LINE PRINTERS



1000 OR 600 LINES/MIN
MODEL 7445 OR 7440



1500 OR 1100 OR 450 LINES/MIN
MODEL 7446, 7441 OR 7450

DIST CODE 105

| NOTES UNLESS SPECIFIED | | DRAWN | DATE | MATERIAL LIST | | SDS SCIENTIFIC DATA SYSTEMS EL SEGUNDO, CALIFORNIA | |
|--|---|------------------------|---------|---------------|---|---|----------------------|
| 1. TOLERANCES SEE 8.030 | 2. DIMENSIONED ANGLES SEE 8.019 | V. Stokkys | 7/20/67 | 18338 | D | TITLE INTEGRATION DRAWING, SIGMA I/O INTERFACE SUBSYSTEM | |
| 3. BREAK ALL SHARP EDGES 9/16 APPROX. | 4. BACK SURFACES ✓ | CHK M. Ting | 7/20/67 | FINISH | | CODE IDENT. | SIZE |
| 5. ALL DIM IN INCHES | 6. ALL TRUE POSITION TOLERANCES APPLY AT MMC | APPR. L.M. Anderson | 7/20/67 | MATERIAL | | 18338 | D |
| MODEL NO. ALL SIGMA SYSTEMS | NEXT ASSY. FIRST USE | | | | | DWG. NO. 137113 | QUANTITY 1 |
| | | | | | | SCALE | DO NOT SCALE DRAWING |
| | | | | | | SHEET 13 OF 16 | |

3

2

1

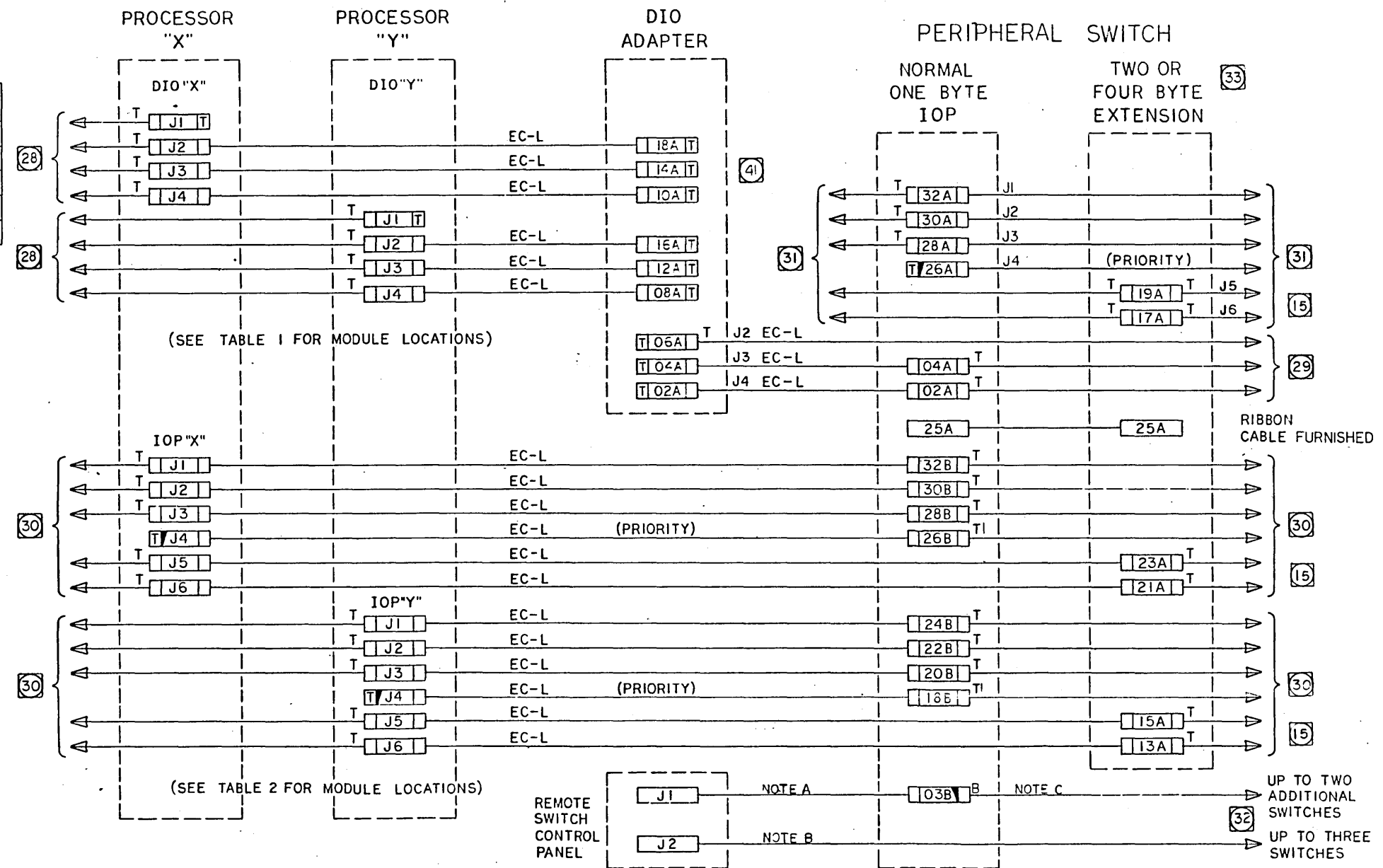
137113
R
A

| REVISIONS | | | | 137113 |
|-----------|---------------|------|------|----------|
| REV. | DESCRIPTION | CHK. | DATE | APPROVED |
| 1 | SEE SHEET ONE | | | |

7710, 7720, 7721 & 7722 PERIPHERAL SWITCH EQUIPMENT

| | Σ_2 | Σ_3 | Σ_5 | Σ_7 | Σ_8 & Σ_9 |
|----|------------|------------|------------|------------|-------------------------|
| J1 | / | / | 09M | 23S | 9K PEG FRAME |
| J2 | 28A | 24A | 22Q | 27Q | 22E AUX " |
| J3 | 30A | 26A | 26Q | 30P | 26E " " |
| J4 | 32A | 28A | 29Q | 29N | 29E " " |

| | Σ_2 | Σ_3 | | Σ_5 | $\Sigma_{5/7}$ | | $\Sigma_{8/9}$ |
|----|------------|------------|------|------------|----------------|------|----------------|
| | IIOP | IIOP | EIOP | IIOP | MIOP | SIOP | MIOP |
| J1 | 05C | 28B | 31H | 10L | 14B | 14E | 13H |
| J2 | 03C | 25C | 29H | 08L | 32A | 21E | 10G |
| J3 | 01C | 30B | 27H | 09F | 14C | 11E | 04G |
| J4 | 07C | 27C | 13J | 09E | 01D | 09E | 04H |
| J5 | / | / | 25G | / | 19C | 19E | 09F |
| J6 | / | / | / | / | 29A | 17E | 12E |



GENERAL NOTE: DUE TO THE INTERFACE CABLE BULK, THE P.S.E. SHOULD BE MOUNTED IN THE CENTER FRAME AND CABLES SHOULD EXIT FROM BOTH SIDES. THE CABLES EXITING ON THE ANTI-HINGE SIDE WOULD NOT ALLOW THE FRAME TO SWING. THIS WILL MEAN THAT THE FRAME WILL BE FIXED IN POSITION. NOTHING WILL BE MOUNTED IN THE REAR FRAME POSITION. THE FRONT SWING FRAME IS OPTIONAL.

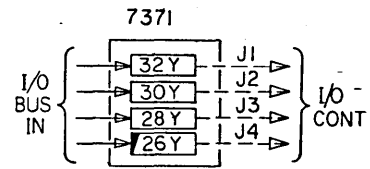
| CABLE NOTES | OLD XDS PART NO. | CURRENT XDS PART NO. |
|-------------|------------------|--|
| NOTE A | 146942-302 | 154979-302 (INCLUDED WITH REMOTE SWITCH PANEL) |
| NOTE B | 146942-L | 154979-L |
| NOTE C | 147627-L | 154980-L |

| | | | | | | |
|--|-----------------------------|-------|---------|----------------------|---|----------------|
| NOTES UNLESS SPECIFIED | | DRAWN | 10-2-69 | 10-2-69 | SDS SCIENTIFIC DATA SYSTEMS SANTA MONICA, CALIFORNIA | |
| 1. TOLERANCES XX 0.00 DIMENSIONED ANGLES XXX 0.010 | CHECK | APPR. | 10-2-69 | 10-2-69 | TITLE INTEGRATION DWG, SIGMA I/O INTERFACE SUBSYSTEM | |
| 2. BREAK ALL SHARP EDGES 0.10 APPROX. | MATERIAL | | | | CODE IDENT. 18338 | |
| 3. HATCH SURFACES | FINISH | | | | SIZE D | |
| 4. ALL DIM. IN INCHES | MODEL NO. ALL SIGMA SYSTEMS | | | | DWG. NO. 137113 | |
| 5. ALL TRUE POSITION TOLERANCES APPLY AT MMC | NEXT ASSY. FIRST USE | | | | SCALE | |
| | | | | DO NOT SCALE DRAWING | | SHEET 12 OF 13 |

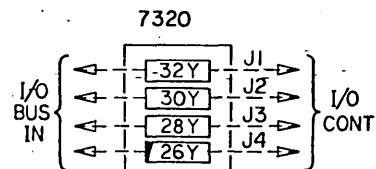
L K J H G F ↓ E D C B A

| REVISIONS | | | 137113 | R |
|-----------|------|-------------|--------|------|
| LAL | REV. | DESCRIPTION | CHK | DATE |
| | | SEE SHEET 1 | | |

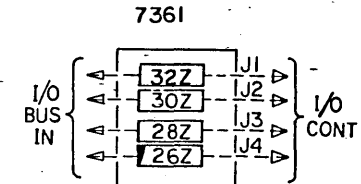
7 CHANNEL 75 IPS



9 CHANNEL 75/150 IPS



7 CHANNEL 37.5 IPS



73XX MAG TAPE INTERFACE CONNECTIONS
 (REFER TO XDS DWG. NO. 137114 FOR INTERFACE CONNECTIONS - CONTROLLER TO STATION)

| NOTES UNLESS SPECIFIED | | DRAWN | | MATERIAL LIST | | Xerox Data Systems | |
|---------------------------------------|--|------------|--------------|---------------|-------------|--|--------|
| 1. TOLERANCES | XX .00 DIMENSIONED ANGLES | V. STUKNYS | 7/10/67 | 137113 | R | XEROX | |
| 2. BREAK ALL SHARP EDGES .010 APPROX. | 3. MACH. SURFACES | M. TING | 7/24/67 | TITLE | | INTEGRATION DRAWING, SIGMA I/O INTERFACE SUBSYSTEM | |
| 4. ALL DIM. IN INCHES | 5. ALL TRUE POSITION TOLERANCES APPLY AT MMC | APPR. | L. MANDERSON | 7/29/68 | CODE IDENT. | | 18338 |
| MODEL NO. ALL SIGMA SYSTEMS | FINISH | MATERIAL | | SIZE | | D | 137113 |
| NEXT ASBY. FIRST USE | | | | Dwg. NO. | | R | |
| | | | | SCALE | | DO NOT SCALE DRAWING SHEET 15 OF 16 | |

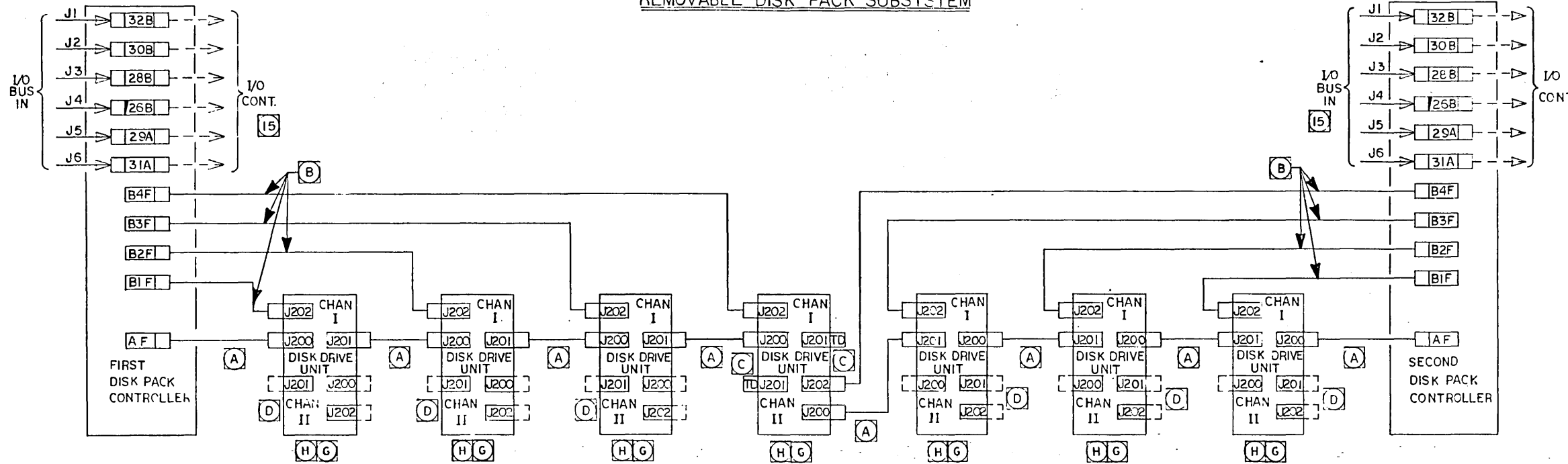
DIST CODE 108

L K J H G F ↑ E D C B A

7
6
5
4
3
2
1

7
6
5
4
3
2
1

7240
REMOVABLE DISK PACK SUBSYSTEM



GENERAL NOTES:

ABOVE CONFIGURATION INTERCONNECTS THE MAXIMUM NUMBER OF DISK DRIVE UNITS (SEVEN DDU'S) WHICH MAY BE CONNECTED TO TWO CONTROLLERS AND HAVE AT LEAST ONE SHARED HDD. IF A GREATER NUMBER OF DDU'S ARE TO BE SHARED BY TWO CONTROLLERS, THE TOTAL NUMBER OF DDU'S MUST BE REDUCED BY A LIKE AMOUNT. ONLY A DDU WITH A DEVICE POOLING FEATURE MAY BE SHARED BY TWO CONTROLLERS.

A. 1/2" CABLES REQUIRED WITH EACH DISK PACK SUBSYSTEM. 50 FT. ASSEMBLY 154564-502 (FURNISHED WITH CONTROLLER). 6 FT. ASSEMBLY 154564-601, CAN CONNECT ADJACENT DDU'S ONLY. A 6 FT 1/2" CABLE IS FURNISHED WITH EACH DDU FOR CHANNEL I CONNECTION TO ADJACENT DDU, AN ADDITIONAL 6 FT CABLE IS FURNISHED WITH EACH DEVICE POOLING FEATURE FOR CHANNEL II CONNECTION TO ADJACENT CONTROLLER, THIS MAY RESULT IN MORE 6 FT. CABLES THAN REQUIRED FOR A COMPLETE SUBSYSTEM.

B. A 1/2" CABLE, 70 FT LONG (154564-702) IS FURNISHED WITH EACH DDU FOR CONNECTING CONTROLLER TO CHANNEL I. AN ADDITIONAL 1/2" CABLE IS FURNISHED WITH EACH DEVICE POOLING FEATURE, FOR CONNECTING ANOTHER CONTROLLER TO CHANNEL II.

C. EACH 1/2" CABLE STRING MUST BE TERMINATED WITH A TD, ASSEMBLY 154564-028, WHICH IS FURNISHED WITH EACH CONTROLLER.

D. BY THE ADDITION OF A DEVICE POOLING FEATURE, CHANNEL II CAN BE CONNECTED TO THE ALTERNATE OR ADDITIONAL CONTROLLER. THE DEVICE POOLING FEATURE MAY BE IMPLEMENTED BY ADDING AN ADDITIONAL CONTROLLER(S) AND:

- 1.) USING DUAL CHANNEL DDU'S.
- 2.) OR USING SINGLE CHANNEL DDU'S AND RETRO-FITTING WITH THE SINGLE TO DUAL CHANNEL CONVERSION KIT (ASSY 153901), ONE KIT PER DDU.

E. EACH (DDU) HAS TWO PHYSICALLY INDEPENDENT DRIVE UNITS.

F. A DISK PACK SUBSYSTEM MAY HAVE ONE CONTROLLER OR AS MANY AS MAY INTERFACE WITH A PROCESSOR (OR PROCESSORS). HOWEVER ONE CONTROLLER MAY ACCESS UP TO FOUR DDU'S ONLY.

G. 2 UNIQUE LOGIC PLECS (ASSY 154564-012-100-019) MUST BE ORDERED FOR EACH DISK DRIVE UNIT CONNECTED TO ONE CONTROLLER. THE PLECS DETERMINE THE LAST FOUR BITS OF THE UNIT ADDRESS, AND MAY BE MOVED AS REQUIRED.

H. 2 SPIN UNIT NO. LENSES (ASSY 154564-020-100-027) MUST BE ORDERED FOR EACH DDU. THE UNIT NO. SHOULD BE ASSIGNED IN AN ORDERLY MANNER AND SHOULD BE REPRODUCED AS FIXED TO THE UNIT AND DESIGNATING A PHYSICAL IDENTIFICATION.

J. EXCEPT IN SPECIAL CASES, NO CABLES OR TERMINATORS SHOULD BE REQUIRED IN ADDITION TO THOSE FURNISHED WITH CONTROLLERS, DDU'S, AND KITS (EXCLUDING I/O BUS).

| REVISIONS | | | | |
|-----------|------|-------------|-----|------|
| LAL | REV. | DESCRIPTION | CHK | DATE |
| | | SEE SHEET | | |

137113

137113 R A

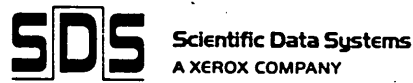
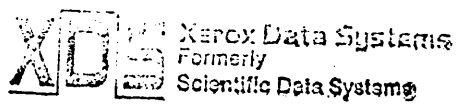
| NOTES UNLESS SPECIFIED | | DRAWN | | MATERIAL LIST | | TITLE | |
|---|-------------------------|------------|---------|---------------|--|--|---|
| 1. TOLERANCES UNLESS OTHERWISE SPECIFIED | 2. DIMENSIONS IN INCHES | V. Stuknys | 7/10/67 | | | SDS | SCIENTIFIC DATA SYSTEMS EL SEGUNDO, CALIFORNIA |
| 3. BREAK ALL SHARP EDGES | 4. ALL DIM. IN INCHES | M. T. ... | 7/10/67 | | | INTEGRATION DRAWING, SIGMA I/O INTERFACE SUBSYSTEM | |
| 5. ALL TRUE POSITION TOLERANCES APPLY AT MMC. | 6. FINISH | L. M. ... | 7/10/67 | | | CODE IDENT. | SIZE |
| | | | | | | 18338 | D 137113 |
| MODEL NO. ALL SIGMA SYSTEMS | | | | | | SCALE | DO NOT SCALE DRAWING |
| | | | | | | | SHEET 15 OF 15 |

| | | REVISIONS | | | 1323 | D |
|-----|------|---|------|----------|--------------------|---|
| LAL | REV. | DESCRIPTION | CHK | DATE | APPROVED | |
| X | B | MFG. REL.; ADDITION TO PARAGRAPH 4. | W.W. | 8/4/66 | M.L. | |
| | C | SEE DCR 42086; SH. 2, ADDED NOTE 1. <i>Reg.</i> | RK | 3/27/70 | <i>[Signature]</i> | |
| | D | SEE DCR 90039; SH. 4: REV'D PARA'S 5 THRU 8 & ADDED NOTE. <i>Reg.</i> | TB | 10/20/72 | <i>[Signature]</i> | |

XDS 902306
SDS

DIST CODE 118

MATERIAL LIST

| | | | | | |
|---|---|---|-----------------------------|-------------------------------|--------------------------------------|
| NOTES UNLESS SPECIFIED 1. TOLERANCES .XX ±.030 ANGULAR .XXX ±.010 ±1/4° 2. BREAK ALL SHARP EDGES .010 APPROX. 3. MACH. SURFACES J 4. ALL DIM. IN INCHES | DRAWN Ruth L. Brown 6-23-66 |  | | | |
| | CHECK W. Wein 6-25-66 | | | | |
| | APPR. J. Hall 6-25-66 | TITLE TEST SPECIFICATIONS POWER MONITOR | | | |
| | MATERIAL  | | | | |
| MODEL NO. FIRST USE | FINISH | CODE IDENT 18338 | SIZE A | DWG. NO. 132393 | CHANGE LETTER D |
| NEXT ASSY. FIRST USE 132389 | | SCALE | DO NOT SCALE DRAWING | SHEET 1 of 5 | |

XDS 902306

1. Scope

The purpose of this document is to outline the test specifications of the power monitor. (132389)

2. Input Requirements

2.1 Line Input

The internal power supply in the power monitor operates with an input of 120 Vac \pm 15% 60 Hz single phase.

2.2 Three Phase Input

The power monitor is connected to detect a three phase 120 V (L-N) line. The detection signal, as in the PT-14, is a rectified unfiltered 60 VDC source from the secondary of a transformer. For test purposes this source will have to be applied to P1 terminals 9 and 10 on the power monitor. A transformer should be used to step down the line to this 60 V source. A three phase variac should be placed in the line and one phase should be connected to the power monitors internal power supply P1 terminals 1 and 2. The line voltage may now be varied to all inputs of the power monitor. The input line voltage may be measured from line to neutral of one phase

1

1 In lieu of varying all three phases simultaneously, one phase may be varied, but must be lowered to 22 VAC for I_{OFF} adjustment, and 45 VAC for I_{ON} adjustment. This is required for modules "N" revision and later.

Scientific Data Systems
Formerly
Scientific Data Systems

| | | |
|-------|--------------------------------------|--------------|
| TITLE | TEST SPECIFICATIONS POWER MONITOR | SDS |
| | | 132393 D |
| | | SHEET 2 OF 5 |

3. Power Supply Voltages (measured to GND)

3.1 +8 Volts

+8 volts should appear on terminal 51 of all the modules. The +8 volts is adjusted by R8 on the WT-21 to be within $\pm 1\%$.

3.2 -8 Volts

-8 volts should appear on terminal 50 of all the modules. The -8 volts is adjusted by R7 on the WT-21 to be within $\pm 1\%$.

3.3 +4 Volts

The +4 volts should appear on terminal 49 of all the modules. The +4 volts is adjusted by R12 on the WT-21 to be within $\pm 1\%$.

4. I_{on}

Observe pin 4 (ST) on the AT-13 output. Output should be true as line voltage is applied. Set line voltage to 95 volts. Advance R24 C.W. until ST output goes false. Lower the line voltage to zero and then advance slowly. As the voltage passes through 95 volts ($\pm 2\%$) the ST output should fall to zero and remain at zero as long as the line voltage is above 95 volts. Set variac at 120 VAC ($\pm 10\%$) apply power and ST should start true and go false 300 ms ($\pm 10\%$) after power is applied. Pin 9 (I_{on}) should go high as ST falls. When I_{on} and I_{off} have been set observe ST. As the line advances ST should be true and go false when the line is above 95 volts. ST should be false and go true when the line is reduced below 80 volts.

XDS 902306

| | | |
|---|---------|------|
| TITLE TEST SPECIFICATIONS POWER MONITOR | XDS | |
| | 132393 | D |
| | SHEET 3 | OF 5 |

5. I_{off}

Set R2 CCW, R8 CCW. Set line voltage to 80 volts ($\pm 2\%$) observe I_{off} pin 10 on the *AT-68 output. Advance R2 CW until pulses appear at I_{off}. Advance R8 CW to set pulse width to 10 ms ($\pm .5$ ms). Advance line voltage above 95 volts and I_{off} should remain false. It should be noted that when I_{off} is present (pulsating) ST should remain true.

6. R.T.C.

Pulses at pin 7 of the *AT-68 output should appear synchronized to the line frequency.

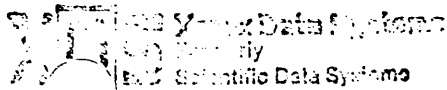
7. I_{on} Enable

With power applied the I_{on} enable output pin 8 of the *AT-68 should be true when the enable switch is in the "OFF" position. If the enable switch is put in the "ON" position the I_{on} enable output should be false.

8. Outputs

The output of the *AT-68 should be a standard cable driver termination. True signals will be +2 volts and false signals will be zero.

* NOTE: AT-13 DELETED AND AT-68 USED ON "L" AND LATER REVISION POWER MONITOR ASSEMBLY.



| | | |
|---|--------------|---|
| TITLE TEST SPECIFICATIONS POWER MONITOR | SDS | |
| | 132393 | D |
| | SHEET 4 OF 5 | |

XDS 902306

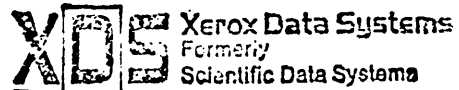
9. High Pot Test

Check the following for voltage breakdown

- a. Input Terminals (Pl, 1 & 2) to Gnd - 500 volts
- b. T1-18 to Gnd 200 V
- c. T1-11 to Gnd 200 V
- d. T1-7 to Gnd 200 V
- e. T1-19 to Gnd 200 V

This test should be placed first in the test procedure.

XDS 902306



| | | |
|-------|--------------------------------------|------------|
| TITLE | TEST SPECIFICATIONS POWER MONITOR | SDS |
| | | 132393 D |
| | SHEET | 5 OF 5 |

XDS 902306

| | | REVISIONS | | | 15205 | E |
|-----|------|--|-----|---------|-------------|---|
| LAL | REV. | DESCRIPTION | CHK | DATE | APPROVED | |
| X | D | SEE DCR 39771 SH 10 REV PAR 9.1.2 MFG RELEASE A REV | RK | 4/2/70 | [Signature] | |
| | E | SEE DCR 41923: REV PARA'S 8.4.3, 11.0, 11.1, 11.2.7 & 11.2.8 REV FIG 4; ADDED NEW PARA 11.1.4, 11.1.5 WAS: 11.1.4 | CB | 5/28/70 | [Signature] | |

XDS 902306



DIST CODE 117

MATERIAL LIST

| | | | | | |
|--|--|---|-----------------------------|-------------------------------|--------------------------------------|
| NOTES UNLESS SPECIFIED 1. TOLERANCES XX ±.030 ANGULAR .XXX ±.010 ± 1/2° 2. BREAK ALL SHARP EDGES .010 APPROX. 3. MACH. SURFACES ✓ 4. ALL DIM. IN INCHES | DRAWN G. Shipps 6-21-68 | | | | |
| | CHECK K. Blaswich 6-21-68 | | | | |
| | APPR. C. Benesh 6-26-68 | TITLE PROCEDURE, FIELD ADJUSTMENT SIGMA POWER SYSTEM | | | |
| | MATERIAL | | | | |
| MODEL NO. FIRST USE | FINISH | CODE IDENT 18338 | SIZE A | DWG. NO. 152052 | CHANGE LETTER E |
| NEXT ASSY. FIRST USE | SCALE | | DO NOT SCALE DRAWING | SHEET 1 of 18 | |

1.0 SCOPE

This document provides procedures for checking and adjusting the power supplies in the Sigma Computer Systems. The intent is to provide an aid to maintenance and adjustment of the power supplies with a minimum amount of equipment. If any paragraph of this procedure cannot be met, the unit under test will have to be returned to an appropriate test station for servicing.

2.0 EQUIPMENT REQUIRED

- 2.1 DC Voltmeter, $\pm 0.5\%$ or better (Digitek Model 211 or equivalent) (DCVM = DC Voltmeter)
- 2.2 Oscilloscope, Tektronix 453, Hewlett Packard 180A, or equivalent.
- 2.3 AC twist-lock test plug with test leads for 1.8 Khz measurements, XDS 127679 plug.
- 2.4 Potentiometer, $5\pm 1K$, 2W, XDS 101130-502, with test leads, and resistor $2K \pm 20\%$, $\frac{1}{2}W$, XDS 110996-202.
- 2.5 AC Voltmeter Digitek Model 211 with AC test adaptor 158991.
- 2.6 Thermometer, Field Test, XDS 153273.

3.0 APPLICABLE DOCUMENTS

- 3.1 XDS 901078, PT14/15, Technical Manual
- 3.2 XDS 901080, PT16, Technical Manual
- 3.3 XDS 901079, PT17, Technical Manual
- 3.4 XDS 900866, PT18, Technical Manual
- 3.5 XDS 900867, PT19, Technical Manual
- 3.6 XDS 901172, Section III, Sigma 5, Technical Manual
- 3.7 XDS 901157, PT20, Technical Manual

XDS 902306

| | | |
|---|---------------|---|
| TITLE PROCEDURE, FIELD ADJUSTMENT SIGMA POWER SUPPLY SYSTEM | XDS | |
| | 152052 | E |
| | SHEET 2 OF 18 | |

4.0 SYSTEM DESCRIPTION

The Computer Power System is comprised of a PT14/15 60 Hz to 1.8 KHz Inverter which is the source of power for the PT16 Logic, PT17 Memory, and PT18 auxiliary supplies. The PT16, 17 and 18 supplies are mounted to the computer swing frames and power is distributed through buss bars. This minimizes the voltage drops and also facilitates cabling and mounting. NOTE: Unless otherwise specified, all tests and adjustments are to be made with computer in IDLE mode. Peripheral power should be off before turning off logic power to prevent damage to some peripherals.

5.0 PT14 CONVERTER ADJUSTMENTS

The PT14 is used to convert 60 Hz 3 phase power to unregulated +60 VDC at 100A for the PT15 inverter. It has to store enough energy so that when power fails, it can supply computer power until the shut down routine is completed.

The PT14 has no adjustments but the input and output voltages should be checked after installation.

5.1 Input Voltage

The three phase input voltage can be measured at TB3 when the cover is removed. Measure the voltages as follows:

| | | |
|-----------|--------------------------|----------------|
| (PHASE A) | TB3-1 to TB3-4 (Neutral) | 120V \pm 10% |
| (PHASE B) | TB3-2 to TB3-4 (Neutral) | " |
| (PHASE C) | TB3-3 to TB3-4 (Neutral) | " |

NOTE: The 3 hot line inputs may be color coded or black.
The neutral connection (TB3-4) is normally white.
The ground connection (TB3-5) is green.

5.2 Output Voltage

The output voltage measured at TB1 - 1 & 2 and TB1 - 3 & 4 should be 55 to 60 volts, depending on the output load. TB1 - 1 & 2 is the plus voltage and TB1 - 3 & 4 is the return.

5.3 Overcurrent

The PT14 has a circuit breaker which is remotely turned off if the PT15 is overloaded. The PT14 has no overcurrent protection of its own. The computer installation requires service breakers that protect against short circuits.

| | | |
|---|---------|-------|
| TITLE PROCEDURE, FIELD ADJUSTMENT, SIGMA POWER SYSTEM | XDS | |
| | 152052 | E |
| | SHEET 3 | OF 18 |

XDS 902306

6.0 PT15 INVERTER ADJUSTMENTS

The PT15 is a high power transistor inverter that supplies the 1.8 KHz power for the computer system. It supplies a 120 VAC \pm 10% modified square wave, that is regulated by changing the duty cycle of the output waveform. It has overcurrent protection that limits the current and turns off the circuit breaker on the PT14 when excessive current is drawn. It also has a thermostat switch that turns off the PT14 circuit breaker if the heatsink is overheated from a fan failure.

6.1 Output Voltage Adjust. See Figure 1 for pot locations.

6.1.1 The output voltage can be measured by using the 1.8 KHz AC Test Plug and the AC Voltmeter specified in Para. 2.5. The voltage should be 120 VAC \pm 3%. If it is not, perform the following:

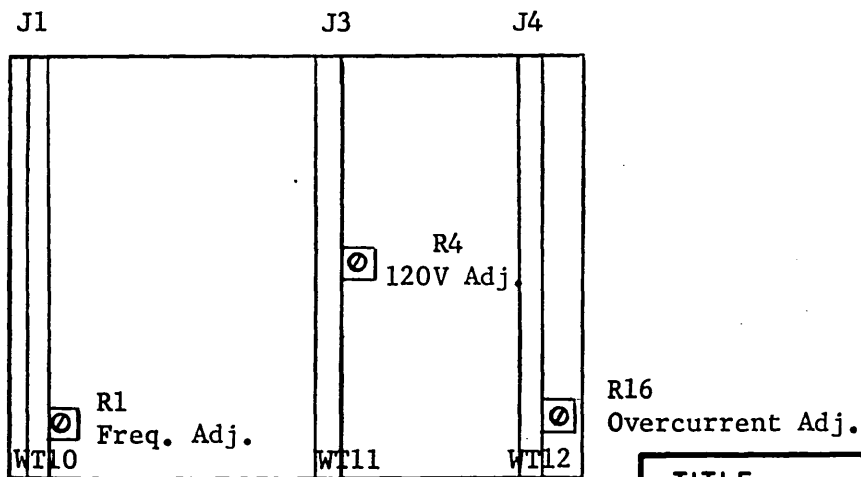
1. Make sure that the PT14 input and output voltages are correct as per Para. 5.1 and 5.2.
2. Remove the module cover and readjust R4 on the WT11 to bring the output voltage to 120 VAC.

6.2 Overcurrent Adjust

The overcurrent threshold adjustment of R16 on the WT12 module should not be made in the field, since there is no way to simulate a 125% load condition in the field.

6.3 Frequency Adjust

The frequency adjustment of R1 on WT10 should not be changed; however, the frequency should be 1800 HZ, \pm 10%, -15%. This is equivalent to a period of 505 to 654 microseconds as measured with an oscilloscope.



PT15 Location of Adjustment Pots

Figure 1

TITLE

PROCEDURE, FIELD ADJUSTMENT,
SIGMA POWER MEM

XDS

152052

SHEET 4 OF 18

XDS 902306

7.0 PT16 LOGIC SUPPLY ADJUSTMENTS

The PT16 is a magnetic amplifier regulated DC power supply that supplies +4V at 75A, +8V at 40A, and -8V at 5A. The regulation is +5%. It has a high and low margin switch which changes the output voltage by plus and minus 10%. It has overvoltage protection and overcurrent protection, with fuses. It also has margin indicator jacks that are OR'd together and connected to the "Margins Normal" lamp on the PCP. If any of the PT16's in the system have their margin switch not normal, this lamp is not lit. NOTE: Turn OFF Line Printer power before turning power OFF on any PT16 to prevent possible damage to the Line Printer.

7.1 Output Voltage Adjustments

Before proceeding verify that the PT15 output is 120VAC as per Par. 6.1.1. All output voltages must be within $\pm 0.5\%$ of nominal with margin switch at NORMAL.

7.1.1 +8V Output

Adjust +8V pot through hole in side cover for +8.0 volts.*

7.1.2 +4V Output

Adjust +4V pot through hole in side cover for +4.0 volts.*

7.1.3 -8V Output

Adjust -8V pot through hole in side cover for -8 volts.

* Computer systems shipped prior to July 1, 1968 should be set to +4.2V and +8.4V. All systems shipped after this date are set as indicated above.

7.2 Overvoltage Circuit Adjustment

7.2.1 The overvoltage circuits should not be adjusted while the PT16 is mounted in the computer, since the voltages required for adjustments are too high.

| | | |
|---|---------|-------|
| TITLE PROCEDURE, FIELD ADJUSTMENT, SIGMA POWER SYSTEM | XDS | |
| | 152052 | E |
| | SHEET 5 | OF 18 |

7.0 PT16 LOGIC SUPPLY ADJUSTMENTS (Cont'd.)

7.2.2 The overvoltage must be checked, and if necessary, adjusted with the power supply disconnected from the main frame and buss bars. A convenient 1.8KC (PT15) power source must be used for this test. Using the DC voltmeter, monitor the +4V output. Adjust the O.V. ADJ (R3 WT13) C.W. until the circuit breaker will hold at 5.5 VDC. Slowly adjust O.V. ADJ C.C.W. until breaker just trips. Verify by turning +4V ADJ C.C.W. with power off to reset breaker, then turn +4V ADJ clockwise and see that breaker trips at 5.5VDC.

7.3 Overcurrent

7.3.1 The overcurrent is limited by fuses on the inputs as follows:

1. +4V - 8A (F1)
2. +8V - 8A (F2)
3. -8V - 8A (F3)

8.0 PT17 MEMORY POWER ADJUSTMENTS

The PT17 is a series regulated DC Power Supply that supplies VD voltage of 18-25V at 20A, and VC voltage of 24V at 2A. The VD voltage is designed to track the temperature of the memory core. This circuit is called VCR tracking. It tracks at a rate of minus 100 MV/C°. There also is an input from the memory core temperature protection circuit that will shut down the supply with a +4V signal if the memory overheats, i.e., in case of fan failure. The supply has coarse and fine margin adjust dials to change the output voltage from 18 to 25 volts. The supply has a current limit protection circuit and also has an overvoltage circuit. The regulation is $\pm 1\%$ for all conditions. It also has a thermostat switch that turns off the circuit breaker if the heatsink is overheated from a fan failure.

The PT17 must be aligned in the system since the PT17 adjustments are a function of the memory which it powers. Before proceeding with the PT17 alignment check the output of the PT15 for 120 VAC $\pm 3.0\%$ and the PT16 logic supplies associated with memory for nominal voltages $\pm 0.5\%$ with margin switch at normal.

NOTE: Use a Digitek model 211, ($\pm 0.05\% \pm 1$ digit) DC voltmeter, or a voltmeter with accuracy of $\pm 0.5\%$ or better for all DC measurements. For AC measurements use AC voltmeter specified in Para. 2.5. Unless otherwise specified computer is ON in the Idle mode and memory is at operating temperature. See Figure 2 for pot locations.

8.1 VC Adjustment

8.1.1 Adj J1 R25 (Vc) for +24V at Vc output terminal strip TB1-2 (marked 25V, 2A).

| | | |
|---|---------|-------|
| TITLE PROCEDURE, FIELD ADJUSTMENT, SIGMA POWER SYSTEM | XDS | |
| | 152052 | E |
| | SHEET 6 | OF 18 |

8.0 PT17 MEMORY POWER ADJUSTMENTS (Cont'd.)

8.2 Overvoltage Adjustment

CAUTION: Care should be taken at all times to prevent Vd from exceeding +30 volts since damage to the equipment can occur.

NOTE: When this adjustment is made the VcR Null Adjustment must also be made. If the Vd output is operational and only the overvoltage is to be checked, record the Vd output voltage reading so that Vd can be readjusted to the same level. To insure proper readjustment of VD, the memory temperature must be the same as when Vd was recorded.

8.2.1 Place Computer RUN-IDLE switch in IDLE mode.

8.2.2 Monitor Vd output voltage at output terminal strip TB1-3 (Marked 25V, 20A).

8.2.3 Slowly adjust J2 R6 (VcR Null) so Vd increases to +28 volts or the circuit breaker trips in the PT17. The breaker should trip between +27 and +28 volts. If not, proceed to step 8.2.4, if so, proceed to Vd Adjustment 8.3.

NOTE: The circuit breaker must be OFF 20 seconds before it can be reset.

8.2.4 Adjust J2 R6 (VcR Null) so Vd reads +27.5V.

8.2.5 Slowly adjust J2 R26 (O/V) counter-clockwise until circuit breaker trips. This should be the proper O/V setting.

8.2.6 To verify that the O/V is set properly, turn J2 R6 (VcR Null) a few turns clockwise then reset the circuit breaker (CB). While observing the meter on Vd, slowly increase Vd by turning J2 R6 (VcR Null) counterclockwise until the circuit breaker trips. If CB trips between +27 and +28 volts proceed to Vd Adjustment 8.3. If Vd circuit is operational as per NOTE of 8.2, readjust Vd output voltage to that recorded in referenced Para. 8.2. Proceed to Para. 8.5.

8.3 VD Adjustment

NOTE: This step to be preceded by steps 8.0, 8.1 and 8.2.

8.3.1 Turn PT17 circuit breaker OFF. Remove WT15 from J2 of PT17. This will require removal of the top cover.

| | | |
|---|---------|-------|
| TITLE PROCEDURE, FIELD ADJUSTMENT, SIGMA POWER SYSTEM | XDS | |
| | 152052 | E |
| | SHEET 7 | OF 18 |

8.0 PT17 MEMORY POWER ADJUSTMENTS (Cont'd.)

8.3.2 Turn PT17 circuit breaker ON. Set Coarse and Fine dials to 9 & 9.

8.3.3 Adjust J1 R6 (Vd) so Vd output (TB1-3) is +25V. Do not adjust this pot unless the Vd Adjustment 8.3 and VCR Null adjustment 8.4 are to be done completely.

8.3.4 Turn PT17 circuit breaker OFF. Install WT15 in J2. Turn PT17 circuit breaker ON.

8.4 VCR Null Adjustment

8.4.1 Set Coarse and Fine dials to 5 and 5.

8.4.2 Adjust J2 R6 (VcR Null) so Vd (TB1-3) reads +21.5V.

8.4.3 Load MEDIC Diagnostic. (Sigma 5/7 Prog No. 704067, Sigma 2/3 Prog No. 704022.)

8.4.4 Slowly adjust Vd voltage in the positive direction using J2 R6 (VcR Null) and if necessary adjust Fine and Coarse towards 9 positions while monitoring Vd output voltage to determine Vd max. at which the Medic diagnostic will Run.

8.4.5 Return Coarse and Fine dials to 5 and 5.

8.4.6 Slowly adjust Vd voltage in the negative direction using J2 R6 (VcR Null) and if necessary adjust Fine and Coarse towards 0 positions while monitoring Vd output voltage to determine Vd min. at which the Medic diagnostic will RUN.

NOTE: For an acceptable memory schmo, the schmo limits must be related to memory temperature and must be outside the limits shown on the chart (Figure 3) for the existing average memory temperature. The average memory temperature is determined by measuring the air temperature just under the bottom edge of each core memory module about 2 inches out from the connector on the module side. Add the temperature readings and divide by the number of readings taken. Use Thermometer, XDS 153273 specified in 2.6 for temperature measurements.

8.4.7 Set Coarse and Fine to 5 and 5.

| | | |
|---|---------------|---|
| TITLE PROCEDURE, FIELD ADJUSTMENT, SIGMA POWER SYSTEM | XDS | |
| | 152052 | E |
| | SHEET 8 OF 18 | |

8.0 PT17 MEMORY POWER ADJUSTMENTS (Cont'd.)

8.4.8 Adjust J2 R6 (VcR Null) so Vd output is centered between Vd max. and Vd min. determined in steps 8.4.4 and 8.4.6, according to the following: Set Vd voltage = $Vd \text{ min.} + \frac{Vd \text{ max.} - Vd \text{ Min.}}{2} = \frac{Vd \text{ min.} + Vd \text{ max.}}{2}$

8.4.9 Re-seal adjustment pots R6 on WT14 and R26 on WT15 with XDS 129766 compound. Cover half of the screw.

8.5 Testing Overtemperature Trip Circuitry.

8.5.1 With computer power ON, remove XT14 Location 27A (Sigma 5 or 7) or XT17 Location 1J (Sigma 2). The circuit breaker in the PT17 should trip since this simulates an overtemperature condition in memory. If the circuit breaker does not trip the overvoltage setting may be too high (re-check 8.2 or the WT15 in J2 of the PT17 may be defective).

XDS 902306

| | | |
|---|---------------|---|
| TITLE PROCEDURE, FIELD ADJUSTMENT, SIGMA POWER SYSTEM | XDS | |
| | 152052 | E |
| | SHEET 9 OF 18 | |

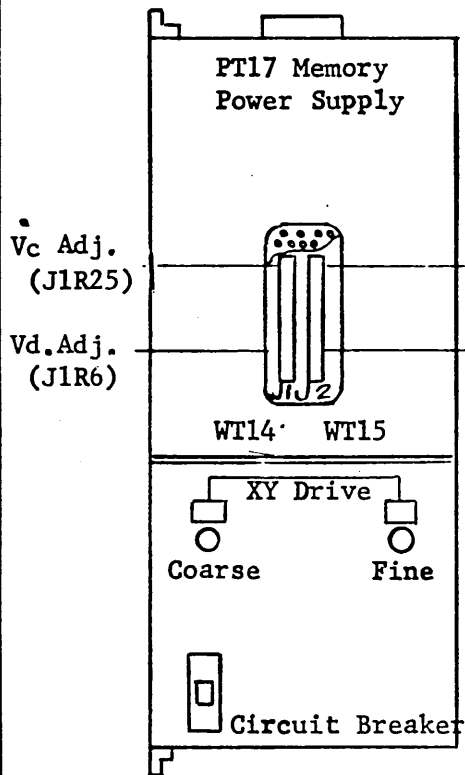


Figure 2
PT17 Power Supply
Adjustment Locations

TEMPERATURE

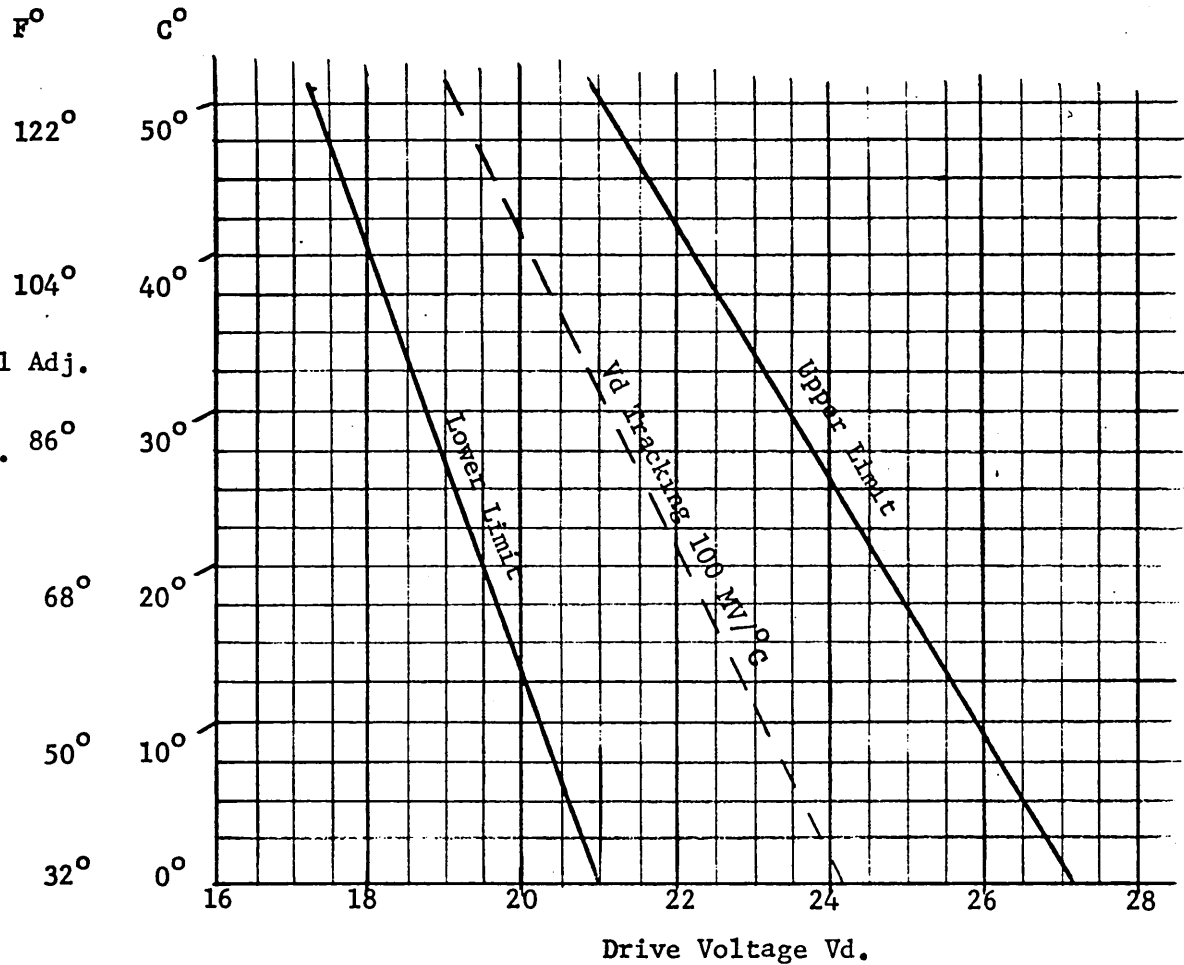


Figure 3 Minimum SCHMOO limits Sigma 2/5/7 Memory Medic Diagnostic
(Vd max. and Vd min. must be within lower limits as shown for the effective memory temperature)

TITLE

PROCEDURE, FIELD ADJUSTMENT,
SIGMA POWER SYSTEM

XDS

152052

SHEET 10 OF 1

E

XDS 902306

9.0 PT18 AUXILIARY SUPPLY ADJUSTMENTS

The PT18 is a magnetic amplifier regulated DC power supply that regulates for line changes only. The overall regulation is $\pm 12\%$ on all outputs. It supplies +25V at 6A, -25V at 1A, +8V at 8A, and +50V at 1A. It has fuses for overcurrent protection.

9.1 Voltage Adjustment

9.1.1 +25 Volt

The +25V has a potentiometer (25V ADJ) that adjusts all of the outputs simultaneously. The +25V should be $+25.0V \pm 2\%$.

NOTE: After adjusting the +25V it will be necessary to check the +8V and +50V outputs. If any output is not used it may be allowed to exceed $\pm 12\%$.

9.1.2 +8 Volt

The +8V has two switches that change the output. The N-H switch adjusts the output 10% higher, while the N-L switch adjusts the output 10% lower. One switch must be in the N position if the other is moved from the N position. The +8V output should be $+8.0V \pm 12\%$ under system load.

9.1.3 +50 Volt

The +50V has a H-L switch that will adjust the output 10% higher in the H position. The +50V output should be $+50.0V \pm 12\%$ under system load.

9.1.4 -25 Volt

The -25V has no adjustment, although the output voltage changes when the +25V pot is adjusted. The -25V output should be $-25.0V \pm 12\%$.

9.2 Overcurrent

The overcurrent of the PT18 is limited by fuses on the outputs as follows:

1. +8V output has 10A (F4)
2. +25V output has 7.5A (F2)
3. +50V output has 1.5A (F5)
4. -25V output has 1.5A (F3)

| | | |
|---|----------|-------|
| TITLE PROCEDURE, FIELD ADJUSTMENT, SIGMA POWER SYSTEM | XDS | |
| | 152052 | E |
| | SHEET 11 | OF 18 |

XDS 902306

10.0 PT19 INVERTER ADJUSTMENTS

The PT19 is a 60 Hz to 1.8 KHz inverter that is used in the RAD and Magnetic Tape Systems. It supplies power for a PT16 and PT18 combination. It supplies a 120 VAC \pm 10% modified square wave that is regulated by changing the duty cycle of the output waveform. It has overcurrent protection that turns off the circuit breaker and a thermostat switch that also turns off the circuit breaker, if the heatsink is overheated from a fan failure.

See Figure 4 for locations of adjustment pots.

10.1 Output Voltage Adjust

The output voltage can be measured by using the 1.8 KHz AC test plug. The voltage should be 120 VAC \pm 3%. If it is not, perform the following:

1. Measure 120 VAC 6 OHZ input to see that it is within 120V \pm 10% using AC Voltmeter specified in Para. 2.5.
2. Remove the module cover and readjust R4 on the WT11 to bring the output voltage to 120 VAC.

NOTE: If the voltage cannot be adjusted properly, make sure that it is not overloaded.

10.2 Overcurrent

The overcurrent threshold adjustment of R16 on the WT12 module should not be made in the field, since there is no way to simulate a 125% load condition which is required to set up the module correctly.

10.3 Frequency

The frequency adjustment of R1 on the WT10 module should not be changed; however, the frequency should be 1800 Hz, +10%, -15%. This is equivalent to a period of 505 to 654 microseconds as measured with an oscilloscope.

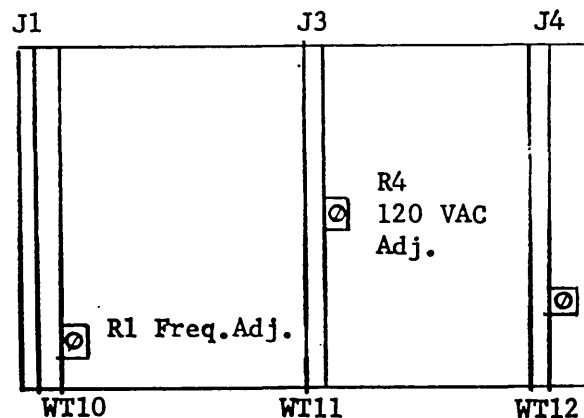


Figure 4
PT19 Location of Adjustment Pots

R16 Overcurrent Threshold Adj.

| | | |
|---|---------------|---|
| TITLE PROCEDURE, FIELD ADJUSTMENT, SIGMA POWER SYSTEM | XDS | |
| | 152052 | E |
| | SHEET 12 OF 1 | |

XDS 902306

11.0 POWER MONITOR ADJUSTMENTS

The power monitor is a self powered unit mounted in the power distribution box. Its function is to monitor the 3 phase power and generate the start up and shut down routines for the computer. The signals are such that the computer can come up only after the power is stabilized, and turn off only after volatile data is stored. The start up signals are called ST and Icon. The shut down signals are called ST and Ioff. The power monitor also generates a line synchronous signal called RTC. All of the signals are amplified with standard drivers. In multiple systems the power monitors are linked together for a complete power fail safe system. For location of Power Monitor, refer to Fig. 5. For location of Power Monitor adjustment pots, refer to Fig. 4.

11.1 POWER MONITOR POWER SUPPLY ADJUSTMENTS

NOTE: Prior to any adjustments, WT22 Module must be removed to prevent damage from misadjustment.

11.1.1 +8V ADJ

Measure the +8 volts from Pin 51 to Pin 0 of the module connectors, with the DCVM ground lead on Pin 0. This should be +8.0V $\pm 1\%$. If an adjustment is necessary, adjust with R8 WT21.

11.1.2 +4V ADJ

Measure the +4 volts from Pin 49 to Pin 0 of the module connectors, with the ground lead of the DCMV on Pin 0. This should be +4.0V $\pm 1\%$. If an adjustment is required adjust with R12 WT21.

11.1.3 -8V ADJ

Measure the -8 volts from Pin 50 to Pin 0 of the module connectors with the DCVM ground lead on Pin 0. This should be -8V $\pm 1\%$. If an adjustment is required, adjust with R17 WT21.

11.1.4 +7V ADJ (AT68)

Remove fuse (F1) and measure +7.0V $\pm .1V$ from J3-42 to J3-0. If ADJ. is required, adjust R18 AT68. Push WT22 back into J2 and replace F1.

11.1.5 Re-seal all pots changed in steps 11.1.1, 11.1.2, 11.1.3, 11.1.4 with XDS compound 129766.

| | | |
|--|----------|-------|
| TITLE PROCEDURE, FIELD ADJUSTMENTS, SIGMA POWER SYSTEM | XDS | |
| | 152052 | E |
| | SHEET 13 | OF 18 |

11.2 THRESHOLD ADJUSTMENTS

For location of pots, refer to Figure 4.

11.2.1 Measure AC line voltage from each phase to ground at power distribution box input. The nominal voltage is 120 volts. Determine the average line voltage V_1 as follows:

$$V_1 = \frac{01VOLTAGE+02VOLTAGE+03VOLTAGE}{3}$$

11.2.2 Divide 120 by V_1 to determine a correction factor, A, for line voltage other than nominal.

$$A = \frac{120}{V_1}$$

11.2.3 Measure the voltage (V_{11}) at J2 Pin 11 of the WT22 Power Monitor module using DC voltmeter. Calculate V_{off} as follows:

$$V_{off} = (V_{11}) \times (A) \times (0.666)$$

11.2.4 Connect 5K, 2W, carbon pot from J2 Pin 11 to ground, Pin 0. Adjust pot to obtain voltage at J2 Pin 11 calculated for V_{off} . This gives the equivalent to an 80 VAC line into the computer.

11.2.5 Adjust J2, R2 fully CW. Refer to Fig. 4 for pot locations. No pulses should be present at Ioff, J2 Pin 21. Slowly adjust J2, R2 CCW so pulses just appear at Ioff. This is the proper setting for the Ioff threshold.

11.2.6 Turn PT14 power OFF. Remove back cover of PT14. Unsolder wire from diode CR7 located on TB2-E1 in the lower right corner of the PT14 chassis. Solder a 2K resistor between the removed wire and TB2-E1. Adjust 5K pot so voltage at J2 Pin 11 is 2 volts more positive than the voltage calculated for V_{off} in Setp 11.2.3.

Turn PT14 power ON. Measure pulse width of Ioff pulses. Adjust J2, R8 if necessary to obtain positive pulses of 10 \pm 1 millisec. pulse width.

NOTE: When checking Ioff pulse width without installing the 2K resistor some random wave forms will be observed, which are not representative of the IOFF pulse under operating conditions.

| | | |
|---|----------|-------|
| TITLE PROCEDURE, FIELD ADJUSTMENTS SIGMA POWER SYSTEM | XDS | |
| | 152052 | E |
| | SHEET 14 | OF 18 |

XDS 902306

11.0 POWER MONITOR ADJUSTMENTS (Cont'd.)

11.2.7 Turn PT14 power OFF. Remove 2K resistor and solder wire to TB2-E1.

11.2.8 OPTION:

In lieu of altering PT14 as in Para. 11.2.6 and 11.2.7 if fail safe diagnostic is available (Sigma 5/7 Prog. No. 704122, Sigma 2/3 Prog. No. 704140), load in and turn power OFF. Observe "Ioff" to "ST" printout to verify time of 10 ± 1 millisecc. If the time is not within limits adjust J2-R8 one turn at a time to obtain limits.

11.2.9 Calculate Von as follows:

$$V_{on} = (V_{11})X(A)X(0.766)$$

11.2.10 Adjust J2, R24 fully CCW. Turn PT14 power ON.

11.2.11 Adjust the 5K pot to obtain the voltage at J2 Pin 11 calculated for Von. This gives the equivalent to a 92 VAC line into the computer.

11.2.12 Slowly adjust R24 CW until ST J2 pin 25 just goes false. This is the proper setting for the Von threshold.

11.2.13 Slowly adjust 5K pot to (Voff) threshold calculated in 11.2.3. ST should come TRUE within ± 200 mv. of Voff.

11.2.14 Slowly adjust 5K pot to (Von) threshold calculated in 11.2.9. ST should go FALSE within ± 200 mv. of Von.

11.2.15 Remove 5K pot.

11.3 CHECKING OPERATION OF ST

11.3.1 Scope ST at J2 pin 25. Turn computer power OFF. ST should come high when Ioff is generated and decay to 0 volts as the Power Monitor power supply voltages decay to 0 volts.

11.3.2 Turn computer power ON. ST should go high immediately and stay high for about 1 second. At this time ION should occur, thereby resetting the ST flip-flop and ST go low.

11.4 REAL TIME CLOCK

The RTC is a line synchronous clock pulse of about 10 μ s, every 16 μ s. There is no adjustment, but its output can be monitored at J2-19 or a suitable point in the CPU frame.

XDS 902306

| | | |
|---|----------|-------|
| TITLE PROCEDURE, FIELD ADJUSTMENTS SIGMA POWER SYSTEM | XDS | |
| | 152052 | E |
| | SHEET 15 | OF 18 |

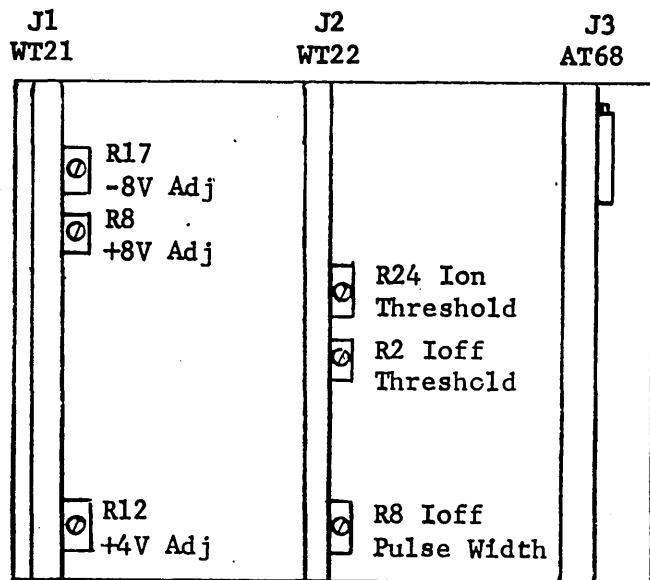


Figure 4
Power Monitor Pot Adjustment Locations
(viewed from front of rack)

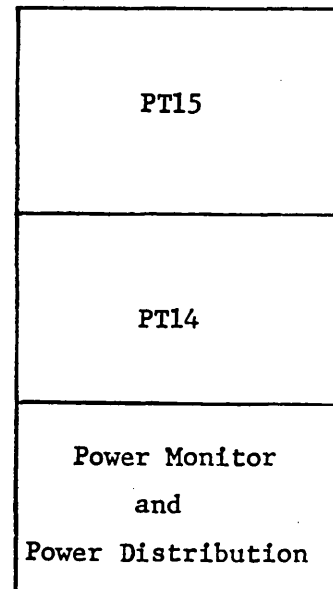


Figure 5
Location of Power Monitor
(viewed from rear of rack)

XDS 902306

TITLE

PROCEDURE, FIELD ADJUSTMENT,
SIGMA POWER SYSTEM

XDS

152052

E

SHEET 16 OF 18

11.0 POWER MONITOR ADJUSTMENTS (Cont'd.)

11.5 Ion EN

The "Ion EN" is a logic "true" level when the power monitor is ON, and is an "AND" function when more than one power monitor is used. There is no adjustment to be made, but the position of the "Ion EN" switches should be checked to make sure that all of them are ON except the first one which is OFF. The first one is identified with a single masterite connector cable and a terminator block, while the others have two cables.

12.0 PT20A, PT20B and PT20C Peripheral Power Supply Adjustment

The PT20 is a series regulated power supply. The PT20A (Assy. 136674) and PT20B (Assy 153954) are identical except for location of control panel. The PT20C (Assy 154895) is an improved version that replaces both units. All PT20's supply +4V at 30A, +8V at 20A, -8V at 4A, +45V at 2A, +25V at 6A, and -25V at 4A. They have overcurrent protection with a current limit feature, and overvoltage protection with SCR crowbars on the outputs. Upon detecting an overvoltage condition the output voltage will be clamped to approximately 1 volt and the circuit breaker will trip. The circuit breaker will not trip on the PT20 A & B for negative voltages but the output voltage will be reduced to approximately -1V. The regulation is $\pm 5\%$ overall for the +4V, +25V and -25V outputs, and $\pm 3\%$ overall for the +8V, +45V and -8V outputs. They also have 5 thermostat switches that are wired together to turn off the circuit breaker if the heatsink is overheated from a fan failure. A margin switch is used to change all outputs simultaneously + or - (5 to 7)% for high or lower margin voltages.

12.1 Overvoltage Adjustments

If any work on the WT43 module is done it may be necessary to recheck the overvoltage adjustments.

CAUTION

The overvoltage adjustments should be made only with all output connections removed.

NOTE: If 12.1 (Overvoltage Adjustments) is done, step 12.2 (Voltage Adjustments) must be done. When Circuit Breaker (CB) needs resetting wait at least 5 seconds.

12.1.1 +4V and all Plus Voltages Overvoltage Adjustment

- A. The +4V should be set to trip at +5.0V $\pm 2\%$. Monitor the +4V output with voltmeter specified in 2.1. Adjust the +4V ADJ on the front panel to obtain +5.0V $\pm 2\%$ at the output and if the breaker does not trip, slowly adjust R10 WT43 so the CB Just Trips.
- B. To check, turn +4V ADJ pot on front panel approximately 2 turns CCW. Turn on CB and slowly turn +4V ADJ CW until CB just trips. Trip voltage should be between +4.9V and +5.1V. Repeat Step A if necessary.

| | | |
|--|----------|-------|
| TITLE PROCEDURE, FIELD ADJUSTMENT SIGMA POWER SYSTEM | XDS | |
| | 152052 | E |
| | SHEET 17 | OF 18 |

12.1.2 -8V Overvoltage Adjustment

- A. The -8V should be set to trip at $-10.0V \pm 2\%$. Monitor the -8V output with voltmeter specified in 2.1. Adjust the -8V ADJ on the front panel to obtain $-10.0V \pm 2\%$ at the output and if necessary slowly adjust R17 WT43 so the output voltage just drops to approximately -1V. (Only the PT20C will trip CB at this point).
- B. To check, turn off CB. Turn -8V ADJ pot on front panel approximately 2 turns CCW. Turn on CB and slowly turn -8V ADJ CW until voltage just drops to approximately -1V. Trip voltage should be between -9.8V and -10.2V. Repeat step A if necessary.

12.1.3 -25V Overvoltage Adjustment

- A. The -25V should be set to trip at $-31.3V \pm 2\%$. Monitor the -25V output with voltmeter specified in 2.1. Adjust the -25V ADJ on the front panel to obtain $-31.3V \pm 2\%$ at the output and if necessary slowly adjust R23 WT43 so the output voltage Just Drops to approximately -1V. (Only the PT20C will trip CB at this point).
- B. To check, turn off CB. Turn -25V ADJ pot on front panel approximately 2 turns CCW. Turn on CB and slowly turn -25V ADJ CW until voltage just drops to approximately -1V. Trip voltage should be between -30.7V and -31.9V. Repeat A if necessary.

12.3 Voltage Adjustments

With the margin switch in the normal position and AC line voltage within $\pm 10\%$ of nominal, the output voltages should be as indicated in 12.0. The voltage adjustment pots are accessible from the front panel.

12.3 Overcurrent Adjustments

The overcurrent adjustments cannot be made in the field because of the requirement for calibrated loads. The pots are sealed and should not be tampered with or severe damage may result.

12.4 Margin Check

The margin switch located on the panel should be able to range all of the outputs simultaneously + or - (5 to 7)% from nominal when the margin switch is changed from high to nominal to low position.

12.5 If any of the above paragraphs cannot be met, the unit should be returned to the factory for repairs.

XDS 902306

| | | |
|--|----------|-------|
| TITLE PROCEDURE, FIELD ADJUSTMENT SIGMA POWER SYSTEM | XDS | |
| | 152052 | E |
| | SHEET 18 | OF 18 |

STAPLE

STAPLE

FOLD

FIRST CLASS
PERMIT NO. 229
EL SEGUNDO, CALIF.

BUSINESS REPLY MAIL
NO POSTAGE STAMP NECESSARY IF MAILED IN THE UNITED STATES

POSTAGE WILL BE PAID BY

Xerox Data Systems
701 South Aviation Blvd.
El Segundo, California 90245



CUT ALONG LINE

ATTN: FIELD ENGINEERING PUBLICATIONS

FOLD