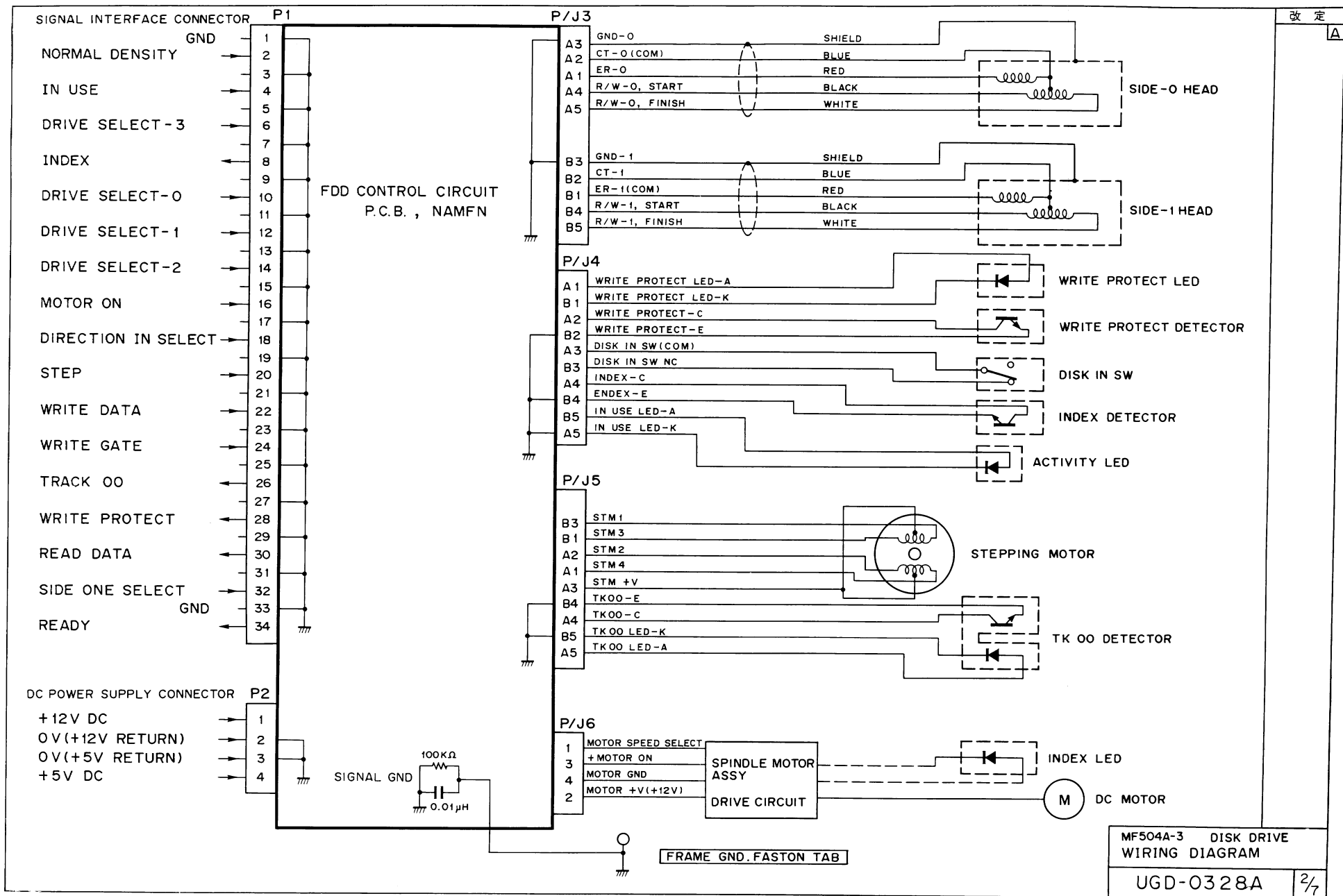


**DISK DRIVE
SCHEMATICS AND
LOGIC MANUAL**

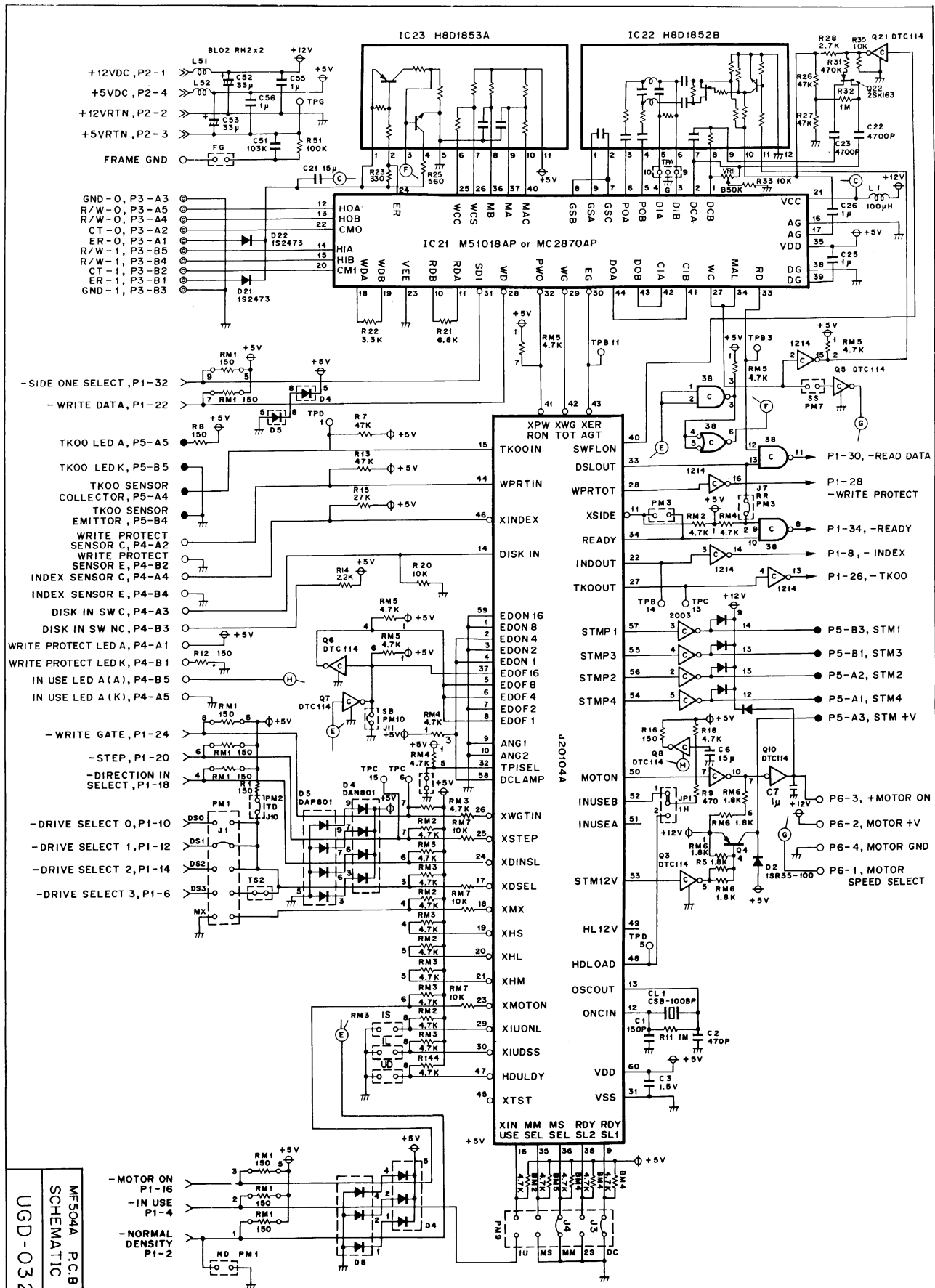
MF504A-347UA

<u>Sheet Title</u>	<u>Page</u>	<u>Revision</u>
MF504A-3 DISK DRIVE WIRING DIAGRAM	2/7 A
MF504A-3 PCB NAMFN SCHEMATIC	3/7 A
MF504A-3 PCB NAMFN PARTS LOCATION DIAGRAM	4/7 5/7 A
MF504A-3 SPINDLE MOTOR ASSY SCHEMATIC	6/7 7/7 A

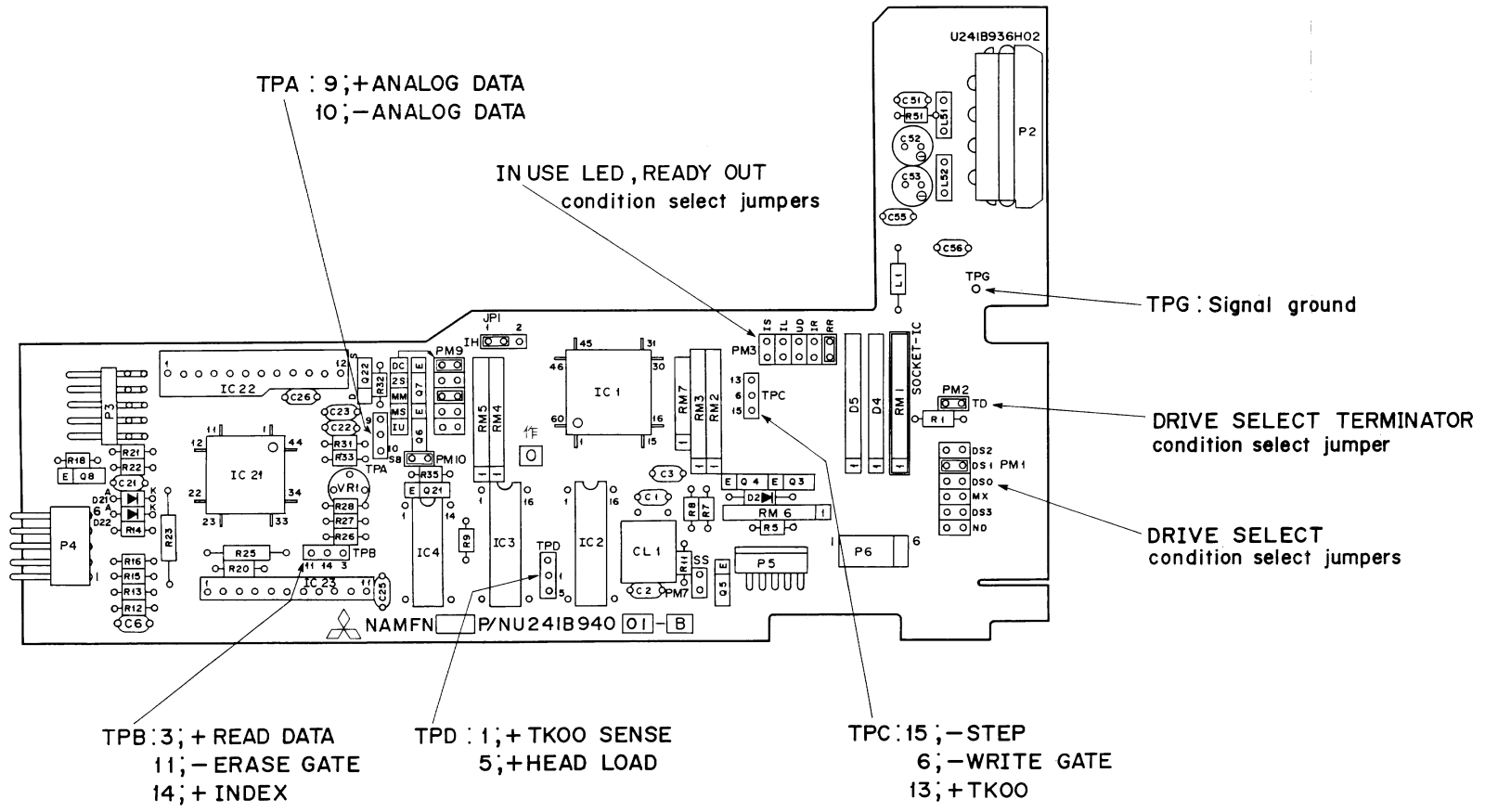
(NAME : F2SMR05 or BDR-5BAB-GU3-DS)



改定 A



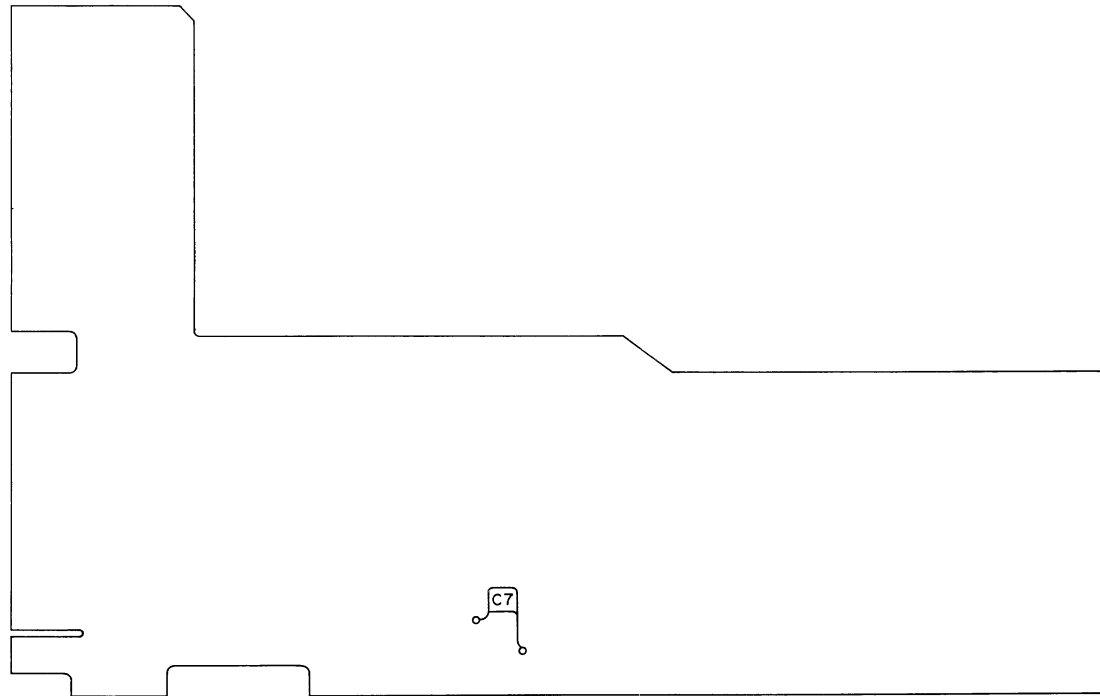
UGD-0328A
MFS0DA PCB NAMFN.
SCHEMATIC
3/7



MF504A P.C.B NAMFN	
PARTS LOCATION DIAGRAM	
UGD-0328A	4/7

改定

A

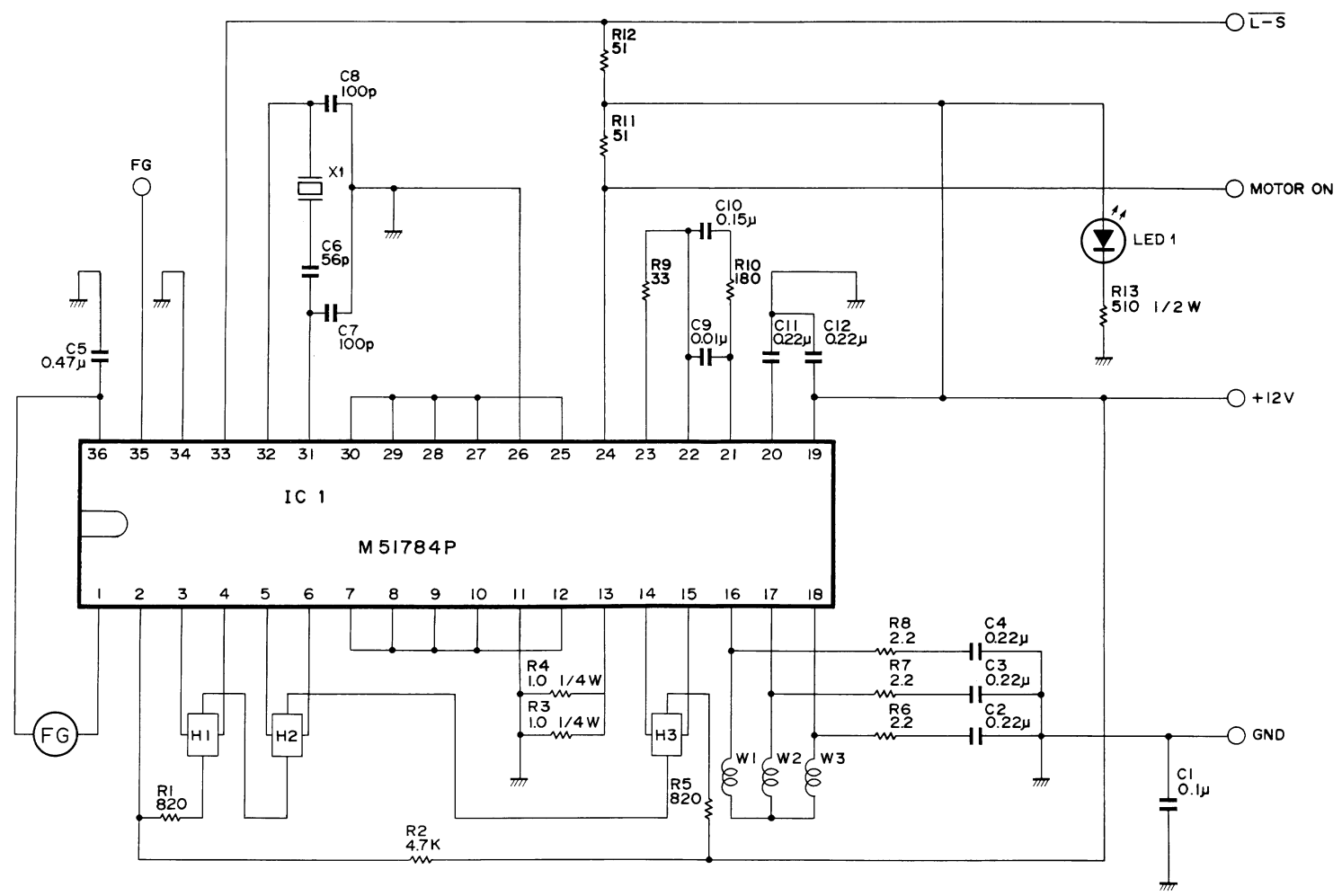


C7

MF504A P.C.B NAMFN
PARTS LOCATION DIAGRAM

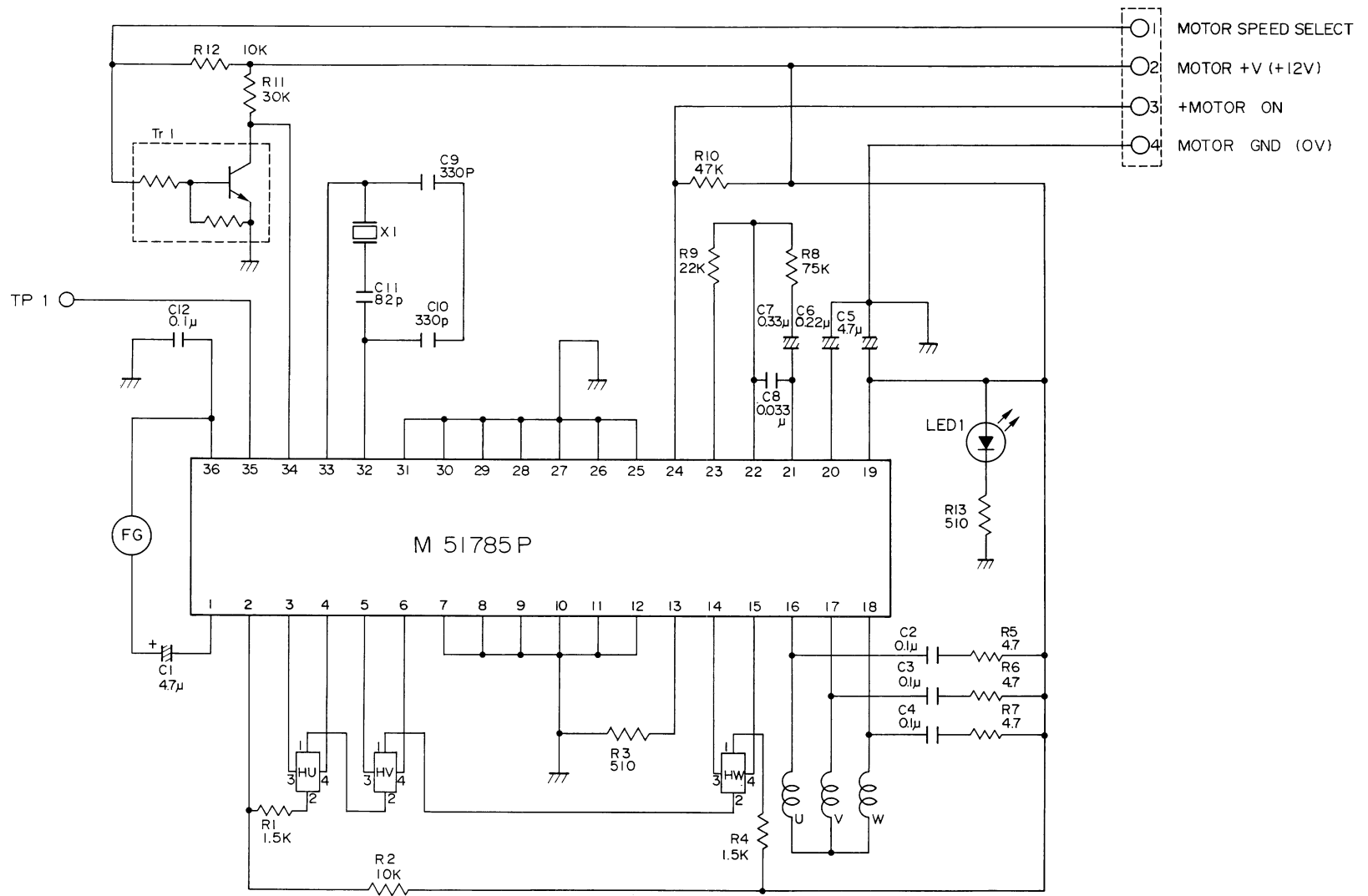
UGD-0328A

5/7



NAME
F2MSR05

MF504A SPINDLE MOTOR
ASSY SCHEMATICS
UGD-0328A 6/7



NAME
BDR-5BAB-GU3-DS

MF504A SPINDLE MOTOR
ASSY SCHEMATICS

UGD-0328A 7/7