

NOTES:
 1) ALL RESISTORS 1/4 W 5% UNLESS OTHERWISE SPECIFIED
 2) ALL CAPACITORS ARE IN MFD UNLESS OTHERWISE SPECIFIED

CAP TYPES
 E - ELECTROLYTIC
 T - TANTALUM
 CD - CERAMIC DISC
 P/P - PLASTIC PACKAGE
 NP - NONPOLARIZED

FORMATION
 Data Systems Corpora-
 confidential and trade
 be transferred from
 authorized by Intertec
 poses. It must not be
 returned to Intertec
 on of the purpose of

contains may be used
 such use or disclosure
 ut the prior express

from VPU

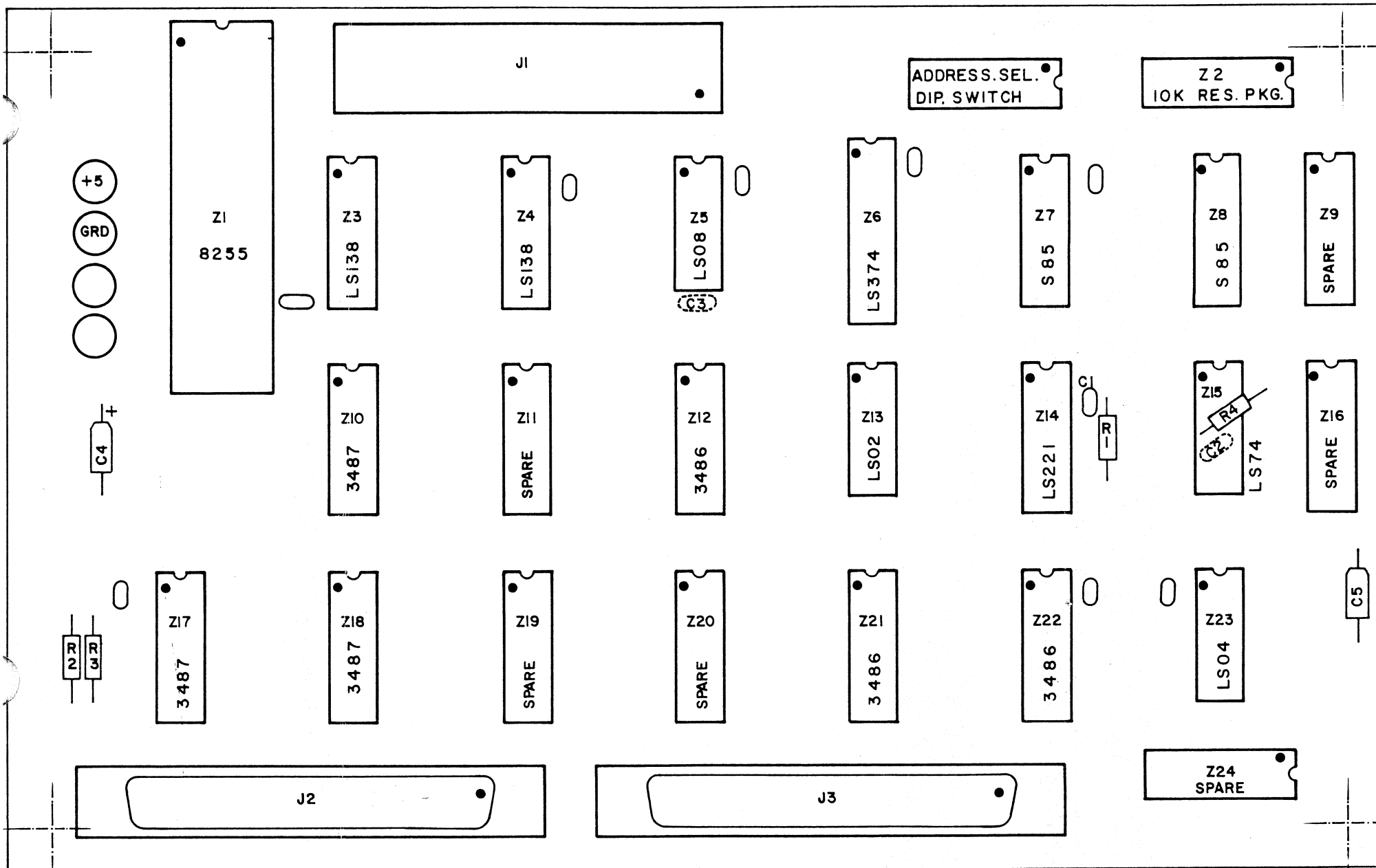
| | | | | | |
|--|--|---|--|--------------|--|
| | | UNLESS OTHERWISE SPECIFIED DIMENSIONS ARE IN INCHES TOLERANCES ARE: | | CONTRACT NO. | |
| | | FRACTIONS DECIMALS ANGLES | | APPROVALS | |
| | | ± .XX ± ± | | DATE | |
| | | .XXX ± | | DRAWN | |
| | | MATERIAL | | CHECKED | |
| | | | | GKX | |
| | | | | 6-5-81 | |
| | | | | 6-5-81 | |

Intertec Data Systems

VPU VIDEO PCB
 SCHEMATIC DIAGRAM

SIZE CODE IDENT NO DRAWING NO

E
 C
 A
 B
 A



NOTE : (1) ALL UNMARKED CAPACITORS ARE 0.1 μ f

| | | | | | |
|--|--|---|--------------|---------|--|
| | | UNLESS OTHERWISE SPECIFIED DIMENSIONS ARE IN INCHES TOLERANCES ARE: FRACTIONS DECIMALS ANGLES \pm .XX \pm \pm .XXX \pm | CONTRACT NO. | | Intertec Data Systems |
| | | | APPROVALS | DATE | |
| | | MATERIAL | DRAWN SWH | 7-17-81 | COMPUSTAR CHAINING ADAPTOR ASSEMBLY DRAWING |
| | | | CHECKED GKX | 7-17-81 | |

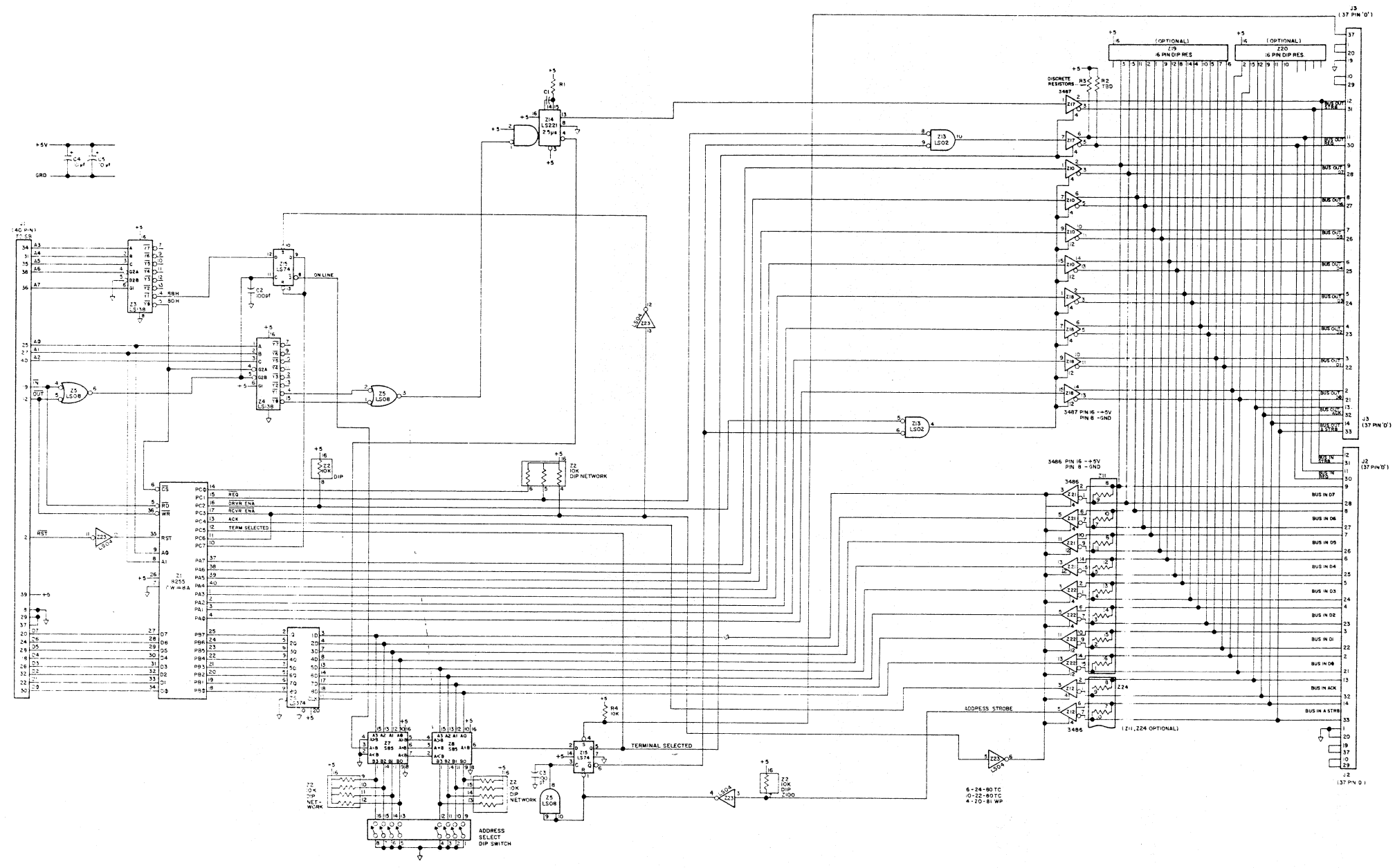
D

C

B

A

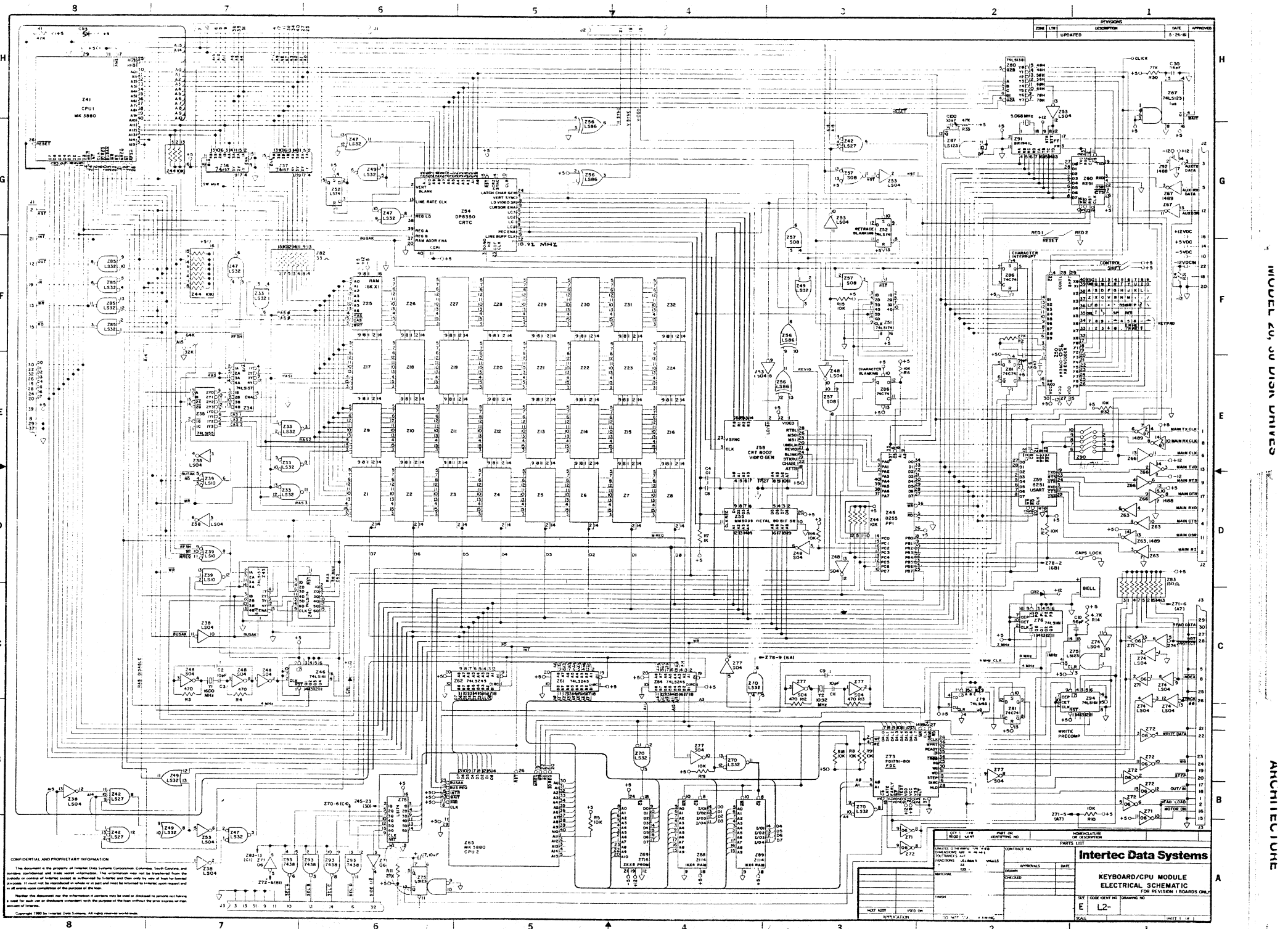
| ZONE | LTR | DESCRIPTION | DATE | APPROVED |
|------|-----|-------------|------|----------|
|------|-----|-------------|------|----------|



| | | | |
|--|--|---|---------------------|
| | | UNLESS OTHERWISE SPECIFIED DIMENSIONS ARE IN INCHES TOLERANCES ARE: FRACTIONS DECIMALS ANGLES ± .XX ± ± ± .XXX ± ± | CONTRACT NO. |
| | | MATERIAL | APPROVALS |
| | | | DATE |
| | | | DRAWN SWH 7-17-81 |
| | | | CHECKED GKX 7-17-81 |

Intertec Data Systems

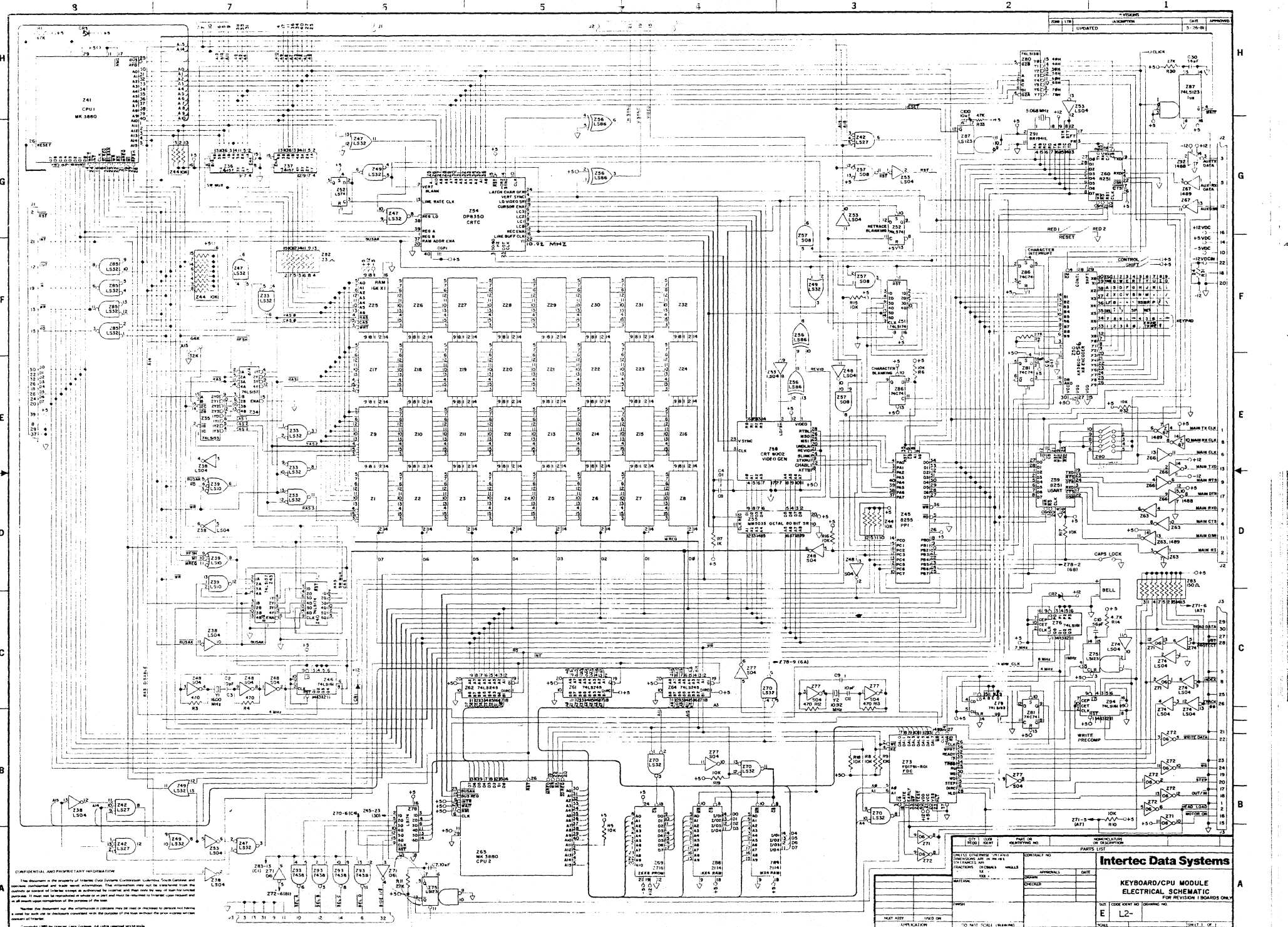
COMPUSTAR CHAINING ADAPTOR



CONFIDENTIAL AND PROPRIETARY INFORMATION
 This document is the property of Intertec Data Systems Corporation. Contents, such as circuit diagrams, mechanical drawings, and test instructions, are the property of Intertec Data Systems Corporation. This information may not be reproduced, stored in a retrieval system, or transmitted in any form or by any means, electronic, mechanical, photocopying, recording, or by any information storage and retrieval system, without the prior written permission of Intertec Data Systems Corporation. If you are not an authorized user, you are notified that any unauthorized use of this information is strictly prohibited. All rights reserved.

| | | | |
|------------|-------------|----------|------|
| PARTS LIST | | DATE | |
| QTY | DESCRIPTION | APPROVED | DATE |
| 1 | 74LS04 | | |
| 1 | 74LS10 | | |
| 1 | 74LS125 | | |
| 1 | 74LS139 | | |
| 1 | 74LS157 | | |
| 1 | 74LS244 | | |
| 1 | 74LS273 | | |
| 1 | 74LS374 | | |
| 1 | 74LS47 | | |
| 1 | 74LS48 | | |
| 1 | 74LS49 | | |
| 1 | 74LS54 | | |
| 1 | 74LS595 | | |
| 1 | 74LS670 | | |
| 1 | 74LS688 | | |
| 1 | 74LS689 | | |
| 1 | 74LS690 | | |
| 1 | 74LS691 | | |
| 1 | 74LS692 | | |
| 1 | 74LS693 | | |
| 1 | 74LS694 | | |
| 1 | 74LS695 | | |
| 1 | 74LS696 | | |
| 1 | 74LS697 | | |
| 1 | 74LS698 | | |
| 1 | 74LS699 | | |
| 1 | 74LS700 | | |
| 1 | 74LS701 | | |
| 1 | 74LS702 | | |
| 1 | 74LS703 | | |
| 1 | 74LS704 | | |
| 1 | 74LS705 | | |
| 1 | 74LS706 | | |
| 1 | 74LS707 | | |
| 1 | 74LS708 | | |
| 1 | 74LS709 | | |
| 1 | 74LS710 | | |
| 1 | 74LS711 | | |
| 1 | 74LS712 | | |
| 1 | 74LS713 | | |
| 1 | 74LS714 | | |
| 1 | 74LS715 | | |
| 1 | 74LS716 | | |
| 1 | 74LS717 | | |
| 1 | 74LS718 | | |
| 1 | 74LS719 | | |
| 1 | 74LS720 | | |
| 1 | 74LS721 | | |
| 1 | 74LS722 | | |
| 1 | 74LS723 | | |
| 1 | 74LS724 | | |
| 1 | 74LS725 | | |
| 1 | 74LS726 | | |
| 1 | 74LS727 | | |
| 1 | 74LS728 | | |
| 1 | 74LS729 | | |
| 1 | 74LS730 | | |
| 1 | 74LS731 | | |
| 1 | 74LS732 | | |
| 1 | 74LS733 | | |
| 1 | 74LS734 | | |
| 1 | 74LS735 | | |
| 1 | 74LS736 | | |
| 1 | 74LS737 | | |
| 1 | 74LS738 | | |
| 1 | 74LS739 | | |
| 1 | 74LS740 | | |
| 1 | 74LS741 | | |
| 1 | 74LS742 | | |
| 1 | 74LS743 | | |
| 1 | 74LS744 | | |
| 1 | 74LS745 | | |
| 1 | 74LS746 | | |
| 1 | 74LS747 | | |
| 1 | 74LS748 | | |
| 1 | 74LS749 | | |
| 1 | 74LS750 | | |
| 1 | 74LS751 | | |
| 1 | 74LS752 | | |
| 1 | 74LS753 | | |
| 1 | 74LS754 | | |
| 1 | 74LS755 | | |
| 1 | 74LS756 | | |
| 1 | 74LS757 | | |
| 1 | 74LS758 | | |
| 1 | 74LS759 | | |
| 1 | 74LS760 | | |
| 1 | 74LS761 | | |
| 1 | 74LS762 | | |
| 1 | 74LS763 | | |
| 1 | 74LS764 | | |
| 1 | 74LS765 | | |
| 1 | 74LS766 | | |
| 1 | 74LS767 | | |
| 1 | 74LS768 | | |
| 1 | 74LS769 | | |
| 1 | 74LS770 | | |
| 1 | 74LS771 | | |
| 1 | 74LS772 | | |
| 1 | 74LS773 | | |
| 1 | 74LS774 | | |
| 1 | 74LS775 | | |
| 1 | 74LS776 | | |
| 1 | 74LS777 | | |
| 1 | 74LS778 | | |
| 1 | 74LS779 | | |
| 1 | 74LS780 | | |
| 1 | 74LS781 | | |
| 1 | 74LS782 | | |
| 1 | 74LS783 | | |
| 1 | 74LS784 | | |
| 1 | 74LS785 | | |
| 1 | 74LS786 | | |
| 1 | 74LS787 | | |
| 1 | 74LS788 | | |
| 1 | 74LS789 | | |
| 1 | 74LS790 | | |
| 1 | 74LS791 | | |
| 1 | 74LS792 | | |
| 1 | 74LS793 | | |
| 1 | 74LS794 | | |
| 1 | 74LS795 | | |
| 1 | 74LS796 | | |
| 1 | 74LS797 | | |
| 1 | 74LS798 | | |
| 1 | 74LS799 | | |
| 1 | 74LS800 | | |
| 1 | 74LS801 | | |
| 1 | 74LS802 | | |
| 1 | 74LS803 | | |
| 1 | 74LS804 | | |
| 1 | 74LS805 | | |
| 1 | 74LS806 | | |
| 1 | 74LS807 | | |
| 1 | 74LS808 | | |
| 1 | 74LS809 | | |
| 1 | 74LS810 | | |
| 1 | 74LS811 | | |
| 1 | 74LS812 | | |
| 1 | 74LS813 | | |
| 1 | 74LS814 | | |
| 1 | 74LS815 | | |
| 1 | 74LS816 | | |
| 1 | 74LS817 | | |
| 1 | 74LS818 | | |
| 1 | 74LS819 | | |
| 1 | 74LS820 | | |
| 1 | 74LS821 | | |
| 1 | 74LS822 | | |
| 1 | 74LS823 | | |
| 1 | 74LS824 | | |
| 1 | 74LS825 | | |
| 1 | 74LS826 | | |
| 1 | 74LS827 | | |
| 1 | 74LS828 | | |
| 1 | 74LS829 | | |
| 1 | 74LS830 | | |
| 1 | 74LS831 | | |
| 1 | 74LS832 | | |
| 1 | 74LS833 | | |
| 1 | 74LS834 | | |
| 1 | 74LS835 | | |
| 1 | 74LS836 | | |
| 1 | 74LS837 | | |
| 1 | 74LS838 | | |
| 1 | 74LS839 | | |
| 1 | 74LS840 | | |
| 1 | 74LS841 | | |
| 1 | 74LS842 | | |
| 1 | 74LS843 | | |
| 1 | 74LS844 | | |
| 1 | 74LS845 | | |
| 1 | 74LS846 | | |
| 1 | 74LS847 | | |
| 1 | 74LS848 | | |
| 1 | 74LS849 | | |
| 1 | 74LS850 | | |
| 1 | 74LS851 | | |
| 1 | 74LS852 | | |
| 1 | 74LS853 | | |
| 1 | 74LS854 | | |
| 1 | 74LS855 | | |
| 1 | 74LS856 | | |
| 1 | 74LS857 | | |
| 1 | 74LS858 | | |
| 1 | 74LS859 | | |
| 1 | 74LS860 | | |
| 1 | 74LS861 | | |
| 1 | 74LS862 | | |
| 1 | 74LS863 | | |
| 1 | 74LS864 | | |
| 1 | 74LS865 | | |
| 1 | 74LS866 | | |
| 1 | 74LS867 | | |
| 1 | 74LS868 | | |
| 1 | 74LS869 | | |
| 1 | 74LS870 | | |
| 1 | 74LS871 | | |
| 1 | 74LS872 | | |
| 1 | 74LS873 | | |
| 1 | 74LS874 | | |
| 1 | 74LS875 | | |
| 1 | 74LS876 | | |
| 1 | 74LS877 | | |
| 1 | 74LS878 | | |
| 1 | 74LS879 | | |
| 1 | 74LS880 | | |
| 1 | 74LS881 | | |
| 1 | 74LS882 | | |
| 1 | 74LS883 | | |
| 1 | 74LS884 | | |
| 1 | 74LS885 | | |
| 1 | 74LS886 | | |
| 1 | 74LS887 | | |
| 1 | 74LS888 | | |
| 1 | 74LS889 | | |
| 1 | 74LS890 | | |
| 1 | 74LS891 | | |
| 1 | 74LS892 | | |
| 1 | 74LS893 | | |
| 1 | 74LS894 | | |
| 1 | 74LS895 | | |
| 1 | 74LS896 | | |
| 1 | 74LS897 | | |
| 1 | 74LS898 | | |
| 1 | 74LS899 | | |
| 1 | 74LS900 | | |

MODEL 40-30 DATA DRIVES ARCHITECTURE



CONFIDENTIAL AND PROPRIETARY INFORMATION

This document is the property of Intertec Data Systems Corporation, Columbia, South Carolina and contains confidential and trade secret information. This information may not be reproduced, stored, or transmitted in any form or by any means, without the prior written consent of Intertec Data Systems Corporation. This information may not be used for any purpose other than that for which it was originally intended. If you are not an authorized recipient of this information, you should not disseminate it and should return it to the sender upon completion of the purpose of the use.

Notice: This document may not contain information that is classified as "Secret" or "Confidential" under the Federal Acquisition Regulation (FAR) or other applicable laws. If you are not an authorized recipient of this information, you should not disseminate it and should return it to the sender upon completion of the purpose of the use.

Copyright © 1989 by Intertec Data Systems, Inc. All rights reserved. No part of this document may be reproduced without written permission from Intertec Data Systems, Inc.

| REVISION | DATE | DESCRIPTION |
|----------|---------|----------------|
| 1 | 5-29-78 | INITIAL DESIGN |
| 2 | | REVISION 1 |
| 3 | | REVISION 2 |
| 4 | | REVISION 3 |
| 5 | | REVISION 4 |
| 6 | | REVISION 5 |
| 7 | | REVISION 6 |
| 8 | | REVISION 7 |
| 9 | | REVISION 8 |
| 10 | | REVISION 9 |
| 11 | | REVISION 10 |
| 12 | | REVISION 11 |
| 13 | | REVISION 12 |
| 14 | | REVISION 13 |
| 15 | | REVISION 14 |
| 16 | | REVISION 15 |
| 17 | | REVISION 16 |
| 18 | | REVISION 17 |
| 19 | | REVISION 18 |
| 20 | | REVISION 19 |
| 21 | | REVISION 20 |
| 22 | | REVISION 21 |
| 23 | | REVISION 22 |
| 24 | | REVISION 23 |
| 25 | | REVISION 24 |
| 26 | | REVISION 25 |
| 27 | | REVISION 26 |
| 28 | | REVISION 27 |
| 29 | | REVISION 28 |
| 30 | | REVISION 29 |
| 31 | | REVISION 30 |
| 32 | | REVISION 31 |
| 33 | | REVISION 32 |
| 34 | | REVISION 33 |
| 35 | | REVISION 34 |
| 36 | | REVISION 35 |
| 37 | | REVISION 36 |
| 38 | | REVISION 37 |
| 39 | | REVISION 38 |
| 40 | | REVISION 39 |
| 41 | | REVISION 40 |
| 42 | | REVISION 41 |
| 43 | | REVISION 42 |
| 44 | | REVISION 43 |
| 45 | | REVISION 44 |
| 46 | | REVISION 45 |
| 47 | | REVISION 46 |
| 48 | | REVISION 47 |
| 49 | | REVISION 48 |
| 50 | | REVISION 49 |
| 51 | | REVISION 50 |
| 52 | | REVISION 51 |
| 53 | | REVISION 52 |
| 54 | | REVISION 53 |
| 55 | | REVISION 54 |
| 56 | | REVISION 55 |
| 57 | | REVISION 56 |
| 58 | | REVISION 57 |
| 59 | | REVISION 58 |
| 60 | | REVISION 59 |
| 61 | | REVISION 60 |
| 62 | | REVISION 61 |
| 63 | | REVISION 62 |
| 64 | | REVISION 63 |
| 65 | | REVISION 64 |
| 66 | | REVISION 65 |
| 67 | | REVISION 66 |
| 68 | | REVISION 67 |
| 69 | | REVISION 68 |
| 70 | | REVISION 69 |
| 71 | | REVISION 70 |
| 72 | | REVISION 71 |
| 73 | | REVISION 72 |
| 74 | | REVISION 73 |
| 75 | | REVISION 74 |
| 76 | | REVISION 75 |
| 77 | | REVISION 76 |
| 78 | | REVISION 77 |
| 79 | | REVISION 78 |
| 80 | | REVISION 79 |
| 81 | | REVISION 80 |
| 82 | | REVISION 81 |
| 83 | | REVISION 82 |
| 84 | | REVISION 83 |
| 85 | | REVISION 84 |
| 86 | | REVISION 85 |
| 87 | | REVISION 86 |
| 88 | | REVISION 87 |
| 89 | | REVISION 88 |
| 90 | | REVISION 89 |
| 91 | | REVISION 90 |
| 92 | | REVISION 91 |
| 93 | | REVISION 92 |
| 94 | | REVISION 93 |
| 95 | | REVISION 94 |
| 96 | | REVISION 95 |
| 97 | | REVISION 96 |
| 98 | | REVISION 97 |
| 99 | | REVISION 98 |
| 100 | | REVISION 99 |
| 101 | | REVISION 100 |

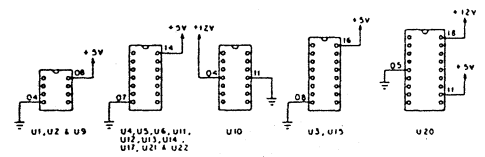
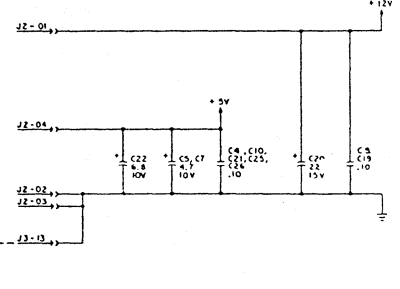
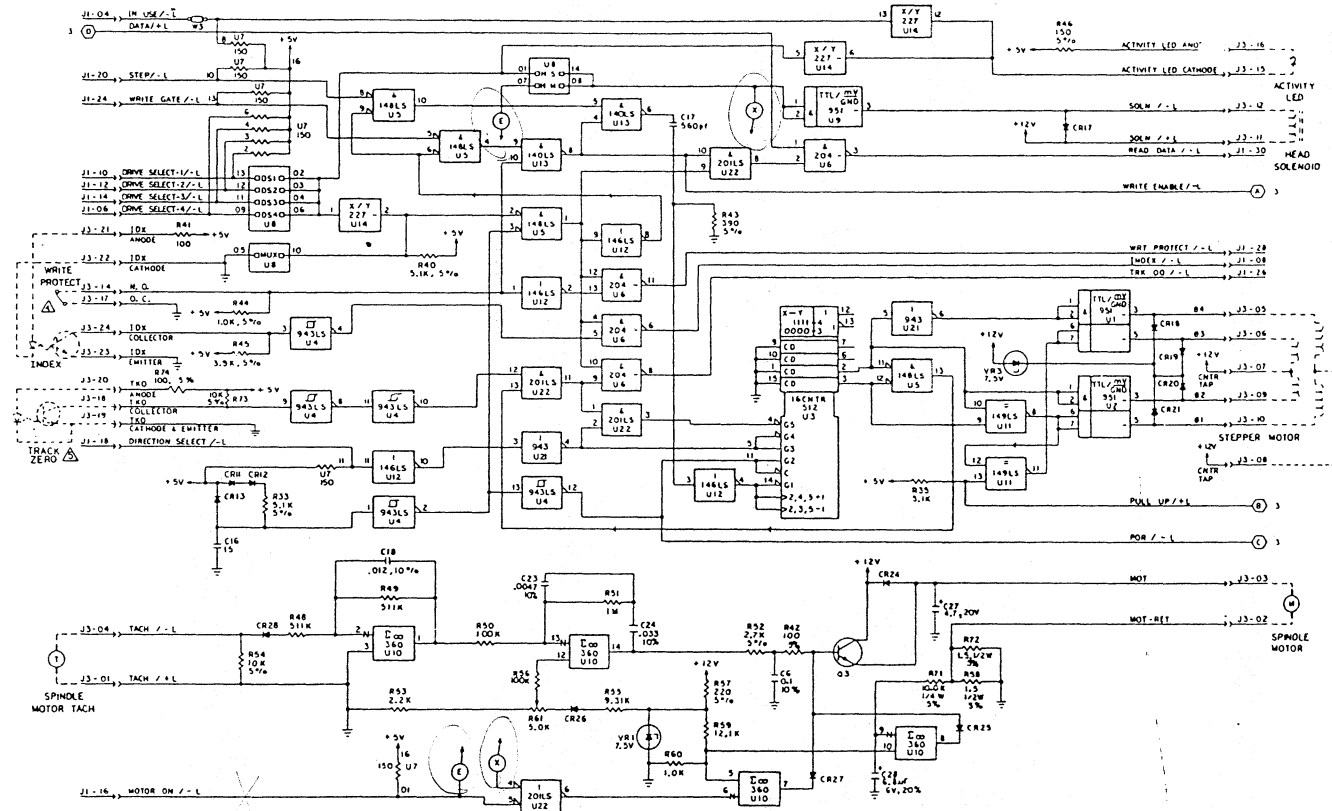
Intertec Data Systems

KEYBOARD/CPU MODULE
ELECTRICAL SCHEMATIC
FOR REVISION 1 BOARDS ONLY

DATE: 05/29/78
DRAWN BY: [Name]
CHECKED BY: [Name]
APPROVED BY: [Name]

MODEL 20, 30 DISK DRIVES ARCHITECTURE

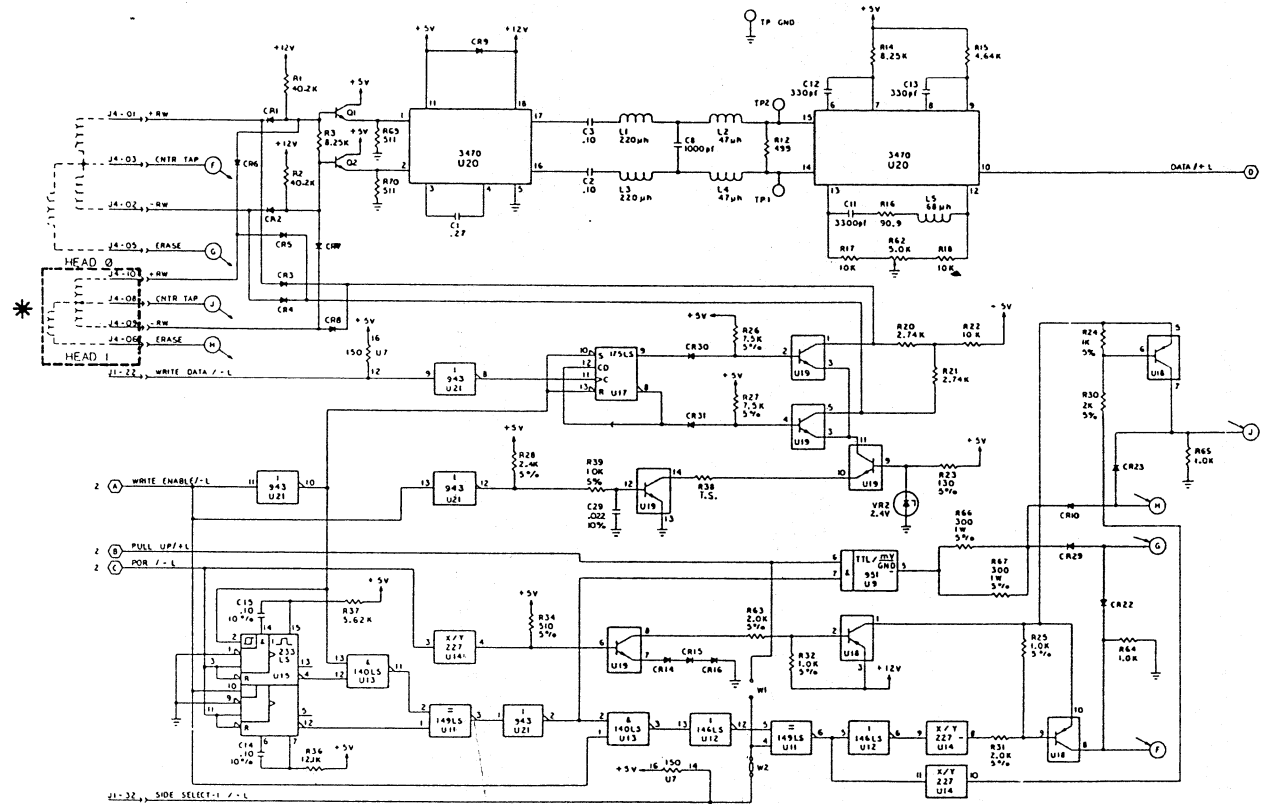
| REVISIONS | | | | |
|-----------|-----|-------------|------|----------|
| ZONE | LTR | DESCRIPTION | DATE | APPROVED |
| | | | | |



| | | | | | |
|---|--|----------------------|---------|------------------------------|----------------|
| UNLESS OTHERWISE SPECIFIED DIMENSIONS ARE IN INCHES TOLERANCES ARE: FRACTIONS DECIMALS ANGLES ± .XX ± ± ± .XXX ± ± | | CONTRACT NO. | | Intertec Data Systems | |
| MATERIAL | | APPROVALS | DATE | | |
| FINISH | | DRAWN | 4-15-81 | CDC-9408/9409 <i>SOOK</i> | |
| NEXT ASSY | | CHECKED | 4-15-81 | DISK DRIVE SCHEMATIC | |
| USED ON | | SCALE | | SIZE | CODE IDENT NO. |
| APPLICATION | | DO NOT SCALE DRAWING | | B | S 108 |
| | | | | DRAWING NO. | |
| | | | | SHEET 1 OF 2 | |

REVISIONS

| ZONE | LTR | DESCRIPTION | DATE | APPROVED |
|------|-----|-------------|------|----------|
| | | | | |



| | | | | | |
|---|--|----------------------|--|------------------------------|-------------------------|
| UNLESS OTHERWISE SPECIFIED DIMENSIONS ARE IN INCHES TOLERANCES ARE: FRACTIONS DECIMALS ANGLES ± .XX ± ± .XXX ± | | CONTRACT NO. | | Intertec Data Systems | |
| MATERIAL | | APPROVALS | | | |
| FINISH | | DRAWN | | DATE | |
| NEXT ASSY | | CHECKED | | 4-15-81 | |
| USED ON | | | | | |
| APPLICATION | | DO NOT SCALE DRAWING | | SIZE B | CODE IDENT NO. S 108 |
| | | | | DRAWING NO. | |
| | | | | SHEET 2 OF 2 | |