

**ICE-86™
IN-CIRCUIT EMULATOR**

Order Number 9800715A

**schematic
drawings**

intel®



ICE-86™ IN-CIRCUIT EMULATOR

Order Number 9800715A

TITLE	NUMBER
MDS Triple Auxiliary Connector PWA (1 sheet)	1001854
EMDS Triple Auxiliary Connector PWA (1 sheet)	1001858
ICE-86 User's Cable Assembly (1 sheet)	1001868
ICE-86 Buffer Board 1 PWA (1 sheet)	1001872
ICE-86 Buffer Board 1 Schematic (5 sheets)	2002431
ICE-86 Buffer Board 2 PWA (1 sheet)	1001876
ICE-86 Buffer Board 2 Schematic (4 sheets)	2002429
ICE-86 Controller PWA (1 sheet)	1001879
ICE-86 Controller Schematic (12 sheets)	2001881
ICE-86 FM Controller PWA (1 sheet)	1001882
ICE-86 FM Controller Schematic (8 sheets)	2002456
ICE-86 Trace Board PWA (1 sheet)	1001849
ICE-86 Trace Board Schematic (10 sheets)	2002441

The information in this document is subject to change without notice.

Intel Corporation makes no warranty of any kind with regard to this material, including, but not limited to, the implied warranties of merchantability and fitness for a particular purpose. Intel Corporation assumes no responsibility for any errors that may appear in this document. Intel Corporation makes no commitment to update nor to keep current the information contained in this document.

No part of this document may be copied or reproduced in any form or by any means without the prior written consent of Intel Corporation.

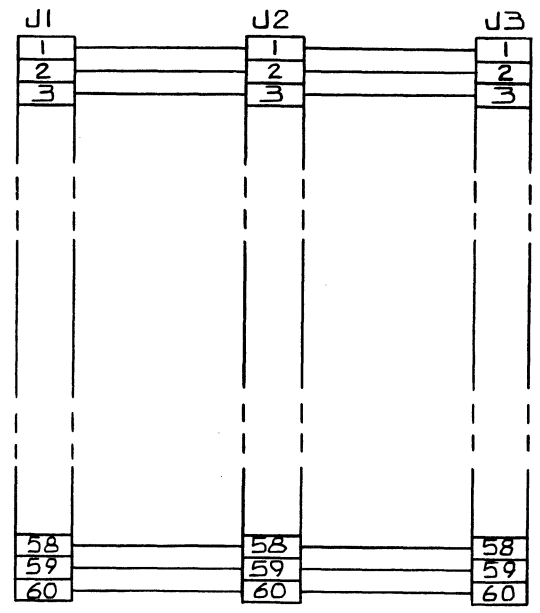
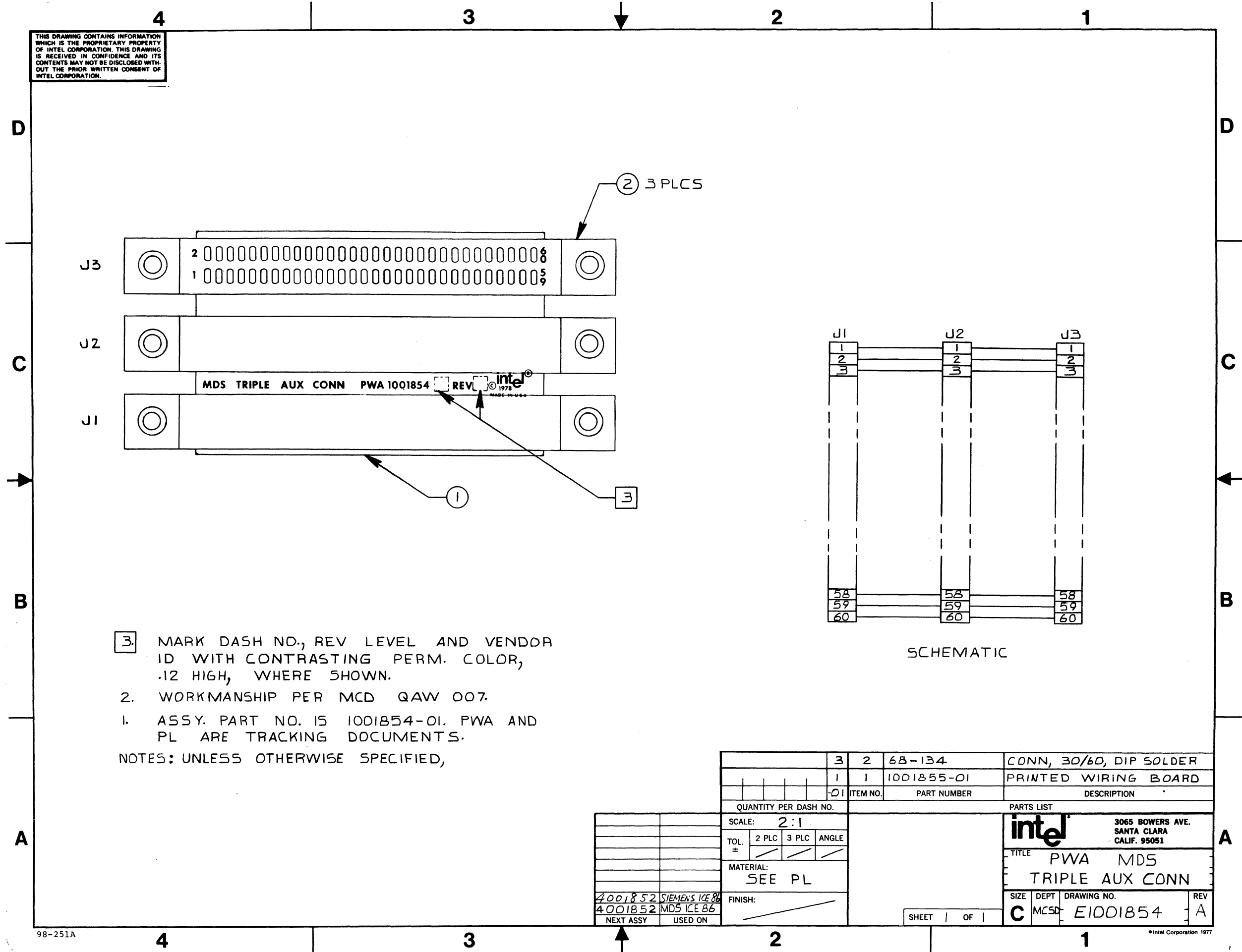
The following are trademarks of Intel Corporation and may be used only to describe Intel products:

ICE
INSITE
INTEL
INTELLEC
ISBC

LIBRARY MANAGER
MCS
MEGACHASSIS
MICROMAP
MULTIBUS

PROMPT
RMX
UPI
μSCOPE

THIS DRAWING CONTAINS INFORMATION WHICH IS THE PROPRIETARY PROPERTY OF INTEL CORPORATION. THIS DRAWING IS RECEIVED IN CONFIDENCE AND ITS CONTENTS MAY NOT BE DISCLOSED WITHOUT THE PRIOR WRITTEN CONSENT OF INTEL CORPORATION.



SCHMATIC

- 3. MARK DASH NO., REV LEVEL AND VENDOR ID WITH CONTRASTING PERM. COLOR, .12 HIGH, WHERE SHOWN.
 - 2. WORKMANSHIP PER MCD QAW 007.
 - 1. ASSY. PART NO. IS 1001854-01. PWA AND PL ARE TRACKING DOCUMENTS.
- NOTES: UNLESS OTHERWISE SPECIFIED,

	3	2	68-134	CONN, 30/60, DIP SOLDER
	1	1	1001855-01	PRINTED WIRING BOARD
	01		ITEM NO. PART NUMBER	DESCRIPTION

QUANTITY PER DASH NO.			
SCALE:	2:1		
TOL. ±	2 PLC	3 PLC	ANGLE
MATERIAL:	SEE PL		
FINISH:			

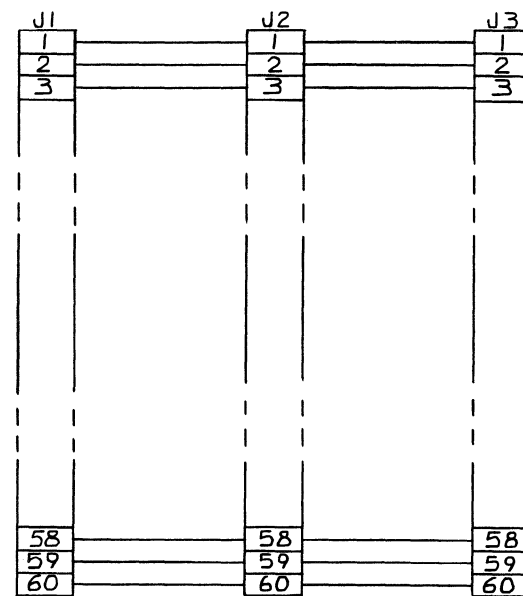
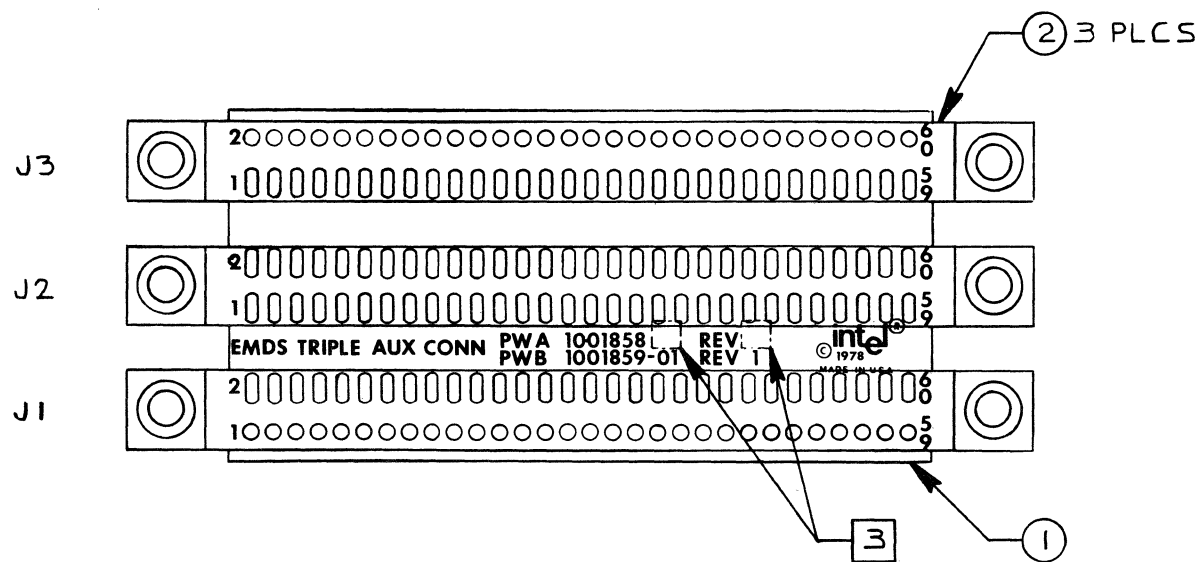
4001852	SIEMENS ICE 88
4001852	MDS ICE 86
NEXT ASSY	USED ON

intel 3065 BOWERS AVE. SANTA CLARA CALIF. 95051

TITLE PWA MDS TRIPLE AUX CONN

SIZE	DEPT	DRAWING NO.	REV
C	MCS	E1001854	A

THIS DRAWING CONTAINS INFORMATION WHICH IS THE PROPRIETARY PROPERTY OF INTEL CORPORATION. THIS DRAWING IS RECEIVED IN CONFIDENCE AND ITS CONTENTS MAY NOT BE DISCLOSED WITHOUT THE PRIOR WRITTEN CONSENT OF INTEL CORPORATION.

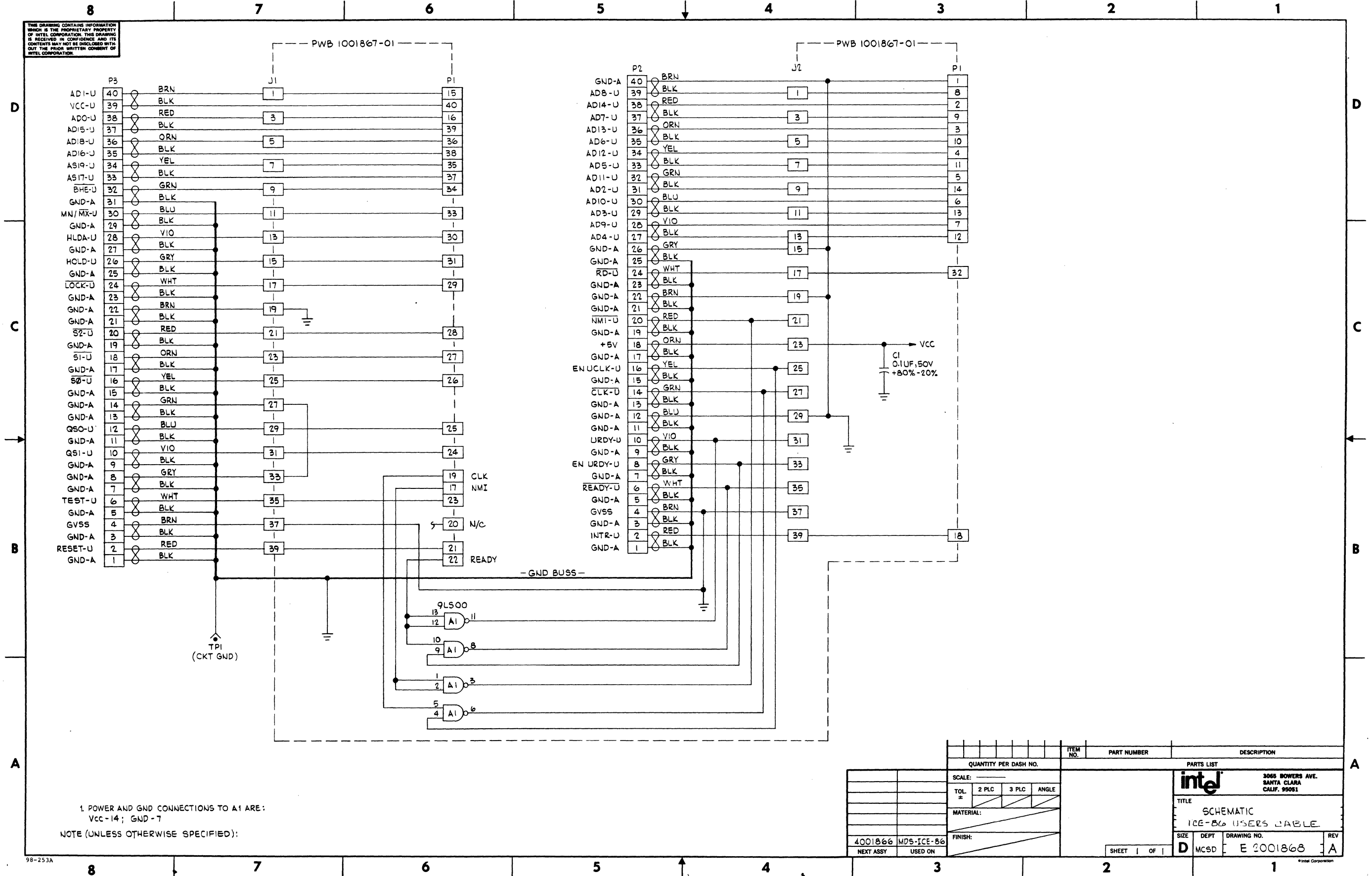


SCHEMATIC

- ③. MARK DASH NO., REV LEVEL AND VENDOR ID WITH CONTRASTING PERM. COLOR, .12 HIGH, WHERE SHOWN.
2. WORKMANSHIP PER MCD QAW 007.
1. ASSY. PART NO. IS 1001858-01. PWA AND PL ARE TRACKING DOCUMENTS.
- NOTES: UNLESS OTHERWISE SPECIFIED,

	3	2	68-134	CONN, 30/60, DIP SOLDER
	1	1	1001859-01	PRINTED WIRING BOARD
	-01	ITEM NO.	PART NUMBER	DESCRIPTION
	QUANTITY PER DASH NO.		PARTS LIST	
	SCALE: 2:1		3065 BOWERS AVE. SANTA CLARA CALIF. 95051	
	TOL. ±	2 PLC 3 PLC ANGLE		
	MATERIAL: ②		TITLE: PWA EMDS TRIPLE AUX CONN	
	FINISH:		SIZE DEPT	DRAWING NO. REV
4001852 SIEMENS ICE 86			C MCD	E1001858 A
4001852 MDS ICE 86				
NEXT ASSY	USED ON		SHEET 1 OF 1	

THIS DRAWING CONTAINS INFORMATION WHICH IS THE PROPRIETARY PROPERTY OF INTEL CORPORATION. THIS DRAWING IS RECEIVED IN CONFIDENCE AND ITS CONTENTS MAY NOT BE DISCLOSED WITH-OUT THE PRIOR WRITTEN CONSENT OF INTEL CORPORATION.



1. POWER AND GND CONNECTIONS TO A1 ARE:
VCC-14; GND-7
NOTE (UNLESS OTHERWISE SPECIFIED):

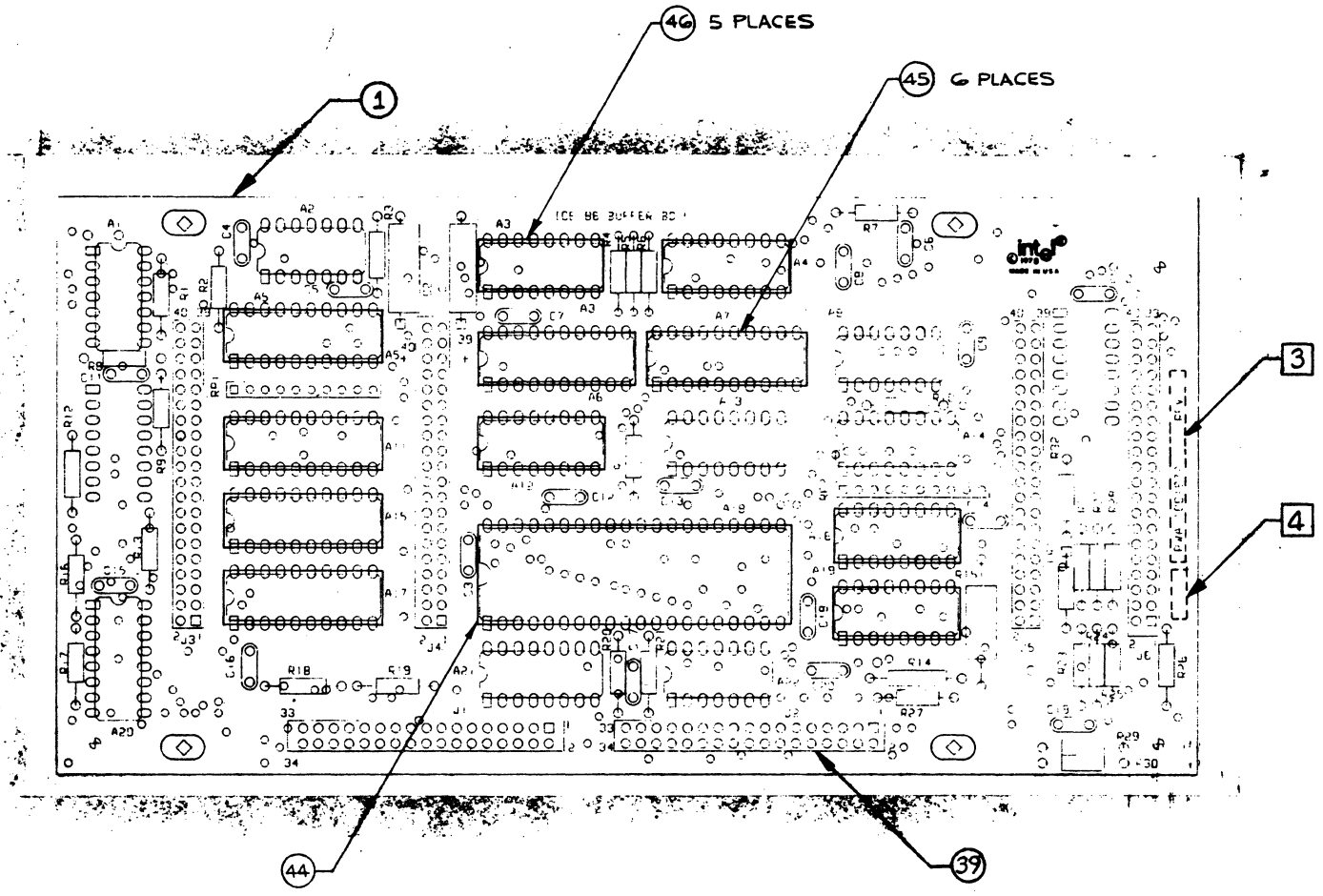
QUANTITY PER DASH NO.			ITEM NO.	PART NUMBER	DESCRIPTION												
SCALE:			<table border="1"> <tr> <td>TOL ±</td> <td>2 PLC</td> <td>3 PLC</td> <td>ANGLE</td> </tr> <tr> <td>MATERIAL:</td> <td colspan="3"></td> </tr> <tr> <td>FINISH:</td> <td colspan="3"></td> </tr> </table>			TOL ±	2 PLC	3 PLC	ANGLE	MATERIAL:				FINISH:			
TOL ±	2 PLC	3 PLC				ANGLE											
MATERIAL:																	
FINISH:																	
4001866			MDS-ICE-86														
NEXT ASSY			USED ON														
SHEET 1 OF 1			D MCSD E 2001866 A														

intel 3065 BOWERS AVE. SANTA CLARA CALIF. 95051

TITLE: SCHEMATIC
ICE-86 USERS TABLE

SIZE DEPT DRAWING NO. REV
D MCSD E 2001866 A

THIS DRAWING CONTAINS INFORMATION WHICH IS THE PROPRIETARY PROPERTY OF INTEL CORPORATION. THIS DRAWING IS RECEIVED IN CONFIDENCE AND ITS CONTENTS MAY NOT BE DISCLOSED WITHOUT THE PRIOR WRITTEN CONSENT OF INTEL CORPORATION.

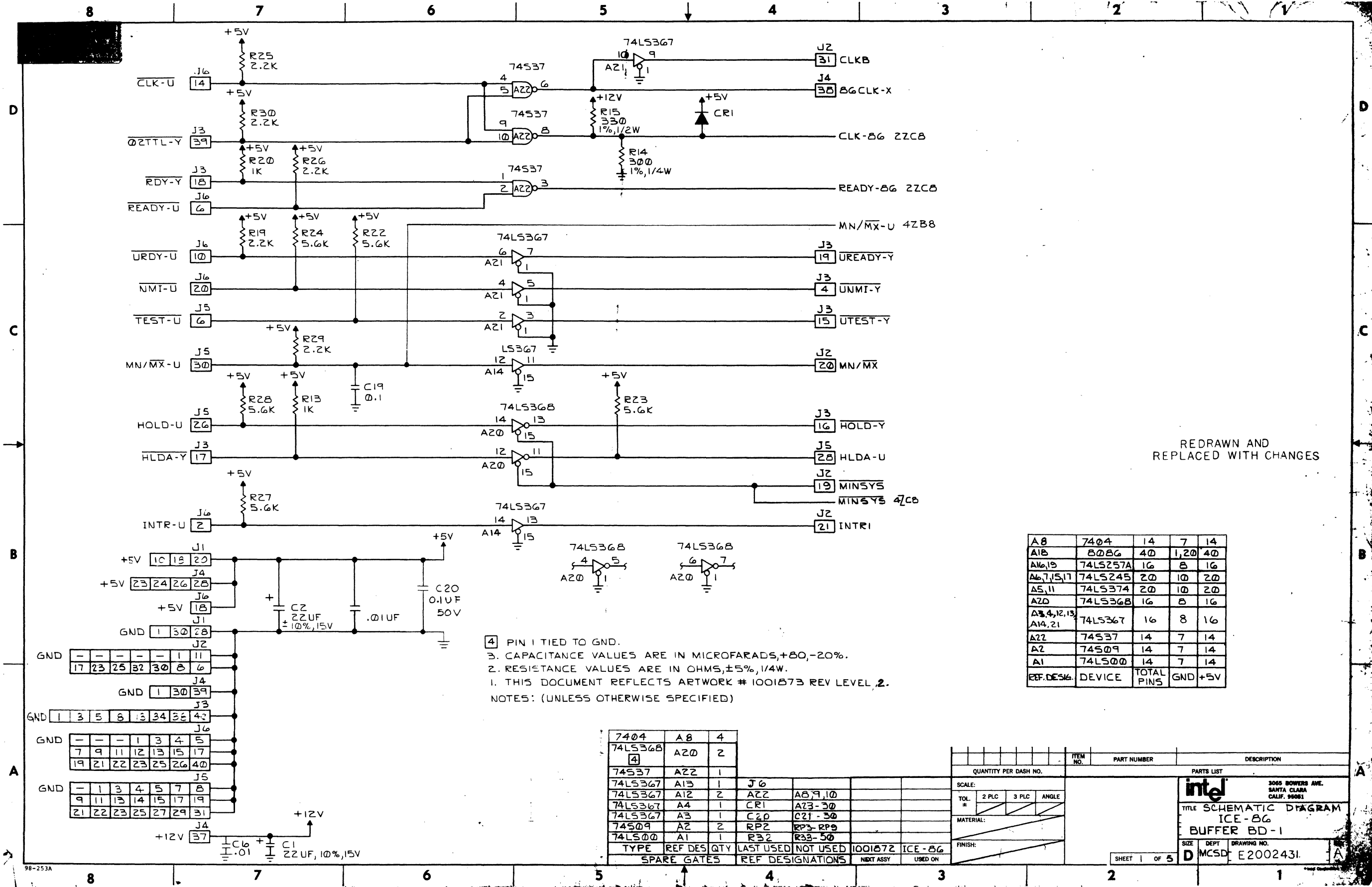


SEE SEPARATE PARTS LIST

- 1. MARK VENDOR ID WITH CONTRASTING PERM COLOR, APPROX WHERE SHOWN.
 - 2. MARK PART NO., AND REV. LEVEL PERM. COLOR, .12 HIGH, APPROX. WHERE SHOWN.
 - 3. WORKMANSHIP PER MCSD QAW 007.
 - 4. ASSY. PART NO. IS 1001872-01 ASSY AND PL ARE TRACKING DOCUMENTS.
- NOTES: UNLESS OTHERWISE SPECIFIED,

QUANTITY PER DASH NO.	ITEM NO.	PART NUMBER	DESCRIPTION
			PARTS LIST
			intel® 3065 BOWERS AVE. SANTA CLARA CALIF. 95051
			TITLE PRINTED WIRING ASSEMBLY ICE 86 BUFFER BOARD - 1
			SIZE CODE D MCSD DWG. NO. E1001872 REV. 2
			SCALE SHEET 1 OF 1

992222 ICE 86
NEXT ASSY USED ON



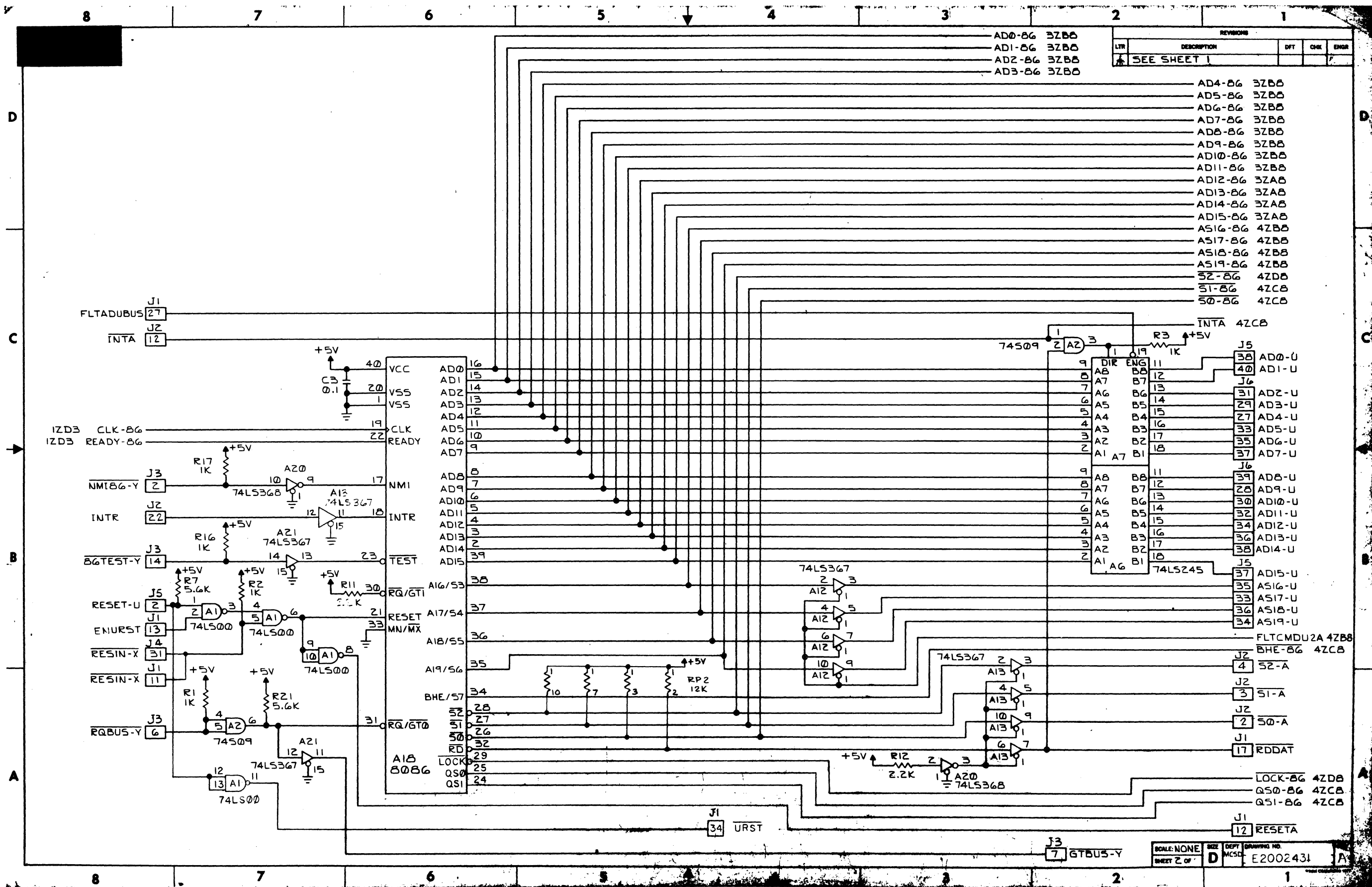
REDRAWN AND REPLACED WITH CHANGES

4. PIN 1 TIED TO GND.
 3. CAPACITANCE VALUES ARE IN MICROFARADS, +80, -20%.
 2. RESISTANCE VALUES ARE IN OHMS, ±5%, 1/4W.
 1. THIS DOCUMENT REFLECTS ARTWORK # 1001873 REV LEVEL 2.
 NOTES: (UNLESS OTHERWISE SPECIFIED)

A8	7404	14	7	14
A18	8086	40	1,20	40
A16,19	74LS257A	16	8	16
A6,7,15,17	74LS245	20	10	20
A5,11	74LS374	20	10	20
A20	74LS368	16	8	16
A3,4,12,13, A14,21	74LS367	16	8	16
A22	74537	14	7	14
A2	74509	14	7	14
A1	74LS00	14	7	14
REF. DESIG.	DEVICE	TOTAL PINS	GND	+5V

7404	A8	4
74LS368	A20	2
4		
74537	A22	1
74LS367	A13	1
74LS367	A12	2
74LS367	A4	1
74LS367	A3	1
74509	A2	2
74LS00	A1	1
TYPE	REF DES	QTY
SPARE GATES	REF DESIGNATIONS	NEXT ASSY
	LAST USED	NOT USED
	1001872	ICE-86
	USED ON	

QUANTITY PER DASH NO.		ITEM NO.	PART NUMBER	DESCRIPTION
SCALE:		PARTS LIST		
TOL. *	2 PLC	3 PLC	ANGLE	intel 3065 BOWERS AVE. SANTA CLARA CALIF. 95051
MATERIAL:				
FINISH:				TITLE SCHEMATIC DIAGRAM ICE-86 BUFFER BD-1
SIZE	DEPT	DRAWING NO.		SHEET 1 OF 5
D	MCS	E2002431		

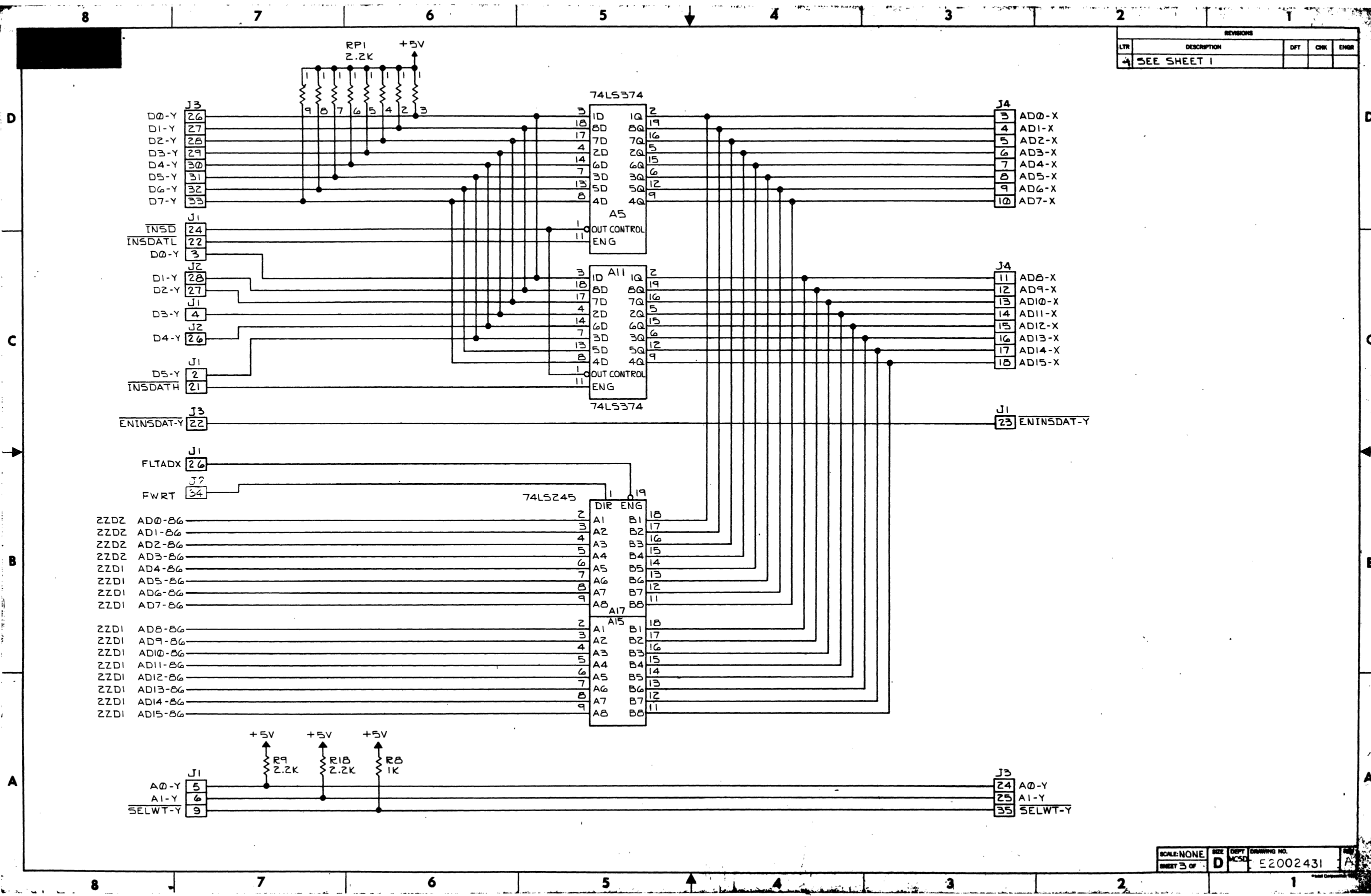


- AD0-86 3ZB8
- AD1-86 3ZB8
- AD2-86 3ZB8
- AD3-86 3ZB8

REVISIONS				
LTR	DESCRIPTION	DFT	CHK	ENGR
1	SEE SHEET 1			

- AD4-86 3ZB8
- AD5-86 3ZB8
- AD6-86 3ZB8
- AD7-86 3ZB8
- AD8-86 3ZB8
- AD9-86 3ZB8
- AD10-86 3ZB8
- AD11-86 3ZB8
- AD12-86 3ZB8
- AD13-86 3ZAB
- AD14-86 3ZAB
- AD15-86 3ZAB
- AS16-86 4ZB8
- AS17-86 4ZB8
- AS18-86 4ZB8
- AS19-86 4ZB8
- 52-86 4ZD8
- 51-86 4ZC8
- 50-86 4ZC8

- INTA 4ZC8
- J5 38 AD0-U
- J5 40 AD1-U
- J6 31 AD2-U
- J6 29 AD3-U
- J6 27 AD4-U
- J6 33 AD5-U
- J6 35 AD6-U
- J6 37 AD7-U
- J6 39 AD8-U
- J6 28 AD9-U
- J6 30 AD10-U
- J6 32 AD11-U
- J6 34 AD12-U
- J6 36 AD13-U
- J6 38 AD14-U
- J5 37 AD15-U
- J5 35 AS16-U
- J5 33 AS17-U
- J5 36 AS18-U
- J5 34 AS19-U
- FLTCMDU2A 4ZB8
- J2 4 BHE-86 4ZC8
- J2 4 52-A
- J2 3 51-A
- J2 2 50-A
- J1 17 RDDAT
- LOCK-86 4ZD8
- Q50-86 4ZC8
- Q51-86 4ZC8
- J1 12 RESETA



REVISIONS				
LTR	DESCRIPTION	DFT	CHK	ENGR
4	SEE SHEET 1			

8

7

6

5

4

3

2

1

REVISIONS				
LTR	DESCRIPTION	DFT	CHK	ENGR
-	SEE SHEET 1			

PULL UP CMD1 J2 9

ZZAI WRMIN J2 24
LOCK-86

ZZCI 52LH J2 5
52-86

ZZCI DT/R J2 14
51-86

ZZCI DEN J2 13
50-86

ZZCI FLT CMD1 J2 10
MINSYS

ZZAI ALE J2 7
Q50-86

ZZAI INTA
Q51-86

ZZBI BHE-86

ZZBI RDCMD J2 29
FLT CMDU2A

ZZCI AS16-86

ZZCI AS17-86

ZZCI AS18-86

ZZCI AS19-86

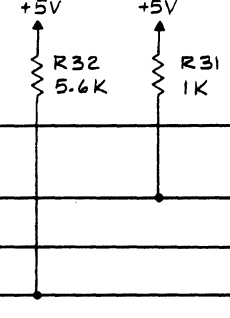
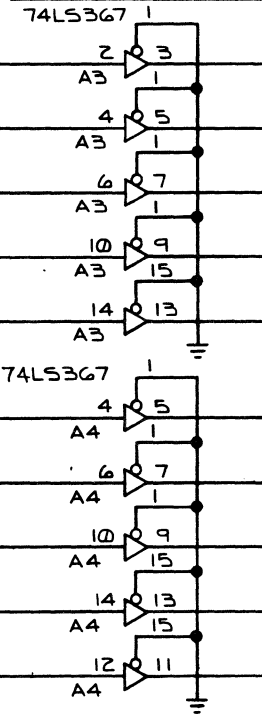
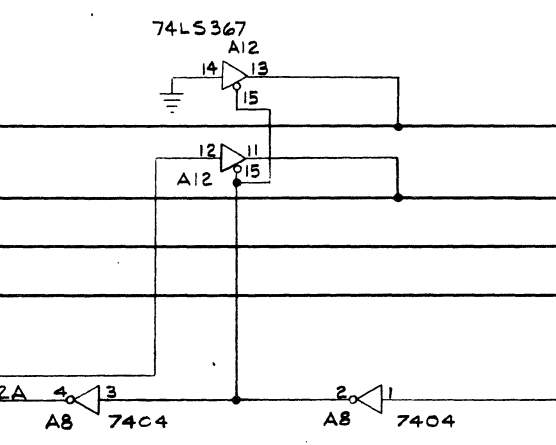
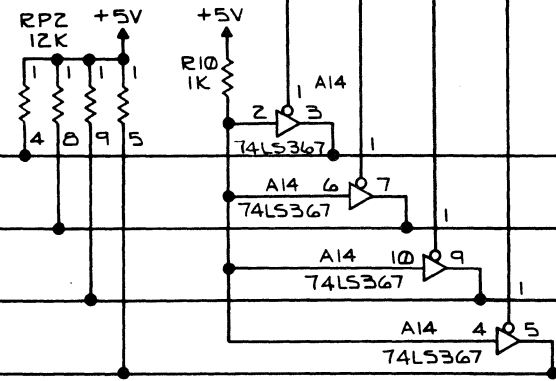
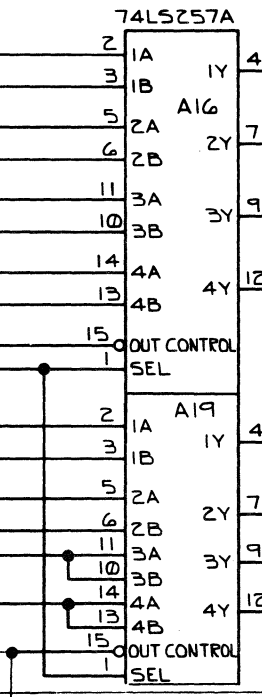
J4 29 52-X

J4 27 51-X

J4 25 50-X

J4 35 Q50-X

J4 36 Q51-X



SCALE: NONE	SIZE: D	DEPT: MCS	DRAWING NO: E2002431
SHEET 4 OF			

8

7

6

5

4

3

2

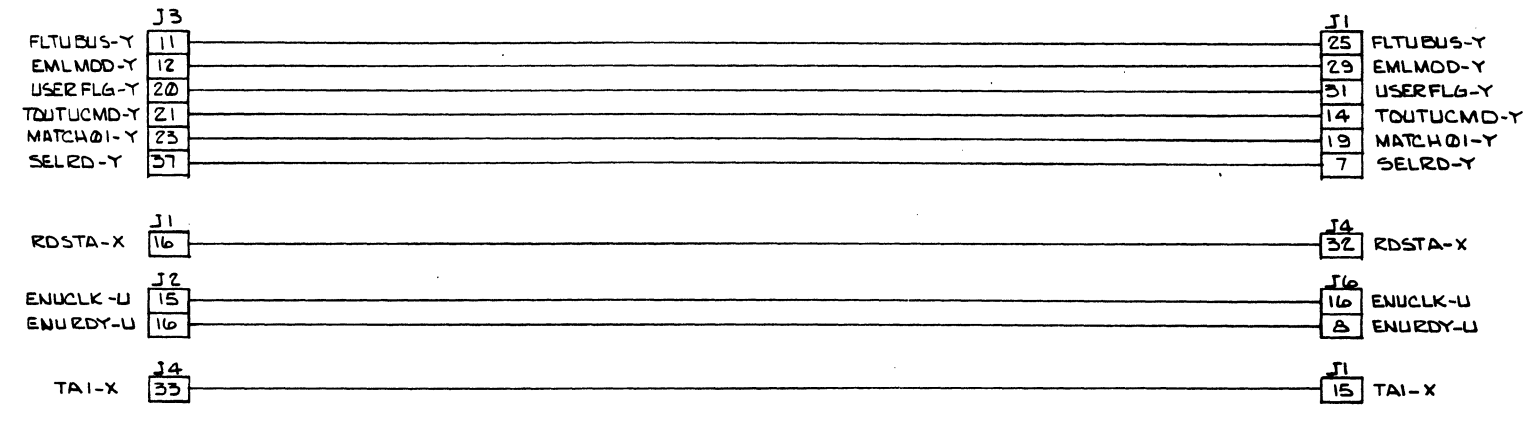
1

8 7 6 5 4 3

THIS DRAWING CONTAINS INFORMATION WHICH IS THE PROPRIETARY PROPERTY OF INTEL CORPORATION. THIS DRAWING IS RECEIVED IN CONFIDENCE AND ITS CONTENTS MAY NOT BE DISCLOSED WITHOUT THE PRIOR WRITTEN CONSENT OF INTEL CORPORATION.

DWG NO. E2001874 SH 5 REV

REVISIONS						
ZONE	REV	DESCRIPTION	DFT	CHK	DATE	APPROVED
A		SEE SHEET 1				

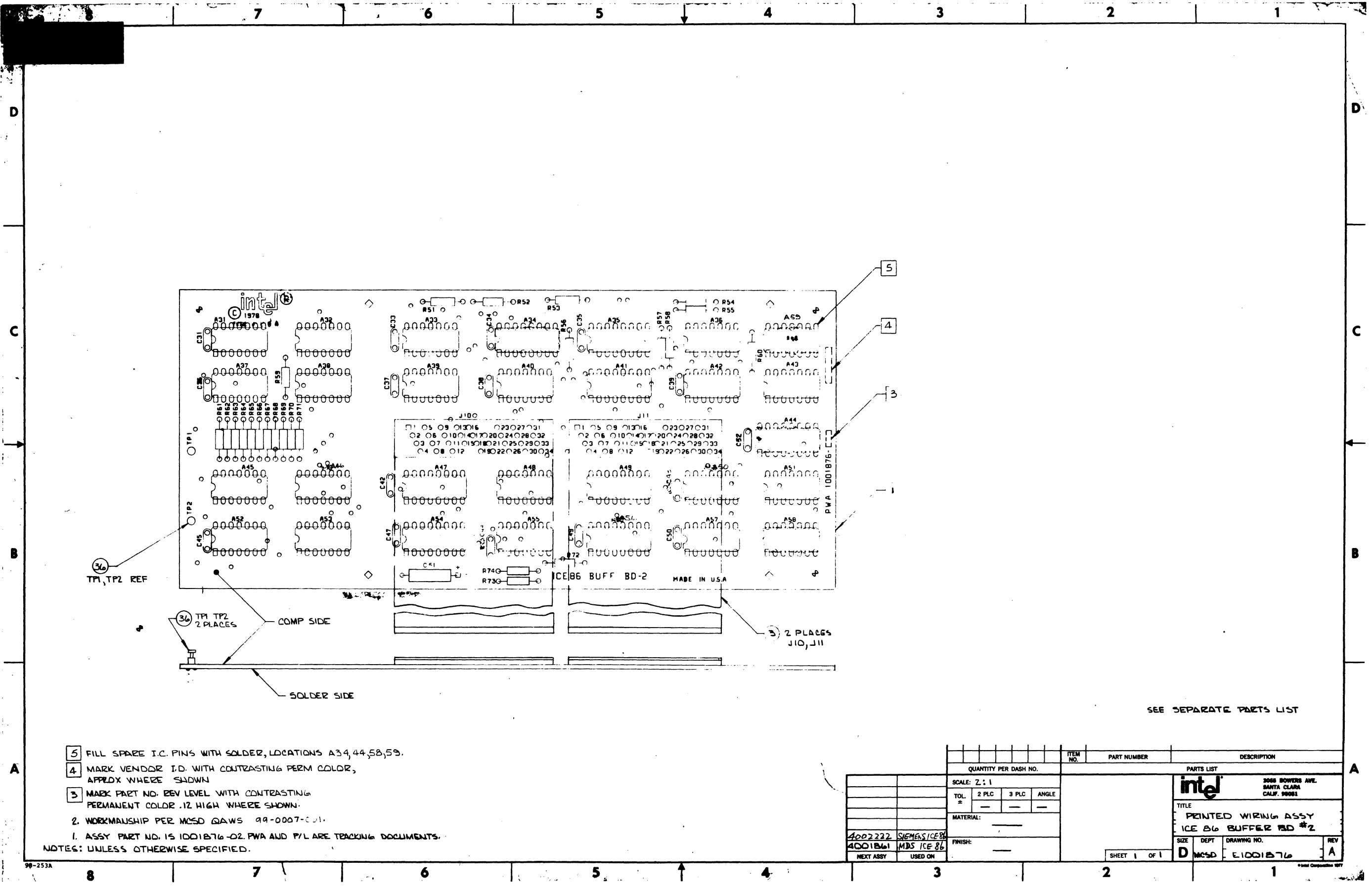


D
C
B
A

D
C
B
A

8 7 6 5 4 3 2 1

DRAWN	SIZE D	CODE MCD	DWG NO. E2001874	REV A
ISSUED	SCALE NONE	SHEET 5 of 5		



36 TP1, TP2 REF

36 TP1 TP2 2 PLACES

COMP SIDE

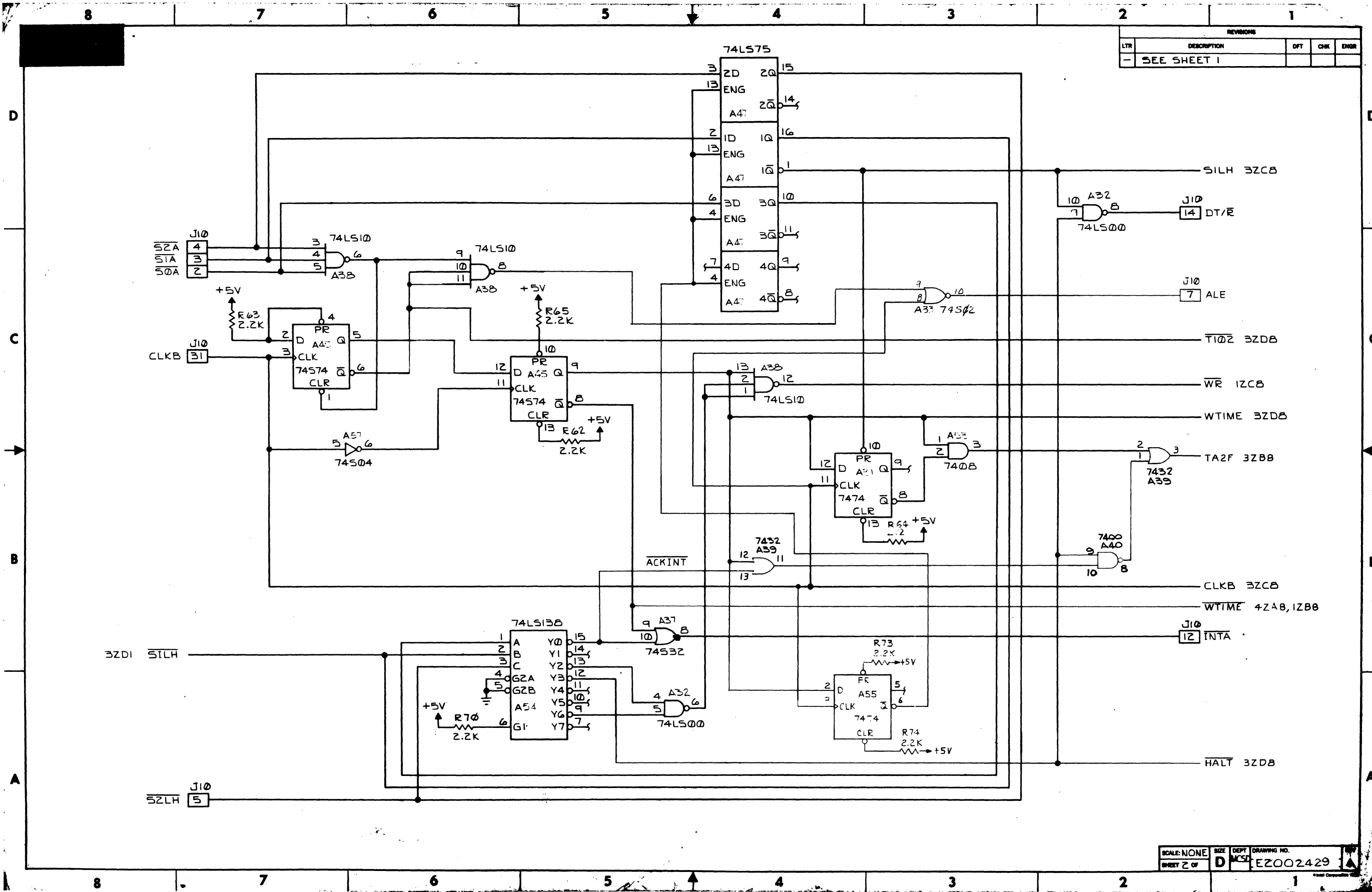
SOLDER SIDE

3 2 PLACES J10, J11

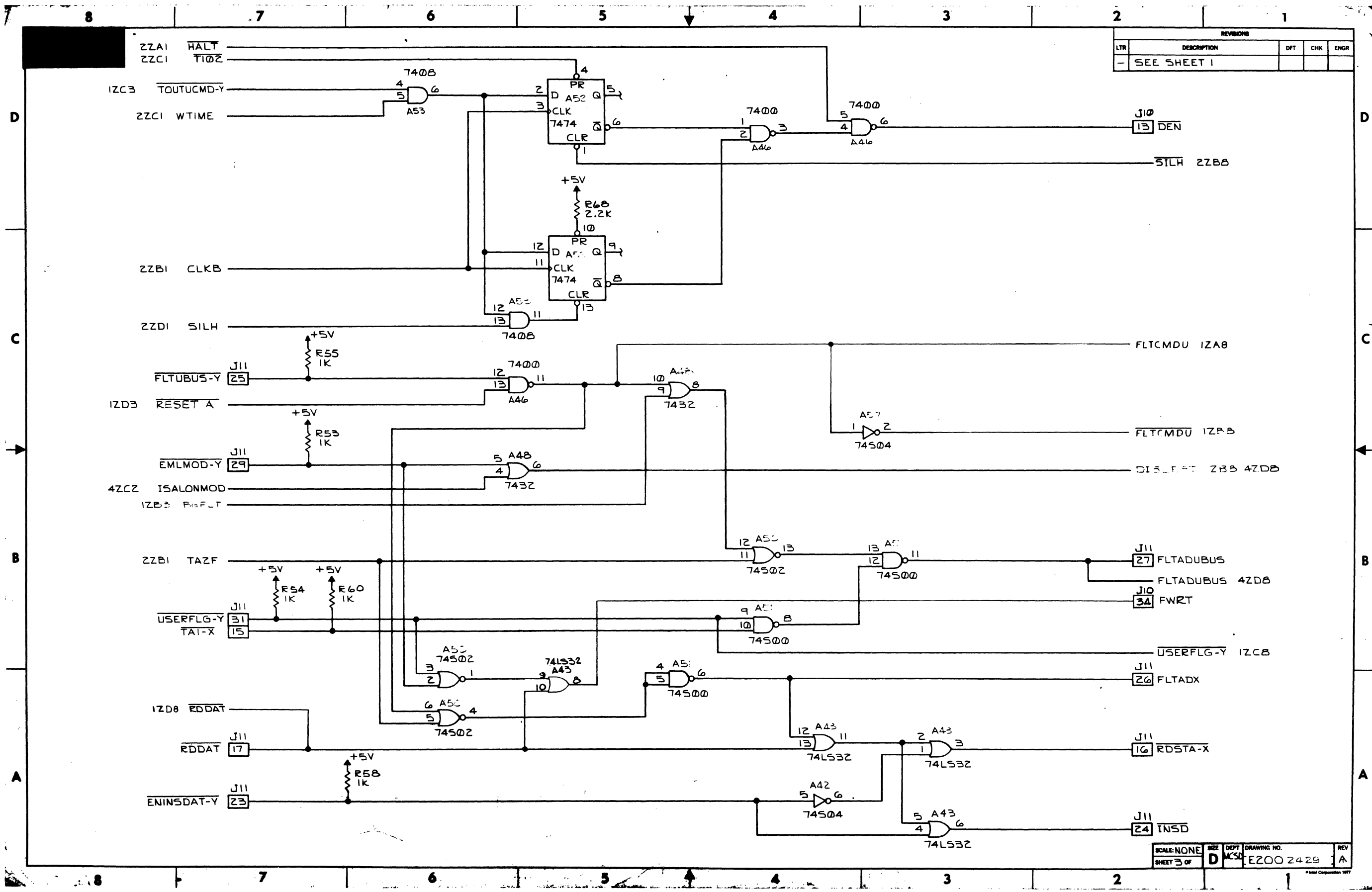
SEE SEPARATE PARTS LIST

- 5 FILL SPARE I.C. PINS WITH SOLDER, LOCATIONS A39, 44, 58, 59.
 - 4 MARK VENDOR I.D. WITH CONTRASTING PERM COLOR, APPROX WHERE SHOWN
 - 3 MARK PART NO. BEV LEVEL WITH CONTRASTING PERMANENT COLOR .12 HIGH WHERE SHOWN.
2. WORKMANSHIP PER MCSO QAWS 99-0007-001.
1. ASSY PART NO. IS 1001B76-02 PWA AND P/L ARE TRACKING DOCUMENTS.
- NOTES: UNLESS OTHERWISE SPECIFIED.

QUANTITY PER DASH NO.				ITEM NO.	PART NUMBER	DESCRIPTION																
SCALE: 2:1				<table border="1"> <tr> <td colspan="2">PARTS LIST</td> <td colspan="2">3088 BOWERS AVE. SANTA CLARA CALIF. 95051</td> </tr> <tr> <td colspan="4">TITLE PRINTED WIRING ASSY ICE B6 BUFFER BOARD #2</td> </tr> <tr> <td>SIZE</td> <td>DEPT</td> <td>DRAWING NO.</td> <td>REV</td> </tr> <tr> <td>D</td> <td>MCSO</td> <td>E1001B76</td> <td>A</td> </tr> </table>			PARTS LIST		3088 BOWERS AVE. SANTA CLARA CALIF. 95051		TITLE PRINTED WIRING ASSY ICE B6 BUFFER BOARD #2				SIZE	DEPT	DRAWING NO.	REV	D	MCSO	E1001B76	A
PARTS LIST		3088 BOWERS AVE. SANTA CLARA CALIF. 95051																				
TITLE PRINTED WIRING ASSY ICE B6 BUFFER BOARD #2																						
SIZE	DEPT	DRAWING NO.	REV																			
D	MCSO	E1001B76	A																			
TOL	2 PLC	3 PLC	ANGLE																			
±	—	—	—																			
MATERIAL:				<table border="1"> <tr> <td>4002222</td> <td>SIEMENS ICE B6</td> </tr> <tr> <td>4001B61</td> <td>MDS ICE B6</td> </tr> <tr> <td>NEXT ASSY</td> <td>USED ON</td> </tr> </table>			4002222	SIEMENS ICE B6	4001B61	MDS ICE B6	NEXT ASSY	USED ON										
4002222	SIEMENS ICE B6																					
4001B61	MDS ICE B6																					
NEXT ASSY	USED ON																					
FINISH:				SHEET 1 OF 1																		



REVISIONS				
LTR	DESCRIPTION	DFT	CHK	ENGR
-	SEE SHEET 1			



REVISIONS				
LTR	DESCRIPTION	DFT	CHK	ENGR
-	SEE SHEET 1			

8

7

6

5

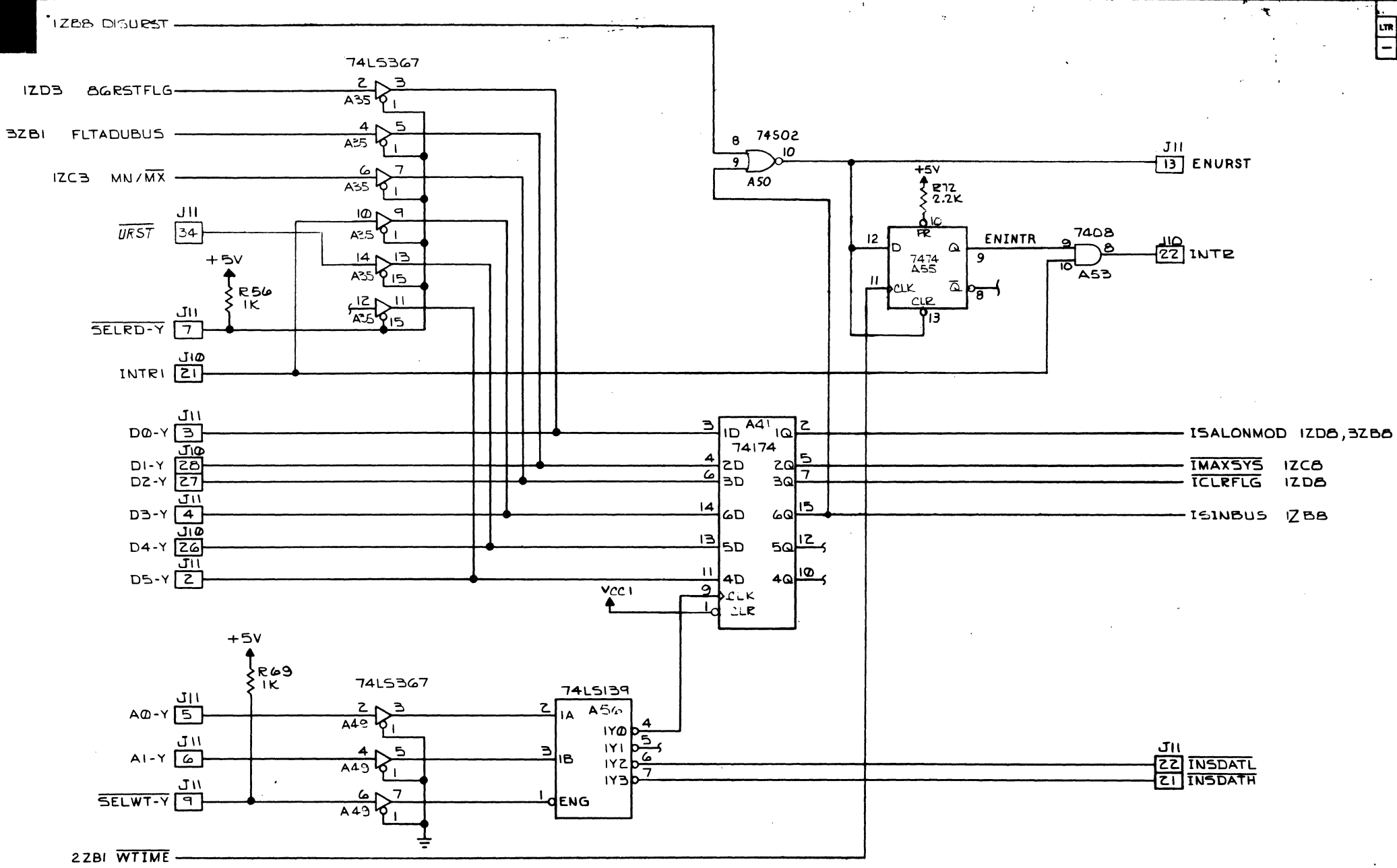
4

3

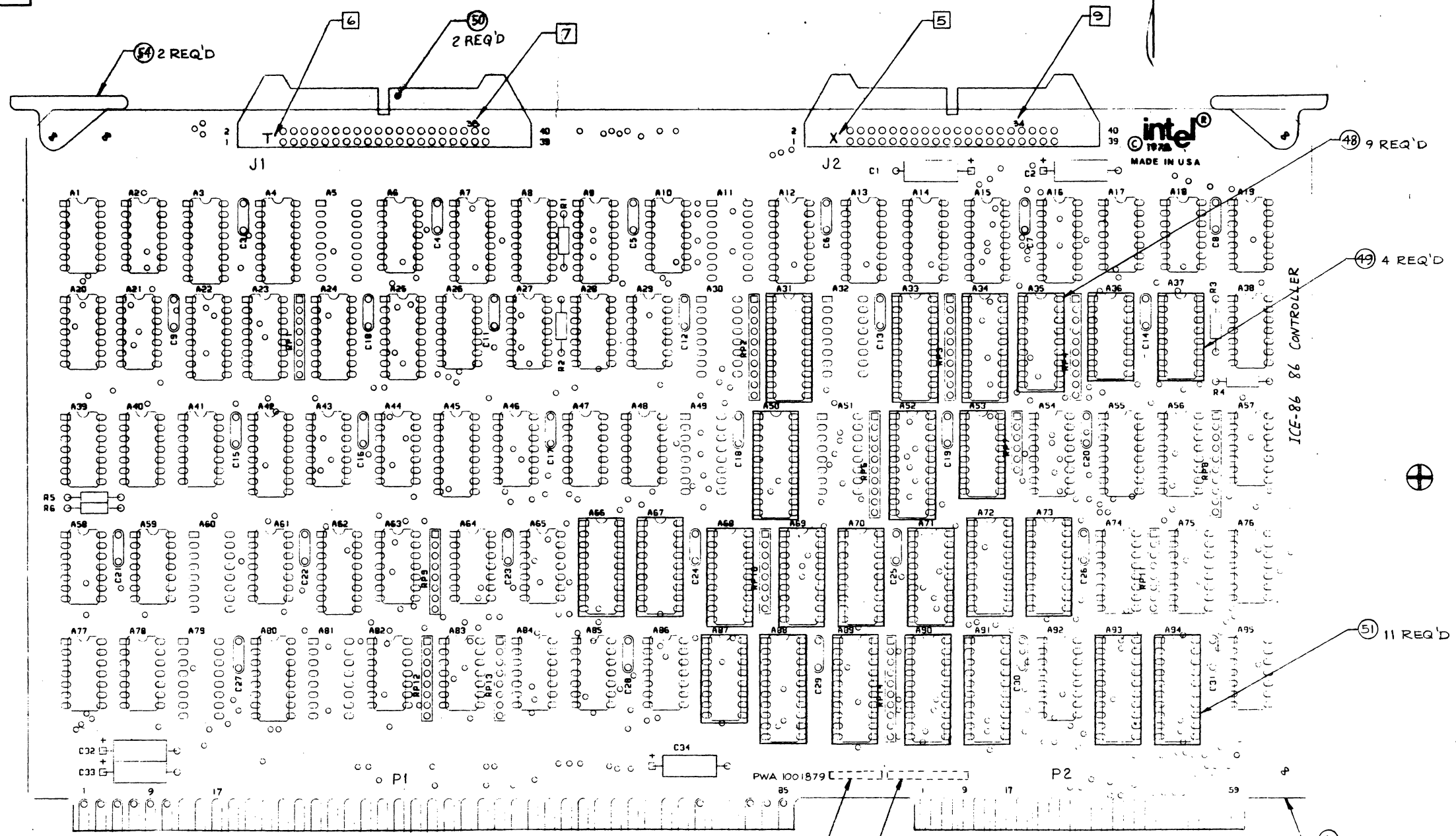
2

1

LTR	DESCRIPTION	DFT	CHK	DATE
-	SEE SHEET 1			



THIS DRAWING CONTAINS INFORMATION WHICH IS THE PROPRIETARY PROPERTY OF INTEL CORPORATION. THIS DRAWING IS RECEIVED IN CONFIDENCE AND ITS CONTENTS MAY NOT BE DISCLOSED WITHOUT THE PRIOR WRITTEN CONSENT OF INTEL CORPORATION.



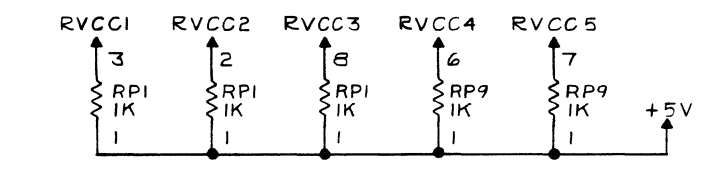
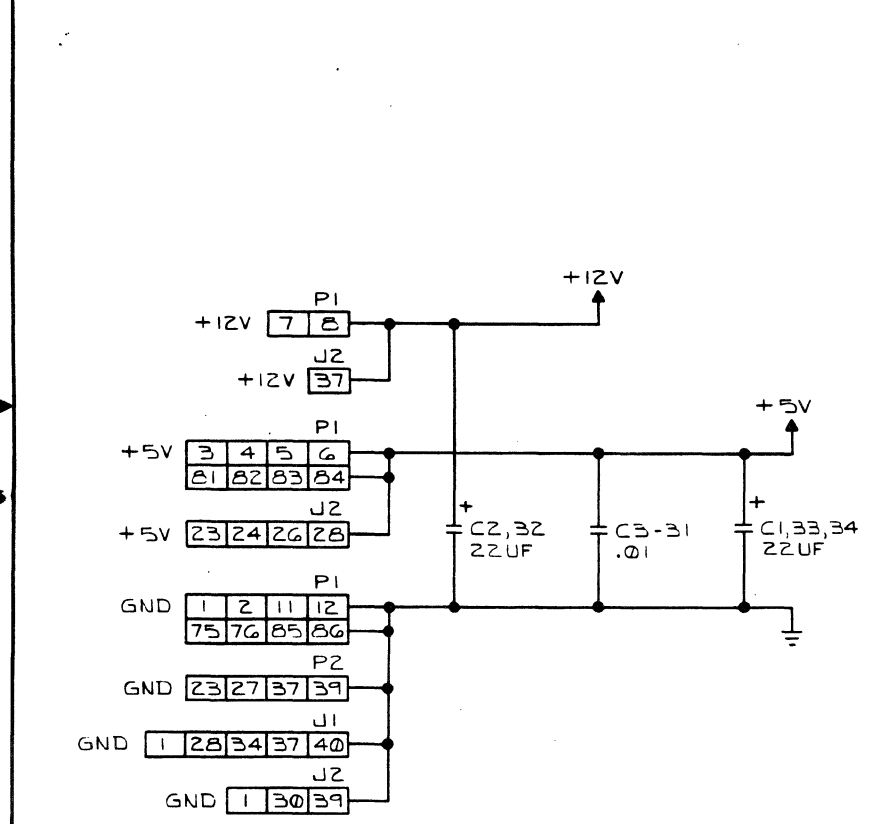
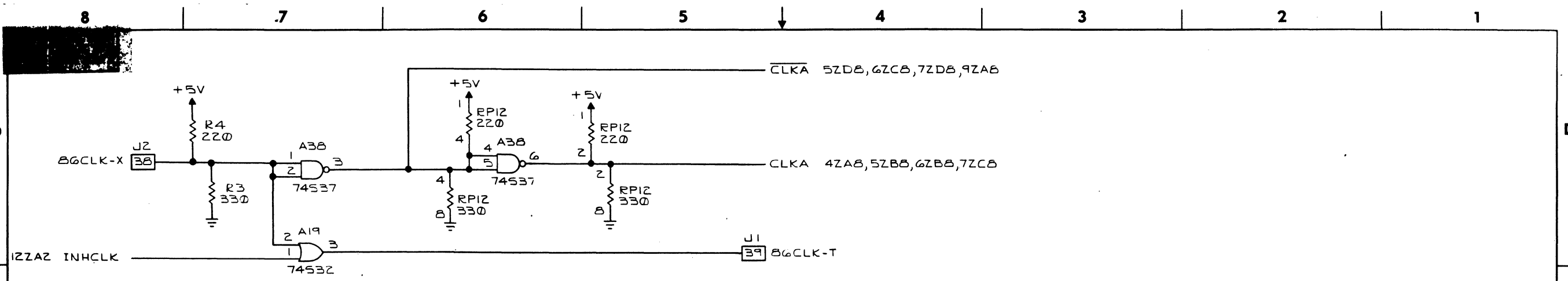
- 6 INK STAMP 'T' NEXT TO PIN 1 INDICATOR .12 HIGH, USING NON-WATER SOLUBLE BLACK INK.
- 5 INK STAMP 'X' NEXT TO PIN 1 INDICATOR .12 HIGH, USING NON-WATER SOLUBLE BLACK INK.
- 4 MARK VENDOR I.D. WITH CONTRASTING PERM COLOR, APPROX WHERE SHOWN.
- 3 MARK PART NO. AND REV LEVEL WITH CONTRASTING PERM. COLOR, .12 HIGH, APPROX WHERE SHOWN.

- 9 FILL SPARE I.C. PADS WITH SOLDER LOCATION A5, A11, A30, A32, A49, A51, A60, A79, A81.
- 8 CUT PIN 34 FOR X-CABLE KEYING.
- 7 CUT PIN 38 FOR T-CABLE KEYING.

2. WORKMANSHIP PER MCSD QAW 007.
 1. ASSY, PART NO. IS 1001879-01 PWA AND PL ARE TRACKING DOCUMENTS.
 NOTES: UNLESS OTHERWISE SPECIFIED

SEE SEPARATE PARTS LIST

ITEM NO.	PART NUMBER	DESCRIPTION
QUANTITY PER DASH NO.		
UNLESS OTHERWISE SPECIFIED:		
1. DIMENSIONS ARE IN INCHES.		
2. BREAK ALL SHARP EDGES.		
3. DO NOT SCALE DRAWING.		
4. TOLERANCES:		
ANGLES ± 2°		
XX ± .030		
XXX ± .010		
SURFACE FINISH ✓		
PARTS LIST		3065 BOWERS AVE. SANTA CLARA CALIF. 95051
TITLE		PWA 86 CONTROLLER
SIZE	CODE	DWG. NO.
D	MCSD	E1001879
SCALE 2/1		REV 3
SHEET 1 OF 1		



A2	7474	14	7	14
A36,37	2125AL	16	8	16
A68,69,70,71,35	2114-3	18	9	18
A66,67,72,73	2111 A	18	9	18
A8,9	745169	16	8	16
A75	74LS161A	16	8	16
A31,33,88,90	74LS245	20	10	20
A89,91,93,94	74LS374	20	10	20
A34,50,52	74LS373	20	10	20
A10	74586	14	7	14
A23,24,25	745175	16	8	16
A12-15,53,54,62,63,64,65	74LS367	16	8	16
A7,16	74LS368	16	8	16
A92	74LS174	16	8	16
A56	74LS138	16	8	16
A19,27,39,41,47,59	74532	14	7	14
A1,44,48,64,66	74508	14	7	14
A38	74537	14	7	14
A3,4,22,42	745112	16	8	16
A55	745139	16	8	16
A20,26,78	74510	14	7	14
A85	74540	14	7	14
A18,28,77,84,95	74504	14	7	14
A29,40	74502	14	7	14
A43,46,65,82,83,86	74574	14	7	14
A45,80	74109	16	8	16
A6,17,21,57,58,61,63	74500	14	7	14
REF. DES.	DEVICE	TOTAL PINS	GND	+5V

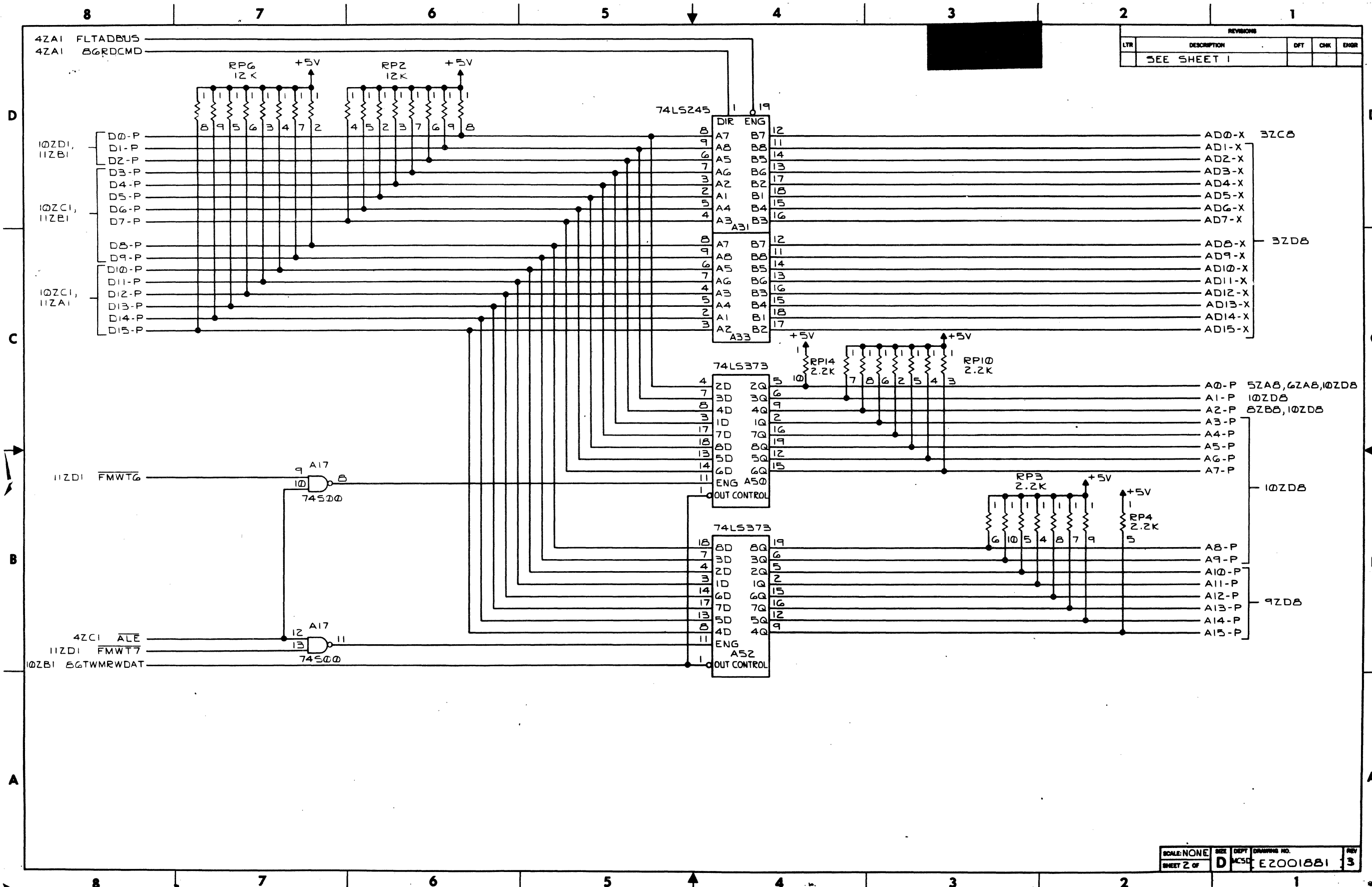
74574	A86	1
74508	A44	1
7474	A2	1
745112	A3	1
74586	A10	2
74LS368	A16	2
74LS367	A15	1
74532	A19	1
74LS367	A54	2
74LS368	A7	3
74LS367	A62	2
74537	A38	2
74532	A59	1
74508	A76	1
74510	A78	1
74505	A79	1
74504	A77	4
74504	A95	3
74504	A28	2
74504	A18	2
74500	A63	2
74109	A80	1
74574	A65	1

RP13	2	74510	A78	1
RP12	4	74505	A79	1
RP11	2	74504	A77	4
RP8	1	74504	A95	3
RP6	1	74504	A28	2
		74504	A18	2
RP3	2	74500	A63	2
RP2	1	74109	A80	1
RP1	1	74574	A65	1
RESISTOR TYPE	QTY	TYPE	REFDES	QTY
SPARES		SPARE GATES		

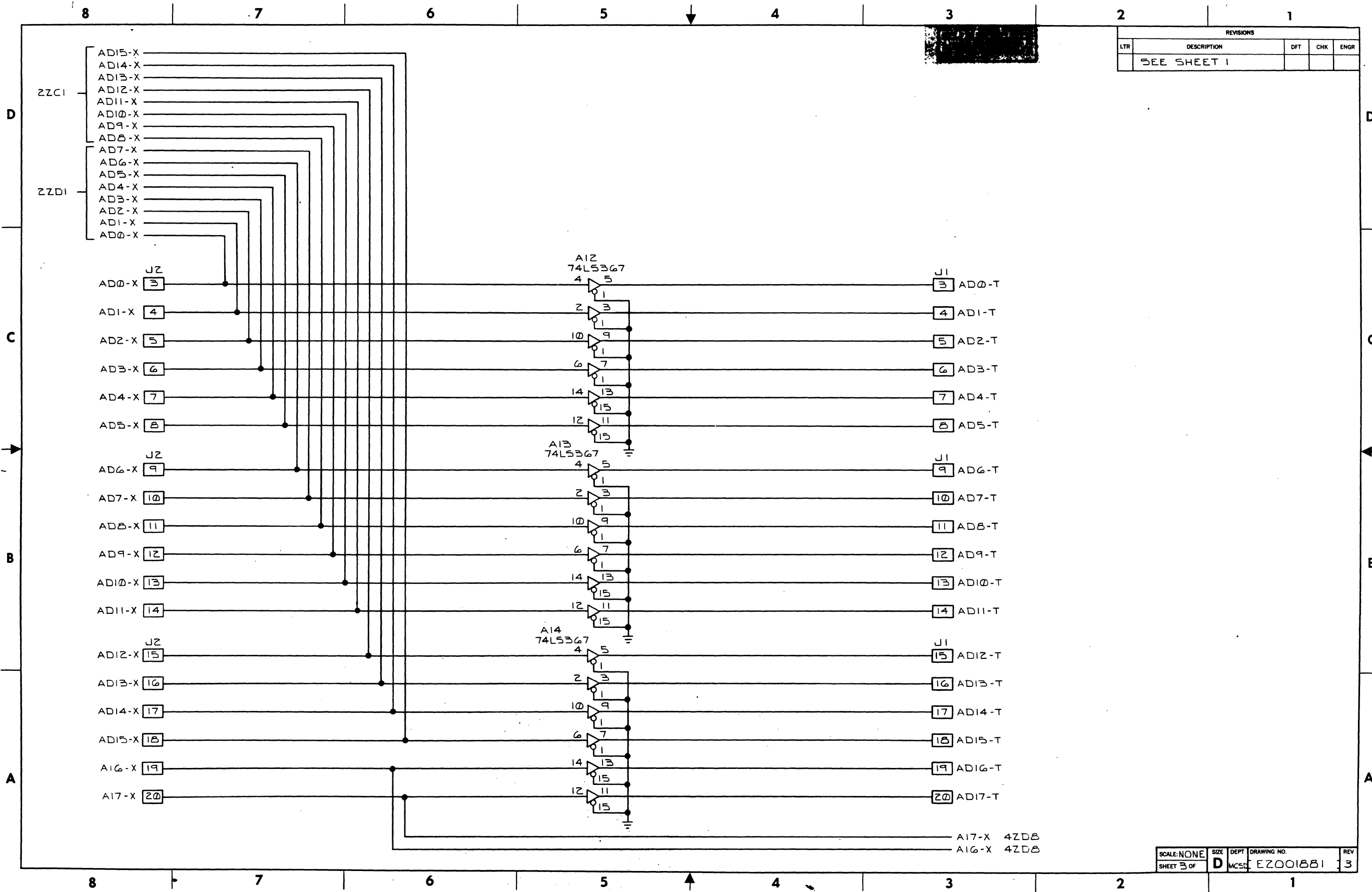
A95	A5,11,30,
RG	32, 49,
	51,60,79,81
RP14	RP5
C34	.
J2	
	1001879 SIEMENS ICE 8
	1001879 MDS ICE 86
	NEXT ASSY USED ON
	REF DESIGNATIONS

QUANTITY PER DASH NO.		ITEM NO.	PART NUMBER	DESCRIPTION
SCALE: NONE				
TOL	2 PLC	3 PLC	ANGLE	
MATERIAL:				
FINISH:				
PARTS LIST				
intel 3066 BOWERS AVE. SANTA CLARA CALIF. 95051				
TITLE SCHEMATIC 86-CONTROLLER				
SIZE	DEPT	DRAWING NO.	REV	
	D	MCSD	EZ001881	3
SHEET 1 OF 12				

3. CAPACITANCE VALUES ARE IN MICROFARADS.
 2. RESISTANCE VALUES ARE IN OHMS.
 1. THIS DOCUMENT REFLECTS ARTWORK # 1001880 REV LEVEL 3.
 NOTES: (UNLESS OTHERWISE SPECIFIED)



REVISIONS				
LTR	DESCRIPTION	DFT	CHK	ENGR
	SEE SHEET 1			



REVISIONS				
LTR	DESCRIPTION	DFT	CHK	ENGR
	SEE SHEET 1			

SCALE: NONE	SIZE: D	DEPT: MCS	DRAWING NO.: E2001881	REV: 3
SHEET 3 OF				

8

7

6

5

4

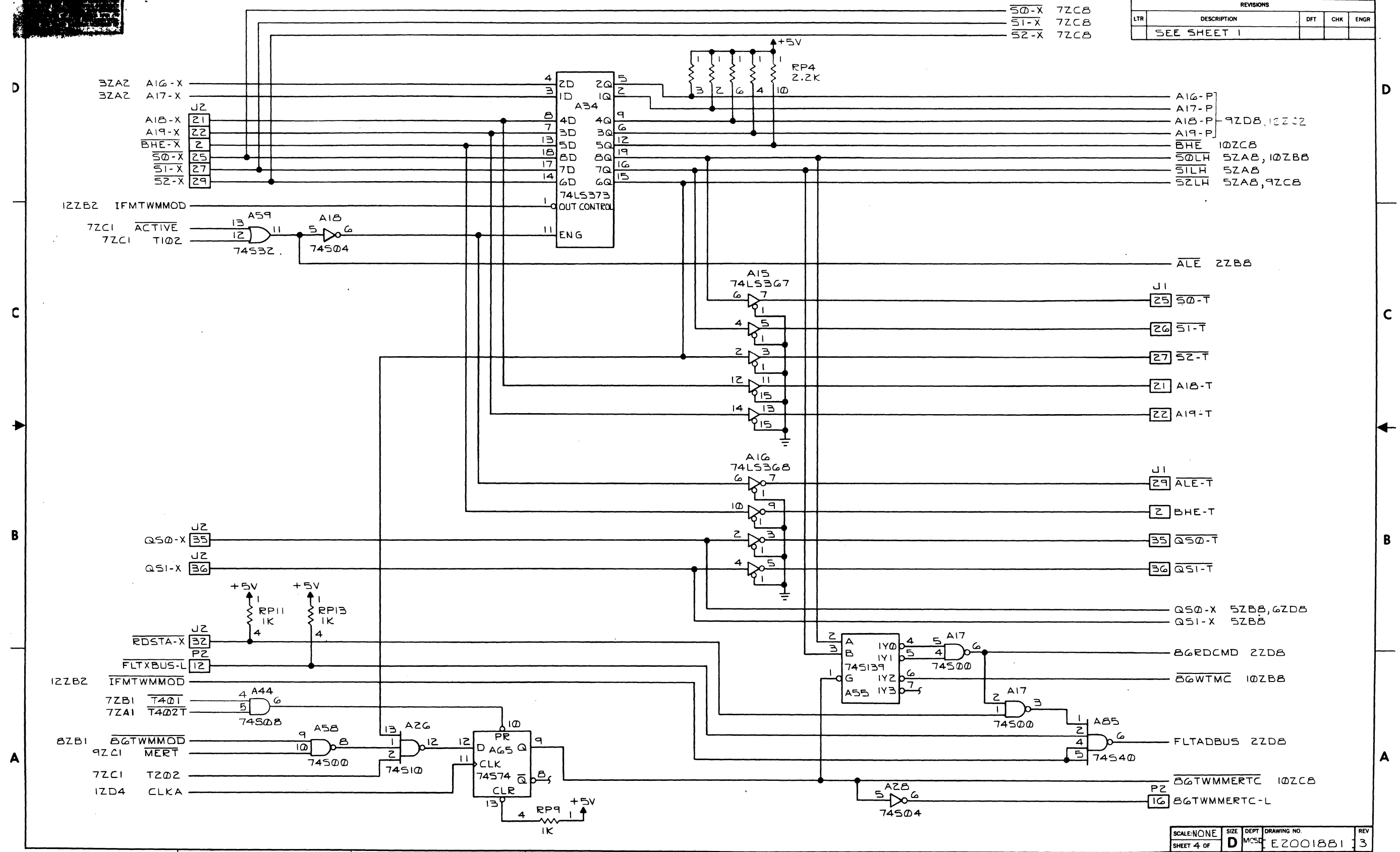
3

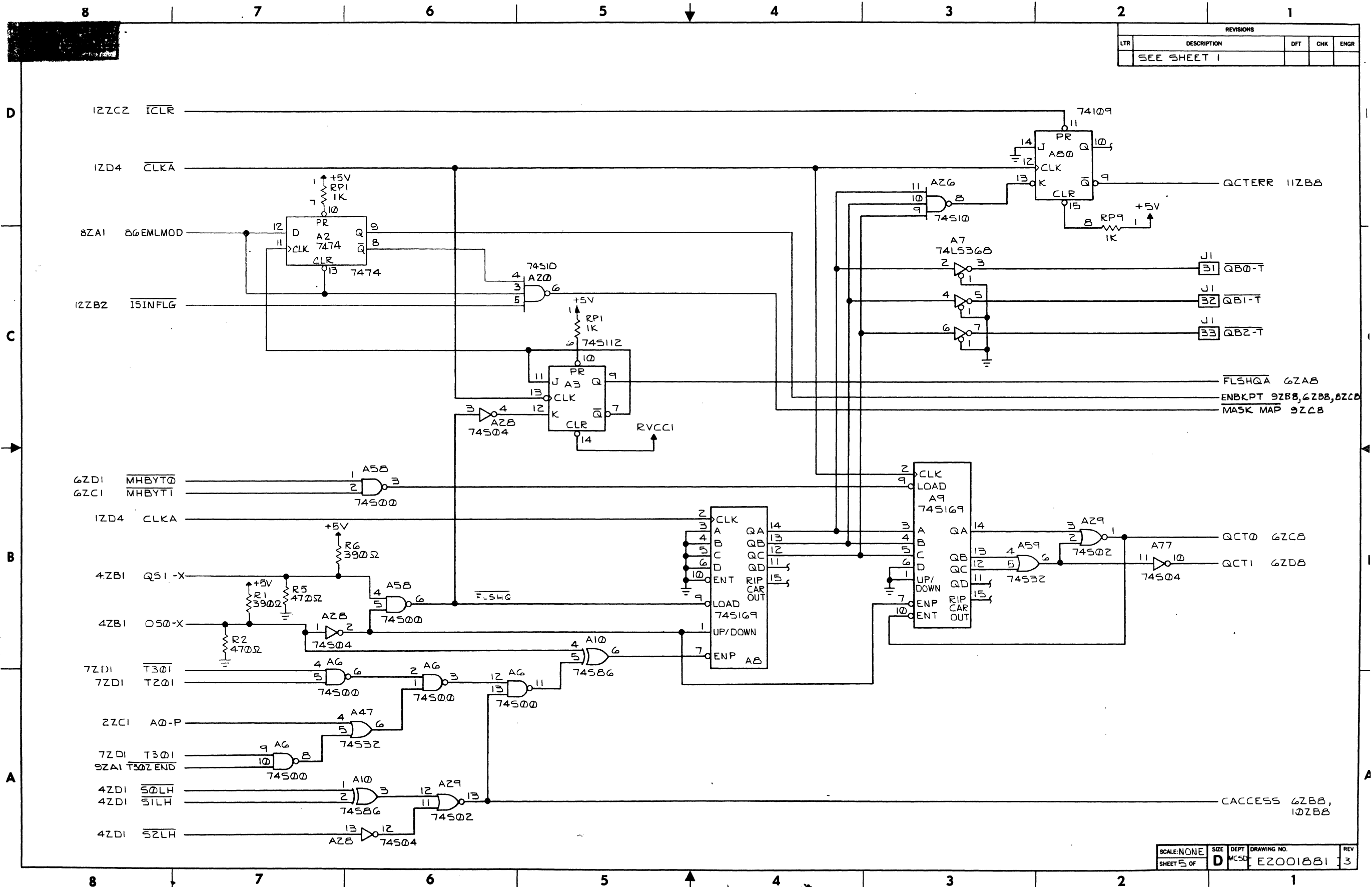
2

1

50-X 7ZCB
 51-X 7ZCB
 52-X 7ZCB

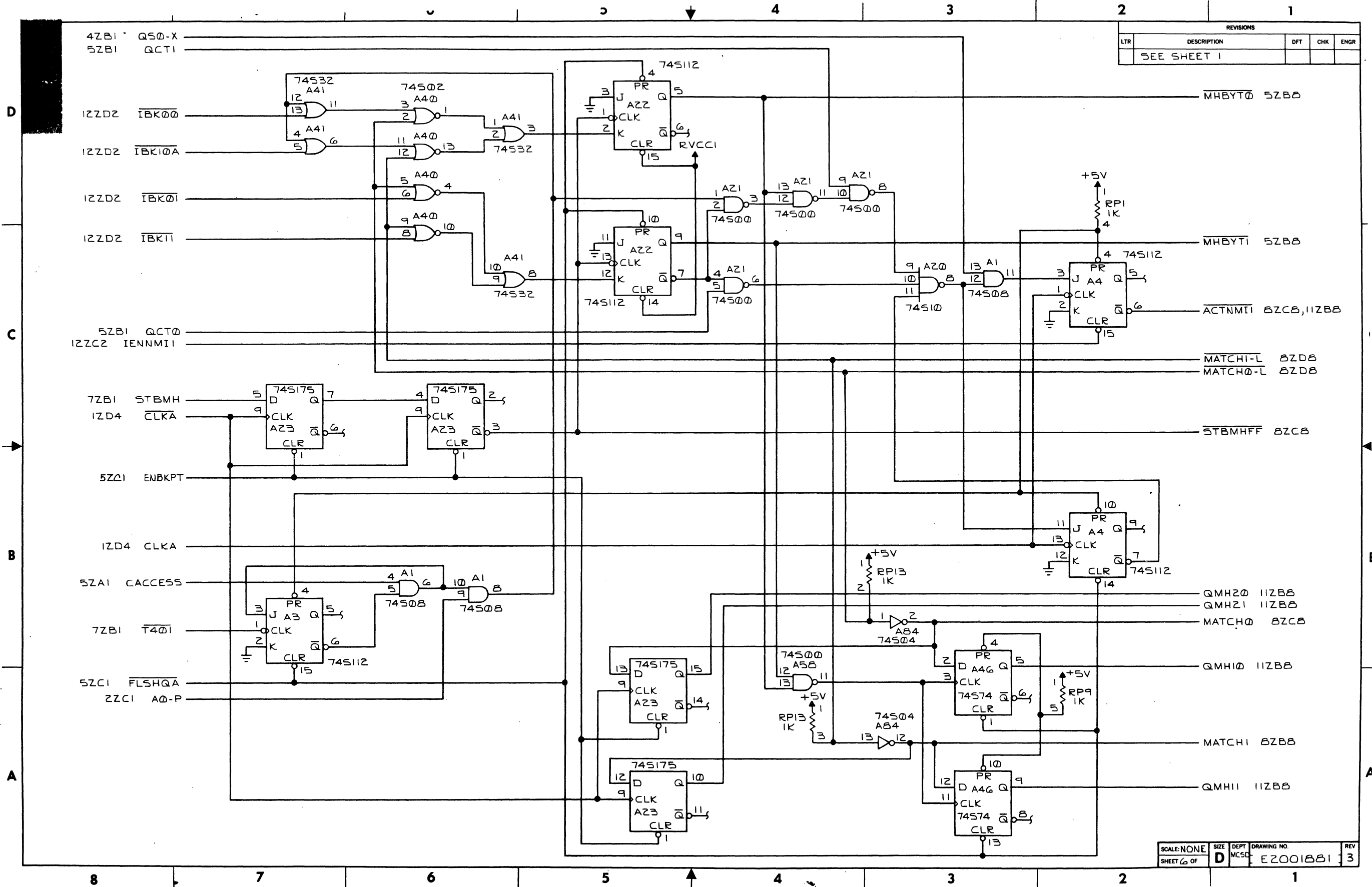
REVISIONS				
LTR	DESCRIPTION	DFT	CHK	ENGR
	SEE SHEET 1			





REVISIONS				
LTR	DESCRIPTION	DFT	CHK	ENGR
	SEE SHEET 1			

SCALE: NONE	SIZE: D	DEPT: MCS	DRAWING NO.: E2001881	REV: 3
SHEET 5 OF 5				



REVISIONS				
LTR	DESCRIPTION	DFT	CHK	ENGR
	SEE SHEET 1			

D
C
B
A

4ZB1 Q50-X
5ZB1 QCT1

12ZD2 $\overline{IBK00}$
12ZD2 $\overline{IBK10A}$
12ZD2 $\overline{IBK01}$
12ZD2 $\overline{IBK11}$

5ZB1 QCT0
12ZC2 IENNM11

7ZB1 STBMH
12D4 \overline{CLKA}

5ZD1 ENBKPT

12D4 CLKA

5ZA1 CACCESS

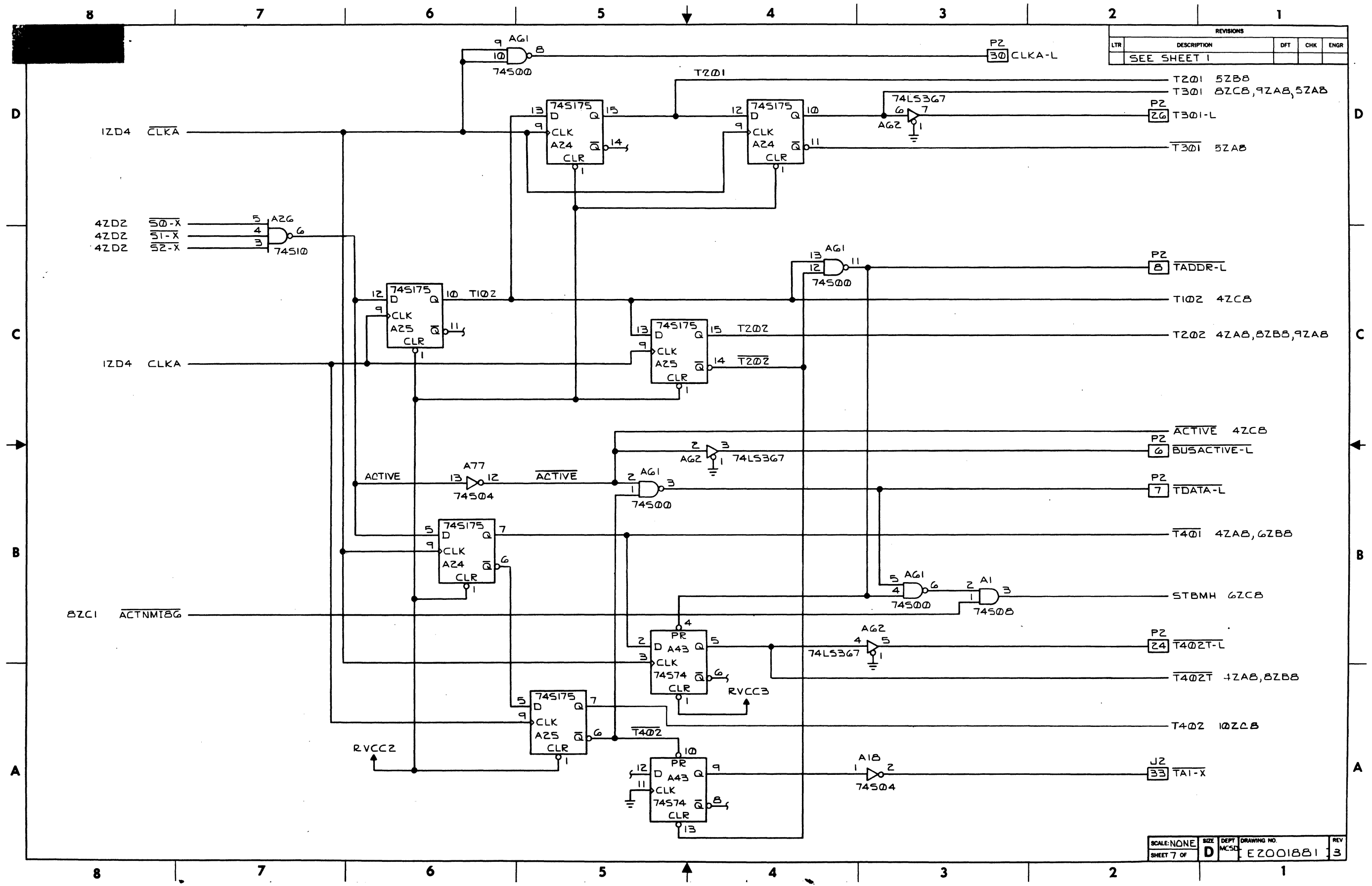
7ZB1 $\overline{T401}$

5ZC1 \overline{FLSHQA}
2ZC1 A0-P

MHBYT0 5ZB0
MHBYT1 5ZB0
ACTNMT1 8ZCB,11ZBB
MATCHI-L 8ZDB
MATCH0-L 8ZDB
STBMHF 8ZCB
QMH20 11ZBB
QMH21 11ZBB
MATCH0 8ZCB
QMH10 11ZBB
MATCH1 8ZBB
QMH11 11ZBB

SCALE: NONE	SIZE: D	DEPT: MCSO	DRAWING NO: E2001881	REV: 3
SHEET 6 OF				

8 7 6 5 4 3 2 1



REVISIONS				
LTR	DESCRIPTION	DFT	CHK	ENGR
	SEE SHEET 1			

T201 5ZBB
T301 8ZCB, 9ZAB, 5ZAB
T301-L
T301 5ZAB

P2 30 CLKA-L
P2 26 T301-L
P2 8 TADDR-L
T102 4ZCB
T202 4ZAB, 8ZBB, 9ZAB

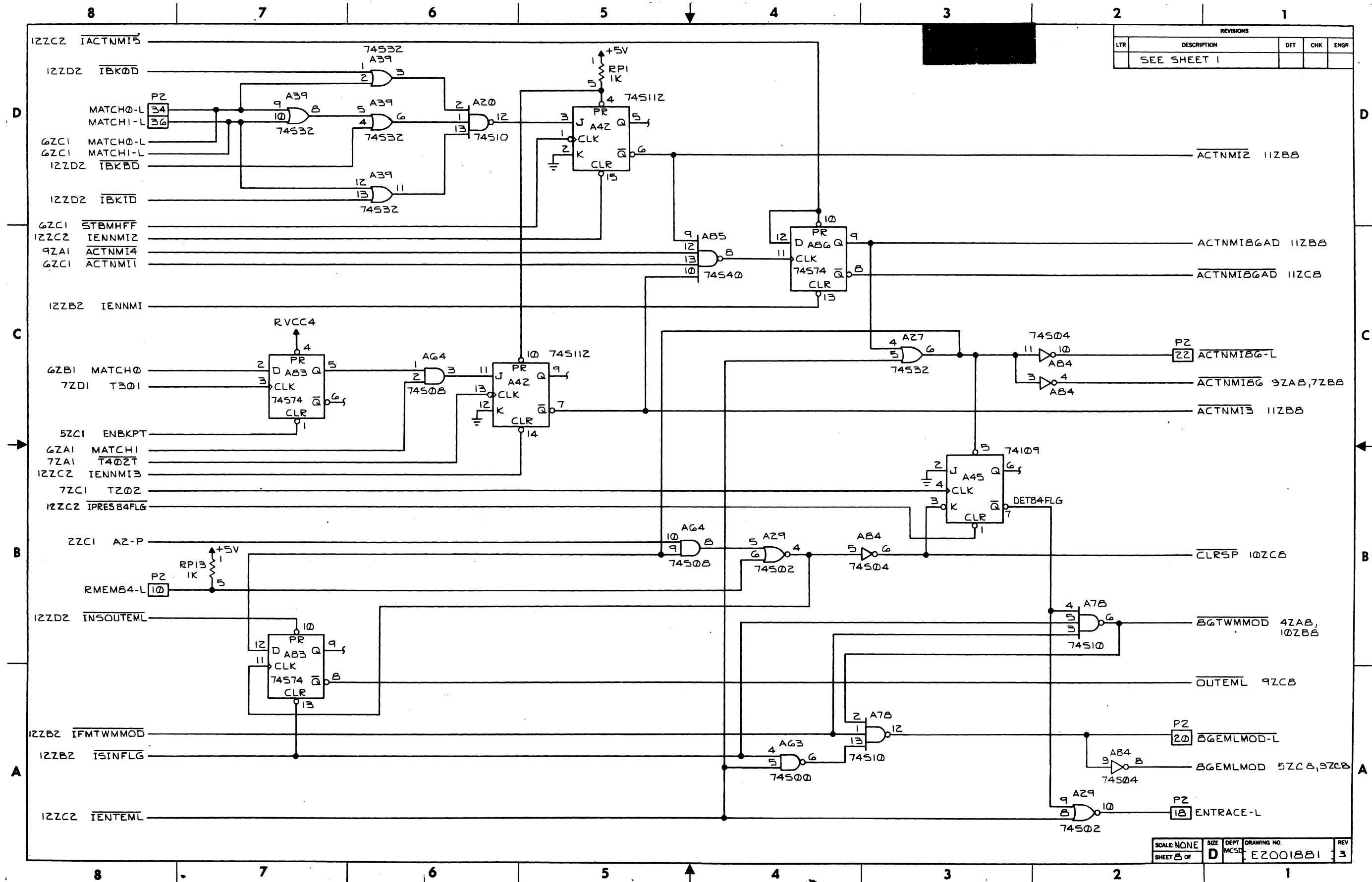
ACTIVE 4ZCB
P2 6 BUSACTIVE-L
P2 7 TDATA-L
T401 4ZAB, 6ZBB

STBMH 6ZCB
P2 24 T402T-L
T402T 4ZAB, 8ZBB
T402 10ZCB

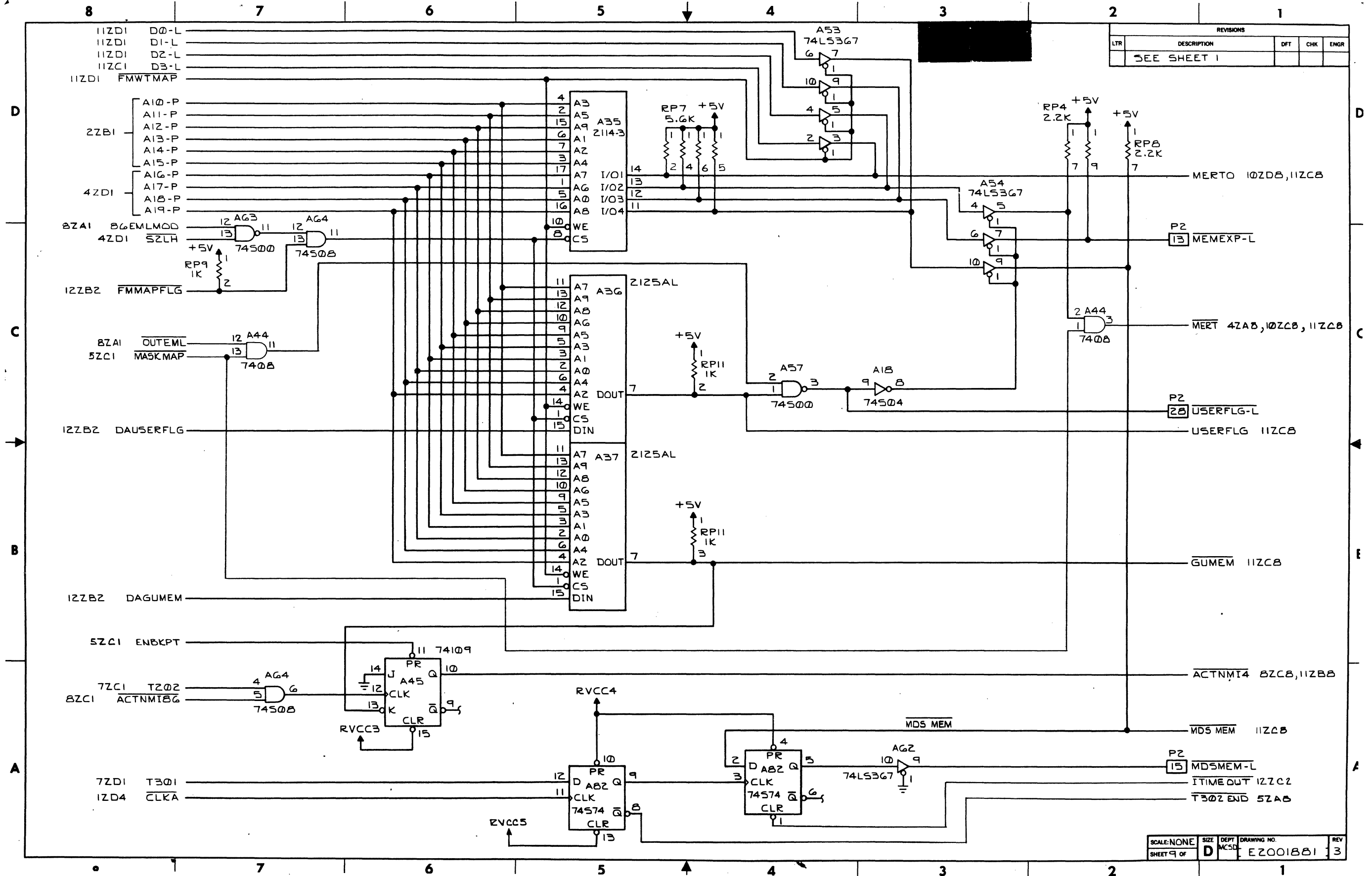
J2 33 TAI-X

SCALE: NONE	SIZE: D	DEPT: MCSL	DRAWING NO: E2001881	REV: 3
SHEET 7 OF				

REVISIONS				
LTR	DESCRIPTION	DFT	CHK	ENGR
	SEE SHEET 1			

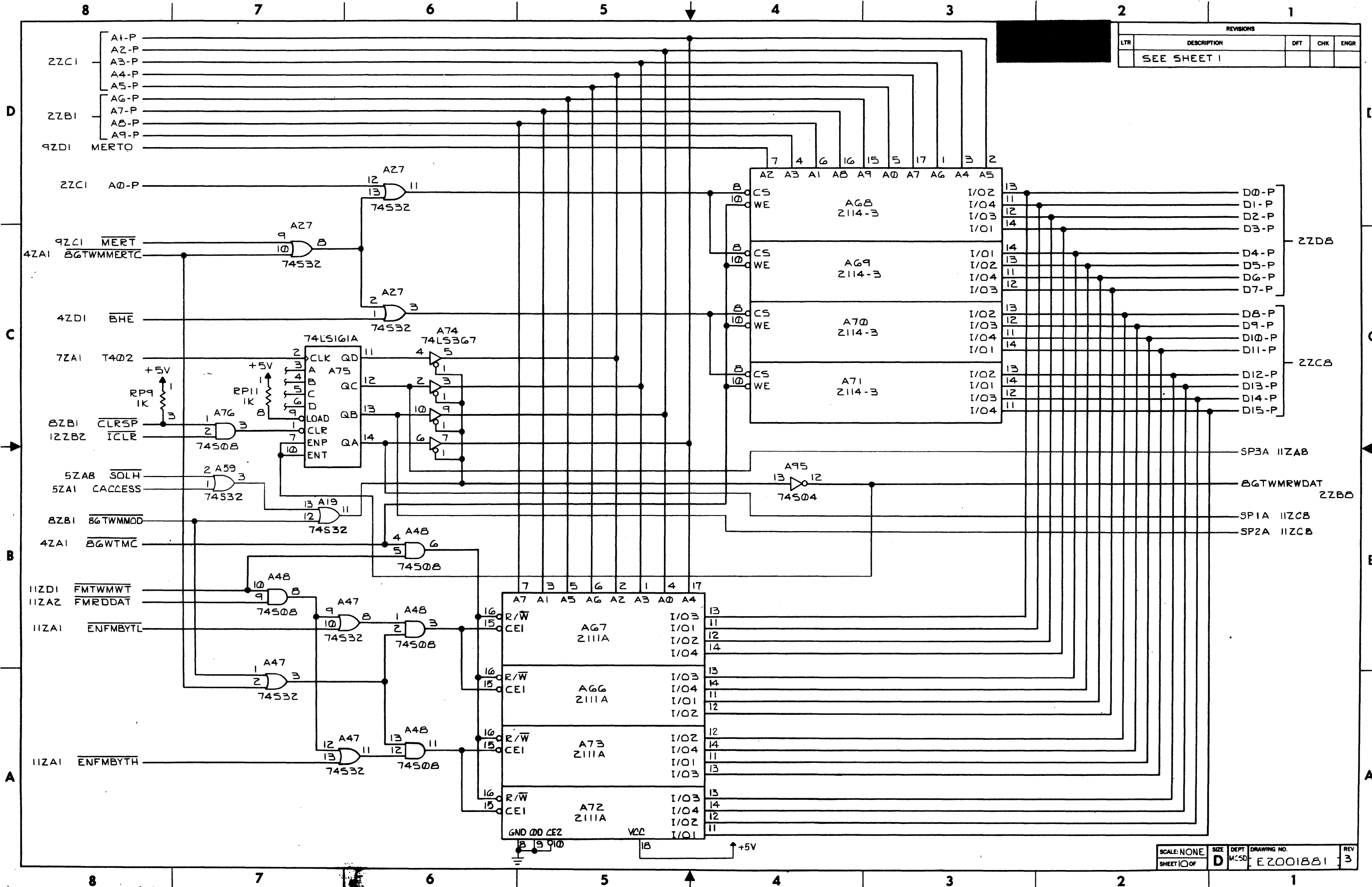


SCALE: NONE	SIZE: D	DEPT: MCS	DRAWING NO. E2001881	REV: 3
SHEET 8 OF				

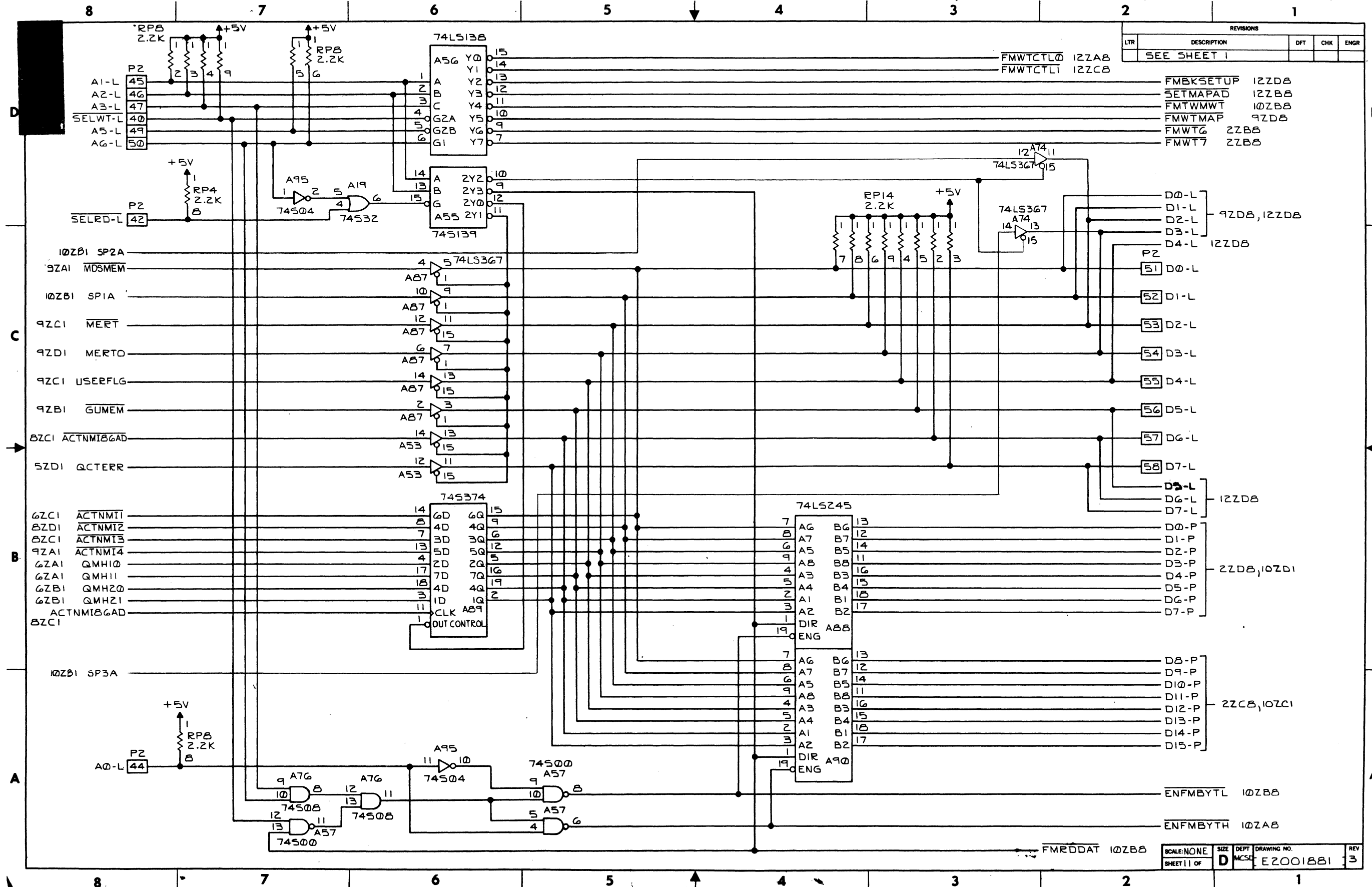


REVISIONS				
LTR	DESCRIPTION	DFT	CHK	ENGR
	SEE SHEET 1			

SCALE: NONE	SIZE: D	DEPT: MCS	DRAWING NO: E2001881	REV: 3
SHEET 9 OF				



REVISIONS				
LTR	DESCRIPTION	DFT	CHK	ENGR
	SEE SHEET 1			



REVISIONS				
LTR	DESCRIPTION	DFT	CHK	ENGR
	SEE SHEET 1			

FMBKSETUP	12ZDB
SETMAPAD	12ZBB
FMTWMWT	10ZBB
FMWTMAP	9ZDB
FMWTG	2ZBB
FMWT7	2ZBB

D0-L	
D1-L	
D2-L	9ZDB, 12ZDB
D3-L	
D4-L	12ZDB

D0-L	51
D1-L	52
D2-L	53
D3-L	54
D4-L	55
D5-L	56
D6-L	57
D7-L	58

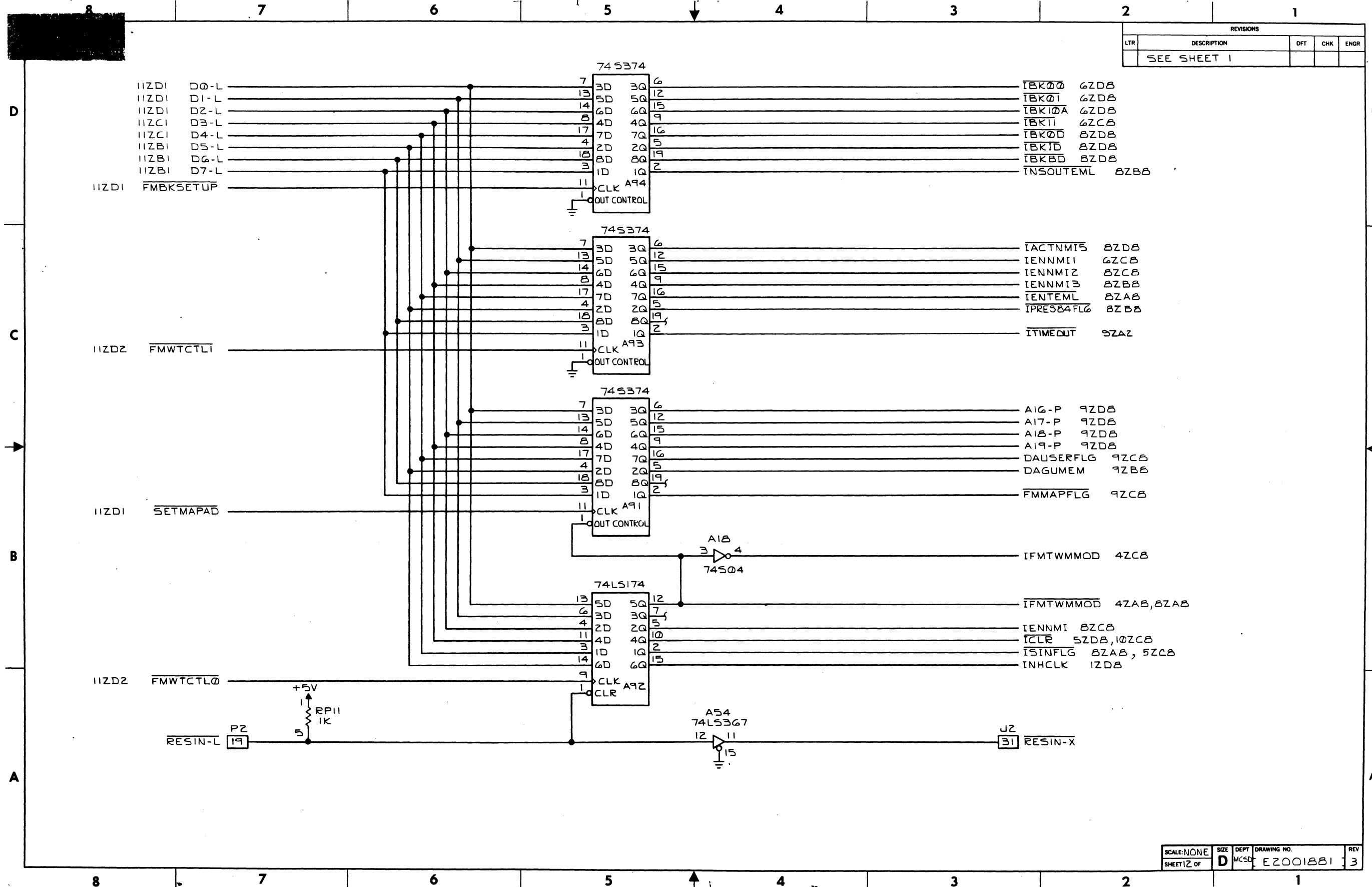
D0-L	
D1-L	
D2-L	12ZDB
D3-L	
D4-L	
D5-L	
D6-L	
D7-L	

D0-P	
D1-P	
D2-P	
D3-P	
D4-P	2ZDB, 10ZDI
D5-P	
D6-P	
D7-P	

D8-P	
D9-P	
D10-P	
D11-P	
D12-P	2ZCB, 10ZCI
D13-P	
D14-P	
D15-P	

ENFMBYTL	10ZBB
ENFMBYTH	10ZAB
FMRDDAT	10ZBB

SCALE: NONE	SIZE: D	DEPT: MCS	DRAWING NO: E2001881	REV: 3
SHEET 11 OF				

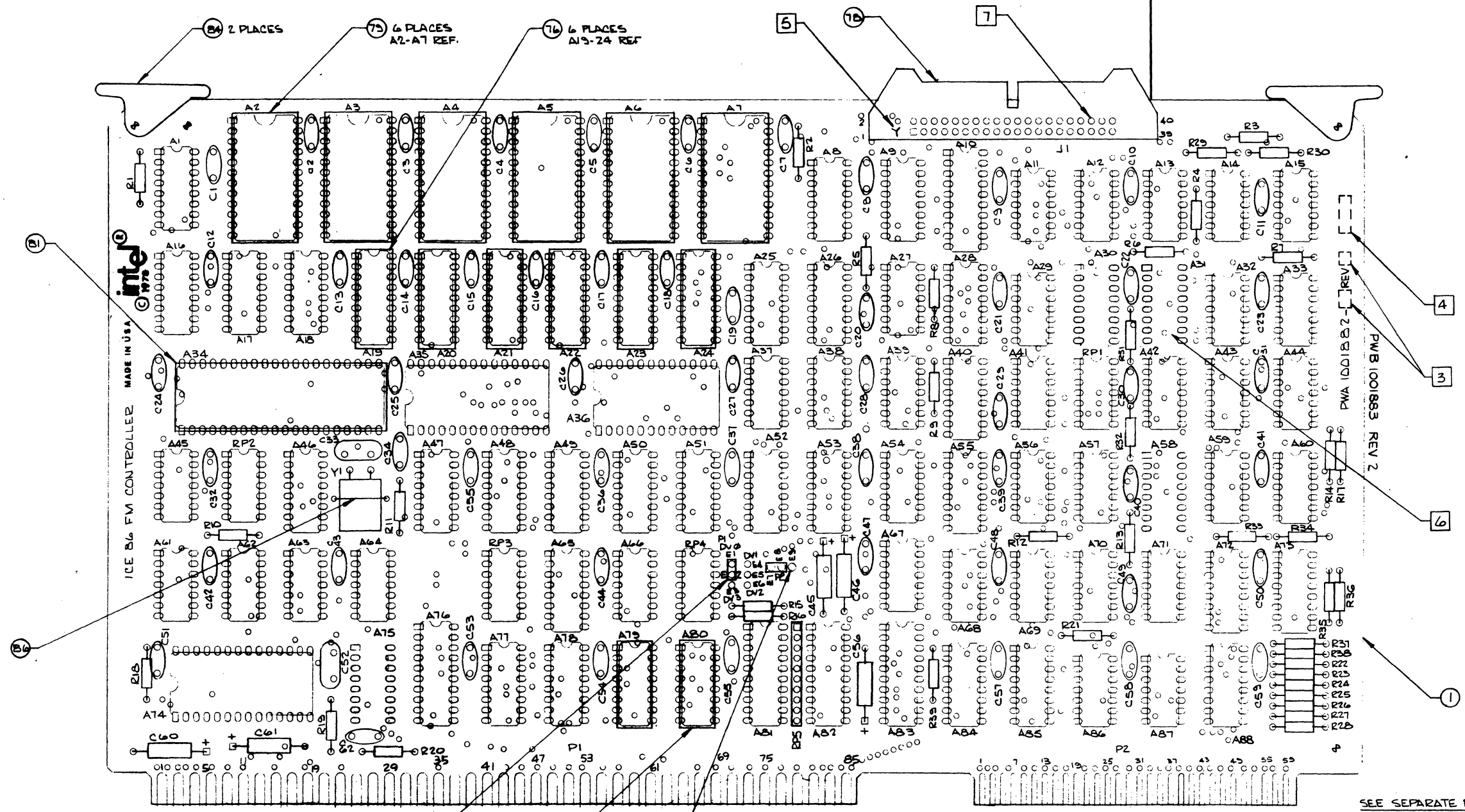


REVISIONS				
LTR	DESCRIPTION	DFT	CHK	ENGR
	SEE SHEET 1			

SCALE: NONE	SIZE: D	DEPT: MCS	DRAWING NO.: E2001881	REV: 3
SHEET 12 OF				

THIS DRAWING CONTAINS INFORMATION WHICH IS THE PROPRIETARY PROPERTY OF INTEL CORPORATION. THIS DRAWING IS PROVIDED IN CONFIDENCE AND ITS CONTENTS MAY NOT BE DISCLOSED WITHOUT THE PRIOR WRITTEN CONSENT OF INTEL CORPORATION.

DWG NO. E1001882 SH 1 REV 2

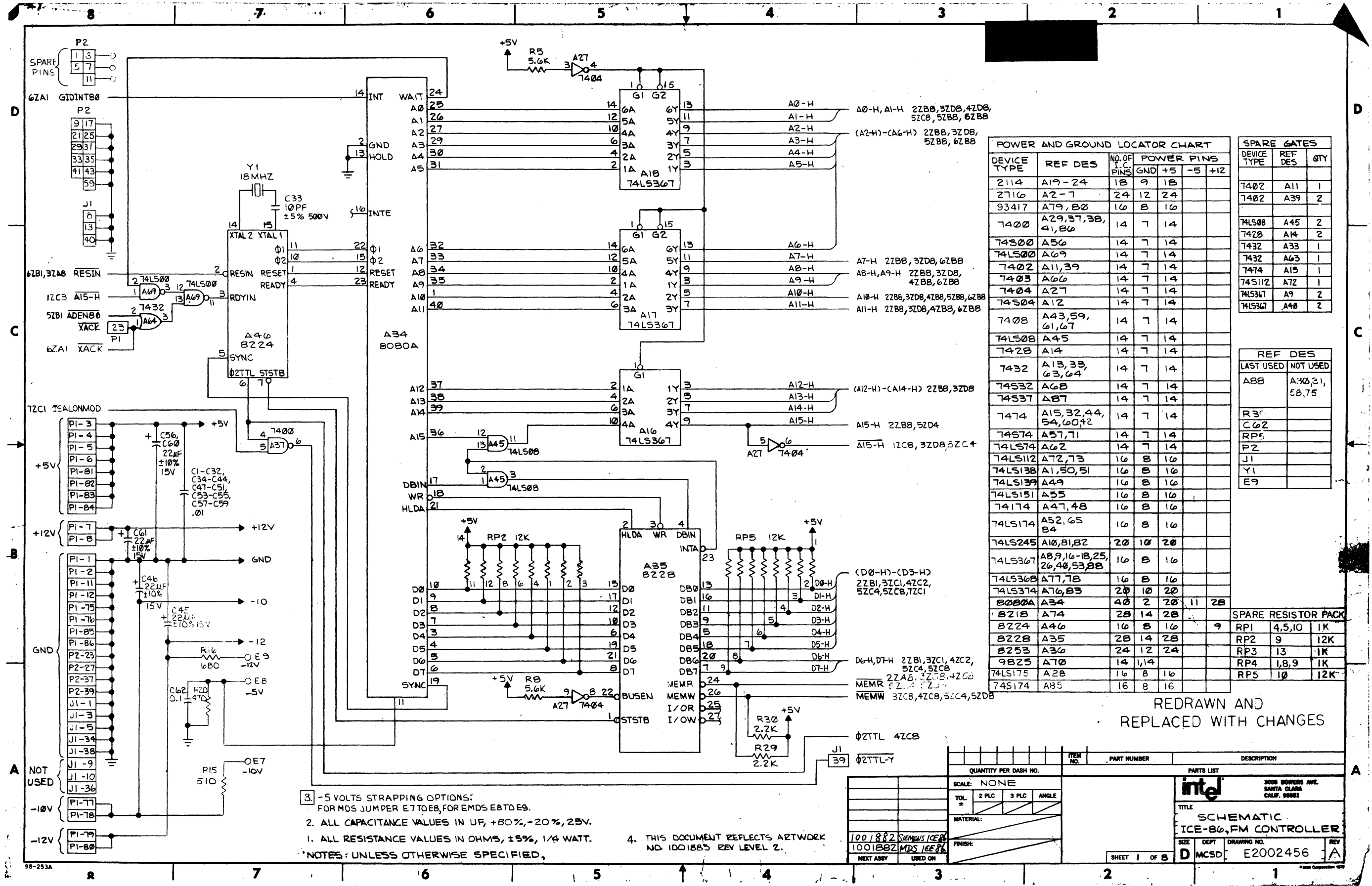


- 4 MARK VENDOR I.D. WITH CONTRASTING PERM COLOR, APPROX WHERE SHOWN
 - 5 MARK PART NO. AND REV LEVEL WITH CONTRASTING PERM COLOR, .12 HIGH APPROX WHERE SHOWN.
 - 2. WORKMANSHIP PER MCSD QAW 007.
 - 1. ASSY PART NO. IS 1001882-01 ASSY AND P/L ARE TRACKING DOCUMENTS
- NOTES: UNLESS OTHERWISE SPECIFIED
- 7 CUT PIN 36 FOR CABLE KEYING.
 - 6 FILL SPACE I.C. PADS WITH SOLDER. LOCATION A30, A31, A58, A75
 - 5 INK STAMP Y NEXT TO PIN 1 INDICATOR .12 HIGH USING NON-WATER SOLUBLE BLACK INK.

QUANTITY PER DASH NO.	ITEM NO.	PART NUMBER	DESCRIPTION
UNLESS OTHERWISE SPECIFIED:			
1. DIMENSIONS ARE IN INCHES.			
2. BREAK ALL SHARP EDGES.			
3. DO NOT SCALE DRAWING.			
4. TOLERANCES:			
XX ± .030			
XXX ± .010			
SURFACE FINISH ✓			

PARTS LIST			
intel®		3065 BOWERS AVE. SANTA CLARA CALIF. 95051	
TITLE PRINTED WIRING ASSEMBLY ICE-B6 FM CONTROLLER			
SIZE D	CODE MCSD	DWG. NO. E1001882	REV 2
SCALE 2/1		SHEET 1 OF 1	

SEE SEPARATE PARTS LIST



POWER AND GROUND LOCATOR CHART

DEVICE TYPE	REF DES	NO. OF I.C. PINS	POWER PINS		
			GND	+5	-5 +12
2114	A19-24	18	9	18	
2716	A2-7	24	12	24	
93417	A79,80	16	8	16	
7400	A29,37,38, 41,86	14	7	14	
74500	A50	14	7	14	
74LS00	A69	14	7	14	
7402	A11,39	14	7	14	
7403	A66	14	7	14	
7404	A27	14	7	14	
74504	A12	14	7	14	
7408	A43,59, 61,67	14	7	14	
74LS08	A45	14	7	14	
7428	A14	14	7	14	
7432	A13,33, 63,64	14	7	14	
74532	A68	14	7	14	
74537	A87	14	7	14	
7474	A15,32,44, 54,60,62	14	7	14	
74574	A57,71	14	7	14	
74LS74	A62	14	7	14	
74LS112	A72,73	16	8	16	
74LS138	A1,50,51	16	8	16	
74LS139	A49	16	8	16	
74LS151	A55	16	8	16	
74174	A47,48	16	8	16	
74LS174	A52,65 84	16	8	16	
74LS245	A10,81,82	20	10	20	
74LS367	A8,9,16-18,25, 26,40,53,88	16	8	16	
74LS368	A77,78	16	8	16	
74LS374	A16,83	20	10	20	
8080A	A34	40	2	20	11 28
8218	A74	28	14	28	
8224	A46	16	8	16	9
8228	A35	28	14	28	
8253	A36	24	12	24	
9825	A70	14	1,14		
74LS175	A28	16	8	16	
74LS174	A85	16	8	16	

SPARE GATES

DEVICE TYPE	REF DES	QTY
7402	A11	1
7402	A39	2
74LS08	A45	2
7428	A14	2
7432	A33	1
7432	A63	1
7474	A15	1
74LS112	A72	1
74LS367	A9	2
74LS367	A40	2

REF DES

LAST USED	NOT USED
A88	A30,31, 58,75
R30	
C62	
RP5	
P2	
J1	
Y1	
E9	

SPARE RESISTOR PACK

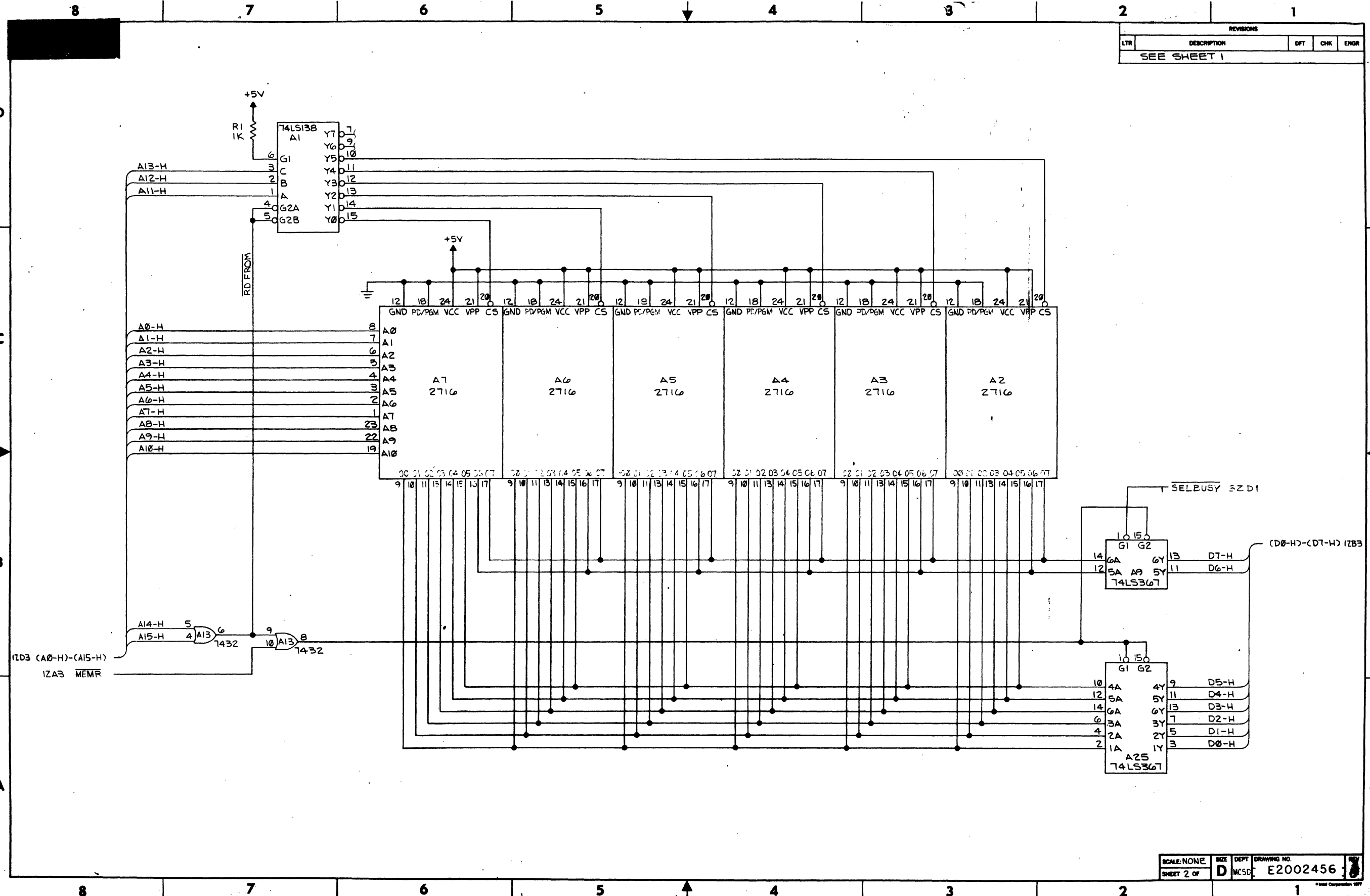
REF DES	QTY	VALUE	PACK
RP1	4,5,10	1K	
RP2	9	12K	
RP3	13	1K	
RP4	1,8,9	1K	
RP5	10	12K	

3. -5 VOLTS STRAPPING OPTIONS:
FOR MDS JUMPER E7 TO E8, FOR EMDS E8 TO E9.
2. ALL CAPACITANCE VALUES IN UF, +80%, -20%, 25V.
1. ALL RESISTANCE VALUES IN OHMS, ±5%, 1/4 WATT.
4. THIS DOCUMENT REFLECTS ARTWORK NO. 1001883 REV LEVEL 2.
- NOTES: UNLESS OTHERWISE SPECIFIED,

REDRAWN AND REPLACED WITH CHANGES

QUANTITY PER DASH NO.	ITEM NO.	PART NUMBER	DESCRIPTION
SCALE: NONE	PARTS LIST		
TOL: 2 PLC	intel		
3 PLC	3005 BOWERS AVE. SANTA CLARA CALIF. 95051		
ANGLE	TITLE: SCHEMATIC		
MATERIAL:	ICE-B6, FM CONTROLLER		
FINISH:	SIZE DEPT DRAWING NO. REV		
1001882 SIEMENS ICE	D MCSD E2002456 A		
1001882 MDS ICE	SHEET 1 OF 8		
NEXT ASSY USED ON	REV		

REVISIONS				
LTR	DESCRIPTION	DFT	CHK	ENGR
	SEE SHEET 1			



SCALE: NONE	SIZE: D	DEPT: MCSDC	DRAWING NO. E2002456
SHEET 2 OF			

8

7

5

4

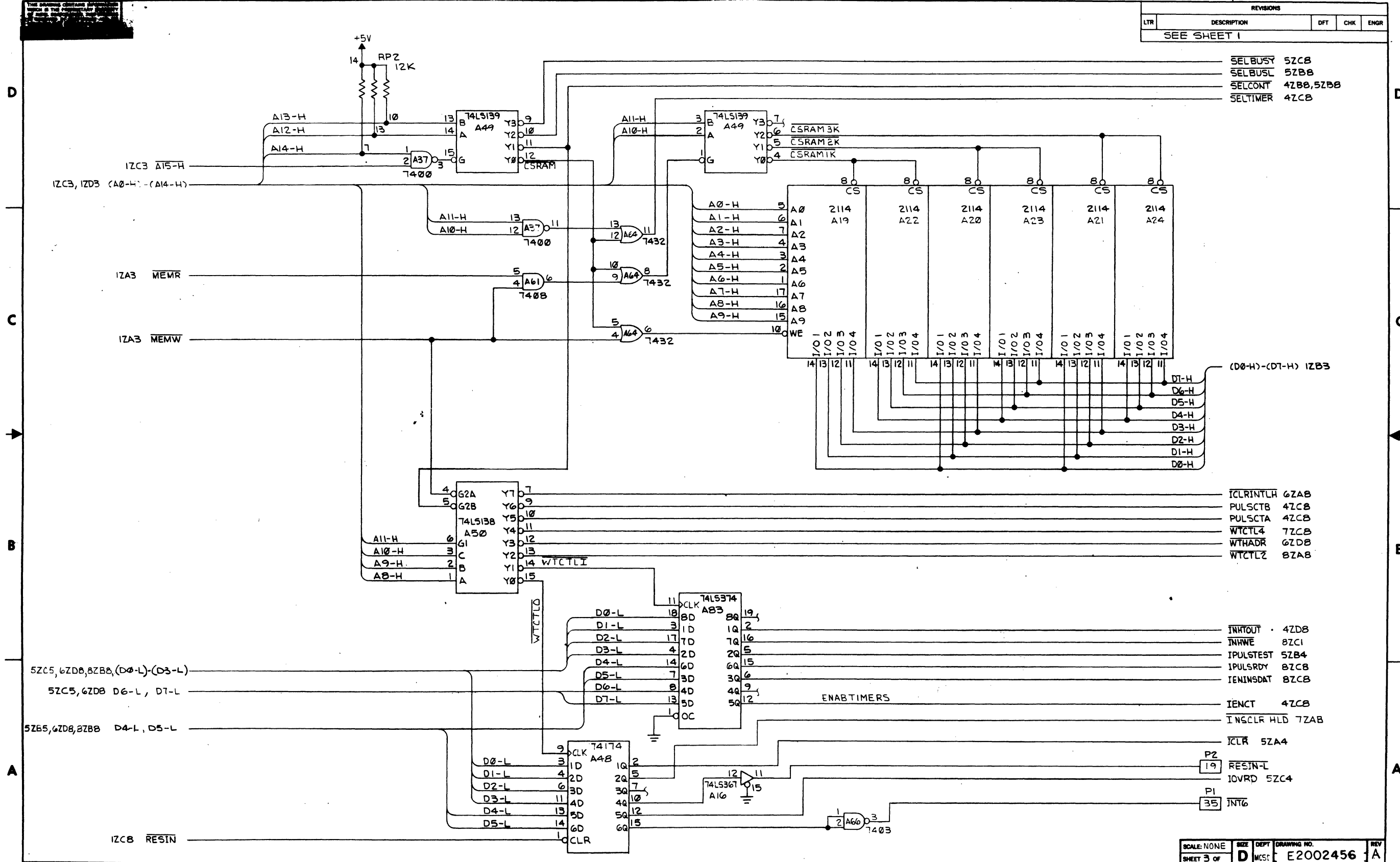
3

2

1

REVISIONS				
LTR	DESCRIPTION	DFT	CHK	ENGR
SEE SHEET 1				

- SELBUSY 5ZCB
- SELBUSL 5ZBB
- SELCONT 4ZBB,5ZBB
- SELTIMER 4ZCB



D

C

B

A

D

C

B

A

(D0-H)-(D7-H) 1ZB3

- ICLRINTLH 6ZAB
- PULSCTB 4ZCB
- PULSCTA 4ZCB
- WTCTL4 7ZCB
- WTHADR 6ZDB
- WTCTLZ 8ZAB

- INHTOUT 4ZDB
- INHW 8ZC1
- IPULSTEST 5ZB4
- IPULSRDY 8ZCB
- IENINSDAT 8ZCB
- IENCT 4ZCB
- INSCLR HLD 7ZAB

- ICLR 5ZA4
- RESIN-L P2 19
- IOVRD 5ZC4
- INTG P1 35

SCALE: NONE	SIZE: D	DEPT: MCSF	DRAWING NO: E2002456	REV: A
SHEET 3 OF				

8

7

6

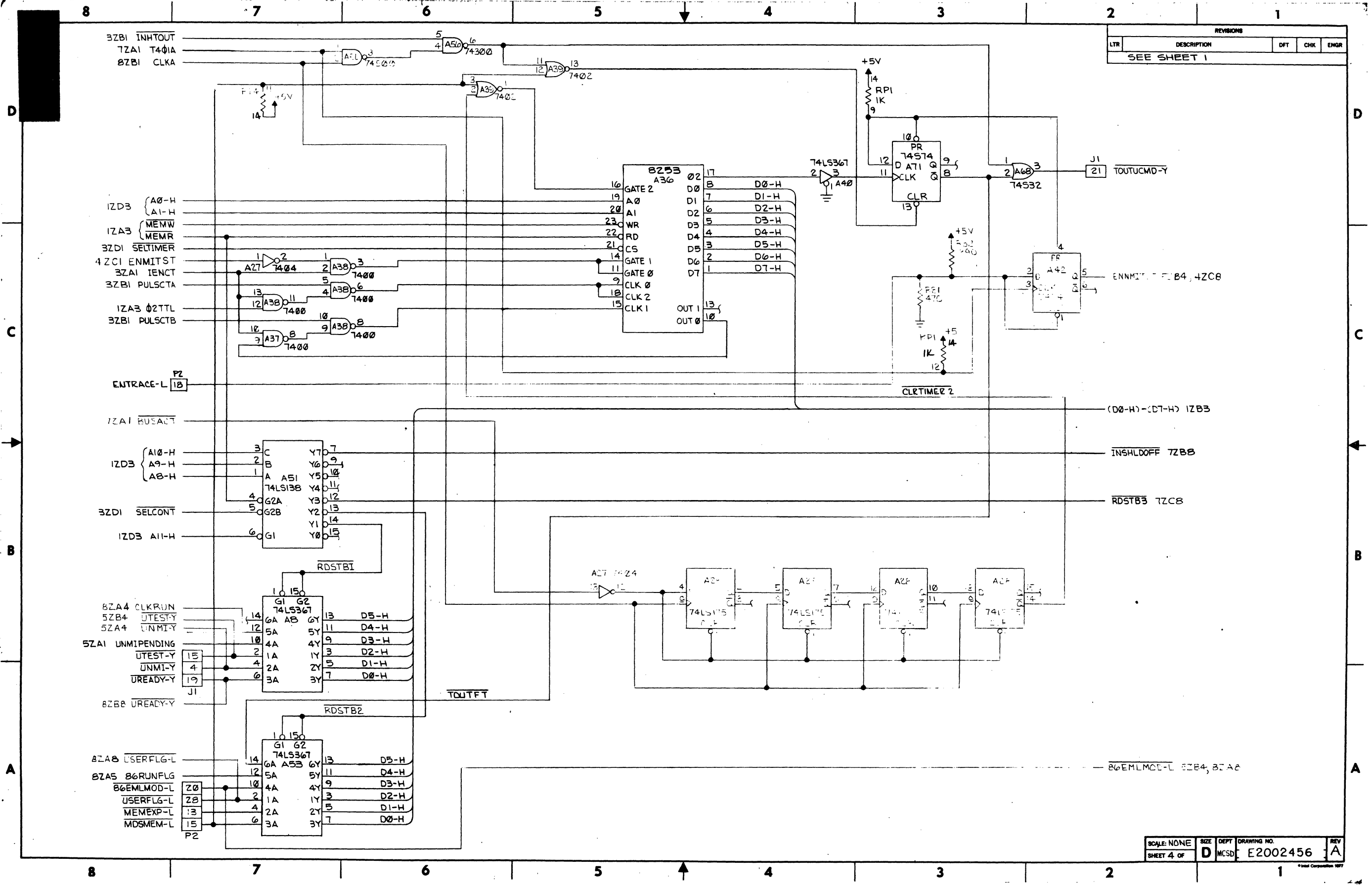
5

4

3

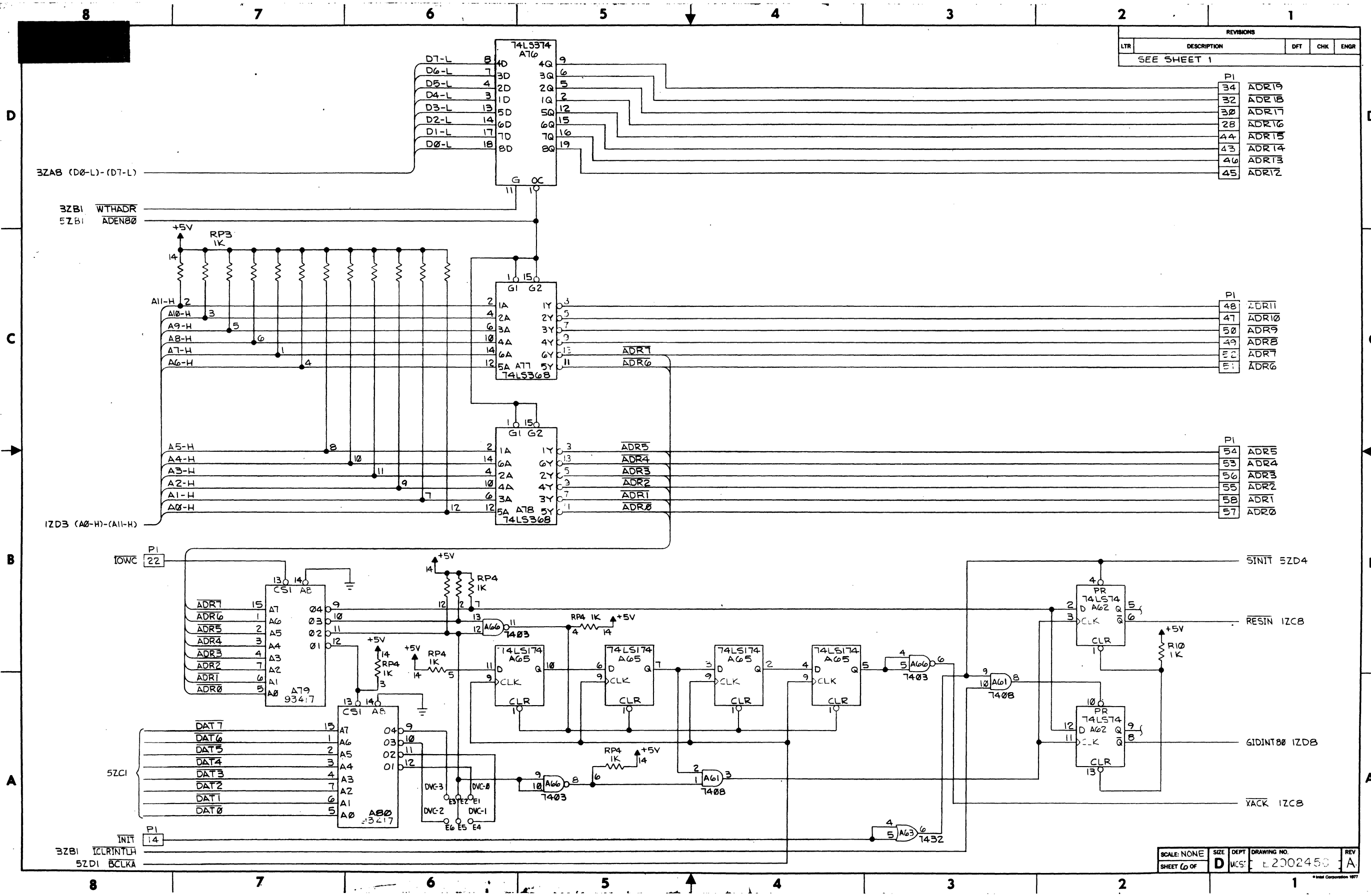
2

1



REVISIONS			
LTR	DESCRIPTION	DFT	CHK ENGR
	SEE SHEET 1		

SCALE: NONE	SIZE: D	DEPT: MCS	DRAWING NO. E2002456	REV: A
SHEET 4 OF				



REVISIONS				
LTR	DESCRIPTION	DFT	CHK	ENGR
SEE SHEET 1				

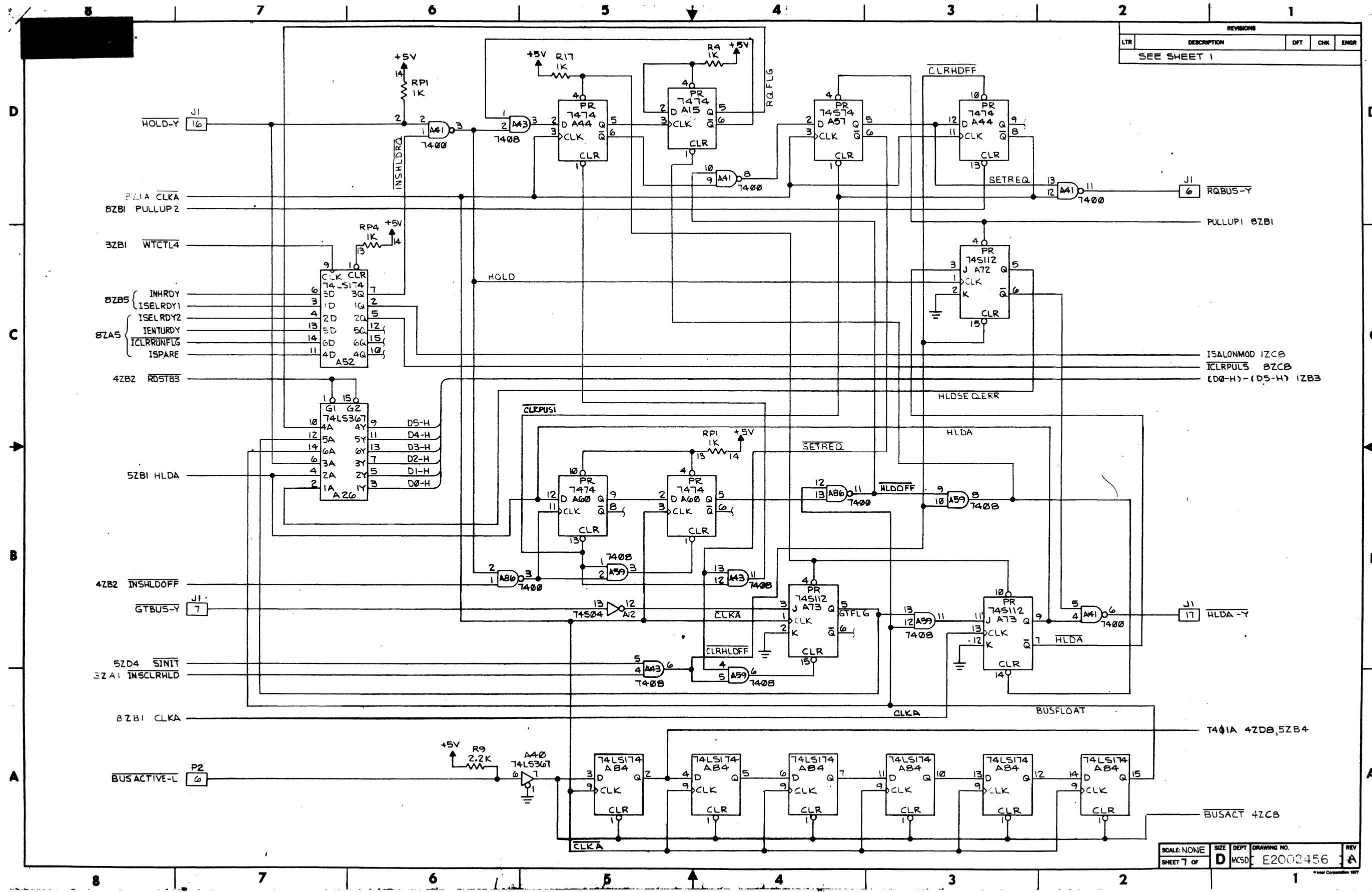
PI	ADR
31	ADR19
32	ADR18
33	ADR17
28	ADR16
44	ADR15
43	ADR14
46	ADR13
45	ADR12

PI	ADR
48	ADR11
47	ADR10
50	ADR9
49	ADR8
52	ADR7
51	ADR6

PI	ADR
54	ADR5
53	ADR4
56	ADR3
55	ADR2
58	ADR1
57	ADR0

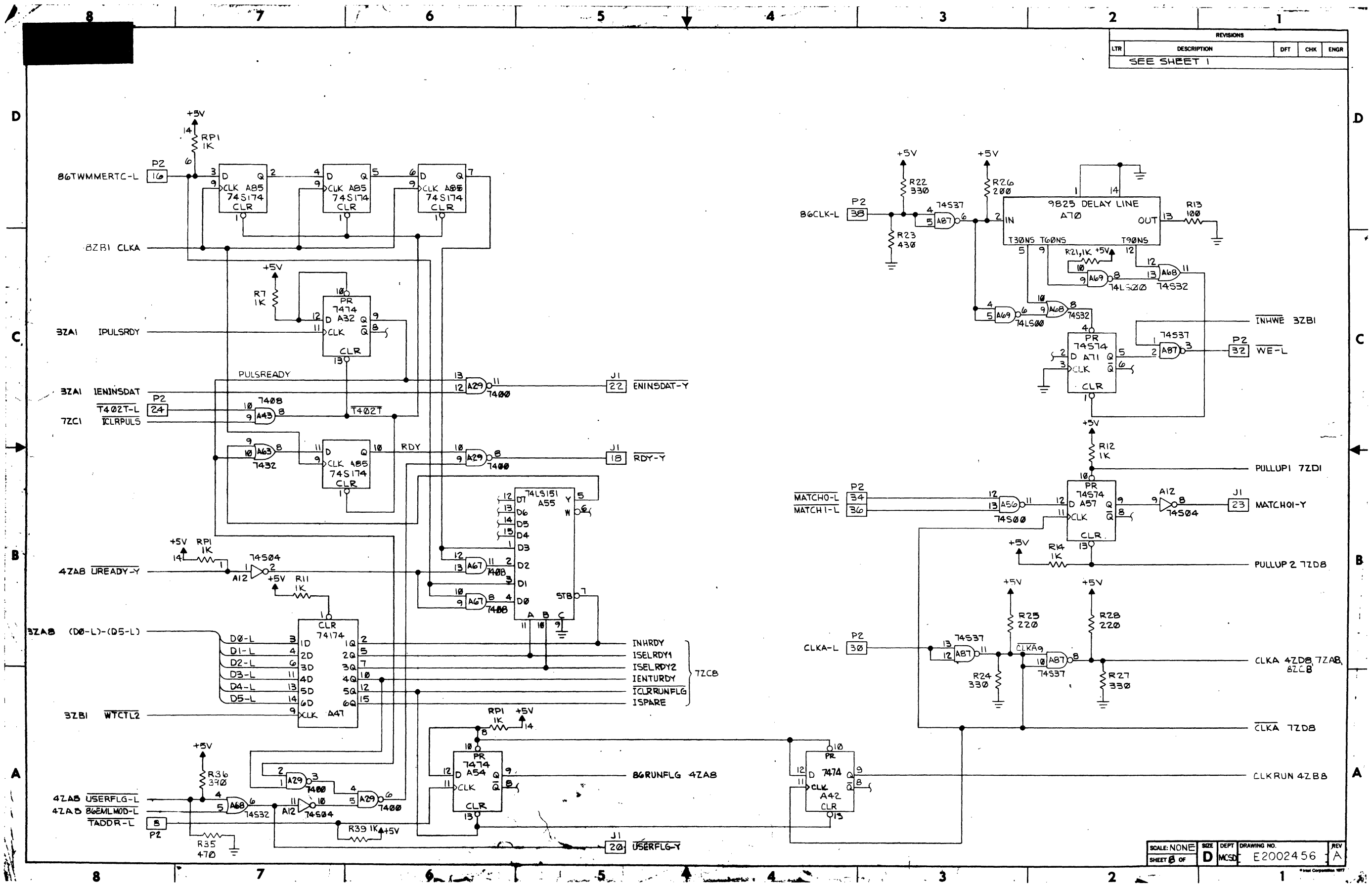
SCALE: NONE	SIZE: D	DEPT: WCS	DRAWING NO.: 2302450	REV: A
SHEET 10 OF				

REVISIONS				
LTR	DESCRIPTION	DFT	CHK	ENGR
	SEE SHEET 1			



SCALE: NONE	SIZE: D	DEPT: WCSO	DRAWING NO.: E2002456	REV: A
SHEET 7 OF				

REVISIONS				
LTR	DESCRIPTION	DFT	CHK	ENGR
	SEE SHEET 1			



SCALE: NONE	SIZE: D	DEPT: MCS	DRAWING NO. E2002456	REV: A
SHEET 8 OF				

8

7

6

5

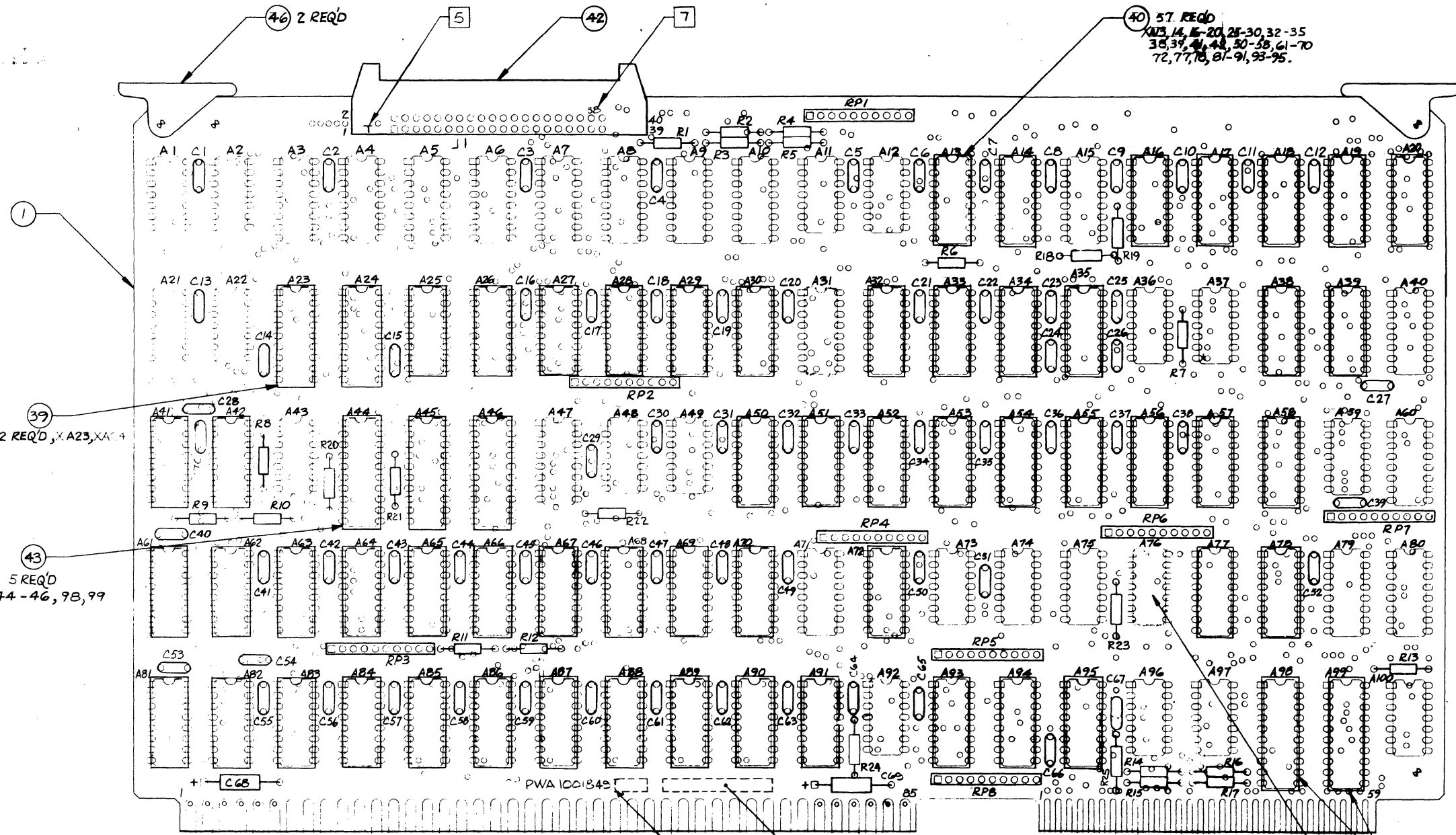
4

3

2

1

374 00000

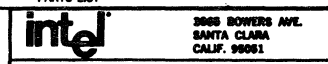


- 5 INK STAMP T NEXT TO PIN 1 INDICATOR, .12 HIGH USING NON-WATER SOLUBLE BLACK INK
 - 4 MARK VENDOR I.D. WITH CONTRASTING PERM COLOR, APPROX WHERE SHOWN.
 - 3 MARK PART NO. AND REV LEVEL WITH CONTRASTING PERM. COLOR, .12 HIGH, APPROX WHERE SHOWN.
2. WORKMANSHIP PER MCSD QAW 007.
 1. ASSY PART NO. IS 1001849-01. PWA AND PL ARE TRACKING DOCUMENTS.
 NOTES: UNLESS OTHERWISE SPECIFIED,

- 7 CUT PIN 3B FOR CABLE KEYING.
- 6 FILL SPARE I.C. PADS WITH SOLDER LOCATIONS A31, 76

SEE SEPARATE PARTS LIST

QUANTITY PER DASH NO.		ITEM NO.	PART NUMBER	DESCRIPTION
SCALE: 2:1	TOL: 2 PLC 3 PLC ANGLE			
MATERIAL:				
FINISH:				
1001849 ICE B6				
NEXT ASSY	USED ON			
SHEET 1 OF 1		D MCSD		E 1001849
				REV 3



3805 BOWERS AVE.
 SANTA CLARA
 CALIF. 95051

TITLE
**PRINTED WIRING ASSY.
 ICE-BG TRACE BOARD**

SIZE DEPT DRAWING NO. REV
 D MCSD E 1001849 3

8

7

6

5

4

3

2

1

7ZBZ CLKMUX
9ZCI ILDMUX

9ZDI DH0A
9ZDI DH1A
9ZDI DH2A
9ZDI DH3A

J1
BHE-T 2
AD0-T 3
AD1-T 4
AD2-T 5

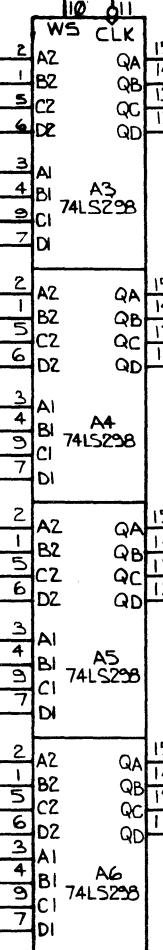
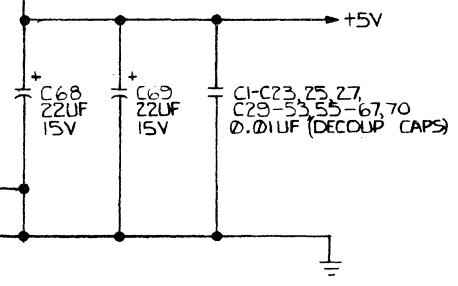
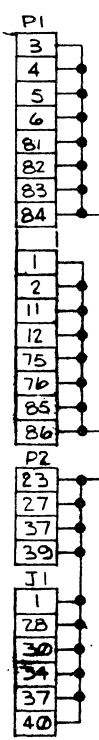
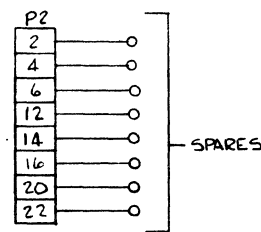
9ZDI DH4A
9ZDI DH5A
9ZDI DH6A
9ZDI DH7A

J1
AD3-T 6
AD4-T 7
AD5-T 8
AD6-T 9

9ZCI DM0
9ZCI DM1
9ZCI DM2
9ZCI DM3

J1
AD7-T 10
AD8-T 11
AD9-T 12
AD10-T 13

J1
AD11-T 14
AD12-T 15
AD13-T 16
AD14-T 17



BHE-A 2ZCB, 5ZDB, 6ZDB
AD0-A 2ZCB, 5ZDB, 6ZDB
AD1-A 2ZCB, 5ZDB, 6ZDB
AD2-A 2ZCB, 5ZDB, 6ZDB

AD3-A 2ZDB, 5ZCB, 6ZDB
AD4-A 2ZDB, 5ZCB, 6ZDB
AD5-A 2ZDB, 5ZCB, 6ZDB
AD6-A 2ZDB, 5ZCB, 6ZDB

AD7-A 2ZDB, 5ZCB, 6ZCB
AD8-A 2ZDB, 5ZCB, 6ZCB
AD9-A 2ZDB, 5ZCB, 6ZCB
AD10-A 2ZDB, 5ZCB, 6ZCB

AD11-A 2ZDB, 5ZCB, 6ZAB
AD12-A 2ZDB, 5ZCB, 6ZAB
AD13-A 2ZDB, 5ZCB, 6ZAB
AD14-A 2ZDB, 5ZCB, 6ZAB

BHE-T 10ZCB
AD0-T 10ZDB
AD1-T 10ZDB
AD2-T 10ZDB
AD3-T 10ZDB
AD4-T 10ZDB
AD5-T 10ZDB
AD6-T 10ZDB
AD7-T 10ZDB
AD8-T 10ZDB
AD9-T 10ZDB
AD10-T 10ZCB
AD11-T 10ZCB
AD12-T 10ZCB
AD13-T 10ZCB
AD14-T 10ZCB

REDRAWN AND REPLACED WITH CHANGE.

REF. DES.	DEVICE	QUANTITY	TOTAL BILLS	+5V	GND
A44, D8, 99	745374	20	20	10	
A96	7432	14	14	7	
A47	74174	16	16	8	
A44, 45	74LS374	20	20	10	
A16, 20, 77, 78, 92, 95	74LS367	16	16	8	
A3, 10	74LS298	16	16	8	
A38, 39, 58	74S163	16	16	8	
A40, 60, 79, 80	74LS198	16	16	8	
A15	74109	16	16	8	
A57, 48, 100	74S74	14	14	7	
A12	74S40	14	14	7	
A57	74S37	14	14	7	
A1	74S32	14	14	7	
A21	74S30	14	14	7	
A2, 22	74LS27	14	14	7	
A11, 43	74S08	14	14	7	
A36, 49, 59, 73, 75, 92	74S04	14	14	7	
A14	74S02	14	14	7	
A71	74S151	16	16	8	
A13, 14, 17, 44, 46, 74, 81, 82, 83	3101	16	16	8	
A23, 24	2147	18	18	9	
A25, 26	2125	16	16	8	
A27, 30, 32, 35, 51, 52, 64, 70, 72, 84, 91	2115	16	16	8	
REF. DES.	DEVICE	TOTAL BILLS	+5V	GND	

2. ALL CAPACITANCE VALUES ARE IN UF, 1000V, 20%.
1. ALL RESISTANCE VALUES ARE 1K OHMS, ±5%, 1/4 W.
NOTES: UNLESS OTHERWISE SPECIFIED

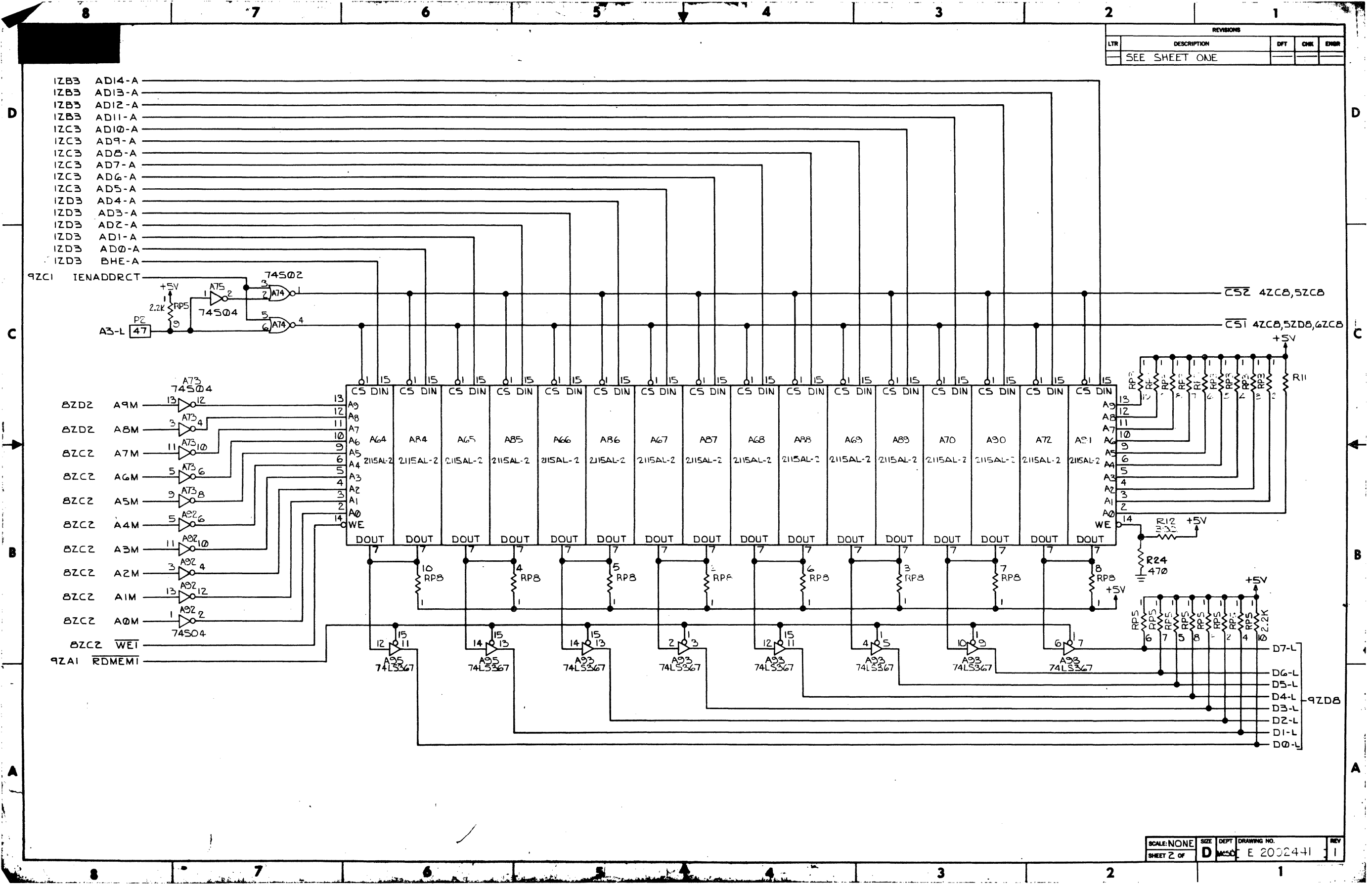
REF. DES.	QTY	TYPE	VALUE	UNIT
C70				
R28	74174	A47		
A120	74504	A56		

ITEM NO.	PART NUMBER	DESCRIPTION
QUANTITY PER DASH NO.		
SCALE: NONE		
TOL.	2 PLC	3 PLC ANGLE
MATERIAL:		
FINISH:		
SHEET 1 OF 10		

Intel
3065 BOWERS AVE.
SANTA CLARA
CALIF. 95051

TITLE
SCHEMATIC
ICE 06 TRACE

DATE DEPT DRAWING NO. REV
D INCSD E 2002441



REVISIONS				
LTR	DESCRIPTION	DFT	CHK	ENGR
	SEE SHEET ONE			

- IZB3 AD14-A
- IZB3 AD13-A
- IZB3 AD12-A
- IZB3 AD11-A
- IZC3 AD10-A
- IZC3 AD9-A
- IZC3 AD8-A
- IZC3 AD7-A
- IZC3 AD6-A
- IZC3 AD5-A
- IZD3 AD4-A
- IZD3 AD3-A
- IZD3 AD2-A
- IZD3 AD1-A
- IZD3 AD0-A
- IZD3 BHE-A

9ZC1 IENADDRCT

- BZD2 A9M
- BZD2 A8M
- BZC2 A7M
- BZC2 A6M
- BZC2 A5M
- BZC2 A4M
- BZC2 A3M
- BZC2 A2M
- BZC2 A1M
- BZC2 A0M
- BZC2 WE1

9ZAI RDMEMI

CS2 4ZC8,5ZC8

CS1 4ZC8,5ZD8,6ZC8

R24 470

R12 330

R11

8

7

6

5

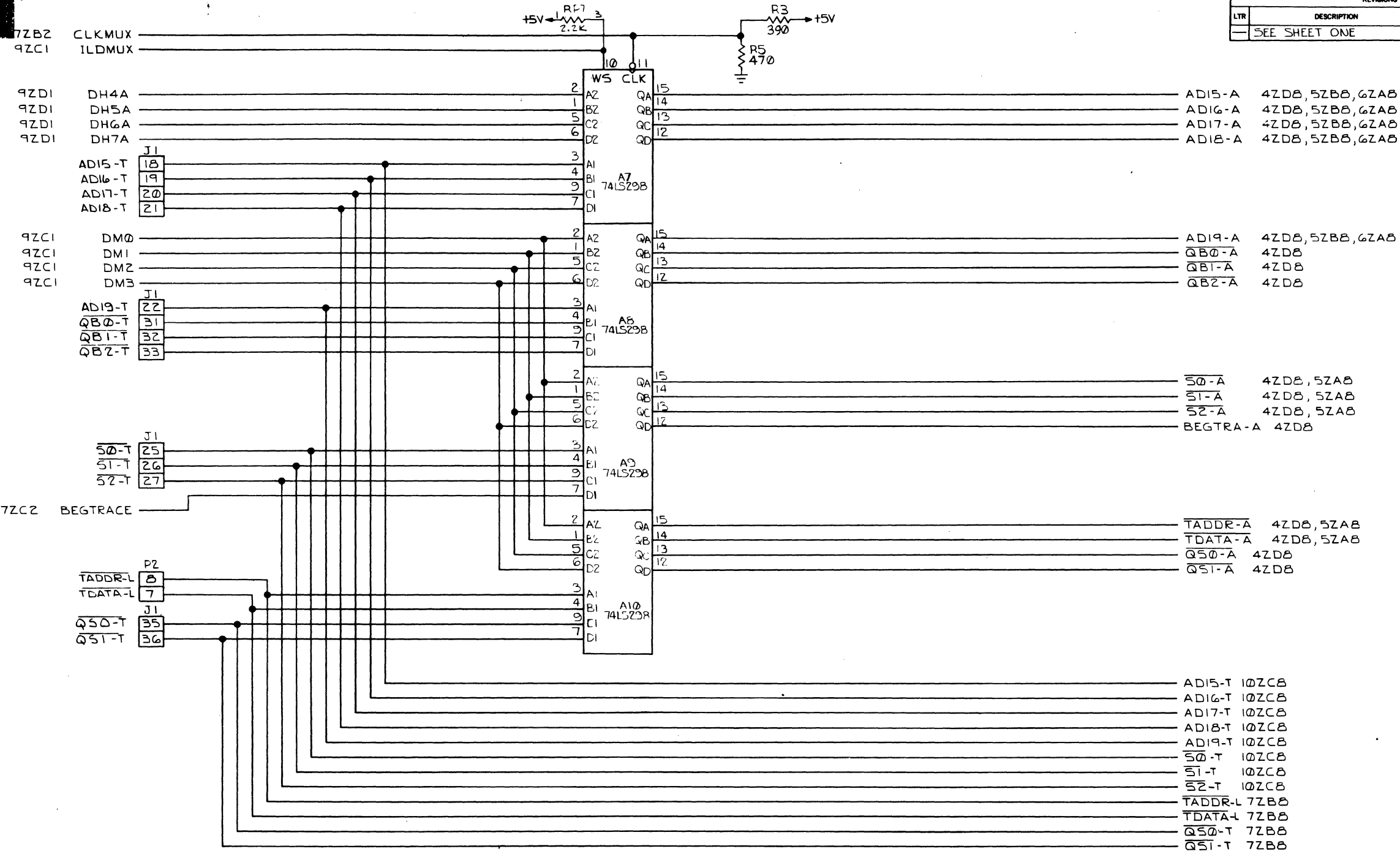
4

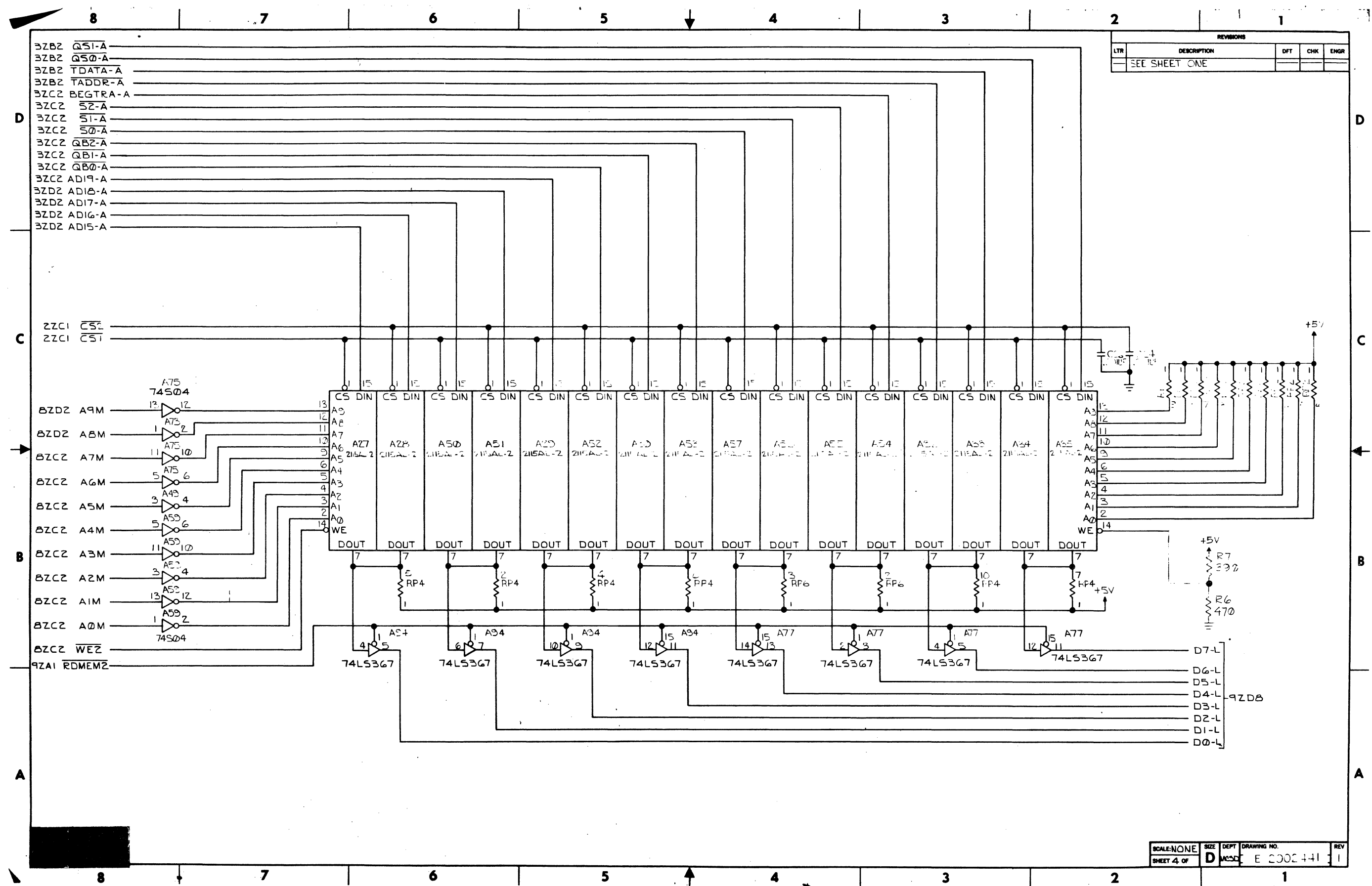
3

2

1

REVISIONS				
LTR	DESCRIPTION	DFT	CHK	ENGR
	SEE SHEET ONE			





8

7

6

5

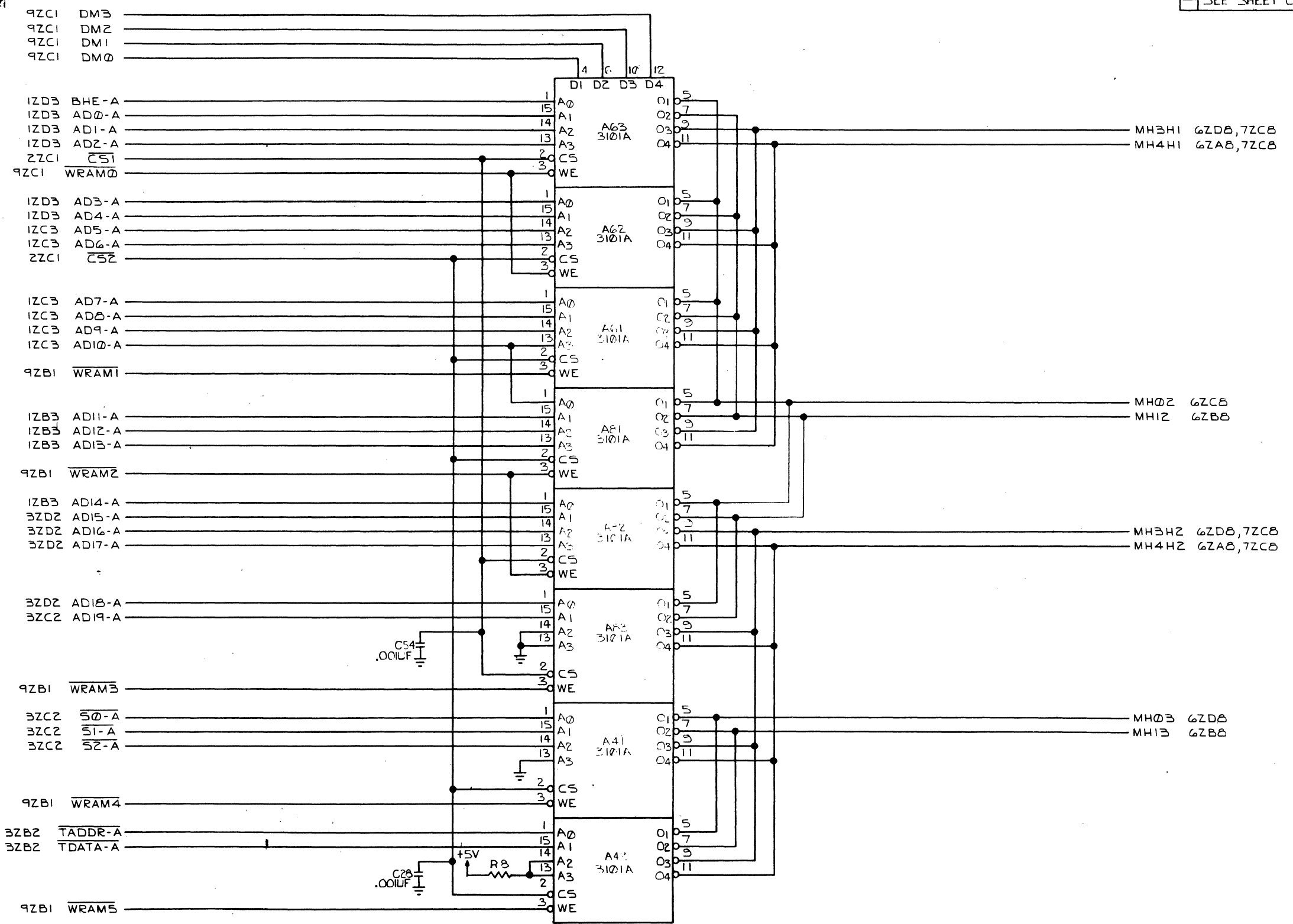
4

3

2

1

REVISIONS				
LTR	DESCRIPTION	DFT	CHK	ENGR
	SEE SHEET ONE			



SCALE: NONE	SIZE: D	DEPT: MCS	DRAWING NO.: E 20 2441	REV: 1
SHEET 5 OF				

8

7

6

5

4

3

2

1

REVISIONS			
LTR	DESCRIPTION	DFT	CHK
	SEE SHEET ONE		

9ZA1 RDMH1
 5ZA2 MH0B
 5ZD2 MH3H1
 5ZB2 MH3H2
 9ZB1 WRAM7
 9ZB1 WRAM6

IZD3 BHE-A
 IZD3 AD0-A
 IZD3 AD1-A
 IZD3 AD2-A
 IZD3 AD3-A
 IZD3 AD4-A
 IZC3 AD5-A
 IZC3 AD6-A
 IZC3 AD7-A
 IZC3 AD8-A
 IZC3 AD9-A
 IZC3 AD10-A
 9ZC1 DM0
 2ZC1 CS1

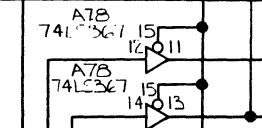
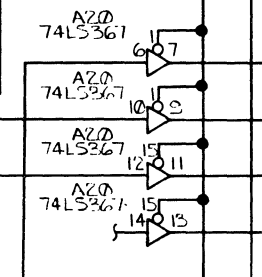
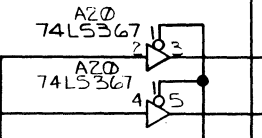
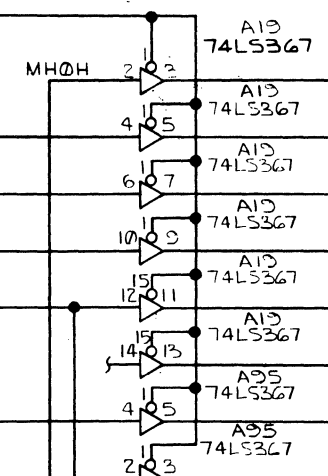
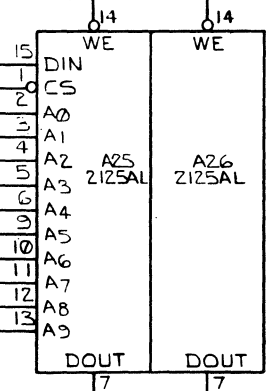
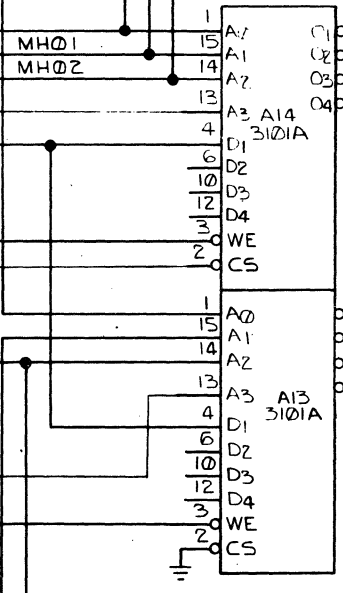
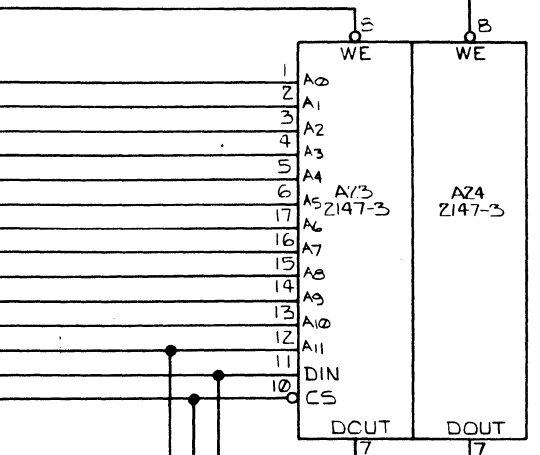
5ZC2 MH0Z

9ZC1 INSMHO
 9ZB1 WRAM10

5ZC2 MH1Z
 9ZB1 WRAM11
 5ZA2 MH13
 9ZB1 WRAM8
 9ZB1 WRAM9

IZB3 AD11-A
 IZB3 AD12-A
 IZB3 AD13-A
 IZB3 AD14-A
 3ZD2 AD15-A
 3ZD2 AD16-A
 3ZD2 AD17-A
 3ZD2 AD18-A
 3ZC2 AD19-A

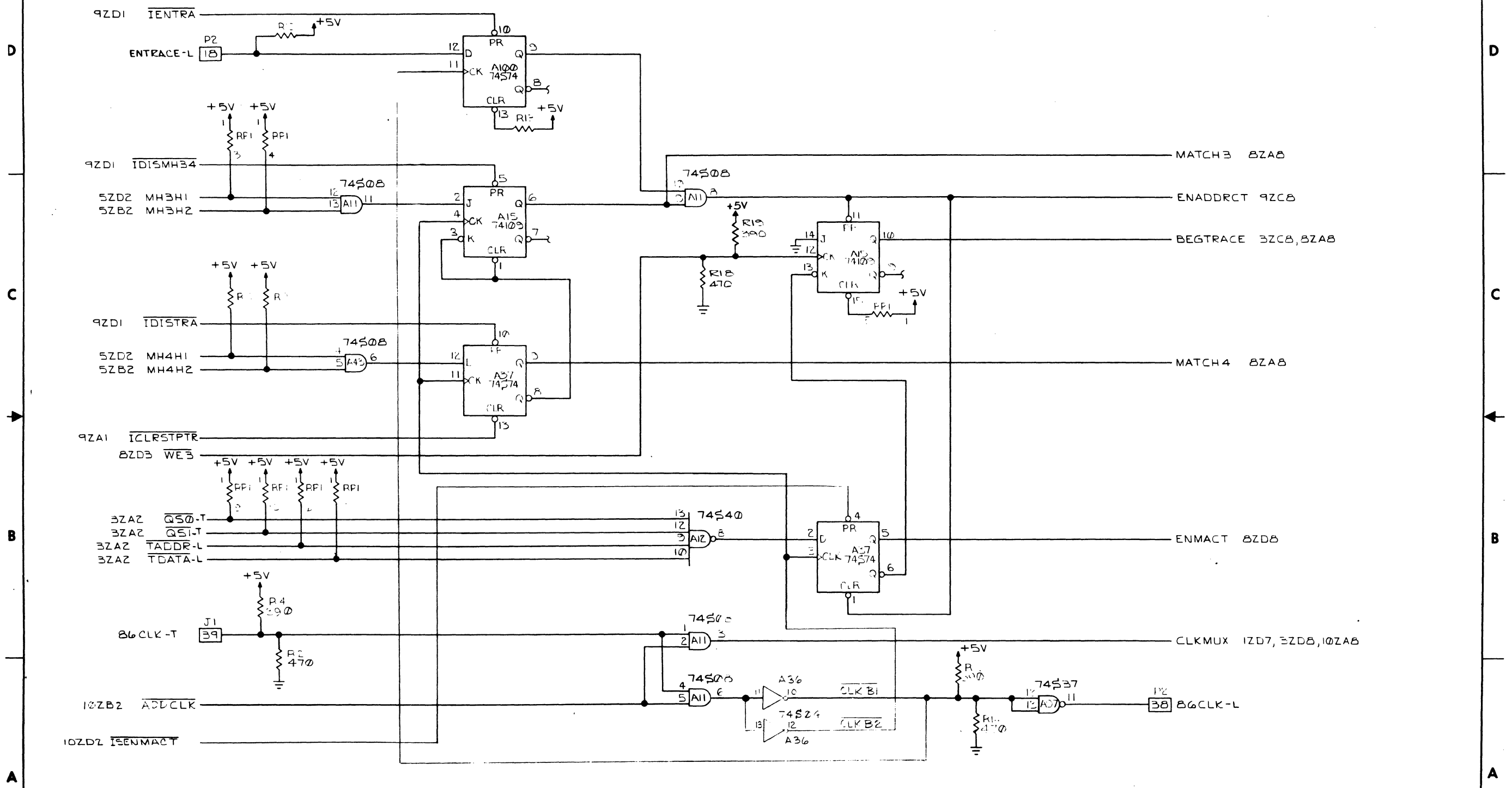
5ZD2 MH4H1
 5ZB2 MH4H2
 9ZA1 RDMH2



D0-L 9ZDB
 D1-L 9ZDB
 P2 34 MATCH0-L
 D2-L 9ZDB
 D3-L 9ZDB
 D4-L 9ZDB
 D5-L 9ZDB
 P2 36 MATCH1-L
 D6-L 9ZDB
 D7-L 9ZDB

8 7 6 5 4 3 2 1

REVISIONS				
LTR	DESCRIPTION	DFT	CHK	ENGR
-	SEE SHEET ONE			

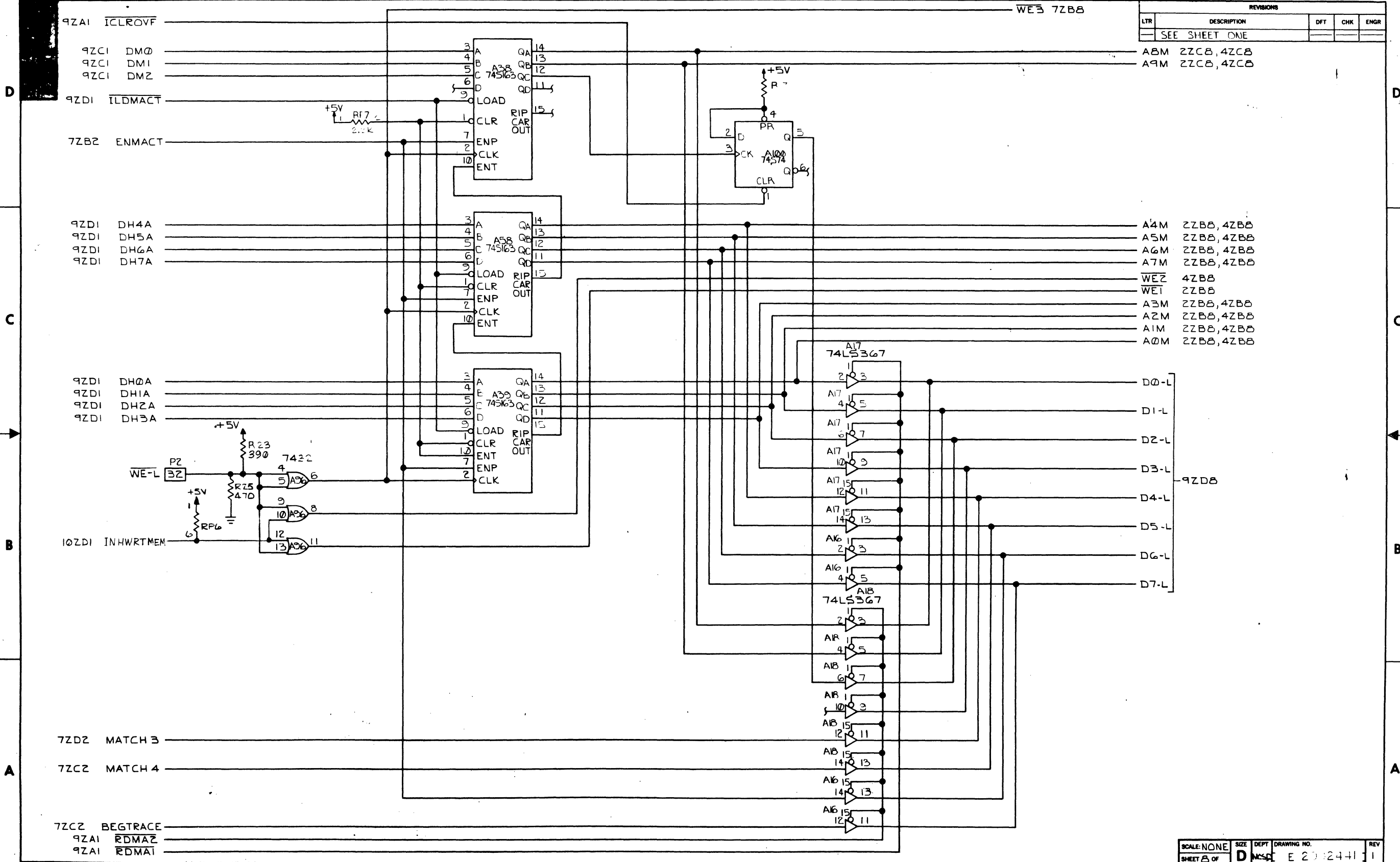


A A

SCALE: NONE	SIZE: D	DEPT: MCS	DRAWING NO.: E 2002-4-11	REV: 1
SHEET 7 OF				

8 7 6 5 4 3 2 1

8 7 6 5 4 3 2 1



REVISIONS				
LTR	DESCRIPTION	DFT	CHK	ENGR
	SEE SHEET ONE			

- A8M 2ZCB, 4ZCB
- A9M 2ZCB, 4ZCB
- A4M 2ZBB, 4ZBB
- ASM 2ZBB, 4ZBB
- AGM 2ZBB, 4ZBB
- A7M 2ZBB, 4ZBB
- WEZ 4ZBB
- WEI 2ZBB
- A3M 2ZBB, 4ZBB
- A2M 2ZBB, 4ZBB
- A1M 2ZBB, 4ZBB
- A0M 2ZBB, 4ZBB

- D0-L
- D1-L
- D2-L
- D3-L
- D4-L
- D5-L
- D6-L
- D7-L

D

C

B

A

D

C

B

A

SCALE: NONE	SIZE: D	DEPT: NCS	DRAWING NO.: E 2012441	REV: 1
SHEET 3 OF 3				

8 7 6 5 4 3 2 1

REVISIONS				
LTR	DESCRIPTION	DFT	CHK	ENGR
	SEE SHEET ONE			

ZZAI,4ZAI,6ZCI,8ZC2,10ZC2 D0-L
 ZZAI,4ZAI,6ZCI,8ZC2,10ZC2 D1-L
 ZZAI,4ZAI,6ZCI,8ZB2,10ZC2 D2-L
 ZZAI,4ZAI,6ZCI,8ZB2,10ZC2 D3-L
 ZZAI,4ZAI,6ZBI,8ZB2,10ZC2 D4-L
 ZZAI,4ZAI,6ZBI,8ZB2,10ZC2 D5-L
 ZZAI,4ZAI,6ZBI,8ZB2,10ZC2 D6-L
 ZZBI,4ZBI,6ZBI,8ZB2,10ZC2 D7-L

D0-L 51
 D1-L 52
 D2-L 53
 D3-L 54
 D4-L 55
 D5-L 56
 D6-L 57
 D7-L 58

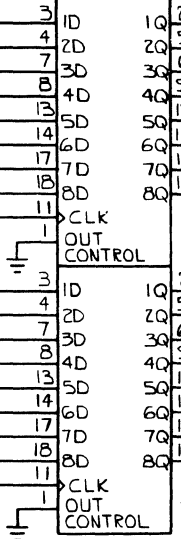
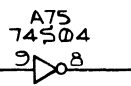
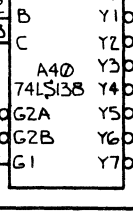
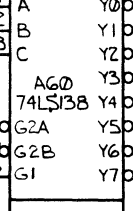
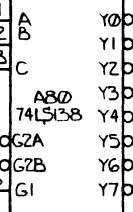
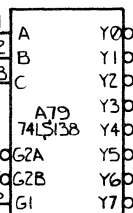
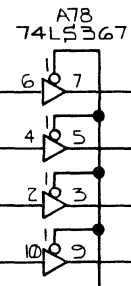
7ZC2 ENADDRCT

A0-L 44
 A1-L 45
 A2-L 46

SELWT-L 40
 A6-L 50

AS-L 49

SELRD-L 42

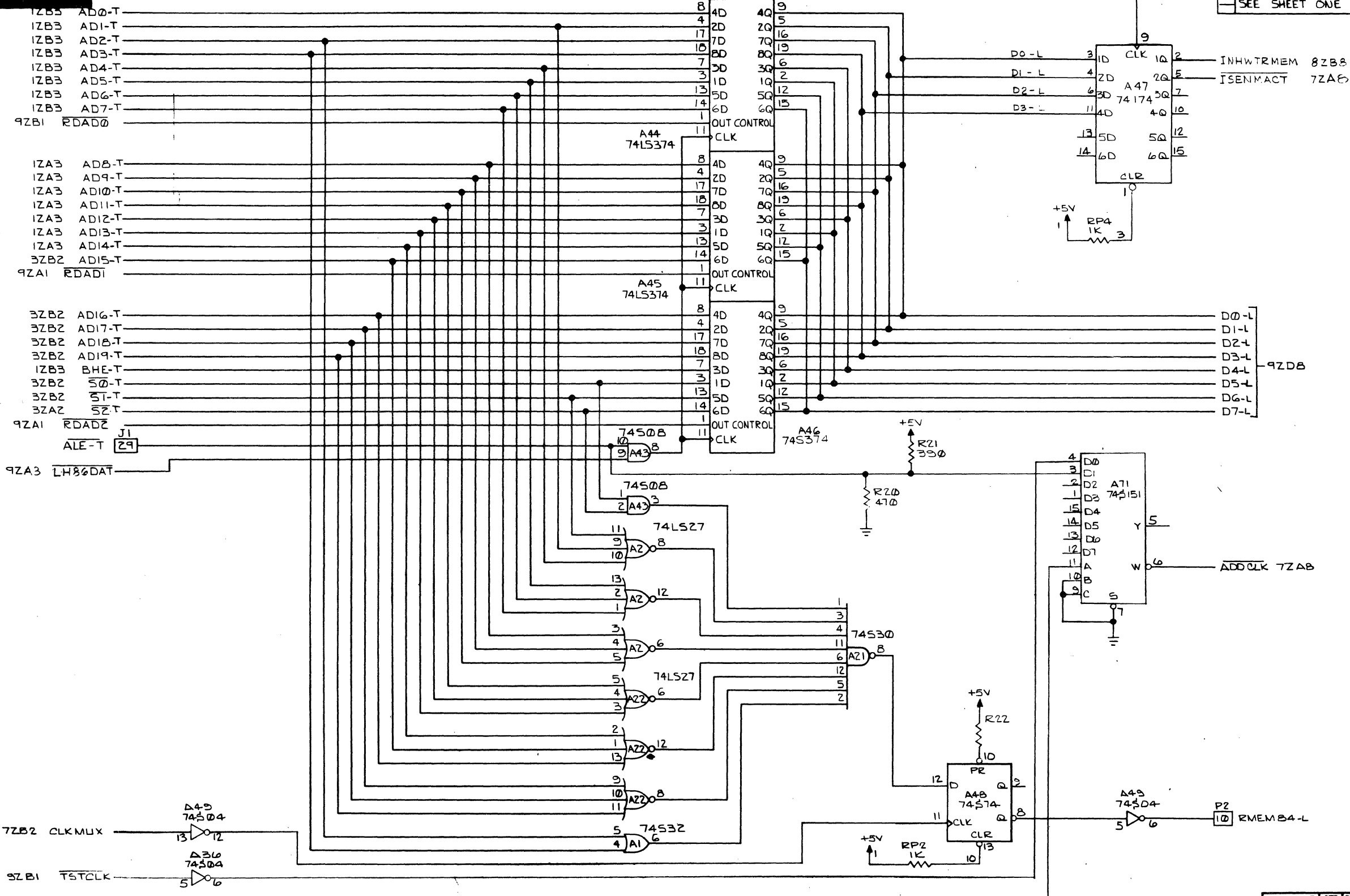


DH0A 1ZD7,8ZCB
 DH1A 1ZD7,8ZCB
 DH2A 1ZD7,8ZCB
 DH3A 1ZD7,8ZCB
 DH4A 1ZD7,3ZD8,8ZCB
 DH5A 1ZD7,3ZD8,8ZCB
 DH6A 1ZC7,3ZD8,8ZCB
 DH7A 1ZC7,3ZD8,8ZCB
 IDISTRA 7ZCB
 IENTRA 7ZDB
 IDISMH34 7ZDB
 ILDMACT 8ZDB
 INSMHC 6ZB8
 IENADDRCT 2ZCB
 ISELCLK 10ZAB
 ILDMUX 1ZD2,3ZDB
 DM0 1ZC7,3ZCB,5ZDB,6ZCB,8ZDB
 DM1 1ZC7,3ZCB,5ZDB,8ZDB
 DM2 1ZC7,3ZCB,5ZDB,8ZDB
 DM3 1ZC7,3ZCB,5ZDB
 WRAM0 5ZDB
 WRAM1 5ZCB
 WRAM2 5ZBB
 WRAM3 5ZBB
 WRAM4 5ZAB
 WRAM5 5ZAB
 WRAM6 6ZDB
 WRAM7 6ZDB
 WRAM8 6ZBB
 WRAM9 6ZBB
 WRAM10 6ZBB
 WRAM11 6ZBB
 WTITLE 10ZD7
 TSTCLK 10ZAB
 RDAD0 10ZDB
 RDAD1 10ZCB
 RDAD2 10ZCB
 TCLRSTPTR 7ZB8
 TCLROVF 8ZDB
 RDMEM1 2ZBB
 RDMEM2 4ZBB
 RDMA1 8ZAB
 RDMA2 8ZAB
 RDMH1 6ZDB
 RDMH2 6ZAB
 LH86DAT 10ZB8

SCALE: NONE	SIZE: D	DEPT: NCS	DRAWING NO.: E 2002441	REV: 1
SHEET 9 OF				

8ZBI WTCTLS

REVISIONS				
LTR	DESCRIPTION	DFT	CHK	ENGR
	SEE SHEET ONE			



SCALE: NONE	SIZE: D	DEPT: MSSC	DRAWING NO. E 2002441	REV: 1
SHEET 10 OF				



INTEL CORPORATION, 3065 Bowers Avenue, Santa Clara, California 95051 • (408) 987-8080

Printed in U.S.A.