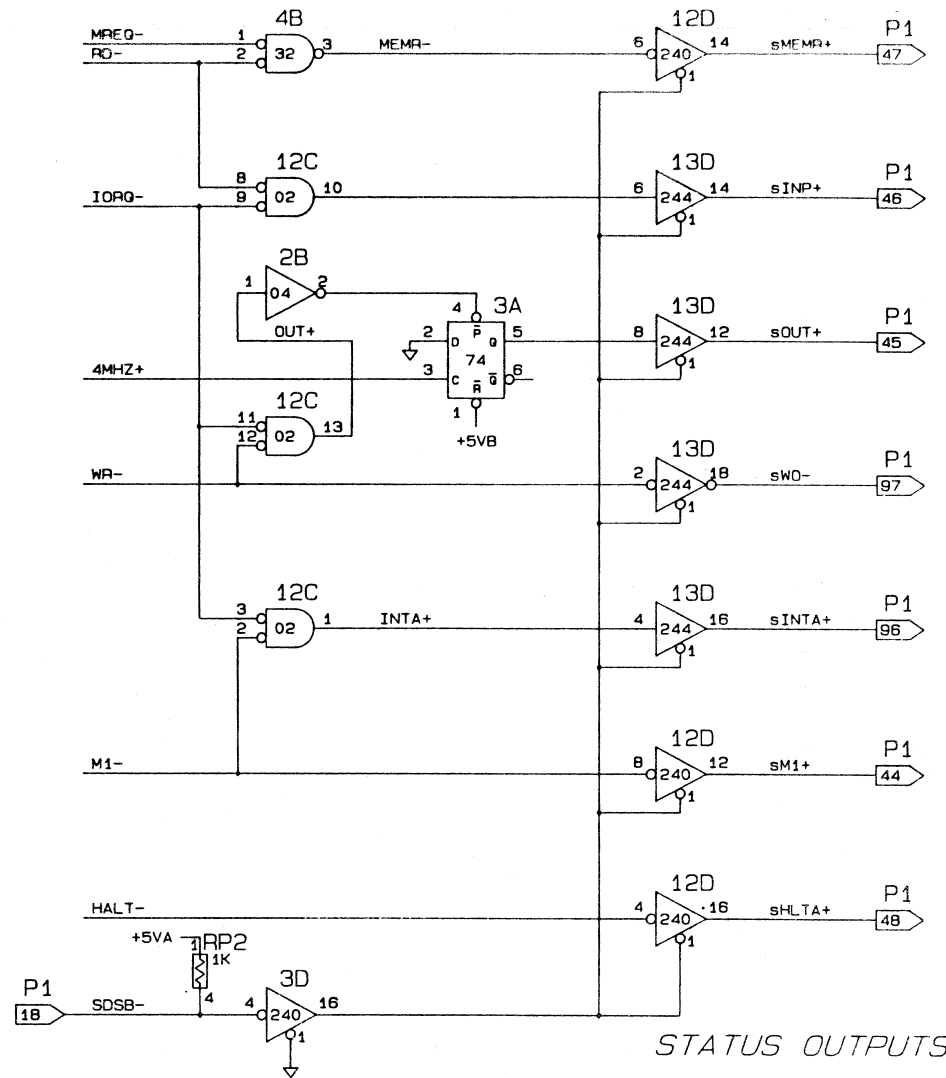


CONTROL OUTPUTS



STATUS OUTPUTS

PWR AND GND CONNECTIONS

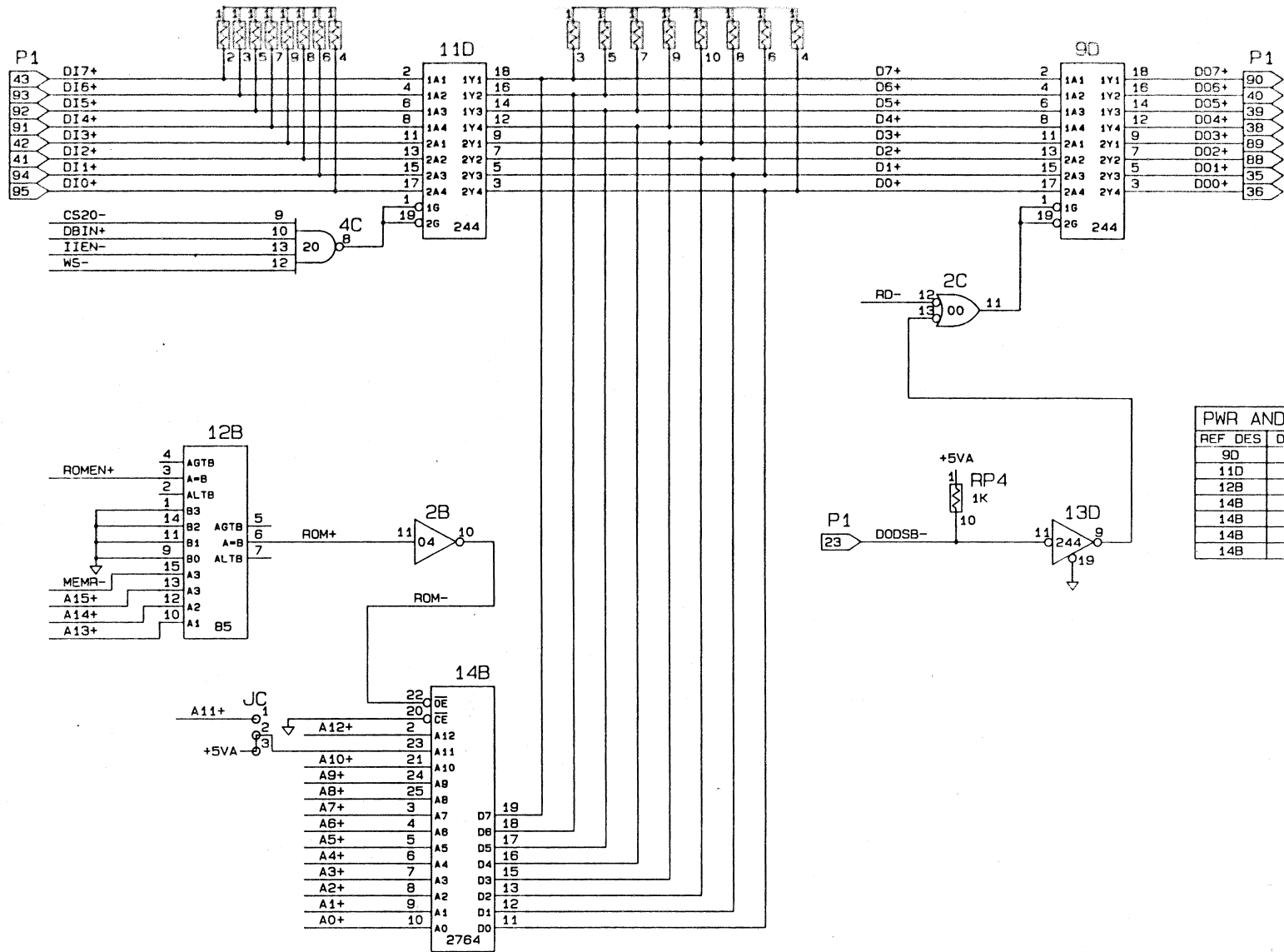
REF	DES	DEVICE	GND	+5VA	+5VB
2C	00	74	7	14	
3A	74	74	7		14
3B	74	74	7		14
3C	74	74	7	14	
4A	08	74	7		14
4B	32	74	7		14
4C	20	74	7	14	
12D	240	240	10	20	

SCALE:	APPROVED BY:	DRAWN BY:
DATE:		REVISED:

Z80 CPU
L00971

SHEET NUMBER
2 OF 6





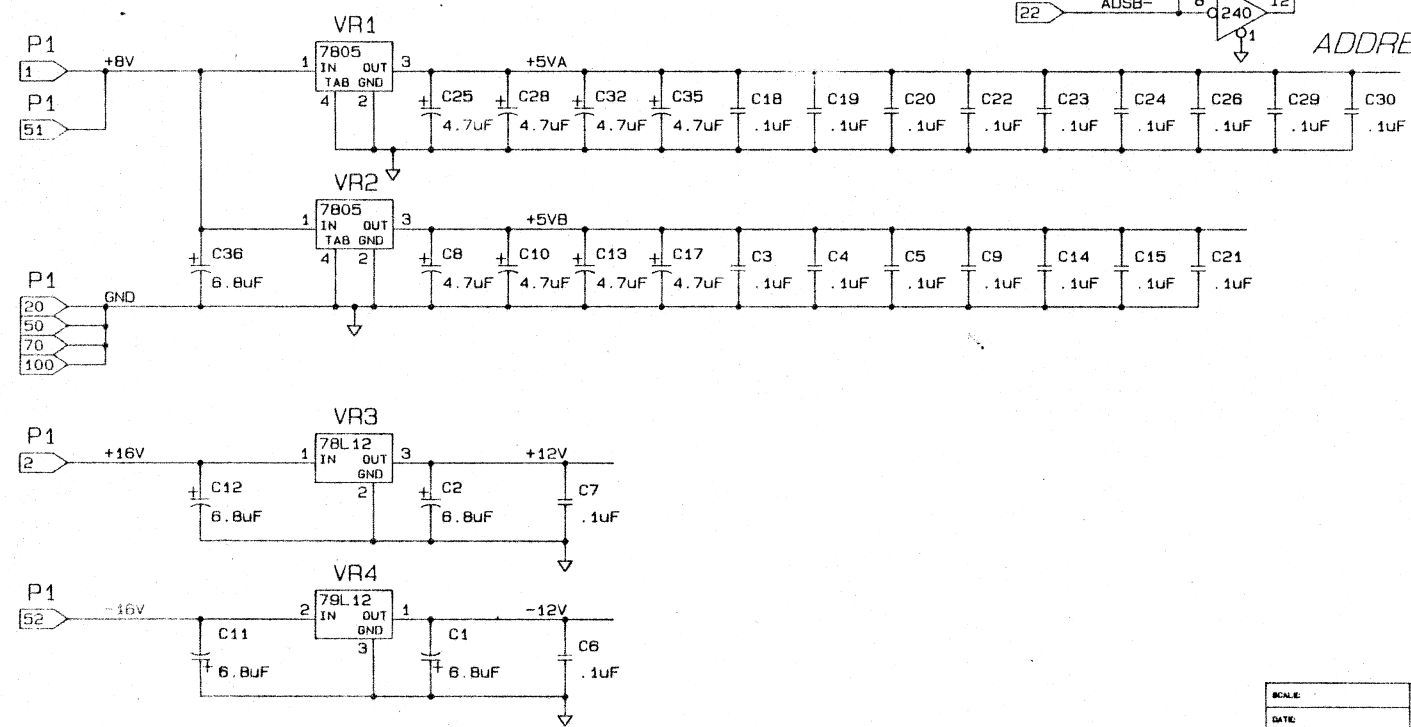
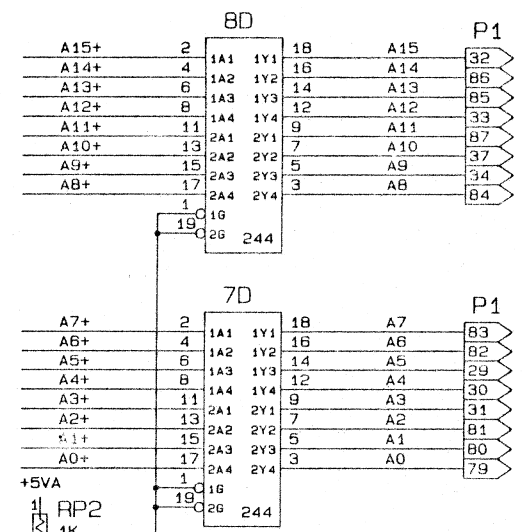
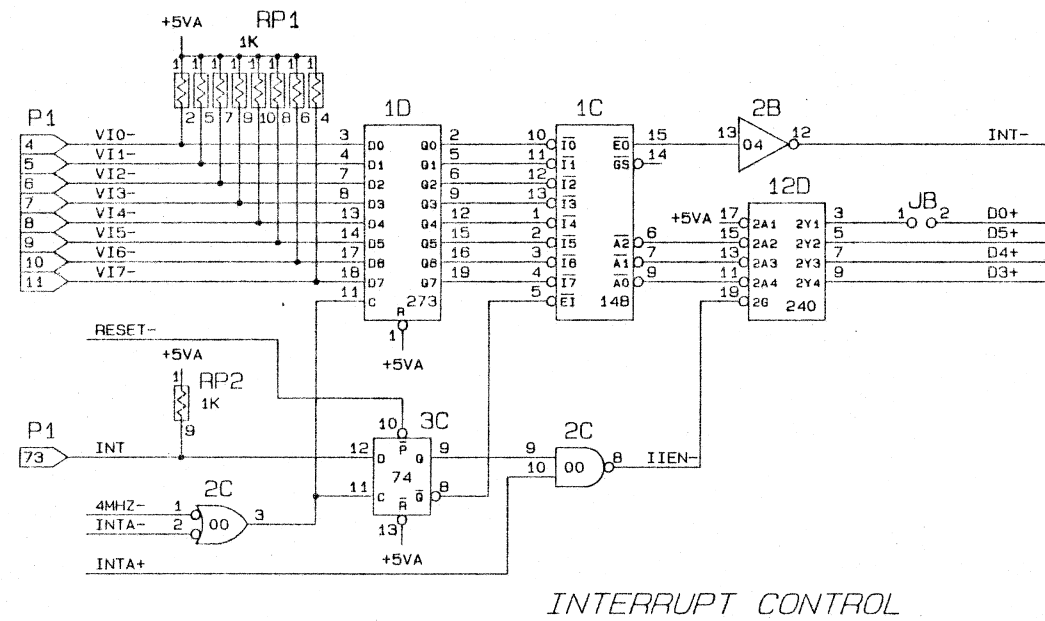
PWR AND GND CONNECTIONS

REF DES	DEVICE	GND	+5VA
9D	244	10	20
11D	244	10	20
12B	85	8	16
14B	2764		1
14B	2764		26
14B	2764		27
14B	2764	14	28



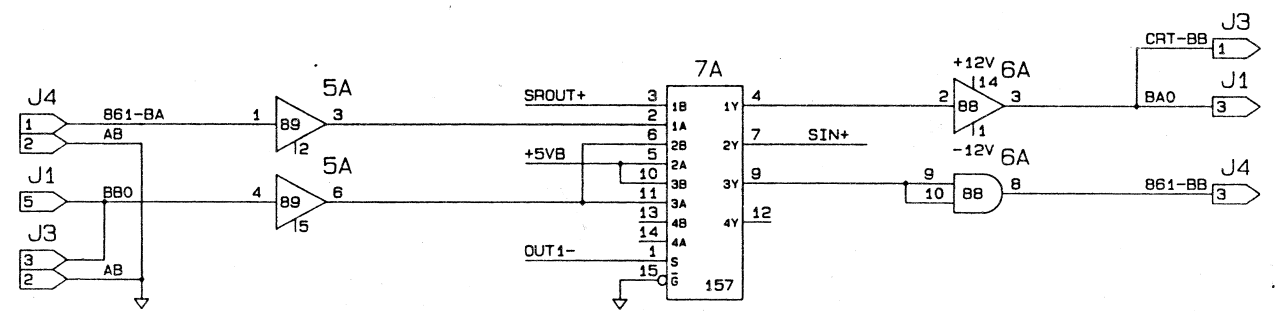
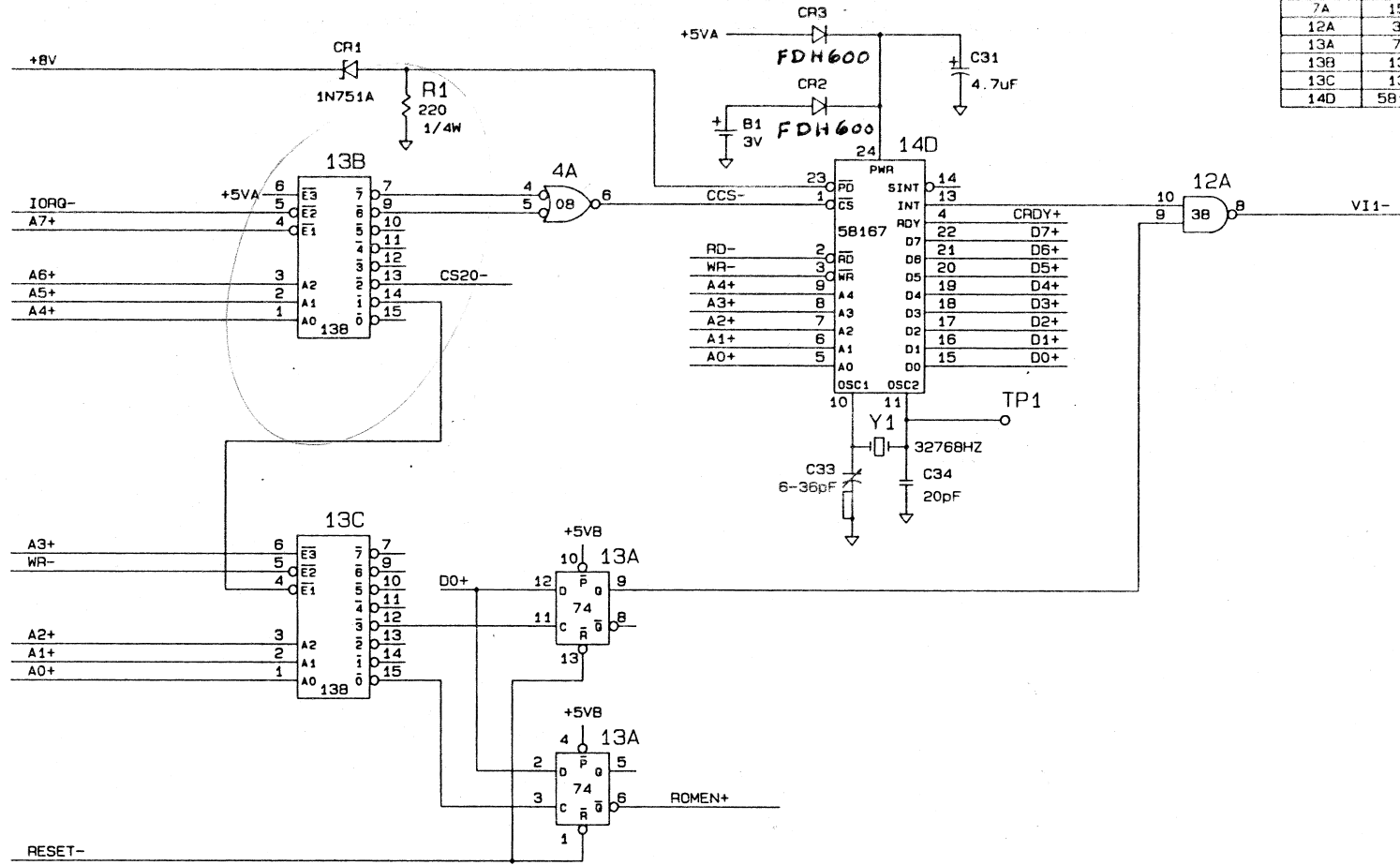
SCALE:	APPROVED BY:	DRAWN BY:
DATE:		REVISED:
Z80 CPU		
L00971		SHEET NUMBER 3 OF 6

PWR AND GND CONNECTIONS			
REF DES	DEVICE	GND	+5VA
1C	148	8	16
1D	273	10	20
7D	244	10	20
8D	244	10	20



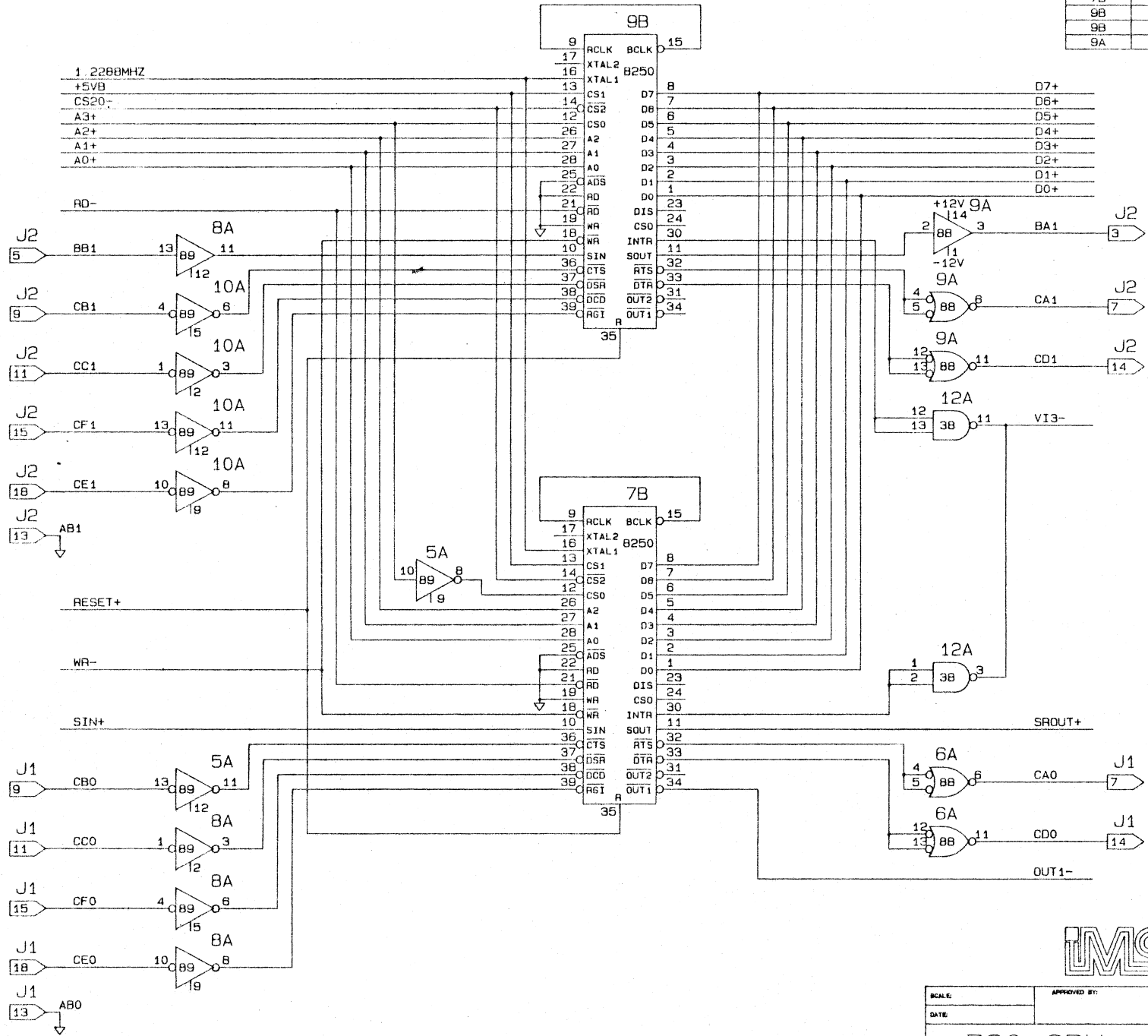
SCALE:	APPROVED BY:	DRAWN BY:
DATE:	REVISED:	REVISED:
Z80 CPU		4 of 6 B
L00971		

REF	DESIGN	DEVICE	QNT	+5VA	+5VB
5A	R1	7			14
6A	BB	7			
7A	157	8			16
12A	3B	7			14
13A	74	7			14
13B	138	8		16	
13C	138	8		16	
14D	58167	12			



SCALE:	APPROVED BY:	DRAWN BY:
DATE:		REVISED:
Z80 CPU		
L00971		SHEET NUMBER 5 OF 6

PWR AND GND CONNECTIONS			
REF DES	DEVICE	GND	+5VB
8A	89	7	14
10A	89	7	14
7B	8250	20	40
7B	8250	29	
9B	8250	20	40
9B	8250	29	
9A	88	7	



SCALE:	APPROVED BY:	DRAWN BY:
DATE:		REVISED:
Z80 CPU		BHEET NUMBER
L00971		6 OF 6 B