

S131-0632-2

IBM System/34
5340 System Unit
Parts Catalog



S131-0632-2

IBM System/34
5340 System Unit
Parts Catalog

Preface

The purpose of this publication is to list and to show illustrations of all replaceable assemblies, subassemblies, and detail parts released to Production Control on or before 1 November 1980 of the IBM System/34 5340 System Unit. This publication is for the use of an IBM customer engineer or a service representative.

Second Edition (November 1980)

This is a major revision of, and obsoletes S131-0632-1. Because the changes and additions are extensive, this publication should be reviewed in its entirety.

Changes are periodically made to the information herein; before using this publication in connection with the operation of IBM systems, be sure you have the latest edition.

Use this publication only for the purposes stated in the Preface.

This publication could contain technical inaccuracies or typographical errors. Use the Reader's Comment Form at the back of this publication. If the form has been removed, address your comments to IBM Corporation, Department 245, Rochester, Minnesota 55901. IBM may use and distribute any of the information you supply in any way it believes appropriate without incurring any obligation whatever. You may, of course, continue to use the information you supply.

CONTENTS

HOW TO USE THIS PARTS CATALOG . ii
 VISUAL INDEXES iv
 CATALOG SECTION 1

FIGURE	TITLE	PAGE
16J	72MD Base Casting Asm (old style) . . .	78
17	CE Panel Asm and STOP/START Panel Asm	80
18	Operators Panel Asm	82
19	Panel Asm, 2400 BPS Modem	84
19A	Panel Asm, 4800 BPS Modem (MLCA) . . .	86
20	A-Gate Asm	88
21	Blower Asm	92
22	B-Gate Asm	94
23	Power Logic C-Gate Asm	96
24	AC Box Asm	98
25	Line Filter Asm	102
26	Distribution Asm	103
26A	Feature Distribution Asm	104
27	Multilevel Filter Asm	106
28	Control Power Supply Asm	108
29	Fan Asm	110
30	5V Filter Asm	112
31	Power Supply-A Asm	114
31A	Power Supply-B Asm	116
31B	Power Supply-C Asm	118
31C	Power Supply-D Asm	120
32	Trailer Covers and Hardware Asm . . .	122
33	Trailer 62PC Mounting Asm	124
34	Feature Power G	126
34A	Filter Asm C-B1 Board	128
34B	Feature AC Box	130
35	Trailer, 62PC Mounting Hardware, and Frame Asm	132
36	Cable and Jumper Component Parts . .	134
	NUMERICAL INDEX	X-1

FIGURE	TITLE	PAGE
1	Cover, Mounting Hardware, and Frame Asm	2
2	Bezel Asm, 33FD, and 53FD	6
2A	Bezel Asm, 72MD	8
3	Mechanical Asm	10
3A	72MD Mounting Asm	14
4	Mechanical Asm	16
4A	Mechanical Asm	20
5	62EH Disk Drive Mounting Asm	24
6	62EH Disk Drive Asm	26
7	62EH Disk Drive Asm	28
8	62EH Disk Drive Asm (old style)	32
8A	62PC Mounting Asm	34
8B	62PC Final Asm	36
8C	62PC Final Asm	40
8D	Gate Asm	42
9	33FD and 53FD Mounting Asm	44
10	33FD Asm	46
11	33FD Baseplate Asm	48
12	33FD Clamping Plate Asm	50
13	53FD Asm	52
14	53FD Baseplate Asm	56
16	53FD Cover Asm	58
16A	72MD Diskette Storage Drive Asm	60
16B	72MD Carriage Bed Asm	64
16C	72MD Drive Asm	66
16D	72MD Drive Asm	68
16E	72MD Drive Asm	70
16F	72MD Picker/Cam Asm	72
16G	72MD Picker/Cam Asm	74
16H	72MD Picker/Cam Bezel Asm (old style)	76

HOW TO USE THIS PARTS CATALOG

PART 1

To find parts quickly, a general understanding of the structure of this catalog is necessary. The catalog is divided into three major sections:

- The Visual Index, containing overall views of the machine, with call-outs pointing to detailed figures.
- The Catalog Section, containing a pictorial breakdown of assemblies and subassemblies.
- The Numerical Index, which is a numerical list of all parts used in the machine, with cross-references to the figure on which the part is found.

VISUAL INDEX

The Visual Index, located before the Catalog Section, contains a reduced illustration of every figure in the Catalog Section. The reduced illustrations are tied together with flow arrows to form a natural progression from large assemblies to small assemblies and possibly subassemblies. In effect, a visual table of contents is formed by the Visual Index illustrations.

CATALOG SECTION

The Catalog Section contains the full-sized illustrations previously noted in the Visual Index. Index numbers on figures refer to corresponding entries in the Group Assembly Parts List accompanying each figure. Refer to part II for explanation of terms used in the Group Assembly Parts List.

ATTACHING PARTS LIST

The Attaching Parts List contains common screws, nuts, washers, etc. that are used in the machine. Index numbers for attaching parts are on the illustration, and the description is in the Attaching Parts List.

NUMERICAL INDEX

The Numerical Index is located after the Catalog Section and contains a complete list, in numerical order, of all part numbers used on the machine. Listed with the part number is the index and figure number on which the part is illustrated. The numerical index makes it possible to locate a part when only the part number is known.

STACKED INDEX NUMBERS

Stacked Index numbers are used when showing a part and its attaching hardware. The sequence of a typical stack is shown at the right. The circled index number indicates the assembly is broken down within the figure.

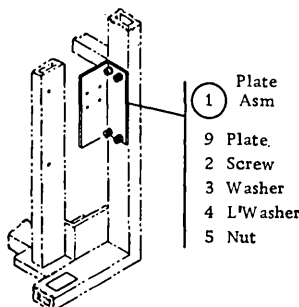


ILLUSTRATION NOTES

Cross-reference notes are directly on the illustration. The illustration's next higher assembly reference, normally located in the upper left corner of the page will read: "For Parts Not Shown See Figure X". If an assembly is referenced to a lower level figure, the note located next to the index number will read: " 5 See Figure X."

DOUBLE LINED DETAIL BOX

The double lined box differentiates between parts shown on the basic model and parts related to a level and/or feature difference. An explanation of the level or feature difference is given in the double lined box.

FINDING A PART

The Visual Index is the starting point for locating a part. The illustrations in the Visual Index are reduced versions of all illustrations in the Catalog Section; therefore, the illustrations can be used to find the assembly containing the desired part. Use references to the detailed figure in the Catalog Section, or to another Visual Index illustration, to determine location of part number.

Once the detailed figure in the catalog section is determined, finding the part on the figure and referring to the listing for the part number and description is all that is required in most cases. If the first catalog section figure referenced shows the assembly containing the required part, the index number for the assembly will reference a lower-level figure where the assembly is broken down to its component parts. If the figure referenced by the Visual Index contains neither the part nor an assembly containing the part, it is then necessary to go to the next higher assembly figure. This figure should then contain the part or an assembly containing the part; if not, an even higher level figure must be used. Refer back to the Visual Index for some other figure that could show the desired part.

Note: Many detailed parts are unavailable, because they are part of an inseparable assembly (two or more parts welded or bonded together), or because they are part of an assembly purchased as a unit. If parts are found on a welded or bonded assembly, the following note follows the description of the assembly: "Assembly components are not replaceable." If the part is found on a purchased assembly, and the detail parts of this assembly do not have IBM part numbers, the note following the assembly description will read: "Assembly components are not available." In either case, you need to obtain the part number of the assembly, rather than the detailed part.

EXAMPLE FOR ORDERING PARTS

FIGURE INDEX NUMBER	PART NUMBER	UNITS PER ASM.	DESCRIPTION FOR FIGURE 25			
			1	2	3	4
25	2592881		FAN ASM. 60 HZ FOR NEXT HIGHER ASM SEE LIST 23 AND FOR ILLUSTRATION SEE FIG. 25			
- 1	2172166	1	• GUARD			
- 2	2591483	AR	• SEAL			
- 3	2592892	1	• BRACKET			
- 4	2881431	1	• FAN ASM			
- 5	3318932	1	• RING TERMINAL			
- 6	1168117	1	• CONNECTOR			
- 7	1168114	3	• TERMINAL			
- 8	2591402	1	• FAN			
						FOR ATTACHING PARTS, INDEX NOS. 151 AND ABOVE, SEE LIST 76

If the entire fan is required, part number 2592881 should be ordered (all one dot items will be received). If only the subassembly is required, part number 2591431 should be ordered (all two dot items will be received). Each part may be ordered individually.

Note: If you order a part that requires a label, make sure you order the label in the correct language. For example: A part of a Quebec machine should have a French Canadian language label rather than a French language label.

HOW TO USE THIS PARTS CATALOG

Part II

A AR

As Required (AR) in the units per assembly column denotes that the quantity is used as required.

B ATT PT

Attaching Parts: These parts are used to attach a subassembly to an assembly. The attaching parts are listed in the last list just before the numeric index. Special attaching parts are listed with the figure.

C INDENTURE

The relationship of a part to its next higher assembly is indicated by indentures. For example:

1 2 3 4

Unit

- . Assemblies and Detail Parts of Unit
- . Attaching Parts for Assemblies & Detail Parts
- . . Subassemblies
- . . . Attaching Parts of Subassemblies
- Detail Parts for Subassemblies, etc.

D NR

The NR in the part number column denotes the part is procurable but not recommended for field replacement, and that the next higher assembly should be ordered.

E NP

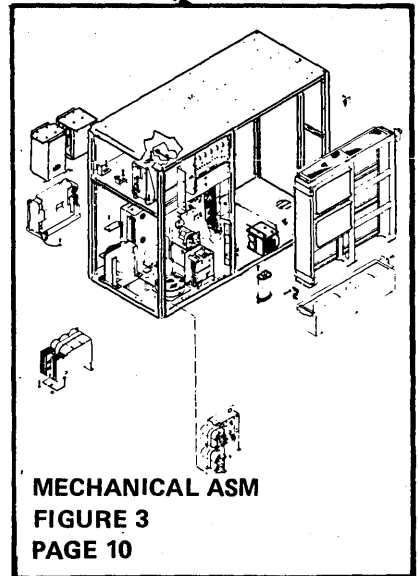
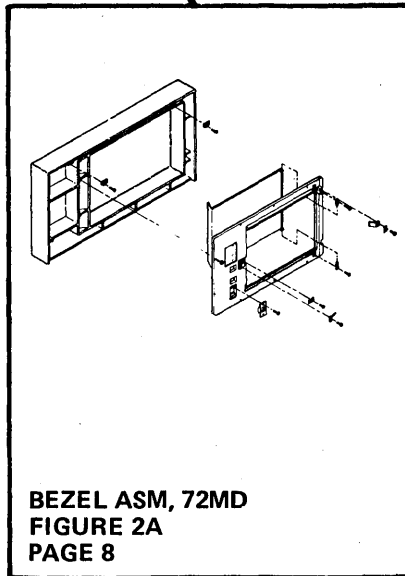
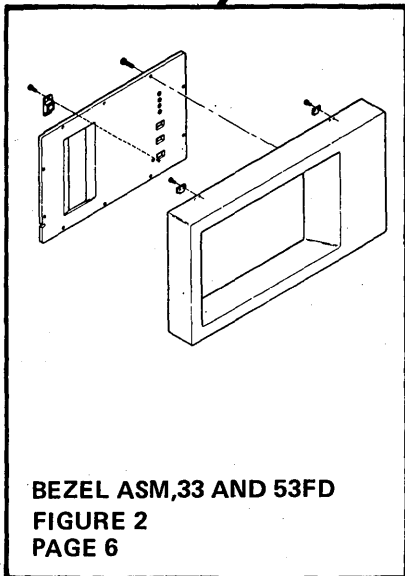
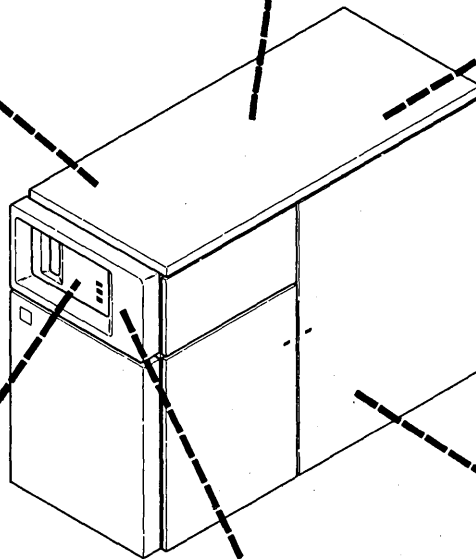
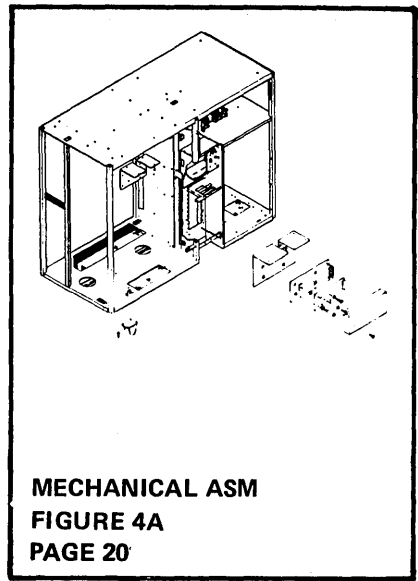
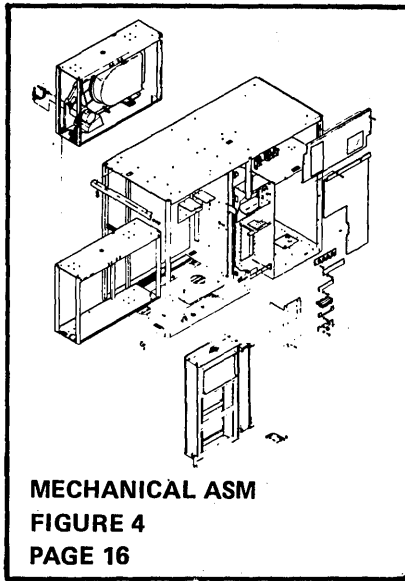
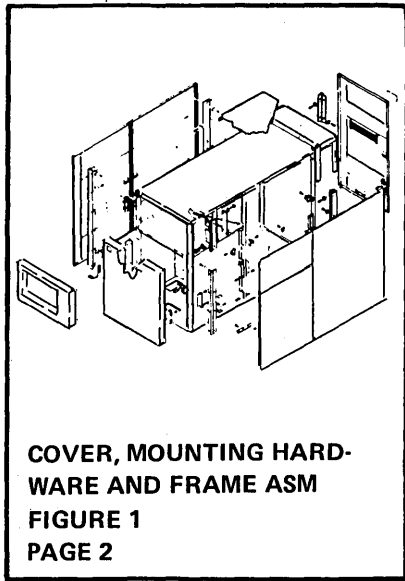
The entry NP in the part number column denotes the assembly is non-procurable and the detail parts should be ordered separately.

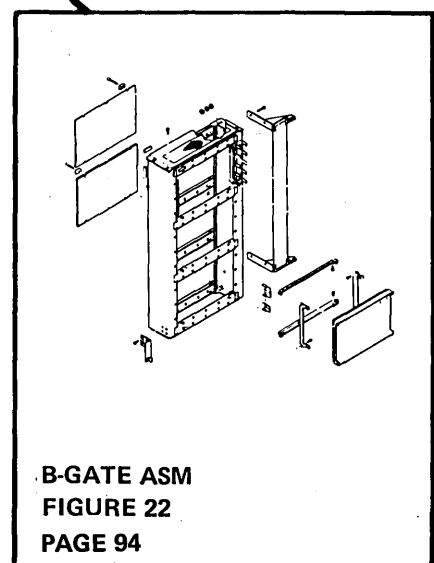
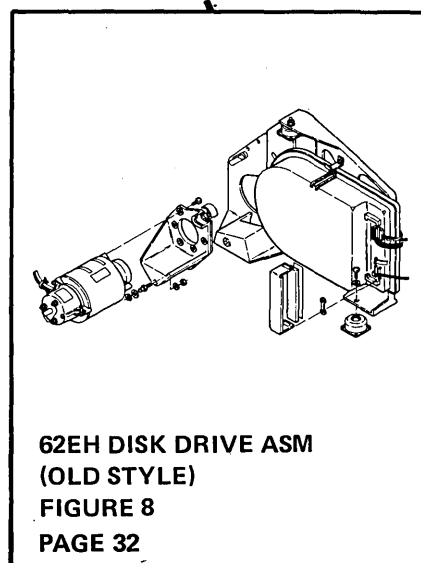
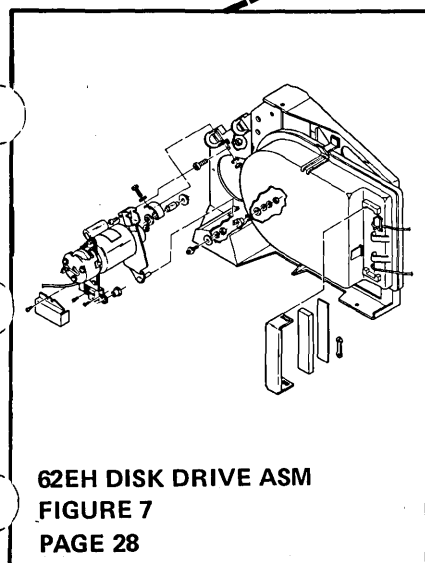
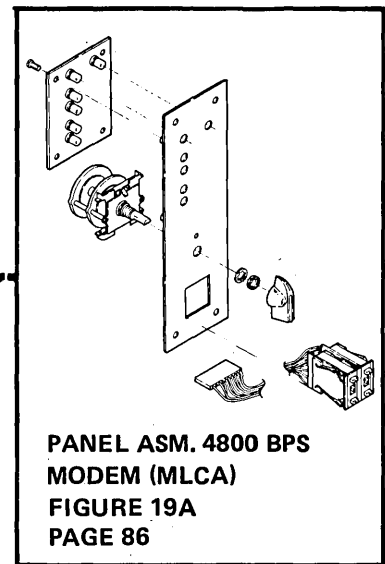
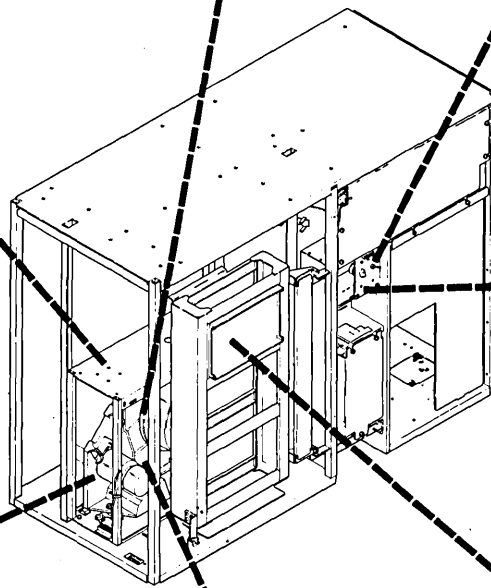
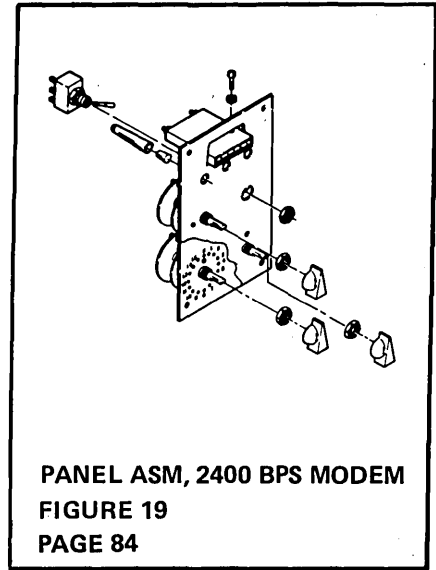
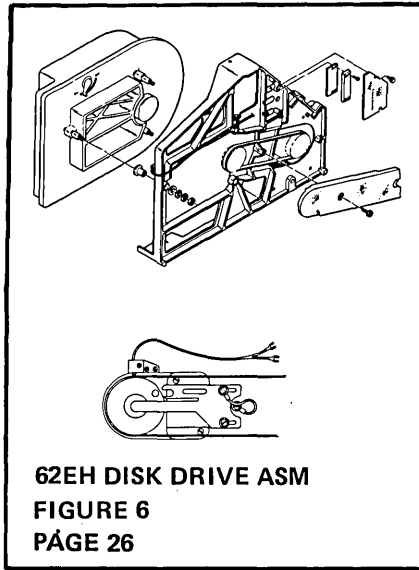
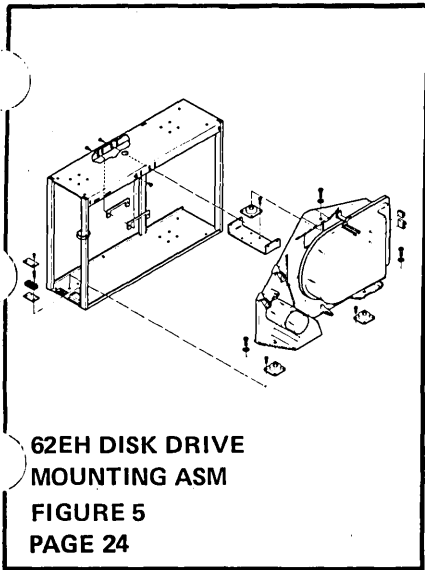
F NO NO.

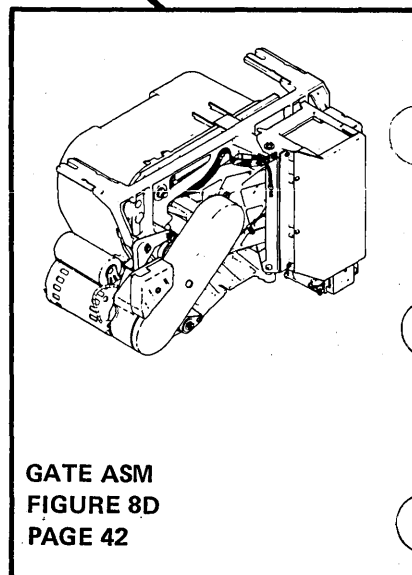
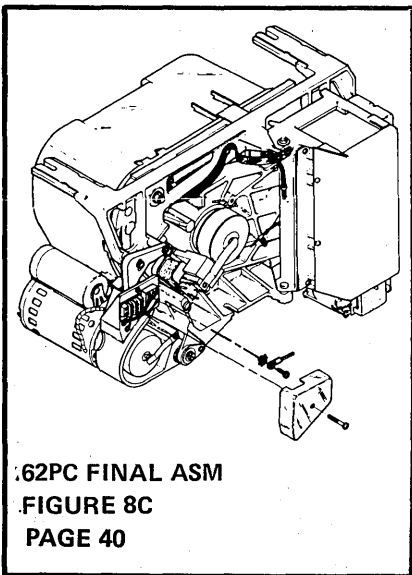
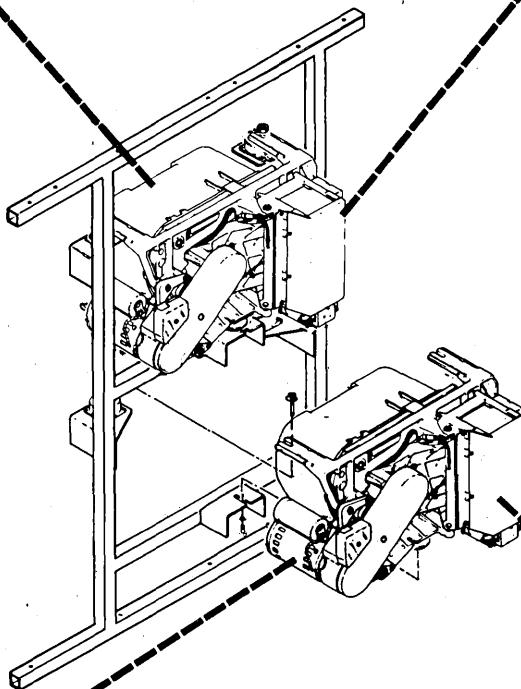
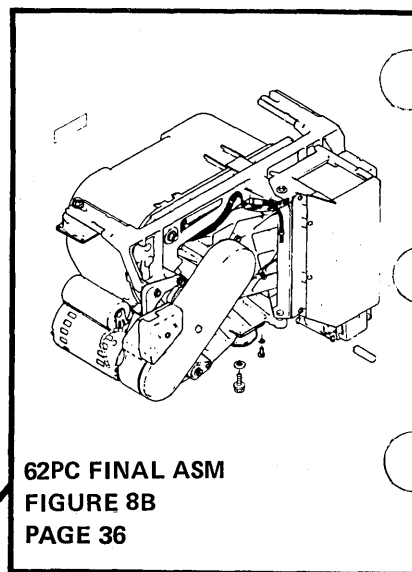
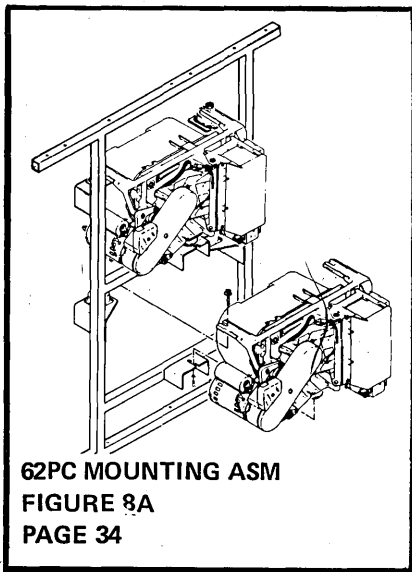
When this indication appears in the part number column, it denotes a group of parts for which no assembly part number has been assigned, and the detail parts should be ordered separately.

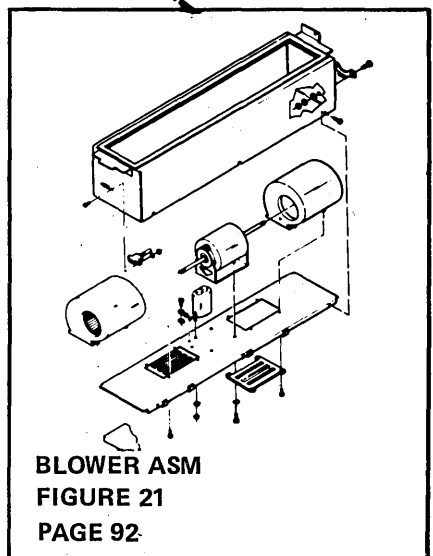
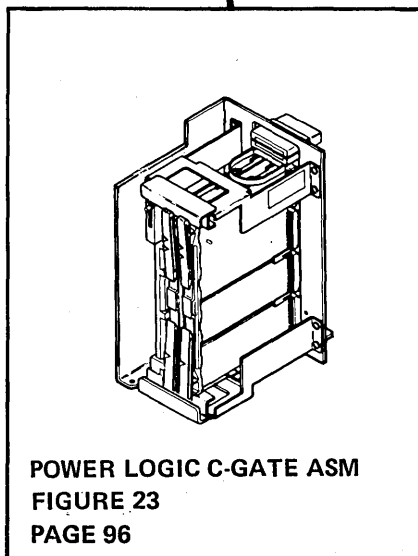
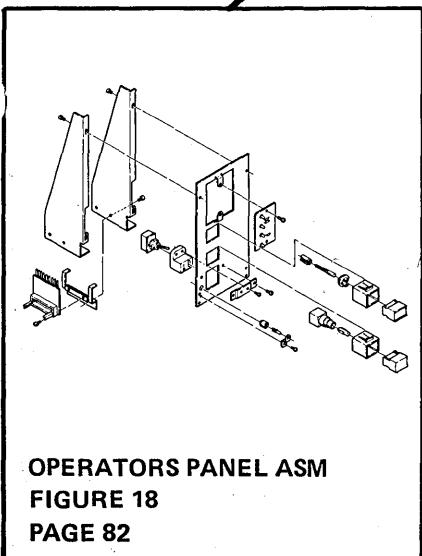
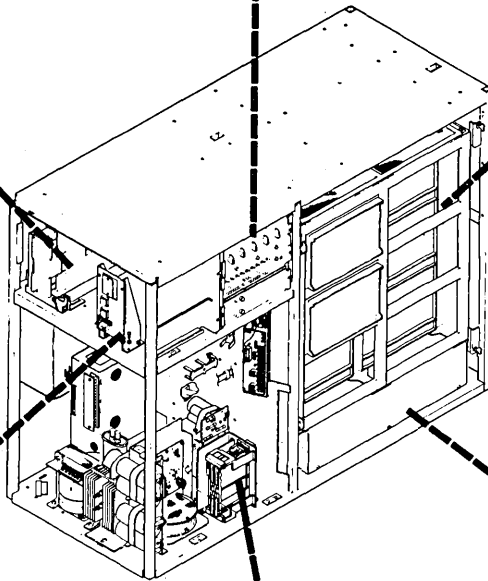
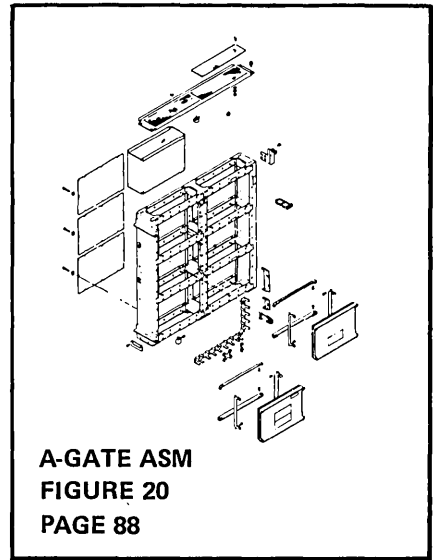
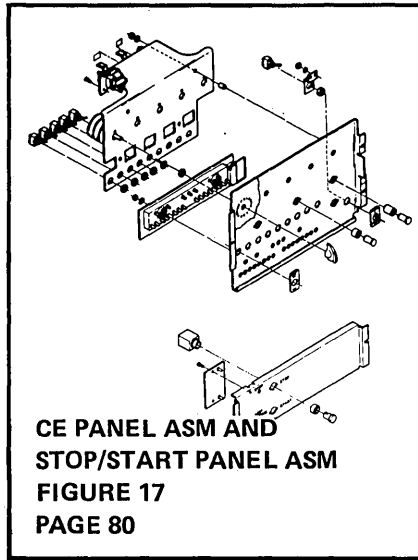
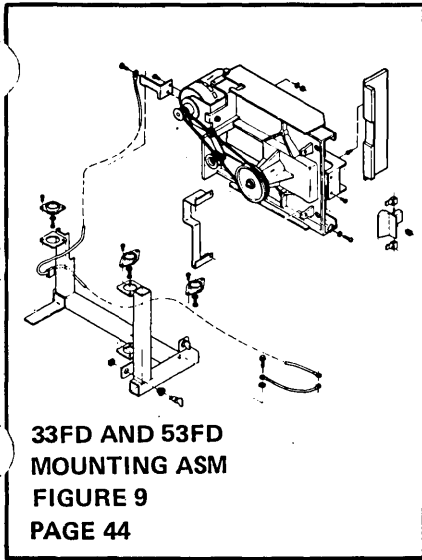
EXAMPLE OF PARTS LIST

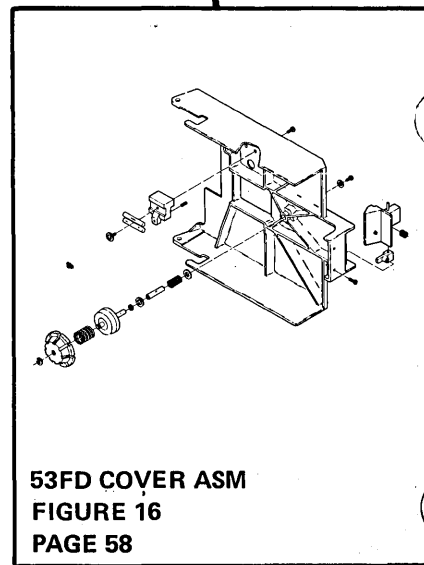
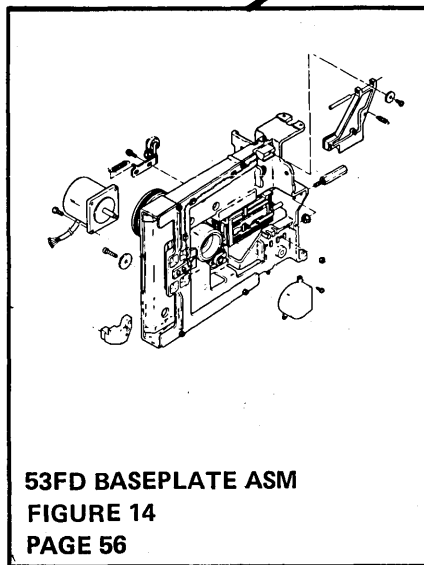
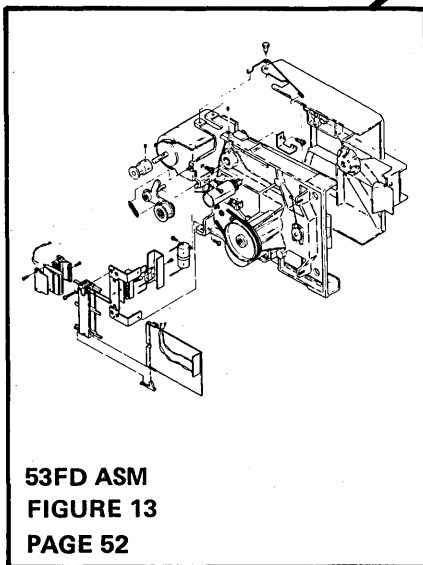
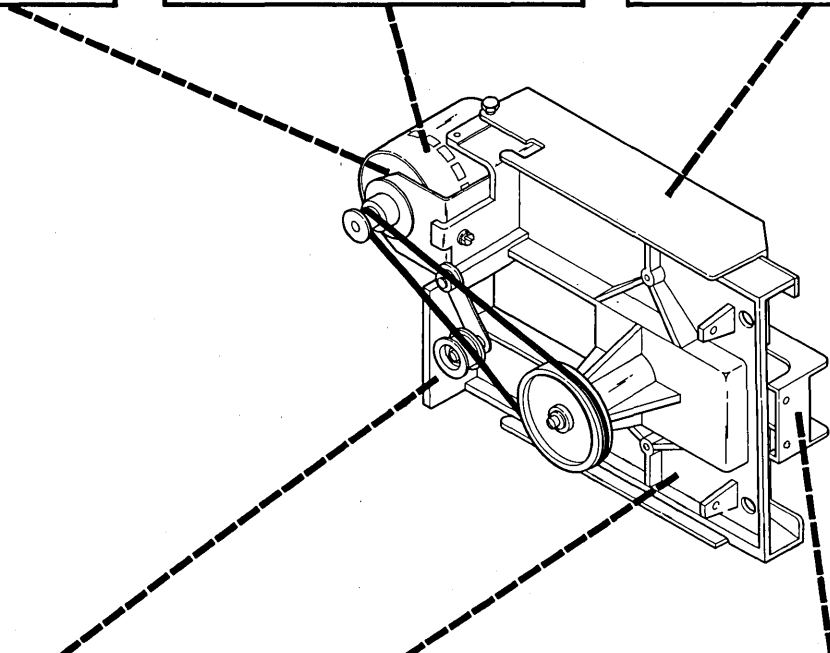
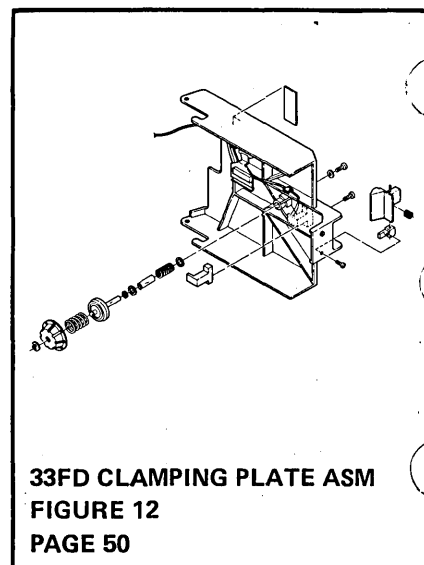
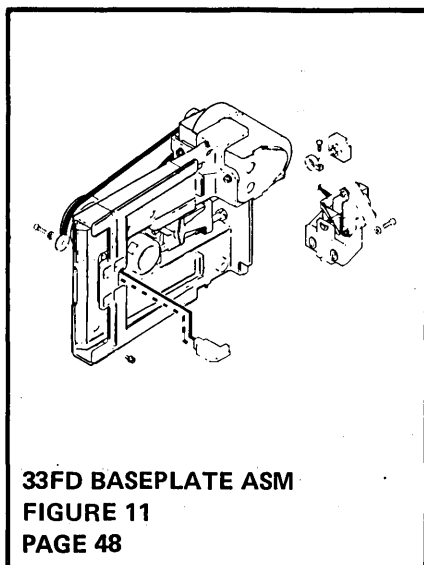
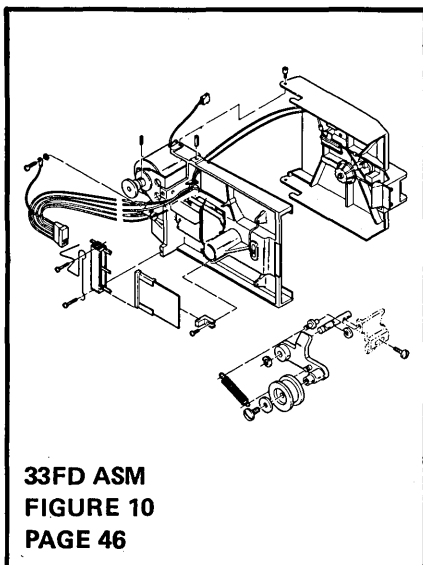
FIGURE- INDEX NUMBER	PART NUMBER	UNITS PER ASM.	DESCRIPTION FOR FIGURE 5			
			1	2	3	4
5	NO NO.		BEZEL AND OPERATOR PANEL ASM FOR NEXT HIGHER ASM SEE FIGURE 1-4 AND FOR ILLUSTRATION FIGURE 5			
- 1	7362008	1	• BRACKET,LED AND SWITCH			
- 2	2767289 NR	1	• POTENTIOMETER			
- 3	7362248	1	• POTENTIOMETER			
- 4	7362263	2	• KNOB ASM			
- 5	2397045	5	• LED,LIGHT			
- 6	7362200	1	• BLOCK,LED			
- 7	2632773	AR	• CLIP			
- 8	1608427	2	• SCREW,THD FORM-HEX WSHR HD 6-19 X 1/2 LG			
- 9	7362158	1	• CABLE ASM,CE DIAG IND AND SWITCH			
- 10	7361265	1	• CABLE ASM,AC DISTRIBUTION			
- 11	1608571	1	• SWITCH			
- 12	7362254 NP	1	• BEZEL,ENGLISH			
- 12	7362255 NP	1	• BEZEL,FRENCH			
- 12	7362256 NP	1	• BEZEL,JAPANESE			
- 12	7362257 NP	1	• BEZEL,SPANISH			
- 12	7362258 NP	1	• BEZEL,GERMAN			
- 12	7362259 NP	1	• BEZEL,ITALIAN			

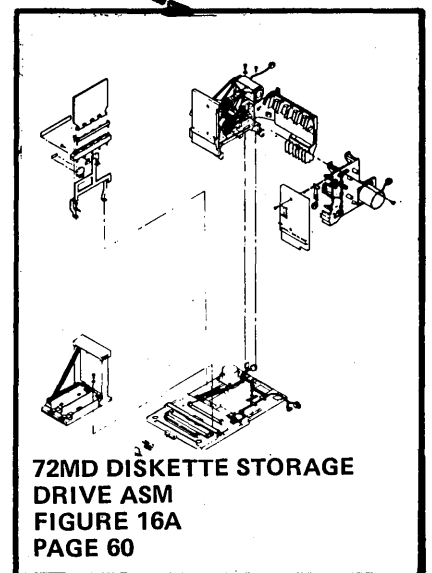
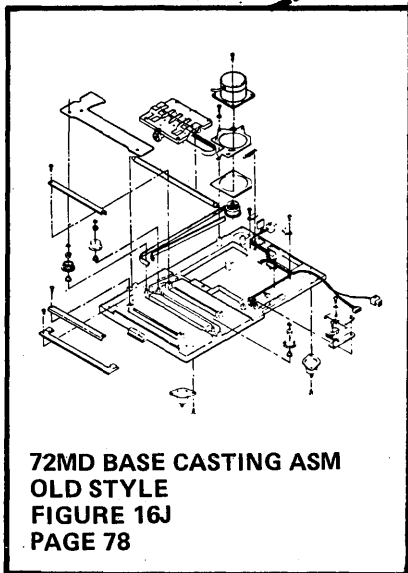
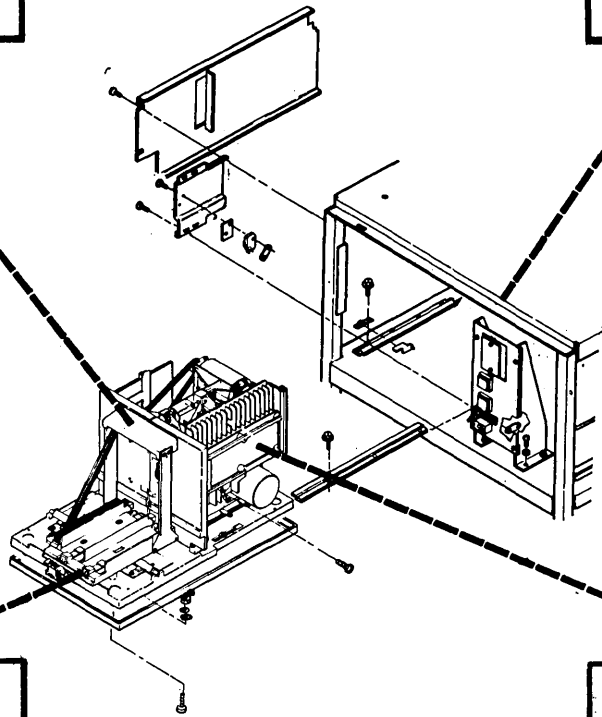
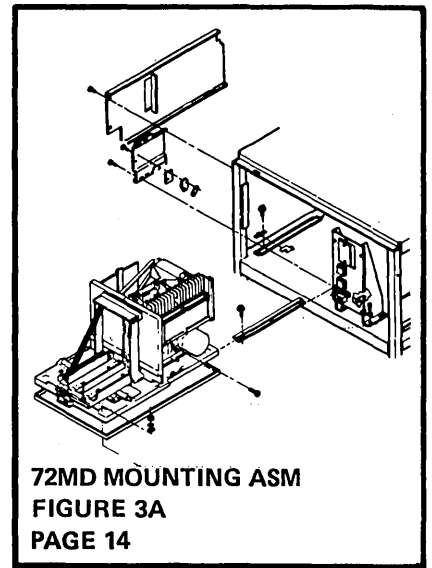
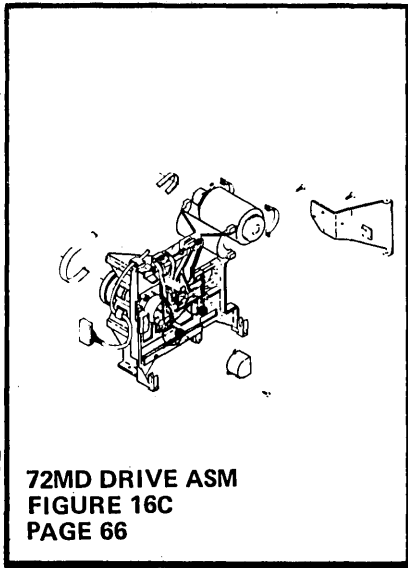


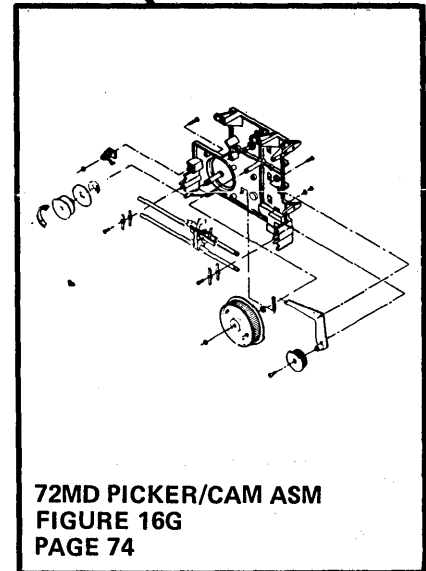
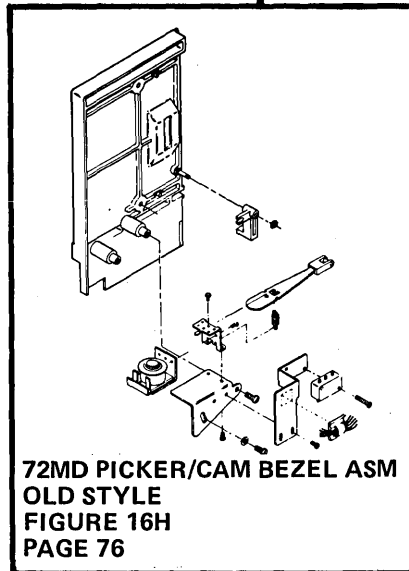
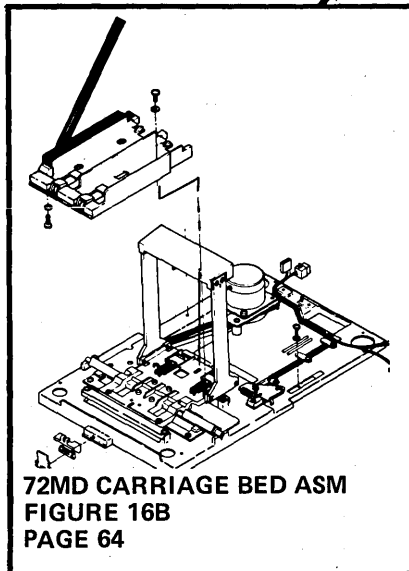
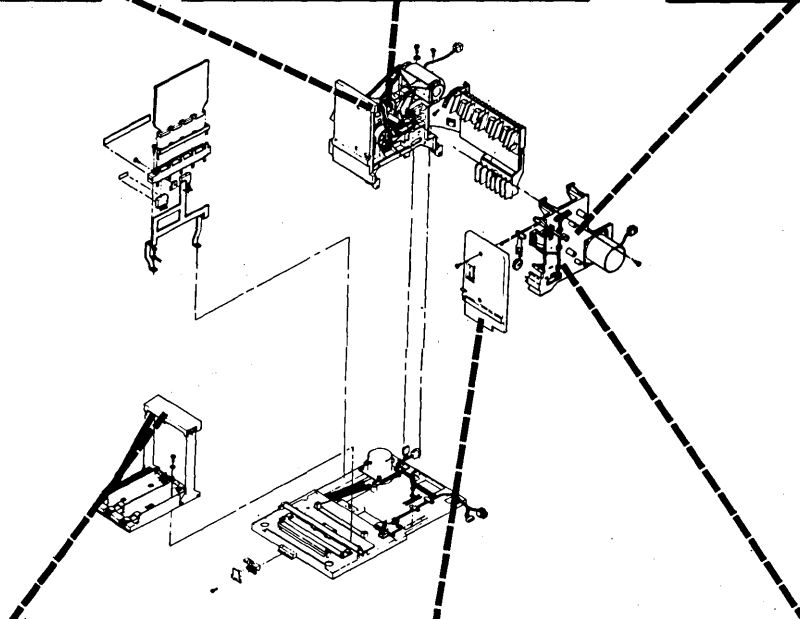
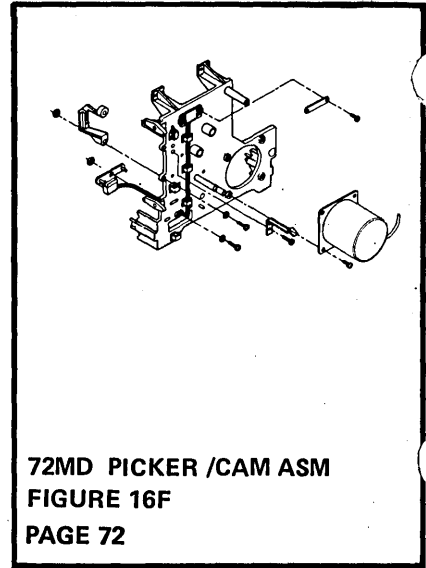
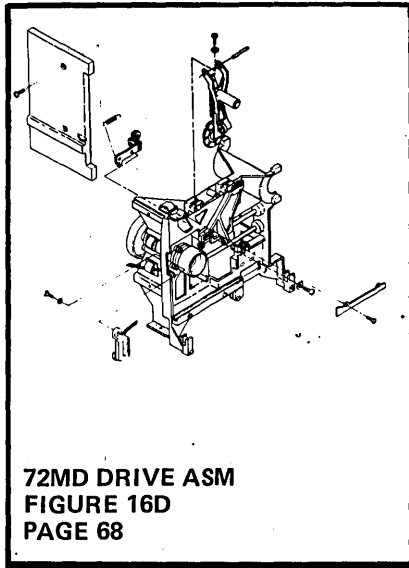
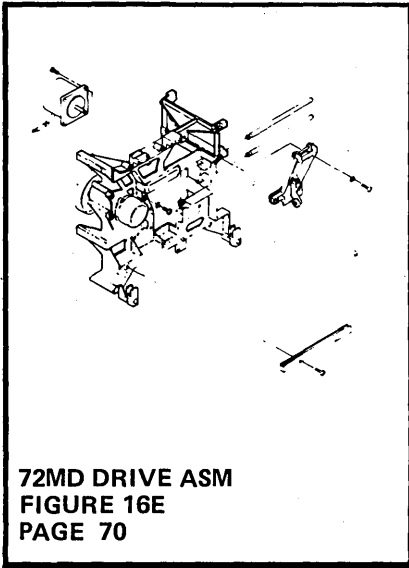


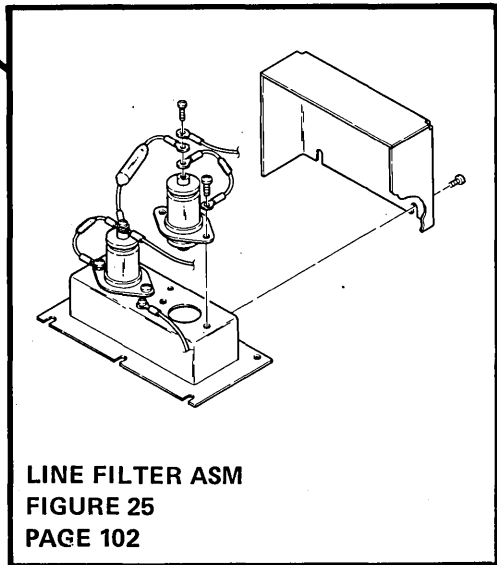
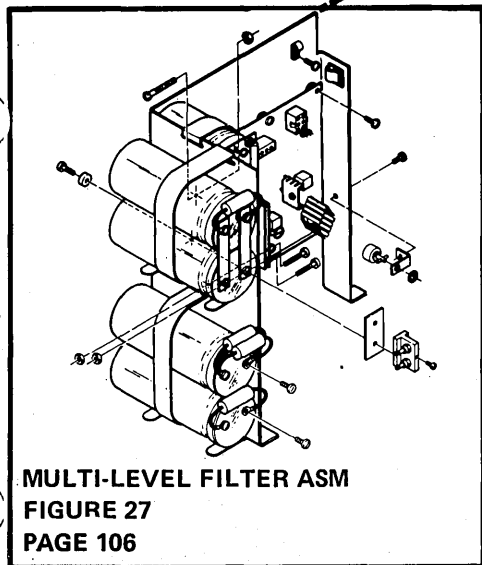
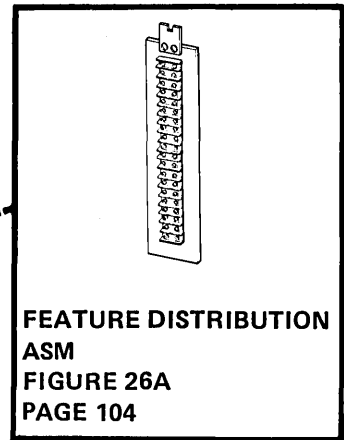
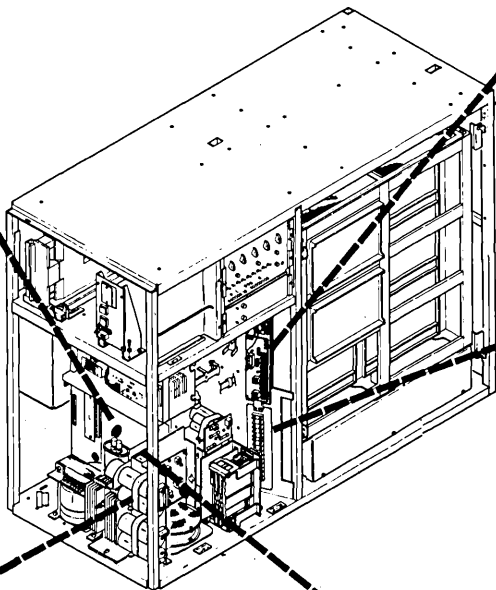
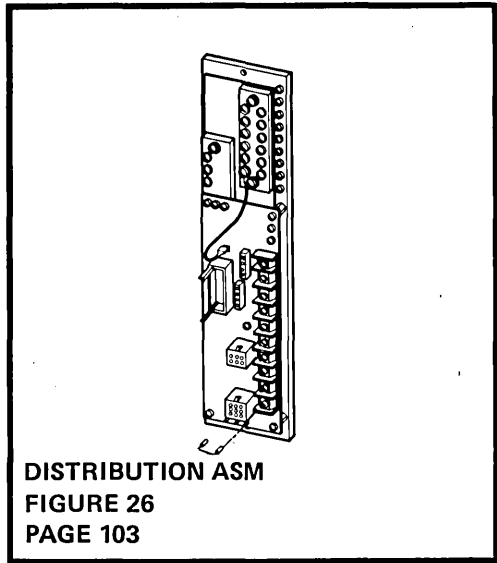
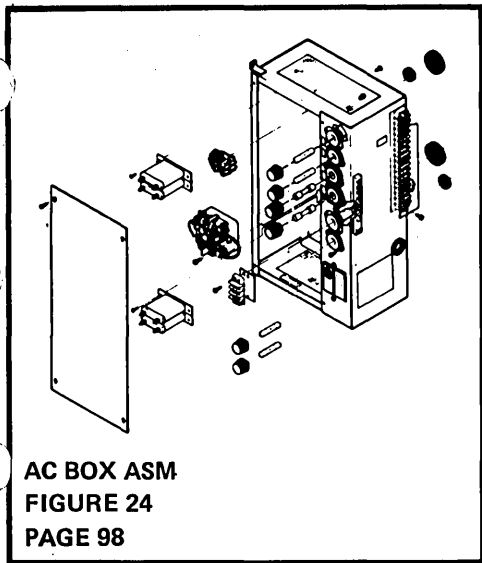


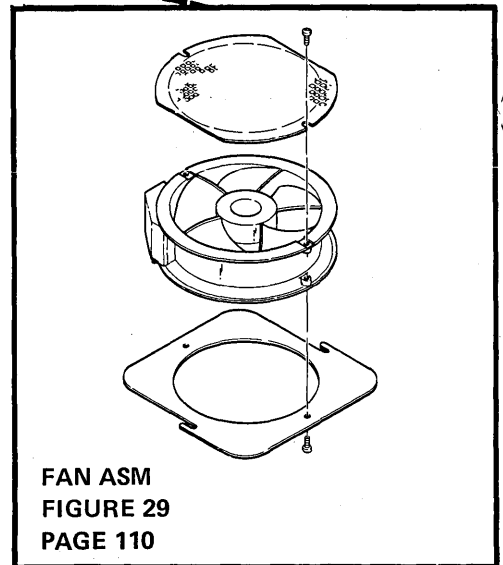
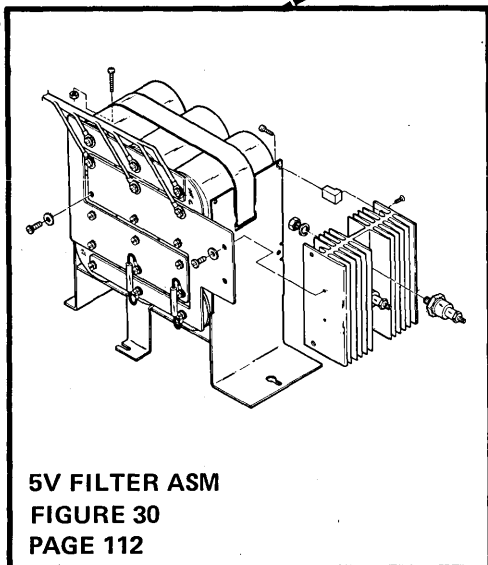
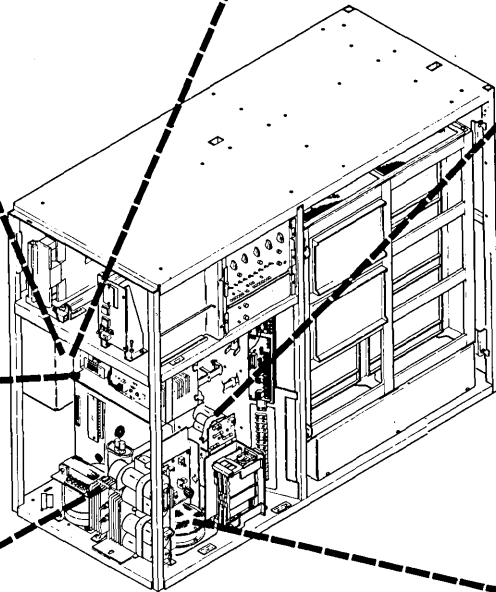
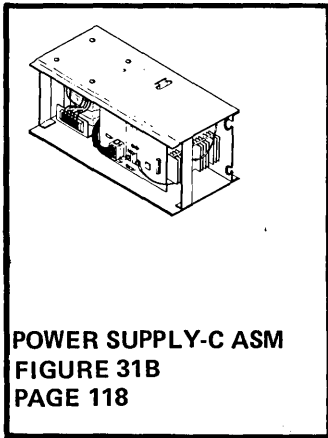
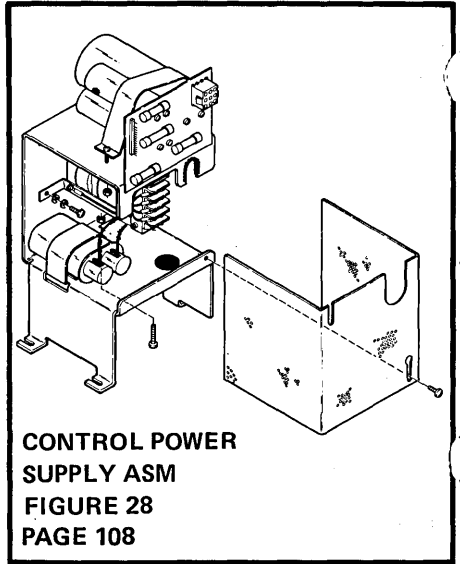
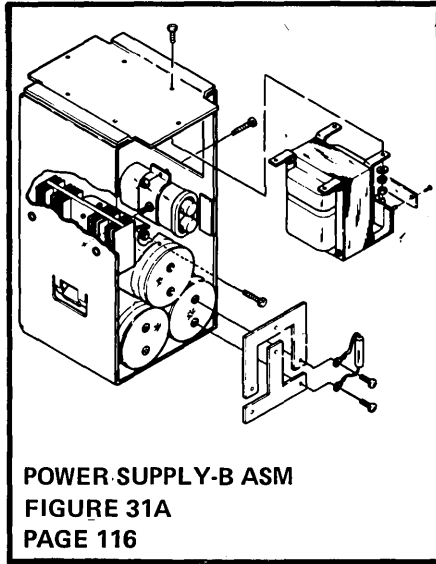
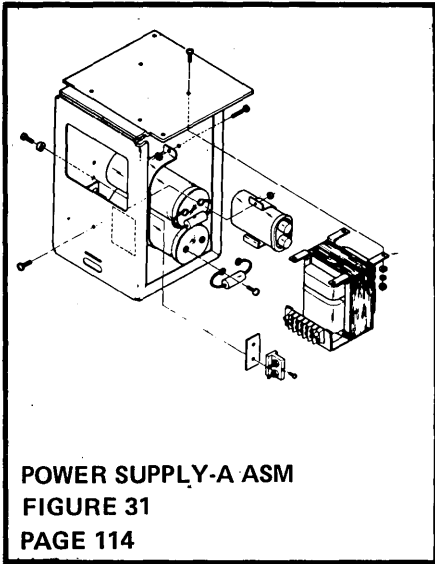


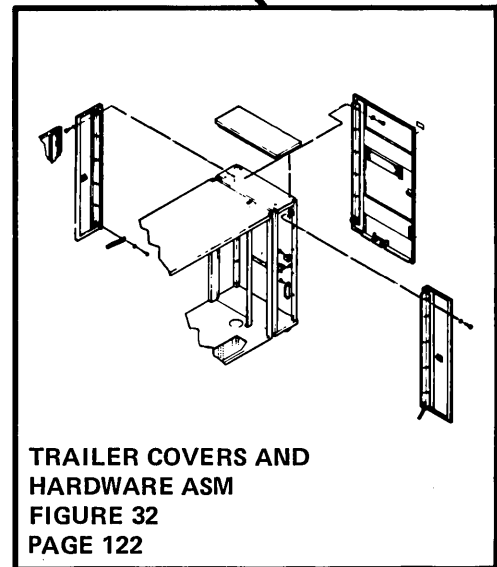
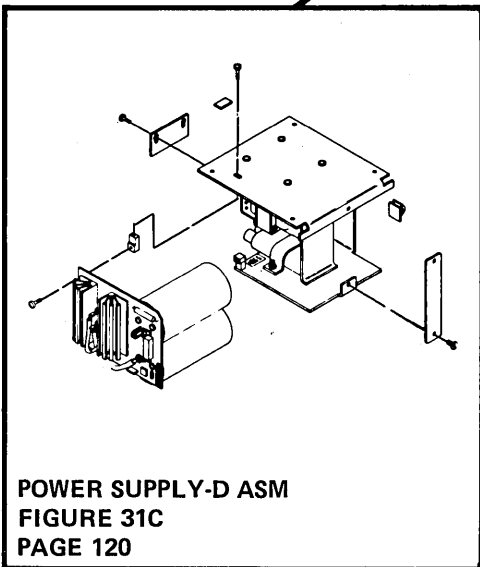
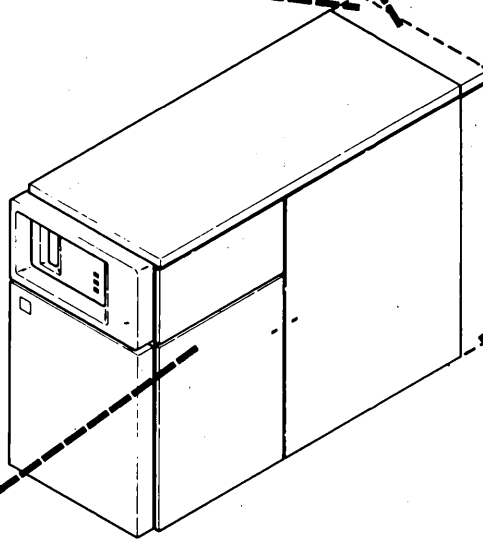
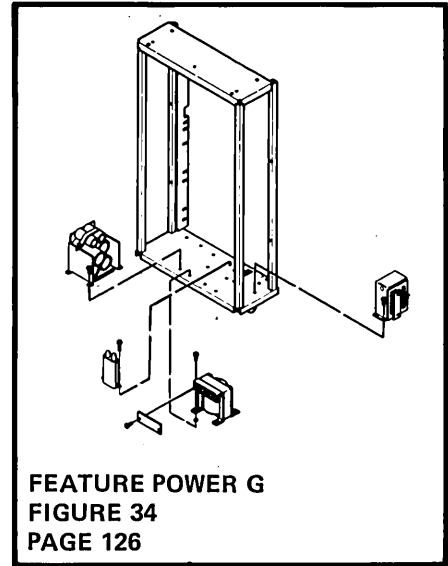
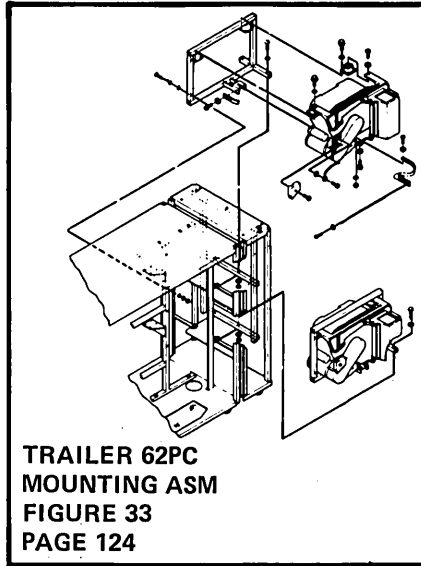
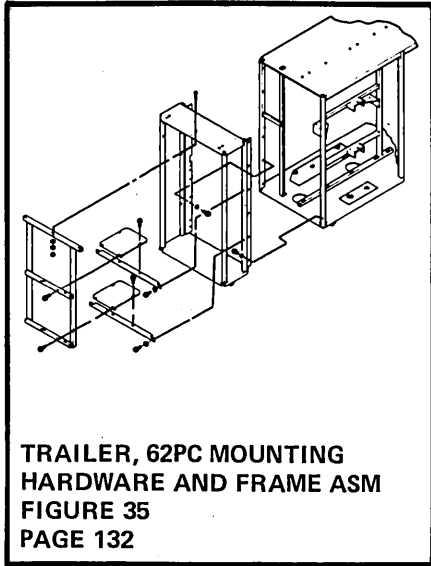


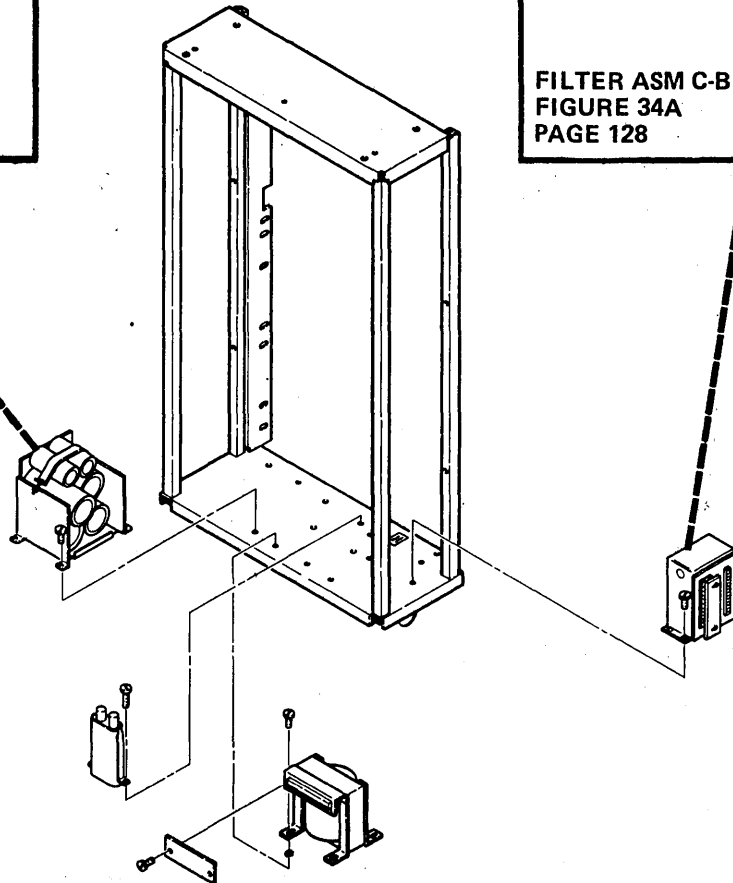
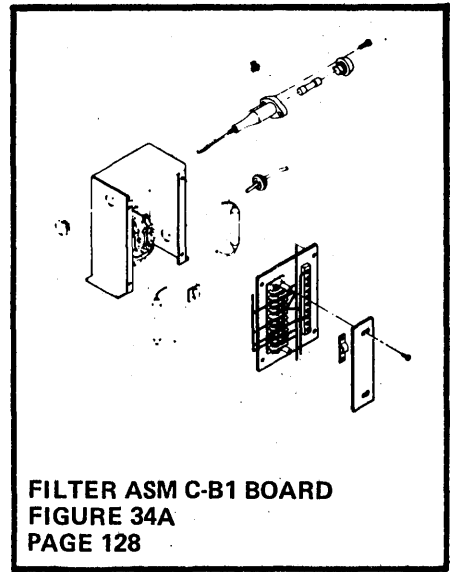
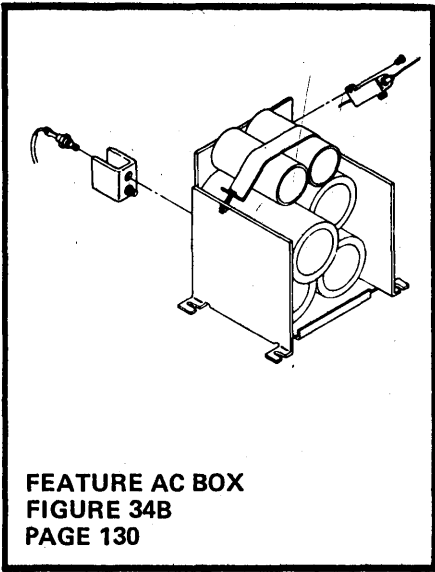












CATALOG SECTION

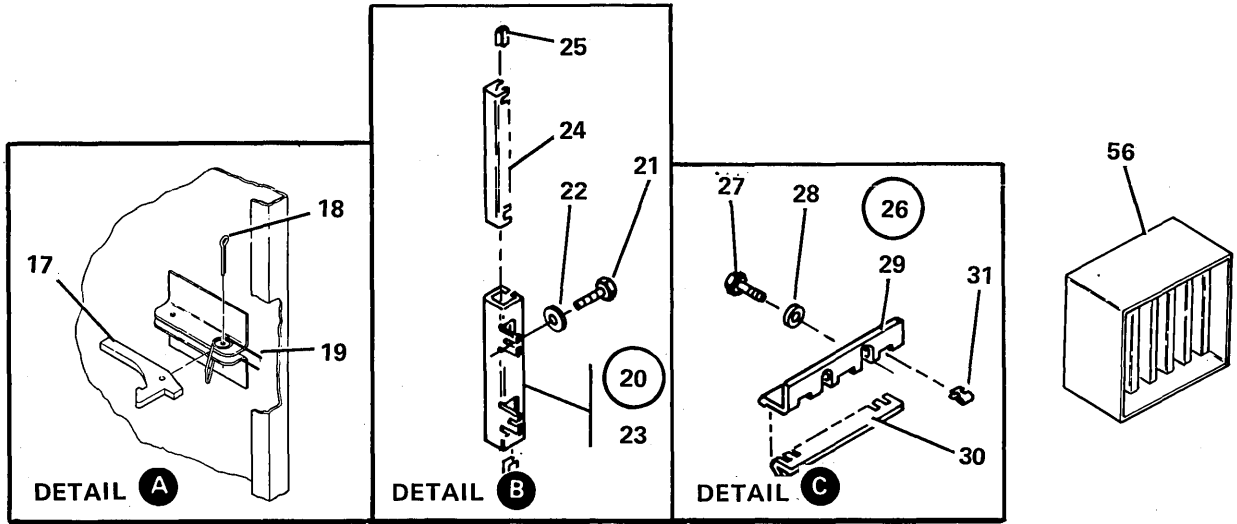
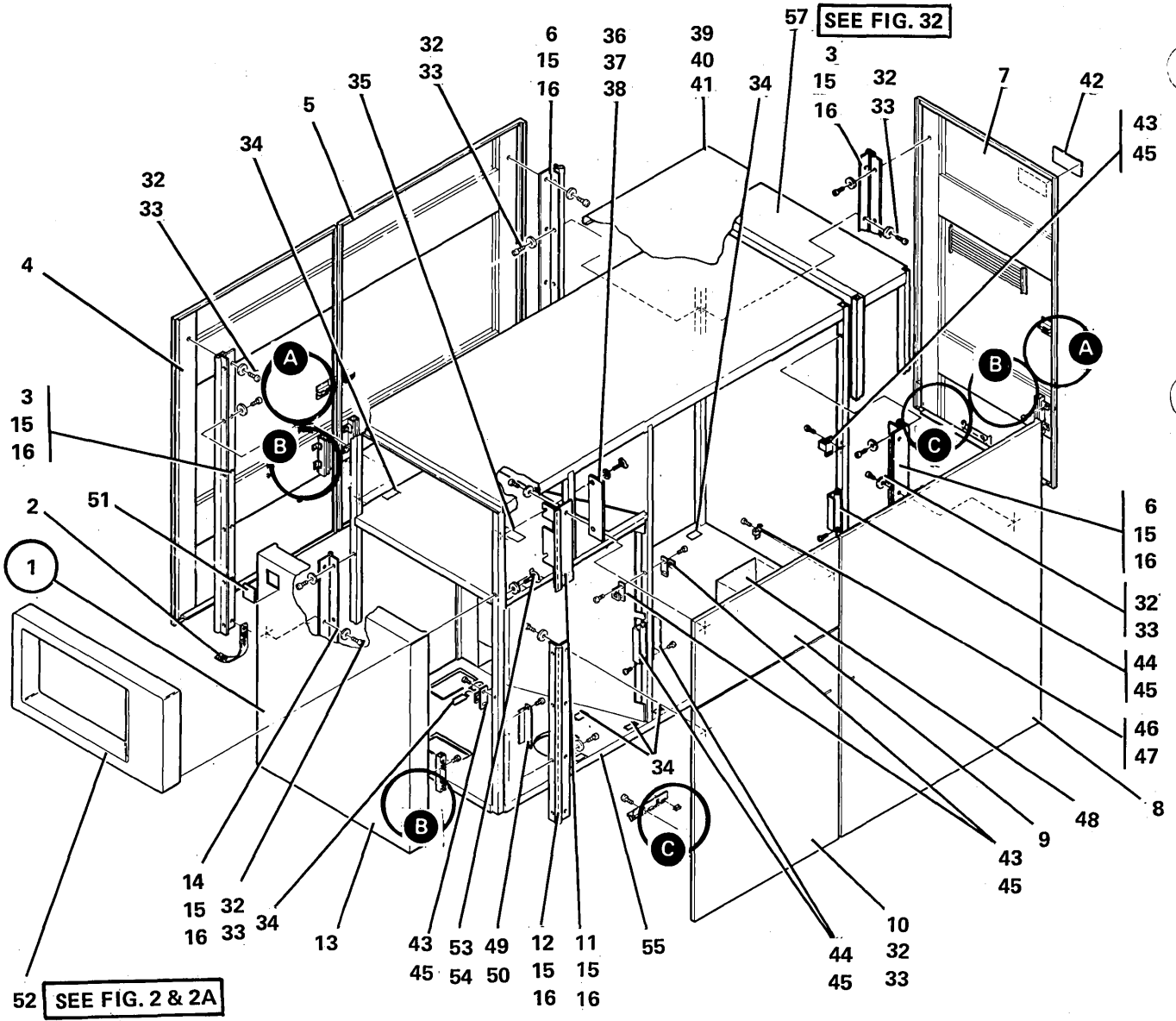


FIGURE 1. COVERS, MOUNTING HARDWARE AND FRAME ASM. SEE LIST 1.

FIGURE- INDEX NUMBER	PART NUMBER	UNITS PER ASM.	DESCRIPTION FOR FIGURE 1			
			1	2	3	4
1	NO NO. NP		COVERS, MOUNTING HARDWARE AND FRAME ASM FOR ILLUSTRATION SEE FIGURE 1			
- 1	8265150	1	• Cover Kit			
- 2	2101089	6	• • Strap,Ground			
- 3	4236283	2	• • Hinge,Left Front And Rear Cover			
- 4	4236296	1	• • Cover,Left Front			
- 5	4236295	1	• • Cover,Left Rear			
- 6	4236284	2	• • Hinge,Left Rear Cover			
- 7	4236294	1	• • Cover,Rear			
- 8	4236293	1	• • Cover,Right Rear			
- 9	4236524	1	• • Cover,CE Panel			
- 10	4236292	1	• • Cover,Right Front			
- 11	4236535	1	• • Hinge,CE Panel Cover			
- 12	4236533	1	• • Hinge,Right Front Cover			
- 13	4236291	1	• • Cover,Front			
- 14	4236282	1	• • Hinge,Front Cover			
- 15	4236318	36	• • Screw,Thd-Form Hex Wshr Hd M5 x 12 Lg			
- 16	600395	36	• • Washer,Flat 13/64 ID x 3/4 OD x 3/32			
- 17	2546367	5	• • Latch			
- 17	8265098	1	• • Latch,Used With Cover P/N 4236296			
- 18	35868	6	• • Pin,Cotter .120 Dia x 3/4 Lg			
- 19	2546384	6	• • Spring			
- 20	4236752	6	• • Bracket Asm			
- 21	1621811	12	• • Screw,Thd-Form Hex Wshr Hd M4 x 10 Lg			
- 22	45690	12	• • Washer,Flat No. 10 x 7/16 OD x 1/32 Thk			
- 23	4236693	1	• • • Bracket			
- 24	2537028	1	• • • Finger Stock			
- 25	2590081	2	• • • Clip			
- 26	2546721	6	• • Finger Stock Asm			
- 27	1621811	12	• • Screw,Thd-Form Hex Wshr Hd M4 x 10 Lg			
- 28	45690	12	• • Washer,Flat No. 10 x 7/16 OD x 1/32 Thk			
- 29	2546720	1	• • • Bracket			
- 30	2596625	1	• • • Finger Stock			
- 31	2590081	2	• • • Clip			
- 32	4236318	34	• Screw,Thd-Form Hex Wshr Hd M5 x 12 Lg			
- 33	600395	36	• Washer,Flat 13/64 ID x 3/4 OD x 3/32 Thk			
- 34	4236722	AR	• Label,English			
- 34	4236730	AR	• Label,French			
- 34	4236731	AR	• Label,German			
- 34	4236732	AR	• Label,Italian			
- 34	4236733	AR	• Label,Spanish			
- 34	4236734	AR	• Label,Japan/Katakanna			
- 34	4236735	AR	• Label,French/Canadian			
- 34	4236777	AR	• Label,Finland			
- 34	4236878	AR	• Label,Sweden			
- 35	4236697	1	• Label			
- 36	4236743	1	• Plate			
- 37	4236696	2	• Screw,Wing M5 x 12.7 Lg			
- 38	600395	2	• Washer,Flat 13/64 ID x 3/4 OD x 3/32 Thk			
- 39	4236297	1	• Cover,Top			
- 40	1622403	6	• Nut,Hex-Double Chamfer M4 x Fl W x 3.2			
- 41	600395	6	• Washer,Flat 13/64 ID x 3/4 OD x 3/32 Thk			
- 42	8112302	1	• Plate-Chile,Mexico,Peru			
- 42	8112301	1	• Plate-Guatemala			
- 43	2546385	6	• Catch			
- 44	4236750	5	• Bracket			
- 45	4236318	22	• Screw,Thd-Form Hex Wshr Hd M5 x 12 Lg			
- 46	5319035	1	• Catch			
- 47	1621170	2	• Screw,Mach-Slotted Pan Hd M3 x 6 Lg			

THIS PAGE INTENTIONALLY LEFT BLANK

FOR PARTS
NOT SHOWN
SEE FIG. 1

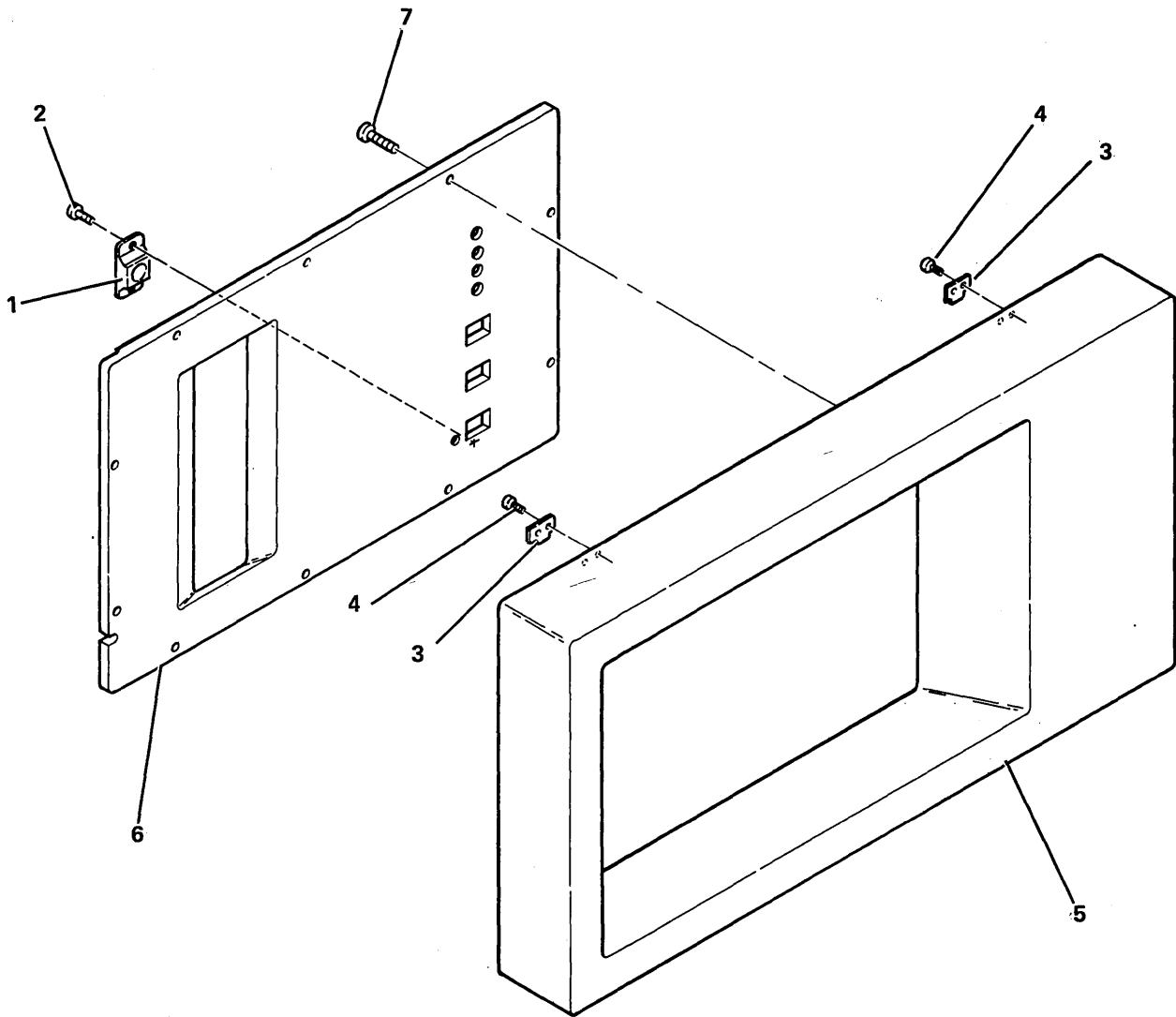


FIGURE 2. BEZEL ASM, 33 AND 53FD. SEE LIST 2.

FOR PARTS
NOT SHOWN
SEE FIG. 1

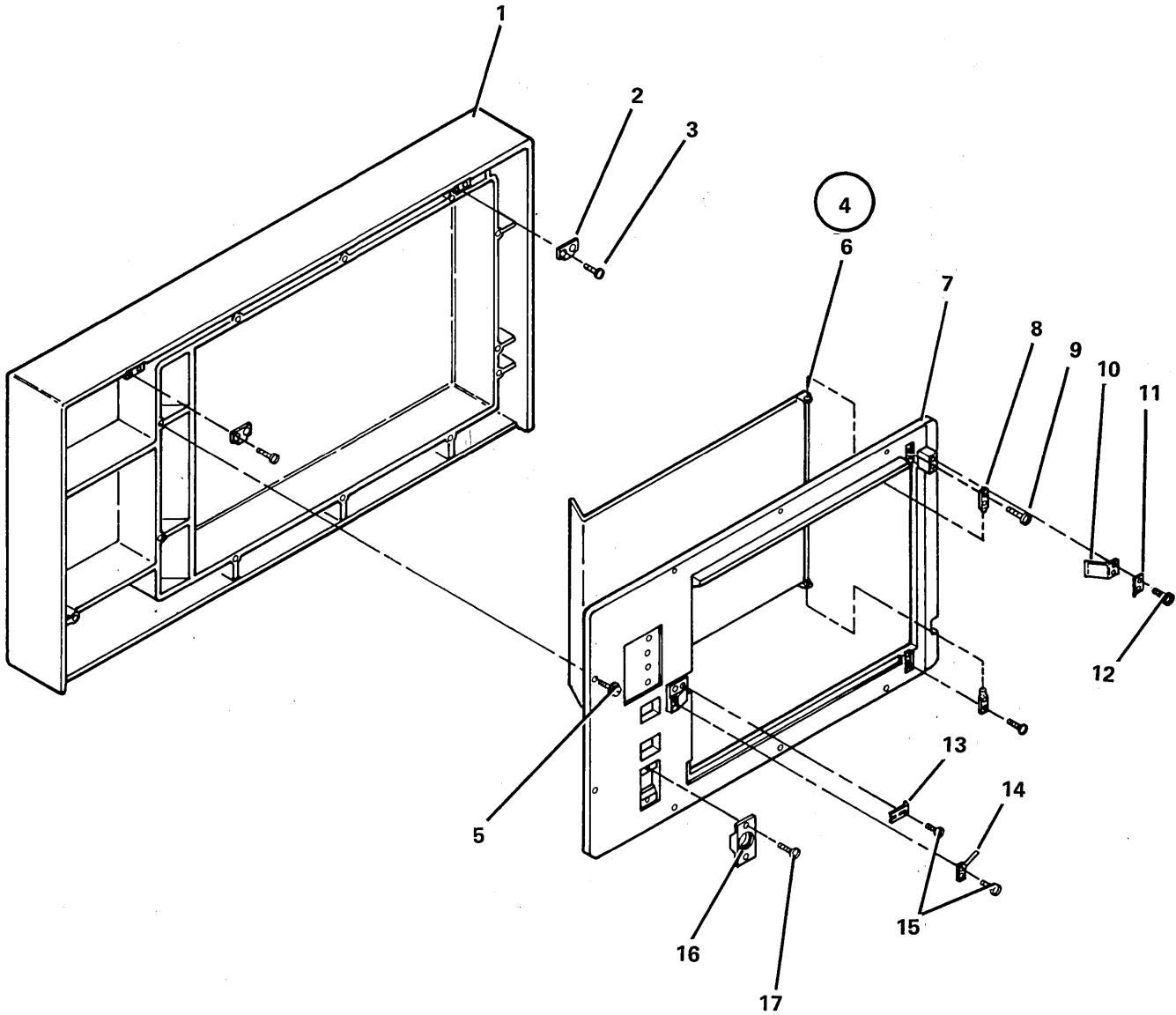


FIGURE 2A. BEZEL ASM, 72MD. SEE LIST 2A.

FIGURE- INDEX NUMBER	PART NUMBER	UNITS PER ASM.	DESCRIPTION FOR FIGURE 3			
			1	2	3	4
3	NO NO.		MECHANICAL ASM FOR ILLUSTRATION SEE FIGURE 3			
- 1	4176670	1	• Power Supply-A Asm,60 Hz			
- 1	4176675	1	• Power Supply-A Asm,50 Hz			
- 1			For Detail Breakdown See List 31			
- 1 A	4176680	1	• Power Supply-B Asm,60 Hz			
- 1 A	4176685	1	• Power Supply-B Asm,50 Hz			
- 1 A			For Detail Breakdown See List 31A			
- 2	1621210	16	• Screw,Mach-Slotted Pan Hd M5 x .8 x 10 Lg			
- 3	4236377	1	• Bracket Asm			
- 4	4236378	1	• Bracket Asm			
- 5	4236345	1	• Operators Panel Asm Without Security			
- 5	4236665	1	• Operators Panel Asm With Security			
- 5			For Detail Breakdown See List 18			
- 6	1622306	4	• Washer,Flat 6.6 ID x 12.5 OD x 1.6 Thk			
- 7	4236446	1	• Bracket			
- 9	4236536	1	• Plate			
- 10	2590010	1	• Trough			
- 11	4236335	1	• Ce Panel Asm			
- 11			For Detail Breakdown See List 17			
- 12	4236555	1	• Stop/Start Panel Asm			
- 12			For Detail Breakdown See List 17			
- 13	2588303	1	• Trough			
- 14	811427	7	• Strap			
- 15	4176660	1	• Distribution Asm			
- 15			For Detail Breakdown See List 26			
- 16	4236553	1	• Cover			
- 17	4236287	1	• Latch Asm			
- 18	NO NO.	1	• A-gate Asm			
- 18			For Detail Breakdown See List 20			
- 19	1621191	2	• Screw,Mach-Slotted Pan Hd M4 x .7 x 8 Lg			
- 20	4236333	1	• Blower Asm,60 Hz			
- 20			For Detail Breakdown See List 21			
- 20	4236534	1	• Blower Asm,50 Hz			
- 20			For Detail Breakdown See List 21			
- 21	1621230	1	• Screw,Mach-Slotted Pan Hd M6 x 1 x 12 Lg			
- 22	2101089	2	• Strap			
- 23	526378	2	• Insulator Cap			
- 24	6814313	1	• Capacitor,AC 60 Hz			
- 24	5252843	1	• Capacitor,AC 50 Hz			
- 25	2449882	1	• Bracket			
- 26	1621811	2	• Screw,Thd-Form Hx-Wshr Hd M4 x .7 x 10 Lg			
- 28	4176697	1	• Power Logic C-Gate Asm			
- 28			For Detail Breakdown See List 23			
- 29	4236318	2	• Screw,Thd-Form Hex Wshr Hd M5-.8 x 12 Lg			
- 29 A	4236583	4	• Clamp,Board			
- 29 B	4236584	2	• Screw			
- 30	4176690	1	• Control Power Supply Asm,60 Hz			
- 30	4176694	1	• Control Power Supply Asm,50 Hz			
- 30			For Detail Breakdown See List 28			
- 31	5565056	1	• Fan Asm			
- 31			For Detail Breakdown See List 29			
- 31 A	2596291	1	• Clamp			
- 31 B	2596293	1	• Clamp			
- 32	4176655	1	• Multi-Level Filter Asm			
- 32			For Detail Breakdown See List 27			
- 33	2588079	1	• Clamp			
- 34	853288	2	• Core			
- 35	2588046	1	• Spring			

FIGURE- INDEX NUMBER	PART NUMBER	UNITS PER ASM.	DESCRIPTION FOR FIGURE 3				
			1	2	3	4	
3	36	4176665	1				• 5 V Filter Asm
-	36						For Detail Breakdown See List 30
-	37	600395	10				• Washer, Flat 13/64 ID x 3/4 OD x 3/32 Thk
-	39	5565197	1				• Line Filter Asm
-	39						For Detail Breakdown See List 25
-	42	4176663	1				• Transformer Asm, 60 Hz
-	42	4176664	1				• Transformer Asm, 50 Hz
-	43	5236656	1				• Shield, Terminal Block
-	44	10170	2				• Screw, Mach-Bind Hd No. 6-32 x 1/4 Lg
-	45	1622348	1				• Washer, Lock-Ext Star 6.4 ID x 11 OD x .7
-	46	5565160	1				• AC Box Asm
-	46	5565195	1				• AC Box Asm, CEE 50 Hz
-	46						For Detail Breakdown See List 24
-	47	4236577	1				• 33FD Mounting Asm, 60 Hz
-	47	4236578	1				• 33FD Mounting Asm, 50 Hz
-	47						For Detail Breakdown See List 9
-	47	4236579	1				• 53FD Mounting Asm, 60 Hz
-	47	4236580	1				• 53FD Mounting Asm, 50 Hz
-	47						For Detail Breakdown See List 9
-	48	1622347	4				• Washer, Lock-Ext Star 5.3 ID x 10 OD x .6
-	49	4236318	56				• Screw, Thd-Form Hex Wshr Hd M5-.8 x 12-.8
-	50	2588303	1				• Trough
-	51	524519	2				• Clamp
-	52	4236753	1				• Spacer
-	53	2596275	1				• Clamp
-	54	2596291	2				• Clamp
-	55	5565190	1				• Feature Distribution Asm.
-	55						For Detail Breakdown See List 26A
-	56	5565223	1				• Power Supply-C Asm, 60 Hz
-	56	5565224	1				• Power Supply-C Asm, 50 Hz
-	56						For Detail Breakdown See List 31B
-	57	23141	1				• Washer, Flat-No. 10 x 9/16 OD x 1/16 Thk
-	58	5565050	1				• Power Supply-D Asm, 60 Hz
-	58	5565095	1				• Power Supply-D Asm, 50 Hz
-	58						For Detail Breakdown See List 31C

THIS PAGE INTENTIONALLY LEFT BLANK

FOR PARTS
NOT SHOWN
SEE FIG. 3

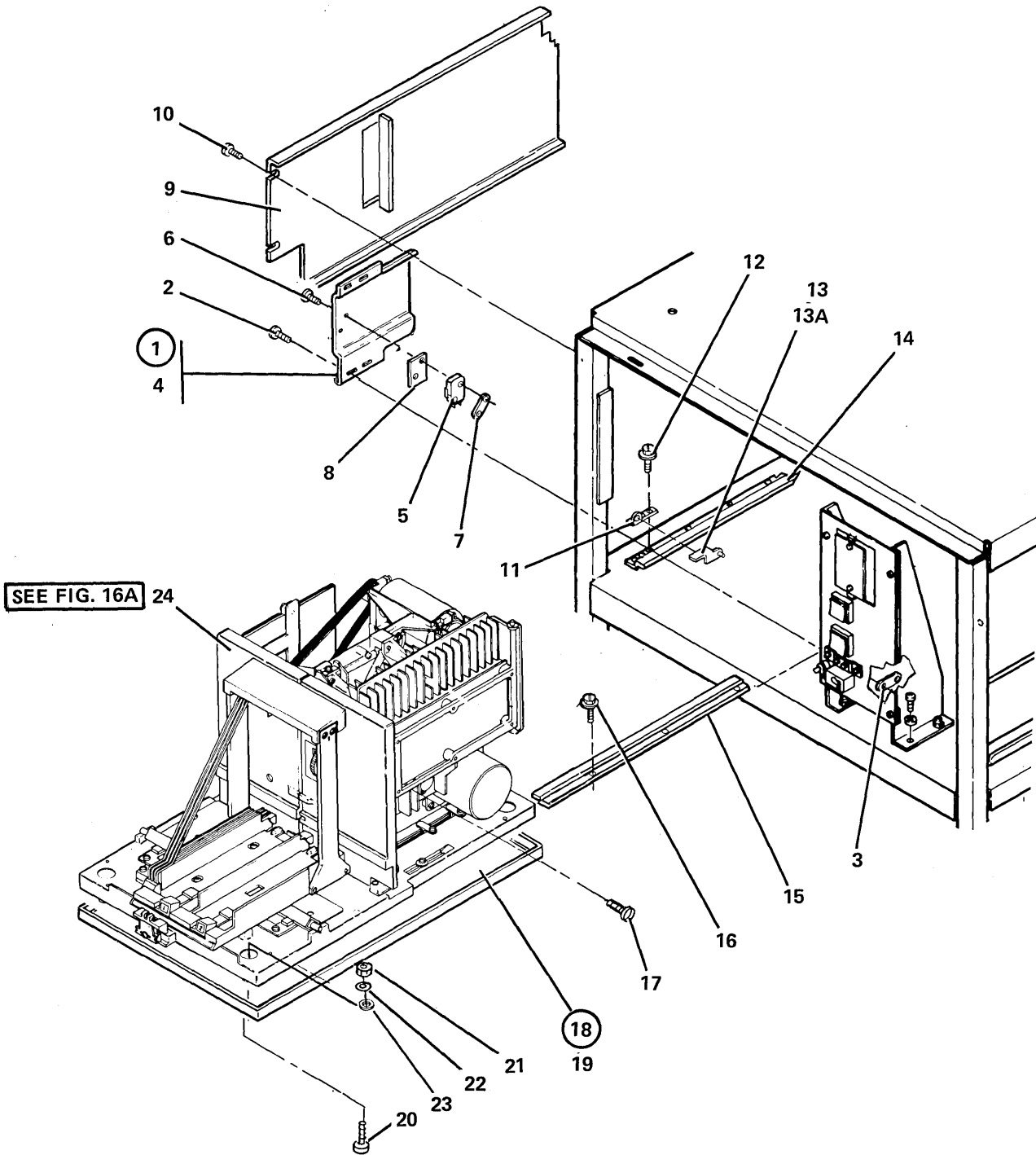


FIGURE 3A. 72MD MOUNTING ASM. SEE LIST 3A.

FIGURE- INDEX NUMBER	PART NUMBER	UNITS PER ASM.	DESCRIPTION FOR FIGURE 3A			
			1	2	3	4
3A	4236144 4236145		72MD MOUNTING ASM, 60 HZ 72MD MOUNTING ASM, 50 HZ FOR NEXT HIGHTER ASM SEE LIST 3 FOR ILLUSTRATION SEE FIGURE 3A			
- 1	4236768	1	• Shroud Asm			
- 2	1621170	4	• Screw,Mach-Slot Pan Hd M3 x 6mm Lg			
- 3	4236758	1	• Nut Plate			
- 4	4236747	1	• • Shroud			
- 5	4164710	1	• • Switch			
- 6	1621174	2	• • Screw,Mach-Slot Pan Hd M3 x 16mm Lg			
- 7	4236759	1	• • Nut Plate			
- 8	627764	1	• • Insulator			
- 9	4236784	1	• Cover			
- 10	4236318	4	• Screw,Thd-Form Hex Wshr Hd M5 x 12mm Lg			
- 11	4236708	1	• Bracket			
- 12	4236318	2	• Screw,Thd-Form Hex Wshr Hd M5 x 12mm Lg			
- 13	4236738	1	• Latch Asm			
- 13 A	4236707	1	• • Stud			
- 14	4236705	1	• Rail,Left			
- 15	4236704	1	• Rail,Right			
- 16	4236318	7	• Screw,Thd-Form Hex Wshr Hd M5 x 12mm Lg			
- 17	7362382	2	• Bolt,Shipping			
- 18	4236598	1	• Disk Device Asm,60 Hz			
- 18	4236621	1	• Disk Device Asm,50 Hz			
- 19	4236590	1	• • Panel			
- 20	1621339	4	• • Screw,Slot-Flat Hd M6 x 40 Lg			
- 21	1622405	4	• • Nut,Hex M6 x 10 Fl W x 5 Thk			
- 22	1622306	4	• • Washer Flat 6.6 ID x 12.5 OD x 1.6 Thk			
- 23	2462137	4	• • Limiter			
- 24	2462400	1	• • Diskette Storage Drive Asm, 110 V 60 Hz			
- 24	2462401	1	• • Diskette Storage Drive Asm, 220 V 60 Hz			
- 24	2462402	1	• • Diskette Storage Drive Asm, 110 V 50 Hz			
- 24	2462403	1	• • Diskette Storage Drive Asm, 220 V 50 Hz For Detail Breakdown See List 16A			
- 24						

5340

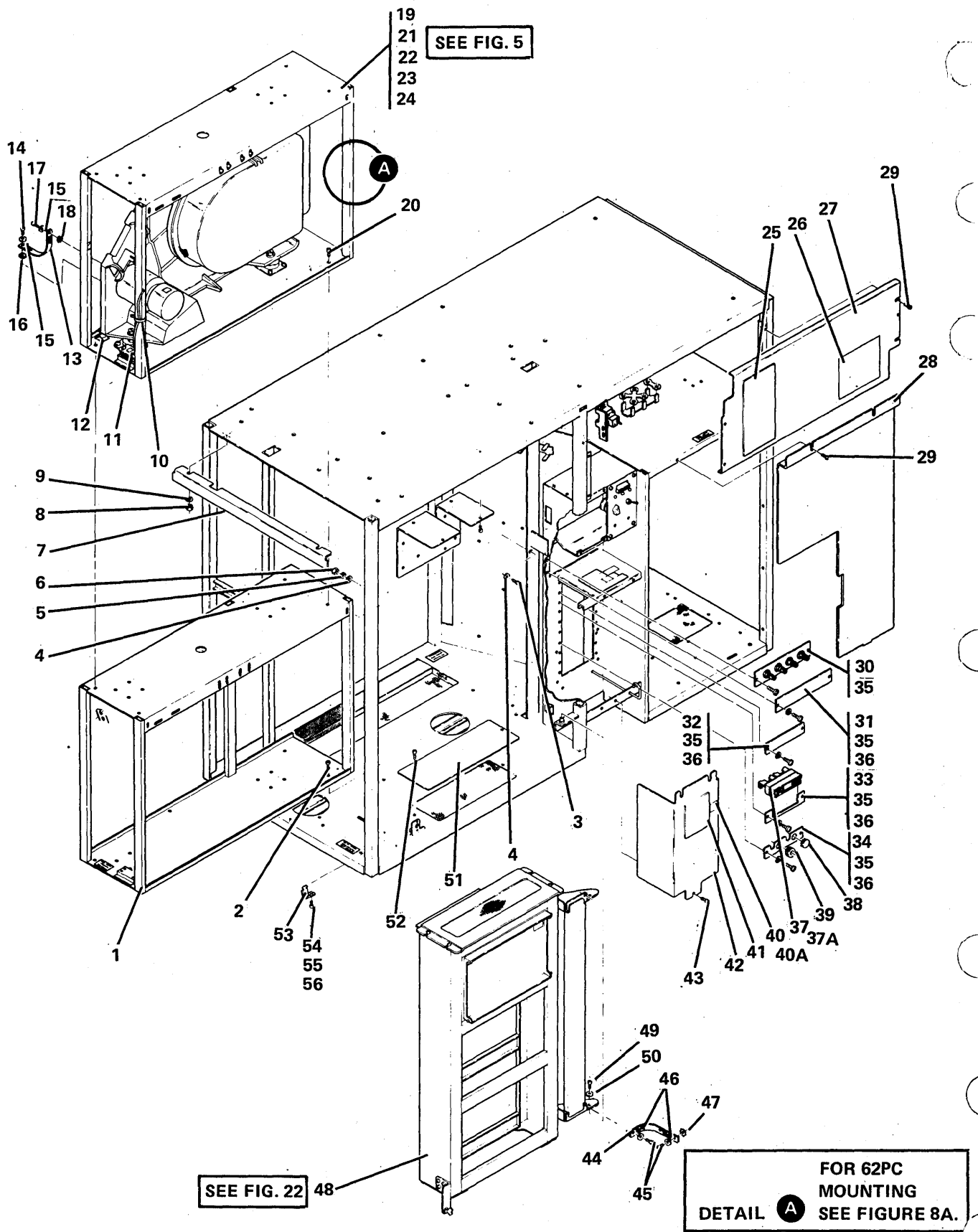


FIGURE 4. MECHANICAL ASM. SEE LIST 4.

FIGURE- INDEX NUMBER	PART NUMBER	UNITS PER ASM.	DESCRIPTION FOR FIGURE 4			
			1	2	3	4
4	NO NO. NP		MECHANICAL ASM FOR ILLUSTRATION SEE FIGURE 4			
- 1	4236786	1	• 62EH Disk Drive Mounting, No File			
- 2	4236318	4	• Screw, Thd-Form Hex Wshr Hd M5 x 12mm Lg			
- 3	1621232	2	• Screw, Mach-Slotted Pan Hd M6 x 20mm Lg			
- 4	1622306	4	• Washer, Flat 6.6 ID x 12.5 OD x 1.6 Thk			
- 5	1622320	2	• Washer, Lock-Split 6.1 ID x 11.8 OD x 1.6 Thk			
- 6	1622405	2	• Nut, Hex M6 x 10 FI W x 5 Thk			
- 7	4236320	1	• Bracket			
- 8	1622405	2	• Nut, Hex M6 x 10 FI W x 5 Thk			
- 9	1622306	2	• Washer, Flat 6.6 ID x 12.5 OD x 1.6 Thk			
- 10	533783	1	• Clamp			
- 11	2596275	1	• Clamp			
- 12	2596293	4	• Clamp			
- 13	2101089	1	• Strap, Ground			
- 14	4236318	1	• Screw, Thd-Form Hex Wshr Hd M5 x 12mm Lg			
- 15	600395	2	• Washer, Flat 13/64 ID x 3/4 OD x 3/32 Thk			
- 16	600560	1	• Washer, Lock 3/16 ID x 37/64 OD x 1/32 Thk			
- 17	5349929	1	• Screw, Thd-Form Hex Wshr Hd 8-32 x 1/2 Lg			
- 18	1622347	1	• Washer, Lock-Ext T 53 ID x 10 OD x .6 Thk			
- 19	4236322	1	• 62EH Drive Mounting Asm, 220 V 60 Hz			
- 19	4236323	1	• 62EH Drive Mounting Asm, 220 V 50 Hz			
- 19			For Detail Breakdown See List 5			
- 20	4236318	4	• Screw, Thd-Form Hex Wshr Hd M5 x 12mm Lg			
- 21	1621232	2	• Screw, Mach-Slotted Pan Hd M6 x 20mm Lg			
- 22	1622306	4	• Washer, Flat 6.6 ID x 12.5 OD x 1.6 Thk			
- 23	1622320	2	• Washer, Lock-Split 6.1 ID x 11.8 OD x 1.6			
- 24	1622405	2	• Nut, Hex M6 x 10 FI W x 5 Thk			
- 25	4236760	1	• Label			
- 26	4236996	1	• Label			
- 27	4236633	1	• Cover			
- 28	4236382	1	• Cover			
- 29	4236318	6	• Screw, Thd-Form Hex Wshr Hd M5 x 12mm Lg			
- 30	4236479	1	• Cable Asm			
- 31	4236632	2	• Plate			
- 32	4236631	10	• Cover			
- 33	4236629	AR	• Plate			
- 34	4236635	1	• Plate			
- 34	8265315	1	• Plate (MLCA)			
- 35	4236318	26	• Screw, Thd-Form Hex Wshr Hd M5 x 12mm Lg			
- 36	600395	10	• Washer, Flat 13/64 ID x 3/4 OD x 3/32 Thk			
- 37	5362304	AR	• Connector			
- 37	813392	AR	• Connector Asm (MLCA)			
- 37 A	2546928	AR	• Retainer (MLCA)			
- 38	602664	1	• Plug			
- 39	5311905	1	• Grommet			
- 40	4236744	1	• Label			
- 40 A	4236976	1	• Label (MLCA)			
- 41	4236721	1	• Label			
- 42	4236636	1	• Cover			
- 43	4236318	3	• Screw, Thd-Form Hex Wshr Hd M5 x 12mm Lg			
- 44	2101089	2	• Strap, Ground			
- 45	4236318	4	• Screw, Thd-Form Hex Wshr Hd M5 x 12mm Lg			
- 46	600395	4	• Washer, Flat 13/64 ID x 3/4 OD x 3/32 Thk			
- 47	1622347	2	• Washer, Lock Ext T 5.3 ID x 10 OD x .6 Thk			
- 48	NO NO. NP	1	• B-Gate Asm			
- 48			For Detail Breakdown See List 22			
- 49	1621191	2	• Screw, Mach-Slotted Pan Hd M4 x 10mm Lg			
- 50	600395	2	• Washer, Flat 13/64 ID x 3/4 OD x 3/32 Thk			

THIS PAGE INTENTIONALLY LEFT BLANK

5340

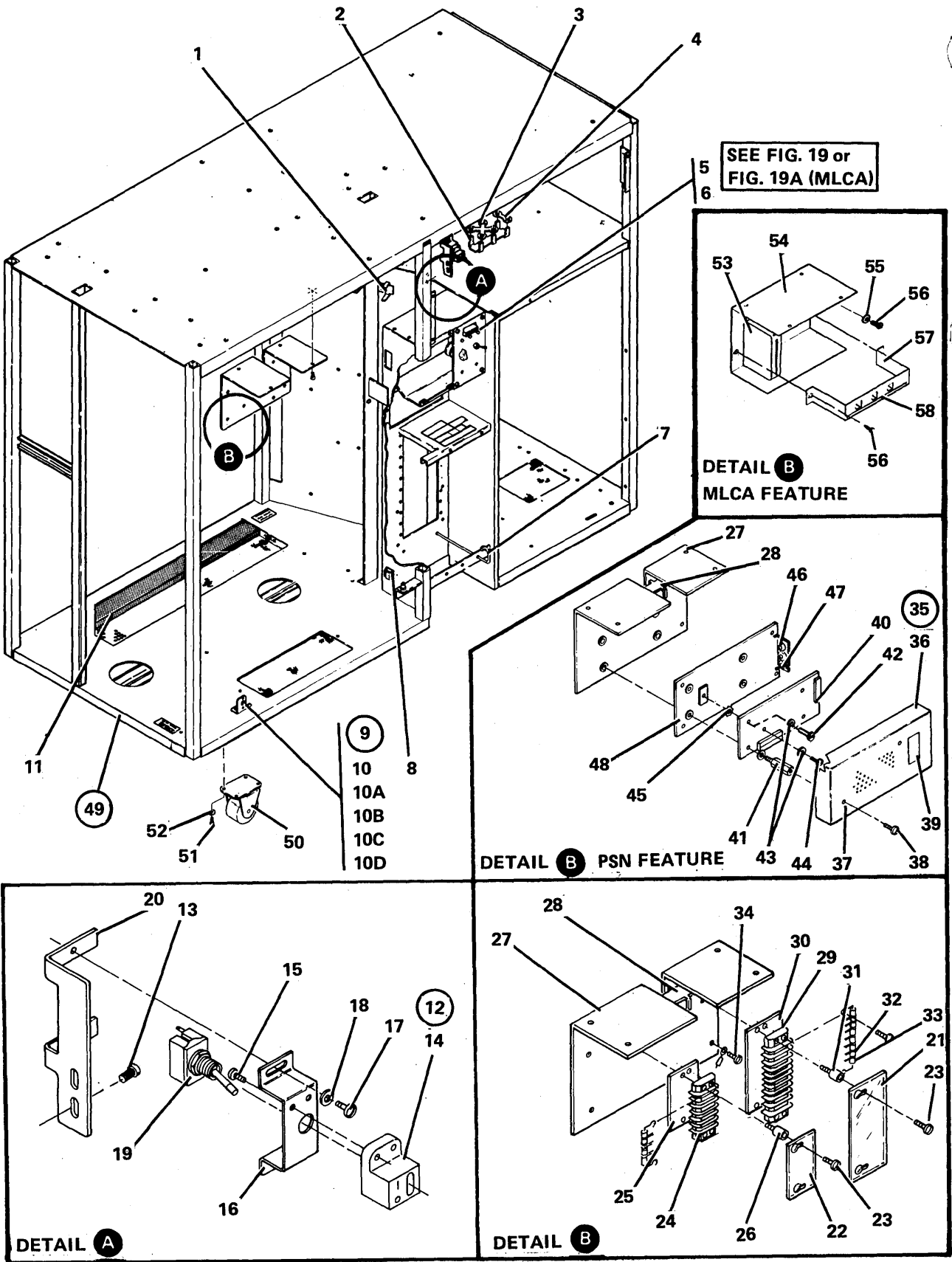


FIGURE 4A. MECHANICAL ASM. SEE LIST 4A.

FIGURE- INDEX NUMBER	PART NUMBER	UNITS PER ASM.	DESCRIPTION FOR FIGURE 4A			
			1	2	3	4
4A	NO NO. NP		MECHANICAL ASM FOR ILLUSTRATION SEE FIGURE 4A			
- 1	2590011	3	• Trough			
- 2	2588303	2	• Trough			
- 3	813519	3	• Strap,Cross			
- 4	811427	23	• Strap			
- 5	4236464	1	• Panel Asm,2400 BPS Modem-English			
- 5	4236465	1	• Panel Asm,2400 BPS Modem-French			
- 5	4236466	1	• Panel Asm,2400 BPS Modem-German For Detail Breakdown See List 19			
- 5	4236985	1	• Panel Asm, 4800 BPS Modem (MLCA)			
- 6	1621811 NP	4	• Screw,Thd-Form Hex Wshr Hd M4 x 10mm Lg			
- 7	5554530	1	• Pin			
- 8	2596275	2	• Clamp			
- 9	4236380	1	• Latch Asm			
- 10	4236318	2	• Screw,Thd-Form Hex Wshr Hd M5 x 12mm Lg			
- 10 A	4236379	1	• • Bracket			
- 10 B	312571	1	• • Receptacle			
- 10 C	1621287	2	• • Screw,Slot Flat Hd M3 x .5 x 10 Lg			
- 10 D	1622415	2	• • Nut,Hex Lock-M3			
- 11	4236647	1	• Foam			
- 12	4236384	1	• Switch Asm, IPO			
- 13	4236318	2	• Screw,Thd-Form Hex Wshr Hd M5 x 12mm Lg			
- 14	2546314	1	• • Block			
- 15	81693	2	• • Screw,Mach-Bind Hd 6-32 x 3/8 Lg			
- 16	4236783	1	• • Spring			
- 17	1621190	2	• • Screw,Mach-Slotted Pan Hd M4 x 8mm Lg			
- 18	1622304	2	• • Washer,Flat 4.3 ID x 9 OD x .8 Thk			
- 19	738826	1	• • Switch			
- 20	4236782	1	• • Bracket			
- 21	361537	1	• Shield			
- 22	5236656	1	• Shield			
- 23	10170	2	• Screw,Mach-Bind Hd 6-32 x 1/4 Lg			
- 24	317310	1	• Terminal Block			
- 25	740554	1	• Marker Strip			
- 26	210883	2	• Stud			
- 27	4236659	1	• Plate			
- 28	2590010	1	• Trough			
- 29	522850	1	• Terminal Block			
- 30	522849	1	• Marker Strip			
- 31	210883	2	• Stud			
- 32	2730082	6	• Diode			
- 33	2730081	6	• Resistor			
- 34	1621190	2	• Screw,Mach-Slotted Pan Hd M4 x 8mm Lg			
- 35	1780955	1	• Public Switched Network Asm			
- 36	1621190	4	• Screw,Mach-Slotted Pan Hd M4 x 8mm Lg			
- 37	1780957	1	• • Cover			
- 38	10170	2	• • Screw,Mach-Bind Hd 6-32 x 1/4 Lg			
- 39	737858	1	• • Label			
- 40	1783982	1	• • Line Plate Asm			
- 41	1778098	2	• • Spacer			
- 42	10170	2	• • Screw,Mach-Bind Hd 6-32 x 1/4 Lg			
- 43	303361	4	• • Washer			
- 44	58207	1	• • Screw,Mach-Bind Hd 8-32 x 1/4 Lg			
- 45	55901	1	• • Washer,Lock-Ext T 11/64 ID x 3/8 OD			
- 46	1138167	2	• • Strain Relief			
- 47	317138	1	• • Grommet			
- 48	1781109	1	• • Plate Asm			
- 49	4236256	1	• Frame Asm			

THIS PAGE INTENTIONALLY LEFT BLANK

FOR PARTS
NOT SHOWN
SEE FIG. 4

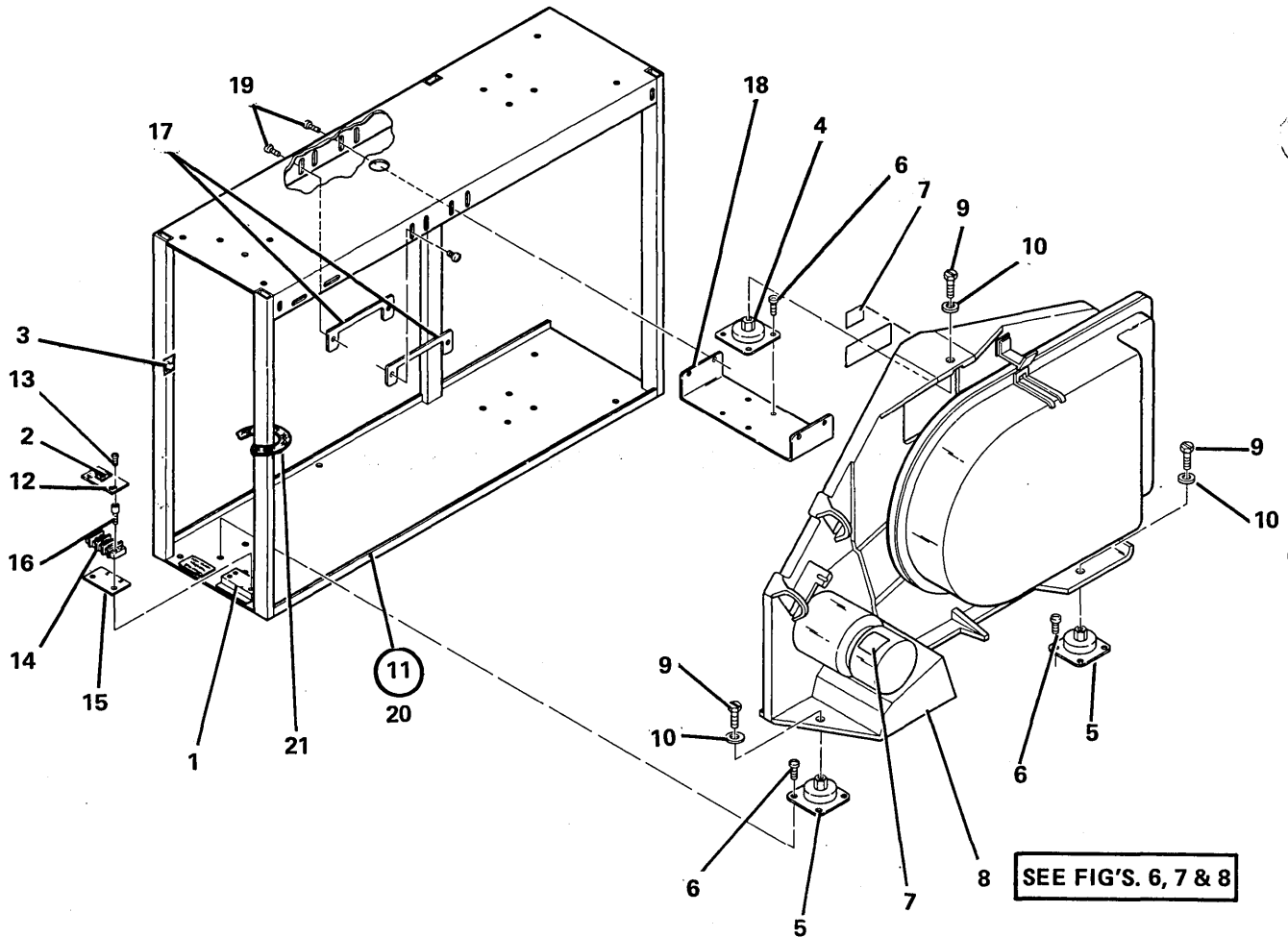


FIGURE 5. 62EH DISK DRIVE MOUNTING ASM. SEE LIST 5.

FOR PARTS
NOT SHOWN
SEE FIG. 5

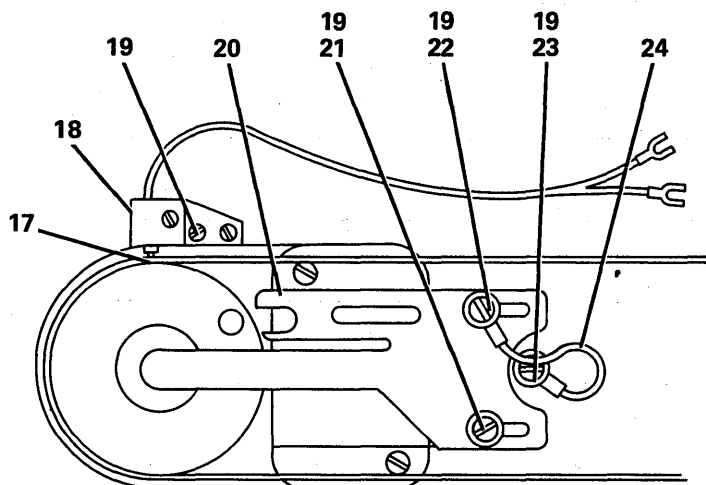
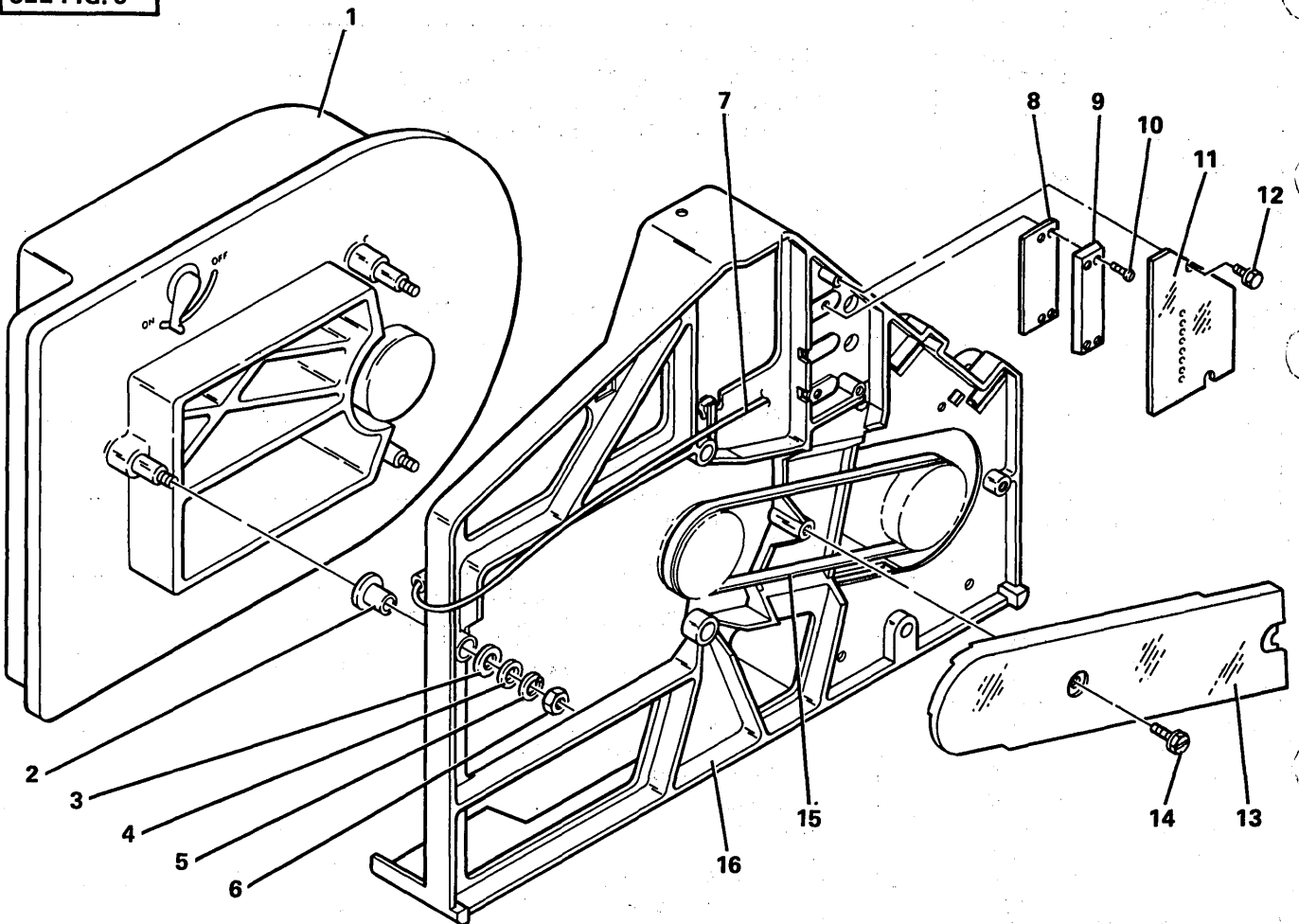


FIGURE 6. 62EH DISK DRIVE ASM. SEE LIST 6.

5340

FOR PARTS
NOT SHOWN
SEE FIG. 5

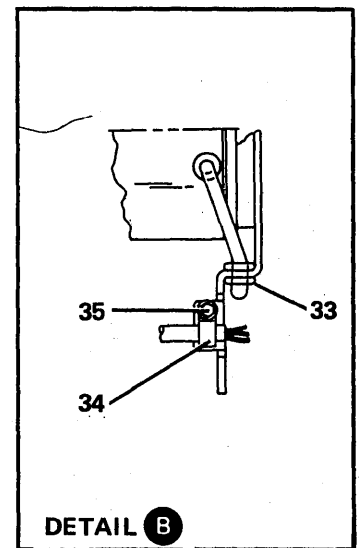
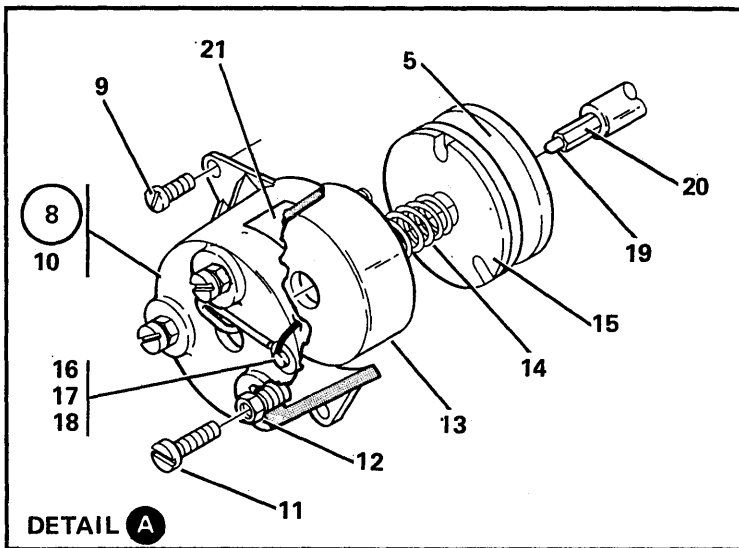
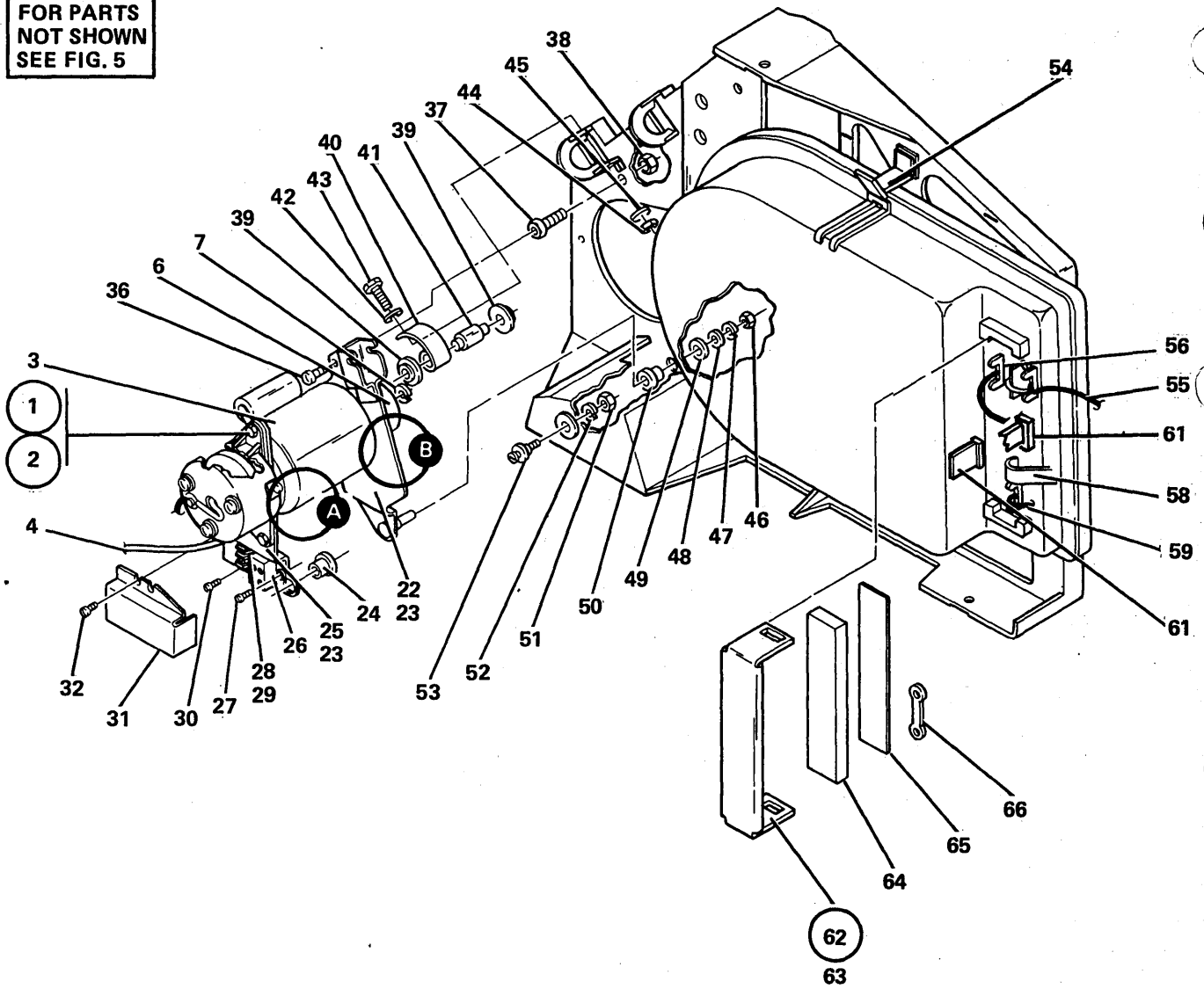


FIGURE 7. 62EH DISK DRIVE ASM. SEE LIST 7.

FIGURE- INDEX NUMBER	PART NUMBER	UNITS PER ASM.	DESCRIPTION FOR FIGURE 7			
			1	2	3	4
7	5144683 5144682		62EH DISK DRIVE ASM, 220 V 60 HZ NEW STYLE 62EH DISK DRIVE ASM, 220 V 50 HZ NEW STYLE FOR NEXT HIGHER ASM SEE LIST 5-8			
			FOR ILLUSTRATION SEE FIGURE 7			
- 1	2451018	1	• Motor And Mounting Asm, 220 V 60 Hz			
- 1	2451019	1	• Motor And Mounting Asm, 220 V 50 Hz			
- 2	2451010	1	• • Motor Asm, 220 V 60 Hz			
- 2	2451011	1	• • Motor Asm, 220 V 50 Hz			
- 3	2451006	1	• • • Motor And Cable Asm, 220 V 60 Hz			
- 3	2451007	1	• • • Motor And Cable Asm, 220 V 50 Hz			
- 4	2775967	1	• • • Cable Asm			
- 5	4201657 NP	1	• • • Plate, Brake			
- 6	4201671	1	• • • Pulley, 220/110 V 60 Hz			
- 6	4201710	1	• • • Pulley, 220 V 50 Hz			
- 7	4201666	1	• • • Ring			
- 8	5144660	1	• • Brake Asm			
- 9	5353301	3	• • Screw, Thd-Form Hx Wshr Hd 1/4-20 x 5/8 Lg			
- 10	5145052	1	• • • Bracket, Brake Mounting			
- 11	438568	3	• • • Screw, Mach-Bind Hd 6-32 x 1-1/8 Lg			
- 12	4201639	3	• • • Bushing, Threaded			
- 13	5144917	1	• • • Coil			
- 14	5144913	1	• • • Spring			
- 15	5144916	1	• • • Armature Asm			
- 16	5145057	1	• • • Brush Asm			
- 17	58207	1	• • • Screw, Mach-Bind Hd 8-32 x 1/4 Lg			
- 18	55901	1	• • • Washer, Lock-Ext Teeth 11/64 ID x 3/8 OD			
- 19	5145086	1	• • Stud			
- 20	11598	1	• • Nut, Plain-Hex 10-32			
- 21	5145814	1	• • Label			
- 22	2775962	1	• • Plate Asm, Front			
- 23	186759	3	• • Screw, Mach-Bind Hd 8-32 x 5/16 Lg			
- 24	2775966	1	• • Bushing			
- 25	2451028	1	• • Plate, Rear			
- 26	2451041	1	• • Relay, 220 V 50/60 Hz			
- 26	2451042	1	• • Relay, 110 V 60 Hz			
- 27	38350	2	• • Screw, Mach-Fil Hd 6-32 x 1/4 Lg			
- 28	323836	1	• • Terminal Block			
- 29	5318920	1	• • Marker Strip			
- 30	35739	2	• • Screw, Mach-Bind Hd 6-32 x 7/16 Lg			
- 31	2775964	1	• • Cover			
- 32	10170	2	• • Screw, Mach-Bind Hd No 6-32 x 1/4 Lg			
- 33	123071	1	• • Grommet			
- 34	2102365	1	• • Clamp			
- 35	5319854	1	• • Screw, Thd-Form Hex Wshr Hd 8-32 x 3/8 Lg			
- 36	6282	1	• • Screw, Mach-Flat Hd 10-32 x 1 Lg			
- 37	5145098	1	• • Screw, Hex Hd .50-13 Unc 1.0 Lg Int Thread			
- 38	186950	1	• • Nut, Plain-Hex 1/2-13 x 3/4 Fl W			
- 39	2775963	2	• • Washer, Spring Insulating .242 ID .890 OD			
- 40	5144813	1	• • Spring			
- 41	5145085	1	• • Roller			
- 42	25263	1	• • Washer, Flat 11/64 ID x 7/8 OD x 1/16 Thk			
- 43	321483	1	• • Screw, Mach-Bind Hd 8-32 x 1 Lg			
- 44	257189	1	• • Nut, Hex 8-32 Unc Thd			
- 45	55901	1	• • Washer, Lock-Ext Teeth 11/64 ID x 3/8 OD			
- 46	336766	1	• • Nut, Hex 1/4-20 x 7/16 Fl W			
- 47	5145050	1	• • Washer, Spring 9/32 ID x 1/2 OD x 3/16 Thk			
- 48	3550	1	• • Washer, Fl-1/4 x 9/16 OD x 1/16 Thk			
- 49	5145820	1	• • Washer, 17/64 ID x 57/64 OD x 1/8 Thk			
- 50	5145804	1	• • Bushing			

THIS PAGE INTENTIONALLY LEFT BLANK

FOR PARTS
NOT SHOWN
SEE FIG. 5

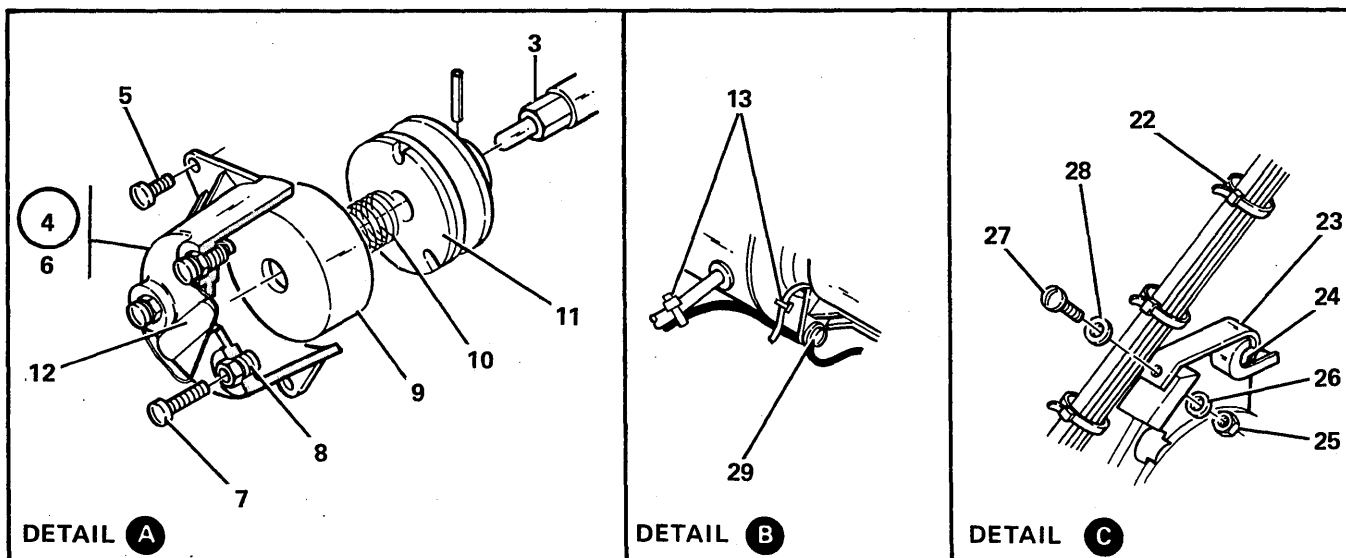
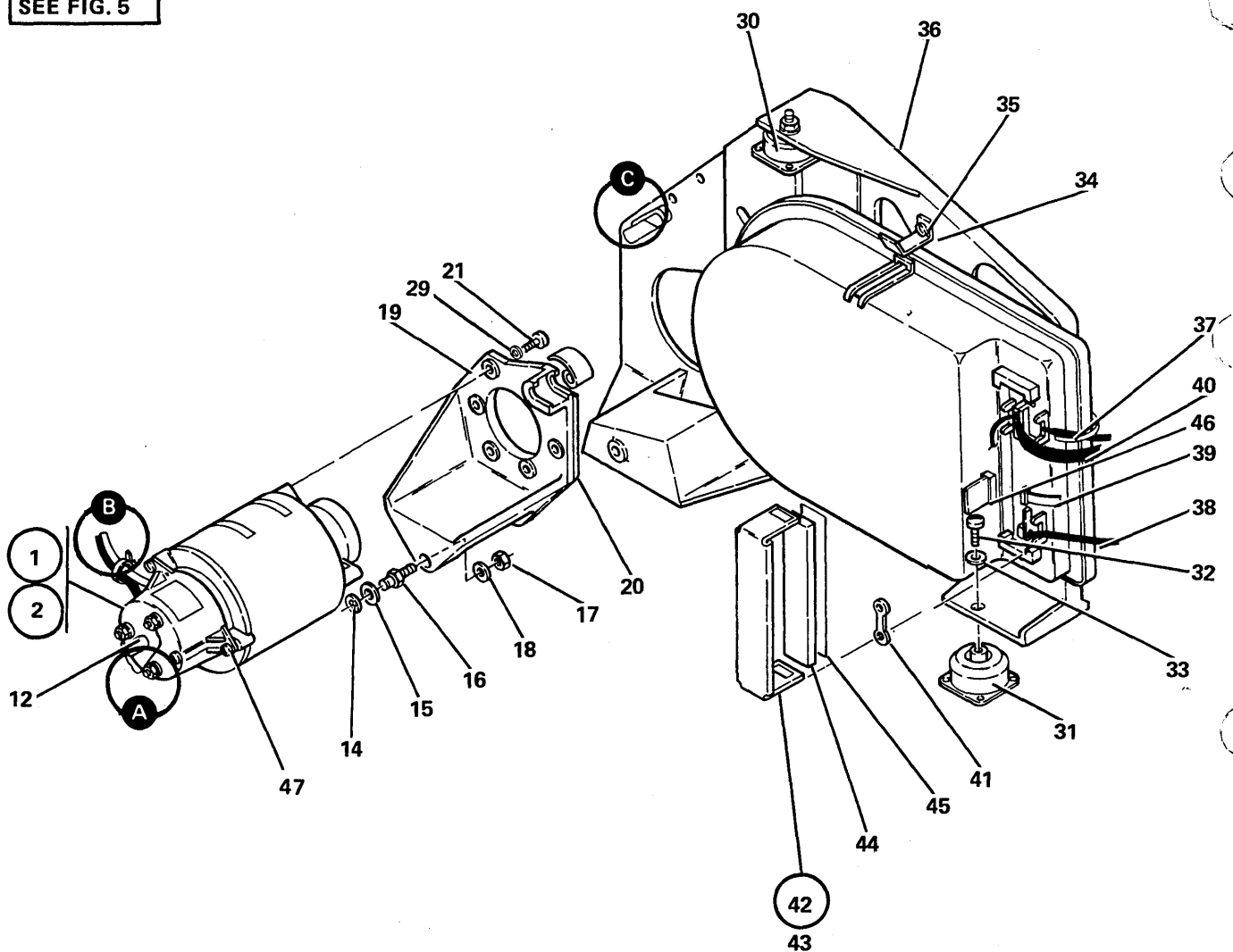


FIGURE 8. 62EH DISK DRIVE ASM. (OLD STYLE) SEE LIST 8.

FIGURE INDEX NUMBER	PART NUMBER	UNITS PER ASM.	DESCRIPTION FOR FIGURE 8			
			1	2	3	4
8	5144683 5144682		62EH DISK DRIVE ASM, 220 V 60 HZ OLD STYLE 62EH DISK DRIVE ASM, 220 V 50 HZ OLD STYLE FOR NEXT HIGHER ASM SEE LIST 5-8			
			FOR ILLUSTRATION FIGURE 8			
- 1	5144645	1	• Motor Brake Asm, 220 V 60 Hz			
- 1	5144644	1	• Motor Brake Asm, 220 V 50 Hz			
- 2	5144650	1	• • Motor Asm, 220 V 60 Hz			
- 2	5144687	1	• • Motor Asm, 220 V 50 Hz			
- 3	5145056 NR	1	• • • Shaft Threaded, 60 Hz			
- 3	5145055 NR	1	• • • Shaft Threaded, 50 Hz			
- 4	5144660	1	• • Brake Asm			
- 5	322028	3	• • Screw, Mach-Bind Hd 1/4-20 x 3/4 Lg			
- 6	5145052	1	• • • Bracket, Brake Mtg			
- 7	438567	3	• • • Screw, Mach-Bind Hd 6-32 x 1 Lg			
- 8	5144925	3	• • • Bushing, Threaded			
- 9	5144917	1	• • • Coil Asm			
- 10	5144913	1	• • • Spring			
- 11	5144916	1	• • • Armature Asm			
- 12	5145057	1	• • • Spring Asm			
- 13	5420242	2	• • • Tie, Cable			
- 14	5144811	1	• Clip, Retaining			
- 15	5144820	1	• Washer, Flat 41/64 ID x 1-1/8 OD x 1/8 Thk			
- 16	5144810	1	• Pivot			
- 17	22349	1	• Nut, Plain-Hex 3/8-16 x 9/16 Fl W			
- 18	10309	1	• Washer, Lock-Split 3/8 ID x 5/8 OD			
- 19	5144815	1	• Bracket, Motor Mtg			
- 20	5145099	1	• Plate			
- 21	322028	5	• Screw, Mach-Bind Hd 1/4-20 x 3/4 Lg			
- 22	532393	3	• Cable Tie			
- 23	5144813	1	• Spring			
- 24	5145085	1	• Roller			
- 25	257189	1	• Nut, Hex 8-32 Unc Thd			
- 26	55901	1	• Washer, Lock-Ext Teeth 11/64 ID x 3/8 OD			
- 27	321483	1	• Screw, Mach-Bind Hd 8-32 x 1 Lg			
- 28	25263	1	• Washer, Flat 11.64 ID x 7/8 OD x 1/16 Thk			
- 29	76574	4	• Lockwasher, Ext Teeth 1/4 ID x 1/2 OD			
- 30	2590957	1	• Shockmount, Upper			
- 31	5145088	2	• Shockmount, Lower			
- 32	36844	3	• Screw, Mach-Hex Hd 1/4-20 x 5/8 Lg			
- 33	6935	3	• Washer, Lock-Split 1/4 x 1/2 OD			
- 34	5144921	1	• Clip			
- 35	5319854	1	• Screw, Thd-Form Hex Wshr Hd 8-32 x 3/8 Lg			
- 36	5144812	1	• Sub Frame			
- 37	4236416	1	• Cable Asm, Servo			
- 38	4236415	1	• Cable Asm, Data			
- 39	4236417	1	• Flat Cable			
- 40	5145818	1	• Cable Asm			
- 41	811427	1	• Retainer			
- 42	5144803	1	• Card Clamp Asm			
- 43	5144804	1	• • Clamp			
- 44	5144850	1	• • Pad			
- 45	5144898	1	• • Pad			
- 46	811064	2	• Card, Dummy			
- 47	322028	3	• Screw, Mach-Bind Hd 1/4-20 x 3/4 Lg			

5340

FOR PARTS
NOT SHOWN
SEE FIG. 4

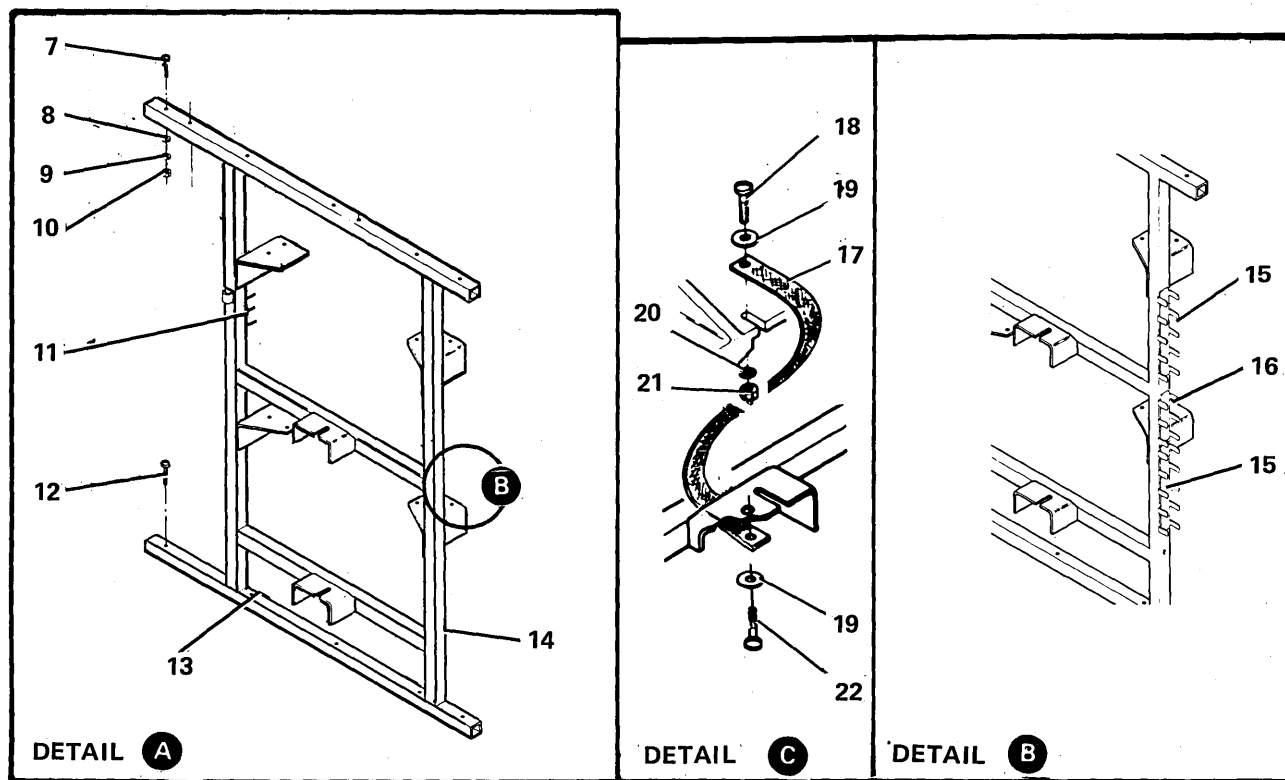
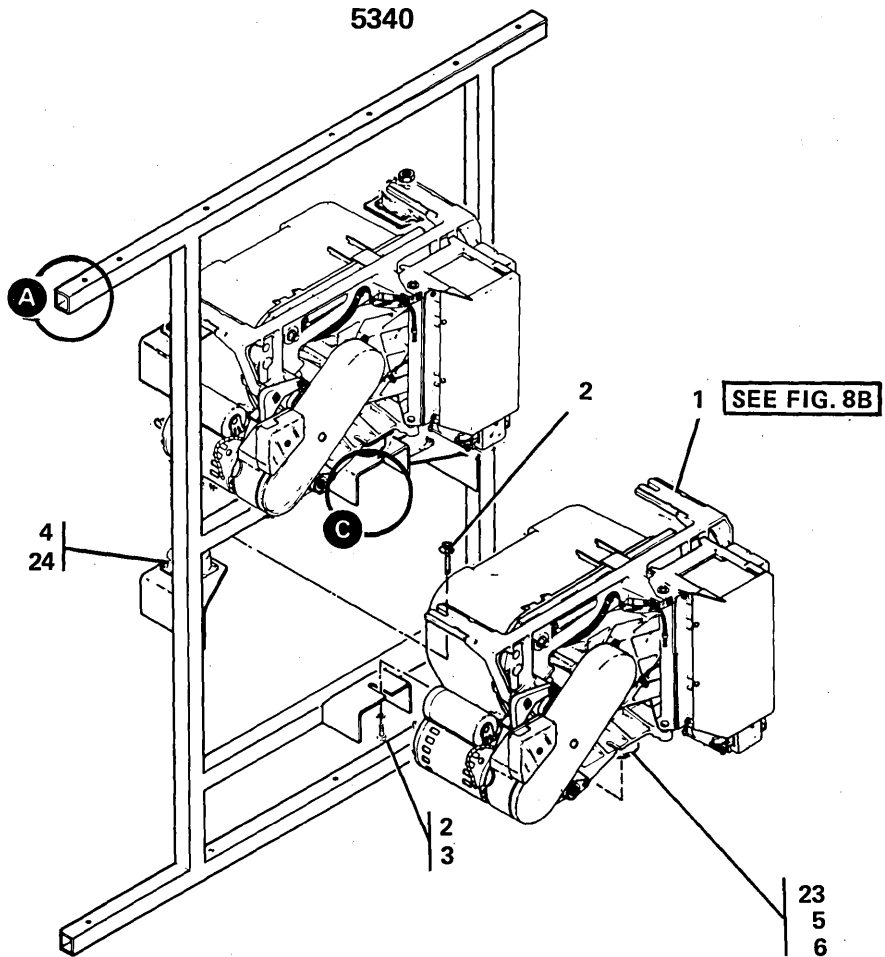


FIGURE 8A. 62 PC MOUNTING ASM. SEE LIST 8A.

FOR PARTS
NOT SHOWN
SEE FIG. 8A

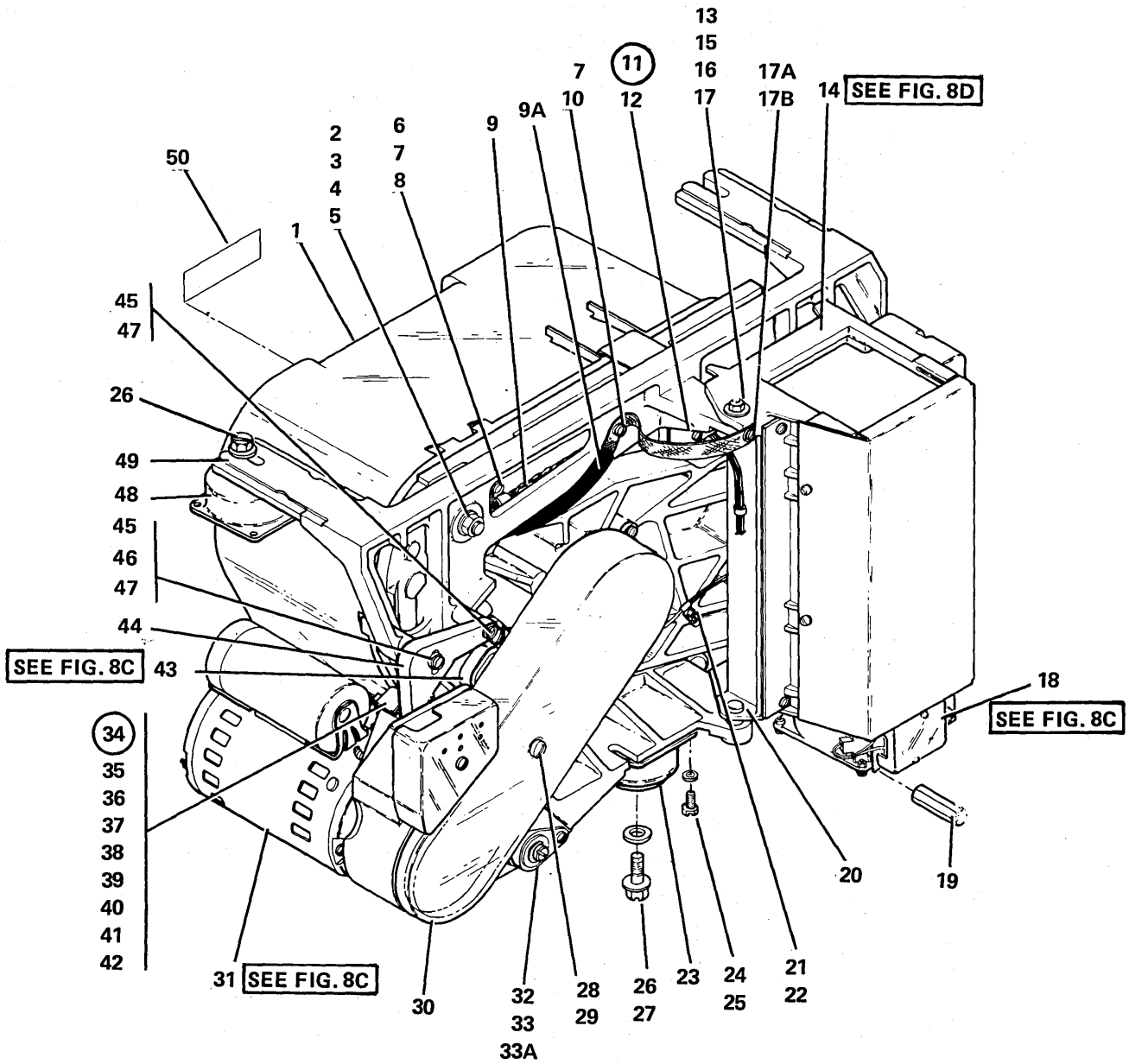


FIGURE 8B. 62PC FINAL ASSEMBLY. SEE LIST 8B.

FIGURE- INDEX NUMBER	PART NUMBER	UNITS PER ASM.	DESCRIPTION FOR FIGURE 8B			
			1	2	3	4
8B	5145750 NR 5145756 NR		62PC DISK DRIVE ASM, 220 V 60 HZ 64 MB 62PC DISK DRIVE ASM, 220 V 50 HZ 64 MB FOR NEXT HIGHER ASM SEE LIST 8A-1			
			FOR ILLUSTRATION SEE FIGURE 8B			
- 1	5563756	1	• Disk Enclosure 64 MB, U.S.			
- 1	5145762	1	• Disk Enclosure 64 MB, WTC			
- 1	2420889	1	• Disk Enclosure 64 MB, WTC			
- 2	1884425	3	• Bushing			
- 3	1884424	3	• Stud			
- 4	1884426	3	• Washer, 8.3 ID x 20 OD x 3 Thk			
- 5	1622406	2	• Nut, Hex ID			
- 6	5420242	AR	• Cable Tie			
- 7	1622346	1	• Lwasher, Ext-T 4.3 ID x 8 OD x .5 Thk			
- 8	1621197	1	• Screw, Pan Hd M4 x 6 Lg			
- 9	1884381	1	• Cable Asm			
- 9 A	1884555	1	• Jumper, Ground			
- 10	1621197	1	• Screw, Pan Hd M4 x 6 Lg			
- 11	5145458	1	• Clamp Asm			
- 12	1621194	2	• • Screw, Pan Hd M4 x 10 Lg			
- 13	1884272	1	• Stud			
- 14	5145795	1	• Gate Asm			
- 14			For Detail Breakdown See List 8D			
- 15	1622419	1	• Nut, Hex, Lock M6			
- 16	156390	1	• Washer, 6.4 ID x 16 OD x 1.6 Thk			
- 17	1884271	1	• Washer, Rubber 10 ID x 16 OD x 3.1 Thk			
- 17 A	1621197	1	• Screw, Pan Hd M4 x 6 Lg			
- 17 B	1622346	1	• L'washer, Ext T 4.3 ID x 8 OD x .5 Thk			
- 18	5145639	1	• Fan Asm, 220 V 60/50 Hz			
- 18	5145615	1	• Fan Asm, 110 V 60 Hz			
- 18			For Detail Breakdown See List 8C			
- 19	1884427	1	• Nut, Hex M8 x 65 Lg			
- 20	1884266	1	• Pivot			
- 21	5213276	1	• Clip			
- 22	5145968	1	• Screw, Pan Hd M4 x 6 Lg			
- 23	5145346	1	• Shockmount			
- 24	1621191	2	• Screw, Pan Hd M4 x 10 Lg			
- 25	1622346	2	• L Washer, Ext T 4.3 ID x 8 OD x .5 Thk			
- 26	234341	3	• Screw & Wshr, Hex Hd 1/4-20 x 5/8 Lg			
- 27	3550	1	• Washer, 6.4 ID x 16 OD x 1.5 Thk			
- 28	5145472	1	• Guard, Belt A and B Drives			
- 28	8265252	1	• Guard, Belt C and D Drives			
- 29	5146021	2	• Screw, Pan Hd M6 x 8 Lg			
- 30	5145349	1	• Belt, 60 Hz			
- 30	5145348	1	• Belt, 50 Hz			
- 31	xxxxxxx	1	• Motor Asm,			
- 31			For Detail Breakdown See List 8C			
- 32	5145279	2	• Bushing, With Press Fit Pivot Pin			
- 32	1884589	1	• Pivot Pin, Front			
- 32	1884588	1	• Pivot Pin, Rear			
- 33	5145347	1	• Ring, With Press Fit Pivot Pin			
- 33	1622419	2	• Nut, Hex Lock M6			
- 33 A	1622306	2	• Washer, Flat 6.6 ID x 12.5 OD x 1.6 Thk			
- 34	5145447	1	• Tensioner Asm			
- 35	1622304	2	• Washer, 4.3 ID x 9 OD x .8 Thk			
- 36	1621192	2	• Screw, Pan Hd M4 x 12 Lg			
- 37	5145347	1	• • Retaining Ring			
- 38	5145423	1	• • Latch			
- 39	5145344	1	• • Spring			
- 40	5145448	1	• • Guide			

THIS PAGE INTENTIONALLY LEFT BLANK

FOR PARTS
NOT SHOWN
SEE FIG. 8B

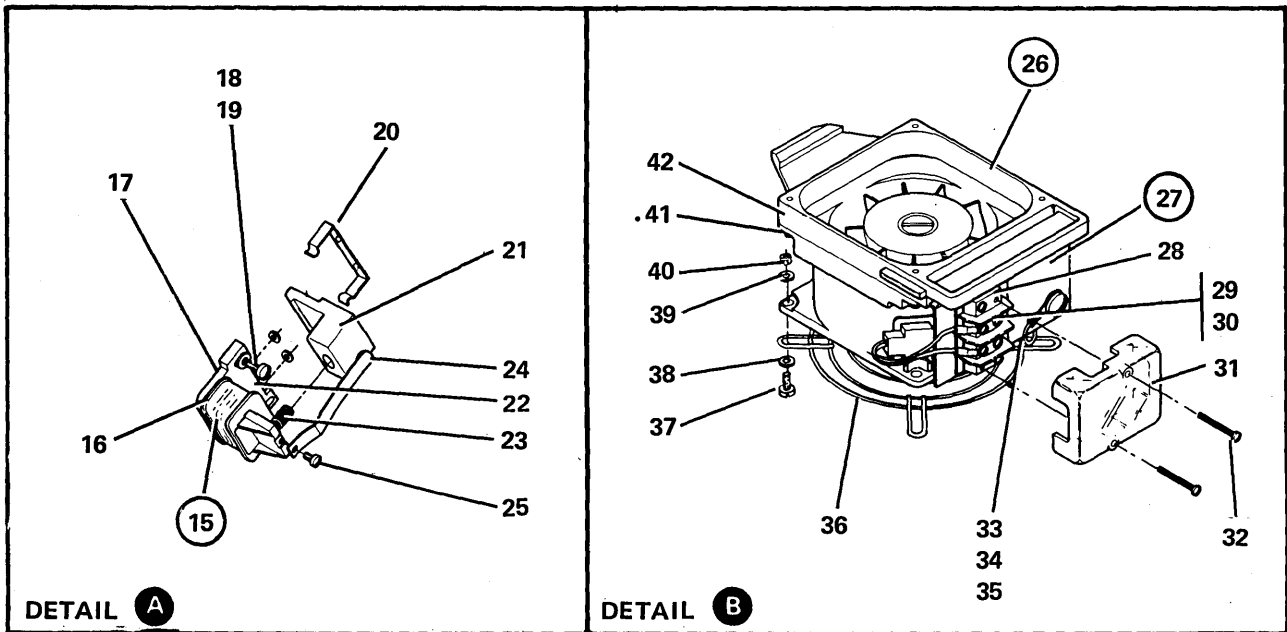
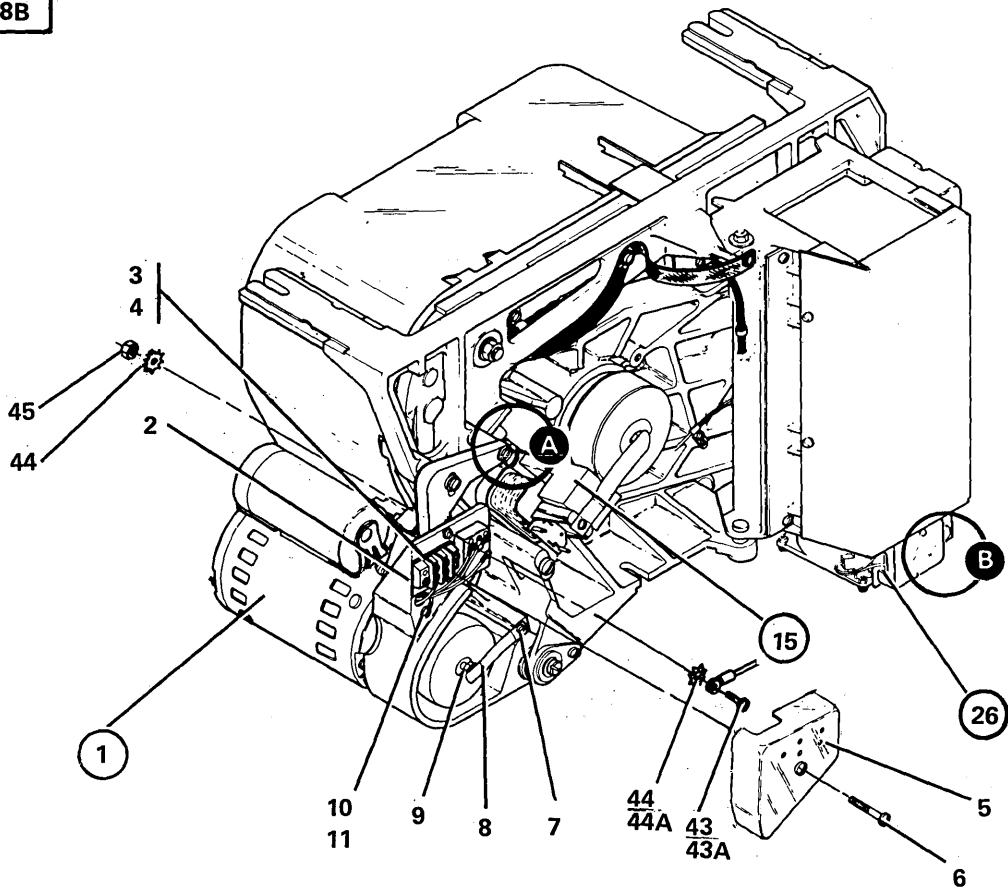


FIGURE 8C. 62PC FINAL ASSEMBLY. SEE LIST 8C.

FIGURE- INDEX NUMBER	PART NUMBER	UNITS PER ASM.	DESCRIPTION FOR FIGURE 8C			
			1	2	3	4
8C	NO NO.		62PC FINAL ASM FOR NEXT HIGHER ASM SEE LIST 8B-18 FOR ILLUSTRATION SEE FIGURE 8C			
- 1	1884482	1	• Motor Asm,220 V 60 Hz			
- 1	1884483	1	• Motor Asm,110 V 60 Hz			
- 1	1884421	1	• Motor Asm,220 V 50 Hz			
- 1	1884580	1	• Motor Asm,127 V 60 Hz W/T			
- 1	1884624	1	• Motor Asm,100-120 V 50 Hz W/T			
- 2	5318920	1	• • Marker Strip			
- 3	323836	1	• • Terminal Block			
- 4	1621172	2	• • Screw,Pan Hd M3 x 10 Lg			
- 5	1884440	1	• • Shield			
- 6	5146021	1	• • Screw,Pan Hd M4 x 8 Lg			
- 7	1621170	1	• • Screw,Pan Hd M3 x 6 Lg			
- 8	1884583	1	• • Brush Asm			
- 9	1884292	1	• • Screw			
- 10	1622349	1	• • L Washer,Est T 6.4 ID x 11 OD x .7 Thk			
- 11	1884520	1	• • Screw,Pan Hd M6 x 8 Lg			
- 15	1884626	1	• Brake Asm			
- 16	2426398	1	• • Coil Asm			
- 17	5145728	1	• • Base			
- 18	1621232	2	• • Screw,Pan Hd M6 x 6 Lg			
- 19	1622306	2	• • Washer,6.6 ID x 12.5 OD x 1.6 Thk			
- 20	5145734	1	• • Clip			
- 21	5145730	1	• • Arm Asm			
- 22	5563767	2	• • Spacer, 4.78 ID x 9.52 OD x .305 Thk			
- 23	5145318	1	• • Spring			
- 24	5145451	1	• Brush Asm			
- 25	1621191	1	• Screw,Pan Hd M4 x 10 Lg			
- 26	5145639	1	• Fan Asm,220 V 60/50 Hz			
- 26	5145615	1	• Fan Asm,110 V 60 Hz			
- 27	5145727	1	• • Bracket			
- 28	5318920	1	• • • Marker Strip			
- 29	823836	1	• • • Terminal Block			
- 30	1621172	2	• • • Screw,M3 x 10 Lg			
- 31	5145684	1	• • • Shield			
- 32	1621175	2	• • • Screw,M3 x 20 Lg			
- 33	5146027	1	• • Jumper			
- 34	1622348	1	• • L Washer, 6.4 ID x 11 OD x .7 Thk			
- 35	5146021	1	• • Screw,Pan Hd M6 x 8 Lg			
- 36	768661	1	• • Guard			
- 37	1621191	4	• • Screw,M4 x 10 Lg			
- 38	1622304	4	• • Washer,4.3 ID x 9 OD x .8 Thk			
- 39	1622346	4	• • L Washer,4.3 ID x 8 OD x 5 Thk			
- 40	1622403	4	• • Nut,Hex M4			
- 41	811417	4	• • Screw,Soc Hd 6-32 x 1/2 Lg			
- 42	5145515	1	• • Mounting Plate			
- 43	322550	1	• Screw,Mach-Bind Hd 6-32 x 1/2 Lg			
- 43 A	1884520	1	• Screw,Pan Hd M6 x 8 Lg			
- 43 A			Used Only With Large (M6) Gnd Lead			
- 44	55901	2	• Washer,Lock-Ext Teeth 11/64 ID x 3/8 OD			
- 44 A	1622348	1	• Washer,Lock-Ext Star 6.4 ID x 11 OD x .7			
- 44 A			Used With Screw 1884520 (43A)			
- 45	257187	1	• Nut,Hex No. 6-32			

5340

FOR PARTS
NOT SHOWN
SEE FIG. 8B

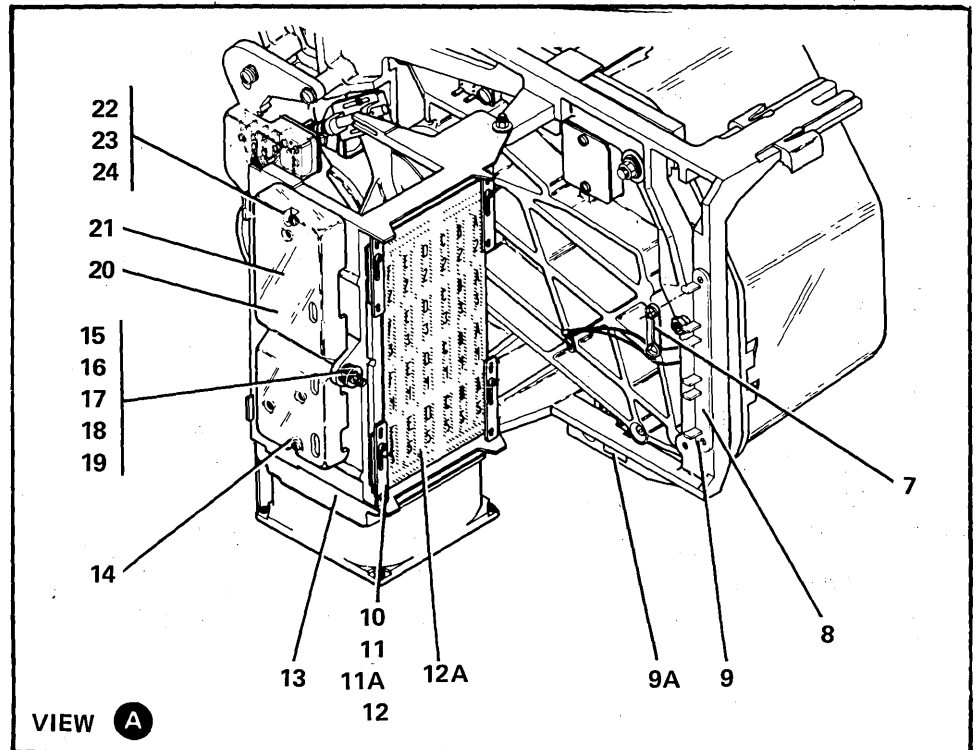
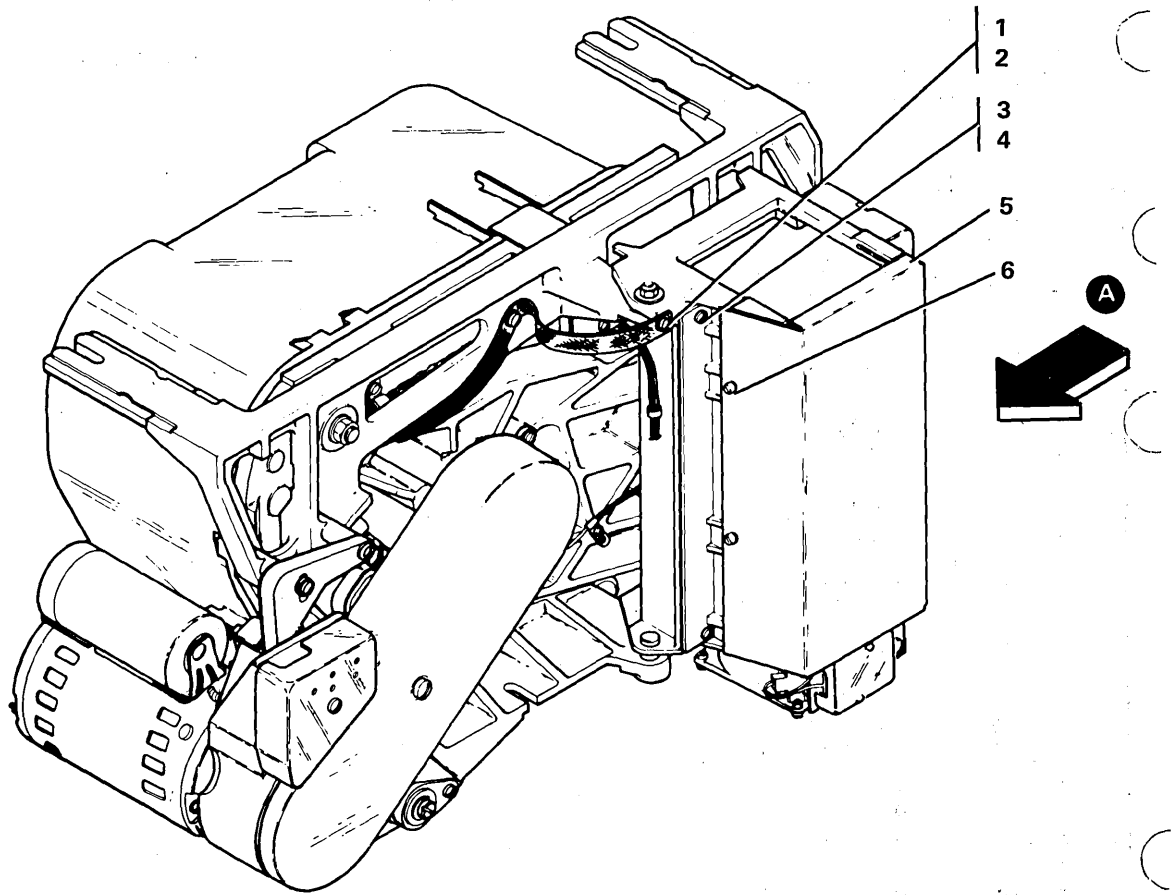


FIGURE 8D. GATE ASSEMBLY. SEE LIST 8D.

FOR PARTS
NOT SHOWN
SEE FIG. 3

SEE FIG. 10, 11 & 12 (33 FD)
SEE FIG. 13, 14, 15 & 16 (53 FD)

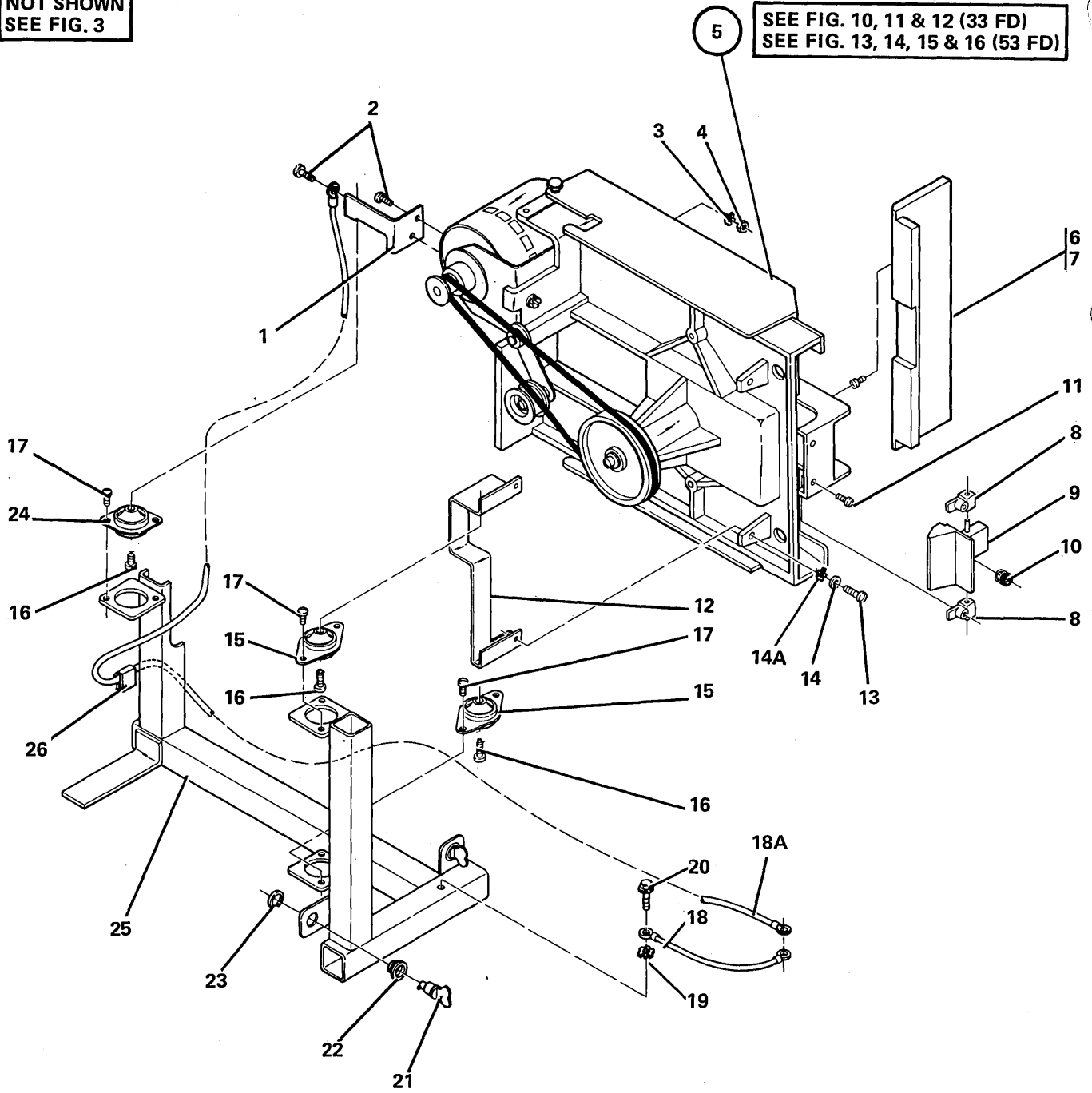


FIGURE 9. 33FD AND 53FD MOUNTING ASM. SEE LIST 9.

FIGURE- INDEX NUMBER	PART NUMBER	UNITS PER ASM.	DESCRIPTION FOR FIGURE 9			
			1	2	3	4
9	4236577 4236578 4236579		33FD MOUNTING ASM, 60 HZ 33FD MOUNTING ASM, 50 HZ 53FD MOUNTING ASM, 60 HZ			
	4236580		53FD MOUNTING ASM, 50 HZ FOR NEXT HIGHER ASM SEE LIST 3-47 FOR ILLUSTRATION SEE FIGURE 9			
- 1	4236351	1	• Bracket			
- 2	1621212	2	• Screw, Mach Pan Hd M5 x 16mm Lg			
- 3	1622347	2	• Washer, Lock-Ext Star 5.3 ID x 10 OD			
- 4	1622404	2	• Nut, Hex M5 x 8 Fl W			
- 5	2305475	1	• 33FD Asm, 60 Hz			
- 5	2305476	1	• 33FD Asm, 50 Hz For Detail Breakdown See Lists 10-12			
- 5	4178004	1	• 53FD Asm, 60 Hz			
- 5	4178006	1	• 53FD Asm, 50 Hz For Detail Breakdown See Lists 13-16			
- 6	5562348	1	• Door			
- 7	81693	2	• Screw, Mach-Bind Hd 6-32 x 3/8 Lg			
- 8	2305523	2	• Block			
- 9	4236352	1	• Latch Asm			
- 10	736822	1	• Spring			
- 11	322550	2	• Screw, Mach-Bind Hd 6-32 x 1/2 Lg			
- 12	4236350	1	• Bracket			
- 13	1621191	2	• Screw, Mach-Slotted Pan Hd M4 x .7 x 10 Lg			
- 14	1622304	2	• Washer, Flat 4.3 ID x 9 OD x .8 Thk			
- 14 A	1622347	2	• Washer, Lock-Ext Star 5.3 ID x 10 OD x .6 Thk			
- 15	2455575	2	• Shockmount			
- 16	1621193	3	• Screw, Mach-Slotted Pan Hd M4 x .7 x 16 Lg			
- 17	1621170	4	• Screw, Mach-Slotted Pan Hd M3 x .5 x 6 Lg			
- 18	2546957	2	• Ground Wire			
- 18 A	8265104	1	• Ground Wire			
- 19	1622347	2	• Washer, Lock-Ext Star 5.3 ID x 10 OD x .6			
- 20	4236318	2	• Screw, Thd-Form Hex Wshr Hd M5 x .8 x 12 x .8 Lg			
- 21	315912	2	• Stud			
- 22	312573	2	• Grommet			
- 23	312575	2	• Snap Ring			
- 24	2455576	1	• Shockmount			
- 25	4236349	1	• Frame			
- 26	2596275	1	• Clamp			

FOR PARTS
NOT SHOWN
SEE FIG. 9

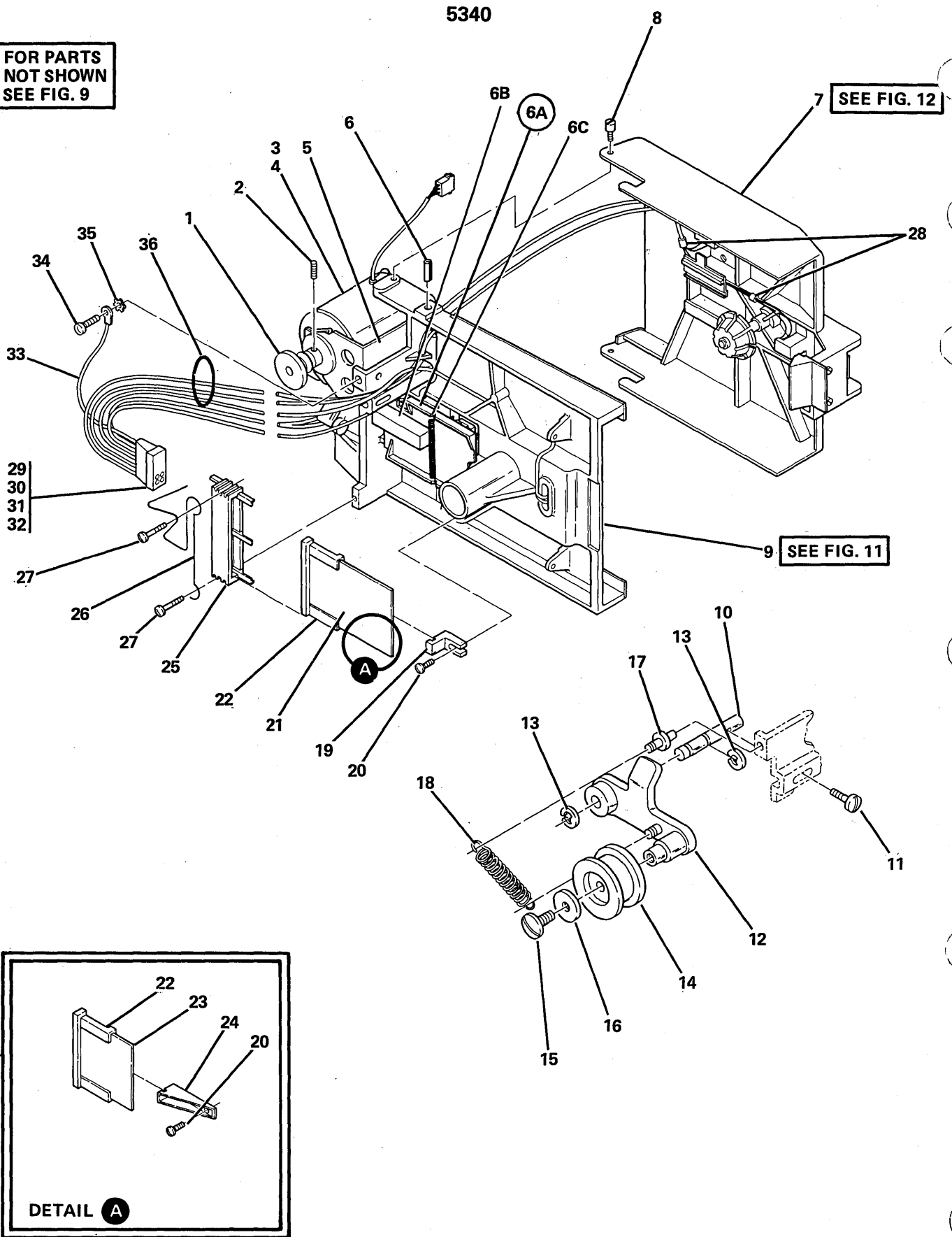


FIGURE 10. 33FD ASM. SEE LIST 10.

FIGURE- INDEX NUMBER	PART NUMBER	UNITS PER ASM.	DESCRIPTION FOR FIGURE 10			
			1	2	3	4
10	2305475 2305476		33FD ASM, 60 HZ 33FD ASM, 50 HZ FOR NEXT HIGHER ASM SEE LIST 9-5			
			FOR ILLUSTRATION SEE FIGURE 10			
- 1	2305631	1	• Pulley,60 Hz			
- 1	2305708	1	• Pulley,50 Hz			
- 2	257970	1	• Setscrew,6 Flute Hd Fl Pt 6-32 x 1/4 Lg			
- 3	2305633	1	• Motor,60 Hz 200/235 V			
- 4	2305707	1	• Motor,50 Hz 200/235 V			
- 5	2305632	1	• Bracket,Motor			
- 6	257922	1	• Pin,Split Roll			
- 6 A	2594695	1	• Shield Asm			
- 6 B	2594694	1	• Seal			
- 6 C	2772892	1	• Spring			
- 7	2305477	1	• 33FD Clamping Plate Asm For Detail Breakdown See List 12			
- 7						
- 8	2305649	1	• Pin			
- 9	2305484	1	• 33FD Baseplate For Detail Breakdown See List 11			
- 9						
- 10	2305725	1	• Shaft			
- 11	81693	1	• Screw,Mach-Bind Hd 6-32 x 3/8 Lg			
- 12	2305718	1	• Arm Asm			
- 13	257982	2	• Ring,Retaining-E Type 3/16 Groove Dia			
- 14	2305720	1	• Roller			
- 15	58207	1	• Screw,Mach-Bind Hd 8-32 x 1/4 Lg			
- 16	22478	1	• Washer,Flat 11/64 ID x 3/8 OD x 1/32 Thk			
- 17	2305722	1	• Stud			
- 18	2305726	1	• Spring			
- 19	2280297	1	• Holder,Card			
- 20	2181005	1	• Screw,Thd Form-Hex Wshr Hd 6-32 x 3/8 Lg			
- 21	8524194	1	• Logic Card, VTL			
- 22	811804	1	• Card Guide			
- 23	8528202	1	• Logic Card-2 x 2			
- 24	2305474	1	• Holder,Card-2 x 2			
- 25	2274833	1	• Connector			
- 26	2305555	1	• Guide,Head Cable			
- 27	2181006	2	• Screw,Thd Form-Hex Wshr Hd 6-32 x 1 Lg			
- 28	2596275	2	• Clip			
- 29	5447741	1	• Housing			
- 30	5466397	1	• Strain Relief			
- 31	5466393	1	• Clamp			
- 32	109918	1	• Screw,Flat Hd Self Tap No.4 x 1/2 Lg			
- 33	2305598	1	• Jumper Asm-VTL			
- 34	5350006	1	• Screw,Thd Ctg-Hex Wshr Hd 6-32 x 1/4 Lg			
- 35	56722	1	• Washer,Lock-Ext Teeth 9/64 ID			
- 36	2305599	1	• Cable Asm-VTL			

5340

FOR PARTS
NOT SHOWN
SEE FIG. 10

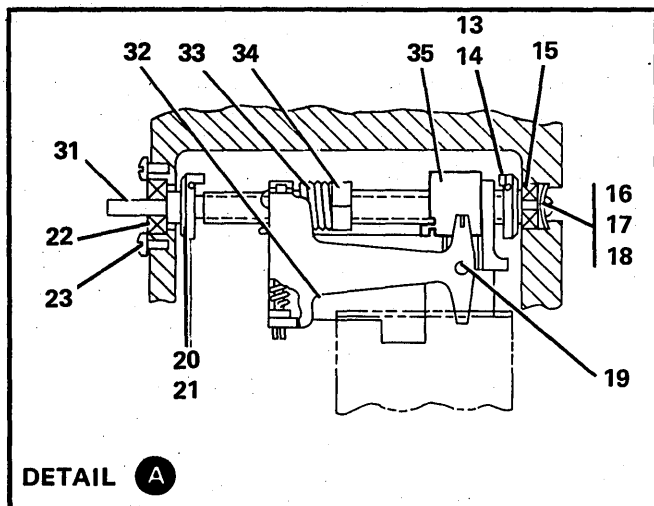
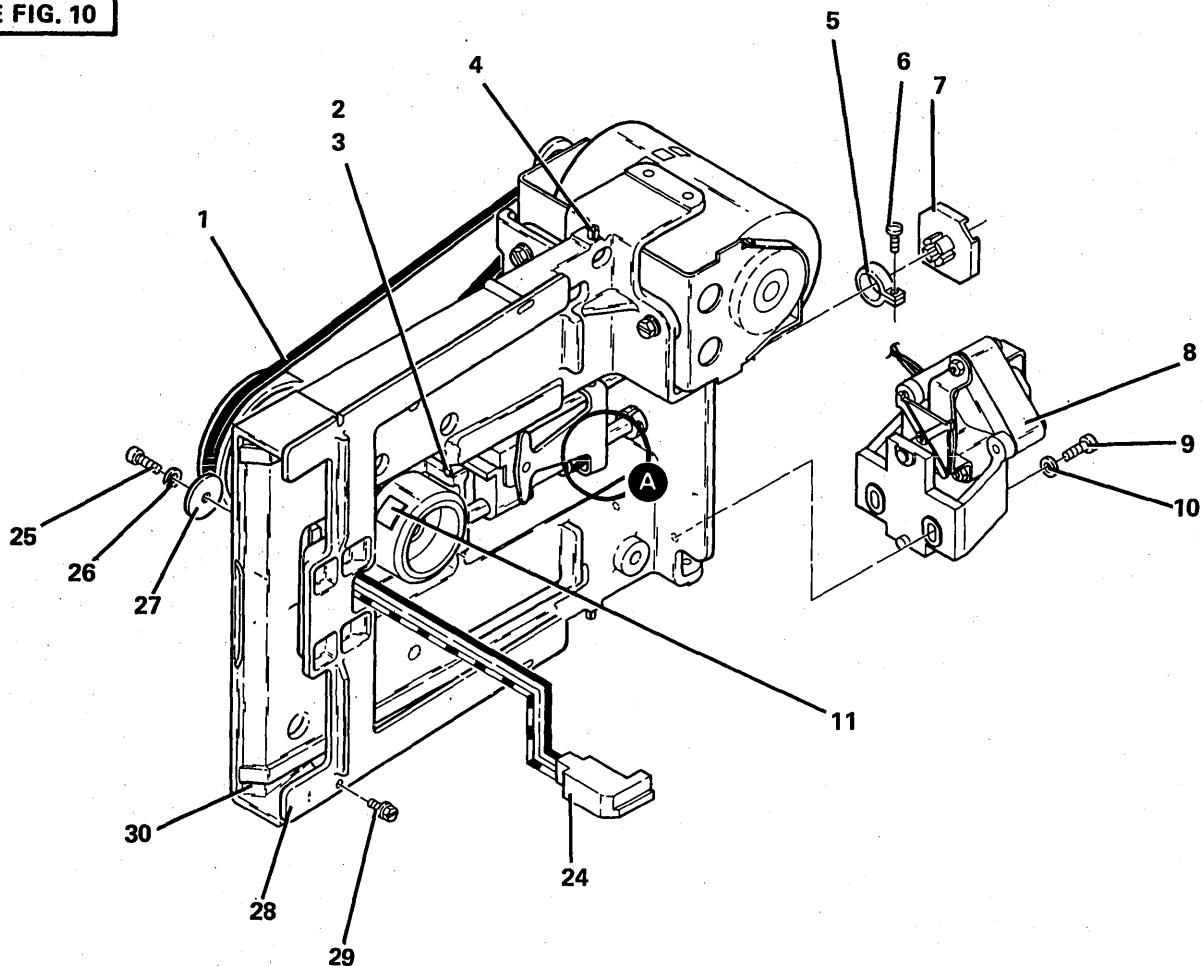


FIGURE 11. 33FD BASEPLATE ASM. SEE LIST 11.

FIGURE- INDEX NUMBER	PART NUMBER	UNITS PER ASM.	DESCRIPTION FOR FIGURE 11			
			1	2	3	4
11	2305484		33FD BASEPLATRE ASM FOR NEXT HIGHER ASM SEE LIST 10-9 FOR ILLUSTRATION SEE FIGURE 11			
- 1	2305616	1	• Belt			
- 2	2305629	1	• Shaft			
- 3	2305564	1	• Screw,Socket Hd Cap 4-40 x 1/2 Lg			
- 4	257922	1	• Pin,Roll 3/16 Dia x 1/2 Lg			
- 5	2305689	1	• Clamp			
- 6	186925	1	• Screw,Mach-Flute Soc Hd 4-40 x 5/8 Lg			
- 7	2305544	1	• Wheel,Black			
- 7	2305617	1	• Wheel,White			
- 8	2305545	1	• Step Motor Asm,Steel Pins			
- 9	2195400	2	• Screw,Thd Form-Hex Wshr Hd 8-32 x 5/8 Lg			
- 10	22478	2	• Washer,Flat 11/64 ID x 3/8 OD x 1/32 Thk			
- 11	2305572	1	• Label			
- 13	2305618	1	• Stop,Top			
- 14	38250	1	• Screw,Mach-Fil Hd 2-56 x 3/8 Lg			
- 15	2305538	1	• Bearing,Upper			
- 16	338238	1	• Screw,Mach-Bind Hd 4-40 Nc x 5/16 Lg			
- 17	2305663	1	• Washer,Spring 21/64 ID x 1/2 OD x 1/64 Thk			
- 18	2305530	1	• Spacer			
- 19	2200751	1	• Pressure Pad Replacement Kit			
- 20	2305528	1	• Stop,Bottom			
- 21	52523	1	• Screw,Mach-Fil Hd 4-40 x 5/8 Lg			
- 22	2305537	1	• Bearing,Lower			
- 23	2195400	2	• Screw,Thd Form-Hex Wshr Hd 8-32 x 5/8 Lg			
- 24	2305604	1	• Phototransistor Asm			
- 25	344299	1	• Screw,Mach-Slotted Hex Hd 6-32 x 3/8 Lg			
- 26	6364	1	• Washer,Lock-Split No. 6 x 1/4 OD			
- 27	2130285	1	• Washer,Flat 5/32 ID x 7/8 OD x 3/64 Thk			
- 28	2305659	1	• Guide			
- 29	5700484	4	• Screw,Thd Form-Hex Wshr Hd 4-40 x 3/8 Lg			
- 30	2305549	1	• Casting Asm			
- 31	2305626	1	• Lead Screw			
- 32	2743540	1	• Read/Write Head			
- 33	2305628	1	• Spring, Preload			
- 34	2305627	1	• Nut, Carriage Loading			
- 35	2305559	1	• Shield			

FOR PARTS
NOT SHOWN
SEE FIG. 10

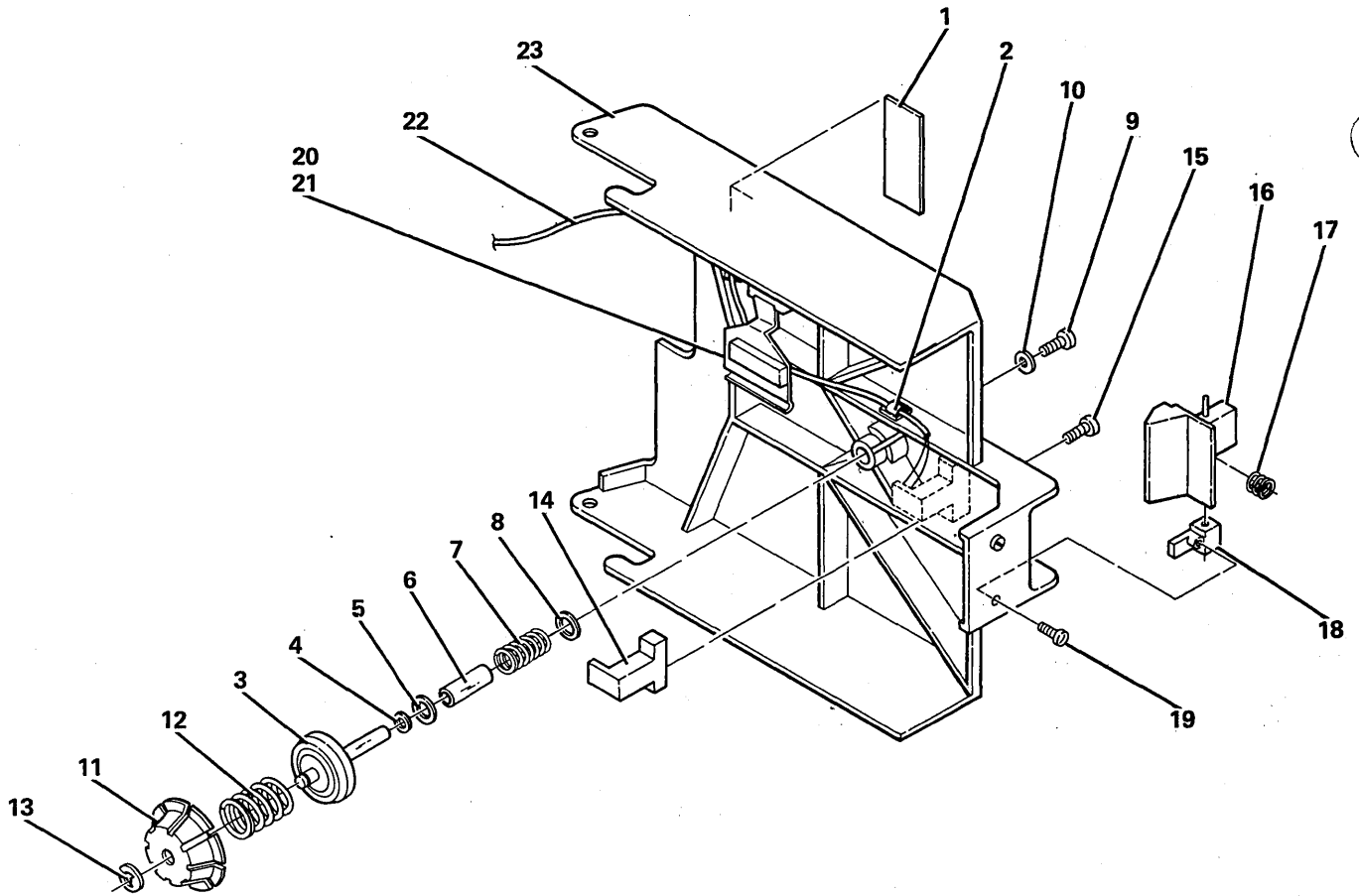
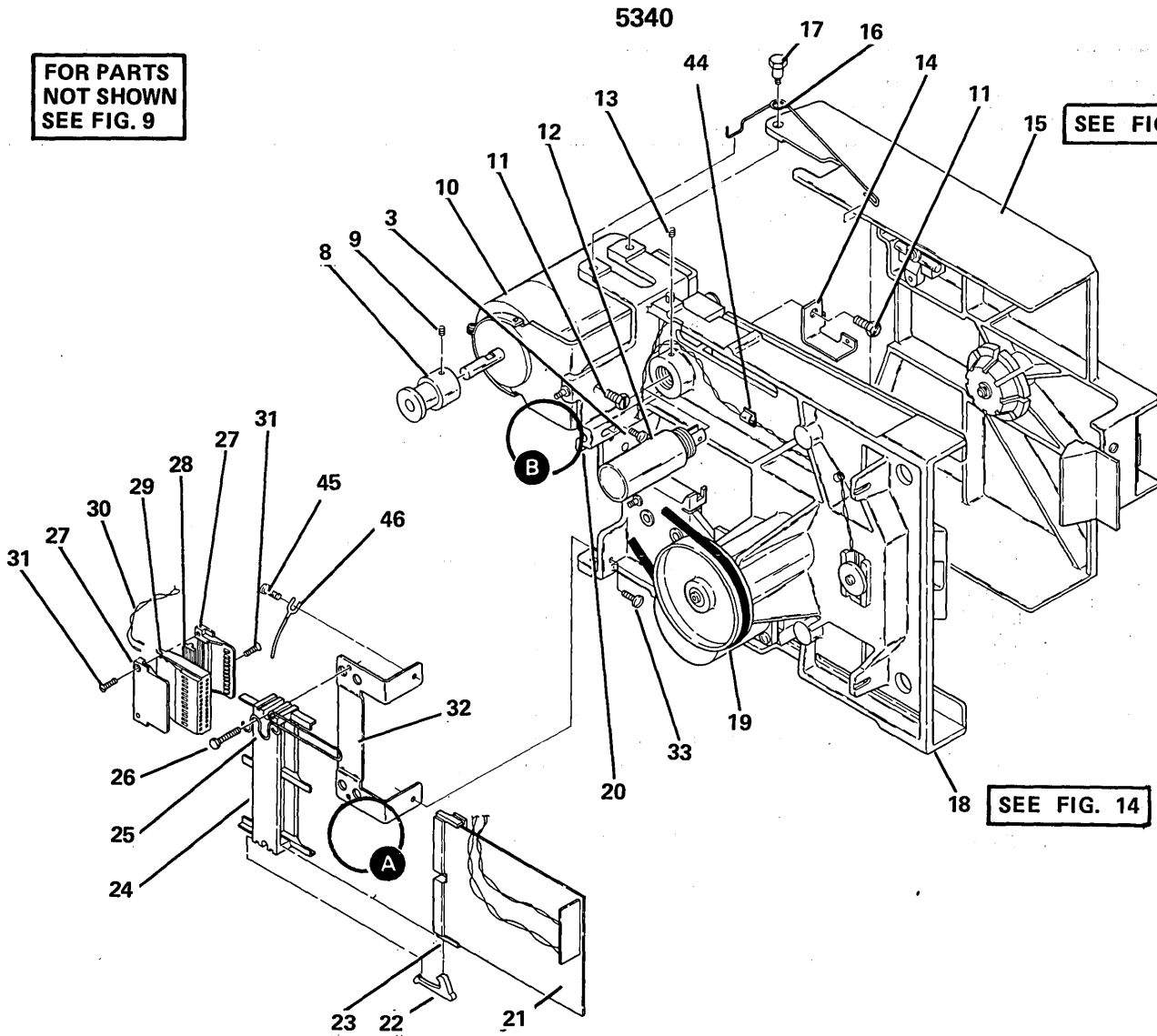


FIGURE 12. 33FD CLAMPING PLATE ASM. SEE LIST 12.

FOR PARTS
NOT SHOWN
SEE FIG. 9

SEE FIG. 16



SEE FIG. 14

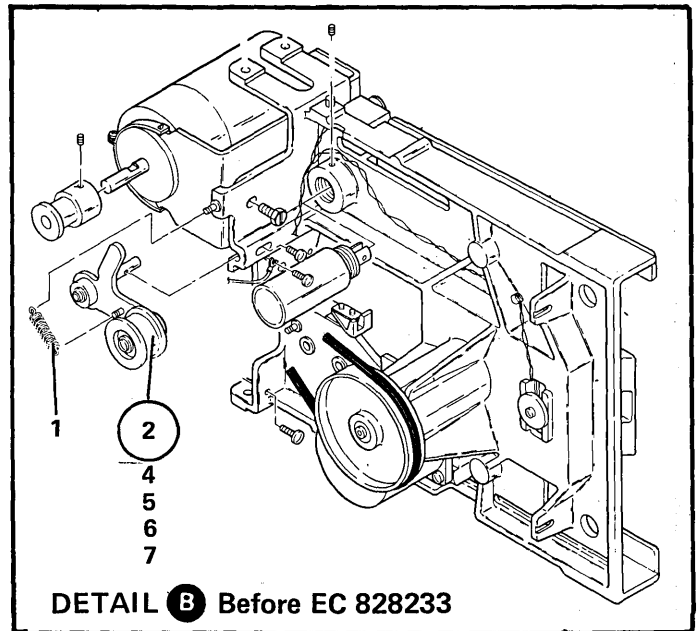
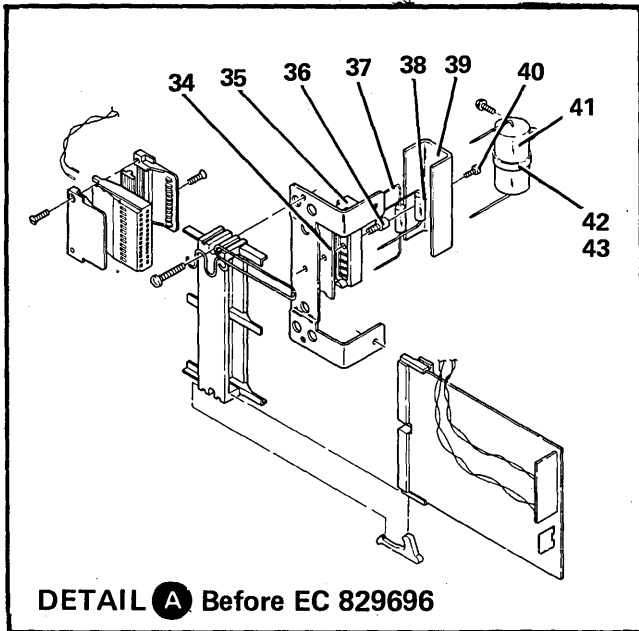


FIGURE 13. 53FD ASM. SEE LIST 13.

FIGURE- INDEX NUMBER	PART NUMBER	UNITS PER ASM.	DESCRIPTION FOR FIGURE 13			
			1	2	3	4
13	4178004 4178006		53FD ASM, 60 HZ 53FD ASM, 50 HZ FOR NEXT HIGHER ASM SEE LIST 9-5			
			FOR ILLUSTRATION SEE FIGURE 13			
- 1	2305726	1	• Spring, Before EC 828233			
- 2	2305720	1	• Belt Idler Asm, Before EC 828233			
- 3	81693	1	• Screw, Mach-Bind Hd 6-32 x 3/8 Lg Before Ec 828233			
- 4	2305720	1	• • Roll Asm, Before EC 828233			
- 5	22478	1	• • Washer, Flat 11/64 ID x 3/8 OD x 1/32 Thk Before EC 828233			
- 6	58207	1	• • Screw, Mach-Bind Hd 8-32 x 1/4 Lg Before EC 828233			
- 6			• • Arm Asm, Before EC 828233			
- 7	5562022	1				
- 8	2305621	1	• Pulley, 60 Hz			
- 8	2305708	1	• Pulley, 50 Hz			
- 9	257970	1	• Setscrew, 6 Flute Hd Fl Pt 6-32 x 1/4 Lg			
- 10	4178053	1	• Motor Asm, 60 Hz 200/208/230 V			
- 10	4178057	1	• Motor Asm, 50 Hz 200/235 V			
- 11	234341	2	• Screw And Washer, Hex-Hd 1/4-20 x 5/8 Lg			
- 12	5562064	1	• Solenoid, Before EC 829696			
- 12	4178047	1	• Solenoid, After EC 829696			
- 13	5562115	1	• Setscrew-Special			
- 14	5562046	1	• Bracket, Bail Spring			
- 15	4178027	1	• 53FD Cover Asm For Detail Breakdown See List 16			
- 15						
- 16	5562313	1	• Spring			
- 17	2305553	2	• Screw, Pivot			
- 18	NO NO.	1	• 53FD Baseplate Asm			
- 18			For Detail Breakdown See Lists 14			
- 19	2305616	1	• Belt, Before EC 828233			
- 19	2462593	1	• Belt, 60 Hz After EC 828233			
- 19	5562034	1	• Belt, 50 Hz After EC 828233			
- 20	2305598	1	• Jumper, Ground			
- 21	1794401	1	• Jumper Asm			
- 22	5562116	2	• Retainer			
- 23	811804	1	• Card Guide			
- 24	2274833	1	• Connector			
- 25	5562102	1	• Guide, Cable			
- 26	438567	2	• Screw, Mach-Bind Hd 6-32 x 1 Lg Before EC 828234			
- 26	2181006	2	• Screw, Thd-Form Hex Wshr Hd 6-32 x 1 Lg After EC 828234			
- 26						
- 27	5466397	2	• Strain Relief			
- 28	5466393	2	• Clamp, Rubber			
- 29	5447741	1	• Housing			
- 30	5562077	1	• Cable, Solenoid			
- 30			Used On Machines Without EC 829696			
- 31	109918	2	• Screw, Flat Hd-Self Tap No.4 x 1/2 Lg			
- 32	5562066	1	• Bracket			
- 33	81693	2	• Screw, Mach-Bind Hd 6-32 x 3/8 Lg			
- 33			The Following Parts Are Only			
- 33			Used On Machines Without EC 829696			
- 34	302131	1	• Insulator, Before EC 829696			
- 35	302090	1	• Block, Terminal, Before EC 829696			
- 36	2592384	1	• Stud, Before EC 829696			
- 37	2127635	1	• Resistor Asm, Before EC 829696			

THIS PAGE INTENTIONALLY LEFT BLANK

FOR PARTS
NOT SHOWN
SEE FIG. 13

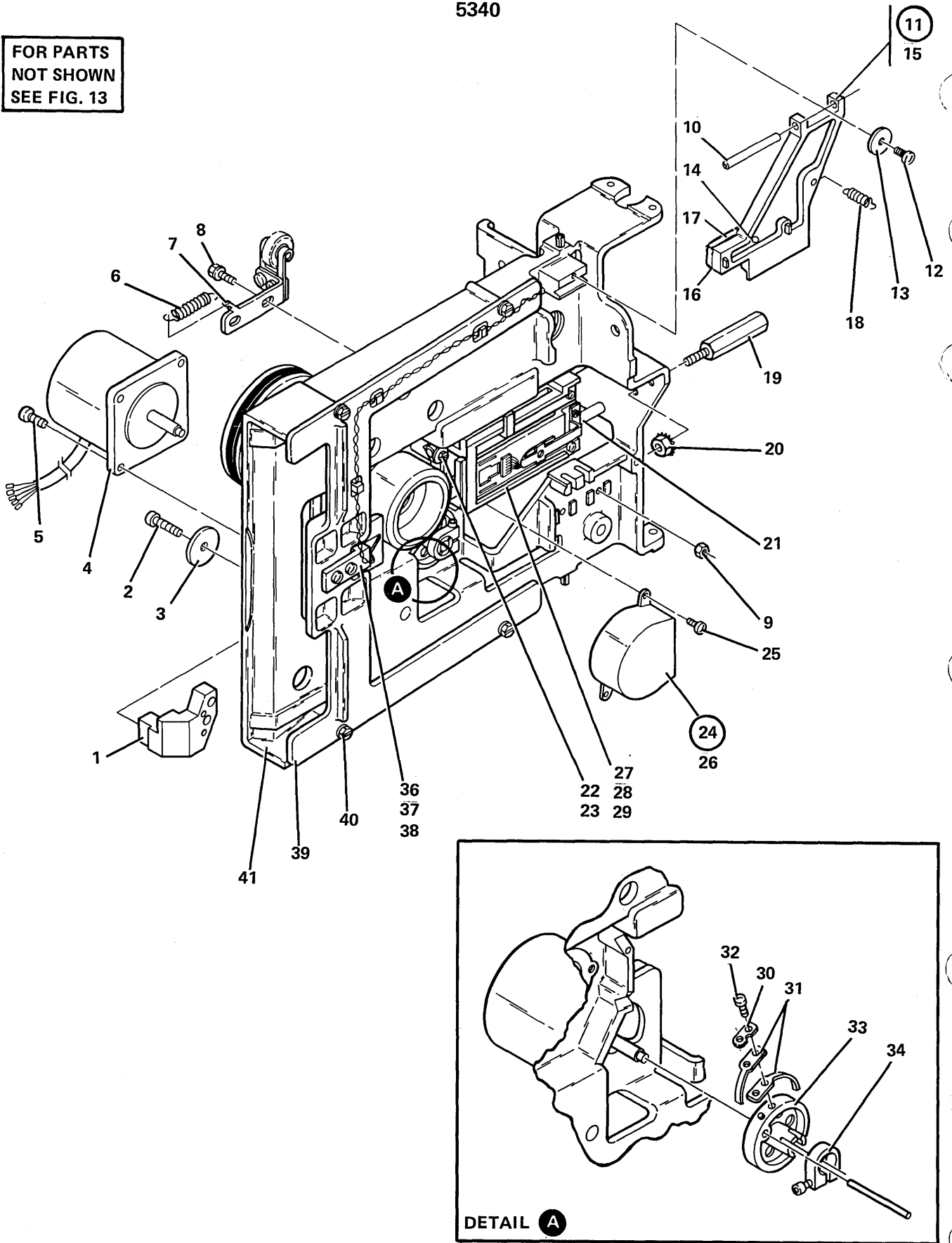


FIGURE 14. 53FD BASEPLATE ASM. SEE LIST 14.

FIGURE- INDEX NUMBER	PART NUMBER	UNITS PER ASM.	DESCRIPTION FOR FIGURE 14			
			1	2	3	4
14	NO NO.		53FD BASEPLATE ASM FOR NEXT HIGHER ASM SEE LIST 13-18 FOR ILLUSTRATION SEE FIGURE 14			
- 1	5562083	1	• Phototransistor Asm			
- 2	170241	1	• Screw And Washer,6-32 x 3/4 Lg			
- 3	2130285	1	• Washer,Flat 5/32 ID x 7/8 OD x 3/64 Thk			
- 4	2462606	1	• Stepper Motor			
- 5	81693	3	• Screw,Mach-Bind Hd 6-32 x 3/8 Lg			
- 6	5562051	1	• Spring			
- 7	5562085	1	• Pulley			
- 8	5562103	2	• Screw,Shoulder 8-32 x 10 Lg			
- 8			Before EC 828234			
- 8	32042	2	• Screw,Mach-Bind Hd 10-32 x 3/8 Lg			
- 8			After EC 828234			
- 8	45690	2	• Washer,Flat No 10 x 7/16 OD x 1/32 Thk			
- 8			After EC 828234			
- 9	257189	2	• Nut,Hex 8-32- Before EC 828234			
- 10	5562098	1	• Pin			
- 11	4178060	1	• Bail Asm			
- 12	10170	1	• Screw,Mach-Bind Hd 6-32 x 1/4 Lg			
- 13	110029	1	• Washer,Flat No. 8 x 5/8 OD x 1/16 Thk			
- 14	651858	1	• • Bumper			
- 15	4178061	1	• • Bail			
- 16	4178063	1	• • Spring			
- 17	4178062	1	• • Shoe			
- 18	150676	1	• Spring			
- 18			Used On Machines Without EC 829696			
- 18	4178067	1	• Spring			
- 18			Used On Machines With EC 829696			
- 19	2305697	1	• Standoff			
- 20	602721	1	• Nut,Lock 10-32			
- 21	5562038	2	• Rod,Guide			
- 22	2181011	2	• Screw,Thd-Form Hex Wshr Hd 6-32 x 1/2 Lg			
- 23	1591469	2	• Washer,			
- 24	5562088	1	• Cover/Wiper Asm			
- 25	55726	2	• Screw,Mach-Bind Hd 6-32 x 3/16 Lg			
- 26	5562035	1	• • Wiper			
- 27	4178035	1	• Head Carriage Asm			
- 28	236550	2	• Screw,Mach-Bind Hd 4-40 x 3/8 Lg			
- 29	5562041	1	• Clamp			
- 30	5562037	1	• Clamp			
- 31	5562044	1	• Band			
- 32	438548	1	• Screw,Mach-Bind Hd 4-40 x 3/16 Lg			
- 33	5562086	1	• Pulley,Drive			
- 34	2305493	1	• Clamp And Screw Asm,6 Fl 4-40 x 5/8 Lg			
- 36	5562081	1	• Led Asm			
- 37	81693	2	• Screw,Mach-Bind Hd 6-32 x 3/8 Lg			
- 38	257187	2	• Nut,Hex 6-32			
- 39	5562061	1	• Guide,Goal Post			
- 40	5700484	4	• Screw,Thd-Form Hex Wshr Hd 4-40 x 3/8 Lg			
- 41	NO NO. NP	1	• Casting Asm			

FOR PARTS
NOT SHOWN
SEE FIG. 13

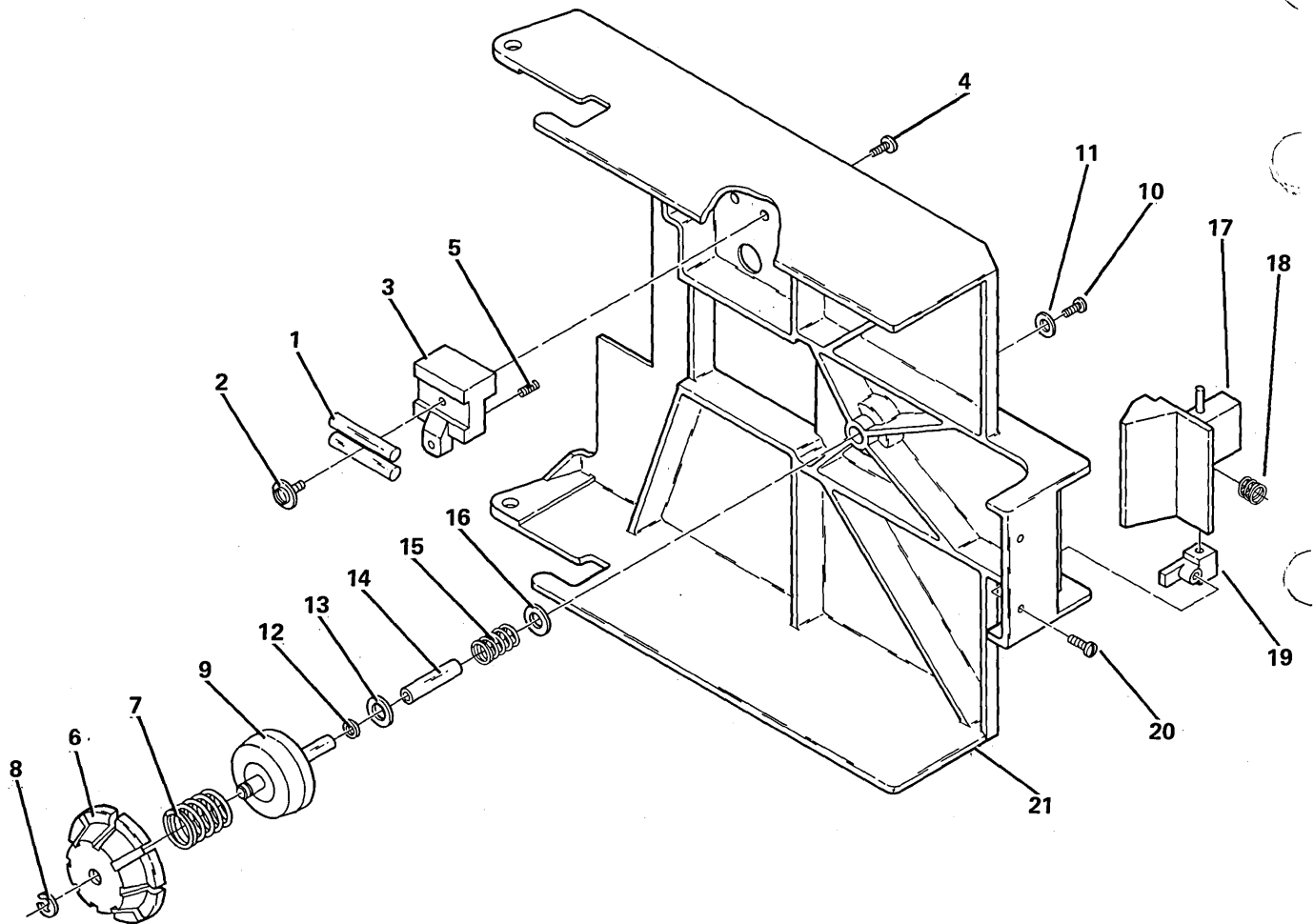


FIGURE 16. 53FD COVER ASM. SEE LIST 16.

FOR PARTS
NOT SHOWN
SEE FIG. 3A

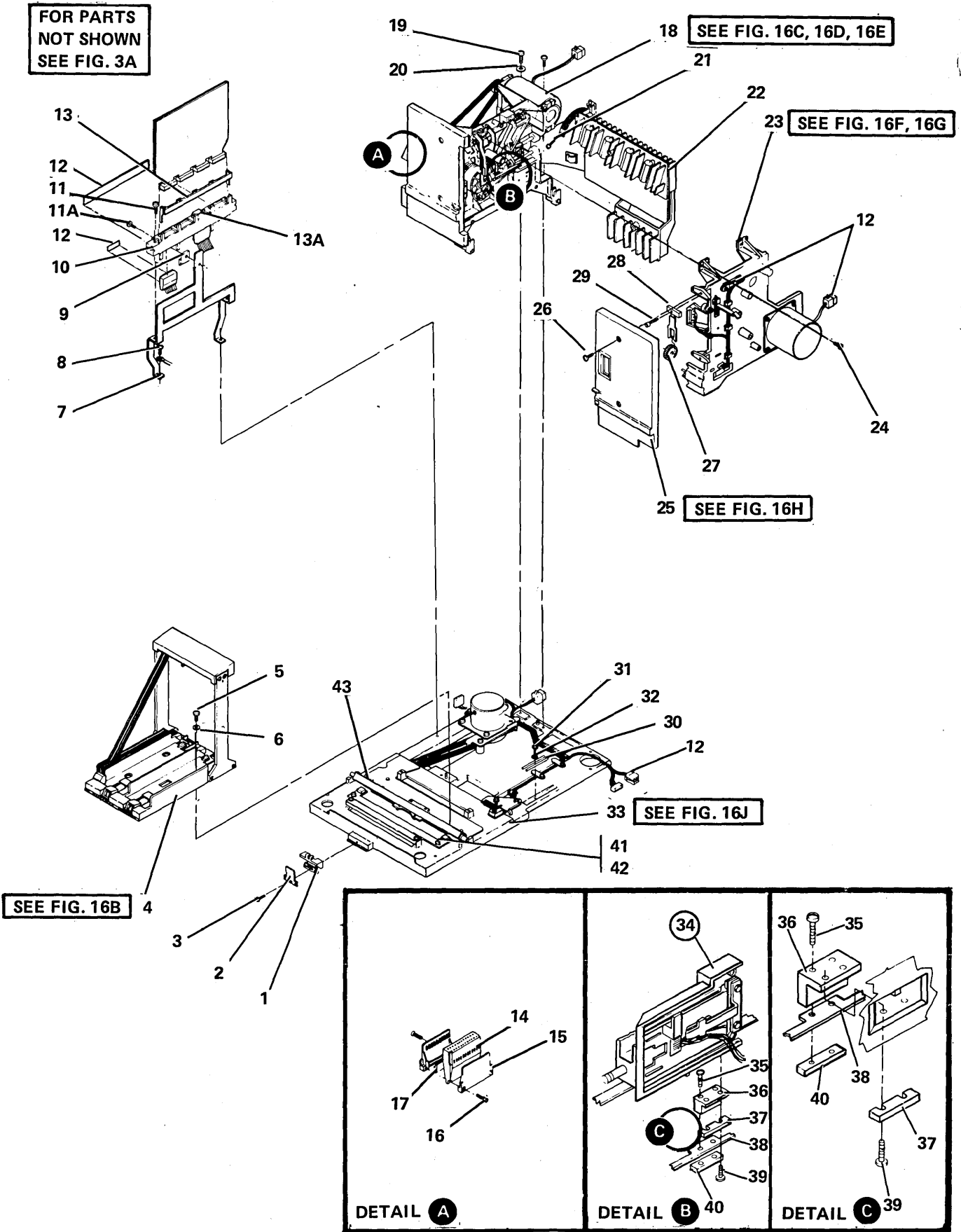
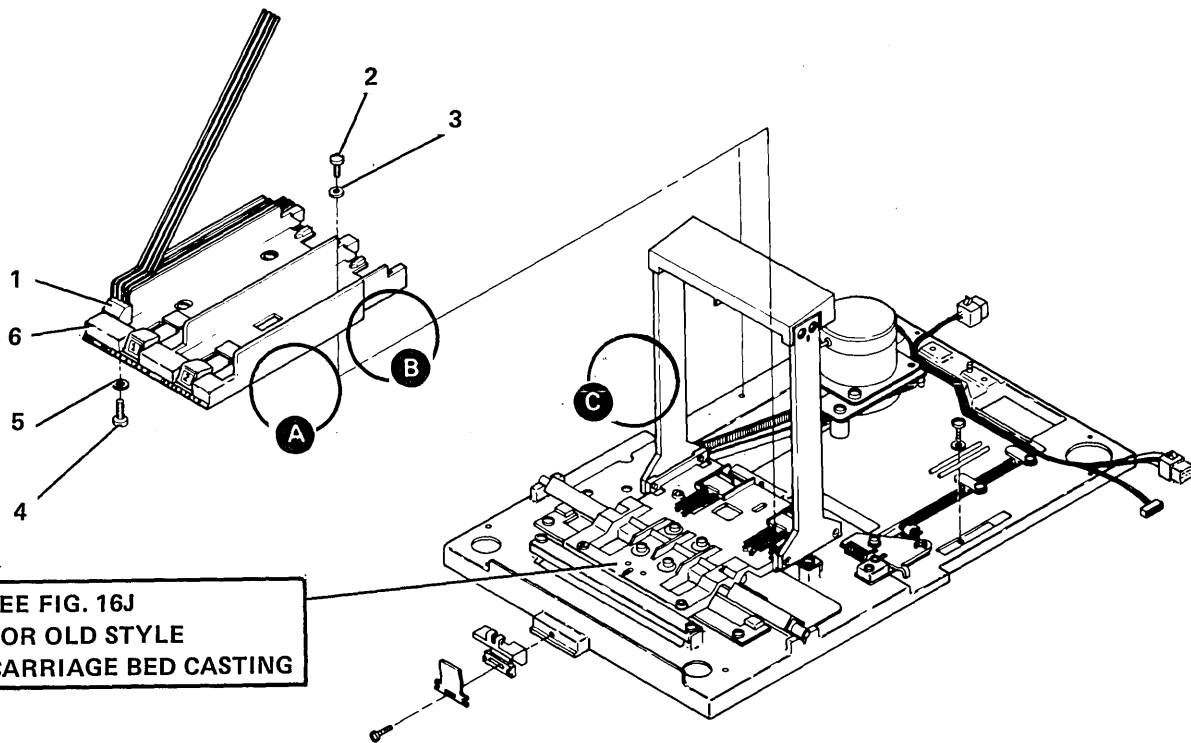


FIGURE 16A. 72MD DISKETTE STORAGE DRIVE ASM. SEE LIST 16A.

FIGURE- INDEX NUMBER	PART NUMBER	UNITS PER ASM.	DESCRIPTION FOR FIGURE 16A			
			1	2	3	4
16A	2462400 2462401 2462402		DISKETTE STORAGE DRIVE ASM, 110 V 60 HZ DISKETTE STORAGE DRIVE ASM, 220 V 60 HZ DISKETTE STORAGE DRIVE ASM, 110 V 50 HZ			
	2462403		DISKETTE STORAGE DRIVE ASM, 200 V 50 HZ FOR NEXT HIGHER ASM SEE LIST 3A-23 FOR ILLUSTRATION FIGURE 16A			
- 1	2462646	1	• Interlock			
- 2	2462647	1	• Stop			
- 3	1621192	1	• Screw,Mach-Pan Hd M4 x 12mm Lg			
- 4	2462526	1	• Carriage Bed Asm,Old Style			
- 4	xxxxxxx	1	• Carriage Bed Asm,New Style Tray			
- 4			For P/N, See List 16B			
- 4			For Detail Breakdown See List 16B			
- 5	1621192	4	• Screw,Mach-Pan Hd M4 x 12mm Lg (Old Style Bed)			
- 5	1621190	4	• Screw,Mach-Slot Pan Hd M4 x 8mm Lg (New Style Bed)			
- 6	366155	4	• Washer,Flat 5/32 ID x 5/16 OD x 1/32 Thk (New Style Bed)			
- 7	2462539	1	• Bracket			
- 8	2462685	2	• Screw,Thd-Form M4 x 10mm Lg			
- 9	2280297	1	• Card Holder			
- 10	818039	1	• Connector			
- 11	1621194	2	• Screw,Mach-Slot Pan Hd M4 x 20 Lg			
- 11 A	1621182	1	• Screw,Mach-Slot Pan Hd M3.5 x 12 Lg			
- 12	2462609	1	• Label			
- 13	813590	1	• Card Guide			
- 13 A	2469295	1	• Clip			
- 14	2462615	1	• Cable Asm			
- 15	5466397	2	• Strain Relief			
- 16	109918	2	• Guide,Pin			
- 17	5466393	2	• Clamp			
- 18	2462602	1	• Drive Asm			
- 18			For Detail Breakdown See Lists 16C,16D,16E			
- 19	2462687	4	• Screw,Thd-Form M5 x 16.4mm Lg			
- 20	1622347	1	• Washer,Lock-Ext T 5.3 ID x 10 OD x .6 Thk			
- 21	2462685	1	• Screw,Thd-Form M4 x 10mm Lg			
- 22	2462545	1	• Circuit Board,Driver			
- 23	2462415	1	• Picker/Cam Asm			
- 23			For Detail Breakdown See List 16F, 16G			
- 24	1621191	2	• Screw,Mach,Slot Pan Hd M4 x 10mm Lg			
- 25	2462684	1	• Picker Cam Bezel Asm,Old Style			
- 25			For Detail Breakdown Of Old Style Bezel See List 16H			
- 25	2462586	1	• Bezel,New Style			
- 26	1621190	2	• Screw,Mach-Slot Pan Hd M4 x 8mm Lg			
- 27	2462482	1	• Handwheel			
- 28	2462481	1	• Bracket			
- 29	1621190	1	• Screw,Mach-Slot Pan Hd M4 x 8mm Lg			
- 30	2462574	2	• Pin			
- 31	2462686	1	• Screw-Thd Form M4 x 16mm Lg			
- 32	45690	1	• Washer,Flat No. 10 x 7/16 OD x 1/32 Thk			
- 33	2462416	1	• Base Casting Asm For Detail Breakdown See 16J			
- 33						
- 34	2462650	1	• Head			
- 35	1621172	2	• • Screw,Mach-Pan Hd M3 x 10mm Lg			
- 36	2462536	1	• • Block			
- 37	2462538	1	• • Retainer			
- 38	5562044	1	• • Stainless Band			
- 39	1621172	2	• • Screw,Mach-Pan Hd M3 x 10mm Lg			

THIS PAGE INTENTIONALLY LEFT BLANK

FOR PARTS
NOT SHOWN
SEE FIG. 16A



SEE FIG. 16J
FOR OLD STYLE
CARRIAGE BED CASTING

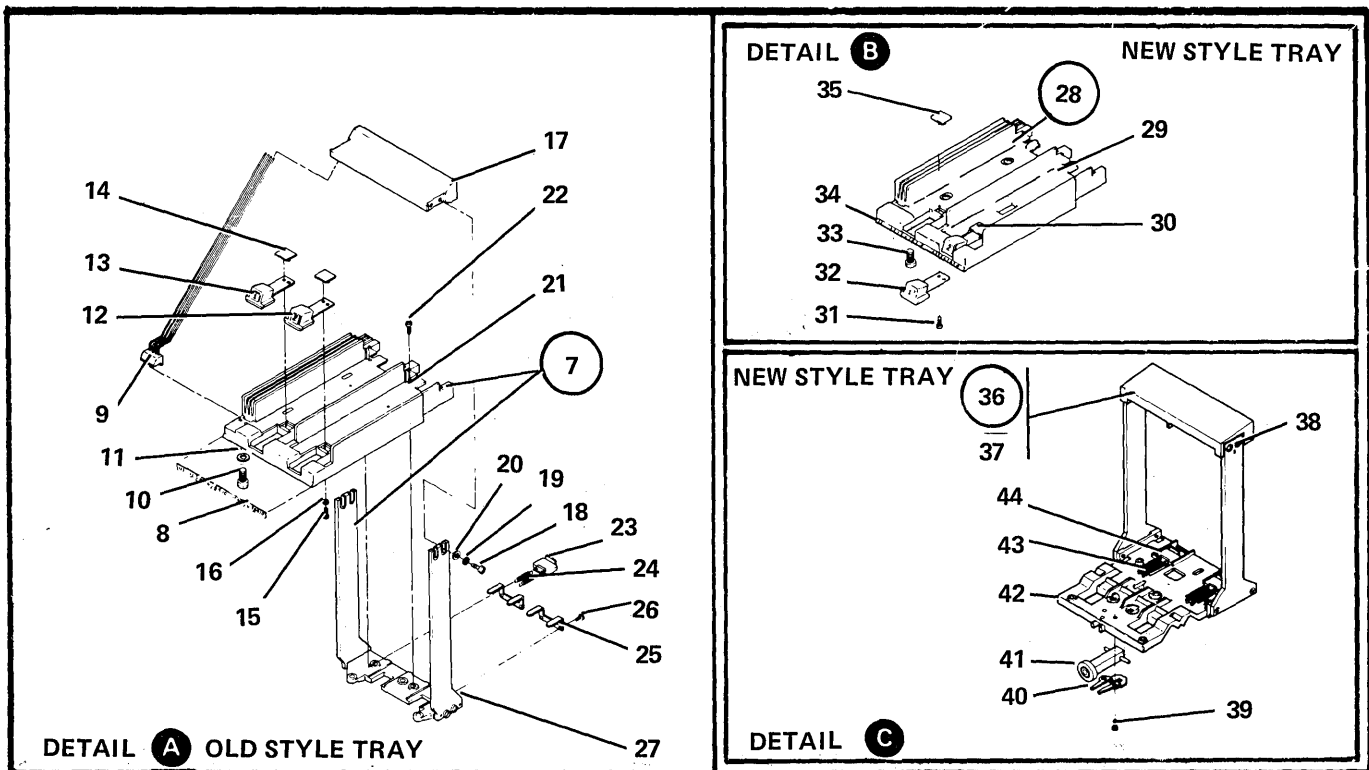


FIGURE 16B. 72MD CARRIAGE BED ASM. SEE LIST 16B.

FIGURE- INDEX NUMBER	PART NUMBER	UNITS PER ASM.	DESCRIPTION FOR FIGURE 16B			
			1	2	3	4
16B	NO NO. NP		CARRIAGE BED ASM FOR NEXT HIGHER ASM SEE LIST 16A-4 FOR ILLUSTRATION FIGURE 16B			
- 1	2462514	1	• Support Asm, New Style			
- 2	1621190	4	• Screw, Mach-Slot Pan Hd M4 x 8mm Lg			
- 3	366155	4	• Washer, Flat 5/32 ID x 5/16 OD x 1/32 Thk			
- 4	1621172	2	• Screw, Mach-Pan Hd M3 x 10mm Lg			
- 5	1622316	2	• Washer, Lock-Split 3.1 ID x 6.2 OD x .8			
- 6	2462541	1	• Tray Asm, New Style			
- 7	2462526	1	• Carriage Bed Asm, Old Style Tray			
- 8	2462649	1	• • Label			
- 9	2462514	1	• • Support Asm			
- 10	1621021	2	• • Screw, Mach-Slot Fil Hd M3 x 8mm Lg			
- 11	1622316	2	• • Washer, Lock-Split 3.1 ID x 6.2 OD			
- 12	2462517	1	• • Retainer			
- 13	2462516	1	• • Retainer			
- 14	2462519	2	• • Nut Bar			
- 15	5563671	4	• • Screw, Mach-Slot Pan Hd M3 x 8mm Lg			
- 16	1622302	4	• • Washer, Flat 3.2 ID x 7 OD x .5 Thk			
- 17	2462633	1	• • Housing Asm			
- 18	1621172	4	• • Screw, Mach-Pan Hd M3 x 10mm Lg			
- 19	1622316	4	• • Washer, Lock-Split 3.1 ID x 6.2 OD			
- 20	1622302	4	• • Washer, Flat 3.2 ID x 7 OD x .5 Thk			
- 21	2462525	1	• • Tray			
- 22	1621297	4	• • Screw, Mach-Flat Hd M3.5 x 10mm Lg			
- 23	2462515	2	• • Ejector			
- 24	35247	4	• • Spring			
- 25	2462527	2	• • Plate, Aligner			
- 26	1621286	4	• • Screw, Mach-Flat Hd M3 x 8mm Lg			
- 27	2463641	1	• • Support Asm			
- 28	2462541	1	• Tray Asm, New Style			
- 29	2462570	1	• • Tray			
- 30	2462517	1	• • Retainer			
- 31	5563671	4	• • Screw, Mach-Slot Pan Hd M3 x 8mm Lg			
- 32	2462516	1	• • Retainer			
- 33	651858	4	• • Bumper			
- 34	2462649	1	• • Label			
- 35	2462519	2	• • Nut Bar			
- 36	2462547	1	• Carriage Asm, New Style			
- 37	2462546	1	• • Housing			
- 38	1621846	4	• • Screw, Thd-Form Slot Pan Hd M3.5 x 10mm			
- 39	1621852	2	• • Screw, Thd-Form Slot Pan Hd M4 x 10mm			
- 40	2462488	1	• • Spring			
- 41	2462490	1	• • Arm Asm			
- 42	2462548	1	• • Carriage And Support Asm			
- 43	35247	4	• • Spring			
- 44	2462515	2	• • Ejector			

FOR PARTS
NOT SHOWN
SEE FIG. 16A

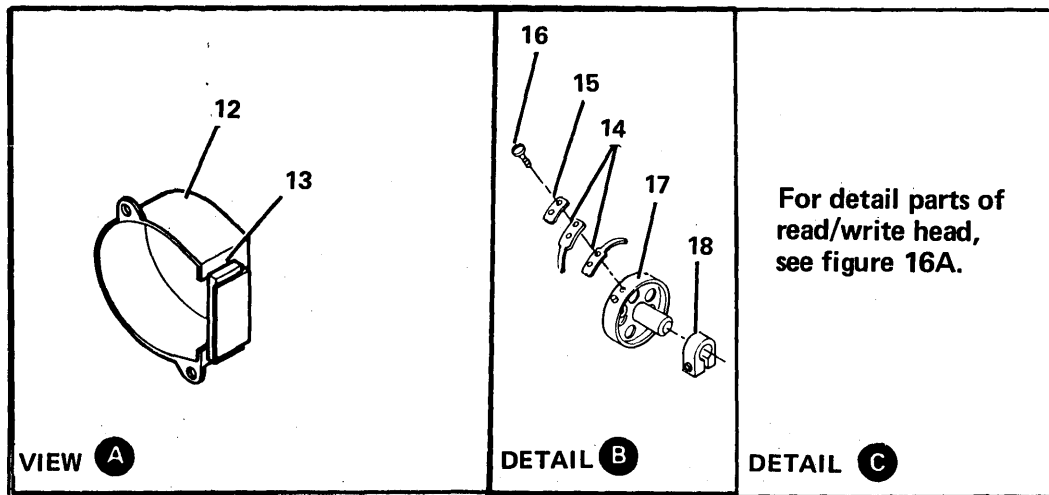
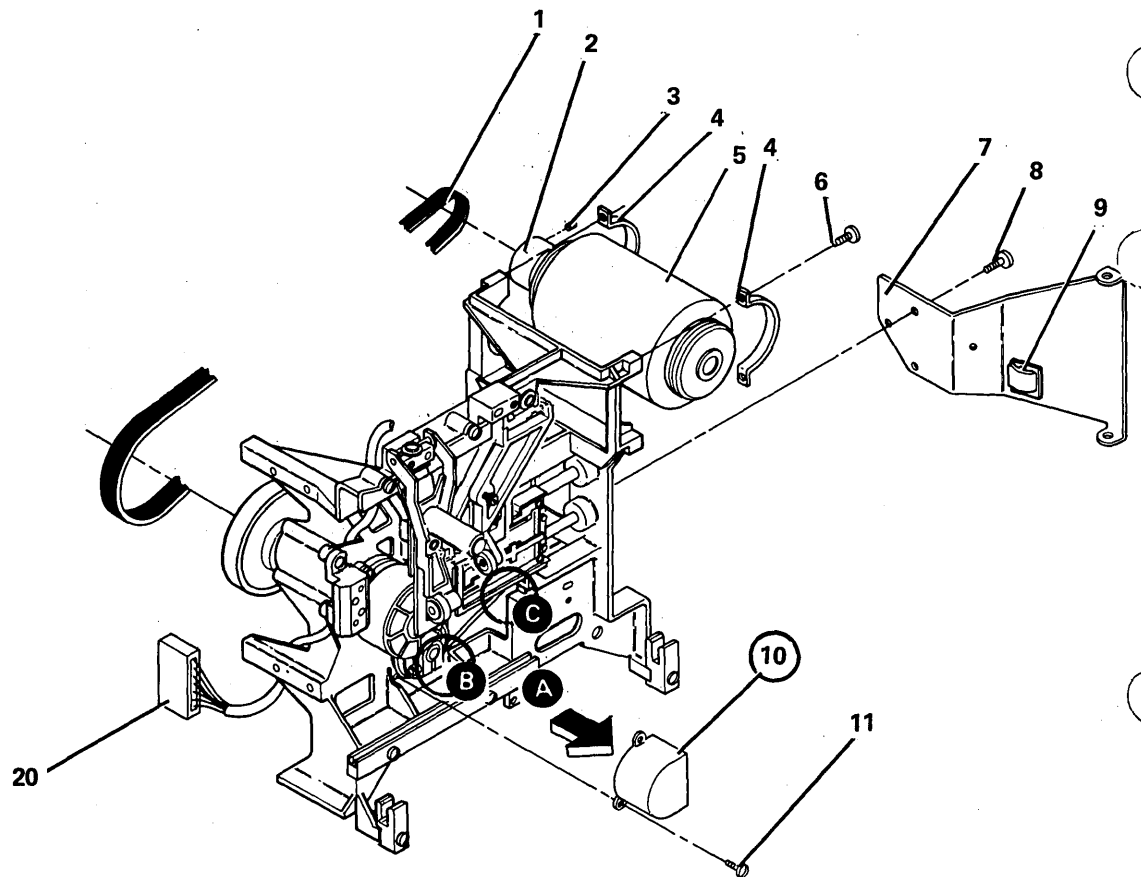


FIGURE 16C. 72MD DRIVE ASM. SEE LIST 16C.

FOR PARTS
NOT SHOWN
SEE FIG. 16A

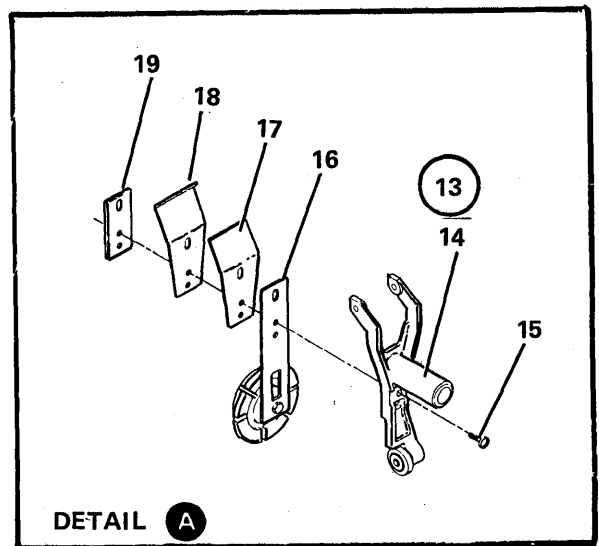
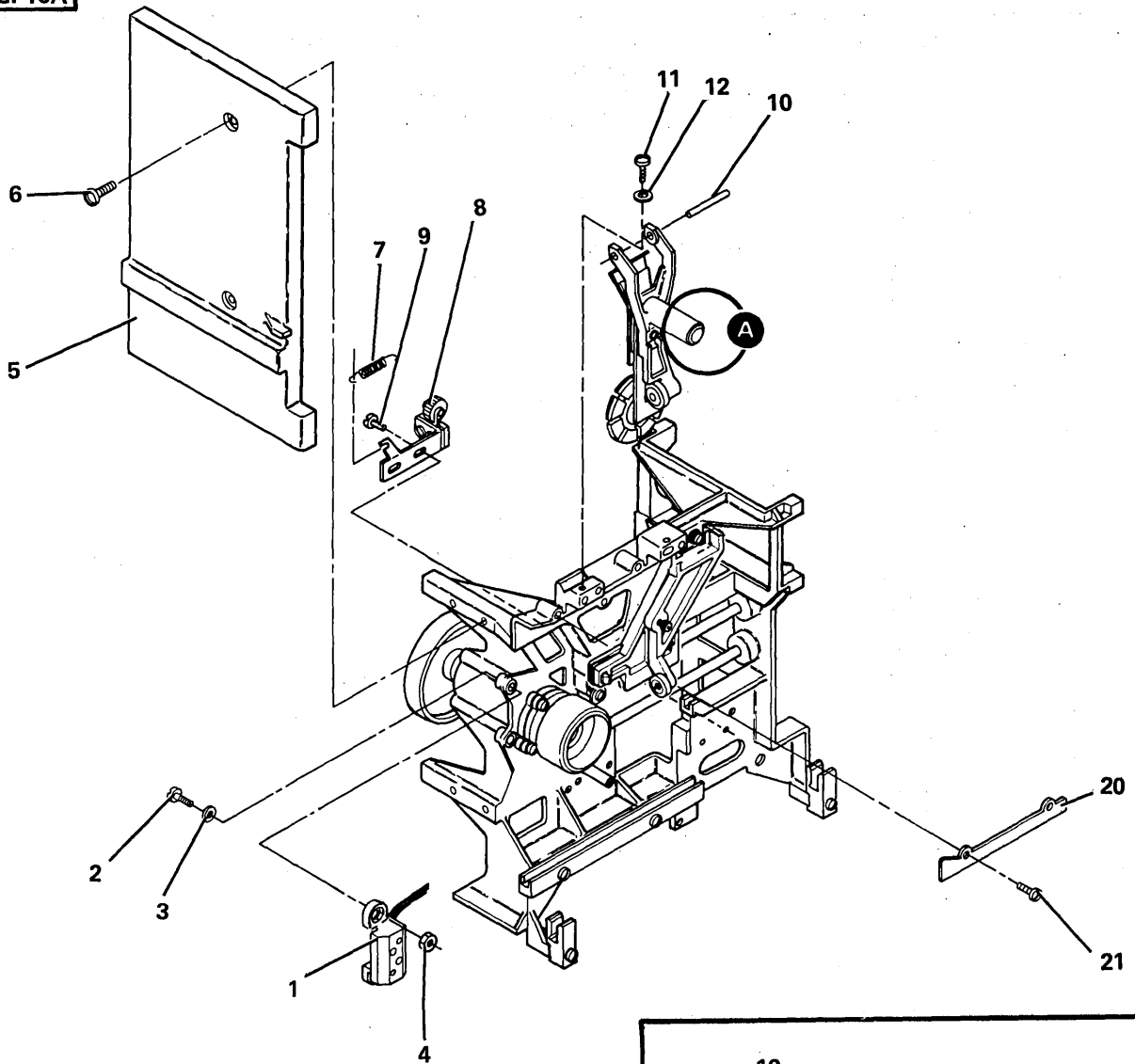


FIGURE 16D. 72MD DRIVE ASM. SEE LIST 16D.

FOR PARTS
NOT SHOWN
SEE FIG. 16A

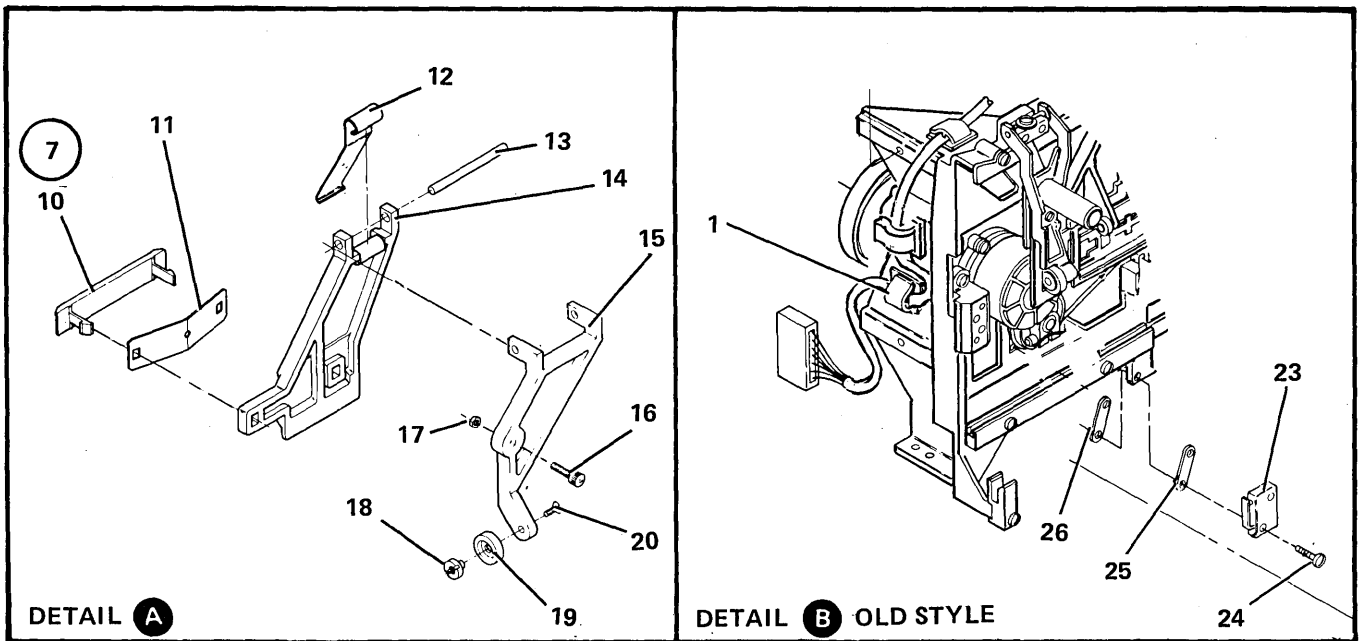
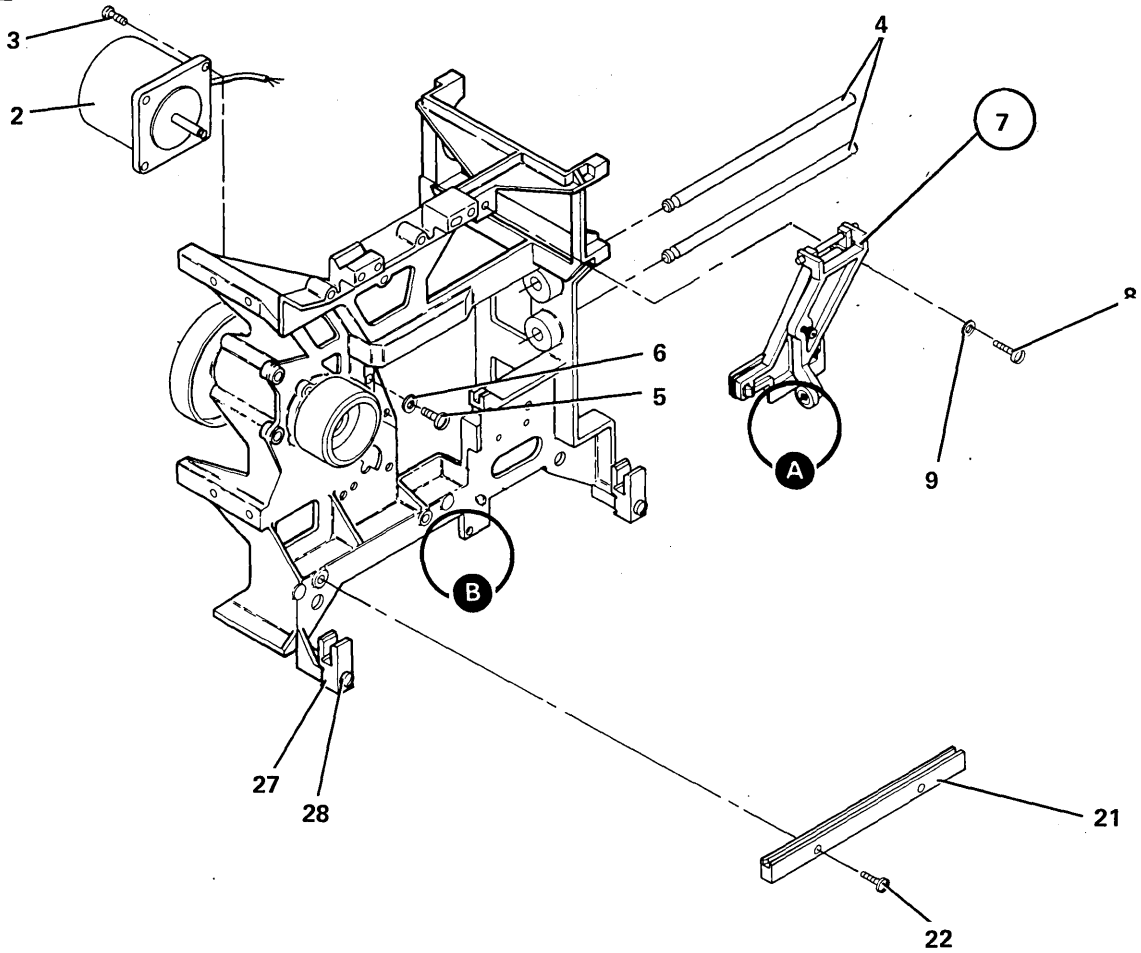


FIGURE 16E. 72MD DRIVE ASM. SEE LIST 16E.

FOR PARTS
NOT SHOWN
SEE FIG. 16A

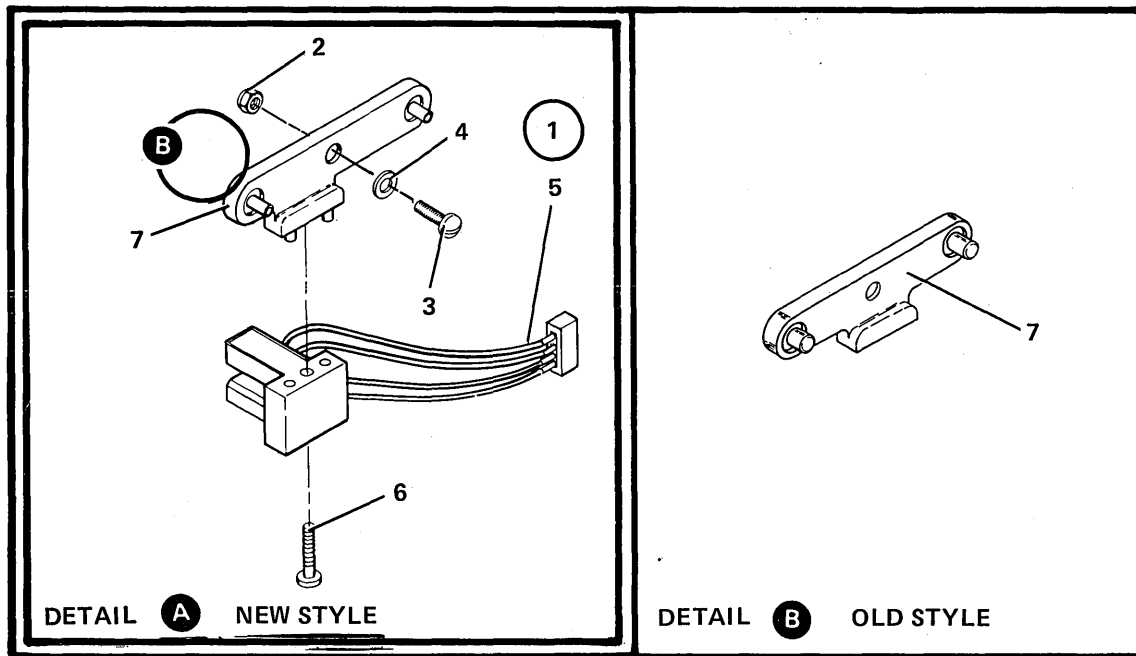
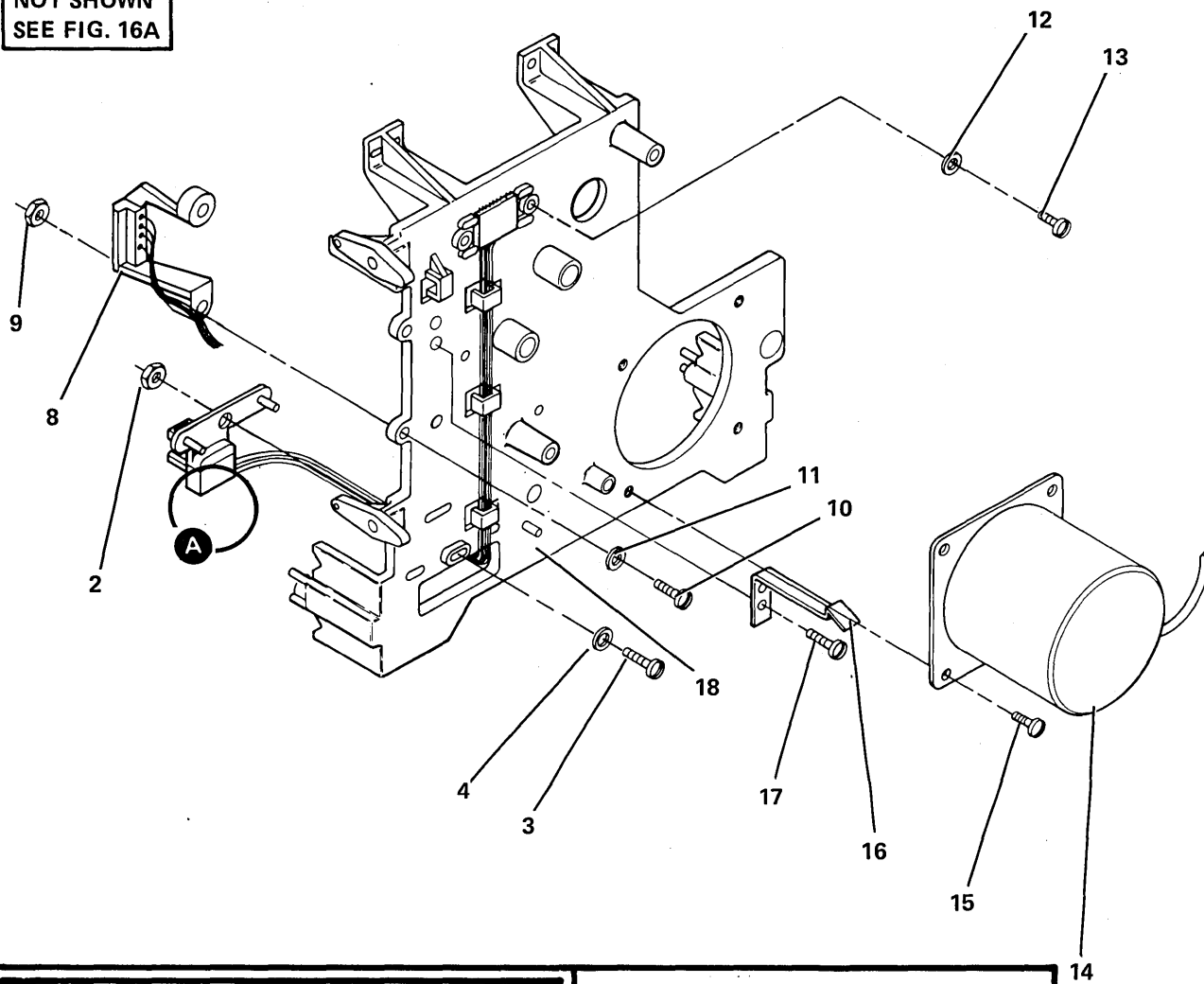


FIGURE 16F. 72MD PICKER/CAM ASM. SEE LIST 16F.

FOR PARTS
NOT SHOWN
SEE FIG. 16A

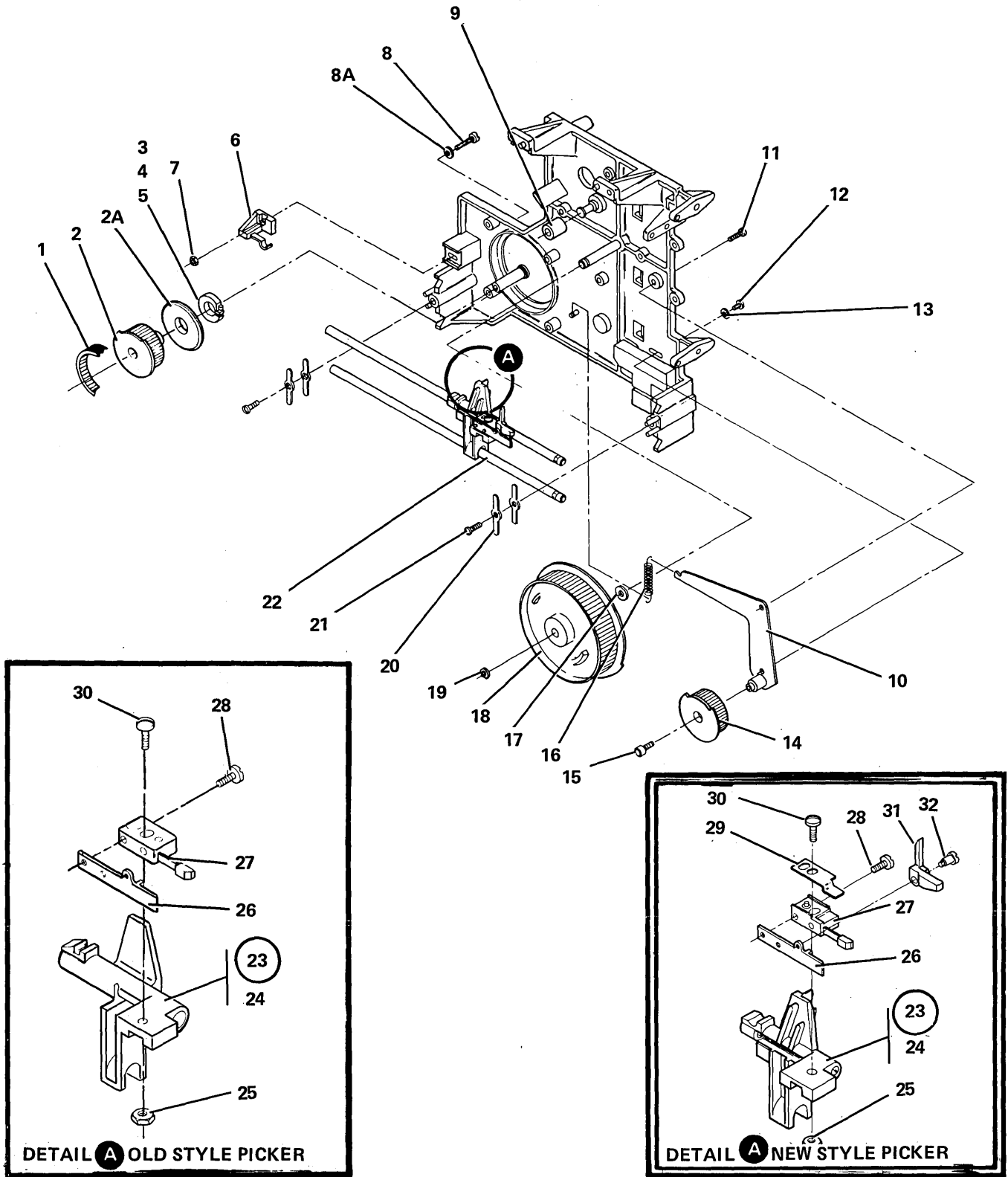


FIGURE 16G. 72MD PICKER/CAM ASM. SEE LIST 16G.

FIGURE- INDEX NUMBER	PART NUMBER	UNITS PER ASM.	DESCRIPTION FOR FIGURE 16G			
			1	2	3	4
16G	2462415		PICKER/CAM ASM FOR NEXT HIGHER ASM SEE LIST 16A-23 FOR ILLUSTRATION FIGURE 16G			
- 1	2462448	1	• Belt			
- 2	2462451	1	• Pulley			
- 2 A	5563687	1	• Flange			
- 3	2462452	1	• Clamp			
- 4	1621512	1	• Screw,Soc Cap Hd M4 x .7 x 16 Lg			
- 5	1622318	1	• Washer,Lock-Spring 4.1 ID x 7.5 OD			
- 6	2462474	1	• Detent			
- 7	1622403	1	• Nut,Hex M4 x 7 FI Wshr			
- 8	1621192	1	• Screw,Mach-Pan Hd M4 x 12mm Lg			
- 8 A	35229	1	• Washer,Flat 11/64 ID x 7/16 OD			
- 9	2462479	1	• Bumper			
- 10	2462465	1	• Picker Asm			
- 11	1621192	1	• Screw,Mach-Pan Hd M4 x 12mm Lg			
- 12	1621193	1	• Screw,Mach-Pan Hd M4 x 16mm Lg			
- 13	35229	1	• Washer,11/64 ID x 7/16 OD			
- 14	2462453	1	• Pulley			
- 15	1621190	1	• Screw,Mach-Pan Hd M4 x 8mm Lg			
- 16	2462456	1	• Spring			
- 17	2462462	1	• Washer,10.5 ID x 16 OD x .8 Thk			
- 18	2462461	1	• Cam			
- 19	237245	1	• Ring,Retaining 0.30 ID x .035 Thk			
- 20	2462434	4	• Clamp			
- 21	2462685	2	• Screw,Thd-Form M4 .7 x 10-.8 Lg			
- 22	2462436	2	• Rod			
- 23	2462682	1	• Picker Asm,Old Style			
- 23	2462616	1	• Picker Asm,New Style			
- 24	2462468	1	• • Carriage			
- 25	1622403	1	• • Nut,Hex M4 x 7 FI Wshr			
- 26	2462495	1	• • Arm,Stationary			
- 27	2462497	1	• • Arm,Spring			
- 28	1621174	2	• • Screw,Mach-Pan Hd M3 x 16mm Lg			
- 29	2462569	1	• • Spring			
- 30	1621193	1	• • Screw,Mach-Pan Hd M4 x 16mm Lg			
- 31	2462568	1	• • Stripper			
- 32	2462571	1	• • Screw,Shoulder,M3 x 14 Lg			

FOR PARTS
NOT SHOWN
SEE FIG. 16A

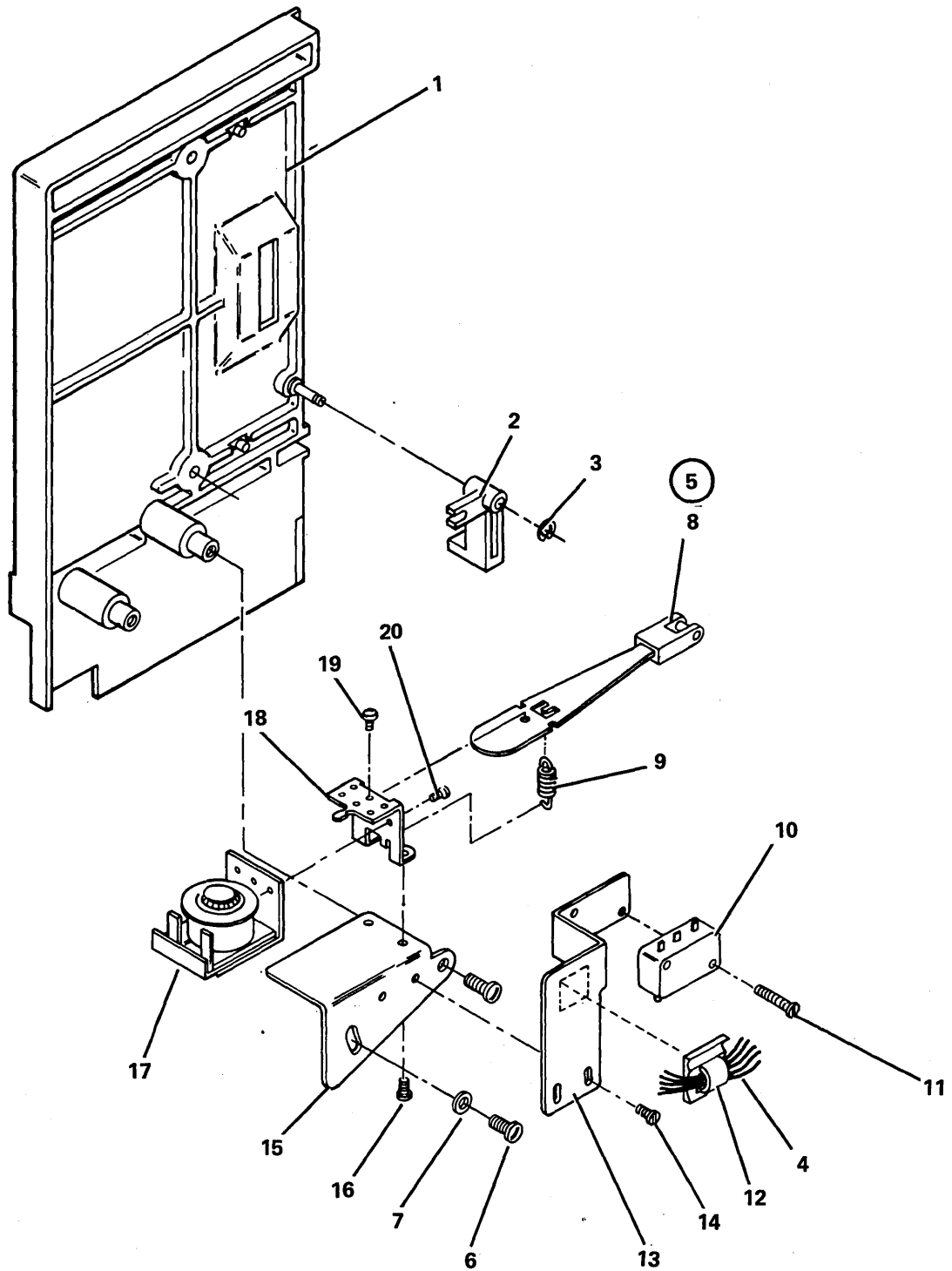
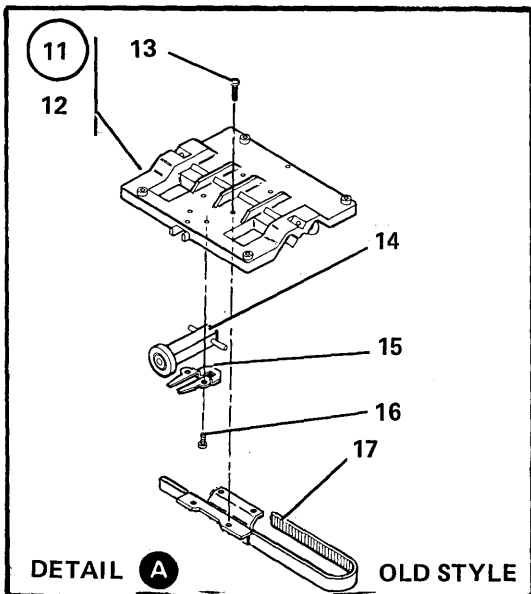
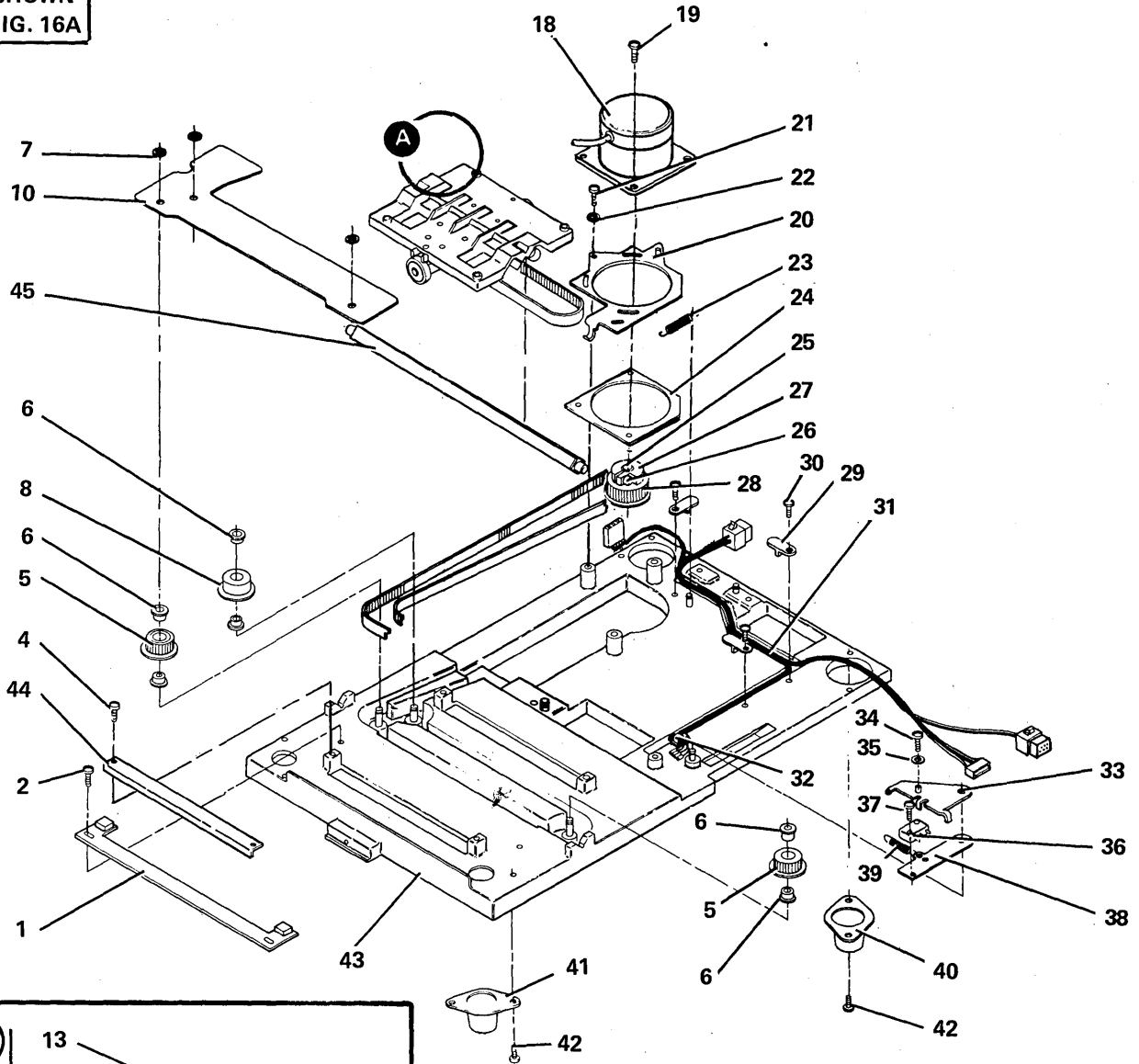


FIGURE 16H. PICKER/CAM BEZEL ASM. OLD STYLE. SEE LIST 16H.

FOR PARTS
NOT SHOWN
SEE FIG. 16A



FOR DETAIL PARTS OF NEW
STYLE CARRIAGE BED CASTING,
SEE FIGURE 16B.
DETAIL A NEW STYLE
CARRIAGE BED CASTING

FIGURE 16J. 72MD BASE CASTING ASM. OLD STYLE. SEE LIST 16J.

FIGURE- INDEX NUMBER	PART NUMBER	UNITS PER ASM.	DESCRIPTION FOR FIGURE 16J			
			1	2	3	4
16J	2462416		BASE CASTING ASM FOR NEXT HIGHER ASM SEE LIST 16A-23 FOR ILLUSTRATION FIGURE 16J			
- 1	2462492	1	• Carriage, Stop			
- 2	1621190	2	• Screw, Mach-Pan Hd M4 x 8mm Lg			
- 4	1621308	4	• Screw, Mach-Flat Hd M4 x 8mm Lg			
- 5	2462475	2	• Pulley			
- 6	2462441	6	• Bushing			
- 7	1092125	3	• Clip, Retaining			
- 8	2462440	1	• Pulley			
- 10	5563654	1	• Shield, Belt			
- 11	2462681	1	• Carriage Bed Casting Asm, Old Style			
- 12	2462486	1	• Carriage			
- 13	1621193	4	• Screw, Mach-Pan Hd M4 x 16mm Lg			
- 14	2462490	1	• Arm			
- 15	2462488	1	• Spring			
- 16	1621190	2	• Screw, Mach-Pan Hd M4 x 8mm Lg			
- 17	2462494	1	• Belt			
- 18	2462561	1	• Motor			
- 19	1621192	3	• Screw, Mach-Pan Hd M4 x 12mm Lg			
- 20	2462445	1	• Bracket			
- 21	2462686	3	• Screw, Thd-Form M4 x .7 x 16-.8 Lg			
- 22	35229	3	• Washer, 11/64 ID x 7/16 OD			
- 23	2462455	1	• Spring			
- 24	2462622	1	• Plate			
- 25	2462452	1	• Clamp			
- 26	1621512	1	• Screw, Soc Cap Hd M4 x .7 x 16 Lg			
- 27	1622318	1	• Washer, Lock-Spring 4.1 ID x 7.5 OD			
- 28	2462450	1	• Pulley			
- 29	2462444	3	• Retainer			
- 30	2462685	3	• Screw, Thd-Form M4 x .7 x 10-.8 Lg			
- 31	2462587	1	• Cable Asm			
- 32	2596275	1	• Clamp			
- 33	2462699	1	• Bracket			
- 34	1621190	1	• Screw, Mach-Pan Hd M4 x 8mm Lg			
- 35	35229	1	• Washer, 11/64 ID x 7/16 OD			
- 36	5616743	1	• Switch			
- 37	1621173	2	• Screw, Mach-Pan Hd M3 x 12mm Lg			
- 38	2462698	1	• Bracket			
- 39	58853	1	• Spring			
- 40	2462604	2	• Shockmount, Rear			
- 41	2545982	2	• Shockmount, Front			
- 42	2462685	8	• Screw, Thd-Form Hex Wshr Hd M4 x 10mm Lg			
- 43	2462533	1	• Base			
- 43			The Following P/N's Are Not Part Of The Asm			
- 44	2462439	2	• Stabilizer			
- 45	2462438	1	• Guideway			

FOR PARTS
NOT SHOWN
SEE FIG. 3

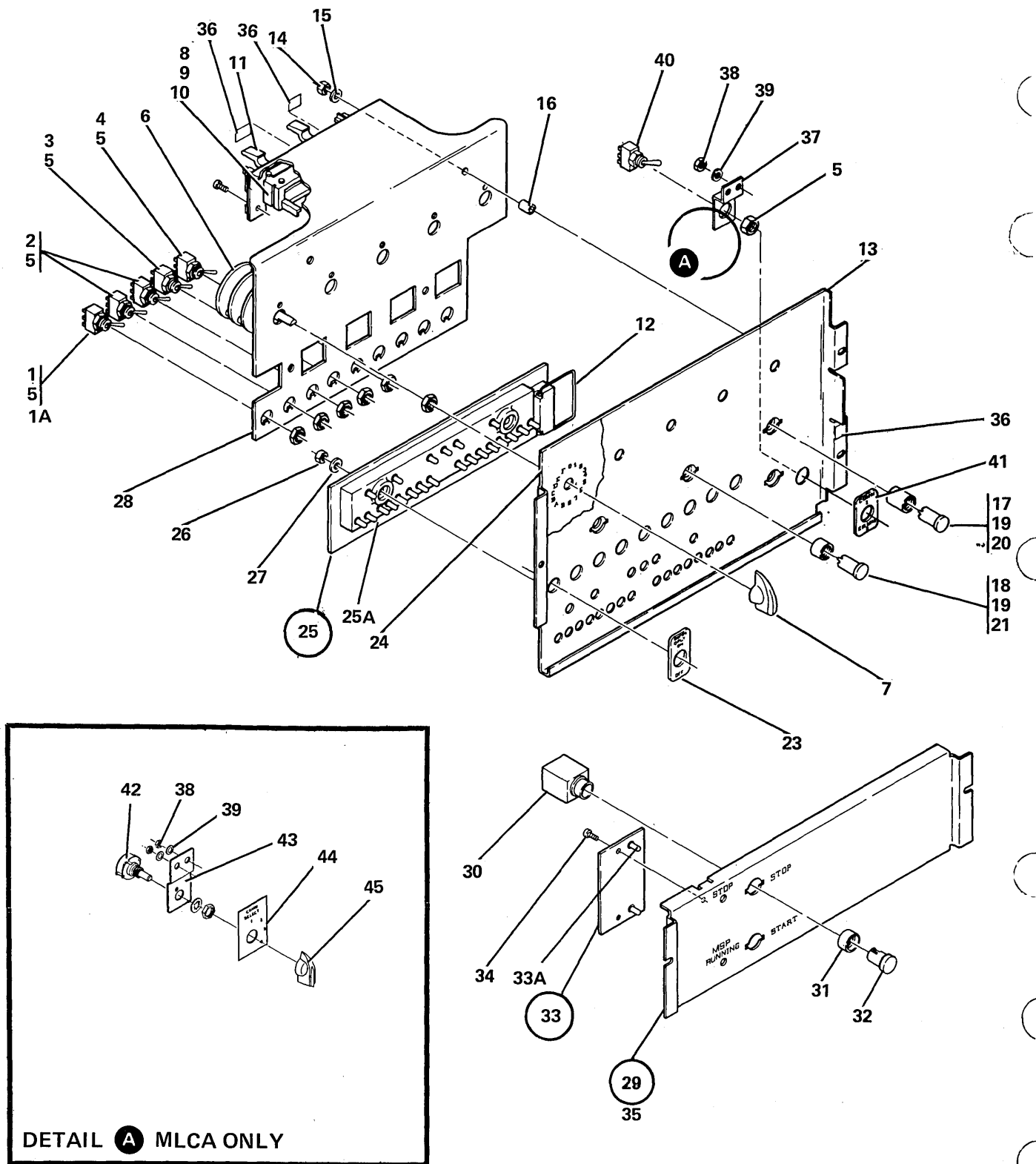


FIGURE 17. CE PANEL ASM AND STOP/START PANEL ASM. SEE LIST 17.

FIGURE- INDEX NUMBER	PART NUMBER	UNITS PER ASM.	DESCRIPTION FOR FIGURE 17			
			1	2	3	4
17	4236335 NR 4236555 NR		CE PANEL ASM STOP/START PANEL ASM FOR NEXT HIGHER ASM SEE LIST 3-11 AND 3-12 FOR ILLUSTRATION SEE FIGURE 17			
- 1	4236726	1	• Cable Asm And Switch			
- 1 A	4236792	1	• Switch Assembly, (MLCA)			
- 1 A	738827	1	• • Switch, (MLCA)			
- 2	738828	2	• Switch			
- 3	738825	5	• Switch			
- 4	738827	1	• Switch			
- 5	179743	10	• Nut,Plain-Hex 15/32-32 x 9/16 Fl W			
- 6	2546575	5	• Switch			
- 7	317173	5	• Knob			
- 8	813392	1	• Connector			
- 9	55726	2	• Screw,Mach-Bind Hd 6-32 x 3/16 Lg			
- 10	2546943	1	• Strap			
- 11	2546928	1	• Retainer			
- 12	2547843	1	• Retainer			
- 13	2546668	1	• Panel			
- 14	257189	4	• Nut,Hex 8-32 Unc Thd			
- 15	22478	4	• Washer,Flat 11/64 ID x 3/8 OD x 1/32 Thk			
- 16	2546936	4	• Spacer			
- 17	2447618	1	• Switch			
- 18	2546949	1	• Switch			
- 19	2588009	2	• Button			
- 20	2546827	1	• Spacer			
- 21	2546827	1	• Spacer			
- 23	2546712	1	• Label			
- 24	4236346	1	• Label			
- 25	2546940	1	• Board Asm			
- 25 A	2397045	22	• • Led			
- 26	257189	4	• Nut,Hex 8-32 Unc Thd			
- 27	22478	4	• Washer,Flat 11/64 ID x 3/8 OD x 1/32 Thk			
- 28	2546941	1	• Panel			
- 29	4236555	1	• Panel Asm,Stop/Start			
- 30	2447618	2	• • Switch			
- 31	2572878	2	• • Spacer			
- 32	2588009	2	• • Button			
- 33	4236545	1	• • Led Board			
- 33 A	2397045	2	• • • Led			
- 34	1621170	2	• • Screw,Mach-Slotted Pan Hd M3 x .5 x 6			
- 35	4236551	1	• • Panel			
- 36	4236721	1	• Label			
- 37	4236410	1	• Bracket,Communications Switch			
- 38	257187	2	• Nut,Hex 6-32			
- 39	510810	2	• Washer,Flat 3/16 ID x 7/16 OD x 1/16 Thk			
- 40	738826	1	• Switch,Communications			
- 41	4236411	1	• Label,Communications			
- 42	2544038	1	• Switch, (MLCA)			
- 43	4236977	1	• Bracket, (MLCA)			
- 44	4236794	1	• Label, (MLCA)			
- 45	317173	1	• Knob, (MLCA)			

FOR PARTS
NOT SHOWN
SEE FIG. 3

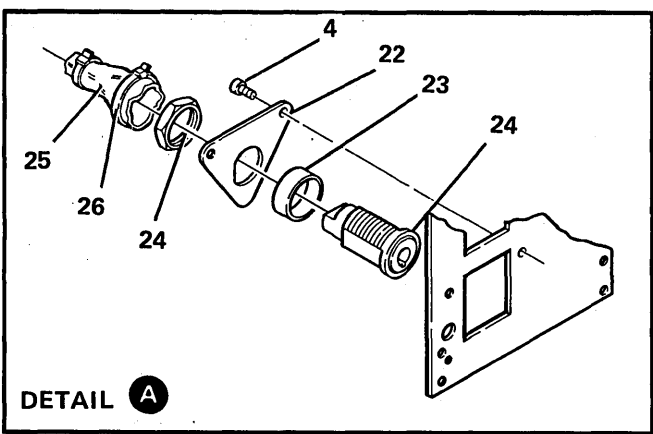
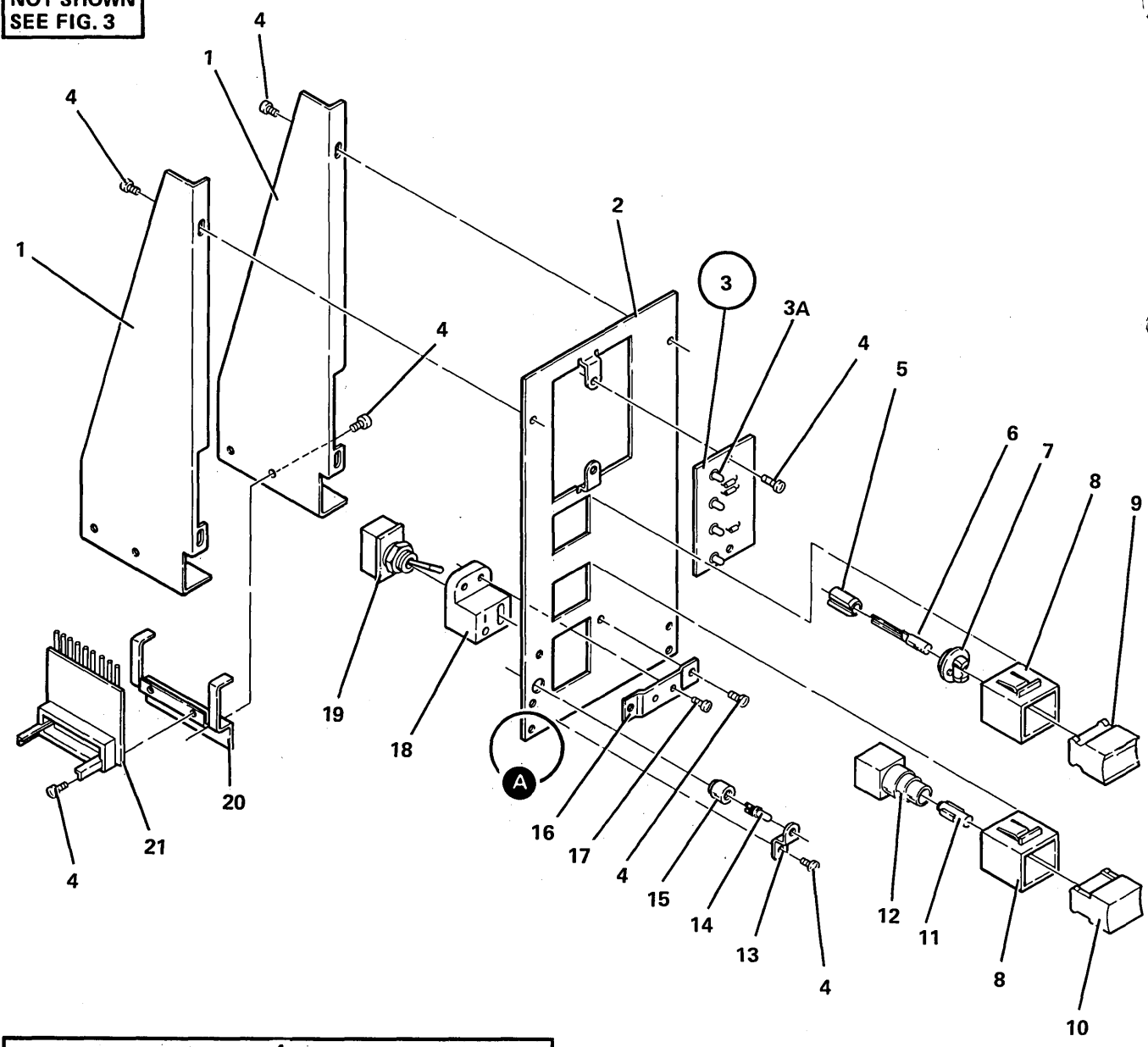


FIGURE 18. OPERATORS PANEL ASM. SEE LIST 18.

FIGURE- INDEX NUMBER	PART NUMBER	UNITS PER ASM.	DESCRIPTION FOR FIGURE 18			
			1	2	3	4
18	4236345 4236665		OPERATOR PANEL ASM, WITHOUT SECURITY OPERATOR PANEL ASM, WITH SECURITY FOR NEXT HIGHER ASM SEE LIST 3-5 FOR ILLUSTRATION SEE FIGURE A18			
- 1	4236549	2	• Bracket			
- 2	4236550	1	• Sub-Panel			
- 3	4236546	1	• Operator Panel Board Asm			
- 3 A	2397045	3	• • Led			
- 4	1621170	15	• Screw,Mach Slotted Pan Hd M3 x .5 x 6 Lg			
- 5	165010	1	• Plug Asm			
- 6	2391023	1	• Lamp			
- 7	648511	1	• Insert			
- 8	827841	2	• Housing			
- 9	827852	1	• Button,Green			
- 10	847923	1	• Button,Yellow			
- 11	2391121	1	• Lamp			
- 12	483550	1	• Switch			
- 13	4236650	1	• Retainer			
- 14	2397045	1	• Led			
- 15	4236649	1	• Block			
- 16	4236341	1	• Bracket			
- 17	38235	2	• Screw,Mach-Bind Hd 6-32 x 5/16 Lg			
- 18	2546314	1	• Housing			
- 19	738826	1	• Switch,Without Security			
- 19	2546576	1	• Switch,With Security			
- 20	4236552	1	• Bracket			
- 21	4236304	1	• Cable Asm			
- 22	4236343	1	• Retainer			
- 23	4236342	1	• Ring			
- 24	2546576	1	• Lock Asm			
- 25	631810	1	• Shrink Tubing			
- 26	524519	2	• Strap			

FOR PARTS
NOT SHOWN
SEE FIG. 4A

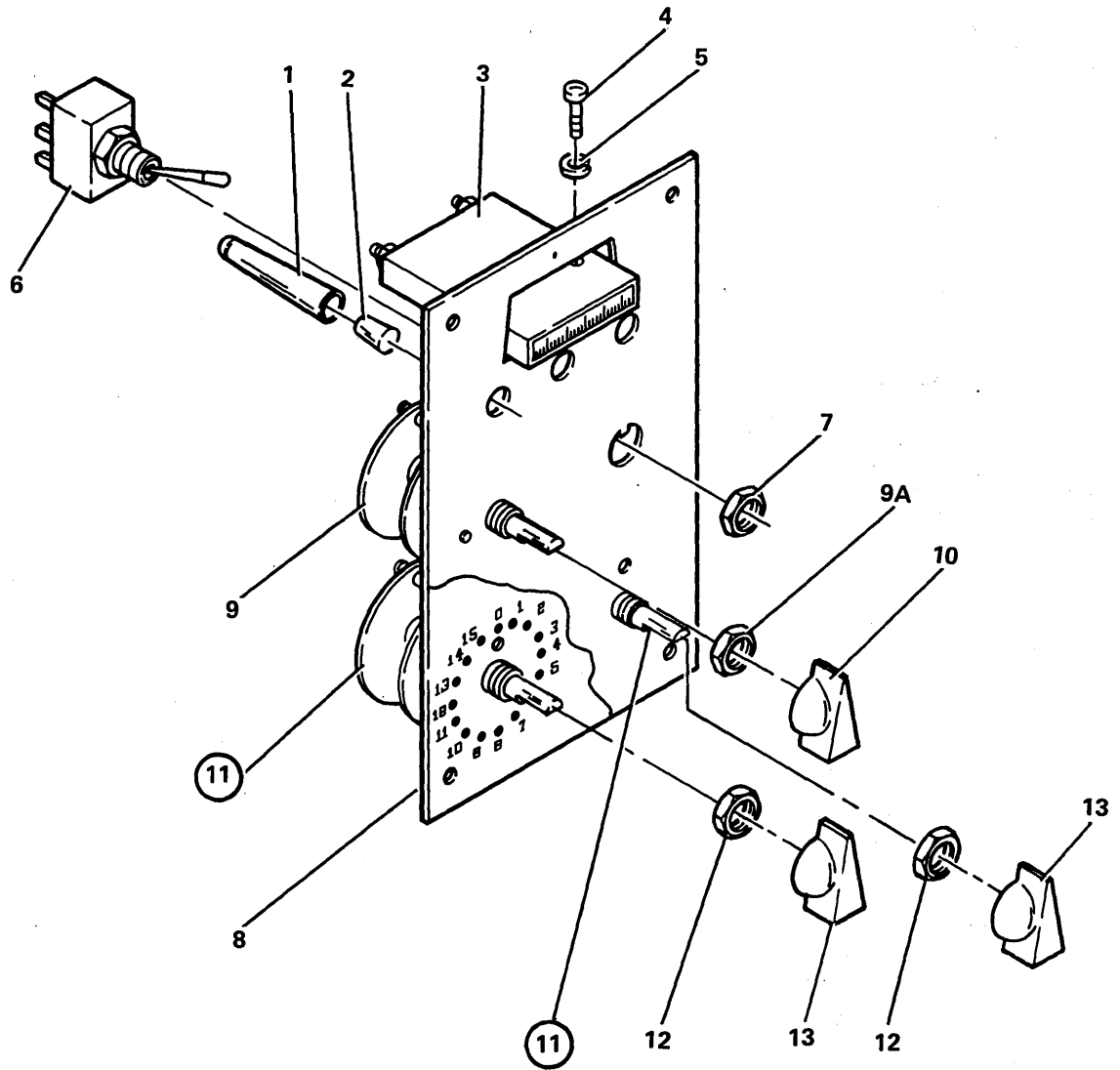


FIGURE 19. PANEL ASM., 2400 BPS MODEM. SEE LIST 19.

FOR PARTS
NOT SHOWN
SEE FIG. 4A

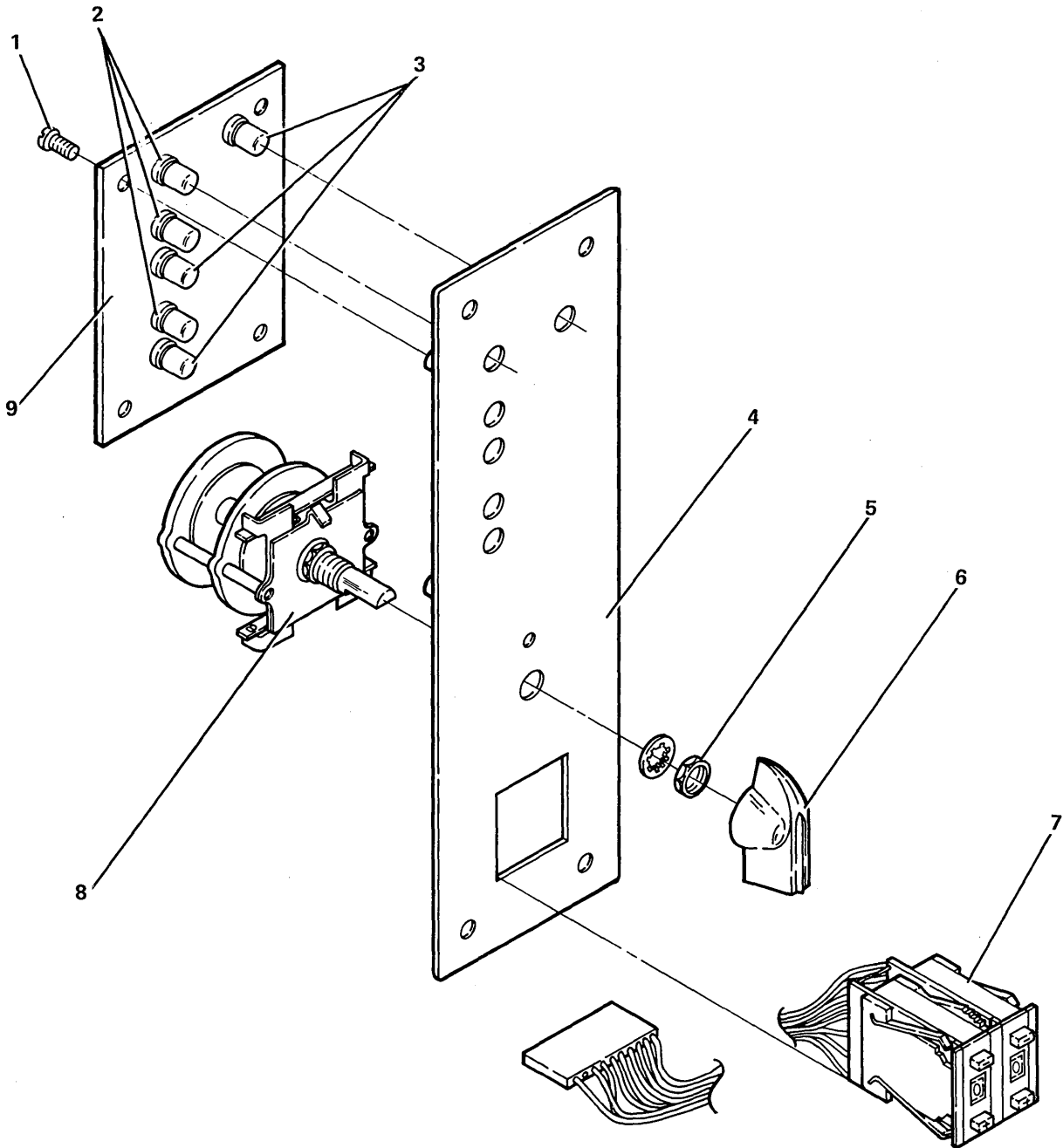


FIGURE 19A. PANEL ASM. 4800 BPS MODEM (MLCA). SEE LIST 19A

FOR PARTS
NOT SHOWN
SEE FIG. 3

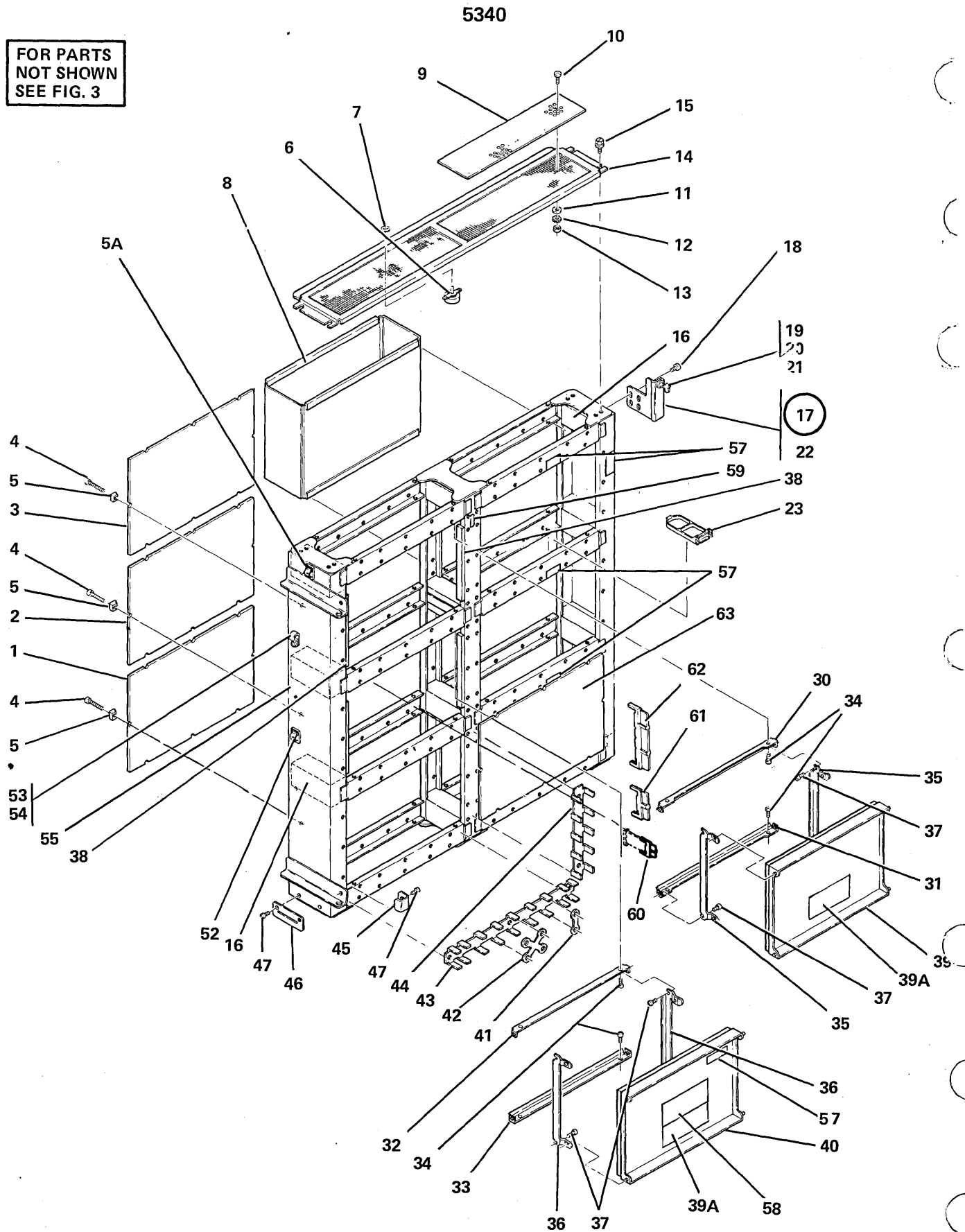


FIGURE 20. A-GATE ASM. SEE LIST 20.

FIGURE- INDEX NUMBER	PART NUMBER	UNITS PER ASM.	DESCRIPTION FOR FIGURE 20			
			1	2	3	4
20	NO NO.		A-GATE ASM FOR NEXT HIGHER ASM SEE LIST 3-18 FOR ILLUSTRATION SEE FIGURE 20			
- 1	8264454	1	• Board			
- 2	8265276	1	• Board,xx4-xx7,Without Workstation Exp. C			
- 2	8264452	1	• Board,xx1-xx3,Without Workstation Exp. C			
- 2	8265352	1	• Board,xx4-xx7,With Workstation Exp. C			
- 2	8265212	1	• Board,xx1-xx3,With Workstation Exp. C			
- 3	4236400	1	• Board, Level 1			
- 3	8265274	1	• Board, Level 2			
- 4	4236584	24	• Screw,Thd-Form Hex-Wshr Hd M3.5 x .6 x 17 Lg			
- 5	4236583	24	• Clamp			
- 5 A	2596275	AR	• Clamp			
- 6	5428337	1	• Thermal Switch			
- 7	2588053	1	• Clip,Speed 7/32 ID x 1/2 OD			
- 8	8265273	AR	• Chimney Asm			
- 9	4236695	1	• Screen			
- 10	1621170	2	• Screw,Mach-Slotted Pan Hd M3 x .5 x 6 Lg			
- 11	1622302	2	• Washer,Flat 3.2 ID x 7 OD x .5 Thk			
- 12	1622344	2	• Washer,Lock-Ext Star 3.2 ID x 6 OD x .4 Thk			
- 13	1622401	2	• Nut,Hex-Double Chamfer M3 x 5.5 FI W x 2.4 Thk			
- 14	4236648	1	• Guard			
- 15	4236318	4	• Screw,Thd-Form Hex Wshr Hd M5 x .8 x 12 x .8 Lg			
- 16	4236694	10	• Foam			
- 17	4236286	1	• Bracket Asm,Top Gate Latch			
- 18	1621811	4	• Screw,Thd-Form Hex Wshr Hd M4 x .7 x 10 Lg			
- 19	312575	1	• • Ring,Retaining 7/16 ID x 3/64 Thk			
- 20	312573	1	• • Grommet			
- 21	315912	1	• • Stud			
- 22	4236271	1	• • Bracket			
- 23	4236299	AR	• Retainer,Cable Connector			
- 30	4236565	1	• Bracket,Cover Top			
- 31	4236566	1	• Bracket,Cover Bottom			
- 32	4236567	2	• Bracket,Cover Top			
- 33	4236568	2	• Bracket,Cover Bottom			
- 34	2548564	12	• Screw,Thd-Form Hex Wshr Hd M3.5 x .6 x 8 Lg			
- 35	4236561	2	• Retainer Asm			
- 36	4236563	4	• Retainer Asm			
- 37	1621170	12	• Screw,Mach-Slotted Pan Hd M3 x .5 x 6 Lg			
- 38	813482	6	• Seal			
- 39	4236953	1	• Cover Asm			
- 39 A	4236997	3	• Label			
- 40	4236954	2	• Cover Asm			
- 41	811427	AR	• Strap			
- 42	813519	AR	• Strap			
- 43	2590011	AR	• Trough			
- 44	2590010	AR	• Trough			
- 45	4236667	2	• Guard			
- 46	4236270	1	• Plate			
- 47	4236318	4	• Screw,Thd-Form Hex Wshr Hd M5 x .8 x 12 x .8 Lg			
- 52	2596293	AR	• Clamp			
- 53	356742	AR	• Clamp			
- 54	1621811	AR	• Screw,Thd-Form Hex Wshr Hd M4 x .7 x 10 Lg			
- 55	4236278	1	• Gate Asm			
- 57	4236721	AR	• Label			
- 58	4238216	3	• Label			
- 59	4236995	1	• Label			
- 60	4236586	AR	• Card Extender, 1 Wide, 1 High			
- 61	4236556	AR	• Card Extender, 2 Wide, 1 High			

THIS PAGE INTENTIONALLY LEFT BLANK

5340

FOR PARTS
NOT SHOWN
SEE FIG. 3

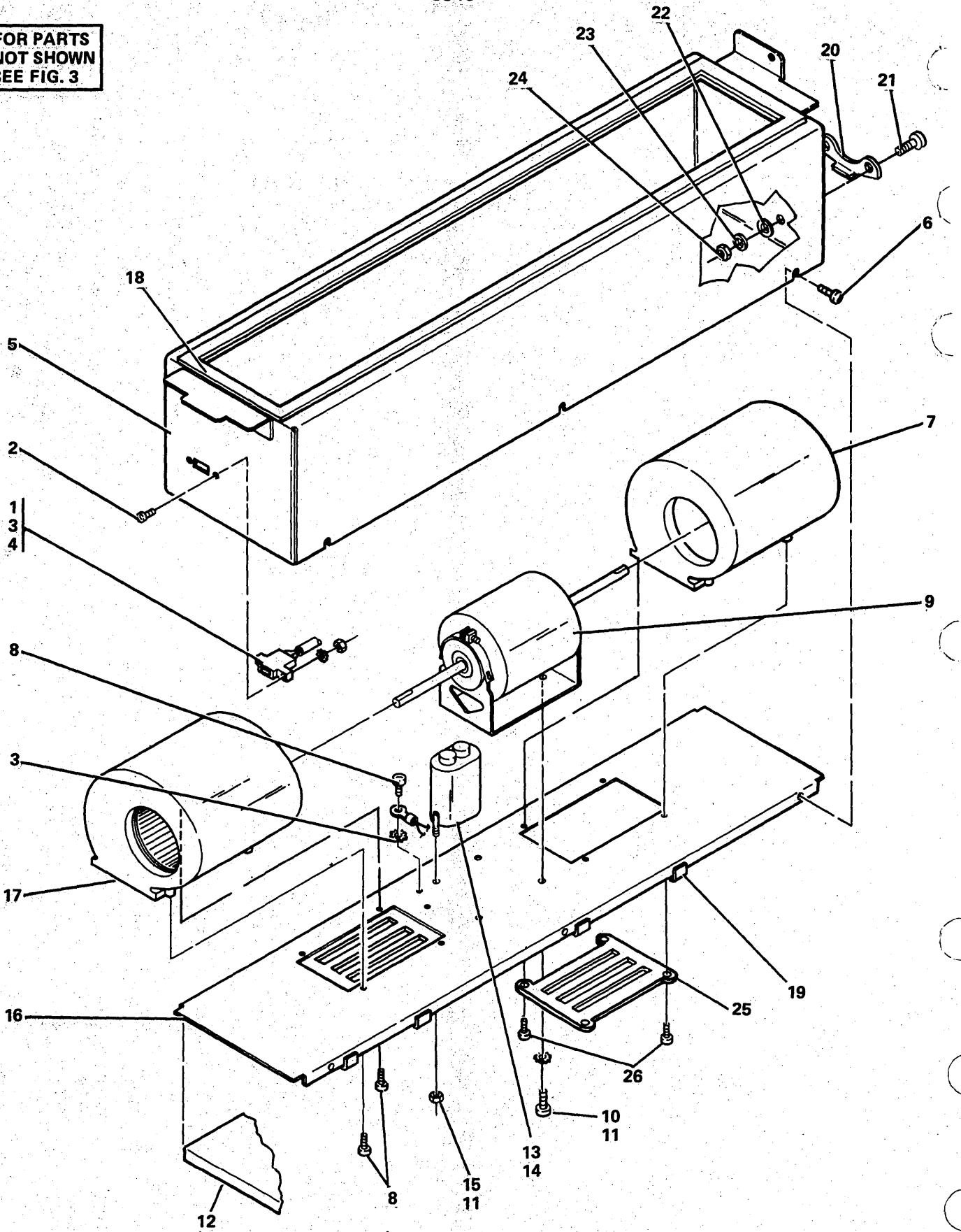


FIGURE 21. BLOWER ASM. SEE LIST 21.

FIGURE- INDEX NUMBER	PART NUMBER	UNITS PER ASM.	DESCRIPTION FOR FIGURE 21			
			1	2	3	4
21	4236333 4236534		BLOWER ASM, 60 HZ BLOWER ASM, 50 HZ FOR NEXT HIGHER ASM SEE LIST 3-20			
			FOR ILLUSTRATION SEE FIGURE 21			
- 1	5353853	1	• Connector			
- 2	322065	2	• Screw, Mach-Bind Hd 6-32 x 5/8 Lg			
- 3	56722	6	• Washer, Lock-Ext Teeth 9/64 ID			
- 4	257187	2	• Nut, Hex No. 6-32 Nc			
- 5	4236268	1	• Housing			
- 6	4236318	6	• Screw, Thd-Form Hex Wshr Hd M5 x .8 x 12 x .8 Lg			
- 7	5468387	1	• Scroll Asm, 60 Hz			
- 7	2561584	1	• Scroll Asm, 50 Hz			
- 7			Used On Machines Without EC 832946			
- 7	2561585	1	• Scroll Asm, 50 Hz			
- 7			Used On Machines With EC 832946			
- 8	2181005	4	• Screw, Thd-Form Hex Wshr Hd 6-32 x 3/8 Lg			
- 9	5405152	1	• Motor Asm 60/50 Hz			
- 10	130434	2	• Screw, Mach Slotted Hex Hd 10-32 x 3/8 Lg			
- 11	56079	4	• Washer, Lock-Ext Teeth 3/16 x 11/32 OD			
- 12	4236646	1	• Foam			
- 13	5252824	1	• Capacitor			
- 14	526378	2	• Cover			
- 15	11598	2	• Nut, Plain Hex 10-32			
- 16	4236267	1	• Frame			
- 17	5468388	1	• Scroll Asm, 60 Hz			
- 17	2561585	1	• Scroll Asm, 50 Hz			
- 17			Used On Machines Without EC 832946			
- 17	2561584	1	• Scroll Asm, 50 Hz			
- 17			Used On Machines With EC 832946			
- 18	4236762	1	• Seal			
- 19	2590081	4	• Clip, 50 Hz Only			
- 19			Used On Machines With EC 832946			
- 20	4236785	1	• Guide Pad			
- 21	1621212	2	• Screw, Mach-Slotted Pan Hd M5 x 10mm Lg			
- 22	4569	2	• Washer, Flat No. 8 x 1/2 OD x 1/16 Thk			
- 23	1622319	2	• Washer, Lock-Split 5.1 ID x 9.2 OD x 1.2			
- 24	1622404	2	• Nut, Hex M5 x 8 Fl W x 4 Thk			
- 25	2591367	2	• Guard			
- 26	10170	4	• Screw, Mach-Bind Hd No. 6-32 x 1/4 Lg			

FOR PARTS
NOT SHOWN
SEE FIG. 4

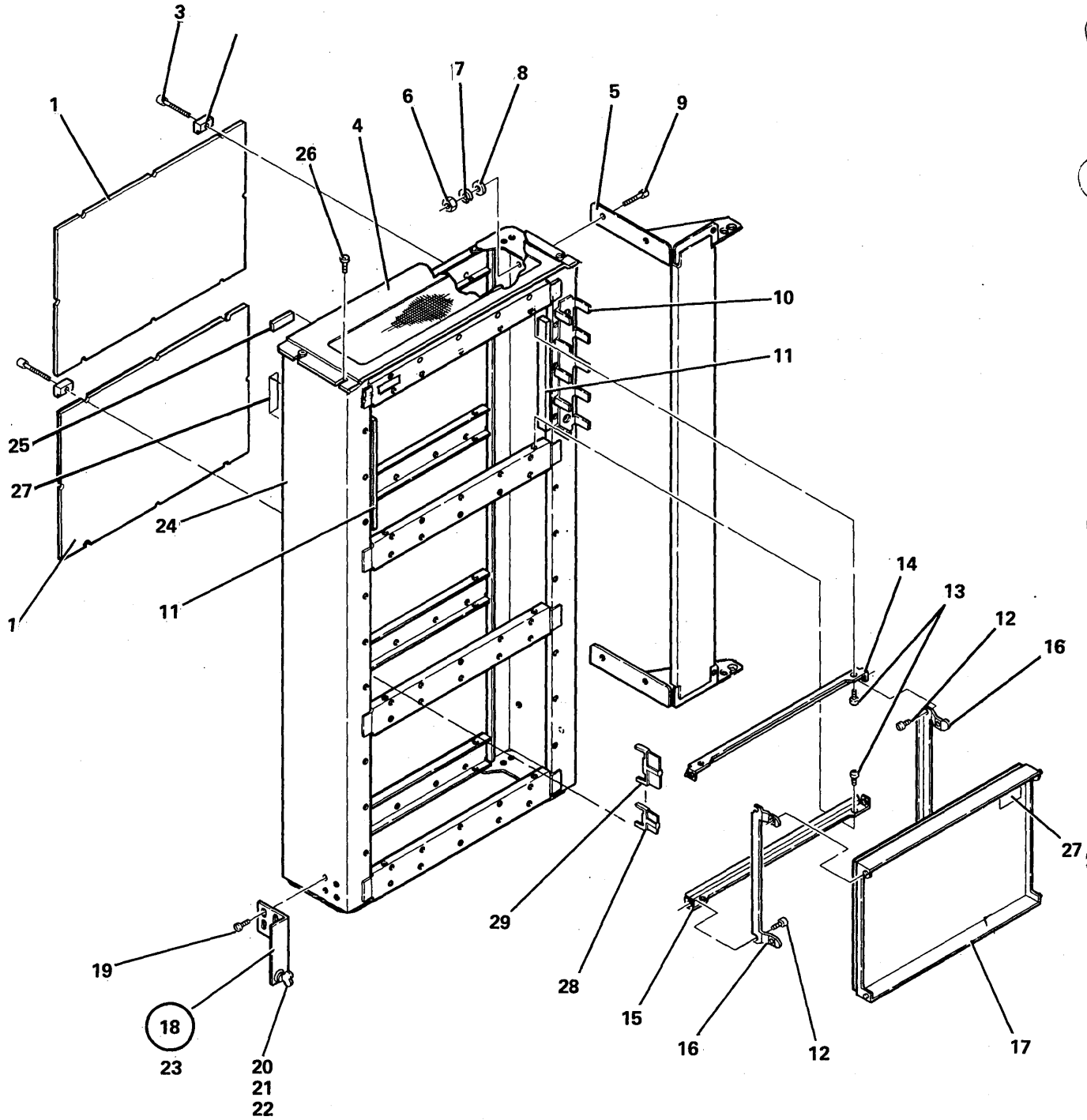


FIGURE 22. B-GATE ASM. SEE LIST 22.

FIGURE- INDEX NUMBER	PART NUMBER	UNITS PER ASM.	DESCRIPTION FOR FIGURE 22			
			1	2	3	4
22	NO NO.		B-GATE ASM FOR NEXT HIGHER ASM SEE LIST 4-48 FOR ILLUSTRATION SEE FIGURE 22			
- 1	2546838	2	• Board			
- 2	4236583	16	• Clamp			
- 3	4236584	16	• Screw,Thd-Form Hex Wshr Hd M3.5 x .6 x 17 Lg			
- 4	4236720	1	• Guard			
- 5	4236569	1	• Hinge			
- 6	1622405	4	• Nut,Hex-Double Chamfer M6 x 10 Fl W x 5			
- 7	1622320	4	• Washer,Lock-Spring 6.1 ID x 11.8 OD x 1.6			
- 8	1622306	4	• Washer,Flat 6.6 ID x 12.5 OD x 1.6 Thk			
- 9	1621231	4	• Screw,Mach-Slot Pan Hd M6 x 1 x 1 Lg			
- 10	2590010	2	• Trough			
- 11	813482	4	• Seal			
- 12	1621170	8	• Screw,Mach-Slot Pan Hd M3 x .5 x 6 Lg			
- 13	2548564	8	• Screw,Thd-Form Hex Wshr Hd M3.5 x .6 x 8 Lg			
- 14	4236565	2	• Bracket,Upper			
- 15	4236566	2	• Bracket,Lower			
- 16	4236561	4	• Retainer Asm			
- 17	4236954	2	• Cover			
- 18	4236653	1	• Bracket			
- 19	1621811	4	• Screw,Thd-Form Hex Wshr Hd M4 x .7 x 10 Lg			
- 20	312575	1	• • Ring,Retaining 7/16 ID x 3/64 Thk			
- 21	312573	1	• • Grommet			
- 22	315912	1	• • Stud			
- 23	4236634	1	• • Bracket			
- 24	4236285	1	• Gate Asm			
- 25	2588420	2	• Label			
- 26	4236318	2	• Screw,Thd-Form Hex Wshr Hd M5 x .8 x 12 Lg			
- 27	4236721	AR	• Label			
- 27	4236722	1	• Label,English			
- 27	4236730	1	• Label,French			
- 27	4236731	1	• Label,German			
- 27	4236732	1	• Label,Italian			
- 27	4236733	1	• Label,Spanish			
- 27	4236734	1	• Label,Japan/Katakana			
- 27	4236735	1	• Label,French/Canadian			
- 27	4236777	1	• Label,Finland			
- 27	4236778	1	• Label,Sweden			
- 28	813180	AR	• Card Extend, 1 Wide, 2 High			
- 29	813181	AR	• Card Extend, 2 Wide, 2 High			

FOR PARTS
NOT SHOWN
SEE FIG. 3

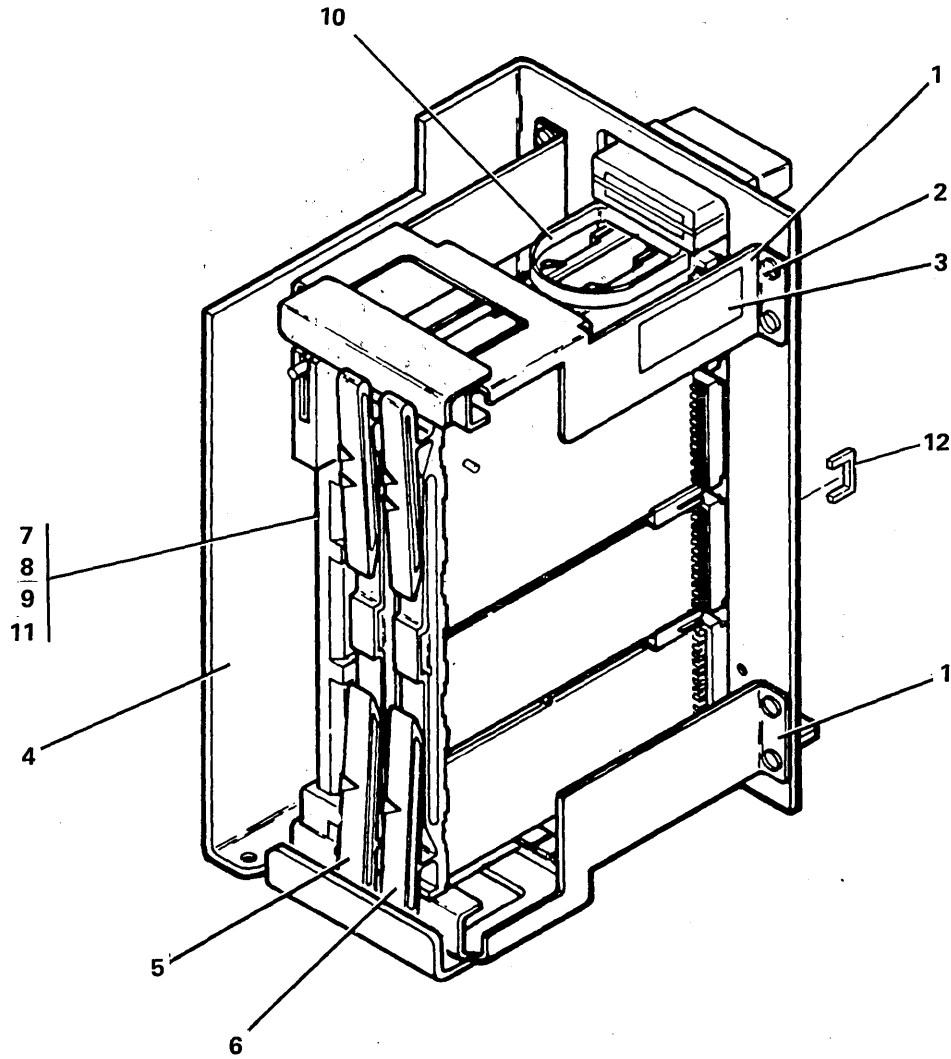


FIGURE 23. POWER LOGIC C-GATE ASM. SEE LIST 23.

FOR PARTS
NOT SHOWN
SEE FIG. 3

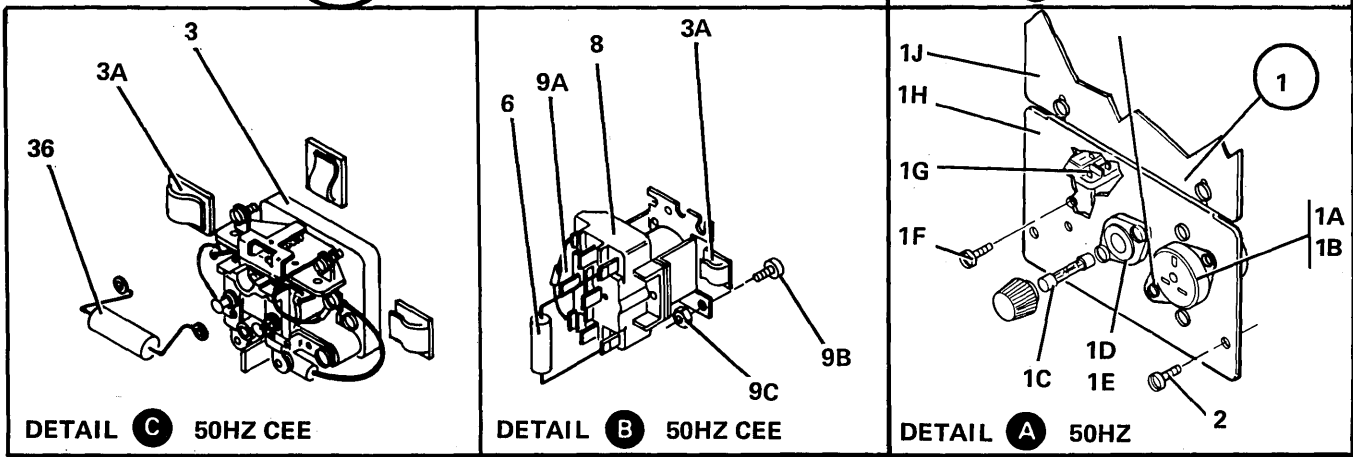
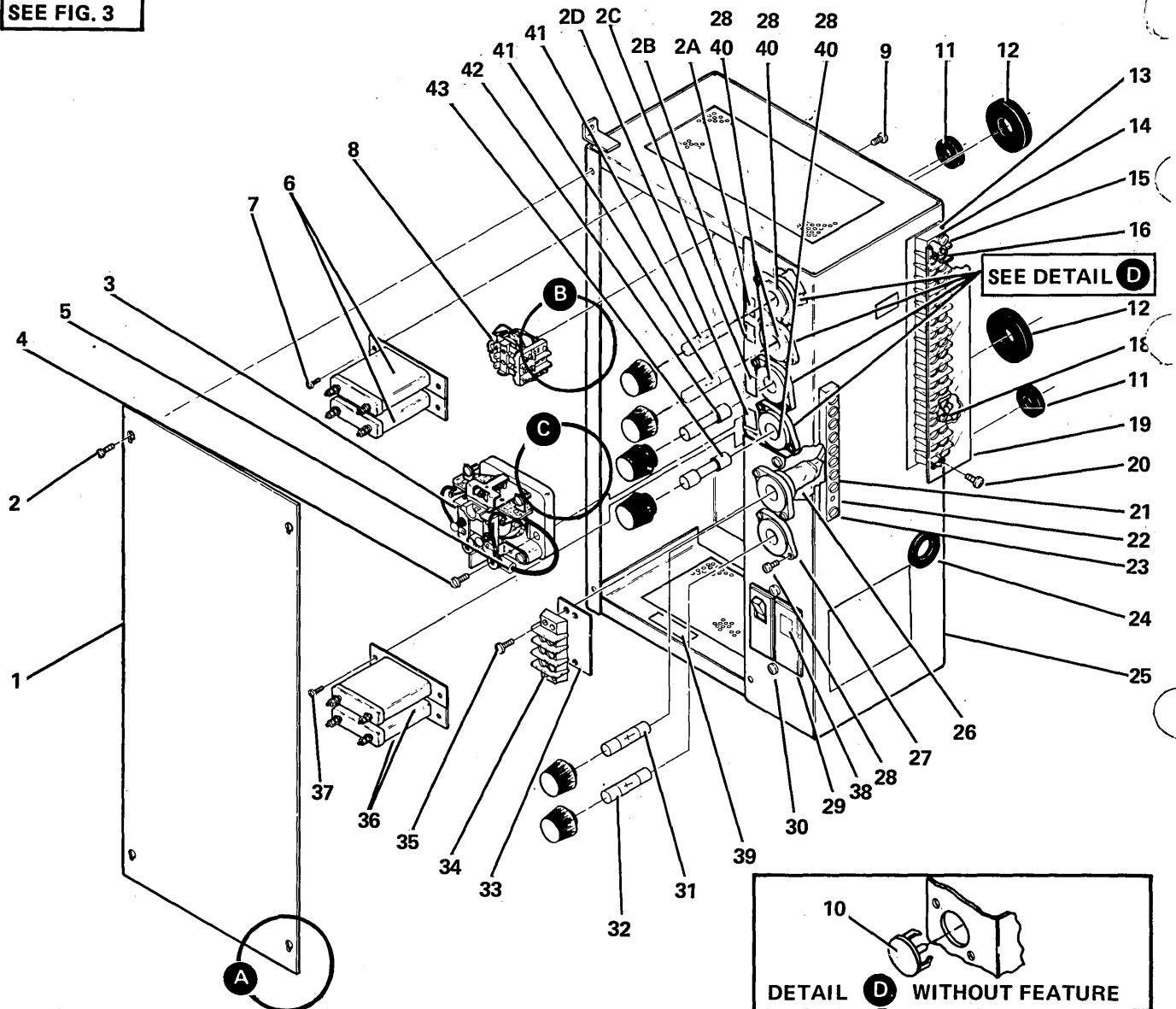


FIGURE 24. AC BOX ASM. SEE LIST 24.

FIGURE- INDEX NUMBER	PART NUMBER	UNITS PER ASM.	DESCRIPTION FOR FIGURE 24			
			1	2	3	4
24	5565160 5565195		AC BOX ASM AC BOX ASM, CEE 50 HZ FOR NEXT HIGHER ASM SEE LIST 3-46 FOR ILLUSTRATION SEE FIGURE 24			
- 1	5565163	1	• Cover,60 Hz			
- 1	5565162	1	• Cover Asm,50 Hz			
- 1 A	245923	1	• • Connector			
- 1 B	383364	2	• • Screw			
- 1 C	2495413	1	• • Fuse			
- 1 D	92752	1	• • Fuse Mount			
- 1 E	1621182	2	• • Screw,Mach-Slotted Pan Hd M3.5 x 8 Lg			
- 1 F	38235	1	• • Screw,Mach-Bind Hd 6-32 x 5/16 Lg			
- 1 G	2274372	1	• • Relay			
- 1 H	5565168	1	• • Cover			
- 1 J	5565159	1	• Cover,50 Hz			
- 1 K	4176689	1	• Shroud			
- 1 L	1621186	2	• Screw,Mach-Slot Pan Hd M3.5 x 20mm Lg			
- 2	1621181	4	• Screw,Mach-Slotted Hd M3.5 x .6 x 6 Lg			
- 2 A	5565228	1	• Label,Feature Supply A			
- 2 B	5565238	1	• Label,Feature Supply B			
- 2 C	5565237	1	• Label,Feature Supply C			
- 2 D	5565101	1	• Label,Feature Supply D			
- 3	2775241	1	• Relay			
- 3 A	2596275	5	• Clamp,Cable			
- 4	1621193	2	• Screw,Mach-Slotted Hd M4 x .7 x 16 Lg			
- 5	5565215	1	• Diode Asm			
- 6	5252800	2	• Supressor			
- 6	5565149	2	• Supressor,CEE 50 Hz			
- 7	1621197	4	• Screw,Mach-Slot Pan Hd M4 x .7 x 6 Lg			
- 8	2274372	1	• Relay			
- 8	2524713	1	• Relay,CEE 50 Hz			
- 9	38235	1	• Screw,Mach-Bind Hd 6-32 x 5/16 Lg			
- 9 A	5565216	1	• Diode Asm,CEE 50 Hz			
- 9 B	81693	2	• Screw,Mach-Bind Hd 6-32 x 3/8 Lg (CEE 50 Hz)			
- 9 C	257187	2	• Nut,Hex 6-32 (CEE 50 Hz)			
- 10	184380	4	• Cover,Without Features			
- 11	123072	2	• Grommet			
- 12	338327	2	• Grommet			
- 13	481192	1	• Marker Strip			
- 14	301731	1	• Terminal Block			
- 15	322550	2	• Screw,Mach-Bind Hd 6-32 x 1/2 Lg			
- 16	210883	2	• Stud,Shield Mtg Tap 6-32			
- 18	367115	7	• Jumper			
- 19	5762534	1	• Shield			
- 20	10170	2	• Screw,Mach-Bind Hd No. 6-32 x 1/4 Lg			
- 21	1621197	8	• Screw,Mach-Slotted Pan Hd M4 x .7 x 6 Lg			
- 22	5565167	1	• Ground Bus			
- 23	34512	2	• Screw,Bind Hd 8-32 x 3/8 Lg			
- 24	317367	1	• Grommet			
- 25	5565161	1	• Chassis			
- 26	2501330	2	• Tubing			
- 27	92752	2	• Fusemount			
- 28	1621182	AR	• Screw,Mach-Slotted Pan Hd M3.5 x .6 x 8 Lg			
- 29	5565214	1	• Circuit Breaker			
- 30	38235	2	• Screw,Mach-Bind Hd 6-32 x 5/16 Lg			
- 31	2495471	1	• Fuse			
- 32	254628	1	• Fuse			
- 33	323681	1	• Marker Strip			
- 34	323841	1	• Terminal Block			

THIS PAGE INTENTIONALLY LEFT BLANK

FOR PARTS
NOT SHOWN
SEE FIG. 3

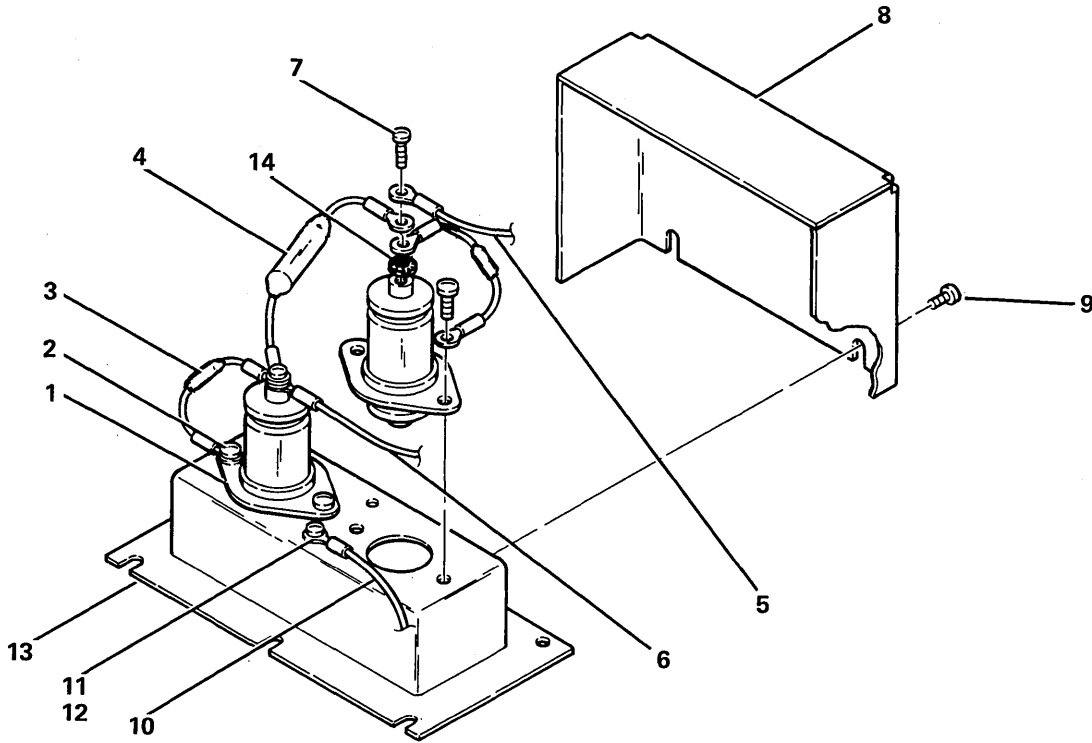


FIGURE 25. LINE FILTER ASM. SEE LIST 25.

FIGURE- INDEX NUMBER	PART NUMBER	UNITS PER ASM.	DESCRIPTION FOR FIGURE 25				
			1	2	3	4	
25	5565197		LINE FILTER ASM FOR NEXT HIGHER ASM SEE LIST 3-39 FOR ILLUSTRATION SEE FIGURE 25				
-	1	4236662	2	• Capacitor, Feed Through			
-	2	1621181	4	• Screw, Mach-Slot Pan Hd M3.5 x .6 x 6 Lg			
-	3	5565198	2	• Resistor			
-	4	5565240	1	• Capacitor Asm			
-	5	5565158	1	• Jumper			
-	6	5565158	1	• Jumper			
-	7	32042	2	• Screw, Mach-Bind Hd 10-32 x 3/8 Lg			
-	8	5565174	1	• Cover			
-	9	7362385	2	• Screw, Thd-Form Wshr Hd M4 x .7 x 8 Lg			
-	10	5758961	1	• Jumper (G/Y)			
-	11	1621197	1	• Screw, Mach-Slotted Pan Hd M4 x .7 x 6 Lg			
-	12	1622346	1	• Washer, Lock-Ext Star 4.3 ID x 8 OD x .5 Thk			
-	13	5565171	1	• Chassis			
-	14	56121	2	• Washer, Lck-Int Star 4.95 ID x 9.68 OD x .64Thk			

FOR PARTS
NOT SHOWN
SEE FIG. 3

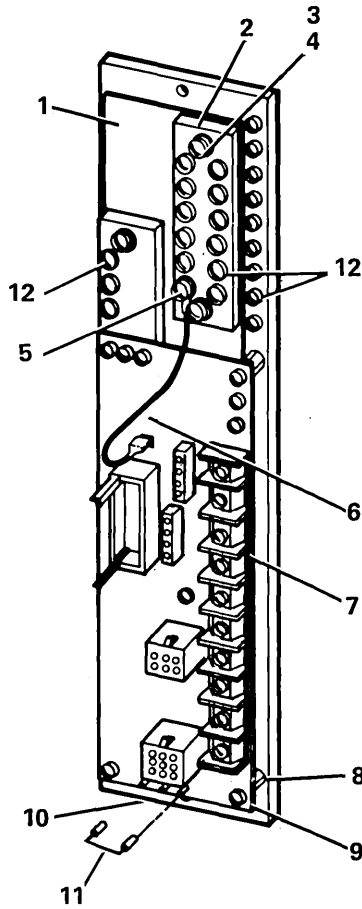


FIGURE 26. DISTRIBUTION ASM. SEE LIST 26.

FIGURE- INDEX NUMBER	PART NUMBER	UNITS PER ASM.	DESCRIPTION FOR FIGURE 26			
			1	2	3	4
26	4176660		DISTRIBUTION ASM FOR NEXT HIGHER ASM SEE LIST 3-15 FOR ILLUSTRATION SEE FIGURE 26			
- 1	4176679	1	• Insulator			
- 2	4176661	1	• Plate			
- 3	333586	3	• Bushing			
- 4	332620	3	• Screw, Mach-Bind Hd 10-32 x 1/2 Lg			
- 5	236849	1	• Screw, Mach-Bind Hd 10-32 x 1/4 Lg			
- 6	5565281	1	• Jumper Asm			
- 7	4176658	1	• Board Asm			
- 8	565177	6	• Standoff			
- 9	58207	6	• Screw, Mach-Bind Hd 8-32 x 1/4 Lg			
- 10	4176678		• Plate			
- 11	4236756	1	• Jumper			
- 12	236849	23	• Screw, Mach-Bind Hd 10-32 x 1/4 Lg			

FOR PARTS
NOT SHOWN
SEE FIG. 3

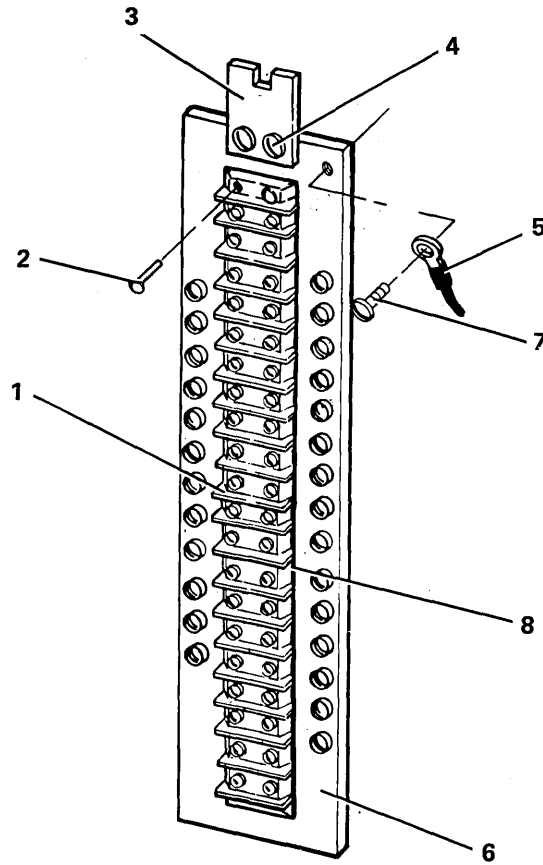


FIGURE 26A. FEATURE DISTRIBUTION ASM. SEE LIST 26A.

FIGURE- INDEX NUMBER	PART NUMBER	UNITS PER ASM.	DESCRIPTION FOR FIGURE 26A			
			1	2	3	4
26A	5565190		FEATURE DISTRIBUTION ASM FOR NEXT HIGHER ASM SEE LIST 3-15 FOR ILLUSTRATION SEE FIGURE 26A			
- 1	253220	1	• Terminal Block			
- 2	1621184	4	• Screw, Mach-Slotted PN Hd M3.5 x .6 x 12 Lg			
- 3	5565189	1	• Bracket			
- 4	1621197	2	• Screw, Pan Hd M4 x 6 Lg			
- 5	223486	1	• Jumper Asm			
- 6	5565191	1	• Ground Plate			
- 7	2549780	28	• Screw, Mach-Pan Hd M5 x .8 x 6 Lg			
- 8	365323	1	• Marker Strip			

THIS PAGE INTENTIONALLY LEFT BLANK

FOR PARTS
NOT SHOWN
SEE FIG. 3

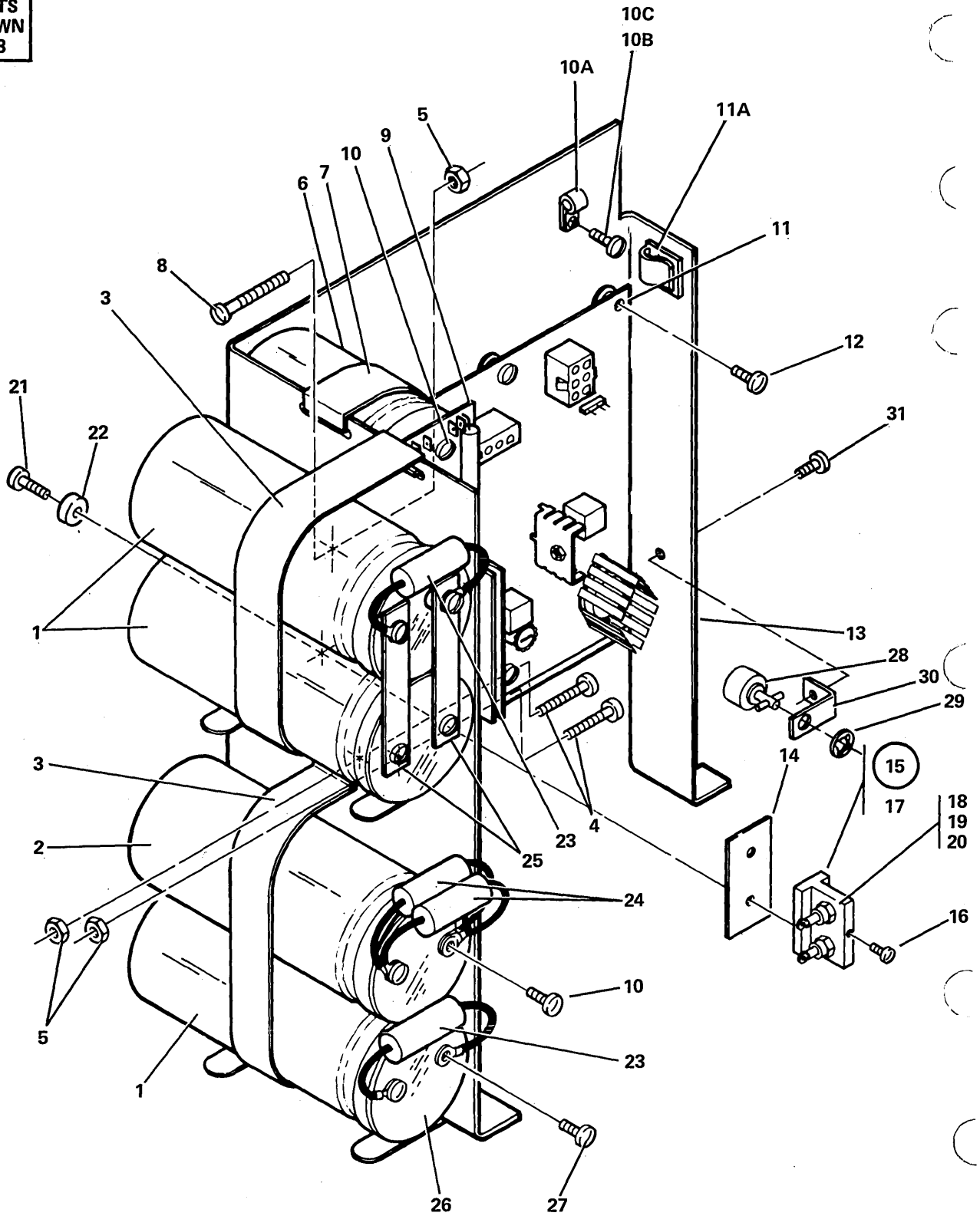


FIGURE 27. MULTI-LEVEL FILTER ASM. SEE LIST 27.

FIGURE- INDEX NUMBER	PART NUMBER	UNITS PER ASM.	DESCRIPTION FOR FIGURE 27			
			1	2	3	4
27	4176655		MULTI-LEVEL FILTER ASM FOR NEXT HIGHER ASM SEE LIST 3-32 FOR ILLUSTRATION SEE FIGURE 27			
- 1	5796430	3	• Capacitor			
- 2	5252740	1	• Capacitor			
- 3	5232806	2	• Strap			
- 4	438567	2	• Screw,Mach-Bind Hd 6-32 x 1 Lg			
- 5	5761943	3	• Nut And Lockwasher 6-32			
- 6	5214366	1	• Capacitor			
- 7	5761789	1	• Strap			
- 8	.438570	1	• Screw,Mach-Bind Hd 6-32 x 1-1/2 Lg			
- 9	4176688	1	• Board Asm			
- 10	32042	8	• Screw,Mach-Bind Hd 10-32 x 3/8 Lg			
- 10 A	532393	1	• Tie,Cable			
- 10 B	186759	1	• Screw,Mach-Bind Hd 8-32 x 5/16 Lg			
- 10 C	600960	1	• Nut,Lock 8-32			
- 11	4176657	1	• P/C Board			
- 11 A	2596291	1	• Clip,Cable			
- 12	1621190	5	• Screw,Mach Slotted Pan Hd M4 x .7 x 8 Lg			
- 13	4176656	1	• Chassis			
- 14	5761979	3	• Insulator			
- 15	5565062	3	• Rectifier Asm			
- 16	10170	3	• Screw,Mach-Bind Hd No. 6-32 x 1/4 Lg			
- 17	5762383	1	• • Heatsink			
- 18	598479	2	• • Recitifer			
- 19	419131	2	• • Spacer			
- 20	602721	2	• • Nut,Lock-No. 10-32			
- 21	35739	6	• Screw,Mach-Bind Hd 6-32 x 7/16 Lg			
- 22	5232824	6	• Bushing			
- 23	589778	2	• Resistor Asm			
- 24	5565211	2	• Resistor Asm			
- 25	2572196	2	• Bus Bar			
- 26	631769	2	• Shield			
- 27	28413	2	• Screw,Mach-Bind Hd 10-32 x 5/16 Lg			
- 28	5428337	1	• Thermal Switch			
- 29	2588053	1	• Clip			
- 30	2449110	1	• Bracket			
- 31	221790	1	• Screw,Mach-Bind Hd 8-32 x 3/16 Lg			

FOR PARTS
NOT SHOWN
SEE FIG. 3

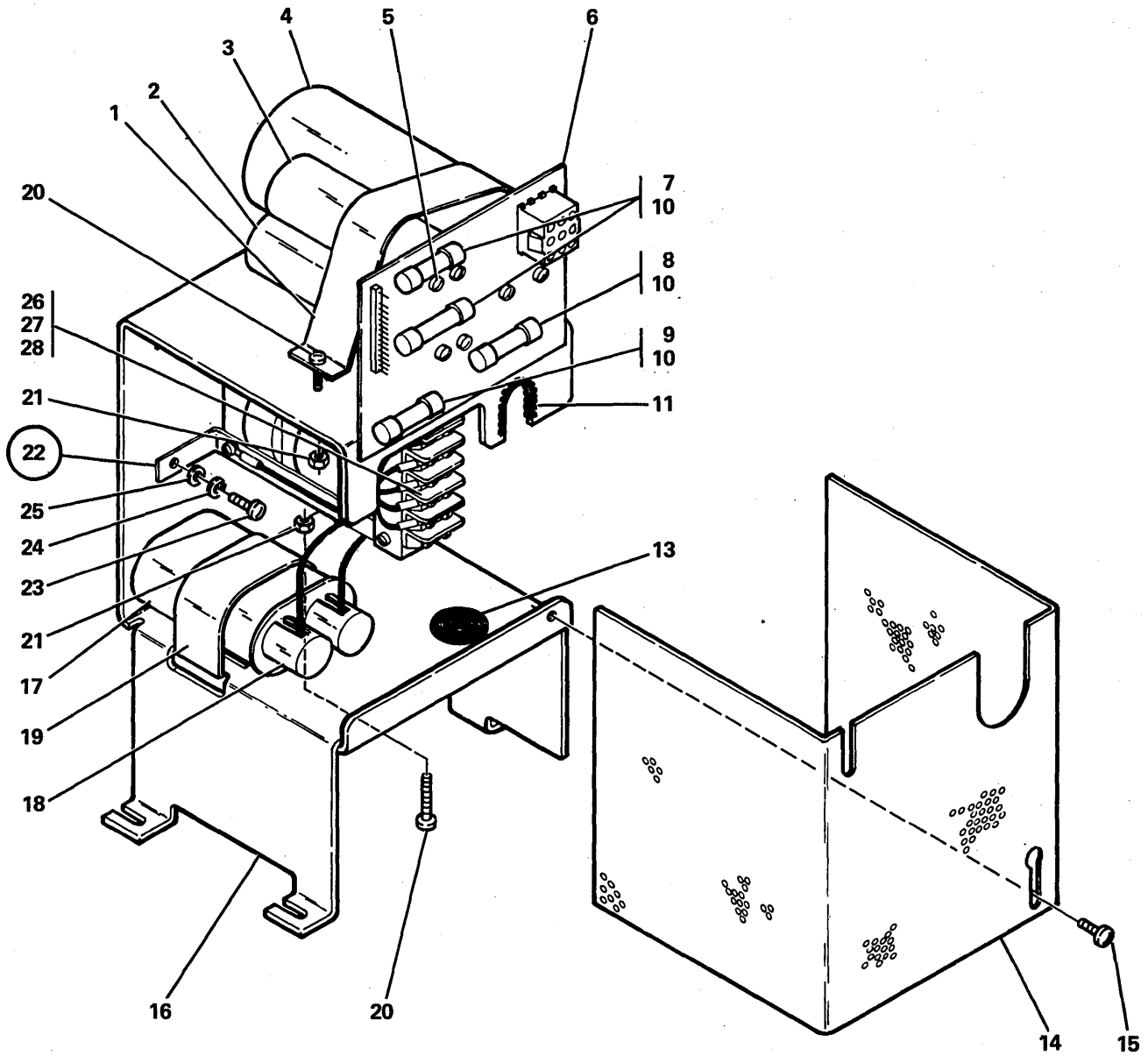


FIGURE 28. CONTROL POWER SUPPLY ASM. SEE LIST 28.

FIGURE- INDEX NUMBER	PART NUMBER	UNITS PER ASM.	DESCRIPTION FOR FIGURE 28			
			1	2	3	4
28	4176690 4176694	1 1	CONTROL POWER SUPPLY ASM, 60 HZ CONTROL POWER SUPPLY ASM, 50 HZ FOR NEXT HIGHER ASM SEE LIST 3-30			
			FOR ILLUSTRATION SEE FIGURE 28			
- 1	5761784	1	• Strap			
- 2	5261370	1	• Capacitor,C4			
- 3	5252715	1	• Capacitor,C1			
- 4	5214966	1	• Capacitor,C3			
- 5	28413	6	• Screw,Mach-Bind Hd 10-32 x 5/16 Lg			
- 6	4176692	1	• Board,PC			
- 7	855253	2	• Fuse, 1.0 Amp			
- 8	111257	1	• Fuse, 4.0 Amp			
- 9	855229	1	• Fuse, 0.3 Amp			
- 10	2517830	8	• Clip			
- 11	5565119	1	• Grommet			
- 13	123075	1	• Grommet			
- 14	5565114	1	• Cover			
- 15	1621190	2	• Screw,Mach-Slotted Pan Hd M4 x .7 x 8 Lg			
- 16	4176691	1	• Chassis			
- 17	5252837	1	• Capacitor,60 Hz-C5			
- 17	5252850	1	• Capacitor,50 Hz-C5			
- 18	526378	2	• Cover			
- 19	5565109	1	• Strap			
- 20	1621194	2	• Screw,Mach-Slotted Pan Hd M4 x .7 x 20 Lg			
- 21	1622403	2	• Nut,Hex Double Chamfer M4 x 7 Fl W x 3.2			
- 22	5565113	1	• Ferro Transformer,60 Hz-T1			
- 22	4119630	1	• Ferro Transformer,50 Hz-T1			
- 23	1621210	4	• Screw,Mach-Slotted Pan Hd M5 x .8 x 10 Lg			
- 24	1622319	4	• Washer,Lock-Spring 5.1 ID x 9.2 OD x 1.2			
- 25	1622305	4	• Washer,Flat 5.5 ID x 10 OD x 1 Thk			
- 26	317310	1	• • Terminal Block			
- 27	740554	1	• • Marker Strip			
- 28	35739	4	• • Screw,Mach-Bind Hd 6-32 x 7/16 Lg			

5340

FOR PARTS
NOT SHOWN
SEE FIG. 3

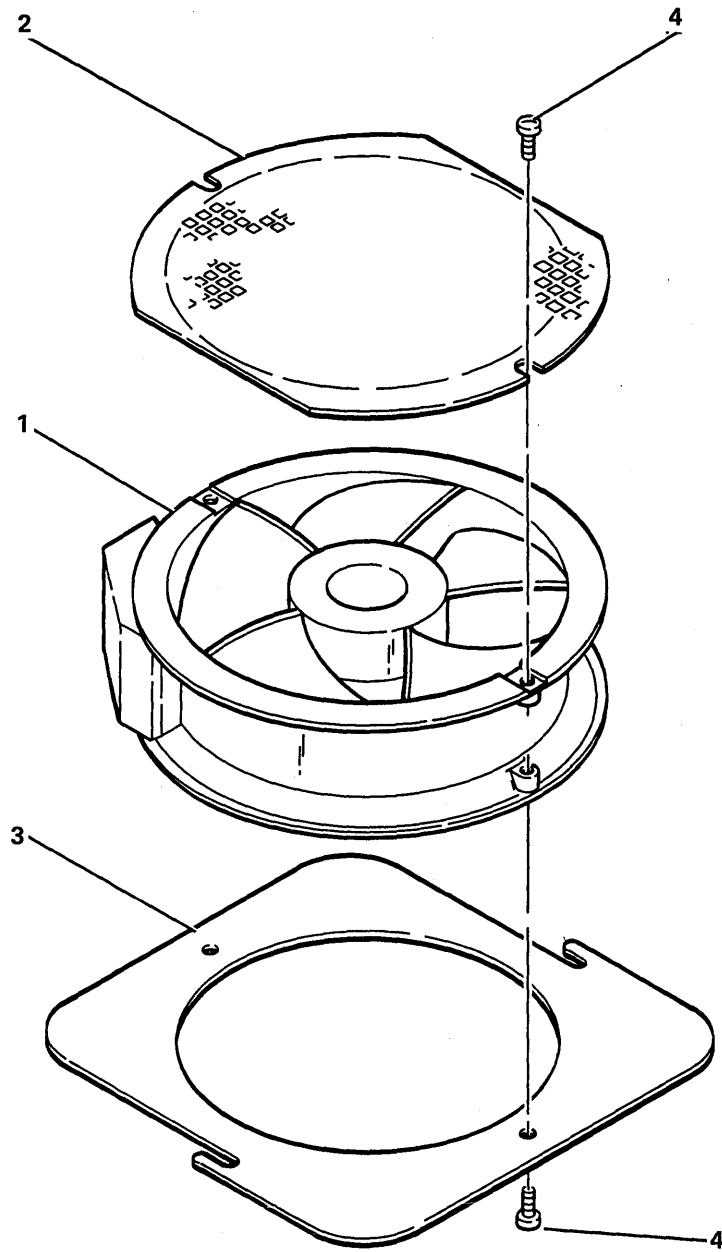


FIGURE 29. FAN ASM. SEE LIST 29.

FOR PARTS
NOT SHOWN
SEE FIG. 3

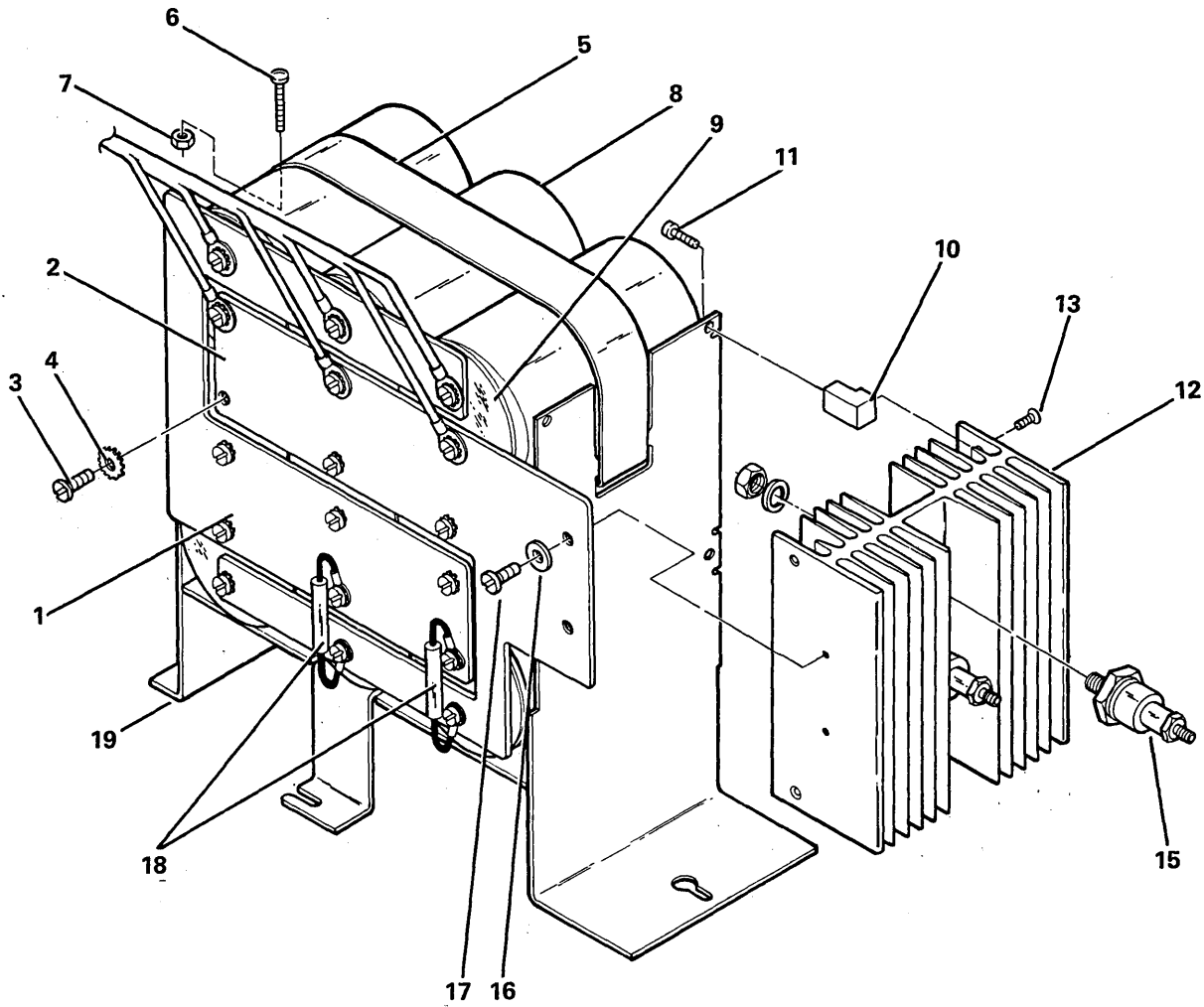


FIGURE 30. 5V FILTER ASM. SEE LIST 30.

FOR PARTS
NOT SHOWN
SEE FIG. 3

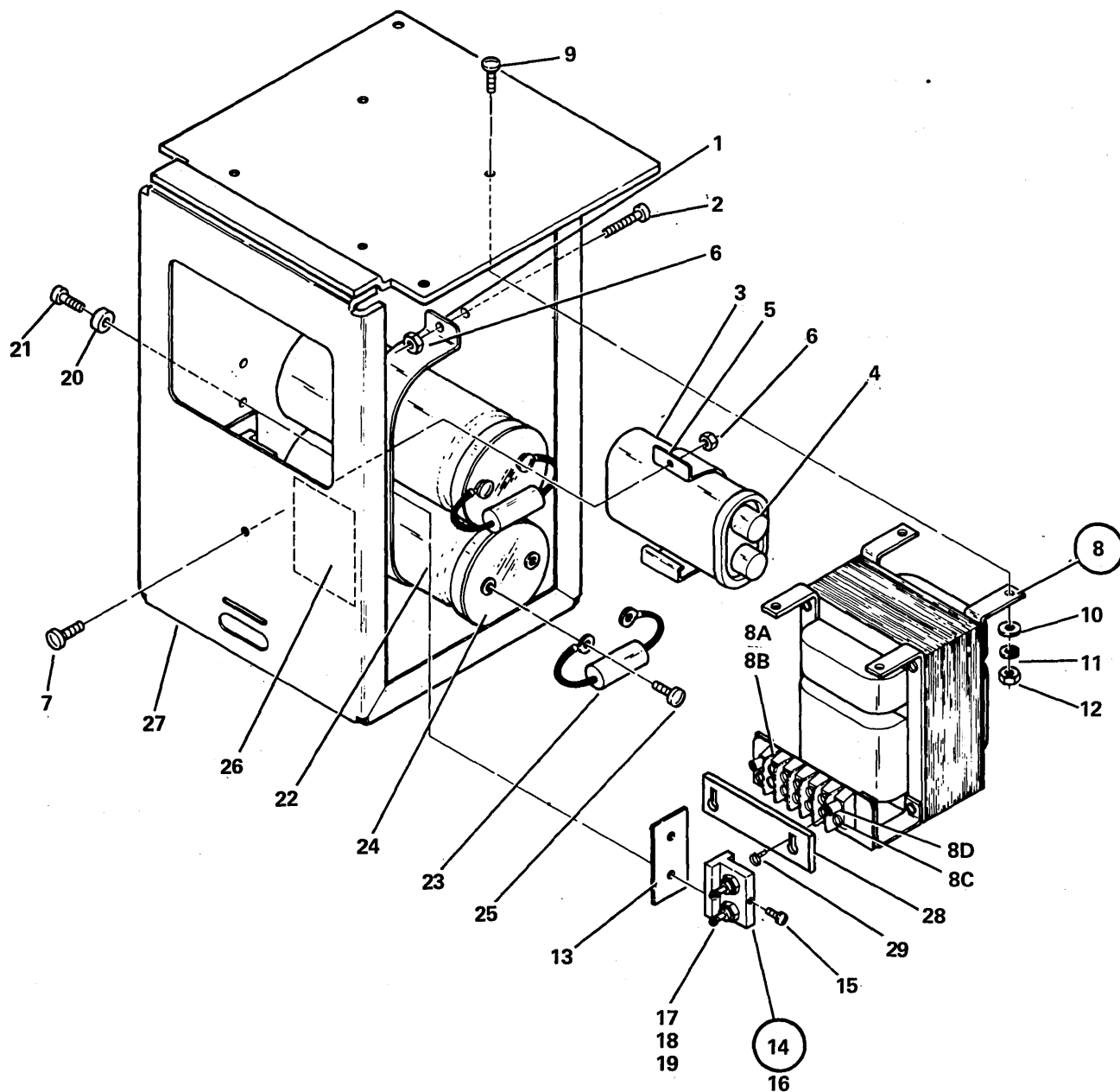


FIGURE 31. POWER SUPPLY-A ASM. SEE LIST 31.

FIGURE- INDEX NUMBER	PART NUMBER	UNITS PER ASM.	DESCRIPTION FOR FIGURE 31			
			1	2	3	4
31	4176670 4176675		POWER SUPPLY-A ASM, 60 HZ POWER SUPPLY-A ASM, 50HZ FOR NEXT HIGHER ASM SEE LIST 3-1			
			FOR ILLUSTRATION SEE FIGURE 31			
- 1	5761783	1	• Strap			
- 2	438570	1	• Screw,Mach-Bind Hd 6-32 x 1-1/2 Lg			
- 3	5252868	1	• Capacitor,C3			
- 4	526378	2	• Shield			
- 5	5565109	1	• Strap			
- 6	5761943	2	• Nut And Lockwasher 6-32			
- 7	322551	1	• Screw,Mach-Bind Hd 6-32 x 3/4 Lg			
- 8	4176673	1	• Transformer,60 Hz			
- 8	4176674	1	• Transformer,50 Hz			
- 8 A	317310	1	• • Terminal Block			
- 8 B	740554	1	• • Marker Strip			
- 8 C	35739	2	• • Screw,Mach-Bind Hd 6-32 x 7/16 Lg			
- 8 D	5261627	2	• • Stud			
- 9	1621211	4	• Screw,Mach-Slotted Pan Hd M5 x .8 x 12 Lg			
- 10	1622305	4	• Washer,Flat 5.5 ID x 10 OD x 1 Thk			
- 11	1622319	4	• Washer,Lock-Spring 5.1 ID x 9.2 OD x 1.2			
- 12	1622404	4	• Nut,Hex-Double Chamfer M5 x 8 Fl W x 4			
- 13	5761979	2	• Insulator			
- 14	5565062	2	• Rectifier Asm			
- 15	10170	2	• Screw,Mach-Bind Hd No. 6-32 x 1/4 Lg			
- 16	5762383	1	• • Heatsink			
- 17	598479	2	• • Rectifier			
- 18	419131	2	• • Spacer			
- 19	602721	2	• • Nut,Lock-No. 10-32			
- 20	5232824	4	• Bushing			
- 21	35739	4	• Screw,Mach-Bind Hd 6-32 x 7/16 Lg			
- 22	5214963	2	• Capacitor,C1,C2			
- 23	589778	2	• Resistor Asm			
- 24	5240477	2	• Shield			
- 25	28413	4	• Screw,Mach-Bind Hd 10-32 x 5/16 Lg			
- 26	2582954	1	• Label,			
- 27	4176671	1	• Chassis			
			The Following Parts Are Not Part Of This Assembly			
- 28	5236656	1	• Shield			
- 29	10170	2	• Screw,Mach-Bind Hd 6-32 x 1/4 Lg			

FOR PARTS
NOT SHOWN
SEE FIG. 3

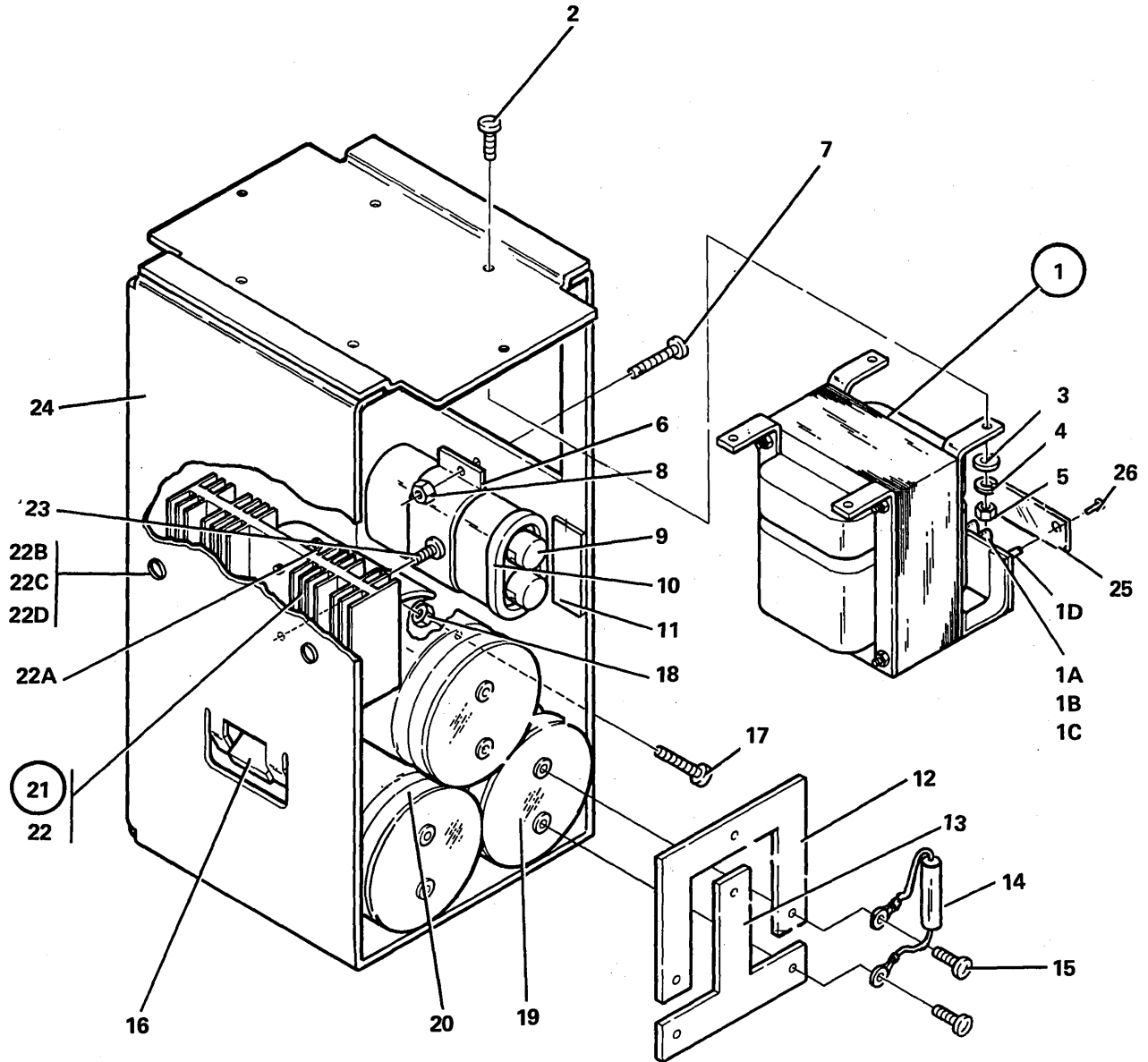


FIGURE 31A. POWER SUPPLY-B ASM. SEE LIST 31A.

FIGURE- INDEX NUMBER	PART NUMBER	UNITS PER ASM.	DESCRIPTION FOR FIGURE 31A			
			1	2	3	4
31A	4176680 4176685		POWER SUPPLY-B ASM, 60 HZ POWER SUPPLY-B ASM, 50 HZ FOR NEXT HIGHER ASM SEE LIST 3-1A			
			FOR ILLUSTRATION FIGURE 31A			
- 1	4176683	1	• Transformer, 60 Hz			
- 1	4176684	1	• Transformer, 50 Hz			
- 1 A	317310	1	• • Terminal Block			
- 1 B	740554	1	• • Marker Strip			
- 1 C	35739	2	• • Screw, Mach-Bind Hd 6-32 x 7/16 Lg			
- 1 D	5261627	2	• • Stud			
- 2	1621211	4	• Screw, Mach-Slotted Pan Hd M5 x 12mm Lg			
- 3	1622305	4	• Washer, Flat 5.5 ID x 10 OD x 1 Thk			
- 4	1622319	4	• Washer, Lock-Split 5.1 ID x 9.2 OD x 1.2 Thk			
- 5	1622404	4	• Nut, Hex M5 x 8 Fl W x 4 Thk			
- 6	5565109	1	• Strap			
- 7	322551	1	• Screw, Mach-Bind Hd 6-32 x 3/4 Lg			
- 8	5761943	1	• Nut And Lock Washer 6-32			
- 9	526378	2	• Shield			
- 10	5252868	1	• Capacitor			
- 11	2582954	1	• Label			
- 12	4176687	1	• Bus Bar			
- 13	4176686	1	• Bus Bar			
- 14	5564735	1	• Resistor Asm			
- 15	32042	6	• Screw, Mach-Bind Hd 10-32 x 3/8 Lg			
- 16	5761905	1	• Strap			
- 17	438570	1	• Screw, Mach-Bind Hd 6/32 x 1-1/2 Lg			
- 18	5761943	1	• Nut And Lock Washer 6-32			
- 19	631769	3	• Shield			
- 20	1646686	3	• Capacitor			
- 21	5565234	1	• Rectifier Asm			
- 22	5565235	1	• • Heatsink			
- 22 A	127324	2	• • Rectifier			
- 22 B	79779	2	• • Screw, Thd-Form Bind Hd 6-32 x 3/4 Lg			
- 22 C	473531	2	• • Insulator			
- 22 D	91610	2	• Screw, Thd-Ctg Bd Hd No. 6 x 1/2 Lg			
- 23	28413	1	• Screw, Mach-Bind Hd 10-32 x 5/16 Lg			
- 24	4176681	1	• Chassis			
			The Following Parts Are Not Part Of This Assembly			
- 25	5236656	1	• Shield			
- 26	10170	2	• Screw, Mach-Bind Hd 6-32 x 1/4 Lg			

FOR PARTS
NOT SHOWN
SEE FIG. 3

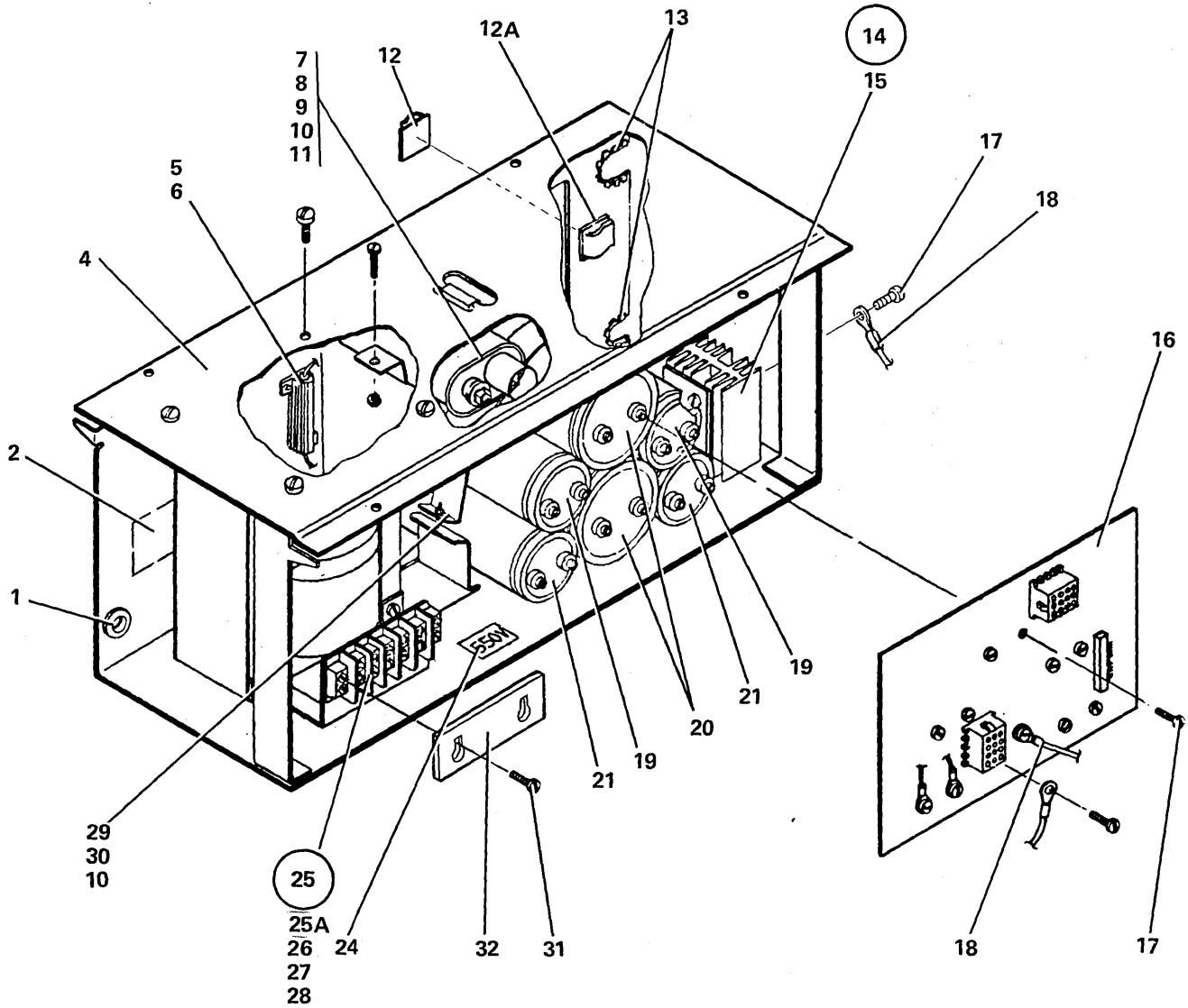


FIGURE 31B. POWER SUPPLY-C ASM.(MLCA) SEE LIST 31B.

FIGURE- INDEX NUMBER	PART NUMBER	UNITS PER ASM.	DESCRIPTION FOR FIGURE 31B			
			1	2	3	4
31B	5565223 5565224		POWER SUPPLY - C ASM, 60 HZ POWER SUPPLY - C ASM, 50 HZ FOR NEXT HIGHER ASM SEE LIST 3-56			
			FOR ILLUSTRATION FIGURE 31B			
- 1	123075	1	• Grommet			
- 2	5564498	1	• Label			
- 4	5565251	1	• Chassis			
- 5	5565087	1	• Resistor Asm.			
- 6	251970	2	• Screw, Mach-Bind Hd 4-40 x 1/4 Lg			
- 7	5252840	1	• Capacitor, 50 Hz			
- 7	8279051	1	• Capacitor, 60 Hz			
- 8	5761788	1	• Strap, 50 Hz			
- 8	5761786	1	• Strap, 60 Hz			
- 9	321483	1	• Screw, Mach-Bind Hd 8-32 x 1 Lg			
- 10	600960	2	• Nut, Lock-No. 8-32			
- 11	526378	2	• Insulator			
- 12	2596293	1	• Clamp			
- 12 A	2596291	1	• Clamp			
- 13	730432	2	• Grommet			
- 14	5565234	1	• Rectifier Asm			
- 14 A	5565235	1	• • Heatsink			
- 14 B	127324	2	• • Rectifier			
- 14 C	79779	2	• • Screw, Thd-Form Bind Hd 6-32 x 3/4 Lg			
- 14 D	473531	2	• • Insulator			
- 15	91610	2	• Screw, Thd Ctg-Bind Hd No. 6 x 1/2 Lg			
- 16	5565225	1	• Board			
- 17	28413	13	• Screw, Mach-Bind Hd 10-32 x 5/16 Lg			
- 18	5565052	1	• Jumper Asm			
- 19	5252514	2	• Capacitor			
- 20	5616823	2	• Capacitor			
- 21	5214180	2	• Capacitor			
- 24	2767640	1	• Label			
- 25	5565253	1	• Transformer, 60 Hz			
- 25	5565254	1	• Transformer, 50 Hz			
- 25 A	317310	1	• • Terminal Block			
- 26	740554	1	• • Marker Strip			
- 27	35739	2	• • Screw, Mach-Bind Hd 6-32 x 7/16 Lg			
- 28	5261627	2	• • Stud			
- 28 A	1621211	4	• Screw, Mach-Slotted Pan Hd M5 x .8 x 12 Lg			
- 28 A	1622305	4	• Washer, Flat 5.5 ID x 10 OD x 1 Thk			
- 28 A	1622319	4	• Washer, Lock-Split 5.1 ID x 9.2 OD x 1.2			
- 28 A	1622404	4	• Nut, Hex M5 x 8 Fl W			
- 29	2296325	1	• Strap			
- 30	321483	1	• Screw, Mach-Bind Hd 8-32 x 1 Lg			
			The Following Parts Are Not Part Of This Assembly			
- 31	10170	2	• Screw, Mach-Bind Hd 6-32 x 1/4 Lg			
- 32	5236656	1	• Shield			

FOR PARTS
NOT SHOWN
SEE FIG. 3

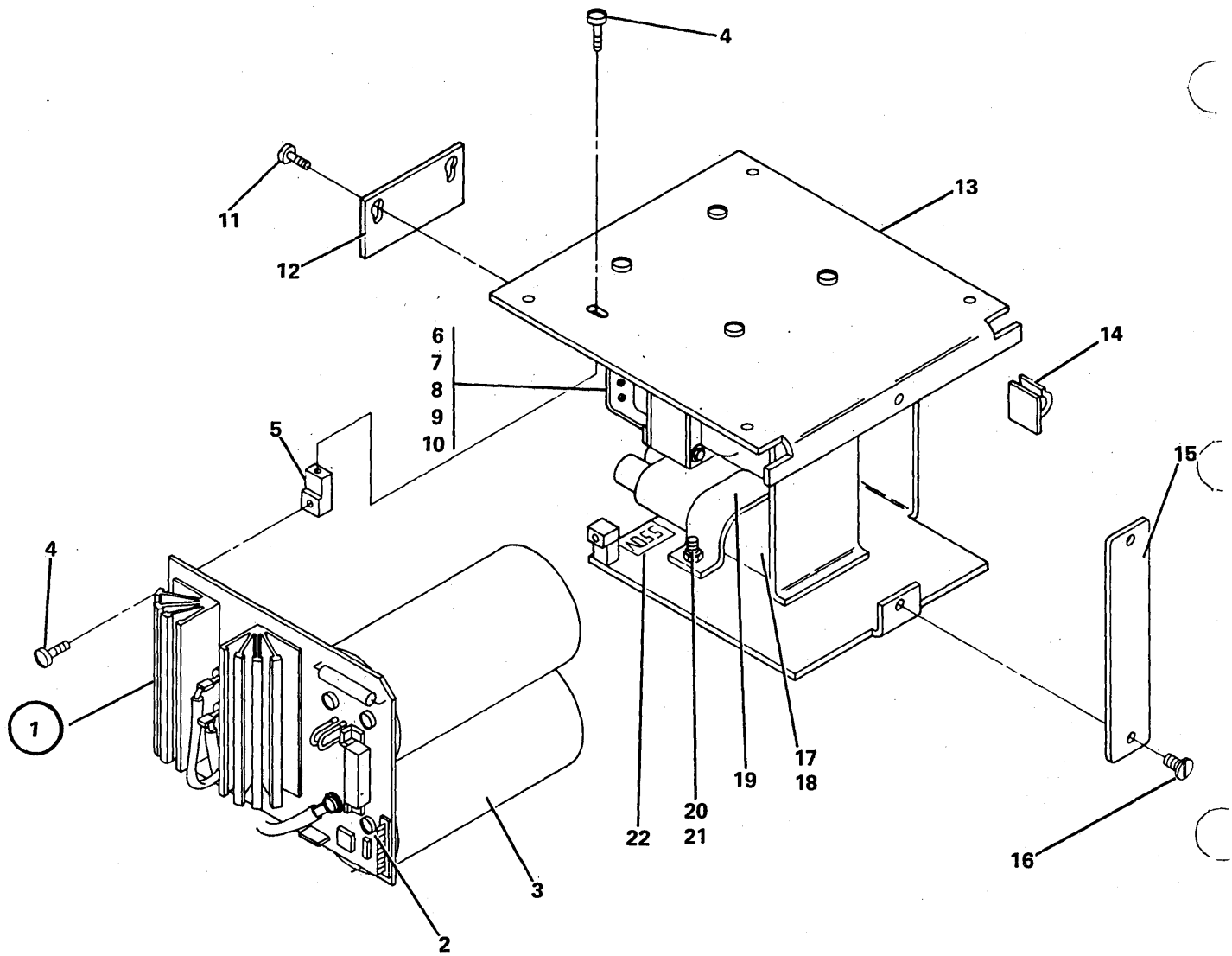


FIGURE 31C. POWER SUPPLY-D ASM. SEE LIST 31C.

FOR PARTS
NOT SHOWN
SEE FIG. 1

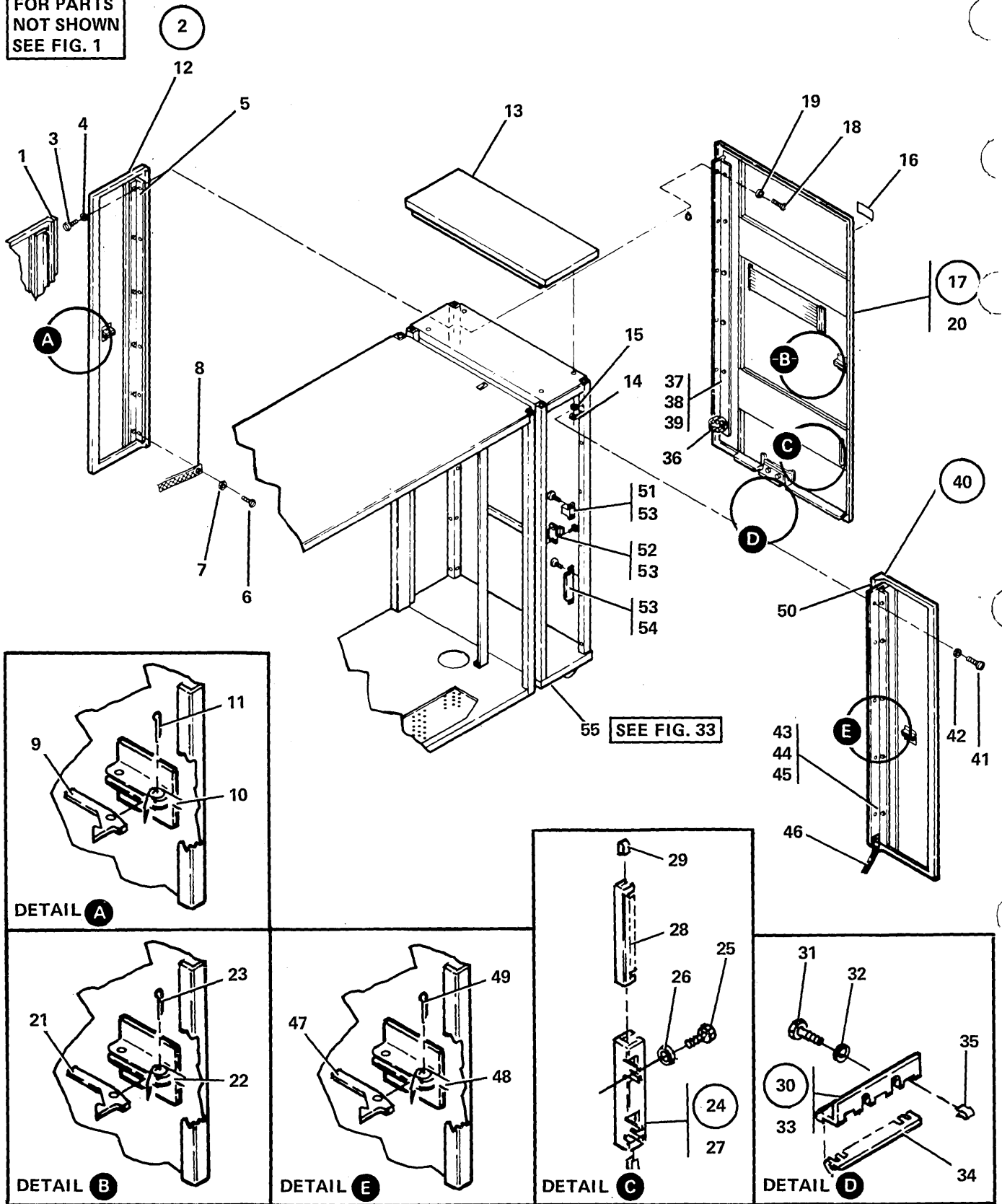


FIGURE 32. TRAILER COVERS AND HARDWARE ASM. SEE LIST 32.

FIGURE- INDEX NUMBER	PART NUMBER	UNITS PER ASM.	DESCRIPTION FOR FIGURE 32			
			1	2	3	4
32	NO NO. NP		TRAILER COVERS AND MOUNTING HARDWARE FOR NEXT HIGHER ASM SEE LIST 1-57 FOR ILLUSTRATION FIGURE 32			
- 1	8265272	2	• Guard			
- 2	8265232	1	• Cover Asm, Left Rear			
- 3	4236318	6	• Screw, Thd-Form Hex Wshr Hd M5 x .8 x 12-.8 Lg			
- 4	600395	6	• Washer, Flat 13/64 ID x 3/4 OD x 3/32 Thk			
- 5	4236284	1	• • Hinge			
- 6	4236318	6	• • Screw, Thd-Form Hex Wshr Hd M5 x 12 Lg			
- 7	600395	6	• • Washer, Flat 13/64 ID x 3/4 OD x 3/32 Thk			
- 8	2101089	1	• • Ground Strap			
- 9	8265098	1	• • Latch			
- 10	2546384	1	• • Spring			
- 11	35868	1	• • Pin, Cotter			
- 12	8265233	1	• • Cover, Left Rear			
- 13	8265236	1	• Cover, Top Rear			
- 14	1622404	4	• Nut, Hex-Dble Chamfer M5 x 8 Fl W 4 Thk			
- 15	600395	4	• Washer, Flat 13/64 ID x 3/4 OD x 3/32 Thk			
- 16	8112302	1	• Plate, Chile, Mexico, Peru			
- 16	8112301	1	• Plate, Guatemala			
- 17	8265147	1	• Cover Asm, Back			
- 18	4236318	6	• Screw, Thd-Form Hex Wshr Hd M5 x .8 x 12-.8 Lg			
- 19	600395	6	• Washer, Flat 13/64 ID x 3/4 OD x 3/32 Thk			
- 20	4236294	1	• • Cover, Back			
- 21	2546367	1	• • Latch			
- 22	2546384	1	• • Spring			
- 23	35868	1	• • Pin, Cotter			
- 24	4236752	1	• • Bracket Asm			
- 25	1621811	2	• • Screw, Thd-Form Hex Wshr Hd M4 x .7 x 10 Lg			
- 26	600395	2	• • Washer, Flat 13/64 ID x 3/4 OD x 3/32 Thk			
- 27	4236693	1	• • • Bracket			
- 28	2537028	1	• • • Finger Stock			
- 29	2590081	2	• • • Clip			
- 30	2546721	1	• • Finger Stock Asm			
- 31	4236318	2	• • Screw, Thd-Form Hex Wshr Hd M5 x .8 x 12-.8Lg			
- 32	600395	2	• • Washer, Flat 13/64 ID x 3/4 OD x 3/32 Thk			
- 33	2546720	1	• • • Bracket			
- 34	2546625	1	• • • Finger Stock			
- 35	2590081	2	• • • Clip			
- 36	2101089	1	• • Ground Strap			
- 37	4236283	1	• • Hinge			
- 38	4236318	6	• • Screw, Thd-Form Hex Wshr Hd M5 x .8 x 12-.8Lg			
- 39	600395	6	• • Washer, Flat 13/64 ID x 3/4 OD x 3/32 Thk			
- 40	8265234	1	• Cover Asm, Right Rear			
- 41	4236318	6	• Screw, Thd-Form Hex Wshr Hd M5 x .8 x 12-.8Lg			
- 42	600395	6	• Washer, Flat 13/64 ID x 3/4 OD x 3/32 Thk			
- 43	4236284	1	• • Hinge			
- 44	4236318	6	• • Screw, Thd-Form Hex Wshr Hd M5 x .8 x 12-.8Lg			
- 45	600395	6	• • Washer, Flat 13/64 ID x 3/4 OD x 3/32 Thk			
- 46	2101089	1	• • Ground Strap			
- 47	8265098	1	• • Latch			
- 48	2546384	1	• • Spring			
- 49	35868	1	• • Pin, Cotter			
- 50	8265235	1	• • Cover, Right Rear			
- 51	2546385	2	• Catch			
- 52	4236318	4	• Screw, Thd-Form Hex Wshr Hd M5 x .8 x 12-.8Lg			
- 53	4236750	1	• Bracket			
- 54	4236318	2	• Screw, Thd-Form Hex Wshr Hd M5 x .8 x 12-.8Lg			
- 55	NO NO. NP		• Trailer 62PC Mounting Asm For Detail Breakdown See List 33			
- 55						

FOR PARTS
NOT SHOWN
SEE FIG. 32

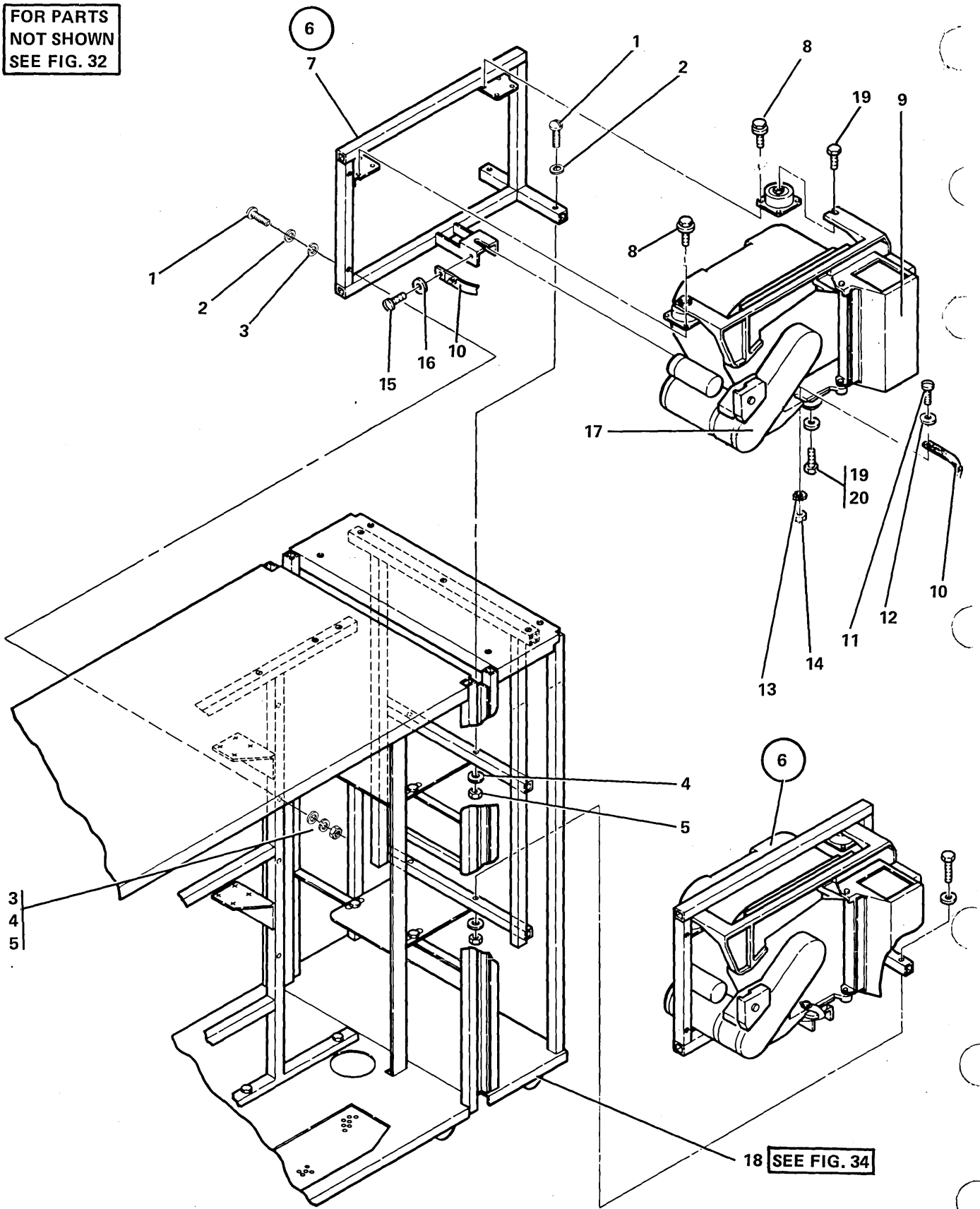


FIGURE 33. TRAILER 62PC MOUNTING ASM. SEE LIST 33.

FOR PARTS
NOT SHOWN
SEE FIG. 33

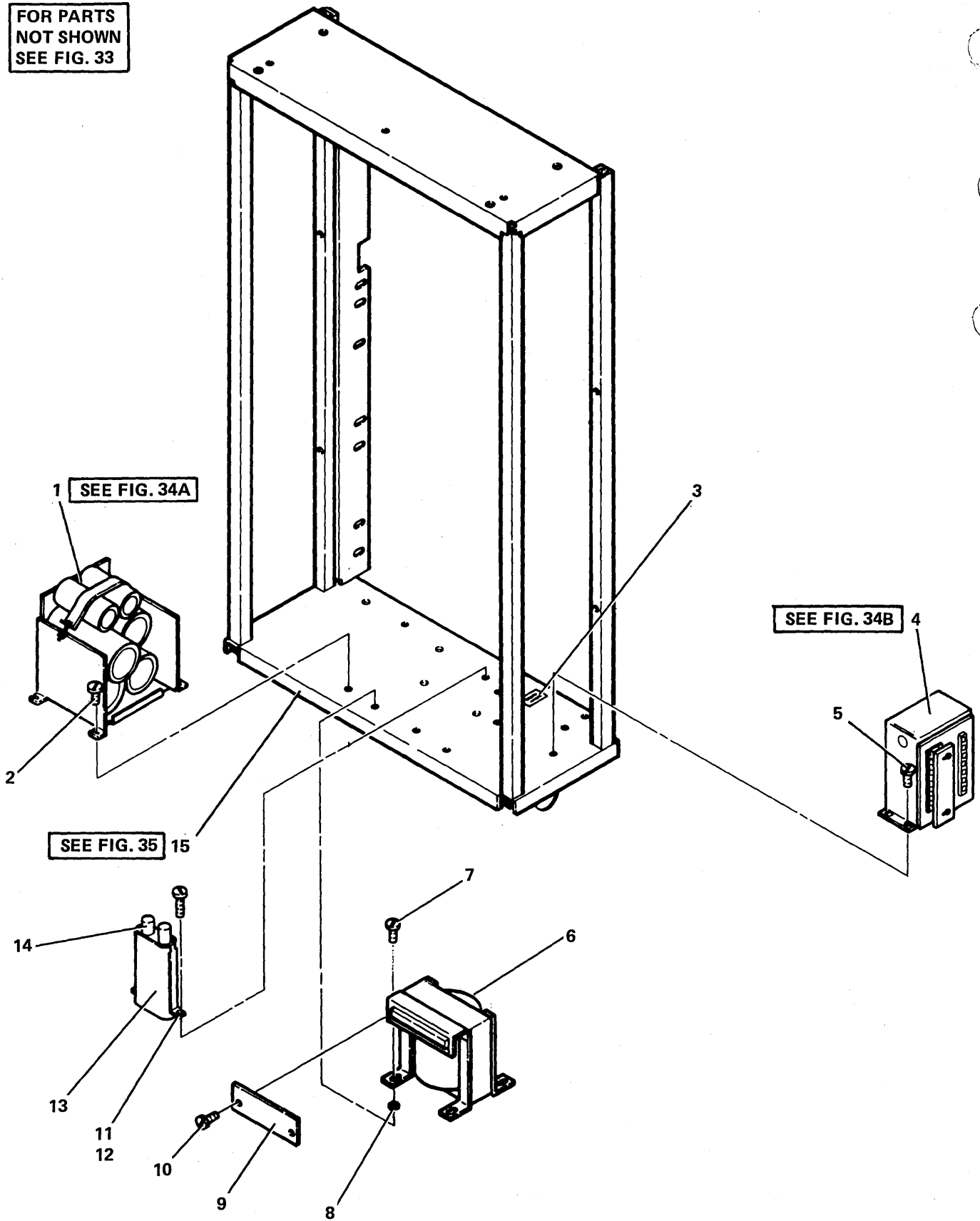


FIGURE 34. FEATURE POWER G. SEE LIST 34.

FOR PARTS
NOT SHOWN
SEE FIG. 34

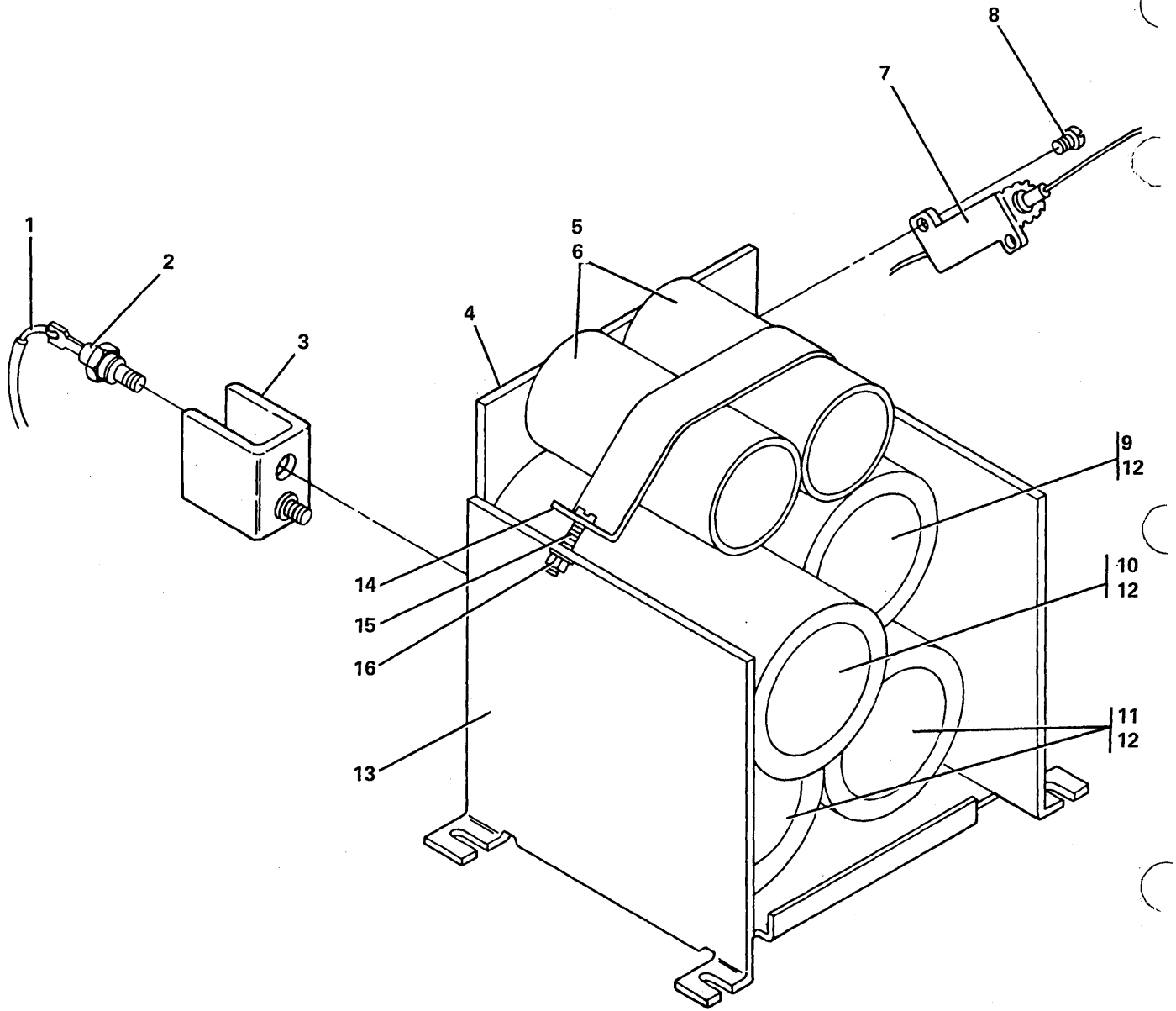


FIGURE 34A. FILTER ASM C-B1 BOARD. SEE LIST 34A.

FOR PARTS
NOT SHOWN
SEE FIG. 34

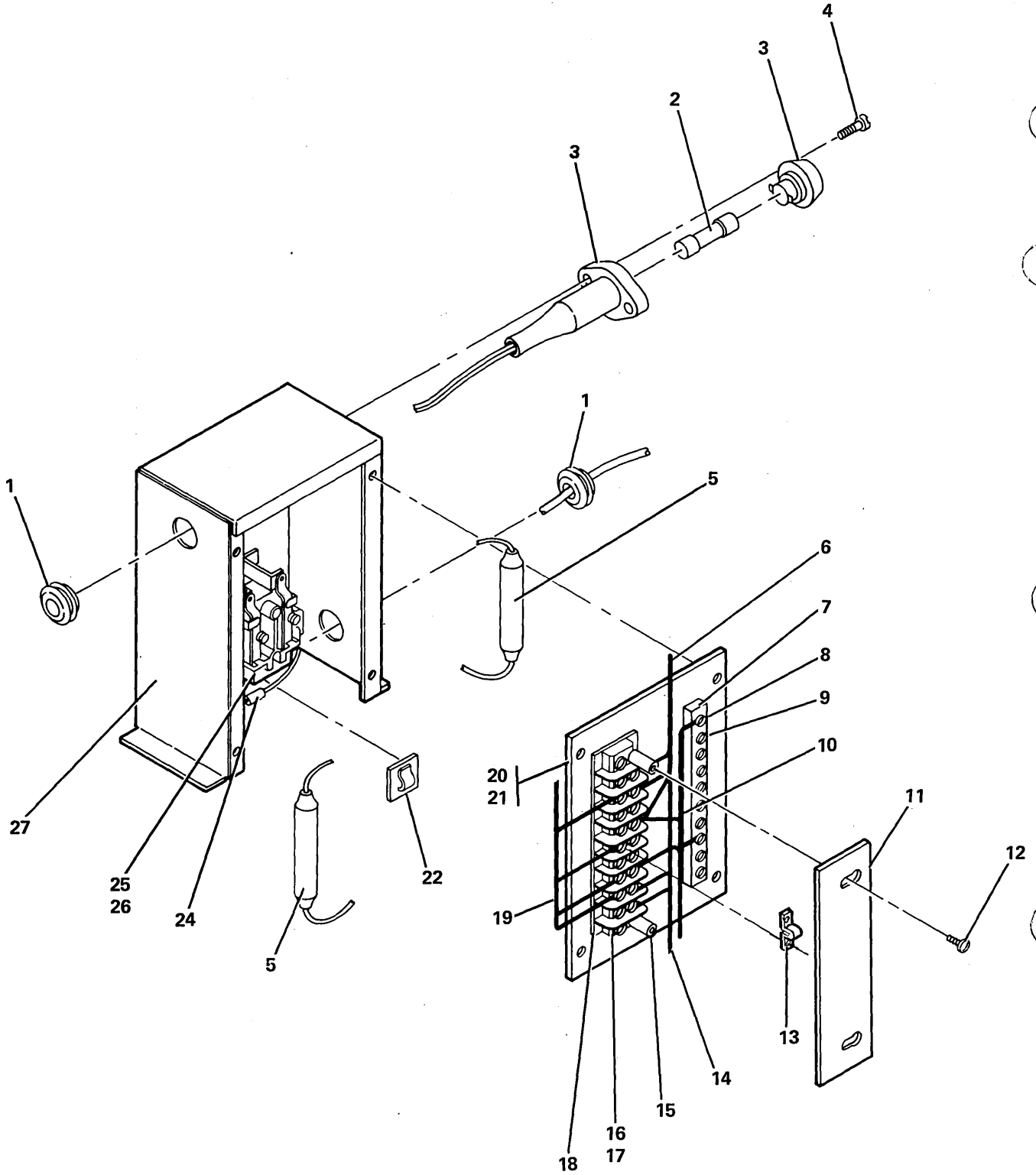


FIGURE 34B. FEATURE AC BOX. SEE LIST 34B.

FIGURE- INDEX NUMBER	PART NUMBER	UNITS PER ASM.	DESCRIPTION FOR FIGURE 34B			
			1	2	3	4
34B	5565247		AC BOX ASM, FEATURE-G FOR NEXT HIGHER ASM SEE LIST 34-4 FOR ILLUSTRATION FIGURE 34B			
- 1	123075	2	• Grommet			
- 2	92734	1	• Fuse, 2A 250 Vac			
- 3	5565173	1	• Fuse Holder Asm			
- 4	1621190	2	• Screw, Mach-Slot Pan Hd M4 x .7 x 8 Lg			
- 5	4176568	2	• Resistor/Capacitor Asm			
- 6	8265262	1	• Cable Asm			
- 7	5565167	1	• Bus Bar			
- 8	1621191	2	• Screw, Mach-Slot Pan Hd M4 x .7 x 10 Lg			
- 9	1621197	8	• Screw, Mach-Slot Pan Hd M4 x .7 x 6 Lg			
- 10	8265263	1	• Cable Asm			
- 11	352850	1	• Shield			
- 12	10170	2	• Screw, Mach-Bind Hd No. 6-32 x 1/4 Lg			
- 13	472187	4	• Jumper			
- 14	8265265	1	• Cable Asm			
- 15	210883	2	• Stud			
- 16	526310	1	• Terminal Block			
- 17	38354	2	• Screw, Mach-Fil Hd 6-32 x 1/2 Lg			
- 18	563887	1	• Marker Strip			
- 19	8265289	1	• Cable Asm			
- 20	5565246	1	• Cover			
- 21	1621190	4	• Screw, Mach-Slot Pan Hd M4 x .7 x 8 Lg			
- 22	2596291	1	• Clip			
- 24	5565215	1	• Diode Asm			
- 25	2775241	1	• Relay, K4			
- 26	1621193	2	• Screw, Mach-Slot Pan Hd M4 x .7 x 16 Lg			
- 27	5565245	1	• Box			

FOR PARTS
NOT SHOWN
SEE FIG. 34

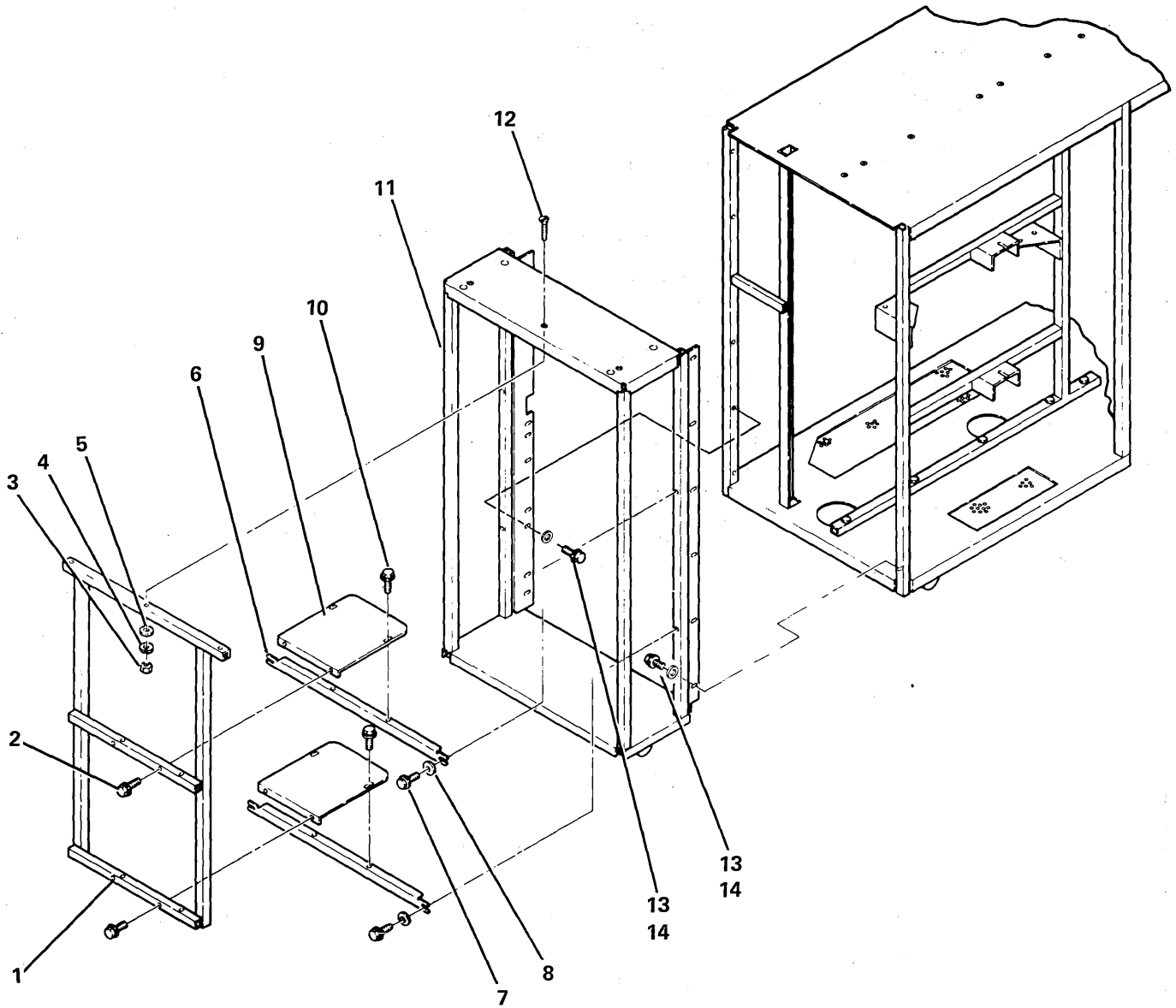


FIGURE 35. TRAILER, 62 PC MOUNTING HARDWARE AND FRAME ASM. SEE LIST 35.

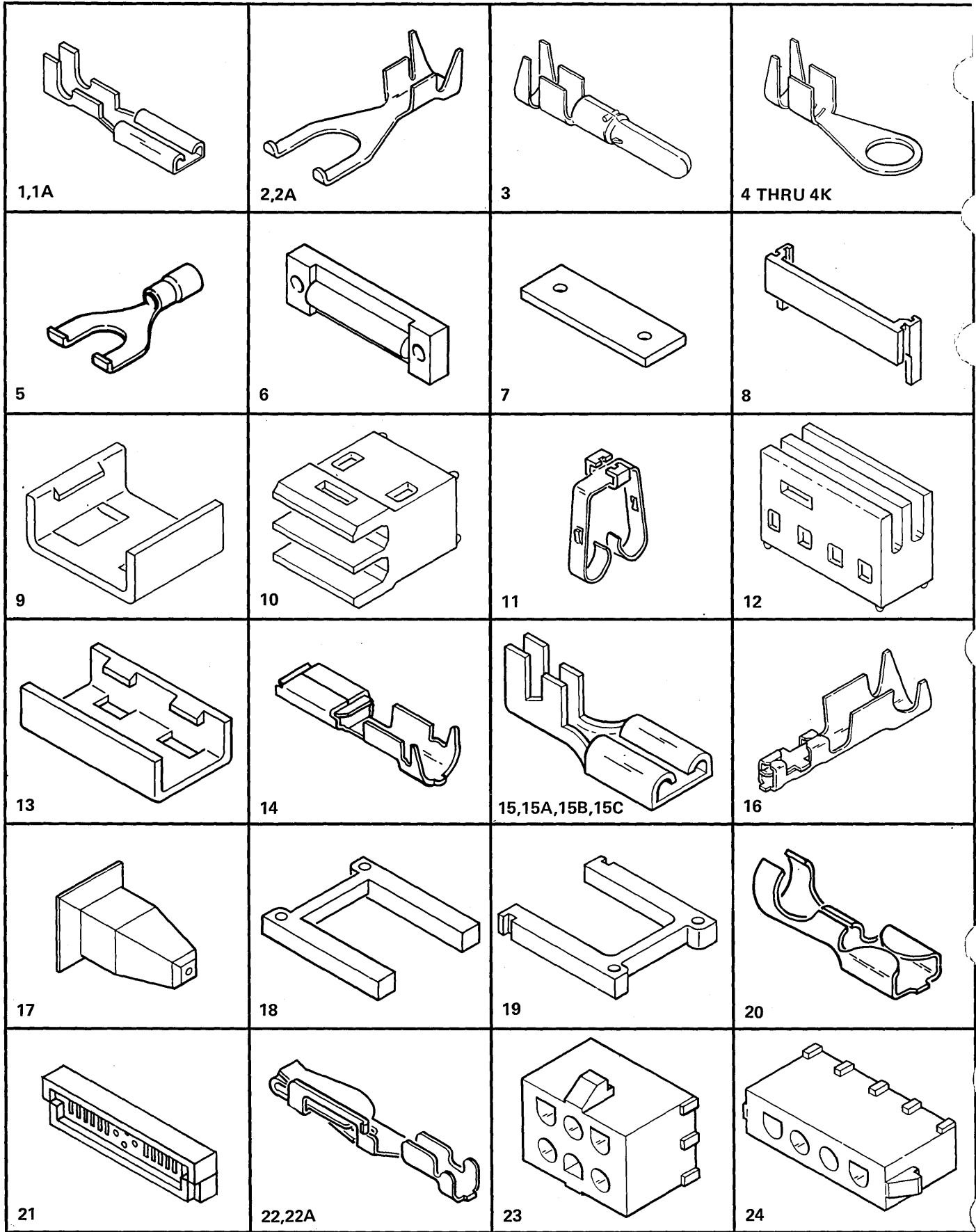


FIGURE 36. CABLE AND JUMPER COMPONENT PARTS. SEE LIST 36.

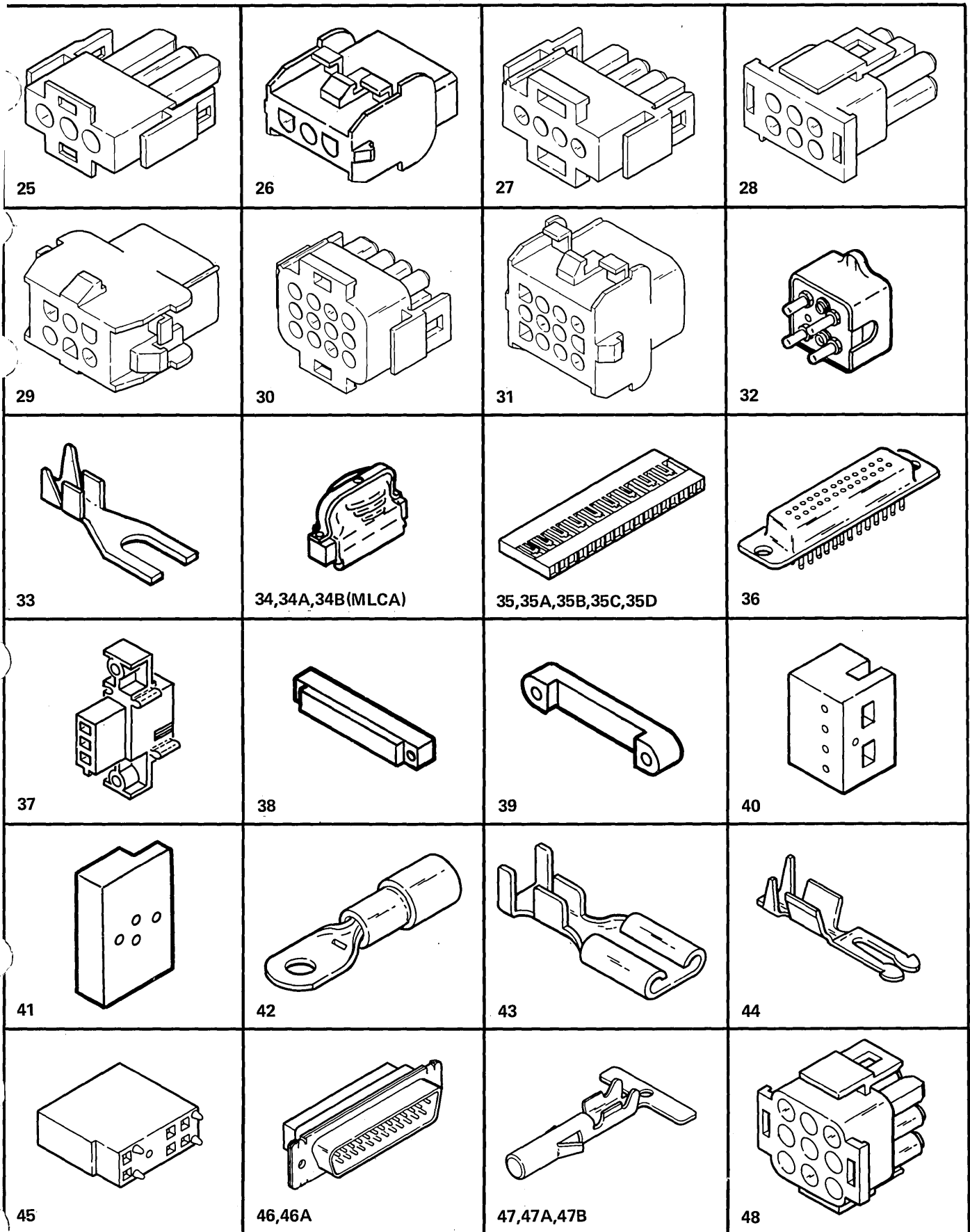


FIGURE 36. CABLE AND JUMPER COMPONENT PARTS. SEE LIST 36.

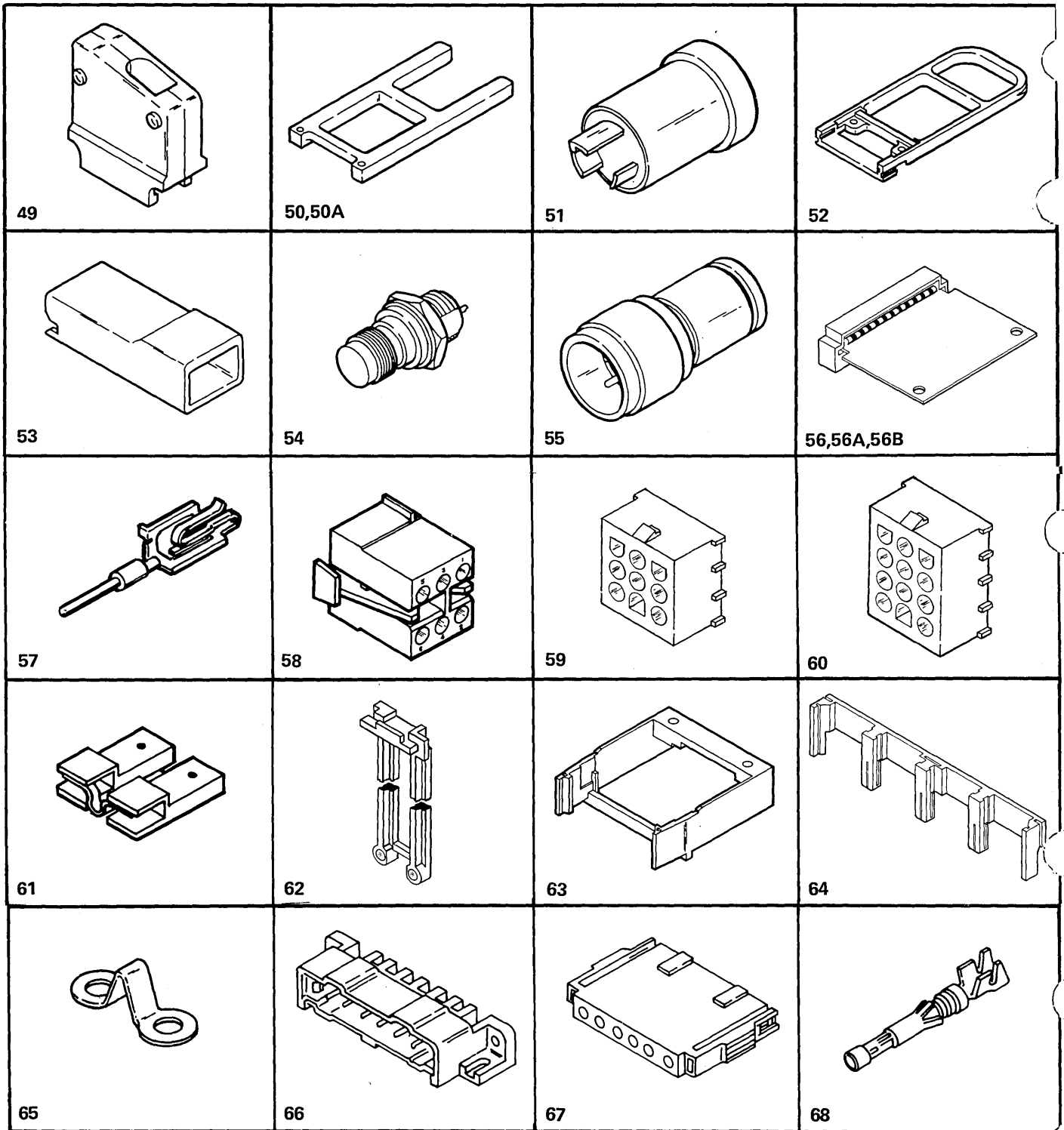


FIGURE 36. CABLE AND JUMPER COMPONENT PARTS. SEE LIST 36.

FIGURE- INDEX NUMBER	PART NUMBER	UNITS PER ASM.	DESCRIPTION FOR FIGURE 36			
			1	2	3	4
36	NO NO.		CABLE AND JUMPER COMPONENT PARTS			
	4236303 4236304 4236307		Cable Asm,CE Panel Cable Asm,Op Panel Cable Asm,GV-Fan AC-Upper			
	4236308 4236310 4236311		Cable Asm,Removeable Disk Cable Asm,Flat Cable CPU To Op Panel Cable Asm,Flat Cable CPU To CE Panel			
	4236389 4236390 4236414		Cable Asm,12 V Feature Supply Cable Asm,5 V Feature Supply Cable Asm,AC Distribution			
	4236415 4236416 4236417		Cable Asm,Data-62EH Cable Asm,Servo-62EH Cable Asm,62eh Read/Write Flat Cable			
	4236419 4236420 4236421		Cable Asm,Line Cord-6 FT Domestic Cable Asm,Line Cord-8 FT Domestic Cable Asm,Line Cord-8 FT World Trade			
	4236422 4236423 4236472		Cable Asm,Line Cord-8 FT World Trade Cable Asm,AC Box Cable Asm,Gnd Jumper			
	4236476 4236477 4236478		Cable Asm,Flat Cable Printer Cable Asm,Fan To Fan Cable Asm,AC-Feature Ps			
	4236479 4236481 4236482		Cable Asm,Work Station 1-4 Cable Asm,Feature Supply Volt. Dist. Cable Asm,Twinax-Indoor			
	4236483 4236484 4236485		Cable Asm,EIA Cable Asm,EIA Cable Asm,DDSA			
	4236486 4236495 4236496		Cable Asm,DDSA Cable Asm,Disk DC Distribution Cable Asm,ACTB To Fan			
	4236498 4236499 4236500		Cable Asm,I/O Board To Conn Cable Asm,A2 Board To Psn Line Plate Cable Asm,A2 Board To Modem 5 Pos TB			
	4236501 4236502 4236503		Cable Asm,Flat Cable Comm Cable Asm,Modem Board To Cable Tower Cable Asm,Modem Board To 5 Pos TB			
	4236504 4236505 4236506		Cable Asm,Conn To Auto Ans Coupler Cable Asm,Conn To Auto Ans Coupler Cable Asm,Line Plate To Line			
	4236507 4236508 4236509		Cable Asm,Line Plate To Line Cable Asm,TB To Coupler Cable Asm,TB To Coupler			
	4236510 4236511 4236520		Cable Asm,2400 Modem Caducee Cable Asm,2400 Modem Caducee Cable Asm,1255 Attachment			
	4236521 4236522 4236523		Cable Asm,1255 Attachment No. 1 Cable Asm,1255 Attachment No. 2 Cable Asm,1255 Attachment No. 3			
	4236525 4236529 4236531		Cable Asm,Flat Cable Comm Cable Asm,Flat Cable Crossover Feature Cable Asm,Twinax-Indoor			
	4236532 4236554 4236687		Cable Asm,Disk DC Distribution Cable Asm,Voltage Dist To Modem Bd Cable Asm,Multi-Supply			
	4236688 4236689 4236690		Cable Asm, 5 V Filter Cable Asm,DC Control Cable Asm,DC Distribution			

FIGURE- INDEX NUMBER	PART NUMBER	UNITS PER ASM.	DESCRIPTION FOR FIGURE 36			
			1	2	3	4
36	4236691		Cable Asm,Flat Cable			
	4236692		Cable Asm,A3-distribution			
	4236699		Cable Asm,I/O Board To Conn			
	4236700		Cable Asm,A2 Board To Psn Line Plate			
	4236701		Cable Asm,I/O Board To Pos Tb			
	4236717		Cable Asm,Mode M Panel			
	4236718		Cable Asm,Equalizer			
	4236719		Cable Asm,Dual Equalizers			
	4236726		Cable Asm,Comm Display Switch			
	4236727		Cable Asm,Comm 1 / Comm 2 SW			
	4236960		Cable Asm,Auto Call			
	4236964		Cable Asm,1200 LL, 4800 LL (U.S.,WT)			
	4236966		Cable Asm,1200 SW (U.S.)			
	4236975		Adapter Asm,			
	4236981		Cable Asm,			
	4236982		Cable Asm, DDSA			
	4236983		Cable Asm, Wide Band Modem to Tower			
	4236984		Cable Asm, 39SL PSN External			
	4236986		Cable Asm, Ext-38 LY Coupler Adapter			
	4236991		Cable Asm,DC Feature C To Distribution			
	4236992		Cable Asm,Control Cable-finish			
	4236993		Cable Asm,Control Cable-finish			
	4236994		Cable Asm,Disk AC Cable-lower			
	5145818		Cable Asm,62EH Actuator			
	8265092		Cable Asm,Flat Cable			
	8265262		Cable Asm, AC Box Input-Feature			
	8265264		Cable Asm, AC for File #3			
	8265265		Cable Asm,			
	8265266		Cable Asm, Control			
	8265267		Cable Asm, D.C. Dist Drive C			
	8265284		Cable Asm, D.C. Dist Drive D			
- 1	236915		• Terminal,Slip On 20-18 Awg			
- 1 A	236916		• Terminal,Slip On 24-22 Awg			
- 2	483648		• Terminal,Flanged 26-22 Awg No. 6 Stud			
- 2 A	483651		• Terminal,Spade Flange 20-18 Awg No. 8 Stud			
- 3	483658		• Terminal,Taper Pin 20-18 Awg			
- 4	483676		• Terminal,Ring 26-22 Awg No. 6 Stud			
- 4 A	483677		• Terminal,Ring 20-18 Awg No. 6 Stud			
- 4 B	483678		• Terminal,Ring 16-14 Awg No. 6 Stud			
- 4 C	483679		• Terminal,Ring 12-10 Awg No. 6 Stud			
- 4 D	483681		• Terminal,Ring 20-18 Awg No. 8 Stud			
- 4 E	483682		• Terminal,Ring 16-14 Awg No. 8 Stud			
- 4 F	483683		• Terminal,Ring 12-10 Awg No. 8 Stud			
- 4 G	483685		• Terminal,Ring 20-18 Awg No. 10 Stud			
- 4 H	483686		• Terminal,Ring 16-14 Awg No. 10 Stud			
- 4 I	483687		• Terminal,Ring 12-10 Awg No. 10 Stud			
- 4 J	483672		• Terminal,Ring 22-26 Awg No. 2 Stud			
- 4 K	483688		• Terminal,Ring 20-18 Awg 1/4 Hole			
- 5	603152		• Terminal,16-14 Awg No. 6 Screw			
- 6	652650		• Strain Relief			
- 7	652683		• Filler,Strain Relief-rubber			
- 8	811802		• Card Guide,1 Socket			
- 9	813549		• Cap,Miniature Bus			
- 10	813550		• Housing,2 Pin			
- 11	813681		• Contact			
- 12	813801		• Housing,4 Pin			
- 13	813802		• Cap,Voltage Crossover			
- 14	815934		• Connector,Discrete Wire 26-22			
- 15	430798		• Terminal,Receptacle 20-18 Awg			
- 15 A	1127037		• Terminal,Receptacle 18-14 Awg			

FIGURE- INDEX NUMBER	PART NUMBER	UNITS PER ASM.	DESCRIPTION FOR FIGURE 36				
			1	2	3	4	
36 - 15 B	5351177						• Terminal, Receptacle 22-18 Awg
- 15 C	5412817						• Terminal, Receptacle 24-20 Awg
- 16	2637682						• Connector, Discrete Wire 26-22 Awg
- 17	2637689						• Insert, Polarization
- 18	5352960						• Strain Relief
- 19	5352967						• Strain Relief
- 20	5353852						• Terminal, Slip On 20-16 Awg
- 21	5353869						• Connector Block
- 22	5362301						• Contact, Serpent 26-22 Awg
- 22 A	5362302						• Contact, Serpent 32-28 Awg
- 23	1295112						• Header, PC Board, 6 Circuit
- 24	1473910						• Header, PC Board, 4 Circuit
- 25	1847526						• Plug, 3 Circuit
- 26	1847527						• Housing, 3 Circuit
- 27	1847528						• Plug, 4 Circuit
- 28	1847530						• Plug, 6 Circuit
- 29	1847531						• Housing, 6 Circuit
- 30	1847534						• Plug, 12 Circuit
- 31	1847535						• Housing, 12 Circuit
- 32	341200						• Plug
- 33	483695						• Terminal, Straight 26-22 Awg No. 6 Stud
- 34	765295						• Hood And Strain Relief Asm, 25 Pin
- 34 A	5342956						• Hood And Strain Relief Asm, 15 Position
- 34 B	1855555						• Hood And Strain Relief Asm, 25 Pin (MLCA)
- 35	2731836						• Housing, 1 x 8
- 35 A	2731839						• Housing, 1 x 16
- 35 B	2731392						• Housing, 2 x 8
- 35 C	2731397						• Housing, 1 x 2
- 35 D	2731850						• Housing, 1 x 4
- 36	5302662						• Connector, 25 Position Male
- 37	5353851						• Housing, Connector Receptacle 3 Position
- 38	5353896						• Strain Relief
- 39	5353922						• Strain Relief
- 40	5362306						• Cover, Connector Block
- 41	5353869						• Connector
- 42	335327						• Terminal, Lug Size 10
- 43	430799						• Terminal, Receptacle 24-18 Awg
- 44	816883						• Terminal, Connector 18-20 Awg
- 45	819562						• Housing, Crossover Connector
- 46	1655338						• Connector, 25 Position
- 46 A	5302660						• Connector, 15 Position Male
- 47	1847521						• Socket, Universal
- 47 A	1847522						• Pin, Universal Split
- 47 B	1847523						• Socket, Universal
- 48	1847532						• Plug, 9 Circuit
- 49	1855555						• Housing Asm
- 50	2744813						• Strain Relief, 3 Hi
- 50 A	2744814						• Strain Relief, 3 Hi
- 51	4236473						• Plug, 3 Wire
- 52	4236560						• Retainer, Cable Connector
- 53	5761882						• Housing, Receptacle
- 54	7362179						• Cable Receptacle, Twinax
- 55	7362229						• Cable Plug, Twinax
- 56	5800634						• Card, 24 Pin
- 56 A	5805088						• Card, Half Wide, 10 Pin
- 56 B	5800610						• Card, 21 Pin
- 57	5362303						• Contact
- 58	1884287						• Connector, 6 Pin
- 59	1473911						• Header, PC Board, 9 Circuit
- 60	1295545						• Header, PC Board, 12 Circuit

NUMERICAL INDEX

PART NUMBER	LIST AND INDEX NO.	PART NUMBER	LIST AND INDEX NO.	PART NUMBER	LIST AND INDEX NO.	PART NUMBER	LIST AND INDEX NO.
2903	12 - 10	35229	16H - 7	81693	14 - 5	245923	24 - 1A
2903	16 - 11	35229	16J - 22	81693	14 - 37	251970	31B - 6
3550	7 - 48	35229	16J - 35	81693	16 - 4	252592	24 - 41
3550	8A - 19	35247	16B - 24	81693	24 - 9B	252592	24 - 43
3550	8B - 27	35247	16B - 43	91610	30 - 11	253220	26A - 1
4569	21 - 22	35739	6 - 19	91610	31A - 22D	254628	24 - 32
6282	7 - 36	35739	7 - 30	91610	31B - 15	255629	30 - 13
6364	11 - 26	35739	27 - 21	92734	24 - 42	257187	8C - 45
6935	5 - 10	35739	28 - 28	92752	24 - 1D	257187	14 - 38
6935	8 - 33	35739	31 - 8C	92752	24 - 27	257187	17 - 38
10170	3 - 44	35739	31 - 21	109918	10 - 32	257187	21 - 4
10170	4A - 23	35739	31A - 1C	109918	13 - 31	257187	24 - 9C
10170	4A - 38	35739	31B - 27	109918	16A - 16	257189	7 - 44
10170	4A - 42	35868	1 - 18	110029	14 - 13	257189	8 - 25
10170	5 - 13	36109	6 - 6	110029	16D - 12	257189	14 - 9
10170	7 - 32	36844	5 - 9	110029	16E - 9	257189	17 - 14
10170	12 - 21	36844	8 - 32	110029	16F - 12	257189	17 - 26
10170	14 - 12	38235	13 - 40	111257	28 - 8	257922	10 - 6
10170	16H - 16	38235	18 - 17	120571	12 - 8	257922	11 - 4
10170	24 - 20	38235	24 - 1F	120571	16 - 16	257970	10 - 2
10170	27 - 16	38235	24 - 9	123071	7 - 33	257970	13 - 9
10170	31 - 15	38235	24 - 30	123072	24 - 11	257982	10 - 13
10170	31 - 29	38250	11 - 14	123075	28 - 13	257986	6 - 21
10170	31A - 26	38350	7 - 27	123075	31B - 1	301731	24 - 14
10170	31B - 31	45690	1 - 22	127324	31A - 22A	302090	13 - 35
10309	7 - 52	45690	1 - 28	127324	31B - 14B	302131	13 - 34
10309	8 - 18	45690	14 - 8	130434	21 - 10	303361	4A - 43
11598	7 - 20	45690	16A - 32	150390	8D - 16	311167	16 - 5
11598	21 - 15	45690	30 - 16	150390	8D - 18	312571	4A - 10B
15887	16H - 19	52523	11 - 21	150676	14 - 18	312573	9 - 22
22349	7 - 51	55726	14 - 25	156390	8B - 16	312573	20 - 20
22349	8 - 17	55726	17 - 9	165010	18 - 5	312573	22 - 21
22478	10 - 16	55901	4A - 45	170241	14 - 2	312575	9 - 23
22478	11 - 10	55901	7 - 18	179743	17 - 5	312575	20 - 19
22478	13 - 5	55901	7 - 45	179743	19 - 7	312575	22 - 20
22478	17 - 15	55901	8 - 26	184380	24 - 10	315912	9 - 21
22478	17 - 27	55901	8C - 44	186759	7 - 23	315912	20 - 21
23141	1 - 54	56079	21 - 11	186759	27 - 10B	315912	22 - 22
23141	3 - 57	56079	30 - 4	186925	11 - 6	317138	4A - 47
25018	12 - 5	56722	6 - 23	186950	7 - 38	317173	17 - 7
25018	16 - 13	56722	10 - 35	196298	16H - 20	317173	17 - 45
25263	7 - 42	56722	21 - 3	210883	4A - 26	317173	19 - 10
25263	8 - 28	58207	4A - 44	210883	4A - 31	317173	19A - 6
28413	27 - 27	58207	7 - 17	210883	5 - 16	317310	4A - 24
28413	28 - 5	58207	10 - 15	210883	24 - 16	317310	28 - 26
28413	31 - 25	58207	13 - 6	219633	16H - 3	317310	31 - 8A
28413	31A - 23	58207	26 - 9	221790	27 - 31	317310	31A - 1A
28413	31B - 17	58853	16J - 39	223486	26A - 5	317310	31B - 25A
32042	14 - 8	76574	8 - 29	234341	8A - 2	317367	24 - 24
32042	27 - 10	79779	31A - 22B	234341	8B - 26	321483	7 - 43
32042	31A - 15	79779	31B - 14C	234341	13 - 11	321483	8 - 27
32617	30 - 3	81693	4A - 15	236550	14 - 28	321483	31B - 9
34512	12 - 9	81693	6 - 10	236849	25 - 7	321483	31B - 30
34512	16 - 10	81693	9 - 7	236849	26 - 5	322028	8 - 5
34512	24 - 23	81693	10 - 11	236849	26 - 12	322028	8 - 21
35229	16F - 4	81693	12 - 15	236915	36 - 1	322028	8 - 47
35229	16G - 8A	81693	13 - 3	236916	36 - 1A	322065	21 - 2
35229	16G - 13	81693	13 - 33	237245	16G - 19	322550	8C - 43

NUMERICAL INDEX

PART NUMBER	LIST AND INDEX NO.	PART NUMBER	LIST AND INDEX NO.	PART NUMBER	LIST AND INDEX NO.	PART NUMBER	LIST AND INDEX NO.
322550	9 - 11	483679	36 - 4C	652683	36 - 7	823836	8C - 29
322550	12 - 19	483681	36 - 4D	730432	31B - 13	824486	19 - 1
322550	16 - 20	483682	36 - 4E	736822	9 - 10	824486	19 - 12
322550	24 - 15	483683	36 - 4F	736822	12 - 17	827841	18 - 8
322551	31 - 7	483685	36 - 4G	736822	16 - 18	827852	18 - 9
322551	31A - 7	483686	36 - 4H	737858	4A - 39	847923	18 - 10
322766	6 - 9	483687	36 - 4I	738825	17 - 3	853288	3 - 34
323681	5 - 15	483688	36 - 4K	738826	4A - 19	855229	28 - 9
323681	24 - 33	483695	36 - 33	738826	17 - 40	855253	28 - 1
323836	7 - 28	510810	17 - 39	738826	18 - 19	xxxxxxx	8B - 3
323836	8C - 3	522849	4A - 30	738826	19 - 6	xxxxxxx	16A - 4
323841	5 - 14	522850	4A - 29	738827	17 - 1A	NO NO.	1 - 52
323841	24 - 34	524519	3 - 51	738827	17 - 4	NO NO.	1 - 52
332620	26 - 4	524519	18 - 26	738828	17 - 2	NO NO.	3 - 18
332747	12 - 13	526378	3 - 23	740554	4A - 25	NO NO.	4 - 48
332747	16 - 8	526378	21 - 14	740554	28 - 27	NO NO.	13 - 18
333586	26 - 3	526378	28 - 18	740554	31 - 8B	NO NO.	14 - 41
335327	36 - 42	526378	31 - 4	740554	31A - 1B	1092125	16J - 7
336766	7 - 46	526378	31A - 9	740554	31B - 26	1127037	36 - 15A
338238	11 - 16	526378	31B - 11	765295	36 - 34	1138167	4A - 46
338327	24 - 12	532393	8 - 22	768661	8C - 36	1164265	16 - 2
340002	16H - 9	532393	13 - 42	811064	7 - 61	1177351	19A - 5
341200	36 - 32	532393	27 - 10A	811064	8 - 46	1236656	31B - 32
344299	11 - 25	533783	4 - 10	811417	8C - 41	1295112	36 - 23
352827	5 - 12	533783	5 - 21	811427	3 - 14	1295545	36 - 60
356742	20 - 53	555427	12 - 4	811427	4A - 4	1462680	16F - 1
361537	4A - 21	555427	16 - 12	811427	7 - 66	1473910	36 - 24
365323	26A - 8	565177	26 - 8	811427	8 - 41	1473911	36 - 59
366155	16A - 6	589778	27 - 23	811427	8D - 7	1589880	19A - 3
366155	16B - 3	589778	31 - 23	811427	20 - 41	1590007	19A - 2
367115	24 - 18	598479	27 - 18	811802	23 - 8	1591469	14 - 23
367115	36 - 65	598479	31 - 17	811802	36 - 8	1608429	2 - 2
383364	24 - 1B	600395	1 - 16	811804	10 - 22	1608429	2A - 9
419131	27 - 19	600395	1 - 33	811804	13 - 23	1608429	2A - 12
419131	31 - 18	600395	1 - 38	813180	22 - 28	1608429	2A - 15
430798	36 - 15	600395	1 - 41	813181	22 - 29	1608429	2A - 17
430799	36 - 43	600395	3 - 37	813392	4 - 37	1621005	19 - 4
438548	14 - 32	600395	4 - 15	813392	17 - 8	1621021	16B - 10
438548	16C - 16	600395	4 - 36	813482	20 - 38	1621060	4A - 56
438567	8 - 7	600395	4 - 46	813482	22 - 11	1621170	1 - 47
438567	13 - 26	600395	4 - 50	813519	4A - 3	1621170	3A - 2
438567	27 - 4	600560	4 - 16	813519	20 - 42	1621170	8C - 7
438567	30 - 6	600960	27 - 10C	813549	36 - 9	1621170	9 - 17
438568	7 - 11	600960	31B - 10	813550	36 - 10	1621170	16H - 14
438570	27 - 8	602664	4 - 38	813590	16A - 13	1621170	17 - 34
438570	31 - 2	602721	14 - 20	813681	36 - 11	1621170	18 - 4
438570	31A - 17	602721	27 - 20	813801	36 - 12	1621170	20 - 10
473531	31A - 22C	602721	31 - 19	813802	36 - 13	1621170	20 - 37
473531	31B - 14D	603152	36 - 5	815925	23 - 12	1621170	22 - 12
481192	24 - 13	627764	3A - 8	815925	36 - 61	1621172	8C - 4
483550	18 - 12	631769	27 - 26	815934	36 - 14	1621172	8C - 30
483648	36 - 2	631769	30 - 9	816883	36 - 44	1621172	16A - 35
483651	36 - 2A	631769	31A - 19	818039	16A - 10	1621172	16A - 39
483658	36 - 3	631810	18 - 25	819284	23 - 7	1621172	16B - 4
483672	36 - 4J	648511	18 - 7	819296	23 - 10	1621172	16B - 18
483676	36 - 4	651858	14 - 14	819408	23 - 5	1621173	16H - 11
483677	36 - 4A	651858	16B - 33	819411	23 - 9	1621173	16J - 37
483678	36 - 4B	652650	36 - 6	819562	36 - 45	1621174	3A - 6

NUMERICAL INDEX

PART NUMBER	LIST AND INDEX NO.	PART NUMBER	LIST AND INDEX NO.	PART NUMBER	LIST AND INDEX NO.	PART NUMBER	LIST AND INDEX NO.
1621174	8D - 22	1621194	16A - 11	1622304	4A - 18	1622348	8C - 44A
1621174	16G - 28	1621194	16D - 6	1622304	8B - 35	1622349	8C - 10
1621175	8C - 32	1621194	16F - 10	1622304	8C - 38	1622401	8D - 24
1621175	16E - 24	1621194	28 - 20	1622304	9 - 14	1622401	20 - 13
1621175	16F - 6	1621197	8B - 8	1622304	16D - 3	1622403	1 - 40
1621181	16C - 11	1621197	8B - 10	1622304	16F - 11	1622403	8C - 40
1621181	24 - 2	1621197	8B - 17A	1622305	28 - 25	1622403	16D - 4
1621181	25 - 2	1621197	8D - 1	1622305	31 - 10	1622403	16F - 2
1621182	16A - 11A	1621197	8D - 6	1622305	31A - 3	1622403	16F - 9
1621182	19A - 1	1621197	24 - 7	1622305	31B - 28A	1622403	16G - 7
1621182	24 - 1E	1621197	24 - 21	1622306	3 - 6	1622403	16G - 25
1621182	24 - 28	1621197	24 - 37	1622306	3A - 22	1622403	28 - 21
1621183	16E - 3	1621197	25 - 11	1622306	4 - 4	1622404	9 - 4
1621184	24 - 35	1621197	26A - 4	1622306	4 - 9	1622404	21 - 24
1621184	26A - 2	1621210	3 - 2	1622306	4 - 22	1622404	31 - 12
1621185	8D - 12	1621210	28 - 23	1622306	4 - 55	1622404	31A - 5
1621186	24 - 1L	1621211	31 - 9	1622306	8A - 8	1622404	31B - 28A
1621190	4A - 17	1621211	31A - 2	1622306	8B - 33A	1622405	3A - 21
1621190	4A - 34	1621211	31B - 28A	1622306	8B - 47	1622405	4 - 6
1621190	4A - 36	1621212	4 - 54	1622306	8C - 19	1622405	4 - 8
1621190	8D - 9	1621212	9 - 2	1622306	22 - 8	1622405	4 - 24
1621190	16A - 5	1621212	21 - 21	1622316	8D - 23	1622405	8A - 10
1621190	16A - 26	1621230	3 - 21	1622316	16B - 5	1622405	8A - 21
1621190	16A - 29	1621230	8A - 22	1622316	16B - 11	1622405	22 - 6
1621190	16B - 2	1621231	8B - 45	1622316	16B - 19	1622406	8B - 5
1621190	16G - 15	1621231	22 - 9	1622318	16G - 5	1622415	4A - 10D
1621190	16H - 6	1621232	4 - 3	1622318	16J - 27	1622417	16E - 17
1621190	16J - 2	1621232	4 - 21	1622319	21 - 23	1622419	4 - 56
1621190	16J - 16	1621232	8A - 18	1622319	28 - 24	1622419	8B - 15
1621190	16J - 34	1621232	8C - 18	1622319	31 - 11	1622419	8B - 33
1621190	27 - 12	1621286	16B - 26	1622319	31A - 4	1646686	30 - 8
1621190	28 - 15	1621286	16E - 20	1622319	31B - 28A	1646686	31A - 20
1621190	30 - 17	1621287	4A - 10C	1622320	4 - 5	1655338	36 - 46
1621191	3 - 19	1621297	16B - 22	1622320	4 - 23	1731492	4A - 53
1621191	4 - 49	1621308	16A - 42	1622320	8A - 9	1734234	4A - 53
1621191	8A - 5	1621308	16J - 4	1622320	8B - 46	1736016	4A - 53
1621191	8B - 24	1621339	3A - 20	1622320	22 - 7	1778098	4A - 41
1621191	8C - 25	1621339	8A - 7	1622321	4A - 52	1780955	4A - 35
1621191	8C - 37	1621511	16E - 16	1622330	19 - 5	1780957	4A - 37
1621191	9 - 13	1621512	16G - 4	1622344	20 - 12	1781109	4A - 48
1621191	16A - 24	1621512	16J - 26	1622345	8D - 11	1783982	4A - 40
1621192	8B - 36	1621600	4 - 54	1622346	4A - 55	1794401	13 - 21
1621192	8D - 4	1621769	16C - 3	1622346	8A - 6	1847521	36 - 47
1621192	16A - 3	1621811	1 - 21	1622346	8B - 7	1847522	36 - 47A
1621192	16A - 5	1621811	1 - 27	1622346	8B - 17B	1847523	36 - 47B
1621192	16D - 15	1621811	3 - 26	1622346	8B - 25	1847526	36 - 25
1621192	16G - 8	1621811	4A - 6	1622346	8C - 39	1847527	36 - 26
1621192	16G - 11	1621811	5 - 6	1622346	8D - 2	1847528	36 - 27
1621192	16J - 19	1621811	5 - 19	1622346	25 - 12	1847530	36 - 28
1621193	9 - 16	1621811	20 - 18	1622347	3 - 48	1847531	36 - 29
1621193	16D - 2	1621811	20 - 54	1622347	4 - 18	1847532	36 - 48
1621193	16F - 3	1621811	22 - 19	1622347	4 - 47	1847534	36 - 30
1621193	16G - 12	1621811	23 - 2	1622347	9 - 3	1847535	36 - 31
1621193	16G - 30	1621846	16B - 38	1622347	9 - 19	1855555	36 - 34B
1621193	16J - 13	1621852	16B - 39	1622347	16A - 20	1855555	36 - 49
1621193	24 - 4	1622302	16B - 16	1622348	3 - 45	1884265	8B - 49
1621194	8B - 12	1622302	16B - 20	1622348	8A - 20	1884266	8B - 20
1621194	8D - 14	1622302	20 - 11	1622348	8C - 34	1884271	8B - 17

NUMERICAL INDEX

PART NUMBER	LIST AND INDEX NO.	PART NUMBER	LIST AND INDEX NO.	PART NUMBER	LIST AND INDEX NO.	PART NUMBER	LIST AND INDEX NO.
1884272	8B - 13	2305476	9 - 5	2305718	10 - 12	2462448	16G - 1
1884287	8B - 44	2305477	10 - 7	2305720	10 - 14	2462450	16J - 28
1884287	36 - 58	2305484	10 - 9	2305720	13 - 2	2462451	16G - 2
1884292	8C - 9	2305493	14 - 34	2305720	13 - 4	2462452	16G - 3
1884381	8B - 9	2305493	16C - 18	2305722	10 - 17	2462452	16J - 25
1884419	8D - 8	2305523	9 - 8	2305725	10 - 10	2462453	16G - 14
1884421	8C - 1	2305523	12 - 18	2305726	10 - 18	2462455	16J - 23
1884424	8B - 3	2305523	16 - 19	2305726	13 - 1	2462456	16G - 16
1884425	8B - 2	2305526	12 - 3	2391023	18 - 6	2462459	16F - 1
1884426	8B - 4	2305526	16 - 9	2391121	18 - 11	2462461	16G - 11
1884427	8B - 19	2305528	11 - 20	2397045	17 - 25A	2462462	16G - 17
1884440	8C - 5	2305530	11 - 18	2397045	17 - 33A	2462465	16G - 10
1884482	8C - 1	2305537	11 - 22	2397045	18 - 3A	2462466	16F - 7
1884483	8C - 1	2305538	11 - 15	2397045	18 - 14	2462468	16G - 24
1884520	8C - 11	2305542	16H - 17	2420889	8B - 1	2462471	16H - 1
1884520	8C - 43A	2305544	11 - 7	2426398	8C - 16	2462472	16D - 5
1884555	8B - 9A	2305545	11 - 8	2447618	17 - 17	2462474	16G - 6
1884556	8D - 11A	2305549	11 - 30	2447618	17 - 30	2462475	16J - 5
1884580	8C - 1	2305553	13 - 17	2449110	27 - 30	2462479	16G - 9
1884583	8C - 8	2305555	10 - 26	2449882	3 - 25	2462481	16A - 28
1884588	8B - 32	2305559	11 - 35	2451006	7 - 3	2462482	16A - 27
1884589	8B - 32	2305564	11 - 3	2451007	7 - 3	2462486	16J - 12
1884624	8C - 1	2305572	11 - 11	2451010	7 - 2	2462488	16B - 40
1884626	8B - 43	2305598	10 - 33	2451011	7 - 2	2462488	16J - 15
1884626	8C - 15	2305598	13 - 45	2451018	7 - 1	2462490	16B - 41
2101089	1 - 2	2305599	10 - 36	2451019	7 - 1	2462490	16J - 14
2101089	3 - 22	2305599	12 - 22	2451028	7 - 25	2462492	16J - 1
2101089	4 - 13	2305604	11 - 24	2451041	7 - 26	2462494	16J - 17
2101089	4 - 44	2305609	12 - 20	2451042	7 - 26	2462495	16G - 26
2101089	8A - 17	2305616	11 - 1	2455575	9 - 15	2462497	16G - 27
2102365	7 - 34	2305616	13 - 19	2455576	9 - 24	2462499	16D - 14
2103010	13 - 41	2305617	11 - 7	2461889	2 - 7	2462514	16B - 1
2127635	13 - 37	2305618	11 - 13	2461889	2A - 5	2462514	16B - 9
2130285	11 - 27	2305621	13 - 8	2462137	3A - 23	2462515	16B - 23
2130285	14 - 3	2305626	11 - 31	2462400	3A - 24	2462515	16B - 44
2181005	6 - 12	2305627	11 - 34	2462401	3A - 24	2462516	16B - 13
2181005	10 - 20	2305628	11 - 33	2462402	3A - 24	2462516	16B - 32
2181005	13 - 46	2305629	11 - 2	2462403	3A - 24	2462517	16B - 12
2181005	21 - 8	2305631	10 - 1	2462415	16A - 23	2462517	16B - 30
2181006	10 - 27	2305632	10 - 5	2462416	16A - 33	2462519	16B - 14
2181006	13 - 26	2305633	10 - 3	2462425	16H - 2	2462519	16B - 35
2181011	14 - 22	2305644	12 - 11	2462428	16H - 8	2462525	16B - 21
2195400	11 - 9	2305644	16 - 6	2462429	16H - 15	2462526	16A - 4
2195400	11 - 23	2305646	12 - 7	2462430	16H - 13	2462526	16B - 7
2200751	11 - 19	2305646	16 - 15	2462431	16H - 5	2462527	16B - 25
2274372	24 - 1G	2305647	12 - 12	2462432	16E - 21	2462533	16J - 43
2274372	24 - 8	2305647	16 - 7	2462433	16E - 27	2462534	16C - 4
2274833	10 - 25	2305648	12 - 23	2462434	16G - 20	2462536	16A - 36
2274833	13 - 24	2305649	10 - 8	2462435	16D - 20	2462537	16A - 40
2278172	16H - 18	2305656	12 - 14	2462436	16G - 22	2462538	16A - 37
2280297	10 - 19	2305659	11 - 28	2462438	16A - 43	2462539	16A - 7
2280297	16A - 9	2305663	11 - 17	2462438	16J - 45	2462541	16B - 6
2296324	30 - 5	2305689	11 - 5	2462439	16A - 41	2462541	16B - 28
2296325	31B - 29	2305693	12 - 1	2462439	16J - 44	2462543	16E - 26
2305462	12 - 6	2305697	14 - 19	2462440	16J - 8	2462545	16A - 22
2305462	16 - 14	2305707	10 - 4	2462441	16J - 6	2462546	16B - 37
2305474	10 - 24	2305708	10 - 1	2462444	16J - 29	2462547	16B - 36
2305475	9 - 5	2305708	13 - 8	2462445	16J - 20	2462548	16B - 42

NUMERICAL INDEX

PART NUMBER	LIST AND INDEX NO.	PART NUMBER	LIST AND INDEX NO.	PART NUMBER	LIST AND INDEX NO.	PART NUMBER	LIST AND INDEX NO.
2462551	16C - 7	2462686	16E - 5	2588009	17 - 32	2731397	36 - 35C
2462553	16D - 17	2462686	16E - 8	2588046	3 - 35	2731836	36 - 35
2462557	16H - 4	2462686	16E - 22	2588053	20 - 7	2731839	36 - 35A
2462561	16F - 14	2462686	16F - 15	2588053	27 - 29	2731850	36 - 35D
2462561	16J - 18	2462686	16J - 21	2588079	3 - 33	2743540	11 - 32
2462567	16F - 7	2462687	16A - 19	2588303	3 - 13	2744813	36 - 50
2462568	16G - 31	2462688	16E - 28	2588303	3 - 50	2744814	36 - 50A
2462569	16G - 29	2462690	16E - 6	2588303	4A - 2	2767640	31B - 24
2462570	16B - 29	2462698	16J - 38	2588303	8A - 11	2772892	10 - 6C
2462571	16G - 32	2462699	16J - 33	2588303	8A - 16	2775241	24 - 3
2462573	16F - 8	2463641	16B - 27	2588420	22 - 25	2775949	6 - 16
2462574	16A - 30	2469295	16A - 13A	2590010	3 - 10	2775950	6 - 11
2462575	16D - 19	2495413	24 - 1C	2590010	4A - 28	2775951	7 - 54
2462581	16D - 18	2495471	24 - 31	2590010	8A - 15	2775957	6 - 3
2462582	16D - 16	2501330	24 - 26	2590010	20 - 44	2775958	6 - 2
2462586	16A - 25	2517830	28 - 10	2590010	22 - 10	2775962	7 - 22
2462587	16J - 31	2524713	24 - 8	2590011	4A - 1	2775963	7 - 39
2462588	16E - 12	2537028	1 - 24	2590011	20 - 43	2775964	7 - 31
2462590	16C - 2	2544038	17 - 42	2590081	1 - 25	2775966	7 - 24
2462593	13 - 19	2545982	16J - 41	2590081	1 - 31	2775967	7 - 4
2462593	16C - 1	2546314	4A - 14	2590081	21 - 19	2777212	36 - 66
2462594	16C - 2	2546314	18 - 18	2590957	5 - 4	2777213	36 - 67
2462598	16F - 5	2546367	1 - 17	2590957	8 - 30	2777216	36 - 68
2462600	16D - 1	2546384	1 - 19	2591367	21 - 25	2784404	19 - 3
2462602	16A - 18	2546385	1 - 43	2592384	13 - 36	4119630	28 - 22
2462604	16J - 40	2546575	17 - 6	2594694	10 - 6B	4164710	3A - 5
2462606	14 - 4	2546576	18 - 19	2594695	10 - 6A	4176655	3 - 32
2462606	16E - 2	2546576	18 - 24	2596275	3 - 53	4176656	27 - 13
2462609	16A - 12	2546668	17 - 13	2596275	4 - 11	4176657	27 - 11
2462615	16A - 14	2546712	17 - 23	2596275	4A - 8	4176658	26 - 7
2462615	16C - 20	2546720	1 - 29	2596275	5 - 2	4176660	3 - 15
2462616	16G - 23	2546721	1 - 26	2596275	9 - 26	4176661	26 - 2
2462622	16J - 24	2546827	17 - 20	2596275	10 - 28	4176663	3 - 42
2462625	16F - 16	2546827	17 - 21	2596275	12 - 2	4176664	3 - 42
2462629	16E - 18	2546838	22 - 1	2596275	13 - 44	4176665	3 - 36
2462633	16B - 17	2546928	4 - 37A	2596275	16H - 12	4176666	30 - 19
2462646	16A - 1	2546928	17 - 11	2596275	16J - 32	4176667	30 - 1
2462647	16A - 2	2546936	17 - 16	2596275	20 - 5A	4176668	30 - 2
2462649	16B - 8	2546940	17 - 25	2596275	24 - 3A	4176669	30 - 12
2462649	16B - 34	2546941	17 - 28	2596291	3 - 31A	4176670	3 - 1
2462650	16A - 34	2546943	17 - 10	2596291	3 - 54	4176671	31 - 27
2462674	16E - 19	2546949	17 - 18	2596291	5 - 3	4176673	31 - 8
2462681	16J - 11	2546957	9 - 18	2596291	8A - 13	4176674	31 - 8
2462682	16G - 23	2547843	17 - 12	2596291	16C - 9	4176675	3 - 1
2462683	16D - 13	2548564	20 - 34	2596291	16E - 1	4176678	26 - 10
2462684	16A - 25	2548564	22 - 13	2596291	27 - 11A	4176679	26 - 1
2462685	16A - 8	2549540	29 - 1	2596293	3 - 31B	4176680	3 - 1A
2462685	16A - 21	2549780	26A - 7	2596293	4 - 12	4176681	31A - 24
2462685	16C - 6	2549781	16D - 9	2596293	20 - 52	4176683	31A - 1
2462685	16C - 8	2561584	21 - 7	2596293	31B - 12	4176684	31A - 1
2462685	16D - 11	2561584	21 - 17	2596625	1 - 30	4176685	3 - 1A
2462685	16D - 21	2561585	21 - 7	2598038	16E - 25	4176686	31A - 13
2462685	16F - 13	2561585	21 - 17	2637682	36 - 16	4176687	31A - 12
2462685	16F - 17	2572196	27 - 25	2637689	36 - 17	4176688	27 - 9
2462685	16G - 21	2572878	17 - 31	2730081	4A - 33	4176689	24 - 1K
2462685	16J - 30	2582954	31 - 26	2730082	4A - 32	4176690	3 - 30
2462685	16J - 42	2582954	31A - 11	2730100	19 - 9	4176691	28 - 16
2462686	16A - 31	2588009	17 - 19	2731392	36 - 35B	4176692	28 - 6

NUMERICAL INDEX

PART NUMBER	LIST AND INDEX NO.	PART NUMBER	LIST AND INDEX NO.	PART NUMBER	LIST AND INDEX NO.	PART NUMBER	LIST AND INDEX NO.
4176694	3 - 30	4236318	1 - 15	4236388	4 - 53	4236584	22 - 3
4176697	3 - 28	4236318	1 - 32	4236400	20 - 3	4236586	20 - 60
4176698	23 - 4	4236318	1 - 45	4236410	17 - 37	4236587	2A - 8
4176699	23 - 1	4236318	1 - 50	4236411	17 - 41	4236590	3A - 19
4178004	9 - 5	4236318	3 - 29	4236415	7 - 59	4236591	2A - 11
4178006	9 - 5	4236318	3 - 49	4236415	8 - 38	4236593	2A - 10
4178027	13 - 15	4236318	3A - 10	4236416	7 - 55	4236596	2A - 6
4178035	14 - 27	4236318	3A - 12	4236416	8 - 37	4236597	2A - 7
4178047	13 - 12	4236318	3A - 16	4236417	7 - 58	4236598	3A - 11
4178050	16C - 5	4236318	4 - 2	4236417	8 - 39	4236601	2A - 7
4178052	16C - 5	4236318	4 - 14	4236446	3 - 7	4236602	2A - 7
4178053	13 - 10	4236318	4 - 20	4236454	2 - 4	4236603	2A - 7
4178054	16C - 5	4236318	4 - 29	4236454	2A - 3	4236604	2A - 7
4178056	16C - 5	4236318	4 - 35	4236461	1 - 53	4236606	2A - 7
4178057	13 - 10	4236318	4 - 43	4236464	4A - 5	4236607	2A - 4
4178058	13 - 39	4236318	4 - 45	4236465	4A - 5	4236608	2A - 4
4178060	14 - 11	4236318	4 - 52	4236466	4A - 5	4236609	2A - 4
4178061	14 - 15	4236318	4A - 10	4236473	36 - 51	4236610	2A - 4
4178062	14 - 17	4236318	4A - 13	4236479	4 - 30	4236611	2A - 4
4178062	16E - 10	4236318	9 - 20	4236492	4A - 50	4236613	2A - 4
4178063	14 - 16	4236318	20 - 15	4236494	8A - 14	4236621	3A - 18
4178063	16E - 11	4236318	20 - 47	4236524	1 - 9	4236629	4 - 33
4178067	14 - 18	4236318	21 - 6	4236533	1 - 12	4236631	4 - 32
4201639	7 - 12	4236318	22 - 26	4236534	3 - 20	4236632	4 - 31
4201657	7 - 5	4236318	29 - 4	4236535	1 - 11	4236633	4 - 27
4201666	7 - 7	4236320	4 - 7	4236536	3 - 9	4236634	22 - 23
4201671	7 - 6	4236322	4 - 19	4236540	2 - 6	4236635	4 - 34
4201710	7 - 6	4236323	4 - 19	4236545	17 - 33	4236636	4 - 42
4236256	1 - 55	4236333	3 - 20	4236546	18 - 3	4236646	21 - 12
4236256	4A - 49	4236335	3 - 11	4236549	18 - 1	4236647	4A - 11
4236263	5 - 20	4236341	18 - 16	4236550	18 - 2	4236648	20 - 14
4236265	5 - 18	4236342	18 - 23	4236551	17 - 35	4236649	18 - 15
4236266	5 - 17	4236343	18 - 22	4236552	18 - 20	4236650	18 - 13
4236267	21 - 16	4236345	3 - 5	4236553	3 - 16	4236652	2A - 14
4236268	21 - 5	4236346	17 - 24	4236555	3 - 12	4236653	22 - 18
4236270	20 - 46	4236348	2 - 5	4236555	17 - 29	4236654	2 - 6
4236271	20 - 22	4236348	2A - 1	4236556	20 - 61	4236659	4A - 27
4236278	20 - 55	4236349	9 - 25	4236557	20 - 62	4236661	1 - 51
4236282	1 - 14	4236350	9 - 12	4236560	36 - 52	4236662	25 - 1
4236283	1 - 3	4236351	9 - 1	4236561	20 - 35	4236665	3 - 5
4236284	1 - 6	4236352	9 - 9	4236561	22 - 16	4236667	20 - 45
4236285	22 - 24	4236352	12 - 16	4236563	20 - 36	4236674	1 - 51
4236286	20 - 17	4236352	16 - 17	4236565	20 - 30	4236675	1 - 51
4236287	3 - 17	4236360	2 - 6	4236565	22 - 14	4236693	1 - 23
4236289	19 - 8	4236362	2 - 6	4236566	20 - 31	4236694	20 - 16
4236290	19 - 8	4236364	2 - 6	4236566	22 - 15	4236695	20 - 9
4236291	1 - 13	4236366	2 - 6	4236567	20 - 32	4236696	1 - 37
4236292	1 - 10	4236368	2 - 6	4236568	20 - 33	4236697	1 - 35
4236293	1 - 8	4236370	2 - 1	4236569	22 - 5	4236697	1 - 48
4236294	1 - 7	4236370	2A - 16	4236577	3 - 47	4236704	3A - 15
4236295	1 - 5	4236377	3 - 3	4236578	3 - 47	4236705	3A - 14
4236296	1 - 4	4236378	3 - 4	4236579	3 - 47	4236707	3A - 13A
4236297	1 - 39	4236379	4A - 10A	4236580	3 - 47	4236708	3A - 11
4236298	19 - 8	4236380	4A - 9	4236583	3 - 29A	4236718	19 - 11
4236299	20 - 23	4236382	4 - 28	4236583	20 - 5	4236719	19 - 11
4236304	18 - 21	4236384	4A - 12	4236583	22 - 2	4236720	22 - 4
4236316	4 - 51	4236386	2 - 3	4236584	3 - 29B	4236721	4 - 41
4236317	4A - 51	4236386	2A - 2	4236584	20 - 4	4236721	5 - 1

NUMERICAL INDEX

PART NUMBER	LIST AND INDEX NO.	PART NUMBER	LIST AND INDEX NO.	PART NUMBER	LIST AND INDEX NO.	PART NUMBER	LIST AND INDEX NO.
4236721	17 - 36	4236779	2A - 7	5144917	8 - 9	5145762	8B - 1
4236721	20 - 57	4236782	4A - 20	5144921	8 - 34	5145795	8B - 14
4236721	22 - 27	4236783	4A - 16	5144922	6 - 4	5145798	8D - 13
4236721	23 - 3	4236784	3A - 9	5144925	8 - 8	5145799	8D - 3
4236721	24 - 38	4236785	21 - 20	5145050	6 - 5	5145804	7 - 50
4236722	1 - 34	4236786	4 - 1	5145050	7 - 47	5145814	7 - 21
4236722	5 - 7	4236786	5 - 11	5145051	6 - 22	5145818	6 - 7
4236722	22 - 27	4236792	17 - 1A	5145052	7 - 10	5145818	7 - 56
4236722	24 - 39	4236794	17 - 44	5145052	8 - 6	5145818	8 - 40
4236725	8A - 12	4236878	1 - 34	5145055	8 - 3	5145820	7 - 49
4236726	17 - 1	4236953	20 - 39	5145056	8 - 3	5145875	6 - 15
4236730	1 - 34	4236954	20 - 40	5145057	7 - 16	5145968	8B - 22
4236730	5 - 7	4236954	22 - 17	5145057	8 - 12	5145994	8D - 10
4236730	22 - 27	4236968	4A - 54	5145085	7 - 41	5146021	8B - 29
4236730	24 - 39	4236969	4A - 57	5145085	8 - 24	5146021	8C - 6
4236731	1 - 34	4236976	4 - 40A	5145086	7 - 19	5146021	8C - 35
4236731	5 - 7	4236976	4A - 58	5145088	5 - 5	5146027	8C - 33
4236731	22 - 27	4236977	17 - 43	5145088	8 - 31	5182435	19 - 13
4236731	24 - 39	4236985	4A - 5	5145098	7 - 37	5213276	8B - 21
4236732	1 - 34	4236995	20 - 59	5145099	8 - 20	5214179	30 - 15
4236732	5 - 7	4236996	4 - 26	5145279	8B - 32	5214180	31B - 21
4236732	22 - 27	4236997	20 - 39A	5145307	8D - 21	5214366	27 - 6
4236732	24 - 39	4238216	20 - 58	5145318	8C - 23	5214963	31 - 22
4236733	1 - 34	5144644	8 - 1	5145344	8B - 39	5214966	28 - 4
4236733	5 - 7	5144645	8 - 1	5145345	8A - 4	5232806	27 - 3
4236733	22 - 27	5144650	8 - 2	5145345	8B - 48	5232824	27 - 22
4236733	24 - 39	5144660	7 - 8	5145346	8A - 23	5232824	31 - 20
4236734	1 - 34	5144660	8 - 4	5145346	8B - 23	5236656	3 - 43
4236734	5 - 7	5144681	6 - 1	5145347	8B - 33	5236656	4A - 22
4236734	22 - 27	5144682	5 - 8	5145347	8B - 37	5236656	31 - 28
4236734	24 - 39	5144683	5 - 8	5145348	8B - 30	5236656	31A - 25
4236735	1 - 34	5144687	8 - 2	5145349	8B - 30	5240477	31 - 24
4236735	5 - 7	5144794	6 - 17	5145422	8D - 5	5252514	31B - 19
4236735	22 - 27	5144802	6 - 15	5145423	8B - 38	5252715	28 - 3
4236735	24 - 39	5144803	7 - 62	5145447	8B - 34	5252740	27 - 2
4236738	3A - 13	5144803	8 - 42	5145448	8B - 40	5252800	24 - 6
4236743	1 - 36	5144804	7 - 63	5145451	8C - 24	5252801	24 - 36
4236744	4 - 40	5144804	8 - 43	5145458	8B - 11	5252824	21 - 13
4236747	3A - 4	5144810	7 - 53	5145472	8B - 28	5252837	28 - 17
4236748	2A - 13	5144810	8 - 16	5145515	8C - 42	5252840	31B - 7
4236750	1 - 44	5144811	8 - 14	5145582	6 - 20	5252843	3 - 24
4236751	1 - 49	5144812	8 - 36	5145615	8B - 18	5252850	28 - 17
4236752	1 - 20	5144813	7 - 40	5145615	8C - 26	5252868	31 - 3
4236753	3 - 52	5144813	8 - 23	5145639	8B - 18	5252868	31A - 10
4236756	26 - 11	5144815	8 - 19	5145639	8C - 26	5261370	28 - 2
4236758	3A - 3	5144820	8 - 15	5145649	8D - 19	5261627	31 - 8D
4236759	3A - 7	5144829	6 - 18	5145667	8B - 41	5261627	31A - 1D
4236760	4 - 25	5144850	7 - 64	5145669	8B - 42	5261627	31B - 28
4236762	21 - 18	5144850	8 - 44	5145684	8C - 31	5302660	36 - 46A
4236767	2A - 4	5144874	6 - 13	5145712	8D - 15	5302662	36 - 36
4236768	3A - 1	5144886	6 - 24	5145713	8D - 17	5311905	4 - 39
4236777	1 - 34	5144896	7 - 65	5145718	8D - 20	5318920	7 - 29
4236777	5 - 7	5144898	8 - 45	5145727	8C - 27	5318920	8C - 2
4236777	22 - 27	5144913	7 - 14	5145728	8C - 17	5318920	8C - 28
4236777	24 - 39	5144913	8 - 10	5145730	8C - 21	5319035	1 - 46
4236778	5 - 7	5144916	7 - 15	5145734	8C - 20	5319854	6 - 14
4236778	22 - 27	5144916	8 - 11	5145750	8A - 1	5319854	7 - 35
4236778	24 - 39	5144917	7 - 13	5145756	8A - 1	5319854	8 - 35

NUMERICAL INDEX

PART NUMBER	LIST AND INDEX NO.	PART NUMBER	LIST AND INDEX NO.	PART NUMBER	LIST AND INDEX NO.	PART NUMBER	LIST AND INDEX NO.
5342956	36 - 34A	5562059	16C - 12	5565109	28 - 19	5761783	31 - 1
5349929	4 - 17	5562061	14 - 39	5565109	31 - 5	5761784	28 - 1
5349929	13 - 43	5562062	12 - 23	5565109	31A - 6	5761786	31B - 8
5350006	10 - 34	5562062	16 - 21	5565113	28 - 22	5761788	31B - 8
5351177	36 - 15B	5562064	13 - 12	5565114	28 - 14	5761789	27 - 7
5352960	36 - 18	5562066	13 - 32	5565119	28 - 11	5761882	36 - 53
5352967	36 - 19	5562077	13 - 30	5565127	23 - 6	5761905	31A - 16
5353301	7 - 9	5562081	14 - 36	5565148	24 - 36	5761943	27 - 1
5353851	36 - 37	5562083	14 - 1	5565149	24 - 6	5761943	30 - 1
5353852	36 - 20	5562084	16 - 3	5565158	25 - 5	5761943	31 - 1
5353853	21 - 1	5562085	14 - 7	5565158	25 - 6	5761943	31A - 8
5353869	36 - 21	5562085	16D - 8	5565159	24 - 1J	5761943	31A - 18
5353869	36 - 41	5562086	14 - 33	5565160	3 - 46	5761979	27 - 14
5353887	19 - 1	5562086	16C - 17	5565161	24 - 25	5761979	31 - 13
5353896	36 - 38	5562088	14 - 24	5565162	24 - 1	5762034	30 - 10
5353922	36 - 39	5562088	16C - 10	5565163	24 - 1	5762383	27 - 17
5362301	36 - 22	5562096	13 - 38	5565167	24 - 22	5762383	31 - 16
5362302	36 - 22A	5562098	14 - 10	5565168	24 - 1H	5762534	24 - 19
5362303	36 - 57	5562098	16D - 10	5565171	25 - 13	5796430	27 - 1
5362304	4 - 37	5562102	13 - 25	5565173	24 - 40	5800610	36 - 56B
5362306	36 - 40	5562103	14 - 8	5565174	25 - 8	5800634	36 - 56
5362325	19 - 2	5562115	13 - 13	5565189	26A - 3	5805088	36 - 56A
5405152	21 - 9	5562116	13 - 22	5565190	3 - 55	6814313	3 - 24
5412817	36 - 15C	5562313	13 - 16	5565191	26A - 6	7354916	1 - 56
5420242	8 - 13	5562348	9 - 6	5565195	3 - 46	7362179	36 - 5
5420242	8B - 6	5563653	16C - 1	5565197	3 - 39	7362229	36 - 5
5428337	20 - 6	5563654	16J - 10	5565198	25 - 3	7362382	3A - 17
5428337	27 - 28	5563660	16F - 1	5565211	27 - 24	7362385	25 - 9
5447741	10 - 29	5563671	16B - 15	5565214	24 - 29	8112301	1 - 42
5447741	13 - 29	5563671	16B - 31	5565215	24 - 5	8112302	1 - 42
5466393	10 - 31	5563687	16G - 2A	5565216	24 - 9A	8264450	20 - 63
5466393	13 - 28	5563690	16E - 14	5565218	36 - 62	8264452	20 - 2
5466393	16A - 17	5563691	16E - 15	5565223	3 - 56	8264454	20 - 1
5466397	10 - 30	5563692	16E - 7	5565224	3 - 56	8265079	4 - 53
5466397	13 - 27	5563693	16E - 13	5565225	31B - 16	8265098	1 - 17
5466397	16A - 15	5563756	8B - 1	5565228	24 - 2A	8265104	9 - 18A
5468387	21 - 7	5563761	8D - 9A	5565234	31A - 21	8265122	19A - 4
5468388	21 - 17	5563765	8B - 50	5565234	31B - 14	8265123	19A - 7
5554530	4A - 7	5563767	8C - 22	5565235	31A - 22	8265129	19A - 9
5562019	16 - 1	5564498	31B - 2	5565235	31B - 14A	8265150	1 - 1
5562022	13 - 7	5564601	36 - 63	5565237	24 - 2C	8265212	20 - 1
5562034	13 - 19	5564735	30 - 18	5565238	24 - 2B	8265216	1 - 5
5562035	14 - 26	5564735	31A - 14	5565240	25 - 4	8265252	8B - 28A
5562035	16C - 13	5565050	3 - 58	5565251	31B - 4	8265273	20 - 8
5562037	14 - 30	5565052	31B - 18	5565253	31B - 25	8265274	20 - 3
5562037	16C - 15	5565053	29 - 2	5565254	31B - 25	8265276	20 - 2
5562038	14 - 21	5565056	3 - 31	5565281	26 - 6	8265315	4 - 34
5562038	16E - 4	5565058	29 - 3	5616469	16E - 23	8265352	20 - 2
5562041	14 - 29	5565062	27 - 15	5616743	16H - 10	8279051	31B - 7
5562044	14 - 31	5565062	31 - 14	5616743	16J - 36	8524194	10 - 21
5562044	16A - 38	5565079	23 - 11	5616823	31B - 20	8528202	10 - 23
5562044	16C - 14	5565079	36 - 64	5700484	11 - 29	8547070	4A - 53
5562046	13 - 14	5565087	31B - 5	5700484	14 - 40	8547149	19A - 8
5562051	14 - 6	5565095	3 - 58	5729723	6 - 8		
5562051	16D - 7	5565101	24 - 2D	5758961	25 - 10		

READER'S COMMENT FORM

Please use this form only to identify publication errors or request changes to publications. Technical questions about IBM systems, changes in IBM programming support, requests for additional publications, etc, should be directed to your IBM representative or to the IBM branch office nearest your location.

Error in publication (typographical, illustration, and so on). **No reply.**

Page Number Error

Inaccurate or misleading information in this publication. Please tell us about it by using this postage-paid form. We will correct or clarify the publication, or tell you why a change is not being made, provided you include your name and address.

Page Number Comment

IBM System/34
5340 System Unit
Parts Catalog

IBM may use and distribute any of the information you supply in any way it believes appropriate without incurring any obligation whatever. You may, of course, continue to use the information you supply.

● No postage necessary if mailed in the U.S.A.

Name _____

Address _____

S131-0632-2

Cut Along Line

Fold and tape

Please do not staple

Fold and tape

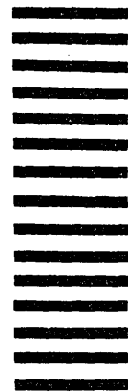


NO POSTAGE
NECESSARY IF
MAILED IN THE
UNITED STATES

BUSINESS REPLY MAIL
FIRST CLASS PERMIT NO. 40 ARMONK, N. Y.

POSTAGE WILL BE PAID BY

IBM CORPORATION
General Systems Division
Development Laboratory
Publications, Dept. 245
Rochester, Minnesota 55901



System Unit Parts Catalog

Printed

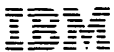
A.

S131-06

Fold and tape

Please do not staple

Fold and tape



International Business Machines Corporation

General Systems Division
4111 Northside Parkway N.W.
P.O. Box 2150
Atlanta, Georgia 30301
(U.S.A. only)

General Business Group/International
44 South Broadway
White Plains, New York 10601
U.S.A.
(International)