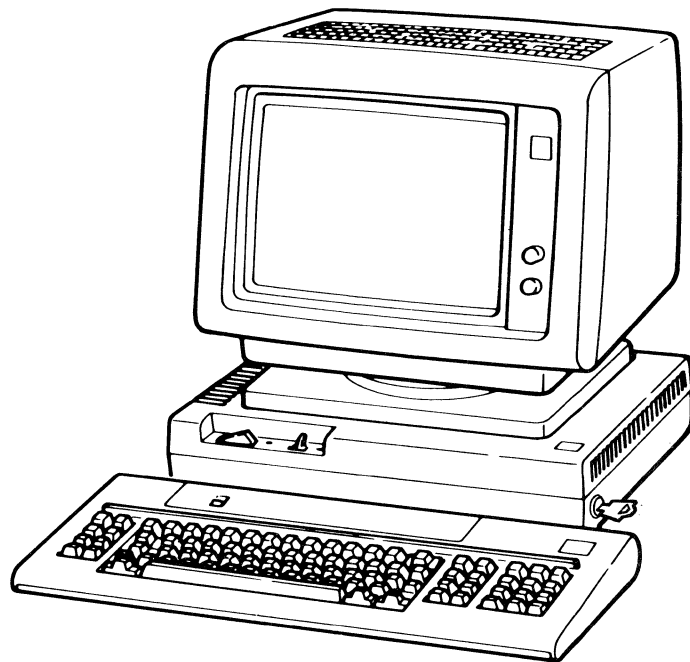


GA18-2304-0
File No. 3270/4300-09

IBM 3178 Display Station Setup Instructions



IBM

Federal Communications Commission (FCC) Statement

Warning: This equipment generates, uses, and can radiate radio frequency energy and if not installed and used in accordance with the instruction manual, may cause interference to radio communications. It has been tested and found to comply with the limits for a Class A computing device pursuant to Subpart J of Part 15 of FCC Rules, which are designed to provide reasonable protection against such interference when operated in a commercial environment. Operation of this equipment in a residential area is likely to cause interference in which case the user at his own expense will be required to take whatever measures may be required to correct the interference.

The above FCC statement applies only to those machines used in the U.S.

First Edition (October 1984)

This manual contains "Setup and Preparation" that originally appeared in the *IBM 3178 Display Station Operator Reference Guide*, GA18-2128-3, which is now obsolete.

Changes are made periodically to the information herein; any such changes will be reported in subsequent revisions.

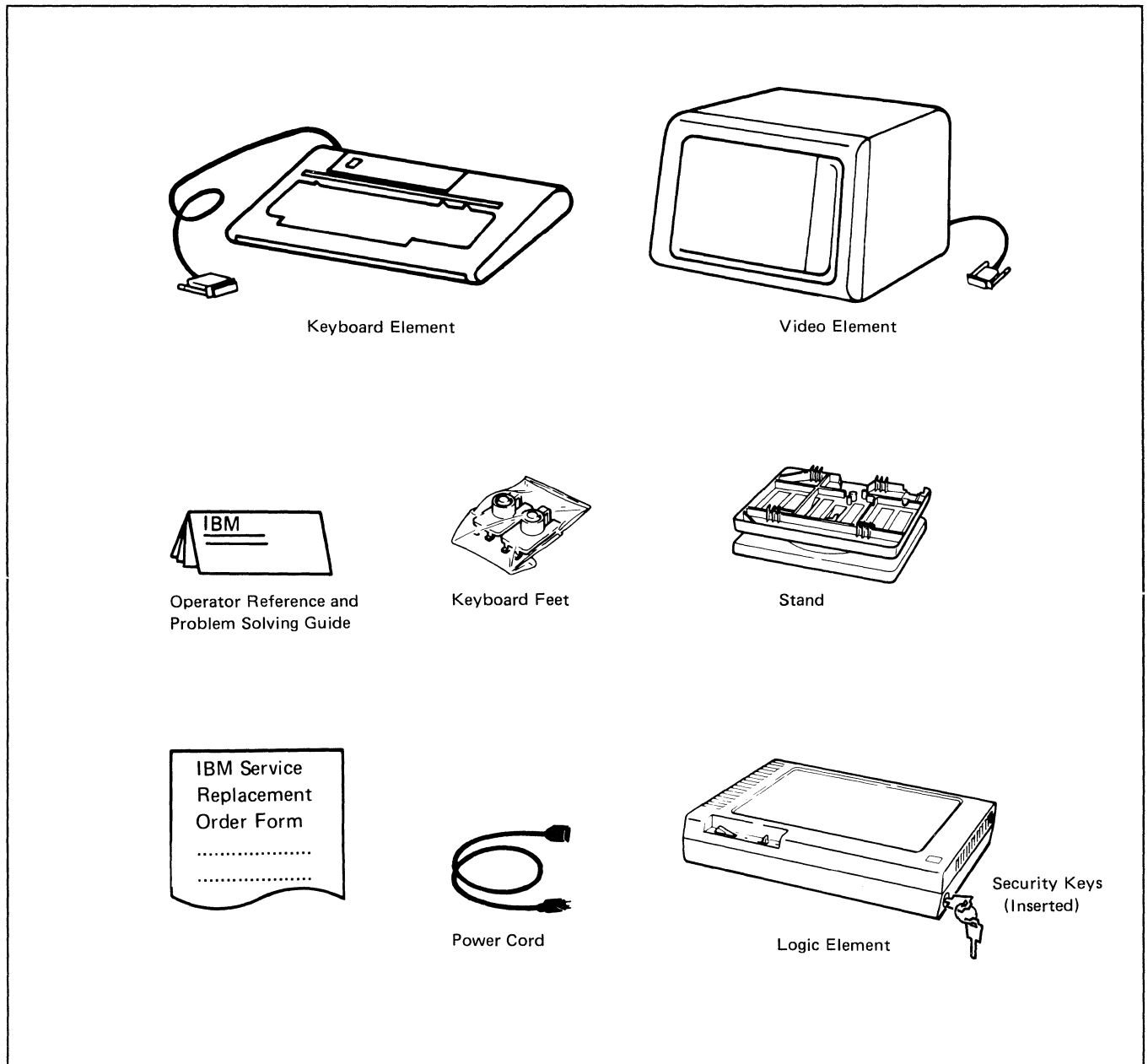
Reference in this publication to IBM products, programs, or services does not imply that IBM intends to make these available in all countries in which IBM operates. Any reference to an IBM program product in this publication is not intended to state or imply that only IBM's program product may be used. Any functionally equivalent program may be used instead.

Publications are not stocked at the address given below. Requests for IBM publications should be made to your IBM representative or to the IBM branch office serving your locality.

A form for readers' comments is provided at the back of this publication. If the form has been removed, comments may be addressed to IBM Corporation, Publications Development, Department 6R1 J, 180 Kost Road, Mechanicsburg, PA 17055 U.S.A. IBM may use or distribute whatever information you supply in any way it believes appropriate without incurring any obligation to you.

1 Before you begin setup...

Check that all the parts shown below are included in the package.



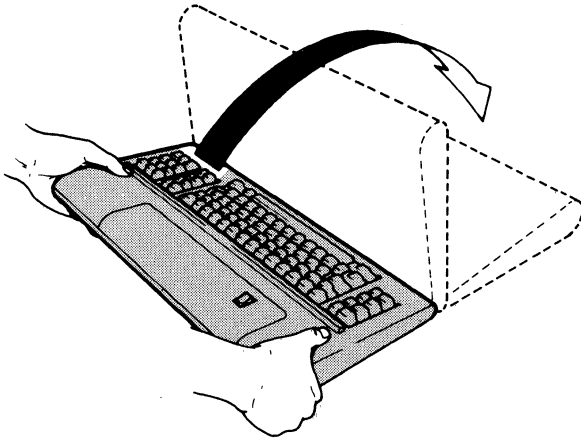
Notes:

1. Save all packaging material for later use.
2. Store one of the security keys in a safe place.

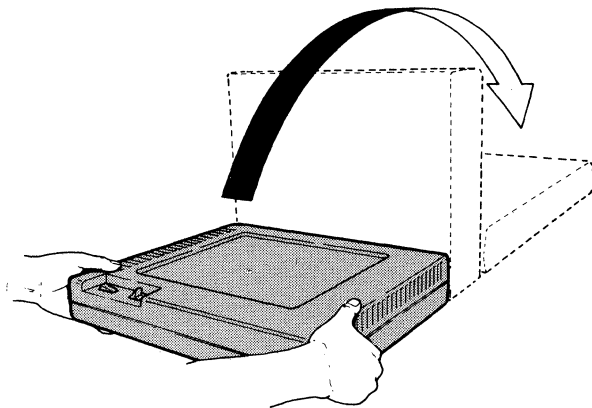
2 Attach tags.

IMPORTANT: If you do not attach the tags, there will be a substantial delay in the return of the repaired element due to the time required by IBM to determine the unit's maintenance status.

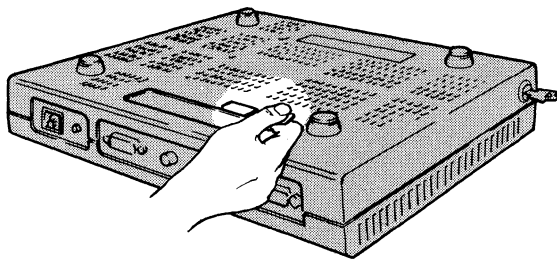
a Turn the keyboard upside down.



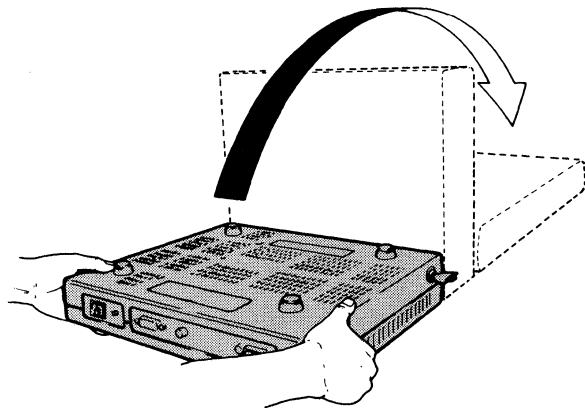
b Turn the logic element upside down.



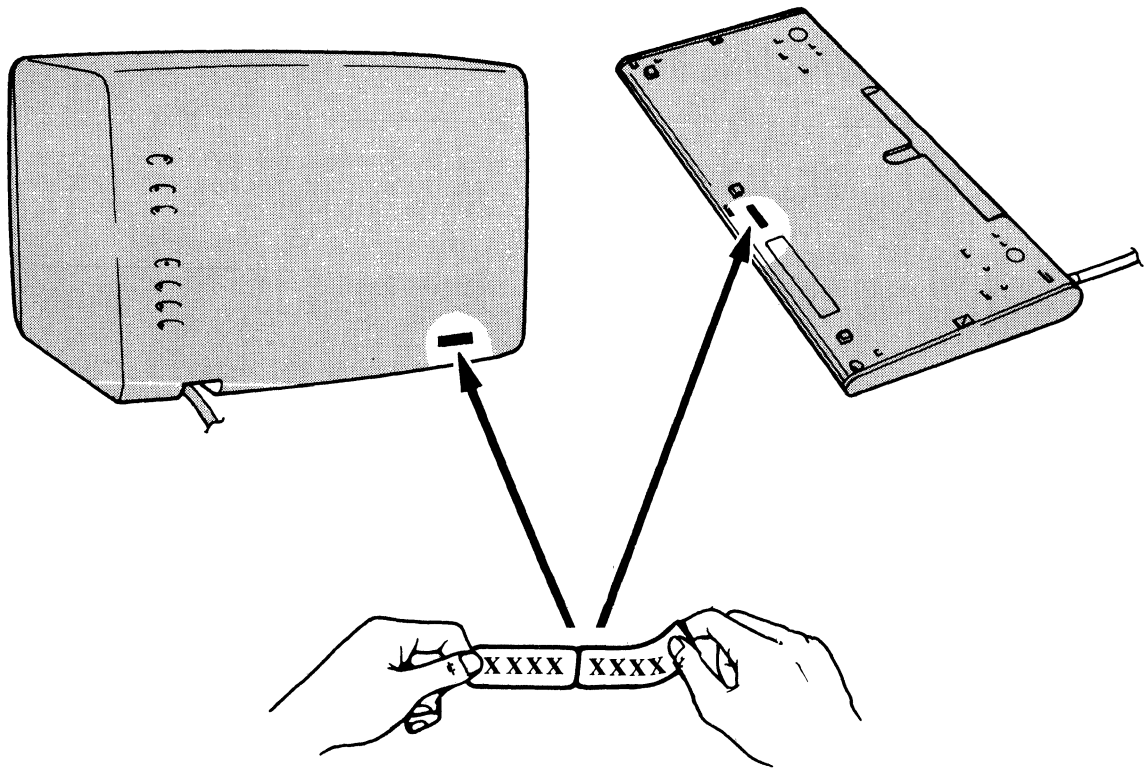
c Peel the removable tags. (Keep them for step e.)



d Turn the logic element right side up.

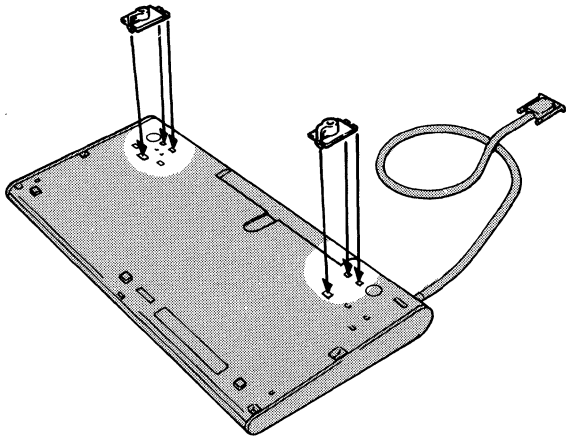


e Attach tags to the back of the video element and the keyboard.

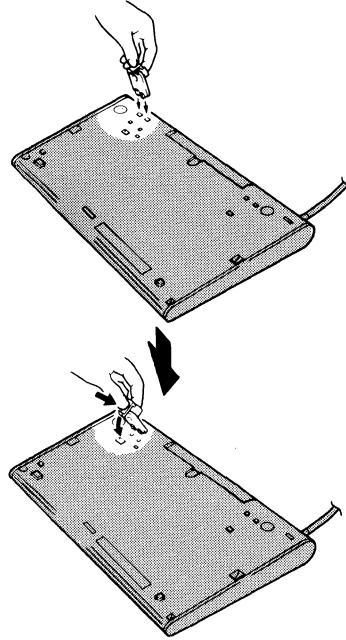


3 Attach feet to keyboard
(optional).

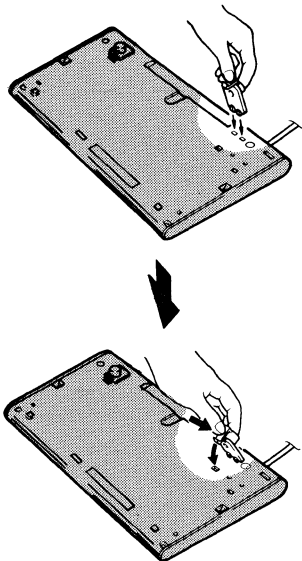
Note: If you want your keyboard to have a higher angle, attach the feet.



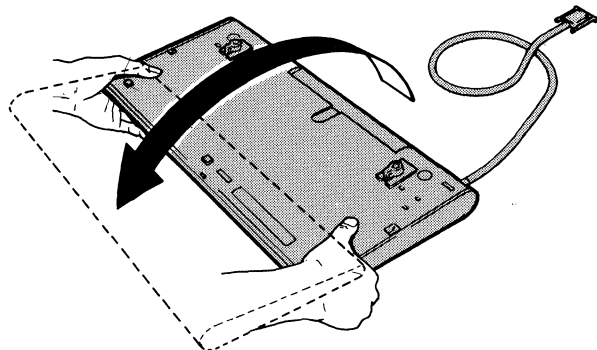
a Attach the left foot.



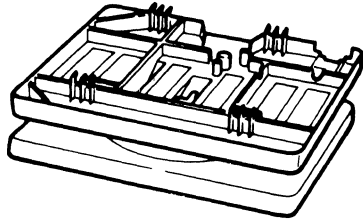
b Attach the right foot.



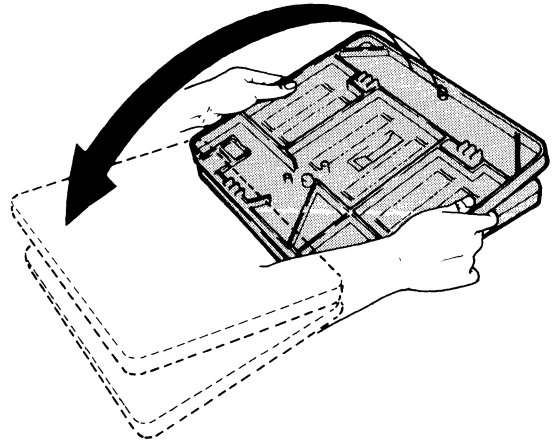
c Turn the keyboard right side up.



4 Attach stand to video element.



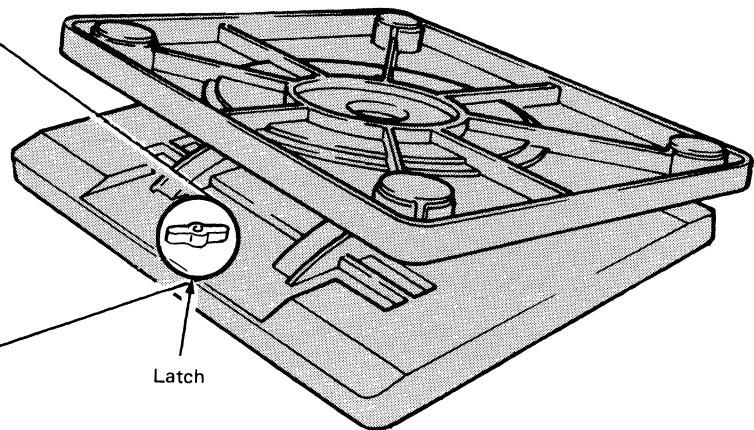
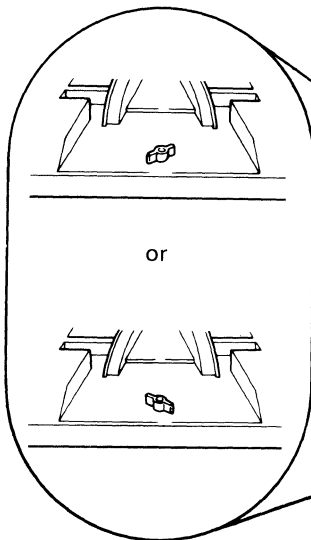
a Turn the stand upside down.



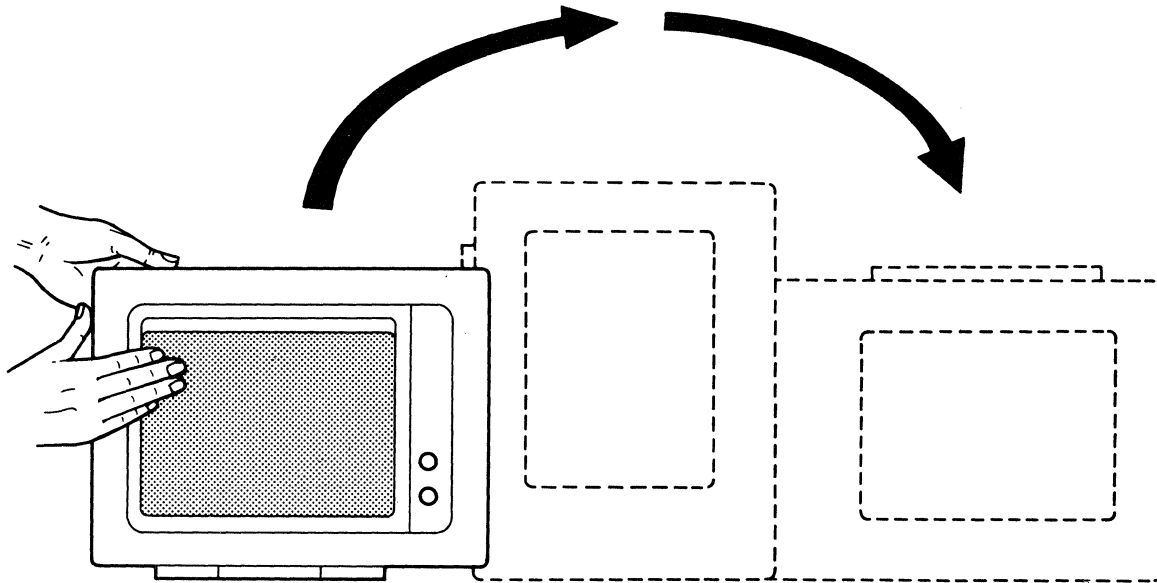
CAUTION

Canadian Standard Association (CSA) Certification requires that the stand be attached to the video element. This CSA Certification is void if the stand is not installed or if it is removed after installation.

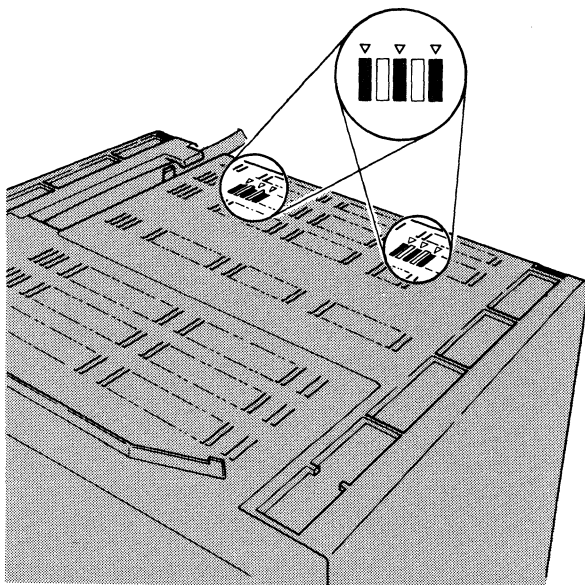
b Set the latch to either position shown.



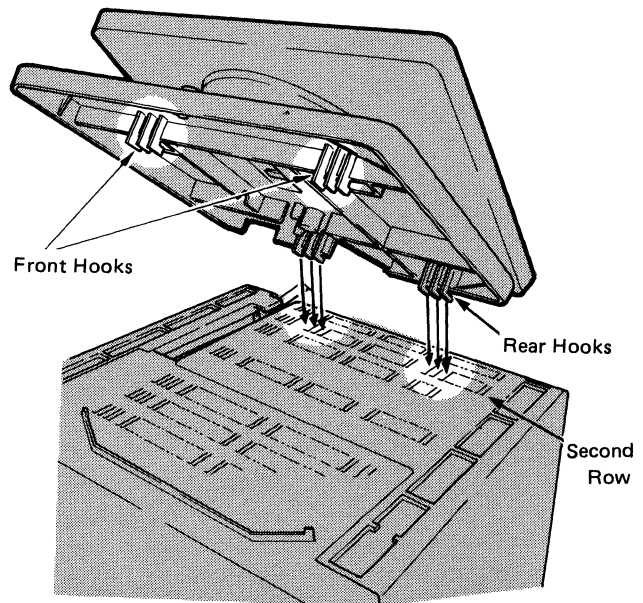
C Turn the video element upside down.



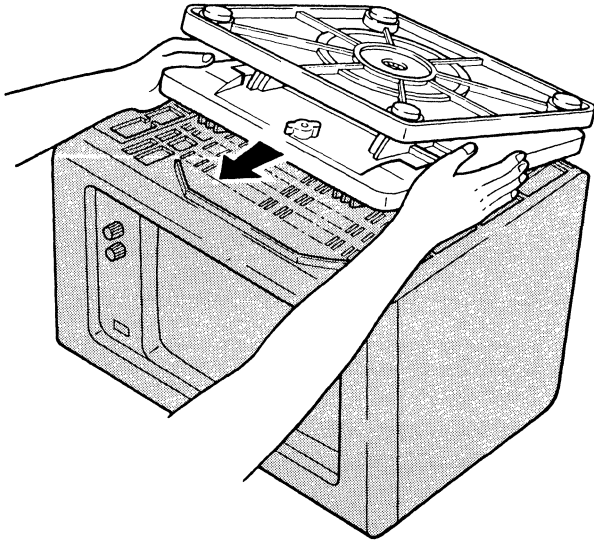
d Find the slots marked by the symbol ▽.



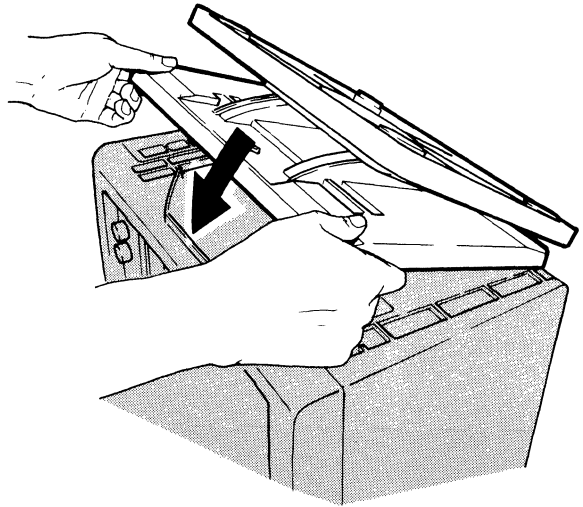
e Insert the 6 rear hooks into the second row of the 6 slots marked by the symbol ▽.



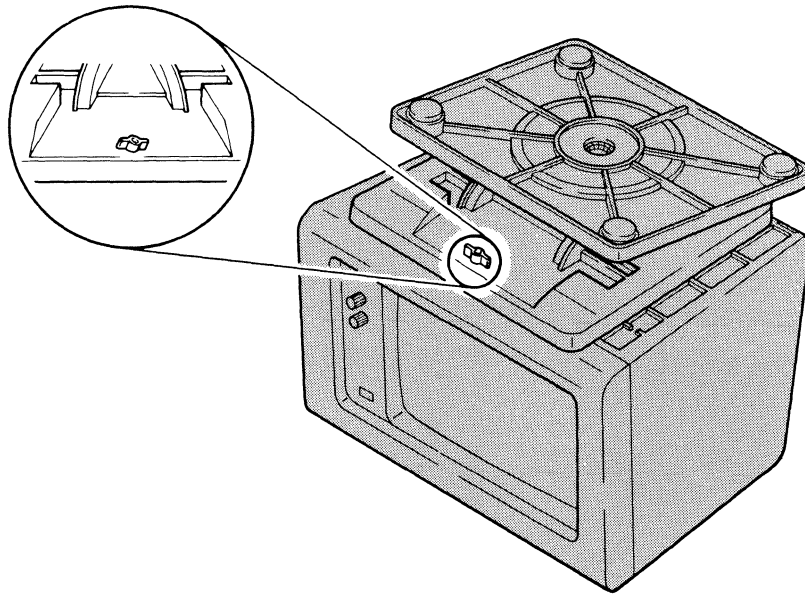
f Pull the stand gently toward you until it stops.



g Slowly lower the front of the stand so that the front hooks on the stand enter the front slots on the video element.

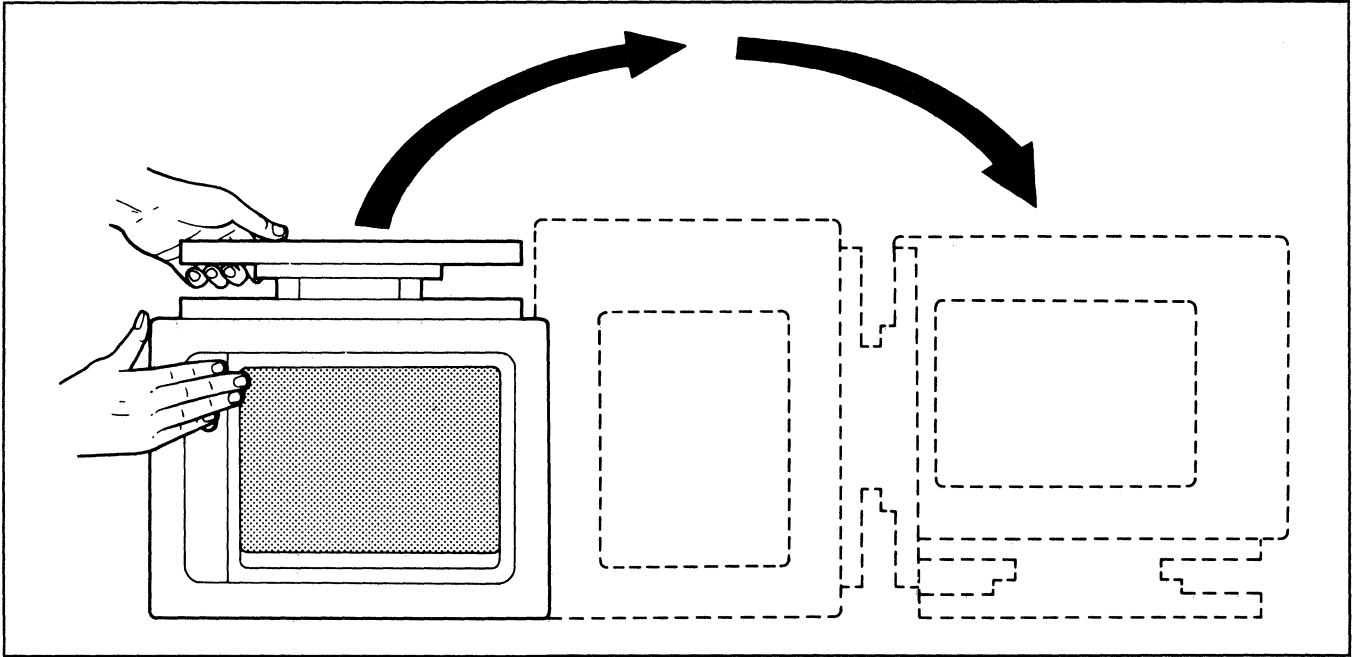


h Lock the stand to the video element by setting the latch parallel to the edge facing you.

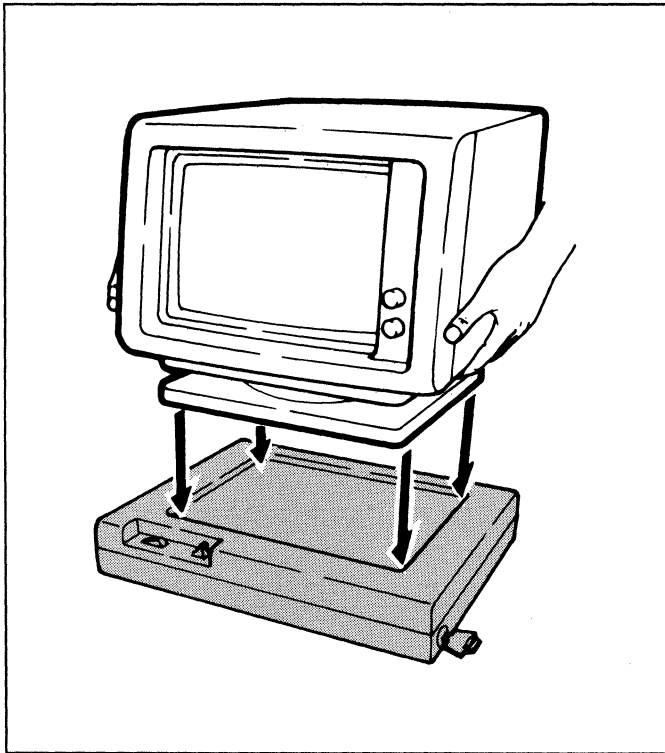


Make sure the stand is locked to the video element.

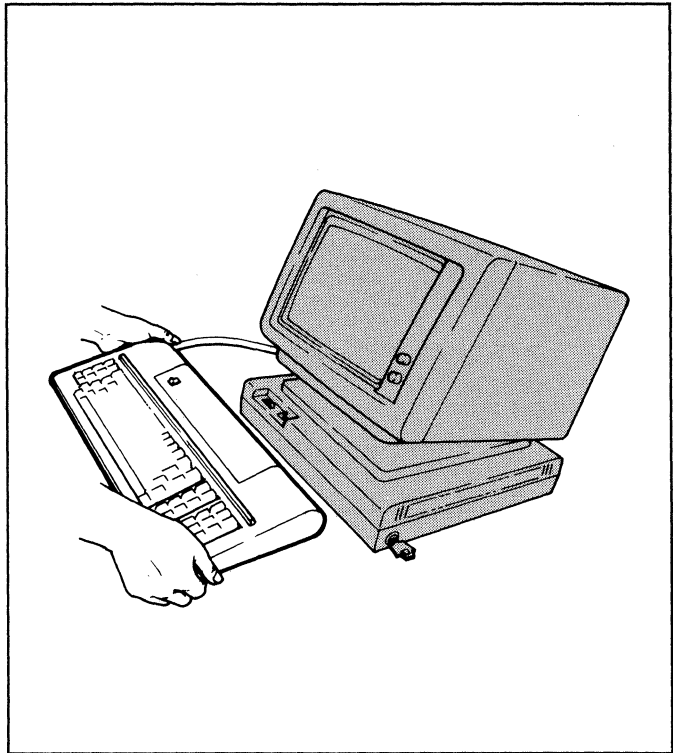
5 Turn assembly right side up.



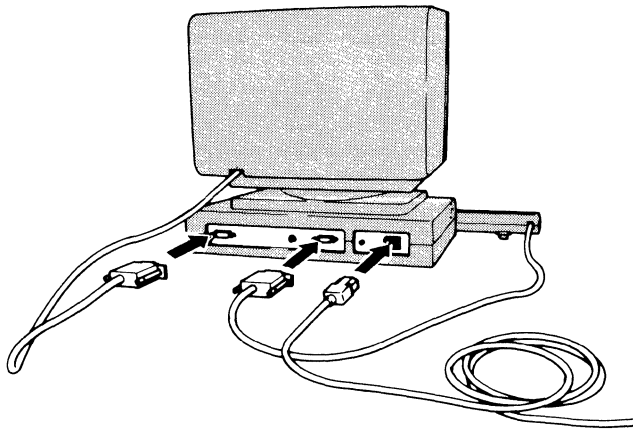
6 Set video element in place.



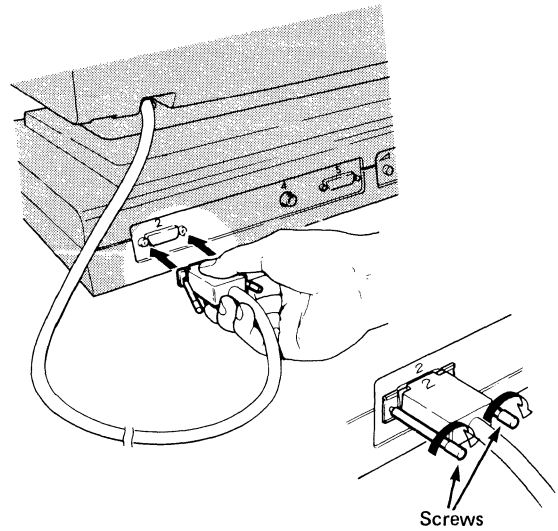
7 Set keyboard in place.



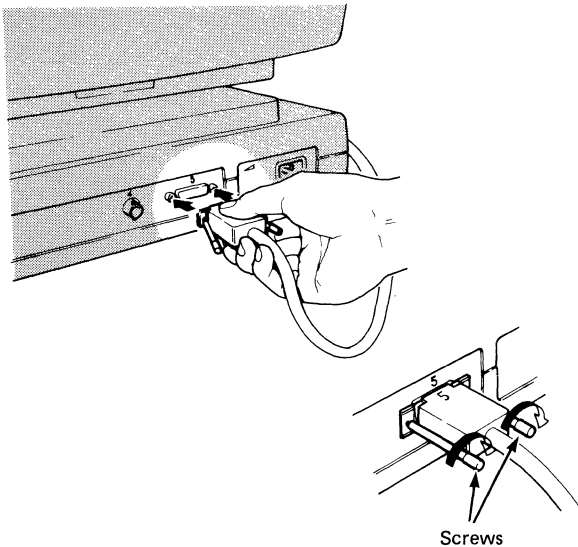
8 Connect cables.



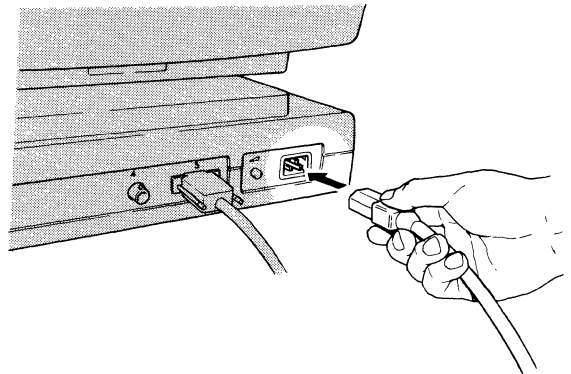
a Insert the video cable and tighten the screws.



b Insert the keyboard cable and tighten the screws.



c Connect the power cord.

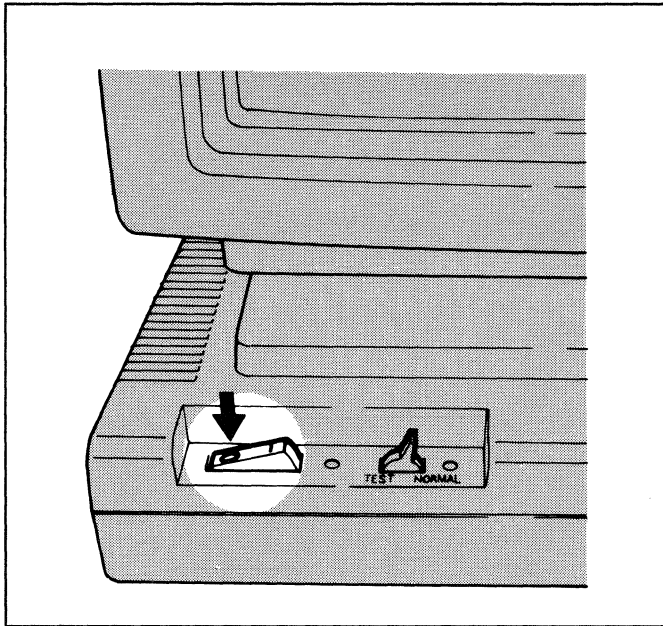


Go to next step for **checkout**.

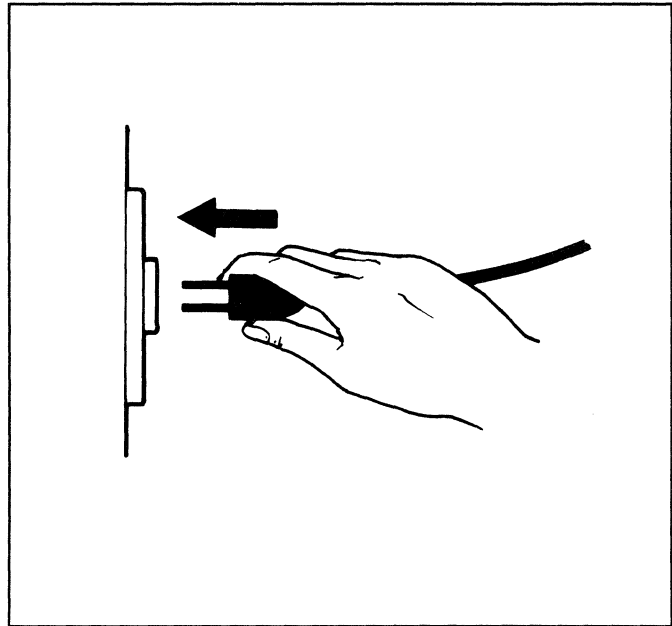
CHECKOUT PROCEDURES

If the **checkout** is not successful, see *IBM 3178 Display Station Operator Reference and Problem Solving Guide*, GA18-2128.

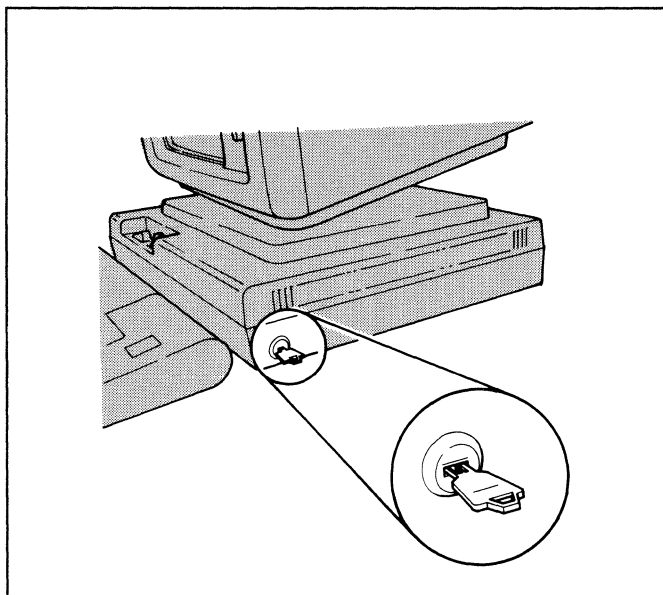
9 Make sure I/O (On/Off) switch is set to O (Off).



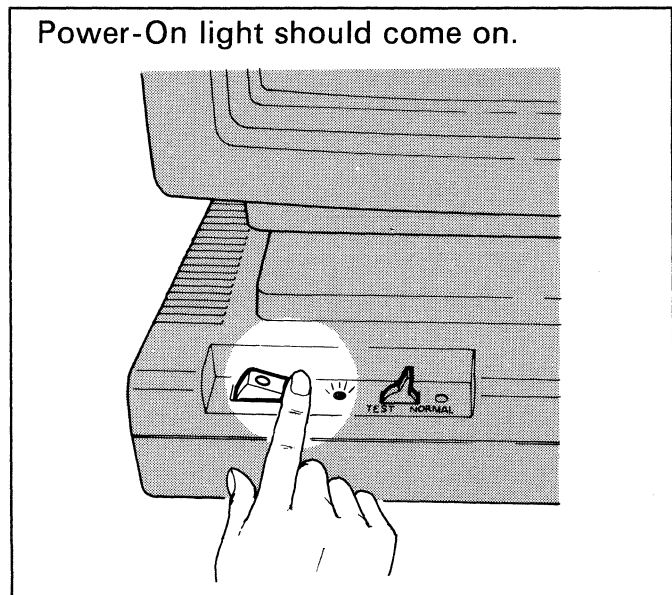
10 Plug in power cord.



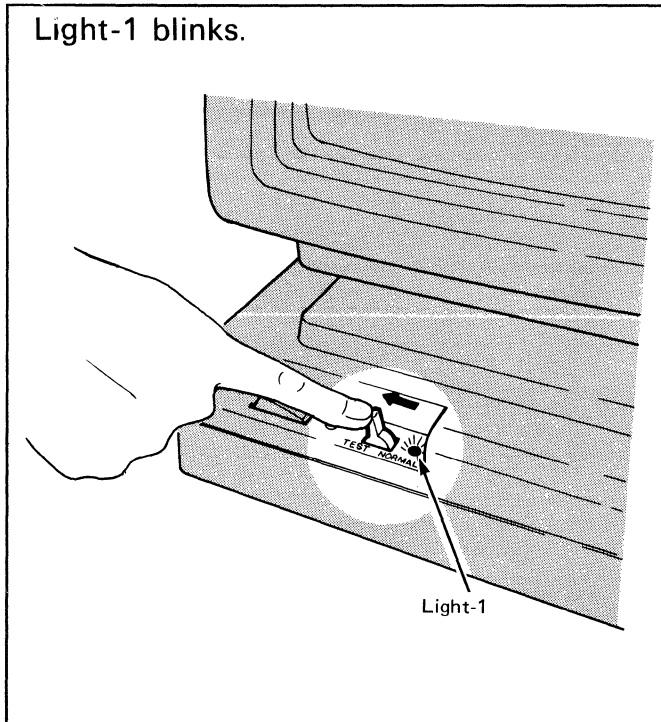
11 Make sure security key is turned fully clockwise.



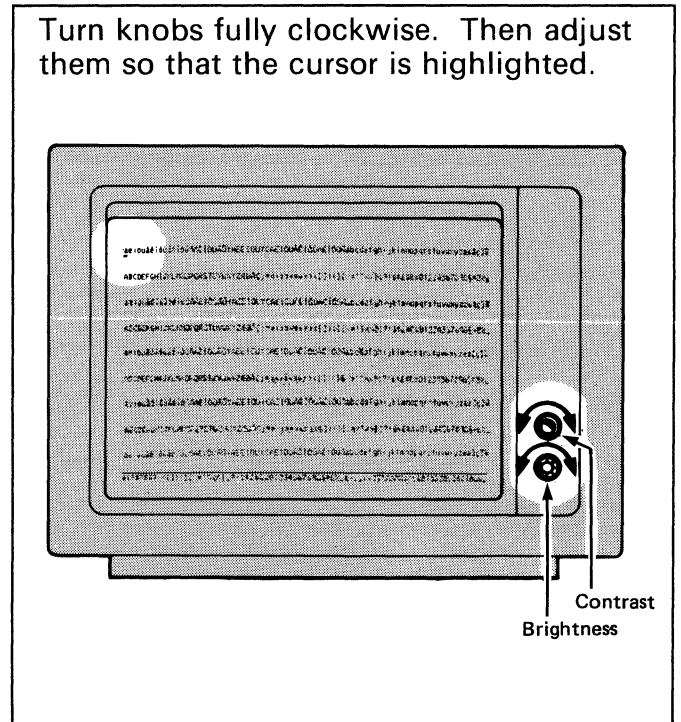
12 Set I/O switch to I (On).



13 Set TEST/NORMAL switch to TEST.

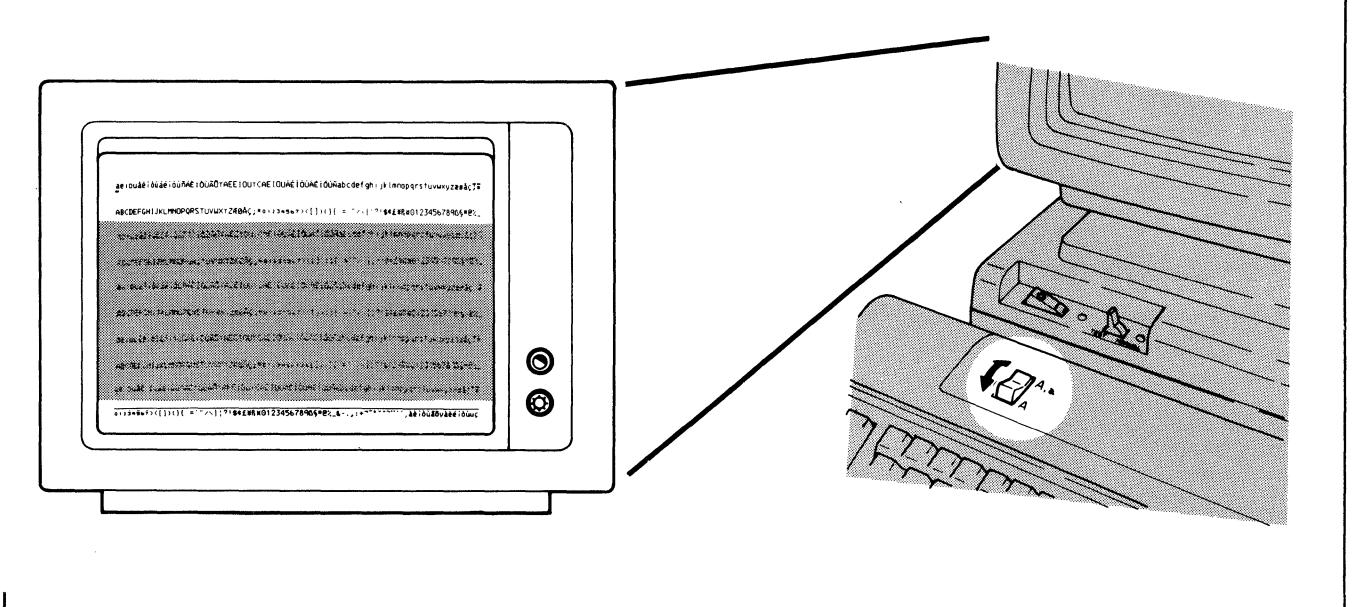


14 Adjust Brightness and Contrast Control knobs.



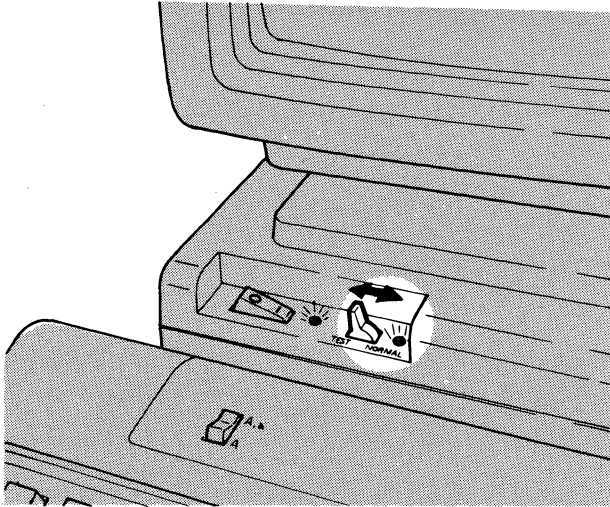
15 Check test pattern.

Your screen should look similar to this. (You do not have to check each character.) Move the A/A,a switch; the characters should change between all uppercase and mixed uppercase and lowercase.

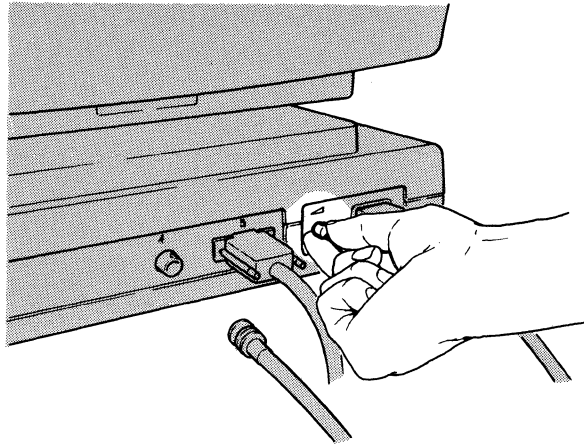


16 Adjust audible alarm.

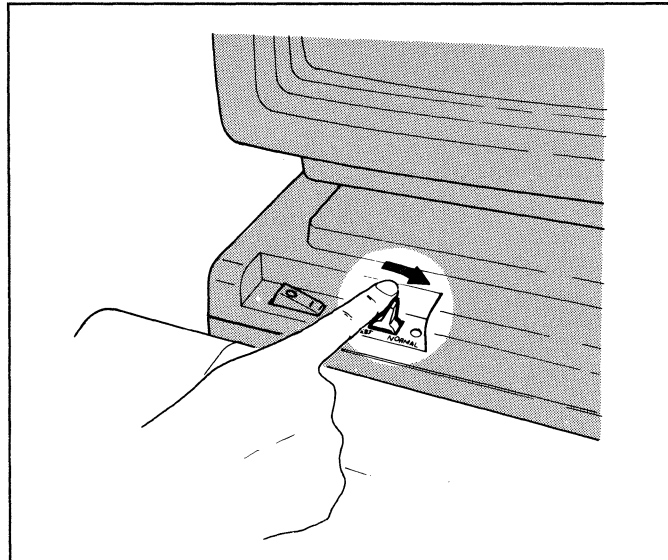
a Move the TEST/NORMAL switch left and right slowly to hear the alarm.



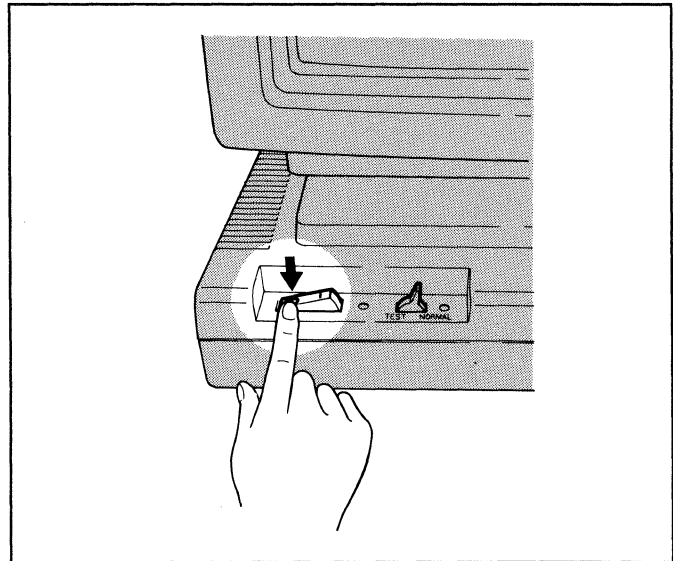
b Adjust the volume for your comfort.



17 Set TEST/NORMAL switch to NORMAL.



18 Set I/O switch to 0 (Off).



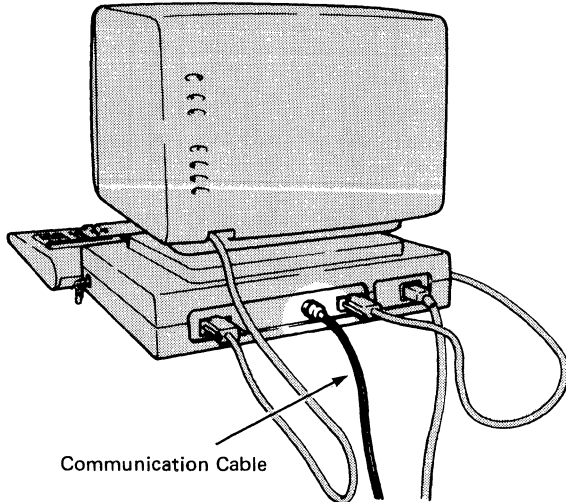
Setup is complete.

Go to the next step to connect your display station to the host system.

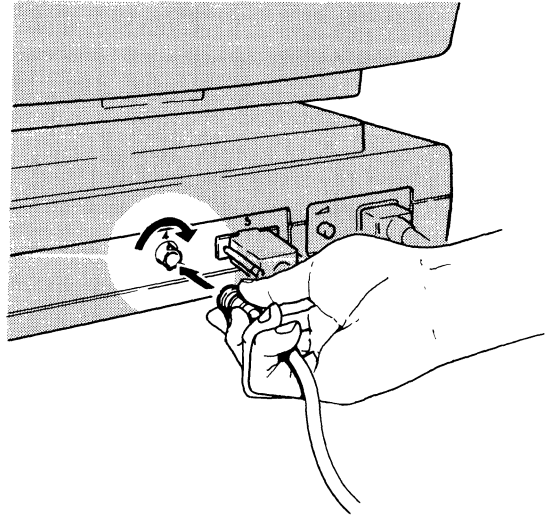
19 Connect display station to communication cable.

CAUTION

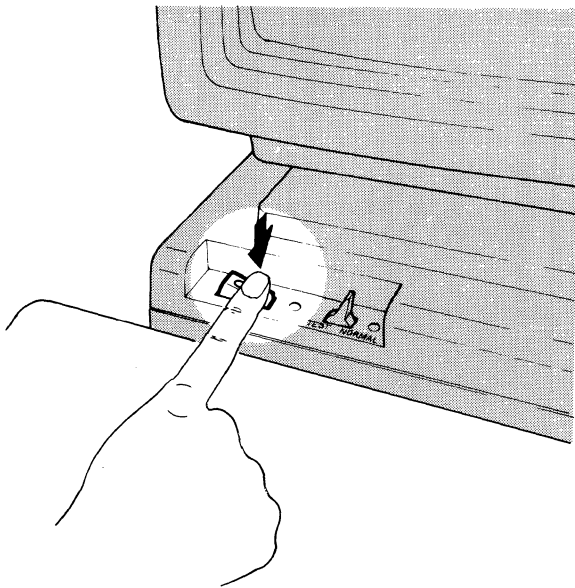
Do not connect this cable during an electrical storm.



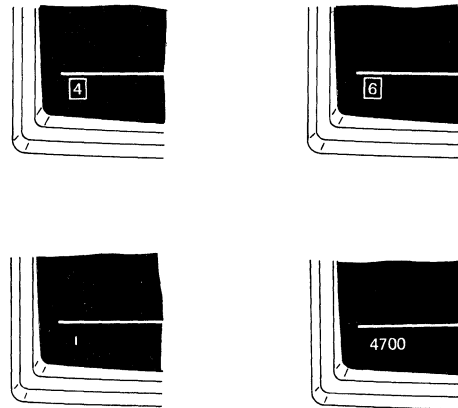
a Insert the communication cable and turn it clockwise.



b Set the I/O switch to I (On).



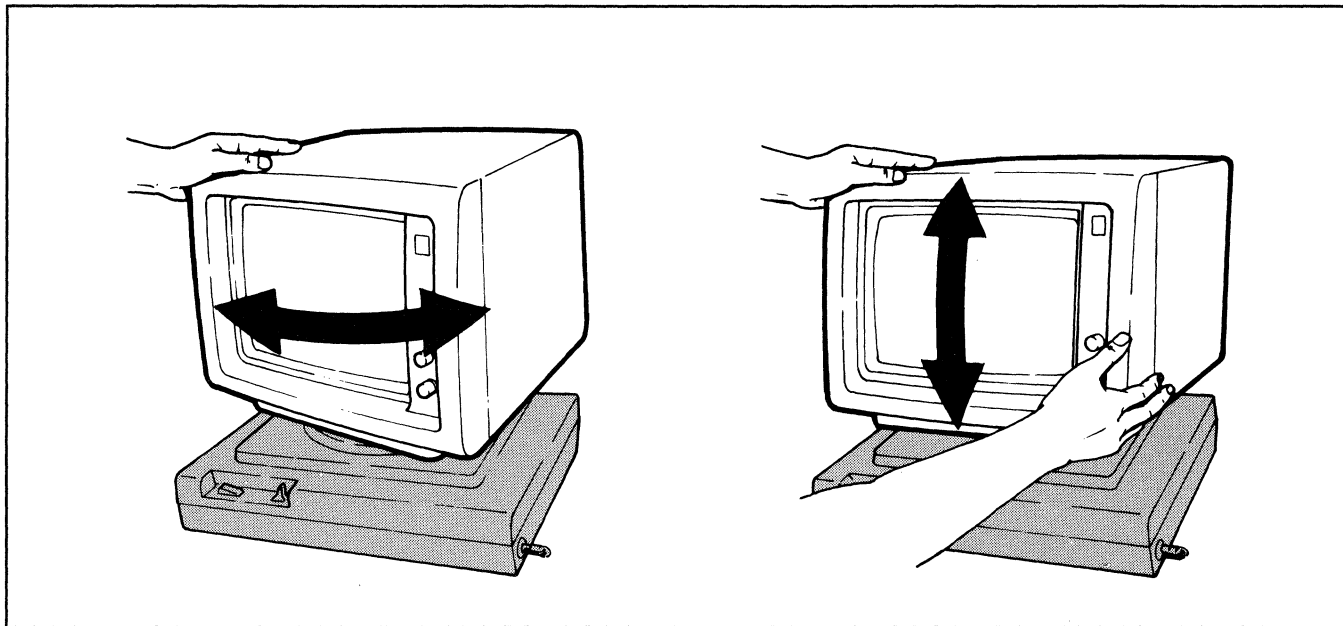
C You should see one of these symbols at the lower left corner.



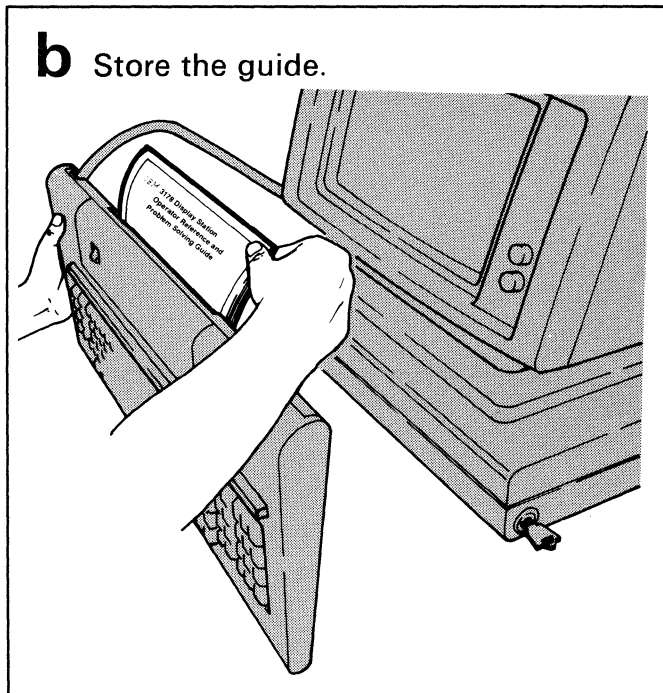
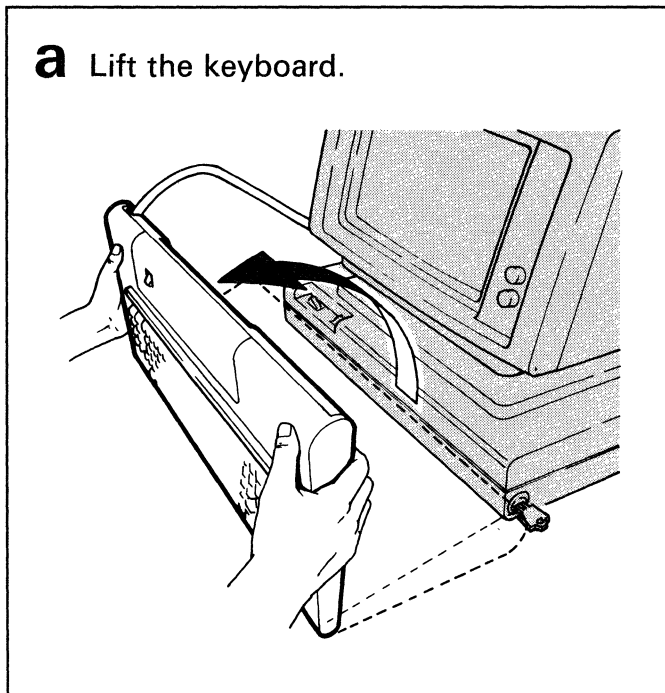
Your display station is ready to use.

If you do not see one of these symbols, call the person responsible for the control unit or adapter and continue with next steps.

20 Position video element for comfort.



21 Store *Operator Reference and Problem Solving Guide*.



Retain this setup instructions manual for possible future use.



GA18-2304-0

You may use this form to communicate your comments about this publication, its organization, or subject matter, with the understanding that IBM may use or distribute whatever information you supply in any way it believes appropriate without incurring any obligation to you.

Your comments will be sent to the author's department for whatever review and action, if any, are deemed appropriate.

Note: Copies of IBM publications are not stocked at the location to which this form is addressed. Please direct any requests for copies of publications, or for assistance in using your IBM system, to your IBM representative or to the IBM branch office serving your locality.

Possible topics for comment are:

Clarity Accuracy Completeness Organization Coding Retrieval Legibility

If you wish a reply, give your name, company, mailing address, and date:

Note: Staples can cause problems with automated mail-sorting equipment. Please use pressure sensitive or other gummed tape to seal this form.

What is your occupation? _____

Number of latest Newsletter associated with this publication: _____

Thank you for your cooperation. No postage stamp necessary if mailed in the U.S.A. (Elsewhere, an IBM office or representative will be happy to forward your comments, or you may mail directly to the address in the Edition Notice on the back of the title page.)

Reader's Comment Form

Cut or Fold Along Line

Fold and tape

Please Do Not Staple

Fold and tape

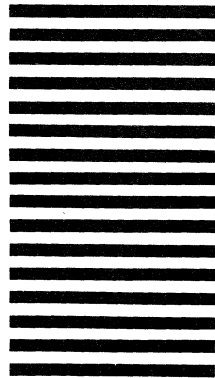


NO POSTAGE
NECESSARY
IF MAILED
IN THE
UNITED STATES

BUSINESS REPLY MAIL
FIRST CLASS PERMIT NO. 40 ARMONK, N.Y. U.S.A.

POSTAGE WILL BE PAID BY ADDRESSEE:

IBM CORPORATION
DEPARTMENT 6R1 J
180 KOST ROAD
MECHANICSBURG, PA 17055



Fold and tape

Please Do Not Staple

Fold and tape

