

MP9144

SD(0) →	1	2	0 - Gnd
SD(1) →	0	0	+5V
SD(2) →	0	0	Gnd
SD(3) →	0	0	+5V
SD(4) →	0	0	Gnd
SD(5) →	0	0	+5V
SD(6) →	0	0	Gnd
SD(7) →	0	0	+5V
clk4M →	0	0	Gnd
Rst →	0	0	+5V
WE _n →	0	0	Gnd
PVAL →	0	0	Gnd
KFL →	0	0	AGnd
CH5 →	0	0	AGnd
RHWL →	0	0	AGnd
BOT →	0	0	AGnd
EOT →	0	0	-12V
OVrTh →	0	0	-12V
CartSw →	0	0	+12V
WrProt →	0	0	+12V
ZData →	0	0	Gnd
SVWr →	0	0	Gnd
SVRd →	0	0	Gnd
GNS →	0	0	Gnd
WZData →	0	0	AGnd

Controller → Drive

Prot _a →	1	2	0 - Prot _b
Fault _a →	0	0	Fault _b
Busy _b →	0	0	Busy _a
UnitSw →	0	0	
+5V →	0	0	FromTapeSw
Gnd →	0	0	ToTapeSw

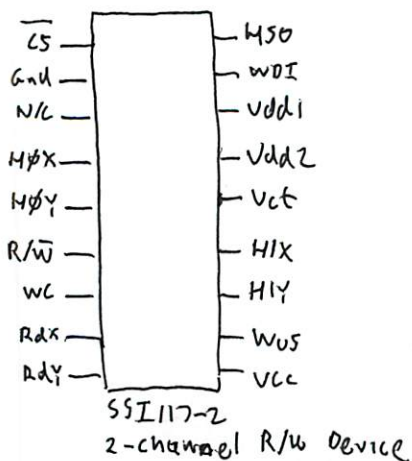
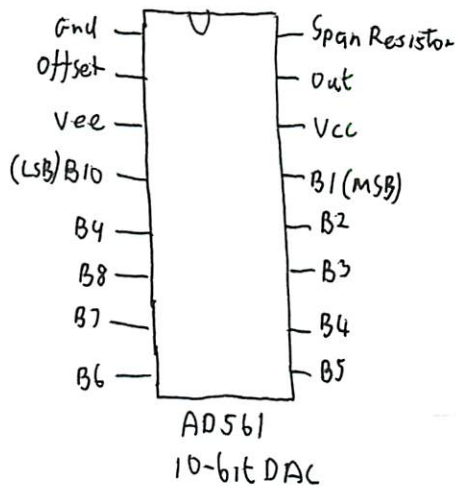
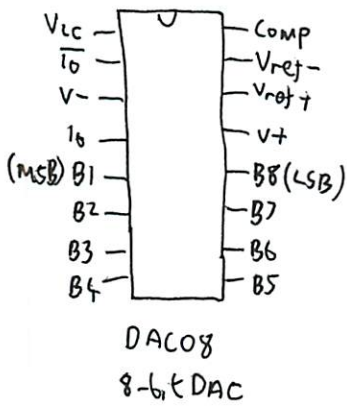
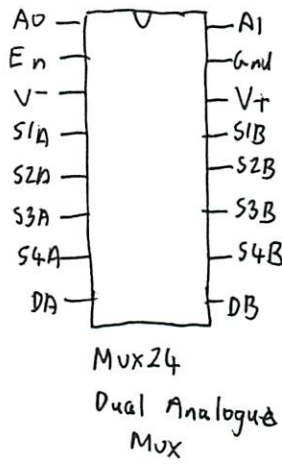
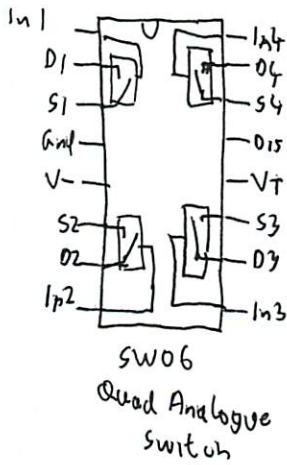
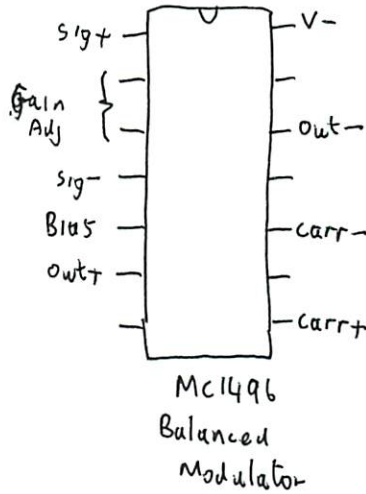
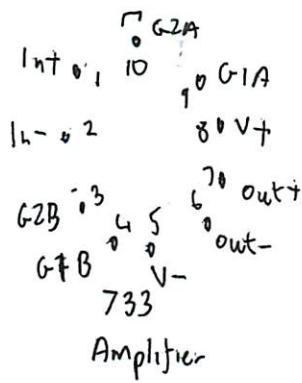
Front panel
→ Controller

- 0 -12V
- 0 -AGnd
- 0 +12V
- 0 PVAL
- X
- 0 -Gnd
- 0 +5V
- 0 -Gnd
- 0 +5V
- 0 -Gnd

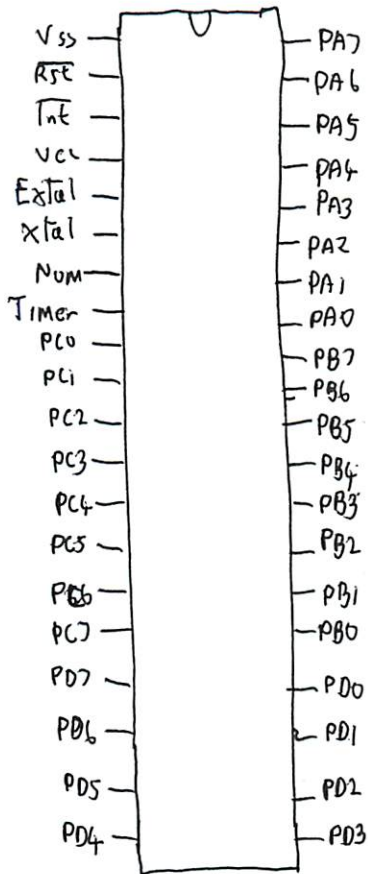
PSU → Controller

- 0 +12VM
- 0 N/C
- X
- 0 -GndM

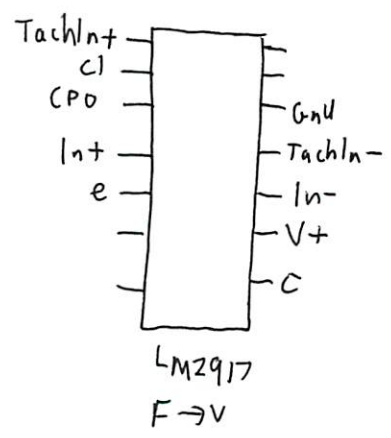
PSU Motor
supply



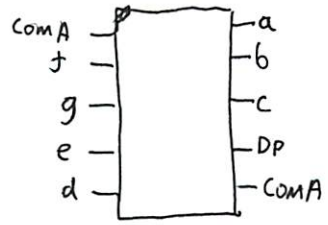
MP9144



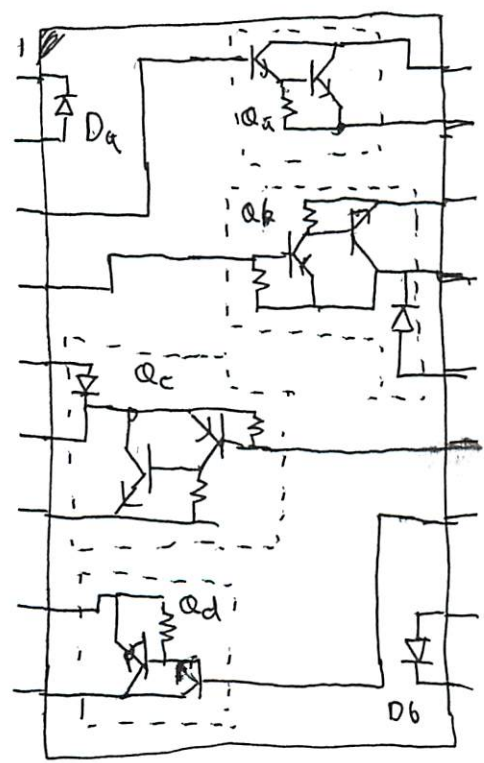
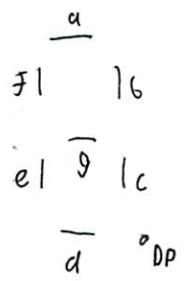
6805U3
Microcontroller



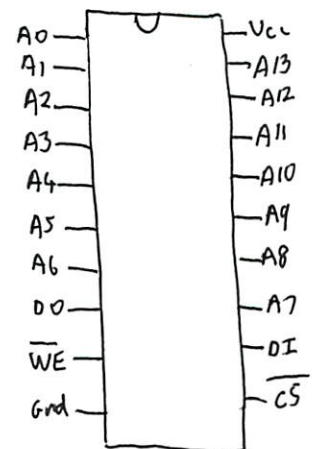
LM2917
F → V



HDSP-7301
7 Segment Display
(Common Anode)

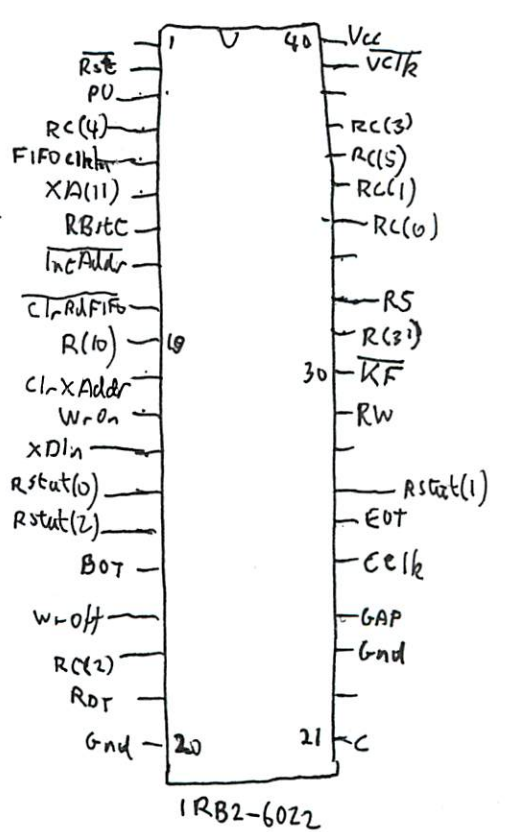
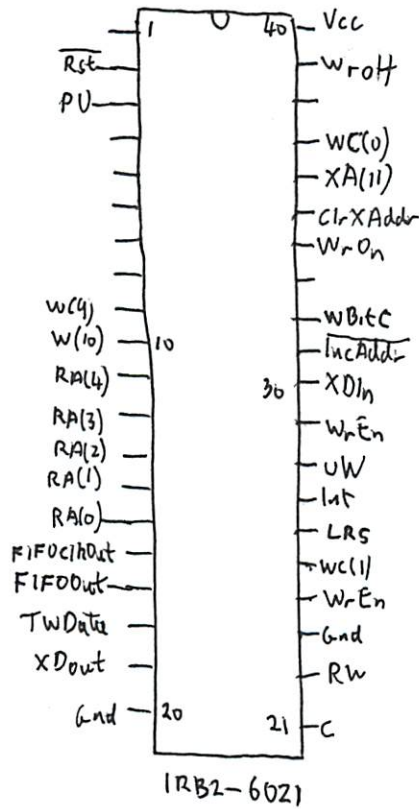
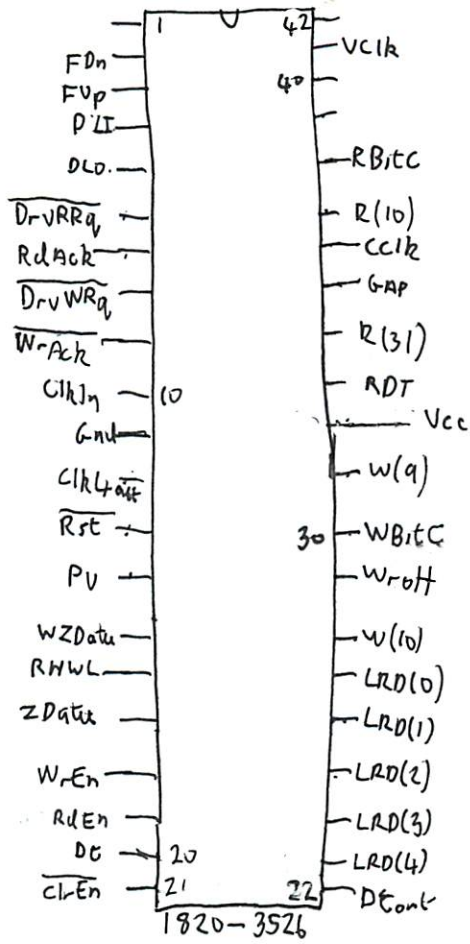
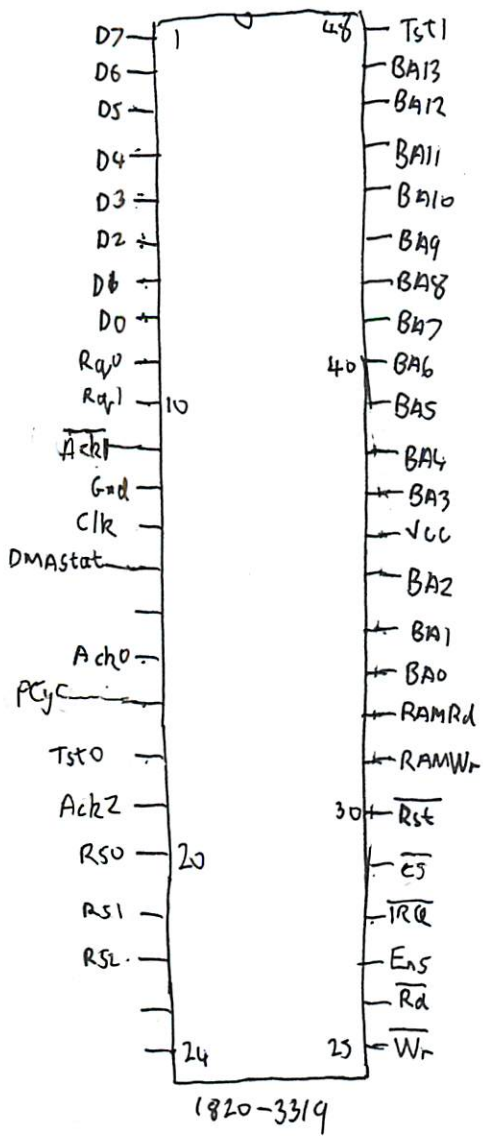


PIC900C
H-Bridge
Transistor Array



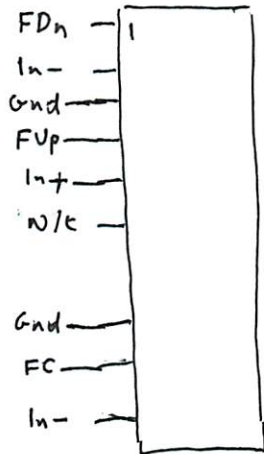
8167
16Kx1 RAM

HP9144

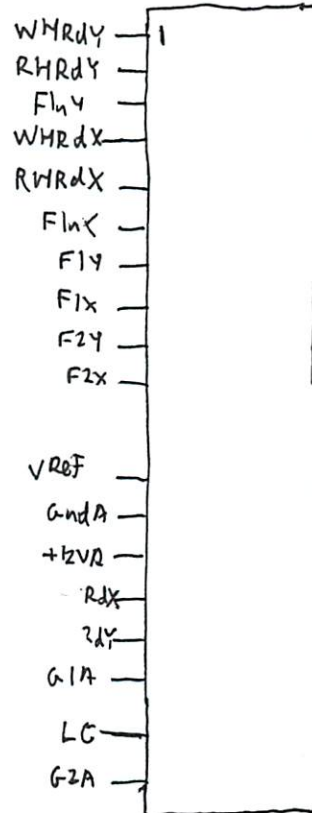


HP 9144

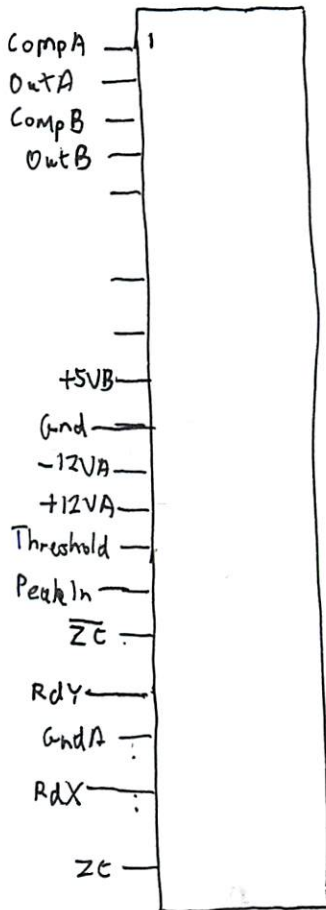
Hybrids



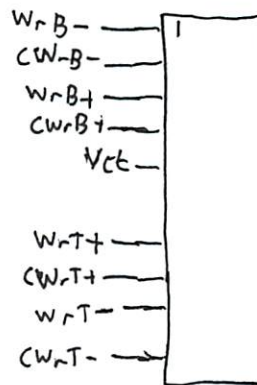
H1
09144-80101
(VCO Control)



H201
09144-80104
(Read Amplifier)



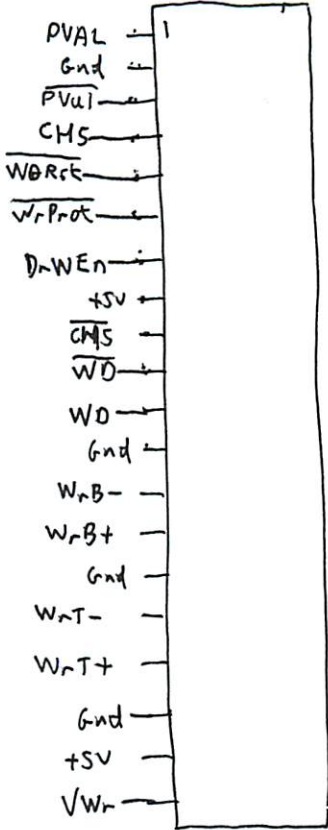
H202
09144-80102
(Read Data)



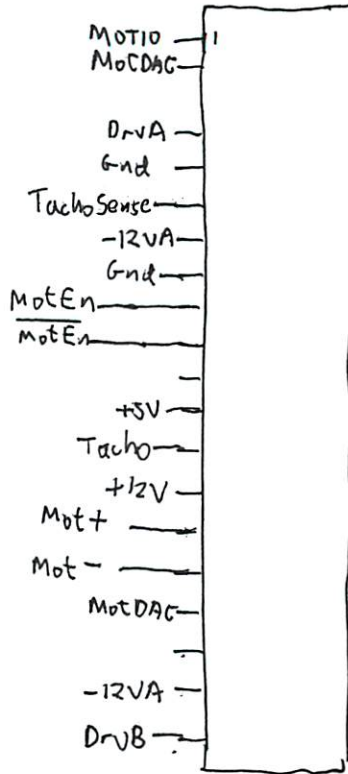
U203
09144-80105
(Head Coupling)

HP9144

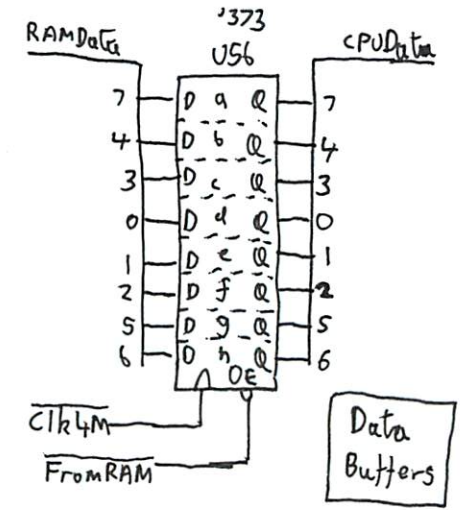
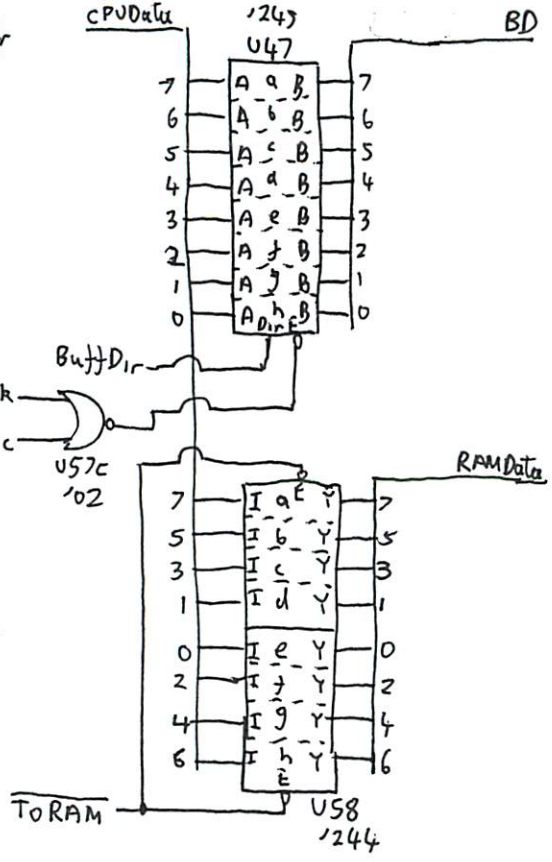
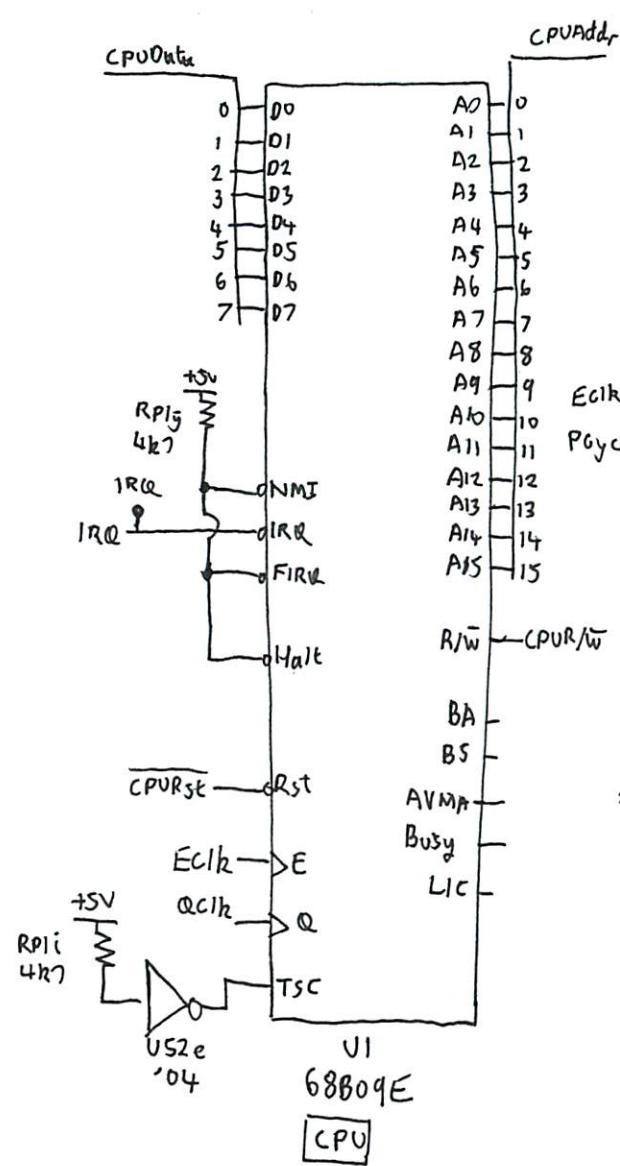
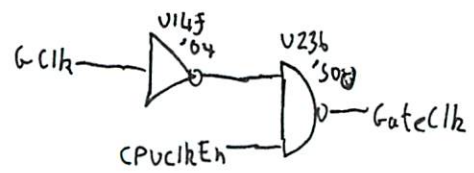
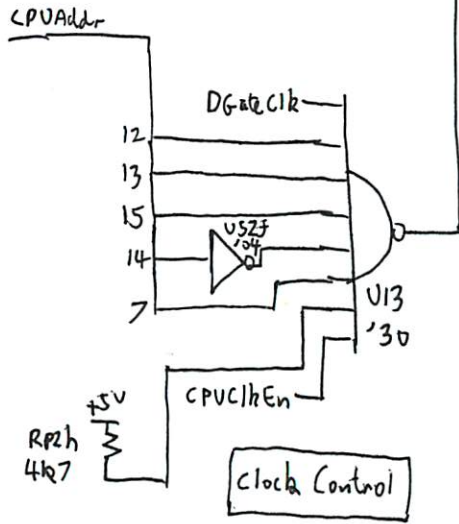
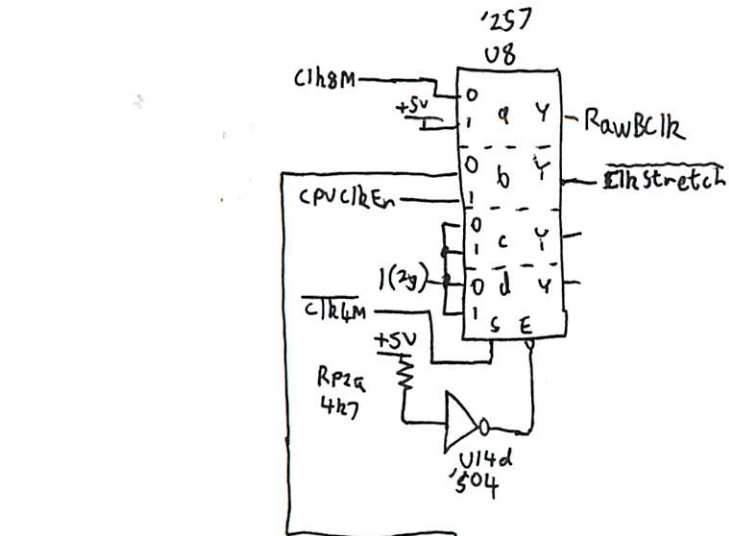
Hybrids

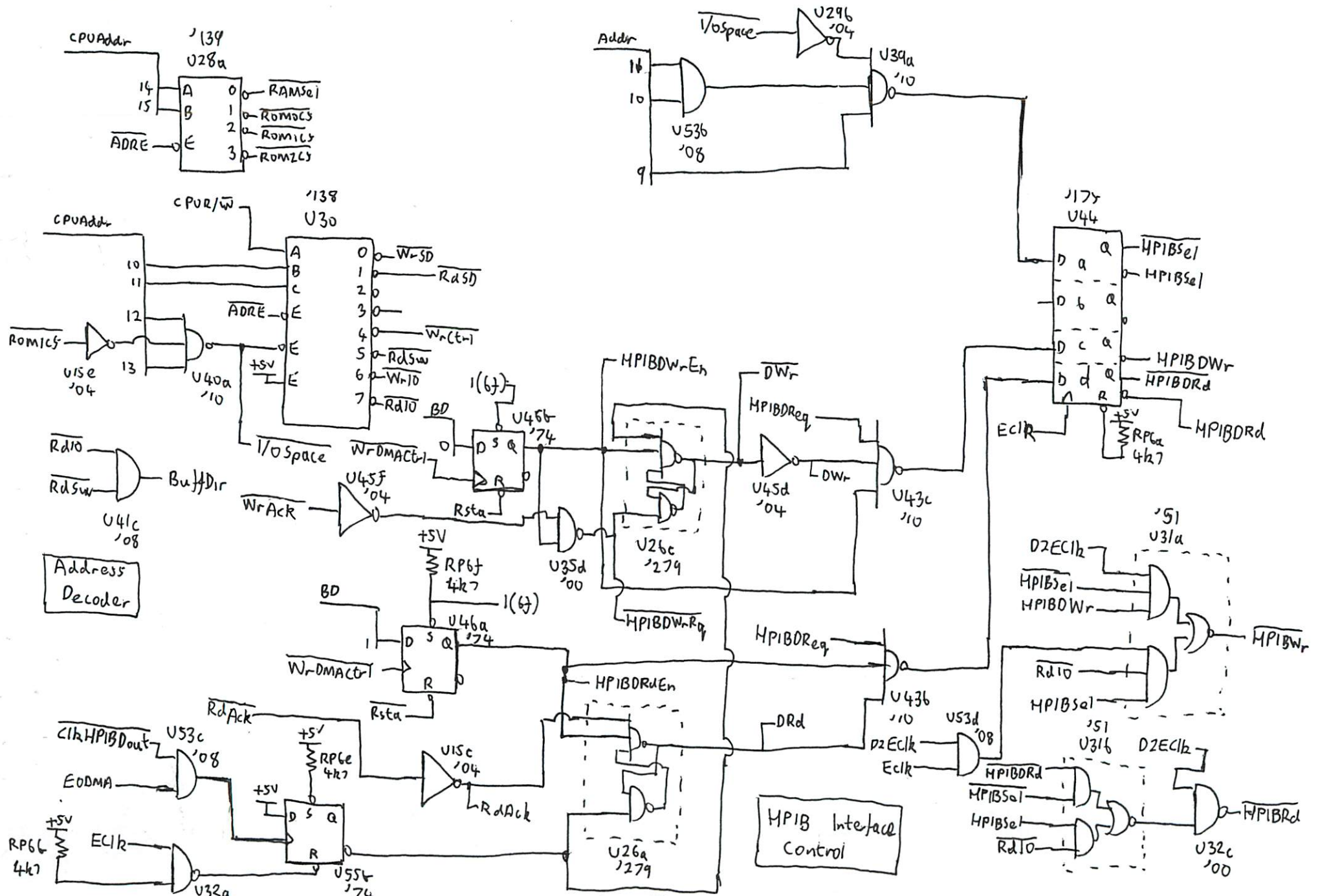


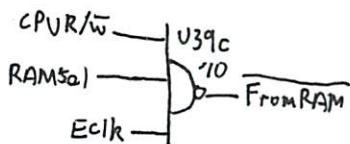
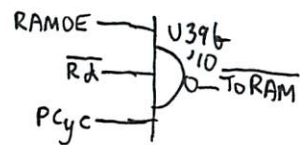
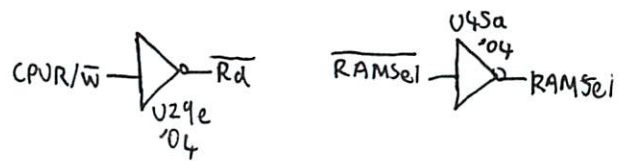
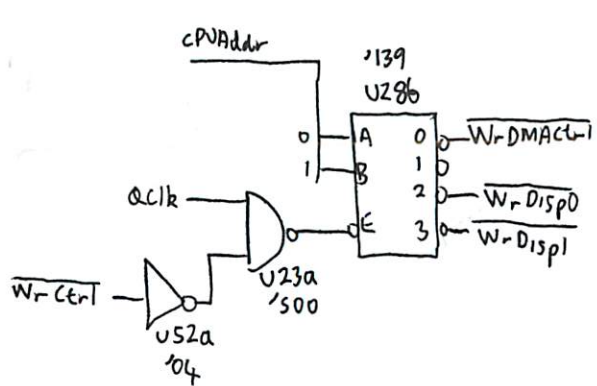
M204
09144-80103
(Write Driver)



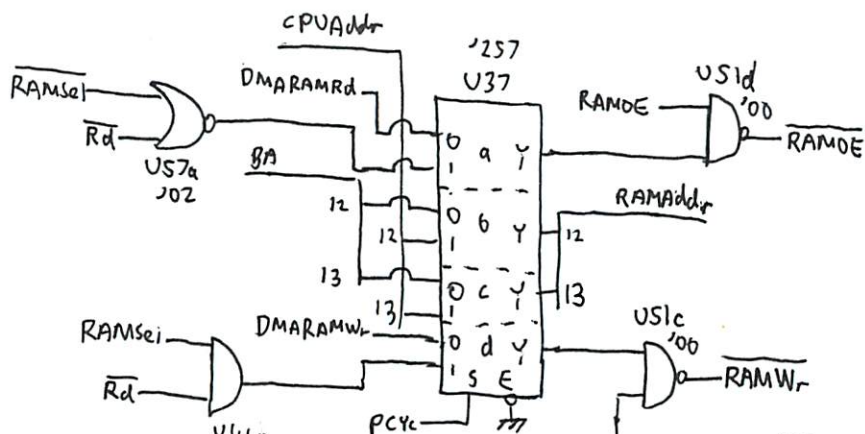
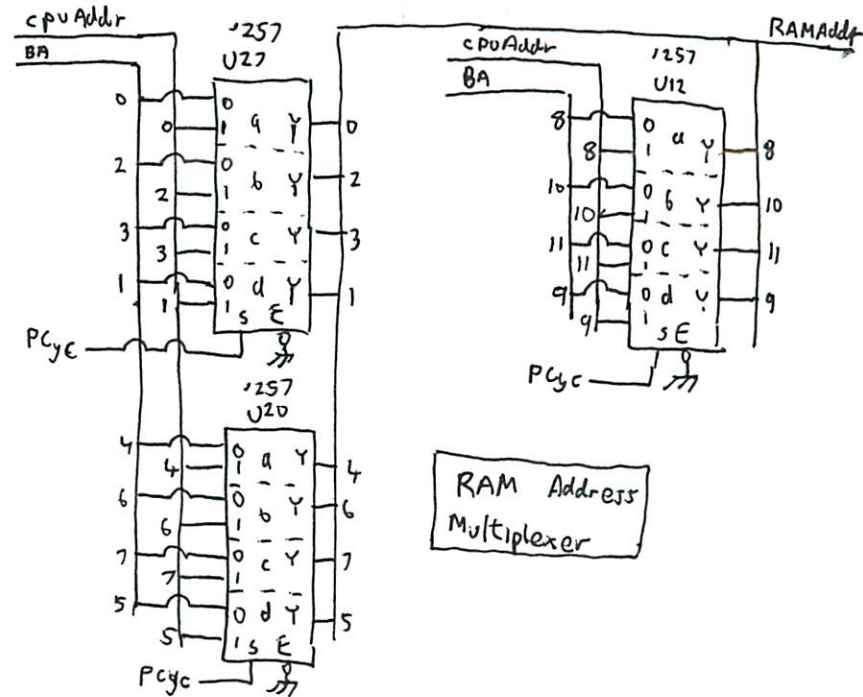
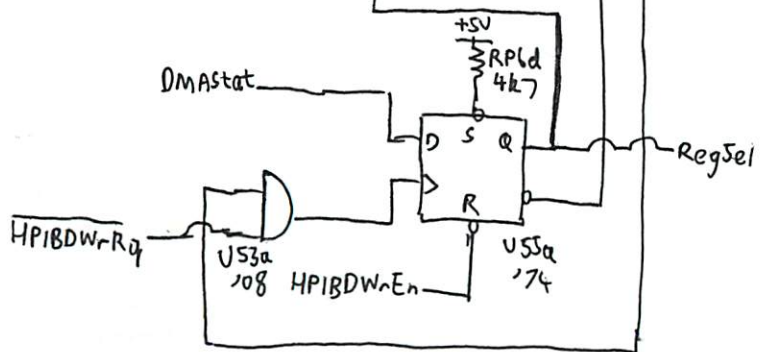
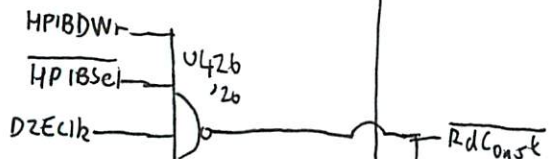
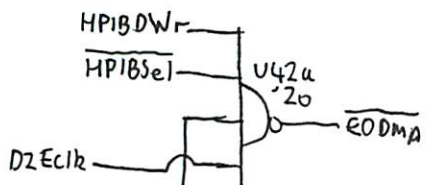
M301
09144-80100





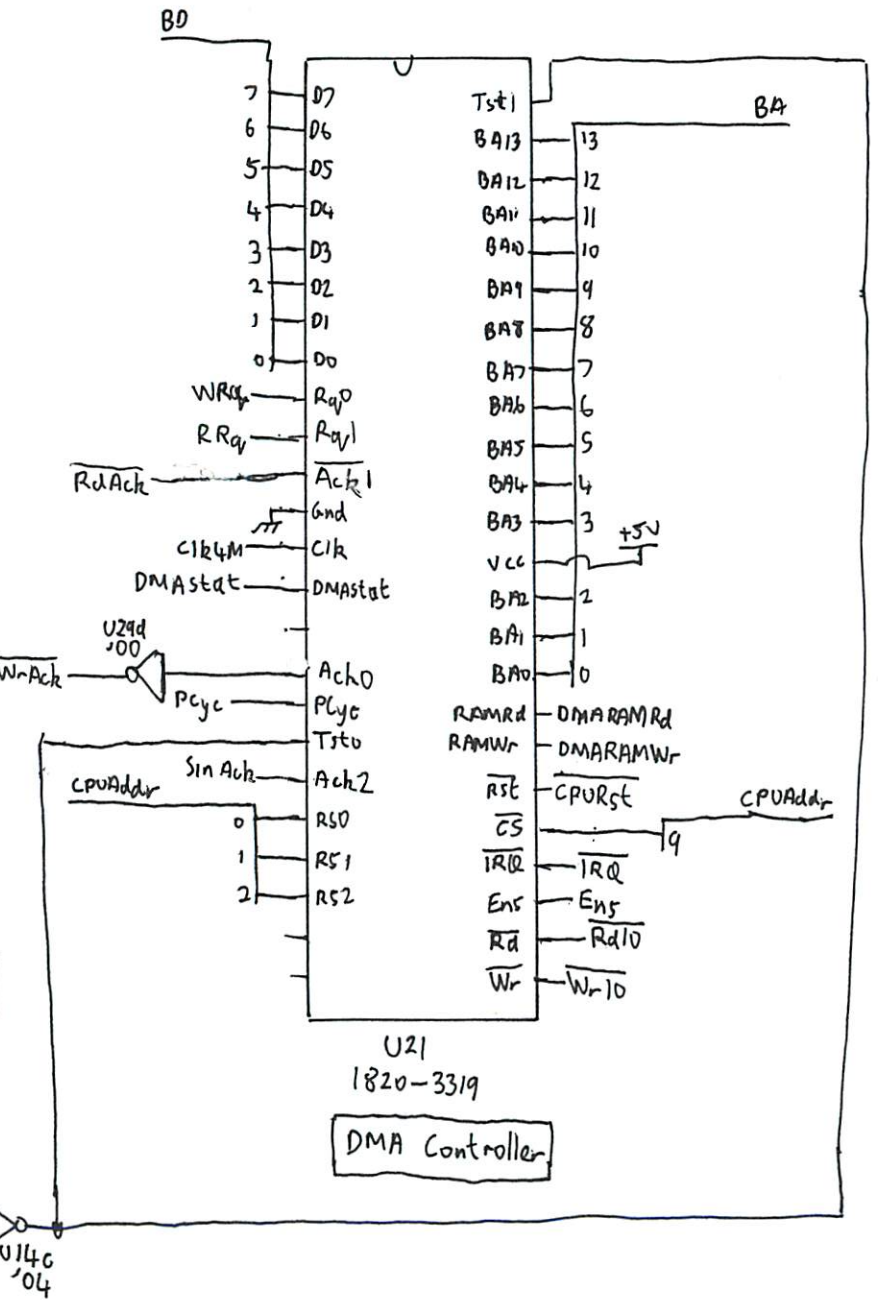
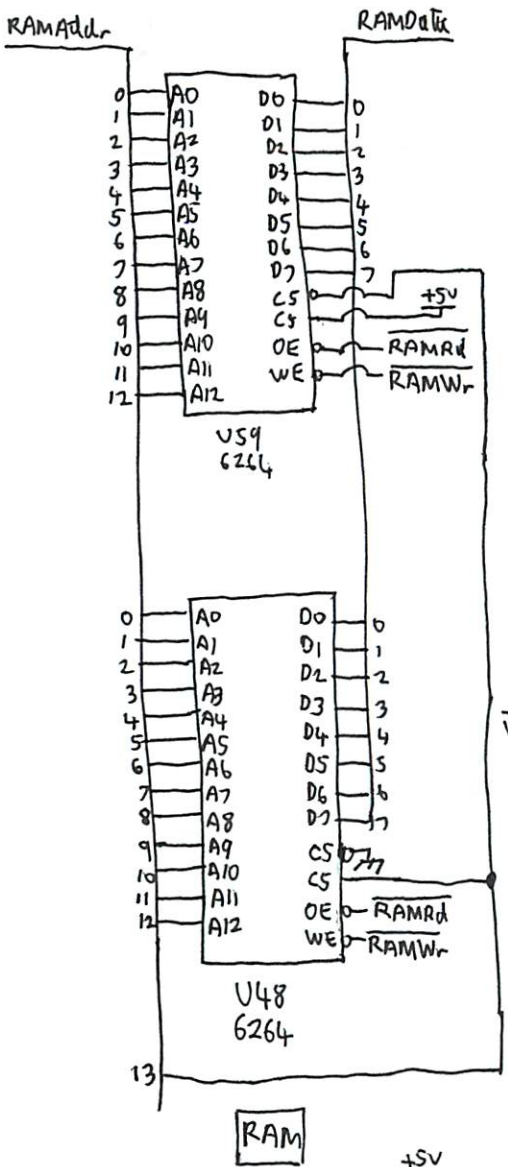
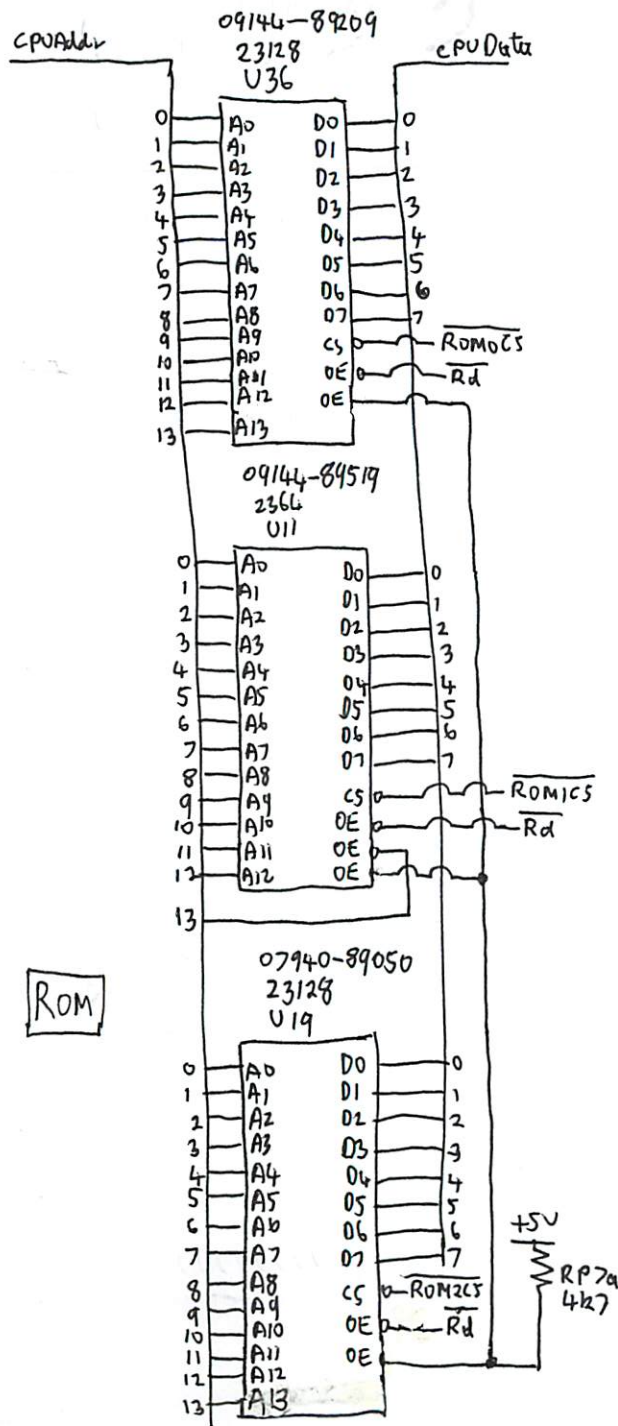


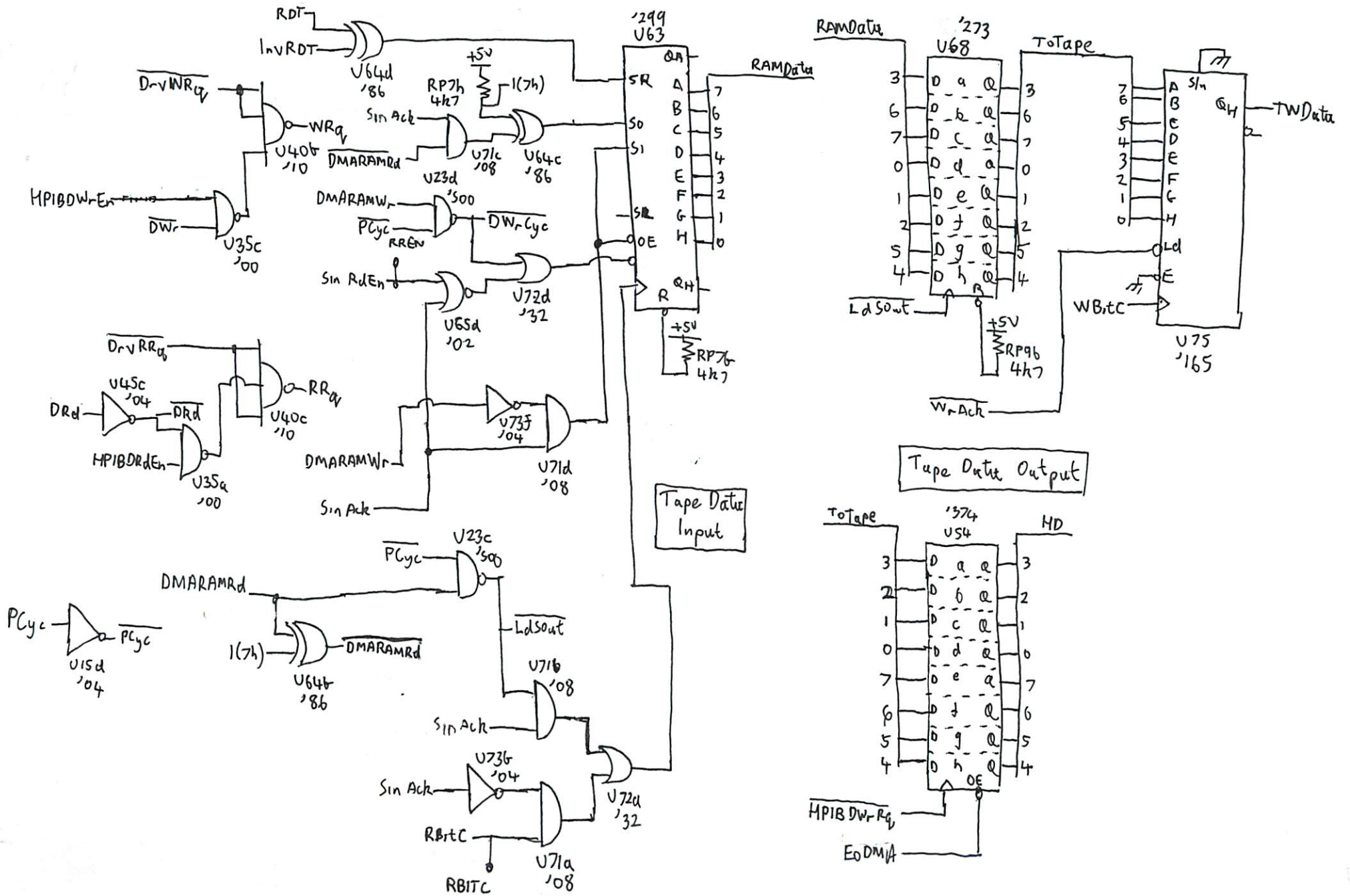
RAM Buffer Control

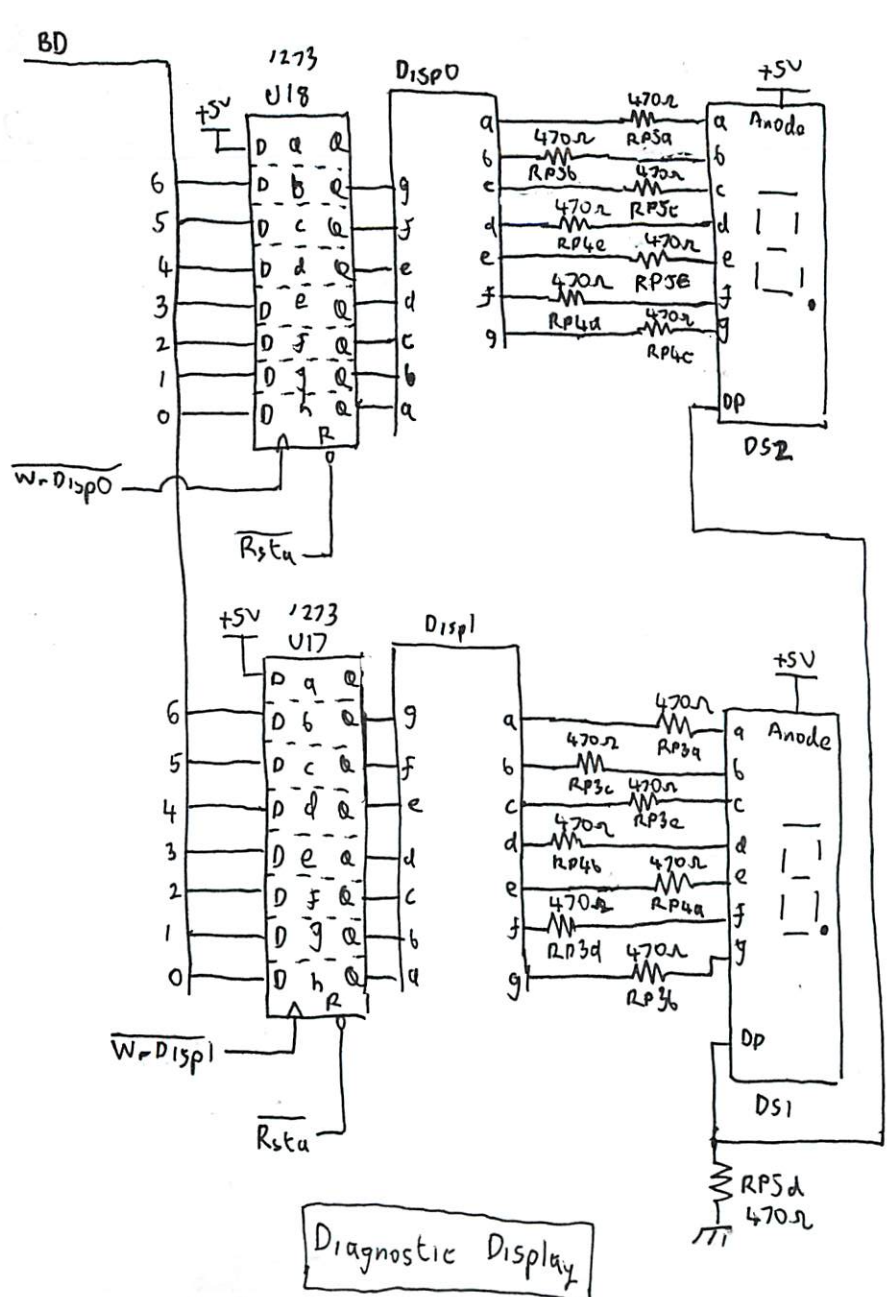


RAM Control

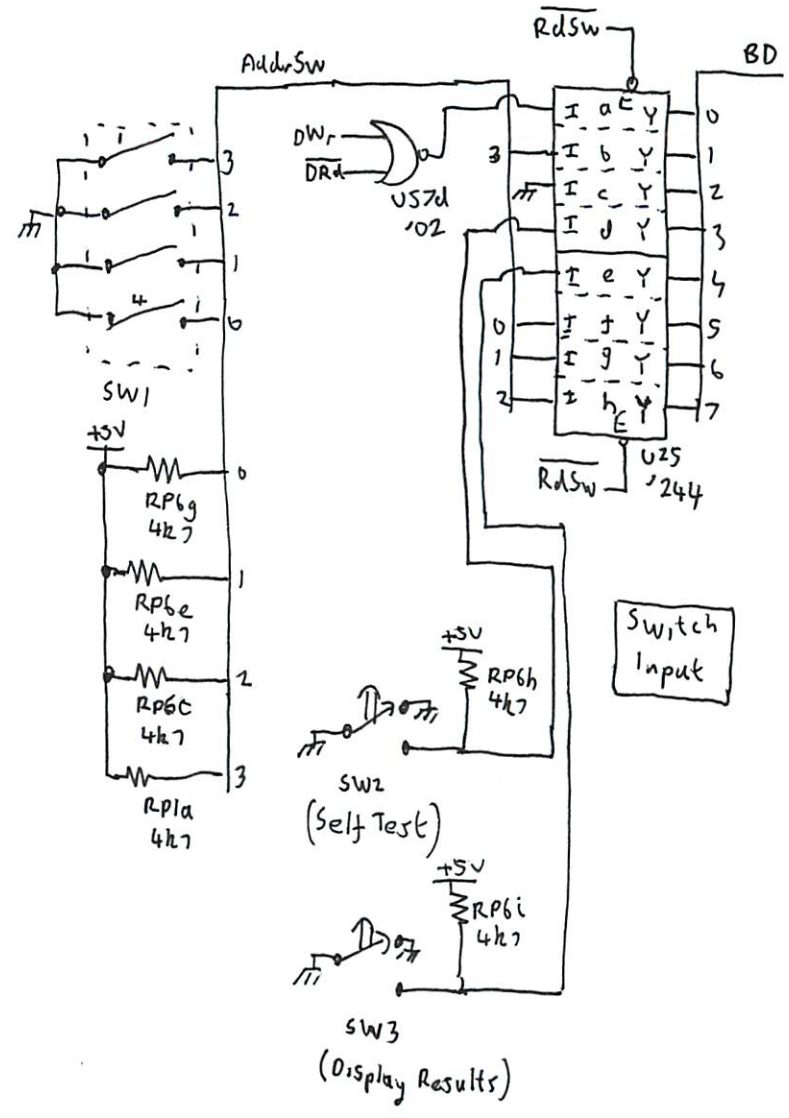


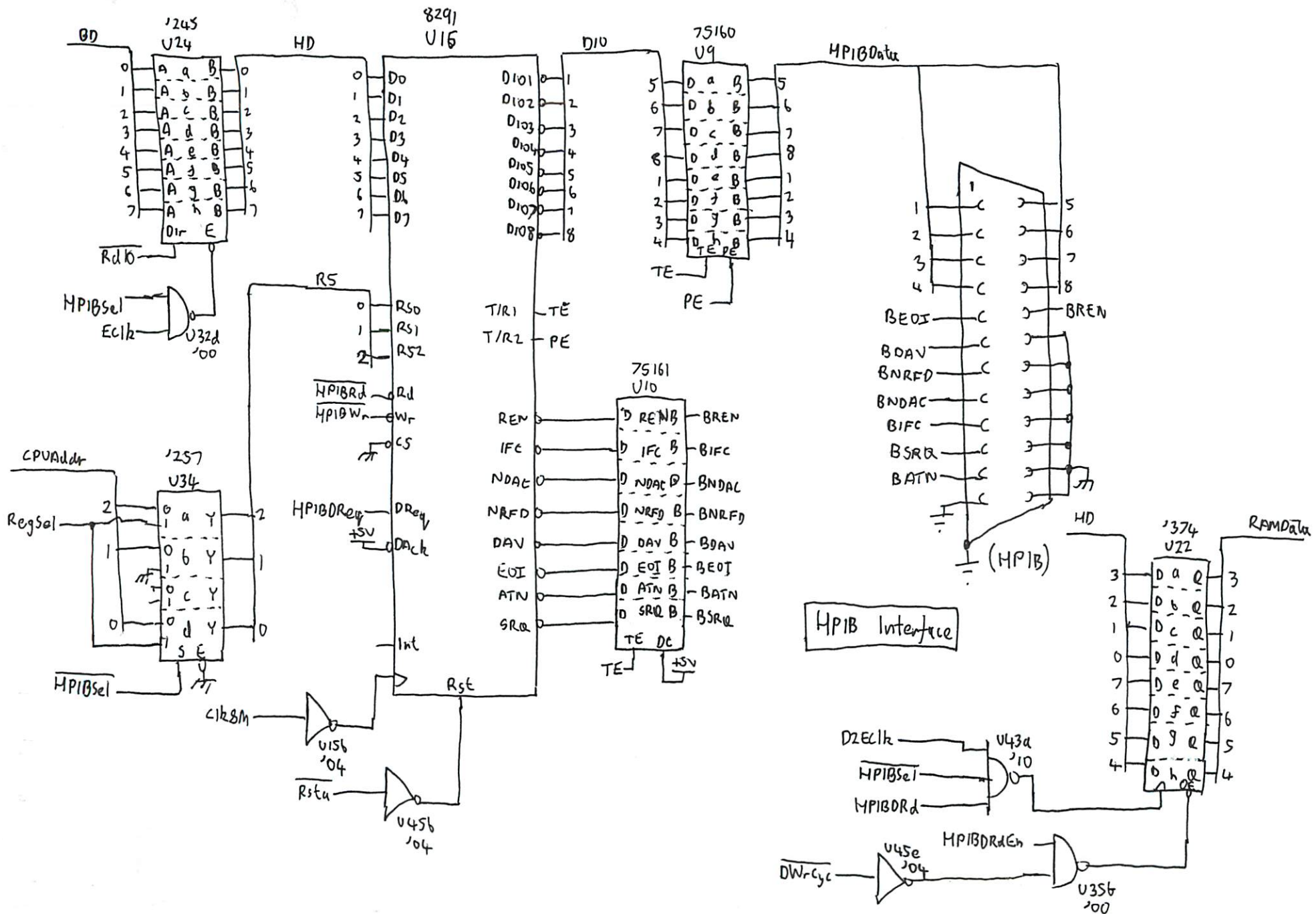


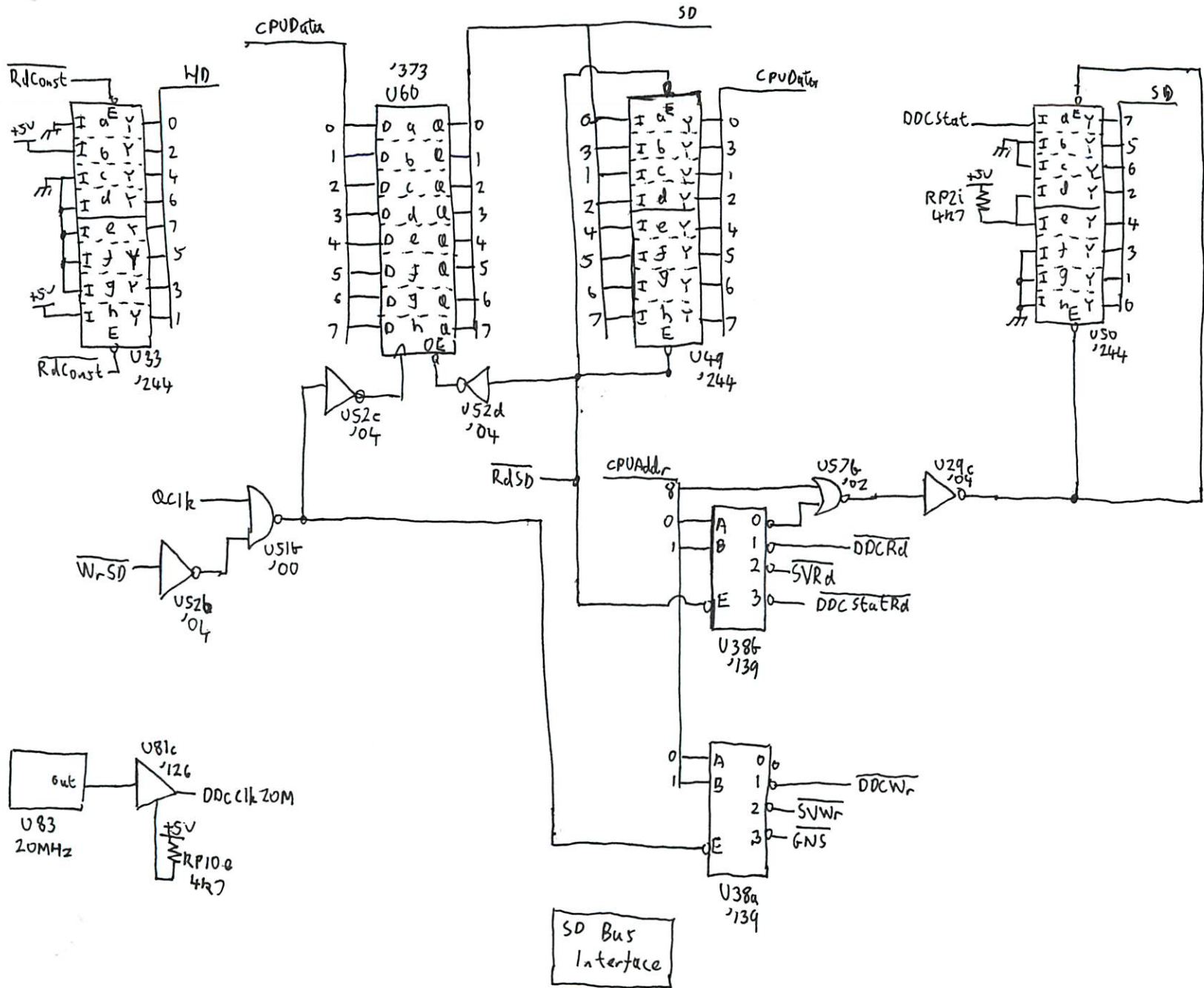


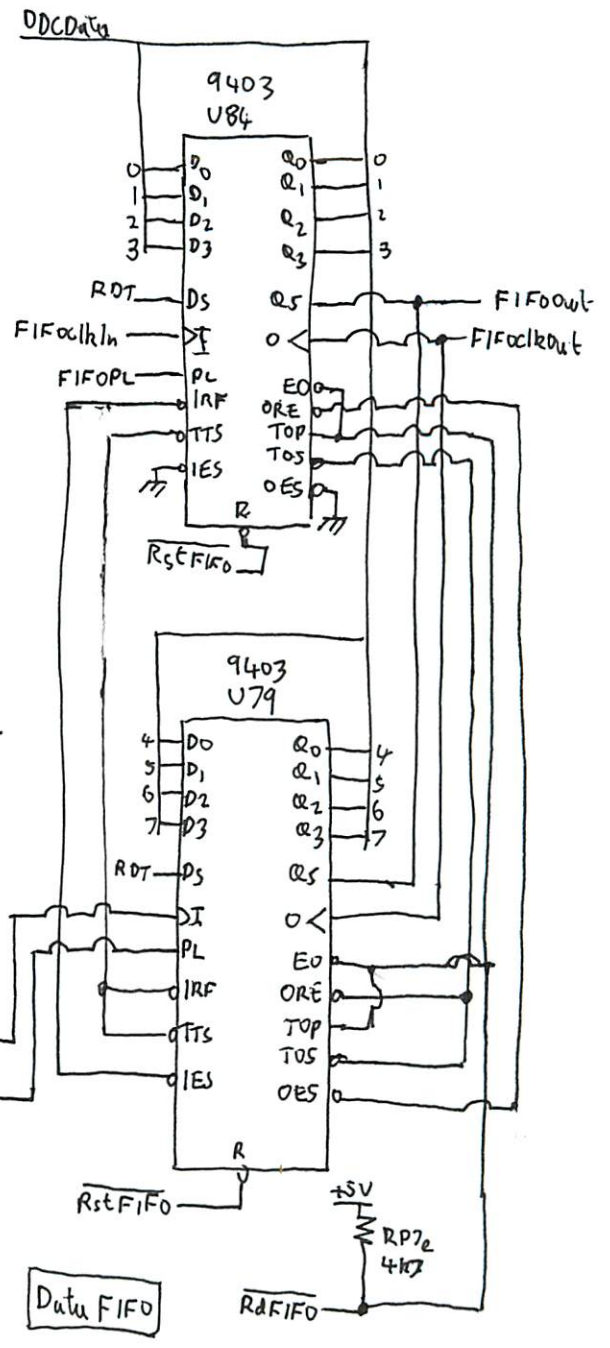
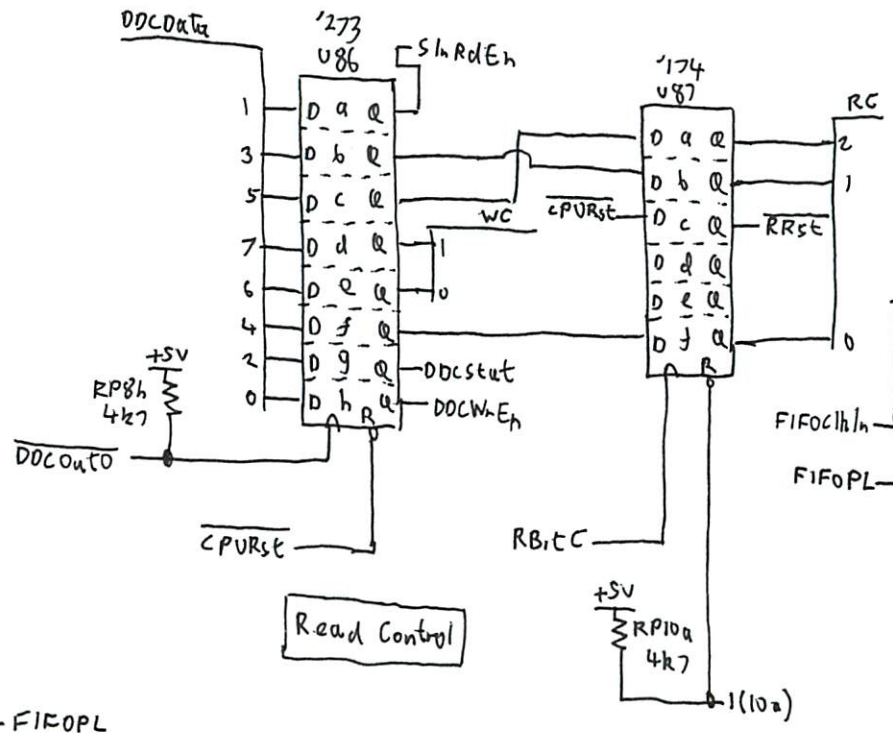
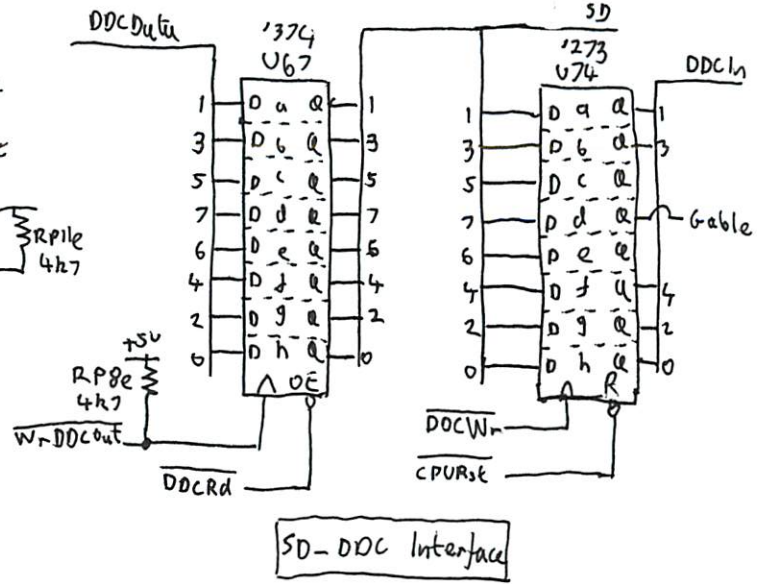
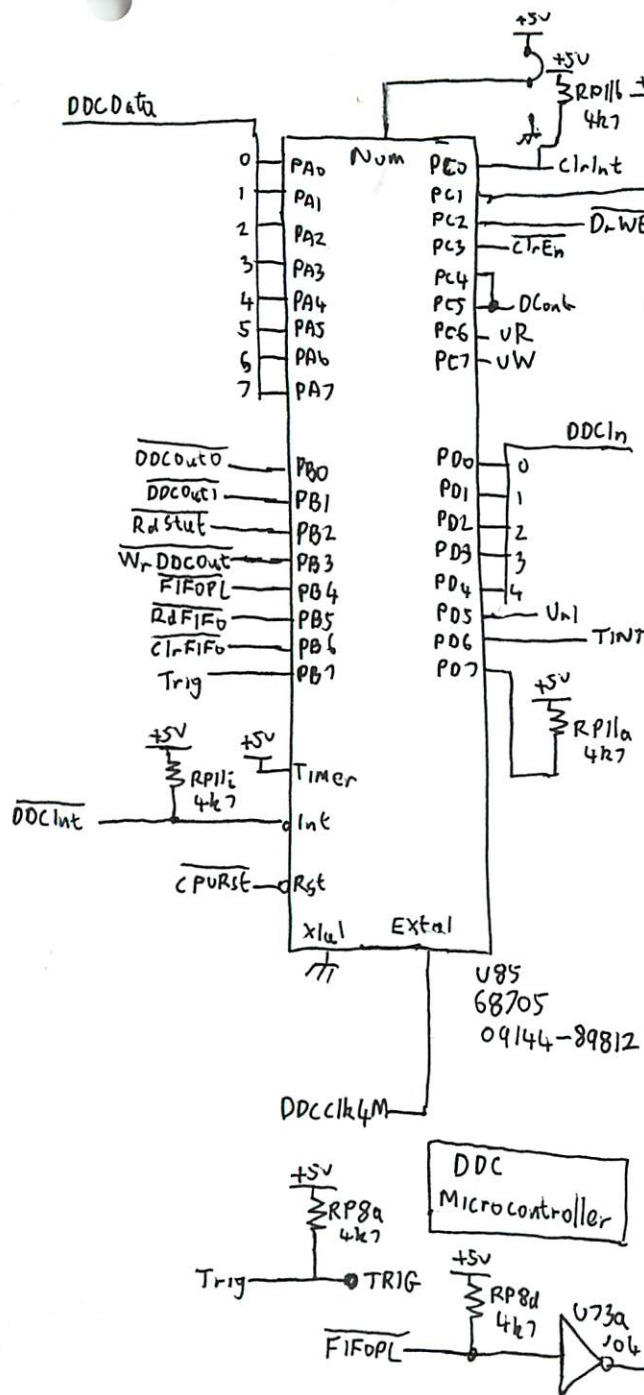


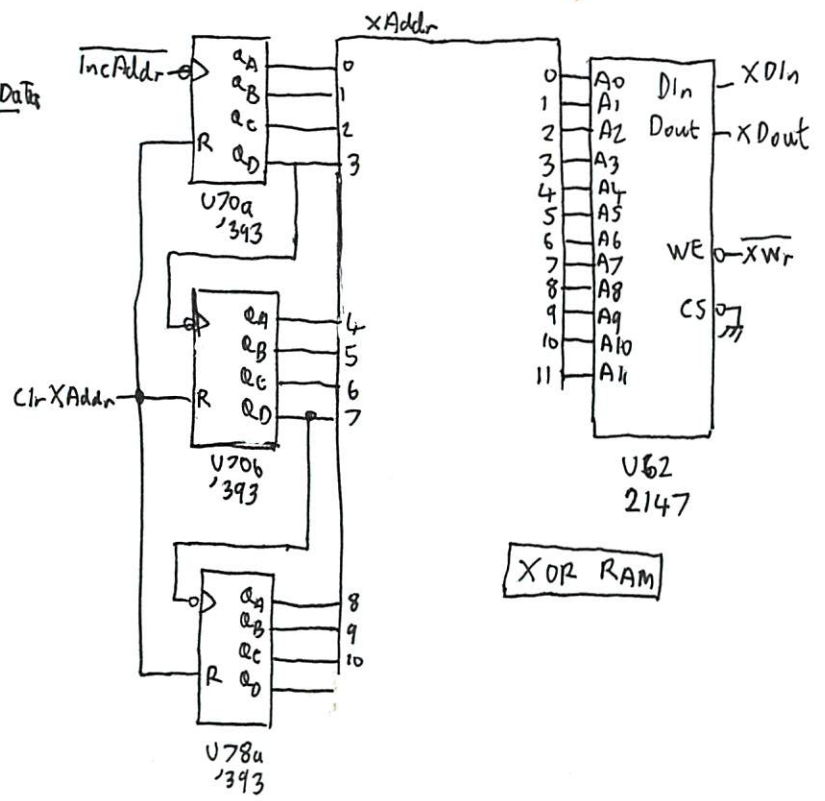
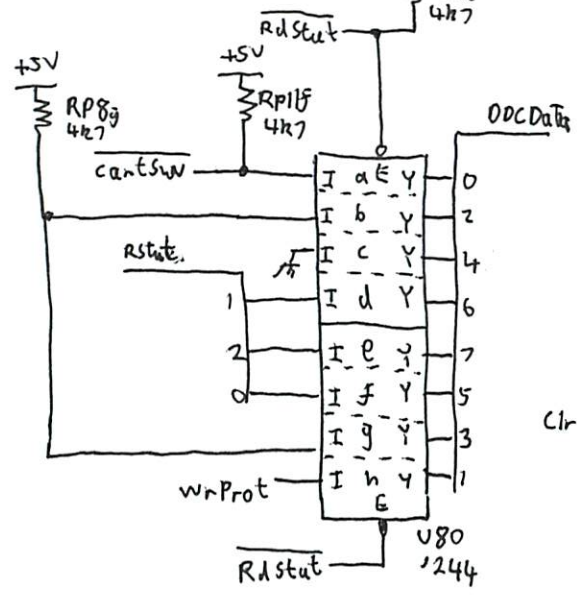
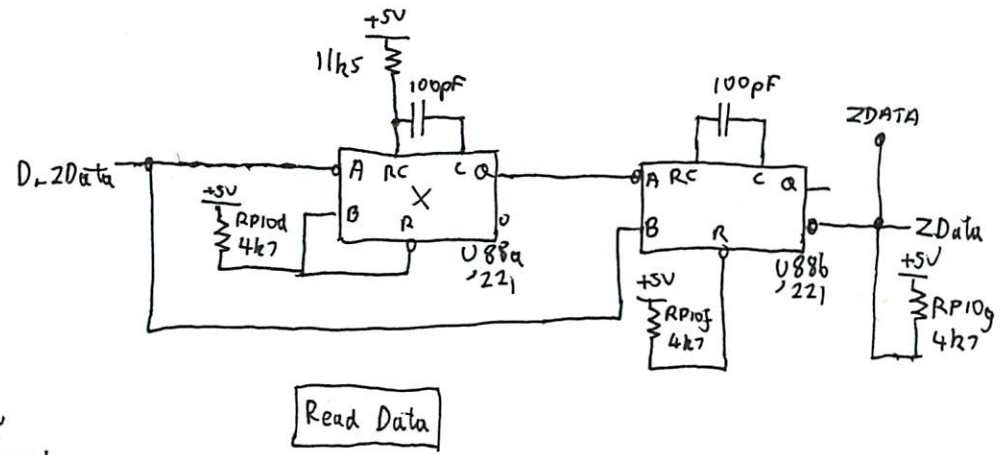
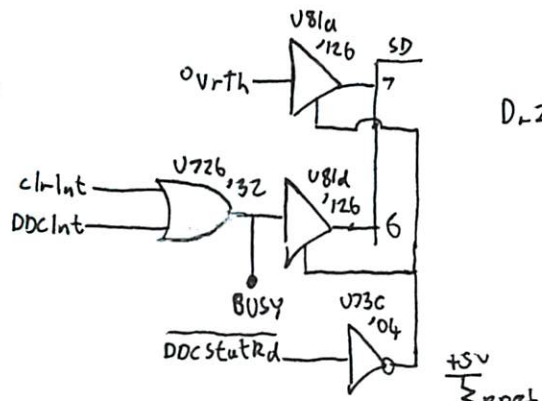
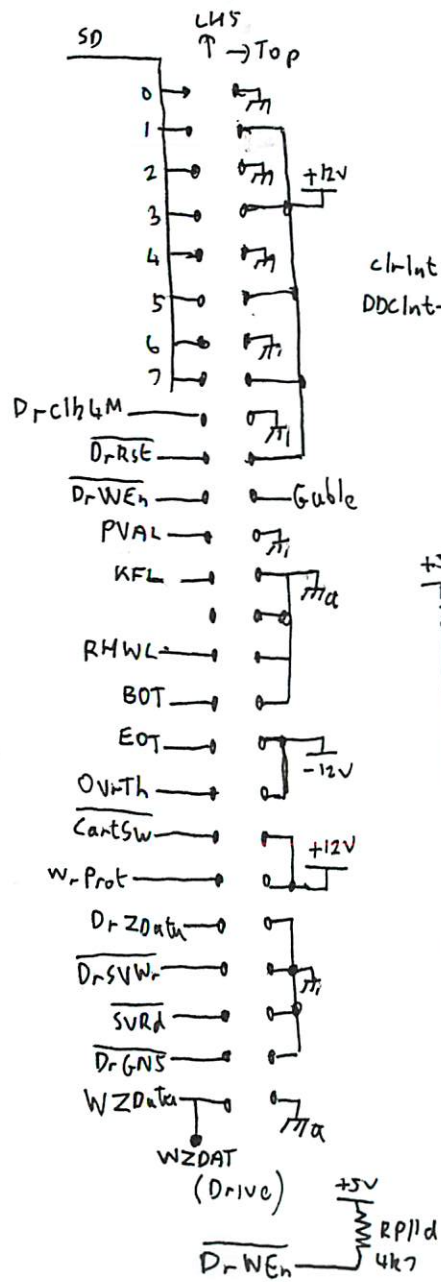
Diagnostic Display

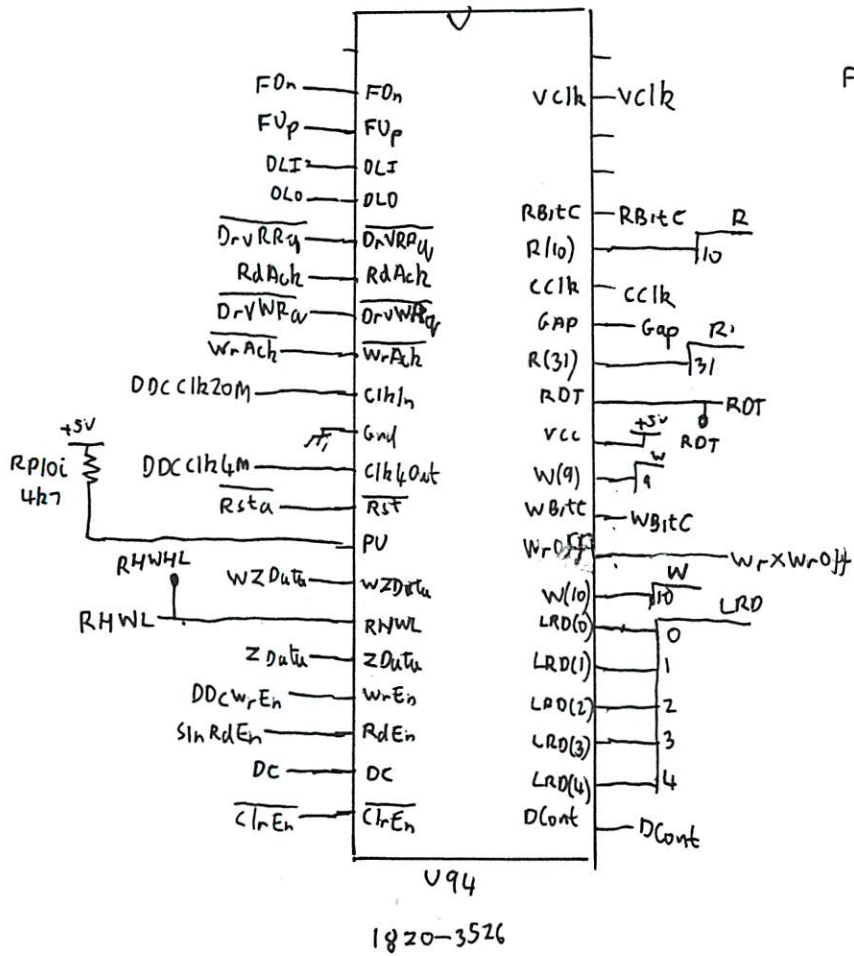






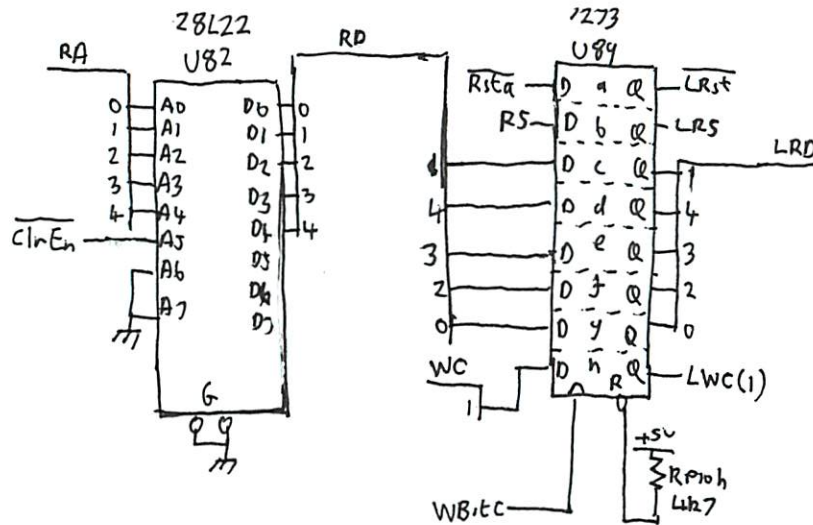
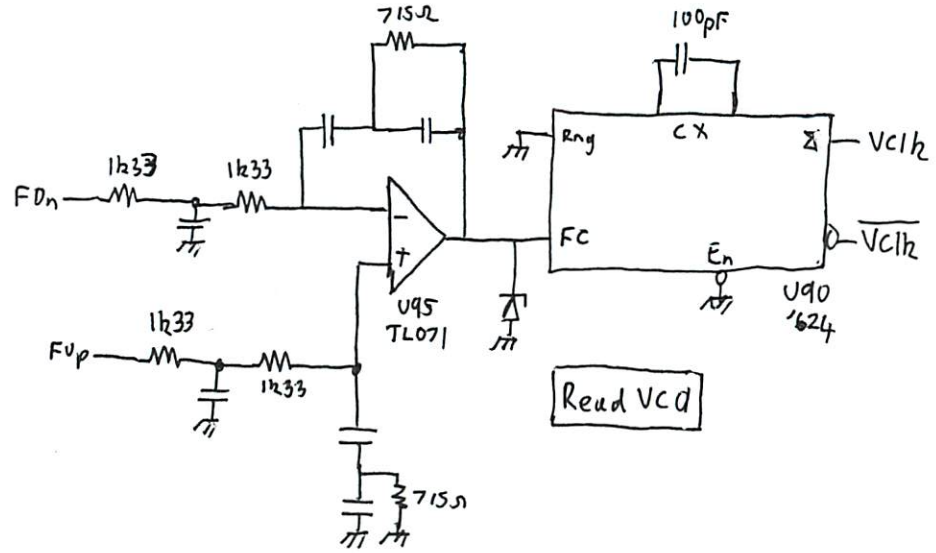


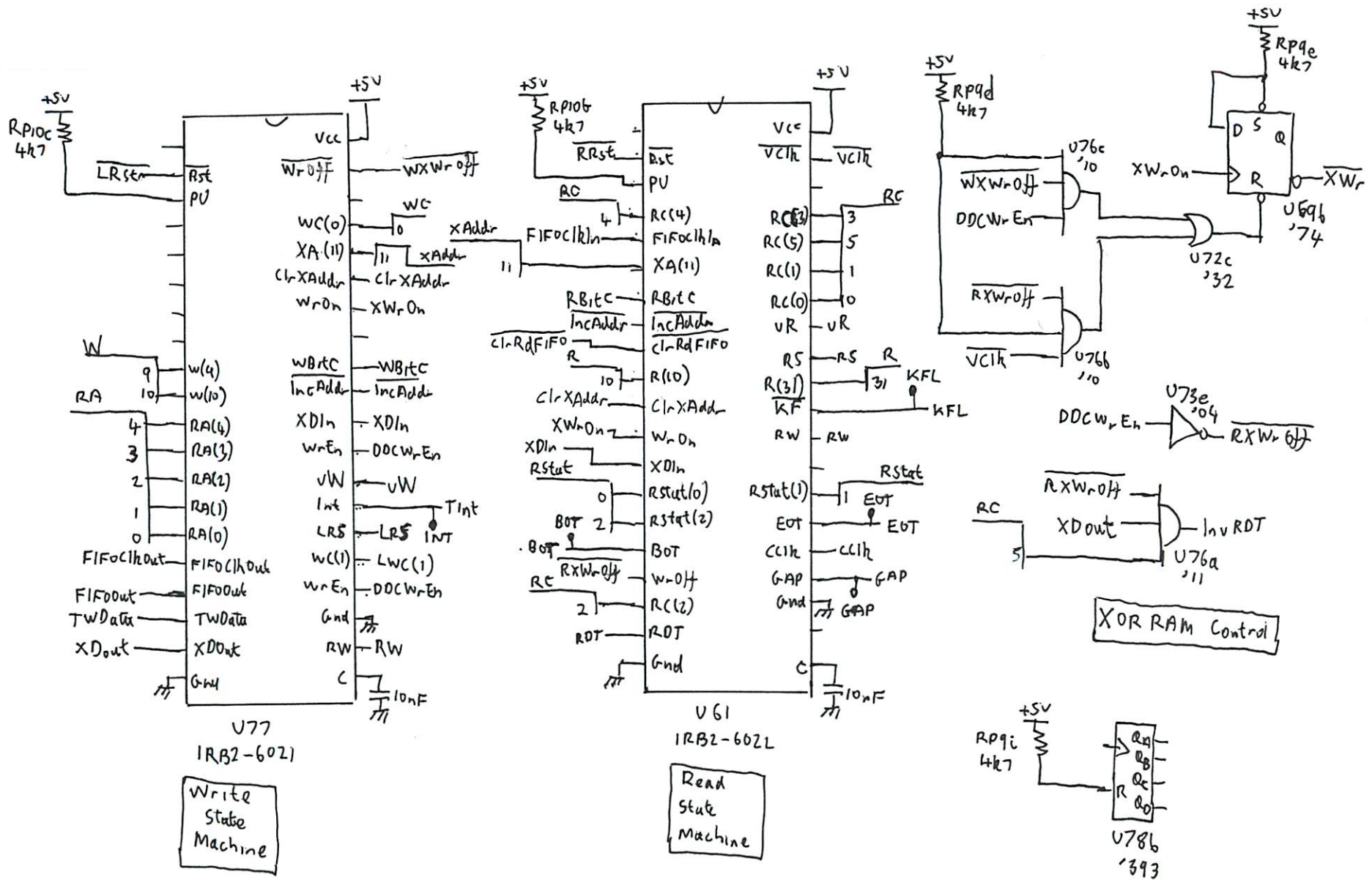


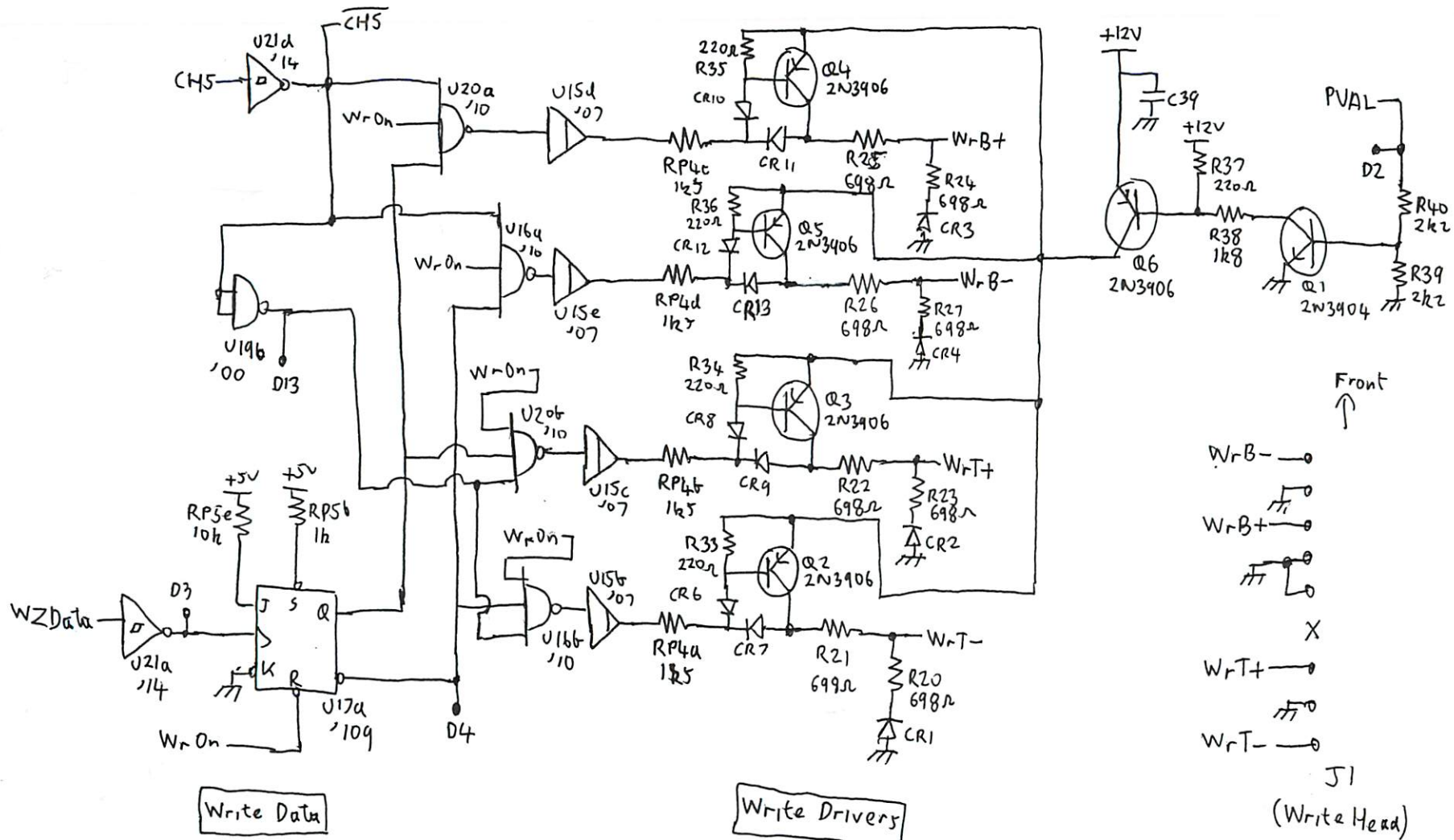


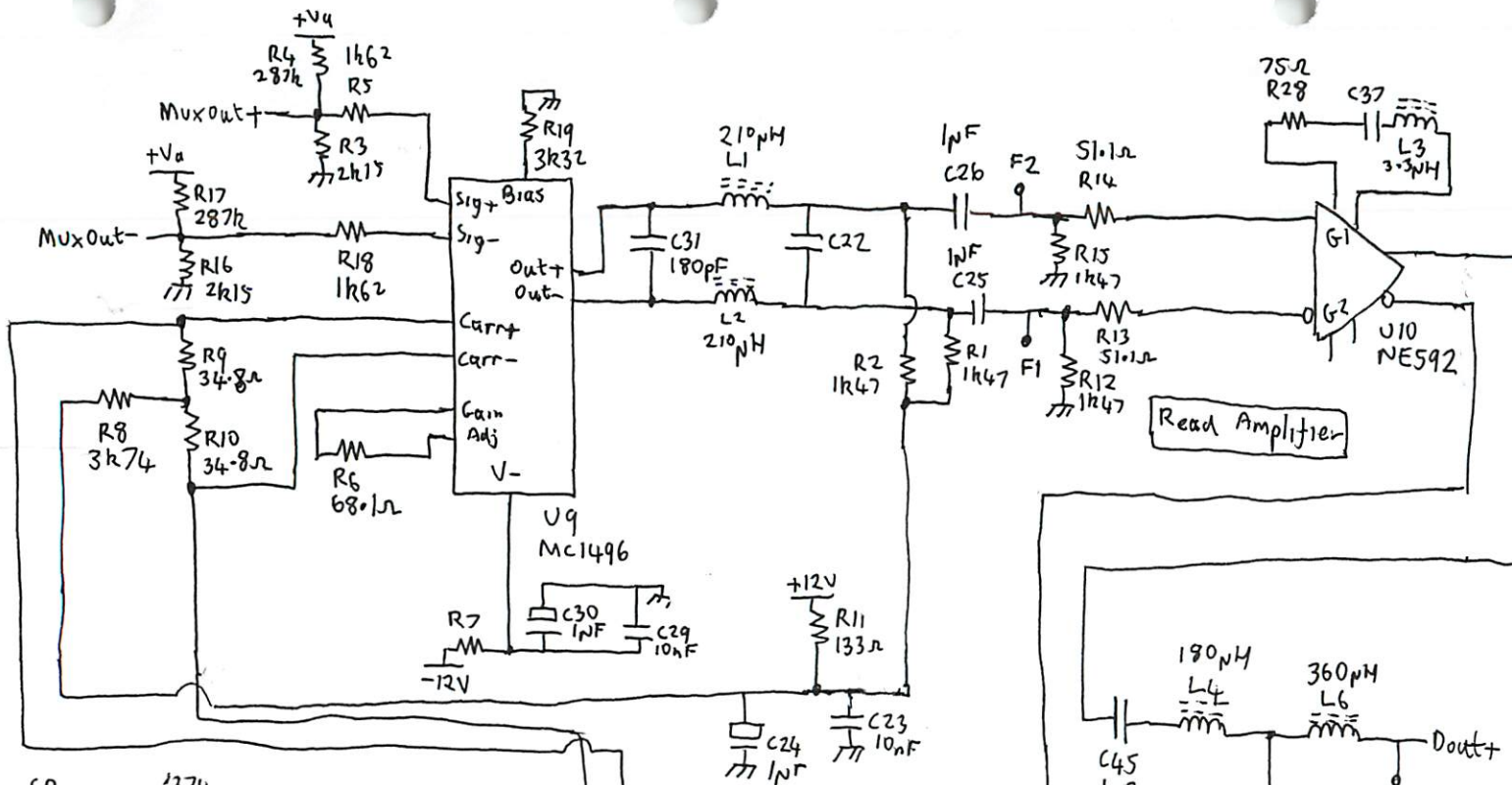
WBitC → WBIC

Drive Data Control

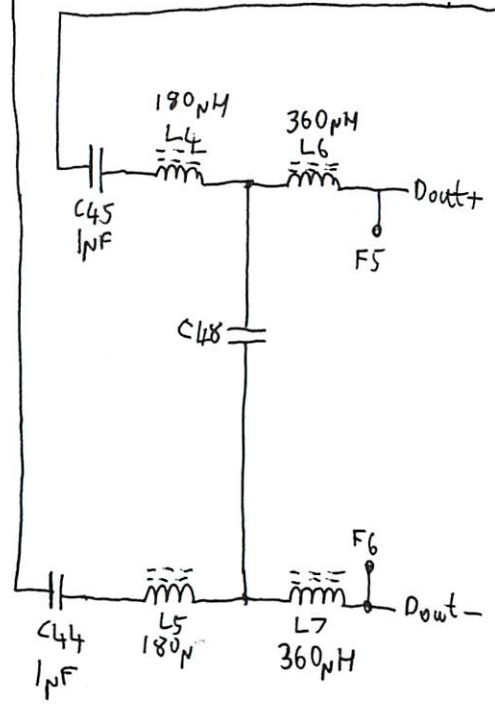




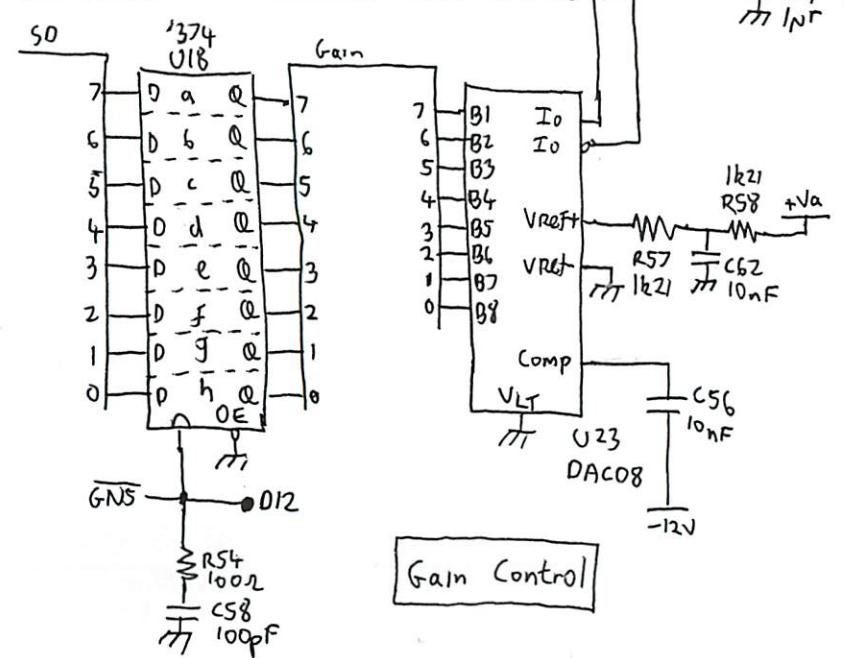




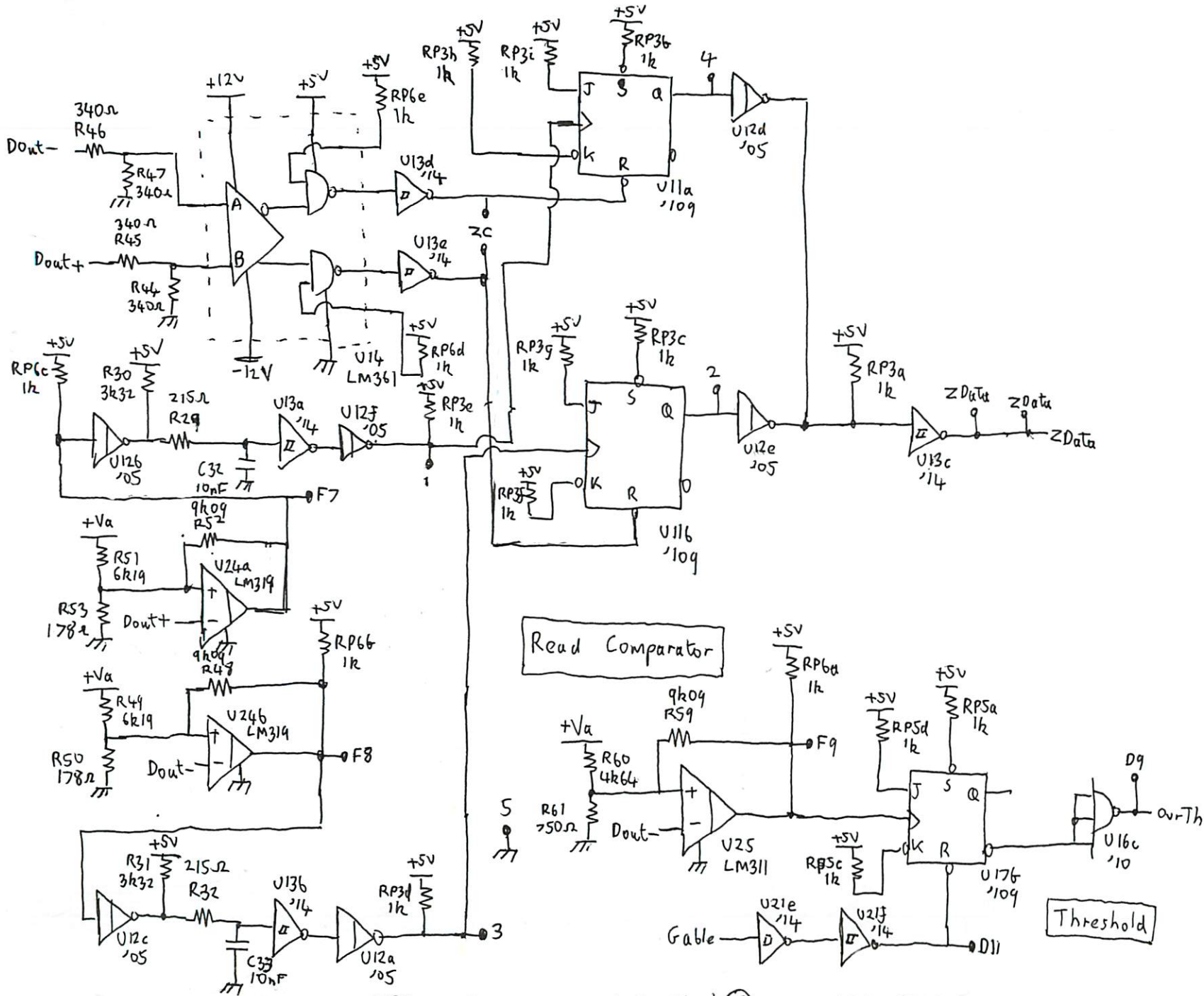
Read Amplifier

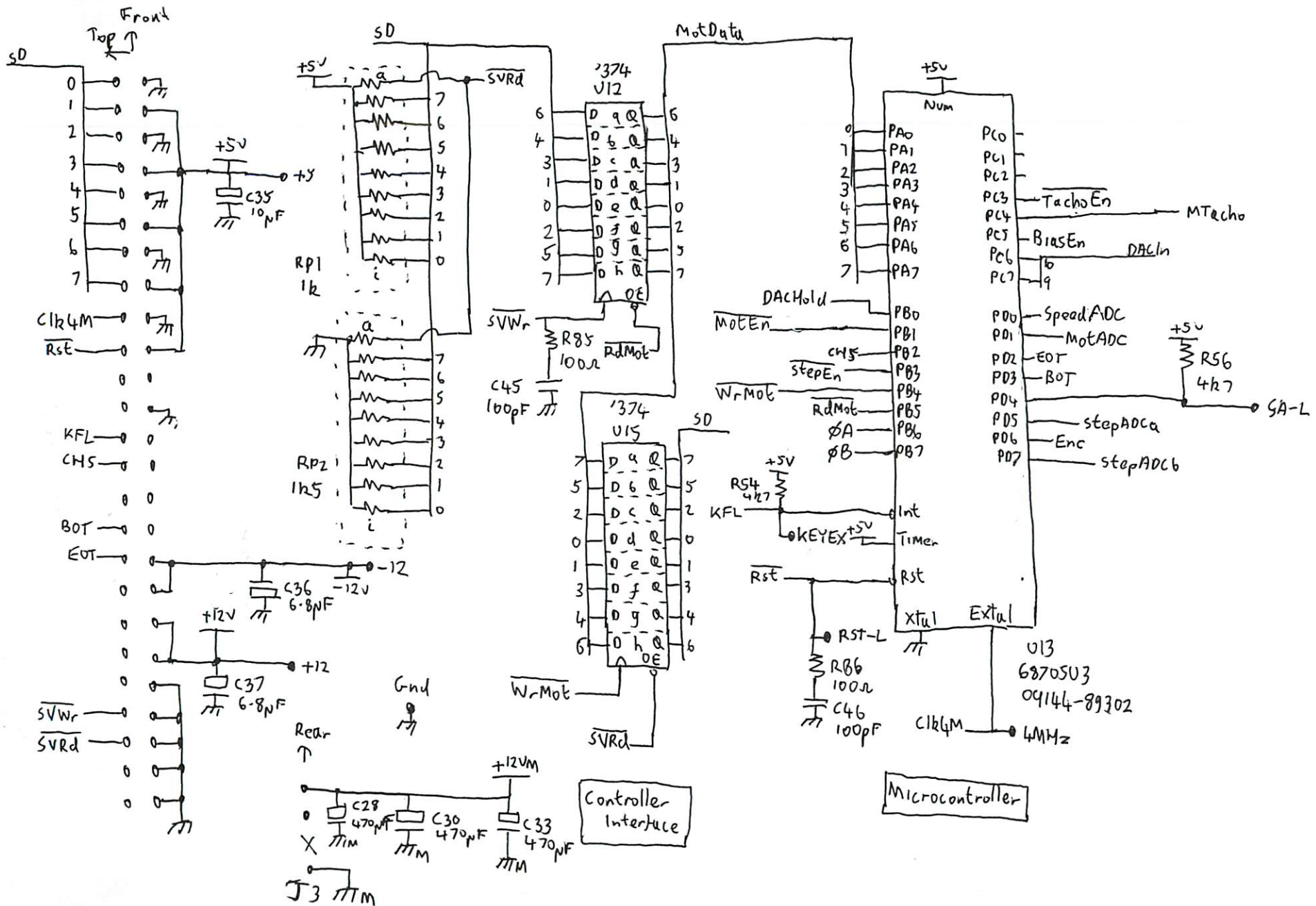


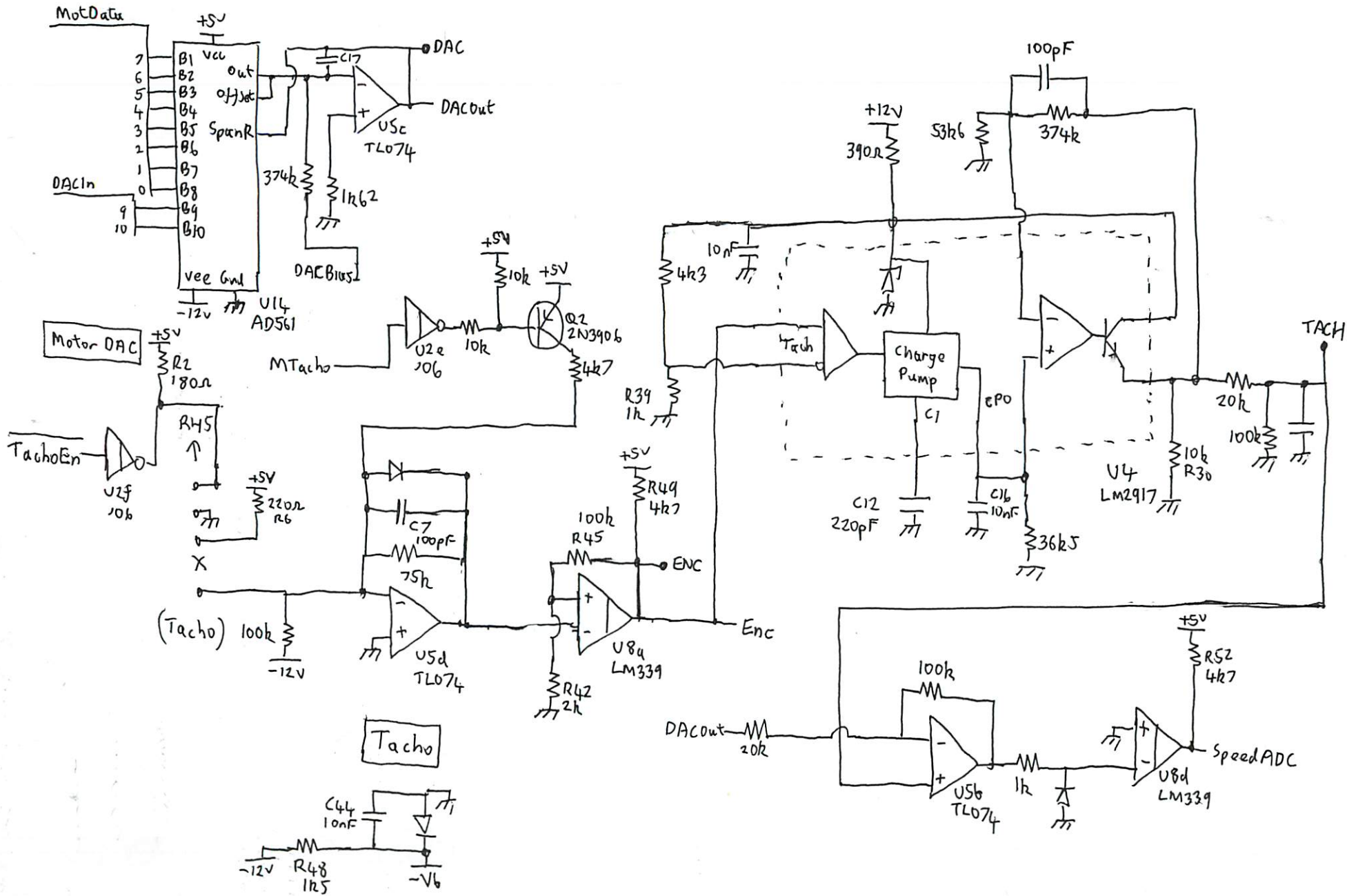
Read Filter

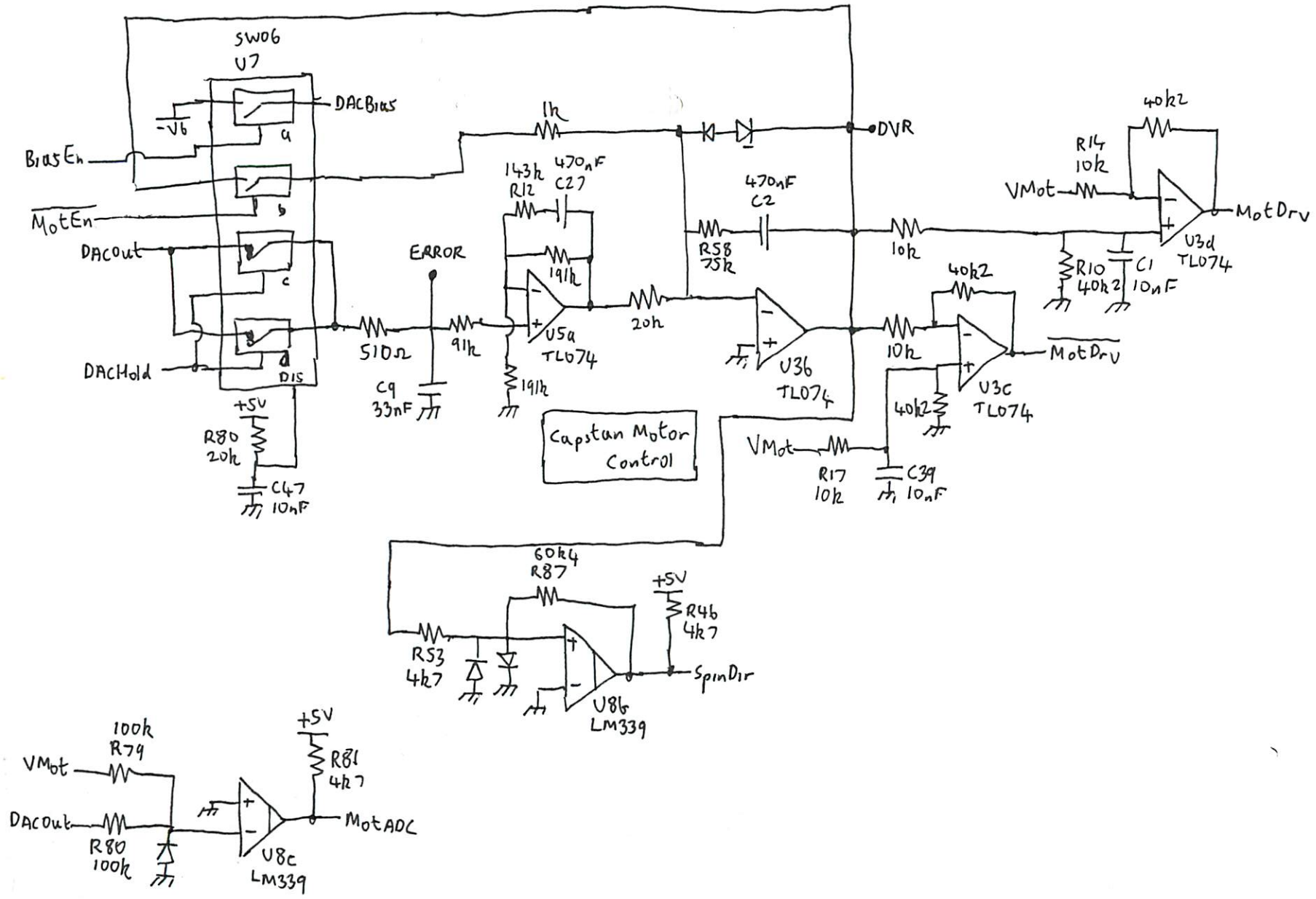


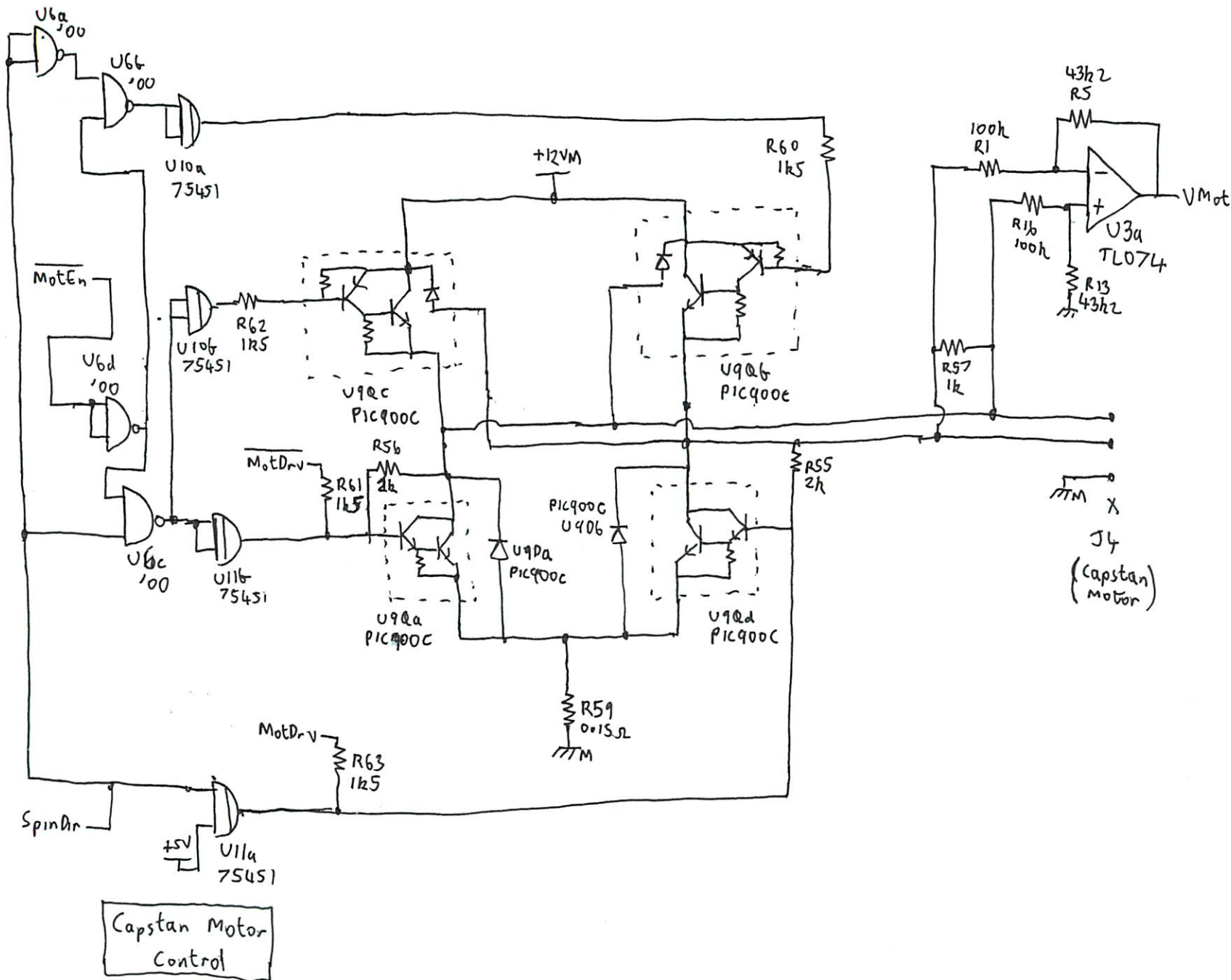
Gain Control

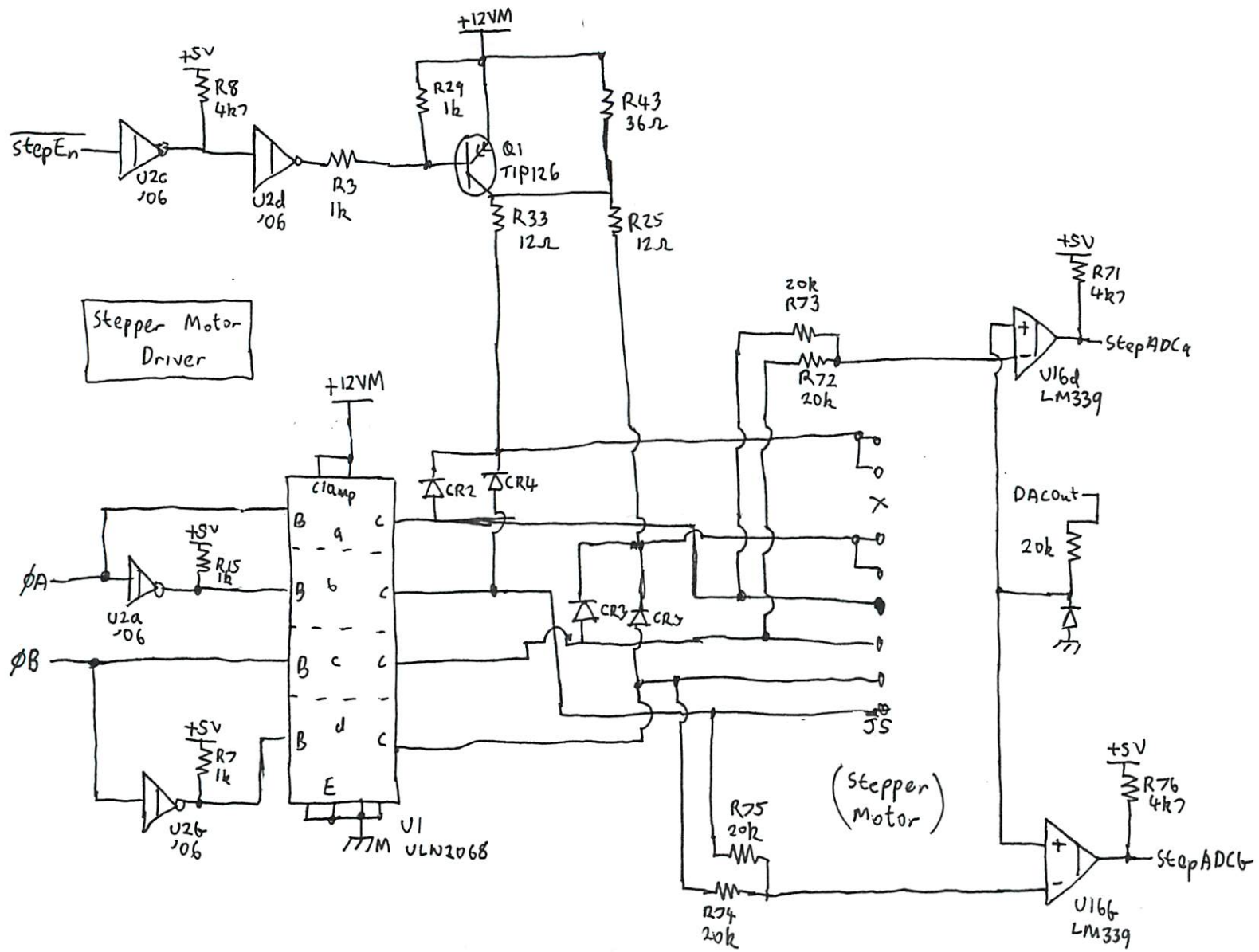


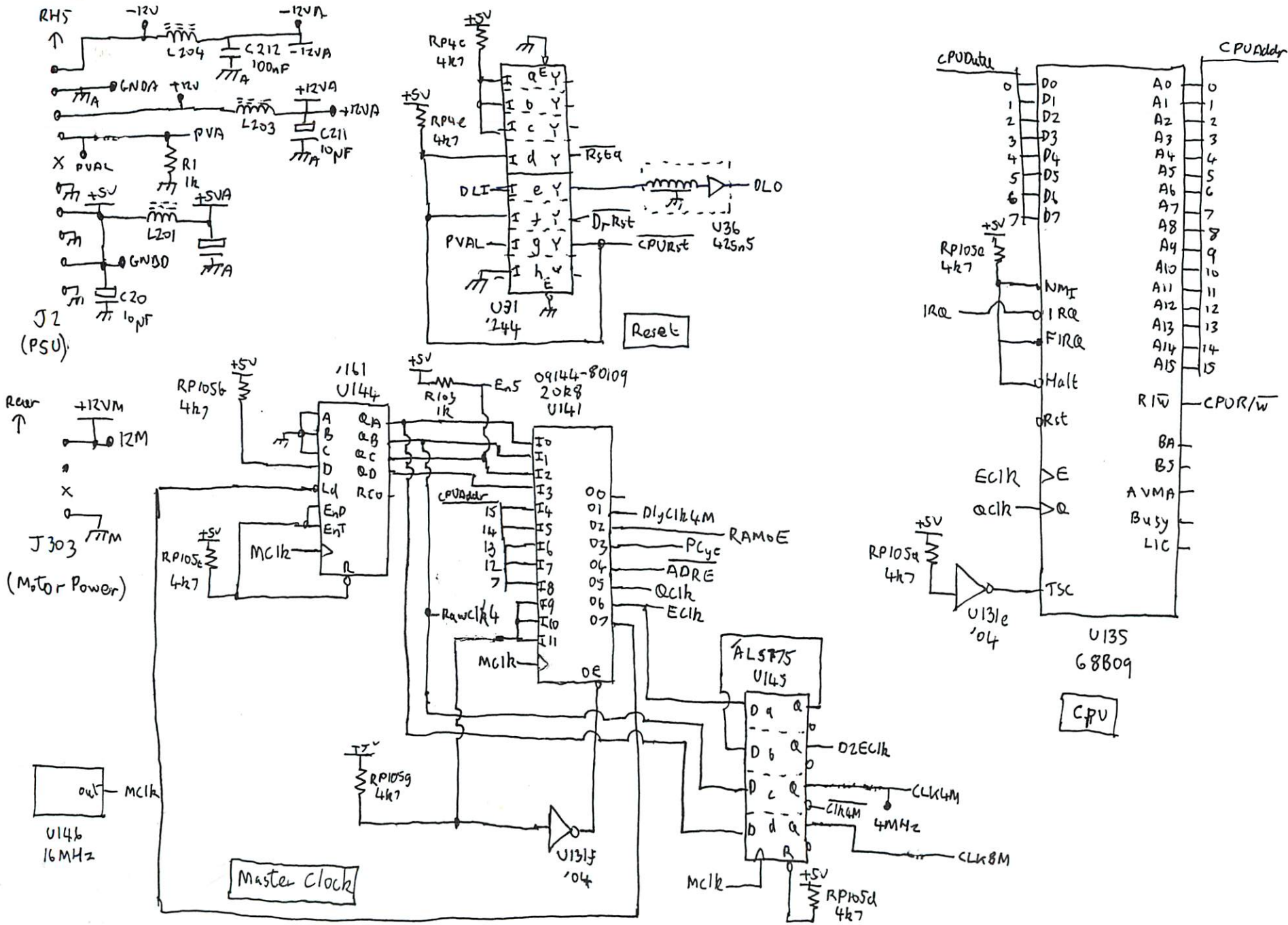


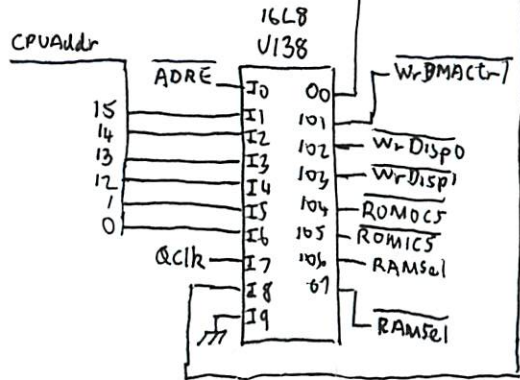
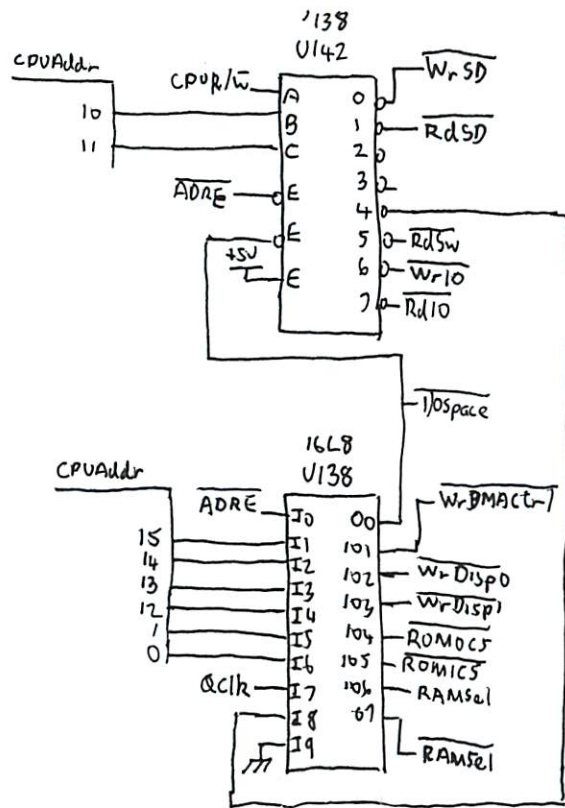
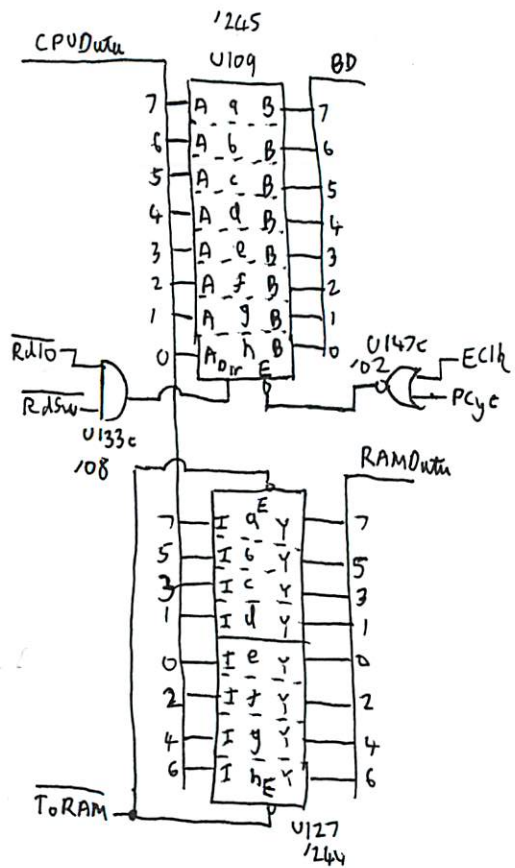




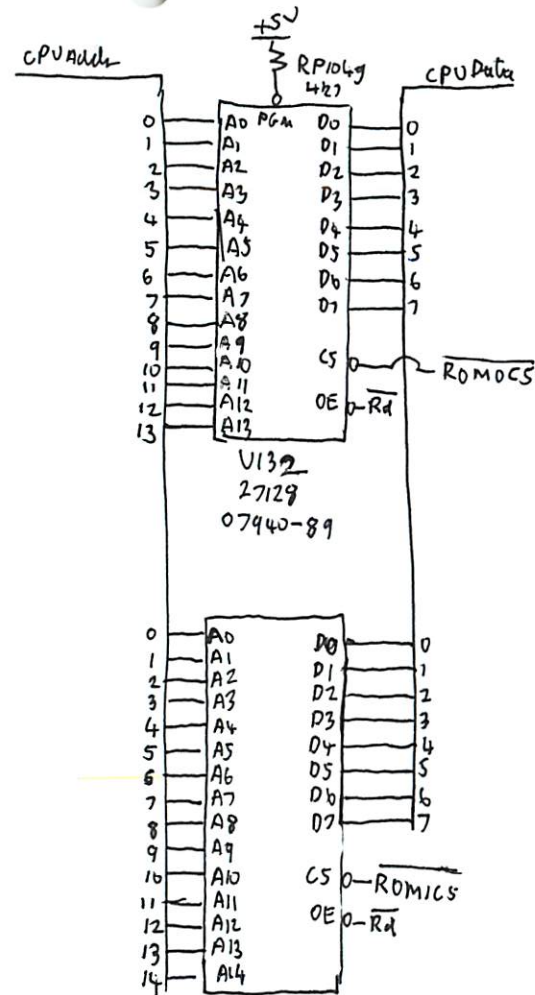
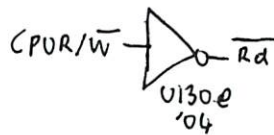




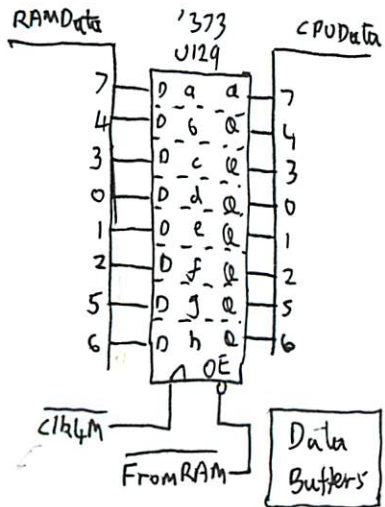


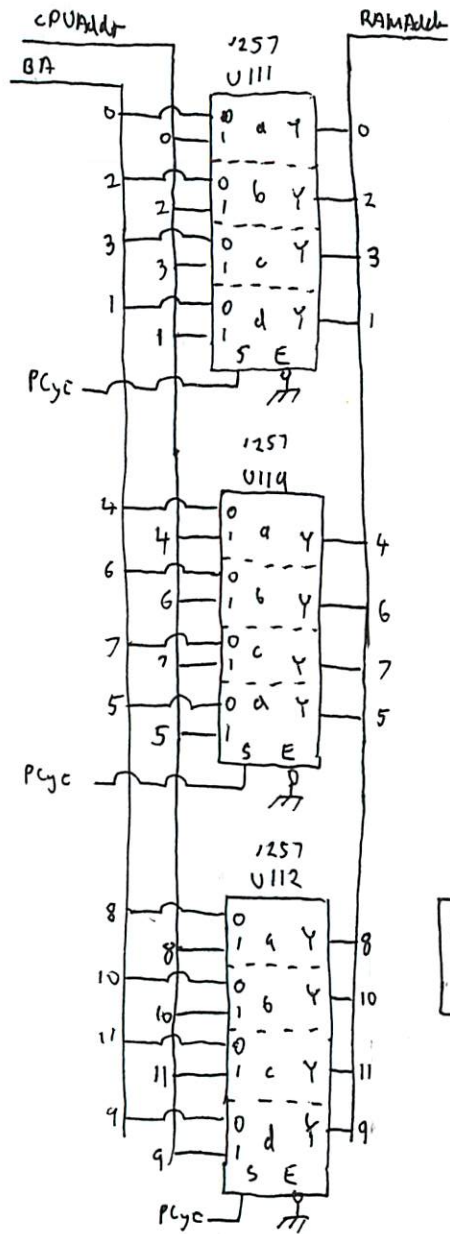


Address Decoder

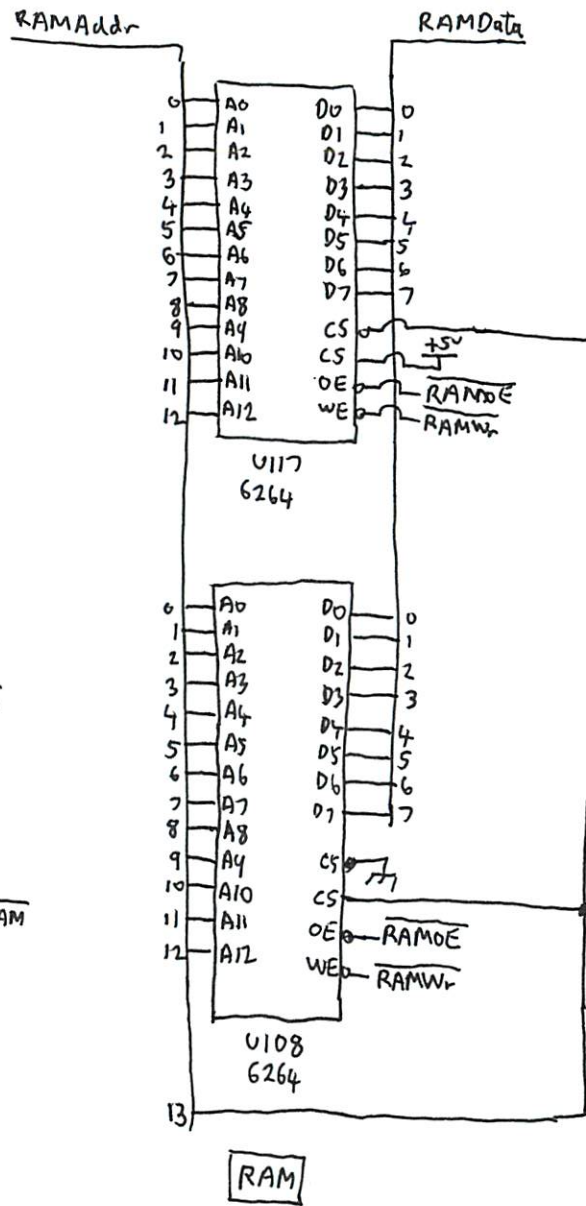
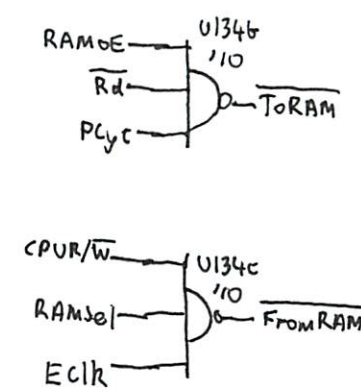
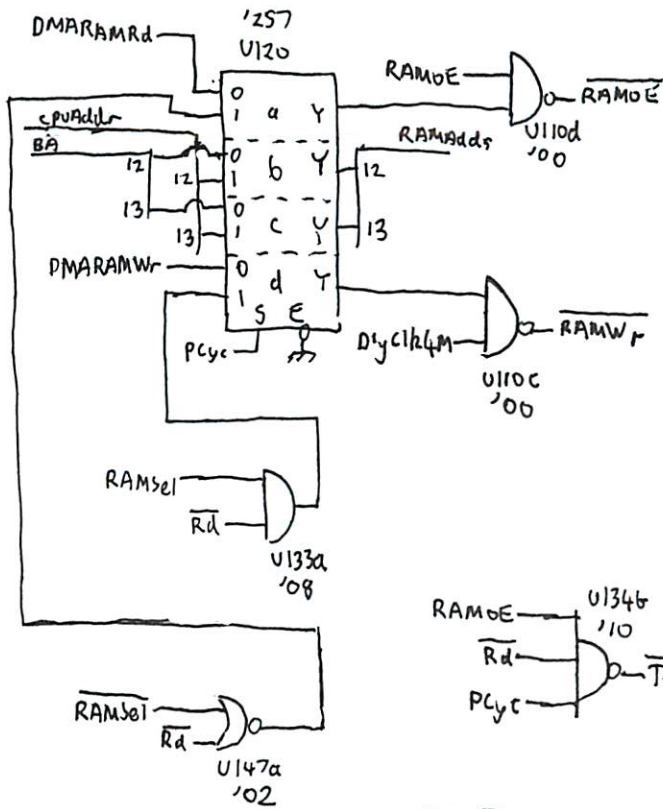


ROM

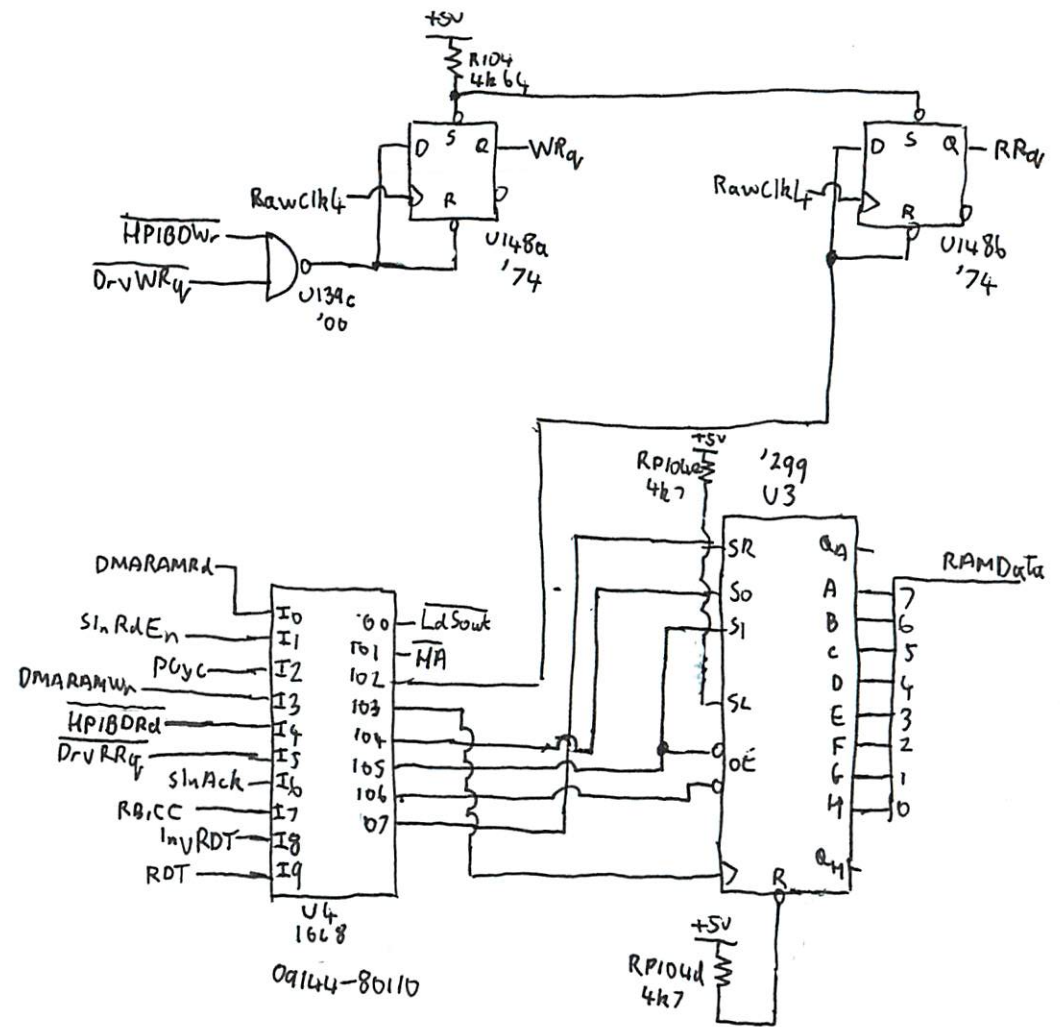
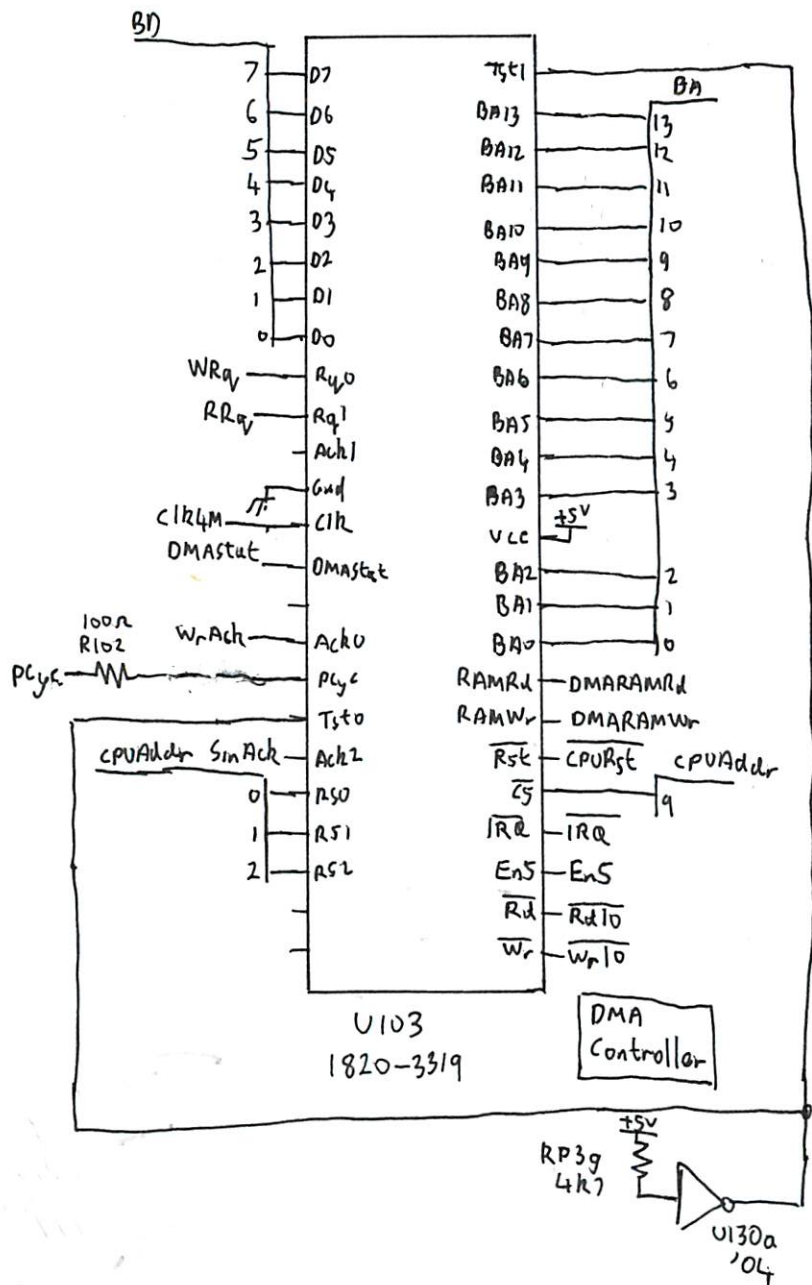




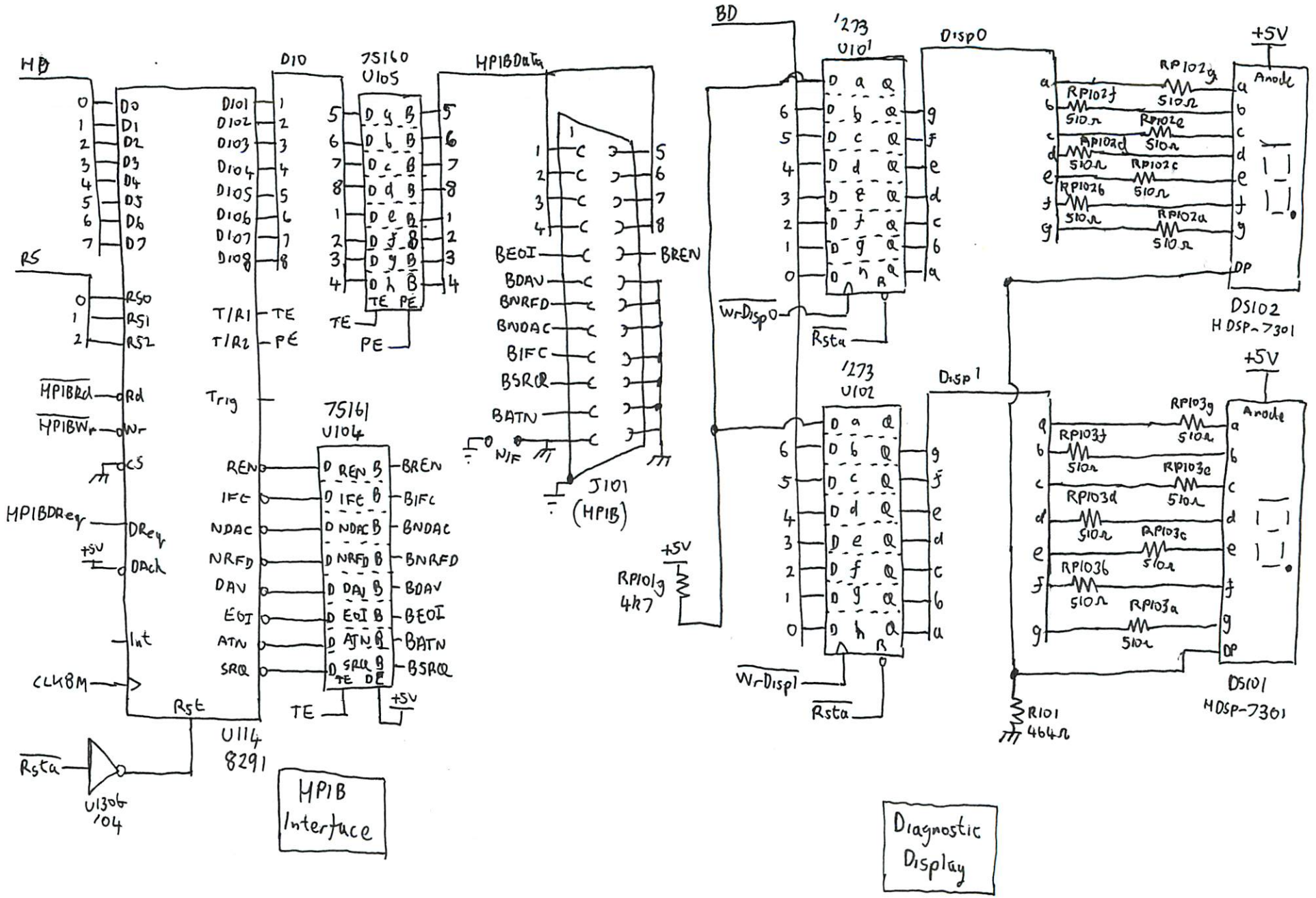
RAM Address Multiplexer

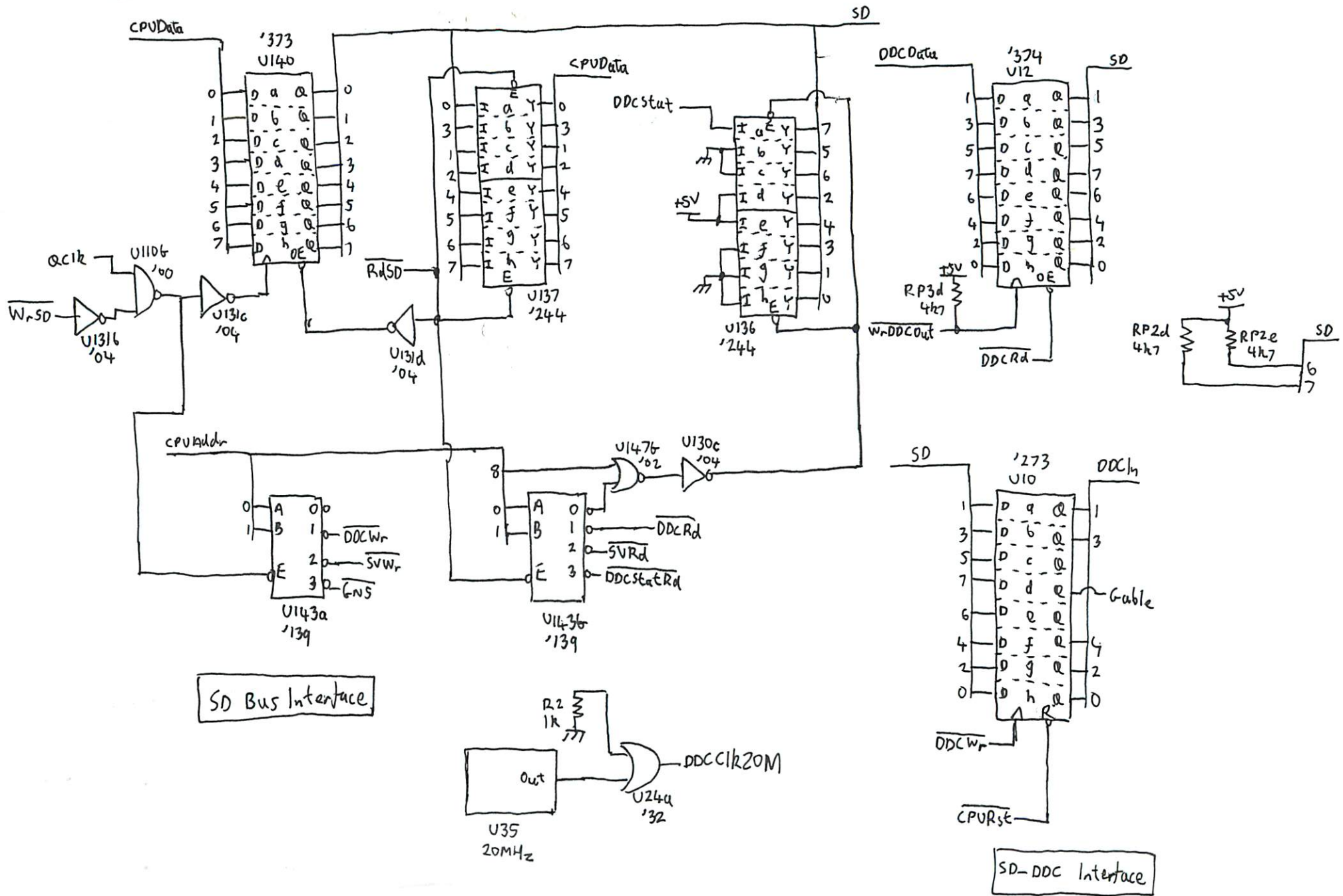


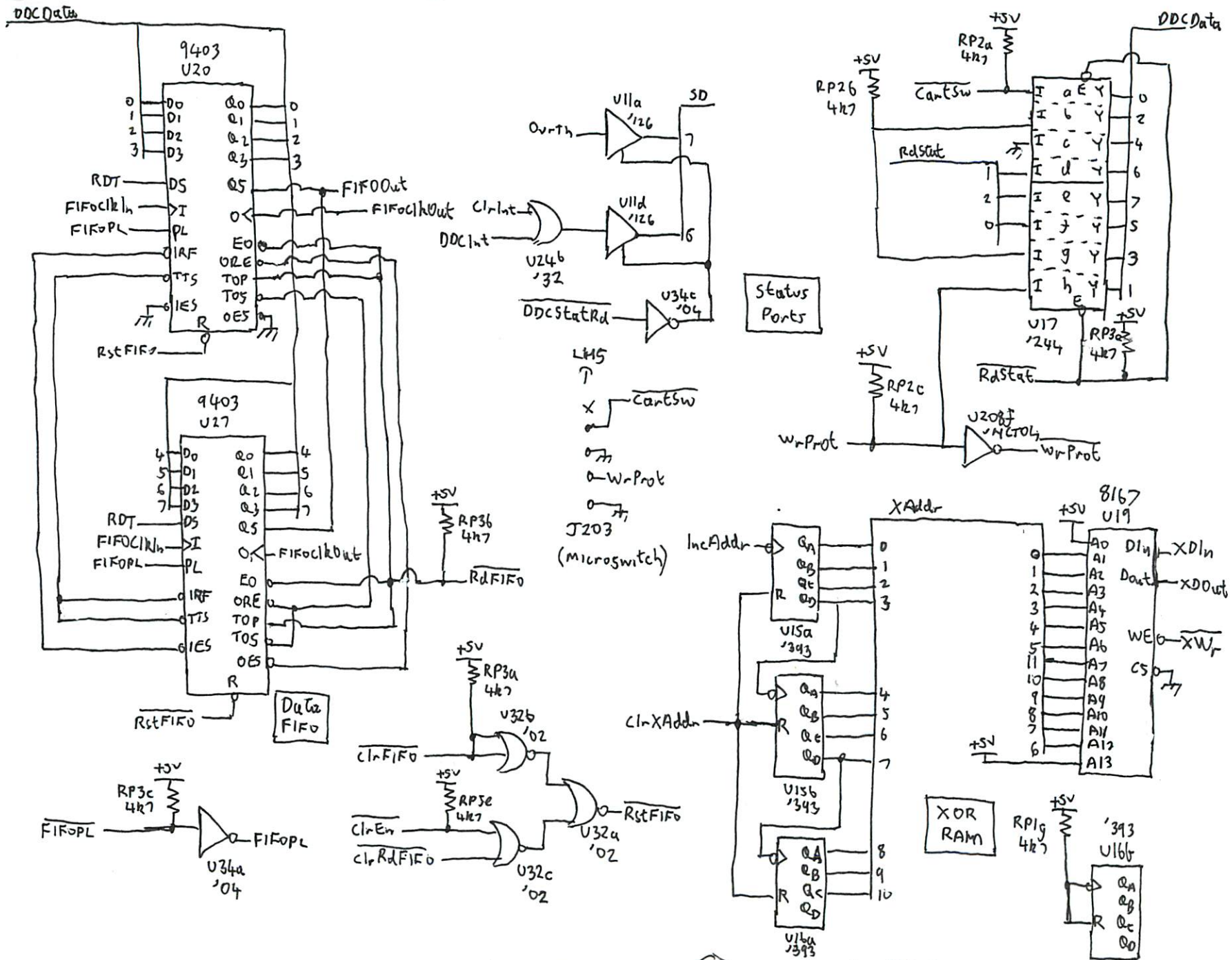
RAM

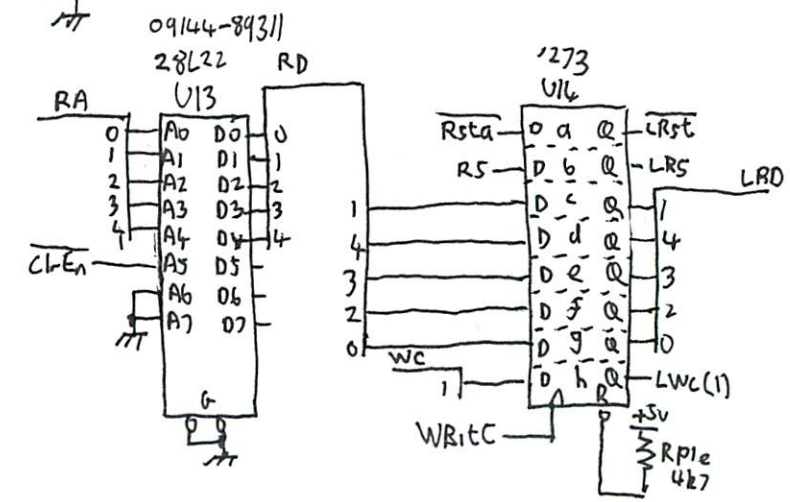
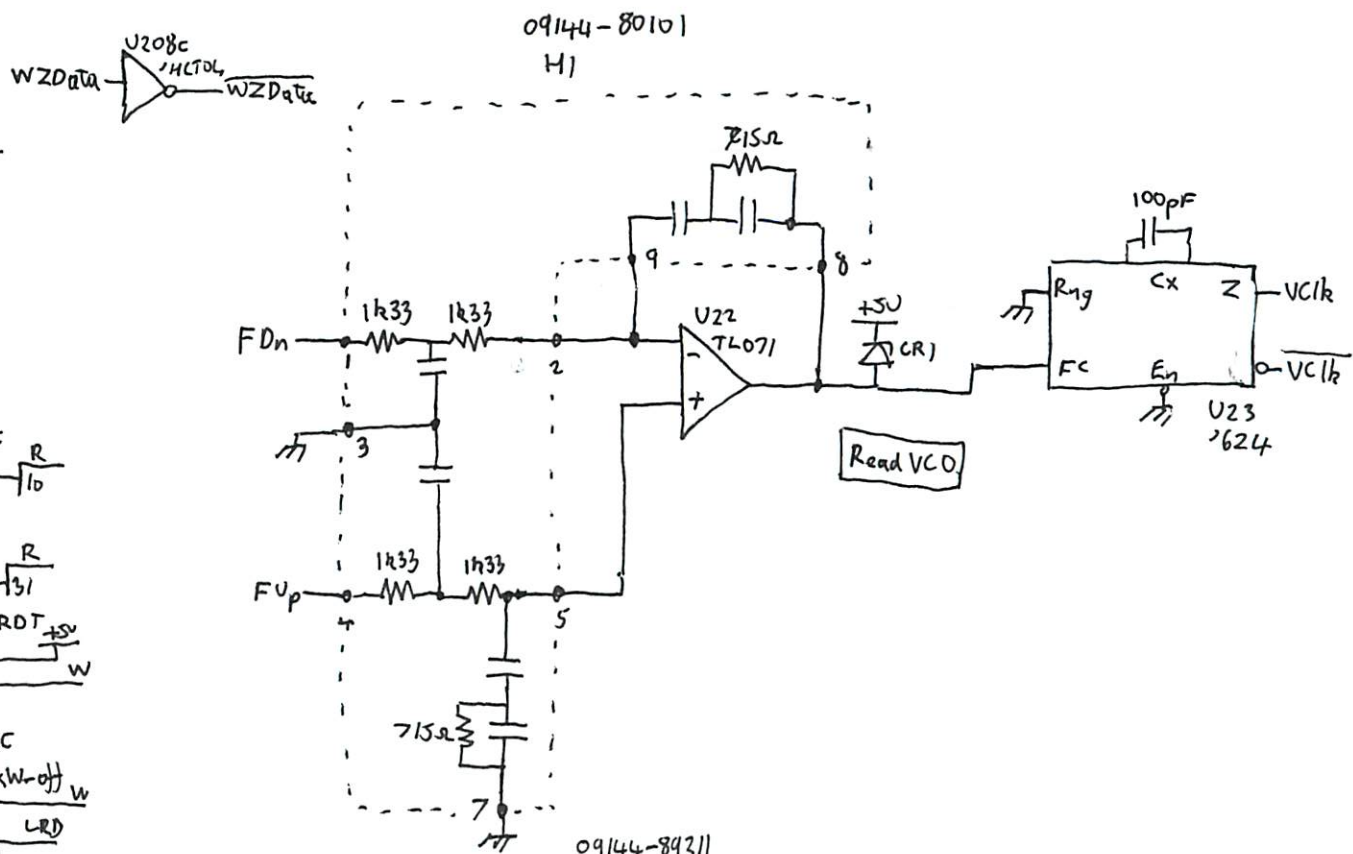
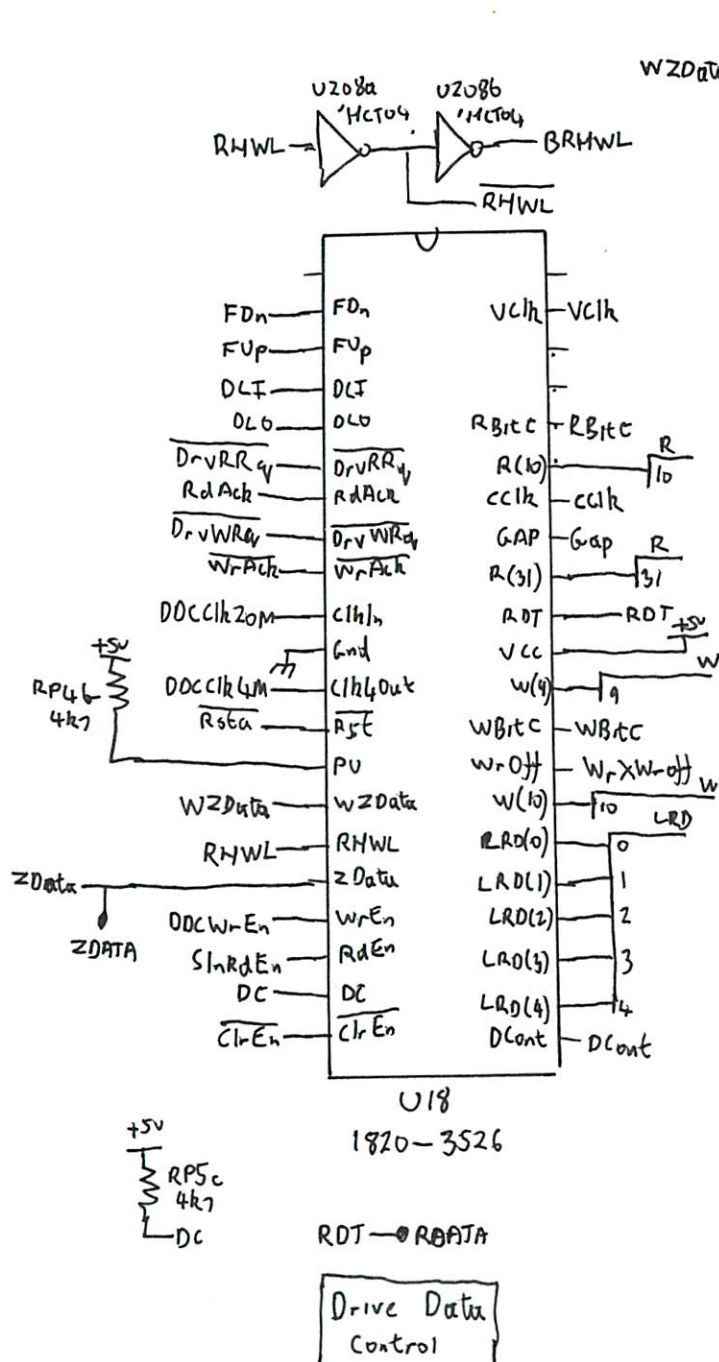


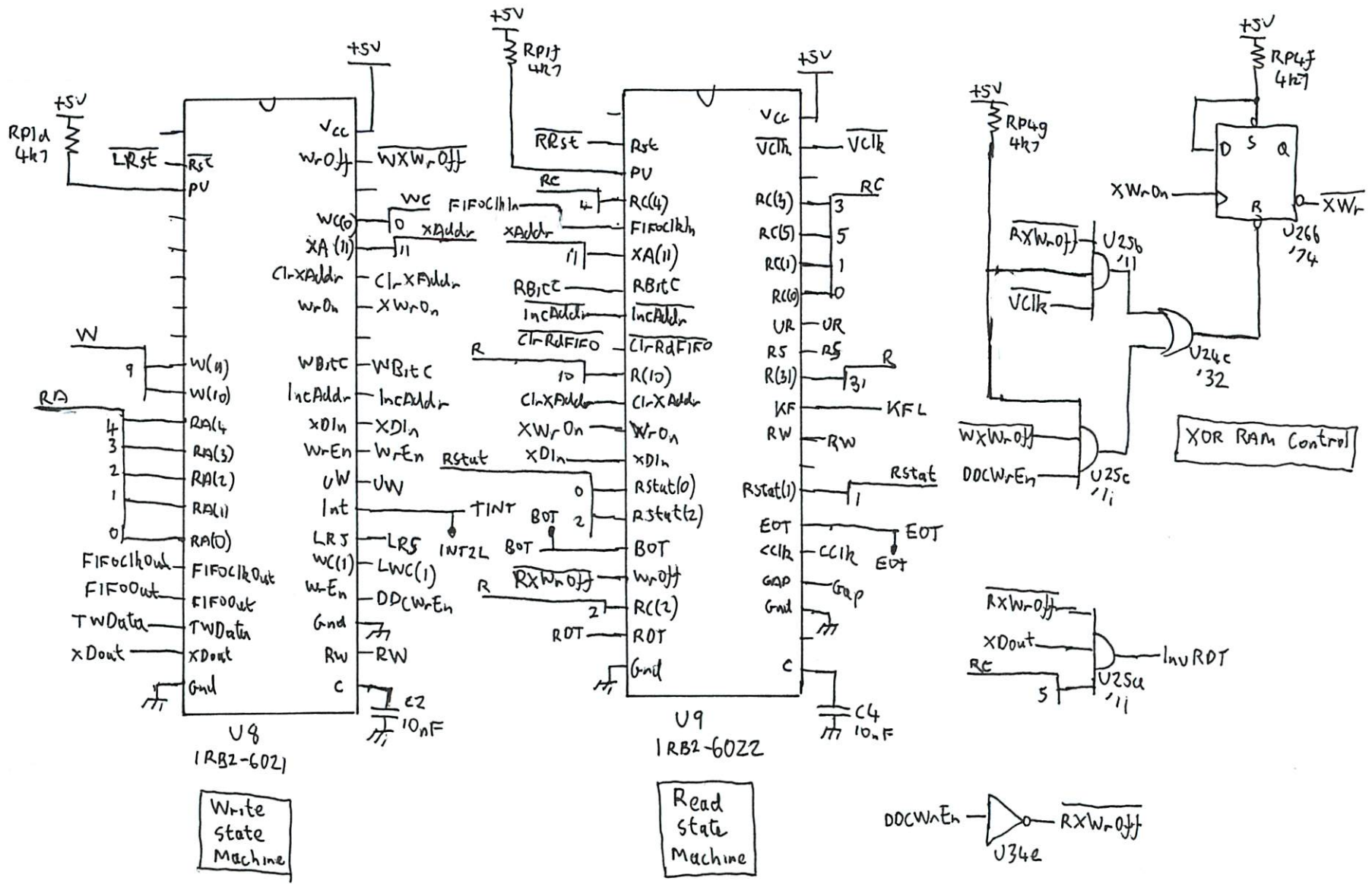
Tape Data Input

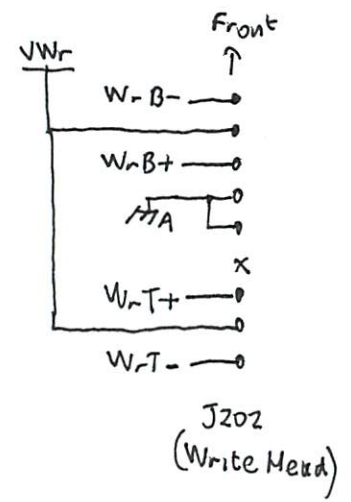
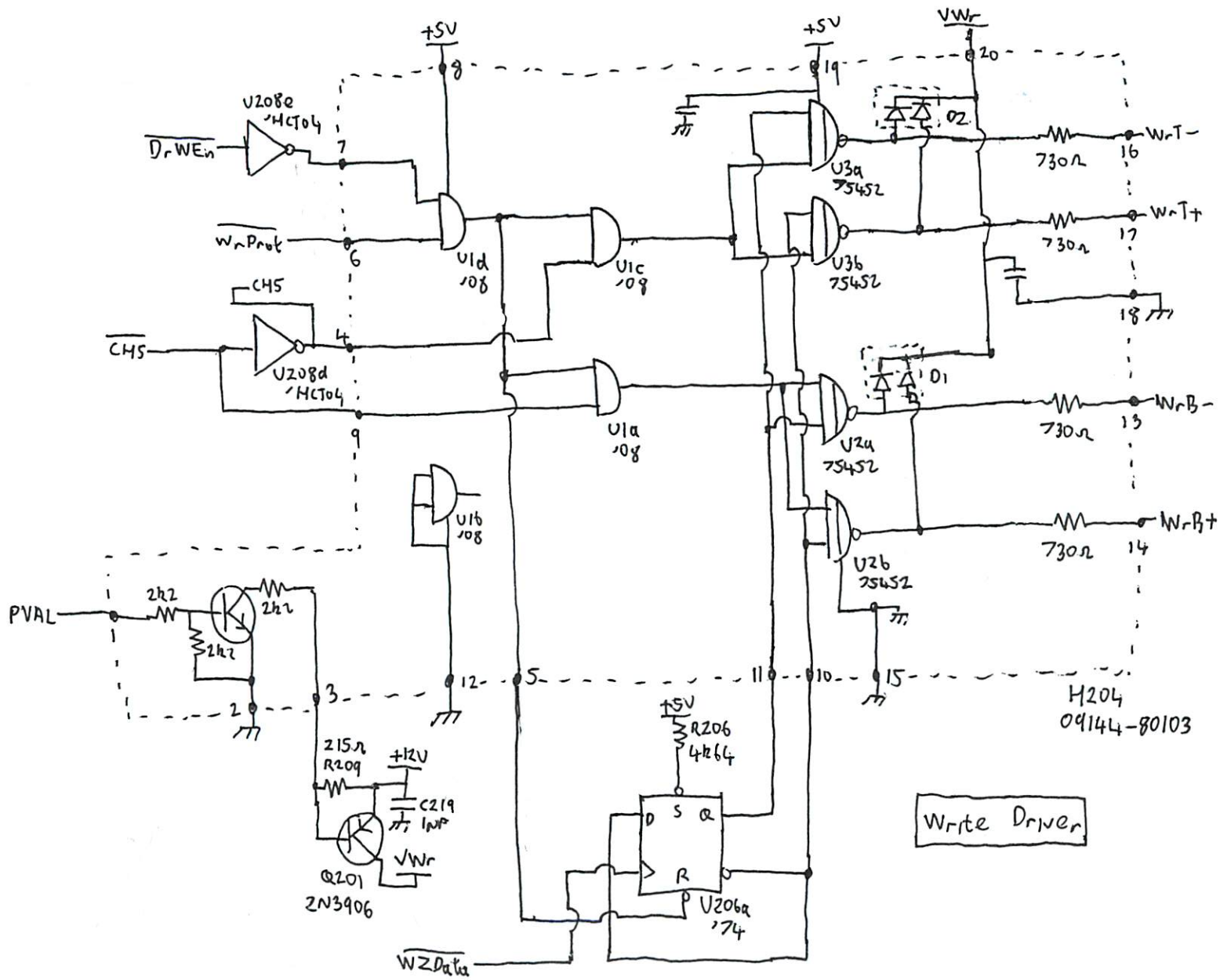




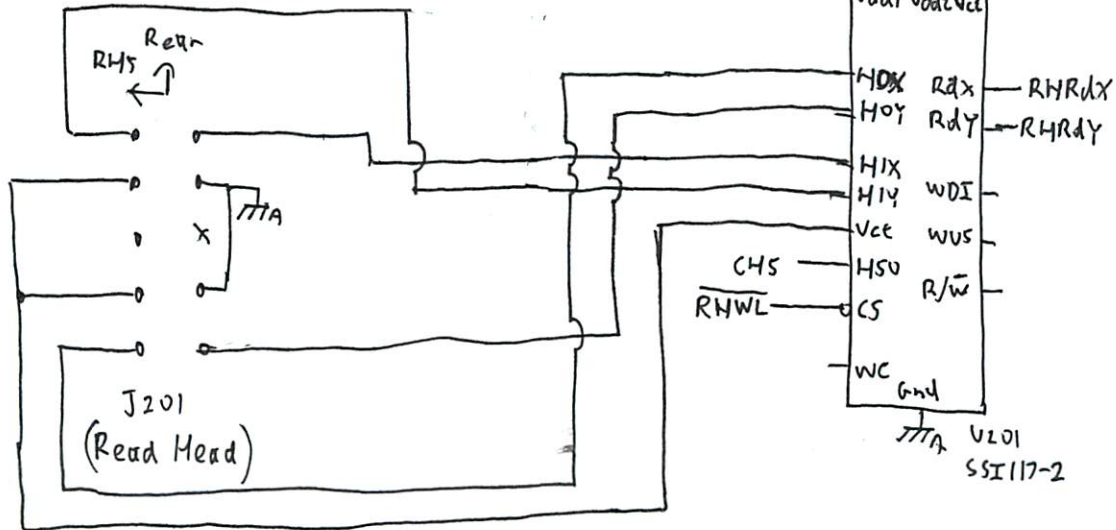
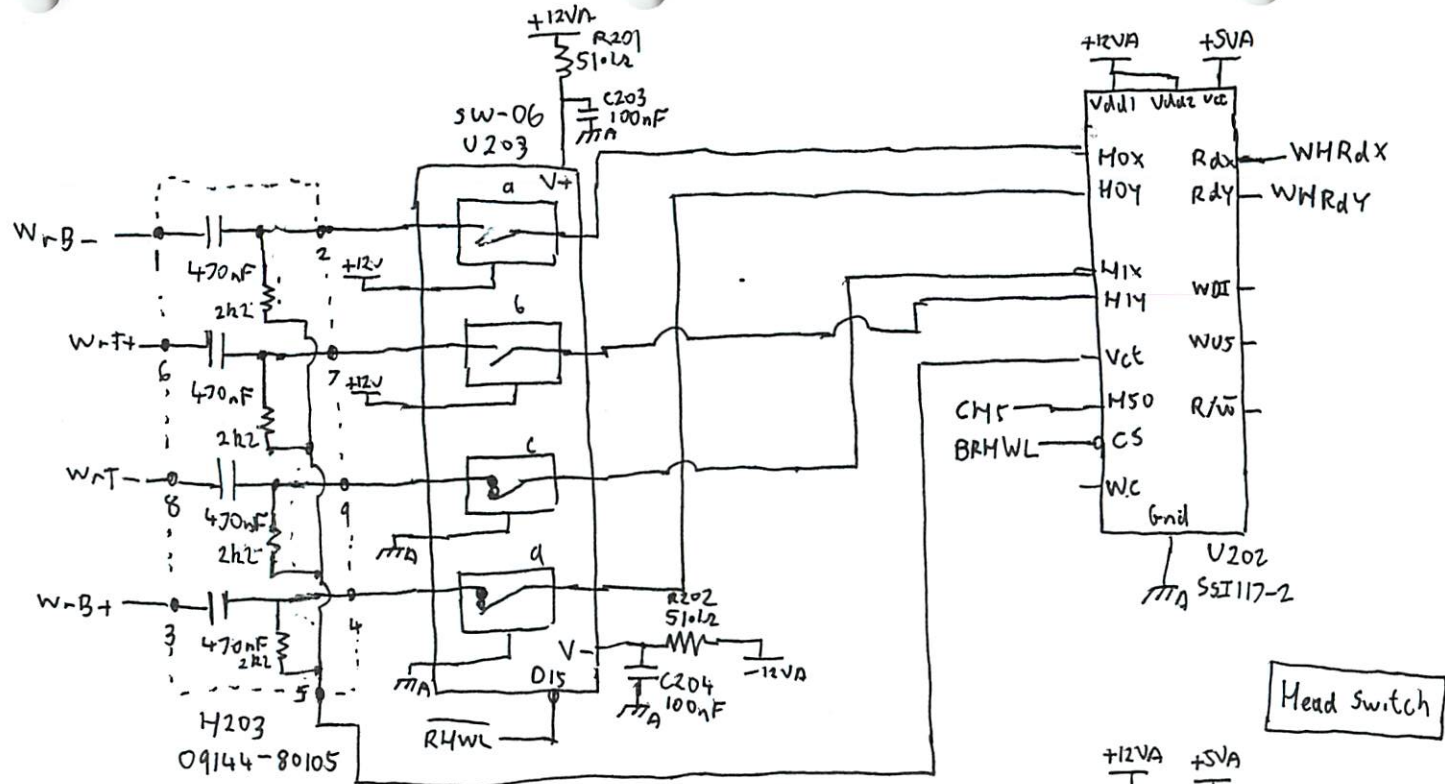


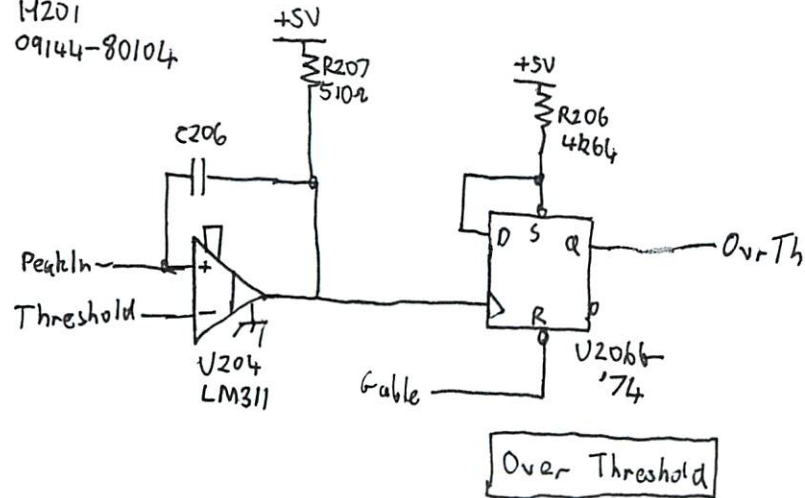
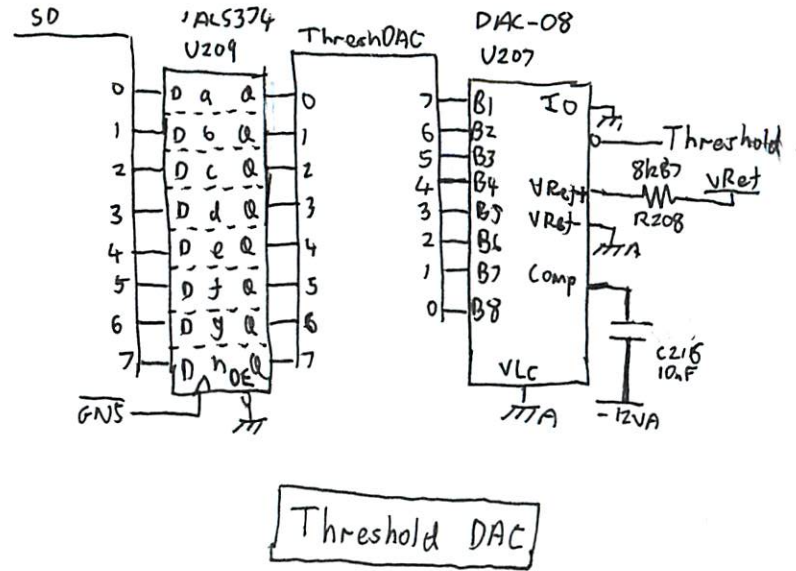
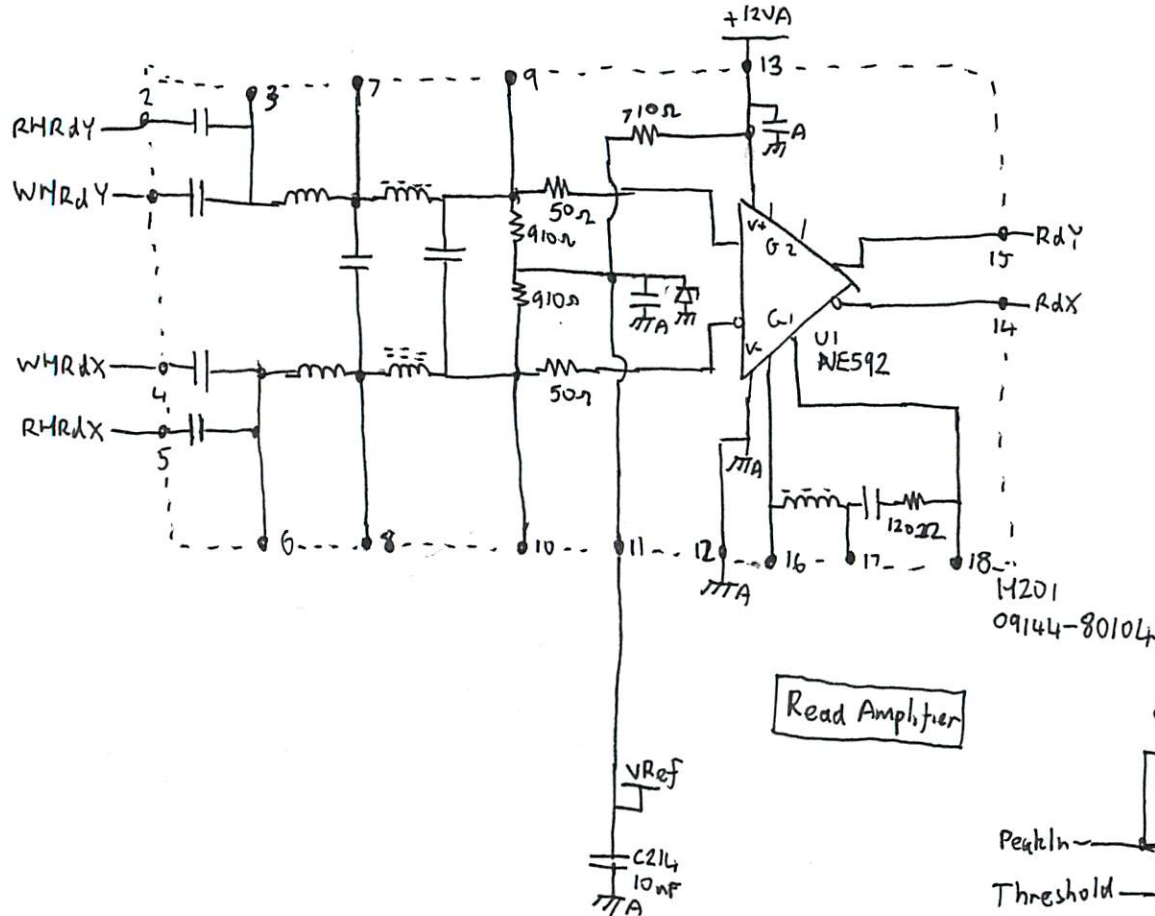


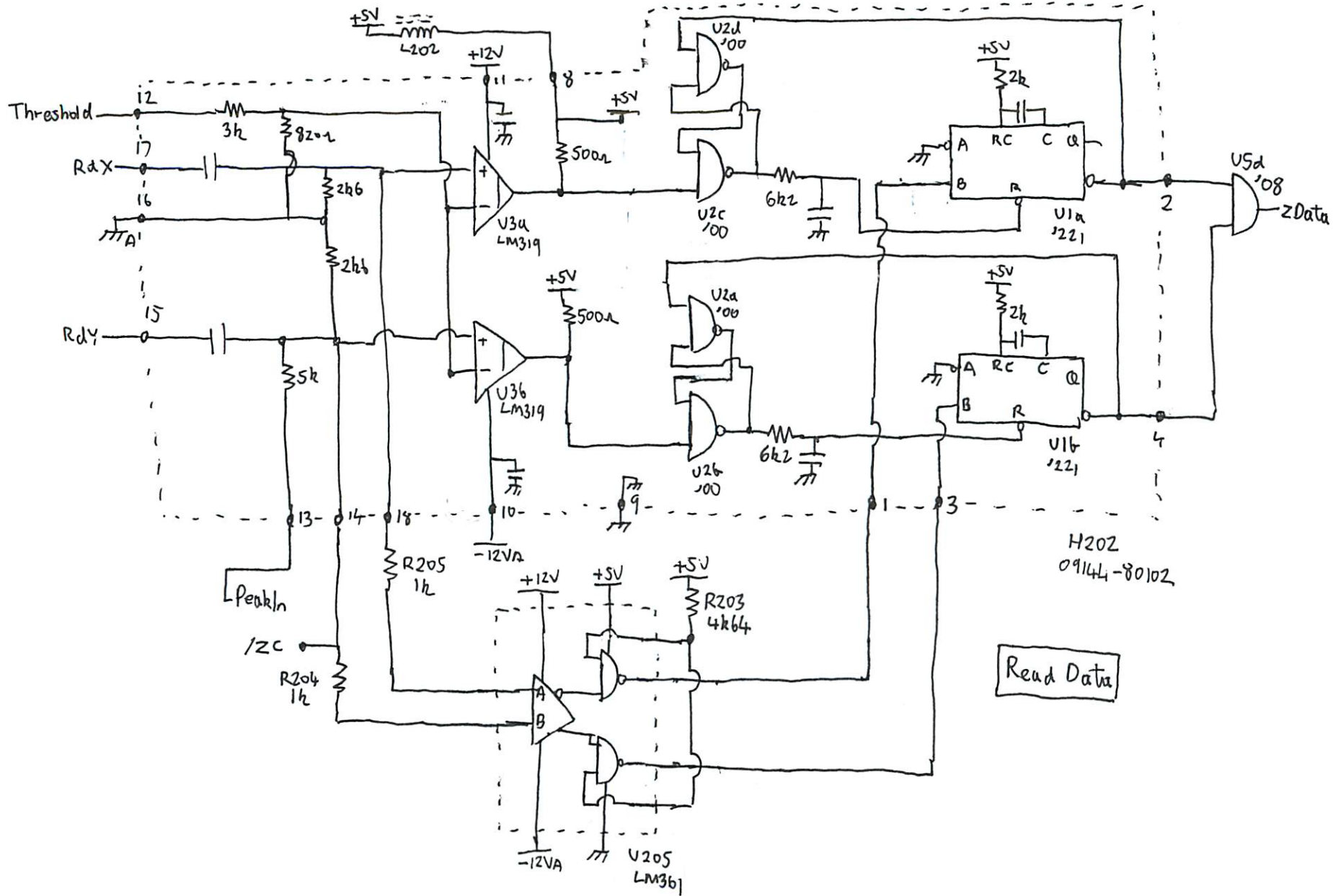




Write Driver



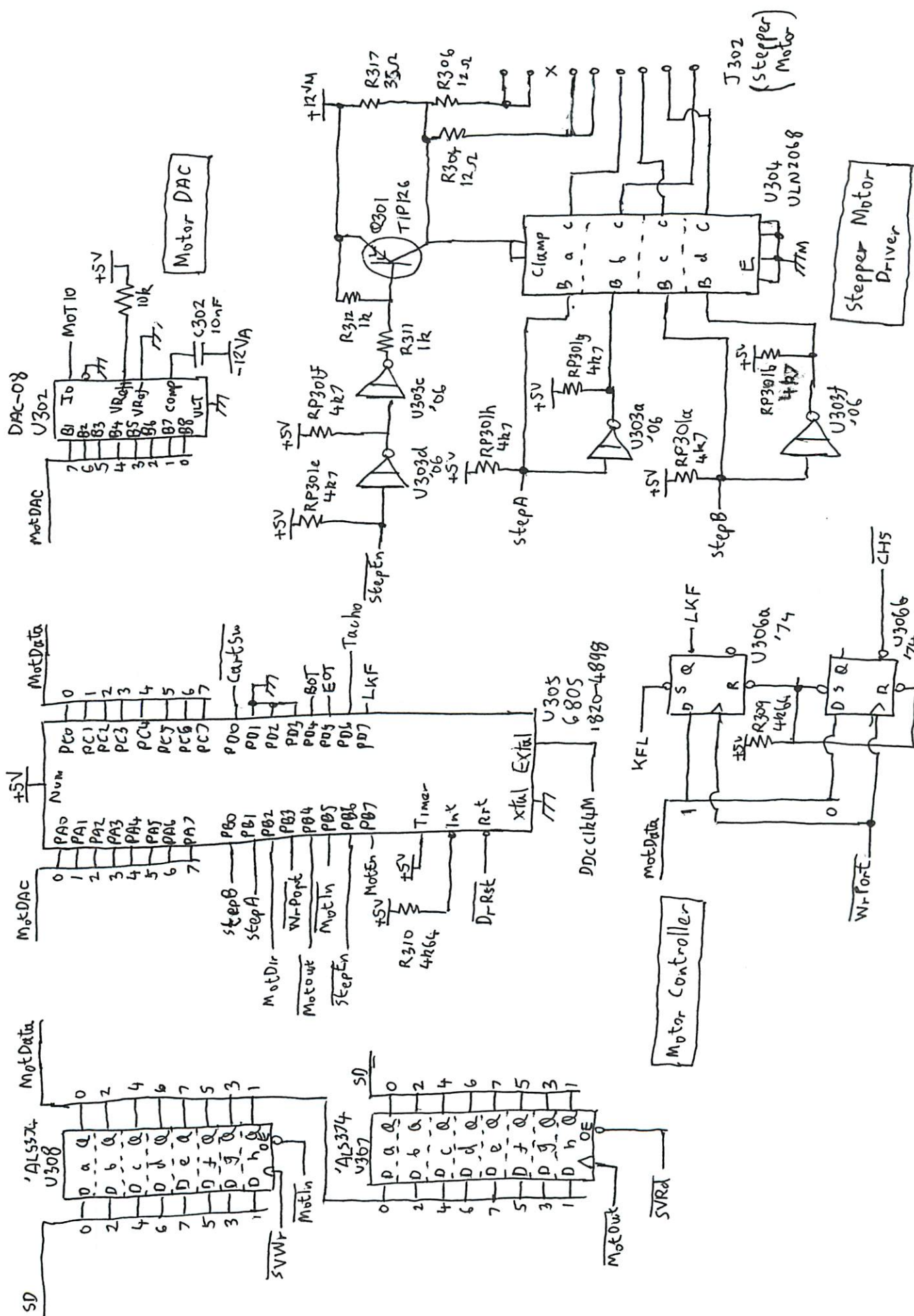




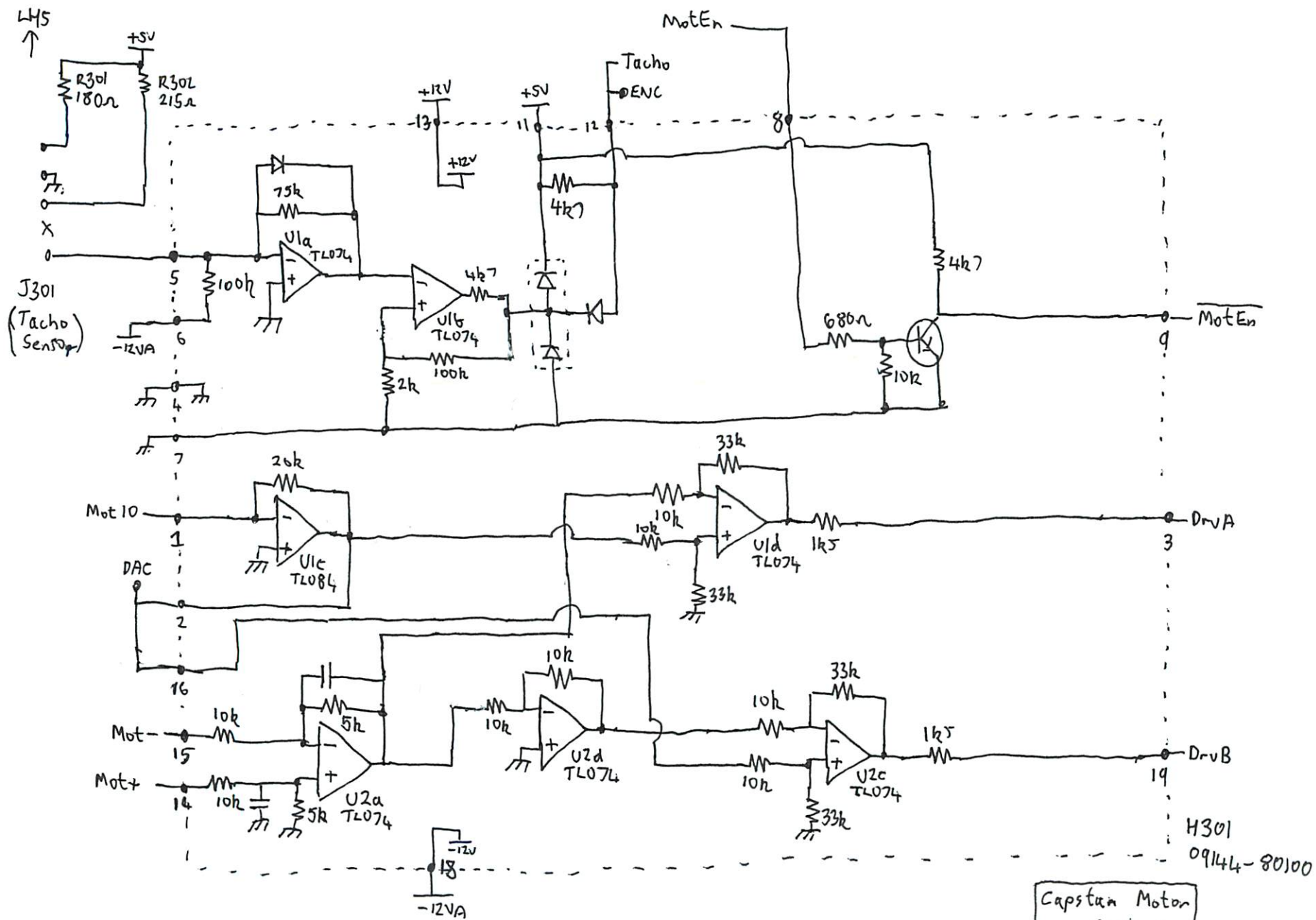
Read Data

H202
09144-80102

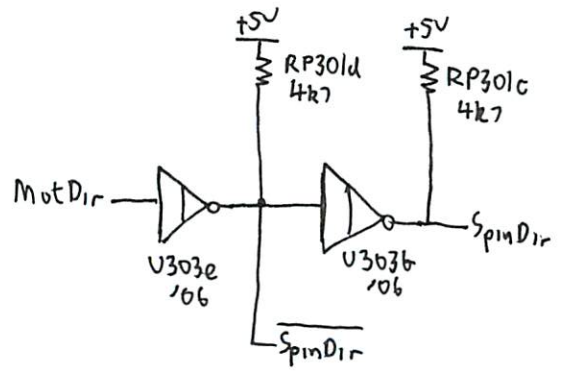
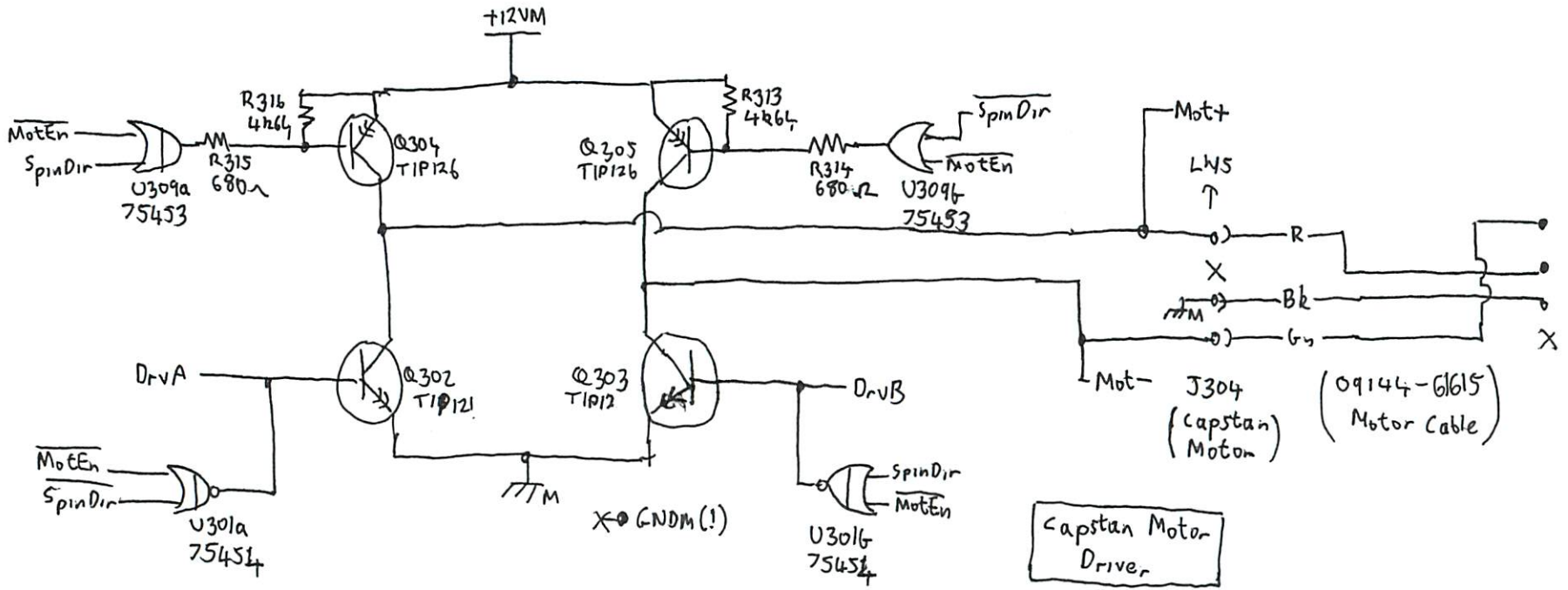
09144-66519

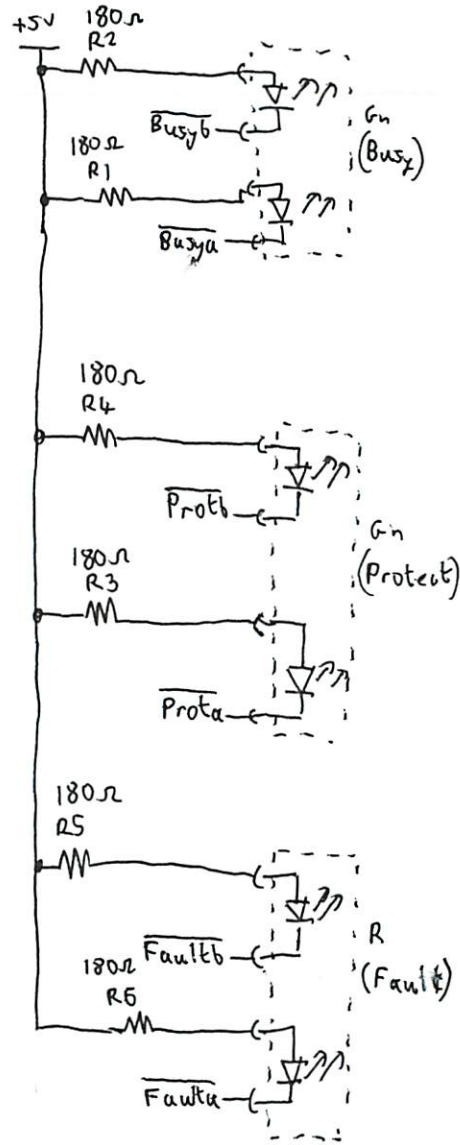
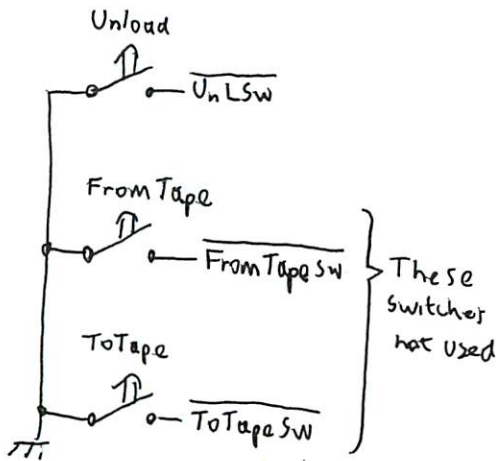
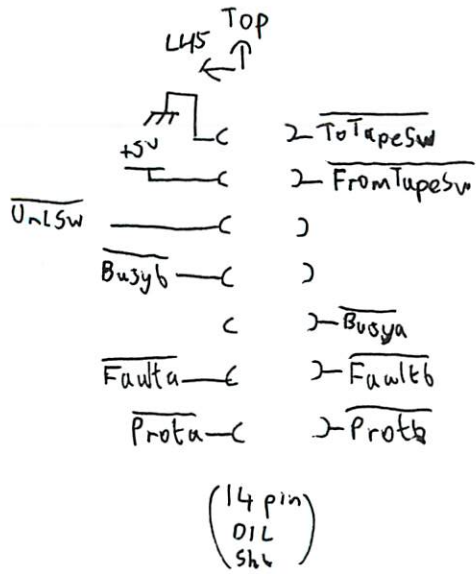


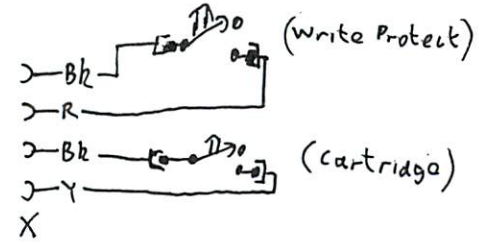
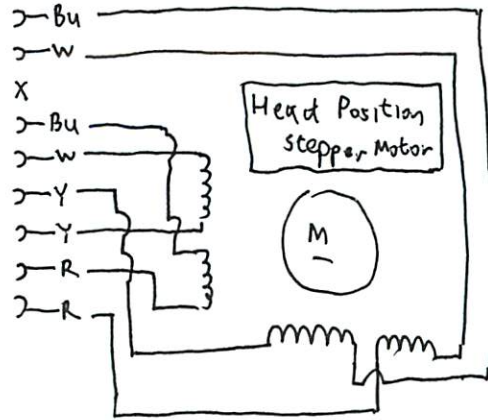
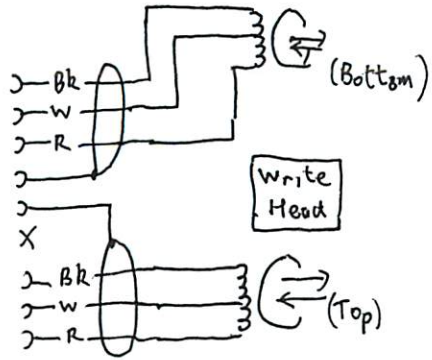
HP9144 Logic PCB Sheet 17 09144-66519



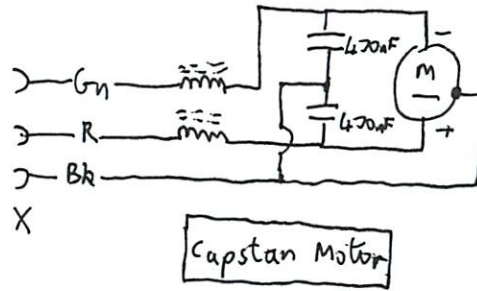
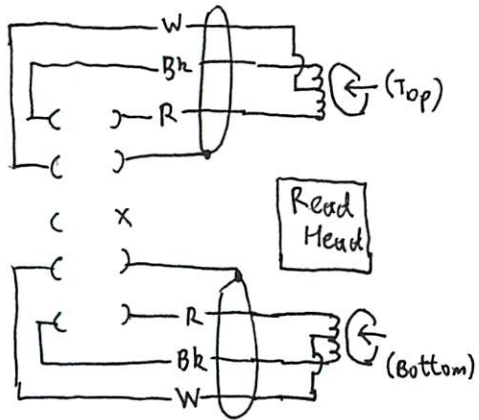
Capstan Motor Control



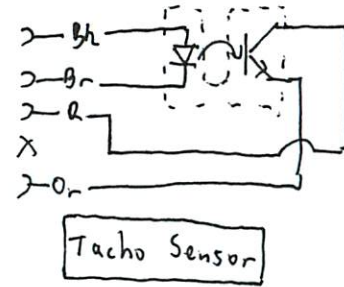




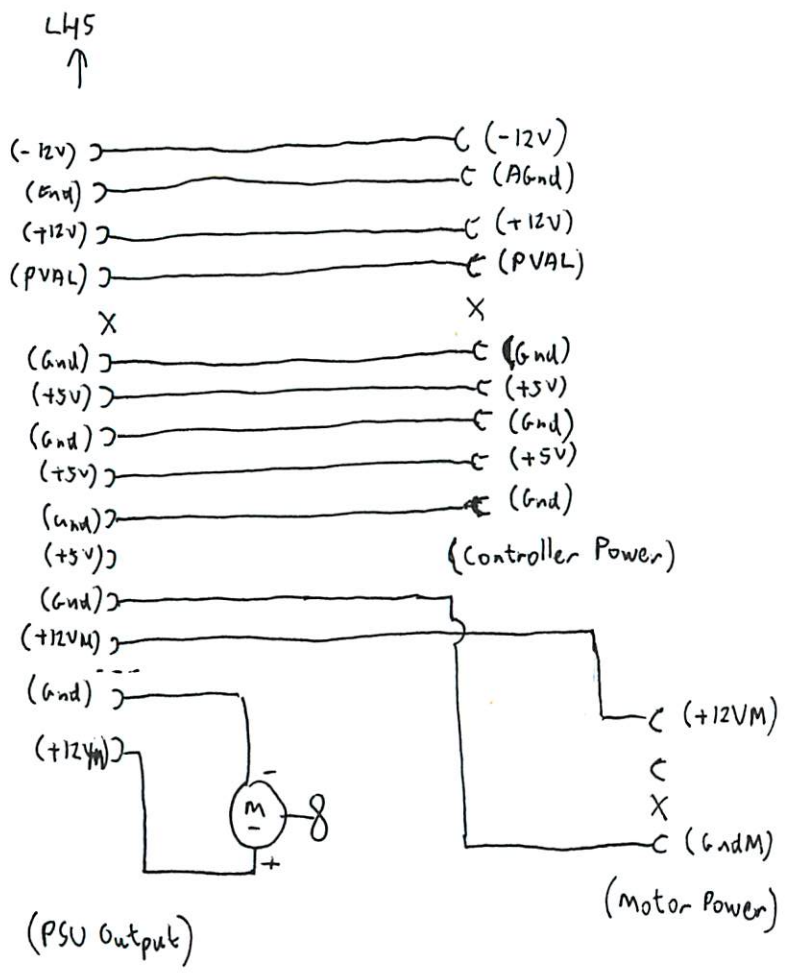
Microswitch



Capstan Motor



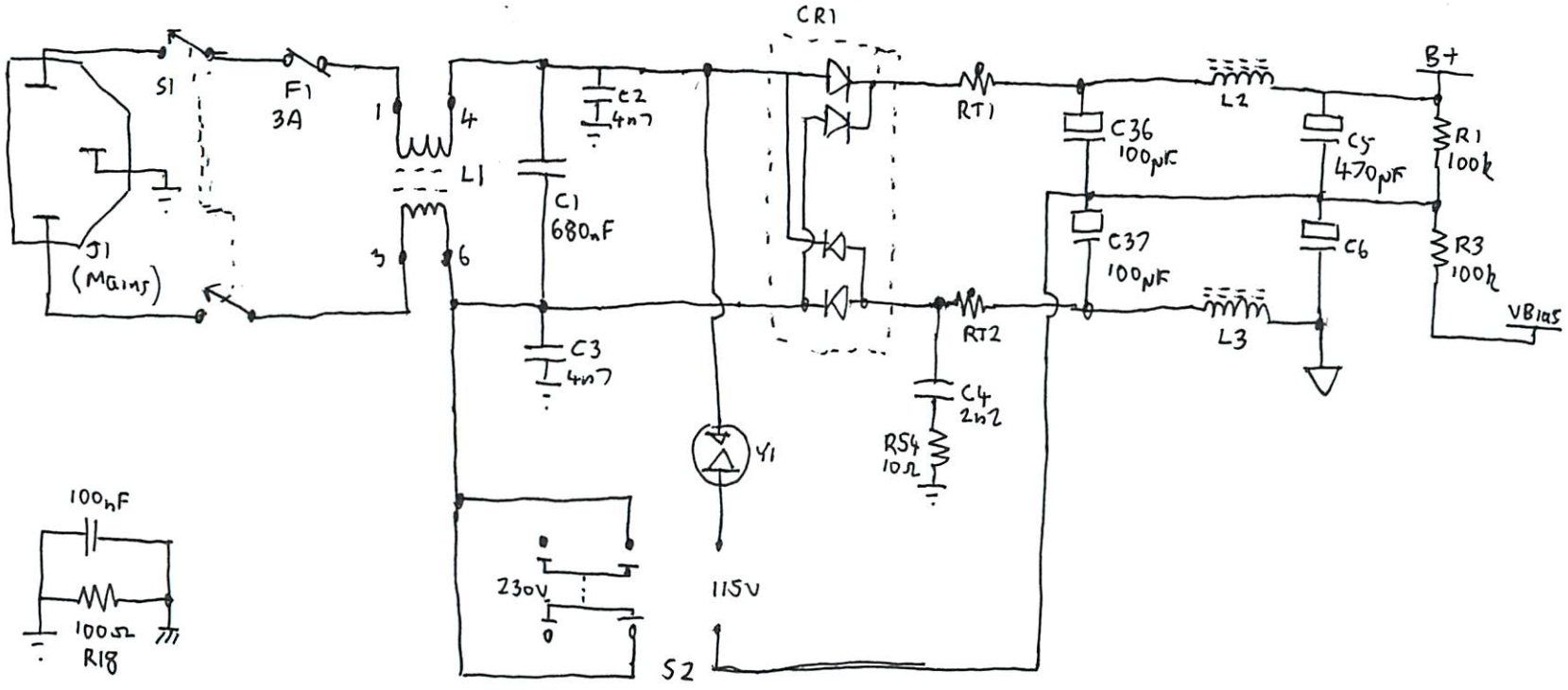
Tacho Sensor

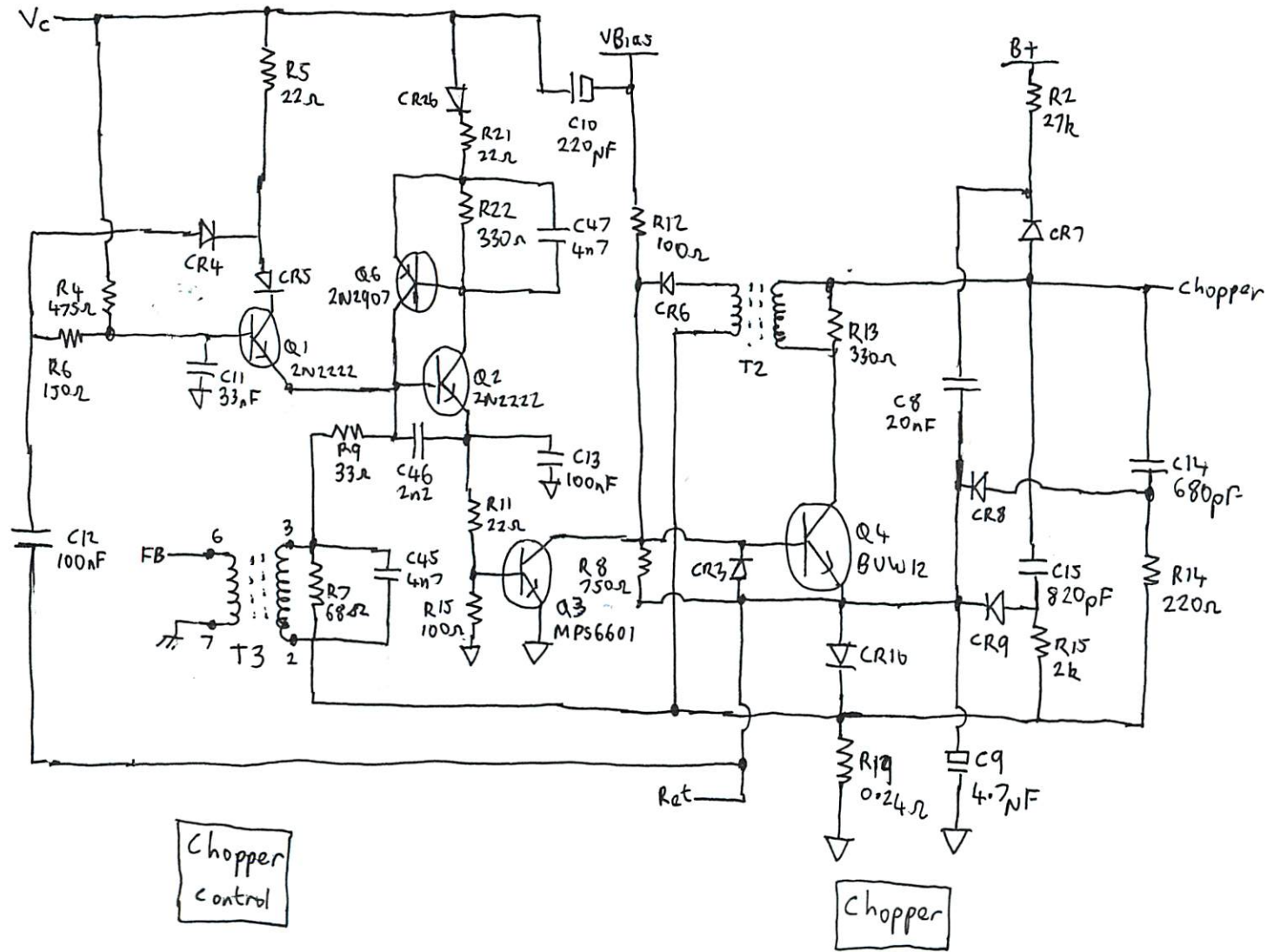


HP9144 Power Harness

Mains Filter

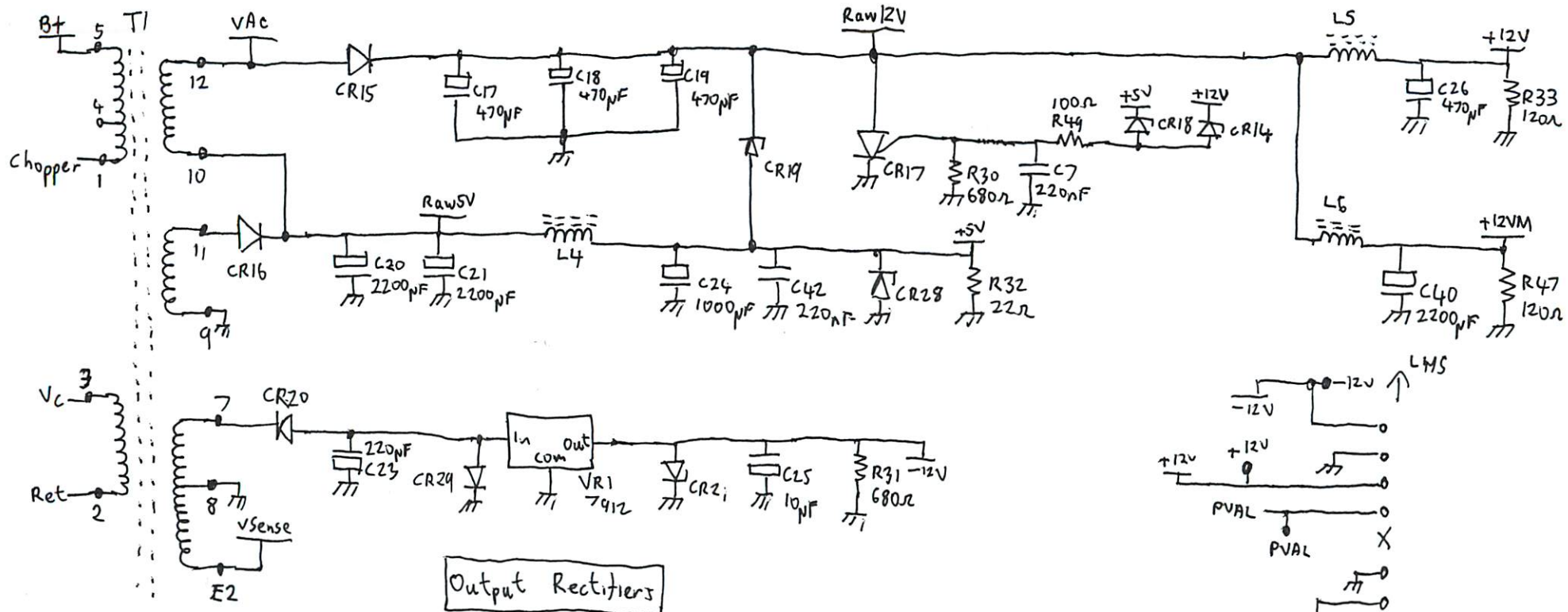
Mains Rectifier



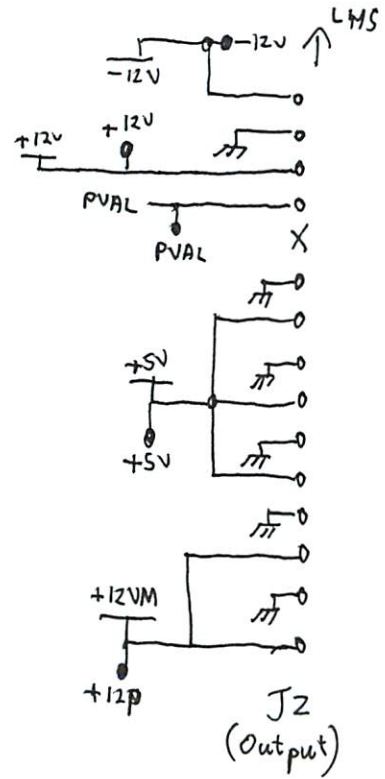


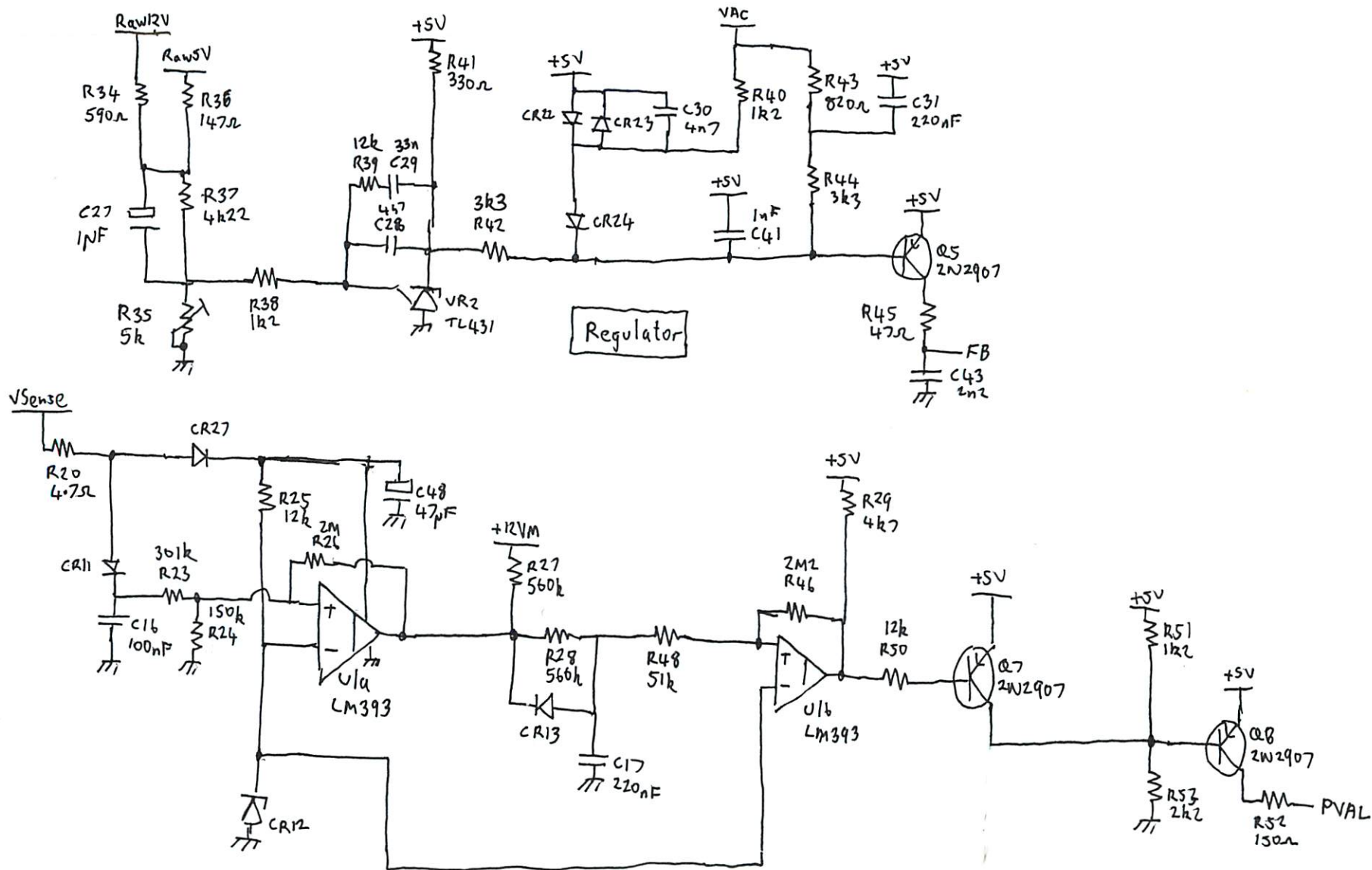
Chopper control

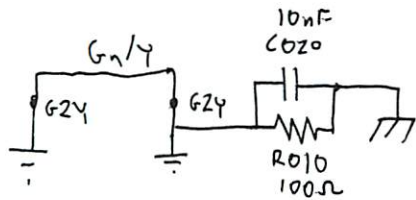
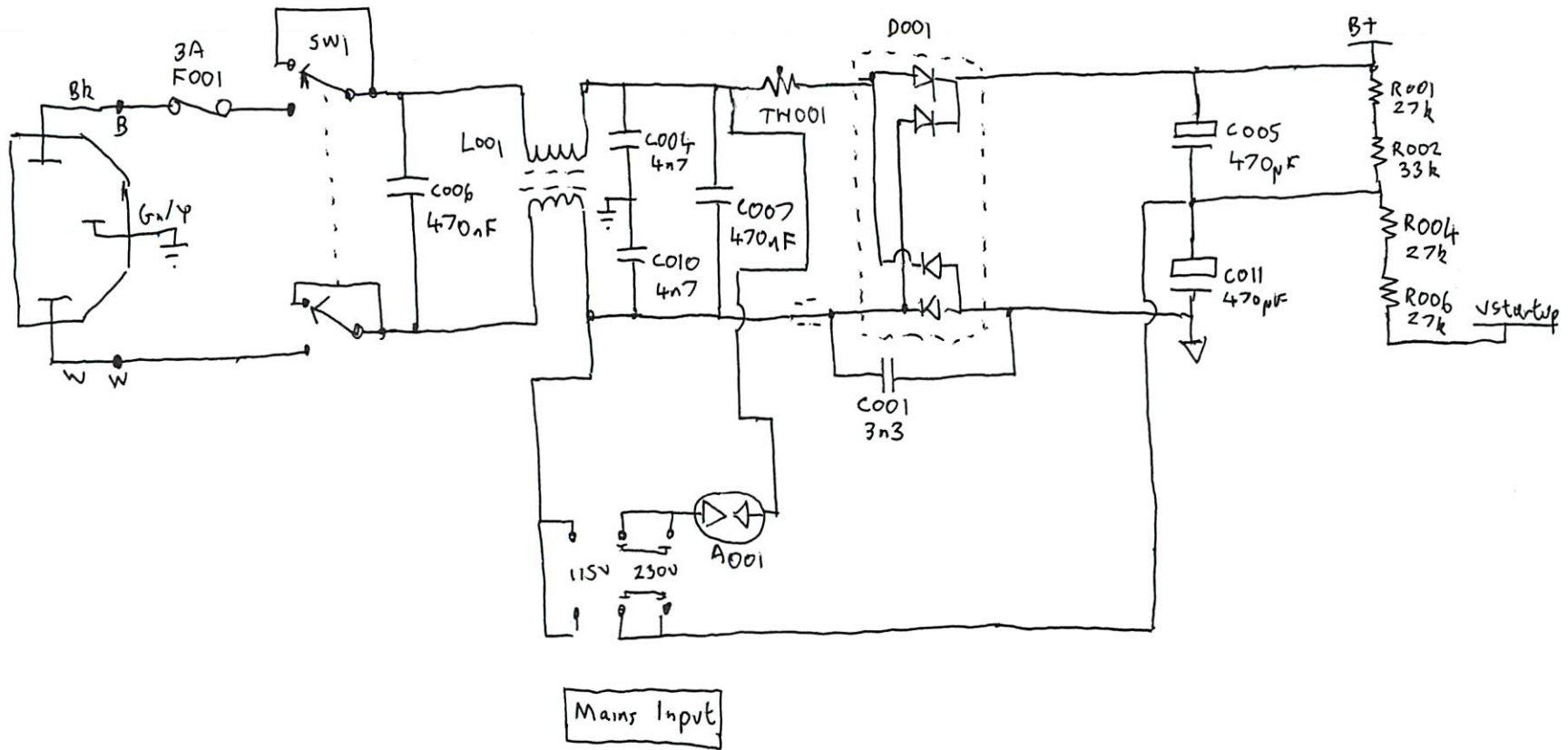
Chopper

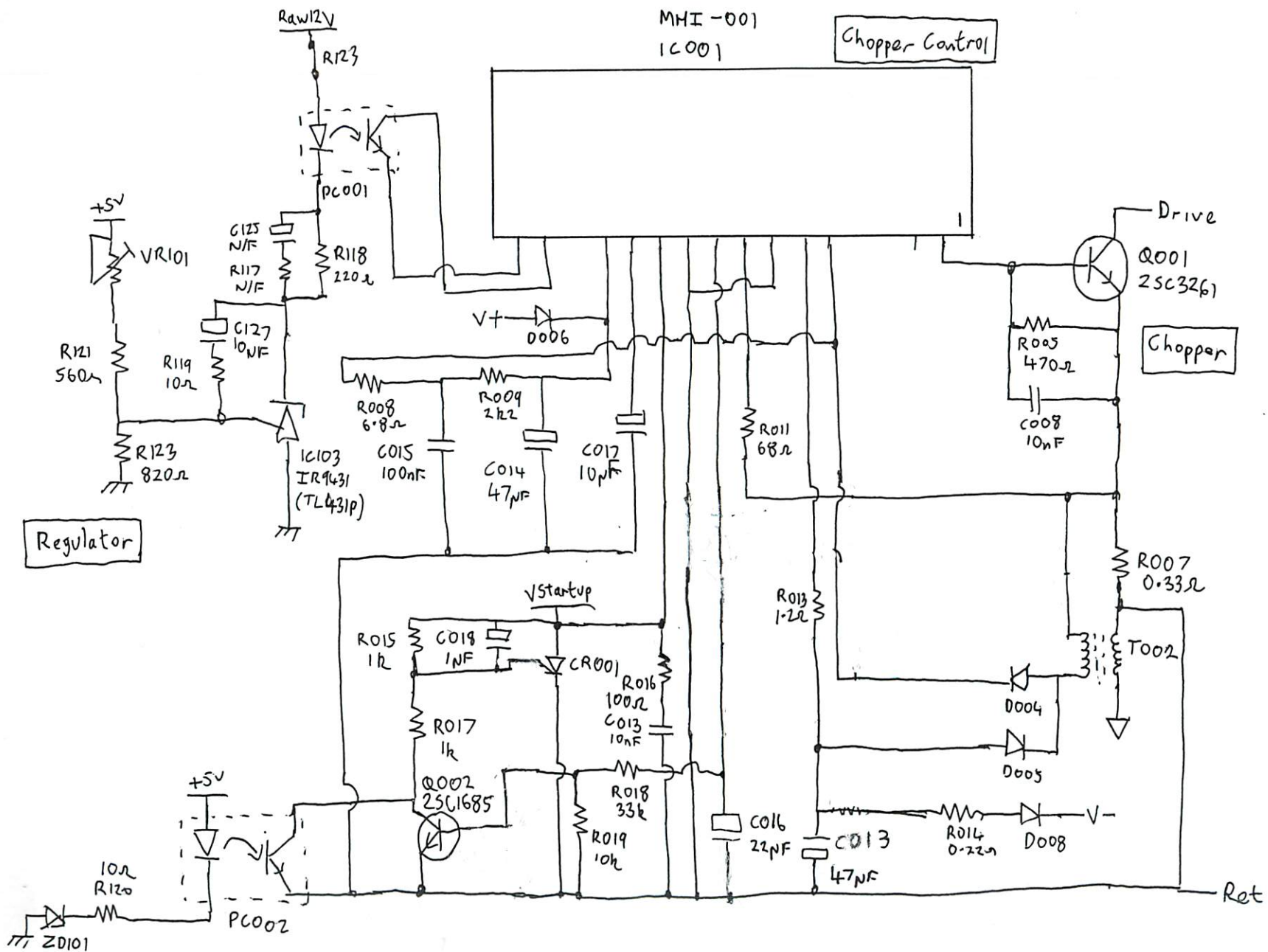


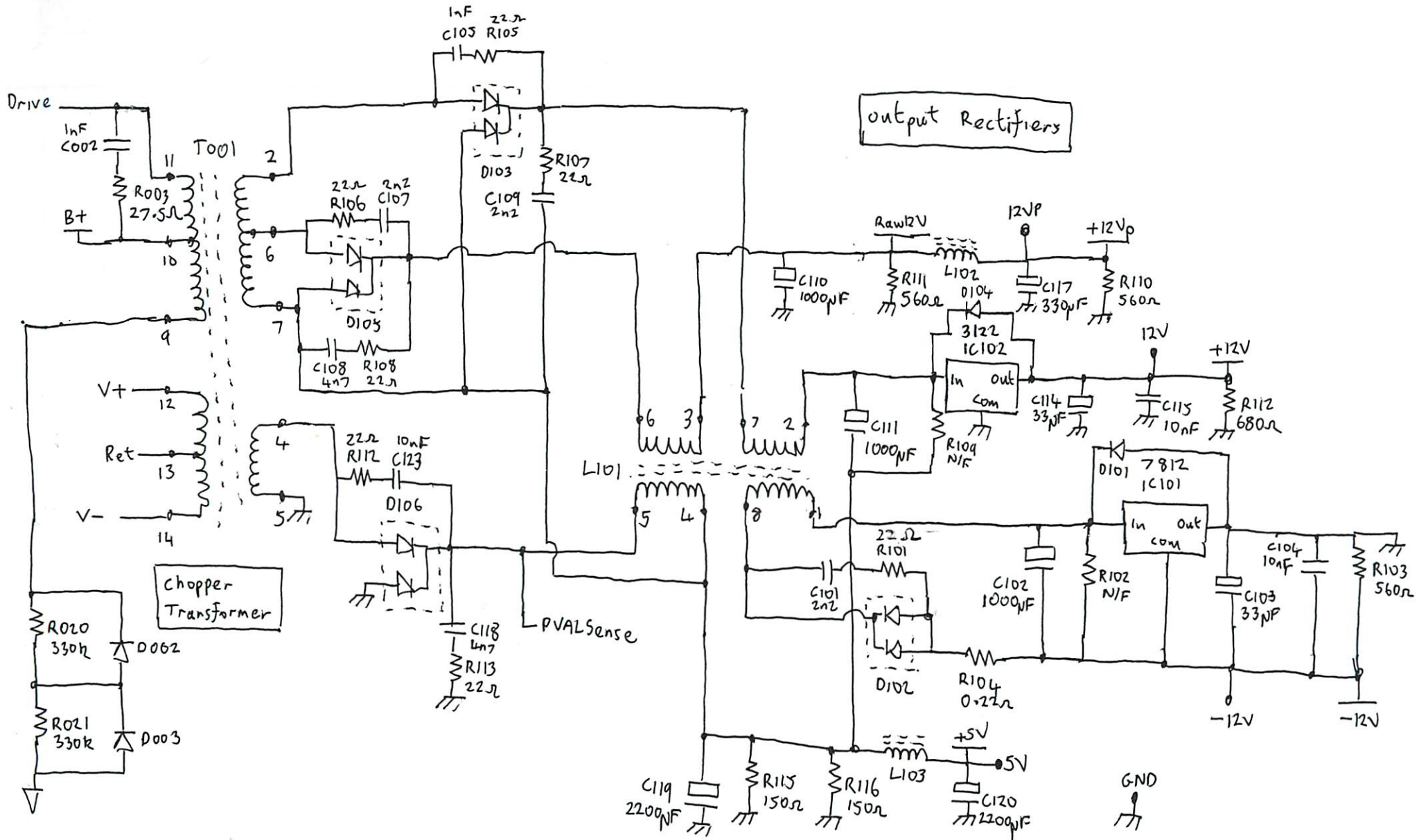
Output Rectifiers

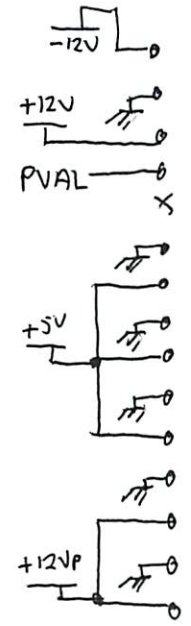
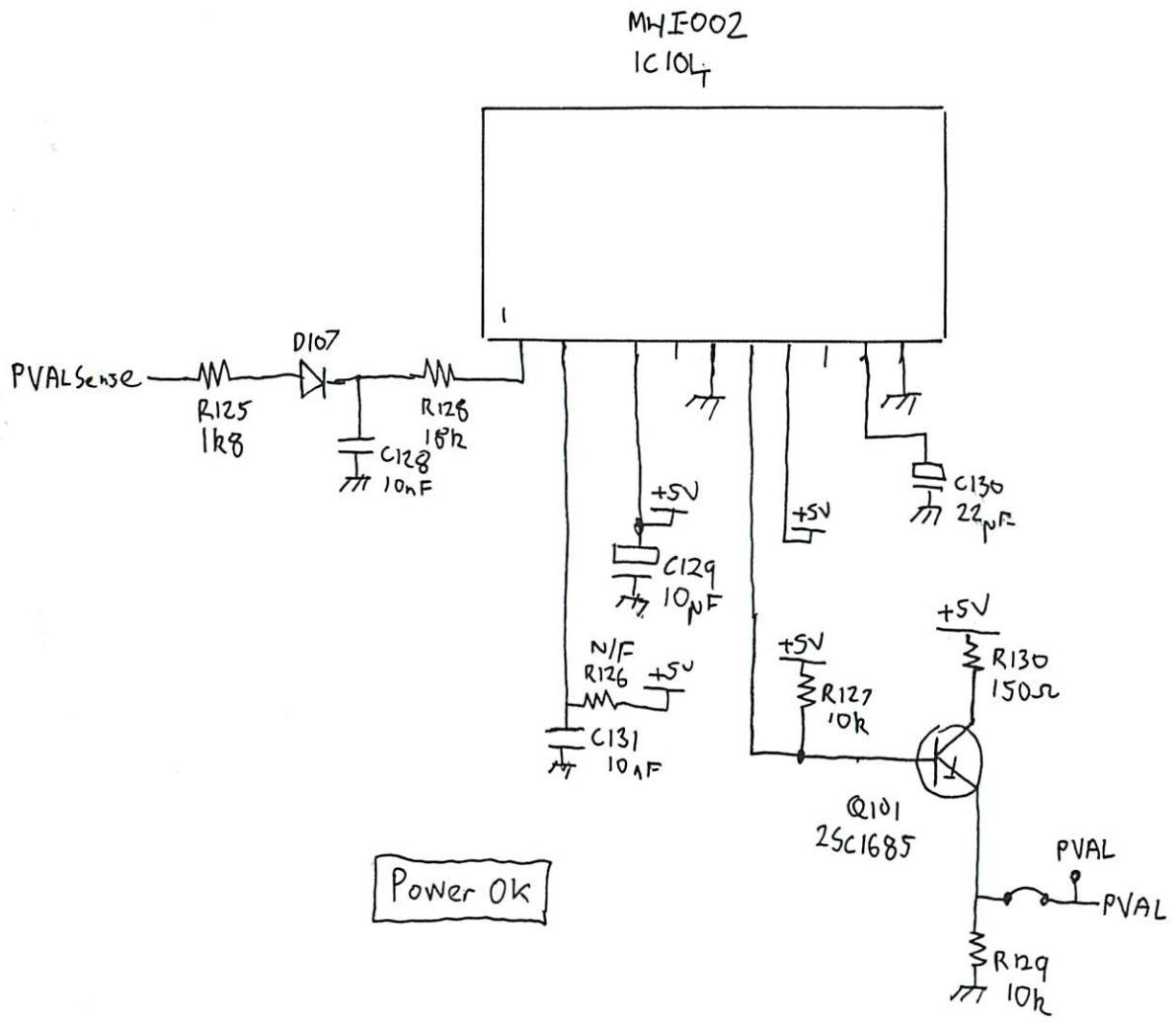




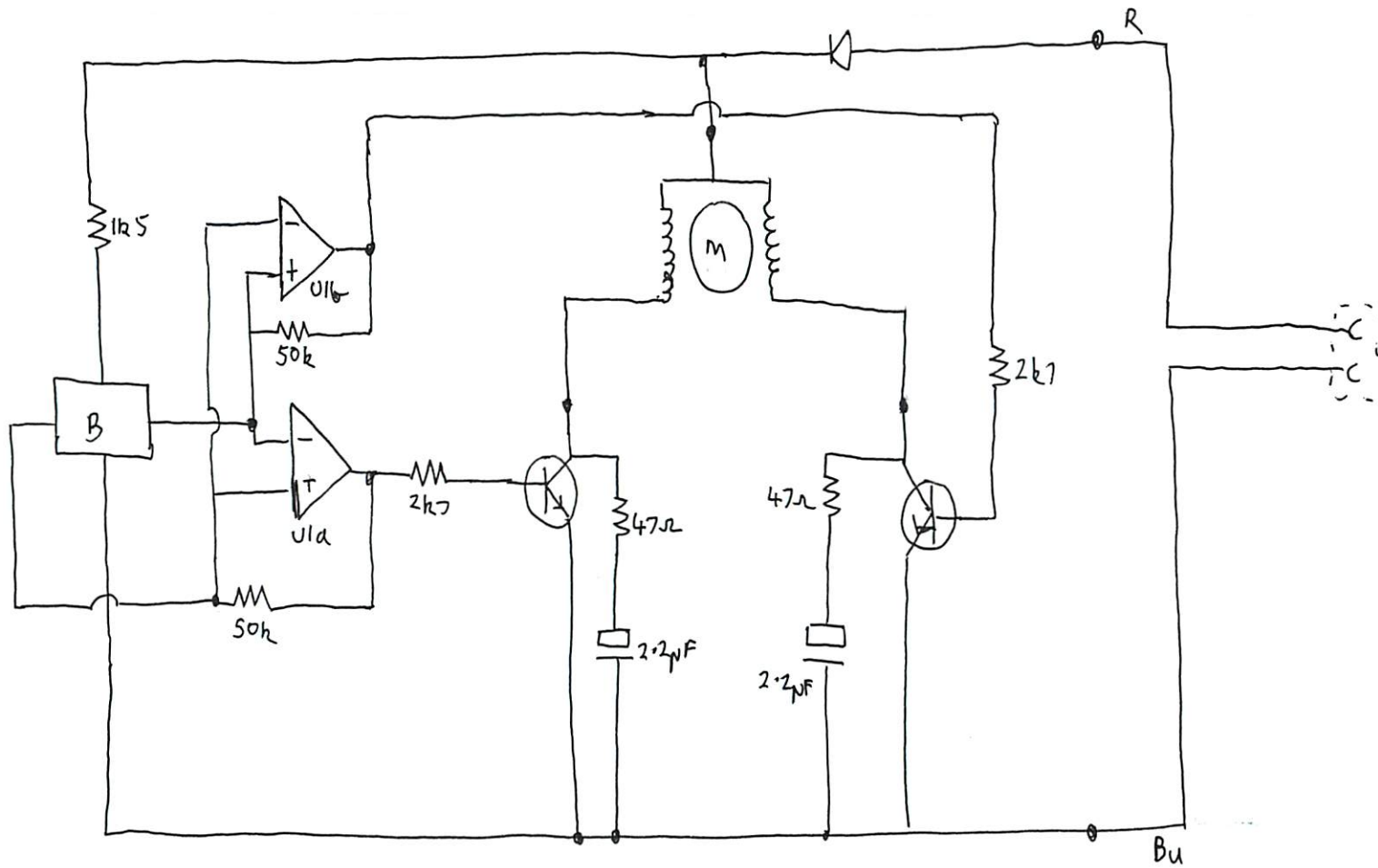






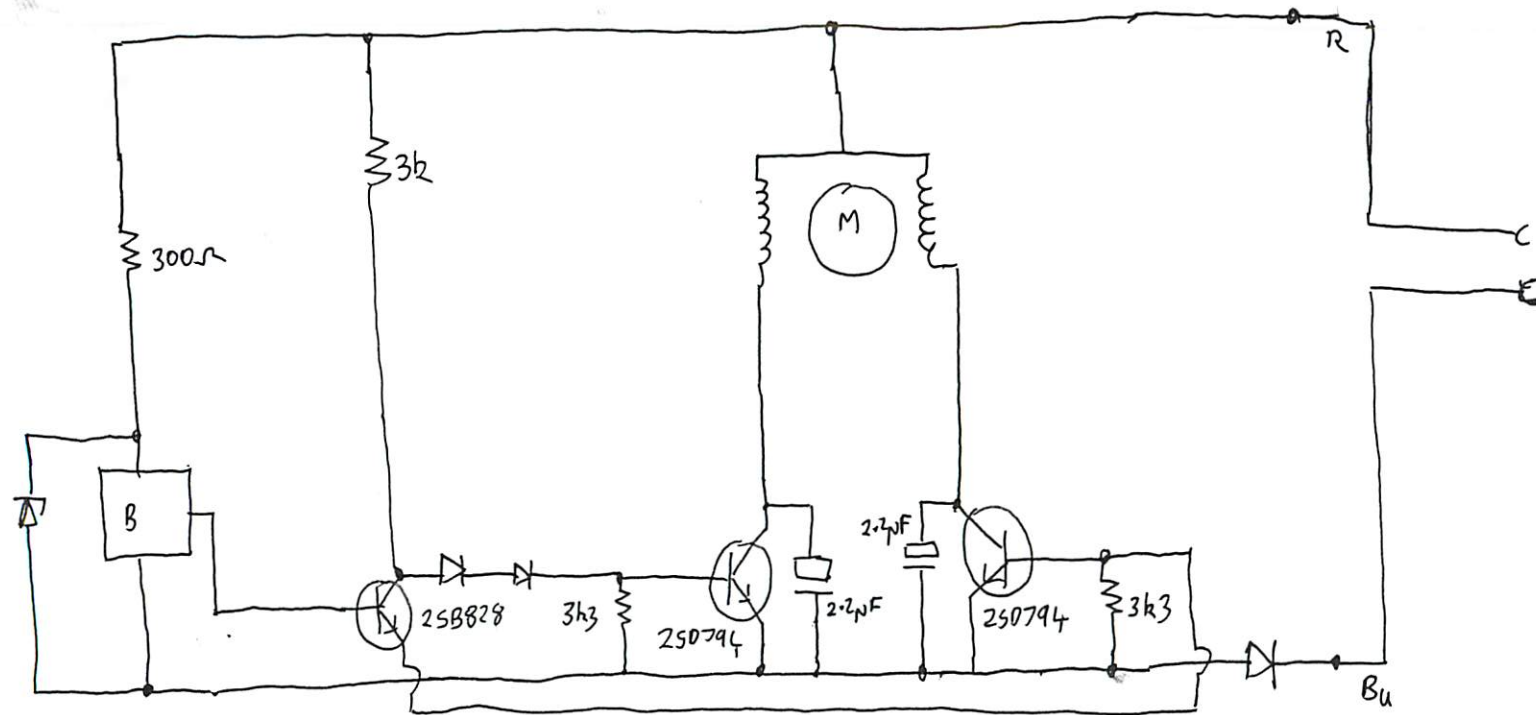


Output Connector



HP Mass Storage Unit Fan

Panaflo FBH-08A 12M



Paratlo FBP-08B12L