

HP 12966A
BUFFERED ASYNCHRONOUS
DATA COMMUNICATIONS INTERFACE
Installation and Reference Manual

Date Code: 2216



PRINTING HISTORY

The Printing History below identifies the Edition of this Manual and any Updates that are included. Periodically, update packages are distributed which contain replacement pages to be merged into the manual, including an updated copy of this Printing History page. Also, the update may contain write-in instructions.

Each reprinting of this manual will incorporate all past updates; however, no new information will be added. Thus, the reprinted copy will be identical in content to prior printings of the same edition with its user-inserted update information. New editions of this manual will contain new information, as well as all updates.

To determine what manual edition and update is compatible with your current software revision code, refer to the appropriate Software Numbering Catalog, Software Product Catalog, or Diagnostic Configurator Manual.

First Edition	January 1979
Update 1	July 1982
Reprint (Update 1 incorporated)	July 1982

NOTICE

The information contained in this document is subject to change without notice.

HEWLETT-PACKARD MAKES NO WARRANTY OF ANY KIND WITH REGARD TO THIS MATERIAL, INCLUDING, BUT NOT LIMITED TO, THE IMPLIED WARRANTIES OF MERCHANTABILITY AND FITNESS FOR A PARTICULAR PURPOSE. Hewlett-Packard shall not be liable for errors contained herein or for incidental or consequential damages in connection with the furnishing, performance or use of this material.

Hewlett-Packard assumes no responsibility for the use of its software on equipment that is not furnished by Hewlett-Packard.

This document contains proprietary information which is protected by copyright. All rights are reserved. No part of this document may be photocopied, reproduced or translated to another program language without the prior written consent of Hewlett-Packard Company.

This manual describes the Hewlett-Packard 12966A Buffered Asynchronous Data Communications Interface and provides installation instructions and programming information.

We assume that you are using this manual to code driver subroutines for this interface kit. You should know the following:

- RTE Assembler Language programming, especially I/O programming, including interrupt and direct memory access (DMA) or dual channel port controller (DCPC) operations. Refer to your **RTE Assembler Reference Manual**, for information.
- Computer data communications concepts.
- Your application, system organization, line protocol, and data communications equipment operation.

You will find useful information in the following publications:

- **HP Data Communications Training Manual** part no. 22999-90010. (This training manual presents the basic concepts of synchronous and asynchronous data communications.)
- **HP Data Communications Modems Training Manual**, part no. 22999-90013. (This training manual presents the concepts of data communications modems.)
- **Data Sets 103A3, 103E, 103G, and 103H Interface Specification; Bell System Data Communications Technical Reference**, publication no. 41102, October 1973. (This publication gives you information on the data set interface requirements.)
- **Data Set 113A Interface Specification; Bell System Data Communications Technical Reference**, publication no. 41104, August 1973. (This publication gives you information on the data set interface requirements.)
- **Data Sets 202C and 202D Interface Specification; Bell System Data Communications Technical Reference**, publication no. 41202, May 1964. (This publication gives you information on the data set interface requirements.)
- **EIA Standard RS-232-C: Interface Between Data Terminal Equipment and Data Communications Equipment Employing Serial Binary Data Interchange** August 1969. (This publication describes the function of the control and status lines used in data communications and line protocol.)
- Martin, James. **Telecommunications and the Computer**. Englewood Cliffs: Prentice-Hall, Inc., 1969. (This text gives a description of the world's telecommunications links and their uses for data transmission.)

- Martin, James. **Teleprocessing Network Organization**.. Englewood Cliffs: Prentice-Hall, Inc., 1970. (This text explains the many types of devices and procedures for controlling and organizing the flow of data on telecommunications lines.)

This manual is arranged in five sections. Section I describes the features of the 12966A and its specifications. Section II presents an overview of the principles of operation. Section III provides driver programming information. Section IV contains installation and checkout instructions. Section V contains component location, block, schematic, and timing diagrams.

Section		Page
I	INTRODUCING THE HP 12966A	
1-1.	Features	1-1
1-2.	Kit Contents	1-2
1-3.	Standard Version	1-2
1-4.	Option 001	1-2
1-5.	Option 002	1-2
1-6.	Option 003	1-2
1-7.	Option 004	1-2
1-8.	Option 005	1-2
1-9.	System Configuration	1-2
1-10.	Specifications	1-3
II	PRINCIPLES OF OPERATION	
2-1.	Transmit Mode	2-2
2-2.	Receive Mode	2-2
2-3.	CPU — Device Interface Description	2-4
2-4.	CPU Interface	2-4
2-5.	Device Interface	2-4
III	PROGRAMMING	
3-1.	Software Interface Characteristics	3-1
3-2.	Word Formats	3-2
3-3.	CPU Output Word Format	3-2
3-4.	Transmit Data Word (Word 0)	3-2
3-5.	Enable Device Status Interrupt Word (Word 1)	3-3
3-6.	Device Status Reference Word (Word 2)	3-4
3-7.	Character Frame Control Word (Word 3)	3-5
3-8.	Interface Control Word (Word 4)	3-6
3-9.	Interrupt Status Reset Word (Word 5)	3-7
3-10.	Special Character Word (Word 6)	3-8
3-11.	CPU Input Word Format	3-8
3-12.	Received Data Word (Control Set)	3-9
3-13.	Status Word (Control Clear)	3-10
3-14.	Effects of I/O Instructions	3-11
3-15.	Master Reset	3-11
3-16.	Set Control (STC) Instruction	3-12
3-17.	Clear Control (CLC) Instruction	3-13
3-18.	Output A (OTA) Instruction	3-13
3-19.	Load Into A (LIA) Instruction	3-13
3-20.	Sample Program	3-13
IV	INSTALLATION AND SERVICING	
4-1.	Unpacking and Inspection	4-1
4-2.	Preparation for Use	4-1
4-3.	Baud Rate Jumpers	4-1

CONTENTS (continued)

Section		Page
	4-4. Installation	4-1
	4-5. Printed Circuit Assembly	4-1
	4-6. Cable Installation	4-2
	4-7. Performance Test	4-3
	4-8. Driver Configuration/Installation	4-3
	4-9. Servicing	4-3
V	DIAGRAMS	
	5-1. Introduction	5-1
VI	REPLACEABLE PARTS	
	6-1. Introduction	6-1
	6-2. Replaceable Parts	6-1
	6-3. Ordering Information	6-1
VII	INDEX	

ILLUSTRATIONS

Title	Page
System Configuration Block Diagram	1-3
Data Transfer and Control Words	2-1
Transmit Mode Data Transfer	2-3
Receive Mode Data Transfer	2-3
Sample Program Flowchart	3-14
Sample Program Listing	3-17
Baud Rate Jumper Instructions	4-2
HP 12966A Buffered Asynchronous Data Communications Interface Assembly Diagram	5-2
HP 12966A Buffered Asynchronous Data Communications Interface Block Diagram	5-3
HP 12966A Buffered Asynchronous Data Communications Interface Schematic Diagram	5-5
HP 12966A Buffered Asynchronous Data Communications Interface Timing Diagram	5-11

Title	Page
Specifications	1-3
Transmit Data Word (Word 0)	3-2
Enable Device Status Interrupt Word (Word 1)	3-2
Device Status Reference Word (Word 2)	3-4
Character Frame Control Word (Word 3)	3-5
Interface Control Word (Word 4)	3-6
Interrupt Status Reset Word (Word 5)	3-7
Special Character Word (Word 6)	3-8
Receive Data Word	3-9
Status Word	3-10
Jumper Connections for Baud Transfer Rates	4-2
Interface Cable (HP 2600 and HP 2615 Terminals), part no. 12966-60004, Wire List	4-4
Interface Cable (HP 264X Terminal), part no. 12966-60008, Wire List	4-5
Interface Cable (Modem), part no. 12966-60006, Wire List	4-6
Interface Cable (HP 2749B Teleprinter), part no. 12966-60007, Wire List	4-7
Interface Cable (HP 2621 Terminal), part no. 12966-60010, Wire List	4-8
Interface Cable (HP 7221A Plotter), part no. 12966-60011, Wire List	4-9
Interface Cable (HP 264X Terminal to HP 7221A Plotter), part no. 12966-60012, Wire List	4-10
Replaceable Parts	6-2

INTRODUCING THE HP 12966A

SECTION

I

The HP 12966A Buffered Asynchronous Data Communications Interface is a hardware interface kit that provides half-duplex, asynchronous bit-serial data transfer between the CPU (HP 2116, HP 2100, or HP 1000 Computers) and asynchronous data sets or terminals which comply with Electronic Industries Association Standard RS-232-C.

You can program the interface kit to transfer data under direct memory access (this is called “dual channel port controller” in the HP 1000 Computers), interrupt, or skip-on-flag program control.

Note: The term “direct memory access” or “DMA” is used throughout this manual and includes the dual channel port controller (DCPC).

The interface kit operates in either character mode or buffer (page) mode. During receive operations (that is, data being sent from a device to the interface) the interface can operate in either mode. In character mode, the interface will interrupt or skip-on-flag every time that a character is received from the device. In buffer mode, the interface will accept up to 128 characters from a device and cause an interrupt or skip-on-flag condition depending upon the status of the buffer (empty, half-full, or full).

During transmit operations (that is, data being sent from the CPU to the interface) the interface operates in buffered mode. Up to 128 characters are received from the CPU and sent to the device at the programmed baud rate. Buffer status is indicated by an interrupt or skip-on-flag condition at buffer half-full, full, and empty. A detailed discussion of interface operation is presented in section II.

The interface provides parity (if selected), start, and stop bits to each character sent to the device. When data is received from the device, the interface strips these bits from each character so that only the character bits are sent to the CPU.

1-1. FEATURES

The features of the interface include:

- You can select one of 16 baud rates (from 50 to 9600 baud, including an externally-supplied X16 clock), either through your program or by hardwiring jumpers in the cable connector.
- You can select character length (5 to 8 bits) and number of stop bits (1 or 2) through your program. (When a 5-bit character length is selected, the number of stop bits that you can select is either 1 or 1½.)
- You can select parity (on/off) and parity sense (odd/even) through your program.
- 128 × 8-bit character buffering which allows the CPU to transfer data to/from the HP 12966A at a faster rate than the transfer rate between the HP 12966A and the I/O device.
- You can program the HP 12966A to recognize up to 256 different characters through program control of a 256 special character memory (RAM).
- Interrupt flags you can test for, indicating when the buffer is full, half-full, and empty, buffer overrun, break, and when a special character (that you have designated) has been received.
- Continuous monitoring of RS-232-C input lines to allow you to program the HP 12966A to interrupt when any of the lines that you select change state.
- A counter to indicate the number of characters in the buffer, which can be accessed through your program.

1-2. KIT CONTENTS

1-3. Standard Version

The standard interface kit provides connection to an HP 2600 or HP 2615 Terminal and contains the following items:

- a. Buffered Asynchronous Data Set Printed Circuit Assembly (PCA), part no. 12966-60001.
- b. Interconnecting Cable Assembly, 50 feet, part no. 12966-60004.
- c. Test Connector, part no. 12966-60003.
- d. This Reference Manual, part no. 12966-90001.

1-4. Option 001 (Direct Cable to HP 2640 Series Terminals)

Option 001 replaces the standard cable assembly with Interconnecting Cable Assembly, 50 feet, part no. 12966-60008. This cable interfaces the HP 264X Terminal.

1-5. Option 002 (Modem Cable)

Option 002 replaces the standard cable assembly with Interconnecting Cable Assembly, 50 feet, part no. 12966-60006. This cable interfaces the 103 and 202 Data Sets.

1-6. Option 003 (Direct Cable to HP 2749B)

Option 003 replaces the standard cable assembly with Interconnecting Cable Assembly, 25 feet, part no. 12966-60007. This cable interfaces the HP 2749B Teleprinter.

1-7. Option 004 (Direct Cable to HP 7221A and HP 264X)

Option 004 replaces the standard cable assembly with two interconnecting cable assemblies. One cable assembly, 50 feet, part no. 12966-60011. This cable interfaces the HP 7221A to the 12966A. The second cable assembly, 5 feet, part no. 12966-60012. This cable interconnects the plotter and a HP 264X Terminal.

1-8. Option 005 (Direct Cable to HP 2621)

Option 005 replaces the standard cable assembly with interconnecting cable assembly, 50 feet, part no. 12966-60010. This cable interfaces the HP 2621 Terminal.

1-9. SYSTEM CONFIGURATION

The interface printed circuit assembly (PCA) occupies one I/O slot and uses one I/O select code. An interface PCA is required for each communication channel. Two typical configurations are shown in figure 1-1. Connection to the computer is via the standard I/O bus. The interface PCA is driven by your coded software program which uses five control words and one data word to transfer information from the CPU to the interface PCA. Information transfer from the interface PCA to your program is achieved with one status word and one data word. The interface PCA is byte oriented, inputting or outputting one byte of data per I/O transfer (LIA/B, OTA/B instructions).

1-10. SPECIFICATIONS

Specifications for the 12966A are given in table 1-1.

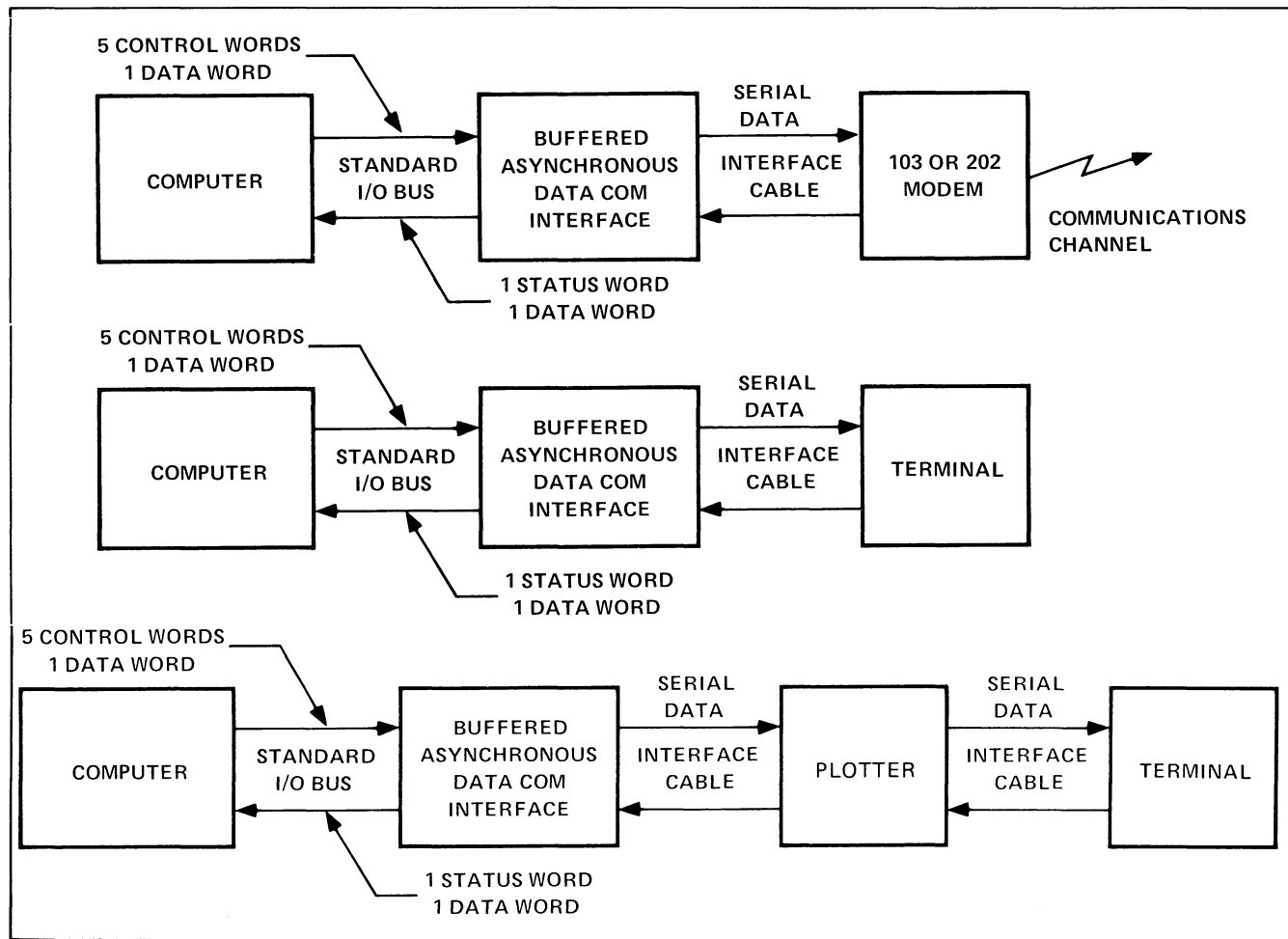


Figure 1-1. System Configurations Block Diagram

Table 1-1. Specifications

CHARACTERISTICS	SPECIFICATIONS
<p>Function :</p> <p>Compatibility:</p>	<p>Asynchronous device operating in half duplex mode that converts parallel data to serial data for transmission and converts received serial data to parallel data.</p> <p>Standard Kit: Used with HP 2600 or HP 2615 Terminals.</p> <p>Option 001: Used with HP 264X Terminals.</p> <p>Option 002: Used with HP currently-supported Bell Telephone System 103 and 202 type data sets.</p>

Table 1-1. Specifications (Continued)

CHARACTERISTICS	SPECIFICATIONS															
<p>Interface Requirements:</p> <p>Data Transfer Rate to/from Data Set Modem:</p> <p>Character Size: (Input/Output of Computer)</p> <p>Stop Bits:</p> <p>Parity:</p> <p>Character Buffering:</p> <p>Special Characters:</p> <p>Interrupt Flags:</p> <p>Power Consumption from Computer</p> <p>+5-volt supply:</p> <p>+12-volt supply:</p> <p>-2-volt supply:</p> <p>-12-volt supply:</p>	<p>Option 003: Used with HP 2749B Teleprinter.</p> <p>Option 004: Used with HP 7221 Plotter and HP 264X Terminal.</p> <p>Option 005: Used with HP 2621 Terminals.</p> <p>Conforms to Electronic Industries Association Standard RS-232-C.</p> <p>Adjustable with program selection or hardware jumpers to discrete rates between 50 and 9600 baud. The rates are:</p> <table border="0" data-bbox="763 672 1372 777"> <tr> <td>50</td> <td>134.5</td> <td>600</td> <td>1800</td> <td>4800</td> </tr> <tr> <td>75</td> <td>150</td> <td>900</td> <td>2400</td> <td>7200</td> </tr> <tr> <td>110</td> <td>300</td> <td>1200</td> <td>3600</td> <td>9600</td> </tr> </table> <p>An external X16 clock line can also be selected by your program or by hardware jumpers.</p> <p>Adjustable with program selection from five to eight bits.</p> <p>Adjustable with program selection to either 1 or 2 (when six, seven, or eight character bits are selected).</p> <p>When five character bits are selected, the number of selectable stop bits is either 1 or 1½.</p> <p>Programmable selection of parity (on/off) and parity sense (odd/even).</p> <p>128 X 8-bit buffer.</p> <p>256 special character memory. (You define the special characters by your program.)</p> <p>Flag indication when:</p> <ul style="list-style-type: none"> Buffer is full. Buffer is half full. Buffer is empty. Special character is received. Buffer Overrun/Parity Error. Break condition occurs. Device status line (CB, CC, CE, CF, SBB, or SCF) has changed state, if enabled by your program. <p>1.95A nominal, 3A maximum</p> <p>18 mA nominal</p> <p>66 mA nominal, 100 mA maximum</p> <p>59 mA nominal</p>	50	134.5	600	1800	4800	75	150	900	2400	7200	110	300	1200	3600	9600
50	134.5	600	1800	4800												
75	150	900	2400	7200												
110	300	1200	3600	9600												

PRINCIPLES OF OPERATION

SECTION II

This section gives an overview of the principles of operation of the interface. The HP 12966A operates in either of two selectable modes; transmit or receive. Figure 2-1 shows the nine words used to transfer data and control the HP 12966A. These words are described in detail in section III, Programming.

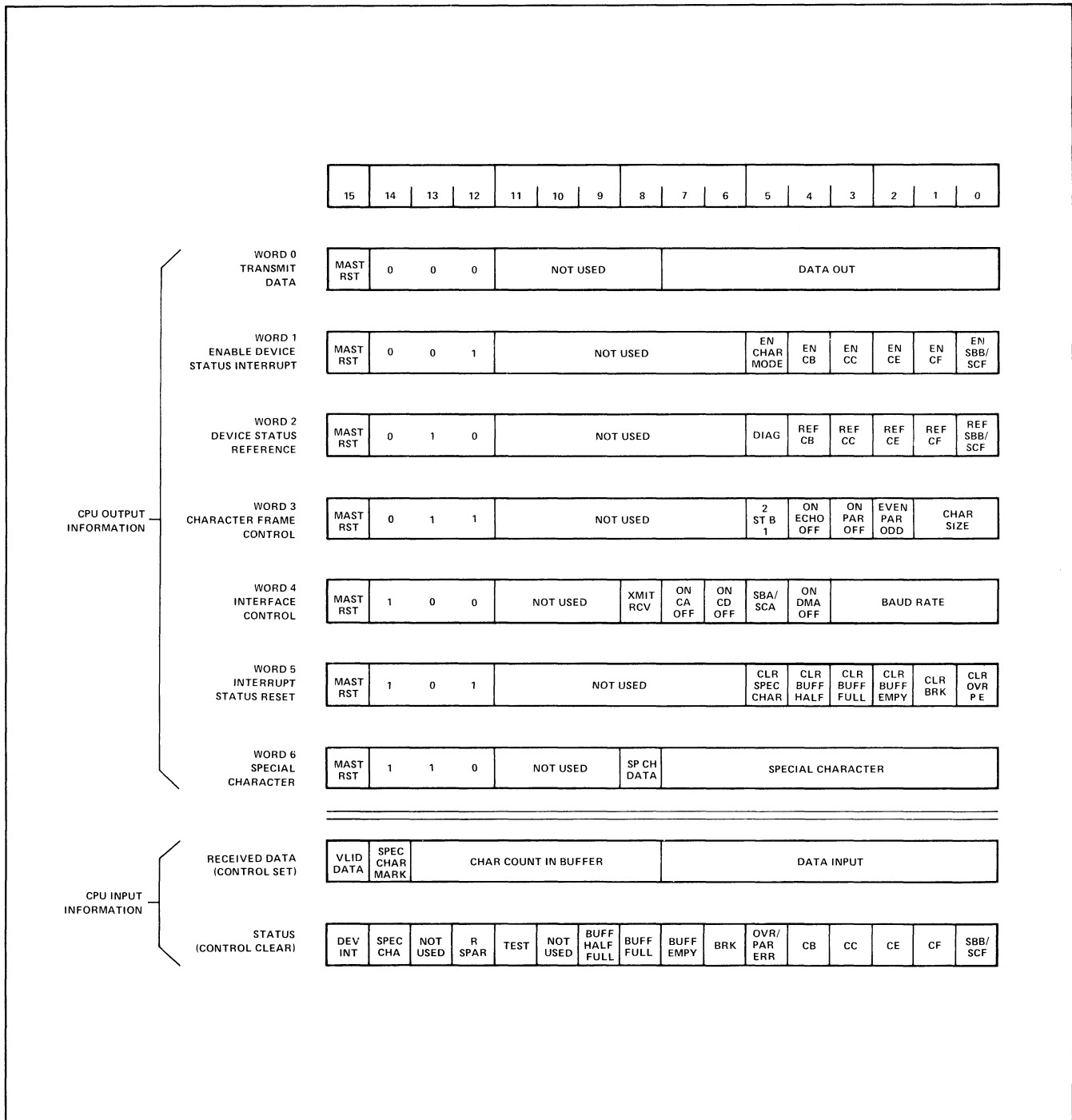


Figure 2-1. Data Transfer and Control Words

2-1. TRANSMIT MODE

The transmit mode is defined as the direction of data transfer from the CPU to a terminal, either directly or through a modem. All data to be transmitted originates in the CPU. (You should refer to figure 2-2 while reading the discussion of the transmit mode.)

Prior to transferring data to the interface PCA for transmission, you must configure the PCA for the correct character size, parity, stop bits, and baud rate. Control Words 3 and 4, which are described in section III, configure the PCA. Once the PCA has been correctly configured, data transfer can be initiated.

Data transfer between the CPU and the interface PCA occurs in the form of 8-bit parallel bytes. No unpacking by the PCA is provided, that is, data cannot be sent to the PCA in the form of two data bytes in a 16-bit word because the PCA has no provisions for separating the two bytes. Therefore, data must be transferred in the Word 0 format described in section III.

The data transfer may occur under program control (either interrupt or skip-on-flag) or direct memory access control. Each data byte from the CPU is entered into a 128×8 -bit First-In-First-Out (FIFO) buffer memory on the PCA. Consequently it is possible to accept up to 128 data bytes from the CPU, regardless of the transmission baud rate. The output of the FIFO buffer is applied to a Universal Asynchronous Receiver/Transmitter (UART) which converts the parallel data into a serial word that contains the data along with start, parity, and stop bits. When parity is enabled, the UART automatically computes the parity of the specified sense (either odd or even) and adds it to the serial data transmission. As each data byte is transmitted, the next data byte is read out of the FIFO buffer and transmitted until the buffer is empty. The UART controls the baud rate which is selected by Control Word 4 when the PCA is configured. The Buffer Empty Status Flag is set after the last data byte in the buffer has been transmitted.

When transmitting data bytes from the CPU to the interface PCA, you do not have to issue STC and CLF instructions with each data byte transfer. The interface PCA sets the Buffer Half-Full Status Flag when 64 data bytes have been received from the CPU. Only one STC,C instruction is required to allow the flag to be set when the buffer is half-full. The flag will be set again when the buffer is full (128 bytes), provided that another STC,C instruction is issued and the Buffer Half-Full Status Flag is cleared. If a block of 128, or less, data bytes is transferred, the STC,C instruction may be issued after the data transfer to permit the Buffer Empty Status Flag to set when the buffer has been emptied.

2-2. RECEIVE MODE

The receive mode (see figure 2-3) is defined as the data transfer from a terminal, or modem, to the CPU. As in the transmit mode, you must configure the interface PCA for the correct character size, parity, stop bits, and baud rate. Control Words 3 and 4, which are described in section III, configure the PCA. Once the PCA is configured, data transfer can be initiated. The PCA does not need to be reconfigured each time the operating mode is changed if the character size, parity, stop bits, and baud rate are the same for both receive and transmit modes.

Data transfer between the PCA and the CPU occurs in the form of 8-bit parallel bytes. No packing by the PCA is provided, that is, data cannot be sent to the CPU in the form of two data bytes in a 16-bit word because the PCA has no provisions for combining the two 8-bit bytes. Therefore, data is transferred in the Received Data Word format described in section III.

The data transfer may be accomplished under either program control (interrupt or skip-on-flag) or direct memory access control. The serial data received by the PCA from the terminal, or modem, is transformed into a parallel byte by the receiving portion of the UART. If parity check is enabled, the UART calculates

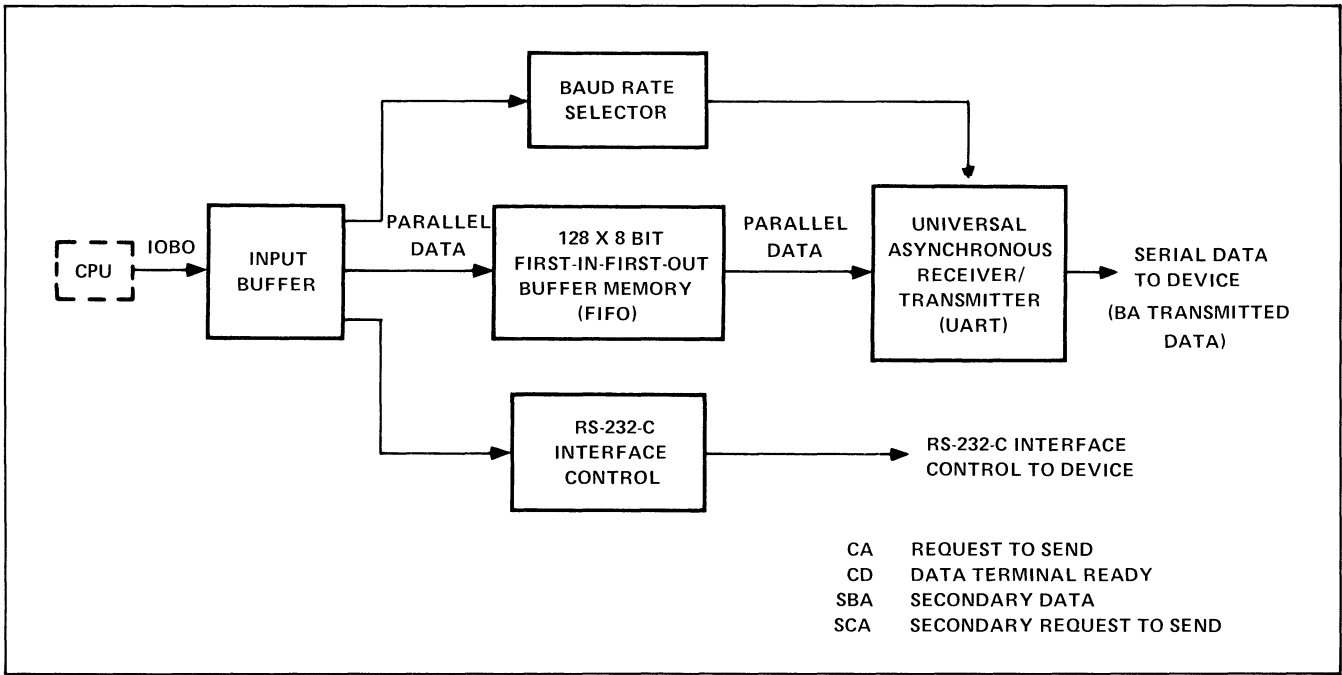


Figure 2-2. Transmit Mode Data Transfer

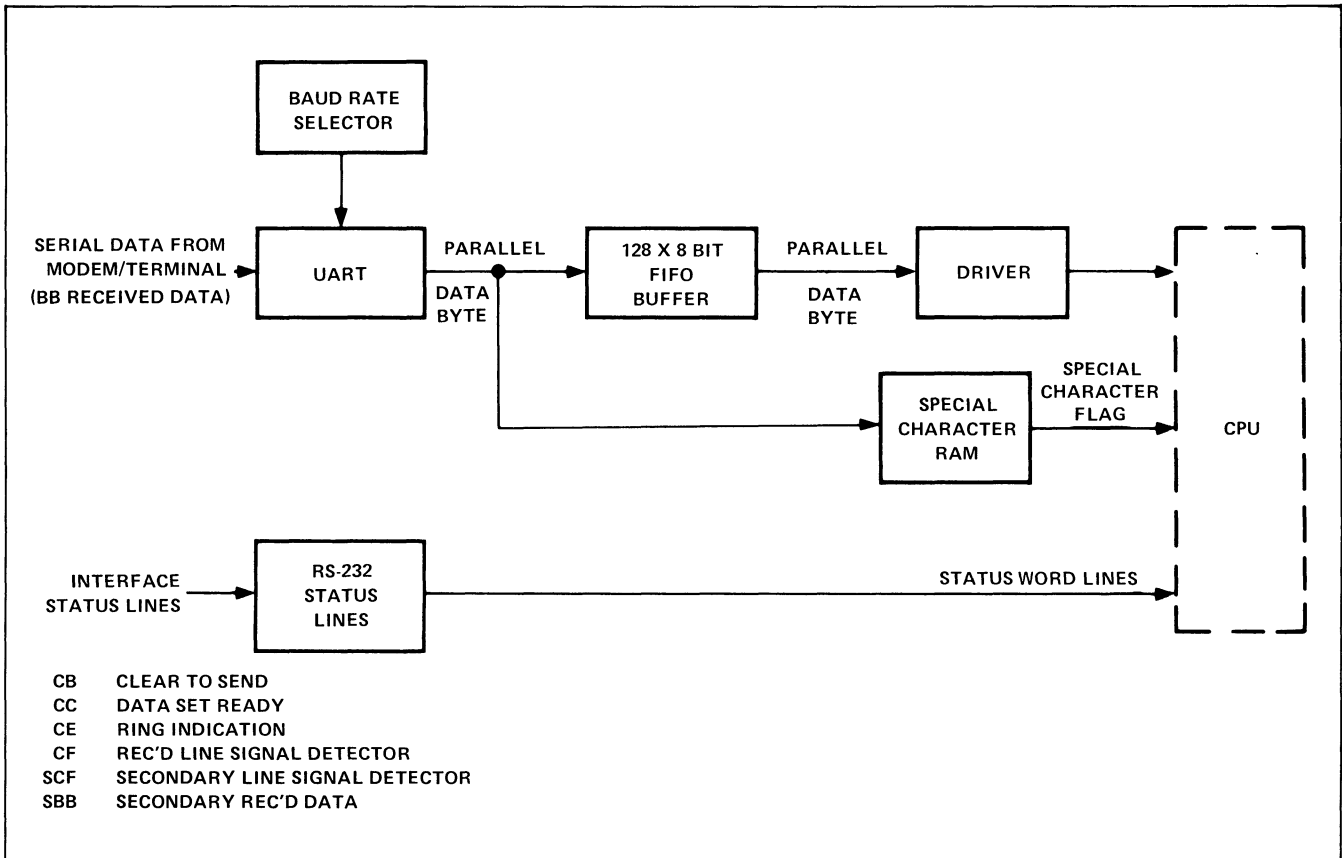


Figure 2-3. Receive Mode Data Transfer

the correct parity and compares it with the parity bit in the received character bit stream. If the calculated parity bit does not correlate with the received parity bit, a parity error is generated. Parity is stripped from the data byte and therefore is not available to the program. In addition to parity, the UART also tests for stop bits. The absence of stop bits and all zero data will result in a break condition.

After parity and stop tests, the parallel data byte from the UART is applied to the Special Character random access memory (RAM) to determine whether or not the received data byte is one you have designated as a Special Character. If it is, the Special Character Status Flag will be set.

The data byte is transferred to the FIFO buffer for temporary storage until input to the CPU is executed. When the buffer is half-full, and full, the corresponding Status Flag is set. The CPU reads a data byte out of the FIFO buffer each time an LIA/B instruction is executed with the Control FF set. It is not necessary to issue STC and CLF instructions for each transfer of a data byte. Each successive LIA/B instruction reads the next data byte in the buffer until the buffer is empty. After the last data byte is read from the FIFO buffer, the Buffer Empty Status Flag will be set.

2-3. CPU-DEVICE INTERFACE DESCRIPTION

2-4. CPU Interface

The HP 12966A interfaces with the CPU via the I/O bus. You use standard I/O instructions to transfer information and control the interrupt protocol. Specific effects of each I/O instruction are discussed in section III, Programming.

Information transferred between the CPU and the buffered asynchronous data communications interface is:

- a. Commands and Transmit Data from the CPU to the interface.
- b. Status and Receive Data from the interface to the CPU.

Commands, transmit data, and receive data may be transferred under direct program control or direct memory access control. Status may be transferred under direct program control only. It is received with every LIA/B instruction whenever the Control FF is clear.

2-5. Device Interface

The HP 12966A-to-device interface consists of two data transfer lines, four modem/terminal control lines, and six modem/terminal status lines.

The two data transfer lines are:

- a. Transmitted Data (BA)
- b. Received Data (BB)

The four modem/terminal control lines are:

- a. Request to Send (CA)
- b. Data Terminal Ready (CD)

- c. Secondary Data (SBA)
- d. Secondary Request to Send (SCA)

These lines, further defined in RS-232-C, are under program control. Only three of the four are used at any one time (CA, CD, and SBA or SCA), as dictated by hardware jumpers on the cable connector. (Refer to tables 4-2 through 4-8.)

The six modem/terminal status lines are:

- a. Clear to Send (CB)
- b. Data Set Ready (CC)
- c. Ring Indication (CE)
- d. Received Line Signal Detector (CF)
- e. Secondary Line Signal Detector (SCF)
- f. Secondary Received Data (SBB)

Five of the six status lines (CB, CC, CE, CF, and either SCF or SBB) from the modem/terminal are forwarded to your program in the Status Word. Also, the HP 12966A monitors these status lines to generate an interrupt if a change occurs. This interrupt capability is controlled by two commands (Control Words 1 and 2, which are defined in section III) which enable or disable interrupts from each status line, and which define what line sense should cause an interrupt to occur.

PROGRAMMING

This section provides you with the information necessary to code your driver program. Software interface characteristics are discussed first, followed by an explanation of various words used to control the PCA. A sample program flowchart and listing are given at the end of the section.

3-1. SOFTWARE INTERFACE CHARACTERISTICS

The HP 12966A Buffered Asynchronous Data Communications Interface follows the standard software protocol with a few exceptions:

- a. STC,C is not required to initiate a character transfer.
- b. STC is required to enable status interrupts (buffer full, buffer empty, etc.).
- c. The Status Flags are always set for the following conditions when under direct memory access or program control:

DIRECT MEMORY ACCESS CONTROL		PROGRAM CONTROL	
TRANSMIT MODE	RECEIVE MODE	TRANSMIT MODE	RECEIVE MODE
Device Status Line Change	Device Status Line Change Break Buffer Overrun Parity Error Special Character	Device Status Line Change Buffer Empty Buffer Half-Full Buffer Full	Device Status Line Change Break Buffer Overrun Parity Error Special Character Buffer Empty Buffer Half-Full Buffer Full

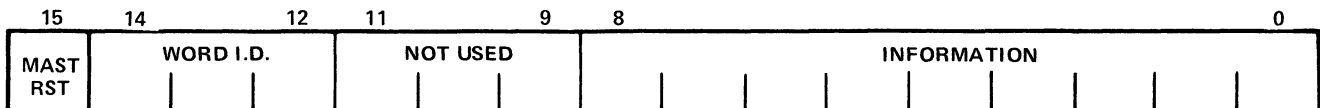
- d. The Flag is not set on completion of a character output to the device or Input from the device.
- e. When operating under direct memory access control, a Service Request (SRQ) is generated whenever a data character is ready for input or output, providing that an interrupt condition listed in "c" above is not pending. The Flag and SRQ functions are separated to permit interrupts to pass through during a direct memory access data transfer.

- f. The interface is controlled with six output words and two input words.

3-2. WORD FORMATS

3-3. CPU Output Word Format

Information transfer from the CPU to the HP 12966A is implemented by six different words (five command words and one data word) in the following general format. The “information” and “not used” field lengths vary, depending upon the word type.

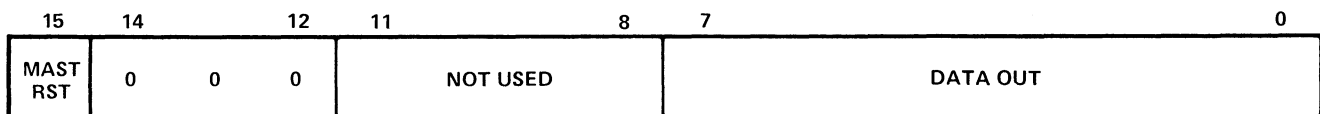


Bit 15 in all information transfers from the CPU to the HP 12966A is designated the Master Reset bit. This means that any OTA/B instructions to the interface with a “1” in bit 15 will result in a Master Reset which is described in detail later in this section. The Master Reset function is executed first, followed by transfer of the information part of the word (bits 0–8) to the designated destination. If, for example, word 4 is transferred to the interface with bit 15 a “1”, the interface is reset first, then the baud rate, modem control bits, etc, are shifted into the correct registers. The Master Reset function is not recommended when coding the Transmit Data Word (Word 0).

Each command and data word is discussed in the following paragraphs.

3-4. Transmit Data Word (Word 0)

Word 0 is used to transfer one data byte from the CPU to the interface for transmission to the modem or terminal. The format of Word 0 is as follows:



Transmit Data Word (Word 0)

BIT	DESIGNATION	DESCRIPTION
0 - 7	Data Byte	Data byte to be transmitted to modem or terminal.
12 - 14	Word Type	All three bits are “0”s to designate the Transmit Data Word (word 0).
15	Master Reset	“0” = do not execute a master reset. “1” = execute a master reset. Note: Using Master Reset in Word 0 is not recommended; therefore, code “0” for bit 15.

3-5. Enable Device Status Interrupt Word (Word 1)

Word 1 enables, or disables, the interface to generate an interrupt whenever a device status line changes to a signal state different from that referenced in the Device Status Reference Word (Word 2). The format of Word 1 is as follows:

	15	14	12	11	6	5	4	3	2	1	0
	MAST RST	0	0	1	NOT USED	EN CHAR MODE	EN CB	EN CC	EN CE	EN CF	EN SBB/ SCF

Enable Device Status Interrupt Word (Word 1)

BIT	DESIGNATION	DESCRIPTION
0	Enable SBB/SCF	"0" = do not generate an interrupt if the Secondary Receive Data line or the Secondary Received Line Signal Detector line changes state. "1" = generate an interrupt if the Secondary Receive Data line or the Secondary Received Line Signal Detector line changes state.
1	Enable CF	"0" = do not generate an interrupt if the Receive Line Signal Detector line changes state. "1" = generate an interrupt if the Receive Line Signal Detector line changes state.
2	Enable CE	"0" = do not generate an interrupt if the Ring Indicator line changes state. "1" = generate an interrupt if the Ring Indicator line changes state.
3	Enable CC	"0" = do not generate an interrupt if the Data Set Ready line changes state. "1" = generate an interrupt if the Data Set Ready line changes state.
4	Enable CB	"0" = do not generate an interrupt if the Clear to Send line changes state. "1" = generate an interrupt if the Clear to Send line changes state.
5	Enable Character Mode	"0" = do not operate in character mode. The Flag will be set only when the buffer is half-full, buffer is full, or special character. "1" = operate in character mode. The Flag will be set whenever a valid character is present at the output of the buffer in receive mode.
12 - 14	Word Type	Bits are set to an octal "1" to designate the Enable Device Status Interrupt Word (Word 1).
15	Master Reset	"0" = do not execute a master reset. "1" = execute a master reset.

3-6. Device Status Reference Word (Word 2)

Word 2 sets up the reference state to which the corresponding device status input lines are compared. If any of the status lines differ from the reference and it has been enabled by the Enable Device Status Interrupt Word (Word 1), an interrupt is generated. The format of Word 2 is as follows:

	15	14	12	11		6	5	4	3	2	1	0
	MAST RST	0	1	0	NOT USED	DIAG	REF CB	REF CC	REF CE	REF CF	REF SBB/ SCF	

Device Status Reference Word (Word 2)

BIT	DESIGNATION	DESCRIPTION
0	Reference SBB/SCF	SBB (Secondary Received Data): "0" = binary "0" data. "1" = binary "1" data. SCF (Secondary Received Line Signal Detector): "0" = ON "1" = OFF.
1	Reference CF	"0" = Received Line Signal Detector ON. "1" = Received Line Signal Detector OFF.
2	Reference CE	"0" = Ring Indicator ON. "1" = Ring Indicator OFF.
3	Reference CC	"0" = Data Set Ready ON. "1" = Data Set Ready OFF.
4	Reference CB	"0" = Clear to Send ON. "1" = Clear to Send OFF.
5	Diagnostic	This bit is available at the interface connector for diagnostic test purposes.
12 - 14	Word Type	Bits are set to an octal "2" to designate the Device Status Reference Word (Word 2).
15	Master Reset	"0" = do not execute a master reset. "1" = execute a master reset.

3-7. Character Frame Control Word (Word 3)

Word 3, except for the ECHO bit, controls the operation of the Universal Asynchronous Receiver/Transmitter (UART) by specifying the character size, number of stop bits, and parity. The ECHO bit enables the echo function when the interface is in the receive mode. The format of Word 3 is as follows:

	15	14	12	11	6	5	4	3	2	1	0
	MAST RST	0	1	1	NOT USED	2 ST B 1	ON ECHO OFF	ON PAR OFF	EVEN PAR ODD	CHAR SIZE	

Character Frame Control Word (Word 3)

BIT	DESIGNATION	DESCRIPTION																		
0-1	Character Size	<table style="width: 100%; border-collapse: collapse;"> <tr> <td style="width: 20%; text-align: center;">Bit Field</td> <td style="width: 20%;"></td> <td style="width: 60%; text-align: center;">Number of Bits/Character</td> </tr> <tr> <td style="text-align: center;"><u>1</u> <u>0</u></td> <td></td> <td style="text-align: center;"><u>(Not Including Parity)</u></td> </tr> <tr> <td style="text-align: center;">0 0</td> <td></td> <td style="text-align: center;">5</td> </tr> <tr> <td style="text-align: center;">0 1</td> <td></td> <td style="text-align: center;">6</td> </tr> <tr> <td style="text-align: center;">1 0</td> <td></td> <td style="text-align: center;">7</td> </tr> <tr> <td style="text-align: center;">1 1</td> <td></td> <td style="text-align: center;">8</td> </tr> </table>	Bit Field		Number of Bits/Character	<u>1</u> <u>0</u>		<u>(Not Including Parity)</u>	0 0		5	0 1		6	1 0		7	1 1		8
Bit Field		Number of Bits/Character																		
<u>1</u> <u>0</u>		<u>(Not Including Parity)</u>																		
0 0		5																		
0 1		6																		
1 0		7																		
1 1		8																		
2	Parity Odd/Even	"0" = odd parity. "1" = even parity.																		
3	Parity On/Off	"0" = parity generator/checker is OFF. "1" = parity generator/checker is ON.																		
4	Echo On/Off	"0" = echo is OFF "1" = echo is ON.																		
5	Number of Stop Bits	"0" = one stop bit. "1" = two stop bits. (One and one-half stop bits when 5 character bits are selected.)																		
12 - 14	Word Type	Bits are set to an octal "3" to designate Character Frame Control Word (Word 3).																		
15	Master Reset	"0" = do not execute a master reset. "1" = execute a master reset.																		

3-8. Interface Control Word (Word 4)

Word 4 controls the RS-232-C output control lines, defines the baud rate, identifies the upcoming DMA transfer, and places the interface in either transmit or receive mode. The format of Word 4 is as follows:

	15	14	12	11	9	8	7	6	5	4	3	0
	MAST RST	1	0	0	NOT USED	XMIT RCV	ON CA OFF	ON CD OFF	SBA/ SCA	ON DMA OFF	BAUD RATE	

Interface Control Word (Word 4)

BIT	DESIGNATION	DESCRIPTION																																																																																					
0 - 3	Baud Rate	<p style="text-align: center;">Bit Field</p> <table style="margin-left: auto; margin-right: auto;"> <tr> <td style="text-align: center;">3</td> <td style="text-align: center;">2</td> <td style="text-align: center;">1</td> <td style="text-align: center;">0</td> <td style="text-align: center;">Baud Rate</td> </tr> <tr> <td style="text-align: center;">0</td> <td style="text-align: center;">0</td> <td style="text-align: center;">0</td> <td style="text-align: center;">0</td> <td style="text-align: center;">External Clock (X16)</td> </tr> <tr> <td style="text-align: center;">0</td> <td style="text-align: center;">0</td> <td style="text-align: center;">0</td> <td style="text-align: center;">1</td> <td style="text-align: center;">50</td> </tr> <tr> <td style="text-align: center;">0</td> <td style="text-align: center;">0</td> <td style="text-align: center;">1</td> <td style="text-align: center;">0</td> <td style="text-align: center;">75</td> </tr> <tr> <td style="text-align: center;">0</td> <td style="text-align: center;">0</td> <td style="text-align: center;">1</td> <td style="text-align: center;">1</td> <td style="text-align: center;">110</td> </tr> <tr> <td style="text-align: center;">0</td> <td style="text-align: center;">1</td> <td style="text-align: center;">0</td> <td style="text-align: center;">0</td> <td style="text-align: center;">134.5</td> </tr> <tr> <td style="text-align: center;">0</td> <td style="text-align: center;">1</td> <td style="text-align: center;">0</td> <td style="text-align: center;">1</td> <td style="text-align: center;">150</td> </tr> <tr> <td style="text-align: center;">0</td> <td style="text-align: center;">1</td> <td style="text-align: center;">1</td> <td style="text-align: center;">0</td> <td style="text-align: center;">300</td> </tr> <tr> <td style="text-align: center;">0</td> <td style="text-align: center;">1</td> <td style="text-align: center;">1</td> <td style="text-align: center;">1</td> <td style="text-align: center;">600</td> </tr> <tr> <td style="text-align: center;">1</td> <td style="text-align: center;">0</td> <td style="text-align: center;">0</td> <td style="text-align: center;">0</td> <td style="text-align: center;">900</td> </tr> <tr> <td style="text-align: center;">1</td> <td style="text-align: center;">0</td> <td style="text-align: center;">0</td> <td style="text-align: center;">1</td> <td style="text-align: center;">1200</td> </tr> <tr> <td style="text-align: center;">1</td> <td style="text-align: center;">0</td> <td style="text-align: center;">1</td> <td style="text-align: center;">0</td> <td style="text-align: center;">1800</td> </tr> <tr> <td style="text-align: center;">1</td> <td style="text-align: center;">0</td> <td style="text-align: center;">1</td> <td style="text-align: center;">1</td> <td style="text-align: center;">2400</td> </tr> <tr> <td style="text-align: center;">1</td> <td style="text-align: center;">1</td> <td style="text-align: center;">0</td> <td style="text-align: center;">0</td> <td style="text-align: center;">3600</td> </tr> <tr> <td style="text-align: center;">1</td> <td style="text-align: center;">1</td> <td style="text-align: center;">0</td> <td style="text-align: center;">1</td> <td style="text-align: center;">4800</td> </tr> <tr> <td style="text-align: center;">1</td> <td style="text-align: center;">1</td> <td style="text-align: center;">1</td> <td style="text-align: center;">0</td> <td style="text-align: center;">7200</td> </tr> <tr> <td style="text-align: center;">1</td> <td style="text-align: center;">1</td> <td style="text-align: center;">1</td> <td style="text-align: center;">1</td> <td style="text-align: center;">9600</td> </tr> </table>	3	2	1	0	Baud Rate	0	0	0	0	External Clock (X16)	0	0	0	1	50	0	0	1	0	75	0	0	1	1	110	0	1	0	0	134.5	0	1	0	1	150	0	1	1	0	300	0	1	1	1	600	1	0	0	0	900	1	0	0	1	1200	1	0	1	0	1800	1	0	1	1	2400	1	1	0	0	3600	1	1	0	1	4800	1	1	1	0	7200	1	1	1	1	9600
3	2	1	0	Baud Rate																																																																																			
0	0	0	0	External Clock (X16)																																																																																			
0	0	0	1	50																																																																																			
0	0	1	0	75																																																																																			
0	0	1	1	110																																																																																			
0	1	0	0	134.5																																																																																			
0	1	0	1	150																																																																																			
0	1	1	0	300																																																																																			
0	1	1	1	600																																																																																			
1	0	0	0	900																																																																																			
1	0	0	1	1200																																																																																			
1	0	1	0	1800																																																																																			
1	0	1	1	2400																																																																																			
1	1	0	0	3600																																																																																			
1	1	0	1	4800																																																																																			
1	1	1	0	7200																																																																																			
1	1	1	1	9600																																																																																			
4	DMA (Direct Memory Access)	"0" = program control data transfer. "1" = DMA control data transfer.																																																																																					
5	SBA/SCA	SBA (Secondary Transmit Data): "0" = binary "0" data. "1" = binary "1" data. SCA (Secondary Request to Send): "0" = OFF. "1" = ON.																																																																																					
6	CD	"0" = Data Terminal Ready OFF. "1" = Data Terminal Ready ON.																																																																																					
7	CA	"0" = Request to Send OFF. "1" = Request to Send ON.																																																																																					
8	Transmit/Receive	"0" = receive mode. "1" = transmit mode.																																																																																					
12 - 14	Word Type	Bits are set to an octal "4" to designate the Interface Control Word (Word 4).																																																																																					
15	Master Reset	"0" = do not execute master reset. "1" = execute master reset.																																																																																					

3.9. Interrupt Status Reset Word (Word 5)

Word 5 permits the software driver to individually clear the source(s) of an interrupt. Once a condition on the interface results in an interrupt, the interrupt will remain until it is cleared by a specific bit in Word 5, even if the causal condition may no longer be present. The format of Word 5 is as follows:

15	14	12	11	6	5	4	3	2	1	0	
MAST RST	1	0	1	NOT USED		CLR SPEC CHAR	CLR BUFF HALF	CLR BUFF FULL	CLR BUFF EMPTY	CLR BRK	CLR OVR PE

Interrupt Status Reset Word (Word 5)

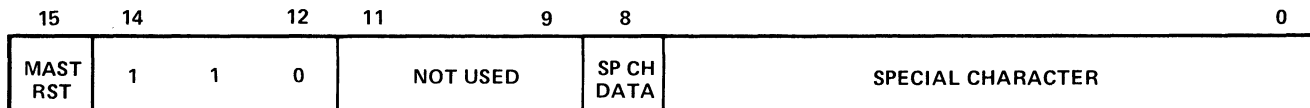
BIT	DESIGNATION	DESCRIPTION
0	Clear Overrun/Parity Error Status Flag	<p>"0" = do not clear the flag. "1" = clear the flag.</p>
1	Clear Break Status Flag	<p>"0" = do not clear the flag. "1" = clear the flag.</p>
2	Clear Buffer Empty Status Flag	<p>"0" = do not clear the flag. "1" = clear the flag.</p>
3	Clear Buffer Full Status Flag	<p>"0" = do not clear the flag. "1" = clear the flag.</p>
4	Clear Buffer Half-Full Status Flag	<p>"0" = do not clear the flag. "1" = clear the flag.</p>
5	Clear Special Character Status Flag	<p>"0" = do not clear the flag. "1" = clear the flag.</p>
12 - 14	Word Type	Bits are set to octal "5" to specify the Interrupt Status Reset Word (Word 5).
15	Master Reset	<p>"0" = do not execute master reset. "1" = execute master reset.</p>

3-10. Special Character Word (Word 6)

Word 6 adds or removes the designated character from the special character list. If a designated special character is received while the interface is in the receive mode, an interrupt is generated. The card must be in Transmit Mode to alter the contents of the Special Character RAM.

Note: Every character must be either cleared or identified as a special character at interface initialization.

The format of Word 6 is as follows:



Special Character Word (Word 6)

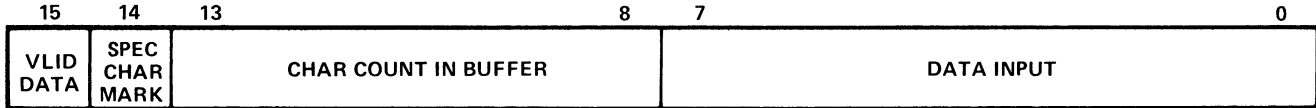
BIT	DESIGNATION	DESCRIPTION
0 - 7	Special Character	This is the character which is to be added, or removed, from the special character list.
8	Special Character Data	"0" = the character in bits 0 thru 7 is not a special character; remove from list. "1" = the character in bits 0 thru 7 is a special character; add to list.
12 - 14	Word Type	Bits are set to an octal "6" to specify the Special Character Word (Word 6).
15	Master Reset	"0" = do not execute master reset. "1" = execute master reset.

3-11. CPU Input Word Format

Information transfer from the interface to the CPU is implemented with two words. The Received Data Word is available whenever the Control FF is set, and the Status Word is available whenever the Control FF is clear. The interface formats these two words, and the formats are described below.

3-12. Received Data Word (Control Set)

The Received Data Word is available to the CPU when the Control FF is set. This word contains a character/data byte (up to 8 bits), a special character mark bit, a valid data bit, and a 6-bit binary character count indicating the number of data bytes currently in the buffer.



Received Data Word

BIT	DESIGNATION	DESCRIPTION																
0 - 7	Received Data	Up to 8-bit data byte received from the modem or terminal.																
8 - 13	Character Count	<p>The character count indicates the number of characters in the buffer, including the character in bits 0 thru 7 of this word. The meanings of the various counts are shown below:</p> <table style="margin-left: auto; margin-right: auto; border-collapse: collapse;"> <tr> <td style="text-align: center; padding: 5px;"><u>Count</u></td> <td style="text-align: center; padding: 5px;"><u>Empty</u></td> <td style="text-align: center; padding: 5px;"><u>Meaning</u> or Half-Full</td> <td style="text-align: center; padding: 5px;">or Full</td> </tr> <tr> <td style="text-align: center; padding: 5px;">00₈</td> <td style="text-align: center; padding: 5px;">00₈</td> <td style="text-align: center; padding: 5px;">100₈</td> <td style="text-align: center; padding: 5px;">200₈</td> </tr> <tr> <td style="text-align: center; padding: 5px;">↓</td> <td style="text-align: center; padding: 5px;">↓</td> <td style="text-align: center; padding: 5px;">↓</td> <td></td> </tr> <tr> <td style="text-align: center; padding: 5px;">77₈</td> <td style="text-align: center; padding: 5px;">77₈</td> <td style="text-align: center; padding: 5px;">177₈</td> <td></td> </tr> </table>	<u>Count</u>	<u>Empty</u>	<u>Meaning</u> or Half-Full	or Full	00 ₈	00 ₈	100 ₈	200 ₈	↓	↓	↓		77 ₈	77 ₈	177 ₈	
<u>Count</u>	<u>Empty</u>	<u>Meaning</u> or Half-Full	or Full															
00 ₈	00 ₈	100 ₈	200 ₈															
↓	↓	↓																
77 ₈	77 ₈	177 ₈																
14	Special Character Marker	<p>“0” = the character/data byte in bits 0 thru 7 is not a special character.</p> <p>“1” = the character/data byte in bits 0 thru 7 is a special character.</p>																
15	Valid Data Marker	<p>“0” = the character/data byte in bits 0 thru 7 is not a valid character/data byte.</p> <p>“1” = the character/data byte in bits 0 thru 7 is a valid character/data byte.</p>																

3-13. Status Word (Control Clear)

The Status Word is input when the Control FF is clear. This word contains the real-time modem/terminal status lines which do not have to be cleared. In addition to the status lines, the word contains flags which identify the cause of the interrupt. These flags must be cleared since they may not represent current status. The format of the Status Word is described below.

15	14	13	12	11	10	9	8	7	6	5	4	3	2	1	0
DEV INT	SPEC CHA	NOT USED	R SPAR	TEST	NOT USED	BUFF HALF FULL	BUFF FULL	BUFF EMPY	BRK	OVR/ PAR ERR	CB	CC	CE	CF	SBB/ SCF

Status Word

BIT	DESIGNATION	DESCRIPTION
0	SBB/SCF	SBB (Secondary Received Data): "0" = binary "0" data. "1" = binary "1" data. SCF (Secondary Received Line Signal Detector): "0" = OFF. "1" = ON.
1	CF	"0" = Received Line Signal Detector OFF. "1" = Received Line Signal Detector ON.
2	CE	"0" = Ring Indicator OFF. "1" = Ring Indicator ON.
3	CC	"0" = Data Set Ready OFF. "1" = Data Set Ready ON.
4	CB	"0" = Clear to Send OFF. "1" = Clear to Send ON.
5	Overrun or Parity Error	"0" = no parity error or data buffer overrun. "1" = parity error or data buffer overrun.
6	Break	"0" = no break conditions present. "1" = break condition has been detected and has been terminated.
7	Buffer Empty	"0" = buffer is not empty. "1" = buffer is empty.

Status Word (Continued)

BIT	DESIGNATION	DESCRIPTION
8	Buffer Full	<p>“0” = buffer is not full.</p> <p>“1” = buffer is full.</p>
9	Buffer Half-Full	<p>“0” = buffer is not half-full.</p> <p>“1” = buffer is half-full. This flag is set only as the buffer is filling up and reaches (and exceeds) half-full status. The flag is not set as the buffer reaches (and drops below) half-full status as it is being emptied.</p>
11	Test	<p>This bit represents the unprocessed received serial data line (BB), and is used for diagnostic purposes.</p>
12	Spare Receiver Input	<p>This bit is the output of a spare RS-232-C line receiver which is available through the device interface connector (P1-U of the interface cable).</p>
14	Special Character	<p>“0” = no special character has been received.</p> <p>“1” = a special character has been received.</p>
15	Device Interrupt	<p>“0” = no device status line interrupt.</p> <p>“1” = a device status line (CB, CC, CE, CF, and SBB/SCF in bit field 0 thru 4 of this word) that has been enabled, has changed and is causing an interrupt.</p>

3-14. EFFECTS OF I/O INSTRUCTIONS**3-15. Master Reset**

Master Reset is generated as a result of various I/O instructions or functions:

- a. At power ON, or a front panel PRESET.
- b. Issuing a CLC 0 instruction.
- c. Bit 15 being a “1” in any of the information words transferred from the CPU to the interface (Word 0 through Word 6, which are described earlier in this section).

Master Reset places the interface in a known operating state as follows:

- a. Receive operating mode.
- b. Echo: OFF.

- c. DMA: OFF.
- d. Request to Send (CA): OFF
- e. Data Terminal Ready (CD): OFF
- f. Clears all data in the FIFO buffer.
- g. Clears the Universal Asynchronous Receiver/Transmitter (UART); aborts transmission of any character immediately.
- h. Clears the character counter.
- i. Clears Service Request (SRQ).
- j. Clears Control FF.
- k. Sets Flag.
- l. Sets Lockout (inhibits any conditions on the interface to generate an interrupt).
- m. Clears the Device Status Interrupt Enable register thereby inhibiting any interrupt as a result of modem/terminal status change.
- n. Special character list is *not* altered.
- o. The following status flags are *not* affected: buffer empty, buffer half-full, buffer full, buffer overrun, special character, break, and parity error.
- p. The character size, number of stop bits, parity, and parity sense are *not* altered.
- q. The baud rate is *not* affected.
- r. Clears out character mode enable for “Data Request Flag” which puts the interface back in buffered mode.
- s. Clears the device reference register.

3-16. Set Control (STC) Instruction

STC enables interrupts from the interface, as with other 2100 Series Computer interfaces. But it also has two other important effects.

First, STC must be issued after the end of the service routine for each interface request (data or status), whether or not interrupts are being used. This is because of the interrupt interlock used by the interface to prevent interrupts occurring within interrupts (i.e., nested interrupts). In effect, the STC at the end of the service routine informs the interface that the current request has been serviced and that the program is ready to accept another request from the interface. Until the STC occurs, the interface will *not* be able to set its Flag to request further service.

If it is necessary to operate the interface in an interrupt environment, but not using the interrupt method for servicing the interface (i.e., interrupt system is on, but the interface is using “skip-on-flag” method of servicing), “false” interrupts can be prevented by following the STC immediately with the Clear Control (CLC) instruction.

Secondly, the STC is issued prior to requesting Received Data words. The Control FF must be set in order to input the data words.

3-17. Clear Control (CLC) Instruction

The CLC instruction is used to disable interrupts from the interface, as with other 2100 Series Computer interfaces. But it also affects the operation of the input word selector in the opposite manner as does the STC instruction. The Control FF must be clear in order to input the Status word.

Note: Because of the interrupt interlock on the interface, it is not necessary to “clear control” following an interrupt; once an interrupt has occurred, no more interrupts can occur until an STC is issued. However, the CLC may be used for conformance with standard programming technique with no adverse effects.

3-18. Output A(OTA) Instruction

The OTA instruction is used to transfer information (CPU output Words 0 through 6) from the CPU to the interface. Word outputs with bit 15 set to a “1” are interpreted as Master Reset by the interface.

3-19. Load Into A (LIA) Instruction

The LIA instruction is used to transfer information (the Received Data and Status Words) from the interface to the CPU. Because the interface uses two types of input information (received data and status), the program and the interface must be able to know which type is to be supplied for any particular transfer. The selection is controlled by the program through the STC and CLC instruction.

3-20. SAMPLE PROGRAM

The sample program (see figures 3-1 and 3-2) demonstrates basic programming techniques for using the HP 12966A Buffered Asynchronous Data Communications Interface. This program can be used by the user as a test program to get started before writing his own program.

The user enters 64 characters from a remote terminal (an HP 2640A, or equivalent). These 64 characters are loaded into the FIFO buffer of the interface. When the Buffer Half-Full Status Flag is set, the data is transferred to a CPU buffer. The interface is then placed in the transmit mode, and the 64 characters are loaded back into the FIFO buffer from the CPU buffer. After the data is transferred, the interface transmits the characters in the FIFO buffer to the terminal.

Data transfer to/from the terminal is at 1200 Baud, one stop bit, eight-bit ASCII, no parity, and Echo is on. The program assumes that the interface PCA is in select code 12g; however, this can be changed easily in the program to fit the user's equipment configuration.

Note: To run the sample program of figure 3-2 it may be necessary to change the switch on your Data Communications PCA. All switches on the 02640-60089 or 02640-60143 should be set to OPEN except for A9, A10, and A11 on switch block S4 these should be CLOSED.

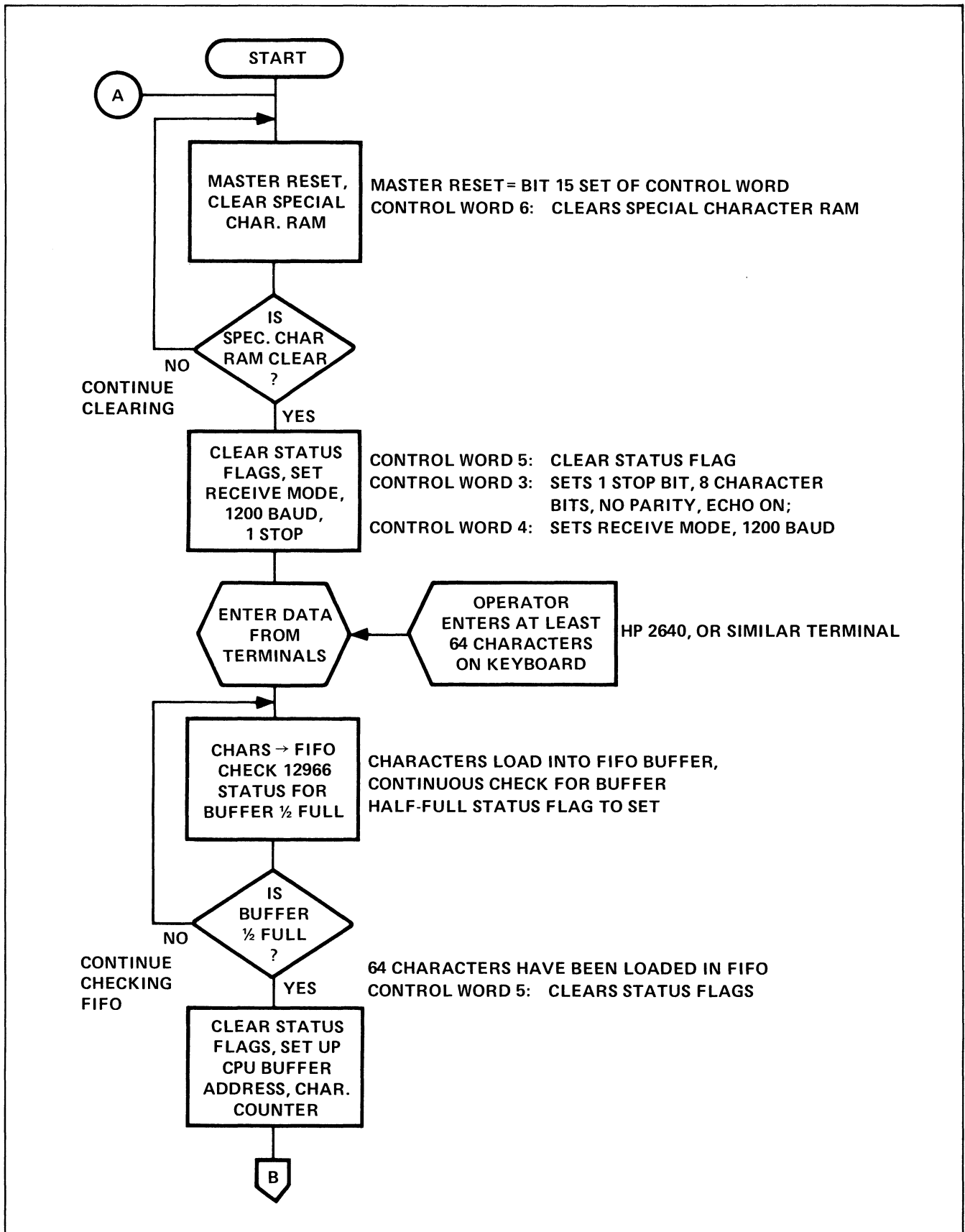


Figure 3-1. Sample Program Flowchart (Sheet 1 of 3)

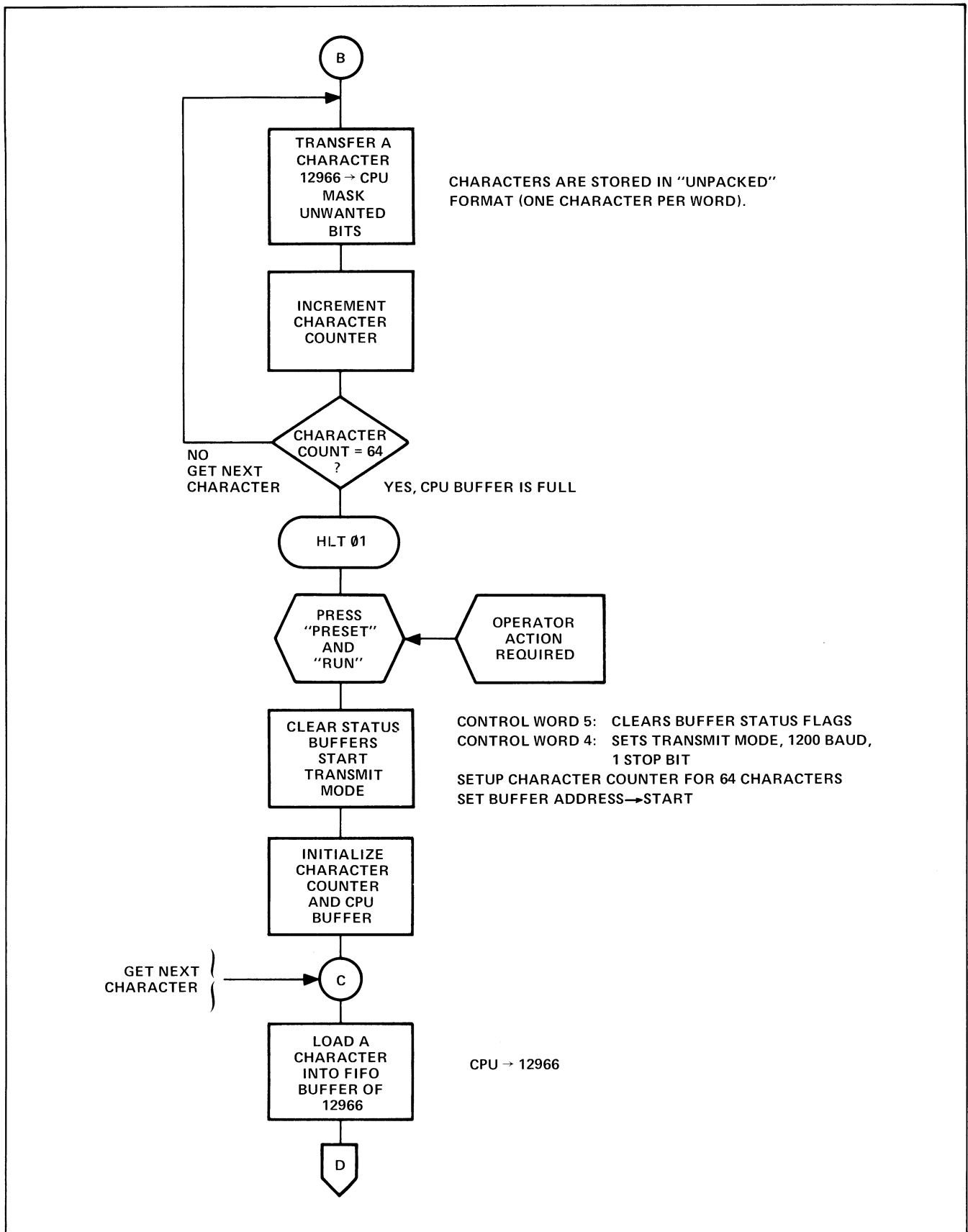


Figure 3-1. Sample Program Flowchart (Sheet 2 of 3)

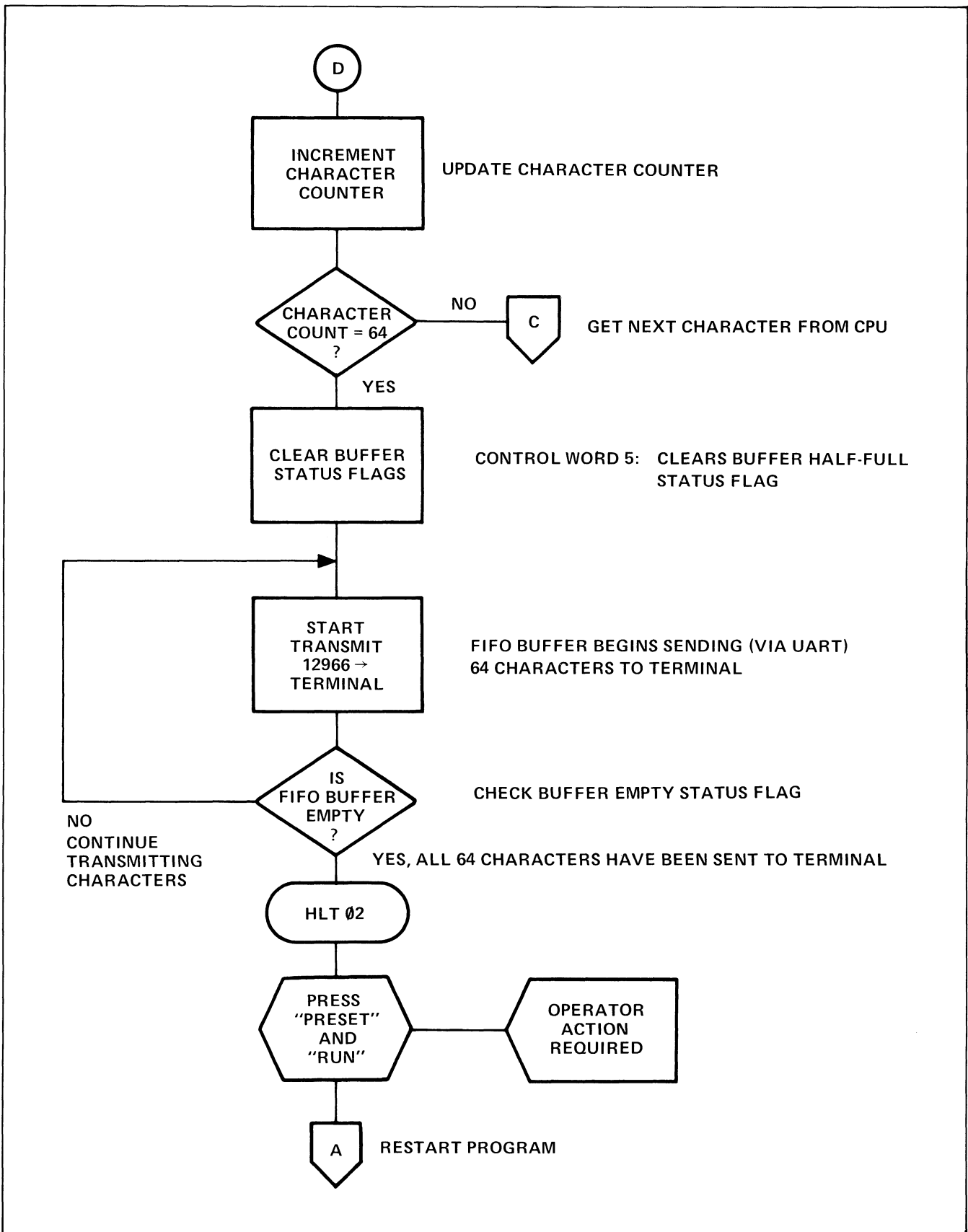


Figure 3-1. Sample Program Flowchart (Sheet 3 of 3)

```

0001 ASMB,A,B,L,T
0002     ORG 100B
0003 *
0004 ****12966 SAMPLE PROGRAM*****
0005 *THE PROGRAM BEGINS BY CLEARING ALL ADDRESSES OF THE
0006 *SPECIAL CHARACTER RAM TO ZEROS.THE 12966 THEN IS
0007 *ENABLED TO RECEIVE MODE,1200 BAUD.THE USER ENTERS A
0008 *MINIMUM OF 64 CHARACTERS FROM THE TERMINAL KEYBOARD
0009 *(HP2640 OR SIMILAR TERMINAL). WHEN BUFFER HALF FULL
0010 *(64 CHARS.) IS DETECTED,THE CHARS. ARE TRANSFER FROM
0011 *THE FIFO BUFFER OF THE 12966 TO THE CPU. WHEN THIS
0012 *TRANSFER IS COMPLETED THE CPU HALTS (HLT 01).THE USER
0013 *PRESSES 'PRESET' & 'RUN', THE 12966 GOES INTO THE
0014 *TRANSMIT MODE. THE CPU BUFFER (64 CHARS.) IS SENT TO
0015 *THE 12966 FIFO BUFFER. WHEN THIS TRANSFER IS COMPLETED
0016 *THE 12966 TRANSMITS TO THE TERMINAL UNTIL BUFFER EMPTY
0017 *STATUS FLAG SETS. THE CPU NOW HALTS (HLT 02),PRESSING
0018 *'RUN' RESTARTS THE PROGRAM.
0019 *
0020 *
0021 A     EQU 0
0022 B     EQU 1
0023 SCT   EQU 12B      12966 IS IN SELECT CODE 12B
0024 SAVA  BSS 1
0025 SAVB  BSS 1
0026 COUNT BSS 1
0027 SIZE  DEC 64      64 CHARACTERS
0028 BHF   OCT 1000
0029 CW3   OCT 030023
0030 CW4R  OCT 040011
0031 CW4T  OCT 140411
0032 CW5   OCT 050077
0033 CW6   OCT 060000
0034 PAT   OCT 777
0035 DAB.  DEF DAB
0036 CLEAR OCT 060400
0037     ORG 1000B
0038 DAB   BSS 400
0039 *
0040 *
0041     ORG 200B
0042 START LDA CW4T     MASTER RESET,INITIALIZE TRANSMIT
0043     OTA SCT
0044     LDA CW6        CLEAR OUT SPECIAL CHAR RAM
0045 R1   OTA SCT
0046     INA
0047     CPA CLEAR     CHECK IF SPECIAL CHAR RAM IS CLEAR
0048     RSS           YES IT IS,CONTINUE WITH PROGRAM
0049     JMP R1        NO IT ISN'T,CONTINUE CLEARING
0050 OVER  LDA SIZE     SETUP AND INITIALIZE CHAR COUNTER
0051     CMA,INA      2'S COMP.
0052     STA COUNT

```

Figure 3-2. Sample Program Listing (Sheet 1 of 2)

```

0053      LDA CW5          LOAD WORD 5,CLEAR FLAGS
0054      OTA SCT
0055      LDA CW3          LOAD WORD 3,1 STOP BIT,8 DATA BITS
0056      OTA SCT          ECHO ON,NO PARITY
0057      LDA CW4R        LOAD WORD 4,RECEIVE MODE,1200 BAUD
0058      OTA SCT
0059  CHECK  STC SCT,C    SET CONTROL 12966
0060      SFS SCT          CHECK IF STATUS FLAG IS SET
0061      JMP *-1          NO,NONE IS SET,CONTINUE
0062      CLC SCT          YES,FLAG HAS SET
0063      LIA SCT          GET STATUS WORD
0064      AND BHF          CHECK FOR BUFFER HALF FULL
0065      SZA,RSS
0066      JMP CHECK        BHF NOT SET AS YET
0067      LDA CW5          BHF SET,CLEAR STATUS FLAGS
0068      OTA SCT
0069      LDB DAB.         SETUP CPU BUFFER ADDRESS
0070      STC SCT,C        SET CONTROL 12966
0071  T1    LIA SCT          GET A CHARACTER FROM FIFO
0072      AND PAT          MASK OUT UNWANTED BITS
0073      STA B,I          STORE CHAR INTO CPU BUFFER
0074      INB
0075      ISZ COUNT        INCREMENT COUNT,COUNT=64?
0076      JMP T1           NO,GET NEXT CHARACTER
0077      HLT 01           YES,CPU BUFFER IS FULL
0078  ***PRESS 'PRESET' AND 'RUN' TO PUT 12966 INTO TRANSMIT
0079  *MODE.
0080  *
0081      NOP
0082      LDA CW4T         SETUP 12966 TO TRANSMIT @1200 BAUD
0083      OTA SCT
0084      LDA CW5          CLEAR BUFFERS
0085      OTA SCT
0086      LDA SIZE         SETUP CHAR COUNTER
0087      CMA,INA          2'S COMP.
0088      STA COUNT
0089      LDB DAB.         SETUP BUFFER ADDRESS
0090      STC SCT,C
0091  T2    LDA B,I          GET A CHARACTER
0092      OTA SCT          PUT IT IN THE FIFO BUFFER
0093      INB
0094      ISZ COUNT        INCREMENT COUNT,COUNT=64?
0095      JMP T2           NO GET NEXT CHAR!!!
0096      LDA CW5          YES,LOAD W TO CLEAR BUFF
0097      OTA SCT          HALF FULL
0098      STC SCT,C        SET CONTROL,START TRANSMIT
0099      SFS SCT          IS BUFFER EMPTY?
0100      JMP *-1          NO,CONTINUE SENDING
0101      HLT 02           YES,IT IS EMPTY,HALT CPU!!
0102      JMP START        RESTART 12966
0103      END

```

Figure 3-2. Sample Program Listing (Sheet 2 of 2)

INSTALLATION AND SERVICING

SECTION

IV

4-1. UNPACKING AND INSPECTION

If the shipping carton is damaged upon receipt, request that the carrier's agent be present when the kit is unpacked. Inspect the kit for damage (cracks, broken parts, etc.). If the kit is damaged and fails to meet specifications, notify the carrier and the nearest HP Sales and Service Office immediately. (Sales and Service Offices are listed at the back of this manual.) Retain the shipping container and the packing material for the carrier's inspection. The HP Sales and Service Office will arrange for the repair or replacement of the damaged kit without waiting for any claims against the carrier to be settled.

4-2. PREPARATION FOR USE

4-3. Baud Rate Jumpers

Before installation of the kit it is necessary to determine if the baud rate should be selected by hardwiring in the cable connector, rather than selected by program control. The interface cables HP Part No. 12966-60004, 12966-60006 and 12966-60007 are shipped configured for program control of the baud rate. The 12966-60008 is shipped hardwire configured for use of an external clock. If the hardwired method is preferred, disassemble the cable connector which fastens to the interface printed circuit assembly, and connect the jumpers for the required baud rate. Figure 4-1 and table 4-1 provide instructions to accomplish this.

4-4. INSTALLATION

4-5. Printed Circuit Assembly

The printed circuit assembly fits into an I/O slot of the computer's card cage. The I/O slots correspond to I/O select codes which are used during programming to address a particular I/O device. Further information on the computer's I/O system and select codes can be found in your **Computer Series Reference Manual**.

Specific instructions for installing the printed circuit assembly into the computer are contained in your **Computer Series Installation and Service Manual**.

Table 4-1. Jumper Connections for Baud Transfer Rates

BAUD RATE	BIT PATTERN	CONNECT +5V (PIN 8) TO PINS:	CONNECT SIGNAL GROUND (PINS 1, A, 24, OR BB) TO PINS:
External Clock (X16)	0000	N	12,13,14,15
50	0001	14,N	12,13,15
75	0010	13,N	12,14,15
110	0011	13,14,N	12,15
134.5	0100	12,N	13,14,15
150	0101	12,14,N	13,15
300	0110	12,13,N	14,15
600	0111	12,13,14,N	15
900	1000	15,N	12,13,14
1200	1001	14,15,N	12,13
1800	1010	13,15,N	12,14
2400	1011	13,14,15,N	12
3600	1100	12,15,N	13,14
4800	1101	12,14,15,N	13
7200	1110	12,13,15,N	14
9600	1111	12,13,14,15,N	—

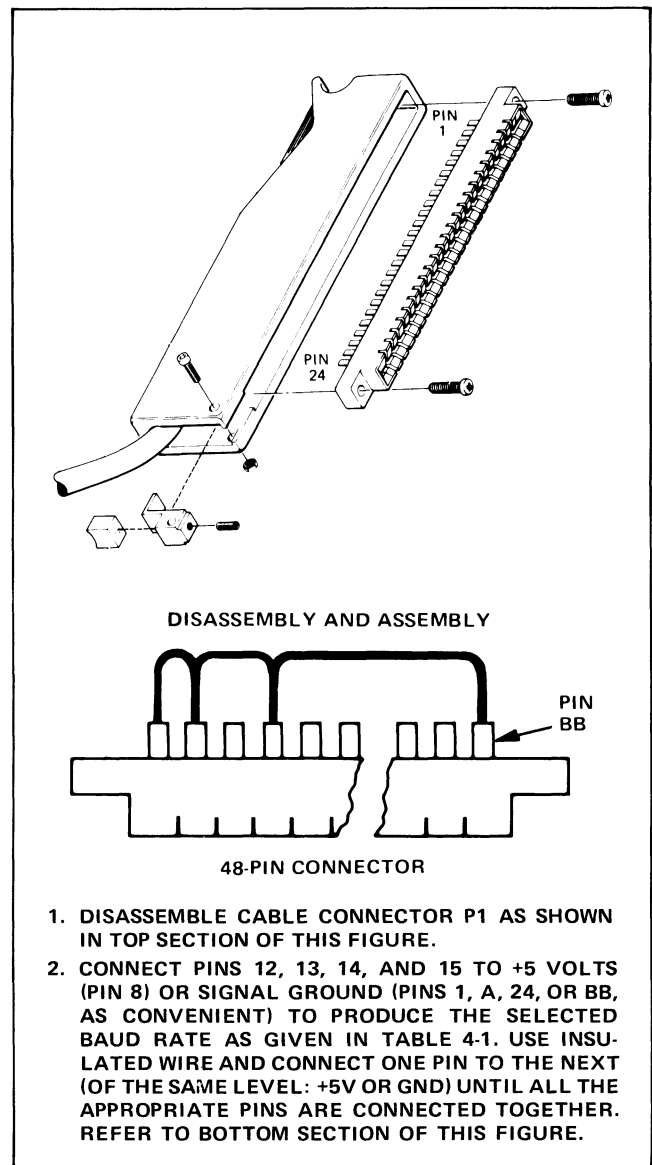


Figure 4-1. Baud Rate Jumper Instructions

4-6. Cable Installation

Connector P1 on the cable assembly connects to the buffered asynchronous data communications PCA. Be sure to position the connector in the proper direction on the PCA as described in manuals referenced above for installing the PCA.

Connector P2 on the cable assembly mates with a connector on the device for which the kit option is intended. The device connectors are located at the rear panel on the HP 2600 and HP 2615. For the HP 264X, the cable connector mates with a printed circuit assembly (PCA) edge connector inside the hinged rear panel of the terminal. The cable connector is polarized so that it can only be inserted onto the PCA connector in one direction.

The exception to the above rules is for cable 12966-60012 (figure 4-8) used with the HP 7221A Plotter Subsystem, P1 is connected to the HP 264X Terminal and P2 to the terminal connector on the plotter.

Wire lists of the four cables are given in tables 4-2 through 4-8. Note that not all of the conductors are used in each cable.

4-7. Performance Test

After installing the kit, proper operation should be verified by performing the diagnostic test. The test connector supplied with the kit replaces the device and device cable during diagnostic testing. Procedures for performing the diagnostic tests are contained in the **HP 12966A Buffered Asynchronous Communications Interface Diagnostic Reference Manual**, part no. 12966-90004.

4-8. Driver Configuration and Installation

Refer to your operating system manual for driver configuration and installation.

4-9. SERVICING

If the kit is not functioning properly, run the diagnostic to verify whether or not the cause is a hardware malfunction. If a hardware problem exists, call the nearest Hewlett-Packard Sales and Service Office and arrange for a board exchange. Continuity checks of the cable can be made using the appropriate wire list (see tables 4-2 through 4-8). Additional checks can be made utilizing schematic and timing diagrams located in Section V.

Table 4-2. Interface Cable (HP2600 and HP 2615 Terminals), part no. 12966-60004, Wire List

HOOD CONNECTOR P1 JUMPERS	(PCA) P1 PIN	SIGNAL NAME (SEE NOTE)	(DEVICE) P2 PIN	WIRE COLOR	RS-232-C CIRCUIT	SIGNAL SOURCE	
	A	Signal Ground (EIA)	7	GRN	AB	Common	
	B	F					
	C	CA Inhibit					
	D	Transmit Data (EIA)	3	BRN	BA	Intfc	
	E	Request to Send (EIA)				CA	
	F	Data Terminal Ready (EIA)				CD	
	H	Ext Freq					
	J	F/4					
	K	F/8					
	L	F/16					
	M	F/2					
	N	P/Ext					
	P	BSBA					
	R	Ext Clock	16		WHT/BLK		Device
	S	Received Data (EIA)	2		BLK	BB	Device
	T	Secondary Line Sig Det (EIA)				SCF	
	U	(spare) (EIA)					
	V	Secondary Receive Data (EIA)				SBB	
	W	BSCA					
	X	Clear to Send (EIA)				CB	
	Y	Data Set Ready (EIA)				CC	
	Z	Ring Indicator (EIA)				CE	
	AA	Receive Line Sig Det (EIA)				CF	
	BB	Signal Ground					
1	Signal Ground						
2	CCNT 7						
3	SXX (Secondary Chan) (EIA)				SBA/SCA		
4	BSCF						
5	SIN						
6	Xmit Data In						
7	TTY OUT						
8	+5 volts						
9	TTY IN						
10	+12 volts	5,6		ORN,YEL		Intfc	
11	UCLK0						
12	CLKP2						
13	CLKP1						
14	CLKP0						
15	CLKP3						
16	Recd Data Out						
17	BSBB						
18	DIAG						
19	Spare						
20	Run Disable						
21	BSXX						
22	UCLK						
23	-12 volts						
24	Signal Ground						
—			4	RED			
—			8	BLU			
—			12	VIO			
—			15	WHT			
—			17	WHT/BRN			
—			19	WHT/RED			
—			20	WHT/ORN			
—			22	WHT/YEL			

Note: Signals identified by "(EIA)" after the signal name operate at signal levels specified by EIA Standard RS232C (i.e., OFF < -3V, ON > +3V). All other signals operate at TTL logic levels (i.e., approximately, OFF < +1V, ON > +1.5V).

Table 4-3. Interface Cable (HP 264X Terminal), part no. 12966-60008, Wire List

HOOD CONNECTOR P1 JUMPERS	(PCA) P1 PIN	SIGNAL NAME (SEE NOTE)	(DEVICE) P2 PIN	WIRE COLOR	RS-232-C CIRCUIT	SIGNAL SOURCE	
	A	Signal Ground (EIA)	H	GRN	AB	Common	
	B	F					
	C	CA Inhibit					
	D	Transmit Data (EIA)	C	RED	BA	Intfc	
	E	Request to Send (EIA)				CA	
	F	Data Terminal Ready (EIA)				CD	
	H	Ext Freq					
	J	F/4					
	K	F/8					
	L	F/16					
	M	F/2					
	N	P/Ext					
	P	BSBA					
	R	Ext Clock	L	BLU			Device
	S	Received Data (EIA)	B	BRN	BB	Device	
	T	Secondary Line Sig Det (EIA)			SCF		
	U	(spare) (EIA)					
	V	Secondary Receive Data (EIA)			SBB		
	W	BSCA					
	X	Clear to Send (EIA)			CB		
	Y	Data Set Ready (EIA)			CC		
	Z	Ring Indicator (EIA)	D	YEL	CE	Device	
	AA	Receive Line Sig Det (EIA)			CF		
	BB	Signal Ground					
1	Signal Ground						
2	CCNT 7						
3	SXX (Secondary Chan) (EIA)	E,J	ORN	SBA/SCA	Intfc		
4	BSCF						
5	SIN						
6	Xmit Data In						
7	TTY OUT						
8	+5 volts						
9	TTY IN						
10	+12 volts						
11	UCLK0						
12	CLKP2						
13	CLKP1						
14	CLKP0						
15	CLKP3						
16	Recd Data Out						
17	BSBB						
18	DIAG						
19	Spare						
20	Run Disable						
21	BSXX						
22	UCLK						
23	-12 volts						
24	Signal Ground						

Note: Signals identified by "(EIA)" after the signal name operate at signal levels specified by EIA Standard RS232C (i.e., OFF < -3V, ON > +3V). All other signals operate at TTL logic levels (i.e., approximately, OFF < +1V, ON > +1.5V).

Table 4-4. Interface Cable (Modem), part no. 12966-60006, Wire List

HOOD CONNECTOR P1 JUMPERS	(PCA) P1 PIN	SIGNAL NAME (SEE NOTE)	(DEVICE) P2 PIN	WIRE COLOR	RS-232-C CIRCUIT	SIGNAL SOURCE
	A	Signal Ground (EIA)	7	GRN	AB	Common
	B	F				
	C	CA Inhibit				
	D	Transmit Data (EIA)	2	BLK	BA	Intfc
	E	Request to Send (EIA)	4	RED	CA	Intfc
	F	Data Terminal Ready (EIA)	20	WHT/ORN	CD	Intfc
	H	Ext Freq				
	J	F/4				
	K	F/8				
	L	F/16				
	M	F/2				
	N	P/Ext				
	P	BSBA				
	R	Ext Clock				
	S	Received Data (EIA)	3	BRN	BB	Device
	T	Secondary Line Sig Det (EIA)	12	VIO	SCF	Device
	U	(spare) (EIA)				
	V	Secondary Receive Data (EIA)			SBB	
	W	BSCA				
	X	Clear to Send (EIA)	5	ORN	CB	Device
	Y	Data Set Ready (EIA)	6	YEL	CC	Device
	Z	Ring Indicator (EIA)	22	WHT/YEL	CE	Device
	AA	Receive Line Sig Det (EIA)	8	BLU	CF	Device
	BB	Signal Ground				
1	Signal Ground					
2	CCNT 7					
3	SXX (Secondary Chan) (EIA)	—		GRA	SBA/SCA	
4	BSCF					
5	SIN					
6	Xmit Data In					
7	TTY OUT					
8	+5 volts					
9	TTY IN					
10	+12 volts					
11	UCLK0					
12	CLKP2					
13	CLKP1					
14	CLKP0					
15	CLKP3					
16	Recd Data Out					
17	BSBB					
18	DIAG					
19	Spare					
20	Run Disable					
21	BSXX					
22	UCLK					
23	-12 volts					
24	Signal Ground					
—			15	WHT		
—			16	WHT/BLK		
—			17	WHT/BRN		
—			19	WHT/RED		

Note: Signals identified by "(EIA)" after the signal name operate at signal levels specified by EIA Standard RS232C (i.e., OFF < -3V, ON > +3V). All other signals operate at TTL logic levels (i.e., approximately, OFF < +1V, ON > 1.5V).

Table 4-5. Interface Cable (HP 2749B Teleprinter), part no. 12966-60007, Wire List

HOOD CONNECTOR P1 JUMPERS	(PCA) P1 PIN	SIGNAL NAME (SEE NOTE)	(DEVICE) P2 PIN	WIRE COLOR	RS-232-C CIRCUIT	SIGNAL SOURCE	
	A	Signal Ground (EIA)	1,7	BLK	AB	Common	
	B	F					
	C	CA Inhibit					
	D	Transmit Data (EIA)	3	YEL	BA	Intfc	
	E	Request to Send (EIA)				CA	
	F	Data Terminal Ready (EIA)				CD	
	H	Ext Freq					
	J	F/4					
	K	F/8					
	L	F/16					
	M	F/2					
	N	P/Ext					
	P	BSBA					
	R	Ext Clock					
	S	Received Data (EIA)	2	RED	BB	Device	
	T	Secondary Line Sig Det (EIA)				SCF	
	U	(spare) (EIA)					
	V	Secondary Receive Data (EIA)				SBB	
	W	BSCA					
	X	Clear to Send (EIA)				CB	
	Y	Data Set Ready (EIA)				CC	
	Z	Ring Indicator (EIA)				CE	
	AA	Receive Line Sig Det (EIA)				CF	
	BB	Signal Ground					
1	Signal Ground						
2	CCNT 7						
3	SXX (Secondary Chan) (EIA)				SBA/SCA		
4	BSCF						
5	SIN						
6	Xmit Data In						
7	TTY OUT						
8	+5 volts						
9	TTY IN						
10	+12 volts						
11	UCLK0						
12	CLKP2						
13	CLKP1						
14	CLKP0						
15	CLKP3						
16	Recd Data Out						
17	BSBB						
18	DIAG						
19	Spare						
20	Run Disable						
21	BSXX						
22	UCLK						
23	-12 volts						
24	Signal Ground						

Note: Signals identified by "(EIA)" after the signal name operate at signal levels specified by EIA Standard RS232C (i.e., OFF < -3V, ON > +3V). All other signals operate at TTL logic levels (i.e., approximately, OFF < +1V, ON > +1.5V).

Table 4-6. Interface Cable (HP 2621 Terminal), part no. 12966-60010, Wire List

HOOD CONNECTOR P1 JUMPERS	(PCA) P1 PIN	SIGNAL NAME (SEE NOTE)	(DEVICE) P2 PIN	WIRE COLOR	RS-232-C CIRCUIT	SIGNAL SOURCE	
	A	Signal Ground (EIA)	48	GRN	AB	Common	
	B	F					
	C	CA Inhibit					
	D	Transmit Data (EIA)	42	RED	BA	Intfc	
	E	Request to Send (EIA)				CA	
	F	Data Terminal Ready (EIA)				CD	
	H	Ext Freq					
	J	F/4					
	K	F/8					
	L	F/16					
	M	F/2					
	N	P/Ext					
	P	BSBA					
	R	Ext Clock	50	BLU			
	S	Received Data (EIA)	12	BRN	BB	Device	
	T	Secondary Line Sig Det (EIA)			SCF	Device	
	U	(spare) (EIA)					
	V	Secondary Receive Data (EIA)			SBB		
	W	BSCA					
	X	Clear to Send (EIA)			CB		
	Y	Data Set Ready (EIA)			CC		
	Z	Ring Indicator (EIA)	13	YEL	CE	Device	
	AA	Receive Line Sig Det (EIA)			CF		
	BB	Signal Ground					
1	Signal Ground						
2	CCNT 7						
3	SXX (Secondary Chan) (EIA)	44	ORG	SBA/SCA	Intfc		
4	BSCF						
5	SIN						
6	Xmit Data In						
7	TTY OUT						
8	+5 volts						
9	TTY IN						
10	+12 volts						
11	UCLK0						
12	CLKP2						
13	CLKP1						
14	CLKP0						
15	CLKP3						
16	Recd Data Out						
17	BSBB						
18	DIAG						
19	Spare						
20	Run Disable						
21	BSXX						
22	UCLK						
23	-12 volts						
24	Signal Ground		36, 46				


Note: Signals identified by "(EIA)" after the signal name operate at signal levels specified by EIA Standard RS232C (i.e., OFF < -3V, ON > +3V). All other signals operate at TTL logic levels (i.e., approximately, OFF < +1V, ON > +1.5V).

Table 4-7. Interface Cable (HP 7221A Plotter), part no. 12966-60011, Wire List

HOOD CONNECTOR P1 JUMPERS	(PCA) P1 PIN	SIGNAL NAME (SEE NOTE)	(DEVICE) P2 PIN	WIRE COLOR	RS-232-C CIRCUIT	SIGNAL SOURCE	
	A	Signal Ground (EIA)	7	GRN	AB	Common	
	B	F					
	C	CA Inhibit					
	D	Transmit Data (EIA)	3	ORG	BA	Intfc	
	E	Request to Send (EIA)				CA	
	F	Data Terminal Ready (EIA)				CD	
	H	Ext Freq					
	J	F/4					
	K	F/8					
	L	F/16					
	M	F/2					
	N	P/Ext					
	P	BSBA					
	R	Ext Clock	24	YEL			Device
	S	Received Data (EIA)	2	RED		BB	Device
	T	Secondary Line Sig Det (EIA)				SCF	
	U	(spare) (EIA)					
	V	Secondary Receive Data (EIA)				SBB	
	W	BSCA					
	X	Clear to Send (EIA)				CB	
	Y	Data Set Ready (EIA)				CC	
	Z	Ring Indicator (EIA)	19	BLU		CE	Device
	AA	Receive Line Sig Det (EIA)				CF	
	BB	Signal Ground					
1	Signal Ground						
2	CCNT 7						
3	SXX (Secondary Chan) (EIA)	13	BRN		SBA/SCA	Intfc	
4	BSCF						
5	SIN						
6	Xmit Data In						
7	TTY OUT						
8	+5 volts						
9	TTY IN						
10	+12 volts						
11	UCLK0						
12	CLKP2						
13	CLKP1						
14	CLKP0						
15	CLKP3						
16	Recd Data Out						
17	BSBB						
18	DIAG						
19	Spare						
20	Run Disable						
21	BSXX						
22	UCLK						
23	-12 volts						
24	Signal Ground						
—			4, 5				
—			6, 20				

Note: Signals identified by "(EIA)" after the signal name operate at signal levels specified by EIA Standard RS232C (i.e., OFF < -3V, ON > +3V). All other signals operate at TTL logic levels (i.e., approximately, OFF < +1V, ON > +1.5V).

Table 4-8. Interface Cable (HP 264X Terminal to HP 7221A Plotter), part no. 12966-60012, Wire List

TERMINAL CONNECTOR P1 JUMPERS	TERM P1 PIN	SIGNAL NAME	PLOTTER P2 PIN	WIRE COLOR	RS-232-C CIRCUIT	SIGNAL SOURCE
	B	Transmitted Data	2	RED	BA	Terminal
	C	Received Data	3	ORG	BB	Plotter
	D	Secondary Request to Send	19	BLU	SCA	Terminal
	E	Secondary Clear to Send	13	BRN	SCB	Plotter
	H	Common Signal ground	7	GRN	AB	Common
	J					
	L	Ext. Clock	24	YEL		Terminal

5-1. INTRODUCTION

This section provides the component location, block, schematic and timing diagrams to aid in verifying the operational status of the hardware. This assembly is not field repairable, if a hardware problem exists, call the nearest Hewlett-Packard Sales and Service Office to arrange for a board exchange.

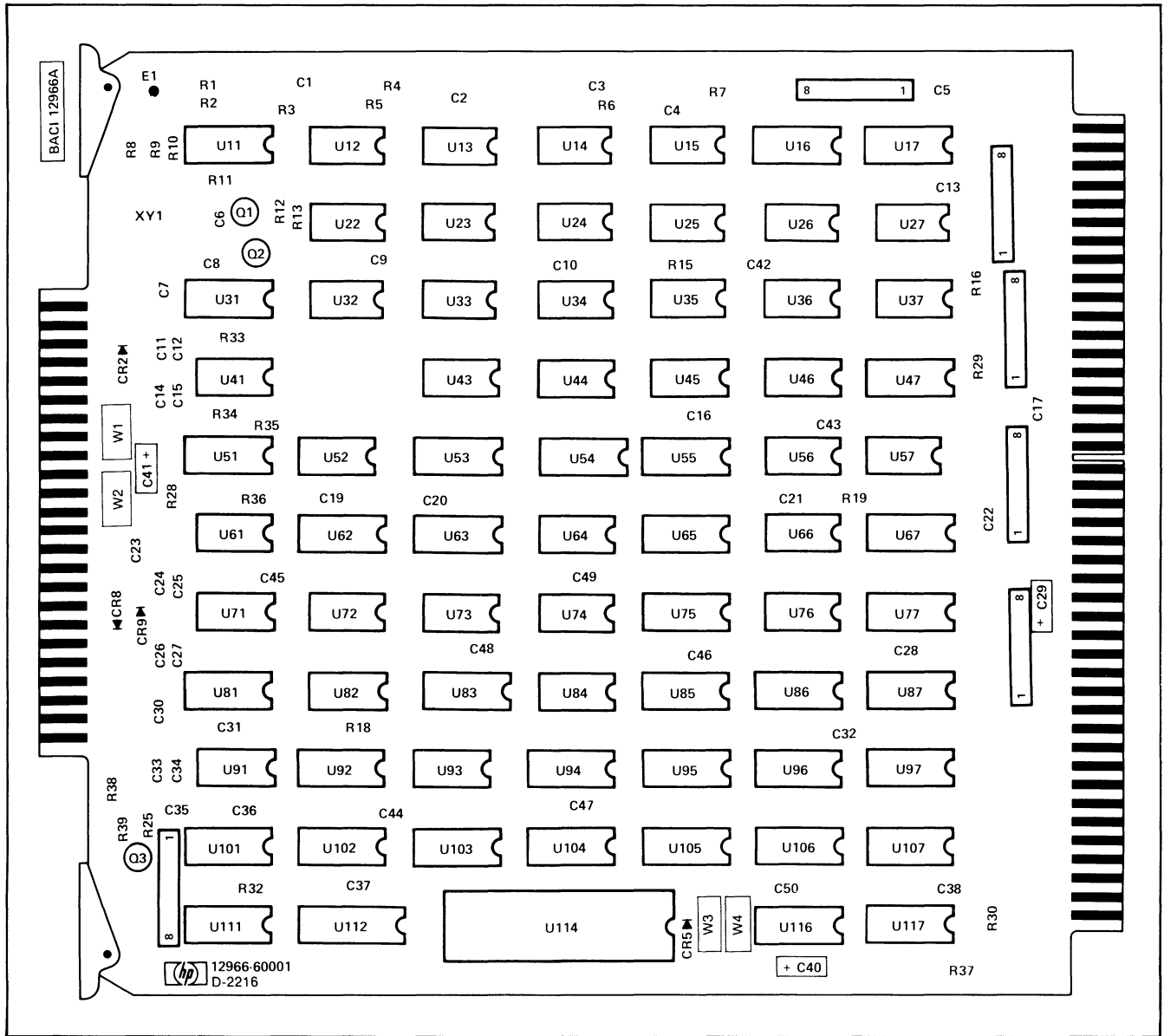


Figure 5-1. HP 12966A Buffered Asynchronous Data Communications Interface Assembly Diagram

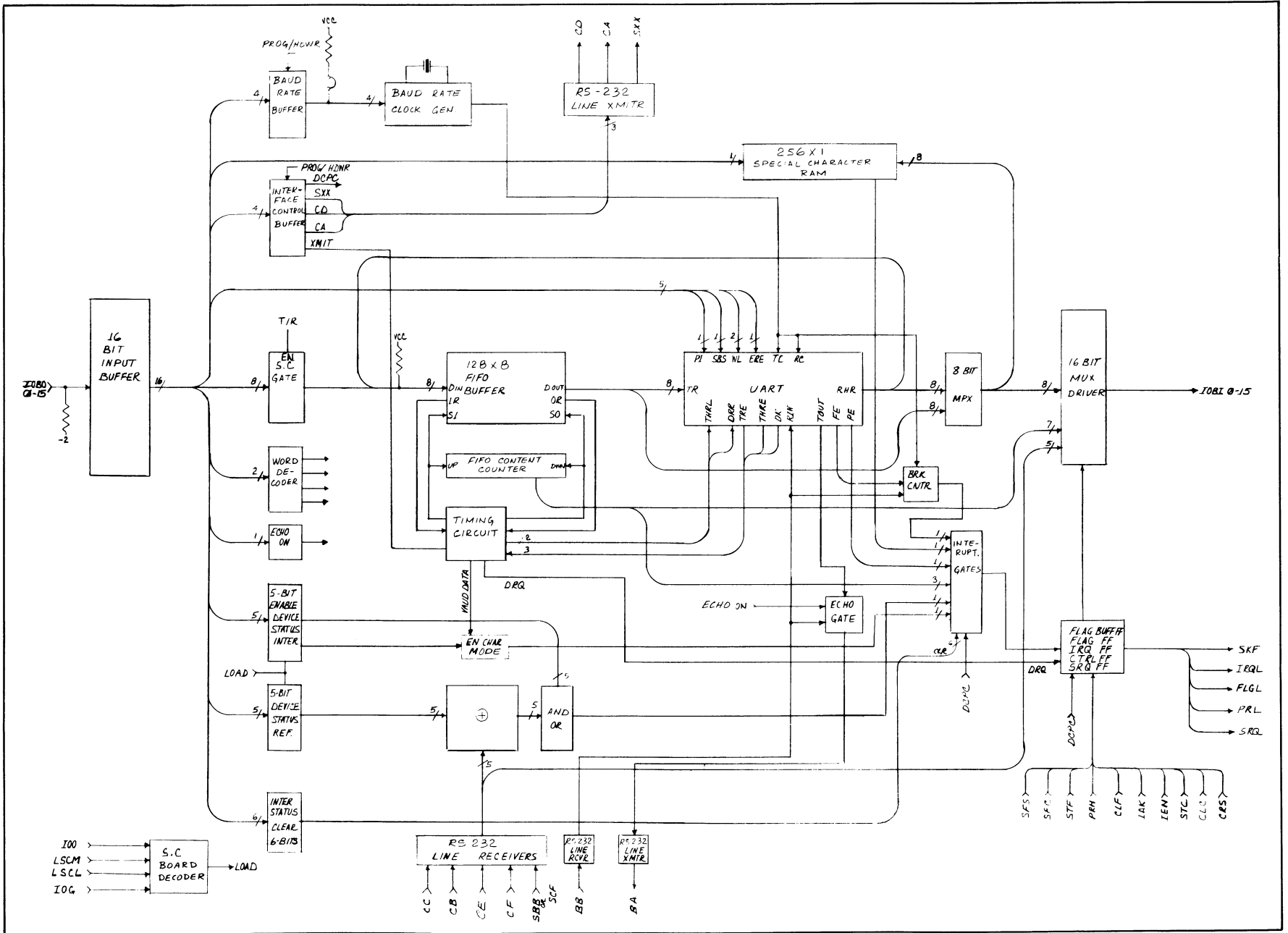


Figure 5-2. HP 12966A Buffered Asynchronous Data Communications Interface Block Diagram

5-3/5-4

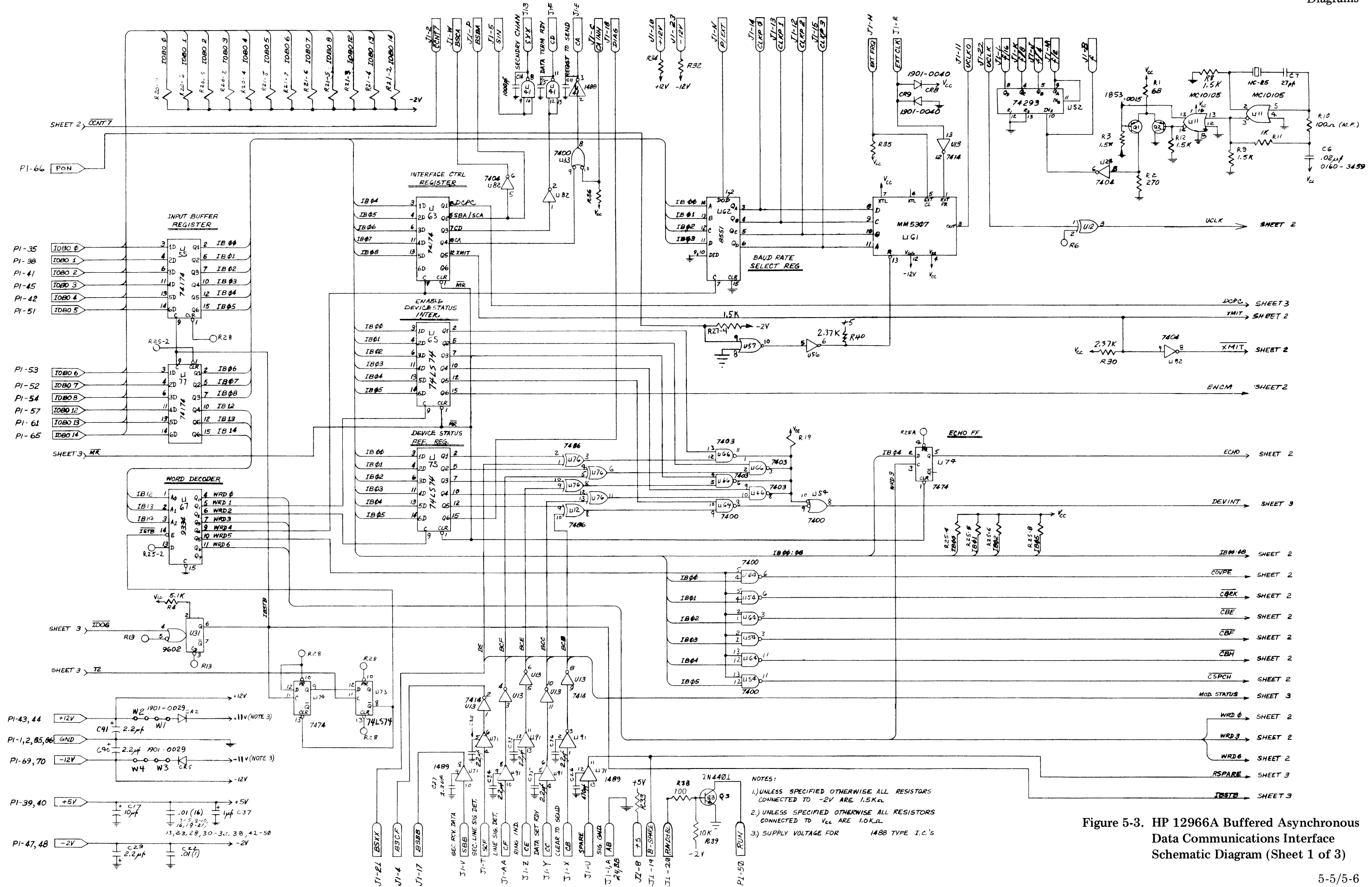


Figure 5-3. HP 12966A Buffered Asynchronous Data Communications Interface Schematic Diagram (Sheet 1 of 3)

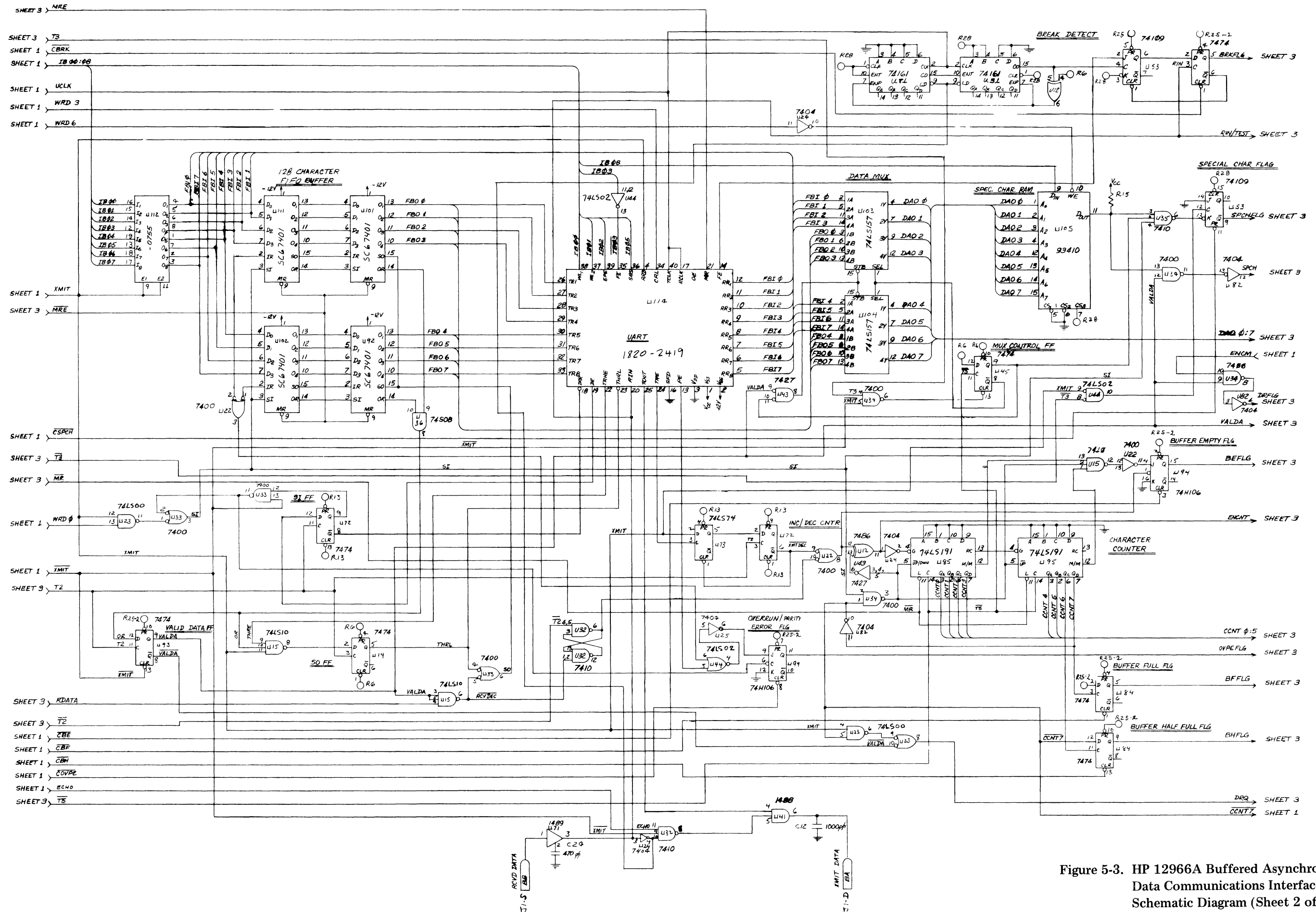


Figure 5-3. HP 12966A Buffered Asynchronous Data Communications Interface Schematic Diagram (Sheet 2 of 3)

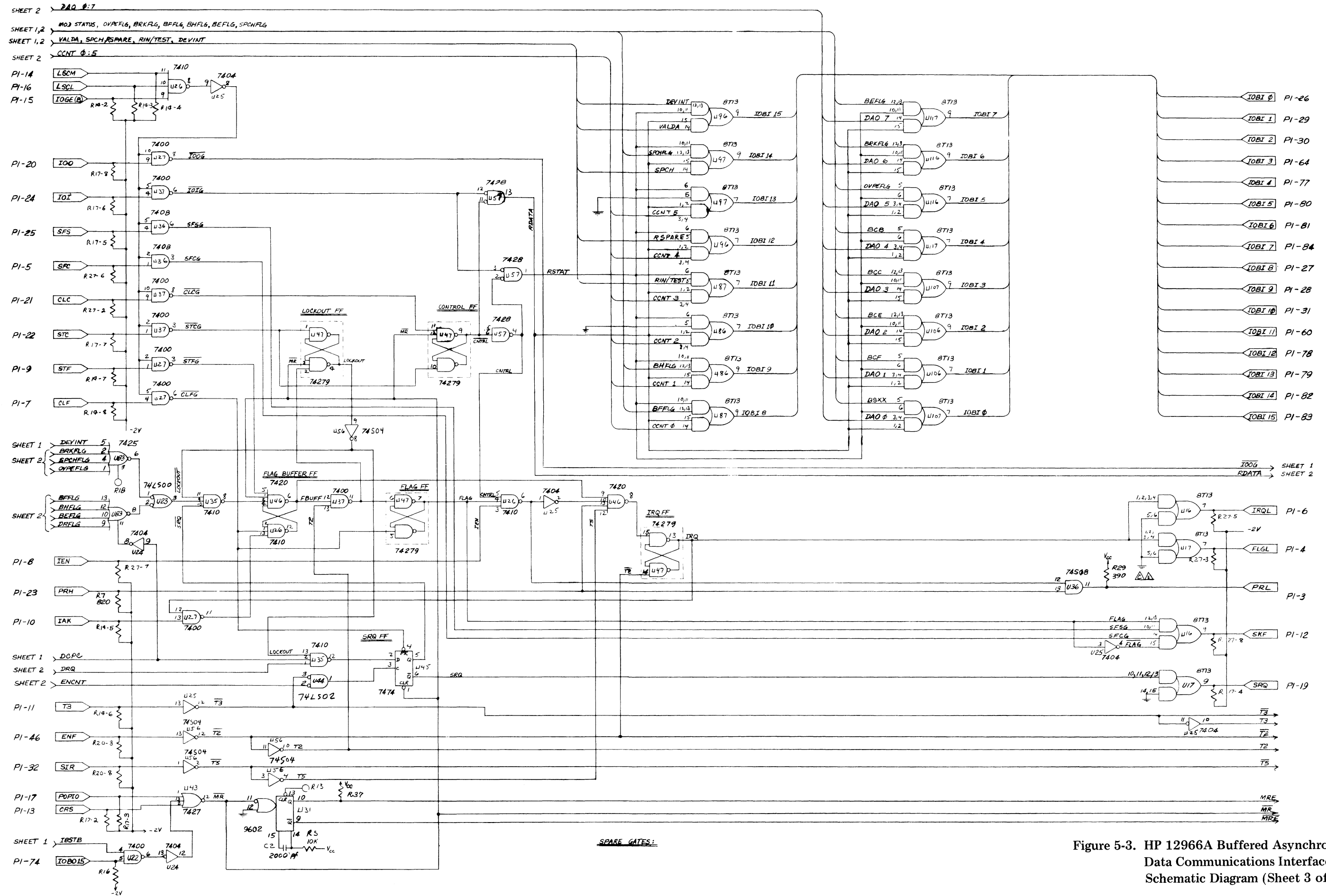


Figure 5-3. HP 12966A Buffered Asynchronous Data Communications Interface Schematic Diagram (Sheet 3 of 3)

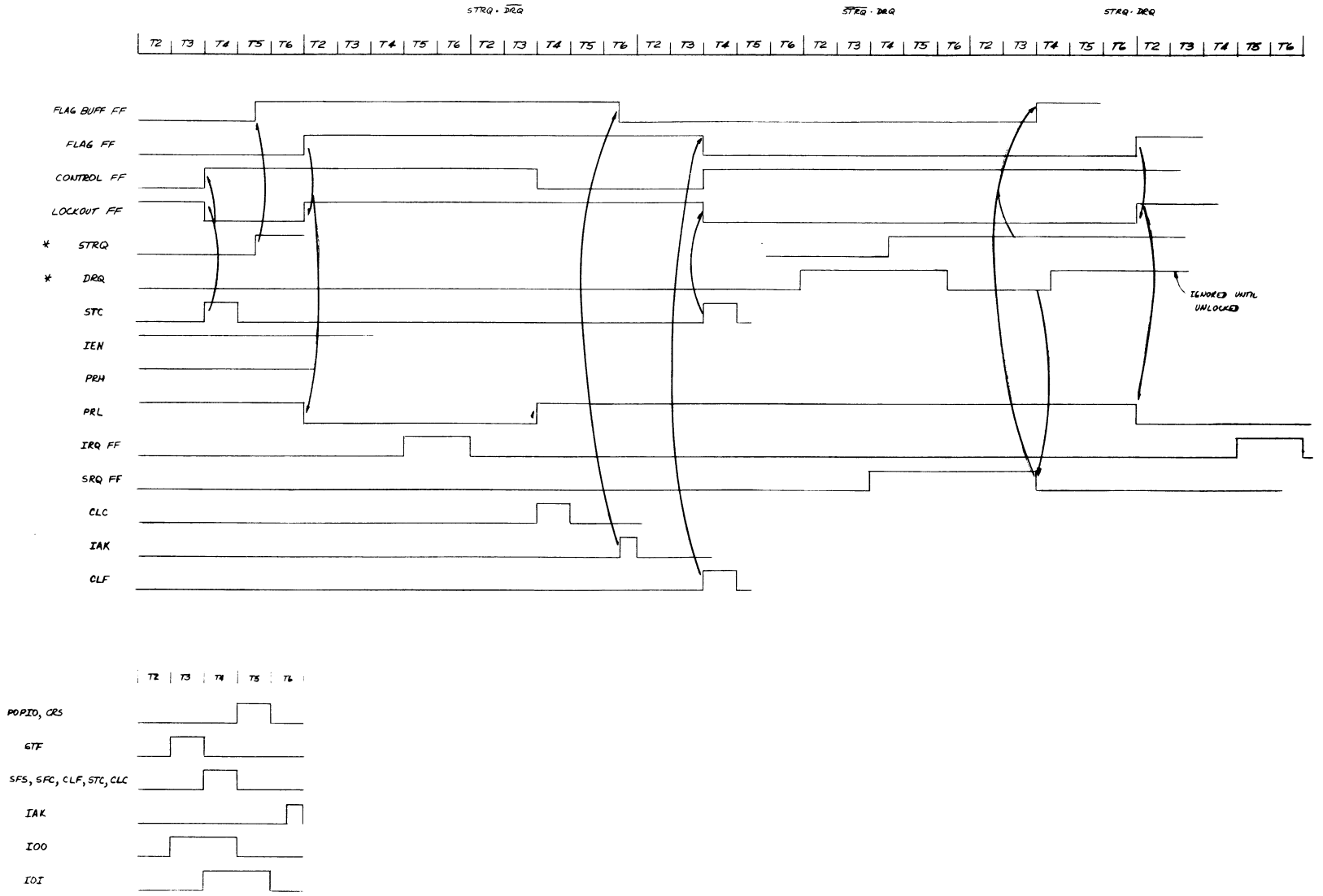


Figure 5-4. HP 12966A Buffered Asynchronous Data Communications Interface Timing Diagram (Sheet 1 of 3)

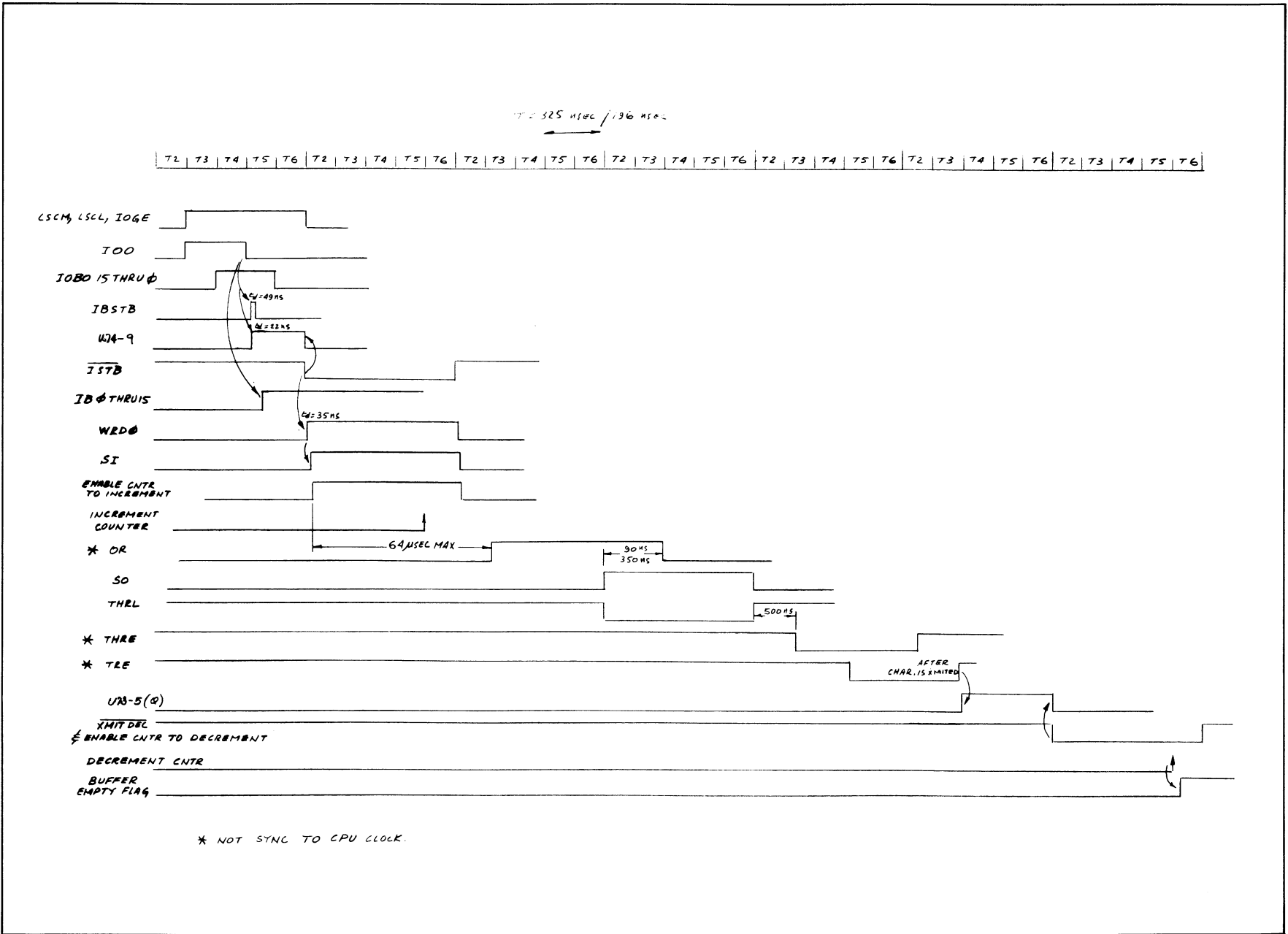


Figure 5-4. HP 12966A Buffered Asynchronous Data Communications Interface Timing Diagram (Sheet 2 of 3)

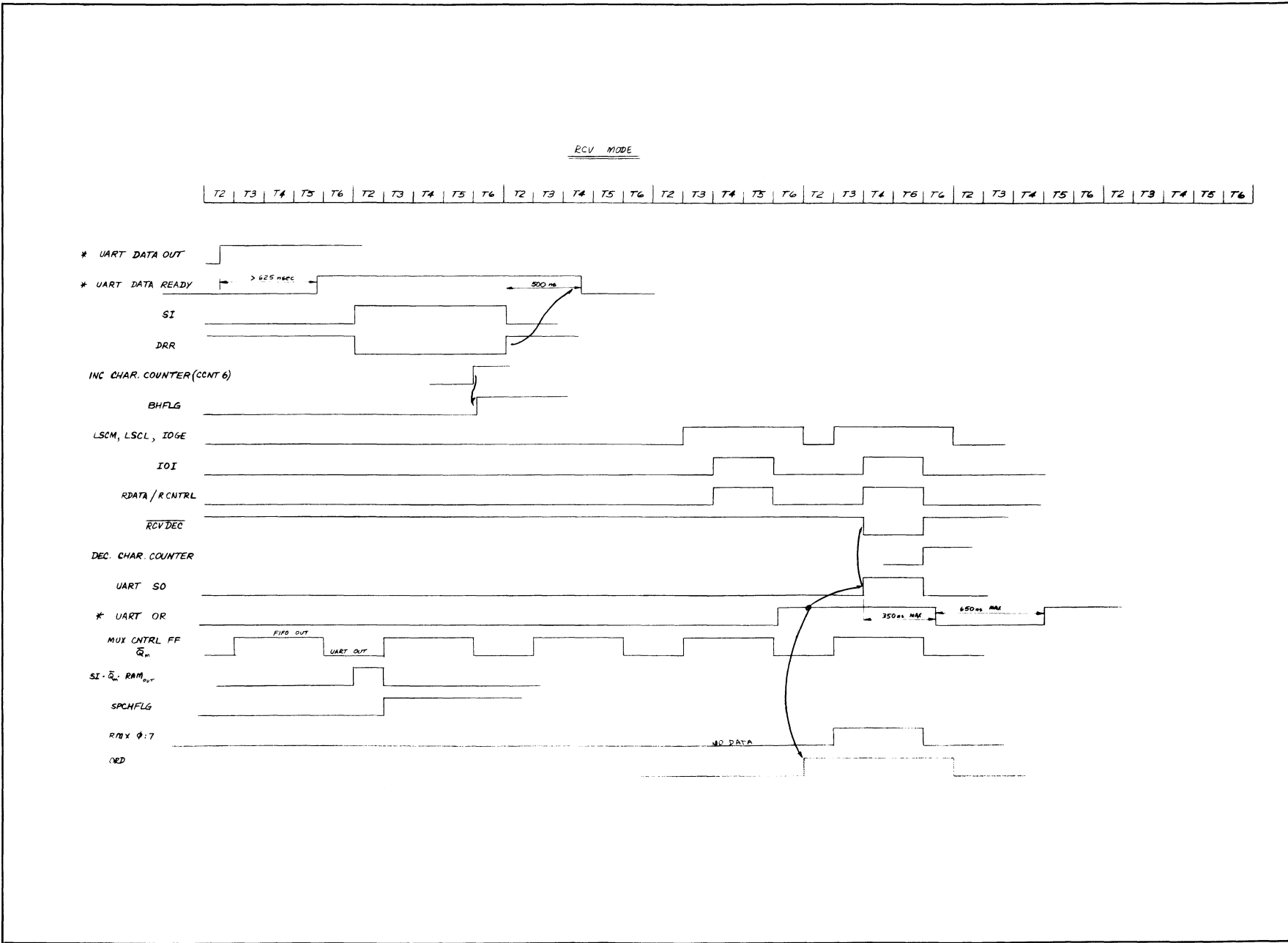


Figure 5-4. HP 12966A Buffered Asynchronous Data Communications Interface Timing Diagram (Sheet 3 of 3)

REPLACEABLE PARTS

SECTION

VI

6-1. INTRODUCTION

This chapter contains information for ordering replaceable parts for the HP 12966A assembly. Table 6-1 gives a list of replaceable parts, while table 6-2 cross references the names and address of manufacturers indexed by code number in table 6-1.

6-2. REPLACEABLE PARTS

Table 6-1 contains a list of replaceable parts in reference designation order. The following information is listed for each part:

1. Reference designation of the part.
2. The Hewlett-Packard part number.
3. Part number check digit (CD).
4. Total quantity.
5. Description of the part.
6. A five-digit manufacturer's code number of a typical manufacturer of the part. Refer to table 6-2 for a cross reference of manufacturers.
7. The manufacturer's part number.

6-3. ORDERING INFORMATION

To order replacement parts or to obtain information on parts, address the order or inquiry to the local Hewlett-Packard Sales and Service Office (Sales and Service Offices are listed at the back of this manual).

To order a part, quote the Hewlett-Packard part number (with the check digit), and indicate the quantity required. The check digit will insure accurate and timely processing of your order.

Table 6-1. Replaceable Parts

Reference Designation	HP Part Number	C D	Qty	Description	Mfr Code	Mfr Part Number
DEA1	12966-60001	5	1	BUFFER ASYNCHRONOUS IF BOARD ASSEMBLY	28480	12966-60001
C2	0160-3457	7	1	CAPACITOR-FXD 2000PF +-10% 250VDC CER	28480	0160-3457
C3	0160-2055	9	27	CAPACITOR-FXD .01UF +80-20% 100VDC CER	28480	0160-2055
C4	0160-2055	9		CAPACITOR-FXD .01UF +80-20% 100VDC CER	28480	0160-2055
C5	0160-2055	9		CAPACITOR-FXD .01UF +80-20% 100VDC CER	28480	0160-2055
C6	0160-3459	9	1	CAPACITOR-FXD .02UF +-20% 100VDC CER	28480	0160-3459
C7	0160-2306	3	1	CAPACITOR-FXD 27PF +-5% 300VDC MICA	28480	0160-2306
C8	0160-2055	9		CAPACITOR-FXD .01UF +80-20% 100VDC CER	28480	0160-2055
C9	0160-2055	9		CAPACITOR-FXD .01UF +80-20% 100VDC CER	28480	0160-2055
C10	0160-2055	9		CAPACITOR-FXD .01UF +80-20% 100VDC CER	28480	0160-2055
C11	0160-3456	6	4	CAPACITOR-FXD 1000PF +-10% 1KVDC CER	28480	0160-3456
C12	0160-3456	6		CAPACITOR-FXD 1000PF +-10% 1KVDC CER	28480	0160-3456
C13	0160-2055	9		CAPACITOR-FXD .01UF +80-20% 100VDC CER	28480	0160-2055
C14	0160-3456	6		CAPACITOR-FXD 1000PF +-10% 1KVDC CER	28480	0160-3456
C15	0160-3456	6		CAPACITOR-FXD 1000PF +-10% 1KVDC CER	28480	0160-3456
C16	0160-2055	9		CAPACITOR-FXD .01UF +80-20% 100VDC CER	28480	0160-2055
C17	0180-0374	3	1	CAPACITOR-FXD 10UF+-10% 20VDC TA	56289	150D106X9020R2
C19	0160-2055	9		CAPACITOR-FXD .01UF +80-20% 100VDC CER	28480	0160-2055
C20	0160-2055	9		CAPACITOR-FXD .01UF +80-20% 100VDC CER	28480	0160-2055
C21	0160-2055	9		CAPACITOR-FXD .01UF +80-20% 100VDC CER	28480	0160-2055
C22	0160-2055	9		CAPACITOR-FXD .01UF +80-20% 100VDC CER	28480	0160-2055
C23	0160-2055	9		CAPACITOR-FXD .01UF +80-20% 100VDC CER	28480	0160-2055
C24	0160-3455	5	2	CAPACITOR-FXD 470PF +-10% 1KVDC CER	28480	0160-3455
C25	0160-5107	8	6	CAPACITOR-FXD 2.2UF +-20% 50VDC CER	28480	0160-5107
C26	0160-3455	5		CAPACITOR-FXD 470PF +-10% 1KVDC CER	28480	0160-3455
C27	0160-5107	8		CAPACITOR-FXD 2.2UF +-20% 50VDC CER	28480	0160-5107
C28	0160-2055	9		CAPACITOR-FXD .01UF +80-20% 100VDC CER	28480	0160-2055
C29	0180-0197	8	3	CAPACITOR-FXD 2.2UF+-10% 20VDC TA	56289	150D225X9020A2
C30	0160-2055	9		CAPACITOR-FXD .01UF +80-20% 100VDC CER	28480	0160-2055
C31	0160-2055	9		CAPACITOR-FXD .01UF +80-20% 100VDC CER	28480	0160-2055
C32	0160-2055	9		CAPACITOR-FXD .01UF +80-20% 100VDC CER	28480	0160-2055
C33	0160-5107	8		CAPACITOR-FXD 2.2UF +-20% 50VDC CER	28480	0160-5107
C34	0160-5107	8		CAPACITOR-FXD 2.2UF +-20% 50VDC CER	28480	0160-5107
C35	0160-5107	8		CAPACITOR-FXD 2.2UF +-20% 50VDC CER	28480	0160-5107
C36	0160-5107	8		CAPACITOR-FXD 2.2UF +-20% 50VDC CER	28480	0160-5107
C37	0160-0127	2	1	CAPACITOR-FXD 1UF +-20% 25VDC CER	28480	0160-0127
C38	0160-2055	9		CAPACITOR-FXD .01UF +80-20% 100VDC CER	28480	0160-2055
C40	0180-0197	8		CAPACITOR-FXD 2.2UF+-10% 20VDC TA	56289	150D225X9020A2
C41	0180-0197	8		CAPACITOR-FXD 2.2UF+-10% 20VDC TA	56289	150D225X9020A2
C42	0160-2055	9		CAPACITOR-FXD .01UF +80-20% 100VDC CER	28480	0160-2055
C43	0160-2055	9		CAPACITOR-FXD .01UF +80-20% 100VDC CER	28480	0160-2055
C44	0160-2055	9		CAPACITOR-FXD .01UF +80-20% 100VDC CER	28480	0160-2055
C45	0160-2055	9		CAPACITOR-FXD .01UF +80-20% 100VDC CER	28480	0160-2055
C46	0160-2055	9		CAPACITOR-FXD .01UF +80-20% 100VDC CER	28480	0160-2055
C47	0160-2055	9		CAPACITOR-FXD .01UF +80-20% 100VDC CER	28480	0160-2055
C48	0160-2055	9		CAPACITOR-FXD .01UF +80-20% 100VDC CER	28480	0160-2055
C49	0160-2055	9		CAPACITOR-FXD .01UF +80-20% 100VDC CER	28480	0160-2055
C50	0160-2055	9		CAPACITOR-FXD .01UF +80-20% 100VDC CER	28480	0160-2055
CR2	1901-0029	6	2	DIODE-PWR RECT 600V 750MA DO-29	28480	1901-0029
CR5	1901-0029	6		DIODE-PWR RECT 600V 750MA DO-29	28480	1901-0029
CR8	1901-0040	1	2	DIODE-SWITCHING 30V 50MA 2NS DO-35	28480	1901-0040
CR9	1901-0040	1		DIODE-SWITCHING 30V 50MA 2NS DO-35	28480	1901-0040
Q1	1853-0015	7	2	TRANSISTOR PNP SI PD=200MW FT=500MHZ	28480	1853-0015
Q2	1853-0015	7		TRANSISTOR PNP SI PD=200MW FT=500MHZ	28480	1853-0015
Q3	1854-0467	5	1	TRANSISTOR NPN 2N4401 SI TO-92 PD=310MW	03508	2N4401
R1	0757-0397	3	1	RESISTOR 68.1 1% .125W F TC=0+-100	24546	C4-1/8-T0-68R1-F
R2	0683-2715	6	1	RESISTOR 270 5% .25W FC TC=-400/+600	01121	CB2715
R3	0757-1094	9	5	RESISTOR 1.47K 1% .125W F TC=0+-100	24546	C4-1/8-T0-1471-F
R4	0757-0438	3	1	RESISTOR 5.11K 1% .125W F TC=0+-100	24546	C4-1/8-T0-5111-F
R5	0757-0442	9	2	RESISTOR 10K 1% .125W F TC=0+-100	24546	C4-1/8-T0-1002-F
R6	0757-0280	3	11	RESISTOR 1K 1% .125W F TC=0+-100	24546	C4-1/8-T0-1001-F
R7	0683-8215	3	1	RESISTOR 820 5% .25W FC TC=-400/+600	01121	CB8215
R8	0757-1094	9		RESISTOR 1.47K 1% .125W F TC=0+-100	24546	C4-1/8-T0-1471-F
R9	0757-1094	9		RESISTOR 1.47K 1% .125W F TC=0+-100	24546	C4-1/8-T0-1471-F
R10	0757-0401	0	2	RESISTOR 100 1% .125W F TC=0+-100	24546	C4-1/8-T0-101-F
R11	0757-0280	3		RESISTOR 1K 1% .125W F TC=0+-100	24546	C4-1/8-T0-1001-F
R12	0757-1094	9		RESISTOR 1.47K 1% .125W F TC=0+-100	24546	C4-1/8-T0-1471-F
R13	0757-0280	3		RESISTOR 1K 1% .125W F TC=0+-100	24546	C4-1/8-T0-1001-F
R14	1810-0020	4	5	NETWORK-RES 8-SIP1.5K OHM X 7	28480	1810-0020
R15	0757-0280	3		RESISTOR 1K 1% .125W F TC=0+-100	24546	C4-1/8-T0-1001-F
R16	0757-1094	9		RESISTOR 1.47K 1% .125W F TC=0+-100	24546	C4-1/8-T0-1471-F
R17	1810-0020	4		NETWORK-RES 8-SIP1.5K OHM X 7	28480	1810-0020
R18	0757-0280	3		RESISTOR 1K 1% .125W F TC=0+-100	24546	C4-1/8-T0-1001-F
R19	0757-0280	3		RESISTOR 1K 1% .125W F TC=0+-100	24546	C4-1/8-T0-1001-F
R20	1810-0020	4		NETWORK-RES 8-SIP1.5K OHM X 7	28480	1810-0020

Table 6-1. Replaceable Parts

Reference Designation	HP Part Number	C D	Qty	Description	Mfr Code	Mfr Part Number
R21	1810-0020	4		NETWORK-RES 8-SIP1.5K OHM X 7	28480	1810-0020
R25	1810-0030	6	1	NETWORK-RES 8-SIP1.0K OHM X 7	28480	1810-0030
R27	1810-0020	4		NETWORK-RES 8-SIP1.5K OHM X 7	28480	1810-0020
R28	0757-0280	3		RESISTOR 1K 1% .125W F TC=0+-100	24546	C4-1/8-T0-1001-F
R29	0683-3915	0	1	RESISTOR 390 5% .125W FC TC=-400/+600	01121	CR3915
R30	0698-3150	6	3	RESISTOR 2.37K 1% .125W F TC=0+-100	24546	C4-1/8-T0-2371-F
R32	0757-0280	3		RESISTOR 1K 1% .125W F TC=0+-100	24546	C4-1/8-T0-1001-F
R33	0757-0416	7	1	RESISTOR 511 1% .125W F TC=0+-100	24546	C4-1/8-T0-511R-F
R34	0757-0280	3		RESISTOR 1K 1% .125W F TC=0+-100	24546	C4-1/8-T0-1001-F
R35	0757-0280	3		RESISTOR 1K 1% .125W F TC=0+-100	24546	C4-1/8-T0-1001-F
R36	0757-0280	3		RESISTOR 1K 1% .125W F TC=0+-100	24546	C4-1/8-T0-1001-F
R37	0698-3150	6		RESISTOR 2.37K 1% .125W F TC=0+-100	24546	C4-1/8-T0-2371-F
R38	0757-0401	0		RESISTOR 100 1% .125W F TC=0+-100	24546	C4-1/8-T0-101-F
R39	0757-0442	9		RESISTOR 10K 1% .125W F TC=0+-100	24546	C4-1/8-T0-1002-F
R40	0698-3150	6		RESISTOR 2.37K 1% .125W F TC=0+-100	24546	C4-1/8-T0-2371-F
U11	1820-0803	2	1	IC GATE ECL OR-NOR TPL	04713	MC10105P
U12	1820-0282	1	2	IC GATE TTL EXCL-OR QUAD 2-INP	01295	SN7486N
U13	1820-1053	6	1	IC SCHMITT-TRIG TTL INV HEX	01295	SN7414N
U14	1820-0077	2	6	IC FF TTL D-TYPE POS-EDGE-TRIG CLEAR	01295	SN7474N
U15	1820-1202	7	1	IC GATE TTL LS NAND TPL 3-INP	01295	SN74LS10N
U16	1820-1080	9	10	IC DRVR TTL LINE DRVR DUAL 6-INP	01295	SN75121N SELECTED
U17	1820-1080	9		IC DRVR TTL LINE DRVR DUAL 6-INP	01295	SN75121N SELECTED
U22	1820-0054	5	7	IC GATE TTL NAND QUAD 2-INP	01295	SN7400N
U23	1820-1197	9	1	IC GATE TTL LS NAND QUAD 2-INP	01295	SN74LS00N
U24	1820-0174	0	3	IC INV TTL HEX	01295	SN7404N
U25	1820-0174	0		IC INV TTL HEX	01295	SN7404N
U26	1820-0068	1	3	IC GATE TTL NAND TPL 3-INP	01295	SN7410N
U27	1820-0054	5		IC GATE TTL NAND QUAD 2-INP	01295	SN7400N
U31	1820-0515	3	1	IC MV TTL MONOSTBL RETRIG/RESET DUAL	04713	MC8602P
U32	1820-0068	1		IC GATE TTL NAND TPL 3-INP	01295	SN7410N
U33	1820-0054	5		IC GATE TTL NAND QUAD 2-INP	01295	SN7400N
U34	1820-0054	5		IC GATE TTL NAND QUAD 2-INP	01295	SN7400N
U35	1820-0068	1		IC GATE TTL NAND TPL 3-INP	01295	SN7410N
U36	1820-1367	5	1	IC GATE TTL S AND QUAD 2-INP	01295	SN74S08N
U37	1820-0054	5		IC GATE TTL NAND QUAD 2-INP	01295	SN7400N
U41	1820-0509	5	1	IC DRVR DTL LINE DRVR QUAD	04713	MC1488L
U43	1820-0782	6	1	IC GATE TTL NOR TPL 3-INP	01295	SN7427N
U44	1820-0328	6	1	IC GATE TTL NOR QUAD 2-INP	01295	SN7402N
U45	1820-0077	2		IC FF TTL D-TYPE POS-EDGE-TRIG CLEAR	01295	SN7474N
U46	1820-0069	2	1	IC GATE TTL NAND DUAL 4-INP	01295	SN7420N
U47	1820-1089	8	1	IC LCH TTL QUAD	01295	SN74279N
U51	1820-0716	6	2	IC CNTR TTL BIN SYNCHRO POS-EDGE-TRIG	01295	SN74161N
U52	1820-1264	1	1	IC CNTR TTL BIN ASYNCHRO NEG-EDGE-TRIG	01295	SN74293N
U53	1820-1116	2	1	IC FF TTL J-K BAR POS-EDGE-TRIG	01295	SN74109N
U54	1820-0054	5		IC GATE TTL NAND QUAD 2-INP	01295	SN7400N
U55	1820-0788	2	3	IC FF TTL D-TYPE POS-EDGE-TRIG CLEAR HEX	01295	SN74174N
U56	1820-0683	6	1	IC INV TTL S HEX 1-INP	01295	SN74S04N
U57	1820-1184	4	1	IC BFR TTL NOR QUAD 2-INP	01295	SN7428N
U61	1820-1348	2	1	IC GEN PMOS	27014	HM5307N
U62	1820-0574	4	1	IC RGTR TTL D-TYPE 4-BIT	01295	SN74173N
U63	1820-0788	2		IC FF TTL D-TYPE POS-EDGE-TRIG CLEAR HEX	01295	SN74174N
U64	1820-0054	5		IC GATE TTL NAND QUAD 2-INP	01295	SN7400N
U65	1820-1196	8	2	IC FF TTL LS D-TYPE POS-EDGE-TRIG COM	01295	SN74LS174N
U66	1820-0269	4	1	IC GATE TTL NAND QUAD 2-INP	01295	SN7403N
U67	1820-0833	8	1	IC LCH TTL COM CLEAR 8-BIT	07263	9334PC
U71	1820-0990	8	2	IC RCVR DTL NAND LINE QUAD	01295	SN75189AJ
U72	1820-0077	2		IC FF TTL D-TYPE POS-EDGE-TRIG CLEAR	01295	SN7474N
U73	1820-1112	8	1	IC FF TTL LS D-TYPE POS-EDGE-TRIG	01295	SN74LS74AN
U74	1820-0077	2		IC FF TTL D-TYPE POS-EDGE-TRIG CLEAR	01295	SN7474N
U75	1820-1196	8		IC FF TTL LS D-TYPE POS-EDGE-TRIG COM	01295	SN74LS174N
U76	1820-0282	1		IC GATE TTL EXCL-OR QUAD 2-INP	01295	SN7486N
U77	1820-0788	2		IC FF TTL D-TYPE POS-EDGE-TRIG CLEAR HEX	01295	SN74174N
U81	1820-0716	6		IC CNTR TTL BIN SYNCHRO POS-EDGE-TRIG	01295	SN74161N
U82	1820-0174	0		IC INV TTL HEX	01295	SN7404N
U83	1820-0655	2	1	IC GATE TTL NOR DUAL 4-INP	01295	SN7425N
U84	1820-0077	2		IC FF TTL D-TYPE POS-EDGE-TRIG CLEAR	01295	SN7474N
U85	1820-0545	9	2	IC CNTR TTL BIN UP/DOWN SYNCHRO	01295	SN74191N
U86	1820-1080	9		IC DRVR TTL LINE DRVR DUAL 6-INP	01295	SN75121N SELECTED
U87	1820-1080	9		IC DRVR TTL LINE DRVR DUAL 6-INP	01295	SN75121N SELECTED
U91	1820-0990	8		IC RCVR DTL NAND LINE QUAD	01295	SN75189AJ
U92	1816-1536	1	4	IC-FIFO SC67401	28480	1816-1536
U93	1820-0077	2		IC FF TTL D-TYPE POS-EDGE-TRIG CLEAR	01295	SN7474N
U94	1820-0715	5	1	IC FF TTL H J-K NEG-EDGE-TRIG	01295	SN74H106N
U95	1820-0545	9		IC CNTR TTL BIN UP/DOWN SYNCHRO	01295	SN74191N
U96	1820-1080	9		IC DRVR TTL LINE DRVR DUAL 6-INP	01295	SN75121N SELECTED

See introduction to this section for ordering information
 *Indicates factory selected value

Table 6-1. Replaceable Parts

Reference Designation	HP Part Number	C D	Qty	Description	Mfr Code	Mfr Part Number
U97	1820-1080	9		IC DRVR TTL LINE DRVR DUAL 6-INP	01295	SN75121N SELECTED
U101	1816-1536	1		IC-FIFO SC67401	28480	1816-1536
U102	1816-1536	1		IC-FIFO SC67401	28480	1816-1536
U103	1820-1470	1	2	IC MUXR/DATA-SEL TTL LS 2-TO-1-LINE QUAD	01295	SN74LS157N
U104	1820-1470	1		IC MUXR/DATA-SEL TTL LS 2-TO-1-LINE QUAD	01295	SN74LS157N
U105	1820-0988	4	1	IC TTL 256-BIT STAT RAM 60-NS 0-C	07263	93410DC
U106	1820-1080	9		IC DRVR TTL LINE DRVR DUAL 6-INP	01295	SN75121N SELECTED
U107	1820-1080	9		IC DRVR TTL LINE DRVR DUAL 6-INP	01295	SN75121N SELECTED
U111	1816-1536	1		IC-FIFO SC67401	28480	1816-1536
U112	1820-0755	3	1	IC DRVR TTL OCTL	28480	1820-0755
U114	1820-2419	0	1	IC UART PMOS	52840	TR1863A
U116	1820-1080	9		IC DRVR TTL LINE DRVR DUAL 6-INP	01295	SN75121N SELECTED
U117	1820-1080	9		IC DRVR TTL LINE DRVR DUAL 6-INP	01295	SN75121N SELECTED
W1	8159-0005	0	4	RESISTOR-ZERO OHMS 22 AWG LEAD DIA	28480	8159-0005
W2	8159-0005	0		RESISTOR-ZERO OHMS 22 AWG LEAD DIA	28480	8159-0005
W3	8159-0005	0		RESISTOR-ZERO OHMS 22 AWG LEAD DIA	28480	8159-0005
W4	8159-0005	0		RESISTOR-ZERO OHMS 22 AWG LEAD DIA	28480	8159-0005
XY1	1200-0546	6	1	SOCKET-XTAL 2-CONT HC-25/U DIP-SLDR	28480	1200-0546
Y1	0410-0587	9	1	CRYSTAL- 7.373 MHZ	28480	0410-0587
MISCELLANEOUS PARTS						
	0360-0294	8	2	TERMINAL-STUD SGL-THR SWGRM-MTG	28480	0360-0294
	1480-0116	8	2	PIN-GRV .062-IN-DIA .25-IN-LG STL	28480	1480-0116
	1810-0072	6	1	NETWORK-RES 8-SIP2.37K OHM X 7	28480	1810-0072
	1820-1144	6	1	IC GATE TTL LS NOR QUAD 2-INP	01295	SN74LS02N
	1820-1278	7	2	IC CNTR TTL LS BIN UP/DOWN SYNCHRD	01295	SN74LS191N
	5040-6001	4	1	EXTRACTOR-P.C BOARD	28480	5040-6001
	5040-6065	0	1	EXTRACTOR-P.C. BOARD (RED)	28480	5040-6065

See introduction to this section for ordering information
 *Indicates factory selected value

Table 6-2. Manufacturer's Code List

MFR NO.	MANUFACTUER NAME	ADDRESS		ZIP CODE
01121	ALLEN-BRADLEY CO	MILWAUKEE	WI	53204
01295	TEXAS INSTR INC SEMICOND CMPNT DIV	DALLAS	TX	75222
03508	GE CO SEMICONDUCTOR PROD DEPT	AUBURN	NY	13201
04713	MOTOROLA SEMICONDUCTOR PRODUCTS	PHOENIX	AZ	85008
07263	FAIRCHILD SEMICONDUCTOR DIV	MOUNTAIN VIEW	CA	94042
24546	CORNING GLASS WORKS (BRADFORD)	BRADFORD	PA	16701
27014	NATIONAL SEMICONDUCTOR CORP	SANTA CLARA	CA	95051
28480	HEWLETT-PACKARD CO CORP HQ	PALO ALTO	CA	94304
52840	WESTERN DIGITAL CORP	NEWPORT BEACH	CA	92626
56289	SPRAGUE ELECTRIC CO	NORTH ADAMS	MA	01247

B

BA (Transmitted Data)	2-3
baud rates	1-1, 2-3, 3-12
Baud Rate bits	3-6
baud rate jumpers	4-1, 4-2
baud rate selector	2-3
BB (Received Data)	2-3
Break condition	2-4
Break status bit	3-10
Break status flag	3-1, 3-12
Buffer Empty status bit	3-10
Buffer Empty status flag	2-2, 2-4, 3-1, 3-12
Buffer Full status bit	3-11
Buffer Full status flag	2-4, 3-1, 3-12
Buffer Half-Full status bit	3-11
Buffer Half-Full status flag	2-2, 2-4, 3-1, 3-12
Buffer Overrun status flag	3-1, 3-12
buffer (page) mode	1-1, 3-12

C

CA (Request to Send)	2-3, 3-12
CA bit	3-6
cable assembly:	
102 and 202 Data Sets	1-2
HP 2621 Terminal	4-8
HP 264X Terminal	1-2
HP 2749B Teleprinter	1-2
HP 7221A Plotter	4-9, 4-10
installation	4-2
wire lists	4-4 to 4-10
CB (Clear to Send)	2-3
CB status bit	3-10
CC (Data Set Ready)	2-3
CC status bit	3-10
CD (Data Terminal Ready)	2-3, 3-12
CD bit	3-6
CE (Ring Indication)	2-3
CE status bit	3-10
CF (Received Line Signal Detector)	2-3
CF status bit	3-10
character buffering	1-1, 1-4
character count bit	3-9
character counter	3-12
Character Frame Control Word (Word 3)	3-5
character length	1-1
character mode	1-1, 3-12
character size	1-4, 2-2, 3-12
character size bit	3-5
character transfer	3-1
character/data byte	3-9

C (continued)

CLC instruction	3-13
CLC 0 instruction	3-11
Clear Break status flag	3-7
Clear Buffer Empty status flag	3-7
Clear Buffer Half-Full status flag	3-7
Clear Overrun/Parity Error status flag	3-7
Clear to Send (CB)	2-5
Clear Special Character status flag	3-7
CLF instruction	2-2, 2-4
compatibility	1-3
configuring the PCA	2-2
Control FF	2-4, 3-9, 3-10, 3-12, 3-13
Control Words	1-2
Word 0	2-2, 3-2
Word 1	2-5, 3-3
Word 2	2-5, 3-4
Word 3	2-2, 3-5
Word 4	2-2, 3-6
Word 5	3-7
Word 6	3-8
counter	1-1
CPU-Device interface description	2-4
CPU input word format	3-8
CPU output word format	3-2

D

data byte	3-2
Data Set Ready (CC)	2-5
Data Terminal Ready (CD)	2-4
data transfer	2-2
data transfer and control words	2-1
data transfer lines	2-4
data transfer rate	1-4
data word	1-2
device interface	2-4
Device Interrupt status bit	3-11
Device Reference register	3-12
Device Status Interrupt Enable register	3-12
Device Status Line Change status flag	3-1
Device Status Reference Word (Word 2)	3-4
diagnostic tests	4-3
diagrams	5-2 to 5-13
direct memory access (DMA) control	2-2, 2-4, 3-12
DMA bit	3-6
driver configuration and installation	4-3

E

Echo bit	3-5, 3-11
Enable CB bit	3-3
Enable CC bit	3-3
Enable CE bit	3-3
Enable CF bit	3-3

E (continued)

Enable Character Mode bit 3-3
Enable Device Status Interrupt Word (Word 1) 3-3
Enable SBB/SCF bit 3-3

F

features 1-1
FIFO buffer 2-2, 2-3, 2-4, 3-12
Flag FF 3-12

H

hardware jumpers 2-5
HP 2640 Terminal cable 1-2
HP 2749B Teleprinter cable 1-2

I

I/O instructions, effects of 3-11
I/O select code 1-2, 4-1
I/O slot 1-2, 4-1
I/O transfer 1-2
installation and servicing 4-1
Interface Control Word (Word 4) 3-6
interface requirements 1-3
interface status lines 2-3
interrupt flags 1-1
interrupt identification 3-10
interrupt "lockout" 3-12
Interrupt Status Reset Word (Word 5) 3-7
interrupt flags 1-4

J

jumper connections for baud rates 4-2

K

kit contents 1-2

L

LIA instruction 3-13
LIA/B instructions 1-2, 2-4

M

Master Reset 3-11
Master Reset bit 3-2
modem/terminal control lines 2-4
modem/terminal status lines 2-4
modes, transmit and receive 2-1, 2-2

O

odd/even parity	1-4
option 001 kit	1-2
option 002 kit	1-2
option 003 kit	1-2
option 004 kit	1-2
option 005 kit	1-2
OTA instruction	3-13
OTA/B instructions	1-2, 3-2
Overrun or Parity Error status bit	3-10

P

“packing”	2-2
page (buffer) mode	1-1
parity	1-1, 1-4, 2-2, 3-12
parity error	2-4
Parity Error status flag	3-1, 3-12
Parity Odd/Even bit	3-5
Parity On/Off bit	3-5
parity sense	1-1, 1-4, 3-12
PCA	1-2
PCA installation	4-1
performance test	4-3
power consumption	1-4
preparation for use	4-1
principles of operation	2-1
program control	2-2, 2-4
programming	3-1

R

RAM (Special Character Memory)	1-1
Receive operating mode	2-2, 2-3, 3-11
Received Data (BB)	2-4
Received Data bit	3-9
Received Data Word	2-2, 3-9, 3-13
Received Line Signal Detector (SCF)	2-5
Reference CB bit	3-4
Reference CC bit	3-4
Reference CE bit	3-4
Reference CF bit	3-4
Reference SBB/SCF bit	3-4
Request to Send (CA)	2-4
Ring Indication (CE)	2-5
RS-232-C interface control	2-3
RS-232-C output control lines	3-6
RS-232-C status lines	2-3

S

sample program	3-13
sample program flowchart	3-14
sample program listing	3-17
SBA (Secondary Data)	2-3

S (continued)

SBA/SCA bit	3-6
SBB (Secondary Received Data)	2-3
SBB/SCF status bit	3-10
SCA (Secondary Request to Send)	2-3
SCF (Secondary Line Signal Detector)	2-3
Secondary Received Data (SBB)	2-5
Secondary Data (SBA)	2-5
Secondary Request to Send (SCA)	2-5
Service Request (SRQ)	3-1, 3-12
servicing	4-3
software interface characteristics	3-1
software protocol	3-1
Spare Receiver Input status bit	3-11
special characters	1-4, 3-12
Special Character bit	3-8
Special Character Marker bit	3-9
Special Character Memory (RAM)	1-1, 2-3, 2-4
Special Character status flag (bit)	2-4, 3-1, 3-11, 3-12
Special Character Word (Word 6)	3-8
specifications	1-3, 1-4
standard kit	1-2
status flags (bits)	
direct memory access control	3-1
program control	3-1
receive mode	3-1
transmit mode	3-1
Status Word	2-5, 3-10, 3-13
status interrupts	3-1
STC instruction	2-2, 2-4, 3-1, 3-12
stop bits	1-1, 1-4, 2-2, 2-4, 3-5, 3-12
system configurations	1-3

T

test connector	1-2
Test Status bit	3-11
Transmit Data Word (Word 0)	3-2
Transmitted Data (BA)	2-4
transmit mode	2-2
data transfer	2-3
Transmit/Receive bit	3-6

U

UART	2-2, 2-3, 3-5, 3-12
“unpacking”	2-2
unpacking and inspection	4-1

V

Valid Data Marker bit	3-9
-----------------------	-----

W

Words: 2-1

0 (Transmit Data Word) 2-2, 3-2

1 (Enable Device Status Interrupt Word) 2-5, 3-3

2 (Device Status Reference Word) 2-5, 3-4

3 (Character Frame Control Word) 2-2, 3-5

4 (Interface Control Word) 2-2, 3-6

5 (Interrupt Status Reset Word) 3-7

6 (Special Character Word) 3-8

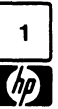
formats 3-2

Received Data Word 2-2, 3-9, 3-13

Status Word 2-5, 3-10, 3-13

SALES & SUPPORT OFFICES

Arranged Alphabetically by Country



Product Line Sales/Support Key

Key Product Line

A	Analytical
CM	Components
C	Computer Systems Sales only
CH	Computer Systems Hardware Sales and Services
CS	Computer Systems Software Sales and Services
E	Electronic Instruments & Measurement Systems
M	Medical Products
MP	Medical Products Primary SRO
MS	Medical Products Secondary SRO
P	Personal Computation Products
.	Sales only for specific product line
..	Support only for specific product line

IMPORTANT: These symbols designate general product line capability. They do not insure sales or support availability for all products within a line, at all locations. Contact your local sales office for information regarding locations where HP support is available for specific products.

HP distributors are printed in italics.

ANGOLA

Telectra
Empresa Técnica de Equipamentos
Eléctricos, S.A.R.L.
R. Barbosa Rodrigues, 41-1 DT.
Caixa Postal 6487
LUANDA
Tel: 35515,35516
E,M,P

ARGENTINA

Hewlett-Packard Argentina S.A.
 Avenida Santa Fe 2035
 Martínez 1640 BUENOS AIRES
 Tel: 798-5735, 792-1293
 Telex: 17595 BIONAR
 Cable: HEWPACKARG
 A,E,CH,CS,P
Biotron S.A.C.I.M. e I.
Av Paseo Colon 221, Piso 9
1399 BUENOS AIRES,
Tel: 30-4846, 30-1851
Telex: 17595 BIONAR
M

Fate S.A. I.C.I. Electronica
Venezuela 1326
1095 BUENOS AIRES
Tel: 37-9020, 37-9026/9
Telex: 9234 FATEN AR
P

AUSTRALIA

Adelaide, South Australia Office

Hewlett-Packard Australia Ltd.
 153 Greenhill Road
PARKSIDE, S.A. 5063
 Tel: 272-5911
 Telex: 82536
 Cable: HEWPARAD Adelaide
 A*,CH,CM,E,MS,P

Brisbane, Queensland Office

Hewlett-Packard Australia Ltd.
 49 Park Road
MILTON, Queensland 4064
 Tel: 229-1544
 Telex: 42133
 Cable: HEWPARAD Brisbane
 A,CH,CM,E,M,P
 Effective November 1, 1982:
 10 Payne Road
THE GAP, Queensland 4061
 Tel: 30-4133
 Telex: 42133

Canberra, Australia

Capital Territory Office
 Hewlett-Packard Australia Ltd.
 121 Wollongong Street
FYSHWICK, A.C.T. 2609
 Tel: 80 4244
 Telex: 62650
 Cable: HEWPARAD Canberra
 CH,CM,E,P

Melbourne, Victoria Office

Hewlett-Packard Australia Ltd.
 31-41 Joseph Street
BLACKBURN, Victoria 3130
 Tel: 877 7777
 Telex: 31-024
 Cable: HEWPARAD Melbourne
 A,CH,CM,CS,E,MS,P

Perth, Western Australia Office

Hewlett-Packard Australia Ltd.
 261 Stirling Highway
CLAREMONT, W.A. 6010
 Tel: 383-2188
 Telex: 93859
 Cable: HEWPARAD Perth
 A,CH,CM,E,MS,P

Sydney, New South Wales Office

Hewlett-Packard Australia Ltd.
 17-23 Talavera Road
P.O. Box 308
NORTH RYDE, N.S.W. 2113
 Tel: 887-1611
 Telex: 21561
 Cable: HEWPARAD Sydney
 A,CH,CM,CS,E,MS,P

AUSTRIA

Hewlett-Packard Ges.m.b.h.
 Grottenhofstrasse 94
 Verkaufsburo Graz
A-8052 GRAZ
 Tel: 291-5-66
 Telex: 32375
 CH,E*

Hewlett-Packard Ges.m.b.h.
 Stanglhofweg 5
A-4020 LINZ
 Tel: 0732 51585
 CH

Hewlett-Packard Ges.m.b.h.
 Liebigasse 1
P.O. Box 72
A-1222 VIENNA
 Tel: (0222) 23-65-11-0
 Telex: 134425 HEPA A
 A,CH,CM,CS,E,MS,P

BAHRAIN

Green Salon
P.O. Box 557
BAHRAIN
Tel: 255503-255950
Telex: 84419
P
Wael Pharmacy
P.O. Box 648
BAHRAIN
Tel: 256123
Telex: 8550 W AEL BN
M, E

BELGIUM

Hewlett-Packard Belgium S.A./N.V.
 Blvd de la Woluwe, 100
 Woluwedal
B-1200 BRUSSELS
 Tel: (02) 762-32-00
 Telex: 23-494 paloben bru
 A,CH,CM,CS,E,MP,P

BRAZIL

Hewlett-Packard do Brasil I.e.C.
 Ltda.
 Alameda Rio Negro, 750
 Alphaville 06400 **BARUERI SP**
 Tel: (11) 421-1311
 Telex: 01 133872 HPBR-BR
 Cable: HEWPACK Sao Paulo
 A,CH,CM,CS,E,M,P
 Hewlett-Packard do Brasil I.e.C.
 Ltda.
 Avenida Epitacio Pessoa, 4664
 22471 **RIO DE JANEIRO-RJ**
 Tel: (21) 286-0237
 Telex: 021-21905 HPBR-BR
 Cable: HEWPACK Rio de Janeiro
 A,CH,CM,E,MS,P*

CANADA

Alberta
 Hewlett-Packard (Canada) Ltd.
 210, 7220 Fisher Street S.E.
CALGARY, Alberta T2H 2H8
 Tel: (403) 253-2713
 A,CH,CM,E*,MS,P*
 Hewlett-Packard (Canada) Ltd.
 11620A-168th Street
EDMONTON, Alberta T5M 3T9
 Tel: (403) 452-3670
 A,CH,CM,CS,E,MS,P*

British Columbia

Hewlett-Packard (Canada) Ltd.
 10691 Shellbridge Way
RICHMOND,
 British Columbia V6X 2W7
 Tel: (604) 270-2277
 Telex: 610-922-5059
 A,CH,CM,CS,E*,MS,P*

Manitoba

Hewlett-Packard (Canada) Ltd.
 380-550 Century Street
WINNIPEG, Manitoba R3H 0Y1
 Tel: (204) 786-6701
 A,CH,CM,E,MS,P*

New Brunswick

Hewlett-Packard (Canada) Ltd.
 37 Sheadiac Road
MONCTON, New Brunswick E2B 2VQ
 Tel: (506) 855-2841
 CH**

Nova Scotia

Hewlett-Packard (Canada) Ltd.
 P.O. Box 931
 900 Windmill Road
DARTMOUTH, Nova Scotia B2Y 3Z6
 Tel: (902) 469-7820
 CH,CM,CS,E*,MS,P*

Ontario

Hewlett-Packard (Canada) Ltd.
 552 Newbold Street
LONDON, Ontario N6E 2S5
 Tel: (519) 686-9181
 A,CH,CM,E*,MS,P*
 Hewlett-Packard (Canada) Ltd.
 6877 Goreway Drive
MISSISSAUGA, Ontario L4V 1M8
 Tel: (416) 678-9430
 A,CH,CM,CS,E,MP,P
 Hewlett-Packard (Canada) Ltd.
 2670 Queensview Dr.
OTTAWA, Ontario K2B 8K1
 Tel: (613) 820-6483
 A,CH,CM,CS,E*,MS,P*
 Hewlett-Packard (Canada) Ltd.
 220 Yorkland Blvd., Unit #11
WILLOWDALE, Ontario M2J 1R5
 Tel: (416) 499-9333
CH

Quebec

Hewlett-Packard (Canada) Ltd.
 17500 South Service Road
 Trans-Canada Highway
KIRKLAND, Quebec H9J 2M5
 Tel: (514) 697-4232
 A,CH,CM,CS,E,MP,P*
 Hewlett-Packard (Canada) Ltd.
 Les Galeries du Vallon
 2323 Du Versant Nord
STE. FOY, Quebec G1N 4C2
 Tel: (418) 687-4570
CH

CHILE

Jorge Calcagni y Cia. Ltda.
Arturo Burhle 065
Casilla 16475
SANTIAGO 9
Tel: 222-0222
Telex: Public Booth 440001
A,CM,E,M

Olympia (Chile) Ltda.
Av. Rodrigo de Araya 1045
Casilla 256-V
SANTIAGO 21
Tel: 2-25-50-44
Telex: 340-892 OLYMP CK
Cable: Olympiachile Santiagochile
CH,CS,P

CHINA, People's Republic of

China Hewlett-Packard Rep. Office
P.O. Box 418
1A Lane 2, Luchang St.
Beiwei Rd., Xuanwu District
BEIJING
Tel: 33-1947, 33-7426
Telex: 22601 CTSHP CN
Cable: 1920
A,CH,CM,CS,E,P

COLOMBIA

Instrumentación
H. A. Langebaek & Kier S.A.
Carrera 7 No. 48-75
Apartado Aereo 6287
BOGOTA 1, D.E.
Tel: 287-8877
Telex: 44400 INST CO
Cable: AARIS Bogota
A,CM,E,M,PS,P

COSTA RICA

Cientifica Costarricense S.A.
Avenida 2, Calle 5
San Pedro de Montes de Oca
Apartado 10159
SAN JOSE
Tel: 24-38-20, 24-08-19
Telex: 2367 GALGUR CR
CM,E,MS,P

CYPRUS

Telexa Ltd.
P.O. Box 4809
14C Slassinos Avenue
NICOSIA
Tel: 62698
Telex: 2894 LEVIDO CY
E,M,P

DENMARK

Hewlett-Packard A/S
 Datavej 52
DK-3460 Birkerød
 Tel: (02) 81-66-40
 Telex: 37409 hpas dk
 A,CH,CM,CS,E,MS,P
 Hewlett-Packard A/S
 Navervej 1
DK-8600 SILKEBORG
 Tel: (06) 82-71-66
 Telex: 37409 hpas dk
CH,E

ECUADOR

CYEDE Cia. Ltda.
Avenida Eloy Alfaro 1749
Casilla 6423 CCI
QUITO
Tel: 450-975, 243-052
Telex: 2548 CYEDE ED
A,CM,E,P

Hospitalar S.A.

Robles 625
Casilla 3590
QUITO
Tel: 545-250, 545-122
Telex: 2485 HOSPTEL ED
Cable: HOSPITALAR-Quito
M

EGYPT

International Engineering Associates
24 Hussein Hegazi Street
Kasr-el-Aini
CAIRO
Tel: 23829, 21641
Telex: IEA UN 93830
CH,CS,E,M
Informatic For Systems
22 Talaat Harb Street
CAIRO
Tel: 759006
Telex: 93938 FRANK UN
CH,CS,P

Egyptian International Office for Foreign Trade

P.O. Box 2558
CAIRO
Tel: 650021
Telex: 93337 EGPOR
P

EL SALVADOR

IPESA de El Salvador S.A.
29 Avenida Norte 1216
SAN SALVADOR
Tel: 26-6858, 26-6868
Telex: Public Booth 20107
A,CH,CM,CS,E,P

FINLAND

Hewlett-Packard Oy
 Revontulentie 7
SF-02100 ESPOO 10
 Tel: (90) 455-0211
 Telex: 121563 hewpa sf
 A,CH,CM,CS,E,MS,P
 Hewlett-Packard Oy
 Aatoksenkatv 10-C



SALES & SUPPORT OFFICES

Arranged Alphabetically by Country

SF-40720-72 JYVASKYLA

Tel: (94 1) 216318
CH

Hewlett-Packard Oy
Kainvuntie 1-C
SF-90140-14 OULU
Tel: (98 1) 338785
CH

FRANCE

Hewlett-Packard France
Z.I. Mercure B
Rue Berthelot
F-13763 Les Milles Cedex
AIX-EN-PROVENCE
Tel: (42) 59-41-02
Telex: 4 10770F
A,CH,E,MS,P*

Hewlett-Packard France
Boite Postale No. 503
F-25026 BESANCON
28 Rue de la Republique
F-25000 BESANCON
Tel: (81) 83-16-22
CH,M

Hewlett-Packard France
Bureau de Vente de Lyon
Chemin des Mouilles
Boite Postale 162
F-69130 ECULLY Cédex
Tel: (7) 833-81-25
Telex: 310617F
A,CH,CS,E,MP

Hewlett-Packard France
Immeuble France Evry
Tour Lorraine
Boulevard de France
F-91035 EVRY Cédex
Tel: (6) 077-96-60
Telex: 692315F
E

Hewlett-Packard France
5th Avenue Raymond Chanas
F-38320 EYBENS
Tel: (76) 25-81-41
Telex: 980124 HP GRENOB EYBE
CH

Hewlett-Packard France
Centre d'Affaire Paris-Nord
Bâtiment Ampère 5 étage
Rue de la Commune de Paris
Boite Postale 300
F-93153 LE BLANC MESNIL
Tel: (01) 865-44-52
Telex: 211032F
CH,CS,E,MS

Hewlett-Packard France
Parc d'Activites Cadera
Quartier Jean Mermoz
Avenue du President JF Kennedy
F-33700 MERIGNAC
Tel: (56) 34-00-84
Telex: 550105F
CH,E,MS

Hewlett-Packard France
32 Rue Lothaire
F-57000 METZ
Tel: (8) 765-53-50
CH

Hewlett-Packard France
Immeuble Les 3 B
Nouveau Chemin de la Garde
Z.A.C. de Bois Briand
F-44085 NANTES Cedex
Tel: (40) 50-32-22
CH**

Hewlett-Packard France
Zone Industrielle de Courtaoueuft
Avenue des Tropiques
F-91947 Les Ulis Cédex ORSAY
Tel: (6) 907-78-25
Telex: 600048F
A,CH,CM,CS,E,MP,P

Hewlett-Packard France
Paris Porte-Maillot
15, Avenue De L'Amiral Bruix
F-75782 PARIS 16
Tel: (1) 502-12-20
Telex: 613663F
CH,MS,P
Hewlett-Packard France
2 Allee de la Bourgonette
F-35100 RENNES
Tel: (99) 51-42-44
Telex: 740912F
CH,CM,E,MS,P*

Hewlett-Packard France
98 Avenue de Bretagne
F-76100 ROUEN
Tel: (35) 63-57-66 CH** ,CS
Hewlett-Packard France
4 Rue Thomas Mann
Boite Postale 56
F-67200 STRASBOURG
Tel: (88) 28-56-46
Telex: 890141F
CH,E,MS,P*

Hewlett-Packard France
Pericentre de la Cépière
F-31081 TOULOUSE Cedex
Tel: (61) 40-11-12
Telex: 531639F
A,CH,CS,E,P*

Hewlett-Packard France
Immeuble Péricentre
F-59658 VILLENEUVE D'ASCO Cedex
Tel: (20) 91-41-25
Telex: 160124F
CH,E,MS,P*

GERMAN FEDERAL REPUBLIC

Hewlett-Packard GmbH
Technisches Büro Berlin
Keithstrasse 2-4
D-1000 BERLIN 30
Tel: (030) 24-90-86
Telex: 018 3405 hpbln d
A,CH,E,M,P

Hewlett-Packard GmbH
Technisches Büro Böblingen
Herrenberger Strasse 110
D-7030 BOBLINGEN
Tel: (07031) 667-1
Telex: bbn or
A,CH,CM,CS,E,MP,P

Hewlett-Packard GmbH
Technisches Büro Dusseldorf
Emanuel-Leutze-Strasse 1
D-4000 DUSSELDORF
Tel: (0211) 5971-1
Telex: 085/86 533 hpdd d
A,CH,CS,E,MS,P

Hewlett-Packard GmbH
Vertriebszentrale Frankfurt
Bernier Strasse 117
Postfach 560 140
D-6000 FRANKFURT 56
Tel: (0611) 50-04-1
Telex: 04 13249 hpffm d
A,CH,CM,CS,E,MP,P

Hewlett-Packard GmbH
Technisches Büro Hamburg
Kapstadtring 5
D-2000 HAMBURG 60
Tel: (040) 63804-1
Telex: 021 63 032 hphh d
A,CH,CS,E,MS,P

Hewlett-Packard GmbH
Technisches Büro Hannover
Am Grossmarkt 6
D-3000 HANNOVER 91
Tel: (0511) 46-60-01
Telex: 092 3259
A,CH,CM,E,MS,P

Hewlett-Packard GmbH
Technisches Büro Mannheim
Rosslauer Weg 2-4
D-6800 MANNHEIM
Tel: (0621) 70050
Telex: 0462105
A,C,E
Hewlett-Packard GmbH
Technisches Büro Neu Ulm
Messerschmittstrasse 7
D-7910 NEU ULM
Tel: 0731-70241
Telex: 0712816 HP ULM-D
A,C,E*

Hewlett-Packard GmbH
Technisches Büro Nürnberg
Neumeyerstrasse 90
D-8500 NURNBERG
Tel: (0911) 52 20 83-87
Telex: 0623 860
CH,CM,E,MS,P

Hewlett-Packard GmbH
Technisches Büro München
Eschenstrasse 5
D-8028 TAUFKIRCHEN
Tel: (089) 6117-1
Telex: 0524985
A,CH,CM,E,MS,P

GREAT BRITAIN

Hewlett-Packard Ltd.
Trafaigar House
Navigation Road
ALTRINCHAM
Cheshire WA14 1NU
Tel: (061) 928-6422
Telex: 668068
A,CH,CS,E,M

Hewlett-Packard Ltd.
Oakfield House, Oakfield Grove
Clifton
BRISTOL BS8 2BN, Avon
Tel: (027) 38606
Telex: 444302
CH,M,P

Hewlett-Packard Ltd.
(Pinewood)
Nine Mile Ride
EASTHAMPTON
Wokingham
Berkshire, 3RG11 3LL
Tel: 3446 3100
Telex: 84-88-05
CH,CS,E

Hewlett-Packard Ltd.
Fourier House
257-263 High Street
LONDON COLNEY
Herts., AL2 1HA, St. Albans
Tel: (0727) 24400
Telex: 1-8952716
CH,CS,E

Hewlett-Packard Ltd
Tradax House, St. Mary's Walk
MAIDENHEAD
Berkshire, SL6 1ST
Tel: (0628) 39151
CH,CS,E,P

Hewlett-Packard Ltd.
Quadrangle
106-118 Station Road
REDHILL, Surrey
Tel: (0737) 68655
Telex: 947234 CH,CS,E
Hewlett-Packard Ltd.
Avon House
435 Stratford Road
SHIRLEY, Solihull
West Midlands B90 4BL
Tel: (021) 745 8800
Telex: 339105
CH

Hewlett-Packard Ltd.
West End House 41
High Street, West End
SOUTHAMPTON
Hampshire SO3 3DQ
Tel: (703) 886767
Telex: 477138
CH

Hewlett-Packard Ltd.
King Street Lane
WINNERSH, Wokingham
Berkshire RG11 5AR
Tel: (0734) 784774
Telex: 847178
A,CH,E,M

GREECE

Kostas Karayannis S.A.
8 Omirou Street
ATHENS 133
Tel: 32 30 303, 32 37 371
Telex: 215962 RKAR GR
A,CH,CM,CS,E,M,P
PLAISIO S.A.
G. Gerardos
24 Stournara Street
ATHENS
Tel: 36-11-160
Telex: 221871
P

GUATEMALA

IPESA
Avenida Reforma 3-48, Zona 9
GUATEMALA CITY
Tel: 316627, 314786
Telex: 4192 TELTRO GU
A,CH,CM,CS,E,M,P

HONG KONG

Hewlett-Packard Hong Kong, Ltd.
G.P.O. Box 795
5th Floor, Sun Hung Kai Centre
30 Harbour Road
HONG KONG
Tel: 5-8323211
Telex: 66678 HEWPA HX
Cable: HEWPACK HONG KONG
E,CH,CS,P

CET Ltd.
1402 Tung Way Mansion
199-203 Hennessy Rd.
Wanchia, **HONG KONG**
Tel: 5-729376
Telex: 85148 CET HX
CM
Schmidt & Co. (Hong Kong) Ltd.
Wing On Centre, 28th Floor
Connaught Road, C.
HONG KONG
Tel: 5-455644
Telex: 74766 SCHMX HX
A,M

ICELAND

Elding Trading Company Inc.
Hafnarvöli-Tryggvagölu
P.O. Box 895
IS-REYKJAVIK
Tel: 1-58-20, 1-63-03
M

INDIA

Blue Star Ltd.
Sabri Complex II Floor
24 Residency Rd.
BANGALORE 560 025
Tel: 55660
Telex: 0845-430
Cable: BLUESTAR
A,CH,CM,CS,E

Blue Star Ltd.
Band Box House
Prabhadevi
BOMBAY 400 025
Tel: 422-3101
Telex: 011-3751
Cable: BLUESTAR
A,M
Blue Star Ltd.
Sahas
414/2 Vir Savarkar Marg
Prabhadevi
BOMBAY 400 025
Tel: 422-6155
Telex: 011-4093
Cable: FROSTBLUE
A,CH,CM,CS,E,M
Blue Star Ltd.
Kalyan, 19 Vishwas Colony
Alkapuri, **BORODA, 390 005**
Tel: 65235
Cable: BLUE STAR
A
Blue Star Ltd.
7 Hare Street
CALCUTTA 700 001
Tel: 12-01-31
Telex: 021-7655
Cable: BLUESTAR
A,M

Blue Star Ltd.
133 Kodambakkam High Road
MADRAS 600 034
Tel: 82057
Telex: 041-379
Cable: BLUESTAR
A,M

Blue Star Ltd.
Bhandari House, 7th/8th Floors
91 Nehru Place
NEW DELHI 110 024
Tel: 882547
Telex: 031-2463
Cable: BLUESTAR
A,CH,CM,CS,E,M
Blue Star Ltd.
15/16/C Wellesley Rd.
PUNE 411 011
Tel: 22775
Cable: BLUE STAR
A

Blue Star Ltd.
2-2-47/1108 Bolarum Rd.
SECUNDERABAD 500 003
Tel: 72057
Telex: 0155-459
Cable: BLUEFROST
A,E

Blue Star Ltd.
T.C. 7/603 Poonnima
Maruthankuzhi
TRIVANDRUM 695 013
Tel: 65799
Telex: 0884-259
Cable: BLUESTAR
E

INDONESIA

BERCA Indonesia P.T.
P.O. Box 496/JKT.
Jl. Abdul Muis 62
JAKARTA
Tel: 373009
Telex: 46748 BERSAL IA
Cable: BERSAL JAKARTA
P
BERCA Indonesia P.T.
Wisma Antara Bldg., 17th floor
JAKARTA
A,CS,E,M
BERCA Indonesia P.T.
P.O. Box 174/SBY.
Jl. Kutei No. 11
SURABAYA
Tel: 68172
Telex: 31146 BERSAL SB
Cable: BERSAL-SURABAYA
A*,E,M,P

**IRAQ**

Hewlett-Packard Trading S.A.
Service Operation
Al Mansoor City 9B/3/7
BAGHDAD
Tel: 551-49-73
Telex: 212-455 HEPAIRAQ IK
CH,CS

IRELAND

Hewlett-Packard Ireland Ltd.
82/83 Lower Leeson St.
DUBLIN 2
Tel: (1) 60 88 00
Telex: 30439
A,CH,CM,CS,E,M,P
Cardiac Services Ltd.
Kilmore Road
Artane
DUBLIN 5
Tel: (01) 351820
Telex: 30439
M

ISRAEL

Eidan Electronic Instrument Ltd.
P.O. Box 1270
JERUSALEM 91000
16, *Ohaliav St.*
JERUSALEM 94467
Tel: 533 221, 553 242
Telex: 25231 AB/PAKRD IL
A
Electronics Engineering Division
Motorola Israel Ltd.
16 *Kremenetski Street*
P.O. Box 25016
TEL-AVIV 67899
Tel: 3-338973
Telex: 33569 Motil IL
Cable: BASTEL Tel-Aviv
CH,CM,CS,E,M,P

ITALY

Hewlett-Packard Italiana S.p.A.
Traversa 99C
Via Giulio Petroni, 19
I-70124 **BARI**
Tel: (080) 41-07-44
M
Hewlett-Packard Italiana S.p.A.
Via Martin Luther King, 38/111
I-40132 **BOLOGNA**
Tel: (051) 402394
Telex: 511630
CH,E,MS
Hewlett-Packard Italiana S.p.A.
Via Principe Nicola 43G/C
I-95126 **CATANIA**
Tel: (095) 37-10-87
Telex: 970291
C,P
Hewlett-Packard Italiana S.p.A.
Via G. Di Vittorio 9
I-20063 **CERNUSCO SUL NAVIGLIO**
Tel: (2) 903691
Telex: 334632
A,CH,CM,CS,E,MP,P
Hewlett-Packard Italiana S.p.A.
Via Nuova San Rocco a
Capodimonte, 62/A
I-80131 **NAPLES**
Tel: (081) 7413544
Telex: 710698
A,CH,E
Hewlett-Packard Italiana S.p.A.
Viale G. Modugno 33
I-16156 **GENOVA PEGLI**
Tel: (010) 68-37-07
Telex: 215238
E,C

Hewlett-Packard Italiana S.p.A.
Via Turazza 14
I-35100 **PADOVA**
Tel: (049) 664888
Telex: 430315
A,CH,E,MS

Hewlett-Packard Italiana S.p.A.
Viale C. Pavese 340
I-00144 **ROMA**
Tel: (06) 54831
Telex: 610514
A,CH,CM,CS,E,MS,P*
Hewlett-Packard Italiana S.p.A.
Corso Svizzera, 184
I-10149 **TORINO**
Tel: (011) 74 4044
Telex: 221079
CH,E

JAPAN

Yokogawa-Hewlett-Packard Ltd.
Inoue Building
1-21-8, Asahi-cho
ATSUGI, Kanagawa 243
Tel: (0462) 28-0451
CM,C*,E
Yokogawa-Hewlett-Packard Ltd.
Towa Building
2-2-3, Kaigandori, Chuo-ku
KOBE, 650, Hyogo
Tel: (078) 392-4791
C,E
Yokogawa-Hewlett-Packard Ltd.
Kumagaya Asahi Yasoji Bldg 4F
3-4 Chome Tsukuba
KUMAGAYA, Saitama 360
Tel: (0485) 24-6563
CH,CM,E

Yokogawa-Hewlett-Packard Ltd.
Asahi Shinbun Dai-ichi Seimei Bldg.,
2F
4-7 Hanabata-cho
KUMAMOTO-SHI, 860
Tel: (0963) 54-7311
CH,E

Yokogawa-Hewlett-Packard Ltd.
Shin Kyoto Center Bldg. 5F
614 Siokoji-cho
Nishiruhigashi, Karasuma
Siokoji-dori, Shimogyo-ku
KYOTO 600
Tel: 075-343-0921
CH,E

Yokogawa-Hewlett-Packard Ltd.
Mito Mitsui Building
1-4-73, San-no-maru
MITO, Ibaragi 310
Tel: (0292) 25-7470
CH,CM,E

Yokogawa-Hewlett-Packard Ltd.
Sumitomo Seimei Nagoya Bldg.
2-14-19, Meieki-Minami,
Nakamura-ku
NAGOYA, 450 Aichi
Tel: (052) 571-5171
CH,CM,CS,E,MS

Yokogawa-Hewlett-Packard Ltd.
Chuo Bldg., 4th Floor
5-4-20 Nishinakajima,
Yodogawa-ku
OSAKA, 532
Tel: (06) 304-6021
Telex: YHPOSA 523-3624
A,CH,CM,CS,E,MP,P*

Yokogawa-Hewlett-Packard Ltd.
Sumitomo Seimei Nagoya Bldg.
2-14-19, Meieki-Minami,
Nakamura-ku
NAGOYA, 450 Aichi
Tel: (052) 571-5171
CH,CM,CS,E,MS
Yokogawa-Hewlett-Packard Ltd.
Shinjuku Dai-ichi Seimei 6F
2-7-1, Nishi Shinjuku
Shinjuku-ku, **TOKYO 160**
Tel: 03-348-4611-5
CH,E

Yokogawa-Hewlett-Packard Ltd.
3-29-21 Takaido-Higashi
Suginami-ku **TOKYO 168**
Tel: (03) 331-6111
Telex: 232-2024 YHPTOK
A,CH,CM,CS,E,MP,P*
Yokogawa-Hewlett-Packard Ltd.
Daichi Asano Building 4F
5-2-8, Oodori,
UTSUNOMIYA, 320
Tochigi
Tel: (0286) 25-7155
CH, CS, E

Yokogawa-Hewlett-Packard Ltd.
Yasudaseimei Yokohama
Nishiguchi Bldg.
3-30-4 Tsuruya-cho
Kanagawa-ku
YOKOHAMA, Kanagawa, 221
Tel: (045) 312-1252
CH,CM,E

JORDAN

Mouasher Cousins Company
P.O. Box 1387
AMMAN
Tel: 24907, 39907
Telex: 21456 SABCO JO
CH,E,M,P

KENYA

ADCOM Ltd., Inc., Kenya
P.O. Box 30070
NAIROBI
Tel: 331955
Telex: 22639
E,M

KOREA

Samsung Electronics Computer Division
76-561 Yeoksam-Dong
Kangnam-Ku
C.P.O. Box 2775
SEOUL
Tel: 555-7555, 555-5447
Telex: K27364 SAMSAN
A,CH,CM,CS,E,M,P

KUWAIT

Al-Khaldiya Trading & Contracting
P.O. Box 830 Safat
KUWAIT
Tel: 42-4910, 41-1726
Telex: 22481 Areeg kt
CH,E,M
Photo & Cine Equipment
P.O. Box 270 Safat
KUWAIT
Tel: 42-2846, 42-3801
Telex: 22247 Malin-KT
P

LEBANON

G.M. Dolmadjian
Achrafieh
P.O. Box 165.167
BEIRUT
Tel: 290293
MP**

LUXEMBOURG

Hewlett-Packard Belgium S.A./N.V.
Blvd de la Woluwe, 100
Woluwedal
B-1200 **BRUSSELS**
Tel: (02) 762-32-00
Telex: 23-494 paloben br
A,CH,CM,CS,E,MP,P

MALAYSIA

Hewlett-Packard Sales (Malaysia)
Sdn. Bhd.
1st Floor, Bangunan British
American
Jalan Semantan, Damansara Heights
KUALA LUMPUR 23-03
Tel: 943022
Telex: MA31011
A,CH,E,M,P*
Protel Engineering
Lot 319, Satok Road
P.O.Box 1917
Kuching, SARAWAK
Tel: 53544
Telex: MA 70904 PROMAL
Cable: PROTELENG
A,E,M

MALTA

Philip Toledo Ltd.
Notabile Rd.
MRIEHEL
Tel: 447 47, 455 66
Telex: 649 Media MW
P

MEXICO

Hewlett-Packard Mexicana, S.A. de
C.V.
Av. Periferico Sur No. 6501
Tepepan, Xochimilco
MEXICO D.F. 16020
Tel: 676-4600
Telex: 17-74-507 HEWPACK MEX
A,CH,CS,E,MS,P
Effective November 1, 1982:
Hewlett-Packard Mexicana, S.A. de
C.V.
Ejercito Nacional #570
Colonia Granada
11560 **MEXICO, D.F.**
CH**
Hewlett-Packard Mexicana, S.A. de
C.V.
Rio Volga 600
Pte. Colonia del Valle
MONTERREY, N.L.
Tel: 78-42-93, 78-42-40, 78-42-41
Telex: 038-2410 HPMTY ME
CH
Effective Nov. 1, 1982
Ave. Colonia del Valle #409
Col. del Valle
Municipio de garza garcia
MONTERREY, N.V.
ECISA
Taihe 229, Piso 10
Polanco MEXICO D.F. 11570
Tel: 250-5391
Telex: 17-72755 ECE ME
M

MOROCCO

Dolbeau
81 rue Karatchi
CASABLANCA
Tel: 3041-82, 3068-38
Telex: 23051, 22822
E
Gerep
2 rue d'Agadir
Boite Postale 156
CASABLANCA
Tel: 272093, 272095
Telex: 23 739
P

NETHERLANDS

Hewlett-Packard Nederland B.V.
Van Heuven Goedhartlaan 121
NL 1181KK **AMSTELVEEN**
P.O. Box 667
NL 1180 AR **AMSTELVEEN**
Tel: (20) 47-20-21
Telex: 13 216
A,CH,CM,CS,E,MP,P

Hewlett-Packard Nederland B.V.
Bonger 2
NL 2906VK **CAPPELLE, A/D IJssel**
P.O. Box 41
NL2900 AA **CAPELLE, IJssel**
Tel: (10) 51-64-44
Telex: 21261 HEPAC NL
A,CH,CS

NEW ZEALAND

Hewlett-Packard (N.Z.) Ltd.
169 Manukau Road
P.O. Box 26-189
Epsom, **AUCKLAND**
Tel: 687-159
Cable: HEWPACK Auckland
CH,CM,E,P*
Hewlett-Packard (N.Z.) Ltd.
4-12 Cruickshank Street
Kilbirnie, **WELLINGTON 3**
P.O. Box 9443
Courtenay Place, **WELLINGTON 3**
Tel: 877-199
Cable: HEWPACK Wellington
CH,CM,E,P
Northrop Instruments & Systems Ltd.

369 Khyber Pass Road
P.O. Box 8602
AUCKLAND
Tel: 794-091
Telex: 60605
A,M

Northrop Instruments & Systems Ltd.
110 *Mandeville St.*
P.O. Box 8388
CHRISTCHURCH
Tel: 486-928
Telex: 4203
A,M

Northrop Instruments & Systems Ltd.
Sturdee House
85-87 Ghuznee Street
P.O. Box 2406
WELLINGTON
Tel: 850-091
Telex: NZ 3380
A,M

NORTHERN IRELAND

Cardiac Services Company
95A *Finaghy Road South*
BELFAST BT 10 OBY
Tel: (0232) 625-566
Telex: 747626
M

NORWAY

Hewlett-Packard Norge A/S
Folke Bernadottes vei 50
P.O. Box 3558
N-5033 **FYLLINGSDALEN (Bergen)**
Tel: (05) 16-55-40
Telex: 16621 hpnas n
CH,CS,E,MS
Hewlett-Packard Norge A/S
Osterndalen 18
P.O. Box 34
N-1345 **OSTERAS**
Tel: (02) 17-11-80
Telex: 16621 hpnas n
A,CH,CM,CS,E,M,P

OMAN

Khimijil Ramdas
P.O. Box 19
MUSCAT
Tel: 722225, 745601
Telex: 3289 BROKER MB MUSCAT
P



SALES & SUPPORT OFFICES

Arranged Alphabetically by Country

Suhalil & Saud Bahwan
P.O. Box 169
MUSCAT
Tel: 734 201-3
Telex: 3274 BAHWAN MB

PAKISTAN
Mushko & Company Ltd.
1-B, Street 43
Sector F-8/1
ISLAMABAD
Tel: 26875
Cable: FEMUS Rawalpindi
A,E,M

Mushko & Company Ltd.
Oosman Chambers
Abdullah Haroon Road
KARACHI 0302
Tel: 511027, 512927
Telex: 2894 MUSKO PK
Cable: COOPERATOR Karachi
A,E,M,P*

PANAMA
Electrónico Balboa, S.A.
Calle Samuel Lewis, Ed. Alfa
Apartado 4929
PANAMA 5
Tel: 64-2700
Telex: 3483 ELECTRON PG
A,CM,E,M,P
Foto Internacional, S.A.
Colon Free Zone
Apartado 2068
COLON 3
Tel: 45-2333
Telex: 8626 IMPORT PG
P

PERU
Cía Electro Médica S.A.
Los Flamencos 145, San Isidro
Casilla 1030
LIMA 1
Tel: 41-4325, 41-3703
Telex: Pub. Booth 25306
A,CM,E,M,P

PHILIPPINES
The Online Advanced Systems Corporation
Rico House, Amorsolo Cor. Herrera Street
Legaspi Village, Makati
P.O. Box 1510
Metro MANILA
Tel: 85-35-81, 85-34-91, 85-32-21
Telex: 3274 ONLINE
A,CH,CS,E,M
Electronic Specialists and Proponents Inc.
690-B Epifanio de los Santos Avenue
Cubao, QUEZON CITY
P.O. Box 2649 Manila
Tel: 98-96-81, 98-96-82, 98-96-83
Telex: 40018, 42000 ITT GLOBE
MACKAY BOOTH
P

PORTUGAL
Mundinter
Intercambio Mundial de Comércio S.a.r.l
P.O. Box 2761
Av. Antonio Augusto de Aguiar 138
P-LISBON
Tel: (19) 53-21-31, 53-21-37
Telex: 16691 munter p
M

Soquimica
Av. da Liberdade, 220-2
1298 LISBON Codex
Tel: 56 21 81/2/3
Telex: 13316 SABASA P
Telectra-Empresa Técnica de Equipamentos Eléctricos S.a.r.l.
Rua Rodrigo da Fonseca 103
P.O. Box 2531
P-LISBON 1
Tel: (19) 68-60-72
Telex: 12598
CH,CS,E,P

PUERTO RICO
Hewlett-Packard Puerto Rico
P.O. Box 4407
CAROLINA, Puerto Rico 00628
Calle 272 Edificio 203
Urb. Country Club
RIO PIEDRAS, Puerto Rico 00924
Tel: (809) 762-7255
A,CH,CS

QATAR
Nasser Trading & Contracting
P.O. Box 1563
DOHA
Tel: 22170, 23539
Telex: 4439 NASSER DH
M
Computearbia
P.O. Box 2750
DOHA
Tel: 883555
Telex: 4806 CHPARB
P

Eastern Technical Services
P.O. Box 4747
DOHA
Tel: 329 993
Telex: 4156 EASTEC DH

SAUDI ARABIA
Modern Electronic Establishment Hewlett-Packard Division
P.O. Box 281
Thuobah AL-KHOBAR
Tel: 864-46 78
Telex: 671 106 HPMEEK SJ
Cable: ELECTA AL-KHOBAR
CH,CS,E,M,P
Modern Electronic Establishment Hewlett-Packard Division
P.O. Box 1228
Redec Plaza, 6th Floor JEDDAH
Tel: 644 38 48
Telex: 402712 FARNAS SJ
Cable: ELECTA JEDDAH
CH,CS,E,M,P
Modern Electronic Establishment Hewlett Packard Division
P.O. Box 2728
RIYADH
Tel: 491-97 15, 491-63 87
Telex: 202049 MEERYD SJ
CH,CS,E,M,P

SCOTLAND
Hewlett-Packard Ltd.
Royal Bank Buildings
Swan Street
BRECHIN, Angus, Scotland
Tel: (03562) 3101-2
CH
Hewlett-Packard Ltd.
SOUTH QUEENSFERRY
West Lothian, EH30 9GT
GB-Scotland
Tel: (031) 3311188
Telex: 72682
A,CH,CM,CS,E,M

SINGAPORE
Hewlett-Packard Singapore (Pty.) Ltd.
P.O. Box 58 Alexandra Post Office
SINGAPORE, 9115
6th Floor, Inchcape House
450-452 Alexandra Road
SINGAPORE 0511
Tel: 631788
Telex: HPSGSO RS 34209
Cable: HEWPACK, Singapore
A,CH,CS,E,MS,P
Dynamar International Ltd.
Unit 05-11 Block 6
Kolam Ayer Industrial Estate SINGAPORE 1334
Tel: 747-6188
Telex: RS 26283
CM

SOUTH AFRICA
Hewlett-Packard So Africa (Pty.) Ltd.
P.O. Box 120
Howard Place
Pine Park Center, Forest Drive,
Pinelands
CAPE PROVINCE 7405
Tel: 53-7954
Telex: 57-20006
A,CH,CM,E,MS,P
Hewlett-Packard So Africa (Pty.) Ltd.
P.O. Box 37099
92 Overport Drive
DURBAN 4067
Tel: 28-4178, 28-4179, 28-4110
Telex: 6-22954
CH,CM

Hewlett-Packard So Africa (Pty.) Ltd.
6 Linton Arcade
511 Cape Road
Linton Grange
PORT ELIZABETH 6001
Tel: 041-302148
CH

Hewlett-Packard So Africa (Pty.) Ltd.
P.O. Box 33345
Glenstantia 0010 **TRANSVAAL**
1st Floor East
Constantia Park Ridge Shopping Centre
Constantia Park
PRETORIA
Tel: 982043
Telex: 32163
CH,E
Hewlett-Packard So Africa (Pty.) Ltd.
Private Bag Wendywood
SANDTON 2144
Tel: 802-5111, 802-5125
Telex: 4-20877
Cable: HEWPACK Johannesburg
A,CH,CM,CS,E,MS,P

SPAIN
Hewlett-Packard Española S.A.
c/Entenza, 321
E-BARCELONA 29
Tel: (3) 322-24-51, 321-73-54
Telex: 52603 hpbee
A,CH,CS,E,MS,P
Hewlett-Packard Española S.A.
c/San Vicente S/N
Edificio Albia II,7 B
E-BILBAO 1
Tel: (4) 23-8306, (4) 23-8206
A,CH,E,MS
Hewlett-Packard Española S.A.
Calle Jerez 3
E-MADRID 16
Tel: (1) 458-2600
Telex: 23515 hpe
A,CM,E

Hewlett-Packard Española S.A.
c/o Costa Brava 13
Colonia Mirasierra
E-MADRID 34
Tel: (1) 734-8061, (1) 734-1162
CH,CS,M
Hewlett-Packard Española S.A.
Av Ramón y Cajal 1-9
Edificio Sevilla 1,
E-SEVILLA 5
Tel: 64-44-54, 64-44-58
Telex: 72933
A,CS,MS,P
Hewlett-Packard Española S.A.
C/Ramon Gordillo, 1 (Entlo.3)
E-VALENCIA 10
Tel: 361-1354, 361-1358
CH,P

SWEDEN
SINGAPORE 1334
Hewlett-Packard Sverige AB
Sunnanvagen 14K
S-22226 LUND
Tel: (046) 13-69-79
Telex: (854) 17886 (via SPÅNGA office)
CH
Hewlett-Packard Sverige AB
Vastra Vintergatan 9
S-70344 OREBRO
Tel: (19) 10-48-80
Telex: (854) 17886 (via SPÅNGA office)
CH

Hewlett-Packard Sverige AB
Skalholtsgatan 9, Kista
Box 19
S-16393 SPÅNGA
Tel: (08) 750-2000
Telex: (854) 17886
A,CH,CM,CS,E,MS,P
Hewlett-Packard Sverige AB
Frötallsgatan 30
S-42132 VASTRA-FRÖLUNDA
Tel: (031) 49-09-50
Telex: (854) 17886 (via SPÅNGA office)
CH,E,P

SWITZERLAND
Hewlett-Packard (Schweiz) AG
Clarastrasse 12
CH-4058 BASLE
Tel: (61) 33-59-20
A
Hewlett-Packard (Schweiz) AG
Bahnhofweg 44
CH-3018 BERN
Tel: (031) 56-24-22
CH
Hewlett-Packard (Schweiz) AG
47 Avenue Blanc
CH-1202 GENEVA
Tel: (022) 32-48-00
CH,CM,CS

Hewlett-Packard (Schweiz) AG
19 Chemin Château Bloc
CH-1219 LE LIGNON-Geneva
Tel: (022) 96-03-22
Telex: 27333 hpag ch
Cable: HEWPACKAG Geneva
A,E,MS,P
Hewlett-Packard (Schweiz) AG
Allmend 2
CH-8967 WIDEN
Tel: (57) 31 21 11
Telex: 53933 hpag ch
Cable: HPAG CH
A,CH,CM,CS,E,MS,P

SYRIA
General Electronic Inc.
Nuri Basha
P.O. Box 5781
DAMASCUS
Tel: 33-24-87
Telex: 11216 ITKAL SY
Cable: ELECTROBOR DAMASCUS
E

Middle East Electronics
Place Azmé
Boite Postale 2308
DAMASCUS
Tel: 334592
Telex: 11304 SATACO SY
M,P

TAIWAN
Hewlett-Packard Far East Ltd.
Kaohsiung Office
2/F 68-2, Chung Cheng 3rd Road
KAOHSIUNG
Tel: 241-2318, 261-3253
CH,CS,E
Hewlett-Packard Far East Ltd.
Taiwan Branch
5th Floor
205 Tun Hwa North Road
TAIPEI
Tel: (02) 751-0404
Cable: HEWPACK Taipei
A,CH,CM,CS,E,M,P
Ing Lih Trading Co.
3rd Floor, 7 Jen-Ai Road, Sec. 2
TAIPEI 100
Tel: (02) 3948191
Cable: INGLIH TAIPEI
A

THAILAND
Unimesa
30 Palpong Ave., Sunwong
BANGKOK 5
Tel: 234 091, 234 092
Telex: 84439 Simonco TH
Cable: UNIMESA Bangkok
A,CH,CS,E,M
Bangkok Business Equipment Ltd.
5/5-6 Dejo Road
BANGKOK
Tel: 234-8670, 234-8671
Telex: 87669-BEQUIPT TH
Cable: BUSIQUIPT Bangkok
P

TRINIDAD & TOBAGO
Caribbean Telecoms Ltd.
50/A Jerningham Avenue
P.O. Box 732
PORT-OF-SPAIN
Tel: 62-44213, 62-44214
Telex: 235,272 HUGCO WG
A,CM,E,M,P
TUNISIA
Tunisie Electronique
31 Avenue de la Liberte
TUNIS
Tel: 280-144
E,P

Corema
1 ter. Av. de Carthage
TUNIS
Tel: 253-821
Telex: 12319 CABAM TN
M

TURKEY
Teknim Company Ltd.
Iran Caddesi No. 7
Kavaklidere, **ANKARA**
Tel: 275800
Telex: 42155 TKNM TR
E
E.M.A.
Medina Eldem Sokak No.4/16
Yüksel Caddesi
ANKARA
Tel: 175 622
M

UNITED ARAB EMIRATES
Emilat Ltd.
P.O. Box 1641
SHARJAH
Tel: 354121, 354123
Telex: 68136 Emilat Sh
CH,CS,E,M,P



UNITED KINGDOM

see: GREAT BRITAIN

NORTHERN IRELAND

SCOTLAND

UNITED STATES

Alabama

Hewlett-Packard Co.
700 Century Park South
Suite 128
BIRMINGHAM, AL 35226
Tel: (205) 822-6802
CH,MP
Hewlett-Packard Co.
P.O. Box 4207
8290 Whitesburg Drive, S.E.
HUNTSVILLE, AL 35802
Tel: (205) 881-4591
CH,CM,CS,E,M*

Alaska

Hewlett-Packard Co.
1577 "C" Street, Suite 252
ANCHORAGE, AK 99501
Tel: (907) 276-5709
CH*

Arizona

Hewlett-Packard Co.
2336 East Magnolia Street
PHOENIX, AZ 85034
Tel: (602) 273-8000
A,CH,CM,CS,E,MS
Hewlett-Packard Co.
2424 East Aragon Road
TUCSON, AZ 85706
Tel: (602) 889-4631
CH,E,MS**

Arkansas

Hewlett-Packard Co.
P.O. Box 5646
Brady Station
LITTLE ROCK, AR 72215
111 N. Filmore
LITTLE ROCK, AR 72205
Tel: (501) 664-8773, 376-1844
MS

California

Hewlett-Packard Co.
99 South Hill Dr.
BRISBANE, CA 94005
Tel: (415) 330-2500
CH,CS
Hewlett-Packard Co.
7621 Canoga Avenue
CANOGA PARK, CA 91304
Tel: (213) 702-8300
A,CH,CS,E,P
Hewlett-Packard Co.
5060 Clinton Avenue
FRESNO, CA 93727
Tel: (209) 252-9652
MS
Hewlett-Packard Co.
P.O. Box 4230
1430 East Orangethorpe
FULLERTON, CA 92631
Tel: (714) 870-1000
CH,CM,CS,E,MP
Hewlett-Packard Co.
320 S. Kellogg, Suite B
GOLETA, CA 93117
Tel: (805) 967-3405
CH
Hewlett-Packard Co.
5400 W. Rosecrans Boulevard
LAWDALE, CA 90260
P.O. Box 92105
LOS ANGELES, CA 90009
Tel: (213) 970-7500
Telex: 910-325-6608
CH,CM,CS,MP
Hewlett-Packard Co.
3200 Hillview Avenue
PALO ALTO, CA 94304
Tel: (415) 857-8000
CH,CS,E

Hewlett-Packard Co.
P.O. Box 15976 (95813)
4244 So. Market Court, Suite A
SACRAMENTO, CA 95834
Tel: (916) 929-7222
A*,CH,CS,E,MS

Hewlett-Packard Co.
9606 Aero Drive
P.O. Box 23333
SAN DIEGO, CA 92123
Tel: (714) 279-3200
CH,CM,CS,E,MP

Hewlett-Packard Co.
2305 Camino Ramon "C"
SAN RAMON, CA 94583
Tel: (415) 838-5900
CH,CS

Hewlett-Packard Co.
P.O. Box 4230
Fullerton, CA 92631
363 Brookhollow Drive
SANTA ANA, CA 92705
Tel: (714) 641-0977
A,CH,CM,CS,MP

Hewlett-Packard Co.
Suite A
5553 Hollister
SANTA BARBARA, CA 93111
Tel: (805) 964-3390

Hewlett-Packard Co.
3003 Scott Boulevard
SANTA CLARA, CA 95050
Tel: (408) 988-7000
A,CH,CM,CS,E,MP

Hewlett-Packard Co.
5703 Corsa Avenue
WESTLAKE VILLAGE, CA 91362
Tel: (213) 706-6800
E*,CH*,CS*

Colorado

Hewlett-Packard Co.
24 Inverness Place, East
ENGLEWOOD, CO 80112
Tel: (303) 771-3455
Telex: 910-935-0785
A,CH,CM,CS,E,MS

Connecticut

Hewlett-Packard Co.
47 Barnes Industrial Road South
P.O. Box 5007
WALLINGFORD, CT 06492
Tel: (203) 265-7801
A,CH,CM,CS,E,MS

Florida

Hewlett-Packard Co.
P.O. Box 24210 (33307)
2901 N.W. 62nd Street
FORT LAUDERDALE, FL 33307
Tel: (305) 973-2600
CH,CS,E,MP
Hewlett-Packard Co.
4080 Woodcock Drive, #132
Brownett Building
JACKSONVILLE, FL 32207
Tel: (904) 398-0663
C*,E*,MS**
Hewlett-Packard Co.
1101 W. Hibiscus Ave., Suite E210
MELBOURNE, FL 32901
Tel: (305) 729-0704
E*

Hewlett-Packard Co.
P.O. Box 13910 (32859)
6177 Lake Ellenor Drive
ORLANDO, FL 32809
Tel: (305) 859-2900
A,CH,CM,CS,E,MS

Hewlett-Packard Co.
6425 N. Pensacola Blvd.
Suite 4, Building 1
P.O. Box 12826
PENSACOLA, FL 32575
Tel: (904) 476-8422
A,MS

Hewlett-Packard Co.
5750B N. Hoover Blvd., Suite 123
TAMPA, FL 33614
Tel: (813) 884-3282
A*,CH,CM,CS,E*,M*

Georgia

Hewlett-Packard Co.
P.O. Box 105005
ATLANTA, GA 30348
2000 South Park Place
ATLANTA, GA 30339
Tel: (404) 955-1500
Telex: 810-766-4890
A,CH,CM,CS,E,MP

Hewlett-Packard Co.
P.O. Box 816 (80903)
2531 Center West Parkway
Suite 110
AUGUSTA, GA 30904
Tel: (404) 736-0592
MS

Hewlett-Packard Co.
200-E Montgomery Cross Rds.
SAVANNAH, GA 31401
Tel: (912) 925-5358
CH**
Hewlett-Packard Co.
P.O. Box 2103
WARNER ROBINS, GA 31099
1172 N. Davis Drive
WARNER ROBINS, GA 31093
Tel: (912) 923-8831
E

Hewlett-Packard Co.
P.O. Box 2103
WARNER ROBINS, GA 31099
1172 N. Davis Drive
WARNER ROBINS, GA 31093
Tel: (912) 923-8831
E

Hawaii

Hewlett-Packard Co.
Kawaiiahoo Plaza, Suite 190
567 South King Street
HONOLULU, HI 96813
Tel: (808) 526-1555
A,CH,E,MS

Illinois

Hewlett-Packard Co.
211 Prospect Road, Suite C
BLOOMINGTON, IL 61701
Tel: (309) 662-9411
CH,MS**

Hewlett-Packard Co.
1100 31st Street, Suite 100
DOWNS GROVE, IL 60515
Tel: (312) 960-5760
CH,CS

Hewlett-Packard Co.
5201 Tollview Drive
ROLLING MEADOWS, IL 60008
Tel: (312) 255-9800
A,CH,CM,CS,E,MP

Indiana

Hewlett-Packard Co.
P.O. Box 50807
7301 No. Shadeland Avenue
INDIANAPOLIS, IN 46250
Tel: (317) 842-1000
A,CH,CM,CS,E,MS

Iowa

Hewlett-Packard Co.
1776 22nd Street, Suite 1
WEST DES MOINES, IA 50265
Tel: (515) 224-1435
CH,MS**
Hewlett-Packard Co.
2415 Heinz Road
IOWA CITY, IA 52240
Tel: (319) 351-1020
CH,E*,MS

Kansas

Hewlett-Packard Co.
1644 S. Rock Road
WICHITA, KA 67207
Tel: (316) 684-8491
CH

Kentucky

Hewlett-Packard Co.
10300 Linn Station Road
Suite 100
LOUISVILLE, KY 40223
Tel: (502) 426-0100
A,CH,CS,MS

Louisiana

Hewlett-Packard Co.
8126 Calais Bldg.
BATON ROUGE, LA 70806
Tel: (504) 467-4100
A**,CH**

Hewlett-Packard Co.
P.O. Box 1449
KENNER, LA 70062
160 James Drive East
DESTAHAN, LA 70047
Tel: (504) 467-4100
A,CH,CS,E,MS

Maryland

Hewlett-Packard Co.
7121 Standard Drive
HANOVER, MD 21076
Tel: (301) 796-7700
Telex: 710-862-1943
Eff. Dec. 1, 1982
3701 Koppers St.
BALTIMORE, MD 21227
Tel: (301) 644-5800
A,CH,CM,CS,E,MS

Hewlett-Packard Co.
2 Choke Cherry Road
ROCKVILLE, MD 20850
Tel: (301) 948-6370
A,CH,CM,CS,E,MP

Massachusetts

Hewlett-Packard Co.
32 Hartwell Avenue
LEXINGTON, MA 02173
Tel: (617) 861-8960
A,CH,CM,CS,E,MP

Michigan

Hewlett-Packard Co.
23855 Research Drive
FARMINGTON HILLS, MI 48024
Tel: (313) 476-6400
A,CH,CM,CS,E,MP

Hewlett-Packard Co.
4326 Cascade Road S.E.
GRAND RAPIDS, MI 49506
Tel: (616) 957-1970
CH,CS,MS

Hewlett-Packard Co.
1771 W. Big Beaver Road
TROY, MI 48084
Tel: (313) 643-6474
CH,CS

Minnesota

Hewlett-Packard Co.
2025 W. Larpenteur Ave.
ST. PAUL, MN 55113
Tel: (612) 644-1100
A,CH,CM,CS,E,MP

Mississippi

Hewlett-Packard Co.
P.O. Box 5028
1675 Lakeland Drive
JACKSON, MS 39216
Tel: (601) 982-9363
MS

Missouri

Hewlett-Packard Co.
11131 Colorado Avenue
KANSAS CITY, MO 64137
Tel: (816) 763-8000
A,CH,CM,CS,E,MS

Hewlett-Packard Co.
P.O. Box 27307
1024 Executive Parkway
ST. LOUIS, MO 63141
Tel: (314) 878-0200
A,CH,CS,E,MP
Effective September 1982:
13001 Hollenberg Drive
BRIDGETON, MO 63044

Nebraska

Hewlett-Packard
7101 Mercy Road
Suite 101, IBX Building
OMAHA, NE 68106
Tel: (402) 392-0948
CM,MS

Nevada

Hewlett-Packard Co.
Suite D-130
5030 Paradise Blvd.
LAS VEGAS, NV 89119
Tel: (702) 736-6610
MS**

New Jersey

Hewlett-Packard Co.
W120 Century Road
PARAMUS, NJ 07652
Tel: (201) 265-5000
A,CH,CM,CS,E,MP
Hewlett-Packard Co.
60 New England Av. West
PISCATAWAY, NJ 08854
Tel: (201) 981-1199
A,CH,CM,CS,E

New Mexico

Hewlett-Packard Co.
P.O. Box 11634
ALBUQUERQUE, NM 87112
11300 Lomas Blvd., N.E.
ALBUQUERQUE, NM 87123
Tel: (505) 292-1330
Telex: 910-989-1185
CH,CS,E,MS

New York

Hewlett-Packard Co.
5 Computer Drive South
ALBANY, NY 12205
Tel: (518) 458-1550
Telex: 710-444-4691
A,CH,E,MS
Hewlett-Packard Co.
P.O. Box 297
9600 Main Street
CLARENCE, NY 14031
Tel: (716) 759-8621
Telex: 710-523-1893
CH

Hewlett-Packard Co.
200 Cross Keys Office
FAIRPORT, NY 14450
Tel: (716) 223-9950
Telex: 510-253-0092
CH,CM,CS,E,MS

Hewlett-Packard Co.
7641 Henry Clay Blvd.
LIVERPOOL, NY 13088
Tel: (315) 451-1820
A,CH,CM,E,MS

Hewlett-Packard Co.
No. 1 Pennsylvania Plaza
55th Floor
34th Street & 8th Avenue
NEW YORK, NY 10119
Tel: (212) 971-0800
CH,CS,E*,M*



SALES & SUPPORT OFFICES

Arranged Alphabetically by Country

Hewlett-Packard Co.
250 Westchester Avenue
WHITE PLAINS, NY 10604
CM,CH,CS,E

Hewlett-Packard Co.
3 Crossways Park West
WOODBURY, NY 11797
Tel: (516) 921-0300
Telex: 510-221-2183
A,CH,CM,CS,E,MS

North Carolina
Hewlett-Packard Co.
4915 Water's Edge Drive
Suite 160
RALEIGH, NC 27606
Tel: (919) 851-3021
C,M

Hewlett-Packard Co.
P.O. Box 26500
5605 Roanne Way
GREENSBORO, NC 27450
Tel: (919) 852-1800
A,CH,CM,CS,E,MS

Ohio
Hewlett-Packard Co.
9920 Carver Road
CINCINNATI, OH 45242
Tel: (513) 891-9870
CH,CS,MS

Hewlett-Packard Co.
16500 Sprague Road
CLEVELAND, OH 44130
Tel: (216) 243-7300
Telex: 810-423-9430
A,CH,CM,CS,E,MS

Hewlett-Packard Co.
962 Crupper Ave.
COLUMBUS, OH 43229
Tel: (614) 436-1041
CH,CM,CS,E*

Hewlett-Packard Co.
P.O. Box 280
330 Progress Rd.
DAYTON, OH 45449
Tel: (513) 859-8202
A,CH,CM,E*,MS

Oklahoma
Hewlett-Packard Co.
P.O. Box 32008
Oklahoma City, OK 73123
1503 W. Gore Blvd., Suite #2
LAWTON, OK 73505
Tel: (405) 248-4248
C

Hewlett-Packard Co.
P.O. Box 32008
OKLAHOMA CITY, OK 73123
304 N. Meridian Avenue, Suite A
OKLAHOMA CITY, OK 73107
Tel: (405) 946-9499
A*,CH,E*,MS

Hewlett-Packard Co.
Suite 121
9920 E. 42nd Street
TULSA, OK 74145
Tel: (918) 665-3300
A**,CH,CS,M*

Oregon
Hewlett-Packard Co.
1500 Valley River Drive
Suite 330
EUGENE, OR 97401
Tel: (503) 683-8075
C

Hewlett-Packard Co.
9255 S. W. Pioneer Court
WILSONVILLE, OR 97070
Tel: (503) 682-8000
A,CH,CS,E*,MS

Pennsylvania
Hewlett-Packard Co.
1021 8th Avenue
King of Prussia Industrial Park
KING OF PRUSSIA, PA 19406
Tel: (215) 265-7000
Telex: 510-660-2670
A,CH,CM,CS,E,MP
Hewlett-Packard Co.
111 Zeta Drive
PITTSBURGH, PA 15238
Tel: (412) 782-0400
A,CH,CS,E,MP

South Carolina
Hewlett-Packard Co.
P.O. Box 21708
Brookside Park, Suite 122
1 Harbison Way
COLUMBIA, SC 29210
Tel: (803) 732-0400
CH,E,MS

Hewlett-Packard Co.
Koger Executive Center
Chesterfield Bldg., Suite 124
GREENVILLE, SC 29615
Tel: (803) 748-5601
C

Tennessee
Hewlett-Packard Co.
P.O. Box 22490
224 Peters Road
Suite 102
KNOXVILLE, TN 37922
Tel: (615) 691-2371
A*,CH,MS

Hewlett-Packard Co.
3070 Directors Row
MEMPHIS, TN 38131
Tel: (901) 346-8370
A,CH,MS

Hewlett-Packard Co.
230 Great Circle Road
Suite 216
NASHVILLE, TN 32228
Tel: (615) 255-1271
MS**

Texas
Hewlett-Packard Co.
Suite 310W
7800 Shoal creek Blvd.
AUSTIN, TX 78757
Tel: (512) 459-3143
E

Hewlett-Packard Co.
Suite C-110
4171 North Mesa
EL PASO, TX 79902
Tel: (915) 533-3555, 533-4489
CH,E*,MS**

Hewlett-Packard Co.
5020 Mark IV Parkway
FORT WORTH, TX 76106
Tel: (817) 625-6361
CH,CS*

Hewlett-Packard Co.
P.O. Box 42816
HOUSTON, TX 77042
10535 Harwin Street
HOUSTON, TX 77036
Tel: (713) 776-6400
A,CH,CM,CS,E,MP

Hewlett-Packard Co.
3309 67th Street
Suite 24
LUBBOCK, TX 79413
Tel: (806) 799-4472
M

Hewlett-Packard Co.
417 Nolana Gardens, Suite C
P.O. Box 2256
McALLEN, TX 78501
Tel: (512) 781-3226
CH,CS

Hewlett-Packard Co.
P.O. Box 1270
RICHARDSON, TX 75080
930 E. Campbell Rd.
RICHARDSON, TX 75081
Tel: (214) 231-6101
A,CH,CM,CS,E,MP

Hewlett-Packard Co.
P.O. Box 32993
SAN ANTONIO, TX 78216
1020 Central Parkway South
SAN ANTONIO, TX 78232
Tel: (512) 494-9336
CH,CS,E,MS

Utah
Hewlett-Packard Co.
P.O. Box 26626
3530 W. 2100 South
SALT LAKE CITY, UT 84119
Tel: (801) 974-1700
A,CH,CS,E,MS

Virginia
Hewlett-Packard Co.
P.O. Box 9669
2914 Hungry Spring Road
RICHMOND, VA 23228
Tel: (804) 285-3431
A,CH,CS,E,MS

Hewlett-Packard Co.
3106 Peters Creek Road, N.W.
ROANOKE, VA 24019
Tel: (703) 563-2205
CH,E**

Hewlett-Packard Co.
5700 Thurston Avenue
Suite 111
VIRGINIA BEACH, VA 23455
Tel: (804) 460-2471
CH,MS

Washington
Hewlett-Packard Co.
15815 S.E. 37th Street
BELLEVUE, WA 98006
Tel: (206) 643-4000
A,CH,CM,CS,E,MP

Hewlett-Packard Co.
Suite A
708 North Argonne Road
SPOKANE, WA 99206
Tel: (509) 922-7000
CH,CS

West Virginia
Hewlett-Packard Co.
4604 MacCorkle Ave., S.E.
CHARLESTON, WV 25304-4297
Tel: (304) 925-0492
A,MS

Wisconsin
Hewlett-Packard Co.
150 S. Sunny Slope Road
BROOKFIELD, WI 53005
Tel: (414) 784-8800
A,CH,CS,E*,MP

URUGUAY
Pablo Ferrando S.A.C. e L.
Avenida Italia 2877
Casilla de Correo 370
MONTEVIDEO
Tel: 80-2586
Telex: Public Booth 901
A,CM,E,M

Guillermo Kraft del Uruguay S.A.
Av. Lib. Brig. Gral. Lavalleja 2083
MONTEVIDEO
Tel: 234588, 234808, 208830
Telex: 22030 ACTOUR UY
P

VENEZUELA
Hewlett-Packard de Venezuela C.A.
3A Transversal Los Ruices Norte
Edificio Segre
Apartado 50933
CARACAS 1071
Tel: 239-4133
Telex: 25146 HEWPACK
A,CH,CS,E,MS,P
Colimodio S.A.
Este 2 - Sur 21 No. 148
Apartado 1053
CARACAS 1010
Tel: 571-3511
Telex: 21529 COLMODIO
M

Headquarters offices
If there is no sales office listed for your area,
contact one of these headquarters offices.

NORTH/CENTRAL AFRICA
Hewlett-Packard S.A.
7 Rue du Bois-du-Lan
CH-1217 MEYRIN 2, Switzerland
Tel: (022) 98-96-51
Telex: 27835 hpse
Cable: HEWPACKSA Geneve

ASIA
Hewlett-Packard Asia Ltd.
6th Floor, Sun Hung Kai Center
30 Harbor Rd.
G.P.O. Box 795
HONG KONG
Tel: 5-832 3211
Telex: 66678 HEWPA HX
Cable: HEWPACK HONG KONG

CANADA
Hewlett-Packard (Canada) Ltd.
6877 Goreway Drive
MISSISSAUGA, Ontario L4V 1M8
Tel: (416) 678-9430
Telex: 610-492-4246

EASTERN EUROPE
Hewlett-Packard Ges.m.b.h.
Liebigasse 1
P.O.Box 72
A-1222 VIENNA, Austria
Tel: (222) 2365110
Telex: 1 3 4425 HEPA A

NORTHERN EUROPE
Hewlett-Packard S.A.
Uilenstede 475
NL-1183 AG AMSTELVEEN
The Netherlands
P.O.Box 999
NL-1180 AZ AMSTELVEEN
The Netherlands
Tel: 20 437771

OTHER EUROPE
Hewlett-Packard S.A.
7 Rue du Bois-du-Lan
CH-1217 MEYRIN 2, Switzerland
Tel: (022) 98-96-51
Telex: 27835 hpse
Cable: HEWPACKSA Geneve
(Offices in the World Trade Center)

ZIMBABWE
Field Technical Sales
45 Kelvin Road, North
P.B. 3458
SALISBURY
Tel: 705 231
Telex: 4-122 RH
C,E,M,P

MEDITERRANEAN AND MIDDLE EAST
Hewlett-Packard S.A.
Mediterranean and Middle East
Operations
Atrina Centre
32 Kifissias Ave.
Maroussi, ATHENS, Greece
Tel: 682 88 11
Telex: 21-6588 HPAT GR
Cable: HEWPACKSA Athens

EASTERN USA
Hewlett-Packard Co.
4 Choke Cherry Road
Rockville, MD 20850
Tel: (301) 258-2000

MIDWESTERN USA
Hewlett-Packard Co.
5201 Tollview Drive
ROLLING MEADOWS, IL 60008
Tel: (312) 255-9800

SOUTHERN USA
Hewlett-Packard Co.
P.O. Box 105005
450 Interstate N. Parkway
ATLANTA, GA 30339
Tel: (404) 955-1500

WESTERN USA
Hewlett-Packard Co.
3939 Lankersim Blvd.
LOS ANGELES, CA 91604
Tel: (213) 877-1282

OTHER INTERNATIONAL AREAS
Hewlett-Packard Co.
Intercontinental Headquarters
3495 Deer Creek Road
PALO ALTO, CA 94304
Tel: (415) 857-1501
Telex: 034-8300
Cable: HEWPACK



HEWLETT
PACKARD

Manual Part No: 12966-90001
Printed in U.S.A.
July 1982

HEWLETT-PACKARD
Roseville Division
8000 Foothills Boulevard
Roseville, California 95678