

OPERATING NOTE/JULY 1981

1. DESCRIPTION.

2. The HP Model 10278B Interface provides a method for easy, fast connection between a Hewlett-Packard Logic Analyzer and a HP 1000 Minicomputer. The interface boards plug directly into HP 1000 slots and allows access to all signals of interest on the bus. Circuits on the interface boards generate a clock signal for the Logic Analyzer from the synchronous bus activity which allows address and data information to be captured. In addition, switches on the boards provide qualification of bus activity so that reads, writes, I/O transactions, memory transactions, or DMA transfers can be selectively captured for detailed analysis. Refer to table 1 for complete specifications.

3. INTERFACE CONNECTIONS.

4. Ribbon cables from the HP Model 10277B (described in paragraph 6) may be connected to the 10278B Interface Boards from the minicomputer, or data and clock probe leads can be connected to pins on the interface connectors.

NOTE

Follow the HP 1000 Series Service Manual instructions for removal and installation of printed circuit boards when using the Model 10278B.

5. ACCESSORY AVAILABLE.

6. For maximum measurement flexibility, an HP Model 10277B Option 003 General Purpose Probe Interface is available for easy connection to the 10278B Interface. Connection to the system under test is accomplished with two ribbon cables between the interfaces, and the Logic Analyzer probe pods plug directly into the 10277B. Changing of electrical configurations for analysis of address and data flow or bus arbitration is achieved by simply changing the A and B cables to be plugged into J1A and J1B, or J2A and J2B, or J3A and J3B. see table 2 for the three choices.

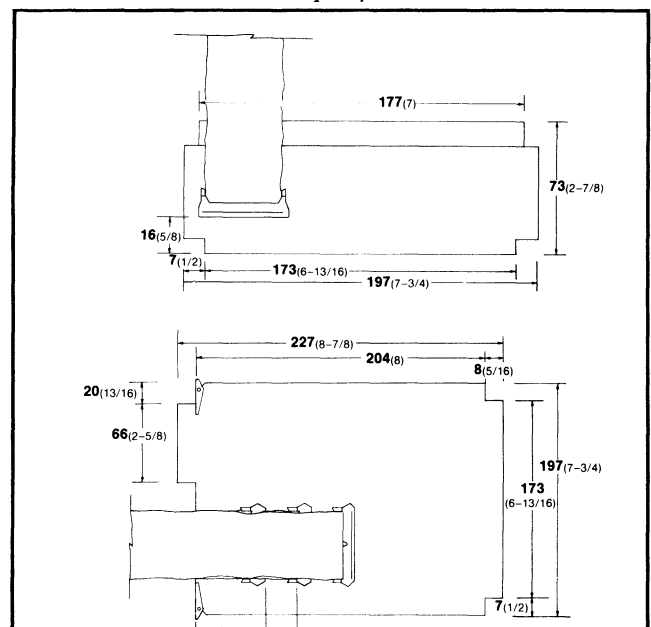
7. APPLICATIONS.

8. **SOFTWARE DEVELOPMENT.** The 10278B combined with a Logic Analyzer becomes a very powerful software debugging tool because it captures program state flow in real time and permits analysis of software timing loops. Once the software is debugged, optimization can be achieved via information available from the Logic Analyzer.

9. **SERVICE AND MAINTENANCE.** System signals can be accessed quickly by simply plugging the 10278B into the minicomputer backplane. Detailed analysis of program execution or the bus arbitration process with elapsed time intervals between events permits rapid troubleshooting with minimum computer downtime when software techniques are marginal or cannot be used.

10. **PRODUCTION.** The ability to analyze program execution during integration allows you to observe how the system reacts as peripherals are added. By directing the analyzer to trace only the activity to a specific peripheral, problems can be detected and isolated.

Table 1. Specifications



BUS LOADING: logical address bus, physical address bus and data bus, IRSTF, P5NF = 1 standard TTL load. All other lines = < 1/4 standard TTL load.

GENERAL

Power: 3000 mA maximum at 5 Vdc (nominally 1500 mA), supplied by the minicomputer.

Dimensions: see outline drawing.

Operating Environment: temperature, +5°C to +40°C; humidity to 95% relative humidity at 40°C; altitude 4600 m (15 000 ft); vibration, vibrated in three planes for 15 min each with 0.3 mm (0.015 in) excursions, 10 to 55 Hz.

Operating Note Part No. 10278-90902
Microfiche Part No. 10278-90802

11. HARDWARE DEVELOPMENT. During the design of new devices, interactions on the bus can be viewed in real time. This permits checking handshake protocol and tracing program execution while recording the times to perform various functions.

12. INSTALLATION.

13. Install the 10278B Interface in the HP 1000 Series Computer as follows:

- a. Turn power off to the HP 1000 system.
- b. Connect the shortest of the three ribbon cables supplied to J2 on the 10278-66504 A1 board, making sure to align pin 1 of the board connector and pin 1 of the ribbon cable connector (indicated by a triangle molded into each connector).
- c. Remove the memory protect card from the HP 1000 mainframe and install the A1 board in its place.
- d. Plug the memory protect card into the female socket (labeled J1) of the A1 board.
- e. Remove the flat ribbon cable bus from the front left side of the memory card stack.
- f. If the memory controller board is not in the bottom slot of the HP 1000 card cage, move it to that location.
- g. The slot directly above the memory controller board in the card cage is used for the 10278-66505 A2 board. If this slot has a memory card installed, remove the card and re-install it in the next available slot up.
- h. Connect the two longer cables supplied (labeled "A" and "B") to JA and JB on the A2 board, making sure to align pin 1 of the board connector and pin 1 of the ribbon cable connector on both cable sets. Verify that cable "A" is connected to JA and cable "B" is connected to JB.
- i. Connect the cable from the A1 board into J2 of the A2 board, making sure that pin 1 of the board connector and pin 1 of the ribbon cable connector are aligned.
- j. Install the A2 board in the slot directly above the memory controller.
- k. Re-install the flat ribbon cable bus on the front left edge of the memory card stack, making sure it seats properly and that all cards are engaged.
- l. Connect the cables marked "A" and "B" to their respective locations on the 10277-66509 board. See table 2 to select the desired group of signals to be sent to the analyzer.

14. PRINCIPLES OF OPERATION.

15. BLOCK DIAGRAM DESCRIPTION.

16. The 10278B is an HP Logic Analyzer Interface for HP 1000 M/E/F Computers. The 10278B provides signal buffering, clock qualification, data storage and convenient signal access.

17. The circuitry of the 10278B is divided between two printed circuit boards. The A1 board buffers the input/output select code and control lines. These signals are then sent to the A2 board where the majority of the circuitry is located. (See figure 1).

18. Memory, DMA, and other control lines are first buffered and then combined with the input/output control lines from the A1 board and clock qualify switches. Signals generated in the control section determine when the address and data latches capture information and when to clock that information into the analyzer.

19. The logical address bus (MB0-MB150) is monitored by the logical address latch and under direction of the control section captures valid address at the appropriate time. This information is multiplexed with the input/output code from the A1 board to give memory address or input/output address during memory or I/O transactions respectively.

20. The physical memory address after the memory expansion module (physical address (A0-A19)) is captured by the physical address latch. Similarly, the data bus (SB0-SB15) is latched by the data bus latch. All of this information, address, data, and status, is then made available to the analyzer and a clock signal is provided to enter the information into the analyzer.

21. DETAILED CIRCUIT DESCRIPTION.

22. There are two boards in the 10278B. The A1 board buffers signals necessary to monitor input/output transactions and supplies them to the A2 board. It also acts as an extender board and passes all bus signals through to the memory protect board. (See figure 4).

23. The A2 board receives all other necessary signals through its backplane connector (P1) and contains the majority of the 10278B circuitry. (See figure 6).

24. Inverting buffer U2 on the A1 board buffers the IOI and IOO (input and output transfer signals) and sends these signals to the A2 board through the J1 connector. Non-inverting buffer U4 buffers the I/O select code (SCB0-SCB5) and also sends it to the A2 board. U1 and U3 are resistor termination networks to reduce interference noise on these lines.

Table 2. Signal Connection Using Option 003 Interface Card

TO 1610B			FROM 10278B VIA 10277B OPTION 003 INTERFACE CARD													
POD-PIN	SIG A1J4	PIN	J1A	PIN	J1B	PIN	J2A	PIN	J2B	PIN	J3A	PIN	J3B	PIN		
CLK-0	CLK J	17	MEM CLOCK	5	COMBINED CLOCK	-	MEM CLOCK	5	COMBINED CLOCK	-	MEM CLOCK	5	COMBINED CLOCK	-		
CLK-1	CLK K	19				5				5						5
CLK-2	CLK L	21	I/O CLOCK	3				I/O CLOCK		3				I/O CLOCK	3	
CLK-3	-	-														
CLK-4	QUAL-0	25	DMA	1				PHYSICAL A16		40						
CLK-5	QUAL-1	27	OPCODE	14				PHYSICAL A17		39						
CLK-6	QUAL-2	29	MEM I/O	16				PHYSICAL A18		38						
CLK-7	QUAL-3	31						PHYSICAL A19		36						
CLK-8	-	-														
CLK-9	-	-														
CLK-10	GND	†		†		†	GND	†		†	GND	†	GND	†		
POD1-0	DATA 0	48		-	LOGICAL A0	40		LOGICAL A0	40				LOGICAL A0	40		
POD1-1	DATA 1	46		-	LOGICAL A1	39		LOGICAL A1	39				LOGICAL A1	39		
POD1-2	DATA 2	44		-	LOGICAL A2	38		LOGICAL A2	38				LOGICAL A2	38		
POD1-3	DATA 3	42		-	LOGICAL A3	36		LOGICAL A3	36				LOGICAL A3	36		
POD1-4	DATA 4	34		-	LOGICAL A4	34		LOGICAL A4	34				LOGICAL A4	34		
POD1-5	DATA 5	38		-	LOGICAL A5	32		LOGICAL A5	32				LOGICAL A5	32		
POD1-6	DATA 6	36		-	LOGICAL A6	30		LOGICAL A6	30				LOGICAL A6	30		
POD1-7	DATA 7	34		-	LOGICAL A7	28		LOGICAL A7	28				LOGICAL A7	28		
POD1-8	-	-														
POD1-9	-	-														
POD1-10	GND	†	GND	†	GND	†	GND	†	GND	†	GND	†	GND	†		
POD2-0	DATA 0	32		-	LOGICAL A8	26		LOGICAL A8	26				LOGICAL A8	26		
POD2-1	DATA 1	30		-	LOGICAL A9	24		LOGICAL A9	24				LOGICAL A9	24		
POD2-2	DATA 2	28		-	LOGICAL A10	22	PHYSICAL A10	17			PHYSICAL A10	17				
POD2-3	DATA 3	26		-	LOGICAL A11	20	PHYSICAL A11	15			PHYSICAL A11	15				
POD2-4	DATA 4	24		-	LOGICAL A12	18	PHYSICAL A12	13			PHYSICAL A12	13				
POD2-5	DATA 5	22		-	LOGICAL A13	16	PHYSICAL A13	11			PHYSICAL A13	11				
POD2-6	DATA 6	20		-	LOGICAL A14	14	PHYSICAL A14	9			PHYSICAL A14	9				
POD2-7	DATA 7	18		-	*LOGICAL OR R/W A15	12	PHYSICAL A15	7			PHYSICAL A15	7				
POD2-8	-	-														
POD2-9	-	-														
POD2-10	GND	†	GND	†	GND	†	GND	†	GND	†	GND	†	GND	†		
POD3-0	DATA 0	16		-	D0	37		D0	37		PHYSICAL A16	40				
POD3-1	DATA 1	14		-	D1	35		D1	35		PHYSICAL A17	39				
POD3-2	DATA 2	12		-	D2	33		D2	33		PHYSICAL A18	38				
POD3-3	DATA 3	10		-	D3	31		D3	31		PHYSICAL A19	36				
POD3-4	DATA 4	8		-	D4	29		D4	29							
POD3-5	DATA 5	6		-	D5	27		D5	27							
POD3-6	DATA 6	4		-	D6	25		D6	25							
POD3-7	DATA 7	2		-	D7	23		D7	23							
POD3-8	-	-														
POD3-9	-	-														
POD3-10	GND	†	GND	†	GND	†	GND	†	GND	†	GND	†	GND	†		
POD4-0	DATA 0	1		-	D8	21		D8	21							
POD4-1	DATA 1	3		-	D9	19		D9	19							
POD4-2	DATA 2	5		-	D10	17		D10	17							
POD4-3	DATA 3	7		-	D11	15		D11	15							
POD4-4	DATA 4	9		-	D12	13		D12	13							
POD4-5	DATA 5	11		-	D13	11		D13	11		DMA	1				
POD4-6	DATA 6	13		-	D14	9		D14	9		OPCODE	14				
POD4-7	DATA 7	15		-	D15	7		D5	7		MEM I/O	16				
POD4-8	-	-											R/W	12		
POD4-9	-	-														
POD4-10	GND	†	GND	†	GND	†	GND	†	GND	†	GND	†	GND	†		
BNC SIG A1JC	TRIG OR MEAS ENABLE	-		-	TRIG OR MEAS ENABLE	-		-	TRIG OR MEAS ENABLE	-		-	TRIG OR MEAS ENABLE	3		

MEM/I/O = 1 MEANS MEMORY CYCLE
 SELECT NEGATIVE CLOCK EDGES
 *SELECTED BY S5
 † GND PINS ON A1J4 (35, 37, 39, 41, 43, 45, 47, 49, 50)
 NOTE: CR1, CR2, CR3 ARE CONNECTED TO CLOCKS J, K AND L WITH CATHODES TO GROUND

25. The control section of the 10278B is located on the A2 board. It receives signals which indicate whether the current transaction on the bus is read or write, input or output, CPU, or DMA and timing signals to control these transfers. Outputs from this control section determine when address, data and status signals are to be captured from the computer buses and when to transfer this information to the analyzer.

26. The logical address bus (MB0-MB15) is latched by U28 and U29 on the falling edge of either the $\overline{\text{READ}}$ or $\overline{\text{WRITE}}$ signal. This control line is generated by parts of U32 and U23.

27. The physical memory address (A0-A19) enters through the J1 connector and is latched by U2-U4. Parts of U9 and U22 generate a latch enable signal that will latch the address on the rising edge of the $\overline{\text{WRITE}}$ signal during a write operation. During a read operation address is latched on the falling edge of $\overline{\text{P5NF}}$ following a $\overline{\text{READ}}$ pulse.

28. The data bus (SB0-SB15) is latched by U30 and U31. Parts of U14 and U23 instruct the latches to capture data on the rising edge of every $\overline{\text{P4NF}}$ signal.

29. During an input or output cycle the select code is sent to the analyzer in place of the logical address. This multiplexing is performed by U16, U17, U24 and U25. A signal generated by U13-U15 indicates whether the

current cycle is I/O or memory and controls the multiplexers.

30. A signal to clock the analyzer is generated by U19-U21. This clocking occurs on the rising edge of $\overline{\text{TEN}}$ during a read operation or the rising edge of $\overline{\text{WRITE}}$ during a write operation. During input or output cycles the analyzer is clocked on the falling edge of IOI or IOO respectively. Switches S1-S4 allow the user to qualify the types of cycles to reach the analyzer. S1 selects between DMA and non-DMA cycles and S2 selects between memory and I/O cycles. The center switch position is a "don't care" and both types of cycles will be clocked into the analyzer. By sending the measurement enable signal from the 1610 back to the 10278B the type of cycle selected can be different before the analyzer triggers and after. When this is done S3 and S4 perform a similar selection for post-trigger. Furthermore, the actual gating is done by U6, U7, U11 and U12 to make qualification possible.

31. REPLACEABLE PARTS.

32. Replaceable parts are illustrated in figures 3 and 5 and listed in table 3. To order a replaceable part from Hewlett-Packard, address the order to the nearest HP Sales/Service Office. Include the interface model number, reference designation of the part and the HP part number. If a part is not listed, provide a complete description of the part, including function and location.

Table 3. Replaceable Parts

Reference Designation	HP Part Number	C D	Qty	Description	Mfr Code	Mfr Part Number
A1	10278-66504	1	8	HP 1000 BUFFER EXTENDER BOARD	28480	10278-66504
A1C1-4	0160-2055	4	9	CAPACITOR-FXD .01 μ F +80-20% 100VDC CER	28480	0160-2055
A1C5	0180-0229	1	7	CAPACITOR-FXD 33 μ F \pm 10% 10VDC TA	56289	150D336X9010B2
A1F1	2110-0568	1	2	FUSE 4 AMP 125V .281x.093	75915	276004
A1J1	1251-6018	1	6	CONNECTOR-PC EDGE 86-PIN	28480	1251-6018
A1J2	1251-7138	1	3	CONNECTOR 40-PIN	28480	1251-7138
A1U1	1810-0182	1	9	NETWORK RESISTOR 14-DIP MULTI-VALVE	28480	1810-0182
A1U2	1820-1633	1	8	IC-BFR TTL S INV OCTL 1-INP	01295	74S240N
A1U3	1810-0183	1	0	NETWORK-RESISTOR 9-SIP 6.0K OHMx7	28480	1810-0183
A1U4	1820-1624	1	7	IC BFR TTL S OCTL 1-INP	01295	74S241N
A2	10278-66505	1	9	HP 1000 INTERFACE BOARD	28480	10278-66505
A2C1-3	0160-2055	28	9	CAPACITOR-FXD .01 μ F +80-20% 100VDC CER	28480	0160-2055
A2C5-8	0160-2055	~	9	CAPACITOR-FXD .01 μ F +80-20% 100VDC CER	28480	0160-2055
A2C10-17	0160-2055	9	9	CAPACITOR-FXD .01 μ F +80-20% 100VDC CER	28480	0160-2055
A2C18-20	0160-4789	3	0	CAPACITOR-FXD 15PF \pm 5% 100VDC CER 0 +30	28480	0160-4789
A2C21-27	0160-2055	9	9	CAPACITOR-FXD .01 μ F +80-20% 100VDC CER	28480	0160-2055
A2C28	0180-0229	1	7	CAPACITOR-FXD 33 μ F \pm 10% 10VDC TA	56289	150D336X9010B2
A2C29-34	0160-2055	9	9	CAPACITOR-FXD .01 μ F +80-20% 100VDC CER	28480	0160-2055
A2F1	2110-0568	2	1	FUSE 4 AMP 125V .281x.093	75915	276004
A2JA	1251-7138	3	3	CONNECTOR 40-PIN	28480	1251-7138
A2JB	1251-7138	3	3	CONNECTOR 40-PIN	28480	1251-7138
A2J2	1251-7138	3	3	CONNECTOR 40-PIN	28480	1251-7138
A2R1	0683-2225	1	3	RESISTOR 2.2K 5% .25W FC TC--400/+700	01121	CB2225
A2R2	0684-4711	1	8	RESISTOR 470 10% .25W FC TC--400/+600	01121	CB4711
A2U1	1810-0280	1	8	NETWORK-RES 10-SIP 10.0K OHMx9	01121	210A103
A2U2	1820-1676	5	9	IC LCH TTL S D-TYPE OCTL	01295	74S373N
A2U3	1820-1676	9	9	IC LCH TTL S D-TYPE OCTL	01295	74S373N
A2U4	1820-1676	9	9	IC LCH TTL S D-TYPE OCTL	01295	74S373N
A2U5				NOT USED		
A2U6	1820-0689	2	4	IC-GATE TTL S AND DUAL 4-INP	01295	74S22
A2U7	1820-0689	2	4	IC-GATE TTL S AND DUAL 4-INP	01295	74S22
A2U8	1820-0694	9	1	IC-GATE TTL S X-OR QUAD 2-INP	01295	74S86
A2U9	1820-0693	8	3	IC-FF TTL S D-TYPE POS EDGE TRIG	01295	74S74
A2U10				NOT USED		
A2U11	1820-0689	2		IC-GATE TTL S AND DUAL 4-INP	01295	74S22
A2U12	1820-0689	2		IC-GATE TTL S AND DUAL 4-INP	01295	74S22
A2U13	1820-0693	8		IC-FF TTL S D-TYPE POS EDGE TRIG	01295	74S74
A2U14	1820-1367	5	1	IC-GATE TTL S AND QUAD 2-INP	01295	74S08
A2U15	1820-0681	4	2	IC-GATE TTL S NAND QUAD 2-INP	01295	74S00
A2U16	1820-1077	4	4	IC MUXR/DATA-SEL TTL S 2-TO-1-LINE QUAD	01295	74S157N
A2U17	1820-1077	4	4	IC MUXR/DATA-SEL TTL S 2-TO-1-LINE QUAD	01295	74S157N
A2U18	1810-0182	9	1	NETWORK-RESISTOR 14-PIN-DIP 1-PIN-SPCG	01295	314E221331
A2U19	1820-1322	2	1	IC-GATE TTL S NOR QUAD 2-INP	01295	74S02
A2U20	1820-0693	8		IC-FF TTL S D-TYPE POS EDGE TRIG	01295	74S74
A2U21	1820-0683	6	1	IC-INV TTL S HEX 1-INP	01295	74S04
A2U22	1820-0681	4		IC-GATE TTL S NAND QUAD 2-INP	01295	74S00
A2U23	1820-1449	4	1	IC-GATE TTL POS-OR QUAD 2-INP	01295	74S32
A2U24	1820-1077	4		IC MUXR/DATA-SEL TTL S 2-TO-1-LINE QUAD	01295	74S157N
A2U25	1820-1077	4		IC MUXR/DATA-SEL TTL S 2-TO-1-LINE QUAD	01295	74S157N
A2U26	1810-0277	3	1	RESISTOR PACK 10-PIN-SIP 1-PIN-SPCG	01121	210A222
A2U27	1820-1633	8	1	IC-BFR TTL S INV OCTL 1-INP	01295	74S240
A2U28	1820-1677	0	2	IC-FF OCTAL D-TYPE TTL 3-STATE OUTPUT	01295	74S374
A2U29	1820-1677	0		IC-FF OCTAL D-TYPE TTL 3-STATE OUTPUT	01295	74S374
A2U30	1820-1676	9		IC LCH TTL S D-TYPE OCTL	01295	74S373N
A2U31	1820-1676	9		IC LCH TTL S D-TYPE OCTL	01295	74S373N
A2U32	1820-1440	5	1	IC-GATE TTL QUAD S-R LATCHES	01295	74LS279

10278B BLOCK DIAGRAM

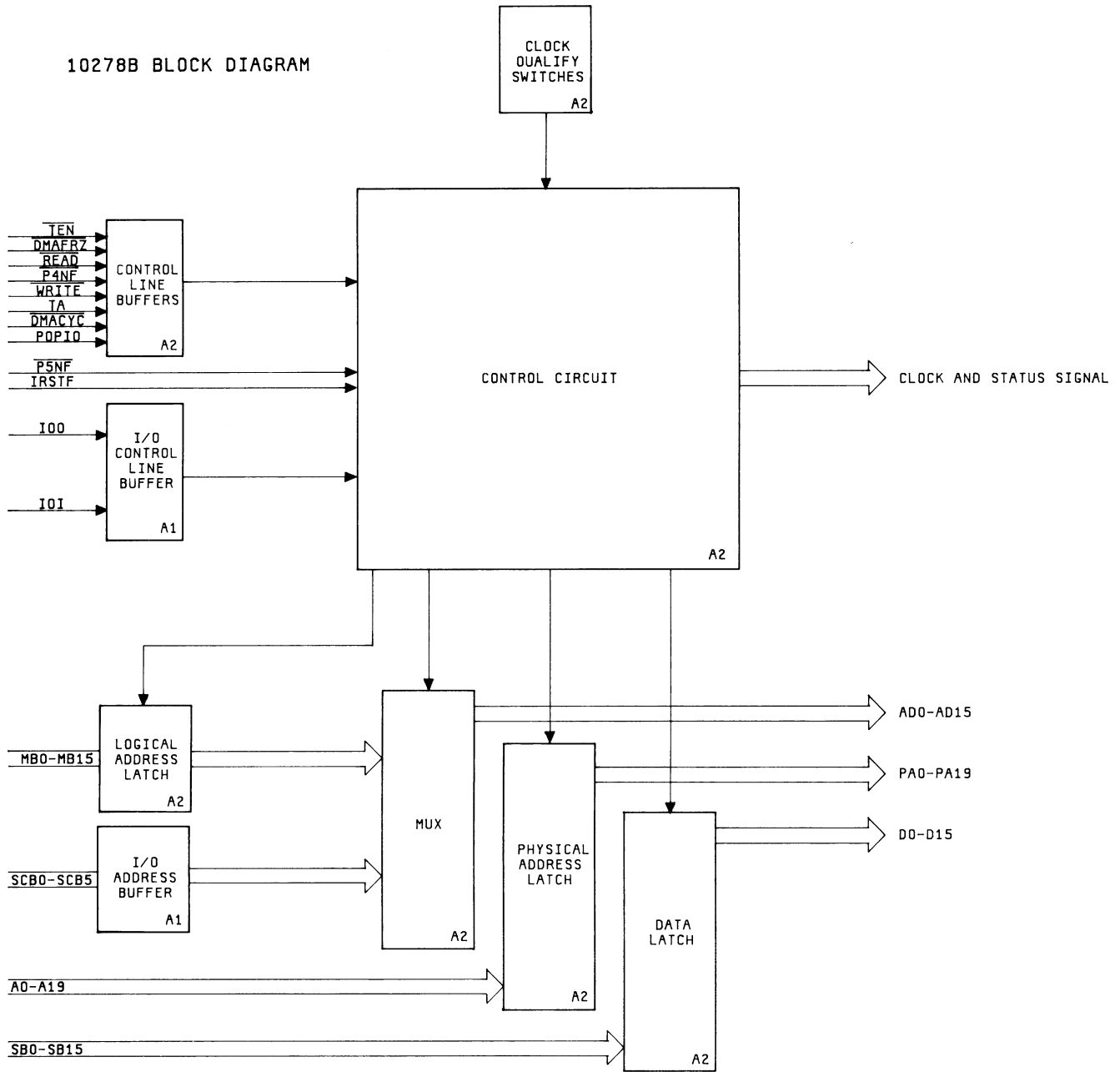


Figure 1. Model 10278B Block Diagram

Table 4. Signal Mnemonics

Mnemonic	Description
A0-19	ADDRESS 0-19.
AD0-15	ADDRESS 0-15.
BDMACYC	BUFFERED DIRECT MEMORY ACCESS CYCLE.
BDMAFRZ	BUFFERED DIRECT MEMORY ACCESS FREEZE.
BP4NF	BUFFERED PHASE 4 CLOCK NON-FREEZE.
$\overline{\text{BPOPIO}}$	BUFFERED POWER ON PRESET I/O (low true).
BREAD	BUFFERED READ.
BSCB0-5	BUFFERED SELECT CODE BUS 0-5.
$\overline{\text{BTA}}$	BUFFERED TIME A (low true) Indicates the current time period.
BTEN	BUFFERED T-REGISTER ENABLE (high true).
BWRITE	BUFFERED WRITE (high true).
CLK	CLOCK.
D0-15	DATA 0 - 15.
$\overline{\text{DMACYC}}$	DIRECT MEMORY ACCESS CYCLE (low true) parallels the actual data transfer and primarily freezes the control processor during T2, 3, 4 and 5, insuring no interfering activities. Disables CPU from driving SCB.
$\overline{\text{DMAFRZ}}$	DIRECT MEMORY ACCESS FREEZE (low true). From the DMA Board. Indicates that DMA is using the S-BUS and the CPU is frozen. Prevents error-checking the S-BUS until the CPU has control of it again.
$\overline{\text{DMAOP}}$	DIRECT MEMORY ACCESS OPERATION (low true).
DMA ONLY	DIRECT MEMORY ACCESS ONLY.
I/O	INPUT/OUTPUT.
$\overline{\text{IRSTF}}$	INSTRUCTION REGISTER STORE (low true) From CPU. Indicates that data is being loaded into the Instruction Register on the CPU, and is currently present on the S-BUS. Used to setup error-detection logic for the current instruction. Lasts one T-period, broken up by freeze time.
IOO+IOI	I/O OUTPUT OR I/O INPUT.
MB0-15	M-BUS 0-15, HP 1000 16-bit address bus.
MEAS ENBL	MEASURE ENABLE (high true); Logic analyzer signal signifying to the system under test that the analyzer is ready to make a measurement.
MEM	MEMORY.
NO DMA	NO DIRECT MEMORY ACCESS.
OUT	OUTPUT.

Table 4. Signal Mnemonics (Cont'd)

Mnemonic	Description
OP CODE	OPERATION CODE.
$\overline{P4NF}$	PHASE 4 CLOCK NON-FREEZABLE (low true) HP 1000 clock period.
\overline{POPIO}	POWER ON PRESET I/O (low true).
\overline{READ}	READ (low true) Memory begins a read operation on the falling edge of this signal.
R/\overline{W}	READ/WRITE Selects either read or write mode (read when high and write when low).
SB0-15	S BUS 0-15, HP 1000 16-bit data bus.
TA	TIME A (high true) Indicates the current time period of the HP 1000.
\overline{TEN}	T-REGISTER ENABLE (low true). Gates the read memory data onto the S-bus after the \overline{READ} signal has become inactive in a read cycle.
\overline{WRITE}	WRITE (low true) Indicates a write cycle.
\overline{WRT}	WRITE (low true) Memory begins a write cycle on the falling edge of this signal.

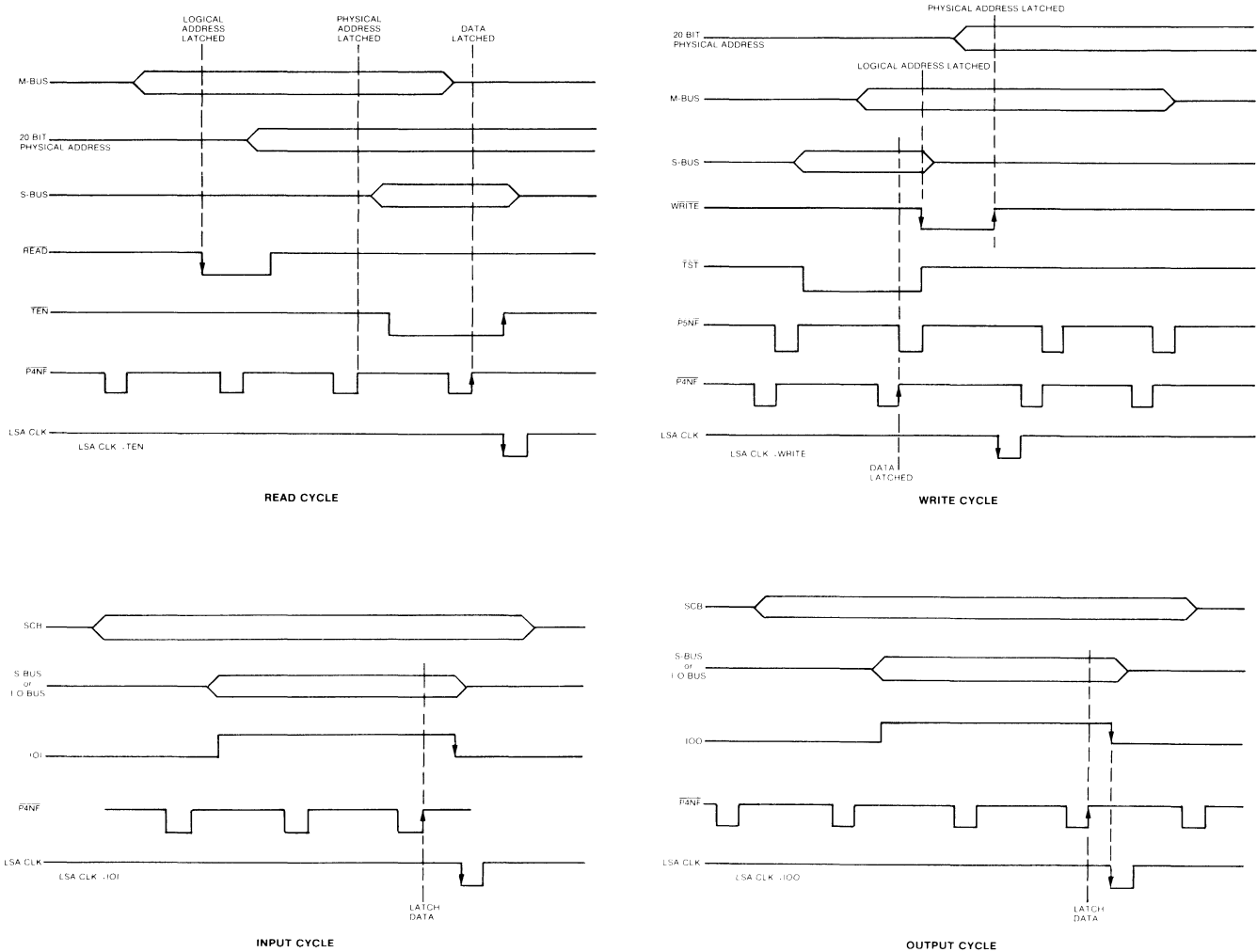


Figure 2. Timing Diagrams

Table 5. A1 Control Signal Connections

Pin	J1	J2	P1
1	GND	_____	GND
2	GND	_____	GND
3	SB15	_____	SB15
4	MB15	_____	MB15
5	MBCND	_____	MPCND
6	RME	_____	RME
7	SB14	_____	SB14
8	MB14	_____	MB14
9	READ	_____	READ
10	DMAFRZ	_____	DMAFRZ
11	SB13	_____	SB13
12	MB13	_____	MB13
13	CTL5	_____	CTL5
14	MPV	_____	MPV
15	SB12	_____	SB12
16	MB12	_____	MB12
17	HLTPE	_____	HLTPE
18	MPINTON	_____	MPINTON
19	SB11	_____	SB11
20	MB11	_____	MB11
21	P4NF	_____	P4NF
22	SCB0	_____	SCB0
23	SB10	BSCB1	SB10
24	MB10	_____	MB10
25	IRSTF	BSCB5	IRSTF
26	SCB1	_____	SCB1
27	SB9	BSCB0	SB9
28	MB9	_____	MB9
29	FLGS	BIOO	FLGS
30	SCB2	_____	SCB2
31	SB8	BSCB4	SB8
32	MB8	_____	MB8
33	SCB3	BSCB2	SCB3
34	SCB4	_____	SCB4
35	SB7	BIOI	SB7
36	_____	_____	_____
37	MB7	_____	MB7
38	SB6	_____	SB6
39	+5V	_____	+5V
40	+5V	_____	+5V
41	ENF	_____	ENF
42	MB6	_____	MB6
43	+12M	_____	+12M
44	+12M	_____	+12M
45	SB5	_____	SB5
46	MB5	_____	MB5
47	-2V	_____	-2V
48	-2V	_____	-2V
49	SB4	_____	SB4
50	MB4	_____	MB4
51	SCB5	_____	SCB5
52	MB3	_____	MB3
53	SB3	_____	SB3
54	MB2	_____	MB2
55	SIR	_____	SIR
56	MPCK	_____	MPCK
57	FTCH	_____	FTCH

Table 5. A1 Control Signal Connections (Cont'd)

Pin	J1	J2	P1
58	SB2	_____	SB2
59	PE	_____	PE
60	RSPE	_____	RSPE
61	MB1	_____	MB1
62	SFS	_____	SFS
63	IOI	_____	IOI
64	SB1	_____	SB1
65	STC	_____	STC
66	IOGSP	_____	IOGSP
67	IOO	_____	IOO
68	IOG	_____	IOG
69	-12M	_____	-12M
70	-12M	_____	-12M
71	SB0	_____	SB0
72	MB0	_____	MB0
73	MEV	_____	MEV
74	POPIO	_____	POPIO
75	SKF	_____	SKF
76	INCI	_____	INCI
77	IAK	_____	IAK
78	STF	_____	STF
79	IENS	_____	IENS
80	CLF	_____	CLF
81	PRL4/PRHS	_____	PRL4/PRHS
82	SFC	_____	SFC
83	IRQ5	_____	IRQ5
84	P5NF	_____	P5NF
85	GND	_____	GND
86	GND	_____	GND

_____ indicates no connection

Table 6. Labels of Selectable Settings

Switch	Name	Function
E1	MEASURE ENABLE	If the MEASURE ENABLE signal from the logic analyzer is to be used, jumper E1 should be in place for active low or not used for an active high signal.
S1	NO DMA DMA ONLY	Pre-trigger selection of DIRECT MEMORY ACCESS ONLY or NO DIRECT MEMORY ACCESS.
S2	I/O MEM	Pre-trigger selection of I/O or MEMORY.
S3	NO DMA DMA ONLY	Post-trigger selection of DIRECT MEMORY ACCESS ONLY or NO DIRECT MEMORY ACCESS.
S4	I/O MEM	Post-trigger selection of I/O or MEMORY.
S5	A15 R/W	Selection of Address 15 or Read/Write.

10278B COMPONENT LOCATOR (1)

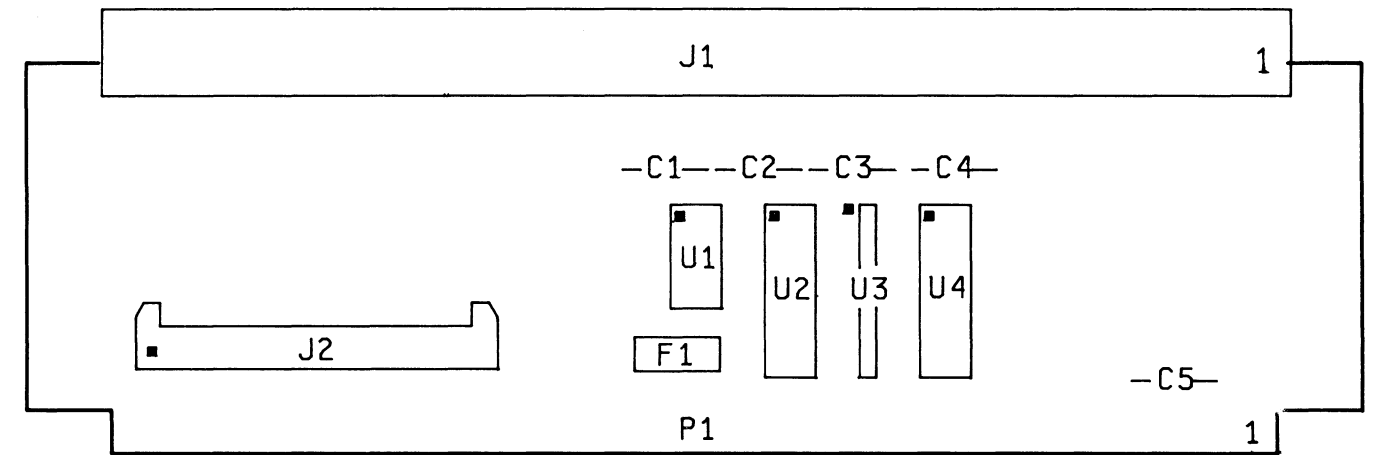


Figure 3. A1 Component Locator

7/27/81

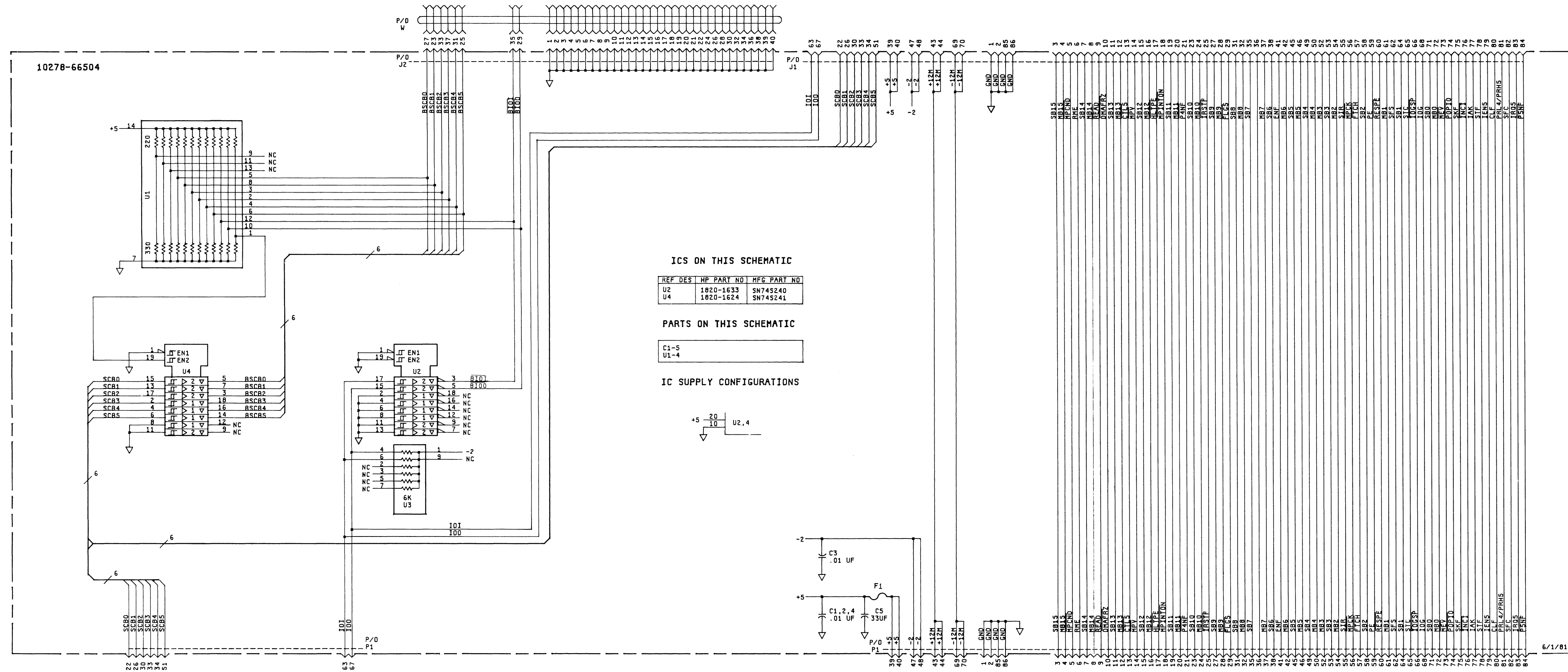


Figure 4.
A1 Schematic
Page 11

Table 7. A2 Control Signal Connections

Pin	J1	J2	P1	CONN A	CONN B
1	A10	---	---	BDMAOP	---
2	---	---	---	---	---
3	A11	---	SB15	I/O CLK	MEAS ENBL
4	A0	---	MB15	---	---
5	A12	---	WRITE	MEM CLK	CLK
6	A1	---	---	---	---
7	A13	---	SB14	PA15	D15
8	A2	---	MB14	---	---
9	A14	---	READ	PA14	D14
10	A3	---	DMAFRZ	---	---
11	---	---	SB13	PA13	D13
12	A4	---	MB13	WRT	AD15
13	A15	---	---	PA12	D12
14	A5	---	---	IRSTF	AD14
15	A16	---	SB12	PA11	D11
16	A6	---	MB12	MEM/I/O	AD13
17	A17	---	---	PA10	D10
18	A7	---	---	---	AD12
19	A18	---	SB11	PA9	D9
20	A8	---	MB11	---	AD11
21	A19	---	---	PA8	D8
22	A9	---	---	---	AD10
23	---	BSCB1	SB10	PA7	D7
24	---	---	MB10	---	AD9
25	---	BSCB5	---	PA6	D6
26	---	---	---	---	AD8
27	---	BSCB0	SB9	PA5	D5
28	---	---	MB9	---	AD7
29	---	---	---	PA4	D4
30	---	---	---	---	AD6
31	---	BSCB4	SB8	PA3	D3
32	---	---	MB8	---	AD5
33	---	BSCB2	IRSTF	PA2	D2
34	---	---	---	---	AD4
35	---	BIOI	SB7	PA1	D1
36	---	---	---	PA19	AD3
37	---	BSCB3	MB7	PA0	D0
38	---	---	SB6	PA18	AD2
39	---	---	---	PA17	AD1
40	---	---	---	PA16	AD0
41	---	---	---	---	---
42	---	---	MB6	---	---
43	---	---	---	---	---
44	---	---	---	---	---
45	---	---	SB5	---	---
46	---	---	MB5	---	---
47	---	---	---	---	---
48	---	---	---	---	---
49	---	---	SB4	---	---
50	---	---	MB4	---	---
51	---	---	---	---	---
52	---	---	MB3	---	---
53	---	---	SB3	---	---
54	---	---	MB2	---	---
55	---	---	---	---	---
56	---	---	DMACYC	---	---
57	---	---	---	---	---

Table 7. A2 Control Signal Connections (Cont'd)

Pin	J1	J2	P1	CONN A	CONN B
58	---	---	SB2	---	---
59	---	---	---	---	---
60	---	---	TA	---	---
61	---	---	MB1	---	---
62	---	---	---	---	---
63	---	---	P4NF	---	---
64	---	---	SB1	---	---
65	---	---	---	---	---
66	---	---	---	---	---
67	---	---	---	---	---
68	---	---	---	---	---
69	---	---	---	---	---
70	---	---	---	---	---
71	---	---	SB0	---	---
72	---	---	MB0	---	---
73	---	---	---	---	---
74	---	---	POPIO	---	---
75	---	---	---	---	---
76	---	---	---	---	---
77	---	---	---	---	---
78	---	---	---	---	---
79	---	---	---	---	---
80	---	---	TEN	---	---

_____ indicates no connection

10278B COMPONENT LOCATOR (2)

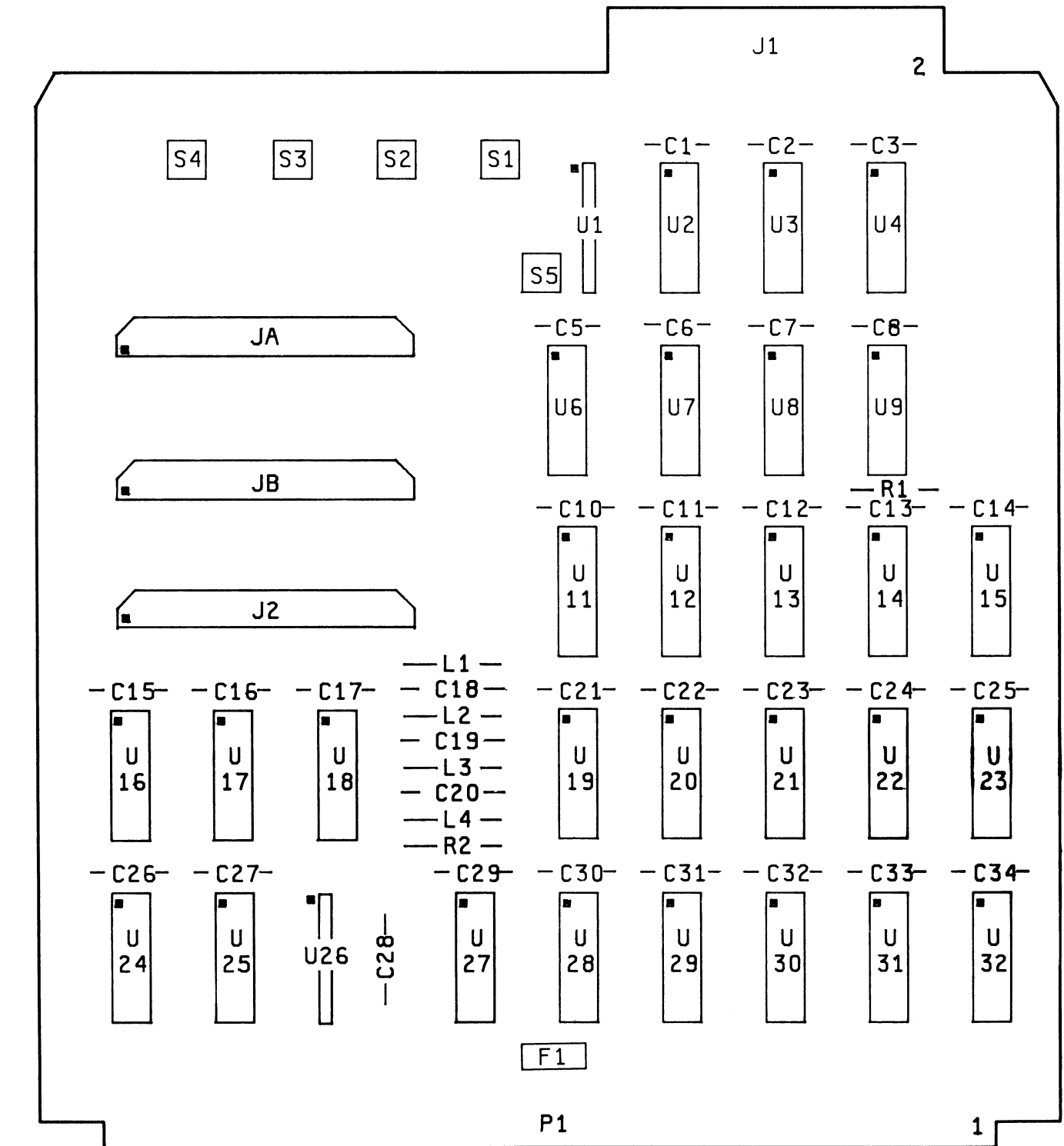
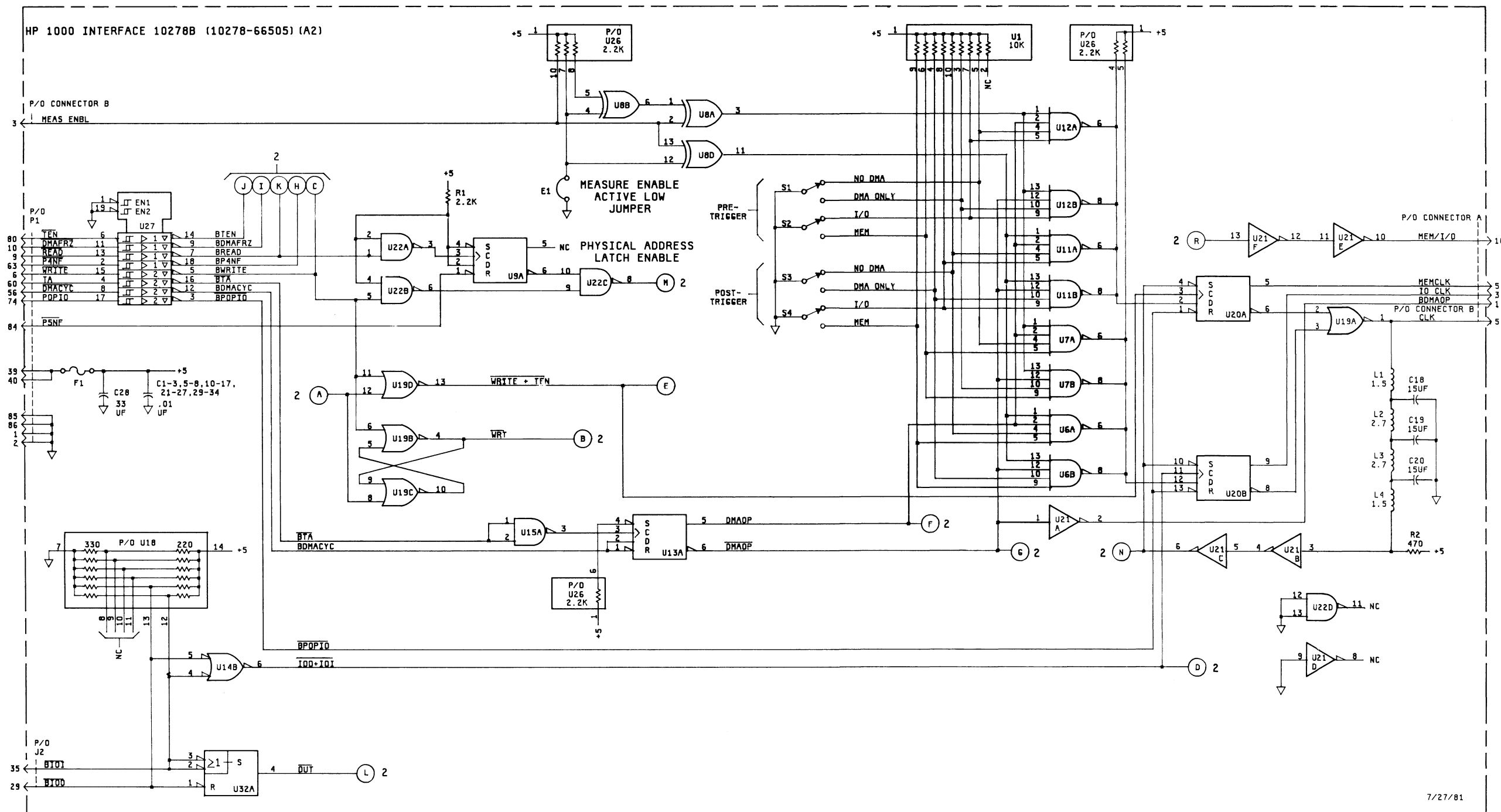


Figure 5. A2 Component Locator

7/27/81



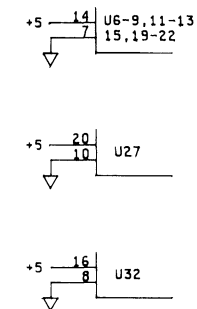
ICS ON THIS SCHEMATIC

REF. DES.	HP PART NO.	MFR. PART NO.
U1	1810-0280	S10A103
U6, 7, 11, 12	1820-0689	74S22
U8	1820-1211	74S86
U9, 13, 20	1820-0693	74S74
U15, 22	1820-0681	74S00
U18	1810-0182	1810-0182
U19	1820-1322	74S02
U21	1820-0683	74S04
U26	1810-0277	S10A222
U27	1820-1633	74S240
U32	1820-1440	74LS279

PARTS ON THIS SCHEMATIC

E1
U1, 6-9, 11-13, 15, 18-22, 26, 27, 32
R1, 2
L1-4
S1-4

IC POWER SUPPLY CONFIGURATIONS



7/27/81

1

Figure 6.
A2 Schematic (1)
Page 13/(14 blank)

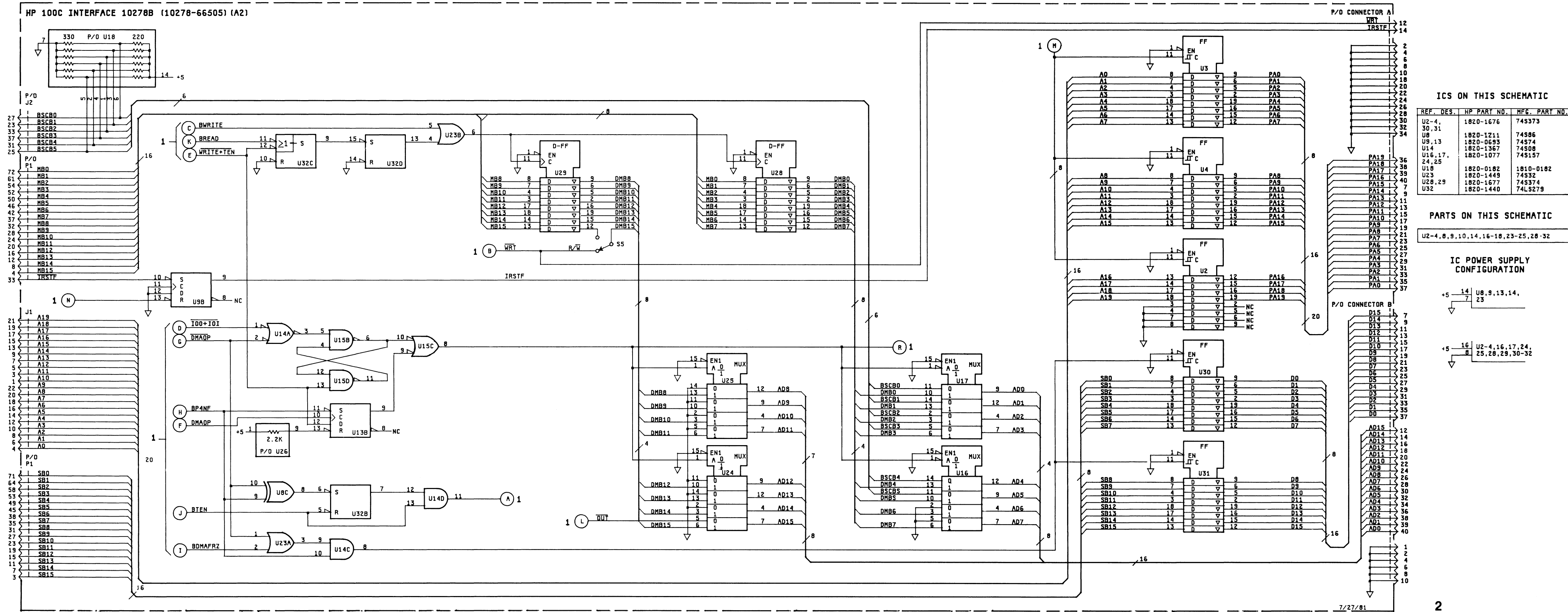


Figure 7.
A2 Schematic (2)
Page 15

SALES & SUPPORT OFFICES

Arranged alphabetically by country

2



PORTUGAL

Telectra-Empresa Técnica de Equipamentos Eléctricos S.a.r.l.
Rua Rodrigo da Fonseca 103
P.O. Box 2531
P-LISBON 1
Tel: (19) 68-60-72
Telex: 12598
A,C,E,P

Mundinter

Intercambio Mundial de Comércio S.a.r.l.
P.O. Box 2761
Avenida Antonio Augusto de Aguiar 138
P-LISBON
Tel: (19) 53-21-31, 53-21-37
Telex: 16691 munter p
M

PUERTO RICO

Hewlett-Packard Puerto Rico
P.O. Box 4407
CAROLINA, Puerto Rico 00630
Calle 272 Edificio 203
Urb. Country Club
RIO PIEDRAS, Puerto Rico 00924
Tel: (809) 762-7255
Telex: 345 0514
A,CP

QATAR

Nasser Trading & Contracting
P.O. Box 1563
DOHA
Tel: 22170
Telex: 4439 NASSER
M

Scitecharabia

P.O. Box 2750
!DOHA
Tel: 329515
Telex: 4806 CMPARB
P

ROMANIA

Hewlett-Packard Reprezentanta
Boulevard Nicolae Balcescu 16
BUCURESTI
Tel: 130725
Telex: 10440

SAUDI ARABIA

Modern Electronic Establishment
P.O. Box 193
AL-KHOBAR
Tel: 44-678, 44-813
Telex: 670136
Cable: ELECTA AL-KHOBAR
C,E,M,P

Modern Electronic Establishment
P.O. Box 1228, Baghdadiah Street
JEDDAH
Tel: 27-798
Telex: 401035
Cable: ELECTA JEDDAH
C,E,M,P

Modern Electronic Establishment
P.O. Box 2728
RIYADH
Tel: 62-596, 66-232
Telex: 202049
C,E,M,P

SCOTLAND

Hewlett-Packard Ltd.
Royal Bank Buildings
Swan Street
BRECHIN, Angus, Scotland
Tel: 3101, 3102
CM,CS

Hewlett-Packard Ltd.
SOUTH QUEENSFERRY
West Lothian, EH30 9TG
GB-Scotland
Tel: (031) 3311000
Telex: 72682
A,CM,E,M

SINGAPORE

Hewlett-Packard Singapore (Pty.) Ltd.
P.O. Box 58 Alexandra Post Office
SINGAPORE, 9115
6th Floor, Inchcape House
450-452 Alexandra Road
SINGAPORE 0511
Tel: 631788
Telex: HPSGSO RS 34209
Cable: HEWPACK, Singapore
A,CP,E,MS,P

SOUTH AFRICA

Hewlett-Packard South Africa (Pty.) Ltd.
P.O. Box 120
Howard Place
Pine Park Center, Forest Drive,
Pinelands
CAPE PROVINCE 7450
Tel: 53-7955, 53-7956, 53-7957
Telex: 57-0006
A,CM,CS,E,MS,P

Hewlett-Packard South Africa (Pty.) Ltd.
P.O. Box 37066
Overport
DURBAN 4067
Tel: 28-4178, 28-4179, 28-4110
CM,CS

Hewlett-Packard South Africa (Pty.) Ltd.
P.O. Box 33345
Glenstantia 0010 TRANSVAAL
1st Floor East
Constania Park Ridge Shopping
Centre
Constania Park
PRETORIA Tel: 98-1126 or 98-1220
Telex: 32163
C,E

Hewlett-Packard South Africa (Pty.) Ltd.
Daphny Street
Private Bag Wendywood
SANDTON 2144
Tel: 802-5111, 802-5125
Telex: 89-84782
Cable: HEWPACK Johannesburg
A,CM,CP,E,MS,P

SPAIN

Hewlett-Packard Española S.A.
c/Entenza, 321
E-BARCELONA 29
Tel: (3) 322-24-51, 321-73-54
Telex: 52603 hpbee
A,CM,CP,E,MS,P
Hewlett-Packard Española S.A.
c/San Vicente S/N
Edificio Albia II,7 B
E-BILBAO 1
Tel: (944) 423-8306, 423-8206
A,CM,E,MS

Hewlett-Packard Española S.A.
Calle Jerez 3
E-MADRID 16
Tel: 458-2600
Telex: 23515 hp
A,CM,E,MP,P

Hewlett-Packard Española S.A.
Colonia Mirasierra
Edificio Juban
c/o Costa Brava 13, 2.
E-MADRID 34
Tel: 734-8061, 734-1162
CM,CP

Hewlett-Packard Española S.A.
Av Ramón y Cajal 1-9
Edificio Sevilla 1,
E-SEVILLA 5
Tel: 64-44-54, 64-44-58
Telex: 72933
A,CM,CS,MS,P

Hewlett-Packard Española S.A.
C/Ramon Gordillo, 1 (Entlo.3)
E-VALENCIA 10
Tel: 361-1354, 361-1358
CM,CS,P

SWEDEN

Hewlett-Packard Sverige AB
Enighetsvägen 3, Fack
P.O. Box 20502
S-16120 BROMMA
Tel: (08) 730-0550
Telex: (854) 10721 MESSAGES
Cable: MEASUREMENTS
STOCKHOLM
A,CM,CP,E,MS,P

Hewlett-Packard Sverige AB
Sunnanvagen 14K
S-22226 LUND
Tel: (46) 13-69-79
Telex: (854) 10721 (via BROMMA
office)
CM,CS

Hewlett-Packard Sverige AB
Vastra Vintergatan 9
S-70344 ÖREBRO
Tel: (19) 10-48-80
Telex: (854) 10721 (via BROMMA
office)
CM,CS

Hewlett-Packard Sverige AB
Frötälisgatan 30
S-42132 VÄSTRA-FRÖLUNDA
Tel: (031) 49-09-50
Telex: (854) 10721 (via BROMMA
office)
CM,CS,E,P

SWITZERLAND

Hewlett-Packard (Schweiz) AG
Clarastrasse 12
CH-4058 BASLE
Tel: (61) 33-59-20
A,CM
Hewlett-Packard (Schweiz) AG
47 Avenue Blanc
CH-1202 GENEVA
Tel: (022) 32-30-05, 32-48-00
CM,CP

Hewlett-Packard (Schweiz) AG
29 Chemin Château Bloc
CH-1219 LE LIGNON-Geneva
Tel: (022) 96-03-22
Telex: 27333 hpag ch
Cable: HEWPACKAG Geneva
A,CM,E,MS,P

Hewlett-Packard (Schweiz) AG
Zürcherstrasse 20
Allmend 2
CH-8967 WIDEN
Tel: (57) 50-111
Telex: 59933 hpag ch
Cable: HPAG CH
A,CM,CP,E,MS,P

SYRIA

General Electronic Inc.
Nuri Basha-Ahnat Ebn Kays Street
P.O. Box 5781
DAMASCUS
Tel: 33-24-87
Telex: 11215 ITIKAL
Cable: ELECTROBOR DAMASCUS
E

Sawah & Co.
Place Azmé
Boite Postale 2308
DAMASCUS
Tel: 16-367, 19-697, 14-268
Telex: 11304 SATACO SY
Cable: SAWAH, DAMASCUS
M

TAIWAN

Hewlett-Packard Far East Ltd.
Kaohsiung Branch
68-2, Chung Cheng 3rd Road
Shin Shin, Chu
KAOHSIUNG
Tel: 24-2318, 26-3253
CS,E,MS,P
Hewlett-Packard Far East Ltd.
Taiwan Branch
5th Floor
205 Tun Hwa North Road
TAIPEI
Tel: (02) 751-0404
Cable: HEWPACK Taipei
A,CP,E,MS,P

Hewlett-Packard Far East Ltd.
Taichung Branch
#33, Cheng Yih Street
10th Floor, Room 5
TAICHUNG
Tel: 289274
Ing Lih Trading Co.
3rd Floor 18, Po-la Road
TAIPEI
Tel:
Telex:
Cable: INGLIH TAIPEI
A

Hewlett-Packard Far East Ltd.
Taichung Branch
#33, Cheng Yih Street
10th Floor, Room 5
TAICHUNG
Tel: 289274
Ing Lih Trading Co.
3rd Floor 18, Po-la Road
TAIPEI
Tel:
Telex:
Cable: INGLIH TAIPEI
A

THAILAND

UNIMESA Co. Ltd.
Elcom Research Building
2538 Sukhumvit Ave.
Bangchak, BANGKOK
Tel: 393-2387, 393-0338
Telex: TH81160, 82938, 81038
Cable: UNIMESA Bangkok
A,C,E,M

Bangkok Business Equipment Ltd.
5/5-6 Dejo Road
BANGKOK
Tel: 234-8670, 234-8671,
234-8672
Cable: BUSIQUIPT Bangkok
P

TRINIDAD & TOBAGO

Caribbean Telecoms Ltd.
P.O. Box 732
50/A Jermingham Avenue
PORT-OF-SPAIN
Tel: 624-4213, 624-4214
A,CM,E,M,P

TUNISIA

Tunisie Electronique
31 Avenue de la Liberté
TUNIS
Tel: 280-144
E,P

Corema
1 ter. Av. de Carthage
TUNIS
Tel: 253-821
Telex: 12319 CABAM TN
M

TURKEY

Teknim Company Ltd.
Riza Sah Pehievi
Caddesi No. 7
Kavaklidere, ANKARA
Tel: 275800
Telex: 42155
E
EMA, Muhendislik Kolektif Sirketi
Mediha Eldem
Sokak 41/6
Yüksel Caddesi, ANKARA
Tel: 17-56-22
Cable: Ematrade
M

UNITED ARAB EMIRATES

Emitac Ltd.
P.O. Box 1641
SHARJAH
Tel: 354121, 354123
Telex: 68136
E,M,P,C

UNITED KINGDOM

see: GREAT BRITAIN
NORTHERN IRELAND
SCOTLAND

UNITED STATES

Alabama
Hewlett-Packard Co.
700 Century Park South
Suite 128
BIRMINGHAM, AL 35226
Tel: (205) 822-6802
CM,CS,MP
Hewlett-Packard Co.
P.O. Box 4207
8290 Whitesburg Drive, S.E.
HUNTSVILLE, AL 35802
Tel: (205) 881-4591
CM,CP,E,M*

Alaska
Hewlett-Packard Co.
1577 "C" Street, Suite 252
ANCHORAGE, AK 99510
Tel: (206) 454-3971
CM,CS**

Arizona
Hewlett-Packard Co.
2336 East Magnolia Street
PHOENIX, AZ 85034
Tel: (602) 273-8000
A,CM,CP,E,MS

Hewlett-Packard Co.
2424 East Aragon Road
TUCSON, AZ 85702
Tel: (602) 889-4631
CM,CS,E,MS**

Arkansas
Hewlett-Packard Co.
P.O. Box 5646
Brady Station
LITTLE ROCK, AR 72215
Tel: (501) 376-1844, (501)
664-8773
CM,MS



SALES & SUPPORT OFFICES

Arranged alphabetically by country

UNITED STATES (Cont.)

California

Hewlett-Packard Co.
7621 Canoga Avenue
CANOGA PARK, CA 91304
Tel: (213) 702-8300
A,CM,CP,E,P

Hewlett-Packard Co.
1579 W. Shaw Avenue
FRESNO, CA 93771
Tel: (209) 224-0582
CM,MS

Hewlett-Packard Co.
1430 East Orangethorpe
FULLERTON, CA 92631
Tel: (714) 870-1000
CM,CP,E,MP

Hewlett-Packard Co.
5400 W. Rosecrans Boulevard
LAWDALE, CA 90260
P.O. Box 92105
LOS ANGELES, CA 90009
Tel: (213) 970-7500
CM,CP,MP

Hewlett-Packard Co.
3939 Lankershim Blvd.
NORTH HOLLYWOOD, CA 91604
Tel: (213) 877-1282
Regional Headquarters

Hewlett-Packard Co.
3200 Hillview Avenue
PALO ALTO, CA 94304
Tel: (415) 857-8000
CM,CP,E

Hewlett-Packard Co.
646 W. North Market Boulevard
SACRAMENTO, CA 95834
Tel: (916) 929-7222
A*,CM,CP,E,MS

Hewlett-Packard Co.
9606 Aero Drive
P.O. Box 23333
SAN DIEGO, CA 92123
Tel: (714) 279-3200
CM,CP,E,MP

Hewlett-Packard Co.
3003 Scott Boulevard
SANTA CLARA, CA 95050
Tel: (408) 988-7000
A,CM,CP,E,MP

Hewlett-Packard Co.
454 Carlton Court
SO. SAN FRANCISCO, CA 94080
Tel: (415) 877-0772
CM,CP

Colorado

Hewlett-Packard Co.
24 Inverness Place, East
ENGLEWOOD, CO 80112
Tel: (303) 771-3455
A,CM,CP,E,MS

Connecticut

Hewlett-Packard Co.
47 Barnes Industrial Road South
P.O. Box 5007
WALLINGFORD, CT 06492
Tel: (203) 265-7801
A,CM,CP,E,MS

Florida

Hewlett-Packard Co.
P.O. Box 24210
2727 N.W. 62nd Street
FORT LAUDERDALE, FL 33309
Tel: (305) 973-2600
CM,CP,E,MP

Hewlett-Packard Co.
4080 Woodcock Drive, #132
Brownett Building
JACKSONVILLE, FL 32207
Tel: (904) 398-0663
CM,C*,E*,MS**

Hewlett-Packard Co.
P.O. Box 13910
6177 Lake Ellenor Drive
ORLANDO, FL 32809
Tel: (305) 859-2900
A,CM,CP,E,MS

Hewlett-Packard Co.
6425 N. Pensacola Blvd.
Suite 4, Building 1
PENSACOLA, FL 32575
Tel: (904) 476-8422
A,CM,MS

Hewlett-Packard Co.
110 South Hoover, Suite 120
Vanguard Bldg.
TAMPA, FL 33609
Tel: (813) 872-0900
A*,CM,CS,E*,M*

Georgia

Hewlett-Packard Co.
P.O. Box 105005
2000 South Park Place
ATLANTA, GA 30339
Tel: (404) 955-1500
Telex: 810-766-4890
A,CM,CP,E,MP

Hewlett-Packard Co.
Executive Park Suite 306
P.O. Box 816
AUGUSTA, GA 30907
Tel: (404) 736-0592
CM,MS

Hewlett-Packard Co.
P.O. Box 2103
1172 N. Davis Drive
WARNER ROBINS, GA 31098
Tel: (912) 922-0449
CM,E

Hawaii

Hewlett-Packard Co.
Kawaiahao Plaza, Suite 190
567 South King Street
HONOLULU, HI 96813
Tel: (808) 526-1555
A,CM,CS,E,MS

Idaho

Hewlett-Packard Co.
11311 Chinden Boulevard
BOISE, ID 83707
Tel: (208) 376-6000
CM,CS,M*

Illinois

Hewlett-Packard Co.
211 Prospect Road
BLOOMINGTON, IL 61701
Tel: (309) 663-0383
CM,CS,MS**

Hewlett-Packard Co.
1100 31st Street
DOWNERS GROVE, IL 60515
Tel: (312) 960-5760
CM,CP

Hewlett-Packard Co.
5201 Tollview Drive
ROLLING MEADOWS, IL 60008
Tel: (312) 255-9800
A,CM,CP,E,MP

Indiana

Hewlett-Packard Co.
P.O. Box 50807
7301 No. Shadeland Avenue
INDIANAPOLIS, IN 46250
Tel: (317) 842-1000
A,CM,CS,E,MS

Iowa

Hewlett-Packard Co.
2415 Heinz Road
IOWA CITY, IA 52240
Tel: (319) 351-1020
CM,CS,E*,MS

Kansas

Hewlett-Packard Co.
1644 S. Rock
WICHITA, KA 67207
Tel: (316) 265-5200
CM,CS

Kentucky

Hewlett-Packard Co.
10170 Linn Station Road
Suite 525
LOUISVILLE, KY 40223
Tel: (502) 426-0100
A,CM,CS,MS

Louisiana

Hewlett-Packard Co.
P.O. Box 1449
3229 Williams Boulevard
KENNER, LA 70062
Tel: (504) 443-6201
A,CM,CS,E,MS

Maryland

Hewlett-Packard Co.
7121 Standard Drive
HANOVER, MD 21076
Tel: (301) 796-7700
A,CM,CP,E,MS

Hewlett-Packard Co.
2 Choke Cherry Road
ROCKVILLE, MD 20850
Tel: (301) 948-6370
Telex: 710-828-9685
A,CM,CP,E,MP

Massachusetts

Hewlett-Packard Co.
32 Hartwell Avenue
LEXINGTON, MA 02173
Tel: (617) 861-8960
A,CM,CP,E,MP

Michigan

Hewlett-Packard Co.
23855 Research Drive
FARMINGTON HILLS, MI 48024
Tel: (313) 476-6400
A,CM,CP,E,MP

Hewlett-Packard Co.
4326 Cascade Road S.E.
GRAND RAPIDS, MI 49506
Tel: (616) 957-1970
CM,CS,MS

Minnesota

Hewlett-Packard Co.
2025 W. Larpenteur Ave.
ST. PAUL, MN 55113
Tel: (612) 644-1100
A,CM,CP,E,MP

Mississippi

Hewlett-Packard Co.
P.O. Box 5028
322 N. Mart Plaza
JACKSON, MS 39216
Tel: (601) 982-9363
CM,MS

Missouri

Hewlett-Packard Co.
11131 Colorado Avenue
KANSAS CITY, MO 64137
Tel: (816) 763-8000
Telex: 910-771-2087
A,CM,CS,E,MS

Hewlett-Packard Co.
1024 Executive Parkway
ST. LOUIS, MO 63141
Tel: (314) 878-0200
A,CM,CP,E,MP

Nebraska

Hewlett-Packard
7101 Mercy Road
Suite 101, IBX Building
OMAHA, NE 68106
Tel: (402) 392-0948
CM,MS

Nevada

Hewlett-Packard Co.
Suite D-130
5030 Paradise Blvd.
LAS VEGAS, NV 89119
Tel: (702) 736-6610
CM,MS**

New Jersey

Hewlett-Packard Co.
Crystal Brook Professional Building
Route 35
EATONTOWN, NJ 07724
Tel: (201) 542-1384
A*,CM,C*,E*,P*

Hewlett-Packard Co.
W120 Century Road
PARAMUS, NJ 07652
Tel: (201) 265-5000
A,CM,CP,E,MP

Hewlett-Packard Co.
60 New England Avenue West
PISCATAWAY, NJ 08854
Tel: (201) 981-1199
A,CM,CP,E

New Mexico

Hewlett-Packard Co.
P.O. Box 11634
11300 Lomas Blvd., N.E.
ALBUQUERQUE, NM 87123
Tel: (505) 292-1330
Telex: 910-989-1185
CM,CP,E,MS

New York

Hewlett-Packard Co.
5 Computer Drive South
ALBANY, NY 12205
Tel: (518) 458-1550
Telex: 710-444-4691
A,CM,CS,E,MS

Hewlett-Packard Co.
9600 Main Street
CLARENCE, NY 14031
Tel: (716) 759-8621
Telex: 710-523-1893

Hewlett-Packard Co.
200 Cross Keys Office
FAIRPORT, NY 14450
Tel: (716) 223-9950
Telex: 510-253-0092
CM,CP,E,MS

Hewlett-Packard Co.
P.O. Box 5028
No. 1 Pennsylvania Plaza
55th Floor
34th Street & 8th Avenue
NEW YORK, NY 10119
Tel: (212) 971-0800
CM,CP,E*,M*

Hewlett-Packard Co.
5858 East Molloy Road
SYRACUSE NY 13211
Tel: (315) 455-2486
A,CM,CS,E,MS

Hewlett-Packard Co.
3 Crossways Park West
WOODBURY, NY 11797
Tel: (516) 921-0300
Telex: 510-221-2183
A,CM,CP,E,MS

North Carolina

Hewlett-Packard Co.
P.O. Box 15579
2905 Guess Road (27705)
DURHAM, NC 27704
Tel: (919) 471-8466
C,M

Hewlett-Packard Co.
5605 Roanne Way
GREENSBORO, NC 27409
Tel: (919) 852-1800
A,CM,CP,E,MS

Ohio

Hewlett-Packard Co.
9920 Carver Road
CINCINNATI, OH 45242
Tel: (513) 891-9870
CM,CP,MS

Hewlett-Packard Co.
16500 Sprague Road
CLEVELAND, OH 44130
Tel: (216) 243-7300
Telex: 810-423-9430
A,CM,CP,E,MS

Hewlett-Packard Co.
962 Crupper Ave.
COLUMBUS, OH 43229
Tel: (614) 436-1041
CM,CP,E*

Hewlett-Packard Co.
330 Progress Rd.
DAYTON, OH 45449
Tel: (513) 859-8202
A,CM,CP,E*,MS

Oklahoma

Hewlett-Packard Co.
P.O. Box 366
1503 W. Gore Blvd., Suite #2
LAWTON, OK 73502
Tel: (405) 248-4248
C

Hewlett-Packard Co.
P.O. Box 32008
304 N. Meridian Avenue, Suite A
OKLAHOMA CITY, OK 73107
Tel: (405) 946-9499
A*,CM,CP,E*,MS

Hewlett-Packard Co.
Suite 121
9920 E. 42nd Street
TULSA, OK 74145
Tel: (918) 665-3300
A**,CM,CS,M*

Oregon

Hewlett-Packard Co.
1500 Valley River Drive, Suite 330
EUGENE, OR 97401
Tel: (503) 683-8075
C

Hewlett-Packard Co.
9255 S. W. Pioneer Court
WILSONVILLE, OR 97070
Tel: (503) 682-8000
A,CM,CP,E*,MS

Pennsylvania

Hewlett-Packard Co.
1021 8th Avenue
King of Prussia Industrial Park
KING OF PRUSSIA, PA 19406
Tel: (215) 265-7000
Telex: 510-660-2670
A,CM,CP,E,MP

Hewlett-Packard Co.
111 Zeta Drive
PITTSBURGH, PA 15238
Tel: (412) 782-0400
A,CM,CP,E,MP

South Carolina

Hewlett-Packard Co.
P.O. Box 6442
6941-0 N. Trenholm Road
COLUMBIA, SC 29260
Tel: (803) 782-6493
CM,CS,E,MS

SALES & SUPPORT OFFICES

Arranged alphabetically by country

4



UNITED STATES (Cont.)

South Carolina (Cont.)

Hewlett-Packard Co.
814 Wade Hampton Blvd.
Suite 10
GREENVILLE, SC 29609
Tel: (803) 232-0917
C

Tennessee

Hewlett-Packard Co.
P.O. Box 22490
224 Peters Road
Suite 102

KNOXVILLE, TN 37922
Tel: (615) 691-2371
A*,CM,MS

Hewlett-Packard Co.
3070 Directors Row
MEMPHIS, TN 38131
Tel: (901) 346-8370
A,CM,CS,MS

Hewlett-Packard Co.
Suite 103
478 Craighead Street
NASHVILLE, TN 37204
Tel: (615) 383-9136
CM,MS**

Texas

Hewlett-Packard Co.
Suite 310W
7800 Shoal Creek Blvd.
AUSTIN, TX 78757
Tel: (512) 459-3143
CM,E

Hewlett-Packard Co.
Suite C-110
4171 North Mesa

EL PASO, TX 79902
Tel: (915) 533-3555
CM,CS,E*,MS**

Hewlett-Packard Co.
5020 Mark IV Parkway
FORT WORTH, TX 76106
Tel: (817) 625-6361
CM,C*

Hewlett-Packard Co.
P.O. Box 42816
10535 Harwin Street
HOUSTON, TX 77036
Tel: (713) 776-6400
A,CM,CP,E,MP

Hewlett-Packard Co.
3309 67th Street
Suite 24
LUBBOCK, TX 79413
Tel: (806) 799-4472
M

Hewlett-Packard Co.
P.O. Box 1270
930 E. Campbell Rd.
RICHARDSON, TX 75081
Tel: (214) 231-6101
A,CM,CP,E,MP

Hewlett-Packard Co.
205 Billy Mitchell Road
SAN ANTONIO, TX 78226
Tel: (512) 434-8241
CM,CS,E,MS

Utah

Hewlett-Packard Co.
3530 W. 2100 South Street
SALT LAKE CITY, UT 84119
Tel: (801) 974-1700
A,CM,CP,E,MS

Virginia

Hewlett-Packard Co.
P.O. Box 9669
2914 Hungary Spring Road
RICHMOND, VA 23228
Tel: (804) 285-3431
A,CM,CP,E,MS

Hewlett-Packard Co.
P.O. Box 4786
3110 Peters Creek Road, N.W.
ROANOKE, VA 24015
Tel: (703) 563-2205
CM,CS,E**

Hewlett-Packard Co.
P.O. Box 12778
5700 Thurston Avenue
Suite 111
VIRGINIA BEACH, VA 23455
Tel: (804) 460-2471
CM,CS,MS

Washington

Hewlett-Packard Co.
15815 S.E. 37th Street
BELLEVUE, WA 98006
Tel: (206) 643-4000
A,CM,CP,E,MP

Hewlett-Packard Co.
Suite A
708 North Argonne Road
SPOKANE, WA 99206
Tel: (509) 922-7000
CM,CS

West Virginia

Hewlett-Packard Co.
4604 MacCorkle Ave., S.E.
CHARLESTON, WV 25304
Tel: (304) 925-0492
A,CM,MS

Wisconsin

Hewlett-Packard Co.
150 S. Sunny Slope Road
BROOKFIELD, WI 53005
Tel: (414) 784-8800
A,CM,CS,E*,MP

URUGUAY

Pablo Ferrando S.A.C. e.l.
Avenida Italia 2877
Casilla de Correo 370
MONTEVIDEO
Tel: 403102
Telex: 901 Public Booth Para Pablo
Ferrando 919520
Cable: RADIUM Montevideo
A,CM,E,M
Guillermo Kraft del Uruguay S.A.
Avda. Libertador Brig. Gral.
Lavalleja 2083
MONTEVIDEO
Tel: 234588, 234808, 208830
Telex: 6245 ACTOUR UY
P

U.S.S.R.

Hewlett-Packard Co.
Representative Office
Pokrovsky Blvd. 4/17 KV12
MOSCOW 101000 Tel: 294-2024
Telex: 7825 HEWPACK SU

VENEZUELA

Hewlett-Packard de Venezuela C.A.
Apartado 50933
3A Transversal Los Ruices Norte
Edificio Segre 2Y3
CARACAS 1071
Tel: 239-4133, 239-4777,
239-4244
Telex: 25146 HEWPACK
Cable: HEWPACK Caracas
A,CP,E,MS,P

YUGOSLAVIA

Iskra-Commerce-Representation of
Hewlett-Packard
Sava Centar Delegacija 30
Milentija Popovica 9
11170 BEOGRAD
Tel: 638-762
Telex: 12042, 12322 YU SAV CEN

Iskra-Commerce-Representation of
Hewlett-Packard
Kopraska 46
61000 LJUBLJANA
Tel: 321674, 315879
Telex:

ZAMBIA

R. J. Tilbury (Zambia) Ltd.
P.O. Box 2792
LUSAKA
Tel: 81243
A,E,M,P

ZIMBABWE

Field Technical Sales
45 Kelvin Road, North
P.B. 3458
SALISBURY
Tel:
C,E,M,P

FOR COUNTRIES AND AREAS NOT LISTED:

CANADA

Ontario
Hewlett-Packard (Canada) Ltd.
6877 Goreway Drive
MISSISSAUGA, Ontario L4V 1M8
Tel: (416) 678-9430
Telex: 610-492-4246

EASTERN USA

Maryland
Hewlett-Packard Co.
4 Choke Cherry Road
Rockville, MD 20850
Tel: (301) 258-2000

MIDWESTERN USA

Illinois
Hewlett-Packard Co.
5201 Tollview Drive
ROLLING MEADOWS, IL 60008
Tel: (312) 255-9800

SOUTHERN USA

Georgia
Hewlett-Packard Co.
P.O. Box 105005
450 Interstate N. Parkway
ATLANTA, GA 30339
Tel: (404) 955-1500

WESTERN USA

California
Hewlett-Packard Co.
3939 Lankersim Blvd.
LOS ANGELES, CA 91604
Tel: (213) 877-1282

EUROPEAN AREAS NOT LISTED, CONTACT

SWITZERLAND

Hewlett-Packard S.A.
7 Rue du Bois-du-Lan
CH-1217 MEYRIN 2, Switzerland
Tel: (022) 83-81-11
Telex: 27835 hpse
Cable: HEWPACKSA Geneve

EAST EUROPEAN AREAS NOT LISTED, CONTACT

AUSTRIA

Hewlett-Packard Ges.m.b.h.
Wehlstrasse 29
P.O. Box 7
A-1205 VIENNA
Tel: (222) 35-16-210
Telex: 135823/135066

MEDITERRANEAN AND MIDDLE EAST AREAS NOT LISTED, CONTACT

GREECE

Hewlett-Packard S.A.
Mediterranean & Middle East
Operations
35, Kolokotroni Street
Platia Kefallariou
GR-Kifissia, ATHENS, Greece
Tel: 808-0359, 808-0429
Telex: 21-6588
Cable: HEWPACKSA Athens

INTERNATIONAL AREAS NOT LISTED, CONTACT

OTHER AREAS

Hewlett-Packard Co.
Intercontinental Headquarters
3495 Deer Creek Road
PALO ALTO, CA 94304
Tel: (415) 857-1501
Telex: 034-8300
Cable: HEWPACK

