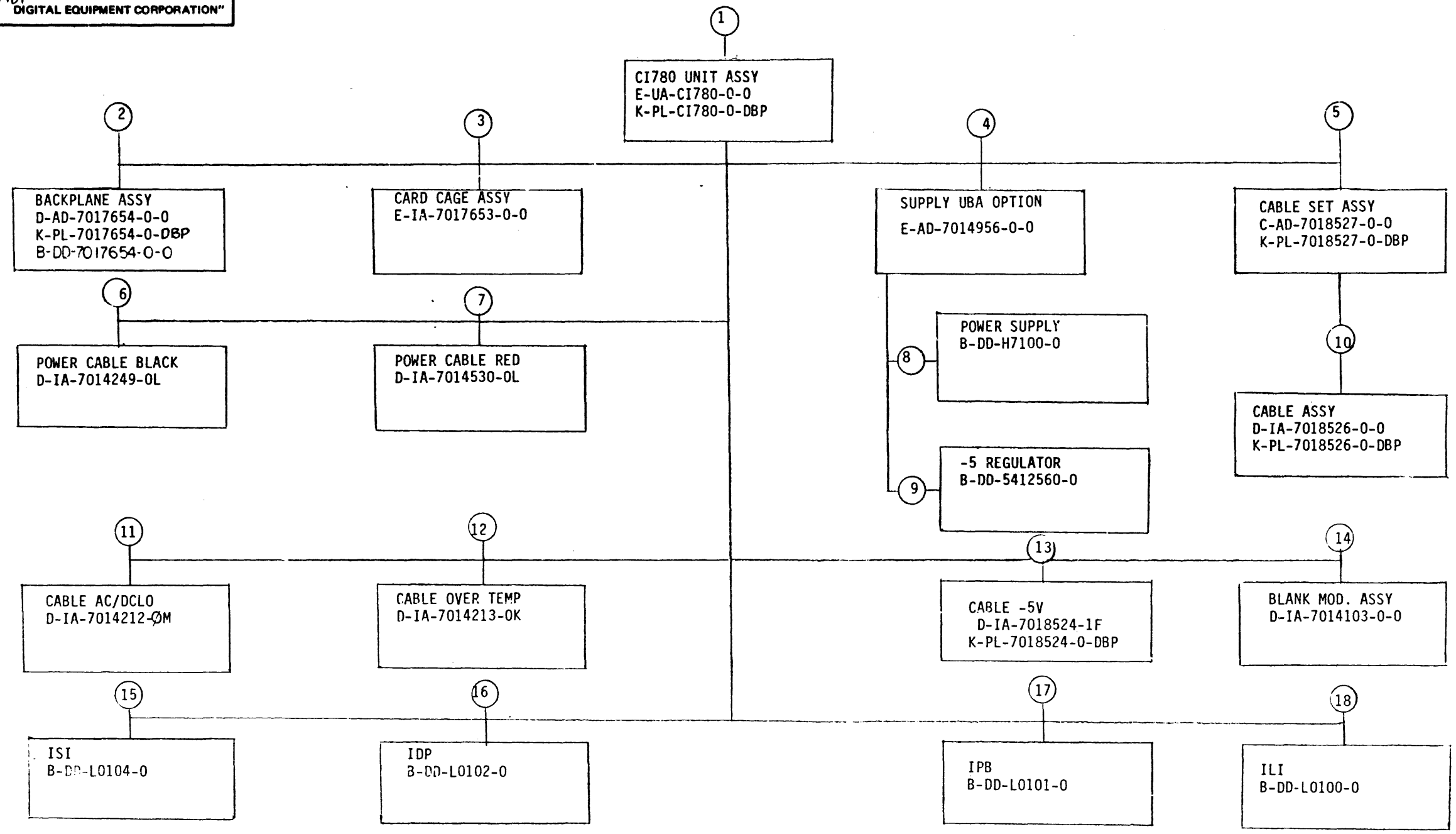


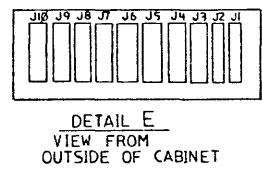
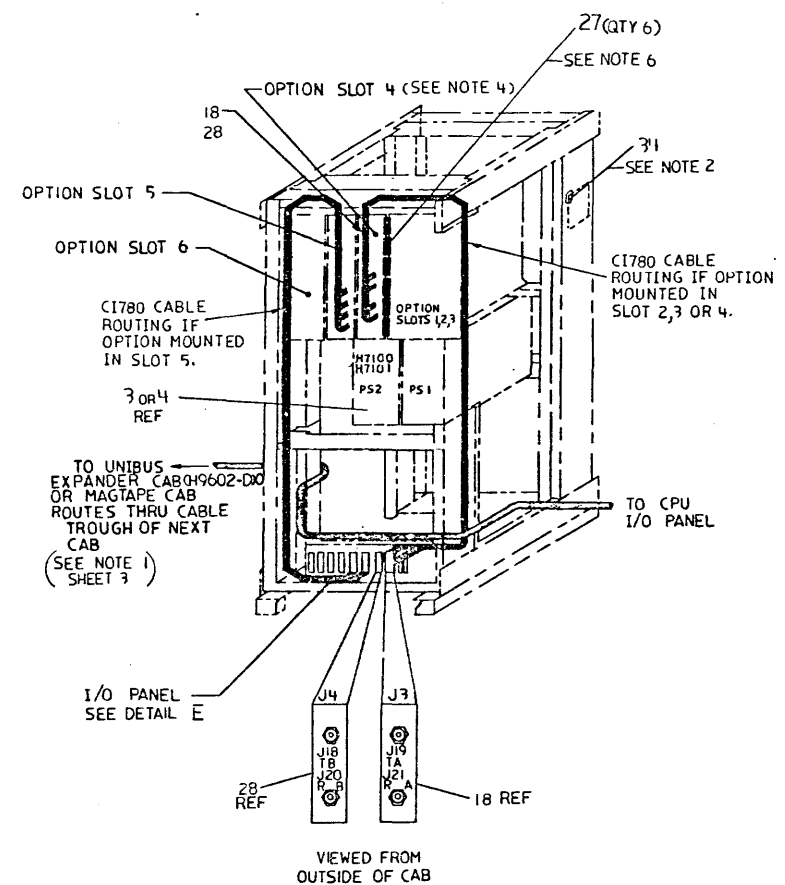
"THIS DRAWING AND SPECIFICATIONS, HEREIN, ARE THE PROPERTY OF DIGITAL EQUIPMENT CORPORATION AND SHALL NOT BE REPRODUCED OR COPIED OR USED IN WHOLE OR IN PART AS THE BASIS FOR THE MANUFACTURE OR SALE OF ITEMS WITHOUT WRITTEN PERMISSION. 1981
 COPYRIGHT © DIGITAL EQUIPMENT CORPORATION"



TITLE	CI780 UNIT ASSY	SHEET 2 OF 4	SIZE CODE	B DD	NUMBER	CI780-0	REV	A
-------	-----------------	--------------	-----------	------	--------	---------	-----	---

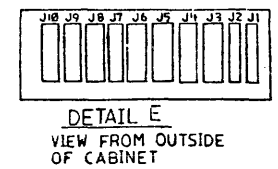
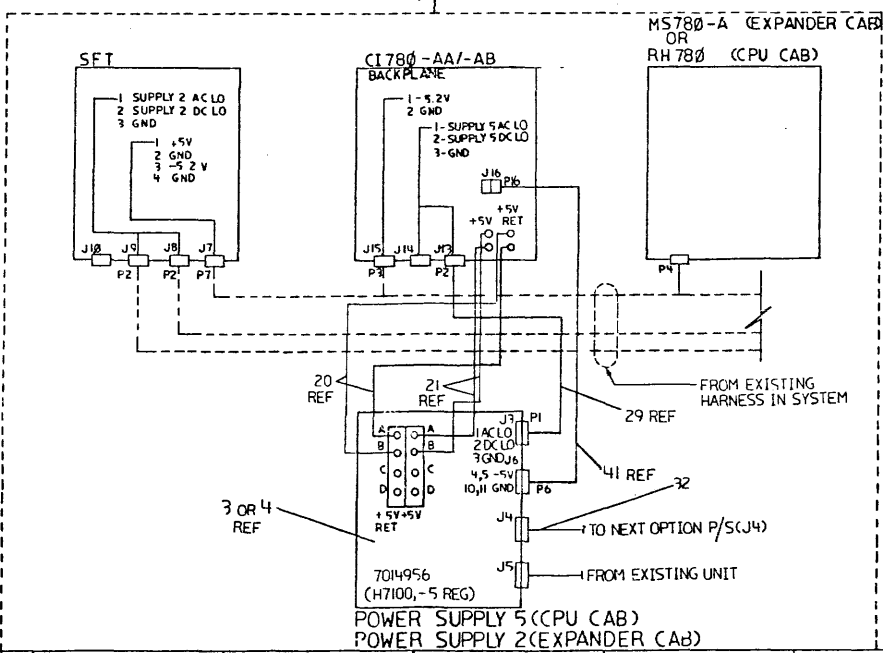
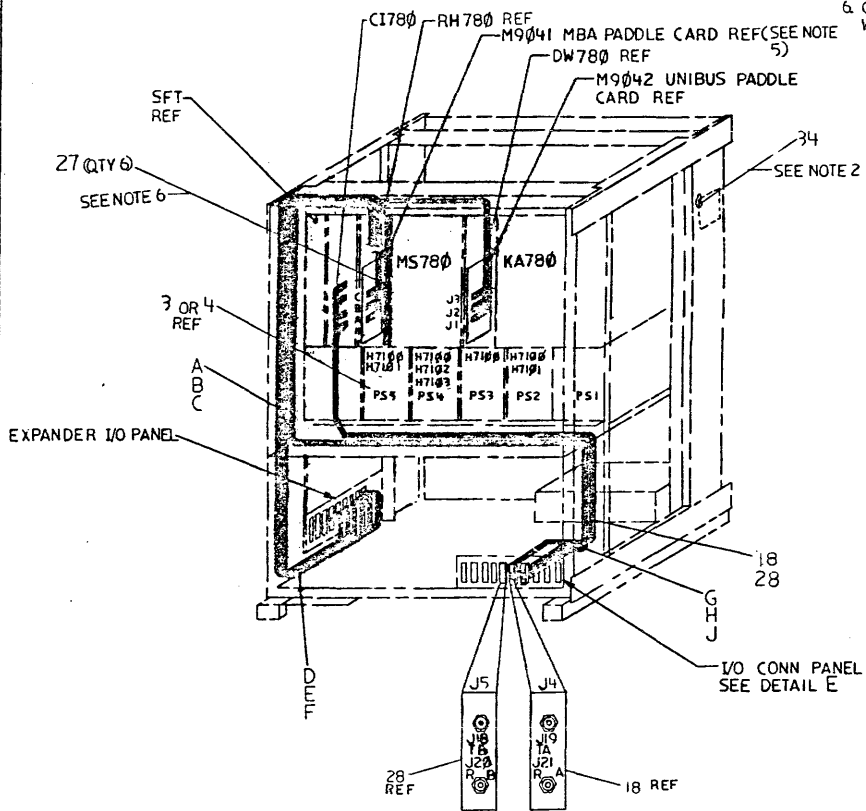
THIS DRAWING AND SPECIFICATIONS HEREBY ARE THE PROPERTY OF DIGITAL EQUIPMENT CORPORATION AND SHALL NOT BE REPRODUCED OR COPIED OR IN ANY MANNER OR BY ANY MEANS FOR THE BASIS FOR THE MANUFACTURE OF ANY PARTS WITHOUT WRITTEN PERMISSION. COMPANY # 231 DIGITAL EQUIPMENT CORPORATION

ITEM NO. REF ONLY	PART NUMBER	DESCRIPTION	FROM	TO
18	7018527-00	CABLE SET ASSY	CI BACK PLANE J19 CI BACK PLANE J21	I/O J3
28	7018527-01	CABLE SET ASSY	CI BACK PLANE J18 CI BACK PLANE J20	I/O J4



REF DESIGNATION	PART NUMBER	DESCRIPTION	FROM	TO
A	7013622-0	CABLE RIBBON UNIBUS	M9042-J2	EXP I/O CONN J3
B			M9042-J3	J1
C			M9042-J1	J2
D	BC06R-10	I/O CABLE	M9041-C	J4
E			M9041-B	J5
F			M9041-A	J6
G			M9041-C	I/O CONN J3 SLOT C
H			M9041-B	SLOT B
J			M9041-A	SLOT A
18	7018527-00	CABLE SET ASSY	CI BACK PLANE J18 CI BACK PLANE J20	I/O J4
28	7018527-01	CABLE SET ASSY	CI BACK PLANE J19 CI BACK PLANE J21	I/O J5

- NOTES (PERTAINS TO SHEET 3 ONLY)
1. CABLES ROUTED THRU H9602 CAB SHALL TAKE ROUTE SHOWN. CABLES ARE DRESSED IN BOTTOM REAR TROUGH.
 2. MODULE UTILIZATION DECAL (ITEM 34) IS TO BE PLACED ON THE LEFT VERTICAL CHANNEL OF THE CABINET WHICH HOUSES THE CI780.
 3. ITEM 27 IS USED TO CONNECT THE CI780 TO THE SBT.
 4. THE CI780 CAN BE INSTALLED IN OPTION SLOT 2, 3, 4 OR 5 OF THE CPU EXPANDER CAB.
 5. BC06R-10 CABLES FROM THE M9041 CARD CAN BE ROUTED AS PER REF DESIGNATIONS D, E, F OR G, H, J.
 6. CABLES, ITEM 27, TO BE SHIPPED WITH SYSTEM.



DATE	ECO NUMBER	REV

TITLE UNIT ASSY
CI780

REV	ISSUE	DATE	BY
E	UA	CI780-0-0	A

SCALE SHEET 3 OF 3

AUTOMATED BY PRTLIST.3P(44)

P A R T S L I S T

SHEET 01 OF 02

LINE ITEM DOCUMENT NUMBER

PART NUMBER

DESCRIPTION

QUANTITY PER VARIATION
AA AB

1	E-1A-7017653-0-0	7017653-00	CARD CRGE(FPA)	1
1	D-AD-7017654-0-0	7017654-00	BACK PLANE ASSY FPA	1
1	E-AD-7014956-0-0	7014956-00	UDA OPTION SUPPLY	1
1	E-AD-7014956-0-0	7014956-01	UDA OPTION SUPPLY 50HZ	1
1	B-MD-7423048-0-0	7423048-00	COVER, POWER	1
1	B-MD-7423050-0-0	7423050-00	COVER, PLATE	1
1	B-1A-7423049-0-0	7423049-00	STUD PLATE	1
1		9006610-00	NUT CRP 10-32 X7/16RF REL	1
1		9008990-00	WASHER MICRO-SWITCH NYLON 25	1
1		9006565-00	NUT KEP 10-32X 3/8 RF	1
1		1212405-00	CARD GUIDE, NYLON	1
1		1212405-01	CARD GUIDE, NYLON	1
1		1211630-00	CARD GUIDE	1
1		9006043-01	SCREW PAN, PHIL 8-32X1 3/8	1
1		9006660-00	WASHER FLAT .375 O.D. X .187 I	1
1		9006073-01	SCREW PAN PHIL 10-32X 1/2 .955	1
1		9007906-00	WASHER LOCK SPLIT .3340D X .200I	1
1		7018527-00	BULK HEAD ASSY "A"	1
1		3613281-03	LABEL ADHESIVE BACK FOR BALL-K	1
1		7014953-01	CABLE POWER BLACK	1
1		7014953-01	CABLE POWER RED	1
1		10104-00	ISI (CI SBI INTERFACE FOR CI POR	1
1		10102-00	IDP (CI DATA PATH) HEX 12	1
1		10101-00	IPB (CI CONTROL STORE & PACKET 8	1
1		10100-00	ILI (CI LINK INTERFACE), HEX 12	1
1		7014103-00	BLANK MODULE ASSY	1
1		1700087-00	CABLE RIBBON 20 COND. ASSY FLAT	1
1		7018527-01	BULK HEAD ASSY "B"	1
1		7014953-00	CABLE HC, DC, LOW	1
1		12149514-00	CONN 2POS JUMPER	1

REVISION HISTORY

ENG	EOD NUMBER	REV	SECTION A OF A	SECTION VARIATION INDEX	CHK'D:	DATE:	TITLE
		A			9.J. RILEY	28-SEP-81	01780 UNIT ASSY

DES. ENG.:	RESP. ENG.:	MFG. ENG.:	ASSEMBLY NUMBER:	DATE:	TOP DOCUMENT NUMBER:	FILE NAME:	EDIT #
D. BELANGER	R. CHSABOND	M. MARSHAW	E-0A-01780-0-0	28-SEP-81	01780-0-00P	218298.PLS	28

THIS DRAWING AND SPECIFICATIONS HEREIN ARE THE PROPERTY OF DIGITAL EQUIPMENT CORPORATION AND SHALL NOT BE REPRODUCED OR COPIED OR USED IN WHOLE OR IN PART AS THE BASIS FOR THE MANUFACTURE OR SALE OF ITEMS WITHOUT WRITTEN PERMISSION.

COPYRIGHT (C) 1982. DIGITAL EQUIPMENT CORPORATION

AUTOMATED BY PRTLST.3P(44)

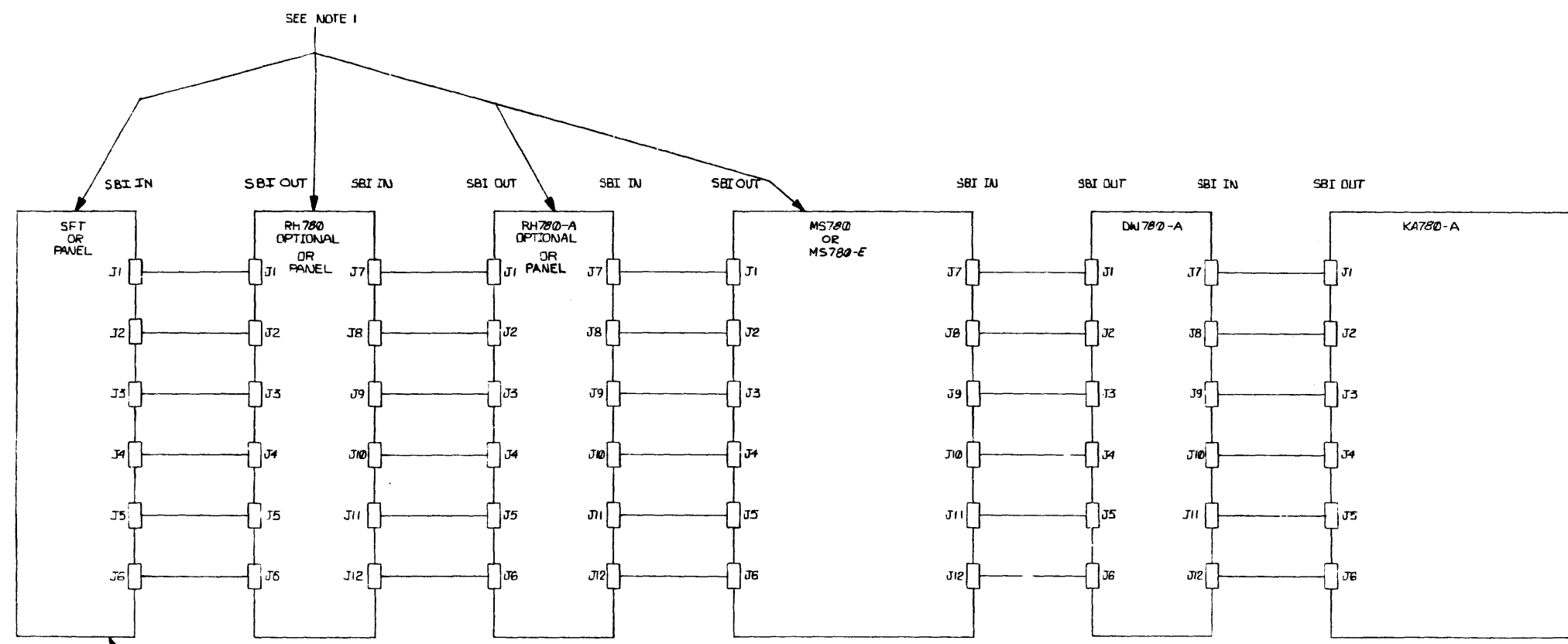
P A R T S L I S T

SHEET A2 OF A2

LINE	ITEM	DOCUMENT NUMBER	PART NUMBER	DESCRIPTION	QUANTITY PER VARIATION	
					AA	AB
31	32	D-IA-7014213-0-0	7014213-OK	CAB OVER TEMP	1	1
32	33		9009642-00	SCREW,PAN,PHIL,SEMS 8-32X .25 L	5	5
33	34	C-DC-3618809-0-0	3618809-01	LABEL,MOD.UTIL.CI790	1	1
34	35		9006563-00	NUT,KEP 8-32X 11/16AF	6	6
35	37		9007080-00	CLAMP,CABLE,SCREW MTD. 3/16"	4	4
36	38		9009700-00	SCREW,TRUS,PHIL,SEMS10-32X .500L	4	4
37	39		9009005-00	NUT,HEX 10-32 X1/4 AF X 3	4	4
38	40		9006664-00	WASHER, FLAT, .437 OD X .218 ID	4	4
39	41	D-IA-7018524-0-0	7018524-1F	CI780-5V CABLE	1	1
40	42		9906557-01	BAG,POLY RECLOSE 2 MIL THK WRIT	1	1

D	I	G	I	T	A	L	TITLE	SECTION A OF A	SIZE	CODE	DOCUMENT NUMBER	REV
							CI790 UNIT ASSY		K	PL	CI790-0-SEP	A

"THIS DRAWING AND SPECIFICATIONS HEREIN ARE THE PROPERTY OF DIGITAL EQUIPMENT CORPORATION AND SHALL NOT BE REPRODUCED OR COPIED OR USED IN WHOLE OR IN PART AS THE BASIS FOR THE MANUFACTURE OR SALE OF ITEMS WITHOUT WRITTEN PERMISSION.
 COPYRIGHT © 1977, DIGITAL EQUIPMENT CORPORATION"



- NOTES:
- 1.) 11780-C SYSTEM CONSISTS OF
 - A. KA780-A
 - B. DW780-A
 - C. MS780
 - D. SFT (# M9043)
 - E. 2 DUMMY PANELS (# 7418973)
 - 11780-D SYSTEM CONSISTS OF
 - A. KA780-A
 - B. DW780-A
 - C. MS780
 - D. RH780-A
 - E. RH780
 - F. SFT
 - 11780-EA, EC, ED SYSTEM CONSISTS OF
 - A. KA780-A
 - B. DW780
 - C. MS780-E
 - D. SFT (# M9043)
 - E. 2 DUMMY PANELS (# 7418973)

- CONT.
- 11780-EK, EM, EN SYSTEM CONSISTS OF
- A. KA780-A
 - B. DW780
 - C. MS780-E
 - D. RH780-A
 - E. RH780
 - F. SFT
- 2.) SBI CABLE CONNECTIONS TO SFT FROM ADJACENT BACKPLANE ARE ALWAYS 1700087-1 (QUANTITY 4). OTHER SBI CABLES ARE 1700087-0.

REV.	CHANGE NO.	DATE	BY	CHK
A	11780-1700087-1	11-18-77	R. CHUSMAE	
B	11780-1700087-2	11-18-77	D. SMITH	
C	11780-1700087-3	11-18-77	D. SMITH	

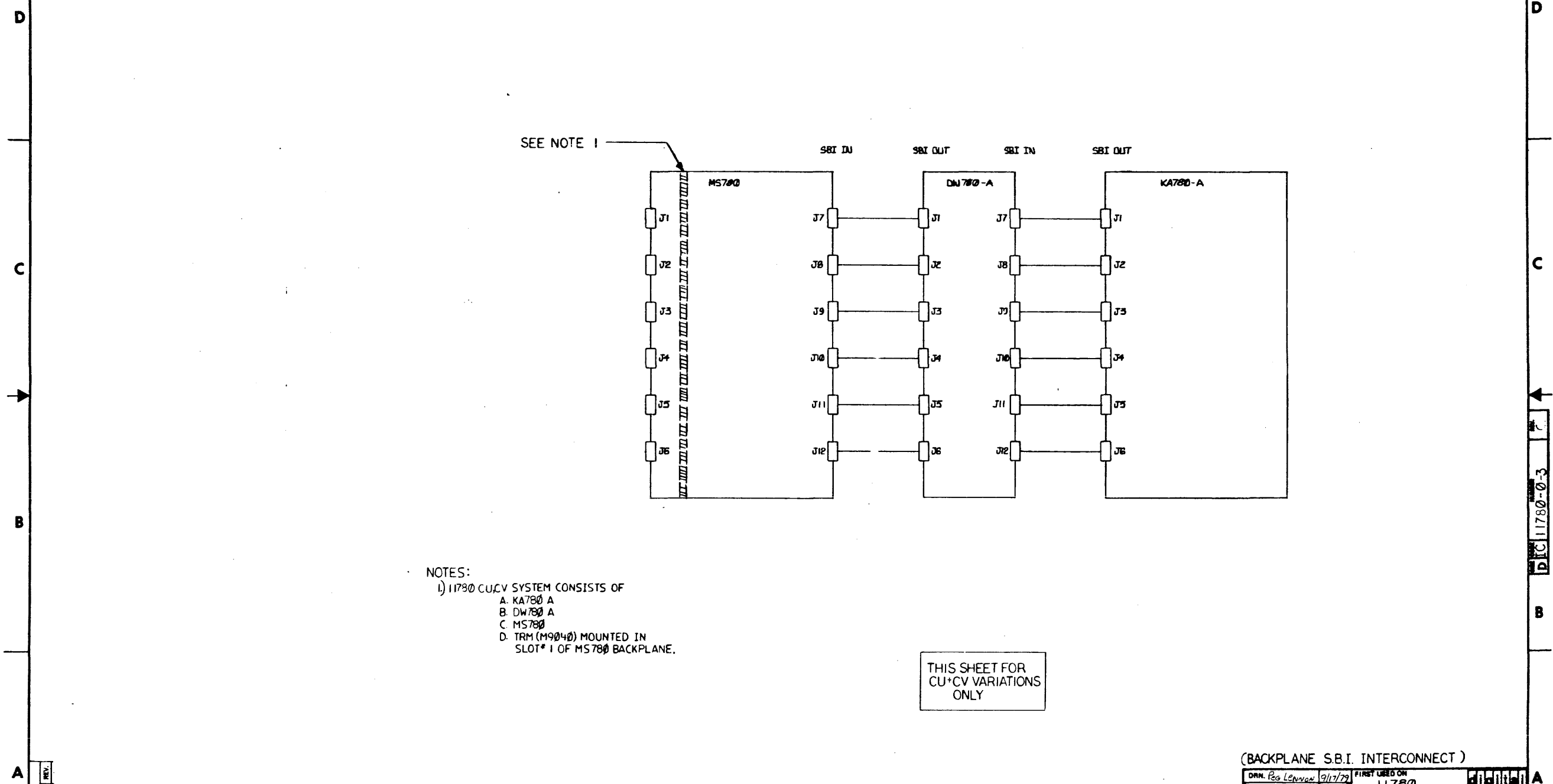
(BACKPLANE SBI INTERCONNECT)

DRN. E. TAYLOR	REV. 10/1	FIRST USED ON	11780
CHK'D. X. GAY	REV. 11/1		
ENG'G. ART. X	REV. 11/1	TITLE	11780 SUB SYSTEM INTERCONN.
PROJ. ENG. 11/1	REV. 11/1	SIZE	D
PROD. R. 11/1	REV. 11/1	CODE	11780-0-3
NEXT HIGHER ASSY.		NUMBER	REV.
DD-11780-0			C
SCALE		DIST.	
SHEET 1	OF 3		

TW 1

THIS DRAWING AND SPECIFICATIONS, HEREIN, ARE THE PROPERTY OF MILITARY EQUIPMENT CORPORATION AND SHALL NOT BE REPRODUCED OR COPIED IN WHOLE OR IN PART, IN ANY MANNER, WITHOUT THE WRITTEN PERMISSION OF MILITARY EQUIPMENT CORPORATION.
 © 1979 MILITARY EQUIPMENT CORPORATION

2 11780-0-3



- NOTES:
 1) 11780 CU+CV SYSTEM CONSISTS OF
 A. KA780 A
 B. DW780 A
 C. MS780
 D. TRM (M9040) MOUNTED IN SLOT# 1 OF MS780 BACKPLANE.

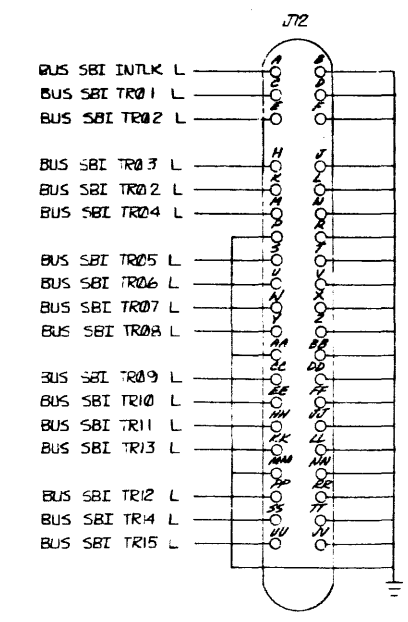
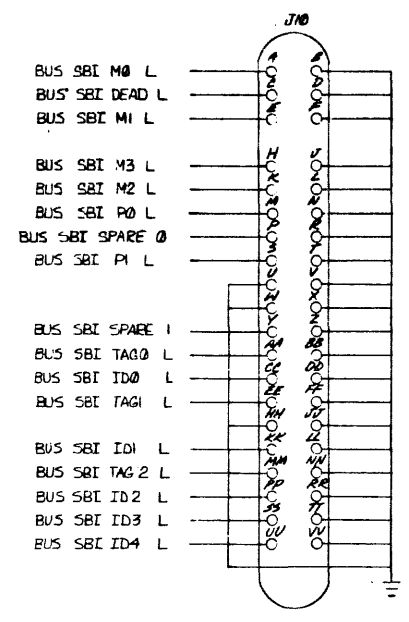
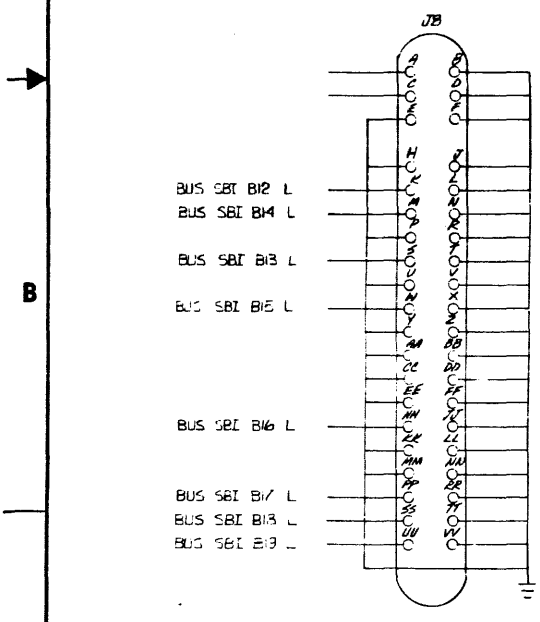
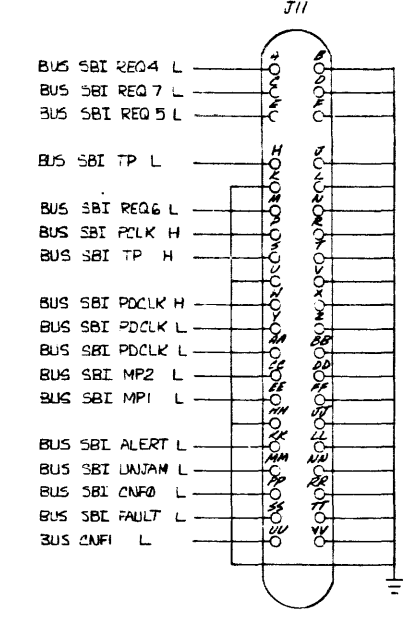
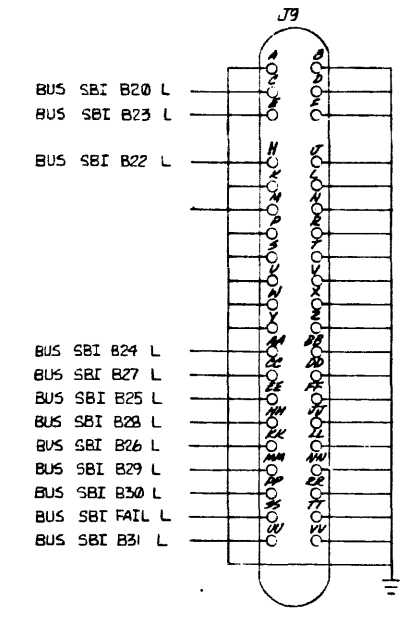
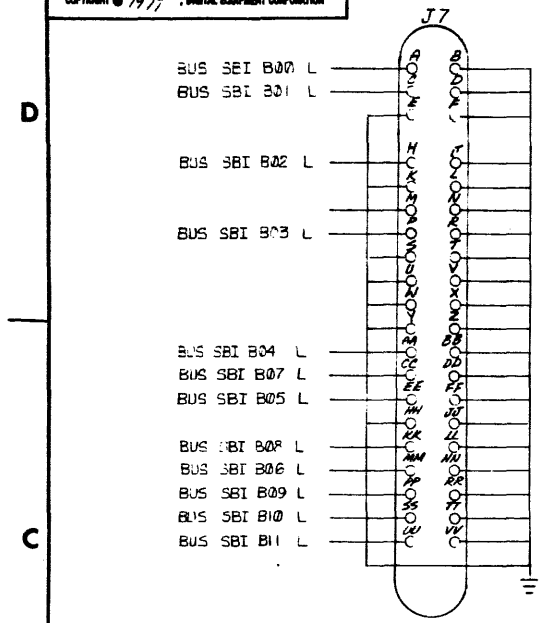
THIS SHEET FOR CU+CV VARIATIONS ONLY

(BACKPLANE S.B.I. INTERCONNECT)

DRN. <i>Bo Lennon</i> 9/17/79	FIRST USED ON 11780
CHK'D	TITLE 11780 SUB SYSTEM INTERCONN.
ENG.	SIZE CODE NUMBER REV.
PROJ. ENG.	D I C 11780-0-3 C
PROD.	SCALE
NEXT HIGHER ASSY.	SHEET 2 OF 9
Q-D-11780-0	DIST.

TW 1

"THIS DRAWING AND SPECIFICATIONS, HEREIN, ARE THE PROPERTY OF DIGITAL EQUIPMENT CORPORATION AND SHALL NOT BE REPRODUCED OR COPIED OR USED IN WHOLE OR IN PART AS THE BASIS FOR THE MANUFACTURE OR SALE OF ITEMS WITHOUT WRITTEN PERMISSION.
COPYRIGHT © 1977 . DIGITAL EQUIPMENT CORPORATION"



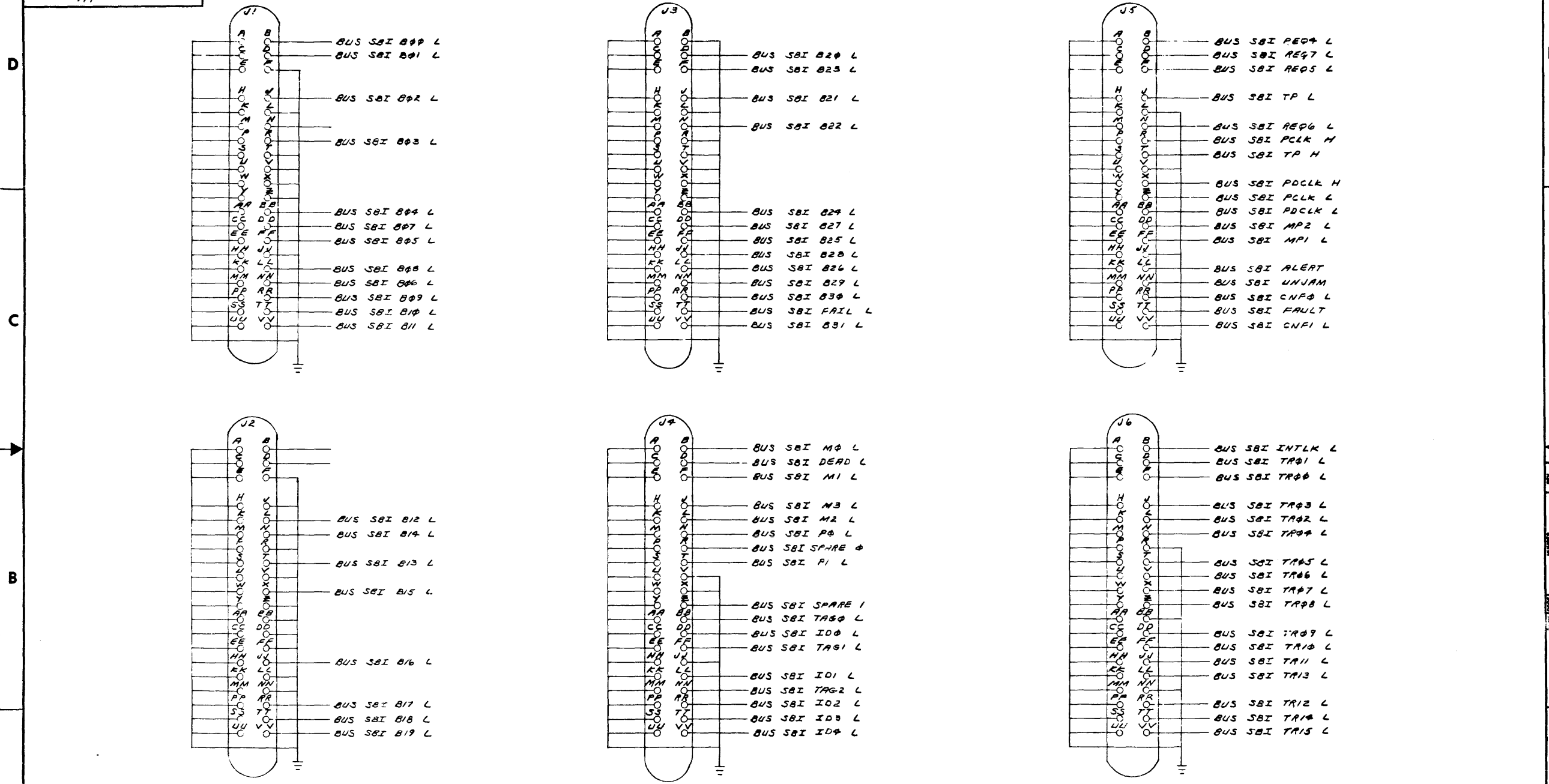
REVISIONS	REV.
CHANGE NO.	
CHK	

(SBI IN)

DRN. E. Taylor	25 33-4	FIRST USED ON	11780	digital
CHK'D. J. May	16 406-72	TITLE	11780 SUB SYSTEM INTERCONNECT	
ENG. Ed. D. Smith	18 22-77	PROJ. ENG. A. Smith	18 22-77	
PROD. R. J. ...	11-18-77	NEXT HIGHER ASSY.	B-DD-11780	
SCALE		SIZE	CODE	NUMBER
SHEET	3 OF 9	DIST.	D IC	11780-0-3
				REV. C

THIS DRAWING AND SPECIFICATIONS HEREIN ARE THE PROPERTY OF DIGITAL EQUIPMENT CORPORATION AND SHALL NOT BE REPRODUCED OR COPIED OR USED IN WHOLE OR IN PART AS THE BASIS FOR THE MANUFACTURE OR SALE OF OTHER EQUIPMENT WITHOUT WRITTEN PERMISSION. COPYRIGHT © 1977, DIGITAL EQUIPMENT CORPORATION

D I C 11780-0-3



REV.	
CHANGE NO.	
CHK	

(SBI OUT)

DRN. E. TACOR	25 Jul 77	FIRST USED ON	11780
CHK'D. D. ALLEN	18 Aug 77	TITLE	11780 SUB SYSTEM INTERCONNECT
ENG. R. A. BISH	18 Aug 77	SIZE	D I C 11780-0-3
PROJ. ENG. J. BISH	21 Aug 77	NUMBER	
PROD. R. J. BISH	11-18-77	REV.	C
NEXT HIGHER ASSY.		SCALE	+
		SHEET	4 OF 9

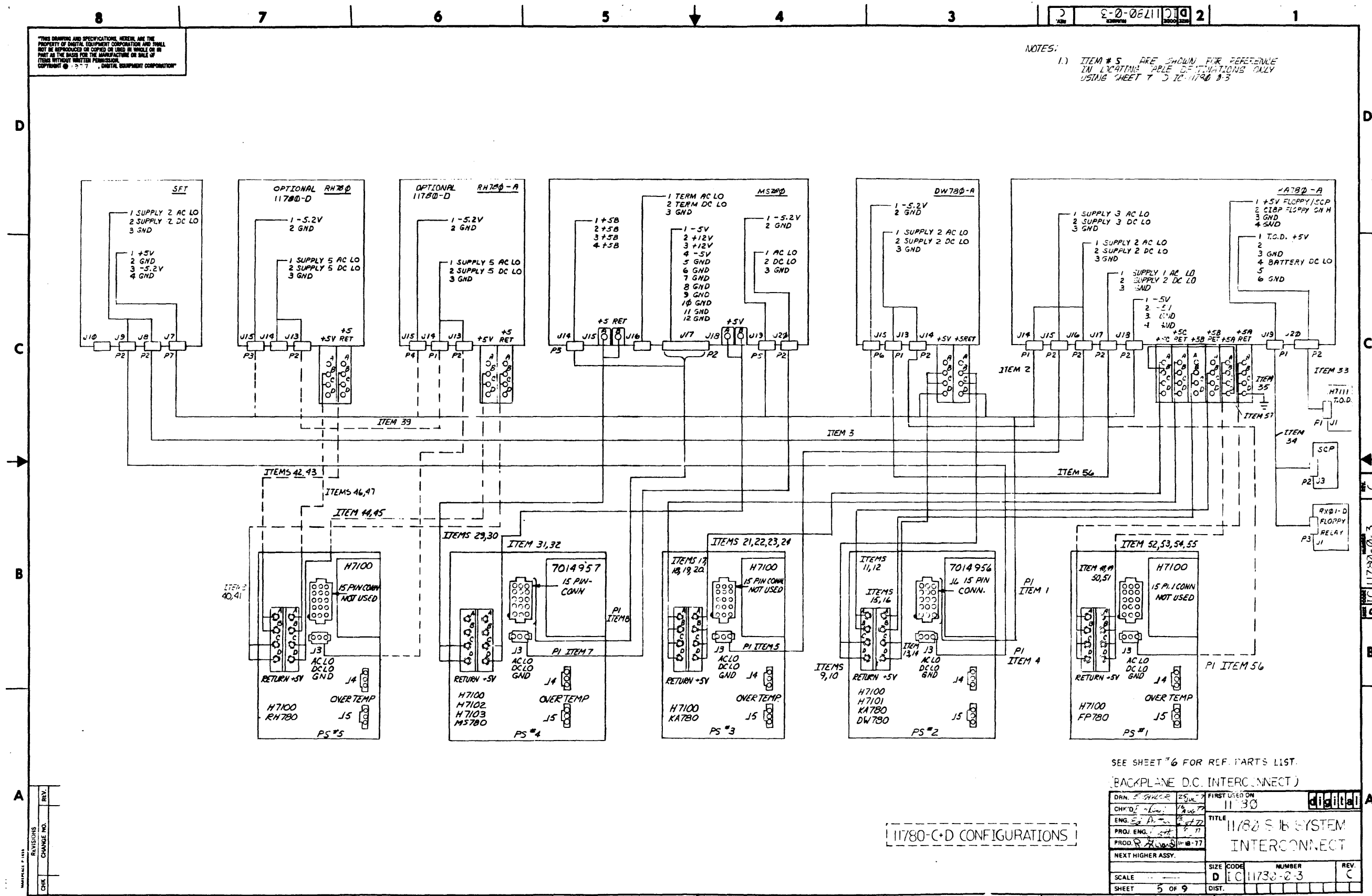
D I C 11780-0-3

TW 1

THIS DRAWING AND SPECIFICATIONS, HEREIN, ARE THE PROPERTY OF DIGITAL EQUIPMENT CORPORATION AND SHALL NOT BE REPRODUCED OR COPIED IN WHOLE OR IN PART AS THE BASIS FOR THE MANUFACTURE OR SALE OF ITEMS WITHOUT WRITTEN PERMISSION.
 COPYRIGHT © 1977, DIGITAL EQUIPMENT CORPORATION

NOTES:

- ITEM # 5 ARE SHOWN FOR REFERENCE IN LOCATING TABLE CONFIGURATIONS ONLY USING SHEET 7 OF 11780-0-3



SEE SHEET #6 FOR REF. PARTS LIST.

(BACKPLANE D.C. INTERCONNECT)

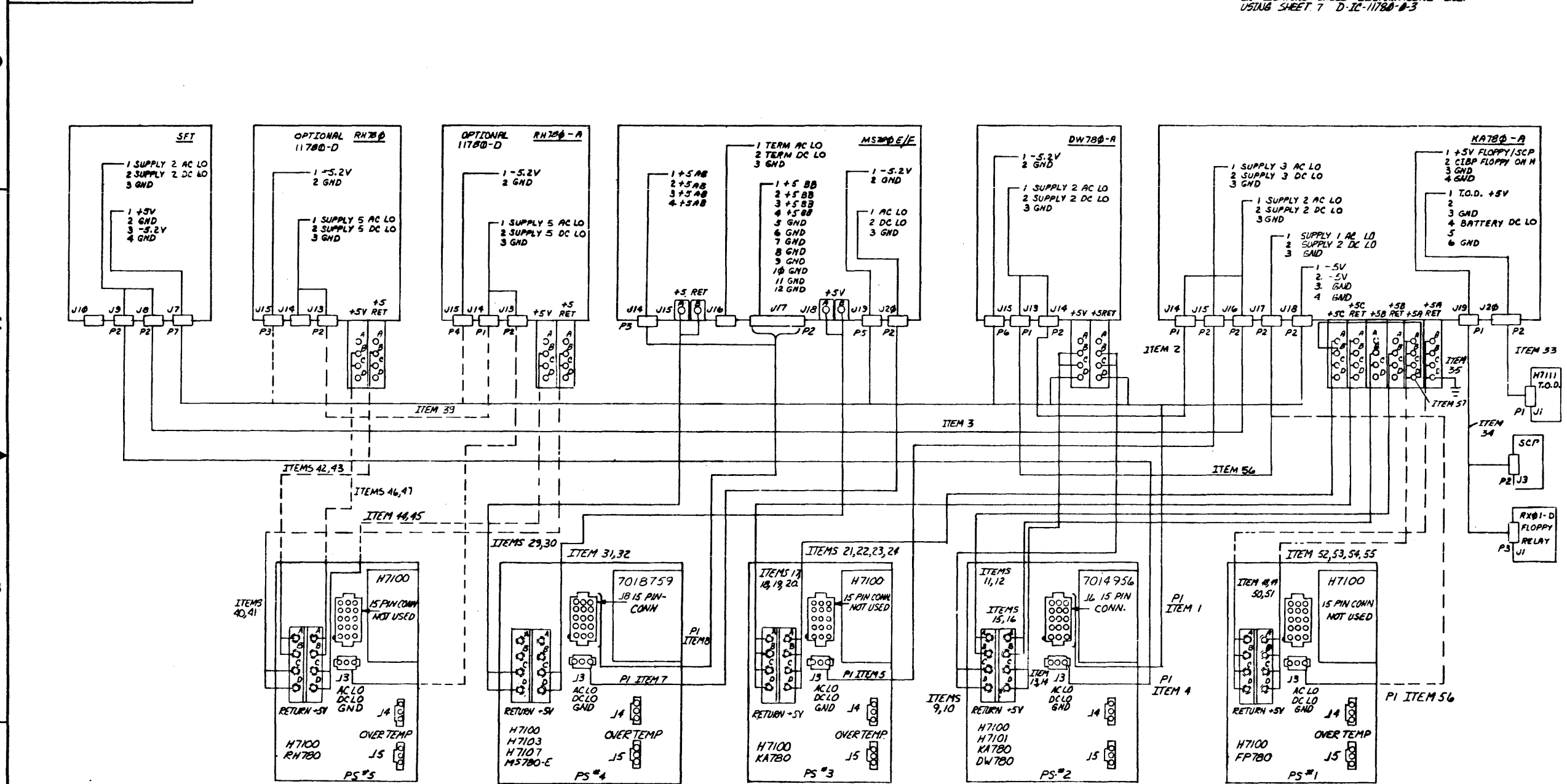
DRN. S. SHLCR	25 JUN 77	FIRST USED ON	11780	digital
CHK'D S. LOW	18 AUG 77			
ENG. E. P. ...	12 OCT 77	TITLE	11780 SIB SYSTEM INTERCONNECT	
PROJ. ENG. ...	11			
PROD. R. ...	11-77			
NEXT HIGHER ASSY.		SIZE CODE	NUMBER	REV.
		D	11780-0-3	C
SCALE	5 OF 9	SHEET	DIST.	

11780-C-D CONFIGURATIONS

REV.	
CHANGE NO.	
CHK	

THIS DRAWING AND SPECIFICATIONS HEREAFTER ARE THE PROPERTY OF DIGITAL EQUIPMENT CORPORATION AND SHALL NOT BE REPRODUCED OR COPIED IN WHOLE OR IN PART WITHOUT THE WRITTEN PERMISSION OF DIGITAL EQUIPMENT CORPORATION © 1977, DIGITAL EQUIPMENT CORPORATION

NOTES:
 1.) ITEM # 5 ARE SHOWN FOR REFERENCE IN LOCATING CABLE DESTINATIONS ONLY USING SHEET 7 D-IC-11780-3



SEE SHEET #6 FOR REF. PARTS LIST.

(BACKPLANE D.C. INTERCONNECT)

11780-E CONFIGURATIONS

DRN. E. THORPE	25 JUN 77	FIRST USED ON	11780
CHKD BY: L. L. L...	19 JUL 77	TITLE	11780 SUB SYSTEM INTERCONNECT
ENG. E. J. ...	19 JUL 77	SIZE	D
PROJ. ENG. ...	11-18-77	CODE	IC 11780-0-3
PROD. ...		NUMBER	
NEXT HIGHER ASSY.		REV.	C
SCALE	4	SHEET	6 OF 9
DIST.			

REV.	
CHANGE NO.	
REVISIONS	

THIS DRAWING AND SPECIFICATIONS HEREIN ARE THE PROPERTY OF DIGITAL EQUIPMENT CORPORATION AND SHALL NOT BE REPRODUCED OR COPIED OR USED IN WHOLE OR IN PART AS THE BASIS FOR THE MANUFACTURE OR SALE OF ITEMS WITHOUT WRITTEN PERMISSION. COPYRIGHT © 1977 DIGITAL EQUIPMENT CORPORATION

11780 - E (SEE NOTE 4)
11780 - C & D (SEE SHEETS 7 & 8 FOR C/U/V VARIATIONS)

11780 - D, EK, EM, EN

REF. ITEM VIA SER.	PART NUMBER	DESCRIPTION	FROM	TO	REMARKS
1	7015073-0-0	HARNESS 5V TERMINAL	HARNESS P1	PS#2-J6	-5V GND
			HARNESS P2	KA780-J18	
			HARNESS P5	MS780-J19	
			HARNESS P6	DW780-J15	-5V, GND
			HARNESS P7	SFT-J7	+5V, GND
			HARNESS RING TERM (SEE WIRE)	DW780+5V-D	+5V
			HARNESS RING TERM (SEE WIRE)	DW780+5VRT-D	+5V RETURN
2	7014212-0H	CABLE AC DC LOW	CABLE P1	KA780-J14	
			CABLE P2	DW780-J14	
3	7014212-2M	CABLE AC DC LOW	CABLE P1	KA780-J16	
			CABLE P2	SFT-J8	
4	7014212-2M	CABLE AC DC LOW	CABLE P1	PS#2-J3	AC DC LOW GND
			P2	SFT-J9	
5	7014212-0M	CABLE AC DC LOW	CABLE P1	PS#3-J3	AC DC LOW & GND
			P2	KA780-J15	
7	7014212-1C	CABLE AC DC LOW	CABLE P1	PS#4-J3	AC DC LOW & GND
			P2	MS780-J20	
8	7014234-0K	CABLE ±5B ±12	CABLE P1	PS#4-J7	+5B ±12
			P2	MS780-J17	
			P3	MS780-J14	
9	7014249-1A	CABLE POWER (BLK)	PS#2+5 RET-D	DW780+5 RET-B	PS#2+5 RETURN
10	7014249-1A	CABLE POWER (BLK)	PS#2+5 RET-C	DW780+5 RET-C	
11	7014249-1C	CABLE POWER (BLK)	PS#2+5 RET-B	KA780+5B RET-B	
12	7014249-1C	CABLE POWER (BLK)	PS#2+5 RET-A	KA780+5B RET-C	PS#2+5 RETURN
13	7014530-1A	CABLE POWER (RED)	PS#2+5 -D	DW780+5 -B	PS#2+5
14			C	DW780+5 -C	
15	7014530-1A	CABLE POWER (RED)	PS#2+5 B	KA780+5B C	
16	7014530-1A	CABLE POWER (RED)	PS#2+5 A	KA780+5B B	PS#2+5
17	7014249-1J	CABLE POWER (BLK)	PS#3+5 RET-D	KA780+5C RET-D	PS#3+5 RETURN
18			C		C
19			B		B
20	7014249-1J	CABLE POWER (BLK)	PS#3+5 RET-A	KA780+5C -A	PS#3+5 RETURN
21	7014530-1E	CABLE POWER (RED)	PS#3+5 -D	KA780+5C -D	PS#3+5 RETURN
22			C		C
23			B		B
24	7014530-1E	CABLE POWER (RED)	PS#3+5 -A	KA780+5C -A	
58	7019586-1K	CABLE +5B	CABLE P1	PS#4-J8	
			CABLE P2	MS780-J17	
			CABLE P3	MS780-J14	
29	7014250-0K	CABLE POWER	PS#4+5 RET-C	MS780-J15 -A	PS#4+5 RETURN
30	7014250-0K	RTR MEMORY BLK	PS#4+5 RET-D	MS780-J15 B	
31		CABLE POWER	PS#4+5 C	MS780-J18 -A	PS#4+5V
32	7014529-0K	+5 MEMORY (RED)	PS#4+5 D	MS780-J18 B	
33	7014243-3M	CABLE TO T.O.D. BMT	HARNESS P2	KA780-J20	
			P1	H7111-J1	
34	7014243-2I	FLOPPY RELAY	HARNESS P1	KA780-J19	
		SC PLUR HARNESS	P2	3CP-J3	
			P3	RX01-J1	
35	7014249-0L	CABLE POWER (BLK)	KA780+5A RET-D	FRAME	
56	7014212-0M	CABLE AC/DC LO	CABLE P1	DW780-J13	SEE NOTE #3
			CABLE P2	KA780-J17	

REF. ITEM NUMBER	PART NUMBER	DESCRIPTION	FROM	TO	REMARKS
1	7015073-0-0	HARNESS 5V TERM.	HARNESS P3	RH780-J15	-5V GND
		HARNESS-EV TERM	HARNESS P4	RH780-A-J15	-5V GND
38	7014212-0M	CABLE AC DC LOW	CABLE P1	PS#5-J3	AC DC LO & GND
			CABLE P2	RH780-J13	AC DC LO & GND
39	7014212-0H	CABLE AC DC LOW	CABLE P1	RH780-A-J14	AC DC LO & GND
			CABLE P2	RH780-J13	AC DC LO & GND
40	7014249-0L	CABLE POWER (BLK)	PS#5+5 RET-D	RH780+5 RET-C	PS#5+5 RETURN
41			C	B	
42	7014249-0L	CABLE POWER (BLK)	PS#5+5 RET-B	RH780+5 -C	PS#5+5 RETURN
43			A	B	
44	7014530-0L	CABLE POWER (RED)	PS#5+5 -D	RH780+5 -C	PS#5+5V
45			C	B	
46	7014530-0L	CABLE POWER (RED)	PS#5+5 -B	RH780+5 -C	PS#5+5V
47			A	B	

FP780
OR
FP780 & KU780

REF. ITEM NUMBER	PART NUMBER	DESCRIPTION	FROM	TO	REMARKS
48	7014249-0L	POWER CABLE (BLK)	PS#1+5 A RET-D	KA780+5A RET-D	PS#1+5 RETURN
49			C	C	
50			B	B	
51	7014249-0L	POWER CABLE (BLK)	PS#1+5 A RET-A	KA780+5A RET-A	PS#1+5 RETURN
52	7014530-0L	POWER CABLE (RED)	PS#1+5 -D	KA780+5A -D	PS#1+5V
53			C	C	
54			B	B	
55	7014530-0L	POWER CABLE (RED)	PS#1+5 -A	KA780+5A -A	PS#1+5V
56	7014212-0M	CABLE AC DC LO	CABLE P1	PS#1-J3	AC, DC, LOW
			P2	KA780-J17	

SEE NOTE 3

OPTIONAL

KC780 OR KU780

REF. ITEM NUMBER	PART NUMBER	DESCRIPTION	FROM	TO	REMARKS
57	7014530-0L	CABLE POWER (RED)	KA780-A+5A-D	KA780+5A-C-B	PS#2+5V

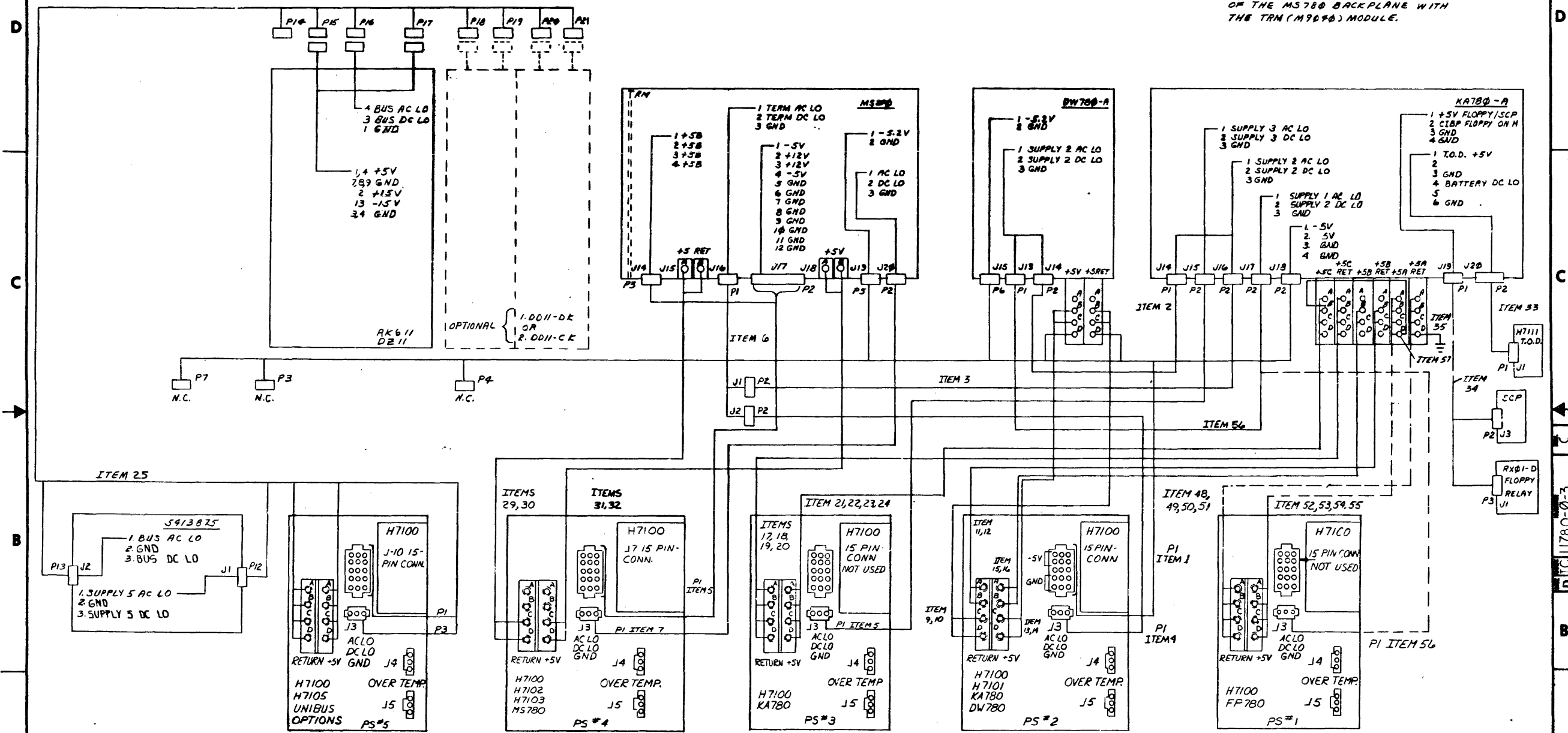
- NOTES:
- REFER TO E-UA-KA780 FOR INSTRUCTIONS OF JUMPER REMOVAL IN CONFIGURATIONS USING PS#1.
 - IF THE FP780 IS INSTALLED REMOVE ITEM 57.
 - IF THE FP780 IS INSTALLED; ITEM 56 P1 CONNECTS TO PS#1-J3 OTHERWISE IT IS CONNECTED TO DW780-J13.
 - 11780-E VARIATIONS MUST USE ITEM 58 IN PLACE OF ITEM 3.

REVISIONS		
CHK	CHANGE NO.	REV.

TITLE	11780 SUB-SYSTEM INTERCONNECT	SIZE/COOE	D1C	NUMBER	11780-2-3	REV.	C
SCALE		SHEET	7	OF	9	DIST.	

REVISED 1979

- NOTES:
- 1.) ITEM # 5 ARE SHOWN FOR REFERENCE IN LOCATING CABLE DESTINATIONS ONLY. US1A8 SHEET 9 D-IC-11780-0-3
 - 2.) THE SBI IS TERMINATED IN SLOT #1 OF THE MS780 BACKPLANE WITH THE TRM (M90#0) MODULE.



SEE SHEET # 8 FOR REF. PARTS LIST.
(BACKPLANE D.C. INTERCONNECT)

THIS SHEET FOR CU,CV VARIATIONS ONLY.

REV.	
CHANGE NO.	
CHK	
REVISED BY	

TITLE	11780 SUB SYSTEM INTERCONNECT.	DESIGN CODE	DIC 11780-0-3	NUMBER		REV.	
SCALE		SHEET	8 OF 9	DIST.			

THIS DRAWING AND SPECIFICATIONS HEREIN ARE THE PROPERTY OF DIGITAL EQUIPMENT CORPORATION AND SHALL NOT BE REPRODUCED OR COPIED OR USED IN WHOLE OR IN PART AS THE BASIS FOR THE MANUFACTURE OR SALE OF ITEMS WITHOUT WRITTEN PERMISSION. COPYRIGHT © 1970 DIGITAL EQUIPMENT CORPORATION

11780-CU/CV

11780-CU/CV

REF ITEM NUMBER	PART NUMBER	DESCRIPTION	FROM	TO	REMARKS
1	7015073-0-0	HARNESS-5V TERMINATOR	HARNESS - P1	PS*2 - J6	-5V GND
			HARNESS - P2	KA780-J18	
			HARNESS - P5	MS780-J19	
			HARNESS - P6	DW780-J15	-5V GND
			HARNESS - P7	N.C.	± 5V GND
			HARNESS RING TERM. (RED WIRE)	DW780+5V-D	+5V
	7015073-0-0	HARNESS-5V TERMINATOR	HARNESS RING TERM. (BLK WIRE)	DW780+5V-RT-D	+5V RETURN
2	7014212-0-H	CABLE AC DC LOW	CABLE - P1	KA780-J14	AC,DC LOW-GND
			CABLE - P2	DW780-J14	
3	7014212-2M	CABLE AC DC LOW	CABLE - P1	KA780-J16	AC,DC LOW+GND
			CABLE - P2	ITEM*6-J1	
4	7014212-2M	CABLE AC DC LOW	CABLE - P1	PS*2 - J3	AC,DC LOW+GND
			CABLE - P2	ITEM*6-J2	
5	7014212-0M	CABLE AC DC LOW	CABLE - P1	PS*3 - J3	AC,DC LOW+GND
			CABLE - P2	KA780-J15	
6	70 - 0-J	AC DC LOW WYE CABLE	CABLE - P1	MS780-J16	AC,DC LOW+GND
			CABLE - J1	ITEM*3-P2	
			CABLE - J2	ITEM*4-P2	
7	7014212-1C	CABLE AC DC LOW	CABLE - P1	PS*4 - J3	AC,DC LOW+GND
			CABLE - P2	MS780-J20	
8	7014212-0K	CABLE ± 5B + 12V	CABLE - P1	PS*4 - J7	± 5B + 12V + GND
			CABLE - P2	MS780-J17	
			CABLE - P3	MS780-J14	
9	7014249-1A	CABLE POWER (BLK)	PS*2 + 5 RET - D	DW780+5 RET-B	PS*2+5 RETURN
10	7014249-1A	CABLE POWER (BLK)	PS*2 + 5 RET - C	DW780+5 RET-C	
11	7014249-1C	CABLE POWER (BLK)	PS*2 + 5 RET - B	KA780+5B RET-B	
12	7014249-1C	CABLE POWER (BLK)	PS*2 + 5 RET - A	KA780+5B RET-C	PS*2 + 5 RETURN
13	7014530-1A	CABLE POWER (RED)	PS*2 + 5V - D	DW780+5V-B	PS*2 + 5V
14	7014530-1A	CABLE POWER (RED)	PS*2 + 5V - C	DW780+5V-C	
15	7014530-1A	CABLE POWER (RED)	PS*2 + 5V - B	KA780+5B-C	
16	7014530-1A	CABLE POWER (RED)	PS*2 + 5V - A	KA780+5B-B	PS*2 + 5V
17	7014249-1J	CABLE POWER (BLK)	PS*3 + 5V RET - D	KA780+5C RET-D	
18			-C	-C	
19			-B	-B	
20	7014249-1J	CABLE POWER (BLK)	PS*3 + 5V RET - A	KA780+5C RET-A	PS*3 + 5 RETURN
21	7014530-1E	CABLE POWER (RED)	PS*3 + 5V - D	KA780+5C - D	PS*3 + 5 RETURN
22			-C	-C	
23			-B	-B	
24	7014530-1E	CABLE POWER (RED)	PS*3 + 5V - A	KA780+5C - A	
25	7016951-0-0	UNIBUS PWR HARNESS	HARNESS - P1	PS*5 - J10	PS*5+15V-15V+GND
			HARNESS RING TERM. (BLK WIRE) -P2	PS*5+5 RET - D	PS*5 + 5 RETURN
			HARNESS - P3	PS*5 - J3	AC,DC LOW + GND
			HARNESS RING TERM. (RED WIRE) -P4	PS*5 + 5V - D	PS*5 - 5V
			-P5	-C	
			-P6	-B	
			HARNESS RING TERM. (RED WIRE) -P7	PS*5 + 5V - A	
			HARNESS RING TERM. (BLK WIRE) -P8	PS*5 + 5 RET-D	PS*5 + 5 RETURN
			-P9	-C	
			-P10	-B	
			HARNESS RING TERM. (BLK WIRE) -P11	PS*5 + 5 RET-A	
	7016951-0-0	UNIBUS PWR HARNESS	HARNESS - P12	ADAPTER BOARD-J2	AC,DC LOW + GND

REF ITEM NUMBER	PART NUMBER	DESCRIPTION	FROM	TO	REMARKS
25	7016951-0-0	UNIBUS PWR HARNESS	HARNESS - P13	ADAPTER BOARD-J2	ADAPT. AC,DC LOW+GND
			-P14	N.C.(OPTIONAL)	
			-P15	RK611 - P2	
			-P16	RK611 - P3	
			-P17	RK611 - P4	
			-P18	N.C.(OPTIONAL)	
			-P19		
			-P20		
	7016951-0-0	UNIBUS PWR HARNESS	HARNESS - P21	N.C.(OPTIONAL)	
29	7014250-0K	CABLE POWER	PS*4 + 5V RET - C	MS780-J15-A	PS*4 + 5 RETURN
30		RTR MEMORY (BLK)	-D	-B	
31	7014529-0K	CABLE POWER	PS*4 + 5V - C	MS780-J18-A	PS*4 + 5V
32		+5 MEMORY (RED)	-D	-B	
33	7014243-3M	CABLE TO T.Q.D. BAT.	HARNESS - P2	KA780-J20	
			-P1	H7111 - J1	
34	7014243-21	FLOPPY RELAY SC PWR HARNESS	HARNESS - P1	KA780-J19	
			-P2	SCP - J3	
			-P3	RK01 - J1	
35	7014249-0L	CABLE POWER (BLK)	KA780+5A RET-D	FRAME	
56	7014212-0M	CABLE AC/DC LO	CABLE - P1	DW780-J13	SEE NOTE #3
			CABLE - P2	KA780-J17	

FP780
OR
FP780 + KU780

SEE NOTE 1

48	7014249-0L	POWER CABLE (BLK)	PS*1 + 5A RET - D	KA780+5A RET-D	PS*1 + 5 RETURN
49			-C	-C	
50			-B	-B	
51	7014249-0L	POWER CABLE (BLK)	PS*1 + 5A RET - A	KA780+5A RET-A	
52	7014530-0L	POWER CABLE (RED)	PS*1 + 5V - D	KA780+5A - D	PS*1 + 5A
53			-C	-C	
54			-B	-B	
55	7014530-0L	POWER CABLE (RED)	PS*1 + 5V - A	KA780+5A - A	
56	7014212-0M	CABLE AC DC LO	CABLE - P1	PS*1 - J3	AC,DC LOW+GND
			CABLE - P2	KA780 - J17	

OPTIONAL
SEE NOTE 3

KC780 OR KU780

SEE NOTE 2

57	7014530-0L	CABLE POWER (RED)	KA780 + 5A - D	KA780+5C - B	PS*2 + 5V
----	------------	-------------------	----------------	--------------	-----------

NOTES:

- REFER TO E-UA-KA780 FOR INSTRUCTIONS OF JUMPER REMOVAL IN CONFIGURATIONS USING PS*1
- IF THE FP780 IS INSTALLED, REMOVE ITEM 57.
- IF THE FP780 IS INSTALLED, ITEM #56 P1 CONNECTS TO PS*1 - J3 OTHERWISE IT IS CONNECTED TO DW780 - J13.

THIS SHEET FOR CU-CV VARIATION ONLY

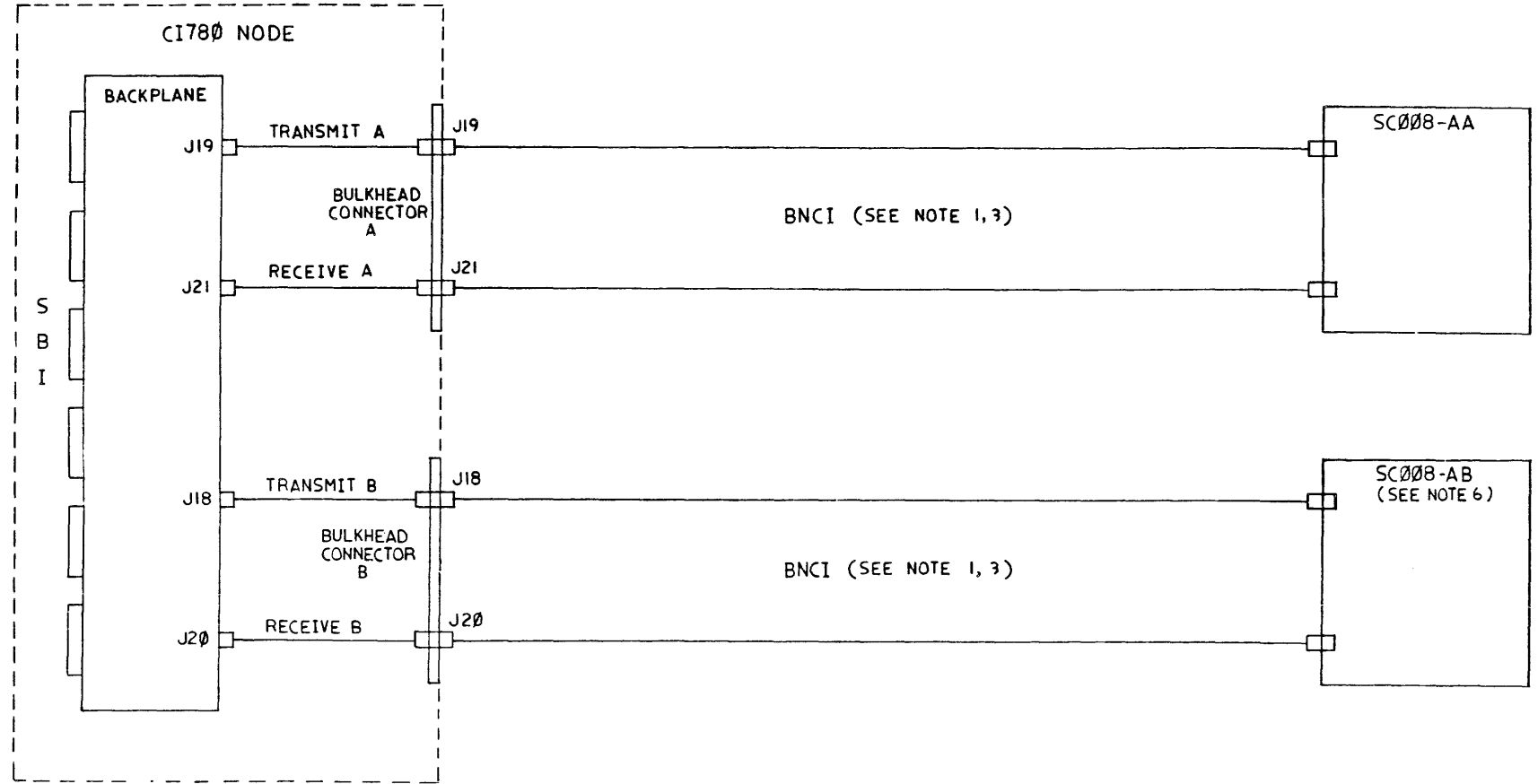
REVISION HISTORY		
DATE	ECO NUMBER	REV.

TITLE 11780 SUB-SYSTEM INTERCONNECT

DOCUMENT NUMBER		
SIZE	CODE	NUMBER
DIC		11780-0-3
SCALE		SHEET 9 OF 9

THIS DRAWING AND SPECIFICATIONS HEREIN ARE THE PROPERTY OF DIGITAL EQUIPMENT CORPORATION AND SHALL NOT BE REPRODUCED OR COPIED OR USED IN WHOLE OR IN PART AS THE BASIS FOR THE MANUFACTURE OR SALE OF ITEMS WITHOUT WRITTEN PERMISSION.
 COPYRIGHT © 1981 DIGITAL EQUIPMENT CORPORATION

- NOTES:
1. A BNCI CONSISTS OF TWO CABLES (1 TRANSMIT (TX), 1 RECEIVE (RX)).
 2. SYSTEM SHOWN IS DUAL PATH. BOTH SC008'S ARE MOUNTED IN THE SAME CABINET.
 3. BNCI CABLE ID TAGS (3618808) ARE COMPLETED WITH NODE, PATH AND CLUSTER INFORMATION AT SYSTEM CONFIGURATION TIME.
 4. FOR VAX I/O PANEL CONNECTOR LOCATIONS SEE DRAWING E-UA-CI780.
 5. FOR STAR COUPLER CONNECTOR LOCATIONS SEE DRAWING E-UA-SC008.
 6. SC008-AB OPTION IS REQUIRED FOR DUAL PATH CONFIGURATION.



REV	ECO NUMBER	DATE

DRW: <i>A. Hamilton</i>	DATE: 31 AUG 81	TITLE: digital
CHKD: <i>M. C.</i>	DATE: 9-21-81	CI780 SYSTEM INTERCONNECTION
DES. ENG: <i>M. Cannafello</i>	DATE: 9/21/81	DOCUMENT NUMBER
RESP. ENG: <i>M. Cannafello</i>	DATE: 9/21/81	D I C CI780-0-4 A
REV. ENG:	DATE:	SCALE: 1" = 1"
NET. ENG:	DATE:	SHEET 1 OF 3
E-UA-CI780-0-0		

8

h-0-0811 D I C
1780-0-4

6

5

4

3

2

1

THIS DRAWING AND SPECIFICATIONS HEREIN ARE THE PROPERTY OF DIGITAL EQUIPMENT CORPORATION AND SHALL NOT BE REPRODUCED OR COPIED OR USED IN WHOLE OR IN PART AS THE BASIS FOR THE MANUFACTURE OR SALE OF ITEMS WITHOUT WRITTEN PERMISSION. COPYRIGHT © 1981 DIGITAL EQUIPMENT CORPORATION

NOTES:
1. FOR SINGLE PATH CONFIGURATIONS USE A INTERCONNECTIONS.

NODE	FROM CI780	TO SC008	DESCRIPTION
0	J19	T(A)0	TRANSMIT PATH A
	J21	R(A)0	RECEIVE PATH A
	J18	T(B)0	TRANSMIT PATH B
	J20	R(B)0	RECEIVE PATH B
1	J19	T(A)1	SAME AS NODE 0
	J21	R(A)1	
	J18	T(B)1	
	J20	R(B)1	
2	J19	T(A)2	SAME AS NODE 0
	J21	R(A)2	
	J18	T(B)2	
	J20	R(B)2	
3	J19	T(A)3	SAME AS NODE 0
	J21	R(A)3	
	J18	T(B)3	
	J20	R(B)3	
4	J19	T(A)4	SAME AS NODE 0
	J21	R(A)4	
	J18	T(B)4	
	J20	R(B)4	
5	J19	T(A)5	SAME AS NODE 0
	J21	R(A)5	
	J18	T(B)5	
	J20	R(B)5	
6	J19	T(A)6	SAME AS NODE 0
	J21	R(A)6	
	J18	T(B)6	
	J20	R(B)6	
7	J19	T(A)7	SAME AS NODE 0
	J21	R(A)7	
	J18	T(B)7	
	J20	R(B)7	

TABLE 1
8 NODE DUAL PATH INTERCONNECT TABLE

NODE	FROM CI780	TO SC008	DESCRIPTION
0-7	SAME AS TABLE 1		
8	J19	T(A)8	TRANSMIT PATH A
	J21	R(A)8	RECEIVE PATH A
	J18	T(B)8	TRANSMIT PATH B
	J20	R(B)8	RECEIVE PATH B
9	J19	T(A)9	SAME AS NODE 8
	J21	R(A)9	
	J18	T(B)9	
	J20	R(B)9	
10	J19	T(A)10	SAME AS NODE 8
	J21	R(A)10	
	J18	T(B)10	
	J20	R(B)10	
11	J19	T(A)11	SAME AS NODE 8
	J21	R(A)11	
	J18	T(B)11	
	J20	R(B)11	
12	J19	T(A)12	SAME AS NODE 8
	J21	R(A)12	
	J18	T(B)12	
	J20	R(B)12	
13	J19	T(A)13	SAME AS NODE 8
	J21	R(A)13	
	J18	T(B)13	
	J20	R(B)13	
14	J19	T(A)14	SAME AS NODE 8
	J21	R(A)14	
	J18	T(B)14	
	J20	R(B)14	
15	J19	T(A)15	SAME AS NODE 8
	J21	R(A)15	
	J18	T(B)15	
	J20	R(B)15	

TABLE 2
16 NODE DUAL PATH INTERCONNECT TABLE

REVISION HISTORY		
DATE	ECO NUMBER	REV

TITLE CI780 SYSTEM INTERCONNECTION

DOCUMENT NUMBER		
SIZE CODE	NUMBER	REV.
D I C	CI780-0-4	A
SCALE	SHEET 2 OF 2	

8

7

6

5

4

3

2

1

DRG 130A

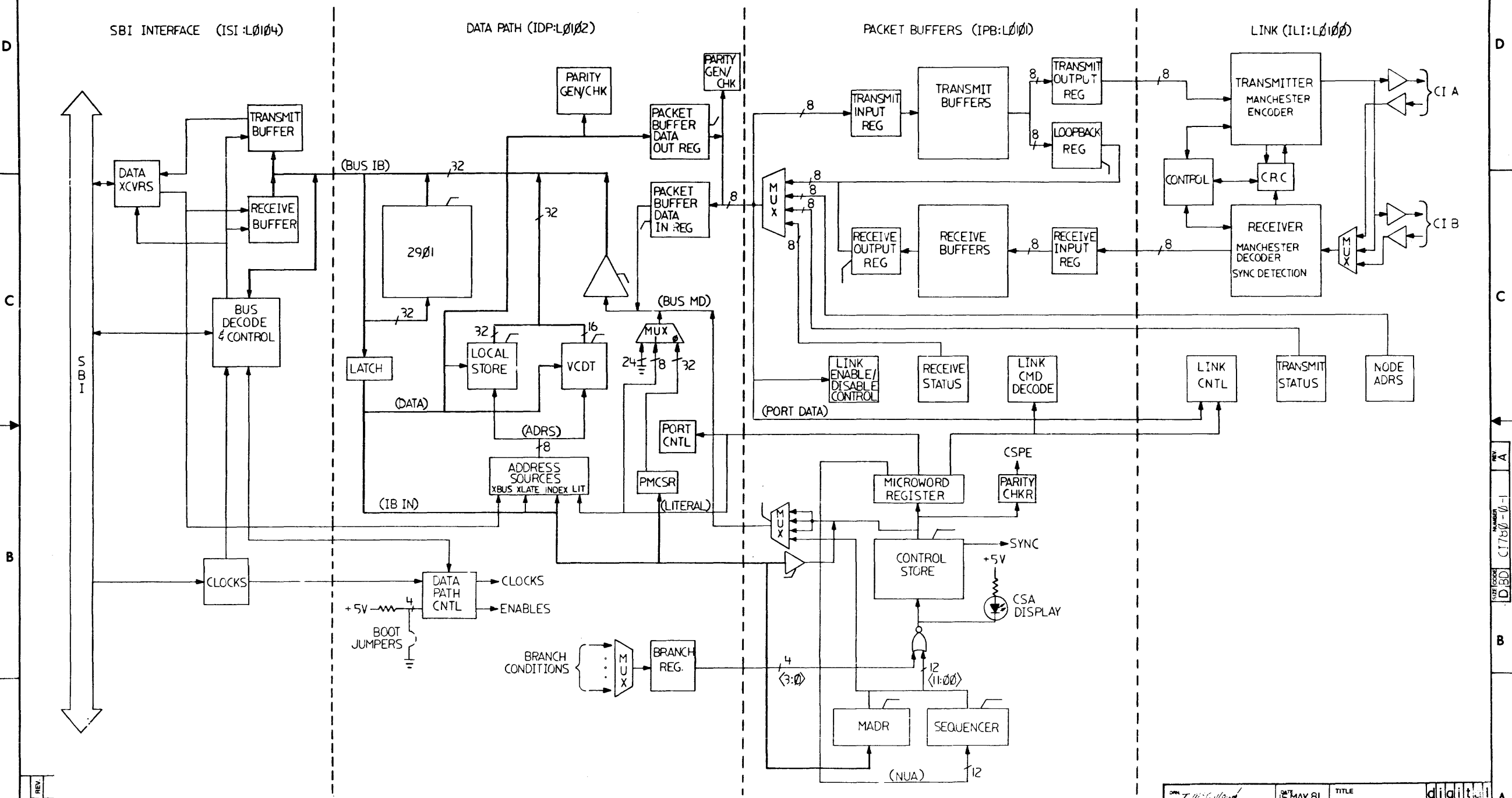
D I C CI780-0-4

B

A

THIS DRAWING AND SPECIFICATIONS HEREIN ARE THE PROPERTY OF DIGITAL EQUIPMENT CORPORATION AND SHALL NOT BE REPRODUCED OR COPIED OR USED IN WHOLE OR IN PART AS THE BASIS FOR THE MANUFACTURE OR SALE OF ITEMS WITHOUT WRITTEN PERMISSION. COPYRIGHT © 1981 DIGITAL EQUIPMENT CORPORATION

NOTES:  INDICATES A TRISTATE OUTPUT



REV.	DATE	ECO NUMBER	REVISION HISTORY

DRW. <i>T. McCalland</i>	DATE 15 MAY 81	TITLE digital
CHKD. <i>A. Rich</i>	DATE 19 MAY 81	CIT780 BLOCK DIAGRAM
DES. ENG. <i>M. Canafello</i>	DATE 7/21/81	DOCUMENT NUMBER
REP. ENG. <i>M. Canafello</i>	DATE 7/21/81	SIZE CODE D BD
WFL. ENG. <i>R. M. ...</i>	DATE 7/21/81	NUMBER C1780-0-1
NEXT HIGHER DOC. E-UA-C1780-0-0	SCALE NONE	SHEET 1 OF 3

8

1-0-001000

6

5

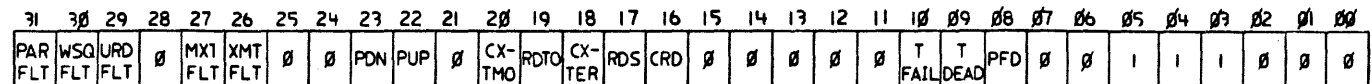
4

3

2

1

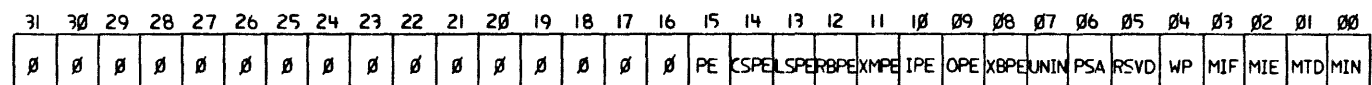
THIS DRAWING AND SPECIFICATIONS, HEREIN, ARE THE PROPERTY OF DIGITAL EQUIPMENT CORPORATION AND SHALL NOT BE REPRODUCED OR COPIED OR USED IN WHOLE OR IN PART AS THE BASIS FOR THE MANUFACTURE OR SALE OF ITEMS WITHOUT WRITTEN PERMISSION. COPYRIGHT © 1981 DIGITAL EQUIPMENT CORPORATION.



CONFIGURATION 2001C000

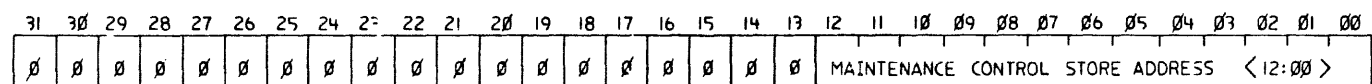
NOTES:
1. ADDRESSES SHOWN ARE FOR A C1780 AT TRI4.

BIT	FUNCTION
31	PARITY FAULT
30	WRITE SEQUENCE FAULT
29	UNEXPECTED READ DATA FAULT
27	MULTIPLE TRANSMITTER FAULT
26	TRANSMIT FAULT
23	ADAPTER POWER DOWN
22	ADAPTER POWER UP
20	COMMAND TRANSMIT TIMEOUT
19	READ DATA TIMEOUT
18	COMMAND TRANSMIT ERROR
17	READ DATA SUBSTITUTE
16	CORRECTED READ DATA
10	TRANSMIT FAIL
09	TRANSMIT DEAD
08	POWER FAIL DISABLE
07:00	ADAPTER CODE (38 HEX)

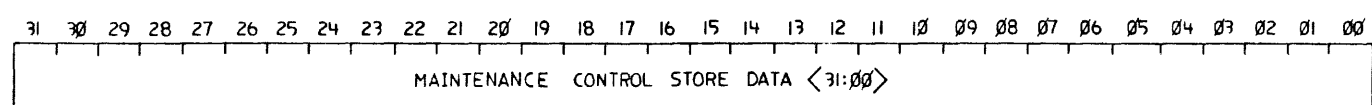


PORT MAINTENANCE CONTROL AND STATUS 2001C004 OR 2001C010

BIT	FUNCTION
15	PARITY ERROR
14	CONTROL STORE PARITY ERROR
13	LOCAL STORE PARITY ERROR
12	RECEIVE BUFFER PARITY ERROR
11	TRANSMIT MULTIPLE PARITY ERROR
10	INPUT PARITY ERROR
09	OUTPUT PARITY ERROR
08	TRANSMIT BUFFER PARITY ERROR
07	UNINITIALIZED STATE
06	PROGRAMMABLE STARTING ADDRESS
05	RESERVED
04	WRONG PARITY
03	MAINTENANCE INTERRUPT FLAG
02	MAINTENANCE INTERRUPT ENABLE
01	MAINTENANCE TIMER DISABLE
00	MAINTENANCE INITIALIZE



MAINTENANCE ADDRESS 2001C014



MAINTENANCE DATA 2001C018

REVISION HISTORY		
DATE	ECO NUMBER	REV

TITLE C1780 BLOCK DIAGRAM

DOCUMENT NUMBER		
SIZE CODE	NUMBER	REV.
D 3D	C1780-0-1	A
SCALE NONE	SHEET 2	OF 3

DRD 137A

8

7

6

5

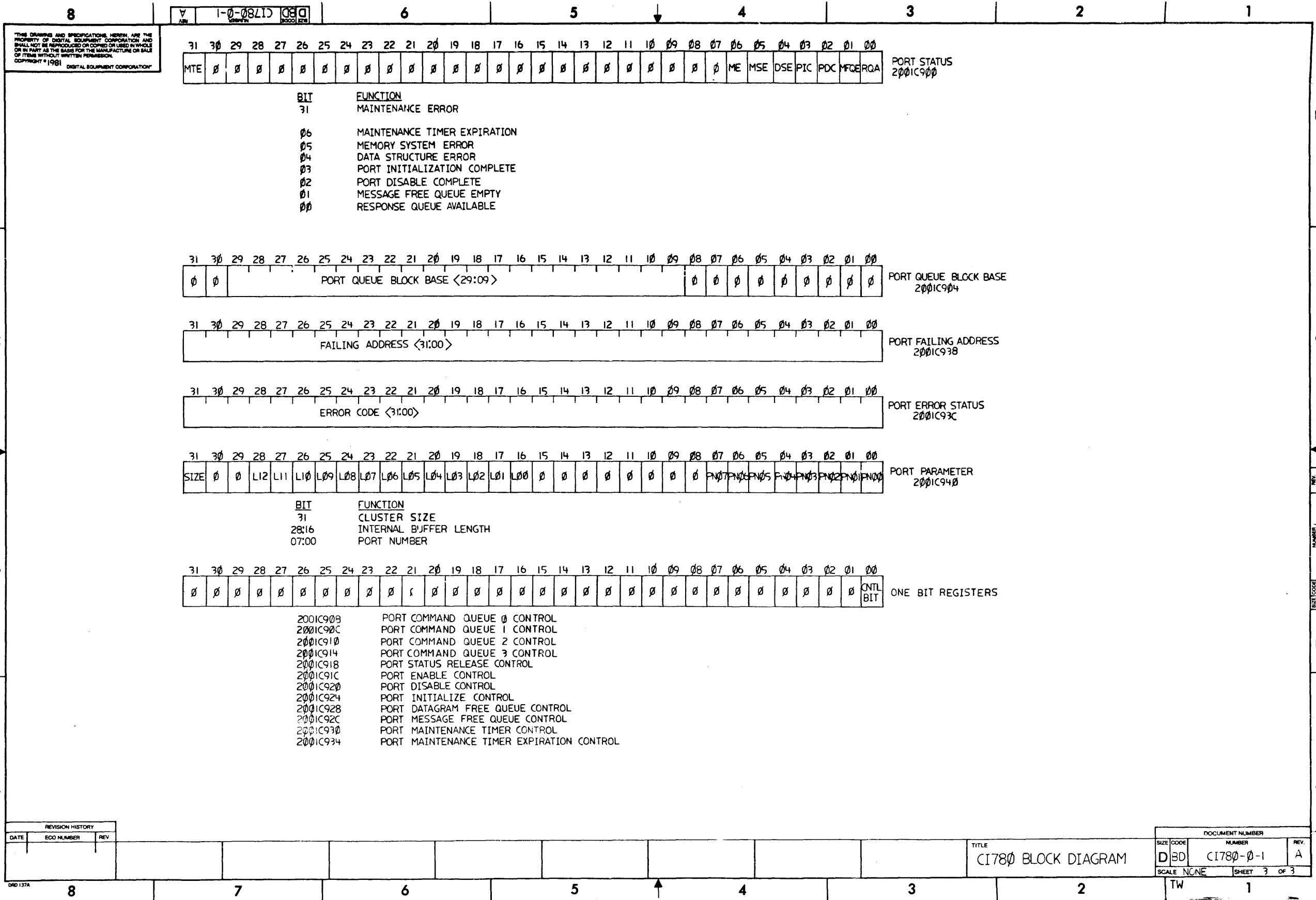
4

3

2

1

TW



DWG 137A

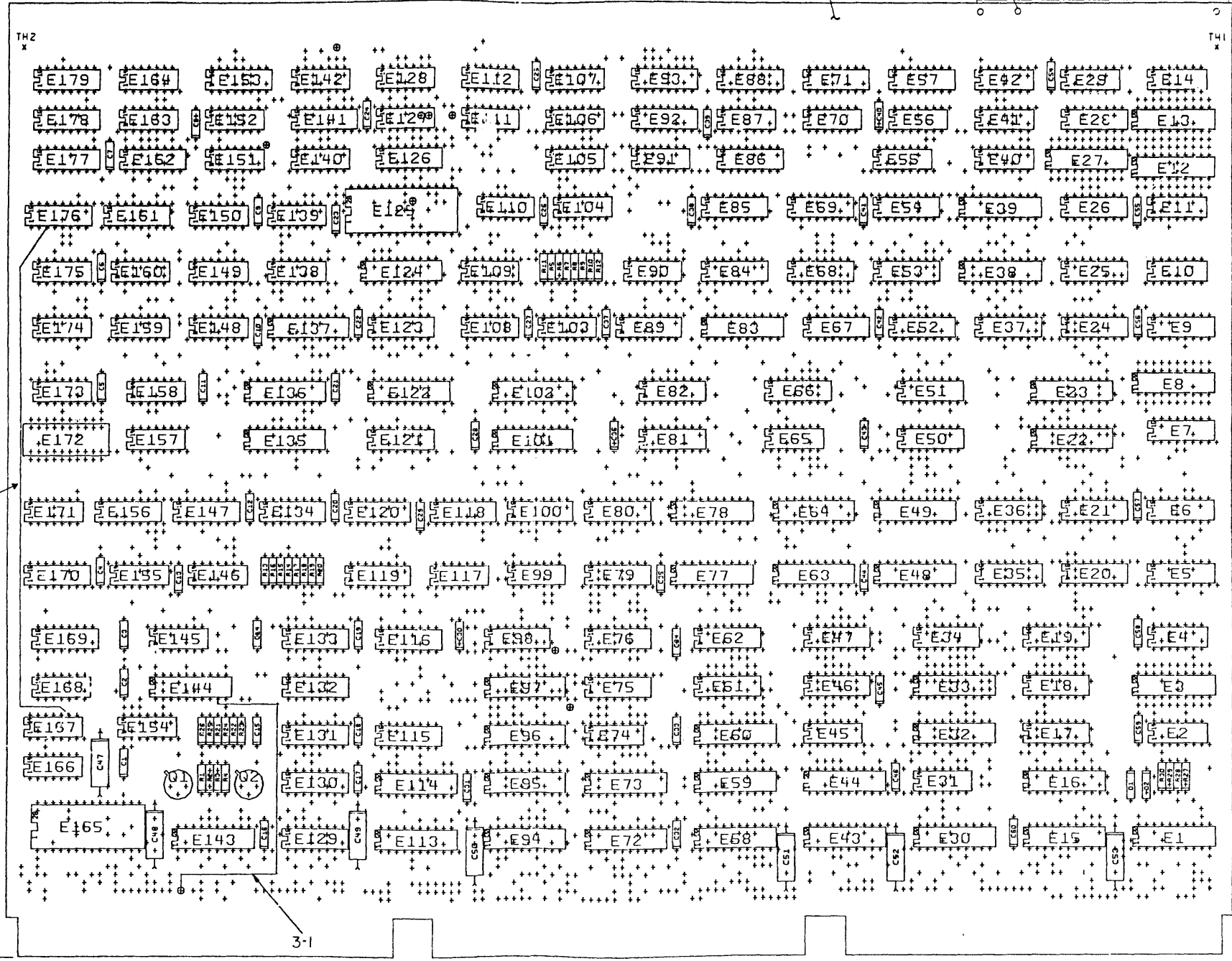
COMPONENT SIDE VIEW

15.69 F.B.S.
(398.53MM)
REF.

11.91
(302.62MM)
F.B.S.
REF.

3-2

3-1



DATE	11/7/74
DESIGNER	W. J. W.
CHECKED	W. J. W.
APPROVED	W. J. W.
SCALE	1:1
SHEET	1 OF 1
PROJECT	UA 10114-C-0
REV.	D

ST. NO.	1
REV.	D
DATE	11/7/74
BY	W. J. W.
CHECKED	W. J. W.
APPROVED	W. J. W.
SCALE	1:1
SHEET	1 OF 1
PROJECT	UA 10114-C-0
REV.	D

CHANGE NO.	REV.
1	
2	
3	
4	
5	
6	
7	
8	
9	
10	

NOTES:

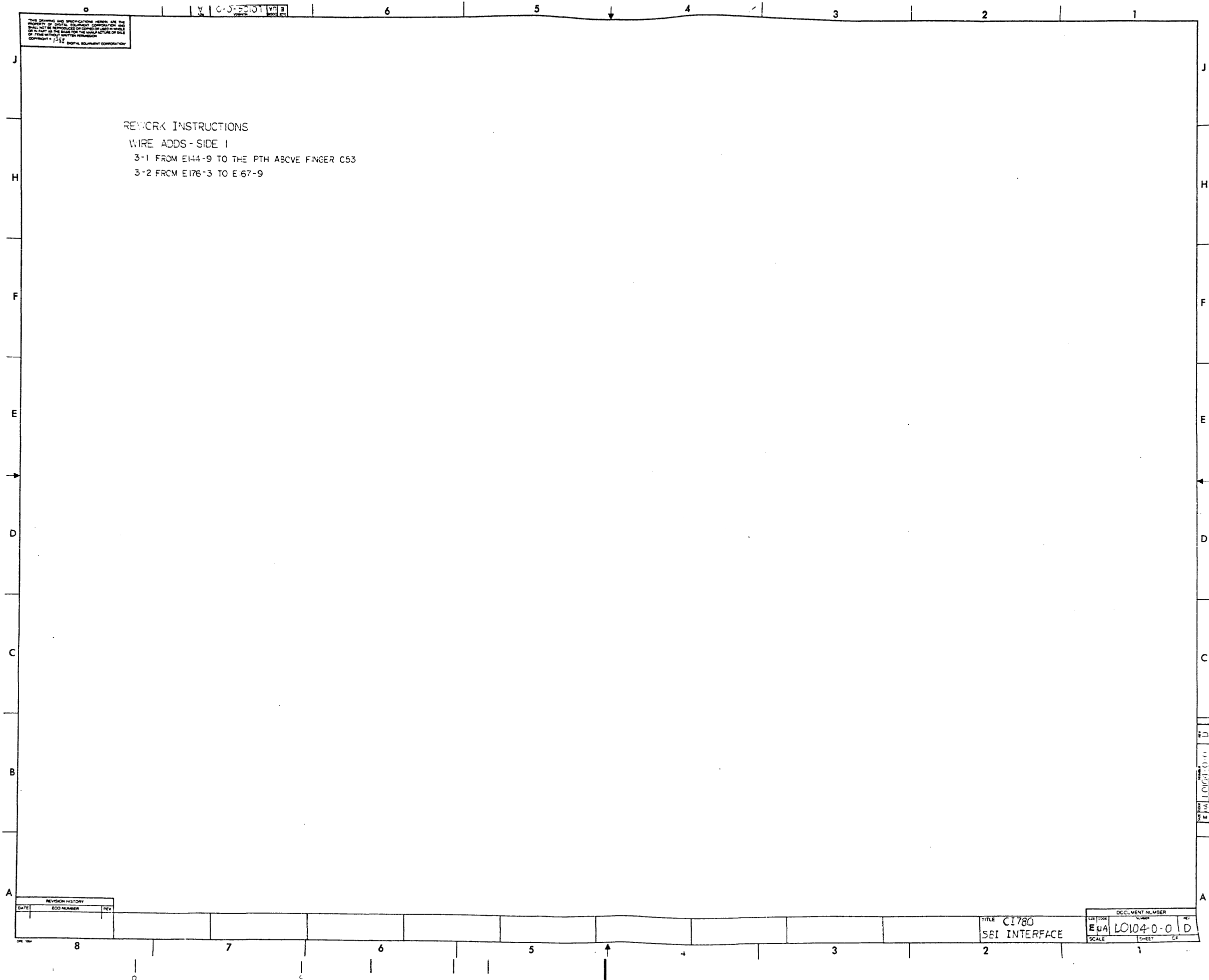
1. SIZE OF LOGIC IS AS SHOWN
2. ALL LOGIC IS TO BE Y.Y.V.O.

STEP	1	2	3	4	5	6	7	8	9	10
REV.										

THIS DRAWING IS THE PROPERTY OF THE UNITED STATES GOVERNMENT AND IS LOANED TO YOU. IT AND ITS CONTENTS ARE NOT TO BE DISTRIBUTED OUTSIDE YOUR ORGANIZATION. IT IS TO BE RETURNED TO THE SOURCE OF ORIGIN UPON REQUEST.

THIS DRAWING AND SPECIFICATIONS HEREBY ARE THE PROPERTY OF THE DRAWING COMPANY AND SHALL NOT BE REPRODUCED OR COPIED IN WHOLE OR IN PART WITHOUT THE WRITTEN PERMISSION OF THE DRAWING COMPANY.

REWORK INSTRUCTIONS
 WIRE ADDS - SIDE 1
 3-1 FROM E144-9 TO THE PTH ABOVE FINGER C53
 3-2 FROM E176-3 TO E167-9



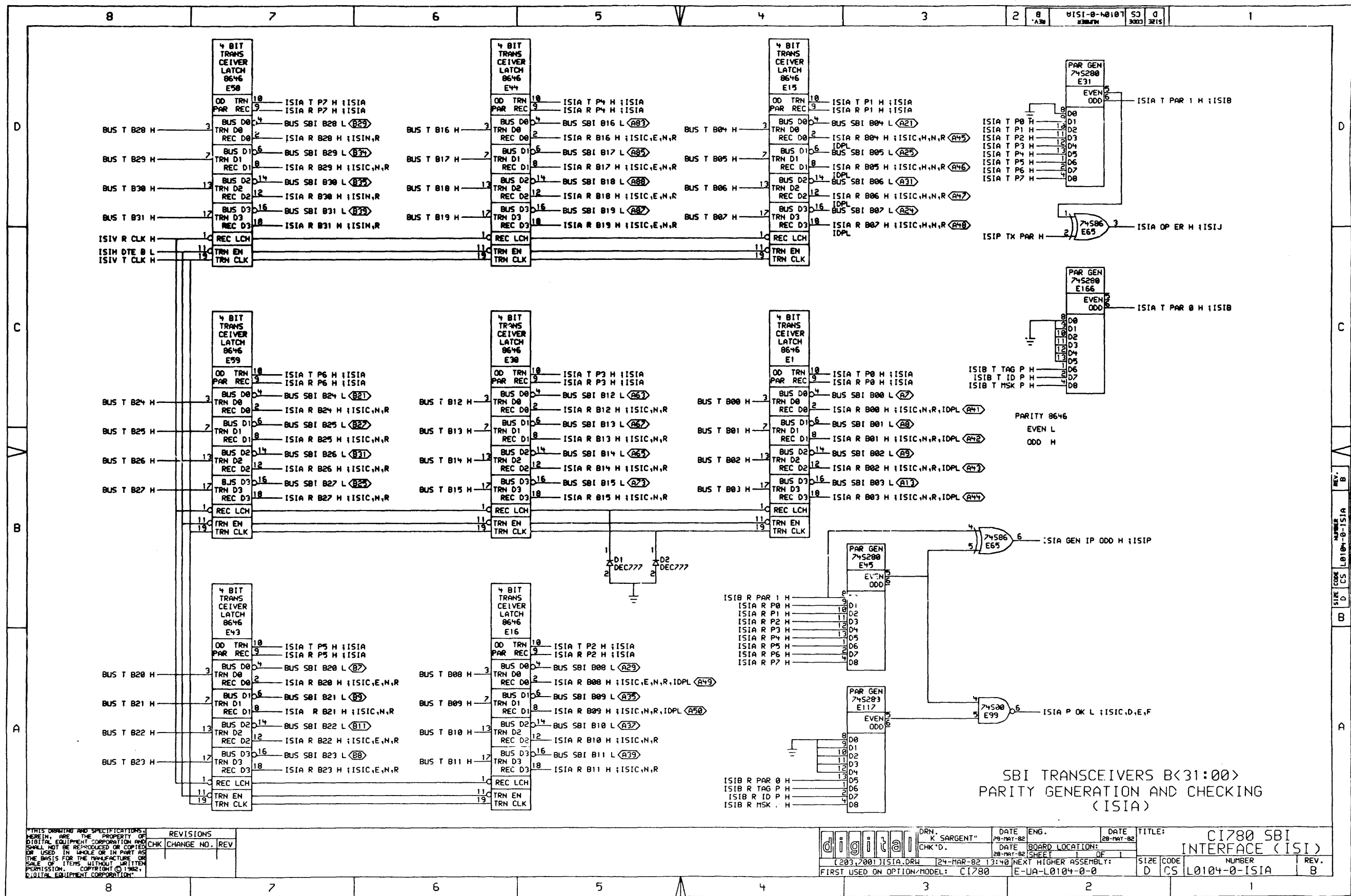
REVISION HISTORY		
DATE	ECO NUMBER	REV

TITLE C1780
 SEI INTERFACE

DOCUMENT NUMBER
 Eua L0104-0-01 D
 SCALE SHEET OF

LINE	ITEM	DOCUMENT NUMBER	PART NUMBER	DESCRIPTION	QTY PER VARIATION	REFERENCE DESIGNATOR
					00	
28	28		1912388-00	74S02 NOR GATE-QUAD 2IN,PO	8	E4,E56,E103,E108,E140,E148,E163,E175
29	29		1912389-00	74S08 AND GATE-QUAD 2IN,PO	2	E127,E149
30	30		1912647-00	LS257 MUX 1 OF 2 (QUAD)	8	E25,E37,E52,E54,E67,E69,E84,E85
31	31		1912656-00	LS670 REGISTER FILE,4X4,LO	18	E18,E20,E21,E34,E36,E46,E50,E51,E61,E66,E75,E76,E81,E82,E98,E118,E120,E134
32	32		1912731-00	DEC 8646A TRANSCEIVER,4BIT BUS	15	E1,E15,E16,E30,E43,E44,E58,E59,E72,E94,E95,E113,E114,E143,E73
33	33		1912746-00	DEC 74S37 NAND GATE-QUAD 2IN	1	E154
34	34		1912799-00	LS00 NAND-GATE-QUAD 2IN,P	1	E167
35	35		1912813-00	LS27 NOR GATE-TRIPLE 3IN	1	E87
36	36		1912824-00	LS74 FF-D DUAL,EDGE TRIGG	2	E155,E168
37	37		1912860-00	LS259 LATCH 8BIT	2	E53,E68
38	38		1912865-00	LS283 ADDER-4BIT BINARY FU	1	E17
39	39		1913220-00	10216 RECEIVER,TRIPLE LINE	1	E129
40	40		1913294-00	93S16 COUNTER,SYNCH UP BIN	6	E9,E24,E170,E177-E179
41	41		1913340-00	74S32 OR GATE-QUAD 2IN	2	E150,E159
42	42		1913462-00	74S240 OCTAL BUFFER,INVERTI	1	E144
43	43		1913493-00	74S241 OCTAL BUFFER,TRI-STA	1	E23
44	44		1913670-00	74S373 LATCH,8BIT TRANS TRI	1	E122
45	45		1913671-00	74S374 FF-D,OCTAL,TRI STATE	14	E22,E33,E48,E49,E60,E63,E64,E77,E78,E96,E97,E124,E135,E137
46	46		1913730-00	DC 101 PRIORITY ARBITRATOR	1	E165
47	47		1913888-00	DC 102A EQUALS CHECKER 8BIT	4	E83,E101,E102,E136
48	48		1914085-00	74S260 NOR GATE-DUAL,POS	3	E10,E40,E142
49	49		23051K3-00	K3-01 PAL,REG CONT	1	E39
50	50		23040K3-00	K3-01 PAL,REG CONT	1	E38
51	51		23055J5-00	J5-01 PAL,LOGIC,CONT	1	E32
52	52		23078C6-00	C6-01	1	E125
53	53		23310A1-00	A1-07	1	E123
54	54		23311A1-00	A1-07	1	E126
55	55		12169E8-02	HANDLE,MODULE,HEX TWO EJECTORS	1	
56	56		9000024-01	EYELET,ROLLED 0.1210DX0.192	12	
57	57		9105740-55	WIRE(WRAP) 30AWG KYNAR UL14	A/R	

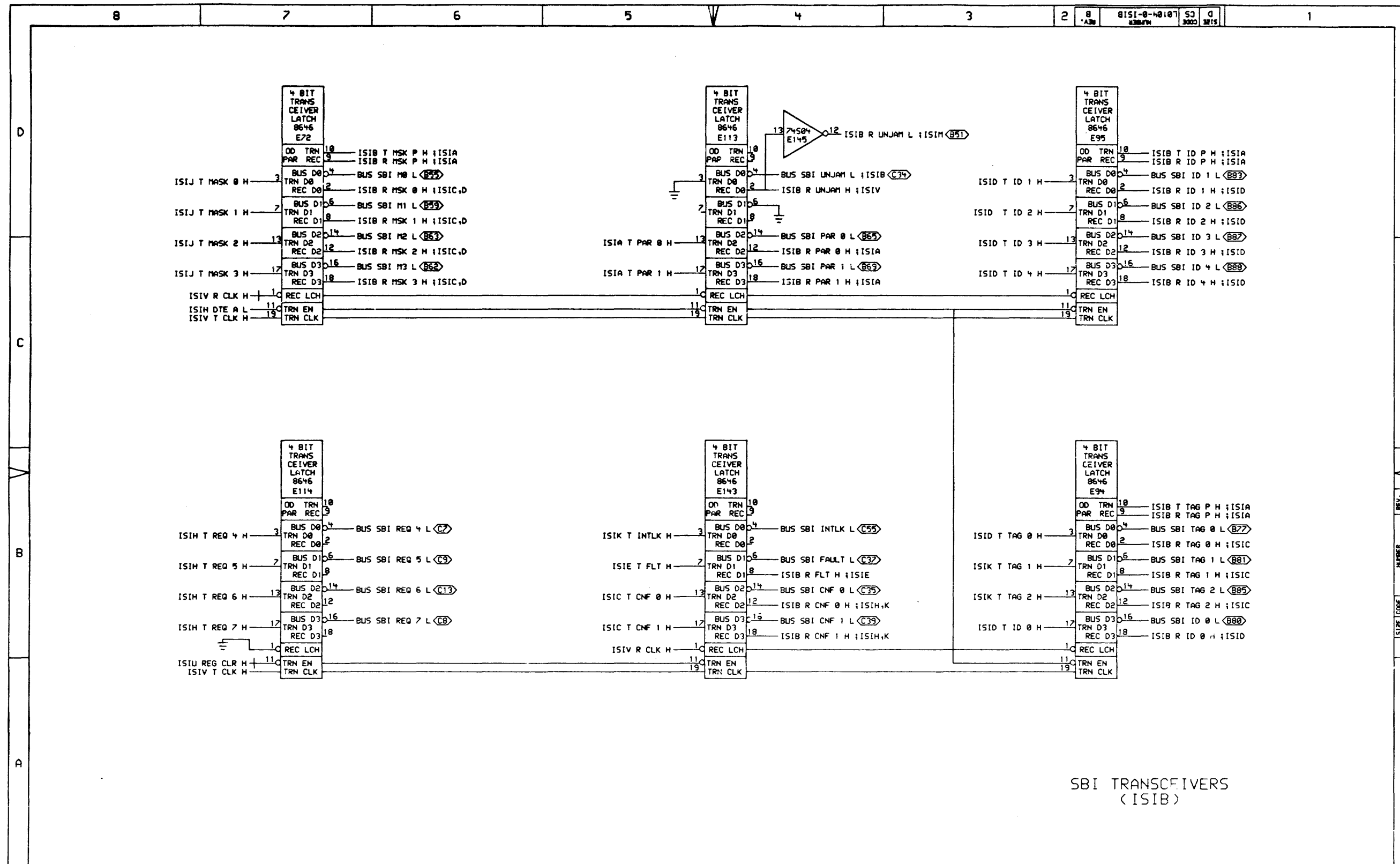
D	I	G	I	T	A	L	TITLE	SECTION A OF A	SIZE	CODE	DOCUMENT NUMBER	REV
CHK	HH	#4					ISI		K	PL	L0104-0-DBP	D



THIS DRAWING AND SPECIFICATIONS ARE THE PROPERTY OF DIGITAL EQUIPMENT CORPORATION AND SHALL NOT BE REPRODUCED OR COPIED OR USED IN WHOLE OR IN PART AS THE BASIS FOR THE MANUFACTURE OR SALE OF ITEMS WITHOUT WRITTEN PERMISSION. COPYRIGHT © 1982, DIGITAL EQUIPMENT CORPORATION.

REVISIONS		
CHK	CHANGE NO.	REV

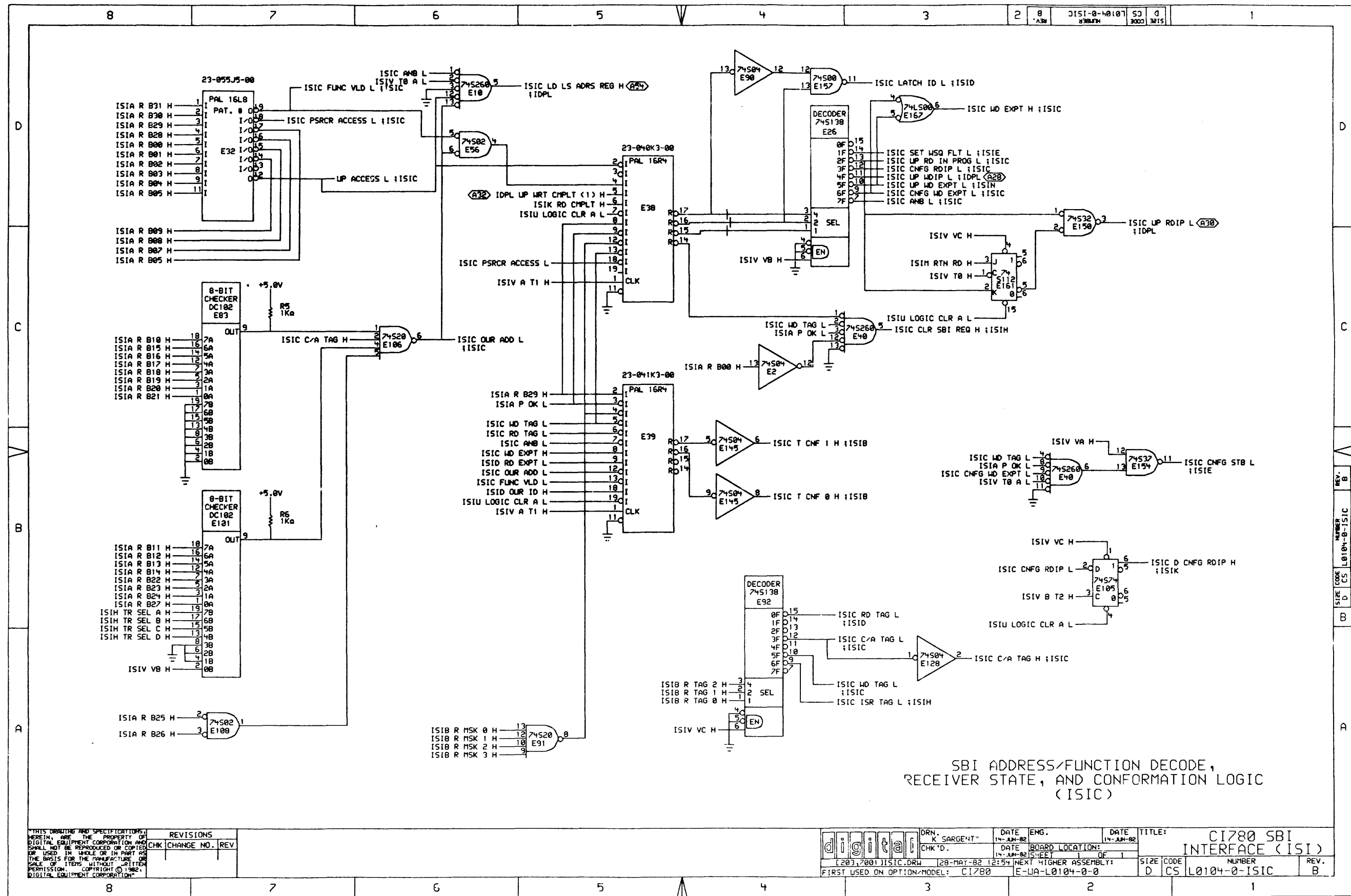
digital	DRN. "K SARGENT"	DATE 28-MAY-82	ENG.	DATE 28-MAY-82	TITLE: C1780 SBI INTERFACE (ISI)
	CHK'D.	DATE 28-MAY-82	BOARD LOCATION: 1	SHEET 1	SIZE CODE D CS L0104-0-0
FIRST USED ON OPTION/MODEL: C1780		NEXT HIGHER ASSEMBLY: E-UA-L0104-0-0		NUMBER	REV. B



SBI TRANSCEIVERS
(ISIB)

<small>THIS DRAWING AND SPECIFICATIONS ARE THE PROPERTY OF DIGITAL EQUIPMENT CORPORATION AND SHALL NOT BE REPRODUCED OR COPIED OR USED IN WHOLE OR IN PART AS THE BASIS FOR THE MANUFACTURE OR SALE OF ITEMS WITHOUT WRITTEN PERMISSION. COPYRIGHT © 1982, DIGITAL EQUIPMENT CORPORATION.</small>		REVISIONS CHK CHANGE NO. REV		digital <small>DRN. "K. SARGENT"</small> <small>CHK'D.</small>		<small>DATE 28-MAY-82</small> <small>DATE 28-MAY-82</small>	<small>ENG.</small> <small>BOARD LOCATION:</small>	<small>DATE 28-MAY-82</small> <small>SHEET 1 OF 1</small>	TITLE: CI780 SBI INTERFACE (ISI)	
<small>FIRST USED ON OPTION/MODEL: CI780</small>				<small>DATE 24-MAR-82 13:41</small>		<small>NEXT HIGHER ASSEMBLY: E-UA-L0104-0-0</small>		<small>SIZE CODE D CS</small>	<small>NUMBER L0104-0-ISIB</small>	<small>REV. B</small>

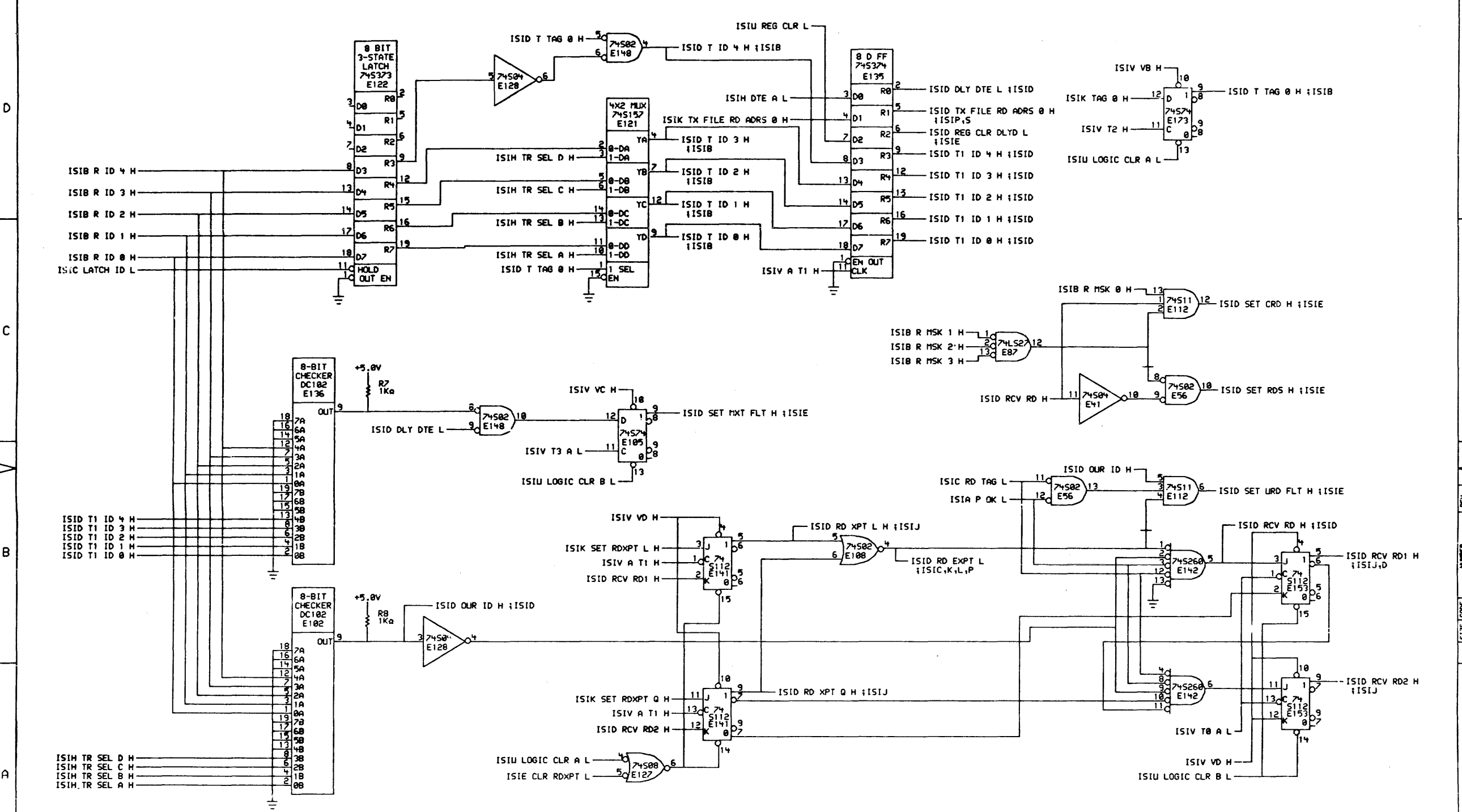
REV. B
NUMBER L0104-0-ISIB
SIZE CODE D CS



THIS DRAWING AND SPECIFICATIONS ARE THE PROPERTY OF DIGITAL EQUIPMENT CORPORATION AND SHALL NOT BE REPRODUCED OR COPIED OR USED IN WHOLE OR IN PART AS THE BASIS FOR THE MANUFACTURE OR SALE OF ITEMS WITHOUT WRITTEN PERMISSION. COPYRIGHT © 1982, DIGITAL EQUIPMENT CORPORATION.

REVISIONS	
CHK	CHANGE NO. REV

digital	DRN. K. SARGENT	DATE 14-JUN-82	ENG.	DATE 14-JUN-82	TITLE: CI780 SBI INTERFACE (ISI)
	CHK'D.	DATE 28-MAY-82	BOARD LOCATION: 14-JUN-82 SHEET 1 OF 1	SIZE CODE D CS	NUMBER L0104-0-ISIC
FIRST USED ON OPTION/MODEL: CI780		NEXT HIGHER ASSEMBLY: E-UA-L0104-0-0		REV. B	

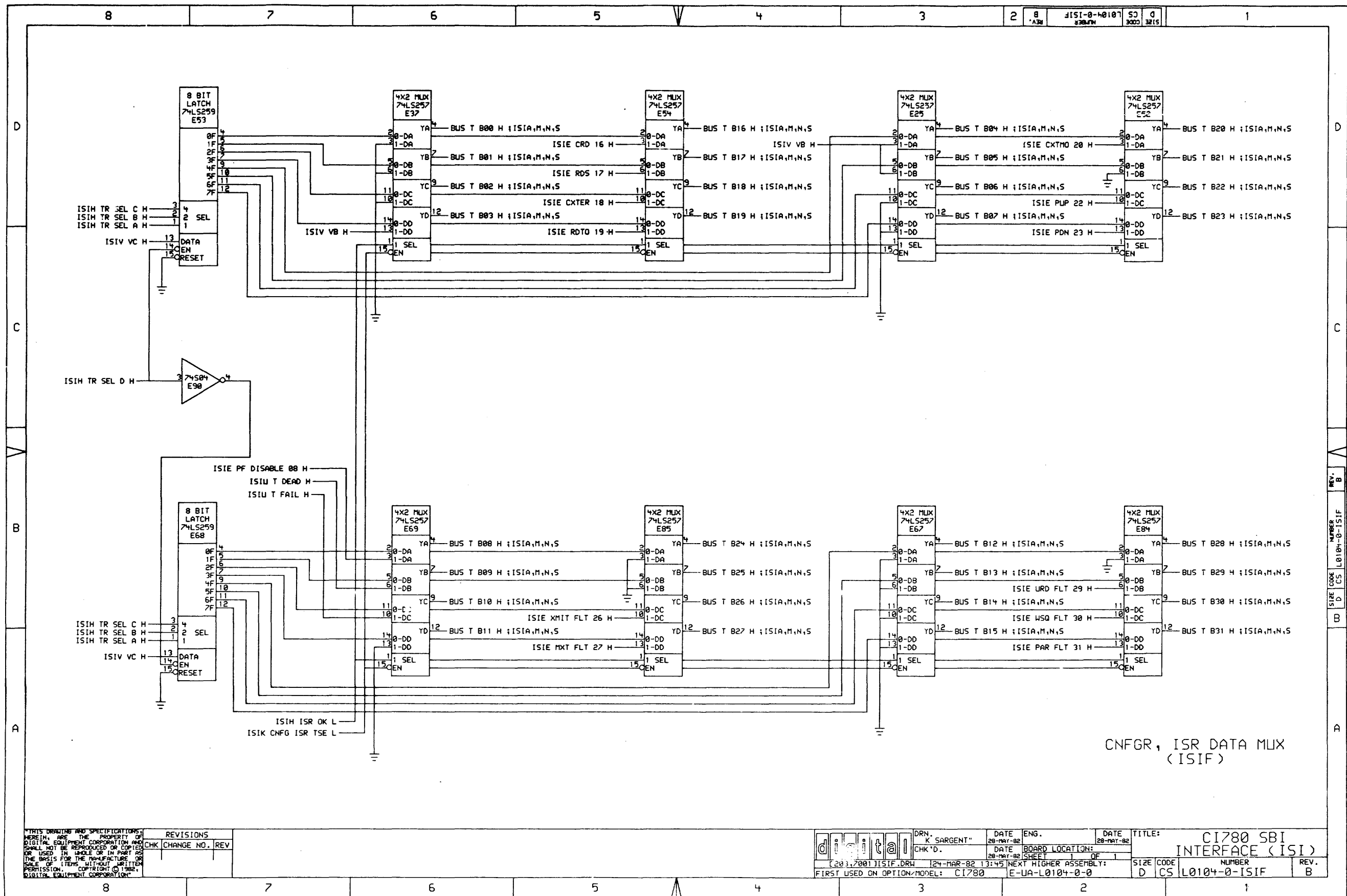


ID LOGIC, RECEIVER READ DATA LOGIC (ISID)

REVISIONS	
CHK	CHANGE NO. REV

digital	DRN.	ENG.	DATE	DATE	TITLE
	K SARGENT		28-MAY-82	28-MAY-82	CI780 SBI INTERFACE (ISI)
[203,700] ISID.DRW		24-MAR-82	13:45	NEXT HIGHER ASSEMBLY:	SIZE CODE
FIRST USED ON OPTION/MODEL: CI780		E-UA-L0104-0-0		D CS	NUMBER
					L0104-0-ISID
					REV. B

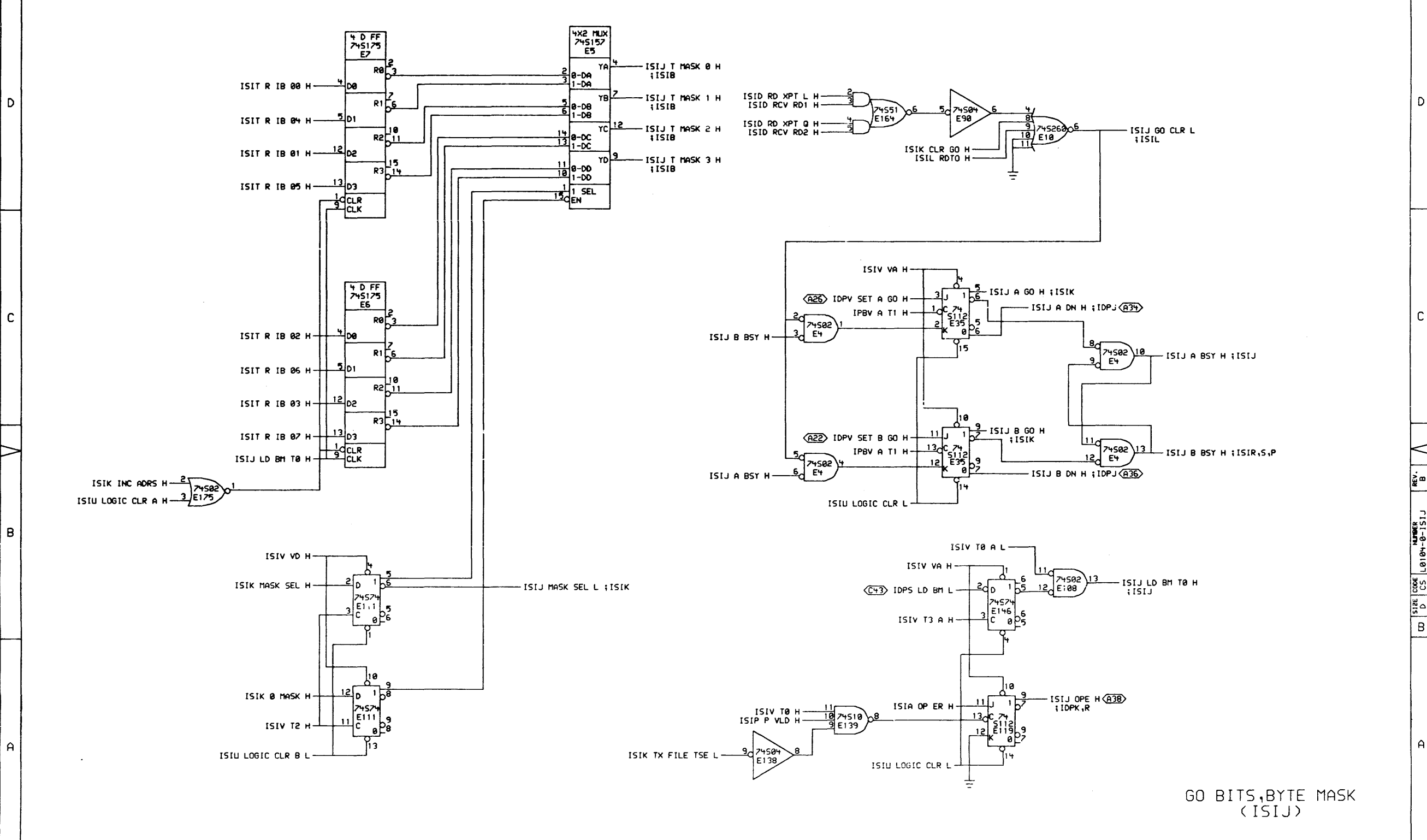
REV. B
 NUMBER L0104-0-ISID
 SIZE CODE D CS
 B
 A



THIS DRAWING AND SPECIFICATIONS
HEREIN ARE THE PROPERTY OF
DIGITAL EQUIPMENT CORPORATION AND
SHALL NOT BE REPRODUCED OR COPIED
OR USED IN WHOLE OR IN PART AS
THE BASIS FOR THE MANUFACTURE OR
SALE OF ITEMS WITHOUT WRITTEN
PERMISSION. COPYRIGHT © 1982,
DIGITAL EQUIPMENT CORPORATION.

REVISIONS		
CHK	CHANGE NO.	REV

digital	DRN.	DATE	ENG.	DATE	TITLE:
	K SARGENT	28-MAY-82		28-MAY-82	CI780 SBI INTERFACE (ISI)
	CHK'D.	DATE	BOARD LOCATION:	SHEET	OF
		28-MAY-82		1	1
FIRST USED ON OPTION/MODEL: CI780		NEXT HIGHER ASSEMBLY:		SIZE	CODE
		E-UA-L0104-0-0		D	CS
				NUMBER	REV.
				L0104-0-ISIF	B



GO BITS, BYTE MASK (ISIJ)

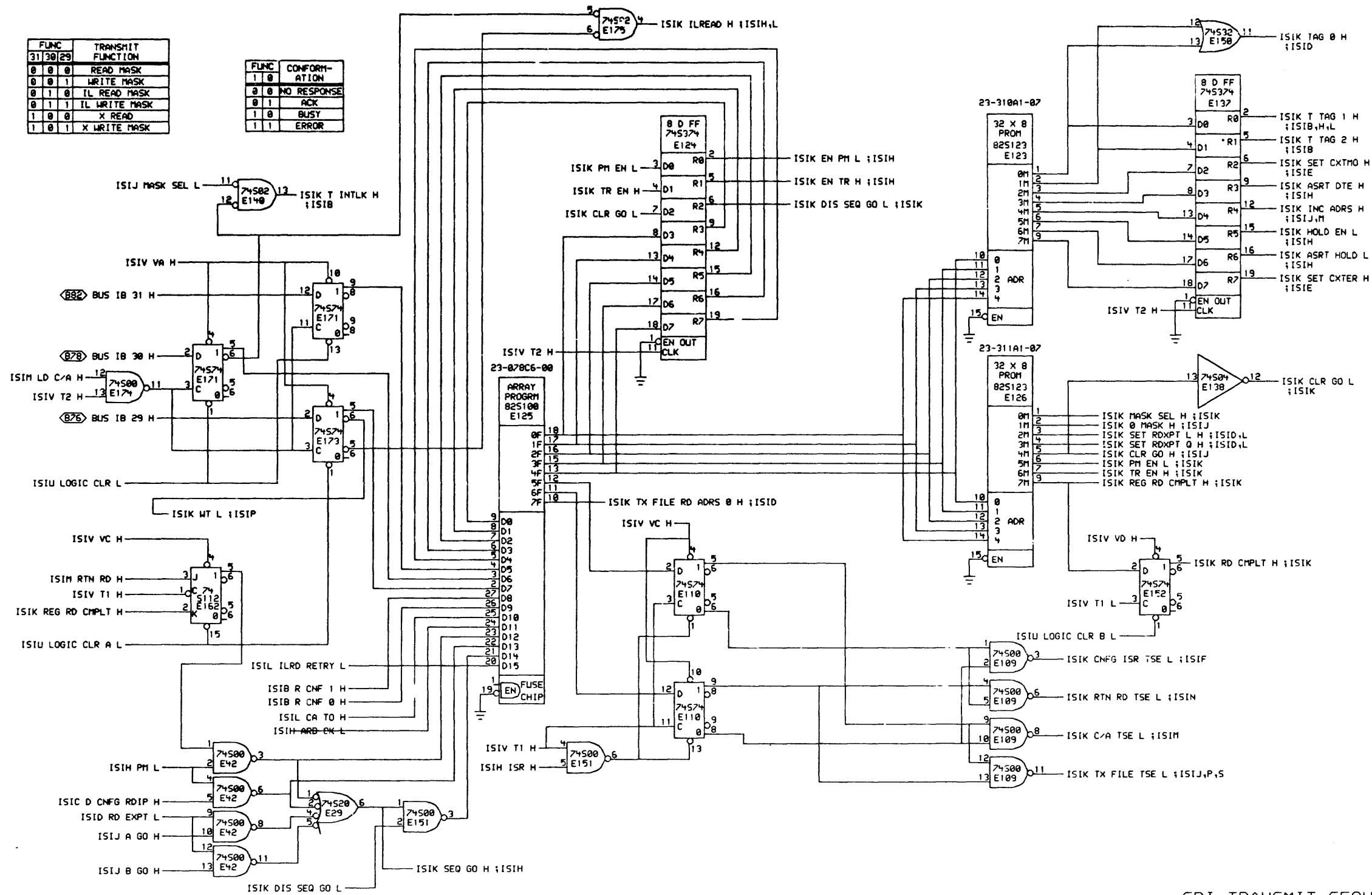
THIS DRAWING AND SPECIFICATIONS HEREIN ARE THE PROPERTY OF DIGITAL EQUIPMENT CORPORATION AND SHALL NOT BE REPRODUCED OR COPIED OR USED IN WHOLE OR IN PART AS THE BASIS FOR THE MANUFACTURE OR SALE OF ITEMS WITHOUT WRITTEN PERMISSION. COPYRIGHT © 1982, DIGITAL EQUIPMENT CORPORATION.

REVISIONS	
CHK	CHANGE NO. REV

digital	DRN. K SARGENT	DATE 28-MAY-82	ENG.	DATE 28-MAY-82	TITLE: C1780 SBI INTERFACE (ISIJ)
	CHK'D.	DATE 28-MAY-82	BOARD LOCATION:	SHEET 1 OF 1	SIZE CODE D CS
FIRST USED ON OPTION MODEL: C1780		NEXT HIGHER ASSEMBLY: E-UA-L0104-0-0		NUMBER L0104-0-ISIJ	REV. B

FLUNC	TRANSMIT FUNCTION
31 30 29	READ MASK
0 0 0	WRITE MASK
0 1 0	IL READ MASK
0 1 1	IL WRITE MASK
1 0 0	X READ
1 0 1	X WRITE MASK

FLUNC	CONFORMATION
1 0	NO RESPONSE
0 1	ACK
1 0	BUSY
1 1	ERROR



SBI TRANSMIT SEQUENCER (ISIK)

THIS DRAWING AND SPECIFICATIONS ARE THE PROPERTY OF DIGITAL EQUIPMENT CORPORATION AND SHALL NOT BE REPRODUCED OR COPIED OR USED IN WHOLE OR IN PART AS THE BASIS FOR THE MANUFACTURE OR SALE OF ITEMS WITHOUT WRITTEN PERMISSION. COPYRIGHT © 1982, DIGITAL EQUIPMENT CORPORATION

REVISIONS	CHK	CHANGE NO.	REV

DRN	SARGENT	DATE	ENG.	DATE	TITLE
K		28-JUN-82		28-JUN-82	C1780 SBI INTERFACE (ISI)
CHK'D.					

SIZE	CODE	NUMBER	REV.
K	CS	L0104-0-ISIK	B

DSKD: [203,7001] ISIK.DRW [28-MAY-82 12:54] NEXT HIGHER ASSEMBLY: C1780
 FIRST USED ON OPTION/MODEL: E-UA-L0104-0-0

8

7

6

5

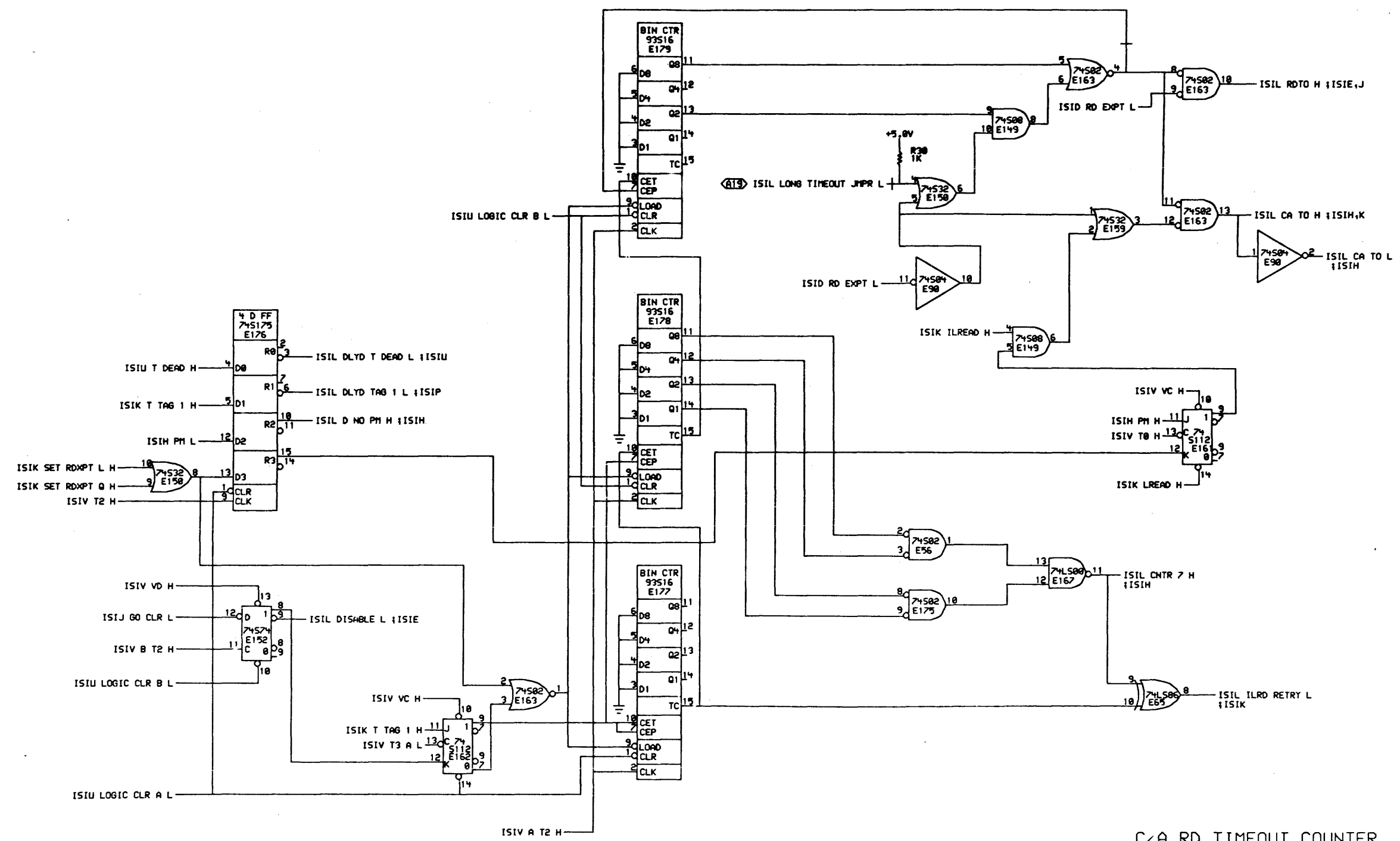
4

3

2

1

SCALE 2 "D" RELEASE BOX



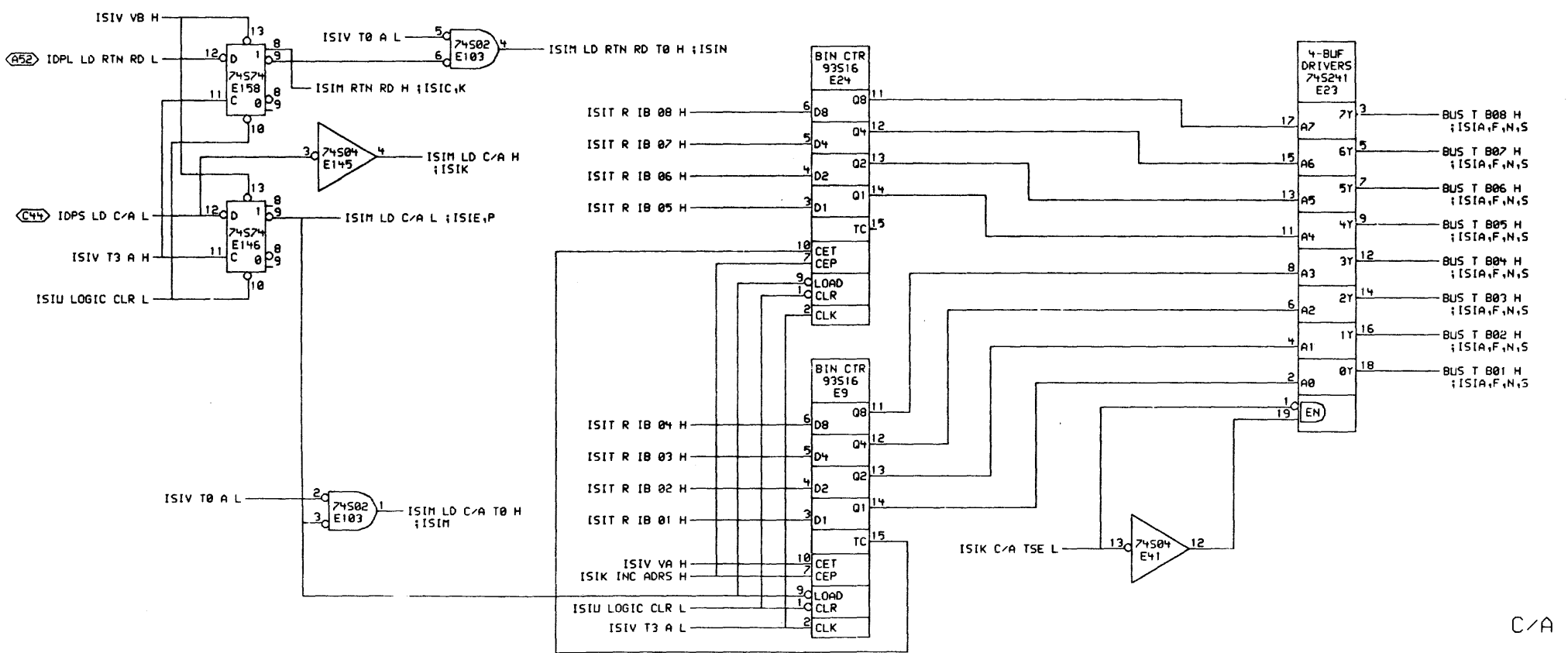
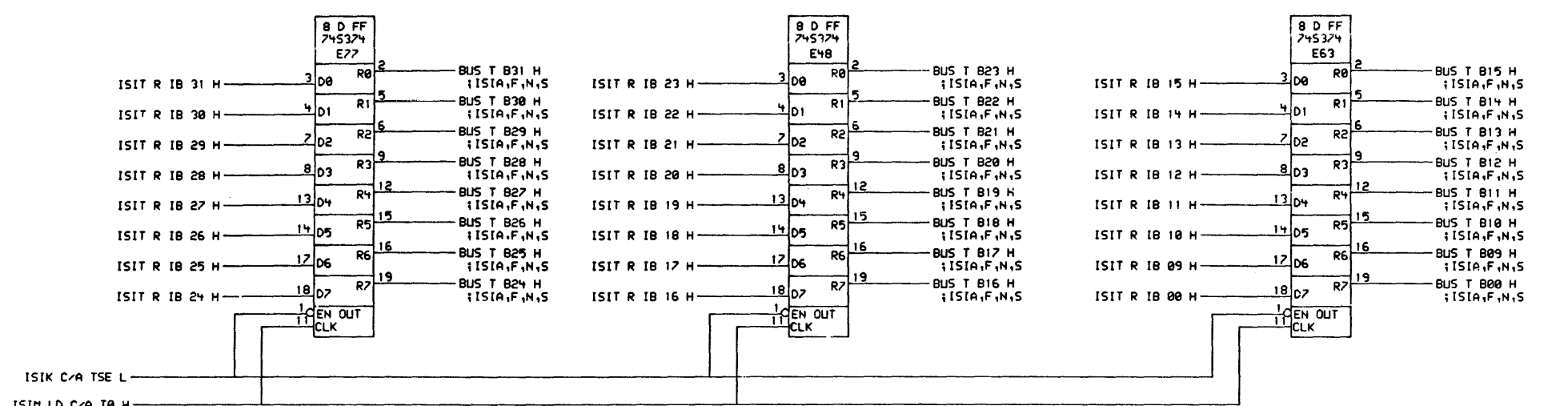
C/A RD TIMEOUT COUNTER (ISIL)

THIS DRAWING AND SPECIFICATIONS ARE THE PROPERTY OF DIGITAL EQUIPMENT CORPORATION AND SHALL NOT BE REPRODUCED OR COPIED OR USED IN WHOLE OR IN PART OR THE BASIS FOR THE MANUFACTURE OR SALE OF ITEMS WITHOUT WRITTEN PERMISSION. COPYRIGHT © 1984, DIGITAL EQUIPMENT CORPORATION.

REVISIONS	
CHK	CHANGE NO. REV

digital	DRN. K SARGENT*	DATE 15-FEB-84	ENG.	DATE 15-FEB-84	TITLE: CI780 SBI INTERFACE (ISI)
	CHK'D.	DATE 11-MAY-83 20:00	BOARD LOCATION:	OF 1	NUMBER
DSKC:DUVAL,ISIL.DRW		NEXT HIGHER ASSEMBLY:		SIZE CODE K	CS L0104-0-ISIL
FIRST USED ON OPTION/MODEL: CI780		E-LA-L0104-0-0		REV. D	

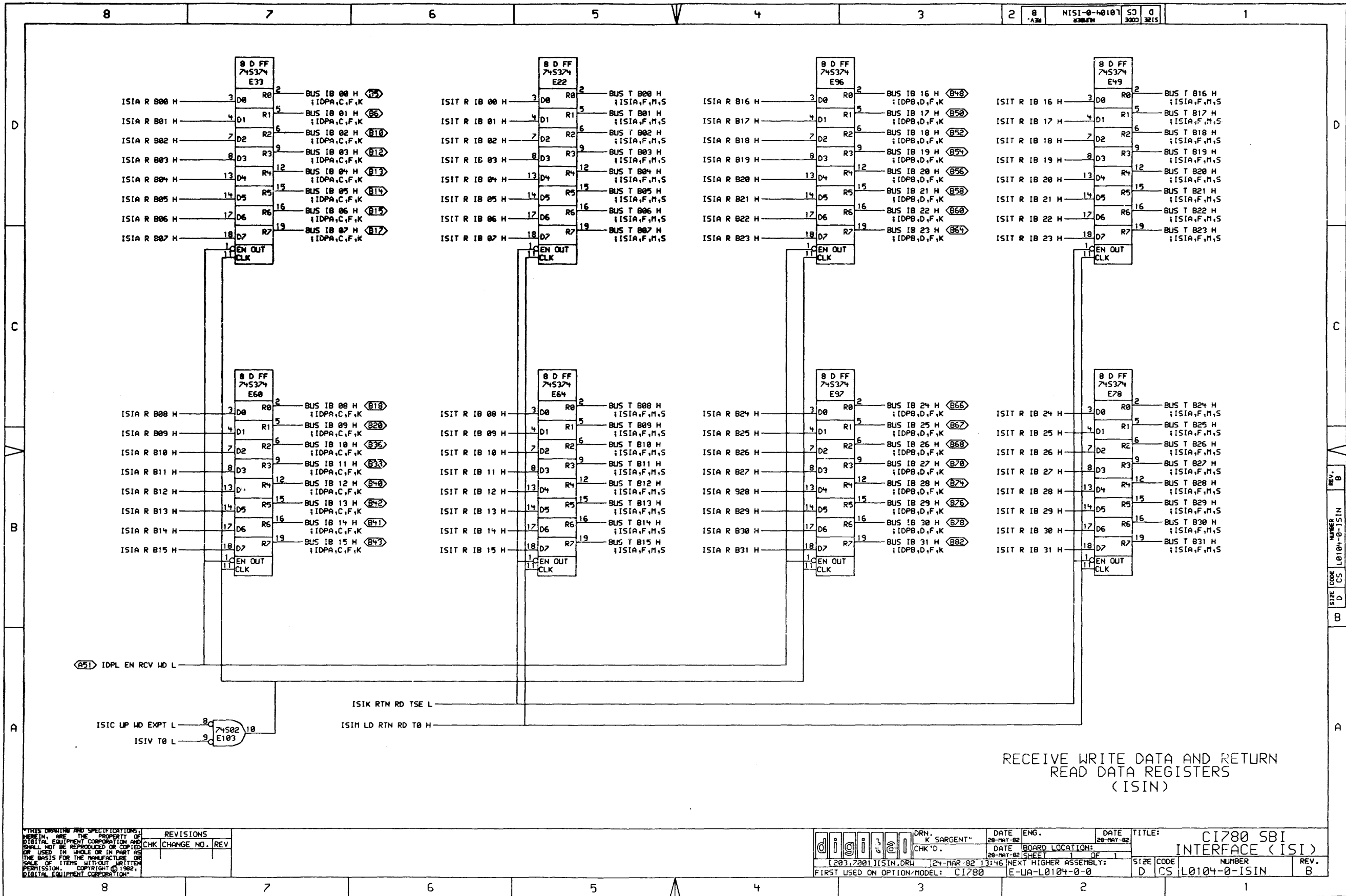
REV. D
NUMBER L0104-0-ISIL
SIZE CODE K



THIS DRAWING AND SPECIFICATIONS HEREIN ARE THE PROPERTY OF DIGITAL EQUIPMENT CORPORATION AND SHALL NOT BE REPRODUCED OR COPIED OR USED IN WHOLE OR IN PART AS THE BASIS FOR THE MANUFACTURE OR SALE OF ITEMS WITHOUT WRITTEN PERMISSION. COPYRIGHT © 1983, DIGITAL EQUIPMENT CORPORATION.

REVISIONS	
CHK	CHANGE NO. REV.

digital	DRN. K. SARGENT	DATE 21-JAN-83	ENG.	DATE 21-JAN-83	TITLE: C1780 SBI INTERFACE (ISI)
	CHK'D.	DATE 21-JAN-83	BOARD LOCATION:	SHEET 1 OF 1	NUMBER
DSK3: (BEHM) ISIM.DRW		12-AUG-82 00:00	NEXT HIGHER ASSEMBLY:	SIZE CODE K CS	REV. C
FIRST USED ON OPTION/MODEL: C1780		E-UA-1.0104-0-0		L0104-0-ISIM	

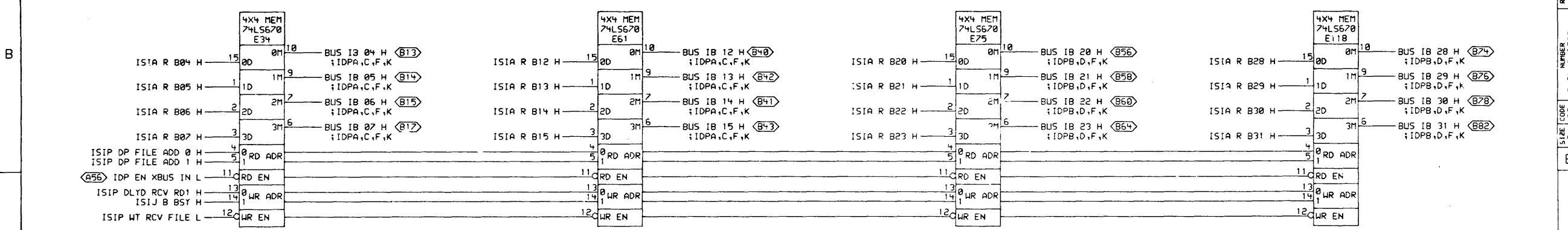
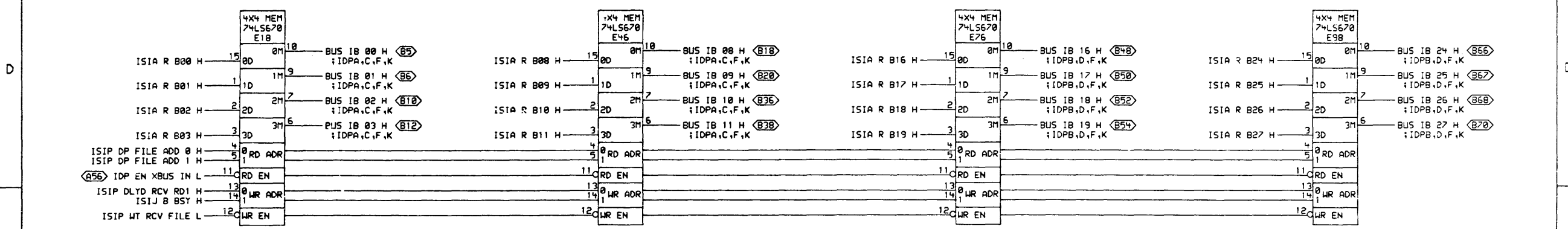


THIS DRAWING AND SPECIFICATIONS, HEREIN, ARE THE PROPERTY OF DIGITAL EQUIPMENT CORPORATION AND SHALL NOT BE REPRODUCED OR COPIED OR USED IN WHOLE OR IN PART AS THE BASIS FOR THE MANUFACTURE OR SALE OF ITEMS WITHOUT WRITTEN PERMISSION. COPYRIGHT © 1982, DIGITAL EQUIPMENT CORPORATION.

REVISIONS	
CHK	CHANGE NO. REV

digital	DRN. K SARGENT	DATE 28-MAY-82	ENG.	DATE 28-MAY-82	TITLE: CI780 SBI INTERFACE (ISI)
	CHK'D.	DATE 28-MAY-82	BOARD LOCATION:	OF 1	SIZE CODE D CS
FIRST USED ON OPTION MODEL: CI780		124-MAR-82 13:45	NEXT HIGHER ASSEMBLY:	E-UA-L0104-0-0	NUMBER L0104-0-ISIN

REV. B

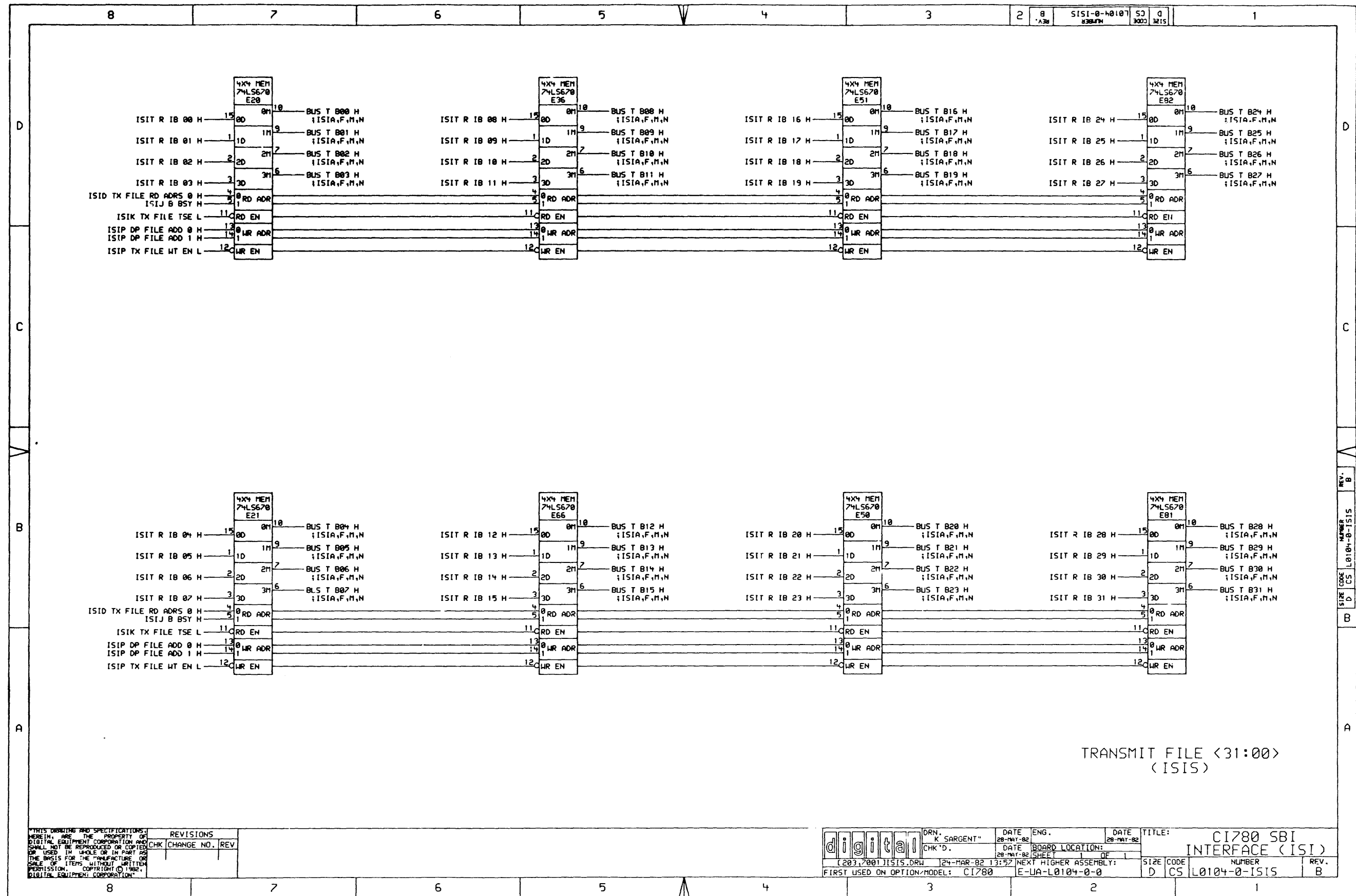


RECEIVER FILE <31:00>
(ISIR)

THIS DRAWING AND SPECIFICATIONS ARE THE PROPERTY OF DIGITAL EQUIPMENT CORPORATION AND SHALL NOT BE REPRODUCED OR COPIED OR USED IN WHOLE OR IN PART AS THE BASIS FOR THE MANUFACTURE OR SALE OF ITEMS WITHOUT WRITTEN PERMISSION. COPYRIGHT © 1982, DIGITAL EQUIPMENT CORPORATION.

REVISIONS	
CHK	CHANGE NO. REV

digital	DRN. K SARGENT	DATE 28-MAY-82	ENG.	DATE 28-MAY-82	TITLE: CI780 SBI INTERFACE (ISI)
	CHK'D.	DATE 28-MAY-82	BOARD LOCATION: SHEET 1 OF 1	SIZE CODE D CS	NUMBER L0104-0-ISIR
FIRST USED ON OPTION/MODEL: CI780		NEXT HIGHER ASSEMBLY: E-UA-L0104-0-0		REV. B	

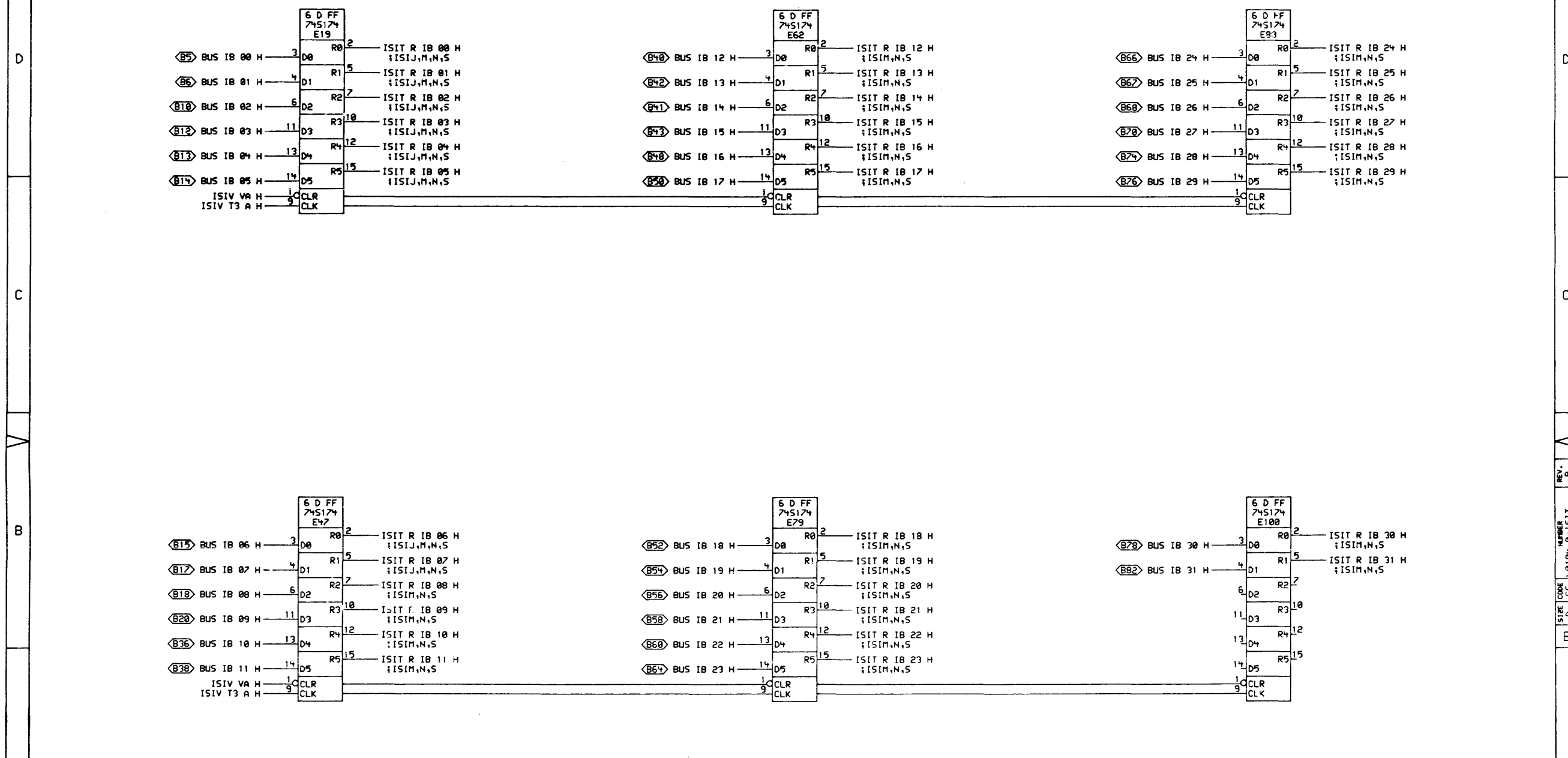


TRANSMIT FILE <31:00>
(ISIS)

THIS DRAWING AND SPECIFICATIONS HEREIN ARE THE PROPERTY OF DIGITAL EQUIPMENT CORPORATION AND SHALL NOT BE REPRODUCED OR COPIED OR USED IN WHOLE OR IN PART AS THE BASIS FOR THE MANUFACTURE OR SALE OF ITEMS WITHOUT WRITTEN PERMISSION. COPYRIGHT © 1982, DIGITAL EQUIPMENT CORPORATION.

REVISIONS	
CHK	CHANGE NO. REV.

digital	DRN. K. SARGENT	DATE 28-MAY-82	ENG.	DATE 28-MAY-82	TITLE: CI780 SBI INTERFACE (ISI)
	CHK'D.	DATE 28-MAY-82	BOARD LOCATION: 1	OF 1	
FIRST USED ON OPTION/MODEL: CI780		NEXT HIGHER ASSEMBLY: E-LA-L0104-0-0		SIZE CODE D CS	NUMBER L0104-0-ISIS
				REV. B	

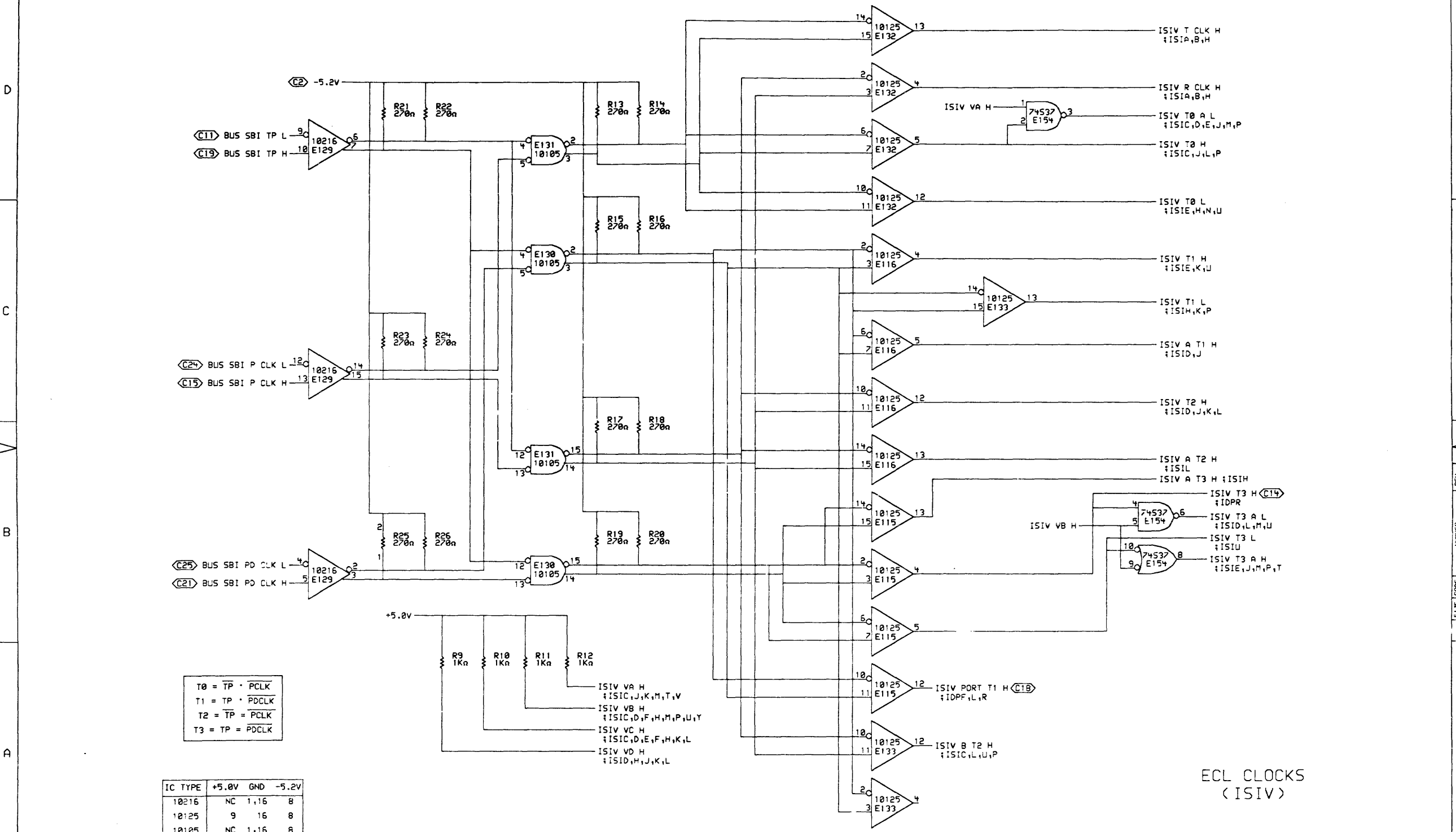


IB RECEIVE REGISTER
(ISIT)

THIS DRAWING AND SPECIFICATIONS HEREIN ARE THE PROPERTY OF DIGITAL EQUIPMENT CORPORATION AND SHALL NOT BE REPRODUCED OR COPIED OR USED IN WHOLE OR IN PART AS THE BASIS FOR THE MANUFACTURE OR SALE OF ITEMS WITHOUT WRITTEN PERMISSION. COPYRIGHT © 1982, DIGITAL EQUIPMENT CORPORATION.

REVISIONS		
CHK	CHANGE NO.	REV.

digital	DRN. K. SARGENT	DATE 28-MAR-82	ENG.	DATE 29-MAR-82	TITLE: C1780 SBI INTERFACE (ISI)
	CHK'D.	DATE 28-MAR-82	BOARD LOCATION:	SHEET 1 OF 1	SIZE CODE NUMBER REV. D CS L0104-0-ISIT B
FIRST USED ON OPTION/MODEL: C1780		NEXT HIGHER ASSEMBLY: E-UA-L0104-0-0			



ECL CLOCKS
(ISIV)

THIS DRAWING AND SPECIFICATIONS HEREIN ARE THE PROPERTY OF DIGITAL EQUIPMENT CORPORATION AND SHALL NOT BE REPRODUCED OR COPIED OR USED IN WHOLE OR IN PART AS THE BASIS FOR THE MANUFACTURE OR SALE OF ITEMS WITHOUT WRITTEN PERMISSION. COPYRIGHT © 1983, DIGITAL EQUIPMENT CORPORATION.

REVISIONS		
CHK	CHANGE NO.	REV

digital DRN. K SARGENT* DATE 21-JAN-83 ENG. DATE 21-JAN-83 TITLE: CI780 SBI INTERFACE (ISI)

CHK'D. DATE 21-JAN-83 BOARD LOCATION: SHEET 1 OF 1

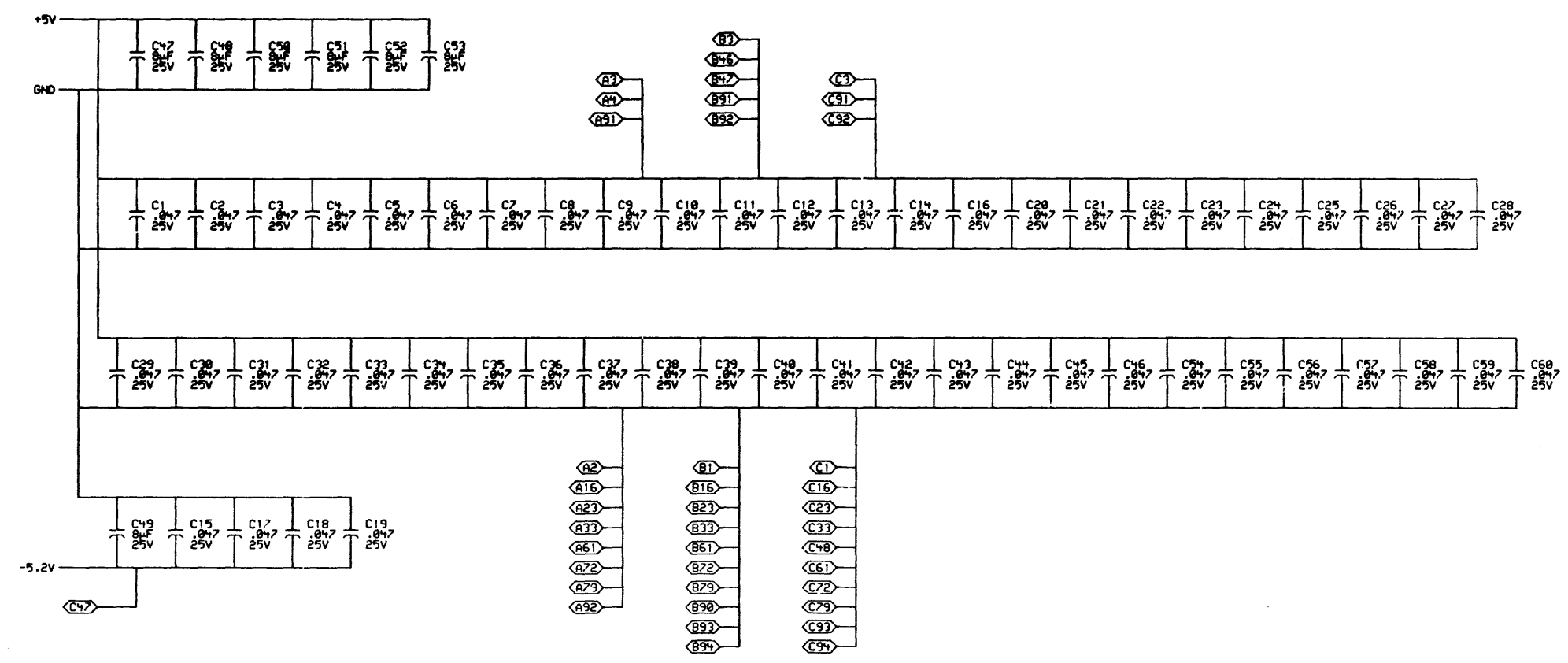
DSKB: (BEHM)ISIV.DRW 120-JAN-83 18:10 NEXT HIGHER ASSEMBLY: SIZE CODE NUMBER REV. K CS L0104-0-0101 C

FIRST USED ON OPTION/MODEL: CI780 E-UA-L-0104-0-0

+5.0V PINS
 A03 A04 A91
 B03 B46 B47 B91 B92
 C03 C91 C92

-5.2V PINS
 C47

GROUND PINS
 A02 A16 A23 A33 A61 A72 A79 A92
 B01 B16 B23 B33 B61 B72 B79 B90 B93 B94
 C01 C16 C23 C33 C48 C61 C72 C79 C93 C94



(CAPS)
 (ISIW)

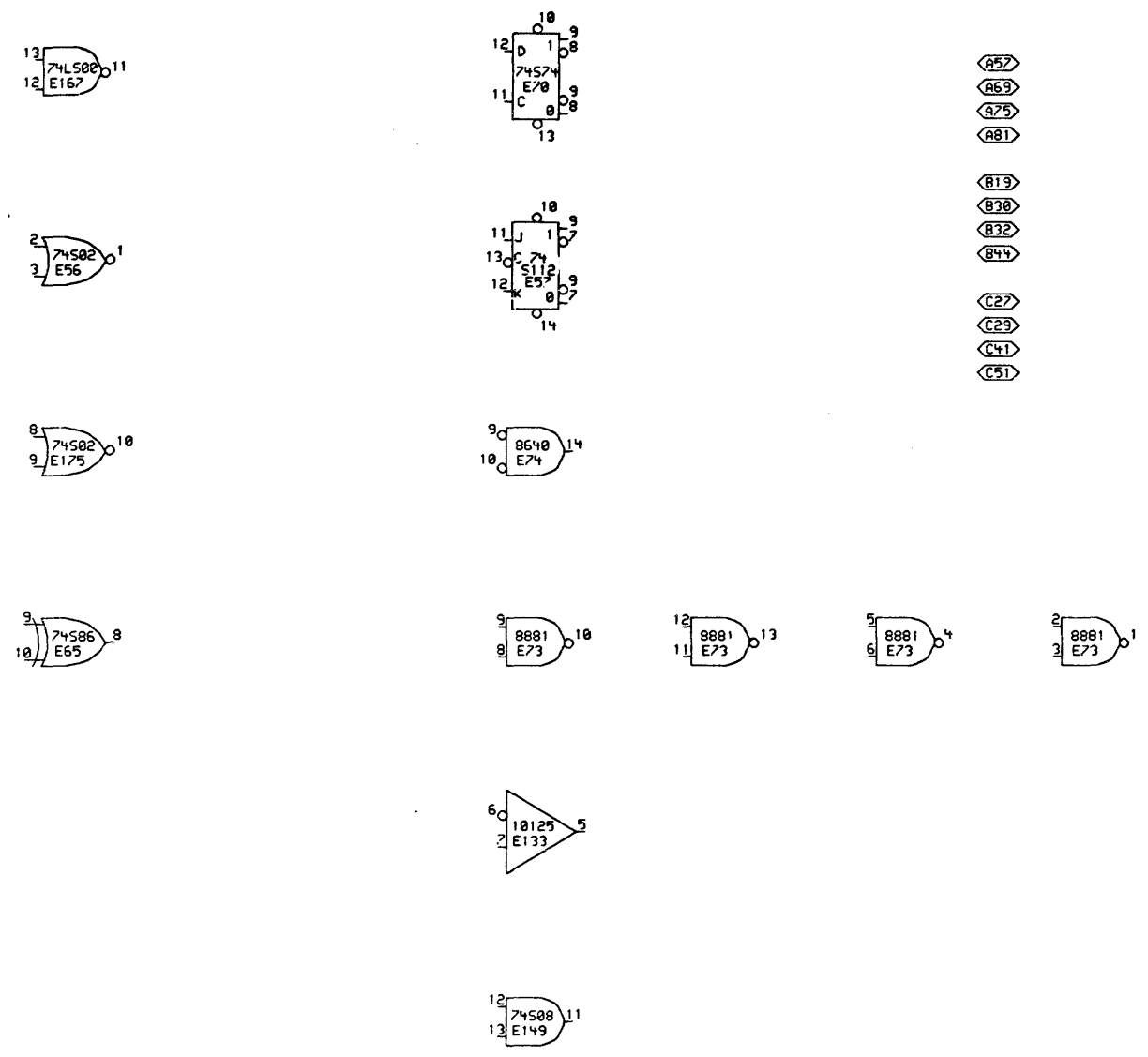
THIS DRAWING AND SPECIFICATIONS ARE THE PROPERTY OF DIGITAL EQUIPMENT CORPORATION AND SHALL NOT BE REPRODUCED OR COPIED OR USED IN WHOLE OR IN PART AS THE BASIS FOR THE MANUFACTURE OR SALE OF ITEMS WITHOUT WRITTEN PERMISSION. COPYRIGHT © 1982, DIGITAL EQUIPMENT CORPORATION.

REVISIONS		
CHK	CHANGE NO.	REV.

digital	DRN. K. SARGENT*	DATE 20-MAY-82	ENG.	DATE 20-MAY-82	TITLE: CI780 SBI INTERFACE (ISI)
	CHK'D.	DATE 28-MAY-82	BOARD LOCATION:	SHEET 1 OF 1	SIZE CODE D CS
FIRST USED ON OPTION/MODEL: CI780		NEXT HIGHER ASSEMBLY: E-UA-L0104-0-0		NUMBER L0104-0-ISIW	REV. B

8 7 6 5 4 3 2 1

CS K 3003 3215
X151-0-10107
338774



SPARE GATES AND UNUSED FINGERS
(ISIX)

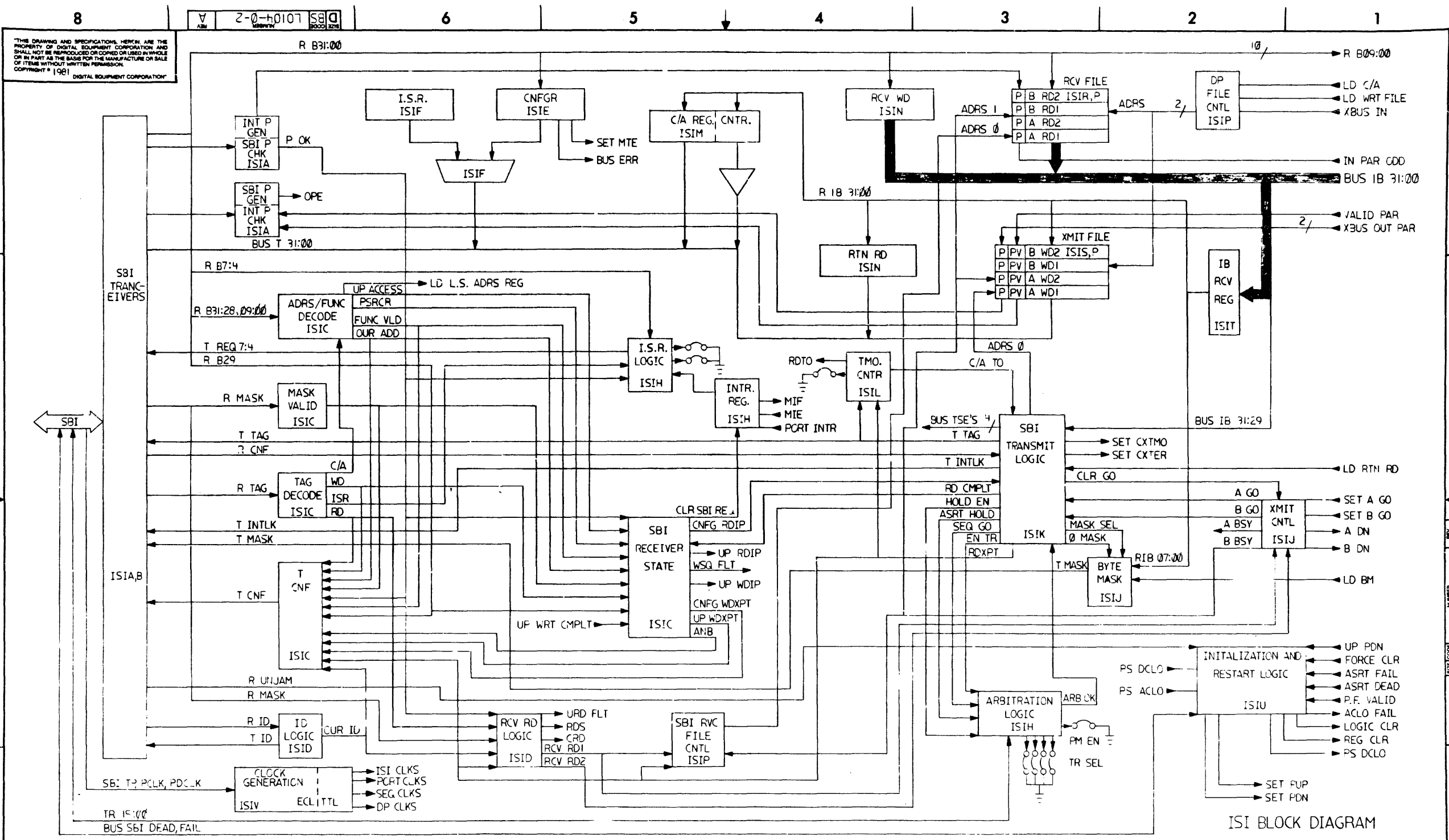
THIS DRAWING AND SPECIFICATIONS HEREIN ARE THE PROPERTY OF DIGITAL EQUIPMENT CORPORATION AND SHALL NOT BE REPRODUCED OR COPIED OR USED IN WHOLE OR IN PART AS THE BASIS FOR THE MANUFACTURE OR SALE OF ITEMS WITHOUT WRITTEN PERMISSION. COPYRIGHT © 1983, DIGITAL EQUIPMENT CORPORATION.

REVISIONS		
CHK	CHANGE NO.	REV

digital	DRN. K SARGENT*	DATE 21-JAN-83	ENG.	DATE 21-JAN-83	TITLE: CI780 SBI INTERFACE (ISI)
	CHK'D.	DATE 21-JAN-83	BOARD LOCATION:	SHEET 1 OF 1	NUMBER L0104-0-ISIX
DSK3: <<BEHM>ISIX.DRW		21-JAN-83 11:06	NEXT HIGHER ASSEMBLY:	SIZE CODE K CS	REV. C
FIRST USED ON OPTION MODEL: CI780		E-UA-L0104-0-0			

8 7 6 5 4 3 2 1

REV. C
NUMBER L0104-0-ISIX
SIZE CODE K CS
CS



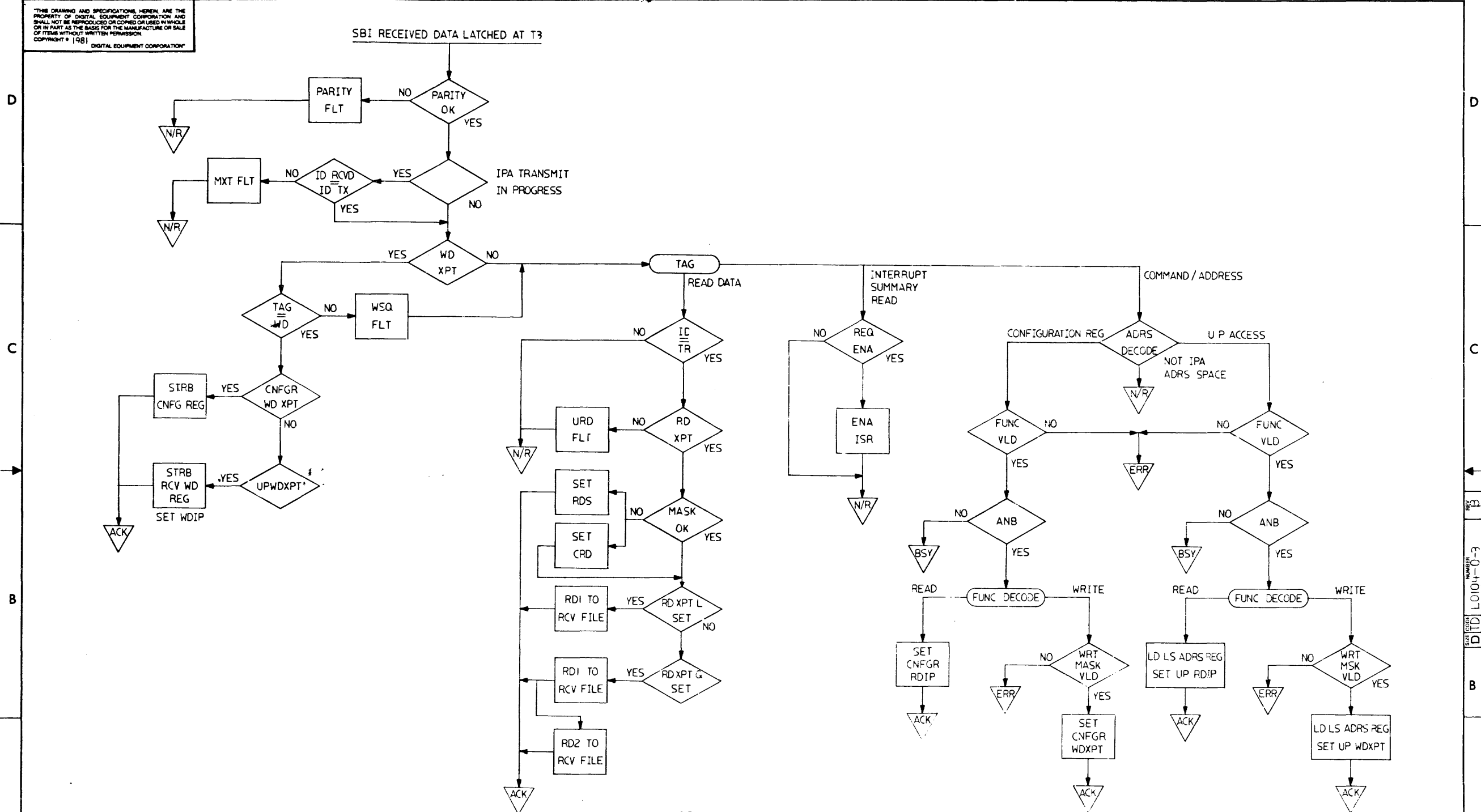
ISI BLOCK DIAGRAM

REV	ECO NUMBER	DATE

DESIGNED BY <i>John J. Quinn</i>	DATE 12/22/81	TITLE digital
CHECKED BY <i>A. Patten</i>	DATE 1/11/82	C1780
DESIGNED BY <i>Ronnie Hall</i>	DATE 7-11-81	SBI INTERFACE (ISI)
RESP. ENGR <i>Ronnie Hall</i>	DATE 7-11-81	DOCUMENT NUMBER
MFG. ENGR	DATE 11/23/81	SIZE CODE NUMBER REV
NEXT HIGHER DOC E-UA-L0104-0-0	SCALE	DBS L0104-0-2 A

THE DRAWING AND SPECIFICATIONS HEREIN ARE THE PROPERTY OF DIGITAL EQUIPMENT CORPORATION AND SHALL NOT BE REPRODUCED OR COPIED OR USED IN WHOLE OR IN PART AS THE BASIS FOR THE MANUFACTURE OR SALE OF ITEMS WITHOUT WRITTEN PERMISSION. COPYRIGHT © 1981 DIGITAL EQUIPMENT CORPORATION

8 6 4 3 2 1



CI780 SBI RECEIVE FLOWS

REVISION HISTORY	
DATE	ECO NUMBER
10/10/81	10001
3-5-82	B
6-24-82	B

OWN: <i>Pat Torquato</i>	DATE: 3-4-81	TITLE: digital
CHKD: <i>J. F. Sullivan</i>	DATE: 3/11/81	CI780
DESIGN: <i>Seamus Hall</i>	DATE: 7-11-81	SBI INTERFACE (ISI)
RESP: <i>Seamus Hall</i>	DATE: 7-11-81	DOCUMENT NUMBER
MFG: <i>Y. ...</i>	DATE: 7/11/81	SIZE: CODE: NUMBER: REV: B
NEXT-HIGHER DOC: E-UA-LO104-0-0	SCALE: TW	NUMBER: LO104-0-3

8 7 6 5 4 3 2 1

8

REV B
NUMBER 3
DATE 10-10-81
DITD

6

5

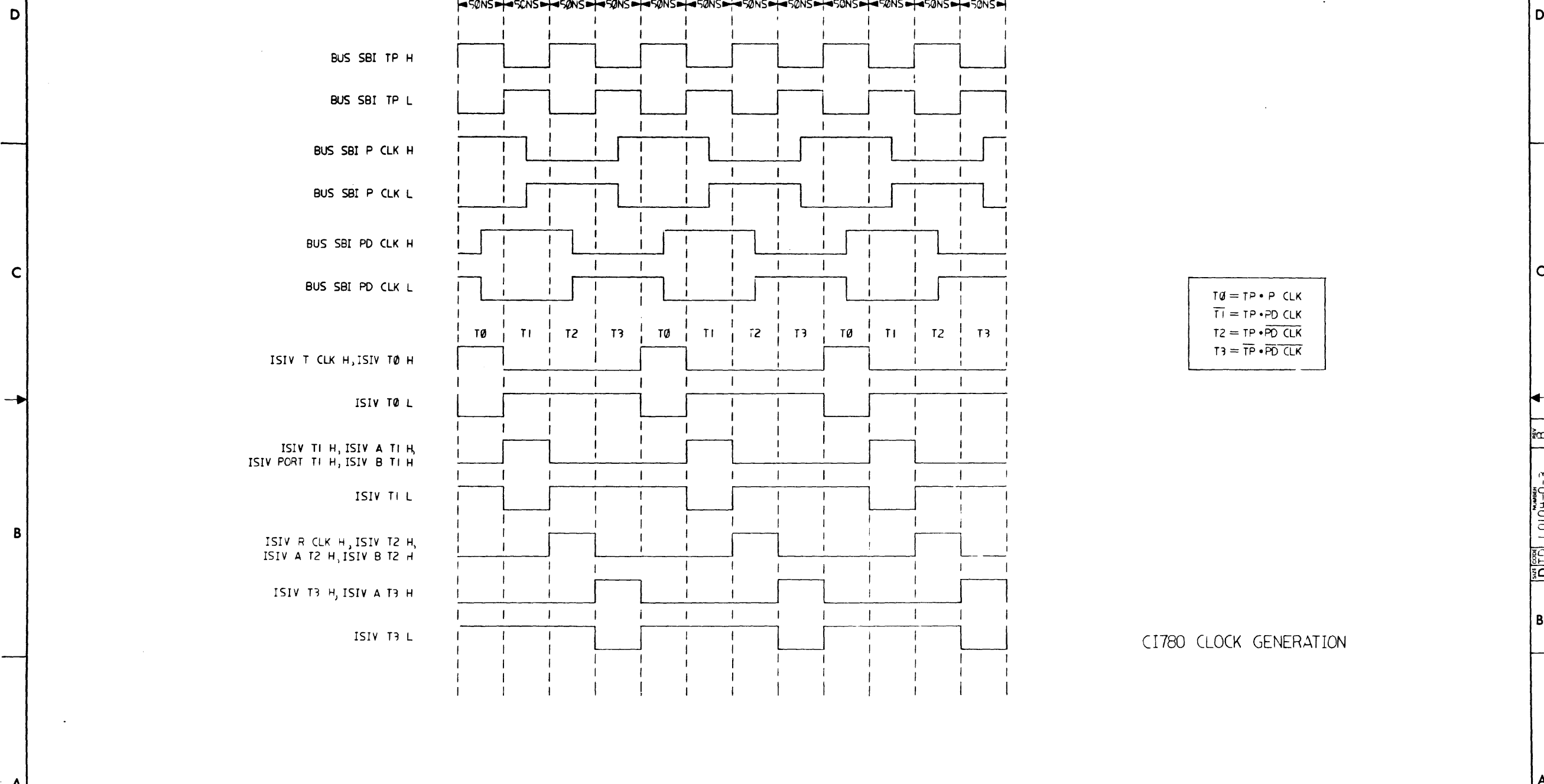
4

3

2

1

THIS DRAWING AND SPECIFICATIONS HEREIN ARE THE PROPERTY OF DIGITAL EQUIPMENT CORPORATION AND SHALL NOT BE REPRODUCED OR COPIED OR USED IN WHOLE OR IN PART AS THE BASIS FOR THE MANUFACTURE OR SALE OF ITEMS WITHOUT WRITTEN PERMISSION.
COPYRIGHT © 1981 DIGITAL EQUIPMENT CORPORATION



$T_0 = TP \cdot P \text{ CLK}$
 $T_1 = TP \cdot PD \text{ CLK}$
 $T_2 = TP \cdot PD \text{ CLK}$
 $T_3 = TP \cdot PD \text{ CLK}$

CI780 CLOCK GENERATION

REVISION HISTORY		
DATE	ECCO NUMBER	REV

TITLE CI780
 SBI INTERFACE (ISI)

DOCUMENT NUMBER		
SIZE CODE	NUMBER	REV
DITD	LC104-0-3	B
SCALE	SHEET 2 OF 3	

8

7

6

5

4

3

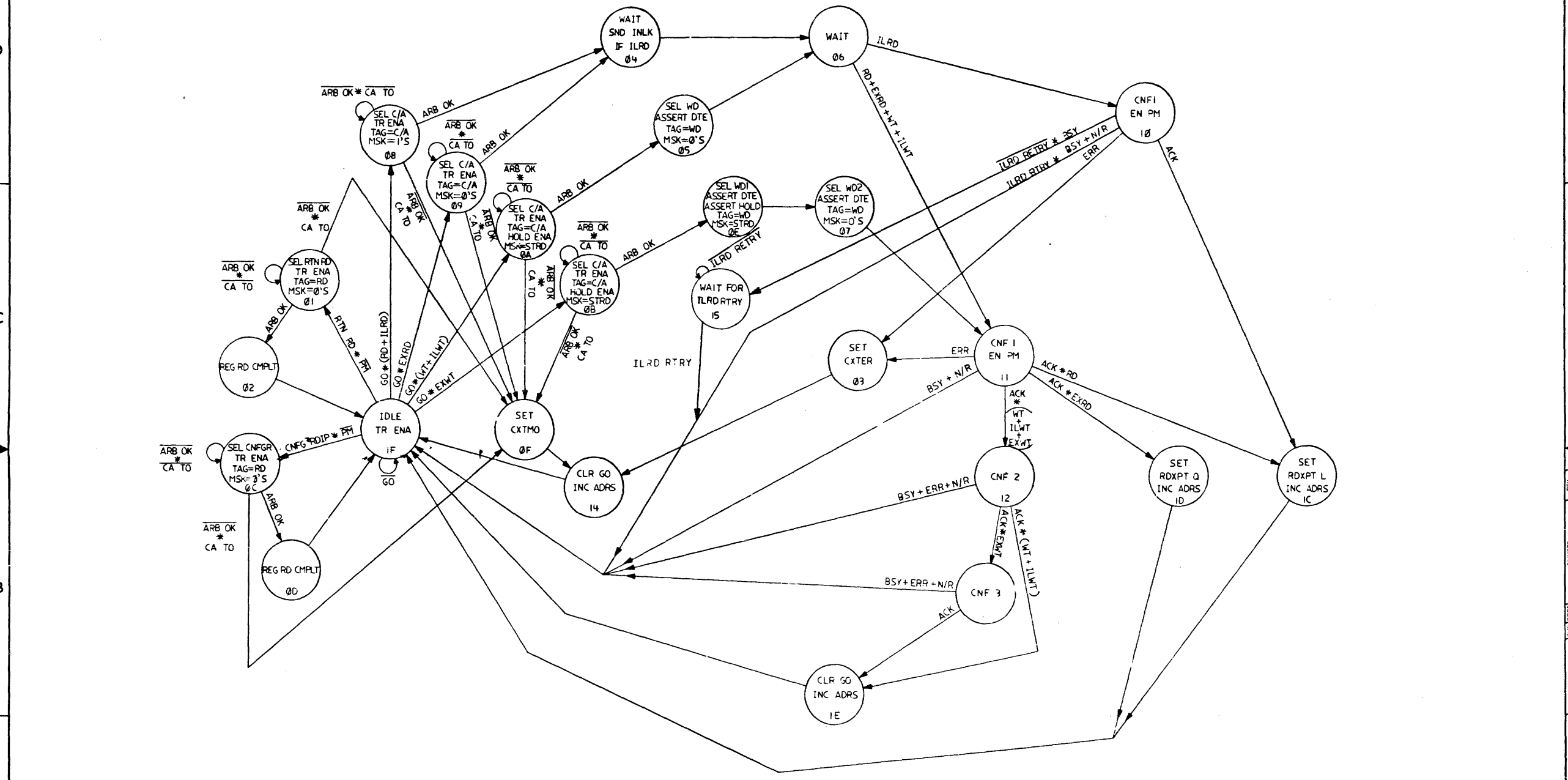
2

1

TW

REV B
 NUMBER 3
 DATE 10-10-81
 DITD

THIS DRAWING AND SPECIFICATIONS HEREIN ARE THE PROPERTY OF DIGITAL EQUIPMENT CORPORATION AND SHALL NOT BE REPRODUCED OR COPIED OR USED IN WHOLE OR IN PART AS THE BASIS FOR THE MANUFACTURE OR SALE OF ITEMS WITHOUT WRITTEN PERMISSION.
 COPYRIGHT © 1981 DIGITAL EQUIPMENT CORPORATION



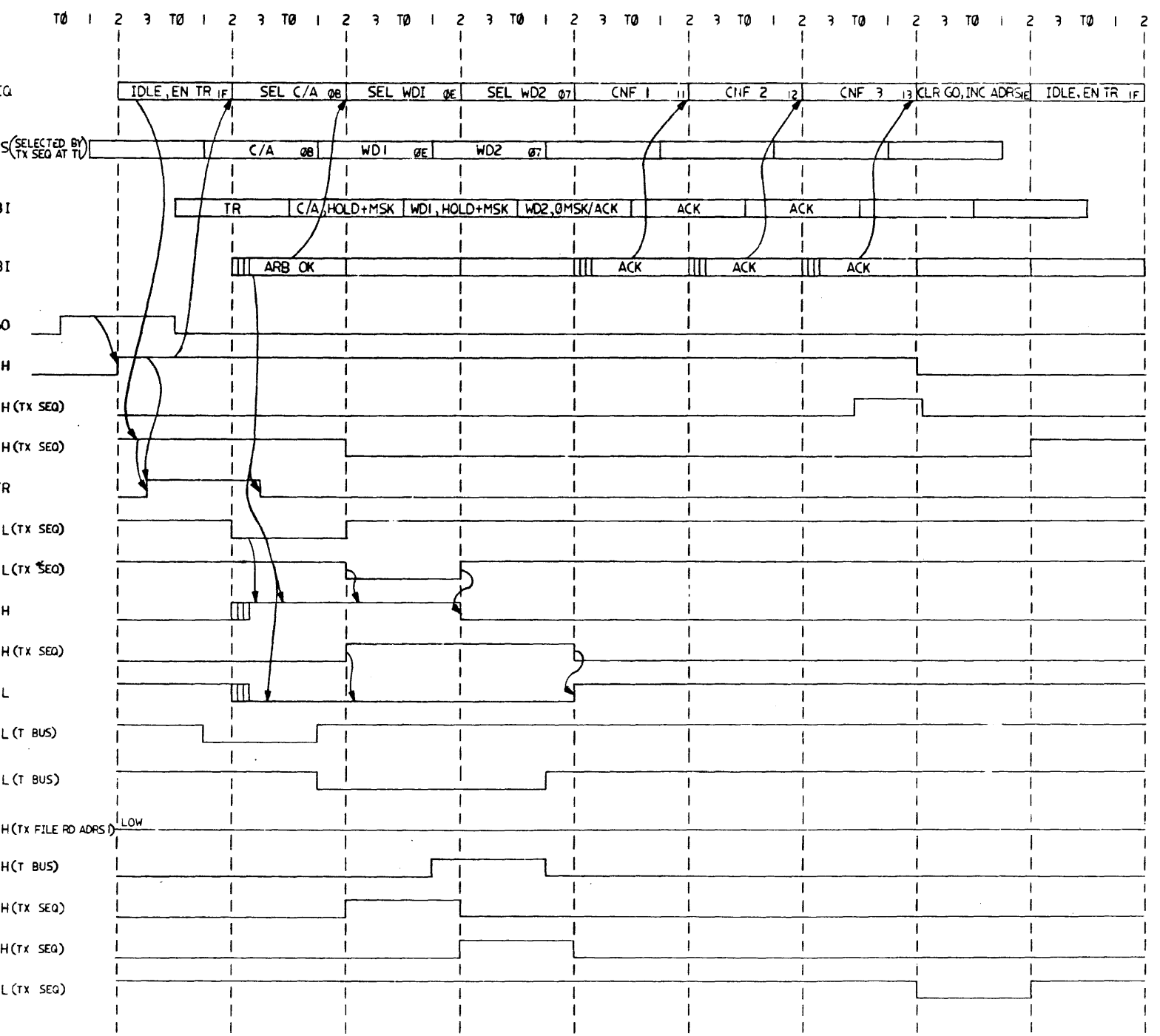
SBI TRANSMIT SEQUENCER STATE DIAGRAM

REVISION HISTORY		
DATE	ECO NUMBER	REV

TITLE CI780
 SBI INTERFACE (ISI)

DOCUMENT NUMBER		
SIZE CODE	NUMBER	REV
DITD	LC104-0-3	B
SCALE		SHEET 3 OF 3

THIS DRAWING AND SPECIFICATIONS HEREIN ARE THE PROPERTY OF DIGITAL EQUIPMENT CORPORATION AND SHALL NOT BE REPRODUCED OR COPIED OR USED IN WHOLE OR IN PART AS THE BASIS FOR THE MANUFACTURE OR SALE OF ITEMS WITHOUT WRITTEN PERMISSION. COPYRIGHT © 1981 DIGITAL EQUIPMENT CORPORATION.



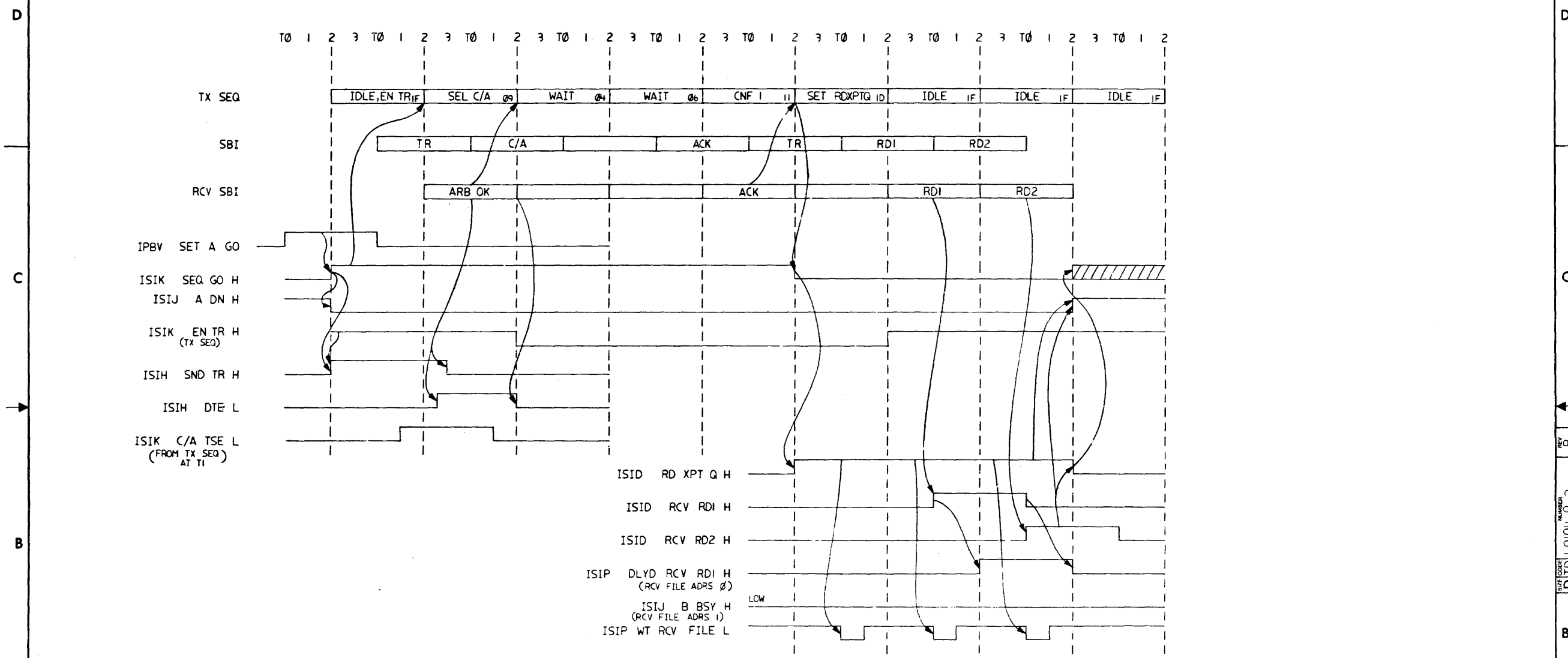
SBI EXTENDED WRITE MASK
TIMING DIAGRAM

REV.	
ECO NUMBER	
DATE	

DATE		TITLE	digital
DATE		CI780	
DATE		SBI INTERFACE (ISI)	
DATE		DOCUMENT NUMBER	
DATE		SIZE	CODE
DATE		D	TD
DATE		NUMBER	REV
DATE		L0104-0-3	B
DATE		SCALE	SHEET 4 OF 3

REV B
L0104-0-3
D TD

THIS DRAWING AND SPECIFICATIONS HEREIN ARE THE PROPERTY OF DIGITAL EQUIPMENT CORPORATION AND SHALL NOT BE REPRODUCED OR COPIED OR USED IN WHOLE OR IN PART AS THE BASIS FOR THE MANUFACTURE OR SALE OF ITEMS WITHOUT WRITTEN PERMISSION. COPYRIGHT © 1981 DIGITAL EQUIPMENT CORPORATION



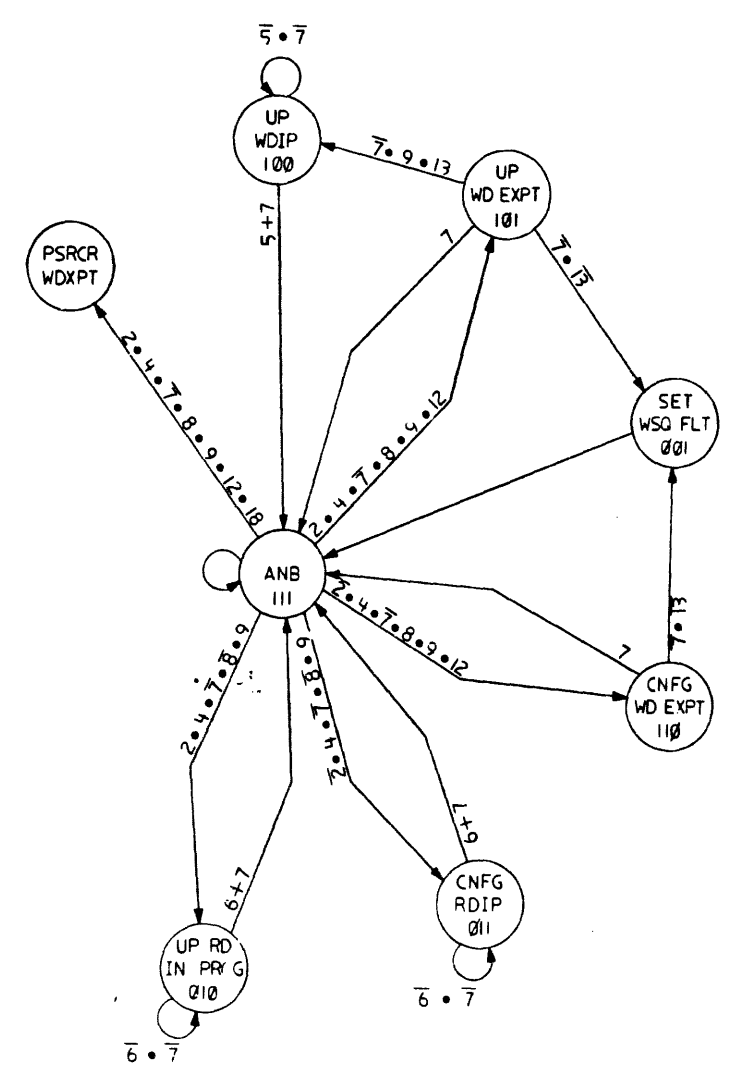
CI780 SBI EXTENDED READ TIMING DIAGRAM

REV	
DATE	
ECO NUMBER	
REVISION HISTORY	

DATE	DATE	TITLE	digital
CHWD	DATE	CI780	
DES. ENG.	DATE	SBI INTERFACE (ISD)	
RESP. ENG.	DATE	DOCUMENT NUMBER	
MFG. ENG.	DATE	SIZE CODE NUMBER REV	D TD L0104-0-3 B
NEXT HIGHER DOC		SCALE	SHEET 5 OF 8

THIS DRAWING AND SPECIFICATIONS HEREIN ARE THE PROPERTY OF DIGITAL EQUIPMENT CORPORATION AND SHALL NOT BE REPRODUCED OR COPIED OR USED IN WHOLE OR IN PART AS THE BASIS FOR THE MANUFACTURE OR SALE OF ITEMS WITHOUT WRITTEN PERMISSION. COPYRIGHT © 1981 DIGITAL EQUIPMENT CORPORATION

- INPUTS
P/N
1. TI (CLK)
 2. UP ACCESS L
 4. ADDR FUNC OK H
 5. UP WRT CMLPT H
 6. PD CMLPT H
 7. LOGIC CLR L
 8. R-B29 H
 9. P OK L
 12. WT MSK VLD L
 13. WD TAG L
 18. PSRCR ACCESS L



PAL 23-040K3-00
ISIC

CI780 SBI RECEIVE STATE DIAGRAM

D C B A

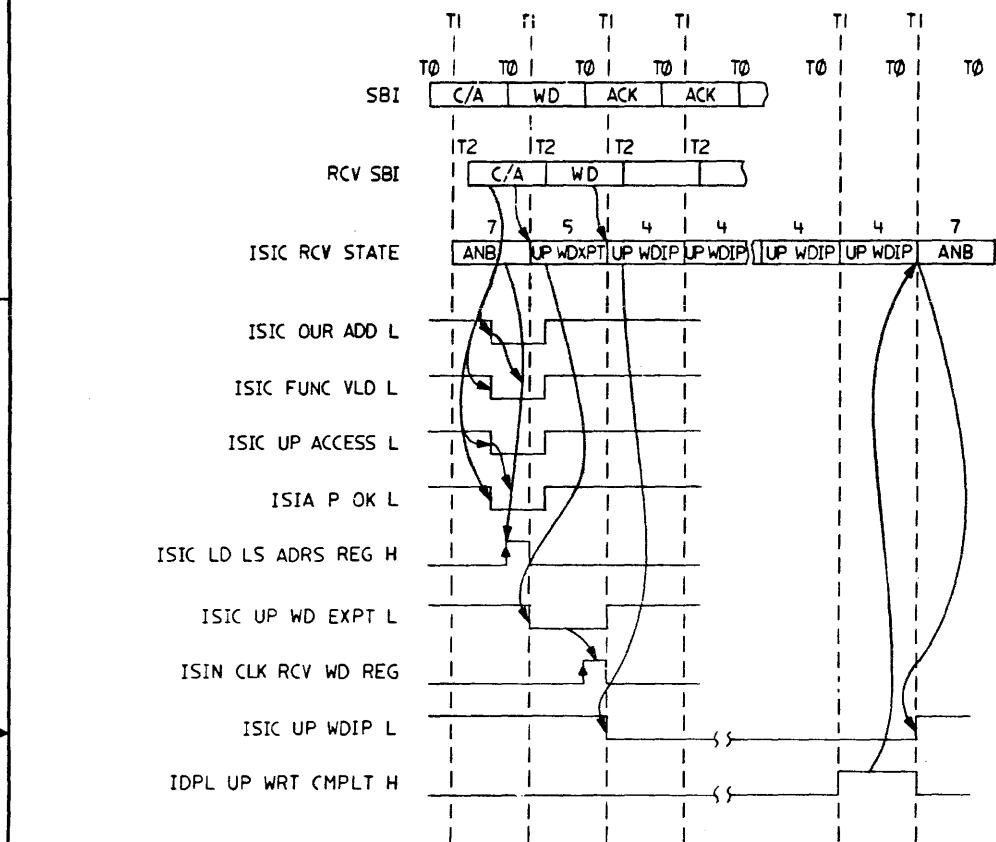
REV: 6
DATE: 10/10/81
DITD L0104-0-3

REVISION HISTORY		
DATE	ECO NUMBER	REV

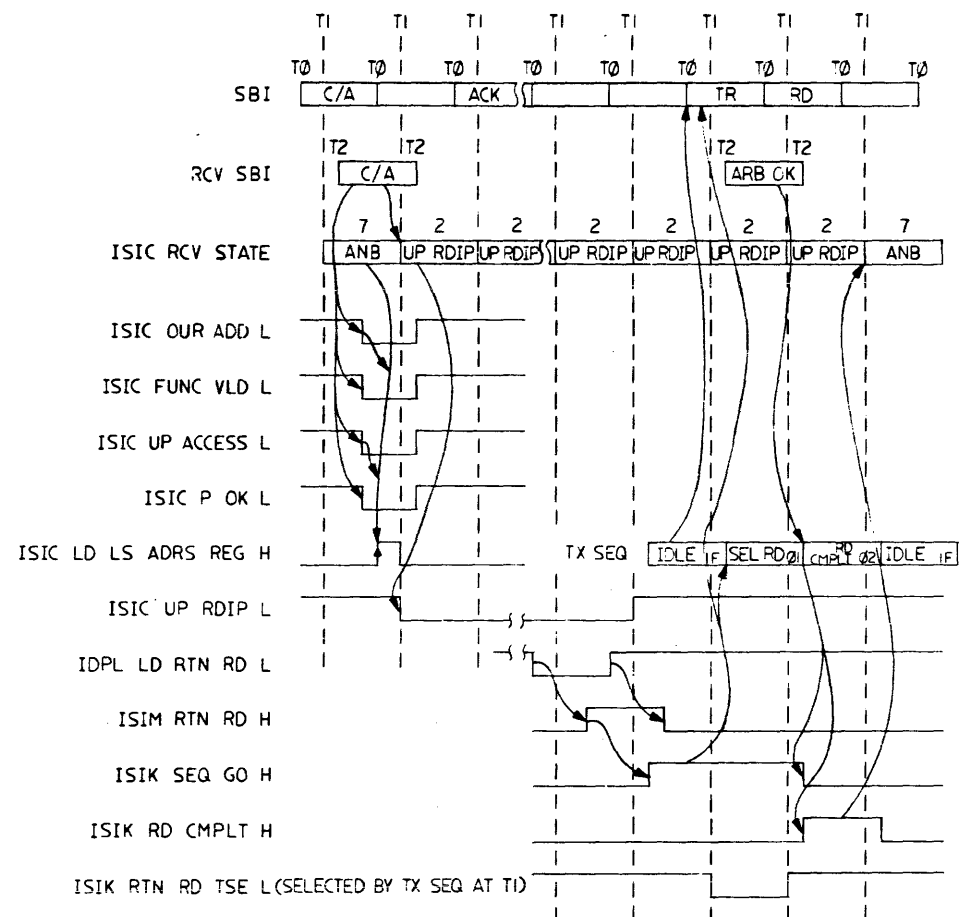
TITLE CI780
SBI INTERFACE (SBI)

DOCUMENT NUMBER		
SIZE	CODE	NUMBER
D	T	D
SCALE		L0104-0-3
SHEET		6 OF 3

THIS DRAWING AND SPECIFICATIONS HEREIN ARE THE PROPERTY OF DIGITAL EQUIPMENT CORPORATION AND SHALL NOT BE REPRODUCED OR COPIED OR USED IN WHOLE OR IN PART AS THE BASIS FOR THE MANUFACTURE OR SALE OF ITEMS WITHOUT WRITTEN PERMISSION. COPYRIGHT © 1981 DIGITAL EQUIPMENT CORPORATION



UP REGISTER WRITE
TIMING DIAGRAM



UP REGISTER READ
TIMING DIAGRAM

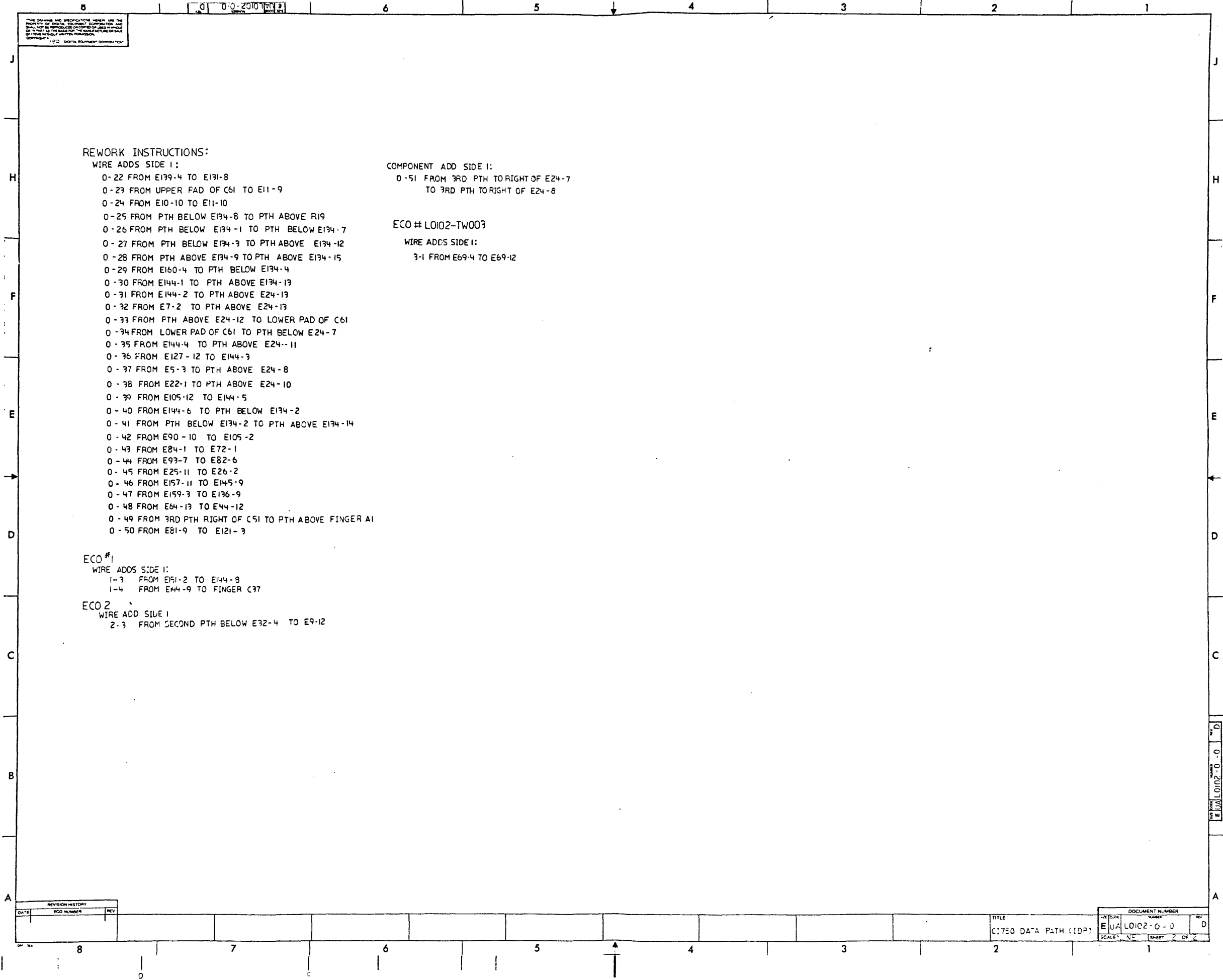
REVISION HISTORY		
DATE	ECO NUMBER	REV

TITLE C1780
SBI INTERFACE (SBI)

DOCUMENT NUMBER		
SIZE CODE	NUMBER	REV.
D1D	LO104-0-3	B
SCALE		SHEET 7 OF 8

REV B
NUMBER LO104-0-3
D1D

THIS DRAWING AND SPECIFICATIONS HEREBY ARE THE PROPERTY OF DIGITAL EQUIPMENT CORPORATION AND SHALL NOT BE REPRODUCED OR COPIED OR USED IN WHOLE OR IN PART AS THE BASIS FOR THE MANUFACTURE OR SALE OF ITEMS WITHOUT WRITTEN PERMISSION OF COMPANY # 1722 DIGITAL EQUIPMENT CORPORATION



REWORK INSTRUCTIONS:

WIRE ADDS SIDE 1:

- 0-22 FROM E139-4 TO E131-8
- 0-23 FROM UPPER PAD OF C61 TO E11-9
- 0-24 FROM E10-10 TO E11-10
- 0-25 FROM PTH BELOW E134-8 TO PTH ABOVE R19
- 0-26 FROM PTH BELOW E134-1 TO PTH BELOW E134-7
- 0-27 FROM PTH BELOW E134-3 TO PTH ABOVE E134-12
- 0-28 FROM PTH ABOVE E134-9 TO PTH ABOVE E134-15
- 0-29 FROM E160-4 TO PTH BELOW E134-4
- 0-30 FROM E144-1 TO PTH ABOVE E134-13
- 0-31 FROM E144-2 TO PTH ABOVE E24-13
- 0-32 FROM E7-2 TO PTH ABOVE E24-13
- 0-33 FROM PTH ABOVE E24-12 TO LOWER PAD OF C61
- 0-34 FROM LOWER PAD OF C61 TO PTH BELOW E24-7
- 0-35 FROM E144-4 TO PTH ABOVE E24-11
- 0-36 FROM E127-12 TO E144-3
- 0-37 FROM E5-3 TO PTH ABOVE E24-8
- 0-38 FROM E22-1 TO PTH ABOVE E24-10
- 0-39 FROM E105-12 TO E144-5
- 0-40 FROM E144-6 TO PTH BELOW E134-2
- 0-41 FROM PTH BELOW E134-2 TO PTH ABOVE E134-14
- 0-42 FROM E90-10 TO E105-2
- 0-43 FROM E84-1 TO E72-1
- 0-44 FROM E93-7 TO E82-6
- 0-45 FROM E25-11 TO E26-2
- 0-46 FROM E157-11 TO E145-9
- 0-47 FROM E159-3 TO E136-9
- 0-48 FROM E64-13 TO E44-12
- 0-49 FROM 3RD PTH RIGHT OF C51 TO PTH ABOVE FINGER A1
- 0-50 FROM E81-9 TO E121-3

COMPONENT ADD SIDE 1:

- 0-51 FROM 3RD PTH TO RIGHT OF E24-7 TO 3RD PTH TO RIGHT OF E24-8

ECO # L0102-TW003

WIRE ADDS SIDE 1:

- 3-1 FROM E69-4 TO E69-12

ECO #1

WIRE ADDS SIDE 1:

- 1-3 FROM E151-2 TO E144-8
- 1-4 FROM E44-9 TO FINGER C37

ECO #2

WIRE ADD SIDE 1:

- 2-3 FROM SECOND PTH BELOW E32-4 TO E9-12

REVISION HISTORY		
DATE	ECO NUMBER	REV

TITLE	DOCUMENT NUMBER
C:750 DATA PATH (IDP)	EUA L0102-0-0
SCALE: N/A	SHEET 2 OF 2

EUA L0102-0-0

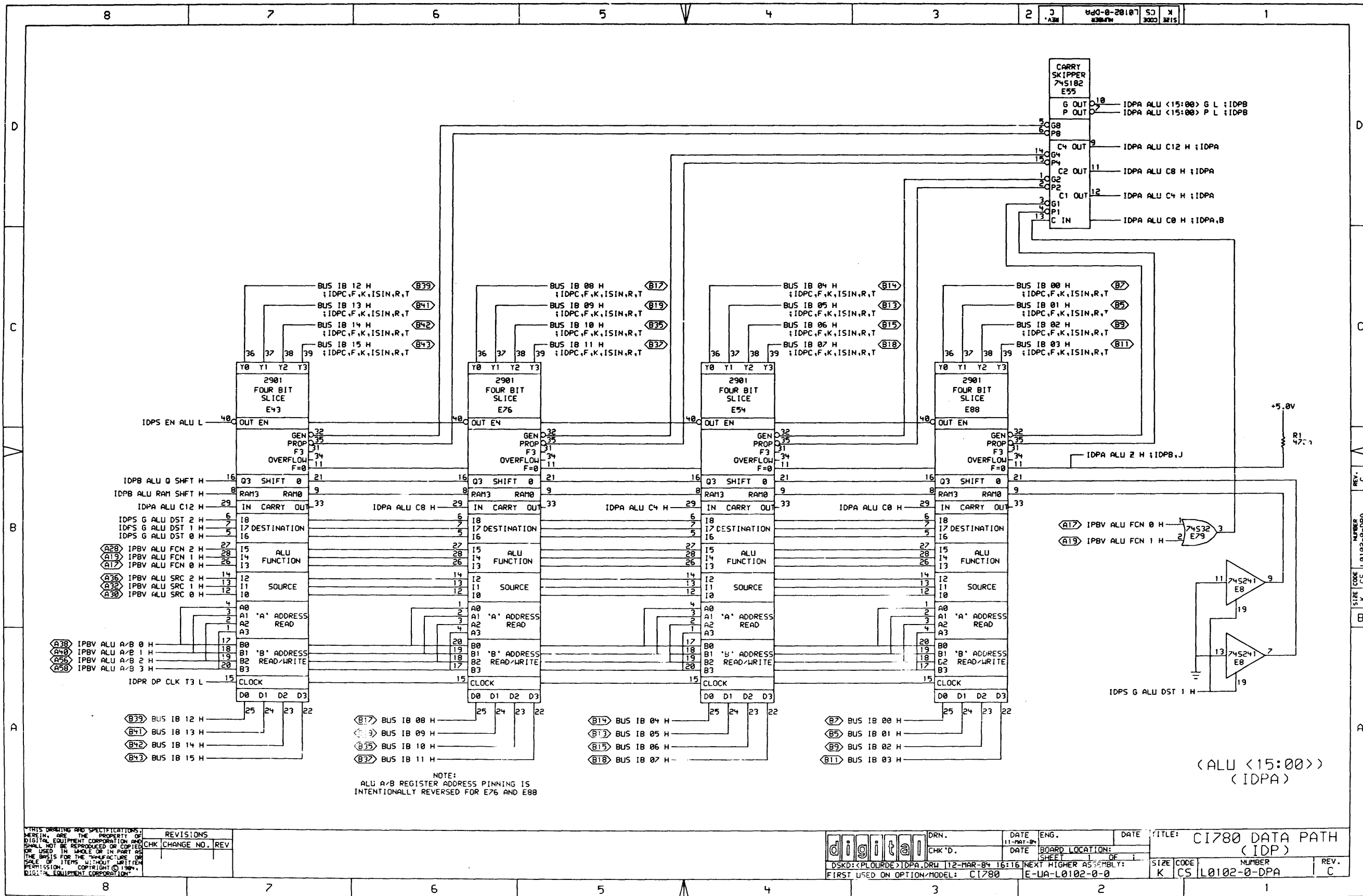
LINE ITEM	DOCUMENT NUMBER	PART NUMBER	DESCRIPTION	QTY	PER VARIATION	REFERENCE DESIGNATOR
1	1	5014962-00	MULTI LAYER BOARD	1		
2	2	1004813-00	10 MFD 20V 10% S.TANT	1		C57
3	3	1005784-00	.01 MFD 100V 200V 10% MYL	2		C58,C60
4	4	1017472-00	10 MFD 35V +50-10% AL EL	6		C51-C56
5	5	1012784-00	.047 MFD 50V +80-20% CER	50		C1-C50
6	6	1014169-00	1000.0 MMF 100V 1%200PPM MICA	2		C59,C61
7	7	1300316-00	470.0 .25 W 5.0 % CF	1		R1
8	8	1300365-00	1.0 K .25 W 5.0 % CF	20		R2-R5,R10-R25
9	9	1304839-00	51.0 K .25 W 5.0 % CF	1		R8
10	10	1312747-00	56.20 K .25 W 1.0 % RN55D-F10	2		R6,R7
11	11	1616653-01	DELAY= 100NS,10TAPS WITH TTLBU	1		E111
12	12	1910532-00	74S00 NAND GATE-QUAD 2IN	4		E33,E112,E118,E123
13	13	1910534-00	74S04 INVERTER GATE-HEX 1I	5		E45,E130,E136,E146,E144
14	14	1910536-00	74S10 NAND GATE-TRIPLE 3IN	2		E12,E57
15	15	1910537-00	74S11 AND GATE-TRIPLE 3INP	4		E34,E68,E91,E105
16	16	1910539-00	74S20 NAND GATE-DUAL 4INPU	2		E35,E67
17	17	1910542-00	74S64 A-O-I GATE 4-2-3-2	3		E28,E39,E51
18	18	1910544-00	74S74 FF-D DUAL,EDGE TRIGG	11	CONT	E1,E16,E22,E95,E106,E120,E129, E150,E157,E159,E24
19	19	1910545-00	74S112 FF-JK DUAL,EDGE TRIG	1		E113
20	20	1910547-00	74S153 MUX 1 OF 4 (DUAL)	5		E2,E15,E87,E101,E127
21	21	1910548-00	74S157 MUX 1 OF 2 (QUAD)	1		E160
22	22	1910550-00	74S174 FF-D HEX	7		E13,E14,E47,E99,E114,E138,E145
23	23	1910552-00	74S194 SHIFT REG.,4BIT RIGH	3		E4,E141,E142
24	24	1910956-00	74S151 MUX 1 OF 8	2		E56,E153
25	25	1911573-00	74S280 PARITY GEN/CHKR,9BIT	6		E25,E36,E59,E108,E126,E148
26	26	1911641-00	SN 74S257 MUX,QUAD 2 TO 1	4		E96,E110,E122,E124
27	27	1911675-00	74S138 DECODER/DEMUX 3-8 LI	2		E46,E139
28	28	1911676-00	74S139 DECODER-DUAL TWO-INP	2		E80,E92
29	29	1911712-00	74S51 AND-OR GATE-INVERT D	3		E119,E149,E158

REVISION HISTORY			BASIC PART NO: L0102		DRN: J.CASEY		DATE: 25-SEP-81		D I G I T A L			
ENG	ECO NUMBER	REV	SECTION A OF A		CHK'D:	E.T.GERRY	DATE:	25-SEP-81	TITLE PARTS LIST			
---	INITIAL	A	SECTION VARIATION INDEX		DES.ENG:	M.CARRAFIELLO	DATE:	25-SEP-81	CI780 DATA PATH (IDP)			
RN	L0102-TW002	B	[A]	00	RESP.ENG.:	M.CARRAFIELLO	DATE:	25-SEP-81	DOCUMENT NUMBER			
			[B]		MFG.ENG.:	K.MIESSNER	DATE:	25-SEP-81	SIZE	CODE	NUMBER	REV
			[C]		ASSEMBLY NUMBER:		TOP DOCUMENT NUMBER:		K	PL	L0102-0-DBP	B
			[D]		E-UA-L0102-0-0							
			[E]									
			[F]									
			[H]									
			[J]									
			[K]									
			[L]									
			[M]									
			[N]									
												14

"THIS DRAWING AND SPECIFICATIONS HEREIN, ARE THE PROPERTY OF DIGITAL EQUIPMENT CORPORATION AND SHALL NOT BE REPRODUCED OR COPIED OR USED IN WHOLE OR IN PART AS THE BASIS FOR THE MANUFACTURE OR SALE OF ITEMS WITHOUT WRITTEN PERMISSION. COPYRIGHT (C) 1983. DIGITAL EQUIPMENT CORPORATION "

LINE	ITEM	DOCUMENT NUMBER	PART NUMBER	DESCRIPTION	QTY PER VARIATION 00	REFERENCE DESIGNATOR
30	30		1912096-00	DEC 74S86 XOR GATE,QUAD 2IN	2	E135,E154
31	31		1912097-00	SN 74S182 LOOK AHD CARRY GEN	3	E21,E32,E55
32	32		1912388-00	74S02 NOR GATE-QUAD 2IN,PO	3	E90,E131,E132
33	33		1912389-00	74S08 AND GATE-QUAD 2IN,PO	4	E23,E78,E109,E156
34	34		1912646-00	LS253 MUX 1 OF 4 (DUAL)	1	E116
35	35		1912697-00	LS174 FF-D HEX W/CLEAR	1	E115
36	36		1912728-00	74S251 MUX 1 OF 8 TRI-STA	3	E26,E44,E89
37	37		1912746-00	DEC 74S37 NAND GATE-QUAD 2IN	3	E20,E121,E151
38	38		1912803-00	LS04 INVERTER GATE,HEX	1	E103
39	39		1912805-00	LS08 AND GATE-QUAD 2IN,PO	1	E137
40	40		1912808-00	LS11 AND GATE-TRIPLE 3IN	1	E10
41	41		1912813-00	LS27 NOR GATE-TRIPLE 3IN	1	E140
42	42		1912824-00	LS74 FF-D DUAL,EDGE TRIGG	2	E98,E117
43	43		1912828-00	LS85 COMPARATOR,4BIT MAGN	1	E5
44	44		1912833-00	LS109 FF-JK DUAL,POS EDGE	4	E6,E9,E152,E155
45	45		1912849-00	LS161 COUNTER,SYNCHR,4BIT	1	E7
46	46		1912860-00	LS259 LATCH 8BIT	1	E147
47	47		1912863-00	LS273 FF-D OCTAL W/CLEAR	1	E100
48	48		1912871-00	LS375 LATCH	3	E58,E66,E69
49	49		1913245-02	2901A-1 MICROPRESSCESSOR 4-	8	E31,E42,E43,E54,E65,E76,E77,E88
50	50		1913340-00	74S32 OR GATE-QUAD 2IN	7	E3,E79,E81,E97,E104,E125,E143
51	51		1913493-00	74S241 OCTAL BUFFER,TRI-STA	5	E8,E61,E82,E83,E94
52	52		1913662-01	RAM 1KX1 16 PIN TT	2	E62,E73
53	53		1913670-00	74S373 LATCH,8BIT TRANS TRI	5	E27,E49,E60,E85,E86
54	54		1913671-00	74S374 FF-D,OCTAL,TRI STATE	8	E37,E38,E48,E50,E70-E72,E84
55	55		1913887-00	74S258 MUX 1 OF 2(QUAD)TRI	1	E133
56	56		1914082-00	74S163 COUNTER,SYNCH UP/DOW	2	E102,E128
57	57		1914392-00	556 TIMER-DUAL	1	E11
58	58		1915193-00	LS244 DRIVER,LINE,OCTAL,T	2	E93,E107
59	59		1915697-01	93422 BIPOLAR RAM 256X4 TT	12	E17,E18,E29,E30,E40,E41,E52,E53, E63,E64,E74,E75
60	60		23143F3-00	F3-03	1	CONT
61	61		1301310-00	270.0 K .25 W 5.0 % CF	1	E19
62	62		1216988-02	HANDLE,MODULE,HEX TWO EJECTORS	1	R9
63	63		9000024-01	EYELET,ROLLED 0.1210GX0.192	12	
64	64		1915234-00	LS390 COUNTER,DECADE,DUAL,	1	E134
65	65		9105740-55	WIRE(WRAP) 30AWG KYNAR UL14	A/R	

D	I	G	I	T	A	L	TITLE	SECTION A	OF A	SIZE	CODE	DOCUMENT NUMBER	REV
CHK	HH	14					CI780 DATA PATH (IDP)			K	PL	L0102-0-DBP	B

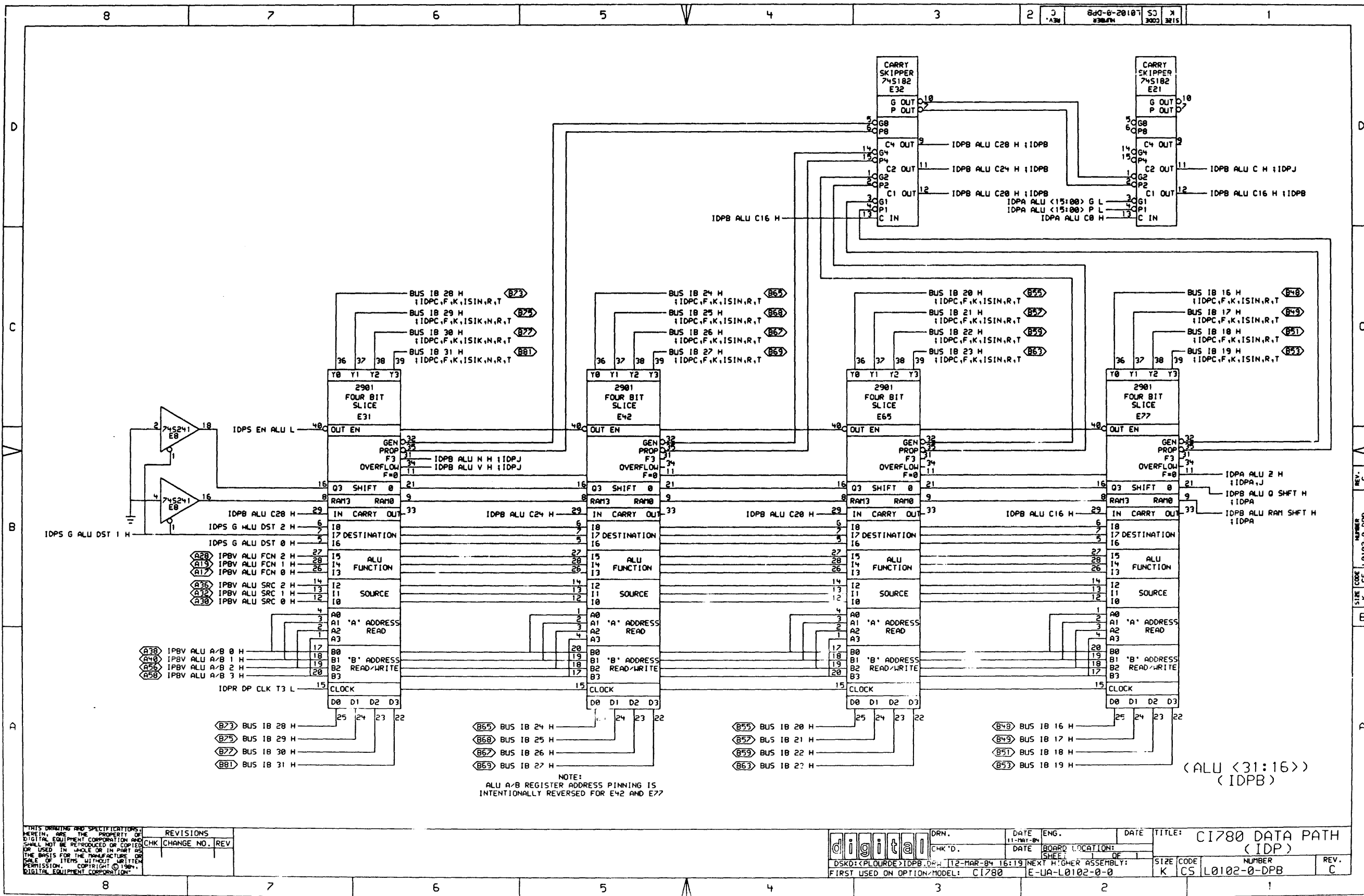


THIS DRAWING AND SPECIFICATIONS HEREIN ARE THE PROPERTY OF DIGITAL EQUIPMENT CORPORATION AND SHALL NOT BE REPRODUCED OR COPIED OR USED IN WHOLE OR IN PART AS THE BASIS FOR THE MANUFACTURE OR SALE OF ITEMS WITHOUT WRITTEN PERMISSION. COPYRIGHT © 1984, DIGITAL EQUIPMENT CORPORATION.

REVISIONS	CHK	CHANGE NO.	REV

	DRN.	DATE	ENG.	DATE	TITLE: C1780 DATA PATH (IDP)
	CHK'D.	DATE	BOARD LOCATION:	SHEET 1 OF 1	SIZE CODE: K CS
DSKD: (PLOURDE) IDPA.DRW 12-MAR-84 16:16 NEXT HIGHER ASSEMBLY:		E-UA-L0102-0-0		NUMBER: L0102-0-DPA	REV. C

(ALU <15:00>)
(IDPA)

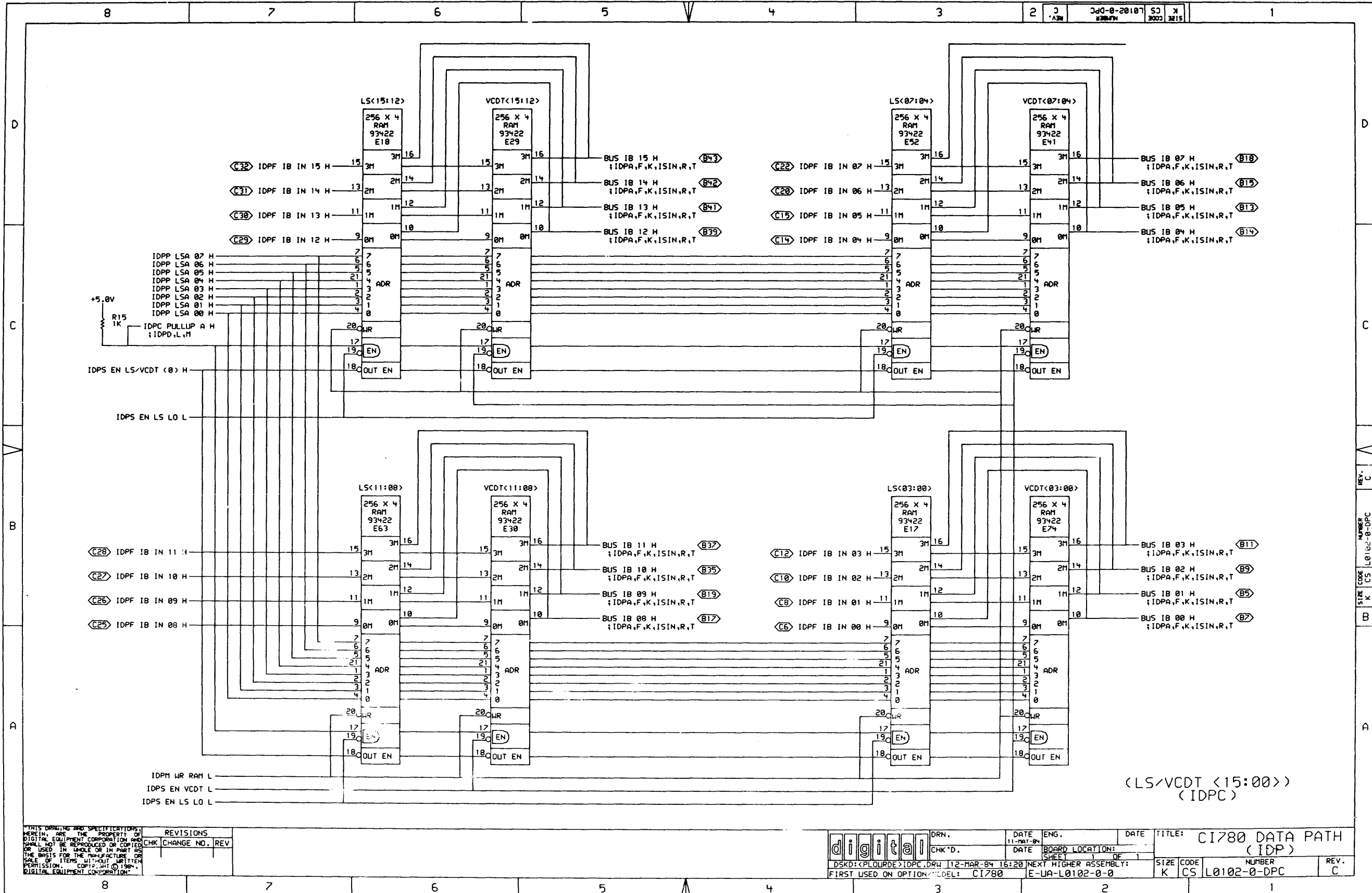


THIS DRAWING AND SPECIFICATIONS HEREIN, ARE THE PROPERTY OF DIGITAL EQUIPMENT CORPORATION AND SHALL NOT BE REPRODUCED OR COPIED OR USED IN WHOLE OR IN PART AS THE BASIS FOR THE MANUFACTURE OR SALE OF ITEMS WITHOUT WRITTEN PERMISSION. COPYRIGHT © 1984, DIGITAL EQUIPMENT CORPORATION.

REVISIONS	
CHK	CHANGE NO. REV

digital	DRN.	DATE	ENG.	DATE	TITLE:
	CHK'D.	DATE	BOARD LOCATION:	SHEET	OF
DSKD: <PLOURDE> IDPB.DRW		112-MAR-84 16:19	NEXT HIGHER ASSEMBLY:	SIZE	CODE
FIRST USED ON OPTION/MODEL:		CI780	E-UA-L0102-0-0	K	CS
NUMBER				L0102-0-DPB	REV.
				C	C

(ALU <31:16>)
(IDPB)



THIS DRAWING AND SPECIFICATIONS ARE THE PROPERTY OF DIGITAL EQUIPMENT CORPORATION AND SHALL NOT BE REPRODUCED OR COPIED OR USED IN WHOLE OR IN PART AS THE BASIS FOR THE MANUFACTURE OR SALE OF ITEMS WITHOUT WRITTEN PERMISSION. COPYRIGHT © 1984, DIGITAL EQUIPMENT CORPORATION.

REVISIONS	CHK	CHANGE NO.	REV

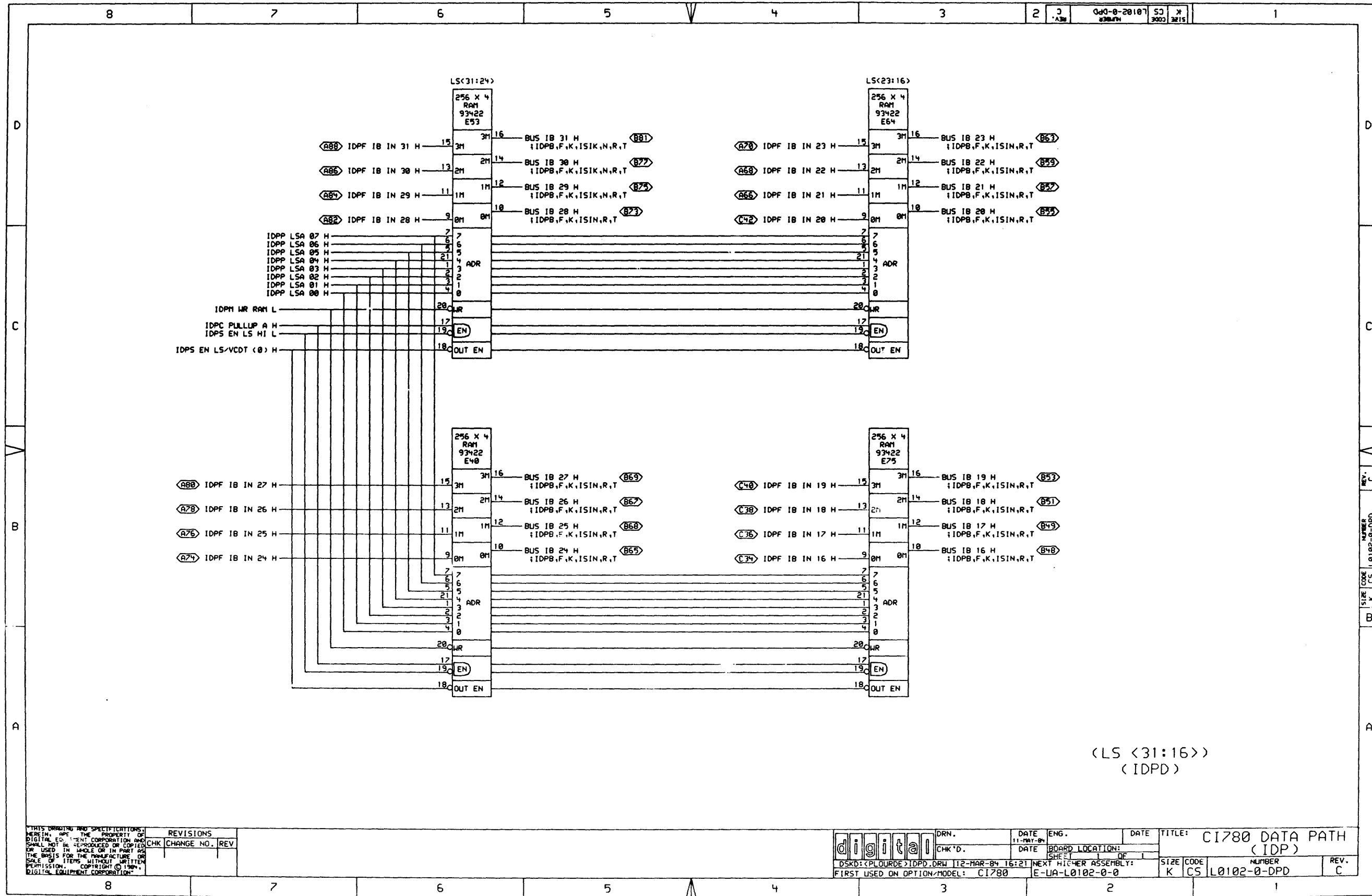
digital DRN. DATE 11-MAR-84
CHK'D. DATE 16-MAR-84

ENG. DATE 16-MAR-84
BOARD LOCATION: SHEET 1 OF 1

TITLE: CI780 DATA PATH (IDP)

DSKD: <PLOURDE> IDPC.DRW 112-MAR-84 16:20 NEXT HIGHER ASSEMBLY: E-LA-L0102-0-0

SIZE CODE NUMBER REV. K CS L0102-0-DPC C

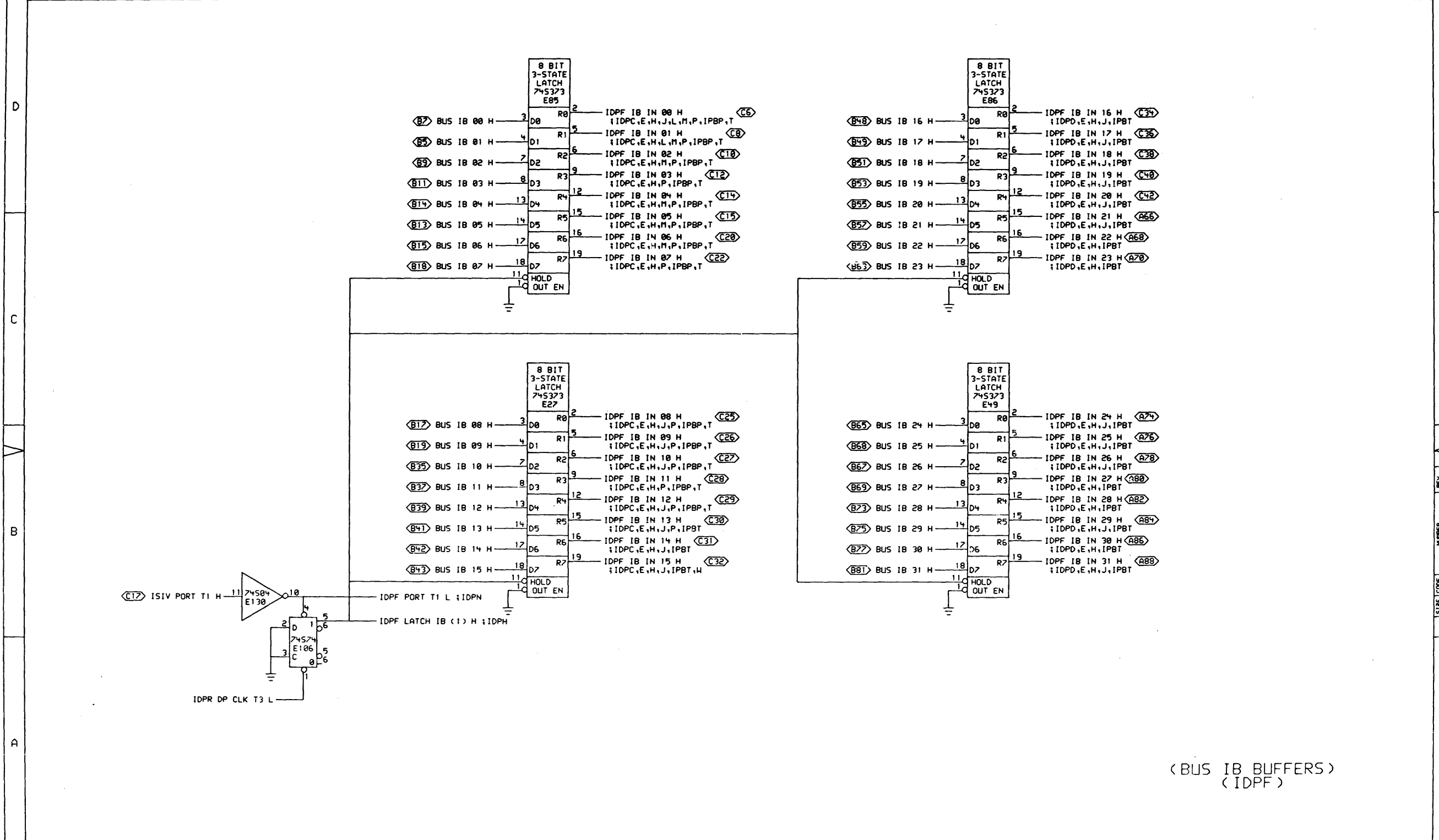


(LS <31:16>)
(IDP)

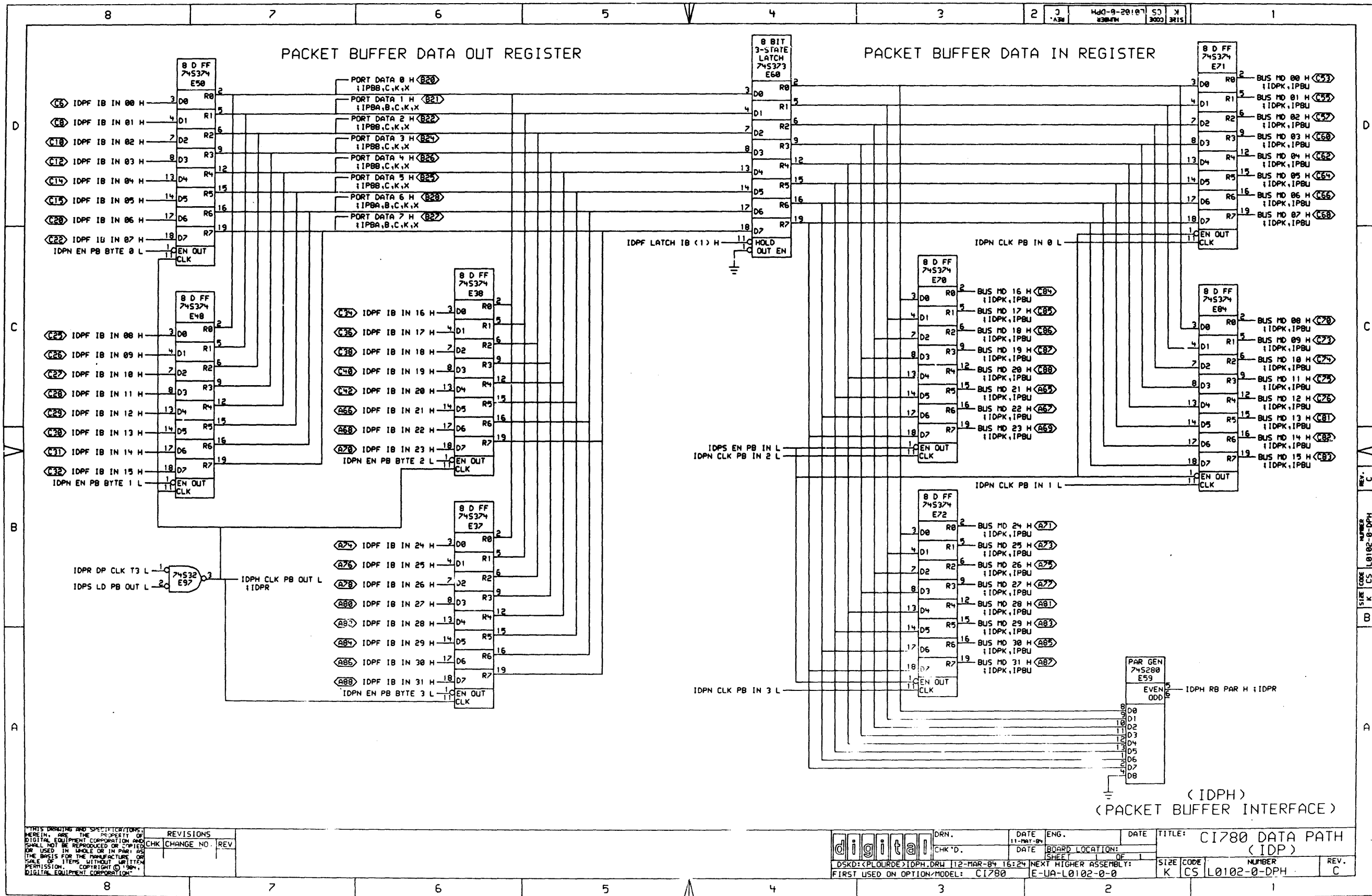
THIS DRAWING AND SPECIFICATIONS ARE THE PROPERTY OF DIGITAL EQUIPMENT CORPORATION AND SHALL NOT BE REPRODUCED OR COPIED OR USED IN WHOLE OR IN PART AS THE BASIS FOR THE MANUFACTURE OR SALE OF ITEMS WITHOUT WRITTEN PERMISSION. COPYRIGHT © 1984, DIGITAL EQUIPMENT CORPORATION.

CHK	CHANGE NO.	REV.

digital	DRN.	DATE	ENG.	DATE	TITLE: CI780 DATA PATH (IDP)
	CHK'D.	DATE	BOARD LOCATION:	SHEET	OF
DSKD: <PLOURDE> IDPD.DRW 112-MAR-84 16:21 NEXT HIGHER ASSEMBLY: E-UA-L0102-0-0					SIZE CODE NUMBER REV.
FIRST USED ON OPTION/MODEL: CI780					K CS L0102-0-DPD C



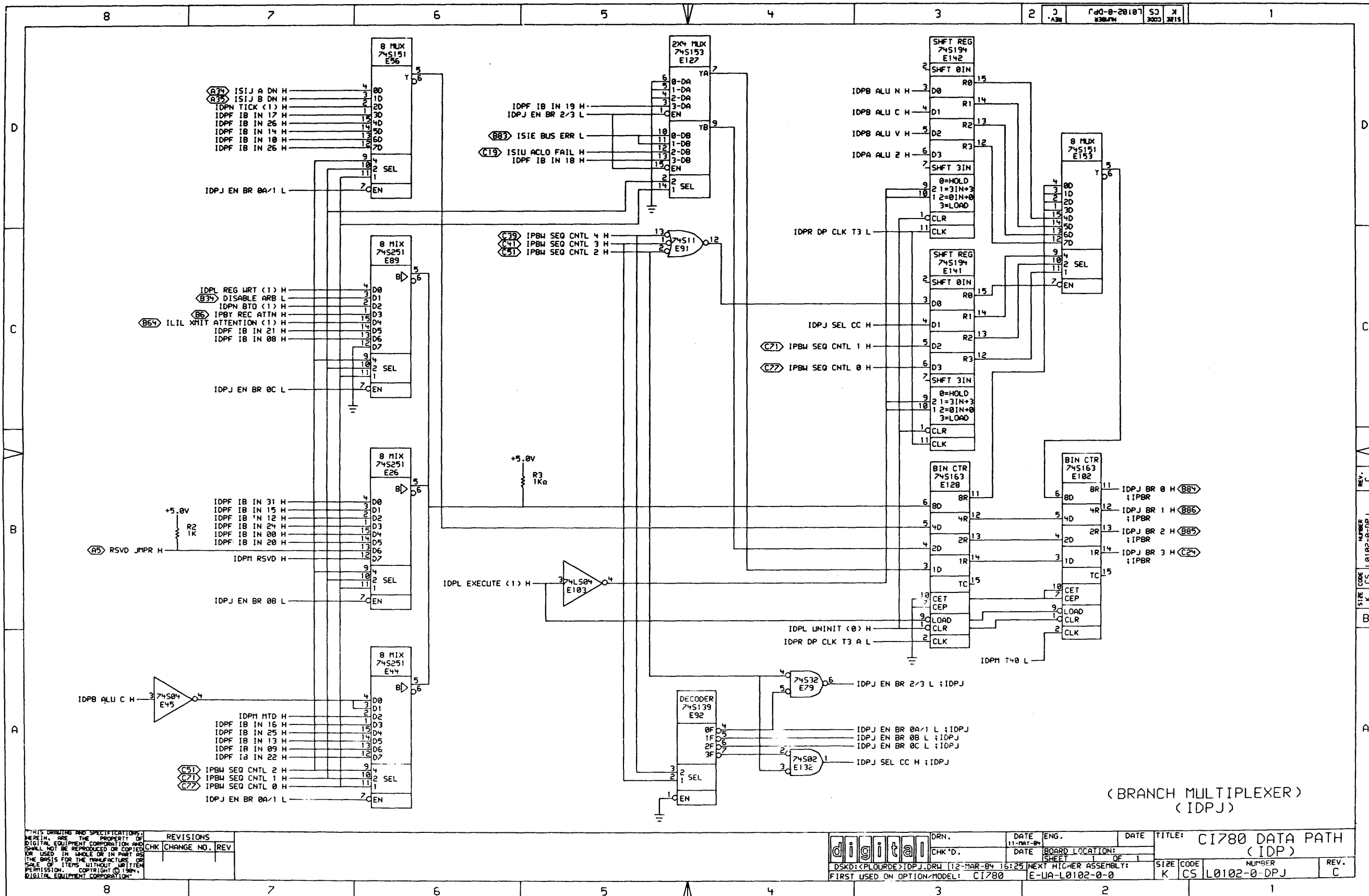
(BUS IB BUFFERS)
(IDPF)



THIS DRAWING AND SPECIFICATIONS, HEREIN, ARE THE PROPERTY OF DIGITAL EQUIPMENT CORPORATION AND SHALL NOT BE REPRODUCED OR COPIED OR USED IN WHOLE OR IN PART AS THE BASIS FOR THE MANUFACTURE OR SALE OF ITEMS WITHOUT WRITTEN PERMISSION. COPYRIGHT © 1984 DIGITAL EQUIPMENT CORPORATION.

REVISIONS		
CHK	CHANGE NO.	REV

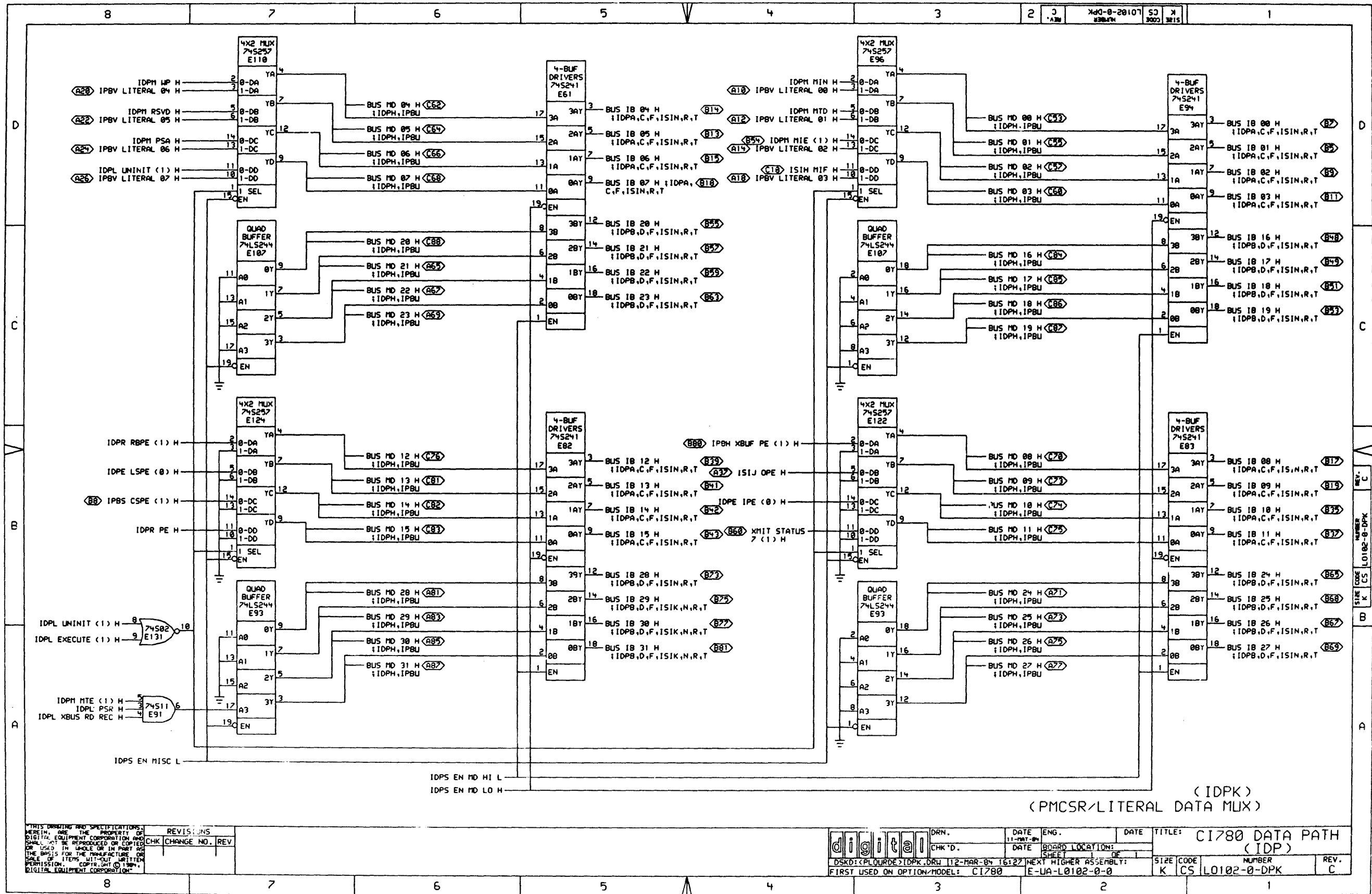
digital	DRN.	DATE	ENG.	DATE	TITLE:	REV.
	CHK'D.	DATE	BOARD LOCATION:	SHEET 1 OF 1	C1780 DATA PATH (IDP)	
DSKD: <PLOURDE> IDPH.DRW 12-MAR-84 16:24			NEXT HIGHER ASSEMBLY:		SIZE	NUMBER
FIRST USED ON OPTION/MODEL: C1780			E-UA-L0102-0-0		K CS	L0102-0-DPH



THIS DRAWING AND SPECIFICATIONS ARE THE PROPERTY OF DIGITAL EQUIPMENT CORPORATION AND SHALL NOT BE REPRODUCED OR COPIED OR USED IN WHOLE OR IN PART AS THE BASIS FOR THE MANUFACTURE OR SALE OF ITEMS WITHOUT WRITTEN PERMISSION. COPYRIGHT © 1984 DIGITAL EQUIPMENT CORPORATION.

REVISIONS	
CHK	CHANGE NO. REV.

digital	DRN.	DATE	ENG.	DATE	TITLE: CI780 DATA PATH (IDP)
	CHK'D.	DATE	BOARD LOCATION:	SHEET	OF 1
DSKD: <PLOURDE> IDPJ.DRW [12-MAR-84 16:25] NEXT HIGHER ASSEMBLY:		FIRST USED ON OPTION/MODEL: CI780		E-LA-L0102-0-0	SIZE CODE NUMBER REV. K CS L0102-0-DPJ C



(IDPK)
(PMCSR/LITERAL DATA MUX)

THIS DRAWING AND SPECIFICATIONS ARE THE PROPERTY OF DIGITAL EQUIPMENT CORPORATION AND SHALL NOT BE REPRODUCED OR COPIED OR USED IN WHOLE OR IN PART AS THE BASIS FOR THE MANUFACTURE OR SALE OF ITEMS WITHOUT WRITTEN PERMISSION. COPYRIGHT © 1987, DIGITAL EQUIPMENT CORPORATION.

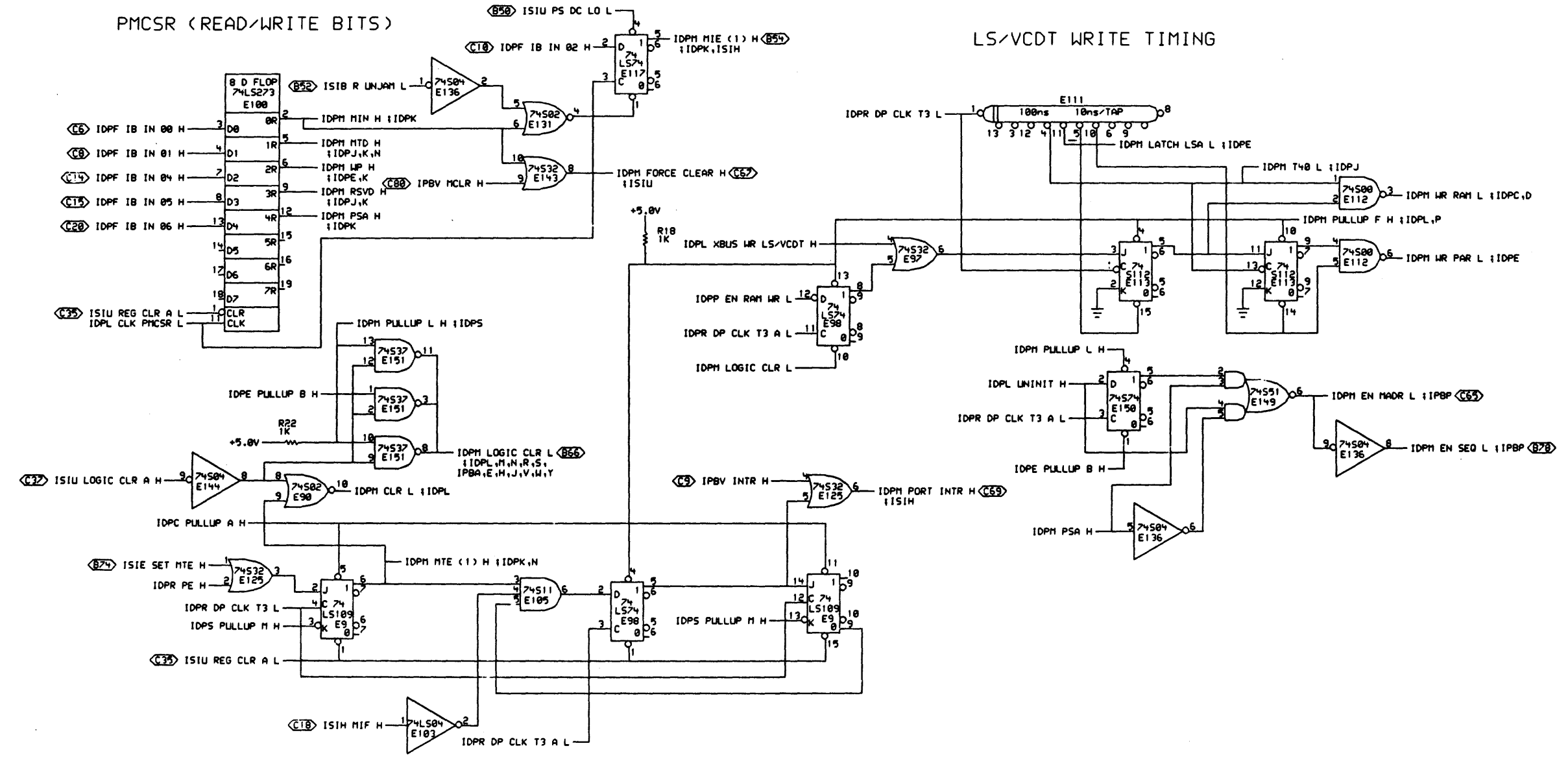
REVISIONS	
CHK	CHANGE NO. REV.

digital	DRN.	DATE	ENG.	DATE	TITLE:
	CHK'D.	DATE	BOARD LOCATION:	SHEET	OF
DSKD: PLOURDE IDPK.DRW 112-MAR-84 16:27		NEXT HIGHER ASSEMBLY:		SIZE	CODE
FIRST USED ON OPTION/MODEL: CI780		E-UA-L0102-0-0		K	CS L0102-0-DPK
					NUMBER
					REV. C

SHEET NO. 1
 BOARD NUMBER L0102-0-DPK
 SIZE CODE CS

PMCSR (READ/WRITE BITS)

LS/VCDT WRITE TIMING

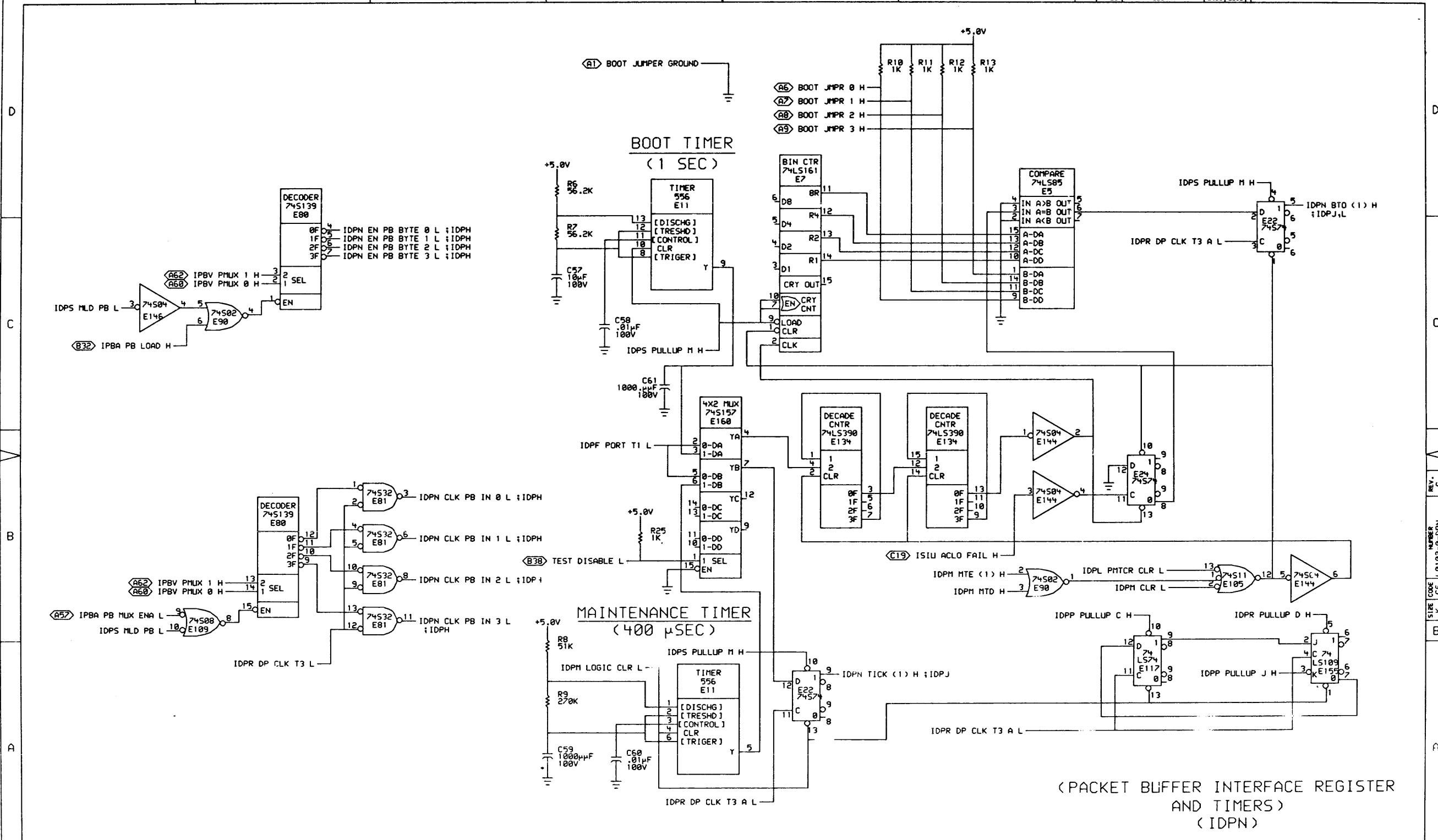


(PMCSR & LS/VCDT WRITE)
(IDPM)

THIS DRAWING AND SPECIFICATIONS ARE THE PROPERTY OF DIGITAL EQUIPMENT CORPORATION AND SHALL NOT BE REPRODUCED OR COPIED OR USED IN WHOLE OR IN PART AS THE BASIS FOR THE MANUFACTURE OR SALE OF ITEMS WITHOUT WRITTEN PERMISSION. COPYRIGHT © 1984, DIGITAL EQUIPMENT CORPORATION.

REVISIONS		
CHK	CHANGE NO.	REV

digital	DRN.	DATE	ENG.	DATE	TITLE: C1780 DATA PATH (IDP)
	CHK'D.	DATE	BOARD LOCATION:	SHEET 1 OF 1	SIZE CODE NUMBER REV. K CS L0102-0-DPM C
FIRST USED ON OPTION MODEL: C1780 E-UA-L0102-0-0					NEXT HIGHER ASSEMBLY:



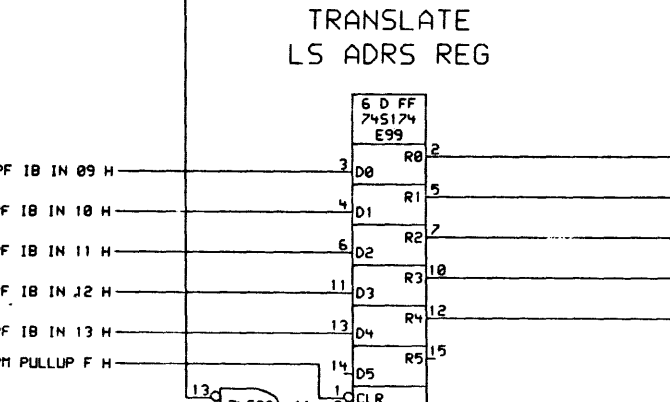
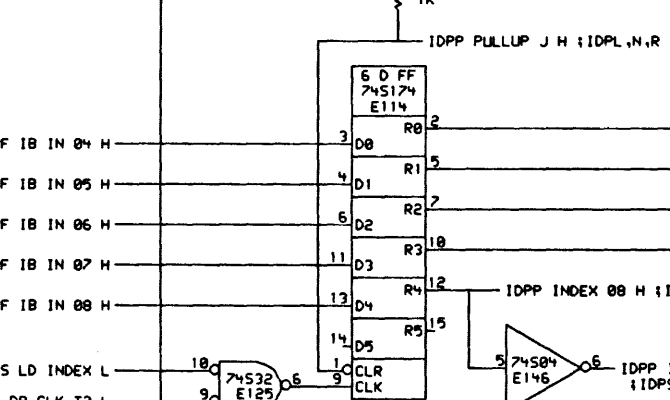
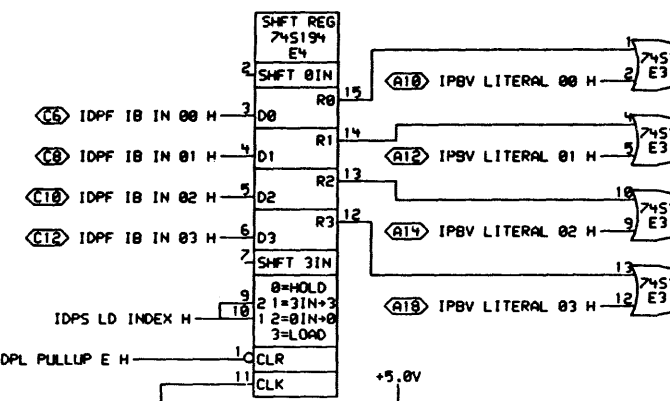
(PACKET BUFFER INTERFACE REGISTER AND TIMERS) (IDPN)

THIS DRAWING AND SPECIFICATIONS HEREIN ARE THE PROPERTY OF DIGITAL EQUIPMENT CORPORATION AND SHALL NOT BE REPRODUCED OR COPIED OR USED IN WHOLE OR IN PART AS THE BASIS FOR THE MANUFACTURE OR SALE OF ITEMS WITHOUT WRITTEN PERMISSION. COPYRIGHT © 1984 DIGITAL EQUIPMENT CORPORATION.

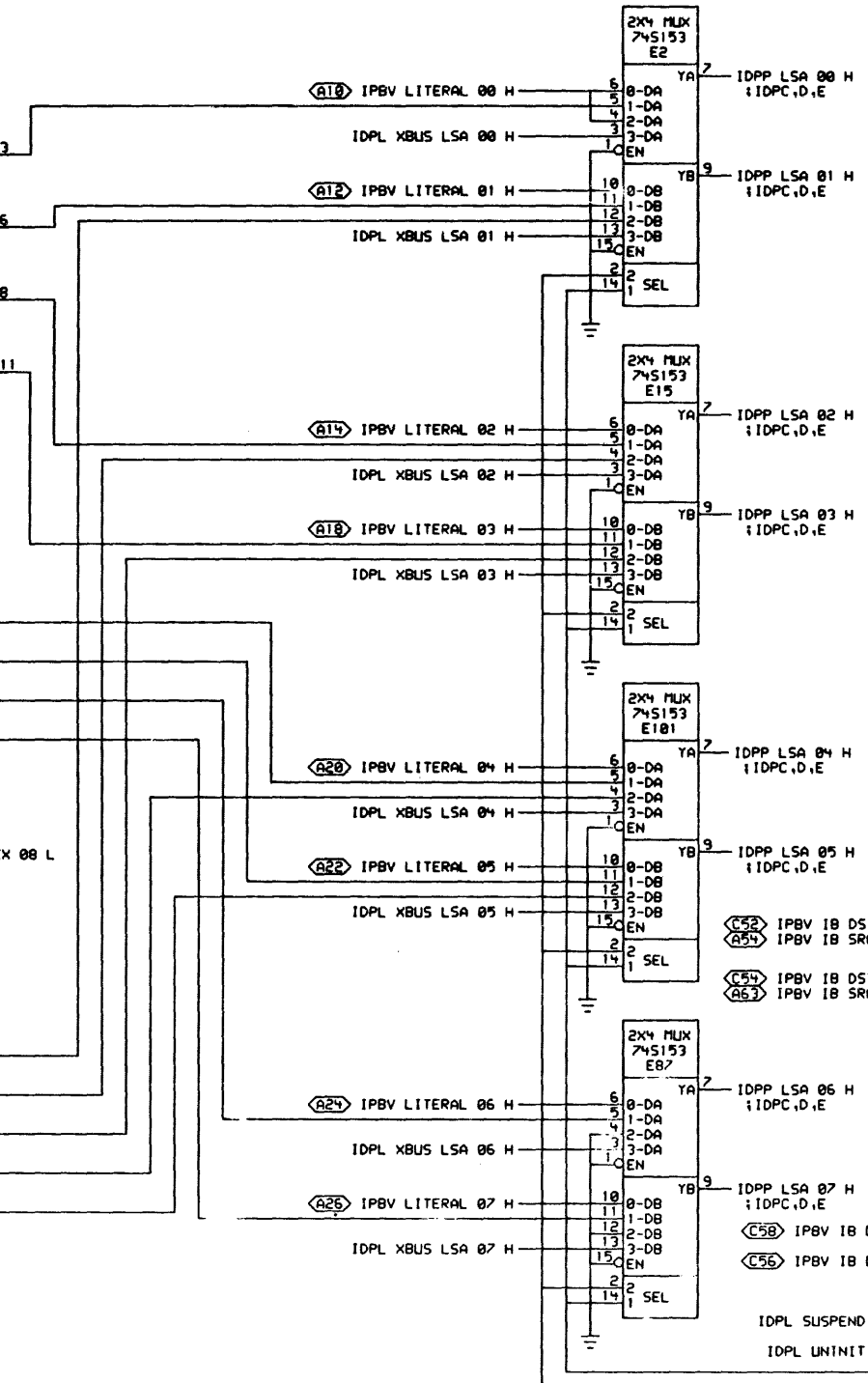
REVISIONS	
CHK	CHANGE NO. REV

digital	DRN.	DATE	ENG.	DATE	TITLE: C1780 DATA PATH (IDPN)
	CHK'D.	DATE	BOARD LOCATION:	SHEET 1 OF 1	SIZE CODE NUMBER REV. K CS L0102-0-DPN C
DSK: (PLOURDE)IDPN.DRW 112-MAR-84 16:30 NEXT HIGHER ASSEMBLY: E-UA-L0102-0-0					FIRST USED ON OPTION MODEL: C1780

INDEX LS ADRS REG



LSA MUX



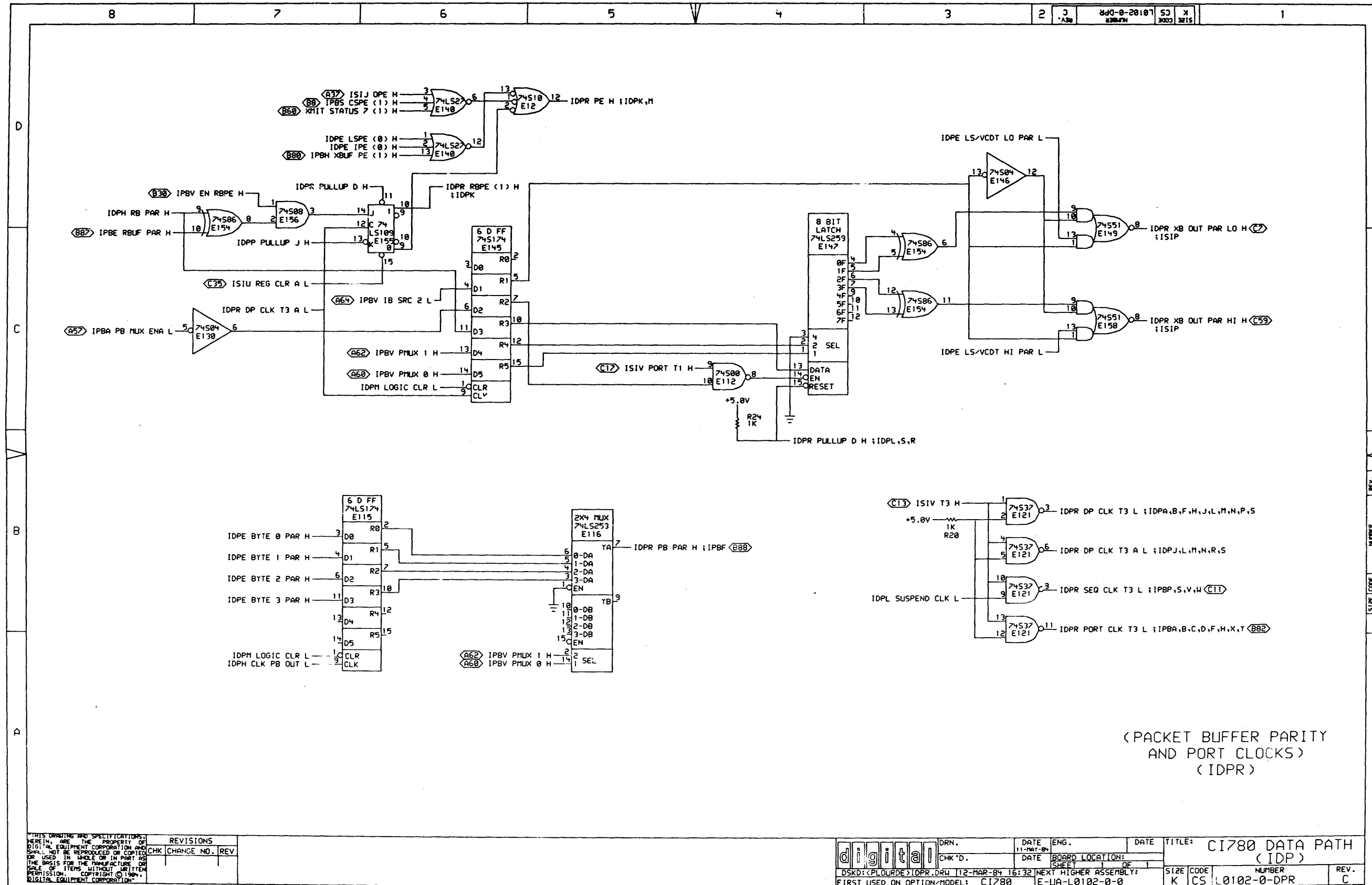
SEL 2	SEL 1	OUTPUT
0	0	LITERAL
0	1	INDEX REG
1	0	TRANSLATE REG
1	1	XBUS LSA REG

(LOCAL STORE/VCDT ADDRESSING) (IDPP)

THIS DRAWING AND SPECIFICATIONS, HEREIN, ARE THE PROPERTY OF DIGITAL EQUIPMENT CORPORATION AND SHALL NOT BE REPRODUCED OR COPIED OR USED IN WHOLE OR IN PART AS THE BASIS FOR THE MANUFACTURE OR SALE OF ITEMS WITHOUT WRITTEN PERMISSION. COPYRIGHT © 1984, DIGITAL EQUIPMENT CORPORATION.

REV.	NO.	DATE	BY	CHK	CHANGE NO.	REV

digital	DRN.	DATE	ENG.	DATE	TITLE:
	CHK'D.	DATE	BOARD LOCATION:	SHEET	CI780 DATA PATH (IDP)
DSKD: (PLOURDE) IDPP.DRW 12-MAR-84 16:31		NEXT HIGHER ASSEMBLY:		SIZE	CODE
FIRST USED ON OPTION/MODEL: CI780		E-UA-L0102-0-0		NUMBER	REV.
				K	CS
				L0102-0-DPP	C



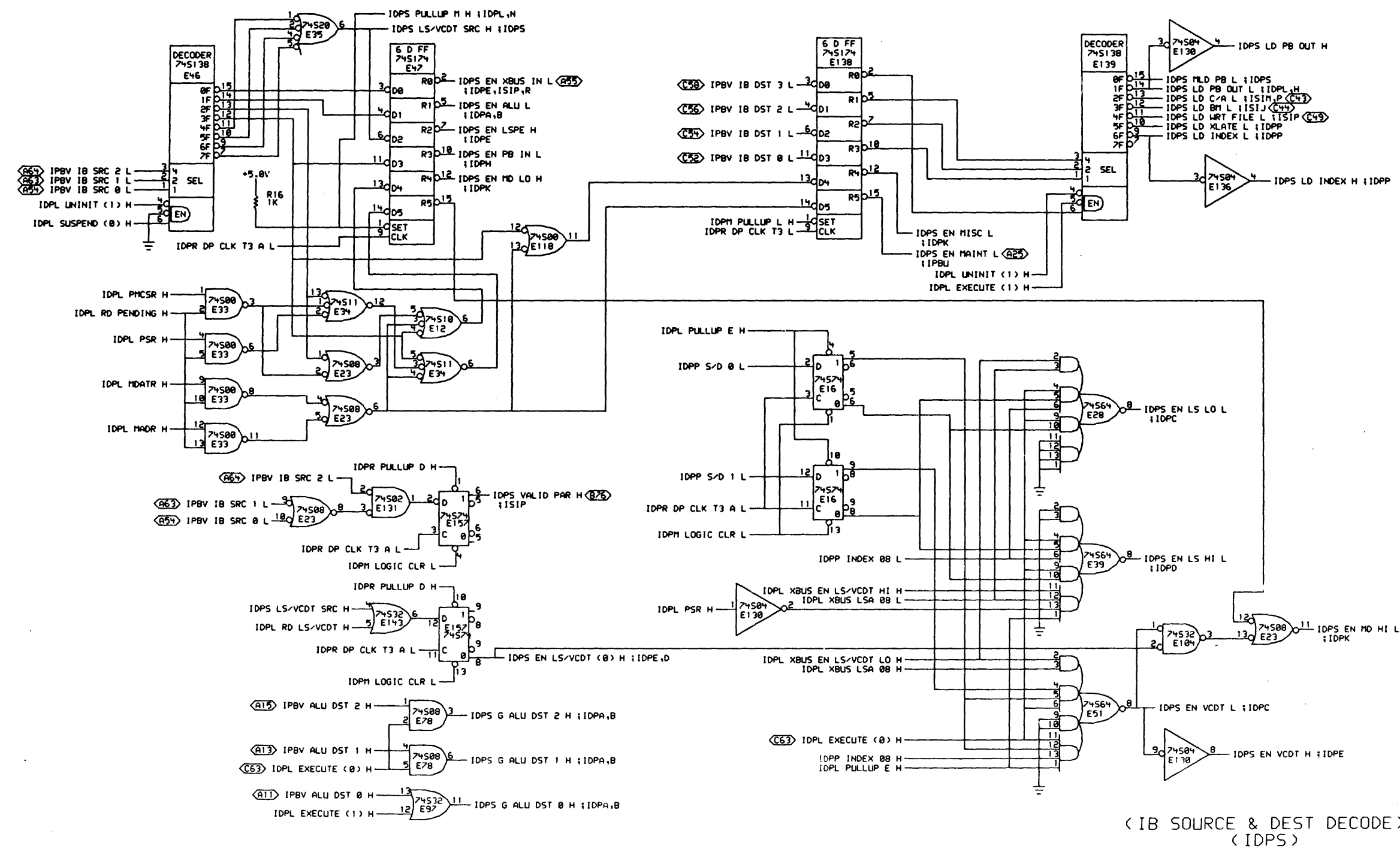
(PACKET BUFFER PARITY AND PORT CLOCKS)
(IDPR)

THIS DRAWING AND SPECIFICATIONS, HEREIN ARE THE PROPERTY OF DIGITAL EQUIPMENT CORPORATION AND SHALL NOT BE REPRODUCED OR COPIED OR USED IN WHOLE OR IN PART AS THE BASIS FOR THE MANUFACTURE OR SALE OF ITEMS WITHOUT WRITTEN PERMISSION. COPYRIGHT © 1984, DIGITAL EQUIPMENT CORPORATION.

REV.	CHG.	NO.	REV.

DRN.	DATE	ENG.	DATE	TITLE:
CHK'D.	11-MAY-84			CI780 DATA PATH (IDP)
DSKD: <PLOURDE> IDPR.DRW	12-MAR-84 16:32	NEXT HIGHER ASSEMBLY:	SIZE	CODE
FIRST USED ON OPTION/MODEL:	CI780	E-UA-L0102-0-0	K	CS
			NUMBER	REV.
			L0102-0-DPR	C

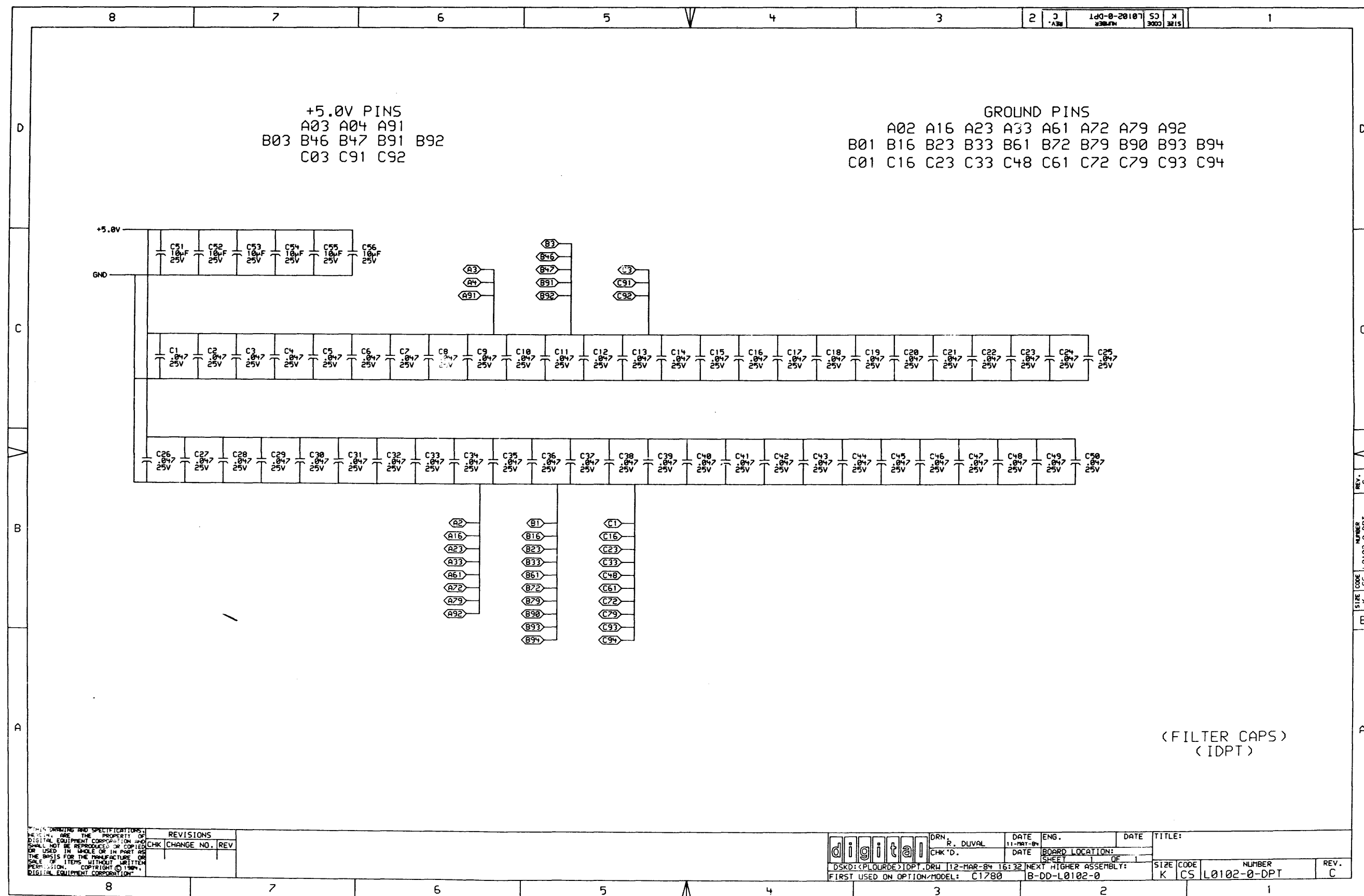
REV. C
NUMBER L0102-0-DPR
SIZE CODE CS



THIS DRAWING AND SPECIFICATIONS, HEREIN, ARE THE PROPERTY OF DIGITAL EQUIPMENT CORPORATION AND SHALL NOT BE REPRODUCED OR COPIED OR USED IN WHOLE OR IN PART AS THE BASIS FOR THE MANUFACTURE OR SALE OF ITEMS, WITHOUT WRITTEN PERMISSION. COPYRIGHT © 1984, DIGITAL EQUIPMENT CORPORATION.

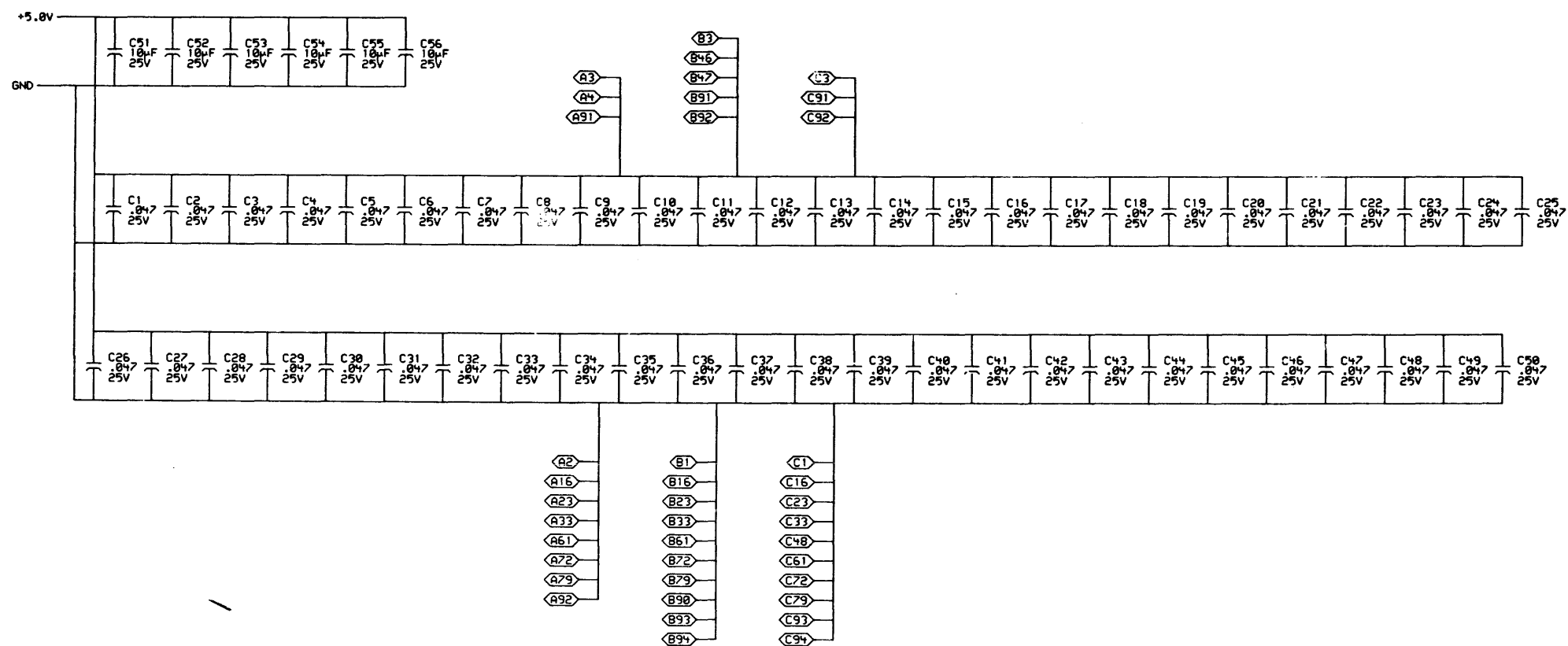
REVISIONS		
CHK	CHANGE NO.	REV

digital	DRN.	DATE	ENG.	DATE	TITLE:
	CHK'D.	DATE	BOARD LOCATION:	SHEET	CI780 DATA PATH (IDP)
DSKD: <PLOURDE> IDPS.DRW 112 MAR-84 16:32 NEXT HIGHER ASSEMBLY:					SIZE CODE
FIRST USED ON OPTION/MODEL: CI780 E-LA-L0102-0-0					NUMBER
					REV.
					C



+5.0V PINS
 A03 A04 A91
 B03 B46 B47 B91 B92
 C03 C91 C92

GROUND PINS
 A02 A16 A23 A33 A61 A72 A79 A92
 B01 B16 B23 B33 B61 B72 B79 B90 B93 B94
 C01 C16 C23 C33 C48 C61 C72 C79 C93 C94

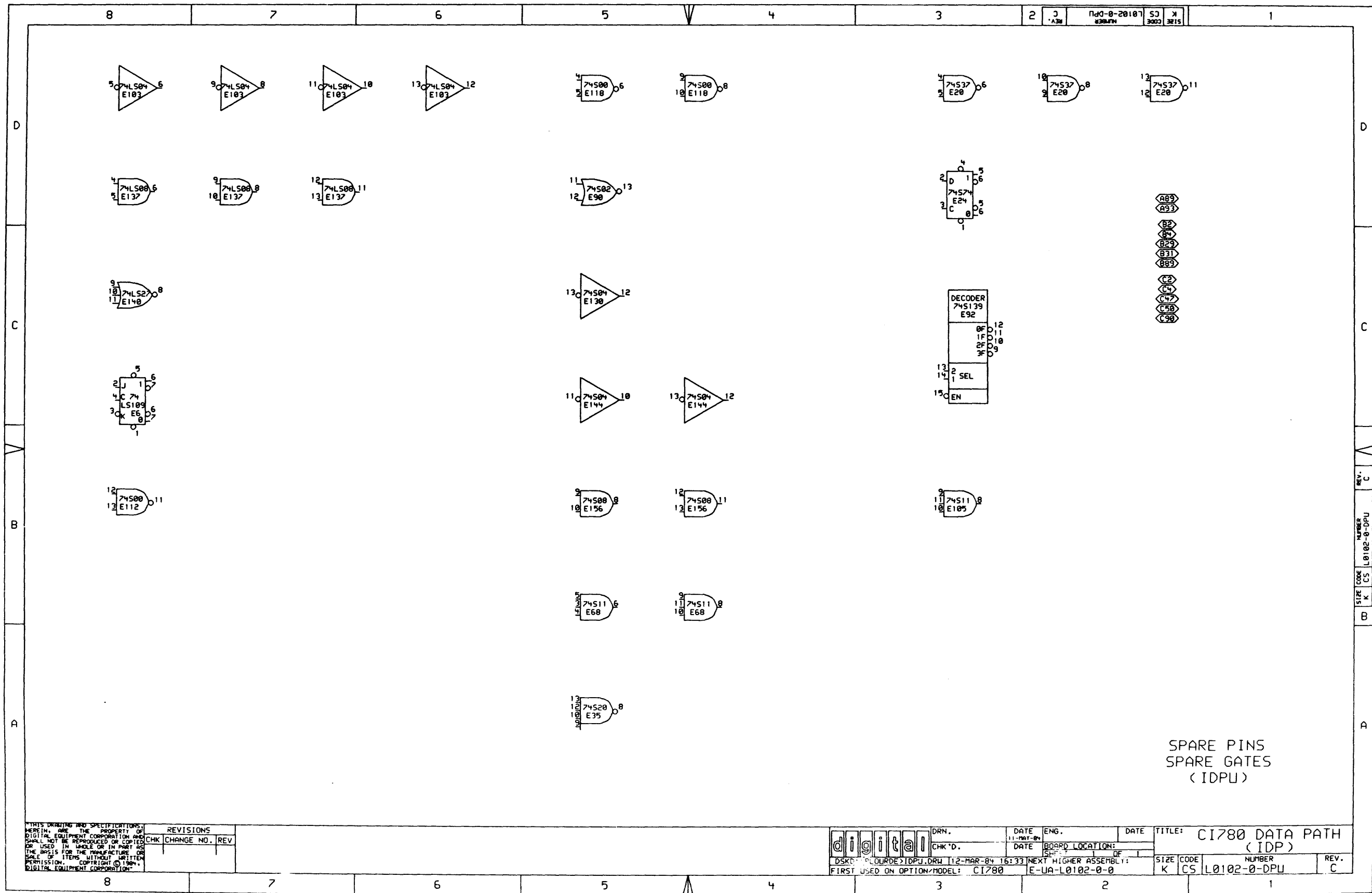


(FILTER CAPS)
 (IDPT)

THIS DRAWING AND SPECIFICATIONS ARE THE PROPERTY OF DIGITAL EQUIPMENT CORPORATION AND SHALL NOT BE REPRODUCED OR COPIED OR USED IN WHOLE OR IN PART AS THE BASIS FOR THE MANUFACTURE OR SALE OF ITEMS WITHOUT WRITTEN PERMISSION. COPYRIGHT © 1984, DIGITAL EQUIPMENT CORPORATION.

REVISIONS		
CHK	CHANGE NO.	REV

digital	DRN	R. DUVAL	DATE	11-MAR-84	ENG.		DATE		TITLE:	
	CHK'D.		DATE		BOARD LOCATION:					
DSKD: <PLOURDE> IDPT.DRW 112-MAR-84 16:32					NEXT HIGHER ASSEMBLY:					
FIRST USED ON OPTION/MODEL: C1780					B-DD-L0102-0		SIZE	CODE	NUMBER	REV.
							K	CS	L0102-0-DPT	C

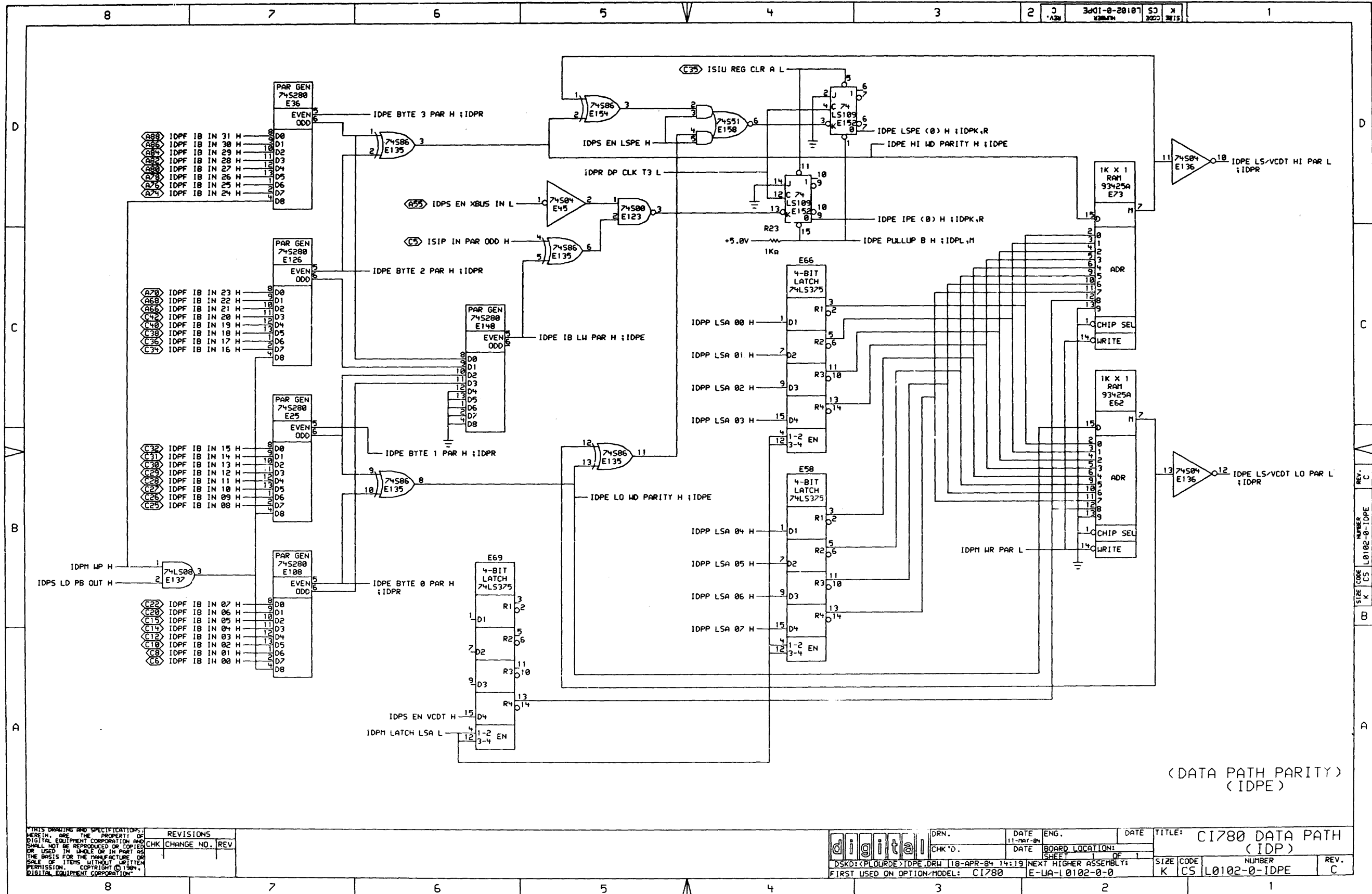


THIS DRAWING AND SPECIFICATIONS, HEREIN, ARE THE PROPERTY OF DIGITAL EQUIPMENT CORPORATION AND SHALL NOT BE REPRODUCED OR COPIED OR USED IN WHOLE OR IN PART AS THE BASIS FOR THE MANUFACTURE OR SALE OF ITEMS, WITHOUT WRITTEN PERMISSION. COPYRIGHT © 1987, DIGITAL EQUIPMENT CORPORATION.

REVISIONS		
CHK	CHANGE NO.	REV

digital	DRN.	DATE	ENG.	DATE	TITLE:
	CHK'D.	DATE	BOARD LOCATION:		CI780 DATA PATH (IDP)
DSK: C:\OURDE\IDPU.DRW 112-MAR-84 16:33		NEXT HIGHER ASSEMBLY:		SIZE	CODE
FIRST USED ON OPTION/MODEL: CI780		E-LA-L0102-0-0		K	CS
				NUMBER	REV.
				L0102-0-DPU	C

REV. C
NUMBER L0102-0-DPU
SIZE K CS



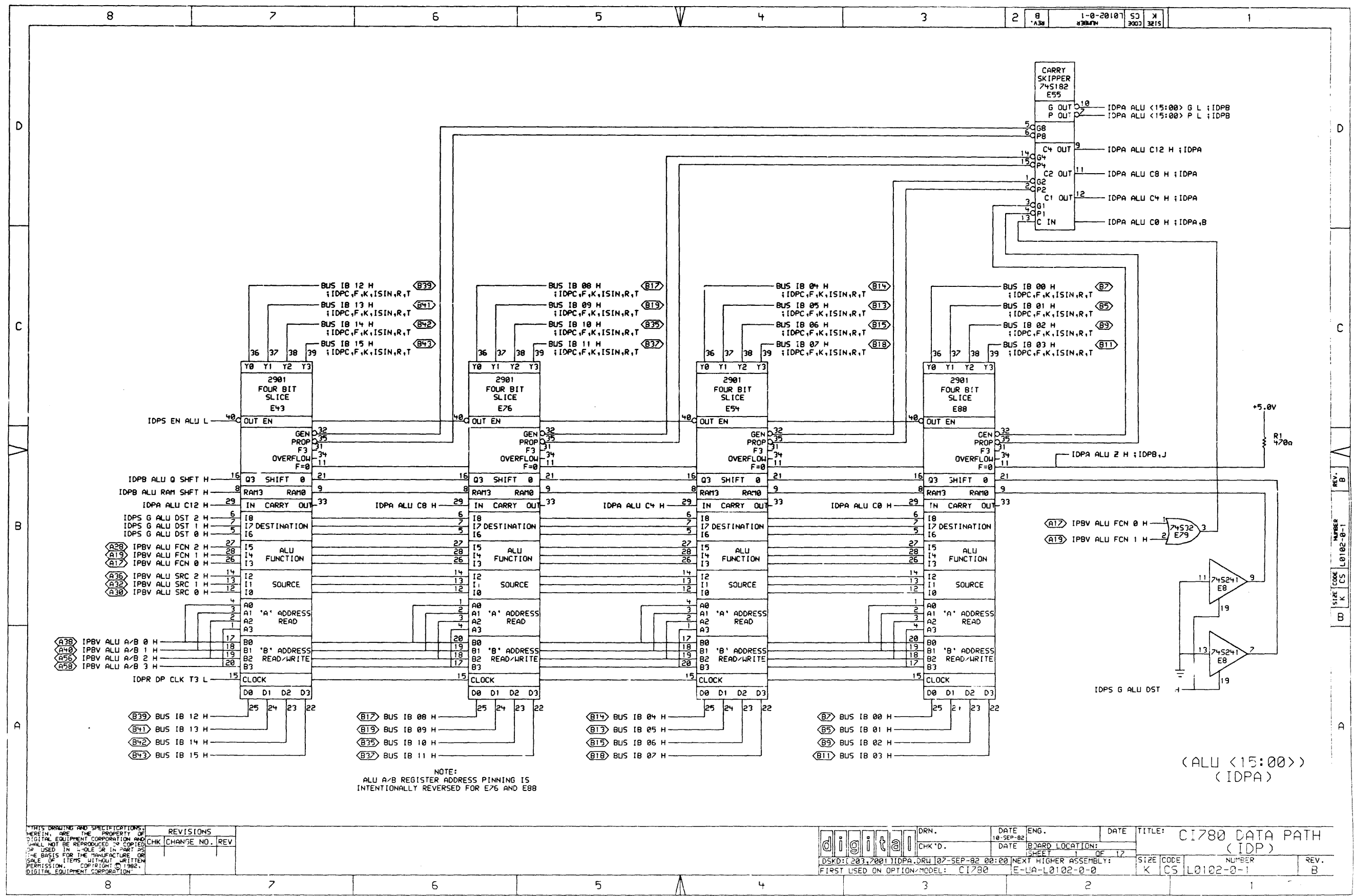
(DATA PATH PARITY)
(IDPE)

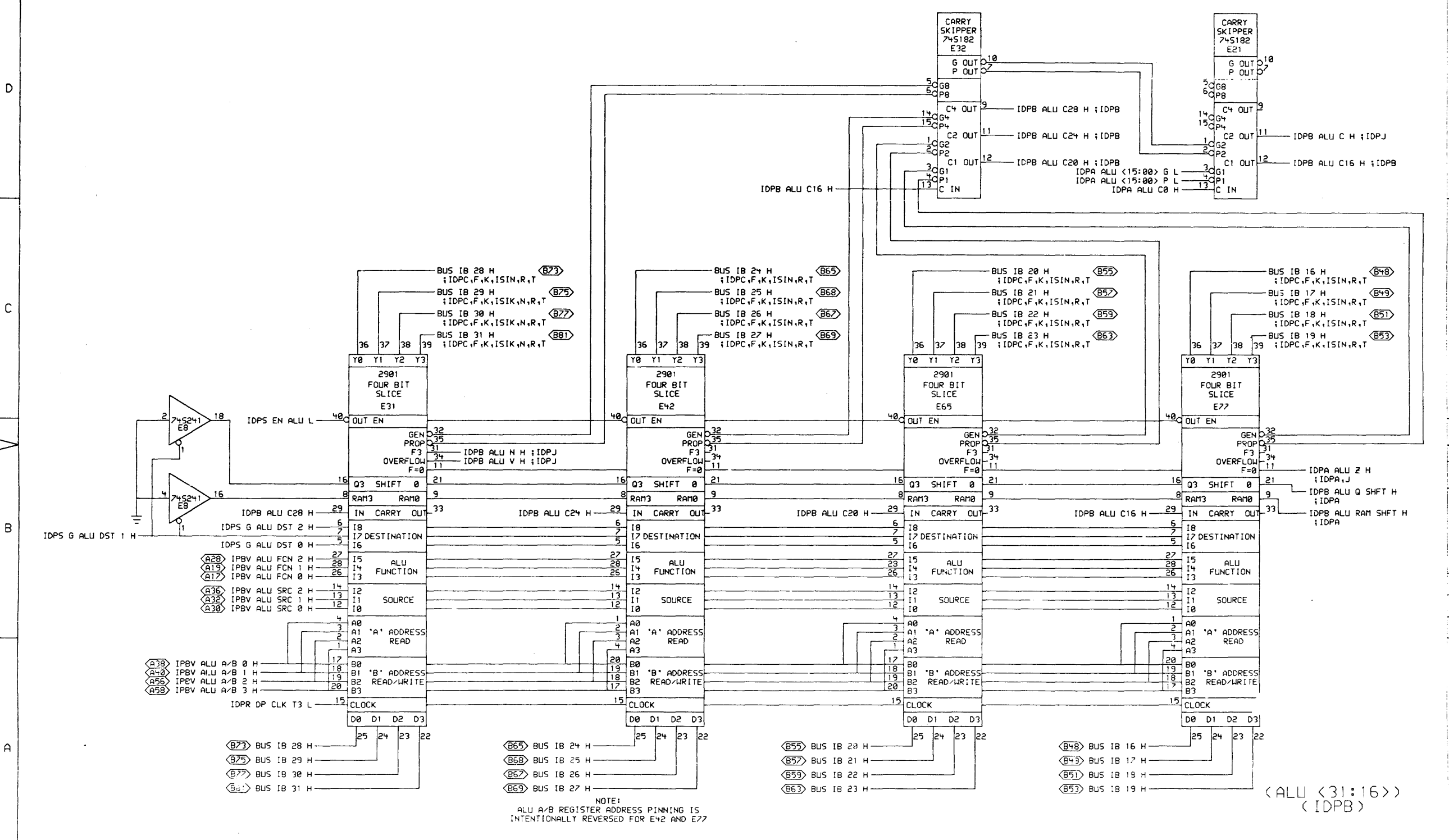
THIS DRAWING AND SPECIFICATIONS
HEREIN ARE THE PROPERTY OF
DIGITAL EQUIPMENT CORPORATION AND
SHALL NOT BE REPRODUCED OR COPIED
OR USED IN WHOLE OR IN PART AS
THE BASIS FOR THE MANUFACTURE OR
SALE OF ITEMS WITHOUT WRITTEN
PERMISSION. COPYRIGHT © 1984
DIGITAL EQUIPMENT CORPORATION

REVISIONS	
CHK	CHANGE NO. REV

DRN.	DATE	ENG.	DATE	TITLE
CHK'D.	DATE	BOARD LOCATION:		CI780 DATA PATH
DSKD:\PLOURDE>IDPE.DRW 118-APR-84 14:19	NEXT HIGHER ASSEMBLY:	SHEET	OF	(IDP)
FIRST USED ON OPTION/MODEL: CI780	E-LA-L0102-0-0	1	1	

SIZE	CODE	NUMBER	REV.
K	CS	L0102-0-IDPE	C



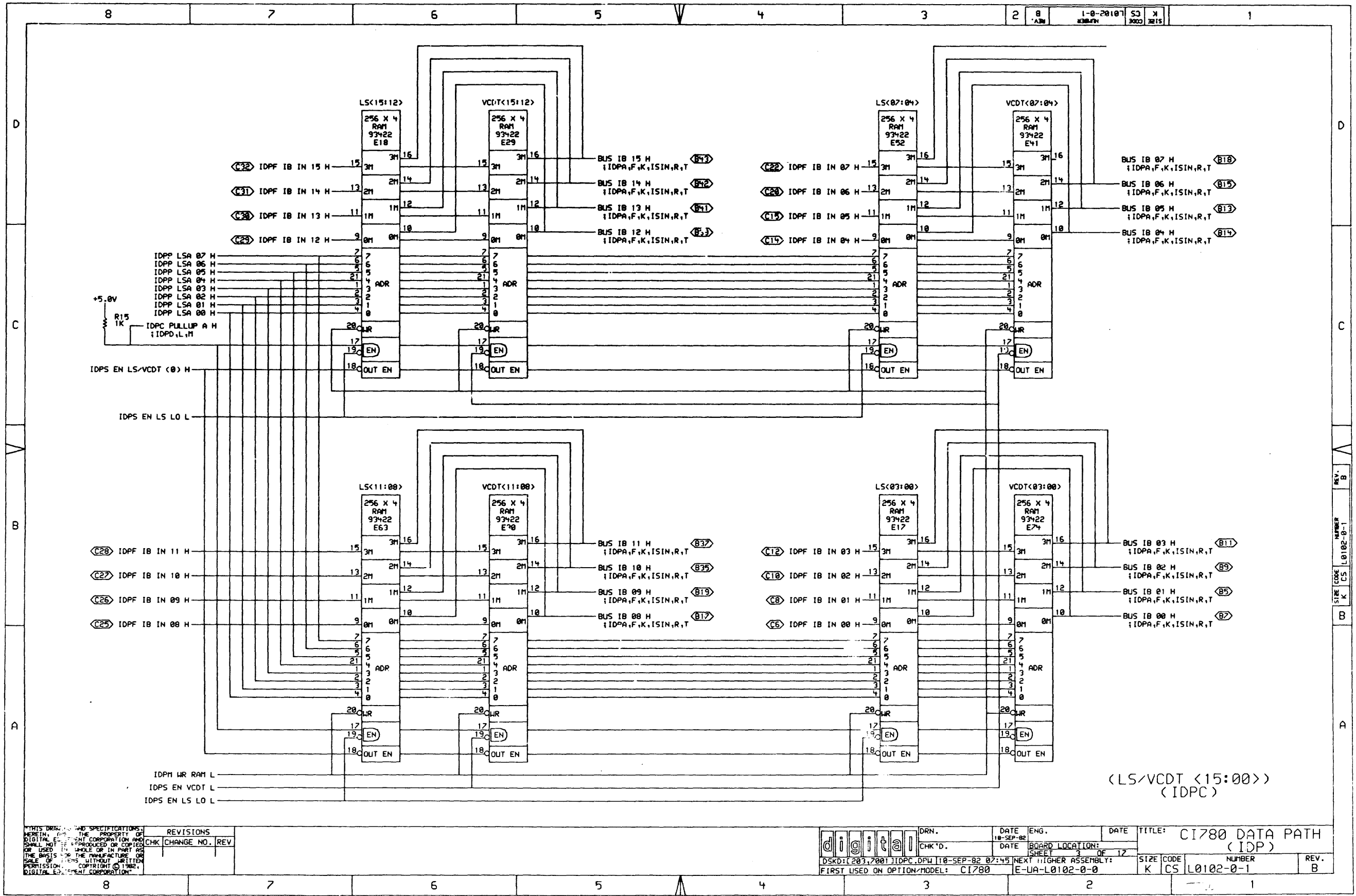


THIS DRAWING AND SPECIFICATIONS ARE THE PROPERTY OF DIGITAL EQUIPMENT CORPORATION AND SHALL NOT BE REPRODUCED, COPIED, OR USED IN WHOLE OR IN PART AS THE BASIS FOR THE MANUFACTURE OR SALE OF ITEMS UNLESS WRITTEN PERMISSION, COPYRIGHT © 1982, DIGITAL EQUIPMENT CORPORATION.

REV.	NO.	DATE	BY	CHK	CHG	NO.	REV.

REV.	NO.	DATE	BY	CHK	CHG	NO.	REV.

DRN.	DATE	ENG.	DATE	TITLE:	CI780 DATA PATH
CHK'D.	18-SEP-82			(IDP)	
DSKD: [203,200] IDPB DRW 107-582 00:00	BOARD LOCATION:	SHEET	OF	SIZE	CODE
FIRST USED ON OPTION MODEL: CI780	E-LA-L0102-0-0	K	C5	L0102-0-1	NUMBER
					REV.
					B



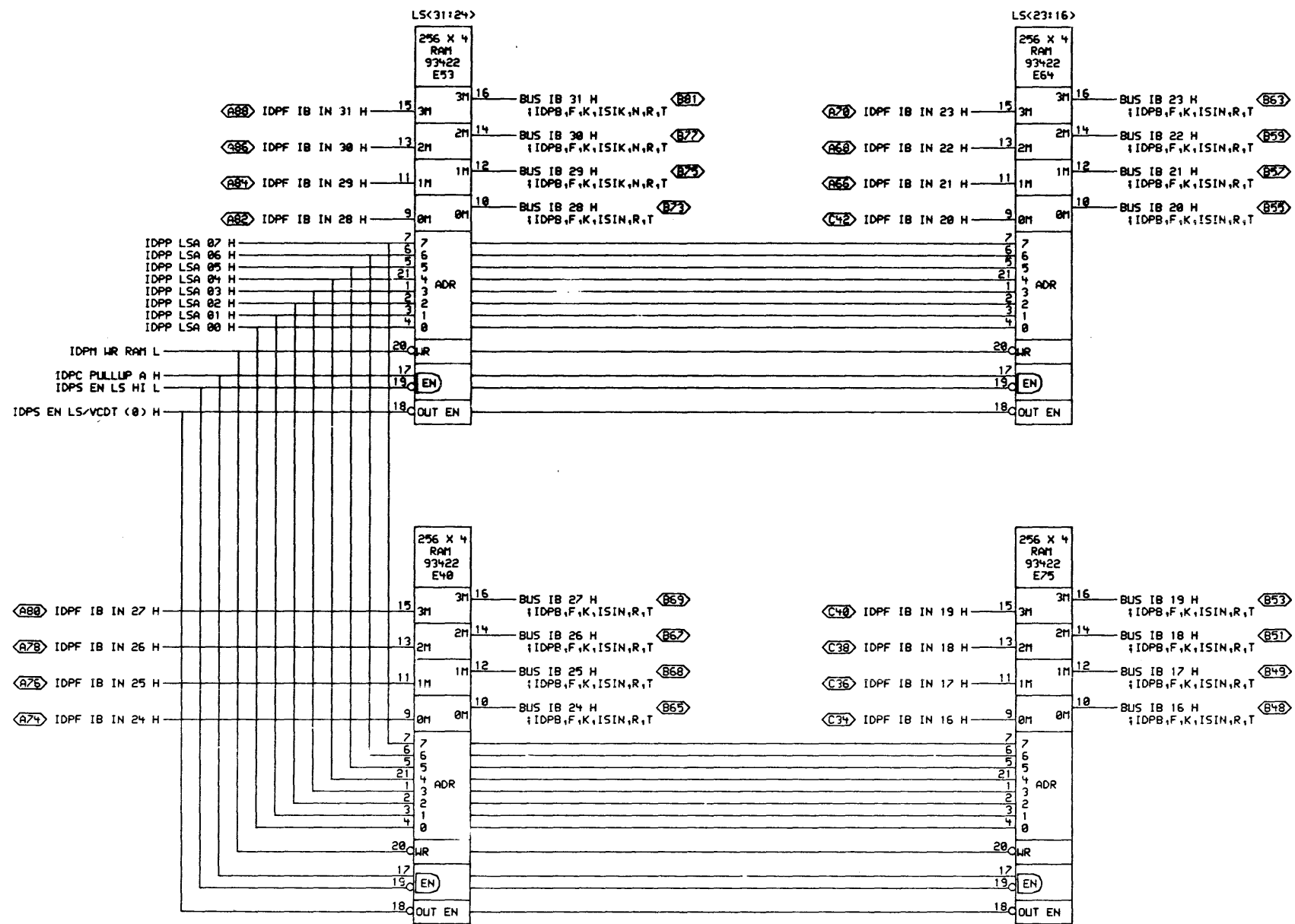
(LS/VCDT <15:00>)
(IDPC)

THIS DRAWING AND SPECIFICATIONS ARE THE PROPERTY OF DIGITAL EQUIPMENT CORPORATION AND SHALL NOT BE REPRODUCED OR COPIED OR USED IN WHOLE OR IN PART AS THE BASIS FOR THE MANUFACTURE OR SALE OF DEVICES WITHOUT WRITTEN PERMISSION. COPYRIGHT © 1982, DIGITAL EQUIPMENT CORPORATION.

REVISIONS	
CHK	CHANGE NO. REV

digital	DRN.	DATE	ENG.	DATE	TITLE: CI780 DATA PATH (IDP)
	CHK'D.	18-SEP-82			
DSKD: [203,200] IDPC.DPW [10-SEP-82 07:45] NEXT HIGHER ASSEMBLY:		BOARD LOCATION:		STZE	CODE
FIRST USED ON OPTION/MODEL: CI780		E-UA-L0102-0-0		K	CS
				NUMBER	REV.
				L0102-0-1	B

REV. B
NUMBER L0102-0-1
STZE CODE CS

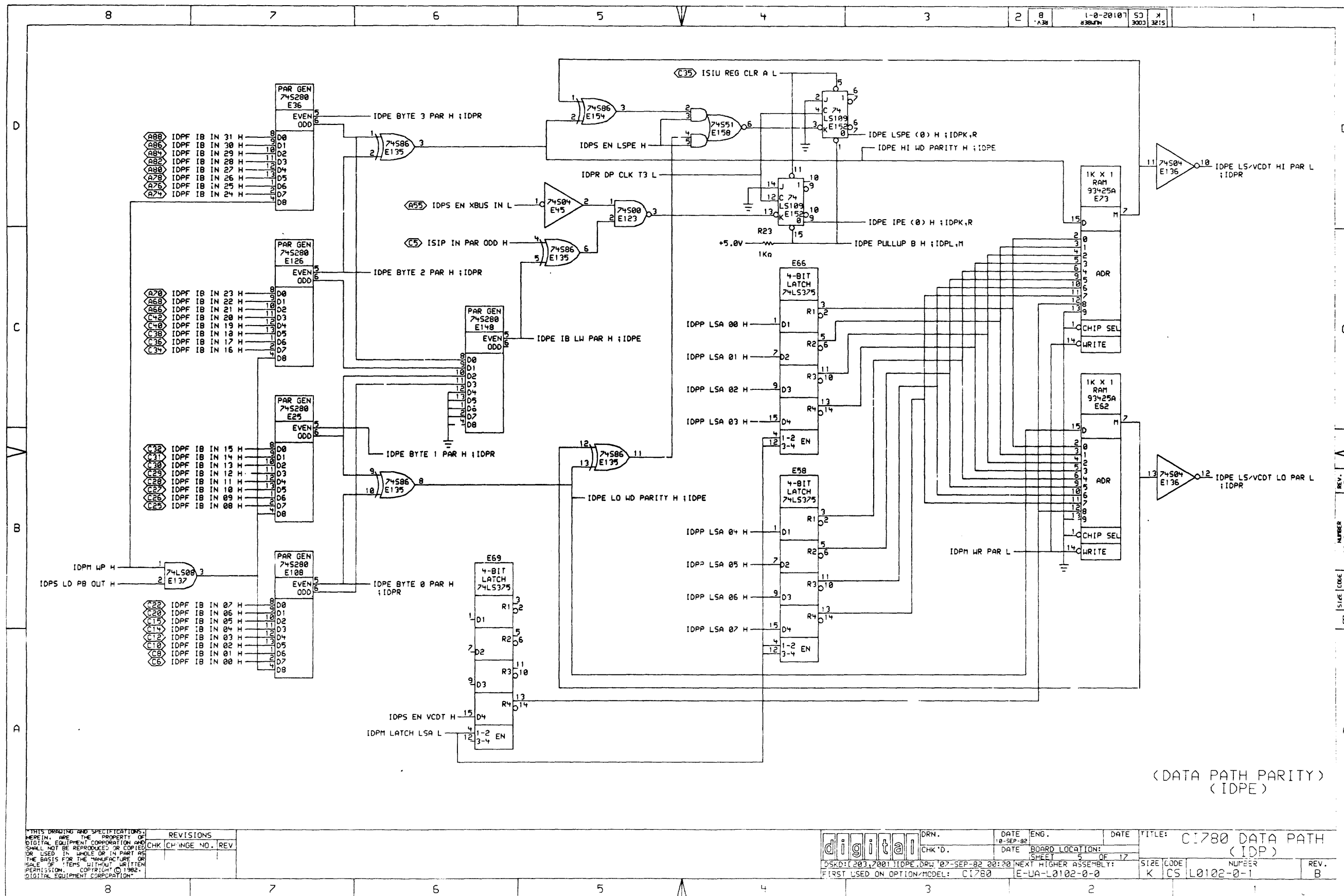


(LS <31:16>
 (IDPD)

THIS DRAWING AND SPECIFICATIONS HEREIN ARE THE PROPERTY OF DIGITAL EQUIPMENT CORPORATION AND SHALL NOT BE REPRODUCED OR COPIED OR USED IN WHOLE OR IN PART AS THE BASIS FOR THE MANUFACTURE OR SALE OF PARTS WITHOUT WRITTEN PERMISSION. COPYRIGHT © 1982, DIGITAL EQUIPMENT CORPORATION.

REVISIONS		
CHK	CHANGE NO.	REV.

DIGITAL	DRN.	DATE	ENG.	DATE	TITLE:
	CHK'D.	10-SEP-82			CI780 DATA PATH (IDP)
DSKD: [201,700] IDPD.DRW 107-SEP-82 00:00		NEXT HIGHER ASSEMBLY:		SIZE	CODE
FIRST USED ON OPTION/MODEL: CI780		E-JA-L0102-0-0		K	CS
				NUMBER	REV.
				L0102-0-1	B

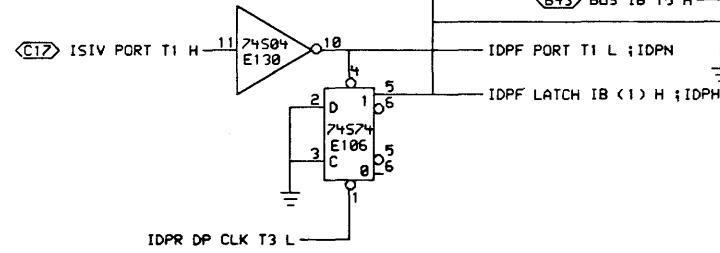
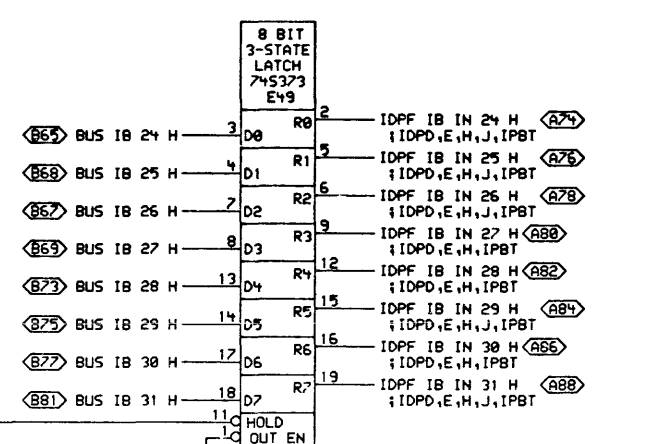
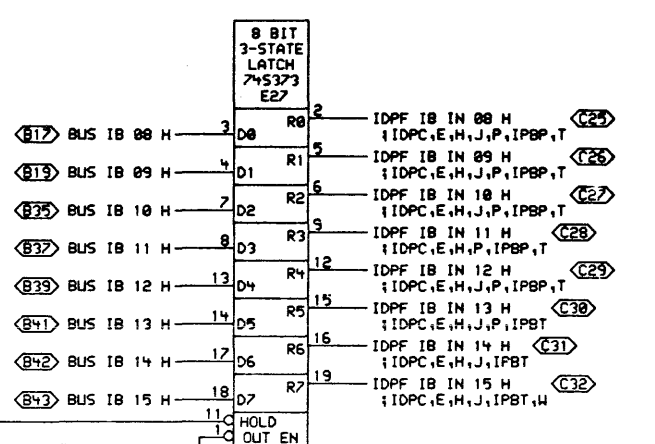
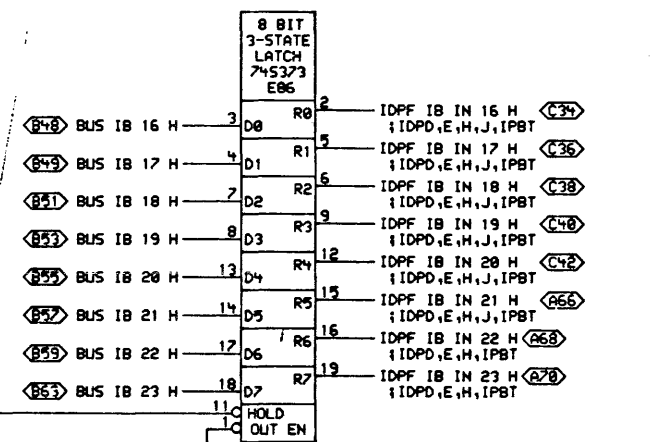
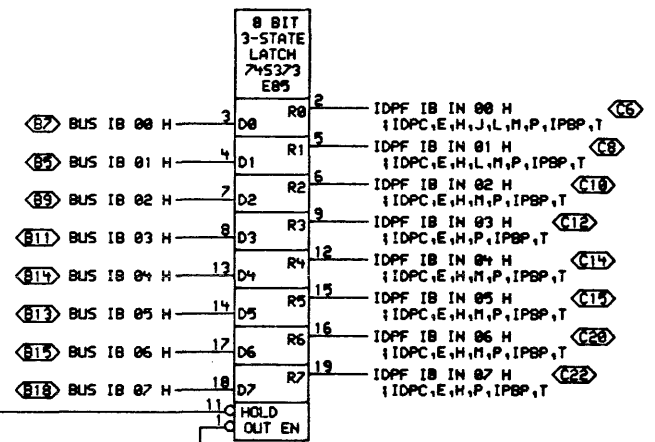


REVISIONS	
CHK	CHANGE NO. REV

DRN.	DATE ENG.	DATE	TITLE: C1780 DATA PATH (IDP)
CHK'D.	DATE BOARD LOCATION:	SHEET 5 OF 17	SIZE CODE NUMBER
DSKD: 1203, 7001 IDPE.DPL; 07-SEP-82 00:20	EUA-L0102-0-0	K CS L0102-0-1	REV. B

D
C
B
A

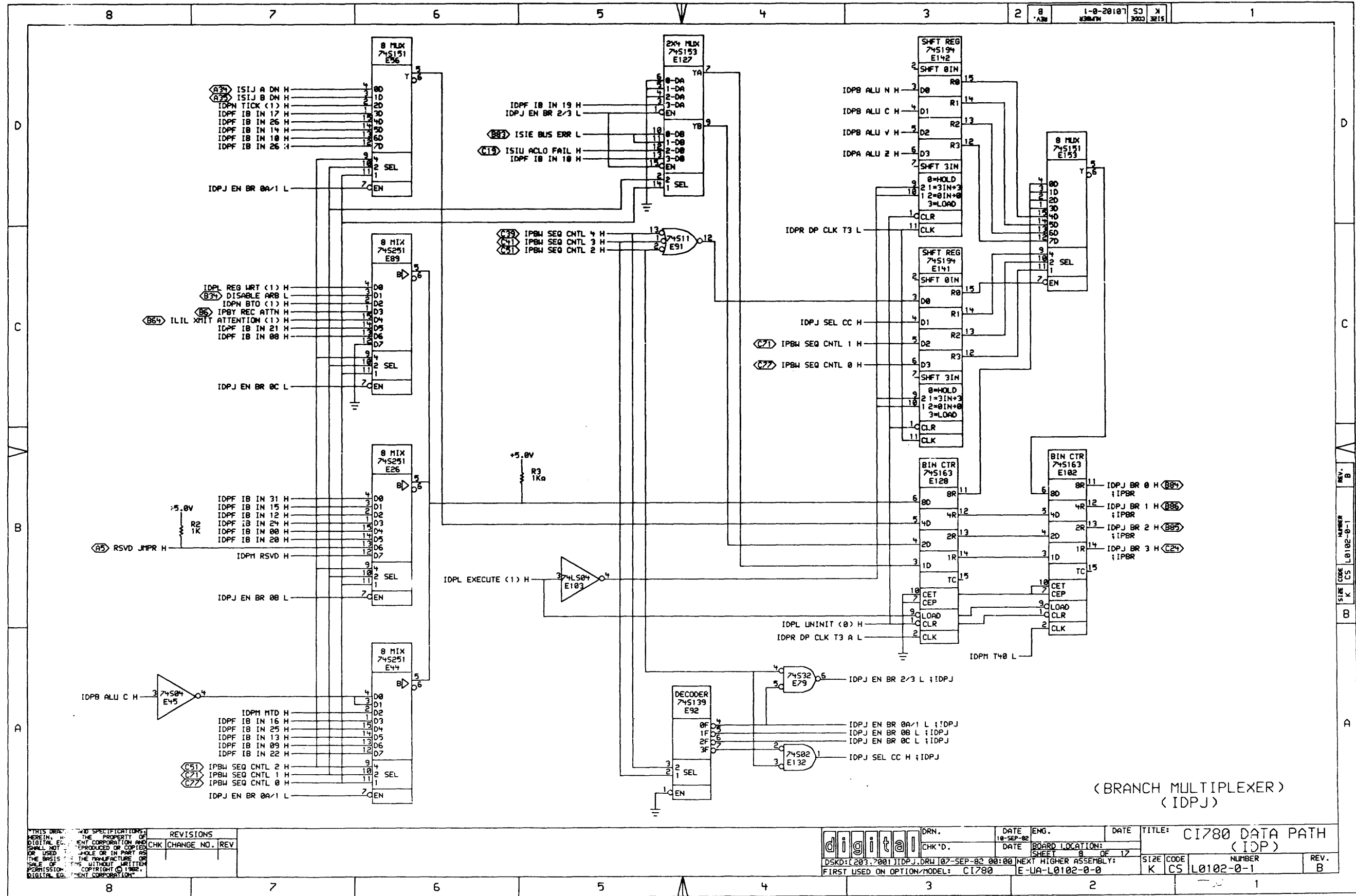
D
C
B
A



(BUS IB BUFFERS)
(IDPF)

REVISIONS	
CHK	CHANGE NO. REV

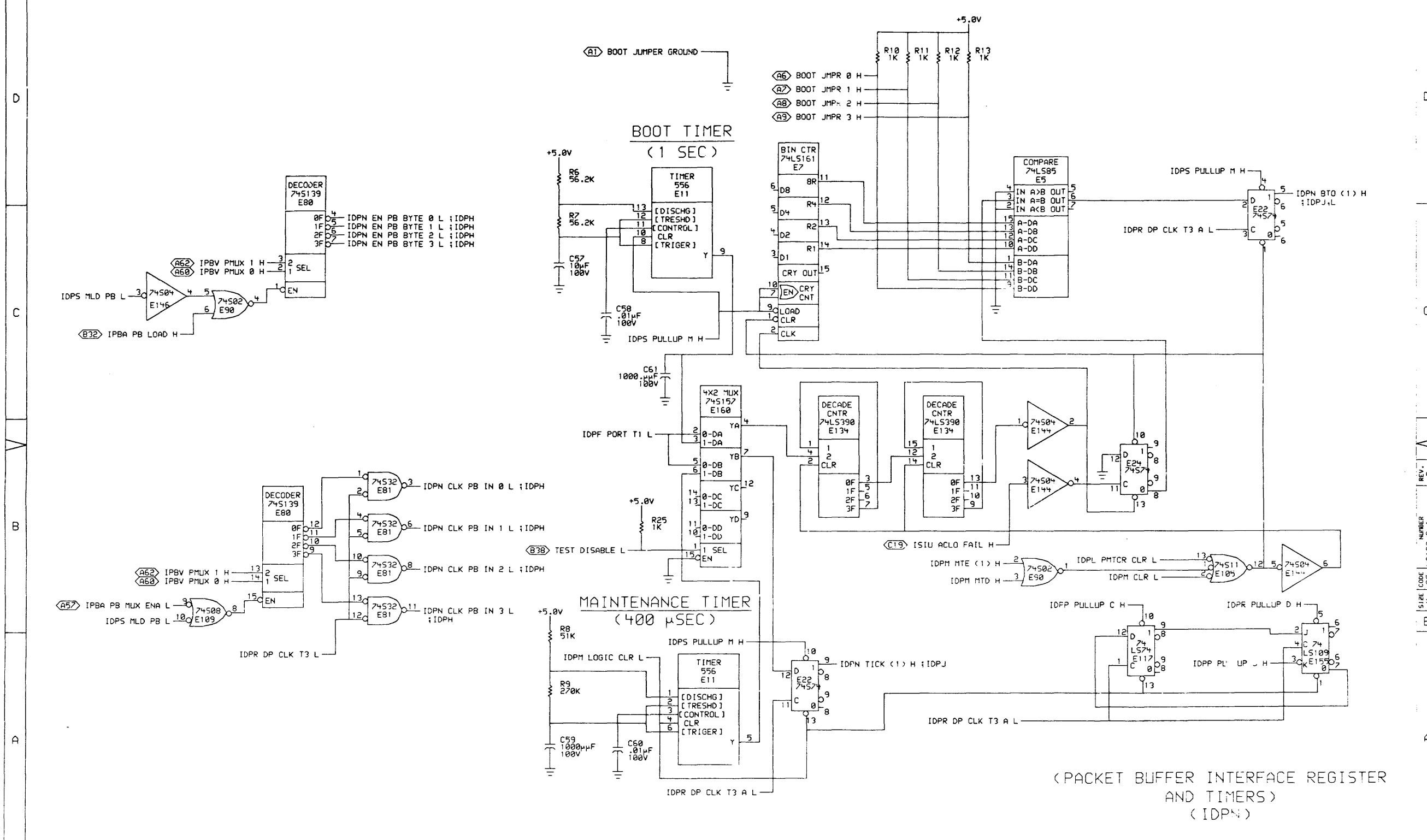
digital	DRN.	DATE	ENG.	DATE	TITLE: CI780 DATA PATH (IDP)
	CHK'D.	DATE			
DSKD: 203,2001 IDPF.DRW 07-SEP-82 00:00		NEXT HIGHER ASSEMBLY:		SIZE	CODE
FIRST USED ON OPTION/MODEL: CI780		E-LA-L0102-0-0		K	CS
				NUMBER	REV.
				L0102-0-1	B



THIS DRAWING IS THE PROPERTY OF DIGITAL EQUIPMENT CORPORATION AND SHALL NOT BE REPRODUCED OR COPIED IN WHOLE OR IN PART ON THE BASIS OF THE MANUFACTURE OR SALE OF THIS DRAWING WITHOUT WRITTEN PERMISSION OF DIGITAL EQUIPMENT CORPORATION.

REVISIONS
CHK CHANGE NO. REV

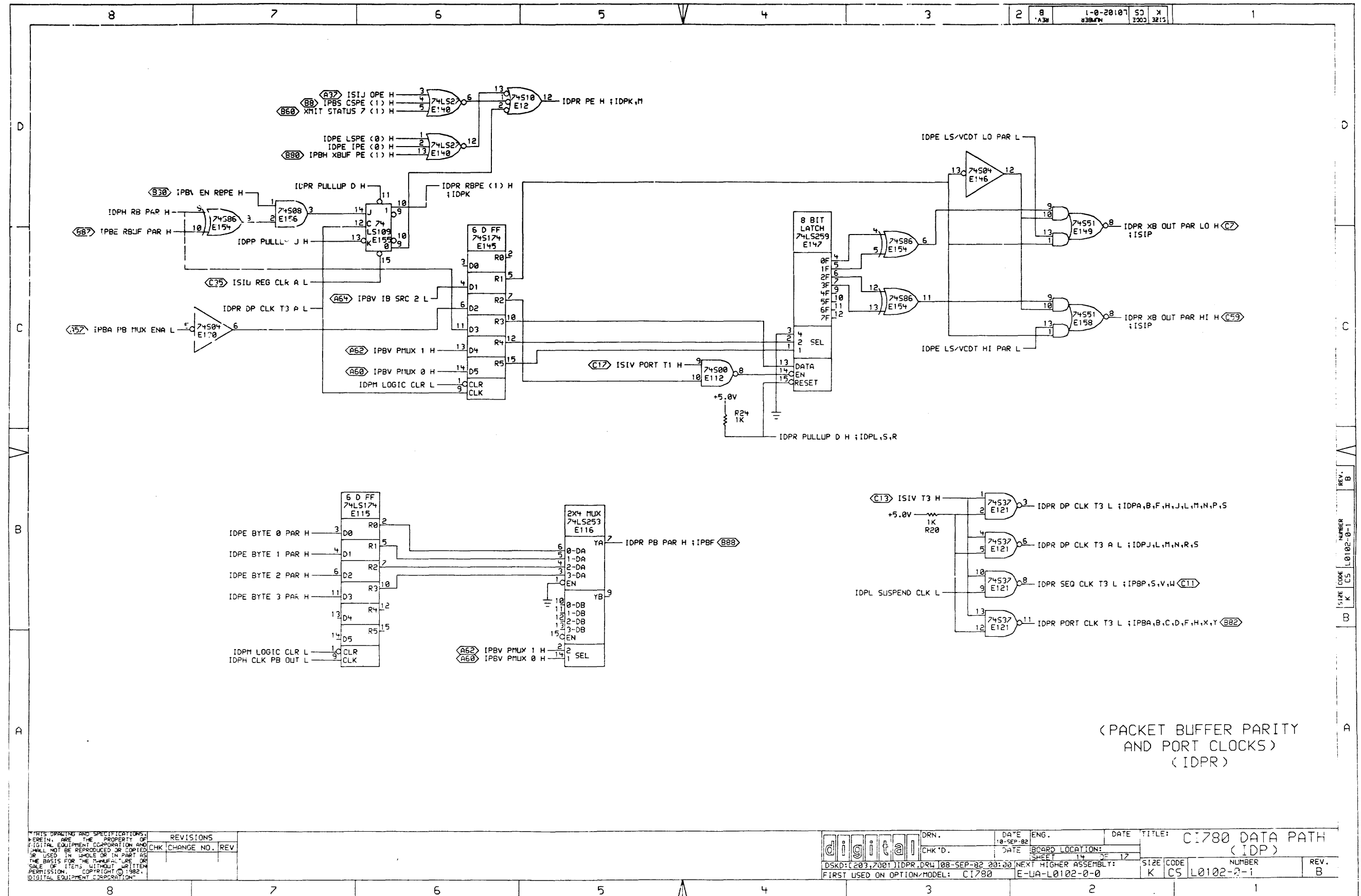
DRN.	DATE	ENG.	DATE	TITLE:
CHK'D.	10-SEP-82			CI780 DATA PATH (IDP)
DSKD: [203.2001] IDPJ.DRW [07-SEP-82 00:00] NEXT HIGHER ASSEMBLY:	DATE	BOARD LOCATION:	SHEET	OF
FIRST USED ON OPTION/MODEL: CI780	E-LA-L0102-0-0		9	12
SIZE	CODE	NUMBER	REV.	
K	CS	L0102-0-1	B	



THIS DRAWING AND SPECIFICATIONS HEREIN ARE THE PROPERTY OF DIGITAL EQUIPMENT CORPORATION AND SHALL NOT BE REPRODUCED OR COPIED OR USED IN WHOLE OR IN PART AS THE BASIS FOR THE MANUFACTURE OR SALE OF ITEMS WITHOUT WRITTEN PERMISSION. COPYRIGHT © 1982, DIGITAL EQUIPMENT CORPORATION.

REV.	CHG.	NO.	REV.

DRN.	DATE	ENG.	DATE	TITLE:
CHK'D.	18-SEP-82			CI780 DATA PATH (IDP)
DS*0:(203,201)IDPN.DRW		DATE		BOARD LOCATION:
FIRST USED ON OPTION/MODEL: CI780		SHEET 12 OF 17		
		NEXT HIGHER ASSEMBLY:		SIZE CODE
		E-UA-L0102-0-0		NUMBER
				REV.
				B

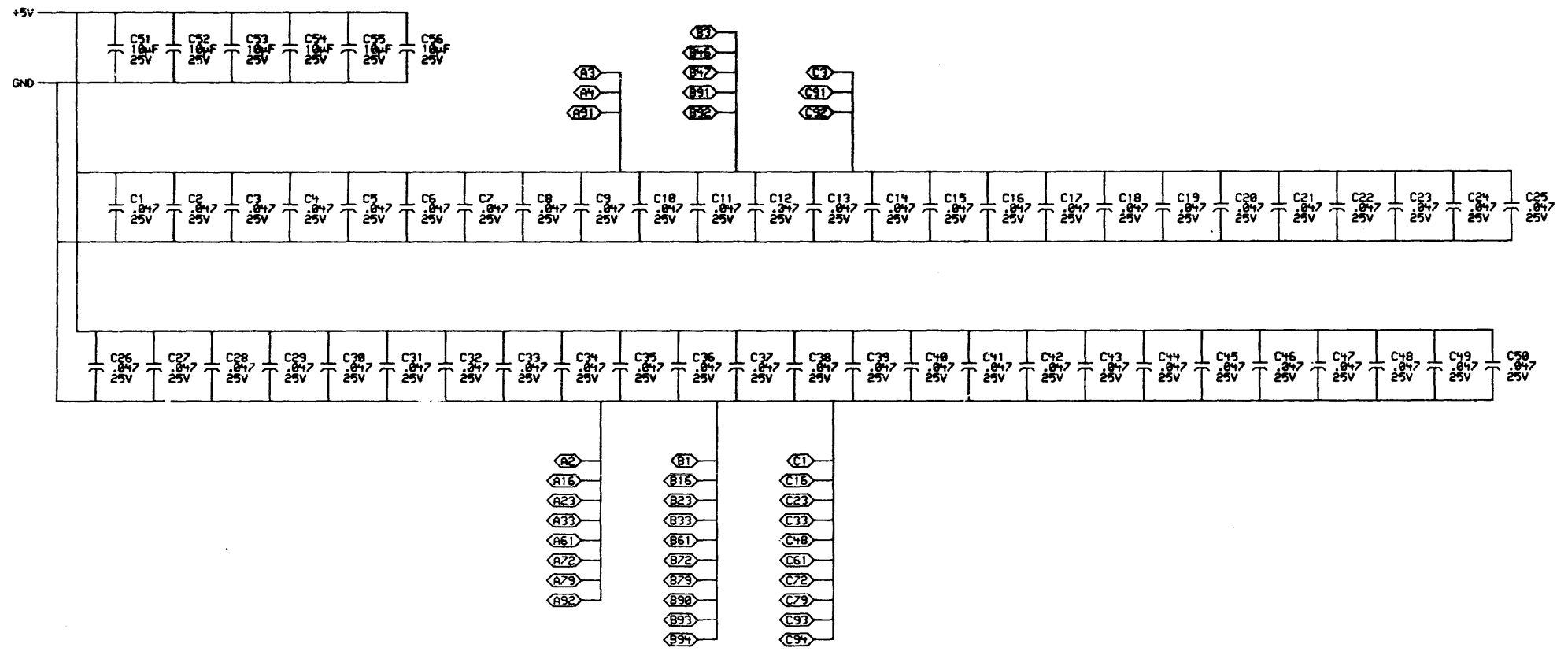


REVISIONS	
CHK	CHANGE NO. REV

DRN.	DATE	ENG.	DATE	TITLE:
	18-SEP-82			CI780 DATA PATH (IDP)
CHK'D.	DATE	BOARD LOCATION:	SHEET	14 OF 17
DSKD: (203,700) IDPR.DRW	08-SEP-82 20:00	NEXT HIGHER ASSEMBLY:	SIZE	CODE
FIRST USED ON OPTION/MODEL:	CI780	E-UA-L0102-0-0	K	CS
			NUMBER	REV.
			L0102-0-1	B

+5.0V PINS
 A03 A04 A91
 B03 B46 B47 B91 B92
 C03 C91 C92

GROUND PINS
 A02 A16 A23 A33 A61 A72 A79 A92
 B01 B16 B23 B33 B61 B72 B79 B90 B93 B94
 C01 C16 C23 C33 C48 C61 C72 C79 C93 C94

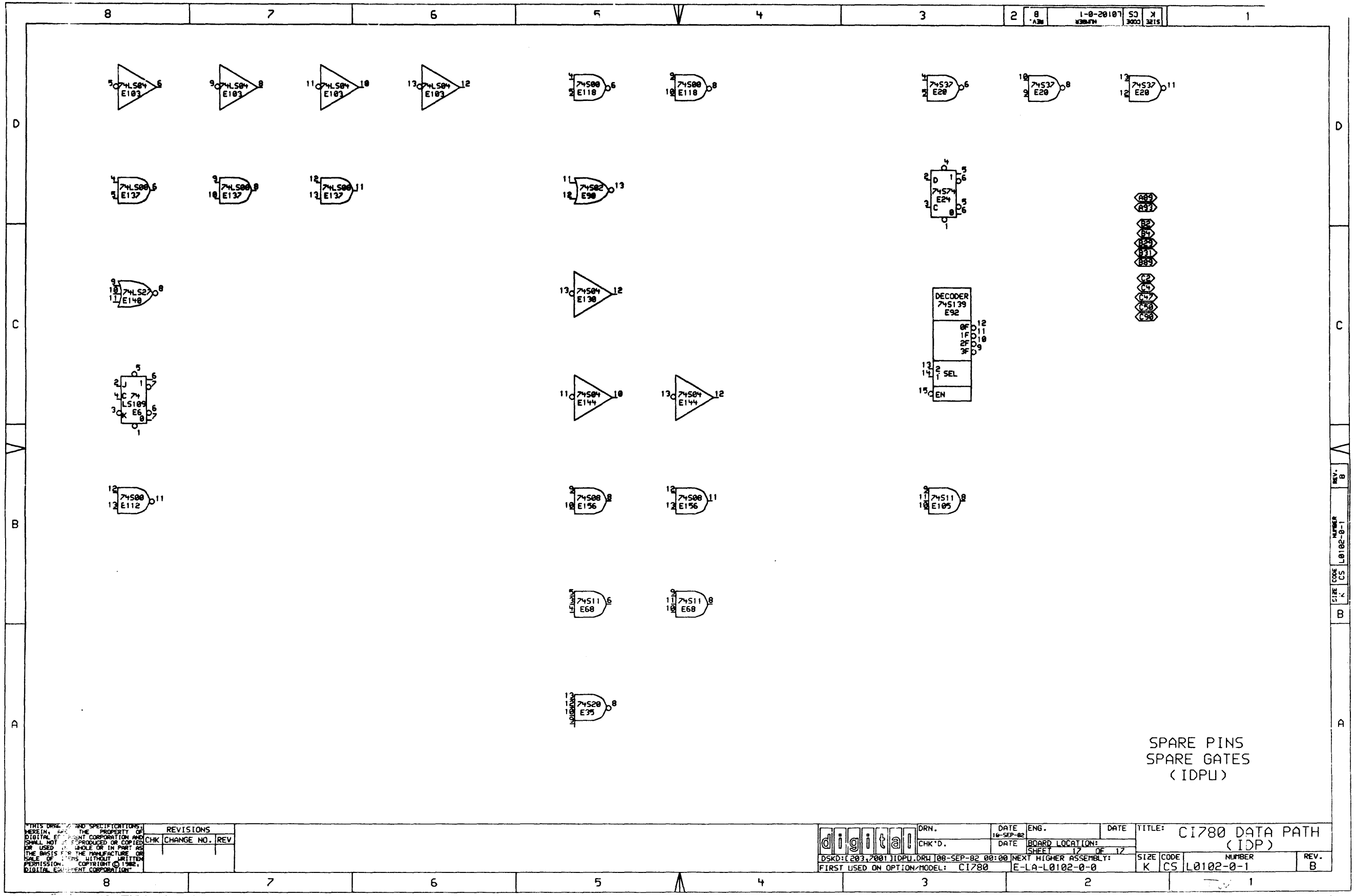


(FILTER CAPS)
 (IDPT)

THIS DRAWING AND SPECIFICATIONS
 HEREIN ARE THE PROPERTY OF
 DIGITAL EQUIPMENT CORPORATION AND
 SHALL NOT BE REPRODUCED OR COPIED
 OR USED IN WHOLE OR IN PART AS
 THE BASIS FOR THE MANUFACTURE OR
 SALE OF ITEMS WITHOUT WRITTEN
 PERMISSION. COPYRIGHT © 1982,
 DIGITAL EQUIPMENT CORPORATION.

REVISIONS		
CHK	CHANGE NO.	REV

digital	DRN.	DATE	ENG.	DATE	TITLE: CI780 DATA PATH (IDP)
	CHK'D.	10-SEP-82			
DSKID: [203,700] IDPT.DRW [08-SEP-82 00:00] NEXT HIGHER ASSEMBLY: E-UA-L0102-0-0					
FIRST USED ON OPTION/MODEL: CI780					
SIZE	CODE	NUMBER	REV.		
K	CS	L0102-0-1	B		

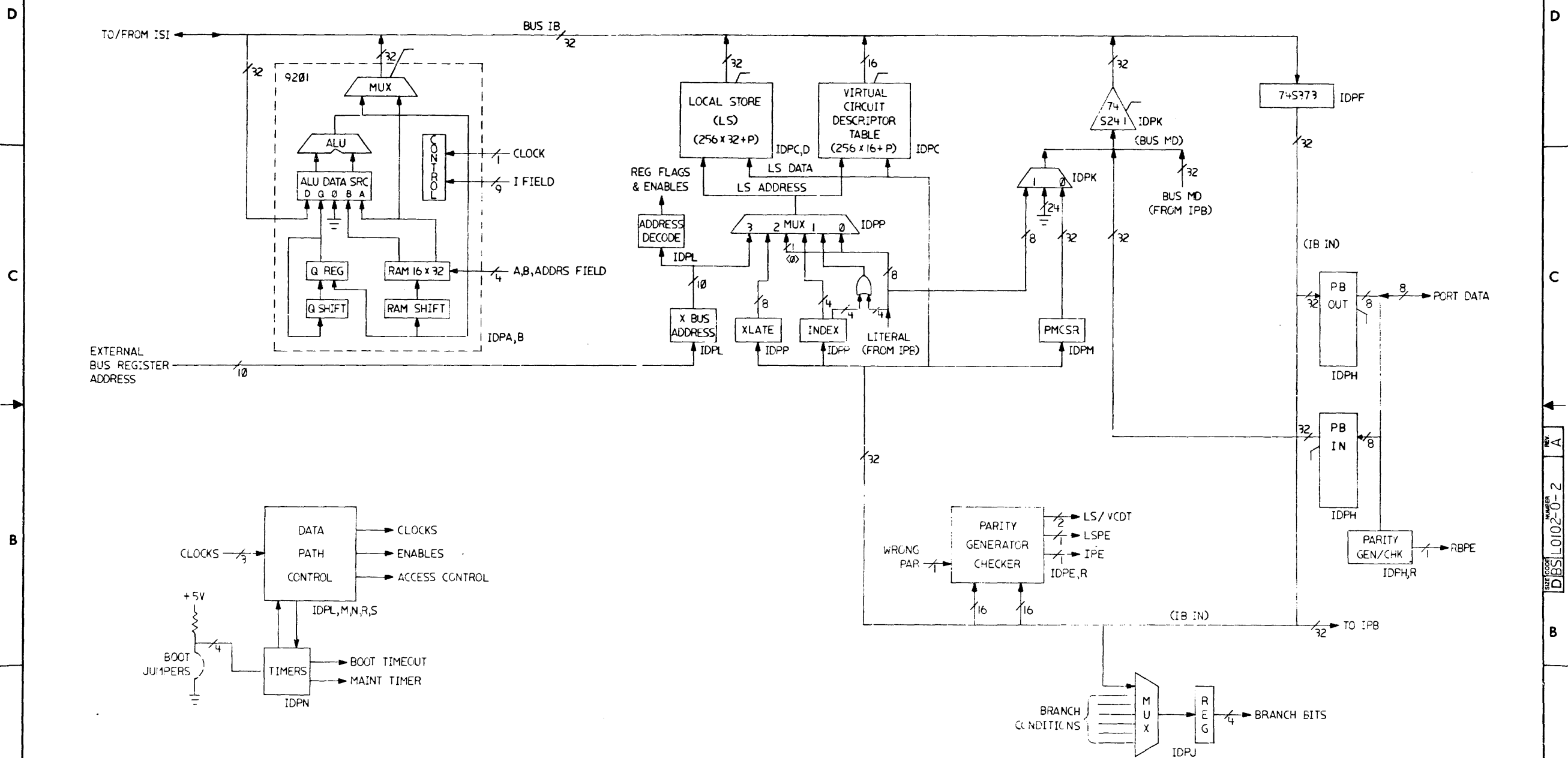


THIS DRAWING AND SPECIFICATIONS ARE THE PROPERTY OF DIGITAL EQUIPMENT CORPORATION AND SHALL NOT BE REPRODUCED OR COPIED OR USED IN WHOLE OR IN PART AS THE BASIS FOR THE MANUFACTURE OR SALE OF OTHERS WITHOUT WRITTEN PERMISSION. COPYRIGHT © 1984, DIGITAL EQUIPMENT CORPORATION.

REVISIONS		
CHK	CHANGE NO.	REV

digital	DRN.	DATE	ENG.	DATE	TITLE: CI780 DATA PATH (IDPU)		
	CHK'D.	DATE	BOARD LOCATION:	SHEET 17 OF 17			
DSKD: [203,7001]IDPU.DRW [08-SEP-82 08:00] NEXT HIGHER ASSEMBLY:		E-LA-L0102-0-0		SIZE	CODE	NUMBER	REV.
FIRST USED ON OPTION/MODEL: CI780		E-LA-L0102-0-0		K	CS	L0102-0-1	B

THIS DRAWING AND SPECIFICATIONS HEREIN ARE THE PROPERTY OF DIGITAL EQUIPMENT CORPORATION AND SHALL NOT BE REPRODUCED OR COPIED OR USED IN WHOLE OR IN PART AS THE BASIS FOR THE MANUFACTURE OR SALE OF ITEMS WITHOUT WRITTEN PERMISSION. COPYRIGHT © 1981 DIGITAL EQUIPMENT CORPORATION



REVISION HISTORY	REV.
ECO NUMBER	
DATE	

DRN: <i>72 Fossinet</i>	DATE: 2/24/81	TITLE: digital
CHKD: <i>J.F. Sullivan</i>	DATE: 3/7/81	CI780
DES ENG: <i>Alf Carrasilla</i>	DATE: 2/11/81	DATA PATH (IDP)
RESP ENG: <i>Alf Carrasilla</i>	DATE: 2/11/81	DOCUMENT NUMBER
WFO ENG: <i>Y.F. Brown</i>	DATE: 2/23/81	SIZE: D
NEXT-HIGHER DOC: E-UA-L0102-0-0		CODE: BS
		NUMBER: L0102-0-2
		REV: A

8

REV A 3-0-20107 DTD L0102-0-3

6

5

4

3

2

1

THIS DRAWING AND SPECIFICATIONS HEREIN ARE THE PROPERTY OF DIGITAL EQUIPMENT CORPORATION AND SHALL NOT BE REPRODUCED OR COPIED OR USED IN WHOLE OR IN PART AS THE BASIS FOR THE MANUFACTURE OR SALE OF ITEMS WITHOUT WRITTEN PERMISSION. COPYRIGHT © 1991 DIGITAL EQUIPMENT CORPORATION

D

C

B

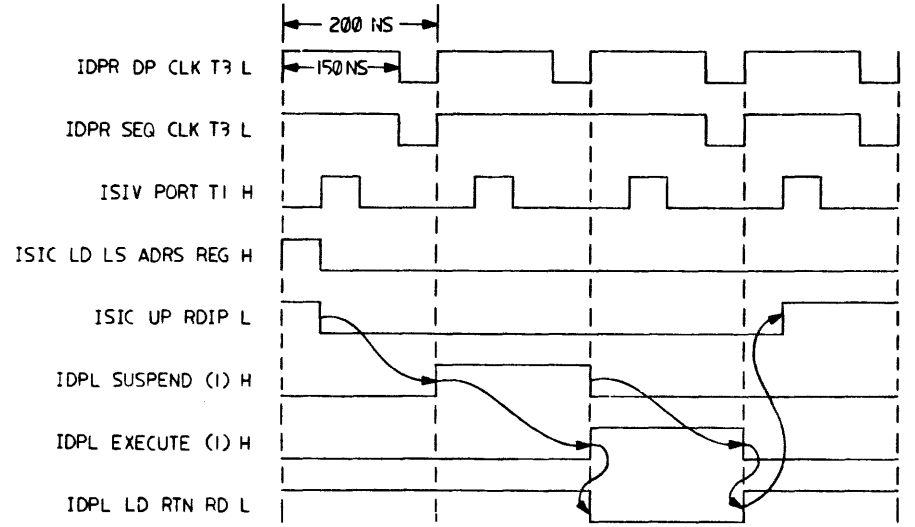
A

D

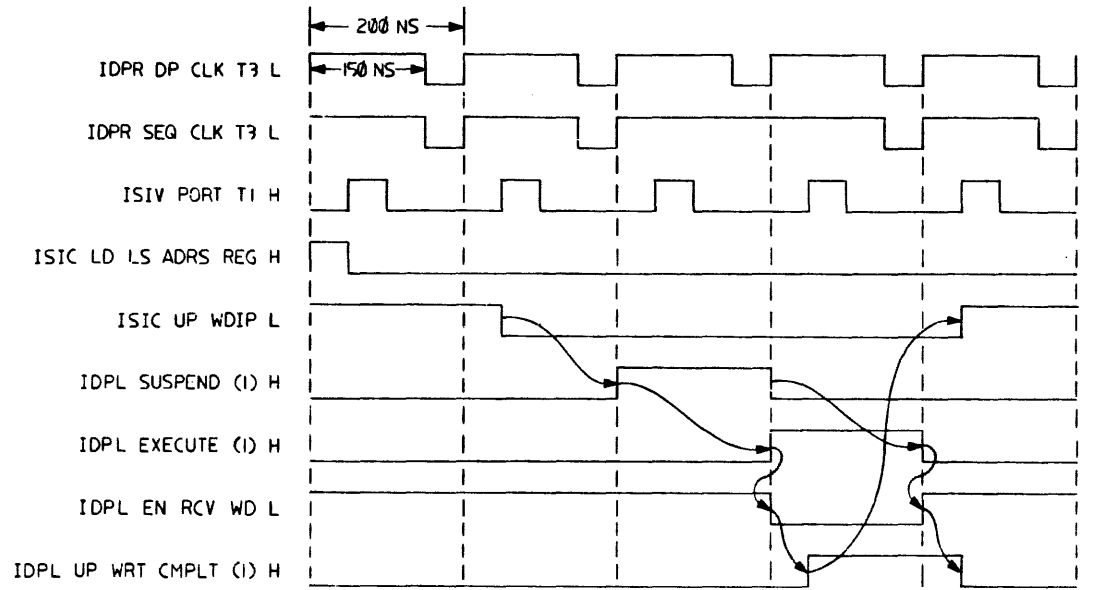
C

B

A



UNSOLICITED SBI READ REQUEST



UNSOLICITED SBI WRITE REQUEST

REV A 3-0-20107 DTD L0102-0-3

REV
ECO NUMBER
DATE

DRN R.L. Torquati	DATE 3-20-81	TITLE CI780	digital
CHK D. Sullivan	DATE 3/28/81	DATA PATH (IDP)	
DES ENL M. Carafolla	DATE 4/1/81	DOCUMENT NUMBER	
REP ENL M. Carafolla	DATE 4/1/81	D TD L0102-0-3	
WFO ENL R.C. Wilson	DATE 5-28-81	SCALE TW	REV A
NEXT HIGHER DOC E-UA-L0102-0-0		SHEET 1	OF 3

8

7

6

5

4

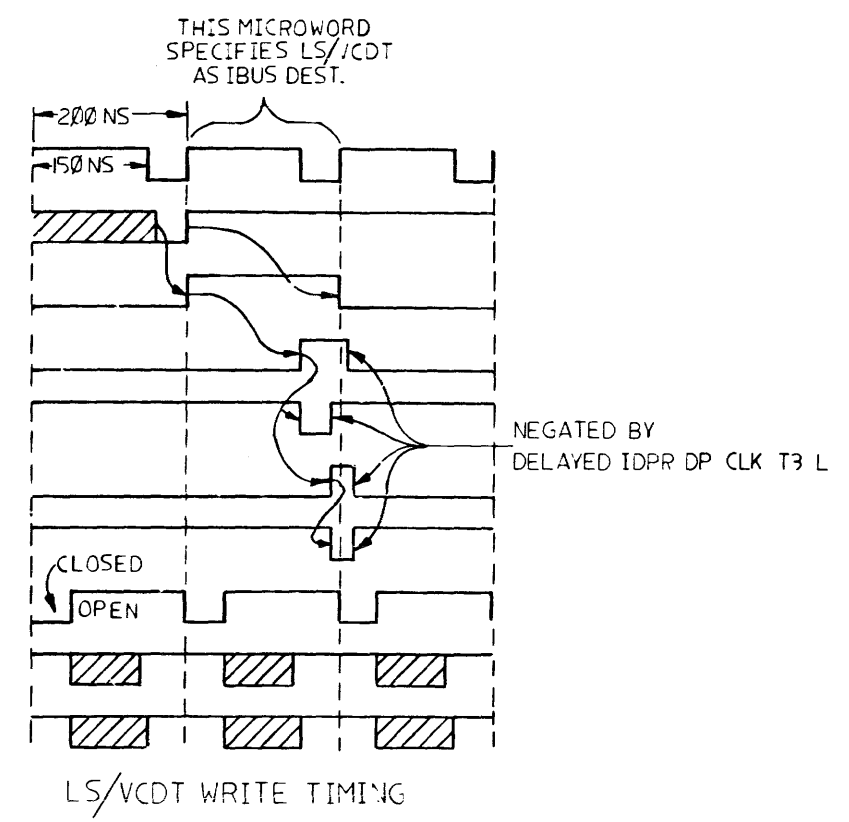
3

2

1

THIS DRAWING AND SPECIFICATIONS HEREIN ARE THE PROPERTY OF DIGITAL EQUIPMENT CORPORATION AND SHALL NOT BE REPRODUCED OR COPIED OR USED IN WHOLE OR IN PART AS THE BASIS FOR THE MANUFACTURE OR SALE OF ITEMS WITHOUT WRITTEN PERMISSION.
 COPYRIGHT © 1981 DIGITAL EQUIPMENT CORPORATION

IDPR DP CLK T3 L
 IDPP EN RAM WR L
 START TIMING(E98-8, IDPM)
 ALLOW WR RAM(E113-5, IDPM)
 IDPM WR RAM L
 ALLOW WR PAR(E113-9, IDPM)
 IDPM WR PAR L
 IDPM LATCH LSA L
 IDPF IB IN XX H
 IDPE XX WD PARITY H



REVISION HISTORY		
DATE	ECC NUMBER	REV

REV A
 NAME L0102-0-3
 SIZE CODE D TD

8

7 6-0-2000 010

6

5

4

3

2

1

THIS DRAWING AND SPECIFICATIONS HEREIN ARE THE PROPERTY OF DIGITAL EQUIPMENT CORPORATION AND SHALL NOT BE REPRODUCED OR COPIED OR USED IN WHOLE OR IN PART AS THE BASIS FOR THE MANUFACTURE OR SALE OF ITEMS WITHOUT WRITTEN PERMISSION. COPYRIGHT © 1981 DIGITAL EQUIPMENT CORPORATION.

NOTES:

- 1. X = DON'T CARE.
- 2. A9 IS ADDRESS MSB.
- 3. M7 IS DATA MSB.

INPUTS										OUTPUTS							REGISTER	
A9	A8	A7	A6	A5	A4	A3	A2	A1	A0	M7	M6	M5	M4	M3	M2	M1	M0	
0	0	0	0	0	0	0	0	0	1	0	0	0	0	0	0	0	1	PMCSR
0	0	0	0	0	0	0	1	0	0	0	0	0	0	0	0	0	1	PMCSR
0	0	0	0	0	0	0	1	0	1	0	0	0	0	0	1	0	0	MADR
0	0	0	0	0	0	0	1	1	0	0	0	0	0	0	0	1	0	MDATR
1	0	0	1	0	0	0	0	0	0	0	0	0	1	1	0	0	0	PSR
1	0	0	1	0	0	0	1	1	0	0	1	0	0	1	0	0	0	PSRCR
1	0	0	1	0	0	0	1	1	1	0	1	0	0	1	0	0	0	PECR
1	0	0	1	0	0	1	0	0	0	0	1	0	0	1	0	0	0	PDCR
1	0	0	1	0	0	1	0	0	1	0	1	1	0	1	0	0	0	PICR
1	0	0	1	0	0	1	1	0	0	1	1	0	0	1	0	0	0	PMTCR
1	X	X	X	X	X	X	X	X	X	0	0	0	0	1	0	0	0	LS/VCDT
ALL OTHER LOCATIONS										0	0	0	0	0	0	0	0	

REGISTER ADDRESS DECODE PROM (IDPL)
(23-143F3)

D
C
B
A

D
C
B
A

REVISION HISTORY		
DATE	ECO NUMBER	REV

DOCUMENT NUMBER		
SIZE CODE	NUMBER	REV
D TD	L0102-0-3	A
SCALE NONE		SHEET 3 OF 3

DRD 137A

8

7

6

5

4

3

2

1

TITLE
CI780 DATA PATH (IDP)

tu

DO NOT SCALE DIMENSIONS
FROM THIS DRAWING
FOR CONSTRUCTION
OR FOR THE PURPOSES OF
ANALYSIS OR DESIGN
OR FOR THE PURPOSES OF
CONSTRUCTION
OR FOR THE PURPOSES OF
ANALYSIS OR DESIGN
OR FOR THE PURPOSES OF
CONSTRUCTION

FFWORK INSTRUCTIONS ECO*5
WIRE ADDS SIDE 1:
5-1 PTH BELOW F163-1 TO PTH RIGHT OF E179-9

J
H
F
E
D
C
B
A

J
H
F
E
D
C
B
A

REVISION HISTORY

DATE	ECO NUMBER	REV

8

7

6

5

4

3

2

1

TITLE IPA PACKET
BUFFER

DOCUMENT NUMBER
E LA L0101-0-0 E

SCALE 1/8" = 1" SHEET 2 OF 2



LINE ITEM	TOP DOCUMENT	PART NUMBER	MIN REV	DESCRIPTION	QTY	PER VARIATION	REFERENCE DESIGNATOR
				VARIATION REVISION LEVEL:	00		
					E1		
1	1	5014971-00		MULTI LAYER BOARD	1		
2	4	1012784-00		.047 MFD 50V +80-20% CER	61		C7-C67
3	7	1017472-00		10 MFD 35V +75-10% AL EL	6		C1-C6
4	6	1114136-00		LED 16MA 5V	12		D1-D12
5	60	1215006-02		SKT,IC 16PIN DIP TIN SOLD	2		XE59,XE118
6	61	1215006-06		SKT,IC 24PIN DIP TIN SOLD	6		XE76,XE95,XE114,XE134,XE154,
						CONT	XE174
7	2	1216988-02		HANDLE,MODULE,HEX TWO EJECTORS	1		
8	5	1300365-00		1.0 K .25 W 5.0 % CF	17		R1,R2,R4-R18
9	33	1616653-01		DELAY= 100NS,10TAPS WITH TTLBU	2		E10,E149
10	42	1910532-00		74S00 NAND GATE-QUAD 2IN	7		E86,E89,E46,E12,E107,E108,E168
11	39	1910534-00		74S04 INVERTER GATE-HEX 1I	8		E22,E47,E87,E200,E148,E167,E223,
						CONT	E218
12	59	1910536-00		74S10 NAND GATE-TRIPLE 3IN	3		E61,E80,E192
13	16	1910537-00		74S11 AND GATE-TRIPLE 3INP	1		E226
14	38	1910539-00		74S20 NAND GATE-DUAL 4INPU	1		E69
15	46	1910542-00		74S64 A-0-I GATE 4-2-3-2	7		E25,E26,E88,E147,E128,E30,E50
16	47	1910544-00		74S74 FF-D DUAL,EDGE TRIGG	19		E18,E129,E126,E7,E8,E11,E189,
						CONT	E31,E71,E72,E29,E90,E91,E190,
						CONT	E191,E224,E6,E239,E209
17	35	1910545-00		74S112 FF-JK DUAL,EDGE TRIG	2		E208,E217
18	49	1910548-00		74S157 MUX 1 OF 2 (QUAD)	2		E119,E120
19	48	1910550-00		74S174 FF-D HEX	7		E43,E64,E1,E63,E179,E185,E44
20	20	1911573-00		74S280 PARITY GEN/CHKR,9BIT	8		E56,E65,E110,E139,E150,E178,
						CONT	E196,E197
21	50	1911675-00		74S138 DECODER/DEMUX 3-8 LI	2		E66,E68
22	44	1911712-00		74S51 AND-OR GATE-INVERT D	8		E186,E210,E214,E14,E34,E13,E49,
						CONT	E227
23	15	1912096-00	DEC	74S86 XOR GATE,QUAD 2IN	1		E228
24	40	1912388-00		74S02 NOR GATE-QUAD 2IN,PO	5		E207,E24,E48,E140,E144

REVISION HISTORY		BASIC PART NO: L0101		DRN: J.CASEY	DATE: 25-SEP-81	D I G I T A L		
ENG!	ECO NUMBER	REV	SECTION A OF A	CHK'D: F.GAROFALO	DATE: 25-SEP-81	TITLE PARTS LIST		
---	INITIAL	A	SECTION VARIATION INDEX			CI780 PACKET BUFFER (IPB)		
S.B!	L0101-TW001	B	[A] 00	DES.ENG: M.CARRAFIELLO	DATE: 25-SEP-81	DOCUMENT NUMBER		
SB!	L0101-TW002	C	[B]			SIZE!	CODE!	NUMBER
FD!	L0101-TW004	D	[C]	RESP.ENG.: M.CARRAFIELLO	DATE: 25-SEP-81	K	PL	L0101-0-DBP
RE!	L0101-TW006	E	[D]					REV
			[E]					
			[F]					
			[H]					
			[J]					
			[K]	MFG.ENG.: K.MEISSNER	DATE: 25-SEP-81	RELEASE DATE: 15-NOV-84		
			[L]					
			[M]	ASSEMBLY NUMBER:	TOP DOCUMENT NUMBER:	FILE NAME:	EDIT #	
			[N]	E-UA-L0101-0-0		Z1283E.PLS	23	

"THIS DRAWING AND THE SPECIFICATIONS CONTAINED HEREIN ARE CONFIDENTIAL AND PROPRIETARY. THEY ARE THE PROPERTY OF DIGITAL EQUIPMENT CORPORATION AND SHALL NOT BE REPRODUCED OR COPIED OR USED IN WHOLE OR IN PART AS THE BASIS FOR THE MANUFACTURE OR SALE OF ITEMS WITHOUT WRITTEN PERMISSION. THIS IS AN UNPUBLISHED WORK PROTECTED UNDER THE FEDERAL COPYRIGHT LAWS."

LINE ITEM	TOP DOCUMENT	PART NUMBER	MIN REV	DESCRIPTION	QTY	PER VARIATION	REFERENCE DESIGNATOR
				VARIATION REVISION LEVEL:	00		
					E1		
25	41	1912389-00		74S08 AND GATE-QUAD 2IN,PO	5		E206,E216,E187,E109,E222
26	52	1912646-00		LS253 MUX 1 OF 4 (DUAL)	8		E221,E201-E203,E180-E183
27	58	1912647-00		LS257 MUX 1 OF 2 (QUAD)	4		E42,E21,E62,E220
28	53	1912660-00		74S253 MUX 1 OF 4 (DUAL)	4		E81-E84
29	56	1912746-00	DEC	74S37 NAND GATE-QUAD 2IN	1		E2
30	24	1912799-00		LS00 NAND-GATE-QUAD 2IN,P	3		E51,E130,E205
31	30	1912801-00		LS02 NOR-GATE-QUAD 2IN	3		E9,E28,E127
32	29	1912805-00		LS08 AND GATE-QUAD 2IN,PO	5		E4,E145,E146,E184,E229
33	25	1912808-00		LS11 AND GATE-TRIPLE 3IN	3		E23,E39,E52
34	43	1912811-00		LS21 AND GATE-DUAL 4IN,PO	2		E38,E215
35	37	1912816-00		LS32 OR GATE-QUAD 2IN,POS	1		E204
36	26	1912820-00		LS51 A-0-I GATE 2-WIDE 2I	1		E27
37	27	1912822-00		LS55 A-0-I GATE,DUAL 4IN	3		E32,E33,E70
38	22	1912824-00		LS74 FF-D DUAL,EDGE TRIGG	1		E225
39	28	1912833-00		LS109 FF-JK DUAL,POS EDGE	3		E3,E5,E188
40	19	1912851-00		LS169 COUNTER,SYNCH. UP/DO	3		E121-E123
41	23	1913340-00		74S32 OR GATE-QUAD 2IN	1		E199
42	45	1913462-00		74S240 OCTAL BUFFER,INVERTI	3		E166,E193,E194
43	34	1913662-01		RAM 1KX1 16 PIN TT	2		E37,E55
44	54	1913671-00		74S374 FF-D,OCTAL,TR1 STATE	11		E99-E106,E124,E125,E195
45	51	1914082-00		74S163 COUNTER,SYNCH UP/DOW	12		E19,E57,E58,E15-E17,E236-E238, CONT E230-E232
46	21	1914085-00		74S260 NOR GATE-DUAL,POS	1		E45
47	36	1914086-00		74S30 NAND GATE-POS 8IN	2		E67,E198
48	17	1914214-00		LS374 FF-D OCTAL EDGE TRIG	2		E160,E162
49	57	1915193-00		LS244 DRIVER,LINE,OCTAL,T	8		E41,E141-E143,E158,E159,E161, CONT E138
50	18	1916680-01		2911A MICROPROGRAM SEQUENC	3		E163-E165
51	8	2114523-01		4K MOS RAM 70NS 18PIN	1		E170
52	31	2116957-02		1K MOS RAM 70NS 1	30		E74,E75,E77,E78,E93,E94,E96,E97, CONT E112,E113,E115,E116,E132,E133, CONT E135,E136,E152,E153,E155,E156, CONT E172,E173,E175,E176,E211-E213, CONT E233-E235
53	32	2116957-03		1K MOS RAM 55NS 1	4		E35,E36,E53,E54
54	55	23008K5-00	K5-01		1		E85
55	9	23269F3-00	F3-03		1		E114
56	10	23270F3-00	F3-03		1		E95
57	11	23271F3-00	F3-03		1		E76
58	12	23272F3-00	F3-03		1		E174
59	13	23273F3-00	F3-03		1		E154
60	14	23274F3-00	F3-03		1		E134
61	3	9000024-01		EYELET,ROLLED 0.1210DX0.192	12		
62	62	9009185-00		JUMPER, WIRE, INSULATED, BLACK B	1		W1
63	63	9105740-55		WIRE(WRAP) 30AWG KYNAR UL14 A/R			

D	I	G	I	T	A	L	TITLE	SECTION A	OF A	SIZE	CODE	DOCUMENT NUMBER	REV
							CI780 PACKET BUFFER (IPB)			K	PL	L0101-0-DBP	E

AUTOMATED BY PRTLST.3P(44)

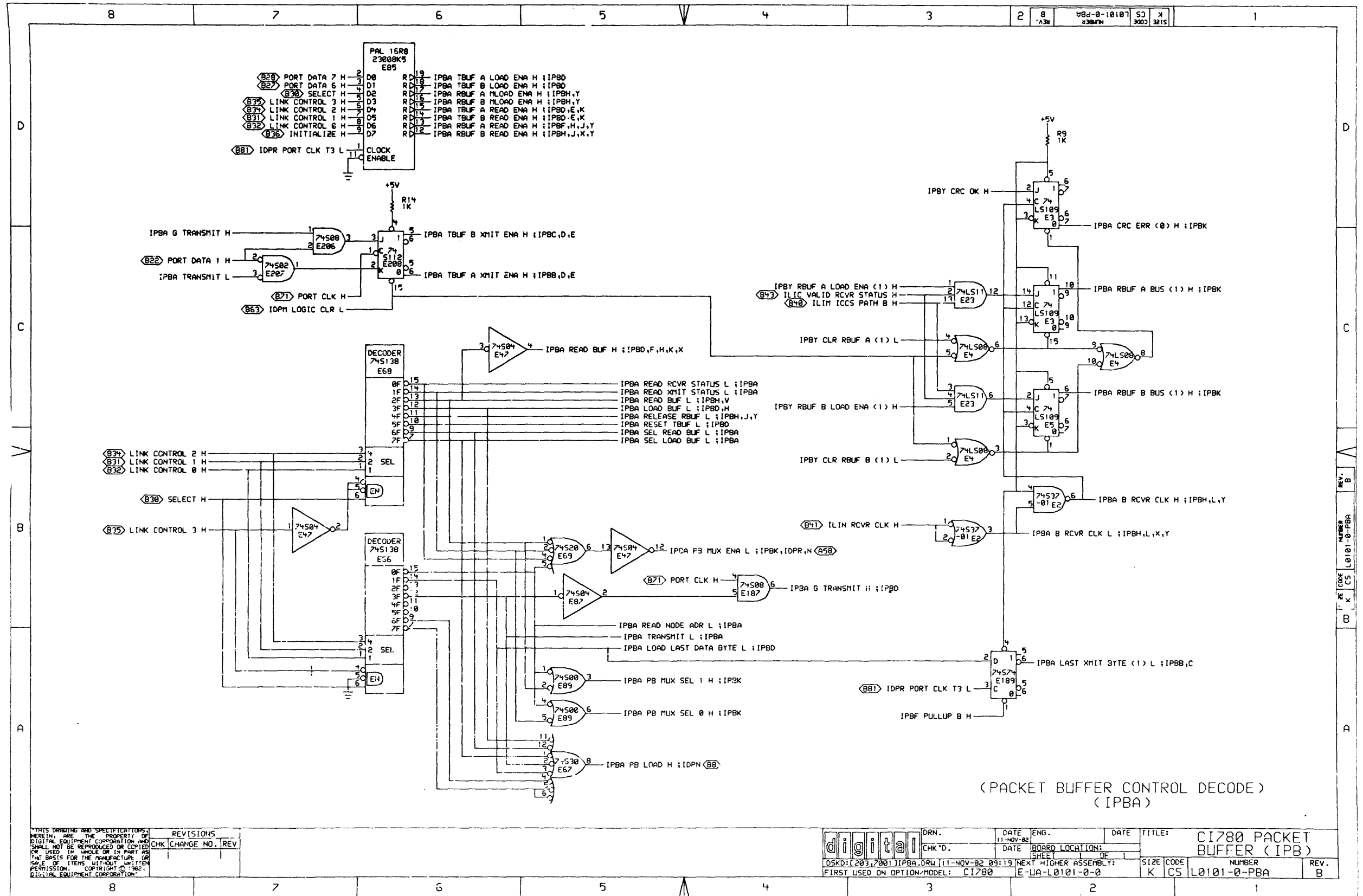
P A R T S L I S T

SHEET A3 OF A3

LINE ITEM TOP DOCUMENT PART NUMBER MIN REV DESCRIPTION QTY PER VARIATION REFERENCE DESIGNATOR
00
E1
VARIATION REVISION LEVEL:

64 NOTE: 21-16957-03 CAN BE USED IN PLACE OF 21-16957-02

D	I	G	I	T	A	L	TITLE	SECTION A OF A	SIZE	CODE	DOCUMENT NUMBER	REV
							CI780 PACKET BUFFER (IPB)		K	PL	L0101-0-DBP	E

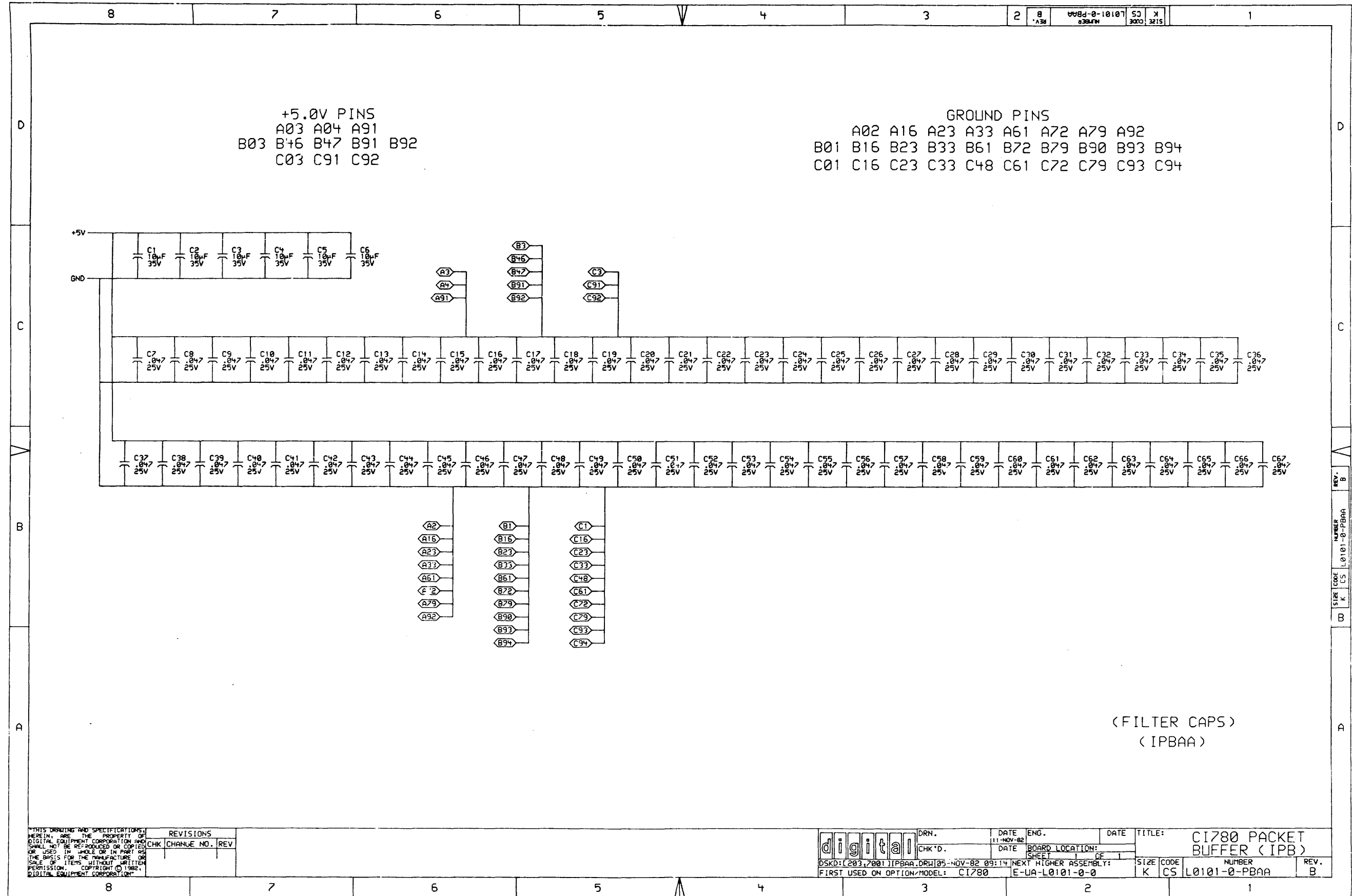


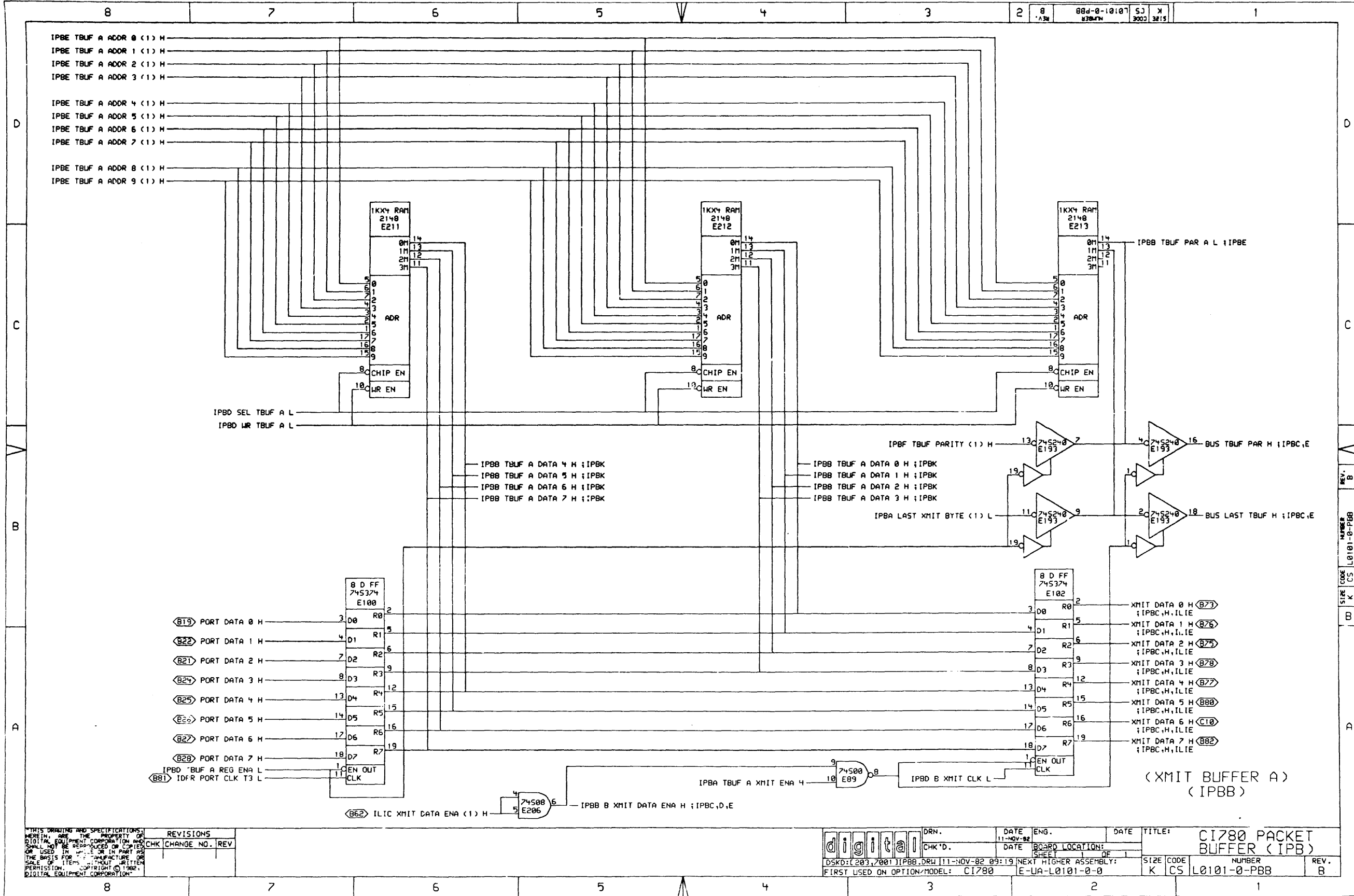
(PACKET BUFFER CONTROL DECODE)
(IPBA)

THIS DRAWING AND SPECIFICATIONS HEREIN ARE THE PROPERTY OF DIGITAL EQUIPMENT CORPORATION AND SHALL NOT BE REPRODUCED OR COPIED FOR USE IN WHOLE OR IN PART AS THE BASIS FOR THE MANUFACTURE OR SALE OF ITEMS WITHOUT WRITTEN PERMISSION. COPYRIGHT © 1982 DIGITAL EQUIPMENT CORPORATION.

REVISIONS	
CHK	CHANGE NO. REV

digital	DRN.	DATE	ENG.	DATE	TITLE:
	CHK'D.	11-NOV-82			CI780 PACKET BUFFER (IPB)
DSKD: (203,7001)IPBA.DRW		11-NOV-82 09:19	NEXT HIGHER ASSEMBLY:	SIZE	CODE
FIRST USED ON OPTION/MODEL: CI780		E-LA-L0101-0-0		K	CS
				NUMBER	REV.
				L0101-0-PBA	B





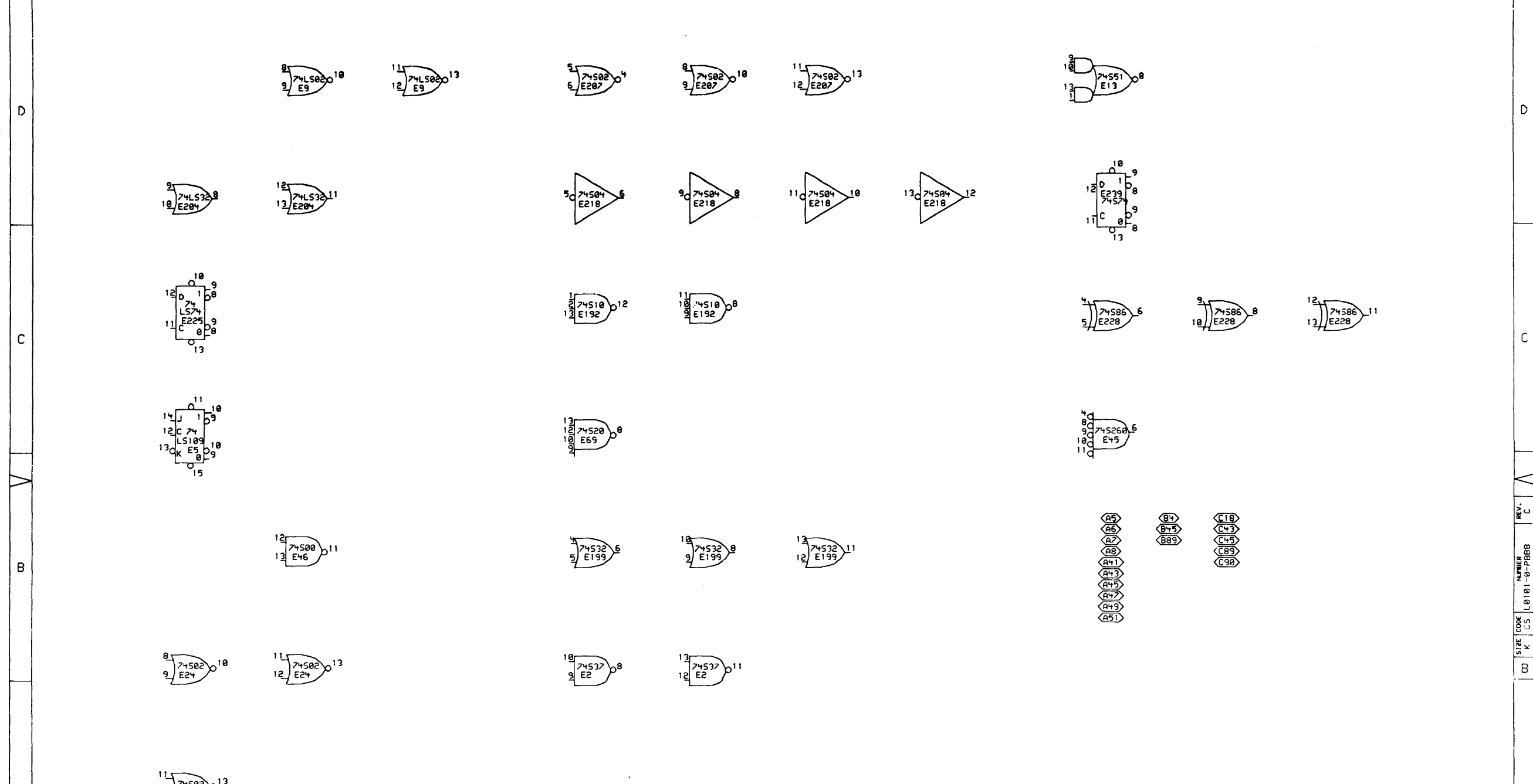
THIS DRAWING AND SPECIFICATIONS
HEREIN ARE THE PROPERTY OF
DIGITAL EQUIPMENT CORPORATION AND
SHALL NOT BE REPRODUCED OR COPIED
OR USED IN ANY MANNER OR IN PART AS
THE BASIS FOR THE MANUFACTURE OR
SALE OF ITEMS WITHOUT WRITTEN
PERMISSION. COPYRIGHT © 1982
DIGITAL EQUIPMENT CORPORATION.

REVISIONS	
CHK	CHANGE NO. REV

digital DRN. DATE ENG. DATE TITLE:
CHK'D. DATE BOARD LOCATION:
SHEET OF
DSKD: (203,2001) IPBB.DRW | 11-NOV-82 09:19 NEXT HIGHER ASSEMBLY:
FIRST USED ON OPTION/MODEL: CI780 E-UA-L0101-0-0

CI780 PACKET
BUFFER (IPB)
NUMBER
L0101-0-PBB
REV.
R

REV. B
NUMBER L0101-0-PBB
SIZE CODE CS
K



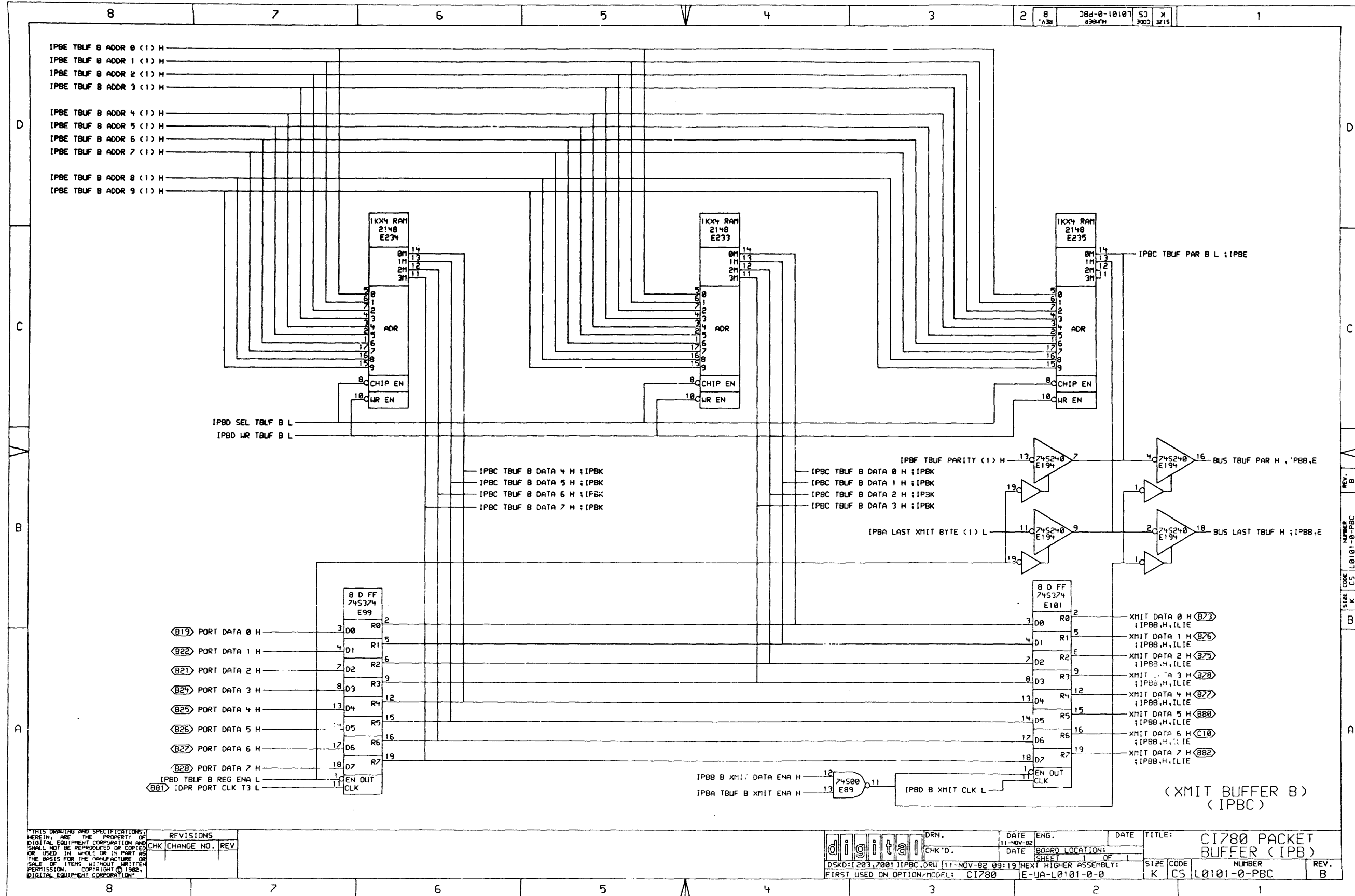
- (A5)
- (A6)
- (A7)
- (A8)
- (A1)
- (A3)
- (A5)
- (A7)
- (A9)
- (A51)
- (B5)
- (B7)
- (B8)
- (C18)
- (C43)
- (C45)
- (C89)
- (C90)

(SPARE PINS)
 (L0101 SPARE GATES)
 (IPBBB)

THIS DRAWING AND SPECIFICATIONS HEREIN ARE THE PROPERTY OF DIGITAL EQUIPMENT CORPORATION AND SHALL NOT BE REPRODUCED OR COPIED OR USED IN WHOLE OR IN PART AS THE BASIS FOR THE MANUFACTURE OR SALE OF ITEMS WITHOUT WRITTEN PERMISSION. COPYRIGHT © 1982, DIGITAL EQUIPMENT CORPORATION.

REVISIONS	
CHK	CHANGE NO. REV.

digital	DRN.	DATE	ENG.	DATE	TITLE:
	CHK'D.	11-NOV-82			CI780 PACKET BUFFER (IPB)
DSKD: [203,700] IPBBB.DRW		11-NOV-82 09:12	NEXT HIGHER ASSEMBLY:		SIZE CODE
FIRST USED ON OPTION/MODEL: CI780		E-UA-L0101-0-0	NUMBER		REV.
			K CS L0101-0-PBBB		C

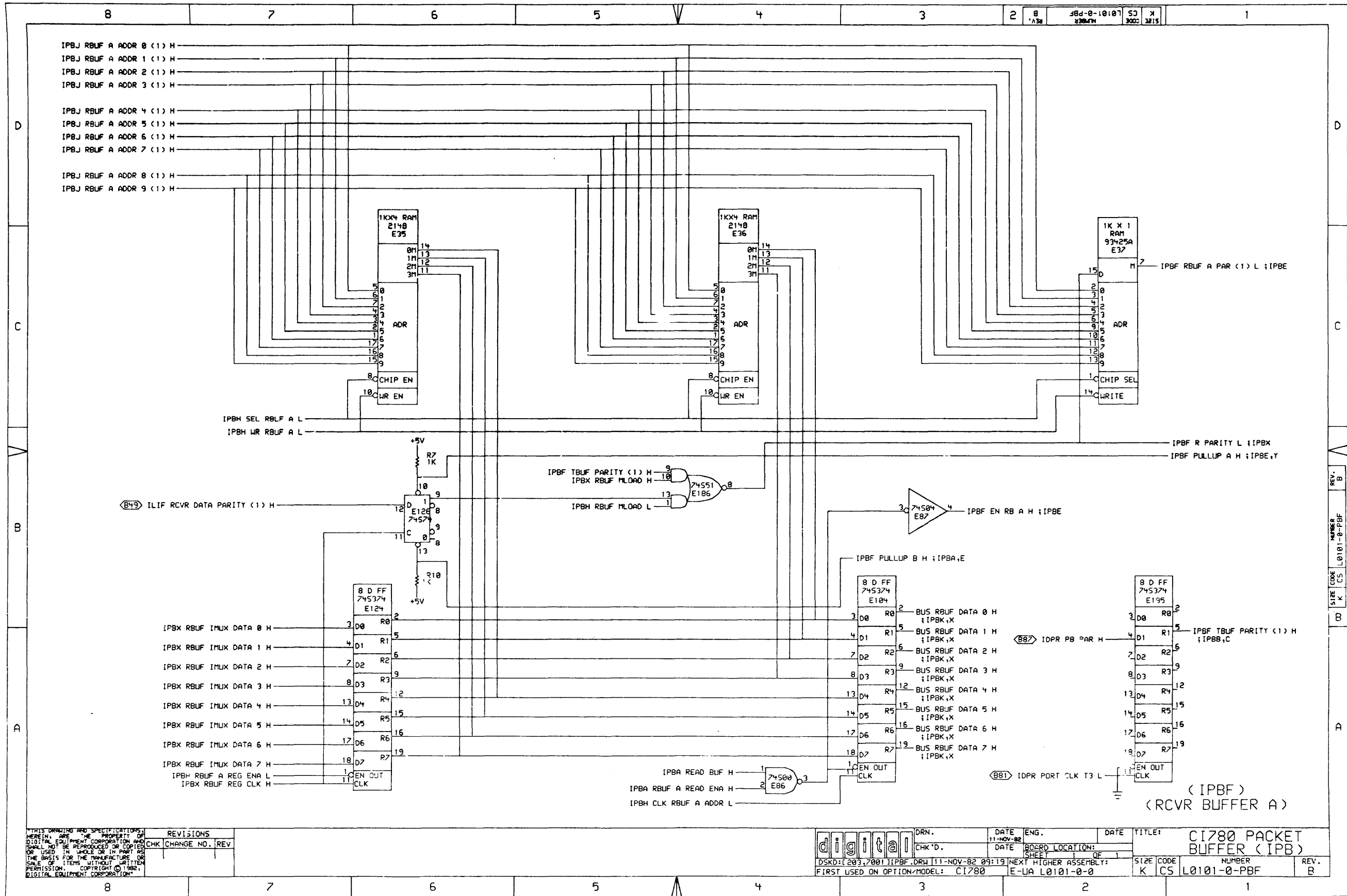


THIS DRAWING AND SPECIFICATIONS HEREIN ARE THE PROPERTY OF DIGITAL EQUIPMENT CORPORATION AND SHALL NOT BE REPRODUCED OR COPIED OR USED IN WHOLE OR IN PART AS THE BASIS FOR THE MANUFACTURE OR SALE OF ITEMS WITHOUT WRITTEN PERMISSION. COPYRIGHT © 1982, DIGITAL EQUIPMENT CORPORATION.

REVISIONS	
CHK	CHANGE NO. REV

REV.	DESCRIPTION
B	

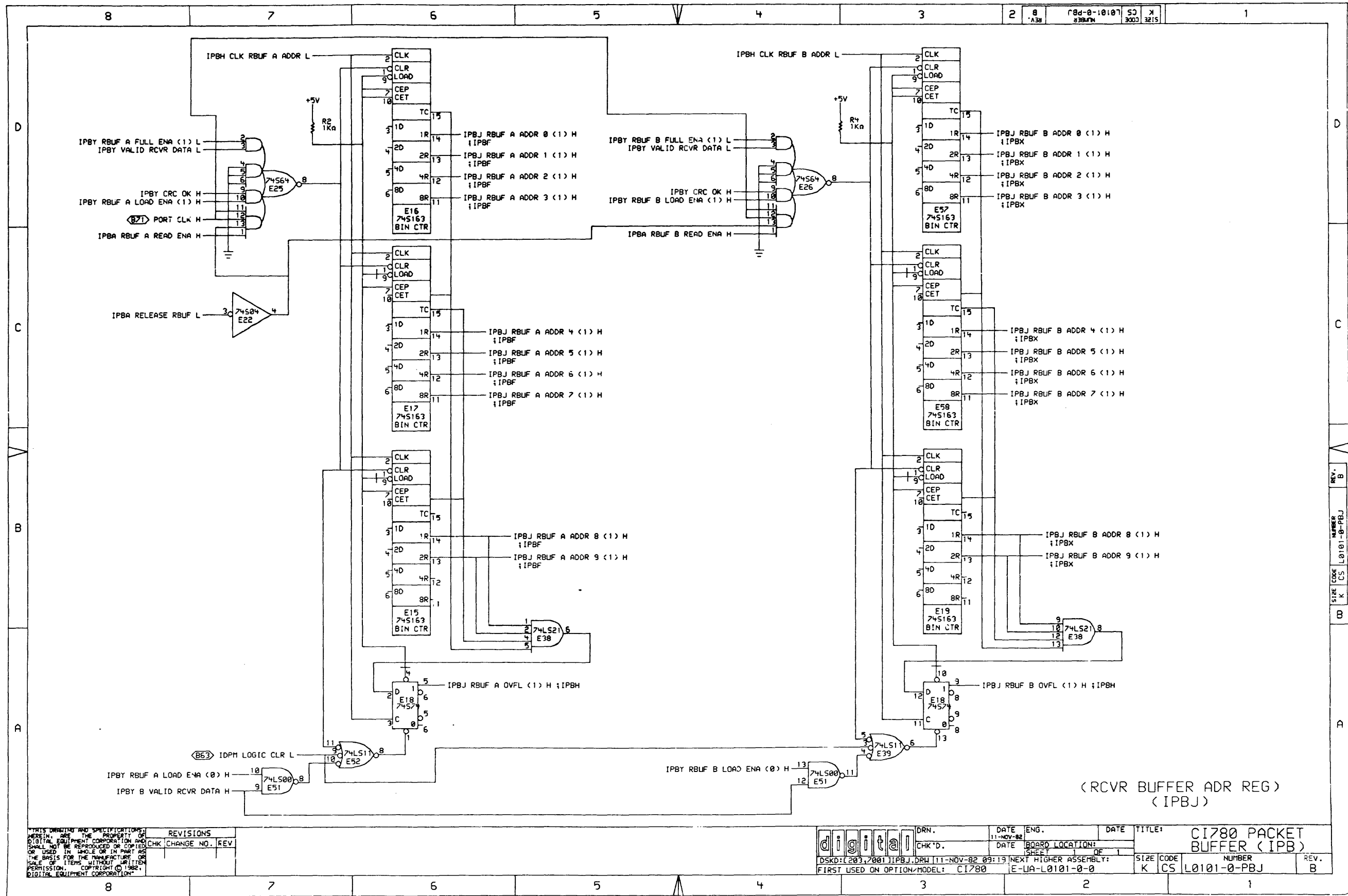
digital	DRN.	DATE	ENG.	DATE	TITLE:
	CHK'D.	11-NOV-82			C1780 PACKET BUFFER (IPB)
DSKD: [203,700] IPBC.DRW [11-NOV-82 09:19]		NEXT HIGHER ASSEMBLY:		SIZE	CODE
FIRST USED ON OPTION/MODEL: C1780		E-UA-L0101-0-0		K	CS
				NUMBER	REV.
				L0101-0-PBC	B



THIS DRAWING AND SPECIFICATIONS HEREIN ARE THE PROPERTY OF DIGITAL EQUIPMENT CORPORATION AND SHALL NOT BE REPRODUCED OR COPIED OR USED IN WHOLE OR IN PART AS THE BASIS FOR THE MANUFACTURE OR SALE OF ITEMS WITHOUT WRITTEN PERMISSION. COPYRIGHT © 1981 DIGITAL EQUIPMENT CORPORATION.

REV.	CHG	CHANGE NO.	REV.

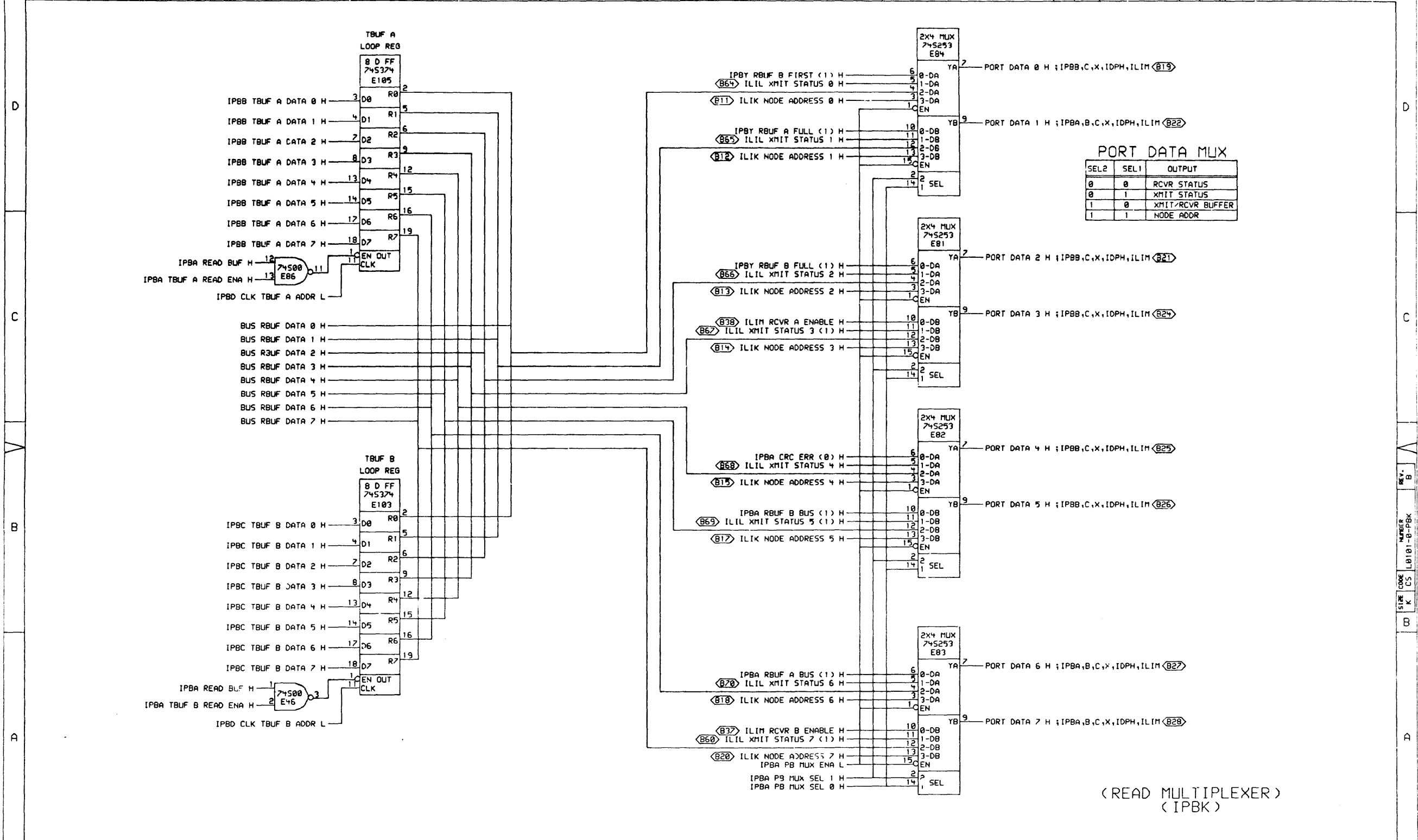
digital	DRN.	DATE	ENG.	DATE	TITLE:
		11-NOV-82			CI780 PACKET BUFFER (IPB)
	CHK'D.			BOARD LOCATION:	
				SHEET	OF



REVISIONS	
CHK	CHANGE NO. REV

digital	DRN.	DATE	ENG.	DATE	TITLE:
	CHK'D.	11-NOV-82			C1780 PACKET BUFFER (IPB)
DSKD: 203,2001 IPBJ.DRW		11-NOV-82 09:19		NEXT HIGHER ASSEMBLY:	SIZE CODE
FIRST USED ON OPTION/MODEL: C1780		E-LA-L0101-0-0		NUMBER	REV.
				K	B

REV. B
 NUMBER L0101-0-PBJ
 CS K
 B



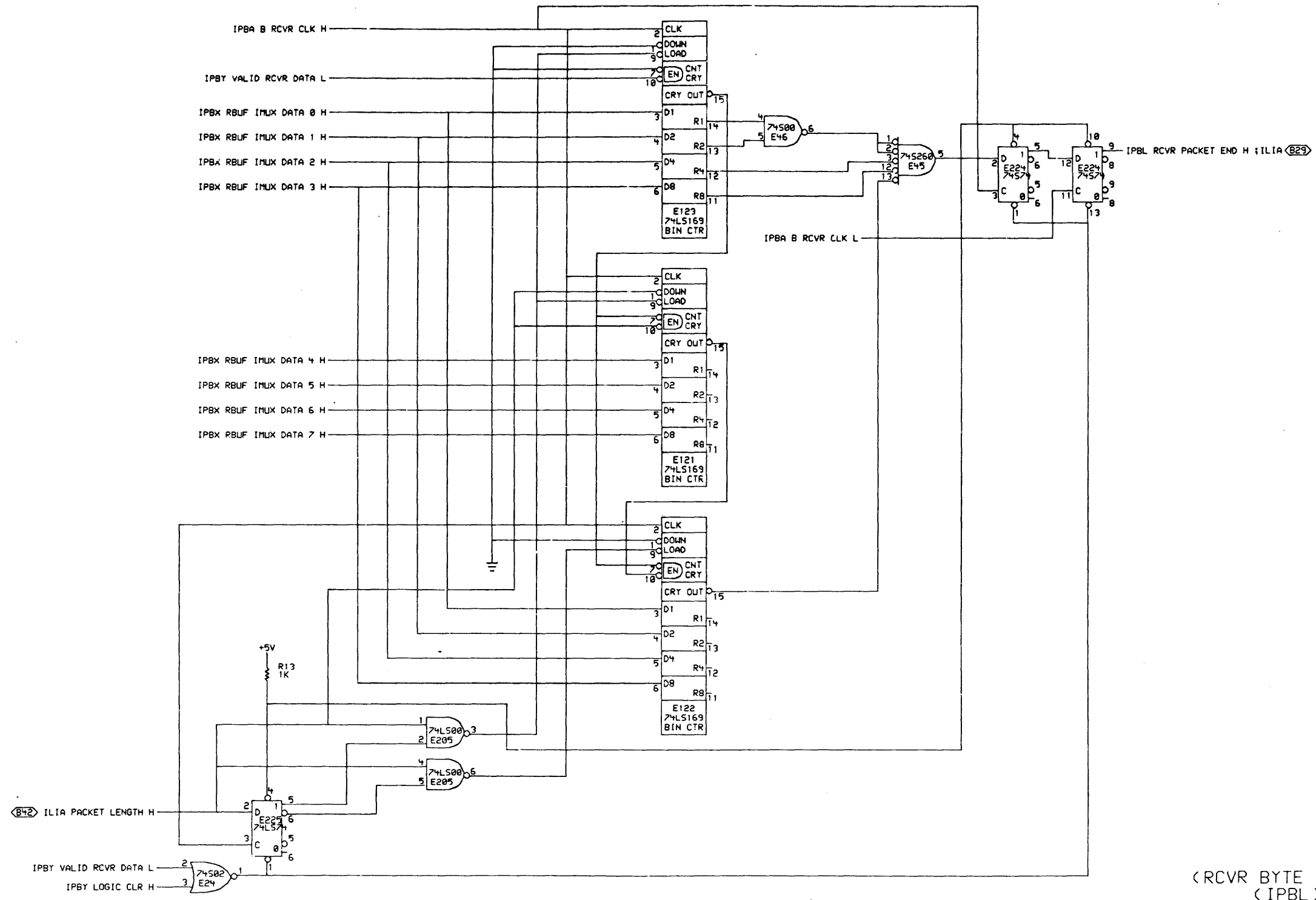
(READ MULTIPLEXER)
(IPBK)

THIS DRAWING AND SPECIFICATIONS HEREIN ARE THE PROPERTY OF DIGITAL EQUIPMENT CORPORATION AND SHALL NOT BE REPRODUCED OR COPIED OR USED IN WHOLE OR IN PART AS THE BASIS FOR THE MANUFACTURE OR SALE OF ITEMS WITHOUT WRITTEN PERMISSION. COPYRIGHT © 1982, DIGITAL EQUIPMENT CORPORATION.

REVISIONS	CHK	CHANGE NO.	REV

digital	DRN.	DATE	ENG.	DATE	TITLE:
	CHK'D.	DATE	BOARD LOCATION:	SHEET	OF 1
DSKD: [203,2001]IPBK.DRW [11-NOV-82 09:13]		NEXT HIGHER ASSEMBLY:		SIZE	CODE
FIRST USED ON OPTION/MODEL: C1780		E-UA-L0101-0-0		K	CS
NUMBER				REV.	
L0101-0-PBK				B	

REV. B
 NUMBER L0101-0-PBK
 CODE CS
 SIZE K
 B

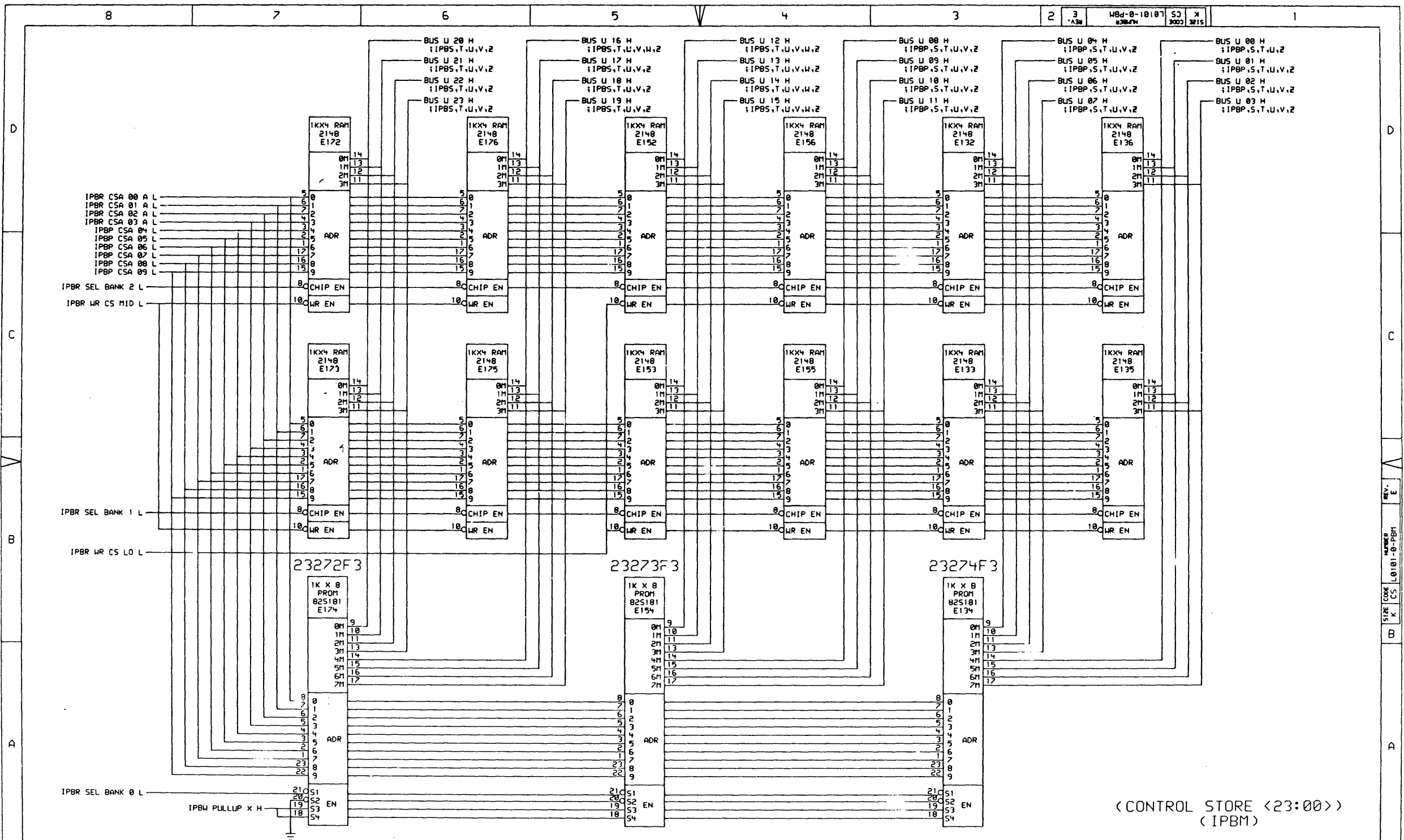


THIS DRAWING AND SPECIFICATIONS ARE THE PROPERTY OF DIGITAL EQUIPMENT CORPORATION AND SHALL NOT BE REPRODUCED OR COPIED OR USED IN ANY MANNER OR IN PART AS THE BASIS FOR THE MANUFACTURE OR SALE OF ITEMS WITHOUT WRITTEN PERMISSION. COPYRIGHT © 1982 DIGITAL EQUIPMENT CORPORATION

REVISIONS	
CHK	CHANGE NO. REV

digital	DRN.	DATE	ENG.	DATE	TITLE:
	CHK'D.	DATE	BOARD LOCATION:	SHEET	OF
DSKD: (203,2001) IPBL.DRW		11-NOV-82 09:19	NEXT HIGHER ASSEMBLY:	SIZE	CODE
FIRST USED ON OPTION/MODEL: CI780		E-UA-L0101-0-0	NUMBER	REV.	
			K CS	L0101-0-PBL	B

REV. B
 NUMBER 10101-0-PBL
 CS K
 CODE 3001
 SIZE

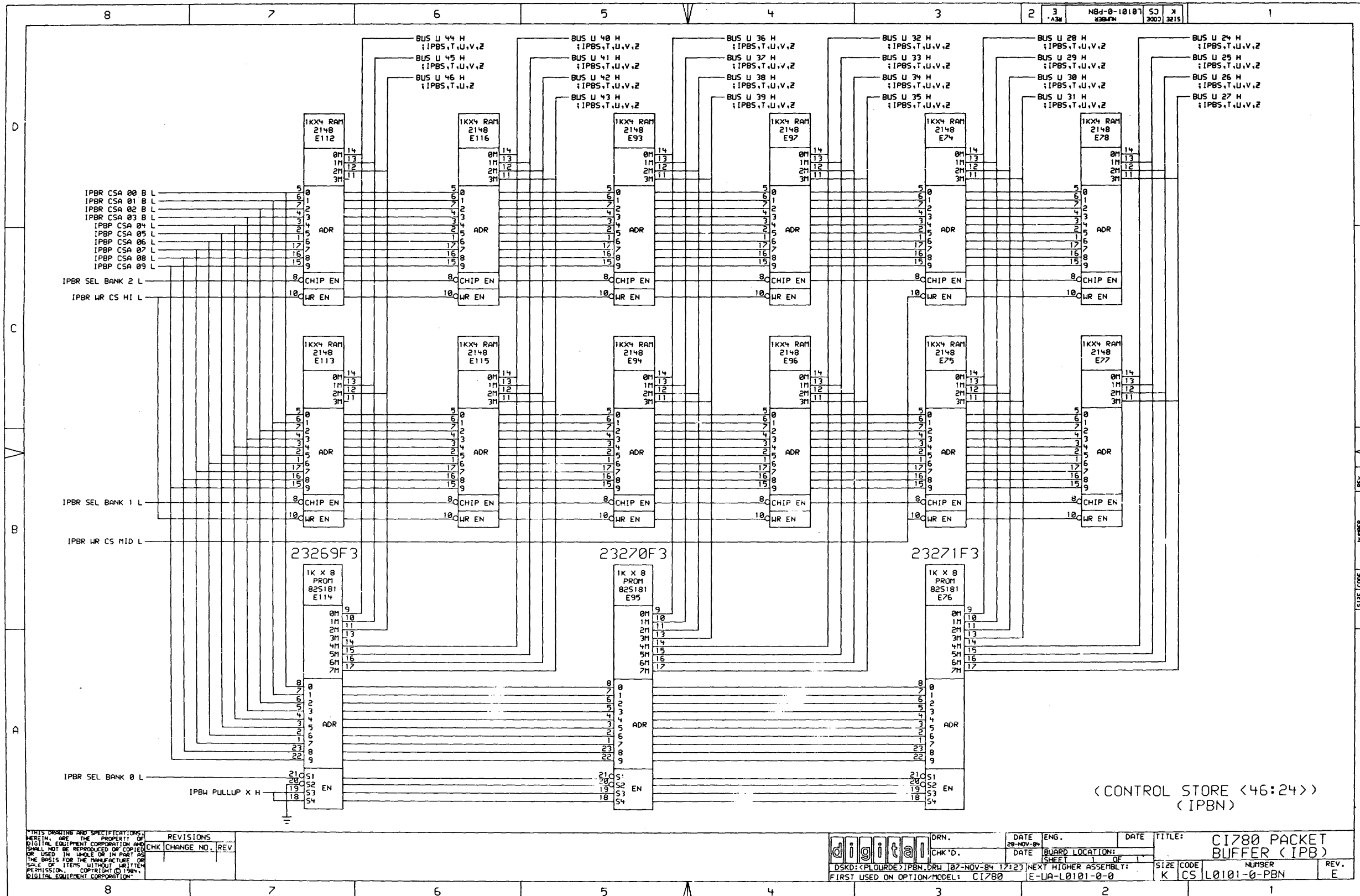


(CONTROL STORE <23:00>
(IPB)

THIS DRAWING AND SPECIFICATIONS HERETHIN ARE THE PROPERTY OF DIGITAL EQUIPMENT CORPORATION AND SHALL NOT BE REPRODUCED OR COPIED OR USED IN WHOLE OR IN PART AS THE BASIS FOR THE MANUFACTURE OR SALE OF ITEMS WITHOUT WRITTEN PERMISSION. COPYRIGHT © 1984, DIGITAL EQUIPMENT CORPORATION.

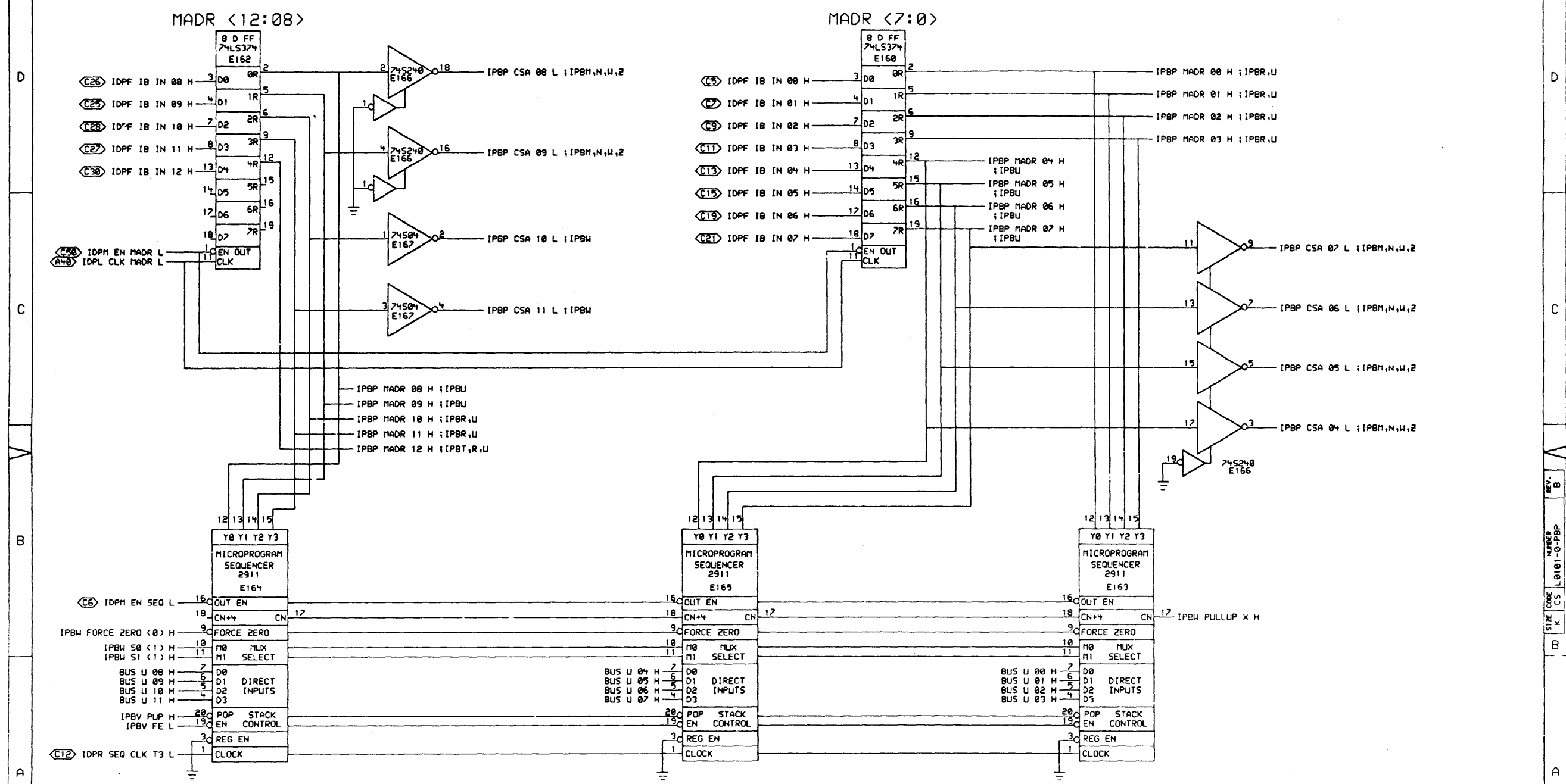
REVISIONS	
CHK	CHANGE NO. REV

digital	DRN.	DATE	ENG.	DATE	TITLE:
	CHK'D.	DATE	BOARD LOCATION:	SHEET	OF
DSKD: <PLOURDE> IPB.DRW 107-NOV-84 12:28 NEXT HIGHER ASSEMBLY:					SIZE
FIRST USED ON OPTION/MODEL: C1780					CODE
E-LA-L0101-0-0					NUMBER
					REV.
					E



REVISIONS	
CHK	CHANGE NO. REV

digital DSKD: C:\PL\OURDE\IPBN.DRW 107-NOV-84 17:23 FIRST USED ON OPTION/MODEL: C1780	DRN.	DATE	ENG.	DATE	TITLE:
	CHK'D.	28-NOV-84			C1780 PACKET BUFFER (IPB)
		DATE	BUARD LOCATION:		
		SHEET	OF		
			NEXT HIGHER ASSEMBLY:		
			E-UA-L0101-0-0		
		SIZE	CODE	NUMBER	REV.
		K	CS	L0101-0-PBN	E

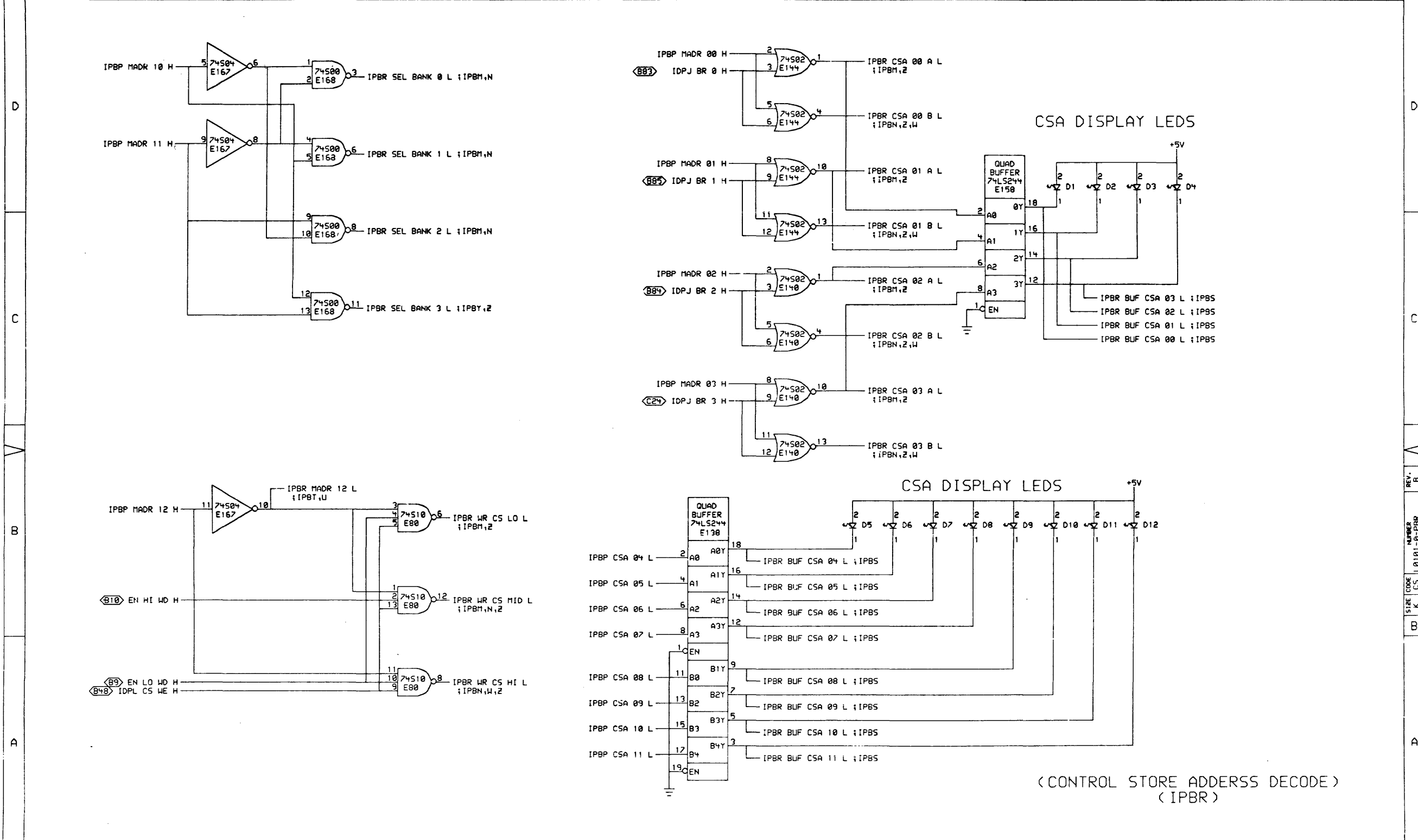


(CONTROL STORE SEQUENCER)
 (IPBP)

THIS DRAWING AND SPECIFICATIONS ARE THE PROPERTY OF DIGITAL EQUIPMENT CORPORATION AND SHALL NOT BE REPRODUCED OR COPIED OR USED IN WHOLE OR IN PART AS THE BASIS FOR THE MANUFACTURE OR SALE OF ITEMS WITHOUT WRITTEN PERMISSION. COPYRIGHT © 1982, DIGITAL EQUIPMENT CORPORATION.

REVISIONS	
CHK	CHANGE NO. REV

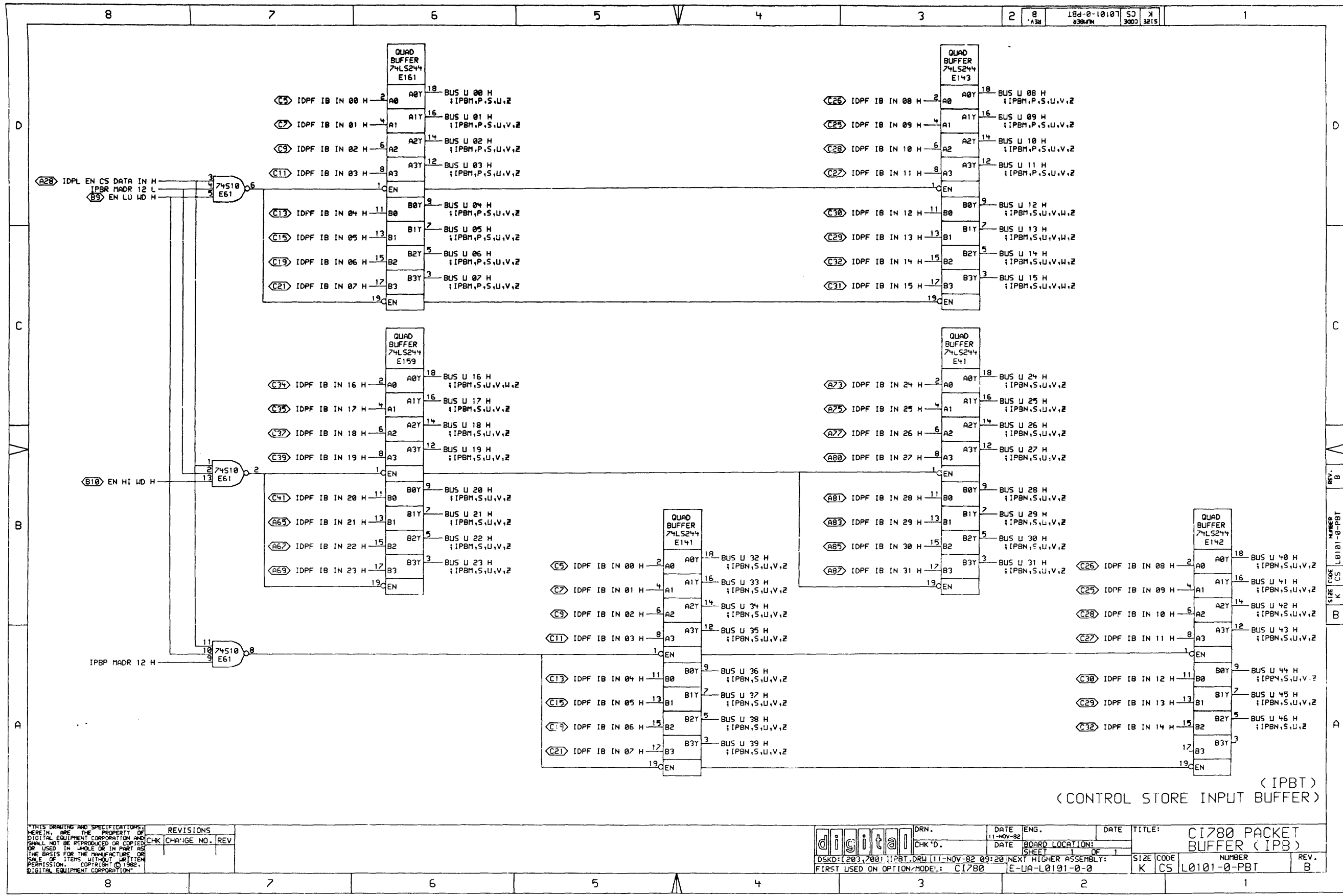
digital	DRN.	DATE	ENG.	DATE	TITLE:
	CHK'D.	DATE	BOARD LOCATION:	SHEET	OF
DSKD: C203, 2001 IPBP, DRW 111-NOV-82 09:19		NEXT HIGHER ASSEMBLY:		SIZE	CODE
FIRST USED ON OPTION/MODEL: CI780		E-LA-L0101-0-0		NUMBER	REV.
				K	CS
				L0101-0-PBP	B



THIS DRAWING AND SPECIFICATIONS ARE THE PROPERTY OF DIGITAL EQUIPMENT CORPORATION AND SHALL NOT BE REPRODUCED OR COPIED OR USED IN WHOLE OR IN PART AS THE BASIS FOR THE MANUFACTURE OR SALE OF ITEMS WITHOUT WRITTEN PERMISSION. COPYRIGHT © 1982, DIGITAL EQUIPMENT CORPORATION.

REVISIONS	
CHK	CHANGE NO. REV

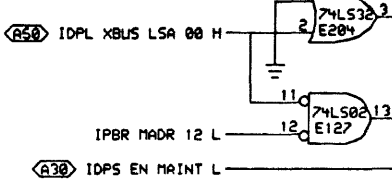
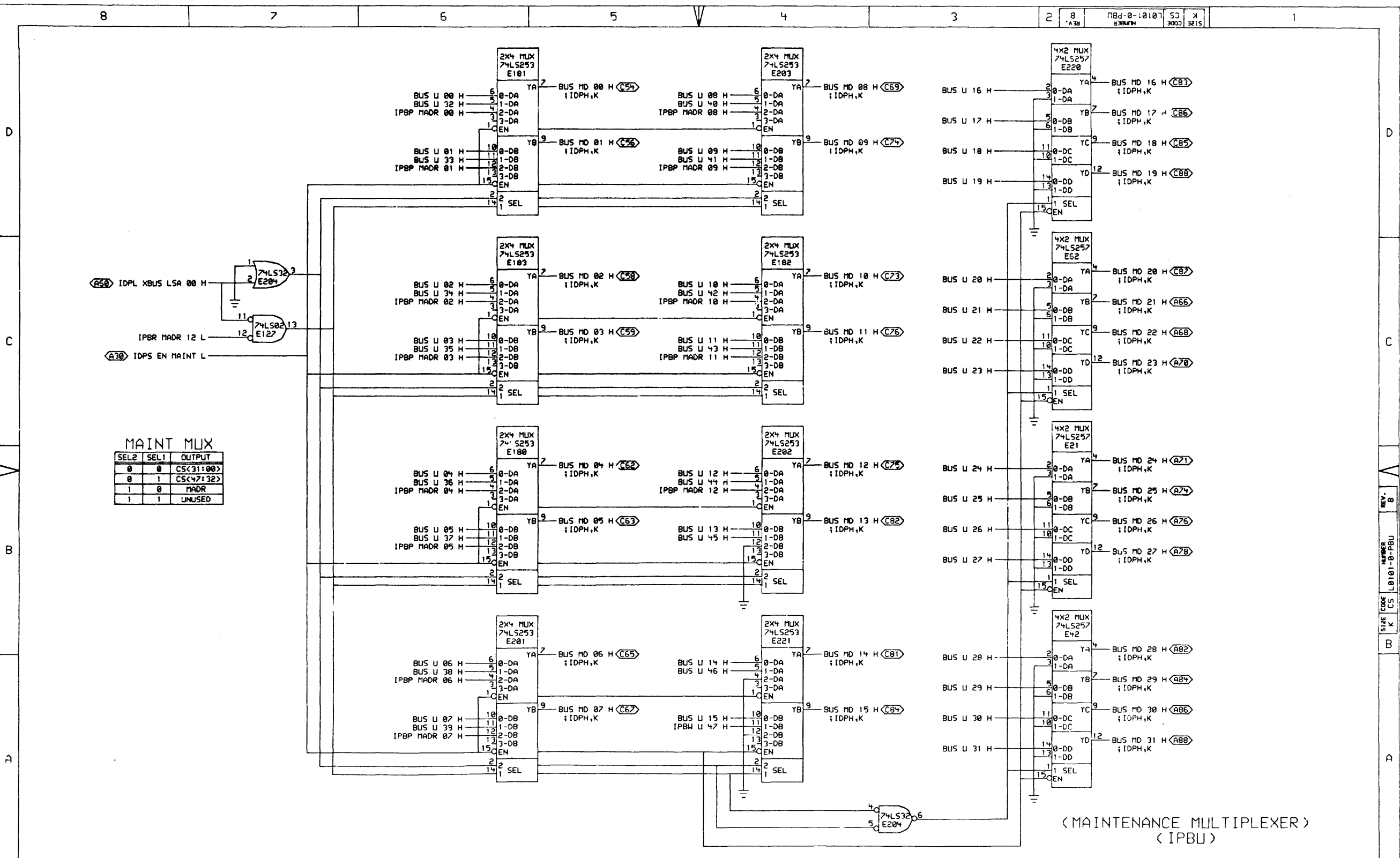
digital	DRN.	DATE	ENG.	DATE	TITLE:
	CHK'D.	11-NOV-82			CI780 PACKET BUFFER (IPB)
DSKDI:203,7001 IPBR.DRW		11-NOV-82 09:19	NEXT HIGHER ASSEMBLY:	SIZE	CODE
FIRST USED ON OPTION/MODEL: CI780		E-UA-L0101-0-0		K	CS
				NUMBER	REV.
				L0101-0-PBR	B



THIS DRAWING AND SPECIFICATIONS HEREIN ARE THE PROPERTY OF DIGITAL EQUIPMENT CORPORATION AND SHALL NOT BE REPRODUCED OR COPIED OR USED IN WHOLE OR IN PART AS THE BASIS FOR THE MANUFACTURE OR SALE OF ITEMS WITHOUT WRITTEN PERMISSION. COPYRIGHT © 1982, DIGITAL EQUIPMENT CORPORATION.

REVISIONS		
CHK	CHANGE NO.	REV

digital	DRN.	DATE	ENG.	DATE	TITLE:
	CHK'D.	DATE	BOARD LOCATION:		C1780 PACKET BUFFER (IPB)
DSKD: 203,7001 IPBT.DRW 11-NOV-82 09:20		NEXT HIGHER ASSEMBLY:		SIZE CODE	NUMBER
FIRST USED ON OPTION/MODEL: C1780		E-UA-L0101-0-0		K CS	L0101-0-PBT
					REV. B



MAINT MUX

SEL2	SEL1	OUTPUT
0	0	CS<31:00>
0	1	CS<47:32>
1	0	MADR
1	1	UNUSED

THIS DRAWING AND SPECIFICATIONS ARE THE PROPERTY OF DIGITAL EQUIPMENT CORPORATION AND SHALL NOT BE REPRODUCED OR COPIED IN WHOLE OR IN PART AS THE BASIS FOR THE MANUFACTURE OR SALE OF ITEMS WITHOUT WRITTEN PERMISSION. COPYRIGHT © 1982, DIGITAL EQUIPMENT CORPORATION.

REVISIONS

CHK	CHANGE NO.	REV

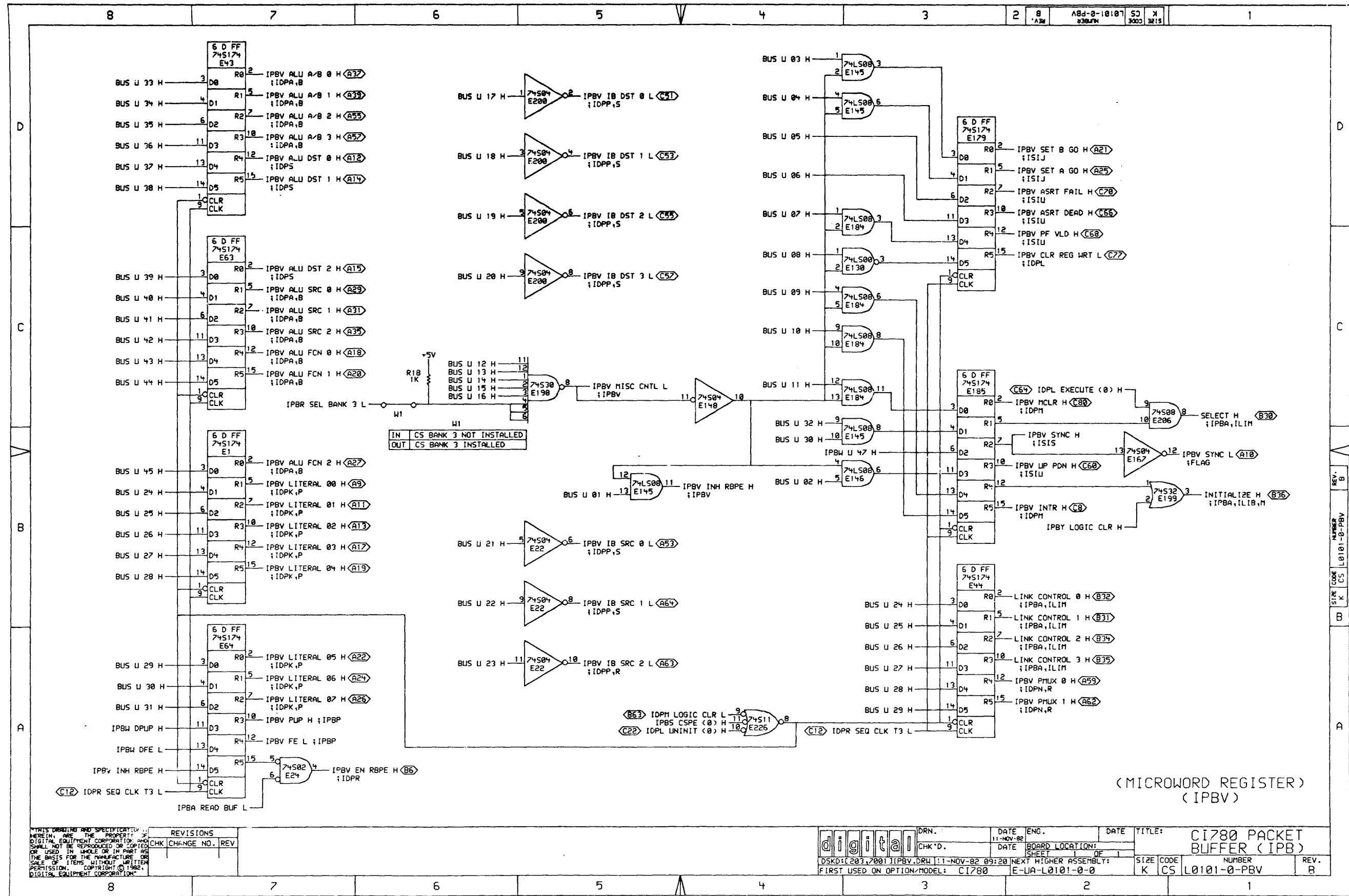
digital ORN. DATE ENG. 11-NOV-82 DATE TITLE: CI780 PACKET BUFFER (IPB)

CHK'D. DATE BOARD LOCATION: SHEET OF

DSKD: [203,7001] IPBU.DRW [11-NOV-82 09:20] NEXT HIGHER ASSEMBLY: E-UA-L0101-0-0

FIRST USED ON OPTION/MODEL: CI780

SIZE CODE NUMBER REV. K CS L0101-0-PBU B

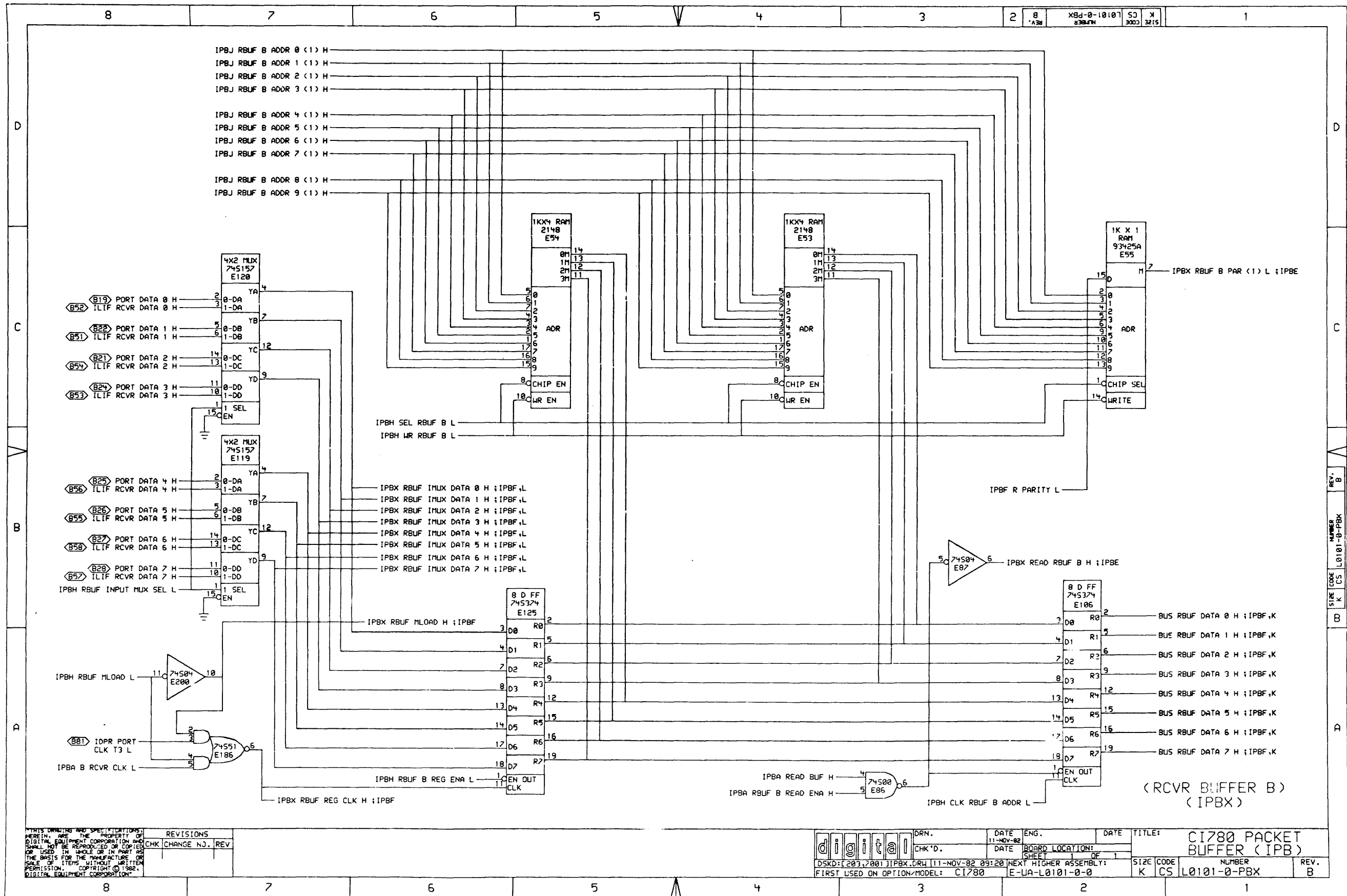


THIS DRAWING AND SPECIFICATIONS HEREIN ARE THE PROPERTY OF DIGITAL EQUIPMENT CORPORATION AND SHALL NOT BE REPRODUCED OR COPIED OR USED IN WHOLE OR IN PART AS THE BASIS FOR THE MANUFACTURE OR SALE OF ITEMS WITHOUT WRITTEN PERMISSION. COPYRIGHT © 1982 DIGITAL EQUIPMENT CORPORATION.

REVISIONS	
CHK	CHANGE NO. REV

digital	DRN.	DATE	ENG.	DATE	TITLE:
	CHK'D.	DATE	BOARD LOCATION:	SHEET	OF
OSKDI:203,2001 IPBV.DRW		11-NOV-82 09:20	NEXT HIGHER ASSEMBLY:	SIZE	CODE
FIRST USED ON OPTION/MODEL: C1780		E-UA-L0101-0-0	NUMBER	L0101-0-PBV	REV. B

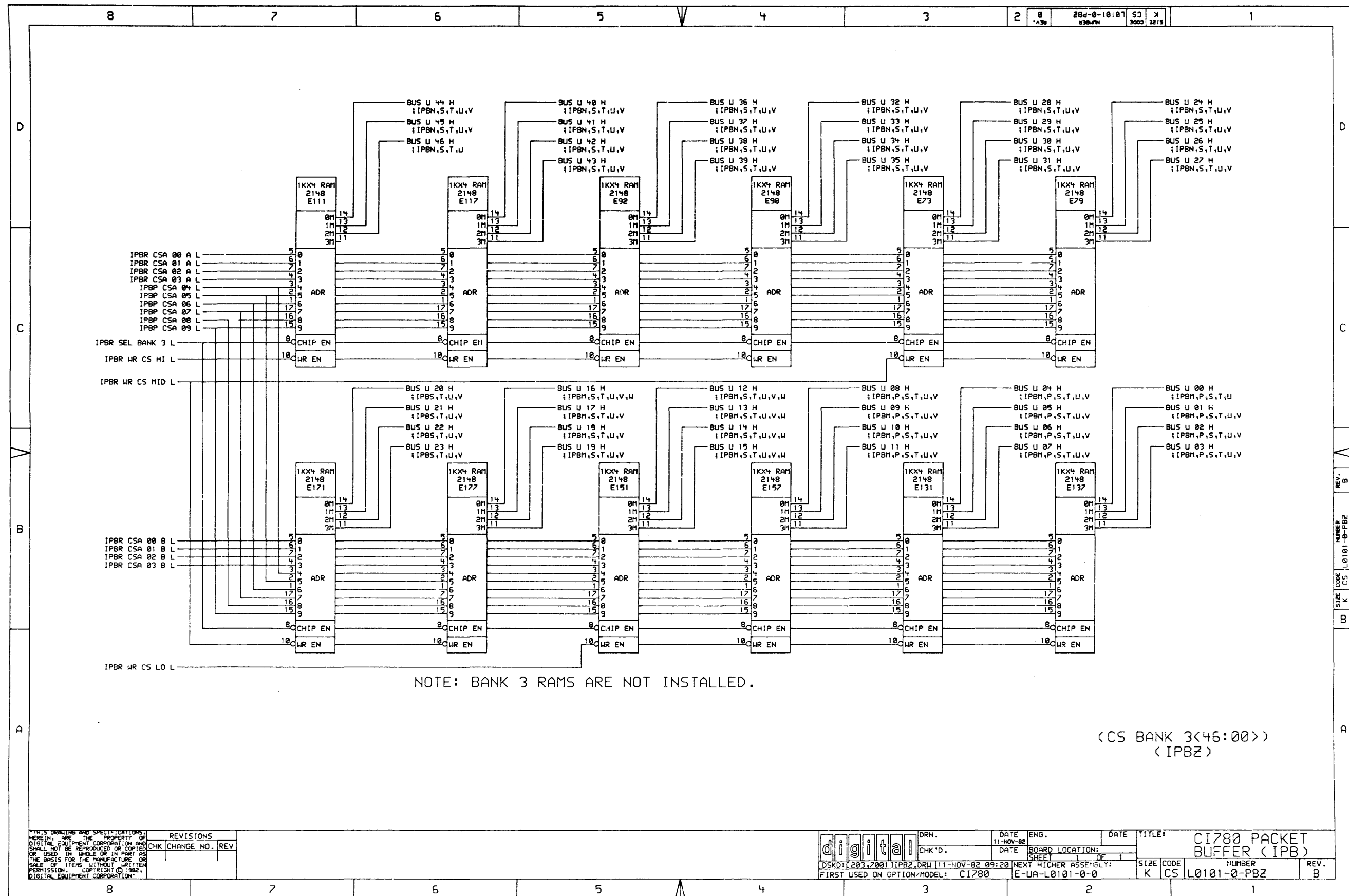
(MICROWORD REGISTER)
(IPBV)



THIS DRAWING AND SPECIFICATIONS HEREIN ARE THE PROPERTY OF DIGITAL EQUIPMENT CORPORATION AND SHALL NOT BE REPRODUCED OR COPIED OR USED IN WHOLE OR IN PART AS THE BASIS FOR THE MANUFACTURE OR SALE OF ITEMS WITHOUT WRITTEN PERMISSION. COPYRIGHT © 1982, DIGITAL EQUIPMENT CORPORATION.

REVISIONS	
CHK	CHANGE NO. REV

digital	DRN.	DATE	ENG.	DATE	TITLE:
	CHK'D.	11-NOV-82			CI780 PACKET BUFFER (IPB)
DSKD: [203,200] IPBX.DRW		11-NOV-82	09:20	NEXT HIGHER ASSEMBLY:	
FIRST USED ON OPTION/MODEL:		CI780	E-UA-L0101-0-0		
SIZE	CODE	NUMBER	REV.		
K	CS	L0101-0-PBX	B		

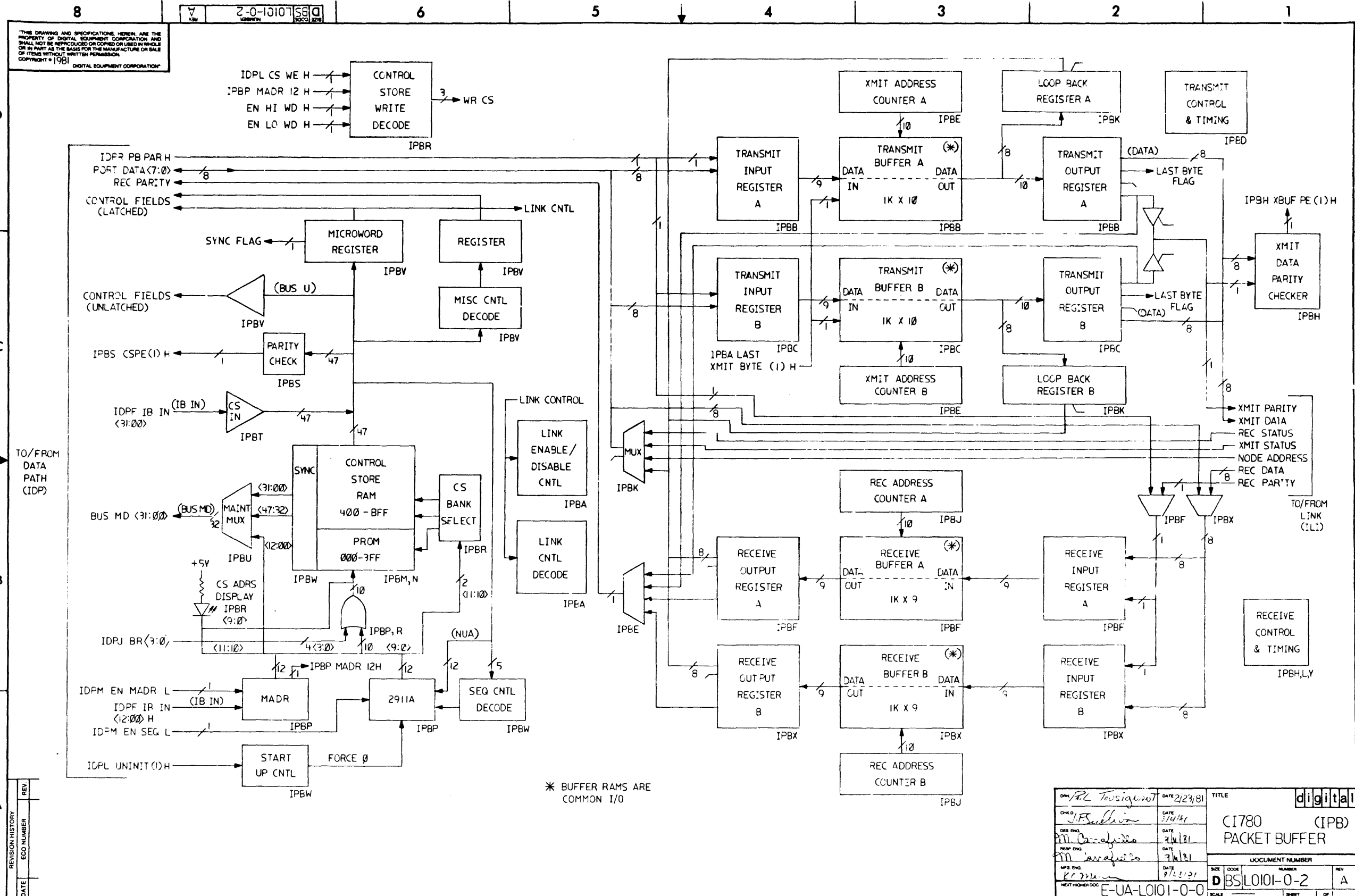


NOTE: BANK 3 RAMS ARE NOT INSTALLED.

(CS BANK 3<46:00>)
(IPBZ)

REVISIONS	
CHK	CHANGE NO. REV

digital	DRN.	DATE	ENG.	DATE	TITLE
	CHK'D.	11-NOV-82			CI780 PACKET BUFFER (IPB)
DSKD: 203,7001 IPBZ.DRW 11-NOV-82 09:20		NEXT HIGHER ASSEMBLY:		SIZE	CODE
FIRST USED ON OPTION/MODEL: CI780		E-UA-L0101-0-0		K	CS
				NUMBER	REV.
				L0101-0-PBZ	B

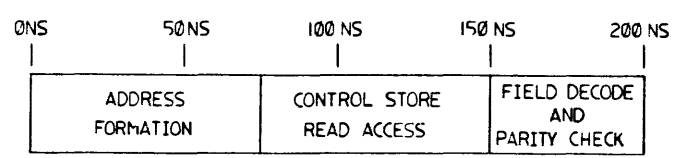


THIS DRAWING AND SPECIFICATIONS HEREIN ARE THE PROPERTY OF DIGITAL EQUIPMENT CORPORATION AND SHALL NOT BE REPRODUCED OR COPIED OR USED IN WHOLE OR IN PART AS THE BASIS FOR THE MANUFACTURE OR SALE OF ITEMS WITHOUT WRITTEN PERMISSION. COPYRIGHT © 1981 DIGITAL EQUIPMENT CORPORATION

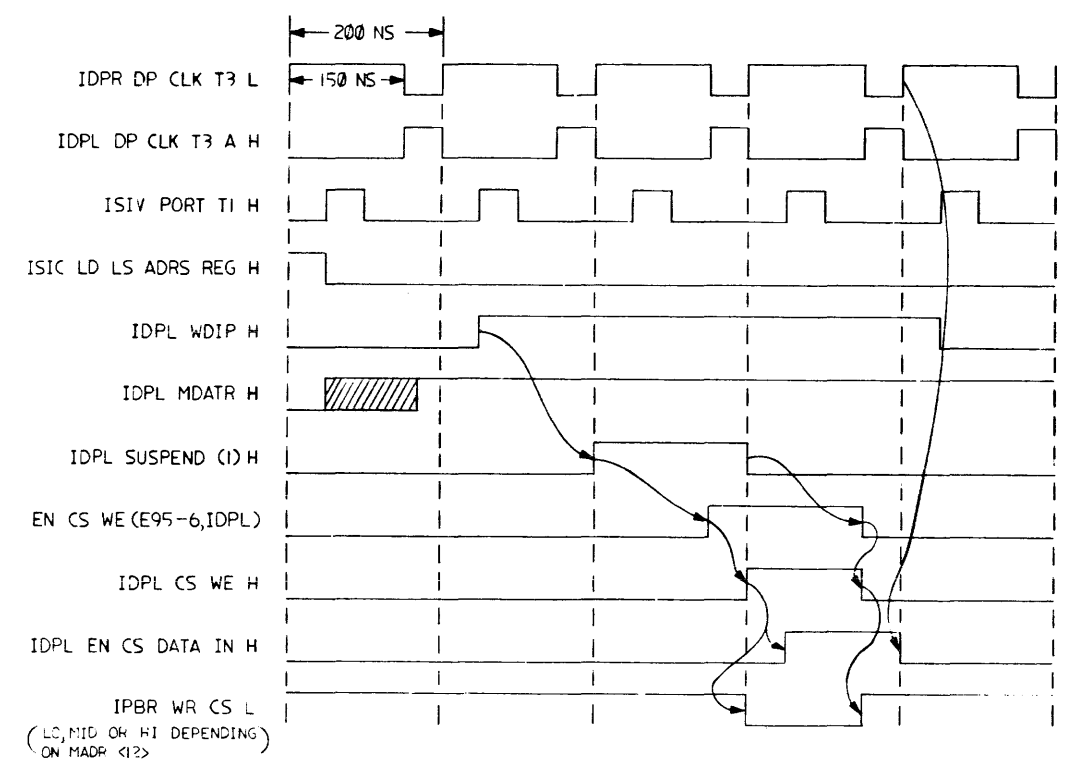
REV.	ECO NUMBER	DATE

DESIGNED BY: <i>J.R. Tosi</i>	DATE: 2/23/81	TITLE: CI780 (IPB) PACKET BUFFER
CHECKED BY: <i>J.F. Sullivan</i>	DATE: 3/4/81	DOCUMENT NUMBER: D BS LO101-0-2
DESIGN ENGR: <i>M. Canale</i>	DATE: 3/11/81	
HELP ENGR: <i>M. Canale</i>	DATE: 3/11/81	
WFO ENGR: <i>K.C. ...</i>	DATE: 8/22/81	
NEXT HIGHER DOC: E-UA-LO101-0-0		SCALE: TW

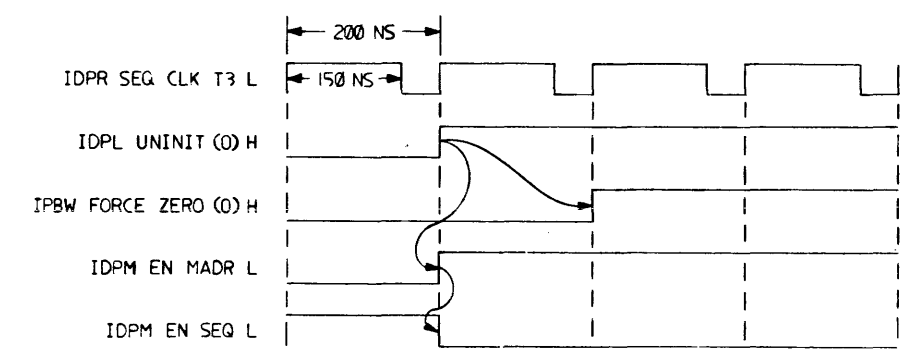
THIS DRAWING AND SPECIFICATIONS HEREIN ARE THE PROPERTY OF DIGITAL EQUIPMENT CORPORATION AND SHALL NOT BE REPRODUCED OR COPIED OR USED IN WHOLE OR IN PART AS THE BASIS FOR THE MANUFACTURE OR SALE OF ITEMS WITHOUT WRITTEN PERMISSION. COPYRIGHT © 1981 DIGITAL EQUIPMENT CORPORATION



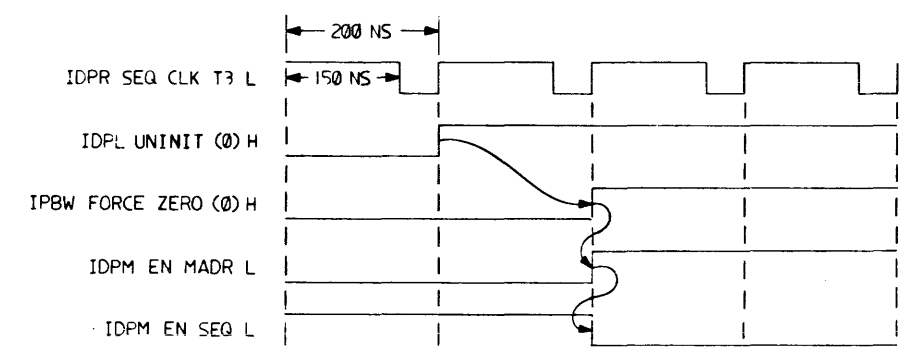
CONTROL STORE READ CYCLE



CONTROL STORE WRITE TIMING



MICROCODE START UP (PSA=0)
(SEQUENCER IS FORCED TO 200 DURING FIRST MICROCODE EXECUTION CYCLE)



MICROCODE START UP (PSA=1)
(MADR IS ADDRESS SOURCE DURING FIRST MICROCODE EXECUTION CYCLE)

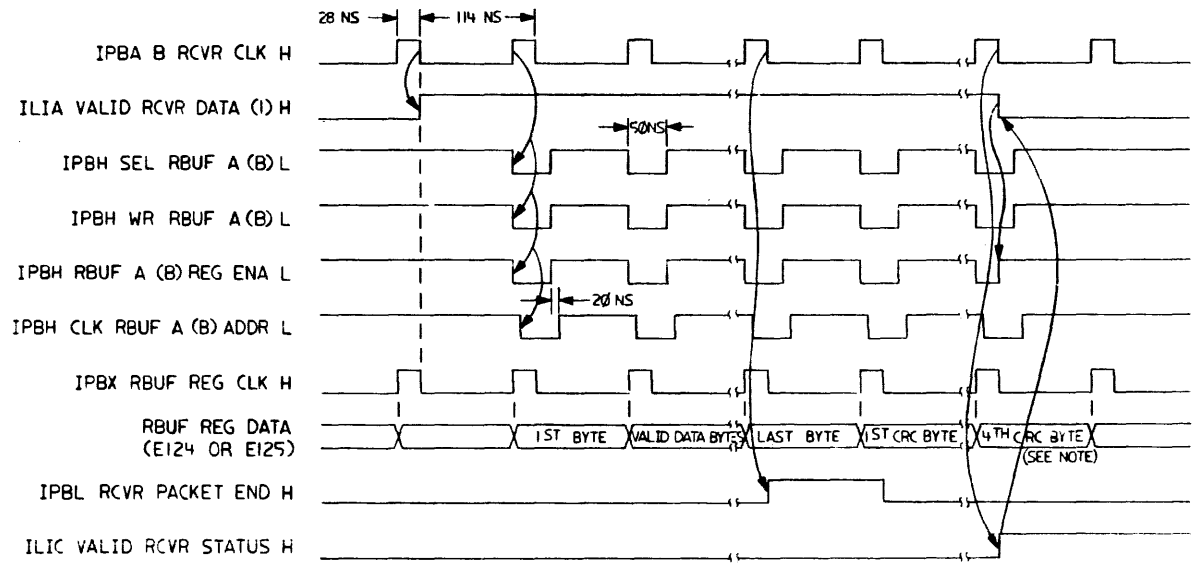
REV	DATE	ECO NUMBER

DESIGNED BY R. Toussaint	DATE 4/22/81	TITLE CI730 (IPB) PACKET BUFFER
CHECKED BY J. F. Sullivan	DATE 7/2/81	DOCUMENT NUMBER DITD L0101-0-3
DESIGN BY M. Canafelido	DATE 9/11/81	
REVISION BY M. Canafelido	DATE 9/11/81	SCALE TW
WROTE BY M. Canafelido	DATE 7/13/81	SHEET 1 OF 1
NEXT HIGH ORDER E-UA-L0101-0-0		

REV. A
NUMBER L0101-0-3
SIZE CODE DITD

THIS DRAWING AND SPECIFICATIONS HEREIN ARE THE PROPERTY OF DIGITAL EQUIPMENT CORPORATION AND SHALL NOT BE REPRODUCED OR COPIED OR USED IN WHOLE OR IN PART AS THE BASIS FOR THE MANUFACTURE OR SALE OF ITEMS WITHOUT WRITTEN PERMISSION. COPYRIGHT © 1981 DIGITAL EQUIPMENT CORPORATION.

NOTE:
1. THE FOURTH CRC BYTE IS NOT WRITTEN INTO THE RECEIVE BUFFER BECAUSE IPBH RBUF A OR B REG ENA L IS NOT VALID FOR THE ENTIRE WRITE CYCLE.



RECEIVER BUFFER WRITE TIMING FOR LINK → BUFFER LOAD

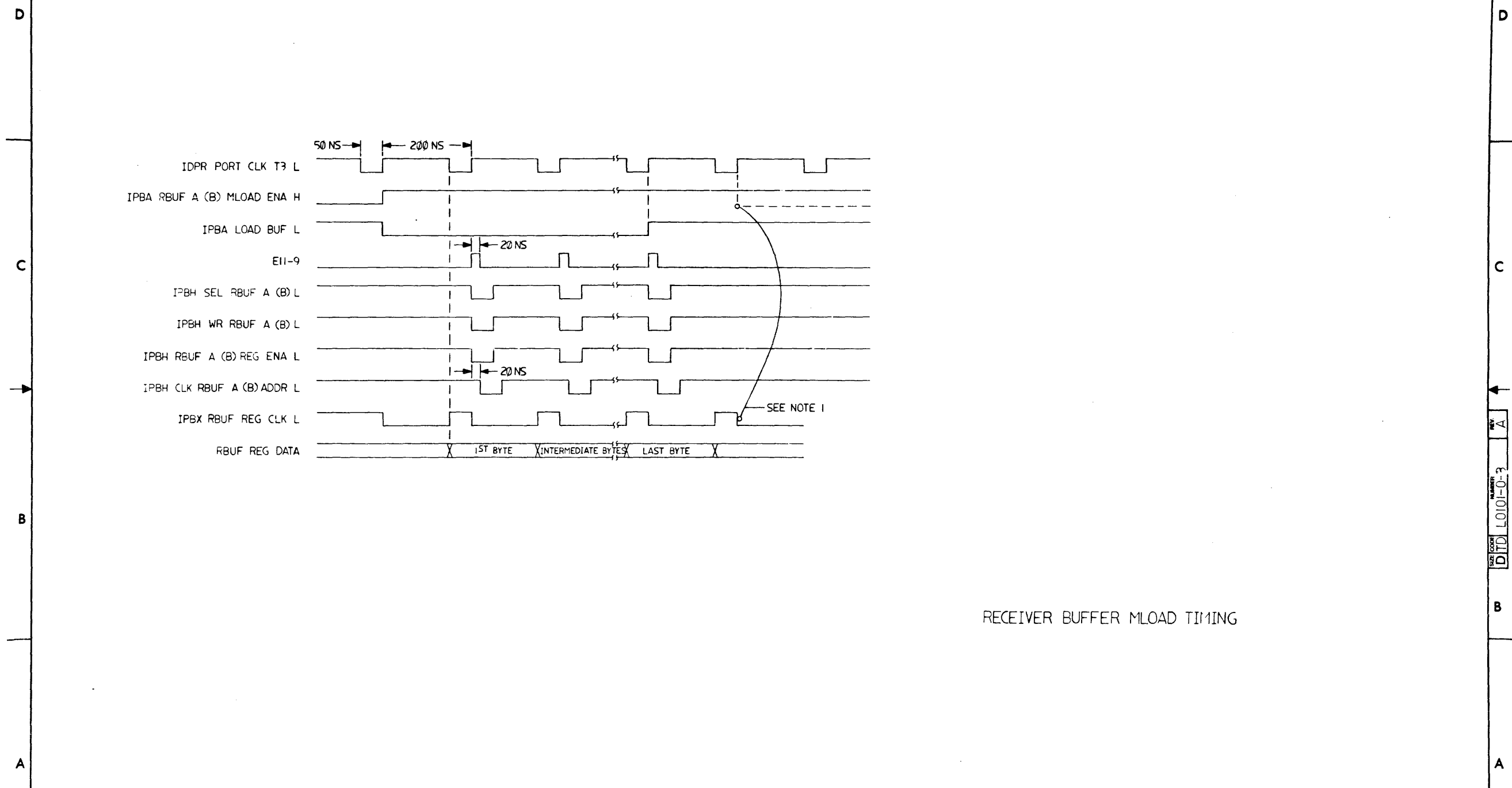
REVISION HISTORY		
DATE	ECO NUMBER	REV

TITLE
CI780
PACKET BUFFER (IPB)

DOCUMENT NUMBER		
SIZE CODE	NUMBER	REV.
DTD	LO101-0-3	A
SCALE	SHEET 2 OF 4	

THIS DRAWING AND SPECIFICATIONS HEREIN ARE THE PROPERTY OF DIGITAL EQUIPMENT CORPORATION AND SHALL NOT BE REPRODUCED OR COPIED OR USED IN WHOLE OR IN PART AS THE BASIS FOR THE MANUFACTURE OR SALE OF ITEMS WITHOUT WRITTEN PERMISSION. COPYRIGHT © 1981 DIGITAL EQUIPMENT CORPORATION

NOTE:
 1. IPEX RBUF REG CLK L SOURCE IS DERIVED FROM IPBA B RCVR CLK L WHEN IPBA RBUF A (OR B) MLOAD ENA H IS FALSE.



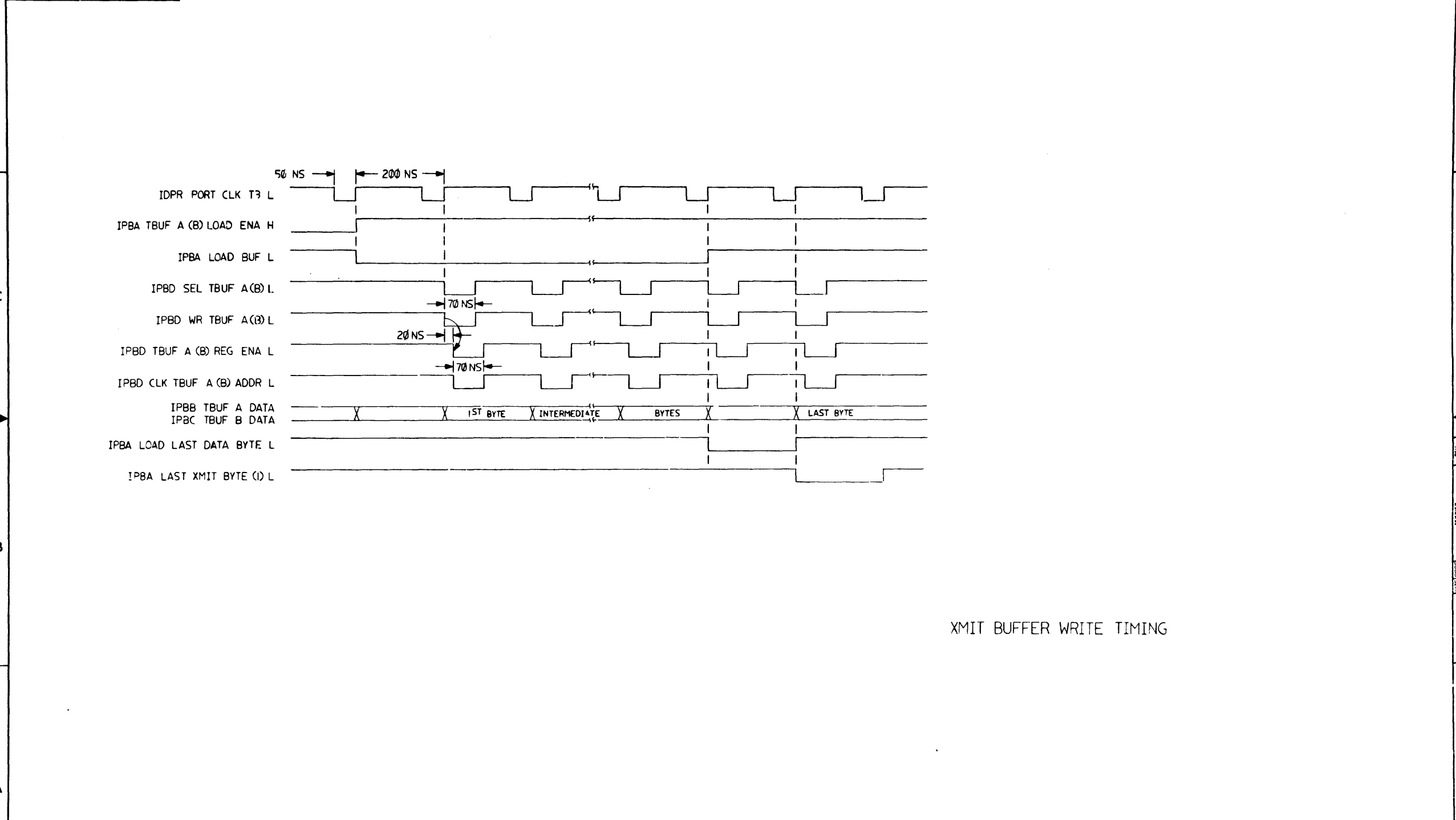
RECEIVER BUFFER MLOAD TIMING

REVISION HISTORY		
DATE	ECCO NUMBER	REV

TITLE CI780
 PACKET BUFFER (IPB)

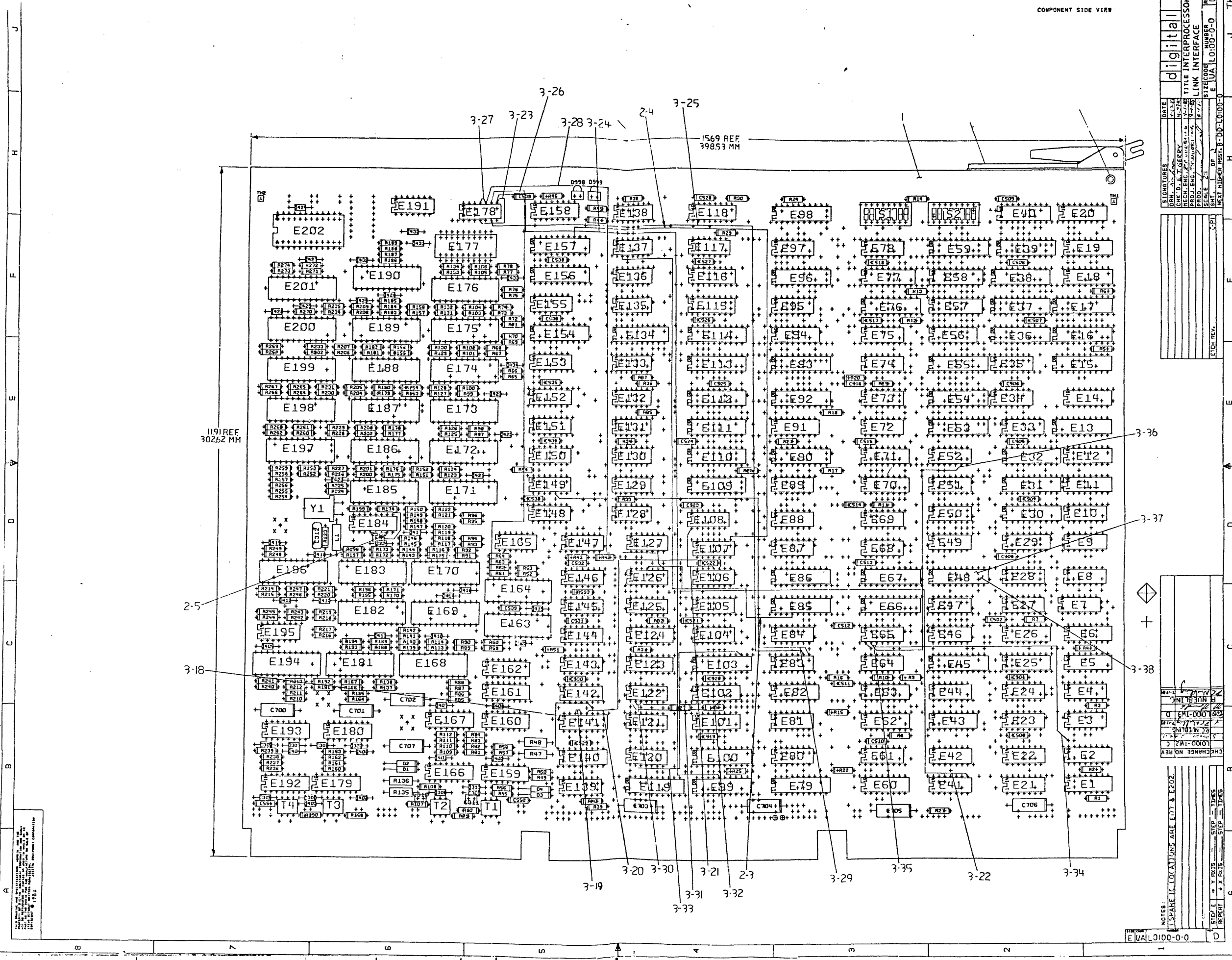
DOCUMENT NUMBER		
SIZE CODE	NUMBER	REV.
D	LD	L0101-0-3
SCALE	SHEET 3 OF 4	

THIS DRAWING AND SPECIFICATIONS HEREIN ARE THE PROPERTY OF DIGITAL EQUIPMENT CORPORATION AND SHALL NOT BE REPRODUCED OR COPIED OR USED IN WHOLE OR IN PART AS THE BASIS FOR THE MANUFACTURE OR SALE OF ITEMS WITHOUT WRITTEN PERMISSION.
 COPYRIGHT © 1981
 DIGITAL EQUIPMENT CORPORATION



XMIT BUFFER WRITE TIMING

REVISION HISTORY		
DATE	ECO NUMBER	REV



DATE	11/72	digital
DESIGNED BY	...	TITLE INTERPROCESSOR
TECH. ENG.	...	LINK INTERFACE
PROJ. ENG.
SCALE	1:1	...
REV.
...

...
...
...
...
...

...
...
...
...
...

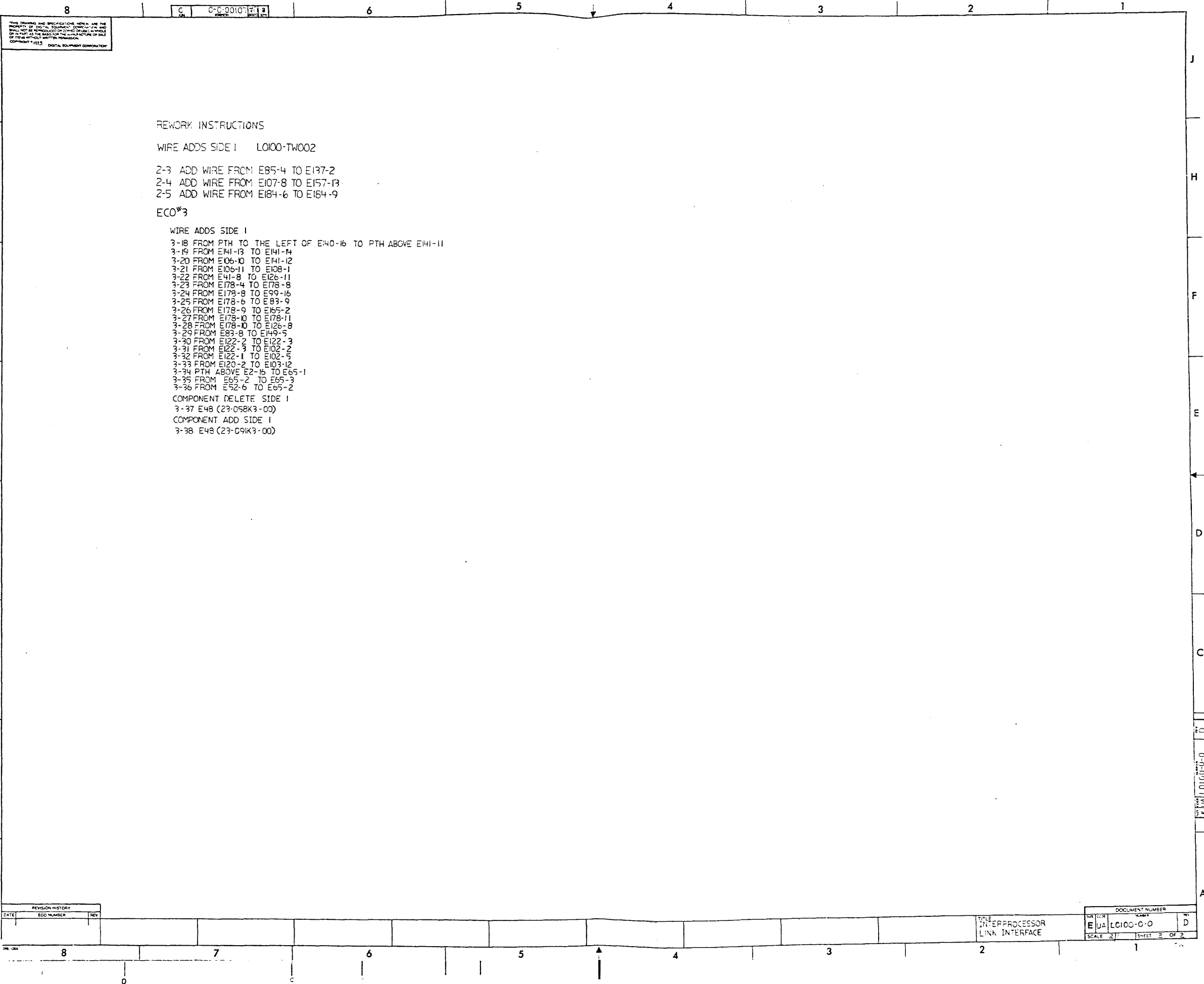
...
...
...
...
...

NOTES:

1. SPARE LOCATIONS ARE E177 & E202.

STEP 1	Y AXIS	STEP	TYPES
REPART	X AXIS	STEP	TYPES

EUA LO100-0-0



THIS DRAWING AND SPECIFICATIONS HEREON ARE THE PROPERTY OF DIGITAL EQUIPMENT CORPORATION AND SHALL NOT BE REPRODUCED OR COPIED IN WHOLE OR IN PART OR BE LOANED TO ANY OTHER PARTY WITHOUT THE WRITTEN PERMISSION OF DIGITAL EQUIPMENT CORPORATION.

REWORK INSTRUCTIONS
 WIRE ADDS SIDE 1 LO100-TW002
 2-3 ADD WIRE FROM E85-4 TO E137-2
 2-4 ADD WIRE FROM E107-8 TO E157-13
 2-5 ADD WIRE FROM E184-6 TO E184-9

ECO*3
 WIRE ADDS SIDE 1
 3-18 FROM PTH TO THE LEFT OF E140-16 TO PTH ABOVE E141-11
 3-19 FROM E141-13 TO E141-14
 3-20 FROM E106-10 TO E141-12
 3-21 FROM E106-11 TO E108-1
 3-22 FROM E141-8 TO E126-11
 3-23 FROM E178-4 TO E178-8
 3-24 FROM E178-8 TO E99-16
 3-25 FROM E178-6 TO E83-9
 3-26 FROM E178-9 TO E65-2
 3-27 FROM E178-10 TO E178-11
 3-28 FROM E178-10 TO E126-8
 3-29 FROM E83-8 TO E149-5
 3-30 FROM E122-2 TO E122-3
 3-31 FROM E122-3 TO E102-2
 3-32 FROM E122-1 TO E102-5
 3-33 FROM E120-2 TO E103-12
 3-34 PTH ABOVE E2-16 TO E65-1
 3-35 FROM E65-2 TO E65-3
 3-36 FROM E52-6 TO E65-2
 COMPONENT DELETE SIDE 1
 3-37 E48 (23-058K3-00)
 COMPONENT ADD SIDE 1
 3-38 E48 (23-091K3-00)

REVISION HISTORY		
DATE	ECO NUMBER	REV

TITLE		DOCUMENT NUMBER	
INTERPROCESSOR LINK INTERFACE		EUA LC100-0-0	
SCALE 2:1	SHEET 2 OF 2		REV D

LINE	ITEM	DOCUMENT NUMBER	PART NUMBER	DESCRIPTION	QTY	PER VARIATION	REFERENCE DESIGNATOR
					00		
1	1		5014430-00	L0100 ETCH BOARD	1		
2	78		1001610-00	.01 MFD 50V +80-20% Z5U CER	45		C300-C308,C313,C400-C434
3	2		1001739-00	27.0 MMF 100V 5%200PPM MICA	1		C312
4	3		1011740-01	3300.0 MMF 50V 10% CER	3		C309-C311
5	91		1012784-00	.047 MFD 50V +80-20% CER	42		C500-C538,C550,C551,C539
6	90		1017472-00	10 MFD 35V +50-10% AL EL	8		C700-C707
7	4		1109517-00	PIV= 75 IO=150 MA - 4NS 1N914B	4		D1-D4
8	98		1117373-00	LED ASSY GREEN	1		D998
9	99		1117373-01	LED ASSY RED	1		D999
10	5		1217310-05	SW,DIP 8POS/1PST 5VDC100MA S	2		S1,S2
11	6		1216988-02	HANDLE,MODULE,HEX TWO EJECTORS	1		
12	7		1300005-01	R NETWORK 13-1K 5.0 % 14PIN	1		E78
13	8		1300005-07	R NETWORK 15-4.7K 5.0 % 16PIN	2		E19,E56
14	9		1300250-00	150.0 .25 W 5.0 % CF	7		R17,R18,R28,R55,R56,R107,R108
15	10		1300295-00	330.0 .25 W 5.0 % CF	2		R44,R45
16	11		1300365-00	1.0 K .25 W 5.0 % CF	40		R1-R5,R7-R11,R14-R16,R19-R26, R29,R30,R32-R36,R42,R43,R46,R51, R54,R593,R27,R31,R37,R38-R40
17	18		1300447-00	4.70 K .25 W 5.0 % CF	2		R12,R13
18	12		1301425-00	300.0 .25 W 5.0 % CF	4		R79,R80,R159,R190
19	13		1301781-00	82.0 .50 W 5.0 % CF	4		R47,R48,R135,R136
20	14		1302602-00	56.0 .25 W 5.0 % CF	1		R6
21	15		1302956-00	196.0 .25 W 1.0 % RN55D-F10	103		R50,R53,R58,R60,R61,R63,R66,R67, R69,R72,R74,R75,R77,R81,R83,R86, R88,R90,R92,R93,R96,R97,R100, R102,R104,R106,R109,R111,R113, R115,R118,R120,R121,R124,R126, R128,R129,R132,R133,R137,R139, R142,R146,R148,R150,R152,R154, R155,R158,R164,R166,R169,R170.

REVISION HISTORY		BASIC PART NO: L0100		DRN:	J. CASEY	DATE:	24-JUN-81	D I G I T A L			
ENG:	ECO NUMBER	REV	SECTION A OF A	CHK'D:	E. T. GERRY <td>DATE:</td> <td>24-JUN-81 <td colspan="4">TITLE PARTS LIST</td> </td>	DATE:	24-JUN-81 <td colspan="4">TITLE PARTS LIST</td>	TITLE PARTS LIST			
---	INITIAL	A	SECTION VARIATION INDEX	DES. ENG:	J. BUZYNSKI <td>DATE:</td> <td>28-SEP-81 <td colspan="4">INTERPROCESSOR LINK INTERFACE</td> </td>	DATE:	28-SEP-81 <td colspan="4">INTERPROCESSOR LINK INTERFACE</td>	INTERPROCESSOR LINK INTERFACE			
JB	L0100-TW001	B	[A] 00	RESP. ENG.:	J. BUZYNSKI <td>DATE:</td> <td>28-SEP-81 <td colspan="4">DOCUMENT NUMBER</td> </td>	DATE:	28-SEP-81 <td colspan="4">DOCUMENT NUMBER</td>	DOCUMENT NUMBER			
			[B]	MFG. ENG.:	M. WARSHAW <td>DATE:</td> <td>28-SEP-81 <td>SIZE:</td> <td>CODE:</td> <td>NUMBER</td> <td>REV</td> </td>	DATE:	28-SEP-81 <td>SIZE:</td> <td>CODE:</td> <td>NUMBER</td> <td>REV</td>	SIZE:	CODE:	NUMBER	REV
			[C]	ASSEMBLY NUMBER:	E-UA-L0100-0-0 <td>TOP DOCUMENT NUMBER:</td> <td></td> <td>K</td> <td>PL</td> <td>L0100-0-DBP</td> <td>B</td>	TOP DOCUMENT NUMBER:		K	PL	L0100-0-DBP	B
			[D]								
			[E]								
			[F]								
			[H]								
			[J]								
			[K]								
			[L]								
			[M]								
			[N]								
<p>"THIS DRAWING AND SPECIFICATIONS HEREIN, ARE THE PROPERTY OF DIGITAL EQUIPMENT CORPORATION AND SHALL NOT BE REPRODUCED OR COPIED OR USED IN WHOLE OR IN PART AS THE BASIS FOR THE MANUFACTURE OR SALE OF ITEMS WITHOUT WRITTEN PERMISSION. COPYRIGHT (C) 1983. DIGITAL EQUIPMENT CORPORATION "</p>											

AUTOMATED BY PRTLST.4Q(50)

PARTS LIST

SHEET A2 OF A4

LINE	ITEM	DOCUMENT NUMBER	PART NUMBER	DESCRIPTION	QTY PER VARIATION 00	REFERENCE DESIGNATOR
22	16		1302957-00	121.0 .25 W 1.0 % RN55D-F10	99	CONT R173-R175,R178,R180,R181, CONT R184-R186,R188,R191,R194,R195, CONT R197,R201,R203,R205,R206,R208, CONT R210,R212,R215,R217,R218,R220, CONT R224,R226,R228,R231,R232,R234, CONT R241,R242,R245,R247,R249,R252, CONT R254,R256,R258,R261,R262,R264, CONT R266,R268,R271,R273,R143, R49,R52,R57,R59,R62,R64,R65,R68, CONT R70,R71,R73,R76,R78,R82,R84,R85, CONT R87,R89,R91,R94,R95,R98,R99, CONT R101,R103,R105,R110,R112,R114, CONT R116,R117,R119,R122,R123,R125, CONT R127,R130,R131,R134,R138,R140, CONT R141,R144,R145,R147,R149,R151, CONT R153,R156,R157,R165,R167,R168, CONT R172,R176,R177,R179,R182,R183, CONT R187,R189,R192,R193,R196, CONT R198-R200,R202,R204,R207,R209, CONT R211,R213,R214,R216,R219,R221, CONT R225,R227,R229,R230,R233,R235, CONT R240,R243,R244,R246,R248,R253, CONT R255,R257,R259,R260,R265,R267, CONT R272,R274,R171,R263
23	17		1303111-00	205.0 .25 W 1.0 % RN55D-F10	2	R163,R239
24	19		1312930-00	5.10 K .25 W 5.0 % CF	1	R223
25	20		1313008-00	5.11 .25 W 1.0 % RN55D-F10	4	R160,R161,R237,R238
26	21		1313155-00	604.0 .25 W 1.0 % RN55D-F10	2	R162,R236
27	22		1603377-00	.22UH 10% 2.7A #WEE.22	1	L1
28	23		1617970-00	PULSE XFMR 250MW 6PIN DIP	2	T1,T2
29	24		1617985-00	DELAY= 10.2NS 14PIN DIP	1	E195
30	103		1618515-00	PULSE XFMR RATIO 2:1,250 MW	2	T3,T4
31	25		1812051-18	XTAL 70.000 MHZ	1	Y1
32	26		1910532-00	74S00 NAND GATE-QUAD 2IN	9	E33,E52,E89,E107,E128,E139,E145, CONT E149,E151
33	27		1910534-00	74S04 INVERTER GATE-HEX 1I	4	E61,E69,E126,E129
34	28		1910536-00	74S10 NAND GATE-TRIPLE 3IN	4	E34,E35,E87,E148
35	29		1910537-00	74S11 AND GATE-TRIPLE 3INP	1	E104
36	30		1910539-00	74S20 NAND GATE-DUAL 4INPU	2	E108,E127
37	31		1910544-00	74S74 FF-D DUAL,EDGE TRIG	3	E125,E131,E152
38	32		1910544-01	74S74-60GG-D DUAL,EDGE TRIG	11	E3,E4,E121,E133,E153,E10,E80, CONT E81,E136,E138,E191
39	33		1910545-00	74S112 FF-JK DUAL,EDGE TRIG	5	E26,E29,E63,E101,E118
40	34		1910547-00	74S153 MUX 1 OF 4 (DUAL)	1	E6
41	35		1910548-00	74S157 MUX 1 OF 2 (QUAD)	2	E115,E116
42	36		1911404-00	10107 XOR/NOR GATE,3-2IN	2	E160,E162
43	37		1911409-00	10115 QUAD DIF.LINE RCVR	2	E167,E184
44	38		1911414-00	10124 TTL TO ECL TRNSLTR	1	E161

D	I	G	I	T	A	L	TITLE	SECTION A OF A	SIZE	CODE	DOCUMENT NUMBER	REV
							INTERPROCESSOR LINK INTERFACE		K	PL	L0100-0-DBP	B

LINE	ITEM	DOCUMENT NUMBER	PART NUMBER	DESCRIPTION	QTY PER VARIATION	REFERENCE DESIGNATOR
					00	
45	39		1911573-00	74S280 PARITY GEN/CHKR,9BIT	2	E150,E155
46	40		1911675-00	74S138 DECODER/DEMUX 3-8 LI	1	E60
47	41		1911712-00	74S51 AND-OR GATE-INVERT D	5	E3,E64,E130,E135,E146
48	42		1912089-00	74S85 CMPRTR-4BIT MAGNITUD	1	E70
49	43		1912096-00	DEC 74S86 XOR GATE,QUAD 2IN	6	E72-E75,E95,E97
50	44		1912388-00	74S02 NOR GATE-QUAD 2IN,PO	5	E24,E27,E65,E105,E120
51	97		1912389-00	74S08 AND GATE-QUAD 2IN,PO	2	E41,E49
52	45		1912746-01	74S37-1BUFFER-GATE	3	E117,E132,E147
53	46		1912799-00	LS00 NAND-GATE-QUAD 2IN,P	4	E9,E46,E68,E84
54	47		1912801-00	LS02 NOR-GATE-QUAD 2IN	5	E21,E23,E28,E122,E137
55	48		1912803-00	LS04 INVERTER GATE,HEX	5	E50,E83,E88,E106,E165
56	49		1912805-00	LS08 AND GATE-QUAD 2IN,PO	2	E22,E51
57	50		1912810-00	LS20 NAND GATE-DUAL 4IN	2	E42,E142
58	51		1912820-00	LS51 A-O-I GATE 2-WIDE 2I	2	E143,E144
59	52		1912824-00	LS74 FF-D DUAL,EDGE TRIGG	1	E44
60	53		1912833-00	LS109 FF-JK DUAL,POS EDGE	11	E2,E5,E11,E62,E82,E102,E123, CONT E124,E140,E141,E158
61	54		1912851-00	LS169 COUNTER,SYNCH. UP/DO	3	E25,E71,E91
62	55		1913462-00	74S240 OCTAL BUFFER,INVERTI	3	E100,E112,E114
63	56		1913670-00	74S373 LATCH,8BIT TRANS TRI	1	E119
64	57		1913671-00	74S374 FF-D,OCTAL,TRI STATE	11	E16,E38,E54,E55,E93,E96,E109, CONT E111,E113,E134,E156
65	100		1913671-50	74S374 FF-D,OCTAL,TRI STATE	3	E103,E154,E157
66	58		1913777-00	LS240 DRIVER,LINE,OCTAL,T	4	E15,E36,E37,E53
67	59		1913888-00	DC 102A EQUALS CHECKER 8BIT	7	E17,E39,E59,E90,E92,E98,E110
68	60		1914082-00	74S163 COUNTER,SYNCH UP/DOW	4	E1,E12,E14,E43
69	61		1914084-00	74S299 SHIFT REG.,8BIT RIGH	1	E13
70	62		1914085-00	74S260 NOR GATE-DUAL,POS	1	E178
71	63		1914086-00	74S30 NAND GATE-POS 8IN	1	E47
72	64		1917036-00	VOLTAGE COMPARATOR	4	E179,E180,E192,E193
73	65		1917275-00	100141 SHIFT REG.8-BIT	5	E185,E186,E188,E190,E199
74	66		1917277-00	100131 FF-D TRIPLE	5	E170,E173,E182,E183,E197
75	67		1917280-00	100125 TRANSLATOR,ECL TO TT	3	E164,E175,E176
76	68		1917281-00	100124 TRANSLATOR,TTL TO EC	3	E163,E171,E172
77	69		1917288-00	100107 OR/NOR,EXCLUSIVE,QUI	4	E169,E189,E194,E201
78	70		1917289-00	100102 OR/NOR GATE,QUINT,2	4	E168,E174,E198,E200
79	71		1917290-00	100101 OR/NOR GATE,TRIPLE,	2	E181,E187
80	72		1917442-00	100113 DRIVER,QUAD	1	E196
81	73		1917839-00	10192 LINE DRIVER,QUAD DIF	2	E159,E166
82	88		23009K5-00	K5-01	1	E86
83	85		23010K5-00	K5-01	1	E67
84	84		23011K5-00	K5-01	1	E66
85	87		23021K4-00	K4-01	1	E85
86	82		23022K4-00	K4-01	1	E45
87	89		23023K4-00	K4-01	1	E99
88	80		23042K3-00	K3-01	1	E31
89	81		23043K3-00	K3-01	1	E32
90	79		23063K3-00	K3-01	1	E30

D	I	G	I	T	A	L	TITLE	SECTION A	OF A	SIZE	CODE	DOCUMENT NUMBER	REV
							INTERPROCESSOR LINK INTERFACE			K	PL	L0100-0-DBP	B

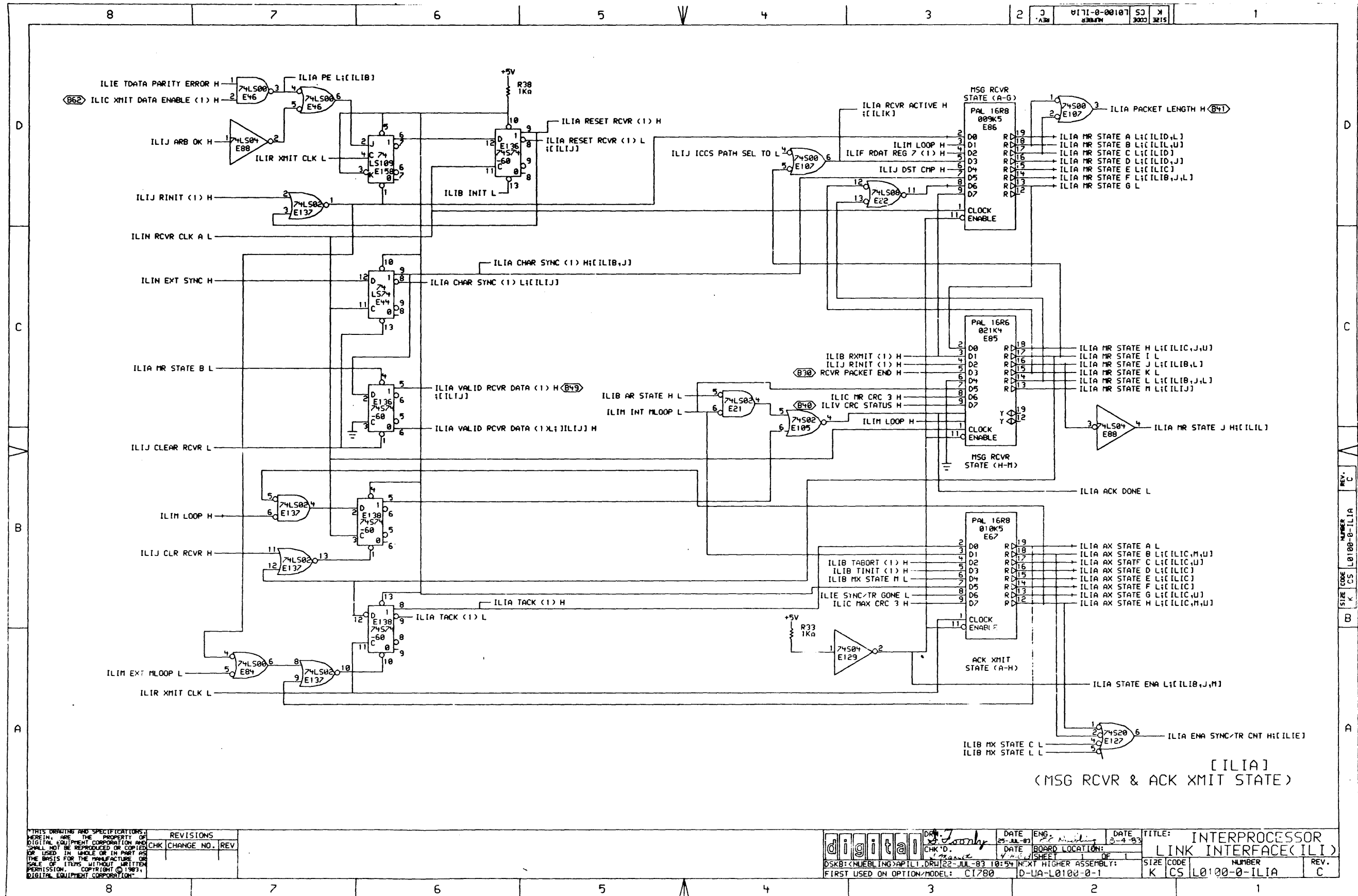
AUTOMATED BY PRTLST.4Q(50)

P A R T S L I S T

SHEET A4 OF A4

LINE	ITEM	DOCUMENT NUMBER	PART NUMBER	DESCRIPTION	QTY PER VARIATION	REFERENCE DESIGNATOR
					00	
91	86		23055K3-00	K3-01	PAL,REG CONT 1	E79
92	83		23058K3-00	K3-01	PAL,REG, CONT 1	E48
93	77		23071B1-00	B1-01	1	E76
94	74		23309A1-00	A1-07	1	E94
95	75		23601A2-00	A2-05	1	E20
96	92		23817F1-00	F1-01	1	E58
97	93		23818F1-00	F1-01	1	E40
98	94		23819F1-00	F1-01	1	E77
99	95		23820F1-00	F1-01	1	E57
100	76		23964A9-00	A9-01	1	E18
101	96		9000024-01	EYELET,ROLLED	0.1210DX0.192 2	
102	101		9105740-55	WIRE(WRAP)	30AWG KYNAR UL14 A/R	
103	102		9107688-00	WIRE(WRAP)	24AWG KYNAR UL13 A/R	
104	104		1912815-00	LS30 NAND GATE-SINGLE	8IN 1	E7

D	I	G	I	T	A	L	TITLE	SECTION A OF A	SIZE	CODE	DOCUMENT NUMBER	REV
CHK	HH	4					INTERPROCESSOR LINK INTERFACE		K	PL	L0100-0-DBP	B

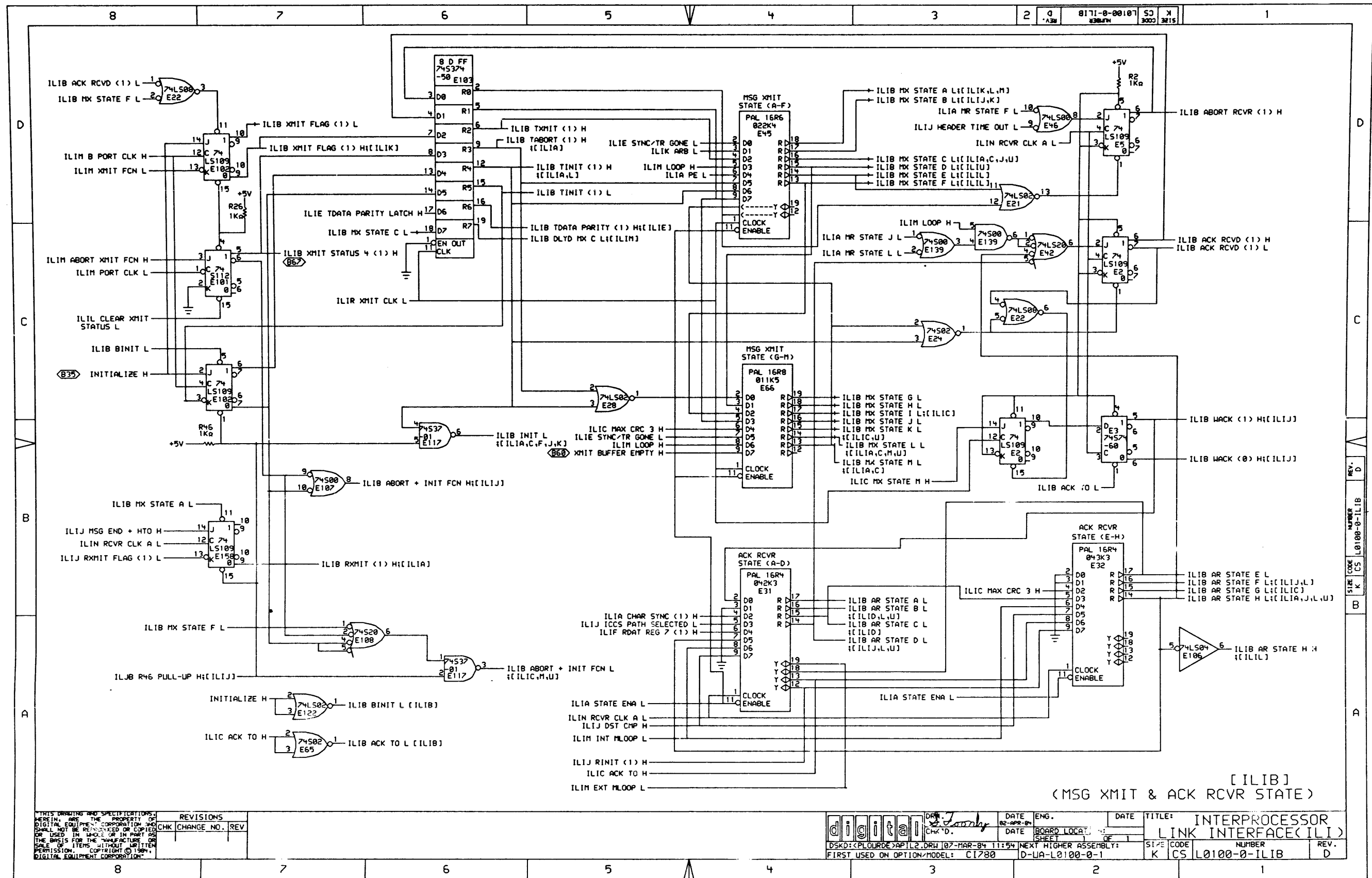


[ILIA]
 (MSG RCVR & ACK XMIT STATE)

REV.	CHG.	NO.	REV.

REV.	CHG.	NO.	REV.

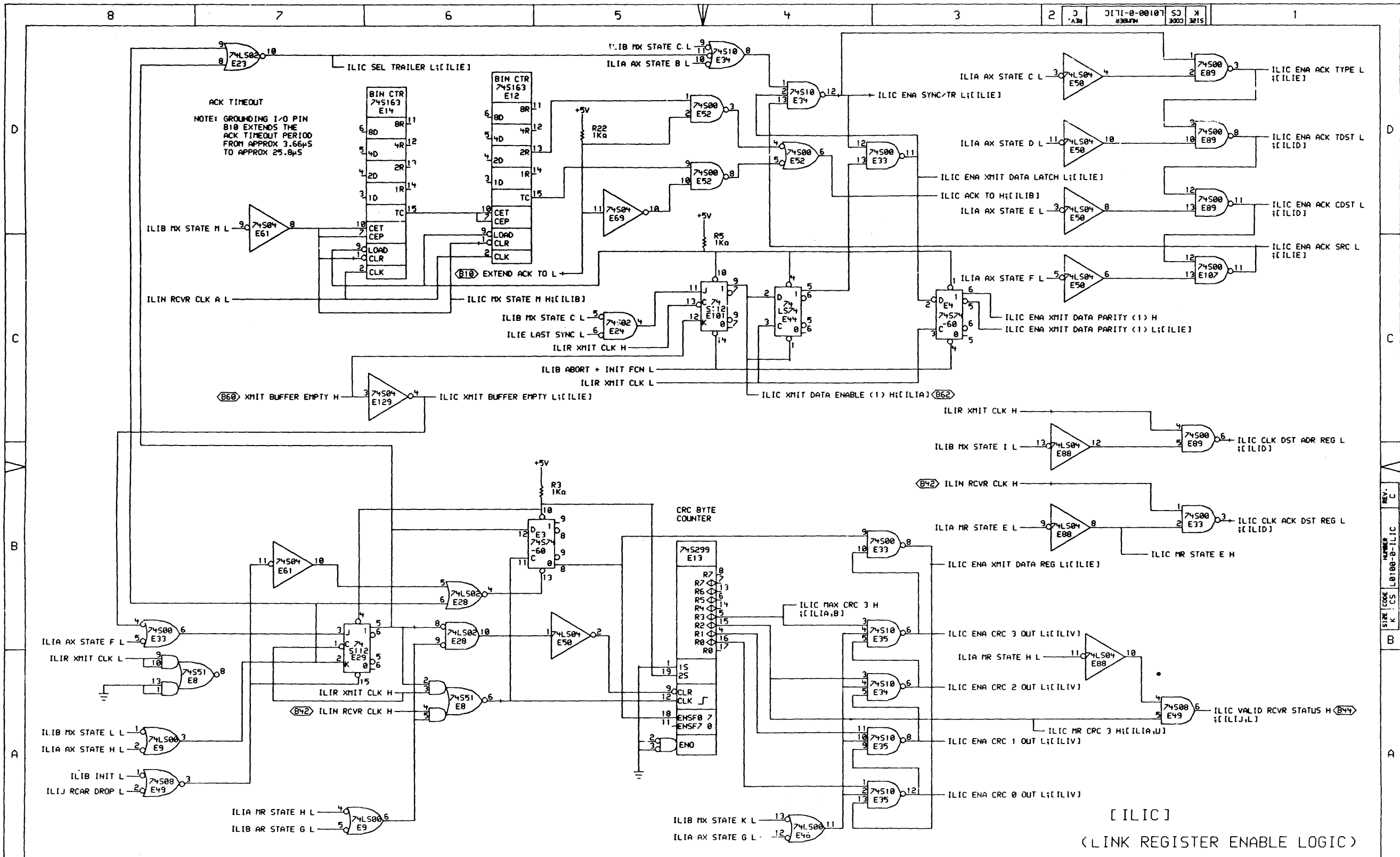
DIGITAL DATE: 25-JUL-83 CHK'D: [Signature] DATE: [Signature] DSKB: (MUEBLING)APTLI.DRW122-JUL-83 10:54 FIRST USED ON OPTION/MODEL: C1780	ENG: [Signature] DATE: 2-4-83 BOARD LOCATION: [Signature] SHEET: 1 OF 1 NEXT HIGHER ASSEMBLY: [Signature]	TITLE: INTERPROCESSOR LINK INTERFACE (ILI) SIZE: K CS NUMBER: L0100-0-ILIA REV.: C
---	---	--



THIS DRAWING AND SPECIFICATIONS ARE THE PROPERTY OF DIGITAL EQUIPMENT CORPORATION AND SHALL NOT BE REPRODUCED OR COPIED OR USED IN WHOLE OR IN PART AS THE BASIS FOR THE MANUFACTURE OR SALE OF ITEMS WITHOUT WRITTEN PERMISSION. COPYRIGHT © 1984, DIGITAL EQUIPMENT CORPORATION.

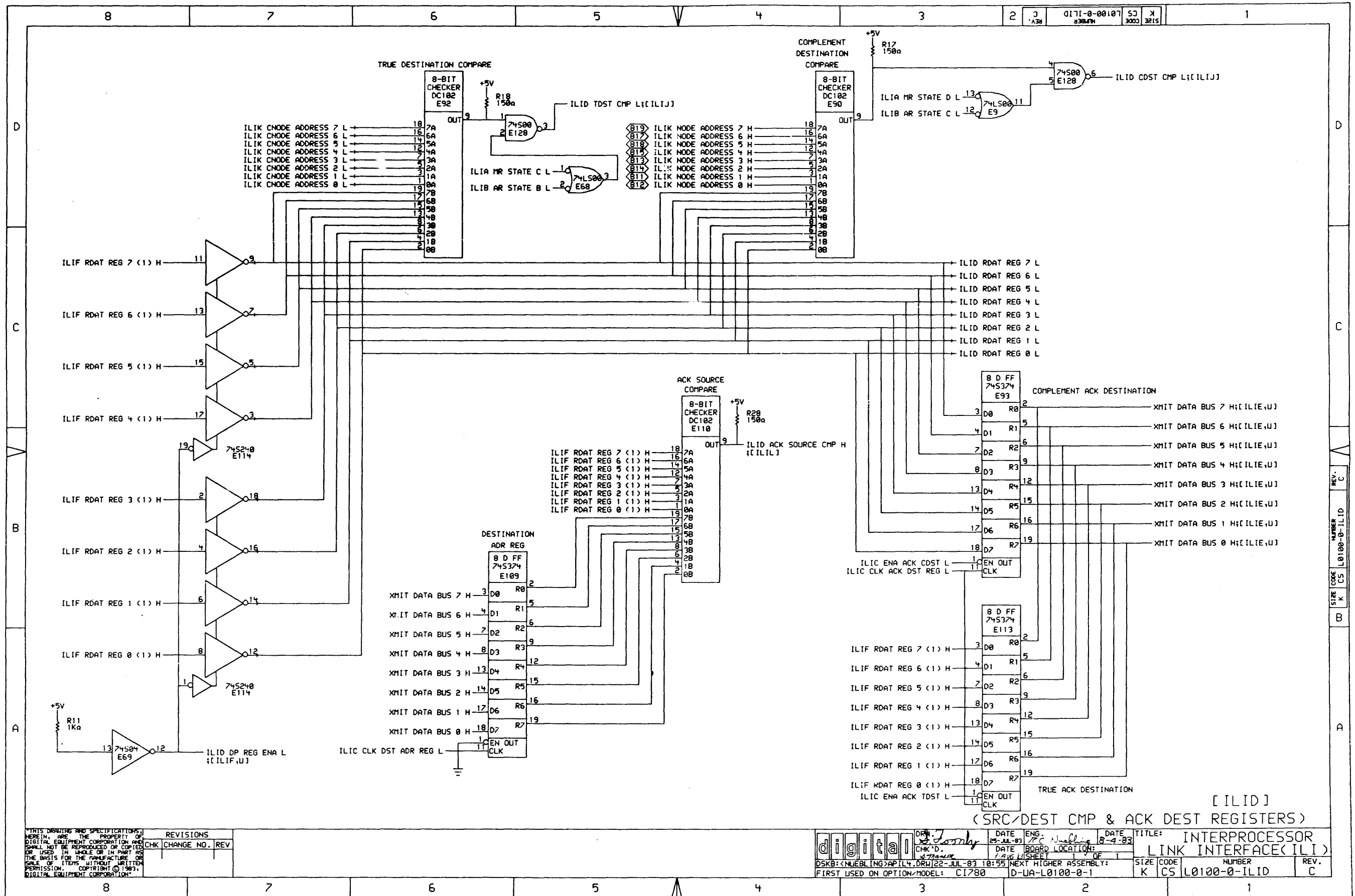
REVISIONS	
CHK	CHANGE NO. REV

digital	DATE: 02-09-84	ENG.:	DATE:	TITLE: INTERPROCESSOR LINK INTERFACE (ILI)
	DATE: 07-MAR-84 11:54	BOARD LOCAL:	OF 1	SIZE CODE: K CS
FIRST USED ON OPTION/MODEL: C1780		D-WA-L0100-0-1		NUMBER: L0100-0-ILIB
				REV. D



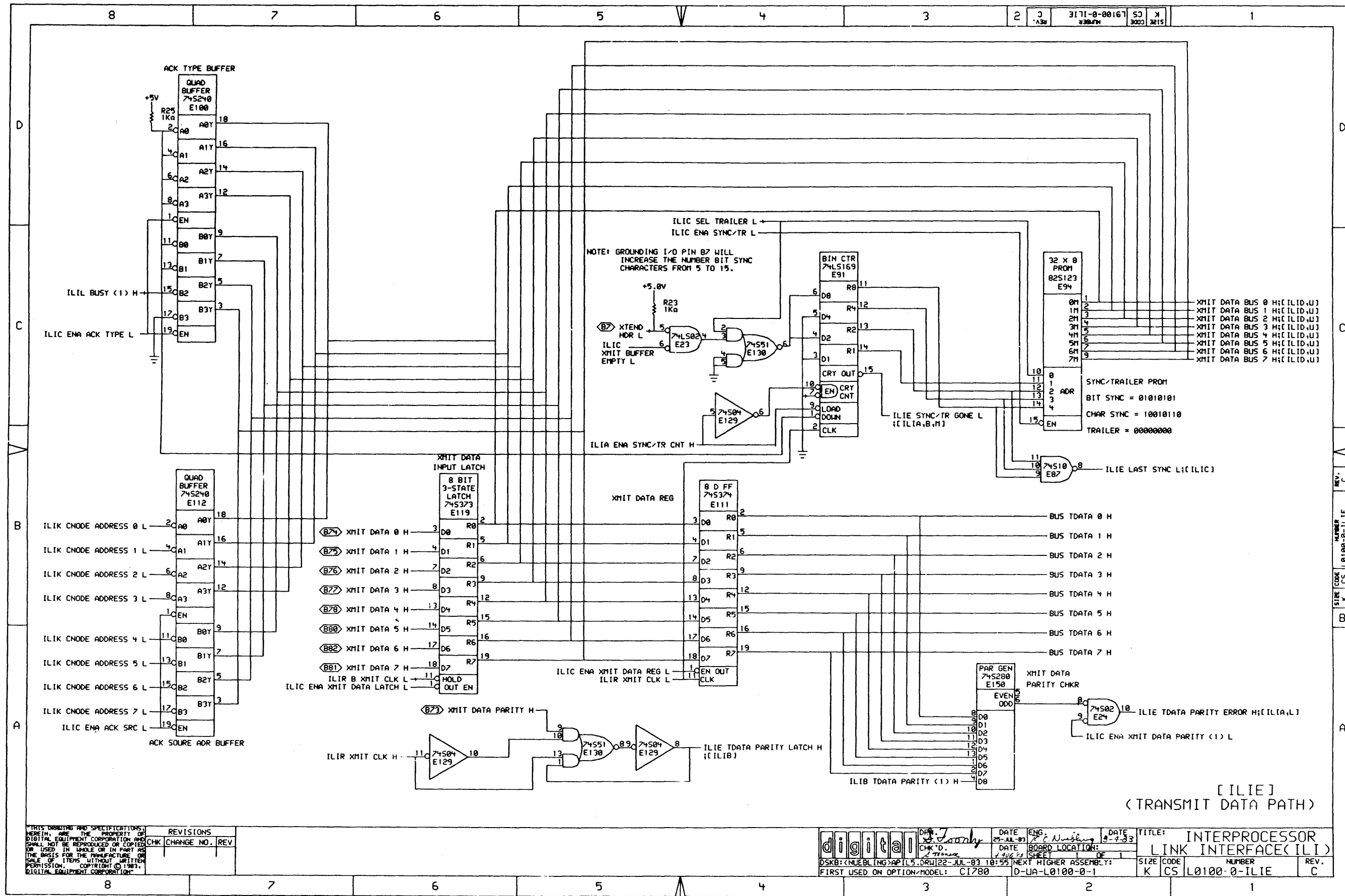
REV.	CHG	NO.	REV.

DIGITAL DSKB: (NUEBLING)APIL3.DRW: 22-JUL-83 10:55 FIRST USED ON OPTION/MODEL: CI700	DATE: 25-JUL-83 DATE: 25-JUL-83 DATE: 25-JUL-83	ENG: Nuebling DATE: 3-4-83 BOARD LOCATION: 1 SHEET: 1 OF 1	TITLE: INTERPROCESSOR LINK INTERFACE (ILI) SIZE: K CS NUMBER: L0100-0-ILIC REV.: C
--	---	---	---



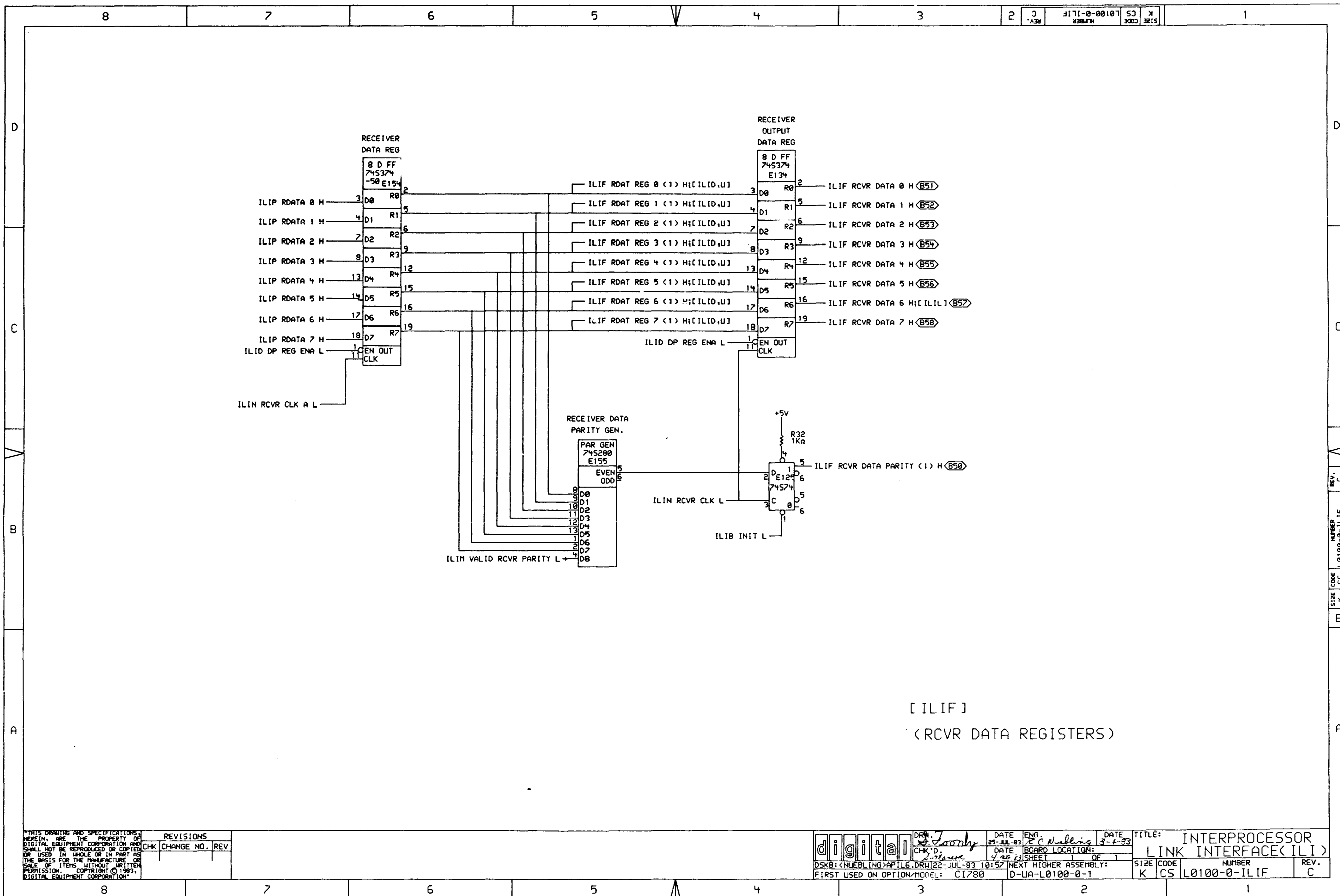
REVISIONS	
CHK	CHANGE NO. / REV

	DATE	ENG.	DATE	TITLE:
	27-JUL-83	J.C. Nuebling	18-4-83	INTERPROCESSOR LINK INTERFACE (ILI)
CHK'D.	DATE	BOARD LOCATION:		
DSKB: <NUEBLING>APIL4.DRW		22-JUL-83 10:55	NEXT HIGHER ASSEMBLY:	SIZE CODE NUMBER
FIRST USED ON OPTION MODEL: CI780		D-LA-L0100-0-1		REV. C



REVISIONS	
CHK	CHANGE NO. REV

DATE: 25-12-81	ENG: J. Nuebling	DATE: 9-7-83	TITLE: INTERPROCESSOR LINK INTERFACE (ILI)
CHK'D: J. Nuebling	DATE: 1-2-83	SHEET: 1	SIZE CODE: K CS
DSKB: (NUEBLING)APIL5.DRW	22-JUL-83 10:55	NEXT HIGHER ASSEMBLY: D-UA-L0100-0-1	NUMBER: L0100-0-ILIE
FIRST USED ON OPTION-MODEL: C1700			REV. C



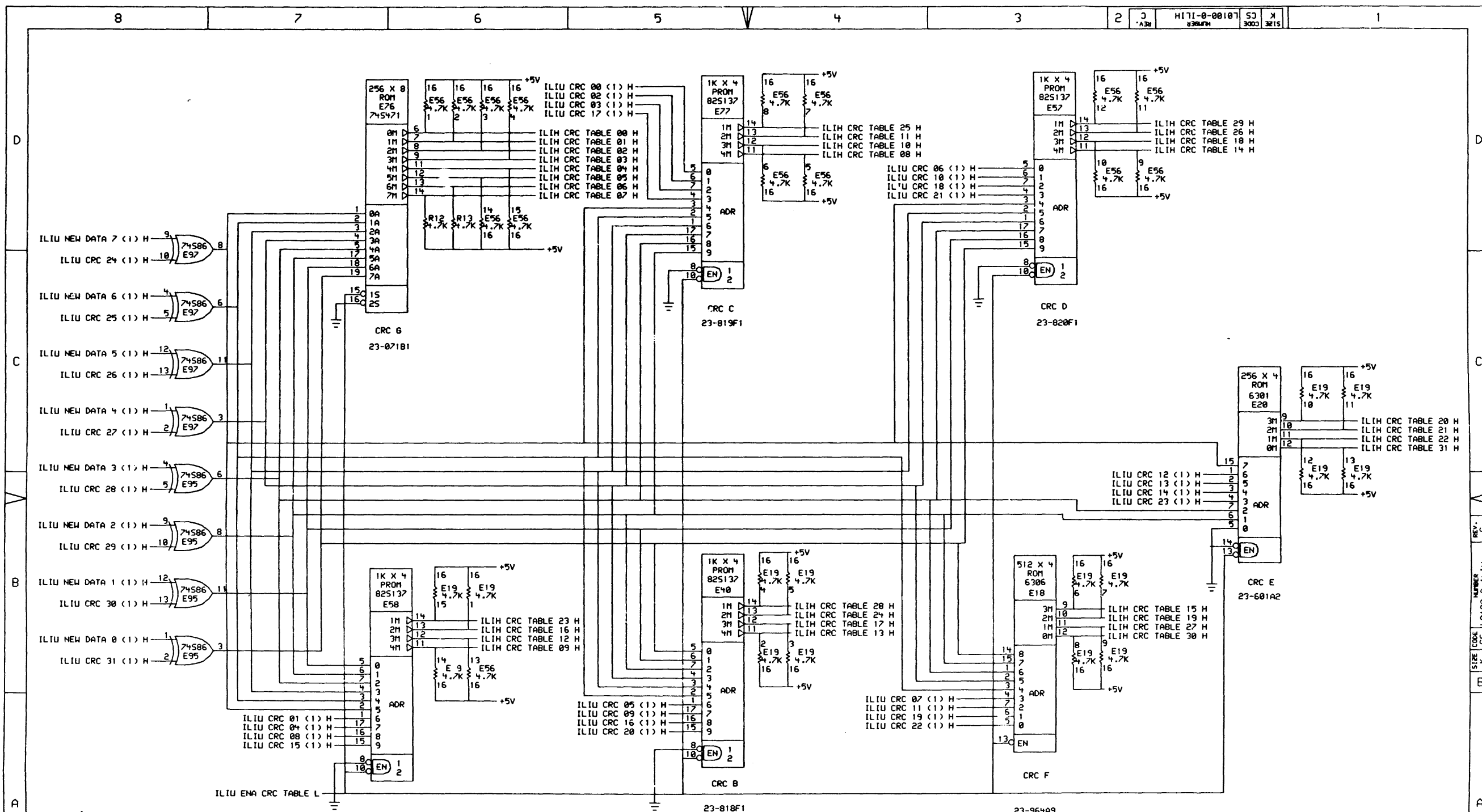
[ILIF]
 (RCVR DATA REGISTERS)

CHK	CHANGE NO.	REV.

REV.	DATE	ENG.	DATE	TITLE:

digital	DATE: 25-JUL-83	ENG: C. Nuebling	DATE: 3-1-83	TITLE: INTERPROCESSOR LINK INTERFACE (ILI)
CHK'D: J. J. ...	DATE: 4-26-83	BOARD LOCATION: 1	SHEET: 1	OF: 1
DSKB: <NUEBLING>APIL6.DRW 22-JUL-83 10:52 NEXT HIGHER ASSEMBLY: D-UA-L0100-0-1				SIZE CODE: K CS
FIRST USED ON OPTION/MODEL: CI780				NUMBER: L0100-0-ILIF
				REV.: C

REV. C
 NUMBER L0100-0-ILIF

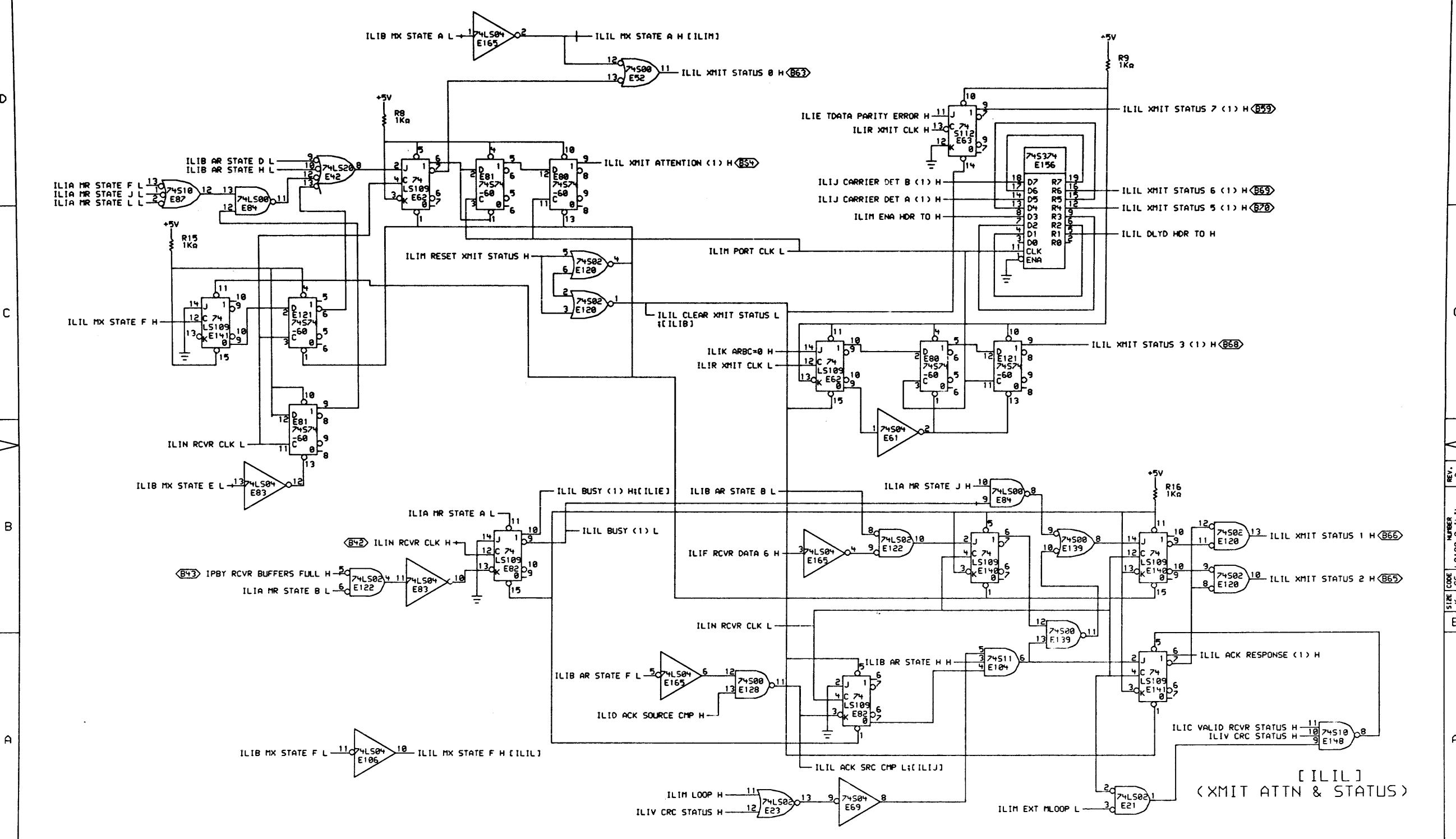


NOTE: FOR FORWARD REFERENCING, SIGNALS ILIH CRC TABLE 00-31 H ALSO APPEAR ON SHEET ILIU.

[ILIH]
(CRC LOOKUP TABLE)

REVISIONS	
CHK	CHANGE NO. REV

	DATE: 25-11-83 ENG: [Signature] CHK'D: [Signature]	DATE: 2-2-83 BOARD LOCATION:	TITLE: INTERPROCESSOR LINK INTERFACE (ILI)
	DSKB: <NUEBLING>APIL7.DRW 22-JUL-83 10:52 FIRST USED ON OPTION/MODEL: C1780	NEXT HIGHER ASSEMBLY: D-LA-L0100-0-1	SIZE: K CODE: CS

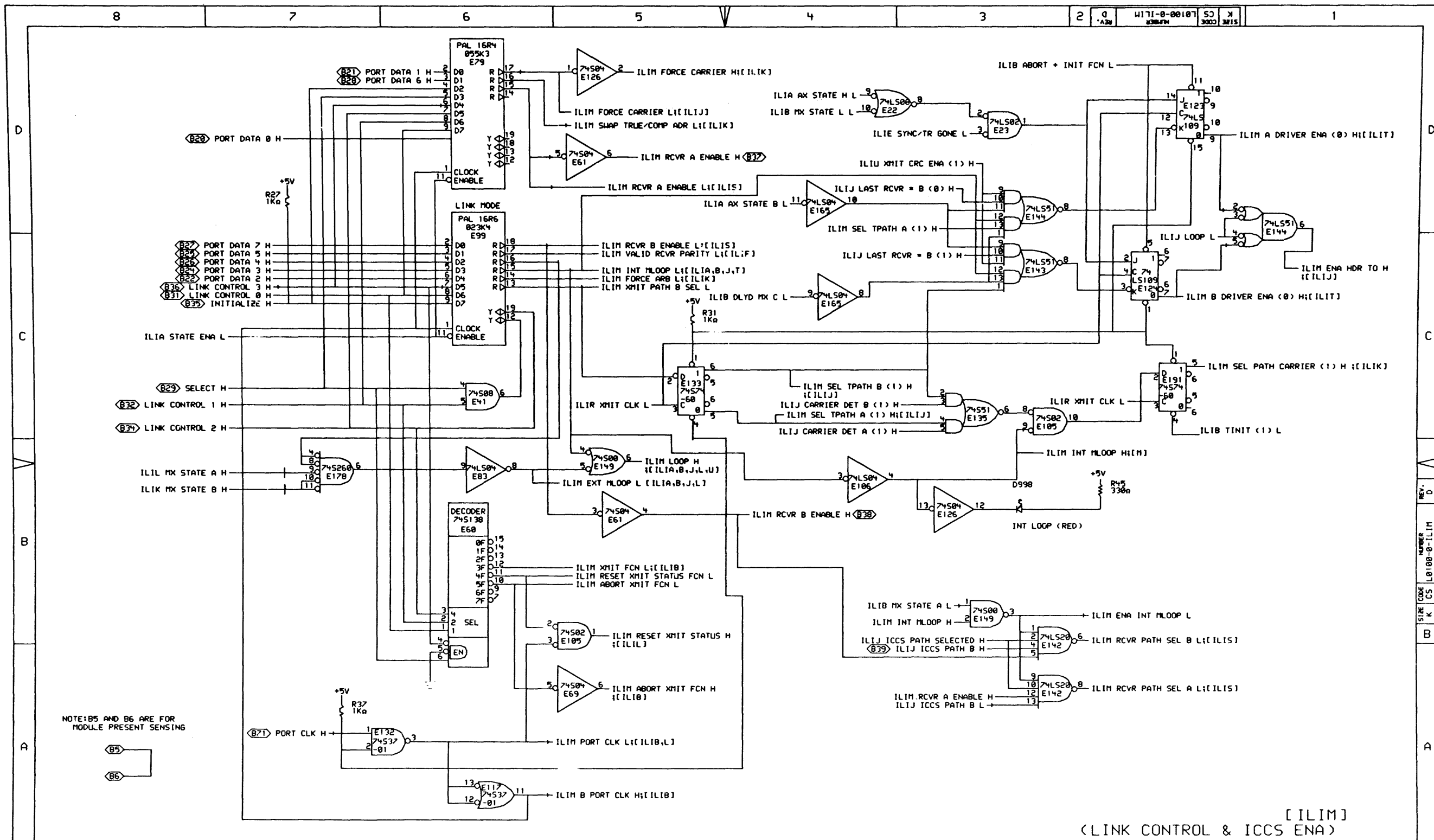


THIS DRAWING AND SPECIFICATIONS ARE THE PROPERTY OF DIGITAL EQUIPMENT CORPORATION AND SHALL NOT BE REPRODUCED OR COPIED OR USED IN WHOLE OR IN PART AS THE BASIS FOR THE MANUFACTURE OR SALE OF ITEMS WITHOUT WRITTEN PERMISSION. COPYRIGHT © 1984 DIGITAL EQUIPMENT CORPORATION.

REVISIONS	CHK	CHANGE NO.	REV

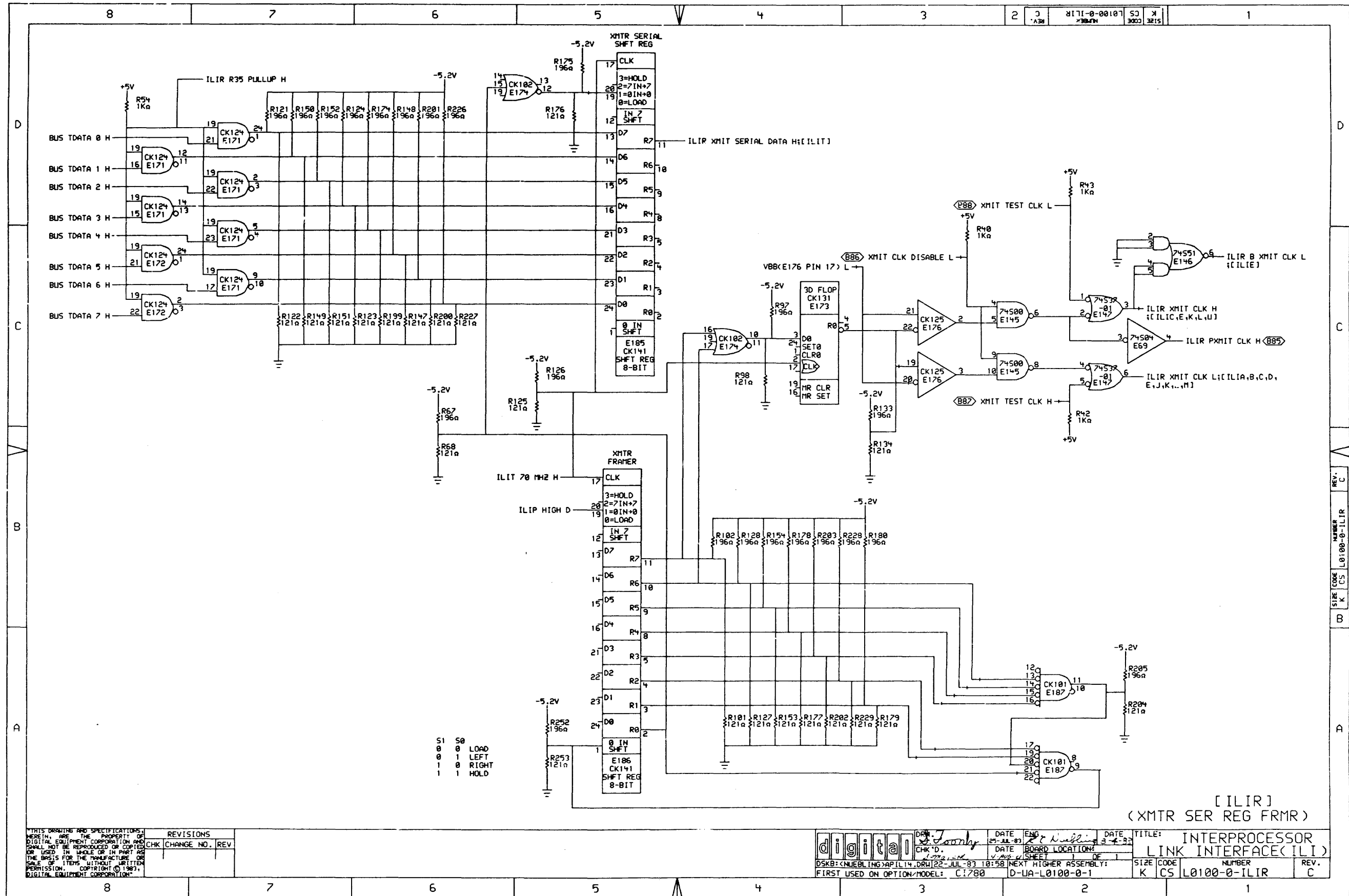
digital
 DATE 02-09-84
 ENG. J. J. J.
 DATE 02-09-84
 BOARD LOCATION: 1
 SHEET 1 OF 1
 OSK01: <PLOURDE>APIL10.DRW 07-MAR-84 12:05 NEXT HIGHER ASSEMBLY:
 FIRST USED ON OPTION MODEL: CI700 D-UA-L0100-0-1

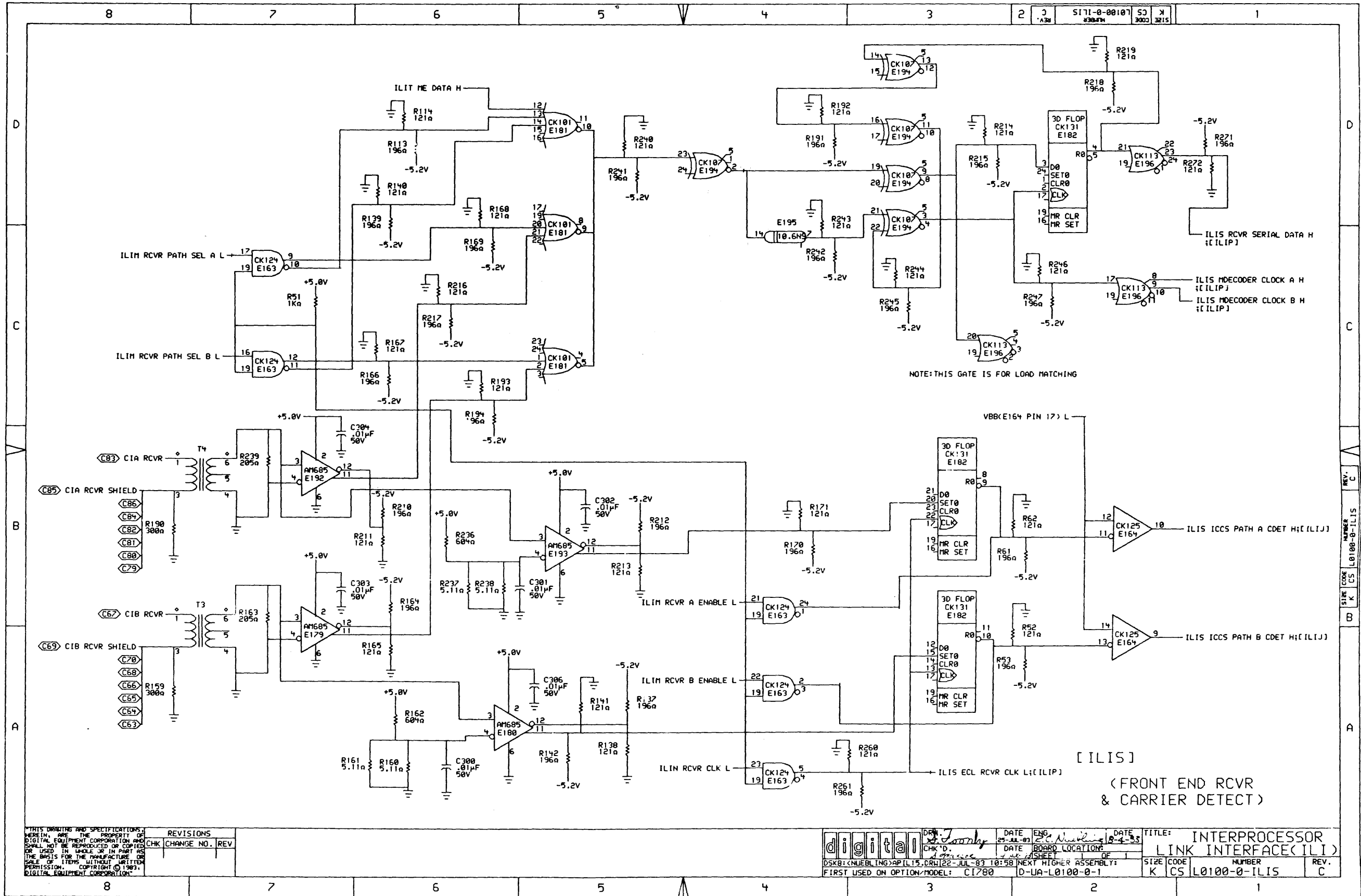
TITLE: INTERPROCESSOR LINK INTERFACE (ILI)
 SIZE CODE K CS
 NUMBER L0100-0-ILIL
 REV. D



THIS DRAWING AND SPECIFICATIONS ARE THE PROPERTY OF DIGITAL EQUIPMENT CORPORATION AND SHALL NOT BE REPRODUCED OR COPIED IN WHOLE OR IN PART AS THE BASIS FOR THE MANUFACTURE OR SALE OF ITEMS WITHOUT WRITTEN PERMISSION. COPYRIGHT © 1984, DIGITAL EQUIPMENT CORPORATION.			REVISIONS CHK CHANGE NO. REV		DATE ENG. DATE 82-APR-84 BOARD LOCATION: DATE SHEET OF		TITLE: INTERPROCESSOR LINK INTERFACE (ILI)	
OSKD: (PLOURDE) APIL11.DRW 06-DEC-83 10:19 NEXT HIGHER ASSEMBLY: FIRST USED ON OPTION/MODEL: C1780					SIZE CODE NUMBER REV. K CS L0100-0-ILIM D			

REV. D
 NUMBER L0100-0-ILIM
 SIZE CODE K CS



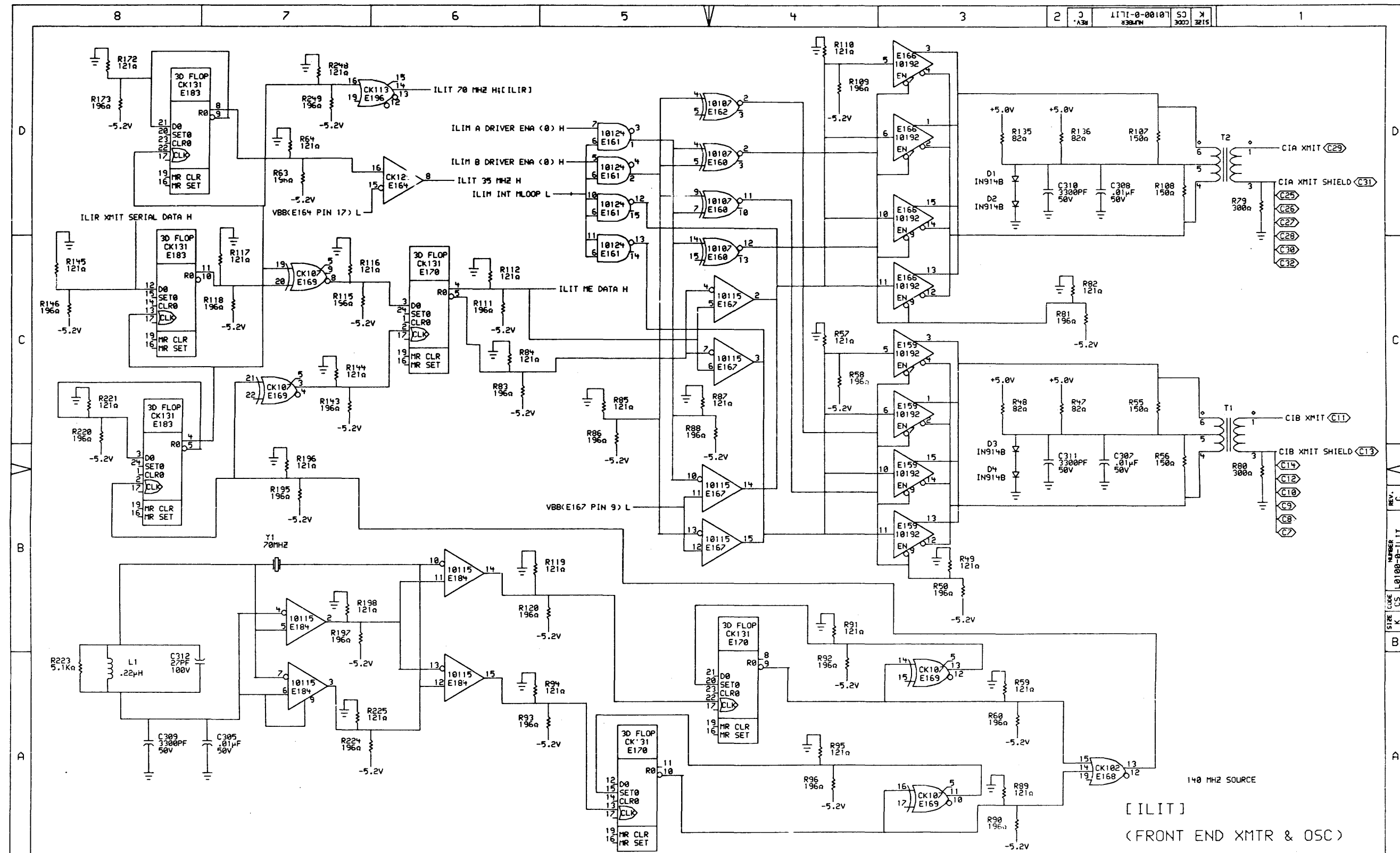


[ILIS]
 (FRONT END RCVR
 & CARRIER DETECT)

THIS DRAWING AND SPECIFICATIONS, HEREIN, ARE THE PROPERTY OF DIGITAL EQUIPMENT CORPORATION AND SHALL NOT BE REPRODUCED OR COPIED OR USED IN WHOLE OR IN PART AS THE BASIS FOR THE MANUFACTURE OR SALE OF ITEMS WITHOUT WRITTEN PERMISSION. COPYRIGHT © 1983, DIGITAL EQUIPMENT CORPORATION.

REV.	CHANGE NO.	REVISIONS

digit@l	DATE: 25-11-83	ENG: [Signature]	DATE: 8-4-85	TITLE: INTERPROCESSOR LINK INTERFACE (ILI)
DSKB: CNUEBLING/APIL15.DRW	DATE: 22-JUL-83 10:58	BOARD LOCATION: D-4-1	SHEET: 4	OF: 1
FIRST USED ON OPTION/MODEL: CI780	NEXT HIGHER ASSEMBLY: D-UA-L0100-0-1	SIZE: K	CODE: CS	NUMBER: L0100-0-ILIS
				REV.: C

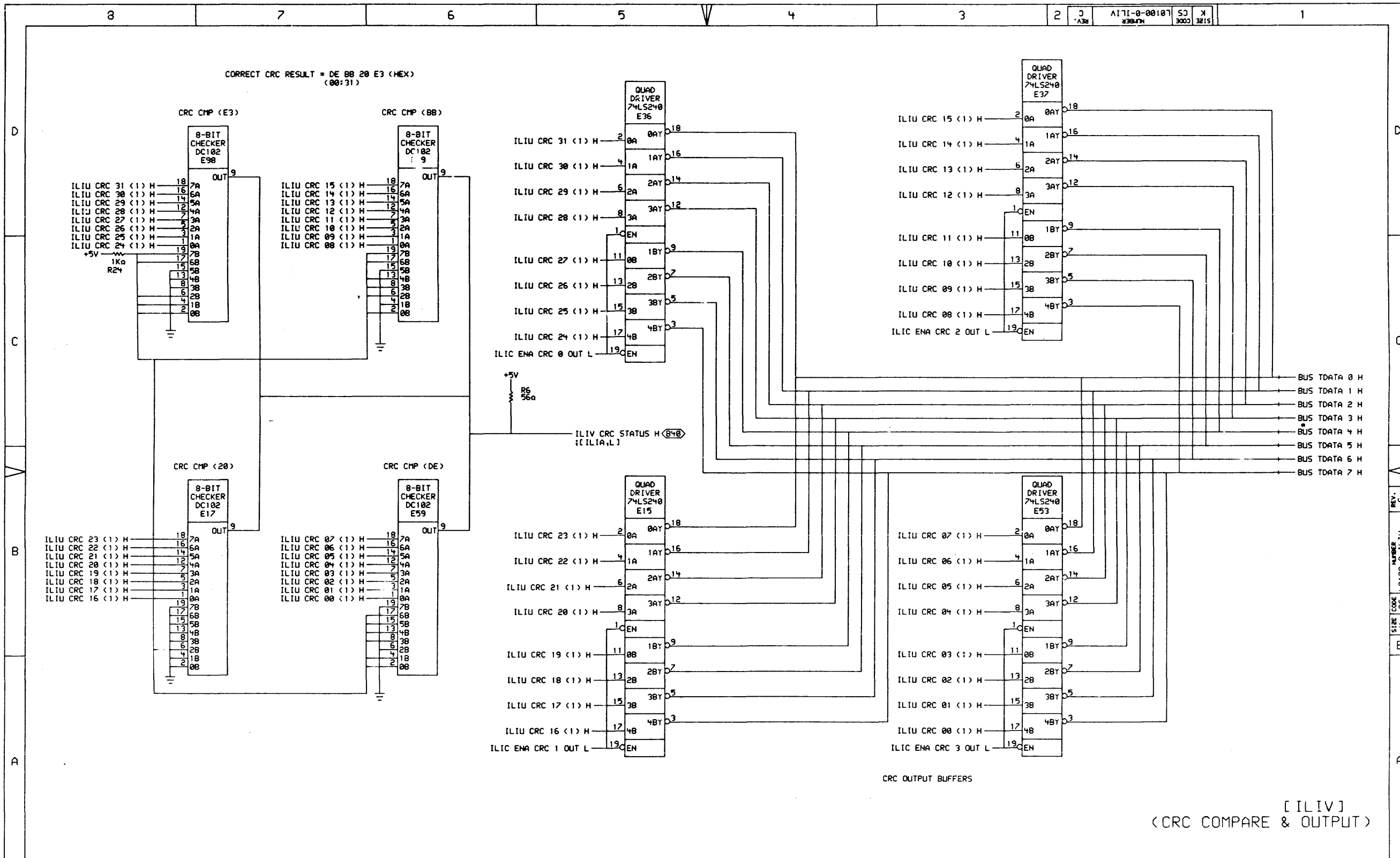


REV.	CHG	NO.	REV.

THIS DRAWING AND SPECIFICATIONS ARE THE PROPERTY OF DIGITAL EQUIPMENT CORPORATION AND SHALL NOT BE REPRODUCED OR COPIED OR USED IN WHOLE OR IN PART AS THE BASIS FOR THE MANUFACTURE OR SALE OF ITEMS WITHOUT WRITTEN PERMISSION. COPYRIGHT © 1983, DIGITAL EQUIPMENT CORPORATION.

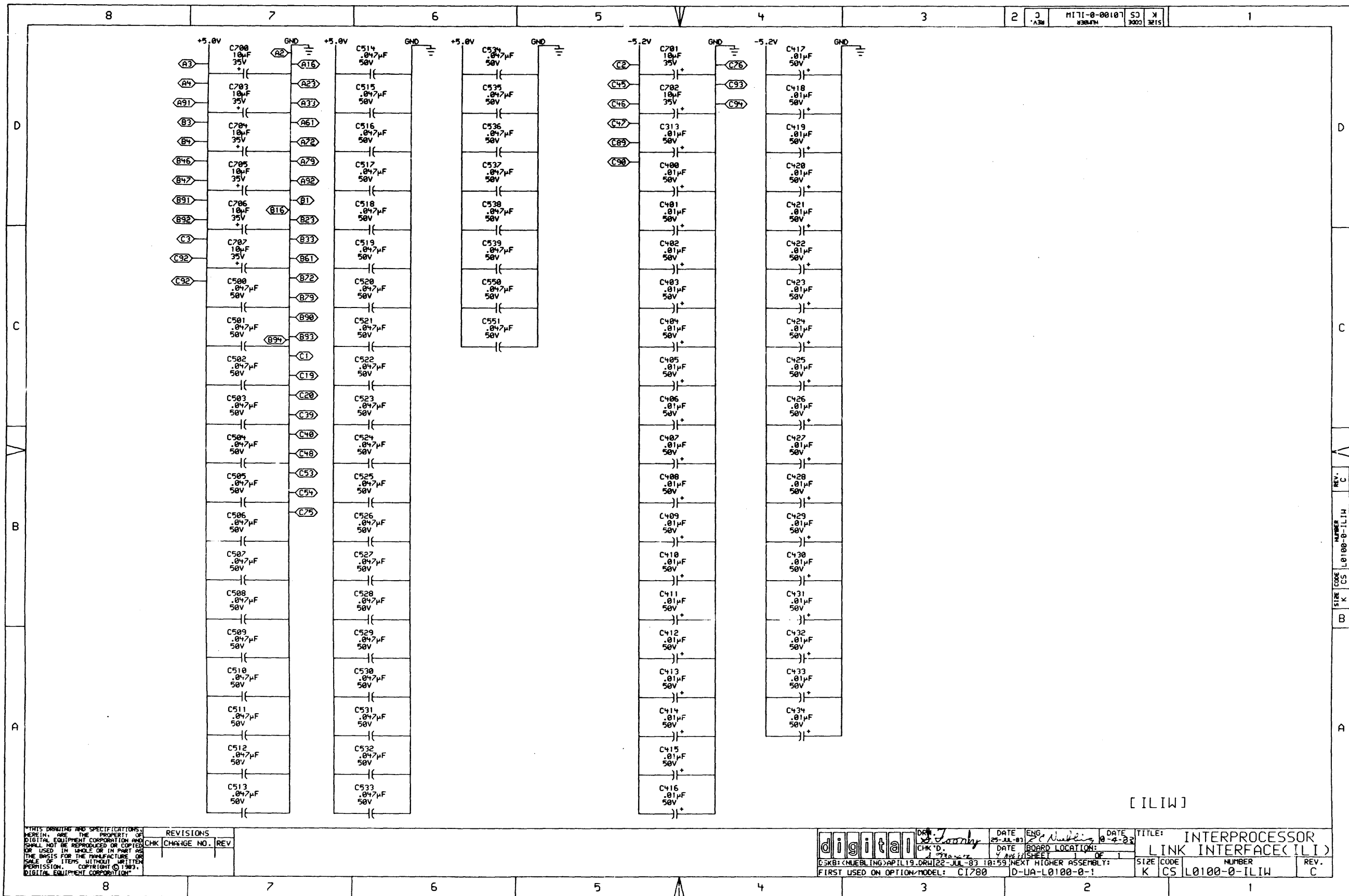
digital *John* DATE: 27-JUL-83 ENG: *C. Nuebling* DATE: 27-7-83 TITLE: INTERPROCESSOR LINK INTERFACE (ILI)

DSKB: <NUEBLING>APIL16.DRW [22-JUL-83 10:53] NEXT HIGHER ASSEMBLY: SIZE CODE NUMBER REV. FIRST USED ON OPTION MODEL: C1700 D-UA-L0100-0-1 K CS L0100-0-ILIT C



THIS DRAWING AND SPECIFICATIONS, HEREIN, ARE THE PROPERTY OF DIGITAL EQUIPMENT CORPORATION AND SHALL NOT BE REPRODUCED OR COPIED OR USED IN WHOLE OR IN PART AS THE BASIS FOR THE MANUFACTURE OR SALE OF ITEMS WITHOUT WRITTEN PERMISSION. COPYRIGHT © 1983, DIGITAL EQUIPMENT CORPORATION.	REVISIONS CHK CHANGE NO. REV	TITLE: INTERPROCESSOR LINK INTERFACE (ILIV)	DATE: 25-JUL-83 DATE: 4-20-83 SHEET 1 OF 1	DATE: 8-4-83 BOARD LOCATION:	SIZE CODE: K CS NUMBER: 10100-0-ILIV REV.: C
---	---------------------------------	---	--	---------------------------------	--

DSKB1 (NUEBLING) APIL18.DRW | 27-JUL-83 10:59 | NEXT HIGHER ASSEMBLY: D-UA-L0100-0-1 | FIRST USED ON OPTION/MODEL: C1780

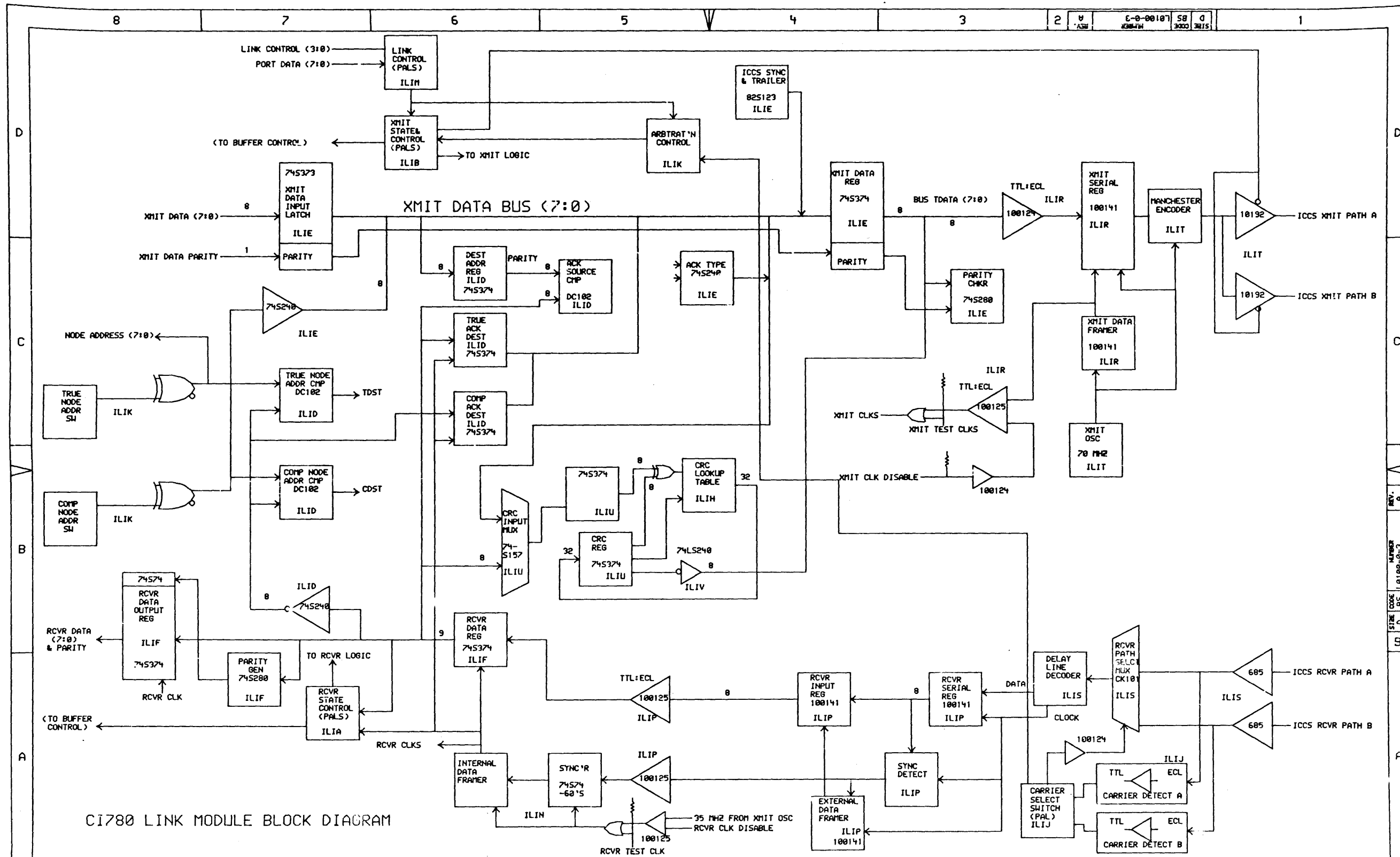


[ILIW]

THIS DRAWING AND SPECIFICATIONS HEREIN ARE THE PROPERTY OF DIGITAL EQUIPMENT CORPORATION AND SHALL NOT BE REPRODUCED OR COPIED OR USED IN WHOLE OR IN PART AS THE BASIS FOR THE MANUFACTURE OR SALE OF ITEMS WITHOUT WRITTEN PERMISSION. COPYRIGHT © 1983, DIGITAL EQUIPMENT CORPORATION.

REVISIONS		
CHK	CHANGE NO.	REV.

DATE: 27-JUL-83	ENG: Muebling	DATE: 8-4-83	TITLE: INTERPROCESSOR LINK INTERFACE (ILI)
CHK'D: J. J. J.	DATE: 7-27-83	BOARD LOCATION: 4	SIZE CODE: K CS
DSKB:(MUEBLING)APIL19.DRW		DATE: 27-JUL-83 10:59	NEXT HIGHER ASSEMBLY: D-UA-L0100-0-1
FIRST USED ON OPTION/MODEL: C1780		SIZE CODE: K CS	NUMBER: L0100-0-ILIW
			REV. C

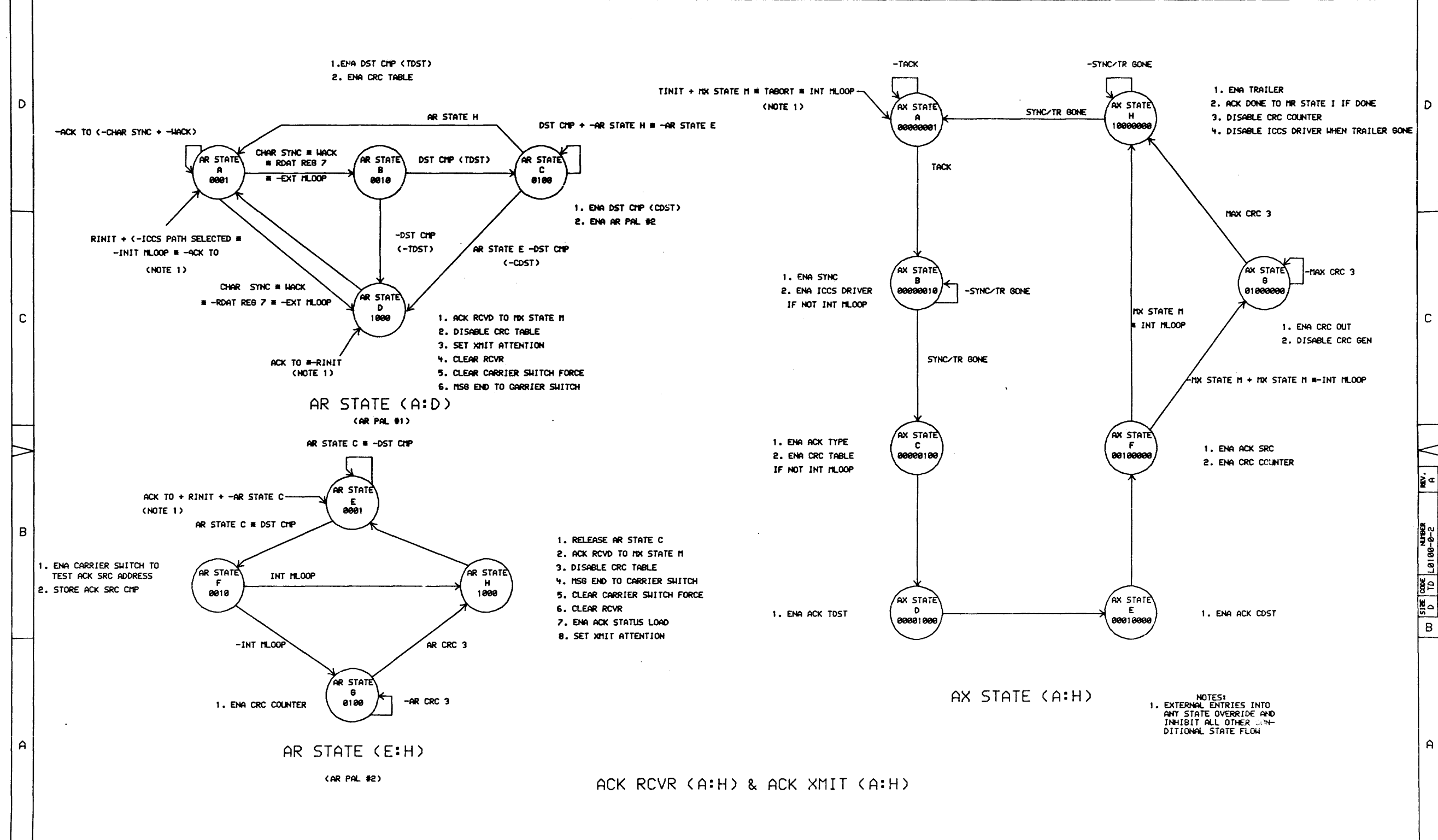


CI780 LINK MODULE BLOCK DIAGRAM

REV.	CHG	CHANGE NO.	REV

DRN. <i>DLRKA</i>	DATE ENG'D <i>20-SEP-81</i>	DATE <i>2-27-81</i>	TITLE: INTERPROCESSOR LINK INTERFACE
CHECKED <i>[Signature]</i>	DATE BOARD LOCATION: <i>[Blank]</i>	SHEET <i>1</i>	SIZE CODE NUMBER REV. <i>D B5 L0100-0-3 A</i>
FIRST USED ON OPTION/MODEL: CI780		DATE NEXT HIGHER ASSEMBLY: <i>D-UA-L0100-0-1</i>	TW

REV. A
L0100-0-3

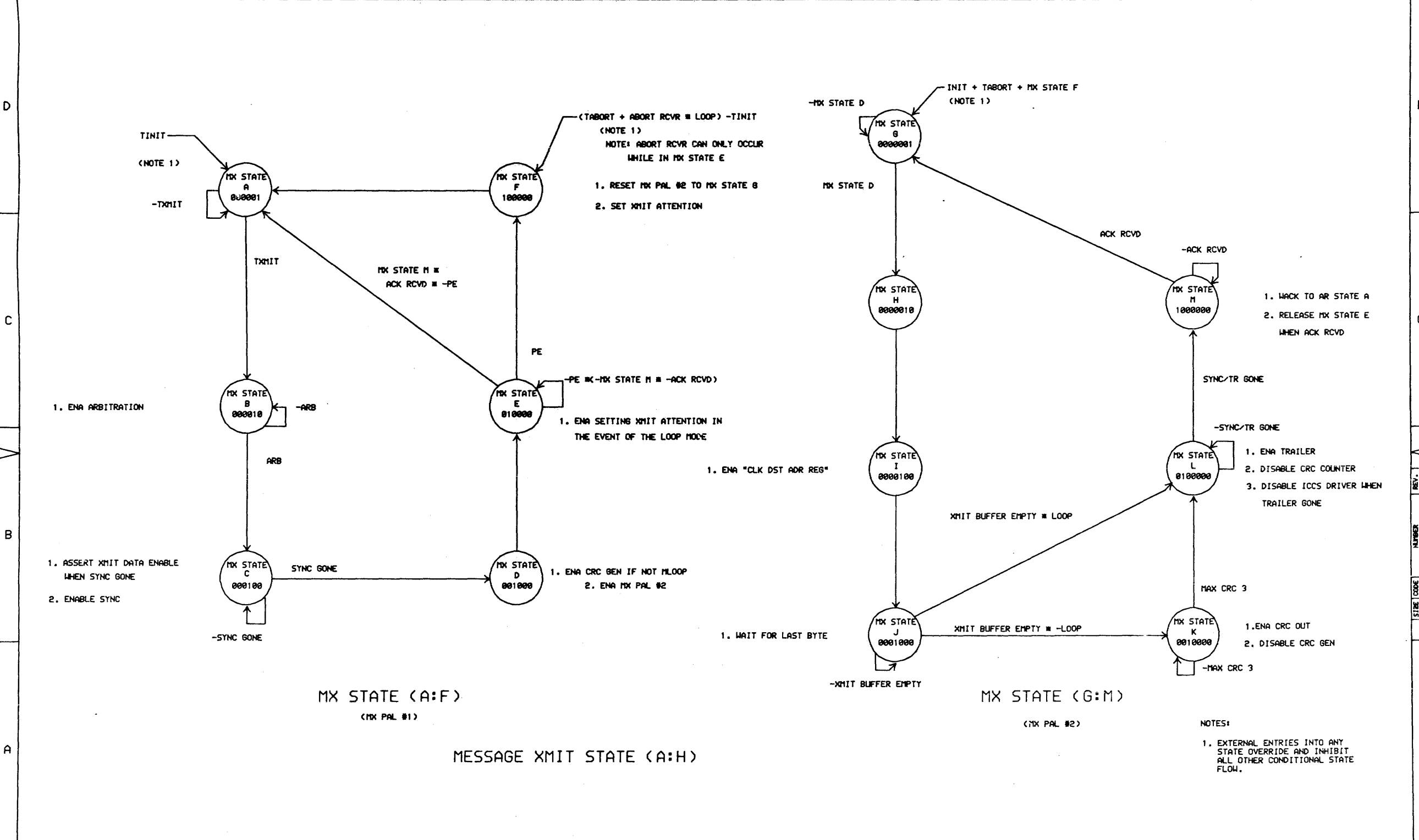


ACK RCVR (A:H) & ACK XMIT (A:H)

THIS DRAWING AND SPECIFICATIONS HEREIN ARE THE PROPERTY OF DIGITAL EQUIPMENT CORPORATION AND SHALL NOT BE REPRODUCED OR COPIED OR USED IN WHOLE OR IN PART AS THE BASIS FOR THE MANUFACTURE OR SALE OF ITEMS WITHOUT WRITTEN PERMISSION. COPYRIGHT © 1981, DIGITAL EQUIPMENT CORPORATION.

REV.	CHG.	CHANGE NO.	REV.

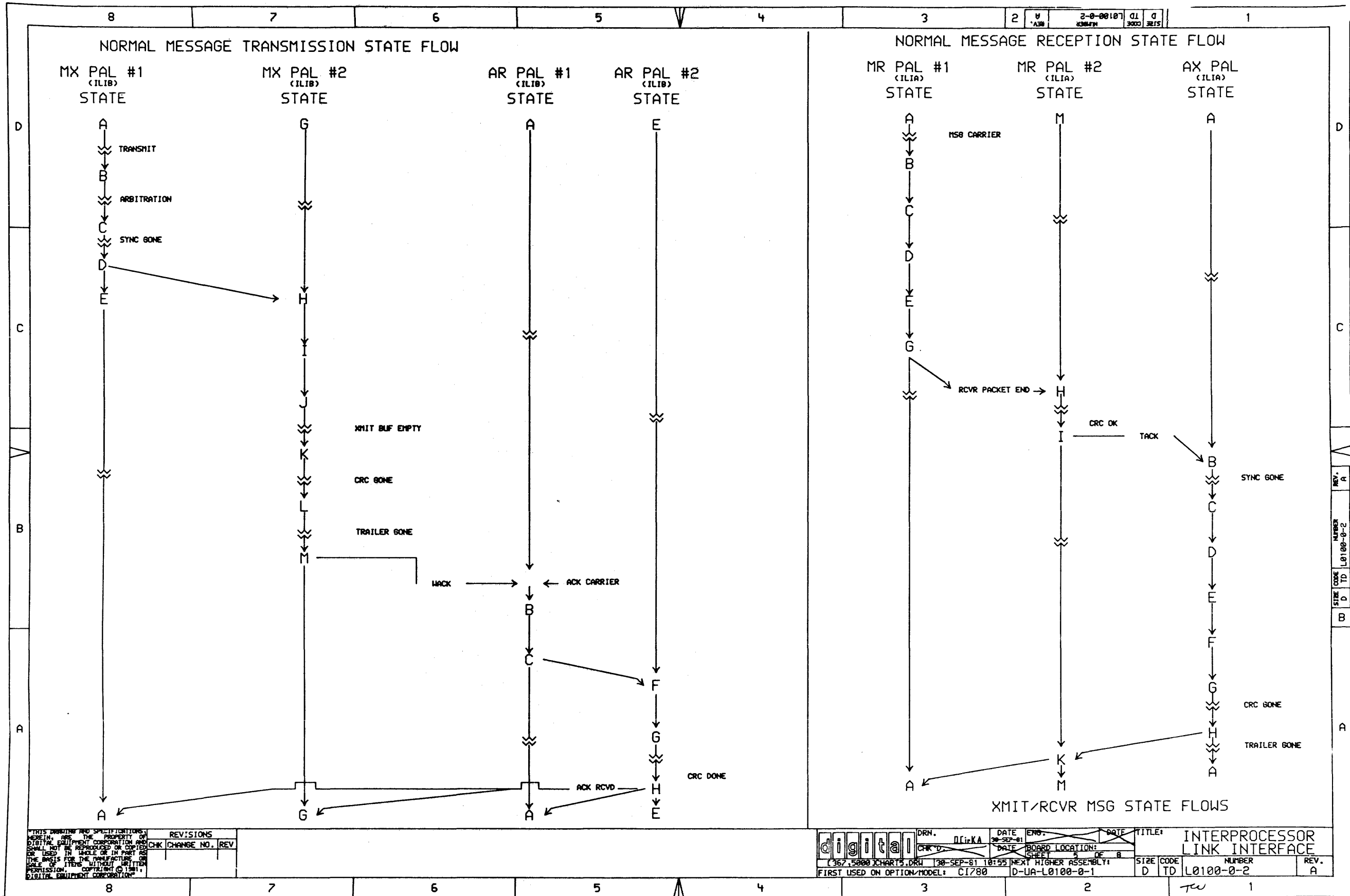
digital	DRN. 021KA	DATE 20-SEP-81	DATE 20-SEP-81	TITLE: INTERPROCESSOR LINK INTERFACE
(362,5000) CHART 1, DRW	CHG. D.	DATE 20-SEP-81	BOARD LOCATION: 1 OF 8	SIZE CODE D TD
FIRST USED ON OPTION/MODEL: CI700	10:49	NEXT HIGHER ASSEMBLY: D-UA-L0100-0-1	NUMBER L0100-0-2	REV. A

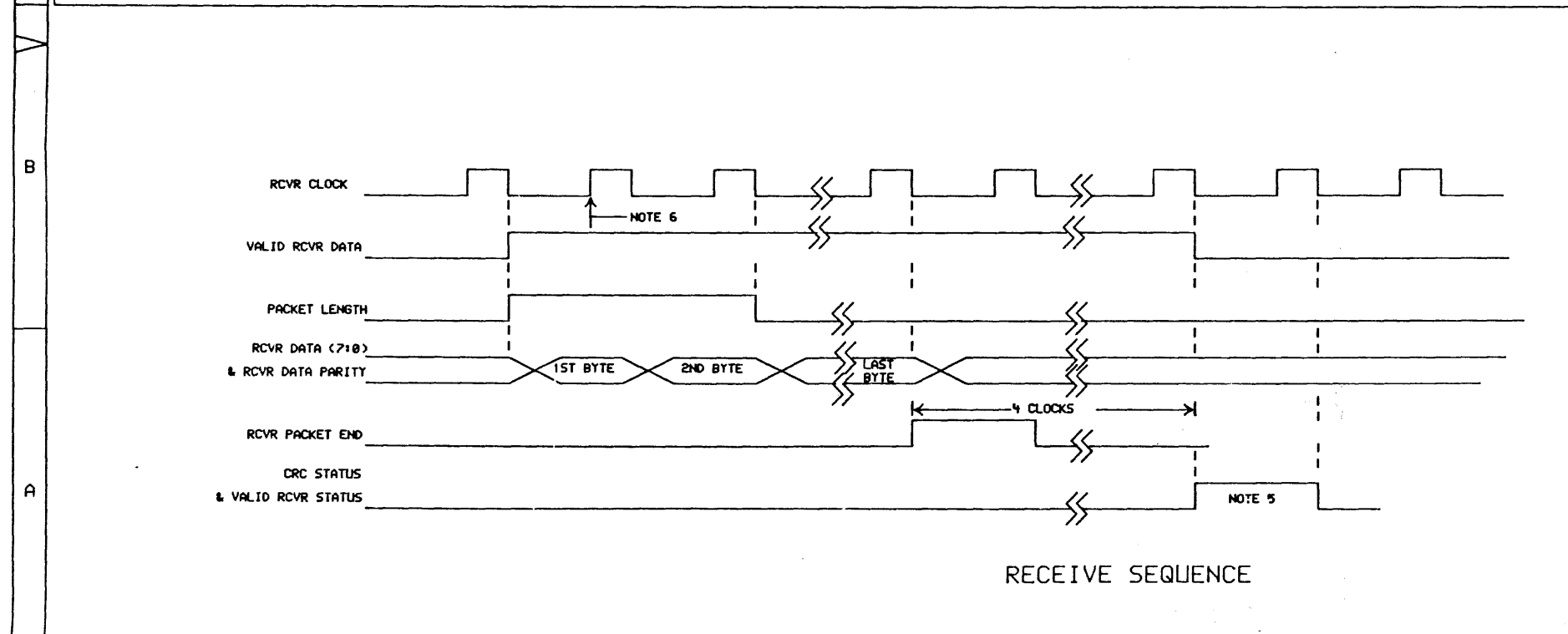
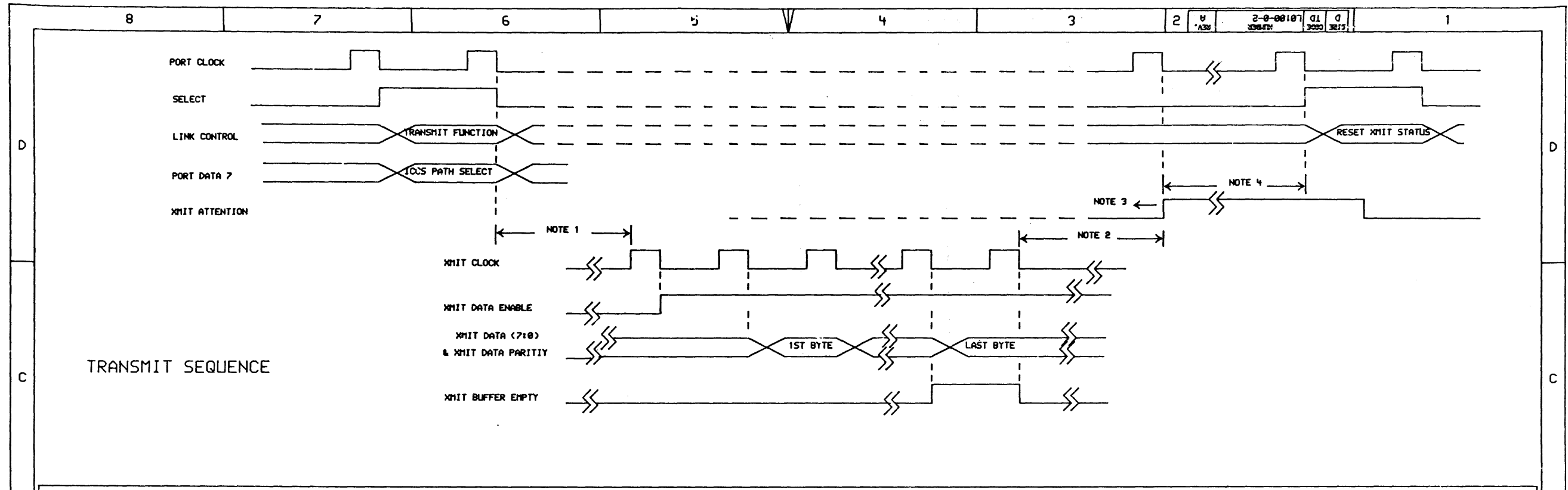


REV.	CHG	CHANGE NO.	REV.

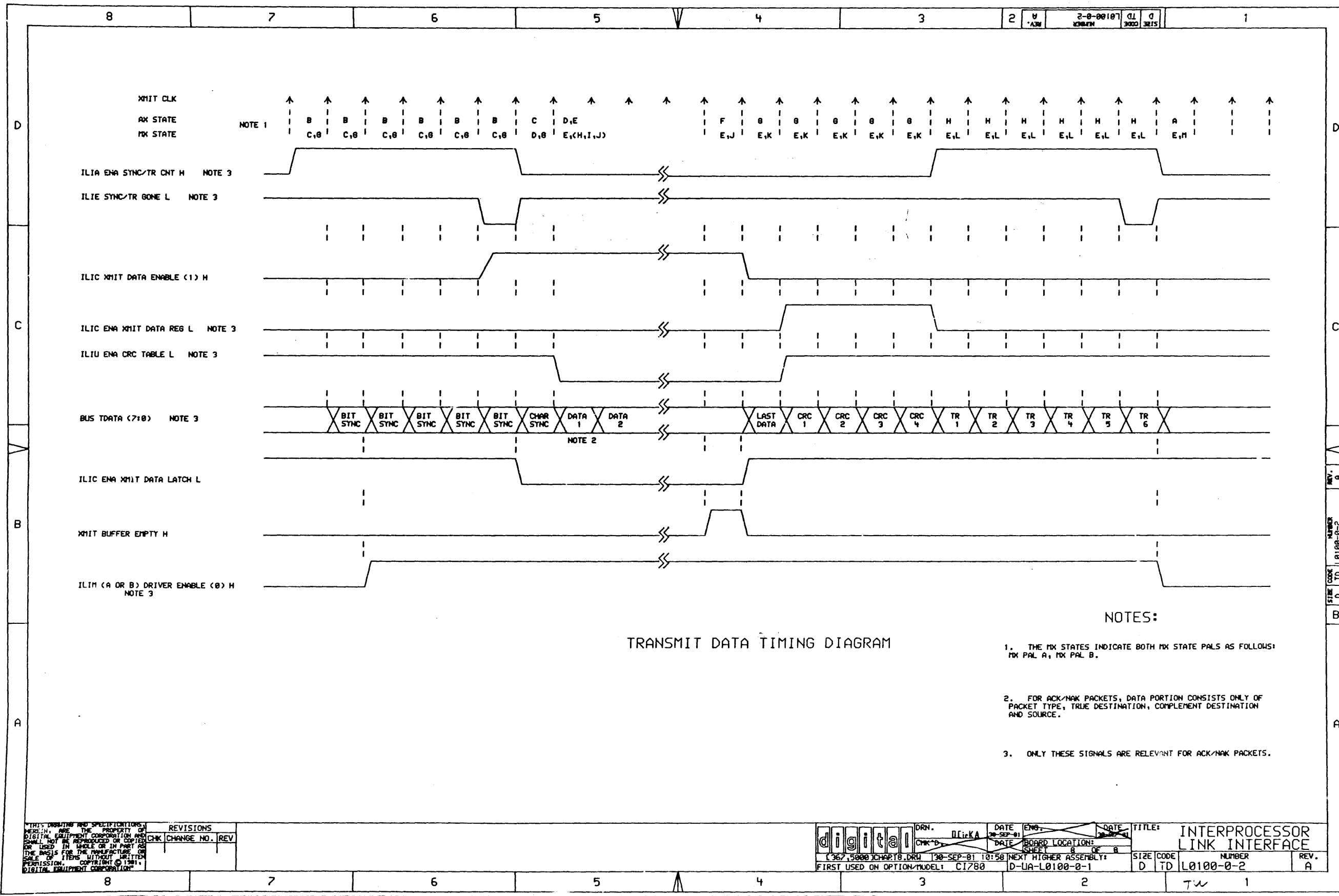
DRN.	DATE	ENG.	DATE	DRN.	DATE	ENG.	DATE

TITLE: INTERPROCESSOR LINK INTERFACE		SIZE CODE: D TD	NUMBER: L0100-0-2	REV.: A
FIRST USED ON OPTION/MODEL: CI780		D-UA-L0100-0-1		





- NOTES:**
1. ARBITRATION OCCURS DURING THIS TIME.
 2. LINK WAITS FOR A RESPONSE FROM THE DESTINATION NODE AND SETS UP XMIT STATUS DURING THIS TIME.
 3. XMIT ATTENTION MAY OCCUR EARLIER AS A RESULT OF A XMIT DATA PARITY ERROR OR ABORT TRANSMISSION FCH.
 4. THE PORT READS XMIT STATUS DURING THIS TIME.
 5. CRC STATUS & RCVR PATH INDICATOR ARE VALID DURING THIS TIME.
 6. RCVR BUFFERS FULL SIGNAL IS STROBED AT THIS TIME.
- LINK/PORT PROCESSOR/TIMING**



TRANSMIT DATA TIMING DIAGRAM

NOTES:

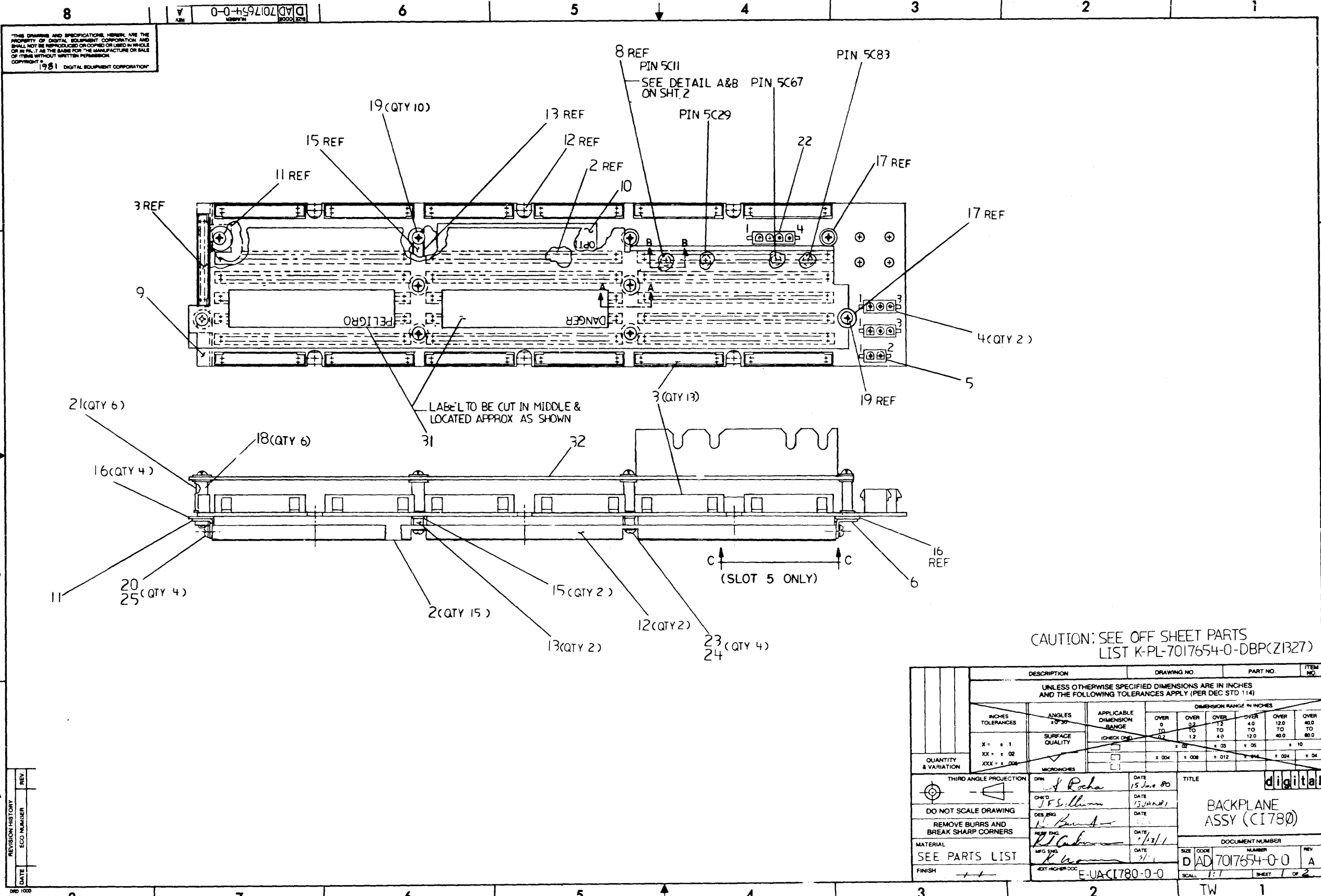
1. THE TX STATES INDICATE BOTH TX STATE PALS AS FOLLOWS:
TX PAL A, TX PAL B.
2. FOR ACK/NAK PACKETS, DATA PORTION CONSISTS ONLY OF
PACKET TYPE, TRUE DESTINATION, COMPLEMENT DESTINATION
AND SOURCE.
3. ONLY THESE SIGNALS ARE RELEVANT FOR ACK/NAK PACKETS.

THIS DRAWING AND SPECIFICATIONS
HEREIN ARE THE PROPERTY OF
DIGITAL EQUIPMENT CORPORATION AND
SHALL NOT BE REPRODUCED OR COPIED
OR USED IN WHOLE OR IN PART AS
THE BASIS FOR THE MANUFACTURE OR
SALE OF ITEMS WITHOUT WRITTEN
PERMISSION. COPYRIGHT © 1981
DIGITAL EQUIPMENT CORPORATION

REVISIONS
CHK CHANGE NO. REV

digital	DRN. DE:KA	DATE ENG. 20-SEP-81	DATE 20-SEP-81	TITLE: INTERPROCESSOR LINK INTERFACE
	CHK'D	DATE BOARD LOCATION: SHEET 8 OF 8	DATE NEXT HIGHER ASSEMBLY: D-UA-L0100-0-1	SIZE CODE NUMBER REV. D TD L0100-0-2 A
C362,5000 ICHART8.DRW		30-SEP-81 10:58	FIRST USED ON OPTION/MODEL: C1780	7W 1

THIS DRAWING AND SPECIFICATIONS HEREIN ARE THE PROPERTY OF DIGITAL EQUIPMENT CORPORATION AND SHALL NOT BE REPRODUCED OR COPIED OR USED IN WHOLE OR IN PART AS THE BASIS FOR THE MANUFACTURE OR SALE OF ITEMS WITHOUT WRITTEN PERMISSION. COPYRIGHT © 1981 DIGITAL EQUIPMENT CORPORATION.



CAUTION: SEE OFF SHEET PARTS LIST K-PL-7017654-0-DBP(CI327)

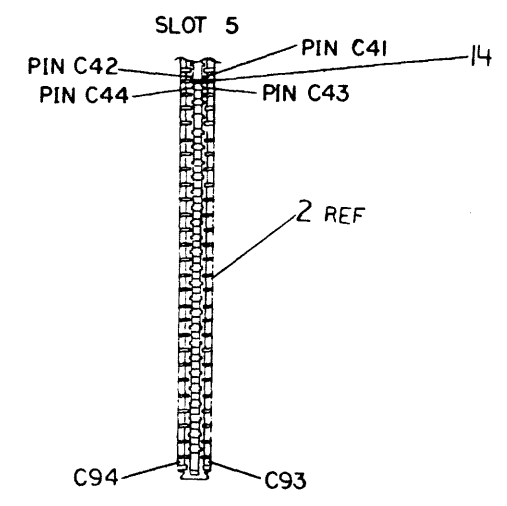
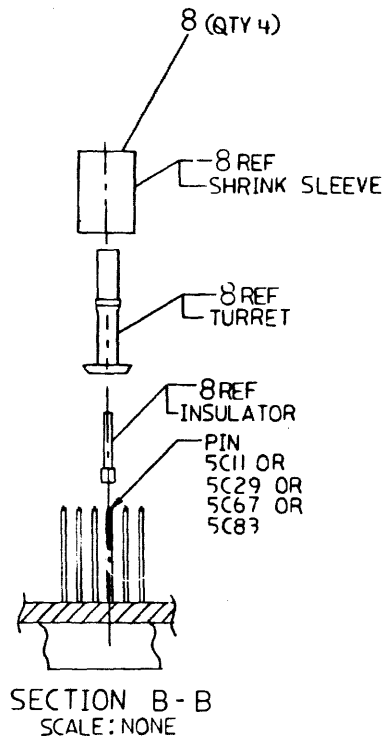
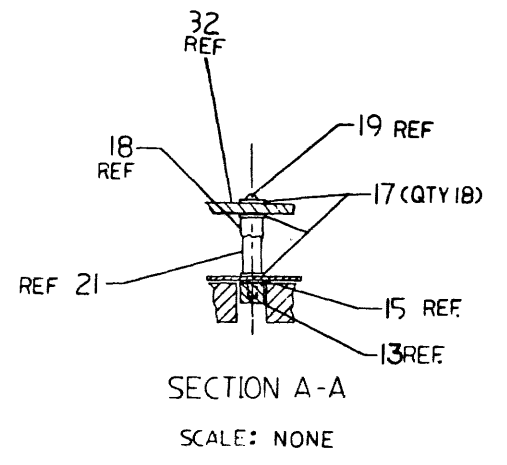
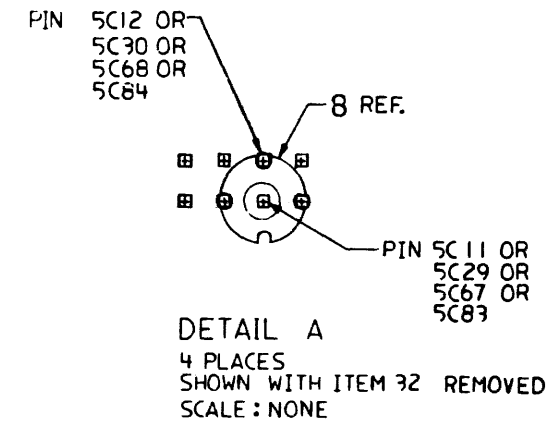
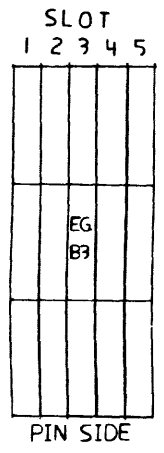
DESCRIPTION	DRAWING NO.	PART NO.	ITEM NO.				
UNLESS OTHERWISE SPECIFIED DIMENSIONS ARE IN INCHES AND THE FOLLOWING TOLERANCES APPLY (PER DEC STD 114)							
INCHES TOLERANCES	ANGLES ±0°30'	APPLICABLE DIMENSION RANGE	DIMENSION RANGE IN INCHES				
			OVER 0 TO 0.2	OVER 0.2 TO 1.2	OVER 1.2 TO 4.0	OVER 4.0 TO 12.0	OVER 12.0 TO 40.0
± .01	± .005	± .004	± .008	± .012	± .016	± .024	± .04
QUANTITY & VARIATION							
THIRD ANGLE PROJECTION	DATE 15 June 80	TITLE digital					
DO NOT SCALE DRAWING	DATE 15 JAN 81	BACKPLANE ASSY (CI780)					
REMOVE BURRS AND BREAK SHARP CORNERS	DATE 7/13/1	DOCUMENT NUMBER					
MATERIAL SEE PARTS LIST	DATE 7/1	SIZE CODE D	NUMBER 7017654-0-0				
FINISH	EXT-HIGHER DEC	SCALE 1:1	SHEET 1 OF 2				

REV	DATE	ECO NUMBER

THIS DRAWING AND SPECIFICATIONS HEREIN ARE THE PROPERTY OF DIGITAL EQUIPMENT CORPORATION AND SHALL NOT BE REPRODUCED OR COPIED OR USED IN WHOLE OR IN PART AS THE BASIS FOR THE MANUFACTURE OR SALE OF ITEMS WITHOUT WRITTEN PERMISSION.
 1961 DIGITAL EQUIPMENT CORPORATION

0-0-459210Z
 DAD7017654-0-0

D
C
B
A



REV	DATE

DESCRIPTION	DRAWING NO.	PART NO.	TYPE NO.		
UNLESS OTHERWISE SPECIFIED DIMENSIONS ARE IN INCHES AND THE FOLLOWING TOLERANCES APPLY (REF. DEC STD 114)					
INCHES TOLERANCES	ANGLES ±0° 30'	DIMENSION RANGE IN INCHES			
		OVER 0 TO 0.2	OVER 0.2 TO 1.2	OVER 1.2 TO 4.0	OVER 4.0 TO 12.0
X = ± .1	SURFACE QUALITY (CHECK ONE)	± .004	± .008	± .012	± .024
XX = ± .02		± .004	± .008	± .012	± .024
XXX = ± .005	MICRONCHES	± .004	± .008	± .012	± .024
THIRD ANGLE PROJECTION	DATE	TITLE			
DO NOT SCALE DRAWING	DATE	digital			
REMOVE BURRS AND BREAK SHARP CORNERS	DATE	BACKPLANE ASSY (C1780)			
MATERIAL	DATE	DOCUMENT NUMBER			
FINISH	DATE	SIZE CODE	NUMBER		
		DAD7017654-0-0	A		
		SCALE	SHEET 2 OF 2		

DAD7017654-0-0

8

7

6

5

4

3

2

1

TW

LINE	ITEM	DOCUMENT NUMBER	PART NUMBER	DESCRIPTION	QUANTITY PER VARIATION
1	1	D-UA-5414964-0-0	5414964-00	IPA BACKPLANE 11/780	REF
2	2		1218421-00	EDGE CARD 94 STRAIGHT ASSY	15
3	3		1217869-00	HEADER.100 40PIN SHROUDED	13
4	4		1212297-03	MATE-N-LOK 3PIN UNIV HEADER	2
5	5		1212297-10	MATE-N-LOK 2PIN LONG TAIL HEADE	1
6	6	D-MD-7424275-0-0	7424275-01	MOUNTING BAR TOP	1
7	7		1218506-00	CONN.COAX 1 LINE RCPT	4
8	8		5014963-00	MULTI LAYER BACKPANEL	1
9	9		7411881-01	DECAL	1
10	10	D-MD-7424275-0-0	7424275-00	MOUNTING BAR TOP	1
11	11	D-MD-7424274-0-0	7424274-00	MOUNTING BAR VERTICAL	2
12	12	C-MD-7424280-0-0	7424280-00	MOUNTING BAR HORIZONTAL	2
13	13		1218624-00	EDGE CARD KEYING PLUG	1
14	14	B-MD-7424624-0-0	7424624-00	INSULATOR STRIP	2
15	15		9006720-00	WASHER, NYLON, FLAT #8 .625 OD	4
16	16		9006713-00	WASHER, NYLON, FLAT #8 .437 OD	22
17	17	B-MD-7420279-0-0	7420279-00	SLEEVE, INSULATOR	6
18	18		9006037-01	SCREW,PAN,PHIL 8-32X 3/8 SS	10
19	19		9006022-01	SCREW,PAN,PHIL 6-32X 3/8 SS	4
20	20		9000001-07	STANDOFF,HEX,M/F 8-32X	6
21	21		1212297-01	MATE-N-LOK 4PIN UNIV HEADER	1
22	22		9006036-01	SCREW,PAN,PHIL 8-32X 5/16 SS	4
23	23		9008151-00	WASHER, LOCK, EXT. TOOTH #8	4
24	24		9007649-00	WASHER, LOCK, EXTERNAL TOOTH #6	4
25	25		9905016-04	FOLDER,DIE CUT,SELF LOCK W/FOAM	A/R
26	26	K-WL-7017654-0-1		BACKPLANE ASSY (CI780)WIRE LIST	REF
27	27		3700040-00	INSTR PKG COMPRESS-O-CARTON #20A	REF
28	28	A-WT-7017654-0-2		AWT REVISION STATUS	REF
29	29	K-WL-7017654-0-DBW		DESIGN DATA BASE TAPE	REF
30	30	A-DC-3615087-0-0	3615087-02	LABEL,"DANGER-HIGH CURRENT"	1

REVISION HISTORY			BASIC PART NO: 7017654		DRN: R.J. RILEY		DATE: 18-SEP-81		DIGITAL			
ENG	ECO NUMBER	REV	SECTION A OF A	CHK'D:	R.J. RILEY	DATE:	18-SEP-81	TITLE PARTS LIST				
	INITIAL	A	SECTION. VARIATION INDEX		R.J. RILEY	DATE:	18-SEP-81	BACKPLANE ASSEMBLY (CI780)				
			[A] 00	DES.ENG.:	D. BELANGER	DATE:	18-SEP-81	DOCUMENT NUMBER				
			[B]	RESP.ENG.:	R. CASABONA	DATE:	18-SEP-81	SIZE	CODE	NUMBER	REV	
			[C]	MFG.ENG.:	K. WALSH	DATE:	18-SEP-81	K	PL	7017654-0-DBP	A	
			[D]	ASSEMBLY NUMBER:	D-AD-7017654-0-0	TOP DOCUMENT NUMBER:	B-DD-CI780-0-0	FILE NAME:		EDIT #		
			[E]					Z1327A.PLS		37		
			[F]	"THIS DRAWING AND SPECIFICATIONS HEREIN, ARE THE PROPERTY OF DIGITAL EQUIPMENT CORPORATION AND SHALL NOT BE REPRODUCED OR COPIED OR USED IN WHOLE OR IN PART AS THE BASIS FOR THE MANUFACTURE OR SALE OF ITEMS WITHOUT WRITTEN PERMISSION. COPYRIGHT (C) 1982. DIGITAL EQUIPMENT CORPORATION"								

AUTOMATED BY PRTLST.3P(44)

P A R T S L I S T

SHEET A2 OF A2

LINE	ITEM	DOCUMENT NUMBER	PART NUMBER	DESCRIPTION	QUANTITY PER VARIATION
31	32	D-IA-7424281-0-0	7424281-00	COVER BACKPLANE	1

D	I	G	I	T	A	L	TITLE	BACKPLANE ASSEMBLY (CI780)	SECTION A OF A	SIZE	CODE	DOCUMENT NUMBER	REV
										K	PL	7017654-0-DBP	A

"THIS DRAWING AND SPECIFICATIONS HEREIN ARE THE PROPERTY OF DIGITAL EQUIPMENT CORPORATION AND SHALL NOT BE REPRODUCED OR COPIED OR USED IN WHOLE OR IN PART AS THE BASIS FOR THE MANUFACTURE OR SALE OF ITEMS WITHOUT WRITTEN PERMISSION. COPYRIGHT © 1977, DIGITAL EQUIPMENT CORPORATION"

LEGEND		
PART NO	DIM X VARIATION	DIM Y (PRE-CUT) REF
7014530-1F	1 FT-5 IN ±.5 IN	1 FT-6 IN ±.5 IN
7014530-1A	1 FT-0 IN ±.5 IN	1 FT-1 IN ±.5 IN
7014530-0L	Ø FT-9 IN ±.5 IN	Ø FT-10 IN ±.5 IN

7014530-0-0 2

2(QTY 2)

DIM X

DIM Y REF

DESCRIPTION	DWG. PART NO.	ITEM NO.
2 WLG, POWER 30°	1212036-02	2
1 WIRE #8 AWG STRD RED	3107755-22	1

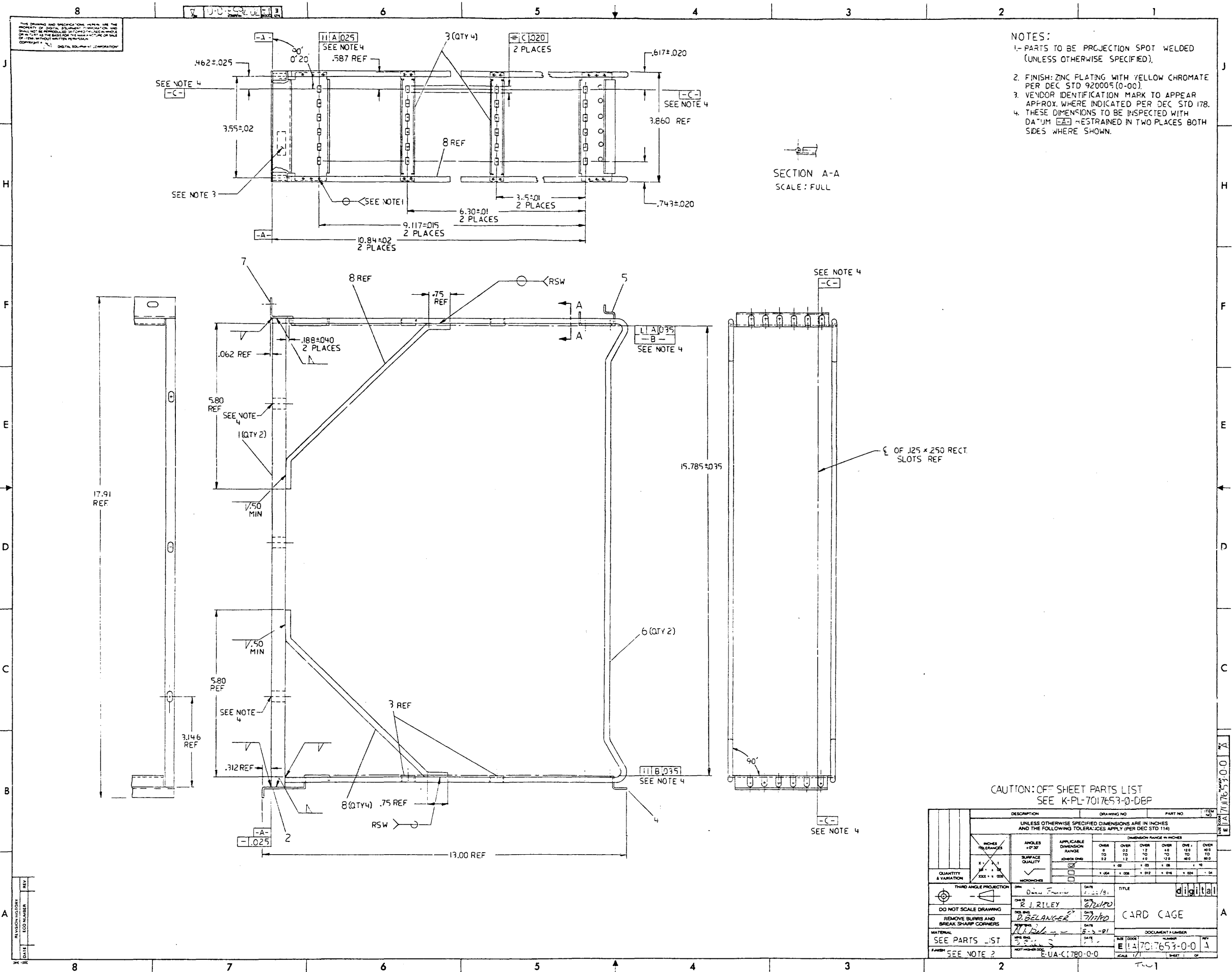
UNLESS OTHERWISE SPECIFIED DIMENSIONS ARE IN INCHES	
ANGLES	CLASS OF ACCURACY
50° 30'	
SURFACE QUALITY	(CHECK ONE)
IN	MEDIUM
MICROINCHES	PREFERRED

NOMINAL DIMENSION RANGE INCHES					
OVER 0	OVER 1.0	OVER 1.0	OVER 1.0	OVER 1.0	OVER 40.0
±.004	±.008	±.012	±.016	±.024	±.04

THIRD ANGLE PROJECTION	DRN: <i>[Signature]</i>	FIRST USED ON: <i>[Signature]</i>	digital
REMOVE BURRS AND BREAK SHARP CORNERS	CHK'D: <i>[Signature]</i>	PROJ. ENG. <i>[Signature]</i>	TITLE: CABLE, POWER (RED)
DO NOT SCALE DWG	DO NOT SCALE DWG	SCALE: NONE	NUMBER: TA 7014530-C-0
MATERIAL: SEE PARTS LIST	FINISH: <i>[Signature]</i>	SHEET: OF	REV.

REV	CHANGE NO.

DATE: 11/10/77



QUANTITY & VARIATION	DESCRIPTION	DRAWING NO.	PART NO.	ITEM NO.	DIMENSION RANGE IN INCHES								
					OVER 0 TO .125	OVER .125 TO .250	OVER .250 TO .375	OVER .375 TO .500	OVER .500 TO .750	OVER .750 TO 1.000	OVER 1.000 TO 1.500		
1	11A025												
2	11B035												
3	11C020												
4	11D035												
5	11E035												
6	11F035												
7	11G035												
8	11H035												

REVISION HISTORY
 DATE
 ECD NUMBER
 REV

7017653-0-00

A

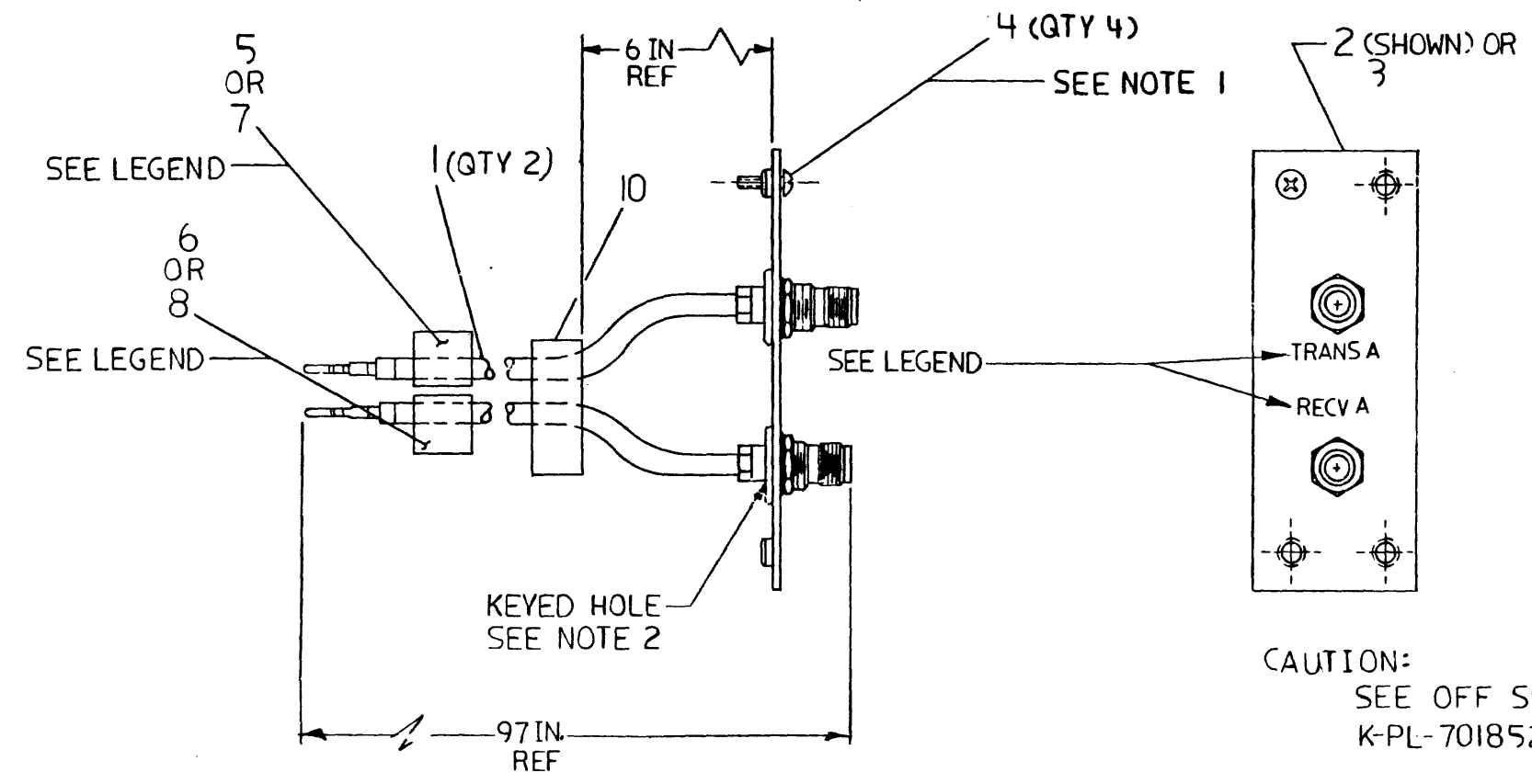
1

THIS DRAWING AND SPECIFICATIONS, HEREIN, ARE THE PROPERTY OF DIGITAL EQUIPMENT CORPORATION AND SHALL NOT BE REPRODUCED OR COPIED OR USED IN WHOLE OR IN PART AS THE BASIS FOR THE MANUFACTURE OR SALE OF ITEMS WITHOUT WRITTEN PERMISSION.
 COPYRIGHT © 1981 DIGITAL EQUIPMENT CORPORATION

LEGEND		
NUMBER	VARIATION	LABELS
7018527-00	T/R A (SILKSCREEN)	ITEM 5 (TA), ITEM 6 (RA)
7018527-01	T/R B (SILKSCREEN)	ITEM 7 (TB), ITEM 8 (RB)

NOTES

- ITEM 4 TO BE PACKED IN PLASTIC BAG.
- FLAT ON CONNECTOR FITS INTO KEYPED HOLE.



CAUTION:
 SEE OFF SHEET PARTS LIST
 K-PL-7018527-0-DBP (Z1869)

DATE	ECO NUMBER	REV.

DESCRIPTION	DRAWING NO.	PART NO.	ITEM NO.
UNLESS OTHERWISE SPECIFIED DIMENSIONS ARE IN INCHES AND THE FOLLOWING TOLERANCES APPLY (PER DEC STD 114)			
INCHES TOLERANCES	ANGLES ± 0° 30'	APPLICABLE DIMENSION RANGE (CHECK ONE)	
		OVER 0 TO 0.2	OVER 0.2 TO 4.0
SURFACE QUALITY	MICRONICHES	DIMENSIONS RANGE IN INCHES	
		OVER 4.0 TO 12.0	OVER 12.0 TO 40.0
QUANTITY & VARIATION	X = ± 1 XX = ± 02 XXX = ± 005	± 02 ± 04 ± 08 ± 012 ± 016 ± 024 ± 04	± 10 ± 04
THIRD ANGLE PROJECTION	DRN. <i>M. D. G.</i>	DATE 2/13/81	TITLE digital
DO NOT SCALE DRAWING	CHK'D. <i>J. F. Sullivan</i>	DATE 2/18/81	CABLE SET ASSY (CI 780)
REMOVE BURRS AND BREAK SHARP CORNERS	DESIGN. <i>R. C. Nuckling</i>	DATE 7-24-81	DOCUMENT NUMBER
MATERIAL SEE PARTS LIST	REP. ENG. <i>R. K. ...</i>	DATE 9/24/81	SIZE CODE NUMBER REV
FINISH	MFG. ENG. <i>K. C. Mason</i>	DATE 12/3/81	CAD 7018527-0-0 A
	NEXT HIGHER DOC E-UA-CI780-0-0	SCALE 1/1	SHEET 1 OF 1

DRC 1000

SIZE C AD 7018527-0-0 REV. A

AUTOMATED BY PRTLST.3P(44)

P A R T S L I S T

SHEET 01 OF 01

LINE ITEM DOCUMENT NUMBER PART NUMBER DESCRIPTION QUANTITY PER VARIATION

LINE ITEM	DOCUMENT NUMBER	PART NUMBER	DESCRIPTION	QUANTITY	PER VARIATION
1	D-1A-7018526-0-0	7018526-8A	BULK HEAD CABLE C1780	2	0
2	C-1A-7425264-0-0	7425264-0G	PLATE, MOUNTING	1	0
3	C-1A-7425264-0-0	7425264-01	PLATE, CONN. MTG.	1	0
4		9010155-00	SCREW, PAN PHIL. 6-32X 5/16	4	0
5		9107840-00	TUBING, SHRINK HOT STAMP YEL/BLK"	1	0
6		9107840-01	TUBING, SHRINK HOT STAMP YEL/BLK"	1	0
7		9107840-02	TUBING, SHRINK HOT STAMP YEL/BLK"	1	0
8		9107840-03	TUBING, SHRINK HOT STAMP YEL/BLK"	1	0
9		9906557-01	BAG, POLY RECLOSE 2 MIL THK W/WRIT	1	1
10	A-PS-3616073-0-0	3616073-00	LABEL, ID W/COPY VERTICAL	1	1

REVISION HISTORY

ENG	ECO NUMBER	REV	SECTION A OF A	SECTION. VARIATION INDEX	CHK'D:	J. SULLIVAN	DATE: 19-FEB-81	TITLE	CABLE SET ASSY
RJR	RJR	A	X03	[A] 00, 01					

DES. ENG.:	R.C. NUEBLING	DATE:	19-FEB-81
RESP. ENG.:	R. CASABONA	DATE:	19-FEB-81
MFG. ENG.:	T. NEWBOLD	DATE:	19-FEB-81

THIS DRAWING AND SPECIFICATIONS HEREIN, ARE THE PROPERTY OF DIGITAL EQUIPMENT CORPORATION AND SHALL NOT BE REPRODUCED OR COPIED OR USED IN WHOLE OR IN PART AS THE BASIS FOR THE MANUFACTURE OR SALE OF ITEMS WITHOUT WRITTEN PERMISSION.

ASSEMBLY NUMBER: C-AD-7018527-0-0

TOP DOCUMENT NUMBER: E-DA-C1780-0-0

FILE NAME: 7018527-0-DSP

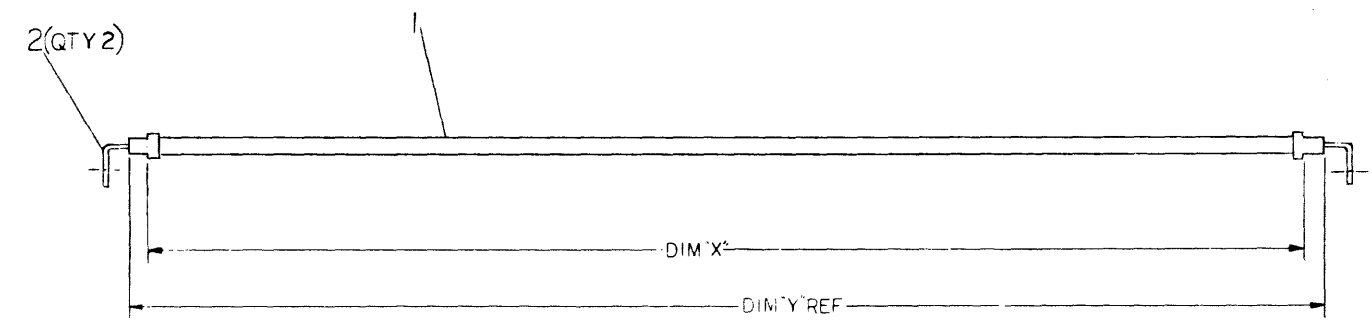
EDIT # 16

COPYRIGHT (C) 1982. DIGITAL EQUIPMENT CORPORATION

THIS DRAWING AND SPECIFICATIONS HEREIN ARE THE PROPERTY OF DIGITAL EQUIPMENT CORPORATION AND SHALL NOT BE REPRODUCED OR COPIED OR USED IN WHOLE OR IN PART AS A BASIS FOR THE MANUFACTURE OR SALE OF ITEMS WITHOUT WRITTEN PERMISSION.
 COPYRIGHT © 1977, DIGITAL EQUIPMENT CORPORATION

LEGEND		
PART I/O	DIM X VARIATION	DIM Y (PRECUT) REF
7014249-4J	1 FT-6 IN ±.5 IN	1 FT-9 IN ±.5 IN
7014249-1C	1 FT-3 IN ±.5 IN	1 FT-4 IN ±.5 IN
7014249-0L	Ø FT-9 IN ±.5 IN	Ø FT-10 IN ±.5 IN
7014249-1L	1 FT-1 IN ±.5 IN	1 FT-3 IN ±.5 IN

7014249-0-0 2



2	LUG, POWER 90°	1212336-02	2				
1	WIRE #8 AWG BLACK	910765-00	1				
DESCRIPTION		DWG/PART NO.	ITEM NO.				
UNLESS OTHERWISE SPECIFIED DIMENSIONS ARE IN INCHES							
ANGLES 90° 30'	CLASS OF ACCURACY	NOMINAL DIMENSION RANGE INCHES					
SURFACE QUALITY IN	MICROMETRES	OVER 0	OVER 0.2	OVER 1.2	OVER 4.0	OVER 12.0	OVER 40.0
		TO 0.2	TO 1.2	TO 4.0	TO 12.0	TO 40.0	TO 80.0
		±.004	±.008	±.012	±.016	±.024	±.04
		PREFERRED		±.012	±.016	±.024	±.04
THIRD ANGLE PROJECTION	DRN: <i>[Signature]</i>	FIRST USED ON					
REMOVE BURRS AND BREAK SHARP CORNERS	CHK'D: <i>[Signature]</i>	DATE: <i>[Date]</i>					
DO NOT SCALE DWG	ENG: <i>[Signature]</i>	TITLE					
MATERIAL SEE PARTS LIST	PROJ. ENG: <i>[Signature]</i>	CABLE, POWER (BLACK)					
FINISH	PROD: <i>[Signature]</i>	NEXT HIGHER ASSY.					
	E-UA-11770	SIZE	CODE				
	SCALE NONE	D	TA				
	SHEET 1 OF 1	DISP	NUMBER				
			7014249-0-0				
			REV				
			A				

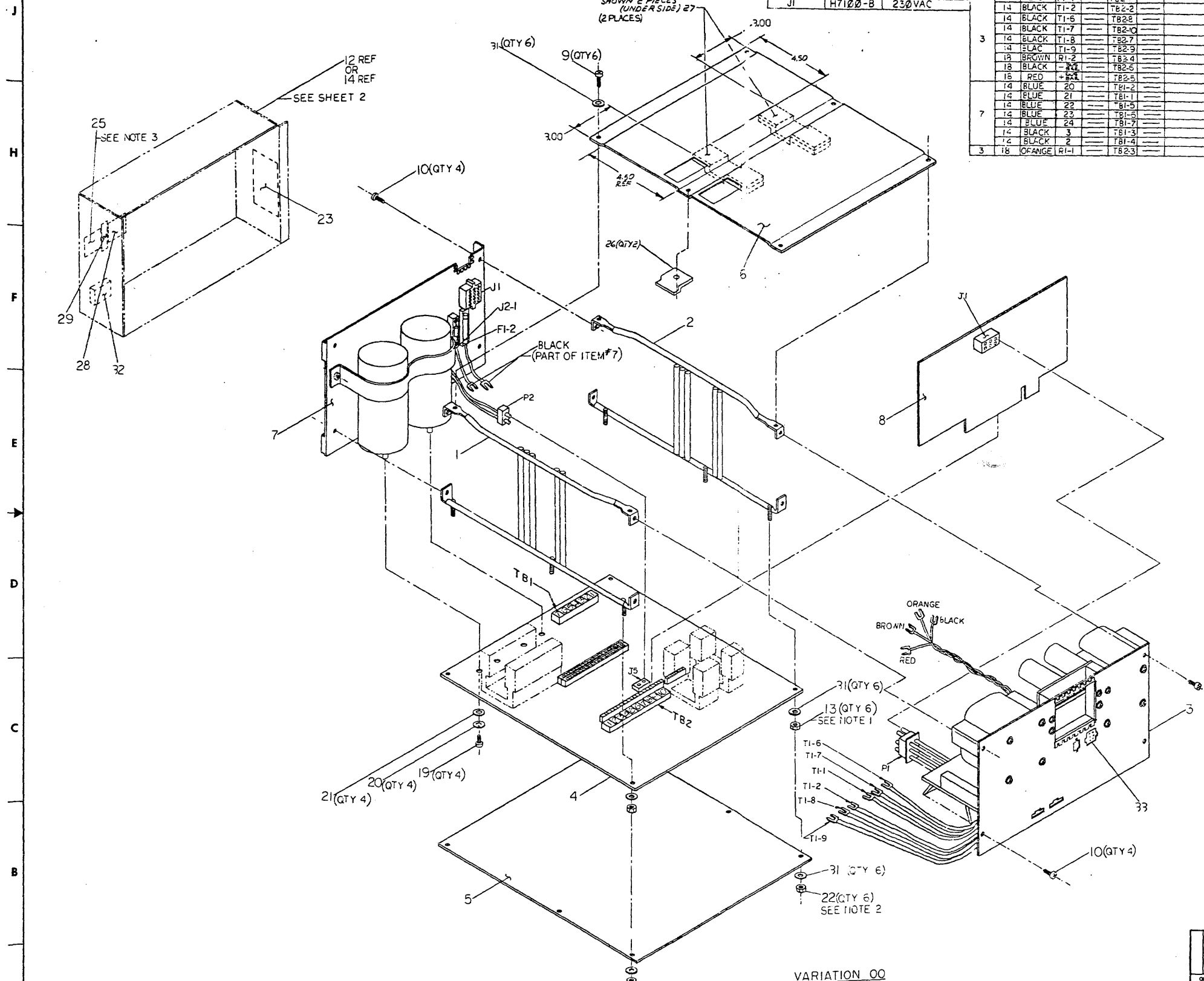
REV.	CHANGE NO.	DESCRIPTION
1	1	INITIAL RELEASE

THIS DRAWING AND SPECIFICATIONS HEREBY ARE THE PROPERTY OF BOEING. UNLESS OTHERWISE SPECIFIED, ALL DIMENSIONS ARE IN INCHES. THIS DRAWING IS TO BE USED IN CONJUNCTION WITH THE MANUFACTURING INSTRUCTIONS ON THIS DRAWING. REVISIONS WILL BE INDICATED BY A CIRCLED NUMBER IN THE REVISION HISTORY.

PART REV.	PART NO.	VARIATION
H1	H7100-0	BASIC UNIT
J1	H7100-A	115 VAC
J1	H7100-B	230 VAC

ITEM NO.	DESCRIPTION	FROM		TO		REMARKS
		AWG	COLOR	CONN WITH	CONN WITH	
3	14 BLACK	TI-1		TB2-1		
	14 BLACK	TI-2		TB2-2		
	14 BLACK	TI-6		TB2-8		
	14 BLACK	TI-7		TB2-9		
	14 BLACK	TI-8		TB2-7		
	14 BLACK	TI-9		TB2-9		
	18 BROWN	RI-2		TB2-4		
	18 BLACK	RI-1		TB2-5		
7	14 BLUE	20		TB1-2		
	14 BLUE	21		TB1-1		
3	14 BLUE	22		TB1-5		
	14 BLUE	23		TB1-5		
	14 BLUE	24		TB1-7		
	14 BLACK	3		TB1-3		
18	ORANGE	RI-1		TB2-3		

- NOTES:**
1. AFTER PLACING ITEM 4 ON STUDS USE FLAT WASHER AND HEX NUTS AS SHOWN. TIGHTEN HEX NUTS TO 22 IN. LBS.
 2. INSTALL COVER (ITEM 5) OVER MOTHER BOARD USING SPLIT LOCK AND KEYPIN ONLY AS SHOWN. TIGHTEN TO 22 IN. LBS.
 3. APPLY LABEL (ITEM 25) ON FRONT COVER BETWEEN MALE PENCIL AND MATE-N-LOCK CONN.



CAUTION: SEE OFF SHEET PARTS LIST X-PL-H7100-0-06P (CONTINUED)

VARIATION 00

REV.	DATE	BY	CHKD.	DESCRIPTION
1	11/10/50	W. J.
2
3
4
5
6
7
8

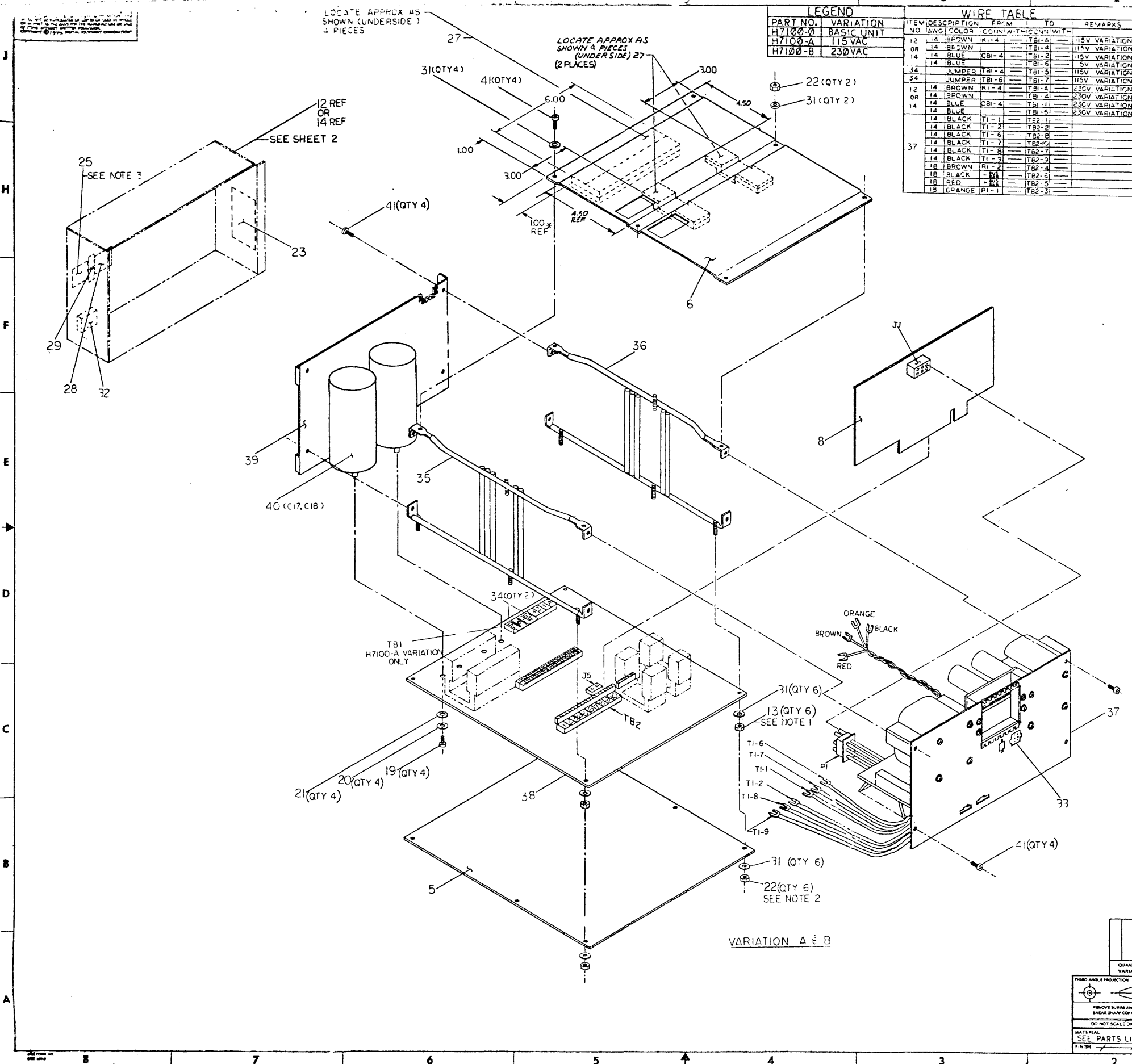
DESCRIPTION		QTY		PART NO.		ITEM NO.	
ANGLE	CLEAR UP	1.00	1.00	1.00	1.00	1.00	1.00
SURFACE	CHECK ONE	1.00	1.00	1.00	1.00	1.00	1.00
QUALITY	IN	1.00	1.00	1.00	1.00	1.00	1.00
QUANTITY & VARIATION	UNLESS OTHERWISE SPECIFIED DIMENSIONS ARE IN INCHES	1.00	1.00	1.00	1.00	1.00	1.00
THIRD ANGLE PROJECTION	DRG. NO. H7100-0-06P	1.00	1.00	1.00	1.00	1.00	1.00
REVISE NUMBER AND BREAK SHAW CORNERS	PROJ. ENG. ...	1.00	1.00	1.00	1.00	1.00	1.00
DO NOT SCALE DIMS	NEXT HIGHER ASST.	1.00	1.00	1.00	1.00	1.00	1.00
MATERIAL SEE PARTS LIST	5-00-11-220-0	1.00	1.00	1.00	1.00	1.00	1.00
FINISH	SCALE 1/2"	1.00	1.00	1.00	1.00	1.00	1.00
	SHEET 1 OF 4	1.00	1.00	1.00	1.00	1.00	1.00

POWER SUPPLY (H7100)

DATE: 11/10/50

SCALE: 1/2"

SHEET: 1 OF 4



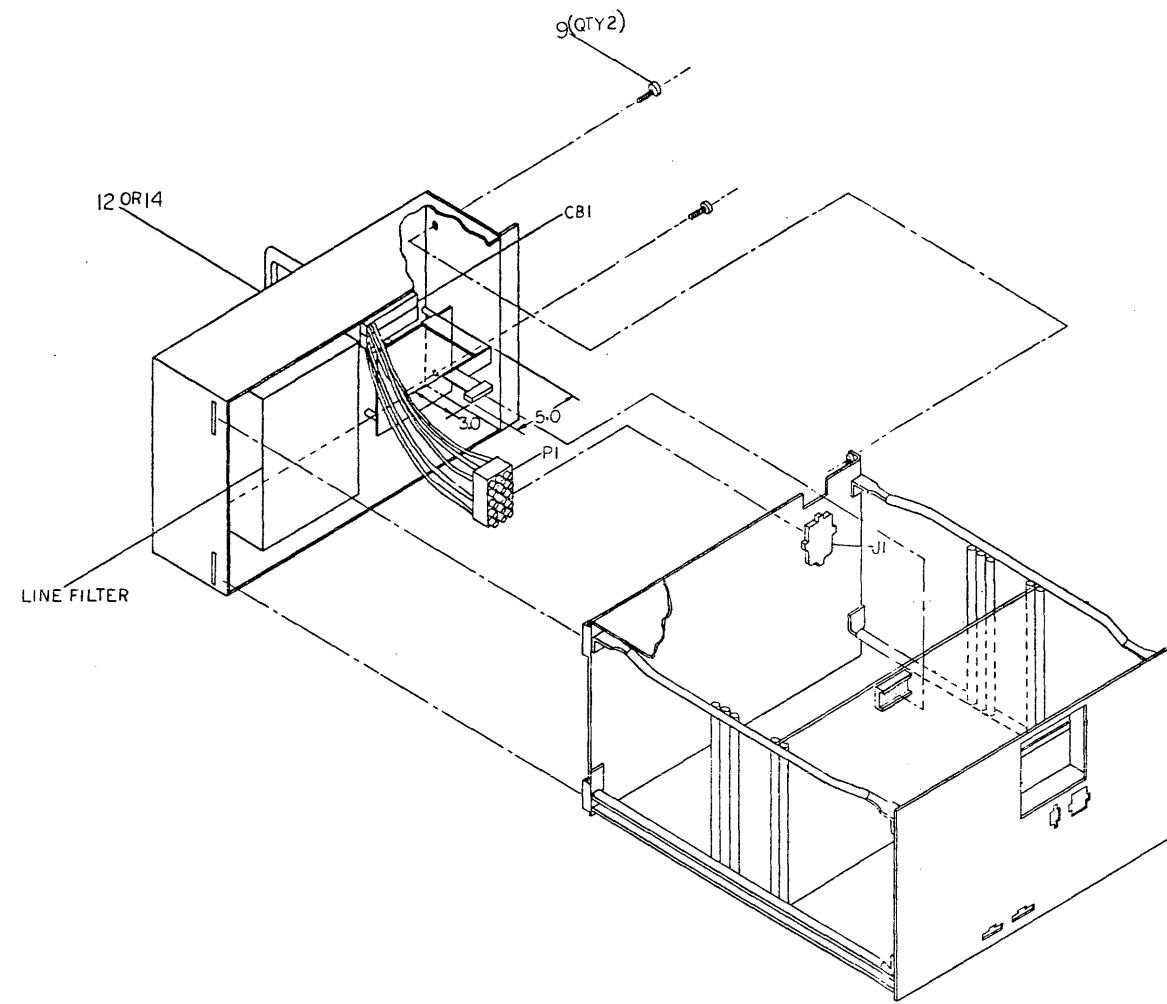
LEGEND		WIRE TABLE				REMARKS
PART NO.	VARIATION	ITEM NO	DESCRIPTION	FROM	TO	
H7100-0	BASIC UNIT	12	14 BROWN	K1-4	TB1-4	115V VARIATION
H7100-A	115 VAC	0R	14 BROWN	K1-4	TB1-4	115V VARIATION
H7100-B	230VAC	14	14 BLUE	CB1-4	TB1-5	115V VARIATION
		34	JUMPER	TB1-4	TB1-5	115V VARIATION
		0R	14 BROWN	K1-4	TB1-4	230V VARIATION
		14	14 BLUE	CB1-4	TB1-5	230V VARIATION
		14	14 BLACK	TI-1	TB2-1	230V VARIATION
		14	14 BLACK	TI-2	TB2-2	
		14	14 BLACK	TI-6	TB2-8	
		14	14 BLACK	TI-7	TB2-7	
		14	14 BLACK	TI-8	TB2-7	
		18	18 BROWN	R1-2	TB2-4	
		18	18 BLACK	R1-4	TB2-6	
		18	18 RED	R1-4	TB2-5	
		18	18 ORANGE	PI-1	TB2-3	

- AFTER PLACING ITEM 4 ON STUDS USE FLAT WASHER AND HEX NUTS AS SHOWN. TIGHTEN HEX NUTS TO 22 IN. LBS.
- INSTALL COVER (ITEM 3) OVER MOTHER BOARD USING SPLIT LOCK AND KEYPIN ONLY AS SHOWN, TIGHTEN TO 22 IN. LBS.
- APPLY U LABEL (ITEM 25) ON FRONT COVER BETWEEN MALE RECEPT. AND MATE-N-LOCK CONN.

CAUTION: SEE OFF SHEET PARTS LIST K-PL-H7100-0-DBP (233154-PLS)

DESCRIPTION	OWG. PART NO.	ITEM NO.
UNLESS OTHERWISE SPECIFIED DIMENSIONS ARE IN INCHES		
ANGLE	CLASS OF ACCURACY	NOMINAL DIMENSION RANGE INCHES
SURFACE QUALITY	CHECK ONE	1/8" TO 1/4" 1/4" TO 1/2" 1/2" TO 1" 1" TO 2" 2" TO 4" 4" TO 8" 8" TO 16"
QUANTITY & VARIATION	MEDIUM	1.000 1.000 1.013 1.018 1.000 1.000
	PREFERRED	1.013 1.018 1.028 1.000 1.000
THIRD ANGLE PROJECTION	DRN. BY: [Signature]	FIRST USED ON: H7100
PROBING BURR AND BREAK BURR CORNER	CHKD BY: [Signature]	TITLE: POWER SUPPLY (H7100)
DO NOT SCALE DWG	ENG. S. [Signature]	DATE: 1/2
MATERIAL: SEE PARTS LIST	SIZE: 1/2	SCALE: 1/2
FINISH	REV. 2	APP. 4

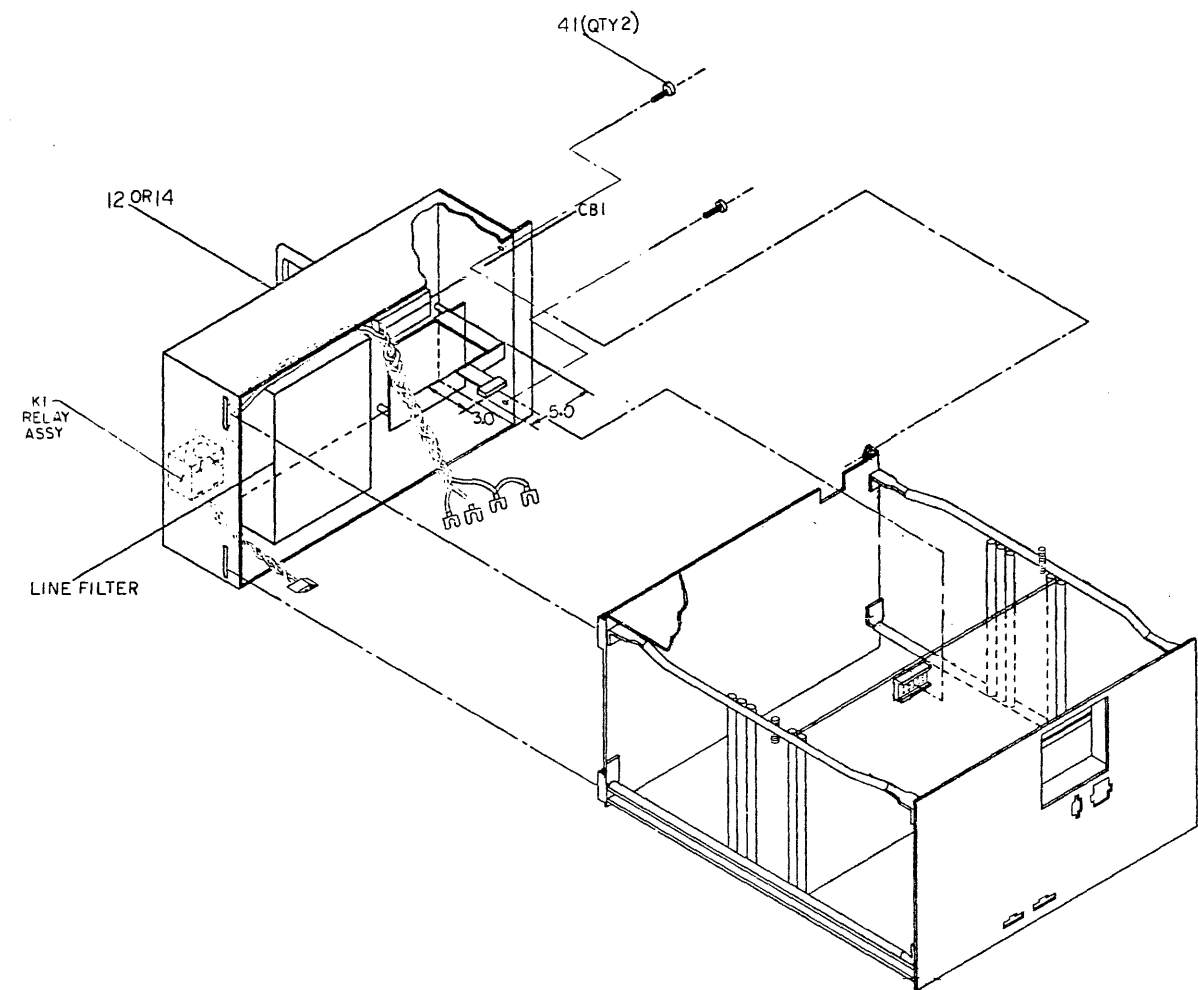
THIS DRAWING AND SPECIFICATIONS HEREIN ARE THE PROPERTY OF THE U.S. GOVERNMENT AND ARE TO BE REPRODUCED OR TRANSMITTED IN ANY FORM OR BY ANY MEANS, ELECTRONIC OR MECHANICAL, INCLUDING PHOTOCOPYING, RECORDING, OR BY ANY INFORMATION STORAGE AND RETRIEVAL SYSTEM, WITHOUT PERMISSION IN WRITING FROM THE U.S. GOVERNMENT PRINTING OFFICE: © 1977



VARIATION 00

REVISIONS		
CHK	CHANGE NO.	REV.

TITLE	POWER SUPPLY	SIZE/DOC	EUA	NUMBER	H7100-0-0	REV.	J
SCALE	1:2	SHEET	3	OF	4	DIST.	



VARIATION A & B

REVISIONS		
CHK	CHANGE NO.	REV.

TITLE	POWER SUPPLY (H7100)	SIZE/COO	NUMBER	REV
SCALE	1/2	SHEET	4 OF 4	DIST

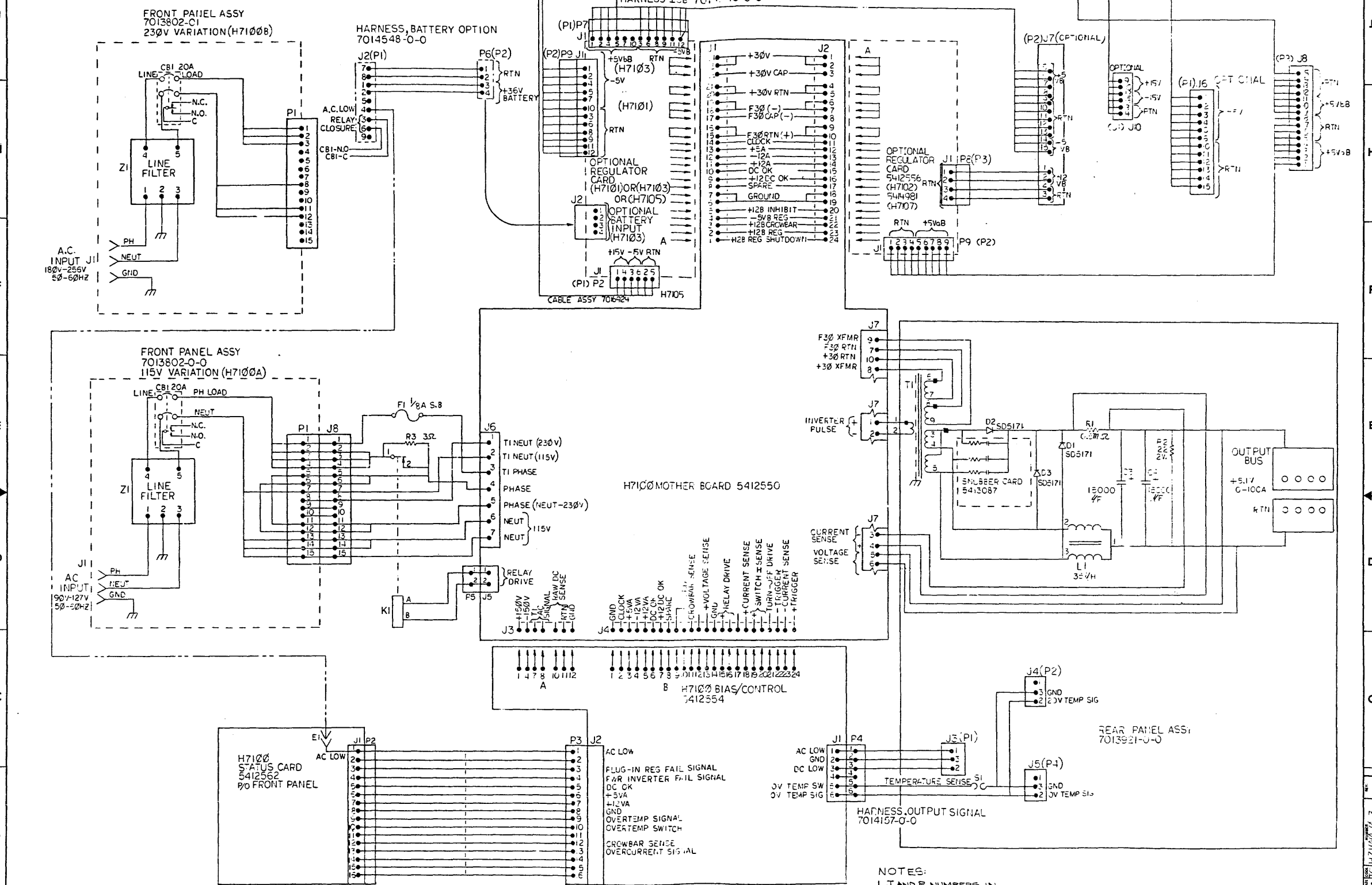
H7100-0-0
 H7100-0-0
 H7100-0-0
 H7100-0-0

J
H
F
E
D
C
B
A

J
H
F
E
D
C
B
A

8 7 6 5 4 3 2 1

THIS DRAWING AND SPECIFICATIONS HEREAFTER ARE THE PROPERTY OF THE U.S. AIR FORCE. IT IS TO BE KEPT IN CONFIDENCE AND NOT REPRODUCED OR COPIED IN WHOLE OR IN PART WITHOUT THE WRITTEN PERMISSION OF THE U.S. AIR FORCE. DATE: 1977. SPECIAL EQUIPMENT COMPONENT.



NOTES:
1. J AND P NUMBERS IN PARENTHESES REPRESENT CABLE DESIGNATIONS.

REV	DESCRIPTION	DATE
1	INITIAL	
2	CHANGE NO. 1	
3	CHANGE NO. 2	
4	CHANGE NO. 3	
5	CHANGE NO. 4	
6	CHANGE NO. 5	
7	CHANGE NO. 6	
8	CHANGE NO. 7	
9	CHANGE NO. 8	
10	CHANGE NO. 9	
11	CHANGE NO. 10	
12	CHANGE NO. 11	
13	CHANGE NO. 12	
14	CHANGE NO. 13	
15	CHANGE NO. 14	
16	CHANGE NO. 15	
17	CHANGE NO. 16	
18	CHANGE NO. 17	
19	CHANGE NO. 18	
20	CHANGE NO. 19	
21	CHANGE NO. 20	

THIRD ANGLE PROJECTION		CLASS OF FITTING		FINISH		SCALE		SHEET	
REMOVE BURRS AND BREAK SHARP EDGES	PROL. ENG. 5-1-77	CLASS OF FITTING	PROL. ENG. 5-1-77	FINISH	SCALE	SHEET	OF	DIST.	REV.
DO NOT SCALE DIMS	NEXT HIGHER ASSY.	UNLESS OTHERWISE SPECIFIED DIMENSIONS ARE IN INCHES	UNLESS OTHERWISE SPECIFIED DIMENSIONS ARE IN INCHES	UNLESS OTHERWISE SPECIFIED DIMENSIONS ARE IN INCHES	UNLESS OTHERWISE SPECIFIED DIMENSIONS ARE IN INCHES	UNLESS OTHERWISE SPECIFIED DIMENSIONS ARE IN INCHES	UNLESS OTHERWISE SPECIFIED DIMENSIONS ARE IN INCHES	UNLESS OTHERWISE SPECIFIED DIMENSIONS ARE IN INCHES	UNLESS OTHERWISE SPECIFIED DIMENSIONS ARE IN INCHES
TITLE: H7100 INTER CONNECTION DIAGRAM		DWG. PART NO. 7014548-O-0		ITEM NO. 1		REV. 1		DATE 5-1-77	

VARIATION CC

THIS DRAWING AND SPECIFICATIONS, HEREIN, ARE THE PROPERTY OF THE RAND CORPORATION AND SHALL NOT BE REPRODUCED OR COPIED IN WHOLE OR IN PART AS THE BASIS FOR THE MANUFACTURE OR SALE OF ITEMS WITHOUT WRITTEN PERMISSION. COPYRIGHT © 1971, RAND CORPORATION

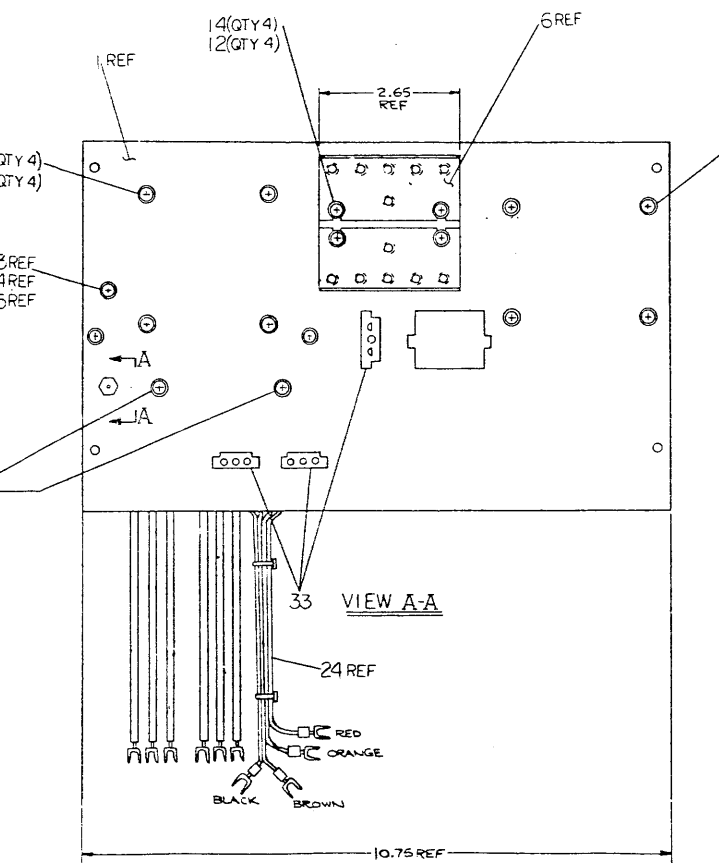
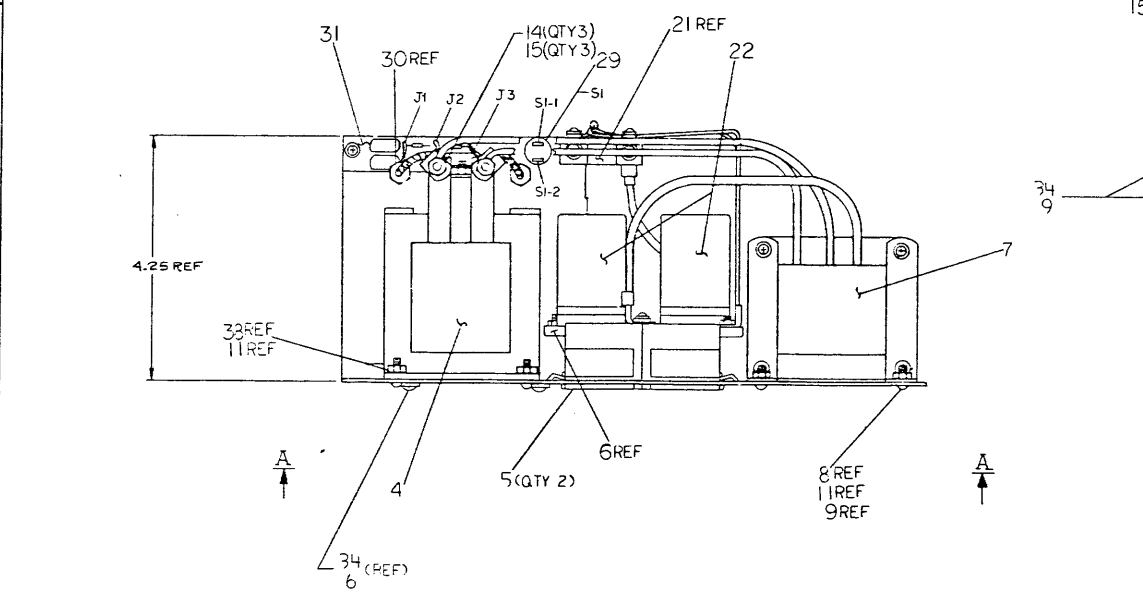
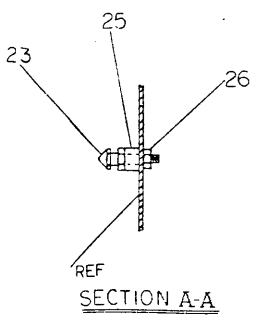
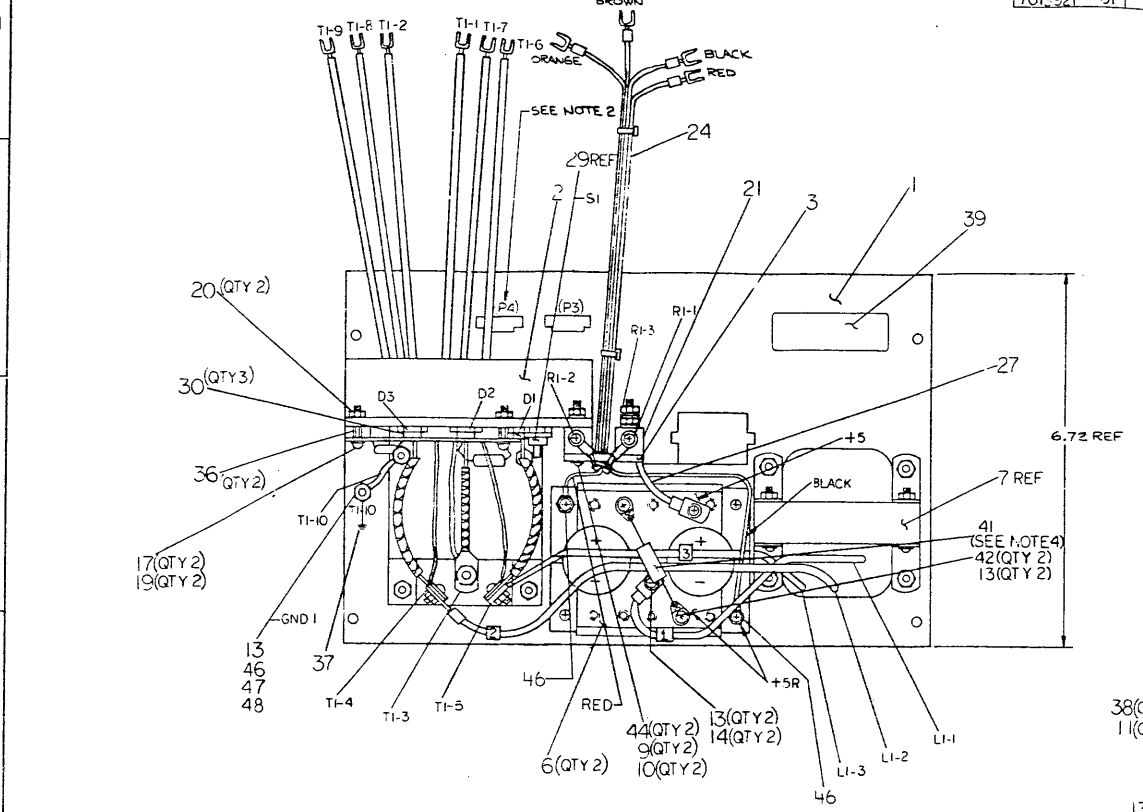
LEGEND

PART NO.	PART REV.	VARIATION
7013921-00	-1	SHT 1 SHOWS VARIATION -00
7013921-01	-1	SHT 2 SHOWS VARIATION -01

WIRE TABLE

ITEM NO.	DESCRIPTION	FROM	TO	REMARKS
4		T1-3	D2	14419
		T1-4	D3	1214419
		T1-5	D1	1214419
14	GRN/YEL	T1-10	1	1214419
8	BLACK	L1-1	+5R	13414
8	BLACK	L1-2	T1-4	1214419
8	BLACK	L1-3	T1-5	1214419
18	BROWN		+5R	34410
18	ORANGE	R1-2		+ISENSE
18	RED	R1-1		+ISENSE
18	RED		+5	34410
				+VSENSE
31	18 GRAY	J1	T1-4	1214419
	18 GRAY	J2	T1-3	1214419
	18 GRAY	J3	T1-5	1214419
33	18 ORANGE	POINT 6	SI-1	
	18 ORANGE	POINT 10	SI-2	
27	8 BLACK	R1-3	+5	13414

- NOTES:
- ATTACH GROMMETS (ITEM 64) AS SHOWN IN 2 PLACES.
 - P4 P3 ARE PART OF ITEM #33 (HARNESS, OUT-PUT SIGNAL).
 - DIODES MUST SEAT FLUSH ON HEAT SINK. USE THERMAL GREASE (ITEM 40) ON INTERFACE. TORQUE TO 25 IN-LBS MIN AND UNTIL DIODE SEATS.
 - SOLDER RESISTOR (ITEM 41) TO LUGS (ITEM 42) AND ATTACH TO BUS BARS AS SHOWN.
 - SOLDER TERMINAL LUGS (ITEM 62) TO RUBBER MODULE (ITEM 51) AFTER SLEEVING LEADS WITH ITEM 63. LEAD LENGTH SHOULD BE 1/2". ASSEMBLE ON SCHOTKY DIODE AND BEND SO MODULE DOES NOT PROTRUDE BEYOND HEATSINK.
 - MAKE CONNECTIONS AT DI-A1 AND DI-A2 WITH ITEM 59 AND VENDOR SUPPLIED HARDWARE OR DEC P/N 9006241-03.
 - DIODE ASSY (ITEM 52) MUST SEAT FLUSH ON HEATSINK. USE THERMAL GREASE (ITEM 40) ON INTERFACE. TORQUE SCREW (ITEM 60) TO 30 IN-LBS (4 PLACES).
 - TORQUE SCREWS (ITEMS 61 & 64) TO 140-155 IN-LBS.



CAUTION: SEE OFF SHEET PARTS LIST K-PL-7013921-0-DBR(23606J.PLS)

QTY	DESCRIPTION	QTY	DESCRIPTION	QTY	DESCRIPTION
50	LOCTITE #20 ADR.	9009157-01	50		
48	BLOCK MOUNT REWORK	741729-00	48		
48	WASHER FLAT	9006664-00	48		
47	WASHER EXT TIGHT #10	3007651-00	47		
46	NUT KEYP #32	9006565-00	46		
45	NUT KEYP #32	1216903-00	45		
44	SCR PHL PAN HD #8-32X.38LG	3006037-01	44		
43	SCR PHL HD SELF THD #8-32X.50LG	3009800-09	43		
42	TERMINAL SOLDER	9008150-00	42		
41	RES 50R 2W .22R	1301417-00	41		
40	GREASE THERM	9008243-00	40		
39	LABEL POWER SUPPLY	3003337-01	39		
38	SCR PHL PAN HD #8-32X.50LG	9006037-01	38		
37	DECAL GROUND SYMBOL	3612630-00	37		
36	SPACER TND #8-32X.31LG	9006642-00	36		
35	SCR PHL PAN HD #8-32X.50LG	9009800-09	35		
34	SCR PHL PAN HD #8-32X.50LG	9009800-09	34		
33	DIODE ASSY, OUTPUT SIGNAL	02A784157-00	33		
32	DIODE ASSY, INPUT SIGNAL	02A784157-00	32		
31	GALBER CARD Assy	573087-00	31		
30	POWER DIODE	1114197-00	30		
29	THERMAL SWITCH	1214259-01	29		
28	SHIELD	1214259-01	28		
27	TUMPER (BLACK)	02A704105-00	27		
26	NUT, HEX YA-28	9008035-00	26		
25	SPACER	9006565-00	25		
24	HARN RES, PANEL REAR	02A7014104-00	24		
23	STUD	1214160-04	23		
22	CAPACITOR	1014338-00	22		
21	SHUNT METER 100A W/BASE	1314174-00	21		
20	NUT, KEYP #6-32	9003785-00	20		
19	LOCK WASHER #6 SPLIT	9007801-00	19		
18	WASHER, FLAT #8	9006664-00	18		
17	SCR PHL PAN HD #8-32X.31LG	9008037-01	17		
16	SCR PHL PAN HD #8-32X.42LG	9007853-01	16		
15	NUT, KEYP #10-32	9006564-00	15		
14	LOCK WASHER #10 SPLIT	9007902-00	14		
13	SCR PHL PAN HD #8-32X.38LG	9006037-01	13		
12	SCR PHL PAN HD #10-32X.50LG	9006073-01	12		
11	NUT, KEYP #8-32	9006563-00	11		
10	LOCK WASHER #8 SPLIT	9006630-00	10		
9	WASHER, FLAT #8	9006660-00	9		
8	SCR PHL PAN HD #8-32X.44LG	3006038-01	8		
7	CHOKE, REWORK	02A7014417-00	7		
6	BUS BAR	1216882-00	6		
5	BLOCK MOUNT	1216757-00	5		
4	TRANSFORMER, REWORK	02A7014418-00	4		
3	PLATE, SHUNT	1216557-00	3		
2	HEAT SINK	1214247-01	2		
1	PANEL REAR	02A7018175-00	1		

REV.	DESCRIPTION	DATE	BY	CHKD.
1	ISSUED FOR FAB	10/27/71	J. W. HARRIS	J. W. HARRIS
2	REVISED TO SHOW VARIATION -01	11/17/71	J. W. HARRIS	J. W. HARRIS
3	REVISED TO SHOW VARIATION -01	11/17/71	J. W. HARRIS	J. W. HARRIS
4	REVISED TO SHOW VARIATION -01	11/17/71	J. W. HARRIS	J. W. HARRIS
5	REVISED TO SHOW VARIATION -01	11/17/71	J. W. HARRIS	J. W. HARRIS
6	REVISED TO SHOW VARIATION -01	11/17/71	J. W. HARRIS	J. W. HARRIS
7	REVISED TO SHOW VARIATION -01	11/17/71	J. W. HARRIS	J. W. HARRIS
8	REVISED TO SHOW VARIATION -01	11/17/71	J. W. HARRIS	J. W. HARRIS
9	REVISED TO SHOW VARIATION -01	11/17/71	J. W. HARRIS	J. W. HARRIS
10	REVISED TO SHOW VARIATION -01	11/17/71	J. W. HARRIS	J. W. HARRIS
11	REVISED TO SHOW VARIATION -01	11/17/71	J. W. HARRIS	J. W. HARRIS
12	REVISED TO SHOW VARIATION -01	11/17/71	J. W. HARRIS	J. W. HARRIS
13	REVISED TO SHOW VARIATION -01	11/17/71	J. W. HARRIS	J. W. HARRIS
14	REVISED TO SHOW VARIATION -01	11/17/71	J. W. HARRIS	J. W. HARRIS
15	REVISED TO SHOW VARIATION -01	11/17/71	J. W. HARRIS	J. W. HARRIS
16	REVISED TO SHOW VARIATION -01	11/17/71	J. W. HARRIS	J. W. HARRIS
17	REVISED TO SHOW VARIATION -01	11/17/71	J. W. HARRIS	J. W. HARRIS
18	REVISED TO SHOW VARIATION -01	11/17/71	J. W. HARRIS	J. W. HARRIS
19	REVISED TO SHOW VARIATION -01	11/17/71	J. W. HARRIS	J. W. HARRIS
20	REVISED TO SHOW VARIATION -01	11/17/71	J. W. HARRIS	J. W. HARRIS
21	REVISED TO SHOW VARIATION -01	11/17/71	J. W. HARRIS	J. W. HARRIS
22	REVISED TO SHOW VARIATION -01	11/17/71	J. W. HARRIS	J. W. HARRIS
23	REVISED TO SHOW VARIATION -01	11/17/71	J. W. HARRIS	J. W. HARRIS
24	REVISED TO SHOW VARIATION -01	11/17/71	J. W. HARRIS	J. W. HARRIS
25	REVISED TO SHOW VARIATION -01	11/17/71	J. W. HARRIS	J. W. HARRIS
26	REVISED TO SHOW VARIATION -01	11/17/71	J. W. HARRIS	J. W. HARRIS
27	REVISED TO SHOW VARIATION -01	11/17/71	J. W. HARRIS	J. W. HARRIS
28	REVISED TO SHOW VARIATION -01	11/17/71	J. W. HARRIS	J. W. HARRIS
29	REVISED TO SHOW VARIATION -01	11/17/71	J. W. HARRIS	J. W. HARRIS
30	REVISED TO SHOW VARIATION -01	11/17/71	J. W. HARRIS	J. W. HARRIS
31	REVISED TO SHOW VARIATION -01	11/17/71	J. W. HARRIS	J. W. HARRIS
32	REVISED TO SHOW VARIATION -01	11/17/71	J. W. HARRIS	J. W. HARRIS
33	REVISED TO SHOW VARIATION -01	11/17/71	J. W. HARRIS	J. W. HARRIS
34	REVISED TO SHOW VARIATION -01	11/17/71	J. W. HARRIS	J. W. HARRIS
35	REVISED TO SHOW VARIATION -01	11/17/71	J. W. HARRIS	J. W. HARRIS
36	REVISED TO SHOW VARIATION -01	11/17/71	J. W. HARRIS	J. W. HARRIS
37	REVISED TO SHOW VARIATION -01	11/17/71	J. W. HARRIS	J. W. HARRIS
38	REVISED TO SHOW VARIATION -01	11/17/71	J. W. HARRIS	J. W. HARRIS
39	REVISED TO SHOW VARIATION -01	11/17/71	J. W. HARRIS	J. W. HARRIS
40	REVISED TO SHOW VARIATION -01	11/17/71	J. W. HARRIS	J. W. HARRIS
41	REVISED TO SHOW VARIATION -01	11/17/71	J. W. HARRIS	J. W. HARRIS
42	REVISED TO SHOW VARIATION -01	11/17/71	J. W. HARRIS	J. W. HARRIS
43	REVISED TO SHOW VARIATION -01	11/17/71	J. W. HARRIS	J. W. HARRIS
44	REVISED TO SHOW VARIATION -01	11/17/71	J. W. HARRIS	J. W. HARRIS
45	REVISED TO SHOW VARIATION -01	11/17/71	J. W. HARRIS	J. W. HARRIS
46	REVISED TO SHOW VARIATION -01	11/17/71	J. W. HARRIS	J. W. HARRIS
47	REVISED TO SHOW VARIATION -01	11/17/71	J. W. HARRIS	J. W. HARRIS
48	REVISED TO SHOW VARIATION -01	11/17/71	J. W. HARRIS	J. W. HARRIS

LESS OTHERWISE SPECIFIED DIMENSIONS ARE IN INCHES

ANGLE	CLASS OF SURFACE	FINISH	SPRUE	DRILL	REAR	FRONT
1	1	1	1	1	1	1
2	2	2	2	2	2	2
3	3	3	3	3	3	3
4	4	4	4	4	4	4
5	5	5	5	5	5	5
6	6	6	6	6	6	6
7	7	7	7	7	7	7
8	8	8	8	8	8	8
9	9	9	9	9	9	9
10	10	10	10	10	10	10
11	11	11	11	11	11	11
12	12	12	12	12	12	12
13	13	13	13	13	13	13
14	14	14	14	14	14	14
15	15	15	15	15	15	15
16	16	16	16	16	16	16
17	17	17	17	17	17	17
18	18	18	18	18	18	18
19	19	19	19	19	19	19
20	20	20	20	20	20	20
21	21	21	21	21	21	21
22	22	22	22	22	22	22
23	23	23	23	23	23	23
24	24	24	24	24	24	24
25	25	25	25	25	25	25
26	26	26	26	26	26	26
27	27	27	27	27	27	27
28	28	28	28	28	28	28
29	29	29	29	29	29	29
30	30	30	30	30	30	30
31	31	31	31	31	31	31
32	32	32	32	32	32	32
33	33	33	33	33	33	33
34	34	34	34	34	34	34
35	35	35	35	35	35	35
36	36	36	36	36	36	36
37	37	37	37	37	37	37
38	38	38	38	38	38	38
39	39	39	39	39	39	39
40	40	40	40	40	40	40
41	41	41	41	41	41	41
42	42	42	42	42	42	42
43	43	43	43	43	43	43
44	44	44	44	44	44	44
45	45	45	45	45	45	45
46	46	46	46	46	46	46
47	47	47	47	47	47	47
48	48	48	48	48	48	48

REAR PANEL ASSEMBLY

SCALE 1/1

DATE 11/17/71

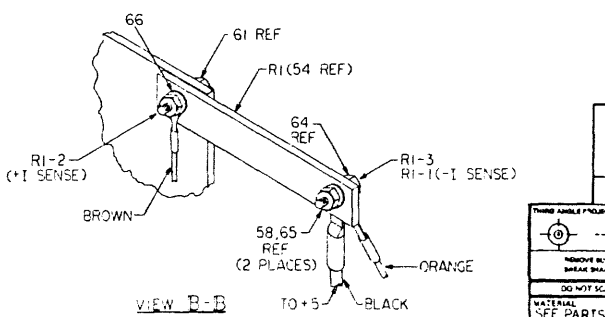
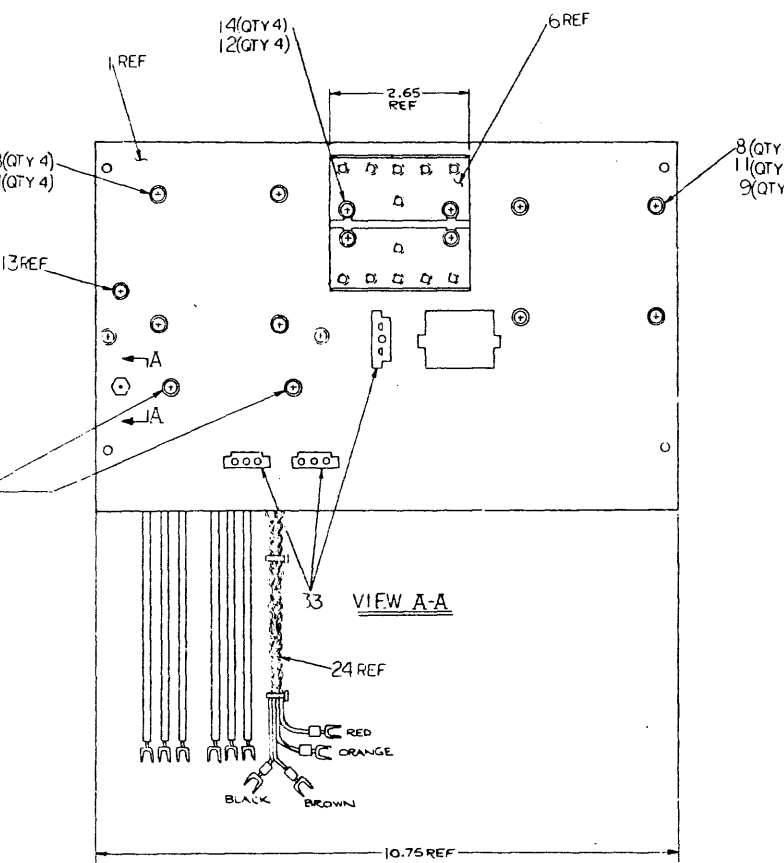
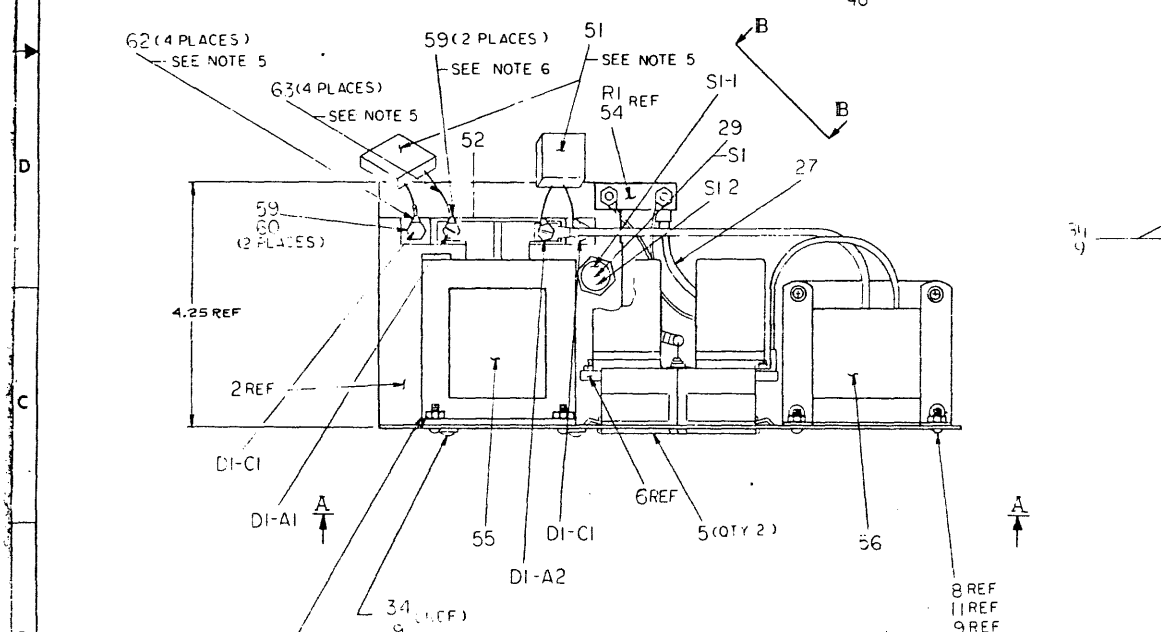
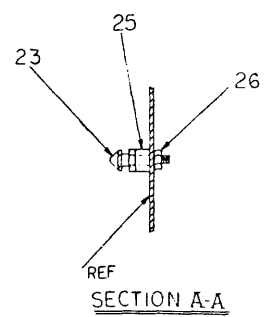
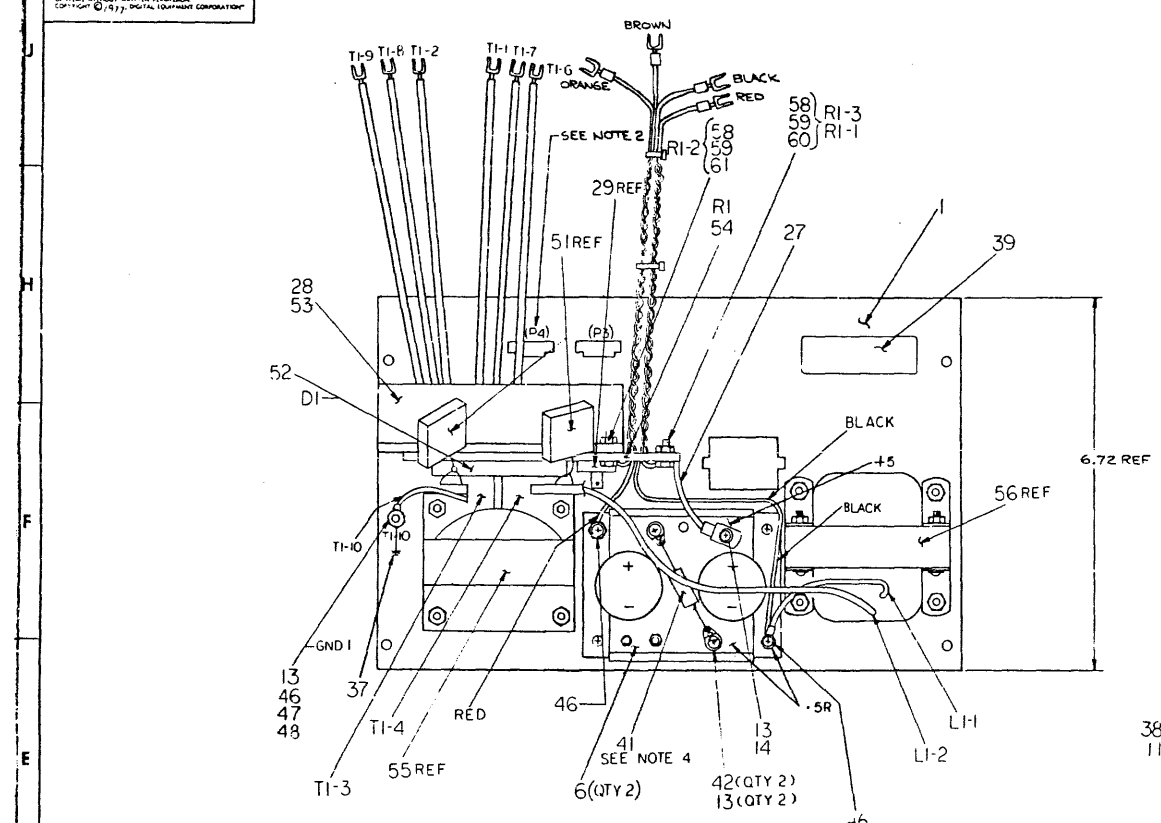
BY J. W. HARRIS

CHKD. J. W. HARRIS

THIS DRAWING AND ALL INFORMATION HEREON ARE THE PROPERTY OF THE UNITED STATES GOVERNMENT AND SHALL NOT BE REPRODUCED OR COPIED OR USED IN WHOLE OR IN PART AS THE BASIS FOR THE MANUFACTURE OR SALE OF ITEMS WITHOUT WRITTEN PERMISSION.
COPYRIGHT © 1977 PERIODIC EQUIPMENT CORPORATION

WIRED TABLE						
ITEM NO	DESCRIPTION	FROM	TO	REMARKS		
27	8 BLACK	RI-3	+5	34610	-V SENSE	
24	18 BROWN	---	RI-2	---	+I SENSE	
18	ORANGE	---	RI-1	---	-I SENSE	
18	RED	---	+5	34610	+V SENSE	
33	18 ORANGE	POINT 6	SI-1	---	---	
55	---	POINT 0	SI-2	---	---	
56	8 BLACK	LI-1	DI-A1	---	---	
56	8 BLACK	LI-2	DI-A2	---	---	
51	---	DI-A1	DI-C1	---	---	SNUBBER MODULE 1
51	---	DI-A2	DI-C2	---	---	SNUBBER MODULE 2

- NOTES:
- ATTACH GROMMETS (ITEMS 33 & 34) AS SHOWN.
 - PLACES ARE PART OF ITEM #33 (HARNESS, OUT-PUT SIGNAL).
 - DIODES MUST SEAT FLUSH ON HEAT SINK. USE THERMAL GREASE (ITEM 40) ON INTERFACE. TORQUE 10.25 IN-LBS MIN AND UNTIL DIODE SEATS.
 - SOLDER RESISTOR (ITEM 41) TO LUGS (ITEM 42) AND ATTACH TO BUS BARS AS SHOWN.



CAUTION: SEE OFF SHEET PARTS LIST
K-PL-7013921-0-DBR(236064-PLS)

ITEM NO	DESCRIPTION	QTY	UNIT	PRICE	TOTAL
1	LOCTITE #20 ADH.	9009151-01	50		
2	BLOCK MOUNT REWORK	742229-00	48		
3	WASHER FLAT	900664-00	48		
4	WASHER EXT TOOTH #10	9007651-00	48		
5	NUT KEPS 10-32	9006563-00	48		
6	LOCKWASHER #10 SPLIT	9007801-00	19		
7	WASHER FLAT #8	9006660-00	9		
8	SCR. PAN. HD. #8-32X.38LG	9006073-01	12		
9	LOCK WASHER #8 SPLIT	9006563-00	10		
10	WASHER FLAT #8	9006660-00	9		
11	SCR. PAN. HD. #8-32X.44LG	9006073-01	8		
12	CHOKES, REWORK	CDA-7014417-0-0	7		
13	BUS BAR	216852-00	6		
14	BLOCK MOUNT	1216751-00	5		
15	TRANSFORMER, REWORK	CDA-7014418-0-0	4		
16	PLATE, SHUNT	1216577-00	3		
17	HEAT SINK	1214247-01	2		
18	PANEL REAR	D-40-7418175-0-0	1		

DESCRIPTION	QTY	UNIT	PRICE	TOTAL
...

REAR PANEL ASSEMBLY

SCALE: 1/1

DATE: 7/10/77

REVISION CHANGE NO

01 VARIATION

LINE	ITEM	TOP DOCUMENT	PART NUMBER	MIN REV	DESCRIPTION	QTY PER VARIATION	
						00	01
1	1	D-MD-7418175-0-0	7418175-00		REAR PANEL	1	1
2	2		1217473-00		HEAT SINK,W/JEDEC D05 4.500X4.25	1	-
3	3		1216559-00		MOUNTING PLATE,SHUNT	1	-
4	4	C-IA-7014418-0-0	7014418-00		TRANSFORMER REWORK	1	-
5	5		1217703-00		BUS BAR,MOUNTING BLOCK	2	2
6	6		1216852-01		BUS BAR	2	2
7	7	C-IA-7014417-0-0	7014417-00		CHOKE REWORK	1	-
8	8		9006038-01		SCREW,MACH PAN PHIL 8-	4	4
9	9		9006660-00		WASHER,FLAT SST	8	6
10	10		9006690-00		WASHER,HELICAL SPLIT SST	2	2
11	11		9006563-00		NUT,HEX EXT TOOTH LCKWSHR 8-32	8	8
12	12		9006346-08		SCREW,CAP SOC HEX 10-	4	4
13	13		9006071-01		SCREW,MACH PAN PHIL 10-	5	4
14	14		9007906-00		WASHER,HELICAL SPLIT STEEL	9	6
15	15		9006564-00		NUT,HEX 10-32X .369AF SS/N	3	-
16	16	BLANK			*** THIS ITEM IS NOT USED ***	-	-
17	17		9008037-01		SCREW,MACH PAN PHIL 6-	2	-
18	18	BLANK			*** THIS ITEM IS NOT USED ***	-	-
19	19		9007801-00		WASHER,HELICAL SPLIT SST	2	-
20	20		9008185-00		NUT,HEX EXT TOOTH LCKWSHR 6-32	2	-
21	21		1314174-00		100.0A SHUNT	1	-
22	22		1014338-00		15,000 MFD 7.5V 20% AL EL	2	2
23	23		1214180-04		FASTENER,SNAPSLIDE,LARGE,STUD	1	1
24	24	C-IA-7014104-0-0	7014104-00		HARNESS REAR PANEL	1	-
25	25		9000034-02		SPACER,CLEAR HOLE RND ALUM 1/4	1	1
26	26		9008063-00		NUT,HEX 1/4-28X .369AF SS/N	1	1
27	27	C-IA-7014105-0-0	7014105-00		JUMPER	1	1
28	28		1213071-11		INSULATOR,RUBBER,THERMAL	1	1
29	29		1214259-01		THERMOSTAT,0@177,C@212 W/.500STU	1	1
30	30		1114197-00		SCHOTTKY PIV= 45 IO=60.00A	3	-

REVISION HISTORY			BASIC PART NO: 7013921		
ENG!	ECO NUMBER	REV	SECTION A OF A	DRN: W. J. MAHER	DATE: 11-JAN-82
---	INITIAL	F	SECTION VARIATION INDEX	CHK'D: S. ROBERTS	DATE: 11-JAN-82
KK	7013921-TW006	H	[A]00,01	DES.ENG: R. MARTEL	DATE: 11-JAN-82
SH	7013921-TW007	J	[B]	RESP.ENG.: R. MARTEL	DATE: 11-JAN-82
SS	7013921-TW008	K	[C]	MFG.ENG.: E. BLAIR	DATE: 11-JAN-82
			[D]	ASSEMBLY NUMBER:	TOP DOCUMENT NUMBER:
			[E]	E-AD-7013921-0-0	E-UA-H7100-0-0
			[F]		FILE NAME:
					Z3606K.PLS
					EDIT #:
					11

"THIS DRAWING AND THE SPECIFICATIONS CONTAINED HEREIN ARE CONFIDENTIAL AND PROPRIETARY. THEY ARE THE PROPERTY OF DIGITAL EQUIPMENT CORPORATION AND SHALL NOT BE REPRODUCED OR COPIED OR USED IN WHOLE OR IN PART AS THE BASIS FOR THE MANUFACTURE OR SALE OF ITEMS WITHOUT WRITTEN PERMISSION. THIS IS AN UNPUBLISHED WORK PROTECTED UNDER THE FEDERAL COPYRIGHT LAWS."

LINE	ITEM	TOP DOCUMENT	PART NUMBER	MIN REV	DESCRIPTION	QTY PER VARIATION	
						00	01
					VARIATION REVISION LEVEL:	J1	A1
31	31		5413087-00		H7100 SNUBBER CARD	1	-
32	32	BLANK			*** THIS ITEM IS NOT USED ***	-	-
33	33	D-IA-7014157-0-0	7014157-00		HARNESS, OUTPUT SIGNAL	1	1
34	34		9009800-08		SCREW,TAP PAN PHIL THD RL 8-	2	2
35	35	BLANK			*** THIS ITEM IS NOT USED ***	-	-
36	36		9006842-00		SPACER,THREADED HEX ALUM 6-3	2	-
37	37		3612680-00		DECAL, GROUND SIGN PER 3E6 *	1	1
38	38		9006039-01		SCREW,MACH PAN PHIL 8-	4	4
39	39		9009255-01		LABEL, POWER SUPPLY, 2-7/8" LG X	1	1
40	40		9008268-00		COMPOUND, THERMAL JOINT	A/R	A/R
41	41		1301417-00		22.0 2.0 W10.0 % CC	1	1
42	42		9008150-00		TERM,LUG #10STUD LOCKING 45	2	2
43	43	BLANK			*** THIS ITEM IS NOT USED ***	-	-
44	44		9006037-01		SCREW,MACH PAN PHIL 8-	2	-
45	45	BLANK			*** THIS ITEM IS NOT USED ***	-	-
46	46		9006565-00		NUT,HEX EXT TOOTH LCKWSHR 10-32	3	3
47	47		9007651-00		WASHER,LOCK EXTERNAL STEEL	1	1
48	48		9006664-00		WASHER,FLAT SST	1	1
49	49	BLANK			*** THIS ITEM IS NOT USED ***	-	-
50	50	BLANK			*** THIS ITEM IS NOT USED ***	-	-
51	51		1920316-01		RC NETWORK 1-10 OHM 1-.01MFD	-	2
52	52		1120811-01		SCHOTTKY PIV= 50 IO=200.0A	-	1
53	53		1217473-01		HEAT SINK	-	1
54	54		7430753-01		SHUNT	-	1
55	55		1623584-01		XFMR,PWR,HIGH FREQ W/TERM	-	1
56	56		1623585-01		30.0 100A DC W/TERMINAT	-	1
57	57	C-IA-7014104-0-0	7014104-01		JUMPER	-	1
58	58		9006566-00		NUT,HEX 1/4-20X .431AF CS/C	-	2
59	59		9007797-00		WASHER,HELICAL SPLIT SST	-	4
60	60		9006241-09		SCREW,MACH HEX PLN 1/4-	-	2
61	61		1223998-02		SCREW HEX 1/4	-	1
62	62		9007815-00		TERM,LUG 1/4STUD LOCKING	-	4
63	63		9107295-11		TUBING,TEFLON .066ID	-	A/R
64	64		1223998-01		SCREW HEX 1/4	-	1
65	65		9006637-00		WASHER,LOCK INTERNAL STEEL	-	2
66	66		9006646-00		WASHER,FLAT SST	-	1

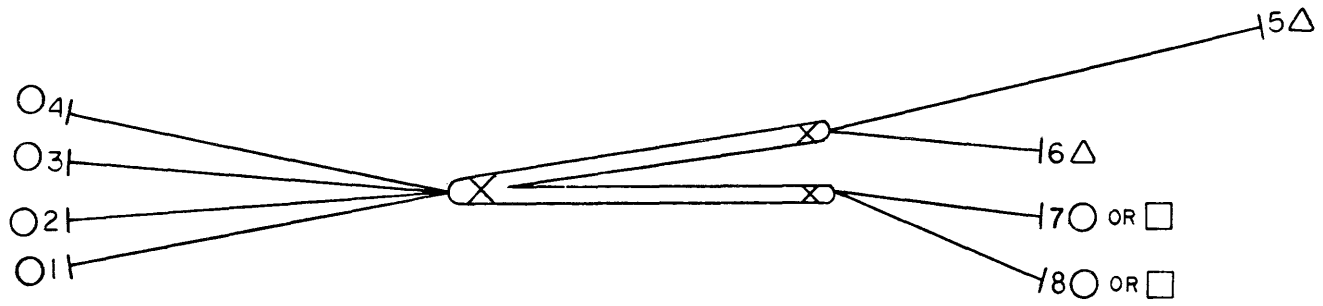
D	I	G	I	T	A	L	TITLE	REAR PANEL ASSEMBLY	SECTION A	OF A	SIZE	CODE	DOCUMENT NUMBER	REV
											K	PL	7013921-0-DBP	K

"THIS DRAWING AND SPECIFICATIONS, HEREIN, ARE THE PROPERTY OF DIGITAL EQUIPMENT CORPORATION AND SHALL NOT BE REPRODUCED OR COPIED OR USED IN WHOLE OR IN PART AS THE BASIS FOR THE MANUFACTURE OR SALE OF ITEMS WITHOUT WRITTEN PERMISSION. COPYRIGHT © 1977, DIGITAL EQUIPMENT CORPORATION"

WIRE TABLE											
ITEM NO	DESCRIPTION			FROM			TO			-00	-01
	AWG	COLOR	POINT	CONN	TERM	POINT	CONN	TERM	TERM		
1	18	BROWN	1	---	5	8	---	5	9		
2	18	ORANGE	2	---	5	7	---	5	9		
3	18	RED	3	---	5	6	---	6	6		
4	18	BLACK	4	---	5	5	---	6	6		

NOTES:
 1. USE CABLE TIE (X) ITEM #7 APPROXIMATELY EVERY (3) THREE INCHES WHEN NECESSARY AND AT EVERY BREAKOUT POINT.
 2. ITEMS 1 & 2 ARE TO BE TWISTED AND ITEMS 3 & 4 TWISTED EACH HAVING 2 1/2 TWISTS PER INCH

LEGEND		
PART NO.	PART REV	VARIATION
7014104-00	A1	USE ITEM 5 AT POINTS 7 & 8
7014104-01	A1	USE ITEM 9 AT POINTS 7 & 8



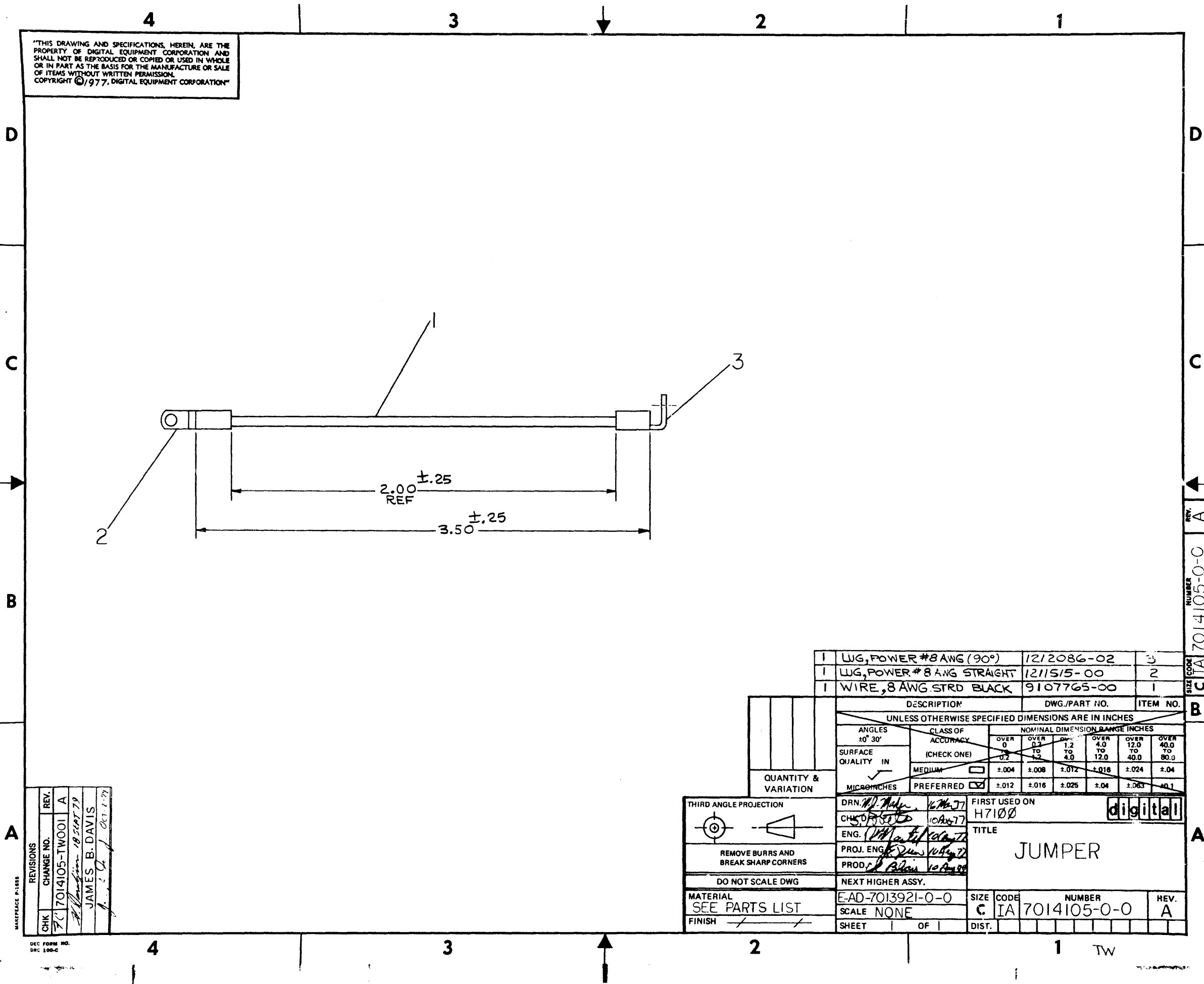
QTY	SYMBOL	DESCRIPTION	DWG./PART NO.	ITEM NO.
2	□	0 TERM, RING 22-16AWG 1/4"	9009637-00	9
1		1 LABEL, CABLE IDENT	9009532-00	8
A/R	X	A/R TIE, CABLE	9007031-00	7
2	△	2 TERMINAL, RING 22-16AWG	9007930-00	6
4	○	4 TERMINAL, SPADE TONGUE INS	9009695-04	5
A/R		A/R WIRE, 18 AWG STRD BLACK	9107360-00	4
A/R		A/R WIRE, 18 AWG STRD RED	9107360-22	3
A/R		A/R WIRE, 18 AWG STRD ORANGE	9107360-33	2
A/R		A/R WIRE, 18 AWG STRD BROWN	9107360-11	1

REVISIONS	CHANGE NO.	REV.
1	7014104-00001	A
2	7013921-TW007	B
3	7013921-TW007	B
4	7013921-TW007	B

QUANTITY & VARIATION		DESCRIPTION		DWG./PART NO.	ITEM NO.
QTY	SYMBOL	UNLESS OTHERWISE SPECIFIED DIMENSIONS ARE IN INCHES			
-01	-00	NOMINAL DIMENSION RANGE INCHES			
ANGLES ±0° 30'		CLASS OF ACCURACY			
SURFACE QUALITY IN		(CHECK ONE)			
MICROINCHES		PREFERRED			
THIRD ANGLE PROJECTION		FIRST USED ON			
REMOVE BURRS AND BREAK SHARP CORNERS		H7100			
DO NOT SCALE DWG		TITLE			
MATERIAL SEE PARTS LIST		HARNESS, REAR PANEL			
FINISH		NEXT HIGHER ASSY.			
SCALE 1/1		E-AD-7013921-0-0			
SHEET OF 1		SIZE CODE C IA 7014104-0-0			
		REV. B			

REV. B
NUMBER IA 7014104-0-0
SIZE CODE C

"THIS DRAWING AND SPECIFICATIONS, HEREIN, ARE THE PROPERTY OF DIGITAL EQUIPMENT CORPORATION AND SHALL NOT BE REPRODUCED OR COPIED OR USED IN WHOLE OR IN PART AS THE BASIS FOR THE MANUFACTURE OR SALE OF ITEMS WITHOUT WRITTEN PERMISSION. COPYRIGHT ©1977, DIGITAL EQUIPMENT CORPORATION"



REVISIONS	CHANGE NO.	REV.
CHK	7014105-TW001	A
JAMES B. DAVIS		
18 SEP 79		
1 OCT 77		

DEC FORM NO. DPC 100-C

1	LUG, POWER #8 AWG (90°)	1212086-02	3
1	LUG, POWER #8 AWG STRAIGHT	1211515-00	2
1	WIRE, 8 AWG STRD BLACK	9107765-00	1

DESCRIPTION	DWG./PART NO.	ITEM NO.					
UNLESS OTHERWISE SPECIFIED DIMENSIONS ARE IN INCHES							
ANGLES ±0° 30'	CLASS OF ACCURACY	NOMINAL DIMENSION RANGE INCHES					
SURFACE QUALITY IN	(CHECK ONE)	OVER 0 TO 0.2	OVER 0.2 TO 1.2	OVER 1.2 TO 4.0	OVER 4.0 TO 12.0	OVER 12.0 TO 40.0	OVER 40.0 TO 80.0
		±.004	±.008	±.012	±.016	±.024	±.04
MICROMETRES	PREFERRED	±.012	±.016	±.025	±.04	±.063	±.1

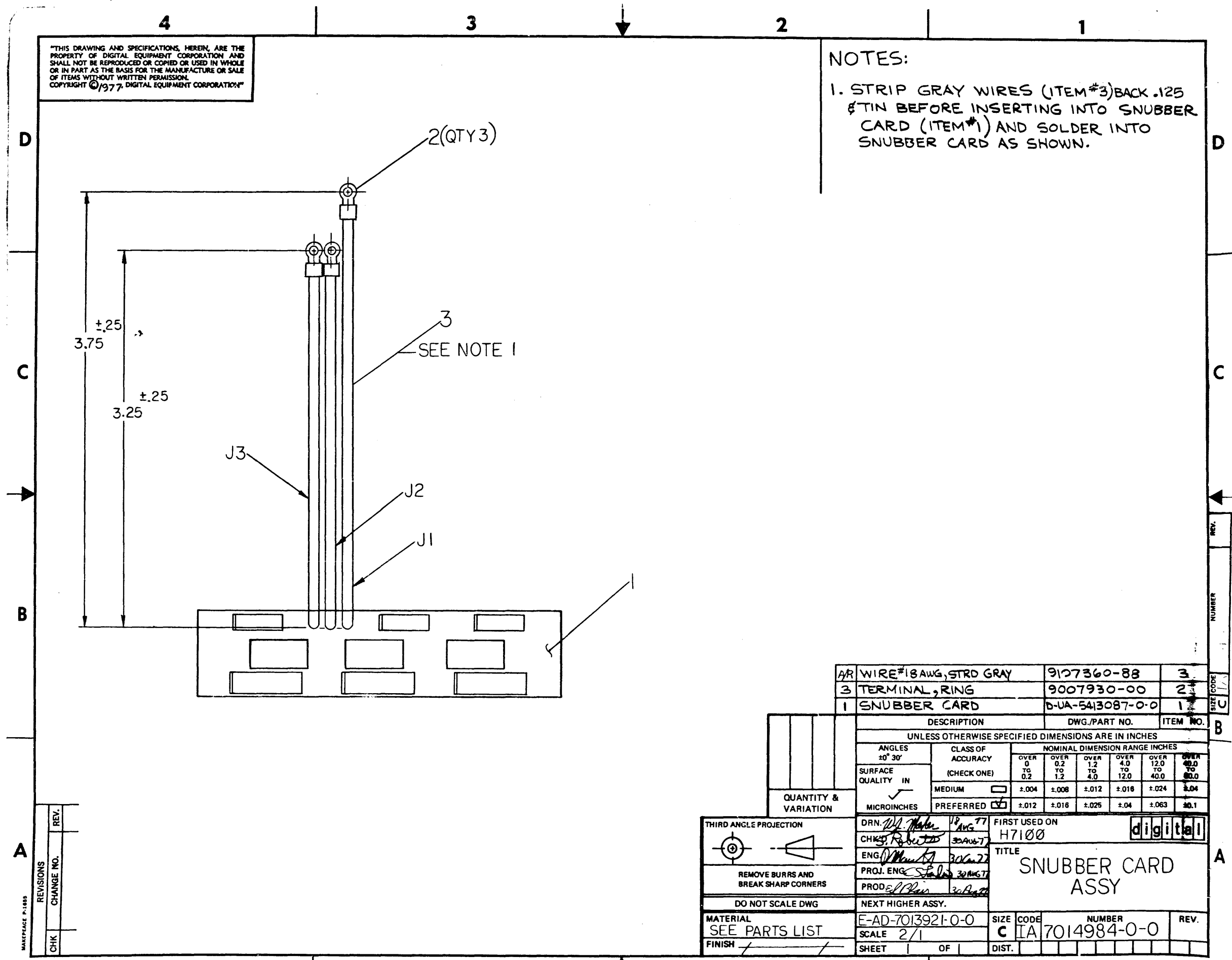
THIRD ANGLE PROJECTION	DRN. <i>[Signature]</i> 16 MAR 77	FIRST USED ON	H7100
REMOVE BURRS AND BREAK SHARP CORNERS	CHKD. <i>[Signature]</i> 10 AUG 77	TITLE	JUMPER
DO NOT SCALE DWG	PROJ. ENG. <i>[Signature]</i> 14 SEP 77	SIZE	C IA
MATERIAL SEE PARTS LIST	PROD. <i>[Signature]</i> 16 MAR 77	CODE	7014105-0-0
FINISH	NEXT HIGHER ASSY.	NUMBER	7014105-0-0
		REV.	A

REV. A
NUMBER 7014105-0-0
SIZE CODE C IA

"THIS DRAWING AND SPECIFICATIONS, HEREIN, ARE THE PROPERTY OF DIGITAL EQUIPMENT CORPORATION AND SHALL NOT BE REPRODUCED OR COPIED OR USED IN WHOLE OR IN PART AS THE BASIS FOR THE MANUFACTURE OR SALE OF ITEMS WITHOUT WRITTEN PERMISSION. COPYRIGHT © 1977, DIGITAL EQUIPMENT CORPORATION"

NOTES:

1. STRIP GRAY WIRES (ITEM#3) BACK .125 & TIN BEFORE INSERTING INTO SNUBBER CARD (ITEM#1) AND SOLDER INTO SNUBBER CARD AS SHOWN.



3	WIRE #18 AWG, STRD GRAY	9127360-88	3
3	TERMINAL, RING	9007930-00	2
1	SNUBBER CARD	D-UA-5413087-0-0	1

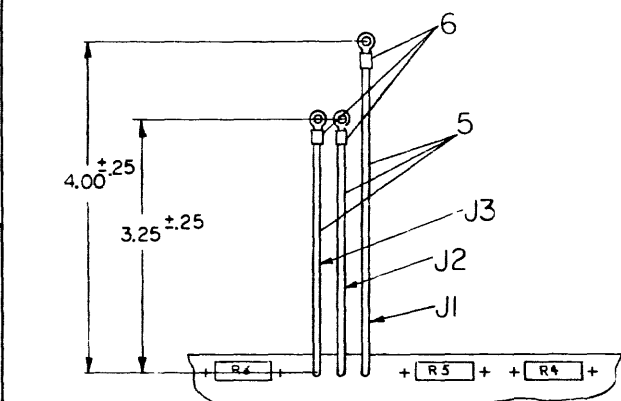
DESCRIPTION		DWG./PART NO.	ITEM NO.
UNLESS OTHERWISE SPECIFIED DIMENSIONS ARE IN INCHES			
ANGLES ±0° 30'	CLASS OF ACCURACY	NOMINAL DIMENSION RANGE INCHES	
SURFACE QUALITY IN MICROINCHES	(CHECK ONE)	OVER 0 TO 0.2	OVER 0.2 TO 1.2
		OVER 1.2 TO 4.0	OVER 4.0 TO 12.0
	MEDIUM	±.004	±.008
	PREFERRED	±.012	±.016
		±.025	±.04
		±.063	±.1

THIRD ANGLE PROJECTION	DRN. <i>W. H. H.</i> 18 AUG 77	FIRST USED ON	H7100
REMOVE BURRS AND BREAK SHARP CORNERS	CHKD. <i>R. Roberts</i> 30 AUG 77	TITLE	SNUBBER CARD ASSY
DO NOT SCALE DWG	ENG. <i>W. H. H.</i> 30 AUG 77	SIZE	C
MATERIAL SEE PARTS LIST	PROJ. ENG. <i>St. L.</i> 30 AUG 77	CODE	IA
FINISH	PROD. <i>P. R.</i> 30 AUG 77	NUMBER	7014984-0-0
	NEXT HIGHER ASSY.	REV.	
	E-AD-7013921-0-0		
	SCALE 2/1		
	SHEET OF		

REVISIONS	REV.
CHANGE NO.	
CHK	

THIS DRAWING AND SPECIFICATIONS, UNLESS AND TO THE EXTENT OF ANY OTHER SPECIFICATIONS, GOVERN OVER ALL PARTS OF THIS DRAWING AND SHALL BE USED IN CONNECTION WITH THE DRAWING AND THE SPECIFICATIONS AS SHOWN THEREON.

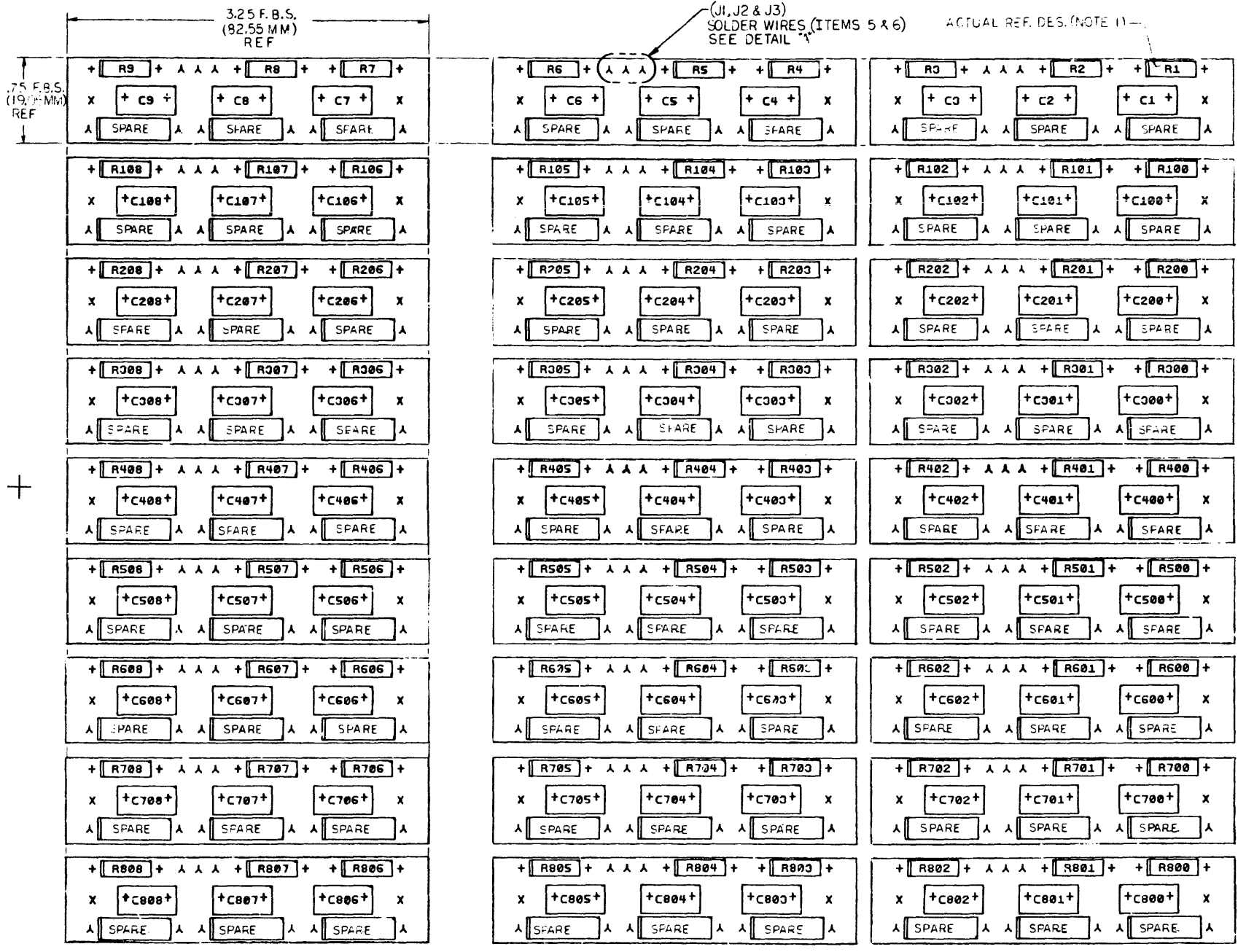
REFERENCE DESIGNATION CHART	
ACTUAL REF. DES.	SUPERFICIAL REF. DES.
R1 R2 R3	R4 THRU R9 R10 THRU R108 R200 THRU R208 R300 THRU R308 R400 THRU R408 R500 THRU R508 R600 THRU R608 R700 THRU R708 R800 THRU R808
C1 C2 C3	C4 THRU C9 C100 THRU C108 C200 THRU C208 C300 THRU C308 C400 THRU C408 C500 THRU C508 C600 THRU C608 C700 THRU C708 C800 THRU C808



CUT AND STRIP WIRE (ITEM 5) TO LENGTHS SHOWN. CRIMP ITEM 6 TO ONE END OF EACH AS SHOWN AND SOLDER INTO 'X' HOLES AS SHOWN.

DETAIL 'A'
SCALE: NONE

OBSOLETE



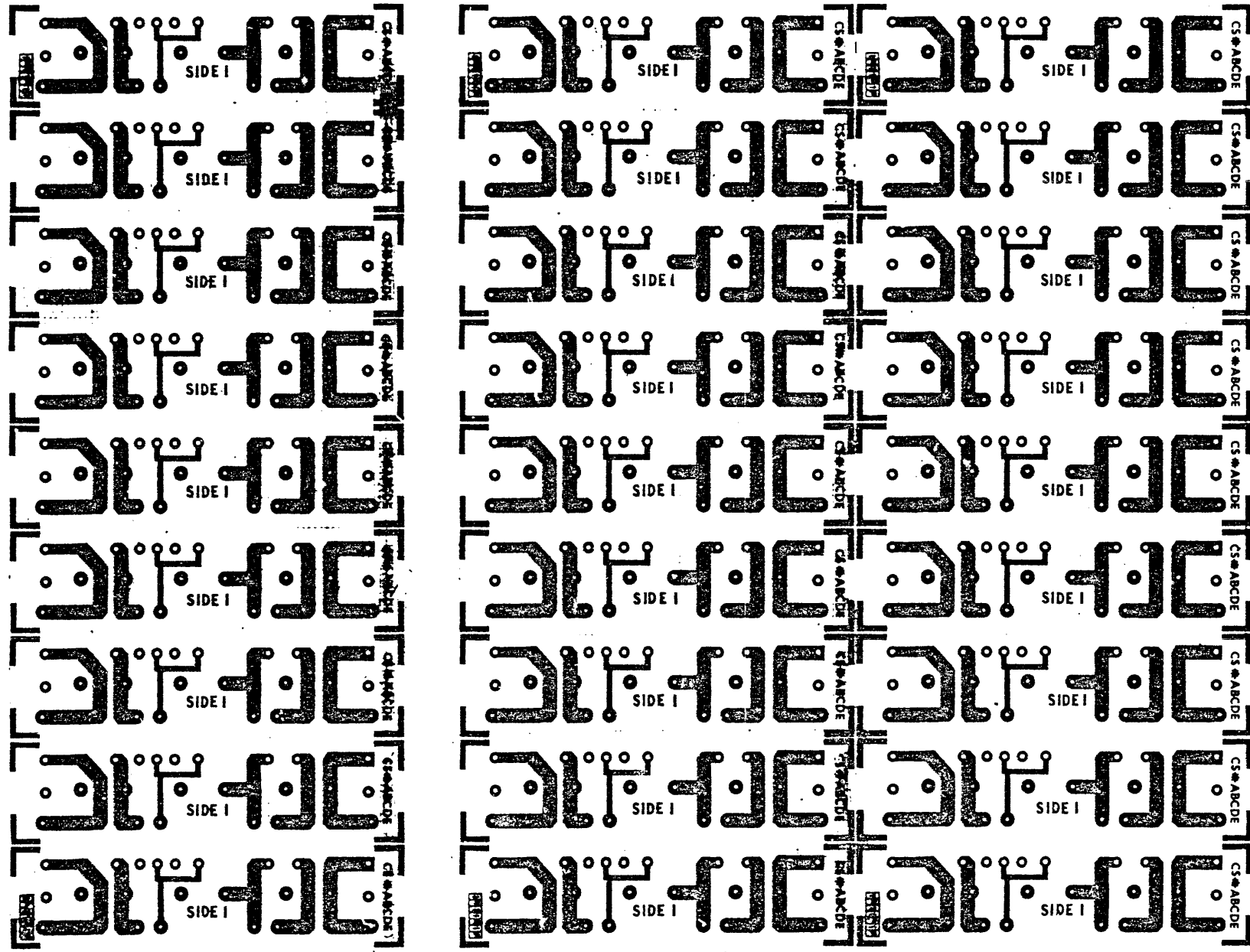
NOTES: 1. MULTI-REF. DES. ARE USED TO ACCOMMODATE PANEL INSERTION TECHNIQUE. REFER TO CHART FOR CROSS REFERENCE.

CHANGE NO	REV	DATE	BY	CHK'D	DATE
5413087-1	A	1/11/67	R. MARTEL		
5413087-2	B	1/11/67	J. DREW		

ETCH REV.	A
P.C. DESIGN DATA BASE REV.	A

SIGNATURES	DATE	digital
DRN.	1/11/67	
CHK'D.	1/11/67	TITLE
ENG.	1/11/67	SNURBER CARD
PROJ. ENG.	1/11/67	SCALE 2/1
PROD.	1/11/67	SIZE CODE
		NUMBER
		REV
		D
		5413087-00 B
		OF 3
		SHT. 1
		NEXT HIGHER ASSY. B-DD-5413087-0

THIS DRAWING AND SPECIFICATIONS HEREIN ARE THE PROPERTY OF DIGITAL EQUIPMENT CORPORATION, AND SHALL NOT BE REPRODUCED OR COPIED OR USED IN WHOLE OR IN PART AS THE BASIS FOR THE MANUFACTURE OR SALE OF ITEMS WITHOUT WRITTEN PERMISSION. COPYRIGHT © DIGITAL EQUIPMENT CORPORATION.



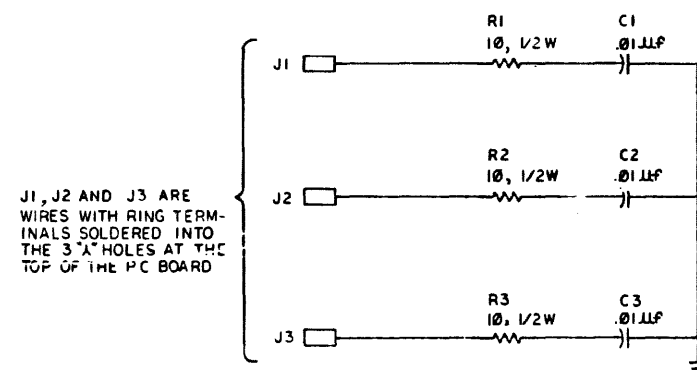
VIEWED FROM SIDE 1

REVISIONS		
CHK	CHANGE NO.	REV.

TITLE	SIZE CODE	NUMBER	REV.
SNUBBER CARD	DUA	5413087-0-0	B
SCALE 1:1	SHEET	OF	DIST.

CS5413087-0-1
 8 2

"THIS DRAWING AND SPECIFICATIONS HEREIN ARE THE PROPERTY OF DIGITAL EQUIPMENT CORPORATION AND SHALL NOT BE REPRODUCED OR COPIED OR USED IN WHOLE OR IN PART AS THE BASIS FOR THE MANUFACTURE OR SALE OF ITEMS WITHOUT WRITTEN PERMISSION. COPYRIGHT © 1977, DIGITAL EQUIPMENT CORPORATION"



REV.	CHG	CHG NO.	DATE	BY
A		5413087-00001	11/17/77	R. MARTEL
B		5413087-00002	13 JAN 78	J. DREW

DRN	CS5413087-0-1	FIRST USED ON	H7100	digital
CHK'D		TITLE	H7100	
ENG		SNUBBER CARD		
PROJ. ENG.				
PROD.				
NEXT HIGHER ASSY.				
0-0A5413087-0-0	SIZE	CODE	NUMBER	REV.
SCALE	D	CS5413087-0-1		B
SHEET	1	OF	1	DIST.

DIGITAL EQUIPMENT CORPORATION PARTS LIST

MADE BY RITA BUREAU	CHECKED <i>KENT CLIFESON</i>	SECTION	
DATE 7 JULY 77	DATE 30 AUG 77	1	
ENG <i>CS Parkus</i>	PROD <i>Ed Blair</i>	ISSUED SECTION	
DATE 30 AUG 77	DATE 30 AUG 77	1	

QUANTITY / VARIATION											
5413087-0-0											

NOTES:
REFER TO DWG. D-UA-5413087-0-0
FOR ADDITIONAL INSERTION
INFORMATION.

ITEM NO.	DRAWING NO.	PART NO.	DESCRIPTION	QTY	VAR	UNIT	REF	REF DESIGNATION
1	D-MD-5013086-0-0	5013086	ETCHED BOARD	1				
2		1011847-01	CAPACITOR., .01 UF, 400V	3				C1, C2, C3
3		1112594-01	DIODE, 1N15B	3				D1, D2, D3
4		1300168-00	RES., 10 OHMS, 1/2W, 5% C.C.	3				R1, R2, R3
5		9107360-88	WIRE #18 AWG STRD GRAY	A/R				
6		9007930-00	TERMINAL, RING	3				

E.C.O. NO.
00001
00002

"THIS DRAWING AND SPECIFICATIONS, HEREIN, ARE THE PROPERTY OF DIGITAL EQUIPMENT CORPORATION AND SHALL NOT BE REPRODUCED OR COPIED OR USED IN WHOLE OR IN PART AS THE BASIS FOR THE MANUFACTURE OR SALE OF ITEMS WITHOUT WRITTEN PERMISSION. COPYRIGHT ©1977 DIGITAL EQUIPMENT CORPORATION"

TITLE
H7100 SNUBBER CARD

ASSY NO.
E-UA-5413087-0-0
SHEET 1 OF 1

SIZE	CODE	NUMBER	REV.
B	PL	5413087-0-0	B

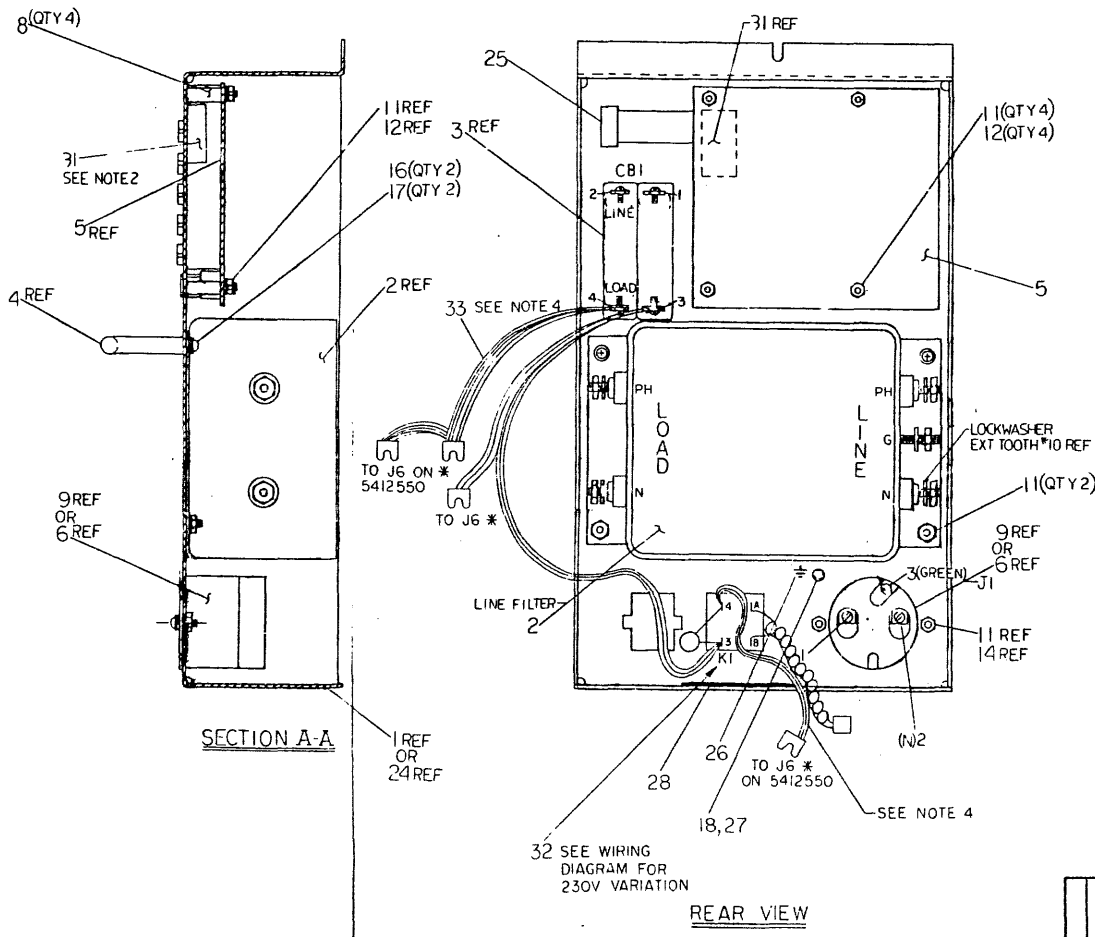
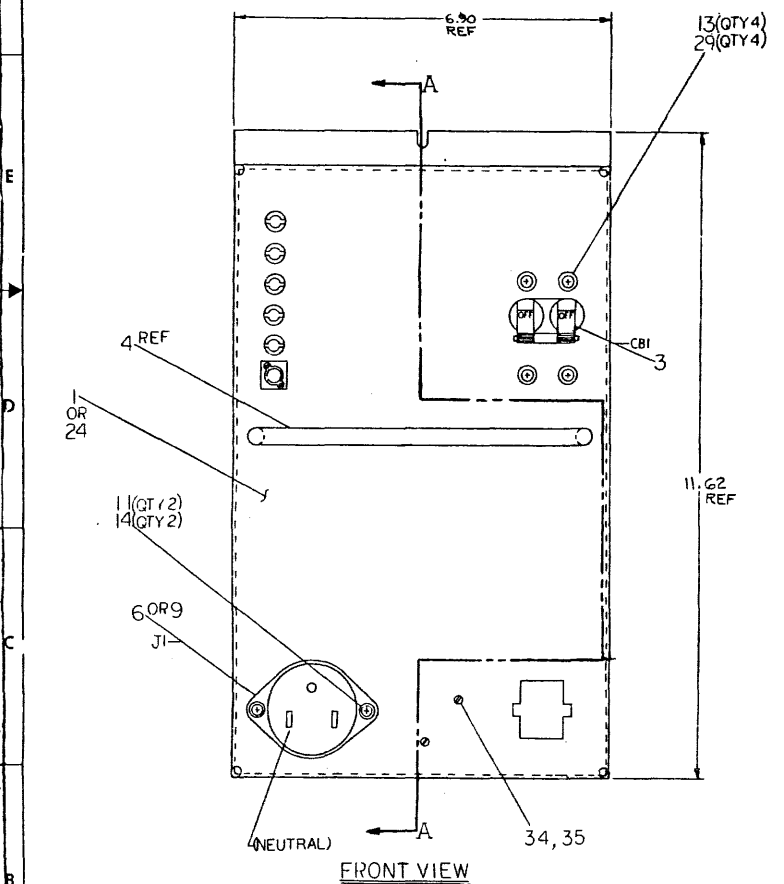
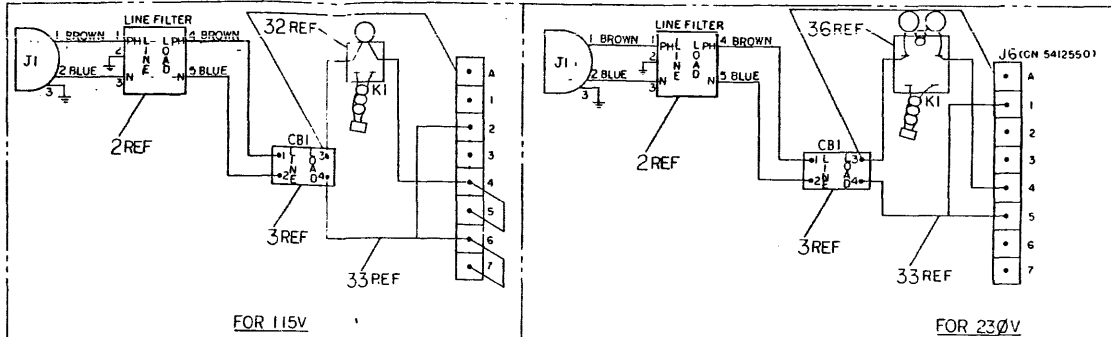
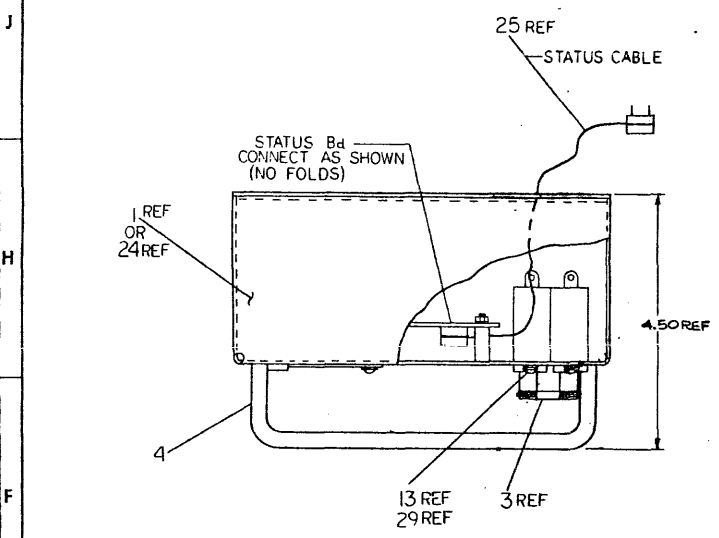
INSERTION PARTS LIST DATA BASE REV A

THIS DRAWING AND SPECIFICATIONS HEREAFTER ARE THE PROPERTY OF DIGITAL EQUIPMENT CORPORATION AND NO PART IS TO BE REPRODUCED OR COPIED IN WHOLE OR IN PART WITHOUT WRITTEN PERMISSION. COPYRIGHT © 1977, DIGITAL EQUIPMENT CORPORATION

WIRE TABLE 115V & 230V					
ITEM NO	AWG	COLOR	FROM	TO	REMARKS
22	14	BROWN	J1-1	PH(LINE) 19	6"
21	14	BLUE	J1-2	N(LINE) 19	4"
23		GRN/YEL	J1-3	G1 19	3"
23		GRN/YEL	G(LINE)	G1 19	6"
22		BROWN	PH(LOAD) 19	CBI-1 20	5"
21		BLUE	N(LOAD) 19	CBI-2 20	7"
32		BROWN	K1 RELAY PIN 3	CBI-3	(9")
33		BLUE	J6 ON # 5412550	CBI-4	(11")
32		BROWN	J6 ON # 5412550	CBI-3	11.5"

LEGEND		
PART NO	PART REV	VARIATION
7013802-00	D1	115 VAC
7013802-01	D1	230 VAC

- NOTES
1. ROUTE WIRES AWAY FROM ALL SHARP EDGES. TIE WRAP AS REQ'D USING ITEM 30.
 2. ON FRONT PANEL CHASSIS BUTT APPROX 1/4" OF ITEM 31 UP AGAINST ITEM 8 STANDOFF.
 3. FOR COMPLETE INTERCONNECTION INFORMATION SEE UA-5412550-CC.
 4. TIE/ST AC LINES AT ENTRY TO MIDDLE PANEL.



CAUTION: OFF SHEET PARTS LIST SEE KPL-7013802-0-LBP

PS LABEL	DESCRIPTION	QTY	ITEM NO
1	NUT, KEP #10-32	27	9009255-01
1	DECAL, GROUND SYMBOL	26	9006565-00
1	CABLE, KEYBOARD (20')	25	3612680-00
1	PANEL, FRONT (230V)	24	E-3A-7008/2-17
1	WIRE, LANG STRD GRN/YEL	23	E-3A-740174-01
1	WIRE, LANG STRD BROWN	22	9107777-04
1	WIRE, LANG STRD BLUE	21	9107370-11
2	TERMINAL, SPDE RINGE INS	20	9107370-66
10	TERMINAL, R NO TONGUE 16-14	19	9006995-00
1	WASHER, LOCK LIT #10	18	9007651-00
2	SCR, PH PAN HS, BRK 3/16	17	9006037-01
2	LOCKWASHER #3 BRIT	16	9006690-00
1	CONNECTOR, UNIVERSAL (PHN)	15	1212168-07
2	SCR, PH PAN HS, #32 X 3/16	14	9006021-01
4	LOCKWASHER #6 BRIT	13	9007801-00
4	WASHER, FLAT #6	12	9006653-00
3	NUT, KEP #12-32	11	9008185-00
1	CABLE, FRONT PANEL (115V)	10	E-3A-7014083-A
1	CONN, POWER REPT (115V)	9	E-3A-7014083-C
4	STANDOFF, 1/4" X 3/16" X 1/2"	8	9009230-00
1	CABLE, FRONT PANEL (230V)	7	E-3A-7014083-C
1	CONN, POWER REPT (230V)	6	9008834-30
1	STATUS CARD	5	D-0A-5412550-00
1	HANDLE	4	1214301-00
1	CIRCUIT BREAKER, 5AMP	3	1212124-06
1	FILTER, LINE 15A	2	1214395-00
1	PANEL, FRONT (115V)	1	E-3A-7018174-00

REV	DATE	BY	CHKD	APP	DESCRIPTION
1	11/17/77

UNLESS OTHERWISE SPECIFIED DIMENSIONS ARE IN INCHES

ANGLES	CLASS OF ACCURACY	MINIMUM DIMENSION RANGE	INCHES
10°	AS SHOWN	0.000 - 1.000	±0.005
15°	AS SHOWN	1.000 - 2.000	±0.006
20°	AS SHOWN	2.000 - 3.000	±0.007
25°	AS SHOWN	3.000 - 4.000	±0.008
30°	AS SHOWN	4.000 - 5.000	±0.009
40°	AS SHOWN	5.000 - 10.000	±0.012
50°	AS SHOWN	10.000 - 25.000	±0.015
60°	AS SHOWN	25.000 - 50.000	±0.020
75°	AS SHOWN	50.000 - 100.000	±0.025
90°	AS SHOWN	100.000 - 250.000	±0.030
120°	AS SHOWN	250.000 - 500.000	±0.040
150°	AS SHOWN	500.000 - 1000.000	±0.050
180°	AS SHOWN	1000.000 - 2500.000	±0.060

THIRD ANGLE PROJECTION

REMOVE BURRS AND BREAK SHARP CORNERS

DO NOT SCALE DIMS

QUANTITY & VARIATION

DATE: 11/17/77

CHKD: [Signature]

APP: [Signature]

PROD. ENG: [Signature]

PROJ. ENG: [Signature]

EXT: [Signature]

REV: [Signature]

SCALE: 1/1

TITLE: FRONT PANEL ASSEMBLY

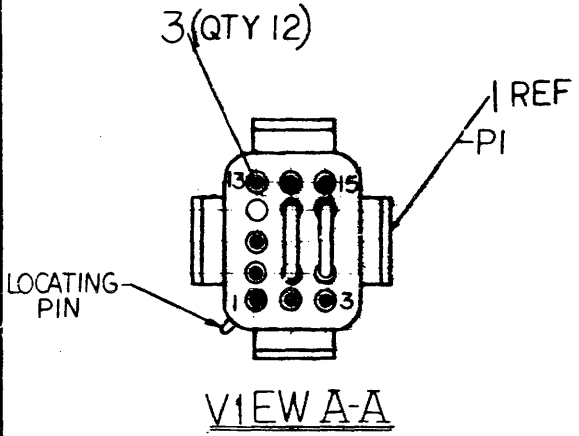
NUMBER: 7013802-0

REV: D

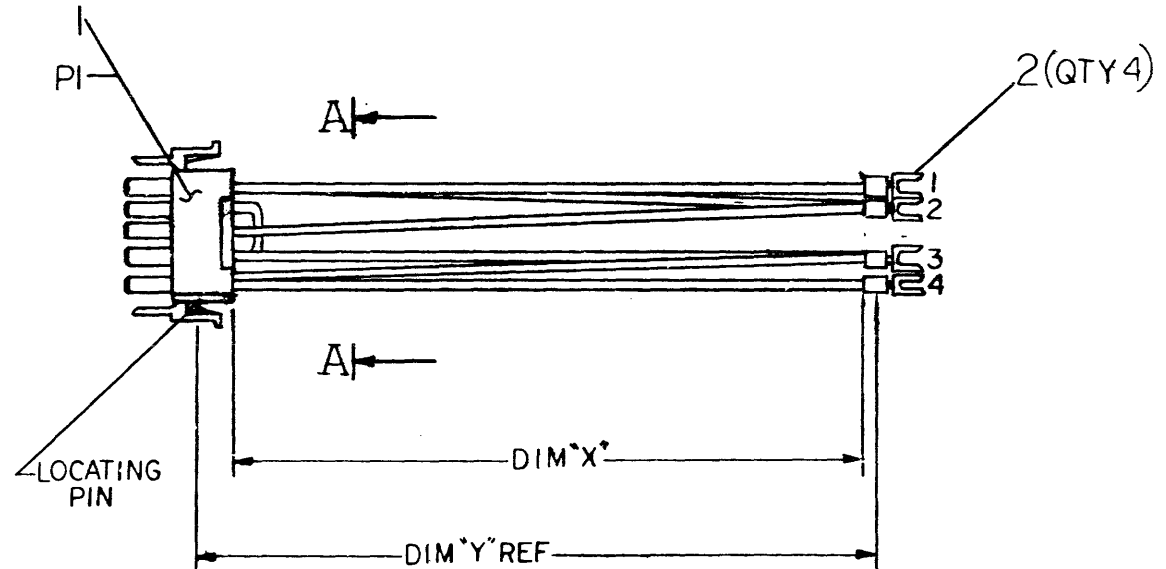
"THIS DRAWING AND SPECIFICATIONS HEREIN ARE THE PROPERTY OF DIGITAL EQUIPMENT CORPORATION AND SHALL NOT BE REPRODUCED OR COPIED OR USED IN WHOLE OR IN PART AS THE BASIS FOR THE MANUFACTURE OR SALE OF ITEMS WITHOUT WRITTEN PERMISSION. COPYRIGHT © 1977, DIGITAL EQUIPMENT CORPORATION"

WIRE TABLE							
ITEM NO	DESCRIPTION	FROM	TO	REMARKS	NUMBER	DIM 'X' VARIATION	DIM 'Y' (PRECUT) REF
4	14 BROWN	PI-1	1#3				
4	14 BROWN	PI-2	1#3				
4	14 BROWN	PI-3	1#3				
4	14 BROWN	PI-4	1#3				
5	14 BLACK	PI-5	1#3	PI-11	1#3	JUMPER (2"±.5)	
5	14 BLACK	PI-6	1#3	PI-12	1#3	JUMPER (2"±.5)	
6	14 BLUE	PI-7	1#3				
6	14 BLUE	PI-13	1#3				
6	14 BLUE	PI-14	1#3				
6	14 BLUE	PI-15	1#3				

LEGEND		
NUMBER	DIM 'X' VARIATION	DIM 'Y' (PRECUT) REF
7014054-0F	ØFT-6IN ±.5IN	ØFT-7IN ±.5IN



VIEW A-A



DESCRIPTION	DWG./PART NO.	ITEM NO.
A/R WIRE #14 AWG STRD BLUE	9107370-66	6
A/R WIRE #14 AWG STRD BLACK	9107370-00	5
A/R WIRE #14 AWG STRD BROWN	9107370-11	4
12 CONTACT, PIN 14-20 AWG	1213807-01	3
4 TERMINAL SPADE TONGUE INS	9009695-02	2
1 PLUG, 15 PIN HOUSING	1212167-05	1

UNLESS OTHERWISE SPECIFIED DIMENSIONS ARE IN INCHES						
ANGLES ±0° 30'	CLASS OF ACCURACY (CHECK ONE)	NOMINAL DIMENSION RANGE INCHES				
		OVER 0 TO 0.2	OVER 0.2 TO 1.2	OVER 1.2 TO 4.0	OVER 4.0 TO 12.0	OVER 12.0 TO 80.0
SURFACE QUALITY IN	MEDIUM	±.004	±.008	±.012	±.016	±.024
MICROINCHES	PREFERRED	±.012	±.016	±.025	±.04	±.08

REV.	CHANGE NO.	DESCRIPTION
A	1	ISSUED FOR PRODUCTION

C.S. LANDINO
 6 DEC 1977

THIRD ANGLE PROJECTION

REMOVE BURRS AND BREAK SHARP CORNERS

DO NOT SCALE DWG

MATERIAL: SEE PARTS LIST

FINISH: / /

DRN. *[Signature]* 10/28/77

CHKD. *[Signature]* 10/28/77

ENG. *[Signature]* 10/28/77

PROJ. ENG. *[Signature]* 10/28/77

PROD. *[Signature]* 8-23-77

FIRST USED ON: H7100

TITLE: CABLE, FRONT PANEL 115 V

SIZE CODE: C IA

NUMBER: 7014054-0-0

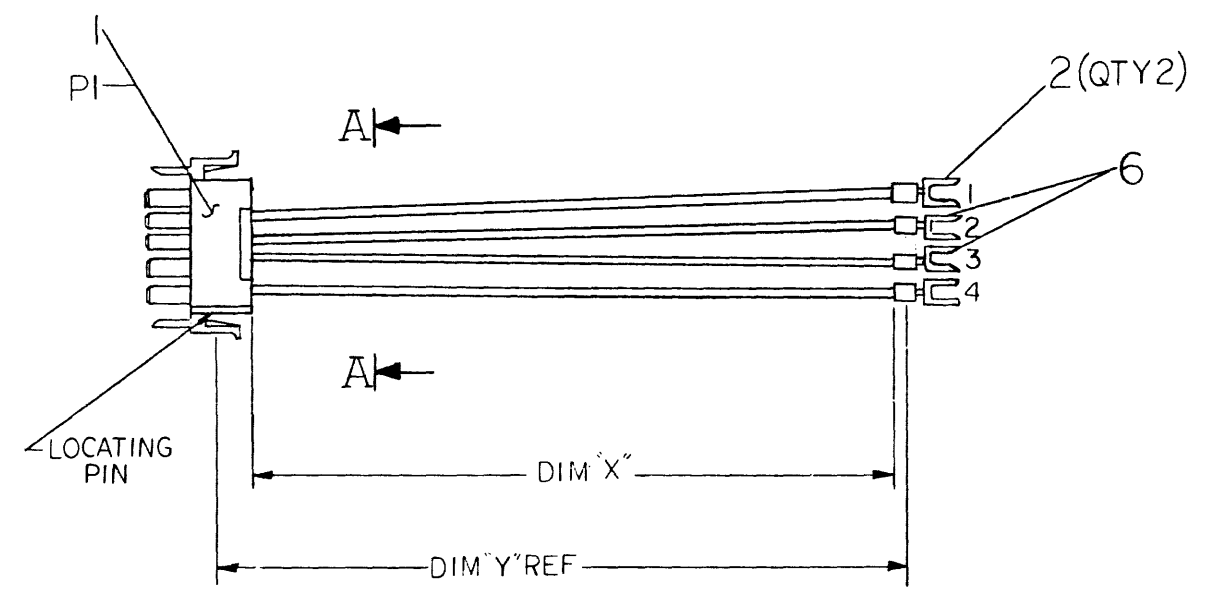
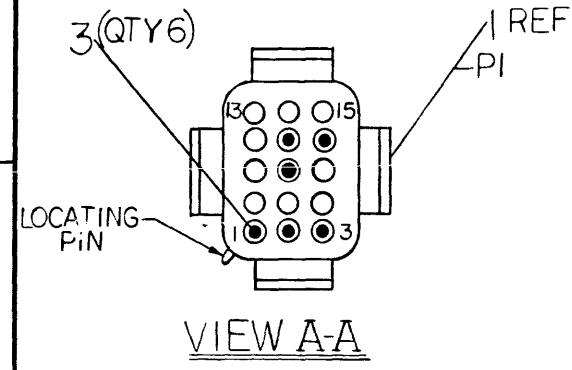
REV. A

NUMBER 7014054-0-0
 REV. A
 SIZE CODE C IA

"THIS DRAWING AND SPECIFICATIONS, HEREIN, ARE THE PROPERTY OF DIGITAL EQUIPMENT CORPORATION AND SHALL NOT BE REPRODUCED OR COPIED OR USED IN WHOLE OR IN PART AS THE BASIS FOR THE MANUFACTURE OR SALE OF ITEMS WITHOUT WRITTEN PERMISSION. COPYRIGHT © 1977, DIGITAL EQUIPMENT CORPORATION"

WIRE TABLE							
ITEM NO	DESCRIPTION		FROM		TO		REMARKS
	AWG	COLOR	CONN	WITH	POINT	WITH	
5	14	BROWN	PI-1	1&3	4	2	
5	14	BROWN	PI-2	1&3			
5	14	BROWN	PI-3	1&3	3	6	
4	14	BLUE	PI-8	1&3	2	6	
4	14	BLUE	PI-11	1&3	1	2	
4	14	BLUE	PI-12	1&3			

LEGEND		
NUMBER	DIM "X" VARIATION	DIM "Y" (PRECUT) REF
7014083-0F	ØFT-6IN ±.5IN	ØFT-7IN ±.5IN



ITEM NO.	DESCRIPTION	DWG./PART NO.	ITEM NO.
2	TERMINAL, SPADE TONGUE INS	9009695-00	6
A/R	WIRE #14 AWG STRD BROWN	9107370-11	5
A/R	WIRE #14 AWG STRD BLUE	9107370-66	4
6	CONTACT, PIN 14-20AWG	1212169-00	3
2	TERMINAL, SPADE TONGUE INS	9009695-02	2
1	PLUG, 15 PIN HOUSING	1212167-05	1

QUANTITY & VARIATION	UNLESS OTHERWISE SPECIFIED DIMENSIONS ARE IN INCHES						
	ANGLES	CLASS OF ACCURACY	NOMINAL DIMENSION RANGE INCHES				
±0° 30'	(CHECK ONE)	OVER 0 TO .12	OVER 0.12 TO 1.2	OVER 1.2 TO 4.0	OVER 4.0 TO 12.0	OVER 12.0 TO 40.0	OVER 40.0 TO 80.0
SURFACE QUALITY IN	MEDIUM	±.004	±.008	±.012	±.016	±.024	±.04
MICROINCHES	PREFERRED	±.012	±.016	±.025	±.04	±.063	±.1

THIRD ANGLE PROJECTION

REMOVE BURRS AND BREAK SHARP CORNERS

DO NOT SCALE DWG

MATERIAL SEE PARTS LIST

FINISH

DRN. *Mike* 10/27/77

CHKD. *Bob* 10/27/77

ENG. *M. G. G.* 10/27/77

PROJ. ENG. *D. W.* 10/27/77

PROD. *Alan* 10/27/77

FIRST USED ON H7100

TITLE CABLE, FRONT PANEL 230V

SIZE CODE NUMBER REV. C IA 7014083-0-0

SHEET OF DIST.

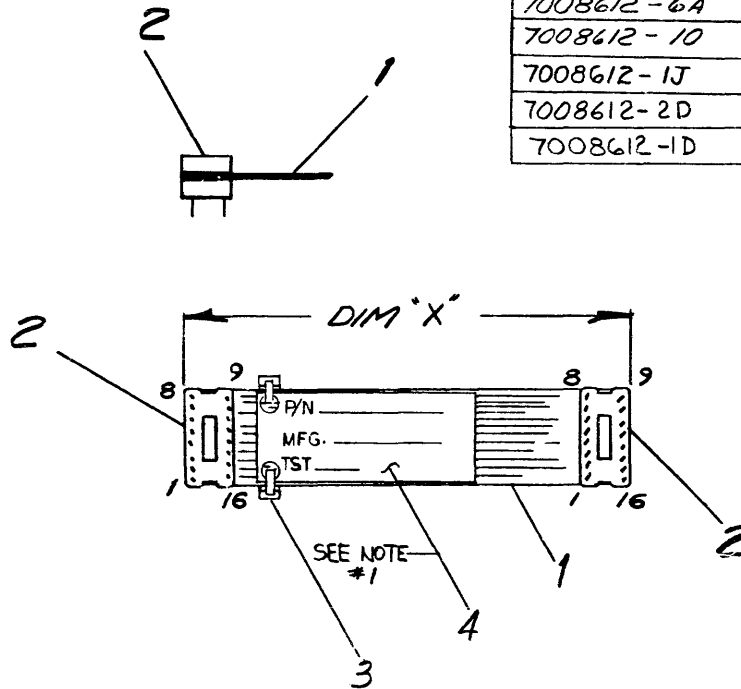
REV.	CHANGE NO.	REVISIONS

NUMBER 7014083-0-0
 REV. 0-0
 SIZE CODE C IA

This drawing and specifications, herein, are the property of Digital Equipment Corporation and shall not be reproduced or copied or used in whole or in part as the basis for the manufacture or sale of items without written permission. 1972

LEGEND	
NUMBER	VARIATION
7008612-ØD	Ø IN
7008612-1B	14 IN.
7008612-1F	18 IN.
7008612-Ø3	3 FT.
7008612-ØF	6 IN.
7008612-ØK	9 IN. ± 1 IN.
7008612-4A	49 IN. ± 1 IN.
7008612-ØM	11 IN.
7008612-Ø2.	2 FT. ± 1 IN.
7008612-6A	6 FT. 1 IN. ± 2 IN.
7008612-10	10 FT. ± 2 IN.
7008612-1J	20 IN.
7008612-2D	2 FT. 4 IN. ± 1 IN.
7008612-1D	16 IN.

NOTES:
1. PLACE LABEL, ITEM 4 AT ANY POSITION ALONG CABLE AS SHOWN.



REV.	DATE	BY	CHK'D	DESCRIPTION
1	11/22/77	R. MARTEL		REVISED TO 16 CONTACTS
2	11/22/77	W. KERCHNER		REVISED TO 16 CONTACTS
3	12/22/77	M. MICHAUD		REVISED TO 16 CONTACTS

REV.	DATE	BY	CHK'D	DESCRIPTION
4	12/15/77	J. BIRO		REVISED TO 16 CONTACTS
5	12/15/77	D. BARNETT		REVISED TO 16 CONTACTS
6	12/15/77	D. MARTEL		REVISED TO 16 CONTACTS

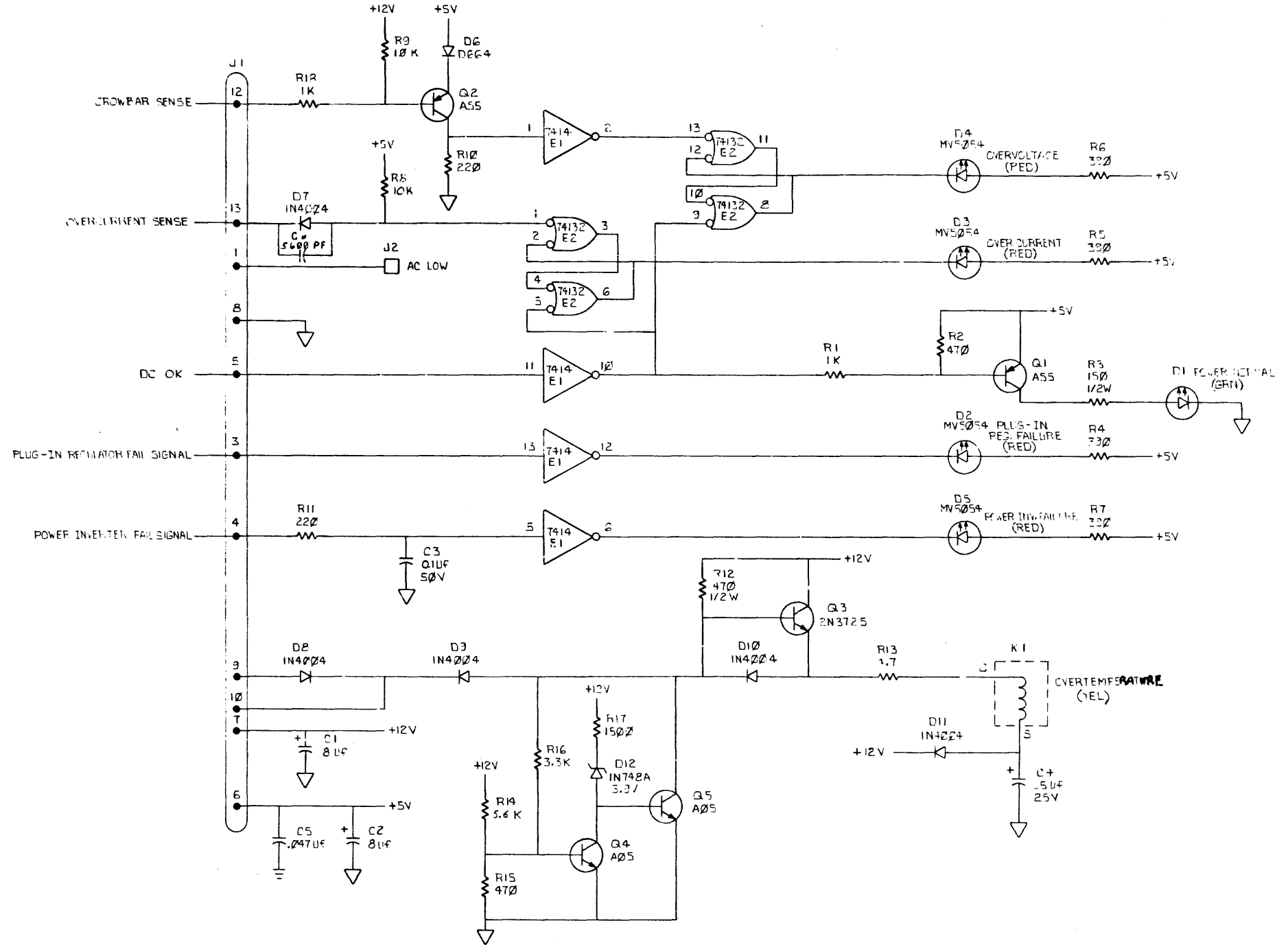
QTY.	DESCRIPTION	PART NO.	ITEM NO.
1	LABEL, IDENTIFICATION	9009532-00	4
1	TIE, CABLE	9007031-00	3
2	SOCKET 16 CONTACTS	1210722	2
1	AIR CABLE 28 AWG STED 16 COND	9107739	1

FIRST USED ON OPTION/MODEL VT05	DATE 10-1-71	digital CORPORATION MAYNARD MASSACHUSETTS
UNLESS OTHERWISE SPECIFIED DIMENSION IN INCHES. TOLERANCES	DATE 10-4-71	
DECIMALS ANGLES .XXX = .005 .XX = .02 .X = .1 ± 0° 30'	DATE 10-14-71	
REMOVE BURRS AND BREAK SHARP CORNERS SURFACE QUALITY ✓	DATE 12-14-71	
MATERIAL	DATE	TITLE CABLE, KEYBOARD
FINISH	DATE	SIZE CODE C IA
	DATE	NUMBER 7008612-0-0
	DATE	REV. R
	DATE	DIST.

REV. 1
NUMBER 7008612-0-0
SIZE CODE C IA

"THIS DRAWING AND SPECIFICATIONS, HEREIN, ARE THE PROPERTY OF DIGITAL EQUIPMENT CORPORATION AND SHALL NOT BE REPRODUCED OR COPIED OR USED IN WHOLE OR IN PART AS THE BASIS FOR THE MANUFACTURE OR SALE OF ITEMS WITHOUT WRITTEN PERMISSION. COPYRIGHT © 1977, DIGITAL EQUIPMENT CORPORATION"

1-0-2552165 CS 2



REV.	CHANGE NO.	DATE	BY	REVISIONS
A	0001	11/17/77	J. DREW	INITIAL DESIGN
B	0002	11/17/77	J. DREW	REVISIONS TO JAN 78
C	0003	11/17/77	J. DREW	REVISIONS TO 2-3-78

DRN. APPROVED	DATE	FIRST USED ON	H7100	Digital
CHKD. APPROVED	DATE	TITLE	STATUS CARD	
PROJ. ENG.	DATE	SCALE	D	CS 5412562-0-1
PROD. APPROVED	DATE	SHEET	OF	DIST.
NEXT HIGHER ASSY.		SIZE	NUMBER	REV.
D-UA-5412562-C-0		D	CS 5412562-0-1	C

LINE	ITEM	TOP DOCUMENT	PART NUMBER	MIN REV	DESCRIPTION	QTY	PER VARIATION	REFERENCE DESIGNATOR
					VARIATION REVISION LEVEL:	00		
1	1	D-MD-5012561-0-0	5012561-00		ETCH BOARD FOR 54-12562	1		
2	2		1012084-01	8	MFD 25V +75-10% AL EL	2		C1,C2
3	3		1010978-36	.1	MFD 50V 10% CER	1		C3
4	4		1000075-00	25	MFD 25V +75-10% AL EL	1		C4
5	5		1012784-00	.047	MFD 50V +80-20% CER	1		C5
6	6		1100114-00		PIV= 25 IO=135 MA	1		D6
7	7		1105796-00		PIV= 400 IO= 1.00A 1N4004 DO-41	5		D8,D9,D10,D11,D7
8	8		1100122-00		VZ= 3.9 5% 400 MW 1N748A	1		D12
9	9		1110324-00		LED 1MCD*10MA PIV=3	4		D2-D5
10	10		1114384-00		LED 105MW 35MA GREEN	1		D1
11	11		1215006-02		SKT,IC 16PIN DIP TIN SOLD	1		J1
12	12		1300365-00	1.0	K .25 W 5.0 % CF	2		R1,R18
13	13		1300316-00	470.0	.25 W 5.0 % CF	2		R2,R15
14	14		1300309-00	390.0	.25 W 5.0 % CF	4		R4-R7
15	15		1300271-00	220.0	.25 W 5.0 % CF	2		R10,R11
16	16		1305890-00	4.70	.25 W 5.0 % CF	1		R13
17	17		1301874-00	5.60	K .25 W 5.0 % CF	1		R14
18	18		1300439-00	3.30	K .25 W 5.0 % CF	1		R16
19	19		1300391-00	1.50	K .25 W 5.0 % CF	1		R17
20	20		1300249-00	150.0	.50 W 5.0 % CF	1		R3
21	21		1300315-00	470.0	.50 W 5.0 % CF	1		R12
22	22		1510706-00	XA 55	PNP 500MW SI 60 50 P	2		Q1,Q2
23	23		1510705-00	XA 05	NPN 500MW SI 60 50 P	2		Q4,Q5
24	24		1510959-00	2N 3725	NPN 3.5WC SI 50 60 P	1		Q3
25	25		1911637-00		74132 NAND GATE-QUAD 2 IN	1		E2
26	26		1911324-00		7414 INVERTER,HEX 1IN SCH	1		E1
27	27		9007113-00		TERM QUICK .130DIA .250TAB BR/T	1		J2
28	28		9009185-00		JUMPER, WIRE, INSULATED, BLACK B	7		W1-W7
29	29		9000024-01		EYELET,ROLLED 0.1210DX0.192	1		
30	30		9009236-01		SCREW,TAP PAN PHIL THD CT 4-	2		

REVISION HISTORY		BASIC PART NO: 5412562		DRN: R. KOPPENAL	DATE: 27-JAN-78	D I G I T A L
ENG!	ECO NUMBER	REV	SECTION A OF A	CHK'D: K. GLEASON	DATE: 27-JAN-78	TITLE PARTS LIST
WH	00002	B	SECTION VARIATION INDEX	DES.ENG: C. LANDINO	DATE: 27-JAN-78	STATUS CARD
P.G.	00003	C	[A] 00			
KK	TW004	D	[B]			
SH	5412562-TW005	E	[C]			DOCUMENT NUMBER
			[D]			SIZE CODE NUMBER RE.
			[E]			
			[F]			
			[H]			
			[J]			
			[K]			
			[L]			
			[M]			
			[N]			
				ASSEMBLY NUMBER:	TOP DOCUMENT NUMBER:	FILE NAME: EDIT *
				D-UA-5412562-0-0		Z1294E.PLS 12

"THIS DRAWING AND THE SPECIFICATIONS CONTAINED HEREIN ARE CONFIDENTIAL AND PROPRIETARY. THEY ARE THE PROPERTY OF DIGITAL EQUIPMENT CORPORATION AND SHALL NOT BE REPRODUCED OR COPIED OR USED IN WHOLE OR IN PART AS THE BASIS FOR THE MANUFACTURE OR SALE OF ITEMS WITHOUT WRITTEN PERMISSION. THIS IS AN UNPUBLISHED WORK PROTECTED UNDER THE FEDERAL COPYRIGHT LAWS."

LINE	ITEM	TOP DOCUMENT	PART NUMBER	MIN REV	DESCRIPTION	QTY PER VARIATION	REFERENCE DESIGNATOR
					VARIATION REVISION LEVEL:	00	
31	31	BLANK			*** THIS ITEM IS NOT USED ***	-	
32	32	C-MD-7418703-0-0	7418703-00		LED HOLDER REWORK	1	
33	33		1214349-00		INDICATOR, REFLECTIVE, W/RESET	1	
34	34		1300479-00		10.0 K .25 W 5.0 % CF	2	53.99
35	35		1011740-00		5600.0 MMF 50V 10% CER	1	25
36	36		9007201-00		PAD, MOUNTING, COMPONENT	1	

D	I	G	I	T	A	L	TITLE	STATUS CARD	SECTION A OF A	SIZE	CODE	DOCUMENT NUMBER	REV
										K	PL	5412562-0-DBP	E

JA 5412562-0-0 E

8

6

5

4

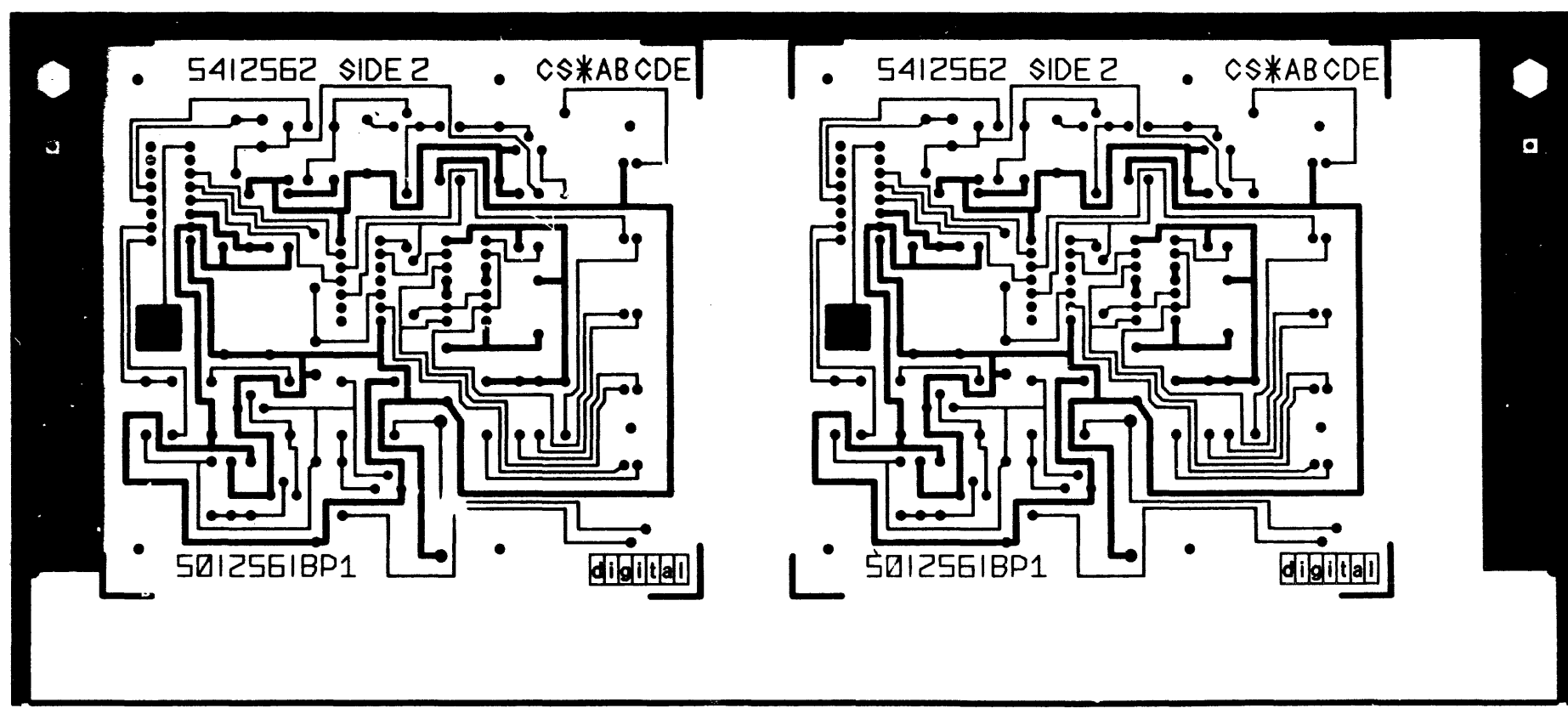
3

D

C

B

A



VIEWED FROM SIDE 2

STATUS BOARD
2 1

JA 5412562-0-0 E

8

6

5

4

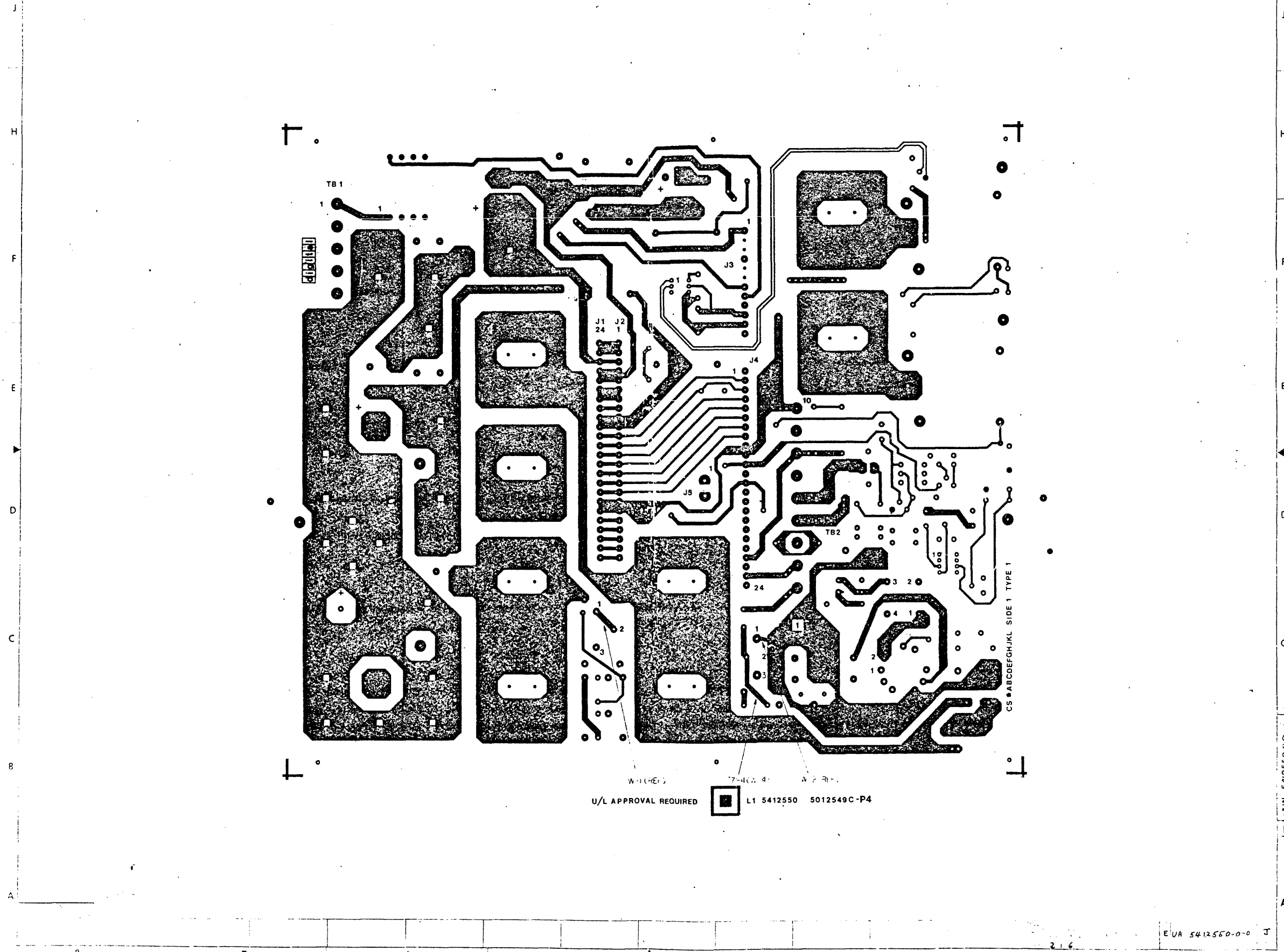
3

2

2

rw

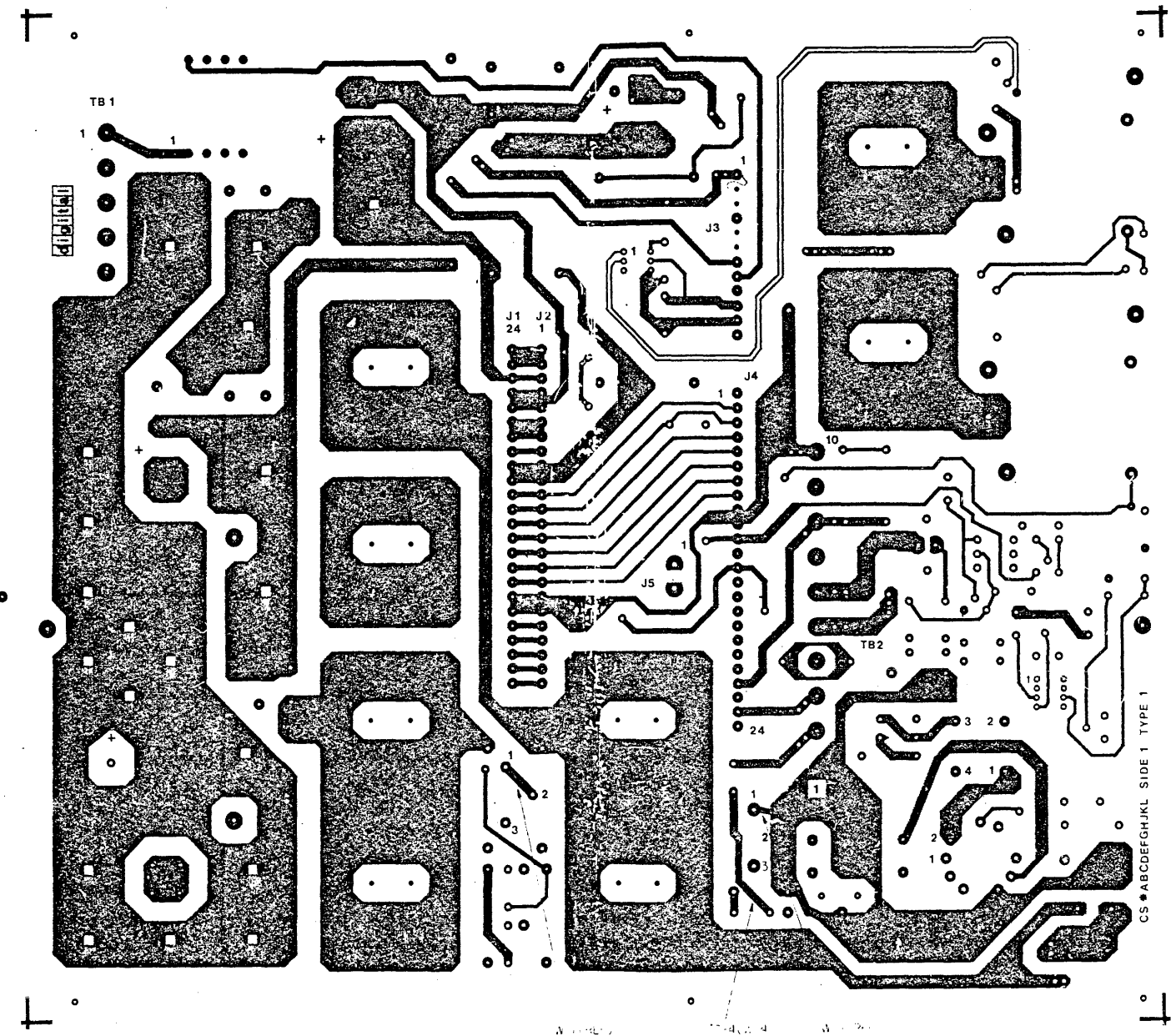
JA 5412562-0-0 E




U/L APPROVAL REQUIRED L1 5412550 5012549C-P4

EUA 5412550-0-0

H
F
E
D
C
B
A



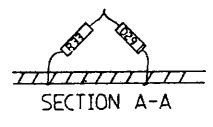
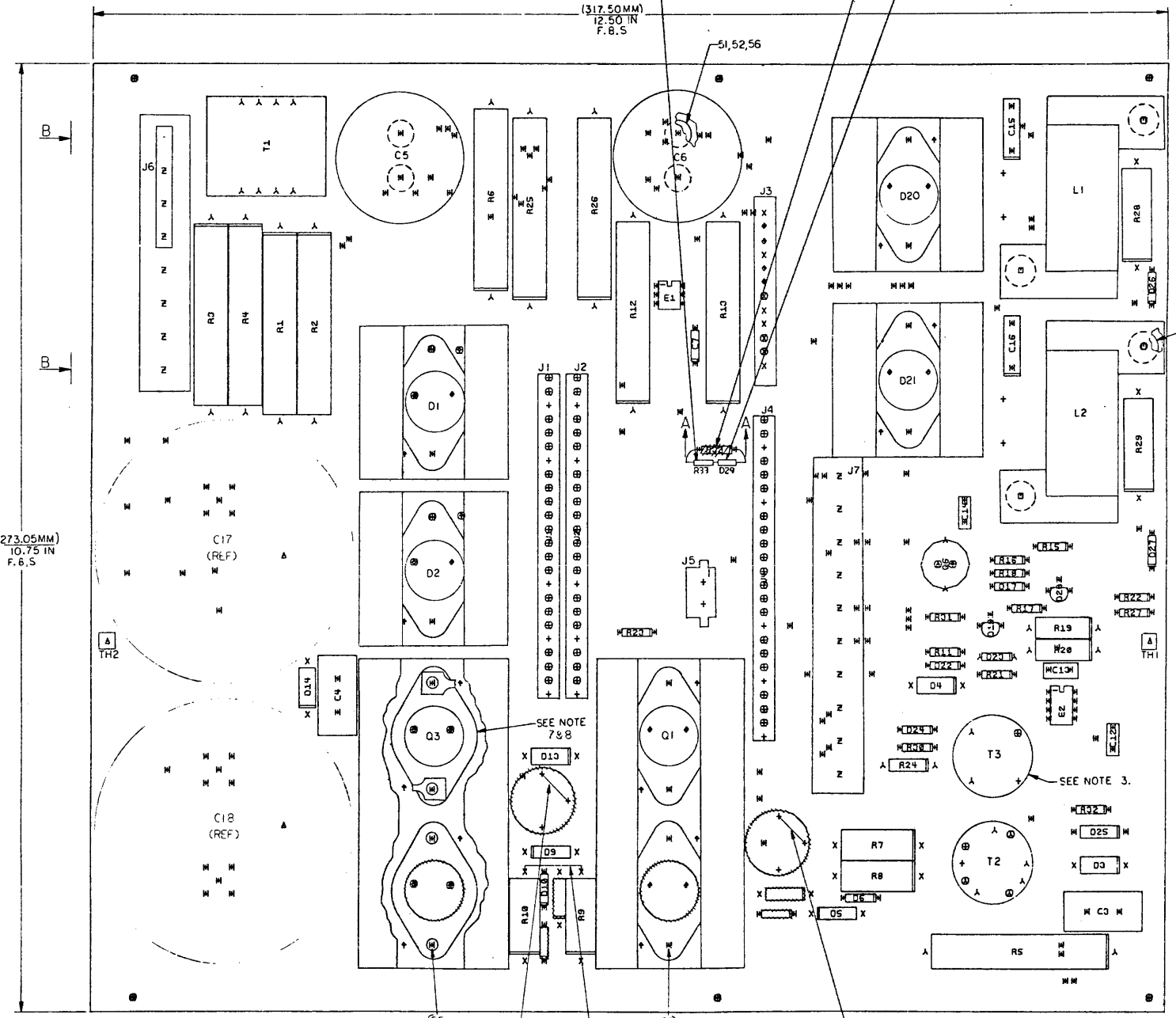
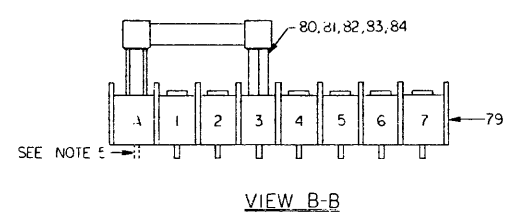
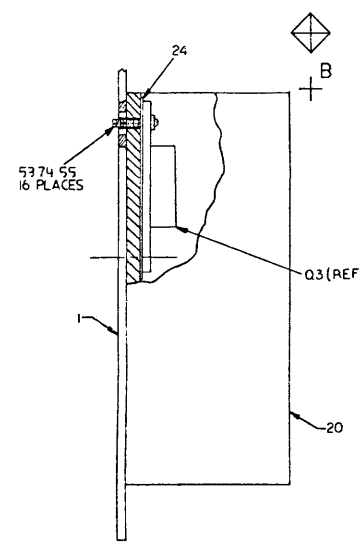
H
F
E
D
C
B
A

U/L APPROVAL REQUIRED  L1 5412550 5012549C-P4

CS # ABCDEFGHJKL SIDE 1 TYPE 1

A B C D E H J

DATE: 2/27/72
 CHK'D: [Signature]
 PROJ. ENG.: [Signature]
 SCALE: 2:1
 NEXT HIGHER AUTHORITY: [Signature]



O2 VARIATION (POPULATED)

DATE	2/27/72	TITLE	H7100 MOTHER BOARD
CHK'D	[Signature]	SCALE	2:1
PROJ. ENG.	[Signature]	SIZE	11x17
SCALE	2:1	REV	0-0
SMT		NUMBER	UA 5412550-0-0
NEXT HIGHER AUTHORITY	[Signature]	REV	

NOTES:
 EUA5412550-0-0

THE DIMENSIONS AND SPECIFICATIONS HEREIN ARE THE PROPERTY OF DIGITAL EQUIPMENT CORPORATION AND SHALL NOT BE REPRODUCED OR TRANSMITTED IN ANY FORM OR BY ANY MEANS, ELECTRONIC OR MECHANICAL, INCLUDING PHOTOCOPYING, RECORDING, OR BY ANY INFORMATION STORAGE AND RETRIEVAL SYSTEM, WITHOUT PERMISSION IN WRITING FROM DIGITAL EQUIPMENT CORPORATION.

REWORK INSTRUCTIONS

- COMPONENT DELETES (SIDE 1)**
 6-1 DELETE R33, ITEM 68, P/N 1301972-00.
COMPONENT ADDS (SIDE 1)
 6-2 ADD DIODE D29, ITEM 75, CATHODE TO PTH TO THE LEFT OF J4-3.
 6-3 ADD R33, ITEM 69, FROM D29-ANODE TO PTH TO THE LEFT OF D29.

REWORK INSTRUCTIONS PER ECO *7

- WIRE ADDS (SIDE 1), O1 & O2 VARIATIONS ONLY**
 7-1 INSTALL JUMPER USING ITEM 77 FROM T5, PIN 1 TO PIN 2.(W1) BUS WIRE *20 SHEET 5 & 6.
 7-2 INSTALL JUMPER USING ITEM 77 FROM T4, PIN 1 TO PIN 2.(W2) BUS WIRE *20 SHEET 2, 4 & 5.
 NOTE: T4 & T5 ARE NO LONGER USED. INSTALL JUMPERS IN TRANSFORMER LEAD HOLES.
 7-3 INSTALL JUMPER USING ITEM 85 FROM R10 TO R9 ON ENDS NEAREST D9.(W3) INSULATED WIRE *20, SHEET 5 & 6.
 7-4 INSTALL JUMPER USING ITEM 85 FROM R7 TO R8 ON ENDS NEAREST HEATSINK.(W4) INSULATED WIRE *20, SHEET 2.

J
H
F
E
D
C
B
A

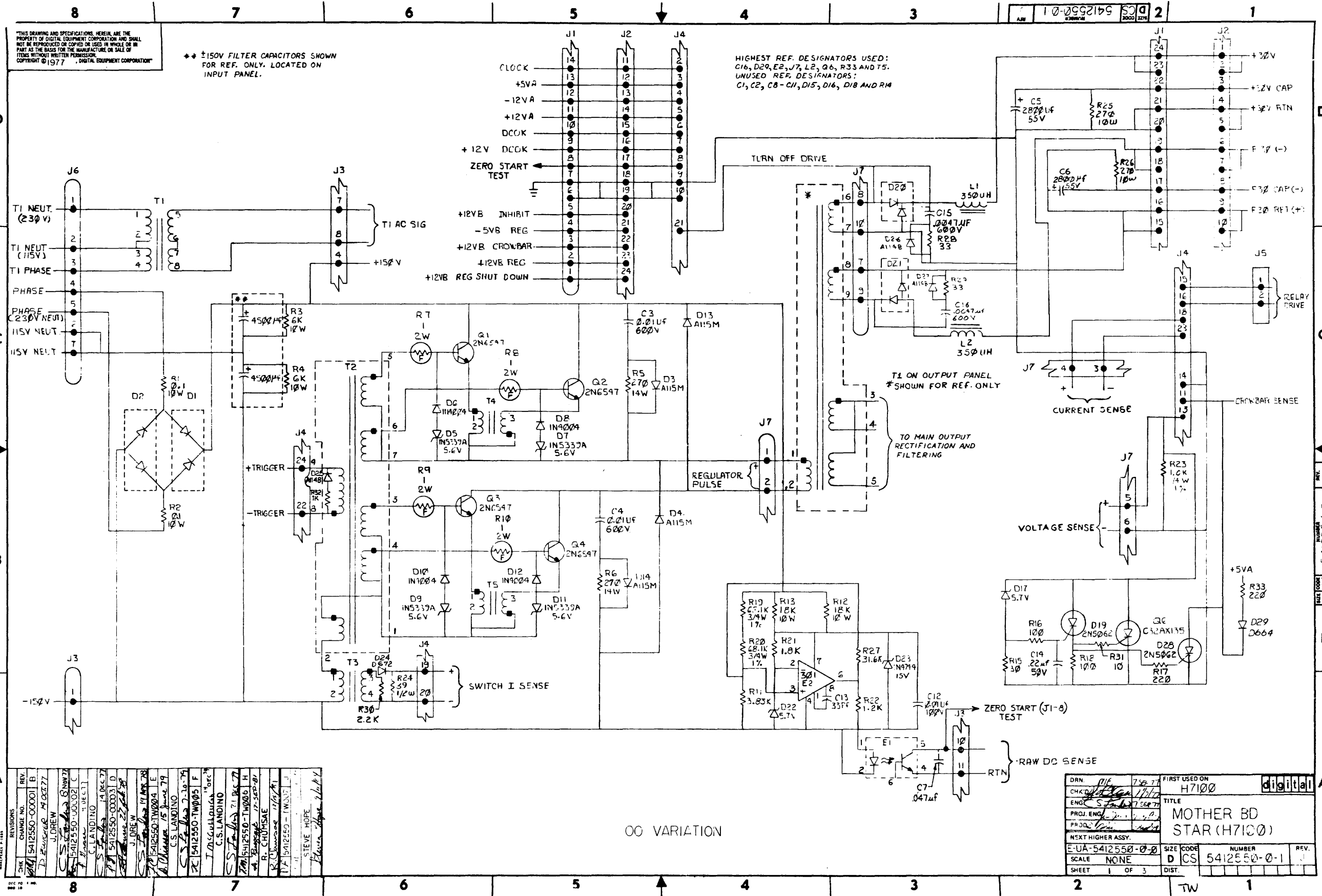
J
H
F
E
D
C
B
A

REVISION HISTORY		
DATE	ECO NUMBER	REV

TITLE		DOCUMENT NUMBER	
H7100 MOTHER BOARD		EUA 542550-0-0 J	
SCALE	NE	SHEET	2 OF 2



EUA 542550-0-0 J



"THIS DRAWING AND SPECIFICATIONS HEREIN ARE THE PROPERTY OF DIGITAL EQUIPMENT CORPORATION AND SHALL NOT BE REPRODUCED OR COPIED OR USED IN WHOLE OR IN PART AS THE BASIS FOR THE MANUFACTURE OR SALE OF ITEMS WITHOUT WRITTEN PERMISSION. COPYRIGHT © 1977, DIGITAL EQUIPMENT CORPORATION"

** ±150V FILTER CAPACITORS SHOWN FOR REF. ONLY. LOCATED ON INPUT PANEL.

HIGHEST REF. DESIGNATORS USED: C16, D29, E2, J7, L2, Q6, R33 AND T5. UNUSED REF. DESIGNATORS: C1, C2, C8 - C11, D15, D16, D18 AND R14

REV	CHG	NO.	BY	DATE
1	5412550-00001	B	J. DREW	10/27/77
2	5412550-00002	C	J. DREW	11/17/77
3	5412550-00003	D	J. DREW	12/17/77
4	5412550-00004	E	J. DREW	1/17/78
5	5412550-00005	F	J. DREW	2/17/78
6	5412550-00006	G	J. DREW	3/17/78
7	5412550-00007	H	J. DREW	4/17/78
8	5412550-00008	I	J. DREW	5/17/78
9	5412550-00009	J	J. DREW	6/17/78
10	5412550-00010	K	J. DREW	7/17/78
11	5412550-00011	L	J. DREW	8/17/78
12	5412550-00012	M	J. DREW	9/17/78
13	5412550-00013	N	J. DREW	10/17/78
14	5412550-00014	O	J. DREW	11/17/78
15	5412550-00015	P	J. DREW	12/17/78
16	5412550-00016	Q	J. DREW	1/17/79
17	5412550-00017	R	J. DREW	2/17/79
18	5412550-00018	S	J. DREW	3/17/79
19	5412550-00019	T	J. DREW	4/17/79
20	5412550-00020	U	J. DREW	5/17/79
21	5412550-00021	V	J. DREW	6/17/79
22	5412550-00022	W	J. DREW	7/17/79
23	5412550-00023	X	J. DREW	8/17/79
24	5412550-00024	Y	J. DREW	9/17/79
25	5412550-00025	Z	J. DREW	10/17/79
26	5412550-00026	AA	J. DREW	11/17/79
27	5412550-00027	AB	J. DREW	12/17/79
28	5412550-00028	AC	J. DREW	1/17/80
29	5412550-00029	AD	J. DREW	2/17/80
30	5412550-00030	AE	J. DREW	3/17/80
31	5412550-00031	AF	J. DREW	4/17/80
32	5412550-00032	AG	J. DREW	5/17/80
33	5412550-00033	AH	J. DREW	6/17/80
34	5412550-00034	AI	J. DREW	7/17/80
35	5412550-00035	AJ	J. DREW	8/17/80
36	5412550-00036	AK	J. DREW	9/17/80
37	5412550-00037	AL	J. DREW	10/17/80
38	5412550-00038	AM	J. DREW	11/17/80
39	5412550-00039	AN	J. DREW	12/17/80
40	5412550-00040	AO	J. DREW	1/17/81
41	5412550-00041	AP	J. DREW	2/17/81
42	5412550-00042	AQ	J. DREW	3/17/81
43	5412550-00043	AR	J. DREW	4/17/81
44	5412550-00044	AS	J. DREW	5/17/81
45	5412550-00045	AT	J. DREW	6/17/81
46	5412550-00046	AU	J. DREW	7/17/81
47	5412550-00047	AV	J. DREW	8/17/81
48	5412550-00048	AW	J. DREW	9/17/81
49	5412550-00049	AX	J. DREW	10/17/81
50	5412550-00050	AY	J. DREW	11/17/81
51	5412550-00051	AZ	J. DREW	12/17/81
52	5412550-00052	BA	J. DREW	1/17/82
53	5412550-00053	BB	J. DREW	2/17/82
54	5412550-00054	BC	J. DREW	3/17/82
55	5412550-00055	BD	J. DREW	4/17/82
56	5412550-00056	BE	J. DREW	5/17/82
57	5412550-00057	BF	J. DREW	6/17/82
58	5412550-00058	BG	J. DREW	7/17/82
59	5412550-00059	BH	J. DREW	8/17/82
60	5412550-00060	BI	J. DREW	9/17/82
61	5412550-00061	BJ	J. DREW	10/17/82
62	5412550-00062	BK	J. DREW	11/17/82
63	5412550-00063	BL	J. DREW	12/17/82
64	5412550-00064	BM	J. DREW	1/17/83
65	5412550-00065	BN	J. DREW	2/17/83
66	5412550-00066	BO	J. DREW	3/17/83
67	5412550-00067	BP	J. DREW	4/17/83
68	5412550-00068	BQ	J. DREW	5/17/83
69	5412550-00069	BR	J. DREW	6/17/83
70	5412550-00070	BS	J. DREW	7/17/83
71	5412550-00071	BT	J. DREW	8/17/83
72	5412550-00072	BU	J. DREW	9/17/83
73	5412550-00073	BV	J. DREW	10/17/83
74	5412550-00074	BW	J. DREW	11/17/83
75	5412550-00075	BX	J. DREW	12/17/83
76	5412550-00076	BY	J. DREW	1/17/84
77	5412550-00077	BZ	J. DREW	2/17/84
78	5412550-00078	CA	J. DREW	3/17/84
79	5412550-00079	CB	J. DREW	4/17/84
80	5412550-00080	CC	J. DREW	5/17/84
81	5412550-00081	CD	J. DREW	6/17/84
82	5412550-00082	CE	J. DREW	7/17/84
83	5412550-00083	CD	J. DREW	8/17/84
84	5412550-00084	CE	J. DREW	9/17/84
85	5412550-00085	CF	J. DREW	10/17/84
86	5412550-00086	CG	J. DREW	11/17/84
87	5412550-00087	CH	J. DREW	12/17/84
88	5412550-00088	CH	J. DREW	1/17/85
89	5412550-00089	CI	J. DREW	2/17/85
90	5412550-00090	CI	J. DREW	3/17/85
91	5412550-00091	CK	J. DREW	4/17/85
92	5412550-00092	CK	J. DREW	5/17/85
93	5412550-00093	CL	J. DREW	6/17/85
94	5412550-00094	CL	J. DREW	7/17/85
95	5412550-00095	CM	J. DREW	8/17/85
96	5412550-00096	CM	J. DREW	9/17/85
97	5412550-00097	CM	J. DREW	10/17/85
98	5412550-00098	CM	J. DREW	11/17/85
99	5412550-00099	CM	J. DREW	12/17/85
100	5412550-00100	CM	J. DREW	1/17/86

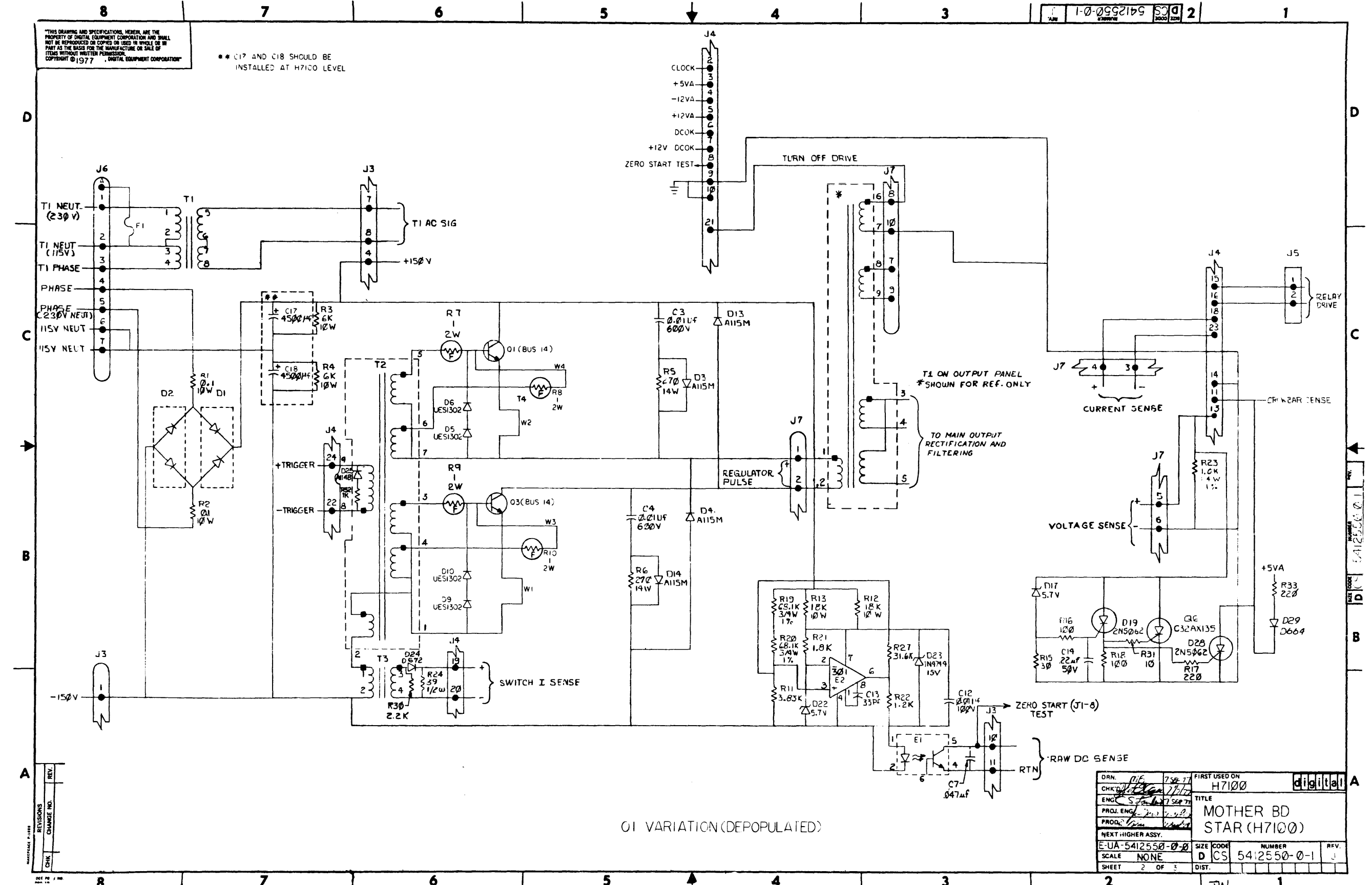
DRN	754 27	FIRST USED ON	H7100
CHKD	1/17/77	TITLE	MOTHER BD STAR (H7100)
ENGR	1/17/77	PROJECT	
PROJ. ENG.	1/17/77	SCALE	NONE
PROJ. MGR.		SHEET	1 OF 3
NEXT HIGHER ASSY.		SIZE CODE	D CS
EUA-5412550-0-0		NUMBER	5412550-0-1
REV.		DIST.	

00 VARIATION

THIS DRAWING AND SPECIFICATIONS HEREIN ARE THE PROPERTY OF DIGITAL EQUIPMENT CORPORATION AND SHALL NOT BE REPRODUCED OR COPIED OR USED IN WHOLE OR IN PART AS THE BASIS FOR THE MANUFACTURE OR SALE OF ITEMS WITHOUT WRITTEN PERMISSION.
 COPYRIGHT © 1977 DIGITAL EQUIPMENT CORPORATION

** C17 AND C18 SHOULD BE INSTALLED AT H7100 LEVEL

1-0-05250-0-1



O1 VARIATION (DEPOPULATED)

DRN.	CHKD.	ENG.	PROL. ENG.	PROD.	NEXT HIGHER ASSY.	E-UA-5412550-0-0	SCALE	SHEET	REV.
							NONE	2 OF 3	J
FIRST USED ON						H7100			
TITLE						MOTHER BD STAR (H7100)			
SIZE						D CS			
NUMBER						5412550-0-1			
DIST.									

REV.	REV.
CHANGE NO.	CHANGE NO.
REV.	REV.
CHANGE NO.	CHANGE NO.

LINE	ITEM	TOP DOCUMENT	PART NUMBER	MIN REV DESCRIPTION	QTY PER VARIATION			REFERENCE DESIGNATOR
					00 J1	01 A1	02 A1	
1	1	D-MD-5012549-0-0	5012549-00	54-12550 PC BOARD	1	1	1	
2	2		1000009-00	33.0 MMF 100V 5%200PPM MICA	1	1	1	C13
3	3		1001610-01	.01 MFD50/100V +80-20% DISC	1	1	1	C12
4	4		1014337-00	2800 MFD 55V 20% AL EL	2	-	2	C5,C6
5	5		1011847-02	.01 MFD 600V 10% POLYPROP	2	2	2	C3,C4
6	6		1011847-03	.0047 MFD 600V 10% POLYPROP	2	-	2	C15,C16
7	7		1114192-01	PIV= 400 IO=15.00A TO-3	1	-	1	D21
8	8		1105648-00	VZ= 15.0 10% 1 W 1N4744	1	1	1	D23
9	9		1105796-01	PIV= 400 IO= 1.00A DO-41	4	-	-	D6,D8,D10,D12
10	10		1105275-00	PIV= 60 IO=300 MA -15NS	2	2	2	D24,D29
11	11	BLANK		*** THIS ITEM IS NOT USED ***	-	-	-	
12	12		1110968-00	SCR PIV= 100 IO= .80A 2N5062	2	2	2	D19,D28
13	13		1111205-00	VZ= 5.7 2% 400 MW	2	2	2	D17,D22
14	14		1112594-02	PIV= 600 IO= 3.00A	4	4	4	D3,D4,D13,D14
15	15		1114193-00	RECT. ASSY PIV= 600 IO=30.00A	1	1	1	D1
16	16		1114193-01	RECT. ASSY PIV= 600 IO=30.00A	1	1	1	D2
17	17		1114196-00	VZ= 5.6 10% 5 W 1N5339A	4	-	-	D5,D7,D9,D11
18	18		1114192-00	PIV= 400 IO=15.00A TO-3	1	-	1	D20
19	19		1214255-04	HEAT SINK,TO-3 1.750X01.7	4	2	4	
20	20		1214255-05	HEAT SINK,TO-3 03.50X01.7	2	2	2	
21	21		1212297-00	MATE-N-LOK 02PIN(1X02).250CC HDR	1	1	1	J5
22	22		1214257-00	CARD EDGE 12PIN(1X12).156CC STR	1	1	1	J3
23	23		1214257-02	CARD EDGE 24PIN(1X24).156CC STR	3	1	3	J4,J1,J2
24	24		1213071-02	INSULATOR,RUBBER SILICONE SM	8	4	6	
25	25		1300229-00	100.0 .25 W 5.0 % CF	2	2	2	R16,R18
26	26		1300398-00	1.80 K .25 W 5.0 % CF	1	1	1	R21
27	27		1301320-00	1.20 K .25 W 5.0 % CF	1	1	1	R22
28	28		1303114-00	1.0 K .25 W 1.0 % RN55D-F10	1	1	1	R23
29	29	BLANK		*** THIS ITEM IS NOT USED ***	-	-	-	
30	30		1302751-00	30.0 .25 W 5.0 % CF	1	1	1	R15

REVISION HISTORY			BASIC PART NO: 5412550			
ENG!	ECO NUMBER	REV	SECTION A OF A	DRN: A.COLON	DATE: 01-AUG-79	D I G I T A L
---	INITIAL	E	SECTION VARIATION INDEX	CHK'D: K.GLEEZEN	DATE: 01-AUG-79	TITLE PARTS LIST
CSL	TW005	F	[A] 00,01,02			MOTHER BD. STAR(H7100)
RC	5412550-TW006	H	[B]	DES.ENG: C.S.LANDINO	DATE: 01-AUG-79	DOCUMENT NUMBER
SH	5412550-TW007	J	[C]			SIZE!CODE! NUMBER ! REV
SN	5412550-TW009	K	[D]	RESP.ENG.: C.S.LANDINO	DATE: 01-AUG-79	K ! PL ! 5412550-0-DBP ! K
			[E]			
			[F]	MFG.ENG.: E.BLAIN	DATE: 01-AUG-79	RELEASE DATE: 19-DEC-84
			[H]			
			[J]	ASSEMBLY NUMBER:	TOP DOCUMENT NUMBER:	FILE NAME: !EDIT #!
			[K]	D-UA-5412550-0-0		Z0628K.PLS ! 19 !
			[L]			
			[M]			
			[N]			

"THIS DRAWING AND THE SPECIFICATIONS CONTAINED HEREIN ARE CONFIDENTIAL AND PROPRIETARY. THEY ARE THE PROPERTY OF DIGITAL EQUIPMENT CORPORATION AND SHALL NOT BE REPRODUCED OR COPIED OR USED IN WHOLE OR IN PART AS THE BASIS FOR THE MANUFACTURE OR SALE OF ITEMS WITHOUT WRITTEN PERMISSION. THIS IS AN UNPUBLISHED WORK PROTECTED UNDER THE FEDERAL COPYRIGHT LAWS."

LINE	ITEM	TOP DOCUMENT	PART NUMBER	MIN REV	DESCRIPTION	QTY PER VARIATION			REFERENCE DESIGNATOR	
						00	01	02		
						VARIATION REVISION LEVEL:	J1	A1	A1	
31	31		1302884-00		68.10 K .75 W 1.0 % RN65D-F10	2	2	2	R19,R20	
32	32		1309413-00		3.83 K .25 W 1.0 % RN55D-F10	1	1	1	R11	
33	33		1309108-00		.10 10.0 W 1.0 % WW	2	2	2	R1,R2	
34	34		1303297-00		6.0 K 10.0 W 5.0 % WW	2	2	2	R3,R4	
35	35		1314172-00		270.0 14.0 W 5.0 % WW	2	2	2	R5,R6	
36	36		1314350-00		1.0 2.0 W10.0 % FUSE	4	4	4	R7-R10	
37	37		1314544-00		270.0 10.0 W 5.0 % WW	2	-	2	R25,R26	
38	38		1314173-00		18.0 K 10.0 W 5.0 % WW	2	2	2	R12,R13	
39	39		1302336-00		39.0 .50 W 5.0 % CF	1	1	1	R24	
40	40		1305419-00		31.60 K .25 W 1.0 % RN55D-F10	1	1	1	R27	
41	41		1314351-00		33.0 5.0 W10.0 % WW	2	-	2	R28,R29	
42	42		1514195-00		2N 6547 NPN 400V SI 15A	4	-	-	Q1-Q4	
43	43		1510928-00		SCR PIV= 100 IO=25.00A	1	1	1	Q6	
44	44		1612919-01		XFMR P=AB S= 12.6CT@100MA 50HZ	1	1	1	T1	
45	45		1614204-00		PULSE XFMR 20312 BASE DRIVE	1	1	1	T2	
46	46		1614202-00		XFMR,CURRENT	1	1	1	T3	
47	47		1614203-00		CHOKER,BALUN-COMMON MODE	2	-	-	T4,T5	
48	48		1614334-00		1.6 UH 10A	2	-	2	L1,L2	
49	49		1910282-00		301AN OP AMP	1	1	1	E2	
50	50		1914194-00		OPTP-COUPLED ISOLATOR	1	1	1	E1	
51	51		9000038-08		SCREW,MACH PAN PHIL 10-	4	-	4		
52	52		9007906-00		WASHER,HELICAL SPLIT STEEL	4	-	4		
53	53		9006024-01		SCREW,MACH PAN PHIL 6-	16	16	16		
54	54	BLANK			*** THIS ITEM IS NOT USED ***	-	-	-		
55	55		9009676-00		TERM,SOLDER BARRIER STR	16	8	14		
56	56		9010164-00		WASHER,FLAT SS	4	-	4		
57	57		9006656-00		WASHER,FLAT STEEL	4	-	4		
58	58		9007801-00		WASHER,HELICAL SPLIT SST	4	-	4		
59	59	BLANK			*** THIS ITEM IS NOT USED ***	-	-	-		
60	60		1212484-05		TERM BLOCK 07POS(1X07).375CC	1	-	-	J6	
61	61		1212484-04		TERM BLOCK 10POS(1X10).375CC	1	1	1	J7	
62	62		9006023-01		SCREW,MACH PAN PHIL 6-	4	-	4		
63	63		1112595-01		PIV= 200 IO= 1.00A AXIAL	3	1	3	D25-D27	
64	64		1300365-00		1.0 K .25 W 5.0 % CF	1	1	1	R32	
65	65	BLANK			*** THIS ITEM IS NOT USED ***	-	-	-		
66	66	BLANK			*** THIS ITEM IS NOT USED ***	-	-	-		
67	67	BLANK			*** THIS ITEM IS NOT USED ***	-	-	-		
68	68	BLANK			*** THIS ITEM IS NOT USED ***	-	-	-		
69	69		1300271-00		220.0 .25 W 5.0 % CF	2	2	2	R17,R33	
70	70		1301317-00		10.0 .25 W 5.0 % CF	1	1	1	R31	
71	71		1300417-00		2.20 K .25 W 5.0 % CF	1	1	1	R30	
72	72		1012784-00		.047 MFD 50V +80-20% CER	1	1	1	C7	
73	73		1010274-01		.22 MFD 50V +80-20% Z5U CER	1	1	1	C14	
74	74		9007649-00		WASHER,LOCK EXTERNAL STEEL	16	16	16		
75	75	BLANK			*** THIS ITEM IS NOT USED ***	-	-	-		
76	76		1523373-01		NPN 250W 450V 20A	-	2	2	Q1,Q3	
77	77		9107560-02		WIRE,BUSS 20AWG TIN BARE	-	A/R	A/R	W1,W2	
78	78		1114602-00		RECT,ULTRA FAST PIV= 100 IO= 4.0	-	4	4	D5,D6,D9,D10	

D	I	G	I	T	A	L	TITLE	MOTHER BD. STAR(H7100)	SECTION A	OF A	SIZE	CODE	DOCUMENT NUMBER	REV
											K	PL	5412550-0-DBP	K

LINE	ITEM	TOP DOCUMENT	PART NUMBER	MIN REV	DESCRIPTION	QTY PER VARIATION			REFERENCE DESIGNATOR
						00	01	02	
						J1	A1	A1	
79	79		1212484-07		TERM BLOCK 08POS(1X08),375CC	-	1	1	J6
80	80		9008527-00		FUSE,SLO BLO 1/8 A,250V GLASS	-	1	1	F1
81	81		9007203-00		CLIP, FUSE, WITH STOP, SCREW MOU	-	2	2	
82	82		9000001-05		STANDOFF,MALE/FEMALE HEX 6-32	-	2	2	
83	83		9006633-00		WASHER,LOCK INTERNAL STEEL	-	2	2	
84	84		9009327-06		SCREW,MACH FILL SLOT 6-	-	2	2	
85	85		9107885-00		WIRE, 20AWG	-	A/R	A/R	W3,W4
86	86		9006021-01		SCREW,MACH PAN PHIL 6-	-	2	2	

87 NOTE: VARIATION 01 = DEPOPULATED, VARIATION 02 = POPULATED

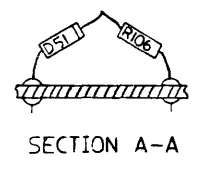
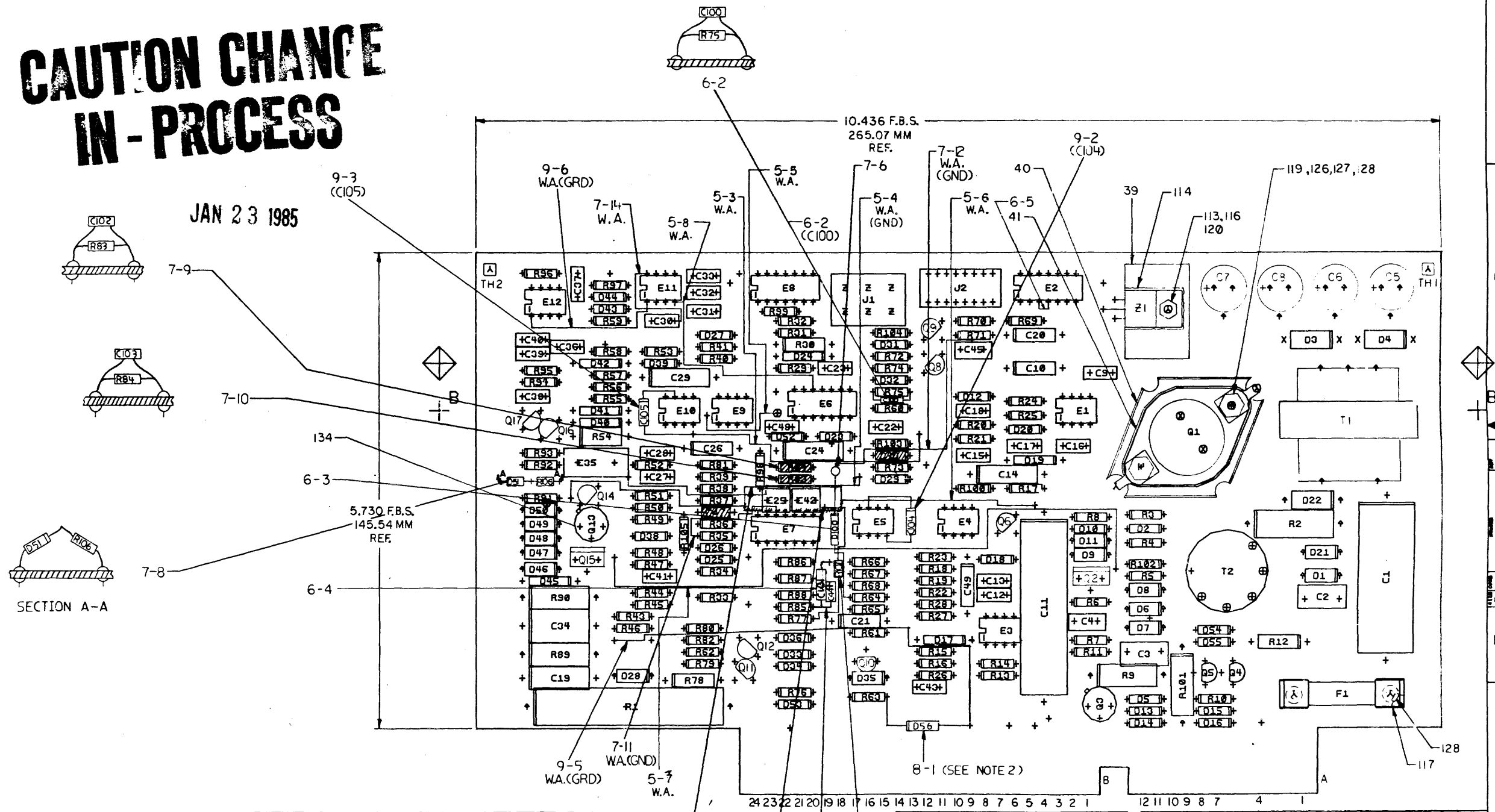
D	I	G	I	T	A	L	TITLE	MOTHER BD. STAR(H7100)	SECTION A	OF A	SIZE	CODE	DOCUMENT NUMBER	REV
											K	PL	5412550-0-DBP	K

THIS BOARD AND SUBSYSTEMS, HEREIN, ARE THE PROPERTY OF DIGITAL EQUIPMENT CORPORATION AND WILL BE RETURNED TO THE COMPANY BY THE USER. THE USER WILL BE RESPONSIBLE FOR THE PROTECTION OF THIS BOARD AND SUBSYSTEMS FROM DAMAGE AND LOSS. © 1977 DIGITAL EQUIPMENT CORPORATION

COMPONENT SIDE VIEW

CAUTION CHANGE IN-PROCESS

JAN 23 1985



NOTES:

- THIS BOARD MUST MEET U/L REQUIREMENTS
- USE P/N 1912536-00 AS AN ALTERNATE P/N FOR 1912536-01.

CHK	CHANGE NO	REV	DATE	BY	REASON
1	5412554-5	F			
2	5412554-5	E			
3	5412554-5	D			
4	5412554-5	C			
5	5412554-5	B			
6	5412554-5	A			
7	5412554-5				
8	5412554-5				
9	5412554-5				
10	5412554-5				
11	5412554-5				
12	5412554-5				
13	5412554-5				
14	5412554-5				
15	5412554-5				
16	5412554-5				
17	5412554-5				
18	5412554-5				
19	5412554-5				
20	5412554-5				
21	5412554-5				
22	5412554-5				
23	5412554-5				
24	5412554-5				

ETCH REV.	DATE	BY
D		
D		

SIGNATURES	DATE	TITLE
DRM. J.C. Apple	11-11-77	digital
CHK. B. Apple		
ENG. C.S. Fink	2 JUN 78	
PROJ. ENG. J.E. Dow	2 JUN 78	
PROD. J. Early	13 JUN 78	
SCALE 2/1		
SHT. 1 OF 4		
NEXT HIGHER ASSY. B-DD-5412554-0-0		

8

7

6

5

4

3

N 2

1

L1

5012553D

5412554

7-6

9-1

CS ABCDEFHJKLMNPR

digital
TYPE 1

SIDE 1

F1

U L APPROVED

**CAUTION CHANGE
IN-PROCESS**

JAN 2 1965

JAN 11 1965

VIED FROM SIDE 1

H7100 BIAS/CONTROL ED

DUA

5412554-2-N

2 1

2 4

6

5

4

3

2

4

D

C

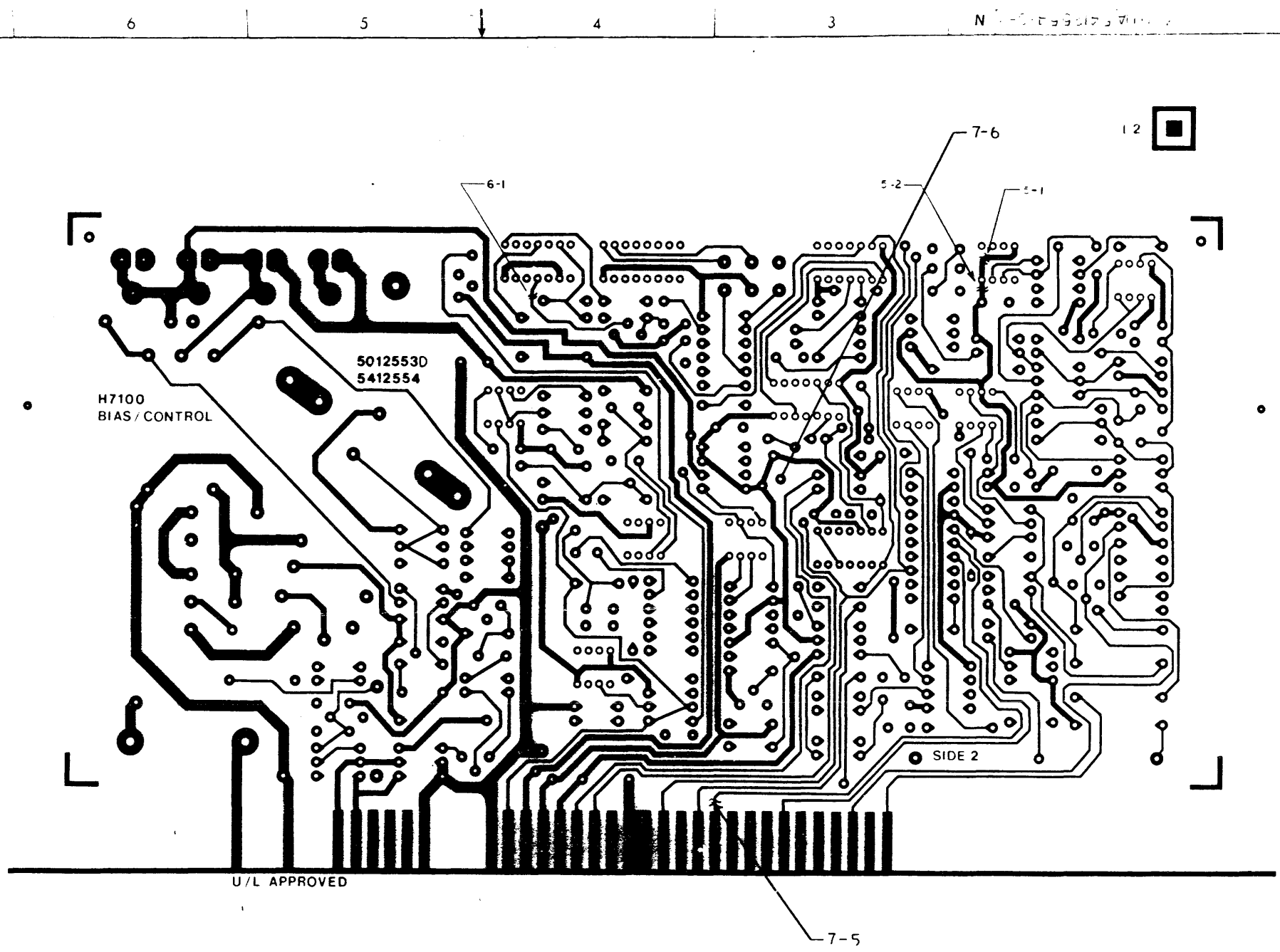
B

A

D U A T J E R R O V N

**CAUTION CHANGE
IN-PROCESS**

JAN 23 1967



VIEWED FROM SIDE 1

H7100 BIAS/CONTROL D UA 5412554-0-0 N
2:1 3 4

THIS DRAWING AND SPECIFICATIONS HEREIN ARE THE PROPERTY OF DIGITAL EQUIPMENT CORPORATION AND SHALL NOT BE REPRODUCED OR COPIED OR USED IN WHOLE OR IN PART AS THE BASIS FOR THE MANUFACTURE OR SALE OF ITEMS WITHOUT WRITTEN PERMISSION.
 COPYRIGHT © 1979 DIGITAL EQUIPMENT CORPORATION

REWORK INSTRUCTIONS

ETCH CUT SIDE 2:

- 5-1 BETWEEN E11/4 & E11/8
- 5-2 BETWEEN E11/4 & C30
- 6-1 CUT ETCH FROM E8-12 AT E2-4
~~(NOTE THAT E2-4 AND E2-3 ARE REVERSED ON SCHEMATIC)~~

COMPONENT ADD SIDE 1:

- 6-2 ADD C100 IN PARALLEL WITH R75.
- 6-3 ~~ADD D100 WITH SLEEVING P/N 9107256-11 ON LEADS ANODE TO THE JUNCTION OF R67, R64, R65, C24 AND CATHODE TO E8-12 USING P/N 9005740-55~~
- 6-4 ADD C101 FROM RIGHT HAND SIDE OF R85 (GROUND) TO PLATED THRU HOLE BY RIGHT HAND SIDE OF R86.

WIRE ADDS SIDE 1:

- 5-3 FROM E10/4 TO FEEDTHRU RIGHT OF R103
- 5-4 FROM D29/ANODE TO FEEDTHRU BELOW C27
- 5-5 FROM E9/8 TO FEEDTHRU NEAR E6/1
- 5-6 FROM Q14/EMITTER TO C11/+
- 5-7 FROM FEEDTHRU RIGHT OF Q15 TO FEEDTHRU RIGHT OF Q2.
- 5-8 FROM E11/4 TO E6/12
- 5-9 FROM E11/8 TO C30
- 6-5 FROM E2-3 TO E2-4

5412554-TW007

WIRE DELETES SIDE 1:

- 7-1 DELETE FROM Q14/EMITTER TO C11/+
- 7-2 DELETE FROM E11-PIN 8 TO C30 LH SIDE

COMPONENT DELETES SIDE 1:

- 7-3 DELETE C47
- 7-4 DELETE D30
- 7-5 REFER TO EC-5012553-0-0 FOR ETCH CUTS

COMPONENT ADDS SIDE 1:

- 7-6 DRILL #54 HOLE TO RIGHT OF R83 AND R84 AVOID TRACES ON BOTH SIDES. INSERT SWAGE ITEM 137, ADD D100 WITH ITEM 130 ON LEADS, ANODE LH SIDE OF R64, CATHODE TO DRILL HOLES.

7-7 RELOCATE C44, ONE LEAD TO RH SIDE OF R85, OTHER LEAD TO FEED-THRU RIGHT OF R87 AND R88.

- 7-8 ADD R106 (ITEM 46) IN SERIES WITH D5 CATHODE.
- 7-9 ADD C102 (ITEM 15) IN PARALLEL WITH R83.
- 7-10 ADD C103 (ITEM 15) IN PARALLEL WITH R84

WIRE ADDS SIDE 1:

- 7-11 R35 LH SIDE TO E7-12
- 7-12 CATHODE D100 TO FEEDTHRU BETWEEN C45 AND R71.
- 7-13 Q14/EMITTER TO C11/+ ROUTE OVER C25, C42
- 7-14 E11-PIN 8 TO C30 RH SIDE

5412554-TW008

COMPONENT ADDS SIDE 1:

- 8-1 ADD D56 CATHODE TO RH SIDE OF R63, ANODE TO PTH OVER B9-1 (GROUND).

5412554-TW009

ETCH CUT SIDE 1

- 9-1 REFER TO D-EC-5012553-0-0 FOR ETCH CUTS.

COMPONENT ADDS SIDE 1:

- 9-2 ADD C104 TO RIGHT RIGHT OF E5, WITH (+) LEAD TO E5-7 AND MINUS (-) LEAD TO E5-4, USING P/N 9107256-11 ON (+) LEAD.
- 9-3 ADD C105 TO LEFT OF E10 WITH PLUS (+) LEAD TO E10-7 AND MINUS (-) LEAD TO E10-4 USING P/N 9107256-11 ON LEADS.
- 9-4 ADD R107 TO LEFT OF R66, R67, AND R68, USING P/N 9107256-11 ON LEADS, ONE LEAD TO FEED THRU RIGHT OF C42, OTHER LEAD TO RH SIDE OF R77.

WIRE ADDS SIDE 1:

- 9-5 FROM FEED THRU UNDER R46 LH SIDE TO D56 ANODE, (ITEM 136).
- 9-6 FROM E11-1 TO E12-1, (ITEM 131).

5412554 TW011

WIRE ADDS SIDE 1:

- (NOTE: T2 SHOULD NOT BE INSTALLED YET)
- 11-6 ADD ONE 24 AWG ECO WIRE APPROXIMATELY 1.5" LONG FROM T2-1 TO ANODE OF D2.
- 11-7 ADD ONE 24 AWG ECO WIRE APPROXIMATELY 1" LONG FROM T2-3 TO RH SIDE OF R4.
- 11-8 ADD ONE 24 AWG ECO WIRE APPROXIMATELY 2.25" LONG FROM T2-6 TO CATHODE OF D6.
- 11-9 ADD ONE 24 AWG ECO WIRE APPROXIMATELY 5" LONG FROM D4 TO RH SIDE OF R5.
- 11-10 ADD ONE 30 AWG ECO WIRE APPROXIMATELY 1.25" LONG FROM E2-12 TO C25 ABOVE ETCH CUT.

COMPONENT ADDS SIDE 1:

- 11-11 INSTALL T2 WITH 24 AWG WIRES.

CAUTION CHANGE IN-PROCESS

JAN 22 1985

JAN 22 1985

REVISION HISTORY		
DATE	ECO NUMBER	REV.

TITLE		DOCUMENT NUMBER	
H7100 BIAS CONTROL		SIZE CODE	NUMBER
		DUA	5412554-0-0
		SCALE NONE	SHEET 4 OF 4

LINE	ITEM	TOP DOCUMENT	PART NUMBER	MIN REV	DESCRIPTION	VARIATION REVISION LEVEL:	QTY PER VARIATION	REFERENCE DESIGNATOR
1	1	D-MD-5012553-0-0	5012553-00		5412554		1	
2	2		1000009-00		33.0 MMF 100V 5%200PPM MICA		2	C15,C28
3	3		1000042-00		1000.0 MMF 100V 5%200PPM MICA		4	C13,C32,C33,C39
4	4		1013466-12		2200.0 MMF 50V 10% X7R CER		1	C23
5	5		1000064-00		3.9MFD 10V 10% S.TANT		1	C20
6	6		1001610-01		.01 MFD50/100V +80-20% DISC		9	C12,C16,C18,C22,C31,C36,C38,C41,C43
7	7		1001776-00		1 MFD 35V 10% S.TANT		6	C10,C49,C50-C53
8	8		1002180-00		.15 MFD 35V 20% S.TANT		1	C21
9	9		1000026-00		680.0 MMF 100V 5%200PPM MICA		1	C4
10	10		1002504-00		3600.0 MMF 100V 5%200PPM MICA		1	C3
11	11		1002627-00		2.2MFD 20V 10% S.TANT		1	C26
12	12		1004813-00		10 MFD 20V 10% S.TANT		1	C14
13	13		1005306-00		6.8MFD 35V 10% S.TANT		1	C29
14	14		1013280-00		680.0 MMF 1000V 5%200PPM MICA		1	C2
15	15		1010978-36		.1 MFD 50V 10% CER		7	C9,C27,C30,C40,C44,C46,C54
16	16		1012607-00		560 MFD 20V+100-10% AL EL		4	C5-C8
17	17	BLANK			*** THIS ITEM IS NOT USED ***		-	
18	18		1011849-01		600 MFD 25V +75-10% AL EL		1	C11
19	19		1013669-04		1 MFD 400V 10% M.POLYPROP		1	C1
20	20		1016544-00		.1 MFD 100V 10% MYLR		1	C34
21	21		1014430-00		.022 MFD 270V 10% M.POLYPROP		1	C19
22	22		1011847-01		.01 MFD 400V 10% POLYPROP		1	C35
23	23		1100114-00		PIV= 25 IO=135 MA		15	D23,D25,D26,D29,D31-D34,D36,D39,D38,D52,D53,D55,D56
24	24		1102495-00		VZ= 3.3 5% 250 MW 1N3210		1	D24
25	25		1100125-00		VZ= 10.0 5% 400 MW 1N758A		1	D17
26	26		1105796-00		PIV= 400 IO= 1.00A 1N4004 DO-41		6	D5,D12-D16
27	27		1105871-00		VZ= 5.15 1% 250 MW		2	D19,D42
28	28		1109990-00		VZ= 9.1 5% 400 MW 1N757A		1	D40

REVISION HISTORY			BASIC PART NO: 5412554								
ENG	ECO NUMBER	REV	SECTION A OF A	DRN:	R. BUREAU	DATE:	02-FEB-79	DIGITAL			
CL	5412554-ML05A	F	SECTION VARIATION INDEX	CHK'D:	T. SHETRAWSKI	DATE:	02-FEB-79	TITLE PARTS LIST			
RC	5412554-TW006	H	[A] 00					H7100 BIAS CONTROL			
RC	5412554-TW007	J	[B]	DES.ENG:	C. LANDINO	DATE:	02-FEB-79	DOCUMENT NUMBER			
RC	5412554-TW008	K	[C]					SIZE	CODE	NUMBER	REV
RC	5412554-TW009	L	[D]	RESP.ENG.:	C. LANDINO	DATE:	02-FEB-79	K	PL	5412554-0-DBP	N
WB	5412554-TW010	M	[E]								
SH	5412554-TW011	N	[F]	MFG.ENG.:	E. BLAIR	DATE:	02-FEB-79	RELEASE DATE: 19-DEC-84			
			[G]								
			[H]	ASSEMBLY NUMBER:	D-UA-5412554-0-0	TOP DOCUMENT NUMBER:		FILE NAME:	Z0426N.PLS	EDIT #:	31
			[I]								
			[J]								
			[K]								
			[L]								
			[M]								
			[N]								

"THIS DRAWING AND THE SPECIFICATIONS CONTAINED HEREIN ARE CONFIDENTIAL AND PROPRIETARY. THEY ARE THE PROPERTY OF DIGITAL EQUIPMENT CORPORATION AND SHALL NOT BE REPRODUCED OR COPIED OR USED IN WHOLE OR IN PART AS THE BASIS FOR THE MANUFACTURE OR SALE OF ITEMS WITHOUT WRITTEN PERMISSION. THIS IS AN UNPUBLISHED WORK PROTECTED UNDER THE FEDERAL COPYRIGHT LAWS."

LINE	ITEM	TOP DOCUMENT	PART NUMBER	MIN REV	DESCRIPTION	QTY	PER VARIATION	REFERENCE DESIGNATOR
						00		
29	29		1110836-00		VZ= 12.0 5% 400 MW 1N759A	1		D45
30	30		1105275-00		PIV= 60 IO=300 MA -15NS	8		D10,D18,D20,D27,D37,D43,D44,D54
31	31		1111205-00		VZ= 5.7 2% 400 MW	1		D41
32	32		1112594-01		PIV= 200 IO= 3.00A	2		D3,D4
33	33	BLANK			*** THIS ITEM IS NOT USED ***	-		
34	34		1112595-01		PIV= 200 IO= 1.00A AXIAL	11		D6-D9,D11,D35,D46-D50
35	35		1112595-02		PIV= 600 IO= 1.00A AXIAL	3		D1,D21,D51
36	36		1113123-00		TRANS.SUPP. 180V 1MA	1		D22
37	37		1211813-02		SKT,IC 16PIN DIP GOLD PC M	1		J2
38	38		1212297-05		MATE-N-LOK 06PIN(2X03).250CC HDR	1		J1
39	39		1212487-01		HEAT SINKS,EXTRUSION 00.71X01.0	1		
40	40		1213426-01		HEAT SINK,T0-3 1.880X01.4	1		
41	41		1213071-02		INSULATOR,RUBBER SILICONE SM	1		
42	42		1300229-00		100.0 .25 W 5.0 % CF	3		R3,R73,R79
43	43		1300285-00		270.0 .50 W 5.0 % CF	1		R12
44	44		1300287-00		270.0 1.0 W10.0 % CC	3		R9,R89,R101
45	45		1300247-00		120.0 .25 W 5.0 % CF	1		R29
46	46		1300316-00		470.0 .25 W 5.0 % CF	5		R5,R91,R8,R106,R47
47	47		1300347-00		680.0 .50 W 5.0 % CF	1		R78
48	48		1300365-00		1.0 K .25 W 5.0 % CF	18		R6,R7,R11,R13,R16,R20,R22,R23, CONT R71,R72,R74,R82-R84,R98,R99,R75, CONT R42
49	49		1300391-00		1.50 K .25 W 5.0 % CF	3		R32,R76,R10
50	50		1300417-00		2.20 K .25 W 5.0 % CF	2		R31,R33
51	51		1300421-00		2.20 K 2.0 W10.0 % CC	1		R2
52	52		1300432-00		3.0 K .25 W 5.0 % CF	3		R44,R60,R70
53	53		1300447-00		4.70 K .25 W 5.0 % CF	4		R86,R53,R26,R61
54	54		1300479-00		10.0 K .25 W 5.0 % CF	5		R18,R55,R81,R103,R104
55	55		1300439-00		3.30 K .25 W 5.0 % CF	1		R62
56	56		1300495-00		15.0 K 1.0 W10.0 % CC	1		R90
57	57		1300496-00		15.0 K .25 W 5.0 % CF	2		R15,R58
58	58		1300507-00		27.0 K .50 W10.0 % CF	1		R30
59	59		1302398-00		470.0 K .25 W 5.0 % CF	2		R39,R38
60	60		1300539-00		120.0 K .25 W 5.0 % CF	1		R34
61	61		1305346-00		27.0 K .25 W 5.0 % CF	1		R37
62	62		1300202-00		47.0 .25 W 5.0 % CF	3		R4,R46,R40
63	63		1303067-00		422.0 .25 W 1.0 % RN55D-F10	1		R95
64	64		1302177-00		47.0 K .25 W 5.0 % CF	1		R66
65	65	BLANK			*** THIS ITEM IS NOT USED ***	-		
66	66		1310597-00		100.0 10.0 W 5.0 % WW	1		R1
67	67		1300309-00		390.0 .25 W 5.0 % CF	1		R77
68	68		1302389-00		4.30 K .25 W 5.0 % CF	2		R51,R19
69	69		1302411-00		511.0 .25 W 1.0 % RN55D-F10	3		R68,R36,R45
70	70		1302466-00		100.0 K .25 W 5.0 % CF	1		R21
71	71		1302514-00		39.0 K .25 W 5.0 % CF	2		R49,R57
72	72		1302685-00		909.0 .25 W 1.0 % RN55D-F10	1		R67
73	73	BLANK			*** THIS ITEM IS NOT USED ***	-		
74	74		1304856-00		4.64 K .25 W 1.0 % RN55D-F10	1		R93

D	I	G	I	T	A	L	TITLE	SECTION A	OF A	SIZE	CODE	DOCUMENT NUMBER	REV
							H7100 BIAS CONTROL			K	PL	5412554-0-DBP	N

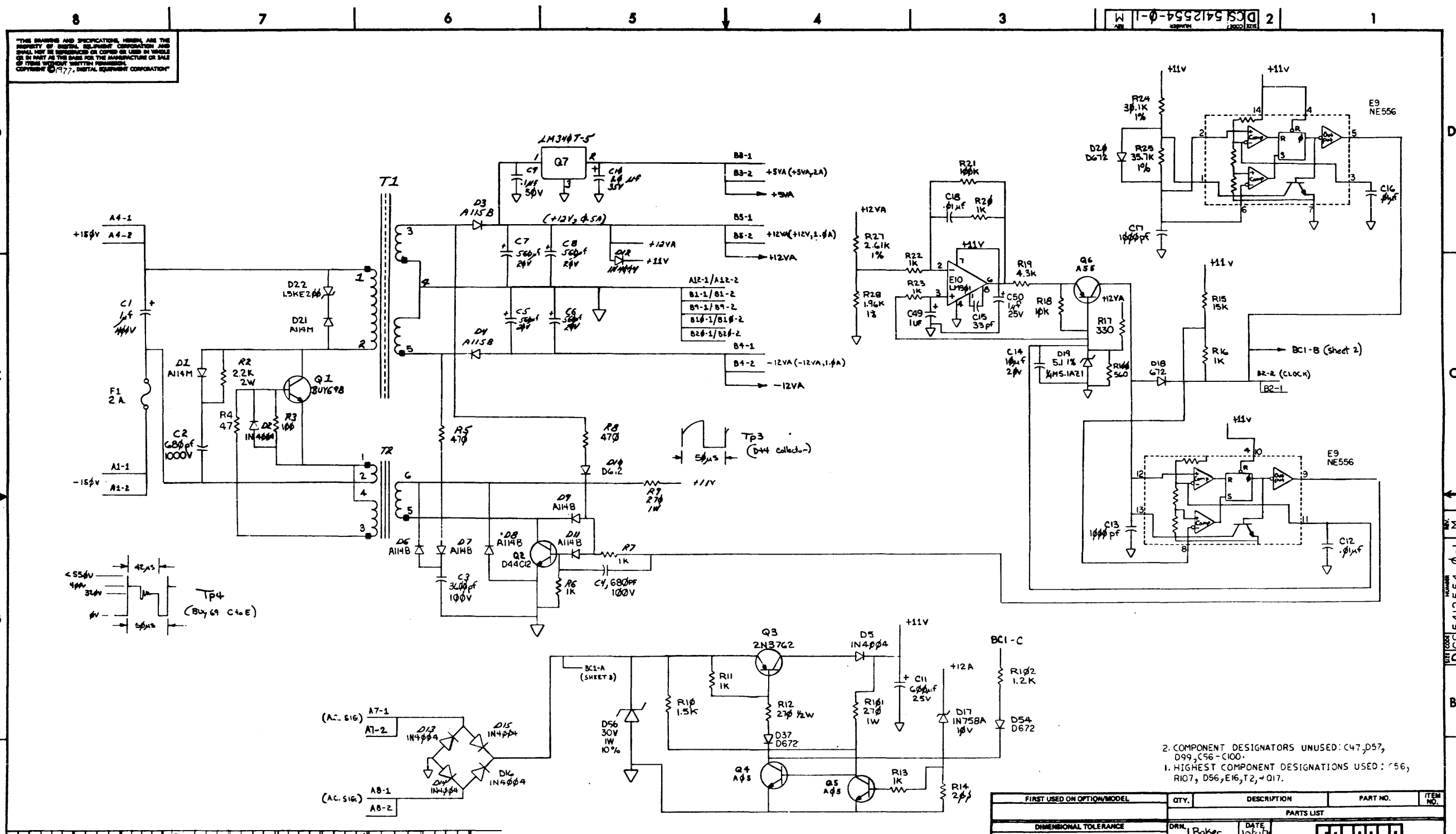
LINE	ITEM	TOP DOCUMENT	PART NUMBER	MIN REV	DESCRIPTION	QTY	PER VARIATION	REFERENCE DESIGNATOR
					VARIATION REVISION LEVEL:	00		
75	75		1303303-00		2.61 K .25 W 1.0 % RN55D-F10	1		R27
76	76		1303313-00		12.10 K .25 W 1.0 % RN55D-F10	2		R52,R69
77	77		1303362-00		205.0 K .50 W 1.0 % RN60D-F10	1		R54
78	78		1304833-00		1.96 K .25 W 1.0 % RN55D-F10	2		R28,R63
79	79		1304858-00		348.0 .25 W 1.0 % RN55D-F10	2		R87,R88
80	80		9007201-00		PAD,MOUNTING,COMPONENT	2		
81	81		1305265-00		39.20 K .25 W 1.0 % RN55D-F10	1		R96
82	82		1304841-00		75.0 K .25 W 5.0 % CF	1		R50
83	83		1305324-00		4.99 K .25 W 1.0 % RN55D-F10	1		R85
84	84		1301422-00		7.50 K .25 W 5.0 % CF	1		R80
85	85		1309419-00		19.60 K .25 W 1.0 % RN55D-F10	1		R92
86	86		1305421-00		35.70 K .25 W 1.0 % RN55D-F10	1		R25
87	87		1309417-00		27.40 K .25 W 1.0 % RN55D-F10	1		R59
88	88		1312482-00		2.70 .25 W 5.0 % CF	1		R94
89	89		1310881-00		1.0 K .25 W 1.0 % FUSE	3		R48,R56,R64
90	90		1311522-00		200.0 .25 W 5.0 % CF	1		R14
91	91		1311594-00		30.10 K .25 W 1.0 % RN55D-F10	1		R24
92	92		1302377-00		39.0 .25 W 5.0 % CF	1		R43
93	93		1300197-00		33.0 .25 W 5.0 % CF	1		R41
94	94		1313476-00		51.10 K .25 W 1.0 % RN55D-F10	1		R35
95	95		1300426-00		2.70 K .25 W 5.0 % CF	1		R97
96	96		1509649-01		3762 PNP 4W SI 40 35	1		Q3
97	97		1510705-00		XA 05 NPN 500MW SI 60 50 P	4		Q4,Q5,Q10,Q12
98	98		1510706-00		XA 55 PNP 500MW SI 60 50 P	7		Q6,Q8,Q9,Q11,Q16,Q17,Q14
99	99		1510959-00		2N 3725 NPN 3.5WC SI 50 60 P	1		Q13
100	100		1512782-00		BUY69A NPN 100W S1325 15	1		Q1
101	101		1512790-00		D 44C12 NPN 30W SI	1		Q2
102	102		1514271-01		D 44Q5 NPN 31W SI225 30	1		Q15
103	103		1614209-00		PULSE XFMR,RATIO 1:8:32	1		T2
104	104		1614201-00		XFMR,POWER,PC MNT 20KHZ 30W	1		T1
105	105		1909373-00		9601 ONE SHOT,RETRIGGERAB	1		E4
106	106		1910282-00		301AN OP AMP	3		E1,E7,E10
107	107		1914432-00		75454 DRIVER,PERIPH,DUAL,	1		E5
108	108	BLANK			*** THIS ITEM IS NOT USED ***	-		
109	109		1912838-00		LS132 NAND GATE-QUAD 2IN P	1		E3
110	110		1912108-00		339 VOLT CMPRTR,QUAD	1		E2
111	111		1912536-01		7805 VOLT REG,FIX +5V	1		Z1
112	112		1912813-00		LS27 NOR GATE-TRIPLE 3IN	1		E6
113	113		9006557-00		NUT,HEX EXT TOOTH LCKWSHR 4-40	1		
114	114		9009769-00		WASHER,RECTNGLR STEEL	1		
115	115		9007203-00		CLIP, FUSE, WITH STOP, SCREW MOU	2		
116	116		1213071-06		INSULATOR,RUBBER SILICONE	1		
117	117		1215536-01		FUSE, REG BLOW, 2.000A 250V, C	1		F1
118	118		9009000-00		EYELET,ROLLED 0.1210DX0.156	2		
119	119		9009676-00		TERM,SOLDER BARRIER STR	2		
120	120		9006011-01		SCREW,MACH PAN PHIL 4-	1		
121	121		1014169-00		1000.0 MMF 100V 1%200PPM MICA	2		C17,C37
122	122		1001765-00		.005 MFD 100V 20% Z5T DISC	2		C47,C48

! D	! I	! G	! I	! T	! A	! L	! TITLE	! H7100 BIAS CONTROL	! SECTION A	! OF A	! SIZE	! CODE	! DOCUMENT NUMBER	! REV
											K	PL	5412554-0-DBP	N

LINE ITEM	TOP DOCUMENT	PART NUMBER	MIN REV	DESCRIPTION	QTY PER VARIATION	REFERENCE DESIGNATOR
				VARIATION REVISION LEVEL:	00	
123	123	1301320-00		1.20 K .25 W 5.0 % CF	1	R102
124	124	1313155-00		604.0 .25 W 1.0 % RN55D-F10	1	R65
125	125	1301890-00		560.0 .25 W 5.0 % CF	1	R100
126	126	9006023-01		SCREW,MACH PAN PHIL 6-	2	
127	127	9007801-00		WASHER,HELICAL SPLIT SST	2	
128	128	9006558-00		NUT,HEX 6-32X .307AF CS/C	2	
129	129	1010274-00		.22 MFD 50V +80-20% Z5U CER	2	C45,C55
130	130	BLANK		*** THIS ITEM IS NOT USED ***	-	
131	131	9105740-55		WIRE(WRAP) 30AWG KYNAR UL14	A/R	
132	132	1300295-00		330.0 .25 W 5.0 % CF	1	R17
133	133	1302871-00		1.21 K .25 W 1.0 % RN55D-F10	1	R105
134	134	9008351-00		CAP,TRANSISTOR .320 ID	1	
135	135	1000076-00		39 MFD 10V 10% S.TANT	1	C24
136	136	9107688-55		WIRE(WRAP) 24AWG KYNAR UL13	A/R	
137	137	BLANK		*** THIS ITEM IS NOT USED ***	-	
138	138	BLANK		*** THIS ITEM IS NOT USED ***	-	
139	139	1105796-01		PIV= 400 IO= 1.00A DO-41	1	D2
140	140	1115273-00		RECT,ULTRA FAST PIV= 200 IO= 3.0	1	D28
141	141	1105652-00		VZ= 30.0 10% 1 W 1N4751	1	D30
142	142	1914392-00		556 TIMER-DUAL	2	E8,E9
143	143	1312930-00		5.10 K .25 W 5.0 % CF	1	R107
144	144	1010279-00		.47 MFD 25V 20% CER	2	C25,C42

D	I	G	I	T	A	L	TITLE	H7100 BIAS CONTROL	SECTION A	OF A	SIZE	CODE	DOCUMENT NUMBER	REV
											K	PL	5412554-0-DBP	N

THE DRAWING AND SPECIFICATIONS HEREIN ARE THE PROPERTY OF DIGITAL EQUIPMENT CORPORATION AND SHALL NOT BE REPRODUCED OR COPIED IN WHOLE OR IN PART AS THE BASIS FOR THE MANUFACTURE OR SALE OF ITEMS WITHOUT WRITTEN PERMISSION. COPYRIGHT © 1977, DIGITAL EQUIPMENT CORPORATION



REV.	CHANGE NO.	BY	DATE
1	0001	B	10/21/77
2	0002	B	10/21/77
3	0003	C	10/21/77
4	0004	D	10/21/77
5	0005	L	10/21/77
6	0006	F	10/21/77
7	0007	H	10/21/77
8	0008	R	10/21/77
9	0009	R	10/21/77
10	0010	R	10/21/77
11	0011	M	10/21/77
12	0012	S	10/21/77

CAUTION CHANGE IN-PROCESS

JAN 23 1978

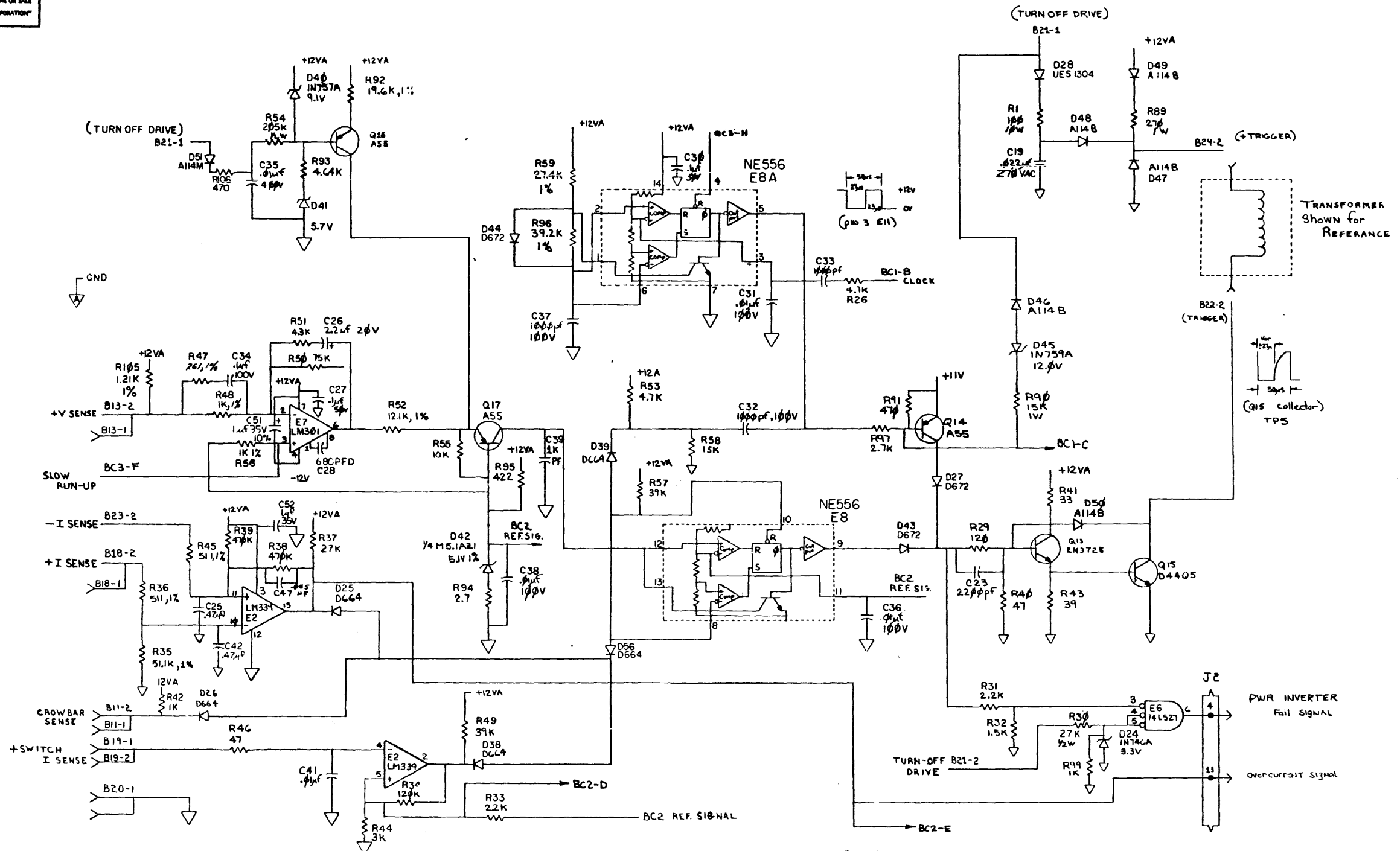
2. COMPONENT DESIGNATORS UNUSED: C47, D57, D99, C56-C100.
1. HIGHEST COMPONENT DESIGNATIONS USED: C56, R107, D56, E16, T2, Q17.

FIRST USED ON OPTION/MODEL	QTY.	DESCRIPTION	PART NO.	ITEM NO.
PARTS LIST				
DIMENSIONAL TOLERANCE				
DIMENSIONS ARE MILLIMETERS UNLESS OTHERWISE SPECIFIED				
MILLIMETERS	INCHES	ANGLES		
XX ±0.10	XX ±0.005	XX ±0.1		
XX ±0.05	XX ±0.002	XX ±0.05		
XX ±0.02	XX ±0.001	XX ±0.02		
THIRD ANGLE PROJECTION				
REMOVE SLUGS AND BREAK SLUGS				
CONFORM SURFACE QUALITY				
FINISH				
SCALE NONE				
SHEET 1 OF 3				
TITLE			REV.	
H7100 BIAS/CONTROL (BC)			M	
SIZE CODE			NUMBER	
DCS			5412554-0-1	
DIST				

DCS 5412554-0-1 M

THIS DRAWING AND SPECIFICATIONS HEREIN ARE THE PROPERTY OF DIGITAL EQUIPMENT CORPORATION AND SHALL NOT BE REPRODUCED OR COPIED OR USED IN WHOLE OR IN PART AS THE BASIS FOR THE MANUFACTURE OR SALE OF ITEMS WITHOUT WRITTEN PERMISSION. COPYRIGHT © 1971, DIGITAL EQUIPMENT CORPORATION.

W 1-0-554-01 CS 2



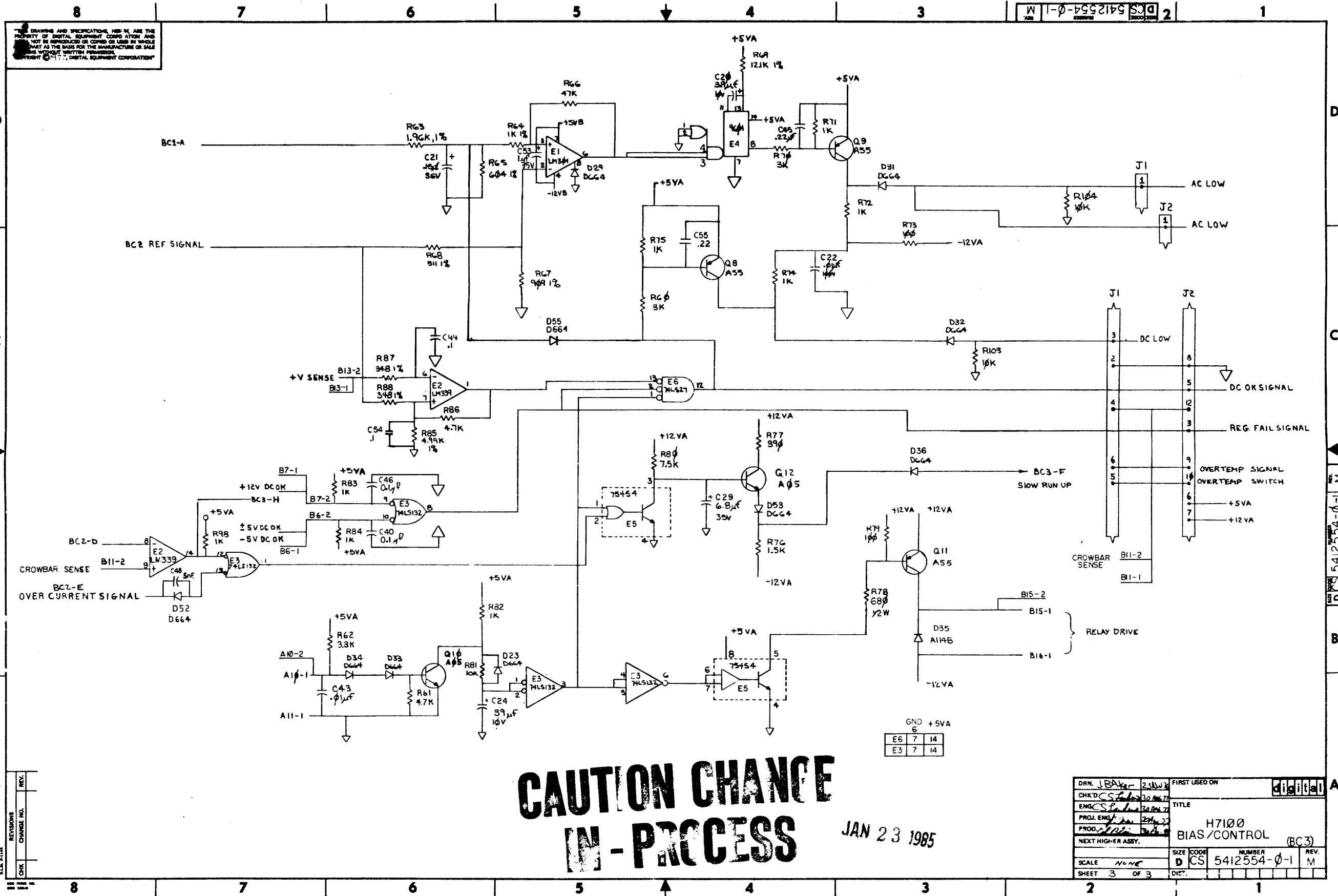
**CAUTION CHANGE
IN-PROCESS**

JAN 23 1985

REV.	
CHANGE NO.	
DATE	

DRN. J. Baker	10/24/72	FIRST USED ON	digital
CHK'DCS	10/24/72	TITLE	H7120 BIAS/CONTROL (RC2)
ENG. CS	10/24/72	SCALE	NONE
PROJ. ENG. /		SHEET	2 OF 3
PROD. OF /		SIZE	D
NEXT HIGHER ASSY.		CODE	CS
		NUMBER	5412554-0-1
		REV.	M

DEC FORM NO. 100-0



ALL DRAWINGS AND SPECIFICATIONS, HEREIN, ARE THE PROPERTY OF DIGITAL EQUIPMENT CORPORATION AND SHALL NOT BE REPRODUCED OR COPIED OR LOANED IN WHOLE OR IN PART AS THE BASIS FOR THE MANUFACTURE OR SALE OF ANY EQUIPMENT WITHOUT WRITTEN PERMISSION FROM DIGITAL EQUIPMENT CORPORATION.

**CAUTION CHANGE
IN-PROCESS**

JAN 23 1985

REV.	
CHANGE NO.	
CHK.	
REVISIONS	

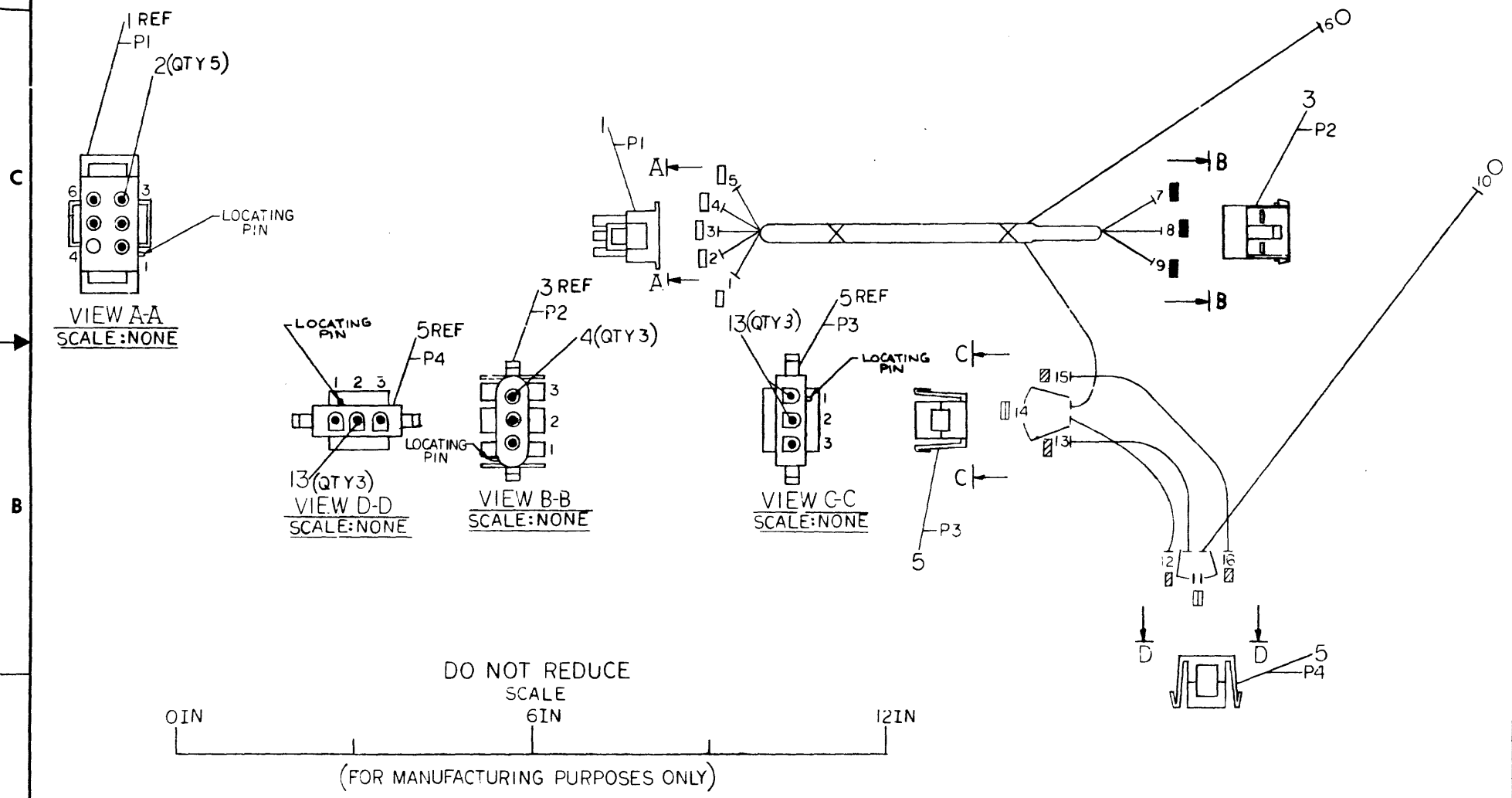
DRN. JBAK	2/3/85	FIRST USED ON	
CHK'D CS	3/30/85	TITLE	H7100 BIAS/CONTROL (BC3)
ENG. CS	3/30/85	SIZE	D
PROJ. ENG. JBAK	2/3/85	NUMBER	5412554-0-1
PROD. JBAK	2/3/85	REV.	M
NEXT HIGHER ASSY.			
SCALE None			
SHEET 3 OF 3			

GND	+5VA
E6	7 14
E3	7 14

THIS DRAWING AND SPECIFICATIONS HEREIN ARE THE PROPERTY OF DIGITAL EQUIPMENT CORPORATION AND SHALL NOT BE REPRODUCED OR COPIED OR USED IN WHOLE OR IN PART AS THE BASIS FOR THE MANUFACTURE OR SALE OF ITEMS WITHOUT WRITTEN PERMISSION.
COPYRIGHT © 1977, DIGITAL EQUIPMENT CORPORATION

WIRE TABLE								
ITEM NO	AWG	COLOR	FROM			TO		REMARKS
			POINT	CONNECTION	TERM	POINT	CONNECTION	
10	18	YELLOW	1	P1-1	82	9	P2-1	3&4
8	18	BLACK	2	P1-2	1&2	7	P2-3	3&4
12	18	VIOLET	3	P1-3	1&2	8	P2-2	3&4
9	18	ORANGE	5	P1-5	1&2	6	---	7
11	18	GRAY	4	P1-6	1&2	14	P3-2	15&5
11	18	GRAY	12	P4-2	13&5	10	---	7
9	18	ORANGE	11	P4-3	15&5	13	P3-3	13&5
11	18	GRAY	16	P4-1	13&5	15	P3-1	13&5

NOTES:
1. USE CABLE TIES (X) ITEM #6 APPROXIMATELY EVERY THREE(3) INCHES WHEN NECESSARY, AND AT EVERY BREAKOUT POINT.



CAUTION: SEE OFF SHEET PARTS LIST
K-PL-701457-0-DBP. (23347C.PLS)

SYMBOL	DESCRIPTION	DWG. PART NO.	ITEM NO.
□	2 SOCKET, 16-18 AWG	1209379-07	15
□	1 LABEL, CABLE IDENT.	9009512-00	14
□	4 PIN, 14-20 AWG	1209379-00	13
W	A/R WIRE 18 AWG STRD VIOLET	9107360-77	12
W	A/R WIRE 18 AWG STRD GRAY	9107360-88	11
W	A/R WIRE 18 AWG STRD YELLOW	9107360-44	10
W	A/R WIRE 18 AWG STRD ORANGE	9107360-33	9
W	A/R WIRE 18 AWG STRD BLACK	9107360-00	8
○	2 TERMINAL, QUICK CONNECT	9007370-00	7
X	A/R TIE, CABLE	9007091-00	6
□	2 HOUSING, 3 PIN SOCKET	1209350-03	5
□	3 PIN, 14-20 AWG	1212163-20	4
□	1 CAP, 3 PIN UNIVERSAL	1212168-03	3
□	5 SOCKET, 14-20 AWG	1212170-00	2
□	1 PLUG, 6 PIN HOUSING	1212167-06	1

UNLESS OTHERWISE SPECIFIED DIMENSIONS ARE IN INCHES	
ANGLES	CLASS OF ACCURACY
SURFACE QUALITY	FINISH
MICROFINISHES	PREFERRED

THIRD ANGLE PROJECTION

REMOVE BURRS AND BREAK SHARP CORNERS

DO NOT SCALE DWG

MATERIAL SEE PARTS LIST

FINISH

DRN: [Signature] 11/17/77
CHKD: [Signature] 23 Apr 77
ENG: [Signature] 23 Apr 77
PROJ. ENGR: [Signature] 23 Apr 77
PROD. [Signature] 23 Apr 77

FIRST USED ON H7100

TITLE HARNESS OUTPUT-SIGNAL

SIZE CODE D TA 701457-0-0

NUMBER 1

REV. C

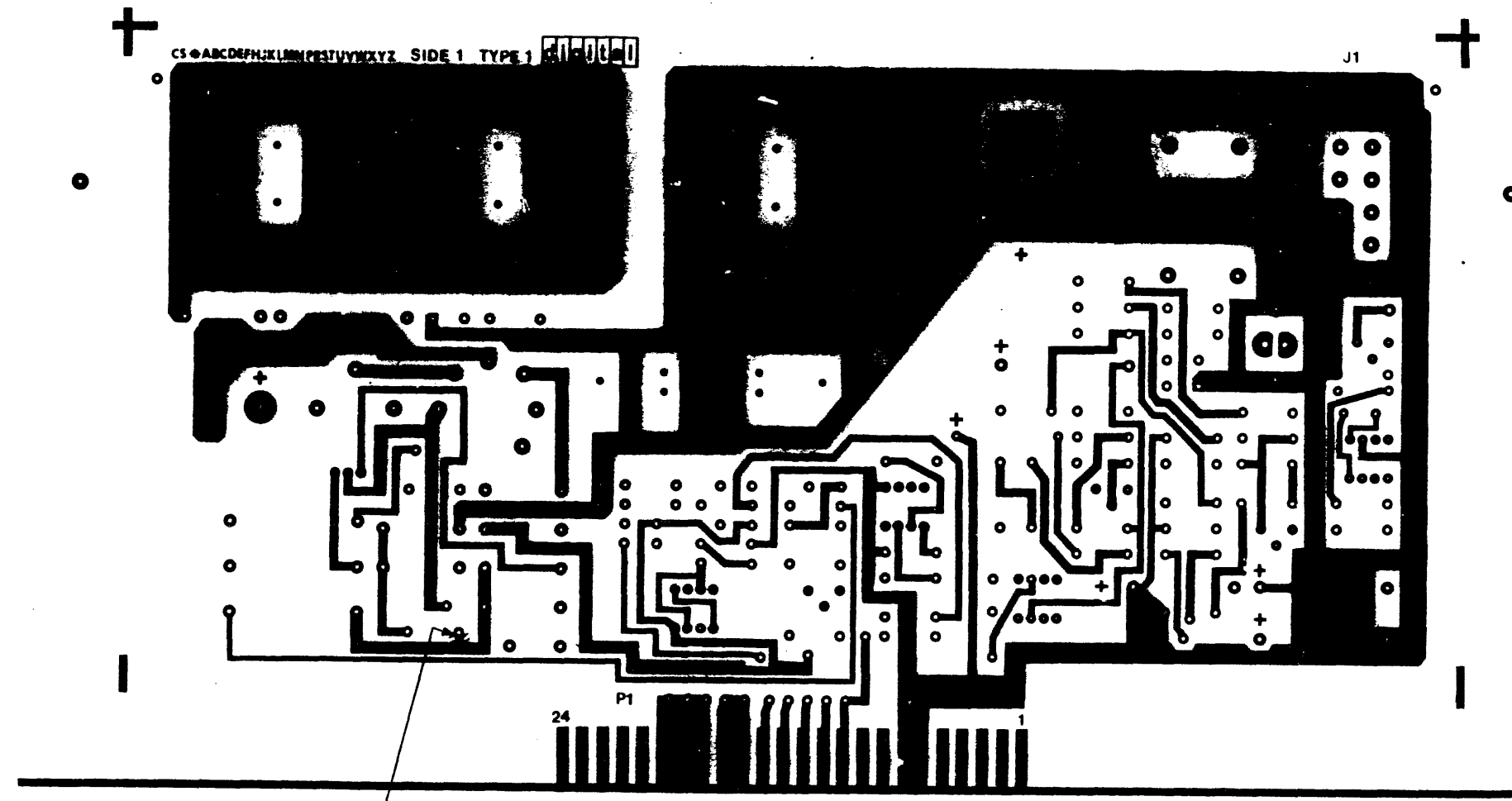
REV.	CHANGE NO.	DATE	BY	CHKD
1	0001	1/17	D. MARTE	
2	0002	5 Jun 78	C.S. LANDRE	
3	0003	11/17/77	W.F. BAUSHA	

THIS DRAWING IS THE PROPERTY OF THE U.S. GOVERNMENT AND IS TO BE REPRODUCED IN FULL OR IN PART BY ANY PERSON OR ORGANIZATION WITHOUT PERMISSION OF THE U.S. GOVERNMENT.

2 DUA 5412560-00 D

L1 5412560 5012559 C P2

CS ABCDEFHJKLMNPSTUVWXYZ SIDE 1 TYPE 1



U/L APPROVAL

3-1

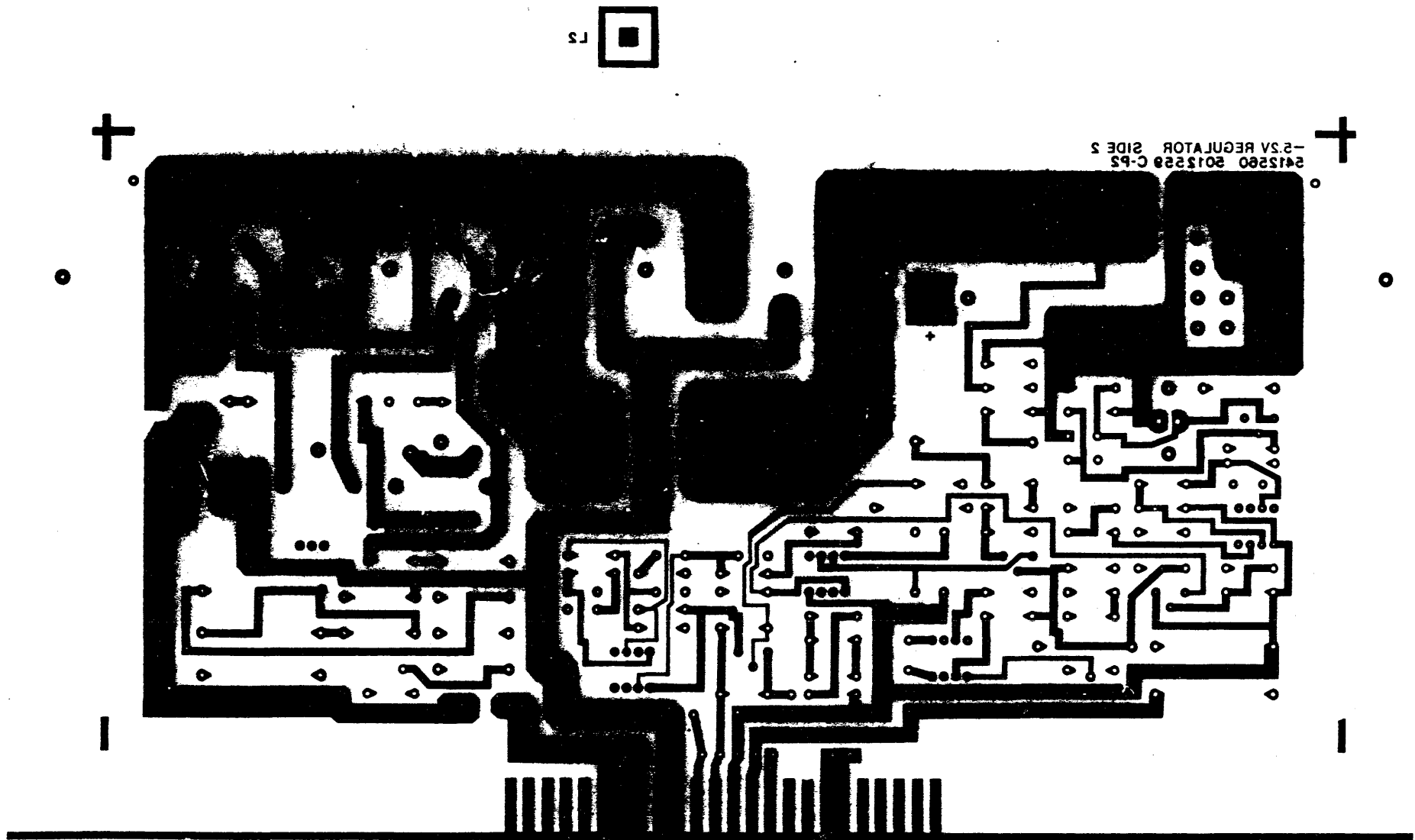
VIEWED FROM SIDE 1

TITLE: -5.2V REGULATOR
SCALE: 2:1
DUA 5412560-00 D

DUA 5412560-00 D

THIS DRAWING AND THE INFORMATION CONTAINED HEREIN ARE THE PROPERTY OF DIGITAL EQUIPMENT CORPORATION AND SHALL NOT BE REPRODUCED OR TRANSMITTED IN ANY FORM OR BY ANY MEANS, ELECTRONIC OR MECHANICAL, INCLUDING PHOTOCOPYING, RECORDING, OR BY ANY INFORMATION STORAGE AND RETRIEVAL SYSTEM, WITHOUT WRITTEN PERMISSION FROM DIGITAL EQUIPMENT CORPORATION. © 1975 DIGITAL EQUIPMENT CORPORATION.

DIA 542560-0-0 2



2412280 2013228 C-PS
-5.2V REGULATOR SIDE 1

U\I APPROVAL

VIEWED FROM SIDE 1

REV	DATE

-5.2 V REGULATOR DIA 542560-0-0 D
21 3 OF 4

DIA 542560-0-0 D

THIS DRAWING AND SPECIFICATIONS HEREIN ARE THE PROPERTY OF DIGITAL EQUIPMENT CORPORATION AND SHALL NOT BE REPRODUCED OR COPIED OR USED IN WHOLE OR IN PART AS THE BASIS FOR THE MANUFACTURE OR SALE OF ITEMS WITHOUT WRITTEN PERMISSION. COPYRIGHT © DIGITAL EQUIPMENT CORPORATION

D 0-0-03216 D 2

MODULE REWORK AT RELEASE

COMPONENT ADDS-SIDE 1

- C-1 ADD C19 BETWEEN R22 & R38
- C-2 DRILL #14 HOLE WHERE SHOWN TO ACCEPT MIDDLE LEAD OF C1
- C-3 RUN LEAD OF C1 THRU NEW DRILLED HOLE & CONNECT AS SHOWN

ECO#1
RELAY OUT ETCH.

ECO#3

- ETCH CUT: SIDE 1
- 3-1 CUT ETCH CONNECTING R6 WITH JUNCTION OF R7 AND CATHODE ENDS OF D5 & D6 1/32 INCH.

- WIRE ADD: SIDE 1
- 3-2 CONNECT END OF R6 WHERE ETCH WAS CUT WITH ANODE END OF D5 USING ITEM 73 P/N 9105740-55 WIRE (WRAP).

COMPONENT DELETES SIDE 1

- 3-3 REMOVE C6 D.E.C. P/N 1001610-01.
- 3-4 REMOVE C18 D.E.C. P/N 1000042-00.

COMPONENT ADDS: SIDE 1

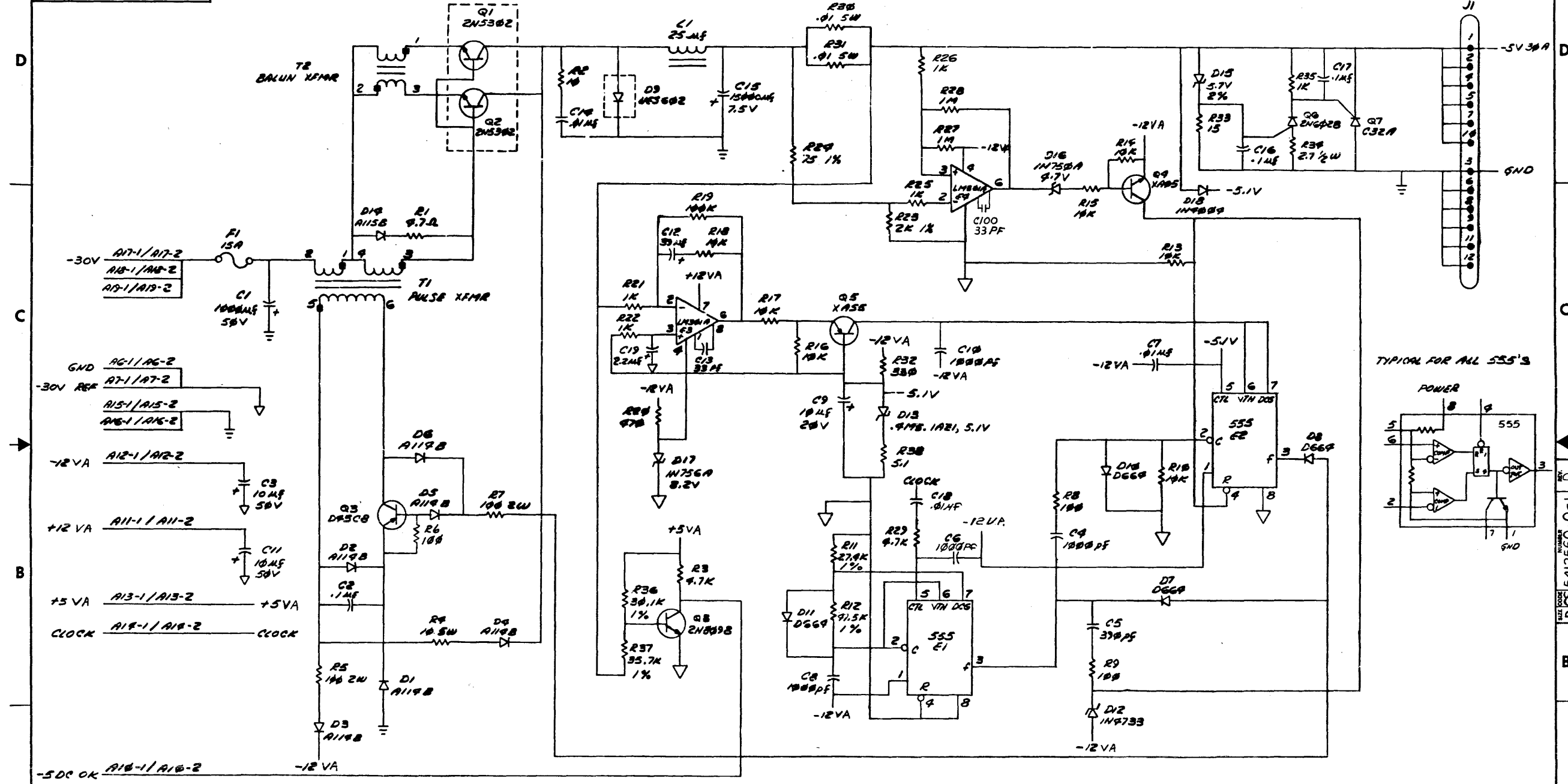
- 3-5 ADD C6 D.E.C. P/N 1000042-00, ITEM#3.
- 3-6 ADD C18 D.E.C. P/N 1001610-01, ITEM#5.

REVISIONS		
CHK	CHANGE NO.	REV.

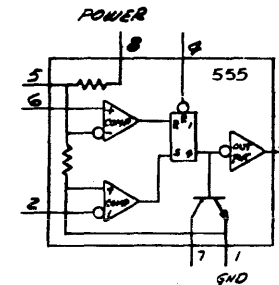
TITLE: -1.2V REGULATOR
 SIZE CODE: D
 NUMBER: 0-0-03216-0-0
 REV: D
 SCALE: N/A
 SHEET: OF 1
 DIST.

D 0-0-03216-0-0
 D 1.2V REGULATOR
 D 1.2V REGULATOR
 D 1.2V REGULATOR

"THIS DRAWING AND SPECIFICATIONS HEREIN ARE THE PROPERTY OF DIGITAL EQUIPMENT CORPORATION AND SHALL NOT BE REPRODUCED OR COPIED OR USED IN WHOLE OR IN PART AS THE BASIS FOR THE MANUFACTURE OR SALE OF ITEMS WITHOUT WRITTEN PERMISSION. COPYRIGHT © 1977, DIGITAL EQUIPMENT CORPORATION"



TYPICAL FOR ALL 555'S



REV.	DATE	BY	CHK
1	1-14-78	J. BAUSHA	
2	1-17-78	J. BAUSHA	
3	1-17-78	J. BAUSHA	
4	1-17-78	J. BAUSHA	
5	1-17-78	J. BAUSHA	
6	1-17-78	J. BAUSHA	
7	1-17-78	J. BAUSHA	
8	1-17-78	J. BAUSHA	

DESIGNED BY	DATE	FIRST USED ON	digital
CHANGED BY	DATE	77101	
ENGR. BY	DATE		
PROJ. ENG.	DATE		
PROD. BY	DATE		
NEXT HIGHER ASSY.			
D-LA-5412560-0-0	SIZE CODE	NUMBER	REV.
SCALE	D	CS 5412560-0-1	D
SHEET	OF	DIST.	

AUTOMATED BY PRTLST.2D(16)

N01 PARTS LIST

SHEET A1 OF A2

LINE	ITEM	DOCUMENT NUMBER	PART NUMBER	DESCRIPTION	QTY	PER VARIATION	REFERENCE DESIGNATOR
					00		
1	1	D-MD-5012559-0-0	5012559-00	5412560	1		
2	2		1000009-00	33.0 MF 100V 5%200PPM MICA	2		C13,C100
3	3		1000042-00	1000.0 MF 100V 5%200PPM MICA	4		C4,C8,C10,C6
4	4		1000070-00	10 MFD 50V+100-10% AL EL	2		C3,C11
5	5		1001610-01	.01 MFD50/100V +80-20% DISC	3		C18,C7,C14
6	6		1001631-00	390.0 MF 100V 5%200PPM MICA	1		C5
7	7		1002342-00	.1 MFD 100V 10% MYLR	1		C2
8	8		1004813-00	10 MFD 20V 10% S.TANT	1		C9
9	9		1005335-00	39 MFD 20V 10% S.TANT	1		C12
10	10		1010978-36	.1 MFD 50V 10% CER	2		C16,C17
11	11		1014228-01	1000 MFD 50V +75-10% AL EL	1		C1
12	12		1014338-00	15,000 MFD 7.5V 20% AL EL	1		C15
13	13		1100114-00	D 664 QS\75PCB PIV= 25V SP	4		D7,D8,D10,D11
14	14		1100124-00	1N 750A VZ= 4.7 5% .40W P	1		D16
15	15		1103441-00	1N 756A VZ= 8.2 5% .40W P	1		D17
16	16		1105796-00	1N 4004 PIV=400 I= 1A D041 SP	1		D18
17	17		1105871-00	1/4MS.1AZ1 = 5.1 1% .25W N	1		D13
18	18		1110488-00	1N 4733 VZ= 5.1 10% 1W N	1		D12
19	19		1111205-00	SCREENED VZ= 5.7 2% .40W	1		D15
20	20		1112594-01	A115B PIV=200 I= 3A	1		D14
21	21		1112595-01	A114B PIV=200 I= 1A	6		D1-D6
22	22		1113496-01	UES602 PIV=100 I=30A T03	1		D9
23	23		1210929-00	FUSE, SUB-MINI, 15.000A, 32V, A	1		F1
24	24		1214255-04	HEAT SINK,TO-3 1.750X01.7	1		
25	25		1214255-05	HEAT SINK,TO-3 03.50X01.7	1		
26	26		1212297-06	MATE-N-LOK 12PIN(2X06).250C HDR	1		J1
27	27		1213071-02	INSULATOR,RUBBER SILICONE SM	3		
28	28		1300229-00	100.0 .25 W 5.0 % CC	3		R6,R8,R9
29	29		1300233-00	100.0 2.0 W10.0 % CC	2		R5,R7
30	30		1300295-00	330.0 .25 W 5.0 % CC	1		R32

REVISION HISTORY		BASIC PART NO: 5412560		DRN: R.ROBICHAUD	DATE: 22-MAY-78	D I G I T A L			
ENG	ECO NUMBER	REV	SECTION A OF A	CHK'D: K.GLEASON	DATE: 22-MAY-78	TITLE PARTS LIST			
SC	00001	B	SECTION VARIATION INDEX	DES.ENG: J.B.DAVIS	DATE: 22-MAY-78	DOCUMENT NUMBER			
WFB	5412560-TW002	C	[A] 00	RESP.ENG.: J.B.DAVIS	DATE: 22-MAY-78	SIZE	CODE	NUMBER	REV
WFB	5412560-TW002	C	[B]	MFG.ENG.: E.BLAIR	DATE: 22-MAY-78	K	PL	5412560-0-DBP	D
KK	5412560-TW003	D	[C]	ASSEMBLY NUMBER:	TOP DOCUMENT NUMBER:	FILE NAME:		EDIT #	
			[D]	D-CS-5412560-0-0		Z3609D.PLS		16	
			[E]						
			[F]						
			[G]						
			[H]						
			[I]						
			[J]						
			[K]						
			[L]						
			[M]						
			[N]						

"THIS DRAWING AND SPECIFICATIONS HEREIN, ARE THE PROPERTY OF DIGITAL EQUIPMENT CORPORATION AND SHALL NOT BE REPRODUCED OR COPIED OR USED IN WHOLE OR IN PART AS THE BASIS FOR THE MANUFACTURE OR SALE OF ITEMS WITHOUT WRITTEN PERMISSION. COPYRIGHT (C) 1982. DIGITAL EQUIPMENT CORPORATION"

001

AUTOMATED BY PRTLST.2D(16)

PARTS LIST

SHEET A2 OF A2

LINE	ITEM	DOCUMENT NUMBER	PART NUMBER	DESCRIPTION	QTY	PER VARIATION	REFERENCE DESIGNATOR
					00		
31	31		1300316-00	470.0 .25 W 5.0 * CC	1		R20
32	32		1300365-00	1.0 K .25 W 5.0 * CC	5		R21,R22,R25,R26,R35
33	33		1300447-00	4.70 K .25 W 5.0 * CC	2		R3,R29
34	34		1300479-00	10.0 K .25 W 5.0 * CC	7		R10,R13-R18
35	35		1300521-00	47.50 K .25 W 1.0 * RN55D-F10	1		R12
36	36		1301317-00	10.0 .25 W 5.0 * CC	1		R2
37	37		1301421-00	15.0 .25 W 5.0 * CC	1		R33
38	38		1302388-00	2.0 K .25 W 5.0 * CC	1		R23
39	39		1302466-00	100.0 K .25 W 5.0 * CC	1		R19
40	40		1303064-00	75.0 .25 W 1.0 * RN55D-F10	1		R24
41	41		1305421-00	35.70 K .25 W 1.0 * RN55D-F10	1		R37
42	42		1305890-00	4.70 .25 W 5.0 * CF	1		R1
43	43		1309417-00	27.40 K .25 W 1.0 * RN55D-F10	1		R11
44	44		1309422-00	5.10 .50 W 5.0 * CF	1		R38
45	45		1309444-00	2.70 .50 W10.0 * CF	1		R34
46	46		1309595-00	1.0 M .25 W 5.0 * CC	2		R27,R28
47	47		1311594-00	30.10 K .25 W 1.0 * RN55D-F10	1		R36
48	48		1314171-00	10.0 5.0 W 3.0 * WW	1		R4
49	49		1313712-00	.01 5.0 W 3.0 * WW	2		R30,R31
50	50		1510196-00	2N 5302/HSNPN 200MC SI 60 40 M	2		Q1,Q2
51	51		1510590-00	DEC45C8 PNP 27WT SI 60 20 Y	1		Q3
52	52		1510705-00	XA 05 NPN 500MW SI 60 50 P	1		Q4
53	53		1510706-00	XA 55 PNP 500MW SI 60 50 P	1		Q5
54	54		1510877-00	2N 6028 UJT 300MW R67B	1		Q6
55	55		1510928-00	C32AX135 SCR8100V I=25A	1		Q7
56	56		1512212-00	DEC8098 NPN 350MW SI 60 50	1		Q8
57	57		1614208-00	25.0 UH 10% 30A	1		L1
58	58		1614207-00	PULSE XFMR,RATIO 1:8:60,TOROID P	1		T1
59	59		1614203-00	CHOKE,BALUN-COMMON MODE	1		T2
60	60		1910282-00	301AN OP AMP	2		E3,E4
61	61		1911944-00	555CN TIMER,FUNCT.BLOCK	2		E1,E2
62	62		9006024-01	SCREW,MACH PAN PHIL 6-	6		
63	63		9006558-00	*** THIS ITEM IS NOT USED ***	-		
64	64		9006022-01	SCREW,MACH PAN PHIL 6-	2		
65	65		9009676-00	TERM,SOLDER BARRIER STR	6		
66	66		9006653-00	WASHER,FLAT STEEL	2		
67	67		9007649-00	WASHER,LOCK EXTERNAL STEEL	8		
68	68		9006071-01	SCREW,MACH PAN PHIL 10-	2		
69	69		9006664-00	WASHER,FLAT SST	2		
70	70		9007906-00	WASHER,HELICAL SPLIT STEEL	2		
71	71		1002627-00	2.2MFD 20V 10% S.TANT	1		C19
72	72		9007801-00	*** THIS ITEM IS NOT USED ***	-		
73	73		9105740-55	WIRE(WRAP) 30AWG KYNAR UL14 A/R			

D	I	G	I	T	A	L	TITLE	SECTION A OF A	SIZE	CODE	DOCUMENT NUMBER	REV
							-5.2V,REGULATOR		K	PL	5412560-0-DBP	D

AUTOMATED BY PRTLST.4Q(50)

PARTS LIST

SHEET A1 OF A1

LINE	ITEM	DOCUMENT NUMBER	PART NUMBER	DESCRIPTION	QUANTITY PER VARIATION							
					1A	2A	3A	4A	5A	6A	7A	8A
1	1		1700278-00	CABLE,COAX 01COND 20AWG BRAIDSHL	1	1	1	1	1	1	1	1
2	2		1218505-00	CONN,COAX RG58 JACK SOLD	1	1	1	1	1	1	1	1
3	4		1217991-00	CONN,COAX TNC RG58 JACK	1	1	1	1	1	1	1	1
4	5	A-PS-3616073-0-0	3616073-00	LABEL,ID W/COPY VERTICAL	1	1	1	1	1	1	1	1

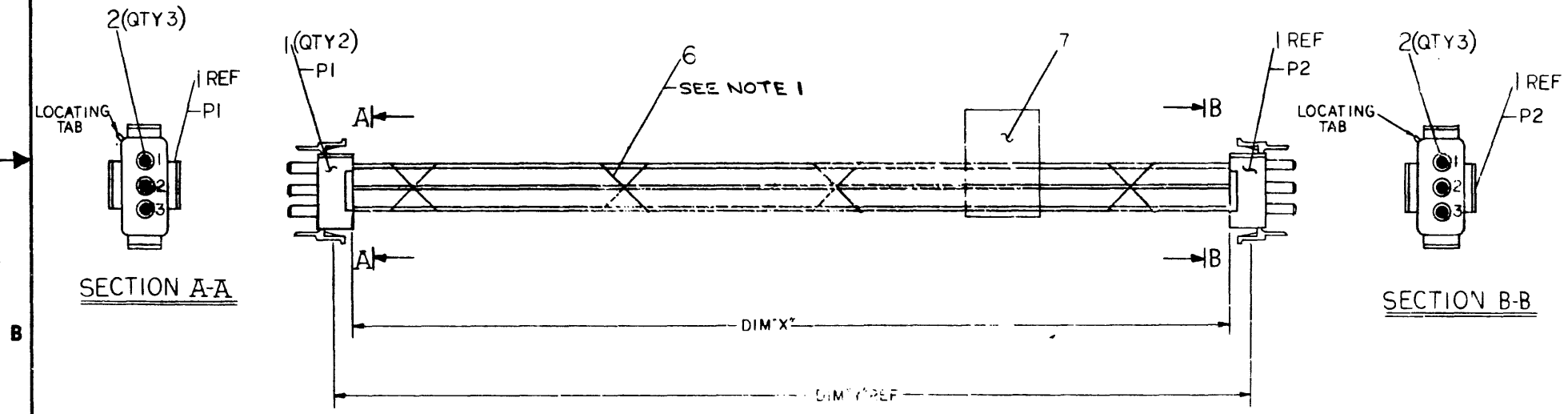
REVISION HISTORY			BASIC PART NO: 7018526			DRN: S. CHARTIER			DATE: 24-SEP-81			D I G I T A L		
ENG:	ECO NUMBER	REV	SECTION A OF A			CHK'D: J. SULLIVAN			DATE: 24-SEP-81			TITLE PARTS LIST		
---	INITIAL	A	SECTION. VARIATION INDEX			DES.ENG.: R. NUEBLING			DATE: 24-SEP-81			DOCUMENT NUMBER		
RN	7018526-TW001	B	[A] 1A,2A,3A,4A,5A,6A, 7A,8A			RESP.ENG.: R. CASABONA			DATE: 24-SEP-81			SIZE:CODE: NUMBER REV		
			[B]			MFG.ENG.: M. WARSHAW			DATE: 24-SEP-81			K PL 7018526-0-DBP B		
			[C]			ASSEMBLY NUMBER:			TOP DOCUMENT NUMBER:			FILE NAME: EDIT #		
			[D]			D-IA-7018526-0-0			E-UA-CI780-0-0			Z22848.PLS 15		
			[E]			"THIS DRAWING AND SPECIFICATIONS HEREIN, ARE THE PROPERTY OF DIGITAL EQUIPMENT CORPORATION AND SHALL NOT BE REPRODUCED OR COPIED OR USED IN WHOLE OR IN PART AS THE BASIS FOR THE MANUFACTURE OR SALE OF ITEMS WITHOUT WRITTEN PERMISSION. COPYRIGHT (C) 1983. DIGITAL EQUIPMENT CORPORATION "								
			[F]											

THIS DRAWING AND SPECIFICATIONS, HEREIN, ARE THE PROPERTY OF DIGITAL EQUIPMENT CORPORATION AND SHALL NOT BE REPRODUCED OR COPIED OR USED IN WHOLE OR IN PART AS THE BASIS FOR THE MANUFACTURE OR SALE OF ITEMS WITHOUT WRITTEN PERMISSION.
 OCT 1977 DIGITAL EQUIPMENT CORPORATION

WIRE TABLE						
ITEM NO	DESCRIPTION	FROM	TO	REMARKS		
4	18 YELLOW	PI-1 1&2	P2-1 1&2			
5	18 VIOLET	PI-2 1&2	P2-2 1&2			
3	18 BLACK	PI-3 1&2	P2-3 1&2			

LEGEND		
NUMBER	DIM 'X' VARIATION	DIM 'Y' (PRECUT) REF
7014212-0H	0FT-7IN ±.5IN	0FT-8IN ±.5IN
7014212-0M	0FT-11IN ±.5IN	1FT-0IN ±.5IN
7014212-1C	1FT-3IN ±.5IN	1FT-4IN ±.5IN
7014212-2C	2FT-3IN ±.5IN	2FT-4IN ±.5IN
7014212-2M	2FT-11IN ±.5IN	3FT-0IN ±.5IN

NOTES:
 1. USE CABLE TIES (ITEM #6) APPROXIMATELY EVERY THREE (3) INCHES WHEN NECESSARY.



CAUTION: SEE OFF SHEET PARTS LIST
 K-PL-7014212-0-DBP,(Z4478C,PLS).

REV.	CHANGE NO.	DATE	BY	CHK'D
1	7014212-00001	A		
2	7014212-00002	B		
3	7014212-00003	C		

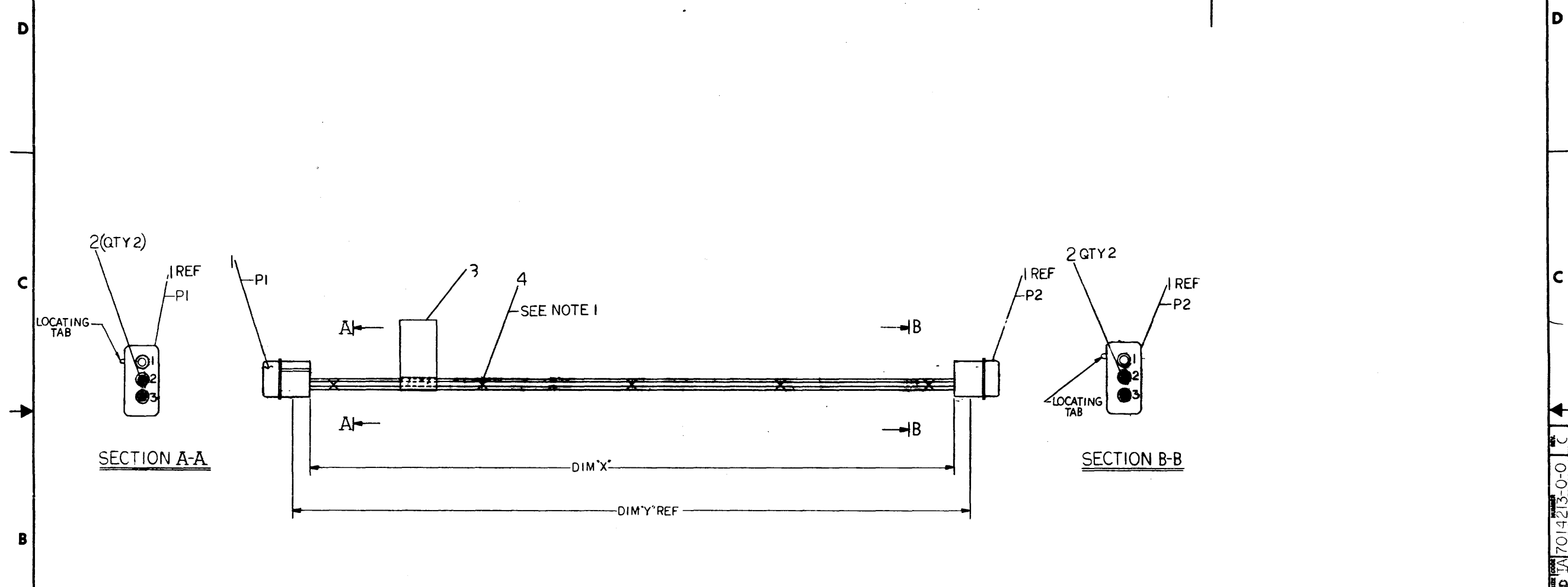
DESCRIPTION	DWG/PART NO.	ITEM NO.
1 LABEL, CABLE IDENT.	9009532-00	7
1 TIE, CABLE	9007031-00	6
1 WIRE 18 AWG VIOLET	9107360-77	5
1 WIRE 18 AWG YELLOW	9107360-44	4
1 WIRE 18 AWG BLACK	9107360-00	3
6 SOCKET CONTACT	1212170-00	2
2 CONNECTOR, UNIVERSAL	1212167-00	1

UNLESS OTHERWISE SPECIFIED DIMENSIONS ARE IN INCHES	
ANGLES 90°/30°	CLASS OF ACCURACY
SURFACE QUALITY IN	(CHECK ONE)
QUANTITY & VARIATION	MICROMETERS
THIRD ANGLE PROJECTION	DRN. <i>[Signature]</i>
REMOVE BURRS AND BREAK SHARP CORNERS	CHK'D <i>[Signature]</i>
DO NOT SCALE DWG	PROJ. ENGR. <i>[Signature]</i>
MATERIAL SEE PARTS LIST	FINISH <i>[Signature]</i>
	FIRST USED ON VAX 11/780
	TITLE CABLE A.C., D.C. LOW
	SIZE CODE NUMBER REV.
	D IA 7014212-0-0
	SHEET OF

THIS DRAWING AND SPECIFICATIONS HEREBY ARE THE PROPERTY OF DIGITAL EQUIPMENT CORPORATION AND SHALL NOT BE REPRODUCED OR COPIED IN WHOLE OR IN PART AS THE BASIS FOR THE MANUFACTURE OR SALE OF ITEMS WITHOUT WRITTEN PERMISSION. COPYRIGHT © 1977 DIGITAL EQUIPMENT CORPORATION

WIRE TABLE							LEGEND		
ITEM NO	DESCRIPTION	FROM	TO	REMARKS	NUMBER	DIM 'X' VARIATION	DIM 'Y' (PRECUT) REF		
6	18 GRWHT	PI-2	1#2 P2-2	1#2	7014213-0K	ØFT-9IN ±.5IN	ØFT-10IN ±.5IN		
3	18 GRAY	PI-3	1#2 P2-3	1#2	7014213-3E	3FT-5IN ±.5IN	3FT-6IN ±.5IN		
					7014213-4A	4FT-1IN ±.5IN	4FT-2IN ±.5IN		

NOTES:
1. USE CABLE TIES (ITEM #4) APPROXIMATELY EVERY THREE (3) INCHES WHEN NECESSARY.



CAUTION: SEE OFF SHT. PARTS LIST

DESCRIPTION	DWG. PART NO.	ITEM NO.
1 WIRE 18 AWG GRWHT	9107360-89	6
1 LABEL, CABLE IDENT	9009532-00	5
1 TIE, CABLE	9507031-00	4
1 WIRE 18 AWG GRAY	9167360-88	3
4 PIN, CONTACT	1209375-00	2
2 CONNECTOR MATE N LOCK	1209351-03	1

REV.	CHG. NO.	DATE	BY	CHK.
A	00001	12 JUNE 80	W. CANNON	R. CHUMSAE
B	00002	25 JAN 80	R. CHUMSAE	R. CHUMSAE
C	00003	23 FEB 82	J. STICKNEY	J. STICKNEY

UNLESS OTHERWISE SPECIFIED DIMENSIONS ARE IN INCHES	CLASS OF ACCURACY (CHECK ONE)	NOMINAL DIMENSION RANGE INCHES
ANGLES 90° 30'	<input type="checkbox"/> FINE	OVER 0 TO 1.25
SURFACE QUALITY IN	<input type="checkbox"/> MEDIUM	1.25 TO 4.00
QUANTITY & VARIATION	<input type="checkbox"/> MEDIUM	4.00 TO 12.00
MICROINCHES	<input type="checkbox"/> MEDIUM	12.00 TO 48.00
THIRD ANGLE PROJECTION	<input type="checkbox"/> MEDIUM	48.00 TO 96.00
REMOVE BURRS AND BREAK SHARP CORNERS	<input type="checkbox"/> MEDIUM	96.00 TO 192.00
DO NOT SCALE DWG	<input type="checkbox"/> MEDIUM	192.00 TO 384.00
MATERIAL SEE PARTS LIST	<input type="checkbox"/> MEDIUM	384.00 TO 768.00
FINISH	<input type="checkbox"/> MEDIUM	768.00 TO 1536.00

DRN: [Signature] FIRST USED ON VAX 11/780

CHK'D: [Signature]

ENG: [Signature]

PROJ. ENG: [Signature]

PROD. [Signature]

TITLE: CABLE OVER TEMP

SIZE: E-11780-0-0

SCALE: NONE

SHEET: 1 OF 1

REV: C

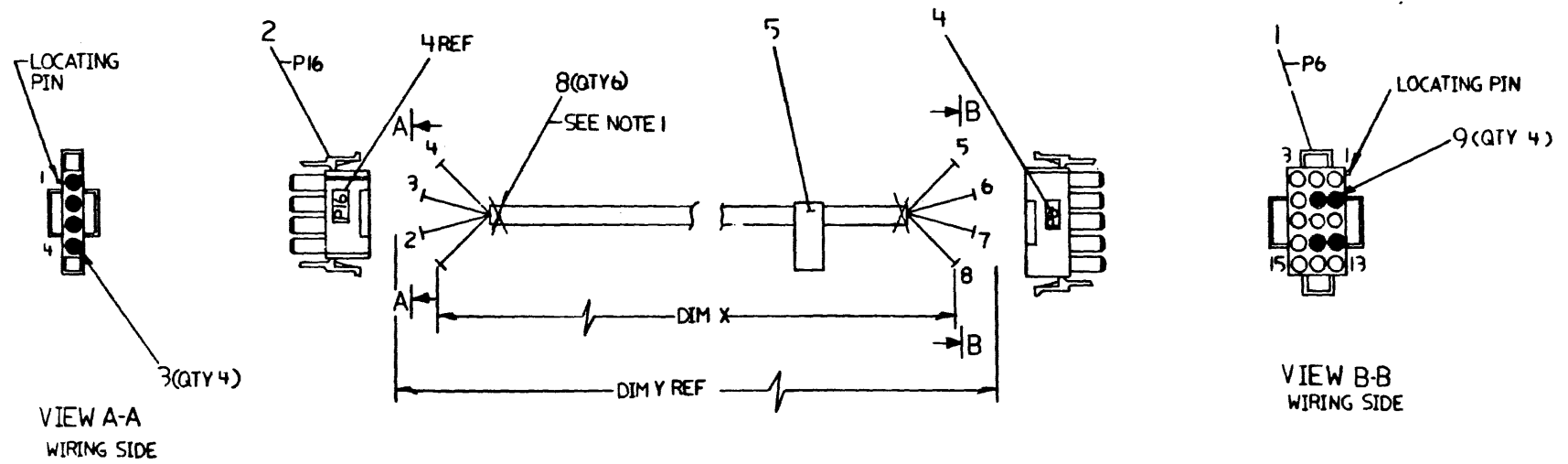
7014213-0-0

THIS DRAWING AND SPECIFICATIONS HEREBY ARE THE PROPERTY OF LOCKHEED CORP. AND SHALL NOT BE REPRODUCED OR COPIED IN WHOLE OR IN PART IN ANY MANNER FOR THE PURPOSES OF THE CONTRACT OR FOR ANY OTHER PURPOSE WITHOUT THE WRITTEN PERMISSION OF LOCKHEED CORP.

WIRE TABLE									
ITEM	DESCRIPTION	FROM			TO			NUMBER	REF
NO	AWG	COLOR	POINT	CONNECTION	TERM	POINT	CONN	TERM	
6	18	BLU	4	P16-1	3	5	P6-4	9	
6	18	BLU	3	P16-2	3	6	P6-5	9	
7	18	BLK	2	P16-3	3	7	P6-10	9	
7	18	BLK	1	P16-4	3	8	P6-11	9	

LEGEND		
NUMBER	DIM X VARIATION	DIM Y (PRECUT) REF
7018524-1F	18 IN. ±1.0 IN.	19 IN. ±1.0 IN.

NOTES
 1 USE TIE WRAPS (X) ITEM 8 APPROX EVERY 3 INCHS AND AT EVERY BREAKOUT POINT.



CAUTION: SEE OFF SHEETS PARTS LIST
 K-PL-7018524-0-DBP (Z1870)

DESCRIPTION		DWG. PART NO.	ITEM NO.
UNLESS OTHERWISE SPECIFIED DIMENSIONS ARE IN INCHES			
ANGLES 90° ±.01	CLASS OF ACCURACY	NORMAL DIMENSION RANGE INC. IN.	
		0.000 - 0.250	0.250 - 1.000
SURFACE QUALITY IN	CHECK ONE	0.000 - 0.250	0.250 - 1.000
		0.250 - 1.000	1.000 - 1.500
QUANTITY & VARIATION	MICROINCHES	MEDIUM	PREFERRED
		1.500 - 1.875	1.875 - 2.500
THIRD ANGLE PROJECTION	DRN. J. S. [Signature]	FIRST USED ON	C1780
REMOVE BURRS AND BREAK SHARP CORNERS	CHKD. J. S. [Signature]	TITLE	CABLE, -5V
DO NOT SCALE DIMS	ENGR. J. S. [Signature]	SCALE	1:1
MATERIAL SEE PARTS LIST	PROD. [Signature]	NEXT HIGHER ASBY.	E-UA-C1780-0-0
FINISH	SCALE	SIZE	D
	SHEET	OF	DIST.
			NUMBER
			7018524-0-0
			REV
			A

K-PL-7018524-0-0

AUTOMATED BY PRTLST.3P(44)

PARTS LIST

SHEET A1 OF A1

LINE ITEM	DOCUMENT NUMBER	PART NUMBER	DESCRIPTION	QUANTITY PER VARIATION
1		1212167-05	MATE-N-LOK 15POS UNIV HSG,SKT	1
2		1212167-01	MATE-N-LOK 4POS UNIV HSG,SKT	1
3		1212170-00	MATE-N-LOK SKT UNIV 20-14AWG REE	4
4	A-DC-7409873-0-0	7409873-02	PWR CONN DECAL BLACK ON CLEAR	1
5	A-PS-3616073-0-0	3616073-00	LABEL, ID W/COPY VERTICAL	1
6	SEE NOTE 1	9107360-66	WIRE,STRND,18AWG,IPVC UL1429	40
7	SEE NOTE 1	9107360-00	WIRE,STRND,18AWG,IPVC UL1429	40
8		9007031-00	TIE,CABLE BUNDL.DIA 0- 3/4"=101	6
9		1212169-00	MATE-N-LOK PIN 14-20AWG	4

10 NOTE: 1. ITEMS 6 AND 7 ARE IN INCHES.

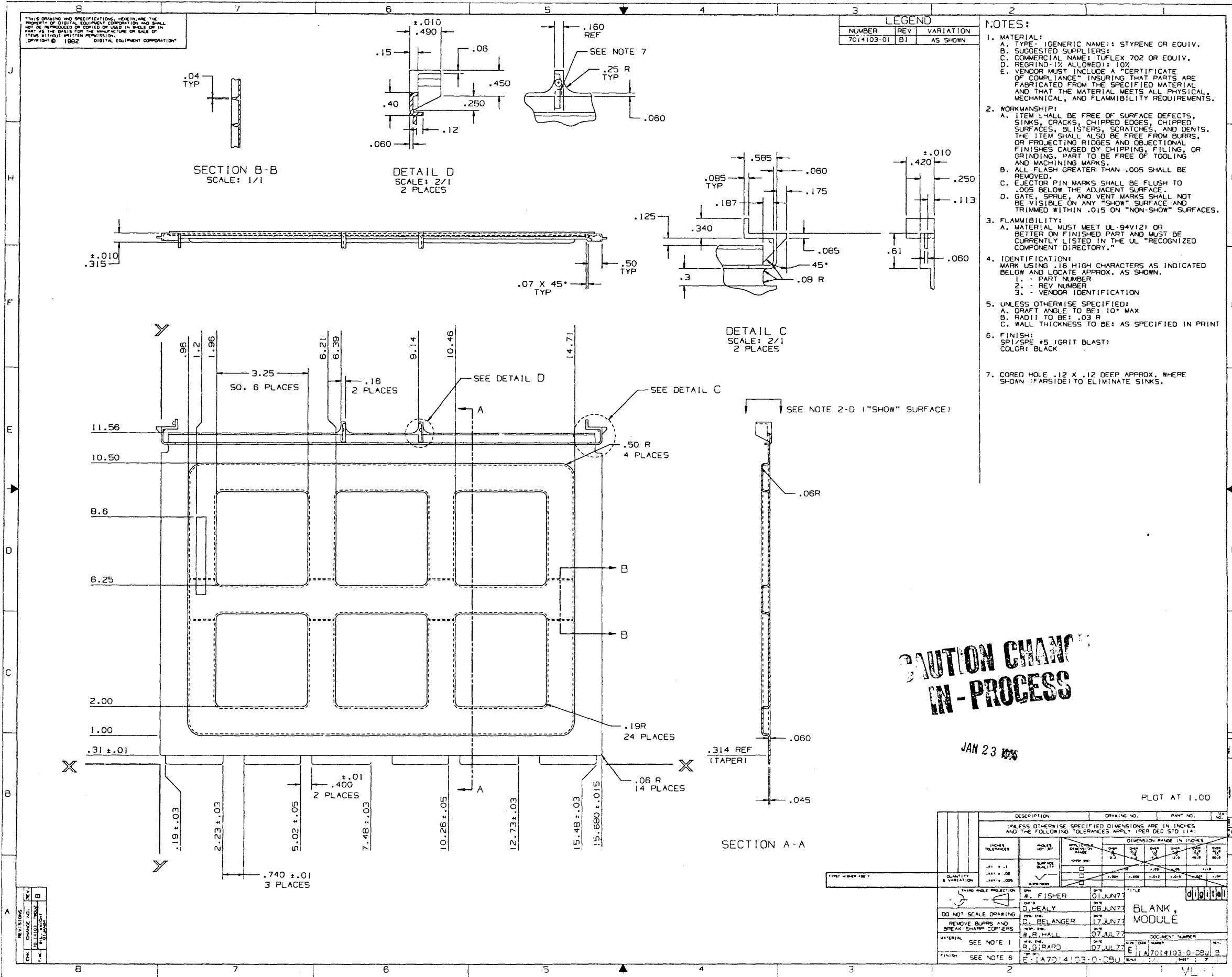
REVISION HISTORY		BASIC PART NO: 7018524		DRN: P. TOUSIGNANT		DATE: 24-SEP-81		D I G I T A L	
ENG	ECO NUMBER	REV	SECTION A OF A	CHK'D:	R.J. RILEY	DATE:	24-SEP-81	TITLE	PARTS LIST
	INITIAL	A	SECTION. VARIATION INDEX					CABLE, -5V	
			[A] 00						
			[B]	DES.ENG.:	R. NUEBLING	DATE:	24-SEP-81		
			[C]					DOCUMENT NUMBER	
			[D]	RESP.ENG.:	R. CASABONA	DATE:	24-SEP-81	SIZE	CODE
			[E]					NUMBER	REV
			[F]	MFG.ENG.:	T. NEWBOLD	DATE:	24-SEP-81	K	PL
				ASSEMBLY NUMBER:		TOP DOCUMENT NUMBER:		7018524-0-DBP	A
				D-AD-7018524-0-0		E-UA-CI780-0-0		FILE NAME:	EDIT #
								Z1870A.PLS	12

"THIS DRAWING AND SPECIFICATIONS HEREIN, ARE THE PROPERTY OF DIGITAL EQUIPMENT CORPORATION AND SHALL NOT BE REPRODUCED OR COPIED OR USED IN WHOLE OR IN PART AS THE BASIS FOR THE MANUFACTURE OR SALE OF ITEMS WITHOUT WRITTEN PERMISSION. COPYRIGHT (C) 1982. DIGITAL EQUIPMENT CORPORATION"

THIS DRAWING AND SPECIFICATIONS HEREBY REMAIN THE PROPERTY OF DIGITAL EQUIPMENT CORPORATION AND SHALL NOT BE REPRODUCED OR COPIED OR USED IN WHOLE OR IN PART AS THE BASIS FOR THE MANUFACTURE OR SALE OF ITEMS WITHOUT WRITTEN PERMISSION.
 COPYRIGHT © 1982 DIGITAL EQUIPMENT CORPORATION

NUMBER	REV	VARIATION
7014103-01	B1	AS SHOWN

- NOTES:**
- MATERIAL:**
 - TYPE - (GENERIC NAME): STYRENE OR EQUIV.
 - SUGGESTED SUPPLIERS:
 - COMMERCIAL NAME: TUFLEX 702 OR EQUIV.
 - REGRIND: (2 ALLOWED): 10%
 - VENDOR MUST INCLUDE A "CERTIFICATE OF COMPLIANCE" INSURING THAT PARTS ARE FABRICATED FROM THE SPECIFIED MATERIAL AND THAT THE MATERIAL MEETS ALL PHYSICAL, MECHANICAL, AND FLAMMABILITY REQUIREMENTS.
 - WORKMANSHIP:**
 - ITEM SHALL BE FREE OF SURFACE DEFECTS, SINKS, CRACKS, CHIPPED EDGES, CHIPPED SURFACES, BLISTERS, SCRATCHES, AND DENTS. THE ITEM SHALL ALSO BE FREE FROM BURRS, OR PROJECTING RIDGES, AND OBJECTIONAL FINISHES CAUSED BY CHIPPING, FILING, OR GRINDING. PART TO BE FREE OF TOOLING AND MACHINING MARKS.
 - ALL FLASH GREATER THAN .005 SHALL BE REMOVED.
 - EJECTOR PIN MARKS SHALL BE FLUSH TO .005 BELOW THE ADJACENT SURFACE.
 - GATE, SPRUE, AND VENT MARKS SHALL NOT BE VISIBLE ON ANY "SHOW" SURFACE AND TRIMMED WITHIN .015 ON "NON-SHOW" SURFACES.
 - FLAMMABILITY:**
 - MATERIAL MUST MEET UL-94V(2) OR BETTER ON FINISHED PART AND MUST BE CURRENTLY LISTED IN THE UL "RECOGNIZED COMPONENT DIRECTORY."
 - IDENTIFICATION:** MARK USING .16 HIGH CHARACTERS AS INDICATED BELOW AND LOCATE APPROX. AS SHOWN.
 - PART NUMBER
 - REV NUMBER
 - VENDOR IDENTIFICATION
 - UNLESS OTHERWISE SPECIFIED:**
 - DRAFT ANGLE TO BE: 10° MAX
 - RADII TO BE: .03 R
 - WALL THICKNESS TO BE: AS SPECIFIED IN PRINT
 - FINISH:** SPI/SPE #5 (GRIT BLAST)
COLOR: BLACK
 - CORED HOLE:** .12 X .12 DEEP APPROX. WHERE SHOWN (FARSIDE) TO ELIMINATE SINKS.



REV	DATE	BY	CHKD	DESCRIPTION
1				INITIALS

QUANTITY & VARIATION	DESCRIPTION	DRAWING NO.	PART NO.
1	BLANK MODULE	7014103-01	01 JUN 77
1			06 JUN 77
1			17 JUN 77
1			07 JUL 77
1			07 JUL 77

DIGITAL EQUIPMENT CORPORATION PARTS LIST				QUANTITY / VARIATION										NOTES:			
MADE BY R. J. RILEY DATE 9-22-81		CHECKED R. J. RILEY DATE 9-22-81		SECTION													
ENG R. CASABONA DATE 9-22-81		PROD <i>North Webster</i> DATE 9-20-81		ISSUED SECTION													
ITEM NO.	DRAWING NO.	PART NO.	DESCRIPTION	-AA	-AB												REF DESIGNATION
1	B-TC-CI780-0-2	MP01267	TABLE OF CONTENTS CI780	1	1												
2	K-PL-CI780-0-DBP		PARTS LIST CI780	1	1												
3		EK-CI780-UG	CI780 USERS GUIDE	1	1												

E.C.O. NO.

"THIS DRAWING AND SPECIFICATIONS, HEREIN, ARE THE PROPERTY OF DIGITAL EQUIPMENT CORPORATION AND SHALL NOT BE REPRODUCED OR COPIED OR USED IN WHOLE OR IN PART AS THE BASIS FOR THE MANUFACTURE OR SALE OF ITEMS WITHOUT WRITTEN PERMISSION. COPYRIGHT © DIGITAL EQUIPMENT CORPORATION"

TITLE
SHIPPING LIST CI780

ASSY NO.
B-DD-CI780-0-0
SHEET 1 OF 1

SIZE CODE NUMBER
B PL CI780-0-3

REV.
A

IF SECTION PARTS LIST DATA BASE REV

DRAWING NO.	NO. OF SHTS.	PART NO.	DESCRIPTION	REVISIONS																		
				1	2	3	4	5	6	7	8	9	10	11	12							
K-CS-LO101-O-PBS	1	*	CI780 PACKET BUFFER	B	B	B	B	B	B													
K-CS-LO101-O-PBT	1	*	CI780 PACKET BUFFER	B	B	B	B	B	B													
K-CS-LO101-O-PBU	1	*	CI780 PACKET BUFFER	B	B	B	B	B	B													
K-CS-LO101-O-PBV	1	*	CI780 PACKET BUFFER	B	B	B	B	B	B													
K-CS-LO101-O-PBW	1	*	CI780 PACKET BUFFER	B	B	B	B	B	B													
K-CS-LO101-O-PBX	1	*	CI780 PACKET BUFFER	B	B	B	B	B	B													
K-CS-LO101-O-PBY	1	*	CI780 PACKET BUFEER	B	B	B	B	B	B													
K-CS-LO101-O-PBZ	1	*	CI780 PACKET BUFFER	B	B	B	B	B	B													
K-CS-LO101-O-PBAA	1	*	CI780 PACKET BUFFER	B	B	B	B	B	B													
K-CS-LO101-O-PBBB	1	*	CI780 PACKET BUFFER	B	C	C	C	C	C													

NOTES:

REVISIONS		DATE	CHG NO.	REV.
		3-82	TW001	B
		9-82	TW002	C
		11-83	TW003	D
		4-84	TW004	E
		8-84	TW005	F
		10-84	TW006	H


"THIS DRAWING AND SPECIFICATIONS, HEREIN, ARE THE PROPERTY OF DIGITAL EQUIPMENT CORPORATION AND SHALL NOT BE REPRODUCED OR COPIED OR USED IN WHOLE OR IN PART AS THE BASIS FOR THE MANUFACTURE OR SALE OF ITEMS WITHOUT WRITTEN PERMISSION.
 COPYRIGHT © 1982 DIGITAL EQUIPMENT CORPORATION



USED ON OPTION/MODEL	CI780

DRN.	
CHK'D	
ENG.	
PRCD.	

TITLE CI780			
PACKET BUFFER			
SIZE	CODE	NUMBER	REV.
B	DD	LO101-0	H
SHEET 2 OF 3			

DRAWING NO.	NO. OF SHTS.	PART NO.	DESCRIPTION	REVISIONS															
				A	B	C	D												
			PART REVISION				CI												
B-DD-L0104-0	1		CI780 SBI INTERFACE	A	B	C	D												
E-UA-L0104-0-0	2		CI780 SBI INTERFACE	A	B	C	D												
E-MD-5014961-0-0	5		DRILL & ETCH DRAWING	A	A	A	B												
E-EC-5014961-0-0	3		ETCH CUT DRAWING	A	B	C	D												
D-CS-L0104-0-1	20		CI780 SBI INTERFACE	A	OBS														
		5014961	ETCHED BOARD	A	A	A	B												
K-PL-L0104-0-DBP	2		PL DATA BASE	A	B	C	D												
K-PG-L0104-0-DBC			PC DATA BASE	A	A	A	B												
K-CS-L0104-0-DBS			CS DATA BASE	A	B	C	D												
D-BS-L0104-0-2	1		CI780 SBI INTERFACE	A	A	A	A												
D-TD-L0104-0-3	7		CI780 SBI INTERFACE	A	B	B	B												
D-CS-L0104-0-ISIA	1	*	CI780 SBI INTERFACE	-	B	B	B												
D-CS-L0104-0-ISIB	1	*	CI780 SBI INTERFACE	-	B	B	B												
D-CS-L0104-0-ISIC	1	*	CI780 SBI INTERFACE	-	B	B	B												
D-CS-L0104-0-ISID	1	*	CI780 SBI INTERFACE	-	B	B	B												
D-CS-L0104-0-ISIE	1	*	CI780 SBI INTERFACE	-	B	C	C												
D-CS-L0104-0-ISIF	1	*	CI780 SBI INTERFACE	-	B	B	B												
D-CS-L0104-0-ISIH	1	*	CI780 SBI INTERFACE	-	B	B	B												
D-CS-L0104-0-ISIJ	1	*	CI780 SBI INTERFACE	-	B	B	B												
D-CS-L0104-0-ISIK	1	*	CI780 SBI INTERFACE	-	B	B	B												
D-CS-L0104-0-ISIL	1	*	CI780 SBI INTERFACE	-	B	C	D												
D-CS-L0104-0-ISIM	1	*	CI780 SBI INTERFACE	-	B	C	C												
D-CS-L0104-0-ISIN	1	*	CI780 SBI INTERFACE	-	B	B	B												
D-CS-L0104-0-ISIP	1	*	CI780 SBI INTERFACE	-	B	C	C												
D-CS-L0104-0-ISIR	1	*	CI780 SBI INTERFACE	-	B	B	B												
NOTES: * CONTROL SOURCE IS DATA BASE NO CONTROLLED PAPER ORIGINALS EXIST				REV. B	C	D													
				DATE	382	100M	298												
				CHG NO.	9-82	TW002													
				REV.	8-83	TW003													
*THIS DRAWING AND SPECIFICATIONS, HEREIN, ARE THE PROPERTY OF DIGITAL EQUIPMENT CORPORATION AND SHALL NOT BE REPRODUCED OR COPIED OR USED IN WHOLE OR IN PART AS THE BASIS FOR THE MANUFACTURE, OR SALE OF ITEMS WITHOUT WRITTEN PERMISSION. COPYRIGHT © 1981 DIGITAL EQUIPMENT CORPORATION								USED ON OPTION/MODEL CI780				DRN. <i>J. Casey</i> 7-16-81 CHKD. <i>J. Casey</i> 7-16-81 ENG. <i>Bernie Abd</i> 9-11-81 PROD. <i>PC mesa</i> 9/13/81				TITLE CI780 SBI INTERFACE SIZE CODE NUMBER REV. B DD L0104-0 D SHEET 1 OF 2			

