

LINE ITEM	DOCUMENT NUMBER	PART NUMBER	DESCRIPTION	QTY PER VARIATION			REFERENCE DESIGNATOR
				YA	YB	YC	
1	42	5015549-00	DRILL AND ETCH	1	1	1	
2	1	1013466-22	.1 MFD 50V +80-20% Z5U CER	61	-	-	C7-C30,C32-C35,C37-C40,C42-C54, C57,C59-C63,C66-C75
		CONT		-	69	69	C7-C75
3	44	1017472-00	10 MFD 35V +50-10% AL EL	6	6	6	C1-C6
4	43	1216988-02	HANDLE,MODULE,HEX TWO EJECTORS	1	1	1	
5	37	1300247-00	120.0 .25 W 5.0 % CF	1	1	1	R46
6	34	1300309-00	390.0 .25 W 5.0 % CF	10	-	-	R23,R25,R27,R29,R31,R33,R35,R37, R39,R41
		CONT		-	20	-	R23,R25,R27,R29,R31,R33,R35,R37, R39,R41,R3,R5,R7,R9,R11,R13,R15, R17,R19,R21
		CONT		-	-	30	R23,R25,R27,R29,R31,R33,R35,R37, R39,R41,R3,R5,R7,R9,R11,R13,R15, R17,R19,R21,R51,R53,R55,R57,R59, R61,R63,R65,R67,R69
7	32	1300316-00	470.0 .25 W 5.0 % CF	5	5	5	R1,R43,R45,R47,R70
8	36	1301424-00	680.0 .25 W 5.0 % CF	1	1	1	R44
9	33	1301972-00	270.0 .25 W 5.0 % CF	10	-	-	R22,R24,R26,R28,R30,R32,R34,R36, R38,R40
		CONT		-	20	-	R22,R24,R26,R28,R30,R32,R34,R36, R38,R40,R2,R4,R6,R8,R10,R12,R14, R16,R18,R20
		CONT		-	-	30	R22,R24,R26,R28,R30,R32,R34,R36, R38,R40,R2,R4,R6,R8,R10,R12,R14, R16,R18,R20,R50,R52,R54,R56,R58, R60,R62,R64,R66,R68
10	38	1302379-00	75.0 .25 W 5.0 % CF	2	2	2	R48,R49
11	35	1311522-00	200.0 .25 W 5.0 % CF	1	1	1	R42
12	40	1503121-00	2N 2369 NPN 350MW SI N	1	1	1	Q1

REVISION HISTORY		BASIC PART NO: L0008		DRN: R.LOVE	DATE: 15-NOV-82	D I G I T A L		
ENG: ECO NUMBER	REV	SECTION A OF A	CHK'D: F.GERRY	DATE: 15-NOV-82	TITLE PARTS LIST			
INITIAL SF L0008-TW002	A B	SECTION VARIATION INDEX [A] YA,YB,YC [B] [C] [D] [E] [F] [H] [J] [K] [L] [M] [N]	DES.ENG: J.STARK	DATE: 15-NOV-82	PCS 750			
			RESP.ENG.: J.STARK	DATE: 15-NOV-82	DOCUMENT NUMBER			
			MFG.ENG.: B.NEUMANN	DATE: 15-NOV-82	SIZE: K	CODE: PL	NUMBER: L0008-0-DBP	REV: B
			ASSEMBLY NUMBER: E-UA-L0008-0-0	TOP DOCUMENT NUMBER: B-DD-L0008-0-0	FILE NAME: Z39288.PLS		EDIT #: 18	

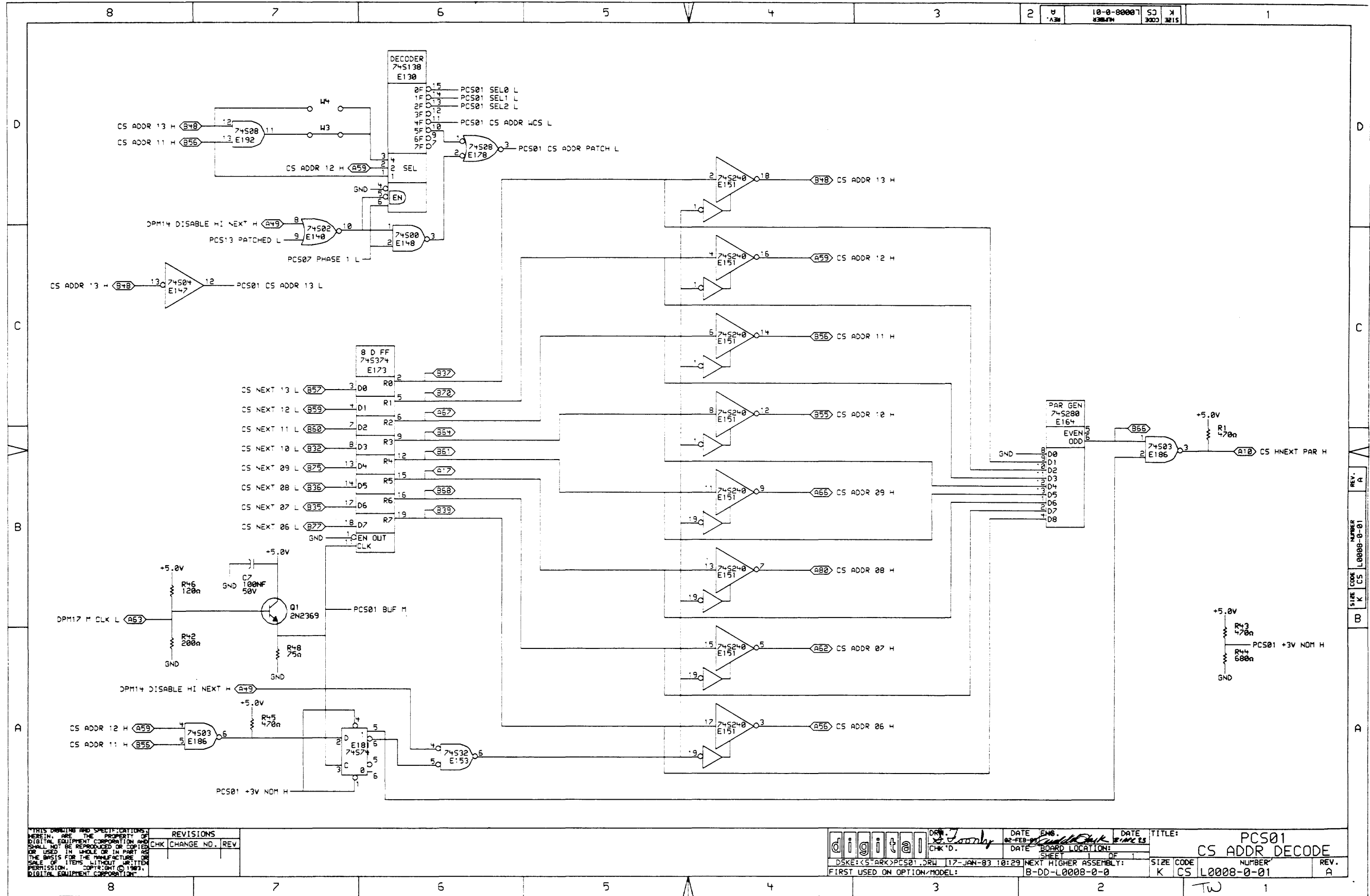
"THIS DRAWING AND SPECIFICATIONS HEREIN, ARE THE PROPERTY OF DIGITAL EQUIPMENT CORPORATION AND SHALL NOT BE REPRODUCED OR COPIED OR USED IN WHOLE OR IN PART AS THE BASIS FOR THE MANUFACTURE OR SALE OF ITEMS WITHOUT WRITTEN PERMISSION. COPYRIGHT (C) 1983. DIGITAL EQUIPMENT CORPORATION "

LINE	ITEM	DOCUMENT NUMBER	PART NUMBER	DESCRIPTION	QTY PER VARIATION			REFERENCE DESIGNATOR
					YA	YB	YC	
13	18		1811660-01	OSCILLATOR, XTAL 10.000 MHZ	1	1	1	E159
14	41		1811660-29	OSCILLATOR, XTAL 18.750 MHZ	1	1	1	E168
15	13		1910532-00	74S00 NAND GATE-QUAD 2IN	2	2	2	E148,E171
16	23		1910533-00	74S03 NAND GATE-QUAD 2IN,0	2	2	2	E175,E186
17	10		1910534-00	74S04 INVERTER GATE-HEX 1I	5	5	5	E139,E147,E162,E172,E190
18	20		1910536-00	74S10 NAND GATE-TRIPLE 3IN	2	2	2	E161,E170
19	27		1910544-00	74S74 FF-D DUAL,EDGE TRIGG	3	3	3	E181,E183,E188
20	29		1910546-00	74S140 NAND GATE-DUAL 4INPU	1	1	1	E187
21	19		1910547-00	74S153 MUX 1 OF 4 (DUAL)	6	6	6	E160,E167,E174,E176,E177,E191
22	14		1910549-00	74S158 MUX 1 OF 2 (QUAD)	6	6	6	E149,E156,E165,E166,E169,E185
23	22		1911573-00	74S280 PARITY GEN/CHKR,9BIT	1	1	1	E164
24	6		1911675-00	74S138 DECODER/DEMUX 3-8 LI	3	3	-	E119,E129,E130
			CONT		-	-	4	E119,E129,E130,E138
25	25		1911712-00	74S51 AND-OR GATE-INVERT D	1	1	1	E179
26	31		1911983-00	74S133 NAND GATE-POSITIVE 1	1	1	1	E195
27	11		1912388-00	74S02 NOR GATE-QUAD 2IN,PO	1	1	1	E140
28	24		1912389-00	74S08 AND GATE-QUAD 2IN,PO	2	2	2	E178,E192
29	7		1912746-00	DEC 74S37 NAND GATE-QUAD 2IN	3	3	3	E120,E121,E122
30	26		1912803-00	LS04 INVERTER GATE,HEX	1	1	1	E180
31	16		1912830-00	LS90 COUNTER,ASYNCH UP,DE	1	1	1	E152
32	8		1912872-00	LS377 FF-D 8BIT W/ENABLE	2	2	2	E128,E137
33	17		1913340-00	74S32 OR GATE-QUAD 2IN	1	1	1	E153
34	15		1913462-00	74S240 OCTAL BUFFER,INVERTI	1	1	1	E151
35	2		1913493-00	74S241 OCTAL BUFFER,TRI-STA	12	-	-	E1,E8,E28,E41,E54,E88,E101,E114, E132,E150,E155,E184
			CONT		-	22	22	E1,E6,E8,E16,E28,E33,E41,E46, E54,E59,E88,E93,E101,E109,E114, E123,E132,E141,E150,E155,E157, E184
36	21		1913671-00	74S374 FF-D,OCTAL,TR1 STATE	2	2	2	E163,E173
37	28		1914085-00	74S260 NOR GATE-DUAL,POS	2	2	2	E182,E196
38	12		1914868-00	FF-D QUAD, COMMON R	1	1	1	E146
39	9		1915193-00	LS244 DRIVER,LINE,OCTAL,T	1	1	1	E131
40	3		1915218-00	LS245 TRANSCEIVER,BUS,OCT	15	-	-	E2,E12,E24,E37,E50,E63,E67,E72, E76,E80,E92,E105,E118,E136,E154 E2,E7,E12,E20,E24,E32,E37,E45, E50,E58,E63,E67,E71,E72,E76,E80, E84,E92,E97,E105,E113,E118,E127, E136,E145,E154,E158 E189,E194
			CONT		-	27	27	E11,E19,E23,E31,E36,E44,E49,E57, E62,E70,E75,E83,E91,E96,E104, E112,E117,E126,E135,E144
41	30		2114523-00	4K MOS RAM 55NS 18PIN	2	2	2	E11,E19,E23,E31,E36,E44,E49,E57, E62,E70,E75,E83,E91,E96,E104, E112,E117,E126,E135,E144,E9,E17, E21,E29,E34,E42,E47,E55,E60,E68, E73,E81,E89,E94,E102,E110,E115.
42	5		2116957-03	1K MOS RAM 55NS 1	20	-	-	E11,E19,E23,E31,E36,E44,E49,E57, E62,E70,E75,E83,E91,E96,E104, E112,E117,E126,E135,E144
			CONT		-	40	-	E11,E19,E23,E31,E36,E44,E49,E57, E62,E70,E75,E83,E91,E96,E104, E112,E117,E126,E135,E144,E9,E17, E21,E29,E34,E42,E47,E55,E60,E68, E73,E81,E89,E94,E102,E110,E115.

D	I	G	I	T	A	L	TITLE	SECTION A OF A	SIZE	CODE	DOCUMENT NUMBER	REV
							PCS 750		K	PL	L0008-0-DBP	B

LINE	ITEM	DOCUMENT NUMBER	PART NUMBER	DESCRIPTION	QTY	PER	VARIATION	REFERENCE DESIGNATOR
					YA	YB	YC	
			CONT		-	-	60	CONT E124,E133,E142 E9,E10,E11,E17,E18,E19,E21,E22, E23,E29,E30,E31,E34,E35,E36,E42, CONT E43,E44,E47,E48,E49,E55,E56,E57, CONT E60,E61,E62,E68,E69,E70,E73,E74, CONT E75,E81,E82,E83,E89,E90,E91,E94, CONT E95,E96,E102,E103,E104,E110, CONT E111,E112,E115,E116,E117,E124, CONT E125,E126,E133,E134,E135,E142, CONT E143,E144
43	4	BLANK		*** THIS ITEM IS NOT USED ***	-	-	-	
44	45		23090F4-00	F4-01	1	1	1	E3
45	46		23091F4-00	F4-01	1	1	1	E4
46	47		23092F4-00	F4-01	1	1	1	E5
47	48		23093F4-00	F4-01	1	1	1	E13
48	49		23094F4-00	F4-01	1	1	1	E14
49	50		23095F4-00	F4-01	1	1	1	E15
50	51		23096F4-00	F4-01	1	1	1	E25
51	52		23097F4-00	F4-01	1	1	1	E26
52	53		23098F4-00	F4-01	1	1	1	E27
53	54		23099F4-00	F4-01	1	1	1	E38
54	55		23100F1-00	F1-01	1	1	1	E39
55	56		23101F4-00	F4-01	1	1	1	E40
56	57		23102F4-00	F4-01	1	1	1	E51
57	58		23103F4-00	F4-01	1	1	1	E52
58	59		23104F4-00	F4-01	1	1	1	E53
59	60		23105F4-00	F4-01	1	1	1	E64
60	61		23106F4-00	F4-01	1	1	1	E65
61	62		23107F4-00	F4-01	1	1	1	E66
62	63		23108F4-00	F4-01	1	1	1	E77
63	64		23109F4-00	F4-01	1	1	1	E78
64	65		23110F4-00	F4-01	1	1	1	E79
65	66		23111F4-00	F4-01	1	1	1	E85
66	67		23112F4-00	F4-01	1	1	1	E86
67	68		23113F4-00	F4-01	1	1	1	E87
68	69		23114F4-00	F4-01	1	1	1	E98
69	70		23115F4-00	F4-01	1	1	1	E99
70	71		23116F4-00	F4-01	1	1	1	E100
71	72		23117F4-00	F4-01	1	1	1	E106
72	73		23118F4-00	F4-01	1	1	1	E107
73	74		23119F4-00	F4-01	1	1	1	E108
74	39		9009185-00	JUMPER, WIRE, INSULATED, BLACK B	2	-	-	W1,W3
			CONT		-	2	-	W2,W4
			CONT		-	-	1	W4
75	75		9000024-01	EYELET,ROLLED 0.1210DX0.192	12	12	12	

D	I	G	I	T	A	L	TITLE	SECTION A OF A	SIZE	CODE	DOCUMENT NUMBER	REV
CHK	HH	4					PCS 750		K	PL	L0008-0-DBP	B



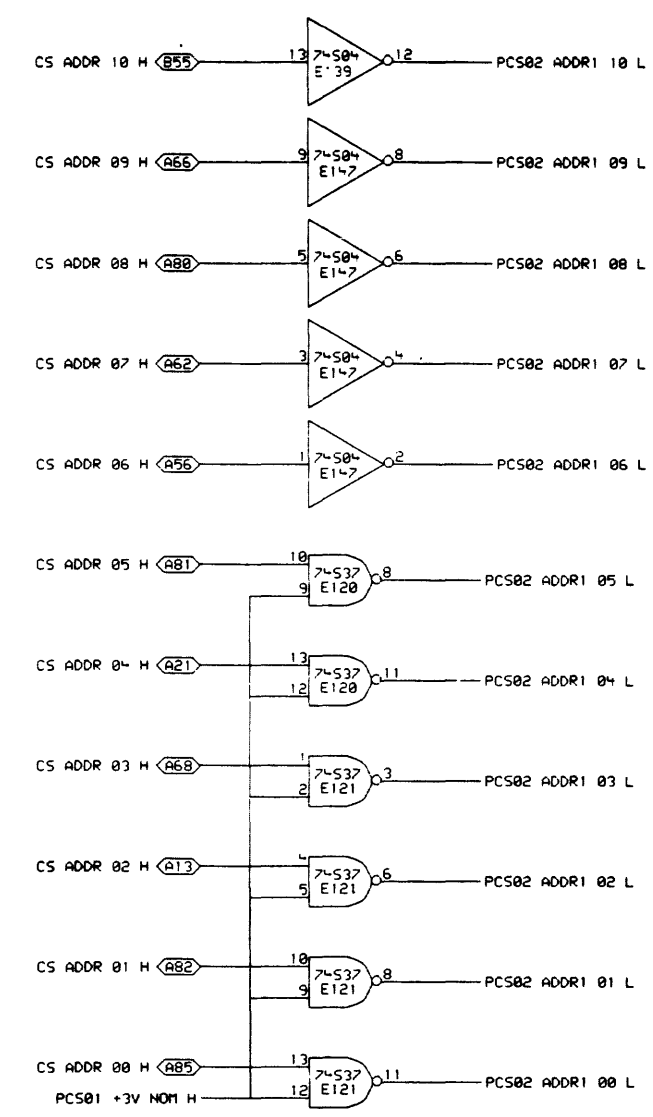
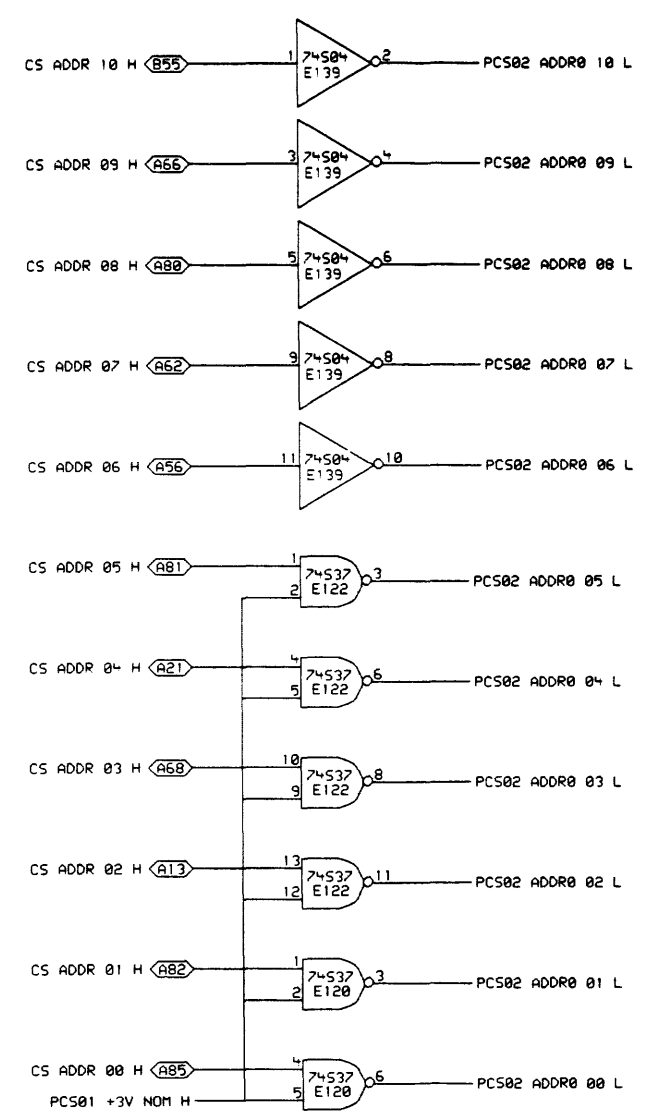
THIS DRAWING AND SPECIFICATIONS HEREBY ARE THE PROPERTY OF DIGITAL EQUIPMENT CORPORATION AND SHALL NOT BE REPRODUCED OR COPIED OR USED IN WHOLE OR IN PART AS THE BASIS FOR THE MANUFACTURE OR SALE OF ITEMS WITHOUT WRITTEN PERMISSION. COPYRIGHT © 1983, DIGITAL EQUIPMENT CORPORATION.

REVISIONS	
CHK	CHANGE NO. REV.

	DATE ENG. <i>2/2/83</i>	DATE TITLE: PCS01 CS ADDR DECODE
	DATE <i>02-FEB-83</i>	DATE BOARD LOCATION: <i>2/10/83</i>
DSKE: <STARK>PCS01.DRW 17-JAN-83 10:29	NEXT HIGHER ASSEMBLY: B-DD-L0008-0-0	SIZE CODE NUMBER REV. K CS L0008-0-01 A
FIRST USED ON OPTION MODEL:		

TW

D
C
B
A



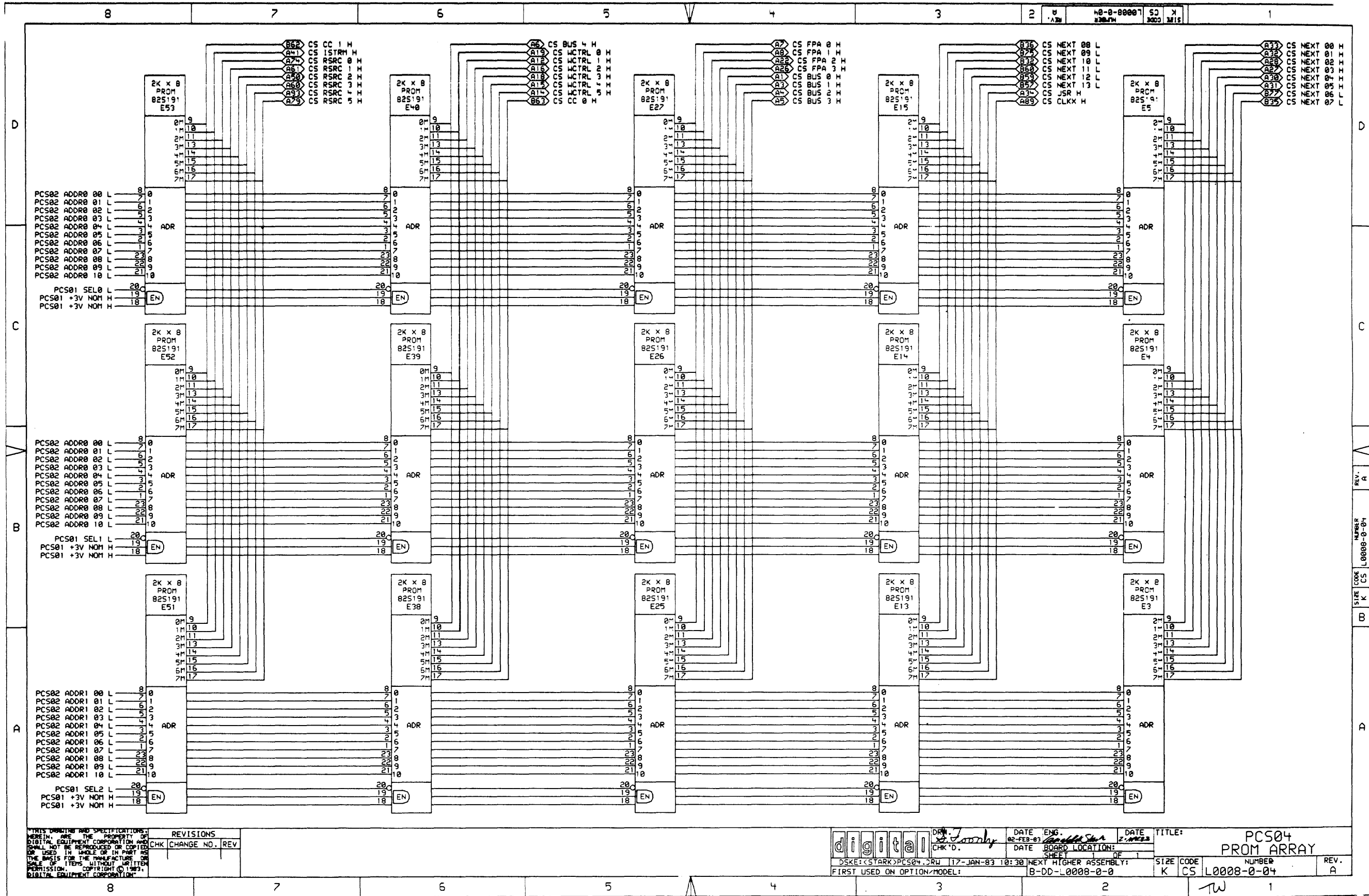
REV. A
L0008-0-02
CS
K

THIS DRAWING AND SPECIFICATIONS HEREIN ARE THE PROPERTY OF DIGITAL EQUIPMENT CORPORATION AND SHALL NOT BE REPRODUCED OR COPIED OR USED IN WHOLE OR IN PART AS THE BASIS FOR THE MANUFACTURE OR SALE OF ITEMS WITHOUT WRITTEN PERMISSION. COPYRIGHT © 1983, DIGITAL EQUIPMENT CORPORATION.

REVISIONS	
CHK	CHANGE NO. REV.

	DATE ENG. 02-FEB-83	DATE 2/1/83	TITLE: PCS02 ADDRESS BUFFERS
	CHK'D. [Signature]	DATE BOARD LOCATION: [Blank]	NUMBER
DSKE:CS:ARK:PCS02.JRW 117-JAN-83 10:30 FIRST USED ON OPTION/MODEL:	NEXT HIGHER ASSEMBLY: B-DD-L0008-0-0	SIZE CODE K CS	L0008-0-02

TW



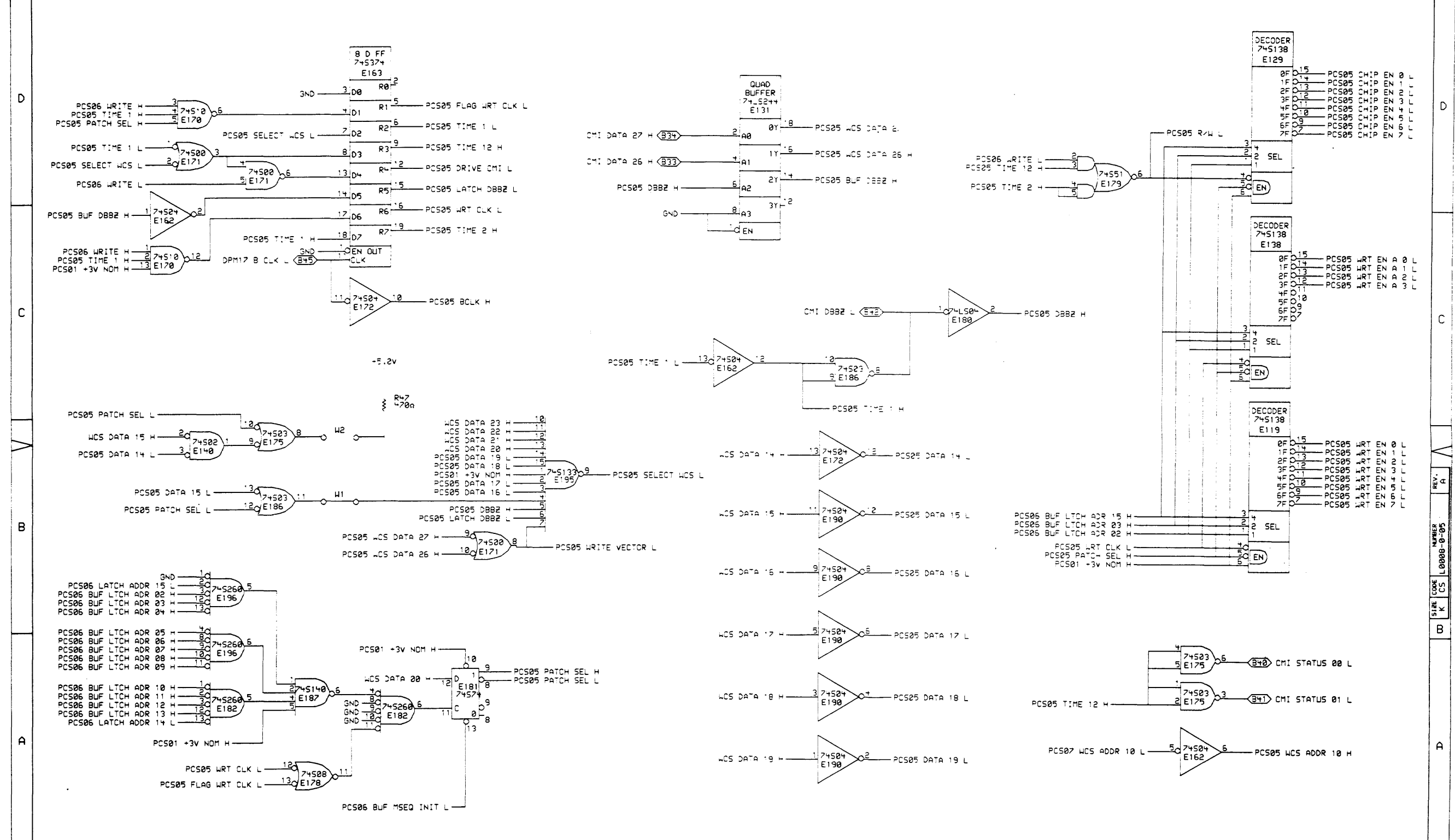
THIS DRAWING AND SPECIFICATIONS HEREIN ARE THE PROPERTY OF DIGITAL EQUIPMENT CORPORATION AND SHALL NOT BE REPRODUCED OR COPIED OR USED IN WHOLE OR IN PART AS THE BASIS FOR THE MANUFACTURE OR SALE OF ITEMS WITHOUT WRITTEN PERMISSION. COPYRIGHT © 1983, DIGITAL EQUIPMENT CORPORATION.

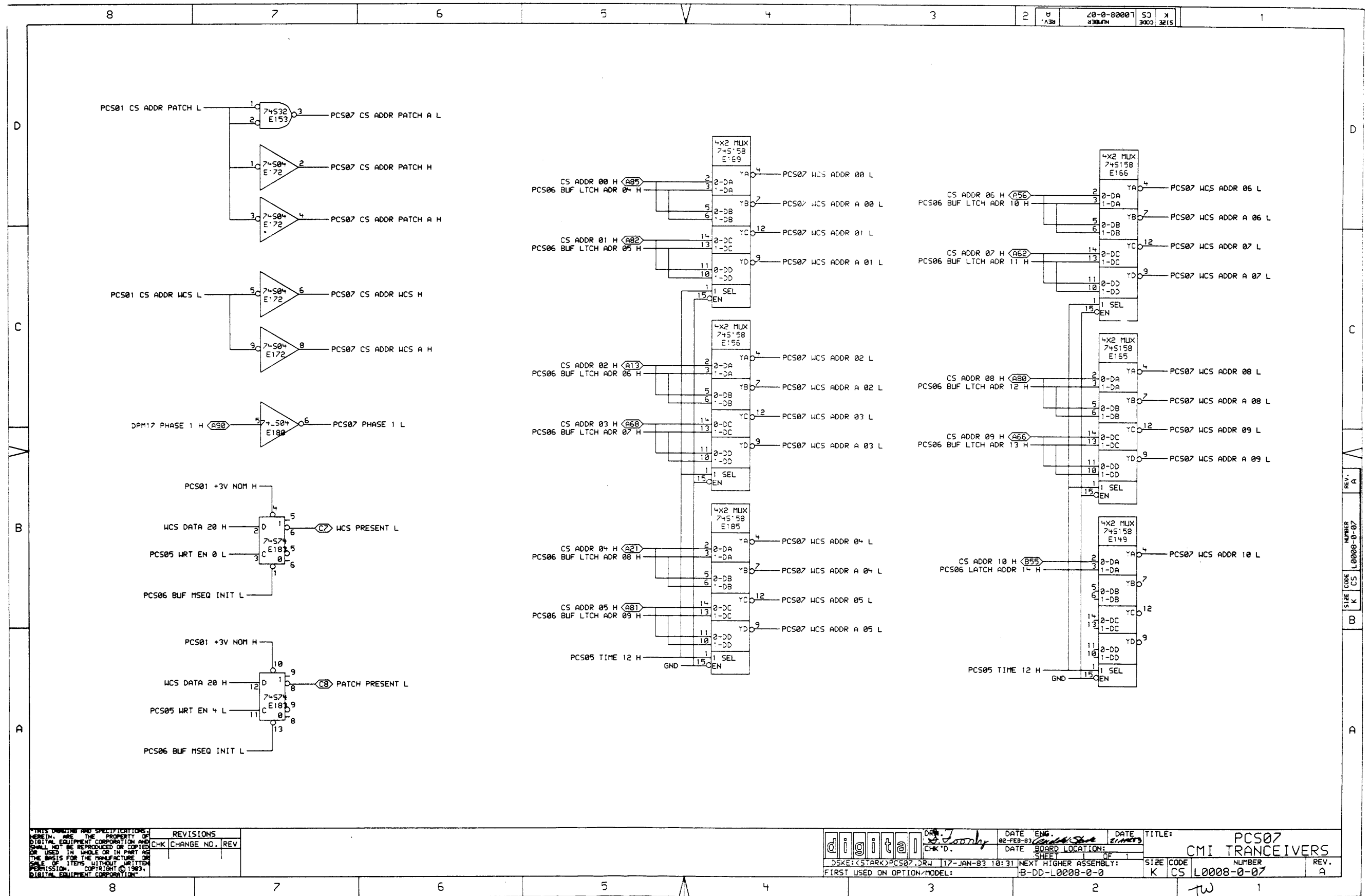
REVISIONS		
CHK	CHANGE NO.	REV

digitai
 DATE ENG. 02-FEB-83
 DATE BOARD LOCATION: 2-1023
 DATE SHEET OF
 DSKE: (STARK)PCS04.CRW 17-JAN-83 10:30 NEXT HIGHER ASSEMBLY:
 FIRST USED ON OPTION/MODEL: B-DD-L0008-0-0

TITLE: PCS04 PROM ARRAY
 SIZE CODE NUMBER REV.
 K CS L0008-0-04 A

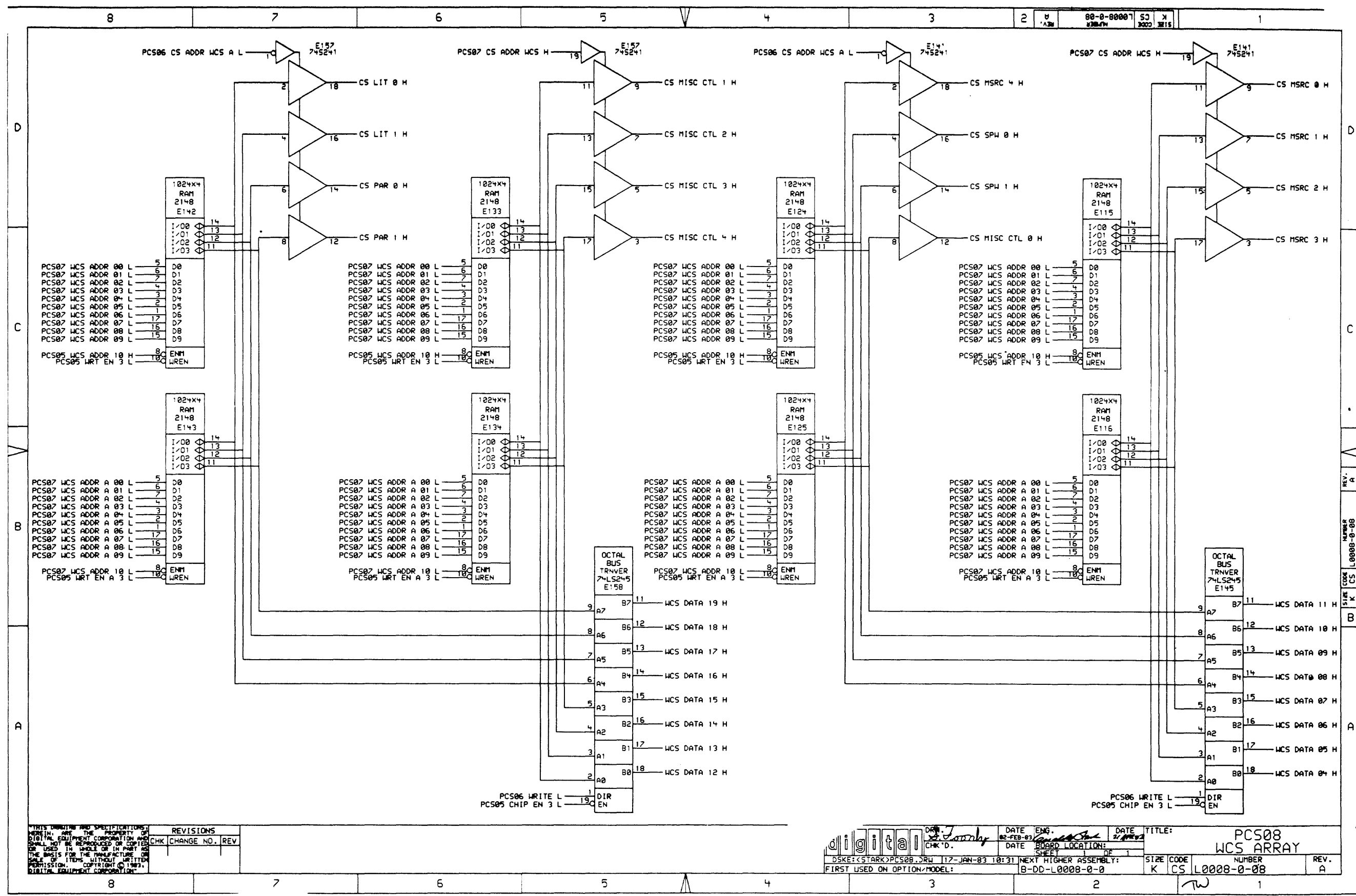
TW





REVISIONS	
CHK	CHANGE NO. REV

DIGITAL	DATE ENG. 02-FEB-83	DATE 01-MAR-83	TITLE: PCS07 CMI TRANCEIVERS
	DATE BOARD LOCATION: SHEET 1 OF 1	DATE 17-JAN-83 10:31	NUMBER L0008-0-07
DSKE:(STARK)PCS07.DRW		NEXT HIGHER ASSEMBLY: B-DD-L0008-0-0	REV. A
FIRST USED ON OPTION/MODEL:		SIZE CODE K CS	tw 1

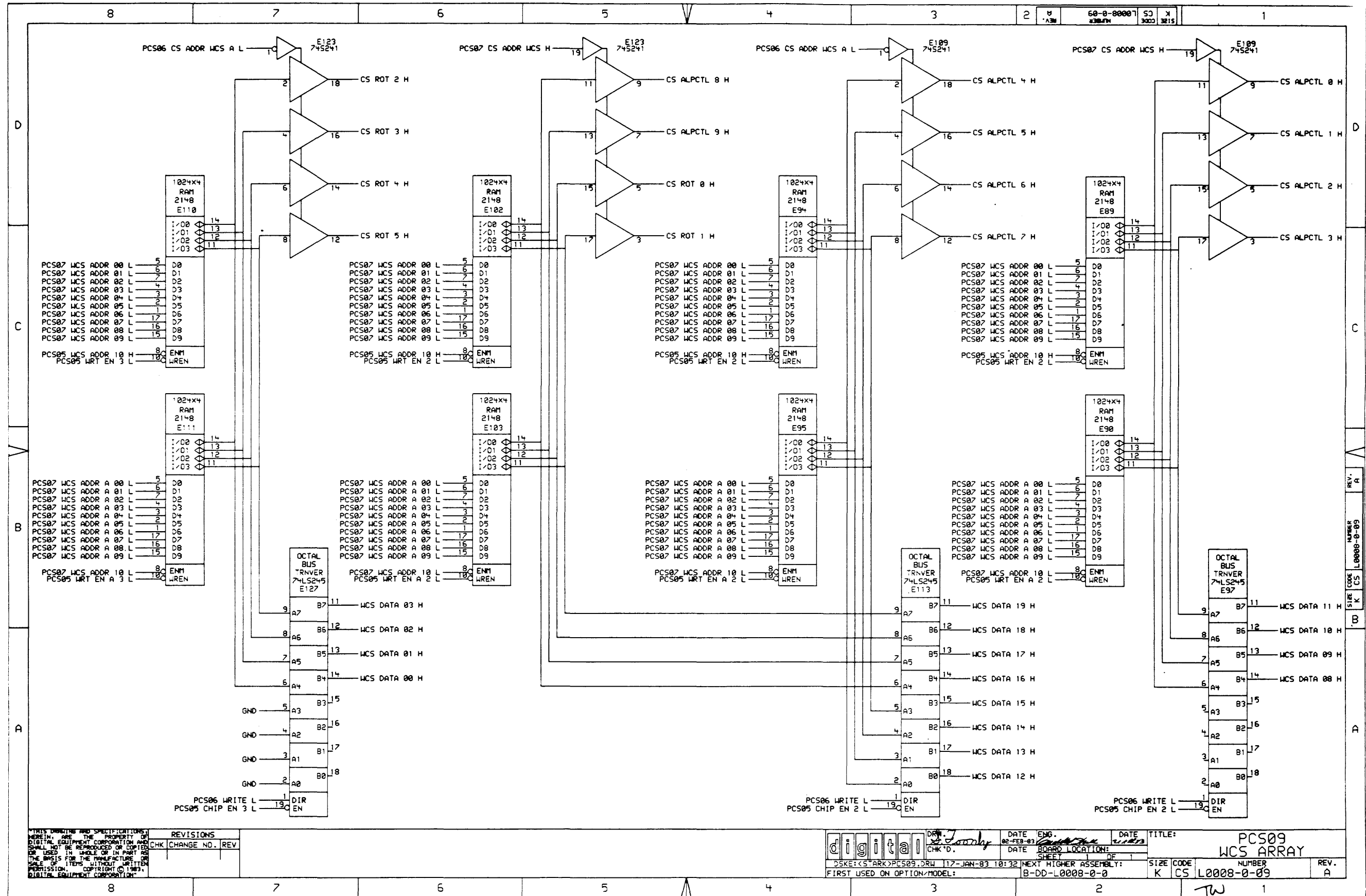


THIS DRAWING AND SPECIFICATIONS ARE THE PROPERTY OF DIGITAL EQUIPMENT CORPORATION AND SHALL NOT BE REPRODUCED OR COPIED OR USED IN WHOLE OR IN PART AS THE BASIS FOR THE MANUFACTURE OR SALE OF ITEMS WITHOUT WRITTEN PERMISSION. COPYRIGHT © 1983, DIGITAL EQUIPMENT CORPORATION.

REV.	CHK	CHANGE NO.	REV

REV.	CHK	CHANGE NO.	REV

DATE ENG. <i>2/1/83</i>	DATE <i>2/1/83</i>	TITLE: PCS08 WCS ARRAY
DATE <i>2/1/83</i>	BOARD LOCATION: <i> </i>	SIZE CODE K
SHEET <i> </i>	DE <i> </i>	NUMBER L0008-0-08
DSKE: <STARK>PCS08.DRW 17-JAN-83 10:31	NEXT HIGHER ASSEMBLY: B-DD-L0008-0-0	REV. A
FIRST USED ON OPTION/MODEL: <i> </i>		

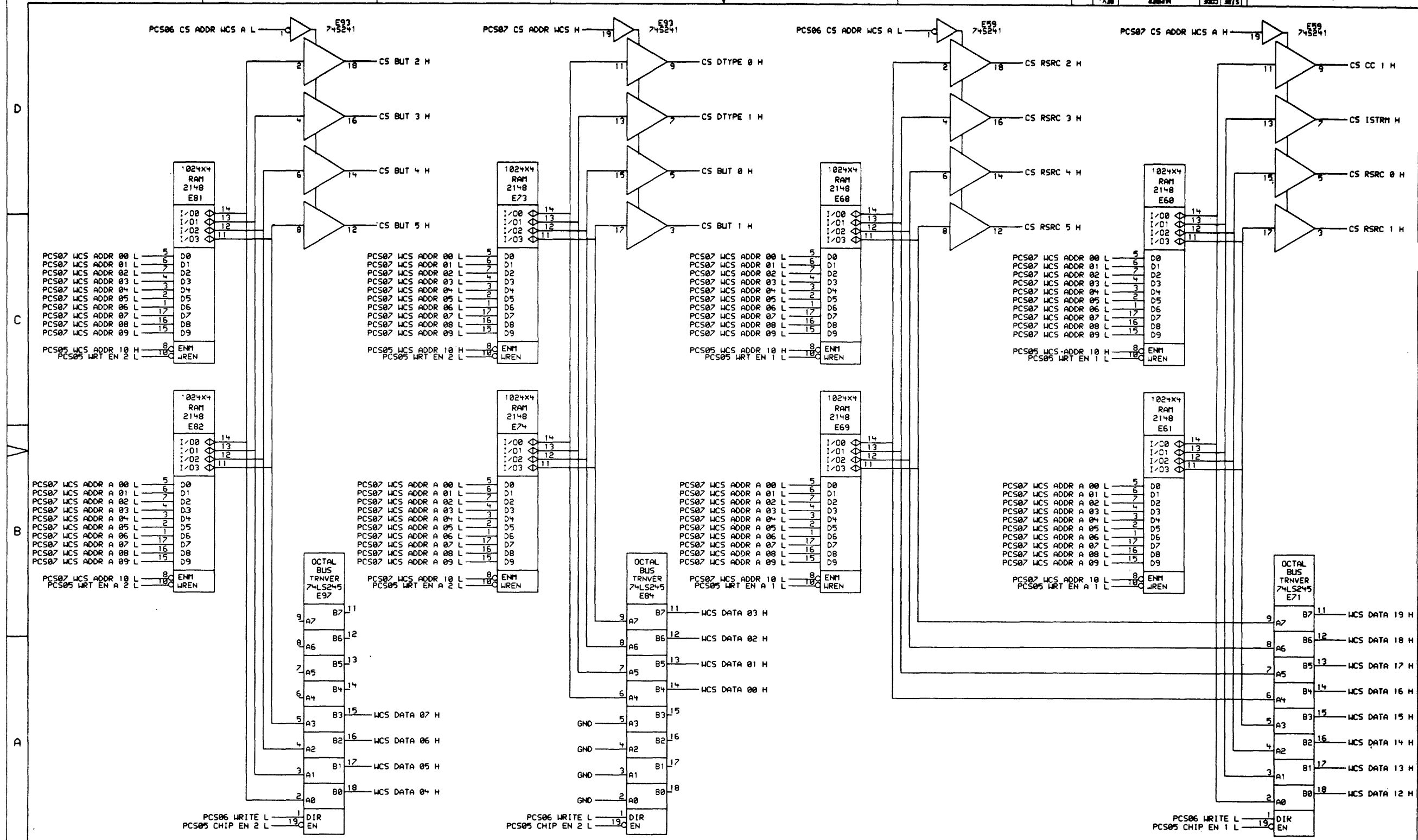


THIS DRAWING AND SPECIFICATIONS ARE THE PROPERTY OF DIGITAL EQUIPMENT CORPORATION AND SHALL NOT BE REPRODUCED OR COPIED OR USED IN WHOLE OR IN PART AS THE BASIS FOR THE MANUFACTURE OR SALE OF ITEMS WITHOUT WRITTEN PERMISSION. COPYRIGHT © 1983, DIGITAL EQUIPMENT CORPORATION.

REVISIONS		
CHK	CHANGE NO.	REV.

digital
 DATE ENG. 02-FEB-83
 DATE BOARD LOCATION: SHEET 1 OF 1
 TITLE: PCS09 WCS ARRAY
 SIZE CODE: K CS
 NUMBER: L0008-0-09
 REV. A
 DSKE:CS\ARK\PCS09.DRW 17-JAN-83 10:32 NEXT HIGHER ASSEMBLY: B-DD-L0008-0-0
 FIRST USED ON OPTION/MODEL:

REV. A
 NUMBER L0008-0-09
 SIZE CODE CS
 SHEET 1 OF 1



PRINTS DRAWING AND SPECIFICATIONS HEREIN ARE THE PROPERTY OF DIGITAL EQUIPMENT CORPORATION AND SHALL NOT BE REPRODUCED OR COPIED OR USED IN WHOLE OR IN PART AS THE BASIS FOR THE MANUFACTURE OR SALE OF ITEMS WITHOUT WRITTEN PERMISSION. COPYRIGHT © 1983, DIGITAL EQUIPMENT CORPORATION.

REV.	CHG.	NO.	REV.

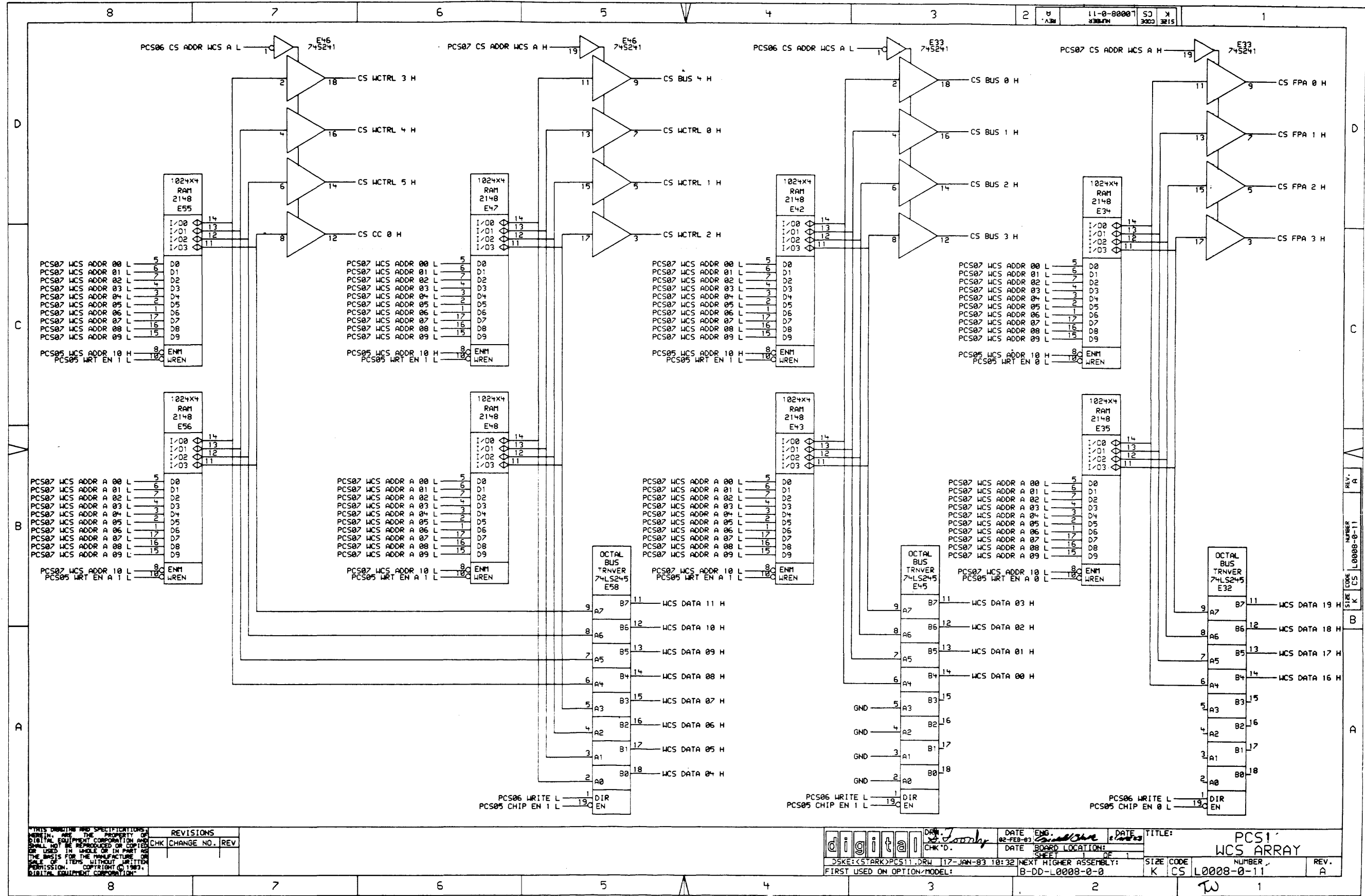
digital

DATE ENG. 02-FEB-83
DATE 2/10/83
DRAWN J. J. J. CHK'D. DATE BOARD LOCATION: SHEET 1 OF 1

TITLE: PCS10 WCS ARRAY

DSKE: STARK>PCS10.DRW 117-JAN-83 10:32 NEXT HIGHER ASSEMBLY: B-DD-L0008-0-0
FIRST USED ON OPTION/MODEL: K CS L0008-0-10

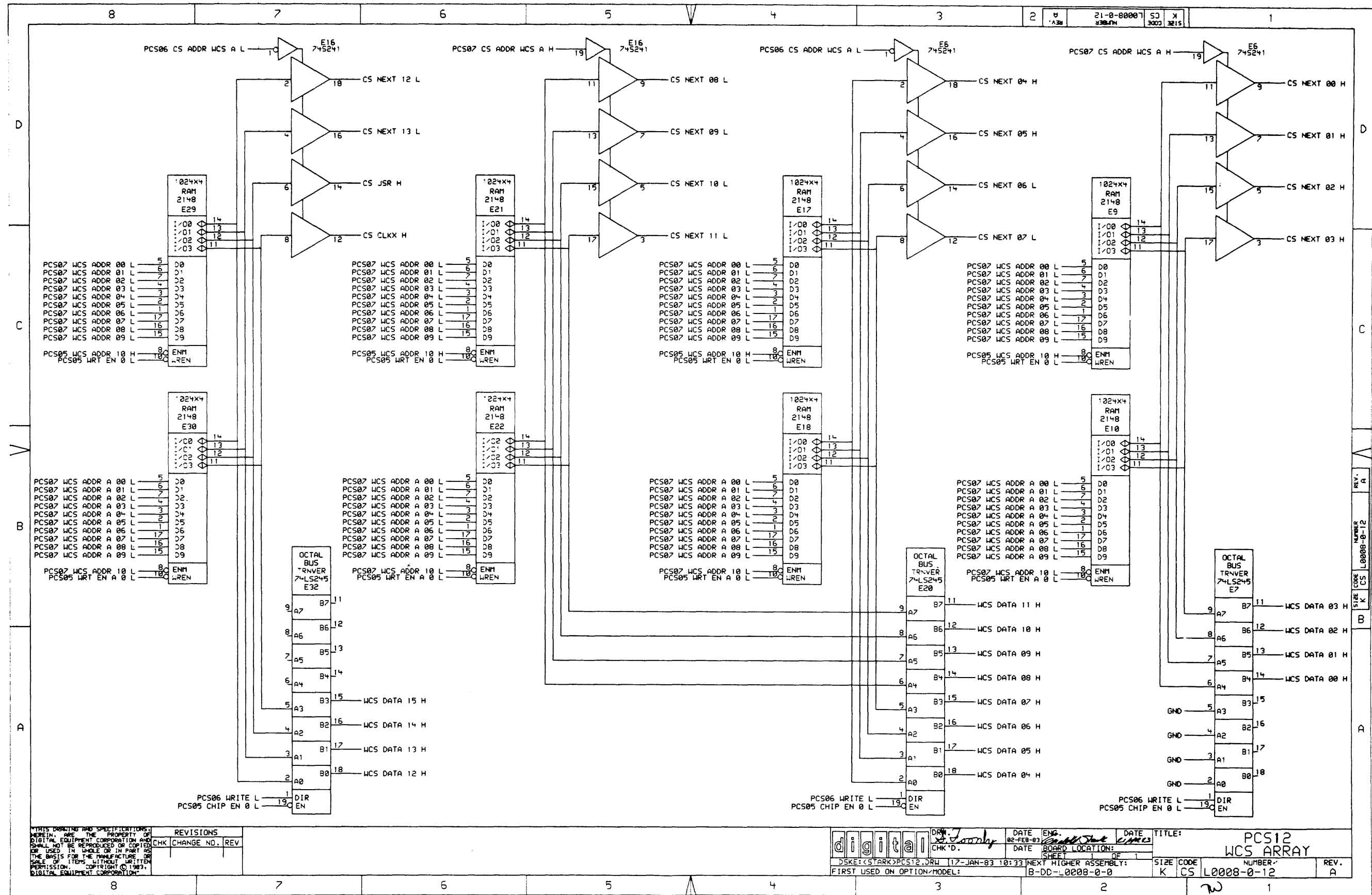
SIZE CODE NUMBER REV.
K CS L0008-0-10 A



THIS DRAWING AND SPECIFICATIONS HEREOF ARE THE PROPERTY OF DIGITAL EQUIPMENT CORPORATION AND SHALL NOT BE REPRODUCED OR COPIED OR USED IN WHOLE OR IN PART AS THE BASIS FOR THE MANUFACTURE OR SALE OF ITEMS WITHOUT WRITTEN PERMISSION. COPYRIGHT © 1983, DIGITAL EQUIPMENT CORPORATION.

REVISIONS		
CHK	CHANGE NO.	REV.

digital	DATE: 02-FEB-83	ENGINEER: [Signature]	DATE: [Signature]	TITLE: PCSI WCS ARRAY
	DATE: [Signature]	BOARD LOCATION: [Signature]	SHEET: 1 OF 1	SIZE: K
DSKE: (STARK)PCSI1.DRW 17-JAN-83 10:32		NEXT HIGHER ASSEMBLY: B-DD-L0008-0-0		SIZE CODE: CS
FIRST USED ON OPTION/MODEL:		NUMBER: L0008-0-11		REV: A



THIS DRAWING AND SPECIFICATIONS ARE THE PROPERTY OF DIGITAL EQUIPMENT CORPORATION AND SHALL NOT BE REPRODUCED OR COPIED OR USED IN WHOLE OR IN PART AS THE BASIS FOR THE MANUFACTURE OR SALE OF ITEMS WITHOUT WRITTEN PERMISSION. COPYRIGHT © 1983, DIGITAL EQUIPMENT CORPORATION.

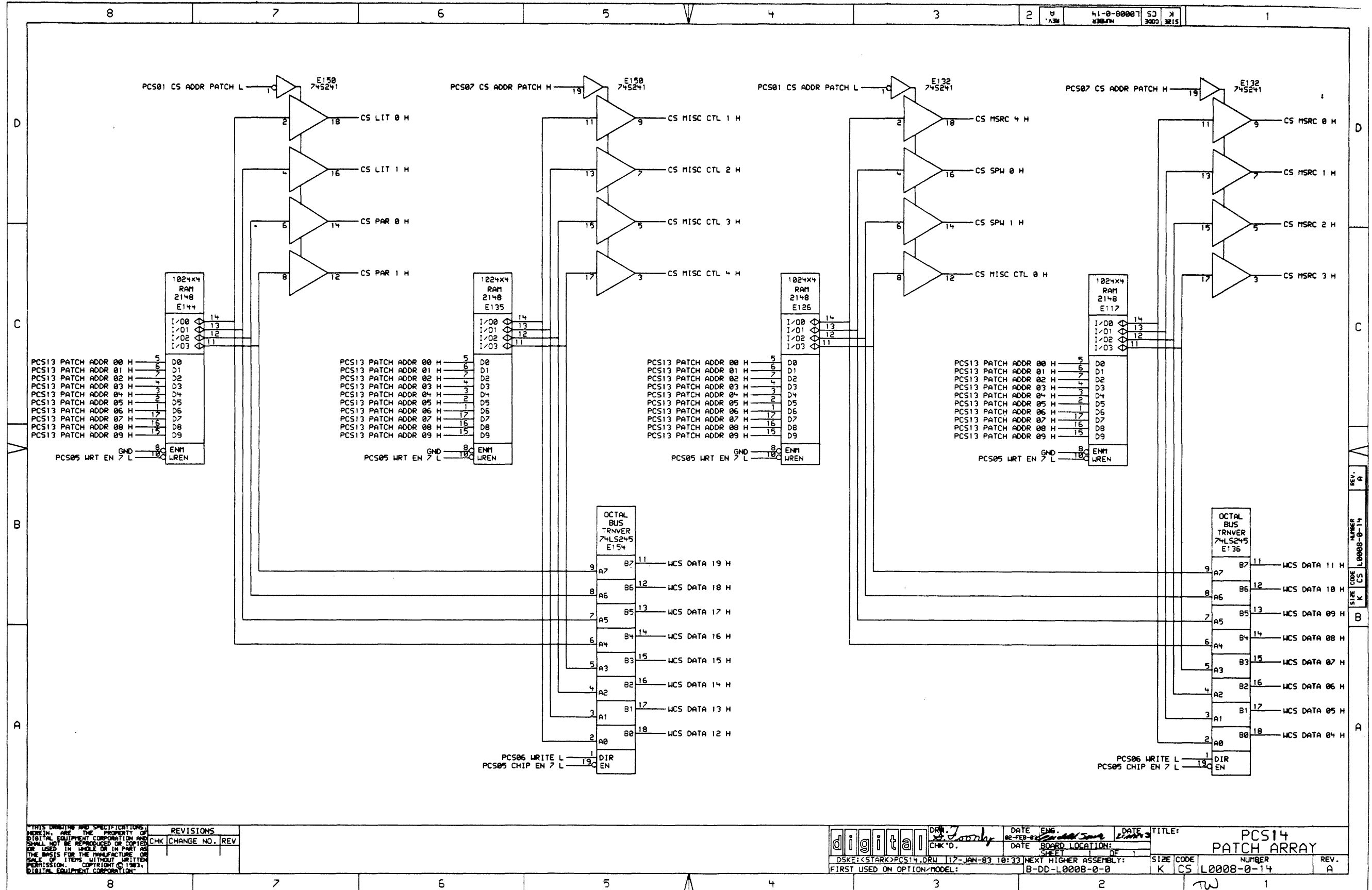
REV.	CHG.	CHANGE NO.	REV.

DATE	ENG.	DATE	TITLE:
82-FEB-83			PCS12 WCS ARRAY

digital
CHK'D. *J. J. J.*

DSKE: <STARK>PCS12.DRW 17-JAN-83 10:33 NEXT HIGHER ASSEMBLY: B-DD-L0008-0-0

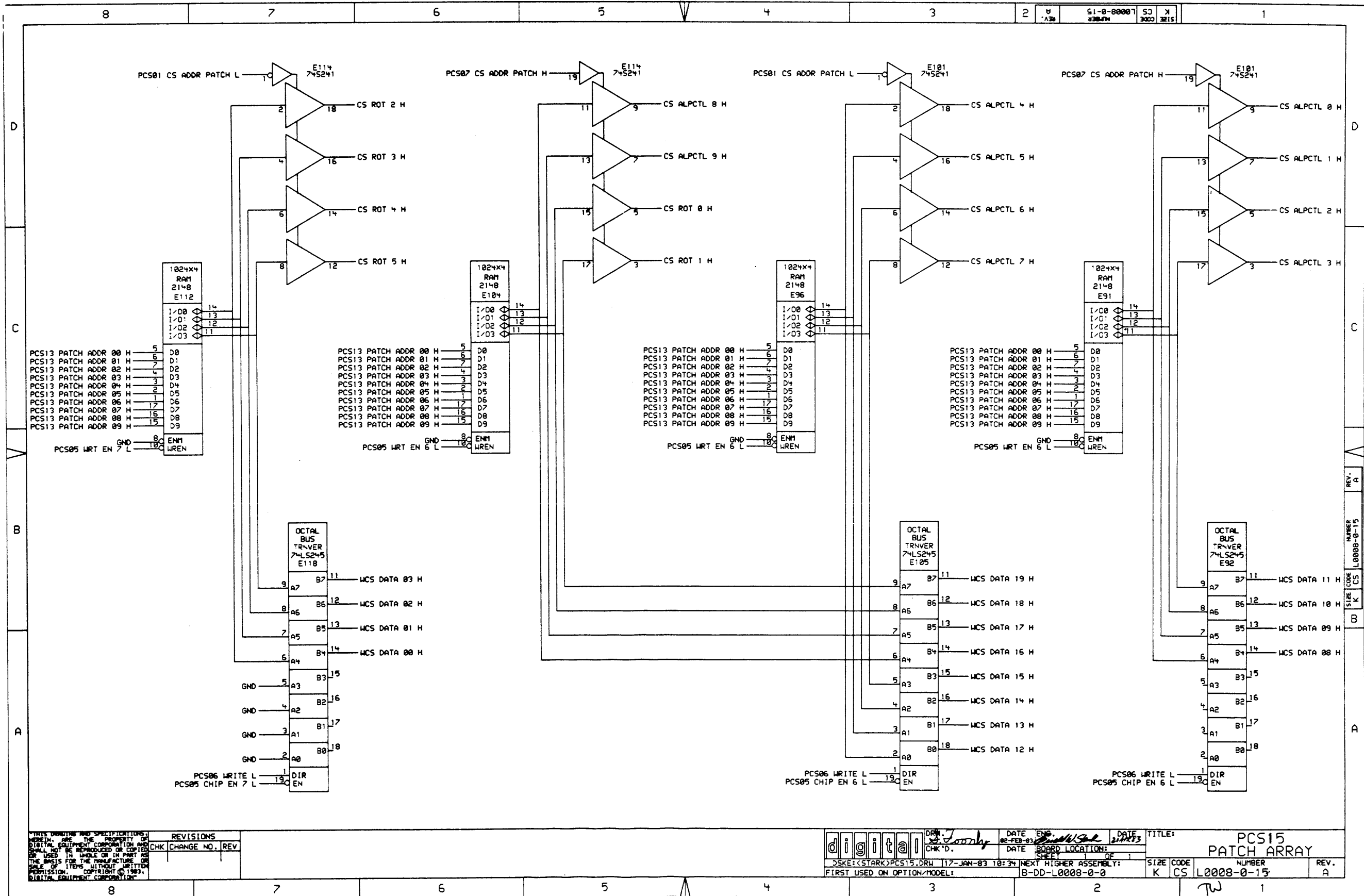
SIZE	CODE	NUMBER	REV.
K	CS	L0008-0-12	A



REVISIONS	
CHK	CHANGE NO. REV

	DATE: 11-7-83 DATE: 11-7-83 DATE: 11-7-83 DATE: 11-7-83	TITLE: PCS14 PATCH ARRAY
DSKE:\STARK\PCS14.DRW 117-JAN-83 10:33	NEXT HIGHER ASSEMBLY: B-DD-L0008-0-0	SIZE CODE: K CS L0008-0-14
FIRST USED ON OPTION/MODEL:	SHEET: 1 OF 1	NUMBER: W REV: A

REV. A
 NUMBER L0008-0-14
 SIZE CODE K CS

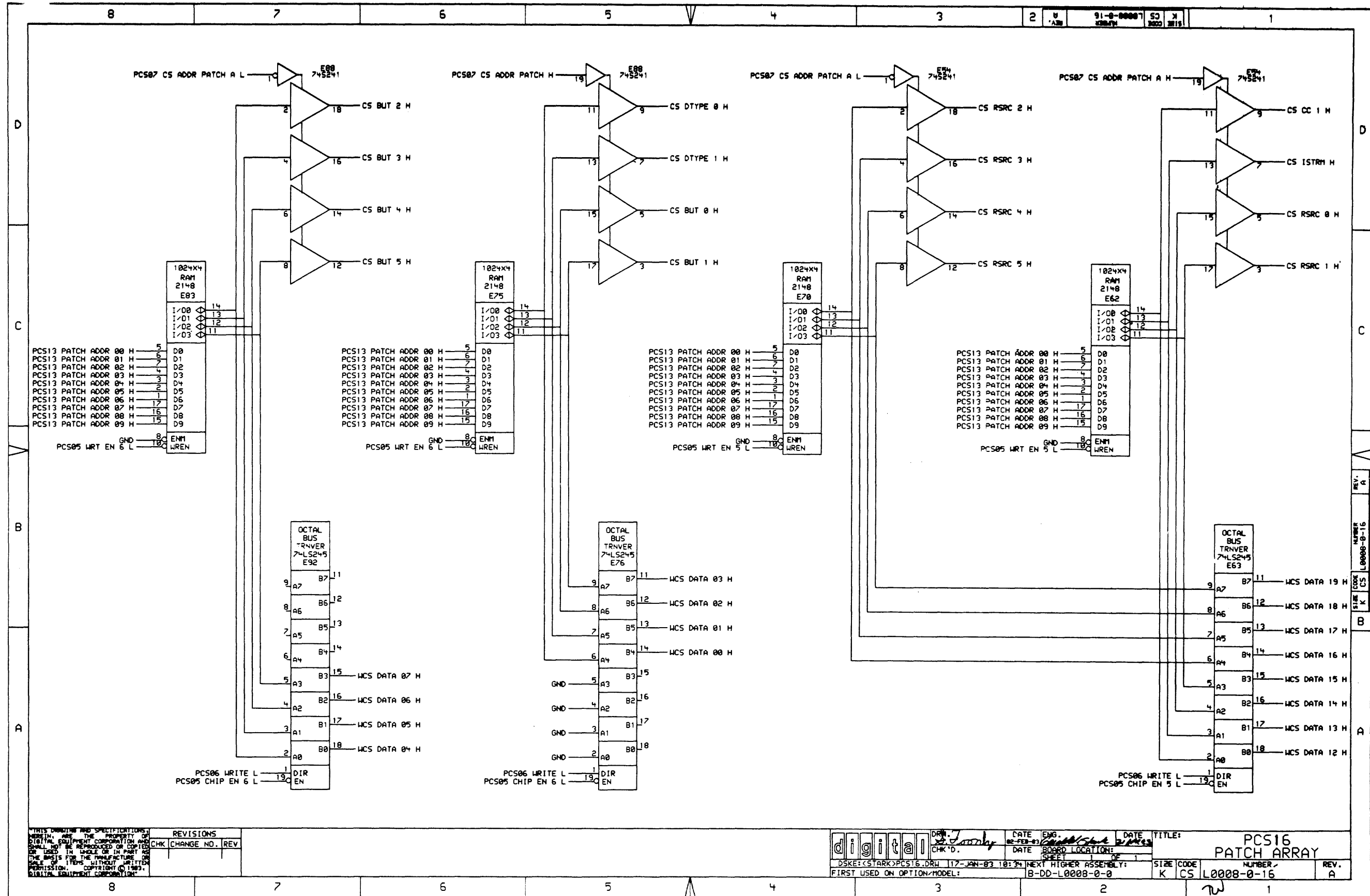


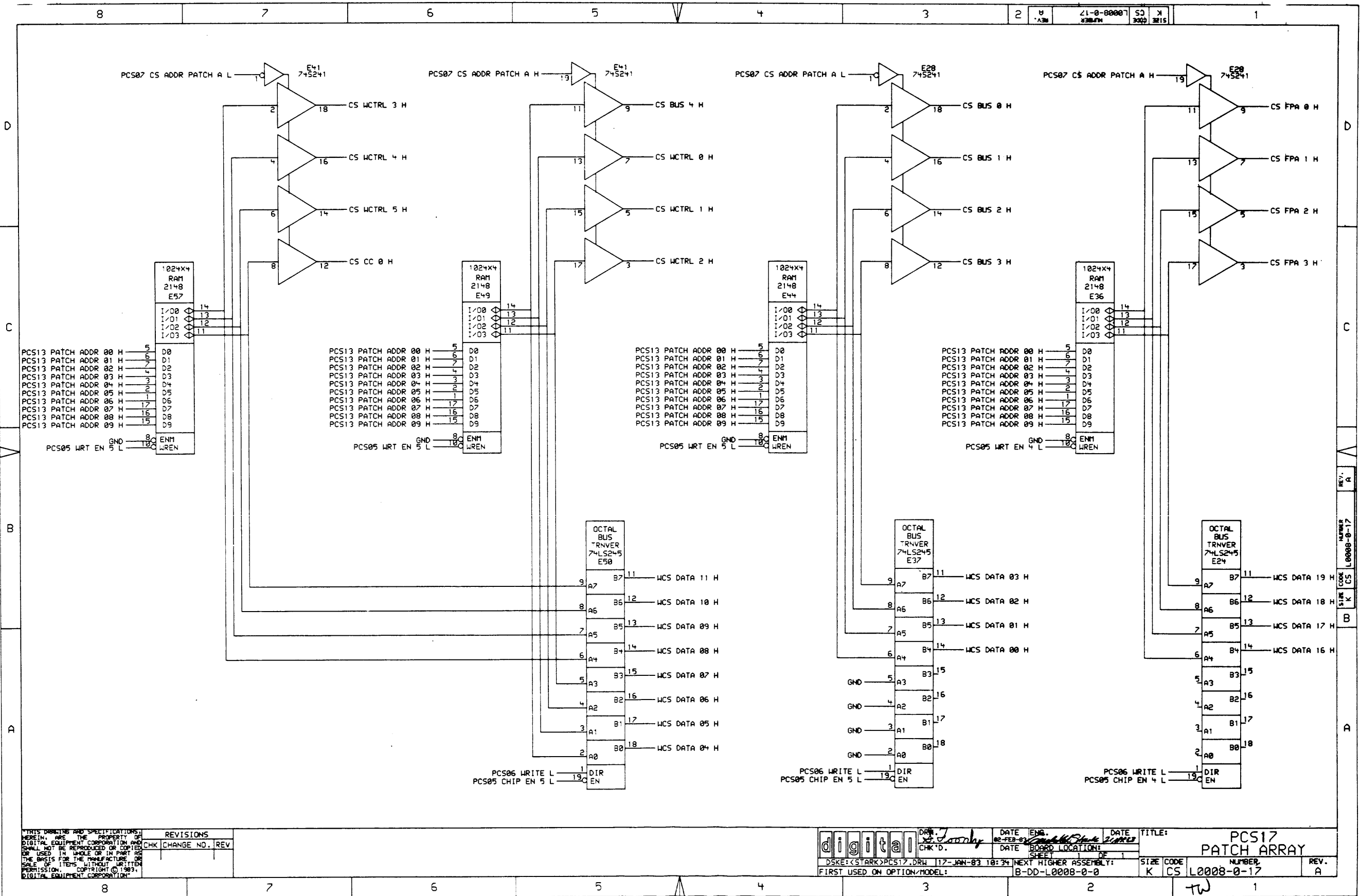
THIS DRAWING AND SPECIFICATIONS
HEREIN ARE THE PROPERTY OF
DIGITAL EQUIPMENT CORPORATION AND
SHALL NOT BE REPRODUCED OR COPIED
OR USED IN WHOLE OR IN PART AS
THE BASIS FOR THE MANUFACTURE OR
SALE OF ITEMS WITHOUT WRITTEN
PERMISSION. COPYRIGHT © 1983
DIGITAL EQUIPMENT CORPORATION.

REVISIONS		
CHK	CHANGE NO.	REV

digital DRW: J. J. J. DATE ENG: 02-FEB-83 DATE DES: 2/83
 CHK'D: DATE BOARD LOCATION: SHEET 1 OF 1
 DSKE: (STARK) PCS15.DRW 17-JAN-83 18:34 NEXT HIGHER ASSEMBLY:
 FIRST USED ON OPTION MODEL: B-DD-L0008-0-0

TITLE: PCS15 PATCH ARRAY
 SIZE CODE: K CS L0008-0-15
 NUMBER: TW
 REV: A





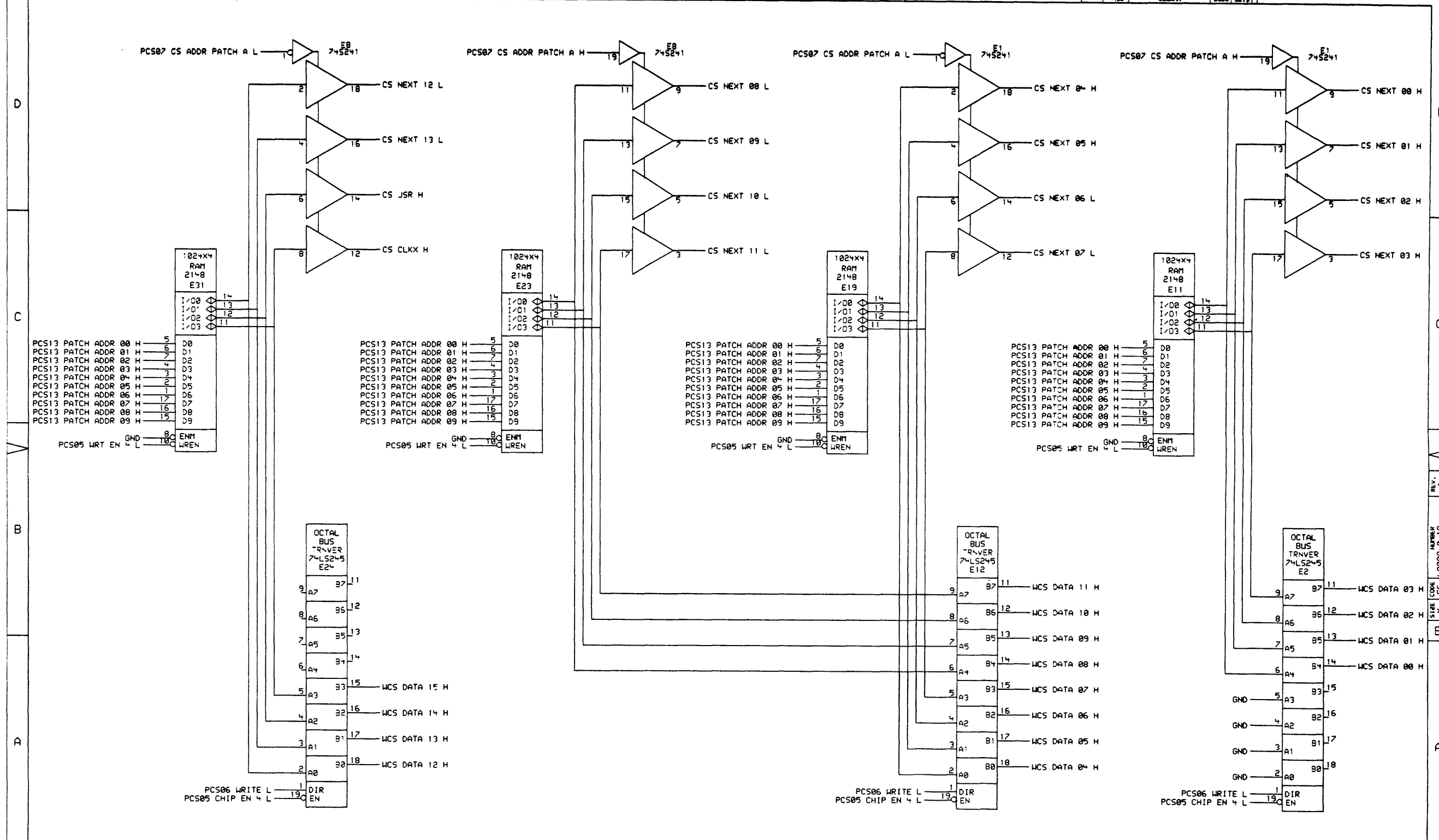
THIS DRAWING AND SPECIFICATIONS HEREIN ARE THE PROPERTY OF DIGITAL EQUIPMENT CORPORATION AND SHALL NOT BE REPRODUCED OR COPIED OR USED IN WHOLE OR IN PART AS THE BASIS FOR THE MANUFACTURE OR SALE OF ITEMS WITHOUT WRITTEN PERMISSION. COPYRIGHT © 1983, DIGITAL EQUIPMENT CORPORATION.

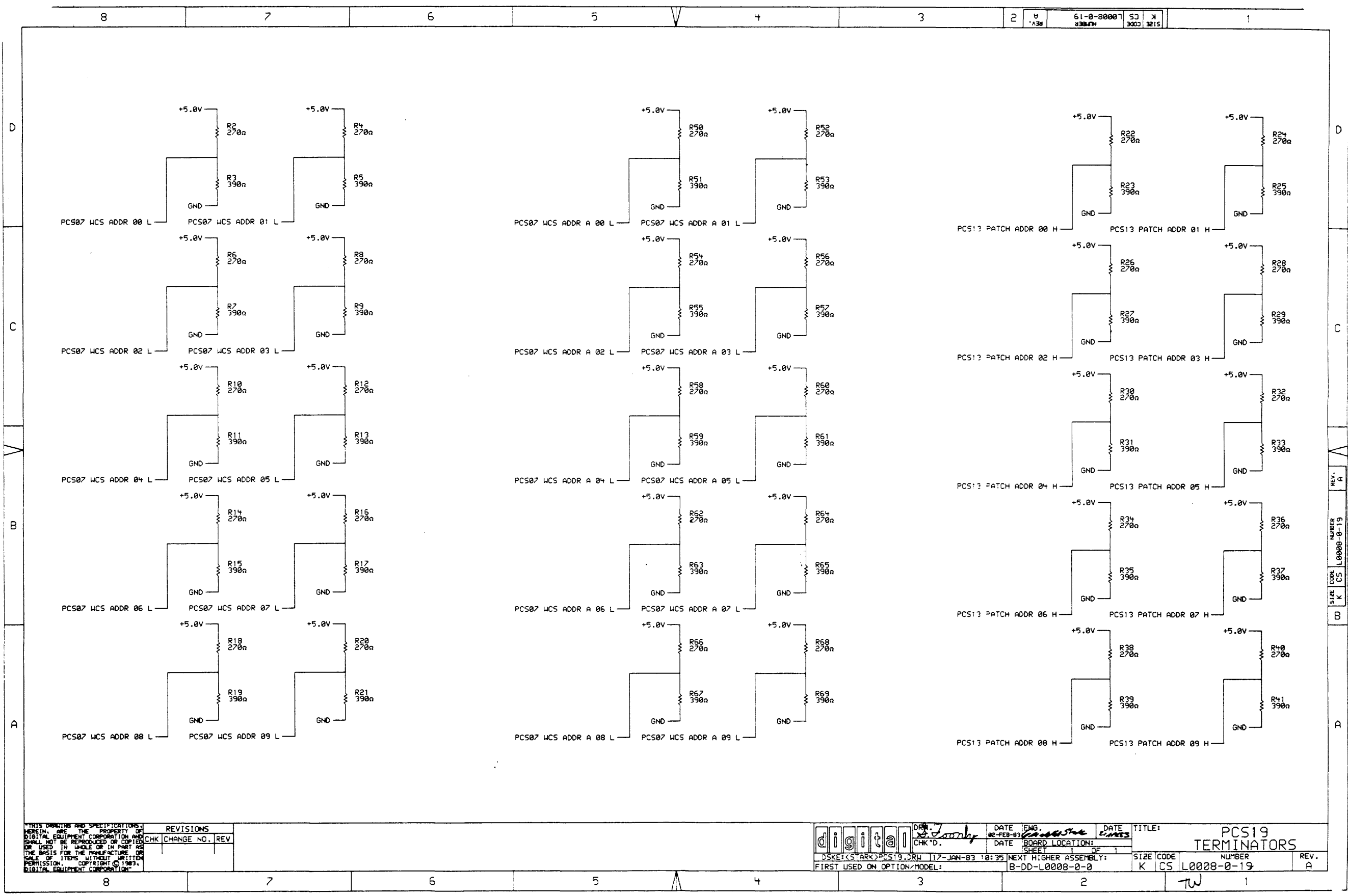
REVISIONS		
CHK	CHANGE NO.	REV.

	DATE: 11-23-83	ENG: J. J. J.	DATE: 11-23-83	TITLE: PCS17 PATCH ARRAY
	CHK'D: J. J. J.	DATE: 11-23-83	BOARD LOCATION: 1	SIZE: K
DSKE: <STARK>PCS17.DRW 117-JAN-83 10:34		NEXT HIGHER ASSEMBLY: B-DD-L0008-0-0		NUMBER: L0008-0-17
FIRST USED ON OPTION/MODEL:				REV. A

REV. A
NUMBER: L0008-0-17
SIZE: K

tw 1



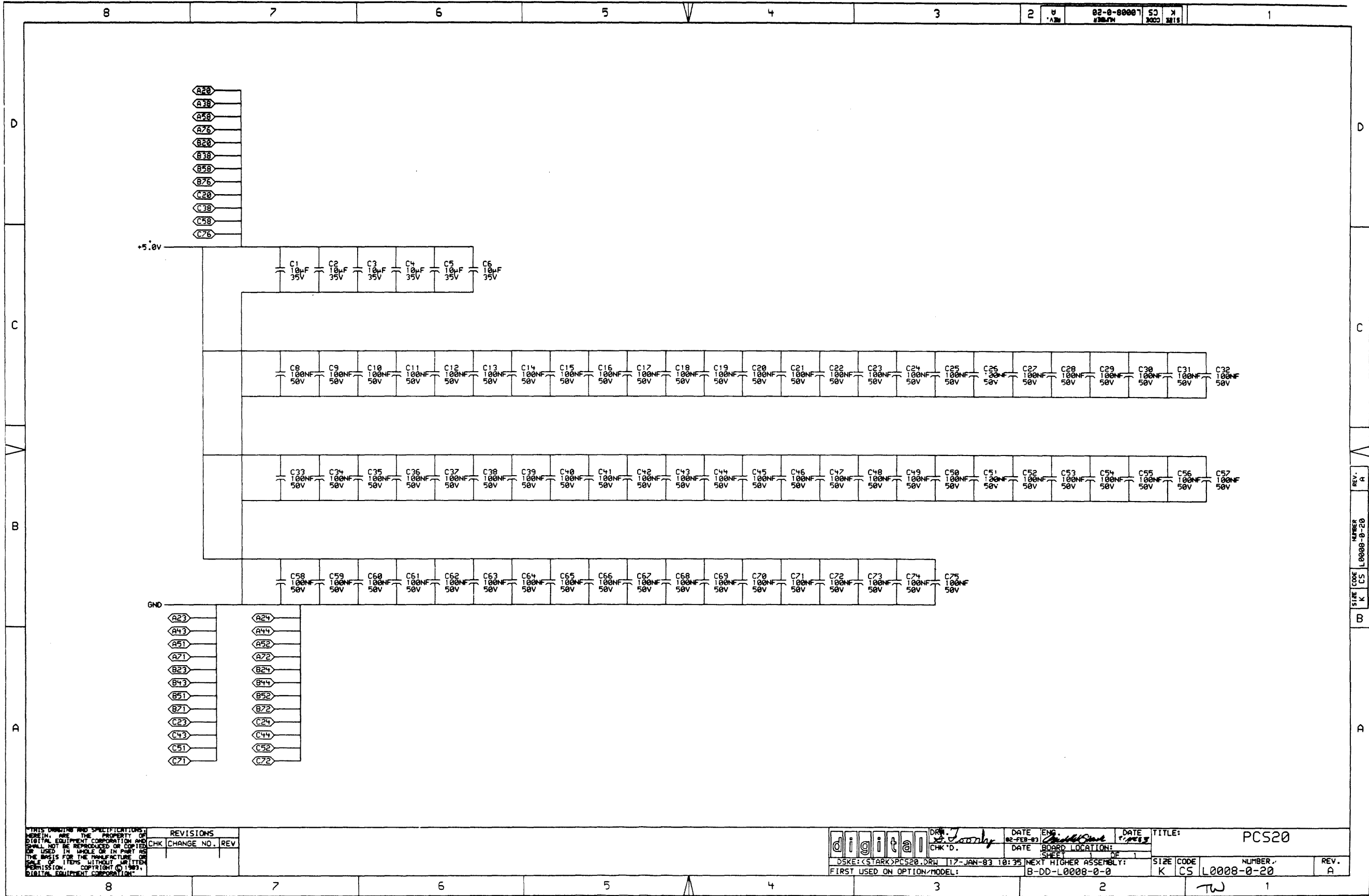


THIS DRAWING AND SPECIFICATIONS HEREIN ARE THE PROPERTY OF DIGITAL EQUIPMENT CORPORATION AND SHALL NOT BE REPRODUCED OR COPIED OR USED IN WHOLE OR IN PART AS THE BASIS FOR THE MANUFACTURE OR SALE OF ITEMS WITHOUT WRITTEN PERMISSION. COPYRIGHT © 1983, DIGITAL EQUIPMENT CORPORATION.

REVISIONS	
CHK	CHANGE NO. REV

	DATE ENG. <i>02-FEB-83</i>	DATE <i>EMTS</i>	TITLE: PCS19 TERMINATORS
	DATE BOARD LOCATION: <i> </i>	SHEET <i> </i> OF <i> </i>	SIZE CODE NUMBER REV. K CS L0008-0-19 A
DSKE: <STARK> PCS19.DRW 17-JAN-83 10:35		NEXT HIGHER ASSEMBLY: B-DD-L0008-0-0	
FIRST USED ON OPTION/MODEL: <i> </i>			

REV. A
NUMBER L0008-0-19
SIZE CODE CS
K



NOTES DIMENSIONS AND SPECIFICATIONS HEREIN ARE THE PROPERTY OF DIGITAL EQUIPMENT CORPORATION AND SHALL NOT BE REPRODUCED OR COPIED OR USED IN WHOLE OR IN PART AS THE BASIS FOR THE MANUFACTURE OR SALE OF ITEMS WITHOUT WRITTEN PERMISSION. COPYRIGHT © 1983, DIGITAL EQUIPMENT CORPORATION.

REVISIONS	
CHK	CHANGE NO. REV

	DRW: J. J. J. J. J. CHK'D:	DATE: 02-FEB-83 DATE:	ENG: [Signature] BOARD LOCATION:	DATE: 1-1-83 SHEET: 1 OF 1	TITLE: PCS20
	DSKE: <STARK>PCS20.DRW 117-JAN-83 10:35 FIRST USED ON OPTION/MODEL:		NEXT HIGHER ASSEMBLY: B-DD-L0008-0-0		SIZE: K CODE: CS NUMBER: L0008-0-20 REV: A

REV. A
 NUMBER L0008-0-20
 SIZE CODE K CS
 B
 A