

" THE MATERIAL HEREIN IS FOR INFORMATION PURPOSES ONLY AND IS SUBJECT TO CHANGE WITHOUT NOTICE. DIGITAL EQUIPMENT CORPORATION ASSUMES NO RESPONSIBILITY FOR ANY ERRORS WHICH MAY APPEAR HEREIN."

# FIELD MAINTENANCE PRINT SET

" THIS DRAWING AND SPECIFICATIONS, HEREIN, ARE THE PROPERTY OF DIGITAL EQUIPMENT CORPORATION AND SHALL NOT BE REPRODUCED OR COPIED OR USED IN WHOLE OR IN PART AS THE BASIS FOR THE MANUFACTURE OR SALE OF ITEMS WITHOUT WRITTEN PERMISSION." COPYRIGHT © 1988 DIGITAL EQUIPMENT CORPORATION.

## TABLE OF CONTENTS

B-TC-PV3XX-0-DBU	PV 3100 SYS FIELD MAINTENANCE PRINT SET
B-DD-PV010-0-DBU	VS3100/PV010 SYSTEM BUILDING BLOCK
K-PL-PV010-0-DBP	PV010 ASSEMBLY
B-DD-PV011-0-DBU	VS3100/PV011 SYSTEM BUILDING BLOCK
K-PL-PV011-0-DBP	PV011 ASSEMBLY
B-DD-PV012-0-DBU	VS3100/PV012 SYSTEM BUILDING BLOCK
K-PL-PV012-0-DBP	PV012 ASSEMBLY
B-DD-PV014-0-DBU	VS3100/PV014 SYSTEM BUILDING BLOCK
K-PL-PV014-0-DBP	PV014 ASSEMBLY
D-UA-VS42A-0-DBU	CPU BOX ASSEMBLY
K-PL-VS42A-0-DBP	CPU BOX ASSEMBLY
K-PL-MS42-0-DBU	20/28MB MEM CONFIG. ASSY
K-UA-MS42-0-DBU	20/28MB MEM CONFIG. ASSY
B-DD-MS42-0-0	20/28MB MEM CONFIG. ASSY
K-CS-MS42-0-DBX	20/28MB MEM CONFIG. ASSY
B-DD-KA42A-0-DBU	
B-DD-5417445-0-0	SCSI/SCSI DISCK CONTROLLER OPTION
K-PL-5417445-0-DBP	SCSI/SCSI DISCK CONTROLLER OPTION
D-UA-5417445-0-DBU	SCSI/SCSI DISCK CONTROLLER OPTION
K-CS-5417445-0-0	SCSI/SCSI DISCK CONTROLLER OPTION
K-PC-5417445-0	SCSI/SCSI DISCK CONTROLLER OPTION
B-DD-5417314-0-0	PVAX DISK CONTROLLER (SCSI/ST506)
K-PL-5417314-0-DBP	PVAX DISK CONTROLLER (SCSI/ST506)
D-UA-5417314-0-DBU	PVAX DISK CONTROLLER (SCSI/ST506)
K-CS-5417314-0-DBX	PVAX DISK CONTROLLER (SCSI/ST506)
K-PC-5417314-0	PVAX DISK CONTROLLER (SCSI/ST506)
K-DD-7022700-0-DBU	DRIVE ASSEMBLY
B-DD-5417312-0-0	VS3100 SYSTEM MODULE
K-PL-5417312-0-0	VS3100 SYSTEM MODULE
D-UA-5417312-0-0	VS3100 SYSTEM MODULE
K-CS-5417312-0-0	VS3100 SYSTEM MODULE

UNIT VARIATIONS COVERED BY THIS PRINT SET

PV 3100  
FIELD MAINTENANCE  
PRINT SET

DIGITAL EQUIPMENT  
CORPORATION

PRINT SET PART  
NUMBER MP-02793-01  
REV A

REVISION HISTORY	REV.	A	DRN.	J. DOIRON	DATE	01-20-89	TITLE	digital			
	ECO NUMBER		CHK'D	C. JOHNSON	DATE	01-20-89	PV 3100 (MODEL 30) (PVAX FAMILY)	SIZE	CODE	NUMBER	REV.
	INITIAL RELEASE		DES. ENG.	R. KIZINA	DATE	01-20-89					
	DATE	8-14-88		RESP. ENG.	C. JOHNSON	DATE	01-20-89	B TC	PV3100-0-DBU	A	
				FIELD SERVICE	L. BARNSTABLE	DATE	01-20-89				
			TOP DOC.						SHEET 1 OF 1		

REV. A  
PV3100-0-DBU

DRAWING NO.	NO. OF SHTS.	PART NO.	DESCRIPTION	REVISIONS															
				A	B														
K-PL-PV010-0-DBP	1		VS3100 SYSTEM ASSY	A	B														
		PV010-BC	VS42A-BA, 4MB, VMS, 120V, 19M	A1	A2														
		PV010-BD	VS42A-BA, 4MB, VMS, 240V, 19M	A1	A2														
		PV010-BF	VS42A-BA, 4MB, VMS, 120V, 19M	A1	A2														
		PV010-BG	VS42A-BC, 4MB, VMS, 120V, 16C	A1	A2														
		PV010-BH	VS42A-BC, 4MB, VMS, 120V, 19C	A1	A2														
		PV010-BT	VS42A-BC, 4MB, VMS, 120V, 16C	A1	A2														
		PV010-BU	VS42A-BC, 4MB, VMS, 240V, 16C	A1	A2														
		PV010-BV	VS42A-BC, 4MB, VMS, 240V, 16C	A1	A2														
		PV010-BW	VS42A-BC, 4MB, VMS, 120V, 19C	A1	A2														
		PV010-BY	VS42A-BC, 4MB, VMS, 240V, 19C	A1	A2														
		PV010-BZ	VS42A-BC, 4MB, VMS, 240V, 19C	A1	A2														
		PV010-JC	VS42A-BA, 4MB, ULT, 120V, 19M	A1	A2														
		PV010-JD	VS42A-BA, 4MB, ULT, 240V, 19M	A1	A2														
		PV010-JT	VS42A-BC, 4MB, ULT, 120V, 16C	A1	A2														
		PV010-JU	VS42A-BC, 4MB, ULT, 240V, 16C	A1	A2														
		PV010-JV	VS42A-BC, 4MB, ULT, 240V, 16C	A1	A2														
		PV010-JW	VS42A-BC, 4MB, ULT, 120V, 19C	A1	A2														
		PV010-JY	VS42A-BC, 4MB, ULT, 240V, 19C	A1	A2														
		PV010-JZ	VS42A-BC, 4MB, ULT, 240V, 19C	A1	A2														

NOTES:

THIS DRAWING AND THE SPECIFICATIONS CONTAINED HEREIN ARE CONFIDENTIAL AND PROPRIETARY. THEY ARE THE PROPERTY OF DIGITAL EQUIPMENT CORPORATION AND SHALL NOT BE REPRODUCED OR COPIED OR USED IN WHOLE OR IN PART AS THE BASIS FOR THE MANUFACTURE OR SALE OF ITEMS WITHOUT WRITTEN PERMISSION. THIS IS AN UNPUBLISHED WORK PROTECTED UNDER THE FEDERAL COPYRIGHT LAWS.

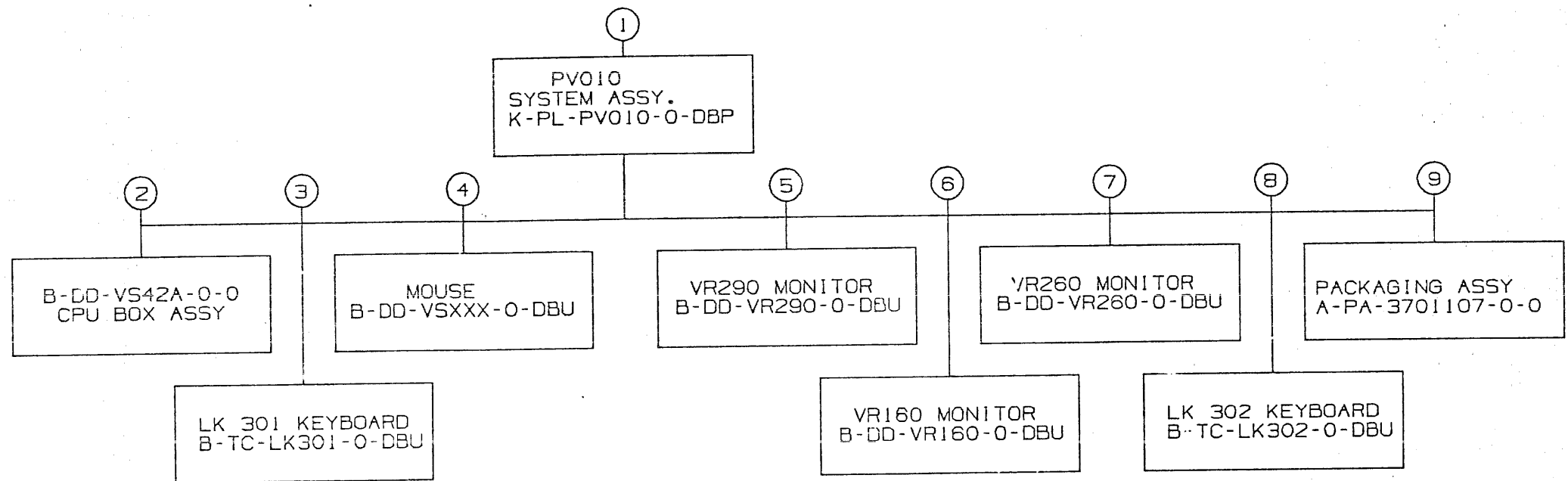
REVISION HISTORY		REV.	A	B
DATE	ECO NO.	INITIAL		
3/89		PV010-ML001		

THIS DRAWING AND THE SPECIFICATIONS CONTAINED HEREIN ARE CONFIDENTIAL AND PROPRIETARY. THEY ARE THE PROPERTY OF DIGITAL EQUIPMENT CORPORATION AND SHALL NOT BE REPRODUCED OR COPIED OR USED IN WHOLE OR IN PART AS THE BASIS FOR THE MANUFACTURE OR SALE OF ITEMS WITHOUT WRITTEN PERMISSION. THIS IS AN UNPUBLISHED WORK PROTECTED UNDER THE FEDERAL COPYRIGHT LAWS.



DRN. K.A. LEE	DATE 07-25-88
CHK'D D. HEALY	DATE 07-25-88
DES. ENG. R. KIZINA	DATE 07-25-88
RESP. ENG. R. KIZINA	DATE 07-25-88
MFG. ENG.	DATE

TITLE VS3100/PV010 SYS BUILDING, BLOCKS			
SIZE B	CODE DD	NUMBER PV010-0-DBU	REV. B
SHEET 1 OF 3			



TITLE:	VS3100 (PV010) SYS BUILDING, BLOCKS	SHEET 2 OF 3	SIZE B DD	CODE B DD	NUMBER PV010-0-DBU	REV. B
--------	--	--------------	--------------	--------------	-----------------------	-----------

FIND NO.	DRAWING NO.	DESCRIPTION	TYPE	FIND NO.	DRAWING NO.	DESCRIPTION	TYPE
	MP-02779-01	VS3100 FIELD MAINTENANCE PRINT SET (MP)					
1	B-TC-VS3100-0-DBU	VS3100 SYSTEM ASSY (TC)	E/M				
	B-AR-VS3100-0-DBU	VS3100 SYSTEM ASSY (AR)	E/M				
	K-PL-PV010-0-DBP	VS3100 SYSTEM ASSY (PL)					
	A-PS-1700442-0-0	PWR, CORD, TERM, SVT, 125V	E/M				
	A-PS-1700365-0-0	CABLE ASSY, JUMPER	E/M				
2	B-DD-VS42A-0-DBU	CFJ BCX ASSY	E/M				
3	B-TC-LK301-0-DBU	LK301 KEYBOARD MP-02617-01	E/M				
4	B-DD-VSXXX-0-DBU	MOUSE	E/M				
5	B-DD-VR290-0-DBU	MONITOR 290	E/M				
6	B-DD-VR160-0-DBU	MONITOR 160	E/M				
7	B-DD-VR260-0-DBU	MONITOR 260	E/M				
8	B-TC-LK302-0-DBU	LK302 KEYBOARD	E/M				
9	A-PA-3701107-0-0	PACKAGING ASSY	M				

TYPE: E ELECTRICAL  
M MECHANICAL  
E/M ELECTRO/MECHANICAL

digital

TITLE: VS3100(PV010)  
SYS BUILDING, BLOCKS

SHEET 3 OF 3

SIZE CODE  
B DD

NUMBER  
PV010-0-DBU

REV.  
B

LINE	ITEM	TOP DOCUMENT	PART NUMBER	MIN REV	DESCRIPTION	QUANTITY PER VARIATION/REVISION									
						BC A2	BD A2	BF A2	BG A2	BH A2	BT A2	BU A2	BV A2	BW A2	BY A2
1	1		LK301-AA		*** THIS ITEM IS NOT USED ***	-	-	-	-	-	-	-	-	-	-
2	2		LK302-AA		*** THIS ITEM IS NOT USED ***	-	-	-	-	-	-	-	-	-	-
3	3		VR150-A3		*** THIS ITEM IS NOT USED ***	-	-	-	-	-	-	-	-	-	-
4	4		VR150-AA		*** THIS ITEM IS NOT USED ***	-	-	-	-	-	-	-	-	-	-
5	5		VR160-D3		15" COLOR MONITOR,45KHZ,1024 X 864	-	-	-	-	-	-	1	-	-	-
6	6		VR160-D4		15" COLOR MONITOR,54KHZ,1024 X 864	-	-	-	-	-	-	-	1	-	-
7	7		VR160-DA		15" COLOR MONITOR,54KHZ,1024 X 864	-	-	-	1	-	1	-	-	-	-
8	8		VR260-A3		VR260-A(B/W) FOR EXPORT,240V (REQS	-	1	-	-	-	-	-	-	-	-
9	9		VR260-AA		13" MONO MONITOR,1024X864 PIXELS,U	1	-	1	-	-	-	-	-	-	-
10	10		VR290-D3		VR290 FOR INTERNATIONAL(NORTH HEMI	-	-	-	-	-	-	-	-	-	1
11	11		VR290-D4		VR290 FOR INTERNATIONAL(SOUTH HEMI	-	-	-	-	-	-	-	-	-	-
12	12		VR290-DA		VR290 FOR NORTH AMERICA(NORTH HEMI	-	-	-	-	1	-	-	-	1	-
13	13		VSXXX-AA		3 BUTTON SERIAL MOUSE WITH 5 FT CA	1	1	1	1	1	1	1	1	1	1
14	14		17-00442-26		*** THIS ITEM IS NOT USED ***	-	-	-	-	-	-	-	-	-	-
15	15		75-00003-02		P VAXO SOFTWARE LICENSES	-	-	-	-	-	-	-	-	-	-
16	16		75-00003-01		P VAXO SOFTWARE LICENSES	1	1	1	1	1	1	1	1	1	1
17	17		EK-259AA-UG		USING YOUR VS3100 MODEL 30 SATELIT	1	1	1	1	1	1	1	1	1	1
18	18		EK-265AA-0ii		*** THIS ITEM IS NOT USED ***	-	-	-	-	-	-	-	-	-	-
19	19		17-00365-22		*** THIS ITEM IS NOT USED ***	-	-	-	-	-	-	-	-	-	-
20	20	B-DD-VS42A-0-DBU	VS42A-BA		KA42-AA SM KERNEL,MS42-AA,NO DSK/C	1	1	1	-	-	-	-	-	-	-
21	21	B-DD-VS42A-0-DBU	VS42A-BC		KA42-AA SM KERNEL,MS42-AA,8PLN,NO	-	-	-	1	1	1	1	1	1	1
22	22				*** THIS ITEM IS NOT USED ***	-	-	-	-	-	-	-	-	-	-
23	23		37-01107-03		PACKAGE ASSEMBLY, CONSOLIDATION	1	1	1	1	1	1	1	1	1	1
24	24		EK-292AA-CL		PRODUCT 120 COVER LETTER PERSONAL	1	1	1	1	1	1	1	1	1	1
25	25		17-00606-10 A		PWR CORD,TERM SVT 125V	1	-	-	1	1	1	-	-	1	-
26	26		EK-265AA-IL A		VAXSTATION 3100 MODEL 30 CUSTOMER	-	-	-	-	-	-	-	-	-	-
27	27		K201-RE A		LK201-A UK/USA KEYCAPS, NO PWR COR	1	-	-	-	-	1	-	-	1	-
28	28		LK201-PE A		LK201-P WITH WPS USA/UK KEYCAPS	-	-	1	1	1	-	-	-	-	-

REVISION HISTORY		KPL MATRIX FORMAT		SECTION A OF B		DRN: J.DOIRON		DIGITAL		
ENG	ECO NUMBER	REV	SECTION/VARIATION INDEX		DATE: 13-SEP-88					
---	INITIAL	A	(A)	BC,BD,BF,BG,BH,BT,BU,BV,BW,BY	CHK'D: R.KIZINA		TITLE PARTS LIST			
LN	PV010-ML001	B	(B)	BZ,JC,JD,JT,JU,JV,JW,JY,JZ	DATE: 04-NOV-88		PV010 ASSEMBLY			
			(C)		DES.ENG: RIKIZINA		DOCUMENT NUMBER			
			(D)		DATE: 04-NOV-88		SIZE	CODE	NUMBER	REV
			(E)		RESP.ENG.: R.KIZINA		K	PL	PV010-0-DBP	B
			(F)		DATE: 04-NOV-88		RELEASE DATE: 30-MAR-89			
			(H)		MFG.ENG: J.ZAMORA		RELEASE STATUS: RELEASED			
			(J)		DATE: 13-SEP-88					
BASIC PART NUMBER:			ASSEMBLY NUMBER:			TOP DOCUMENT NUMBER:			EDIT #	
PV010			K-PL-PV010-0-DBP			B-DD-PV010-0-DBU			5	
FILE NAME: CTS214B.PLS										

"THIS DRAWING AND THE SPECIFICATIONS CONTAINED HEREIN ARE CONFIDENTIAL AND PROPRIETARY. THEY ARE THE PROPERTY OF DIGITAL EQUIPMENT CORPORATION AND SHALL NOT BE REPRODUCED OR COPIED OR USED IN WHOLE OR IN PART AS THE BASIS FOR THE MANUFACTURE OR SALE OF ITEMS WITHOUT WRITTEN PERMISSION. THIS IS AN UNPUBLISHED WORK PROTECTED UNDER THE FEDERAL COPYRIGHT LAWS."

LINE	ITEM	TOP DOCUMENT	PART NUMBER	MIN REV	DESCRIPTION	QUANTITY PER VARIATION/REVISION								
						BZ A2	JC A2	JD A2	JT A2	JU A2	JV A2	JW A2	JY A2	JZ A2
1	1		LK301-AA		*** THIS ITEM IS NOT USED ***	-	-	-	-	-	-	-	-	-
2	2		LK302-AA		*** THIS ITEM IS NOT USED ***	-	-	-	-	-	-	-	-	-
3	3		VR150-A3		*** THIS ITEM IS NOT USED ***	-	-	-	-	-	-	-	-	-
4	4		VR150-AA		*** THIS ITEM IS NOT USED ***	-	-	-	-	-	-	-	-	-
5	5		VR160-D3		15" COLOR MONITOR,45KHZ,1024 X 864	-	-	-	-	1	-	-	-	-
6	6		VR160-D4		15" COLOR MONITOR,54KHZ,1024 X 864	-	-	-	-	-	1	-	-	-
7	7		VR160-DA		15" COLOR MONITOR,54KHZ,1024 X 864	-	-	-	1	-	-	-	-	-
8	8		VR260-A3		VR260-A(B/W) FOR EXPORT,240V (REQS	-	-	1	-	-	-	-	-	-
9	9		VR260-AA		19" MONO MONITOR,1024X864 PIXELS,U	-	1	-	-	-	-	-	-	-
10	10		VR290-D3		VR290 FOR INTERNATIONAL(NORTH HEMI	-	-	-	-	-	-	-	1	-
11	11		VR290-D4		VR290 FOR INTERNATIONAL(SOUTH HEMI	1	-	-	-	-	-	-	-	1
12	12		VR290-DA		VR290 FOR NORTH AMERICA(NORTH HEMI	-	-	-	-	-	1	-	-	-
13	13		VSXXX-AA		3 BUTTON SERIAL MOUSE WITH 5 FT CA	1	1	1	1	1	1	1	1	1
14	14		17-00442-26		*** THIS ITEM IS NOT USED ***	-	-	-	-	-	-	-	-	-
15	15		75-00003-02		P VAXO SOFTWARE LICENSES	-	1	1	1	1	1	1	1	1
16	16		75-00003-01		P VAXO SOFTWARE LICENSES	1	-	-	-	-	-	-	-	-
17	17		EK-259AA-UG		USING YOUR VS3100 MODEL 30 SATELIT	1	-	-	-	-	-	-	-	-
18	18		EK-265AA-0M		*** THIS ITEM IS NOT USED ***	-	-	-	-	-	-	-	-	-
19	19		17-00365-22		*** THIS ITEM IS NOT USED ***	-	-	-	-	-	-	-	-	-
20	20	B-DD-VS42A-0-DBU	VS42A-BA		KA42-AA SM KERNEL,MS42-AA,NO DSK/C	-	1	1	-	-	-	-	-	-
21	21	B-DD-VS42A-0-DBU	VS42A-BC		KA42-AA SM KERNEL,MS42-AA,8PLN,NO	1	-	-	1	1	1	1	1	1
22	22				*** THIS ITEM IS NOT USED ***	-	-	-	-	-	-	-	-	-
23	23		37-01107-03		PACKAGE ASSEMBLY, CONSOLIDATION	1	1	1	1	1	1	1	1	1
24	24		EK-292AA-CL		PRODUCT 120 COVER LETTER PERSONAL	1	-	-	-	-	-	-	-	-
25	25		17-00606-10 A		PWR CORD,TERM SVT 125V	-	1	-	1	-	-	1	-	-
26	26		EK-265AA-IL A		VAXSTATION 3100 MODEL 30 CUSTOMER	-	1	1	1	1	1	1	1	1
27	27		LK201-RE A		LK201-A UK/USA KEYCAPS, NO PWR COR	-	1	-	1	-	-	1	-	-
28	28		LK201-PE A		LK201-P WITH WPS USA/UK KEYCAPS	-	-	-	-	-	-	-	-	-

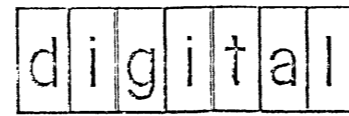
REVISION HISTORY			KPL MATRIX FORMAT SECTION B OF B		DRN: J.DOIRON	DIGITAL			
ENG	ECO NUMBER	REV	SECTION/VARIATION INDEX		DATE: 13-SEP-88				
---	INITIAL	A	[A]	BC,BD,BF,BG,BH,BT,BU,BV,BW,BY	CHK'D: R.KIZINA	TITLE PARTS LIST			
LN	PV010-MLO01	B	[B]	BZ,JC,JD,JT,JU,JV,JW,JY,JZ	DATE: 04-NOV-88	PV010 ASSEMBLY			
			[C]		DES.ENG: RIKIZINA				
			[D]		DATE: 04-NOV-88	DOCUMENT NUMBER			
			[E]			SIZE	CODE	NUMBER	REV
			[F]		RESP.ENG.: R.KIZINA	K	PL	PV010-0-DBP	8
			[H]		DATE: 04-NOV-88				
			[J]		MFG.ENG: J.ZAMORA	RELEASE DATE: 30-MAR-89			
					DATE: 13-SEP-88	RELEASE STATUS: RELEASED			
			BASIC PART NUMBER:		ASSEMBLY NUMBER:		TOP DOCUMENT NUMBER:		EDIT #
			PV010		K-PL-PV010-0-DBP		B-DD-PV010-0-DBU		5
			FILE NAME: CTS214B.PLS						

"THIS DRAWING AND THE SPECIFICATIONS CONTAINED HEREIN ARE CONFIDENTIAL AND PROPRIETARY. THEY ARE THE PROPERTY OF DIGITAL EQUIPMENT CORPORATION AND SHALL NOT BE REPRODUCED OR COPIED OR USED IN WHOLE OR IN PART AS THE BASIS FOR THE MANUFACTURE OR SALE OF ITEMS WITHOUT WRITTEN PERMISSION. THIS IS AN UNPUBLISHED WORK PROTECTED UNDER THE FEDERAL COPYRIGHT LAWS."

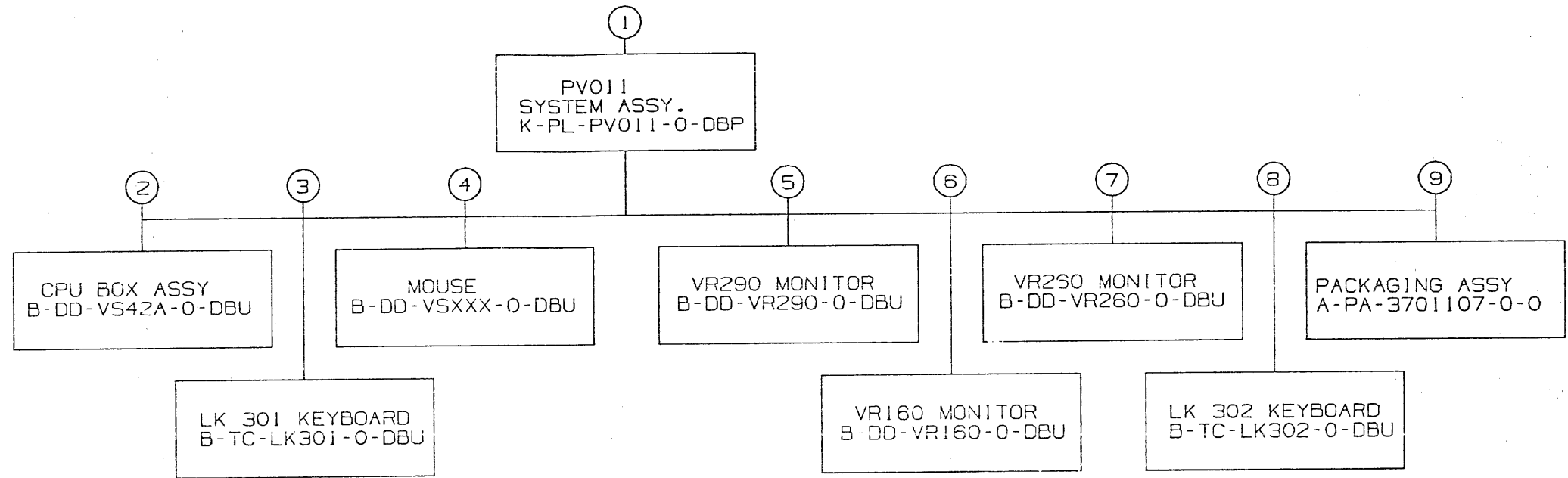
DRAWING NO.	NO. OF SHTS.	PART NO.	DESCRIPTION	REVISIONS													
				A	B												
K-PL-PV011-0-DBP	1		VS3100 SYSTEM ASSY	A	B												
		PV011-BC	VS42A-BD, 4MB, VMS, 120V, 19M	A1	A2												
		PV011-BD	VS42A-BD, 4MB, VMS, 240V, 19M	A1	A2												
		PV011-BF	VS42A-BD, 4MB, VMS, 120V, 19M	A1	A2												
		PV011-BG	VS42A-BF, 4MB, VMS, 120V, 16C	A1	A2												
		PV011-BH	VS42A-BF, 4MB, VMS, 120V, 19C	A1	A2												
		PV011-BT	VS42A-BF, 4MB, VMS, 120V, 16C	A1	A2												
		PV011-BU	VS42A-BF, 4MB, VMS, 240V, 16C	A1	A2												
		PV011-BV	VS42A-BF, 4MB, VMS, 240V, 16C	A1	A2												
		PV011-BW	VS42A-BF, 4MB, VMS, 120V, 19C	A1	A2												
		PV011-BY	VS42A-BF, 4MB, VMS, 240V, 19C	A1	A2												
		PV011-BZ	VS42A-BF, 4MB, VMS, 240V, 19C	A1	A2												
		PV011-JC	VS42A-BD, 4MB, ULT, 120V, 19M	A1	A2												
		PV011-JD	VS42A-BD, 4MB, ULT, 240V, 19M	A1	A2												
		PV011-JT	VS42A-BF, 4MB, ULT, 120V, 16C	A1	A2												
		PV011-JU	VS42A-BF, 4MB, ULT, 240V, 16C	A1	A2												
		PV011-JV	VS42A-BF, 4MB, ULT, 240V, 16C	A1	A2												
		PV011-JW	VS42A-BF, 4MB, ULT, 120V, 19C	A1	A2												
		PV011-JY	VS42A-BF, 4MB, ULT, 240V, 19C	A1	A2												
		PV011-JZ	VS42A-BF, 4MB, ULT, 240V, 19C	A1	A2												

NOTES:	REVISION HISTORY	DATE	ECO NO.	REV.
		4-6-89	PV011-ML001	B

THIS DRAWING AND THE SPECIFICATIONS CONTAINED HEREIN ARE CONFIDENTIAL AND PROPRIETARY. THEY ARE THE PROPERTY OF DIGITAL EQUIPMENT CORPORATION AND SHALL NOT BE REPRODUCED OR COPIED OR USED IN WHOLE OR IN PART AS THE BASIS FOR THE MANUFACTURE OR SALE OF ITEMS WITHOUT WRITTEN PERMISSION. THIS IS AN UNPUBLISHED WORK PROTECTED UNDER THE FEDERAL COPYRIGHT LAWS.



DRN. K.A. LEE	DATE 07-25-88	TITLE VS3100/PV011 SYS BUILDING, BLOCKS
CHK'D D. HEALY	DATE 07-25-88	
DES. ENG. R. KIZINA	DATE 07-25-88	
RESP. ENG. R. KIZINA	DATE 07-25-88	
MFG. ENG.	DATE	
SIZE CODE NUMBER REV. B DD PV011-0-DBU B		SHEET 1 OF 3



TITLE:	VS3100(PV011) SYS BUILDING, BLOCKS	SHEET 2 OF 3	SIZE B	CODE DD	NUMBER PV011-0-DBU	REV. B
--------	---------------------------------------	--------------	-----------	------------	-----------------------	-----------



FIND NO.	DRAWING NO.	DESCRIPTION	TYPE	FIND NO.	DRAWING NO.	DESCRIPTION	TYPE
	MP-02779-01	VS3100 FIELD MAINTENANCE PRINT SET (MP)					
1	B-TC-VS3100-0-DBU	VS3100 SYSTEM ASSY (TC)	E/M				
	B-AR-VS3100-0-DBU	VS3100 SYSTEM ASSY (AR)	E/M				
	K-PL-PV011-0-DBP	VS3100 SYSTEM ASSY (PL)					
	A-PS-1700442-0-0	PWR, CORD, TERM, SVT, 125V	E/M				
	A-PS-1700365-0-0	CABLE ASSY., JUMPER	E/M				
2	B-DD-VS42A-0-DBU	CPU BOX ASSY	E/M				
3	B-TC-LK301-0-DBU	LK301 KEYBOARD MP-02617-01	E/M				
4	B-DD-VSXXX-0-DBU	MOUSE	E/M				
5	B-DD-VR290-0-DBU	MONITOR 290	E/M				
6	B-DD-VR160-0-DBU	MONITOR 160	E/M				
7	B-DD-VR260-0-DBU	MONITOR 260	E/M				
8	B-TC-LK302-0-DBU	LK302 KEYBOARD	E/M				
9	A-PA-3701107-0-0	PACKAGING ASSY	M				

TYPE: E ELECTRICAL  
M MECHANICAL  
E/M ELECTRO/MECHANICAL

digital

TITLE: VS3100(PV011)  
SYS BUILDING, BLOCKS

SHEET 3 OF 3

SIZE CODE  
B DD

NUMBER  
PV011-0-DBU

REV.  
B

PARTS LIST

LINE	ITEM	TOP DOCUMENT	PART NUMBER	MIN REV	DESCRIPTION	QUANTITY PER VARIATION/REVISION									
						BC A2	BD A2	BF A2	BG A2	BH A2	BT A2	BU A2	BV A2	BW A2	BY A2
1	1		LK301-AA		*** THIS ITEM IS NOT USED ***	-	-	-	-	-	-	-	-	-	-
2	2		LK302-AA		*** THIS ITEM IS NOT USED ***	-	-	-	-	-	-	-	-	-	-
3	3		VR160-D3		15" COLOR MONITOR,45KHZ,1024 X 864	-	-	-	-	-	-	1	-	-	-
4	4		VR160-D4		15" COLOR MONITOR,54KHZ,1024 X 864	-	-	-	-	-	-	-	1	-	-
5	5		VR160-DA		15" COLOR MONITOR,54KHZ,1024 X 864	-	-	-	1	-	1	-	-	-	-
6	6		VR260-A3		VR260-A(B/W) FOR EXPORT,240V (REQS	-	1	-	-	-	-	-	-	-	-
7	7		VR260-AA		19" MONO MONITOR,1024X864 PIXELS,U	1	-	1	-	-	-	-	-	-	-
8	8		VR290-D3		VR290 FOR INTERNATIONAL(NORTH HEMI	-	-	-	-	-	-	-	-	-	1
9	9		VR290-D4		VR290 FOR INTERNATIONAL(SOUTH HEMI	-	-	-	-	-	-	-	-	-	-
10	10		VR290-DA		VR290 FOR NORTH AMERICA(NORTH HEMI	-	-	-	-	1	-	-	-	1	-
11	11		17-00442-26		*** THIS ITEM IS NOT USED ***	-	-	-	-	-	-	-	-	-	-
12	12		75-00003-02		P VAXO SOFTWARE LICENSES	-	-	-	-	-	-	-	-	-	-
13	13		75-00003-01		P VAXO SOFTWARE LICENSES	1	1	1	1	1	1	1	1	1	1
14	14		EK-259AA-UG		USING YOUR VS3100 MODEL 30 SATELIT	1	1	1	1	1	1	1	1	1	1
15	15	B-DD-VS42A-0-DBU	VS42A-BD		KA42-AA SM KERNEL,MS42-AA,RZ22-E,R	1	1	1	-	-	-	-	-	-	-
16	16	B-DD-VS42A-0-DBU	VS42A-BF		KA42-AA SM KERNEL,MS42-AA,RZ22-E,R	-	-	-	1	1	1	1	1	1	1
17	17		VSXXX-AA		3 BUTTON SERIAL MOUSE WITH 5 FT CA	1	1	1	1	1	1	1	1	1	1
18	18		EK-265AA-0M		*** THIS ITEM IS NOT USED ***	-	-	-	-	-	-	-	-	-	-
19	19		17-00365-22		*** THIS ITEM IS NOT USED ***	-	-	-	-	-	-	-	-	-	-
20	20		37-01107-03		PACKAGE ASSEMBLY, CONSOLIDATION	1	1	1	1	1	1	1	1	1	1
21	21		EK-292AA-CL		PRODUCT 120 COVER LETTER PERSONAL	1	1	1	1	1	1	1	1	1	1
22	22		17-00606-10		PWR CORD,TERM SVT 125V	1	-	1	1	1	1	-	-	1	-
23	23		EK-265AA-IL		VAXSTATION 3100 MODEL 30 CUSTOMER	-	-	-	-	-	-	-	-	-	-
24	24		LK201-RE		LK201-A UK/USA KEYCAPS, NO PWR COR	1	-	-	-	-	1	-	-	1	-
25	25		LK201-PE		LK201-P WITH WPS USA/UK KEYCAPS	-	-	1	1	1	-	-	-	-	-

REVISION HISTORY		KPL MATRIX FORMAT		SECTION A OF B		DRN: J.DOIRON		DIGITAL			
ENG	ECO NUMBER	REV	SECTION/VARIATION INDEX			DATE: 12-APR-88					
---	INITIAL	A	[A]	BC,BD,BF,BG,BH,BT,BU,BV,BW,BY	CHK'D: R.KIZINA		TITLE PARTS LIST				
LN	PV011-ML001	B	[B]	BZ,JC,JD,JT,JU,JV,JW,JY,JZ	DATE: 04-NOV-83		PV011 ASSEMBLY				
			[C]		DES.ENG: R.KIZINA						
			[D]		DATE: 12-APR-88		DOCUMENT NUMBER				
			[E]		RESP.ENG.: R.KIZINA		SIZE	CODE	NUMBER	REV	
			[F]		DATE: 12-APR-88		K	PL	PV011-0-DBP	B	
			[H]		MFG.ENG: J.ZAMORA		RELEASE DATE: 12-APR-89				
			[J]		DATE: 13-SEP-88		RELEASE STATUS: RELEASED				
BASIC PART NUMBER:			ASSEMBLY NUMBER:			TOP DOCUMENT NUMBER:			EDIT #		
PV011			K-PL-PV011-0-DBP			B-DD-PV011-0-DBP			4		
FILE NAME: CTS215B.PLS											

"THIS DRAWING AND THE SPECIFICATIONS CONTAINED HEREIN ARE CONFIDENTIAL AND PROPRIETARY. THEY ARE THE PROPERTY OF DIGITAL EQUIPMENT CORPORATION AND SHALL NOT BE REPRODUCED OR COPIED OR USED IN WHOLE OR IN PART AS THE BASIS FOR THE MANUFACTURE OR SALE OF ITEMS WITHOUT WRITTEN PERMISSION. THIS IS AN UNPUBLISHED WORK PROTECTED UNDER THE FEDERAL COPYRIGHT LAWS."

LINE	ITEM	TOP DOCUMENT	PART NUMBER	MIN REV	DESCRIPTION	QUANTITY PER VARIATION/REVISION									
						BZ A2	JC A2	JD A2	JT A2	JU A2	JV A2	JW A2	JY A2	JZ A2	
1	1		LK301-AA		*** THIS ITEM IS NOT USED ***	-	-	-	-	-	-	-	-	-	-
2	2		LK302-AA		*** THIS ITEM IS NOT USED ***	-	-	-	-	-	-	-	-	-	-
3	3		VR160-D3		15" COLOR MONITOR,45KHZ,1024 X 864	-	-	-	-	1	-	-	-	-	-
4	4		VR160-D4		15" COLOR MONITOR,54KHZ,1024 X 864	-	-	-	-	-	1	-	-	-	-
5	5		VR160-DA		15" COLOR MONITOR,54KHZ,1024 X 864	-	-	-	1	-	-	-	-	-	-
6	6		VR260-A3		VR260-A(B/W) FOR EXPORT,240V (REQS	-	-	1	-	-	-	-	-	-	-
7	7		VR260-AA		19" MONO MONITOR,1024X864 PIXELS,U	-	1	-	-	-	-	-	-	-	-
8	8		VR290-D3		VR290 FOR INTERNATIONAL(NORTH HEMI	-	-	-	-	-	-	-	1	-	-
9	9		VR290-D4		VR290 FOR INTERNATIONAL(SOUTH HEMI	1	-	-	-	-	-	-	-	-	1
10	10		VR290-DA		VR290 FOR NORTH AMERICA(NORTH HEMI	-	-	-	-	-	-	1	-	-	-
11	11		17-00442-2G		*** THIS ITEM IS NOT USED ***	-	-	-	-	-	-	-	-	-	-
12	12		75-00003-02		P VAXO SOFTWARE LICENSES	-	1	1	1	1	1	1	1	1	1
13	13		75-00003-01		P VAXO SOFTWARE LICENSES	1	-	-	-	-	-	-	-	-	-
14	14		EK-259AA-UG		USING YOUR VS3100 MODEL 30 SATELIT	1	-	-	-	-	-	-	-	-	-
15	15	B-DD-VS42A-O-DBU	VS42A-BD		KA42-AA SM KERNEL,MS42-AA,RZ22-E,R	-	1	1	-	-	-	-	-	-	-
16	16	B-DD-VS42A-O-DBU	VS42A-BF		KA42-AA SM KERNEL,MS42-AA,RZ22-E,R	1	-	-	1	1	1	1	1	1	1
17	17		VSXXX-AA		3 BUTTON SERIAL MOUSE WITH 5 FT CA	1	1	1	1	1	1	1	1	1	1
18	18		EK-265AA-OM		*** THIS ITEM IS NOT USED ***	-	-	-	-	-	-	-	-	-	-
19	19		17-00365-22		*** THIS ITEM IS NOT USED ***	-	-	-	-	-	-	-	-	-	-
20	20		37-01107-03		PACKAGE ASSEMBLY, CONSOLIDATION	1	1	1	1	1	1	1	1	1	1
21	21		EK-292AA-CL		PRODUCT 120 COVER LETTER PERSONAL	1	-	-	-	-	-	-	-	-	-
22	22		17-00606-10		PWR CORD,TERM SVT 125V	-	1	-	1	-	-	1	-	-	-
23	23		EK-265AA-IL		VAXSTATION 3100 MODEL 30 CUSTOMER	-	1	1	1	1	1	1	1	1	1
24	24		LK201-RE		LK201-A UK/USA KEYCAPS, NO PWR COR	-	1	-	1	-	-	1	-	-	-
25	25		LK201-PE		LK201-P WITH WPS USA/UK KEYCAPS	-	-	-	-	-	-	-	-	-	-

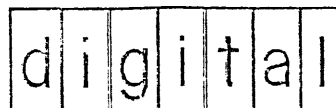
REVISION HISTORY		KPL MATRIX FORMAT		SECTION B OF B	DRN: J.DOIRON	DIGITAL			
ENG	ECO NUMBER	REV	SECTION/VARIATION INDEX		DATE: 12-APR-88				
---	INITIAL	A	[A] BC,BD,BF,BG,BH,BT,BU,BV,BW,BY		CHK'D: R.KIZINA	TITLE PARTS LIST			
LN	PV011-ML001	B	[B] BZ,JC,JD,JT,JU,JV,JW,JY,JZ		DATE: 04-NOV-88	PV011 ASSEMBLY			
			[C]		DES.ENG: R.KIZINA	DOCUMENT NUMBER			
			[D]		DATE: 12-APR-88	SIZE	CODE	NUMBER	REV
			[E]		RESP.ENG.: R.KIZINA	K	PL	PV011-0-DBP	B
			[F]		DATE: 12-APR-88	RELEASE DATE: 12-APR-89			
			[H]		MFG.ENG: J.ZAMORA	RELEASE STATUS: RELEASED			
			[J]		DATE: 13-SEP-88				
BASIC PART NUMBER:			ASSEMBLY NUMBER:		TOP DOCUMENT NUMBER:		EDIT #		
PV011			K-PL-PV011-0-DBP		B-DD-PV011-0-DBP		4		
FILE NAME: CTS215B.PLS									

"THIS DRAWING AND THE SPECIFICATIONS CONTAINED HEREIN ARE CONFIDENTIAL AND PROPRIETARY. THEY ARE THE PROPERTY OF DIGITAL EQUIPMENT CORPORATION AND SHALL NOT BE REPRODUCED OR COPIED OR USED IN WHOLE OR IN PART AS THE BASIS FOR THE MANUFACTURE OR SALE OF ITEMS WITHOUT WRITTEN PERMISSION. THIS IS AN UNPUBLISHED WORK PROTECTED UNDER THE FEDERAL COPYRIGHT LAWS."

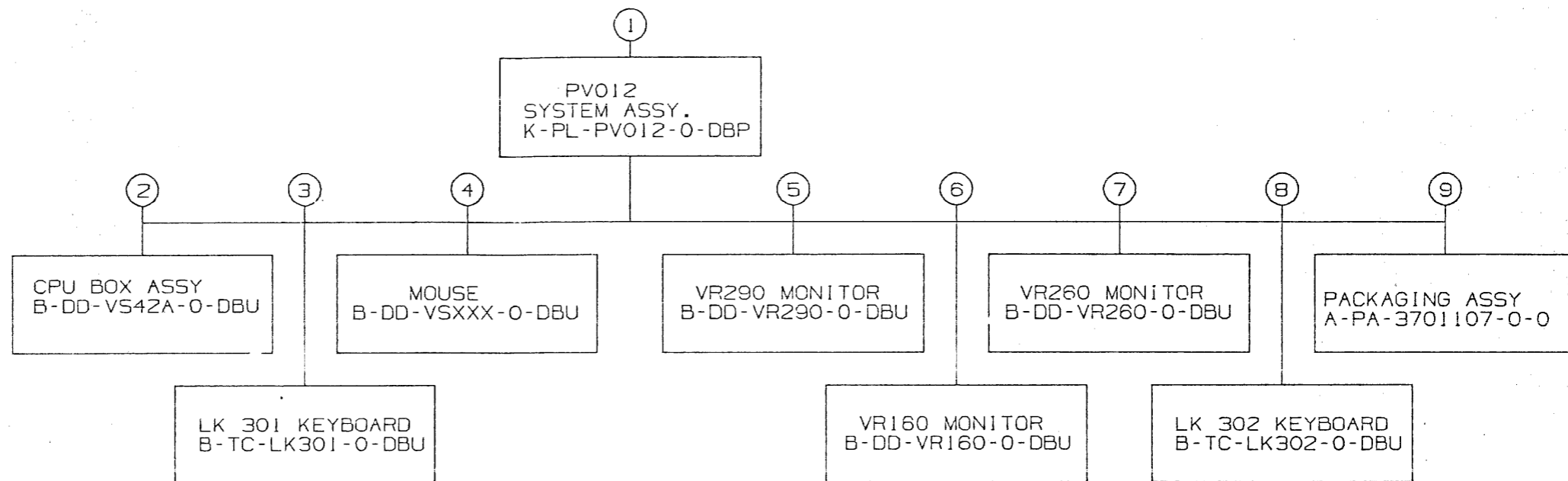
DRAWING NO.	NO. OF SHTS.	PART NO.	DESCRIPTION	REVISIONS															
				A	B														
K-PL-PV012-0-DBP	1		VS3100 SYSTEM ASSY	A	B														
		PV012-BC	VS42A-BV, 4 MB & VMS., 120V, 19M	A1	A2														
		PV012-BD	VS42A-BV, 4 MB & VMS., 240V, 19M	A1	A2														
		PV012-BF	VS42A-BV, 4 MB & VMS., 120V, 19M	A1	A2														
		PV012-BG	VS42A-BW, 4 MB & VMS., 120V, 16C	A1	A2														
		PV012-BH	VS42A-BW, 4 MB & VMS., 120V, 19C	A1	A2														
		PV012-BT	VS42A-BW, 4 MB & VMS., 120V, 16C	A1	A2														
		PV012-BU	VS42A-BW, 4 MB & VMS., 240V, 16C	A1	A2														
		PV012-BV	VS42A-BW, 4 MB & VMS., 240V, 16C	A1	A2														
		PV012-BW	VS42A-BW, 4 MB & VMS., 120V, 19C	A1	A2														
		PV012-BY	VS42A-BW, 4 MB & VMS., 240V, 19C	A1	A2														
		PV012-BZ	VS42A-BW, 4 MB & VMS., 240V, 19C	A1	A2														
		PV012-JC	VS42A-BV, 4 MB & ULT., 120V, 19M	A1	A2														
		PV012-JD	VS42A-BV, 4 MB & ULT., 240V, 19M	A1	A2														
		PV012-JT	VS42A-BW, 4 MB & ULT., 120V, 16C	A1	A2														
		PV012-JU	VS42A-BW, 4 MB & ULT., 240V, 16C	A1	A2														
		PV012-JV	VS42A-BW, 4 MB & ULT., 240V, 16C	A1	A2														
		PV012-JW	VS42A-BW, 4 MB & ULT., 120V, 19C	A1	A2														
		PV012-JY	VS42A-BW, 4 MB & ULT., 240V, 19C	A1	A2														
		PV012-JZ	VS42A-BW, 4 MB & ULT., 240V, 19C	A1	A2														

NOTES:	REVISION HISTORY		REV.	A	B														
	ECO NO.	INITIAL			PV012-ML001														
	DATE				29-MAR-1989														

THIS DRAWING AND THE SPECIFICATIONS CONTAINED HEREIN ARE CONFIDENTIAL AND PROPRIETARY. THEY ARE THE PROPERTY OF DIGITAL EQUIPMENT CORPORATION AND SHALL NOT BE REPRODUCED OR COPIED OR USED IN WHOLE OR IN PART AS THE BASIS FOR THE MANUFACTURE OR SALE OF ITEMS WITHOUT WRITTEN PERMISSION. THIS IS AN UNPUBLISHED WORK PROTECTED UNDER THE FEDERAL COPYRIGHT LAWS.



DRN. K.A. LEE	DATE 07-25-88	TITLE VS3100/PV012 SYS BUILDING, BLOCKS	
CHK'D D. HEALY	DATE 07-25-88	SIZE CODE B DD	NUMBER PV012-0-DBU
DES. ENG. R. KIZINA	DATE 07-25-88	REV. B	SHEET 1 OF 3
RESP. ENG. R. KIZINA	DATE 07-25-88		
MFG. ENG.	DATE		



TITLE:	VS3100(PV012) SYS BUILDING, BLOCKS	SHEET 2 OF 3	SIZE CODE B DD	NUMBER PV012-0-DBU	REV. B
--------	---------------------------------------	--------------	-------------------	-----------------------	-----------

FIND NO.	DRAWING NO.	DESCRIPTION	TYPE	FIND NO.	DRAWING NO.	DESCRIPTION	TYPE
	MP-02779-01	VS3100 FIELD MAINTENANCE PRINT SET (MP)					
1	B-TC-VS3100-0-DBU	VS3100 SYSTEM ASSY (TC)	E/M				
	B-AR-VS3100-0-DBU	VS3100 SYSTEM ASSY (AR)	E/M				
	K-PL-PV012-0-DBP	VS3100 SYSTEM ASSY (PL)					
	A-PS-1700442-0-0	PWR, CORD, TERM, SVT, 125V	E/M				
	A-PS-1700365-0-0	CABLE ASSY, JUMPER	E/M				
2	B-DD-VS42A-0-DBU	CPU BOX ASSY	E/M				
3	B-TC-LK301-0-DBU	LK301 KEYBOARD MP02617-01	E/M				
4	B-DD-VSXXX-0-DBU	MOUSE	E/M				
5	B-DD-VR290-0-DBU	MONITOR 290	E/M				
6	B-DD-VR160-0-DBU	MONITOR 160	E/M				
7	B-DD-VR260-0-DBU	MONITOR 260	E/M				
8	B-TC-LK302-0-DBU	LK302 KEYBOARD	E/M				
9	A-PA-3701107-0-0	PACKAGING ASSY	M				

TYPE: E ELECTRICAL  
M MECHANICAL  
E/M ELECTRO/MECHANICAL

digital

TITLE: VS3100(PV012)  
SYS BUILDING, BLOCKS

SHEET 3 OF 3	SIZE CODE B DD	NUMBER PV012-0-DBU	REV. B
--------------	-------------------	-----------------------	-----------

LINE	ITEM	TOP DOCUMENT	PART NUMBER	MIN REV	DESCRIPTION	QUANTITY PER VARIATION/REVISION										
						BC A2	BD A2	BF A2	BG A2	BH A2	BT A2	BU A2	BV A2	BW A2	BY A2	
1	1		LK301-AA		*** THIS ITEM IS NOT USED ***	-	-	-	-	-	-	-	-	-	-	-
2	2		LK302-AA		*** THIS ITEM IS NOT USED ***	-	-	-	-	-	-	-	-	-	-	-
3	3		VR160-D3		15" COLOR MONITOR,45KHZ,1024 X 864	-	-	-	-	-	-	1	-	-	-	-
4	4		VR160-D4		15" COLOR MONITOR,54KHZ,1024 X 864	-	-	-	-	-	-	-	1	-	-	-
5	5		VR160-DA		15" COLOR MONITOR,54KHZ,1024 X 864	-	-	-	1	-	1	-	-	-	-	-
6	6		VR260-A3		VR260-A(B/W) FOR EXPORT,240V (REQS	-	1	-	-	-	-	-	-	-	-	-
7	7		VR260-AA		19" MONO MONITOR,1024X864 PIXELS,U	1	-	1	-	-	-	-	-	-	-	-
8	8		VR290-D3		VR290 FOR INTERNATIONAL(NORTH HEMI	-	-	-	-	-	-	-	-	-	-	1
9	9		VR290-D4		VR290 FOR INTERNATIONAL(SOUTH HEMI	-	-	-	-	-	-	-	-	-	-	-
10	10		VR290-DA		VR290 FOR NORTH AMERICA(NORTH HEMI	-	-	-	-	1	-	-	-	-	1	-
11	11	B-DD-VS42A-0-DBU	VS42A-BV		KA42-AA SM KERNEL,MS42-AA,2 RZ23-E	1	1	1	-	-	-	-	-	-	-	-
12	12	B-DD-VS42A-0-DBU	VS42A-BW		KA42-AA SM KERNEL,MS42-AA,2 RZ23-E	-	-	-	1	1	1	1	1	1	1	1
13	13		VSXXX-AA		3 BUTTON SERIAL MOUSE WITH 5 FT CA	1	1	1	1	1	1	1	1	1	1	1
14	14		17-00365-22		*** THIS ITEM IS NOT USED ***	-	-	-	-	-	-	-	-	-	-	-
15	15		17-00442-26		*** THIS ITEM IS NOT USED ***	-	-	-	-	-	-	-	-	-	-	-
16	16		37-01107-03		PACKAGE ASSEMBLY, CONSOLIDATION	1	1	1	1	1	1	1	1	1	1	1
17	17		75-00003-02		P VAXO SOFTWARE LICENSES	-	-	-	-	-	-	-	-	-	-	-
18	18		75-00003-03		P VAXO SOFTWARE LICNESES	1	1	1	1	1	1	1	1	1	1	1
19	19		EK-265AA-0M		*** THIS ITEM IS NOT USED ***	-	-	-	-	-	-	-	-	-	-	-
20	20		EK-292AA-CL		PRODUCT 120 COVER LETTER PERSONAL	1	1	1	1	1	1	1	1	1	1	1
21	21		17-00606-10 A		PWR CORD,TERM SVT 125V	1	-	1	1	1	1	-	-	1	-	-
22	22		EK-265AA-IL A		VAXSTATION 3100 MODEL 30 CUSTOMER	1	1	1	1	1	1	1	1	1	1	1
23	23		LK201-RE A		LK201-A UK/USA KEYCAPS, NO PWR COR	1	-	-	-	-	1	-	-	1	-	-
24	24		LK201-PE A		LK201-P WITH WPS USA/UK KEYCAPS	-	-	1	1	1	-	-	-	-	-	-

REVISION HISTORY			KPL MATRIX FORMAT		SECTION A OF B		DRN: J.DOIRON		DIGITAL			
ENG!	ECO NUMBER	REV	SECTION/VARIATION INDEX		DATE: 13-SEP-88		CHK'D: R.KIZINA		TITLE PARTS LIST			
---	INITIAL	A	[A]	BC,BD,BF,BG,BH,BT,BU,BV,BW,BY	DATE: 04-NOV-88		DATE: 04-NOV-88		PVO12 ASSEMBLY			
LN	PVO12-MLO01	B	[B]	BZ,JC,JD,JT,JU,JV,JW,JY,JZ			DES.ENG: R.KIZINA		DOCUMENT NUMBER			
			[C]				DATE: 04-NOV-88		SIZE	CODE	NUMBER	REV
			[D]				RESP.ENG.: R.KIZINA		K	PL	PV012-0-DBP	B
			[E]				DATE: 04-NOV-88		RELEASE DATE: 30-MAR-89			
			[F]				MFG.ENG: J.ZAMORA		RELEASE STATUS: RELEASED			
			[H]				DATE: 13-SEP-88					
			[J]									
			BASIC PART NUMBER:		ASSEMBLY NUMBER:		TOP DOCUMENT NUMBER:		EDIT #			
			PV012		K-PL-PV012-0-DBP		B-DD-PV012-0-DBU		5			
			FILE NAME: CTS216B.PLS									

"THIS DRAWING AND THE SPECIFICATIONS CONTAINED HEREIN ARE CONFIDENTIAL AND PROPRIETARY. THEY ARE THE PROPERTY OF DIGITAL EQUIPMENT CORPORATION AND SHALL NOT BE REPRODUCED OR COPIED OR USED IN WHOLE OR IN PART AS THE BASIS FOR THE MANUFACTURE OR SALE OF ITEMS WITHOUT WRITTEN PERMISSION. THIS IS AN UNPUBLISHED WORK PROTECTED UNDER THE FEDERAL COPYRIGHT LAWS."

LINE	ITEM	TOP DOCUMENT	PART NUMBER	MIN REV	DESCRIPTION	QUANTITY PER VARIATION/REVISION									
						BZ A2	JC A2	JD A2	JT A2	JU A2	JV A2	JW A2	JY A2	JZ A2	
1	1		LK301-AA		*** THIS ITEM IS NOT USED ***	-	-	-	-	-	-	-	-	-	-
2	2		LK302-AA		*** THIS ITEM IS NOT USED ***	-	-	-	-	-	-	-	-	-	-
3	3		VR160-D3		15" COLOR MONITOR, 45KHZ, 1024 X 864	-	-	-	-	1	-	-	-	-	-
4	4		VR160-D4		15" COLOR MONITOR, 54KHZ, 1024 X 864	-	-	-	-	-	1	-	-	-	-
5	5		VR160-DA		15" COLOR MONITOR, 54KHZ, 1024 X 864	-	-	-	1	-	-	-	-	-	-
6	6		VR260-A3		VR260-A(B/W) FOR EXPORT, 240V (REQS	-	-	1	-	-	-	-	-	-	-
7	7		VR260-AA		19" MONO MONITOR, 1024X864 PIXELS, U	-	1	-	-	-	-	-	-	-	-
8	8		VR290-D3		VR290 FOR INTERNATIONAL (NORTH HEMI	-	-	-	-	-	-	-	1	-	-
9	9		VR290-D4		VR290 FOR INTERNATIONAL (SOUTH HEMI	1	-	-	-	-	-	-	-	-	1
10	10		VR290-DA		VR290 FOR NORTH AMERICA (NORTH HEMI	-	-	-	-	-	-	1	-	-	-
11	11	B-DD-VS42A-0-DBU	VS42A-BV		KA42-AA SM KERNEL, MS42-AA, 2 RZ23-E	-	1	1	-	-	-	-	-	-	-
12	12	B-DD-VS42A-0-DBU	VS42A-BW		KA42-AA SM KERNEL, MS42-AA, 2 RZ23-E	1	-	-	1	1	1	1	1	1	1
13	13		VSXXX-AA		3 BUTTON SERIAL MOUSE WITH 5 FT CA	1	1	1	1	1	1	1	1	1	1
14	14		17-00365-22		*** THIS ITEM IS NOT USED ***	-	-	-	-	-	-	-	-	-	-
15	15		17-00442-26		*** THIS ITEM IS NOT USED ***	-	-	-	-	-	-	-	-	-	-
16	16		37-01107-03		PACKAGE ASSEMBLY, CONSOLIDATION	1	1	1	1	1	1	1	1	1	1
17	17		75-00003-02		P VAXO SOFTWARE LICENSES	-	1	1	1	1	1	1	1	1	1
18	18		75-00003-03		P VAXO SOFTWARE LICNESES	1	-	-	-	-	-	-	-	-	-
19	19		EK-265AA-0M		*** THIS ITEM IS NOT USED ***	-	-	-	-	-	-	-	-	-	-
20	20		EK-292AA-CL		PRODUCT 120 COVER LETTER PERSONAL	1	-	-	-	-	-	-	-	-	-
21	21		17-00606-10 A		PWR CORD, TERM SVT 125V	-	1	-	1	-	-	-	1	-	-
22	22		EK-265AA-IL A		VAXSTATION 3100 MODEL 30 CUSTOMER	1	1	1	1	1	1	1	1	1	1
23	23		LK201-RE A		LK201-A UK/USA KEYCAPS, NO PWR COR	-	1	-	1	-	-	-	1	-	-
24	24		LK201-PE A		LK201-P WITH WPS USA/UK KEYCAPS	-	-	-	-	-	-	-	-	-	-

REVISION HISTORY		KPL MATRIX FORMAT		SECTION B OF B		DRN: J.DOIRON		DIGITAL	
ECO NUMBER		REV	SECTION/VARIATION INDEX		DATE: 13-SEP-88		TITLE PARTS LIST		
ENG	INITIAL	A	[A]	BC, BD, BF, BG, BH, BT, BU, BV, BW, BY	CHK'D: R.KIZINA		PV012 ASSEMBLY		
LN	PV012-ML001	B	[B]	BZ, JC, JD, JT, JU, JV, JW, JY, JZ	DATE: 04-NOV-88		DOCUMENT NUMBER		
			[C]		DES.ENG: R.KIZINA		SIZE	CODE	NUMBER
			[D]		DATE: 04-NOV-88				REV
			[E]		RESP.ENG.: R.KIZINA		K	PL	PV012-0-DBP
			[F]		DATE: 04-NOV-88				B
			[H]		MFG.ENG: J.ZAMORA		RELEASE DATE: 30-MAR-89		
			[J]		DATE: 13-SEP-88		RELEASE STATUS: RELEASED		
BASIC PART NUMBER:		ASSEMBLY NUMBER:		TOP DOCUMENT NUMBER:		EDIT #			
PV012		K-PL-PV012-0-DBP		B-DD-PV012-0-DBU		5			
FILE NAME: CTS216B.PLS									

"THIS DRAWING AND THE SPECIFICATIONS CONTAINED HEREIN ARE CONFIDENTIAL AND PROPRIETARY. THEY ARE THE PROPERTY OF DIGITAL EQUIPMENT CORPORATION AND SHALL NOT BE REPRODUCED OR COPIED OR USED IN WHOLE OR IN PART AS THE BASIS FOR THE MANUFACTURE OR SALE OF ITEMS WITHOUT WRITTEN PERMISSION. THIS IS AN UNPUBLISHED WORK PROTECTED UNDER THE FEDERAL COPYRIGHT LAWS."



DRAWING NO.	NO. OF SHTS.	PART NO.	DESCRIPTION	REVISIONS																		
K-PL-PV014-0-DBP	1		VS3100 SYSTEM ASSY	A																		
		PV014-BA	VS42A-BV, 4 MB & VMS., 120V, 15M	A1																		
		PV014-BB	VS42A-BV, 4 MB & VMS., 240V, 15M	A1																		
		PV014-BC	VS42A-BW, 4 MB & VMS., 120V, 19M	A1																		
		PV014-BD	VS42A-BV, 4 MB & VMS., 240V, 19M	A1																		
		PV014-BE	VS42A-BV, 4 MB & VMS., 120V, 15M	A1																		
		PV014-BF	VS42A-BV, 4 MB & VMS., 120V, 19M	A1																		
		PV014-BG	VS42A-BW, 4 MB & VMS., 120V, 16C	A1																		
		PV014-BH	VS42A-BW, 4 MB & VMS., 120V, 19C	A1																		
		PV014-BT	VS42A-BW, 4 MB & VMS., 120V, 16C	A1																		
		PV014-BU	VS42A-BW, 4 MB & VMS., 240V, 16C	A1																		
		PV014-BV	VS42A-BW, 4 MB & VMS., 240V, 16C	A1																		
		PV014-BW	VS42A-BW, 4 MB & VMS., 120V, 19C	A1																		
		PV014-BY	VS42A-BW, 4 MB & VMS., 240V, 19C	A1																		
		PV014-BZ	VS42A-BW, 4 MB & VMS., 240V, 19C	A1																		

NOTES:

REVISION HISTORY			DATE	ECO NO.	REV.

THIS DRAWING AND THE SPECIFICATIONS CONTAINED HEREIN ARE CONFIDENTIAL AND PROPRIETARY. THEY ARE THE PROPERTY OF DIGITAL EQUIPMENT CORPORATION AND SHALL NOT BE REPRODUCED OR COPIED OR USED IN WHOLE OR IN PART AS THE BASIS FOR THE MANUFACTURE OR SALE OF ITEMS WITHOUT WRITTEN PERMISSION. THIS IS AN UNPUBLISHED WORK PROTECTED UNDER THE FEDERAL COPYRIGHT LAWS.



DRN.	K.A. LEE	DATE	07-25-88
CHK'D	D. HEALY	DATE	07-25-88
DES. ENG.	R. KIZINA	DATE	07-25-88
RESP. ENG.	R. KIZINA	DATE	07-25-88
MFG. ENG.		DATE	

TITLE			
VS3100/PV014 SYS BUILDING, BLOCKS			
SIZE CODE	NUMBER	REV.	
B DD	PV014-0-DBU	A	
SHEET 1 OF 4			

DRAWING NO.	NO. OF SHTS.	PART NO.	DESCRIPTION	REVISIONS																				
		PV014-JA	VS42A-BV, 4 MB & ULT., 120V, 15M	A1																				
		PV014-JB	VS42A-BV, 4 MB & ULT., 120V, 15M	A1																				
		PV014-JC	VS42A-BV, 4 MB & ULT., 120V, 19M	A1																				
		PV014-JD	VS42A-BV, 4 MB & ULT., 240V, 19M	A1																				
		PV014-JT	VS42A-BW, 4 MB & ULT., 120V, 16C	A1																				
		PV014-JU	VS42A-BW, 4 MB & ULT., 240V, 16C	A1																				
		PV014-JV	VS42A-BW, 4 MB & ULT., 240V, 16C	A1																				
		PV014-JW	VS42A-BW, 4 MB & ULT., 120V, 19C	A1																				
		PV014-JY	VS42A-BW, 4 MB & ULT., 240V, 19C	A1																				
		PV014-JZ	1VS42A-BW, 4 MB & ULT., 240V, 19C	A1																				

NOTES:

REVISION HISTORY	REV.																							
	ECO NO.																							
DATE																								

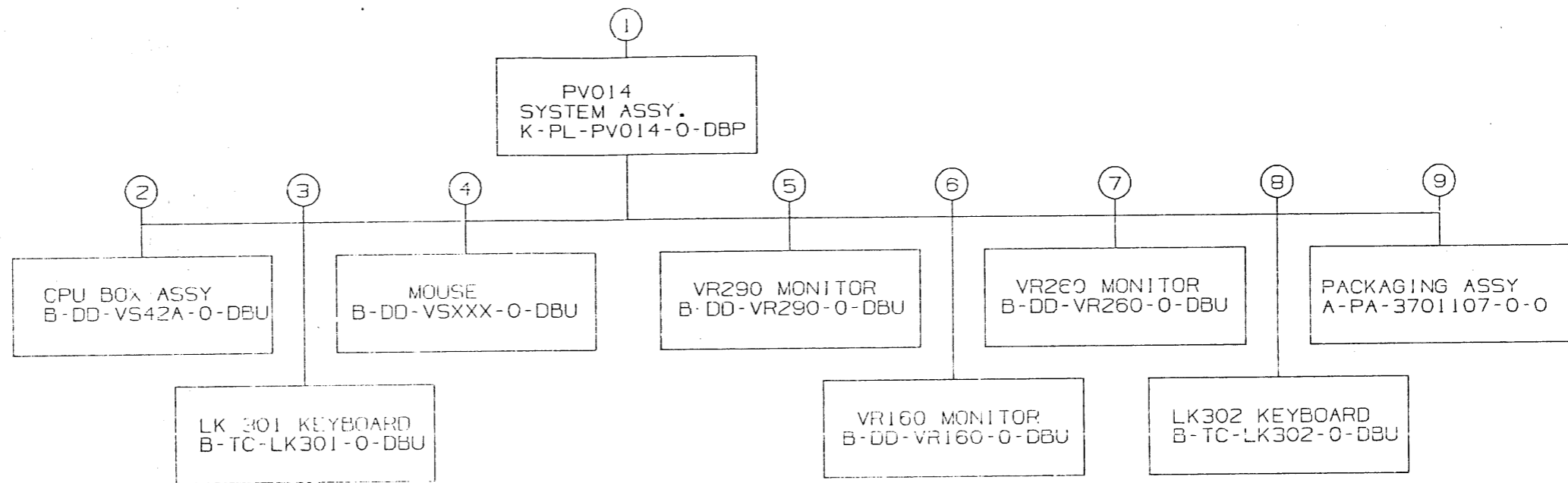
THIS DRAWING AND THE SPECIFICATIONS CONTAINED HEREIN ARE CONFIDENTIAL AND PROPRIETARY. THEY ARE THE PROPERTY OF DIGITAL EQUIPMENT CORPORATION AND SHALL NOT BE REPRODUCED OR COPIED OR USED IN WHOLE OR IN PART AS THE BASIS FOR THE MANUFACTURE OR SALE OF ITEMS WITHOUT WRITTEN PERMISSION. THIS IS AN UNPUBLISHED WORK PROTECTED UNDER THE FEDERAL COPYRIGHT LAWS.



TITLE  
VS3100/PV014  
SYS BUILDING, BLOCKS

SIZE CODE <b>BDD</b>	NUMBER PV014-0-DBU	REV. A
-------------------------	-----------------------	-----------

SHEET 2 OF 4



TITLE: VS3100(PV014) SYS BUILDING, BLOCKS	SHEET 3 OF 4	SIZE CODE BDD	NUMBER PV014-0-DBU	REV. A
---	--------------	------------------	-----------------------	-----------

FIND NO.	DRAWING NO.	DESCRIPTION	TYPE	FIND NO.	DRAWING NO.	DESCRIPTION	TYPE
	MP-02779-01	VS3100 FIELD MAINTENANCE PRINT SET (MP)					
1	B-TC-VS3100-0-DBU	VS3100 SYSTEM ASSY (TC)	E/M				
	B-AR-VS3100-0-DBU	VS3100 SYSTEM ASSY (AR)	E/M				
	K-PL-PV014-0-DBP	VS3100 SYSTEM ASSY (PL)					
	A-PS-1700442-0-0	PWR, CORD, TERM, SVT, 125V	E/M				
	A-PS-1700365-0-0	CABLE ASSY JUMPER	E/M				
2	B-DD-VS42A-0-DBU	CPU BOX ASSY	E/M				
3	B-TC-LK301-0-DBU	LK301 KEYBOARD MP-02617-01	E/M				
4	B-DD-VSXXX-0-DBU	MOUSE	E/M				
5	B-DD-VR290-0-DBU	MONITOR 290	E/M				
6	B-DD-VR160-0-DBU	MONITOR 160	E/M				
7	B-DD-VR260-0-DBU	MONITOR 260	E/M				
8	B-TC-LK302-0-DBU	LK302 KEY BOARD	E/M				
9	A-PA-3701107-0-0	PACKAGING ASSY	M				

TYPE: E ELECTRICAL  
M MECHANICAL  
E/M ELECTRO/MECHANICAL

digital

TITLE: VS3100(PV014)  
SYS BUILDING, BLOCKS

SHEET 4 OF 4

SIZE CODE  
B DD

NUMBER  
PV014-0-DBU

REV.  
A

LINE	ITEM	TOP DOCUMENT	PART NUMBER	MIN REV	DESCRIPTION	QUANTITY PER VARIATION/REVISION									
						BA A1	BB A1	BC A1	BD A1	BE A1	BF A1	BG A1	BH A1	BT A1	BU A1
1	1		VR150-A3		15" MONO MONITOR,54KHZ,1024 X 864,	-	1	-	-	-	-	-	-	-	-
2	2		VR150-AA		15" MONO MONITOR,54KHZ,1024 X 864,	1	-	-	-	1	-	-	-	-	-
3	3		VR260-A3		VR260-A(B/W) FOR EXPORT,240V (REQS	-	-	-	1	-	-	-	-	-	-
4	4		VR260-AA		19" MONO MONITOR,1024X864 PIXELS,U	-	-	1	-	-	1	-	-	-	-
5	5		VR290-D3		VR290 FOR INTERNATIONAL(NORTH HEMI	-	-	-	-	-	-	-	-	-	-
6	6		VR290-D4		VR290 FOR INTERNATIONAL(SOUTH HEMI	-	-	-	-	-	-	-	-	-	-
7	7		VR290-DA		VR290 FOR NORTH AMERICA(NORTH HEMI	-	-	-	-	-	-	-	1	-	-
8	8		17-00442-26		PWR CORD,TERM 24.6 LG 15A	1	-	1	-	1	1	1	1	1	-
9	9		75-00003-01		P VAX0 SOFTWARE LICENSES	1	1	1	1	1	1	1	1	1	1
10	10		75-00003-02		P VAX0 SOFTWARE LICENSES	-	-	-	-	-	-	-	-	-	-
11	11		EK-260AA-0M		MANAGING YOUR VS3100 MODEL 30 STAN	1	1	1	1	1	1	1	1	1	1
12	12		EK-265AA-0M		VS3100 MODEL 30 HARDWARE INFORMATI	-	-	-	-	-	-	-	-	-	-
13	13		LK301-AA		LK301-A WITH USA KEYCAPS	1	-	1	-	-	-	-	-	1	-
14	14		LK302-AA		LK302-A WITH USA/UK WPS KEYCAPS	-	-	-	-	1	1	1	1	-	-
15	15		RRD40-DA		RRD40-AA DESKTOP 600MB CDROM W/SCS	1	1	1	1	1	1	1	1	1	1
16	16		VR160-D3		15" COLOR MONITOR,45KHZ,1024 X 864	-	-	-	-	-	-	-	-	-	1
17	17		VR160-D4		15" COLOR MONITOR,54KHZ,1024 X 864	-	-	-	-	-	-	-	-	-	-
18	18		VR160-DA		15" COLOR MONITOR,54KHZ,1024 X 864	-	-	-	-	-	-	1	-	1	-
19	19	B-DD-VS42A-0-DBU	VS42A-BV		KA42-AA SM KERNEL,MS42-AA,2 RZ23-E	1	1	1	1	1	1	-	-	-	-
20	20	B-DD-VS42A-0-DBU	VS42A-BW		KA42-AA SM KERNEL,MS42-AA,2 RZ23-E	-	-	-	-	-	-	1	1	1	1
21	21		VSXXX-AA		3 BUTTON SERIAL MOUSE WITH 5 FT CA	1	1	1	1	1	1	1	1	1	1
22	22		17-02008-01		CABLE ASSY,28 COND,RND,28AWG	1	1	1	1	1	1	1	1	1	1
23	23		17-00365-22		CABLE ASSY JUMPER 29"LG 6A	-	1	-	1	-	-	-	-	-	1
24	24		37-01107-05		PACKAGE ASSEMBLY, CONSOLIDATION	1	1	1	1	1	1	1	1	1	1
25	25		QA-VV8AA-H8		DESKTOP-VMS BIN CD	1	1	1	1	1	1	1	1	1	1
26	26		EK-292AA-CL		PRODUCT 120 COVER LETTER PERSONAL	1	1	1	1	1	1	1	1	1	1
27	27		H8574-A		12-30552-01 CONN,SCSI TERMINATOR 5	1	1	1	1	1	1	1	1	1	1
28	28		17-00606-10		PWR CORD,TERM SVT 125V	1	-	1	-	1	1	1	1	1	-
29	29				*** THIS ITEM IS NOT USED ***	-	-	-	-	-	-	-	-	-	-

REVISION HISTORY		KPL MATRIX FORMAT		SECTION A OF C		DRN: J.DOIRON		DATE: 12-APR-88		DIGITAL	
ENG	ECO NUMBER	REV	SECTION/VARIATION INDEX			CHK'D:	R.KIZINA		TITLE PARTS LIST		
---	INITIAL	A	[A]	BA, BB, BC, BD, BE, BF, BG, BH, BT, BU			DATE:	04-NOV-88		PV014 ASSEMBLY	
			[B]	BV, BW, BY, BZ, JA, JB, JC, JD, JT, JU			DES.ENG:	R.KIZINA			
			[C]	JV, JW, JY, JZ			DATE:	12-APR-88		DOCUMENT NUMBER	
			[D]				RESP.ENG.:	R.KIZINA		SIZE	CODE
			[E]				DATE:	12-APR-88		NUMBER	REV
			[F]							K	PL
			[H]				MFG.ENG:	J.ZAMORA		PV014-0-DBP	
			[J]				DATE:	13-SEP-88		A	
										RELEASE DATE: 11-JAN-89	
										RELEASE STATUS: RELEASED	
				BASIC PART NUMBER:			ASSEMBLY NUMBER:			TOP DOCUMENT NUMBER:	
				PV014			K-PL-PV014-0-DBP			K-PL-PV014-0-DBP	
				FILE NAME: CTS217A.PLS						EDIT #	
										72	

"THIS DRAWING AND THE SPECIFICATIONS CONTAINED HEREIN ARE CONFIDENTIAL AND PROPRIETARY. THEY ARE THE PROPERTY OF DIGITAL EQUIPMENT CORPORATION AND SHALL NOT BE REPRODUCED OR COPIED OR USED IN WHOLE OR IN PART AS THE BASIS FOR THE MANUFACTURE OR SALE OF ITEMS WITHOUT WRITTEN PERMISSION. THIS IS AN UNPUBLISHED WORK PROTECTED UNDER THE FEDERAL COPYRIGHT LAWS."

LINE	ITEM	TOP DOCUMENT	PART NUMBER	MIN REV	DESCRIPTION	QUANTITY PER VARIATION/REVISION									
						BV A1	BW A1	BY A1	BZ A1	JA A1	JB A1	JC A1	JD A1	JT A1	JU A1
1	1		VR150-A3		15" MONO MONITOR,54KHZ,1024 X 864,	-	-	-	-	-	1	-	-	-	-
2	2		VR150-AA		15" MONO MONITOR,54KHZ,1024 X 864,	-	-	-	-	1	-	-	-	-	-
3	3		VR260-A3		VR260-A(B/W) FOR EXPORT,240V (REQS	-	-	-	-	-	-	-	1	-	-
4	4		VR260-AA		19" MONO MONITOR,1024X864 PIXELS,U	-	-	-	-	-	-	1	-	-	-
5	5		VR290-D3		VR290 FOR INTERNATIONAL(NORTH HEMI	-	-	1	-	-	-	-	-	-	-
6	6		VR290-D4		VR290 FOR INTERNATIONAL(SOUTH HEMI	-	-	-	1	-	-	-	-	-	-
7	7		VR290-DA		VR290 FOR NORTH AMERICA(NORTH HEMI	-	1	-	-	-	-	-	-	-	-
8	8		17-00442-26		PWR CORD,TERM 24.6 LG 15A	-	1	-	-	1	-	1	-	1	-
9	9		75-00003-01		P VAXO SOFTWARE LICENSES	1	1	1	1	-	-	-	-	-	-
10	10		75-00003-02		P VAXO SOFTWARE LICENSES	-	-	-	-	1	1	1	1	1	1
11	11		EK-260AA-0M		MANAGING YOUR VS3100 MODEL 30 STAN	1	1	1	1	-	-	-	-	-	-
12	12		EK-265AA-0M		VS3100 MODEL 30 HARDWARE INFORMATI	-	-	-	-	1	1	1	1	1	1
13	13		LK301-AA		LK301-A WITH USA KEYCAPS	-	1	-	-	1	-	1	-	1	-
14	14		LK302-AA		LK302-A WITH USA/UK WPS KEYCAPS	-	-	-	-	-	-	-	-	-	-
15	15		RRD40-DA		RRD40-AA DESKTOP 600MB CDROM W/SCS	1	1	1	1	1	1	1	1	1	1
16	16		VR160-D3		15" COLOR MONITOR,45KHZ,1024 X 864	-	-	-	-	-	-	-	-	-	1
17	17		VR160-D4		15" COLOR MONITOR,54KHZ,1024 X 864	1	-	-	-	-	-	-	-	-	-
18	18		VR160-DA		15" COLOR MONITOR,54KHZ,1024 X 864	-	-	-	-	-	-	-	-	1	-
19	19	B-DD-VS42A-0-DBU	VS42A-BV		KA42-AA SM KERNEL,MS42-AA,2 RZ23-E	-	-	-	-	1	1	1	1	-	-
20	20	B-DD-VS42A-0-DBU	VS42A-BW		KA42-AA SM KERNEL,MS42-AA,2 RZ23-E	1	1	1	1	-	-	-	-	1	1
21	21		VSXXX-AA		3 BUTTON SERIAL MOUSE WITH 5 FT CA	1	1	1	1	1	1	1	1	1	1
22	22		17-02008 01		CABLE ASSY,28 COND,RND,28AWG	1	1	1	1	1	1	1	1	1	1
23	23		17-00365-22		CABLE ASSY JUMPER 29"LG 6A	1	-	1	1	-	1	-	1	-	1
24	24		37-01107-05		PACKAGE ASSEMBLY, CONSOLIDATION	1	1	1	1	1	1	1	1	1	1
25	25		QA-VV8AA-H8		DESKTOP-VMS BIN CD	1	1	1	1	-	-	-	-	-	-
26	26		EK-292AA-CL		PRODUCT 120 COVER LETTER PERSONAL	1	1	1	1	-	-	-	-	-	-
27	27		H8574-A		12-30552-01 CONN,SCSI TERMINATOR 5	1	1	1	1	1	1	1	1	1	1
28	28		17-00606-10		PWR CORD,TERM SVT 125V	-	1	-	-	1	-	1	-	1	-
29	29				*** THIS ITEM IS NOT USED ***	-	-	-	-	-	-	-	-	-	-

REVISION HISTORY		KPL MATRIX FORMAT		SECTION B OF C	DRN: J.DOIRON	DIGITAL				
ENG!	ECO NUMBER	REV	SECTION/VARIATION INDEX		DATE: 12-APR-88					
---	INITIAL	A	[A]	BA, BB, BC, BD, BE, BF, BG, BH, BT, BU	CHK'D: R.KIZINA	TITLE PARTS LIST				
			[B]	BV, BW, BY, BZ, JA, JB, JC, JD, JT, JU	DATE: 04-NOV-88	PV014 ASSEMBLY				
			[C]	JV, JW, JY, JZ	DES.ENG: R.KIZINA					
			[D]		DATE: 12-APR-88	DOCUMENT NUMBER				
			[E]			SIZE	CODE	NUMBER	REV	
			[F]		RESP.ENG.: R.KIZINA	K	PL	PV014-0-DBP	A	
			[H]		DATE: 12-APR-88					
			[J]		MFG.ENG: J.ZAMORA	RELEASE DATE: 11-JAN-89				
					DATE: 13-SEP-88	RELEASE STATUS: RELEASED				
BASIC PART NUMBER:			ASSEMBLY NUMBER:		TOP DOCUMENT NUMBER:			EDIT #		
PV014			K-PL-PV014-0-DBP		K-PL-PV014-0-DBP			72		
FILE NAME: CTS217A.PLS										

"THIS DRAWING AND THE SPECIFICATIONS CONTAINED HEREIN ARE CONFIDENTIAL AND PROPRIETARY. THEY ARE THE PROPERTY OF DIGITAL EQUIPMENT CORPORATION AND SHALL NOT BE REPRODUCED OR COPIED OR USED IN WHOLE OR IN PART AS THE BASIS FOR THE MANUFACTURE OR SALE OF ITEMS WITHOUT WRITTEN PERMISSION. THIS IS AN UNPUBLISHED WORK PROTECTED UNDER THE FEDERAL COPYRIGHT LAWS."

LINE	ITEM	TOP DOCUMENT	PART NUMBER	MIN REV	DESCRIPTION	QUANTITY PER VARIATION/REVISION			
						JV A1	JW A1	JY A1	JZ A1
1	1		VR150-A3		15" MONO MONITOR,54KHZ,1024 X 864,	-	-	-	-
2	2		VR150-AA		15" MONO MONITOR,54KHZ,1024 X 864,	-	-	-	-
3	3		VR260-A3		VR260-A(B/W) FOR EXPORT,240V (REQS	-	-	-	-
4	4		VR260-AA		19" MONO MONITOR,1024X864 PIXELS,U	-	-	-	-
5	5		VR290-D3		VR290 FOR INTERNATIONAL(NORTH HEMI	-	-	1	-
6	6		VR290-D4		VR290 FOR INTERNATIONAL(SOUTH HEMI	-	-	-	1
7	7		VR290-DA		VR290 FOR NORTH AMERICA(NORTH HEMI	-	1	-	-
8	8		17-00442-26		PWR CORD,TERM 24.6 LG 15A	-	1	-	-
9	9		75-00003-01		P VAXO SOFTWARE LICENSES	-	-	-	-
10	10		75-00003-02		P VAXO SOFTWARE LICENSES	1	1	1	1
11	11		EK-260AA-0M		MANAGING YOUR VS3100 MODEL 30 STAN	-	-	-	-
12	12		EK-265AA-0M		VS3100 MODEL 30 HARDWARE INFORMATI	1	1	1	1
13	13		LK301-AA		LK301-A WITH USA KEYCAPS	-	1	-	-
14	14		LK302-AA		LK302-A WITH USA/UK WPS KEYCAPS	-	-	-	-
15	15		RRD40-DA		RRD40-AA DESKTOP 600MB CDROM W/SCS	1	1	1	1
16	16		VR160-D3		15" COLOR MONITOR,45KHZ,1024 X 864	-	-	-	-
17	17		VR160-D4		15" COLOR MONITOR,54KHZ,1024 X 864	1	-	-	-
18	18		VR160-DA		15" COLOR MONITOR,54KHZ,1024 X 864	-	-	-	-
19	19	B-DD-VS42A-0-DBU	VS42A-BV		KA42-AA SM KERNEL,MS42-AA,2 RZ23-E	-	-	-	-
20	20	B-DD-VS42A-0-DBU	VS42A-BW		KA42-AA SM KERNEL,MS42-AA,2 RZ23-E	1	1	1	1
21	21		VSXXX-AA		3 BUTTON SERIAL MOUSE WITH 5 FT CA	1	1	1	1
22	22		17-02008-01		CABLE ASSY,28 COND,RND,28AWG	1	1	1	1
23	23		17-00365-22		CABLE ASSY JUMPER 29"LG 6A	1	-	1	1
24	24		37-01107-05		PACKAGE ASSEMBLY, CONSOLIDATION	1	1	1	1
25	25		QA-VV8AA-H8		DESKTOP-VMS BIN CD	-	-	-	-
26	26		EK-292AA-CL		PRODUCT 120 COVER LETTER PERSONAL	-	-	-	-
27	27		H8574-A		12-30552-01 CONN,SCSI TERMINATOR 5	1	1	1	1
28	28		17-00606-10		PWR CORD,TERM SVT 125V	-	1	-	-
29	29				*** THIS ITEM IS NOT USED ***	-	-	-	-

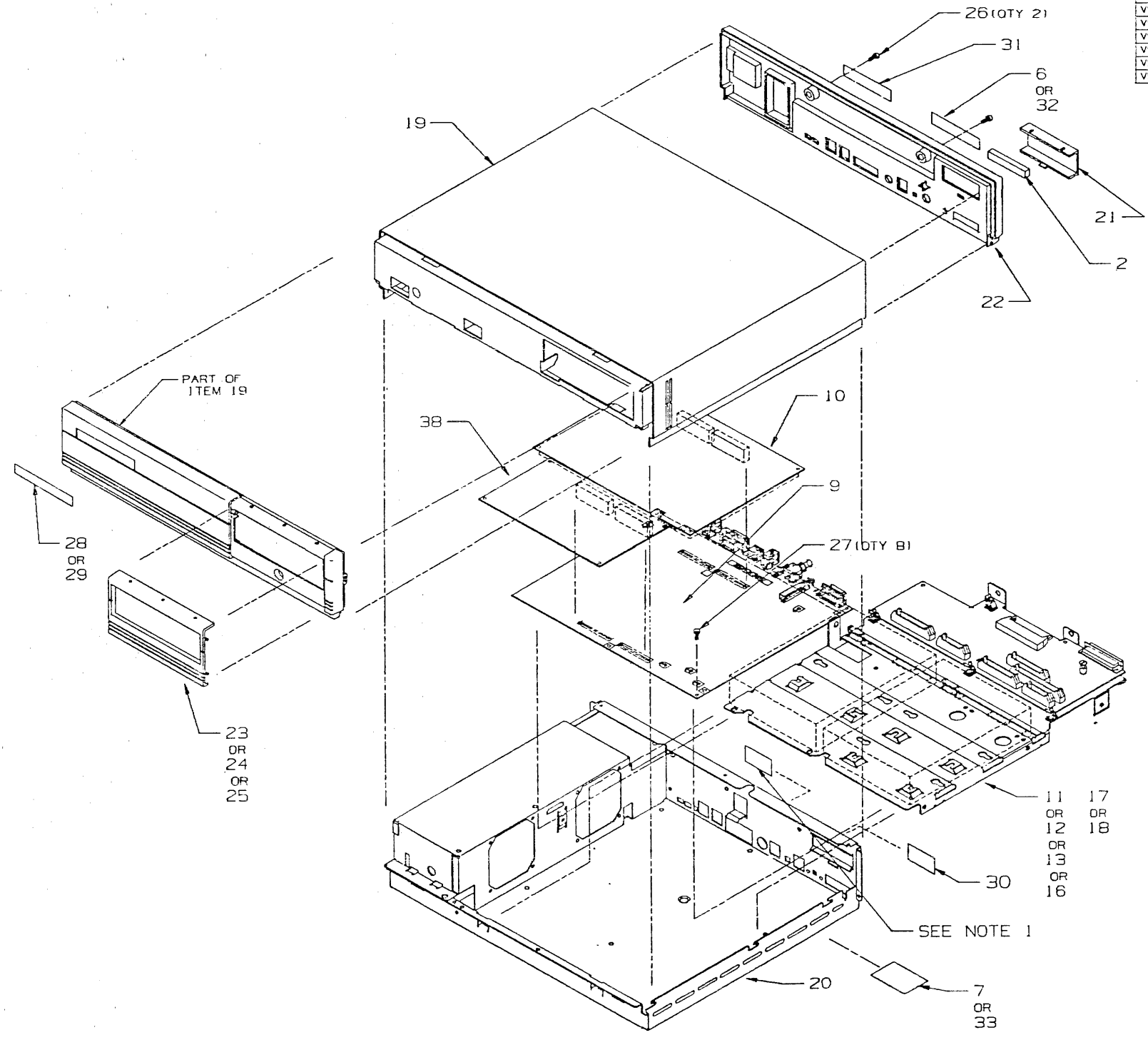
REVISION HISTORY		KPL MATRIX FORMAT		SECTION C OF C		DRN: J.DOIRON		D I G I T A L		
ENG	ECO NUMBER	REV	SECTION/VARIATION INDEX		DATE	CHK'D	TITLE	PARTS LIST		
---	INITIAL	A	[A]	BA, BB, BC, BD, BE, BF, BG, BH, BT, BU	12-APR-88	R.KIZINA	PV014 ASSEMBLY			
			[B]	BV, BW, BY, BZ, JA, JB, JC, JD, JT, JU	04-NOV-88					
			[C]	JV, JW, JY, JZ						
			[D]		12-APR-88			DOCUMENT NUMBER		
			[E]					SIZE	CODE	
			[F]					NUMBER	REV	
			[H]					K	PL	
			[J]					PV014-0-DBP	A	
								RELEASE DATE: 11-JAN-89		
								RELEASE STATUS: RELEASED		
				BASIC PART NUMBER:	ASSEMBLY NUMBER:		TOP DOCUMENT NUMBER:	EDIT #		
				PV014	K-PL-PV014-0-DBP		K-PL-PV014-0-DBP	72		
				FILE NAME: CTS217A.PLS						

"THIS DRAWING AND THE SPECIFICATIONS CONTAINED HEREIN ARE CONFIDENTIAL AND PROPRIETARY. THEY ARE THE PROPERTY OF DIGITAL EQUIPMENT CORPORATION AND SHALL NOT BE REPRODUCED OR COPIED OR USED IN WHOLE OR IN PART AS THE BASIS FOR THE MANUFACTURE OR SALE OF ITEMS WITHOUT WRITTEN PERMISSION. THIS IS AN UNPUBLISHED WORK PROTECTED UNDER THE FEDERAL COPYRIGHT LAWS."

THIS DRAWING AND THE SPECIFICATIONS CONTAINED HEREIN ARE CONFIDENTIAL AND PROPRIETARY. THEY ARE THE PROPERTY OF DIGITAL EQUIPMENT CORPORATION AND SHALL NOT BE REPRODUCED OR COPIED IN ANY MANNER OR IN ANY FORM OR BY ANY MEANS, ELECTRONIC OR MECHANICAL, INCLUDING PHOTOCOPYING, RECORDING, OR BY ANY INFORMATION STORAGE AND RETRIEVAL SYSTEM, WITHOUT THE WRITTEN PERMISSION OF DIGITAL EQUIPMENT CORPORATION. THIS DRAWING IS UNCLASSIFIED AND NOT PROTECTED UNDER THE FEDERAL COPYRIGHT LAWS. 1987

LEGEND		
PART NO.	REV.	VARIATION
VS42A-BA	A2	CPU BOX ASSY
VS42A-BC	A2	CPU BOX ASSY
VS42A-BD	A2	CPU BOX ASSY
VS42A-BE	A2	CPU BOX ASSY
VS42A-BF	A2	CPU BOX ASSY
VS42A-BG	A2	CPU BOX ASSY
VS42A-BH	A2	CPU BOX ASSY
VS42A-BI	A2	CPU BOX ASSY
VS42A-BJ	A2	CPU BOX ASSY
VS42A-BK	A2	CPU BOX ASSY
VS42A-BL	A2	CPU BOX ASSY
VS42A-BM	A2	CPU BOX ASSY
VS42A-BN	A2	CPU BOX ASSY
VS42A-BO	A2	CPU BOX ASSY
VS42A-BP	A2	CPU BOX ASSY
VS42A-BQ	A2	CPU BOX ASSY
VS42A-BR	A2	CPU BOX ASSY
VS42A-BS	A2	CPU BOX ASSY
VS42A-BT	A2	CPU BOX ASSY
VS42A-BU	A2	CPU BOX ASSY
VS42A-BV	A2	CPU BOX ASSY
VS42A-BW	A2	CPU BOX ASSY
VS42A-BX	A2	CPU BOX ASSY
VS42A-C6	A2	CPU BOX ASSY

- NOTES:
- ITEM 15 IS A BAR CODE LABEL, PLACE APPROXIMATELY AS SHOWN.
  - ADDITIONAL BAR CODE LABEL TO BE APPLIED TO PROD. ID LABEL, BELOW MODEL NO.
  - TOP ENCLOSURE ASSY (ITEM 19) TO BE FASTENED TO BOTTOM ENCLOSURE ASSY (ITEM 20) BY TWO 12-30390-01 SCREWS THAT ARE PART OF THE REAR BEZEL ASSY (ITEM 22).



CAUTION: OFF SHEET PARTS LIST REFER TO K-PL-VS42A-0-DBP (CTS212)

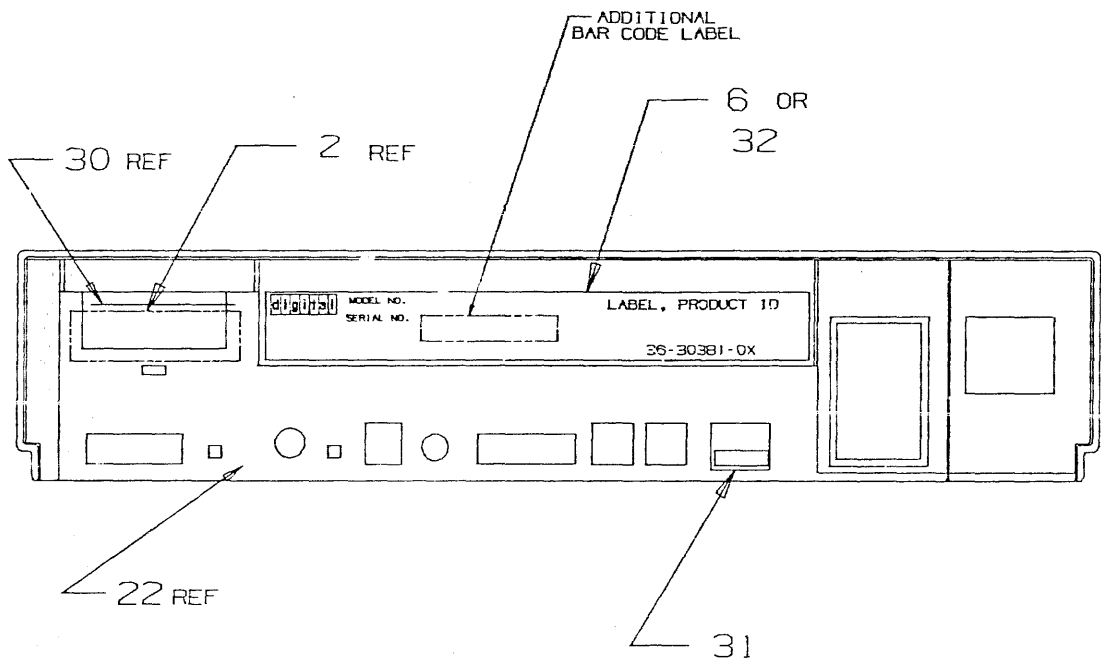
REV.	CHG.	BY	DATE
A			
B			
C			
D			
E			
F			
G			
H			
I			
J			

DESCRIPTION	DRAWING NO.	PART NO.	REV.
UNLESS OTHERWISE SPECIFIED DIMENSIONS ARE IN INCHES AND THE FOLLOWING TOLERANCES APPLY (PER DEC STD 114)			
DIMENSION RANGE IN INCHES			
INCHES	0.000 - 0.250	0.250 - 0.500	0.500 - 1.000
TOLERANCES	±0.005	±0.005	±0.005
QUANTITY & VARIATION	AS SHOWN	AS SHOWN	AS SHOWN
THIRD ANGLE PROJECTION	DATE	TITLE	digital
DO NOT SCALE DRAWING	BY J. DOIRON	DATE 3-29-88	
REMOVE BLURBS AND BREAK SHARP CORNERS	BY R. KIZINA	DATE 11-4-88	
MATERIAL	BY R. KIZINA	DATE 3-29-88	
SEE PARTS LIST	BY R. KIZINA	DATE 11-4-88	
FINISH NONE	BY J. ZAMORA	DATE 11-4-88	
	BY B. 3D-VS42A-0-DBU	DATE 11-2	
DOCUMENT NUMBER		CPU BOX ASSEMBLY	
EUA VS42A-0-DBU		B	
B 3D-VS42A-0-DBU		1 of 2	



THIS DRAWING AND THE SPECIFICATIONS CONTAINED HEREIN ARE CONFIDENTIAL AND PROPRIETARY. THEY ARE THE PROPERTY OF DIGITAL EQUIPMENT CORPORATION AND SHALL NOT BE REPRODUCED OR COPIED OR USED IN WHOLE OR IN PART AS THE BASIS FOR THE MANUFACTURE OR SALE OF ITEMS WITHOUT WRITTEN PERMISSION. THIS IS AN UNPUBLISHED WORK PROTECTED UNDER THE FEDERAL COPYRIGHT LAWS. 1988

800-0-V2+AA M3E



REAR VIEW  
LESS ITEM 21 (REAR DOOR)

REVISION HISTORY		
DATE	ECO HISTORY	REV

PLOT AT: 1.00

DOCUMENT NUMBER		
REVISION	NUMBER	REV
E	UA	B

CPU BOX ASSY

SCALE 1/1 SHEET 2 OF 2

CTS

LINE	ITEM	TOP DOCUMENT	PART NUMBER	MIN REV	DESCRIPTION	QUANTITY PER VARIATION/REVISION									
						BA A2	BC A2	BD A2	BF A2	BG A2	BJ A2	BK A2	BM A2	BN A2	BR A2
1	1				*** THIS ITEM IS NOT USED ***	-	-	-	-	-	-	-	-	-	-
2	2		12-29635-01		TERMINATOR ASSY,SCSI/ST506,68POS P	-	-	1	1	1	1	1	1	1	1
3	3				*** THIS ITEM IS NOT USED ***	-	-	-	-	-	-	-	-	-	-
4	4		17-01992-01		CABLE ASSY,COLOR MOLDED,SHIELDED	-	1	-	1	-	1	-	1	-	1
5	5		17-01993-01		CABLE ASSY,MONO MOLDED,SHIELDED	1	-	1	-	1	-	1	-	1	-
6	6		36-30381-01		LABEL,PRODUCT ID VS3000 US	1	1	1	1	1	1	1	1	1	1
7	7		36-30382-01		LABEL,REGULATORY VS3000 US	1	1	1	1	1	1	1	1	1	1
8	8		37-01107-01		PACKAGE ASSEMBLY, CUSTOMER	1	1	1	1	1	1	1	1	1	1
9	9		54-17312-01		KA42 SYSTEM MODULE	1	1	1	1	1	1	1	1	1	1
10	10		54-17282-01		VS200 8-PLANE VIDEO OPTION	-	1	-	1	-	1	-	1	-	1
11	11		70-22700-12		DISK DRIVE ASSY	-	-	1	1	-	-	-	-	-	-
12	12		70-22700-15		DISK DRIVE ASSY	-	-	-	-	-	-	-	-	-	-
13	13		70-22700-23		DISK DRIVE ASSY	-	-	-	-	-	-	-	-	-	-
14	14				*** THIS ITEM IS NOT USED ***	-	-	-	-	-	-	-	-	-	-
15	15		70-26209-01		THK/THIN WIRE ETHERNET KIT	1	1	1	1	1	1	1	1	1	1
16	16		70-22700-02		DRIVE ASSEMBLY	-	-	-	-	1	1	-	-	-	-
17	17		70-22700-03		DRIVE ASSEMBLY	-	-	-	-	-	-	1	1	-	-
18	18		70-22700-04		DRIVE ASSEMBLY	-	-	-	-	-	-	-	-	1	1
19	19		70-25726-01		ENCLOSURE, TOP ASSY	1	1	1	1	1	1	1	1	1	1
20	20		70-25729-01		BASE ASSY	1	1	1	1	1	1	1	1	1	1
21	21		74-38189-01	A	DOOR,BEZEL (TERMINATOR)	1	1	1	1	1	1	1	1	1	1
22	22		70-25798-01		REAR BEZEL ASSY W/CAPTIVE PHIL (VS	1	1	1	1	1	1	1	1	1	1
23	23		74-37499-01		BEZEL,INSET,BLANK	1	1	-	-	-	-	1	1	1	1
24	24		70-26250-01		RX-23 BEZEL ASSY	-	-	1	1	-	-	-	-	-	-
25	25		74-37501-01		BEZEL,INSET,TZ30	-	-	-	-	1	1	-	-	-	-
26	26		90-09984-00		SCREW,SEMS PAN PHIL 6-32	2	2	2	2	2	2	2	2	2	2
27	27		90-09984-07		SCREW,SEMS PAN PHIL 6-32	8	8	8	8	8	8	8	8	8	8
28	28		74-37642-01	A	MEDALLION, VS42A	1	1	1	1	1	1	1	1	1	1
29	29		74-37642-05		MEDAILION,VS42A-A1	-	-	-	-	-	-	-	-	-	-
30	30		36-30704-01		LABEL,VS42A SCSI	1	1	1	1	1	1	1	1	1	1

REVISION HISTORY		KPL MATRIX FORMAT		SECTION A OF B	DRN: J.DOIRON	D I G I T A L			
ENG	ECO NUMBER	REV	SECTION/VARIATION INDEX		DATE: 30-MAR-88				
---	INITIAL	A	[A] BA,BC,BD,BF,BG,BJ,BK,BM,BN,BR		CHK'D: R.KIZINA	TITLE PARTS LIST			
L.N	VS42A-ML001	B	[B] BS,BT,BV,BW,CG		DATE: 04-NOV-88	CPU BOX ASSEMBLY			
			[C]		DES.ENG: R.KIZINA	DOCUMENT NUMBER			
			[D]		DATE: 04-NOV-88	SIZE	CODE	NUMBER	REV
			[E]		RESP.ENG.: R.KIZINA	K	PL	VS42A-0-DBP	B
			[F]		DATE: 30-MAR-88	RELEASE DATE: 10-APR-89			
			[H]		MFG.ENG: J.ZAMORA	RELEASE STATUS: RELEASED			
			[J]		DATE: 13-SEP-88				
		BASIC PART NUMBER:		ASSEMBLY NUMBER:	TOP DOCUMENT NUMBER:		EDIT #		
		VS42A		K-UA-VS42A-0-DBU	B-DD-VS42A-0-DBU		15		
		FILE NAME: CTS212B.PLS							

"THIS DRAWING AND THE SPECIFICATIONS CONTAINED HEREIN ARE CONFIDENTIAL AND PROPRIETARY. THEY ARE THE PROPERTY OF DIGITAL EQUIPMENT CORPORATION AND SHALL NOT BE REPRODUCED OR COPIED OR USED IN WHOLE OR IN PART AS THE BASIS FOR THE MANUFACTURE OR SALE OF ITEMS WITHOUT WRITTEN PERMISSION. THIS IS AN UNPUBLISHED WORK PROTECTED UNDER THE FEDERAL COPYRIGHT LAWS."

P A R T S L I S T

LINE	ITEM	TOP DOCUMENT	PART NUMBER	MIN REV	DESCRIPTION	QUANTITY PER VARIATION/REVISION									
						BA A2	BC A2	BD A2	BF A2	BG A2	BJ A2	BK A2	BM A2	BN A2	BR A2
31	31		36-30489-01		LABEL,DIAGNOSTIC VS42A	1	1	1	1	1	1	1	1	1	1
32	32	SEE NOTE # 32	36-30381-03		LABEL,PRODUCT ID VS3000 UK	REF	REF	REF	REF	REF	REF	REF	REF	REF	REF
33	33	SEE NOTE # 33	36-30382-02		LABEL,REGULATORY VS3000 UK	REF	REF	REF	REF	REF	REF	REF	REF	REF	REF
34	34				*** THIS ITEM IS NOT USED ***	-	-	-	-	-	-	-	-	-	-
35	35				*** THIS ITEM IS NOT USED ***	-	-	-	-	-	-	-	-	-	-
36	36	SEE NOTE # 36	17-00442-25 A		PWR CORD,TERM 39" LG 15A	1	1	1	1	1	1	1	1	1	1
37	37	SEE NOTE # 37	47-00042-00 B		SCREWDRIVER,FLAT BLADE 3/16 X 4	1	1	1	1	1	1	1	1	1	1
38	38	SEE NOTE # 38	MS42 -AB A		4MB MEMORY W PARITY, 1MEG X 1 BIT	1	1	1	1	1	1	1	1	1	1

32 NOTE: TO BE USED AS REQUIRED, FOR EUROPEAN BUILD  
 33 NOTE: TO BE USED AS REQUIRED, FOR EUROPEAN BUILD  
 36 NOTE: USE 17-00365-19 FOR UNITS ASSEMBLED IN UNITED KINGDOM.  
 37 NOTE: 47-00042-03 MAY BE SUBSTITUTED FOR 47-00042-00  
 38 NOTE: MS42-AA IS AN ACCEPTABLE ALTERNATE FOR MS42-AB

D	I	G	I	T	A	L	TITLE	CPU BOX ASSEMBLY	SECTION A	OF	B	SIZE	CODE	DOCUMENT NUMBER	REV
												K	PL	VS42A-0-DBP	B

LINE	ITEM	TOP DOCUMENT	PART NUMBER	MIN REV	DESCRIPTION	QUANTITY PER VARIATION/REVISION				
						BS A2	BT A2	BV A2	BW A2	CG A2
1	1				*** THIS ITEM IS NOT USED ***	-	-	-	-	-
2	2		12-29635-01		TERMINATOR ASSY,SCSI/ST506,68POS P	1	1	1	1	1
3	3				*** THIS ITEM IS NOT USED ***	-	-	-	-	-
4	4		17-01992-01		CABLE ASSY,COLOR MOLDED,SHIELDED	-	1	-	1	-
5	5		17-01993-01		CABLE ASSY,MONO MOLDED,SHIELDED	1	-	1	-	1
6	6		36-30381-01		LABEL,PRODUCT ID VS3000 US	1	1	1	1	1
7	7		36-30382-01		LABEL,REGULATORY VS3000 US	1	1	1	1	1
8	8		37-01107-01		PACKAGE ASSEMBLY, CUSTOMER	1	1	1	1	1
9	9		54-17312-01		KA42 SYSTEM MODULE	1	1	1	1	1
10	10		54-17282-01		VS200 8-PLANE VIDEO OPTION	-	1	-	1	-
11	11		70-22700-12		DISK DRIVE ASSY	-	-	-	-	-
12	12		70-22700-15		DISK DRIVE ASSY	1	1	-	-	-
13	13		70-22700-23		DISK DRIVE ASSY	-	-	1	1	-
14	14				*** THIS ITEM IS NOT USED ***	-	-	-	-	-
15	15		70-26209-01		THK/THIN WIRE ETHERNET KIT	1	1	1	1	1
16	16		70-22700-02		DRIVE ASSEMBLY	-	-	-	-	1
17	17		70-22700-03		DRIVE ASSEMBLY	-	-	-	-	-
18	18		70-22700-04		DRIVE ASSEMBLY	-	-	-	-	-
19	19		70-25726-01		ENCLOSURE, TOP ASSY	1	1	1	1	1
20	20		70-25729-01		BASE ASSY	1	1	1	1	1
21	21		74-38189-01	A	DOOR,BEZEL (TERMINATOR)	1	1	1	1	1
22	22		70-25798-01		REAR BEZEL ASSY W/CAPTIVE PHIL (VS	1	1	1	1	1
23	23		74-37499-01		BEZEL,INSET,BLANK	-	-	-	-	-
24	24		70-26250-01		RX-23 BEZEL ASSY	1	1	1	1	-
25	25		74-37501-01		BEZEL,INSET,TZ30	-	-	-	-	1
26	26		90-09984-00		SCREW,SEMS PAN PHIL 6-32	2	2	2	2	2
27	27		90-09984-07		SCREW,SEMS PAN PHIL 6-32	8	8	8	8	8
28	28		74-37642-01	A	MEDAILION, VS42A	1	1	1	1	-
29	29		74-37642-05		MEDAILION,VS42A-A1	-	-	-	-	1
30	30		36-30704-01		LABEL,VS42A SCSI	1	1	1	1	1

REVISION HISTORY		KPL MATRIX FORMAT		SECTION B OF B		DRN: J.DOIRON		DIGITAL			
ENG	ECO NUMBER	REV	SECTION/VARIATION INDEX			DATE:	30-MAR-88				
---	INITIAL	A	[A]	BA,BC,BO,BF,BG,BJ,BK,BM,BN,BR	CHK'D:	R.KIZINA	TITLE PARTS LIST				
L.N.	VS42A-ML001	B	[B]	BS,BT,BV,BW,CG	DATE:	04-NOV-88	CPU BOX ASSEMBLY				
			[C]		DES.ENG:	R.KIZINA	DOCUMENT NUMBER				
			[D]		DATE:	04-NOV-88	SIZE	CODE	NUMBER	REV	
			[E]		RESP.ENG.:	R.KIZINA	K	PL	VS42A-0-DBP	B	
			[F]		DATE:	30-MAR-88	RELEASE DATE: 10-APR-89				
			[H]		MFG.ENG:	J.ZAMORA	RELEASE STATUS: RELEASED				
			[J]		DATE:	13-SEP-88					
BASIC PART NUMBER:			ASSEMBLY NUMBER:			TOP DOCUMENT NUMBER:			EDIT #		
VS42A			K-UA-VS42A-0-DBU			B-DD-VS42A-0-DBU			15		
FILE NAME: CTS212B.PLS											

"THIS DRAWING AND THE SPECIFICATIONS CONTAINED HEREIN ARE CONFIDENTIAL AND PROPRIETARY. THEY ARE THE PROPERTY OF DIGITAL EQUIPMENT CORPORATION AND SHALL NOT BE REPRODUCED OR COPIED OR USED IN WHOLE OR IN PART AS THE BASIS FOR THE MANUFACTURE OR SALE OF ITEMS WITHOUT WRITTEN PERMISSION. THIS IS AN UNPUBLISHED WORK PROTECTED UNDER THE FEDERAL COPYRIGHT LAWS."

LINE	ITEM	TOP DOCUMENT	PART NUMBER	MIN REV	DESCRIPTION	QUANTITY PER VARIATION/REVISION				
						BS A2	BT A2	BV A2	BW A2	CG A2
31	31		36-30489-01		LABEL,DIAGNOSTIC VS42A	1	1	1	1	1
32	32	SEE NOTE # 32	36-30381-03		LABEL,PRODUCT ID VS3000 UK	REF	REF	REF	REF	REF
33	33	SEE NOTE # 33	36-30382-02		LABEL,REGULATORY VS3000 UK	REF	REF	REF	REF	REF
34	34				*** THIS ITEM IS NOT USED ***	-	-	-	-	-
35	35				*** THIS ITEM IS NOT USED ***	-	-	-	-	-
36	36	SEE NOTE # 36	17-00442-25 A		PWR CORD,TERM 39" LG 15A	1	1	1	1	1
37	37	SEE NOTE # 37	47-00042-00 B		SCREWDRIVER,FLAT BLADE 3/16 X 4	1	1	1	1	1
38	38	SEE NOTE # 38	MS42 -AB A		4MB MEMORY W PARITY, 1MEG X 1 BIT	1	1	1	1	1

32 NOTE: TO BE USED AS REQUIRED, FOR EUROPEAN BUILD  
 33 NOTE: TO BE USED AS REQUIRED, FOR EUROPEAN BUILD  
 36 NOTE: USE 17-00365-19 FOR UNITS ASSEMBLED IN UNITED KINGDOM.  
 37 NOTE: 47-00042-03 MAY BE SUBSTITUTED FOR 47-00042-00  
 38 NOTE: MS42-AA IS AN ACCEPTABLE ALTERNATE FOR MS42-AB

D	I	G	I	T	A	L	TITLE	SECTION B OF B	SIZE	CODE	DOCUMENT NUMBER	REV
							CPU BOX ASSEMBLY		K	PL	VS42A-0-DBP	B

LINE	ITEM	TOP DOCUMENT	PART NUMBER	MIN REV	DESCRIPTION	QUANTITY PER VARIATION/REVISION			
						AA A1	AB A1	BA A1	CA A1
1	1		MS42 -AA		*** THIS ITEM IS NOT USED ***	-	-	-	-
2	2		MS42 -CA		*** THIS ITEM IS NOT USED ***	-	-	-	-
3	3		MS42 -BA		*** THIS ITEM IS NOT USED ***	-	-	-	-
4	4		12-30538-01		*** THIS ITEM IS NOT USED ***	-	-	-	-
5	5	B-DD-5418287-0-DBU	54-18287-AA		4 MB MEMORY DAUGHTER CARD	1	-	-	-
6	6	B-DD-5418287-0-DBU	54-18287-BA		12MB MEMORY DAUGHTER CARD	-	-	1	-
7	7	B-DD-5418324-0-DBU	54-18324-AA		16 MB MEMORY OPTION	-	-	-	1
8	8	B-DD-5419051-0-DBU	54-19051-AA		4MB MEMORY OPTION	-	1	-	-

REVISION HISTORY		KPL MATRIX FORMAT		SECTION A OF A		DRN: J.DOIRON		D I G I T A L	
ENG	ECO NUMBER	REV	SECTION/VARIATION INDEX		DATE:	18-AUG-88			
---	INITIAL	A	[A]	AA,AB,BA,CA	CHK'D:	R.KIZINA		TITLE PARTS LIST	
			[B]		DATE:	06-DEC-88		20/28 MB MEMORY CONFIG. ASSY	
			[C]		DES.ENG:	R.KIZINA		DOCUMENT NUMBER	
			[D]		DATE:	06-DEC-88		SIZE	CODE
			[E]		RESP.ENG.:	R.KIZINA		NUMBER	
			[F]		DATE:	06-DEC-88		K	PL
			[H]		MFG.ENG:	J.ZAMORA		MS42-0-DBP	
			[J]		DATE:	06-DEC-88		RELEASE DATE: 14-FEB-89	
								RELEASE STATUS: RELEASED	
					BASIC PART NUMBER:	MS42		ASSEMBLY NUMBER:	K-UA-MS42-0-DBU
								TOP DOCUMENT NUMBER:	K-PL-MS42-0-DBP
								EDIT #	16
					FILE NAME:	CTS252A.PLS			

"THIS DRAWING AND THE SPECIFICATIONS CONTAINED HEREIN ARE CONFIDENTIAL AND PROPRIETARY. THEY ARE THE PROPERTY OF DIGITAL EQUIPMENT CORPORATION AND SHALL NOT BE REPRODUCED OR COPIED OR USED IN WHOLE OR IN PART AS THE BASIS FOR THE MANUFACTURE OR SALE OF ITEMS WITHOUT WRITTEN PERMISSION. THIS IS AN UNPUBLISHED WORK PROTECTED UNDER THE FEDERAL COPYRIGHT LAWS."

DRAWING NO.	NO. SHTS	PART NO.	DESCRIPTION	REVISIONS		
		5417445-01	SCSI/SCSI DISK CONTROL OPTION	A1	B1	C1
		5417445-02	SCSI/SCSI DISK CONTROL OPTION	A1	B1	C1
		5417445-03	SCSI/SCSI DISK CONTROL OPTION	A1	B1	C1
		5417445-04	SCSI/SCSI DISK CONTROL OPTION	A1	B1	C1
D-UA-5417445-0-0	3		UNIT ASSEMBLY	A	A	A
K-CS-5417445-0-1	5		CIRCUIT SCHEMATICS	A	A	A
K-PL-5417445-0-DBP	2		PARTS LIST	A	B	C
K-PC-5417445-0-DBJ			P.C. DESIGN DATA BASE	D	D	D
K-CS-5417445-0-DBX			CIRCUIT SCHEMATIC DATA BASE	A	A	A
		5017444-01	ETCHED CIRCUIT BOARD	D1	D1	D1
K-DD-5017444-0-0	1		DRAWING DIRECTORY	A	A	A

NOTES:

		A	B	C
R E V I S I O N S H I S I S T O R Y	R E V			
	E I C O I T N O		M	M
	D A T E	1	0	0
		1	3	3
		/	/	/
		8	8	8
		8	9	9

THIS DRAWING AND THE SPECIFICATIONS CONTAINED HEREIN ARE CONFIDENTIAL AND PROPRIETARY. THEY ARE THE PROPERTY OF DIGITAL EQUIPMENT CORPORATION AND SHALL NOT BE REPRODUCED OR COPIED OR USED IN WHOLE OR IN PART AS THE BASIS FOR THE MANUFACTURE OR SALE OF ITEMS WITHOUT WRITTEN PERMISSION. THIS IS AN UNPUBLISHED WORK PROTECTED UNDER THE FEDERAL COPYRIGHT LAWS.

DRN: B. CORMIER	DATE: 18 NOV 88	d i g i t a l		
CHK'D: J. CUNNINGHAM	DATE: 18 NOV 88	TITLE SCSI / SCSI DISK CONTROL OPTION		
DES.ENG.: A. ASBURY	DATE: 21 NOV 88	SHEET 1 OF 1	EDIT: 7	
RESP.ENG.: A. ASBURY	DATE: 21 NOV 88	DOCUMENT NUMBER		
MFG.ENG.: J. ZAMORA	DATE: 21 NOV 88	SIZE   CODE	NUMBER	REV
		K ! DD	5417445-0-0	C

LINE ITEM	TOP DOCUMENT	PART NUMBER	MIN REV	DESCRIPTION	QTY PER VAR/REV				REFERENCE DESIGNATORS
					01 C1	02 C1	03 C1	04 C1	
1	D-MD-5017444-0-0	50-17444-01	D	CIRCUIT DRILL AND ETCH	1	1	1	1	
2		10-14265-02		0.33 MFD 50V +80/-20% Z5U C	17	17	17	17	C1-C8,C10-C18
3		10-17472-00		10 MFD 35V +75/-10% 85	1	1	1	1	C9
4		11-05796-00		PIV= 400 IO= 1.00A 1N4004 DO-41	1	1	-	-	D1
		CONT			-	-	2	2	D1,D2
5		12-15006-08		SKT,IC 40PIN DIP TIN SOLD	1	1	1	1	XE20
6		12-17535-01		SKT,IC 10PIN SIP TIN SOLD	3	3	3	3	XE5,XE6,XE12
7		12-21513-01		FILTER,EMI PC MTG	1	1	1	1	E28
8		12-29576-02		PCB HEADER 80POS(2X40).050CC 90D	1	1	1	1	J2
9		12-29857-01		CONN,KEY PLATE 68POS	1	1	1	1	
10		12-30006-03		PCB HEADER 100POS .050CC STR	2	2	2	2	J1,J4
11		12-30008-01		CONN,D SUB 68POS 90D	1	1	1	1	J3
12		13-00229-00		100.0 .25 W 5.0 % CF	1	1	1	1	R2
13		13-00447-00		4.70 K .25 W 5.0 % CF	2	2	2	2	R3,R7
14		13-16395-00		R. NET 4.7K- 9 2.0	4	4	4	4	E2,E4,E8,E10
15		13-24050-01		R. NET 220.0 - 8 330.0 - 8 2.0	12	-	12	-	E5,E6,E12,E17,E18,E21,E23-E25, CONT E29-E31
		CONT			-	9	-	9	E17,E18,E21,E23-E25,E29-E31
16		13-26688-01		THERMISTOR PTC 0.062 15%	2	2	2	2	R9,R10
17		19-20572-01		74F244 BUFFER/LINE DRIVER,0	1	1	1	1	E22
18		19-21307-01		74F04 HEX INVERTER	1	1	1	1	E13
19		19-21310-01		74F11 AND GATE,TRIPLE,3-IN	1	1	1	1	E11
20		19-21314-01		74F74 FF-D,DUAL,POS.,EDGE	1	1	1	1	E14
21		21-25351-01		INTERFACE CHIP (SCSI	2	2	2	2	E16,E19
22		21-26307-05		STATIC RAM 32768X8BI	4	4	4	4	E1,E3,E7,E9
23		21-30367-01		DC7151 GATE ARRAY 144PGA	1	1	-	-	E26
24		21-30367-02		DC7151 GATE ARRAY 144PGA	-	-	1	1	E26
25		23-5E8 -00		*** THIS ITEM IS NOT USED ***	-	-	-	-	
26		74-37506-01		GASKET,OPTION	1	1	1	1	
27		90-09116-01		SCREW,CAPTIV ASSY 6-32	1	1	1	1	

REVISION HISTORY			KPL MODULE FORMAT SECTION A OF A		DRN: B. OUELLETTE	D I G I T A L					
ENG	ECO NUMBER	REV	SECTION/VARIATION INDEX		DATE: 18-AUG-88						
---	INITIAL	A	[A]	01,02,03,04	[M]	CHK'D: B. CORMIER	TITLE PARTS LIST				
LN	5417445-ML001	B	[B]		[N]	DATE: 27-OCT-88	SCSI/SCSI DISK CONTROL OPTION				
LN	5417445-ML002	C	[C]		[P]	DES.ENG: A. ASBURY					
			[D]		[Q]	DATE: 21-NOV-88	DOCUMENT NUMBER				
			[E]		[R]		SIZE	CODE	NUMBER	REV	
			[F]		[S]	RESP.ENG.: A. ASBURY	K	PL	5417445-0-DBP	C	
			[H]		[T]	DATE: 21-NOV-88	RELEASE DATE: 30-MAR-89				
			[J]		[V]		RELEASE STATUS: RELEASED				
			[K]		[W]	MFG.ENG: J. ZAMORA					
			[L]		[Y]	DATE: 21-NOV-88					
BASIC PART NUMBER:			ASSEMBLY NUMBER:		TOP DOCUMENT NUMBER:			EDIT #			
5417445			D-UA-5417445-0-0		K-DD-5417445-0-0			2			
FILE NAME: MLA2012C.PLS											

"THIS DRAWING AND THE SPECIFICATIONS CONTAINED HEREIN ARE CONFIDENTIAL AND PROPRIETARY. THEY ARE THE PROPERTY OF DIGITAL EQUIPMENT CORPORATION AND SHALL NOT BE REPRODUCED OR COPIED OR USED IN WHOLE OR IN PART AS THE BASIS FOR THE MANUFACTURE OR SALE OF ITEMS WITHOUT WRITTEN PERMISSION. THIS IS AN UNPUBLISHED WORK PROTECTED UNDER THE FEDERAL COPYRIGHT LAWS."



LINE	ITEM	TOP DOCUMENT	PART NUMBER	MIN REV	DESCRIPTION	QTY PER VAR/REV				REFERENCE DESIGNATORS
						01	02	03	04	
						C1	C1	C1	C1	
28	28		90-10917-01		SCREW,MACH FLAT,THD.METRIC	02.	4	4	4	4
29	29		91-05740-55		WIRE(WRAP) 30AWG KYNAR	UL14	A/R	A/R	A/R	A/R
30	30		23-23E8 -00	A	E8-02	U	1	1	1	- E20
31	31		23-28E8 -00	A	E8-02	NMOS-U	-	-	-	1 E20

D	I	G	I	T	A	L	TITLE	SCSI/SCSI DISK CONTROL OPTION	SECTION A	OF A	SIZE	CODE	DOCUMENT NUMBER	REV
											K	PL	5417445-0-DBP	C

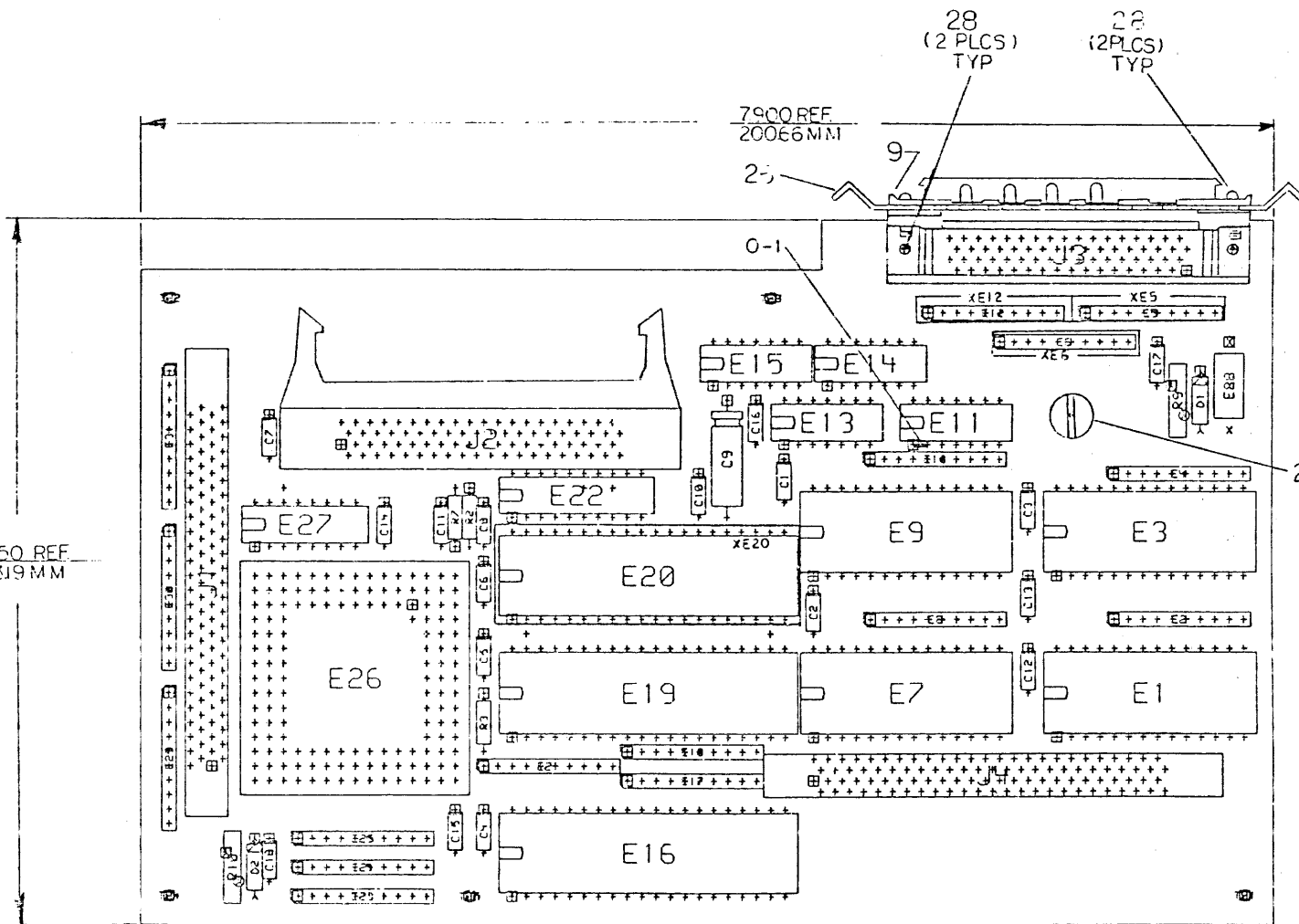
THIS DRAWING AND SPECIFICATIONS HEREIN ARE THE PROPERTY OF DIGITAL EQUIPMENT CORPORATION, AND SHALL NOT BE REPRODUCED OR COPIED IN ANY MANNER OR IN ANY MEDIUM WITHOUT THE WRITTEN PERMISSION OF DIGITAL EQUIPMENT CORPORATION. © 1980

REWORK INSTRUCTIONS:

0-1 LIFT PIN E11-2 THEN ADD WIRE (90-05740-25) FROM E11-2 TO E11-1.

4850 REF  
12319MM

7900 REF  
20066MM



NOTES:

E15 AND E27 ARE SPARES

STEP	E	N	Y	AXIS	STEP	TIMES	
REPEAT				X	AXIS	STEP	TIMES

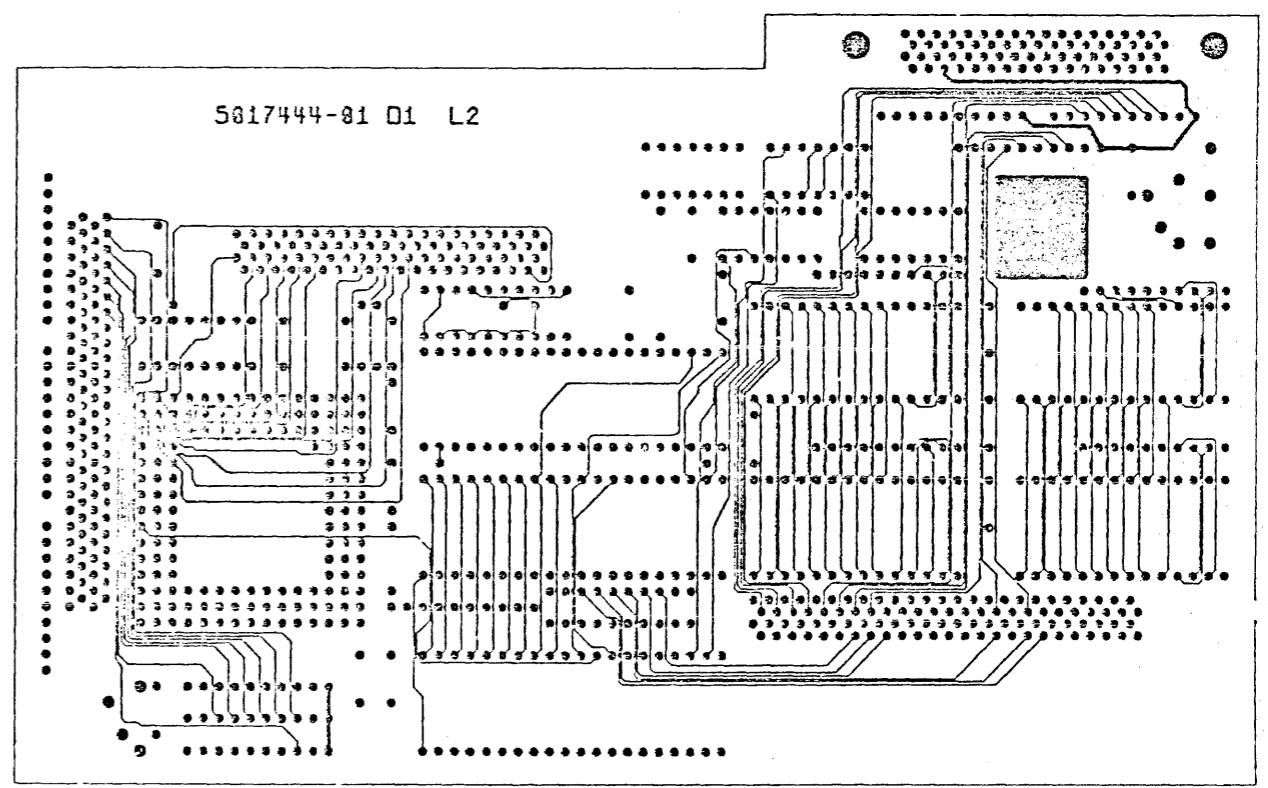
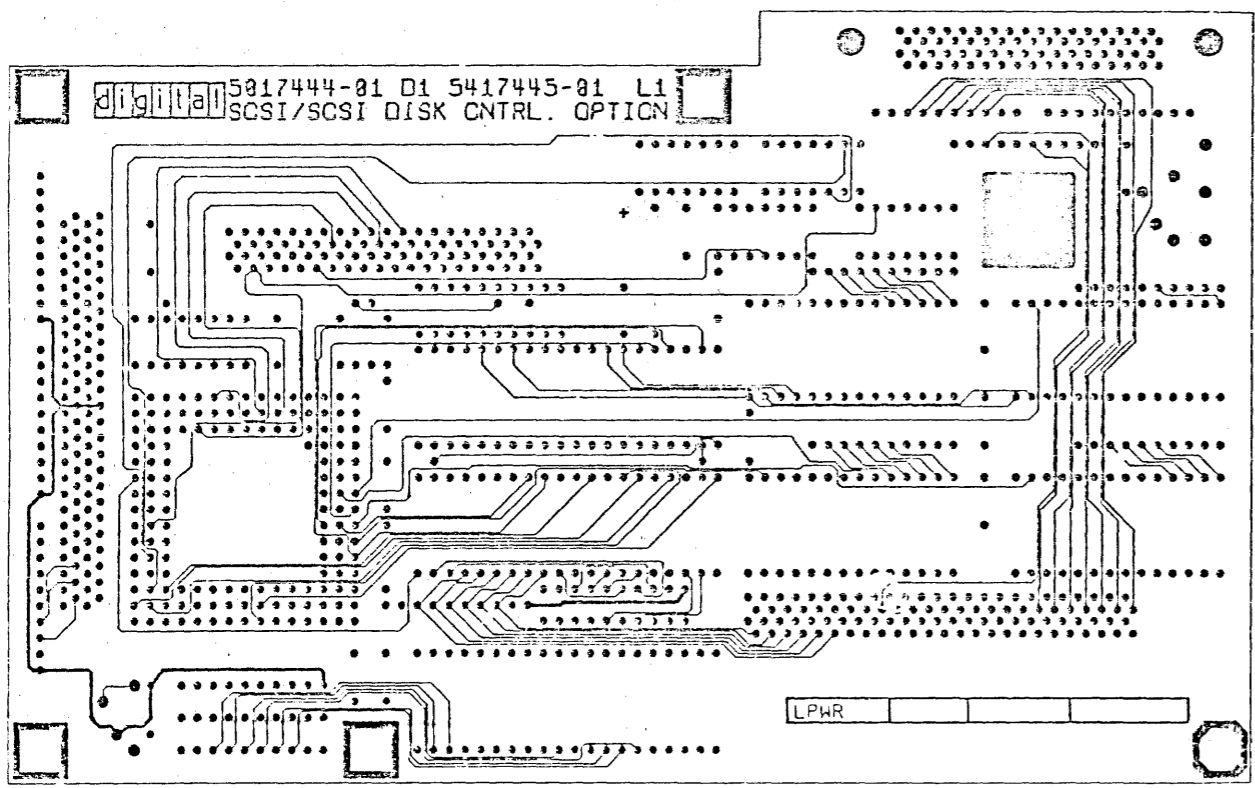
CHG	NO	REV	INIT
1	1	A	

EACH REV.	DI

SIGNATURES	DATE	TITLE
DRN. R. RHOADES		digital
CHK'D		
MECH. ENG. <i>Paul Brown</i>	11-23-79	TITLE SCSI/SCSI
PROJ. ENG. <i>David Gentry</i>	11-23-79	DISK CNTRL OPTION
PROD. <i>John Zeman</i>	11-23-79	
SCALE 2:1	SIZE CODE 0 UA	NUMBER 5412445-0-0
SHT. 1 OF 3	REV A	
NEXT HIGHER ASSY. K-00-5412445-0-0		

THIS DRAWING AND SPECIFICATIONS HEREBY ARE THE PROPERTY OF DIGITAL EQUIPMENT CORPORATION AND SHALL NOT BE REPRODUCED OR COPIED IN ANY MANNER OR IN PART AS THE BASIS FOR THE MANUFACTURE OR SALE OF ITEMS WITHOUT WRITTEN PERMISSION. COPYRIGHT © 1982 DIGITAL EQUIPMENT CORPORATION.

VIEW FROM SIDE 1



REVISION HISTORY		
DATE	ECO NUMBER	REV

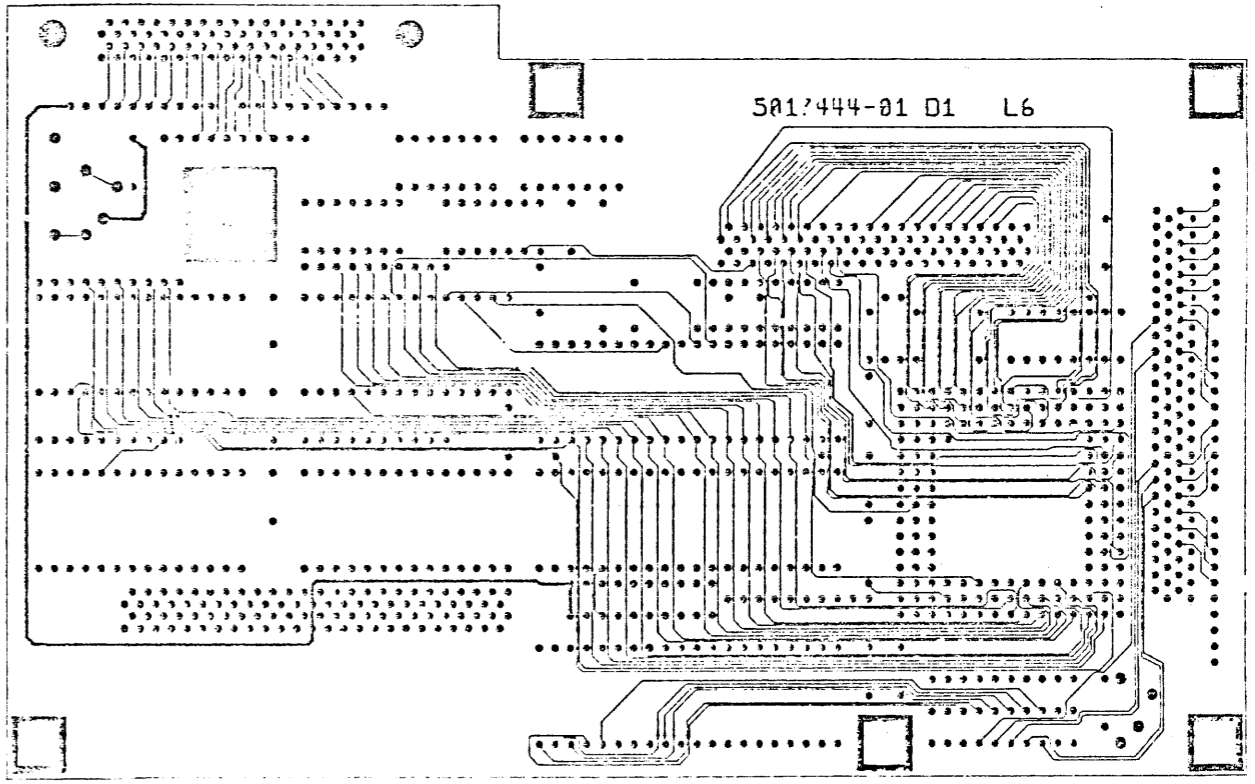
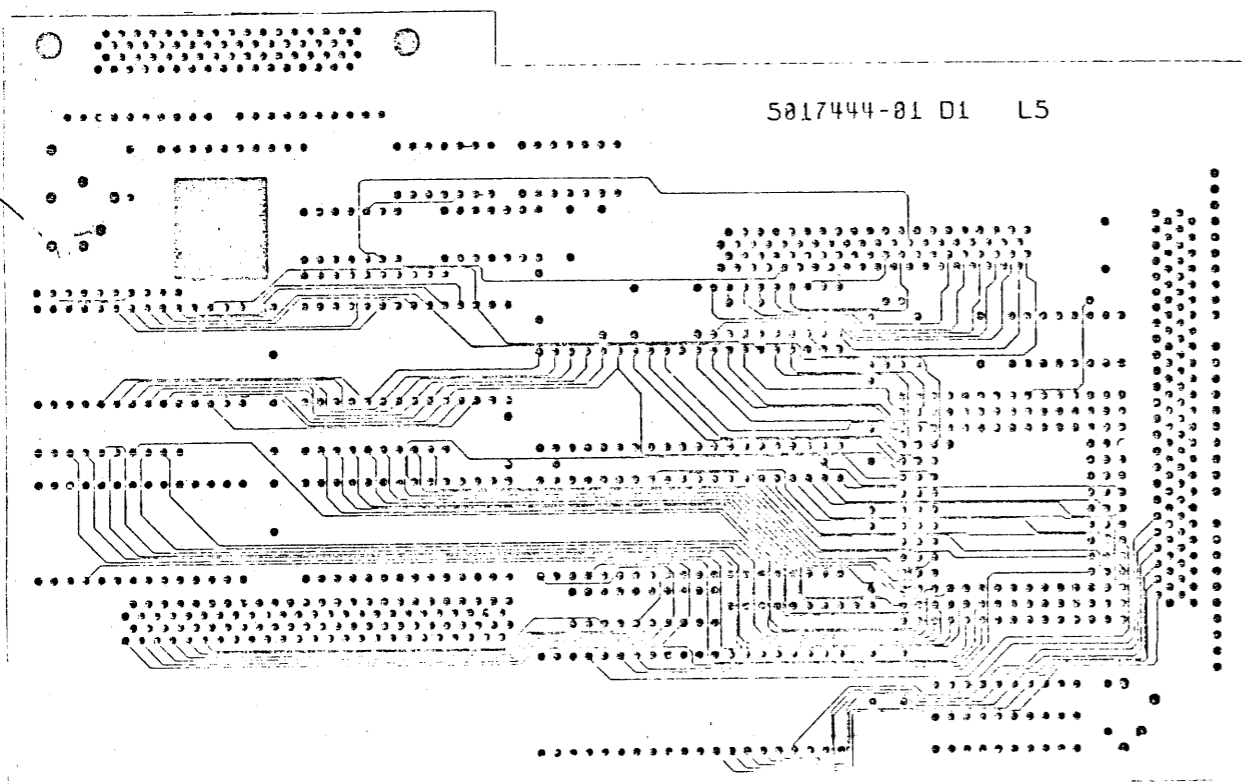
TITLE SCSI/SCSI DISK CNTRL OPTION

DOCUMENT NUMBER			
SIZE	CODE	NUMBER	REV
D	UA	5417445-0-0	A
SCALE 2:1		SHEET 2 OF 3	

REV A  
 5417445-0-0  
 DUA  
 5417445-0-0

THIS DRAWING AND SPECIFICATIONS HEREIN ARE THE PROPERTY OF DIGITAL EQUIPMENT CORPORATION AND SHALL NOT BE REPRODUCED, COPIED OR TRANSMITTED IN ANY FORM OR BY ANY MEANS, ELECTRONIC OR MECHANICAL, INCLUDING PHOTOCOPYING, RECORDING, OR BY ANY INFORMATION STORAGE AND RETRIEVAL SYSTEM, WITHOUT THE WRITTEN PERMISSION OF DIGITAL EQUIPMENT CORPORATION.

VIEW FROM SIDE 2

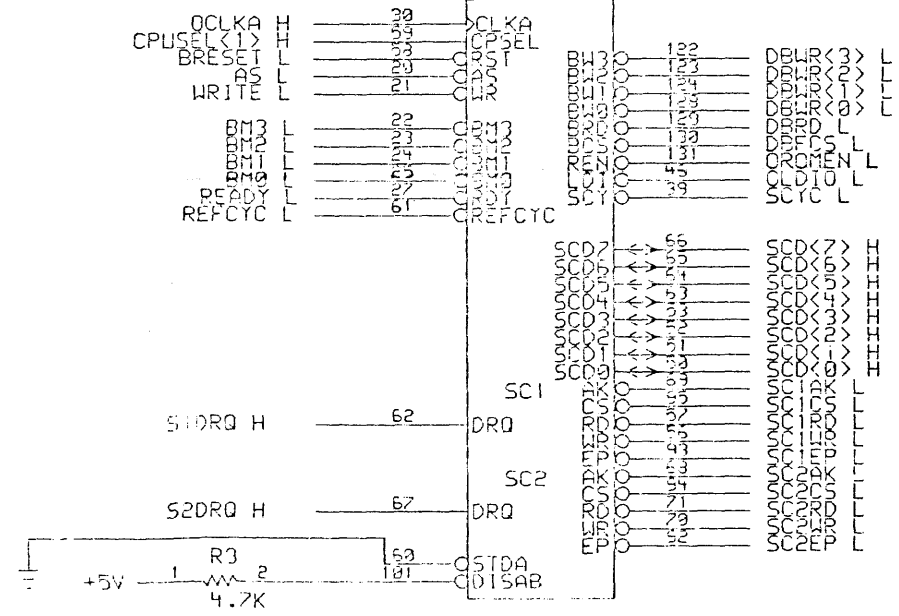
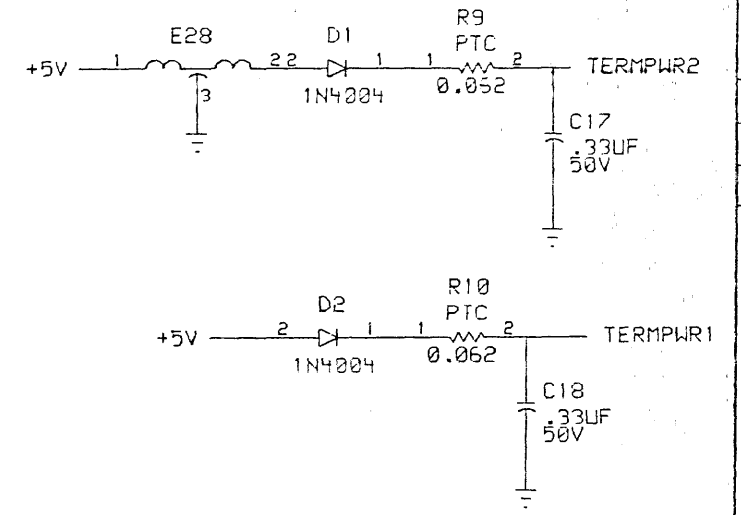
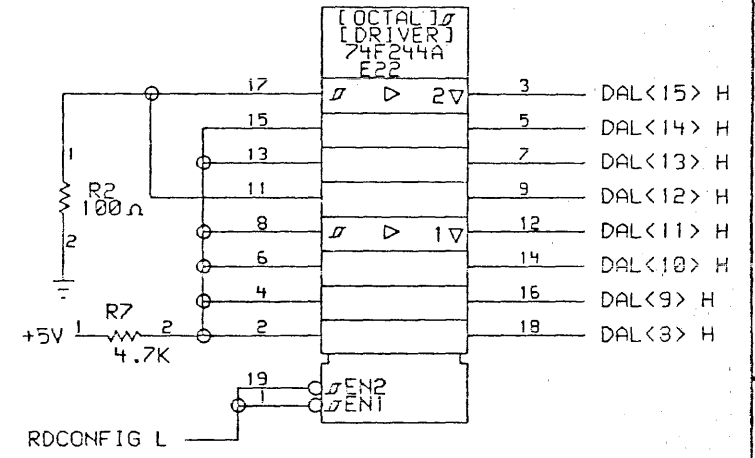
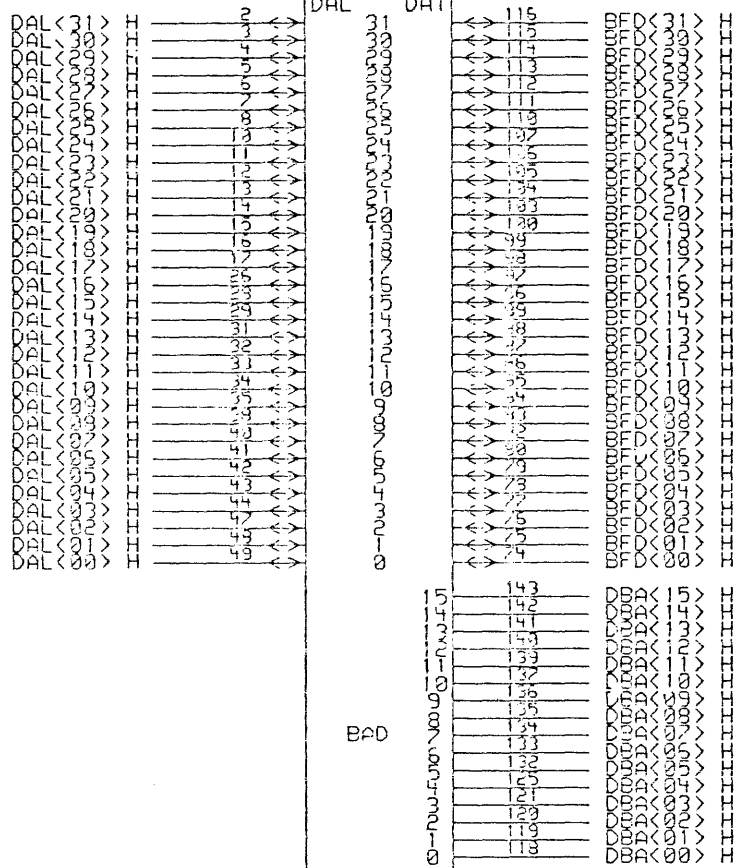
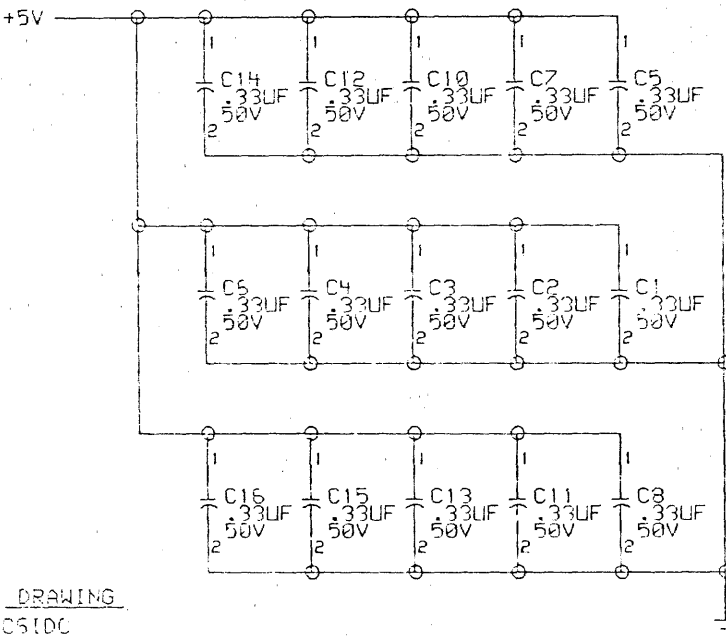
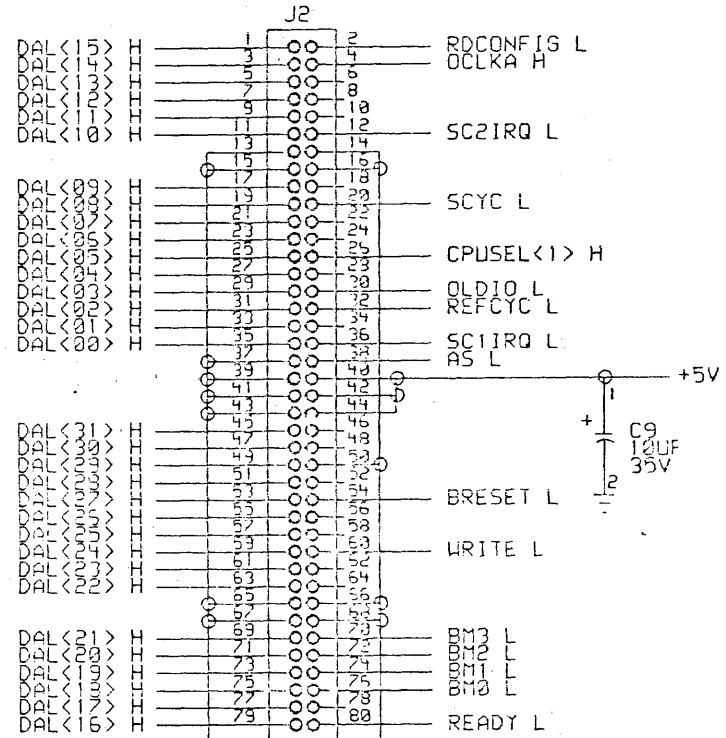


REV. SIGN - STORY		
DATE	ECO NUMBER	REV.

DOCUMENT NUMBER		
SIZE	CODE	NUMBER
D	UA	5417445-0-0
SCALE	1:1	SHEET 3 OF 3

TITLE SCSI/SCSI  
DISK CNTRL OPTION

REV. A  
DUA 5417445-0-0



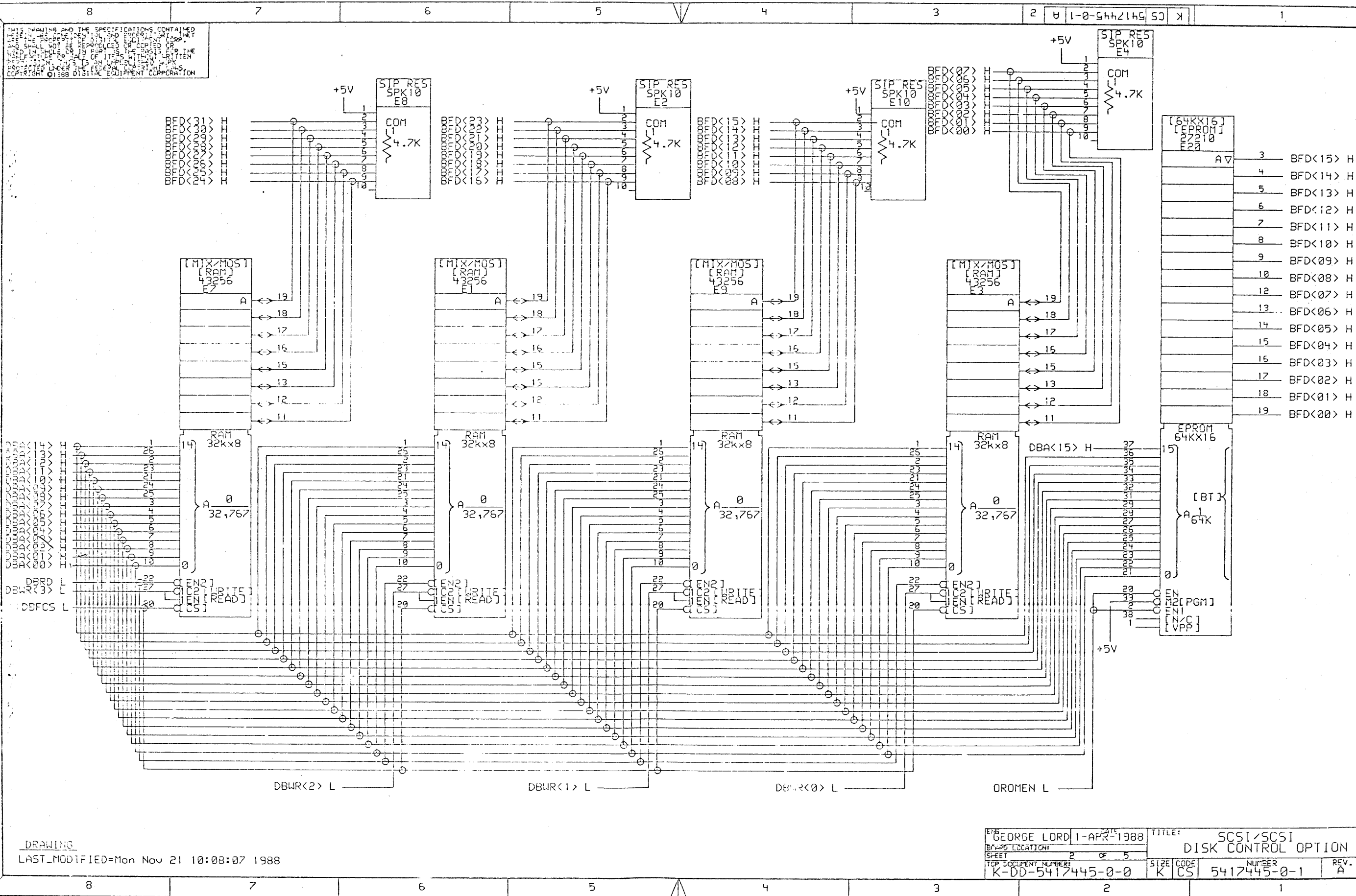
DRAWING  
 SC51DC  
 SC51DC  
 LAST\_MODIFIED=Fri Nov 18 09:58:03 1988

REVISION	CHK	CHANGE NO.	REV.

DESIGNED BY	DATE	ENGR.	DATE
AMY ASSBURY	1-APR-1988	George Lord	1-APR-1988
CHECKED BY	DATE	BOARD LOCATIONS	SHEET
AMY ASSBURY	1-APR-1988		5
TOP CLIENT NUMBER:		SIZE	CODE
K-00-5417445-0-0		K	CS

TITLE:		NUMBER	REV.
SCSI/SCSI		5417445-0-1	A
DISK CONTROL OPTION			

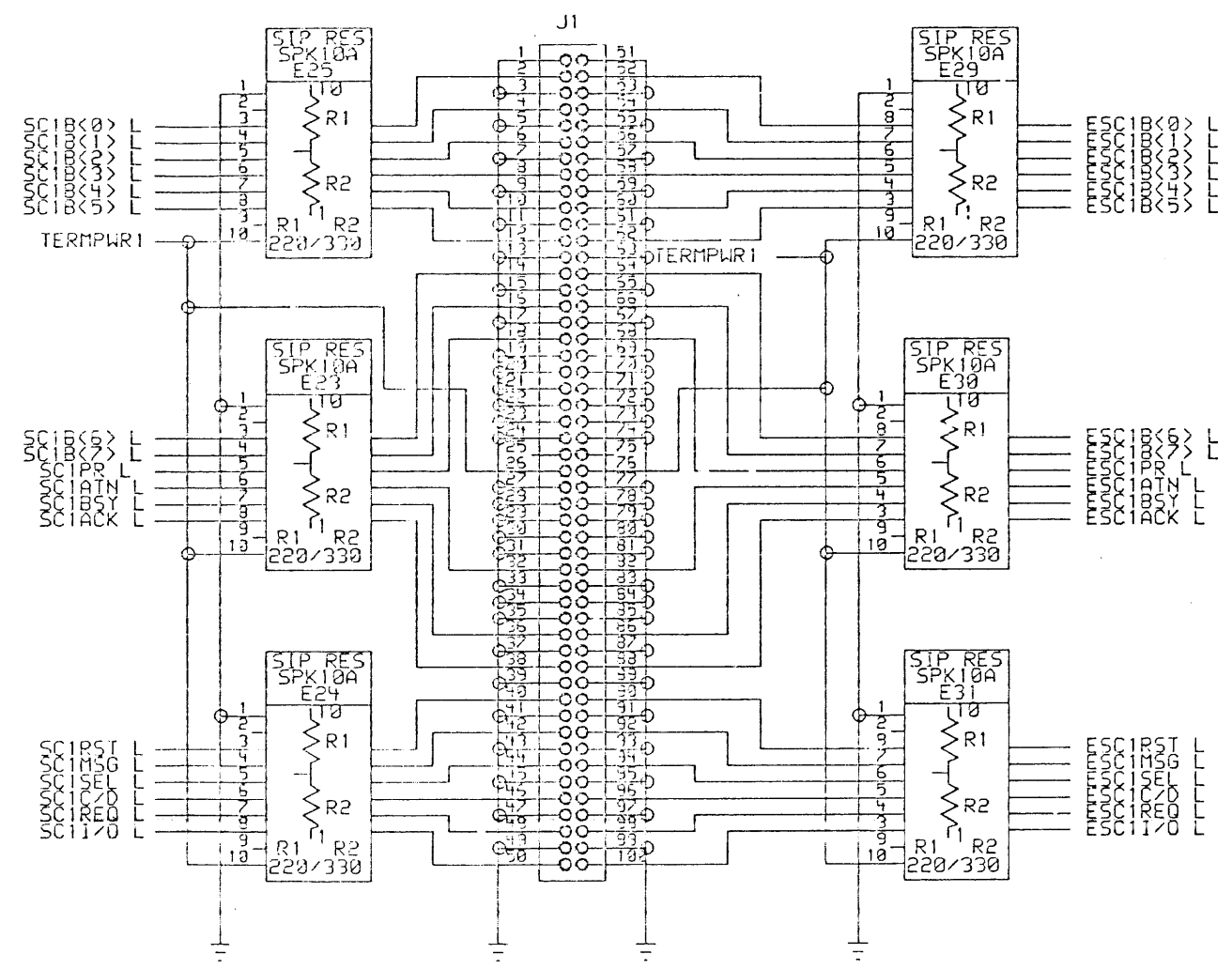
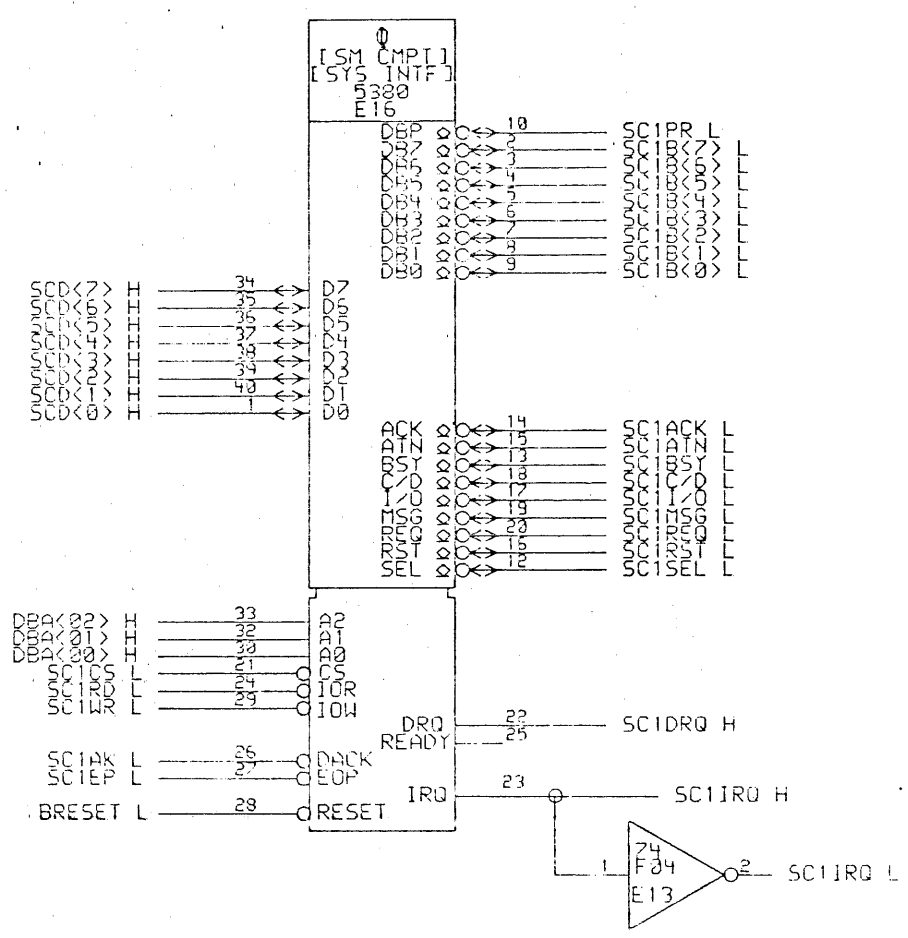
ALL DIMENSIONS AND THE SPECIFICATIONS CONTAINED HEREIN ARE THE PROPERTY OF DIGITAL EQUIPMENT CORPORATION. NO PART OF THIS DOCUMENT IS TO BE REPRODUCED OR TRANSMITTED IN ANY FORM OR BY ANY MEANS, ELECTRONIC OR MECHANICAL, INCLUDING PHOTOCOPYING, RECORDING, OR BY ANY INFORMATION STORAGE AND RETRIEVAL SYSTEM, WITHOUT PERMISSION IN WRITING FROM DIGITAL EQUIPMENT CORPORATION.



DRAWING  
 LAST\_MODIFIED=Mon Nov 21 10:08:07 1988

DATE: 1-APR-1988	TITLE: SCSI/SCSI DISK CONTROL OPTION
SHEET: 2 OF 5	SIZE: K CS
TOP DOCUMENT NUMBER: K-DD-5417445-0-0	NUMBER: 5417445-0-1
	REV: A

THIS DRAWING AND THE SPECIFICATIONS CONTAINED HEREIN ARE THE PROPERTY OF THE COMPANY AND ARE NOT TO BE REPRODUCED OR TRANSMITTED IN ANY FORM OR BY ANY MEANS, ELECTRONIC OR MECHANICAL, INCLUDING PHOTOCOPYING, RECORDING, OR BY ANY INFORMATION STORAGE AND RETRIEVAL SYSTEM, WITHOUT THE WRITTEN PERMISSION OF THE COMPANY.

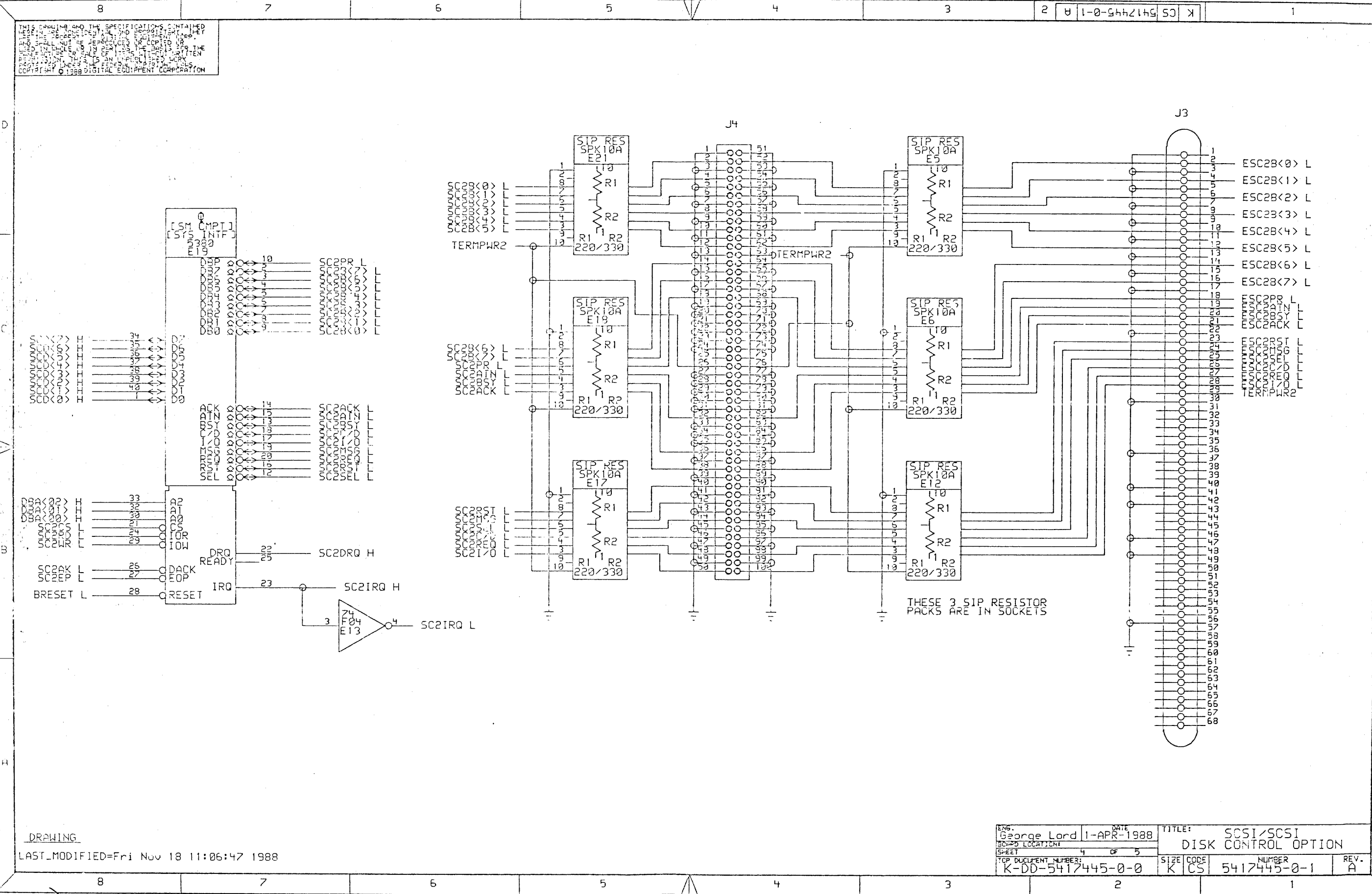


SYSTEM SCSI PORT

DRAWING  
 LAST\_MODIFIED=Fri Nov 18 11:03:46 1988

ENG. George Lord	DATE 1-APR-1988	TITLE: SCSI/SCSI DISK CONTROL OPTION
SHEET 3	OF 5	
TCP DOCUMENT NUMBER: K-DD-5417445-0-0	SIZE CODE K CS	NUMBER 5417445-0-1
		REV. A

THIS DRAWING IS TO THE SPECIFICATIONS CONTAINED THEREIN. THE USER SHALL BE RESPONSIBLE FOR OBTAINING THE NECESSARY PERMITS AND APPROVALS FROM THE LOCAL, STATE AND FEDERAL AGENCIES. THE USER SHALL BE RESPONSIBLE FOR OBTAINING THE NECESSARY PERMITS AND APPROVALS FROM THE LOCAL, STATE AND FEDERAL AGENCIES. THE USER SHALL BE RESPONSIBLE FOR OBTAINING THE NECESSARY PERMITS AND APPROVALS FROM THE LOCAL, STATE AND FEDERAL AGENCIES.

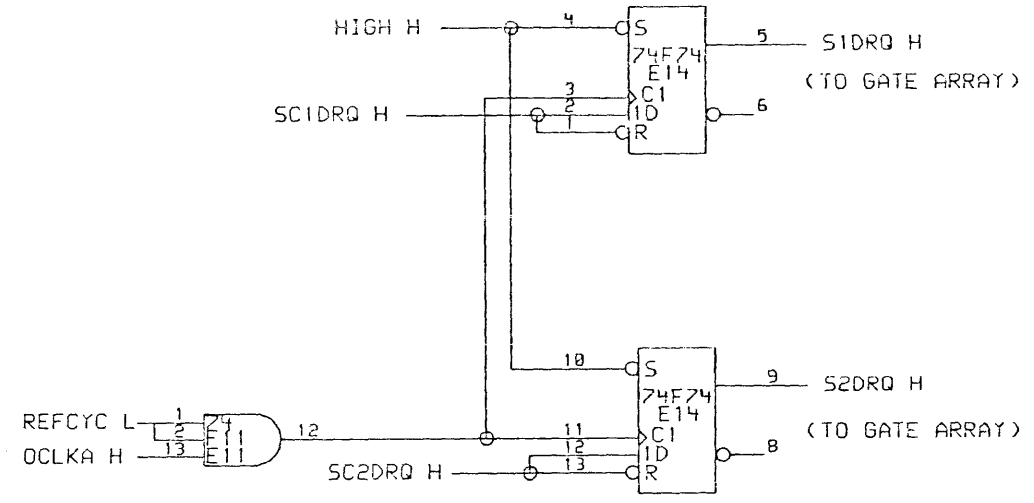


DRAWING  
 LAST\_MODIFIED=Fri Nov 18 11:06:47 1988

ENG. George Lord	DATE 1-APR-1988	TITLE: SCSI/SCSI DISK CONTROL OPTION
SHEET 4	OF 5	SIZE CODE K CS
TOP DOCUMENT NUMBER: K-DD-5417445-0-0	NUMBER 5417445-0-1	REV. A



THIS DRAWING AND THE SPECIFICATIONS CONTAINED HEREIN ARE THE PROPERTY OF DIGITAL EQUIPMENT CORPORATION. NO PART OF THIS DRAWING OR SPECIFICATIONS SHALL BE REPRODUCED OR COPIED IN ANY FORM OR BY ANY MEANS, ELECTRONIC OR MECHANICAL, INCLUDING PHOTOCOPYING, RECORDING, OR BY ANY INFORMATION STORAGE AND RETRIEVAL SYSTEM, WITHOUT PERMISSION IN WRITING FROM DIGITAL EQUIPMENT CORPORATION. © 1988 DIGITAL EQUIPMENT CORPORATION



DRAWING  
LAST MODIFIED=Fri Nov 18 11:17:18 1988

ENG.	DATE	TITLE:	SCSI/SCSI
George Lord	1-APR-1988	DISK CONTROL OPTION	
SHEET	5 OF 5	SIZE	CODE
TOP DOCUMENT NUMBER:	NUMBER	REV.	
K-DD-5417445-0-0	K CS 5417445-0-1	A	

DRAWING NO.	NO. SHTS	PART NO.	DESCRIPTION	REVISIONS			
		5417314-01	PVAX DISK CONTROLLER	A1	B1	C1	C2
		5417314-02	PVAX DISK CONTROLLER	A1	B1	C1	C2
		5417314-03	PVAX DISK CONTROLLER	A1	B1	C1	C2
		5417314-04	PVAX DISK CONTROLLER	A1	B1	C1	C2
D-UA-5417314-0-0	4		UNIT ASSEMBLY	A	A	A	A
K-CS-5417314-0-1	7		CIRCUIT SCHEMATICS	A	A	A	A
K-PL-5417314-0-DBP	2		PARTS LIST	A	B	C	D
K-CS-5417314-0-DBX			VALID DATABASE	A	A	A	A
K-PC-5417314-0-DBJ			PC DESIGN DATABASE	D	D	D	D
		5017313-01	ETCHED CIRCUIT BOARD	D1	D1	D1	D1
K-DD-5017313-0-0	1		DRAWING DIRECTORY	A	A	A	A

NOTES:

		A	B	C	D
R	E				
V					
R	E				
V	H				
I	S				
S	T				
I	O		1	2	3
O	R				
N	Y				
		D	0	0	0
		A	9	3	3
		T	/	/	/
		E	8	8	8
			8	9	9

THIS DRAWING AND THE SPECIFICATIONS CONTAINED HEREIN ARE CONFIDENTIAL AND PROPRIETARY. THEY ARE THE PROPERTY OF DIGITAL EQUIPMENT CORPORATION AND SHALL NOT BE REPRODUCED OR COPIED OR USED IN WHOLE OR IN PART AS THE BASIS FOR THE MANUFACTURE OR SALE OF ITEMS WITHOUT WRITTEN PERMISSION. THIS IS AN UNPUBLISHED WORK PROTECTED UNDER THE FEDERAL COPYRIGHT LAWS.

DRN: L. CUNNINGHAM	DATE: 09/23/88	d   i   g   i   t   a   l
CHK'D: B. CORMIER	DATE: 09/23/88	TITLE PVAX DISK CONTROLLER
DES.ENG.: A. ASBURY	DATE: 09/23/88	SHEET 1 OF 1
		EDIT: 9
RESP.ENG.: A. ASBURY	DATE: 09/23/88	DOCUMENT NUMBER
		DD FILENAME: 5417314D.DDF
MFG.ENG.: J. ZAMORA	DATE: 09/23/88	SIZE   CODE   NUMBER   REV
		K   DD   5417314-0-0   D

LINE ITEM	TOP DOCUMENT	PART NUMBER	MIN REV	DESCRIPTION	QTY PER VAR/REV				REFERENCE DESIGNATORS
					01 C2	02 C2	03 C2	04 C2	
1	D-MD-5017313-0-0	50-17313-01	D	CIRCUIT DRILL AND ETCH	1	1	1	1	
2		10-13466-07		220 PFD 50V +/- 5% NPO C	4	4	4	4	C16,C28-C30
3		10-14265-02		0.33 MFD 50V +80/-20% Z5U C	23	23	23	23	C1-C15,C17-C23,C27
4		10-17472-00		10 MFD 35V +75/-10% 85	3	3	3	3	C24-C26
5		11-05796-00		PIV= 400 IO= 1.00A 1N4004 DO-41	1	1	1	1	D1
6		12-30006-03		PCB HEADER 100POS .050CC STR	1	1	1	1	J8
7		12-10929-07		FUSE PICO 3.0 A 125V AXIAL LEA	1	1	1	1	F1
8		12-12965-00		*** THIS ITEM IS NOT USED ***	-	-	-	-	
9		12-15006-08		SKT,IC 40PIN DIP TIN SOLD	1	1	1	1	XE27
10		12-15341-06		PCB HEADER 34PIN(2X17).100CC STR	1	1	1	1	J9
11		12-15341-09		*** THIS ITEM IS NOT USED ***	-	-	-	-	
12		12-17535-01		SKT,IC 10PIN SIP TIN SOLD	3	-	3	-	XE5,XE9,XE15
13		12-18783-00		JUMPER 02POS(1X02).100CC	1	1	1	1	
14		12-21513-01		FILTER,EMI PC MTG	1	1	1	1	E24
15		12-29576-02		PCB HEADER 80POS(2X40).050CC 90D	1	1	1	1	J1
16		12-29857-01		CONN,KEY PLATE 68POS	1	1	1	1	
17		12-30008-01		CONN,D SUB 68POS 90D	1	1	1	1	J2
18		13-00229-00		100.0 .25 W 5.0 % CF	1	1	1	1	R17
19		13-00271-00		220.0 .25 W 5.0 % CF	1	1	1	1	R20
20		13-00295-00		330.0 .25 W 5.0 % CF	1	1	1	1	R18
21		13-00309-00		390.0 .25 W 5.0 % CF	2	2	2	2	R6,R9
22		13-00447-00		4.70 K .25 W 5.0 % CF	6	6	6	6	R3,R7,R8,R15,R16,R22
23		13-00479-00		10.0 K .25 W 5.0 % CF	1	1	1	1	R1
24		13-01317-00		10.0 .25 W 5.0 % CF	3	3	3	3	R5,R11,R19
25		13-12114-01		R. NET 470.0 - 8 5.0	1	1	1	1	E18
26		13-16334-02		R. NET 10.0K- 9 2.0	1	1	1	1	E20
27		13-16395-00		R. NET 4.7K- 9 2.0	4	4	4	4	E31,E33,E37,E39
28		13-24050-01		R. NET 220.0 - 8 330.0 - 8 2.0	6	-	6	-	E1,E5,E6,E9,E10,E15
		CONT			-	3	-	3	E1,E6,E10
29		16-18238-02		BEAD,FERRITE .1380DX.330LG	3	3	3	3	L1-L3

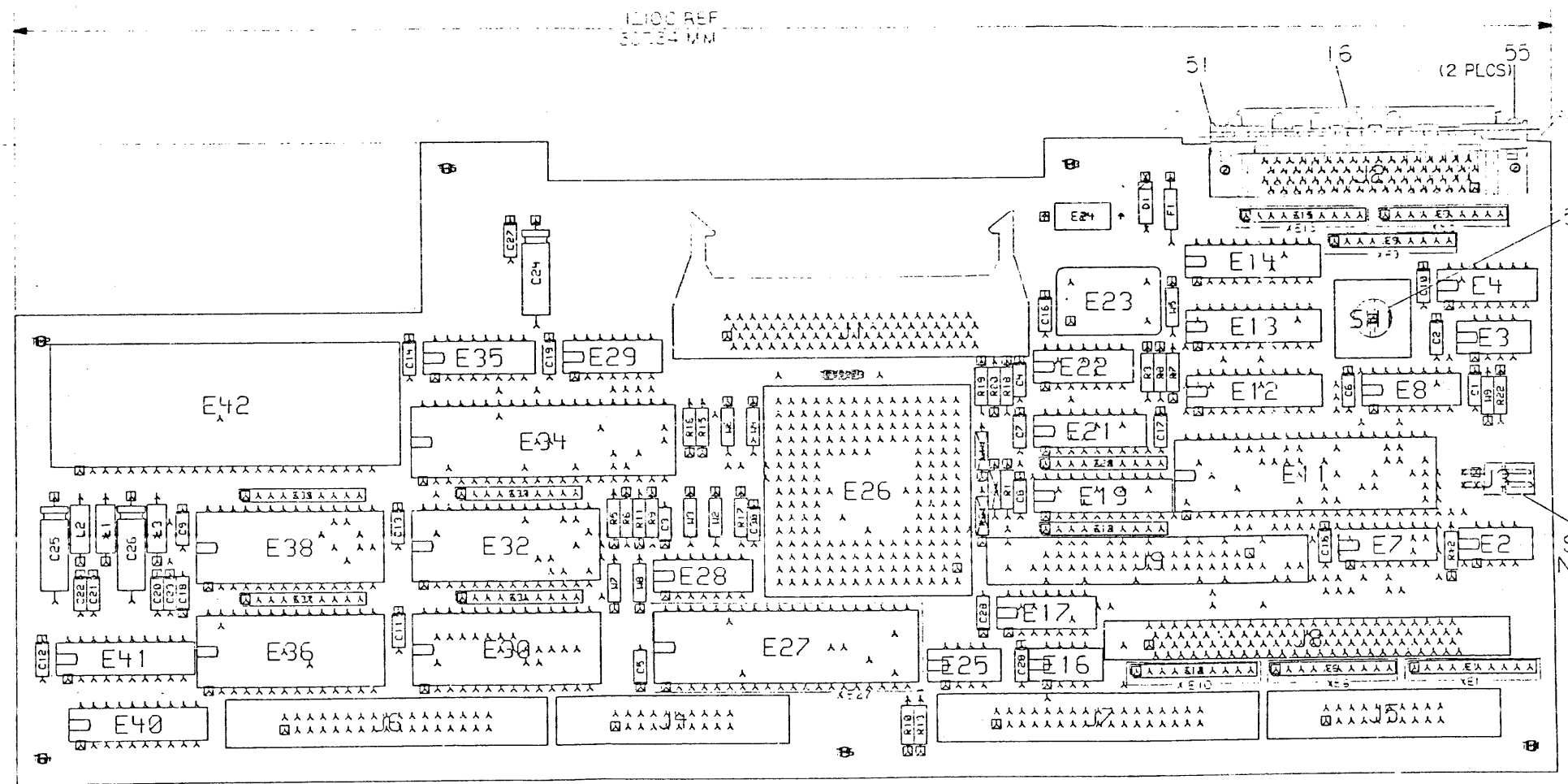
REVISION HISTORY			KPL MODULE FORMAT!SECTION A OF A!DRN: B.OUELLETTE		D I G I T A L					
ENG	ECO NUMBER	REV	SECTION/VARIATION INDEX		DATE: 15-AUG-88	TITLE PARTS LIST				
---	INITIAL	A	[A]	01,02,03,04	[M]	CHK'D: B.OUELLETTE	PVAX DISK CONTROLLER			
L.N	5417314-ML001	B	[B]		[N]	DATE: 23-SEP-88				
L.N	5417314-ML002	C	[C]		[P]	DES.ENG: A.ASBURY				
LN	5417314-ML003	D	[D]		[Q]	DATE: 23-SEP-88	DOCUMENT NUMBER			
			[E]		[R]		SIZE!CODE!	NUMBER	REV	
			[F]		[S]	RESP.ENG.: A.ASBURY	K	PL	5417314-0-DBP	D
			[H]		[T]	DATE: 23-SEP-88	RELEASE DATE: 18-APR-89			
			[J]		[V]		RELEASE STATUS: RELEASED			
			[K]		[W]	MFG.ENG: J. ZAMORA				
			[L]		[Y]	DATE: 23-SEP-88				
BASIC PART NUMBER:			ASSEMBLY NUMBER:		TOP DOCUMENT NUMBER:			EDIT #		
5417314			D-UA-5417314-0-0		K-DD-5417314-0-0			1		
FILE NAME: MLA1408D.PLS										

"THIS DRAWING AND THE SPECIFICATIONS CONTAINED HEREIN ARE CONFIDENTIAL AND PROPRIETARY. THEY ARE THE PROPERTY OF DIGITAL EQUIPMENT CORPORATION AND SHALL NOT BE REPRODUCED OR COPIED OR USED IN WHOLE OR IN PART AS THE BASIS FOR THE MANUFACTURE OR SALE OF ITEMS WITHOUT WRITTEN PERMISSION. THIS IS AN UNPUBLISHED WORK PROTECTED UNDER THE FEDERAL COPYRIGHT LAWS."

LINE	ITEM	TOP DOCUMENT	PART NUMBER	MIN REV	DESCRIPTION	QTY PER VAR/REV				REFERENCE DESIGNATORS
						01 C2	02 C2	03 C2	04 C2	
30	30		18-14057-00		OSCILLATOR, XTAL 40.000 MHZ	1	1	1	1	E23
31	31		19-10545-00		74S112 FF-JK DUAL,EDGE TRIG	1	1	1	1	E21
32	32		19-12843-00		LS139 DECODER, 2 OF 4(DUAL	1	1	1	1	E35
33	33		19-12863-00		LS273 FF-D OCTAL W/CLEAR	2	2	2	2	E13,E41
34	34		19-13414-00		LS14 INVERTER GATE-HEX SC	1	1	1	1	E7
35	35		19-13777-00		LS240 DRIVER,LINE,OCTAL,TR	1	1	1	1	E14
36	36		19-15417-00		*** THIS ITEM IS NOT USED ***	-	-	-	-	
37	37		19-15932-00		LS125 BUFFER,QUAD BUS	1	1	1	1	E29
38	38		19-19542-01		*** THIS ITEM IS NOT USED ***	-	-	-	-	
39	39		19-20572-01		74F244 BUFFER/LINE DRIVER,0	1	1	1	1	E19
40	40		19-21008-01		74F240 BUFFER/LINE DRIVER,I	2	2	2	2	E12,E40
41	41		19-21305-01		74F00 NAND GATE,QUAD,2-IN	1	1	1	1	E22
42	42		19-21308-01		74F08 AND GATE,QUAD,2-IN	1	1	1	1	E8
43	43		19-21312-01		74F32 OR GATE,QUAD,2-IN	1	1	1	1	E28
44	44		19-21315-01		74F86 EXCLUSIVE OR GATE,QU	2	2	2	2	E4,E17
45	45		20-28965-01		HYBRID,LEVEL SHIFTER+VCO,COMPONE	1	1	-	-	E42
46	46		21-24192-01		9224 CONTROLLER,DISK	1	1	1	1	E34
47	47		21-25351-01		INTERFACE CHIP (SCSI	1	1	1	1	E11
48	48		21-26307-05		STATIC RAM 32768X8BI	4	4	4	4	E30,E32,E36,E38
49	49		21-29556-01		DC7123 GATE ARRAY 180 PGA	1	1	1	1	E26
50	50		23-4E8 -00 A		*** THIS ITEM IS NOT USED ***	-	-	-	-	
51	51		74-37506-01		GASKET,OPTION	1	1	1	1	
52	52		90-09116-01		SCREW,CAPTIV ASSY 6-32	1	1	1	1	
53	53		90-09149-00		PIN,STAKNG 0.0250DX0.345LG SQUAR	3	3	3	3	TP1-TP3
54	54		90-09185-00		JUMPER, WIRE, INSULATED, BLACK B	8	8	8	8	W2-W9
55	55		90-10917-01		SCREW,MACH FLAT,THD.METRIC 02.	2	2	2	2	
56	56		23-22E8 -00 A		*** THIS ITEM IS NOT USED ***	-	-	-	-	
57	57		23-27E8 -00 A		E8-02 NMOS-U	1	1	1	1	E27

D	I	G	I	T	A	L	TITLE		SECTION A	OF A	SIZE	CODE	DOCUMENT NUMBER	REV
							PVAX DISK CONTROLLER				K	PL	5417314-0-DBP	D

THIS DRAWING AND SPECIFICATIONS HEREBY ARE THE PROPERTY OF DIGITAL EQUIPMENT CORPORATION AND SHALL NOT BE REPRODUCED OR COPIED IN WHOLE OR IN PART AS THE BASIS FOR THE MANUFACTURE OR SALE OF ITEMS WITHOUT WRITTEN PERMISSION.  
 COPYRIGHT © 1988 DIGITAL EQUIPMENT CORPORATION



NOTES:  
 1. INSTALL ITEM 13 OVER BOTTOM TWO PINS (PIN 1 & 21 OF J3).  
 2. ...  
 3. R3, R14, R21 ARE NOT INSTALLED.

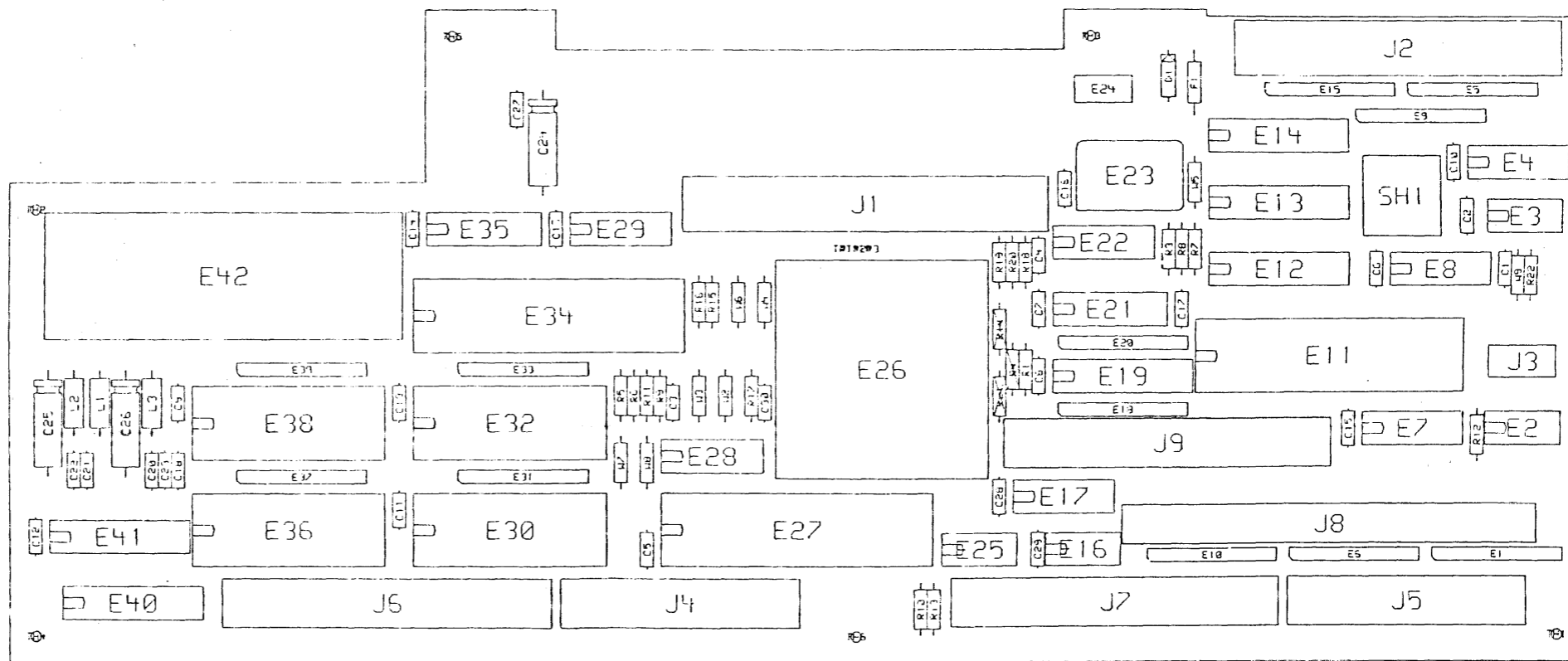
STEP	↑ Y AXIS	STEP	TIMES
REPEAT	→ X AXIS	STEP	TIMES

CHK CHANGE NO	REV
586	A

ETCH REV.	01
-----------	----

SIGNATURES		DATE	digital
DRN. R. KIMBALL		12 AUG 88	
CHK D. ...		12 AUG 88	TITLE PVAX DISK CONTROLLER
MECH. ENG. ...		11 JUL 88	
PROJ. ENG. ...		11 JUL 88	
PROD. Jans, Zou, A. (L)		1988	SIZE CODE NUMBER REV 0 UA 5417314-0-0 A
SCALE 2:1			
SHT. 1 OF 4			
NEXT HIGHER ASSY. K-DD-5417314-0-0			

THIS DRAWING AND SPECIFICATIONS HEREBY ARE THE PROPERTY OF DIGITAL EQUIPMENT CORPORATION AND SHALL NOT BE REPRODUCED OR TRANSMITTED IN ANY FORM OR BY ANY MEANS, ELECTRONIC OR MECHANICAL, INCLUDING PHOTOCOPYING, RECORDING, OR BY ANY INFORMATION STORAGE AND RETRIEVAL SYSTEM, WITHOUT PERMISSION IN WRITING FROM DIGITAL EQUIPMENT CORPORATION.



NO. 151			
STEP	↑ Y AXIS	STEP	TIMES
REPEAT	→ X AXIS	STEP	TIMES

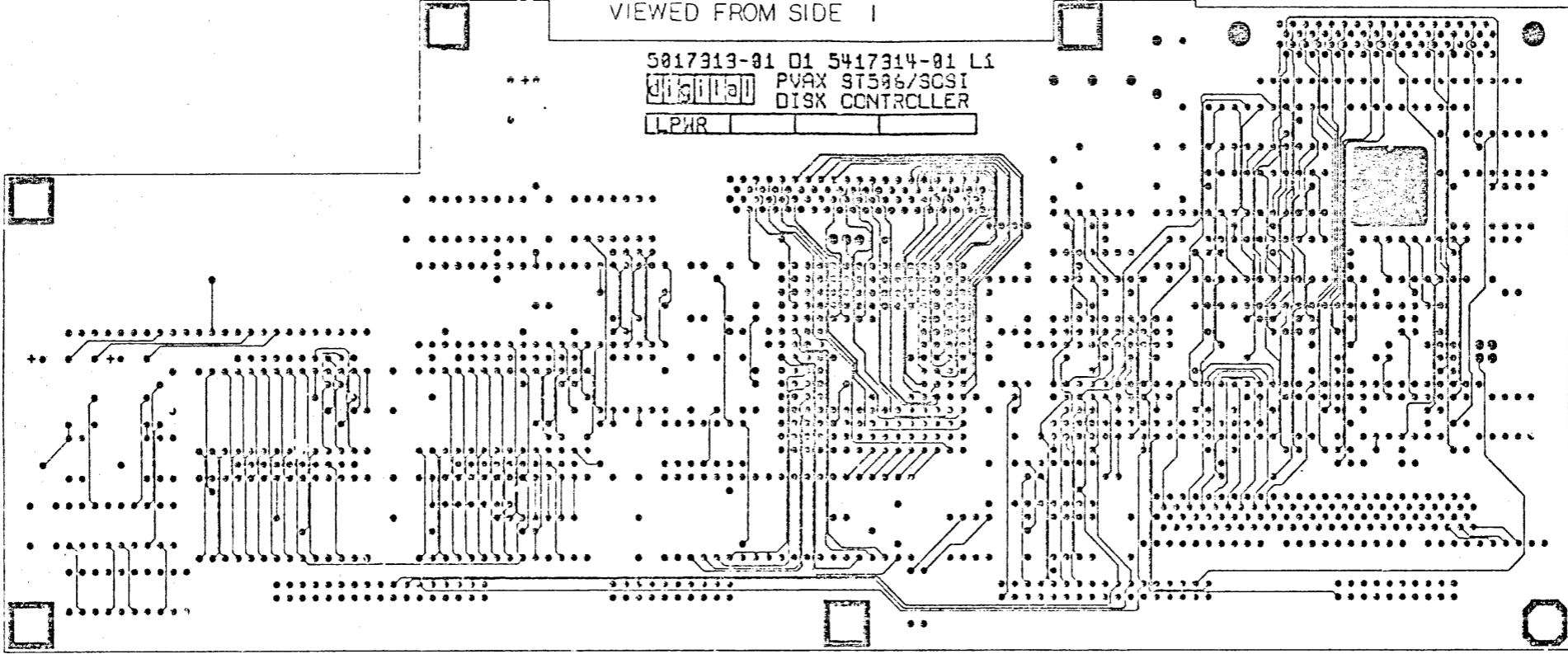
CHK	CHANGE	NO	REV

SIGNATURES	DATE	digital	TITLE PVAX DISK CONTROLLER
DRN. R. KIMBALL	(DATE)		
CHK D. S. [unclear]	(DATE)		
MECH. ENG.			
PROJ. ENG.			
PROG.			
SCALE 2/1		SIZE CODE	NUMBER
SHT. 2 OF 4		D UA	5417314-0-0
NEXT HIGHER ASSY. K-00-5417314-3-0			REV. A

THIS DRAWING AND SPECIFICATIONS HEREIN ARE THE PROPERTY OF DIGITAL EQUIPMENT CORPORATION AND SHALL NOT BE REPRODUCED, COPIED, REUSED, IN WHOLE OR IN PART, AS THE BASIS FOR THE MANUFACTURE OR SALE OF "LIKE A-KIND" WITHOUT PERMISSION.  
 COPYRIGHT © 1988 DIGITAL EQUIPMENT CORPORATION

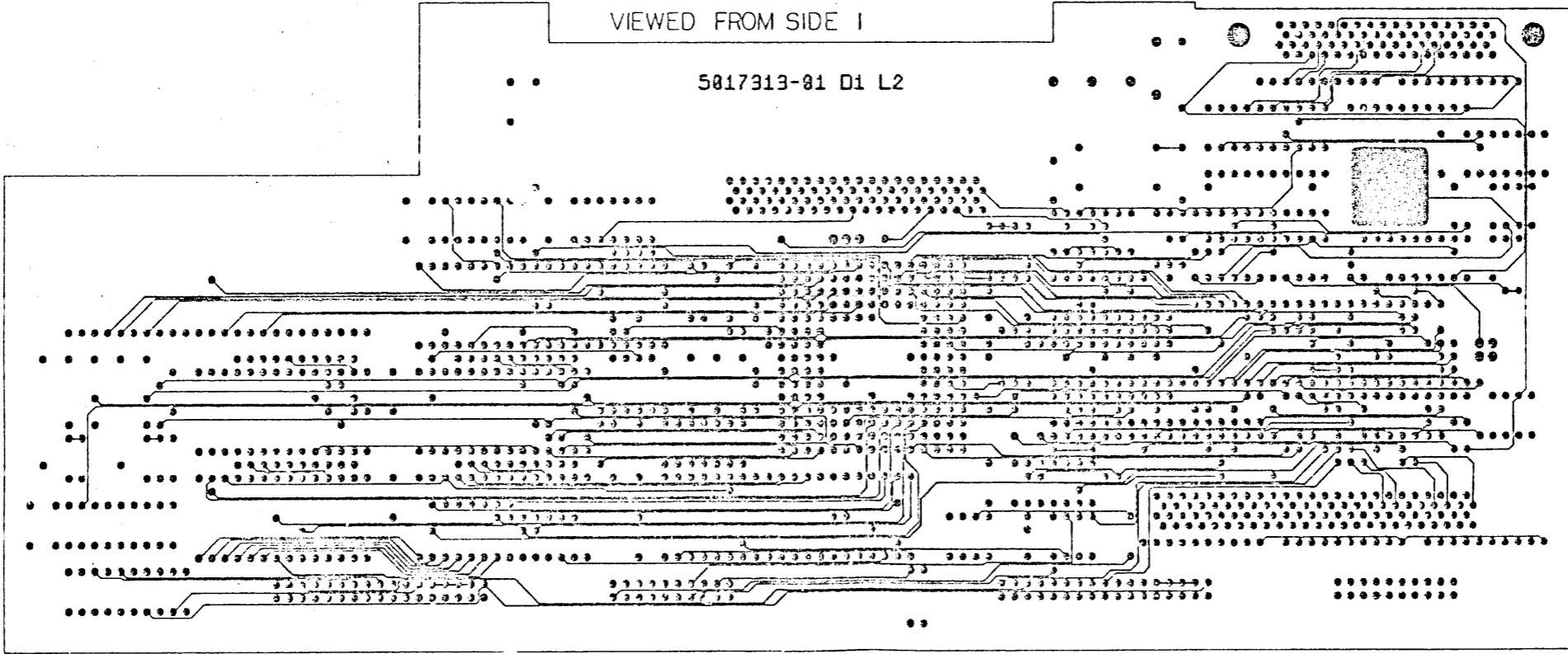
VIEWED FROM SIDE 1

5017313-01 D1 5417314-01 L1  
 PVAX ST506/SCSI  
 DISK CONTROLLER  
 LPHR



VIEWED FROM SIDE 1

5017313-01 D1 L2



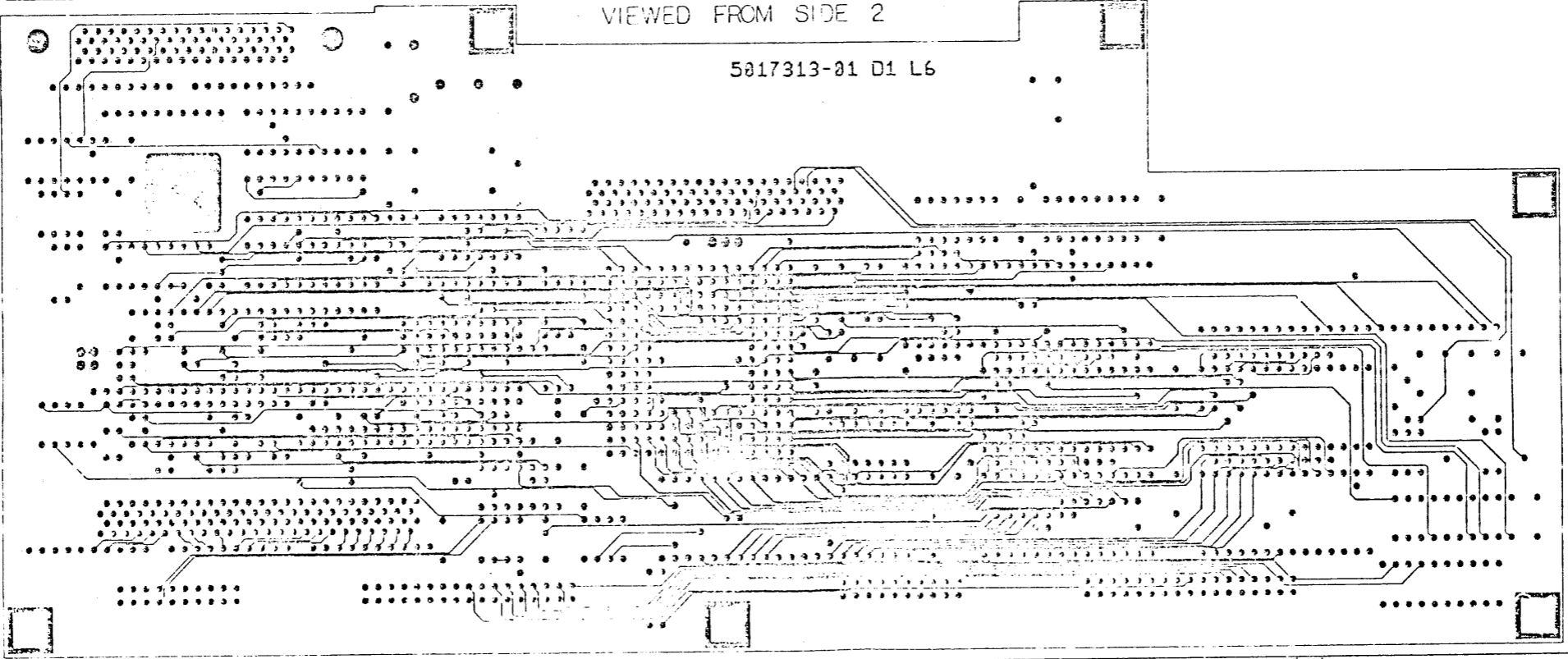
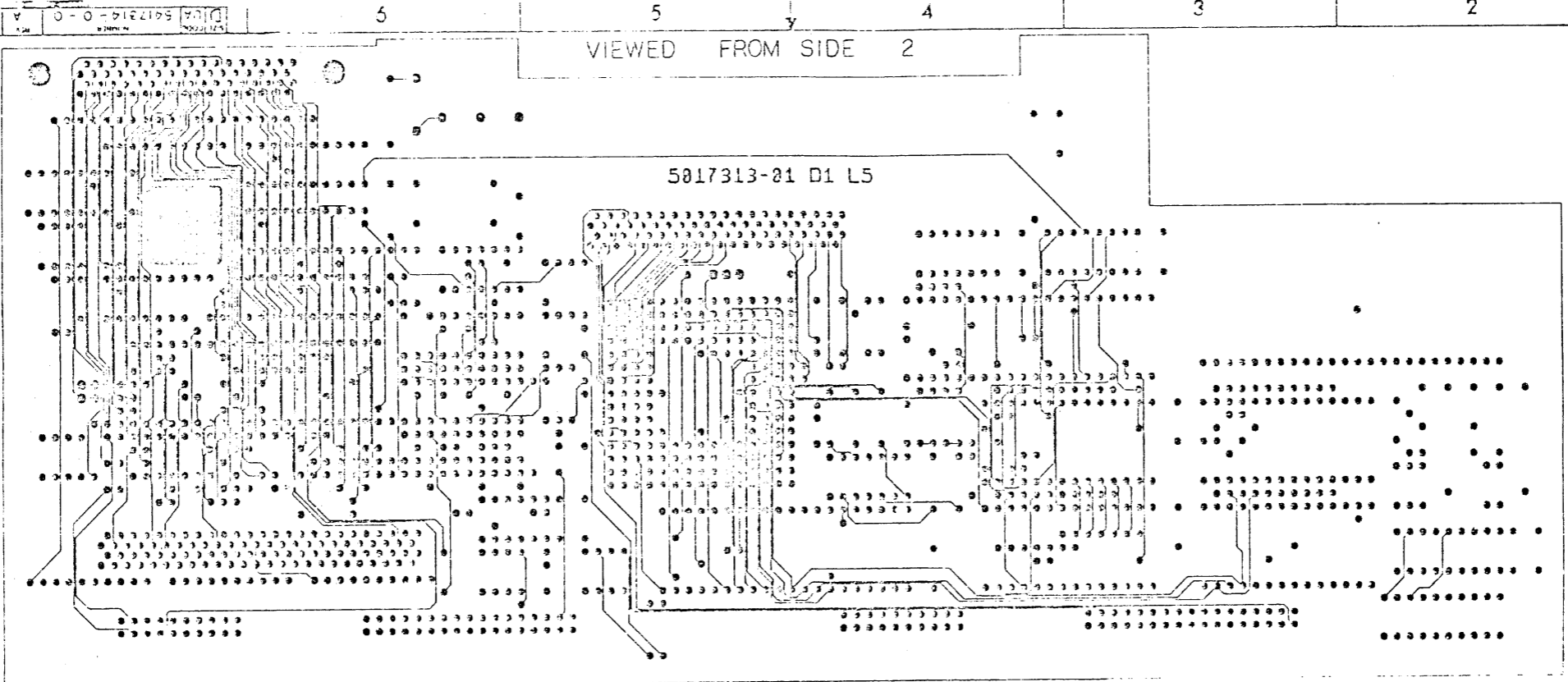
REVISION HISTORY		
DATE	ECO NUMBER	REV

TITLE PVAX  
 DISK CONTROLLER

DOCUMENT NUMBER		
SIZE CODE	NUMBER	REV
D	UA 5417314-0-0	A
SCALE 2 1	SHEET 3	OF 4

REV A  
 NUMBER  
 DUA 5417314-0-0

THIS DRAWING AND SPECIFICATIONS HERIN ARE THE PROPERTY OF DIGITAL EQUIPMENT CORPORATION AND SHALL BE MANUFACTURED IN ACCORDANCE WITH THE DRAWING AS SHOWN. NO PARTS SHALL BE MANUFACTURED OR USED IN ANY MANNER WITHOUT WRITTEN PERMISSION FROM DEPT. 1000  
 1988 DIGITAL EQUIPMENT CORPORATION



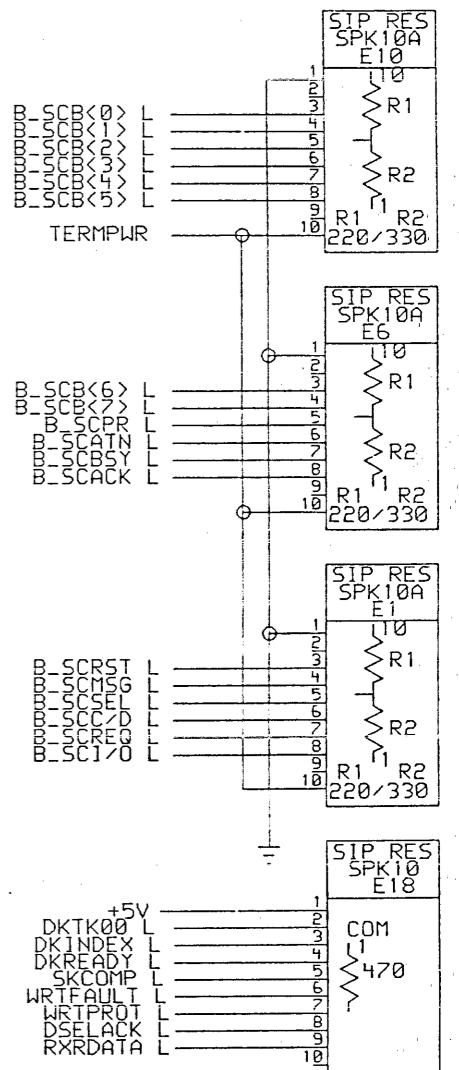
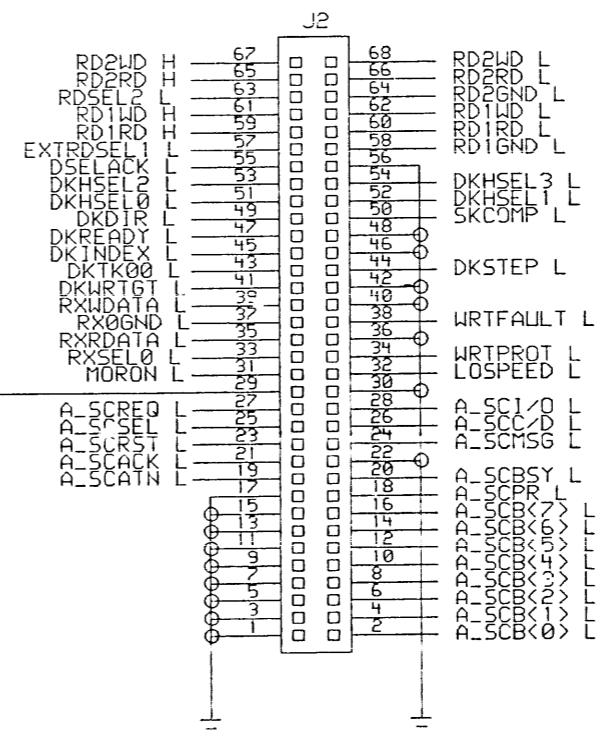
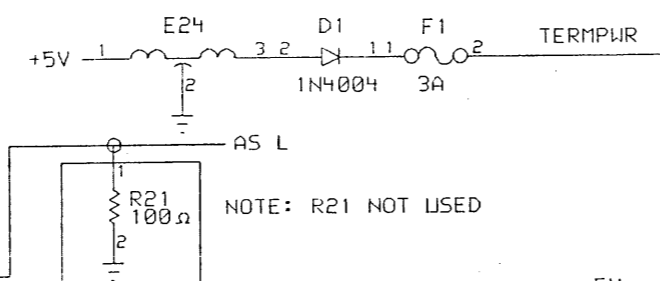
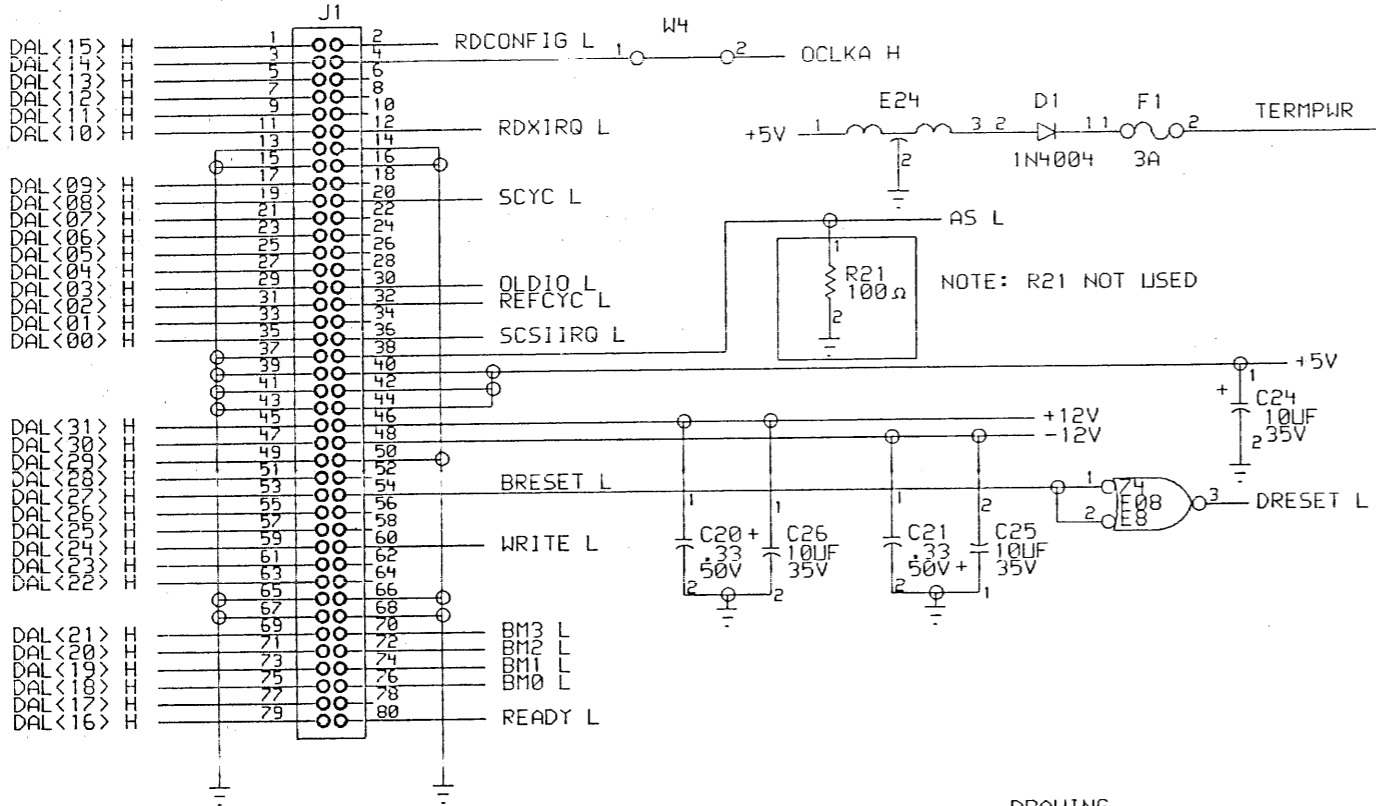
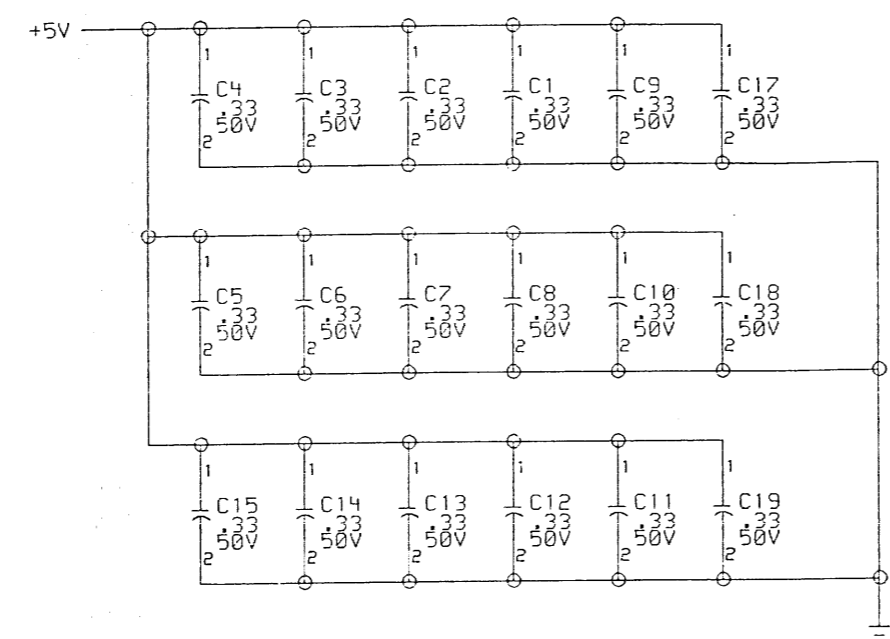
REVISION HISTORY		
DATE	ECO NUMBER	REV

TITLE PVAX  
 DISK CONTROLLER

DOCUMENT NUMBER		
SIZE CODE	NUMBER	REV
DUA	5417314-0-0	A
SCALE	2:1	SHEET 4 OF 4

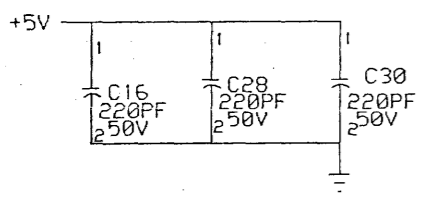
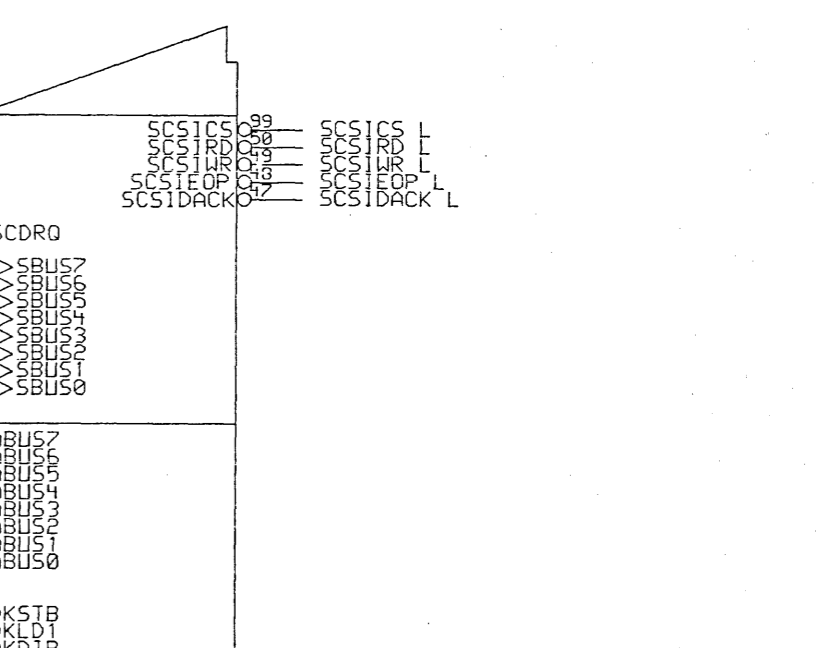
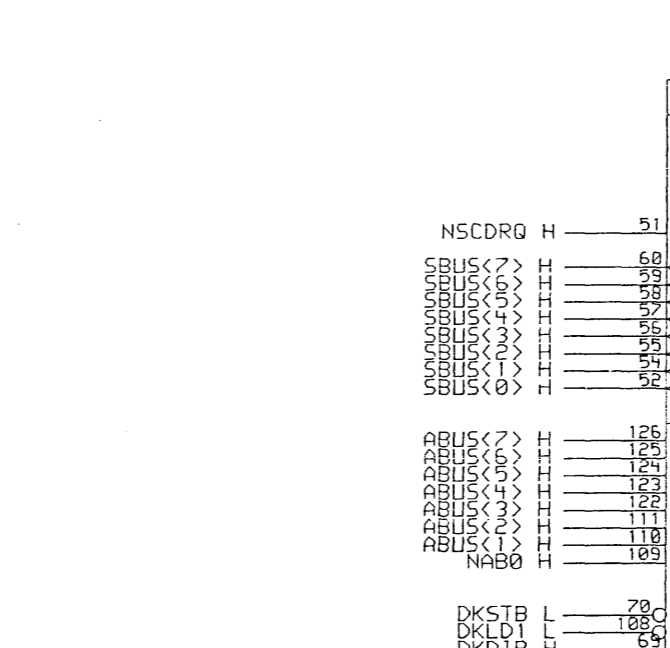
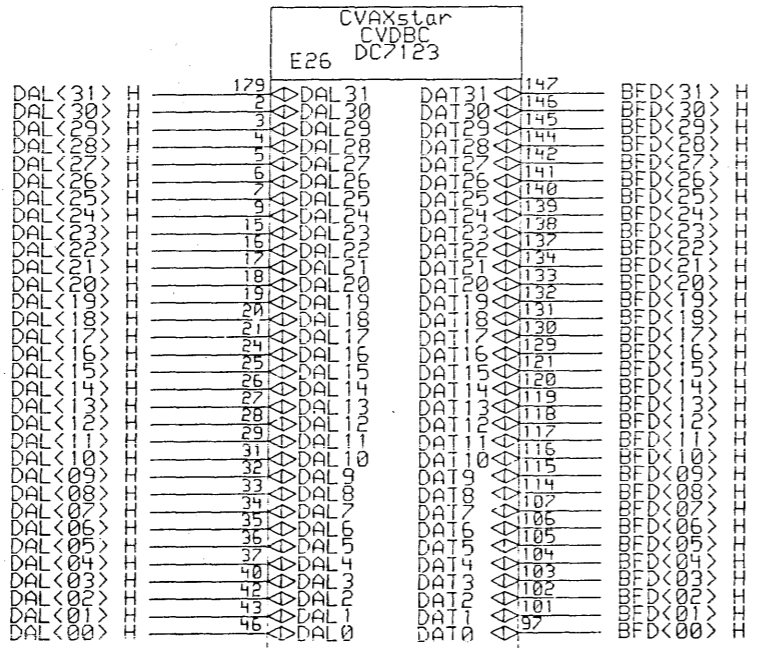
DUA 5417314-0-0-A



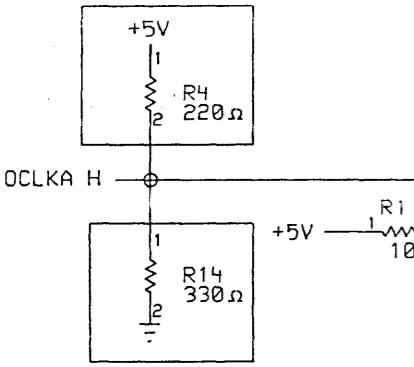


DRAWING  
TITLE=PVAXDC  
ABBREV=PVAXDC  
LAST\_MODIFIED=Fri Sep 30 14:02:44 1988

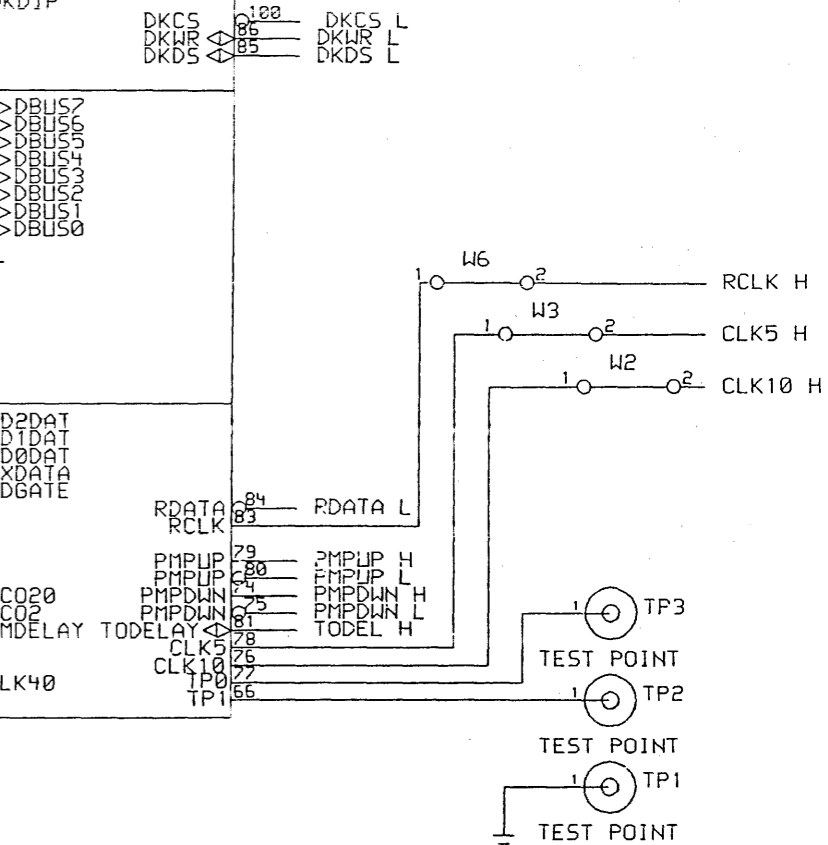
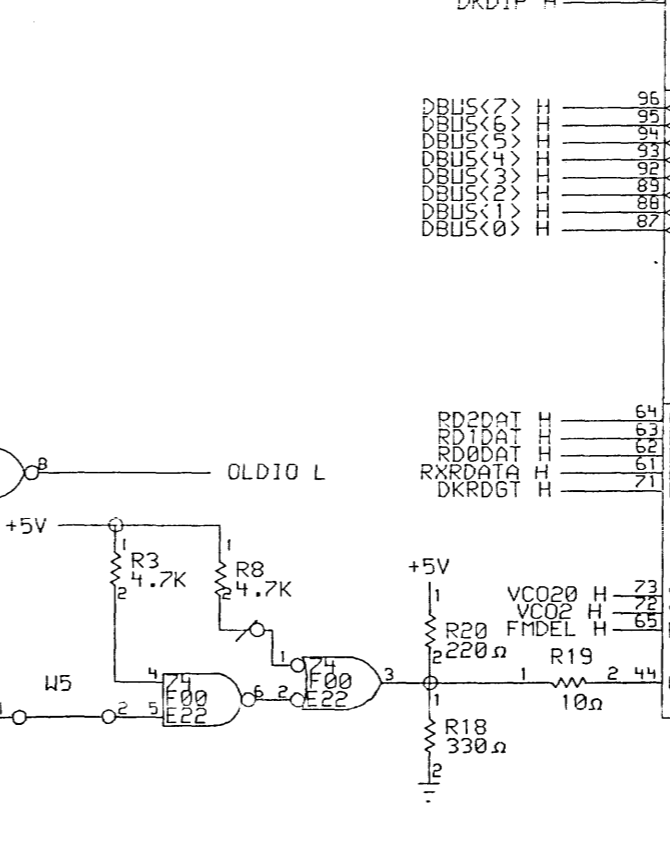
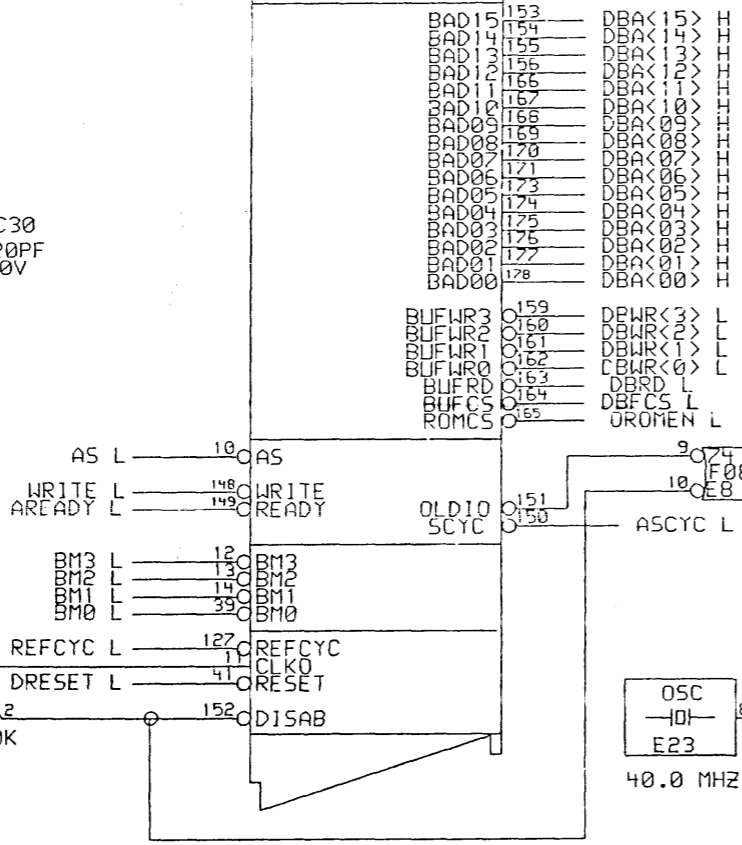
THIS DRAWING AND THE SPECIFICATIONS CONTAINED HEREIN ARE CONFIDENTIAL AND PROPRIETARY. THEY ARE THE PROPERTY OF DIGITAL EQUIPMENT CORP. AND SHALL NOT BE REPRODUCED OR COPIED OR USED IN WHOLE OR IN PART AS THE BASIS FOR THE MANUFACTURE OR SALE OF ITEMS WITHOUT WRITTEN PERMISSION. THIS IS AN UNPUBLISHED WORK REGISTERED UNDER THE FEDERAL COPYRIGHT LAWS. COPYRIGHT © 1988 DIGITAL EQUIPMENT CORPORATION



NOTE: R4 NOT USED



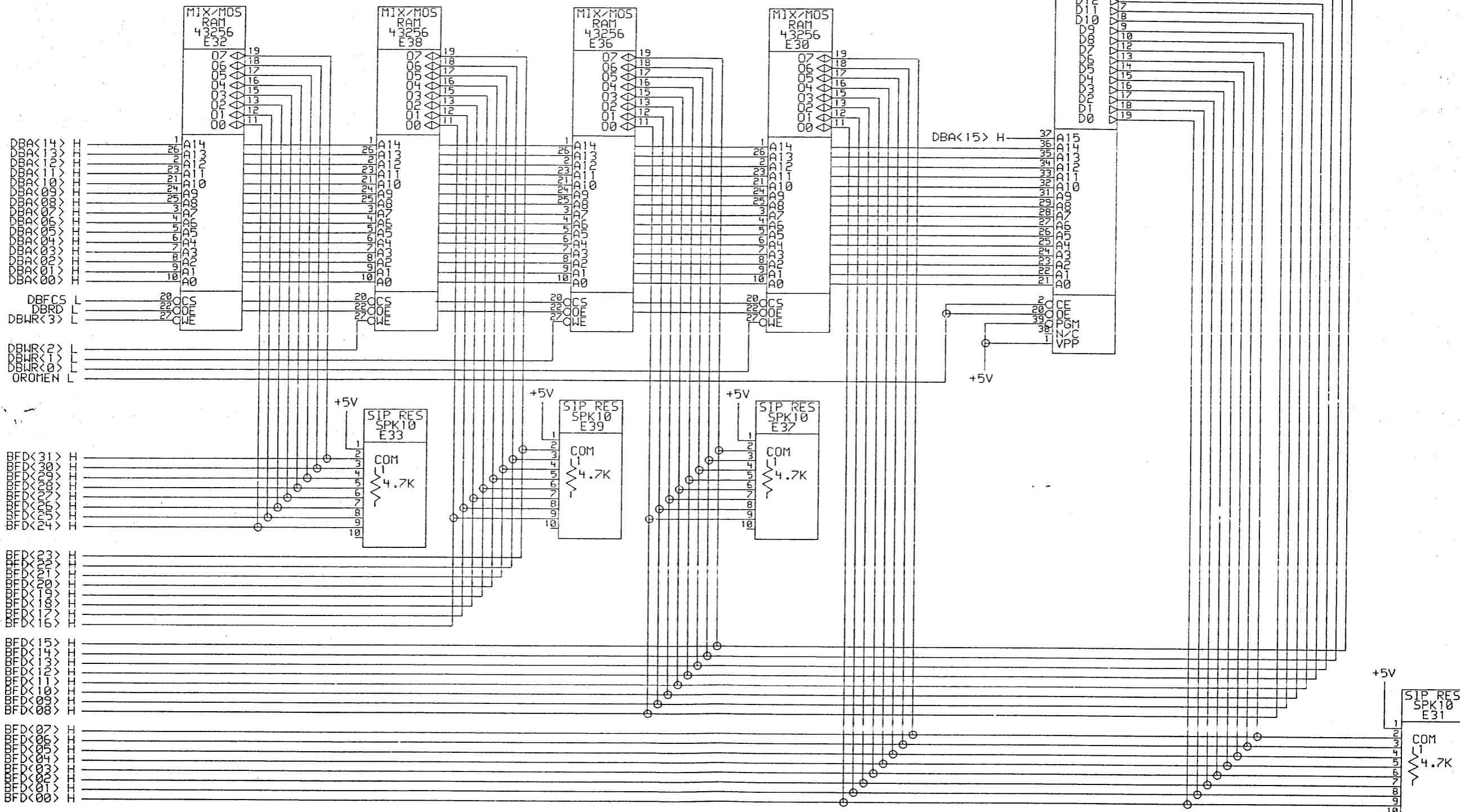
NOTE: R14 NOT USED



DRAWING LAST\_MODIFIED=Mon Sep 26 09:12:06 1988

ENG: GEORGE LORD	DATE: 21-JUL-87	TITLE: PVAX DISK CONTROLLER
BOARD LOCATION:	SHEET 2 OF 7	SIZE: K CS
TOP DOCUMENT NUMBER: K-DD-5417314-0-0	NUMBER: 5417314-0-1	REV: A

THIS DRAWING AND THE SPECIFICATIONS CONTAINED HEREIN ARE UNCLASSIFIED AND UNPROTECTED BY THE PROVISIONS OF 18 USC 8635A. IT IS TO BE REPRODUCED OR COPIED OR USED IN WHOLE OR IN PART AS THE BASIS FOR THE MANUFACTURE OR SALE OF ITEMS WITHOUT WRITTEN PERMISSION. THIS IS AN UNPUBLISHED WORK PROTECTED UNDER THE FEDERAL COPYRIGHT LAWS. COPYRIGHT © 1988 DIGITAL EQUIPMENT CORPORATION

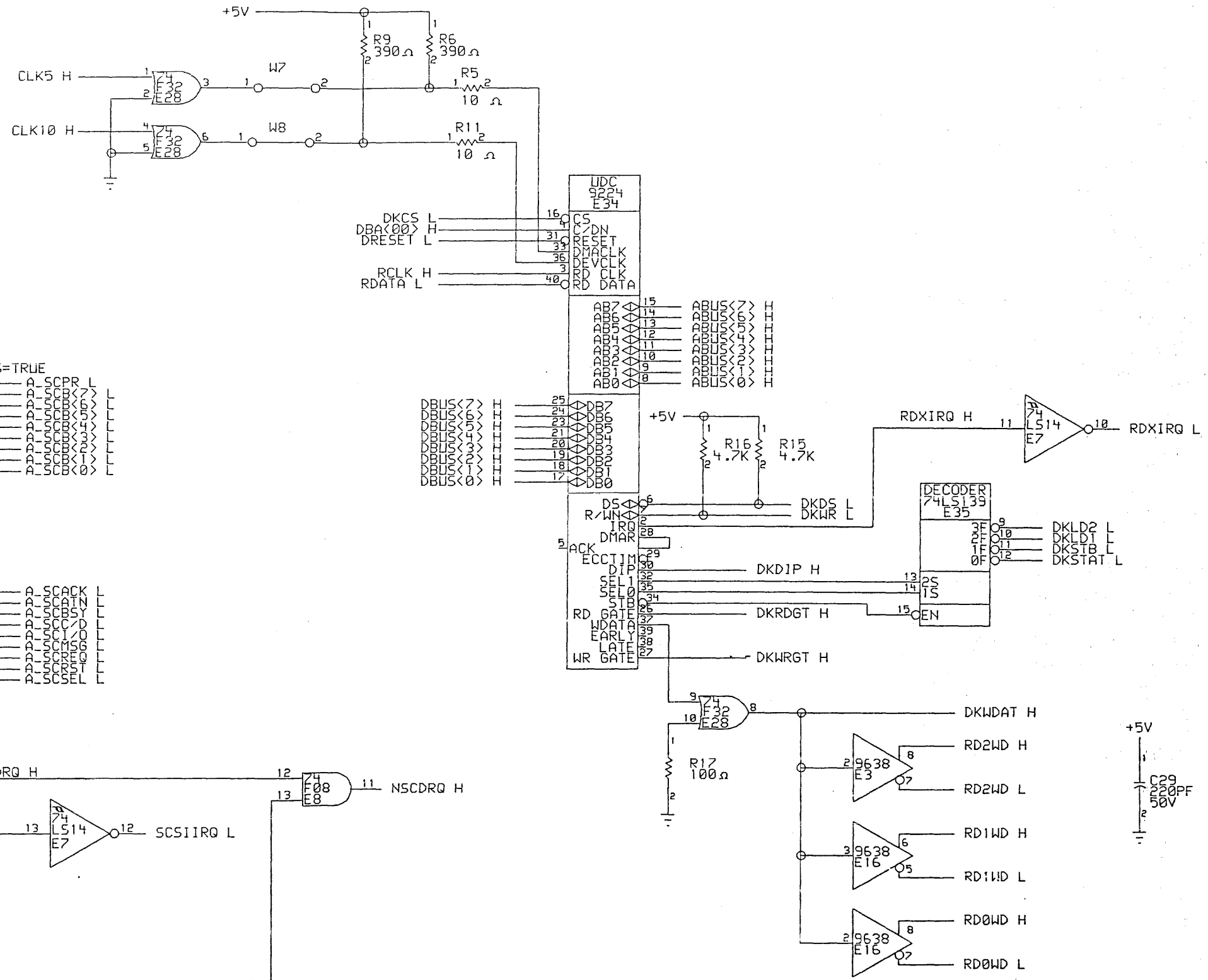


DRAWING

LAST\_MODIFIED=Mon Sep 26 09:11:03 1988

ENG. GEORGE LORD	21-JUL-87	TITLE: PVAX DISK CONTROLLER
BOARD LOCATION: 3	OF 7	SIZE CODE K CS
SHEET		NUMBER 5412314-0-1
TOP DOCUMENT NUMBER: K-DD-5412314-0-0		REV. A

THIS DRAWING AND THE SPECIFICATIONS CONTAINED HEREIN ARE THE PROPERTY OF DIGITAL EQUIPMENT CORPORATION AND SHALL NOT BE REPRODUCED OR COPIED OR USED IN WHOLE OR IN PART AS THE BASIS FOR THE MANUFACTURE OR SALE OF ITEMS WITHOUT WRITTEN PERMISSION. THIS IS AN UNPUBLISHED WORK PROTECTED UNDER THE FEDERAL COPYRIGHT LAWS. COPYRIGHT © 1988 DIGITAL EQUIPMENT CORPORATION



DRAWING

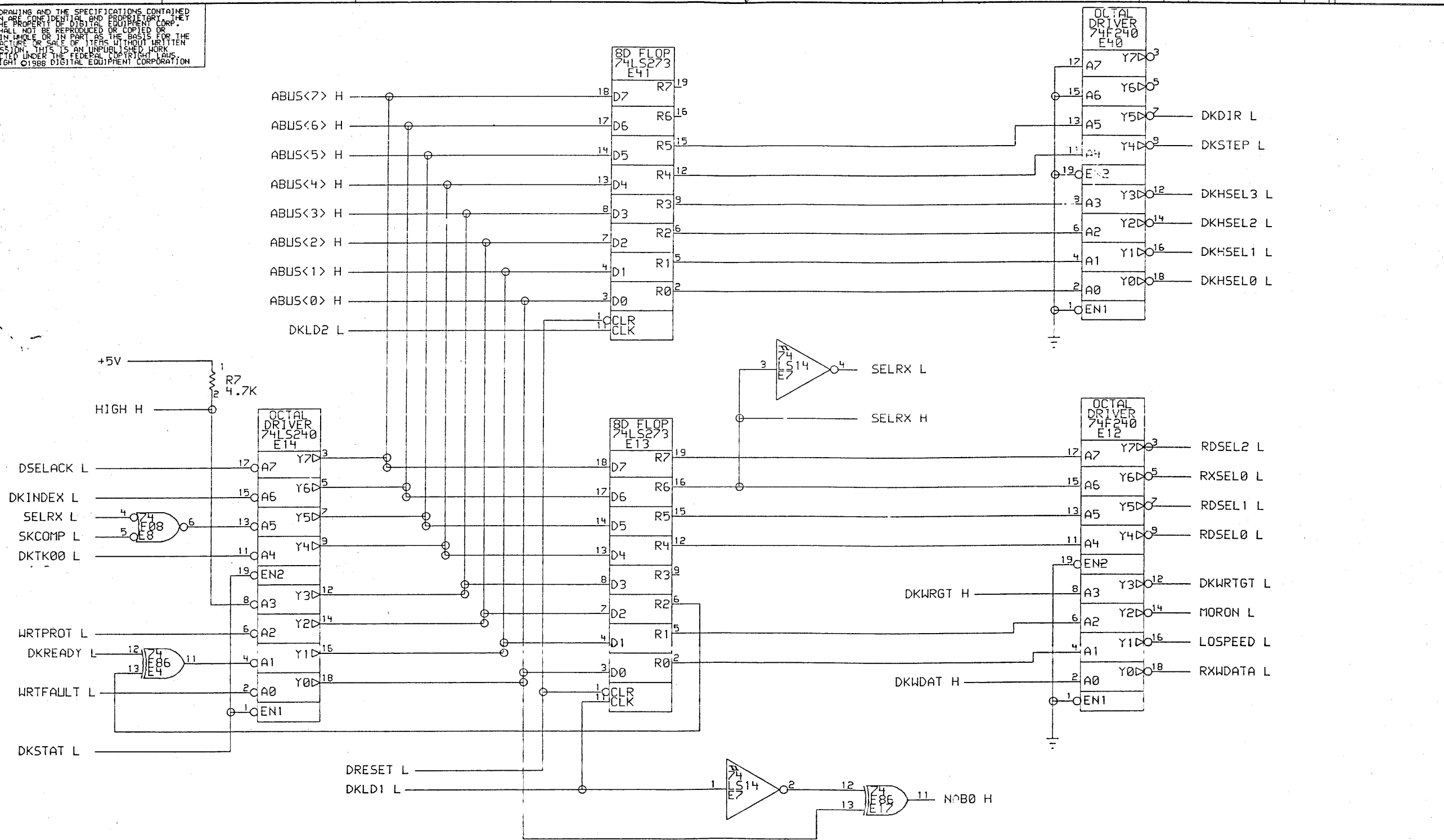
ENG: GEORGE LORD	DATE: 21-05-87	TITLE: PVAX DISK CONTROLLER
BOARD LOCATION: 4	OF: 7	
SHEET: 4	OF: 7	
TOP DOCUMENT NUMBER: K-DD-5417314-0-0	SIZE: K	CODE: CS
	NUMBER: 5417314-0-1	REV: A

LAST\_MODIFIED=Mon Sep 26 09:29:28 1988

THIS DRAWING AND THE SPECIFICATIONS CONTAINED HEREIN ARE CONFIDENTIAL AND PROPRIETARY. THEY ARE THE PROPERTY OF DIGITAL EQUIPMENT CORP. AND SHALL NOT BE REPRODUCED OR COPIED OR USED IN WHOLE OR IN PART AS THE BASIS FOR THE MANUFACTURE OR SALE OF ITEMS WITHOUT WRITTEN PERMISSION. THIS IS AN UNPUBLISHED WORK PROTECTED UNDER THE FEDERAL COPYRIGHT LAWS. COPYRIGHT © 1988 DIGITAL EQUIPMENT CORPORATION

D  
C  
B  
A

8 7 6 5 4 3 2 1



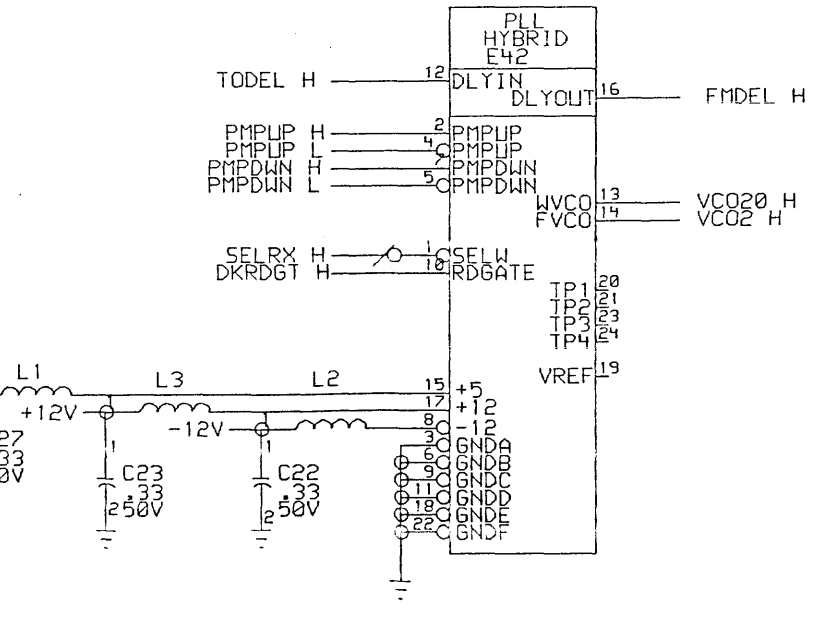
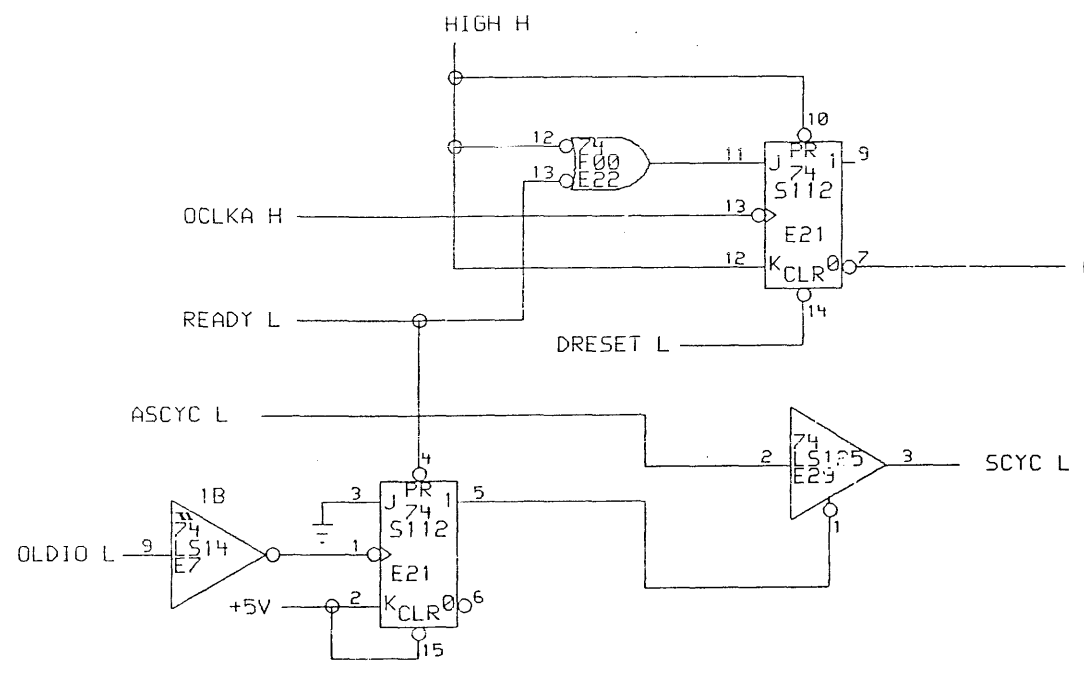
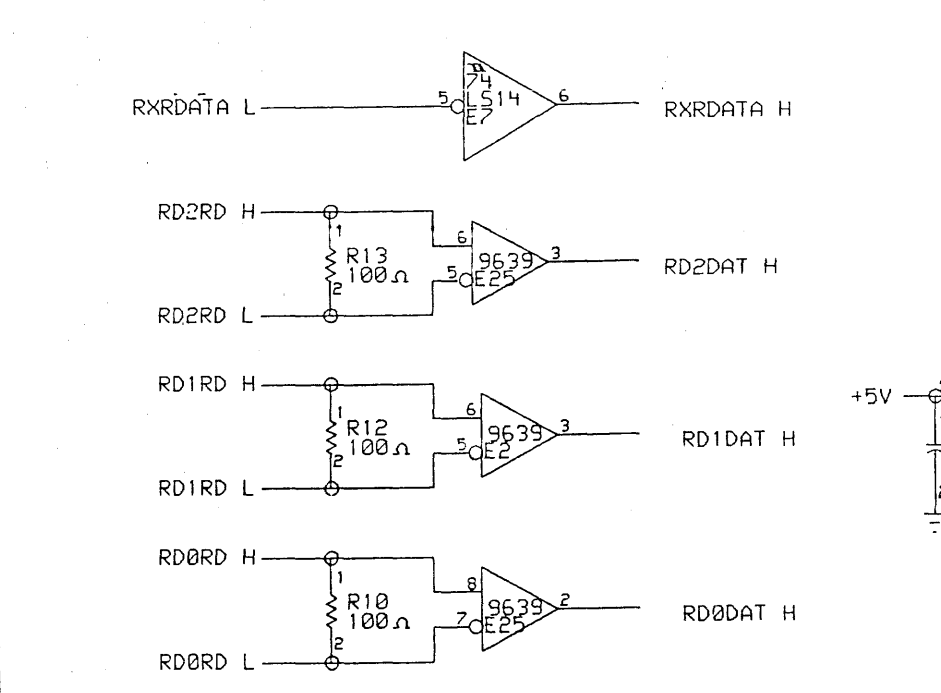
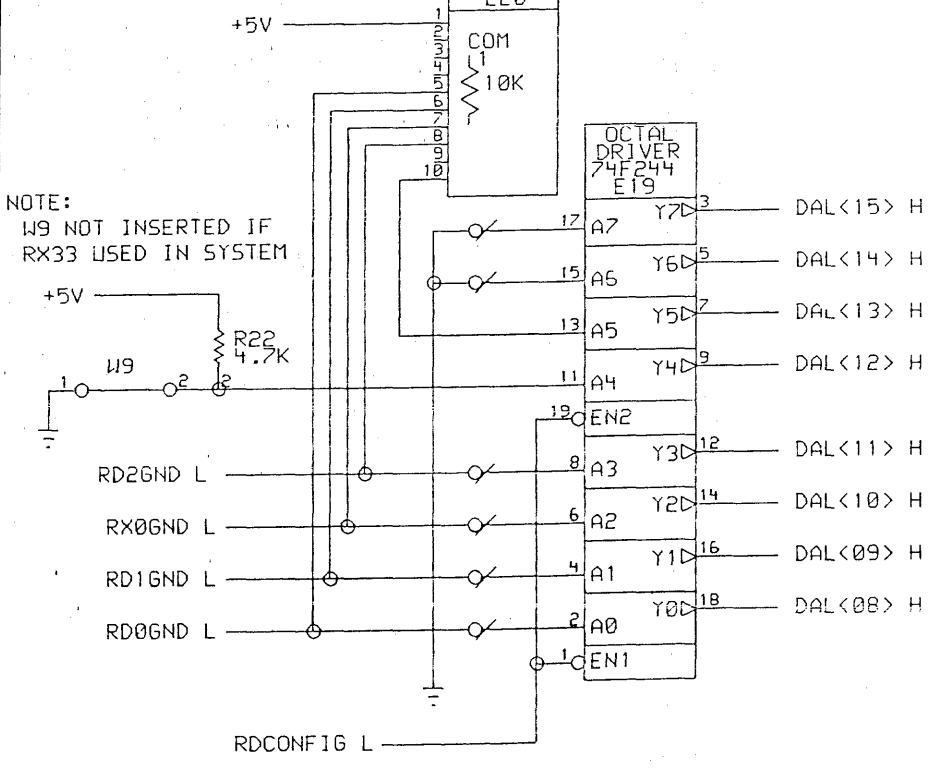
DRAWING

LAST\_MODIFIED=Mon Sep 26 09:47:16 1988

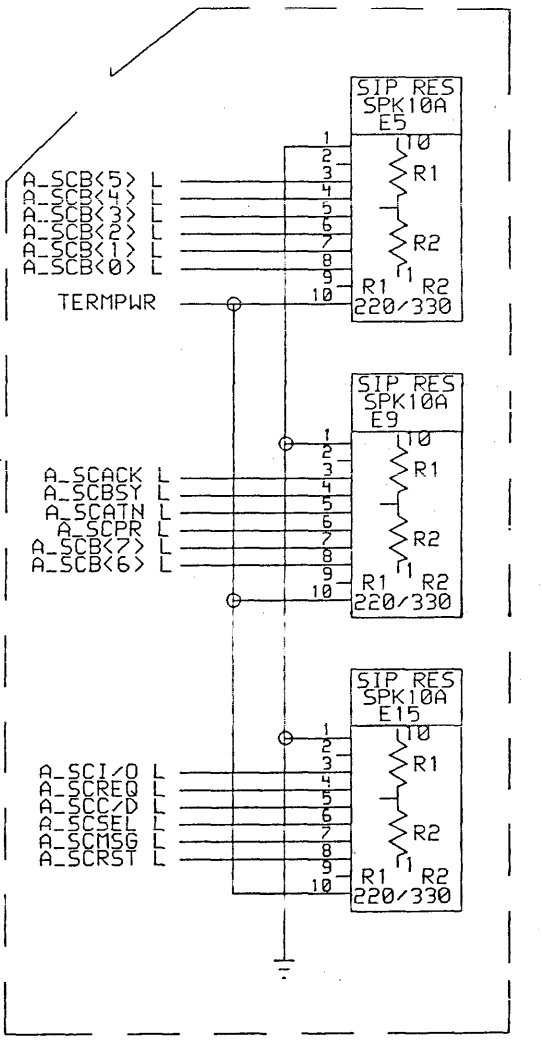
ENC: GEORGE LORD	DATE: 21-JUL-87	TITLE: PVAX DISK CONTROLLER
BOARD LOCATION: 5	SHEET: 7	
TOP DOCUMENT NUMBER: K-DD-5417314-0-0	SIZE: K	CODE: CS
	NUMBER: 5417314-0-1	REV: A

8 7 6 5 4 3 2 1

THIS DRAWING AND THE SPECIFICATIONS CONTAINED HEREIN ARE CONFIDENTIAL AND PROPRIETARY. THEY ARE THE PROPERTY OF DIGITAL EQUIPMENT CORP. AND SHALL NOT BE REPRODUCED OR COPIED OR USED IN WHOLE OR IN PART AS THE BASIS FOR THE MANUFACTURE OR SALE OF ITEMS WITHOUT WRITTEN PERMISSION. THIS IS AN UNPUBLISHED WORK PROTECTED UNDER THE FEDERAL COPYRIGHT LAWS. COPYRIGHT © 1988 DIGITAL EQUIPMENT CORPORATION



NOTE:  
SCSI Terminator Inside  
Dotted Line Will  
Only Be Present  
On 54-17314-01 And  
54-17314-03 Boards.

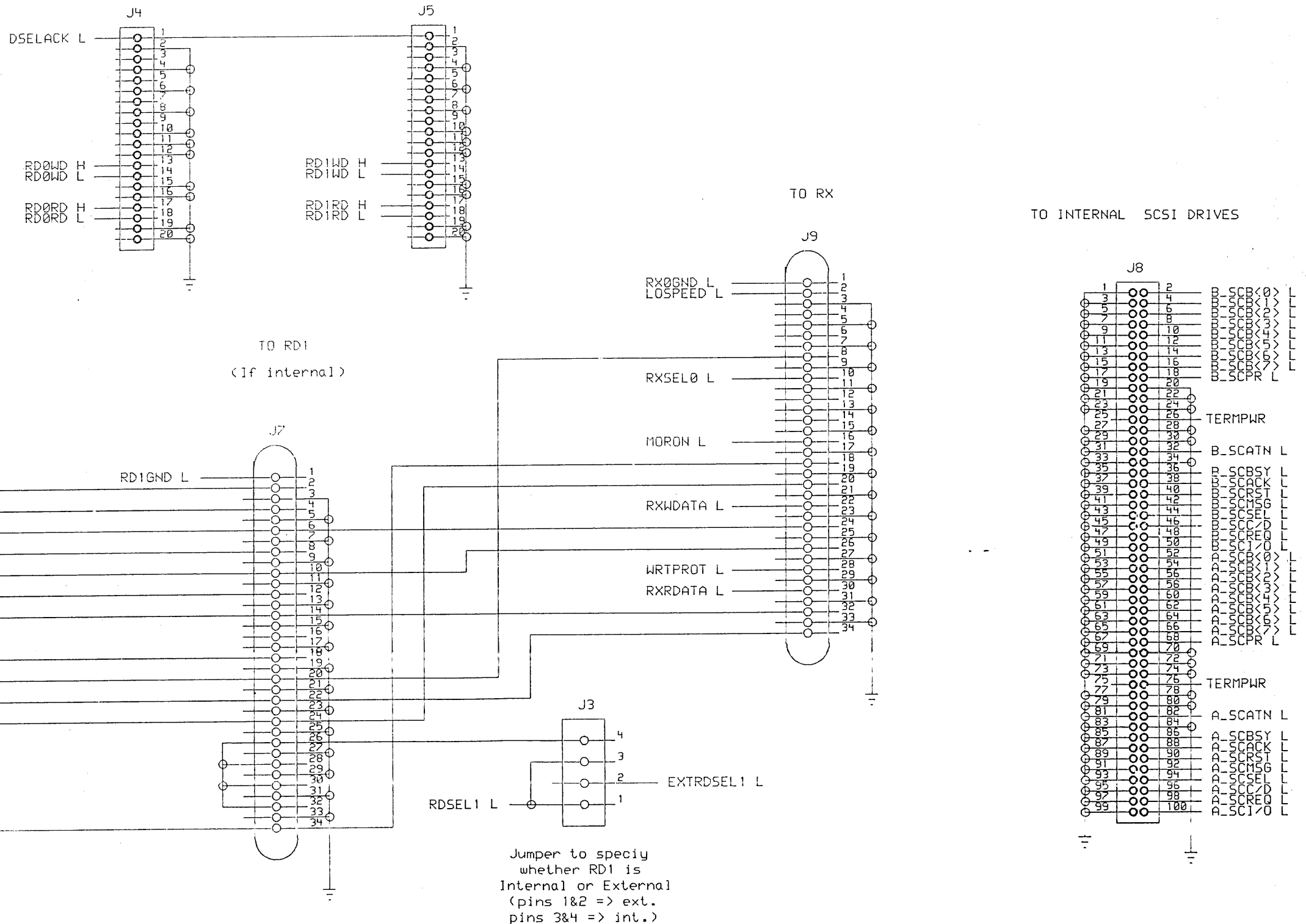


DRAWING

LAST\_MODIFIED=Fri Sep 30 13:12:22 1988

ENG	GEORGE LORD	DATE	21-JUL-87	TITLE:	PVAX DISK CONTROLLER		
BOARD LOCATION:				SIZE	CODE	NUMBER	REV.
SHEET	6	OF	7	K	CS	5417314-0-1	A
TOP DOCUMENT NUMBER:	K-DD-5417314-0-0						

THIS DRAWING AND THE SPECIFICATIONS CONTAINED HEREIN ARE CONFIDENTIAL AND PROPRIETARY. THEY ARE THE PROPERTY OF DIGITAL EQUIPMENT CORP. AND SHALL NOT BE REPRODUCED OR COPIED OR USED IN WHOLE OR IN PART AS THE BASIS FOR THE MANUFACTURE OR SALE OF ITEMS WITHOUT WRITTEN PERMISSION. THIS IS AN UNPUBLISHED WORK PROTECTED UNDER THE FEDERAL COPYRIGHT LAWS. COPYRIGHT © 1988 DIGITAL EQUIPMENT CORPORATION



DRAWING

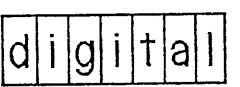
LAST\_MODIFIED=Mon Sep 26 10:00:05 1988

ENG	GEORGE LORD	DATE	21-JUL-87	TITLE:	PVAX DISK CONTROLLER		
BOARD LOCATION:				SHEET	OF	7	
TOP DOCUMENT NUMBER:	K-DD-5417314-0-0			SIZE	CODE	NUMBER	REV.
				K	CS	5417314-0-1	A

DRAWING NO.	NO. OF SHTS.	PART NO.	DESCRIPTION	REVISIONS																
K-AD-7022700-0-DBU	8		DRIVE ASSY	A																
K-PL-7022700-0-DBU	2		DRIVE ASSEMBLY	A																
		70-22700-01	DRIVE ASSEMBLY	A1																
		70-22700-02	DRIVE ASSEMBLY	A1																
		70-22700-03	DRIVE ASSEMBLY	A1																
		70-22700-04	DRIVE ASSEMBLY	A1																
		70-22700-05	DRIVE ASSEMBLY	A1																
		70-22700-06	DRIVE ASSEMBLY	A1																
		70-22700-12	DRIVE ASSEMBLY	A1																
		70-22700-15	DRIVE ASSEMBLY	A1																
		70-22700-23	DRIVE ASSEMBLY	A1																
		70-22700-24	DRIVE ASSEMBLY	A1																
		70-22700-25	DRIVE ASSEMBLY	A1																
		70-22700-26	DRIVE ASSEMBLY	A1																
		70-22700-27	DRIVE ASSEMBLY	A1																

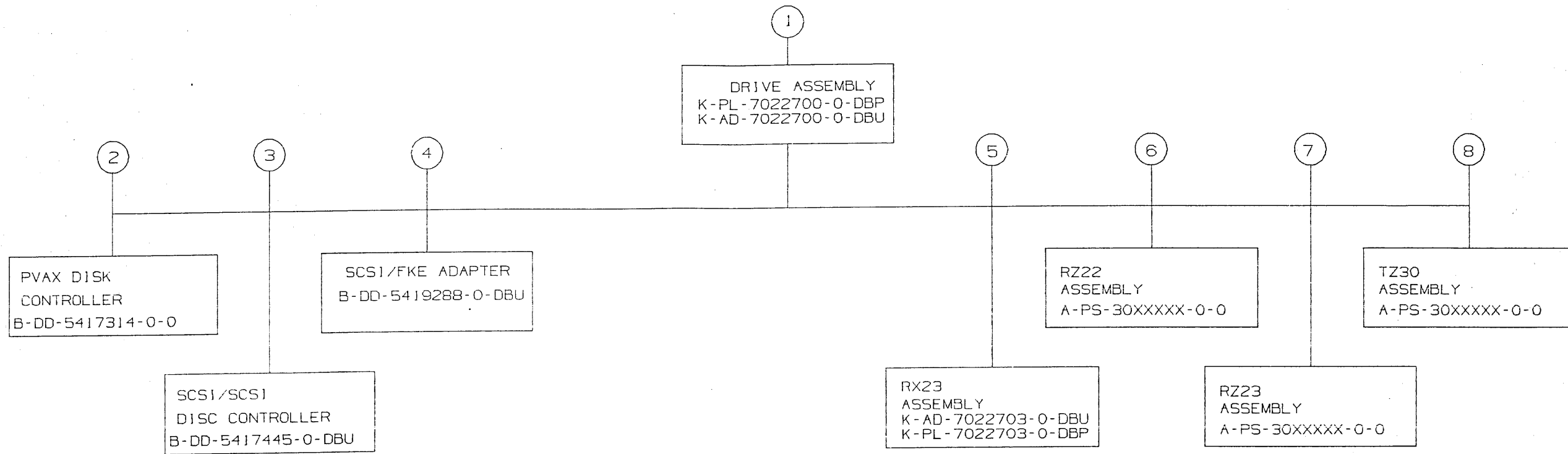
NOTES :	REVISION	DATE	CHG NO.	REV.																

THIS DRAWING AND SPECIFICATIONS, HEREIN, ARE THE PROPERTY OF DIGITAL EQUIPMENT CORPORATION AND SHALL NOT BE REPRODUCED OR COPIED OR USED IN WHOLE OR IN PART AS THE BASIS FOR THE MANUFACTURE OR SALE OF ITEMS WITHOUT WRITTEN PERMISSSION.  
 COPYRIGHT © 1988  
 DIGITAL EQUIPMENT CORPORATION



USED ON OPTION/MODEL	DRN. J. DOIRON	DATE: 21 JUL 88	TITLE: DRIVE ASSEMBLY
	CHK'D D. HEALY	DATE: 21 JUL 88	SIZE CODE BDD
	ENG. R. KIZINA	DATE: 21 JUL 88	NUMBER 7022700-0-DBU
	PROD. J. ZAMORA	DATE: 21 JUL 88	REV. A
		SHEET 1 OF 3	





FIND NO.	DRAWING NO.	DESCRIPTION	TYPE	FIND NO.	DRAWING NO.	DESCRIPTION
1	K-AD-7022700-0-DBU	DRIVE ASSEMBLY	E/M	6	A-PS-30XXXXX-0-0	(RZ22-E)
	K-PL-7022700-0-DBP	DRIVE ASSY (PL)				
	A-PS-1702223-0-0	CPU TO DISK	E/M			
	A-PS-1702221-0-0	CABLE ASSY. 34 COND., FLAT, 28 AWG	E/M			
	A-PS-1702212-0-0	CABLE ASSY, FLAT	E/M	7	A-PS-30XXXXX-0-0	(RZ23-E)
	A-PS-1702220-0-0	CABLE ASSY, FLAT	E/M			
	K-1A-7438278-0-DBU	PLATE DRIVE SUPPORT	M			
	A-PS-1702257-0-0	CABLE ASSY, 50 COND FLAT, 28 AWG	E/M			
				8	A-PS-30XXXXX-0-0	(TZ30-AA)
2	B-DD-5417314-0-DBU	PVAX DISK CONTROLLER	M			
3	B-DD-5417445-0-DBU	SCSI/SCSI DISK CONTROLLER	M			
4	B-DD-5419288-0-DBU	SCSI/FKE ADAPTER	M			
5	K-AD-7022703-0-DBU	RX23 ASSEMBLY	M			
	K-PL-7022703-0-DBP	RX23 ASSY (PL)				
	K-MD-7438237-0-DBU	ADAPTER DRIVE PLATE	M			

TYPE: E ELECTRICAL  
M MECHANICAL  
E/M ELECTRO/MECHANICAL



DRAWING NO.	NO. SHTS	PART NO.	DESCRIPTION	REVISIONS	
E-UA-5417312-0-0	7	5417312-01	KA42 SYSTEM BOARD	A1	B1
K-CS-5417312-0-1	16		UNIT ASSEMBLY	A	B
K-PL-5417312 0-DBP	4		CIRCUIT SCHEMATICS	A	A
K-PC-5417312-0-DBV			PARTS LIST	A	B
K-CS-5417312-0-DBX			P.C. DESIGN DATA BASE	H	J
			SCHEMATIC DATA BASE	A	A
K-DD-5017311-0-0	1	5017311-01	ETCHED CIRCUIT BOARD	H1	H1
			DRAWING DIRECTORY	A	A

NOTES:

R  
E  
V  
I  
S  
I  
O  
N  
A  
B  
R  
E  
V  
I  
S  
I  
O  
N  
D  
A  
T  
E  
1  
9  
8  
8  
1  
9  
8  
9

THIS DRAWING AND THE SPECIFICATIONS CONTAINED HEREIN ARE CONFIDENTIAL AND PROPRIETARY. THEY ARE THE PROPERTY OF DIGITAL EQUIPMENT CORPORATION AND SHALL NOT BE REPRODUCED OR COPIED OR USED IN WHOLE OR IN PART AS THE BASIS FOR THE MANUFACTURE OR SALE OF ITEMS WITHOUT WRITTEN PERMISSION. THIS IS AN UNPUBLISHED WORK PROTECTED UNDER THE FEDERAL COPYRIGHT LAWS.

DRN: L. HAYWOOD	DATE: 21-SEP-88	d i g i t a l	
CHK'D: J. CUNNINGHAM	DATE: 21-SEP-88	TITLE KA42 SYSTEM BOARD	
DES.ENG.: L. NARHI	DATE: 21-SEP-88	SHEET 1 OF 1	EDIT: 3
RESP.ENG.: L. NARHI	DATE: 21-SEP-88	DOCUMENT NUMBER	
		DD FILENAME: 5417312B.DDF	
MFG.ENG.: J. ZAMORA	DATE: 21-SEP-88	SIZE   CODE   NUMBER   REV	
		K   DD   5417312-0-0   B	

LINE ITEM	TOP DOCUMENT	PART NUMBER	MIN REV	DESCRIPTION	QTY PER VAR/REV	REFERENCE DESIGNATORS
					01 B1	
1	D-MJ-5017311-0-0	50-17311-01	H	CIRCUIT DRILL AND ETCH	1	
2		10-00011-00		47 PFD 100V +/- 5% 200PP	1	C116
3		10-00016-00		100 PFD 100V +/- 5% 200PP	4	C112-C115
4		10-10274-02	K	1.0 MFD 50V +80/-20% Z5U C	1	C10
5		10-13466-07	W	220 PFD 50V +/- 5% NPO C	3	C25,C26,C28
6		10-13466-16	W	0.010MFD 50V +/-10% X7R C	44	C6,C12,C39-C46,C52,C65-C68, CONT C75-C81,C85,C87,C88,C91,C97, CONT C99,C102,C103,C106,C107,C110, CONT C117-C124,C151-C153
7		10-13466-33	W	100 PFD 50V +/- 2% NPO C	2	C95,C96
8		10-13466-42	W	4700 PFD 50V +/- 2% NPO C	1	C11
9		10-13466-50	W	680 PFD 50V +/- 5% NPO C	1	C9
10		10-14265-02	B	0.33 MFD 50V +80/-20% Z5U C	86	C7,C8,C14-C24,C27,C29-C38, CONT C47-C51,C53-C64,C69-C74, CONT C82-C84,C86,C89,C94,C98,C100, CONT C101,C104,C105,C108,C109, CONT C125-C150
11		10-15573-02	C	0.10 MFD 50V +/-10% X7R C	2	C13,C90
12		10-17472-00	B	10 MFD 35V +75/-10% 85	3	C1-C3
13		10-24455-27	A	100 MFD 10V +/-10% CHI	3	C4,C5,C111
14		10-26236-06	A	1000 PFD1000V +/-10% NPO CE	2	C92,C93
15		11-10994-00	A	VZ= 5.1 5% 400 MW 1N751A	1	D10
16		11-11577-00	A	PIV= 50 IO=200 MA - 4NS 1N4454	5	D1,D2,D4,D7,D8
17		11-13003-00	A	PIV= 55 IO=200 MA - 4NS 1N5282	1	D9
18		11-14136-02	A	LED 6.7MA 5V .2MCD GREEN	2	D3,D5
19		11-20964-01	A	LED ASSY 4 RED 5V 8MA	2	I1,I2
20		11-26344-01		TRANS.SUPP. 400V 1500W	1	D13
21		12-15006-02	F	SKT,IC 16PIN DIP TIN SOLD	1	XE64
22		12-15006-08	F	SKT,IC 40PIN DIP TIN SOLD	2	XE21,XE23
23		12-18489-00		*** THIS ITEM IS NOT USED ***	-	

REVISION HISTORY		KPL MODULE FORMAT		SECTION A OF A		DRN: B.OUELLLETTE		D I G I T A L		
ENG	ECO NUMBER	REV	SECTION/VARIATION INDEX		DATE:	27-MAY-88				
---	INITIAL	A	[A]	01	[M]	CHK'D:	J.CUNNINGHAM		TITLE	PARTS LIST
L.N.	5417312-ML001	B	[B]		[N]	DATE:	27-MAY-88		KA42 SYSTEM BOARD	
			[C]		[P]	DES.ENG:	L.NARHI		\	
			[D]		[Q]	DATE:	27-MAY-88		DOCUMENT NUMBER	
			[E]		[R]	RESP.ENG.:	L. NARHI		SIZE	CODE
			[F]		[S]	DATE:	22-SEP-88		NUMBER	REV
			[H]		[T]	MFG.ENG:	J. ZAMORA		K	PL
			[J]		[V]	DATE:	22-SEP-88		5417312-0-DBP	B
			[K]		[W]			RELEASE DATE: 04-APR-89		
			[L]		[Y]			RELEASE STATUS: RELEASED		
			BASIC PART NUMBER:		ASSEMBLY NUMBER:		TOP DOCUMENT NUMBER:		EDIT #	
			5417312		E-UA-5417312-0-0		K-DD-5417312-0-0		2	
FILE NAME: MLA1407B.PLS										

"THIS DRAWING AND THE SPECIFICATIONS CONTAINED HEREIN ARE CONFIDENTIAL AND PROPRIETARY. THEY ARE THE PROPERTY OF DIGITAL EQUIPMENT CORPORATION AND SHALL NOT BE REPRODUCED OR COPIED OR USED IN WHOLE OR IN PART AS THE BASIS FOR THE MANUFACTURE OR SALE OF ITEMS WITHOUT WRITTEN PERMISSION. THIS IS AN UNPUBLISHED WORK PROTECTED UNDER THE FEDERAL COPYRIGHT LAWS."

LINE	ITEM	TOP DOCUMENT	PART NUMBER	MIN REV	DESCRIPTION	QTY	PER VAR/REV	REFERENCE DESIGNATORS
						01		
						B1		
24	24		12-18783-00		JUMPER 02POS(1X02).100CC	5		W8,W11,W13-W15
25	25		12-18826-07	B	CONN,PHONE MOD JACK 04POS	1		J4
26	26		12-19066-09	A	PCB HEADER 40POS(2X20).100CC STR	4		J11-J14
27	27		12-19251-00	B	PCB HEADER 02PIN(1X02).100CC STR	1		J8
28	28		12-19857-05		STANDOFF,NYLON	6		
29	29		12-21158-01	B	SKT,IC 68PIN CHIP CARRIER	1		XE111
30	30		12-23433-02	A	CONN,LAN JACK 06 POS	2		J6,J7
31	31		12-26320-02		FILTER,EMI	3		E101-E103
32	32		12-26325-01	A	SW,PB DPDT MOM 0.2	1		S2
33	33		12-26488-01	A	CONN,D SUB 15SKT 90D TIN	1		J1
34	34		12-26589-01		PCB HEADER 07PIN 90D	1		J3
35	35		12-28019-01		SW,DIP SPDT 30VDC 50MA R	1		S3
36	36	SEE NOTE # 36	12-28020-01		CAP, PB SW BLUE	1		
37	37		12-29767-01		SW, P/B 8PDT MAINT, 0.1A/28V MAX	1		S1
38	38		12-29963-01	A	PCB HEADER 15POS	1		J5
39	39		12-30006-02		PCB HEADER 80POS .050CC STR	1		J9
40	40		12-30112-01		PCB HEADER 14POS(2X07).165CC STR	1		J10
41	41		12-30221-01	A	CONN,COAX BNC 500HMS PCB	1		J2
42	42		13-00202-00	A	47.0 .25 W 5.0 % CF	1		R26
43	43		13-00229-00	A	100.0 .25 W 5.0 % CF	9		R4,R5,R24,R43,R44,R53,R56,R68, CONT R69
44	44		13-00250-00	A	150.0 .25 W 5.0 % CF	1		R3
45	45		13-00271-00	A	220.0 .25 W 5.0 % CF	1		R11
46	46		13-00365-00	A	1.0 K .25 W 5.0 % CF	2		R1,R17
47	47		13-00417-00	A	2.20 K .25 W 5.0 % CF	3		R78-R80
48	48		13-00426-00	A	2.70 K .25 W 5.0 % CF	2		R38,R39
49	49		13-00432-00	A	3.0 K .25 W 5.0 % CF	2		R33,R51
50	50		13-00447-00	A	4.70 K .25 W 5.0 % CF	4		R27,R37,R63,R70
51	51		13-00479-00	A	10.0 K .25 W 5.0 % CF	12		R6,R16,R20,R23,R46,R47,R54,R59, CONT R60,R62,R64,R65
52	52		13-01320-00	A	1.20 K .25 W 5.0 % CF	3		R34,R66,R67
53	53		13-01322-00	A	180.0 .25 W 5.0 % CF	1		R49
54	54		13-01430-00	A	12.0 .25 W 5.0 % CF	1		R2
55	55		13-01522-00	A	27.0 .25 W 5.0 % CF	5		R45,R58,R75-R77
56	56		13-01890-00	A	560.0 .25 W 5.0 % CF	4		R19,R21,R25,R28
57	57		13-02379-00	A	75.0 .25 W 5.0 % CF	1		R15
58	58		13-02388-00	A	2.0 K .25 W 5.0 % CF	1		R13
59	59		13-02396-00	A	150.0 K .25 W 5.0 % CF	2		R52,R57
60	60		13-03114-00	A	1.0 K .25 W 1.0 % RN55D-F10	1		R32
61	61		13-05346-00	A	27.0 K .25 W 5.0 % CF	2		R10,R12
62	62		13-09595-00	A	1.0 M .25 W 5.0 % CF	1		R22
63	63		13-11522-00	A	200.0 .25 W 5.0 % CF	2		R14,R55
64	64		13-12114-01	B	R. NET 470.0 - 8 5.0	1		E100
65	65		13-12930-00	A	5.10 K .25 W 5.0 % CF	1		R18
66	66		13-13150-00	A	430.0 .25 W 5.0 % CF	2		R8,R9
67	67		13-16334-02	C	R. NET 10.0K- 9 2.0	1		E106
68	68		13-16395-00	D	R. NET 4.7K- 9 2.0	10		E20,E22,E39,E40,E84,E85,E87, CONT E88,E98,E99
69	69		13-17558-01	A	R. NET 27.0 - 4 5.0	11		E29,E31,E32,E34-E36,E38,E44, CONT E45,E90,E91

D	I	G	I	T	A	L	TITLE	SECTION A	OF A	SIZE	CODE	DOCUMENT NUMBER	REV
							KA42 SYSTEM BOARD			K	PL	5417312-0-DBP	B

LINE	ITEM	TOP DOCUMENT	PART NUMBER	MIN REV	DESCRIPTION	QTY PER VAR/REV	REFERENCE DESIGNATORS
						01 B1	
70	70		13-18150-75	A	40.20 .25 W 1.0 % RN55D-F10	6	R7,R29-R31,R35,R36
71	71		13-18247-00	A	510.0 .25 W 5.0 % CF	1	R50
72	72		13-23825-07	A	18.0 .25 W 5.0 % CHIP	4	R40-R42,R48
73	73		13-26688-01		THERMISTOR PTC 0.062 15%	4	R71-R74
74	74		15-09338-00	C	DEC6531B NPN 310MW SI 40 90 P	1	Q1
75	75				*** THIS ITEM IS NOT USED ***	-	
76	76		16-25072-01		XFMR,75UH	2	T1,T2
77	77		16-27600-01		BEAD,FERRITE,DUAL,COMMON MODE	1	L1
78	78		16-27902-01	E	33.0 UH 10% Q= 45 @ 2.5MHZ SRF=	1	L2
79	79		16-30004-01	A	FILTER,DATA LINE,DIP PACKAGE	2	L3,L4
80	80		18-11660-02	AE	OSCILLATOR, XTAL 5.0688 MHZ	1	Y5
81	81		18-11660-26	A	OSCILLATOR, XTAL 44.4444 MHZ	1	Y3
82	82		18-11660-61	A	OSCILLATOR,XTAL 69.1968 MHZ	1	Y4
83	83		18-18800-02	B	OSCILLATOR,XTAL 32.768KHZ	1	Y6
84	84		18-22815-01	A	XTAL 20.000 MHZ	1	Y1
85	85		19-09928-00	A	7416 INVERTER GATE-HEX 1I	1	E86
86	86		19-12813-00	B	LS27 NOR GATE-TRIPLE 3IN	1	E136
87	87		19-12863-00		LS273 FF-D OCTAL W/CLEAR	1	E137
88	88		19-13414-00		LS14 INVERTER GATE-HEX SC	1	E135
89	89		19-13777-00	C	LS240 DRIVER,LINE,OCTAL,TR	2	E68,E123
90	90		19-15193-00	E	LS244 DRIVER,LINE,OCTAL,TR	1	E41
91	91		19-15932-00	A	LS125 BUFFER,QUAD BUS	1	E66
92	92		19-20441-02	A	74F245 TRANSCEIVER,BI-DIREC	8	E69-E72,E80-E83
93	93		19-20572-02	A	74F244 BUFFER/LINE DRIVER,0	1	E79
94	94		19-21010-01	A	74F373 OCTAL TRANSPARENT LA	2	E117,E118
95	95		19-21305-01	A	74F00 NAND GATE,QUAD,2-IN	1	E116
96	96		19-21307-01	A	74F04 HEX INVERTER	1	E114
97	97		19-21308-01	A	74F08 AND GATE,QUAD,2-IN	2	E126,E127
98	98		19-21312-01	A	74F32 OR GATE,QUAD,2-IN	3	E1,E28,E115
99	99		19-21328-01	A	74F251 MUX,8-IN	4	E75,E76,E94,E95
100	100		19-21671-03	A	INTERFACE,SERIAL ADAPTOR 300MIL	1	E25
101	101		19-23311-01		74F543 OCTAL REG TRANSCEIVE	5	E119-E122,E128
102	102		19-23889-01		EIA OCTAL LINE DRIVE	1	E124
103	103		19-23890-01		EIA OCTAL LINE RECEI	1	E125
104	104		19-24940-01	A	74AS804B HEX 2-INPUT NAND DRI	2	E26,E27
105	105	SEE NOTE # 105	19-25220-02		8392 COAXIAL TRANSCEIVER	1	E67
106	106		19-25894-01	A	PROTECTION DEVICE-TR	2	E107,E108
107	107		19-26139-01		74F38D QUAD 2INPUT NAND GAT	1	E104
108	108		19-26840-01	A	74AS1034 HEX DRIVER SOIC	5	E30,E33,E37,E42,E43
109	109		21-18795-00	A	146818 CLOCK/CALENDAR/RAM	1	E65
110	110		21-21384-07		RAM 8KX8,STATIC 35	6	E129-E134
111	111	SEE NOTE # 111	21-21672-09		CONTROLLER,LOCAL AREA NET	1	E24
112	112		21-22769-01	A	DC367B CMOS GATE ARRAY,68 PIN PL	1	E111
113	113	SEE NOTE # 113	21-24674-11		DC341 CVAX MICROPROCESSOR 90NS	1	E89
114	114		21-24941-01		DC503 PROGRAMMABLE SPRITE CURSOR	1	E105
115	115		21-25297-03	A	VIDEO RAM,64KX4,DYNAMIC 12	8	E73,E74,E77,E78,E92,E93,E96,E97
116	116	SEE NOTE # 116	21-26604-02		DC513 CFPA CMOS FPU 90NS	1	E109
117	117	SEE NOTE # 117	21-27976-43	A	CMOS,DYN RAM,120NS 1	36	E2-E19,E46-E63
118	118		21-28651-02		DC7098C GATE ARRAY 223CPGA 1.5	1	E110
119	119		23-2E8 -00		*** THIS ITEM IS NOT USED ***	-	

D	I	G	I	T	A	L	TITLE	SECTION A	OF A	SIZE	CODE	DOCUMENT NUMBER	REV
							KA42 SYSTEM BOARD			K	PL	5417312-0-DBP	B

LINE ITEM	TOP DOCUMENT	PART NUMBER	MIN REV	DESCRIPTION	QTY PER VAR/REV	REFERENCE DESIGNATORS
					01 B1	
120	120	23-365A1-00	A1-09		1	E64
121	121	23-3E8 -00		*** THIS ITEM IS NOT USED ***	-	
122	122	74-37504-01		GASKET,VIDEO	1	
123	123	74-37505-01		GASKET,THICK WIRE	1	
124	124	90-08451-12		SCREW,LOCK,SCREW LOCK ONLY.060TH	2	
125	125	90-09149-00		PIN,STAKNG 0.0250DX0.345LG SQUAR	17	
126	126	90-10050-02		RING,RETAINING EXTERNAL	1	
127	127	90-10934-01		WASHER,SPRING FINGER	1	
128	128	91-05740-55		WIRE(WRAP) 30AWG KYNAR UL14	A/R	
129	129	12-27576-02	A	SLIDE LATCH ASSY FOR 15POS DSUB	1	
130	130	23-20E8 -00	A	E8-02	U 1	E21
131	131	23-21E8 -00	A	E8-02	U 1	E23

- 36 NOTE: PART NUMBER 12-28020-01 MOUNTS ON S2, HALT SWITCH.
- 105 NOTE: PART NUMBER 19-25220-05 MAY BE SUBSTITUTED FOR 19-25220-02.
- 111 NOTE: PART NUMBER 21-21672-07 MAY BE SUBSTITUTED FOR 21-21672-09
- 113 NOTE: PART NUMBER 21-24674-12, 21-24674-13, OR 21-24674-14 MAY BE SUBSTITUTED FOR 21-24674-11
- 116 NOTE: PART NUMBER 21-26604-03 MAY BE SUBSTITUTED FOR 21-26604-02
- 117 NOTE: PART NUMBER 19-25220-43, 21-27105-44 OR 21-27976-44 MAY BE SUBSTITUTED FOR 21-27976-43.

1 GEN: DO NOT MIX D-RAM VENDORS ON THE SAME MODULE.

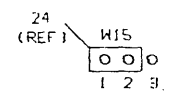
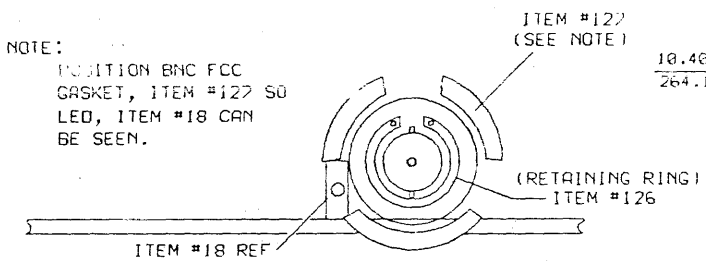
D	I	G	I	T	A	L	TITLE	SECTION A OF A	SIZE	CODE	DOCUMENT NUMBER	REV
							KA42 SYSTEM BOARD		K	PL	5417312-0-DBP	B

THIS DRAWING AND THE ASSOCIATED JUMPER TABLES ARE THE PROPERTY OF THE UNITED STATES GOVERNMENT AND ARE LOANED TO YOU. IT IS TO BE RETURNED TO THE OFFICE OF ORIGIN ON COMPLETION OF YOUR WORK. IT IS TO BE KEPT IN YOUR OFFICE AND NOT REPRODUCED OR DISTRIBUTED TO OTHERS WITHOUT THE EXPRESS WRITTEN PERMISSION OF THE OFFICE OF ORIGIN.

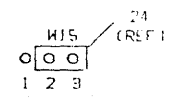
JUMPER TABLES FOR 5412312

W9	W8	CPU SPEED
OUT	OUT	100ms
OUT	IN	90ms
IN	OUT	60ms
IN	IN	INVALID CONFIGURATION
W6	W11	SECONDARY CACHE
OUT	OUT	INVALID CONFIGURATION
OUT	IN	SECONDARY CACHE PRESENT AND ACTIVE
IN	OUT	SECONDARY CACHE NOT PRES. AND INACTIVE
IN	IN	INVALID CONFIGURATION
W12	BASE MONOCHROME CIRCUITS	
OUT	BASE MONOCHROME CIRCUITS PRESENT	
IN	BASE MONOCHROME CIRCUITS NOT PRESENT	
W5	ETHERNET TRANSMITTER CABLE TYPE	
OUT	DCC ETHERNET CABLE	
IN	IEEE 802.3 CABLE	
W15	- SEE DETAIL DRAWING	
W14, W13	- OUT ONLY FOR AUTOMATIC MODULE TEST. NORMALLY IN.	

DETAIL 'A'

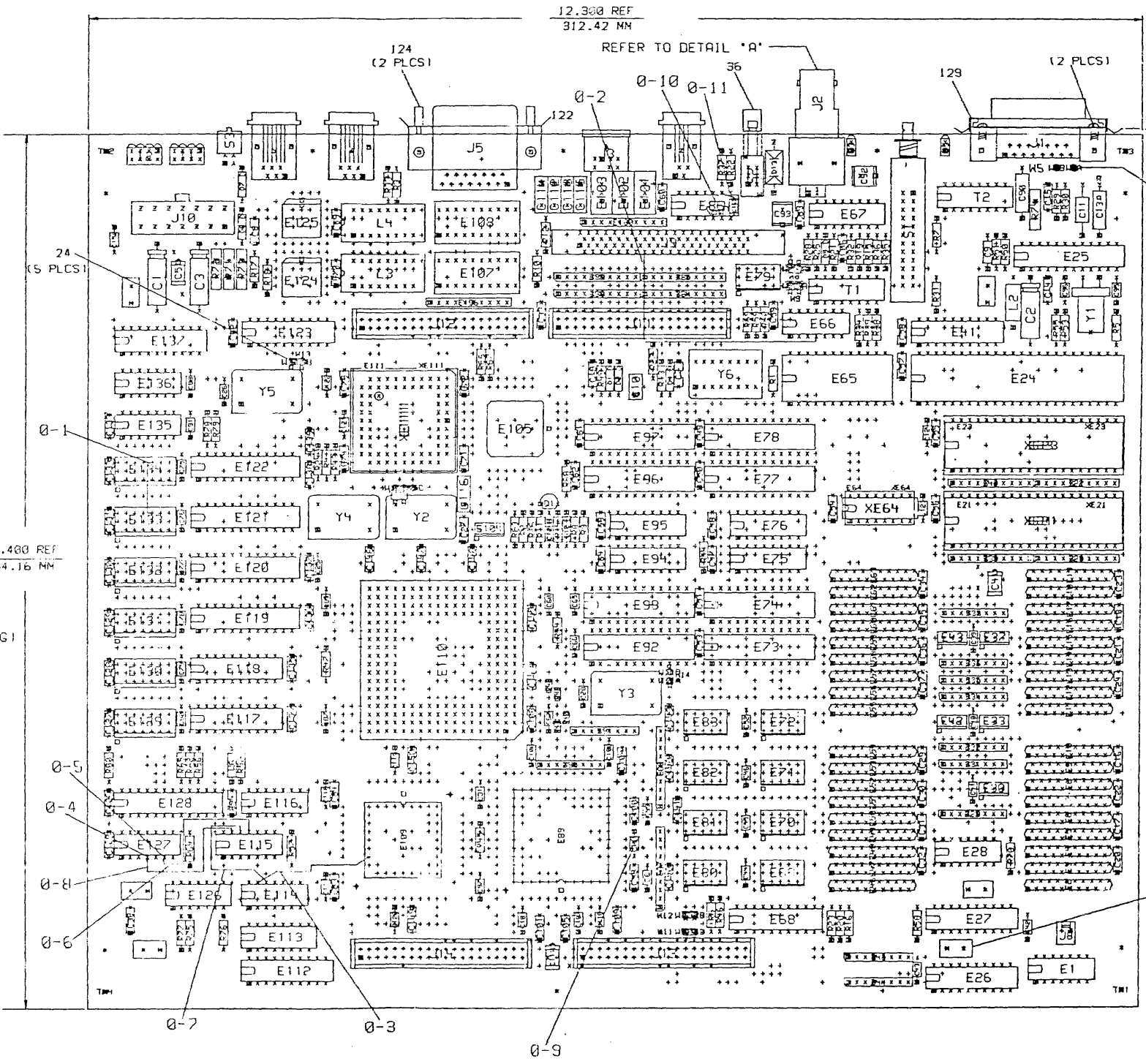


THIS POSITION IS FOR 60 Hz MONITORS EG, VR260.



THIS POSITION IS FOR 72 Hz MONITORS USED ONLY WHEN Y2 = 83.3 MHz OSC.

REWORK INSTRUCTIONS:  
SEE SHEET 7



CHK	DRAWN BY	ENGINEER	CHANGE NO	DATE REV	CHK	DRAWN BY	ENGINEER	CHANGE NO	DATE REV
D.S.	BRUCE WILE	LOBBY PUGH	1	1/11	S/W				
D.S.	BRUCE WILE	LOBBY PUGH	14	8/22	AW/AM				

- NOTES
1. INDICATES 800149-00 17 PLCS MARKED 'A'.
  2. INSTALL 800149-00 BEFORE INSTALLING 1210292-00.
  3. W6 IS A MACHINE INSERTABLE JUMPER AND IS NOT INSTALLED.
  4. E112 AND E113 ARE SHAPES.

SEE JUMPER TABLE (CPU SPEED) FOR SLIDE JUMP CONF. LOCATION.

REV. 14

SIGNATURES	DATE
BRUCE WILE (DRAWN)	1/11/80
LOBBY PUGH (ENGR)	1/11/80
MECH ENG L. PUGH	2/28/80
PROD ENG L. PUGH	2/28/80
PROD J. PUGH	2/28/80
BRUCE WILE	
G-211	

TITLE: KR42 SYSTEM BOARD

1/27 CODE: L 1/27

1/27 NUMBER: 5412312-0-0

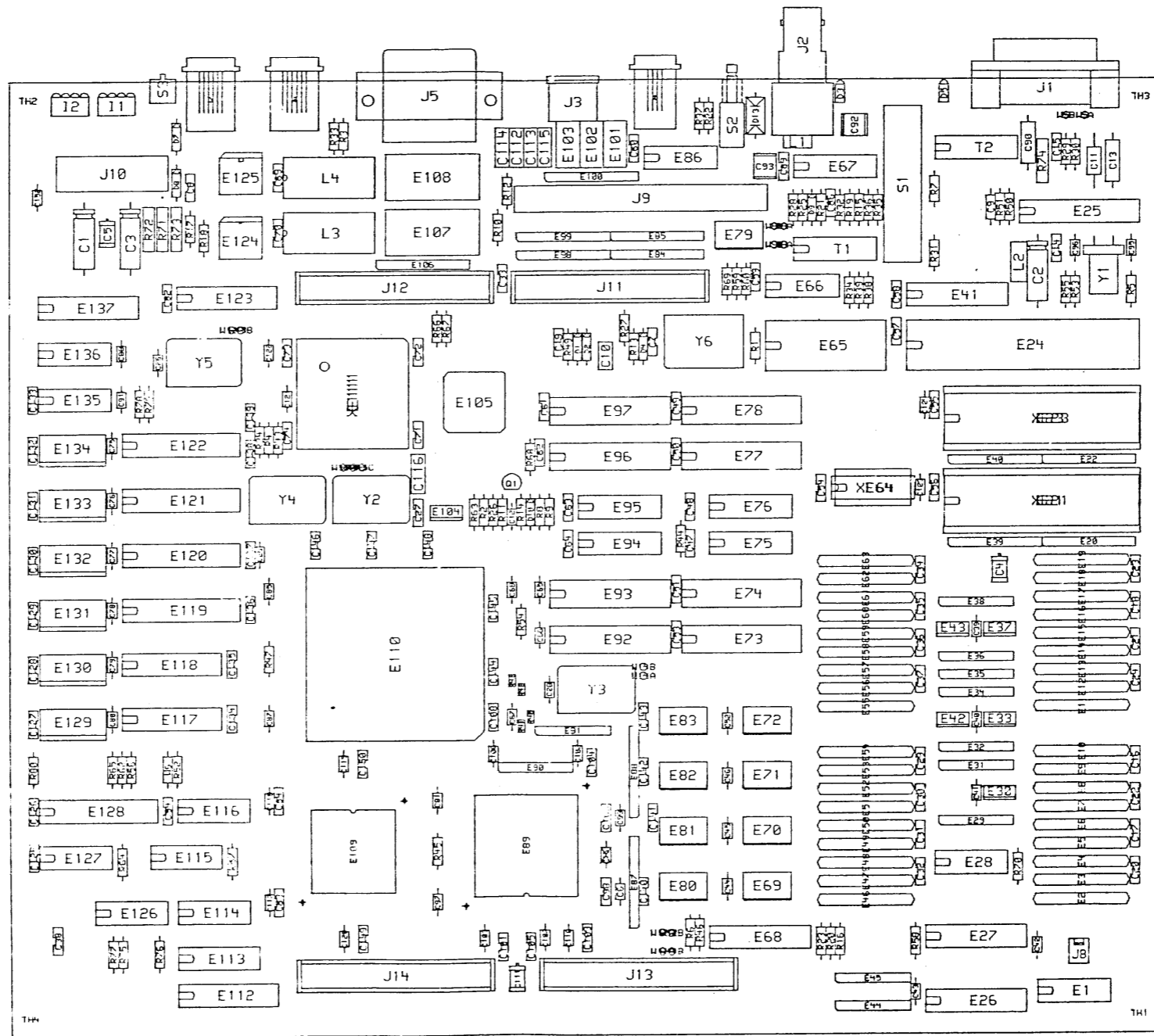
REV: 14

TOP DOC NO: K-00-5412312-0-0

digital

WO# 2750394



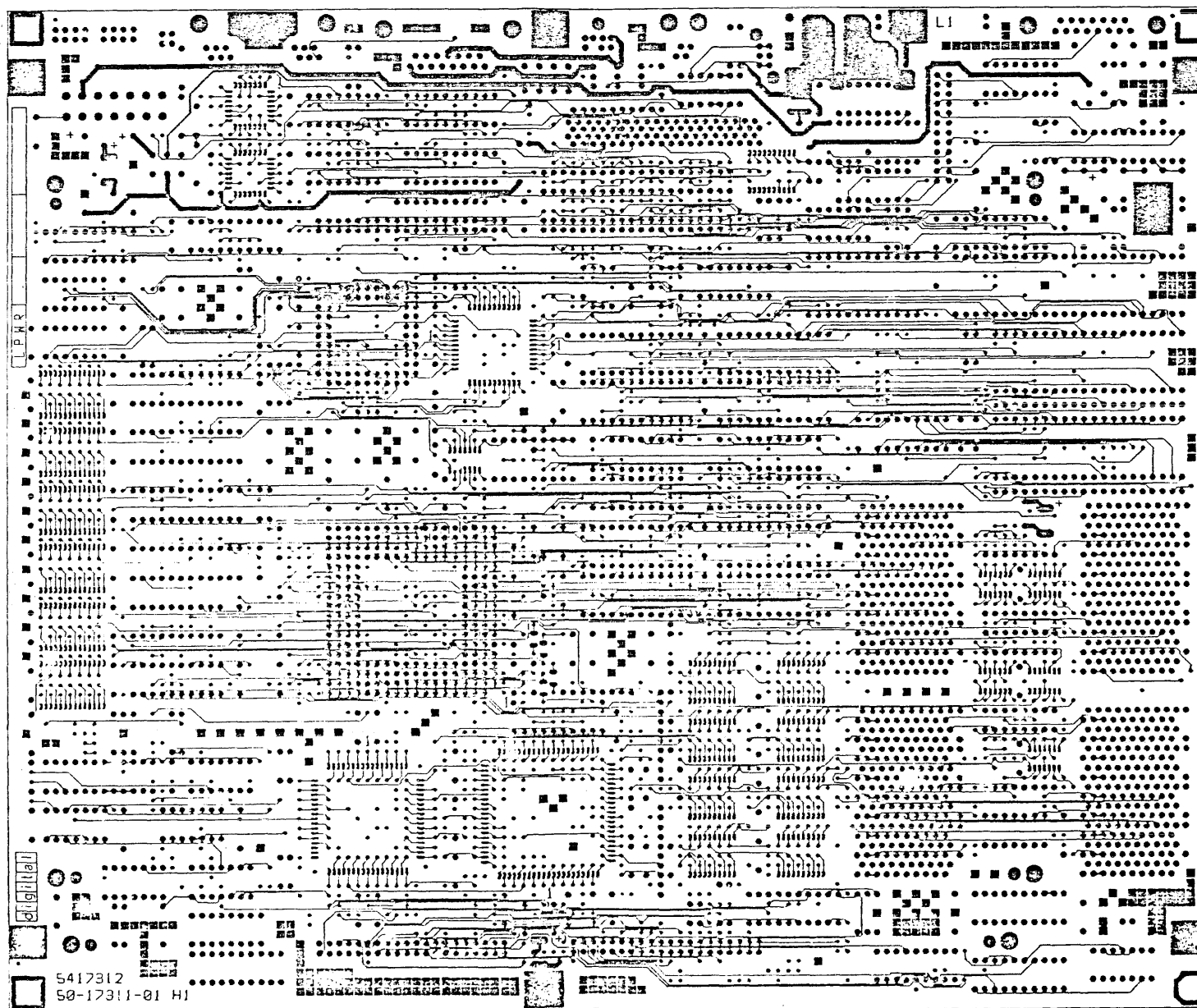


1. This drawing is a schematic diagram of a KR42 SYSTEM BOARD. It is not a physical layout drawing. The components are shown in their functional relationships. The board is populated with numerous integrated circuits (ICs) labeled E1 through E1000. The board also features several connectors (J1, J2, J3, J4, J5, J9, J10, J11, J12, J13, J14), transformers (T1, T2), and other components like capacitors (C1-C15), resistors (R1-R15), and diodes (D1-D15). The schematic is organized into a grid with vertical labels 1-8 and horizontal labels A-J. A title block in the bottom right corner identifies the document as 'KR42 SYSTEM BOARD' and includes a document number '5417312-0-0' and a scale of '2:1'. A small note in the top left corner provides additional information about the drawing.

TITLE		DOCUMENT NUMBER	
KR42 SYSTEM BOARD		5417312-0-0	
SCALE 2:1	SHEET 2 OF 2	REV B	
WO# 275896H			

THIS DRAWING AND THE SPECIFICATIONS CONTAINED HEREIN ARE THE PROPERTY OF THE UNITED STATES GOVERNMENT AND ARE TO BE REPRODUCED IN WHOLE OR IN PART BY ANY PERSON OR ORGANIZATION AT THE PERMIT OF THE SECRETARY OF THE ARMY, WASHINGTON, D. C. 20315. THIS DRAWING IS THE PROPERTY OF THE ARMY AND IS TO BE KEPT IN THE OFFICE OF THE SECRETARY OF THE ARMY, WASHINGTON, D. C. 20315. IT IS TO BE RETURNED TO THE OFFICE OF THE SECRETARY OF THE ARMY, WASHINGTON, D. C. 20315, UPON THE ORDER OF THE SECRETARY OF THE ARMY, WASHINGTON, D. C. 20315.

VIEW FROM SIDE 1

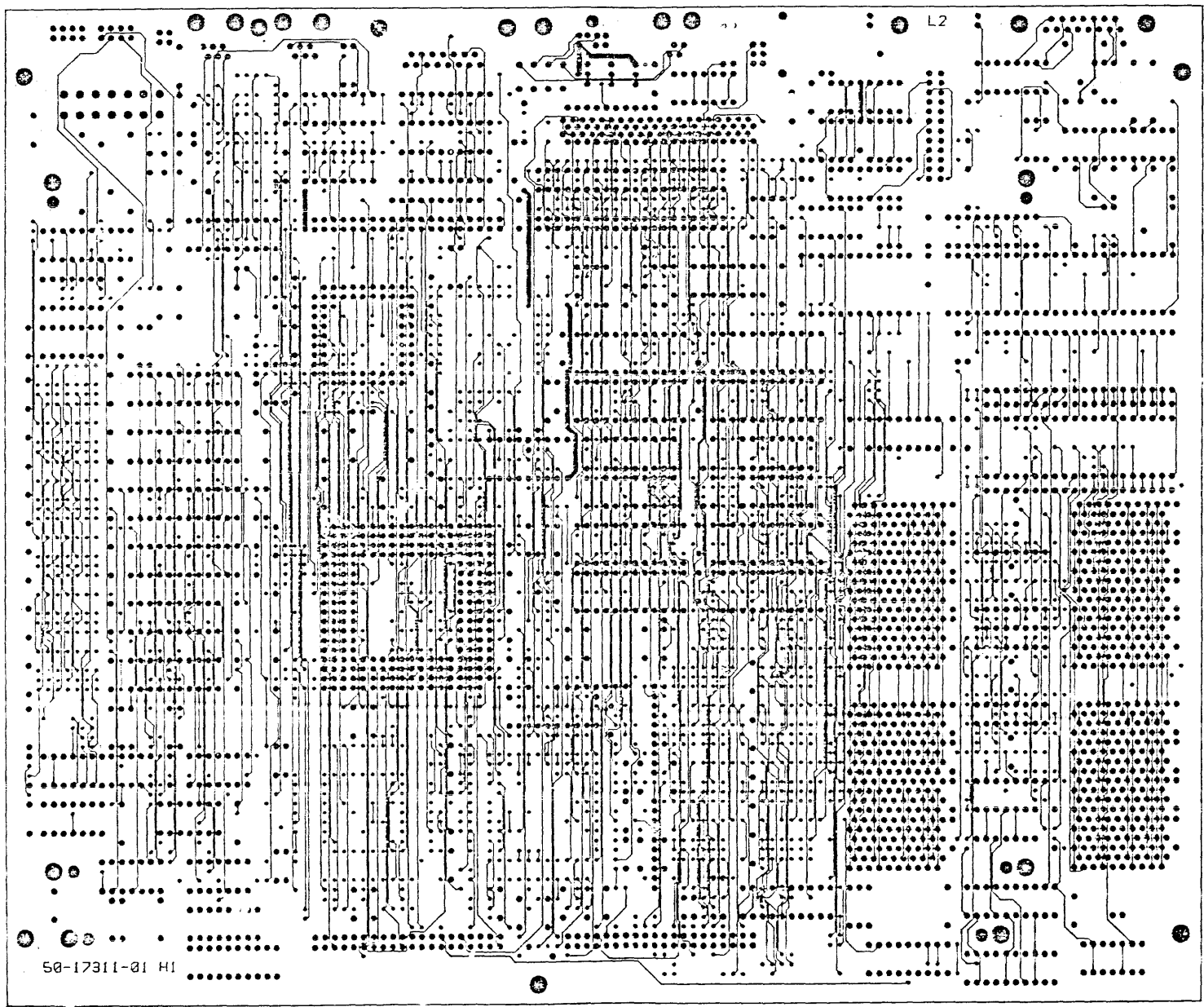


TITLE  
K42 SYSTEM  
BOARD

DOCUMENT NUMBER		
SIZE	CLASS	NUMBER
E	UA	5417312-0-0
SCALE 3:1		SHEET 2 OF 2
WO# 275-898H		

THIS DRAWING AND THE INFORMATION CONTAINED HEREIN ARE UNCLASSIFIED EXCEPT WHERE SHOWN OTHERWISE BY A CONTROLLED INFORMATION SYMBOL AND ARE IN THE PUBLIC DOMAIN. IT IS THE POLICY OF THE AIR FORCE TO MAKE AVAILABLE TO THE PUBLIC INFORMATION THAT IS NOT CONTROLLED BY THE NATIONAL DEFENSE AUTHORITY. DATE 12-15-2011 BY 60322/UC/STW

VIEW FROM SIDE 1



50-17311-01 HI

L2

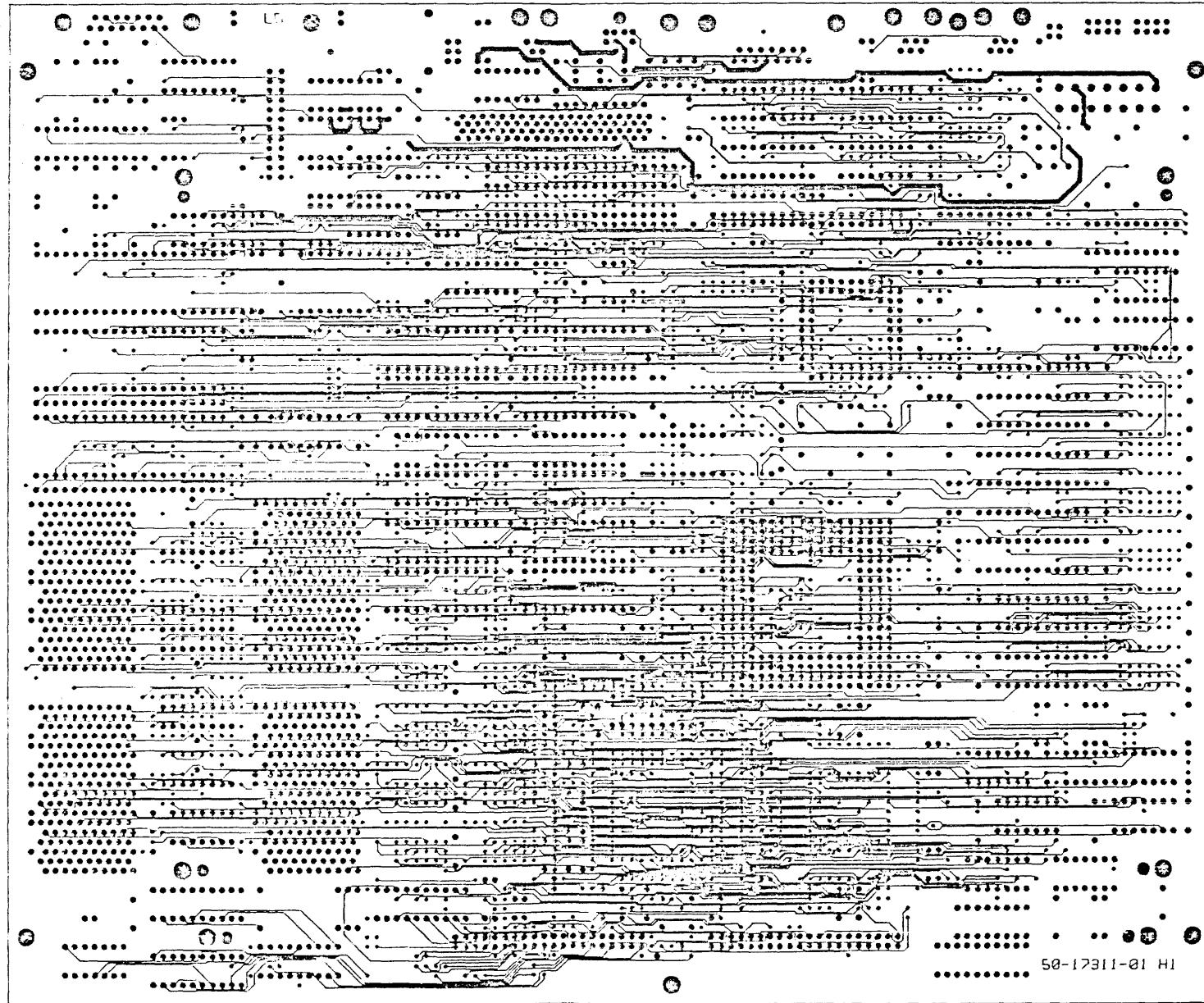
TITLE  
K42 SYSTEM  
BOARD

SIZE/SCALE	DOCUMENT NUMBER	REV
E 1/4	5417312-0-0	0
SCALE 2:1		SHEET 4 OF 5

WQ# 275898H

THIS DRAWING AND THE SPECIFICATIONS CONTAINED HEREIN ARE THE PROPERTY OF THE UNITED STATES GOVERNMENT AND ARE LOANED TO YOU BY THE NATIONAL BUREAU OF STANDARDS. IT IS TO BE USED FOR THE PURPOSES SPECIFIED IN THE ORDER. IT IS TO BE RETURNED TO THE NATIONAL BUREAU OF STANDARDS WITH THE ORIGINAL DRAWING AND SPECIFICATIONS. NO PART OF THIS DRAWING OR SPECIFICATIONS IS TO BE REPRODUCED OR TRANSMITTED IN ANY FORM OR BY ANY MEANS, ELECTRONIC OR MECHANICAL, INCLUDING PHOTOCOPYING, RECORDING, OR BY ANY INFORMATION STORAGE AND RETRIEVAL SYSTEM, WITHOUT PERMISSION IN WRITING FROM THE NATIONAL BUREAU OF STANDARDS.

VIEW FROM SIDE 2

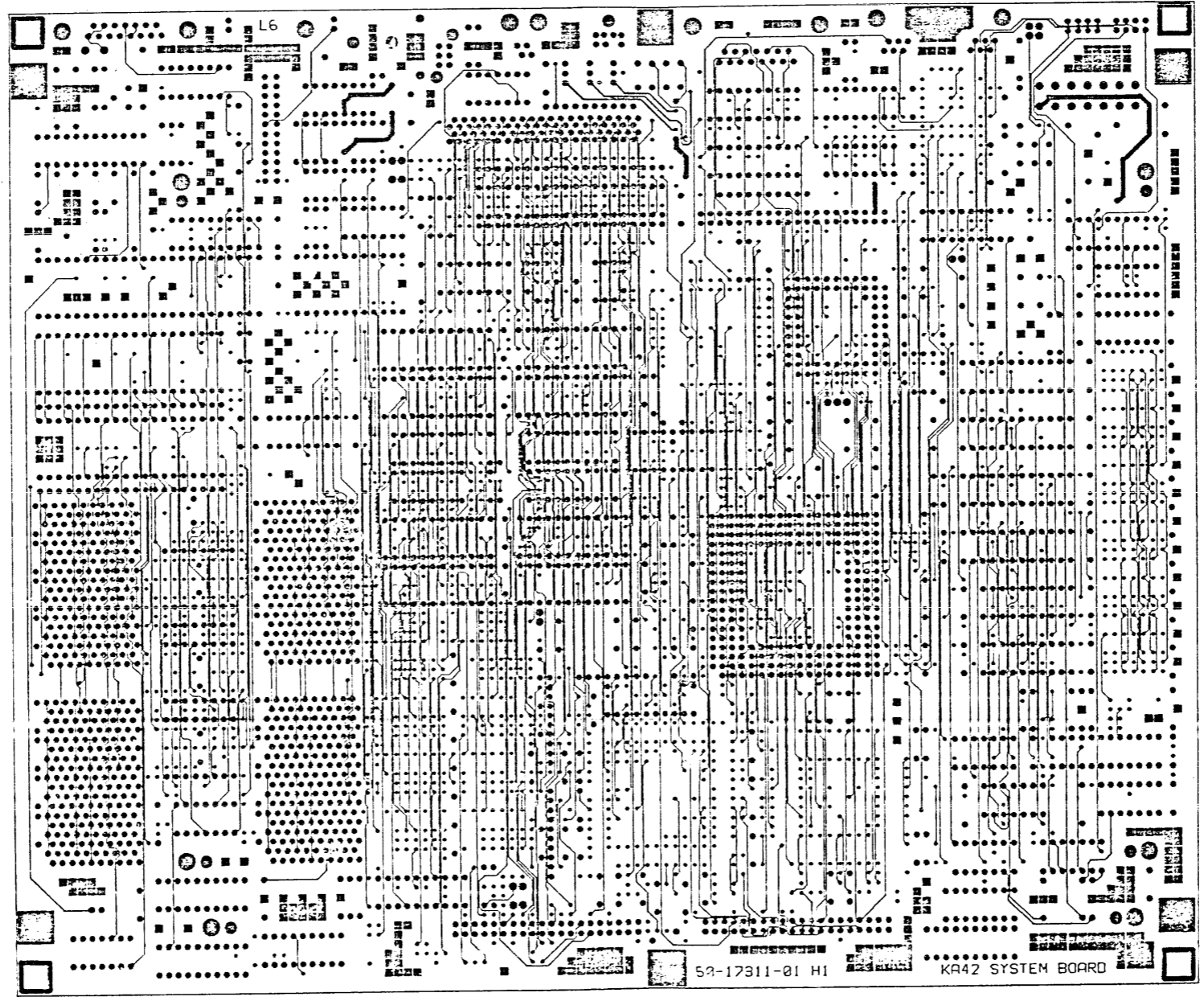


50-17311-01 HI

TITLE		DOCUMENT NUMBER	
REV	DESCRIPTION	REV	NUMBER
E	5417312-0-0	B	1
KR42 SYSTEM BOARD		SCALE 2:1	
		WO# 275898H	

THIS IS A REPRODUCTION OF THE ORIGINAL DRAWING. IT IS NOT TO BE USED FOR FABRICATION OR REPAIR. THE ORIGINAL DRAWING IS THE ONLY AUTHORITY FOR THE DESIGN AND CONSTRUCTION OF THE BOARD. ALL DIMENSIONS ARE IN INCHES UNLESS OTHERWISE SPECIFIED. THE BOARD IS TO BE MANUFACTURED TO THE SPECIFICATIONS OF THE ORIGINAL DRAWING. THE BOARD IS TO BE ASSEMBLED TO THE SPECIFICATIONS OF THE ORIGINAL DRAWING. THE BOARD IS TO BE TESTED TO THE SPECIFICATIONS OF THE ORIGINAL DRAWING. THE BOARD IS TO BE SHIPPED TO THE CUSTOMER IN THE ORIGINAL DRAWING. THE BOARD IS TO BE KEPT IN THE ORIGINAL DRAWING. THE BOARD IS TO BE DESTROYED WHEN NO LONGER NEEDED. THE BOARD IS TO BE KEPT IN THE ORIGINAL DRAWING.

VIEW FROM SIDE 2



52-17311-01 HI KA42 SYSTEM BOARD

TITLE		DOCUMENT NUMBER	
KA42 SYSTEM BOARD	52-17311-01 HI	52-17311-01 HI	REV B
SCALE 2:1		SHEET 6 OF 7	
1		HQ# 2758954	

THIS DRAWING IS THE PROPERTY OF THE UNITED STATES GOVERNMENT AND IS LOANED TO YOU BY THE GOVERNMENT. IT IS TO BE USED ONLY FOR THE PURPOSES AUTHORIZED BY THE GOVERNMENT. IT IS TO BE RETURNED TO THE GOVERNMENT AT THE END OF THE LOAN PERIOD. IT IS TO BE KEPT IN A SAFE PLACE AND NOT TO BE REPRODUCED OR TRANSMITTED IN ANY FORM OR BY ANY MEANS, ELECTRONIC OR MECHANICAL, INCLUDING PHOTOCOPYING, RECORDING, OR BY ANY INFORMATION STORAGE AND RETRIEVAL SYSTEM. WITHOUT PERMISSION IN WRITING FROM THE GOVERNMENT, THIS DRAWING IS NOT TO BE DISTRIBUTED TO OTHERS.

REWORK INSTRUCTIONS:

WIRE ADDS SIDE 2 (AS SHOWN)

- Ø-1 FROM E134 PIN 20 TO E133 PIN 20
- Ø-2 FROM J9 PIN 16 TO E66 PIN 4
- Ø-3 FROM E114 PIN 13 TO E109 PIN 21  
SURFACE MOUNT VIA.
- Ø-4 WIRE ADDS SIDE 1 (AS SHOWN)  
LIFT LEG AT E127 PIN 4
- Ø-5 LIFT LEG AT E127 PIN 6
- Ø-6 FROM E127 PIN 6 VIA TO E115 PIN 11.
- Ø-7 FROM E115 PIN 12 TO E114 PIN 12.
- Ø-8 FROM E127 PIN 4 VIA TO E115 PIN 13.

COMPONENT DELETES SIDE 1 (AS SHOWN)

- Ø-9 DO NOT INSTALL C151 (P/N 10-13466-16) IN THIS LOCATION
- COMPONENT ADDS SIDE 1 (AS SHOWN)
- Ø-10 ADD C151 (P/N 10-13466-16) PIN 1 TO E86 PIN 5  
AND C151 PIN 2 TO E86 PIN 7
- Ø-11 ADD C153 (P/N 10-13466-16) PIN 1 TO E86 PIN 8  
AND C153 PIN 2 TO E86 PIN 7

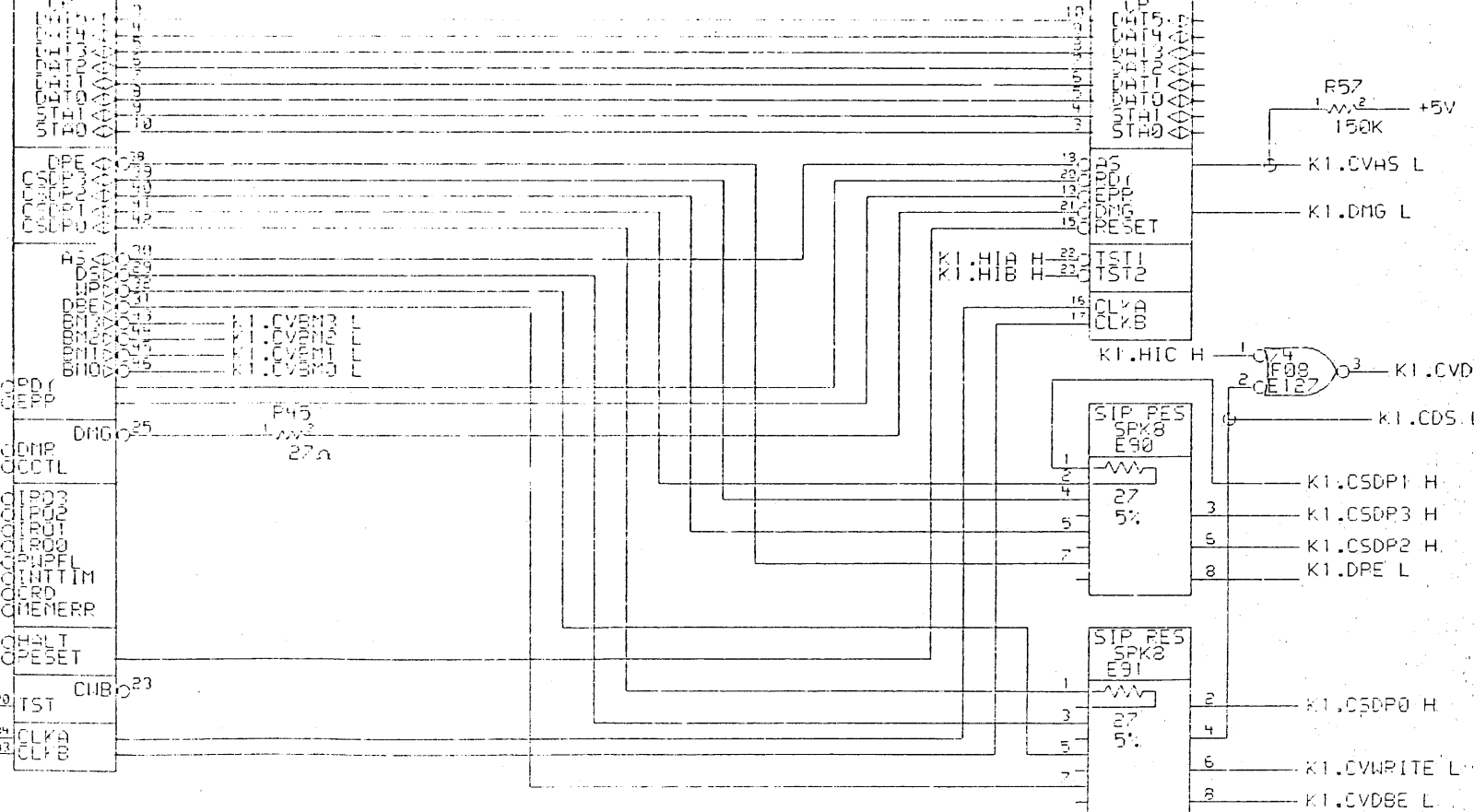
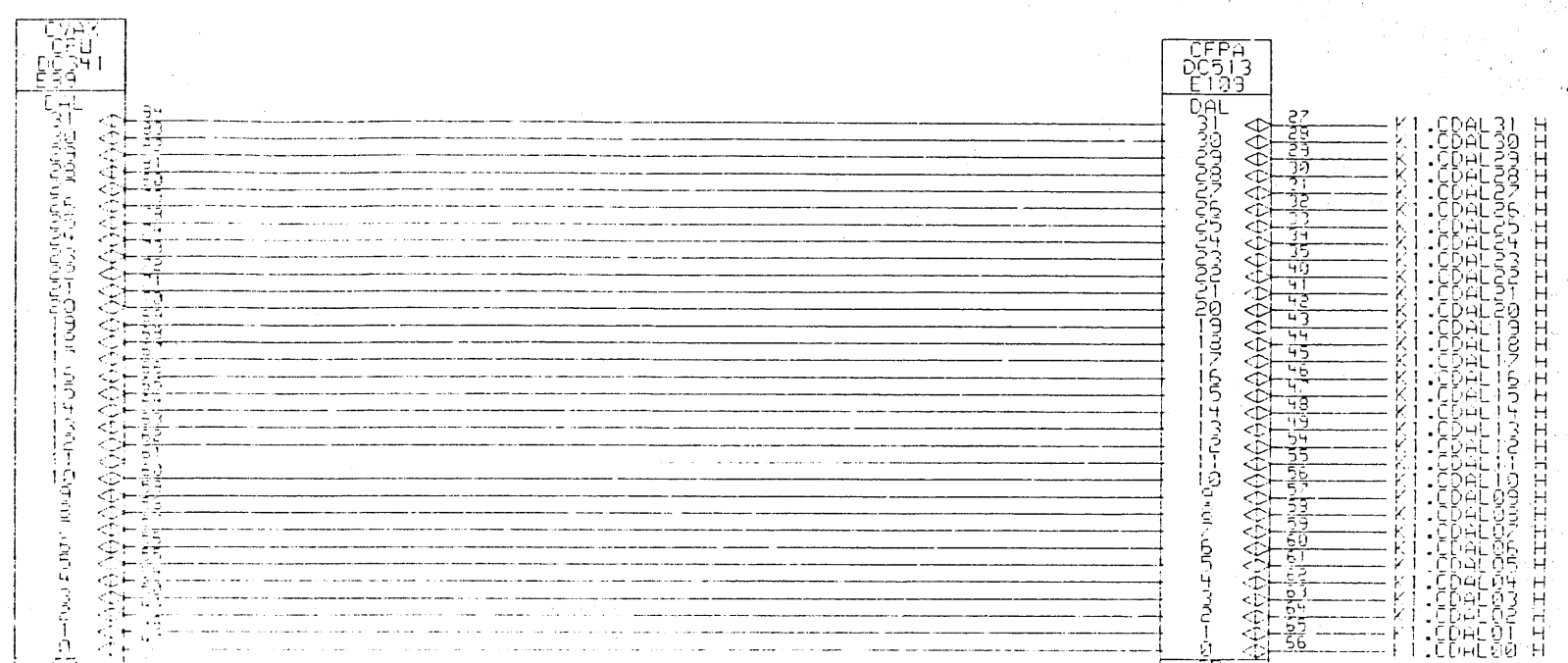
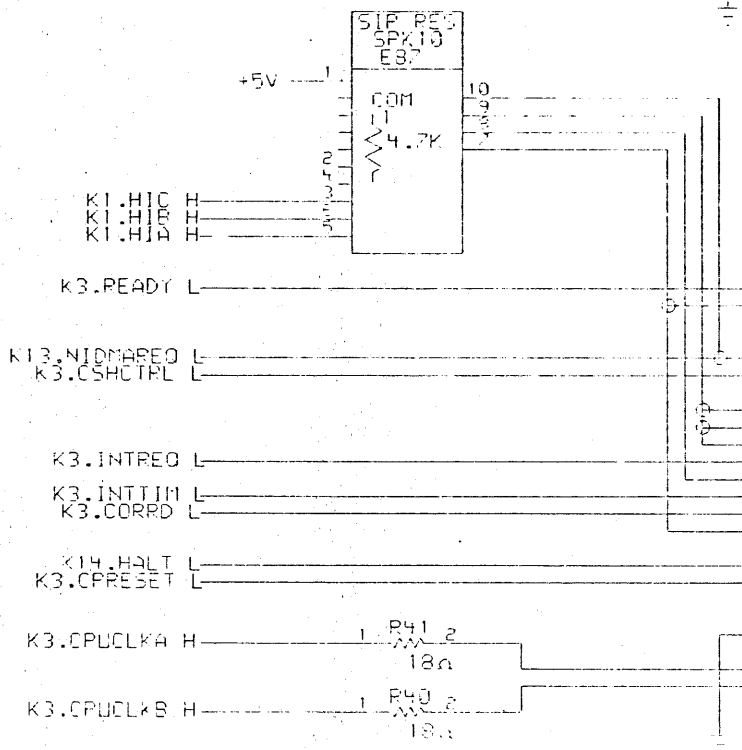
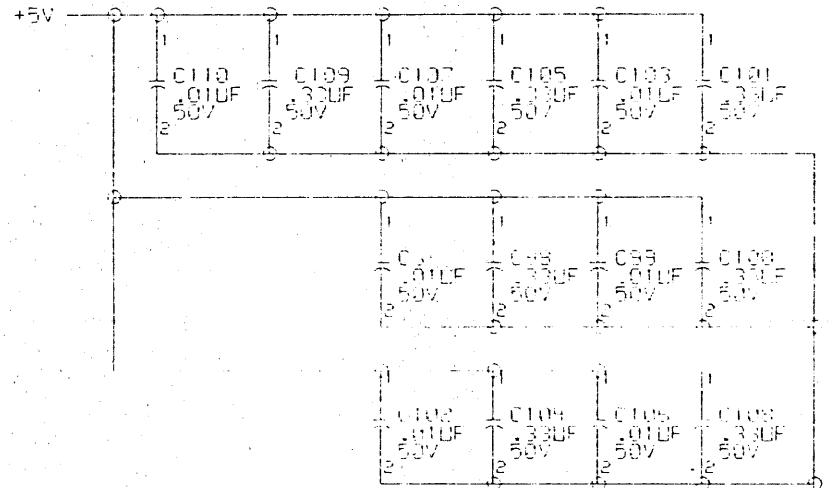
TITLE  
KA42 SYSTEM  
BOARD

DOCUMENT NUMBER		REVISION	
REV	DATE	BY	NO
E	UR	5417312-0-0	0

SCALE 2:1 SHEET 7 OF 7

WO# 275898H

### CPU decoupling caps

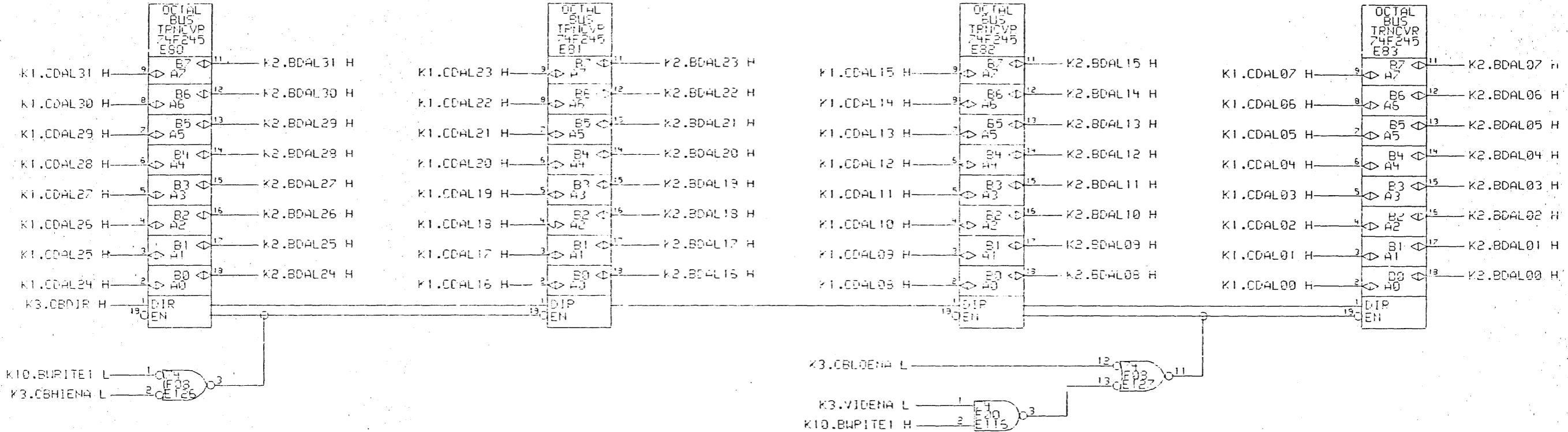


LAST MODIFIED=Thu Oct 6 15:59:34 1993

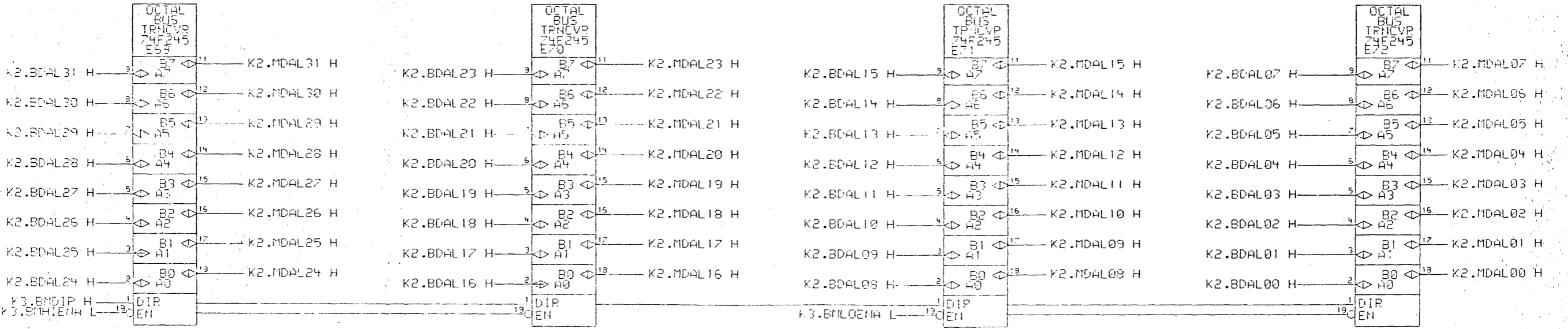
USPH: FIRST USED ON OPTION MODEL:	DATE: 25-FEB-87 DATE: 25-FEB-87	ENG: L. NAPHI ENG: L. NAPHI	DATE: 25-FEB-87 DATE: 25-FEB-87	TITLE: K442 SYSTEM BOARD	SHEET: 1 OF 15	STEEL CODE: K CS	NUMBER: 5417312-0-1	REV: A
--------------------------------------	------------------------------------	--------------------------------	------------------------------------	--------------------------	----------------	------------------	---------------------	--------

THIS DRAWING AND THE SPECIFICATIONS CONTAINED HEREIN ARE PROPRIETARY AND EQUIPMENT COMP. THEY SHALL NOT BE REPRODUCED OR COPIED OR USED IN WHOLE OR IN PART AS THE BASIS FOR THE DESIGN OR CONSTRUCTION OF ITEMS UNLESS WRITTEN PERMISSION IS OBTAINED FROM THE ORIGINAL AUTHOR. COPYRIGHT © 1988 DIGITAL EQUIPMENT CORPORATION

### CPU to BDAL Buffers



### Memory to BDAL Buffers



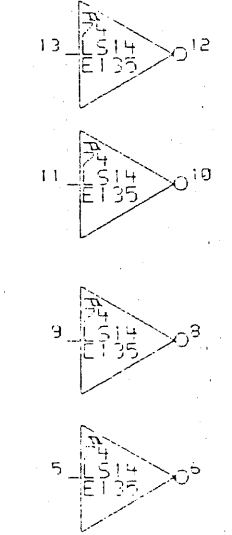
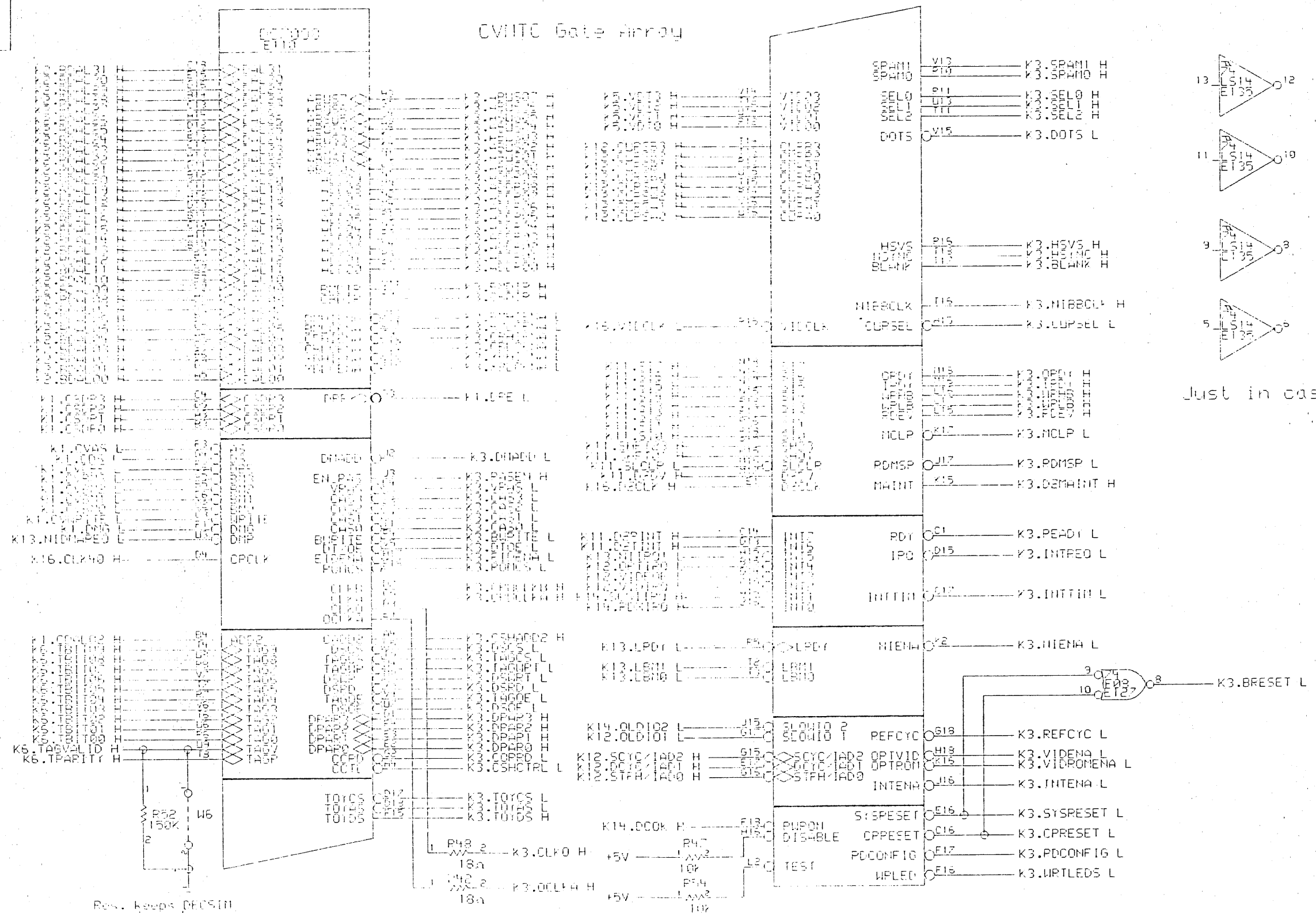
DRAWING LAST MODIFIED=Thu Oct 6 11:27:58 1988

DESIGNER: L. MAPHI	DATE: 25-FEB-88	TITLE: KA42 SYSTEM BOARD
SHEET 2 OF 15		
TOP DOCUMENT NUMBER: K-00-5417312-0-0	SIZE CODE: K CS	NUMBER: 5417312-0-1
		REV: A

K2



### CVTTC Gate Array



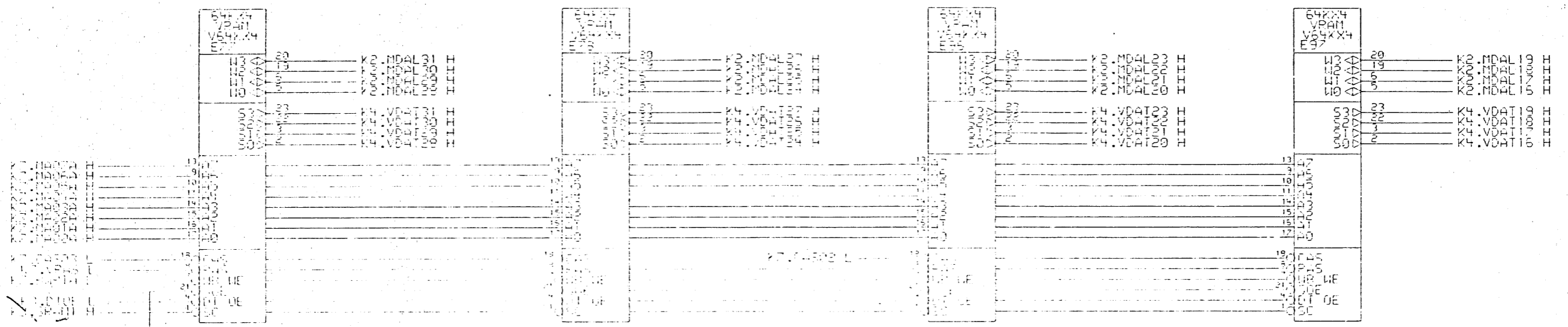
Just in case!

Res. keeps DEC511 happy!

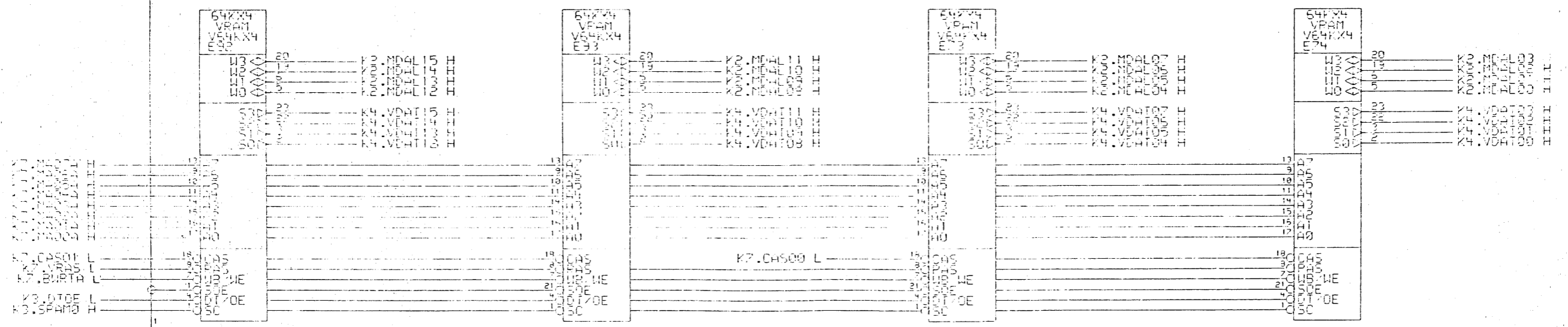
DRAWING  
LAST MODIFIED=Thu Oct 6 11:31:33 1988

FIG. NAPHI	DATE 25-FEB-87	TITLE: KA42 SYSTEM BOARD
SHEET 3 OF 15		NUMBER 5417312-0-1
TOP DOCUMENT NUMBER: K-DD-5417312-0-0	SIZE CODE K CS	REV. A

ALL DIMENSIONS AND THE SPECIFICATIONS CONTAINED HEREIN ARE TO BE CONSIDERED AS MINIMUMS. THE CONTRACTOR SHALL BE RESPONSIBLE FOR OBTAINING THE NECESSARY PERMITS AND APPROVALS FROM THE APPROPRIATE AGENCIES. THE CONTRACTOR SHALL BE RESPONSIBLE FOR OBTAINING THE NECESSARY PERMITS AND APPROVALS FROM THE APPROPRIATE AGENCIES.



Video RAM



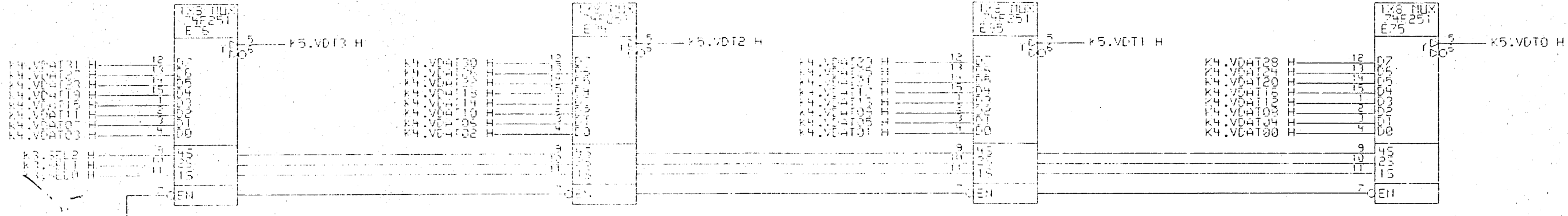
R63  
100

K4

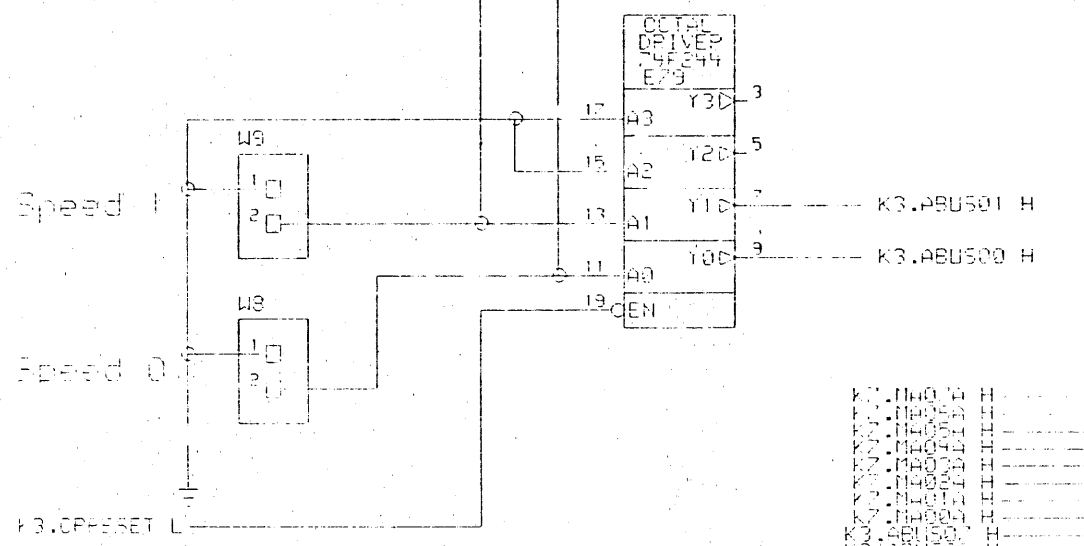
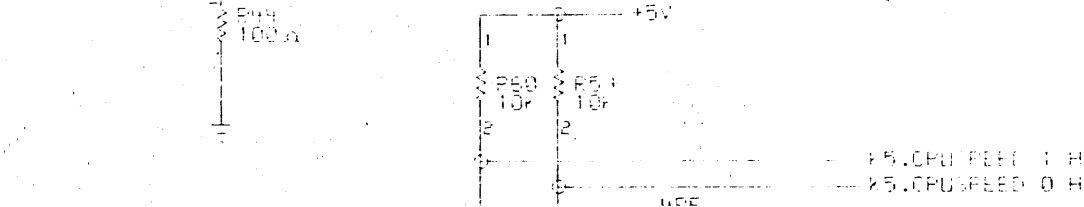
DRAWING  
LAST MODIFIED Fri Sep 23 14:14:53 1988

ENG. L. NAPHI	DATE 25-FEB-87	TITLE K4+2 SYSTEM BOARD
SHEET 4 OF 15		SIZE CODE K CS
TOP DOCUMENT NUMBER K-00-5417312-0-0		NUMBER 5417312-0-1
		REV. A

THE OPERATIONS AND THE SPECIFICATIONS CONTAINED HEREIN ARE SUBJECT TO CHANGE WITHOUT NOTICE AND THE USER SHALL BE RESPONSIBLE FOR OBTAINING THE LATEST REVISIONS OF THIS DRAWING.

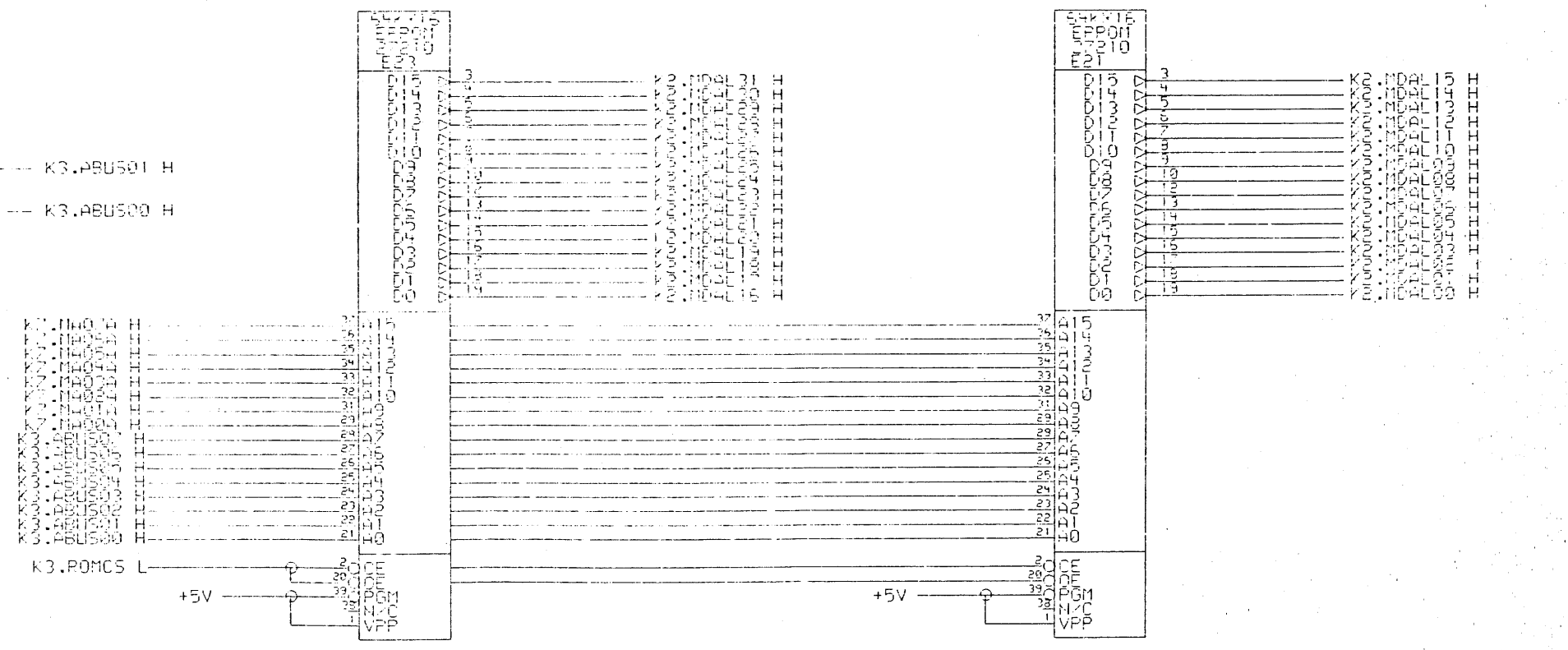


### Video Data Multiplexers



Provides auto-configure info. on power on.

- Speed 1 0
- 1 1 = 100 nS CPU
  - 1 0 = 80 nS CPU
  - 0 1 = 60 nS CPU
  - 0 0 = Undefined



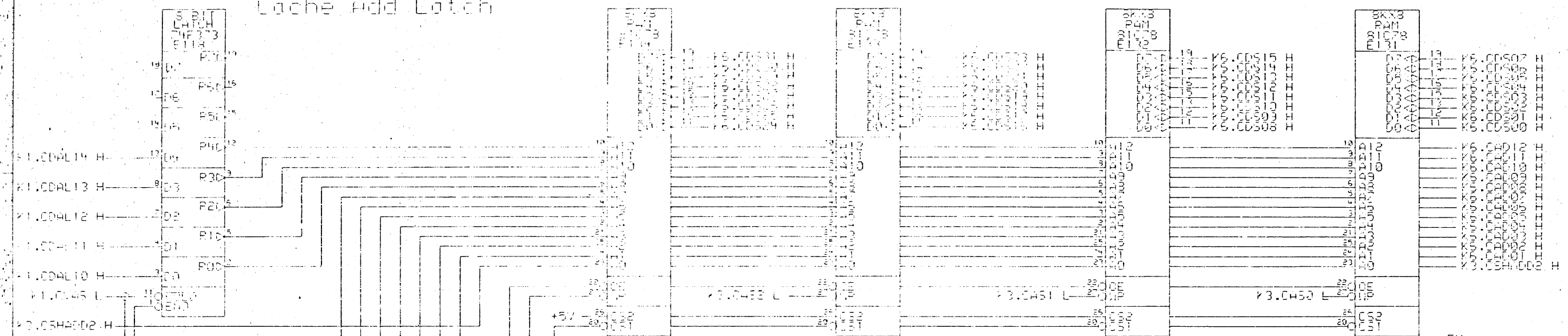
### Self-Test, Boot ROMs

DRAWING  
 LAST\_MODIFIED=Fri Sep 23 14:24:42 1988

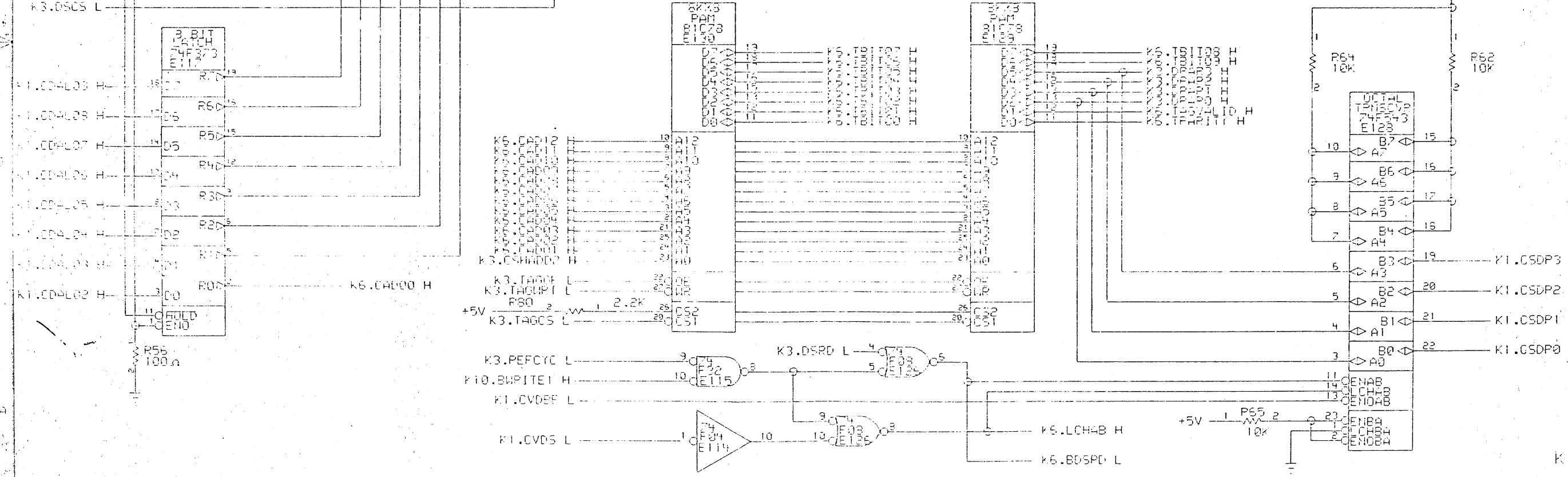
ENG. L. NAPHI	DATE 25-FEB-88	TITLE: KA42 SYSTEM BOARD
SHEET 5 of 15	SIZE CODE K CS	NUMER 5417312-0-1
TRD DOCUMENT NUMBER: K-00-5417312-0-0	REV. A	

### Cache Data Store

### Cache Add Latch

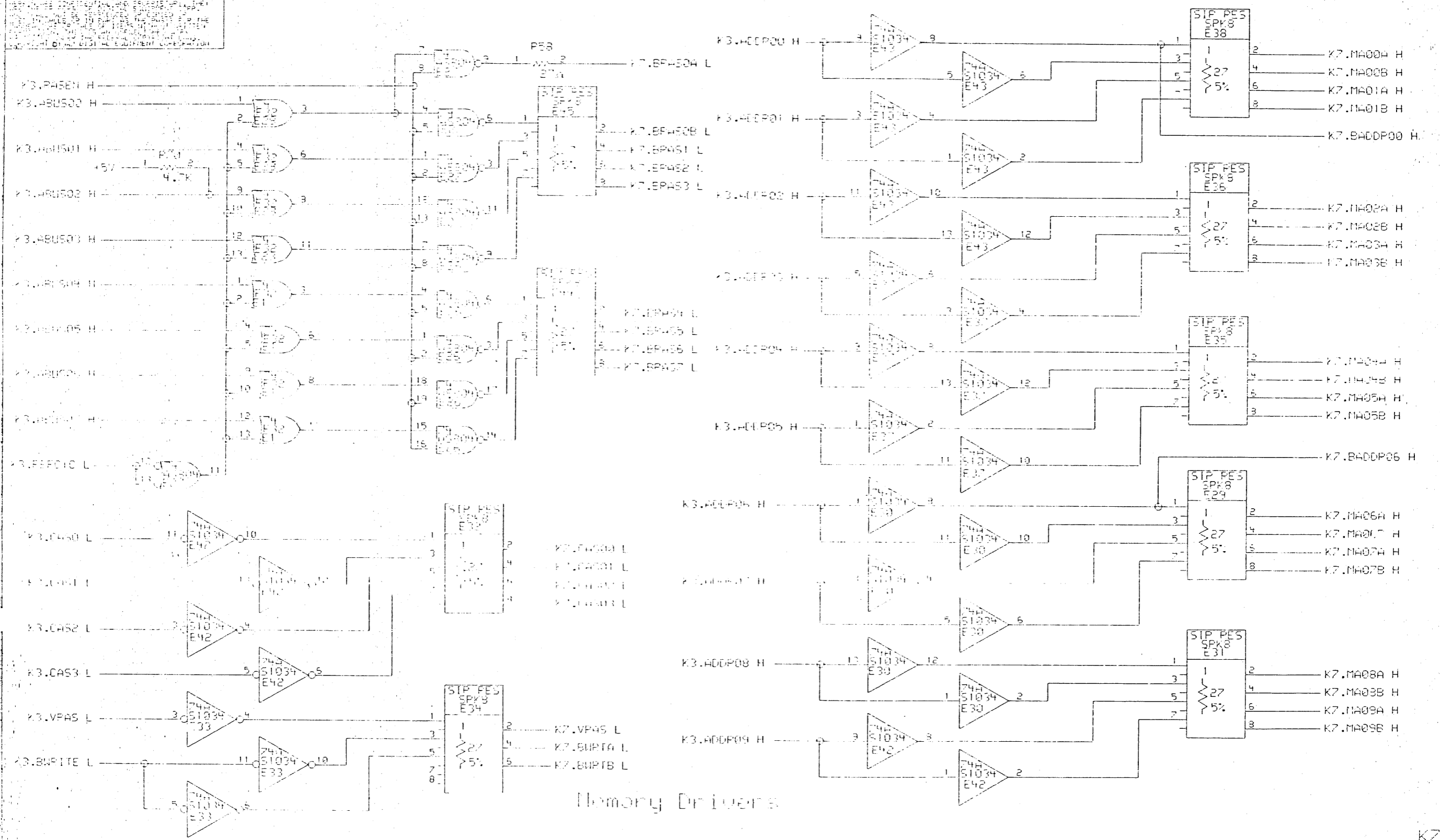


### Tag Store and Control



DESIGNED BY	NARHI	DATE	25-FEB-87	TITLE	KA42 SYSTEM BOARD		
DESIGNED IN	LOCATIONS			SHEET	5	OF	15
TOP OCCURRENCE NUMBER	K-DD-5417312-0-0			SEE CODE	K/CS	NUMBER	5417312-0-1
				REV.	A		

THIS DRAWING AND THE SPECIFICATIONS CONTAINED HEREIN ARE THE PROPERTY OF THE UNITED STATES GOVERNMENT AND ARE LOANED TO YOU BY THE NATIONAL BUREAU OF STANDARDS. IT IS TO BE USED ONLY FOR THE EQUIPMENT AND MATERIALS SPECIFICALLY IDENTIFIED IN THIS DRAWING. IT IS NOT TO BE REPRODUCED OR TRANSMITTED IN ANY FORM OR BY ANY MEANS, ELECTRONIC OR MECHANICAL, INCLUDING PHOTOCOPYING, RECORDING, OR BY ANY INFORMATION STORAGE AND RETRIEVAL SYSTEM, WITHOUT PERMISSION IN WRITING FROM THE NATIONAL BUREAU OF STANDARDS.



Memory Drivers

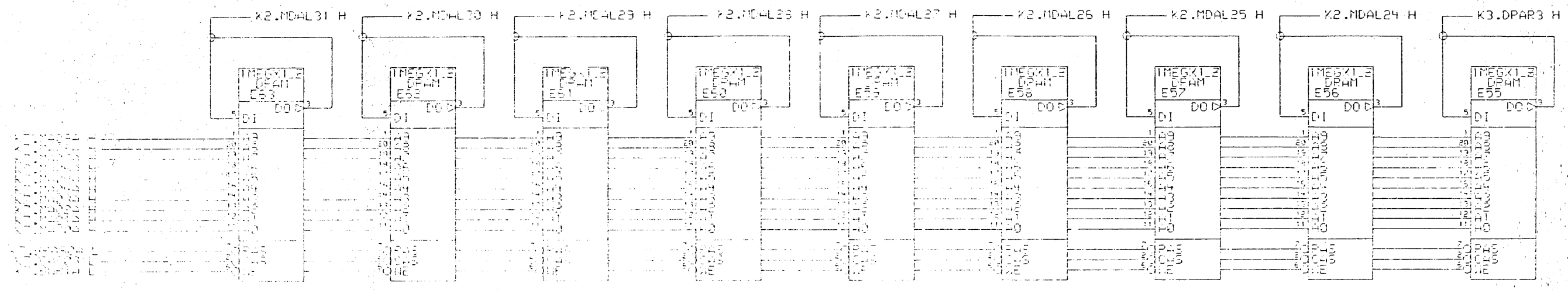
DRAWING  
 LAST\_MODIFIED=Thu Oct 6 13:45:58 1988

DESIGNER L. NARHI	DATE 25-FEB-87	TITLE KA42 SYSTEM BOARD
BOARD LOCATION 7	GF 15	
SHEET 7	GF 15	
TOP DOCUMENT NUMBER K-DD-5417312-0-0	SIZE CODE K CS	NUMBER 5417312-0-1
		REV. A

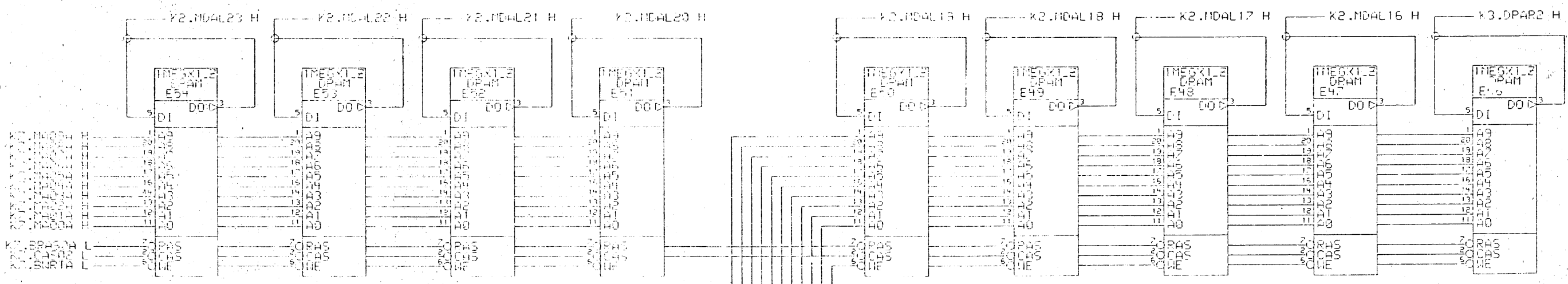
K7

THIS DRAWING AND THE SPECIFICATIONS CONTAINED THEREIN ARE THE PROPERTY OF THE UNITED STATES GOVERNMENT AND ARE LOANED TO YOU. IT IS TO BE USED FOR THE PURPOSES SPECIFIED AND IS NOT TO BE REPRODUCED OR TRANSMITTED IN ANY FORM OR BY ANY MEANS, ELECTRONIC OR MECHANICAL, INCLUDING PHOTOCOPYING, RECORDING, OR BY ANY INFORMATION STORAGE AND RETRIEVAL SYSTEM, WITHOUT PERMISSION IN WRITING FROM THE DIRECTOR, ARPA/DCI, 4800 WASHINGTON AVENUE, WASHINGTON, DC 20303-0001. GPO: 1985-0-218-2145

D



Rom Bits (31:24)



Rom Bits (23:16)

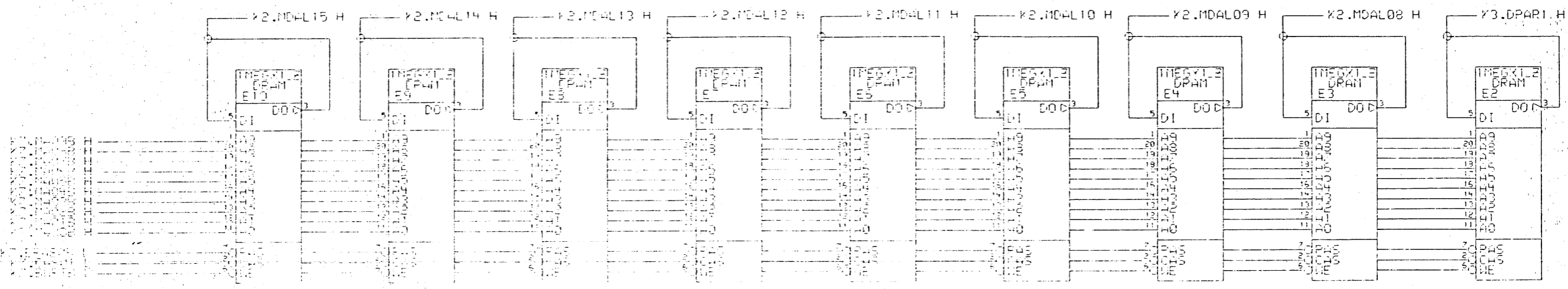
K8

DRAWING

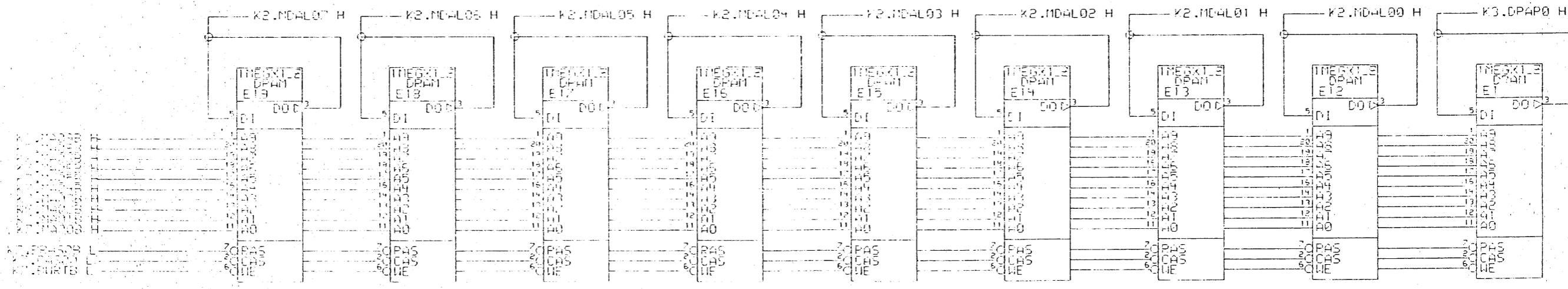
LAST MODIFIED: Fri Sep 23 14:49:22 1988

ENG.	DATE	TITLE:
L. NAPHI	25-FEB-87	KA42 SYSTEM BOARD
DESIGNER	BY	NO.
TOP LEVEL NUMBER:	SIZE/CODE	NUMBER
K-00-5417312-0-0	K CS	5417312-0-1
		REV. A

THESE DRAWINGS AND THE SPECIFICATIONS CONTAINED THEREIN ARE THE PROPERTY OF THE COMPANY AND ARE NOT TO BE REPRODUCED OR TRANSMITTED IN ANY FORM OR BY ANY MEANS, ELECTRONIC OR MECHANICAL, INCLUDING PHOTOCOPYING, RECORDING, OR BY ANY INFORMATION STORAGE AND RETRIEVAL SYSTEM, WITHOUT THE WRITTEN PERMISSION OF THE COMPANY.



Pam Bits <15:03>



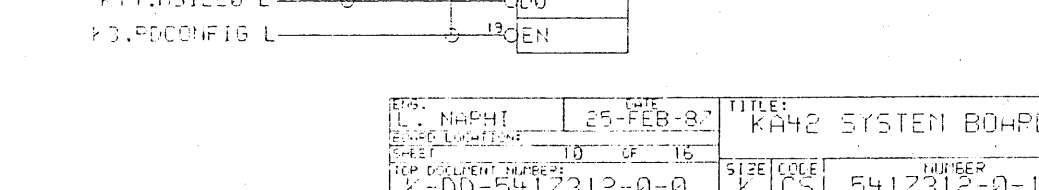
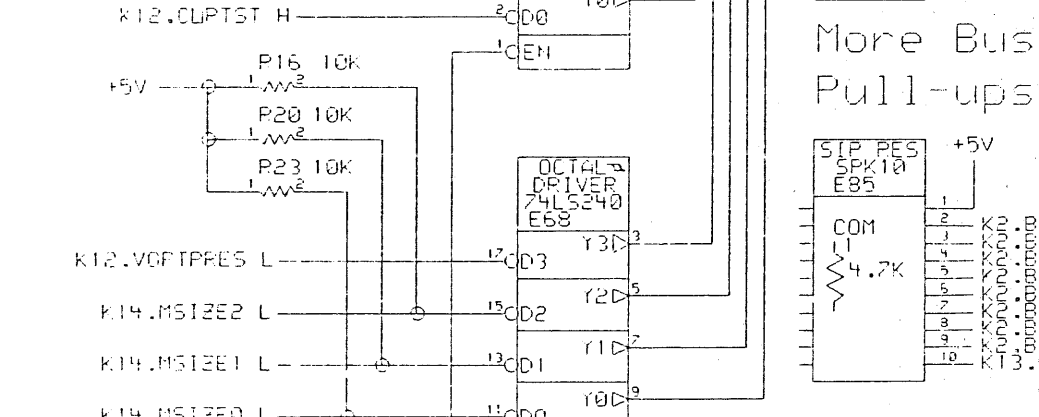
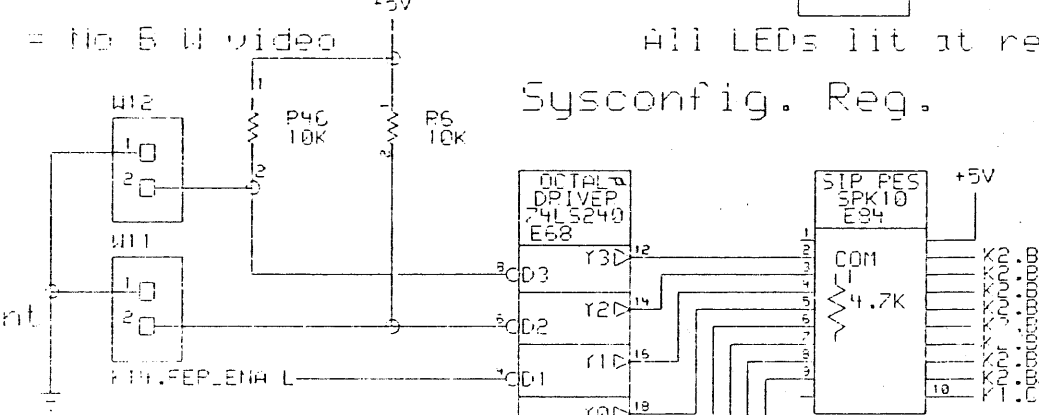
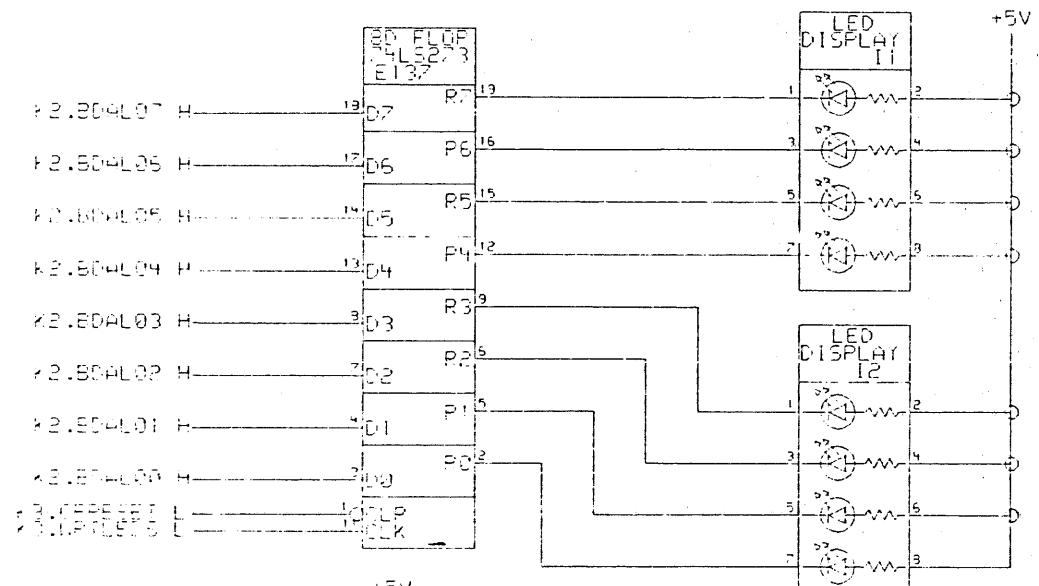
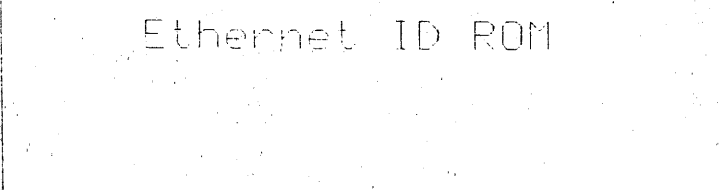
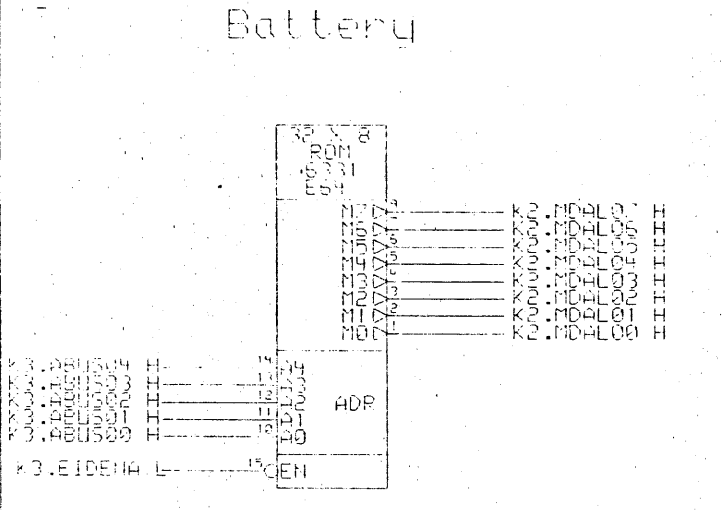
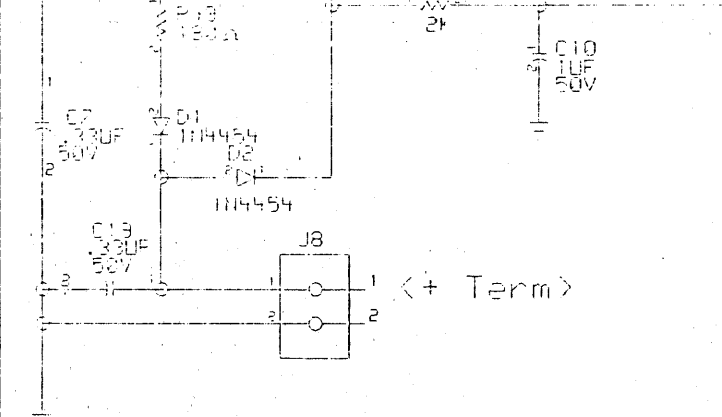
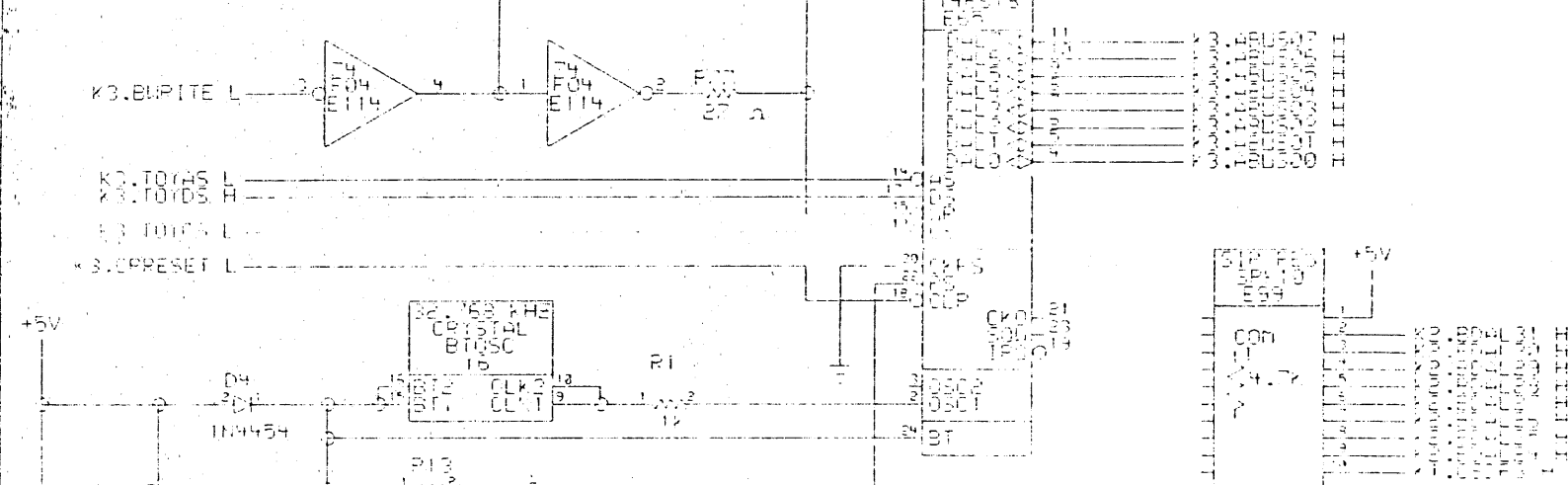
Pam Bits <07:00>

DRAWING  
 LAST MODIFIED: Fri Sep 23 14:59:34 1983

ENG: L. NAPI	DATE: 25-FEB-87	TITLE: K42 SYSTEM BOARD
SHEET: 9	OF: 16	
DCP DOCUMENT NUMBER: K-00-5417312-0-0	SIZE: K	CODE: CS
	NUMBER: 5417312-0-1	REV: A

K9

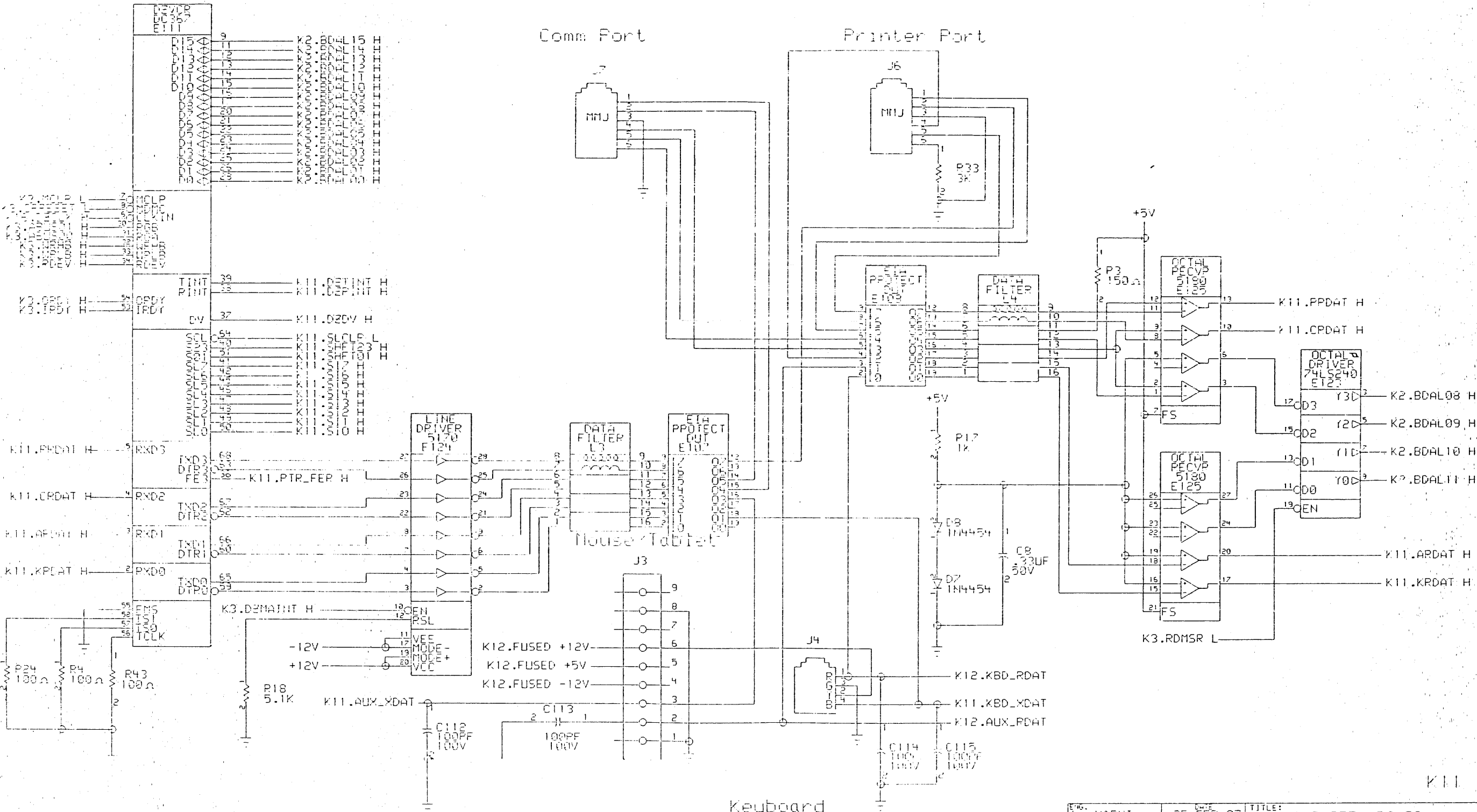
THIS DRAWING AND THE SPECIFICATIONS CONTAINED HEREIN ARE THE PROPERTY OF THE COMPANY AND ARE NOT TO BE REPRODUCED OR TRANSMITTED IN ANY FORM OR BY ANY MEANS, ELECTRONIC OR MECHANICAL, INCLUDING PHOTOCOPYING, RECORDING, OR BY ANY INFORMATION STORAGE AND RETRIEVAL SYSTEM, WITHOUT THE WRITTEN PERMISSION OF THE COMPANY.



DESIGN: L. NACHI	DATE: 25-FEB-82	TITLE: KA42 SYSTEM BOARD
ENGINEER: L. NACHI	DESIGNER: L. NACHI	DATE: 10 OF 15
TOP DOCUMENT NUMBER: K-DD-5417312-0-0	SIZE: K	CODE: C5
	NUMBER: 5417312-0-1	REV: A

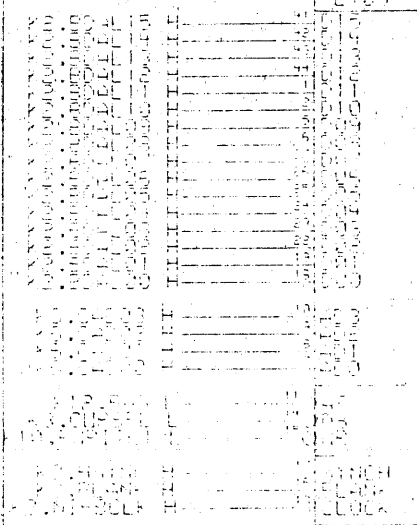


THIS DRAWING AND THE SPECIFICATIONS CONTAINED HEREIN ARE THE PROPERTY OF THE UNITED STATES GOVERNMENT AND ARE TO BE USED IN ACCORDANCE WITH THE TERMS OF GOVERNMENT ACQUISITION CONTRACT NUMBER DAH-1-61-17312-0-1. THE UNITED STATES GOVERNMENT MAKES NO WARRANTY, REPRESENTATION OR GUARANTEE, EXPRESS OR IMPLIED, WITH RESPECT TO THE ACCURACY, COMPLETENESS OR QUALITY OF THIS DRAWING OR THE INFORMATION CONTAINED HEREIN. THE UNITED STATES GOVERNMENT SHALL NOT BE LIABLE FOR DAMAGES OF ANY KIND, INCLUDING BUT NOT LIMITED TO, DIRECT, INDIRECT, SPECIAL OR CONSEQUENTIAL DAMAGES, ARISING FROM, OUT OF OR IN CONNECTION WITH THE USE OF THIS DRAWING OR THE INFORMATION CONTAINED HEREIN.

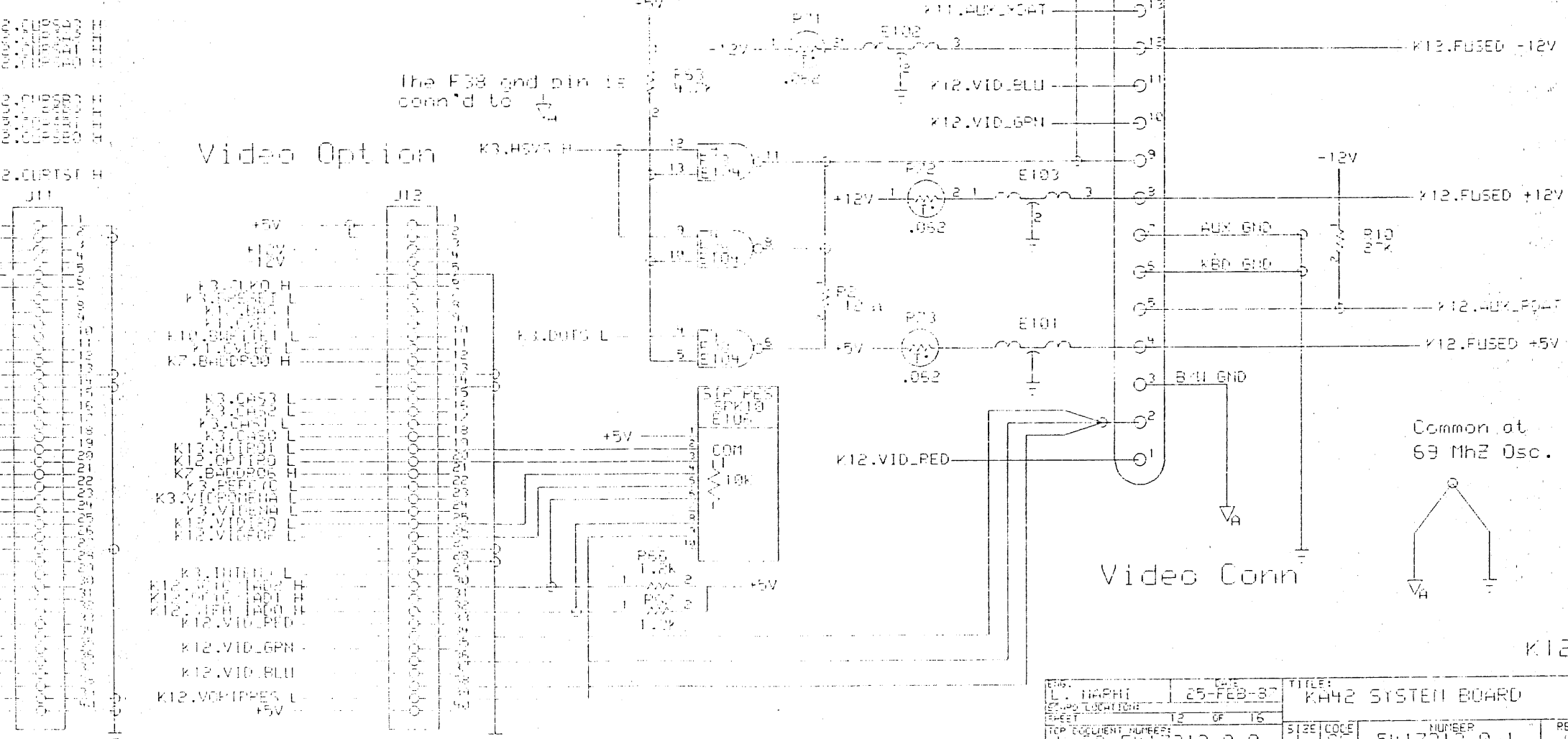
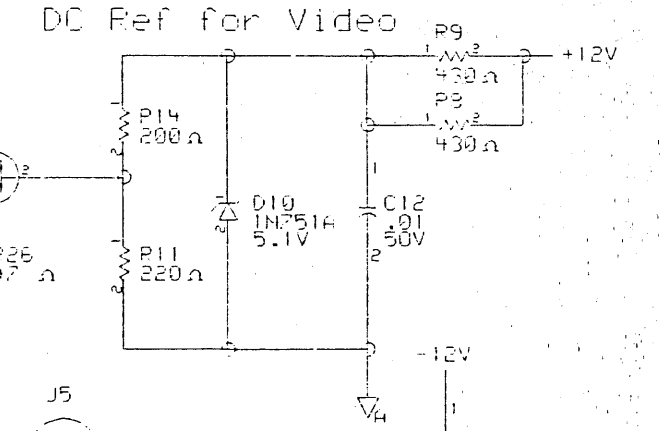
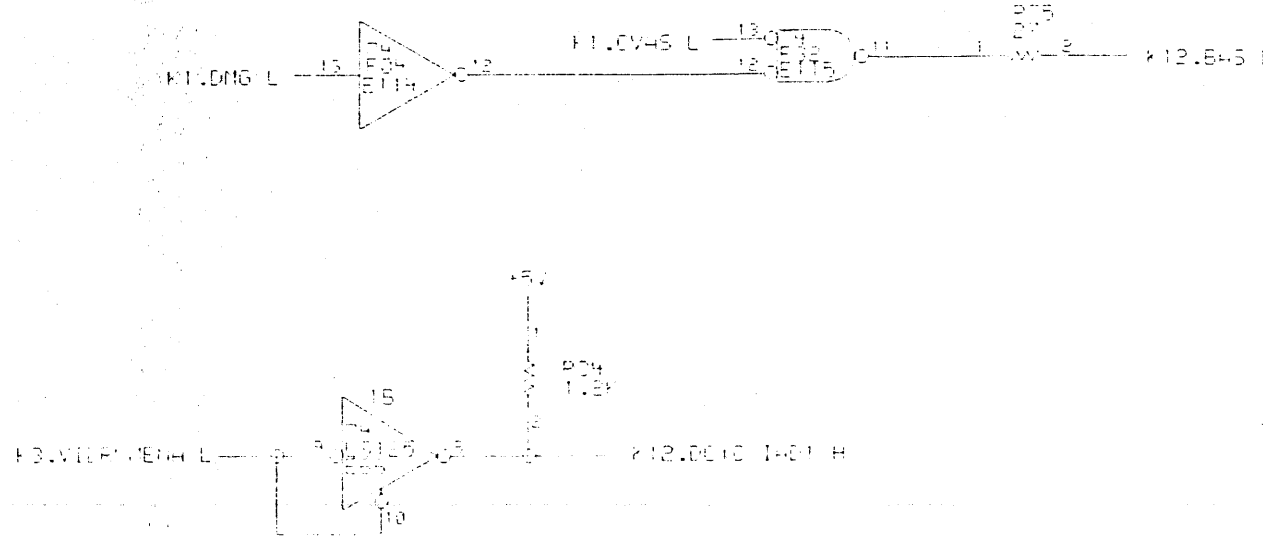
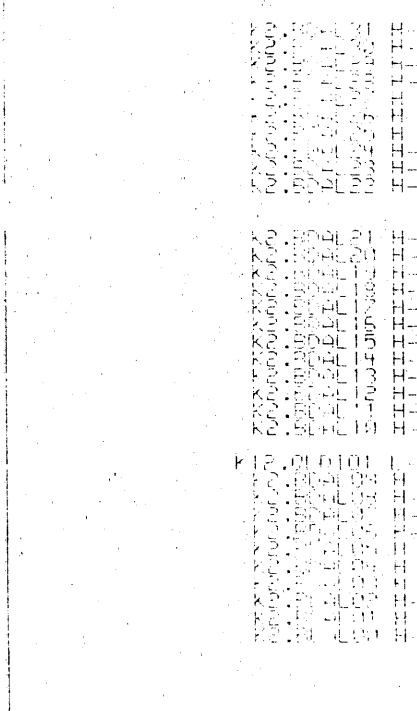


ENG.	DES.	TITLE:
L. NARHI	25-FEB-87	KA42 SYSTEM BOARD
SHEET 11 OF 15		
TOP DOCUMENT NUMBER:	SIZE/CODE	NUMBER
K-00-5417312-0-0	K CS	5417312-0-1
		REV. A

THE SPECIFICATIONS AND THE PRESENTATIONS CONTAINED HEREIN ARE SUBJECT TO CHANGE WITHOUT NOTICE AND WITHOUT OBLIGATION TO ADVISE ANY PERSON.



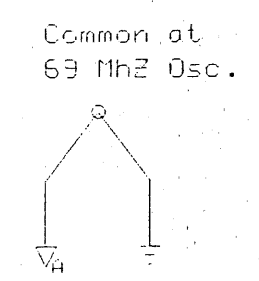
Cursor Chip



The F38 gnd pin is conn'd to

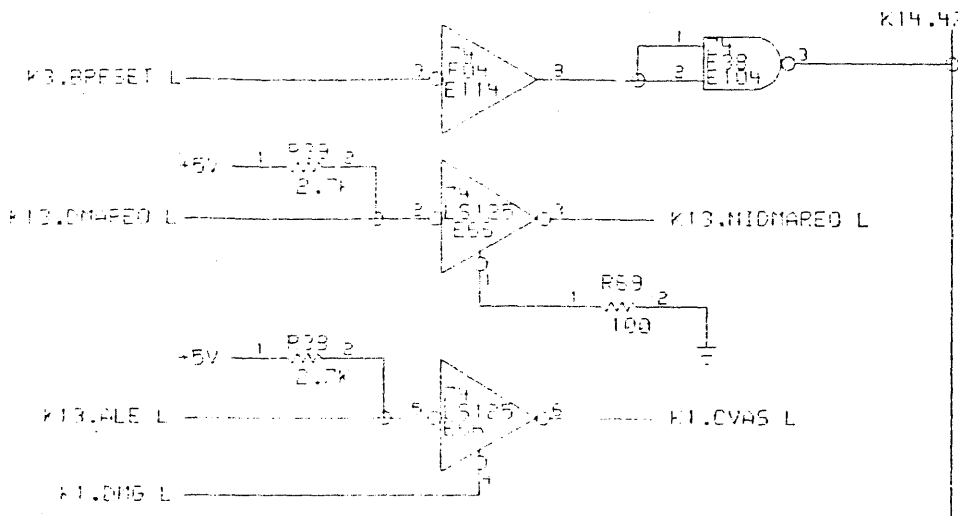
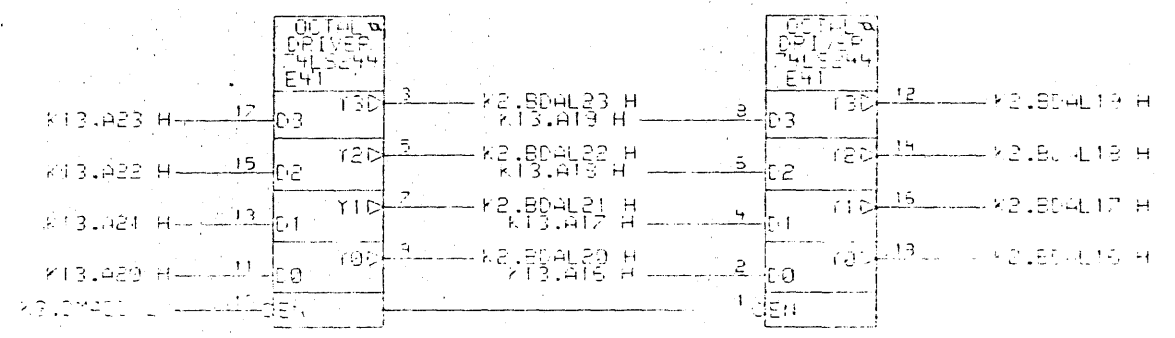
Video Option

Video Conn

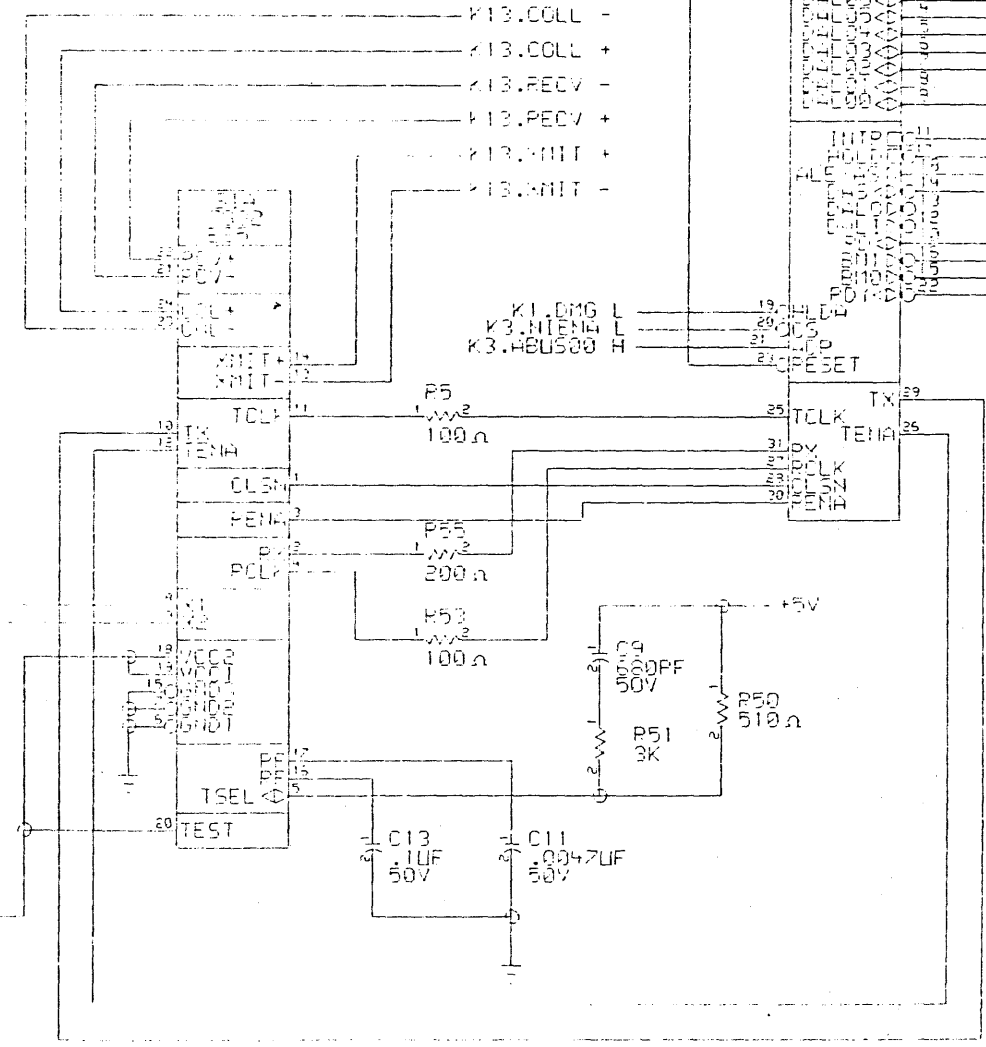
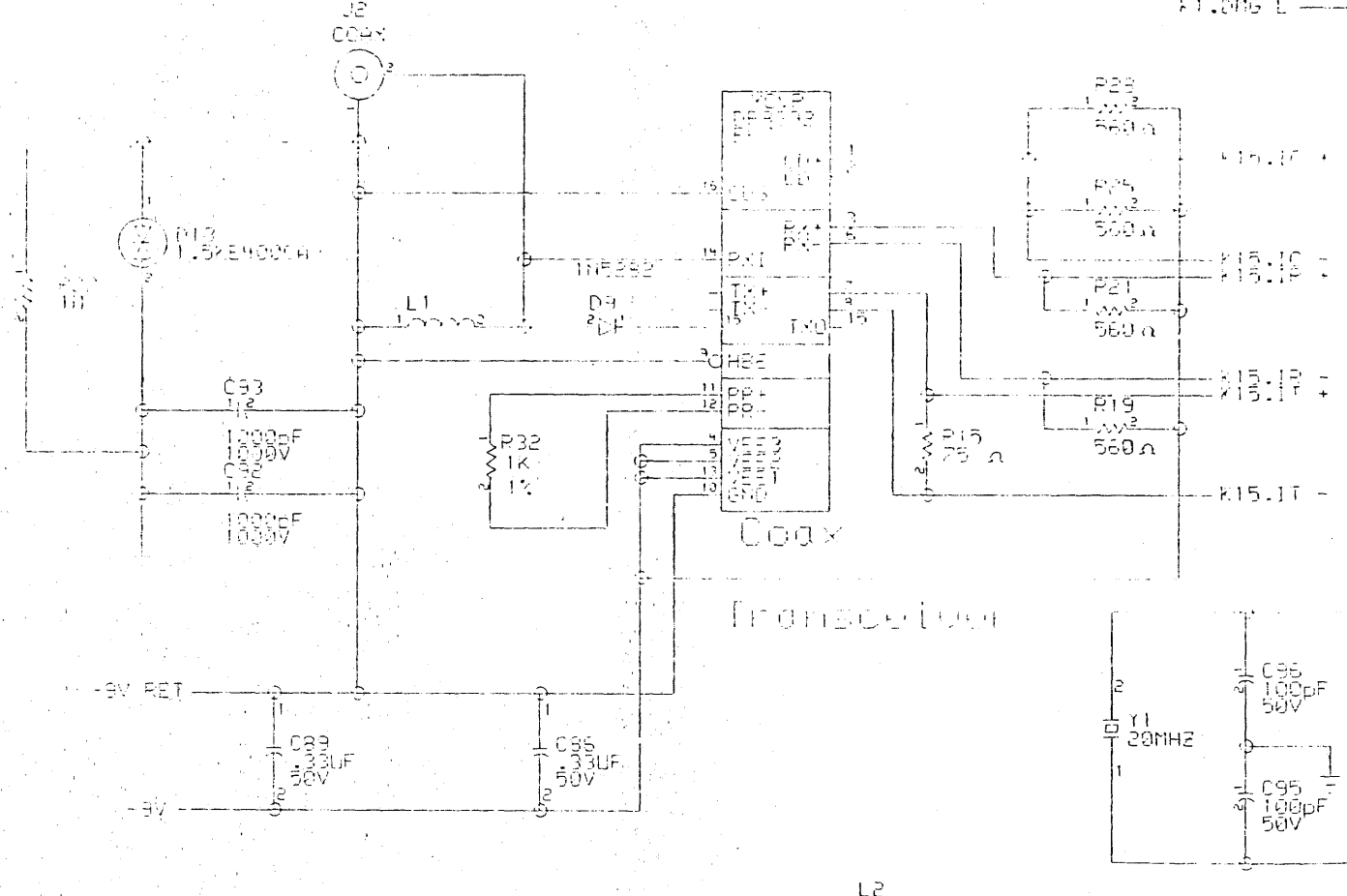
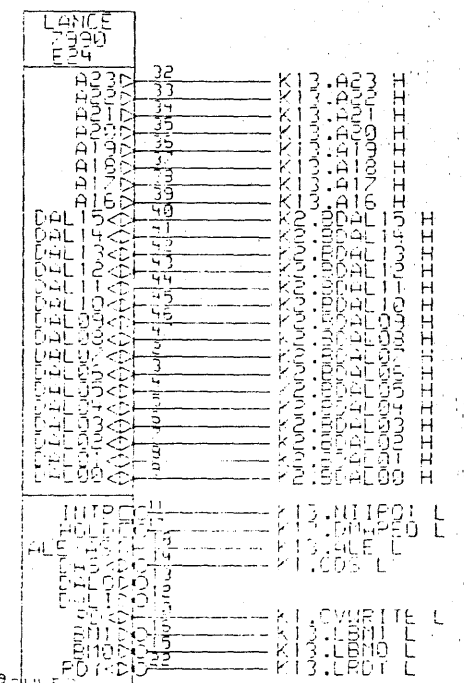


DESIGN	DATE	TITLE
L. NAPHT	25-FEB-83	KH42 SYSTEM BOARD
DESIGNER		
CHECKED	12 OF 16	
TOP DOCUMENT NUMBER	SIZE CODE	NUMBER
K-00-5417312-0-0	K CS	5417312-0-1
		REV.
		A

ALL DIMENSIONS AND SPECIFICATIONS CONTAINED HEREIN ARE SUBJECT TO CHANGE WITHOUT NOTICE. THE USER SHALL BE RESPONSIBLE FOR OBTAINING THE LATEST REVISION OF THIS DRAWING. FOR ALL DIMENSIONS AND SPECIFICATIONS, REFER TO THE EQUIPMENT SPECIFICATION.



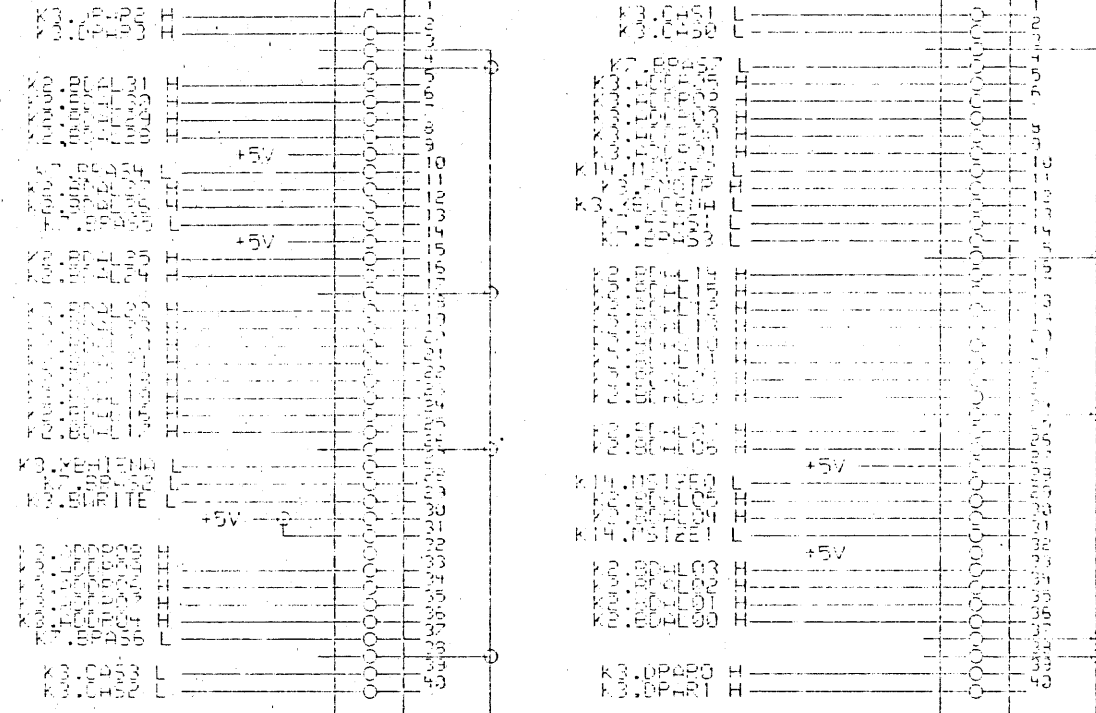
### Ethernet Controller



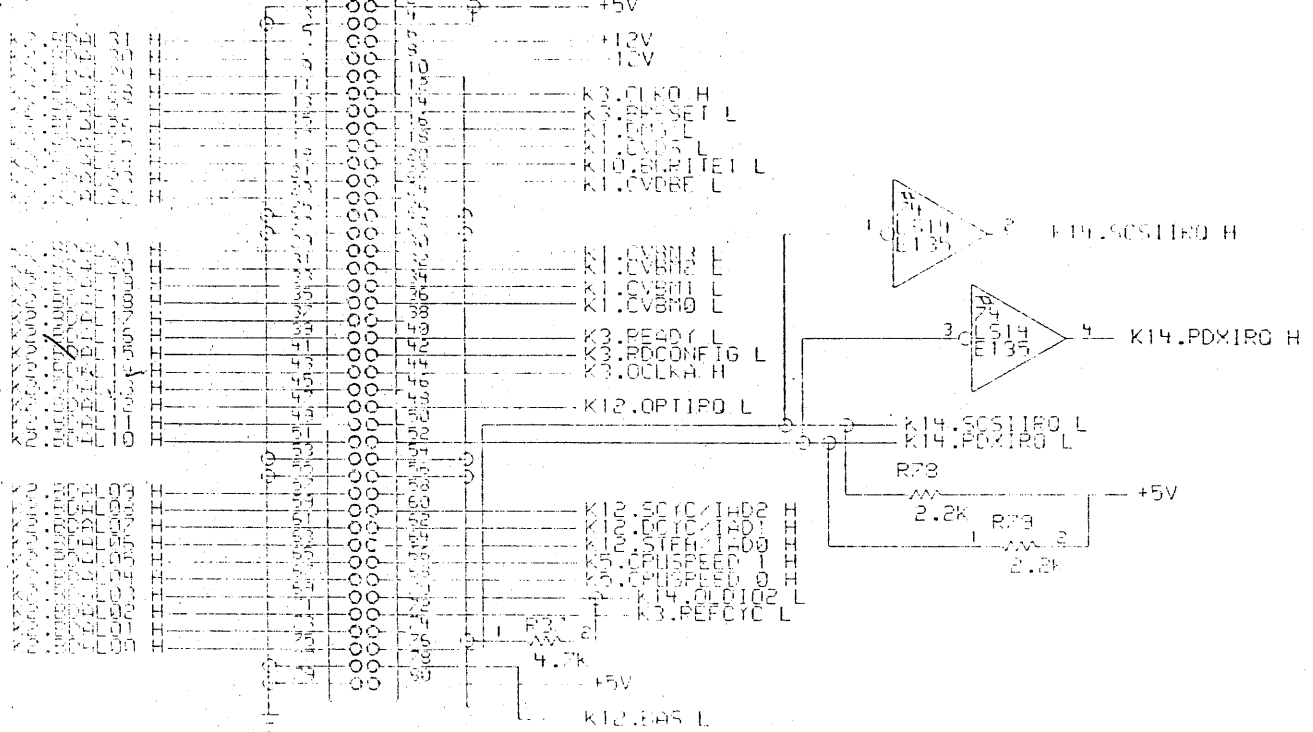
K13:

EPG:	DATE:	TITLE:
L. NAPHI	25-FEB-87	K442 SYSTEM BOARD
BRN. LOCATION:		
SHEET:	13 OF 15	
TOP DOCUMENT NUMBER:	K-00-5417312-0-0	SEE CODE NUMBER
		K CS 5417312-0-1
		REV. A

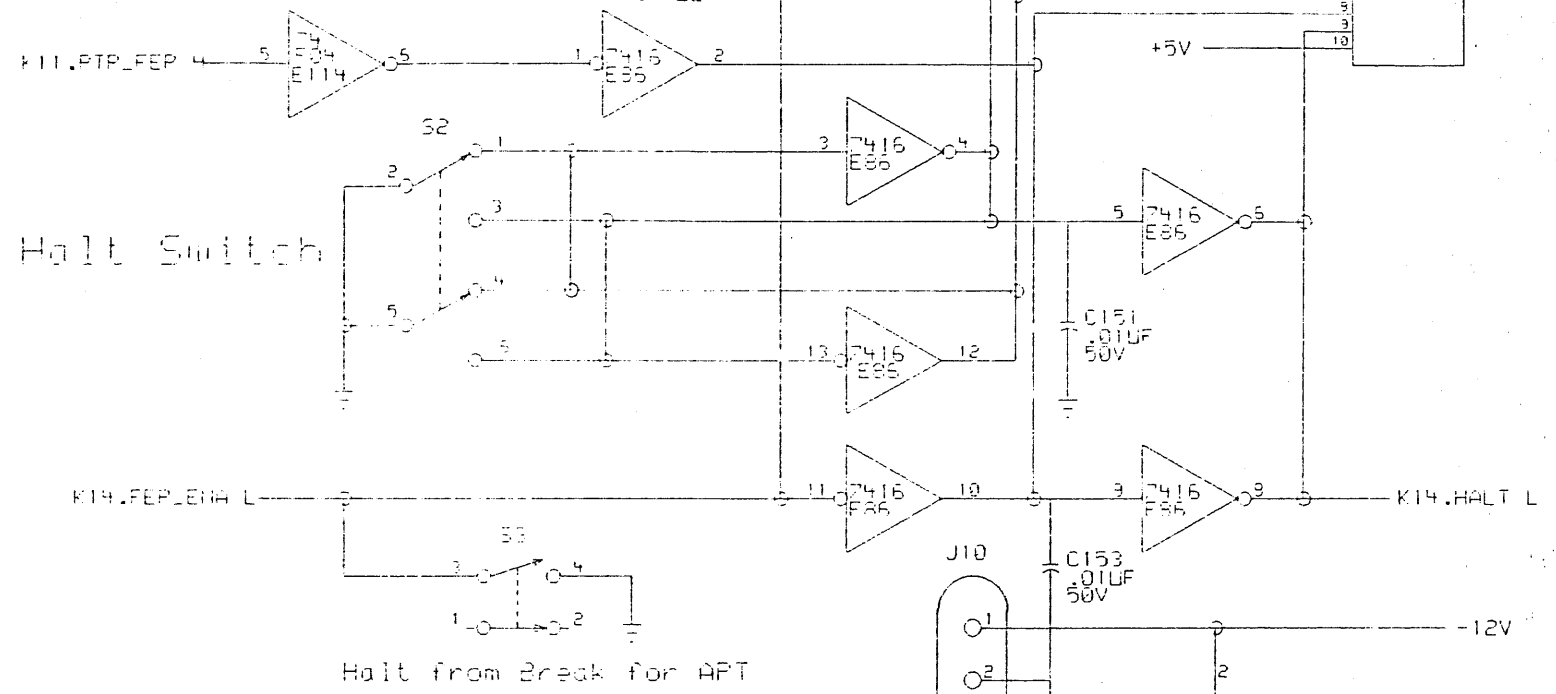
### Memory Option



### Disk Controller Option

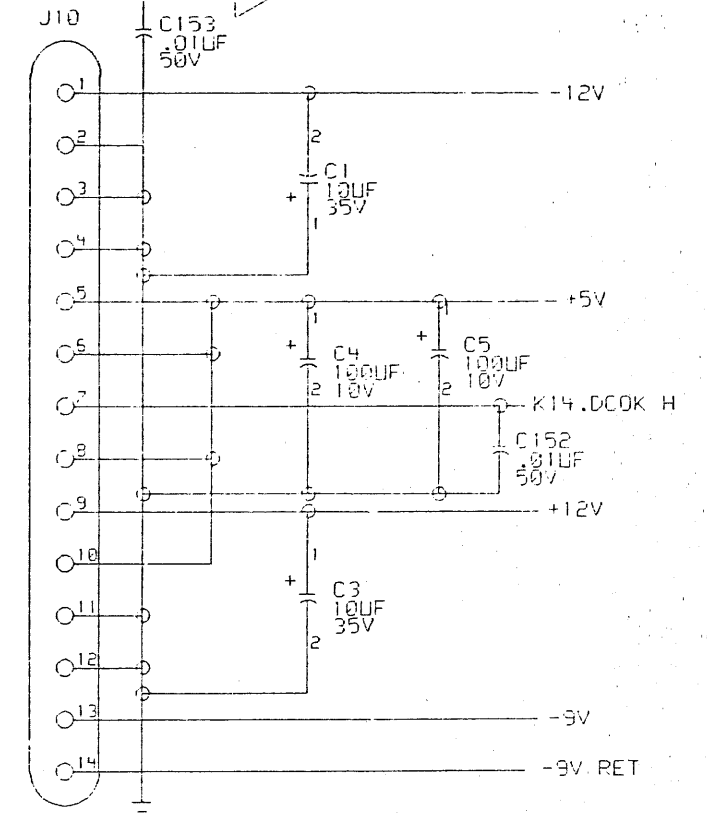


### Halt Switch



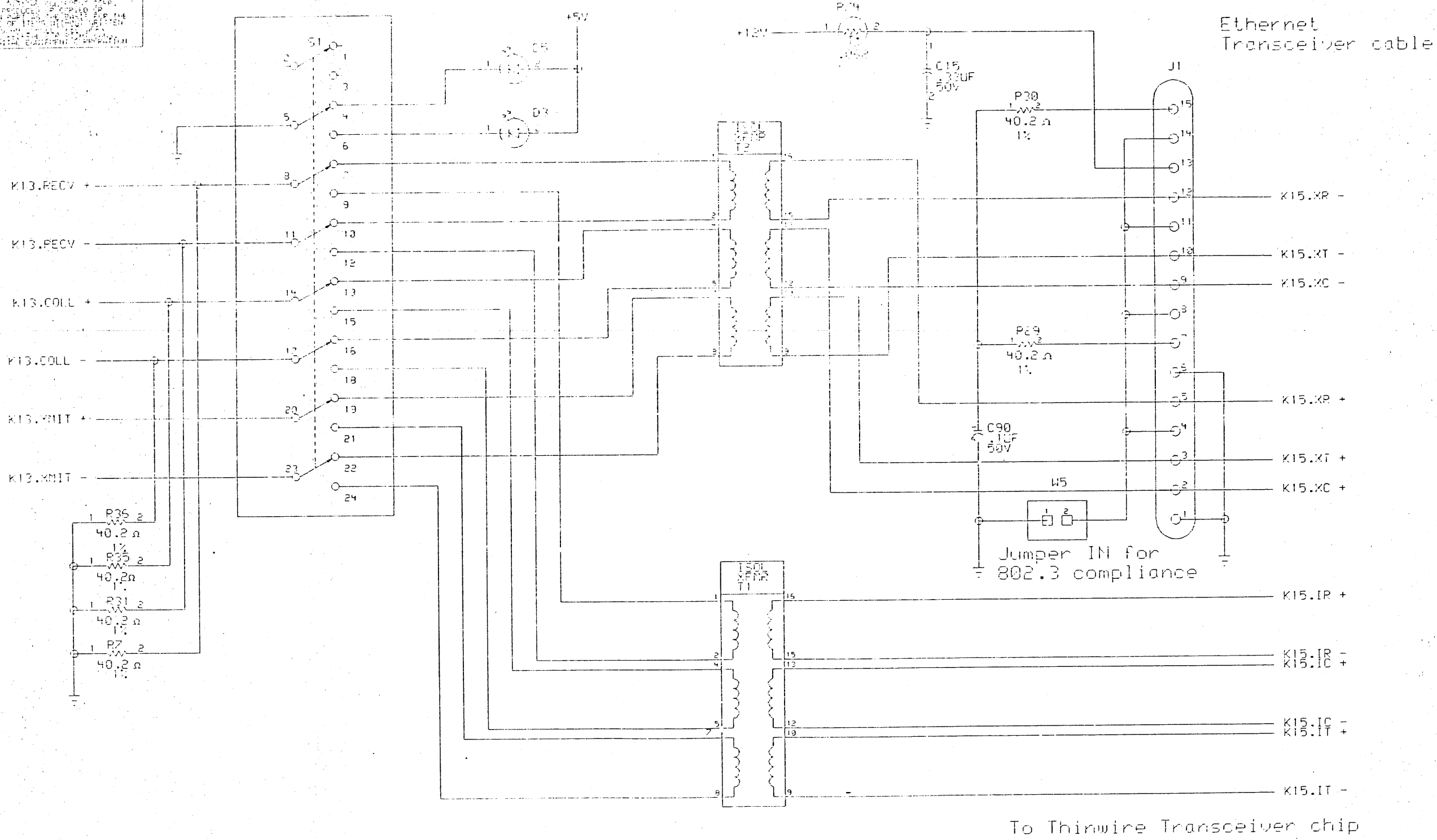
Halt from Break for APT

### Power Supply Conn



REV.	1	DATE	25-FEB-82	TITLE	KA42 SYSTEM BOARD
DESIGNER	L. NAPHI	CHECKED		SIZE	CS
SHEET	14	OF	15	NOISE	5417312-0-1
TOP DOCUMENT NUMBER	K-00-5417312-0-0			REV.	A

THIS DRAWING AND THE SPECIFICATIONS CONTAINED HEREIN ARE THE PROPERTY OF THE U.S. GOVERNMENT AND ARE TO BE REPRODUCED AS SHOWN EXCEPT WHERE SHOWN OTHERWISE. THE U.S. GOVERNMENT IS AUTHORIZED TO REPRODUCE AND TO TRANSMIT THIS INFORMATION IN ANY FORM AND BY ANY MEANS WITHOUT PERMISSION.



Ethernet Transceiver cable

To Thinwire Transceiver chip

K15

ENG.	L. NAPHI	DATE	25-FEB-87	TITLE	KA42 SYSTEM BOARD		
SHEET	15		OF	15	SIZE	CODE	NUMBER
TOP OCCUPY NUMBER	K-DD-5417312-0-0				K	CS	5417312-0-1
							REV.
							A

THIS DRAWING AND THE SPECIFICATIONS CONTAINED HEREIN ARE UNCLASSIFIED AND EXCLUDED FROM THE AUTOMATIC DOWNGRADING AND DECLASSIFICATION SCHEDULE. ALL INFORMATION CONTAINED HEREIN IS UNCLASSIFIED EXCEPT WHERE SHOWN OTHERWISE. DATE 11-15-88 BY SP-6/BJL/STP/ML

