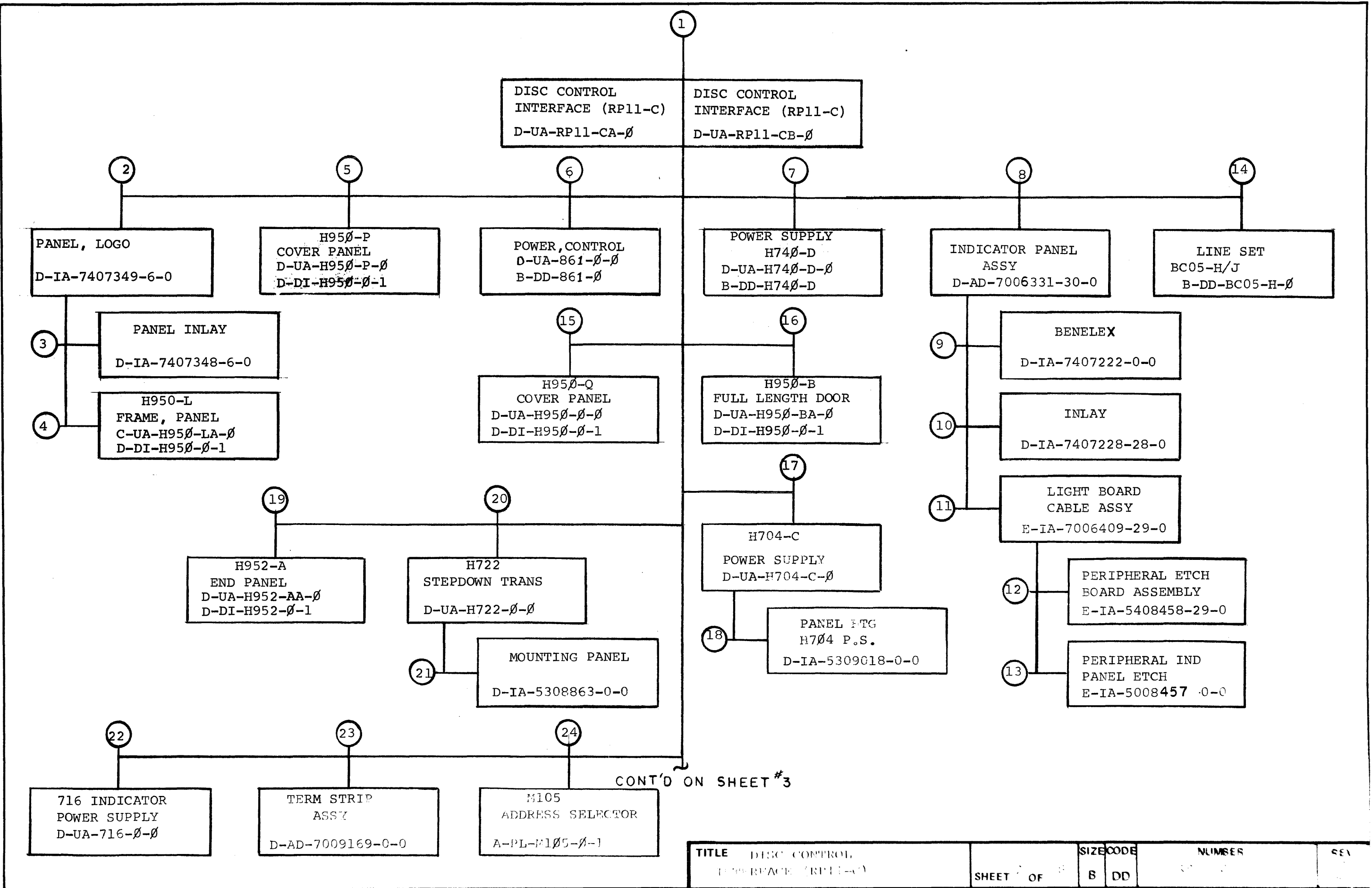


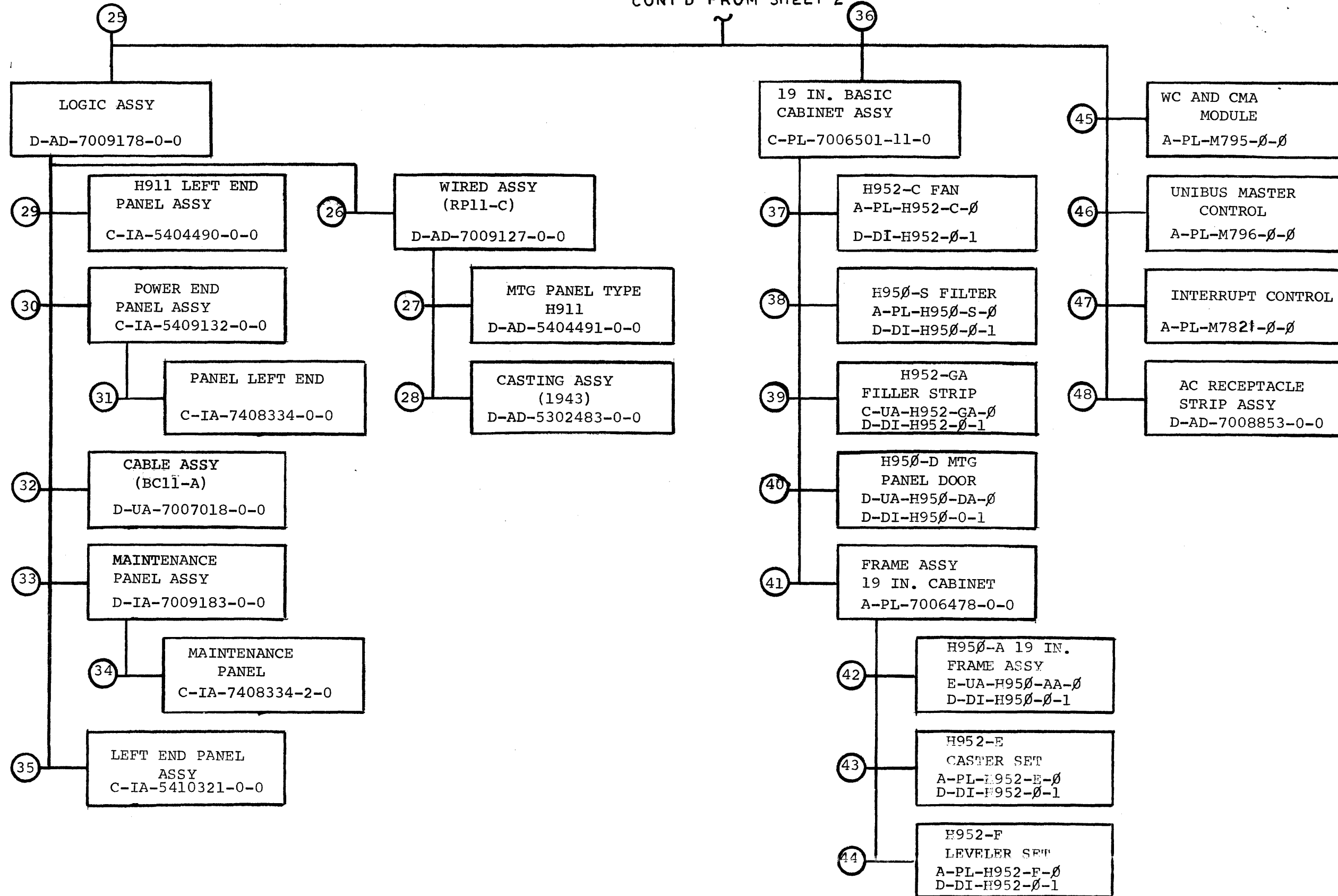
RP11-C
disk pack control
engineering drawings



CONT'D ON SHEET #3

TITLE	DISC CONTROL INTERFACE (RP11-C)	SHEET OF	8	DD	NUMBER	REV
-------	---------------------------------	----------	---	----	--------	-----

CONT'D FROM SHEET #2



TITLE	DISC CONTROL	SIZE CODE	NUMBER	REV
INTERFACE (RP11-C)		B DD	RP11-C	C
SHEET	OF			

CUSTOMER PRINT SET		ELECTRICAL					CUSTOMER PRINT SET		ELECTRICAL								
RP11-O	MFG. SET	FIND NO.	DRAWING NO.	REV	NO OF SHT	DESCRIPTION	OPTION NO./FILE DATE	RP11-O	MFG. SET	FIND NO.	DRAWING NO.	REV	NO OF SHT	DESCRIPTION	OPTION NO./FILE DATE		
X		1.	K-WL-RP11-C-01	C	1	WIRE LIST											
X			D-BS-RP11-C-02		4	MAINTENANCE											
X			D-BS-RP11-C-03	A	1	WRITE PROTECT COMPARATOR			X	14	B-DD-BC05H-0	#	3	LINE SET			
X			D-BS-RP11-C-04	A	1	BUS OUT CONTROL											
X			D-BS-RP11-C-05		1	DISK DRIVER											
X			D-BS-RP11-C-06	A	1	DISK RECEIVER											
X			D-BS-RP11-C-07		4	WRITE CHECK COMPARATOR			X	17	D-UA-H704-C-0	#	1	POWER SUPPLY ASSY. (115 VAC)			
X			D-BS-RP11-C-08		6	SHIFT REGISTER											
X			D-BS-RP11-C-09		7	BUFFER REGISTER											
X			D-BS-RP11-C-10		1	SECTOR IN TRACK COUNTER/COMP.											
X			D-BS-RP11-C-11	A	1	CYLINDER ADDRESS REGISTER COMP.			X	20	D-UA-H722-0-0	#	1	H722 STEPDOWN TRANS.			
X			D-BS-RP11-C-12		1	CYLINDER ADDRESS COMPARATOR											
X			D-BS-RP11-C-13		1	SECTOR ADDRESS REGISTER											
X			D-BS-RP11-C-14		2	LONGITUDINAL PARITY REGISTER											
X			D-BS-RP11-C-15		1	SHIFT REGISTER CONTROL			X	22	C-CS-716-0-1	#	1	CIRCUIT SCHEMATIC 716			
X			D-BS-RP11-C-16		1	SERIAL-CHECKSUM COUNTER											
X			D-BS-RP11-C-17		1	TRACK-ADDRESS REGISTER											
X			D-BS-RP11-C-18		1	ATTENTION REGISTER											
X			D-BS-RP11-C-19		1	ERROR-REGISTER		X		24	C-CS-M105-0-1	#	1	ADDRESS SELECTOR M105			
X			D-BS-RP11-C-20	B	1	ADDRESS SELECTION											
X			D-BS-RP11-C-21	B	1	BUS RECEIVERS											
X			D-BS-RP11-C-22	A	1	VFO CONTROL											
X			D-BS-RP11-C-23	A	1	DISK DATA SYNC				25	D-AD-7009178-0-0		2	LOGIC ASS'Y.			
X			D-BS-RP11-C-24		4	BUS COMBINING											
X			D-BS-RP11-C-25		1	CONTROL STATUS REGISTER											
X			D-BS-RP11-C-26		1	WORD COUNT CURRENT ADDRESS											
X			D-BS-RP11-C-27		1	FORMAT GEN/WD IN SECTOR COUNTER				26	D-AD-7009127-0-0		2	WIRED ASS'Y. (RP11-C)			
X			D-BS-RP11-C-28	B	2	MAJOR STATE CONTROL											
X			D-BS-RP11-C-29		1	UNIBUS CONTROL											
X			D-BS-RP11-C-30	A	2	SILO MEMORY											
X			D-IC-RP11-C-31		1	UNIBUS CONNECTIONS				32	D-UA-7007018-0-0			CABLE ASS'Y. (BC11-A)			
X			D-IC-RP11-C-32		2	DISK CONTROL CABLE INTERFACE											
X			D-IC-RP11-C-33		1	RP11 IND PANEL CABLE DESIGN.											
X			D-MU-RP11-C-34	C	4	MODULE UTILIZATION											
X			A-PL-RP11-C-34	C	3	MODULE UTILIZATION (P.L.)		X		46	D-CS-M795-0-1	#	1	WC AND CMA MODULE M795			
X			A-SP-RP11-C-35		7	TEST PROCEDURE											
		X	6.			C-CS-861-0-1	#	1	POWER CONTROL 861-A	X			47	D-CS-M796-0-1	#	1	UNIBUS MASTER CONTROL
		X	7.			D-BD-H740-D-1	#	1	H740-D CIRCUIT	X			48	D-CS-M7821-0-1	#	2	INTERRUPT CONTROL

CUSTOMER PRINT SET CODES
X = PRINT OF DOCUMENT INCLUDED IN PRINT SET
C = INCLUDES ALL PRINTS INDICATED ON DOCUMENT
S = CONFIDENTIAL AUTHORIZED SIGNATURE REQUIRED

TITLE DISC CONTROL INTERFACE (RP11-C)
SIZE CODE NUMBER REV
SHEET 4 OF 8 B DD

CUSTOMER PRINT SET		MECHANICAL					CUSTOMER PRINT SET		MECHANICAL				
RP11-0	MFG. SET	FIND NO.	REV	NO OF SHT	DESCRIPTION	OPTION NO./FILE DATE	RP11-0	MFG. SET	FIND NO.	REV	NO OF SHT	DESCRIPTION	OPTION NO./FILE DATE
		27		1	MTG. PANEL TYPE H911				34		1	MAINTENANCE PANEL	
				1	MTG. PANEL TYPE H911 (PL)						1	SILK SCREEN	
				1	288 PIN BLOCK TYPE H8Ø3								
		28		1	CASTING ASSY (1943)				35		1	LEFT END PANEL ASSY	
				1	CASTING ASSY (1943) (PL)						1	PANEL, LEFT END	
				1	1943 FRAME CASTING						1	DECAL MOUNTING PANEL	
		29		1	H911 LEFT END PANEL ASSY				36		1	19 IN. BASIC CABINET ASSY	
				1	H911 MTG. PANEL LABEL						1	SHIPPING SKID	
				1	LEFT END PANEL								
		30		1	POWER END PANEL ASSY				37		1	H952-C FAN	
											1	DWG. INDEX H952	
		31		1	LEFT END PANEL				38		1	H950-S FILTER	
				1	SILK SCREEN						1	DWG. INDEX H950	
		32		1	CABLE ASSY BC11A				39		1	H952-GA FILLER STRIP	
				1	CABLE CLAMP						1	H952-GA FILLER STRIP (PL)	
				1	EXT BUS CONN.						1	DWG. INDEX H952	
				1	BUS CONN.								
		X 33	#	1	MAIN. PANEL ASSY								

CUSTOMER PRINT SET CODES
X = PRINT OF DOCUMENT INCLUDED IN PRINT SET
C = INCLUDES ALL PRINTS INDICATED ON DOCUMENT
S = CONFIDENTIAL AUTHORIZED SIGNATURE REQUIRED

TITLE DISC CONTROL INTERFACE (RP11-C)

SIZE CODE NUMBER REV
SHEET 7 of 8 B DD RP11-C D

CUSTOMER PRINT SET		MECHANICAL					CUSTOMER PRINT SET		MECHANICAL						
RP11-Ø		MFG. SET	FIND NO.	REV	NO OF SHT	DESCRIPTION	OPTION NO./FILE DATE	RP11-Ø		MFG. SET	FIND NO.	REV	NO OF SHT	DESCRIPTION	OPTION NO./FILE DATE
			40		1	H95Ø-D MTG PANEL DOOR									
					1	H95Ø-D MTG PANEL DOOR (PL)									
					1	DWG. INDEX H95Ø									
											47		1	INTERRUPT CONTROL	
													1	ETCHED CIRCUIT BOARD	
													1	ASSY/DRILLING HOLE LAYOUT	
													1	MODULE ECO HISTORY	
			41		1	FRAME ASSY 19 IN. CAB									
			42		1	H95Ø-A 19 IN FRAME ASSY									
					1	H95Ø-A 19 IN FRAME ASSY (PL)									
					1	DWG INDEX H95Ø									
			43		1	H952-E CASTER SET					X 48		# 1	AC RECEPTACLE STRIP ASSY	
					1	DWG. INDEX H952							1	STRIP, AC RECEPTACLE	
					1	H952-E CASTER SET							1	COVER, TERMINAL STRIP	
					1	DWG. INDEX H952							1	BRKT, AC RECEPTACLE MTG.	
			44		1	H952-F LEVELER SET									
					1	DWG. INDEX H952									
			45		1	WC AND CMA MODULE									
					1	ETCHED CIRCUIT BOARD									
					1	ASSY/DRILLING HOLE LAYOUT									
					1	MODULE ECO HISTORY									
			46		2	UNIBUS MASTER CONTROL									
					1	ETCHED CIRCUIT BOARD									
					1	ASSY/DRILLING HOLE LAYOUT									
					1	MODULE ECO HISTORY									

CUSTOMER PRINT SET CODES
X = PRINT OF DOCUMENT INCLUDED IN PRINT SET
C = INCLUDES ALL PRINTS INDICATED ON DOCUMENT
S = CONFIDENTIAL AUTHORIZED SIGNATURE REQUIRED

TITLE DISC CONTROL INTERFACE (RP11-C)

SHEET 8 OF 8

SIZE CODE B DD

NUMBER RP11-C

REV D

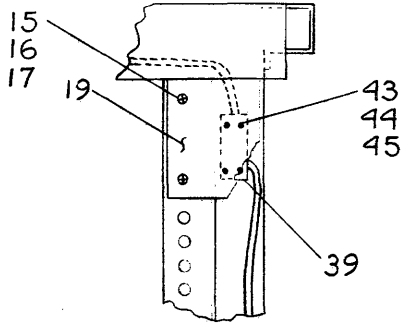
...ations, herein, are the prop
 erty of Digital Equipment Corporation and shall not be
 reproduced, copied or used in whole or in part as
 a substitute for the manufacture or sale of items without
 the written permission of Digital Equipment Corporation.

LEGEND	
NUMBER	VARIATION
RP11-CA	115 VAC 60HZ
RP11-CB	230VAC 50HZ

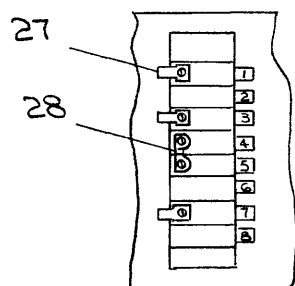
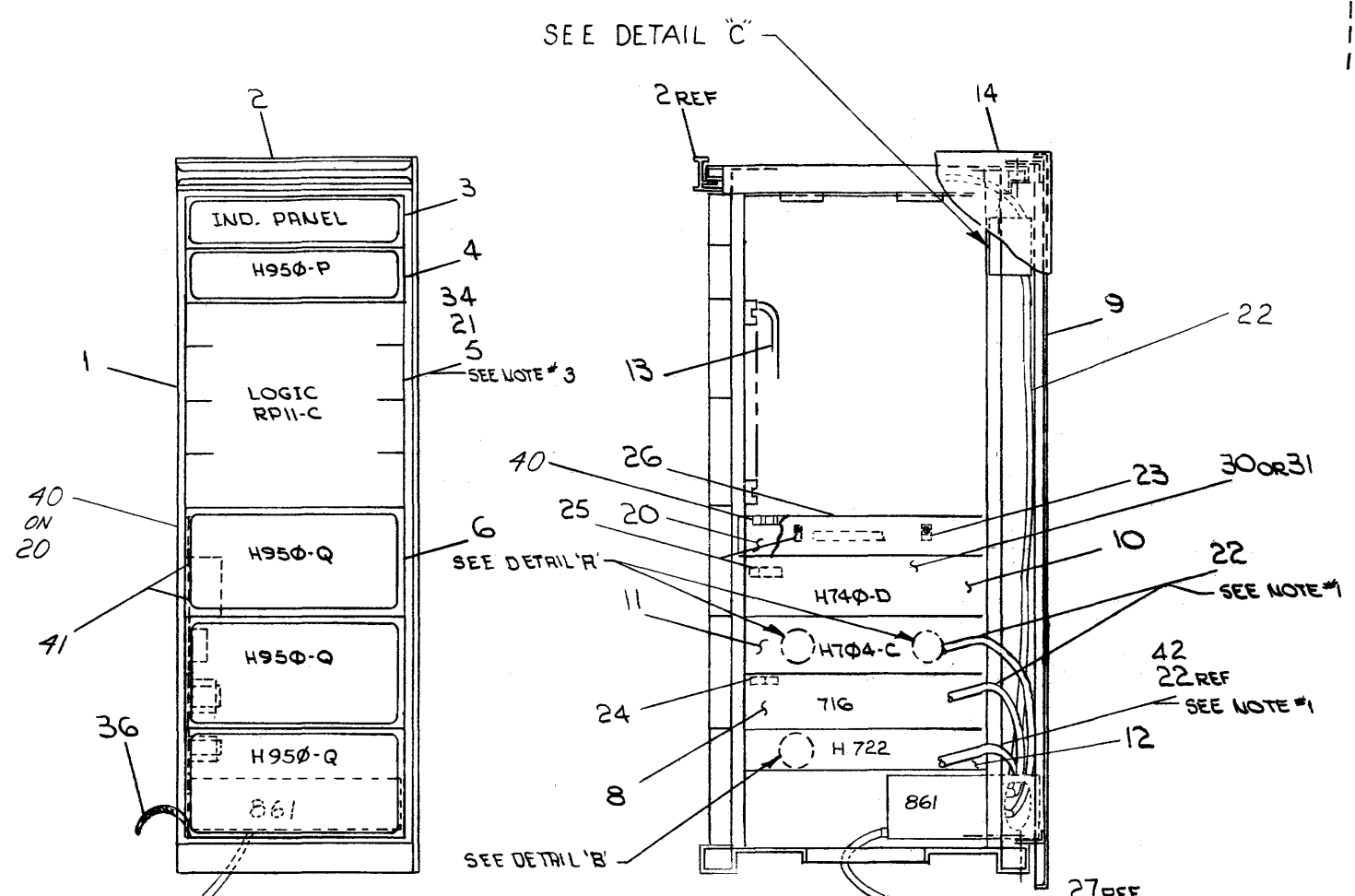
NOTES:

- FOR RP11-CA PLACE ITEM #22 (PWR CORD) ON ITEM # 8, 11 (PWR SUPPLY'S) & #39. FOR RP11-CB PLACE ITEM #22 (WITH #42) ON ITEM #12 (STEPDOWN XFMR) & #39 ONLY.
- SEE PWR. WIRING (SHEETS #2#3) FOR 50 HZ OR 60 HZ HOOKUP.
- PLACE ITEM #34 (MODULE EXTENDER) ON ITEM #5 (LOGIC) IN LOCATION -A05 -AFTER PLACING ITEM #21 (MODULES).
- WHEN USING AN 11/15 OR 1/2" UNIT USE 7008964 IN PLACE OF ITEM #32 (POWER HARNESS).

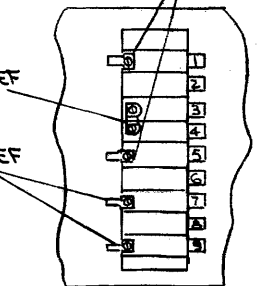
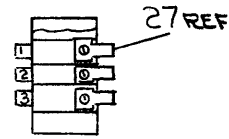
4	4	KEPS NUT #6-32	9006560	45
4	4	WASHER EXT TOOTH #6	9007649	44
4	4	SCR PHL HD PAN #6-32x5/8 LG	9006025-1	43
1	-	PLUG 50HZ 230V	9008853	42
4	4	SPACER 3/8 DIA x 1/16 x #10	9008825	41
AIR	AIR	GROMMET #12237-3500	9007622	40
1	1	TERM. STRIP #4-141 CINCH JONES	9006988	39
WR	WR	MODULE CLIP	120985602	38
-	RR	SHRINKABLE TUBING (BLK)	9107254-00	37
1	1	GROUND STRAP	9008847	36
RR	RR	WIRE #18AWG STRD BLK	9107360-00	35
1	1	MODULE EXTENDER, H-850	1209818	34
2	-	FRSTON TAB #42808-1 AMP	9008142	33
1	1	POWER HARNESS	C-1A7008288F-0	32
1	-	LINE SET 230V	C-UR-BC051-0-0	31
1	-	LINE SET 115V	C-UR-BC051-0-0	30
1	-	POWER CONTROL	D-UR-861-8-0	29
1	1	JUMPER, CINCH JONES #54-J	9009003	28
10	6	FRSTON TAB #60445-1 AMP	9007112	27
1	1	CABLE BRACKET	D-ND-7408352-00	26
RR	RR	CABLE CLAMP, NYLON 1/2 ID	9007085	25
RR	RR	CABLE CLAMP, NYLON 1/4 ID	9007091	24
RR	RR	CABLE CLAMP, NYLON 1/8 ID	9007093	23
2	3	POWER CORD 6 FT	1700015-6	22
1	1	MODULE UTILIZATION (PU)	R-PL-RP11-C-34	21
1	1	TERM STRIP ASSY	D-ND-7009169-00	20
1	1	PLATE, JONES STRIP	C-ND-7407607-0-0	19
RR	-	WIRE #14AWG TWP RED/WHT	9107440-29	18
RR	RR	NUT, TINNED MAN #10-32	9007786	17
RR	RR	WASHER, EXT TOOTH #10	9007651	16
RR	RR	SCR PHL HD TRUSS #10-32x5/8 LG	9006074-3	15
2	2	H950-A END PANEL	D-UR-H950-AR-0	14
1	1	HARNESS RP11-C	E-UR-7009128-00	13
1	-	H722 STEPDOWN TRANS.	D-UR-H722-0-0	12
1	1	POWER SUPPLY ASSY (115VAC)	D-UR-H704-C-0	11
1	1	POWER SUPPLY (H740-D)	D-UR-H740-D-0	10
1	1	H950-B FULL LENGTH DOOR	D-UR-H950-BR-0	9
1	1	IND. POWER SUPPLY	D-UR-T16-0-0	8
1	-	POWER CONTROL	D-UR-861-C-0	7
5	5	H950-Q COVER PANEL	D-UR-H950-Q-0	6
1	1	LOGIC ASSY RP11-C	D-ND-7009178-00	5
1	1	H950-P COVER PANEL	D-UR-H950-P-0	4
1	1	INDICATOR PANEL ASSY	D-ND-7006333-00	3
1	1	PANEL, LOGO	D-ND-7007349-6-0	2
1	1	19 IN. BASIC CABINET ASSY	C-PE-70065011-0	1



DETAIL -C'
SCALE: NONE



DETAIL -A'
SCALE: NONE



DETAIL -B'
SCALE: NONE

LEFT SIDE HOLE NUMBERS
27, 30, 34, 38, 42, 45, 50
BOTH SIDES

RIGHT SIDE HOLE NUMBERS
36, 40 - BOTH SIDES

LOCATE ALL NUTS BY COUNTING HOLES UP FROM BOTTOM OF CAB. FRAME

LOCATION OF SPEED NUTS ITEM #17

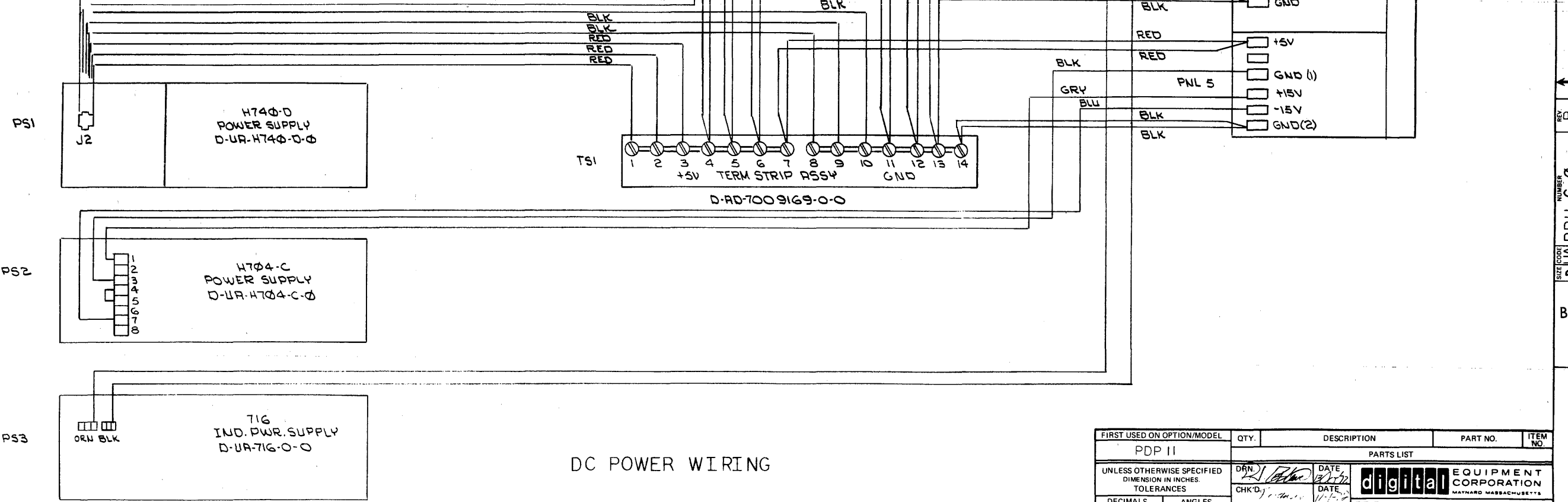
REV	DATE	BY	CHK'D	DESCRIPTION
1	11/2/72
2	11/30/72
3	11/30/72
4	11/30/72

QTY/VARIATION	DESCRIPTION	PART NO.	ITEM NO.
PDP 11	PARTS LIST		
UNLESS OTHERWISE SPECIFIED DIMENSION IN INCHES. TOLERANCES			
DECIMALS	ANGLES	DATE	
XXX + .005	± 0° 30'	DATE	DATE
XX + .02		DATE	DATE
X + .1		DATE	DATE
REMOVE BURRS AND BREAK SHARP CORNERS SURFACE QUALITY			
MATERIAL	NEXT HIGHER ASSY.	TITLE	
FINISH		DISC CONTROL INTERFACE (RP11-C)	
		SIZE CODE	NUMBER
		DUA	RP11-C-0
		SCALE	NONE
		SHEET	OF 3
		DIST.	C

This drawing and specifications, herein, are the property of Digital Equipment Corporation and shall not be reproduced or copied or used in whole or in part as the basis for the manufacture or sale of items without written permission.

WIRE TABLE											
DESCRIPTION FROM HARNESS			TO CONNECTION			DESCRIPTION FROM HARNESS			TO CONNECTION		
AWG	COLOR	POINT CONNECTION				AWG	COLOR	POINT CONNECTION			
14	ORN	1		PS3-ORN	14	RED	27			PNL5-+5V	
	BLK	2		PS3-BLK		RED	28				
	RED	3		SI-1		BLK	29			PNL5-GND(2)	
		4		2		BLK	30				
		5		3		VIO	31			PNL2-DCLO	
		6		4		YEL	32			PNL2-ACLO	
		7		4		RED	33				
		8		5		RED	34			PNL4-+5V	
		9		5		BLK	35				
		10		6		BLK	36			PNL4-GND	
		11		6		RED	37				
		12		7		RED	38			PNL3-+5V	
	RED	13		7		BLK	39			PNL3-GND	
	BLK	14		8		BLK	40				
		15		9		RED	41			PNL2-+5V	
		16		10		RED	42				
		17		11		GRY	43			PNL5-+5V	
		18		11		BLK	44			PNL5-GND(1)	
		19		12		BLU	45			PNL5-15V	
		20		12		BLK	46				
		21		13		BLK	47			PNL2 GND	
		22		13		-	48-55	P1		PS1-J2	
		23		TS1-14		GRY	56			PS2-1	
	BLK	24				BLK	57			PS2-3	
	ORN	25		PNL1-+6.8V		BLU	58			PS2-7	
	BLK	26		PNL1-GND							

HARNESS ITEM #13 - E-IR-7009128-0-0



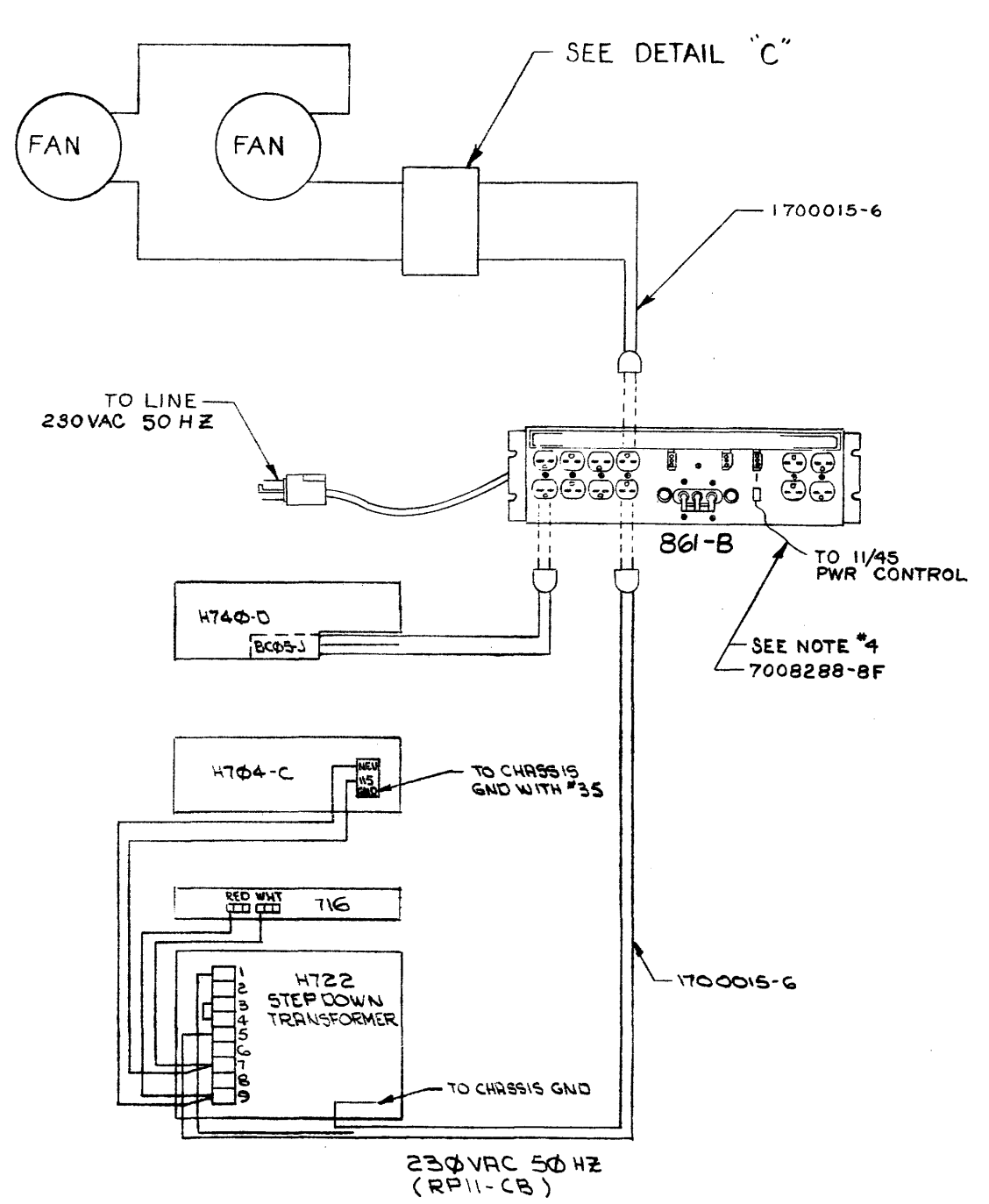
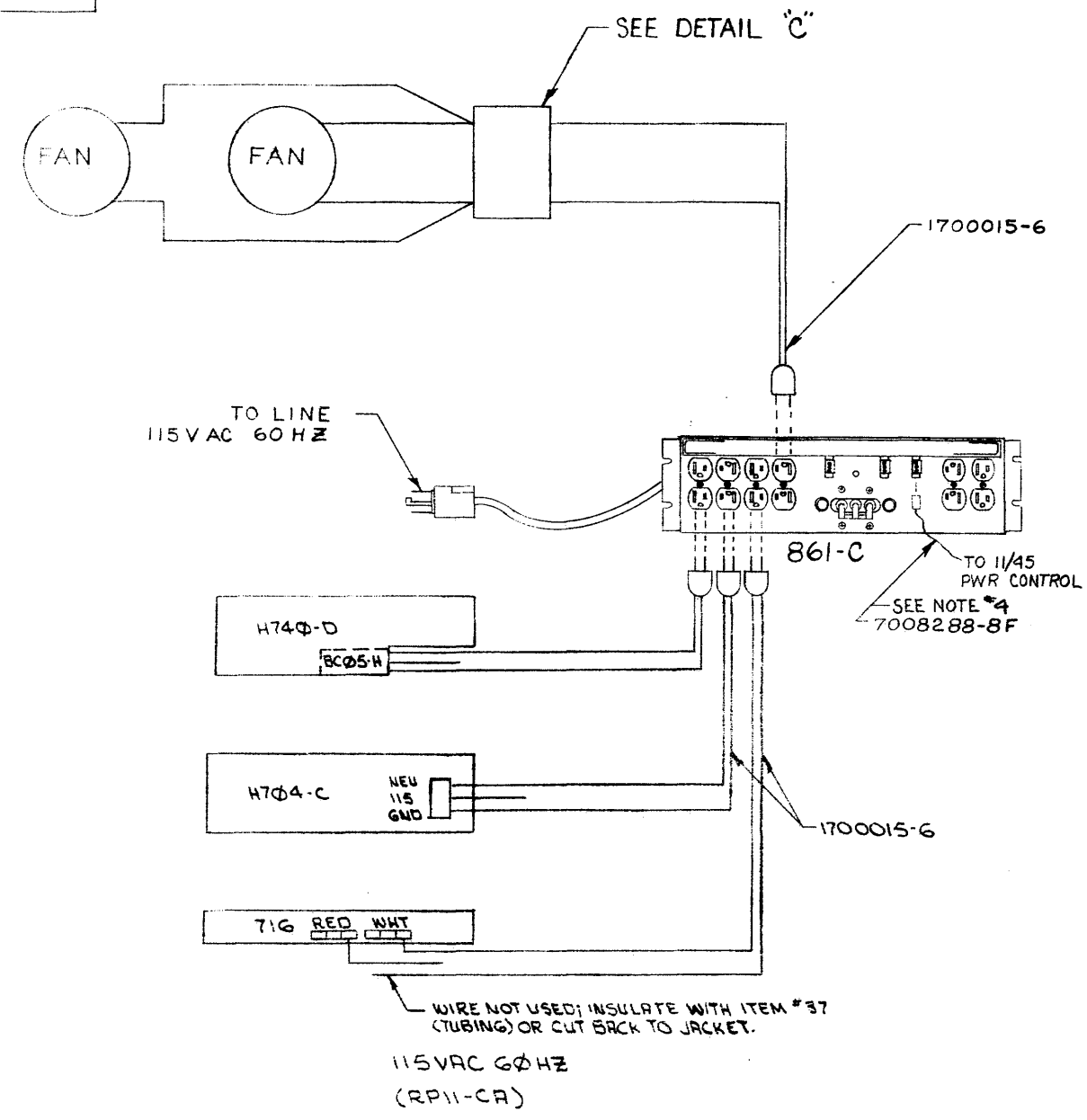
DC POWER WIRING

FIRST USED ON OPTION/MODEL	QTY.	DESCRIPTION	PART NO.	ITEM NO.
PDP 11				
PARTS LIST				
UNLESS OTHERWISE SPECIFIED DIMENSION IN INCHES. TOLERANCES		DRN: [Signature] DATE: 11/30/72 CHK'D: [Signature] DATE: 11/30/72 ENG: [Signature] DATE: 11/30/72 PROJ. ENG: [Signature] DATE: 11/30/72 REMOVE BURRS AND BREAK SHARP CORNERS SURFACE QUALITY ✓ PRDD: [Signature] DATE: 11/30/72		
DECIMALS .XXX = .005 .XX = .02 .X = .1		ANGLES ±0° 30'		TITLE
MATERIAL		NEXT HIGHER ASSY.		
FINISH		SCALE NONE		
		SHEET 2 OF 3		
		DIST. 6		
		digital EQUIPMENT CORPORATION MAYNARD, MASSACHUSETTS DISC CONTROL INTERFACE (RPII-C)		
		SIZE CODE NUMBER		REV.
		DUA RPII-C-0		B

BRUNING 40-107 15968
 REVISIONS
 CHANGE NO.
 CHK

REV. B
 NUMBER DUA RPII-C-0
 SIZE CODE B

Specifications herein are the property of Digital Equipment Corporation and shall not be used in whole or in part as a basis for the manufacture or sale of items without the written consent of Digital Equipment Corporation.



A/C POWER DISTRIBUTION

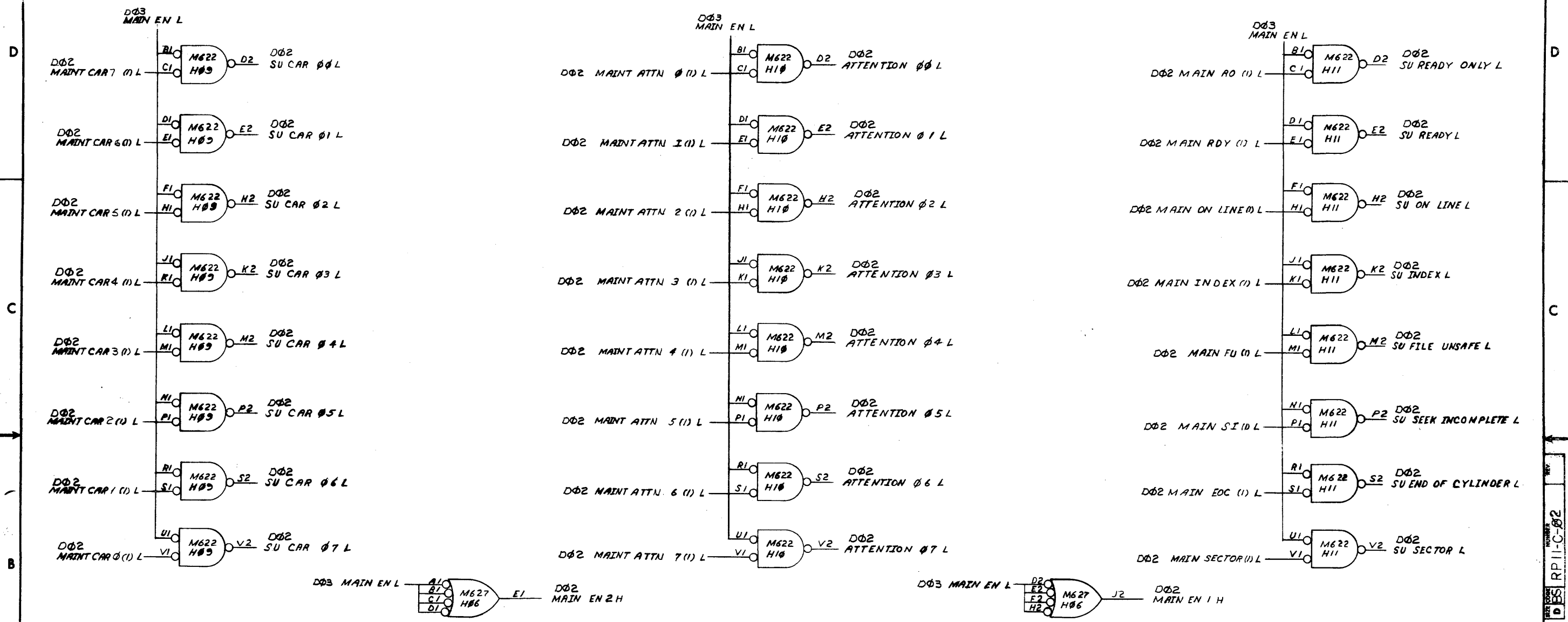
FIRST USED ON OPTION/MODEL	QTY.	DESCRIPTION	PART NO.	ITEM NO.
PDP 11				
PARTS LIST				
UNLESS OTHERWISE SPECIFIED DIMENSION IN INCHES TOLERANCES	DRN: <i>[Signature]</i>	DATE: <i>10/27/72</i>	digital EQUIPMENT CORPORATION MAYNARD MASSACHUSETTS	
DECIMALS	CHK'D: <i>[Signature]</i>	DATE: <i>11-30-72</i>	TITLE	
ANGLES	ENG: <i>[Signature]</i>	DATE: <i>11-30-72</i>	DISC CONTROL INTERFACE (RPII-C)	
XXX - 005 XX - 02 X - 1	PROJ. ENG: <i>[Signature]</i>	DATE: <i>11-30-72</i>		
REMOVE BURRS AND BREAK SHARP CORNERS SURFACE QUALITY	PROD. <i>[Signature]</i>	DATE: <i>11/30/72</i>		
MATERIAL	NEXT HIGHER ASSY.		SIZE CODE	NUMBER
			DUA	RPII-C-0
FINISH	SCALE	NONE		REV. B
	SHEET	3 OF 3	DIST.	

This drawing and specifications, herein, are the property of Digital Equipment Corporation and shall not be reproduced or copied or used in whole or in part as the basis for the manufacture or sale of items without written permission. 1972

FIRST USED ON OPTION MODEL	QTY.	DESCRIPTION	PART NO.	ITEM NO.
RPII-C				
PARTS LIST				
DRN. <i>F. S. [Signature]</i>	DATE 18 OCT 72	digital EQUIPMENT CORPORATION MAYNARD, MASSACHUSETTS TITLE WIRE LIST (RPII-C)		
CHK'D. <i>Ferguson</i>	DATE 10-30-72			
ENG. <i>David C. Ives</i>	DATE 11-14-72			
PROJ. ENG. <i>David C. Ives</i>	DATE 11-14-72			
PROD. <i>P. Dooly</i>	DATE 11/30/72			
NEXT HIGHER ASSEMBLY				
B-DD-RPII-C				
SCALE <i>1/1</i>	SIZE CODE KWL	NUMBER RPII-C-01	REV. C	
SHEET 1	OF 1	DIST.		

REVISIONS	CHANGE NO.	REV.
871	RPII-00004	A
<i>A. T. [Signature] 12-29-72</i>		
IVES		
871	RPII-00005	B
<i>Dennis R. [Signature] 1-12-73</i>		
D.C. IVES		
871	RPII-00006	C
<i>G. [Signature] 2-12-73</i>		
D.C. IVES		
871	RPII-00006	C
<i>B. [Signature] 4-4-73</i>		
D. IVES		
<i>G. [Signature] 4-11-73</i>		

Do not reproduce or copy in whole or in part without permission.



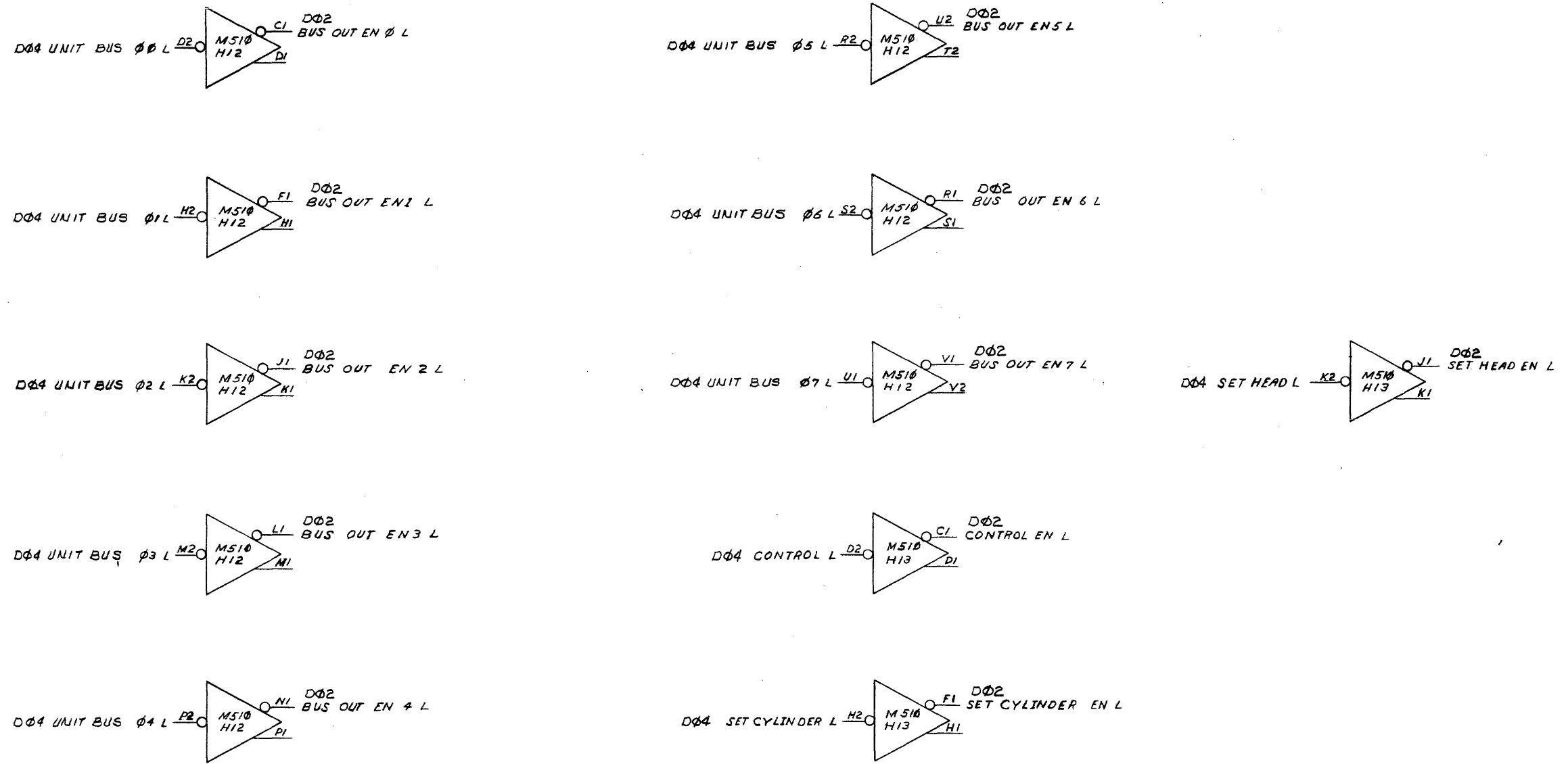
REV.	
NO.	
CHK.	

FIRST USED ON OPTION/MODEL
 PDP-11

DO NOT SCALE DRAWING
UNLESS OTHERWISE SPECIFIED
DIMENSIONS IN INCHES
TOLERANCES
DECIMALS FRACTIONS ANGLES
± .005 ± 1/64 ± 0°30'
FINAL SURFACE QUALITY
REMOVE BURRS AND BREAK SHARP CORNERS
MATERIAL
FINISH

QTY.	DESCRIPTION	PART NO.	ITEM NO.
PARTS LIST			
DATE 11-14-72 CHK'D [Signature] DATE 11-14-72 ENR [Signature] DATE 11-14-72 PROJ. ENG. [Signature] DATE 11-14-72 PROJ. [Signature] DATE 11-14-72		digital EQUIPMENT CORPORATION MAYFORD, MASSACHUSETTS	
TITLE MAINTENANCE			
NEXT HIGHER ASSY B-DD-RPII-C		SIZE CODE DBS RPII-C-02	NUMBER
SCALE NONE		SHEET OF 4	DIST.

This drawing and specifications, herein, are the property of Digital Equipment Corporation and shall not be reproduced or copied or used in whole or in part as the basis for the manufacture or sale of items without written permission.



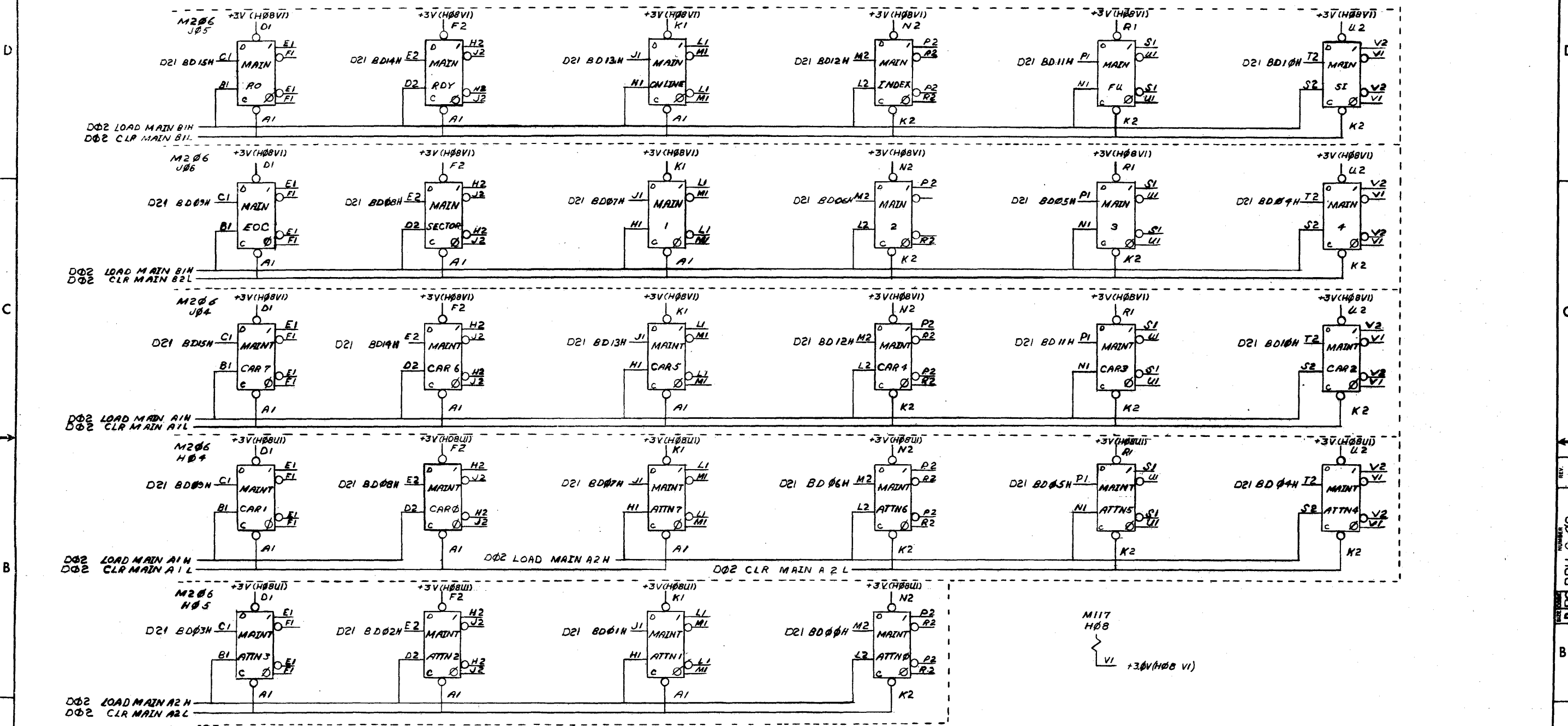
REV.	
CHG.	
NO.	

FIRST USED ON OPTION/MODEL
PDP-11

DO NOT SCALE DRAWING		
UNLESS OTHERWISE SPECIFIED		
DIMENSION IN INCHES		
TOLERANCES		
DECIMALS	FRACTIONS	ANGLES
± .005	± 1/64	± 0°30'
FINAL SURFACE QUALITY 7		
REMOVE BURRS AND BREAK SHARP CORNERS		
MATERIAL		
FINISH		

QTY.	DESCRIPTION	PART NO.	ITEM NO.
PARTS LIST			
DRN. <i>R. J. (B. P. M.)</i> DATE 11-19-72 CHKD. <i>Perquian</i> DATE 10-20-72 ENR. <i>David C. Joe</i> DATE 11-19-72 PROJ. ENR. <i>David C. Joe</i> DATE 11-19-72 PROD. <i>R. Dorley</i> DATE 11-30-72		digital EQUIPMENT CORPORATION MAYNARD, MASSACHUSETTS	
TITLE MAINTENANCE			
NEXT HIGHER ASSY B-DD-RPII-C		SIZE CODE DBS RPII-C-02	NUMBER 2
SCALE NONE		DIST.	REV.
SHEET 2 OF 4			

This drawing and specifications, herein, are the property of Digital Equipment Corporation and shall not be reproduced or copied or used in whole or in part as the basis for the manufacture or sale of items without written permission.



REV.	
CHG.	
NO.	

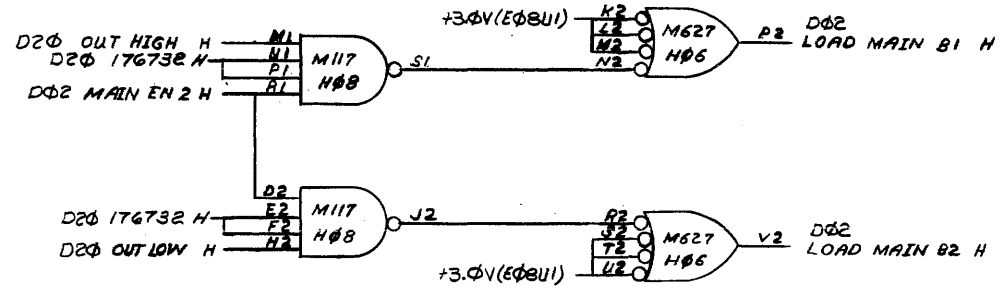
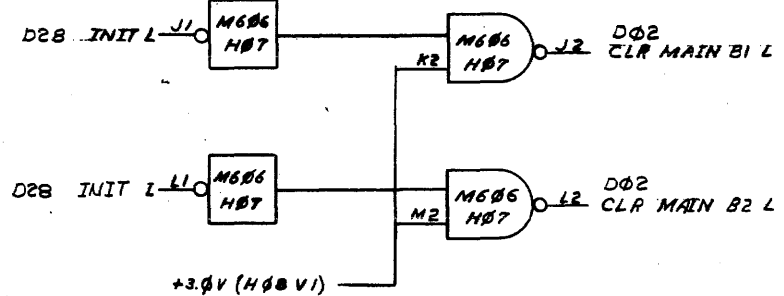
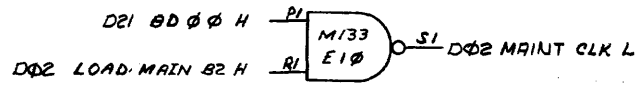
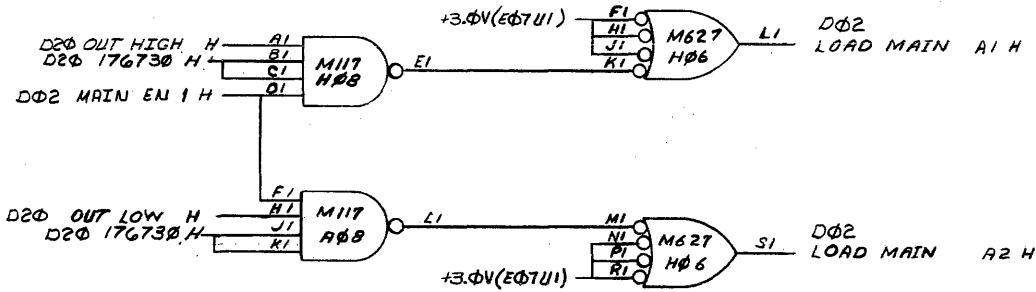
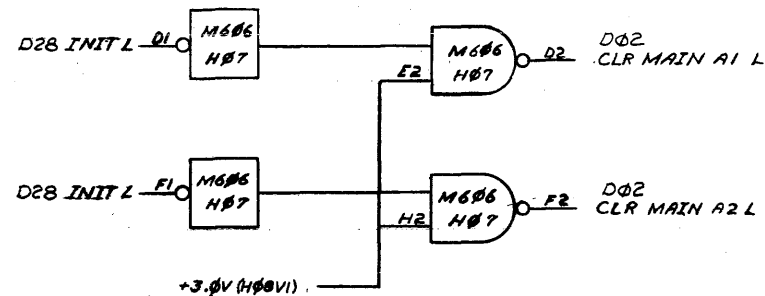
FIRST USED ON OPTION/MODEL
PDP-11

DO NOT SCALE DRAWING
UNLESS OTHERWISE SPECIFIED
DIMENSION IN INCHES
TOLERANCES
DECIMALS FRACTIONS ANGLES
= .000 = 1/64 = 0°20'
FINISH SURFACE QUALITY
REMOVE BURRS AND BREAK SHARP
CORNERS
MATERIAL
FINISH

QTY.	DESCRIPTION	PART NO.	ITEM NO.
PARTS LIST			
DRN: J. LeBlond DATE: 15 Sep 72 CHK'D: J. Fagan DATE: 10/22/72 ENR: J. C. Jones DATE: 11/17/72 PRD: R. Dooly DATE: 11/10/72		digital EQUIPMENT CORPORATION MAYNARD, MASSACHUSETTS	
TITLE MAINTENANCE			
NEXT HIGHER ASSY B-DD-RP11-C		SIZE CODE D8S	NUMBER RP11-C-02
SCALE NONE		REV.	
SHEET 3 OF 4		DST.	

REV. NO. DBS RP11-C-02

This drawing and specifications herein are the property of Digital Equipment Corporation and shall not be reproduced or copied or used in whole or in part as the basis for the manufacture or sale of items without written permission.



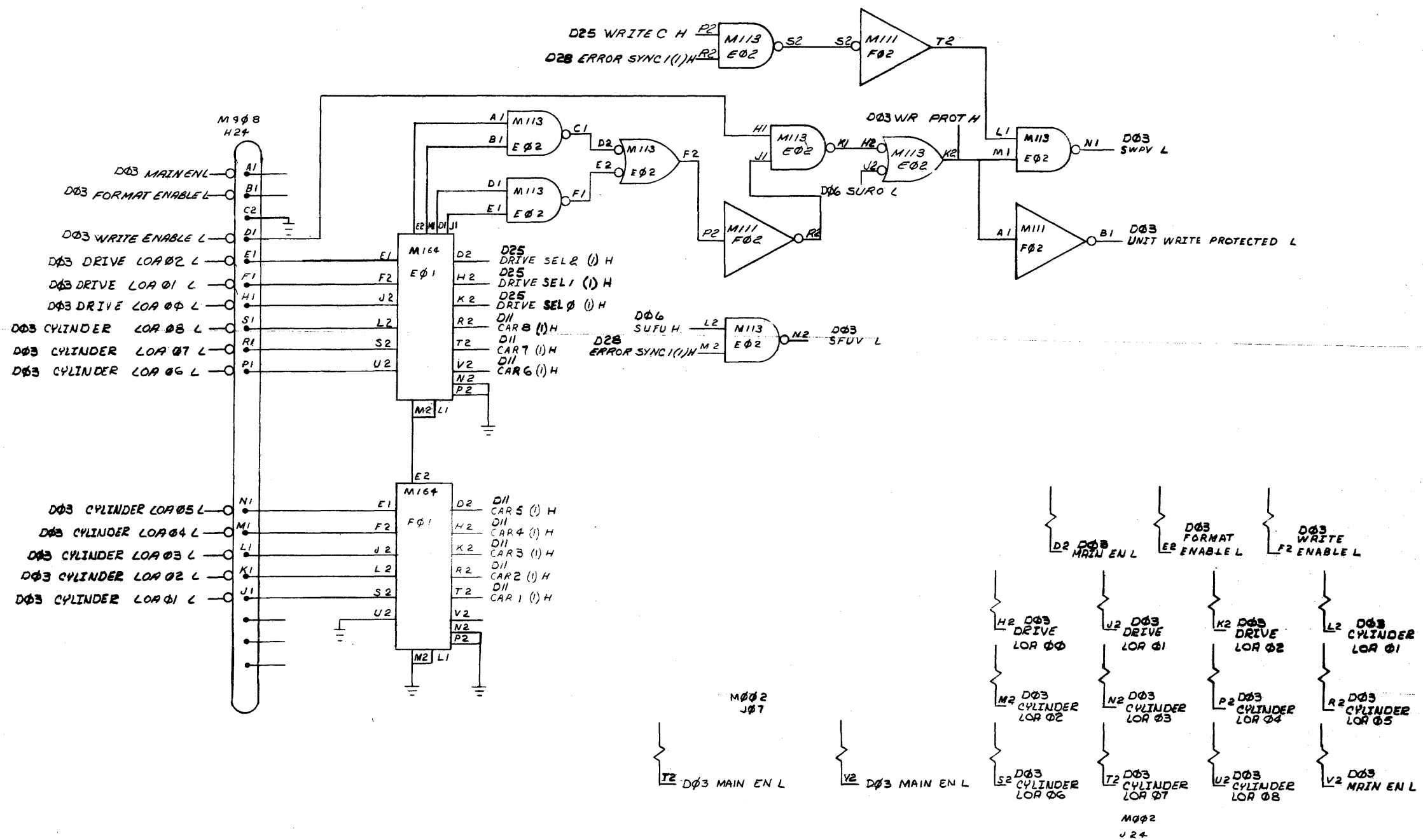
REV.	
CHANGE NO.	
REV.	

FIRST USED ON OPTION/MODEL
PDP-11

DO NOT SCALE DRAWING
UNLESS OTHERWISE SPECIFIED
DIMENSION IN INCHES
TOLERANCES
DECIMALS FRACTIONS ANGLES
± .005 ± 1/64 ± 90°
FINAL SURFACE QUALITY
REMOVE BURRS AND BREAK SHARP CORNERS
MATERIAL
FINISH

QTY.	DESCRIPTION	PART NO.	ITEM NO.
PARTS LIST			
DRN <i>R. LeBlond</i> DATE <i>10/20/72</i>		 digital EQUIPMENT CORPORATION <small>MAYNARD, MASSACHUSETTS</small>	
CHKD <i>Ferguson</i> DATE <i>10-30-72</i>			
ENGR <i>C. Joe</i> DATE <i>11-14-72</i>			
PRD <i>C. Joe</i> DATE <i>11-14-72</i>			
PRD <i>R. Dooly</i> DATE <i>11/20/72</i>			
NEXT HIGHER ASSY B-DD-RPII-C		TITLE MAINTENANCE	
SCALE NONE		SIZE CODE NUMBER DBS RPII-C-02	
SHEET 4 OF 4		REV.	

This drawing and specifications, herein, are the property of Digital Equipment Corporation and shall not be reproduced or copied or used in whole or in part as the basis for the manufacture or sale of items without written permission.



REV.	CHANGE NO.	DATE
A	00004	
DESIGNED BY: J. Ives		
CHECKED BY: J. Ives		
DATE: 1-12-73		

FIRST USED ON OPTION/MODEL
PDP-11

DO NOT SCALE DRAWING
UNLESS OTHERWISE SPECIFIED
DIMENSION IN INCHES
TOLERANCES
DECIMALS FRACTIONS ANGLES
±.005 ± 1/64 ± 0°30'
FINAL SURFACE QUALITY
REMOVE BURRS AND BREAK SHARP CORNERS

QTY.	DESCRIPTION	PART NO.	ITEM NO.
PARTS LIST			
1	WRITE PROTECT COMPARATOR		
NEXT HIGHER ASSY		B-DD-RP11-C	
SCALE		NONE	
SHEET		1 OF 1	

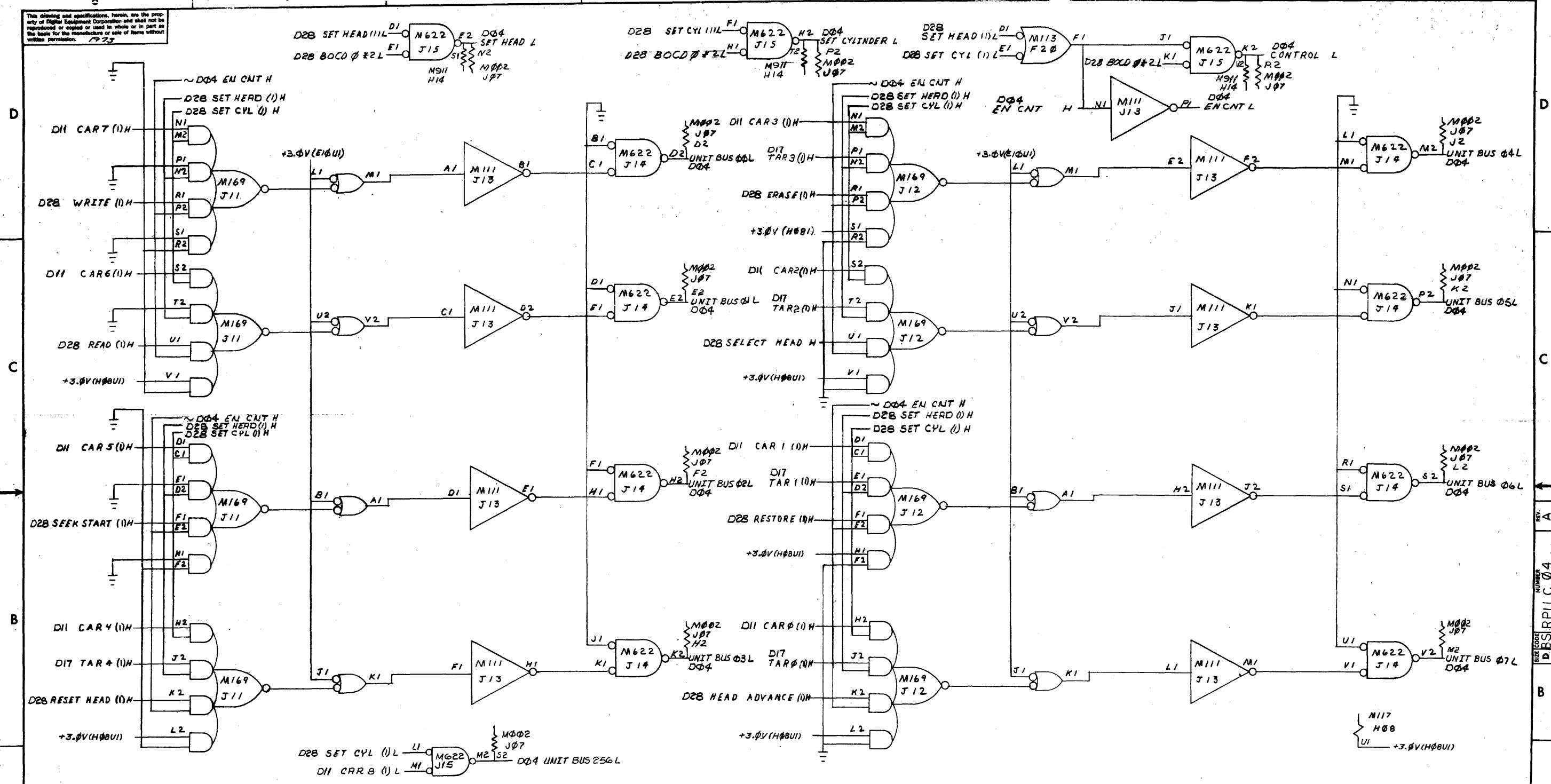
digital EQUIPMENT CORPORATION
MAYFIELD, MASSACHUSETTS

TITLE
WRITE PROTECT COMPARATOR

NUMBER
D BS RP11-C-03

REV. A
NUMBER
D BS RP11-C-03

This drawing and specifications, herein, are the property of Digital Equipment Corporation and shall not be reproduced or copied or used in whole or in part as the basis for the manufacture or sale of items without written permission.



REV.	DATE	BY	CHK
A	11-12-77	J.C. Jones	J.C. Jones
B	11-14-77	J.C. Jones	J.C. Jones
C	11-14-77	J.C. Jones	J.C. Jones
D	11-14-77	J.C. Jones	J.C. Jones

FIRST USED ON OPTION/MODEL
PDP-11

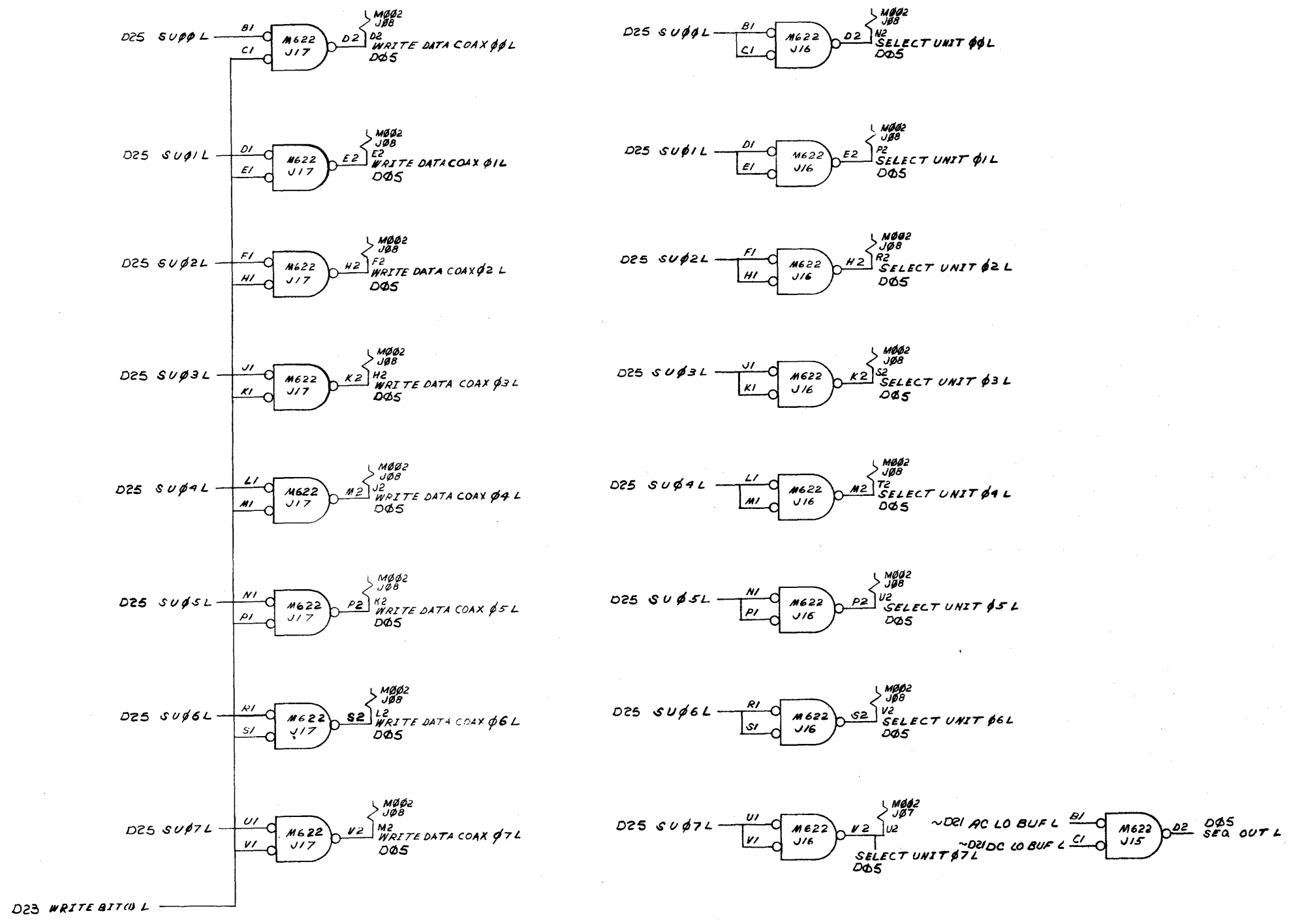
DO NOT SCALE DRAWING
UNLESS OTHERWISE SPECIFIED
DIMENSION IN INCHES
TOLERANCES
DECIMALS FRACTIONS ANGLES
± .005 ± 1/64 ± 0°30'
FINAL SURFACE QUALITY
REMOVE BURRS AND BREAK SHARP CORNERS
MATERIAL
FINISH

QTY.	DESCRIPTION	PART NO.	ITEM NO.
PARTS LIST			
1	DBS RPII-C-04		
TITLE		BUS OUT CONTROL	
NEXT HIGHER ASSY		B-DD-RPII-C	
SCALE	NONE	SIZE/CODE	DBS RPII-C-04
SHEET	1 OF 1	DIST.	

digital EQUIPMENT CORPORATION
MAYNARD, MASSACHUSETTS

REV. A
NUMBER DBS RPII-C-04

This drawing and specifications, herein, are the property of Digital Equipment Corporation and shall not be reproduced or copied or used in whole or in part as the basis for the manufacture or sale of items without written permission.



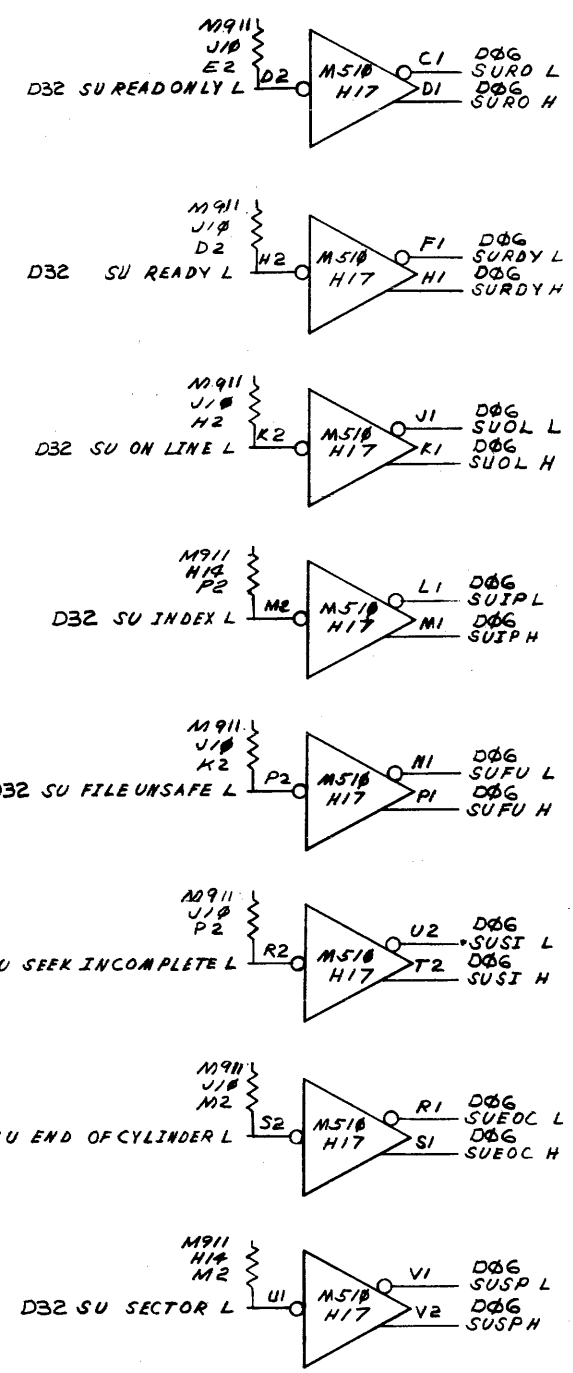
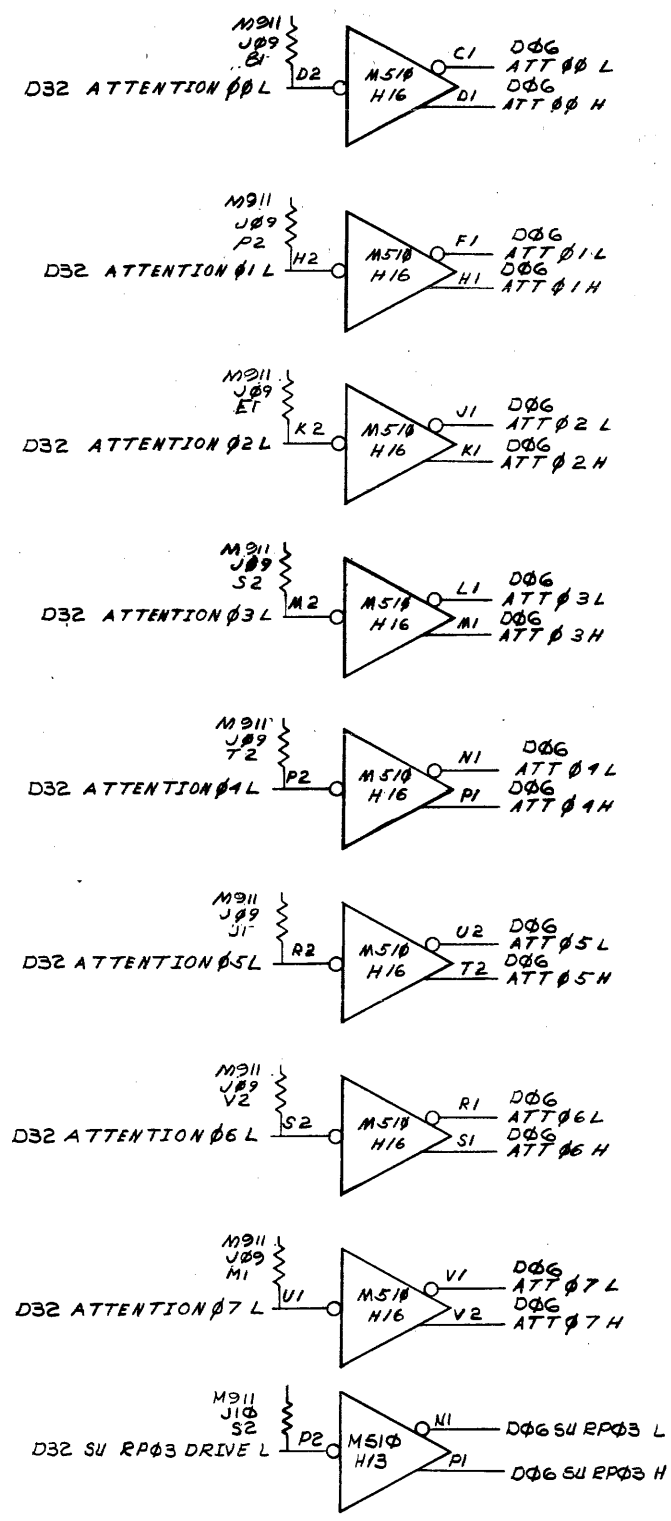
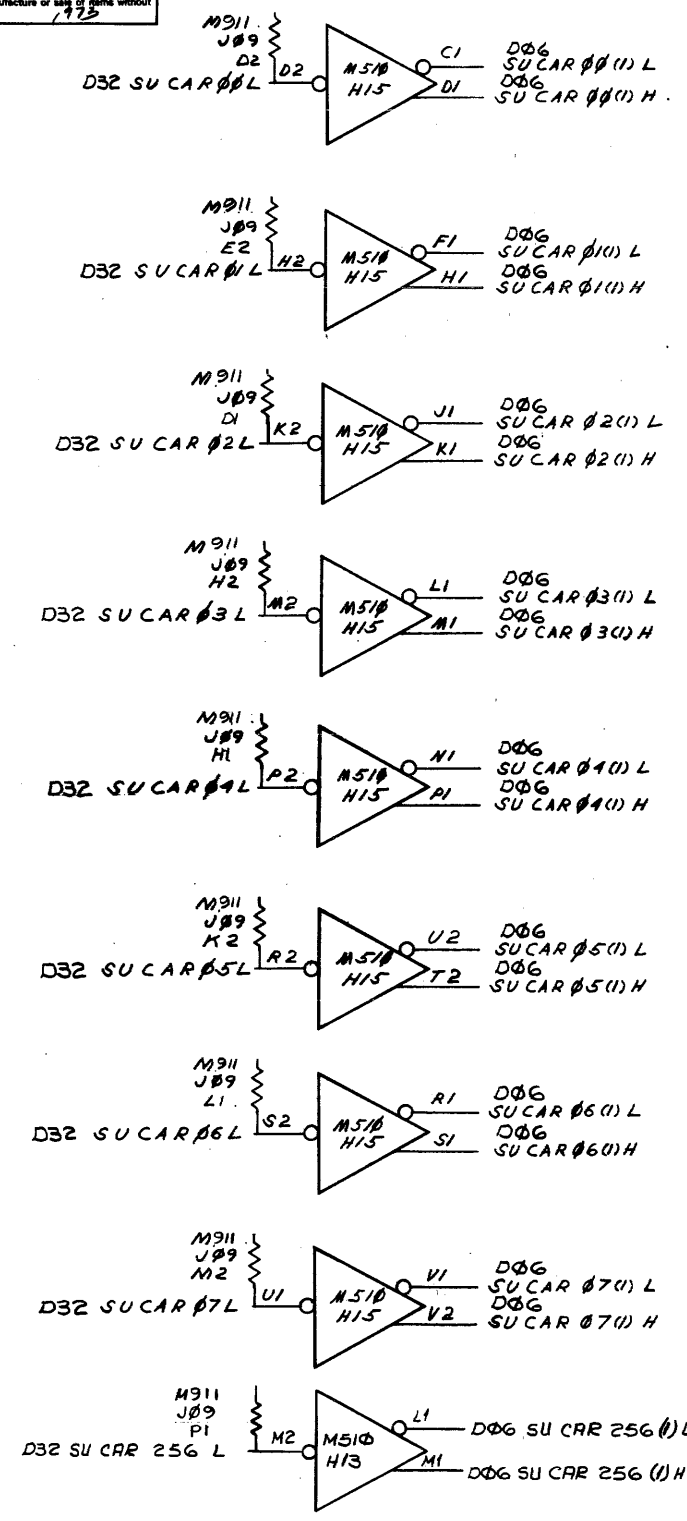
REV.	CHANGE NO.

FIRST USED ON OPTION/MODEL
PDR11

DO NOT SCALE DRAWING
UNLESS OTHERWISE SPECIFIED
DIMENSION IN INCHES
TOLERANCES
DECIMALS FRACTIONS ANGLES
± 0.005 ± 1/16 ± 0°30'
FINAL SURFACE QUALITY
REMOVE BURRS AND BREAK SHARP CORNERS

QTY.	DESCRIPTION	PART NO.	ITEM NO.
PARTS LIST			
	<i>Handwritten</i>	DATE	
	<i>Handwritten</i>	DATE	
	<i>Handwritten</i>	DATE	
	<i>Handwritten</i>	DATE	
	<i>Handwritten</i>	DATE	
TITLE			
DISK DRIVER			
NEXT HIGHER ASSY			
B-DD-RPII-C			
SCALE	NONE	SIZE CODE	NUMBER
SHEET	OF 1	DBS RPII-C-05	

This drawing and specifications, herein, are the property of Digital Equipment Corporation and shall not be reproduced or copied or used in whole or in part as the basis for the manufacture or sale of same without written permission.



REV.	CHG.	NO.	DATE
A			

CHK: RPIC-0004
 DESIGNED: 1-9-73
 D. LIVES
 P.C. 1-12-73

FIRST USED ON OPTION/MODEL
PDP-11

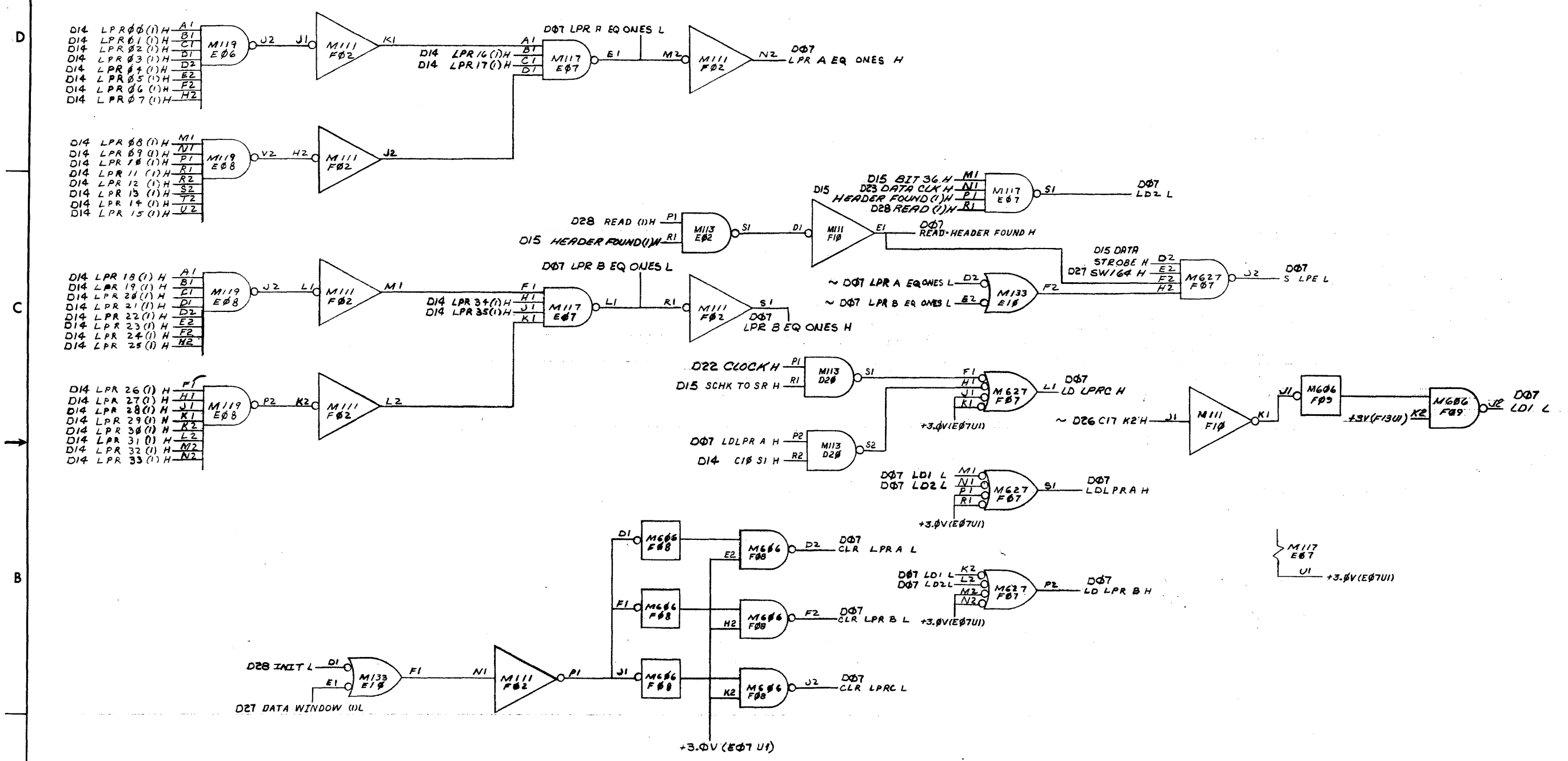
DO NOT SCALE DRAWING
UNLESS OTHERWISE SPECIFIED
DIMENSION IN INCHES
TOLERANCES
DECIMALS FRACTIONS ANGLES
±.005 ±.1/64 ±.030°
FINAL SURFACE QUALITY
REMOVE BURRS AND BREAK SHARP CORNERS

MATERIAL: ++
FINISH: ++

QTY.	DESCRIPTION	PART NO.	ITEM NO.
PARTS LIST			
DATE: 12-20-72		digital EQUIPMENT CORPORATION MAYNARD, MASSACHUSETTS	
DATE: 11-15-72		TITLE: DISK RECEIVER	
DATE: 11-14-72		NEXT HIGHER ASSY: B-DD-RP11-C	
DATE: 11/20/72		SCALE: NONE	
SHEET: / OF: /		SIZE CODE: DBS RP11-C-06	
		NUMBER: A	
		REV. NO. A	

REV. A
DBS RP11-C-06

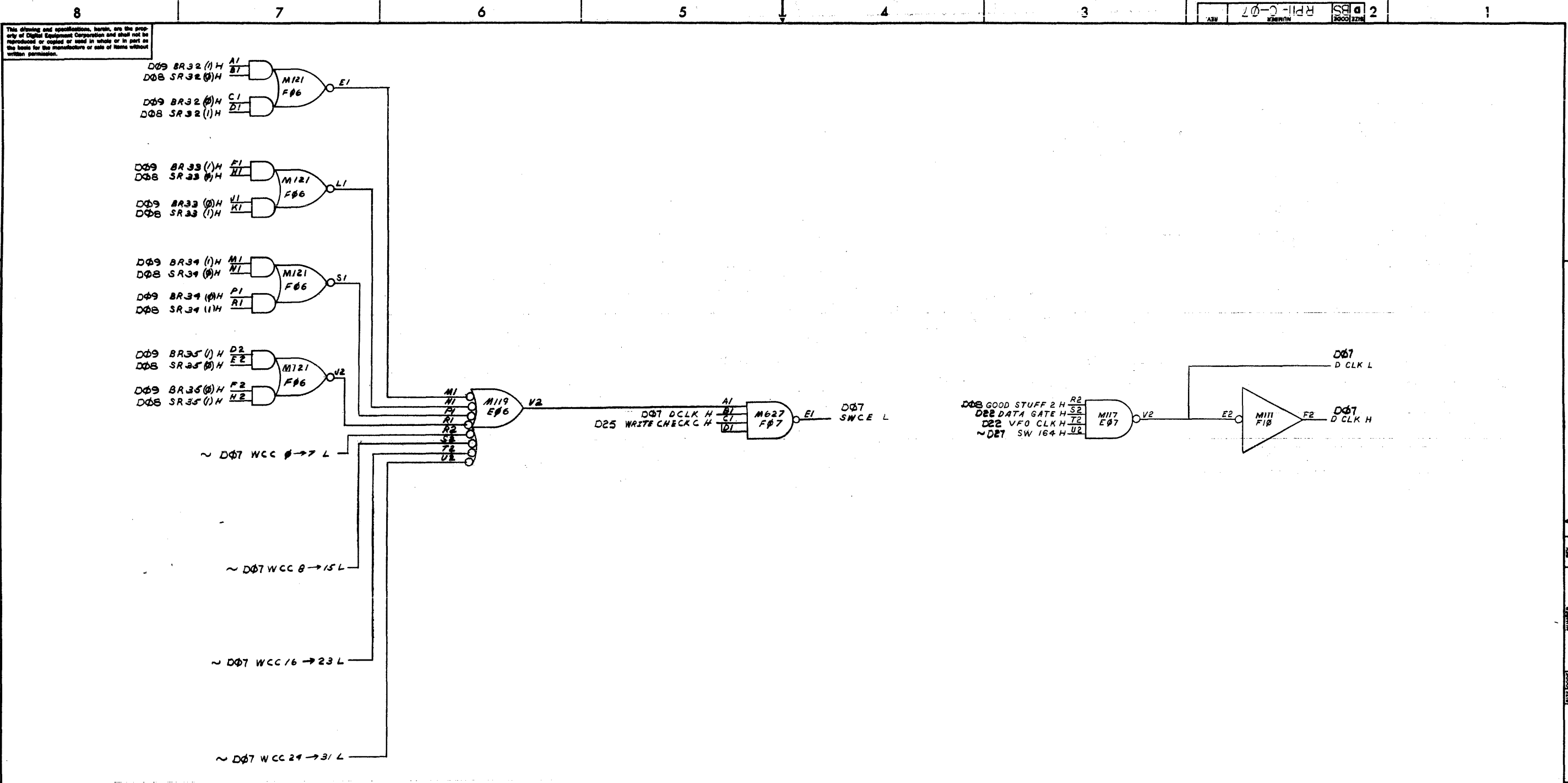
Property of Digital Equipment Corporation and shall not be reproduced or copied or used in whole or in part as the basis for the manufacture or sale of items without written permission.



REV	NO.
CHK	NO.
DESIGN	NO.

DEC FORM NO. DRD 102A

FIRST USED ON OPTION MODEL PDP-11	QTY.	DESCRIPTION	PART NO.	ITEM NO.
UNLESS OTHERWISE SPECIFIED	DATE	PARTS LIST		
UNLESS OTHERWISE SPECIFIED	DATE	digital EQUIPMENT CORPORATION MAYNARD, MASSACHUSETTS		
UNLESS OTHERWISE SPECIFIED	DATE	TITLE		
TOLERANCES	DATE	WRITE CHECK COMPARATOR		
DECIMALS FRACTIONS ANGLES	DATE	NEXT HIGHER ASSY		
± .008 ± .1/64 ± .000	DATE	B-DD-RP11-C		
FINAL SURFACE QUALITY	DATE	SIZE CODE	NUMBER	REV.
REMOVE BURRS AND BREAK SHARP CORNERS	DATE	DBS RPII-C-07		
MATERIAL	DATE	SCALE	NONE	
FINISH	DATE	SHEET	1 OF 4	



This drawing and specifications, herein, are the property of Digital Equipment Corporation and shall not be reproduced or copied in whole or in part on the basis for the manufacture or sale of items without written permission.

REVISIONS	REV.
CHANGE NO.	
CHK	

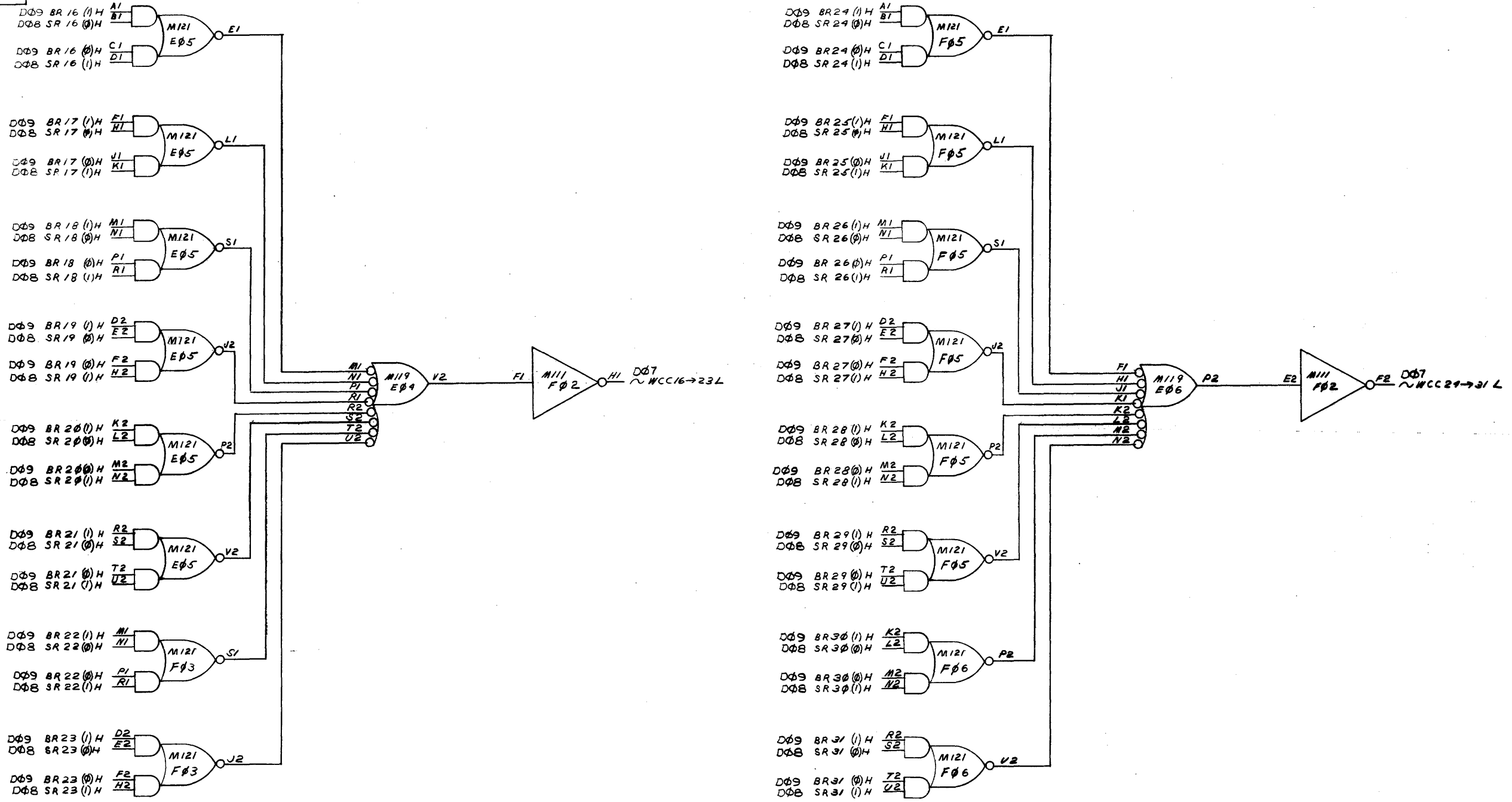
FIRST USED ON OPTION / MODEL
PDP-11

DO NOT SCALE DRAWING		
UNLESS OTHERWISE SPECIFIED		
DIMENSION IN INCHES		
TOLERANCES		
DECIMALS	FRACTIONS	ANGLES
± .005	± 1/64	± 0°30'
FINAL SURFACE QUALITY		
REMOVE BURRS AND BREAK SHARP CORNERS		
MATERIAL	NEXT HIGHER ASSY	
FINISH	B-DD-RP11-C	

QTY.	DESCRIPTION	FART NO.	ITEM NO.
PARTS LIST			
	digital EQUIPMENT CORPORATION MAYNARD, MASSACHUSETTS		
	TITLE WRITE CHECK COMPARATOR		
	SIZE CODE	NUMBER	REV.
	D BS	RP11-C-07	
	SCALE	NONE	
	SHEET	2 OF 4	

This drawing and specifications herein are the property of Digital Equipment Corporation and shall not be reproduced or copied or used in whole or in part as the basis for the manufacture or sale of items without written permission.

D
 C
 B
 A



D
 C
 B
 A

REV.	
CHG.	
NO.	

FIRST USED ON OPTION/MODEL
 PDP-11

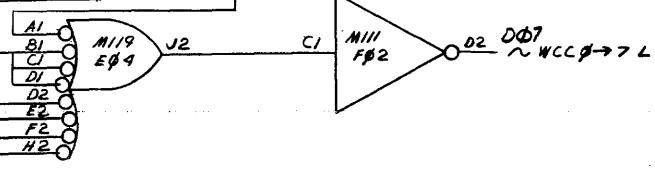
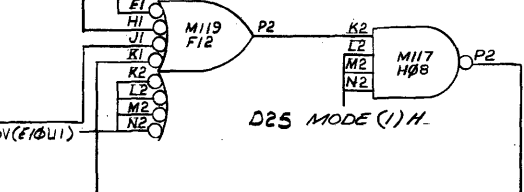
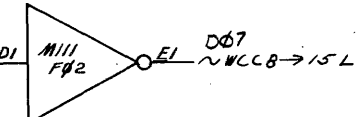
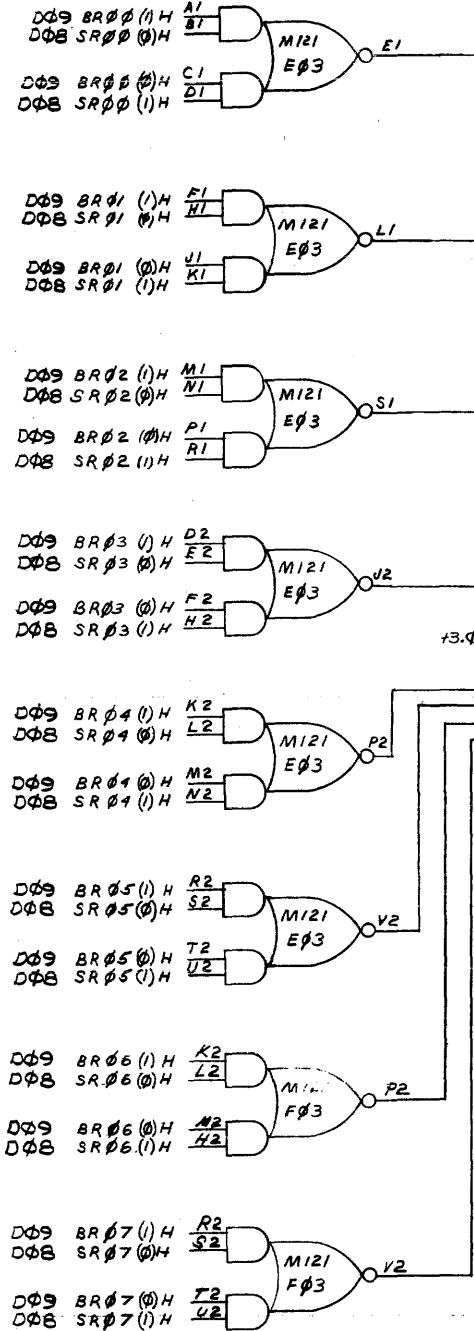
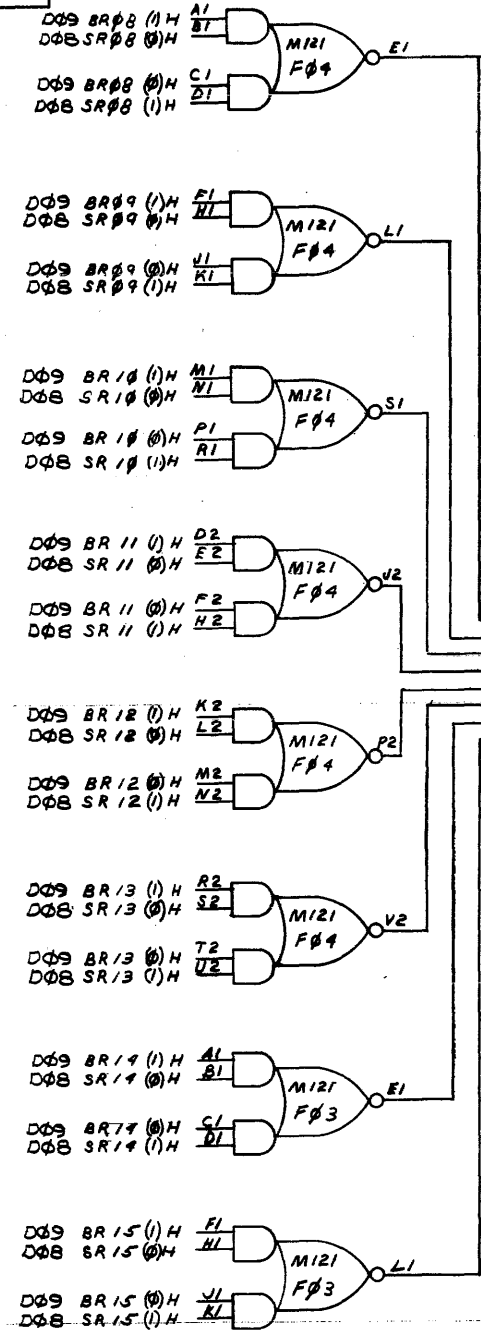
DO NOT SCALE DRAWING
UNLESS OTHERWISE SPECIFIED DIMENSION IN INCHES
TOLERANCES
DECIMALS FRACTIONS ANGLES
± .004 ± .000 ± .000
FINAL SURFACE QUALITY
REMOVE BURRS AND BREAK SHARP CORNERS
MATERIAL
FINISH

QTY.	DESCRIPTION	PART NO.	ITEM NO.
PARTS LIST			
DIBS		digital EQUIPMENT CORPORATION MAYNARD, MASSACHUSETTS	
TITLE WRITE CHECK COMPARATOR			
NEXT HIGHER ASSY E-DD-RPII-C		SCALE NONE	REV.
SHEET 3 OF 4		DIST.	

REV.
 RPII-C-07
 DBS

This drawing and specifications, herein, are the property of Digital Equipment Corporation and shall not be reproduced or copied or used in whole or in part as the basis for the manufacture or sale of items without written permission.

REV. 2
 NUMBER
 RPII-C-07



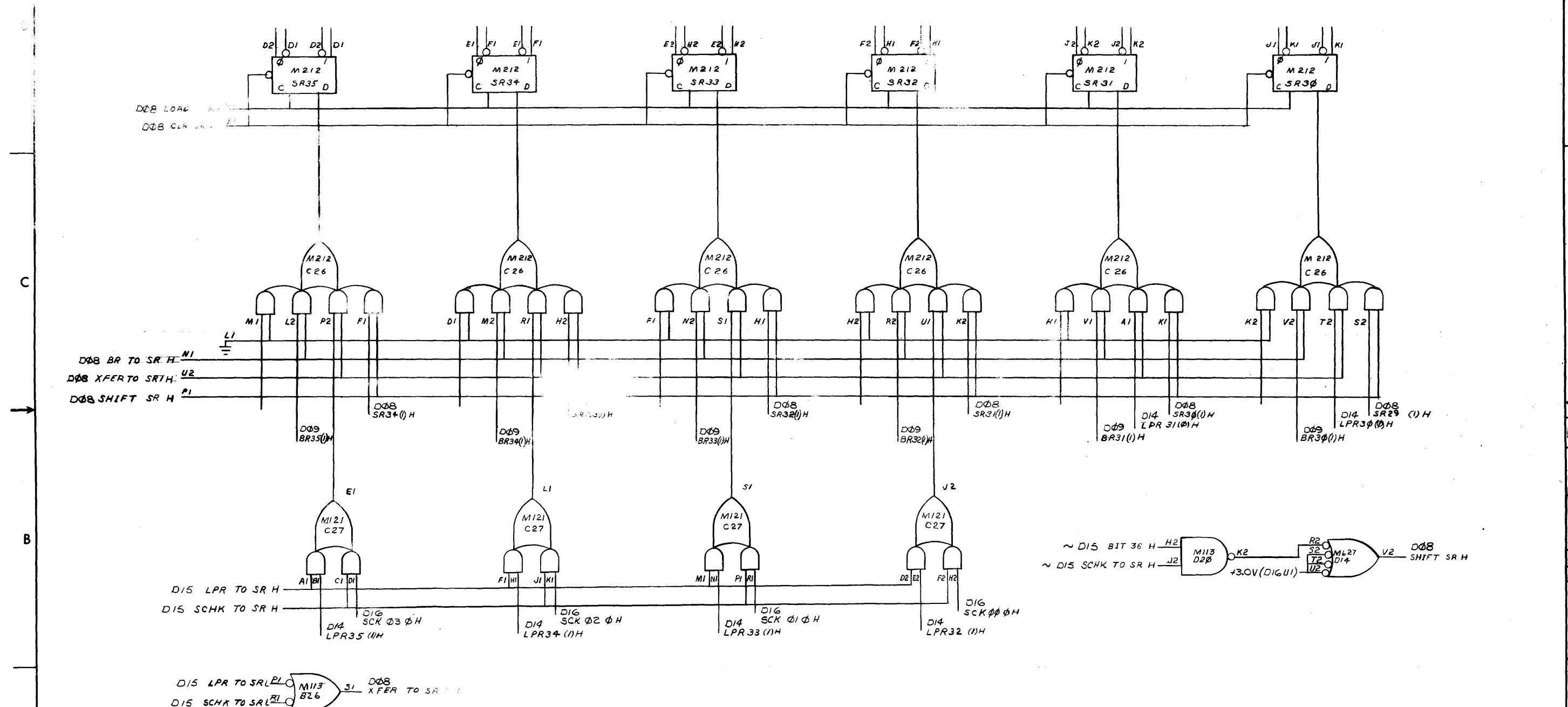
REV.	CHANGE NO.

FIRST USED ON OPTION/MODEL
 PDP-11

DO NOT SCALE DRAWING
 UNLESS OTHERWISE SPECIFIED
 DIMENSION IN INCHES
 DECIMALS FRACTIONS ANGLES
 ± .005 ± 1/64 ± 0°30'
 FINAL SURFACE QUALITY
 REMOVE BURRS AND BREAK SHARP CORNERS

QTY.	DESCRIPTION	PART NO.	ITEM NO.
PARTS LIST			
DATE 11-14-72 DATE 11-14-72 DATE 11-30-72		digital EQUIPMENT CORPORATION MAYNARD, MASSACHUSETTS	
TITLE WRITE CHECK COMPARATOR		SIZE/CODE	NUMBER
NEXT HIGHER ASSY B-DD-RPII-C		DBS	RPII-C-07
SCALE	NONE	SHEET	4 OF 4
FINISH		DIST.	

The drawings and specifications herein are the property of Digital Equipment Corporation and shall not be used in whole or in part as a basis for the manufacture or sale of items without the written consent of Digital Equipment Corporation.



REV.	
CHANGE NO.	
CHK	

DEC FORM NO. DRD 100

FIRST USED ON OPTION/MODEL
PDP-11

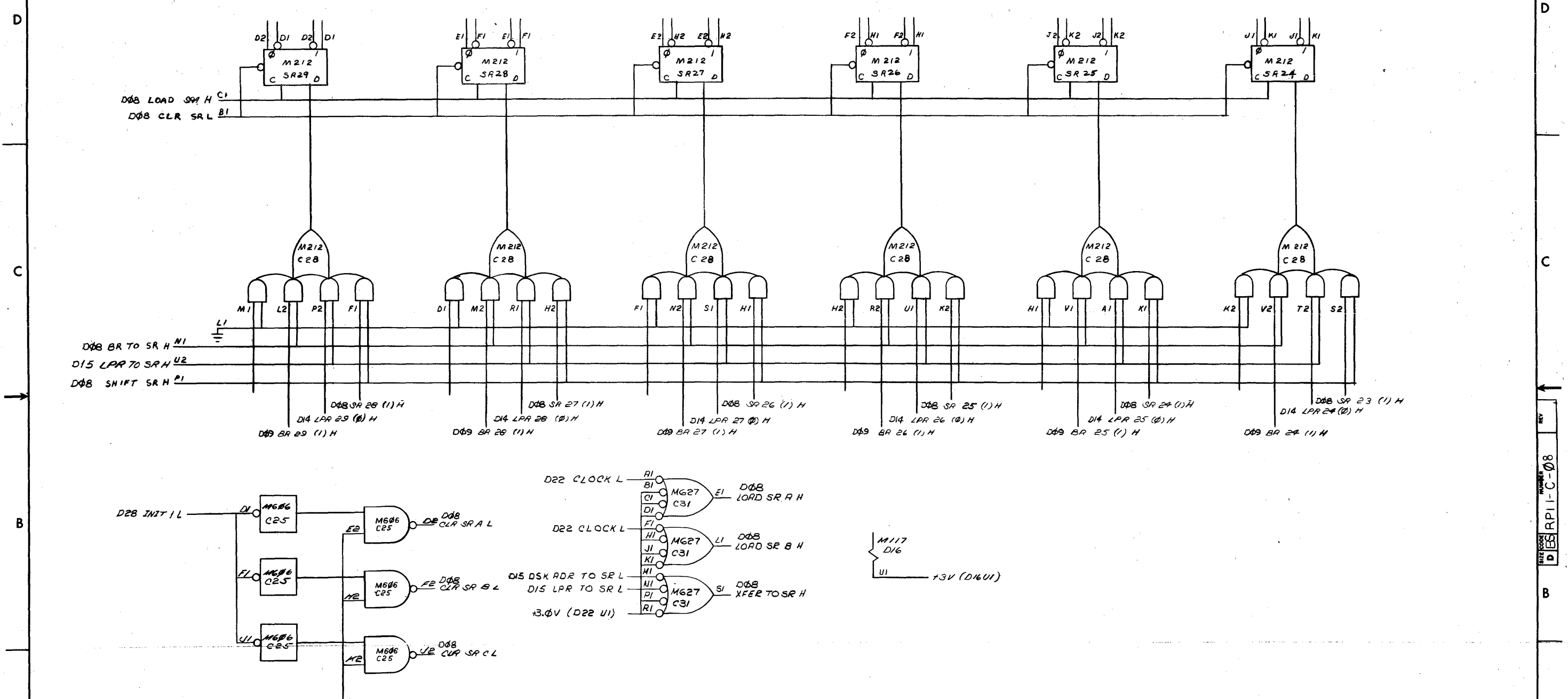
DO NOT SCALE DRAWING
UNLESS OTHERWISE SPECIFIED
DIMENSION IN INCHES
TOLERANCES
DECIMALS FRACTIONS ANGLES
± .005 ± 1/64 ± 0°30'
FINAL SURFACE QUALITY
REMOVE BURRS AND BREAK SHARP CORNERS
MATERIAL
FINISH

QTY.	DESCRIPTION	PART NO.	ITEM NO.
PARTS LIST			
DRN: <i>[Signature]</i> DATE: 12/22/72 CHK'D: <i>[Signature]</i> DATE: 10/20/72 ENG: <i>[Signature]</i> DATE: 11/12/72 PRD: <i>[Signature]</i> DATE: 11/19/72 PRD: <i>[Signature]</i> DATE: 11/29/72		digital EQUIPMENT CORPORATION MAYNARD, MASSACHUSETTS	
SHIFT REGISTER			
NEXT HIGHER ASSY B-DD-RP11-C		SCALE NONE	SHEET 1 OF 6
SIZE CODE DBS RP11-C-08		NUMBER	REV.

REV. DBS RP11-C-08

This drawing and specifications, herein, are the property of Digital Equipment Corporation and shall not be reproduced or copied or used in whole or in part as the basis for the manufacture or sale of items without written permission.

80-C-114991a 2
3000328



REV.	
CHG.	
REVISIONS	
CHANGE NO.	

FIRST USED ON OPTION/MODEL
PDR-11

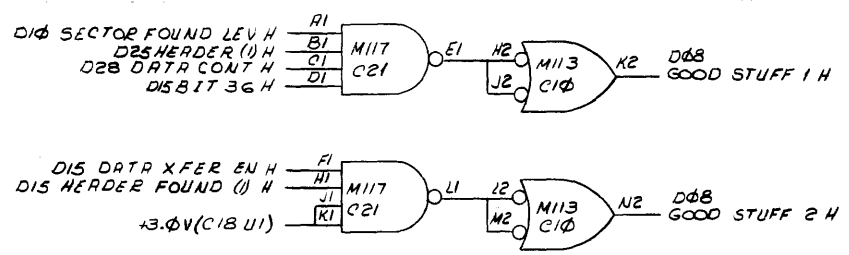
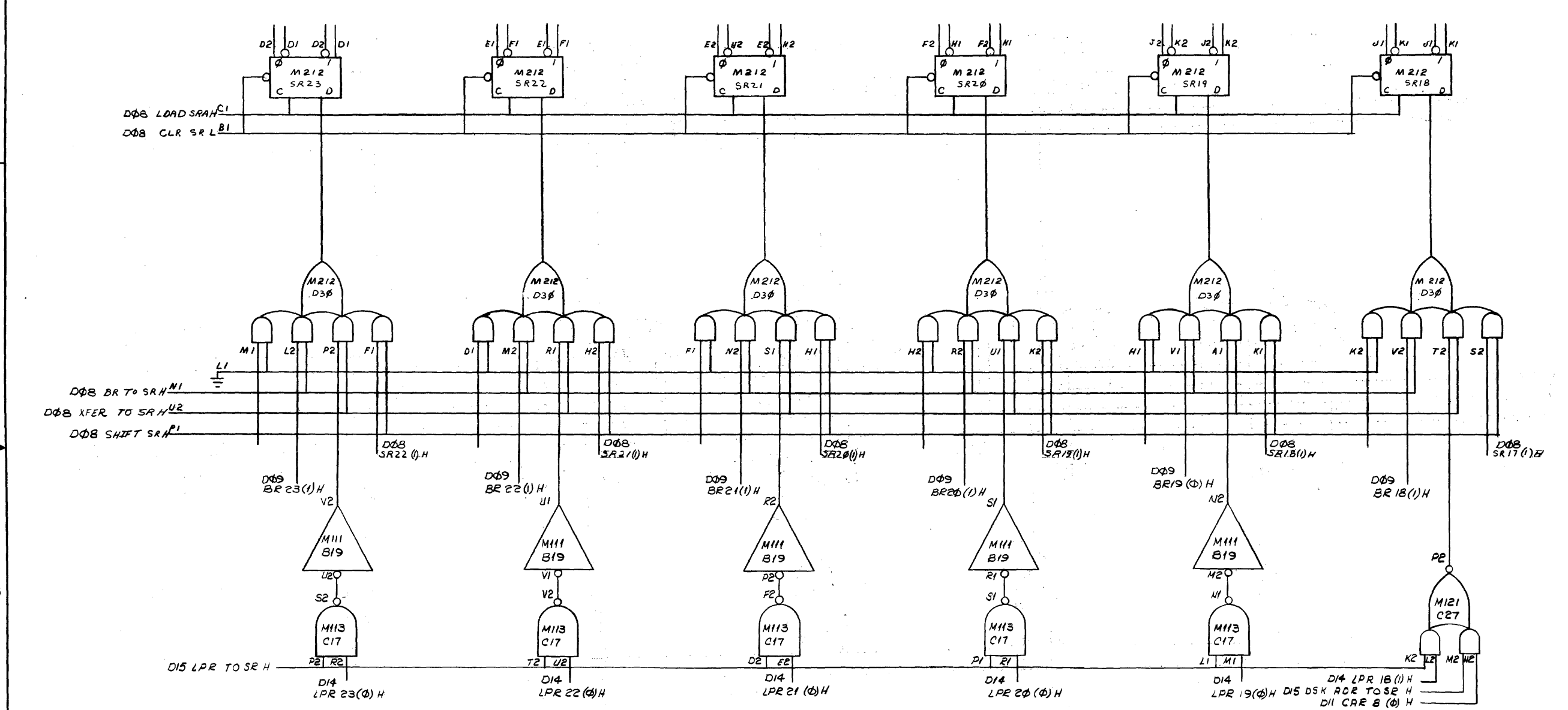
DO NOT SCALE DRAWING
UNLESS OTHERWISE SPECIFIED
DIMENSION IN INCHES
TOLERANCES
DECIMALS FRACTIONS ANGLES
±.005 ± 1/64 ± 0°30'
FINAL SURFACE QUALITY
REMOVE BURRS AND BREAK SHARP CORNERS
MATERIAL
FINISH

QTY.	DESCRIPTION	PART NO.	ITEM NO.
PARTS LIST			
DBH <i>[Signature]</i> DATE <i>[Date]</i>		digital EQUIPMENT CORPORATION MAYNARD, MASSACHUSETTS	
CHK'D <i>[Signature]</i> DATE <i>[Date]</i>	ENR <i>[Signature]</i> DATE <i>[Date]</i>	TITLE SHIFT REGISTER	
PROJ. ENR <i>[Signature]</i> DATE <i>[Date]</i>	PROD. <i>[Signature]</i> DATE <i>[Date]</i>		
NEXT HIGHER ASSY B-DD-RP11-C		SIZE CODE D BSRP11-C-08	NUMBER REV
SCALE <i>[Scale]</i>		SHEET 2 OF 6	
DIST.			

DEC FORM NO.
DRD 100

REV
D BSRP11-C-08

Property of Digital Equipment Corporation and shall not be reproduced or copied or used in whole or in part as the basis for the manufacture or sale of items without written permission.



FIRST USED ON OPTION/MODEL
 PDR11

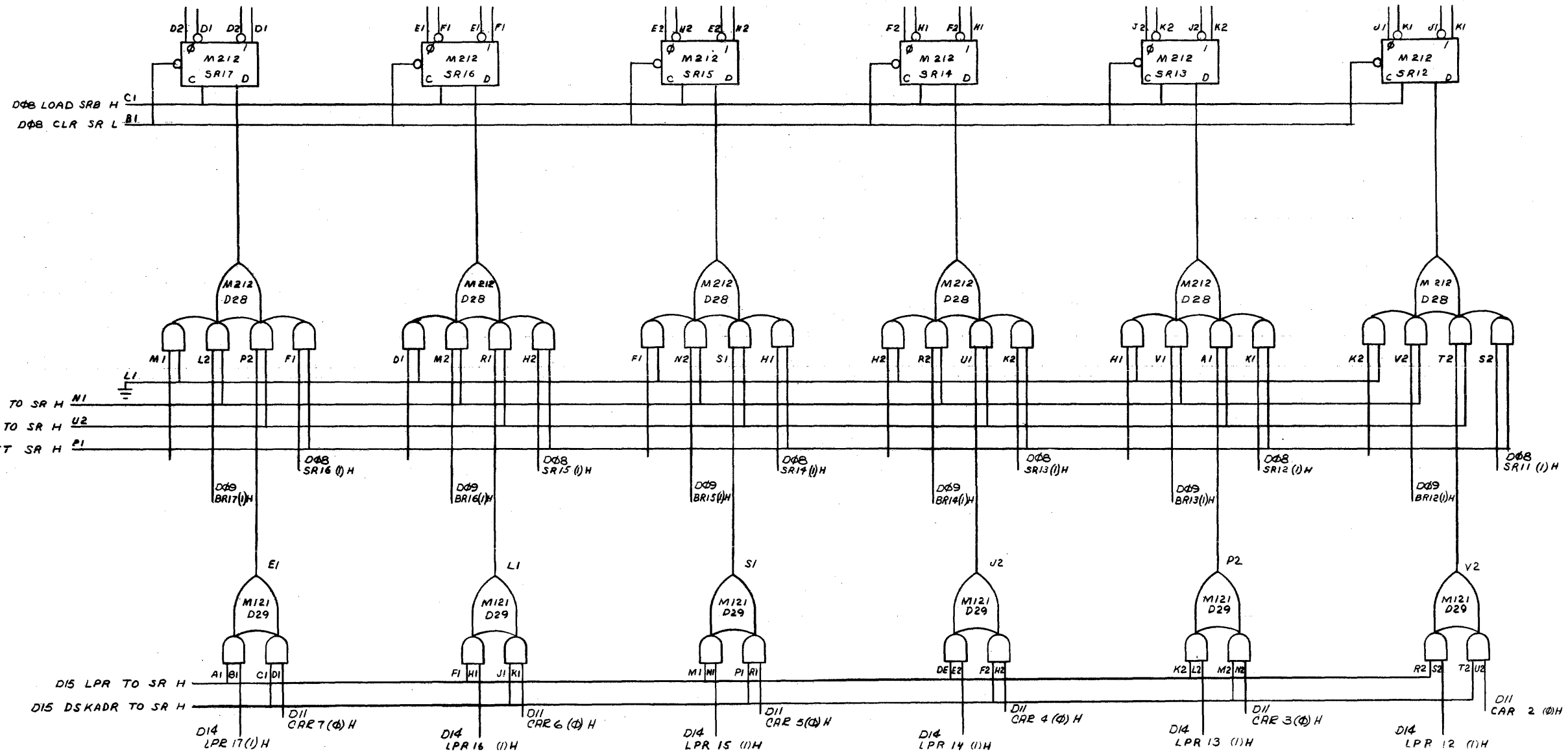
DO NOT SCALE DRAWING
 UNLESS OTHERWISE SPECIFIED
 DIMENSION IN INCHES
 TOLERANCES
 DECIMALS FRACTIONS ANGLES
 ± .005 ± .005 ± .005
 FINAL SURFACE QUALITY
 REMOVE BURRS AND BREAK SHARP CORNERS
 MATERIAL
 ++
 FINISH
 ++

QTY.	DESCRIPTION	PART NO.	ITEM NO.
	PARTS LIST		
	digital EQUIPMENT CORPORATION MAYNARD, MASSACHUSETTS		
	TITLE SHIFT REGISTER		
	NEXT HIGHER ASSY B-DD-RP11-C		
	SCALE NONE		
	SHEET 3 OF 6		
	SIZE CODE D B S R P 11 - C - 0 8	NUMBER	REV.
	DIST.		

REV.	CHANGE NO.

This drawing and specifications, herein, are the property of Digital Equipment Corporation and shall not be reproduced or copied or used in whole or in part as the basis for the manufacture or sale of items without written permission.

D
C
B
A



D
C
B
A

REV. 80-C-1118 BS 2

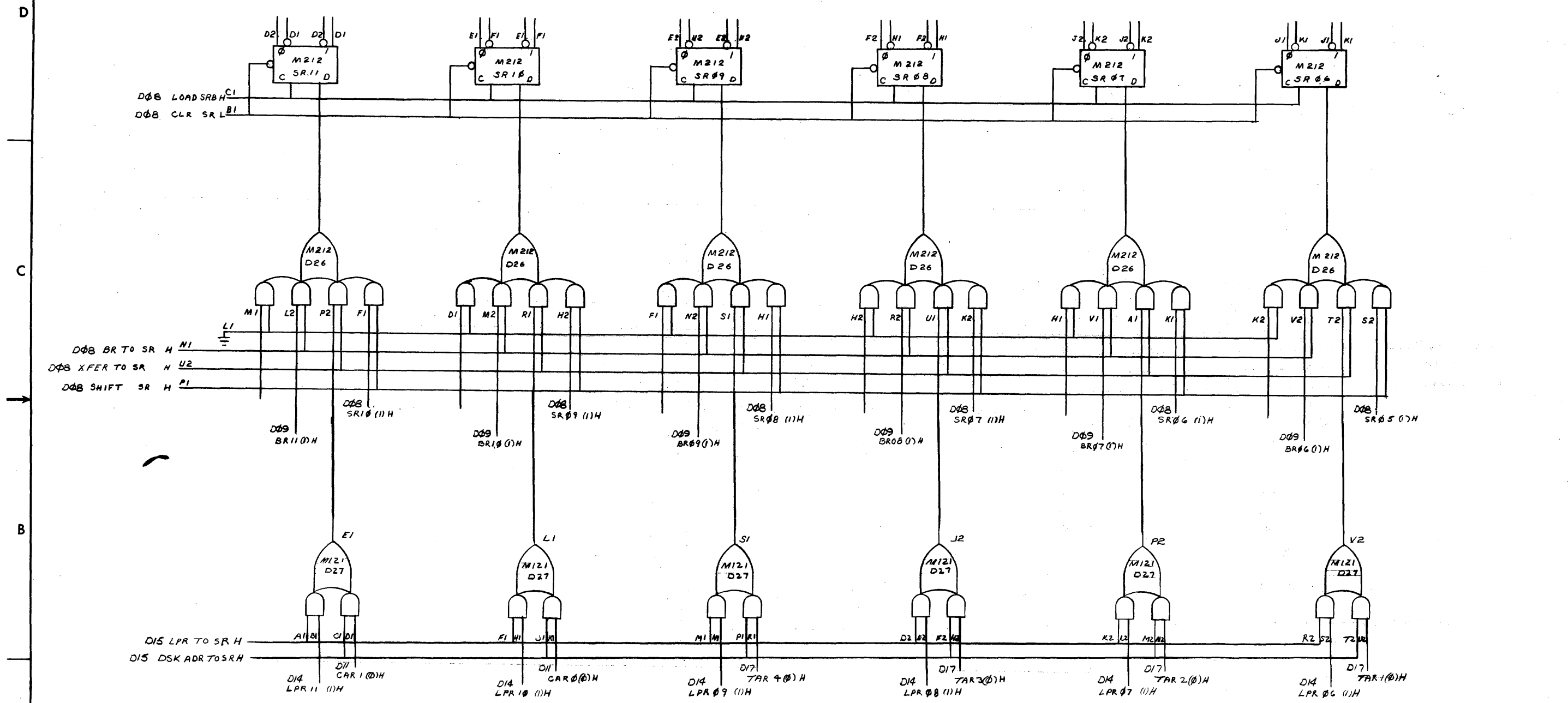
REV.	
CHK	
CHANGE NO.	
REVISIONS	

FIRST USED ON OPTION/MODEL
PDP-11

DO NOT SCALE DRAWING
UNLESS OTHERWISE SPECIFIED
DIMENSION IN INCHES
TOLERANCES
DECIMALS FRACTIONS ANGLES
± .005 ± 1/64 ± 0°30'
FINAL SURFACE QUALITY /
REMOVE BURRS AND BREAK SHARP CORNERS
MATERIAL
FINISH

QTY.	DESCRIPTION	PART NO.	ITEM NO.
PARTS LIST			
digital EQUIPMENT CORPORATION MAYNARD, MASSACHUSETTS			
TITLE SHIFT REGISTER			
NEXT HIGHER ASSY B-DD-RP11-C		SIZE CODE D BS RP11-C-08	NUMBER REV.
SCALE NONE		SHEET 4 OF 6	
DIST.		REV.	

Property of Digital Equipment Corporation and shall not be reproduced or copied or used in whole or in part as the basis for the manufacture or sale of items without written permission.



REV	
NO.	
CHK	
CHG	
REF	
IONS	

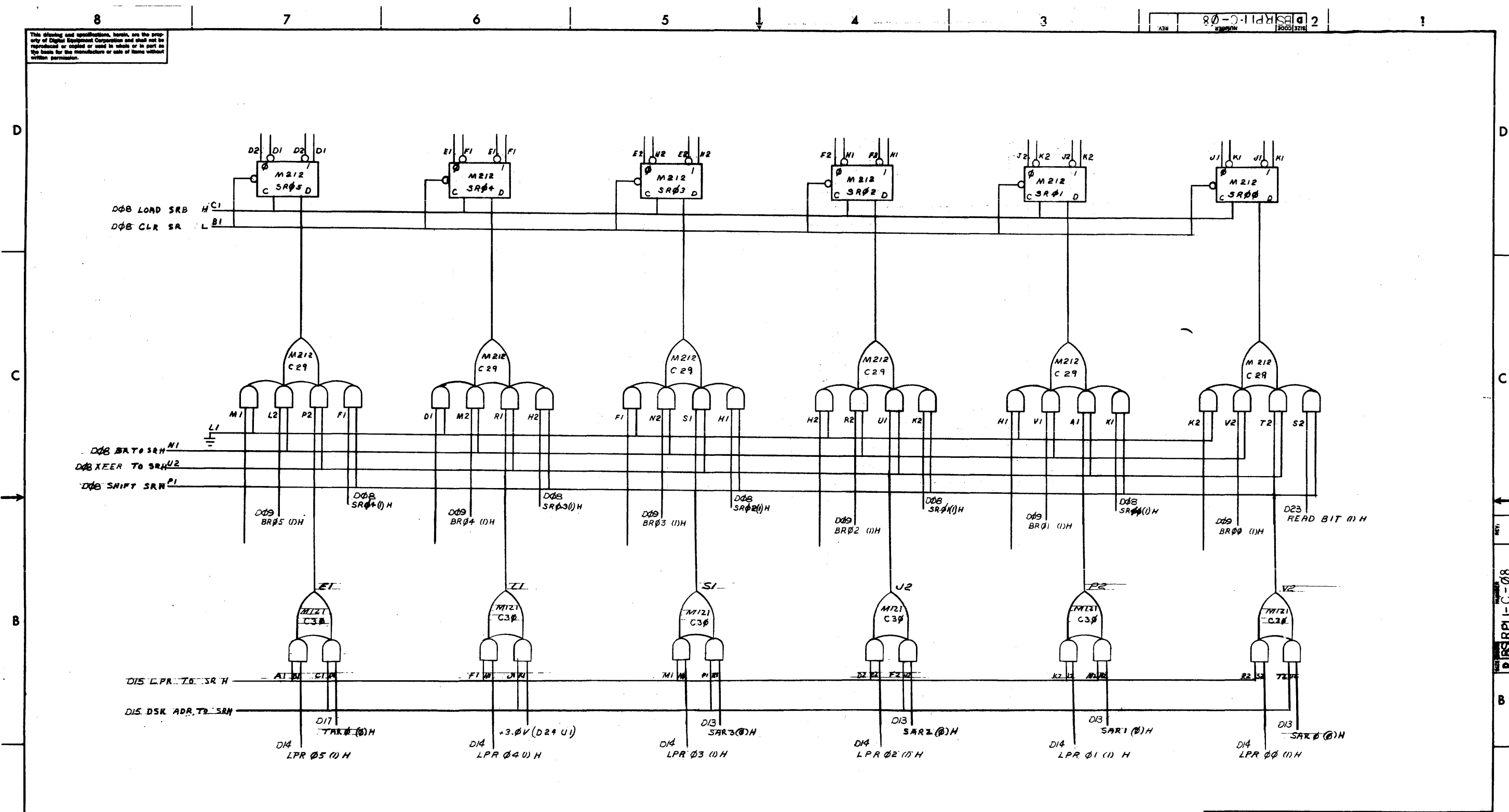
FIRST USED ON OPTION/MODEL
PDP-11

DO NOT SCALE DRAWING
UNLESS OTHERWISE SPECIFIED
DIMENSION IN INCHES
TOLERANCES
DECIMALS FRACTIONS ANGLES
± .005 ± 1/64 ± 0°30'
FINAL SURFACE QUALITY
REMOVE BURRS AND BREAK SHARP CORNERS
MATERIAL
FINISH

QTY.	DESCRIPTION	PART NO.	ITEM NO.
PARTS LIST			
DRN	J. LeBlond	DATE 1/20/72	
CHK'D	...	DATE 1/20/72	
ENG.	...	DATE 1/19/72	
PRG	...	DATE 1/19/72	
PRG	...	DATE 1/13/72	
NEXT HIGHER ASSY		B-DD-RP11-C	
SCALE		NONE	
SHEET		5 OF 6	
TITLE		SHIFT REGISTER	
SIZE CODE		D BSRP11-C-08	
NUMBER			
REV.			

REV. NUMBER
D BSRP11-C-08

This drawing and specifications, herein, are the property of Digital Equipment Corporation and shall not be reproduced or copied or used in whole or in part as the basis for the manufacture or sale of items without written permission.



REV.	
CHG.	
NO.	
DATE	
BY	

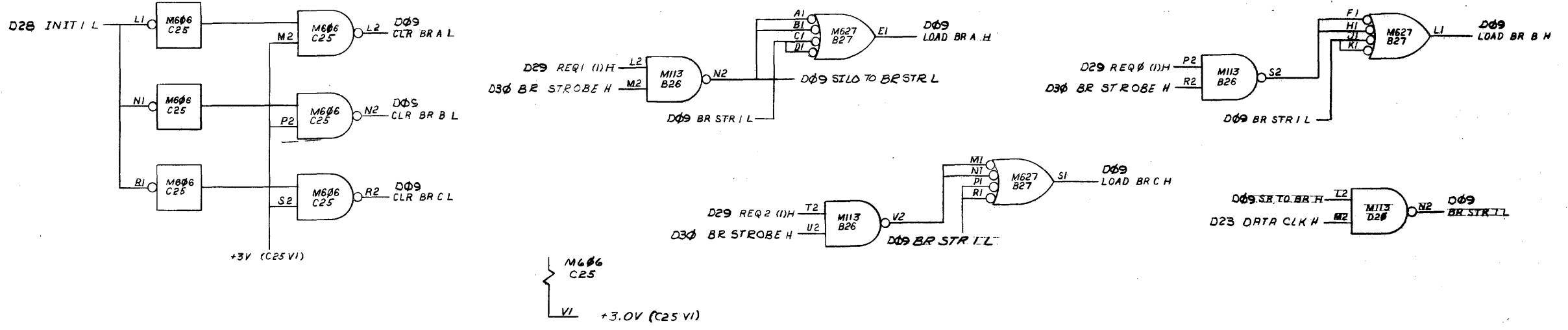
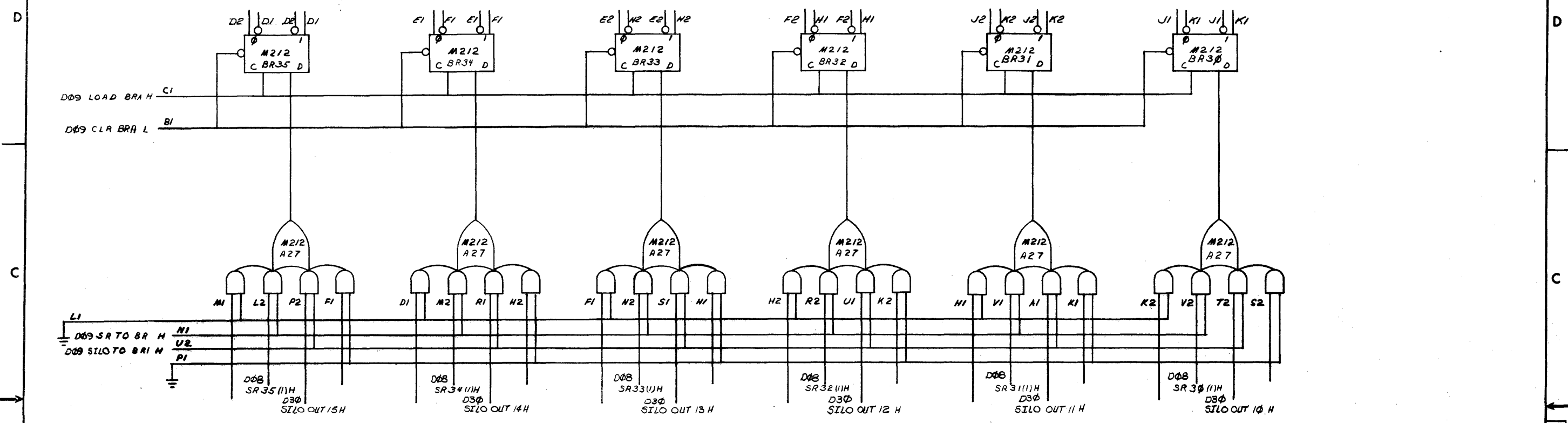
FIRST USED ON OPTION/MODEL
PDR11

DO NOT SCALE DRAWING
UNLESS OTHERWISE SPECIFIED
DIMENSION IN INCHES
TOLERANCES
DECIMALS FRACTIONS ANGLES
± .005 ± 1/64 ± 0°30'
FINAL SURFACE QUALITY
REMOVE BURRS AND BREAK SHARP
EDGES

QTY.	DESCRIPTION	PART NO.	ITEM NO.
PARTS LIST			
1	SHIFT REGISTER	B-DD-RP11-C	
MATERIAL		NEXT HIGHER ASSY	
FINISH		SCALE NONE	
SHEET 6 OF 6		B-00-RP11-C-08	

D BSRPII-C-08

This drawing and specifications herein are the property of Digital Equipment Corporation and shall not be reproduced or copied in whole or in part as the basis for the manufacture or sale of items without written permission.

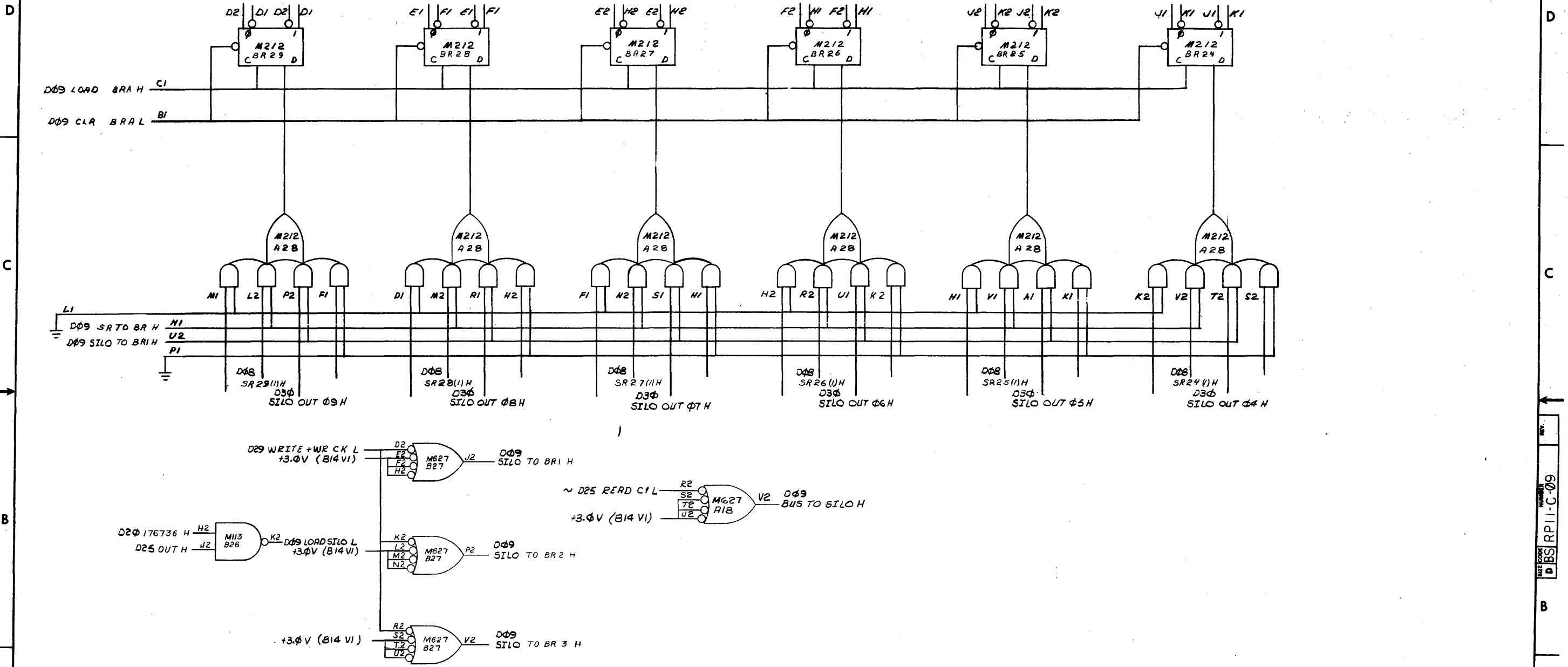


REV.	
CHG.	
CHK.	

FIRST USED ON OPT/MODEL PDP-11	QTY.	DESCRIPTION	PART NO.	ITEM NO.
PARTS LIST				
UNLESS OTHERWISE SPECIFIED	DATE	digital EQUIPMENT CORPORATION MAYNARD, MASSACHUSETTS		
UNLESS OTHERWISE SPECIFIED	DATE	TITLE		
DIMENSION IN INCHES	DATE	BUFFER REGISTER		
TOLERANCES	DATE	SIZE CODE NUMBER REV		
DECIMALS FRACTIONS ANGLES	DATE	D BSRPII-C-09		
± .005 ± .004 ± .010	DATE	SCALE NONE		
FINAL SURFACE QUALITY / REMOVE BURRS AND BREAK SHARP CORNERS	DATE	SHEET 1 OF 7		
MATERIAL	NEXT HIGHER ASSY	DIST.		
FINISH	B-DD-RP11-C			

This drawing and specifications, herein, are the property of Digital Equipment Corporation and shall not be reproduced or copied or used in whole or in part as the basis for the manufacture or sale of items without written permission.

60-C-1114 DBS RP11-C-09



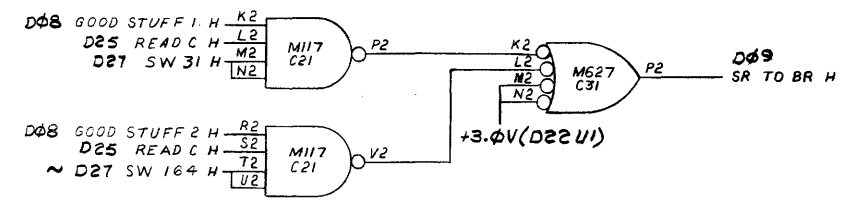
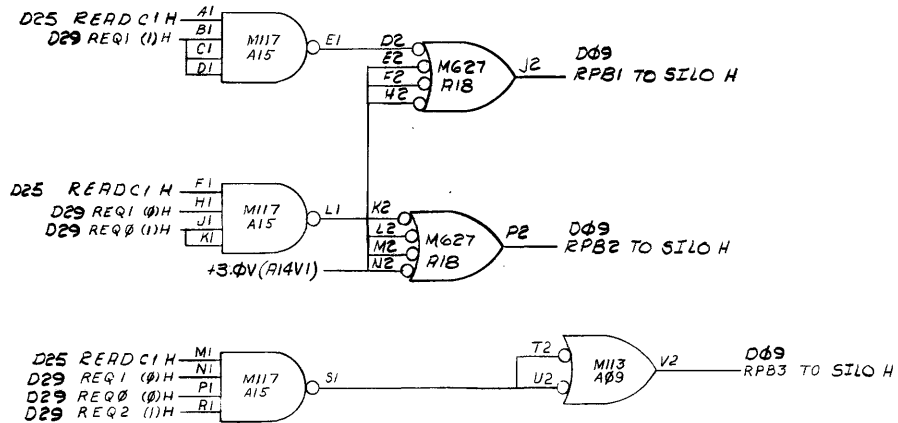
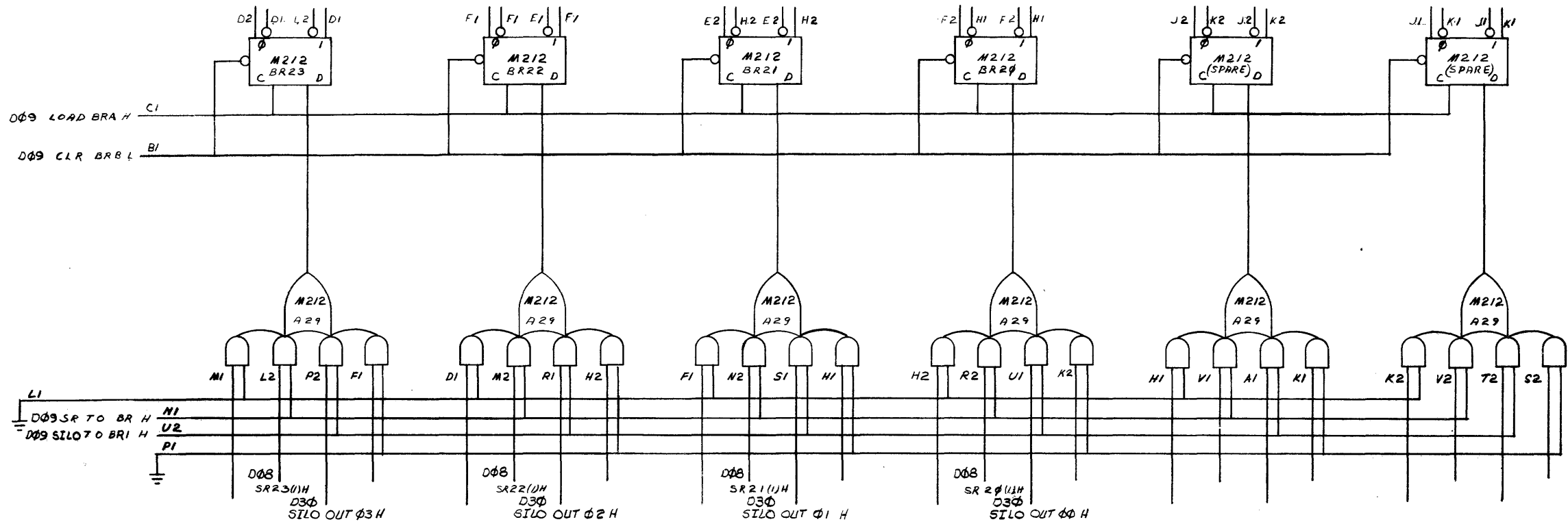
REV.	
CHG.	
NO.	

DEC FORM NO. DRW 102A

FIRST USED OPT/MODEL	QTY.	DESCRIPTION	PART NO.	ITEM NO.
PDP-11				
UNLESS OTHERWISE SPECIFIED				
DIMENSION IN INCHES				
TOLERANCES				
DECIMALS FRACTIONS ANGLES				
±.005 ± 1/64 ± 0°30'				
FINAL SURFACE QUALITY				
REMOVE BURRS AND BREAK SHARP CORNERS				
MATERIAL				
NEXT HIGHER ASSY				
FINISH				
SCALE NONE				
SHEET 2 OF 7				
PARTS LIST		digital EQUIPMENT CORPORATION MAYNARD, MASSACHUSETTS		
TITLE		BUFFER REGISTER		
B-D-D-RP11-C		SIZE CODE NUMBER REV.		
DBS RP11-C-09				
DST.				

DBS RP11-C-09

This drawing and specifications, herein, are the property of Digital Equipment Corporation and shall not be reproduced or copied or used in whole or in part as the basis for the manufacture or sale of items without written permission.

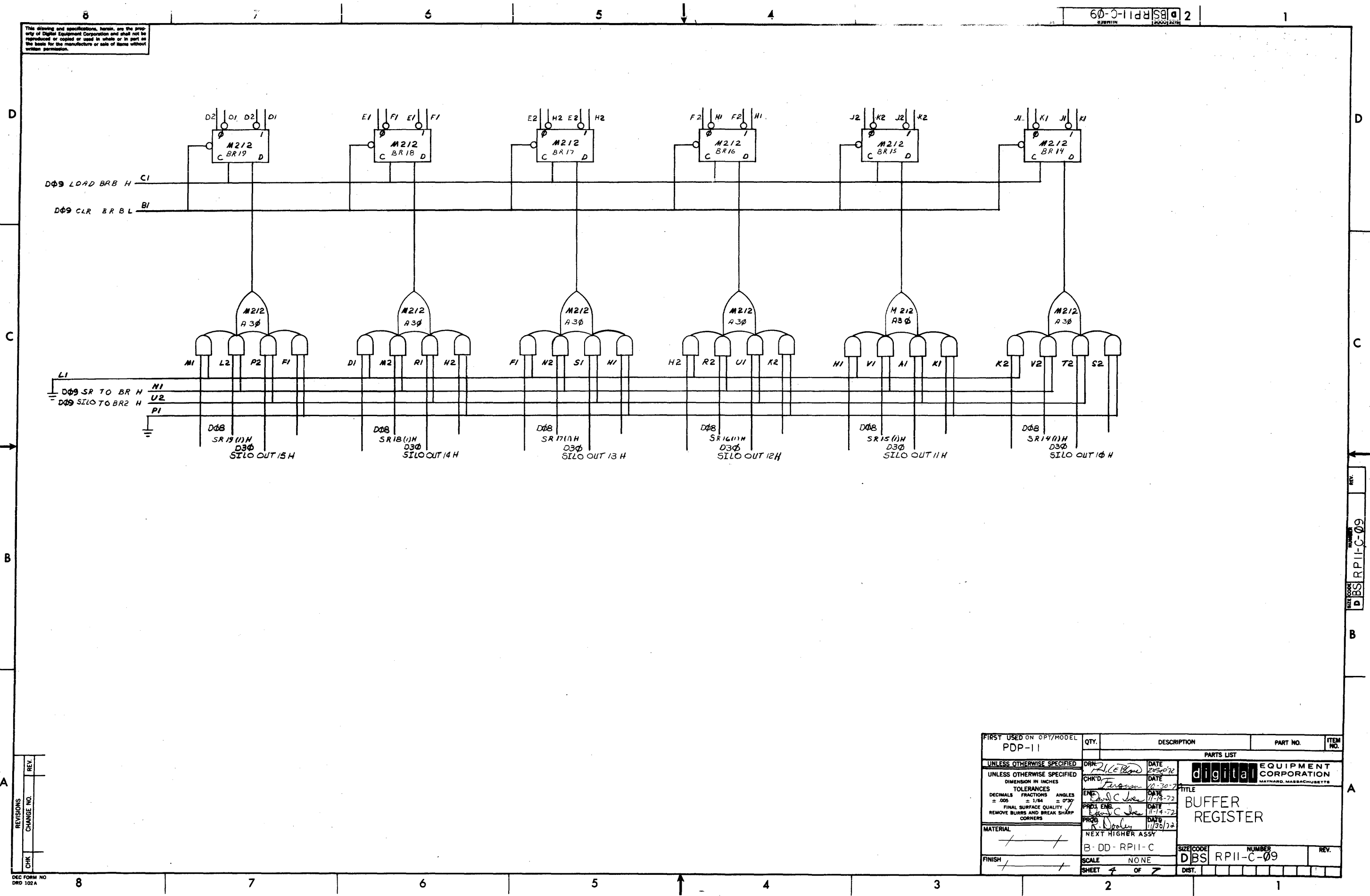


FIRST USED ON OPT/MODEL	QTY.	DESCRIPTION	PART NO.	ITEM NO.
PDP-11				
PARTS LIST				
UNLESS OTHERWISE SPECIFIED		DRN. <i>[Signature]</i>	DATE <i>12-20-72</i>	digital EQUIPMENT CORPORATION MAYNARD, MASSACHUSETTS
DIMENSION IN INCHES		CHK'D. <i>[Signature]</i>	DATE <i>11-14-72</i>	
TOLERANCES		ENR. <i>[Signature]</i>	DATE <i>11-14-72</i>	
DECIMALS FRACTIONS ANGLES		PRD. <i>[Signature]</i>	DATE <i>11-30-72</i>	
± .009 ± 1/64 ± 90°		NEXT/HIGHER ASSY		TITLE BUFFER REGISTER
FINAL SURFACE QUALITY REMOVE BURRS AND BREAK SHARP CORNERS		B-DD-RP11-C		
MATERIAL	FINISH	SCALE NONE	SIZE CODE	NUMBER
		SHEET 3 OF 7	DBS RP11-C-09	REV.

REV.	
CHANGE NO.	
CHK	

This drawing and specifications, herein, are the property of Digital Equipment Corporation and shall not be reproduced or copied or used in whole or in part as the basis for the manufacture or sale of items without written permission.

60-0-11148 2

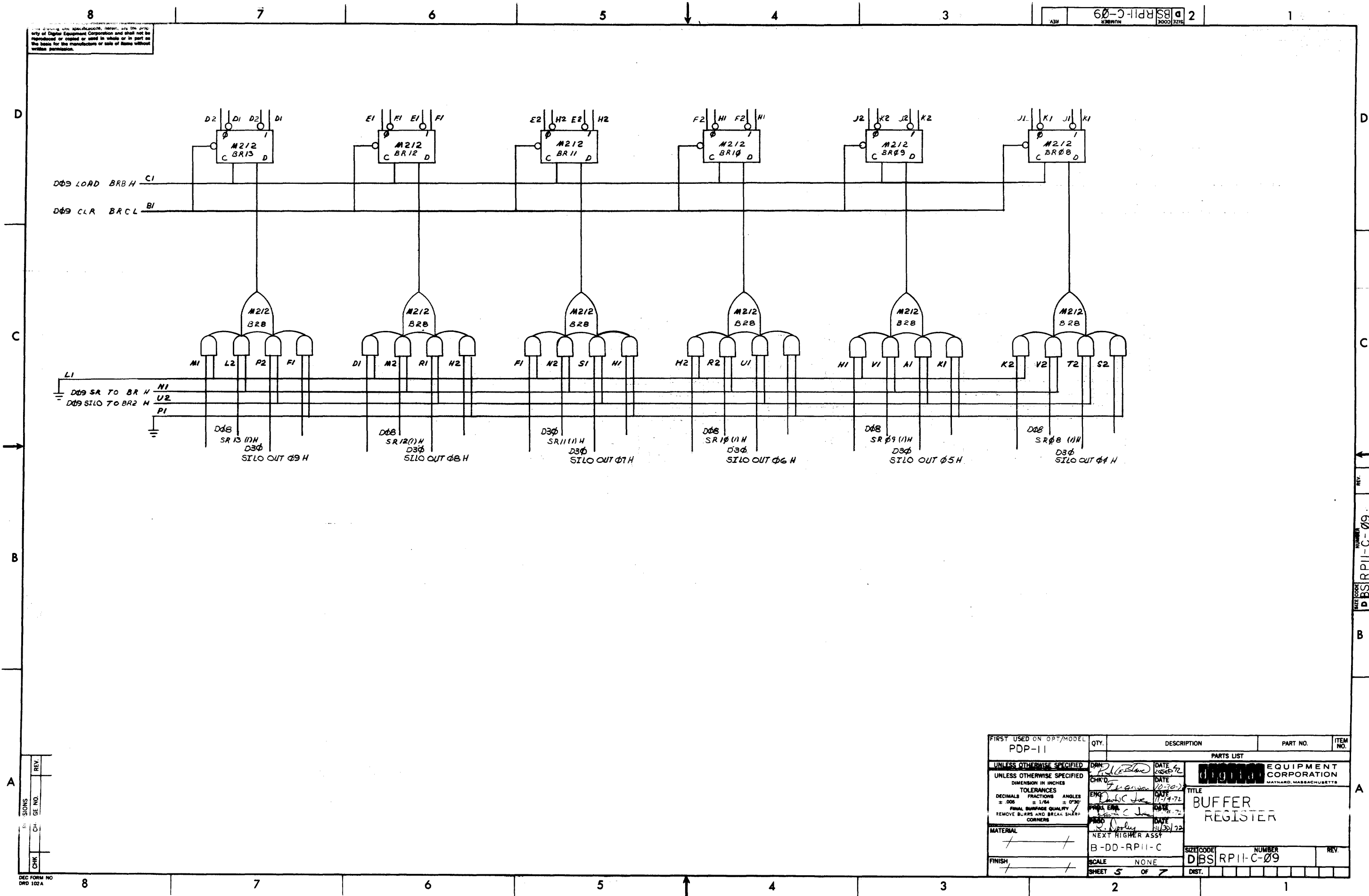


REV.	
CHG	
NO.	

FIRST USED ON OPT/MODEL PDP-11	QTY.	DESCRIPTION	PART NO.	ITEM NO.
PARTS LIST				
UNLESS OTHERWISE SPECIFIED	DRN: <i>21/10/72</i>	DATE: <i>2/28/72</i>	digital EQUIPMENT CORPORATION MAYNARD, MASSACHUSETTS	
UNLESS OTHERWISE SPECIFIED	CHK'D: <i>Frasco</i>	DATE: <i>10-30-72</i>	TITLE: BUFFER REGISTER	
TOLERANCES	ENG: <i>David C. Lee</i>	DATE: <i>11-14-72</i>	PROJ. ENG: <i>David C. Lee</i>	
DECIMALS FRACTIONS ANGLES	PRG'D: <i>K. Dooly</i>	DATE: <i>11/30/72</i>	PRG'D: <i>K. Dooly</i>	
± .005 ± 1/64 ± 0°30'	MATERIAL: / /			
FINAL SURFACE QUALITY REMOVE BURRS AND BREAK SHARP CORNERS	NEXT HIGHER ASSY: B-DD-RP11-C			
FINISH: / /	SCALE: NONE	SIZE CODE: DBS	NUMBER: RP11-C-09	REV.
DEC FORM NO. DRD 102A	SHEET: 4	OF: 7	DIST.	

REV. NO. DBS RP11-C-09

When drawing title specifications, notes, etc. are the property of Digital Equipment Corporation and shall not be reproduced or copied or used in whole or in part as the basis for the manufacture or sale of items without written permission.

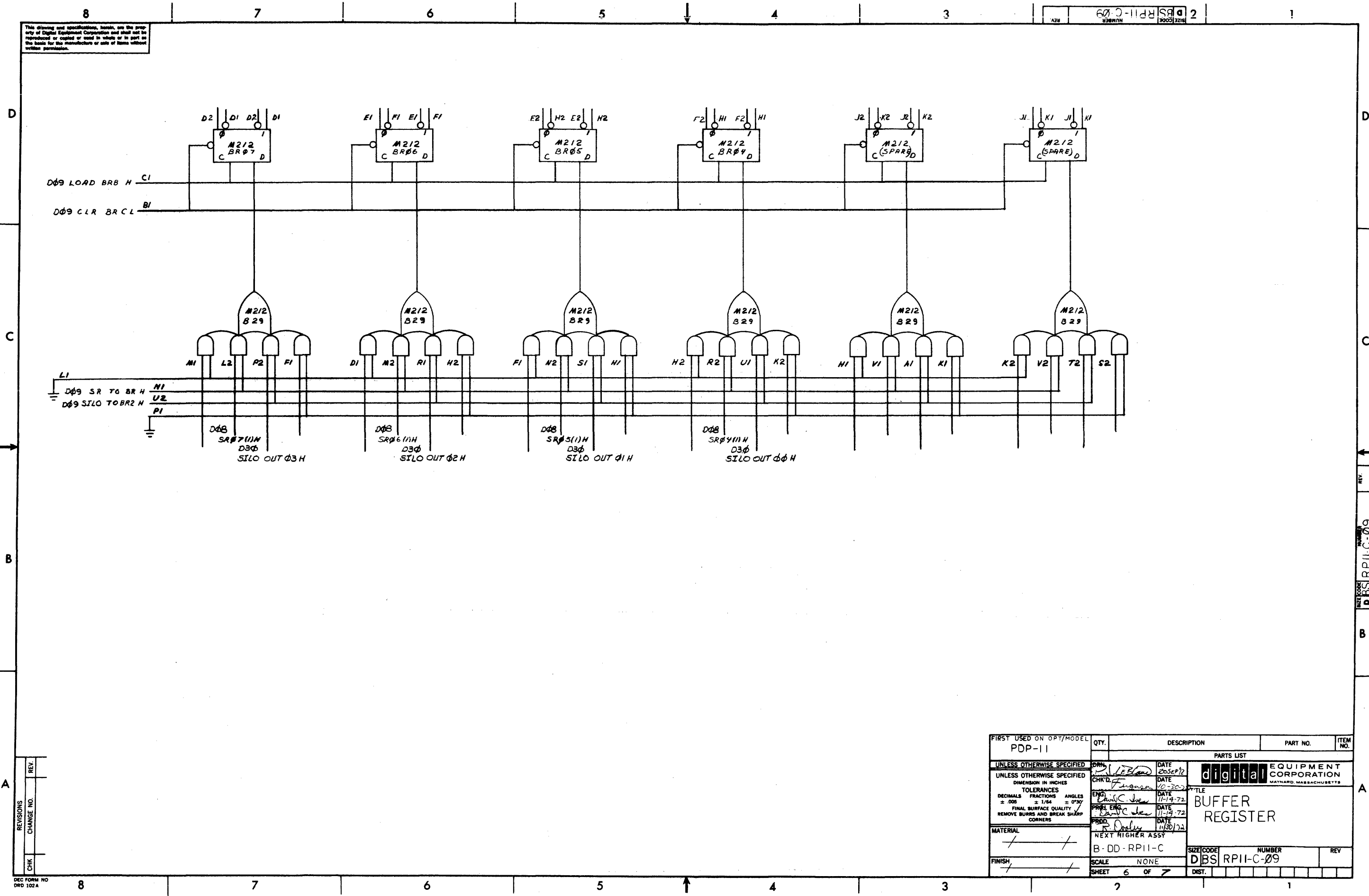


FIRST USED ON OPT/MODEL	QTY.	DESCRIPTION	PART NO.	ITEM NO.
PDP-11				
PARTS LIST				
UNLESS OTHERWISE SPECIFIED	DRAWN	DATE	EQUIPMENT CORPORATION MAYNARD, MASSACHUSETTS	
UNLESS OTHERWISE SPECIFIED	CHK'D	DATE	TITLE BUFFER REGISTER	
TOLERANCES	ENG	DATE		
DECIMALS FRACTIONS ANGLES	PRD	DATE		
= .005 ± 1/64 ± 0°00'	PRD	DATE		
FINAL SURFACE QUALITY	PRD	DATE	NEXT HIGHER ASSY	
REMOVE BURRS AND BREAK SHARP CORNERS			B-DD-RPII-C	
MATERIAL			SCALE	NONE
			SHEET	5 OF 7
FINISH			SIZE CODE NUMBER D BSRPII-C-09	
			DIST.	

REV.	CHG.	BY	DATE

This drawing and specifications, herein, are the property of Digital Equipment Corporation and shall not be reproduced or copied in whole or in part on the basis for the manufacture of any of items without written permission.

60-C-1118 2

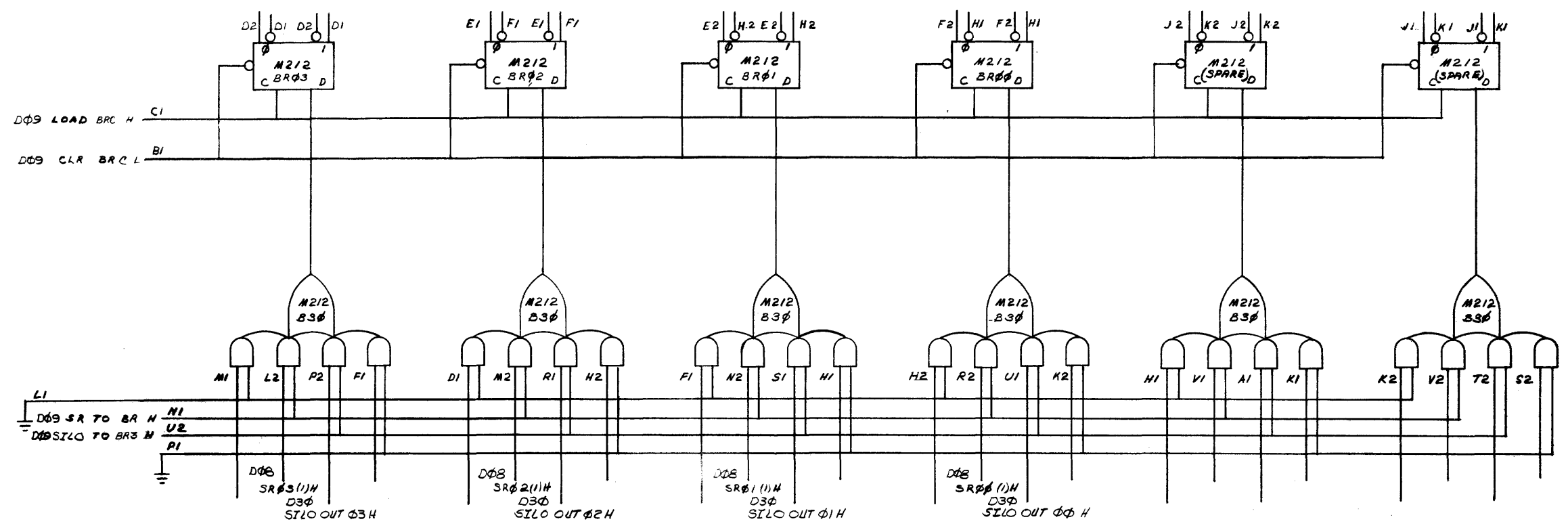


REV.	
CHANGE NO.	
CHK	

FIRST USED ON OPT/MODEL PDP-11	QTY.	DESCRIPTION	PART NO.	ITEM NO.
PARTS LIST				
UNLESS OTHERWISE SPECIFIED DIMENSION IN INCHES TOLERANCES DECIMALS FRACTIONS ANGLES ± .005 ± 1/64 ± 0°30'	DATE 10-30-72	DATE 10-30-72	digital EQUIPMENT CORPORATION MAYNARD, MASSACHUSETTS	
FINAL SURFACE QUALITY / REMOVE BURRS AND BREAK SHARP CORNERS	DATE 11-19-72	DATE 11-19-72	TITLE BUFFER REGISTER	
MATERIAL / /	DATE 11-30-72	DATE 11-30-72	NEXT HIGHER ASSY B-DD-RP11-C	
FINISH / /	SCALE NONE	SCALE NONE	SIZE CODE DJS RP11-C-09	NUMBER REV
DEC FORM NO DD-102A	SHEET 6	OF 7	DIST.	

REV. 1
DJS RP11-C-09

The drawings and specifications herein are the property of Digital Equipment Corporation and shall not be reproduced or copied or used in whole or in part as the basis for the manufacture or sale of items without written permission.



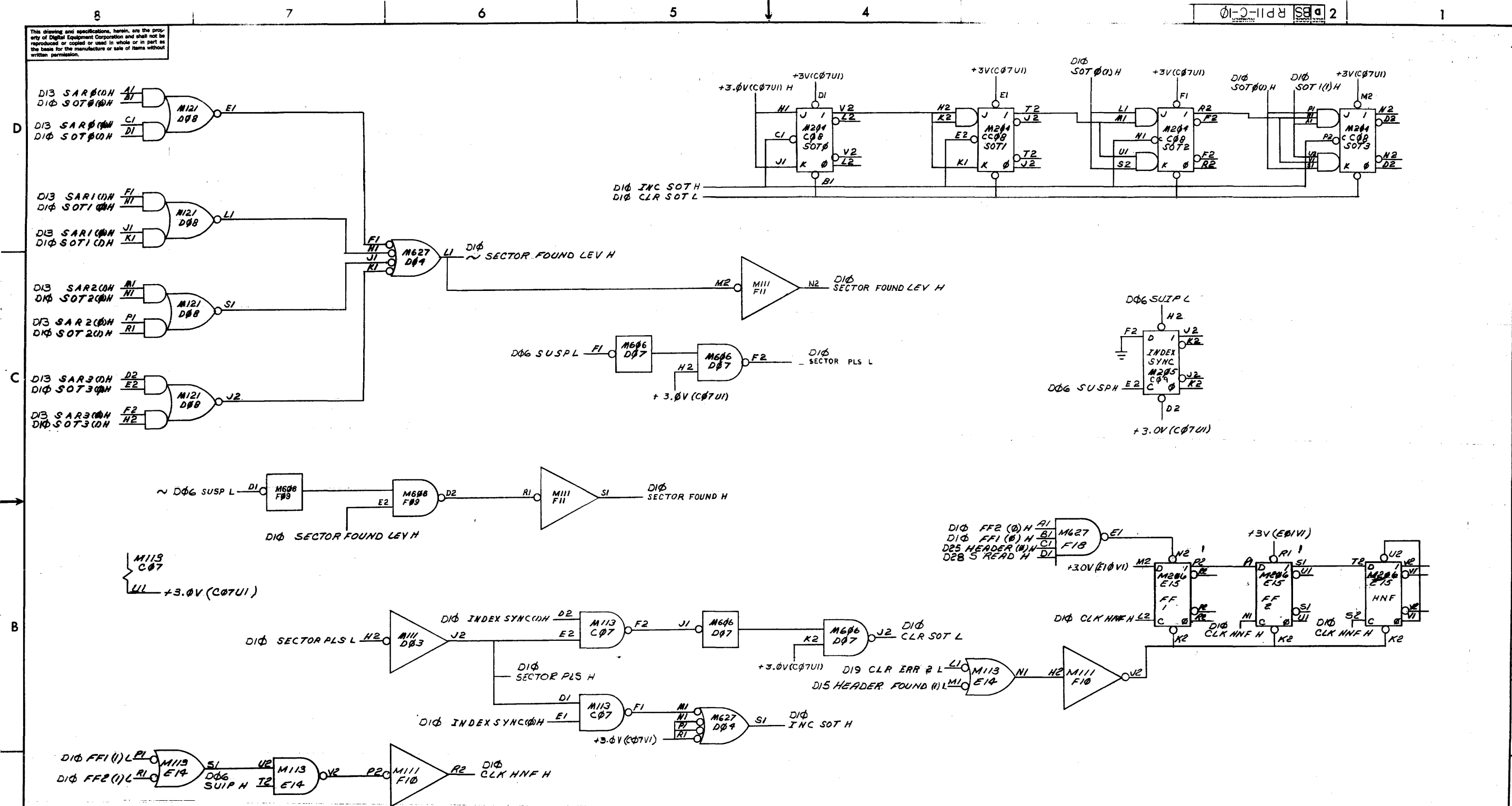
REV.	
CHANGE NO.	
CHK	

DEC FORM NO DRD 102A

FIRST USED ON OPT/MODEL PDP-11	QTY.	DESCRIPTION	PART NO.	ITEM NO.
PARTS LIST				
UNLESS OTHERWISE SPECIFIED DIMENSION IN INCHES TOLERANCES DECIMALS FRACTIONS ANGLES ± 0.005 ± 1/64 ± 0°30'	DRN 21.12.10	DATE 10-20-72	digital EQUIPMENT CORPORATION MAYNARD, MASSACHUSETTS	
FINAL SURFACE QUALITY REMOVE BURRS AND BREAK SHARP CORNERS	CHK'D F. B. W.	DATE 10-20-72		
MATERIAL + / +	ENG D. C. J.	DATE 11-14-72	TITLE BUFFER REGISTER	
FINISH + / +	PROD. ENG. D. C. J.	DATE 11-14-72		
	PROD. R. Dooly	DATE 11-30-72	SIZE CODE D5RPII-C-09	
	NEXT HIGHER ASSY B-DD-RPII-C	SCALE NONE		
	SHEET 7 OF 7	DIST.		

REV. NUMBER
D5RPII-C-09

This drawing and specifications, herein, are the property of Digital Equipment Corporation and shall not be reproduced or copied or used in whole or in part as the basis for the manufacture or sale of items without written permission.



REV	CHANGE NO.

DEC FORM NO. DRD 100

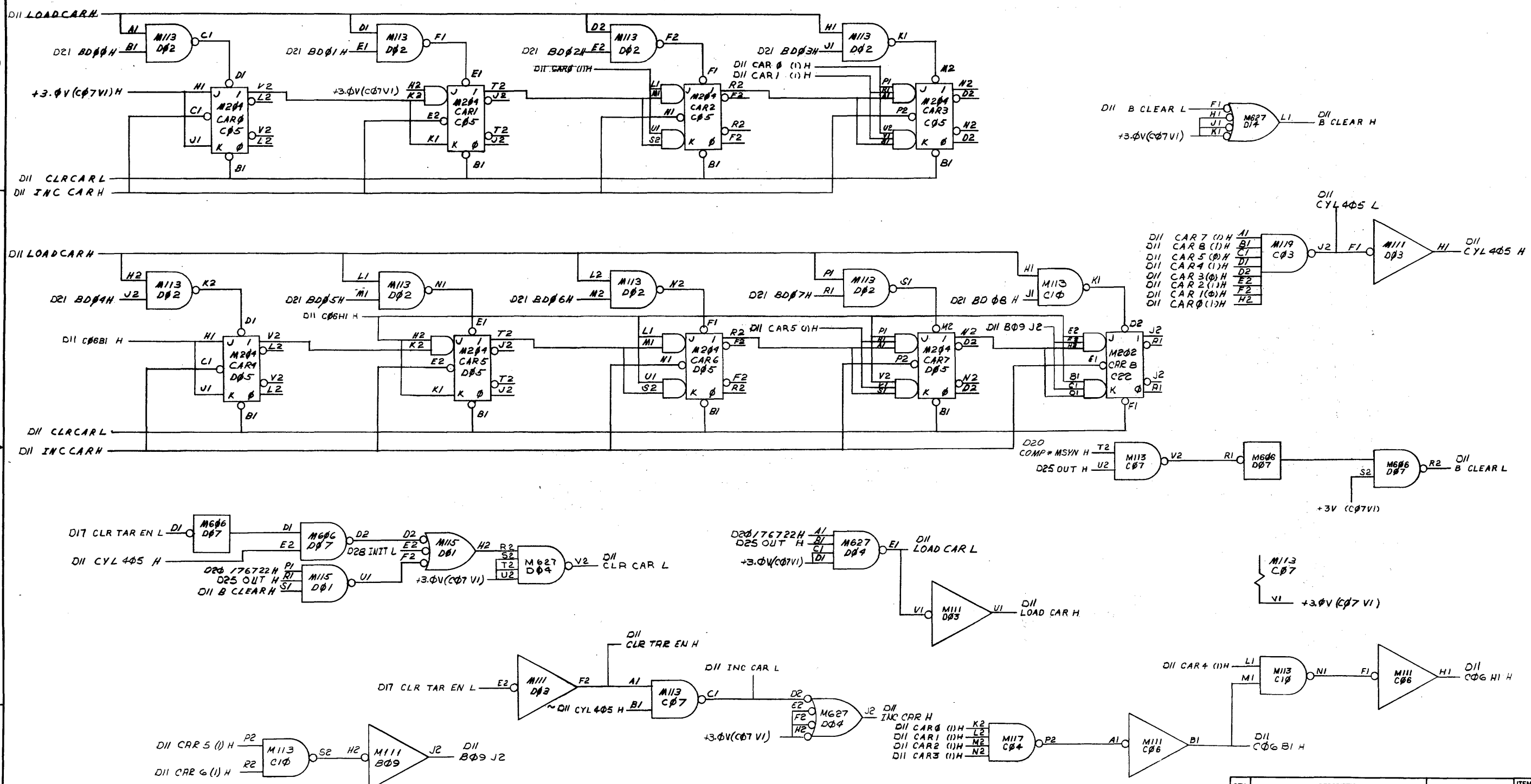
FIRST USED ON OPTION/MODEL PDP-11

DO NOT SCALE DRAWING
UNLESS OTHERWISE SPECIFIED
DIMENSION IN INCHES
TOLERANCES
DECIMALS FRACTIONS ANGLES
±.005 ±.002 ±.030
FINAL SURFACE QUALITY
REMOVE BURRS AND BREAK SHARP CORNERS
MATERIAL
FINISH

QTY.	DESCRIPTION	PART NO.	ITEM NO.
PARTS LIST			
digital EQUIPMENT CORPORATION MAYNARD, MASSACHUSETTS			
TITLE		REV.	
SECTOR IN TRACK COUNTER/COMPARATOR		B · DD · RPII · C	
SIZE CODE	NUMBER	REV.	
D · BS · RPII · C · 10			
SHEET	OF	DIST.	
1	1		

REV. NUMBER P · BS · RPII · C · 10

of Digital Equipment Corporation and shall not be reproduced or copied or used in whole or in part as the basis for the manufacture or sale of items without written permission.



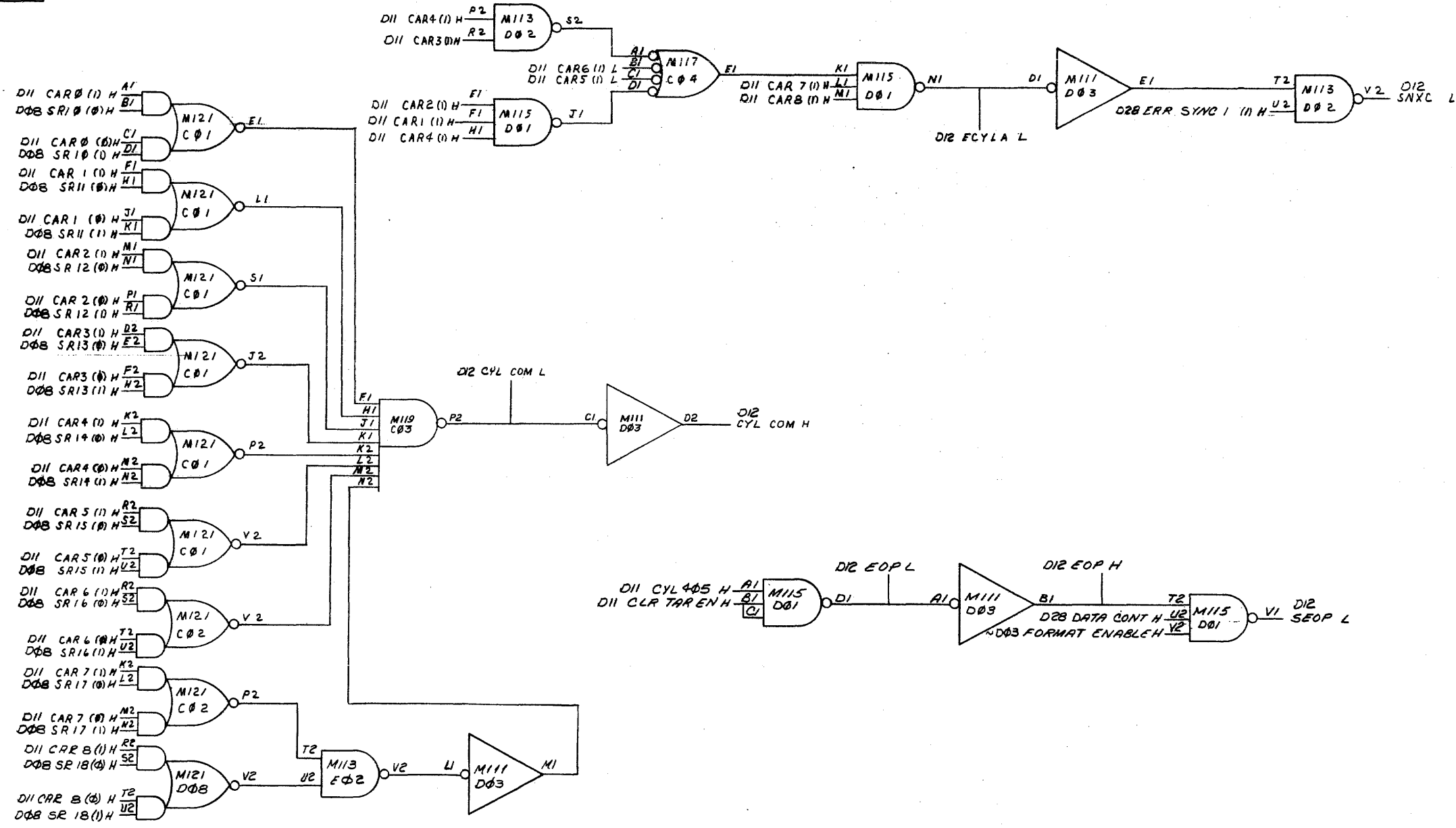
ONS	NO.	REV.
CHK	NO.	REV.
CH	NO.	REV.
RP11C	0005	A
D.C. IVES	2-12-73	

FIRST USED ON OPTION/ MODEL
PDP-11

DO NOT SCALE DRAWING
UNLESS OTHERWISE SPECIFIED
DIMENSION IN INCHES
TOLERANCES
DECIMALS FRACTIONS ANGLES
± .005 ± 1/64 ± 90°
FINISH SURFACE QUALITY
REMOVE BURRS AND BREAK SHARP CORNERS
MATERIAL
FINISH

QTY.	DESCRIPTION	PART NO.	ITEM NO.
	PARTS LIST		
DRN	DATE	digital EQUIPMENT CORPORATION MAYNARD, MASSACHUSETTS	
CHK'D	DATE	TITLE	
ENG	DATE	CYLINDER ADDRESS REGISTER COMPARETOR	
PRD	DATE	SCALE	
FIN	DATE	SCALE NONE	
		NEXT HIGHER ASSY	
		B-DD-RP11-C	
		SCALE NONE	
		SHEET / OF /	
		DIST.	

This drawing and specifications, herein, are the property of Digital Equipment Corporation and shall not be reproduced or copied or used in whole or in part as the basis for the manufacture or sale of items without written permission.



REVISIONS	REV.
CHANGE NO.	
CHK	

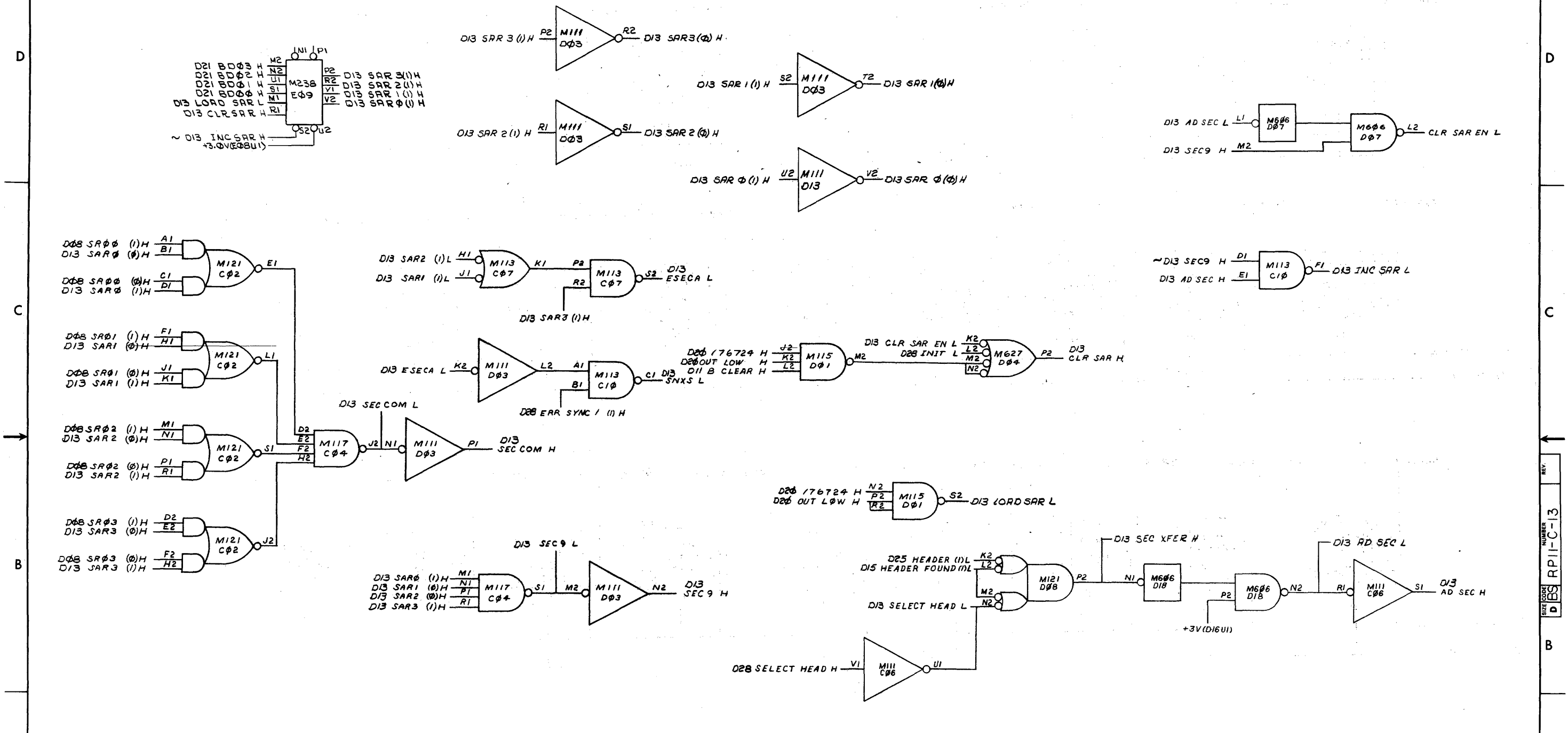
DEC FORM NO. DRD 100

FIRST USED ON OPTION / MODEL
 PDP-11

DO NOT SCALE DRAWING
UNLESS OTHERWISE SPECIFIED DIMENSION IN INCHES
DECIMALS ± .008
FRACTIONS ± 1/64
ANGLES ± 0'30"
FINAL SURFACE QUALITY
REMOVE BURRS AND BREAK SHARP CORNERS
MATERIAL
FINISH

QTY.	DESCRIPTION	PART NO.	ITEM NO.
PARTS LIST			
DRN: J. Lepore	DATE: 10-28-72	digital EQUIPMENT CORPORATION MAYNARD, MASSACHUSETTS TITLE: CYLINDER ADDRESS COMPARATOR SIZE CODE: DBS RPII-C-12 NUMBER:	
CHK'D: Ferguson	DATE: 10-28-72		
ENG: D. S. C. Lee	DATE: 11-14-72		
PRD. ENR: D. S. C. Lee	DATE: 11-14-72		
PRD. R. Dooly	DATE: 11-30-72		
NEXT HIGHER ASSY		B-DD-RPII-C	
SCALE: NONE		SHEET 1 OF 1	

Property of Digital Equipment Corporation and shall not be reproduced or copied in whole or in part as the basis for the manufacture or sale of items without written permission.



REV	NO
CHK	DATE

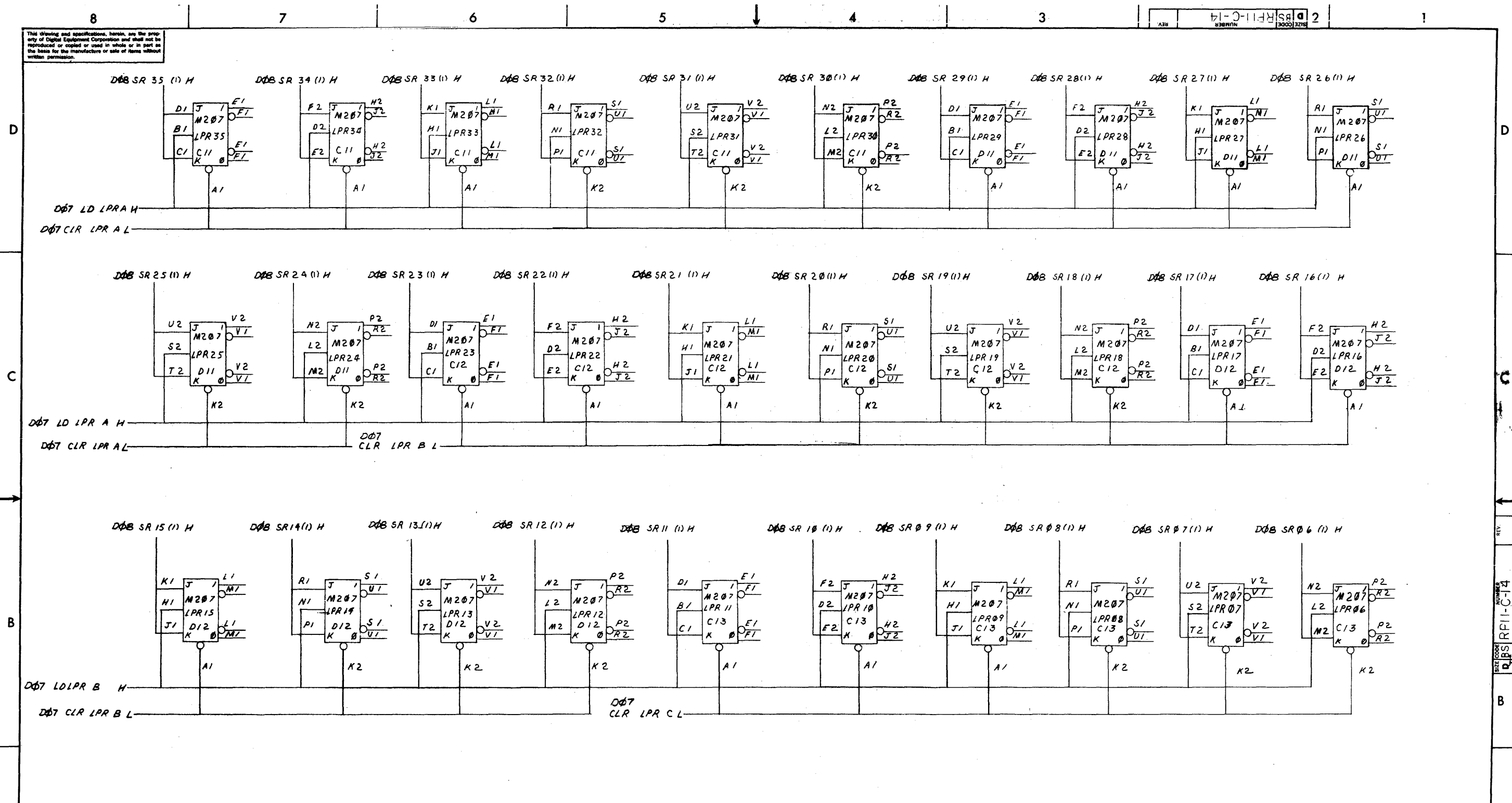
FIRST USED ON OPTION/MODEL
PDR11

DO NOT SCALE DRAWING	UNLESS OTHERWISE SPECIFIED
TOLERANCES	DECIMALS FRACTIONS ANGLES
±.008	± 1/64 ± 0°30'
FINAL SURFACE QUALITY	REMOVE BURRS AND BREAK SHARP CORNERS
MATERIAL	FINISH

QTY.	DESCRIPTION	PART NO.	ITEM NO.
PARTS LIST			
digital EQUIPMENT CORPORATION MAYNARD, MASSACHUSETTS			
TITLE SECTOR ADDRESS REGISTER			
NEXT HIGHER ASSY B-DD-RPII-C		SIZE CODE DBS	NUMBER RPII-C-13
SCALE NONE		REV.	
SHEET 1 OF 1		DIST.	

This drawing and specifications, herein, are the property of Digital Equipment Corporation and shall not be reproduced or copied or used in whole or in part as the basis for the manufacture or sale of items without written permission.

REV. 14
 SIZE CODE
 D B S R P I I - C - 14



REVISIONS
 CHANGE NO.
 DEC FORM NO. DRD 100

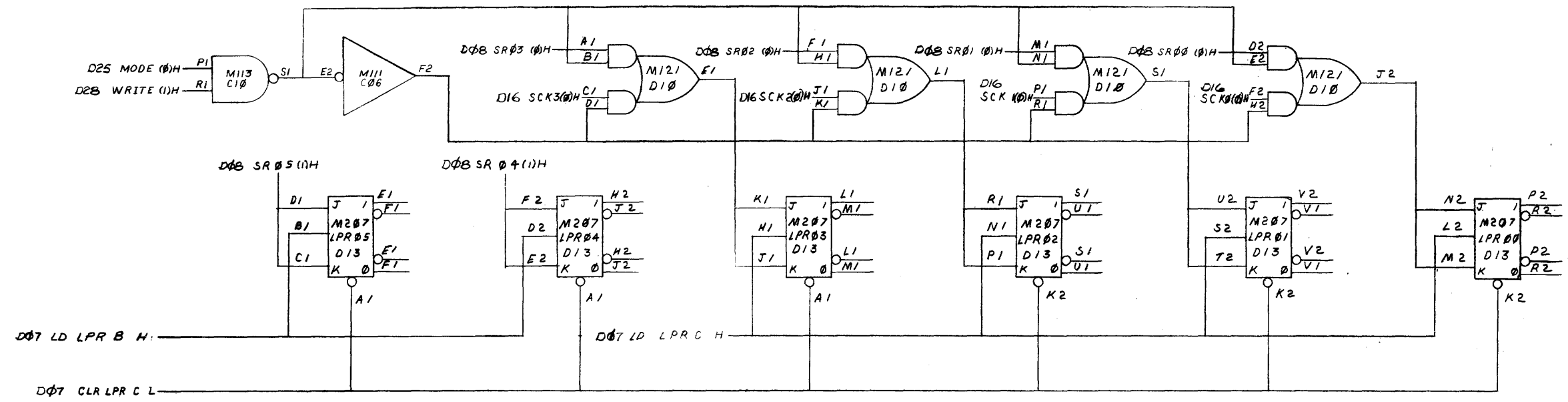
FIRST USED ON OPTION/MODEL
 PDP-11

DO NOT SCALE DRAWING
 UNLESS OTHERWISE SPECIFIED
 DIMENSION IN INCHES
 TOLERANCES
 DECIMALS FRACTIONS ANGLES
 ± .005 ± 1/64 ± 0°30'
 FINAL SURFACE QUALITY
 REMOVE BURRS AND BREAK SHARP CORNERS
 MATERIAL
 FINISH

QTY.	DESCRIPTION	PART NO.	ITEM NO.
PARTS LIST			
DRN	DATE	digital EQUIPMENT CORPORATION MAYNARD, MASSACHUSETTS	
CHK'D	DATE	TITLE LONGITUDINAL PARITY REGISTER	
ENG	DATE		
PRD	DATE	NEXT HIGHER ASSY B-DD-RP11-C	
PRD	DATE		
SCALE NONE		SIZE CODE	NUMBER
SHEET 1 OF 2		D B S R P I I - C - 14	REV.

REV. 14
 SIZE CODE
 D B S R P I I - C - 14

This drawing and specifications, herein, are the property of Digital Equipment Corporation and shall not be copied, reproduced, or used in whole or in part as a substitute for the manufacture or sale of items without the written approval of Digital Equipment Corporation.



REV.	
CHG. NO.	
CHK.	

DEC FORM NO. 010

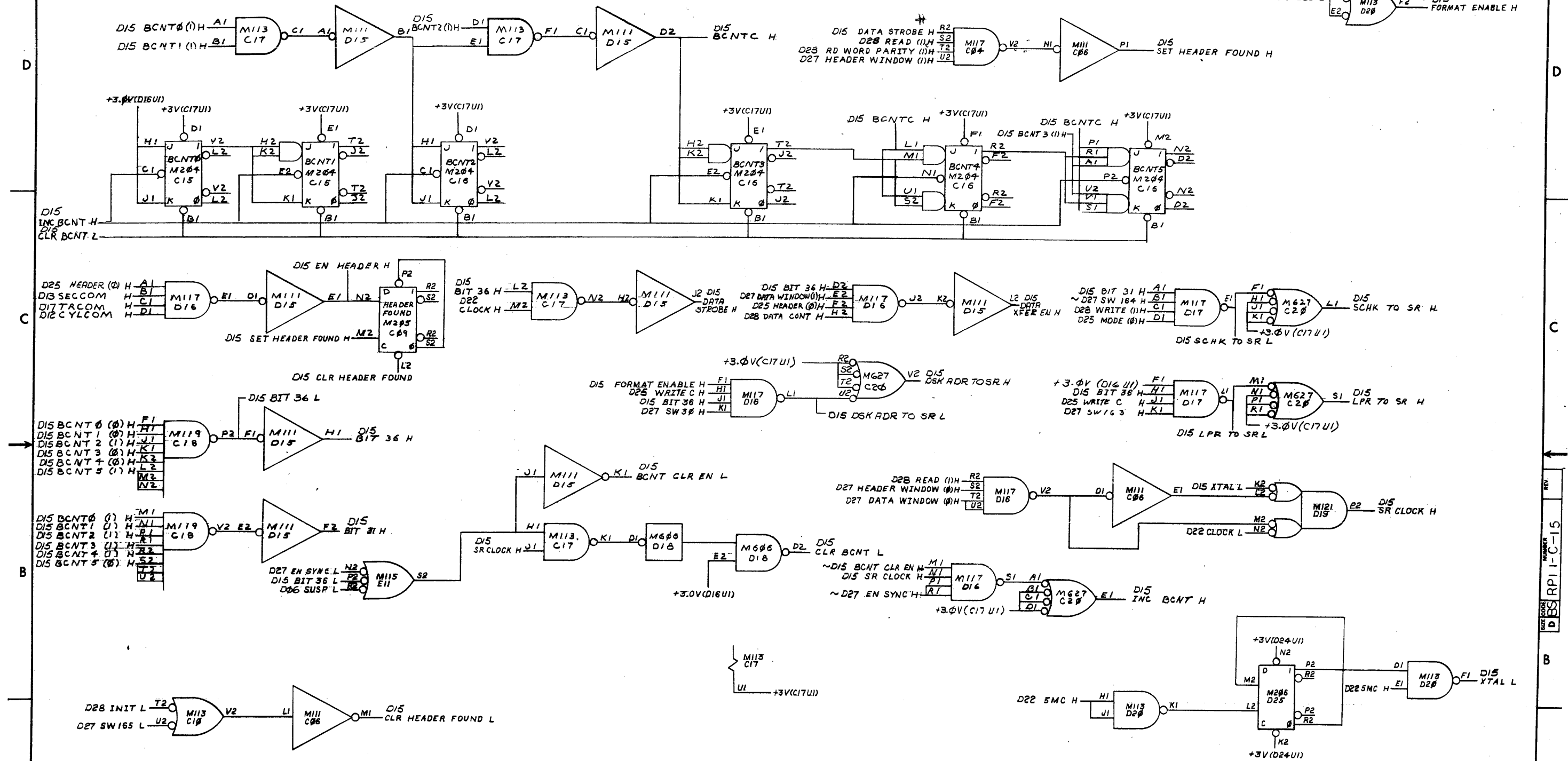
FIRST USED ON OPTION/MODEL
PDP-11

DO NOT SCALE DRAWING
UNLESS OTHERWISE SPECIFIED
DIMENSION IN INCHES
TOLERANCES
DECIMALS FRACTIONS ANGLES
± .005 ± 1/64 ± 0°30'
FINAL SURFACE QUALITY
REMOVE BURRS AND BREAK SHARP CORNERS
MATERIAL
FINISH

QTY.	DESCRIPTION	PART NO.	ITEM NO.
PARTS LIST			
DRN	R. L. [Signature]	DATE	11-14-72
CHK'D	[Signature]	DATE	11-14-72
ENG.	D. S. [Signature]	DATE	11-14-72
PRD. ENG.	[Signature]	DATE	11-14-72
PRD.	[Signature]	DATE	11-14-72
NEXT HIGHER ASSY		B-DD-RPII-C	
SCALE		NONE	
SHEET		2 OF 2	
TITLE		LONGITUDINAL PARITY REGISTER	
SIZE CODE		DBS RPII-C-14	

REV. NUMBER DBS RPII-C-14

This drawing and specifications, herein, are the property of Digital Equipment Corporation and shall not be reproduced or copied or used in whole or in part as the basis for the manufacture or sale of items without written permission.



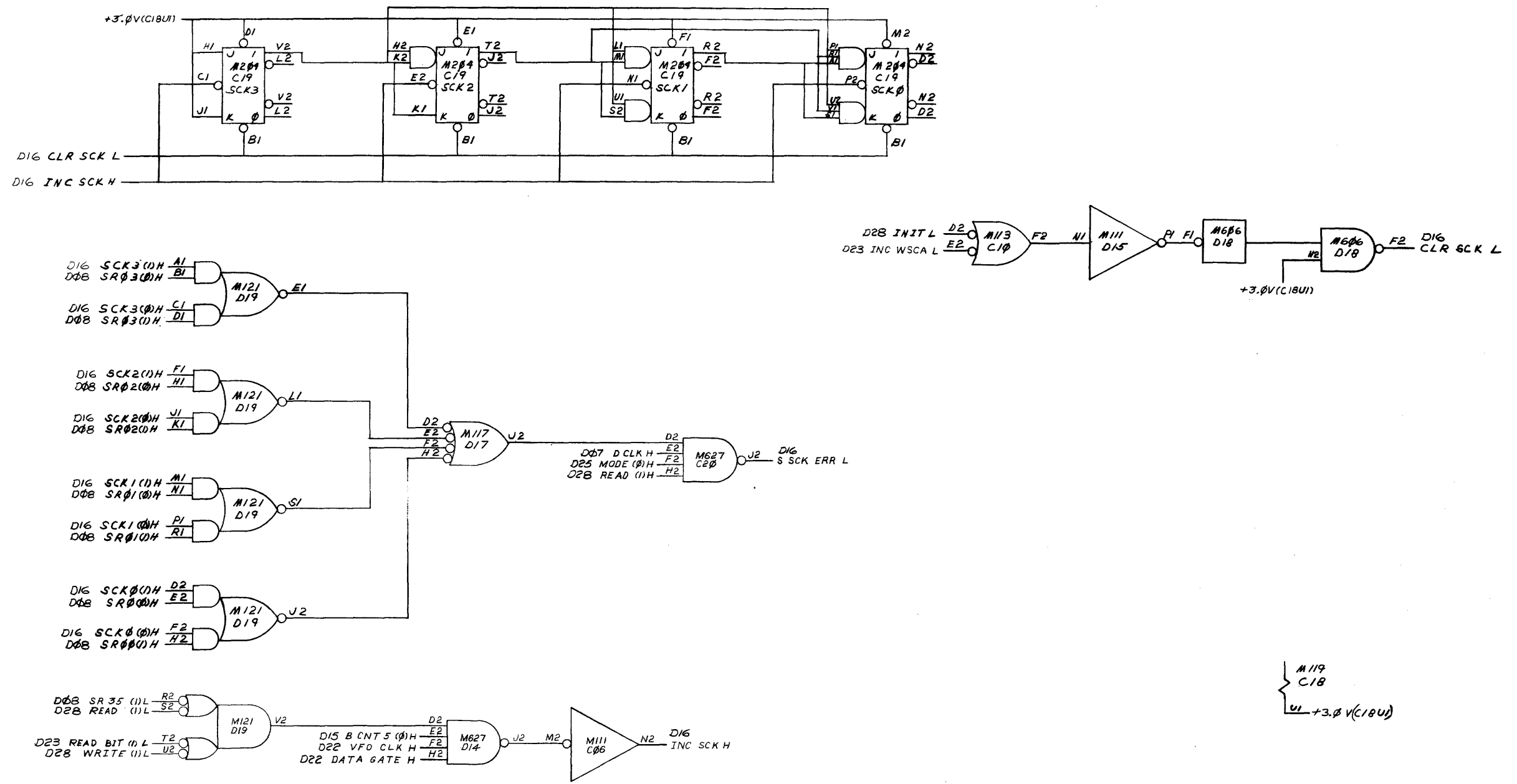
REV.	CHG.	NO.

QTY.	DESCRIPTION	PART NO.	ITEM NO.

FIRST USED ON OPTION/MODEL PDP-11	DO NOT SCALE DRAWING UNLESS OTHERWISE SPECIFIED DIMENSION IN INCHES TOLERANCES DECIMALS FRACTIONS ANGLES ±.008 ± 1/64 ± 90° FINAL SURFACE QUALITY REMOVE BURRS AND BREAK SHARP CORNERS	DRN: <i>[Signature]</i> DATE: 11/28/72 CHK'D: <i>[Signature]</i> DATE: 12/31/72 ENG: <i>[Signature]</i> DATE: 11/24/72 PROJ. ENG: <i>[Signature]</i> DATE: 11/17/72 PRP'D: <i>[Signature]</i> DATE: 11/28/72	digital EQUIPMENT CORPORATION MAYNARD, MASSACHUSETTS TITLE SHIFT REGISTER CONTROL NEXT HIGHER ASSY B-DD-RPII-C SCALE NONE SHEET 1 OF 1
--------------------------------------	---	--	---

REV. NO. DBSRPII-C-15

This drawing and specifications, herein, are the property of Digital Equipment Corporation and shall not be reproduced or copied or used in whole or in part as a basis for the manufacture or sale of items without the permission of Digital Equipment Corporation.



D
C
B
A

D
C
B
A

REV.	CHNGI. NO.	REVISIONS

DEC FORM NO. 100

8 7 6 5 4 3 2 1

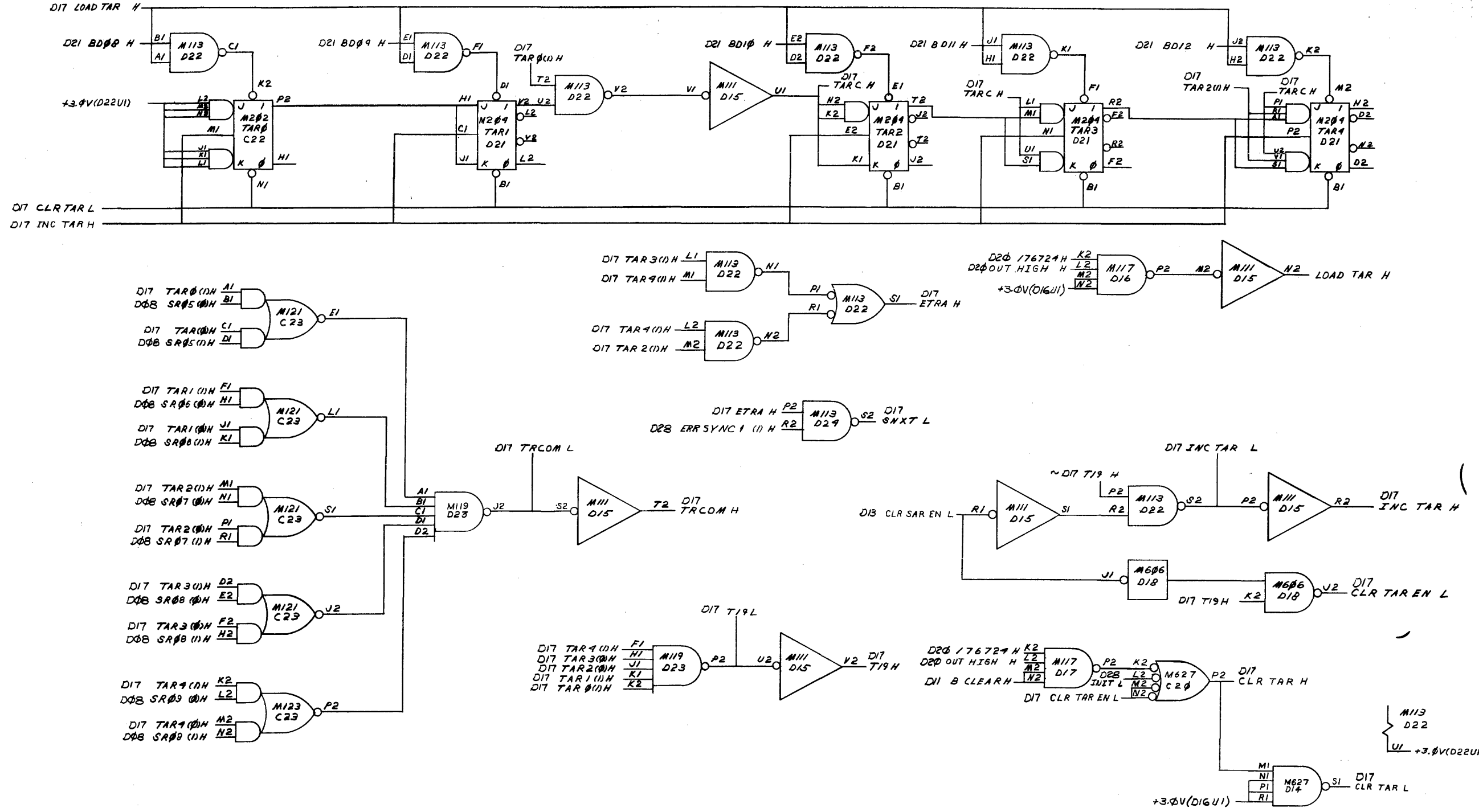
FIRST USED ON OPTION / MODEL
PDP-11

DO NOT SCALE DRAWING
UNLESS OTHERWISE SPECIFIED
DIMENSION IN INCHES
TOLERANCES
DECIMALS FRACTIONS ANGLES
±.005 ±.164 ±.030
FINAL SURFACE QUALITY
REMOVE BURRS AND BREAK SHARP CORNERS
MATERIAL
FINISH

QTY.	DESCRIPTION	PART NO.	ITEM NO.
PARTS LIST			
digital EQUIPMENT CORPORATION MAYNARD, MASSACHUSETTS			
TITLE SERIAL-CHECKSUM COUNTER			
NEXT HIGHER ASSY B-DD-RPII-C		SCALE NONE	SHEET 1 OF 1
SIZE CODE DBS RPII-C-16		NUMBER	REV.
DIST.			

REV. 2 SIZE CODE DBS RPII-C-16

This drawing and specifications, herein, are the property of Digital Equipment Corporation and shall not be reproduced or copied or used in whole or in part as the basis for the manufacture or sale of items without written permission.



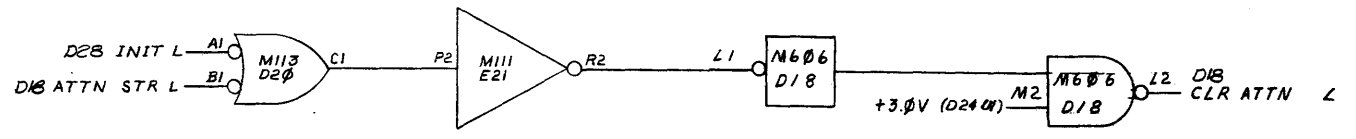
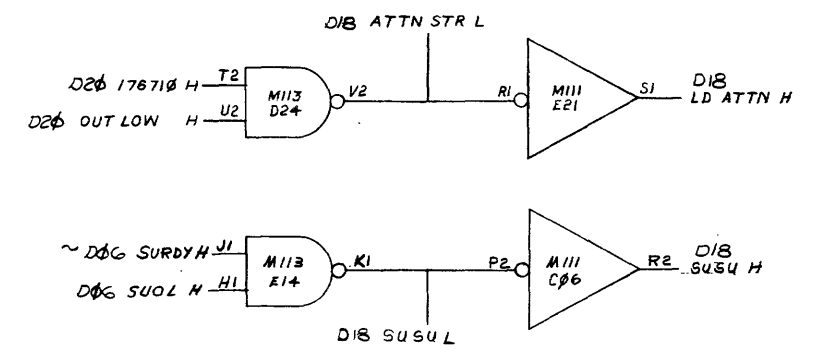
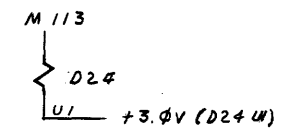
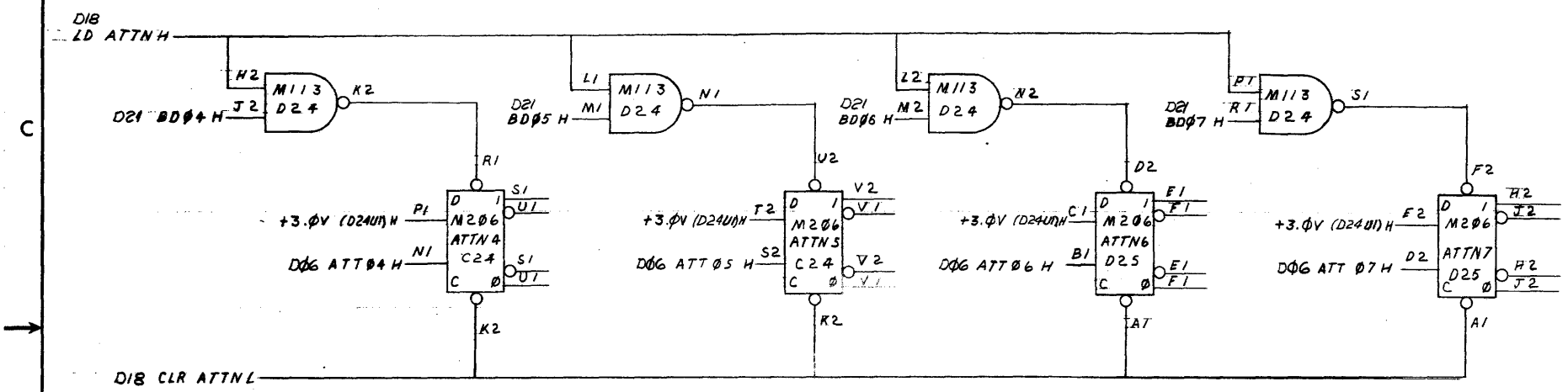
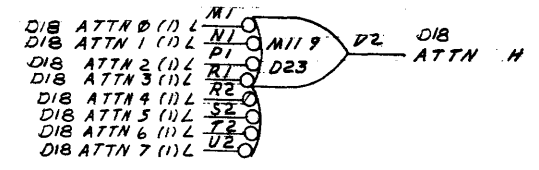
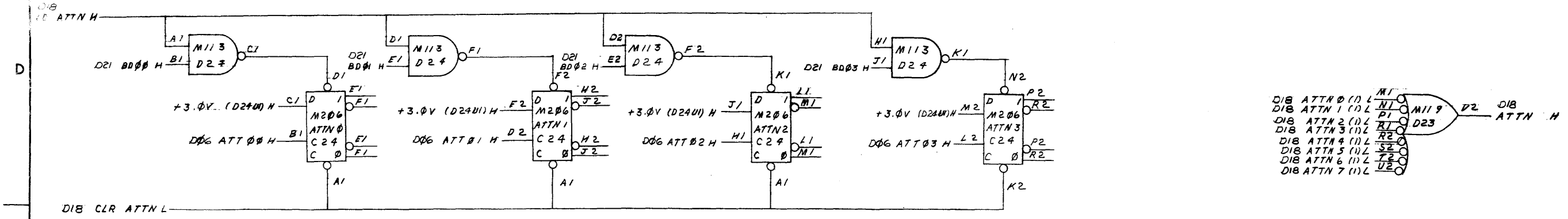
REV.	
CHG.	
REVISIONS	
CHANGE NO.	

FIRST USED ON OPTION/MODEL
PDP-11

DO NOT SCALE DRAWING		
UNLESS OTHERWISE SPECIFIED		
DIMENSION IN INCHES		
TOLERANCES		
DECIMALS	FRACTIONS	ANGLES
± .005	± 1/64	± 0°30'
FINAL SURFACE QUALITY		
REMOVE BURRS AND BREAK SHARP CORNERS		
MATERIAL		
NEXT HIGHER ASSY		
B-DD-RP11-C		
FINISH		

QTY.	DESCRIPTION	PART NO.	ITEM NO.
PARTS LIST			
DRY	DATE	21 SEP 72	
CHK'D	DATE		
ENG	DATE	11-1-72	
PRG	DATE	11-19-72	
PRP	DATE	11-20-72	
digital EQUIPMENT CORPORATION MAYNARD, MASSACHUSETTS			
TITLE			
TRACK-ADDRESS REGISTER			
SIZE	CODE	NUMBER	REV.
DBS	RP11-C-17		
SCALE	NONE		
SHEET	/ OF /		

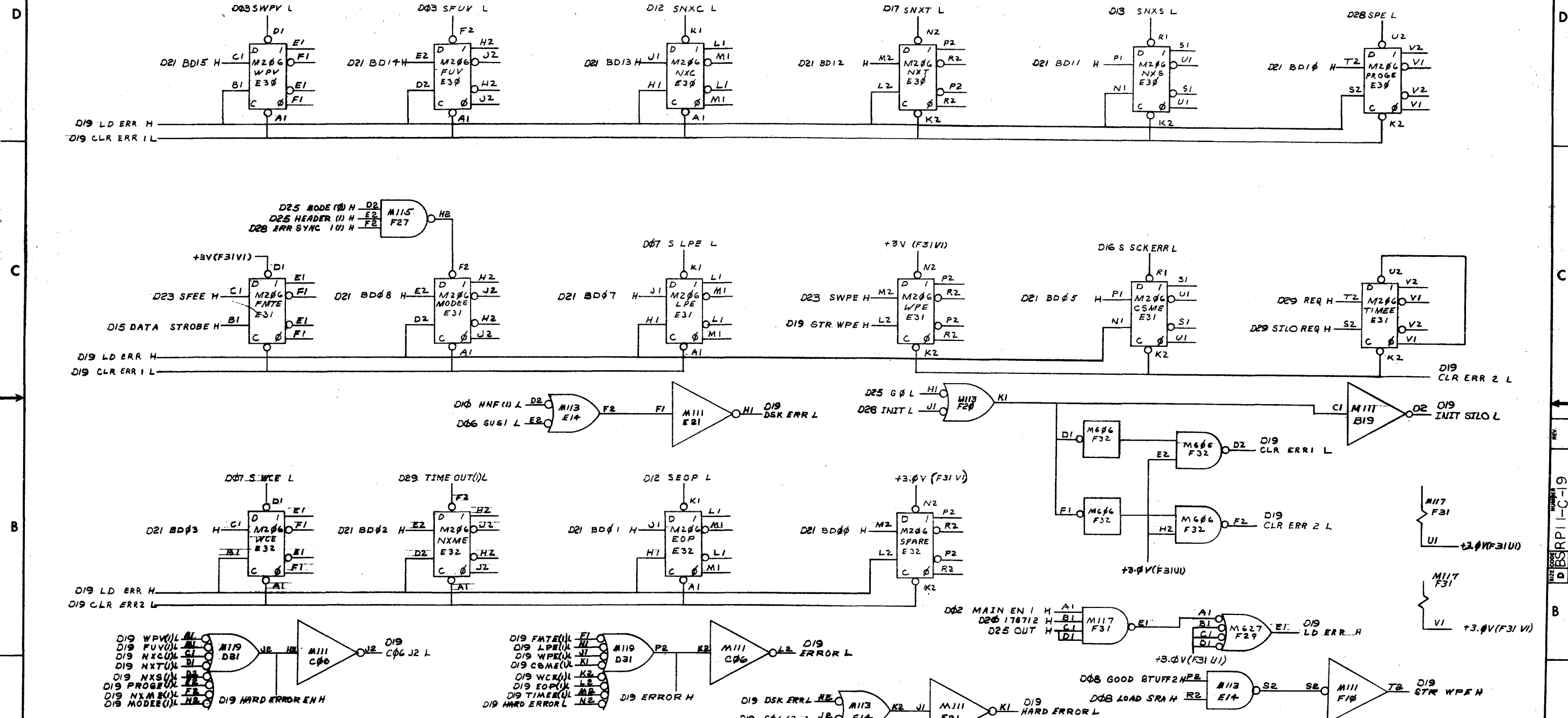
The drawings and specifications herein are the property of Digital Equipment Corporation and shall not be reproduced or copied or used in whole or in part as the basis for the manufacture or sale of items without written permission.



REVISIONS	REVISION NO.	REV.
CHK	CHANGE NO.	

FIRST USED ON OPTION / MODEL PDP-11	DO NOT SCALE DRAWING UNLESS OTHERWISE SPECIFIED DIMENSION IN INCHES	DRN D. LeBlond	DATE 11-19-72	CHK'D T. Sullivan	DATE 11-30-72	ENG David C. Lee	DATE 11-19-72	PROJ. ENG. David C. Lee	DATE 11-19-72	PROD. V. C. O'Leary	DATE 11-30-72	QTY.	DESCRIPTION	PART NO.	ITEM NO.
TOLERANCES DECIMALS FRACTIONS ANGLES ± .005 ± 1/64 ± 0°30'												PARTS LIST			
MATERIAL FINISH												TITLE ATTENTION REGISTER			
NEXT HIGHER ASSY B-DD-RPII-C												EQUIPMENT CORPORATION MAYNARD, MASSACHUSETTS			
SCALE NONE												SIZE CODE NUMBER DBS RPII-C-18			
SHEET / OF /												REV.			

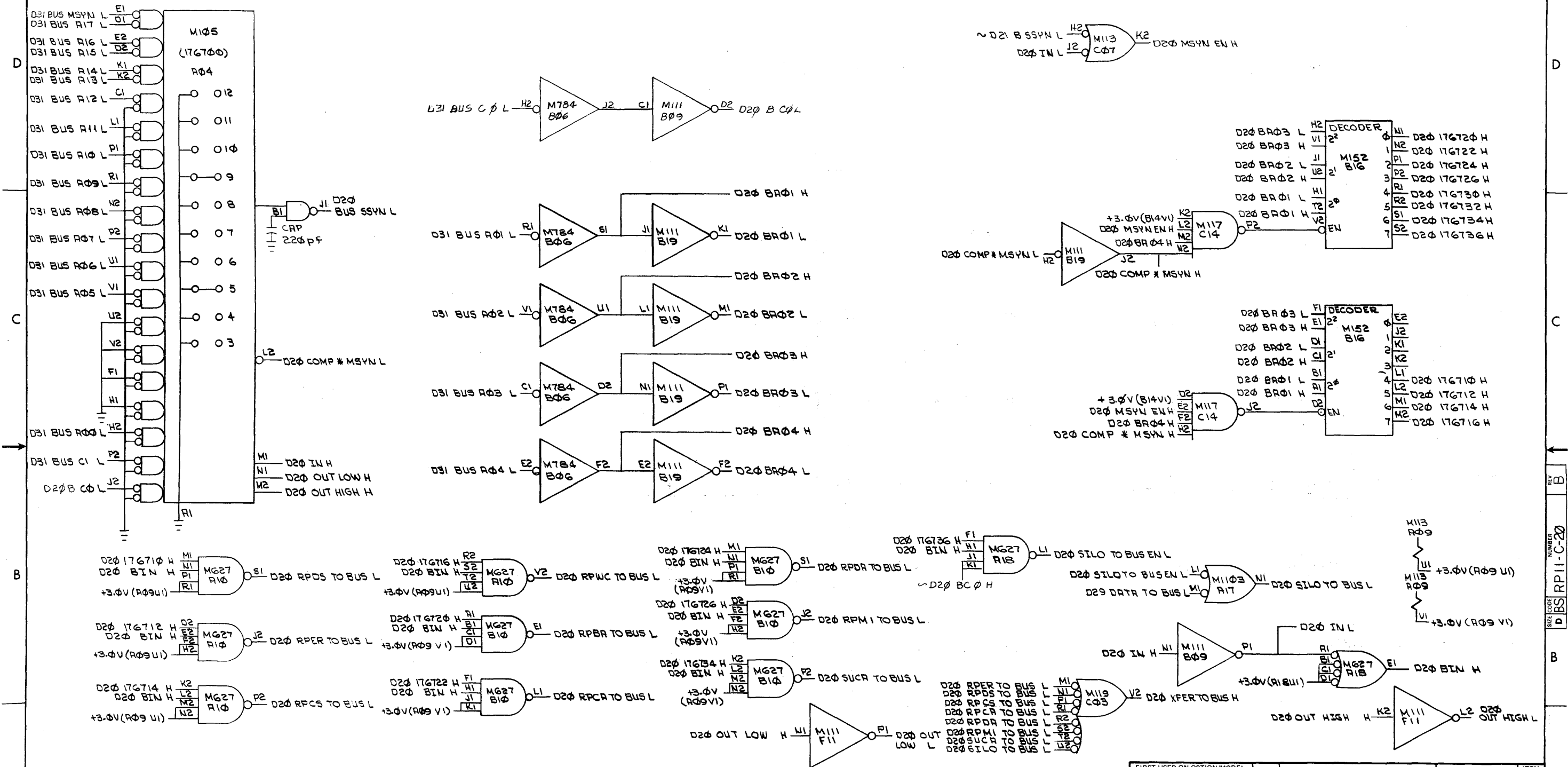
The drawings and specifications, herein, are the property of Digital Equipment Corporation and shall not be reproduced or copied in whole or in part as the basis for the manufacture or sale of items without written permission.



REV.	CHANGE NO.

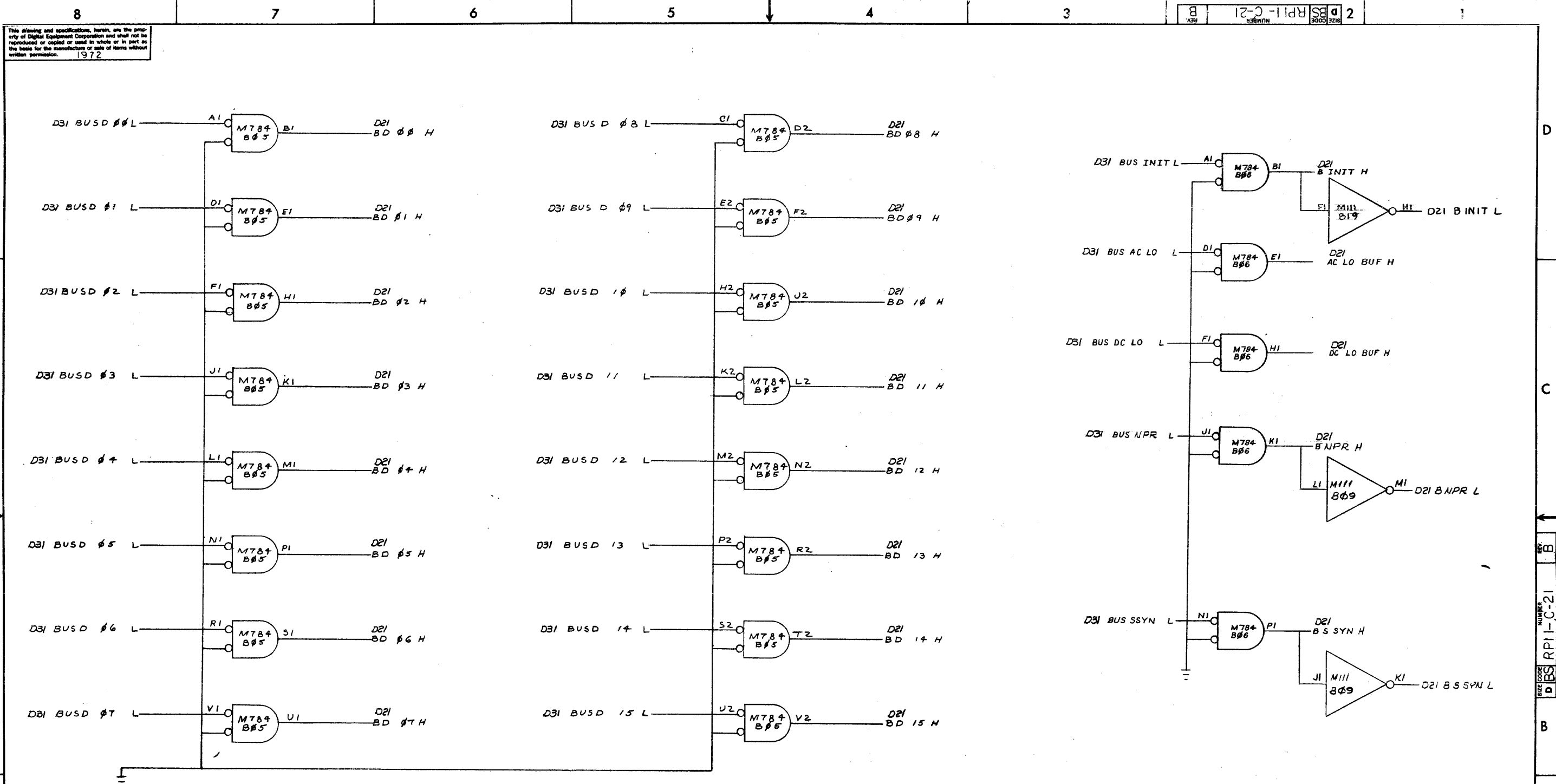
FIRST USED ON OPTION/ MODEL PDP-11	DO NOT SCALE DRAWING UNLESS OTHERWISE SPECIFIED DIMENSION IN INCHES TOLERANCES DECIMALS FRACTIONS ANGLES ±.008 ± 1/64 ± 90° FINAL SURFACE QUALITY REMOVE BURRS AND BREAK SHARP CORNERS	DRN. <i>P. Doolley</i> DATE 11/30/72 CHK'D. <i>R. Doolley</i> DATE 12/30/72 ENG. <i>R. Doolley</i> DATE 11/19/72 PROD. <i>R. Doolley</i> DATE 11/19/72	DATE 11/30/72 DATE 12/30/72 DATE 11/19/72 DATE 11/30/72
PARTS LIST		digital EQUIPMENT CORPORATION MAYNARD, MASSACHUSETTS	
TITLE ERROR - REGISTER		NEXT HIGHER ASSY B-DD-RP11-C	
SCALE NONE		SIZE CODE NUMBER REV. D BSRP11-C-19	
SHEET / OF /		DST.	

reproduced or copied or used in whole or in part as the basis for the manufacture or sale of items without written permission.



REV	REV	REV	REV
1	2	3	4
1-12-73	1-12-73	1-12-73	1-12-73
1-12-73	1-12-73	1-12-73	1-12-73

FIRST USED ON OPTION/MODEL	QTY.	DESCRIPTION	PART NO.	ITEM NO.
PDP 11				
PARTS LIST				
UNLESS OTHERWISE SPECIFIED DIMENSION IN INCHES TOLERANCES				
DECIMALS	ANGLES	TITLE		
.xxx = .005	±0° 30'	ADDRESS SELECTION		
REMOVE BURRS AND BREAK SHARP CORNERS SURFACE QUALITY		MATERIAL		
FINISH		NEXT HIGHER ASSY.		
SCALE NONE		B-DD-RP11-C		
SHEET OF		SIZE CODE NUMBER		
		DBS RP11-C-20		
		REV B		



This drawing and specifications, herein, are the property of Digital Equipment Corporation and shall not be reproduced or copied or used in whole or in part as the basis for the manufacture or sale of items without written permission. 1972

REV.	CHANGE NO.	DATE	BY
A	0004	1-2-73	D.C. IVES
B	0005	1-12-73	D.C. IVES

REVISIONS

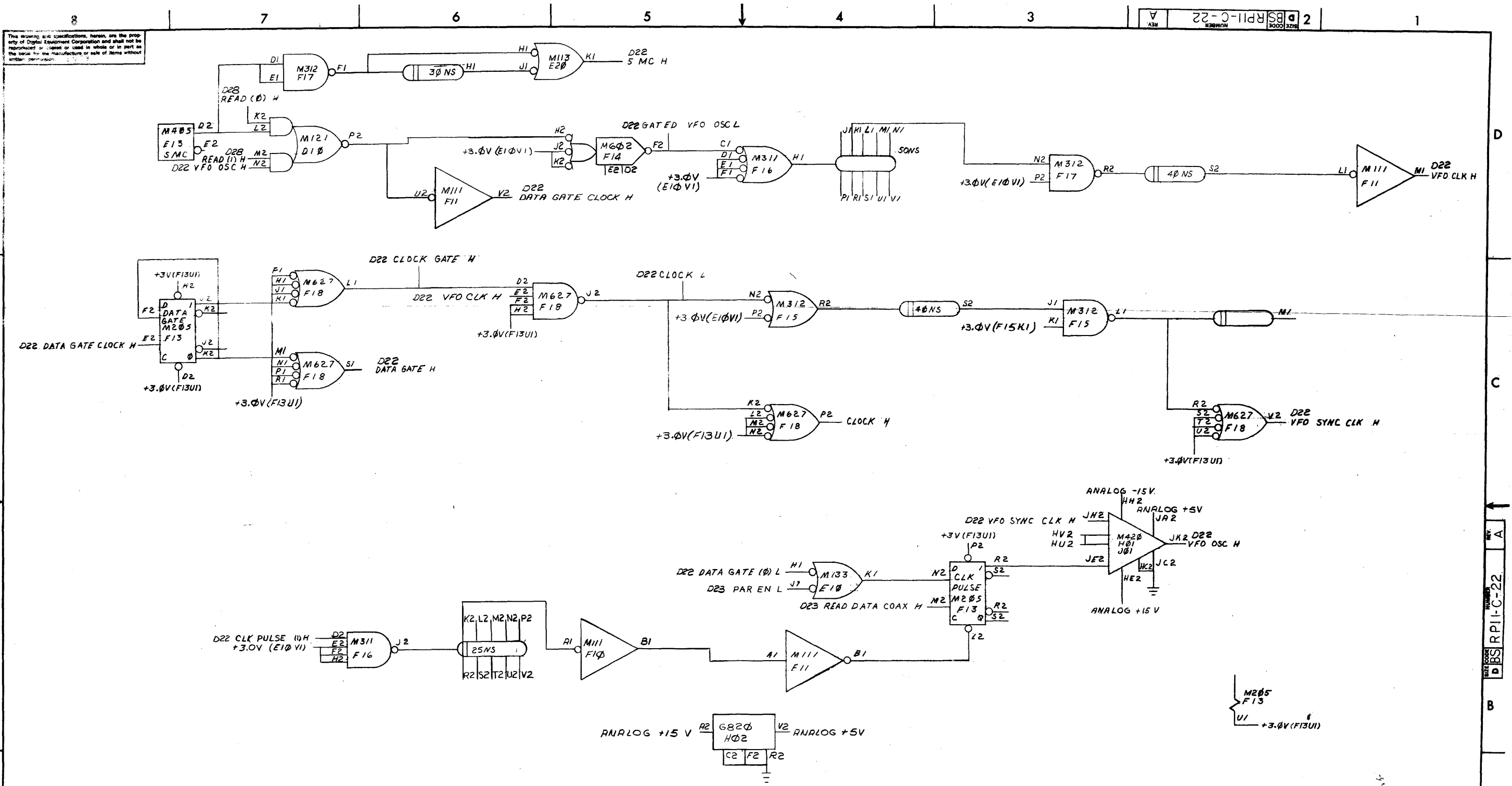
CHK: RP11C-0004 A
 D.C. IVES 1-12-73
 RP11C-0005 B
 D.C. IVES 1-12-73

FIRST USED ON OPTION/MODEL
PDR11

DO NOT SCALE DRAWING	DRN: PDR11	DATE: 1/20/72
UNLESS OTHERWISE SPECIFIED	CHK'D: [Signature]	DATE: 10-20-72
DIMENSION IN INCHES	ENG: [Signature]	DATE: 11-19-72
TOLERANCES	PROF: [Signature]	DATE: 11-19-72
DECIMALS FRACTIONS ANGLES	PROB: [Signature]	DATE: 11/20/72
± .000 ± 1/64 ± 0°30'	NEXT HIGHER ASSY	
FINAL SURFACE QUALITY	B-DD-RP11-C	
REMOVE BURRS AND BREAK SHARP CORNERS	SCALE NONE	
MATERIAL	SHEET OF 1	
FINISH		

QTY.	DESCRIPTION	PART NO.	ITEM NO.
PARTS LIST			
	digital EQUIPMENT CORPORATION MAYNARD, MASSACHUSETTS		
	TITLE BUS RECEIVERS		
	SIZE CODE	NUMBER	REV.
	D	BS RP11-C-21	B
	DIST.		

This drawing and specifications herein, are the property of Digital Equipment Corporation and shall not be reproduced or copied or used in whole or in part as the basis for the manufacture or sale of items without written permission.

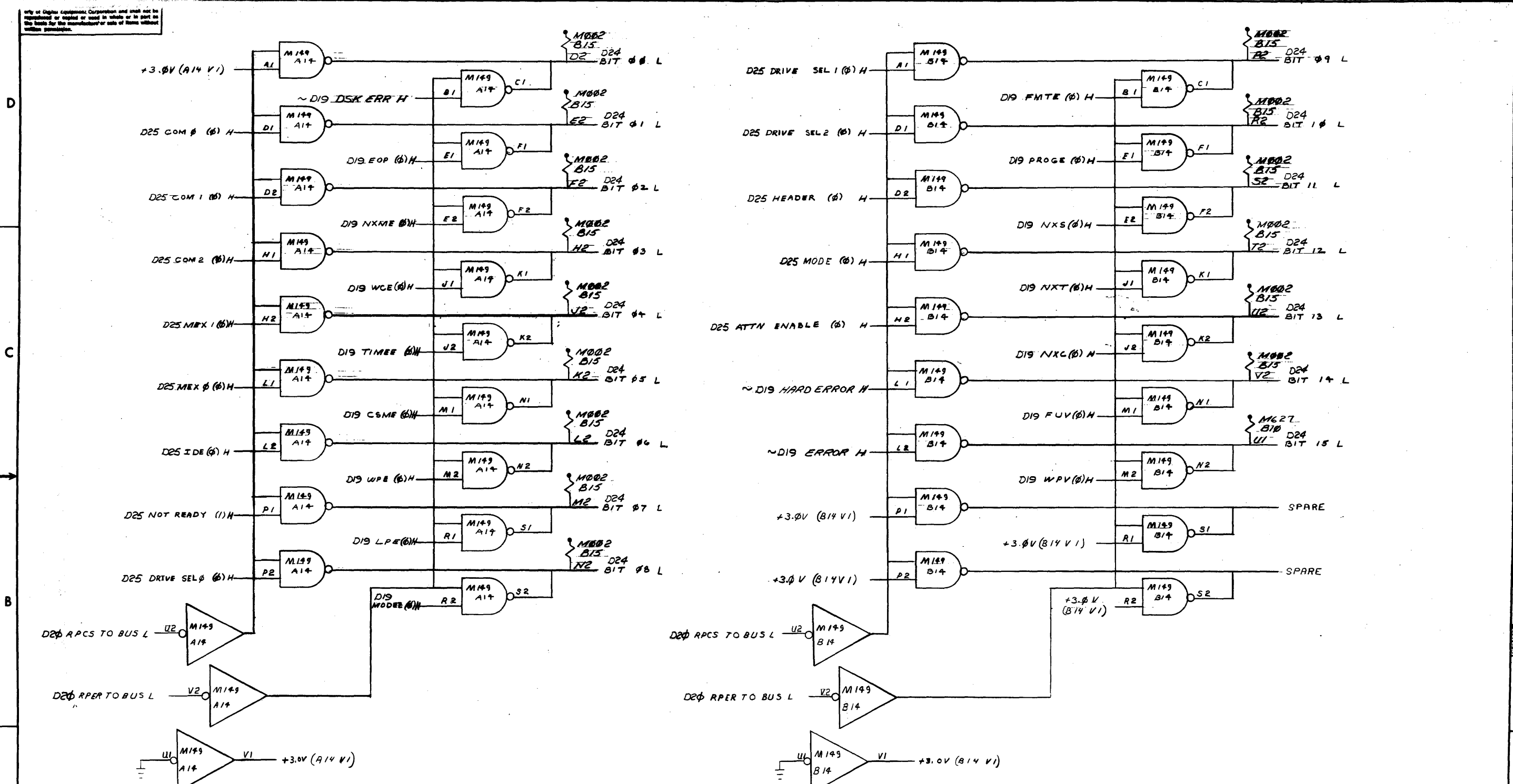


REV	CHG	NO.	DATE
A		1	1-12-73
B		2	1-12-73
C		3	1-12-73
D		4	1-12-73

DEC FORM NO. DRD 102A

FIRST USED ON OPTION/MODEL PDP-11	QTY.	DESCRIPTION	PART NO.	ITEM NO.
PARTS LIST				
UNLESS OTHERWISE SPECIFIED				
DIMENSION IN INCHES				
TOLERANCES				
DECIMALS	FRACTIONS	ANGLES	TITLE	
± .008	± 1/64	± 0°30'	VFO CONTROL	
FINAL SURFACE QUALITY				
REMOVE BURRS AND BREAK SHARP CORNERS				
MATERIAL				
NEXT HIGHER ASSY				
B-DD-RPII-C				
FINISH				
SCALE NONE				
SHEET 1 OF 1				
SIZE CODE DBS RPII-C-22			REV. A	

REV A DBS RPII-C-22



REV.	
NO.	
CHK.	

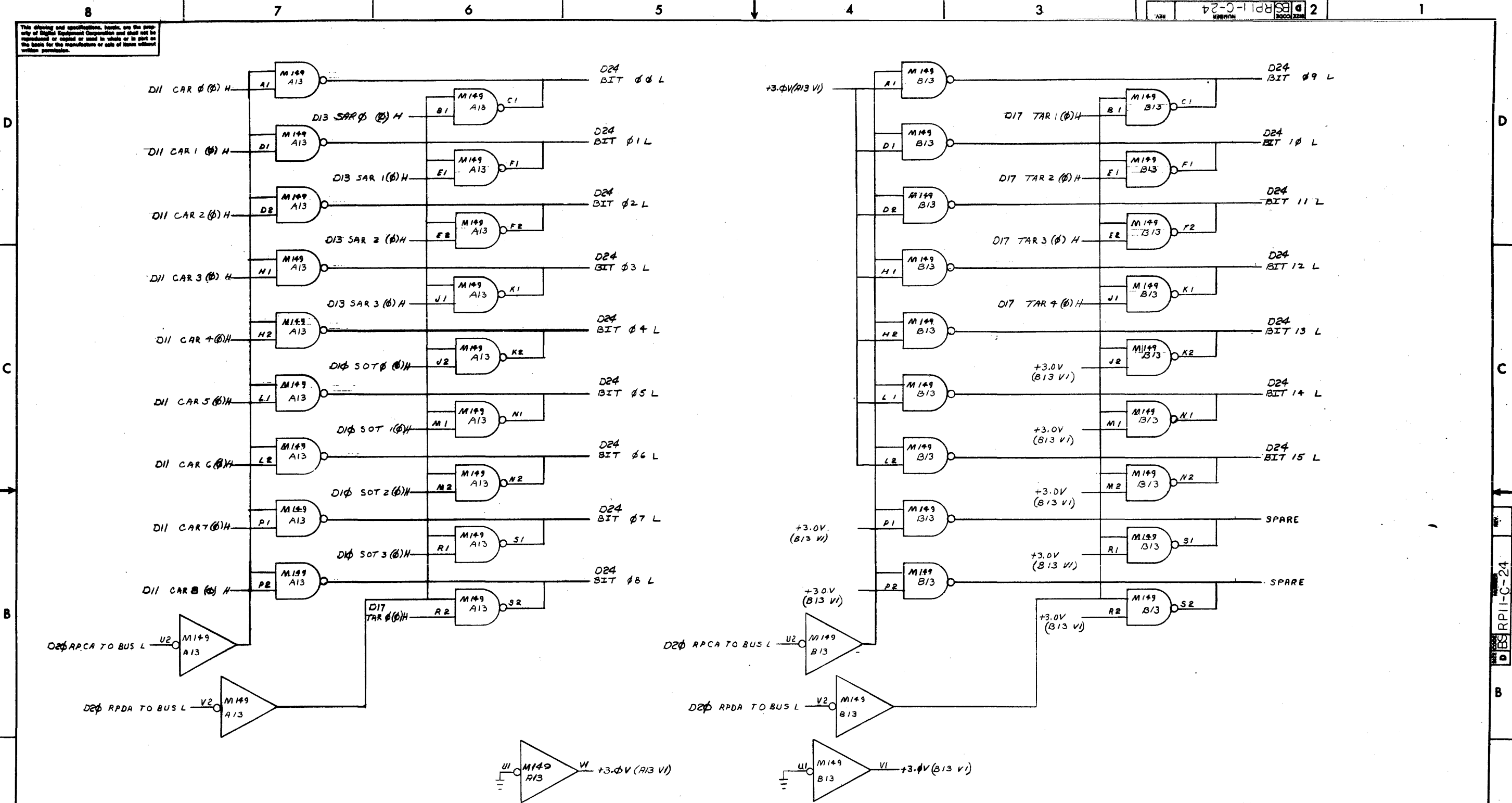
FIRST USED ON OPTION/MODEL
PDR1

DO NOT SCALE DRAWING	UNLESS OTHERWISE SPECIFIED
TOLERANCES	DECIMALS FRACTIONS ANGLES
± .008	± 1/64 ± 0°30'
REMOVE BURRS AND BREAK SHARP CORNERS	
MATERIAL	FINISH
+	+

QTY.	DESCRIPTION	PART NO.	ITEM NO.
PARTS LIST			
DRN: P.16B.02		DATE: 12/20/72	digital EQUIPMENT CORPORATION MAYNARD, MASSACHUSETTS
CHK'D: Ferguson		DATE: 12/30/72	
ENG: D. C. J.		DATE: 11-19-72	
PRG: E. J.		DATE: 11-17-72	
PRD: R. C. J.		DATE: 11/30/72	TITLE: BUS COMBINING
NEXT HIGHER ASSY: B-DD-RPII-C		SCALE: NONE	SIZE CODE: DBS RPII-C-24
SHEET: 1 OF 4		DIST.	REV.

This drawing and specifications herein are the property of Digital Equipment Corporation and shall not be reproduced or copied or used in whole or in part in the manufacture or sale of items without written permission.

REV. 2
 NUMBER BS RP11-C-24



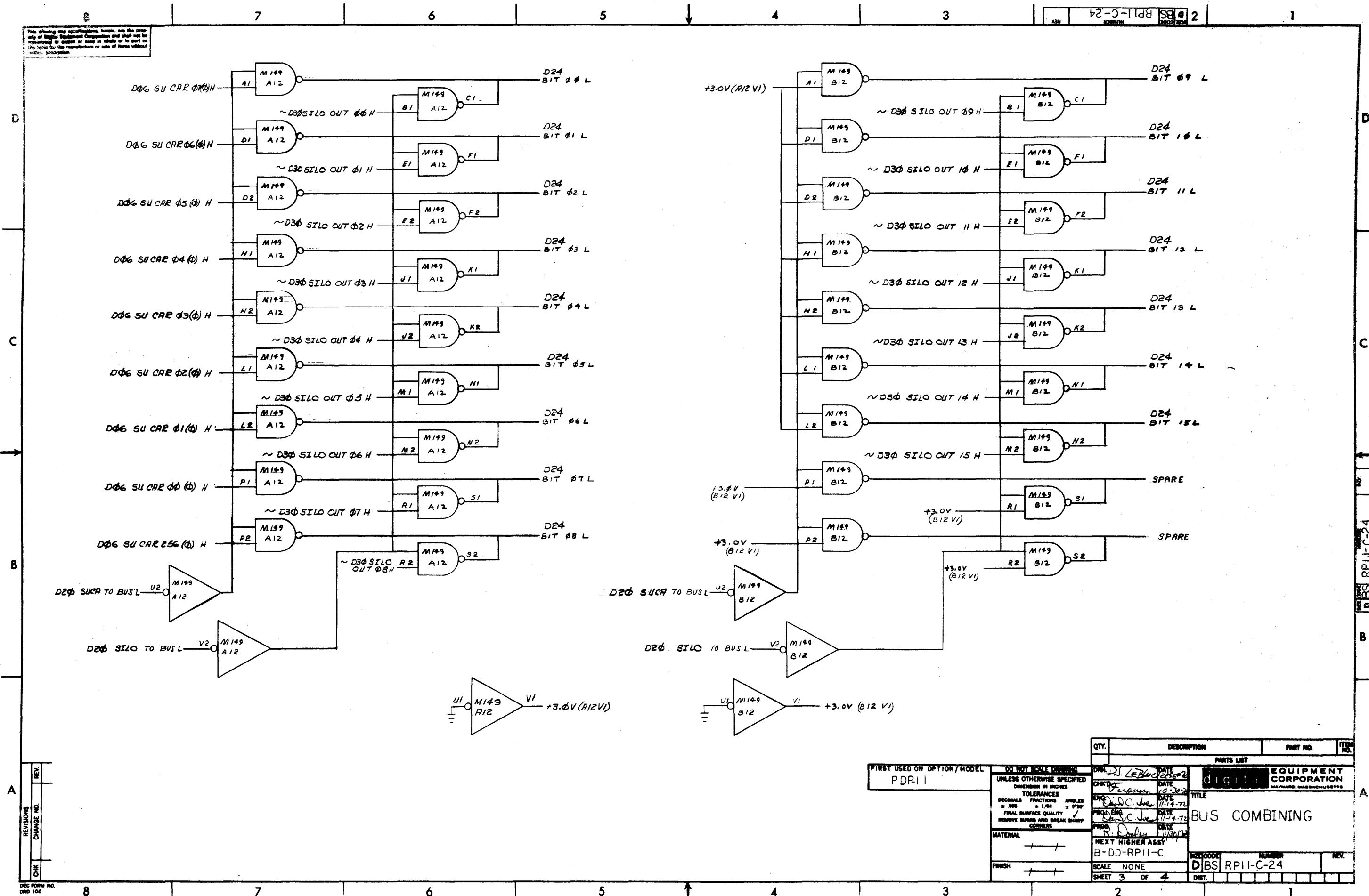
REV.	
CHANGE NO.	
CHK	

FIRST USED ON OPTION/MODEL
 PDR11

DO NOT SCALE DRAWING		
UNLESS OTHERWISE SPECIFIED		
DIMENSION IN INCHES	DECIMALS	FRACTIONS
TOLERANCES	± .005	± 1/64
ANGLES	± 0°30'	
FINAL SURFACE QUALITY		
REMOVE BURRS AND BREAK SHARP CORNERS		
MATERIAL	/ /	
FINISH	/ /	

QTY.	DESCRIPTION	PART NO.	ITEM NO.
PARTS LIST			
DATE 11/30/72		digital EQUIPMENT CORPORATION MAYNARD, MASSACHUSETTS	
CHK'D	DATE 11/20/72		
ENG.	DATE 11/14/72		
PROJ. ENG.	DATE 11/14/72		
PRD.	DATE 11/30/72	TITLE BUS COMBINING	
NEXT HIGHER ASSY B-DD-RP11-C		SIZE CODE D	NUMBER BS RP11-C-24
SCALE NONE		DIST.	REV.
SHEET 2 OF 4			

This drawing and specifications herein are the property of Digital Equipment Corporation and shall not be reproduced or copied in whole or in part in any form for the manufacture or sale of items without written authorization.



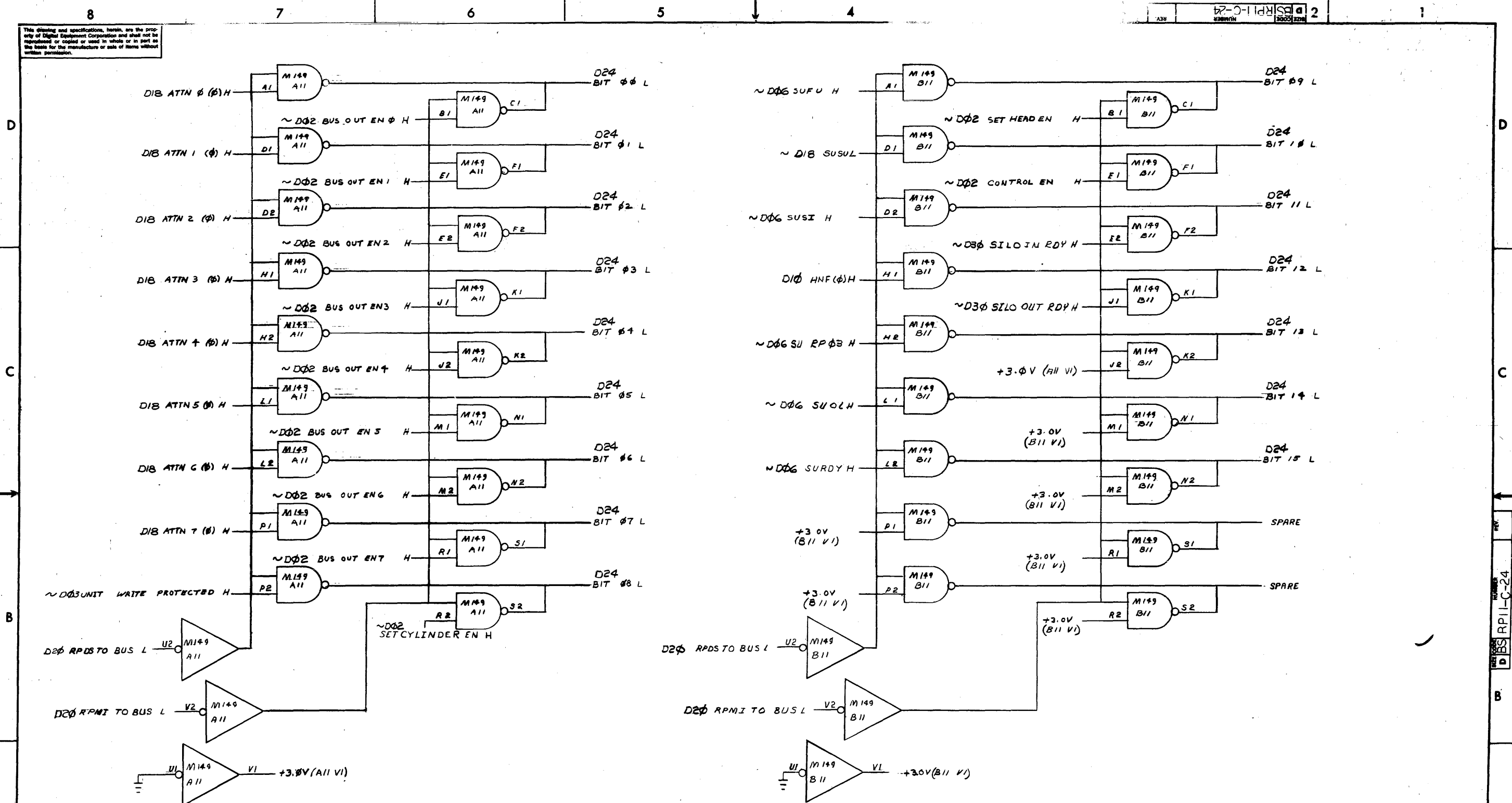
REV.	
CHANGE NO.	
CHK	

FIRST USED ON OPTION/MODEL
PDR-1

DO NOT SCALE DRAWING		
UNLESS OTHERWISE SPECIFIED		
DIMENSION IN INCHES		
TOLERANCES		
DECIMALS	FRACTIONS	ANGLES
± .005	± 1/32"	± 30°
FINAL SURFACE QUALITY		
REMOVE BURRS AND BREAK SHARP CORNERS		
MATERIAL	---	
FINISH	---	

QTY.	DESCRIPTION	PART NO.	ITEM NO.
PARTS LIST			
DWN: J. LeBlanc		DATE: 10-27-72	
CHK'D: Ferguson		DATE: 11-19-72	
ENR: D.C. Lee		DATE: 11-14-72	
PROG. ENR: D.C. Lee		DATE: 11-14-72	
PRGR: R. Doherty		DATE: 11-30-72	
TITLE			
BUS COMBINING			
NEXT HIGHER ASSY		B-DD-RPII-C	
SCALE NONE		DIBS RPII-C-24	
SHEET 3 OF 4		DWT.	

This drawing and specifications, herein, are the property of Digital Equipment Corporation and shall not be reproduced or copied or used in whole or in part as the basis for the manufacture or sale of items without written permission.



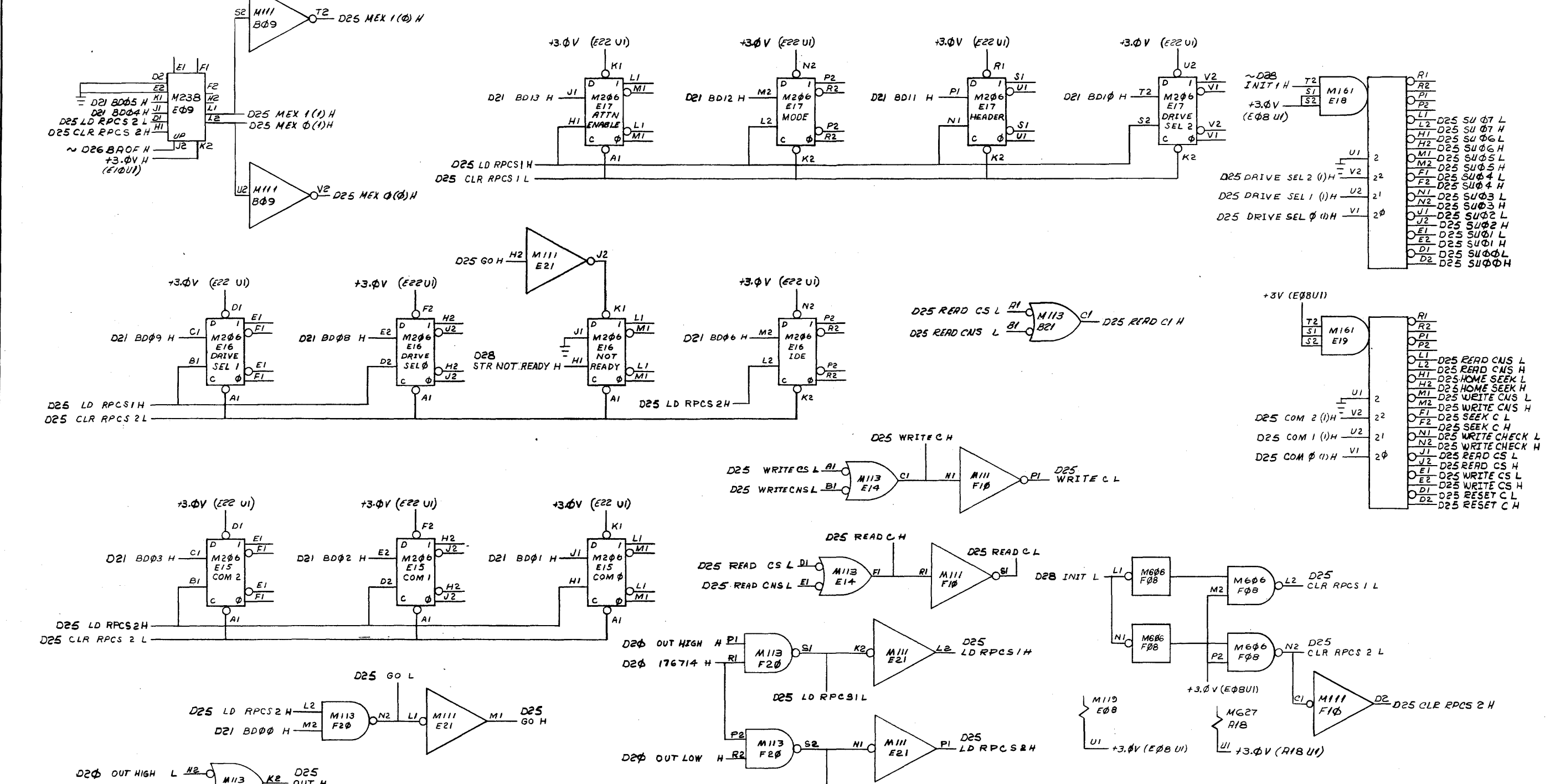
REV.	
CHG	
NO.	

FIRST USED ON OPTION/MODEL
PDP-11

DO NOT SCALE DRAWING
UNLESS OTHERWISE SPECIFIED DIMENSIONS IN INCHES
TOLERANCES
DECIMALS FRACTIONS ANGLES
± .005 ± 1/64 ± 0°30'
FINAL SURFACE QUALITY
REMOVE BURRS AND BREAK SHARP CORNERS
MATERIAL
FINISH

QTY.	DESCRIPTION	PART NO.	ITEM NO.
PARTS LIST			
DRW	R. J. BROWN	DATE	11-14-72
CHK'D	J. S. JONES	DATE	10-26-72
ENG	D. J. C. JONES	DATE	11-14-72
PRD. ENG.	D. J. C. JONES	DATE	11-14-72
PRD.	R. J. BROWN	DATE	11/30/72
NEXT HIGHER ASSY		B-DD-RP11-C	
SCALE		NONE	
SHEET		4 OF 4	
TITLE		BUS COMBINING	
PARTS LIST		DIGITAL EQUIPMENT CORPORATION MAYNARD, MASSACHUSETTS	
DDBS CODE		DDBS RP11-C-24	

ALL DRAWING AND SPECIFICATIONS HEREIN ARE THE PROPERTY OF Digital Equipment Corporation and shall not be reproduced or copied in whole or in part as the basis for the manufacture or sale of items without written permission.



REV	NO	DATE

FIRST USED ON OPTION/MODEL	QTY.	DESCRIPTION	PART NO.	ITEM NO.
PDP-11				
PARTS LIST				
UNLESS OTHERWISE SPECIFIED				
DIMENSION IN INCHES				
TOLERANCES				
DECIMALS FRACTIONS ANGLES				
± 0.05 ± 1/64 ± 0°30'				
FINAL SURFACE QUALITY				
REMOVE BURRS AND BREAK SHARP CORNERS				
MATERIAL				
FINISH				
SCALE NONE				
SHEET 1 OF 1				

CONTROL STATUS REGISTER

B-DD-RP11-C

DDBS RP11-C-25

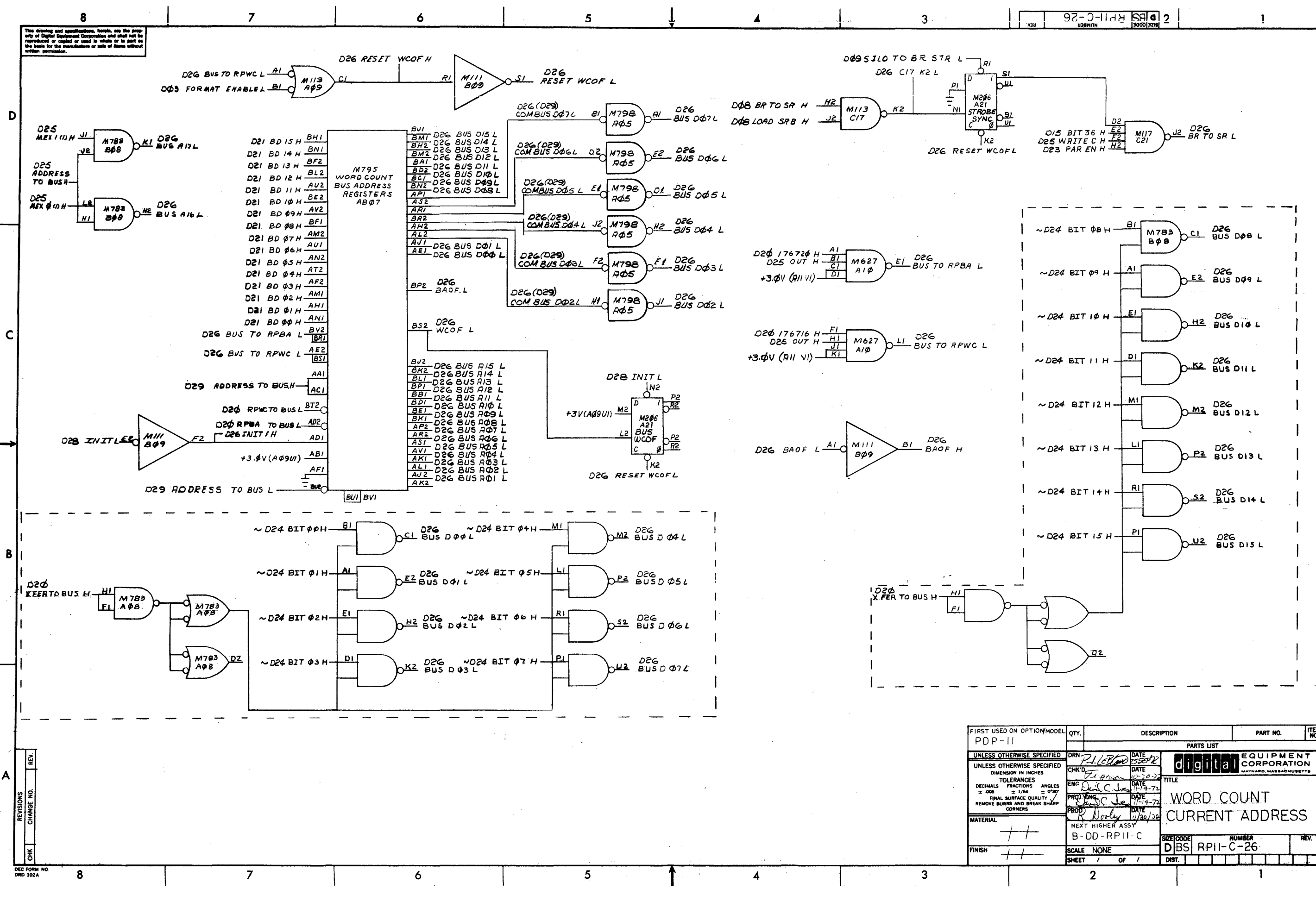
REV. NO. DDBS RP11-C-25

A

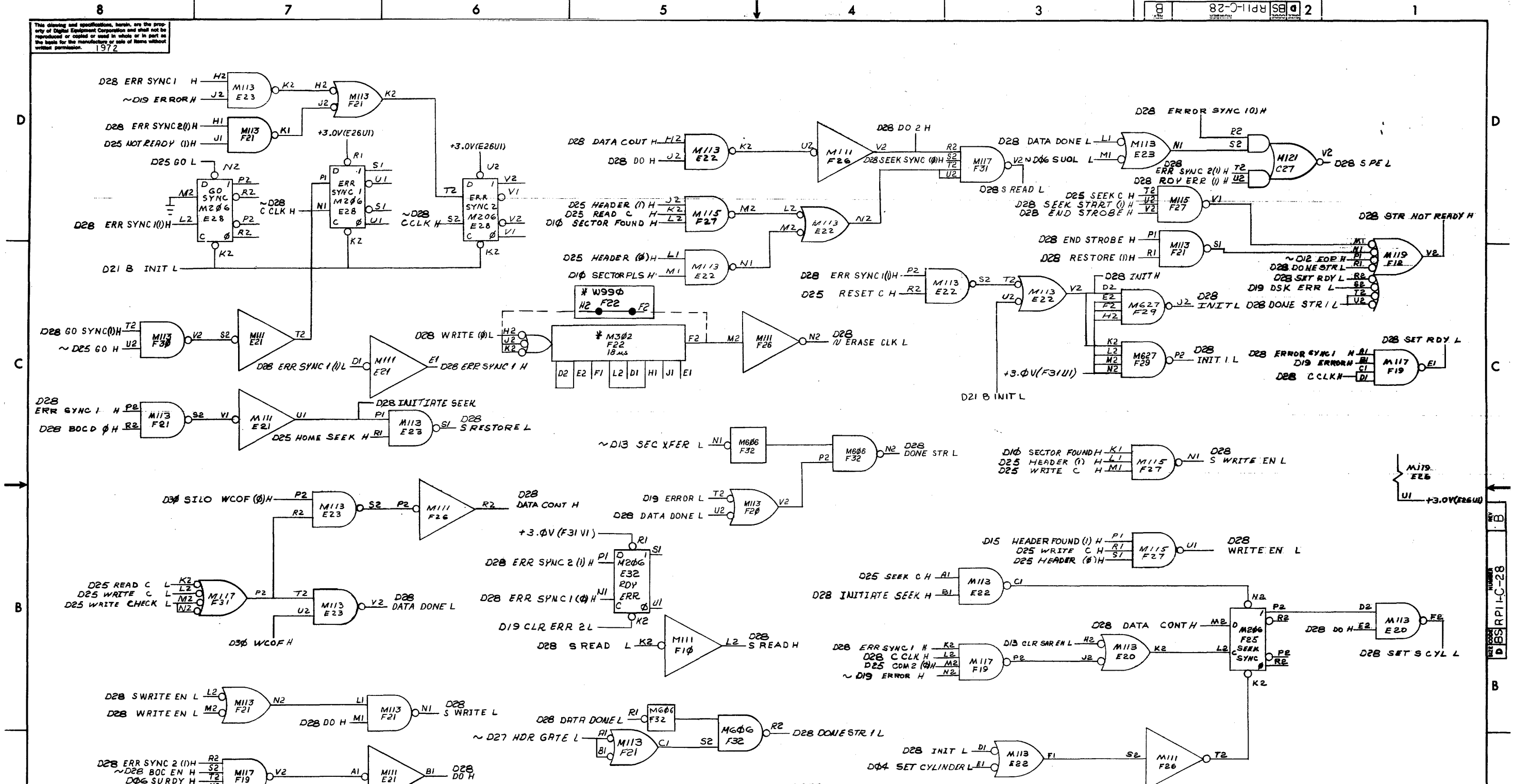
This drawing and specifications, herein, are the property of Digital Equipment Corporation and shall not be reproduced or copied or used in whole or in part as the basis for the manufacture or sale of items without written permission.

D
C
B
A

D
C
B
A



FIRST USED ON OPTION/MODEL	QTY.	DESCRIPTION	PART NO.	ITEM NO.
PDP-11				
PARTS LIST				
UNLESS OTHERWISE SPECIFIED	DRN	DATE	digital EQUIPMENT CORPORATION MAYNARD, MASSACHUSETTS	
UNLESS OTHERWISE SPECIFIED	CHK'D	DATE	TITLE	
TOLERANCES	ENG	DATE	WORD COUNT	
DECIMALS FRACTIONS ANGLES	PROG	DATE	CURRENT ADDRESS	
±.005 ± 1/64 ± 0°30'	PROD	DATE	B-DD-RP11-C	
FINAL SURFACE QUALITY			SCALE NONE	
REMOVE BURRS AND BREAK SHARP CORNERS			SHEET 1 OF 1	
MATERIAL			SIZE CODE	NUMBER
FINISH			D BS	RP11-C-26
			DIST.	



This drawing and specifications herein are the property of Digital Equipment Corporation and shall not be reproduced or copied in whole or in part as the basis for the manufacture or sale of items without written permission.
1972

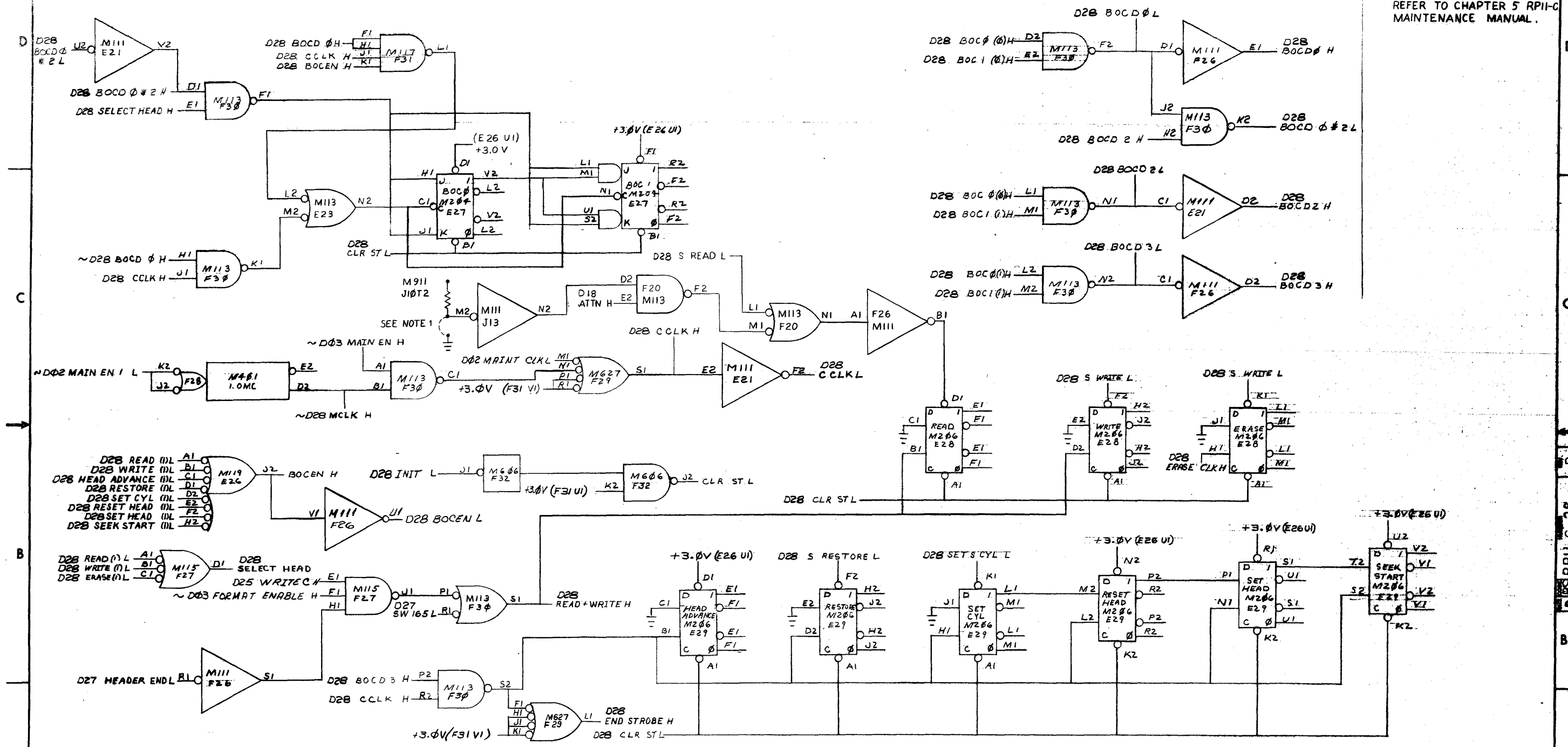
REVISIONS		CHG	CHANGE NO.	BY	DATE
01	RP11-C-00004		A		
02	RP11-C-00006		B		1-12-73
03	RP11-C-00006		A	D. IVES	3-20-73
04	RP11-C-00006		A	D. IVES	5-11-73

NOTE:
 * ASTERISK INDICATES M302 IS USED ONLY WITH RP02 DISK PACK DRIVE. NORMAL RP03 CONTROLLER WILL CONTRIN W990, WITH JUMPER FROM H TO F, IN SLOT F22

FIRST USED ON OPTION/MODEL		QTY.		DESCRIPTION	PART NO.	ITEM NO.
DDP-11						
UNLESS OTHERWISE SPECIFIED			PARTS LIST			
DIMENSION IN INCHES			DRN	DATE	digital EQUIPMENT CORPORATION	
TOLERANCES			CHK'D	DATE	WATYARD, MASSACHUSETTS	
DECIMALS FRACTIONS ANGLES			ENG	DATE	TITLE	
± .005 ± 1/64 ± 0°30'				DATE	MAJOR STATE CONTROL	
FINAL SURFACE QUALITY / REMOVE BURRS AND BREAK SHARP CORNERS			PREP'D	DATE	SIZE/SCALE NUMBER REV.	
MATERIAL			PROB	DATE	D/BSRPII-C-28 B	
NEXT HIGHER ASSY					SHEET 1 OF 2	
FINISH					DIST.	

The drawing and specifications herein are the property of Digital Equipment Corporation and shall not be reproduced or copied or used in whole or in part as the basis for the manufacture or sale of items without written permission. 1972

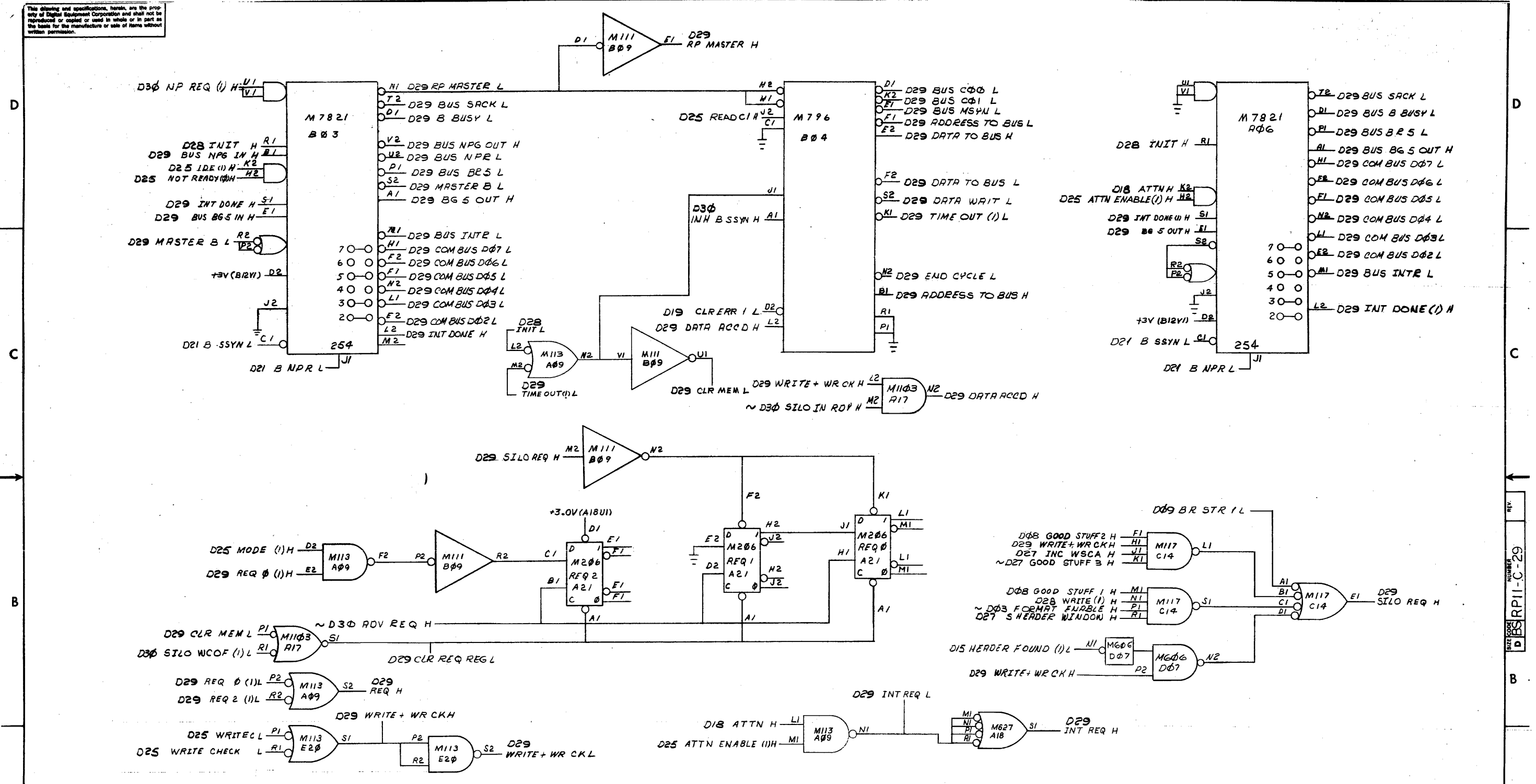
NOTES:
 1. WHEN PERFORMING A HEAD ALIGNMENT PLACE JUMPER BETWEEN J13 M2 AND GND. REFER TO CHAPTER 5 RPII-C MAINTENANCE MANUAL.



FIRST USED ON OPTION MODEL	QTY.	DESCRIPTION	PART NO.	ITEM NO.
PDP-11				
UNLESS OTHERWISE SPECIFIED				
DIMENSION IN INCHES				
TOLERANCES				
DECIMALS FRACTIONS ANGLES				
± .008 ± 1/64 ± 0°30'				
FINAL SURFACE QUALITY				
REMOVE BURRS AND BREAK SHARP CORNERS				
MATERIAL				
FINISH				
NEXT HIGHER ASSY				
B-DD-RPII-C				
SCALE NONE				
SHEET 2 OF 2				
PARTS LIST			EQUIPMENT CORPORATION MAYNARD, MASSACHUSETTS	
TITLE			MAJOR STATE CONTROL	
SIZE CODE			DIBS RPII-C-28	
DST.			REV. B	

REV.	CHANGE NO.

This drawing and specifications, herein, are the property of Digital Equipment Corporation and shall not be reproduced or copied in whole or in part as the basis for the manufacture or sale of items without written permission.



REVISIONS
CHANGE NO.
REV.
CHK

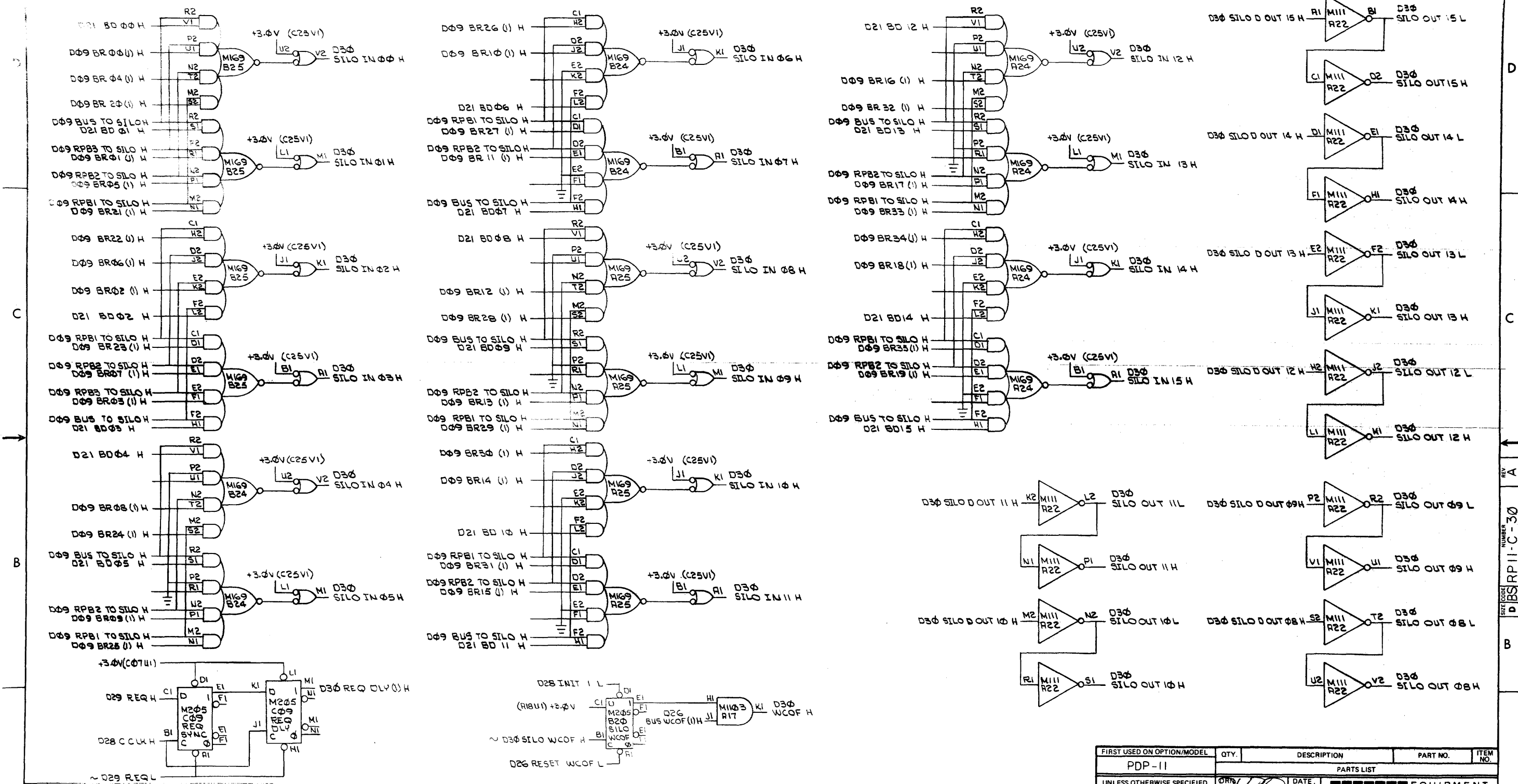
FIRST USED ON OPTION/MODEL
PDP-11

DO NOT SCALE DRAWING
UNLESS OTHERWISE SPECIFIED
DIMENSION IN INCHES
TOLERANCES
DECIMALS FRACTIONS ANGLES
±.005 ± 1/64 ± 0°30'
FINAL SURFACE QUALITY
REMOVE BURRS AND BREAK SHARP CORNERS
MATERIAL
FINISH

QTY.	DESCRIPTION	PART NO.	ITEM NO.
PARTS LIST			
DRN	DATE	digital EQUIPMENT CORPORATION MAYNARD, MASSACHUSETTS	
CHK'D	DATE	TITLE	
ENG	DATE	UNIBUS CONTROL	
PRG. ENG.	DATE	SIZE CODE	NUMBER
PROD.	DATE	DBS RP11-C-29	REV.
NEXT HIGHER ASSY		SCALE	NONE
B-DD-RP11-C		SHEET	1 OF 1
DIST.			

REV. 2 DBS RP11-C-29

These drawings are the property of Digital Equipment Corporation and shall not be reproduced or used in whole or in part as a basis for the manufacture or sale of items without the written consent of Digital Equipment Corporation.



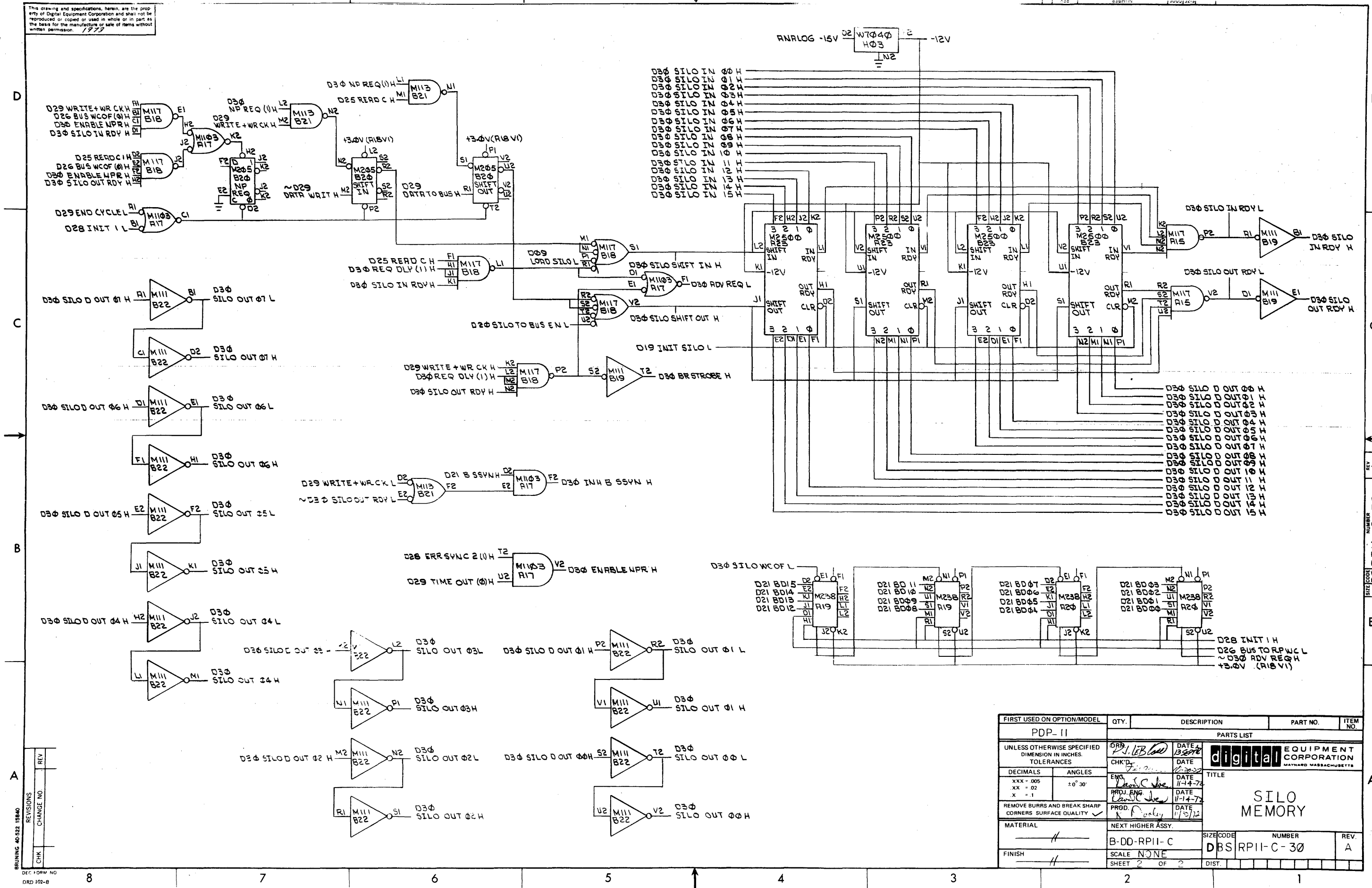
BRUNING 40-522 15840

REV	CHANGE NO.	DATE
A	00006	11-14-72

REVISIONS: D. IVES, 7-11-72

FIRST USED ON OPTION/MODEL	QTY.	DESCRIPTION	PART NO.	ITEM NO.
PDP-11				
UNLESS OTHERWISE SPECIFIED DIMENSION IN INCHES TOLERANCES				
DECIMALS	ANGLES	PARTS LIST		
.XXX ± .005	± 0° 30'	DATE: 11-14-72	digital EQUIPMENT CORPORATION MAYNARD MASSACHUSETTS	
REMOVE BURRS AND BREAK SHARP CORNERS SURFACE QUALITY		DATE: 11-14-72	TITLE: SILO MEMORY	
MATERIAL		DATE: 11-14-72	REV. A	
FINISH		SCALE: NONE	NUMBER: DBS RP11-C-30	
SHEET OF 2		DIST		

This drawing and specifications, herein, are the property of Digital Equipment Corporation and shall not be reproduced or copied or used in whole or in part as the basis for the manufacture or sale of items without written permission. 1/77



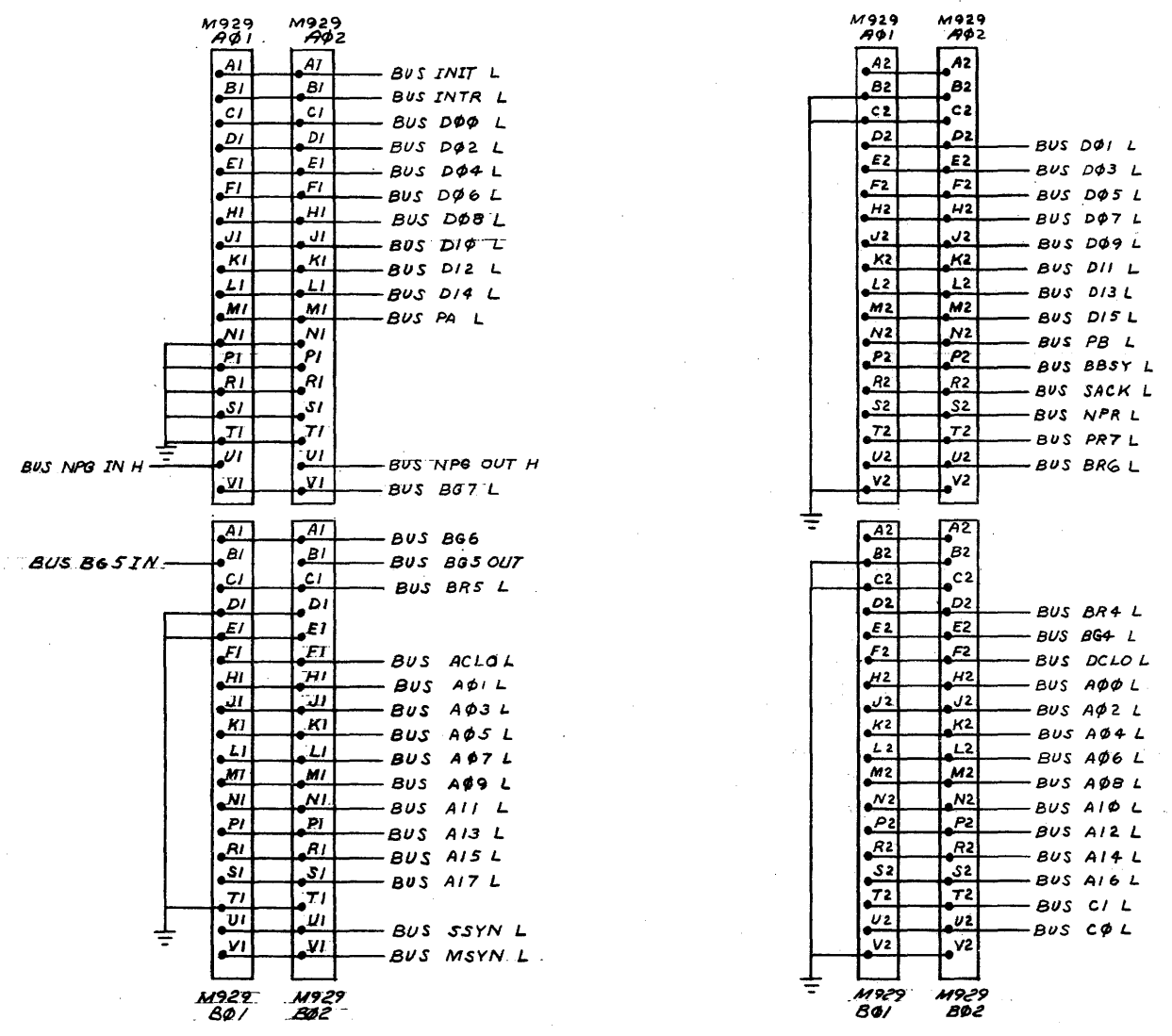
FIRST USED ON OPTION/MODEL	QTY.	DESCRIPTION	PART NO.	ITEM NO.
PDP-11		PARTS LIST		
UNLESS OTHERWISE SPECIFIED DIMENSION IN INCHES TOLERANCES		DATE	digital EQUIPMENT CORPORATION MATHARD MASSACHUSETTS	
DECIMALS	ANGLES	DATE	TITLE	
.XX = .005	± 0° 30'	11-4-74	SILO MEMORY	
.X = .02		11-14-74		
.X = .1		11-14-74		
REMOVE BURRS AND BREAK SHARP CORNERS SURFACE QUALITY		DATE		
MATERIAL		NEXT HIGHER ASSY.	SIZE CODE	NUMBER
		B-DD-RP11-C	DBS RP11-C-30	REV. A
FINISH		SCALE NONE	DIST.	
		SHEET 2 OF 2		

BRUNING 40-322 15840
 DEC FORM NO DRD 102-B

REV	CHANGE NO

REV A
 NUMBER
 BBS RP11-C-30
 SIZE CODE

This drawing and specifications, hereinafter, are the property of Digital Equipment Corporation and shall not be reproduced or copied in whole or in part as the basis for the manufacture or sale of items without written permission.



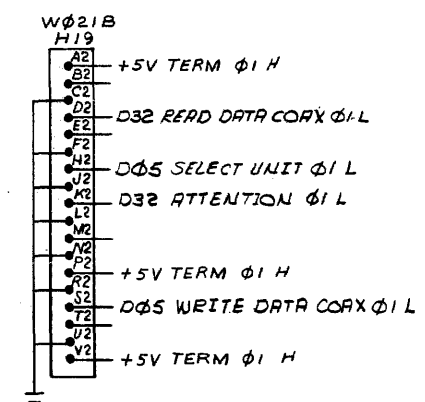
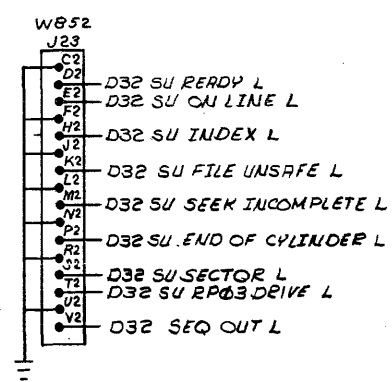
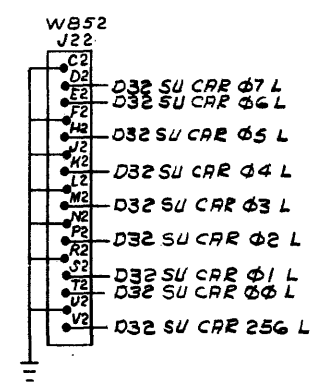
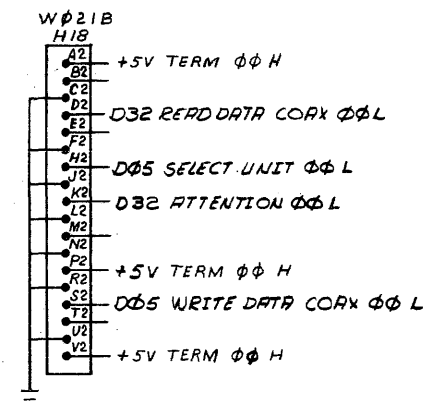
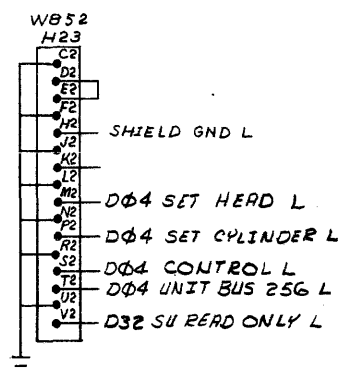
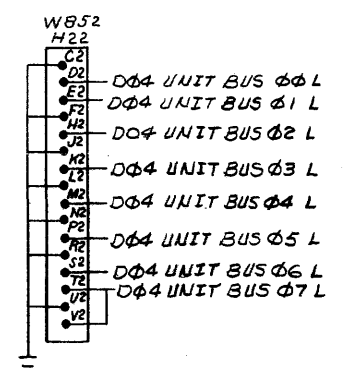
REV. NO.	REV.
CHK	CHANGE NO.

FIRST USED ON OPTION / MODEL
 PDR11

DO NOT SCALE DRAWING
 UNLESS OTHERWISE SPECIFIED
 DIMENSION IN INCHES
 TOLERANCES
 DECIMALS FRACTIONS ANGLES
 ± .005 ± 1/64 ± 90°
 FINAL SURFACE QUALITY
 REMOVE BURRS AND BREAK SHARP CORNERS
 MATERIAL
 FINISH

QTY.	DESCRIPTION	PART NO.	ITEM NO.
PARTS LIST			
DRN: <i>R. D. J.</i> DATE: 25-2-72		DIGITAL EQUIPMENT CORPORATION MATHEW, MASSACHUSETTS	
CHKD: <i>R. D. J.</i> DATE: 2-2-72			
ENR: <i>R. D. J.</i> DATE: 11-19-72			
PRD: <i>R. D. J.</i> DATE: 11-19-72			
PRD: <i>R. D. J.</i> DATE: 11-19-72			
NEXT HIGHER ASSY B- DD-RP11-C		TITLE UNIBUS CONNECTIONS	
SCALE NONE		SIZE CODE D I C	NUMBER R P I I - C - 3 I
SHEET 1 OF 1		DIST.	REV.

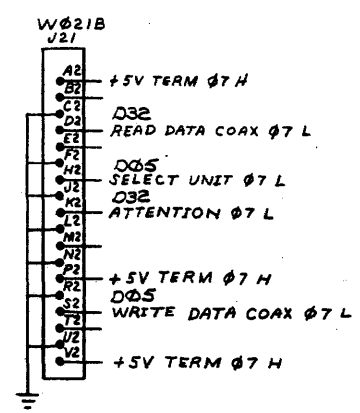
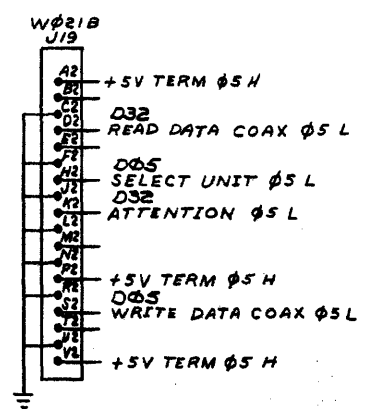
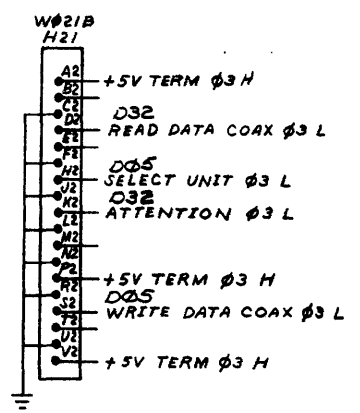
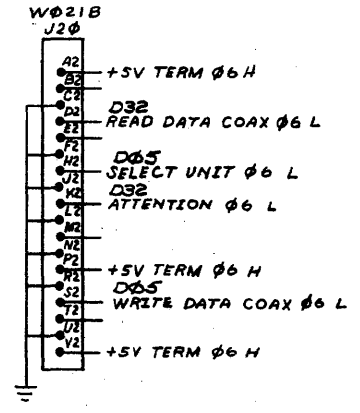
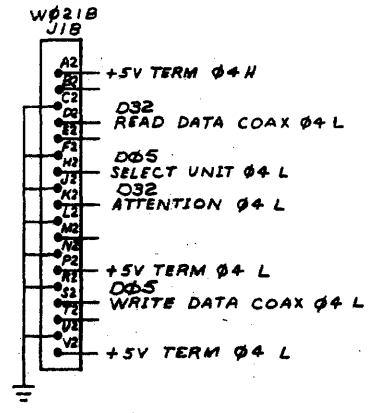
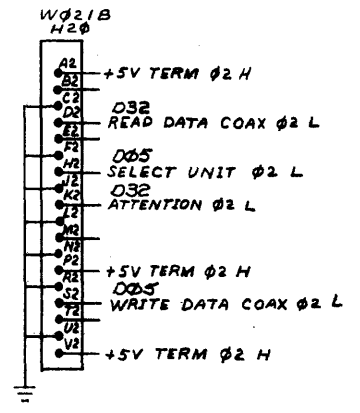
This drawing and specifications, herein, are the property of Digital Equipment Corporation and shall not be reproduced or copied or used in whole or in part as the basis for the manufacture or sale of items without written permission.



REV.	
CHANGE NO.	
CHK	

FIRST USED ON OPTION/MODEL	QTY.	DESCRIPTION	PART NO.	ITEM NO.
PDP-11				
PARTS LIST				
UNLESS OTHERWISE SPECIFIED	DRN	DATE	digital EQUIPMENT CORPORATION MAYNARD, MASSACHUSETTS	
UNLESS OTHERWISE SPECIFIED	CHK'D	DATE	TITLE DISK CONTROL CABLE INTERFACE	
TOLERANCES	ENG	DATE		
DECIMALS ± .005	PROG. ENG.	DATE		
FRACTIONS ± 1/64	PROD.	DATE		
ANGLES ± 0°30'			NEXT HIGHER ASSY	
FINAL SURFACE QUALITY			B-DD-RP11-C	
REMOVE BURRS AND BREAK SHARP CORNERS			SCALE NONE	
MATERIAL			SIZE CODE NUMBER	
			D I C R P I I - C - 3 2	
FINISH			REV.	
			SHEET 1 OF 2	
			D I C R P I I - C - 3 2	

This drawing and specifications herein are the property of Digital Equipment Corporation and shall not be reproduced or copied in whole or in part in any form for the manufacture of any of items without written permission.



REV.	CHANG.	REV.
1	0	1
CHK.		

FIRST USED ON OPTION MODEL PDP-11	QTY.	DESCRIPTION	PART NO.	ITEM NO.
PARTS LIST				
UNLESS OTHERWISE SPECIFIED	DRN. <i>R. J. Blum</i>	DATE <i>8/20/72</i>	digital EQUIPMENT CORPORATION MAYNARD, MASSACHUSETTS	
UNLESS OTHERWISE SPECIFIED	CHKD. <i>W. J. Blum</i>	DATE <i>10/30/72</i>	TITLE	
DIMENSION IN INCHES	ENG. <i>D. C. Lee</i>	DATE <i>1/14/72</i>	DISK CONTROL CABLE INTERFACE	
TOLERANCES	PRD. ENG. <i>D. C. Lee</i>	DATE <i>1/14/72</i>	NEXT HIGHER ASSY.	
DECIMALS FRACTIONS ANGLES	REV. <i>R. J. Blum</i>	DATE <i>1/14/72</i>	B-DD-RP11-C	
$\pm .005$ $\pm 1/64$ $\pm 0^{\circ}30'$	MATERIAL		SIZE CODE	NUMBER
FINA. SURFACE QUALITY			D I C	R P I I - C - 3 2
REMOVE BURRS AND BREAK SHARP CORNERS	FINISH		SCALE	REV.
			NONE	
			SHEET 2 OF 2	DIST.

This drawing and specifications herein, are the property of Digital Equipment Corporation and shall not be reproduced or copied or used in whole or in part as the basis for the manufacture or sale of items without written permission.

DIC RPII-C-33 2

- 6775
A32
- A1 D09 BR 35 (1) H
 - B1 D09 BR 34 (1) H
 - C1 D09 BR 33 (1) H
 - D1 D09 BR 32 (1) H
 - E1 D09 BR 31 (1) H
 - F1 D09 BR 30 (1) H
 - H1 D09 BR 29 (1) H
 - J1 D09 BR 28 (1) H
 - K1 D09 BR 27 (1) H
 - L1 D09 BR 26 (1) H
 - M1 D09 BR 25 (1) H
 - N1 D09 BR 24 (1) H
 - P1 D09 BR 23 (1) H
 - R1 D09 BR 22 (1) H
 - S1 D09 BR 21 (1) H
 - T1 D09 BR 20 (1) H
 - U1 D09 BR 19 (1) H
 - V1 D09 BR 18 (1) H

- 6775
B32
- A2 D28 READ (1) H
 - B2 D28 WRITE (1) H
 - C2 D28 ERASE (1) H
 - E2 D28 HEAD ADVANCE (1) H
 - F2 D28 RESTORE (1) H
 - H2 D28 SET CYL (1) H
 - J2 D28 RESET HEAD (1) H
 - K2 D28 SET HEAD (1) H
 - L2 D28 SEEK START (1) H
 - M2 D28 BOC 1 (1) H
 - N2 D28 BOC 0 (1) H
 - P2 DIG SCK 3 (1) H
 - S2 DIG SCK 2 (1) H
 - T2 DIG SCK 1 (1) H
 - U2 DIG SCK 0 (1) H
 - V2

- 6775
C32
- A1 D09 BR 17 (1) H
 - B1 D09 BR 16 (1) H
 - C1 D09 BR 15 (1) H
 - D1 D09 BR 14 (1) H
 - E1 D09 BR 13 (1) H
 - F1 D09 BR 12 (1) H
 - H1 D09 BR 11 (1) H
 - J1 D09 BR 10 (1) H
 - K1 D09 BR 09 (1) H
 - L1 D09 BR 08 (1) H
 - M1 D09 BR 07 (1) H
 - N1 D09 BR 06 (1) H
 - P1 D09 BR 05 (1) H
 - R1 D09 BR 04 (1) H
 - S1 D09 BR 03 (1) H
 - T1 D09 BR 02 (1) H
 - U1 D09 BR 01 (1) H
 - V1 D09 BR 00 (1) H

- 6775
C32
- A2 D27 HEADER WINDOW (1) H
 - B2 D27 SW 30 H
 - C2 D27 HEADER FORMD (1) H
 - D2 D27 DATA WINDOW (1) H
 - E2 D27 SW 35 H
 - F2 D06 SUSP H
 - H2
 - J2 D29 RMASTER H
 - K2 D29 REQ 2 (1) H
 - L2 D29 REQ 1 (1) H
 - M2 D29 REQ 0 (1) H
 - N2 D30 SILO OUT EOP H
 - P2 D30 SILO IN EOP H
 - R2 D30 WCOF H
 - S2 D26 B A O F H
 - T2
 - U2 D29 INT REQ H
 - V2


- 6775
B32
- A1
 - B1
 - C1 D19 ERROR H
 - D1 D19 HARD ERROR H
 - E1 D25 ATTN ENABLE (1) H
 - F1 D25 MODE (1) H
 - H1 D25 HEADER (1) H
 - J1 D25 DRIVE SEL 2 (1) H
 - K1 D25 DRIVE SEL 1 (1) H
 - L1 D25 DRIVE SEL 0 (1) H
 - M1 D25 NOT READY (1) H
 - N1 D25 IDE (1) H
 - P1 D25 MEX 0 (1) H
 - R1 D25 MEX 1 (1) H
 - S1 D25 COM 2 (1) H
 - T1 D25 COM 1 (1) H
 - U1 D25 COM 0 (1) H
 - V1

- 6775
B32
- A2 D11 CAR 8 (1) H
 - B2 D11 CAR 7 (1) H
 - C2 D11 CAR 6 (1) H
 - D2 D11 CAR 5 (1) H
 - E2 D11 CAR 4 (1) H
 - F2 D11 CAR 3 (1) H
 - H2 D11 CAR 2 (1) H
 - J2 D11 CAR 1 (1) H
 - K2 D11 CAR 0 (1) H
 - L2 D17 TAR 4 (1) H
 - M2 D17 TAR 3 (1) H
 - N2 D17 TAR 2 (1) H
 - P2 D17 TAR 1 (1) H
 - R2 D17 TAR 0 (1) H
 - S2 D13 SAR 3 (1) H
 - T2 D13 SAR 2 (1) H
 - U2 D13 SAR 1 (1) H
 - V2 D13 SAR 0 (1) H

- 6775
D32
- A1
 - B1
 - C1
 - D1 D06 SURDY H
 - E1 D06 HNF (1) H
 - F1 D06 SUSI H
 - H1 D06 SUSU H
 - J1 D06 SUFU H
 - K1 D03 WR PROT H
 - L1 D18 ATTN 7 (1) H
 - M1 D18 ATTN 6 (1) H
 - N1 D18 ATTN 5 (1) H
 - P1 D18 ATTN 4 (1) H
 - R1 D18 ATTN 3 (1) H
 - S1 D18 ATTN 2 (1) H
 - T1 D18 ATTN 1 (1) H
 - U1 D18 ATTN 0 (1) H
 - V1

- 6775
D32
- A2
 - B2
 - C2 D19 WPHY H
 - D2 D19 FAX H
 - E2 D19 NXC (1) H
 - F2 D19 NXT (1) H
 - H2 D19 NXS (1) H
 - J2 D19 PROGEN H
 - K2 D19 FMTE (1) H
 - L2 D19 MODEE (1) H
 - M2 D19 LPE (1) H
 - N2 D19 WIPE (1) H
 - P2 D19 CSME (1) H
 - R2 D19 TIMEE (1) H
 - S2 D19 WUCE (1) H
 - T2 D19 NXME (1) H
 - U2 D19 EOP (1) H
 - V2

REVISIONS	NO.	REV.
CHK	CHANGE NO.	

FIRST USED ON OPTION MODEL PDP-11	QTY.	DESCRIPTION	PART NO.	ITEM NO.
PARTS LIST				
UNLESS OTHERWISE SPECIFIED DIMENSION IN INCHES	DRN: <i>P. LeBlond</i>	DATE: <i>12-20-72</i>	 digital EQUIPMENT CORPORATION MAYNARD, MASSACHUSETTS	
UNLESS OTHERWISE SPECIFIED DIMENSION IN INCHES	CHK'D: <i>T. Quinn</i>	DATE: <i>12-20-72</i>		
TOLERANCES DECIMALS FRACTIONS ANGLES ± .005 ± 1/64 ± 0°30'	ENG: <i>D. C. Lee</i>	DATE: <i>11-14-72</i>		
FINAL SURFACE QUALITY REMOVE BURRS AND BREAK SHARP CORNERS	PRD: <i>D. C. Lee</i>	DATE: <i>11-14-72</i>		
MATERIAL + / +	NEXT HIGHER ASSY	TITLE RPII IND PANEL CABLE DESIGNATION		
FINISH + / +	B-DD-RPII-C			
SCALE SHEET 1 OF 1	NONE	SIZE CODE D I C	NUMBER R P I I - C - 3 3	REV.
		DIST.		

DIGITAL EQUIPMENT CORPORATION
MAYNARD, MASSACHUSETTS

PARTS LIST

MADE BY <i>D. J. LeBlond</i>	CHK'D <i>Ferguson</i>	SECTION
DATE <i>12 OCT '72</i>	DATE <i>10-31-72</i>	1
ENG <i>David C. Jones</i>	PROD <i>R. Dooly</i>	ISSUED SECT.
DATE <i>11-30-72</i>	DATE <i>11/30/72</i>	1

QUANTITY / VARIATION

ITEM NO.	DWG NO. / PART NO.	DESCRIPTION																		
	M002	15 LOADS	4																	
	M105	ADDRESS SELECTOR	1																	
	M111	INVERTER	13																	
	M113	10-2 INPUT NAND GATES	18																	
	M115	8-3 INPUT NAND GATES	3																	
	M117	6-4 INPUT NAND GATES	11																	
	M119	3-8 INPUT NAND GATES	11																	
	M121	AND-NOR GATE	10																	
	M149	9X2 NAND WIRED OR MATRIX	8																	
	M161	BINARY TO OCTAL/DECIMAL DECODER	2																	
	M164	6 BIT ADDER	2																	
	M169	GATING MODULE	6																	
	M202	TRIPLE J.K. FLIP-FLOP	2																	
	M204	COUNTER-BUFFER	11																	
	M205	5 "D" FLIP FLOPS	3																	
	M206	SIX FLIP-FLOPS	17																	
	M207	FLIP-FLOP	6																	
	M212	6 BIT L-R SHIFT REGISTER	10																	
	M302	ONE SHOT DELAY	*																	
	M311	TAP DELAY	1																	
	M312	DELAY MODULE	2																	
	M401	CLOCK	1																	

TITLE	ASSY NO.	SIZE	CODE	NUMBER	REV.	ECO NO.
MODULE UTILIZATION	D-MU-RP11-C-34	A	PL	RP11-C-34	C	RP11-C-000-6
	SHEET 1 OF 3	DIST.				

DIGITAL EQUIPMENT CORPORATION
MAYNARD, MASSACHUSETTS

PARTS LIST

MADE BY <i>D. J. LeBlond</i>	CHK'D <i>Ferguson</i>	SECTION
DATE <i>12 OCT '72</i>	DATE <i>10-31-72</i>	1
ENG <i>David C. Jones</i>	PROD <i>R. Dooly</i>	ISSUED SECT.
DATE <i>11-30-72</i>	DATE <i>11/30/72</i>	1

QUANTITY / VARIATION

ITEM NO.	DWG NO. / PART NO.	DESCRIPTION																		
	M405	CRYSTAL CLOCK 5 MC	1																	
	M420	PHASE LOCK CLOCK	1																	
	M510	IO BUS RECEIVER	5																	
	M606	PULSE GENERATOR	7																	
	M798	UNIBUS DRIVER	1																	
	M622	BUS DRIVER	7																	
	M627	POWER AMPLIFIER MODULE	12																	
	M7821	INTERRUPT CONTROL	2																	
	M783	UNIBUS DRIVERS	2																	
	M784	UNIBUS RECEIVERS	2																	
	M795	WC AND CMA MODULE	1																	
	M796	UNIBUS MASTER CONTROL	1																	
	M911	MEMORY BUS CP TERMINATOR	3																	
	M133	INPUT NAND GATE	1																	
	M1103	TWO INPUT AND GATES	1																	
	M238	SYNCHRONOUS 4-BIT UP/DOWN COUNTER	3																	
	M2500	2-64 X 4 BIT FIFO ASYNCHRONOUS MEM	2																	
	G820	+5V REGULATOR	1																	
	M152	NON INVERTING	1																	
	M602	PULSE GENERATOR	1																	
	W70740	-12V PWR SOURCE	1																	

TITLE	ASSY NO.	SIZE	CODE	NUMBER	REV.	ECO NO.
MODULE UTILIZATION	D-MU-RP11-C-34	A	PL	RP11-C-34	C	
	SHEET 2 OF 3	DIST.				

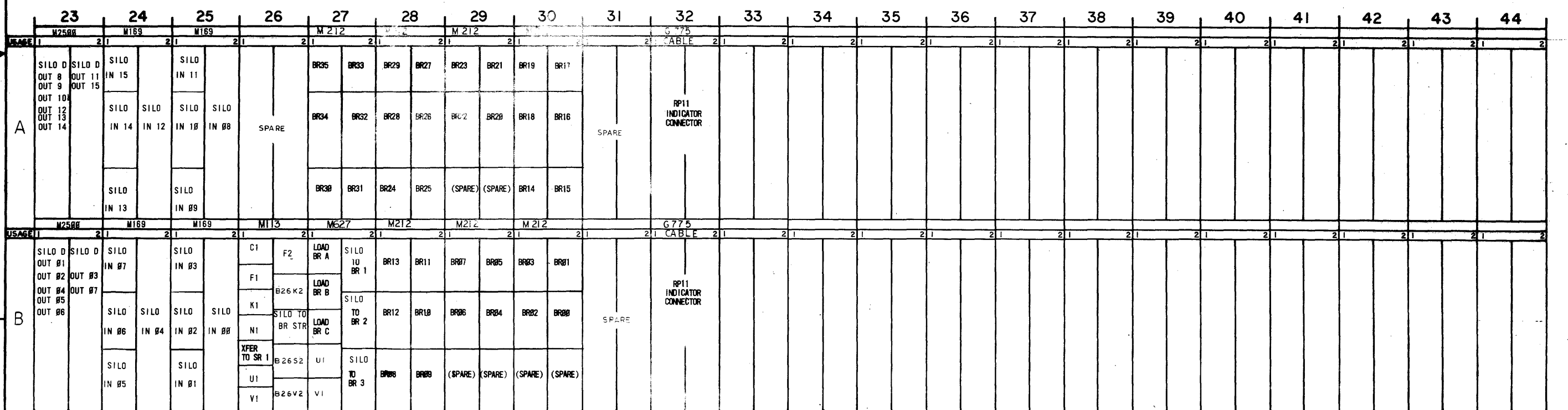
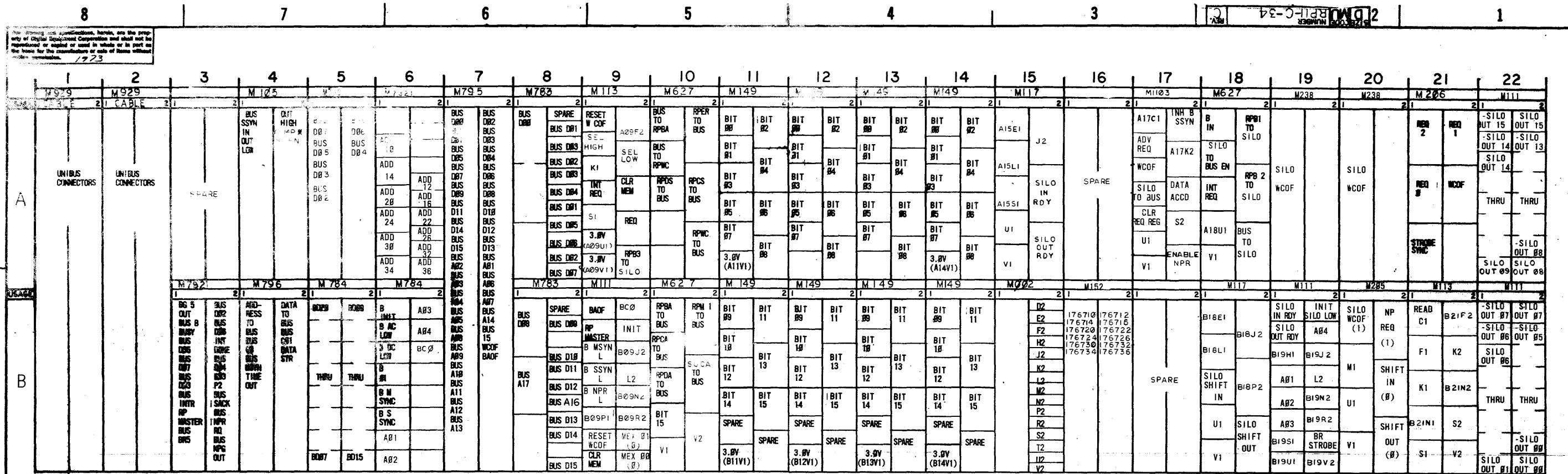
DIGITAL EQUIPMENT CORPORATION
MAYNARD, MASSACHUSETTS
PARTS LIST

QUANTITY / VARIATION

MADE BY <i>P. J. LeBlond</i>	CHECKED <i>FERGUSEN</i>	SECTION
DATE <i>12 OCT 72</i>	DATE <i>10-31-72</i>	1
ENG <i>David C. Lee</i>	PROD <i>R. Dooling</i>	ISSUED SECT.
DATE <i>11-30-72</i>	DATE <i>11/30/72</i>	1

ITEM NO.	DWG NO. / PART NO.	DESCRIPTION	QUANTITY / VARIATION																
	W990	BLANK MODULE	1																
		NOTE: *ASTERISK INDICATES OPTION AVAILABLE (WHICH REPLACES W990)																	

TITLE	ASSY NO.	SIZE	CODE	NUMBER	REV.	ECO NO.
MODULE UTILIZATION	D-MU-RP11-C-34	A	PL	RP11-C-34	C	
	SHEET 3 OF 3	DIST.				



REV.	CHG	NO.	DATE
A	1	1-2-73	
B	2	1-12-77	
C	3	4-4-73	
D	4	4-11-73	

REVISIONS	NO.	DATE	BY
1	1-2-73		
2	1-12-77		
3	4-4-73		
4	4-11-73		

FIRST USED ON OPTION / MODEL
PDP 11

DO NOT SCALE DRAWING
UNLESS OTHERWISE SPECIFIED DIMENSION IN INCHES
TOLERANCES
DECIMALS FRACTIONS ANGLES
= .05 = 1/16 = 30'
FINAL SURFACE QUALITY
REMOVE BURRS AND BREAK SHARP CORNERS

DRN: *R. J. DeLo* DATE: *12-2-72*
CHK'D: *R. J. DeLo* DATE: *12-2-72*
ENG: *R. J. DeLo* DATE: *11-9-72*
PRD: *R. J. DeLo* DATE: *11-9-72*
PRED: *R. J. DeLo* DATE: *11-30-72*

MATERIAL: *+*
FINISH: *+*

NEXT HIGHER ASSY
B-DD-RP11-C

SCALE NONE
SHEET OF 4

digital EQUIPMENT CORPORATION
MAYNARD, MASSACHUSETTS

TITLE
MODULE UTILIZATION

SIZE CODE: *DMU* NUMBER: *RP11-C-34* REV: *C*

DIST. _____

This drawing and specifications, herein, are the property of Digital Equipment Corporation and shall not be reproduced or used in whole or in part as the basis for the manufacture of any item without written permission.

	1	2	3	4	5	6	7	8	9	10	11	12	13	14	15	16	17	18	19	20	21	22
USAGE	M164	M113	M121	M119	M121	M119	M117	M119	M238	M133	M115	M204	M405	M113	M206	M206	M206	M161	M161	M113	M111	M113
D	DRIVE SEL 2	DRIVE SEL 1	DRIVE SEL 7	DRIVE SEL 8	DRIVE SEL 9	DRIVE SEL 10	DRIVE SEL 11	DRIVE SEL 12	DRIVE SEL 13	DRIVE SEL 14	DRIVE SEL 15	DRIVE SEL 16	DRIVE SEL 17	DRIVE SEL 18	DRIVE SEL 19	DRIVE SEL 20	DRIVE SEL 21	DRIVE SEL 22	DRIVE SEL 23	DRIVE SEL 24	DRIVE SEL 25	DRIVE SEL 26
E	DRIVE SEL 2	DRIVE SEL 1	DRIVE SEL 7	DRIVE SEL 8	DRIVE SEL 9	DRIVE SEL 10	DRIVE SEL 11	DRIVE SEL 12	DRIVE SEL 13	DRIVE SEL 14	DRIVE SEL 15	DRIVE SEL 16	DRIVE SEL 17	DRIVE SEL 18	DRIVE SEL 19	DRIVE SEL 20	DRIVE SEL 21	DRIVE SEL 22	DRIVE SEL 23	DRIVE SEL 24	DRIVE SEL 25	DRIVE SEL 26
F	DRIVE SEL 2	DRIVE SEL 1	DRIVE SEL 7	DRIVE SEL 8	DRIVE SEL 9	DRIVE SEL 10	DRIVE SEL 11	DRIVE SEL 12	DRIVE SEL 13	DRIVE SEL 14	DRIVE SEL 15	DRIVE SEL 16	DRIVE SEL 17	DRIVE SEL 18	DRIVE SEL 19	DRIVE SEL 20	DRIVE SEL 21	DRIVE SEL 22	DRIVE SEL 23	DRIVE SEL 24	DRIVE SEL 25	DRIVE SEL 26
C	DRIVE SEL 2	DRIVE SEL 1	DRIVE SEL 7	DRIVE SEL 8	DRIVE SEL 9	DRIVE SEL 10	DRIVE SEL 11	DRIVE SEL 12	DRIVE SEL 13	DRIVE SEL 14	DRIVE SEL 15	DRIVE SEL 16	DRIVE SEL 17	DRIVE SEL 18	DRIVE SEL 19	DRIVE SEL 20	DRIVE SEL 21	DRIVE SEL 22	DRIVE SEL 23	DRIVE SEL 24	DRIVE SEL 25	DRIVE SEL 26
B	DRIVE SEL 2	DRIVE SEL 1	DRIVE SEL 7	DRIVE SEL 8	DRIVE SEL 9	DRIVE SEL 10	DRIVE SEL 11	DRIVE SEL 12	DRIVE SEL 13	DRIVE SEL 14	DRIVE SEL 15	DRIVE SEL 16	DRIVE SEL 17	DRIVE SEL 18	DRIVE SEL 19	DRIVE SEL 20	DRIVE SEL 21	DRIVE SEL 22	DRIVE SEL 23	DRIVE SEL 24	DRIVE SEL 25	DRIVE SEL 26
A	DRIVE SEL 2	DRIVE SEL 1	DRIVE SEL 7	DRIVE SEL 8	DRIVE SEL 9	DRIVE SEL 10	DRIVE SEL 11	DRIVE SEL 12	DRIVE SEL 13	DRIVE SEL 14	DRIVE SEL 15	DRIVE SEL 16	DRIVE SEL 17	DRIVE SEL 18	DRIVE SEL 19	DRIVE SEL 20	DRIVE SEL 21	DRIVE SEL 22	DRIVE SEL 23	DRIVE SEL 24	DRIVE SEL 25	DRIVE SEL 26

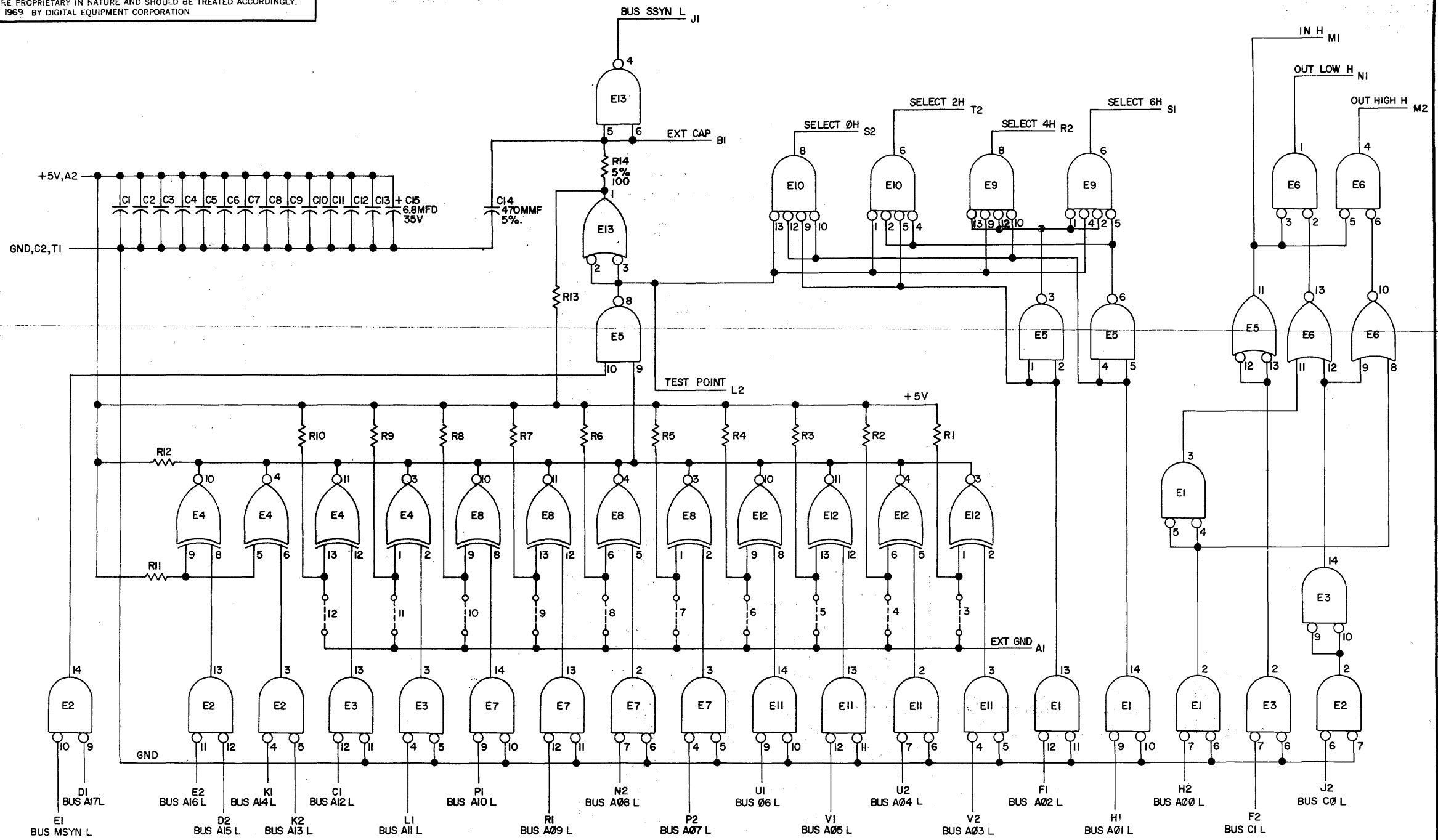
REV.	
CHG	

* ASTERISK INDICATES OPTION AVAILABLE

FIRST USED ON OPTION / MODEL
FDP 11

DO NOT SCALE DRAWING	UNLESS OTHERWISE SPECIFIED DIMENSIONS IN INCHES	TOLERANCES	DECIMALS = .005	FRACTIONS = 1/64	ANGLES = 0°30'	FINAL SURFACE QUALITY REMOVE BURRS AND BREAK SHARP CORNERS
MATERIAL	FINISH					
DATE	DATE	DATE	DATE	DATE	DATE	DATE
DRN: 12.03.72	CHK'D: [Signature]	DATE: 12-10-72	DATE: 1-17-72	DATE: 1-30-72	DATE: 1-30-72	DATE: 1-30-72
TITLE			MODULE UTILIZATION			
NEXT HIGHER ASSY			B-DD-RP11-C			
SCALE	NONE					
SHEET	3 OF 4					
DIST.	DMU RP11-C-34					

THIS SCHEMATIC IS FURNISHED ONLY FOR TEST AND MAINTENANCE PURPOSES. THE CIRCUITS ARE PROPRIETARY IN NATURE AND SHOULD BE TREATED ACCORDINGLY. COPYRIGHT 1969 BY DIGITAL EQUIPMENT CORPORATION



UNLESS OTHERWISE INDICATED:
 O---O INDICATES JUMPERS
 RESISTORS ARE 1K, 1/4W, 5%
 CAPACITORS ARE .01MFD, 100V, 20%
 E1, E2, E3, E7, E11 ARE DEC380
 E4, E8, E12 ARE DEC8242
 E9, E10 ARE DEC8815
 E5 IS DEC74H00
 E6 IS DEC7402
 E13 IS DEC8881
 PIN 1 ON E1, E2, E3, E7, E11 = GND
 PIN 8 ON E1, E2, E3, E7, E11 = +5V
 PIN 7 ON E4, E5, E6, E8, E9, E10, E12, E13 = GND
 PIN 14 ON E4, E5, E6, E8, E9, E10, E12, E13 = +5V

REV. NO.	CHG. NO.	REV.	A	B
1	00002			

DRN: *B. Riley*
 DATE: 11-26-69
 CHKD: *V. Johnson*
 DATE: 1-9-70
 ENGR: *R.E. Denny*
 DATE: 3-20-70
 PROB: *Red*
 DATE: 6/17/70

TRANSISTOR & DIODE CONVERSION CHART			
DEC	EIA	DEC	EIA

digital
 EQUIPMENT CORPORATION
 MAYNARD, MASSACHUSETTS

TITLE: ADDRESS SELECTOR MI05
 SIZE: C CS
 NUMBER: MI05-0-1
 REV. B
 PRINTED CIRCUIT REV. C

REV. B
 NUMBER MI05-0-1
 SIZE CODE C CS

PARTS REFERENCE

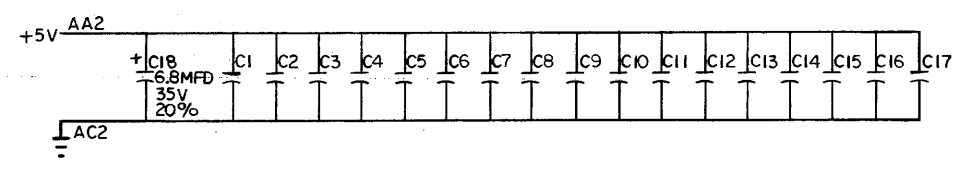
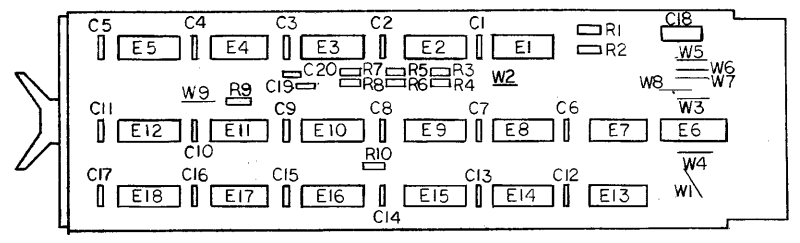
ITEM NO.	DRAWING REFERENCE	DESCRIPTION	PART NUMBER	QUANTITY
1	E12, E18	I.C. DEC 7474	1905547	2
2	E4, E7, E17	I.C. DEC 7400	1905575	2
3	E6, E13, E14	I.C. DEC 7402	1909004	3
4	E1, E11	I.C. DEC 380	1909485	2
5	E5	I.C. DEC 74H74	1909667	1
6	E2, E8, E9, E15, E16	I.C. DEC 8881	1909705	5
7	E3	I.C. DEC 74H04	1909931	1
8	F10	I.C. DEC 7408	1910155	1
9	C19, C20	CAP. 330PF, 100V, 5% DM	1000023	2
10	C18	CAP. 6.8MFD, 35V, 20% TANT	1000067	1
11	C1 THRU C17	CAP. .01MFD, 100V, 20% DISC	1001610	17
12	R7, R8	RES. 47K, 1/4W, 5%	1300202	2
13	R1, R2	RES. 390K, 1/4W, 5%	1300309	2
14	R4, R10	RES. 180K, 1/4W, 5%	1301322	2
15	R3, R5, R6, R9	RES. 1K, 1/4W, 5%	1300365	4

NOTES:

- VECTOR BIT JUMPERS MUST BE CUT FOR A "ZERO" AND MUST BE INSERTED FOR A "ONE".
- NPR JUMPER (W9) MUST BE CUT FOR SOME PDP-11 PROCESSORS; IF THE RIGHT HALF REQUEST CIRCUIT IS USED FOR NPR'S; OR IF PIN J1 IS NOT WIRED ON THE M7821 SLOT.
- DETAILS ON COMPONENTS ARE NOTED IN THE PARTS REFERENCE. PLACEMENT IS NOTED IN THE COMPONENT PLACEMENT DIAGRAM.
- GND AND +5V ARE USUALLY PIN 7 AND PIN 14, RESPECTIVELY EXCEPTIONS ARE:

I.C. TYPE	GND	+5V
DEC 380	PIN 1	PIN 8
- UNLESS OTHERWISE NOTED RESISTANCE IS IN OHMS, CAPACITANCE IS IN PICO FARADS. CAPACITORS WITHOUT ANY NOTED VALUES ARE .01MFD.

COMPONENT PLACEMENT

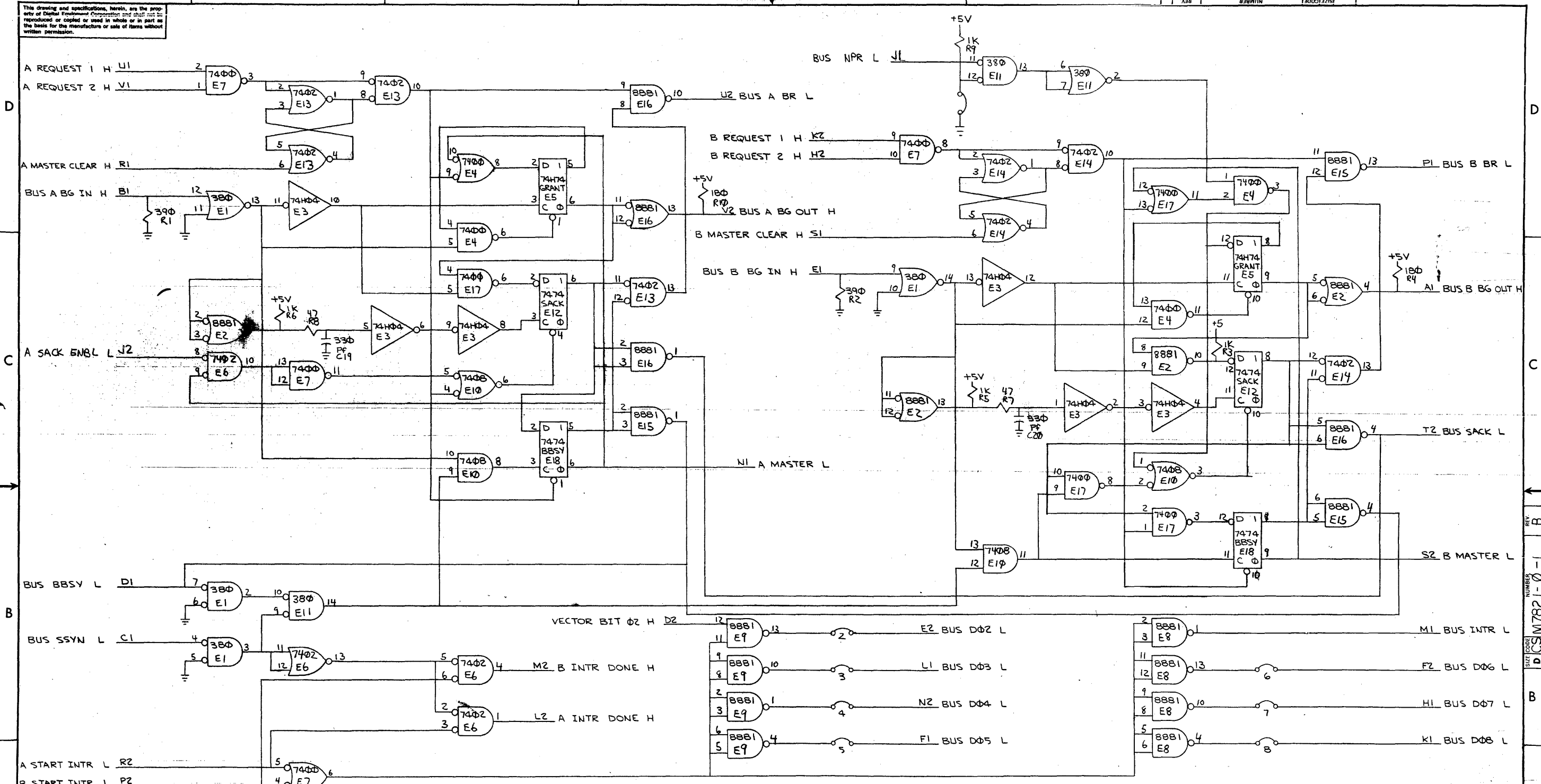


REV. 15	REV. B
CHK. CHANGE NO. M7821-0001	REV. B
P. J. WALKER	4-13-72
S. ROHMAN	

FIRST USED ON OPT/MOD 11/20	QTY.	DESCRIPTION	PART NO.	ITEM NO.	
PARTS LIST					
UNLESS OTHERWISE SPECIFIED	DRN. <i>[Signature]</i>	DATE 8/25/72	 digital EQUIPMENT CORPORATION MAYNARD, MASSACHUSETTS		
UNLESS OTHERWISE SPECIFIED	CHK'D. <i>[Signature]</i>	DATE 8-29-72			
TOLERANCES	ENG. <i>[Signature]</i>	DATE 8-29-72			
DECIMALS FRACTIONS ANGLES	PROJ. ENG. <i>[Signature]</i>	DATE 8-29-72			
± .005 ± 1/64 ± 0°30'	PROD. <i>[Signature]</i>	DATE	TITLE INTERRUPT CONTROL M7821		
FINAL SURFACE QUALITY REMOVE BURRS AND BREAK SHARP CORNERS	NEXT HIGHER ASSY				
MATERIAL	FINISH	SCALE	SIZE CODE	NUMBER	REV.
++	++	++	DCS	M7821-0-1	B
SHEET 1 OF 2		DIST.			

This drawing and specifications, herein, are the property of Digital Equipment Corporation and shall not be reproduced or copied in whole or in part as the basis for the manufacture or sale of items without written permission.

SIZE CODE NUMBER DCSM7821-0-1

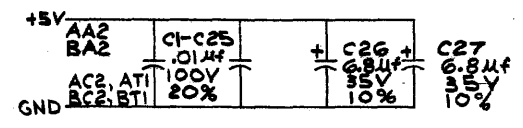
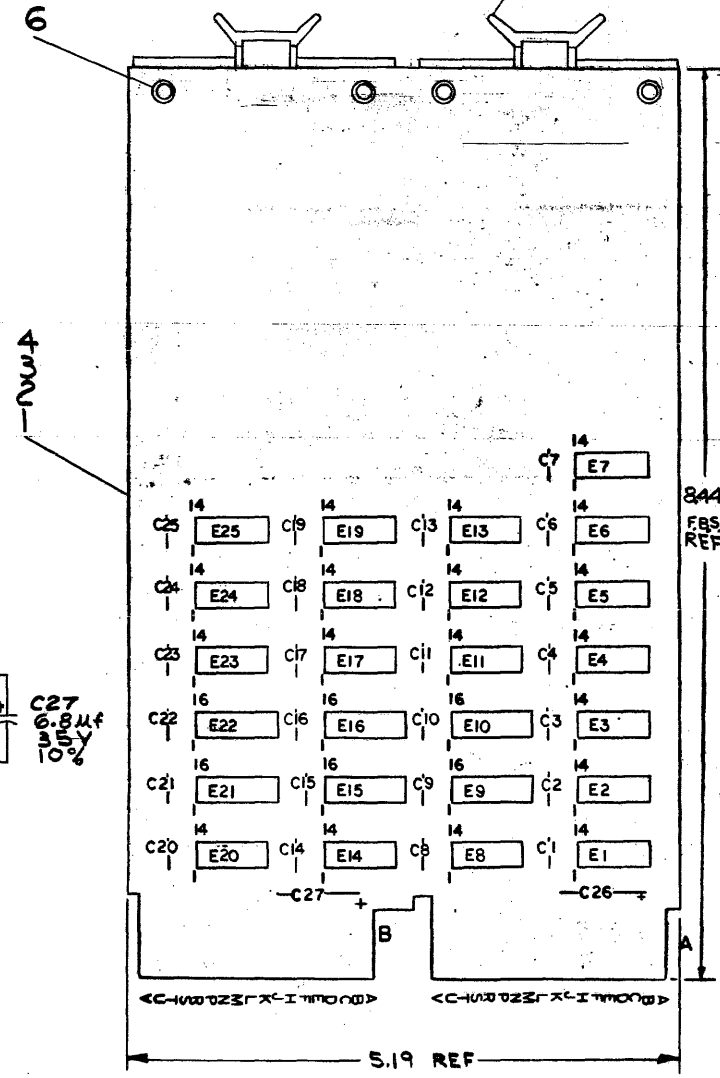
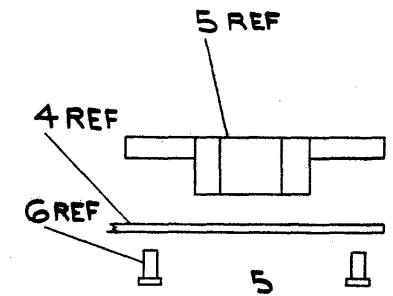


QTY	REF DESIGNATION	DESCRIPTION	PART NO.	ITEM NO.
PARTS LIST				
ETCH BOARD REV B				
DRN. <i>Tom Capron</i>		DATE 20 Sep 71	digital EQUIPMENT CORPORATION MATHEW MASSACHUSETTS	
CHK'D. <i>[Signature]</i>		DATE 7/27/71		
ENG. <i>[Signature]</i>		DATE 9-24-71		
PROJ. ENG. <i>[Signature]</i>		DATE 9-27-71		
PROD. <i>[Signature]</i>		DATE		
NEXT HIGHER ASSY			TITLE	
11			INTERRUPT CONTROL M7821	
DEC NO.		EIA NO.	DEC NO.	EIA NO.
			SCALE	
		SEMICONDUCTOR CONVERSION CHART		SHEET 2 OF 2

ORIGINATED	REV	CHANGE NO.	REVISIONS
B	1		
B	2		
B	3		
B	4		
B	5		
B	6		
B	7		
B	8		
B	9		
B	10		
B	11		
B	12		
B	13		
B	14		
B	15		
B	16		
B	17		
B	18		
B	19		
B	20		

This drawing and specifications, herein, are the property of Digital Equipment Corporation and shall not be reproduced or copied or used in whole or in part as the basis for the manufacture of parts of items without written permission. COPYRIGHT © 1973
DIGITAL EQUIPMENT CORPORATION

NOTES:



IC 74193	8	16
IC TYPE	GND	+ 5V
GND AND 5V ARE USUALLY PIN 7 AND 14 RESPECTIVELY EXCEPTIONS ARE STATED ABOVE		
IC PIN LOCATIONS		

REF	QTY	REF DESIGNATION	DESCRIPTION	PART NO.	ITEM NO.
			X-Y COORDINATE HOLE LOCATION	K-CO-M795-04	1
			ASS'Y/DRILLING HOLE LAYOUT	DAH-M795-0-5	2
			MODULE ECO HISTORY	EMH-M795-0-6	3
1			ETCHED CIRCUIT BOARD	5009040	4
2			HANDLE, FLIP CHIP MAGENTA	9008337-6	5
4			EYELET	9006732	6
25		C1-C25	CAP. 0.01μf 100V 20% AXIAL	1001610	7
2		C26-C27	CAP. 6.8μf 35V 10% S.TANT	1005306	8
1		E13	IC DEC 7400	1905575	9
1		E6	IC DEC 7420	1905577	10
2		E2, E3	IC DEC 8281	1909490	11
1		E25	IC DEC 7404	1909686	12
6		E9, E10, E15, E16, E21, E22	IC DEC 74193	1910018	13
1		E19	IC DEC 7437	1910091	14
1		E7	IC DEC 7408	1910155	15
12		E1, E4, E5, E8, E11, E12, E14, E17, E18, E20, E23, E24	IC DEC 8881	1909705	16

FIRST USED ON OPTION MODEL
PDP11

ETCH BOARD REV D

REVISIONS

DRN	DATE	5-28-73
CHK'D	DATE	5-23-73
ENG.	DATE	5/17/73
PROJ. ENG.	DATE	6/1/73
PROP.	DATE	10/12/73

digital EQUIPMENT CORPORATION
MAYNARD, MASSACHUSETTS

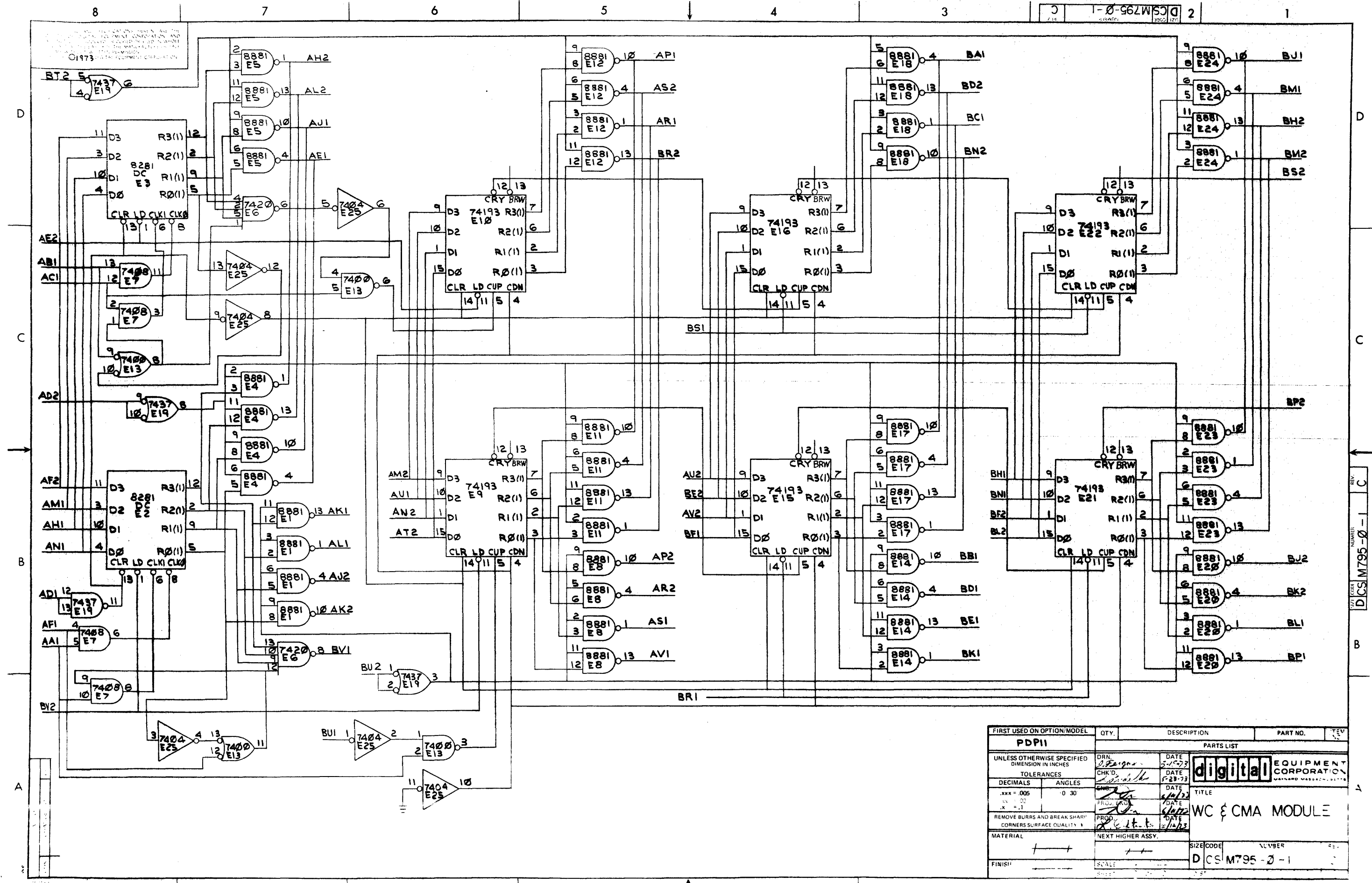
TITLE
WC & CMA MODULE

SIZE CODE
DCS M795-0-1

REV.
C

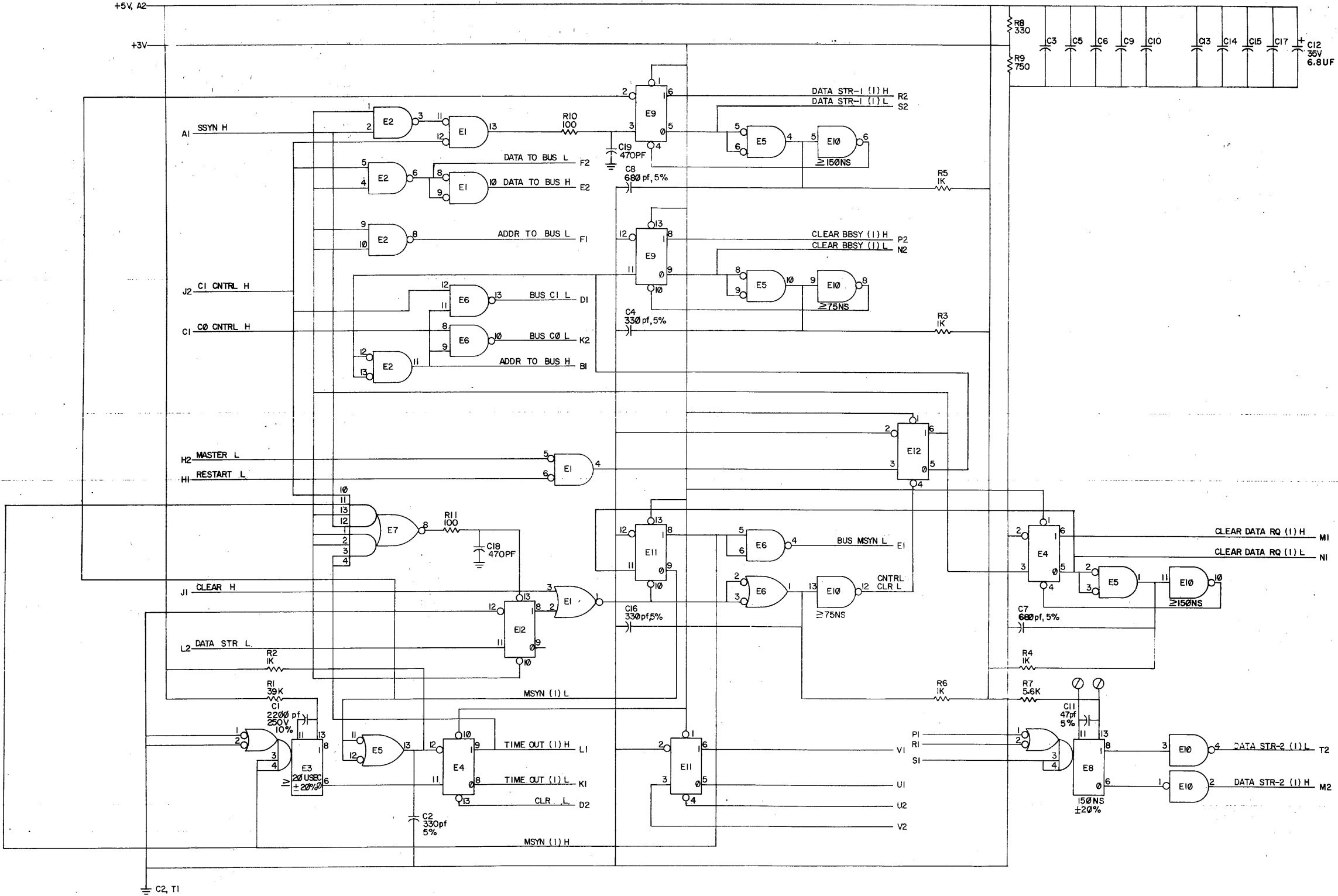
SEMICONDUCTOR CONVERSION CHART

SHEET 1 OF 2



FIRST USED ON OPTION/MODEL	QTY.	DESCRIPTION	PART NO.	REV.	
PDPI1					
PARTS LIST					
UNLESS OTHERWISE SPECIFIED		DRN.	DATE		
DIMENSION IN INCHES		CHK'D.	DATE		
TOLERANCES		ENG.	DATE		
DECIMALS ANGLES		PROJ. ENGR.	DATE		
.xxx = .005	0 30	DATE	DATE	TITLE WC & CMA MODULE	
REMOVE BURRS AND BREAK SHARP CORNERS SURFACE QUALITY 1		PROD.	DATE		
MATERIAL		NEXT HIGHER ASSY.		SIZE CODE	NUMBER
FINISH		SCALE		DCS M795-0-1	

THIS SCHEMATIC IS FURNISHED ONLY FOR TEST AND MAINTENANCE PURPOSES. THE CIRCUITS ARE PROPRIETARY IN NATURE AND SHOULD BE TREATED ACCORDINGLY. COPYRIGHT 1970 BY DIGITAL EQUIPMENT CORPORATION.



UNLESS OTHERWISE INDICATED:
 RESISTORS ARE 1/4W, 5%
 CAPACITORS ARE .01uF, 100V, 20%
 E1 IS DEC7402
 E2 IS DEC7400
 E3, E8 ARE DEC9501
 E4, E9, E11, E12 ARE DEC7474
 E5 IS DEC7401
 E6 IS DEC8881
 E7 IS DEC74155
 E10 IS DE7404
 ⊕ = SPLIT LUGS

REV C
 NUMBER M796-0-1
 SIZE CODE D CS

REV	DATE	BY	CHKD
1	6/29/70	W. J.
2	7-2-72
3	9-21-73

OWN	DATE
...	...

TRANSISTOR & DIODE CONVERSION CHART			
DEC	EIA	DEC	EIA

digital EQUIPMENT CORPORATION
 MAYNARD, MASSACHUSETTS

TITLE: UNIBUS MASTER CONTROL M796
 NUMBER: M796-0-1
 REV: C

RP11C.C RUN NAME	WRP288.V17(17) 06/22/72 A/P PIN ORDER BAY - NAME PIN ORDER	Q	DRAW	RV	PG	Y	X	Z	REMARKS	9-APR-73 LENGTH	23148 EXCEPTIONS	PAGE 1 RUN NUMBER
+3.0V A09U1	A07B1							1				1
+3.0V A09U1	A09U1							2				1
+3.0V A09U1	A10U2							1				1
+3.0V A09U1	A10T2							2				1
+3.0V A09U1	A10R1							1				1
+3.0V A09U1	A10P1							2				1
+3.0V A09U1	A10N2							1				1
+3.0V A09U1	A10M2							2				1
+3.0V A09U1	A10H2							1				1
+3.0V A09U1	A10F2							2				1
+3.0V A09U1	A21M2							1				1
+3.0V A09U1										37-1/8		1
+3.0V A09V1	A09V1							2				2
+3.0V A09V1	B10C1							1				2
+3.0V A09V1	B10D1							2				2
+3.0V A09V1	B10F2							1				2
+3.0V A09V1	B10H2							2				2
+3.0V A09V1	B10J1							1				2
+3.0V A09V1	B10K1							2				2
+3.0V A09V1	B10M2							1				2
+3.0V A09V1	B10N2							2				2
+3.0V A09V1	B10R1							1				2
+3.0V A09V1	B10P1											2
+3.0V A09V1										26-6/8		2
+3.0V A11V1	A10C1							1				3
+3.0V A11V1	A10D1							2				3
+3.0V A11V1	A10J1							1				3
+3.0V A11V1	A10K1							2				3
+3.0V A11V1	A11V1							1				3
+3.0V A11V1	B11J2											3
+3.0V A11V1										17-5/8		3
+3.0V A12V1	A12V1							2				4
+3.0V A12V1	B12A1							1				4
+3.0V A12V1	B12D2							2				4
+3.0V A12V1	B12D1							1				4
+3.0V A12V1	B12H2							2				4
+3.0V A12V1	B12H1							1				4
+3.0V A12V1	B12L2							2				4
+3.0V A12V1	B12L1											4
+3.0V A12V1										20-5/8		4

RP11C.C RUN NAME	WRP288.V17(17) 06/22/72 A/P PIN ORDER BAY - NAME PIN ORDER	Q	DRAW	RV	PG	Y	X	Z	REMARKS	9-APR-73 LENGTH	23148 EXCEPTIONS	PAGE 2 RUN NUMBER
+3.0V A13V1	A13V1							2				5
+3.0V A13V1	B13A1							1				5
+3.0V A13V1	B13D2							2				5
+3.0V A13V1	B13D1							1				5
+3.0V A13V1	B13H2							2				5
+3.0V A13V1	B13H1							1				5
+3.0V A13V1	B13L2							2				5
+3.0V A13V1	B13L1											5
+3.0V A13V1										20-5/8		5
+3.0V A14V1	A14V1							1				6
+3.0V A14V1	A14A1							2				6
+3.0V A14V1	A18E2							1				6
+3.0V A14V1	A18F2							2				6
+3.0V A14V1	A18H2							1				6
+3.0V A14V1	A18L2							2				6
+3.0V A14V1	A18M2							1				6
+3.0V A14V1	A18N2											6
+3.0V A14V1										23-3/8		6
+3.0V A18U1	A18B1							1				7
+3.0V A18U1	A18C1							2				7
+3.0V A18U1	A18D1							1				7
+3.0V A18U1	A19K2							2				7
+3.0V A18U1	A21D1							1				7
+3.0V A18U1	A20K2							2				7
+3.0V A18U1	A20U2							1				7
+3.0V A18U1	A19U2							2				7
+3.0V A18U1	A18U1							1				7
+3.0V A18U1	B20C1							2				7
+3.0V A18U1	B20P1							1				7
+3.0V A18U1	B20L2											7
+3.0V A18U1										39-4/8		7
+3.0V B11V1	B11M1							1				8
+3.0V B11V1	B11M2							2				8
+3.0V B11V1	B11P1							1				8
+3.0V B11V1	B11R1							2				8
+3.0V B11V1	B11P2							1				8
+3.0V B11V1	B11R2							2				8
+3.0V B11V1	B11V1											8
+3.0V B11V1										16-1/8		8

RP11C.C RUN NAME	WRP288.V17(17) 06/22/72 A/P PIN ORDER BAY - NAME PIN ORDER	Q	DRAW	RV	PG	Y	X	Z	REMARKS	9-APR-73 LENGTH	23148 EXCEPTIONS	PAGE 5 RUN NUMBER
+3.0v C17U1	C15E1							2				14
+3.0v C17U1	C15D1							1				14
+3.0v C17U1	C16E1							2				14
+3.0v C17U1	C16D1							1				14
+3.0v C17U1	C16F1							2				14
+3.0v C17U1	C16M2							1				14
+3.0v C17U1	C17U1							2				14
+3.0v C17U1	C20T2							1				14
+3.0v C17U1	C20S2							2				14
+3.0v C17U1	C20R2							1				14
+3.0v C17U1	C20R1							2				14
+3.0v C17U1	C20P1							1				14
+3.0v C17U1	C20N1							2				14
+3.0v C17U1	C20K1							1				14
+3.0v C17U1	C20J1							2				14
+3.0v C17U1	C20H1							1				14
+3.0v C17U1	C20D1							2				14
+3.0v C17U1	C20C1							1				14
+3.0v C17U1	C20B1							1				14
+3.0v C17U1										50-5/8		14
+3.0v C18U1	C21J1							1				15
+3.0v C18U1	C21K1							2				15
+3.0v C18U1	C19D1							1				15
+3.0v C18U1	C19E1							2				15
+3.0v C18U1	C19F1							1				15
+3.0v C18U1	C19H1							2				15
+3.0v C18U1	C19J1							1				15
+3.0v C18U1	C19M2							2				15
+3.0v C18U1	C18U1							1				15
+3.0v C18U1	D18H2							1				15
+3.0v C18U1										27-6/8		15

RP11C.C RUN NAME	WRP288.V17(17) 06/22/72 A/P PIN ORDER BAY - NAME PIN ORDER	Q	DRAW	RV	PG	Y	X	Z	REMARKS	9-APR-73 LENGTH	23148 EXCEPTIONS	PAGE 6 RUN NUMBER
+3.0v C25V1	A24E1							1				16
+3.0v C25V1	A25E1							2				16
+3.0v C25V1	A25J1							1				16
+3.0v C25V1	A25L1							2				16
+3.0v C25V1	A24J1							1				16
+3.0v C25V1	A24L1							2				16
+3.0v C25V1	A24U2							1				16
+3.0v C25V1	A25U2							2				16
+3.0v C25V1	B25B1							1				16
+3.0v C25V1	B24B1							2				16
+3.0v C25V1	B24J1							1				16
+3.0v C25V1	B24L1							2				16
+3.0v C25V1	B25J1							1				16
+3.0v C25V1	B25L1							2				16
+3.0v C25V1	B24U2							1				16
+3.0v C25V1	B25U2							2				16
+3.0v C25V1	C25M2							1				16
+3.0v C25V1	C25P2							2				16
+3.0v C25V1	C25S2							1				16
+3.0v C25V1	C25V1							1				16
+3.0v C25V1										64-7/8		16
+3.0v D16U1	C15J1							2				17
+3.0v D16U1	C15H1							1				17
+3.0v D16U1	D14H1							2				17
+3.0v D16U1	D14J1							1				17
+3.0v D16U1	D14K1							2				17
+3.0v D16U1	D14N1							1				17
+3.0v D16U1	D14P1							2				17
+3.0v D16U1	D14R1							1				17
+3.0v D16U1	D14S2							2				17
+3.0v D16U1	D14T2							1				17
+3.0v D16U1	D14U2							2				17
+3.0v D16U1	D16U1							1				17
+3.0v D16U1	D16N2							2				17
+3.0v D16U1	D16M2							1				17
+3.0v D16U1	D17F1							2				17
+3.0v D16U1	D18E2							1				17
+3.0v D16U1	D18P2							2				17
+3.0v D16U1	C25K2							1				17
+3.0v D16U1	C25W2							2				17
+3.0v D16U1	C25E2							1				17
+3.0v D16U1										62-6/8		17

RP11C.C RUN NAME	WRP288.V17(17) 06/22/72 A/P PIN ORDER BAY - NAME PIN ORDER	Q	DRAW	RV	PG	Y	X	Z	REMARKS	9-APR-73 LENGTH	23148 EXCEPTIONS	PAGE 9 RUN NUMBER
+3.0V E10U1	E12D1							1				22
+3.0V E10U1	E12E1							2				22
+3.0V E10U1	E09K2							1				22
+3.0V E10U1	E10U1							2				22
+3.0V E10U1	J11B1							1				22
+3.0V E10U1	J12B1							2				22
+3.0V E10U1	J12J1							1				22
+3.0V E10U1	J12L1							2				22
+3.0V E10U1	J11J1							1				22
+3.0V E10U1	J11L1							2				22
+3.0V E10U1	J11U2							1				22
+3.0V E10U1	J12U2							1				22
+3.0V E10U1								1		44-7/8		22
+3.0V E10V1	E10V1							2				23
+3.0V E10V1	F12K2							1				23
+3.0V E10V1	F12L2							2				23
+3.0V E10V1	F12M2							1				23
+3.0V E10V1	F12N2							2				23
+3.0V E10V1	F13L1							1				23
+3.0V E10V1	F14K2							2				23
+3.0V E10V1	F14J2							1				23
+3.0V E10V1	F15K1	F16E2						2				23
+3.0V E10V1	F16E2	F16F2						1				23
+3.0V E10V1	F16F2	F16H2						2				23
+3.0V E10V1	F16H2							1				23
+3.0V E10V1	F16F1							2				23
+3.0V E10V1	F16E1							1				23
+3.0V E10V1	F16D1							2				23
+3.0V E10V1	F17P2							1				23
+3.0V E10V1	F15P2							2				23
+3.0V E10V1	E15R1							1				23
+3.0V E10V1	E15M2							1				23
+3.0V E10V1								1		56-6/8		23

RP11C.C RUN NAME	WRP288.V17(17) 06/22/72 A/P PIN ORDER BAY - NAME PIN ORDER	Q	DRAW	RV	PG	Y	X	Z	REMARKS	9-APR-73 LENGTH	23148 EXCEPTIONS	PAGE 10 RUN NUMBER
+3.0V E22U1	E15K1							2				24
+3.0V E22U1	E15F2							1				24
+3.0V E22U1	E15D1							2				24
+3.0V E22U1	E16D1							1				24
+3.0V E22U1	E16F2							2				24
+3.0V E22U1	E17K1							1				24
+3.0V E22U1	E17M2							2				24
+3.0V E22U1	E16N2							1				24
+3.0V E22U1	E17R1							2				24
+3.0V E22U1	E17U2							1				24
+3.0V E22U1	E22U1							2				24
+3.0V E22U1	E25D1							1				24
+3.0V E22U1	E25E1							2				24
+3.0V E22U1	E25F1							1				24
+3.0V E22U1	E25H1							2				24
+3.0V E22U1	E25J1							1				24
+3.0V E22U1	E25M2							1				24
+3.0V E22U1								1		49-6/8		24
+3.0V E22V1	E22V1							1				25
+3.0V E22V1	E24M2							2				25
+3.0V E22V1	E24J1							1				25
+3.0V E22V1	E24H2							2				25
+3.0V E22V1	E24F1							1				25
+3.0V E22V1	E24H1							2				25
+3.0V E22V1	E24E1							1				25
+3.0V E22V1	E24D1							2				25
+3.0V E22V1	E25H2							1				25
+3.0V E22V1								1		23-2/8		25
+3.0V E26U1	E26U1							1				26
+3.0V E26U1	E26U2							2				26
+3.0V E26U1	E26T2							1				26
+3.0V E26U1	E26S2							2				26
+3.0V E26U1	E28R1							1				26
+3.0V E26U1	E28U2							2				26
+3.0V E26U1	E29U2							1				26
+3.0V E26U1	E29R1							2				26
+3.0V E26U1	E29N2							1				26
+3.0V E26U1	E29D1							2				26
+3.0V E26U1	E27F1	E27D1						1				26
+3.0V E26U1	E27D1							1				26
+3.0V E26U1								1		34-6/8		26

RP11C.C
RUN NAME

WRP288.V17(17) 06/22/72
A/P PIN ORDER BAY -
NAME PIN ORDER

Q DRAW RV PG Y X Z REMARKS

9-APR-73

23148

PAGE 15
RUN
NUMBER

176720
176720
176720
176720

H A10A1 1-01 *
H B10A1 1-02 *
H B16N1 1-03 *
1

1
2

13-2/8

45
45
45
45

176722
176722
176722
176722
176722

H B16N2 1-01 *
H B10F1 1-02 *
H D04A1 1-03 *
H D01P1 1-04 *
1

2
1
2

22-7/8

46
46
46
46

176724
176724
176724
176724
176724
176724
176724

H D01N2 1-01 *
H D01J2 1-02 *
H B10M1 1-03 *
H B16P1 1-04 *
H D16K2 1-05 *
H D17K2 1-06 *
1

1
2
1
2
1

31-4/8

47
47
47
47
47
47

176726
176726
176726

H B10D2 1-01 *
H B16P2 1-02 *
1

1

7-0/8

48
48
48

176730
176730
176730
176730
176730
176730

H B16R1 1-01 *
H W08B1 1-02 *
H W08C1 1-03 *
H W08K1 1-04 *
H W08J1 1-05 *
1

2
1
2
1

27-0/8

49
49
49
49
49

176732
176732
176732
176732
176732
176732

H B16R2 1-01 *
H W08F2 1-02 *
H W08E2 1-03 *
H W08N1 1-04 *
H W08P1 1-05 *
1

2
1
2
1

27-6/8

50
50
50
50
50

176734
176734
176734

H B10K2 1-01 *
H B16S1 1-02 *
1

1

6-4/8

51
51
51

176736
176736
176736
176736

H A18F1 1-01 *
H B16S2 1-02 *
H B26H2 1-03 *
1

2
1

16-6/8

52
52
52
52

RP11C.C
RUN NAME

WRP288.V17(17) 06/22/72
A/P PIN ORDER BAY -
NAME PIN ORDER

Q DRAW RV PG Y X Z REMARKS

9-APR-73

23148

PAGE 16
RUN
NUMBER

5MC
5MC
5MC
5MC
5MC

H D20E1 1-01 *
H D20H1 1-02 *
H D20J1 1-03 *
H E20K1 1-04 *
1

2
1
2

10-7/8

53
53
53
53
53

A09F2
A09F2
A09F2

A09F2 1-01 *
B09P2 1-02 *
1

1

6-6/8

54
54
54

A15E1
A15E1
A15E1

A15E1 1-01 *
A18D2 1-02 *
1

1

5-0/8

55
55
55

A15L1
A15L1
A15L1

A15L1 1-01 *
A18K2 1-02 *
1

1

4-6/8

56
56
56

A15S1
A15S1
A15S1
A15S1

A09U2 1-01 *
A09T2 1-02 *
A15S1 1-03 *
1

1
2

8-1/8

57
57
57
57

A17C1
A17C1
A17C1
A17C1
A17C1

A17C1 1-01 *
B20D2 1-02 *
B20P2 1-03 *
B20T2 1-04 *
1

1
2
1

14-6/8

58
58
58
58

A17K2
A17K2
A17K2

A17K2 1-01 *
B20H2 1-02 *
1

1

7-0/8

59
59
59

A19N1
A19N1
A19N1

A19J2 1-01 *
A19N1 1-02 *
1

1

3-4/8

60
60
60

A20E1
A20E1
A20E1

A19S2 1-01 *
A20E1 1-02 *
1

1

4-4/8

61
61
61

A20N1
A20N1
A20N1

A20J2 1-01 *
A20N1 1-02 *
1

1

3-4/8

62
62
62

RP11C.C RUN NAME	A/P	WRP288.V17(17) PIN NAME	06/22/72 ORDER PIN	BAY - ORDER	Q	DRAW	RV	PG	Y	X	Z	REMARKS	9-APR-73 LENGTH	23:48 EXCEPTIONS	PAGE 19 RUN NUMBER
ATTENTION 00	L	H18K2		1-01 *							2				84
ATTENTION 00	L	H16D2		1-02 *							1				84
ATTENTION 00	L	H10D2	J09B1	1-03 *							2				84
ATTENTION 00	L	J09B1		1-04 *											84
ATTENTION 00				1									16-3/8		84
ATTENTION 01	L	H19K2		1-01 *							2				85
ATTENTION 01	L	H16H2		1-02 *							1				85
ATTENTION 01	L	H10E2		1-03 *							2				85
ATTENTION 01	L	J09P2		1-04 *											85
ATTENTION 01				1									18-2/8		85
ATTENTION 02	L	H20K2		1-01 *							2				86
ATTENTION 02	L	H16K2		1-02 *							1				86
ATTENTION 02	L	H10H2	J09E1	1-03 *							2				86
ATTENTION 02	L	J09E1		1-04 *											86
ATTENTION 02				1									17-4/8		86
ATTENTION 03	L	H21K2		1-01 *							1				87
ATTENTION 03	L	H16M2		1-02 *							2				87
ATTENTION 03	L	H10K2		1-03 *							1				87
ATTENTION 03	L	J09S2		1-04 *											87
ATTENTION 03				1									19-0/8		87
ATTENTION 04	L	J09T2		1-01 *							1				88
ATTENTION 04	L	H10M2		1-02 *							2				88
ATTENTION 04	L	H16P2		1-03 *							1				88
ATTENTION 04	L	J18K2		1-04 *											88
ATTENTION 04				1									19-2/8		88
ATTENTION 05	L	J09J1		1-01 *							2				89
ATTENTION 05	L	H10P2		1-02 *							1				89
ATTENTION 05	L	H16R2		1-03 *							2				89
ATTENTION 05	L	J19K2		1-04 *											89
ATTENTION 05				1									18-3/8		89
ATTENTION 06	L	J09V2		1-01 *							1				90
ATTENTION 06	L	H10S2		1-02 *							2				90
ATTENTION 06	L	H16S2		1-03 *							1				90
ATTENTION 06	L	J20K2		1-04 *											90
ATTENTION 06				1									18-3/8		90
ATTENTION 07	L	J09M1		1-01 *							1				91
ATTENTION 07	L	H10V2		1-02 *							2				91
ATTENTION 07	L	H16U1		1-03 *							1				91
ATTENTION 07	L	J21K2		1-04 *											91
ATTENTION 07				1									19-0/8		91

RP11C.C RUN NAME	A/P	WRP288.V17(17) PIN NAME	06/22/72 ORDER PIN	BAY - ORDER	Q	DRAW	RV	PG	Y	X	Z	REMARKS	9-APR-73 LENGTH	23:48 EXCEPTIONS	PAGE 20 RUN NUMBER
ATTN	H	A09L1		1-01 *							2				92
ATTN	H	A06K2		1-02 *							1				92
ATTN	H	D23V2	F20E2	1-03 *							2				92
ATTN	H	F20E2		1-04 *											92
ATTN				1									28-6/8		92
ATTN 00 (0)	H	A11A1		1-01 *							1				93
ATTN 00 (0)	H	C24F1		1-02 *							2				93
ATTN 00 (0)	H	D23M1		1-03 *											93
ATTN 00 (0)				1									19-6/8		93
ATTN 00 (1)	H	C24F1		1-01 *							1				94
ATTN 00 (1)	H	D32U1		1-02 *											94
ATTN 00 (1)				1									8-7/8		94
ATTN 01 (0)	H	A11D1		1-01 *							1				95
ATTN 01 (0)	H	C24J2		1-02 *							2				95
ATTN 01 (0)	H	D23N1		1-03 *											95
ATTN 01 (0)				1									20-1/8		95
ATTN 01 (1)	H	C24H2		1-01 *							1				96
ATTN 01 (1)	H	D32T1		1-02 *											96
ATTN 01 (1)				1									8-5/8		96
ATTN 02 (0)	H	A11D2		1-01 *							1				97
ATTN 02 (0)	H	C24M1		1-02 *							2				97
ATTN 02 (0)	H	D23P1		1-03 *											97
ATTN 02 (0)				1									18-2/8		97
ATTN 02 (1)	H	C24L1		1-01 *							1				98
ATTN 02 (1)	H	D32S1		1-02 *											98
ATTN 02 (1)				1									8-5/8		98
ATTN 03 (0)	H	A11H1		1-01 *							1				99
ATTN 03 (0)	H	C24R2		1-02 *							2				99
ATTN 03 (0)	H	D23R1		1-03 *											99
ATTN 03 (0)				1									19-4/8		99
ATTN 03 (1)	H	C24P2		1-01 *							1				100
ATTN 03 (1)	H	D32R1		1-02 *											100
ATTN 03 (1)				1									9-1/8		100
ATTN 04 (0)	H	A11H2		1-01 *							1				101
ATTN 04 (0)	H	C24U1		1-02 *							2				101
ATTN 04 (0)	H	D23R2		1-03 *											101
ATTN 04 (0)				1									17-4/8		101

RP11C.C RUN NAME	A/P	WRP288.V17(17) 06/22/72 PIN ORDER BAY - NAME PIN ORDER	Q	DRAW	RV	PG	Y	X	Z	REMARKS	9-APR-73 LENGTH	23148 EXCEPTIONS	PAGE 21 RUN NUMBER
ATTN 04 (1)	H	C24S1							1				102
ATTN 04 (1)	H	D32P1											102
ATTN 04 (1)											9-4/8		102
ATTN 05 (0)	H	A11L1							1				103
ATTN 05 (0)	H	C24V1							2				103
ATTN 05 (0)	H	D23S2											103
ATTN 05 (0)											17-6/8		103
ATTN 05 (1)	H	C24V2							1				104
ATTN 05 (1)	H	D32N1											104
ATTN 05 (1)											8-6/8		104
ATTN 06 (0)	H	A11L2							1				105
ATTN 06 (0)	H	D25F1							2				105
ATTN 06 (0)	H	D23T2											105
ATTN 06 (0)											18-7/8		105
ATTN 06 (1)	H	D25E1							1				106
ATTN 06 (1)	H	D32M1											106
ATTN 06 (1)											7-2/8		106
ATTN 07 (0)	H	A11P1							1				107
ATTN 07 (0)	H	D25U2							2				107
ATTN 07 (0)	H	D23U2											107
ATTN 07 (0)											18-1/8		107
ATTN 07 (1)	H	D25H2							1				108
ATTN 07 (1)	H	D32L1											108
ATTN 07 (1)											6-6/8		108
ATTN ENABLE (0)	H	R14H2							1				109
ATTN ENABLE (0)	H	E17M1											109
ATTN ENABLE (0)											12-4/8		109
ATTN ENABLE (1)	H	A06H2							2				110
ATTN ENABLE (1)	H	A09M1							1				110
ATTN ENABLE (1)	H	B32E1							2				110
ATTN ENABLE (1)	H	E17L1											110
ATTN ENABLE (1)											36-6/8		110
ATTN STR	L	D20B1							1				111
ATTN STR	L	D24V2							2				111
ATTN STR	L	E21R1											111
ATTN STR											11-5/8		111

RP11C.C RUN NAME	A/P	WRP288.V17(17) 06/22/72 PIN ORDER BAY - NAME PIN ORDER	Q	DRAW	RV	PG	Y	X	Z	REMARKS	9-APR-73 LENGTH	23148 EXCEPTIONS	PAGE 22 RUN NUMBER
B CLEAR	H	D01S1							2				112
B CLEAR	H	D01L2							1				112
B CLEAR	H	D14L1							2				112
B CLEAR	H	D17M2							1				112
B CLEAR	H	D17N2											112
B CLEAR											20-1/8		112
B CLEAR	L	D07R2							1				113
B CLEAR	L	D14F1											113
B CLEAR											7-2/8		113
B INIT	H	B06B1							1				114
B INIT	H	B19F1											114
B INIT											10-0/8		114
B INIT	L	B19H1							1				115
B INIT	L	E22U2							2				115
B INIT	L	E28K2											115
B INIT											20-6/8		115
B NPR	H	B06K1							1				116
B NPR	H	B09L1											116
B NPR											4-6/8		116
B NPR	L	A06J1							1				117
B NPR	L	B03J1							2				117
B NPR	L	B09M1											117
B NPR											13-4/8		117
B SSYN	H	A17D2							1				118
B SSYN	H	B09J1							2				118
B SSYN	H	B06P1							1				118
B SSYN	H	C07H2											118
B SSYN											20-3/8		118
B SSYN	L	A06C1							1				119
B SSYN	L	B03C1							2				119
B SSYN	L	B09K1											119
B SSYN											14-0/8		119
B01A2		B01A2							1				120
B01A2		B02A2											120
B01A2											3-4/8		120

RP11C.C RUN NAME	WRP288.V17(17) 06/22/72 A/P PIN ORDER BAY - NAME PIN ORDER	Q	DRAW	RV	PG	Y	X	Z	REMARKS	9-APR-73 LENGTH	23148 EXCEPTIONS	PAGE 23 RUN NUMBER
B03S2	B03P2							2				121
B03S2	B03R2							1				121
B03S2	B03S2									4-6/8		121
B03S2								1				121
B07U1	B07U1							1				122
B07U1	B07V1									2-3/8		122
B07U1								1				122
B09J2	B09J2							2				123
B09J2	C22C1							1				123
B09J2	C22F2									13-7/8		123
B09J2								1				123
B09N2	A21F2							1				124
B09N2	A21K1							2				124
B09N2	B09N2									14-5/8		124
B09N2								1				124
B09R2	A21C1							1				125
B09R2	B09R2									12-0/8		125
B09R2								1				125
B16P2	A06P2							2				126
B16P2	A06R2							1				126
B16P2	A06S2									4-6/8		126
B16P2								1				126
B18E1	A17H2							1				127
B18E1	B18E1									5-6/8		127
B18E1								1				127
B18J2	A17J2							1				128
B18J2	B18J2									6-2/8		128
B18J2								1				128
B18L1	A17D1							1				129
B18L1	B18L1							2				129
B18L1	B18R1									10-4/8		129
B18L1								1				129
B18P2	A17E1							2				130
B18P2	B18P2							1				130
B18P2	B18T2							2				130
B18P2	B19S2									13-2/8		130
B18P2								1				130

RP11C.C RUN NAME	WRP288.V17(17) 06/22/72 A/P PIN ORDER BAY - NAME PIN ORDER	Q	DRAW	RV	PG	Y	X	Z	REMARKS	9-APR-73 LENGTH	23148 EXCEPTIONS	PAGE 24 RUN NUMBER
B19N2	B19N2							1				131
B19N2	D30A1									11-1/8		131
B19N2								1				131
B19R2	B19R2							1				132
B19R2	D30S1									10-3/8		132
B19R2								1				132
B19S1	B19S1							1				133
B19S1	D30U1									10-7/8		133
B19S1								1				133
B19U1	B19U1							1				134
B19U1	D30R1									11-2/8		134
B19U1								1				134
B19V2	B19V2							1				135
B19V2	D30P2									10-7/8		135
B19V2								1				135
B21F2	A17E2							1				136
B21F2	B21F2									7-3/8		136
B21F2								1				136
B21N1	B20S1							1				137
B21N1	B21N1									3-6/8		137
B21N1								1				137
B21N2	B20N2							1				138
B21N2	B21N2									3-4/8		138
B21N2								1				138
B23H1	A15S2							1				139
B23H1	B23H1									8-4/8		139
B23H1								1				139
B23L1	A15M2							1				140
B23L1	B23L1									9-3/8		140
B23L1								1				140
B23R1	A15R2							1				141
B23R1	B23R1									8-7/8		141
B23R1								1				141
B23V1	A15N2							1				142
B23V1	B23V1									8-1/8		142
B23V1								1				142

RP11C.C RUN NAME	A/P	WRP288.V17(17) PIN NAME	06/22/72 ORDER PIN	BAY - ORDER	Q	DRAW	RV	PG	Y	X	Z	REMARKS	9-APR-73 LENGTH	23148 EXCEPTIONS	PAGE 27 RUN NUMBER
BCNT 01 (1)	H	C15T2		1-01 *							2				161
BCNT 01 (1)	H	C18N1		1-02 *							1				161
BCNT 01 (1)	H	C17B1		1-03 *											161
BCNT 01 (1)				1									9-4/8		161
BCNT 02 (1)	H	C16V2		1-01 *							1				162
BCNT 02 (1)	H	C18P1		1-02 *							2				162
BCNT 02 (1)	H	C18J1		1-03 *							1				162
BCNT 02 (1)	H	C17D1		1-04 *											162
BCNT 02 (1)				1									11-4/8		162
BCNT 03 (0)	H	C16J2		1-01 *							1				163
BCNT 03 (0)	H	C18K1		1-02 *											163
BCNT 03 (0)				1									3-6/8		163
BCNT 03 (1)	H	C16A1		1-01 *							2				164
BCNT 03 (1)	H	C16M1		1-02 *							1				164
BCNT 03 (1)	H	C16S2		1-03 *							2				164
BCNT 03 (1)	H	C16T2		1-04 *							1				164
BCNT 03 (1)	H	C16U2		1-05 *							2				164
BCNT 03 (1)	H	C18R1		1-06 *											164
BCNT 03 (1)				1									16-6/8		164
BCNT 04 (0)	H	C16F2		1-01 *							1				165
BCNT 04 (0)	H	C18K2		1-02 *											165
BCNT 04 (0)				1									4-2/8		165
BCNT 04 (1)	H	C16V1		1-01 *							2				166
BCNT 04 (1)	H	C16R1		1-02 *							1				166
BCNT 04 (1)	H	C16R2		1-03 *							2				166
BCNT 04 (1)	H	C18R2		1-04 *											166
BCNT 04 (1)				1									10-2/8		166
BCNT 05 (0)	H	C16D2		1-01 *							2				167
BCNT 05 (0)	H	C18S2		1-02 *							1				167
BCNT 05 (0)	H	C18T2		1-03 *							2				167
BCNT 05 (0)	H	C18U2		1-04 *							1				167
BCNT 05 (0)	H	D14E2		1-05 *											167
BCNT 05 (0)				1									15-7/8		167
BCNT 05 (1)	H	C16N2		1-01 *							2				168
BCNT 05 (1)	H	C18N2		1-02 *							1				168
BCNT 05 (1)	H	C18M2		1-03 *							2				168
BCNT 05 (1)	H	C18L2		1-04 *											168
BCNT 05 (1)				1									8-6/8		168

RP11C.C RUN NAME	A/P	WRP288.V17(17) PIN NAME	06/22/72 ORDER PIN	BAY - ORDER	Q	DRAW	RV	PG	Y	X	Z	REMARKS	9-APR-73 LENGTH	23148 EXCEPTIONS	PAGE 28 RUN NUMBER
BCNT CLR EN	L	D15K1		1-01 *							1				169
BCNT CLR EN	L	D16M1		1-02 *											169
BCNT CLR EN				1									3-4/8		169
BCNTC	H	C16H2		1-01 *							2				170
BCNTC	H	C16K2		1-02 *							1				170
BCNTC	H	C16K1		1-03 *							2				170
BCNTC	H	C16L1		1-04 *							1				170
BCNTC	H	C16P1		1-05 *							2				170
BCNTC	H	C16S1		1-06 *							1				170
BCNTC	H	C16U1		1-07 *							2				170
BCNTC	H	D15D2		1-08 *											170
BCNTC				1									20-4/8		170
RD 00	H	F20M2		1-01 *							1				171
RD 00	H	E32M2		1-02 *							2				171
RD 00	H	D24B1		1-03 *							1				171
RD 00	H	B25V1		1-04 *							2				171
RD 00	H	A20S1		1-05 *							1				171
RD 00	H	A07N1		1-06 *							2				171
RD 00	H	B05R1		1-07 *							1				171
RD 00	H	D02E1		1-08 *							2				171
RD 00	H	E10P1		1-09 *							1				171
RD 00	H	E09S1		1-10 *							2				171
RD 00	H	H05M2		1-11 *											171
RD 00				1									81-2/8		171
RD 01	H	E32J1		1-01 *							2				172
RD 01	H	D24E1		1-02 *							1				172
RD 01	H	B25S1		1-03 *							2				172
RD 01	H	A20U1		1-04 *							1				172
RD 01	H	A07H1		1-05 *							2				172
RD 01	H	B05E1		1-06 *							1				172
RD 01	H	D02E1		1-07 *							2				172
RD 01	H	E09U1		1-08 *							1				172
RD 01	H	E15J1		1-09 *							2				172
RD 01	H	H05J1		1-10 *											172
RD 01				1									77-0/8		172

RP11C.C
RUN NAME

WRP288.V17(17) 06/22/72
A/P PIN ORDER BAY -
NAME PIN ORDER

Q DRAW RV PG Y X Z REMARKS

9-APR-73
LENGTH

23:48
EXCEPTIONS

PAGE 31
RUN
NUMBER

RD 10
RD 10
RD 10
RD 10
RD 10
RD 10
RD 10
RD 10
RD 10
RD 10
RD 10

H R05J2 1-01 *
H R07E2 1-02 *
H A19N2 1-03 *
H A25L2 1-04 *
H E30T2 1-05 *
H D22E2 1-06 *
H E17T2 1-07 *
H J04T2 1-08 *
H J05T2 1-09 *
1

2
1
2
1
2
1
2
1
2

75-0/8

181
181
181
181
181
181
181
181
181
181
181

RD 11
RD 11
RD 11
RD 11
RD 11
RD 11
RD 11
RD 11
RD 11
RD 11
RD 11

H R05L2 1-01 *
H A07U2 1-02 *
H A19M2 1-03 *
H A25H1 1-04 *
H D22J1 1-05 *
H E30P1 1-06 *
H E17P1 1-07 *
H J04P1 1-08 *
H J05P1 1-09 *
1

1
2
1
2
1
2
1
2
2

71-4/8

182
182
182
182
182
182
182
182
182
182
182

RD 12
RD 12
RD 12
RD 12
RD 12
RD 12
RD 12
RD 12
RD 12
RD 12
RD 12

H R05N2 1-01 *
H R07L2 1-02 *
H A19J1 1-03 *
H A24V1 1-04 *
H D22J2 1-05 *
H E30M2 1-06 *
H E17M2 1-07 *
H J04M2 1-08 *
H J05M2 1-09 *
1

1
2
1
2
1
2
1
2
2

70-6/8

183
183
183
183
183
183
183
183
183
183
183

RD 13
RD 13
RD 13
RD 13
RD 13
RD 13
RD 13
RD 13
RD 13
RD 13
RD 13

H R05R2 1-01 *
H R07F2 1-02 *
H A19K1 1-03 *
H A24S1 1-04 *
H E30J1 1-05 *
H E17J1 1-06 *
H J04J1 1-07 *
H J05J1 1-08 *
1

2
1
2
1
2
1
2
2

65-7/8

184
184
184
184
184
184
184
184
184
184
184

RP11C.C
RUN NAME

WRP288.V17(17) 06/22/72
A/P PIN ORDER BAY -
NAME PIN ORDER

Q DRAW RV PG Y X Z REMARKS

9-APR-73
LENGTH

23:48
EXCEPTIONS

PAGE 32
RUN
NUMBER

RD 14
RD 14
RD 14
RD 14
RD 14
RD 14
RD 14
RD 14
RD 14

H E30E2 1-01 *
H A24L2 1-02 *
H A19E2 1-03 *
H R07N1 1-04 *
H R05T2 1-05 *
H J05E2 1-06 *
H J04E2 1-07 *
1

1
2
1
2
1
2
2

59-5/8

185
185
185
185
185
185
185
185
185

RD 15
RD 15
RD 15
RD 15
RD 15
RD 15
RD 15
RD 15
RD 15

H E30C1 1-01 *
H A24H1 1-02 *
H A19D2 1-03 *
H R07H1 1-04 *
H R05V2 1-05 *
H J05C1 1-06 *
H J04C1 1-07 *
1

1
2
1
2
1
2
2

59-6/8

186
186
186
186
186
186
186
186
186

RG 06 OUT
RG 06 OUT
RG 06 OUT

H A06E1 1-01 *
H R03A1 1-02 *
1

1

6-4/8

187
187
187

RIN
RIN
RIN
RIN
RIN
RIN
RIN
RIN
RIN
RIN
RIN
RIN
RIN

H A18H1 1-01 *
H A18E1 1-02 *
H A10E2 1-03 *
H A10L2 1-04 *
H A10N1 1-05 *
H A10S2 1-06 *
H B10B1 1-07 *
H R10E2 1-08 *
H B10H1 1-09 *
H B10L2 1-10 *
H B10N1 1-11 *
1

1
2
1
2
1
2
1
2
1
2
2

34-3/8

188
188
188
188
188
188
188
188
188
188
188
188
188

RIT 00
RIT 00
RIT 00
RIT 00
RIT 00
RIT 00
RIT 00

L A08B1 1-01 *
L A11C1 1-02 *
L A12C1 1-03 *
L A13C1 1-04 *
L A14C1 1-05 *
L B15D2 1-06 *
1

1
2
1
2
1

21-6/8

189
189
189
189
189
189
189

RP11C.C
RUN NAME

WRP288.V17(17) 06/22/72
A/P PIN ORDER BAY -
NAME PIN ORDER

9-APR-73
LENGTH

23148
EXCEPTIONS

PAGE 35
RUN
NUMBER

Q	DRAW	RV	PG	Y	X	Z	REMARKS	9-APR-73 LENGTH	23148 EXCEPTIONS	PAGE 35 RUN NUMBER
						1				202
						2				202
						1				202
						2				202
						1				202
						1		19-6/8		202
						1				203
						2				203
						1				203
						2				203
						1				203
						1		19-3/8		203
						1				204
						2				204
						1				204
						2				204
						1				204
						1		19-1/8		204
						1				205
						2				205
						1				205
						1		17-7/8		205
						1				206
						1		5-3/8		206
						2				207
						1				207
						2				207
						1				207
						2				207
						1				207
						2				207
						1				207
						2				207
						1		52-4/8		207

RP11C.C
RUN NAME

WRP288.V17(17) 06/22/72
A/P PIN ORDER BAY -
NAME PIN ORDER

9-APR-73
LENGTH

23148
EXCEPTIONS

PAGE 36
RUN
NUMBER

Q	DRAW	RV	PG	Y	X	Z	REMARKS	9-APR-73 LENGTH	23148 EXCEPTIONS	PAGE 36 RUN NUMBER
						1				208
						2				208
						1				208
						2				208
						1				208
						1		31-4/8		208
						1				209
						2				209
						1		9-7/8		209
						1				210
						2				210
						1				210
						2				210
						1		28-1/8		210
						1				211
						1		7-0/8		211
						2				212
						1				212
						2				212
						1				212
						1		28-4/8		212
						1				213
						2				213
						1		13-6/8		213
						1				214
						1		6-4/8		214
						1				215
						2				215
						1				215
						1		21-5/8		215

RP110.C RUN NAME	A/P	WRP288.V17(17) PIN NAME	06/22/72 ORDER PIN	BAY - ORDER	Q	DRAW	RV	PG	Y	X	Z	REMARKS	9-APR-73 LENGTH	23148 EXCEPTIONS	PAGE 37 RUN NUMBER
ROCD 0*2	L	J15K1	J15H1	1-01 *	1						1				216
ROCD 0*2	L	J15H1	J15E1	1-02 *							2				216
ROCD 0*2	L	J15E1	E21U2	1-03 *							1				216
ROCD 0*2	L	E21U2	F30K2	1-04 *							2				216
ROCD 0*2	L	F30K2		1-05 *											216
ROCD 0*2				1									27-4/8		216
ROCD 00	H	F19U2		1-01 *							2				217
ROCD 00	H	F21R2		1-02 *							1				217
ROCD 00	H	F26E1		1-03 *							2				217
ROCD 00	H	F31H1		1-04 *							1				217
ROCD 00	H	F31F1		1-05 *											217
ROCD 00				1									18-7/8		217
ROCD 00	L	F26D1		1-01 *							2				218
ROCD 00	L	F30H1		1-02 *							1				218
ROCD 00	L	F30J2		1-03 *							2				218
ROCD 00	L	F30F2		1-04 *											218
ROCD 00				1									10-7/8		218
ROCD 02	H	E21D2		1-01 *							1				219
ROCD 02	H	F30H2		1-02 *											219
ROCD 02				1									10-0/8		219
ROCD 02	L	F30N1		1-01 *							2				220
ROCD 02	L	E21C1		1-02 *											220
ROCD 02				1									9-7/8		220
ROCD 03	H	F26D2		1-01 *							1				221
ROCD 03	H	F30P2		1-02 *											221
ROCD 03				1									6-0/8		221
ROCD 03	L	F26C1		1-01 *							1				222
ROCD 03	L	F30N2		1-02 *											222
ROCD 03				1									6-4/8		222
RR 00 (0)	H	B30F2		1-01 *							1				223
RR 00 (0)	H	E03C1		1-02 *											223
RR 00 (0)				1									24-2/8		223
RR 00 (1)	H	C32V1		1-01 *							2				224
RR 00 (1)	H	C29V2		1-02 *							1				224
RR 00 (1)	H	B30H1		1-03 *							2				224
RR 00 (1)	H	R25U1		1-04 *							1				224
RR 00 (1)	H	E03A1		1-05 *											224
RR 00 (1)				1									37-6/8		224

RP110.C RUN NAME	A/P	WRP288.V17(17) PIN NAME	06/22/72 ORDER PIN	BAY - ORDER	Q	DRAW	RV	PG	Y	X	Z	REMARKS	9-APR-73 LENGTH	23148 EXCEPTIONS	PAGE 38 RUN NUMBER
RR 01 (0)	H	B30E2		1-01 *							1				225
RR 01 (0)	H	E03J1		1-02 *											225
RR 01 (0)				1									24-6/8		225
RR 01 (1)	H	R25R1		1-01 *							2				226
RR 01 (1)	H	B30H2		1-02 *							1				226
RR 01 (1)	H	C32U1		1-03 *							2				226
RR 01 (1)	H	C29V1		1-04 *							1				226
RR 01 (1)	H	E03F1		1-05 *											226
RR 01 (1)				1									38-2/8		226
RR 02 (0)	H	B30E1		1-01 *							1				227
RR 02 (0)	H	E03P1		1-02 *											227
RR 02 (0)				1									25-2/8		227
RR 02 (1)	H	C32T1		1-01 *							2				228
RR 02 (1)	H	C29R2		1-02 *							1				228
RR 02 (1)	H	B30F1		1-03 *							2				228
RR 02 (1)	H	B25K2		1-04 *							1				228
RR 02 (1)	H	E03M1		1-05 *											228
RR 02 (1)				1									38-6/8		228
RR 03 (0)	H	B30D2		1-01 *							1				229
RR 03 (0)	H	E03F2		1-02 *											229
RR 03 (0)				1									24-4/8		229
RR 03 (1)	H	R25F1		1-01 *							2				230
RR 03 (1)	H	B30D1		1-02 *							1				230
RR 03 (1)	H	C29N2		1-03 *							2				230
RR 03 (1)	H	C32S1		1-04 *							1				230
RR 03 (1)	H	E03D2		1-05 *											230
RR 03 (1)				1									38-0/8		230
RR 04 (0)	H	B29F2		1-01 *							1				231
RR 04 (0)	H	E03M2		1-02 *											231
RR 04 (0)				1									24-4/8		231
RR 04 (1)	H	C32R1		1-01 *							2				232
RR 04 (1)	H	C29M2		1-02 *							1				232
RR 04 (1)	H	B29H1		1-03 *							2				232
RR 04 (1)	H	B25T2		1-04 *							1				232
RR 04 (1)	H	E03K2		1-05 *											232
RR 04 (1)				1									37-3/8		232
RR 05 (0)	H	B29E2		1-01 *							1				233
RR 05 (0)	H	E03T2		1-02 *											233
RR 05 (0)				1									24-4/8		233

RP11C.C RUN NAME	A/P	WRP288.V17(17) PIN NAME	06/22/72 ORDER PIN	BAY - ORDER	Q	DRAW	RV	PG	Y	X	Z	REMARKS	9-APR-73 LENGTH	23148 EXCEPTIONS	PAGE 39 RUN NUMBER
RR 05 (1)	H	C32P1		1-01 *							2				234
RR 05 (1)	H	C29L2		1-02 *							1				234
RR 05 (1)	H	B29H2		1-03 *							2				234
RR 05 (1)	H	B25P1		1-04 *							1				234
RR 05 (1)	H	E03R2		1-05 *											234
RR 05 (1)				1									36-7/8		234
RR 06 (0)	H	B29E1		1-01 *							1				235
RR 06 (0)	H	F03M2		1-02 *											235
RR 06 (0)				1									22-1/8		235
RR 06 (1)	H	B29F1		1-01 *							2				236
RR 06 (1)	H	B25J2		1-02 *							1				236
RR 06 (1)	H	C32N1		1-03 *							2				236
RR 06 (1)	H	D26V2		1-04 *							1				236
RR 06 (1)	H	F03K2		1-05 *											236
RR 06 (1)				1									39-3/8		236
RR 07 (0)	H	B29D2		1-01 *							1				237
RR 07 (0)	H	F03T2		1-02 *											237
RR 07 (0)				1									22-0/8		237
RR 07 (1)	H	B25E1		1-01 *							2				238
RR 07 (1)	H	B29D1		1-02 *							1				238
RR 07 (1)	H	C32M1		1-03 *							2				238
RR 07 (1)	H	D26V1		1-04 *							1				238
RR 07 (1)	H	F03K2		1-05 *											238
RR 07 (1)				1									40-4/8		238
RR 08 (0)	H	B28J1		1-01 *							1				239
RR 08 (0)	H	F04C1		1-02 *											239
RR 08 (0)				1									22-0/8		239
RR 08 (1)	H	B24T2		1-01 *							2				240
RR 08 (1)	H	B28K1		1-02 *							1				240
RR 08 (1)	H	C32L1		1-03 *							2				240
RR 08 (1)	H	D26R2		1-04 *							1				240
RR 08 (1)	H	F04A1		1-05 *											240
RR 08 (1)				1									37-7/8		240
RR 09 (0)	H	B28J2		1-01 *							1				241
RR 09 (0)	H	F04J1		1-02 *											241
RR 09 (0)				1									21-5/8		241

RP11C.C RUN NAME	A/P	WRP288.V17(17) PIN NAME	06/22/72 ORDER PIN	BAY - ORDER	Q	DRAW	RV	PG	Y	X	Z	REMARKS	9-APR-73 LENGTH	23148 EXCEPTIONS	PAGE 40 RUN NUMBER
RR 09 (1)	H	D26V2		1-01 *							2				242
RR 09 (1)	H	C32K1		1-02 *							1				242
RR 09 (1)	H	B28K2		1-03 *							2				242
RR 09 (1)	H	P24P1		1-04 *							1				242
RR 09 (1)	H	F04F1		1-05 *											242
RR 09 (1)				1									36-7/8		242
RR 10 (0)	H	B28F2		1-01 *							1				243
RR 10 (0)	H	F04P1		1-02 *											243
RR 10 (0)				1									21-1/8		243
RR 10 (1)	H	D26M2		1-01 *							2				244
RR 10 (1)	H	C32J1		1-02 *							1				244
RR 10 (1)	H	B28H1		1-03 *							2				244
RR 10 (1)	H	B24J2		1-04 *							1				244
RR 10 (1)	H	F04M1		1-05 *											244
RR 10 (1)				1									37-2/8		244
RR 11 (0)	H	B28E2		1-01 *							1				245
RR 11 (0)	H	F04F2		1-02 *											245
RR 11 (0)				1									20-5/8		245
RR 11 (1)	H	D26L2		1-01 *							2				246
RR 11 (1)	H	C32H1		1-02 *							1				246
RR 11 (1)	H	B28H2		1-03 *							2				246
RR 11 (1)	H	B24E1		1-04 *							1				246
RR 11 (1)	H	F04D2		1-05 *											246
RR 11 (1)				1									37-7/8		246
RR 12 (0)	H	B28E1		1-01 *							1				247
RR 12 (0)	H	F04M2		1-02 *											247
RR 12 (0)				1									19-6/8		247
RR 12 (1)	H	A25T2		1-01 *							2				248
RR 12 (1)	H	B28F1		1-02 *							1				248
RR 12 (1)	H	C32F1		1-03 *							2				248
RR 12 (1)	H	D28V2		1-04 *							1				248
RR 12 (1)	H	F04K2		1-05 *											248
RR 12 (1)				1									39-7/8		248
RR 13 (0)	H	B28D2		1-01 *							1				249
RR 13 (0)	H	F04T2		1-02 *											249
RR 13 (0)				1									20-0/8		249

RP110.C RUN NAME	A/P	WRP288.V17(17) PIN NAME	06/22/72 ORDER PIN	BAY - ORDER	Q	DRAW	RV	PG	Y	X	Z	REMARKS	9-APR-73 LENGTH	23148 EXCEPTIONS	PAGE 43 RUN NUMBER
RR 21 (1)	H	A29H2		1-01 *							2				266
RR 21 (1)	H	A32S1		1-02 *							1				266
RR 21 (1)	H	B25N1		1-03 *							2				266
RR 21 (1)	H	D30M2		1-04 *							1				266
RR 21 (1)	H	E05R2		1-05 *											266
RR 21 (1)				1									42-2/8		266
RR 22 (0)	H	A29E1		1-01 *							1				267
RR 22 (0)	H	F03P1		1-02 *											267
RR 22 (0)				1									24-0/8		267
RR 22 (1)	H	D30M2		1-01 *							2				268
RR 22 (1)	H	A32R1		1-02 *							1				268
RR 22 (1)	H	A29F1		1-03 *							2				268
RR 22 (1)	H	B25H2		1-04 *							1				268
RR 22 (1)	H	F03M1		1-05 *											268
RR 22 (1)				1									43-1/8		268
RR 23 (0)	H	A29D2		1-01 *							1				269
RR 23 (0)	H	F03F2		1-02 *											269
RR 23 (0)				1									22-1/8		269
RR 23 (1)	H	D30L2		1-01 *							2				270
RR 23 (1)	H	A32P1		1-02 *							1				270
RR 23 (1)	H	A29D1		1-03 *							2				270
RR 23 (1)	H	B25D1		1-04 *							1				270
RR 23 (1)	H	F03D2		1-05 *											270
RR 23 (1)				1									41-2/8		270
RR 24 (0)	H	A28J1		1-01 *							1				271
RR 24 (0)	H	F05C1		1-02 *											271
RR 24 (0)				1									21-4/8		271
RR 24 (1)	H	A32A1		1-01 *							2				272
RR 24 (1)	H	A28K1		1-02 *							1				272
RR 24 (1)	H	C28V2		1-03 *							2				272
RR 24 (1)	H	B24S2		1-04 *							1				272
RR 24 (1)	H	F05A1		1-05 *											272
RR 24 (1)				1									40-0/8		272
RR 25 (0)	H	A28J2		1-01 *							1				273
RR 25 (0)	H	F05J1		1-02 *											273
RR 25 (0)				1									22-7/8		273

RP110.C RUN NAME	A/P	WRP288.V17(17) PIN NAME	06/22/72 ORDER PIN	BAY - ORDER	Q	DRAW	RV	PG	Y	X	Z	REMARKS	9-APR-73 LENGTH	23148 EXCEPTIONS	PAGE 44 RUN NUMBER
RR 25 (1)	H	A32M1		1-01 *							2				274
RR 25 (1)	H	A28K2		1-02 *							1				274
RR 25 (1)	H	C28V1		1-03 *							2				274
RR 25 (1)	H	B24N1		1-04 *							1				274
RR 25 (1)	H	F05F1		1-05 *											274
RR 25 (1)				1									39-3/8		274
RR 26 (0)	H	A28F2		1-01 *							1				275
RR 26 (0)	H	F05P1		1-02 *											275
RR 26 (0)				1									22-1/8		275
RR 26 (1)	H	A32L1		1-01 *							2				276
RR 26 (1)	H	A28H1		1-02 *							1				276
RR 26 (1)	H	C28R2		1-03 *							2				276
RR 26 (1)	H	B24H2		1-04 *							1				276
RR 26 (1)	H	F05M1		1-05 *											276
RR 26 (1)				1									42-7/8		276
RR 27 (0)	H	A28E2		1-01 *							1				277
RR 27 (0)	H	F05F2		1-02 *											277
RR 27 (0)				1									23-4/8		277
RR 27 (1)	H	C28N2		1-01 *							2				278
RR 27 (1)	H	A32K1		1-02 *							1				278
RR 27 (1)	H	A28H2		1-03 *							2				278
RR 27 (1)	H	B24D1		1-04 *							1				278
RR 27 (1)	H	F05D2		1-05 *											278
RR 27 (1)				1									40-1/8		278
RR 28 (0)	H	A28E1		1-01 *							1				279
RR 28 (0)	H	F05M2		1-02 *											279
RR 28 (0)				1									21-6/8		279
RR 28 (1)	H	C28M2		1-01 *							2				280
RR 28 (1)	H	A25S2		1-02 *							1				280
RR 28 (1)	H	A28F1		1-03 *							2				280
RR 28 (1)	H	A32J1		1-04 *							1				280
RR 28 (1)	H	F05K2		1-05 *											280
RR 28 (1)				1									41-2/8		280
RR 29 (0)	H	A28D2		1-01 *							1				281
RR 29 (0)	H	F05T2		1-02 *											281
RR 29 (0)				1									22-5/8		281

RP11C.C RUN NAME	A/P	WRP288.V17(17) PIN NAME	06/22/72 ORDER PIN	BAY - ORDER	Q	DRAW	RV	PG	Y	X	Z	REMARKS	9-APR-73 LENGTH	23148 EXCEPTIONS	PAGE 45 RUN NUMBER
BR 29 (1)	H	C28L2		1-01 *							2				282
BR 29 (1)	H	A32H1		1-02 *							1				282
BR 29 (1)	H	A28D1		1-03 *							2				282
BR 29 (1)	H	A25N1		1-04 *							1				282
BR 29 (1)	H	F05R2		1-05 *											282
BR 29 (1)				1									41-3/8		282
BR 30 (0)	H	A27J1		1-01 *							1				283
BR 30 (0)	H	F06M2		1-02 *											283
BR 30 (0)				1									21-0/8		283
BR 30 (1)	H	A32F1		1-01 *							2				284
BR 30 (1)	H	A25H2		1-02 *							1				284
BR 30 (1)	H	A27K1		1-03 *							2				284
BR 30 (1)	H	C26V2		1-04 *							1				284
BR 30 (1)	H	F06K2		1-05 *											284
BR 30 (1)				1									40-0/8		284
BR 31 (0)	H	A27J2		1-01 *							1				285
BR 31 (0)	H	F06T2		1-02 *											285
BR 31 (0)				1									21-3/8		285
BR 31 (1)	H	A32E1		1-01 *							2				286
BR 31 (1)	H	A27K2		1-02 *							1				286
BR 31 (1)	H	A25D1		1-03 *							2				286
BR 31 (1)	H	C26V1		1-04 *							1				286
BR 31 (1)	H	F06R2		1-05 *											286
BR 31 (1)				1									39-4/8		286
BR 32 (0)	H	A27F2		1-01 *							1				287
BR 32 (0)	H	F06C1		1-02 *											287
BR 32 (0)				1									22-6/8		287
BR 32 (1)	H	A32D1		1-01 *							2				288
BR 32 (1)	H	A27H1		1-02 *							1				288
BR 32 (1)	H	A24S2		1-03 *							2				288
BR 32 (1)	H	C26R2		1-04 *							1				288
BR 32 (1)	H	F06A1		1-05 *											288
BR 32 (1)				1									39-5/8		288
BR 33 (0)	H	A27E2		1-01 *							1				289
BR 33 (0)	H	F06J1		1-02 *											289
BR 33 (0)				1									21-1/8		289

RP11C.C RUN NAME	A/P	WRP288.V17(17) PIN NAME	06/22/72 ORDER PIN	BAY - ORDER	Q	DRAW	RV	PG	Y	X	Z	REMARKS	9-APR-73 LENGTH	23148 EXCEPTIONS	PAGE 46 RUN NUMBER
BR 33 (1)	H	A32C1		1-01 *							2				290
BR 33 (1)	H	A27H2		1-02 *							1				290
BR 33 (1)	H	A24N1		1-03 *							2				290
BR 33 (1)	H	C26N2		1-04 *							1				290
BR 33 (1)	H	F06F1		1-05 *											290
BR 33 (1)				1									40-5/8		290
BR 34 (0)	H	A27E1		1-01 *							1				291
BR 34 (0)	H	F06P1		1-02 *											291
BR 34 (0)				1									21-5/8		291
BR 34 (1)	H	A32B1		1-01 *							2				292
BR 34 (1)	H	A27F1		1-02 *							1				292
BR 34 (1)	H	A24H2		1-03 *							2				292
BR 34 (1)	H	C26M2		1-04 *							1				292
BR 34 (1)	H	F06M1		1-05 *											292
BR 34 (1)				1									39-5/8		292
BR 35 (0)	H	A27D2		1-01 *							1				293
BR 35 (0)	H	F06F2		1-02 *											293
BR 35 (0)				1									20-7/8		293
BR 35 (1)	H	A32A1		1-01 *							2				294
BR 35 (1)	H	A27D1		1-02 *							1				294
BR 35 (1)	H	A24D1		1-03 *							2				294
BR 35 (1)	H	C26L2		1-04 *							1				294
BR 35 (1)	H	F06D2		1-05 *											294
BR 35 (1)				1									40-0/8		294
BR STR 1	L	B27C1		1-01 *							1				295
BR STR 1	L	B27D1		1-02 *							2				295
BR STR 1	L	B27J1		1-03 *							1				295
BR STR 1	L	B27K1		1-04 *							2				295
BR STR 1	L	B27P1		1-05 *							1				295
BR STR 1	L	B27R1		1-06 *							2				295
BR STR 1	L	O14A1		1-07 *							1				295
BR STR 1	L	O20N2		1-08 *											295
BR STR 1				1									33-6/8		295
BR STROBE	H	B19T2		1-01 *							2				296
BR STROBE	H	B26U2		1-02 *							1				296
BR STROBE	H	B26R2		1-03 *							2				296
BR STROBE	H	B26M2		1-04 *											296
BR STROBE				1									12-2/8		296

RP110.C RUN NAME	A/P	WRP288.V17(17) PIN NAME	ORDER PIN	BAY - ORDER	Q	DRAW	RV	PG	Y	X	Z	REMARKS	9-APR-73 LENGTH	23148 EXCEPTIONS	PAGE 47 RUN NUMBER
RR TO SR	H	C17H2		1-01 *							1				297
RR TO SR	H	C26N1		1-02 *							2				297
RR TO SR	H	C28N1		1-03 *							1				297
RR TO SR	H	C29N1		1-04 *							2				297
RR TO SR	H	C31J2		1-05 *							1				297
RR TO SR	H	D30N1		1-06 *							2				297
RR TO SR	H	D28N1		1-07 *							1				297
RR TO SR	H	D26N1		1-08 *							1				297
RR TO SR				1									35-2/8		297
RR TO SR	L	C21J2		1-01 *							1				298
RR TO SR	L	C31H2		1-02 *							1				298
RR TO SR				1									8-0/8		298
BUS A00	L	A04H2		1-01 *							1				299
BUS A00	L	B02H2		1-02 *							2				299
BUS A00	L	B01H2		1-03 *							1				299
BUS A00				1									10-2/8		299
BUS A01	L	A07J2		1-01 *							2				300
BUS A01	L	B06R1		1-02 *							1				300
BUS A01	L	B02H1		1-03 *							2				300
BUS A01	L	B01H1		1-04 *							1				300
BUS A01				1									16-6/8		300
BUS A02	L	A07L1		1-01 *							1				301
BUS A02	L	B01J2		1-02 *							2				301
BUS A02	L	B02J2		1-03 *							1				301
BUS A02	L	B06V1		1-04 *							1				301
BUS A02				1									15-6/8		301
BUS A03	L	A07K1		1-01 *							2				302
BUS A03	L	B06C1		1-02 *							1				302
BUS A03	L	B02J1		1-03 *							2				302
BUS A03	L	B01J1		1-04 *							1				302
BUS A03				1									14-4/8		302
BUS A04	L	A07V1		1-01 *							2				303
BUS A04	L	B06E2		1-02 *							1				303
BUS A04	L	B02K2		1-03 *							2				303
BUS A04	L	B01K2		1-04 *							1				303
BUS A04				1									13-4/8		303

RP110.C RUN NAME	A/P	WRP288.V17(17) PIN NAME	ORDER PIN	BAY - ORDER	Q	DRAW	RV	PG	Y	X	Z	REMARKS	9-APR-73 LENGTH	23148 EXCEPTIONS	PAGE 48 RUN NUMBER
BUS A05	L	A07S1		1-01 *							2				304
BUS A05	L	A04V1		1-02 *							1				304
BUS A05	L	B02K1		1-03 *							2				304
BUS A05	L	B01K1		1-04 *							1				304
BUS A05				1									13-5/8		304
BUS A06	L	A07R2		1-01 *							2				305
BUS A06	L	A04U1		1-02 *							1				305
BUS A06	L	B02L2		1-03 *							2				305
BUS A06	L	B01L2		1-04 *							1				305
BUS A06				1									14-2/8		305
BUS A07	L	A04P2		1-01 *							1				306
BUS A07	L	A07P2		1-02 *							2				306
BUS A07	L	B02L1		1-03 *							1				306
BUS A07	L	B01L1		1-04 *							1				306
BUS A07				1									14-4/8		306
BUS A08	L	A04N2		1-01 *							1				307
BUS A08	L	B07K1		1-02 *							2				307
BUS A08	L	B02M2		1-03 *							1				307
BUS A08	L	B01M2		1-04 *							1				307
BUS A08				1									15-4/8		307
BUS A09	L	A04R1		1-01 *							2				308
BUS A09	L	B07E1		1-02 *							1				308
BUS A09	L	B02M1		1-03 *							2				308
BUS A09	L	B01M1		1-04 *							1				308
BUS A09				1									14-7/8		308
BUS A10	L	A04P1		1-01 *							2				309
BUS A10	L	B07D1		1-02 *							1				309
BUS A10	L	B02N2		1-03 *							2				309
BUS A10	L	B01N2		1-04 *							1				309
BUS A10				1									15-1/8		309
BUS A11	L	A04L1		1-01 *							2				310
BUS A11	L	B07B1		1-02 *							1				310
BUS A11	L	B02N1		1-03 *							2				310
BUS A11	L	B01N1		1-04 *							1				310
BUS A11				1									15-4/8		310
BUS A12	L	A04C1		1-01 *							1				311
BUS A12	L	B02P2		1-02 *							2				311
BUS A12	L	B01P2		1-03 *							1				311
BUS A12	L	B07P1		1-04 *							1				311
BUS A12				1									17-0/8		311

RP110.C
RUN NAME

WRP288.V17(17) 06/22/72
A/P PIN ORDER BAY -
NAME PIN ORDER

9-APR-73 23148 PAGE 51
LENGTH EXCEPTIONS RUN
NUMBER

Q	DRAW	RV	PG	Y	X	Z	REMARKS	9-APR-73 LENGTH	23148 EXCEPTIONS	PAGE 51 RUN NUMBER
						2				330
						1				330
						2				330
						1				330
										330
								19-2/8		330
										331
						2				331
						1				331
										331
								19-4/8		331
										332
						2				332
						1				332
										332
								20-2/8		332
										333
						2				333
						1				333
										333
								20-2/8		333
										334
						2				334
						1				334
										334
								20-6/8		334
										335
						2				335
						1				335
										335
								20-5/8		335

RP110.C
RUN NAME

WRP288.V17(17) 06/22/72
A/P PIN ORDER BAY -
NAME PIN ORDER

9-APR-73 23148 PAGE 52
LENGTH EXCEPTIONS RUN
NUMBER

Q	DRAW	RV	PG	Y	X	Z	REMARKS	9-APR-73 LENGTH	23148 EXCEPTIONS	PAGE 52 RUN NUMBER
						2				336
						1				336
						2				336
						1				336
										336
								20-4/8		336
										337
						2				337
						1				337
										337
								21-4/8		337
										338
						2				338
						1				338
										338
								18-2/8		338
										339
						2				339
						1				339
										339
								18-0/8		339
										340
						2				340
						1				340
										340
								17-5/8		340
										341
						2				341
						1				341
										341
								18-4/8		341

RP110.C WRP288.V17(17) 06/22/72 PAGE 55
RUN NAME A/P PIN ORDER BAY - Q DRAW RV PG Y X Z REMARKS 9-APR-73 LENGTH 23148 EXCEPTIONS RUN NUMBER
BUS OUT EN 07 L A11R1 1-01 * 1 360
BUS OUT EN 07 L H12V1 1-02 * 360
BUS OUT EN 07 1 19-6/8 360
BUS PA L A01M1 1-01 * 1 361
BUS PA L A02M1 1-02 * 361
BUS PA 1 3-4/8 361
BUS PB L A01N2 1-01 * 1 362
BUS PB L A02N2 1-02 * 362
BUS PB 1 3-4/8 362
BUS SACK L A06T2 1-01 * 1 363
BUS SACK L A02R2 1-02 * 2 363
BUS SACK L A01R2 1-03 * 1 363
BUS SACK L R03T2 1-04 * 363
BUS SACK 1 15-6/8 363
BUS SSYN L A04J1 1-01 * 2 364
BUS SSYN L R06N1 1-02 * 1 364
BUS SSYN L R02U1 1-03 * 2 364
BUS SSYN L R01U1 1-04 * 364
BUS SSYN 1 16-4/8 364
BUS TO RPBA L A10E1 1-01 * 1 365
BUS TO RPBA L R07R1 B07V2 1-02 * 2 365
BUS TO RPBA L R07V2 1-03 * 365
BUS TO RPBA 1 11-6/8 365
BUS TO RPWC L A19D1 1-01 * 2 366
BUS TO RPWC L A20D1 1-02 * 1 366
BUS TO RPWC L A20M1 1-03 * 2 366
BUS TO RPWC L A19M1 1-04 * 1 366
BUS TO RPWC L A10L1 1-05 * 2 366
BUS TO RPWC L A09A1 1-06 * 1 366
BUS TO RPWC L A07E2 1-07 * 2 366
BUS TO RPWC L R07S1 1-08 * 366
BUS TO RPWC 1 34-2/8 366

RP110.C WRP288.V17(17) 06/22/72 PAGE 56
RUN NAME A/P PIN ORDER BAY - Q DRAW RV PG Y X Z REMARKS 9-APR-73 LENGTH 23148 EXCEPTIONS RUN NUMBER
BUS TO SILO H A18V2 1-01 * 1 367
BUS TO SILO H A24R2 1-02 * 2 367
BUS TO SILO H A25R2 1-03 * 1 367
BUS TO SILO H A25F2 1-04 * 2 367
BUS TO SILO H A24F2 1-05 * 1 367
BUS TO SILO H R24F2 1-06 * 2 367
BUS TO SILO H B25F2 1-07 * 1 367
BUS TO SILO H B25R2 1-08 * 2 367
BUS TO SILO H R24R2 1-09 * 1 367
BUS TO SILO 1 34-2/8 367
BUS WCNF (0) H A21R2 1-01 * 2 368
BUS WCNF (0) H R18E2 1-02 * 1 368
BUS WCNF (0) H R18B1 1-03 * 368
BUS WCNF (0) 1 8-2/8 368
BUS WCNF (1) H A17J1 1-01 * 1 369
BUS WCNF (1) H A21P2 1-02 * 369
BUS WCNF (1) 1 5-6/8 369
C01E1 C01E1 1-01 * 1 370
C01E1 C03F1 1-02 * 370
C01E1 1 4-2/8 370
C01J2 C01J2 1-01 * 1 371
C01J2 C03K1 1-02 * 371
C01J2 1 3-6/8 371
C01L1 C01L1 1-01 * 1 372
C01L1 C03H1 1-02 * 372
C01L1 1 4-2/8 372
C01P2 C01P2 1-01 * 1 373
C01P2 C03K2 1-02 * 373
C01P2 1 4-4/8 373
C01S1 C01S1 1-01 * 1 374
C01S1 C03J1 1-02 * 374
C01S1 1 4-3/8 374
C01V2 C01V2 1-01 * 1 375
C01V2 C03L2 1-02 * 375
C01V2 1 4-4/8 375
C02E1 C02E1 1-01 * 1 376
C02E1 C04D2 1-02 * 376
C02E1 1 4-4/8 376

RP110.C RUN NAME	WRP288.V17(17) 06/22/72 A/P PIN ORDER BAY - NAME PIN ORDER	Q	DRAW	RV	PG	Y	X	Z	REMARKS	9-APR-73 LENGTH	23148 EXCEPTIONS	PAGE 59 RUN NUMBER
C06M1 C06M1 C06M1	C06M1 C09L2 1							1		5-0/8		396 396 396
C07F1 C07F1 C07F1	C07F1 D04M1 1							1		8-0/8		397 397 397
C07F2 C07F2 C07F2	C07F2 D07J1 1							1		6-2/8		398 398 398
C07K1 C07K1 C07K1	C07K1 C07P2 1							1		3-4/8		399 399 399
C07V2 C07V2 C07V2	C07V2 D07R1 1							1		5-4/8		400 400 400
C10F2 C10F2 C10F2	C10F2 D15N1 1							1		8-6/8		401 401 401
C10H2 C10H2 C10H2 C10H2	C10H2 C10J2 C21E1 1							1 2		10-7/8		402 402 402 402
C10K1 C10K1 C10K1	C10K1 C22D2 1							1		10-0/8		403 403 403
C10L2 C10L2 C10L2 C10L2	C10M2 C10L2 C21L1 1							1 2		10-5/8		404 404 404 404
C10S2 C10S2 C10S2	R09H2 C10S2 1							1		7-0/8		405 405 405
C10V2 C10V2 C10V2	C06L1 C10V2 1							1		6-2/8		406 406 406

RP110.C RUN NAME	WRP288.V17(17) 06/22/72 A/P PIN ORDER BAY - NAME PIN ORDER	Q	DRAW	RV	PG	Y	X	Z	REMARKS	9-APR-73 LENGTH	23148 EXCEPTIONS	PAGE 60 RUN NUMBER
C14B1 C14B1 C14B1	C14B1 C14L1 1							1		4-0/8		407 407 407
C14C1 C14C1 C14C1	C14C1 C14S1 1							1		4-4/8		408 408 408
C14J2 C14J2 C14J2	B16D2 C14J2 1							1		7-0/8		409 409 409
C14P2 C14P2 C14P2	R16V2 C14P2 1							1		6-0/8		410 410 410
C17C1 C17C1 C17C1	C17C1 D15A1 1							1		6-4/8		411 411 411
C17F1 C17F1 C17F1	C17F1 D15C1 1							1		6-4/8		412 412 412
C17F2 C17F2 C17F2	R19P2 C17F2 1							1		5-4/8		413 413 413
C17K1 C17K1 C17K1	C17K1 D18D1 1							1		5-6/8		414 414 414
C17K2 C17K2 C17K2 C17K2	A21N1 C17K2 F10J1 1							2 1		24-2/8		415 415 415 415
C17N1 C17N1 C17N1	B19M2 C17N1 1							1		6-6/8		416 416 416
C17S1 C17S1 C17S1	B19R1 C17S1 1							1		6-6/8		417 417 417

RP11C.C RUN NAME	WRP288.V17(17) 06/22/72 A/P PIN ORDER BAY - NAME PIN ORDER	Q. DRAW RV PG Y X Z	REMARKS	9-APR-73 LENGTH	23148 EXCEPTIONS	PAGE 61 RUN NUMBER
C17S2	B19U2		1-01 *			418
C17S2	C17S2		1-02 *			418
C17S2			1	6-2/8		418
C17V2	B19V1		1-01 *			419
C17V2	C17V2		1-02 *			419
C17V2			1	6-2/8		419
C21P2	C21P2		1-01 *			420
C21P2	C31K2		1-02 *			420
C21P2			1	8-4/8		420
C21V2	C21V2		1-01 *			421
C21V2	C31L2		1-02 *			421
C21V2			1	9-0/8		421
C22K2	C22K2		1-01 *			422
C22K2	O22C1		1-02 *			422
C22K2			1	5-2/8		422
C23E1	C23E1		1-01 *			423
C23E1	D23A1		1-02 *			423
C23E1			1	5-2/8		423
C23J2	C23J2		1-01 *			424
C23J2	D23D1		1-02 *			424
C23J2			1	5-4/8		424
C23L1	C23L1		1-01 *			425
C23L1	D23B1		1-02 *			425
C23L1			1	4-6/8		425
C23P2	C23P2		1-01 *			426
C23P2	D23D2		1-02 *			426
C23P2			1	4-6/8		426
C23S1	C23S1		1-01 *			427
C23S1	D23C1		1-02 *			427
C23S1			1	4-2/8		427
C24D1	C24D1		1-01 *			428
C24D1	D24C1		1-02 *			428
C24D1			1	5-6/8		428
C24F2	C24F2		1-01 *			429
C24F2	D24F1		1-02 *			429
C24F2			1	6-0/8		429

RP11C.C RUN NAME	WRP288.V17(17) 06/22/72 A/P PIN ORDER BAY - NAME PIN ORDER	Q. DRAW RV PG Y X Z	REMARKS	9-APR-73 LENGTH	23148 EXCEPTIONS	PAGE 62 RUN NUMBER
C24K1	C24K1		1-01 *			430
C24K1	D24F2		1-02 *			430
C24K1			1	5-6/8		430
C24N2	C24N2		1-01 *			431
C24N2	D24K1		1-02 *			431
C24N2			1	5-6/8		431
C24R1	C24R1		1-01 *			432
C24R1	D24K2		1-02 *			432
C24R1			1	5-2/8		432
C24U2	C24U2		1-01 *			433
C24U2	D24N1		1-02 *			433
C24U2			1	5-2/8		433
C27E1	C26P2		1-01 *			434
C27E1	C27E1		1-02 *			434
C27E1			1	4-2/8		434
C27J2	C26U1		1-01 *			435
C27J2	C27J2		1-02 *			435
C27J2			1	4-3/8		435
C27L1	C26R1		1-01 *			436
C27L1	C27L1		1-02 *			436
C27L1			1	3-6/8		436
C27S1	C26S1		1-01 *			437
C27S1	C27S1		1-02 *			437
C27S1			1	3-4/8		437
C30E1	C29P2		1-01 *			438
C30E1	C30E1		1-02 *			438
C30E1			1	4-2/8		438
C30J2	C29U1		1-01 *			439
C30J2	C30J2		1-02 *			439
C30J2			1	4-3/8		439
C30L1	C29R1		1-01 *			440
C30L1	C30L1		1-02 *			440
C30L1			1	3-6/8		440
C30P2	C29A1		1-01 *			441
C30P2	C30P2		1-02 *			441
C30P2			1	5-2/8		441

RP11C.C RUN NAME	A/P	WRP288.V17(17) PIN NAME	06/22/72 ORDER PIN	BAY - ORDER	Q	DRAW	RV	PG	Y	X	Z	REMARKS	9-APR-73 LENGTH	23148 EXCEPTIONS	PAGE 65 RUN NUMBER
CAR 04 (1)	H	B32E2		1-01 *							1				453
CAR 04 (1)	H	C10L1		1-02 *							2				453
CAR 04 (1)	H	C03D1		1-03 *							1				453
CAR 04 (1)	H	C01K2		1-04 *							2				453
CAR 04 (1)	H	D01H1		1-05 *							1				453
CAR 04 (1)	H	D02P2		1-06 *							2				453
CAR 04 (1)	H	D05K2		1-07 *							1				453
CAR 04 (1)	H	D05V2		1-08 *							2				453
CAR 04 (1)	H	F01H2		1-09 *							1				453
CAR 04 (1)	H	J11H2		1-10 *											453
CAR 04 (1)				1									67-0/8		453
CAR 05 (0)	H	D05J2		1-01 *							1				454
CAR 05 (0)	H	C01T2		1-02 *							2				454
CAR 05 (0)	H	C03C1		1-03 *							1				454
CAR 05 (0)	H	C04C1		1-04 *							2				454
CAR 05 (0)	H	A13L1		1-05 *							1				454
CAR 05 (0)	H	D29R1		1-06 *											454
CAR 05 (0)				1									38-7/8		454
CAR 05 (1)	H	B32D2		1-01 *							1				455
CAR 05 (1)	H	C10P2		1-02 *							2				455
CAR 05 (1)	H	C01R2		1-03 *							1				455
CAR 05 (1)	H	D05M1		1-04 *							2				455
CAR 05 (1)	H	D05R1		1-05 *							1				455
CAR 05 (1)	H	D05S2		1-06 *							2				455
CAR 05 (1)	H	D05T2		1-07 *							1				455
CAR 05 (1)	H	D05V1		1-08 *							2				455
CAR 05 (1)	H	F01D2		1-09 *							1				455
CAR 05 (1)	H	J11D1		1-10 *											455
CAR 05 (1)				1									61-1/8		455
CAR 06 (0)	H	D05F2		1-01 *							2				456
CAR 06 (0)	H	C02T2		1-02 *							1				456
CAR 06 (0)	H	C04B1		1-03 *							2				456
CAR 06 (0)	H	A13L2		1-04 *							1				456
CAR 06 (0)	H	D29K1		1-05 *											456
CAR 06 (0)				1									34-4/8		456

RP11C.C RUN NAME	A/P	WRP288.V17(17) PIN NAME	06/22/72 ORDER PIN	BAY - ORDER	Q	DRAW	RV	PG	Y	X	Z	REMARKS	9-APR-73 LENGTH	23148 EXCEPTIONS	PAGE 66 RUN NUMBER
CAR 06 (1)	H	B32C2		1-01 *							1				457
CAR 06 (1)	H	C10R2		1-02 *							2				457
CAR 06 (1)	H	C02R2		1-03 *							1				457
CAR 06 (1)	H	D05A1		1-04 *							2				457
CAR 06 (1)	H	D05R2		1-05 *							1				457
CAR 06 (1)	H	D05S1		1-06 *							2				457
CAR 06 (1)	H	E01V2		1-07 *							1				457
CAR 06 (1)	H	J11S2		1-08 *											457
CAR 06 (1)				1									60-2/8		457
CAR 07 (0)	H	A13P1		1-01 *							1				458
CAR 07 (0)	H	C02M2		1-02 *							2				458
CAR 07 (0)	H	D05D2		1-03 *							1				458
CAR 07 (0)	H	D29D1		1-04 *											458
CAR 07 (0)				1									30-4/8		458
CAR 07 (1)	H	B32B2		1-01 *							2				459
CAR 07 (1)	H	C22H2		1-02 *							1				459
CAR 07 (1)	H	C22D1		1-03 *							2				459
CAR 07 (1)	H	C03A1		1-04 *							1				459
CAR 07 (1)	H	C02K2		1-05 *							2				459
CAR 07 (1)	H	D05N2		1-06 *							1				459
CAR 07 (1)	H	D01L1		1-07 *							2				459
CAR 07 (1)	H	E01T2		1-08 *							1				459
CAR 07 (1)	H	J11N1		1-09 *											459
CAR 07 (1)				1									66-3/8		459
CAR 08 (0)	H	C27N2		1-01 *							2				460
CAR 08 (0)	H	C22A1		1-02 *							1				460
CAR 08 (0)	H	A13P2		1-03 *							2				460
CAR 08 (0)	H	D08T2		1-04 *							1				460
CAR 08 (0)	H	J15M1		1-05 *											460
CAR 08 (0)				1									46-1/8		460
CAR 08 (1)	H	B32A2		1-01 *							2				461
CAR 08 (1)	H	C22J2		1-02 *							1				461
CAR 08 (1)	H	D08R2		1-03 *							2				461
CAR 08 (1)	H	E01R2		1-04 *							1				461
CAR 08 (1)	H	D01M1		1-05 *							2				461
CAR 08 (1)	H	C03B1		1-06 *											461
CAR 08 (1)				1									47-2/8		461

RP110.C RUN NAME	A/P	W/P288.V17(17) PIN NAME	06/22/72 ORDER PIN	BAY - ORDER	Q	DRAW	RV	PG	Y	X	Z	REMARKS	9-APR-73 LENGTH	23148 EXCEPTIONS	PAGE RUN NUMBER
CCLK	H	C09J1		1-01 *							2				462
CCLK	H	C09B1		1-02 *							1				462
CCLK	H	E21E2		1-03 *							2				462
CCLK	H	F19C1		1-04 *							1				462
CCLK	H	F19D1	F19L2	1-05 *							2				462
CCLK	H	F19L2		1-06 *							1				462
CCLK	H	F30J1		1-07 *							2				462
CCLK	H	F31J1		1-08 *							1				462
CCLK	H	F30R2		1-09 *							2				462
CCLK	H	F29S1		1-10 *							2				462
CCLK				1									48-5/8		462
CCLK	L	E21F2		1-01 *							2				463
CCLK	L	E28N1		1-02 *							1				463
CCLK	L	E28S2		1-03 *							1				463
CCLK				1									9-7/8		463
CLK HNF	H	E15L2		1-01 *							2				464
CLK HNF	H	E15N1		1-02 *							1				464
CLK HNF	H	E15S2		1-03 *							2				464
CLK HNF	H	F10P2		1-04 *							1				464
CLK HNF				1									12-1/8		464
CLK PULSE (1)	H	F16D2		1-01 *	2						2				465
CLK PULSE (1)	H	F13R2		1-02 *							1				465
CLK PULSE (1)	H	J01E2		1-03 *							1				465
CLK PULSE (1)				1									18-2/8		465
CLOCK	H	C17M2		1-01 *							2				466
CLOCK	H	D20P1		1-02 *							1				466
CLOCK	H	F18P2		1-03 *							1				466
CLOCK				1									16-2/8		466
CLOCK	L	C31F1		1-01 *							2				467
CLOCK	L	C31A1		1-02 *							1				467
CLOCK	L	D19N2		1-03 *							2				467
CLOCK	L	F18J2		1-04 *							1				467
CLOCK	L	F18K2		1-05 *							2				467
CLOCK	L	F15N2		1-06 *							1				467
CLOCK				1									31-1/8		467
CLOCK GATE	H	F18D2		1-01 *							1				468
CLOCK GATE	H	F18L1		1-02 *							1				468
CLOCK GATE				1									4-C/8		468

RP110.C RUN NAME	A/P	W/P288.V17(17) PIN NAME	06/22/72 ORDER PIN	BAY - ORDER	Q	DRAW	RV	PG	Y	X	Z	REMARKS	9-APR-73 LENGTH	23148 EXCEPTIONS	PAGE RUN NUMBER
CLR ATTN	L	C24A1		1-01 *							1				469
CLR ATTN	L	C24K2		1-02 *							2				469
CLR ATTN	L	D25A1		1-03 *							1				469
CLR ATTN	L	D18L2		1-04 *							1				469
CLR ATTN				1									16-4/8		469
CLR RCNT	L	C15B1		1-01 *							2				470
CLR RCNT	L	C16B1		1-02 *							1				470
CLR RCNT	L	D18D2		1-03 *							1				470
CLR RCNT				1									10-6/8		470
CLR RR A	H	A28B1		1-01 *							2				471
CLR RR A	H	A27B1		1-02 *							1				471
CLR RR A	H	C25L2		1-03 *							1				471
CLR RR A				1									13-4/8		471
CLR RR B	H	A30B1		1-01 *							2				472
CLR RR B	H	A29B1		1-02 *							1				472
CLR RR B	H	C25N2		1-03 *							1				472
CLR RR B				1									14-6/8		472
CLR RR C	H	B30B1		1-01 *							1				473
CLR RR C	H	B29B1		1-02 *							2				473
CLR RR C	H	B28B1		1-03 *							1				473
CLR RR C	H	C25R2		1-04 *							1				473
CLR RR C				1									15-2/8		473
CLR CAR	L	C22F1		1-01 *							1				474
CLR CAR	L	C05B1		1-02 *							2				474
CLR CAR	L	D05B1		1-03 *							1				474
CLR CAR	L	D04V2		1-04 *							1				474
CLR CAR				1									23-0/8		474
CLR DATA SET	L	E10U2		1-01 *							2				475
CLR DATA SET	L	F13A1		1-02 *							1				475
CLR DATA SET	L	F11T2		1-03 *							1				475
CLR DATA SET				1									10-3/8		475
CLR ERR 01	L	B04D2		1-01 *							1				476
CLR ERR 01	L	E30A1		1-02 *							2				476
CLR ERR 01	L	E31A1		1-03 *							1				476
CLR ERR 01	L	E30K2		1-04 *							2				476
CLR ERR 01	L	F32D2		1-05 *							1				476
CLR ERR 01				1									37-0/8		476

RP11C.C RUN NAME	A/P	WRP288.V17(17) PIN NAME	06/22/72 ORDER PIN	BAY - ORDER	Q	DRAW	RV	PG	Y	X	Z	REMARKS	9-APR-73 LENGTH	23148 EXCEPTIONS	PAGE 69 RUN NUMBER
CLR ERR 02	L	E14L1		1-01 *							1				477
CLR ERR 02	L	E31K2		1-02 *							2				477
CLR ERR 02	L	E32A1		1-03 *							1				477
CLR ERR 02	L	E32K2		1-04 *							2				477
CLR ERR 02	L	F32F2		1-05 *							1				477
CLR ERR 02				1									25-6/8		477
CLR LPR A	L	C11A1		1-01 *							2				478
CLR LPR A	L	C11K2		1-02 *							1				478
CLR LPR A	L	D11A1		1-03 *							2				478
CLR LPR A	L	D11K2		1-04 *							1				478
CLR LPR A	L	F08D2		1-05 *							1				478
CLR LPR A				1									22-4/8		478
CLR LPR B	L	C12A1		1-01 *							2				479
CLR LPR B	L	C12K2		1-02 *							1				479
CLR LPR B	L	D12A1		1-03 *							2				479
CLR LPR B	L	D12K2		1-04 *							1				479
CLR LPR B	L	F08F2		1-05 *							1				479
CLR LPR B				1									23-2/8		479
CLR LPR C	L	C13A1		1-01 *							2				480
CLR LPR C	L	C13K2		1-02 *							1				480
CLR LPR C	L	D13A1		1-03 *							2				480
CLR LPR C	L	D13K2		1-04 *							1				480
CLR LPR C	L	F08J2		1-05 *							1				480
CLR LPR C				1									24-0/8		480
CLR MAIN A1	L	H07D2		1-01 *							2				481
CLR MAIN A1	L	H04A1		1-02 *							1				481
CLR MAIN A1	L	J04A1		1-03 *							2				481
CLR MAIN A1	L	J04K2		1-04 *							1				481
CLR MAIN A1				1									15-2/8		481
CLR MAIN A2	L	H05A1		1-01 *							1				482
CLR MAIN A2	L	H04K2		1-02 *							2				482
CLR MAIN A2	L	H05K2		1-03 *							1				482
CLR MAIN A2	L	H07F2		1-04 *							1				482
CLR MAIN A2				1									12-2/8		482
CLR MAIN B1	L	H07J2		1-01 *							1				483
CLR MAIN B1	L	J05A1		1-02 *							2				483
CLR MAIN B1	L	J05K2		1-03 *							1				483
CLR MAIN B1				1									10-0/8		483

RP11C.C RUN NAME	A/P	WRP288.V17(17) PIN NAME	06/22/72 ORDER PIN	BAY - ORDER	Q	DRAW	RV	PG	Y	X	Z	REMARKS	9-APR-73 LENGTH	23148 EXCEPTIONS	PAGE 70 RUN NUMBER
CLR MAIN B2	L	H07L2		1-01 *							1				484
CLR MAIN B2	L	J06A1		1-02 *							2				484
CLR MAIN B2	L	J06K2		1-03 *							1				484
CLR MAIN B2				1									9-6/8		484
CLR MEM	H	A09K2		1-01 *							2				485
CLR MEM	H	H09V1		1-02 *							1				485
CLR MEM	H	H04J1		1-03 *							1				485
CLR MEM				1									13-4/8		485
CLR MEM	L	A17P1		1-01 *							1				486
CLR MEM	L	H09U1		1-02 *							1				486
CLR MEM				1									9-0/8		486
CLR REQ REG	L	A17S1		1-01 *							1				487
CLR REQ REG	L	A21A1		1-02 *							1				487
CLR REQ REG				1									5-5/8		487
CLR RPCS 01	L	E17K2		1-01 *							2				488
CLR RPCS 01	L	E17A1		1-02 *							1				488
CLR RPCS 01	L	F08L2		1-03 *							1				488
CLR RPCS 01				1									12-7/8		488
CLR RPCS 02	H	E09H1		1-01 *							1				489
CLR RPCS 02	H	F10D2		1-02 *							1				489
CLR RPCS 02				1									6-2/8		489
CLR RPCS 02	L	E16K2		1-01 *							1				490
CLR RPCS 02	L	E16A1		1-02 *							2				490
CLR RPCS 02	L	E15A1		1-03 *							1				490
CLR RPCS 02	L	F10C1		1-04 *							2				490
CLR RPCS 02	L	F08N2		1-05 *							1				490
CLR RPCS 02				1									19-6/8		490
CLR SAR	H	D04P2		1-01 *							1				491
CLR SAR	H	E09R1		1-02 *							1				491
CLR SAR				1									6-4/8		491
CLR SAR EN	H	D15S1		1-01 *							1				492
CLR SAR EN	H	D22R2		1-02 *							1				492
CLR SAR EN				1									7-0/8		492

RP11C.C RUN NAME	A/P	WRP288.V17(17) PIN NAME	06/22/72 ORDER PIN	BAY - ORDER	Q	DRAW	RV	PG	Y	X	Z	REMARKS	9-APR-73 LENGTH	23148 EXCEPTIONS	PAGE 71 RUN NUMBER
CLR SAR EN	L	D04K2		1-01 *							2				493
CLR SAR EN	L	D07L2		1-02 *							1				493
CLR SAR EN	L	D15H1		1-03 *							2				493
CLR SAR EN	L	D18J1		1-04 *							1				493
CLR SAR EN	L	E20H2		1-05 *											493
CLR SAR EN				1									23-6/8		493
CLR SCK	L	C19B1		1-01 *							1				494
CLR SCK	L	D18F2		1-02 *											494
CLR SCK				1									6-4/8		494
CLR SDT	L	C08B1		1-01 *							1				495
CLR SDT	L	D07J2		1-02 *											495
CLR SDT				1									6-6/8		495
CLR SR A	L	C25D2		1-01 *							1				496
CLR SR A	L	C26B1		1-02 *							2				496
CLR SR A	L	C28B1		1-03 *											496
CLR SR A				1									6-6/8		496
CLR SR B	L	C25F2		1-01 *							1				497
CLR SR B	L	D30B1		1-02 *							2				497
CLR SR B	L	D28B1		1-03 *											497
CLR SR B				1									10-2/8		497
CLR SR C	L	C29R1		1-01 *							1				498
CLR SR C	L	C25J2		1-02 *							2				498
CLR SR C	L	D26B1		1-03 *											498
CLR SR C				1									10-6/8		498
CLR ST	L	E27B1		1-01 *							1				499
CLR ST	L	E28A1		1-02 *							2				499
CLR ST	L	E29A1		1-03 *							1				499
CLR ST	L	E29K2		1-04 *							2				499
CLR ST	L	F32J2		1-05 *											499
CLR ST				1									17-7/8		499
CLR TAP	H	C20P2		1-01 *							1				500
CLR TAP	H	D14M1		1-02 *											500
CLR TAP				1									7-7/8		500
CLR TAP	L	C22N1		1-01 *							2				501
CLR TAP	L	D21B1		1-02 *							1				501
CLR TAP	L	D14S1		1-03 *											501
CLR TAP				1									13-2/8		501

RP11C.C RUN NAME	A/P	WRP288.V17(17) PIN NAME	06/22/72 ORDER PIN	BAY - ORDER	Q	DRAW	RV	PG	Y	X	Z	REMARKS	9-APR-73 LENGTH	23148 EXCEPTIONS	PAGE 72 RUN NUMBER
CLR TAP EN	H	C07A1		1-01 *							2				502
CLR TAP EN	H	D01B1		1-02 *							1				502
CLR TAP EN	H	D01C1		1-03 *							2				502
CLR TAP EN	H	D03F2		1-04 *											502
CLR TAP EN				1									14-2/8		502
CLR TAP EN	L	C20M2		1-01 *							1				503
CLR TAP EN	L	C20N2		1-02 *							2				503
CLR TAP EN	L	D18J2		1-03 *							1				503
CLR TAP EN	L	D07D1		1-04 *							2				503
CLR TAP EN	L	D03E2		1-05 *											503
CLR TAP EN				1									22-7/8		503
CLR WSC	L	E25B1		1-01 *							2				504
CLR WSC	L	E24B1		1-02 *							1				504
CLR WSC	L	E21N2		1-03 *							2				504
CLR WSC	L	F25A1		1-04 *											504
CLR WSC				1									13-4/8		504
COM 00 (0)	H	A14D1		1-01 *							1				505
COM 00 (0)	H	E15M1		1-02 *											505
COM 00 (0)				1									14-6/8		505
COM 00 (1)	H	H32U1		1-01 *							1				506
COM 00 (1)	H	E19V1		1-02 *							2				506
COM 00 (1)	H	E15L1		1-03 *											506
COM 00 (1)				1									21-2/8		506
COM 01 (0)	H	A14D2		1-01 *							1				507
COM 01 (0)	H	E15J2		1-02 *											507
COM 01 (0)				1									14-4/8		507
COM 01 (1)	H	H32T1		1-01 *							1				508
COM 01 (1)	H	E19U2		1-02 *							2				508
COM 01 (1)	H	E15H2		1-03 *											508
COM 01 (1)				1									21-3/8		508
COM 02 (0)	H	A14H1		1-01 *							1				509
COM 02 (0)	H	E15F1		1-02 *							2				509
COM 02 (0)	H	F19M2		1-03 *											509
COM 02 (0)				1									22-4/8		509
COM 02 (1)	H	H32S1		1-01 *							1				510
COM 02 (1)	H	E19V2		1-02 *							2				510
COM 02 (1)	H	E15E1		1-03 *											510
COM 02 (1)				1									22-7/8		510

RP11C.C RUN NAME	A/P	WRP288.V17(17) 06/22/72 PIN NAME	ORDER PIN	BAY - ORDER	Q	DRAW	RV	PG	Y	X	Z	REMARKS	9-APR-73 LENGTH	23148 EXCEPTIONS	PAGE 73 RUN NUMBER
COM BUS D02	L	A05H1		1-01 *							1				511
COM BUS D02	L	A06E2		1-02 *							2				511
COM BUS D02	L	A07L2		1-03 *							1				511
COM BUS D02	L	B03E2		1-04 *											511
COM BUS D02				1									14-1/8		511
COM BUS D03	L	A07H2		1-01 *							1				512
COM BUS D03	L	A06L1		1-02 *							2				512
COM BUS D03	L	A05F2		1-03 *							1				512
COM BUS D03	L	B03L1		1-04 *											512
COM BUS D03				1									14-6/8		512
COM BUS D04	L	A05J2		1-01 *							1				513
COM BUS D04	L	A06N2		1-02 *							2				513
COM BUS D04	L	B07R2		1-03 *							1				513
COM BUS D04	L	B03N2		1-04 *											513
COM BUS D04				1									15-4/8		513
COM BUS D05	L	A05E1		1-01 *							1				514
COM BUS D05	L	A06F1		1-02 *							2				514
COM BUS D05	L	A07R1		1-03 *							1				514
COM BUS D05	L	B03F1		1-04 *											514
COM BUS D05				1									13-7/8		514
COM BUS D06	L	A05D2		1-01 *							1				515
COM BUS D06	L	A06F2		1-02 *							2				515
COM BUS D06	L	A07S2		1-03 *							1				515
COM BUS D06	L	B03F2		1-04 *											515
COM BUS D06				1									13-4/8		515
COM BUS D07	L	A05B1		1-01 *							1				516
COM BUS D07	L	A06H1		1-02 *							2				516
COM BUS D07	L	A07P1		1-03 *							1				516
COM BUS D07	L	B03H1		1-04 *											516
COM BUS D07				1									13-4/8		516
COMP*MSYN	H	C07T2		1-01 *							1				517
COMP*MSYN	H	C14N2	C14H2	1-02 *							2				517
COMP*MSYN	H	C14H2		1-03 *							1				517
COMP*MSYN	H	B19J2		1-04 *											517
COMP*MSYN				1									17-2/8		517
COMP*MSYN	L	A04L2		1-01 *							1				518
COMP*MSYN	L	B19H2		1-02 *											518
COMP*MSYN				1									12-6/8		518

RP11C.C RUN NAME	A/P	WRP288.V17(17) 06/22/72 PIN NAME	ORDER PIN	BAY - ORDER	Q	DRAW	RV	PG	Y	X	Z	REMARKS	9-APR-73 LENGTH	23148 EXCEPTIONS	PAGE 74 RUN NUMBER
CONTROL	L	H23S2		1-01 *							1				519
CONTROL	L	H13D2		1-02 *							2				519
CONTROL	L	H14V2		1-03 *							1				519
CONTROL	L	J13K2		1-04 *							2				519
CONTROL	L	J07R2		1-05 *											519
CONTROL				1									27-0/8		519
CONTROL EN	L	H11E1		1-01 *							1				520
CONTROL EN	L	H13C1		1-02 *											520
CONTROL EN				1									16-6/8		520
CSME (0)	H	A14M1		1-01 *							1				521
CSME (0)	H	D31K1		1-02 *							2				521
CSME (0)	H	E31U1		1-03 *											521
CSME (0)				1									21-7/8		521
CSME (1)	H	D32P2		1-01 *							1				522
CSME (1)	H	E31S1		1-02 *											522
CSME (1)				1									6-4/8		522
CYL 405	H	D01A1		1-01 *							2				523
CYL 405	H	D03H1		1-02 *							1				523
CYL 405	H	D07E2		1-03 *											523
CYL 405				1									9-6/8		523
CYL 405	L	C07B1		1-01 *							2				524
CYL 405	L	C03J2		1-02 *							1				524
CYL 405	L	D03F1		1-03 *											524
CYL 405				1									11-2/8		524
CYL COM	H	D03D2		1-01 *							1				525
CYL COM	H	D16D1		1-02 *											525
CYL COM				1									9-2/8		525
CYL COM	L	C03P2		1-01 *							1				526
CYL COM	L	D03C1		1-02 *											526
CYL COM				1									4-6/8		526
D01H2		D01H2		1-01 *							1				527
D01H2		D04R2		1-02 *											527
D01H2				1									5-4/8		527
D01J1		C04D1		1-01 *							1				528
D01J1		D01J1		1-02 *											528
D01J1				1									7-6/8		528

RP110.C
RUN NAME

WRP288.V17(17) 06/22/72
A/P PIN ORDER BAY -
NAME PIN ORDER

Q DRAW RV PG Y X Z REMARKS

9-APR-73 23148
LENGTH EXCEPTIONS

PAGE 75
RUN NUMBER

D01M2	D01M2	1-01 *				2									529
D01M2	D04M2	1-02 *				1									529
D01M2	D04N2	1-03 *													529
D01M2		1										6-7/8			529
D01U1	D01F2	1-01 *													530
D01U1	D01U1	1-02 *				1									530
D01U1		1										4-6/8			530
D02S2	C04A1	1-01 *													531
D02S2	D02S2	1-02 *				1									531
D02S2		1										8-2/8			531
D03E1	D02T2	1-01 *													532
D03E1	D03E1	1-02 *				1									532
D03E1		1										4-4/8			532
D03L2	C10A1	1-01 *													533
D03L2	D03L2	1-02 *				1									533
D03L2		1										8-7/8			533
D03M1	C03N2	1-01 *													534
D03M1	D03M1	1-02 *				1									534
D03M1		1										6-0/8			534
D05D1	D02K2	1-01 *													535
D05D1	D05D1	1-02 *				1									535
D05D1		1										5-0/8			535
D05E1	D02N1	1-01 *													536
D05E1	D05E1	1-02 *				1									536
D05E1		1										5-0/8			536
D05F1	D02M2	1-01 *													537
D05F1	D05F1	1-02 *				1									537
D05F1		1										4-7/8			537
D05M2	D02S1	1-01 *													538
D05M2	D05M2	1-02 *				1									538
D05M2		1										5-2/8			538
D07D2	D01D2	1-01 *													539
D07D2	D07D2	1-02 *				1									539
D07D2		1										6-0/8			539

RP110.C
RUN NAME

WRP288.V17(17) 06/22/72
A/P PIN ORDER BAY -
NAME PIN ORDER

Q DRAW RV PG Y X Z REMARKS

9-APR-73 23148
LENGTH EXCEPTIONS

PAGE 76
RUN NUMBER

D07N2	C14D1	1-01 *													540
D07N2	D07N2	1-02 *				1									540
D07N2		1										8-3/8			540
D08E1	D04F1	1-01 *													541
D08E1	D08E1	1-02 *				1									541
D08E1		1										5-0/8			541
D08J2	D04K1	1-01 *													542
D08J2	D08J2	1-02 *				1									542
D08J2		1										5-4/8			542
D08L1	D04H1	1-01 *													543
D08L1	D08L1	1-02 *				1									543
D08L1		1										5-4/8			543
D08S1	D04J1	1-01 *													544
D08S1	D08S1	1-02 *				1									544
D08S1		1										5-6/8			544
D08V2	D08V2	1-01 *													545
D08V2	E02U2	1-02 *				1									545
D08V2		1										7-6/8			545
D10E1	D10E1	1-01 *													546
D10E1	D13K1	1-02 *				1									546
D10E1	D13J1	1-03 *													546
D10E1		1										7-3/8			546
D10J2	D10J2	1-01 *													547
D10J2	D13M2	1-02 *				1									547
D10J2	D13N2	1-03 *													547
D10J2		1										7-1/8			547
D10L1	D10L1	1-01 *													548
D10L1	D13P1	1-02 *				1									548
D10L1	D13R1	1-03 *													548
D10L1		1										7-1/8			548
D10L2	D10L2	1-01 *													549
D10L2	E13D2	1-02 *				1									549
D10L2	F17E1	1-03 *													549
D10L2	F17D1	1-04 *				1									549
D10L2		1										15-1/8			549

RP11C.C
RUN NAME

WRP288.V17(17) 06/22/72
A/P PIN ORDER BAY -
NAME PIN ORDER

Q DRAW RV PG Y X Z REMARKS

9-APR-73
LENGTH

23148
EXCEPTIONS

PAGE 79
RUN
NUMBER

D21M2
D21M2
D21M2

D21M2 1-01 *
D22K2 1-02 *
1

1

3-4/8

572
572
572

D22N1
D22N1
D22N1

D22N1 1-01 *
D22P1 1-02 *
1

1

2-3/8

573
573
573

D22N2
D22N2
D22N2

D22N2 1-01 *
D22R1 1-02 *
1

1

2-6/8

574
574
574

D22V2
D22V2
D22V2

D15V1 1-01 *
D22V2 1-02 *
1

1

6-6/8

575
575
575

D25D1
D25D1
D25D1

D24N2 1-01 *
D25D1 1-02 *
1

1

4-2/8

576
576
576

D25F2
D25F2
D25F2

D24S1 1-01 *
D25F2 1-02 *
1

1

4-3/8

577
577
577

D25P2
D25P2
D25P2

D20D1 1-01 *
D25P2 1-02 *
1

1

6-6/8

578
578
578

D25R2
D25R2
D25R2

D25M2 1-01 *
D25R2 1-02 *
1

1

2-7/8

579
579
579

D27E1
D27E1
D27E1

D26P2 1-01 *
D27E1 1-02 *
1

1

4-2/8

580
580
580

D27J2
D27J2
D27J2

D26U1 1-01 *
D27J2 1-02 *
1

1

4-3/8

581
581
581

D27L1
D27L1
D27L1

D26R1 1-01 *
D27L1 1-02 *
1

1

3-6/8

582
582
582

D27P2
D27P2
D27P2

D26A1 1-01 *
D27P2 1-02 *
1

1

5-2/8

583
583
583

RP11C.C
RUN NAME

WRP288.V17(17) 06/22/72
A/P PIN ORDER BAY -
NAME PIN ORDER

Q DRAW RV PG Y X Z REMARKS

9-APR-73
LENGTH

23148
EXCEPTIONS

PAGE 80
RUN
NUMBER

D27S1
D27S1
D27S1

D26S1 1-01 *
D27S1 1-02 *
1

1

3-4/8

584
584
584

D27V2
D27V2
D27V2

D26T2 1-01 *
D27V2 1-02 *
1

1

3-4/8

585
585
585

D29E1
D29E1
D29E1

D26P2 1-01 *
D29E1 1-02 *
1

1

4-2/8

586
586
586

D29J2
D29J2
D29J2

D26U1 1-01 *
D29J2 1-02 *
1

1

4-3/8

587
587
587

D29L1
D29L1
D29L1

D26R1 1-01 *
D29L1 1-02 *
1

1

3-6/8

588
588
588

D29P2
D29P2
D29P2

D26A1 1-01 *
D29P2 1-02 *
1

1

5-2/8

589
589
589

D29S1
D29S1
D29S1

D26S1 1-01 *
D29S1 1-02 *
1

1

3-4/8

590
590
590

D29V2
D29V2
D29V2

D26T2 1-01 *
D29V2 1-02 *
1

1

3-4/8

591
591
591

DATA ACCD
DATA ACCD
DATA ACCD

H A17N2 1-01 *
H B04L2 1-02 *
1

1

12-0/8

592
592
592

DATA CLK
DATA CLK
DATA CLK
DATA CLK
DATA CLK

H D20M2 1-01 *
H F12C1 1-02 *
H F11J2 1-03 *
H E07N1 1-04 *
1

1

2

1

21-4/8

593
593
593
593
593

RP11C.C RUN NAME	A/P	WHP288.V17(17) PIN NAME	06/22/72 ORDER PIN	BAY - ORDER	Q	DRAW	RV	PG	Y	X	Z	REMARKS	9-APR-73 LENGTH	23148 EXCEPTIONS	PAGE 81 RUN NUMBER
DATA CONT	H	D01U2		1-01 *							1				594
DATA CONT	H	D16H2		1-02 *							2				594
DATA CONT	H	C21C1		1-03 *							1				594
DATA CONT	H	E22H2		1-04 *							2				594
DATA CONT	H	F25M2		1-05 *							1				594
DATA CONT	H	F26R2		1-06 *											594
DATA CONT				1									40-7/8		594
DATA CONT	L	E23S2		1-01 *							1				595
DATA CONT	L	F26P2		1-02 *											595
DATA CONT				1									7-0/8		595
DATA DONE	L	E23L1		1-01 *							1				596
DATA DONE	L	E23V2		1-02 *							2				596
DATA DONE	L	F20U2		1-03 *							1				596
DATA DONE	L	F32R1		1-04 *											596
DATA DONE				1									20-6/8		596
DATA GATE	H	D14H2		1-01 *							2				597
DATA GATE	H	E11D2		1-02 *							1				597
DATA GATE	H	E11H1		1-03 *							2				597
DATA GATE	H	E10M2		1-04 *							1				597
DATA GATE	H	E07K2		1-05 *							2				597
DATA GATE	H	E07S2		1-06 *							1				597
DATA GATE	H	F13C1		1-07 *							2				597
DATA GATE	H	F19H2		1-08 *							1				597
DATA GATE	H	F19P1		1-09 *							2				597
DATA GATE	H	F18S1		1-10 *											597
DATA GATE				1									42-4/8		597
DATA GATE (0)	H	F13F2		1-01 *							1				598
DATA GATE (0)	H	F13K2		1-02 *							2				598
DATA GATE (0)	H	F18M1		1-03 *											598
DATA GATE (0)				1									8-3/8		598
DATA GATE (1)	H	E10H1		1-01 *							1				599
DATA GATE (1)	H	F13J2		1-02 *							2				599
DATA GATE (1)	H	F18K1		1-03 *											599
DATA GATE (1)				1									12-7/8		599
DATA GATE CLOCK	H	F11V2		1-01 *							1				600
DATA GATE CLOCK	H	F13E2		1-02 *											600
DATA GATE CLOCK				1									5-4/8		600

RP11C.C RUN NAME	A/P	WHP288.V17(17) PIN NAME	06/22/72 ORDER PIN	BAY - ORDER	Q	DRAW	RV	PG	Y	X	Z	REMARKS	9-APR-73 LENGTH	23148 EXCEPTIONS	PAGE 82 RUN NUMBER
DATA SET (1)	H	E10T2		1-01 *							1				601
DATA SET (1)	H	F13E1		1-02 *							2				601
DATA SET (1)	H	F13K1		1-03 *											601
DATA SET (1)				1									8-2/8		601
DATA STROBE	H	C04R2		1-01 *							1				602
DATA STROBE	H	F07D2		1-02 *							2				602
DATA STROBE	H	D15J2		1-03 *							1				602
DATA STROBE	H	E31R1		1-04 *											602
DATA STROBE				1									33-6/8		602
DATA STROBE	L	C17N2		1-01 *							1				603
DATA STROBE	L	D15H2		1-02 *											603
DATA STROBE				1									6-2/8		603
DATA TO BUS	H	B04E2		1-01 *							1				604
DATA TO BUS	H	B20R1		1-02 *											604
DATA TO BUS				1									12-0/8		604
DATA TO BUS	L	A17M1		1-01 *							1				605
DATA TO BUS	L	B04F2		1-02 *											605
DATA TO BUS				1									11-2/8		605
DATA WAIT	L	B04S2		1-01 *							1				606
DATA WAIT	L	B20M2		1-02 *											606
DATA WAIT				1									11-4/8		606
DATA WINDOW (0)	H	E10R2		1-01 *							1				607
DATA WINDOW (0)	H	E10E1		1-02 *							2				607
DATA WINDOW (0)	H	D16T2		1-03 *							1				607
DATA WINDOW (0)	H	D16U2		1-04 *							2				607
DATA WINDOW (0)	H	F25M1		1-05 *											607
DATA WINDOW (0)				1									23-5/8		607
DATA WINDOW (1)	H	C32D2		1-01 *							1				608
DATA WINDOW (1)	H	E23D1		1-02 *							2				608
DATA WINDOW (1)	H	F25L1		1-03 *							1				608
DATA WINDOW (1)	H	D16E2		1-04 *							2				608
DATA WINDOW (1)	H	E11C1		1-05 *											608
DATA WINDOW (1)				1									37-3/8		608
DATA XFER EN	H	C21F1		1-01 *							1				609
DATA XFER EN	H	D15L2		1-02 *											609
DATA XFER EN				1									7-5/8		609

RP110.C RUN NAME	A/P	WPP288.V17(17) 06/22/72 PIN NAME ORDER PIN BAY - ORDER	Q	DRAW	RV	PG	Y	X	Z	REMARKS	9-APR-73 LENGTH	23148 EXCEPTIONS	PAGE 33 RUN NUMBER
DATA XFER EN	L	D15K2							1				610
DATA XFER EN	L	D16J2										610	
DATA XFER EN											3-6/8	610	
DC LO RUF	H	B06H1							1				611
DC LO RUF	H	J15C1										611	
DC LO RUF											22-6/8	611	
DCLK	H	C20E2							1				612
DCLK	H	F07B1							2				612
DCLK	H	F10F2											612
DCLK											19-5/8		612
DCLK	L	E07V2							1				613
DCLK	L	F10E2											613
DCLK											4-6/8		613
DO	H	E22J2							1				614
DO	H	E21B1							2				614
DO	H	E20E2							1				614
DO	H	F21M1											614
DO											13-6/8		614
DO 2	H	F26V2							1				615
DO 2	H	F31R2											615
DO 2											6-0/8		615
DONE STR	L	F12R1							1				616
DONE STR	L	F32N2											616
DONE STR											13-4/8		616
DONE STR 1	L	F12U2							1				617
DONE STR 1	L	F12T2							2				617
DONE STR 1	L	F32R2											617
DONE STR 1											15-5/8		617
DRIVE SEL 00 (0)	H	A14P2							1				618
DRIVE SEL 00 (0)	H	E16J2											618
DRIVE SEL 00 (0)											14-0/8		618
DRIVE SEL 00 (1)	H	B32L1							1				619
DRIVE SEL 00 (1)	H	E16M2							2				619
DRIVE SEL 00 (1)	H	E18V1							1				619
DRIVE SEL 00 (1)	H	E01K2											619
DRIVE SEL 00 (1)											31-6/8		619

RP110.C RUN NAME	A/P	WPP288.V17(17) 06/22/72 PIN NAME ORDER PIN BAY - ORDER	Q	DRAW	RV	PG	Y	X	Z	REMARKS	9-APR-73 LENGTH	23148 EXCEPTIONS	PAGE 84 RUN NUMBER
DRIVE SEL 01 (0)	H	E14A1							1				620
DRIVE SEL 01 (0)	H	E15F1											620
DRIVE SEL 01 (0)											12-4/8		620
DRIVE SEL 01 (1)	H	B32K1							1				621
DRIVE SEL 01 (1)	H	E16E1							2				621
DRIVE SEL 01 (1)	H	E19U2							1				621
DRIVE SEL 01 (1)	H	E01W2											621
DRIVE SEL 01 (1)											32-3/8		621
DRIVE SEL 02 (0)	H	E14D1							1				622
DRIVE SEL 02 (0)	H	E17V1											622
DRIVE SEL 02 (0)											14-0/8		622
DRIVE SEL 02 (1)	H	B32J1							1				623
DRIVE SEL 02 (1)	H	E17V2							2				623
DRIVE SEL 02 (1)	H	E18V2							1				623
DRIVE SEL 02 (1)	H	E01D2											623
DRIVE SEL 02 (1)											33-7/8		623
DSK ADR TO SR	H	C20V2							2				624
DSK ADR TO SR	H	D27C1							1				624
DSK ADR TO SR	H	D27F2							2				624
DSK ADR TO SR	H	D27J1							1				624
DSK ADR TO SR	H	D27M2							2				624
DSK ADR TO SR	H	D27P1							1				624
DSK ADR TO SR	H	D27T2							2				624
DSK ADR TO SR	H	D29T2							1				624
DSK ADR TO SR	H	D29P1							2				624
DSK ADR TO SR	H	D29M2							1				624
DSK ADR TO SR	H	D29J1							2				624
DSK ADR TO SR	H	D29F2							1				624
DSK ADR TO SR	H	D29C1							2				624
DSK ADR TO SR	H	C30T2							1				624
DSK ADR TO SR	H	C30P1							2				624
DSK ADR TO SR	H	C30M2							1				624
DSK ADR TO SR	H	C30J1							2				624
DSK ADR TO SR	H	C30F2							1				624
DSK ADR TO SR	H	C30C1							2				624
DSK ADR TO SR	H	C27M2											624
DSK ADR TO SR											62-3/8		624
DSK ADR TO SR	L	C31M1							1				625
DSK ADR TO SR	L	C20U2							2				625
DSK ADR TO SR	L	D16L1											625
DSK ADR TU SR											14-7/8		625

RP11C.C
RUN NAME

WRP288.V17(17) 06/22/72
A/P PIN ORDER BAY -
NAME PIN ORDER

Q DRAW RV PG Y X Z REMARKS

9-APR-73

23148

PAGE 85
RUN
NUMBER

DSK ERR
DSK ERR
DSK ERR

H E14F2 1-01 *
H E21F1 1-02 *
1

1

6-2/8

626
626
626

DSK ERR
DSK ERR
DSK ERR
DSK ERR
DSK ERR

L A14B1 1-01 *
L E14H2 1-02 *
L E21H1 1-03 *
L F12S2 1-04 *
1

1

2

1

29-5/8

627
627
627
627
627

E01D1
E01D1
E01D1

E01D1 1-01 *
E02D1 1-02 *
1

1

3-4/8

628
628
628

E01E2
E01E2
E01E2

E01E2 1-01 *
E02A1 1-02 *
1

1

3-4/8

629
629
629

E01J1
E01J1
E01J1

E01J1 1-01 *
E02E1 1-02 *
1

1

2-7/8

630
630
630

E01M1
E01M1
E01M1

E01M1 1-01 *
E02B1 1-02 *
1

1

4-5/8

631
631
631

E02C1
E02C1
E02C1

E02C1 1-01 *
E02D2 1-02 *
1

1

2-7/8

632
632
632

E02F1
E02F1
E02F1

E02E2 1-01 *
E02F1 1-02 *
1

1

2-3/8

633
633
633

E02F2
E02F2
E02F2

E02F2 1-01 *
F02P2 1-02 *
1

1

6-6/8

634
634
634

E02K1
E02K1
E02K1

E02H2 1-01 *
E02K1 1-02 *
1

1

2-6/8

635
635
635

E02S2
E02S2
E02S2

E02S2 1-01 *
F02S2 1-02 *
1

1

5-6/8

636
636
636

RP11C.C
RUN NAME

WRP288.V17(17) 06/22/72
A/P PIN ORDER BAY -
NAME PIN ORDER

Q DRAW RV PG Y X Z REMARKS

9-APR-73

23148

PAGE 86
RUN
NUMBER

E02V2
E02V2
E02V2

D03L1 1-01 *
E02V2 1-02 *
1

1

6-6/8

637
637
637

E03E1
E03E1
E03E1

E03E1 1-01 *
F12F1 1-02 *
1

1

10-4/8

638
638
638

E03J2
E03J2
E03J2

F03J2 1-01 *
F12K1 1-02 *
1

2

9-5/8

639
639
639

E03L1
E03L1
E03L1

E03L1 1-01 *
F12H1 1-02 *
1

1

9-6/8

640
640
640

E03P2
E03P2
E03P2

E03P2 1-01 *
E04D2 1-02 *
1

1

4-5/8

641
641
641

E03S1
E03S1
E03S1

E03S1 1-01 *
F12J1 1-02 *
1

1

9-4/8

642
642
642

E03V2
E03V2
E03V2

E03V2 1-01 *
E04E2 1-02 *
1

1

5-0/8

643
643
643

E04J2
E04J2
E04J2

E04J2 1-01 *
F02C1 1-02 *
1

1

6-3/8

644
644
644

E04P2
E04P2
E04P2

E04P2 1-01 *
F02D1 1-02 *
1

1

5-3/8

645
645
645

E04V2
E04V2
E04V2

E04V2 1-01 *
F02F1 1-02 *
1

1

4-7/8

646
646
646

E05E1
E05E1
E05E1

E04M1 1-01 *
E05E1 1-02 *
1

1

3-7/8

647
647
647

E05J2
E05J2
E05J2

E04R1 1-01 *
E05J2 1-02 *
1

1

4-1/8

648
648
648

RP110-C
RUN NAME

WRP288.V17(17) 06/22/72
A/P PIN ORDER BAY -
NAME PIN ORDER

Q DRAW RV PG Y X Z REMARKS

9-APR-73
LENGTH

23148
EXCEPTIONS

PAGE 87
RUN
NUMBER

E05L1
E05L1
E05L1

E04N1
E05L1

1-01 *
1-02 *
1

1

3-4/8

649
649
649

E05P2
E05P2
E05P2

E04R2
E05P2

1-01 *
1-02 *
1

1

2-7/8

650
650
650

E05S1
E05S1
E05S1

E04P1
E05S1

1-01 *
1-02 *
1

1

3-4/8

651
651
651

E05V2
E05V2
E05V2

E04S2
E05V2

1-01 *
1-02 *
1

1

3-6/8

652
652
652

E06J2
E06J2
E06J2

E06J2
F02J1

1-01 *
1-02 *
1

1

7-0/8

653
653
653

E06P2
E06P2
E06P2

E06P2
F02E2

1-01 *
1-02 *
1

1

5-5/8

654
654
654

E06V2
E06V2
E06V2

E06V2
F07A1

1-01 *
1-02 *
1

1

3-6/8

655
655
655

E07P2
E07P2
E07P2

E07P2
E11F2

1-01 *
1-02 *
1

1

6-0/8

656
656
656

E08J2
E08J2
E08J2

E08J2
F02L1

1-01 *
1-02 *
1

1

7-3/8

657
657
657

E08P2
E08P2
E08P2

E08P2
F02K2

1-01 *
1-02 *
1

1

7-5/8

658
658
658

E08V2
E08V2
E08V2

E08V2
F02M2

1-01 *
1-02 *
1

1

7-4/8

659
659
659

E10F1
E10F1
E10F1

E10F1
F02N1

1-01 *
1-02 *
1

1

8-6/8

660
660
660

RP110-C
RUN NAME

WRP288.V17(17) 06/22/72
A/P PIN ORDER BAY -
NAME PIN ORDER

Q DRAW RV PG Y X Z REMARKS

9-APR-73
LENGTH

23148
EXCEPTIONS

PAGE 88
RUN
NUMBER

E10F2
E10F2
E10F2

E10F2
F07M2

1-01 *
1-02 *
1

1

7-4/8

661
661
661

E10K1
E10K1
E10K1

E10K1
F13N2

1-01 *
1-02 *
1

1

8-0/8

662
662
662

E10N2
E10N2
E10N2

E10N2
F11H2

1-01 *
1-02 *
1

1

5-4/8

663
663
663

E10V2
E10V2
E10V2

E10V2
F13D1

1-01 *
1-02 *
1

1

4-5/8

664
664
664

E11D1
E11D1
E11D1

D20M1
E11D1

1-01 *
1-02 *
1

1

9-0/8

665
665
665

E11H2
E11H2
E11H2

E11H2
F13S1

1-01 *
1-02 *
1

1

7-4/8

666
666
666

E11M2
E11M2
E11M2

D20T2
E11M2

1-01 *
1-02 *
1

1

9-4/8

667
667
667

E11S2
E11S2
E11S2
E11S2

G17H1
D15J1
E11S2

1-01 *
1-02 *
1-03 *
1

2
1

15-0/8

668
668
668
668

E11U1
E11U1
E11U1

E11U1
F11J1

1-01 *
1-02 *
1

1

4-6/8

669
669
669

E11V1
E11V1
E11V1

E11V1
F29U2

1-01 *
1-02 *
1

1

14-6/8

670
670
670

E14K2
E14K2
E14K2

E14K2
E21J1

1-01 *
1-02 *
1

1

6-4/8

671
671
671

E14S1	E14S1	1-01 *					1						672
E14S1	E14U2	1-02 *											672
E14S1		1									2-6/8		672
E14S2	E14S2	1-01 *					1						673
E14S2	F10S2	1-02 *											673
E14S2		1									7-2/8		673
E14V2	E14V2	1-01 *					1						674
E14V2	F10P2	1-02 *											674
E14V2		1									6-1/8		674
E15K2	E15K2	1-01 *					1						675
E15K2	F10J2	1-02 *											675
E15K2		1									6-4/8		675
E20C1	E20C1	1-01 *					1						676
E20C1	E23J1	1-02 *											676
E20C1		1									5-2/8		676
E20H1	E20H1	1-01 *					1						677
E20H1	F17F1	1-02 *											677
E20H1		1									7-0/8		677
E20J1	E20J1	1-01 *					1						678
E20J1	F17H1	1-02 *											678
E20J1		1									7-2/8		678
E20J2	E20J2	1-01 *					1						679
E20J2	F19P2	1-02 *											679
E20J2		1									7-0/8		679
E20K2	E20K2	1-01 *					1						680
E20K2	F25L2	1-02 *											680
E20K2		1									6-7/8		680
E20L1	E20L1	1-01 *					1						681
E20L1	E20N2	1-02 *											681
E20L1		1									2-6/8		681
E20N1	E20N1	1-01 *					2						682
E20N1	F24M1	1-02 *					1						682
E20N1	F24N1	1-03 *											682
E20N1		1									9-3/8		682

E21A1	E21A1	1-01 *					1						683
E21A1	F19V2	1-02 *											683
E21A1		1									8-4/8		683
E21J2	E16K1	1-01 *					1						684
E21J2	E21J2	1-02 *											684
E21J2		1									6-0/8		684
E21R2	D18L1	1-01 *					1						685
E21R2	E21R2	1-02 *											685
E21R2		1									7-6/8		685
E21T2	E21T2	1-01 *					1						686
E21T2	E28P1	1-02 *											686
E21T2		1									6-4/8		686
E22C1	E22C1	1-01 *					1						687
E22C1	F25N2	1-02 *											687
E22C1		1									8-6/8		687
E22F1	E22F1	1-01 *					1						688
E22F1	F26S2	1-02 *											688
E22F1		1									9-0/8		688
E22K2	E22K2	1-01 *					1						689
E22K2	F26U2	1-02 *											689
E22K2		1									8-6/8		689
E22N1	E22M2	1-01 *					1						690
E22N1	E22N1	1-02 *											690
E22N1		1									2-3/8		690
E22N2	E22N2	1-01 *					2						691
E22N2	F31U2	1-02 *					1						691
E22N2	F31T2	1-03 *											691
E22N2		1									12-1/8		691
E22S2	E22S2	1-01 *					1						692
E22S2	E22T2	1-02 *											692
E22S2		1									2-3/8		692
E23C1	E23C1	1-01 *					1						693
E23C1	E23D2	1-02 *											693
E23C1		1									2-7/8		693

RP110.C RUN NAME	A/P	WRP288.V17(17) PIN NAME	ORDER PIN	06/22/72 BAY - ORDER	Q	DRAW	RV	PG	Y	X	Z	REMARKS	9-APR-73 LENGTH	23148 EXCEPTIONS	PAGE 91 RUN NUMBER
E23F1		E23E2		1-01 *							1				694
E23F1		E23F1		1-02 *											694
E23F1				1									2-3/8		694
E23F2		E23F2		1-01 *							1				695
E23F2		E23H1		1-02 *											695
E23F2				1									2-7/8		695
E23K2		E23K2		1-01 *							1				696
E23K2		F21H2		1-02 *											696
E23K2				1									6-4/8		696
E23N1		G27S2		1-01 *							1				697
E23N1		E23N1		1-02 *											697
E23N1				1									10-0/8		697
E23N2		E27C1		1-01 *	1						1				698
E23N2		E27N1		1-02 *							2				698
E23N2		E23N2		1-03 *											698
E23N2				1									9-0/8		698
E26V2		E26V2		1-01 *							1				699
E26V2		F26E2		1-02 *											699
E26V2				1									4-2/8		699
E28B1		E28B1		1-01 *							1				700
E28B1		E28D2		1-02 *							2				700
E28B1		F30S1		1-03 *											700
E28B1				1									10-4/8		700
ECYL	L	D01N1		1-01 *							1				701
ECYL	L	D03D1		1-02 *											701
ECYL				1									4-4/8		701
EN CNT	H	F20F1		1-01 *							1				702
EN CNT	H	J15J1		1-02 *							2				702
EN CNT	H	J13N1		1-03 *											702
EN CNT				1									15-4/8		702
EN CNT	L	J12E2		1-01 *							2				703
EN CNT	L	J11E2		1-02 *							1				703
EN CNT	L	J11P2		1-03 *							2				703
EN CNT	L	J12P2		1-04 *							1				703
EN CNT	L	J13P1		1-05 *											703
EN CNT				1									13-6/8		703

RP110.C RUN NAME	A/P	WRP288.V17(17) PIN NAME	ORDER PIN	06/22/72 BAY - ORDER	Q	DRAW	RV	PG	Y	X	Z	REMARKS	9-APR-73 LENGTH	23148 EXCEPTIONS	PAGE 92 RUN NUMBER
EN HEADER	H	C09N2		1-01 *							1				704
EN HEADER	H	D15E1		1-02 *											704
EN HEADER				1									7-0/8		704
EN HEADER	L	D15D1		1-01 *							1				705
EN HEADER	L	D16E1		1-02 *											705
EN HEADER				1									2-7/8		705
EN SYNC	H	E11V2		1-01 *							1				706
EN SYNC	H	F26H1		1-02 *											706
EN SYNC				1									11-4/8		706
EN SYNC	L	E11N2		1-01 *							2				707
EN SYNC	L	D16P1		1-02 *							1				707
EN SYNC	L	D16R1		1-03 *							2				707
EN SYNC	L	E23K1		1-04 *							1				707
EN SYNC	L	F26F1		1-05 *											707
EN SYNC				1									23-5/8		707
ENABLE NPR	H	A17V2		1-01 *							2				708
ENABLE NPR	H	B18C1		1-02 *							1				708
ENABLE NPR	H	B18F2		1-03 *											708
ENABLE NPR				1									6-7/8		708
END CYCLE	L	A17A1		1-01 *							1				709
END CYCLE	L	R04N2		1-02 *											709
END CYCLE				1									13-2/8		709
END STROBE	H	F21P1		1-01 *							1				710
END STROBE	H	F27V2		1-02 *							2				710
END STROBE	H	F29L1		1-03 *											710
END STROBE				1									11-2/8		710
EOP	H	D01T2		1-01 *							1				711
EOP	H	D03B1		1-02 *											711
EOP				1									5-4/8		711
EOP	L	D03A1		1-01 *							2				712
EOP	L	D01D1		1-02 *							1				712
EOP	L	F12P1		1-03 *											712
EOP				1									16-7/8		712
EOP (0)	H	A14E1		1-01 *							1				713
EOP (0)	H	D31L2		1-02 *							2				713
EOP (0)	H	E32M1		1-03 *											713
EOP (0)				1									21-1/8		713

RP11C.C RUN NAME	A/P	WRP288.V17(17) PIN NAME	06/22/72 ORDER PIN	BAY - ORDER	Q	DRAW	RV	PG	Y	X	Z	REMARKS	9-APR-73 LENGTH	23148 EXCEPTIONS	PAGE 93 RUN NUMBER
EOP (1)	H	D32U2		1-01 *							1				714
EOP (1)	H	E32L1		1-02 *							1				714
EOP (1)				1									4-6/8		714
ERASE (0)	H	E28M1		1-01 *							1				715
ERASE (0)	H	F27C1		1-02 *							1				715
ERASE (0)				1									5-2/8		715
ERASE (1)	H	A32D2		1-01 *							1				716
ERASE (1)	H	E28L1		1-02 *							2				716
ERASE (1)	H	J12R1		1-03 *							1				716
ERASE (1)				1									31-5/8		716
ERASE CLK	H	E28H1		1-01 *							1				717
ERASE CLK	H	F26N2		1-02 *							1				717
ERASE CLK				1									7-0/8		717
ERR SYNC 01 (0)	H	E21D1		1-01 *							1				718
ERR SYNC 01 (0)	H	E28U1	E32N1	1-02 *							2				718
ERR SYNC 01 (0)	H	E32N1		1-03 *							1				718
ERR SYNC 01 (0)				1									13-6/8		718
ERR SYNC 01 (1)	H	E02R2		1-01 *							1				719
ERR SYNC 01 (1)	H	E02M2		1-02 *							2				719
ERR SYNC 01 (1)	H	D02U2		1-03 *							1				719
ERR SYNC 01 (1)	H	C10B1		1-04 *							2				719
ERR SYNC 01 (1)	H	C27R2		1-05 *							1				719
ERR SYNC 01 (1)	H	D24R2		1-06 *							2				719
ERR SYNC 01 (1)	H	E28L2		1-07 *							1				719
ERR SYNC 01 (1)	H	E28S1		1-08 *							2				719
ERR SYNC 01 (1)	H	F27F2		1-09 *							1				719
ERR SYNC 01 (1)				1									52-3/8		719
ERR SYNC 02 (1)	H	A17T2		1-01 *							1				720
ERR SYNC 02 (1)	H	C27T2	E32P1	1-02 *							2				720
ERR SYNC 02 (1)	H	E32P1		1-03 *							1				720
ERR SYNC 02 (1)	H	E28V2		1-04 *							2				720
ERR SYNC 02 (1)	H	F21W1		1-05 *							1				720
ERR SYNC 02 (1)	H	F19R2		1-06 *							1				720
ERR SYNC 02 (1)				1									37-7/8		720

RP11C.C RUN NAME	A/P	WRP288.V17(17) PIN NAME	06/22/72 ORDER PIN	BAY - ORDER	Q	DRAW	RV	PG	Y	X	Z	REMARKS	9-APR-73 LENGTH	23148 EXCEPTIONS	PAGE 94 RUN NUMBER
ERR SYNC 1	H	E21E1		1-01 *							2				721
ERR SYNC 1	H	E23H2		1-02 *							1				721
ERR SYNC 1	H	E22P2		1-03 *							2				721
ERR SYNC 1	H	F19A1		1-04 *							1				721
ERR SYNC 1	H	F19K2		1-05 *							2				721
ERR SYNC 1	H	F21P2		1-06 *							1				721
ERR SYNC 1				1									22-5/8		721
ERROR	H	B32C1		1-01 *							2				722
ERROR	H	D31P2		1-02 *							1				722
ERROR	H	F19B1		1-03 *							2				722
ERROR	H	C06K2		1-04 *							1				722
ERROR				1									36-1/8		722
ERROR	L	C06L2		1-01 *							2				723
ERROR	L	B14L2		1-02 *							1				723
ERROR	L	E23J2		1-03 *							2				723
ERROR	L	F20T2		1-04 *							1				723
ERROR	L	F19N2		1-05 *							1				723
ERROR				1									36-4/8		723
ESECA	L	C07S2		1-01 *							1				724
ESECA	L	D03K2		1-02 *							1				724
ESECA				1									5-7/8		724
ETRA	H	D22S1		1-01 *							1				725
ETRA	H	D24P2		1-02 *							1				725
ETRA				1									4-4/8		725
F01E2		E01L1		1-01 *							1				726
F01E2		E01M2		1-02 *							2				726
F01E2		F01E2		1-03 *							1				726
F01E2				1									7-3/8		726
F02J2		E07D1		1-01 *							1				727
F02J2		F02J2		1-02 *							1				727
F02J2				1									8-1/8		727
F02K1		E07A1		1-01 *							1				728
F02K1		F02K1		1-02 *							1				728
F02K1				1									9-1/8		728
F02L2		E07K1		1-01 *							1				729
F02L2		F02L2		1-02 *							1				729
F02L2				1									7-3/8		729

RP110-C
RUN NAME

WRP288.V17(17) 06/22/72
A/P PIN ORDER BAY -
NAME PIN ORDER

Q DRAW RV PG Y X Z REMARKS

9-APR-73
LENGTH

23148
EXCEPTIONS

PAGE 96
RUN
NUMBER

F02M1
F02M1
F02M1

E07F1
F02M1

1-01 *
1-02 *
1

1

8-1/8

730
730
730

F02P1
F02P1
F02P1
F02P1
F02P1

F02P1
F08J1
F08F1
F08D1

1-01 *
1-02 *
1-03 *
1-04 *
1

2
1
2

12-2/8

731
731
731
731
731

F02R2
F02R2
F02R2

E02J1
F02R2

1-01 *
1-02 *
1

1

6-6/8

732
732
732

F02T2
F02T2
F02T2

E02L1
F02T2

1-01 *
1-02 *
1

1

6-6/8

733
733
733

F03E1
F03E1
F03E1

E04M2
F03E1

1-01 *
1-02 *
1

1

5-6/8

734
734
734

F03J2
F03J2
F03J2

E04U2
F03J2

1-01 *
1-02 *
1

1

5-0/8

735
735
735

F03L1
F03L1
F03L1

E04N2
F03L1

1-01 *
1-02 *
1

1

6-2/8

736
736
736

F03P2
F03P2
F03P2

E04F2
F03P2

1-01 *
1-02 *
1

1

7-2/8

737
737
737

F03S1
F03S1
F03S1

E04T2
F03S1

1-01 *
1-02 *
1

1

6-4/8

738
738
738

F03V2
F03V2
F03V2

E04H2
F03V2

1-01 *
1-02 *
1

1

7-4/8

739
739
739

F04E1
F04E1
F04E1

E04F1
F04E1

1-01 *
1-02 *
1

1

5-6/8

740
740
740

RP110-C
RUN NAME

WRP288.V17(17) 06/22/72
A/P PIN ORDER BAY -
NAME PIN ORDER

Q DRAW RV PG Y X Z REMARKS

9-APR-73
LENGTH

23148
EXCEPTIONS

PAGE 96
RUN
NUMBER

F04J2
F04J2
F04J2

E04K1
F04J2

1-01 *
1-02 *
1

1

6-0/8

741
741
741

F04L1
F04L1
F04L1

E04H1
F04L1

1-01 *
1-02 *
1

1

6-2/8

742
742
742

F04P2
F04P2
F04P2

E04K2
F04P2

1-01 *
1-02 *
1

1

6-2/8

743
743
743

F04S1
F04S1
F04S1

E04J1
F04S1

1-01 *
1-02 *
1

1

6-6/8

744
744
744

F04V2
F04V2
F04V2

E04L2
F04V2

1-01 *
1-02 *
1

1

6-6/8

745
745
745

F05E1
F05E1
F05E1

E06F1
F05E1

1-01 *
1-02 *
1

1

6-2/8

746
746
746

F05J2
F05J2
F05J2

E06K1
F05J2

1-01 *
1-02 *
1

1

5-6/8

747
747
747

F05L1
F05L1
F05L1

E06H1
F05L1

1-01 *
1-02 *
1

1

6-4/8

748
748
748

F05P2
F05P2
F05P2

E06K2
F05P2

1-01 *
1-02 *
1

1

6-6/8

749
749
749

F05S1
F05S1
F05S1

E06J1
F05S1

1-01 *
1-02 *
1

1

7-2/8

750
750
750

F05V2
F05V2
F05V2

E06L2
F05V2

1-01 *
1-02 *
1

1

7-2/8

751
751
751

F06E1
F06E1
F06E1

E06M1
F06E1

1-01 *
1-02 *
1

1

5-0/8

752
752
752

RP110.C
RUN NAME

WRP288.V17(17) 06/22/72
A/P PIN ORDER BAY - Q DRAW RV PG Y X Z REMARKS

9-APR-73 23148 PAGE 97
LENGTH EXCEPTIONS RUN NUMBER

RP110.C RUN NAME	WRP288.V17(17) A/P PIN ORDER BAY -	06/22/72 Q DRAW RV PG Y X Z	REMARKS	9-APR-73 LENGTH	23148 EXCEPTIONS	PAGE 97 RUN NUMBER
F06J2	E06R1	1-01 *				753
F06J2	F06J2	1-02 *				753
F06J2		1		5-2/8		753
F06L1	E06N1	1-01 *				754
F06L1	F06L1	1-02 *				754
F06L1		1		5-4/8		754
F06P2	E06M2	1-01 *				755
F06P2	F06P2	1-02 *				755
F06P2		1		6-0/8		755
F06S1	E06P1	1-01 *				756
F06S1	F06S1	1-02 *				756
F06S1		1		6-0/8		756
F06V2	E06N2	1-01 *				757
F06V2	F06V2	1-02 *				757
F06V2		1		6-4/8		757
F10B1	F10B1	1-01 *				758
F10B1	F11A1	1-02 *				758
F10B1		1		2-7/8		758
F10H2	E14N1	1-01 *				759
F10H2	F10H2	1-02 *				759
F10H2		1		5-7/8		759
F10K1	F09J1	1-01 *				760
F10K1	F10K1	1-02 *				760
F10K1		1		2-7/8		760
F10M1	F10M1	1-01 *				761
F10M1	F10M2	1-02 *				761
F10M1		1		2-6/8		761
F10N2	F10N2	1-01 *				762
F10N2	F13P1	1-02 *				762
F10N2		1		4-2/8		762
F11B1	F11B1	1-01 *				763
F11B1	F13L2	1-02 *				763
F11B1		1		4-5/8		763
F11D2	E10H2	1-01 *				764
F11D2	F11D2	1-02 *				764
F11D2		1		6-0/8		764

RP110.C
RUN NAME

WRP288.V17(17) 06/22/72
A/P PIN ORDER BAY - Q DRAW RV PG Y X Z REMARKS

9-APR-73 23148 PAGE 98
LENGTH EXCEPTIONS RUN NUMBER

RP110.C RUN NAME	WRP288.V17(17) A/P PIN ORDER BAY -	06/22/72 Q DRAW RV PG Y X Z	REMARKS	9-APR-73 LENGTH	23148 EXCEPTIONS	PAGE 98 RUN NUMBER
F11F2	E12E2	1-01 *				765
F11F2	F11F2	1-02 *				765
F11F2		1		6-2/8		765
F11H1	E12H2	1-01 *				766
F11H1	E12K2	1-02 *				766
F11H1	E12K1	1-03 *				766
F11H1	F11H1	1-04 *				766
F11H1		1		11-4/8		766
F12J2	F11C1	1-01 *				767
F12J2	F12J2	1-02 *				767
F12J2		1		4-1/8		767
F12P2	F12P2	1-01 *				768
F12P2	H08K2	1-02 *				768
F12P2		1		5-7/8		768
F15H1	F10L1	1-01 *				769
F15H1	F15H1	1-02 *				769
F15H1		1		5-6/8		769
F15L1	F15L1	1-01 *				770
F15L1	F18R2	1-02 *				770
F15L1		1		5-2/8		770
F15S2	F15J1	1-01 *				771
F15S2	F15S2	1-02 *				771
F15S2		1		4-0/8		771
F16K1	F16K1	1-01 *				772
F16K1	F17N2	1-02 *				772
F16K1		1		4-2/8		772
F16K2	F10A1	1-01 *				773
F16K2	F16K2	1-02 *				773
F16K2		1		7-2/8		773
F17S2	F11L1	1-01 *				774
F17S2	F17S2	1-02 *				774
F17S2		1		6-6/8		774
F18E1	E15N2	1-01 *				775
F18E1	F18E1	1-02 *				775
F18E1		1		6-0/8		775

RP110.C
RUN NAME

WRP288.V17(17) 06/22/72
A/P PIN ORDER BAY -
NAME PIN ORDER

Q DRAW RV PG Y X Z REMARKS

9-APR-73
LENGTH

23148
EXCEPTIONS

PAGE 19
RUN
NUMBER

F19J2
F19J2
F19J2

F11E2
F19J2
1

1-01 *
1-02 *
1

1

7-4/8

776
776
776

F19S1
F19S1
F19S1

F11F1
F19S1
1

1-01 *
1-02 *
1

1

8-0/8

777
777
777

F20C1
F20C1
F20C1

E21M2
F20C1
1

1-01 *
1-02 *
1

1

5-4/8

778
778
778

F20F2
F20F2
F20F2

F20M1
F20F2
1

1-01 *
1-02 *
1

1

3-6/8

779
779
779

F20K1
F20K1
F20K1
F20K1
F20K1

B19C1
F20K1
F32F1
F32D1
1

1-01 *
1-02 *
1-03 *
1-04 *
1

1
2
1

27-0/8

780
780
780
780
780

F20N1
F20N1
F20N1

F26A1
F20N1
1

1-01 *
1-02 *
1

1

7-2/8

781
781
781

F20S1
F20S1
F20S1

F21K2
F20S1
1

1-01 *
1-02 *
1

1

7-2/8

782
782
782

F20V2
F20V2
F20V2

F20V2
F32P2
1

1-01 *
1-02 *
1

1

9-4/8

783
783
783

F21C1
F21C1
F21C1

F21C1
F32S2
1

1-01 *
1-02 *
1

1

10-2/8

784
784
784

F21F2
F21F2
F21F2

F21F2
F25H1
1

1-01 *
1-02 *
1

1

4-6/8

785
785
785

F21K1
F21K1
F21K1

F21J2
F21K1
1

1-01 *
1-02 *
1

1

2-7/8

786
786
786

RP110.C
RUN NAME

WRP288.V17(17) 06/22/72
A/P PIN ORDER BAY -
NAME PIN ORDER

Q DRAW RV PG Y X Z REMARKS

9-APR-73
LENGTH

23148
EXCEPTIONS

PAGE 100
RUN
NUMBER

F21K2
F21K2
F21K2

E28T2
F21K2
1

1-01 *
1-02 *
1

1

8-4/8

787
787
787

F21N2
F21N2
F21N2

F21L1
F21N2
1

1-01 *
1-02 *
1

1

2-6/8

788
788
788

F21S1
F21S1
F21S1

F12N1
F21S1
1

1-01 *
1-02 *
1

1

7-6/8

789
789
789

F21S2
F21S2
F21S2

E21V1
F21S2
1

1-01 *
1-02 *
1

1

5-4/8

790
790
790

F22D2
F22D2
F22D2

F22D2
F22E2
1

1-01 *
1-02 *
1

1

2-3/8

791
791
791

F22F2
F22F2
F22F2

F22F2
F26M2
1

1-01 *
1-02 *
1

1

5-4/8

792
792
792

F22H1
F22H1
F22H1

F22H1
F22L2
1

1-01 *
1-02 *
1

1

2-7/8

793
793
793

F25K2
F25K2
F25K2

F25K2
F26T2
1

1-01 *
1-02 *
1

1

4-1/8

794
794
794

F26B1
F26B1
F26B1

E28D1 F26B1
F26B1
1

1-01 *
1-02 *
1

1

6-4/8

795
795
795

F26S1
F26S1
F26S1

F26S1
F27H1
1

1-01 *
1-02 *
1

1

4-4/8

796
796
796

F27H2
F27H2
F27H2

E31F2
F27H2
1

1-01 *
1-02 *
1

1

7-3/8

797
797
797

F27J1
F27J1
F27J1

F27J1
F30P1
1

1-01 *
1-02 *
1

1

5-0/8

798
798
798

RP110.C RUN NAME	WRP288.V17(17) 06/22/72 A/P PIN ORDER BAY - NAME PIN ORDER	Q	DRAW	RV	PG	Y	X	Z	REMARKS	9-APR-73 LENGTH	23:48 EXCEPTIONS	PAGE 101 RUN NUMBER
F27M2	E22L2							1				799
F27M2	F27M2							1				799
F27M2								1		7-1/8		799
F27V1	F12M1							1				800
F27V1	F27V1							1				800
F27V1								1		11-4/8		800
F28N2	F28N2							1				801
F28N2	F28R2							1				801
F28N2								1		2-6/8		801
F30C1	F29N1							2				802
F30C1	F30C1							2				802
F30C1								1		4-4/8		802
F30F1	E27H1							1				803
F30F1	E27J1							2				803
F30F1	E27L1							1				803
F30F1	E27S2							2				803
F30F1	F30F1							1				803
F30F1								1		14-0/8		803
F30K1	E23M2	F30K1						1				804
F30K1	F30K1							1				804
F30K1								1		7-7/8		804
F30S2	E29B1							1				805
F30S2	E29D2							2				805
F30S2	E29H1							1				805
F30S2	E29L2							2				805
F30S2	E29N1							1				805
F30S2	E29S2							2				805
F30S2	F29F1							1				805
F30S2	F30S2							1				805
F30S2								1		23-4/8		805
F30V2	E21S2							1				806
F30V2	F30V2							1				806
F30V2								1		10-5/8		806
F31E1	F29A1							1				807
F31E1	F31E1							1				807
F31E1								1		4-4/8		807

RP110.C RUN NAME	WRP288.V17(17) 06/22/72 A/P PIN ORDER BAY - NAME PIN ORDER	Q	DRAW	RV	PG	Y	X	Z	REMARKS	9-APR-73 LENGTH	23:48 EXCEPTIONS	PAGE 102 RUN NUMBER
F31J2	F29R2							1				808
F31J2	F31J2							1				808
F31J2								1		4-2/8		808
F31L1	E23L2							1				809
F31L1	F31L1							1				809
F31L1								1		8-7/8		809
F31P2	E23R2							1				810
F31P2	E23T2							2				810
F31P2	F31P2							1				810
F31P2								1		12-0/8		810
FF1 (0)	E14P1	H						2				811
FF1 (0)	E15R2	H						1				811
FF1 (0)	F18B1	H						1				811
FF1 (0)								1		8-7/8		811
FF1 (1)	E15P1							1				812
FF1 (1)	E15P2							1				812
FF1 (1)								1		2-6/8		812
FF2 (0)	E14R1	H						1				813
FF2 (0)	E15U1	H						2				813
FF2 (0)	F18A1	H						1				813
FF2 (0)								1		8-1/8		813
FF2 (1)	E15S1							1				814
FF2 (1)	E15T2							1				814
FF2 (1)								1		2-7/8		814
FMTE (0)	B14B1	H						1				815
FMTE (0)	D20U2	H						2				815
FMTE (0)	E31F1	H						1				815
FMTE (0)	D31F1	H						1				815
FMTE (0)								1		28-2/8		815
FMTE (1)	D32K2	H						1				816
FMTE (1)	E31E1	H						1				816
FMTE (1)								1		5-6/8		816
FORMAT ENABLE	D16F1	H						1				817
FORMAT ENABLE	D20F2	H						1				817
FORMAT ENABLE								1		5-2/8		817

RP11C.C RUN NAME	WRP288.V17(17) 06/22/72 A/P PIN ORDER BAY - NAME PIN ORDER	Q	DRAW	RV	PG	Y	X	Z	REMARKS	9-APR-73 LENGTH	23148 EXCEPTIONS	PAGE 107 RUN NUMBER
GND 07	A07C2							1				828
GND 07	A07F1							2				828
GND 07	A07T1							1				828
GND 07	B07C2							2				828
GND 07	B07T1							1				828
GND 07	C07C2							2				828
GND 07	C07T1							1				828
GND 07	D07C2							2				828
GND 07	D07T1							1				828
GND 07	E07C2							2				828
GND 07	E07T1							1				828
GND 07	F07C2							2				828
GND 07	F07T1							1				828
GND 07	H07C2							2				828
GND 07	H07T1							1				828
GND 07	J07C2							2				828
GND 07	J07T1							1				828
GND 07								1		69-3/8		828
GND 08	A08C2							1				829
GND 08	A08T1							2				829
GND 08	R08C2							1				829
GND 08	B08T1							2				829
GND 08	C08C2							1				829
GND 08	C08T1							2				829
GND 08	D08C2							1				829
GND 08	D08T1							2				829
GND 08	E08C2							1				829
GND 08	E08T1							2				829
GND 08	F08C2							1				829
GND 08	F08T1							2				829
GND 08	H08C2							1				829
GND 08	H08T1							2				829
GND 08	J08C2							1				829
GND 08	J08T1							1		67-0/8		829
GND 08								1				829

RP11C.C RUN NAME	WRP288.V17(17) 06/22/72 A/P PIN ORDER BAY - NAME PIN ORDER	Q	DRAW	RV	PG	Y	X	Z	REMARKS	9-APR-73 LENGTH	23148 EXCEPTIONS	PAGE 108 RUN NUMBER
GND 09	A09C2							1				830
GND 09	A09T1							2				830
GND 09	R09C2							1				830
GND 09	B09T1							2				830
GND 09	C09C2							1				830
GND 09	C09T1							2				830
GND 09	D09C2							1				830
GND 09	D09T1							2				830
GND 09	E09C2							1				830
GND 09	E09T1							2				830
GND 09	F09C2							1				830
GND 09	F09T1							2				830
GND 09	H09C2							1				830
GND 09	H09T1							2				830
GND 09	J09C2							1				830
GND 09	J09T1	J09N1						2				830
GND 09	J09N1	J09J2						2				830
GND 09	J09J2							1		81-1/8		830
GND 09								1				830
GND 10	A10C2							1				831
GND 10	A10T1							2				831
GND 10	R10C2							1				831
GND 10	B10T1							2				831
GND 10	C10C2							1				831
GND 10	C10T1							2				831
GND 10	D10C2							1				831
GND 10	D10T1							2				831
GND 10	E10C2							1				831
GND 10	E10T1							2				831
GND 10	F10C2							1				831
GND 10	F10T1							2				831
GND 10	H10C2							1				831
GND 10	H10T1							2				831
GND 10	J10C2							1				831
GND 10	J10T1							1		67-0/8		831
GND 10								1				831

RP11C.C RUN NAME	WRP288.V17(17) A/P PIN NAME	06/22/72 ORDER PIN	BAY - ORDER	Q	DRAW	RV	PG	Y	X	Z	REMARKS	9-APR-73 LENGTH	23148 EXCEPTIONS	PAGE 109 RUN NUMBER
GND 11	A11C2	1-01 *								1				832
GND 11	A11T1	1-02 *								2				832
GND 11	A11U1	1-03 *								1				832
GND 11	B11C2	1-04 *								2				832
GND 11	B11T1	1-05 *								1				832
GND 11	B11U1	1-06 *								2				832
GND 11	C11C2	1-07 *								1				832
GND 11	C11T1	1-08 *								2				832
GND 11	D11C2	1-09 *								1				832
GND 11	D11T1	1-10 *								2				832
GND 11	E11C2	1-11 *								1				832
GND 11	E11T1	1-12 *								2				832
GND 11	F11C2	1-13 *								1				832
GND 11	F11T1	1-14 *								2				832
GND 11	H11C2	1-15 *								1				832
GND 11	H11T1	1-16 *								2				832
GND 11	J11C2	1-17 *								1				832
GND 11	J11F2	1-18 *								2				832
GND 11	J11E1	1-19 *								1				832
GND 11	J11M1	1-20 *								2				832
GND 11	J11P1	1-21 *								1				832
GND 11	J11S1	1-22 *								2				832
GND 11	J11T1	1-23 *								1				832
GND 11	J11T2	1-24 *								2				832
GND 11	J11R2	1-25 *												832
GND 11		1										89-7/8		832
GND 12	A12C2	1-01 *								1				833
GND 12	A12T1	1-02 *								2				833
GND 12	A12U1	1-03 *								1				833
GND 12	B12C2	1-04 *								2				833
GND 12	B12T1	1-05 *								1				833
GND 12	B12U1	1-06 *								2				833
GND 12	C12C2	1-07 *								1				833
GND 12	C12T1	1-08 *								2				833
GND 12	D12C2	1-09 *								1				833
GND 12	D12T1	1-10 *								2				833
GND 12	E12C2	1-11 *								1				833
GND 12	E12T1	1-12 *								2				833
GND 12	F12C2	1-13 *								1				833
GND 12	F12T1	1-14 *								2				833
GND 12	H12C2	1-15 *								1				833
GND 12	H12T1	1-16 *								2				833
GND 12	J12C2	1-17 *								1				833
GND 12	J12F2	1-18 *								2				833
GND 12	J12R2	1-19 *								1				833
GND 12	J12T1	1-20 *												833
GND 12		1										76-5/8		833

RP11C.C RUN NAME	WRP288.V17(17) A/P PIN NAME	06/22/72 ORDER PIN	BAY - ORDER	Q	DRAW	RV	PG	Y	X	Z	REMARKS	9-APR-73 LENGTH	23148 EXCEPTIONS	PAGE 110 RUN NUMBER
GND 13	A13C2	1-01 *								2				834
GND 13	A13T1	1-02 *								1				834
GND 13	A13U1	1-03 *								2				834
GND 13	B13C2	1-04 *								1				834
GND 13	B13T1	1-05 *								2				834
GND 13	B13U1	1-06 *								1				834
GND 13	C13C2	1-07 *								2				834
GND 13	C13T1	1-08 *								1				834
GND 13	D13C2	1-09 *								2				834
GND 13	D13T1	1-10 *								1				834
GND 13	E13C2	1-11 *								2				834
GND 13	E13T1	1-12 *								1				834
GND 13	F13C2	1-13 *								2				834
GND 13	F13T1	1-14 *								1				834
GND 13	H13C2	1-15 *								2				834
GND 13	H13T1	1-16 *								1				834
GND 13	J13C2	1-17 *								2				834
GND 13	J13T1	1-18 *												834
GND 13		1										71-6/8		834
GND 14	A14C2	1-01 *								1				835
GND 14	A14T1	1-02 *								2				835
GND 14	A14U1	1-03 *								1				835
GND 14	B14C2	1-04 *								2				835
GND 14	B14T1	1-05 *								1				835
GND 14	B14U1	1-06 *								2				835
GND 14	C14C2	1-07 *								1				835
GND 14	C14T1	1-08 *								2				835
GND 14	D14C2	1-09 *								1				835
GND 14	D14T1	1-10 *								2				835
GND 14	E14C2	1-11 *								1				835
GND 14	E14T1	1-12 *								2				835
GND 14	F14C2	1-13 *								1				835
GND 14	F14T1	1-14 *								2				835
GND 14	H14C2	1-15 *								1				835
GND 14	H14T1	1-16 *								2				835
GND 14	J14E1	1-17 *								1				835
GND 14	J14C2	1-18 *								2				835
GND 14	J14D1	1-19 *								1				835
GND 14	J14F1	1-20 *								2				835
GND 14	J14J1	1-21 *								1				835
GND 14	J14L1	1-22 *								2				835
GND 14	J14N1	1-23 *								1				835
GND 14	J14R1	1-24 *								2				835
GND 14	J14T1	1-25 *												835
GND 14	J14U1	1-26 *								1				835
GND 14		1										90-3/8		835

RP110.C
RUN NAME

WFF288.V17(17) 06/22/72
A/P PIN ORDER BAY -
NAME PIN ORDER

Q DRAW RV PG Y X Z

REMARKS

9-APR-73
LENGTH

23148
EXCEPTIONS

PAGE 111
RUN
NUMBER

GND 15
GND 15
GND 15
GND 15
GND 15
GND 15
GND 15
GND 15
GND 15
GND 15
GND 15
GND 15
GND 15
GND 15
GND 15
GND 15

A15C2
A15T1
R15C2
B15T1
C15C2
C15T1
D15C2
D15T1
E15C2
E15T1
F15C2
F15T1
H15C2
H15T1
J15C2
J15T1
1

1-01 *
1-02 *
1-03 *
1-04 *
1-05 *
1-06 *
1-07 *
1-08 *
1-09 *
1-10 *
1-11 *
1-12 *
1-13 *
1-14 *
1-15 *
1-16 *

1
2
1
2
2
2
1
2
2
2
1
2
2
1
2
1

836
836
836
836
836
836
836
836
836
836
836
836
836
836
836
836

67-0/8

GND 16
GND 16
GND 16
GND 16
GND 16
GND 16
GND 16
GND 16
GND 16
GND 16
GND 16
GND 16
GND 16
GND 16
GND 16
GND 16
GND 16
GND 16
GND 16
GND 16
GND 16

A06V1
A06U1
A06T1
A06J2
A06C2
A16C2
A16T1
C16C2
C16T1
D16C2
D16T1
E16C2
E16J1
E16T1
F16C2
F16T1
H16C2
H16T1
J16C2
J16T1
1

1-01 *
1-02 *
1-03 *
1-04 *
1-05 *
1-06 *
1-07 *
1-08 *
1-09 *
1-10 *
1-11 *
1-12 *
1-13 *
1-14 *
1-15 *
1-16 *
1-17 *
1-18 *
1-19 *
1-20 *

1
2
1
2
1
2
2
2
1
2
2
2
1
2
2
1
2
2
1
2
1

837
837
837
837
837
837
837
837
837
837
837
837
837
837
837
837
837
837
837
837
837

84-4/8

RP110.C
RUN NAME

WFF288.V17(17) 06/22/72
A/P PIN ORDER BAY -
NAME PIN ORDER

Q DRAW RV PG Y X Z

REMARKS

9-APR-73
LENGTH

23148
EXCEPTIONS

PAGE 112
RUN
NUMBER

GND 17
GND 17
GND 17
GND 17
GND 17
GND 17
GND 17
GND 17
GND 17
GND 17
GND 17
GND 17
GND 17
GND 17
GND 17
GND 17
GND 17
GND 17
GND 17
GND 17

A17C2
A17T1
R17C2
B17T1
C17C2
C17T1
D17C2
D17T1
E17C2
E17T1
F17C2
F17T1
H17C2
H17T1
J17C2
J17T1
1

1-01 *
1-02 *
1-03 *
1-04 *
1-05 *
1-06 *
1-07 *
1-08 *
1-09 *
1-10 *
1-11 *
1-12 *
1-13 *
1-14 *
1-15 *
1-16 *

1
2
1
2
1
2
2
2
1
2
2
2
1
2
2
1
2
2
1

838
838
838
838
838
838
838
838
838
838
838
838
838
838
838
838
838
838
838
838

67-0/8

GND 18
GND 18
GND 18
GND 18
GND 18
GND 18
GND 18
GND 18
GND 18
GND 18
GND 18
GND 18
GND 18
GND 18
GND 18
GND 18
GND 18
GND 18
GND 18
GND 18
GND 18
GND 18
GND 18
GND 18
GND 18
GND 18
GND 18
GND 18
GND 18
GND 18
GND 18
GND 18

A18C2
A18T1
R18C2
B18T1
C18C2
C18T1
D18C2
D18T1
E18C2
E18T1
F18C2
F18T1
H18C2
H18F2
H18J2
H18L2
H18N2
H18R2
H18T1
H18U2
J18C2
J18F2
J18J2
J18L2
J18N2
J18R2
J18T1
J18U2
1

1-01 *
1-02 *
1-03 *
1-04 *
1-05 *
1-06 *
1-07 *
1-08 *
1-09 *
1-10 *
1-11 *
1-12 *
1-13 *
1-14 *
1-15 *
1-16 *
1-17 *
1-18 *
1-19 *
1-20 *
1-21 *
1-22 *
1-23 *
1-24 *
1-25 *
1-26 *
1-27 *
1-28 *
1-29 *

2
1
2
2
2
2
1
2
2
2
1
2
2
1
2
2
1
2
2
2
2
1
2
2
2
1
2
2
1
2
2
2

839
839
839
839
839
839
839
839
839
839
839
839
839
839
839
839
839
839
839
839
839
839
839
839
839
839
839
839
839
839
839
839

97-5/8

RP11C.C
RUN NAME

WRP288.V17(17) 06/22/72
A/P PIN ORDER BAY -
NAME PIN ORDER

Q DRAW RV PG Y X Z REMARKS

9-APR-73 23:48 PAGE 113
LENGTH EXCEPTIONS RUN
NUMBER

Q	DRAW	RV	PG	Y	X	Z	REMARKS	9-APR-73 LENGTH	23:48 EXCEPTIONS	PAGE 113 RUN NUMBER
GND 19	A19C2					2				840
GND 19	A19T1					1				840
GND 19	B19C2					2				840
GND 19	B19T1					1				840
GND 19	C19C2					2				840
GND 19	C19T1					1				840
GND 19	D19C2					2				840
GND 19	D19T1					1				840
GND 19	E19C2					2				840
GND 19	E19T1					1				840
GND 19	E19U1					2				840
GND 19	F19C2					1				840
GND 19	F19T1					2				840
GND 19	H19C2					1				840
GND 19	H19F2					2				840
GND 19	H19J2					1				840
GND 19	H19L2					2				840
GND 19	H19N2					1				840
GND 19	H19R2					2				840
GND 19	H19T1					1				840
GND 19	H19U2					2				840
GND 19	J19C2					1				840
GND 19	J19F2					2				840
GND 19	J19J2					1				840
GND 19	J19L2					2				840
GND 19	J19N2					1				840
GND 19	J19R2					2				840
GND 19	J19T1					1				840
GND 19	J19U2					1				840
GND 19								97-5/8		840

RP11C.C
RUN NAME

WRP288.V17(17) 06/22/72
A/P PIN ORDER BAY -
NAME PIN ORDER

Q DRAW RV PG Y X Z REMARKS

9-APR-73 23:48 PAGE 114
LENGTH EXCEPTIONS RUN
NUMBER

Q	DRAW	RV	PG	Y	X	Z	REMARKS	9-APR-73 LENGTH	23:48 EXCEPTIONS	PAGE 114 RUN NUMBER
GND 20	A20C2					2				841
GND 20	A20T1					1				841
GND 20	B20C2					2				841
GND 20	B20E2					1				841
GND 20	B20T1					2				841
GND 20	C20C2					1				841
GND 20	C20T1					2				841
GND 20	D20C2					1				841
GND 20	D20T1					2				841
GND 20	E20C2					1				841
GND 20	E20T1					2				841
GND 20	F20C2					1				841
GND 20	F20T1					2				841
GND 20	H20C2					1				841
GND 20	H20F2					2				841
GND 20	H20J2					1				841
GND 20	H20L2					2				841
GND 20	H20N2					1				841
GND 20	H20R2					2				841
GND 20	H20T1					1				841
GND 20	H20U2					2				841
GND 20	J20C2					1				841
GND 20	J20F2					2				841
GND 20	J20J2					1				841
GND 20	J20L2					2				841
GND 20	J20N2					1				841
GND 20	J20R2					2				841
GND 20	J20T1					1				841
GND 20	J20U2					1				841
GND 20								97-6/8		841

RP110.C
RUN NAME

WRP288.V17(17) 06/22/72
A/P PIN ORDER BAY -
NAME PIN ORDER

Q DRAW RV PG Y X Z

REMARKS

9-APR-73
LENGTH

23148
EXCEPTIONS

PAGE 116
RUN
NUMBER

GND 21	A21C2	1-01 *	1								842
GND 21	A21E2	1-02 *	2								842
GND 21	A21F1	1-03 *	1								842
GND 21	A21T1	1-04 *	2								842
GND 21	R21C2	1-05 *	1								842
GND 21	R21T1	1-06 *	2								842
GND 21	C21C2	1-07 *	1								842
GND 21	C21T1	1-08 *	2								842
GND 21	D21C2	1-09 *	1								842
GND 21	D21T1	1-10 *	2								842
GND 21	E21C2	1-11 *	1								842
GND 21	E21T1	1-12 *	2								842
GND 21	F21C2	1-13 *	1								842
GND 21	F21T1	1-14 *	2								842
GND 21	H21C2	1-15 *	1								842
GND 21	H21F2	1-16 *	2								842
GND 21	H21J2	1-17 *	1								842
GND 21	H21L2	1-18 *	2								842
GND 21	H21N2	1-19 *	1								842
GND 21	H21R2	1-20 *	2								842
GND 21	H21T1	1-21 *	1								842
GND 21	H21U2	1-22 *	2								842
GND 21	J21C2	1-23 *	1								842
GND 21	J21F2	1-24 *	2								842
GND 21	J21J2	1-25 *	1								842
GND 21	J21L2	1-26 *	2								842
GND 21	J21N2	1-27 *	1								842
GND 21	J21R2	1-28 *	2								842
GND 21	J21T1	1-29 *	1								842
GND 21	J21U2	1-30 *									842
GND 21		1									842

100-3/8

RP110.C
RUN NAME

WRP288.V17(17) 06/22/72
A/P PIN ORDER BAY -
NAME PIN ORDER

Q DRAW RV PG Y X Z

REMARKS

9-APR-73
LENGTH

23148
EXCEPTIONS

PAGE 116
RUN
NUMBER

GND 22	A22C2	1-01 *	1								843
GND 22	A22T1	1-02 *	2								843
GND 22	R22C2	1-03 *	1								843
GND 22	R22T1	1-04 *	2								843
GND 22	C22C2	1-05 *	1								843
GND 22	C22T1	1-06 *	2								843
GND 22	D22C2	1-07 *	1								843
GND 22	D22T1	1-08 *	2								843
GND 22	E22C2	1-09 *	1								843
GND 22	E22T1	1-10 *	2								843
GND 22	F22C2	1-11 *	1								843
GND 22	F22T1	1-12 *	2								843
GND 22	H22C2	1-13 *	1								843
GND 22	H22F2	1-14 *	2								843
GND 22	H22J2	1-15 *	1								843
GND 22	H22L2	1-16 *	2								843
GND 22	H22N2	1-17 *	1								843
GND 22	H22R2	1-18 *	2								843
GND 22	H22T1	1-19 *	1								843
GND 22	H22U2	1-20 *	2								843
GND 22	J22C2	1-21 *	1								843
GND 22	J22F2	1-22 *	2								843
GND 22	J22J2	1-23 *	1								843
GND 22	J22L2	1-24 *	2								843
GND 22	J22N2	1-25 *	1								843
GND 22	J22R2	1-26 *	2								843
GND 22	J22T1	1-27 *	1								843
GND 22	J22U2	1-28 *									843
GND 22		1									843

95-2/8

RP110.C
RUN NAME

WRP288.V17(17) 06/22/72
A/P PIN ORDER BAY -
NAME PIN ORDER

G DRAW RV PG Y X Z REMARKS

9-APR-73 23148 PAGE 117
LENGTH EXCEPTIONS RUN
NUMBER

A/P	PIN	ORDER	BAY -	G	DRAW	RV	PG	Y	X	Z	REMARKS	9-APR-73	23148	PAGE 117
NAME	PIN	ORDER	ORDER									LENGTH	EXCEPTIONS	RUN
														NUMBER
GND 23	A23C2		1-01 *							2				844
GND 23	A23T1		1-02 *							1				844
GND 23	B23C2		1-03 *							1				844
GND 23	B23T1		1-04 *							1				844
GND 23	C23C2		1-05 *							1				844
GND 23	C23T1		1-06 *							1				844
GND 23	D23C2		1-07 *							1				844
GND 23	D23T1		1-08 *							1				844
GND 23	E23C2		1-09 *							1				844
GND 23	E23T1		1-10 *							1				844
GND 23	F23C2		1-11 *							1				844
GND 23	F23T1		1-12 *							1				844
GND 23	H23C2		1-13 *							1				844
GND 23	H23F2		1-14 *							1				844
GND 23	H23H2		1-15 *							1				844
GND 23	H23J2		1-16 *							1				844
GND 23	H23L2		1-17 *							1				844
GND 23	H23N2		1-18 *							1				844
GND 23	H23R2		1-19 *							1				844
GND 23	H23T1		1-20 *							1				844
GND 23	H23U2		1-21 *							1				844
GND 23	J23C2		1-22 *							1				844
GND 23	J23F2		1-23 *							1				844
GND 23	J23J2		1-24 *							1				844
GND 23	J23L2		1-25 *							1				844
GND 23	J23N2		1-26 *							1				844
GND 23	J23R2		1-27 *							1				844
GND 23	J23T1		1-28 *							1				844
GND 23	J23U2		1-29 *							1				844
GND 23			1									97-2/8		844

RP110.C
RUN NAME

WRP288.V17(17) 06/22/72
A/P PIN ORDER BAY -
NAME PIN ORDER

G DRAW RV PG Y X Z REMARKS

9-APR-73 23148 PAGE 118
LENGTH EXCEPTIONS RUN
NUMBER

A/P	PIN	ORDER	BAY -	G	DRAW	RV	PG	Y	X	Z	REMARKS	9-APR-73	23148	PAGE 118
NAME	PIN	ORDER	ORDER									LENGTH	EXCEPTIONS	RUN
														NUMBER
GND 24	A24C2		1-01 *							1				845
GND 24	A24E2		1-02 *							1				845
GND 24	A24P2		1-03 *							1				845
GND 24	A24T1		1-04 *							1				845
GND 24	B24C2		1-05 *							1				845
GND 24	B24E2		1-06 *							1				845
GND 24	B24P2		1-07 *							1				845
GND 24	B24T1		1-08 *							1				845
GND 24	C24C2		1-09 *							1				845
GND 24	C24T1		1-10 *							1				845
GND 24	D24C2		1-11 *							1				845
GND 24	D24T1		1-12 *							1				845
GND 24	E24C2		1-13 *							1				845
GND 24	E24T1		1-14 *							1				845
GND 24	F24C2		1-15 *							1				845
GND 24	F24T1		1-16 *							1				845
GND 24	H24C2		1-17 *							1				845
GND 24	H24T1		1-18 *							1				845
GND 24	J24C2		1-19 *							1				845
GND 24	J24T1		1-20 *							1				845
GND 24			1									76-6/8		845
GND 25	A25C2		1-01 *							1				846
GND 25	A25E2		1-02 *							1				846
GND 25	A25P2		1-03 *							1				846
GND 25	A25T1		1-04 *							1				846
GND 25	B25C2		1-05 *							1				846
GND 25	B25T1		1-06 *							1				846
GND 25	C25C2		1-07 *							1				846
GND 25	C25T1		1-08 *							1				846
GND 25	D25C2		1-09 *							1				846
GND 25	D25T1		1-10 *							1				846
GND 25	E25C2		1-11 *							1				846
GND 25	E25T1		1-12 *							1				846
GND 25	F25C2		1-13 *							1				846
GND 25	F25C1		1-14 *							1				846
GND 25	F25J1		1-15 *							1				846
GND 25	F25T1		1-16 *							1				846
GND 25			1									59-7/8		846

RP110.0 RUN NAME	APP288.V17(17) 06/22/72 A/P PIN ORDER BAY - NAME PIN ORDER	Q DRAW RV PG Y X Z	REMARKS	9-APR-73 LENGTH	23148 EXCEPTIONS	PAGE 120 RUN NUMBER
GND 26	A26C2		1-01 *			847
GND 26	A26T1		1-02 *			847
GND 26	P26C2		1-03 *			847
GND 26	R26T1		1-04 *			847
GND 26	C26C2		1-05 *			847
GND 26	C26L1		1-06 *			847
GND 26	C26T1		1-07 *			847
GND 26	D26C2		1-08 *			847
GND 26	D26L1		1-09 *			847
GND 26	D26T1		1-10 *			847
GND 26	E26C2		1-11 *			847
GND 26	E26T1		1-12 *			847
GND 26	F26C2		1-13 *			847
GND 26	F26T1		1-14 *			847
GND 26			1	55-2/8		847
GND 27	A27C2		1-01 *			848
GND 27	A27L1		1-02 *			848
GND 27	A27P1		1-03 *			848
GND 27	A27T1		1-04 *			848
GND 27	R27C2		1-05 *			848
GND 27	R27T1		1-06 *			848
GND 27	C27C2		1-07 *			848
GND 27	C27T1		1-08 *			848
GND 27	D27C2		1-09 *			848
GND 27	D27T1		1-10 *			848
GND 27	E27C2		1-11 *			848
GND 27	E27T1		1-12 *			848
GND 27	F27C2		1-13 *			848
GND 27	F27T1		1-14 *			848
GND 27			1	54-2/8		848

RP110.0 RUN NAME	APP288.V17(17) 06/22/72 A/P PIN ORDER BAY - NAME PIN ORDER	Q DRAW RV PG Y X Z	REMARKS	9-APR-73 LENGTH	23148 EXCEPTIONS	PAGE 120 RUN NUMBER
GND 28	A28C2		1-01 *			849
GND 28	A28L1		1-02 *			849
GND 28	A28P1		1-03 *			849
GND 28	A28T1		1-04 *			849
GND 28	R28C2		1-05 *			849
GND 28	R28L1		1-06 *			849
GND 28	R28P1		1-07 *			849
GND 28	R28T1		1-08 *			849
GND 28	C28C2		1-09 *			849
GND 28	C28L1		1-10 *			849
GND 28	C28T1		1-11 *			849
GND 28	D28C2		1-12 *			849
GND 28	D28L1		1-13 *			849
GND 28	D28T1		1-14 *			849
GND 28	E28C2		1-15 *			849
GND 28	F28C1		1-16 *			849
GND 28	F28E2		1-17 *			849
GND 28	F28J1		1-18 *			849
GND 28	E28M2		1-19 *			849
GND 28	F28T1		1-20 *			849
GND 28	F28C2		1-21 *			849
GND 28	F28T1		1-22 *			849
GND 28			1	75-4/8		849
GND 29	A29C2		1-01 *			850
GND 29	A29L1		1-02 *			850
GND 29	A29P1		1-03 *			850
GND 29	A29T1		1-04 *			850
GND 29	R29C2		1-05 *			850
GND 29	R29L1		1-06 *			850
GND 29	R29P1		1-07 *			850
GND 29	R29T1		1-08 *			850
GND 29	C29C2		1-09 *			850
GND 29	C29L1		1-10 *			850
GND 29	C29T1		1-11 *			850
GND 29	D29C2		1-12 *			850
GND 29	D29T1		1-13 *			850
GND 29	E29C2		1-14 *			850
GND 29	E29C1		1-15 *			850
GND 29	E29E2		1-16 *			850
GND 29	F29J1		1-17 *			850
GND 29	F29T1		1-18 *			850
GND 29	F29C2		1-19 *			850
GND 29	F29T1		1-20 *			850
GND 29			1	69-7/8		850

RP11C.C RUN NAME	WRP288.V17(17) 06/22/72 A/P PIN ORDER BAY - NAME PIN ORDER	Q	DRAW	RV	PG	Y	X	Z	REMARKS	9-APR-73 LENGTH	23148 EXCEPTIONS	PAGE 121 RUN NUMBER
GND 30	A30C2							2				851
GND 30	A30L1							1				851
GND 30	A30P1							2				851
GND 30	A30T1							1				851
GND 30	B30C2							2				851
GND 30	B30L1							1				851
GND 30	B30P1							2				851
GND 30	B30T1							1				851
GND 30	C30C2							2				851
GND 30	C30T1							1				851
GND 30	D30C2							2				851
GND 30	D30L1							1				851
GND 30	D30T1							2				851
GND 30	E30C2							1				851
GND 30	E30T1							2				851
GND 30	F30C2							1				851
GND 30	F30T1							1				851
GND 30										62-2/8		851
GND 31	A31C2							1				852
GND 31	A31T1							2				852
GND 31	B31C2							1				852
GND 31	B31T1							2				852
GND 31	C31C2							1				852
GND 31	C31T1							2				852
GND 31	D31C2							1				852
GND 31	D31T1							2				852
GND 31	E31C2							1				852
GND 31	F31T1							2				852
GND 31	F31C2							1				852
GND 31	F31T1							1				852
GND 31										49-2/8		852
GND 32	E32C2							1				853
GND 32	E32T1							2				853
GND 32	F32C2							1				853
GND 32	F32T1							1				853
GND 32										13-6/8		853
GO	E21H2	H						2				854
GO	E21M1	H						1				854
GO										3-4/8		854

RP11C.C RUN NAME	WRP288.V17(17) 06/22/72 A/P PIN ORDER BAY - NAME PIN ORDER	Q	DRAW	RV	PG	Y	X	Z	REMARKS	9-APR-73 LENGTH	23148 EXCEPTIONS	PAGE 122 RUN NUMBER
GO	F20A2	L						2				855
GO	F20H1	L						1				855
GO	F21L1	L						2				855
GO	E28A2	L						1				855
GO	F30J2	L						1				855
GO										24-0/8		855
GO SYNC (1)	E28P2	H						1				856
GO SYNC (1)	F30T2	H						1				856
GO SYNC (1)										7-2/8		856
GOOD STUFF 1	C10K2	H						2				857
GOOD STUFF 1	C14M1	H						1				857
GOOD STUFF 1	C21K2	H						1				857
GOOD STUFF 1										12-0/8		857
GOOD STUFF 2	C21R2	H						1				858
GOOD STUFF 2	C14F1	H						2				858
GOOD STUFF 2	C10N2	H						1				858
GOOD STUFF 2	E07R2	H						2				858
GOOD STUFF 2	E14P2	H						1				858
GOOD STUFF 2										29-6/8		858
GOOD STUFF 3	C14K1							1				859
GOOD STUFF 3	F24V2							1				859
GOOD STUFF 3										17-4/8		859
H01V2	H01U2							1				860
H01V2	H01V2							1				860
H01V2										2-3/8		860
H08E1	H06K1							1				861
H08E1	H08E1							1				861
H08E1										4-4/8		861
H08J2	H06R2							2				862
H08J2	H08J2							1				862
H08J2										4-2/8		862
H08L1	H06M1							2				863
H08L1	H08L1							1				863
H08L1										4-2/8		863
H08P2	E04A1							1				864
H08P2	H08P2							1				864
H08P2										12-0/8		864

RP110.C RUN NAME	A/P	WRP288.V17(17) PIN NAME	06/22/72 ORDER PIN	BAY - ORDER	Q	DRAW	RV	PG	Y	X	Z	REMARKS	9-APR-73 LENGTH	23148 EXCEPTIONS	PAGE 125 RUN NUMBER
HNF (1)	H	D32E1		1-01 *							1				880
HNF (1)	H	E15V2		1-02 *											880
HNF (1)				1									15-2/8		880
HOME SEEK	H	E19H2		1-01 *							1				881
HOME SEEK	H	E23R1		1-02 *											881
HOME SEEK				1									5-6/8		881
IDE (0)	H	A14L2		1-01 *							1				882
IDE (0)	H	E16R2		1-02 *											882
IDE (0)				1									15-0/8		882
IDE (1)	H	B03K2		1-01 *							1				883
IDE (1)	H	E16P2		1-02 *							2				883
IDE (1)	H	R32N1		1-03 *											883
IDE (1)				1									30-2/8		883
IN	H	A04M1		1-01 *							1				884
IN	H	B09N1		1-02 *											884
IN				1									6-7/8		884
IN	L	A18A1		1-01 *							1				885
IN	L	B09P1		1-02 *							2				885
IN	L	C07J2		1-03 *											885
IN				1									14-6/8		885
INC RCNT	H	C16P2		1-01 *							1				886
INC RCNT	H	C16N1		1-02 *							2				886
INC RCNT	H	C15C1		1-03 *							1				886
INC RCNT	H	C15E2		1-04 *							2				886
INC RCNT	H	C16C1		1-05 *							1				886
INC RCNT	H	C16E2		1-06 *							2				886
INC RCNT	H	C20E1		1-07 *											886
INC RCNT				1									20-0/8		886
INC CAR	L	C22E1		1-01 *							2				887
INC CAR	L	C05C1		1-02 *							1				887
INC CAR	L	C05E2		1-03 *							2				887
INC CAR	L	C05P2		1-04 *							1				887
INC CAR	L	C05N1		1-05 *							2				887
INC CAR	L	D05C1		1-06 *							1				887
INC CAR	L	D05E2		1-07 *							2				887
INC CAR	L	D04J2		1-08 *							1				887
INC CAR	L	D05N1		1-09 *							2				887
INC CAR	L	D05P2		1-10 *											887
INC CAR				1									37-1/8		887

RP110.C RUN NAME	A/P	WRP288.V17(17) PIN NAME	06/22/72 ORDER PIN	BAY - ORDER	Q	DRAW	RV	PG	Y	X	Z	REMARKS	9-APR-73 LENGTH	23148 EXCEPTIONS	PAGE 126 RUN NUMBER
INC CAR	L	C07C1		1-01 *							1				888
INC CAR	L	D04D2		1-02 *											888
INC CAR				1									7-0/8		888
INC SAR	L	C10F1		1-01 *							1				889
INC SAR	L	E09S2		1-02 *											889
INC SAR				1									9-6/8		889
INC SCK	H	C06N2		1-01 *							2				890
INC SCK	H	C19N1		1-02 *							1				890
INC SCK	H	C19P2		1-03 *							2				890
INC SCK	H	C19E2		1-04 *							1				890
INC SCK	H	C19C1		1-05 *											890
INC SCK				1									18-3/8		890
INC SCK	L	C06M2		1-01 *							1				891
INC SCK	L	D14J2		1-02 *											891
INC SCK				1									9-4/8		891
INC SOT	H	C08C1		1-01 *							1				892
INC SOT	H	C08E2		1-02 *							2				892
INC SOT	H	C08N1		1-03 *							1				892
INC SOT	H	C08P2		1-04 *							2				892
INC SOT	H	D04S1		1-05 *											892
INC SOT				1									16-6/8		892
INC TAR	H	C22M1		1-01 *							2				893
INC TAR	H	D21C1		1-02 *							1				893
INC TAR	H	D21E2		1-03 *							2				893
INC TAR	H	D21N1		1-04 *							1				893
INC TAR	H	D21P2		1-05 *							2				893
INC TAR	H	D15R2		1-06 *											893
INC TAR				1									20-3/8		893
INC TAR	L	D15P2		1-01 *							1				894
INC TAR	L	D22S2		1-02 *											894
INC TAR				1									6-6/8		894

RP110.C RUN NAME	A/P	WRP288.V17(17) 06/22/72 PIN NAME	ORDER PIN	BAY - ORDER	Q	DRAW	RV	PG	Y	X	Z	REMARKS	9-APR-73 LENGTH	23148 EXCEPTIONS	PAGE 128 RUN NUMBER
INC WSCA	H	C14J1		1-01 *							1				895
INC WSCA	H	D17U2		1-02 *							2				895
INC WSCA	H	E14M2		1-03 *							1				895
INC WSCA	H	F09F1		1-04 *							2				895
INC WSCA	H	F21E1		1-05 *							1				895
INC WSCA	H	F21D2		1-06 *							2				895
INC WSCA	H	E24P2		1-07 *							1				895
INC WSCA	H	E24N1		1-08 *							2				895
INC WSCA	H	E24C1		1-09 *							1				895
INC WSCA	H	E24E2		1-10 *							2				895
INC WSCA	H	E26R2		1-11 *							1				895
INC WSCA	H	F29V2		1-12 *											895
INC WSCA				1									59-2/8		895
INC WSCA	L	C10E2		1-01 *							2				896
INC WSCA	L	C09P1		1-02 *							1				896
INC WSCA	L	E12B1		1-03 *							2				896
INC WSCA	L	F09F2		1-04 *											896
INC WSCA				1									20-2/8		896
INC WSCB	H	E25C1		1-01 *							1				897
INC WSCB	H	E25E2		1-02 *							2				897
INC WSCB	H	E25M1		1-03 *							1				897
INC WSCB	H	E25P2		1-04 *							2				897
INC WSCB	H	F26F2		1-05 *											897
INC WSCB				1									14-5/8		897
INDEX SYNC (0)	H	C07E1		1-01 *							1				898
INDEX SYNC (0)	H	C09K2		1-02 *											898
INDEX SYNC (0)				1									4-6/8		898
INDEX SYNC (1)	H	C07D2		1-01 *							1				899
INDEX SYNC (1)	H	C09J2		1-02 *											899
INDEX SYNC (1)				1									4-4/8		899
INH R SSVN	H	A17F2		1-01 *							1				900
INH R SSVN	H	B04A1		1-02 *											900
INH R SSVN				1									12-0/8		900
INIT	L	A06R1	B03R1	1-01 *							2				901
INIT	L	B03R1	E22V2	1-02 *							1				901
INIT	L	E22V2	F29D2	1-03 *							2				901
INIT	L	F29D2	F29K2	1-04 *							1				901
INIT	L	F29K2		1-05 *											901
INIT				1									36-3/8		901

RP110.C RUN NAME	A/P	WRP288.V17(17) 06/22/72 PIN NAME	ORDER PIN	BAY - ORDER	Q	DRAW	RV	PG	Y	X	Z	REMARKS	9-APR-73 LENGTH	23148 EXCEPTIONS	PAGE 128 RUN NUMBER
INIT	L	F32J1		1-01 *							2				902
INIT	L	F29J2		1-02 *							1				902
INIT	L	F20J1		1-03 *							2				902
INIT	L	F20B1		1-04 *							1				902
INIT	L	E22D1		1-05 *							2				902
INIT	L	D20A1		1-06 *							1				902
INIT	L	C20L2		1-07 *							2				902
INIT	L	A21N2		1-08 *							1				902
INIT	L	A09L2		1-09 *							2				902
INIT	L	B09E2		1-10 *							1				902
INIT	L	C10D2		1-11 *							2				902
INIT	L	C10T2		1-12 *							1				902
INIT	L	D01E2		1-13 *							2				902
INIT	L	D04L2		1-14 *							1				902
INIT	L	E10D1		1-15 *							2				902
INIT	L	F08L1		1-16 *							1				902
INIT	L	F08N1		1-17 *							2				902
INIT	L	H07D1		1-18 *							1				902
INIT	L	H07F1		1-19 *							2				902
INIT	L	H07J1		1-20 *											902
INIT	L	H07L1		1-21 *							1				902
INIT				1									113-0/8		902
INIT L	H	A19R1		1-01 *							2				903
INIT L	H	A20R1		1-02 *							1				903
INIT L	H	A20M1		1-03 *							2				903
INIT L	H	A19H1		1-04 *							1				903
INIT L	H	A07D1		1-05 *							2				903
INIT L	H	B09F2		1-06 *											903
INIT L				1									27-4/8		903
INIT L	L	A17B1		1-01 *							1				904
INIT L	L	B20D1		1-02 *							2				904
INIT L	L	C25D1		1-03 *							1				904
INIT L	L	C25F1		1-04 *							2				904
INIT L	L	C25J1		1-05 *							1				904
INIT L	L	C25L1		1-06 *							2				904
INIT L	L	C25N1		1-07 *							1				904
INIT L	L	C25R1	E18T2	1-08 *							2				904
INIT L	L	E18T2		1-09 *							1				904
INIT L	L	F29P2		1-10 *											904
INIT L				1									50-3/8		904

RP110.C RUN NAME	A/P	WRP288.V17(17) 06/22/72 PIN NAME	ORDER PIN	BAY - ORDER	Q	DRAW	RV	PG	Y	X	Z	REMARKS	9-APR-73 LENGTH	23148 EXCEPTIONS	PAGE 129 RUN NUMBER
INIT SILO	L	A23D2		1-01 *							2				905
INIT SILO	L	A23M2		1-02 *							1				905
INIT SILO	L	B23D2		1-03 *							2				905
INIT SILO	L	B23M2		1-04 *							1				905
INIT SILO	L	B19D2		1-05 *											905
INIT SILO				1									18-6/8		905
INITIATE SEEK	H	E21U1		1-01 *							1				906
INITIATE SEEK	H	E22B1		1-02 *							2				906
INITIATE SEEK	H	E23P1		1-03 *											906
INITIATE SEEK				1									10-2/8		906
INT DONE	H	B03L2		1-01 *							1				907
INT DONE	H	B03S1		1-02 *											907
INT DONE				1									3-6/8		907
INT DONE (1)	H	A06L2		1-01 *							1				908
INT DONE (1)	H	A06S1		1-02 *											908
INT DONE (1)				1									3-6/8		908
INT REQ	H	A18S1		1-01 *							1				909
INT REQ	H	C32U2		1-02 *											909
INT REQ				1									14-5/8		909
INT REQ	L	A09N1		1-01 *							2				910
INT REQ	L	A18M1		1-02 *							1				910
INT REQ	L	A18N1		1-03 *							2				910
INT REQ	L	A18P1		1-04 *							1				910
INT REQ	L	A18R1		1-05 *											910
INT REQ				1									14-5/8		910
J10T2		J10T2		1-01 *							1				911
J10T2		J13M2		1-02 *											911
J10T2				1									5-0/8		911
J11A1		J11A1		1-01 *							1				912
J11A1		J13D1		1-02 *											912
J11A1				1									4-4/8		912
J11K1		J11K1		1-01 *							1				913
J11K1		J13F1		1-02 *											913
J11K1				1									4-4/8		913
J11M1		J11M1		1-01 *							1				914
J11M1		J13A1		1-02 *											914
J11M1				1									4-5/8		914

RP110.C RUN NAME	A/P	WRP288.V17(17) 06/22/72 PIN NAME	ORDER PIN	BAY - ORDER	Q	DRAW	RV	PG	Y	X	Z	REMARKS	9-APR-73 LENGTH	23148 EXCEPTIONS	PAGE 130 RUN NUMBER
J11V2		J11V2		1-01 *							1				915
J11V2		J13C1		1-02 *											915
J11V2				1									5-4/8		915
J12A1		J12A1		1-01 *							1				916
J12A1		J13H2		1-02 *											916
J12A1				1									4-1/8		916
J12K1		J12K1		1-01 *							1				917
J12K1		J13L1		1-02 *											917
J12K1				1									3-6/8		917
J12M1		J12M1		1-01 *							1				918
J12M1		J13E2		1-02 *											918
J12M1				1									4-1/8		918
J12V2		J12V2		1-01 *							1				919
J12V2		J13J1		1-02 *											919
J12V2				1									4-4/8		919
J13B1		J13B1		1-01 *							1				920
J13B1		J14C1		1-02 *											920
J13B1				1									2-7/8		920
J13D2		J13D2		1-01 *							1				921
J13D2		J14E1		1-02 *											921
J13D2				1									2-3/8		921
J13E1		J13E1		1-01 *							1				922
J13E1		J14H1		1-02 *											922
J13E1				1									3-4/8		922
J13F2		J13F2		1-01 *							1				923
J13F2		J14M1		1-02 *											923
J13F2				1									3-6/8		923
J13H1		J13H1		1-01 *							1				924
J13H1		J14K1		1-02 *											924
J13H1				1									3-4/8		924
J13J2		J13J2		1-01 *							1				925
J13J2		J14S1		1-02 *											925
J13J2				1									4-0/8		925
J13K1		J13K1		1-01 *							1				926
J13K1		J14P1		1-02 *											926
J13K1				1									3-6/8		926

RP11C.C
RUN NAME

WRP288.V17(17) 06/22/72
A/P PIN ORDER BAY -
NAME PIN ORDER

9-APR-73 23148 PAGE 131
LENGTH EXCEPTIONS RUN
NUMBER

A/P	PIN	ORDER	BAY -	Q	DRAW	RV	PG	Y	X	Z	REMARKS	9-APR-73	23148	PAGE 131
	NAME	PIN	ORDER									LENGTH	EXCEPTIONS	RUN
J13M1	J13M1		1-01 *							1				927
J13M1	J14V1		1-02 *											927
J13M1			1									4-1/8		927
J13N2	F20D2		1-01 *							1				928
J13N2	J13N2		1-02 *											928
J13N2			1									12-6/8		928
LD 01	L F07M1		1-01 *							1				929
LD 01	L F07K2		1-02 *							2				929
LD 01	L F09J2		1-03 *											929
LD 01			1									7-0/8		929
LD 02	L E07S1		1-01 *							2				930
LD 02	L F07N1		1-02 *							1				930
LD 02	L F07L2		1-03 *											930
LD 02			1									8-2/8		930
LD ATTN	H D24A1		1-01 *							1				931
LD ATTN	H D24D2		1-02 *							2				931
LD ATTN	H D24D1		1-03 *							1				931
LD ATTN	H D24H2		1-04 *							2				931
LD ATTN	H D24H1		1-05 *							1				931
LD ATTN	H D24L2		1-06 *							2				931
LD ATTN	H D24L1		1-07 *							1				931
LD ATTN	H D24P1		1-08 *							2				931
LD ATTN	H E21S1		1-09 *											931
LD ATTN			1									27-0/8		931
LD ERR	H E32L2		1-01 *							1				932
LD ERR	H E32M1		1-02 *							2				932
LD ERR	H E32D2		1-03 *							1				932
LD ERR	H E32B1		1-04 *							2				932
LD ERR	H E31D2		1-05 *							1				932
LD ERR	H E31M1		1-06 *							2				932
LD ERR	H E30D2		1-07 *							1				932
LD ERR	H E30B1		1-08 *							2				932
LD ERR	H E30M1		1-09 *							1				932
LD ERR	H E30L2		1-10 *							2				932
LD ERR	H E31N1		1-11 *							1				932
LD ERR	H E30S2		1-12 *							2				932
LD ERR	H E30N1		1-13 *							1				932
LD ERR	H F29E1		1-14 *											932
LD ERR			1									40-3/8		932

RP11C.C
RUN NAME

WRP288.V17(17) 06/22/72
A/P PIN ORDER BAY -
NAME PIN ORDER

9-APR-73 23148 PAGE 132
LENGTH EXCEPTIONS RUN
NUMBER

A/P	PIN	ORDER	BAY -	Q	DRAW	RV	PG	Y	X	Z	REMARKS	9-APR-73	23148	PAGE 132
	NAME	PIN	ORDER									LENGTH	EXCEPTIONS	RUN
LD LPR A	H D20P2		1-01 *							2				933
LD LPR A	H C12D2		1-02 *							1				933
LD LPR A	H C12B1		1-03 *							2				933
LD LPR A	H C11B1		1-04 *							1				933
LD LPR A	H C11D2		1-05 *							2				933
LD LPR A	H C11H1		1-06 *							1				933
LD LPR A	H C12M1		1-07 *							2				933
LD LPR A	H C12L2		1-08 *							1				933
LD LPR A	H C12N1		1-09 *							2				933
LD LPR A	H C11L2		1-10 *							1				933
LD LPR A	H C11N1		1-11 *							2				933
LD LPR A	H C11S2		1-12 *							1				933
LD LPR A	H C12S2		1-13 *							2				933
LD LPR A	H D12D2		1-14 *							1				933
LD LPR A	H D12B1		1-15 *							2				933
LD LPR A	H D11B1		1-16 *							1				933
LD LPR A	H D11D2		1-17 *							2				933
LD LPR A	H D11H1		1-18 *							1				933
LD LPR A	H D11L2		1-19 *							2				933
LD LPR A	H D11N1		1-20 *							1				933
LD LPR A	H D11S2		1-21 *							2				933
LD LPR A	H F07S1		1-22 *											933
LD LPR A			1									76-7/8		933
LD LPR B	H C13B1		1-01 *							1				934
LD LPR B	H C13D2		1-02 *							2				934
LD LPR B	H C13M1		1-03 *							1				934
LD LPR B	H C13L2		1-04 *							2				934
LD LPR B	H C13N1		1-05 *							1				934
LD LPR B	H C13S2		1-06 *							2				934
LD LPR B	H D13B1		1-07 *							1				934
LD LPR B	H D13D2		1-08 *							2				934
LD LPR B	H D12H1		1-09 *							1				934
LD LPR B	H D12L2		1-10 *							2				934
LD LPR B	H D12N1		1-11 *							1				934
LD LPR B	H D12S2		1-12 *							2				934
LD LPR B	H F07P2		1-13 *											934
LD LPR B			1									44-3/8		934
LD LPR C	H D13H1		1-01 *							1				935
LD LPR C	H D13L2		1-02 *							2				935
LD LPR C	H D13N1		1-03 *							1				935
LD LPR C	H D13S2		1-04 *							2				935
LD LPR C	H F07L1		1-05 *											935
LD LPR C			1									19-1/8		935

RP11C,C RUN NAME	A/P	WRP288.V17(17) 06/22/72 PIN NAME	ORDER PIN	BAY - ORDER	Q	DRAW	RV	PG	Y	X	Z	REMARKS	9-APR-73 LENGTH	23148 EXCEPTIONS	PAGE 133 RUN NUMBER
LD RPCS 1	H	E16B1		1-01 *							1				936
LD RPCS 1	H	E16D2		1-02 *							2				936
LD RPCS 1	H	E17H1		1-03 *							1				936
LD RPCS 1	H	E17L2		1-04 *							2				936
LD RPCS 1	H	E17N1		1-05 *							1				936
LD RPCS 1	H	E17S2		1-06 *							2				936
LD RPCS 1	H	E21L2		1-07 *							2				936
LD RPCS 1				1									19-7/8		936
LD RPCS 2	H	E15B1		1-01 *							2				937
LD RPCS 2	H	E15D2		1-02 *							1				937
LD RPCS 2	H	E15H1		1-03 *							2				937
LD RPCS 2	H	E16L2		1-04 *							1				937
LD RPCS 2	H	E21P1		1-05 *							2				937
LD RPCS 2	H	F20L2		1-06 *							2				937
LD RPCS 2				1									20-7/8		937
LD RPCS 2	L	E09D1		1-01 *							1				938
LD RPCS 2	L	E21N1		1-02 *							2				938
LD RPCS 2	L	F20S2		1-03 *							2				938
LD RPCS 2				1									16-4/8		938
LOA 00	L	E01E1		1-01 *							1				939
LOA 00	L	H24E1		1-02 *							2				939
LOA 00	L	J24H2		1-03 *							2				939
LOA 00				1									26-0/8		939
LOA 01	L	E01F2		1-01 *							1				940
LOA 01	L	H24F1		1-02 *							2				940
LOA 01	L	J24J2		1-03 *							2				940
LOA 01				1									25-6/8		940
LOA 02	L	E01J2		1-01 *							1				941
LOA 02	L	H24H1		1-02 *							2				941
LOA 02	L	J24K2		1-03 *							2				941
LOA 02				1									25-4/8		941
LOA 03	L	E01L2		1-01 *							1				942
LOA 03	L	H24S1		1-02 *							2				942
LOA 03	L	J24U2		1-03 *							2				942
LOA 03				1									26-2/8		942
LOA 04	L	E01S2		1-01 *							1				943
LOA 04	L	H24R1		1-02 *							2				943
LOA 04	L	J24T2		1-03 *							2				943
LOA 04				1									25-6/8		943

RP11C,C RUN NAME	A/P	WRP288.V17(17) 06/22/72 PIN NAME	ORDER PIN	BAY - ORDER	Q	DRAW	RV	PG	Y	X	Z	REMARKS	9-APR-73 LENGTH	23148 EXCEPTIONS	PAGE 134 RUN NUMBER
LOA 05	L	E01U2		1-01 *							1				944
LOA 05	L	H24P1		1-02 *							2				944
LOA 05	L	J24S2		1-03 *							2				944
LOA 05				1									25-2/8		944
LOA 06	L	F01E1		1-01 *							1				945
LOA 06	L	H24N1		1-02 *							2				945
LOA 06	L	J24R2		1-03 *							2				945
LOA 06				1									24-2/8		945
LOA 07	L	F01F2		1-01 *							1				946
LOA 07	L	H24M1		1-02 *							2				946
LOA 07	L	J24P2		1-03 *							2				946
LOA 07				1									23-4/8		946
LOA 08	L	F01J2		1-01 *							1				947
LOA 08	L	H24L1		1-02 *							2				947
LOA 08	L	J24N2		1-03 *							2				947
LOA 08				1									23-2/8		947
LOA 09	L	F01L2		1-01 *							1				948
LOA 09	L	H24K1		1-02 *							2				948
LOA 09	L	J24M2		1-03 *							2				948
LOA 09				1									22-6/8		948
LOA 10	L	F01S2		1-01 *							1				949
LOA 10	L	H24J1		1-02 *							2				949
LOA 10	L	J24L2		1-03 *							2				949
LOA 10				1									22-2/8		949
LOAD BR A	H	A29C1		1-01 *							1				950
LOAD BR A	H	A28C1		1-02 *							2				950
LOAD BR A	H	A27C1		1-03 *							1				950
LOAD BR A	H	B27E1		1-04 *							1				950
LOAD BR A				1									13-0/8		950
LOAD BR B	H	A30C1		1-01 *							1				951
LOAD BR B	H	B29C1		1-02 *							2				951
LOAD BR B	H	B28C1		1-03 *							1				951
LOAD BR B	H	B27L1		1-04 *							1				951
LOAD BR B				1									14-0/8		951
LOAD BRC	H	B27S1		1-01 *							1				952
LOAD BRC	H	B30C1		1-02 *							1				952
LOAD BRC				1									5-2/8		952

RP110.C RUN NAME	A/P	WRP288.V17(17) PIN NAME	06/22/72 ORDER PIN	BAY - ORDER	Q	DRAW	RV	PG	Y	X	Z	REMARKS	9-APR-73 LENGTH	23148 EXCEPTIONS	PAGE 136 RUN NUMBER
LOAD CAR	H	C10H1		1-01 *							2				953
LOAD CAR	H	D03U1		1-02 *							1				953
LOAD CAR	H	D02P1		1-03 *							2				953
LOAD CAR	H	D02L2		1-04 *							1				953
LOAD CAR	H	D02L1		1-05 *							2				953
LOAD CAR	H	D02H2		1-06 *							1				953
LOAD CAR	H	D02H1		1-07 *							2				953
LOAD CAR	H	D02D2		1-08 *							1				953
LOAD CAR	H	D02D1		1-09 *							2				953
LOAD CAR	H	D02A1		1-10 *							1				953
LOAD CAR				1									32-2/8		953
LOAD CAR	L	D03V1		1-01 *							1				954
LOAD CAR	L	D04E1		1-02 *											954
LOAD CAR				1									5-0/8		954
LOAD MAIN A1	H	H06L1		1-01 *							2				955
LOAD MAIN A1	H	H04D2		1-02 *							1				955
LOAD MAIN A1	H	H04B1		1-03 *							2				955
LOAD MAIN A1	H	J04B1		1-04 *							1				955
LOAD MAIN A1	H	J04D2		1-05 *							2				955
LOAD MAIN A1	H	J04H1		1-06 *							1				955
LOAD MAIN A1	H	J04L2		1-07 *							2				955
LOAD MAIN A1	H	J04N1		1-08 *							1				955
LOAD MAIN A1	H	J04S2		1-09 *											955
LOAD MAIN A1				1									26-6/8		955
LOAD MAIN A2	H	H04H1		1-01 *							2				956
LOAD MAIN A2	H	H04L2		1-02 *							1				956
LOAD MAIN A2	H	H04N1		1-03 *							2				956
LOAD MAIN A2	H	H04S2		1-04 *							1				956
LOAD MAIN A2	H	H06S1		1-05 *							2				956
LOAD MAIN A2	H	H05L2		1-06 *							1				956
LOAD MAIN A2	H	H05H1		1-07 *							2				956
LOAD MAIN A2	H	H05D2		1-08 *							1				956
LOAD MAIN A2	H	H05B1		1-09 *											956
LOAD MAIN A2				1									24-4/8		956

RP110.C RUN NAME	A/P	WRP288.V17(17) PIN NAME	06/22/72 ORDER PIN	BAY - ORDER	Q	DRAW	RV	PG	Y	X	Z	REMARKS	9-APR-73 LENGTH	23148 EXCEPTIONS	PAGE 136 RUN NUMBER
LOAD MAIN B1	H	H06P2		1-01 *							2				957
LOAD MAIN B1	H	J06D2		1-02 *							1				957
LOAD MAIN B1	H	J06E1		1-03 *							2				957
LOAD MAIN B1	H	J05E1		1-04 *							1				957
LOAD MAIN B1	H	J05D2		1-05 *							2				957
LOAD MAIN B1	H	J05H1		1-06 *							1				957
LOAD MAIN B1	H	J05L2		1-07 *							2				957
LOAD MAIN B1	H	J05N1		1-08 *							1				957
LOAD MAIN B1	H	J05S2		1-09 *											957
LOAD MAIN B1				1									25-1/8		957
LOAD MAIN B2	H	E10R1		1-01 *							1				958
LOAD MAIN B2	H	H06V2		1-02 *							2				958
LOAD MAIN B2	H	J06H1		1-03 *							1				958
LOAD MAIN B2	H	J06L2		1-04 *							2				958
LOAD MAIN B2	H	J06N1		1-05 *							1				958
LOAD MAIN B2	H	J06S2		1-06 *											958
LOAD MAIN B2				1									23-6/8		958
LOAD SR	L	D01S2		1-01 *							1				959
LOAD SR	L	E09M1		1-02 *											959
LOAD SR				1									8-6/8		959
LOAD SR A	H	D30C1		1-01 *							1				960
LOAD SR A	H	C31E1		1-02 *							2				960
LOAD SR A	H	C28C1		1-03 *							1				960
LOAD SR A	H	C26C1		1-04 *							2				960
LOAD SR A	H	E14R2		1-05 *							1				960
LOAD SR A	H	F13J1		1-06 *							2				960
LOAD SR A	H	F11S2		1-07 *											960
LOAD SR A				1									37-7/8		960
LOAD SR B	H	C17J2		1-01 *							1				961
LOAD SR B	H	D26C1		1-02 *							2				961
LOAD SR B	H	D28C1		1-03 *							1				961
LOAD SR B	H	C31L1		1-04 *							2				961
LOAD SR B	H	C29C1		1-05 *											961
LOAD SR B				1									23-1/8		961
LOAD TAR	H	D15N2		1-01 *							2				962
LOAD TAR	H	D22H1		1-02 *							1				962
LOAD TAR	H	D22H2		1-03 *							2				962
LOAD TAR	H	D22D2		1-04 *							1				962
LOAD TAR	H	D22D1		1-05 *							2				962
LOAD TAR	H	D22A1		1-06 *											962
LOAD TAR				1									18-0/8		962

RP110.C RUN NAME	A/P	WRP288.V17(17) PIN NAME	06/22/72 ORDER PIN	BAY - ORDER	Q	DRAW	RV	PG	Y	X	Z	REMARKS	9-APR-73 LENGTH	23148 EXCEPTIONS	PAGE 137 RUN NUMBER
LPE (0)	H	A14R1		1-01 *							1				963
LPE (0)	H	D31H1		1-02 *							2				963
LPE (0)	H	E31M1		1-03 *											963
LPE (0)				1									21-6/8		963
LPE (1)	H	D32M2		1-01 *							1				964
LPE (1)	H	E31L1		1-02 *											964
LPE (1)				1									6-0/8		964
LPR 00 (1)	H	C30S2		1-01 *							1				965
LPR 00 (1)	H	D13P2		1-02 *							2				965
LPR 00 (1)	H	E06A1		1-03 *											965
LPR 00 (1)				1									21-6/8		965
LPR 01 (1)	H	C30L2		1-01 *							1				966
LPR 01 (1)	H	D13V2		1-02 *							2				966
LPR 01 (1)	H	E06B1		1-03 *											966
LPR 01 (1)				1									22-4/8		966
LPR 02 (1)	H	C30E2		1-01 *							1				967
LPR 02 (1)	H	D13S1		1-02 *							2				967
LPR 02 (1)	H	E06C1		1-03 *											967
LPR 02 (1)				1									23-2/8		967
LPR 03 (1)	H	C30N1		1-01 *							1				968
LPR 03 (1)	H	D13L1		1-02 *							2				968
LPR 03 (1)	H	E06D1		1-03 *											968
LPR 03 (1)				1									22-2/8		968
LPR 04 (1)	H	C30H1		1-01 *							1				969
LPR 04 (1)	H	D13W2		1-02 *							2				969
LPR 04 (1)	H	E06D2		1-03 *											969
LPR 04 (1)				1									22-4/8		969
LPR 05 (1)	H	C30B1		1-01 *							1				970
LPR 05 (1)	H	D13E1		1-02 *							2				970
LPR 05 (1)	H	E06E2		1-03 *											970
LPR 05 (1)				1									22-5/8		970
LPR 06 (1)	H	D27S2		1-01 *							1				971
LPR 06 (1)	H	C13P2		1-02 *							2				971
LPR 06 (1)	H	E06F2		1-03 *											971
LPR 06 (1)				1									22-6/8		971

RP110.C RUN NAME	A/P	WRP288.V17(17) PIN NAME	06/22/72 ORDER PIN	BAY - ORDER	Q	DRAW	RV	PG	Y	X	Z	REMARKS	9-APR-73 LENGTH	23148 EXCEPTIONS	PAGE 138 RUN NUMBER
LPR 07 (1)	H	D27L2		1-01 *							1				972
LPR 07 (1)	H	C13V2		1-02 *							2				972
LPR 07 (1)	H	E06H2		1-03 *											972
LPR 07 (1)				1									20-1/8		972
LPR 08 (1)	H	D27E2		1-01 *							1				973
LPR 08 (1)	H	C13S1		1-02 *							2				973
LPR 08 (1)	H	E06M1		1-03 *											973
LPR 08 (1)				1									22-0/8		973
LPR 09 (1)	H	D27A1		1-01 *							1				974
LPR 09 (1)	H	C13L1		1-02 *							2				974
LPR 09 (1)	H	E08N1		1-03 *											974
LPR 09 (1)				1									24-0/8		974
LPR 10 (1)	H	D27H1		1-01 *							1				975
LPR 10 (1)	H	C13H2		1-02 *							2				975
LPR 10 (1)	H	E08P1		1-03 *											975
LPR 10 (1)				1									24-2/8		975
LPR 11 (1)	H	D27B1		1-01 *							1				976
LPR 11 (1)	H	C13E1		1-02 *							2				976
LPR 11 (1)	H	E08R1		1-03 *											976
LPR 11 (1)				1									24-2/8		976
LPR 12 (1)	H	D29S2		1-01 *							1				977
LPR 12 (1)	H	D12P2		1-02 *							2				977
LPR 12 (1)	H	E08R2		1-03 *											977
LPR 12 (1)				1									18-6/8		977
LPR 13 (1)	H	D29L2		1-01 *							1				978
LPR 13 (1)	H	D12V2		1-02 *							2				978
LPR 13 (1)	H	E08S2		1-03 *											978
LPR 13 (1)				1									18-5/8		978
LPR 14 (1)	H	D29E2		1-01 *							1				979
LPR 14 (1)	H	D12S1		1-02 *							2				979
LPR 14 (1)	H	E08T2		1-03 *											979
LPR 14 (1)				1									20-2/8		979
LPR 15 (1)	H	D29N1		1-01 *							1				980
LPR 15 (1)	H	D12L1		1-02 *							2				980
LPR 15 (1)	H	E08U2		1-03 *											980
LPR 15 (1)				1									20-0/8		980

RP11C.C
RUN NAME

WRP288.V17(17) 06/22/72
A/P PIN ORDER BAY -
NAME PIN ORDER Q DRAW RV PG Y X Z

REMARKS

9-APR-73
LENGTH

23148
EXCEPTIONS

PAGE 139
RUN
NUMBER

LPR 16 (1)
LPR 16 (1)
LPR 16 (1)
LPR 16 (1)

H D29H1 1-01 *
H D12H2 1-02 *
H E07B1 1-03 *
1

1
2

18-2/8

981
981
981
981

LPR 17 (1)
LPR 17 (1)
LPR 17 (1)
LPR 17 (1)

H D29B1 1-01 *
H D12E1 1-02 *
H E07C1 1-03 *
1

1
2

18-3/8

982
982
982
982

LPR 18 (0)
LPR 18 (0)
LPR 18 (0)

H C27P2 1-01 *
H D30T2 1-02 *
1

1

7-6/8

983
983
983

LPR 18 (1)
LPR 18 (1)
LPR 18 (1)
LPR 18 (1)

H C27L2 1-01 *
H C12P2 1-02 *
H E08A1 1-03 *
1

1
2

20-0/8

984
984
984
984

LPR 19 (0)
LPR 19 (0)
LPR 19 (0)

H C12V1 1-01 *
H C17M1 1-02 *
1

1

6-2/8

985
985
985

LPR 19 (1)
LPR 19 (1)
LPR 19 (1)

H C12V2 1-01 *
H E08B1 1-02 *
1

1

8-1/8

986
986
986

LPR 20 (0)
LPR 20 (0)
LPR 20 (0)

H C12U1 1-01 *
H C17R1 1-02 *
1

1

6-0/8

987
987
987

LPR 20 (1)
LPR 20 (1)
LPR 20 (1)

H C12S1 1-01 *
H E08C1 1-02 *
1

1

8-6/8

988
988
988

LPR 21 (0)
LPR 21 (0)
LPR 21 (0)

H C12M1 1-01 *
H C17E2 1-02 *
1

1

6-4/8

989
989
989

LPR 21 (1)
LPR 21 (1)
LPR 21 (1)

H C12L1 1-01 *
H E08D1 1-02 *
1

1

9-4/8

990
990
990

LPR 22 (0)
LPR 22 (0)
LPR 22 (0)

H C12J2 1-01 *
H C17U2 1-02 *
1

1

6-4/8

991
991
991

RP11C.C
RUN NAME

WRP288.V17(17) 06/22/72
A/P PIN ORDER BAY -
NAME PIN ORDER Q DRAW RV PG Y X Z

REMARKS

9-APR-73
LENGTH

23148
EXCEPTIONS

PAGE 140
RUN
NUMBER

LPR 22 (1)
LPR 22 (1)
LPR 22 (1)

H C12H2 1-01 *
H E08D2 1-02 *
1

1

9-6/8

992
992
992

LPR 23 (0)
LPR 23 (0)
LPR 23 (0)

H C12F1 1-01 *
H C17R2 1-02 *
1

1

6-6/8

993
993
993

LPR 23 (1)
LPR 23 (1)
LPR 23 (1)

H C12E1 1-01 *
H E08E2 1-02 *
1

1

10-0/8

994
994
994

LPR 24 (0)
LPR 24 (0)
LPR 24 (0)

H C28T2 1-01 *
H D11R2 1-02 *
1

1

14-0/8

995
995
995

LPR 24 (1)
LPR 24 (1)
LPR 24 (1)

H D11P2 1-01 *
H E08F2 1-02 *
1

1

5-1/8

996
996
996

LPR 25 (0)
LPR 25 (0)
LPR 25 (0)

H C28A1 1-01 *
H D11V1 1-02 *
1

1

16-2/8

997
997
997

LPR 25 (1)
LPR 25 (1)
LPR 25 (1)

H D11V2 1-01 *
H E08H2 1-02 *
1

1

5-3/8

998
998
998

LPR 26 (0)
LPR 26 (0)
LPR 26 (0)

H C28U1 1-01 *
H D11U1 1-02 *
1

1

14-2/8

999
999
999

LPR 26 (1)
LPR 26 (1)
LPR 26 (1)

H D11S1 1-01 *
H E08F1 1-02 *
1

1

5-0/8

1000
1000
1000

LPR 27 (0)
LPR 27 (0)
LPR 27 (0)

H C28S1 1-01 *
H D11M1 1-02 *
1

1

13-6/8

1001
1001
1001

LPR 27 (1)
LPR 27 (1)
LPR 27 (1)

H D11L1 1-01 *
H E08H1 1-02 *
1

1

6-1/8

1002
1002
1002

LPR 28 (0)
LPR 28 (0)
LPR 28 (0)

H C28R1 1-01 *
H D11J2 1-02 *
1

1

13-2/8

1003
1003
1003

RP11C.C RUN NAME	A/P	WRP288.V17(17) PIN NAME	06/22/72 ORDER PIN	BAY - ORDER	Q	DRAW	RV	PG	Y	X	Z	REMARKS	9-APR-73 LENGTH	23148 EXCEPTIONS	PAGE 145 RUN NUMBER
MAIN SI (0)	H	H11P1		1-01 *							1				1032
MAIN SI (0)	H	J05V1		1-02 *											1032
MAIN SI (0)				1									7-7/8		1032
MAINT ATTN 00 (0)	H	H05R2		1-01 *							1				1033
MAINT ATTN 00 (0)	H	H10C1		1-02 *											1033
MAINT ATTN 00 (0)				1									6-3/8		1033
MAINT ATTN 01 (0)	H	H05M1		1-01 *							1				1034
MAINT ATTN 01 (0)	H	H10E1		1-02 *											1034
MAINT ATTN 01 (0)				1									6-2/8		1034
MAINT ATTN 02 (0)	H	H05J2		1-01 *							1				1035
MAINT ATTN 02 (0)	H	H10H1		1-02 *											1035
MAINT ATTN 02 (0)				1									5-2/8		1035
MAINT ATTN 03 (0)	H	H05F1		1-01 *							1				1036
MAINT ATTN 03 (0)	H	H10K1		1-02 *											1036
MAINT ATTN 03 (0)				1									5-6/8		1036
MAINT ATTN 04 (0)	H	H04V1		1-01 *							1				1037
MAINT ATTN 04 (0)	H	H10M1		1-02 *											1037
MAINT ATTN 04 (0)				1									6-6/8		1037
MAINT ATTN 05 (0)	H	H04U1		1-01 *							1				1038
MAINT ATTN 05 (0)	H	H10P1		1-02 *											1038
MAINT ATTN 05 (0)				1									6-4/8		1038
MAINT ATTN 06 (0)	H	H04R2		1-01 *							1				1039
MAINT ATTN 06 (0)	H	H10S1		1-02 *											1039
MAINT ATTN 06 (0)				1									5-6/8		1039
MAINT ATTN 07 (0)	H	H04M1		1-01 *							1				1040
MAINT ATTN 07 (0)	H	H10V1		1-02 *											1040
MAINT ATTN 07 (0)				1									7-0/8		1040
MAINT CAR 00 (0)	H	H04J2	H09V1	1-01 *							1				1041
MAINT CAR 00 (0)	H	H09V1		1-02 *											1041
MAINT CAR 00 (0)				1									6-4/8		1041
MAINT CAR 01 (0)	H	H04F1	H09S1	1-01 *							1				1042
MAINT CAR 01 (0)	H	H09S1		1-02 *											1042
MAINT CAR 01 (0)				1									6-4/8		1042
MAINT CAR 02 (0)	H	H09P1	J04V1	1-01 *							1				1043
MAINT CAR 02 (0)	H	J04V1		1-02 *											1043
MAINT CAR 02 (0)				1									8-3/8		1043

RP11C.C RUN NAME	A/P	WRP288.V17(17) PIN NAME	06/22/72 ORDER PIN	BAY - URDER	Q	DRAW	RV	PG	Y	X	Z	REMARKS	9-APR-73 LENGTH	23148 EXCEPTIONS	PAGE 146 RUN NUMBER
MAINT CAR 03 (0)	H	H09M1	J04U1	1-01 *							1				1044
MAINT CAR 03 (0)	H	J04U1		1-02 *											1044
MAINT CAR 03 (0)				1									8-4/8		1044
MAINT CAR 04 (0)	H	H09K1	J04R2	1-01 *							1				1045
MAINT CAR 04 (0)	H	J04R2		1-02 *											1045
MAINT CAR 04 (0)				1									8-4/8		1045
MAINT CAR 05 (0)	H	H09H1	J04M1	1-01 *							1				1046
MAINT CAR 05 (0)	H	J04M1		1-02 *											1046
MAINT CAR 05 (0)				1									7-7/8		1046
MAINT CAR 06 (0)	H	H09E1	J04J2	1-01 *							1				1047
MAINT CAR 06 (0)	H	J04J2		1-02 *											1047
MAINT CAR 06 (0)				1									8-0/8		1047
MAINT CAR 07 (0)	H	H09C1	J04F1	1-01 *							1				1048
MAINT CAR 07 (0)	H	J04F1		1-02 *											1048
MAINT CAR 07 (0)				1									7-6/8		1048
MAINT CLK	L	E10S1		1-01 *							1				1049
MAINT CLK	L	F29M1		1-02 *											1049
MAINT CLK				1									14-6/8		1049
MCLK	H	F28D2		1-01 *							1				1050
MCLK	H	F30B1		1-02 *											1050
MCLK				1									4-0/8		1050
MEM REQ	H	R09M2		1-01 *							2				1051
MEM REQ	H	C14E1		1-02 *							1				1051
MEM REQ	H	E31S2		1-03 *											1051
MEM REQ				1									23-4/8		1051
MEX 00 (0)	H	A14H2		1-01 *							1				1052
MEX 00 (0)	H	R09V2		1-02 *											1052
MEX 00 (0)				1									9-4/8		1052
MEX 00 (1)	H	R32R1		1-01 *							1				1053
MEX 00 (1)	H	R08L2		1-02 *							2				1053
MEX 00 (1)	H	R09U2		1-03 *							1				1053
MEX 00 (1)	H	E09L2		1-04 *											1053
MEX 00 (1)				1									29-4/8		1053
MEX 01 (0)	H	A14L1		1-01 *							1				1054
MEX 01 (0)	H	R09T2		1-02 *											1054
MEX 01 (0)				1									8-6/8		1054

RP11C.C
RUN NAME

WRP288.V17(17) 06/22/72
A/P PIN ORDER BAY -
NAME PIN ORDER

Q DRAW RV PG Y X Z REMARKS

9-APR-73
LENGTH

23:48
EXCEPTIONS

PAGE 147
RUN
NUMBER

MEX 01 (1)	H	B32P1		1-01 *													1055
MEX 01 (1)	H	B08J1		1-02 *													1055
MEX 01 (1)	H	B09S2		1-03 *													1055
MEX 01 (1)	H	E09L1		1-04 *													1055
MEX 01 (1)				1									29-7/8				1055
MODE (0)	H	C10P1		1-01 *													1056
MODE (0)	H	B14H1		1-02 *													1056
MODE (0)	H	C20F2		1-03 *													1056
MODE (0)	H	D17D1		1-04 *													1056
MODE (0)	H	E17R2		1-05 *													1056
MODE (0)	H	F27D2		1-06 *													1056
MODE (0)				1									40-0/8				1056
MODE (1)	H	A09D2		1-01 *													1057
MODE (1)	H	B32F1		1-02 *													1057
MODE (1)	H	E17P2		1-03 *													1057
MODE (1)	H	H08L2		1-04 *													1057
MODE (1)	H	H08M2		1-05 *													1057
MODE (1)	H	H08N2		1-06 *													1057
MODE (1)				1									48-0/8				1057
MODEE (0)	H	A14R2		1-01 *													1058
MODEE (0)	H	D31H2		1-02 *													1058
MODEE (0)	H	E31J2		1-03 *													1058
MODEE (0)				1									21-4/8				1058
MODEE (1)	H	D32L2		1-01 *													1059
MODEE (1)	H	E31H2		1-02 *													1059
MODEE (1)				1									5-6/8				1059
MSYN EN	H	C07K2		1-01 *													1060
MSYN EN	H	C14E2	C14L2	1-02 *													1060
MSYN EN	H	C14L2		1-03 *													1060
MSYN EN				1									10-6/8				1060
NOT READY (0)	H	B03H2		1-01 *													1061
NOT READY (0)	H	E16M1		1-02 *													1061
NOT READY (0)				1									16-2/8				1061
NOT READY (1)	H	A14P1		1-01 *													1062
NOT READY (1)	H	B32M1		1-02 *													1062
NOT READY (1)	H	E16L1		1-03 *													1062
NOT READY (1)	H	F21J1		1-04 *													1062
NOT READY (1)				1									35-1/8				1062

RP11C.C
RUN NAME

WRP288.V17(17) 06/22/72
A/P PIN ORDER BAY -
NAME PIN ORDER

Q DRAW RV PG Y X Z REMARKS

9-APR-73
LENGTH

23:48
EXCEPTIONS

PAGE 148
RUN
NUMBER

NP REG (1)	H	B03U1		1-01 *													1063
NP REG (1)	H	B03V1		1-02 *													1063
NP REG (1)	H	B20J2		1-03 *													1063
NP REG (1)	H	B21L1		1-04 *													1063
NP REG (1)	H	B21L2		1-05 *													1063
NP REG (1)				1									20-7/8				1063
NXC (0)	H	B14J2		1-01 *													1064
NXC (0)	H	E30M1		1-02 *													1064
NXC (0)	H	D31C1		1-03 *													1064
NXC (0)				1									21-5/8				1064
NXC (1)	H	D32E2		1-01 *													1065
NXC (1)	H	E30L1		1-02 *													1065
NXC (1)				1									7-2/8				1065
NXME (0)	H	A14E2		1-01 *													1066
NXME (0)	H	D31F2		1-02 *													1066
NXME (0)	H	E32J2		1-03 *													1066
NXME (0)				1									21-4/8				1066
NXME (1)	H	D32T2		1-01 *													1067
NXME (1)	H	E32H2		1-02 *													1067
NXME (1)				1									4-4/8				1067
NXS (0)	H	B14E2		1-01 *													1068
NXS (0)	H	D31D2		1-02 *													1068
NXS (0)	H	E30U1		1-03 *													1068
NXS (0)				1									24-6/8				1068
NXS (1)	H	D32H2		1-01 *													1069
NXS (1)	H	E30S1		1-02 *													1069
NXS (1)				1									7-6/8				1069
NXT (0)	H	B14J1		1-01 *													1070
NXT (0)	H	E30R2		1-02 *													1070
NXT (0)	H	D31D1		1-03 *													1070
NXT (0)				1									21-7/8				1070
NXT (1)	H	D32F2		1-01 *													1071
NXT (1)	H	E30P2		1-02 *													1071
NXT (1)				1									7-4/8				1071

RP11C.C RUN NAME	A/P	WRP288.V17(17) PIN NAME	06/22/72 ORDER PIN	BAY - ORDER	Q	DRAW	RV	PG	Y	X	Z	REMARKS	9-APR-73 LENGTH	23148 EXCEPTIONS	PAGE 149 RUN NUMBER
OUT	H	D01R1		1-01 *							1				1072
OUT	H	D04B1		1-02 *							2				1072
OUT	H	C07U2		1-03 *							1				1072
OUT	H	A10H1		1-04 *							2				1072
OUT	H	A10B1		1-05 *							1				1072
OUT	H	R26J2		1-06 *							2				1072
OUT	H	F31C1		1-07 *							1				1072
OUT	H	F31D1		1-08 *							2				1072
OUT	H	F20K2		1-09 *											1072
OUT				1									66-3/8		1072
OUT HIGH	H	A04M2		1-01 *							1				1073
OUT HIGH	H	D17L2		1-02 *							2				1073
OUT HIGH	H	D16L2		1-03 *							1				1073
OUT HIGH	H	F20P1		1-04 *							2				1073
OUT HIGH	H	F11K2		1-05 *							1				1073
OUT HIGH	H	H08A1		1-06 *							2				1073
OUT HIGH	H	H08M1		1-07 *									46-0/8		1073
OUT HIGH				1											1073
OUT HIGH	L	F11L2		1-01 *							1				1074
OUT HIGH	L	F20H2		1-02 *											1074
OUT HIGH				1									7-6/8		1074
OUT LOW	H	A04N1		1-01 *							1				1075
OUT LOW	H	D01K2		1-02 *							2				1075
OUT LOW	H	D01P2		1-03 *							1				1075
OUT LOW	H	D01R2		1-04 *							2				1075
OUT LOW	H	F11N1		1-05 *							1				1075
OUT LOW	H	H08H1		1-06 *							2				1075
OUT LOW	H	H08H2		1-07 *							1				1075
OUT LOW	H	F20R2		1-08 *							2				1075
OUT LOW	H	D24U2		1-09 *											1075
OUT LOW				1									56-4/8		1075
OUT LOW	L	F11P1		1-01 *							1				1076
OUT LOW	L	F20J2		1-02 *											1076
OUT LOW				1									8-4/8		1076
PAR EN	H	C21H2		1-01 *							1				1077
PAR EN	H	E10J1		1-02 *							2				1077
PAR EN	H	E07N2		1-03 *							1				1077
PAR EN	H	E10S2		1-04 *							2				1077
PAR EN	H	F13H1		1-05 *											1077
PAR EN				1									25-6/8		1077

RP11C.C RUN NAME	A/P	WRP288.V17(17) PIN NAME	06/22/72 ORDER PIN	BAY - ORDER	Q	DRAW	RV	PG	Y	X	Z	REMARKS	9-APR-73 LENGTH	23148 EXCEPTIONS	PAGE 150 RUN NUMBER
PRDGE (0)	H	B14E1		1-01 *							1				1078
PRDGE (0)	H	D31E2		1-02 *							2				1078
PRDGE (0)	H	E30V1		1-03 *											1078
PRDGE (0)				1									24-6/8		1078
PRDGE (1)	H	D32J2		1-01 *							1				1079
PRDGE (1)	H	E30V2		1-02 *											1079
PRDGE (1)				1									7-6/8		1079
RD WORD PARITY (0)	H	E11A1		1-01 *							1				1080
RD WORD PARITY (0)	H	E11J2		1-02 *							2				1080
RD WORD PARITY (0)	H	E12L2		1-03 *											1080
RD WORD PARITY (0)				1									7-6/8		1080
RD WORD PARITY (1)	H	C04T2		1-01 *							1				1081
RD WORD PARITY (1)	H	E11U2		1-02 *							2				1081
RD WORD PARITY (1)	H	E12V2		1-03 *											1081
RD WORD PARITY (1)				1									15-4/8		1081
RDY ERR (1)	H	E32S1		1-01 *							1				1082
RDY ERR (1)	H	C27U2		1-02 *											1082
RDY ERR (1)				1									10-2/8		1082
READ (0)	H	D10K2		1-01 *							1				1083
READ (0)	H	D19S2		1-02 *							2				1083
READ (0)	H	E26A1		1-03 *							1				1083
READ (0)	H	E28F1		1-04 *							2				1083
READ (0)	H	F27A1		1-05 *											1083
READ (0)				1									25-5/8		1083
READ (1)	H	A32B2		1-01 *							2				1084
READ (1)	H	C20H2		1-02 *							1				1084
READ (1)	H	E28E1		1-03 *							2				1084
READ (1)	H	D16R2		1-04 *							1				1084
READ (1)	H	E11L2		1-05 *							2				1084
READ (1)	H	E11B1		1-06 *							1				1084
READ (1)	H	D10M2		1-07 *							2				1084
READ (1)	H	C04S2		1-08 *							1				1084
READ (1)	H	E02P1		1-09 *							2				1084
READ (1)	H	E07R1		1-10 *											1084
READ (1)	H	J11U1		1-11 *							1				1084
READ (1)				1									83-7/8		1084
READ BIT (0)	H	D19T2		1-01 *							1				1085
READ BIT (0)	H	F13N1		1-02 *											1085
READ BIT (0)				1									10-6/8		1085

RP11C.C RUN NAME	A/P	WRP288.V17(17) 06/22/72 PIN NAME	ORDER PIN	BAY - ORDER	Q	DRAW	RV	PG	Y	X	Z	REMARKS	9-APR-73 LENGTH	23148 EXCEPTIONS	PAGE 155 RUN NUMBER
RP MASTER*	L	B03N1		1-01 *							2				1120
RP MASTER	L	B04H1		1-02 *							2				1120
RP MASTER	L	B04H2		1-03 *							2				1120
RP MASTER	L	B09D1		1-04 *											1120
RP MASTER				1									12-2/8		1120
RPB1 TO SILO	H	A18J2		1-01 *							1				1121
RPB1 TO SILO	H	A24C1		1-02 *							2				1121
RPB1 TO SILO	H	A25C1		1-03 *							1				1121
RPB1 TO SILO	H	A25M2		1-04 *							2				1121
RPB1 TO SILO	H	A24M2		1-05 *							1				1121
RPB1 TO SILO	H	B24C1		1-06 *							2				1121
RPB1 TO SILO	H	B25C1		1-07 *							1				1121
RPB1 TO SILO	H	B25M2		1-08 *							2				1121
RPB1 TO SILO	H	B24M2		1-09 *											1121
RPB1 TO SILO				1									33-6/8		1121
RPB2 TO SILO	H	A18P2		1-01 *							1				1122
RPB2 TO SILO	H	A24N2		1-02 *							2				1122
RPB2 TO SILO	H	A25N2		1-03 *							1				1122
RPB2 TO SILO	H	A25D2		1-04 *							2				1122
RPB2 TO SILO	H	A24D2		1-05 *							1				1122
RPB2 TO SILO	H	B24D2		1-06 *							2				1122
RPB2 TO SILO	H	B25D2		1-07 *							1				1122
RPB2 TO SILO	H	B25N2		1-08 *							2				1122
RPB2 TO SILO	H	B24N2		1-09 *											1122
RPB2 TO SILO				1									34-0/8		1122
RPB3 TO SILO	H	A09V2		1-01 *							1				1123
RPB3 TO SILO	H	B25E2		1-02 *							2				1123
RPB3 TO SILO	H	B25P2		1-03 *											1123
RPB3 TO SILO				1									16-0/8		1123
RPBA TO BUS	L	A07D2		1-01 *							1				1124
RPBA TO BUS	L	B10E1		1-02 *											1124
RPBA TO BUS				1									7-0/8		1124
RPCA TO BUS	L	B13U2		1-01 *							1				1125
RPCA TO BUS	L	A13U2		1-02 *							2				1125
RPCA TO BUS	L	B10L1		1-03 *							1				1125
RPCA TO BUS	L	C03R1		1-04 *											1125
RPCA TO BUS				1									19-2/8		1125

RP11C.C RUN NAME	A/P	WRP288.V17(17) 06/22/72 PIN NAME	ORDER PIN	BAY - ORDER	Q	DRAW	RV	PG	Y	X	Z	REMARKS	9-APR-73 LENGTH	23148 EXCEPTIONS	PAGE 156 RUN NUMBER
RPCS TO BUS	L	A10P2		1-01 *							1				1126
RPCS TO BUS	L	A14U2		1-02 *							2				1126
RPCS TO BUS	L	B14U2		1-03 *							1				1126
RPCS TO BUS	L	C03P1		1-04 *											1126
RPCS TO BUS				1									22-0/8		1126
RPDA TO BUS	L	A13V2		1-01 *							1				1127
RPDA TO BUS	L	B13V2		1-02 *							2				1127
RPDA TO BUS	L	B10S1		1-03 *							1				1127
RPDA TO BUS	L	C03R2		1-04 *											1127
RPDA TO BUS				1									18-6/8		1127
RPDS TO BUS	L	A10S1		1-01 *							1				1128
RPDS TO BUS	L	A11U2		1-02 *							2				1128
RPDS TO BUS	L	B11U2		1-03 *							1				1128
RPDS TO BUS	L	C03N1		1-04 *											1128
RPDS TO BUS				1									18-6/8		1128
RPER TO BUS	L	A10J2		1-01 *							1				1129
RPER TO BUS	L	A14V2		1-02 *							2				1129
RPER TO BUS	L	B14V2		1-03 *							1				1129
RPER TO BUS	L	C03M1		1-04 *											1129
RPER TO BUS				1									22-3/8		1129
RPM1 TO BUS	L	A11V2		1-01 *							2				1130
RPM1 TO BUS	L	B11V2		1-02 *							1				1130
RPM1 TO BUS	L	B10J2		1-03 *											1130
RPM1 TO BUS	L	C03S2		1-04 *											1130
RPM1 TO BUS				1									18-4/8		1130
RPWC TO BUS	L	A10V2		1-01 *							1				1131
RPWC TO BUS	L	B07T2		1-02 *											1131
RPWC TO BUS				1									7-0/8		1131
S DATA WINDOW	L	F25K1		1-01 *							1				1132
S DATA WINDOW	L	F27S2		1-02 *											1132
S DATA WINDOW				1									4-7/8		1132
S EOP	L	D01V1		1-01 *							1				1133
S EOP	L	E32K1		1-02 *											1133
S EOP				1									19-6/8		1133
S HEADER WINDOW	H	D15M1		1-01 *							1				1134
S HEADER WINDOW	H	C14R1		1-02 *											1134
S HEADER WINDOW				1									5-6/8		1134

RP11C.C RUN NAME	A/P	WRP288.V17(17) PIN NAME	06/22/72 ORDER PIN	BAY - ORDER	Q	DRAW	RV	PG	Y	X	Z	REMARKS	9-APR-73 LENGTH	23148 EXCEPTIONS	PAGE 159 RUN NUMBER
SCHK TO SR	H	C27C1		1-01 *							2				1150
SCHK TO SR	H	C27F2		1-02 *							1				1150
SCHK TO SR	H	C27J1		1-03 *							2				1150
SCHK TO SR	H	C27P1		1-04 *							1				1150
SCHK TO SR	H	C20L1		1-05 *							2				1150
SCHK TO SR	H	D20R1		1-06 *											1150
SCHK TO SR				1									22-3/8		1150
SCHK TO SR	L	B26R1		1-01 *							1				1151
SCHK TO SR	L	C20F1		1-02 *							2				1151
SCHK TO SR	L	D20J2		1-03 *							1				1151
SCHK TO SR	L	D17E1		1-04 *											1151
SCHK TO SR				1									19-0/8		1151
SCK 00 (0)	H	C27H2		1-01 *							1				1152
SCK 00 (0)	H	C19D2		1-02 *							2				1152
SCK 00 (0)	H	D19F2		1-03 *							1				1152
SCK 00 (0)	H	D10F2		1-04 *											1152
SCK 00 (0)				1									20-6/8		1152
SCK 00 (1)	H	A32U2		1-01 *							1				1153
SCK 00 (1)	H	D19D2		1-02 *							2				1153
SCK 00 (1)	H	C19N2		1-03 *											1153
SCK 00 (1)				1									16-7/8		1153
SCK 01 (0)	H	C27R1		1-01 *							1				1154
SCK 01 (0)	H	C19F2		1-02 *							2				1154
SCK 01 (0)	H	D19P1		1-03 *							1				1154
SCK 01 (0)	H	D10P1		1-04 *											1154
SCK 01 (0)				1									22-2/8		1154
SCK 01 (1)	H	A32T2		1-01 *							1				1155
SCK 01 (1)	H	C19A1		1-02 *							2				1155
SCK 01 (1)	H	C19R2		1-03 *							1				1155
SCK 01 (1)	H	C19S1		1-04 *							2				1155
SCK 01 (1)	H	D19M1		1-05 *											1155
SCK 01 (1)				1									26-3/8		1155
SCK 02 (0)	H	C27K1		1-01 *							1				1156
SCK 02 (0)	H	C19J2		1-02 *							2				1156
SCK 02 (0)	H	D19J1		1-03 *							1				1156
SCK 02 (0)	H	D10J1		1-04 *											1156
SCK 02 (0)				1									20-2/8		1156

RP11C.C RUN NAME	A/P	WRP288.V17(17) PIN NAME	06/22/72 ORDER PIN	BAY - ORDER	Q	DRAW	RV	PG	Y	X	Z	REMARKS	9-APR-73 LENGTH	23148 EXCEPTIONS	PAGE 160 RUN NUMBER
SCK 02 (1)	H	A32S2		1-01 *							1				1157
SCK 02 (1)	H	D19F1		1-02 *							2				1157
SCK 02 (1)	H	C19V1		1-03 *							1				1157
SCK 02 (1)	H	C19T2		1-04 *							2				1157
SCK 02 (1)	H	C19S2		1-05 *							1				1157
SCK 02 (1)	H	C19R1		1-06 *							2				1157
SCK 02 (1)	H	C19M1		1-07 *											1157
SCK 02 (1)				1									27-1/8		1157
SCK 03 (0)	H	C27D1		1-01 *							1				1158
SCK 03 (0)	H	C19L2		1-02 *							2				1158
SCK 03 (0)	H	D19C1		1-03 *							1				1158
SCK 03 (0)	H	D10C1		1-04 *											1158
SCK 03 (0)				1									20-2/8		1158
SCK 03 (1)	H	A32R2		1-01 *							2				1159
SCK 03 (1)	H	D19A1		1-02 *							1				1159
SCK 03 (1)	H	C19V2		1-03 *							2				1159
SCK 03 (1)	H	C19U2		1-04 *							1				1159
SCK 03 (1)	H	C19U1		1-05 *							2				1159
SCK 03 (1)	H	C19P1		1-06 *							1				1159
SCK 03 (1)	H	C19L1		1-07 *							2				1159
SCK 03 (1)	H	C19K2		1-08 *							1				1159
SCK 03 (1)	H	C19K1		1-09 *							2				1159
SCK 03 (1)	H	C19H2		1-10 *											1159
SCK 03 (1)				1									35-7/8		1159
SEC 09	H	D03N2		1-01 *							1				1160
SEC 09	H	D07M2		1-02 *											1160
SEC 09				1									5-0/8		1160
SEC 09	L	C10D1		1-01 *							1				1161
SEC 09	L	C04S1		1-02 *							2				1161
SEC 09	L	D03M2		1-03 *											1161
SEC 09				1									13-0/8		1161
SEC COM	H	D03P1		1-01 *							1				1162
SEC COM	H	D16B1		1-02 *											1162
SEC COM				1									11-0/8		1162
SEC COM	L	C04J2		1-01 *							1				1163
SEC COM	L	D03N1		1-02 *											1163
SEC COM				1									7-0/8		1163

RP11C.C RUN NAME	A/P	WRP288.V17(17) PIN NAME	06/22/72 ORDER PIN	BAY - ORDER	Q	DRAW	RV	PG	Y	X	Z	REMARKS	9-APR-73 LENGTH	23148 EXCEPTIONS	PAGE 161 RUN NUMBER
SEC XFER	H	D08P2		1-01 *							2				1164
SEC XFER	H	D18N1		1-02 *	2						1				1164
SEC XFER	H	F32N1		1-03 *											1164
SEC XFER				1									22-2/8		1164
SECTOR FOUND	H	F11S1		1-01 *							2				1165
SECTOR FOUND	H	F27K1		1-02 *							1				1165
SECTOR FOUND	H	F27L2		1-03 *											1165
SECTOR FOUND				1									14-5/8		1165
SECTOR FOUND	L	F09D2		1-01 *							1				1166
SECTOR FOUND	L	F11R1		1-02 *											1166
SECTOR FOUND				1									4-7/8		1166
SECTOR FOUND LEV	H	C21A1		1-01 *							1				1167
SECTOR FOUND LEV	H	F11N2		1-02 *							2				1167
SECTOR FOUND LEV	H	F09E2		1-03 *											1167
SECTOR FOUND LEV				1									21-3/8		1167
SECTOR FOUND LEV	L	D04L1		1-01 *							1				1168
SECTOR FOUND LEV	L	F11M2		1-02 *											1168
SECTOR FOUND LEV				1									11-7/8		1168
SECTOR PLS	H	D03J2		1-01 *							2				1169
SECTOR PLS	H	C07D1		1-02 *							1				1169
SECTOR PLS	H	C07E2		1-03 *							2				1169
SECTOR PLS	H	E22M1		1-04 *											1169
SECTOR PLS				1									24-4/8		1169
SECTOR PLS	L	D03H2		1-01 *							1				1170
SECTOR PLS	L	D07F2		1-02 *											1170
SECTOR PLS				1									5-2/8		1170
SEEK C	H	E22A1		1-01 *							2				1171
SEEK C	H	E19F2		1-02 *							1				1171
SEEK C	H	F27T2		1-03 *											1171
SEEK C				1									13-3/8		1171
SEEK START (0)	H	E26H2		1-01 *							1				1172
SEEK START (0)	H	E29V1		1-02 *											1172
SEEK START (0)				1									5-0/8		1172
SEEK START (1)	H	A32L2		1-01 *							1				1173
SEEK START (1)	H	E29V2		1-02 *							2				1173
SEEK START (1)	H	F27U2		1-03 *							1				1173
SEEK START (1)	H	J11F1		1-04 *											1173
SEEK START (1)				1									37-6/8		1173

RP11C.C RUN NAME	A/P	WRP288.V17(17) PIN NAME	06/22/72 ORDER PIN	BAY - ORDER	Q	DRAW	RV	PG	Y	X	Z	REMARKS	9-APR-73 LENGTH	23148 EXCEPTIONS	PAGE 162 RUN NUMBER
SEEK SYNC (0)	H	F25R2		1-01 *							1				1174
SEEK SYNC (0)	H	F31S2		1-02 *											1174
SEEK SYNC (0)				1									6-0/8		1174
SEEK SYNC (1)	H	E20D2		1-01 *							1				1175
SEEK SYNC (1)	H	F25P2		1-02 *											1175
SEEK SYNC (1)				1									9-2/8		1175
SELECT HEAD	H	C06V1		1-01 *							2				1176
SELECT HEAD	H	J12U1		1-02 *							1				1176
SELECT HEAD	H	F27D1		1-03 *							2				1176
SELECT HEAD	H	F30E1		1-04 *											1176
SELECT HEAD				1									37-5/8		1176
SELECT HEAD	L	C06U1		1-01 *							1				1177
SELECT HEAD	L	D08N2		1-02 *											1177
SELECT HEAD				1									6-3/8		1177
SELECT UNIT 00	L	H18H2		1-01 *							2				1178
SELECT UNIT 00	L	J16D2		1-02 *							1				1178
SELECT UNIT 00	L	J08N2		1-03 *											1178
SELECT UNIT 00				1									14-2/8		1178
SELECT UNIT 01	L	H19H2		1-01 *							2				1179
SELECT UNIT 01	L	J16E2		1-02 *							1				1179
SELECT UNIT 01	L	J08P2		1-03 *											1179
SELECT UNIT 01				1									15-0/8		1179
SELECT UNIT 02	L	H20H2		1-01 *							2				1180
SELECT UNIT 02	L	J16H2		1-02 *							1				1180
SELECT UNIT 02	L	J08R2		1-03 *											1180
SELECT UNIT 02				1									15-0/8		1180
SELECT UNIT 03	L	H21H2		1-01 *							2				1181
SELECT UNIT 03	L	J16K2		1-02 *							1				1181
SELECT UNIT 03	L	J08S2		1-03 *											1181
SELECT UNIT 03				1									15-1/8		1181
SELECT UNIT 04	L	J08T2		1-01 *							1				1182
SELECT UNIT 04	L	J16M2		1-02 *							2				1182
SELECT UNIT 04	L	J18H2		1-03 *											1182
SELECT UNIT 04				1									12-0/8		1182
SELECT UNIT 05	L	J08U2		1-01 *							1				1183
SELECT UNIT 05	L	J16P2		1-02 *							2				1183
SELECT UNIT 05	L	J19H2		1-03 *											1183
SELECT UNIT 05				1									12-6/8		1183

RP110.C
RUN NAME

WRP288.V17(17) 06/22/72
A/P PIN ORDER BAY -
NAME PIN ORDER

Q DRAW RV PG Y X Z REMARKS

9-APR-73
LENGTH

23148
EXCEPTIONS

PAGE 163
RUN
NUMBER

SELECT UNIT 06	L	J08V2		1-01 *					1							1184
SELECT UNIT 06	L	J16S2		1-02 *					2							1184
SELECT UNIT 06	L	J20H2		1-03 *												1184
SELECT UNIT 06				1								13-2/8				1184
SELECT UNIT 07	L	J07U2		1-01 *												1185
SELECT UNIT 07	L	J16V2		1-02 *					2							1185
SELECT UNIT 07	L	J21H2		1-03 *												1185
SELECT UNIT 07				1								14-4/8				1185
SEQ OUT	L	J15D2		1-01 *												1186
SEQ OUT	L	J23V2		1-02 *												1186
SEQ OUT				1								8-6/8				1186
SET CYL (0)	H	E29M1		1-01 *												1187
SET CYL (0)	H	E26D2		1-02 *												1187
SET CYL (0)	H	F20E1		1-03 *												1187
SET CYL (0)	H	J15F1		1-04 *												1187
SET CYL (0)	H	J15L1		1-05 *												1187
SET CYL (0)				1								26-4/8				1187
SET CYL (1)	H	A32H2		1-01 *												1188
SET CYL (1)	H	E29M2		1-02 *												1188
SET CYL (1)	H	E29L1		1-03 *												1188
SET CYL (1)	H	J12M2		1-04 *												1188
SET CYL (1)	H	J11M2		1-05 *												1188
SET CYL (1)	H	J12C1		1-06 *												1188
SET CYL (1)	H	J11C1		1-07 *												1188
SET CYL (1)				1								43-7/8				1188
SET CYLINDER	L	E22E1		1-01 *												1189
SET CYLINDER	L	H23P2		1-02 *												1189
SET CYLINDER	L	H13H2		1-03 *												1189
SET CYLINDER	L	H14T2		1-04 *												1189
SET CYLINDER	L	J15H2		1-05 *												1189
SET CYLINDER	L	J07P2		1-06 *												1189
SET CYLINDER				1								36-1/8				1189
SET CYLINDER EN	L	A11R2		1-01 *												1190
SET CYLINDER EN	L	H13F1		1-02 *												1190
SET CYLINDER EN				1								18-4/8				1190

RP110.C
RUN NAME

WRP288.V17(17) 06/22/72
A/P PIN ORDER BAY -
NAME PIN ORDER

Q DRAW RV PG Y X Z REMARKS

9-APR-73
LENGTH

23148
EXCEPTIONS

PAGE 164
RUN
NUMBER

SET HEAD	L	H23M2		1-01 *												1191
SET HEAD	L	H13K2		1-02 *												1191
SET HEAD	L	H14S1		1-03 *												1191
SET HEAD	L	J15E2		1-04 *												1191
SET HEAD	L	J07N2		1-05 *												1191
SET HEAD				1								25-2/8				1191
SET HEAD (0)	H	E29U1		1-01 *												1192
SET HEAD (0)	H	E26F2		1-02 *												1192
SET HEAD (0)	H	F20D1		1-03 *												1192
SET HEAD (0)	H	J15D1		1-04 *												1192
SET HEAD (0)				1								23-3/8				1192
SET HEAD (1)	H	A32K2		1-01 *												1193
SET HEAD (1)	H	E29T2		1-02 *												1193
SET HEAD (1)	H	E29S1		1-03 *												1193
SET HEAD (1)	H	J12N2		1-04 *												1193
SET HEAD (1)	H	J11N2		1-05 *												1193
SET HEAD (1)	H	J11D2		1-06 *												1193
SET HEAD (1)	H	J12D2		1-07 *												1193
SET HEAD (1)				1								44-2/8				1193
SET HEAD EN	L	H11B1		1-01 *												1194
SET HEAD EN	L	H13J1		1-02 *												1194
SET HEAD EN				1								17-6/8				1194
SET HEADER FOUND	H	C06P1		1-01 *												1195
SET HEADER FOUND	H	C09M2		1-02 *												1195
SET HEADER FOUND				1								5-0/8				1195
SET DRV	L	F12R2		1-01 *												1196
SET DRV	L	F19E1		1-02 *												1196
SET DRV				1								7-2/8				1196
SET S CYL	L	E20F2		1-01 *												1197
SET S CYL	L	E29K1		1-02 *												1197
SET S CYL				1								7-4/8				1197
SFEE	H	D20V2		1-01 *												1198
SFEE	H	E31C1		1-02 *												1198
SFEE				1								8-6/8				1198
SFUV	L	E02N2		1-01 *												1199
SFUV	L	E30F2		1-02 *												1199
SFUV				1								17-6/8				1199

RP11C.C RUN NAME	A/P	WRP288.V17(17) PIN NAME	06/22/72 ORDER PIN	BAY - ORDER	Q	DRAW	RV	PG	Y	X	Z	REMARKS	9-APR-73 LENGTH	23148 EXCEPTIONS	PAGE 165 RUN NUMBER
SHIFT IN (0)	H	B18M1		1-01 *							1				1200
SHIFT IN (0)	H	B18N1		1-02 *							2				1200
SHIFT IN (0)	H	B20R2		1-03 *											1200
SHIFT IN (0)				1									6-7/8		1200
SHIFT OUT (0)	H	B18R2		1-01 *							1				1201
SHIFT OUT (0)	H	B18S2		1-02 *							2				1201
SHIFT OUT (0)	H	B20U2		1-03 *											1201
SHIFT OUT (0)				1									6-5/8		1201
SHIFT SR	H	C26P1		1-01 *							2				1202
SHIFT SR	H	C28P1		1-02 *							1				1202
SHIFT SR	H	C29P1		1-03 *							2				1202
SHIFT SR	H	O30P1		1-04 *							1				1202
SHIFT SR	H	O28P1		1-05 *							2				1202
SHIFT SR	H	O26P1		1-06 *							1				1202
SHIFT SR	H	O14V2		1-07 *											1202
SHIFT SR				1									31-0/8		1202
SILO D OUT 00	H	B22S2		1-01 *							1				1203
SILO D OUT 00	H	B23P1		1-02 *											1203
SILO D OUT 00				1									2-6/8		1203
SILO D OUT 01	H	B22P2		1-01 *							1				1204
SILO D OUT 01	H	B23N1		1-02 *											1204
SILO D OUT 01				1									2-7/8		1204
SILO D OUT 02	H	B22M2		1-01 *							1				1205
SILO D OUT 02	H	B23M1		1-02 *											1205
SILO D OUT 02				1									2-6/8		1205
SILO D OUT 03	H	B22K2		1-01 *							1				1206
SILO D OUT 03	H	B23N2		1-02 *											1206
SILO D OUT 03				1									3-6/8		1206
SILO D OUT 04	H	B22H2		1-01 *							1				1207
SILO D OUT 04	H	B23F1		1-02 *											1207
SILO D OUT 04				1									2-7/8		1207
SILO D OUT 05	H	B22E2		1-01 *							1				1208
SILO D OUT 05	H	B23E1		1-02 *											1208
SILO D OUT 05				1									2-6/8		1208
SILO D OUT 06	H	B22D1		1-01 *							1				1209
SILO D OUT 06	H	B23D1		1-02 *											1209
SILO D OUT 06				1									3-4/8		1209

RP11C.C RUN NAME	A/P	WRP288.V17(17) PIN NAME	06/22/72 ORDER PIN	BAY - ORDER	Q	DRAW	RV	PG	Y	X	Z	REMARKS	9-APR-73 LENGTH	23148 EXCEPTIONS	PAGE 166 RUN NUMBER
SILO D OUT 07	H	B22A1		1-01 *							1				1210
SILO D OUT 07	H	B23E2		1-02 *											1210
SILO D OUT 07				1									3-7/8		1210
SILO D OUT 08	H	A22S2		1-01 *							1				1211
SILO D OUT 08	H	A23P1		1-02 *											1211
SILO D OUT 08				1									2-6/8		1211
SILO D OUT 09	H	A22P2		1-01 *							1				1212
SILO D OUT 09	H	A23N1		1-02 *											1212
SILO D OUT 09				1									2-7/8		1212
SILO D OUT 10	H	A22M2		1-01 *							1				1213
SILO D OUT 10	H	A23M1		1-02 *											1213
SILO D OUT 10				1									2-6/8		1213
SILO D OUT 11	H	A22K2		1-01 *							1				1214
SILO D OUT 11	H	A23N2		1-02 *											1214
SILO D OUT 11				1									3-6/8		1214
SILO D OUT 12	H	A22H2		1-01 *							1				1215
SILO D OUT 12	H	A23F1		1-02 *											1215
SILO D OUT 12				1									2-7/8		1215
SILO D OUT 13	H	A22E2		1-01 *							1				1216
SILO D OUT 13	H	A23E1		1-02 *											1216
SILO D OUT 13				1									2-6/8		1216
SILO D OUT 14	H	A22D1		1-01 *							1				1217
SILO D OUT 14	H	A23D1		1-02 *											1217
SILO D OUT 14				1									3-4/8		1217
SILO D OUT 15	H	A22A1		1-01 *							1				1218
SILO D OUT 15	H	A23E2		1-02 *											1218
SILO D OUT 15				1									3-7/8		1218
SILO IN 00	H	B23U2		1-01 *							1				1219
SILO IN 00	H	B25V2		1-02 *											1219
SILO IN 00				1									4-2/8		1219
SILO IN 01	H	B23S2		1-01 *							1				1220
SILO IN 01	H	B25M1		1-02 *											1220
SILO IN 01				1									3-7/8		1220
SILO IN 02	H	B23R2		1-01 *							1				1221
SILO IN 02	H	B25K1		1-02 *											1221
SILO IN 02				1									4-0/8		1221

RP110.C RUN NAME	A/P	WRP288.V17(17) PIN NAME	06/22/72 ORDER PIN	BAY - ORDER	Q	DRAW	RV	PG	Y	X	Z	REMARKS	9-APR-73 LENGTH	23148 EXCEPTIONS	PAGE 167 RUN NUMBER
SILO IN 03	H	B23P2		1-01 *							1				1222
SILO IN 03	H	B25A1		1-02 *											1222
SILO IN 03				1									5-2/8		1222
SILO IN 04	H	B23K2		1-01 *							1				1223
SILO IN 04	H	B24V2		1-02 *											1223
SILO IN 04				1									4-5/8		1223
SILO IN 05	H	B23J2		1-01 *							1				1224
SILO IN 05	H	B24M1		1-02 *											1224
SILO IN 05				1									2-7/8		1224
SILO IN 06	H	B23H2		1-01 *							1				1225
SILO IN 06	H	B24K1		1-02 *											1225
SILO IN 06				1									2-6/8		1225
SILO IN 07	H	B23F2		1-01 *							1				1226
SILO IN 07	H	B24A1		1-02 *											1226
SILO IN 07				1									3-6/8		1226
SILO IN 08	H	A23U2		1-01 *							1				1227
SILO IN 08	H	A25V2		1-02 *											1227
SILO IN 08				1									4-2/8		1227
SILO IN 09	H	A23S2		1-01 *							1				1228
SILO IN 09	H	A25M1		1-02 *											1228
SILO IN 09				1									3-7/8		1228
SILO IN 10	H	A23R2		1-01 *							1				1229
SILO IN 10	H	A25K1		1-02 *											1229
SILO IN 10				1									4-0/8		1229
SILO IN 11	H	A23P2		1-01 *							1				1230
SILO IN 11	H	A25A1		1-02 *											1230
SILO IN 11				1									5-2/8		1230
SILO IN 12	H	A23K2		1-01 *							1				1231
SILO IN 12	H	A24V2		1-02 *											1231
SILO IN 12				1									4-5/8		1231
SILO IN 13	H	A23J2		1-01 *							1				1232
SILO IN 13	H	A24M1		1-02 *											1232
SILO IN 13				1									2-7/8		1232
SILO IN 14	H	A23H2		1-01 *							1				1233
SILO IN 14	H	A24K1		1-02 *											1233
SILO IN 14				1									2-6/8		1233

RP110.C RUN NAME	A/P	WRP288.V17(17) PIN NAME	06/22/72 ORDER PIN	BAY - ORDER	Q	DRAW	RV	PG	Y	X	Z	REMARKS	9-APR-73 LENGTH	23148 EXCEPTIONS	PAGE 168 RUN NUMBER
SILO IN 15	H	A23F2		1-01 *							1				1234
SILO IN 15	H	A24A1		1-02 *											1234
SILO IN 15				1									3-6/8		1234
SILO IN RDY	H	B19B1		1-01 *							1				1235
SILO IN RDY	H	B18D1		1-02 *							2				1235
SILO IN RDY	H	B18K1		1-03 *							1				1235
SILO IN RDY	H	C32P2		1-04 *											1235
SILO IN RDY				1									20-4/8		1235
SILO IN RDY	L	B11E2		1-01 *							1				1236
SILO IN RDY	L	A15P2		1-02 *							2				1236
SILO IN RDY	L	A17M2		1-03 *							1				1236
SILO IN RDY	L	B19A1		1-04 *											1236
SILO IN RDY				1									15-1/8		1236
SILO OUT 00	H	A29U1		1-01 *							1				1237
SILO OUT 00	H	B29U1		1-02 *							2				1237
SILO OUT 00	H	B30U1		1-03 *							1				1237
SILO OUT 00	H	B22V2		1-04 *											1237
SILO OUT 00				1									16-0/8		1237
SILO OUT 00	L	A12B1		1-01 *							2				1238
SILO OUT 00	L	B22U2		1-02 *							1				1238
SILO OUT 00	L	B22T2		1-03 *											1238
SILO OUT 00				1									12-6/8		1238
SILO OUT 01	H	A29S1		1-01 *							1				1239
SILO OUT 01	H	B29S1		1-02 *							2				1239
SILO OUT 01	H	B30S1		1-03 *							1				1239
SILO OUT 01	H	B22U1		1-04 *											1239
SILO OUT 01				1									16-4/8		1239
SILO OUT 01	L	A12E1		1-01 *							1				1240
SILO OUT 01	L	B22V1		1-02 *							2				1240
SILO OUT 01	L	B22R2		1-03 *											1240
SILO OUT 01				1									14-1/8		1240
SILO OUT 02	H	A29R1		1-01 *							1				1241
SILO OUT 02	H	B29R1		1-02 *							2				1241
SILO OUT 02	H	B30R1	B22S1	1-03 *							1				1241
SILO OUT 02	H	B22S1		1-04 *											1241
SILO OUT 02				1									16-4/8		1241

RP110.C RUN NAME	A/P	WRP288.V17(17) PIN NAME	06/22/72 ORDER PIN	BAY - ORDER	Q	DRAW	RV	PG	Y	X	Z	REMARKS	9-APR-73 LENGTH	23148 EXCEPTIONS	PAGE 171 RUN NUMBER
SILO OUT 11	L	A22L2		1-01 *							1				1260
SILO OUT 11	L	A22N1		1-02 *							2				1260
SILO OUT 11	L	B12E2		1-03 *											1260
SILO OUT 11				1									12-4/8		1260
SILO OUT 12	H	A22M1		1-01 *							1				1261
SILO OUT 12	H	A27U1		1-02 *							2				1261
SILO OUT 12	H	A30U1		1-03 *											1261
SILO OUT 12				1									10-6/8		1261
SILO OUT 12	L	A22J2		1-01 *							1				1262
SILO OUT 12	L	A22L1		1-02 *							2				1262
SILO OUT 12	L	B12J1		1-03 *											1262
SILO OUT 12				1									13-2/8		1262
SILO OUT 13	H	A22K1		1-01 *							1				1263
SILO OUT 13	H	A27S1		1-02 *							2				1263
SILO OUT 13	H	A30S1		1-03 *											1263
SILO OUT 13				1									10-6/8		1263
SILO OUT 13	L	A22F2		1-01 *							1				1264
SILO OUT 13	L	A22J1		1-02 *							2				1264
SILO OUT 13	L	B12J2		1-03 *											1264
SILO OUT 13				1									13-2/8		1264
SILO OUT 14	H	A22H1		1-01 *							1				1265
SILO OUT 14	H	A27R1		1-02 *							2				1265
SILO OUT 14	H	A30R1		1-03 *											1265
SILO OUT 14				1									11-0/8		1265
SILO OUT 14	L	A22F1		1-01 *							1				1266
SILO OUT 14	L	A22E1		1-02 *							2				1266
SILO OUT 14	L	B12M1		1-03 *											1266
SILO OUT 14				1									13-4/8		1266
SILO OUT 15	H	A22D2		1-01 *							1				1267
SILO OUT 15	H	A27P2		1-02 *							2				1267
SILO OUT 15	H	A30P2		1-03 *											1267
SILO OUT 15				1									11-0/8		1267
SILO OUT 15	L	A22B1		1-01 *							1				1268
SILO OUT 15	L	A22C1		1-02 *							2				1268
SILO OUT 15	L	B12M2		1-03 *											1268
SILO OUT 15				1									12-5/8		1268

RP110.C RUN NAME	A/P	WRP288.V17(17) PIN NAME	06/22/72 ORDER PIN	BAY - ORDER	Q	DRAW	RV	PG	Y	X	Z	REMARKS	9-APR-73 LENGTH	23148 EXCEPTIONS	PAGE 172 RUN NUMBER
SILO OUT RDY	H	B18N2		1-01 *							2				1269
SILO OUT RDY	H	B18W2		1-02 *							1				1269
SILO OUT RDY	H	B19E1		1-03 *							2				1269
SILO OUT RDY	H	B21E2		1-04 *							1				1269
SILO OUT RDY	H	C32N2		1-05 *											1269
SILO OUT RDY				1									22-6/8		1269
SILO OUT RDY	L	B11J1		1-01 *							1				1270
SILO OUT RDY	L	A15V2		1-02 *							2				1270
SILO OUT RDY	L	B19D1		1-03 *											1270
SILO OUT RDY				1									12-2/8		1270
SILO SHIFT IN	H	A23L2		1-01 *							2				1271
SILO SHIFT IN	H	A23V2		1-02 *							1				1271
SILO SHIFT IN	H	B23L2		1-03 *							2				1271
SILO SHIFT IN	H	B23V2		1-04 *							1				1271
SILO SHIFT IN	H	B18S1		1-05 *											1271
SILO SHIFT IN				1									19-0/8		1271
SILO SHIFT OUT	H	A23J1		1-01 *							2				1272
SILO SHIFT OUT	H	A23S1		1-02 *							1				1272
SILO SHIFT OUT	H	B23J1		1-03 *							2				1272
SILO SHIFT OUT	H	B23S1		1-04 *							1				1272
SILO SHIFT OUT	H	B18V2		1-05 *											1272
SILO SHIFT OUT				1									18-4/8		1272
SILO TO BR 01	H	A29U2		1-01 *							1				1273
SILO TO BR 01	H	A28U2		1-02 *							2				1273
SILO TO BR 01	H	A27U2		1-03 *							1				1273
SILO TO BR 01	H	B27J2		1-04 *											1273
SILO TO BR 01				1									11-6/8		1273
SILO TO BR 02	H	A30U2		1-01 *							1				1274
SILO TO BR 02	H	B29U2		1-02 *							2				1274
SILO TO BR 02	H	B28U2		1-03 *							1				1274
SILO TO BR 02	H	B27P2		1-04 *											1274
SILO TO BR 02				1									13-4/8		1274
SILO TO BR 03	H	B27V2		1-01 *							1				1275
SILO TO BR 03	H	B30U2		1-02 *											1275
SILO TO BR 03				1									4-4/8		1275
SILO TO BR STR	L	A21R1		1-01 *							1				1276
SILO TO BR STR	L	B26N2		1-02 *							2				1276
SILO TO BR STR	L	B27B1		1-03 *							1				1276
SILO TO BR STR	L	B27A1		1-04 *											1276
SILO TO BR STR				1									13-5/8		1276

RP11C.C RUN NAME	A/P	WRP288.V17(17) PIN NAME	06/22/72 ORDER PIN	BAY - ORDER	Q	DRAW	RV	PG	Y	X	Z	REMARKS	9-APR-73 LENGTH	23148 EXCEPTIONS	PAGE 173 RUN NUMBER
SILO TO BUS	L	A17N1		1-01 *							1				1277
SILO TO BUS	L	A12V2		1-02 *							2				1277
SILO TO BUS	L	B12V2		1-03 *							1				1277
SILO TO BUS	L	C03U2		1-04 *											1277
SILO TO BUS				1									21-6/8		1277
SILO TO BUS EN	L	A17L1		1-01 *							2				1278
SILO TO BUS EN	L	A18L1		1-02 *							1				1278
SILO TO BUS EN	L	B18U2		1-03 *											1278
SILO TO BUS EN				1									10-2/8		1278
SILO WCOF	L	A19E1		1-01 *							1				1279
SILO WCOF	L	B20B1		1-02 *											1279
SILO WCOF				1									6-0/8		1279
SILO WCOF (0)	H	A17R1		1-01 *							2				1280
SILO WCOF (0)	H	B20F1		1-02 *							1				1280
SILO WCOF (0)	H	E23P2		1-03 *											1280
SILO WCOF (0)				1									18-4/8		1280
SILO WCOF (1)	H	A17H1		1-01 *							1				1281
SILO WCOF (1)	H	B20E1		1-02 *											1281
SILO WCOF (1)				1									7-0/8		1281
SLPE	L	F31K1		1-01 *							1				1282
SLPE	L	F07J2		1-02 *											1282
SLPE				1									17-2/8		1282
SNXC	L	D02V2		1-01 *							1				1283
SNXC	L	E30K1		1-02 *											1283
SNXC				1									18-0/8		1283
SNXS	L	C10C1		1-01 *							1				1284
SNXS	L	E30P1		1-02 *											1284
SNXS				1									19-6/8		1284
SNXT	L	D24S2		1-01 *							1				1285
SNXT	L	E30N2		1-02 *											1285
SNXT				1									8-0/8		1285
SOT 00 (0)	H	A13J2		1-01 *							1				1286
SOT 00 (0)	H	C08L2		1-02 *							2				1286
SOT 00 (0)	H	D08H1		1-03 *											1286
SOT 00 (0)				1									16-0/8		1286

RP11C.C RUN NAME	A/P	WRP288.V17(17) PIN NAME	06/22/72 ORDER PIN	BAY - ORDER	Q	DRAW	RV	PG	Y	X	Z	REMARKS	9-APR-73 LENGTH	23148 EXCEPTIONS	PAGE 174 RUN NUMBER
SOT 00 (1)	H	C08H2		1-01 *							1				1287
SOT 00 (1)	H	C08K2		1-02 *							2				1287
SOT 00 (1)	H	C08K1		1-03 *							1				1287
SOT 00 (1)	H	C08L1		1-04 *							2				1287
SOT 00 (1)	H	C08P1		1-05 *							1				1287
SOT 00 (1)	H	C08S2		1-06 *							2				1287
SOT 00 (1)	H	C08S1		1-07 *							1				1287
SOT 00 (1)	H	C08V2		1-08 *							2				1287
SOT 00 (1)	H	D08D1		1-09 *											1287
SOT 00 (1)				1									23-3/8		1287
SOT 01 (0)	H	A13M1		1-01 *							1				1288
SOT 01 (0)	H	C08J2		1-02 *							2				1288
SOT 01 (0)	H	D08H1		1-03 *											1288
SOT 01 (0)				1									16-0/8		1288
SOT 01 (1)	H	C08A1		1-01 *							2				1289
SOT 01 (1)	H	C08M1		1-02 *							1				1289
SOT 01 (1)	H	C08T2		1-03 *							2				1289
SOT 01 (1)	H	C08U2		1-04 *							1				1289
SOT 01 (1)	H	C08U1		1-05 *							2				1289
SOT 01 (1)	H	D08K1		1-06 *											1289
SOT 01 (1)				1									17-7/8		1289
SOT 02 (0)	H	A13M2		1-01 *							1				1290
SOT 02 (0)	H	C08F2		1-02 *							2				1290
SOT 02 (0)	H	D08N1		1-03 *											1290
SOT 02 (0)				1									16-6/8		1290
SOT 02 (1)	H	C08R1		1-01 *							1				1291
SOT 02 (1)	H	C08R2		1-02 *							2				1291
SOT 02 (1)	H	C08V1		1-03 *							1				1291
SOT 02 (1)	H	D08R1		1-04 *											1291
SOT 02 (1)				1									11-4/8		1291
SOT 03 (0)	H	A13R1		1-01 *							1				1292
SOT 03 (0)	H	C08D2		1-02 *							2				1292
SOT 03 (0)	H	D08E2		1-03 *											1292
SOT 03 (0)				1									15-2/8		1292
SOT 03 (1)	H	C08N2		1-01 *							1				1293
SOT 03 (1)	H	D08H2		1-02 *											1293
SOT 03 (1)				1									5-2/8		1293
SPE	L	C27V2		1-01 *							1				1294
SPE	L	E30U2		1-02 *											1294
SPE				1									9-4/8		1294

RP110.C		WRP288.V17(17) 06/22/72								9-APR-73	23148	PAGE 177				
RUN NAME		A/P	PIN	ORDER	BAY -	Q	DRAW	RV	PG	Y	X	Z	REMARKS	LENGTH	EXCEPTIONS	RUN
			NAME	PIN	ORDER											NUMBER
SR 06 (1)	H	B29M2		1-01 *												1308
SR 06 (1)	H	D26K1		1-02 *												1308
SR 06 (1)	H	C23K1		1-03 *												1308
SR 06 (1)	H	C13M2		1-04 *												1308
SR 06 (1)	H	C13M2		1-05 *												1308
SR 06 (1)	H	F03N2		1-06 *												1308
SR 06 (1)				1										43-3/8		1308
SR 07 (0)	H	D26J2		1-01 *												1309
SR 07 (0)	H	C23N1		1-02 *												1309
SR 07 (0)	H	F03S2		1-03 *												1309
SR 07 (0)				1										24-2/8		1309
SR 07 (1)	H	B29L2		1-01 *												1310
SR 07 (1)	H	D26K2		1-02 *												1310
SR 07 (1)	H	C23R1		1-03 *												1310
SR 07 (1)	H	C13T2		1-04 *												1310
SR 07 (1)	H	C13U2		1-05 *												1310
SR 07 (1)	H	F03U2		1-06 *												1310
SR 07 (1)				1										42-2/8		1310
SR 08 (0)	H	D26F2		1-01 *												1311
SR 08 (0)	H	C23E2		1-02 *												1311
SR 08 (0)	H	F04B1		1-03 *												1311
SR 08 (0)				1										25-6/8		1311
SR 08 (1)	H	D26H1		1-01 *												1312
SR 08 (1)	H	B28V2		1-02 *												1312
SR 08 (1)	H	C23H2		1-03 *												1312
SR 08 (1)	H	C13R1		1-04 *												1312
SR 08 (1)	H	C13P1		1-05 *												1312
SR 08 (1)	H	F04D1		1-06 *												1312
SR 08 (1)				1										40-5/8		1312
SR 09 (0)	H	D26E2		1-01 *												1313
SR 09 (0)	H	C23L2		1-02 *												1313
SR 09 (0)	H	F04H1		1-03 *												1313
SR 09 (0)				1										25-1/8		1313
SR 09 (1)	H	D26H2		1-01 *												1314
SR 09 (1)	H	B28V1		1-02 *												1314
SR 09 (1)	H	C23N2		1-03 *												1314
SR 09 (1)	H	C13J1		1-04 *												1314
SR 09 (1)	H	C13K1		1-05 *												1314
SR 09 (1)	H	F04K1		1-06 *												1314
SR 09 (1)				1										40-5/8		1314

RP110.C		WRP288.V17(17) 06/22/72								9-APR-73	23148	PAGE 178				
RUN NAME		A/P	PIN	ORDER	BAY -	Q	DRAW	RV	PG	Y	X	Z	REMARKS	LENGTH	EXCEPTIONS	RUN
			NAME	PIN	ORDER											NUMBER
SR 10 (0)	H	D26E1		1-01 *												1315
SR 10 (0)	H	C01B1		1-02 *												1315
SR 10 (0)	H	F04N1		1-03 *												1315
SR 10 (0)				1										32-2/8		1315
SR 10 (1)	H	B28R2		1-01 *												1316
SR 10 (1)	H	D26F1		1-02 *												1316
SR 10 (1)	H	C13F2		1-03 *												1316
SR 10 (1)	H	C13E2		1-04 *												1316
SR 10 (1)	H	C01D1		1-05 *												1316
SR 10 (1)	H	F04R1		1-06 *												1316
SR 10 (1)				1										45-7/8		1316
SR 11 (0)	H	D26D2		1-01 *												1317
SR 11 (0)	H	C01H1		1-02 *												1317
SR 11 (0)	H	F04E2		1-03 *												1317
SR 11 (0)				1										30-6/8		1317
SR 11 (1)	H	D28S2		1-01 *												1318
SR 11 (1)	H	D26D1		1-02 *												1318
SR 11 (1)	H	B28N2		1-03 *												1318
SR 11 (1)	H	C13D1		1-04 *												1318
SR 11 (1)	H	C13C1		1-05 *												1318
SR 11 (1)	H	C01K1		1-06 *												1318
SR 11 (1)	H	F04H2		1-07 *												1318
SR 11 (1)				1										50-1/8		1318
SR 12 (0)	H	D28J1		1-01 *												1319
SR 12 (0)	H	C01N1		1-02 *												1319
SR 12 (0)	H	F04L2		1-03 *												1319
SR 12 (0)				1										31-2/8		1319
SR 12 (1)	H	B28M2		1-01 *												1320
SR 12 (1)	H	D28K1		1-02 *												1320
SR 12 (1)	H	D12N2		1-03 *												1320
SR 12 (1)	H	D12M2		1-04 *												1320
SR 12 (1)	H	C01R1		1-05 *												1320
SR 12 (1)	H	F04N2		1-06 *												1320
SR 12 (1)				1										45-1/8		1320
SR 13 (0)	H	D28J2		1-01 *												1321
SR 13 (0)	H	C01E2		1-02 *												1321
SR 13 (0)	H	F04S2		1-03 *												1321
SR 13 (0)				1										33-4/8		1321

RP11C.C RUN NAME	A/P	WHP288.V17(17) 06/22/72 PIN NAME	ORDER PIN	BAY - ORDER	Q	DRAW	RV	PG	Y	X	Z	REMARKS	9-APR-73 LENGTH	23148 EXCEPTIONS	PAGE 179 RUN NUMBER
SR 13 (1)	H	928L2		1-01 *							1				1322
SR 13 (1)	H	D28K2		1-02 *							2				1322
SR 13 (1)	H	D12T2		1-03 *							1				1322
SR 13 (1)	H	D12U2		1-04 *							2				1322
SR 13 (1)	H	F04U2		1-05 *							1				1322
SR 13 (1)	H	C01H2		1-06 *											1322
SR 13 (1)				1									47-3/8		1322
SR 14 (0)	H	D28F2		1-01 *							1				1323
SR 14 (0)	H	C01L2		1-02 *							2				1323
SR 14 (0)	H	F03B1		1-03 *											1323
SR 14 (0)				1									29-4/8		1323
SR 14 (1)	H	A30V2		1-01 *							1				1324
SR 14 (1)	H	D28H1		1-02 *							2				1324
SR 14 (1)	H	D12R1		1-03 *							1				1324
SR 14 (1)	H	D12P1		1-04 *							2				1324
SR 14 (1)	H	F03D1		1-05 *							1				1324
SR 14 (1)	H	C01N2		1-06 *											1324
SR 14 (1)				1									44-7/8		1324
SR 15 (0)	H	D28E2		1-01 *							1				1325
SR 15 (0)	H	C01S2		1-02 *							2				1325
SR 15 (0)	H	F03H1		1-03 *											1325
SR 15 (0)				1									28-6/8		1325
SR 15 (1)	H	A30V1		1-01 *							1				1326
SR 15 (1)	H	D28H2		1-02 *							2				1326
SR 15 (1)	H	D12J1		1-03 *							1				1326
SR 15 (1)	H	D12K1		1-04 *							2				1326
SR 15 (1)	H	C01U2		1-05 *							1				1326
SR 15 (1)	H	F03K1		1-06 *											1326
SR 15 (1)				1									44-7/8		1326
SR 16 (0)	H	C02S2		1-01 *							2				1327
SR 16 (0)	H	E05B1		1-02 *							1				1327
SR 16 (0)	H	D28E1		1-03 *											1327
SR 16 (0)				1									24-4/8		1327
SR 16 (1)	H	A30R2		1-01 *							1				1328
SR 16 (1)	H	D28F1		1-02 *							2				1328
SR 16 (1)	H	D12F2		1-03 *							1				1328
SR 16 (1)	H	D12E2		1-04 *							2				1328
SR 16 (1)	H	E05D1		1-05 *							1				1328
SR 16 (1)	H	C02U2		1-06 *											1328
SR 16 (1)				1									41-3/8		1328

RP11C.C RUN NAME	A/P	WHP288.V17(17) 06/22/72 PIN NAME	ORDER PIN	BAY - ORDER	Q	DRAW	RV	PG	Y	X	Z	REMARKS	9-APR-73 LENGTH	23148 EXCEPTIONS	PAGE 180 RUN NUMBER
SR 17 (0)	H	C02L2		1-01 *							2				1329
SR 17 (0)	H	E05H1		1-02 *							1				1329
SR 17 (0)	H	D28D2		1-03 *											1329
SR 17 (0)				1									26-6/8		1329
SR 17 (1)	H	A30N2		1-01 *							2				1330
SR 17 (1)	H	D30S2		1-02 *							1				1330
SR 17 (1)	H	D28D1		1-03 *							2				1330
SR 17 (1)	H	D12D1		1-04 *							1				1330
SR 17 (1)	H	D12C1		1-05 *							2				1330
SR 17 (1)	H	E05K1		1-06 *							1				1330
SR 17 (1)	H	C02N2		1-07 *											1330
SR 17 (1)				1									46-3/8		1330
SR 18 (0)	H	D30J1		1-01 *							1				1331
SR 18 (0)	H	D08S2		1-02 *							2				1331
SR 18 (0)	H	E05N1		1-03 *											1331
SR 18 (0)				1									20-7/8		1331
SR 18 (1)	H	A30M2		1-01 *							1				1332
SR 18 (1)	H	D30K1		1-02 *							2				1332
SR 18 (1)	H	C12N2		1-03 *							1				1332
SR 18 (1)	H	C12M2		1-04 *							2				1332
SR 18 (1)	H	D08U2		1-05 *							1				1332
SR 18 (1)	H	E05R1		1-06 *											1332
SR 18 (1)				1									42-0/8		1332
SR 19 (0)	H	D30J2		1-01 *							1				1333
SR 19 (0)	H	E05E2		1-02 *											1333
SR 19 (0)				1									17-6/8		1333
SR 19 (1)	H	A30L2		1-01 *							1				1334
SR 19 (1)	H	D30K2		1-02 *							2				1334
SR 19 (1)	H	C12T2		1-03 *							1				1334
SR 19 (1)	H	C12U2		1-04 *							2				1334
SR 19 (1)	H	E05H2		1-05 *											1334
SR 19 (1)				1									35-7/8		1334
SR 20 (0)	H	D30F2		1-01 *							1				1335
SR 20 (0)	H	E05L2		1-02 *											1335
SR 20 (0)				1									18-4/8		1335

RP110.C RUN NAME	A/P	WRP288.V17(17) PIN NAME	ORDER PIN	06/22/72 BAY - ORDER	Q	DRAW	RV	PG	Y	X	Z	REMARKS	9-APR-73 LENGTH	23148 EXCEPTIONS	PAGE 183 RUN NUMBER
SR 28 (1)	H	A28M2		1-01 *							1				1352
SR 28 (1)	H	C28F1		1-02 *							2				1352
SR 28 (1)	H	D11F2		1-03 *							1				1352
SR 28 (1)	H	D11E2		1-04 *							2				1352
SR 28 (1)	H	F05N2		1-05 *											1352
SR 28 (1)				1									36-1/8		1352
SR 29 (0)	H	C28D2		1-01 *							1				1353
SR 29 (0)	H	F05S2		1-02 *											1353
SR 29 (0)				1									21-2/8		1353
SR 29 (1)	H	A28L2		1-01 *							2				1354
SR 29 (1)	H	C28D1		1-02 *							1				1354
SR 29 (1)	H	C26S2		1-03 *							2				1354
SR 29 (1)	H	D11D1		1-04 *							1				1354
SR 29 (1)	H	D11C1		1-05 *							2				1354
SR 29 (1)	H	F05U2		1-06 *											1354
SR 29 (1)				1									39-7/8		1354
SR 30 (0)	H	C26J1		1-01 *							1				1355
SR 30 (0)	H	F06L2		1-02 *											1355
SR 30 (0)				1									17-7/8		1355
SR 30 (1)	H	A27V2		1-01 *							1				1356
SR 30 (1)	H	C26K1		1-02 *							2				1356
SR 30 (1)	H	C11N2		1-03 *							1				1356
SR 30 (1)	H	C11M2		1-04 *							2				1356
SR 30 (1)	H	F06N2		1-05 *											1356
SR 30 (1)				1									34-3/8		1356
SR 31 (0)	H	C26J2		1-01 *							1				1357
SR 31 (0)	H	F06S2		1-02 *											1357
SR 31 (0)				1									18-1/8		1357
SR 31 (1)	H	A27V1		1-01 *							1				1358
SR 31 (1)	H	C26K2		1-02 *							2				1358
SR 31 (1)	H	C11T2		1-03 *							1				1358
SR 31 (1)	H	C11U2		1-04 *							2				1358
SR 31 (1)	H	F06U2		1-05 *											1358
SR 31 (1)				1									34-5/8		1358
SR 32 (0)	H	C26F2		1-01 *							1				1359
SR 32 (0)	H	F06B1		1-02 *											1359
SR 32 (0)				1									19-7/8		1359

RP110.C RUN NAME	A/P	WRP288.V17(17) PIN NAME	ORDER PIN	06/22/72 BAY - ORDER	Q	DRAW	RV	PG	Y	X	Z	REMARKS	9-APR-73 LENGTH	23148 EXCEPTIONS	PAGE 184 RUN NUMBER
SR 32 (1)	H	A27R2		1-01 *							1				1360
SR 32 (1)	H	C26H1		1-02 *							2				1360
SR 32 (1)	H	C11R1		1-03 *							1				1360
SR 32 (1)	H	C11P1		1-04 *							2				1360
SR 32 (1)	H	F06D1		1-05 *											1360
SR 32 (1)				1									34-1/8		1360
SR 33 (0)	H	C26E2		1-01 *							1				1361
SR 33 (0)	H	F06H1		1-02 *											1361
SR 33 (0)				1									19-1/8		1361
SR 33 (1)	H	A27N2		1-01 *							1				1362
SR 33 (1)	H	C26H2		1-02 *							2				1362
SR 33 (1)	H	C11J1		1-03 *							1				1362
SR 33 (1)	H	C11K1		1-04 *							2				1362
SR 33 (1)	H	F06K1		1-05 *											1362
SR 33 (1)				1									34-7/8		1362
SR 34 (0)	H	C26E1		1-01 *							1				1363
SR 34 (0)	H	F06N1		1-02 *											1363
SR 34 (0)				1									17-4/8		1363
SR 34 (1)	H	A27M2		1-01 *							1				1364
SR 34 (1)	H	C26F1		1-02 *							2				1364
SR 34 (1)	H	C11F2		1-03 *							1				1364
SR 34 (1)	H	C11E2		1-04 *							2				1364
SR 34 (1)	H	F06R1		1-05 *											1364
SR 34 (1)				1									35-5/8		1364
SR 35 (0)	H	C26D2		1-01 *							2				1365
SR 35 (0)	H	D19R2		1-02 *							1				1365
SR 35 (0)	H	F06E2		1-03 *											1365
SR 35 (0)				1									22-4/8		1365
SR 35 (1)	H	A27L2		1-01 *							1				1366
SR 35 (1)	H	C26D1		1-02 *							2				1366
SR 35 (1)	H	C11D1		1-03 *							1				1366
SR 35 (1)	H	C11C1		1-04 *							2				1366
SR 35 (1)	H	E11E1		1-05 *							1				1366
SR 35 (1)	H	F06H2		1-06 *							2				1366
SR 35 (1)	H	F19M1		1-07 *											1366
SR 35 (1)				1									47-0/8		1366

RP11C.C RUN NAME	A/P	WRP288.V17(17) PIN NAME	06/22/72 ORDER PIN	BAY - ORDER	Q	DRAW	RV	PG	Y	X	Z	REMARKS	9-APR-73 LENGTH	23148 EXCEPTIONS	PAGE 185 RUN NUMBER
SR CLK	H	C17J1		1-01 *							2				1367
SR CLK	H	D19P2		1-02 *							1				1367
SR CLK	H	D16N1		1-03 *							2				1367
SR CLK	H	E11T2		1-04 *							1				1367
SR CLK	H	F31H2		1-05 *											1367
SR CLK				1									34-3/8		1367
SR TO BR	H	A30N1		1-01 *							2				1368
SR TO BR	H	A29N1		1-02 *							1				1368
SR TO BR	H	A28N1		1-03 *							2				1368
SR TO BR	H	A27N1		1-04 *							1				1368
SR TO BR	H	B28N1		1-05 *							2				1368
SR TO BR	H	B29N1		1-06 *							1				1368
SR TO BR	H	R30N1		1-07 *							2				1368
SR TO BR	H	C31P2		1-08 *							1				1368
SR TO BR	H	D20L2		1-09 *											1368
SR TO BR				1									40-6/8		1368
STR NOT READY	H	E16H1		1-01 *							1				1369
STR NOT READY	H	F12V2		1-02 *											1369
STR NOT READY				1									8-6/8		1369
STR WPE	H	E31L2		1-01 *							1				1370
STR WPE	H	F10T2		1-02 *											1370
STR WPE				1									17-0/8		1370
STR WR	H	F11K1		1-01 *							1				1371
STR WR	H	F13R1		1-02 *											1371
STR WR				1									4-5/8		1371
STRDR SYNC (1)	H	A21S1		1-01 *							1				1372
STRDR SYNC (1)	H	C21D2		1-02 *											1372
STRDR SYNC (1)				1									7-2/8		1372
SU 00	L	E18D1		1-01 *							1				1373
SU 00	L	J17B1		1-02 *							2				1373
SU 00	L	J16B1		1-03 *							1				1373
SU 00	L	J16C1		1-04 *											1373
SU 00				1									17-1/8		1373
SU 01	L	E18E1		1-01 *							1				1374
SU 01	L	J17D1		1-02 *							2				1374
SU 01	L	J16D1		1-03 *							1				1374
SU 01	L	J16E1		1-04 *											1374
SU 01				1									17-1/8		1374

RP11C.C RUN NAME	A/P	WRP288.V17(17) PIN NAME	06/22/72 ORDER PIN	BAY - ORDER	Q	DRAW	RV	PG	Y	X	Z	REMARKS	9-APR-73 LENGTH	23148 EXCEPTIONS	PAGE 186 RUN NUMBER
SU 02	L	E18J1		1-01 *							1				1375
SU 02	L	J17F1		1-02 *							2				1375
SU 02	L	J16F1		1-03 *							1				1375
SU 02	L	J16H1		1-04 *											1375
SU 02				1									17-1/8		1375
SU 03	L	E18N1		1-01 *							1				1376
SU 03	L	J17J1		1-02 *							2				1376
SU 03	L	J16J1		1-03 *							1				1376
SU 03	L	J16K1		1-04 *											1376
SU 03				1									16-7/8		1376
SU 04	L	E18F1		1-01 *							1				1377
SU 04	L	J17L1		1-02 *							2				1377
SU 04	L	J16L1		1-03 *							1				1377
SU 04	L	J16M1		1-04 *											1377
SU 04				1									17-7/8		1377
SU 05	L	E18M1		1-01 *							1				1378
SU 05	L	J17N1		1-02 *							2				1378
SU 05	L	J16N1		1-03 *							1				1378
SU 05	L	J16P1		1-04 *											1378
SU 05				1									17-3/8		1378
SU 06	L	E18H1		1-01 *							1				1379
SU 06	L	J17R1		1-02 *							2				1379
SU 06	L	J16R1		1-03 *							1				1379
SU 06	L	J16S1		1-04 *											1379
SU 06				1									18-1/8		1379
SU 07	L	E18L1		1-01 *							2				1380
SU 07	L	J17U1		1-02 *							1				1380
SU 07	L	J16V1		1-03 *							2				1380
SU 07	L	J16U1		1-04 *											1380
SU 07				1									17-6/8		1380
SU CAR 00	L	J09D2		1-01 *							1				1381
SU CAR 00	L	H09D2		1-02 *							2				1381
SU CAR 00	L	H15D2		1-03 *							1				1381
SU CAR 00	L	J22T2		1-04 *											1381
SU CAR 00				1									21-1/8		1381
SU CAR 00 (0)	H	A12P1		1-01 *							1				1382
SU CAR 00 (0)	H	H15C1		1-02 *											1382
SU CAR 00 (0)				1									19-0/8		1382

RP110.C RUN NAME	A/P	WRP288.V17(17) PIN NAME	06/22/72 ORDER PIN	BAY - ORDER	Q	DRAW	RV	PG	Y	X	Z	REMARKS	9-APR-73 LENGTH	23148 EXCEPTIONS	PAGE 187 RUN NUMBER
SU CAR 01	L	J09E2		1-01 *							1				1383
SU CAR 01	L	H09E2		1-02 *							2				1383
SU CAR 01	L	H15H2		1-03 *							1				1383
SU CAR 01	L	J22S2		1-04 *											1383
SU CAR 01				1									20-1/8		1383
SU CAR 01 (0)	H	A12L2		1-01 *							1				1384
SU CAR 01 (0)	H	H15F1		1-02 *											1384
SU CAR 01 (0)				1									19-4/8		1384
SU CAR 02	L	J09D1		1-01 *							1				1385
SU CAR 02	L	H09H2		1-02 *							2				1385
SU CAR 02	L	H15K2		1-03 *							1				1385
SU CAR 02	L	J22P2		1-04 *											1385
SU CAR 02				1									19-4/8		1385
SU CAR 02 (0)	H	A12L1		1-01 *							1				1386
SU CAR 02 (0)	H	H15J1		1-02 *											1386
SU CAR 02 (0)				1									20-0/8		1386
SU CAR 03	L	J09H2		1-01 *							1				1387
SU CAR 03	L	H09K2		1-02 *							2				1387
SU CAR 03	L	H15M2		1-03 *							1				1387
SU CAR 03	L	J22M2		1-04 *											1387
SU CAR 03				1									20-0/8		1387
SU CAR 03 (0)	H	A12H2		1-01 *							1				1388
SU CAR 03 (0)	H	H15L1		1-02 *											1388
SU CAR 03 (0)				1									20-4/8		1388
SU CAR 04	L	J09H1		1-01 *							1				1389
SU CAR 04	L	H09M2		1-02 *							2				1389
SU CAR 04	L	H15P2		1-03 *							1				1389
SU CAR 04	L	J22K2		1-04 *											1389
SU CAR 04				1									20-4/8		1389
SU CAR 04 (0)	H	A12H1		1-01 *							1				1390
SU CAR 04 (0)	H	H15N1		1-02 *											1390
SU CAR 04 (0)				1									21-0/8		1390
SU CAR 05	L	J09K2		1-01 *							1				1391
SU CAR 05	L	H09P2		1-02 *							2				1391
SU CAR 05	L	H15R2		1-03 *							1				1391
SU CAR 05	L	J22H2		1-04 *											1391
SU CAR 05				1									19-6/8		1391

RP110.C RUN NAME	A/P	WRP288.V17(17) PIN NAME	06/22/72 ORDER PIN	BAY - ORDER	Q	DRAW	RV	PG	Y	X	Z	REMARKS	9-APR-73 LENGTH	23148 EXCEPTIONS	PAGE 188 RUN NUMBER
SU CAR 05 (0)	H	A12D2		1-01 *							1				1392
SU CAR 05 (0)	H	H15U2		1-02 *											1392
SU CAR 05 (0)				1									21-6/8		1392
SU CAR 06	L	J09L1		1-01 *							1				1393
SU CAR 06	L	H09S2		1-02 *							2				1393
SU CAR 06	L	H15S2		1-03 *							1				1393
SU CAR 06	L	J22E2		1-04 *											1393
SU CAR 06				1									19-2/8		1393
SU CAR 06 (0)	H	A12D1		1-01 *							1				1394
SU CAR 06 (0)	H	H15R1		1-02 *											1394
SU CAR 06 (0)				1									21-4/8		1394
SU CAR 07	L	J09M2		1-01 *							1				1395
SU CAR 07	L	H09V2		1-02 *							2				1395
SU CAR 07	L	H15U1		1-03 *							1				1395
SU CAR 07	L	J22D2		1-04 *											1395
SU CAR 07				1									18-6/8		1395
SU CAR 07 (0)	H	A12A1		1-01 *							1				1396
SU CAR 07 (0)	H	H15V1		1-02 *											1396
SU CAR 07 (0)				1									22-4/8		1396
SU CAR 256	L	J09P1		1-01 *	2						2				1397
SU CAR 256	L	H13M2		1-02 *							1				1397
SU CAR 256	L	J22V2		1-03 *											1397
SU CAR 256				1									17-6/8		1397
SU CAR 256 (0)	H	A12P2		1-01 *							1				1398
SU CAR 256 (0)	H	H13L1		1-02 *											1398
SU CAR 256 (0)				1									18-6/8		1398
SU END OF CYLINDER	L	J10M2		1-01 *							1				1399
SU END OF CYLINDER	L	H11S2		1-02 *							2				1399
SU END OF CYLINDER	L	H17S2		1-03 *							1				1399
SU END OF CYLINDER	L	J23P2		1-04 *											1399
SU END OF CYLINDER				1									19-1/8		1399
SU FILE UNSAFE	L	J10K2		1-01 *							1				1400
SU FILE UNSAFE	L	H11M2		1-02 *							2				1400
SU FILE UNSAFE	L	H17P2		1-03 *							1				1400
SU FILE UNSAFE	L	J23K2		1-04 *											1400
SU FILE UNSAFE				1									19-7/8		1400

RP110.C RUN NAME	A/P	WRP288.V17(17) PIN NAME	06/22/72 ORDER PIN	BAY - ORDER	Q	DRAW	RV	PG	Y	X	Z	REMARKS	9-APR-73 LENGTH	23148 EXCEPTIONS	PAGE 191 RUN NUMBER
SURDY	L	B11L2		1-01 *							1				1419
SURDY	L	E14J1		1-02 *							2				1419
SURDY	L	H17F1		1-03 *											1419
SURDY				1									21-2/8		1419
SURD	L	E02J2		1-01 *							1				1420
SURD	L	H17C1		1-02 *											1420
SURD				1									14-6/8		1420
SUSP	H	C32F2		1-01 *							1				1421
SUSP	H	H17V2		1-02 *							2				1421
SUSP	H	F09D1		1-03 *											1421
SUSP				1									31-5/8		1421
SUSP	L	C09E2		1-01 *							2				1422
SUSP	L	D07F1		1-02 *							1				1422
SUSP	L	E11R2		1-03 *							2				1422
SUSP	L	F20A1		1-04 *							1				1422
SUSP	L	H17V1		1-05 *											1422
SUSP				1									33-0/8		1422
SUSU	H	C06R2		1-01 *							1				1423
SUSU	H	D32H1		1-02 *											1423
SUSU				1									17-4/8		1423
SUSU	L	B11D1		1-01 *							2				1424
SUSU	L	C06P2		1-02 *							1				1424
SUSU	L	E14K1		1-03 *											1424
SUSU				1									19-2/8		1424
SW 163	H	D17K1		1-01 *							1				1425
SW 163	H	F26L2		1-02 *											1425
SW 163				1									10-5/8		1425
SW 163	L	F23V2		1-01 *							1				1426
SW 163	L	F26K2		1-02 *											1426
SW 163				1									4-6/8		1426
SW 164	H	F07E2		1-01 *							1				1427
SW 164	H	F21E2		1-02 *							2				1427
SW 164	H	F26P1		1-03 *											1427
SW 164				1									16-2/8		1427

PP110.C RUN NAME	A/P	WRP288.V17(17) PIN NAME	06/22/72 ORDER PIN	BAY - ORDER	Q	DRAW	RV	PG	Y	X	Z	REMARKS	9-APR-73 LENGTH	23148 EXCEPTIONS	PAGE 192 RUN NUMBER
SW 164	L	E07U2		1-01 *							1				1428
SW 164	L	D17B1		1-02 *							2				1428
SW 164	L	C21U2		1-03 *							1				1428
SW 164	L	C21T2		1-04 *							2				1428
SW 164	L	E26P2		1-05 *							1				1428
SW 164	L	F26N1		1-06 *											1428
SW 164				1									34-3/8		1428
SW 165	L	C10U2		1-01 *							2				1429
SW 165	L	D17V2		1-02 *							1				1429
SW 165	L	F30R1		1-03 *											1429
SW 165				1									21-3/8		1429
SW 29	H	E14L2		1-01 *							1				1430
SW 29	H	F26M1		1-02 *											1430
SW 29				1									11-4/8		1430
SW 29	L	F23J2		1-01 *							1				1431
SW 29	L	F26L1		1-02 *											1431
SW 29				1									4-4/8		1431
SW 30	H	C32B2		1-01 *							1				1432
SW 30	H	E23A1		1-02 *							2				1432
SW 30	H	D16K1		1-03 *							1				1432
SW 30	H	F26K1		1-04 *											1432
SW 30				1									28-3/8		1432
SW 30	L	F24J2		1-01 *							1				1433
SW 30	L	F26J1		1-02 *											1433
SW 30				1									3-6/8		1433
SW 31	H	C21M2		1-01 *							2				1434
SW 31	H	E11K2		1-02 *							1				1434
SW 31	H	F21D1		1-03 *							2				1434
SW 31	H	F26J2		1-04 *											1434
SW 31				1									26-3/8		1434
SW 31	L	F24P2		1-01 *							1				1435
SW 31	L	F26H2		1-02 *											1435
SW 31				1									4-2/8		1435
SW 35	H	C32E2		1-01 *							1				1436
SW 35	H	E23E1		1-02 *							2				1436
SW 35	H	E20F1		1-03 *							1				1436
SW 35	H	F27N2		1-04 *											1436
SW 35				1									23-1/8		1436

RP110.C RUN NAME	A/P	WRP288.V17(17) PIN NAME	06/22/72 ORDER PIN	BAY - ORDER	Q	DRAW	RV	PG	Y	X	Z	REMARKS	9-APR-73 LENGTH	23148 EXCEPTIONS	PAGE 193 RUN NUMBER
SW 35	L	E20D1		1-01 *							1				1437
SW 35	L	E20E1		1-02 *							2				1437
SW 35	L	F23P2		1-03 *											1437
SW 35				1									10-7/8		1437
SWCE	L	E32D1		1-01 *							1				1438
SWCE	L	F07E1		1-02 *											1438
SWCE				1									18-4/8		1438
SWPE	H	D20N1		1-01 *							1				1439
SWPE	H	E31M2		1-02 *											1439
SWPE				1									11-0/8		1439
SWPV	L	E02N1		1-01 *							1				1440
SWPV	L	E30D1		1-02 *											1440
SWPV				1									18-0/8		1440
T19	H	D15V2		1-01 *							1				1441
T19	H	D18K2		1-02 *											1441
T19				1									4-6/8		1441
T19	L	D15U2		1-01 *							1				1442
T19	L	D22P2		1-02 *							2				1442
T19	L	D23P2		1-03 *											1442
T19				1									10-4/8		1442
TAR 00 (0)	H	A13R2		1-01 *							1				1443
TAR 00 (0)	H	C22H1		1-02 *							2				1443
TAR 00 (0)	H	C23C1		1-03 *							1				1443
TAR 00 (0)	H	C30D1		1-04 *											1443
TAR 00 (0)				1									19-4/8		1443
TAR 00 (1)	H	B32R2		1-01 *							2				1444
TAR 00 (1)	H	C23A1		1-02 *							1				1444
TAR 00 (1)	H	C22P2		1-03 *							2				1444
TAR 00 (1)	H	D21H1		1-04 *							1				1444
TAR 00 (1)	H	D21J1		1-05 *							2				1444
TAR 00 (1)	H	D23K2		1-06 *							1				1444
TAR 00 (1)	H	D22T2		1-07 *							2				1444
TAR 00 (1)	H	J12J2		1-08 *											1444
TAR 00 (1)				1									47-5/8		1444
TAR 01 (0)	H	B13B1		1-01 *							1				1445
TAR 01 (0)	H	C23J1		1-02 *							2				1445
TAR 01 (0)	H	D21L2		1-03 *							1				1445
TAR 01 (0)	H	D27U2		1-04 *											1445
TAR 01 (0)				1									24-6/8		1445

RP110.C RUN NAME	A/P	WRP288.V17(17) PIN NAME	06/22/72 ORDER PIN	BAY - ORDER	Q	DRAW	RV	PG	Y	X	Z	REMARKS	9-APR-73 LENGTH	23148 EXCEPTIONS	PAGE 194 RUN NUMBER
TAR 01 (1)	H	B32P2		1-01 *							2				1446
TAR 01 (1)	H	C23F1		1-02 *							1				1446
TAR 01 (1)	H	D23K1		1-03 *							2				1446
TAR 01 (1)	H	D22U2		1-04 *							1				1446
TAR 01 (1)	H	D21V2		1-05 *							2				1446
TAR 01 (1)	H	J12E1		1-06 *											1446
TAR 01 (1)				1									39-3/8		1446
TAR 02 (0)	H	B13E1		1-01 *							1				1447
TAR 02 (0)	H	C23P1		1-02 *							2				1447
TAR 02 (0)	H	D21J2		1-03 *							1				1447
TAR 02 (0)	H	D23J1		1-04 *							2				1447
TAR 02 (0)	H	D27N2		1-05 *											1447
TAR 02 (0)				1									26-3/8		1447
TAR 02 (1)	H	B32N2		1-01 *							2				1448
TAR 02 (1)	H	C23M1		1-02 *							1				1448
TAR 02 (1)	H	D22M2		1-03 *							2				1448
TAR 02 (1)	H	D21M1		1-04 *							1				1448
TAR 02 (1)	H	D21R1		1-05 *							2				1448
TAR 02 (1)	H	D21S2		1-06 *							1				1448
TAR 02 (1)	H	D21T2		1-07 *							2				1448
TAR 02 (1)	H	D21V1		1-08 *							1				1448
TAR 02 (1)	H	J12T2		1-09 *											1448
TAR 02 (1)				1									47-7/8		1448
TAR 03 (0)	H	B13E2		1-01 *							1				1449
TAR 03 (0)	H	C23F2		1-02 *							2				1449
TAR 03 (0)	H	D21F2		1-03 *							1				1449
TAR 03 (0)	H	D23H1		1-04 *							2				1449
TAR 03 (0)	H	D27H2		1-05 *											1449
TAR 03 (0)				1									26-4/8		1449
TAR 03 (1)	H	B32M2		1-01 *							1				1450
TAR 03 (1)	H	C23D2		1-02 *							2				1450
TAR 03 (1)	H	D21A1		1-03 *							1				1450
TAR 03 (1)	H	D22L1		1-04 *							2				1450
TAR 03 (1)	H	D21R2		1-05 *							1				1450
TAR 03 (1)	H	D21S1		1-06 *							2				1450
TAR 03 (1)	H	J12P1		1-07 *											1450
TAR 03 (1)				1									44-4/8		1450
TAR 04 (0)	H	B13J1		1-01 *							1				1451
TAR 04 (0)	H	D21D2		1-02 *							2				1451
TAR 04 (0)	H	C23M2		1-03 *							1				1451
TAR 04 (0)	H	D27R1		1-04 *											1451
TAR 04 (0)				1									23-4/8		1451

RP11C.C RUN NAME	A/P	WRP288.V17(17) PIN NAME	06/22/72 ORDER PIN	BAY - ORDER	Q	DRAW	RV	PG	Y	X	Z	REMARKS	9-APR-73 LENGTH	23148 EXCEPTIONS	PAGE 195 RUN NUMBER
TAR 04 (1)	H	B32L2		1-01 *							2				1452
TAR 04 (1)	H	C23K2		1-02 *							1				1452
TAR 04 (1)	H	D23F1		1-03 *							2				1452
TAR 04 (1)	H	Q22L2		1-04 *							1				1452
TAR 04 (1)	H	Q22M1		1-05 *							2				1452
TAR 04 (1)	H	Q21N2		1-06 *							1				1452
TAR 04 (1)	H	J11J2		1-07 *											1452
TAR 04 (1)				1									42-2/8		1452
TARC	H	D15U1		1-01 *							2				1453
TARC	H	D21U1		1-02 *							1				1453
TARC	H	D21U2		1-03 *							2				1453
TARC	H	Q21P1		1-04 *							1				1453
TARC	H	D21L1		1-05 *							2				1453
TARC	H	Q21K2		1-06 *							1				1453
TARC	H	Q21K1		1-07 *							2				1453
TARC	H	Q21H2		1-08 *											1453
TARC				1									23-0/8		1453
TIME OUT (1)	L	B04K1		1-01 *							2				1454
TIME OUT (1)	L	A09M2	A17U2	1-02 *							1				1454
TIME OUT (1)	L	A17U2		1-03 *							2				1454
TIME OUT (1)	L	E32F2		1-04 *											1454
TIME OUT (1)				1									31-4/8		1454
TIMEE (0)	H	A14J2		1-01 *							1				1455
TIMEE (0)	H	D31M2		1-02 *							2				1455
TIMEE (0)	H	E31U2		1-03 *							1				1455
TIMEE (0)	H	E31V1		1-04 *											1455
TIMEE (0)				1									23-5/8		1455
TIMEE (1)	H	D32R2		1-01 *							1				1456
TIMEE (1)	H	E31V2		1-02 *											1456
TIMEE (1)				1									6-4/8		1456
TR COM	H	D15T2		1-01 *							1				1457
TR COM	H	D16C1		1-02 *											1457
TR COM				1									4-6/8		1457
TR COM	L	D15S2		1-01 *							1				1458
TR COM	L	D23J2		1-02 *											1458
TR COM				1									8-0/8		1458

RP11C.C RUN NAME	A/P	WRP288.V17(17) PIN NAME	06/22/72 ORDER PIN	BAY - ORDER	Q	DRAW	RV	PG	Y	X	Z	REMARKS	9-APR-73 LENGTH	23148 EXCEPTIONS	PAGE 196 RUN NUMBER
UNIT BUS 00	L	H22D2		1-01 *							1				1459
UNIT BUS 00	L	H12D2		1-02 *							2				1459
UNIT BUS 00	L	J14D2		1-03 *							1				1459
UNIT BUS 00	L	J07D2		1-04 *											1459
UNIT BUS 00				1									21-2/8		1459
UNIT BUS 01	L	H22E2		1-01 *							1				1460
UNIT BUS 01	L	H12H2		1-02 *							2				1460
UNIT BUS 01	L	J14E2		1-03 *							1				1460
UNIT BUS 01	L	J07E2		1-04 *											1460
UNIT BUS 01				1									21-2/8		1460
UNIT BUS 02	L	H22H2		1-01 *							1				1461
UNIT BUS 02	L	H12K2		1-02 *							2				1461
UNIT BUS 02	L	J14H2		1-03 *							1				1461
UNIT BUS 02	L	J07F2		1-04 *											1461
UNIT BUS 02				1									21-2/8		1461
UNIT BUS 03	L	H22K2		1-01 *							1				1462
UNIT BUS 03	L	H12M2		1-02 *							2				1462
UNIT BUS 03	L	J07H2		1-03 *							1				1462
UNIT BUS 03	L	J14K2		1-04 *											1462
UNIT BUS 03				1									21-3/8		1462
UNIT BUS 04	L	H22M2		1-01 *							1				1463
UNIT BUS 04	L	H12P2		1-02 *							2				1463
UNIT BUS 04	L	J07J2		1-03 *							1				1463
UNIT BUS 04	L	J14M2		1-04 *											1463
UNIT BUS 04				1									21-2/8		1463
UNIT BUS 05	L	H22P2		1-01 *							1				1464
UNIT BUS 05	L	H12R2		1-02 *							2				1464
UNIT BUS 05	L	J14P2		1-03 *							1				1464
UNIT BUS 05	L	J07K2		1-04 *											1464
UNIT BUS 05				1									21-4/8		1464
UNIT BUS 06	L	H22S2		1-01 *							1				1465
UNIT BUS 06	L	H12S2		1-02 *							2				1465
UNIT BUS 06	L	J07L2		1-03 *							1				1465
UNIT BUS 06	L	J14S2		1-04 *											1465
UNIT BUS 06				1									21-2/8		1465

RP110.C RUN NAME	A/P	WRP288.V17(17) PIN NAME	06/22/72 ORDER PIN	BAY - ORDER	Q	DRAW	RV	PG	Y	X	Z	REMARKS	9-APR-73 LENGTH	23148 EXCEPTIONS	PAGE 197 RUN NUMBER
UNIT BUS 07	L	H22T2		1-01 *							1				1466
UNIT BUS 07	L	H22V2		1-02 *							2				1466
UNIT BUS 07	L	H12U1		1-03 *							1				1466
UNIT BUS 07	L	J07M2		1-04 *							2				1466
UNIT BUS 07	L	J14V2		1-05 *							1				1466
UNIT BUS 07				1									24-6/8		1466
UNIT BUS 256	L	H23T2		1-01 *							1				1467
UNIT BUS 256	L	J15M2	J07S2	1-02 *							2				1467
UNIT BUS 256	L	J07S2		1-03 *							1				1467
UNIT BUS 256				1									16-6/8		1467
UNIT WRITE PROTECTED	L	A11P2		1-01 *							1				1468
UNIT WRITE PROTECTED	L	F02B1		1-02 *											1468
UNIT WRITE PROTECTED				1									19-4/8		1468
VFD CLK	H	D14F2		1-01 *							1				1469
VFD CLK	H	E07T2		1-02 *							2				1469
VFD CLK	H	E10L2		1-03 *							1				1469
VFD CLK	H	E11S1		1-04 *							2				1469
VFD CLK	H	F11M1		1-05 *							1				1469
VFD CLK	H	F18E2		1-06 *							2				1469
VFD CLK	H	F19F2		1-07 *							1				1469
VFD CLK				1									33-5/8		1469
VFD OSC	H	D10N2		1-01 *							1				1470
VFD OSC	H	J01K2		1-02 *											1470
VFD OSC				1									17-6/8		1470
VFD SYNC CLK	H	F18V2		1-01 *							1				1471
VFD SYNC CLK	H	J01H2		1-02 *											1471
VFD SYNC CLK				1									15-4/8		1471
WC OF	H	A17K1		1-01 *							1				1472
WC OF	H	C32R2		1-02 *							2				1472
WC OF	H	E23U2		1-03 *											1472
WC OF				1									27-2/8		1472
WCC 00 TO 07	H	E06R2		1-01 *							1				1473
WCC 00 TO 07	H	F02D2		1-02 *											1473
WCC 00 TO 07				1									5-7/8		1473
WCC 08 TO 15	H	E06S2		1-01 *							1				1474
WCC 08 TO 15	H	F02E1		1-02 *											1474
WCC 08 TO 15				1									6-4/8		1474

RP110.C RUN NAME	A/P	WRP288.V17(17) PIN NAME	06/22/72 ORDER PIN	BAY - ORDER	Q	DRAW	RV	PG	Y	X	Z	REMARKS	9-APR-73 LENGTH	23148 EXCEPTIONS	PAGE 198 RUN NUMBER
WCC 16 TO 23	H	E06T2		1-01 *							1				1475
WCC 16 TO 23	H	F02H1		1-02 *											1475
WCC 16 TO 23				1									6-6/8		1475
WCC 24 TO 31	H	E06U2		1-01 *							1				1476
WCC 24 TO 31	H	F02F2		1-02 *											1476
WCC 24 TO 31				1									5-6/8		1476
WCE (0)	H	A14J1		1-01 *							1				1477
WCE (0)	H	D31K2		1-02 *							2				1477
WCE (0)	H	E32F1		1-03 *											1477
WCE (0)				1									20-6/8		1477
WCE (1)	H	D32S2		1-01 *							1				1478
WCE (1)	H	E32E1		1-02 *											1478
WCE (1)				1									4-4/8		1478
WCOF	L	A21L2		1-01 *							1				1479
WCOF	L	B07S2		1-02 *											1479
WCOF				1									13-4/8		1479
WORD PARITY (0)	H	E07L2		1-01 *							1				1480
WORD PARITY (0)	H	E12J2		1-02 *											1480
WORD PARITY (0)				1									5-6/8		1480
WPE (0)	H	A14M2		1-01 *							1				1481
WPE (0)	H	D20L1		1-02 *							2				1481
WPE (0)	H	D31J1		1-03 *							1				1481
WPE (0)	H	E31R2		1-04 *											1481
WPE (0)				1									29-0/8		1481
WPE (1)	H	D32N2		1-01 *							1				1482
WPE (1)	H	E31P2		1-02 *											1482
WPE (1)				1									6-2/8		1482
WPV (0)	H	B14M2		1-01 *							1				1483
WPV (0)	H	E30F1		1-02 *							2				1483
WPV (0)	H	D31A1		1-03 *											1483
WPV (0)				1									21-0/8		1483
WPV (1)	H	D32C2		1-01 *							1				1484
WPV (1)	H	E30E1		1-02 *											1484
WPV (1)				1									7-0/8		1484
WR EN	L	E11E2		1-01 *							1				1485
WR EN	L	E11J1		1-02 *											1485
WR EN				1									2-7/8		1485

RP110.C RUN NAME	A/P	WRP288.V17(17) PIN NAME	06/22/72 ORDER PIN	BAY - ORDER	Q	DRAW	RV	PG	Y	X	Z	REMARKS	9-APR-73 LENGTH	23148 EXCEPTIONS	PAGE 199 RUN NUMBER
WR PROT	H	D32K1		1-01 *							2				1486
WR PROT	H	E02K2		1-02 *							1				1486
WR PROT	H	E02M1		1-03 *							2				1486
WR PROT	H	F02A1		1-04 *											1486
WR PROT				1									27-4/8		1486
WRITE (0)	H	D19U2		1-01 *							1				1487
WRITE (0)	H	E2681		1-02 *							2				1487
WRITE (0)	H	E28J2		1-03 *							1				1487
WRITE (0)	H	F27B1		1-04 *											1487
WRITE (0)				1									17-5/8		1487
WRITE (1)	H	A32C2		1-01 *							1				1488
WRITE (1)	H	D17C1	C14N1	1-02 *							2				1488
WRITE (1)	H	C14N1		1-03 *							1				1488
WRITE (1)	H	C10R1		1-04 *							2				1488
WRITE (1)	H	E11P1		1-05 *							1				1488
WRITE (1)	H	F19D2		1-06 *							2				1488
WRITE (1)	H	F22H2		1-07 *							1				1488
WRITE (1)	H	F22J2		1-08 *							2				1488
WRITE (1)	H	F22K2		1-09 *							1				1488
WRITE (1)	H	E28H2		1-10 *							2				1488
WRITE (1)	H	J11R1		1-11 *											1488
WRITE (1)				1									74-2/8		1488
WRITE + WR CK	H	A17L2		1-01 *							1				1489
WRITE + WR CK	H	B18A1		1-02 *							2				1489
WRITE + WR CK	H	B21M2		1-03 *							1				1489
WRITE + WR CK	H	B18K2		1-04 *							2				1489
WRITE + WR CK	H	C14H1		1-05 *							1				1489
WRITE + WR CK	H	D07P2		1-06 *							2				1489
WRITE + WR CK	H	E20S1		1-07 *							1				1489
WRITE + WR CK	H	E20P2		1-08 *							2				1489
WRITE + WR CK	H	E20R2		1-09 *											1489
WRITE + WR CK				1									46-1/8		1489
WRITE + WR CK	L	B27R2		1-01 *							2				1490
WRITE + WR CK	L	B27K2		1-02 *							1				1490
WRITE + WR CK	L	B27D2		1-03 *							2				1490
WRITE + WR CK	L	B21D2		1-04 *											1490
WRITE + WR CK	L	E20S2		1-05 *							1				1490
WRITE + WR CK				1									26-2/8		1490

RP110.C RUN NAME	A/P	WRP288.V17(17) PIN NAME	06/22/72 ORDER PIN	BAY - ORDER	Q	DRAW	RV	PG	Y	X	Z	REMARKS	9-APR-73 LENGTH	23148 EXCEPTIONS	PAGE 200 RUN NUMBER
WRITE BIT (0)	H	F13V2		1-01 *							2				1491
WRITE BIT (0)	H	J17C1		1-02 *							1				1491
WRITE BIT (0)	H	J17E1		1-03 *							2				1491
WRITE BIT (0)	H	J17H1		1-04 *							1				1491
WRITE BIT (0)	H	J17K1		1-05 *							2				1491
WRITE BIT (0)	H	J17M1		1-06 *							1				1491
WRITE BIT (0)	H	J17P1		1-07 *							2				1491
WRITE BIT (0)	H	J17S1		1-08 *							1				1491
WRITE BIT (0)	H	J17V1		1-09 *											1491
WRITE BIT (0)				1									27-3/8		1491
WRITE BIT (1)	H	F07S2		1-01 *							1				1492
WRITE BIT (1)	H	F13U2	F15E1	1-02 *							2				1492
WRITE BIT (1)	H	F15E1	F15D1	1-03 *							1				1492
WRITE BIT (1)	H	F15D1		1-04 *											1492
WRITE BIT (1)				1									13-7/8		1492
WRITE C	H	E02P2		1-01 *							2				1493
WRITE C	H	F10N1		1-02 *							1				1493
WRITE C	H	E14C1		1-03 *							2				1493
WRITE C	H	C21F2		1-04 *							1				1493
WRITE C	H	D16H1		1-05 *							2				1493
WRITE C	H	D17J1		1-06 *							1				1493
WRITE C	H	E20A1		1-07 *							2				1493
WRITE C	H	E20L2		1-08 *							1				1493
WRITE C	H	F27R1		1-09 *							2				1493
WRITE C	H	F27M1		1-10 *							1				1493
WRITE C	H	F27E1		1-11 *											1493
WRITE C				1									63-3/8		1493
WRITE C	L	F10P1		1-01 *							2				1494
WRITE C	L	E20P1		1-02 *							1				1494
WRITE C	L	F31L2		1-03 *											1494
WRITE C				1									22-0/8		1494
WRITE CHECK	H	E19N2		1-01 *							2				1495
WRITE CHECK	H	F07D1		1-02 *							1				1495
WRITE CHECK	H	F07C1		1-03 *											1495
WRITE CHECK				1									13-3/8		1495
WRITE CHECK	L	E19N1		1-01 *							1				1496
WRITE CHECK	L	E20R1		1-02 *							2				1496
WRITE CHECK	L	F31M2		1-03 *							1				1496
WRITE CHECK	L	F31N2		1-04 *											1496
WRITE CHECK				1									16-7/8		1496

RP110.C
RUN NAME

WRP288.V17(17) 06/22/72
A/P PIN ORDER BAY -
NAME PIN ORDER

Q DRAW RV PG Y X Z

9-APR-73 23148 PAGE 203
LENGTH EXCEPTIONS RUN
NUMBER

WSC	Q	DRAW	RV	PG	Y	X	Z	REMARKS	9-APR-73 LENGTH	23148 EXCEPTIONS	PAGE 203 RUN NUMBER
WSC 02 (1)	H	D17S2					2	1-01 *			1514
WSC 02 (1)	H	E26L2					1	1-02 *			1514
WSC 02 (1)	H	E25M1					2	1-03 *			1514
WSC 02 (1)	H	E25R1					1	1-04 *			1514
WSC 02 (1)	H	E25S2					2	1-05 *			1514
WSC 02 (1)	H	E25T2					1	1-06 *			1514
WSC 02 (1)	H	E25V1					2	1-07 *			1514
WSC 02 (1)	H	F23L2					1	1-08 *			1514
WSC 02 (1)	H	F24S2					2	1-09 *			1514
WSC 02 (1)	H	F23S2						1-10 *			1514
WSC 02 (1)							1		36-5/8		1514
WSC 03 (0)	H	E26K2					1	1-01 *			1515
WSC 03 (0)	H	E25L2					2	1-02 *			1515
WSC 03 (0)	H	F24R2					1	1-03 *			1515
WSC 03 (0)	H	F23R2					2	1-04 *			1515
WSC 03 (0)	H	F23K2						1-05 *			1515
WSC 03 (0)							1		16-7/8		1515
WSC 03 (1)	H	E25K1					1	1-01 *			1516
WSC 03 (1)	H	E25K2					2	1-02 *			1516
WSC 03 (1)	H	E25L1					1	1-03 *			1516
WSC 03 (1)	H	E25P1					2	1-04 *			1516
WSC 03 (1)	H	E25U2					1	1-05 *			1516
WSC 03 (1)	H	E25V2					2	1-06 *			1516
WSC 03 (1)	H	E25U1					1	1-07 *			1516
WSC 03 (1)	H	F24O2					2	1-08 *			1516
WSC 03 (1)	H	F23D2					1	1-09 *			1516
WSC 03 (1)	H	F24K2						1-10 *			1516
WSC 03 (1)							1		28-2/8		1516
WSC 04 (0)	H	E24D2					2	1-01 *			1517
WSC 04 (0)	H	E26K1					1	1-02 *			1517
WSC 04 (0)	H	F24R1					2	1-03 *			1517
WSC 04 (0)	H	F23R1					1	1-04 *			1517
WSC 04 (0)	H	F23K1						1-05 *			1517
WSC 04 (0)							1		18-4/8		1517
WSC 04 (1)	H	E26R1					2	1-01 *			1518
WSC 04 (1)	H	E24N2					1	1-02 *			1518
WSC 04 (1)	H	F24D1					2	1-03 *			1518
WSC 04 (1)	H	F23O1					1	1-04 *			1518
WSC 04 (1)	H	F24K1						1-05 *			1518
WSC 04 (1)							1		16-2/8		1518

RP110.C
RUN NAME

WRP288.V17(17) 06/22/72
A/P PIN ORDER BAY -
NAME PIN ORDER

Q DRAW RV PG Y X Z

9-APR-73 23148 PAGE 204
LENGTH EXCEPTIONS RUN
NUMBER

WSC	Q	DRAW	RV	PG	Y	X	Z	REMARKS	9-APR-73 LENGTH	23148 EXCEPTIONS	PAGE 204 RUN NUMBER
WSC 05 (0)	H	F26J1					2	1-01 *			1519
WSC 05 (0)	H	E24F2					1	1-02 *			1519
WSC 05 (0)	H	F23J1					2	1-03 *			1519
WSC 05 (0)	H	F24P1					1	1-04 *			1519
WSC 05 (0)	H	F23P1						1-05 *			1519
WSC 05 (0)							1		18-0/8		1519
WSC 05 (1)	H	D17T2					1	1-01 *			1520
WSC 05 (1)	H	E24A1					2	1-02 *			1520
WSC 05 (1)	H	E24S1					1	1-03 *			1520
WSC 05 (1)	H	E24R2					2	1-04 *			1520
WSC 05 (1)	H	F26P1					1	1-05 *			1520
WSC 05 (1)	H	F23C1					2	1-06 *			1520
WSC 05 (1)	H	F24C1					1	1-07 *			1520
WSC 05 (1)	H	F24J1						1-08 *			1520
WSC 05 (1)							1		30-5/8		1520
WSC 06 (0)	H	E20M1					1	1-01 *			1521
WSC 06 (0)	H	F23B1					2	1-02 *			1521
WSC 06 (0)	H	F24B1					1	1-03 *			1521
WSC 06 (0)	H	E24J2						1-04 *			1521
WSC 06 (0)							1		14-1/8		1521
WSC 06 (1)	H	E26H1					2	1-01 *			1522
WSC 06 (1)	H	E26N1					1	1-02 *			1522
WSC 06 (1)	H	E24M1					2	1-03 *			1522
WSC 06 (1)	H	E24R1					1	1-04 *			1522
WSC 06 (1)	H	E24S2					2	1-05 *			1522
WSC 06 (1)	H	E24T2					1	1-06 *			1522
WSC 06 (1)	H	E24V1					2	1-07 *			1522
WSC 06 (1)	H	F24H1					1	1-08 *			1522
WSC 06 (1)	H	F23H1					2	1-09 *			1522
WSC 06 (1)	H	F23N1						1-10 *			1522
WSC 06 (1)							1		30-1/8		1522
WSC 07 (0)	H	E24L2					1	1-01 *			1523
WSC 07 (0)	H	F23A1					2	1-02 *			1523
WSC 07 (0)	H	F24F1					1	1-03 *			1523
WSC 07 (0)	H	F23F1					2	1-04 *			1523
WSC 07 (0)	H	F23M1						1-05 *			1523
WSC 07 (0)							1		16-6/8		1523

RP11C.C
RUN NAME

WRP288.V17(17) 06/22/72
A/P PIN ORDER BAY -
NAME PIN ORDER

Q DRAW RV PG Y X Z REMARKS

9-APR-73 23148
LENGTH EXCEPTIONS

PAGE 205
RUN
NUMBER

WSC 07 (1)	H	E20M2	1-01 *						2									1524
WSC 07 (1)	H	F24A1	1-02 *						1									1524
WSC 07 (1)	H	E24V2	1-03 *						2									1524
WSC 07 (1)	H	E24U2	1-04 *						1									1524
WSC 07 (1)	H	E24U1	1-05 *						2									1524
WSC 07 (1)	H	E24P1	1-06 *						1									1524
WSC 07 (1)	H	E24L1	1-07 *						2									1524
WSC 07 (1)	H	E24K1	1-08 *						1									1524
WSC 07 (1)	H	E24K2	1-09 *						2									1524
WSC 07 (1)	H	E26M1	1-10 *						1									1524
WSC 07 (1)	H	E26F1	1-11 *															1524
WSC 07 (1)			1													33-3/8		1524
XFER TO BUS	H	A08F1	1-01 *						1									1525
XFER TO BUS	H	A08H1	1-02 *						2									1525
XFER TO BUS	H	B08F1	1-03 *						1									1525
XFER TO BUS	H	B08H1	1-04 *						2									1525
XFER TO BUS	H	C03V2	1-05 *													19-4/8		1525
XFER TO BUS			1															1525
XFER TO SR	H	C29U2	1-01 *						2									1526
XFER TO SR	H	C31S1	1-02 *						1									1526
XFER TO SR	H	D30U2	1-03 *						2									1526
XFER TO SR	H	D28U2	1-04 *						1									1526
XFER TO SR	H	D26U2	1-05 *															1526
XFER TO SR			1													18-2/8		1526
XFER TO SR 1	H	B26S1	1-01 *						1									1527
XFER TO SR 1	H	C26U2	1-02 *															1527
XFER TO SR 1			1													6-0/8		1527
XTAL	L	D19K2	1-01 *															1528
XTAL	L	D20F1	1-02 *						1									1528
XTAL			1													2-7/8		1528