

MASTER DRAWING LIST

MAINTENANCE MANUALS		UNIT VARIATIONS									
NO.	TITLE	RC11-0	RC11-1	RC11-2	RC11-3	RC11-4	RC11-5	RC11-6	RC11-7	RC11-8	RC11-9
	DISK CONTROL	X									
USED ON OPTIONS											
PDP-11											

REVISIONS	APP'D.	R.K.	A.V.	DATE	CHG. NO.	DRN	CHK'D	ENG.	PROJ. ENG.	PROD.	FIRST USED ON	DATE	DATE	TITLE
				6/71	00001	K. GULICK	K. GULICK	R. KRISHNA	R. KRISHNA	W. SLOAN	PDP-11	15/71	15/71	DISK CONTROL
				9/71	00002	K. GULICK	K. GULICK	R. KRISHNA	R. KRISHNA	W. SLOAN	PDP-11	15/71	15/71	DISK CONTROL

digital EQUIPMENT CORPORATION
MAINTENANCE MANUALS

WESTFIELD DOC CENTER

NOV 25 1971

ISSUED DATE

SIZE CODE
A ML

NUMBER
RC11-0

REV.
B

DRA 131

Dec 16 (325) 1048 N471

PRINT SET		DWG. NO.	REV. NO. OF LET. SHEETS	TITLE	OPTION NO.
X	R11-0	A-PL-RC11-0-0	1	DISK CONTROL (PL)	
X		D-AD-7008398-0-0	A	WIRED ASSY	
X		A-PL-7008398-0-0	A	WIRED ASSY (PL)	
X		D-MU-RC11-0-01	1	MODULE UTILIZATION	
X		A-PL-RC11-0-01	1	MODULE UTILIZATION (PL)	
X		D-CS-M7220-0-1	2	RC11CLOCK INTERFACE	
X		D-CS-M7221-0-1	7	RC11DISK INTERFACE	
X		D-CS-M7222-0-1	9	RC11STATUS CONTROL	
X		D-CS-M7224-0-1	2	RC11UNIT AND TRACK SELECTOR	
X		D-CS-M7225-0-1	2	RC11STATUS CONTROL EXTENDER	
X		D-CS-M7820-0-1	1	INTERUPT CONTROL	TM11
X		D-CS-M796-0-1	1	UNIBUS MASTER CONTROL	TC11
X		D-BS-RC11-0-02	5	BUS INTERFACE	
X		D-BS-RC11-0-03	1	RC11 INTERUPT CONTROL	
X		K-WL-RC11-0-04	A	WIRE LIST (RC11)	
X		D-IC-RC11-0-05	1	UNIBUS CONNECTORS	
X		D-BS-RC11-0-06	1	RC11 NPR CONTROL	
X		D-TD-RC11-0-07	1	RC11 ADDRESS ASSY TIMING DIAG	
X		L-TD-RC11-0-08	1	RC11 END OF BLOCK IND TIMING DIAG	
X		D-TD-RC11-0-09	1	RC11 WRITE TIMING DIAGRAM	
X		D-IC-RC11-0-10	1	RC11-RS64 INTERFACE CONNECTOR	
X		D-TD-RC11-0-11	1	RC11 CLOCK CONT TIMING DIAG	
X		A-AL-RC11-0-12	1	RC11 ACCESSOR LIST	
X		A-SL-RC11-0-13	1	RC11 SOFTWARE LIST	

TITLE

DISK CONTROL

SHEET

2 OF 2

SIZE CODE

A ML

NUMBER

RC11-0

REV

B

DRA 132

Dec 16 (325) 1048 1 N471

**PDP-11 LAB
ELEC. ENG. DEPT.**

DO NOT REMOVE

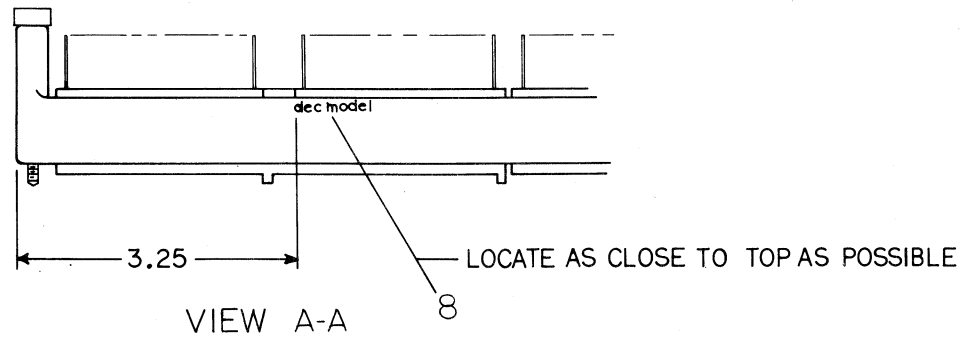
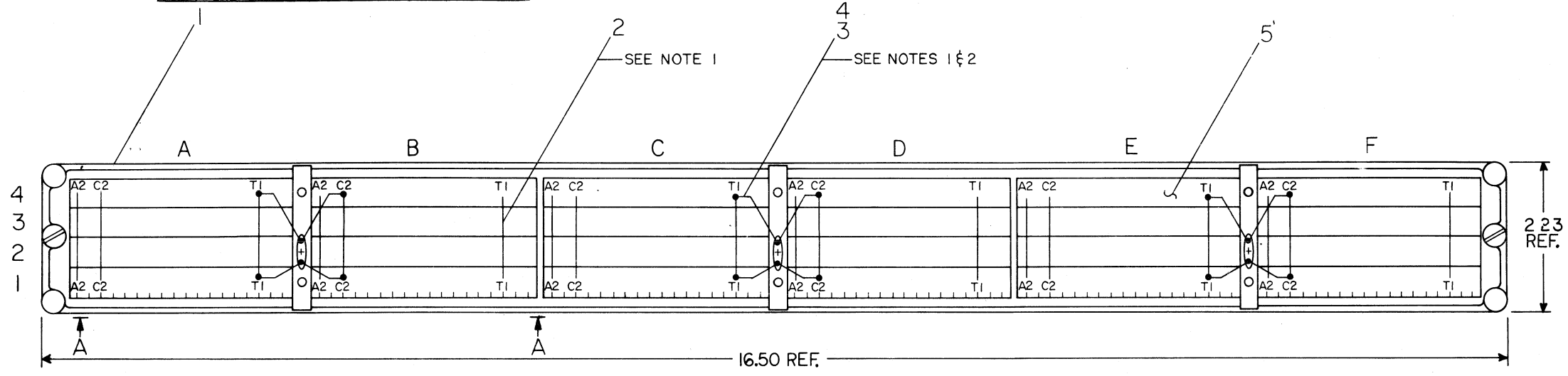
This drawing and specifications, herein, are the property of Digital Equipment Corporation and shall not be reproduced or copied or used in whole or in part as the basis for the manufacture or sale of items without written permission.

WIRE TABLE						
ITEM NO	SIGNAL NAME	FROM PIN	TO PIN	COLOR	AWG	REMARKS
6	GND	A03D2	A03E2	BLK	24	
		A03F2	A03N1			
		A03P1	A03R1			
		A03S1	A03T1			
		A03U1	A03V1			
		A03C2	A03D2			
		A03E2	A03F2			
		A03N1	A03P1			
		A03R1	A03S1			
6	GND	A03T1	A03U1	BLK	24	
10	BUS SYN L	B01U1	B02U1	BLU	30	WIRES MUST RUN TO LEFT OF SLOT ONE
10	BUS SYN L	B02U1	E02H2	BLU	30	
10	CALC ENR H	C01U1	E02E2	BLU	30	

WIRE TABLE						
ITEM NO	SIGNAL NAME	FROM PIN	TO PIN	COLOR	AWG	REMARKS
7	+5V	A03A2	B01A2	RED	24	
		A03H2	B04A2			
		C01A2	D01A2			WIRES MUST RUN TO LEFT OF SLOT ONE
		E01A2	F01A2			
		A03J2	C01A2			
		A03K2	E01A2			
		C04A2	D04A2			WIRES MUST RUN TO RIGHT OF SLOT FOUR
		E04A2	F04A2			
		A03L2	C04A2			
7	+5V	A03M2	E04A2	RED	24	
5	WC INC L	B04N2	F01A1	YEL	30	TWISTED PAIR
9	GND	B04T1	F01C2	BLK	30	

NOTES

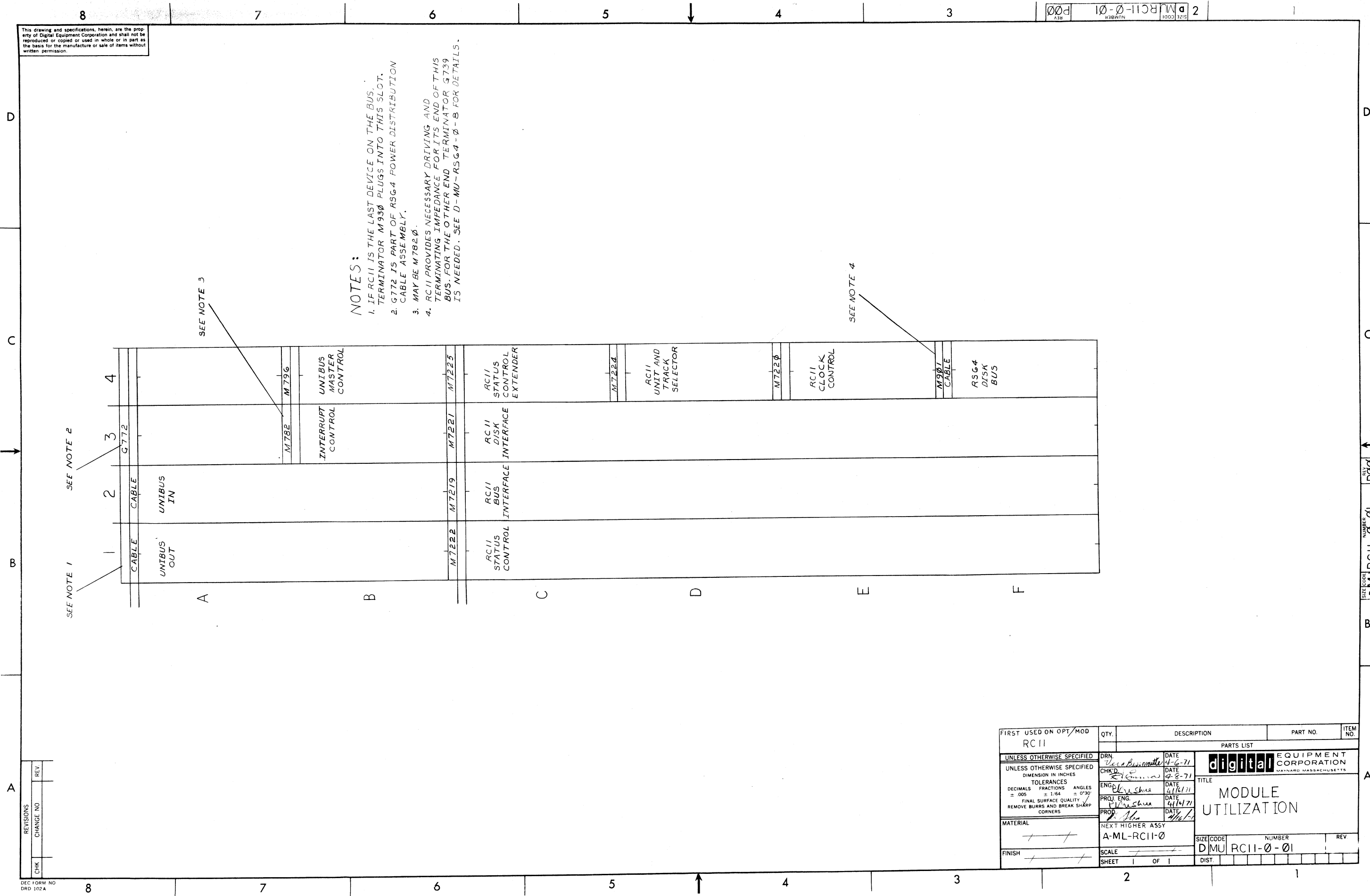
- CONNECTIONS ON ITEMS 2 & 3 TO BE SOLDERED AND LOCATED AT MINIMUM PRACTICAL HEIGHT ABOVE BLOCKS
- CONNECTOR BLOCKS TO BE GROUNDED TO GROUND LUGS AS SHOWN
- ALL VERTICAL HAND WIRING TO RUN OUTSIDE CONNECTOR BLOCKS



REV.	CHANGE NO.	DATE	BY
A	0001	7/15/71	B. KRISHNA

FIRST USED ON OPTION/MODEL	QTY.	DESCRIPTION	PART NO.	ITEM NO.
RC11				
PARTS LIST				
UNLESS OTHERWISE SPECIFIED DIMENSION IN INCHES. TOLERANCES		DRN. DATE 4/15/71	digital EQUIPMENT CORPORATION MAYNARD MASSACHUSETTS	
DECIMALS .XXX ± .005	ANGLES ± 0° 30'	CHK'D. DATE 4-22-71	TITLE	
		ENG. DATE 4/15/71	WIRED ASS'Y (RC11)	
		PROD. ENG. DATE 4/15/71	SIZE CODE NUMBER	
		PROD. DATE 4/15/71	DAD 7008398-0-0	
MATERIAL	NEXT HIGHER ASSY.	SCALE	SHEET	OF
+ / +	A-ML-RC11-0	++	1	1
FINISH		DIST.		
+ / +				

This drawing and specifications, herein, are the property of Digital Equipment Corporation and shall not be reproduced or copied or used in whole or in part as the basis for the manufacture or sale of items without written permission.



NOTES:
 1. IF RC11 IS THE LAST DEVICE ON THE BUS, TERMINATOR M930 PLUGS INTO THIS SLOT.
 2. G772 IS PART OF RSG4 POWER DISTRIBUTION CABLE ASSEMBLY.
 3. MAY BE M782Ø.
 4. RC11 PROVIDES NECESSARY DRIVING AND TERMINATING IMPEDANCE FOR ITS END OF THIS BUS. FOR THE OTHER END, TERMINATOR G739 IS NEEDED. SEE D-MU-RSG4-Ø-8 FOR DETAILS.

SEE NOTE 1
 SEE NOTE 2
 SEE NOTE 3
 SEE NOTE 4

REVISIONS	REV
CHANGE NO	
CHK	

FIRST USED ON OPT/MOD RC11	QTY.	DESCRIPTION	PART NO.	ITEM NO.
PARTS LIST				
UNLESS OTHERWISE SPECIFIED	DRN	DATE	digital EQUIPMENT CORPORATION MAYNARD, MASSACHUSETTS	
UNLESS OTHERWISE SPECIFIED	CHK'D	DATE	TITLE	
DIMENSION IN INCHES	DATE	DATE	MODULE UTILIZATION	
TOLERANCES	ENG'D	DATE	REV	
DECIMALS FRACTIONS ANGLES	PROJ. ENG.	DATE	SCALE	
± .005 ± 1/64 ± 0°30'	DATE	DATE	D MU RC11-0-01	
FINAL SURFACE QUALITY	PROD.	DATE	SHEET OF 1	
REMOVE BURRS AND BREAK SHARP CORNERS			DIST.	
MATERIAL	NEXT HIGHER ASSY	A-ML-RC11-Ø		
FINISH	SCALE	D MU RC11-0-01		

This drawing and specifications herein are the property of Digital Equipment Corporation and shall not be reproduced or copied or used in whole or in part as the basis for the manufacture or sale of items without written permission.

PARTS REFERENCE

ITEM NO	DRAWING REFERENCE	DESCRIPTION	PART NUMBER	QUANTITY
1	E1	DEC 8266	IC 1909934	1
2	E2, E7, E12	DEC 7404	IC 1909686	3
3	E3	DEC 7450	IC 1905580	1
4	E4, E10	DEC 7402	IC 1909004	2
5	E5, E13	DEC 7400	IC 1905575	2
6	E6	DEC 7474	IC 1905547	1
7	E8	DEC 8271	IC 1909615	1
8	E9	DEC 74H 74	IC 1909667	1
9	E11	DEC 7473	IC 1905597	1
10	R1, THRU R6	RES 82 1/4W 5%	1301477	6
11	R7, R8, R9	RES 100 1/4W 5%	1300229	3
12	R10	RES 1K 1/4W 5%	1300365	1
13	C1, THRU C13	CAP 01UF, 100V, 20%	1001610	13
14	C14, C15, C16	CAP 470 PF, 100V, 5%	1000024	3
REF		RC11 CLOCK CONTROL	A-PL-M7220-0-0	

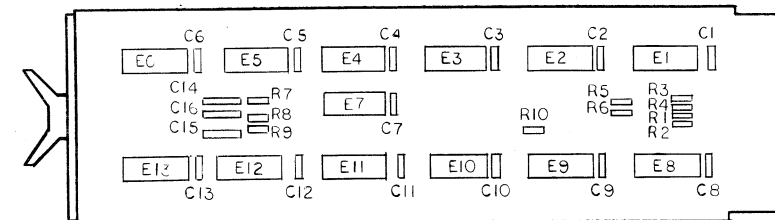
NOTES:

- PIN NOTATION THROUGHOUT IS ORDERED UPON MODULE PLACEMENT IN THE CONTROLLER. MODULE REFERENCE ALONE IS OBTAINED BY DELETING THE NUMBER (SLOT LOCATION) AFTER THE FIRST LETTER, AND CONVERTING THE FIRST LETTER ACCORDING TO THE PIN NOMENCLATURE CHART AT RIGHT.
- ALL SIGNALS THAT HAVE MODULE PINS ARE SO NOTED; MULTIPLE NOTATIONS OF THE SAME SIGNALS WITHIN A MODULE HAVE THE PIN NOTED ON EACH. AN INPUT SIGNAL IS NOTED ONLY ONCE PER SHEET UNLESS SEPERATE PINS ARE USED; MULTIPLE INPUTS ARE CONNECTED. MODULE OUTPUT SIGNALS ARE BROUGHT TO THE EXTREME RIGHT OF EACH SHEET WHENEVER POSSIBLE.
- CONTROLLER SIGNAL SOURCE NOTATION (D1-2, FOR EXAMPLE) IDENTIFIES THE SIGNAL SOURCE (PRINT AND MODULE). THE FIRST NUMBER AFTER THE D INDICATES THE MODULE PRINT SET, WHILE THE SECOND INDICATES THE SHEET WITHIN THE SET. IF ON A PRINT, THE FIRST NUMBER OF THE D PREFIXES COINCIDE FOR A SIGNAL NAME AND THE PRINT (SEE TITLE BLOCK), THE SIGNAL IS GENERATED ON THE MODULE. A DIFFERENCE IN THE FIRST NUMBER OF THE D PREFIXES INDICATES A SIGNAL GENERATED OFF THE MODULE. SIGNALS WITH A "BUS" PREFIX REPRESENT A "WIRED OR" SITUATION, AND MULTIPLE SOURCES FOR THE SIGNAL CAN EXIST.
- DETAILS ON COMPONENTS ARE NOTED IN THE PARTS REFERENCE. PLACEMENT IS NOTED IN THE COMPONENT PLACEMENT DIAGRAM.
- GND AND +5V ARE USUALLY PIN 7 AND PIN 14, RESPECTIVELY. EXCEPTIONS ARE:

IC TYPE	GND	+5V
DEC 7473	PIN 11	PIN 4
DEC 8271	PIN 8	PIN 16

6. UNLESS OTHERWISE NOTED: RESISTANCE IS IN OHMS; CAPACITANCE IS IN PICOFARADS CAPACITORS WITHOUT ANY NOTED VALUES ARE .01 MFD.

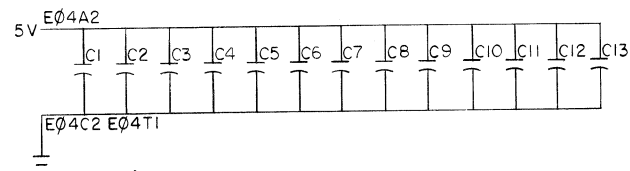
COMPONENT PLACEMENT



PIN NOMENCLATURE

MODULE CONTROLLER

A E

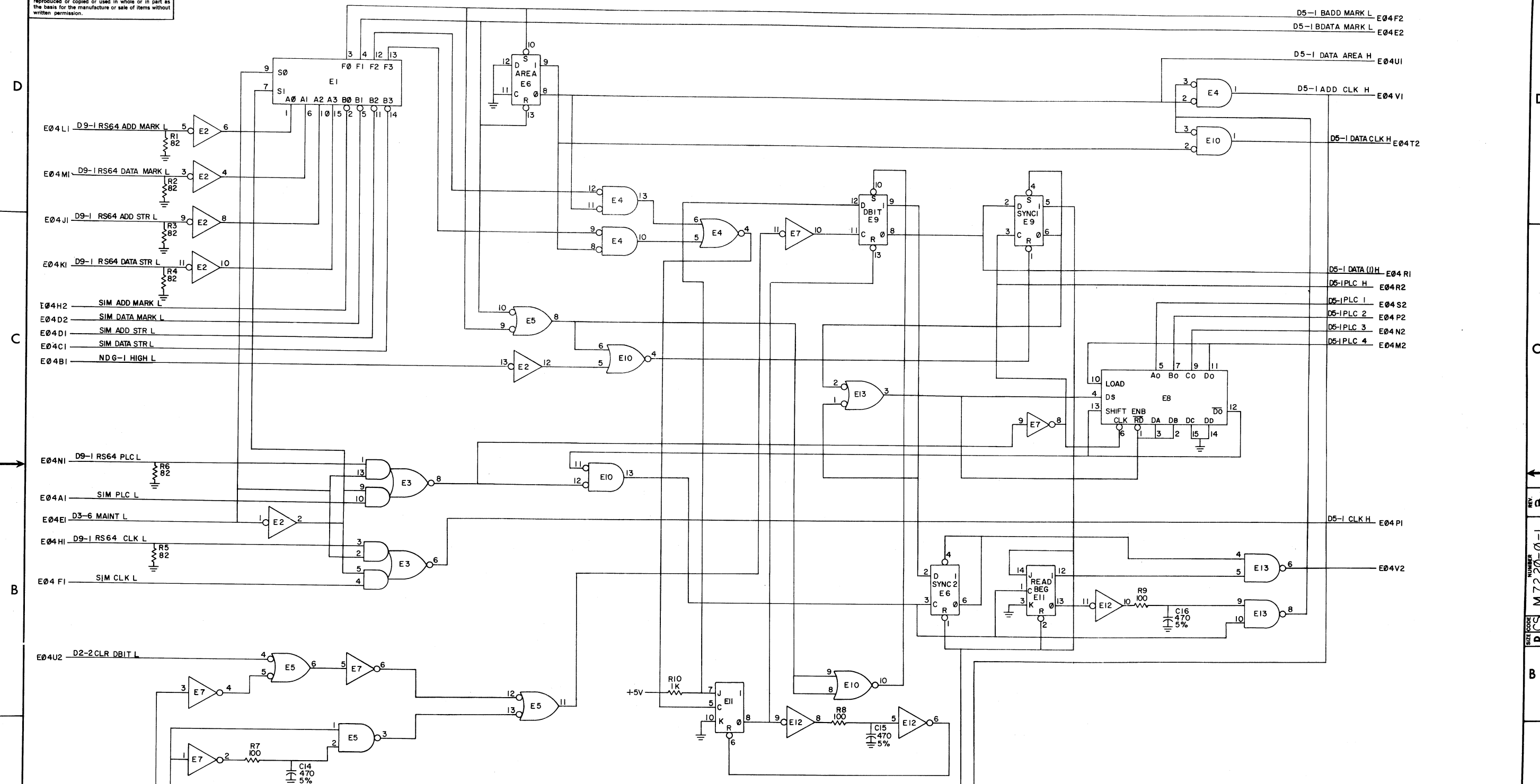


REV	CHANGE NO	REV
A	0000	CL
B	0001	R
C	0002	R
D	0003	R
E	0004	R
F	0005	R
G	0006	R
H	0007	R
I	0008	R
J	0009	R
K	0010	R
L	0011	R
M	0012	R
N	0013	R
O	0014	R
P	0015	R
Q	0016	R
R	0017	R
S	0018	R
T	0019	R
U	0020	R
V	0021	R
W	0022	R
X	0023	R
Y	0024	R
Z	0025	R

FIRST USED ON OPT MOD		ETCH REV B	
RC11	QTY.	DESCRIPTION	PART NO.
PARTS LIST			
UNLESS OTHERWISE SPECIFIED	DRN.	DATE	DATE
UNLESS OTHERWISE SPECIFIED	CHK'D.	DATE	DATE
DIMENSION IN INCHES	ENG.	DATE	DATE
TOLERANCES	PROJ. ENG.	DATE	DATE
DECIMALS FRACTIONS ANGLES	PROD.	DATE	DATE
± .005 ± .014 ± 0°30'			
REMOVE BURRS AND BREAK SHARP CORNERS			
MATERIAL	NEXT HIGHER ASSY		
	A-ML-RC11-0		
FINISH	SCALE	NONE	
	SHEET	1 OF 2	
TITLE		RC11	CLOCK CONTROL
MATERIAL		M7220	D5-0
SIZE CODE		DCS	M7220-0-1
NUMBER		REV.	B
DIST.		324	1235

REV B
NUMBER M7220-0-1
SIZE CODE DCS

This drawing and specifications, herein, are the property of Digital Equipment Corporation and shall not be reproduced or copied or used in whole or in part as the basis for the manufacture or sale of items without written permission.



REV.	CHANGE NO.

DEC FORM NO. DRD 100

FIRST USED ON OPTION / MODEL RC11

DO NOT SCALE DRAWING
UNLESS OTHERWISE SPECIFIED
DIMENSION IN INCHES
TOLERANCES
DECIMALS FRACTIONS ANGLES
± .005 ± 1/64 ± 0°30'
FINAL SURFACE QUALITY
REMOVE BURRS AND BREAK SHARP CORNERS
MATERIAL
FINISH

QTY.	DESCRIPTION	PART NO.	ITEM NO.
PARTS LIST			
DRN.	S. COOPER	DATE 12/29/70	digital EQUIPMENT CORPORATION MAYNARD, MASSACHUSETTS RC11 CLOCK CONTROL M7220 D5-1
CHK'D	D. SMITH	DATE 1/9/71	
ENG.	R. KRISHNA	DATE 2/9/71	
PROJ. ENG.	R. KRISHNA	DATE 2/9/71	
PROD.	W. SLOAN	DATE 4/16/71	
NEXT HIGHER ASSY			
SCALE	SIZE CODE NUMBER REV.		D C S M7220-0-1 B
SHEET 2 OF 2	DIST.		

This drawing and specifications herein are the property of Digital Equipment Corporation and shall not be reproduced or copied or used in whole or in part as the basis for the manufacture or sale of items without written permission.

PARTS REFERENCE

ITEM NO	DRAWING REFERENCE	DESCRIPTION	PART NUMBER	QUANTITY
E1, E5, E10, E15	DEC 4015	I.C.	1910087	4
E2, E6, E11, E16, E18, E36, E41	DEC 7400	I.C.	1905575	7
E3, E7, E12, E17, E21, E26, E40, E44, E48	DEC 8271	I.C.	1909615	9
E4, E8, E13, E38, E39, E43, E47	DEC 7416	I.C.	1909928	7
E14, E31	DEC 74H106	I.C.	1910408	2
E19, E33, E35, E46	DEC 7404	I.C.	1909686	4
E20, E25	DEC 8242	I.C.	1909712	2
E22	DEC 74193	I.C.	1910018	1
E23, E30, E37, E42	DEC 7402	I.C.	1909004	4
E24, E32	DEC 7473	I.C.	1905587	2
E27	DEC 6314	I.C.	1909972	1
E28	DEC 7410	I.C.	1905576	1
E29	DEC 7450	I.C.	1905580	1
E34	DEC 8881	I.C.	1909705	1
E45, E49	DEC 74H103	I.C.	1910409	2
E50	DEC 7486	I.C.	1910011	1
E9	DEC 7437	I.C.	1910091	1
C1 THRU C50	.01 MFD 100V 20% CAP		1001610	50
C51 THRU C54	6.8 MFD 35V 20% CAP		1000067	4
C55, C59	4.7 PFD 100V 5% CAP		1000011	2
C56, C57, C60, C61	470 PFD 100V 5% CAP		1000024	4
C58	100 PFD 100V 5% CAP		1000016	1
D1	664 DIODE		1100114	1
R1, R9, R20	180 1/4W 5% RES		1301322	3
R2, R18, R21	390 1/4W 5% RES		1300309	3
R3	4.7K 1/4W 5% RES		1300447	1
R4	82 1/2W 10% RES		1300225	1
R5, R9, R10, R11, R13, R14, R16, R17	1K 1/4W 5% RES		1300365	8
R6, R7, R15	100 1/4W 5% RES		1300229	3
R8, R12	470 1/4W 5% RES		1300316	2
Q1, Q2	2N3646 TRANSISTOR		1503014	2

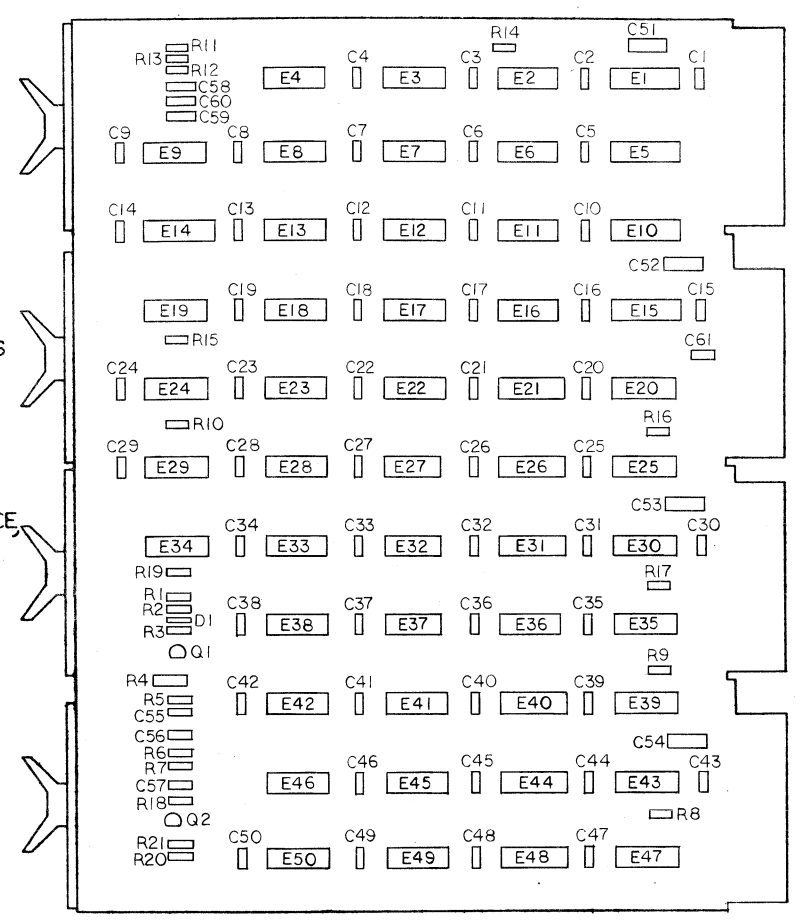
NOTES:

- PIN NOTATION THROUGHOUT IS ORDERED UPON MODULE PLACEMENT IN THE RC11 CONTROLLER. MODULE REFERENCE ALONE IS OBTAINED BY DELETING THE NUMBER (SLOT LOCATION) AFTER THE FIRST LETTER, AND CONVERTING THE FIRST LETTER ACCORDING TO THE PIN NOMENCLATURE CHART AT RIGHT.
- ALL SIGNALS THAT HAVE MODULE PINS ARE SO NOTED; MULTIPLE NOTATIONS OF THE SAME SIGNALS WITHIN A MODULE HAVE THE PIN NOTED ON EACH. AN INPUT SIGNAL IS NOTED ONLY ONCE PER SHEET UNLESS SEPARATE PINS ARE USED; MULTIPLE INPUTS ARE CONNECTED. MODULE OUTPUT SIGNALS ARE BROUGHT TO THE EXTREME RIGHT OF EACH SHEET WHENEVER POSSIBLE.
- CONTROLLER SIGNAL SOURCE NOTATION (D1-2, FOR EXAMPLE) IDENTIFIES THE SIGNAL SOURCE (PRINT AND MODULE). THE FIRST NUMBER AFTER THE D INDICATES THE MODULE PRINT SET, WHILE THE SECOND INDICATES THE SHEET WITHIN THE SET. IF ON A PRINT, THE FIRST NUMBER OF THE D PREFIXES COINCIDE FOR A SIGNAL NAME AND THE PRINT (SEE TITLE BLOCK), THE SIGNAL IS GENERATED ON THE MODULE. A DIFFERENCE IN THE FIRST NUMBER OF THE D PREFIXES INDICATES A SIGNAL GENERATED OFF THE MODULE. SIGNALS WITH A "BUS" PREFIX REPRESENT A "WIRED OR" SITUATION, AND MULTIPLE SOURCES FOR THE SIGNAL CAN EXIST.
- DETAILS ON COMPONENTS ARE NOTED IN THE PARTS REFERENCE. PLACEMENT IS NOTED IN THE COMPONENT PLACEMENT DIAGRAM. CAPACITORS WITHOUT NOTED VALUES ARE .01 MFD.
- GND AND +5V ARE USUALLY PIN 7 AND PIN 14, RESPECTIVELY. EXCEPTIONS ARE:

IC TYPE	GND	+5V
DEC 4015	PIN 8	PIN 16
DEC 7473	PIN 11	PIN 4
DEC 8271	PIN 8	PIN 16
DEC 74193	PIN 8	PIN 16
DEC 74H103	PIN 11	PIN 4
DEC 74H106	PIN 13	PIN 5

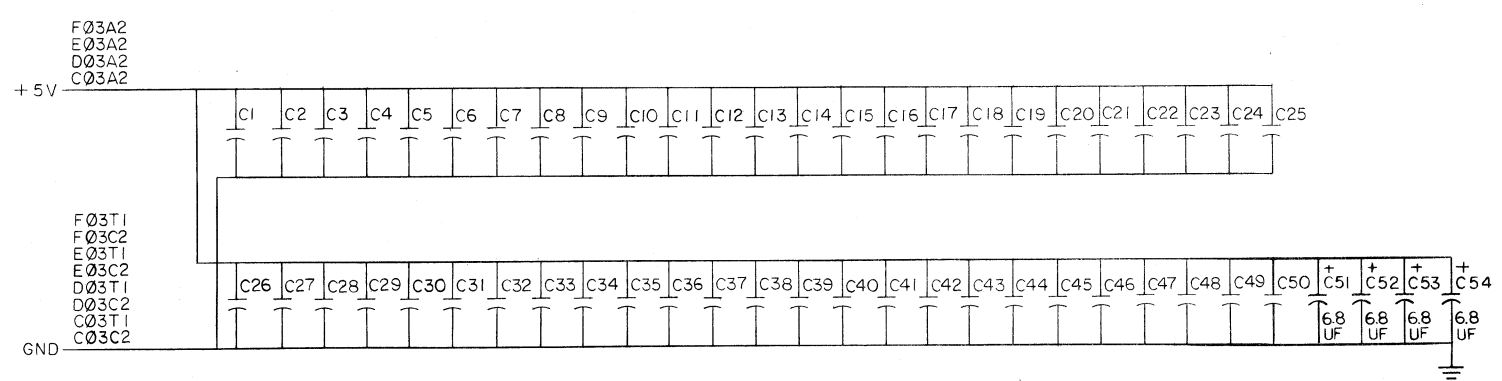
6. UNLESS OTHERWISE SPECIFIED: RESISTANCE IS IN OHMS; CAPACITANCE IS IN PICOFARADS.

COMPONENT PLACEMENT



PIN NOMENCLATURE

MODULE	CONTROLLER
A	C
B	D
C	E
D	F



REV	CHANGE NO	DATE
C		
D		

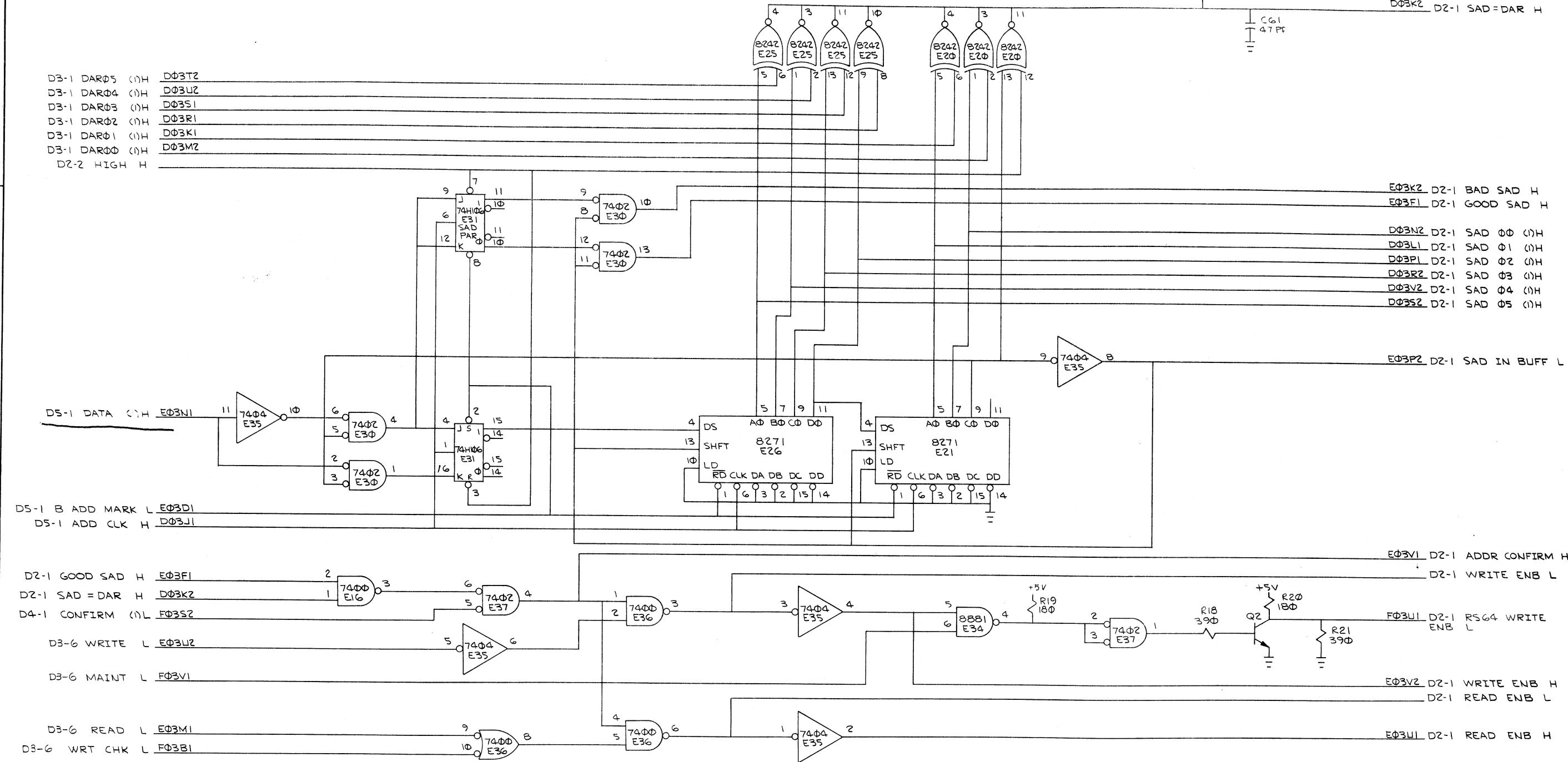
ORIGINATED BY: M7221-00001
 CHECKED BY: R. KRISHNA
 DATE: 10/19/71

FIRST USED ON OPTION / MODEL	QTY.	DESCRIPTION	PART NO.	ITEM NO.
RC11				
PARTS LIST				
UNLESS OTHERWISE SPECIFIED	DRN	W. MAJOR	DATE 3/19/71	<p>digital EQUIPMENT CORPORATION WATYARD, MASSACHUSETTS</p>
UNLESS OTHERWISE SPECIFIED	CHK'D	DATE 4-5-71		
TOLERANCES	ENG	DATE 4/16/71		
FINAL SURFACE QUALITY	PROJ. ENG	DATE 4/16/71		
MATERIAL	PROD	DATE 4/16/71		
NEXT HIGHER ASSY				
A-ML-RC11-0				
SCALE NONE				
SHEET 1 OF 7				
ETCH D				
TITLE: RC11 DISK INTERFACE				
M7221 D2-0				
SIZE CODE: DCS M7221-0-1				
NUMBER: 1				
REV: D				

This drawing and specifications, herein, are the property of Digital Equipment Corporation and shall not be reproduced or copied in whole or in part as the basis for the manufacture or sale of items without written permission.

D
 C
 B
 A

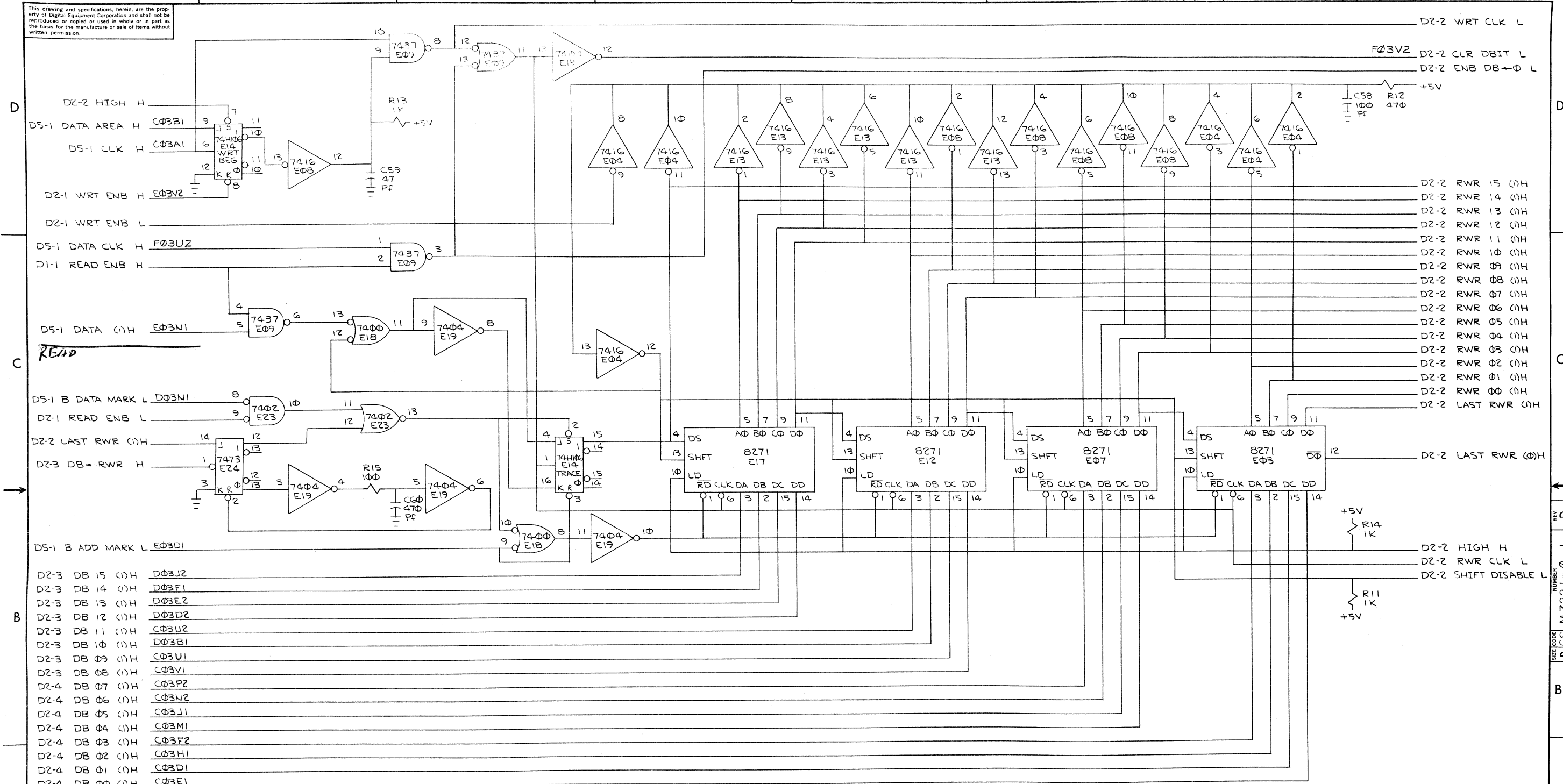
D
 C
 B
 A



REV	CHANGE NO

FIRST USED ON OPTION/MODEL	QTY.	DESCRIPTION	PART NO.	ITEM NO.
RC11				
PARTS LIST				
UNLESS OTHERWISE SPECIFIED DIMENSION IN INCHES. TOLERANCES	DRN. W. MAJOR	DATE 3/15/71	 digital EQUIPMENT CORPORATION MAYNARD MASSACHUSETTS	
DECIMALS .XXX = .005	CHK'D. <i>[Signature]</i>	DATE 4/6/71		
ANGLES ±0° 30'	ENG. <i>[Signature]</i>	DATE 4/17/71		
REMOVE BURRS AND BREAK SHARP CORNERS SURFACE QUALITY	PROJ. ENG. <i>[Signature]</i>	DATE 4/18/71		
	PROD. <i>[Signature]</i>	DATE 4/20/71		
MATERIAL	NEXT HIGHER ASSY.	TITLE		
FINISH	A-ML-RC11-0	RC11 DISK INTERFACE		
	SCALE NONE	M7221		
	SHEET 2 OF 7	SIZE CODE DCS	NUMBER M7221-0-1	REV D

This drawing and specifications herein are the property of Digital Equipment Corporation and shall not be reproduced or copied or used in whole or in part as the basis for the manufacture or sale of items without written permission.

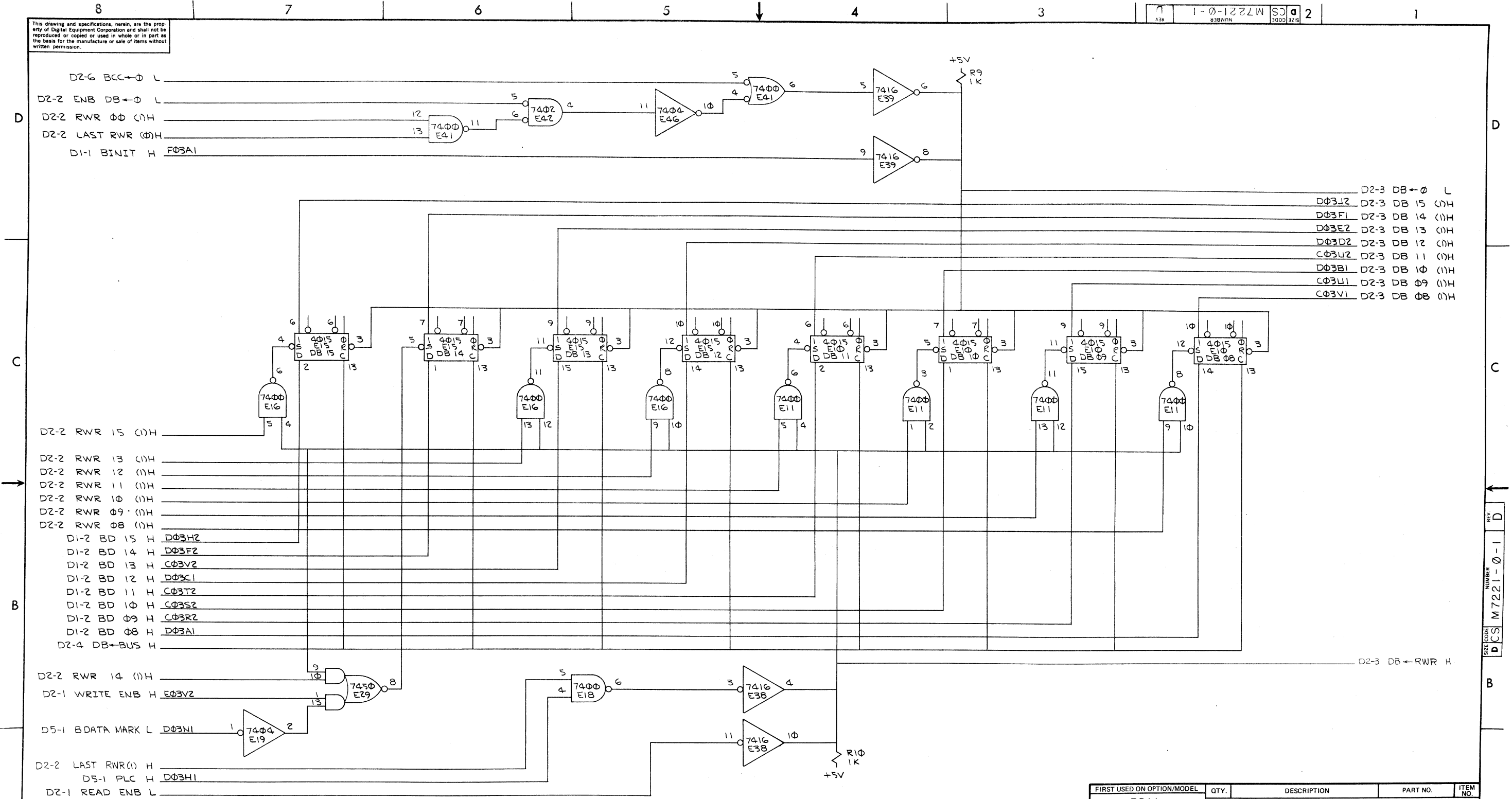


REV	
CHG	
CHK	

FIRST USED ON OPTION/MODEL	QTY.	DESCRIPTION	PART NO.	ITEM NO.
RC11				
PARTS LIST				
UNLESS OTHERWISE SPECIFIED DIMENSION IN INCHES. TOLERANCES		DRN: W. MAJOR	DATE: 3/12/71	<p>digital EQUIPMENT CORPORATION MAYNARD, MASSACHUSETTS</p>
DECIMALS	ANGLES	CHK'D: [Signature]	DATE: 4-6-71	
.XXX = .005	±0° 30'	ENG. [Signature]	DATE: 4/10/71	
.XX = .02		PROJ. ENG. [Signature]	DATE: 4/14/71	
.X = .1		PROD. [Signature]	DATE: 4/14/71	
REMOVE BURRS AND BREAK SHARP CORNERS SURFACE QUALITY ✓		<p>TITLE: RC11 DISK INTERFACE</p> <p>M7221 D2-2</p>		
MATERIAL	NEXT HIGHER ASSY.	SIZE CODE	NUMBER	REV.
FINISH	SCALE: NONE	DCS	M7221-0-1	D
SHEET 3 OF 7		DIST.		

This drawing and specifications, herein, are the property of Digital Equipment Corporation and shall not be reproduced or copied or used in whole or in part as the basis for the manufacture or sale of items without written permission.

1-0-1222W SC 2

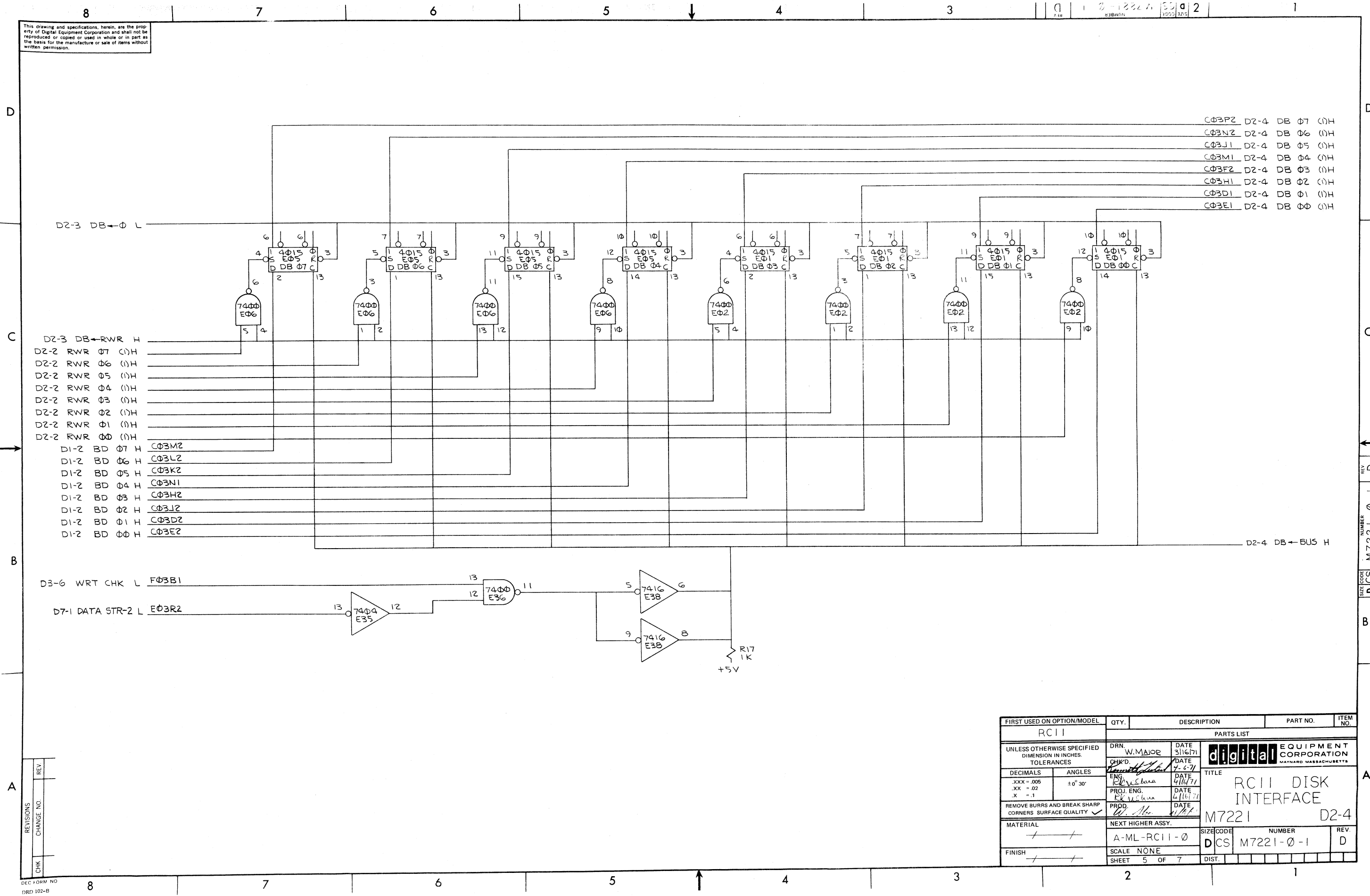


- D2-3 DB ← 0 L
- D03J2 D2-3 DB 15 (1)H
- D03F1 D2-3 DB 14 (1)H
- D03E2 D2-3 DB 13 (1)H
- D03D2 D2-3 DB 12 (1)H
- C03U2 D2-3 DB 11 (1)H
- D03B1 D2-3 DB 10 (1)H
- C03U1 D2-3 DB 09 (1)H
- C03V1 D2-3 DB 08 (1)H

REV.	
CHANGE NO.	
CHK	

FIRST USED ON OPTION/MODEL RC11	QTY.	DESCRIPTION	PART NO.	ITEM NO.
PARTS LIST				
UNLESS OTHERWISE SPECIFIED DIMENSION IN INCHES TOLERANCES	DRN. W.MAJOR	DATE 3/16/71	 digital EQUIPMENT CORPORATION <small>MAYNARD MASSACHUSETTS</small>	
DECIMALS .XXX - .005 .XX - .02 .X - .1	CHK'D. <i>[Signature]</i>	DATE 4-6-71		
ANGLES ±0° 30'	ENG. E. J. Shira	DATE 4/16/71	TITLE RC11 DISK INTERFACE M7221 D2-3	
REMOVE BURRS AND BREAK SHARP CORNERS SURFACE QUALITY	PROJ. ENG. <i>[Signature]</i>	DATE 4/16/71		
MATERIAL	NEXT HIGHER ASSY.		SIZE CODE DCS	NUMBER M7221-0-1
FINISH	SCALE NONE		SHEET 4 OF 7	REV. D

This drawing and specifications, herein, are the property of Digital Equipment Corporation and shall not be reproduced or copied or used in whole or in part as the basis for the manufacture or sale of items without written permission.



- C03P2 D2-4 DB 07 (1)H
- C03N2 D2-4 DB 06 (1)H
- C03J1 D2-4 DB 05 (1)H
- C03M1 D2-4 DB 04 (1)H
- C03F2 D2-4 DB 03 (1)H
- C03H1 D2-4 DB 02 (1)H
- C03D1 D2-4 DB 01 (1)H
- C03E1 D2-4 DB 00 (1)H

- D2-3 DB ← 0 L
- D2-2 RWR 07 (1)H
- D2-2 RWR 06 (1)H
- D2-2 RWR 05 (1)H
- D2-2 RWR 04 (1)H
- D2-2 RWR 03 (1)H
- D2-2 RWR 02 (1)H
- D2-2 RWR 01 (1)H
- D2-2 RWR 00 (1)H
- D1-2 BD 07 H C03M2
- D1-2 BD 06 H C03L2
- D1-2 BD 05 H C03K2
- D1-2 BD 04 H C03N1
- D1-2 BD 03 H C03H2
- D1-2 BD 02 H C03J2
- D1-2 BD 01 H C03D2
- D1-2 BD 00 H C03E2

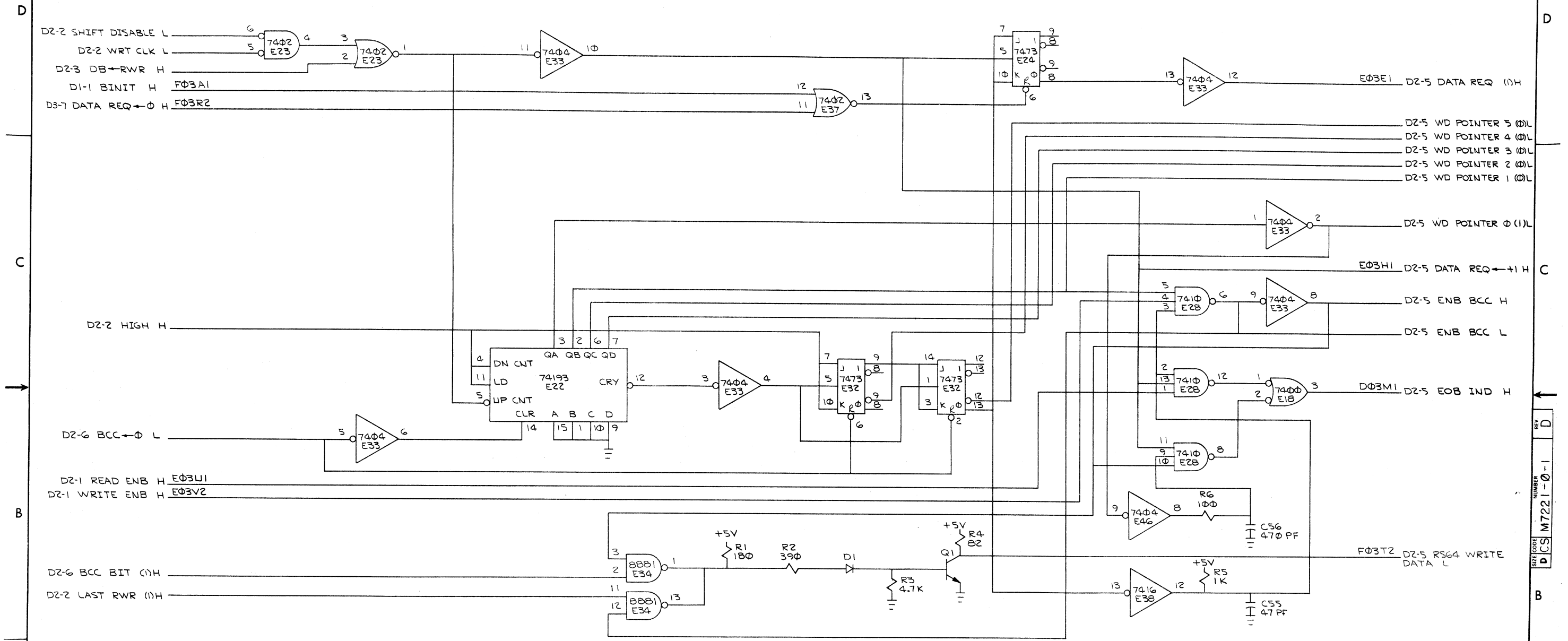
REV. D
M7221-0-1
DCS

FIRST USED ON OPTION/MODEL	QTY.	DESCRIPTION	PART NO.	ITEM NO.
RC11				
UNLESS OTHERWISE SPECIFIED DIMENSION IN INCHES. TOLERANCES		DRN. W. MAJOR DATE 3/16/71	digital EQUIPMENT CORPORATION MAYNARD, MASSACHUSETTS TITLE RC11 DISK INTERFACE M7221 D2-4	
DECIMALS .005	ANGLES ±0°30'	CHK'D. DATE 7-6-71		
XX = .02		ENG. DATE 4/16/71		
.X = .1		PROJ. ENG. DATE 4/16/71		
REMOVE BURRS AND BREAK SHARP CORNERS SURFACE QUALITY ✓		PROD. DATE 4/16/71	NEXT HIGHER ASSY. A-ML-RC11-0 SIZE CODE NUMBER DCS M7221-0-1 REV. D	
MATERIAL		SCALE NONE	SHEET 5 OF 7	
FINISH			DIST.	

REVISIONS	REV.
CHANGE NO.	
CHK	

DEC FORM NO DRD 102-B

This drawing and specifications, herein, are the property of Digital Equipment Corporation and shall not be reproduced or copied or used in whole or in part as the basis for the manufacture or sale of items without written permission.

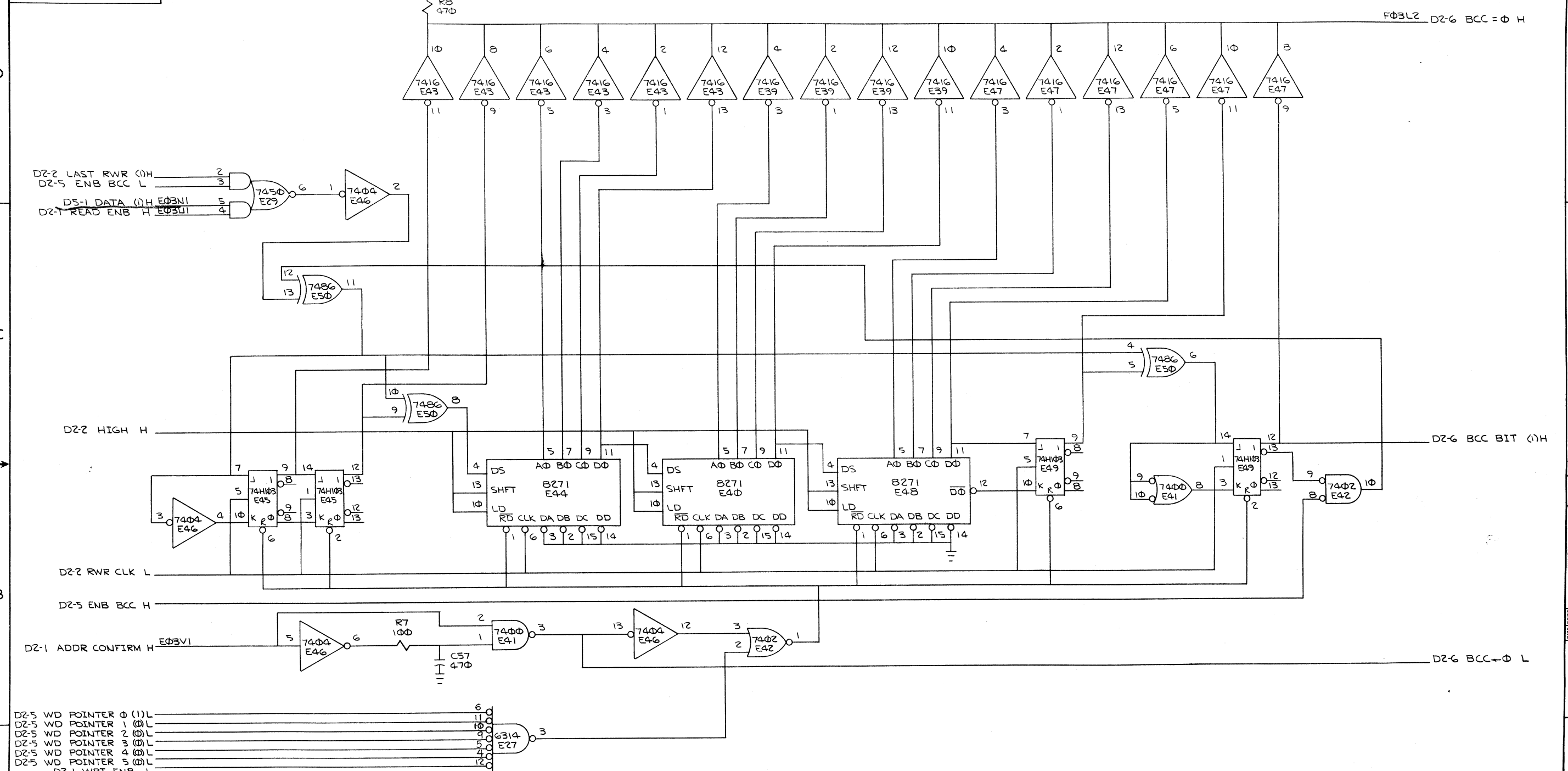


REV	CHANGE NO	CHK

FIRST USED ON OPTION/MODEL	QTY.	DESCRIPTION	PART NO.	ITEM NO.
RC11				
PARTS LIST				
UNLESS OTHERWISE SPECIFIED DIMENSION IN INCHES. TOLERANCES		DRN. W.MAJOR DATE 3/17/71		
DECIMALS .xxx - .005	ANGLES ±0° 30'	CHK'D. DATE 4/6/71		
.xx = .02		ENG. DATE 4/14/71		
.x = .1		PROJ. ENG. DATE 4/16/71		
REMOVE BURRS AND BREAK SHARP CORNERS SURFACE QUALITY		PROD. DATE 4/16/71	TITLE RC11 DISK INTERFACE M7221 D2-5	
MATERIAL	NEXT HIGHER ASSY.	A-ML-RC11-0	SIZE CODE	NUMBER
FINISH	SCALE NONE	DCS	M7221-0-1	REV. D
	SHEET 6 OF 7	DIST.		

REV. D
 NUMBER
 DCS M7221-0-1
 SIZE CODE
 B

This drawing and specifications, herein, are the property of Digital Equipment Corporation and shall not be reproduced or copied or used in whole or in part as the basis for the manufacture or sale of items without written permission.



D2-2 LAST RWR (1)H
D2-5 ENB BCC L
D2-1 ADDR CONFIRM H (E03V1)
D2-5 WD POINTER 0 (1)L
D2-5 WD POINTER 1 (0)L
D2-5 WD POINTER 2 (0)L
D2-5 WD POINTER 3 (0)L
D2-5 WD POINTER 4 (0)L
D2-5 WD POINTER 5 (0)L
D2-1 WRT ENB L

REV	CHANGE NO.

DC FORM NO. 13RD 102-B

FIRST USED ON OPTION/MODEL	QTY.	DESCRIPTION	PART NO.	ITEM NO.
RC11				
PARTS LIST				
UNLESS OTHERWISE SPECIFIED DIMENSION IN INCHES TOLERANCES		DRN. W. MAJOR DATE 3/10/71		
DECIMALS .XXX = .005 .XX = .02 .X = .1	ANGLES ±0° 30'	CHK'D. DATE 4-6-71		
REMOVE BURRS AND BREAK SHARP CORNERS SURFACE QUALITY		ENG. R. W. Chua DATE 4/16/71		
		PROJ. ENG. DATE 4/16/71		
MATERIAL		PROD. DATE 4/16/71	TITLE RC11 DISK INTERFACE	
NEXT HIGHER ASSY.			M7221 D2-6	
FINISH			SIZE CODE DCS	NUMBER M7221-0-1
			SCALE NONE	REV. D
			SHEET 7 OF 7	DIST.

This drawing and specifications, herein, are the property of Digital Equipment Corporation and shall not be reproduced or copied or used in whole or in part as the basis for the manufacture or sale of items without written permission.

D 1-0-1 CS M7222-0-1

PARTS REFERENCE

ITEM NO	DRAWING REFERENCE	DESCRIPTION	PART NUMBER	QUANTITY
1	C58,C59	CAP 820PF 100V 5% DM.	1000027	2
2	C56	CAP 470PF 100V 5% DM.	1000024	1
3	C1-C55	CAP .01 100V 20% DISC	1001610	55
4	C57	CAP 10UF 20V 10% TANT	1004813	1
5	D1	DIODE D664	1100114	1
6	R6,R11,R12	RES 100 1/4W 5%	1300229	3
7	R8,R16	RES 390 1/4W 5%	1300309	2
8	R1-R5,R9,R13-R15,R18-R22	RES 1K 1/4W 5%	1300365	14
9	R7,R17	RES 190 1/4W 5%	1301322	2
10	R10	RES 56K 1/4W 5%	1302395	1
11	E13,E27,E43	IC DEC 7474	1905547	3
12	E14,E25,E28,E42,E44	IC DEC 7400	1905575	5
13	E35,E54	IC DEC 7410	1905576	2
14	E50	IC DEC 7440	1905579	1
15	E19	IC DEC 7476	1905585	1
16	E10	IC DEC 7473	1905587	1
17	E18	IC DEC 7401	1905590	1
18	E9,E24,E39	IC DEC 7402	1909004	3
19	E30	IC DEC 74H52	1909061	1
20	E5	IC DEC 9501	1909373	1
21	E48,E53	IC DEC 7400	1909615	2
22	E4,E12,E15,E29,E40,E49	IC DEC 7404	1909686	6
23	E6,E21,E36,E51	IC DEC 8881	1909705	4
24	E1,E11,E26,E41	IC DEC 8242	1909712	4
25	E45,E55	IC DEC 8815	1909713	2
26	E3,E34	IC DEC 7416	1909928	2
27	E2,E7,E17,E22,E32,E37,E47,E52	IC DEC 74153	1909937	6
28	E20	IC DEC 7486	1910011	1
29	E16,E31,E33,E46	IC DEC 74193	1910018	4
30	E8,E23,E38	IC DEC 4015P	1910057	3
REF	RC11 STATUS CONTROL	A-PL-M7222-0-0		

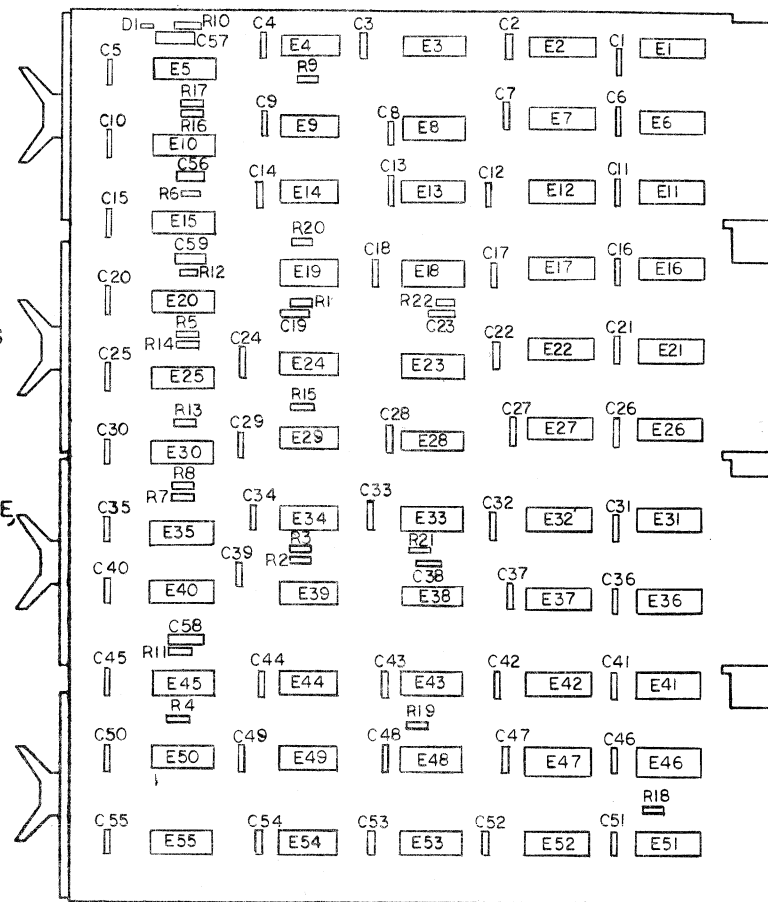
NOTES:

- PIN NOTATION THROUGHOUT IS ORDERED UPON MODULE PLACEMENT IN THE CONTROLLER. MODULE REFERENCE ALONE IS OBTAINED BY DELETING THE NUMBER (SLOT LOCATION) AFTER THE FIRST LETTER, AND CONVERTING THE FIRST LETTER ACCORDING TO THE PIN NOMENCLATURE CHART AT RIGHT.
- ALL SIGNALS THAT HAVE MODULE PINS ARE SO NOTED; MULTIPLE NOTATIONS OF THE SAME SIGNALS WITHIN A MODULE HAVE THE PIN NOTED ON EACH. AN INPUT SIGNAL IS NOTED ONLY ONCE PER SHEET UNLESS SEPERATE PINS ARE USED; MULTIPLE INPUTS ARE CONNECTED. MODULE OUTPUT SIGNALS ARE BROUGHT TO THE EXTREME RIGHT OF EACH SHEET WHENEVER POSSIBLE.
- CONTROLLER SIGNAL SOURCE NOTATION (D1-2 FOR EXAMPLE) IDENTIFIES THE SIGNAL SOURCE (PRINT AND MODULE). THE FIRST NUMBER AFTER THE D INDICATES THE MODULE PRINT SET, WHILE THE SECOND INDICATES THE SHEET WITHIN THE SET. IF ON A PRINT, THE FIRST NUMBER OF THE D PREFIXES COINCIDE FOR A SIGNAL NAME AND THE PRINT (SEE TITLE BLOCK), THE SIGNAL IS GENERATED ON THE MODULE. A DIFFERENCE IN THE FIRST NUMBER OF THE D PREFIXES INDICATES A SIGNAL GENERATED OFF THE MODULE. SIGNALS WITH A "BUS" PREFIX REPRESENT A "WIRED OR" SITUATION, AND MULTIPLE SOURCES FOR THE SIGNAL CAN EXIST.
- DETAILS ON COMPONENTS ARE NOTED IN THE PARTS REFERENCE. PLACEMENT IS NOTED IN THE COMPONENT PLACEMENT DIAGRAM.
- GND AND +5V ARE USUALLY PIN 7 AND PIN 14, RESPECTIVELY. EXCEPTIONS ARE:

IC TYPE	GND	+5V
DEC 7476	PIN 13	PIN 5
DEC 74153	PIN 8	PIN 16
DEC 74193	PIN 8	PIN 16
DEC 8271	PIN 8	PIN 16

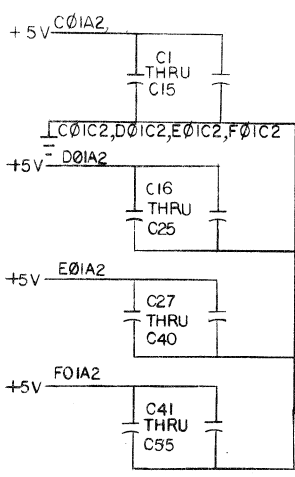
- UNLESS OTHERWISE NOTED: RESISTANCE IS IN OHMS; CAPACITANCE IS IN PICOFARADS. CAPACITORS WITHOUT ANY NOTED VALUES ARE .01 MFD.

COMPONENT PLACEMENT



PIN NOMENCLATURE

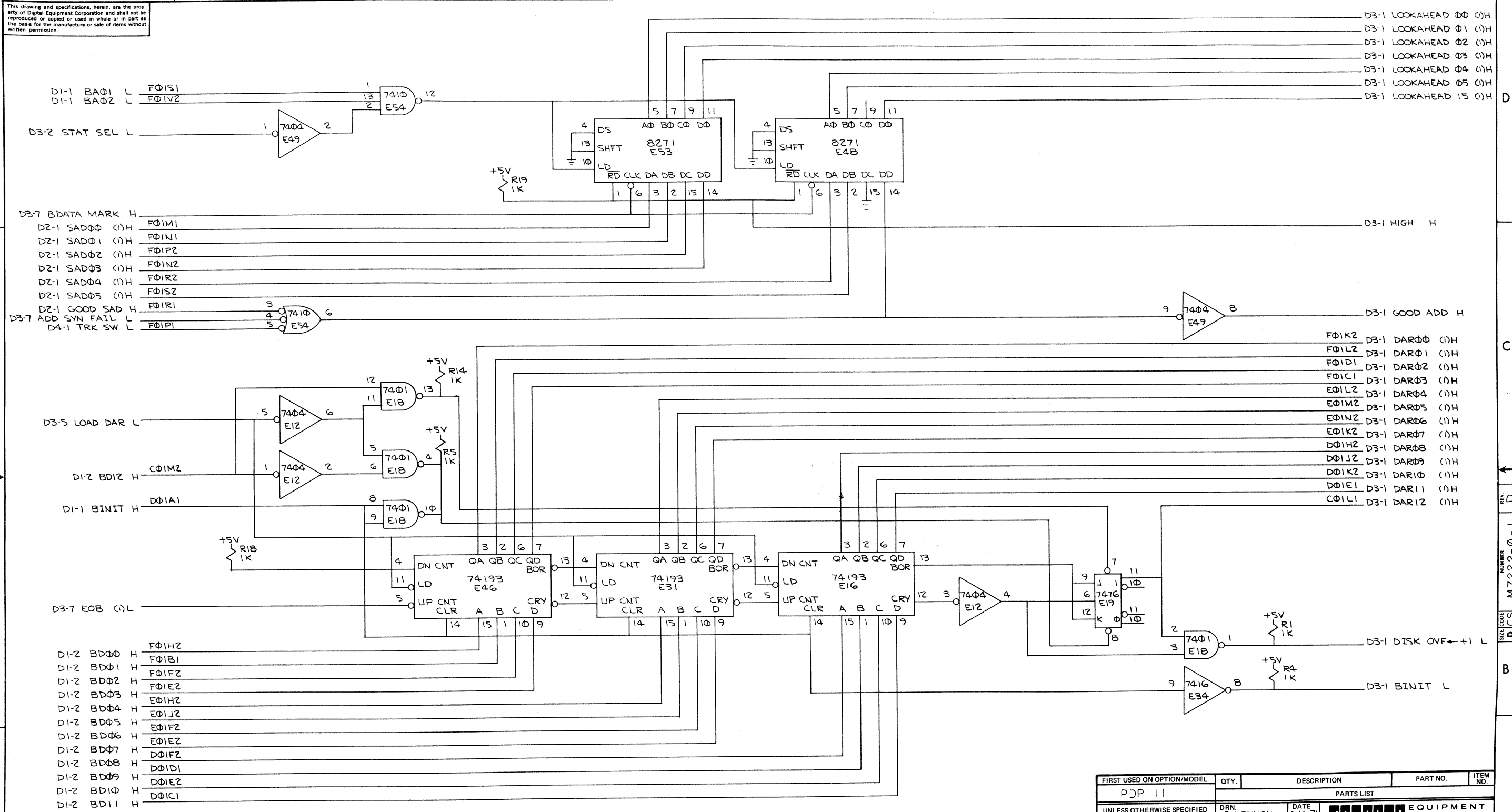
MODULE	CONTROLLER
A	C
B	D
C	E
D	F



REV	CHANGE NO.	DATE	BY	CHKD.
C	M7222-0001	7/1/71	KRISHNA	
D	M7222-0002	7/15/71	KRISHNA	

ETCH REV D	QTY.	DESCRIPTION	PART NO.	ITEM NO.
FIRST USED ON OPTION/MODEL PDP 11				
UNLESS OTHERWISE SPECIFIED	DRN	DATE	PARTS LIST	
UNLESS OTHERWISE SPECIFIED	CHKD.	DATE	digital EQUIPMENT CORPORATION	
TOLERANCES	ENG.	DATE	TITLE	
DECIMALS FRACTIONS ANGLES	PROJ. ENG.	DATE	RC11 STATUS CONTROL	
± .005 ± .154 ± .030	PROJ. ENG.	DATE	M7222 D3-0	
FINAL SURFACE QUALITY REMOVE BURRS AND BREAK SHARP CORNERS	PROJ. ENG.	DATE	SIZE CODE NUMBER REV.	
	PROJ. ENG.	DATE	DCSM7222-0-1 D	
MATERIAL	FINISH	SCALE	SHEET 1 OF 8	
			DIST.	

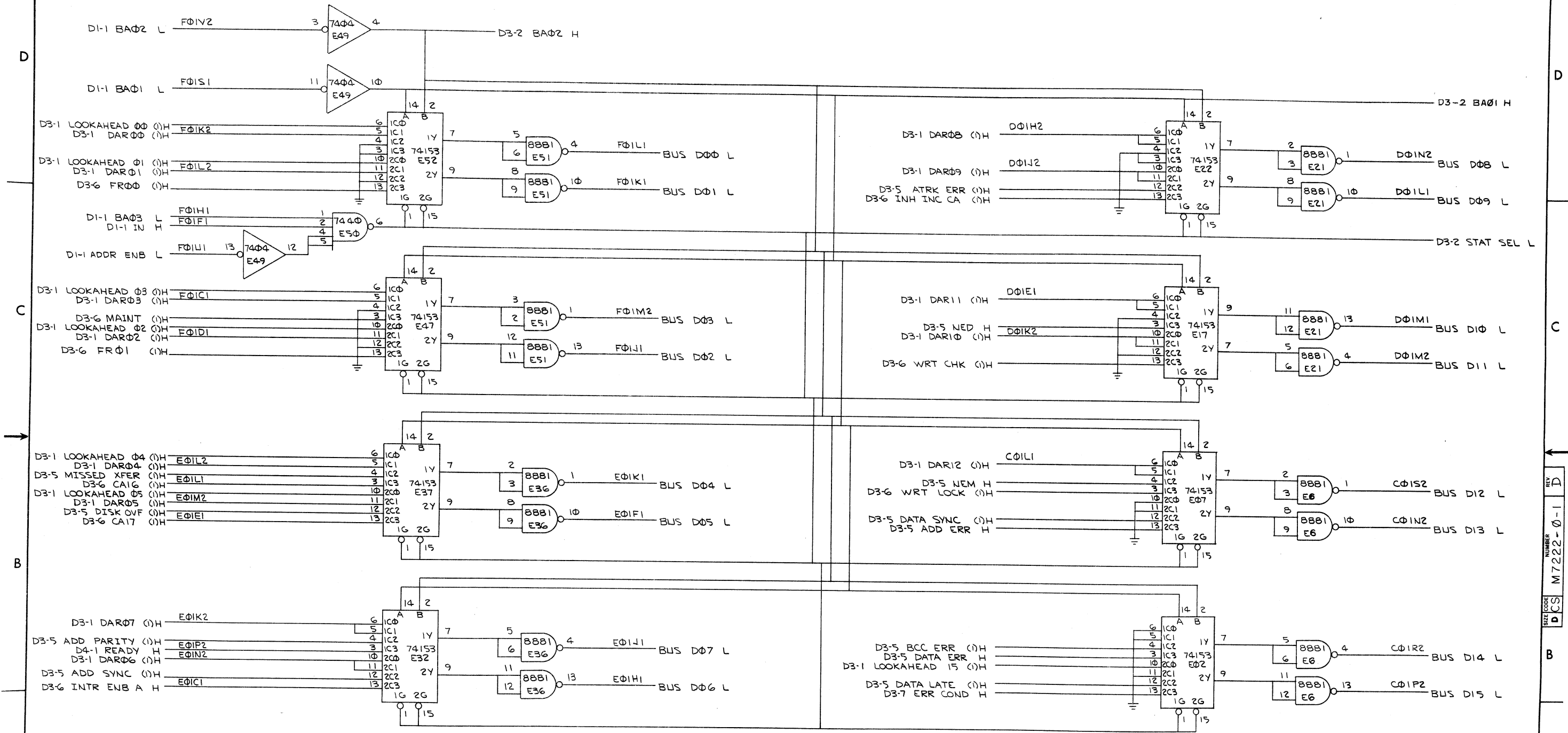
This drawing and specifications, herein, are the property of Digital Equipment Corporation and shall not be reproduced or copied or used in whole or in part as the basis for the manufacture or sale of items without written permission.



FIRST USED ON OPTION/MODEL	QTY.	DESCRIPTION	PART NO.	ITEM NO.
PDP 11				
PARTS LIST				
UNLESS OTHERWISE SPECIFIED DIMENSION IN INCHES. TOLERANCES	DRN. P. LENNON	DATE 4-11-71	 digital EQUIPMENT CORPORATION <small>MAYNARD MASSACHUSETTS</small>	
DECIMALS	CHK'D. RAIMONDI	DATE 4-13-71		
ANGLES	ENG. KRISHNA	DATE 4-16-71		
.XXX = .005 .XX = .02 .X = .1	PROJ. ENG. KRISHNA	DATE 4-16-71		
REMOVE BURRS AND BREAK SHARP CORNERS SURFACE QUALITY	PROD. SL OAN	DATE 4-22-71	TITLE RC11 STATUS REGISTER CONTROL M7222 D3-1	
MATERIAL	NEXT HIGHER ASSY.		SIZE CODE DCS	NUMBER M7222-0-1
FINISH	SCALE		SHEET 2 OF 8	REV. D

REVISIONS	CHANGE NO.	REV.

This drawing and specifications, herein, are the property of Digital Equipment Corporation and shall not be reproduced or copied in whole or in part as the basis for the manufacture or sale of items without written permission.



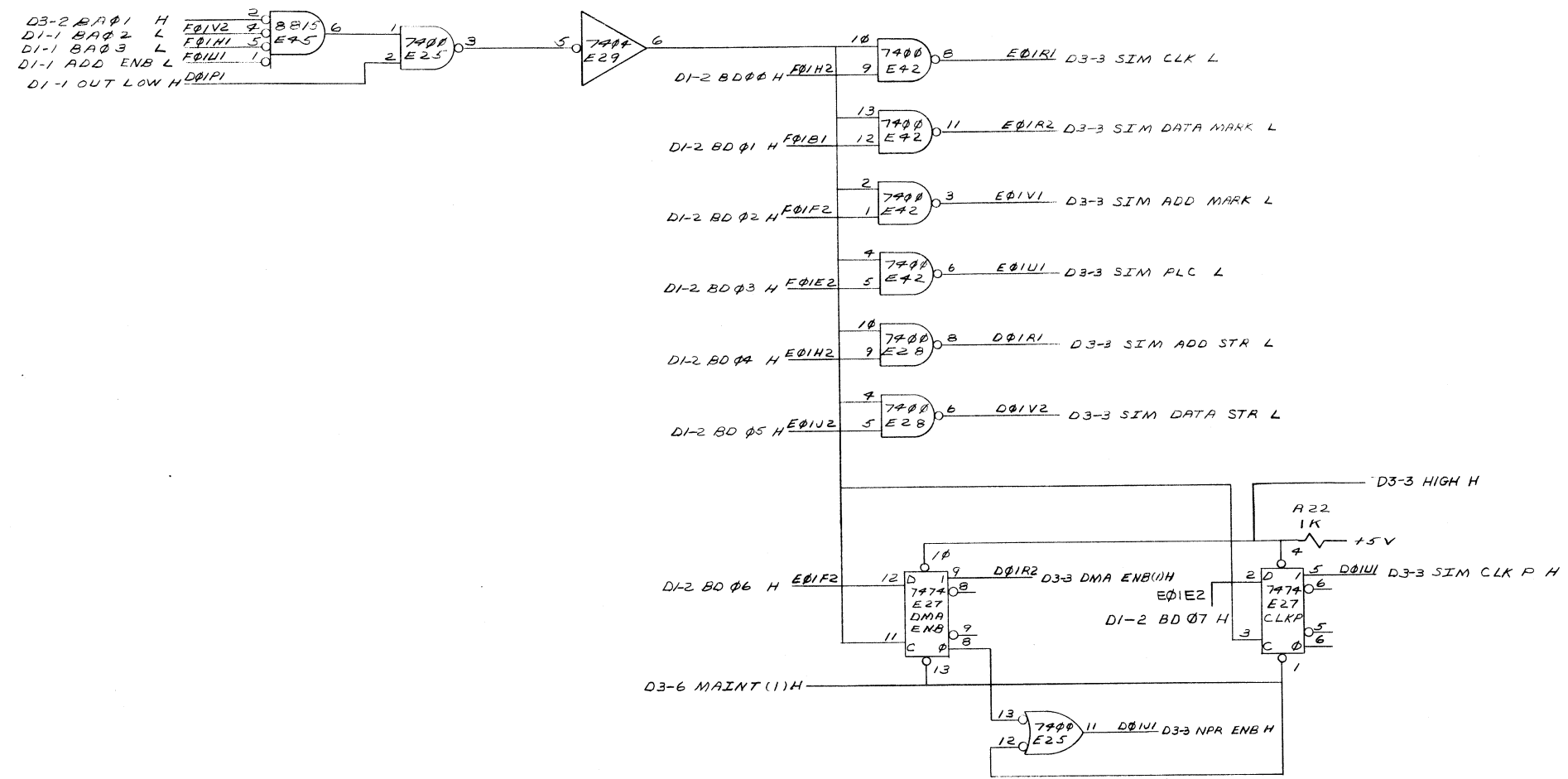
REV	CHANGE NO.

DEC FORM NO DRD 102-B

FIRST USED ON OPTION/MODEL	QTY.	DESCRIPTION	PART NO.	ITEM NO.
PDP 11				
PARTS LIST				
UNLESS OTHERWISE SPECIFIED DIMENSION IN INCHES. TOLERANCES		DRN. P. LENNON	DATE 4-11-71	digital CORPORATION <small>MAYNARD, MASSACHUSETTS</small>
DECIMALS	ANGLES	CHK'D. RAIMONDI	DATE 4-13-71	
.xxx = .006	±0° 30'	ENG. KRISHNA	DATE 4-16-71	
.xx = .02		PROJ. ENG. KRISHNA	DATE 4-16-71	
REMOVE BURRS AND BREAK SHARP CORNERS SURFACE QUALITY ✓		PROD. SLOAN	DATE 4-22-71	
MATERIAL	NEXT HIGHER ASSY.	TITLE		
FINISH	A-ML-RC11-0	RC11 STATUS REGISTER CONTROL M7222 D3-2		
	SCALE	SIZE CODE	NUMBER	REV.
	SHEET 3 OF 8	DCS	M7222-0-1	D

REV. 1-0-7222W DCS M7222-0-1

This drawing and specifications, herein, are the property of Digital Equipment Corporation and shall not be reproduced or copied or used in whole or in part as the basis for the manufacture or sale of items without written permission.

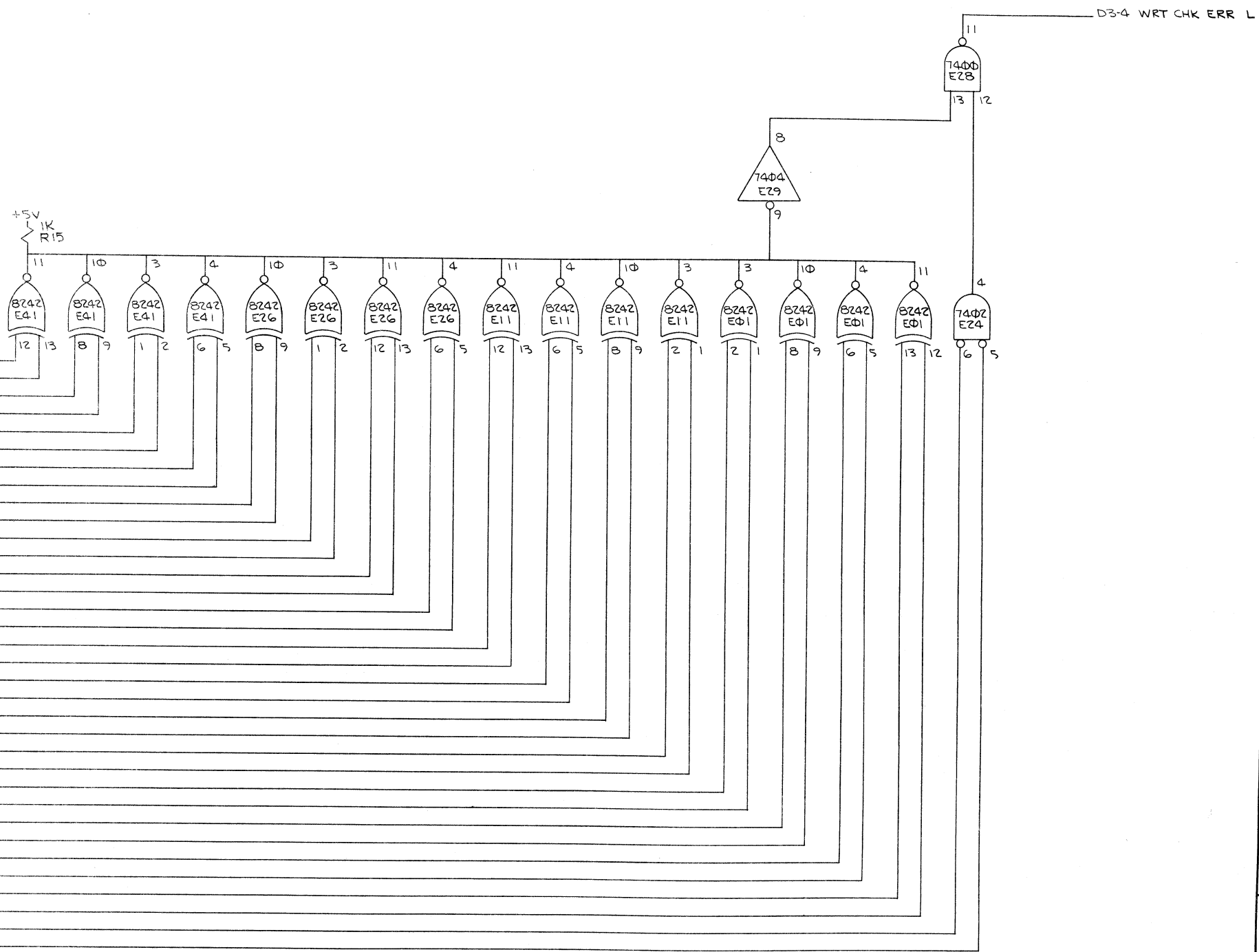


REVISIONS	REV.
CHK	CHANGE NO.

FIRST USED ON OPT/MOD PDP 11	QTY.	DESCRIPTION	PART NO.	ITEM NO.
PARTS LIST				
UNLESS OTHERWISE SPECIFIED	DRN.	DATE	digital EQUIPMENT CORPORATION	
UNLESS OTHERWISE SPECIFIED	CHK'D	DATE	RC11 STATUS CONTROL	
DIMENSION IN INCHES	A. Remondini	4-13-71	M7222 D3-3	
TOLERANCES	ENG. D. Ruskur	4/16/71	SIZE CODE NUMBER REV	
DECIMALS FRACTIONS ANGLES	PROJ. ENG. Ruskur	4/16/71	DCS M7222-0-1 D	
± .005 ± 1/64 ± 0°30'	PROD. M. M.	4/25/71	SCALE NONE SHEET 4 OF 8	
FINAL SURFACE QUALITY			DIST	
REMOVE BURRS AND BREAK SHARP CORNERS				

This drawing and specifications, herein, are the property of Digital Equipment Corporation and shall not be reproduced or copied or used in whole or in part as the basis for the manufacture or sale of items without written permission.

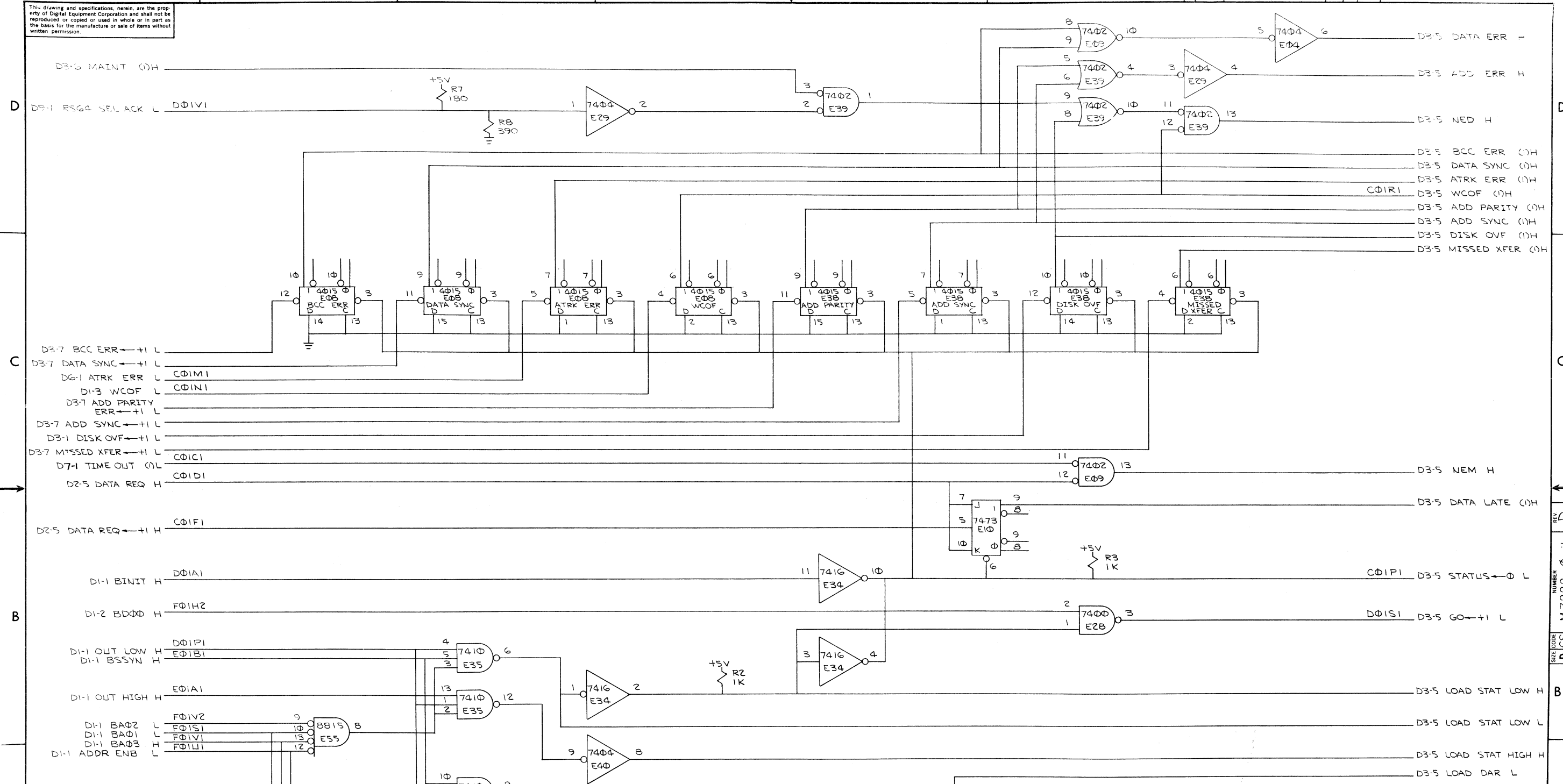
- D2-4 DB00 (1)H E01T2
- D1-2 BD00 H F01H2
- D2-4 DB01 (1)H E01S2
- D1-2 BD01 H F01B1
- D2-4 DB02 (1)H E01S1
- D1-2 BD02 H F01F2
- D2-4 DB03 (1)H F01D2
- D1-2 BD03 H D01S2
- D2-4 DB04 (1)H E01H2
- D1-2 BD04 H D01L2
- D2-4 DB05 (1)H E01J2
- D1-2 BD05 H D01T2
- D2-4 DB06 (1)H E01F2
- D1-2 BD06 H E01D2
- D2-4 DB07 (1)H E01E2
- D1-2 BD07 H C01L2
- D2-3 DB08 (1)H D01F2
- D1-2 BD08 H D01B1
- D2-3 DB09 (1)H D01D1
- D1-2 BD09 H C01T2
- D2-3 DB10 (1)H D01E2
- D1-2 BD10 H C01V2
- D2-3 DB11 (1)H D01C1
- D1-2 BD11 H C01L2
- D2-3 DB12 (1)H C01M2
- D1-2 BD12 H C01E2
- D2-3 DB13 (1)H C01D2
- D1-2 BD13 H C01J2
- D2-3 DB14 (1)H C01K2
- D1-2 BD14 H C01H2
- D2-3 DB15 (1)H C01F2
- D1-2 BD15 H
- D3-6 WRT CHK L D01N1
- D7-1 DATA STR-2 L



REV.	
CHANGE NO.	
CHK	

FIRST USED ON OPTION/MODEL	QTY.	DESCRIPTION	PART NO.	ITEM NO.
PDP 11				
PARTS LIST				
UNLESS OTHERWISE SPECIFIED DIMENSION IN INCHES. TOLERANCES	DRN. P. LENNON	DATE 4-11-71		
DECIMALS .XXX = .005 .XX = .02 .X = .1	CHK'D. RAIMONDI	DATE 4-13-71		
ANGLES ±0° 30'	ENG. KRISHNA	DATE 4-16-71	TITLE RC11 STATUS REGISTER CONTROL M7222 D3-4	
REMOVE BURRS AND BREAK SHARP CORNERS SURFACE QUALITY ✓	PROJ. ENG. KRISHNA	DATE 4-16-71		
MATERIAL	PROD. SLOAN	DATE 4-22-71	SIZE CODE DCS M7222-0-1	
FINISH	NEXT HIGHER ASSY.			
	A-ML-RC11-0	SCALE	NUMBER	REV.
	SHEET 5 OF 8	DIST.		D

This drawing and specifications, herein, are the property of Digital Equipment Corporation and shall not be reproduced or copied or used in whole or in part as the basis for the manufacture or sale of items without written permission.



REV	
CHG	
CHK	
REVISIONS	CHANGE NO.

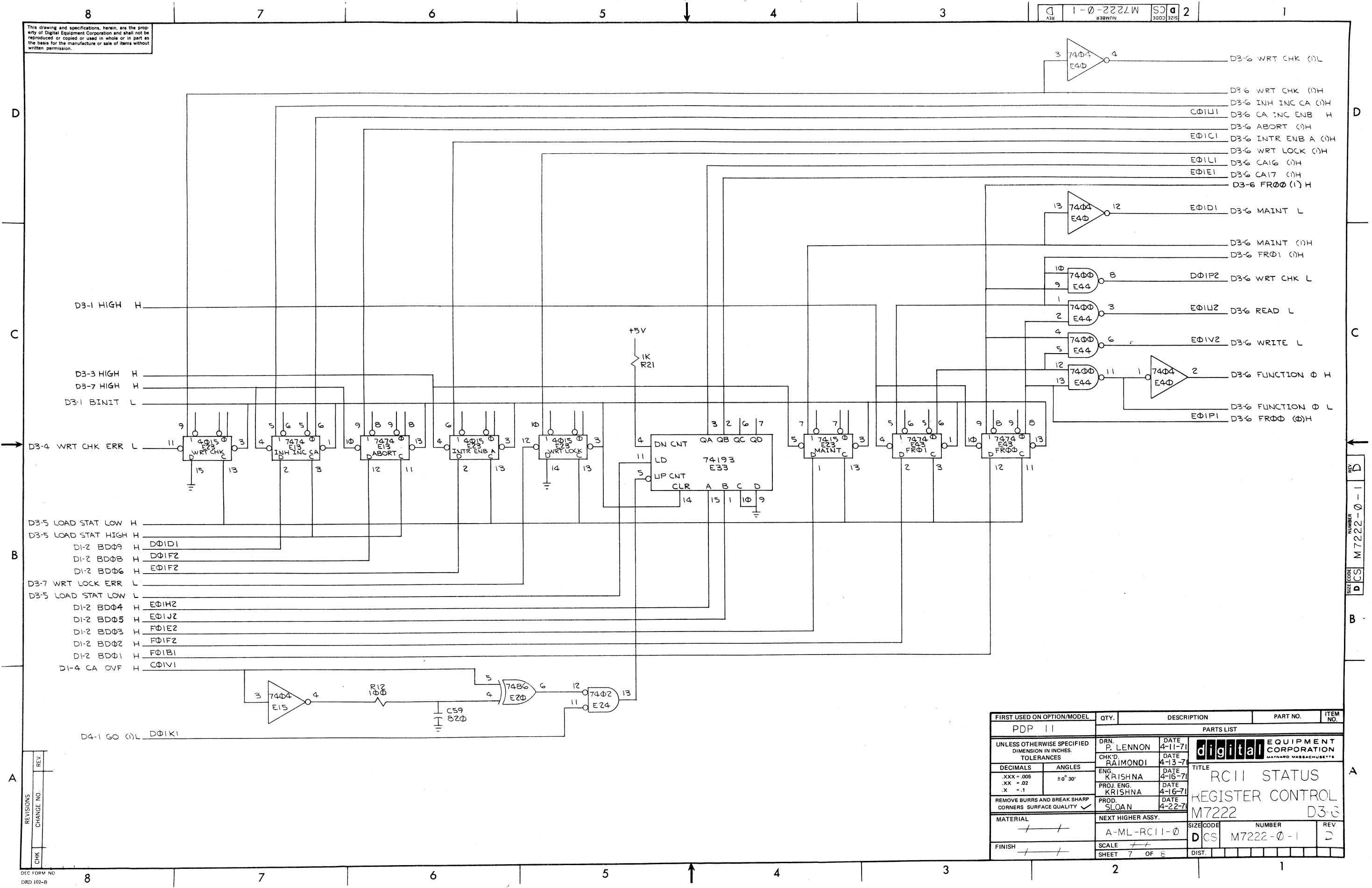
FIRST USED ON OPTION/MODEL	QTY.	DESCRIPTION	PART NO.	ITEM NO.
PDP 11				
UNLESS OTHERWISE SPECIFIED DIMENSION IN INCHES. TOLERANCES				
DECIMALS	ANGLES	DRN. P. LENNON	DATE 4-11-71	digital EQUIPMENT CORPORATION MAYNARD MASSACHUSETTS TITLE RC11 STATUS REGISTER CONTROL M7222 D3-5
.XXX = .005	±0° 30'	CHK'D RAIMONDI	DATE 4-13-71	
.XX = .02		ENG KRISHNA	DATE 4-16-71	
.X = .1		PROJ. ENG. KRISHNA	DATE 4-18-71	
		PROD. SLOAN	DATE 4-22-71	
REMOVE BURRS AND BREAK SHARP CORNERS SURFACE QUALITY ✓				
MATERIAL		NEXT HIGHER ASSY.		
FINISH		A-ML-RC11-0		
		SCALE		
		SHEET 6 OF 8		
		SIZE CODE	NUMBER	REV
		DCS	M7222-0-1	D
		DIST.		

REV D
NUMBER M7222-0-1
SIZE CODE DCS

This drawing and specifications, herein, are the property of Digital Equipment Corporation and shall not be reproduced or copied or used in whole or in part as the basis for the manufacture or sale of items without written permission.

D
C
B
A

D
C
B
A

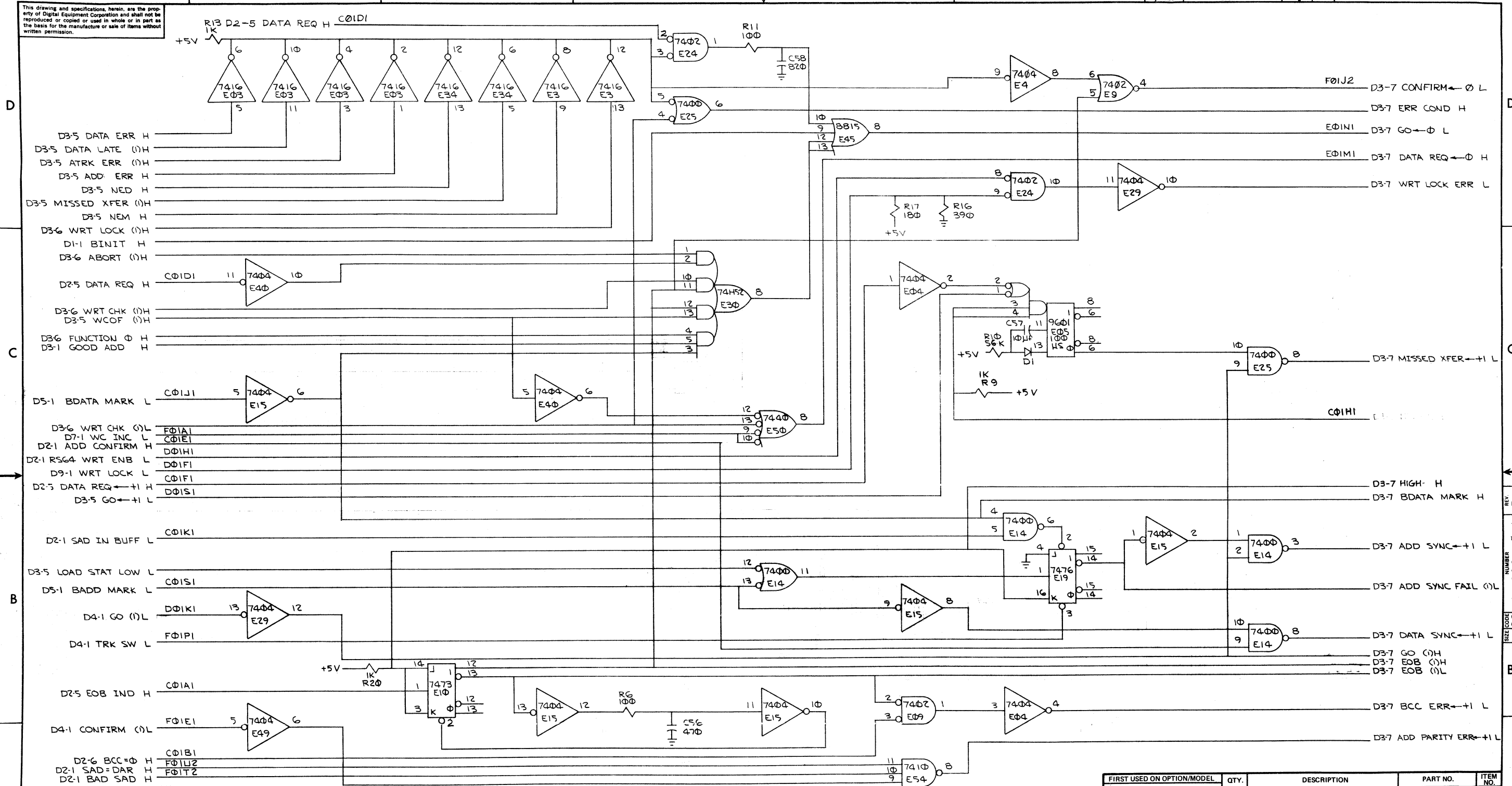


REV	CHANGE NO.

FIRST USED ON OPTION/MODEL	QTY.	DESCRIPTION	PART NO.	ITEM NO.
PDP 11				
PARTS LIST				
UNLESS OTHERWISE SPECIFIED DIMENSION IN INCHES. TOLERANCES	DRN. P. LENNON	DATE 4-11-71	digital EQUIPMENT CORPORATION <small>MAYNARD MASSACHUSETTS</small> TITLE RC11 STATUS REGISTER CONTROL M7222 D3-6	
DECIMALS .XXX = .005 .XX = .02 .X = .1	CHK'D. RAIMONDI	DATE 4-13-71		
ANGLES ±0°30'	ENG. KRISHNA	DATE 4-16-71		
REMOVE BURRS AND BREAK SHARP CORNERS SURFACE QUALITY ✓	PROJ. ENG. KRISHNA	DATE 4-16-71		
	PROD. SLOAN	DATE 4-22-71		
MATERIAL + + +	NEXT HIGHER ASSY.		SIZE CODE DCS	NUMBER M7222-0-1
FINISH + + +	SCALE 7 OF 6		DIST.	REV 2

REV D
NUMBER M7222-0-1
SIZE CODE DCS

This drawing and specifications herein are the property of Digital Equipment Corporation and shall not be reproduced or copied or used in whole or in part as the basis for the manufacture or sale of items without written permission.



REV.	
CHANGE NO.	
CHK	

FIRST USED ON OPTION/MODEL	QTY.	DESCRIPTION	PART NO.	ITEM NO.
PDP 11		PARTS LIST		
UNLESS OTHERWISE SPECIFIED DIMENSION IN INCHES. TOLERANCES	DRN. P. LENNON	DATE 4-11-71	digital EQUIPMENT CORPORATION MAYNARD, MASSACHUSETTS TITLE RC11 STATUS REGISTER CONTROL M7222 D3-7	
DECIMALS .XXX = .005 .XX = .02 .X = .1	CHK'D RAIMONDI	DATE 4-13-71		
ANGLES ±0° 30'	ENG. KRISHNA	DATE 4-16-71		
REMOVE BURRS AND BREAK SHARP CORNERS SURFACE QUALITY ✓	PROJ. ENG. KRISHNA	DATE 4-16-71		
MATERIAL	PROD. SLOAN	DATE 4-22-71	NEXT HIGHER ASSY. A-ML-RC11-0 SCALE 1/1 SHEET 8 OF 8	
FINISH			SIZE CODE DCS	NUMBER M7222-0-1
			DIST.	REV. D

This drawing and specifications herein are the property of Digital Equipment Corporation and shall not be reproduced or copied or used in whole or in part as the basis for the manufacture or sale of items without written permission.

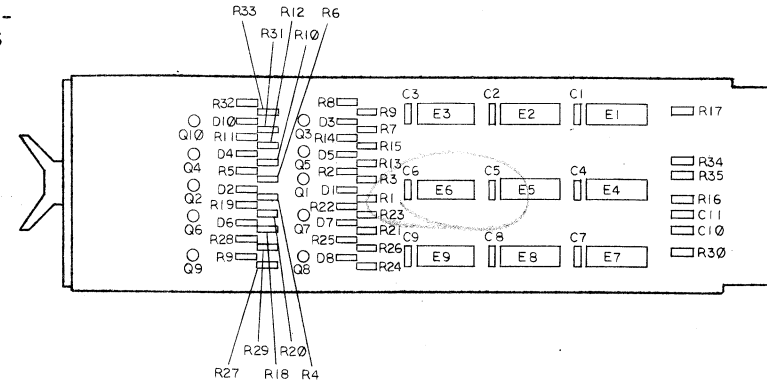
PARTS REFERENCE

ITEM NO	DRAWING REFERENCE	DESCRIPTION	PART NUMBER	QUANTITY
E1		DEC 7450 IC	1905580	1
E2, E6, E7, E9		DEC 7404 IC	1909686	4
E3, E8		DEC 7400 IC	1905515	2
E4		DEC 7473 IC	1905587	1
E5		DEC 7402 IC	1909004	1
C1 THRU C9		.01 MFD 100V 20% CAP	1001610	9
C10, C11		.470 PFD 100V 5% CAP	1000024	2
D1 THRU D10		D664 DIODE	1100114	10
Q1 THRU Q10		DEC 3009B TRANSISTOR	1503100	10
R1, R3, R4, R6, R7, R9, R10, R12, R13, R15, R18, R20, R21, R23, R24, R26, R27, R29, R31, R33		390 1/4W 5% RES	1300309	20
R2, R5, R8, R11, R14, R19, R22, R25, R28, R32		180 1/4W 5% RES	1301322	10
R16, R30		1K 1/4W 5% RES	1300365	2
R17		82 1/4W 5% RES	1301477	1
R34, R35		100 1/4W 5% RES	1300229	2
REF	RC11 UNIT AND TRACK SELECTOR (A-PLM7224-0-0)			

NOTES:

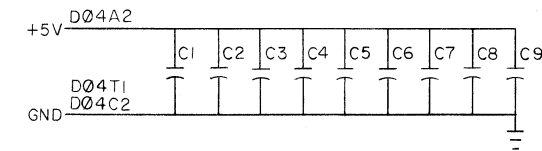
- PIN NOTATION THROUGHOUT IS ORDERED UPON MODULE PLACEMENT IN THE RC11 CONTROLLER. MODULE REFERENCE ALONE IS OBTAINED BY DELETING THE NUMBER (SLOT LOCATION) AFTER THE FIRST LETTER, AND CONVERTING THE FIRST LETTER ACCORDING TO THE PIN NOMENCLATURE CHART AT RIGHT.
- ALL SIGNALS THAT HAVE MODULE PINS ARE SO NOTED; MULTIPLE NOTATIONS OF THE SAME SIGNALS WITHIN A MODULE HAVE THE PIN NOTED ON EACH. AN INPUT SIGNAL IS NOTED ONLY ONCE PER SHEET UNLESS SEPERATE PINS ARE USED; MULTIPLE INPUTS ARE CONNECTED. MODULE OUTPUT SIGNALS ARE BROUGHT TO THE EXTREME RIGHT OF EACH SHEET WHENEVER POSSIBLE.
- CONTROLLER SIGNAL SOURCE NOTATION (D1-2, FOR EXAMPLE) IDENTIFIES THE SIGNAL SOURCE (PRINT AND MODULE). THE FIRST NUMBER AFTER THE D INDICATES THE MODULE PRINT SET, WHILE THE SECOND INDICATES THE SHEET WITHIN THE SET. IF ON A PRINT, THE FIRST NUMBER OF THE D PREFIXES COINCIDE FOR A SIGNAL NAME AND THE PRINT (SEE TITLE BLOCK), THE SIGNAL IS GENERATED ON THE MODULE. A DIFFERENCE IN THE FIRST NUMBER OF THE D PREFIXES INDICATES A SIGNAL GENERATED OFF THE MODULE. SIGNALS WITH A "BUS" PREFIX REPRESENT A "WIRED OR" SITUATION, AND MULTIPLE SOURCES FOR THE SIGNAL CAN EXIST.
- DETAILS ON COMPONENTS ARE NOTED IN THE PARTS REFERENCE, PLACEMENT IS NOTED IN THE COMPONENT PLACEMENT DIAGRAM. CAPACITORS WITHOUT NOTED VALUES ARE .01 MFD.
- GND AND +5V ARE USUALLY PIN 7 AND PIN 14, RESPECTIVELY, EXCEPT FOR DEC 7473 WHICH HAS +5V ON PIN 4, AND GND ON PIN 11.
- UNLESS OTHERWISE NOTED: RESISTANCE IS IN OHMS; CAPACITANCE IS IN PICOFARADS.

COMPONENT PLACEMENT



PIN NOMENCLATURE

MODULE	CONTROLLER
A	D

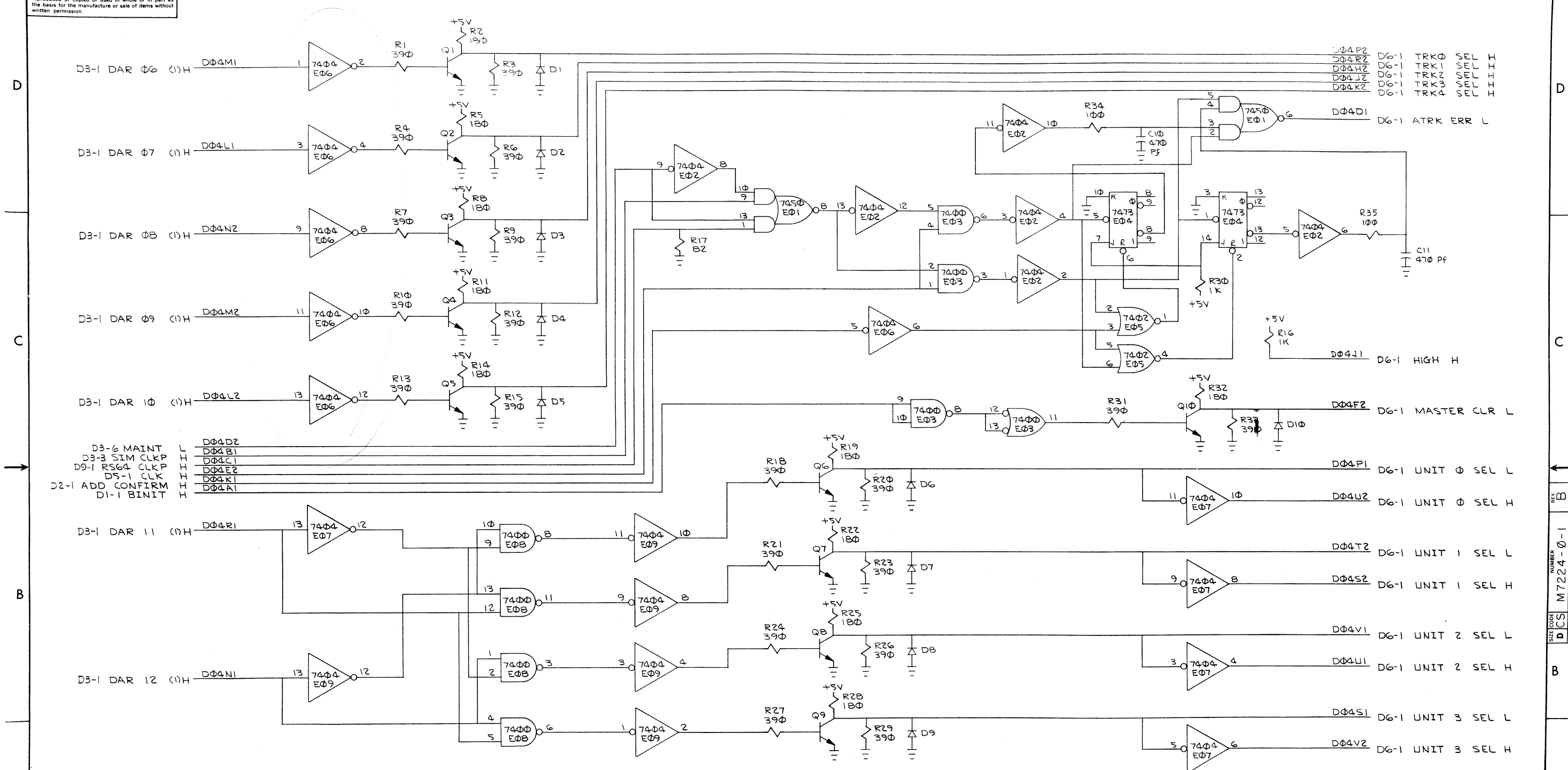


REVISIONS	CHANGE NO	REV
CHK	ORIGINATED	A
	M7224-00001	B
	1/11/71	
	P. KRISHNA	
	R. V. S. S. S.	10/4/71

ETCH REV B	FIRST USED ON OPTION/MODEL	QTY.	DESCRIPTION	PART NO.	ITEM NO.
	RC11				
PARTS LIST					
UNLESS OTHERWISE SPECIFIED	DRN. W. MAJOR	DATE 3/6/71	digital EQUIPMENT CORPORATION MAYNARD, MASSACHUSETTS		
UNLESS OTHERWISE SPECIFIED	CHK'D. [Signature]	DATE 4-7-71	TITLE RC11 UNIT & TRACK SELECTOR		
TOLERANCES DIMENSION IN INCHES	ENG. R. Krishna	DATE 4-9-71	M7224 D6-0		
ANGLES ± 0°30'	PROJ. ENG. R. Krishna	DATE 4-9-71	SIZE CODE NUMBER REV. D CS M7224-0-1 B		
FINAL SURFACE QUALITY REMOVE BURRS AND BREAK SHARP CORNERS	PROD.	DATE	SCALE NONE		
MATERIAL	NEXT HIGHER ASSY		SHEET 1 OF 2		
FINISH	A-ML-RC11-0		DIST.		

REV B
NUMBER
M7224-0-1
D CS

This drawing and specifications herein are the property of Digital Equipment Corporation and shall not be reproduced or copied or used in whole or in part as the basis for the manufacture or sale of items without written permission.



D3-6 MAINT H
 D3-3 SIM CLKP H
 D9-1 RS64 CLKP H
 D5-1 CLK H
 D2-1 ADD CONFIRM H
 D1-1 BINIT H
 D04D2 H
 D04B1 H
 D04C1 H
 D04E2 H
 D04K1 H
 D04A1 H

FIRST USED ON OPTION/MODEL	QTY.	DESCRIPTION	PART NO.	ITEM NO.
RC11				
PARTS LIST				
UNLESS OTHERWISE SPECIFIED DIMENSION IN INCHES.		DRN. W.MAJOR	DATE 3/1/71	digital EQUIPMENT CORPORATION MAYNARD, MASSACHUSETTS
TOLERANCES		CHK'D.	DATE 4-7-71	
DECIMALS	ANGLES	ENG. R. V. SHINE	DATE 4-9-71	
.XXX = .005	±0° 30'	PROL. ENG. R. V. SHINE	DATE 4-9-71	
REMOVE BURRS AND BREAK SHARP CORNERS SURFACE QUALITY ✓		PROD.	DATE	TITLE RC11 UNIT & TRACK SELECTOR M7224 D6-1
MATERIAL	NEXT HIGHER ASSY.	SIZE CODE	NUMBER	REV.
/ / /	A-ML-RC11-0	D	CS M7224-0-1	B
FINISH	SCALE	NONE	SHEET 2 OF 2	DIST.

REV.	CHANGE NO.

This drawing and specifications herein, are the property of Digital Equipment Corporation and shall not be reproduced or copied or used in whole or in part as the basis for the manufacture or sale of items without written permission.

1-0-5222W SCS 2

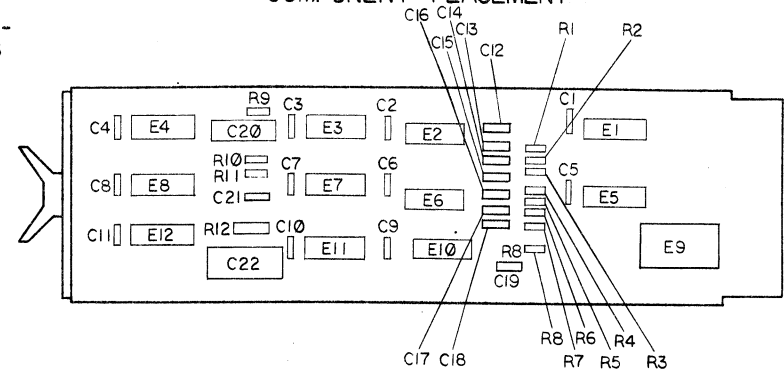
PARTS REFERENCE

ITEM NO	DRAWING REFERENCE	DESCRIPTION	PART NUMBER	QUANTITY
E4	DEC 7400	IC	1905515	1
E8	DEC 7402	IC	1909004	1
E1, E5	DEC 7404	IC	1909686	2
E10	DEC 7430	IC	1905578	1
E12	DEC 7474	IC	1905547	1
E2, E6	DEC 7486	IC	1910011	2
E3, E7, E11	DEC 9601	IC	1909487	3
C1 THRU C11	.01 MFD 100V 20% CAP	1001610	11	
C12 THRU C18	.020 PFD 100V 5% CAP	1000027	7	
C19	.47 PFD 100V 5% CAP	1000024	1	
C20	.47 MFD 35V 10% CAP	1005965	1	
C21	.047 MFD 16V 15% 20% CAP	1009678	1	
C22	.022 MFD 100V 10% CAP	1002323	1	
R1 THRU R8	100 1/4W 5% RES	1300229	8	
R9	56K 1/4W 5% RES	1302395	1	
R10	1K 1/4W 5% RES	1300365	1	
R11	22K 1/4W 5% RES	1301808	1	
R12	47K 1/4W 5% RES	1302177	1	
E9	PRIORITY JUMPER LEVEL			
REF	STATUS CONTROL EXTENDER	A-PLM7225-0-0		

NOTES:

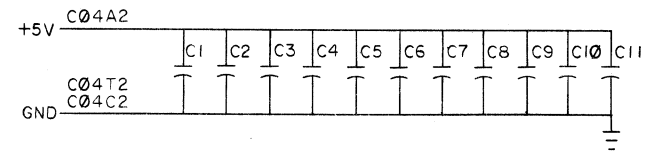
- PIN NOTATION THROUGHOUT IS ORDERED UPON MODULE PLACEMENT IN THE RC11 CONTROLLER. MODULE REFERENCE ALONE IS OBTAINED BY DELETING THE NUMBER (SLOT LOCATION) AFTER THE FIRST LETTER, AND CONVERTING THE FIRST LETTER ACCORDING TO THE PIN NOMENCLATURE CHART AT RIGHT.
- ALL SIGNALS THAT HAVE MODULE PINS ARE SO NOTED; MULTIPLE NOTATIONS OF THE SAME SIGNALS WITHIN A MODULE HAVE THE PIN NOTED ON EACH. AN INPUT SIGNAL IS NOTED ONLY ONCE PER SHEET UNLESS SEPERATE PINS ARE USED; MULTIPLE INPUTS ARE CONNECTED. MODULE OUTPUT SIGNALS ARE BROUGHT TO THE EXTREME RIGHT OF EACH SHEET WHENEVER POSSIBLE.
- CONTROLLER SIGNAL SOURCE NOTATION (D1-2, FOR EXAMPLE) IDENTIFIES THE SIGNAL SOURCE (PRINT AND MODULE). THE FIRST NUMBER AFTER THE D INDICATES THE MODULE PRINT SET, WHILE THE SECOND INDICATES THE SHEET WITHIN THE SET. IF ON A PRINT, THE FIRST NUMBER OF THE D PREFIXES COINCIDE FOR A SIGNAL NAME AND THE PRINT (SEE TITLE BLOCK), THE SIGNAL IS GENERATED ON THE MODULE. A DIFFERENCE IN THE FIRST NUMBER OF THE D PREFIXES INDICATES A SIGNAL GENERATED OFF THE MODULE. SIGNALS WITH A "BUS" PREFIX REPRESENT A "WIRED OR" SITUATION, AND MULTIPLE SOURCES FOR THE SIGNAL CAN EXIST.
- DETAILS ON COMPONENTS ARE NOTED IN THE PARTS REFERENCE PLACEMENT IS NOTED IN THE COMPONENT PLACEMENT DIAGRAM. CAPACITORS WITHOUT NOTED VALUES ARE .01 MFD.
- GND AND +5V ARE USUALLY PIN 7 AND PIN 14, RESPECTIVELY.
- UNLESS OTHERWISE NOTED: RESISTANCE IS IN OHMS, CAPACITANCE IS IN PICOFARADS.

COMPONENT PLACEMENT



PIN NOMENCLATURE

MODULE	CONTROLLER
A	C



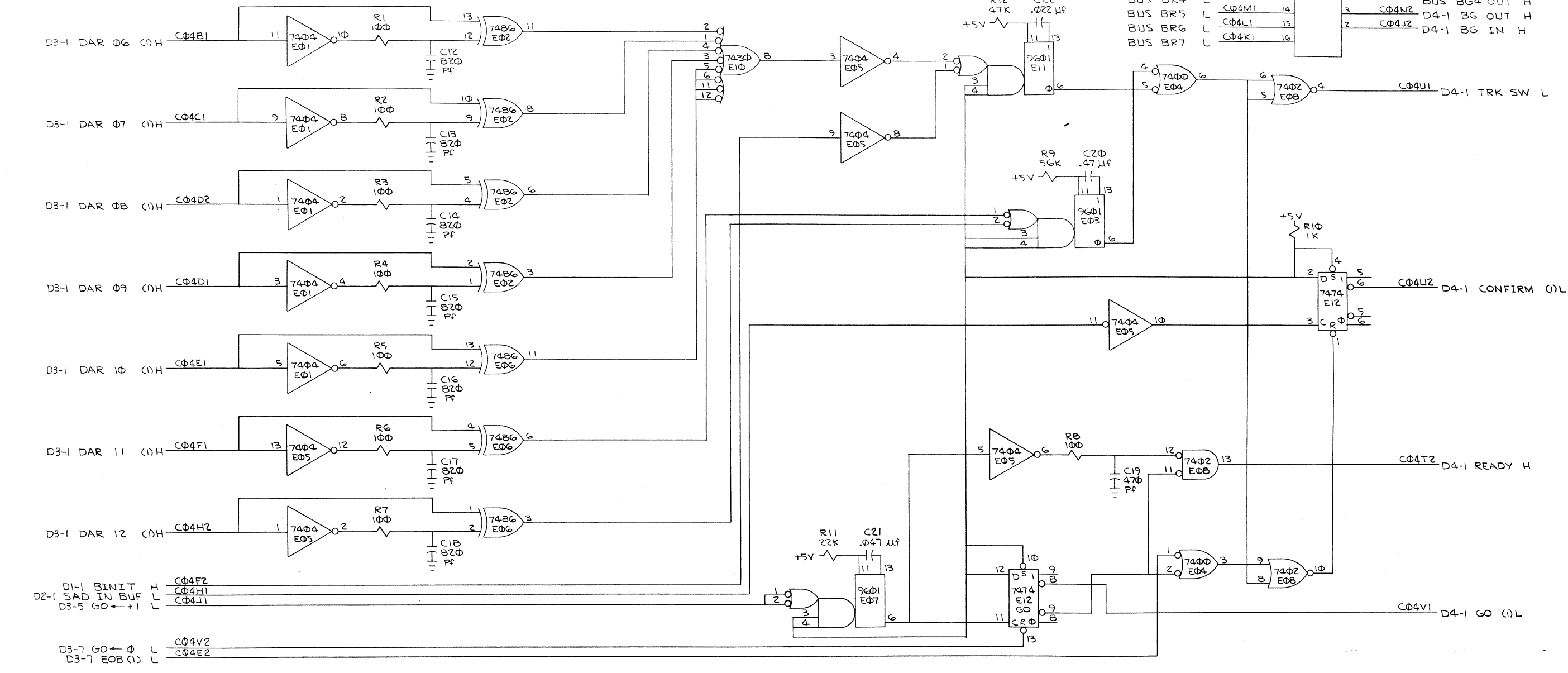
REVISIONS	REV	A
CHANGE NO.	ORIGINATED	A
CHK		

FIRST USED ON OPTION / MODEL RC11	QTY.	DESCRIPTION	PART NO.	ITEM NO.
PARTS LIST				
UNLESS OTHERWISE SPECIFIED	DRN. W. MAJOR	DATE 3/8/71	digital EQUIPMENT CORPORATION MAYNARD, MASSACHUSETTS	
UNLESS OTHERWISE SPECIFIED	CHK'D. [Signature]	DATE 4-6-71	TITLE RC11 STATUS CONTROL EXTENDER	
TOLERANCES	ENG. [Signature]	DATE 4/9/71	M7225 D4-0	
DECIMALS FRACTIONS ANGLES	PROJ. ENG. [Signature]	DATE 4/9/71	SIZE/CODE NUMBER REV. DCS M7225-0-1 A	
± .000 ± .004 ± 0°30'	PROD. [Signature]	DATE	SCALE 1 OF 2	
FINAL SURFACE QUALITY REMOVE BURRS AND BREAK SHARP CORNERS	MATERIAL	NEXT HIGHER ASSY A-ML-RC11-0	SHEET 1 OF 2	
FINISH	ETCH B	PINK BLUE		

DEC FORM NO DTD 102A

This drawing and specifications, herein, are the property of Digital Equipment Corporation and shall not be reproduced or copied or used in whole or in part as the basis for the manufacture or sale of items without written permission.

D
C
B
A



BUS B66 IN H	C04P1	9	8	C04P2	BUS B66 OUT H
BUS B67 OUT H	C04M2	10	7	C04R2	BUS B65 IN H
BUS B67 IN H	C04L2	11	6	C04S2	BUS B65 OUT H
DB-1 INT REQ L	C04K2	12	5	C04S1	BUS B64 IN H
BUS BR4 L	C04N1	13	4	C04R1	BUS B64 OUT H
BUS BR5 L	C04M1	14	3	C04N2	D4-1 BG OUT H
BUS BR6 L	C04L1	15	2	C04J2	D4-1 BG IN H
BUS BR7 L	C04K1	16			

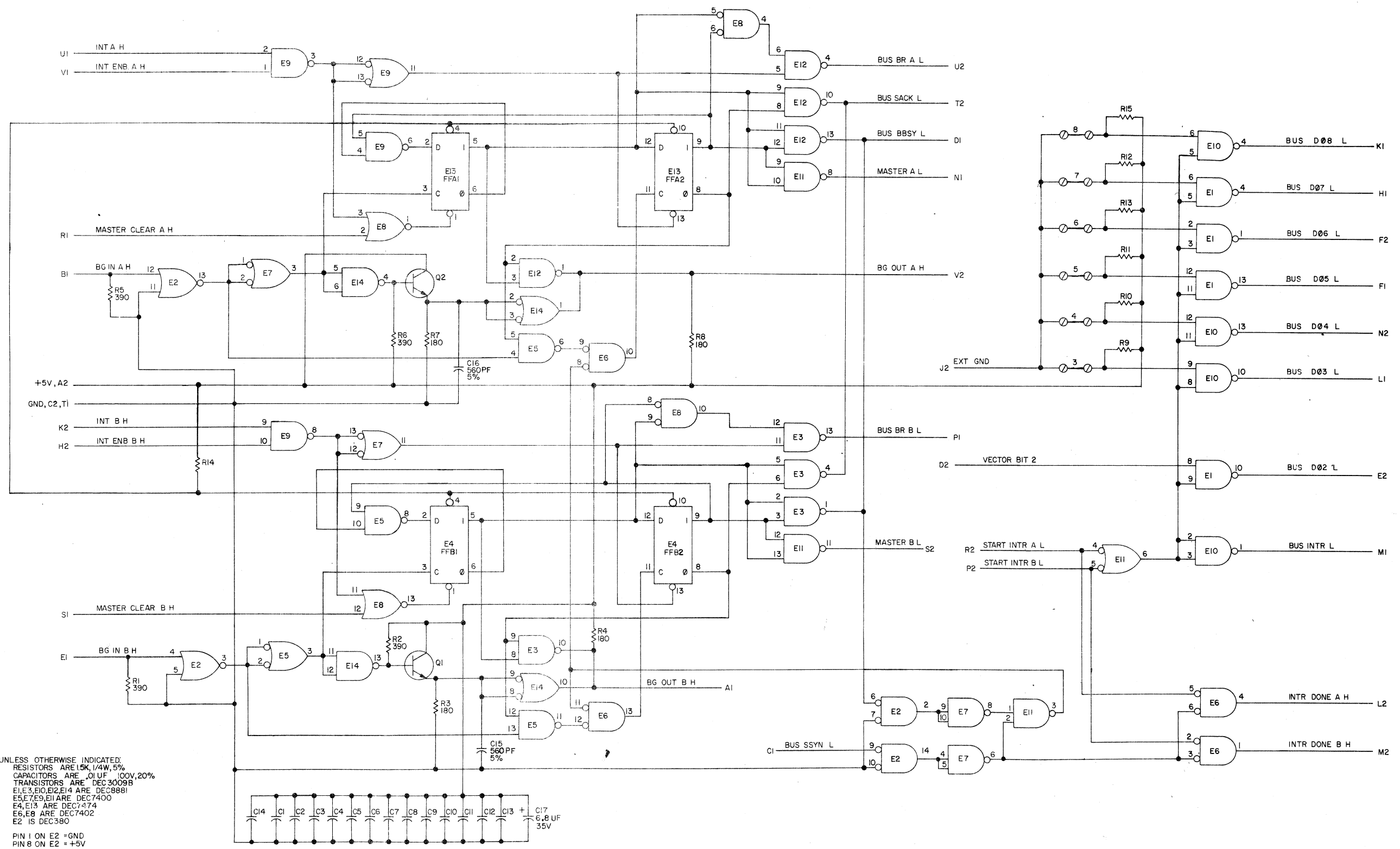
D1-1 BINIT H	C04F2
D2-1 SAD IN BUF L	C04H1
D3-5 GO ← +1 L	C04J1
D3-7 GO ← φ L	C04V2
D3-7 EOB (1) L	C04E2

FIRST USED ON OPTION/MODEL	QTY.	DESCRIPTION	PART NO.	ITEM NO.
RC11				
PARTS LIST				
UNLESS OTHERWISE SPECIFIED DIMENSION IN INCHES. TOLERANCES		DRN. W. MAJOR	DATE 3/5/71	digital EQUIPMENT CORPORATION MAYNARD, MASSACHUSETTS TITLE RC11 STATUS CONTROL EXTENDER M7225 D4-1
DECIMALS .XXX = .005	ANGLES ±0° 30'	CHK'D. <i>[Signature]</i>	DATE 4-6-71	
		ENG. <i>[Signature]</i>	DATE 4/9/71	
		PROJ. ENG. <i>[Signature]</i>	DATE 4/9/71	
		PROD.	DATE	
REMOVED BURRS AND BREAK SHARP CORNERS SURFACE QUALITY ✓		NEXT HIGHER ASSY.		
MATERIAL / /	A-ML-RC11-0		SIZE CODE DCS	NUMBER M7225-0-1
FINISH / /	SCALE NONE			REV. A
SHEET 2 OF 2		DIST.		

REV	
CHANGE NO.	
CHK	

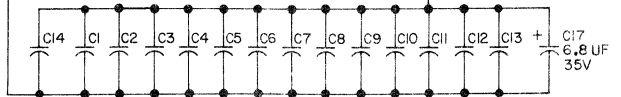
REV. A
M7225-0-1
SIZE CODE DCS

THIS SCHEMATIC IS FURNISHED ONLY FOR TEST AND MAINTENANCE PURPOSES. THE CIRCUITS ARE PROPRIETARY IN NATURE AND SHOULD BE TREATED ACCORDINGLY. COPYRIGHT 1970 BY DIGITAL EQUIPMENT CORPORATION



UNLESS OTHERWISE INDICATED:
RESISTORS ARE 1/4W, 5%
CAPACITORS ARE .01UF, 100V, 20%
TRANSISTORS ARE DEC 3009B
E1, E3, E10, E12, E14 ARE DEC 8881
E5, E7, E9, E11 ARE DEC 7400
E4, E13 ARE DEC 7474
E6, E8 ARE DEC 7402
E2 IS DEC 380

PIN 1 ON E2 = GND
PIN 8 ON E2 = +5V
PIN 7 ON E1, E3 - E14 = GND
PIN 14 ON E1, E3 - E14 = +5V
⊗ = SPLIT LUGS
— = JUMPERS



REV	DATE	BY	CHKD
1	12/31/70	S. COOPER	
2	1/15/71	W. MANN	
3	1/21/71	W. MANN	

TRANSISTOR & DIODE CONVERSION CHART			
MANUFACTURER	TYPE	DIGITAL EQUIPMENT CORPORATION	TYPE
DEC	3009B	2N3009B	
DEC	7400	7400	
DEC	7474	7474	
DEC	7402	7402	

digital INTERRUPT CONTROL M7820
EQUIPMENT CORPORATION
MAYNARD, MASSACHUSETTS

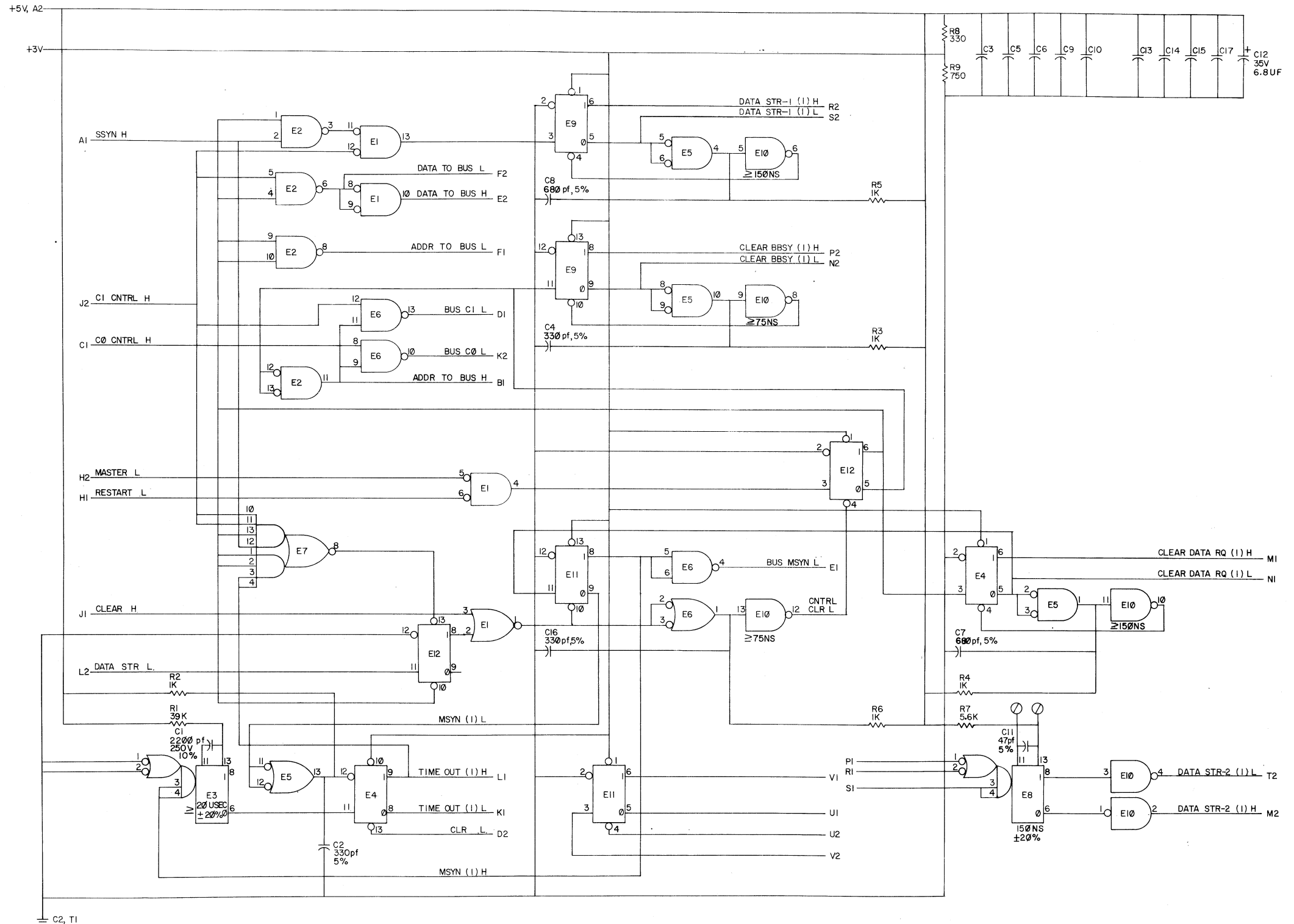
SIZE	CODE	NUMBER	REV
D	CS	M7820-0-1	B

PRINTED CIRCUIT REV. BC

REV B
M7820-0-1
D CS

THIS SCHEMATIC IS FURNISHED ONLY FOR TEST AND MAINTENANCE PURPOSES. THE CIRCUITS ARE PROPRIETARY IN NATURE AND SHOULD BE TREATED ACCORDINGLY. COPYRIGHT 1970 BY DIGITAL EQUIPMENT CORPORATION

REV. 0-1
NUMBER M796
CS D



UNLESS OTHERWISE INDICATED:
 RESISTORS ARE 1/4W, 5%
 CAPACITORS ARE .01uf, 100V, 20%
 E1 IS DEC7402
 E2 IS DEC7400
 E3, E8 ARE DEC9601
 E4, E9, E11, E12 ARE DEC7474
 E5 IS DEC7401
 E6 IS DEC8881
 E7 IS DEC74H55
 E10 IS DE7404
 ⊕ = SPLIT LUGS

REV	CHK	NO	REV
1	00001	A	
2	00002	B	

DRN	DATE
CHKD	DATE
ENG	DATE
PROD	DATE

TRANSISTOR & DIODE CONVERSION CHART			
DEC	EIA	DEC	EIA

digital		TITLE	
EQUIPMENT CORPORATION		UNIBUS MASTER CONTROL M796	
SIZE	CODE	NUMBER	REV.
D	CS	M796-0-1	B
PRINTED CIRCUIT REV.			A B

REV. B
NUMBER M796-0-1
CS D

11713

4 PIN

This drawing and specifications, herein, are the property of Digital Equipment Corporation and shall not be reproduced or copied or used in whole or in part as the basis for the manufacture or sale of items without written permission.

PARTS REFERENCE

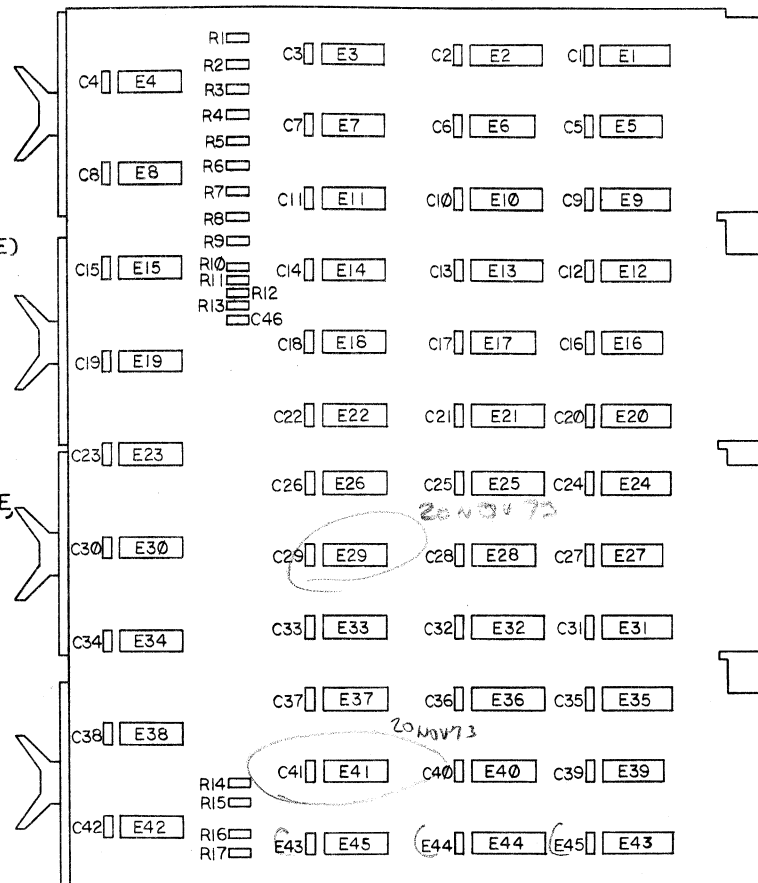
ITEM NO	DRAWING REFERENCE	DESCRIPTION	PART NUMBER	QUANTITY
1	E6, E11, E17, E22, E26, E28, E33, E37, E40	DEC 380 IC.	1909485	9
2	E19, E34	DEC 7400 IC.	1905575	2
3	E38	DEC 7402 IC.	1909004	1
4	E3, E45	DEC 7404 IC.	1909586	2
5	E30	DEC 7410 IC.	1905576	1
6	E42	DEC 7416 IC.	1909928	1
7	E4, E8, E15	DEC 8242 IC.	1909712	3
8	E23	DEC 8815 IC.	1909713	1
9	E5, E7, E14, E16, E18, E27, E29, E39, E41	DEC 8881 IC.	1909705	9
10	E1, E9, E12, E20, E24, E31, E35, E43	DEC 74153 IC.	1909937	8
11	E2, E10, E13, E21, E25, E32, E36, E44	DEC 74193 IC.	1910018	8
12	C1 THRU C45	.01 MFD 100V 20% CAP.	1001610	45
13	C46	470 P.F. 100V 5% CAP.	1000024	1
14	R1 THRU R12, R14 THRU R17	1K 1/4W 5% RES.	1300365	16
15	R13	100 1/4W 5% RES.	1300229	1
REF	RC11 BUS INTERFACE	API-M7219-0-0		

NOTES:

- PIN NOTATION THROUGHOUT IS ORDERED UPON MODULE PLACEMENT IN THE CONTROLLER. MODULE REFERENCE ALONE IS OBTAINED BY DELETING THE NUMBER (SLOT LOCATION) AFTER THE FIRST LETTER, AND CONVERTING THE FIRST LETTER ACCORDING TO THE PIN NOMENCLATURE CHART AT RIGHT.
- ALL SIGNALS THAT HAVE MODULE PINS ARE SO NOTED; MULTIPLE NOTATIONS OF THE SAME SIGNALS WITHIN A MODULE HAVE THE PIN NOTED ON EACH. AN INPUT SIGNAL IS NOTED ONLY ONCE PER SHEET UNLESS SEPERATE PINS ARE USED; MULTIPLE INPUTS ARE CONNECTED. MODULE OUTPUT SIGNALS ARE BROUGHT TO THE EXTREME RIGHT OF EACH SHEET WHENEVER POSSIBLE.
- CONTROLLER SIGNAL SOURCE NOTATION (D1-2 FOR EXAMPLE) IDENTIFIES THE SIGNAL SOURCE (PRINT AND MODULE). THE FIRST NUMBER AFTER THE D INDICATES THE MODULE PRINT SET, WHILE THE SECOND INDICATES THE SHEET WITHIN THE SET. IF ON A PRINT, THE FIRST NUMBER OF THE D PREFIXES COINCIDE FOR A SIGNAL NAME AND THE PRINT (SEE TITLE BLOCK), THE SIGNAL IS GENERATED ON THE MODULE. A DIFFERENCE IN THE FIRST NUMBER OF THE D PREFIXES INDICATES A SIGNAL GENERATED OFF THE MODULE. SIGNALS WITH A "BUS" PREFIX REPRESENT A "WIRED OR" SITUATION, AND MULTIPLE SOURCES FOR THE SIGNAL CAN EXIST.
- DETAILS ON COMPONENTS ARE NOTED IN THE PARTS REFERENCE, PLACEMENT IS NOTED IN THE COMPONENT PLACEMENT DIAGRAM. CAPACITORS WITHOUT NOTED VALUES ARE .01 MFD.
- GND AND +5V ARE USUALLY PIN 7 AND PIN 14, RESPECTIVELY. EXCEPTIONS ARE:

IC TYPE	GND	+5V
DEC 74153	PIN 8	PIN 16
DEC 74193	PIN 8	PIN 16
DEC 380	PIN 1	PIN 8
- UNLESS OTHERWISE NOTED: RESISTANCE IS IN OHMS; CAPACITANCE IS IN PICOFARADS
- JUMPER FOR 0 FOR BUS ADDRESS SELECTION

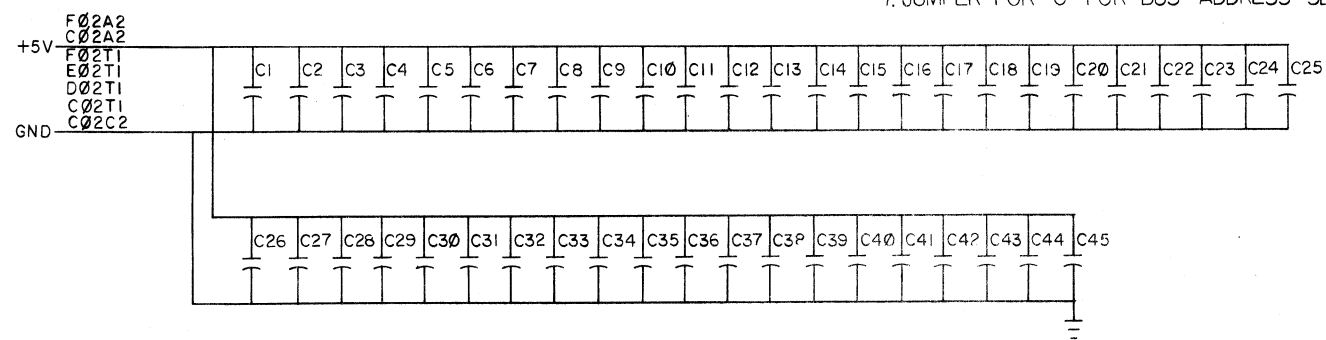
COMPONENT PLACEMENT



PIN NOMENCLATURE

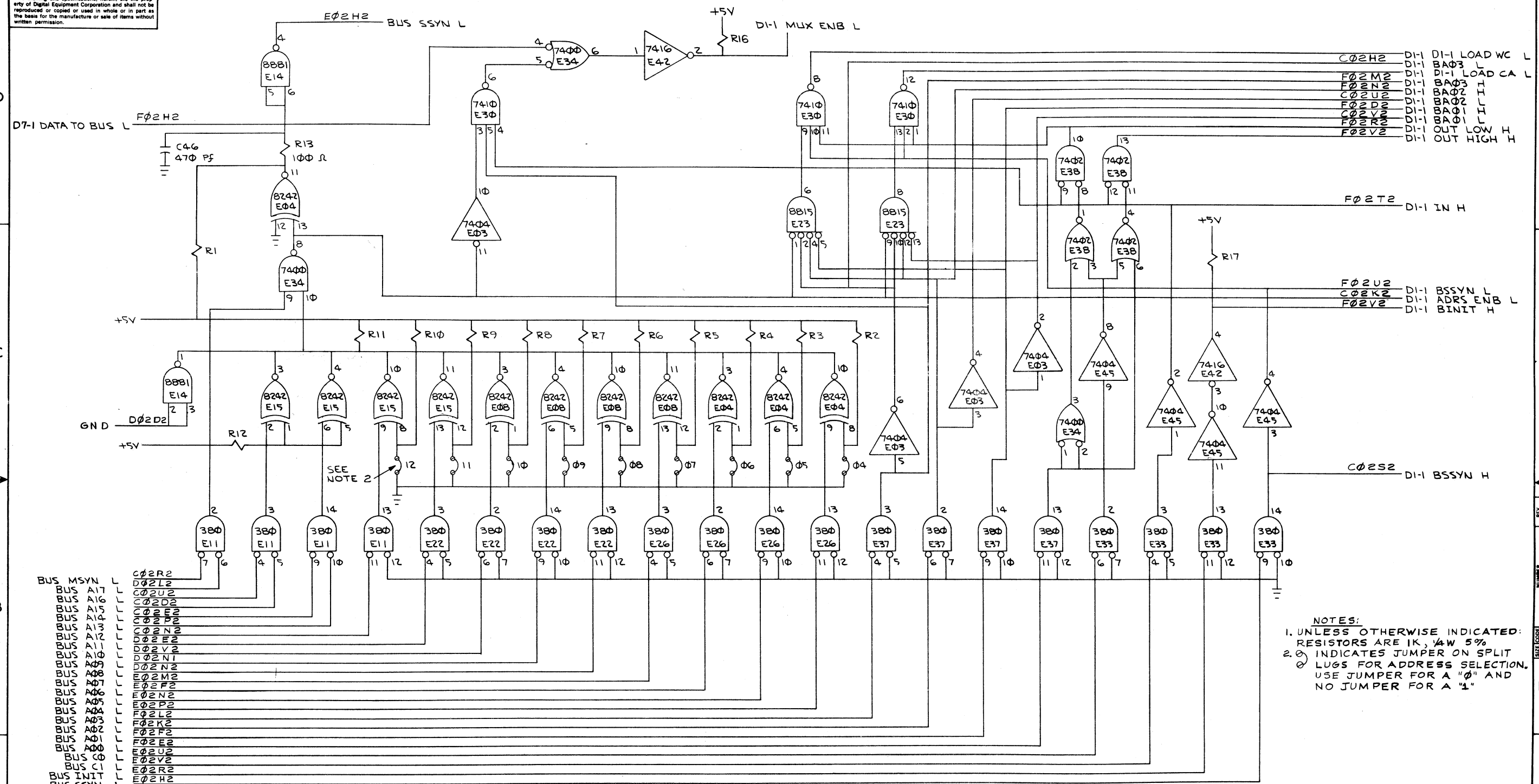
MODULE CONTROLLER

MODULE	CONTROLLER
A	C
B	D
C	E
D	F



FIRST USED ON OPTION / MODEL	QTY.	DESCRIPTION	PART NO.	ITEM NO.
RC11				
PARTS LIST				
UNLESS OTHERWISE SPECIFIED	DRN	DATE	digital EQUIPMENT CORPORATION MAYNARD, MASSACHUSETTS	
UNLESS OTHERWISE SPECIFIED	CHK'D	DATE		
TOLERANCES	ENG	DATE		
FINAL SURFACE QUALITY	PRO. ENG.	DATE		
MATERIAL	PROD.	DATE	TITLE BUS INTERFACE M7219 D1-0	
FINISH			NEXT HIGHER ASSY A-ML-RC11 SCALE NONE SHEET 1 OF 5	
			SIZE CODE	NUMBER
			DBSRC11-0-02	REV.
			DIST.	

This drawing and specifications, herein, are the property of Digital Equipment Corporation and shall not be reproduced or copied or used in whole or in part as the basis for the manufacture or sale of items without written permission.



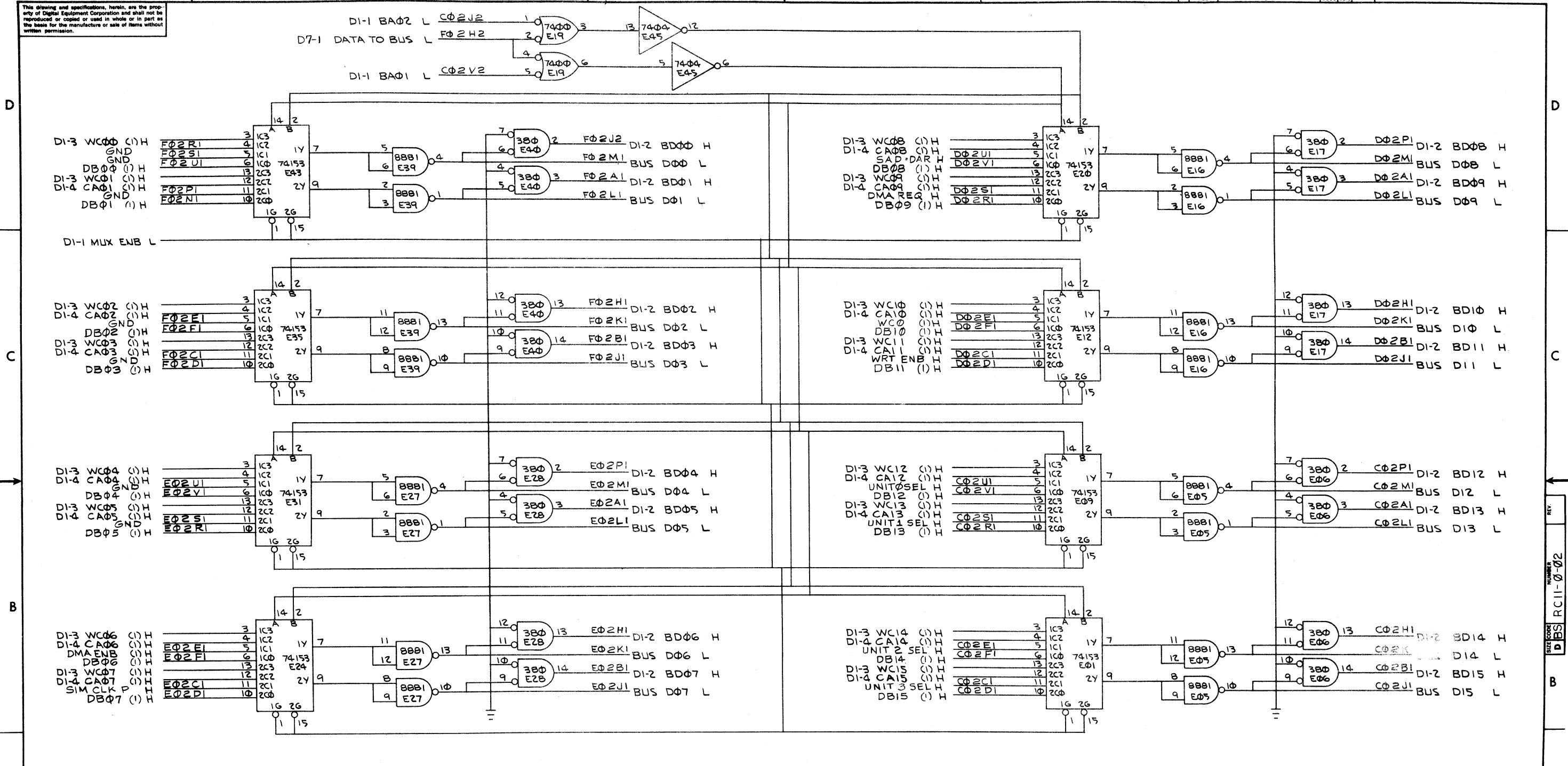
NOTES:
 1. UNLESS OTHERWISE INDICATED:
 RESISTORS ARE 1K, 1/4W 5%
 2. 0 INDICATES JUMPER ON SPLIT LUGS FOR ADDRESS SELECTION. USE JUMPER FOR A "0" AND NO JUMPER FOR A "1"

- BUS MSYN L C02R2
- BUS A17 L D02L2
- BUS A16 L C02U2
- BUS A15 L C02D2
- BUS A14 L C02M2
- BUS A13 L C02N2
- BUS A12 L D02V2
- BUS A11 L D02N1
- BUS A10 L D02N2
- BUS A09 L E02M2
- BUS A08 L E02F2
- BUS A06 L E02N2
- BUS A05 L E02P2
- BUS A04 L F02L2
- BUS A03 L F02K2
- BUS A02 L F02F2
- BUS A01 L F02E2
- BUS A00 L E02U2
- BUS C0 L E02V2
- BUS C1 L E02R2
- BUS INIT L E02H2
- BUS SSSYN L

FIRST USED ON OPTION/MODEL	QTY.	DESCRIPTION	PART NO.	ITEM NO.
RC11		PARTS LIST		
UNLESS OTHERWISE SPECIFIED DIMENSION IN INCHES. TOLERANCES	DRN <i>[Signature]</i>	DATE 4/16/71	DIGITAL EQUIPMENT CORPORATION MAYFORD, MASSACHUSETTS	
DECIMALS .XXX - .006	CHK'D <i>[Signature]</i>	DATE 4-9-71	TITLE BUS INTERFACE	
ANGLES ±0° 30'	ENG <i>[Signature]</i>	DATE 4/16/71	M7219 DI-1	
REMOVE BURRS AND BREAK SHARP CORNERS SURFACE QUALITY	PROJ. ENG. <i>[Signature]</i>	DATE 4/16/71	SIZE CODE NUMBER REV. D BSR C11-0-02	
MATERIAL	PROD. <i>[Signature]</i>	DATE 4/16/71	SCALE NONE	
FINISH	NEXT HIGHER ASSY. A-ML-RC11	SHEET 2 OF 5	DIST.	

REVISIONS	REV.
CHANGE NO.	
CHK	

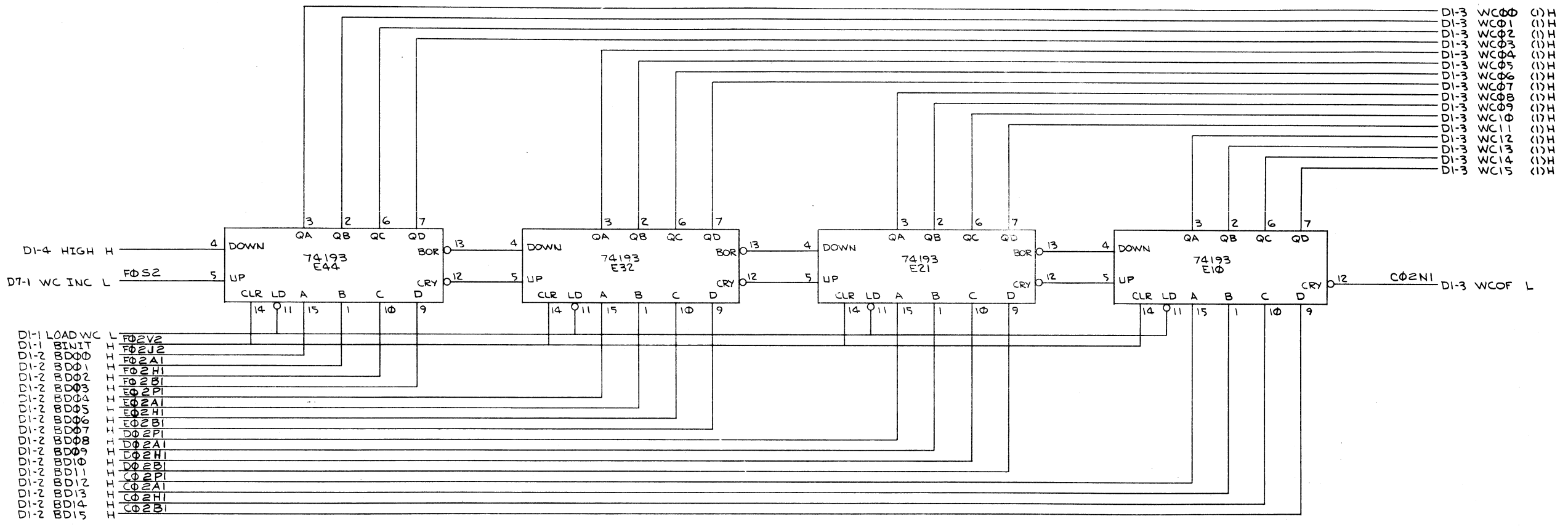
This drawing and specifications, herein, are the property of Digital Equipment Corporation and shall not be reproduced or copied or used in whole or in part as the basis for the manufacture or sale of items without written permission.



REV.	CHANGE NO.

FIRST USED ON OPTION/MODEL RC11	QTY.	DESCRIPTION	PART NO.	ITEM NO.
PARTS LIST				
UNLESS OTHERWISE SPECIFIED DIMENSION IN INCHES. TOLERANCES		DRN. CHK'D. ENG. PROJ. ENG. PROD.	DATE DATE DATE DATE DATE	digital EQUIPMENT CORPORATION MATIARD, MASSACHUSETTS TITLE BUS INTERFACE M7219 DI-2 SIZE CODE D BS RC11-0-02 NUMBER SHEET 3 OF 5
DECIMALS	ANGLES			
.XXX = .005	±0° 30'			
.XX = .02				
.X = .1				
REMOVE BURRS AND BREAK SHARP CORNERS SURFACE QUALITY				
MATERIAL	NEXT HIGHER ASSY.			
FINISH	SCALE NONE			
	SHEET 3 OF 5			

This drawing and specifications, herein, are the property of Digital Equipment Corporation and shall not be reproduced or copied or used in whole or in part as the basis for the manufacture or sale of items without written permission.



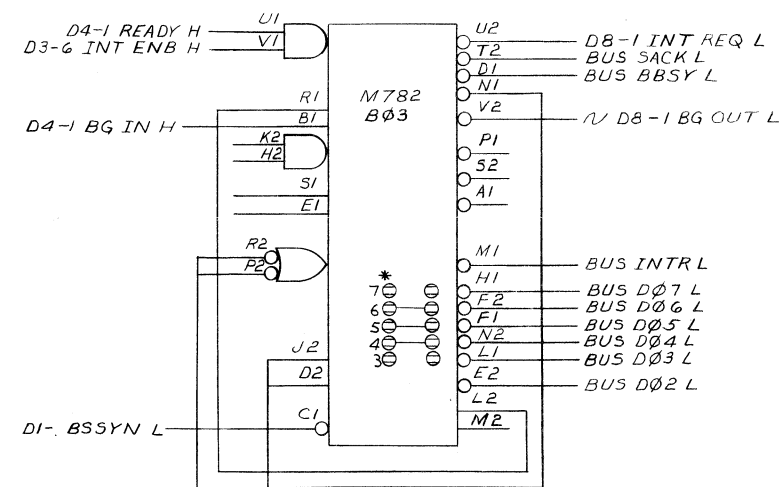
REVISIONS	REV
CHANGE NO.	
CHK	

FIRST USED ON OPTION/MODEL	QTY.	DESCRIPTION	PART NO.	ITEM NO.
RC II				
PARTS LIST				
UNLESS OTHERWISE SPECIFIED DIMENSION IN INCHES.	DRN. DATE	CHK'D. DATE	digital EQUIPMENT CORPORATION MAYNARD MASSACHUSETTS	
TOLERANCES	ENG. DATE	PROG. ENG. DATE	TITLE	
DECIMALS .XXX = .005	ANGLES ±0° 30'	REMOVE BURRS AND BREAK SHARP CORNERS SURFACE QUALITY	BUS INTERFACE	
MATERIAL	NEXT HIGHER ASSY.	M7219 DI-3		
FINISH	A-ML-RC II	SCALE NONE	SIZE CODE DBS	NUMBER RC II - Ø - Ø2
SHEET 4 OF 5		DIST.		

REV. RC II - Ø - Ø2

This drawing and specifications, herein, are the property of Digital Equipment Corporation and shall not be reproduced or copied or used in whole or in part as the basis for the manufacture or sale of items without written permission.

00H 30-0-1104 2



* INTERRUPT VECTOR ADDRESS 210 SET BY JUMPERS. JUMPER FOR A '0'. NO JUMPER FOR A '1'

FIRST USED ON OPT/MOD	QTY.	DESCRIPTION	PART NO.	ITEM NO.
RC II				
PARTS LIST				
UNLESS OTHERWISE SPECIFIED	DRN. <i>W. Bennett</i>	DATE <i>4/25/71</i>	 digital EQUIPMENT CORPORATION <small>MASSACHUSETTS</small>	
UNLESS OTHERWISE SPECIFIED	CHK'D. <i>R. Guma</i>	DATE <i>5/8/71</i>		
DIMENSION IN INCHES	ENG. <i>R. K. Shaw</i>	DATE <i>6/11/71</i>		
TOLERANCES	PROJ. ENG. <i>R. K. Shaw</i>	DATE <i>6/11/71</i>		
DECIMALS FRACTIONS ANGLES	PROD. <i>W. Bennett</i>	DATE <i>4/25/71</i>		
± .005 ± 1/64 ± 0°30'				
FINAL SURFACE QUALITY	NEXT HIGHER ASSY		RCII INTERRUPT CONTROL D8-1	
REMOVE BURRS AND BREAK SHARP CORNERS	A-ML-RCII-0			
	SCALE <i>+</i>			
MATERIAL	FINISH <i>+</i>		SIZE CODE	NUMBER
	SHEET <i>1</i> OF <i>1</i>		D BS	RCII-0-03
			DIST.	

REVISIONS	REV
CHANGE NO.	
CHK	

DEC FORM NO. DRD 102A

SIZE CODE: D BS
 NUMBER: RCII-0-03
 REV: P00

DRWG NO	REV LTR
K-WL-RCII-Ø-Ø4	A

REVISIONS			
REV LTR	ECO NO	DATE	ENG
A	RCII-00001	7-6-71	

DRAWN <i>W.F. McCarthy</i>	DATE 4/12/71	digital EQUIPMENT CORPORATION MAYNARD, MASSACHUSETTS	TITLE WIRE LIST (RCII)				
CHECKED <i>L. Nagelberg</i>	DATE 4/12/71		FOR TAPE # FILE *				
ENG <i>B. Christie</i>	DATE 4/16/71		ASSY NO	SIZE	CODE	DWG. NO.	REV LTR
PROJ ENG <i>B. Christie</i>	DATE 4/16/71		A-ML-RCII-Ø	K	WL	RCII-Ø-Ø4	A
PROD <i>W. Adams</i>	DATE 4/16/71	SCALE <i>1/1</i>	SHEET	OF	DIST.		

RC11.A(NEW)

HND288.V12 6/25/71

15-SEP-71

PAGE 5

12118 LENGTH EXCEPTIONS

RUN NUMBER

RC11.A(NEW) RUN NAME	A/P	PIN	NAME	ORDER	PIN	BAY - ORDER	Q	DRAW	RV	PG	Y	X	Z	REMARKS	12118 LENGTH	EXCEPTIONS	RUN NUMBER
BUS A01	L	B01H1	B01H1	1-01	1	1-01							2				40
BUS A01	L	B02H1	B02H1	1-02	1	1-02							1				40
BUS A01	L	F02F2	F02F2	1-03	1	1-03									15-6/8		40
BUS A01	L	F02F2	F02F2	1-03	1	1-03									15-6/8		40
BUS A02	L	R01J2	R01J2	1-01	1	1-01							2				41
BUS A02	L	R02J2	R02J2	1-02	1	1-02							1				41
BUS A02	L	F02K2	F02K2	1-03	1	1-03									15-6/8		41
BUS A02	L	F02K2	F02K2	1-03	1	1-03									15-6/8		41
BUS A03	L	B01J1	B01J1	1-01	1	1-01							2				42
BUS A03	L	B02J1	B02J1	1-02	1	1-02							1				42
BUS A03	L	F02L2	F02L2	1-03	1	1-03									16-0/8		42
BUS A03	L	F02L2	F02L2	1-03	1	1-03									16-0/8		42
BUS A04	L	R01K2	R01K2	1-01	1	1-01							2				43
BUS A04	L	B02K2	B02K2	1-02	1	1-02							1				43
BUS A04	L	E02P2	E02P2	1-03	1	1-03									13-2/8		43
BUS A04	L	E02P2	E02P2	1-03	1	1-03									13-2/8		43
BUS A05	L	R01K1	R01K1	1-01	1	1-01							2				44
BUS A05	L	R02K1	R02K1	1-02	1	1-02							1				44
BUS A05	L	E02N2	E02N2	1-03	1	1-03									13-4/8		44
BUS A05	L	E02N2	E02N2	1-03	1	1-03									13-4/8		44
BUS A06	L	R01L2	R01L2	1-01	1	1-01							2				45
BUS A06	L	R02L2	R02L2	1-02	1	1-02							1				45
BUS A06	L	E02F2	E02F2	1-03	1	1-03									12-2/8		45
BUS A06	L	E02F2	E02F2	1-03	1	1-03									12-2/8		45
BUS A07	L	R01L1	R01L1	1-01	1	1-01							2				46
BUS A07	L	B02L1	B02L1	1-02	1	1-02							1				46
BUS A07	L	E02M2	E02M2	1-03	1	1-03									13-0/8		46
BUS A07	L	E02M2	E02M2	1-03	1	1-03									13-0/8		46
BUS A08	L	B01M2	B01M2	1-01	1	1-01							2				47
BUS A08	L	B02M2	B02M2	1-02	1	1-02							1				47
BUS A08	L	D02N2	D02N2	1-03	1	1-03									10-4/8		47
BUS A08	L	D02N2	D02N2	1-03	1	1-03									10-4/8		47
BUS A09	L	B01M1	B01M1	1-01	1	1-01							2				48
BUS A09	L	R02M1	R02M1	1-02	1	1-02							1				48
BUS A09	L	D02N1	D02N1	1-03	1	1-03									10-4/8		48
BUS A09	L	D02N1	D02N1	1-03	1	1-03									10-4/8		48

RC11.A(NEW)

HND288.V12 6/25/71

15-SEP-71

PAGE 6

12118 LENGTH EXCEPTIONS

RUN NUMBER

RC11.A(NEW) RUN NAME	A/P	PIN	NAME	ORDER	PIN	BAY - ORDER	Q	DRAW	RV	PG	Y	X	Z	REMARKS	12118 LENGTH	EXCEPTIONS	RUN NUMBER
BUS A10	L	B01N2	B01N2	1-01	1	1-01							2				49
BUS A10	L	R02N2	R02N2	1-02	1	1-02							1				49
BUS A10	L	D02V2	D02V2	1-03	1	1-03									11-0/8		49
BUS A10	L	D02V2	D02V2	1-03	1	1-03									11-0/8		49
BUS A11	L	R01N1	R01N1	1-01	1	1-01							2				50
BUS A11	L	B02N1	B02N1	1-02	1	1-02							1				50
BUS A11	L	D02E2	D02E2	1-03	1	1-03									9-4/8		50
BUS A11	L	D02E2	D02E2	1-03	1	1-03									9-4/8		50
BUS A12	L	R01P2	R01P2	1-01	1	1-01							2				51
BUS A12	L	B02P2	B02P2	1-02	1	1-02							1				51
BUS A12	L	C02N2	C02N2	1-03	1	1-03									7-4/8		51
BUS A12	L	C02N2	C02N2	1-03	1	1-03									7-4/8		51
BUS A13	L	B01P1	B01P1	1-01	1	1-01							2				52
BUS A13	L	B02P1	B02P1	1-02	1	1-02							1				52
BUS A13	L	C02P2	C02P2	1-03	1	1-03									7-6/8		52
BUS A13	L	C02P2	C02P2	1-03	1	1-03									7-6/8		52
BUS A14	L	R01R2	R01R2	1-01	1	1-01							2				53
BUS A14	L	B02R2	B02R2	1-02	1	1-02							1				53
BUS A14	L	C02E2	C02E2	1-03	1	1-03									6-4/8		53
BUS A14	L	C02E2	C02E2	1-03	1	1-03									6-4/8		53
BUS A15	L	B01R1	B01R1	1-01	1	1-01							2				54
BUS A15	L	R02R1	R02R1	1-02	1	1-02							1				54
BUS A15	L	C02D2	C02D2	1-03	1	1-03									6-4/8		54
BUS A15	L	C02D2	C02D2	1-03	1	1-03									6-4/8		54
BUS A16	L	B01S2	B01S2	1-01	1	1-01							2				55
BUS A16	L	B02S2	B02S2	1-02	1	1-02							1				55
BUS A16	L	C02U2	C02U2	1-03	1	1-03									7-6/8		55
BUS A16	L	C02U2	C02U2	1-03	1	1-03									7-6/8		55
BUS A17	L	B01S1	B01S1	1-01	1	1-01							2				56
BUS A17	L	B02S1	B02S1	1-02	1	1-02							1				56
BUS A17	L	D02L2	D02L2	1-03	1	1-03									10-0/8		56
BUS A17	L	D02L2	D02L2	1-03	1	1-03									10-0/8		56
BUS BBSY	L	A01P2	A01P2	1-01	1	1-01							2				57
BUS BBSY	L	A02P2	A02P2	1-02	1	1-02							1				57
BUS BBSY	L	B03D1	B03D1	1-03	1	1-03									7-0/8		57
BUS BBSY	L	B03D1	B03D1	1-03	1	1-03									7-0/8		57

RC11.A(NEW) RUN NAME	HND288.V12.6/25/71 A/P PIN ORDER PIN	BAY - ORDER	Q	DRAW RV PG Y	X	Z	REMARKS	15-SEP-71 LENGTH	EXCEPTIONS	PAGE 7 RUN NUMBER
BUS BR 4 IN	H B02E2	1-01				1				58
BUS BR 4 IN	H C04S1	1-02								58
BUS BR 4 IN		1						6-4/8		58
BUS BR 4 OUT	H B01E2	1-01				1				59
BUS BR 4 OUT	H C04R1	1-02								59
BUS BR 4 OUT		1						6-4/8		59
BUS BR 5 IN	H B02B1	1-01				1				60
BUS BR 5 IN	H C04R2	1-02								60
BUS BR 5 IN		1						7-0/8		60
BUS BR 5 OUT	H B01B1	1-01				1				61
BUS BR 5 OUT	H C04S2	1-02								61
BUS BR 5 OUT		1						7-2/8		61
BUS BR 6 IN	H B02A1	1-01				1				62
BUS BR 6 IN	H C04P1	1-02								62
BUS BR 6 IN		1						6-6/8		62
BUS BR 6 OUT	H B01A1	1-01				1				63
BUS BR 6 OUT	H C04P2	1-02								63
BUS BR 6 OUT		1						7-0/8		63
BUS BR 7 IN	H A02V1	1-01				1				64
BUS BR 7 IN	H C04L2	1-02								64
BUS BR 7 IN		1						7-2/8		64
BUS BR 7 OUT	H A01V1	1-01				1				65
BUS BR 7 OUT	H C04M2	1-02								65
BUS BR 7 OUT		1						7-4/8		65
BUS BR 4	L B01D2	1-01				2				66
BUS BR 4	L B02D2	1-02				1				66
BUS BR 4	L C04N1	1-03								66
BUS BR 4		1						9-0/8		66
BUS BR 5	L B01C1	1-01				2				67
BUS BR 5	L B02C1	1-02				1				67
BUS BR 5	L C04M1	1-03								67
BUS BR 5		1						9-0/8		67
BUS BR 6	L A01U2	1-01				2				68
BUS BR 6	L A02U2	1-02				1				68
BUS BR 6	L C04L1	1-03								68
BUS BR 6		1						9-6/8		68

RC11.A(NEW) RUN NAME	HND288.V12.6/25/71 A/P PIN ORDER PIN	BAY - ORDER	Q	DRAW RV PG Y	X	Z	REMARKS	15-SEP-71 LENGTH	EXCEPTIONS	PAGE 8 RUN NUMBER
BUS BR 7	L A01T2	1-01				2				69
BUS BR 7	L A02T2	1-02				1				69
BUS BR 7	L C04K1	1-03								69
BUS BR 7		1						9-6/8		69
BUS C0	L B04K2	1-01				1				70
BUS C0	L B02U2	1-02				2				70
BUS C0	L B01U2	1-03				1				70
BUS C0	L E02U2	1-04								70
BUS C0		1						16-6/8		70
BUS C1	L B04D1	1-01				1				71
BUS C1	L B01T2	1-02				2				71
BUS C1	L B02T2	1-03				1				71
BUS C1	L E02V2	1-04								71
BUS C1		1						17-4/8		71
BUS D00	L A02C1	1-01				2				72
BUS D00	L A01C1	1-02				1				72
BUS D00	L F01L1	1-03				2				72
BUS D00	L F02M1	1-04								72
BUS D00		1						22-0/8		72
BUS D01	L A01D2	1-01				2				73
BUS D01	L A02D2	1-02				1				73
BUS D01	L F02L1	1-03				2				73
BUS D01	L F01K1	1-04								73
BUS D01		1						22-2/8		73
BUS D02	L A01D1	1-01				2				74
BUS D02	L A02D1	1-02				1				74
BUS D02	L B03E2	1-03				2				74
BUS D02	L F02K1	1-04				1				74
BUS D02	L F01J1	1-05								74
BUS D02		1						24-6/8		74
BUS D03	L A01E2	1-01				2				75
BUS D03	L A02E2	1-02				1				75
BUS D03	L B03L1	1-03				2				75
BUS D03	L F02J1	1-04				1				75
BUS D03	L F01M2	1-05								75
BUS D03		1						24-4/8		75

A/P	PIN	ORDER	BAY -	ORDER	15-SEP-71	12'18"	PAGE 15
NAME	PIN	ORDER	BAY -	ORDER	REMARKS	LENGTH	EXCEPTIONS
H	C03N2	1-01			1		131
H	D01T2	1-02			2		131
H	E02F1	1-03				9-6/8	131
		1					131
H	C03P2	1-01			2		132
H	E02D1	1-02			1		132
H	E01D2	1-03				9-2/8	132
		1					132
H	C03V1	1-01			2		133
H	C01U2	1-02			1		133
H	D02V1	1-03				8-6/8	133
		1					133
H	C03U1	1-01			2		134
H	D01B1	1-02			1		134
H	D02R1	1-03				7-4/8	134
		1					134
H	C01T2	1-01			1		135
H	D02F1	1-02			2		135
H	D03B1	1-03				7-0/8	135
		1					135
H	C03U2	1-01			1		136
H	C01V2	1-02			2		136
H	D02D1	1-03				6-6/8	136
		1					136
H	C01L2	1-01			2		137
H	C02V1	1-02			1		137
H	D03D2	1-03				7-2/8	137
		1					137
H	C01E2	1-01			2		138
H	C02R1	1-02			1		138
H	D03E2	1-03				8-0/8	138
		1					138
H	C01J2	1-01			1		139
H	C02F1	1-02			2		139
H	D03F1	1-03				8-0/8	139
		1					139

A/P	PIN	ORDER	BAY -	ORDER	15-SEP-71	12'18"	PAGE 16
NAME	PIN	ORDER	BAY -	ORDER	REMARKS	LENGTH	EXCEPTIONS
H	C01H2	1-01			1		140
H	C02D1	1-02			2		140
H	D03J2	1-03				9-0/8	140
		1					140
H	D01R2	1-01			1		141
H	E02E1	1-02				3-6/8	141
		1					141
H	C01A1	1-01			1		142
H	D03M1	1-02				6-6/8	142
		1					142
L	C04E2	1-01			1		143
L	F01J2	1-02				11-2/8	143
		1					143
H	R04J2	1-01			1		144
H	E01P1	1-02				11-4/8	144
		1					144
L	C04J1	1-01			1		145
L	D01S1	1-02				6-6/8	145
		1					145
L	C04V2	1-01			1		146
L	E01N1	1-02				7-4/8	146
		1					146
L	C04V1	1-01			1		147
L	D01K1	1-02				4-6/8	147
		1					147
H	E03F1	1-01			1		148
H	F01R1	1-02				6-4/8	148
		1					148

RC11-A(NEW) RUN NAME	HND288,V12 6/25/71 A/P PIN NAME	ORDER PIN	BAY - ORDER	Q	DRAW	RV	PG	Y	X	Z	REMARKS	15-SEP-71 LENGTH	12118 EXCEPTIONS	PAGE 19 RUN NUMBER
INC CA	B04P2	1-01	1							1				154
INC CA	E02D2	1-02	1											154
INC CA												9-2/8		154
INTR A DONE	B03L2	1-01	1							1				155
INTR A DONE	B03R1	1-02	1											155
INTR A DONE												3-0/8		155
INTR ENB A	B03V1	1-01	1							1				156
INTR ENB A	E01C1	1-02	1											156
INTR ENB A												8-6/8		156
INTR ENB B	B03H2	1-01	1							1				157
INTR ENB B	D01J1	1-02	1											157
INTR ENB B												8-2/8		157
INTR REQ	B03U2	1-01	1							1				158
INTR REQ	C04K2	1-02	1											158
INTR REQ												4-0/8		158
KILL SYN	D04J1	1-01	1							1				159
KILL SYN	E04B1	1-02	1											159
KILL SYN												4-0/8		159
MAINT	D04D2	1-01	1							1				160
MAINT	E04E1	1-02	2							2				160
MAINT	E01D1	1-03	1											160
MAINT	F03V1	1-04	1											160
MAINT												16-2/8		160
MASTER A	B03N1	1-01	2							2				161
MASTER A	B03R2	1-02	1							1				161
MASTER A	B03P2	1-03	1											161
MASTER A												5-2/8		161
MASTER CLR	D04F2	1-01	1							1				162
MASTER CLR	F04S1	1-02	1											162
MASTER CLR												9-0/8		162
NPR MASTER	B03S2	1-01	1							1				163
NPR MASTER	B04H2	1-02	1											163
NPR MASTER												3-4/8		163
OUT HIGH	E01A1	1-01	1							1				164
OUT HIGH	F02V1	1-02	1											164
OUT HIGH												7-4/8		164

RC11-A(NEW) RUN NAME	HND288,V12 6/25/71 A/P PIN NAME	ORDER PIN	BAY - ORDER	Q	DRAW	RV	PG	Y	X	Z	REMARKS	15-SEP-71 LENGTH	12118 EXCEPTIONS	PAGE 20 RUN NUMBER
OUT LOW	D01P1	1-01	1							1				165
OUT LOW	F02R2	1-02	1											165
OUT LOW												8-0/8		165
PA	A01M1	1-01	1							1				166
PA	A02M1	1-02	1											166
PA												2-6/8		166
PB	A01N2	1-01	1							1				167
PR	A02N2	1-02	1											167
PR												2-6/8		167
PLC	D03H1	1-01	1							1				168
PLC	F04R2	1-02	1											168
PLC												6-0/8		168
PLC1	E04S2												i-PIN RUN	169
PLC2	E04P2												i-PIN RUN	170
PLC3	E04N2												i-PIN RUN	171
PLC4	E04M2												i-PIN RUN	172
READ	E01U2	1-01	1							1				173
READ	E03M1	1-02	1											173
READ												3-4/8		173
READ ENB	E03U1												i-PIN RUN	174
READY	B03U1	1-01	2							2				175
READY	C04T2	1-02	1							1				175
READY	E01P2	1-03	1											175
READY												13-0/8		175
RS64 ADDR MARK	E04L1	1-01	1							1				176
RS64 ADDR MARK	F04M2	1-02	1											176
RS64 ADDR MARK												5-2/8		176
RS64 ADDR STR	E04J1	1-01	1							1				177
RS64 ADDR STR	F04P2	1-02	1											177
RS64 ADDR STR												5-6/8		177
RS64 CLK	E04H1	1-01	1							1				178
RS64 CLK	F04T2	1-02	1											178
RS64 CLK												6-4/8		178

A/P	PIN NAME	ORDER PIN	BAY - ORDER	Q	DRAW	RV	PG	Y	X	Z	REMARKS	LENGTH	EXCEPTIONS	RUN NUMBER
L	R04D2		1-01							1				202
L	C01P1		1-02									6-6/8		202
L	E04V2		1										1-PIN RUN	203
L	B04K1		1-01							1				204
L	C01C1		1-02									4-6/8		204
L	C04U1		1-01							1				205
L	F01P1		1-02									10-4/8		205
H	D04P2		1-01							1				206
H	F04L1		1-02									7-2/8		206
H	D04R2		1-01							1				207
H	F04M1		1-02									7-4/8		207
H	D04H2		1-01							1				208
H	F04N1		1-02									8-2/8		208
H	D04J2		1-01							1				209
H	F04P1		1-02									8-4/8		209
H	D04K2		1-01							1				210
H	F04R1		1-02									8-2/8		210
H	C02U1		1-01							1				211
H	D04U2		1-02									5-6/8		211
L	D04P1		1-01							1				212
L	F04F1		1-02									6-6/8		212
H	C02S1		1-01							1				213
H	D04S2		1-02									5-6/8		213

A/P	PIN NAME	ORDER PIN	BAY - ORDER	Q	DRAW	RV	PG	Y	X	Z	REMARKS	LENGTH	EXCEPTIONS	RUN NUMBER
L	D04T2		1-01							1				214
L	F04H1		1-02									6-6/8		214
H	C02E1		1-01							1				215
H	D04U1		1-02									7-0/8		215
L	D04V1		1-01							1				216
L	F04J1		1-02									6-2/8		216
H	C02C1		1-01							1				217
H	D04V2		1-02									7-4/8		217
L	D04S1		1-01							1				218
L	F04K1		1-02									6-6/8		218
L	B04N2		1-01							1				219
L	F01A1		1-02							2				219
L	F02S2		1-03									16-6/8		219
L	C01N1		1-01							1				220
L	C02N1		1-02									7-6/8		220
H	C01R1		1-01							1				221
H	D02E1		1-02									4-2/8		221
L	E01V2		1-01							1				222
L	E03U2		1-02									3-2/8		222
L	D01P2		1-01							1				223
L	F03B1		1-02									6-4/8		223
H	D02C1		1-01							1				224
H	E03V2		1-02									7-0/8		224

HAND WIRE
TO HERE

RC11.A(NEW)
RUN NAME

A/P HND288.V12 6/25/71

ORDER BAY -
PIN ORDER

Q

DRAW RV PG Y

X

Z

REMARKS

15-SEP-71

LENGTH

EXCEPTIONS

PAGE 25

RUN
NUMBER

WRT LOCK
WRT LOCK
WRT LOCK

L D01F1
L F04E1

1-01
1-02
1

1

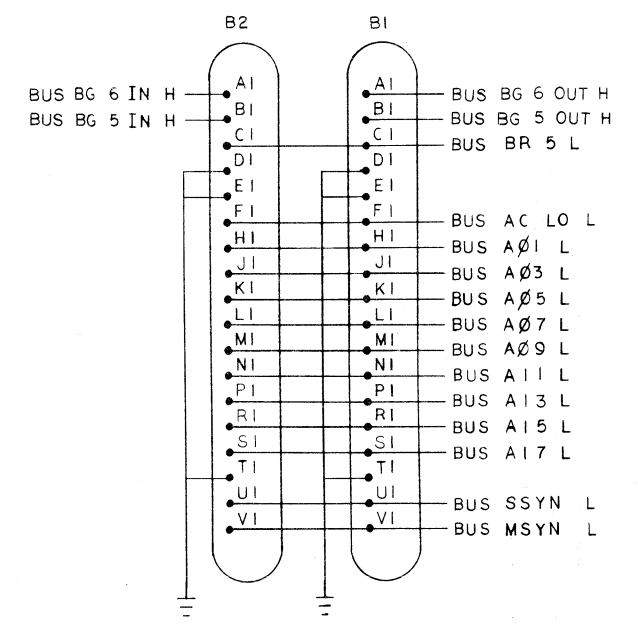
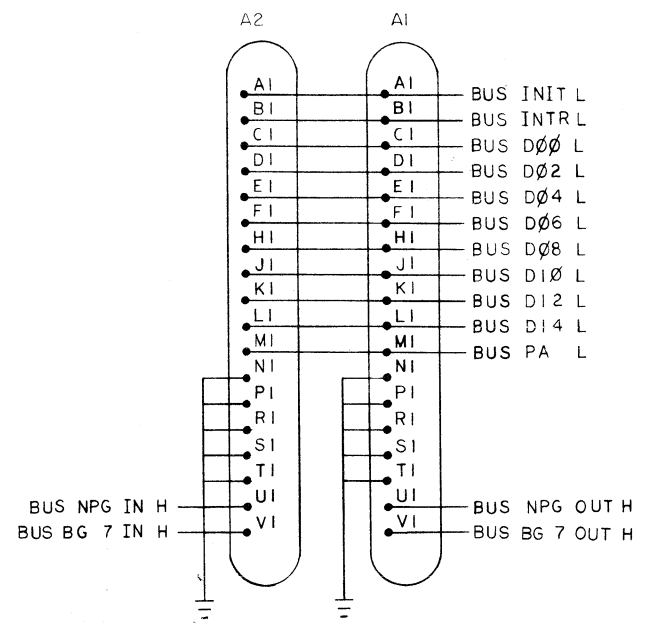
8-0/8

225
225
225

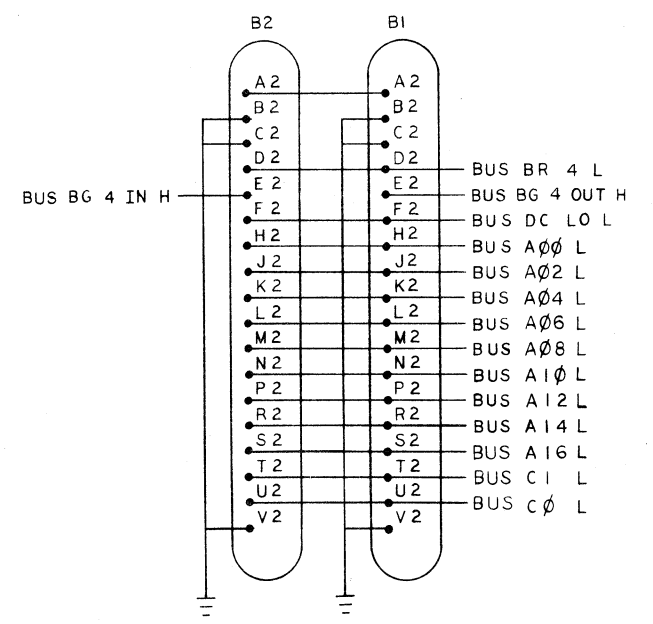
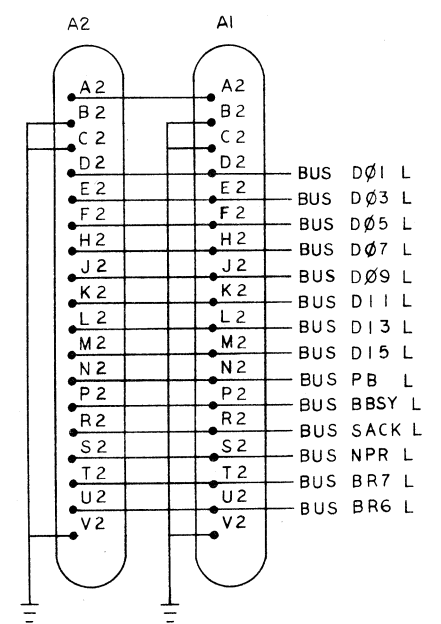
ERROR LISTING

WIRE WRAP RUN NAME	A/P	PIN NAME	ORDER PIN	BAY - ORDER	Q	DRAW	RV	PG	Y	X	Z	REMARKS	15-SEP-71 LENGTH	12118 EXCEPTIONS	PAGE 1 RUN NUMBER
BA 01	H	F0202												1-PIN RUN	6
BA 02	H	F02N2												1-PIN RUN	8
BUS SSYN	L	B01U1		1-02 *	H				R1		2			HAND WIRE	95
BUS SSYN	L	B02U1		1-04 *	H				R1		1			HAND WIRE	95
BUS SSYN	L	E02H2		1-06 *					R1					TO HERE	95
CA INC ENB	H	C01U1		1-02 *	H				R1		1			HAND WIRE	96
CA INC ENB	H	E02E2		1-04 *					R1					TO HERE	96
PLC1		E04S2												1-PIN RUN	169
PLC2		E04P2												1-PIN RUN	170
PLC3		E04N2												1-PIN RUN	171
PLC4		E04M2												1-PIN RUN	172
READ ENB	H	E03U1												1-PIN RUN	174
SIM CLK	H	D04B1												1-PIN RUN	196
SYN ERR	L	E04V2												1-PIN RUN	203
WC INC	L	B04N2		1-01 *	H									HAND WIRE	219
WC INC	L	F01A1		1-02 *							2			TO HERE	219

This drawing and specifications, herein, are the property of Digital Equipment Corporation and shall not be reproduced or copied or used in whole or in part as a basis for the manufacture or sale of items without written permission.



NOTES:
 1. THE UNIBUS CONNECTOR IS A DOUBLE HEIGHT MODULE.
 2. IF RC11 IS THE LAST DEVICE ON THE BUS, TERMINATOR (M930) MODULE PLUGS IN SLOTS AI-B1.

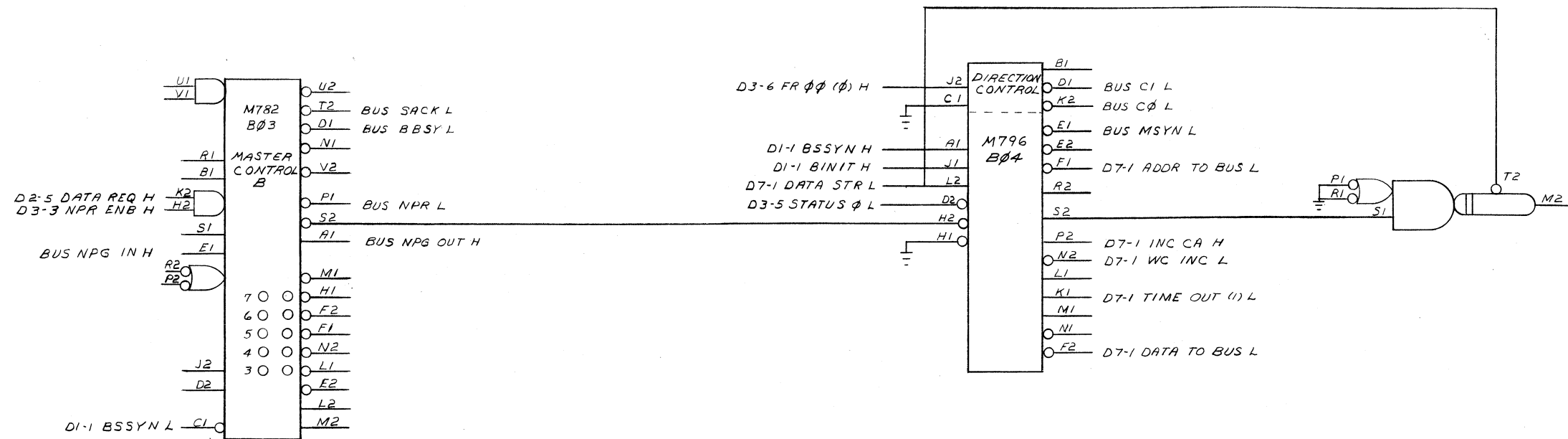


REVISIONS	NO.	REV.
CHK	CHANGE NO.	

FIRST USED ON OPTION/MODEL PDP 11	QTY.	DESCRIPTION	PART NO.	ITEM NO.
PARTS LIST				
UNLESS OTHERWISE SPECIFIED	DRN.	DATE	digital EQUIPMENT CORPORATION MAYNARD, MASSACHUSETTS	
UNLESS OTHERWISE SPECIFIED	CHKD.	DATE	TITLE	
DIMENSION IN INCHES	ENG.	DATE	UNIBUS CONNECTORS	
TOLERANCES	PROJ. ENG.	DATE	D10-1	
DEVIATIONS	PROD.	DATE	SIZE CODE NUMBER REV.	
FINAL SURFACE QUALITY			D1C RC11-0-05	
REMOVE BURRS AND BREAK SHARP CORNERS			SHEET 1 OF 1	
MATERIAL	NEXT HIGHER ASSY		DIST.	
FINISH	A-ML-RC11-0			

REV. NUMBER D1C RC11-0-05

This drawing and specifications, herein, are the property of Digital Equipment Corporation and shall not be reproduced or copied or used in whole or in part as the basis for the manufacture or sale of items without written permission.



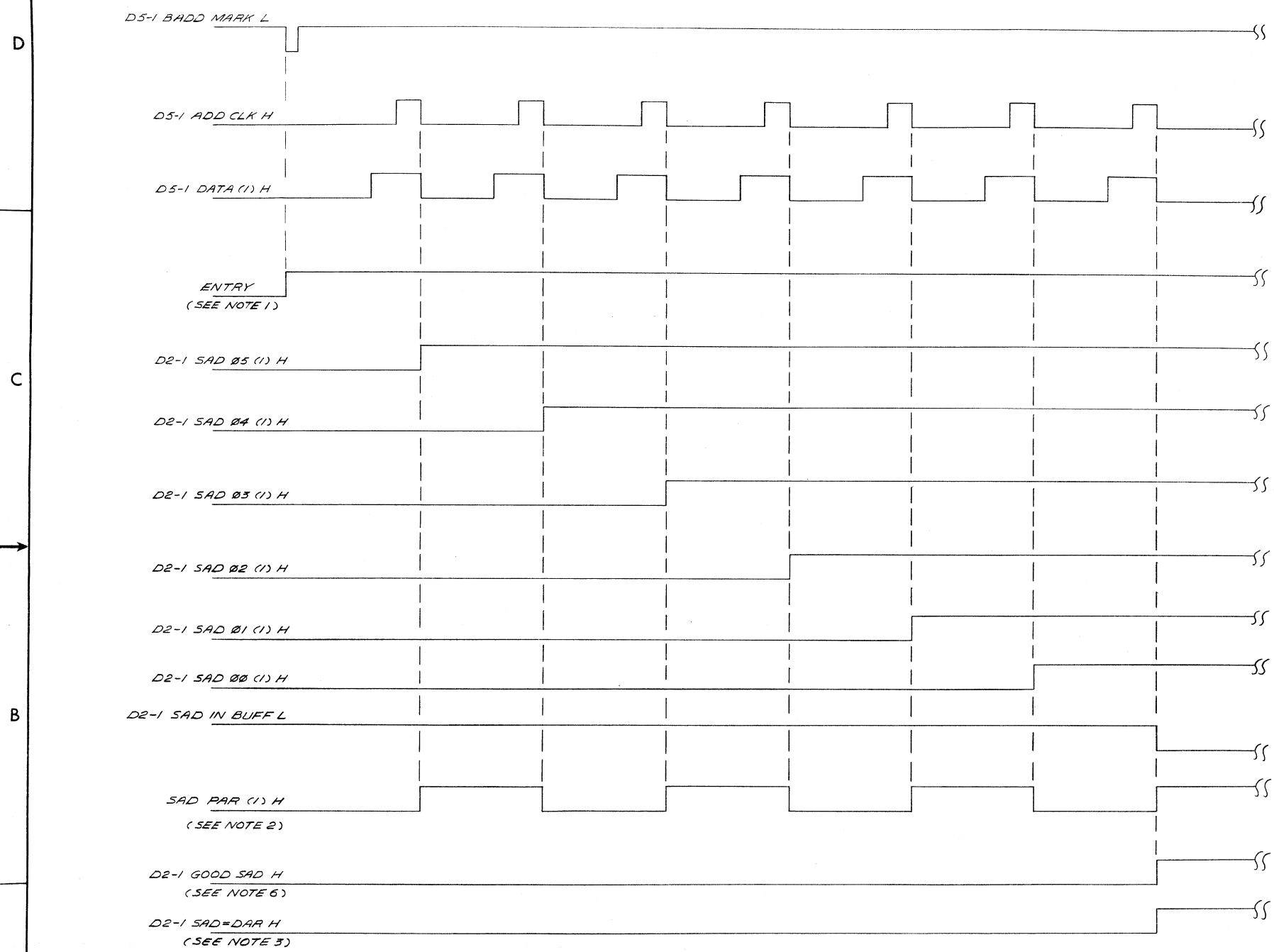
REVISIONS	REV
CHANGE NO.	
CHK	

DEC FORM NO
DRD 102-B

FIRST USED ON OPTION/MODEL	QTY.	DESCRIPTION	PART NO.	ITEM NO.
RC11				
PARTS LIST				
UNLESS OTHERWISE SPECIFIED DIMENSION IN INCHES.	DRN. <i>Torn</i>	DATE <i>6-9-71</i>	 digital EQUIPMENT CORPORATION MAYNARD MASSACHUSETTS	
TOLERANCES	CHK'D <i>M. J. ...</i>	DATE <i>6/11/71</i>		
DECIMALS .XXX = .005	ENG. <i>...</i>	DATE <i>6/17/71</i>		
ANGLES .XX = .02	PROJ. ENG. <i>...</i>	DATE <i>6/17/71</i>		
.X = .1	PROD. <i>...</i>	DATE	TITLE RC11 NPR CONTROL D7-1	
REMOVE BURRS AND BREAK SHARP CORNERS SURFACE QUALITY	NEXT HIGHER ASSY.		SIZE CODE	NUMBER
MATERIAL <i>+</i>	A-ML-RC11-φ		DBS	RC11-φ-06
FINISH <i>+</i>	SCALE <i>+</i>	SHEET OF	DIST.	REV.

REV. NO. 1
 NUMBER DBS RC11-φ-06
 SIZE CODE

This drawing and specifications, herein, are the property of Digital Equipment Corporation and shall not be reproduced or copied or used in whole or in part as the basis for the manufacture or sale of items without written permission.



NOTES :

1. THIS SIGNAL IS ON PIN 15 OF E31. SEE D2-1 OF D-C5-M7221-0-1
2. THIS SIGNAL IS ON PIN 11 OF E31. SEE D2-1 OF D-C5-M7221-0-1
3. THIS SIGNAL IS TRUE IF DISK ADDRESS REGISTER COMPARES WITH THE ADDRESS ASSEMBLED.
4. THIS DIAGRAM ASSUMES READING ADDRESS CODE 77_B FROM THE DISK.
5. THIS DIAGRAM IS FOR ILLUSTRATION ONLY, AND IS NOT TO BE SCALED.
6. D2-1 BAD SAD H IS INDICATED IN CASE OF ADDRESS PARITY ERROR.

REV	
CHANGE NO	
CHK	

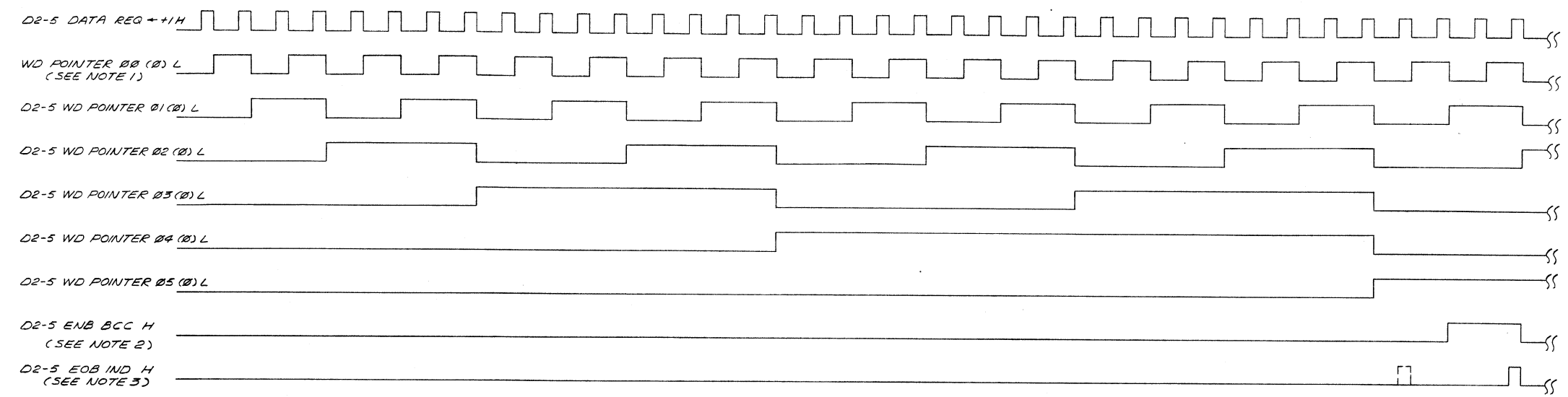
FIRST USED ON OPTION/MODEL PDP-11	QTY.	DESCRIPTION	PART NO.	ITEM NO.
PARTS LIST				
UNLESS OTHERWISE SPECIFIED DIMENSION IN INCHES. TOLERANCES	DRN. R. KRISHNA	DATE 11/30/71	digital EQUIPMENT CORPORATION MAYNARD, MASSACHUSETTS	
DECIMALS .XXX = .005 .XX = .02 .X = .1	CHK'D. [Signature]	DATE 1/7/72	TITLE RC11 ADDRESS ASSY TIMING DIAG	
ANGLES ±0° 30'	ENG. [Signature]	DATE 6/17/71		
REMOVE BURRS AND BREAK SHARP CORNERS SURFACE QUALITY ✓	PROJ. ENG. [Signature]	DATE 6/17/71		
MATERIAL	PROD. [Signature]	DATE 7/18/71		
FINISH	NEXT HIGHER ASSY. A-ML-RC11-0	SCALE SHEET OF	SIZE CODE DTD	NUMBER RC11-0-07

This drawing and specifications, herein, are the property of Digital Equipment Corporation and shall not be reproduced or copied or used in whole or in part as the basis for the manufacture or sale of items without written permission.

REV. NUMBER 2
 SIZE CODE DTD
 NUMBER RC11-0-08

D
C
B
A

D
C
B
A

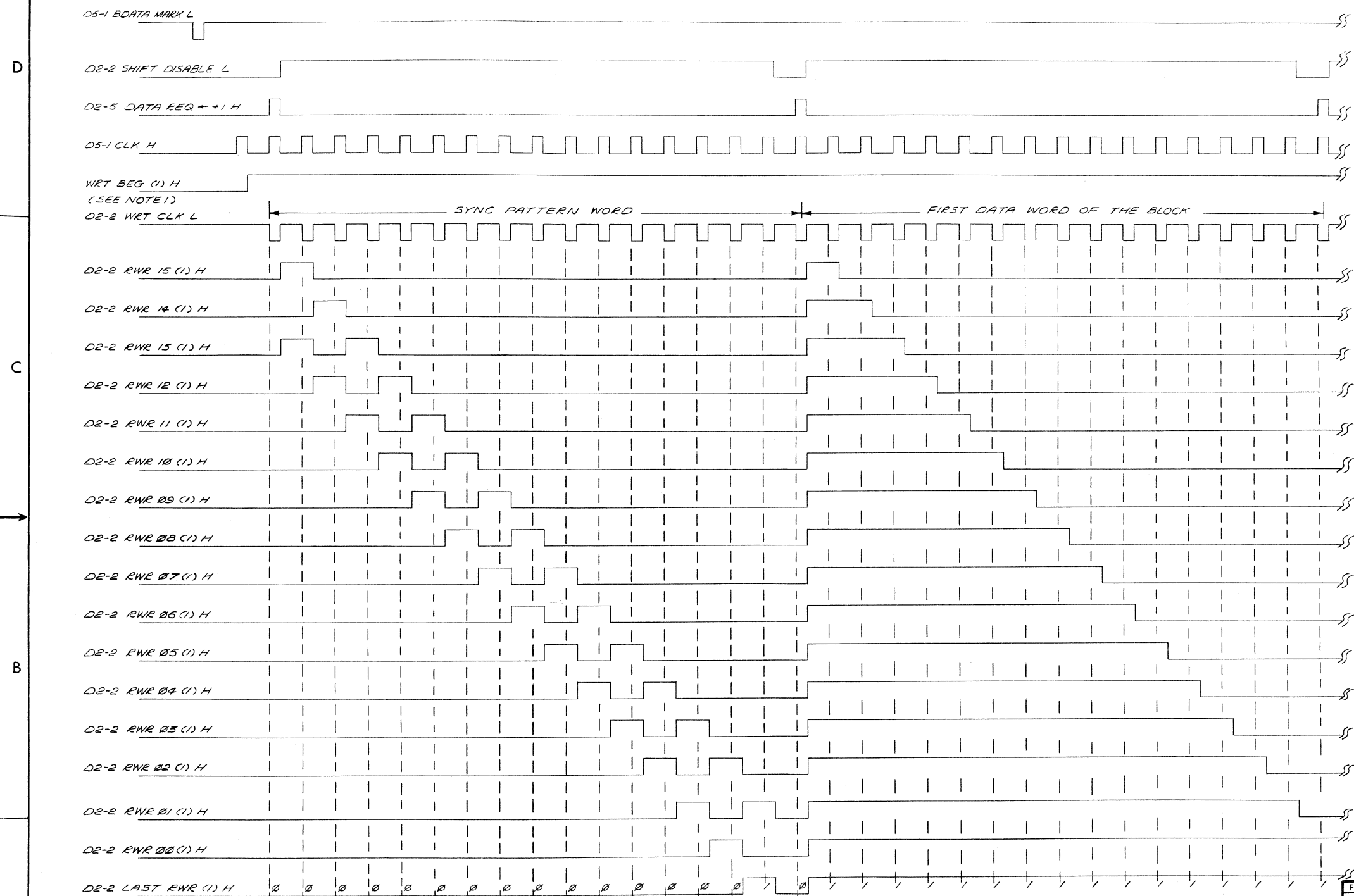


- NOTES:
1. THIS SIGNAL IS ON PIN 1 OF E35.
(SEE D2-5 OF D-CS-M7221-0-1)
 2. THIS SIGNAL IS TRUE ONLY DURING WRITE.
 3. DOTTED LINE SHOWS THE TIME OF D2-5 EOB IND H SIGNAL DURING READ OR WRITE CHECK.
 4. THIS DIAGRAM FOR ILLUSTRATION ONLY AND NOT TO SCALE.

REV	
CHANGE NO.	
CHK	

FIRST USED ON OPTION/MODEL PDP-11	QTY.	DESCRIPTION	PART NO.	ITEM NO.
PARTS LIST				
UNLESS OTHERWISE SPECIFIED DIMENSION IN INCHES. TOLERANCES	DRN. <i>Tom Caplan</i>	DATE 10/26/71	digital EQUIPMENT CORPORATION MAYNARD, MASSACHUSETTS	
DECIMALS .XXX = .005	CHK'D. <i>Tom Caplan</i>	DATE 6/17/71	TITLE RC11 END OF BLOCK IND TIMING DIAG	
ANGLES ±0° 30'	ENG. <i>Tom Caplan</i>	DATE 6/17/71	SIZE CODE NUMBER DTD RC11-0-08	
REMOVE BURRS AND BREAK SHARP CORNERS SURFACE QUALITY ✓	PROJ. ENG. <i>Tom Caplan</i>	DATE 6/17/71	REV.	
MATERIAL	PROD. <i>Tom Caplan</i>	DATE 6/18/71	NEXT HIGHER ASSY.	
FINISH	A-ML-RC11-0		SCALE	
	SHEET / OF /		DIST.	

This drawing and specifications, herein, are the property of Digital Equipment Corporation and shall not be reproduced or copied or used in whole or in part as the basis for the manufacture or sale of items without written permission.



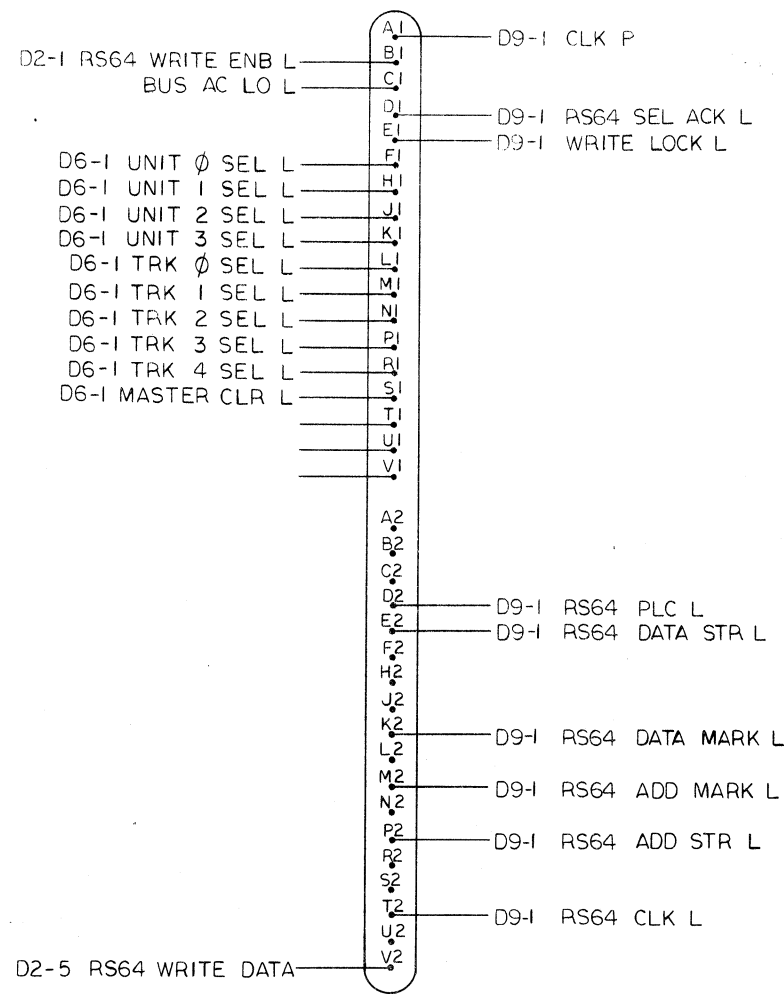
- NOTES:
1. THIS SIGNAL IS ON PIN 11 OF E14. (SEE D2-2 OF D-C5-M7221-0-1)
 2. ALL 1'S IS WRITTEN AS FIRST DATA WORD OF A BLOCK.
 3. THIS DIAGRAM IS FOR ILLUSTRATION ONLY, AND IS NOT TO BE SCALED.

REVISIONS	REV
CHANGE NO.	
CHK	

FIRST USED ON OPTION/MODEL	QTY.	DESCRIPTION	PART NO.	ITEM NO.
PDP-11				
PARTS LIST				
UNLESS OTHERWISE SPECIFIED DIMENSION IN INCHES. TOLERANCES	DRN. <i>Jim Capron</i>	DATE <i>10/20/71</i>	digital EQUIPMENT CORPORATION MAYNARD, MASSACHUSETTS	
DECIMALS .XXX = .005 .XX = .02 .X = .1	CHK'D. <i>James L. Ladd</i>	DATE <i>6-17-71</i>	TITLE RC11 WRITE TIMING DIAGRAM	
ANGLES ±0° 30'	ENG. <i>Chunshue</i>	DATE <i>6/17/71</i>	SIZE CODE D TD RC11-0-09	
REMOVE BURRS AND BREAK SHARP CORNERS SURFACE QUALITY ✓	PROJ. ENG. <i>Chunshue</i>	DATE <i>6/17/71</i>	NUMBER RC11-0-09	
MATERIAL	PROD. <i>Heath</i>	DATE <i>6/17/71</i>	REV.	
FINISH	NEXT HIGHER ASSY.	A-ML-RC11-0	SHEET 1 OF 1	

This drawing and specifications, herein, are the property of Digital Equipment Corporation and shall not be reproduced or copied or used in whole or in part as the basis for the manufacture or sale of items without written permission.

SIZE CODE 2
 NUMBER D I C
 RC11-0-10



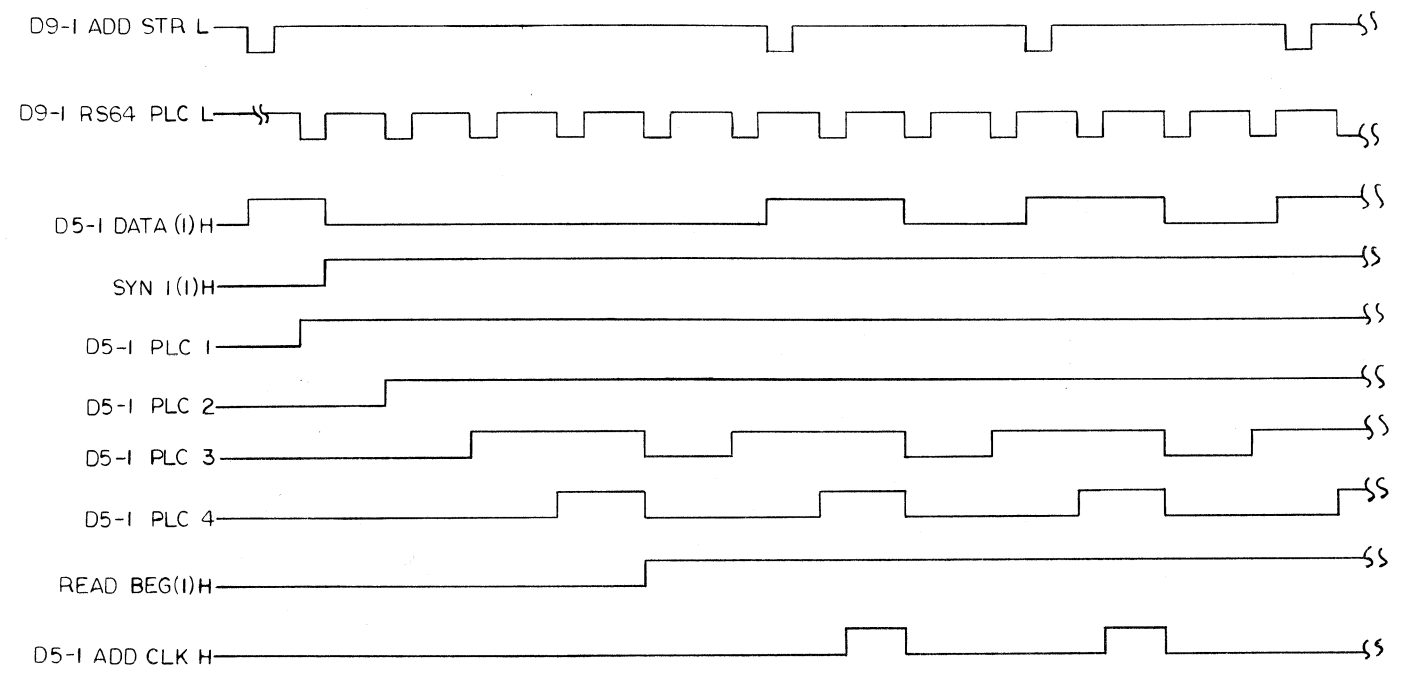
REVISIONS	REV.
CHANGE NO.	
CHK	

FIRST USED ON OPTION/MODEL PDP-11	QTY.	DESCRIPTION	PART NO.	ITEM NO.
PARTS LIST				
UNLESS OTHERWISE SPECIFIED DIMENSION IN INCHES. TOLERANCES	DRN <i>Don Cupican</i>	DATE 2 Jun 71	digital EQUIPMENT CORPORATION MAYNARD MASSACHUSETTS	
DECIMALS .XXX = .005 .XX = .02 .X = .1	CHK'D <i>Donald Davis</i>	DATE 6-17-71	TITLE RC11-RS64 INTERFACE CONNECTOR	
ANGLES ±0° 30'	ENG <i>Krishna</i>	DATE 6/17/71	D9-1	
REMOVE BURRS AND BREAK SHARP CORNERS SURFACE QUALITY	PRQJ. ENG. <i>Krishna</i>	DATE 6/17/71	NUMBER RC11-0-10	
MATERIAL	PROD. <i>Donald Davis</i>	DATE 6/17/71	REV.	
FINISH	NEXT HIGHER ASSY. A-ML-RC11-0	SCALE	SIZE CODE D I C	
	SHEET OF	DIST.		

This drawing and specifications, herein, are the property of Digital Equipment Corporation and shall not be reproduced or copied or used in whole or in part as the basis for the manufacture or sale of items without written permission.

- NOTES:
1. TIMING FOR DATA IS SIMILAR TO ADDRESS CLOCKING.
 2. DIAGRAM FOR ILLUSTRATION ONLY AND NOT TO SCALE.

D
C
B
A



D
C
B
A

REV	
CHANGE NO.	
CHK	

FIRST USED ON OPTION/MODEL	QTY.	DESCRIPTION	PART NO.	ITEM NO.
PDP-11		PARTS LIST		
UNLESS OTHERWISE SPECIFIED DIMENSION IN INCHES. TOLERANCES	DRN <i>Don Cyprian</i>	DATE <i>10/26/71</i>	 digital EQUIPMENT CORPORATION MAYNARD, MASSACHUSETTS	
DECIMALS	CHK'D <i>Don Cyprian</i>	DATE <i>6/17/71</i>		
ANGLES	ENG. <i>Don Cyprian</i>	DATE <i>6/17/71</i>	TITLE RC11 CLOCK CONT TIMING DIAG	
.XXX = .005 .XX = .02 .X = .1	PROJ. ENG. <i>Don Cyprian</i>	DATE <i>6/17/71</i>		
REMOVE BURRS AND BREAK SHARP CORNERS SURFACE QUALITY	PROD. <i>Don Cyprian</i>	DATE <i>6/17/71</i>		
MATERIAL	NEXT HIGHER ASSY.		SIZE CODE	NUMBER
FINISH	A-ML-RC11-0		DTD	RC11-0-11
	SCALE			REV.
	SHEET	OF	DIST.	

