



"THIS DRAWING AND SPECIFICATIONS, HEREIN, ARE THE PROPERTY OF DIGITAL EQUIPMENT CORPORATION AND SHALL NOT BE REPRODUCED OR COPIED OR USED IN WHOLE OR IN PART AS THE BASIS FOR THE MANUFACTURE OR SALE OF ITEMS WITHOUT WRITTEN PERMISSION. 1980  
COPYRIGHT © DIGITAL EQUIPMENT CORPORATION"

- D-UA-H3254-0-0 M8203 TEST CONN J1
- K-PL-H3254-0-DBP M8203 TEST CONN J1 (PL)
- D-UA-H3255-0-0 M8203 TEST CONN J2
- K-PL-H3255-0-DBP M8203 TEST CONN J2 (PL)
- D-UA-BC05D-0-0 RS232 MALE TO RS232 FEMALE 25 COND. CABLE
- D-UA-BC55M-0-0 INTEGRAL MODEM CABLE
- D-UA-BC55N-0-0 INTEGRAL MODEM CABLE
- B-PL-DMR11-0 SHIPPING LIST DMR11
- K-PL-BC55C-0-DBP BC55C PANEL ASSY.
- D-CS-H8055-C-1 BC55 CONN. MODULE
- B-UA-H3257-0-0 TERMINATOR, INTEGRAL MODEM, MALE
- B-UA-H3258-0-0 TERMINATOR, INTEGRAL MODEM, FEMALE

THE MATERIAL HEREIN IS FOR INFORMATION PURPOSES ONLY AND IS SUBJECT TO CHANGE WITHOUT NOTICE. DIGITAL EQUIPMENT CORPORATION ASSUMES NO RESPONSIBILITY FOR ANY ERRORS WHICH MAY APPEAR HEREIN.

# DRAWING DIRECTORY

THIS DRAWING AND SPECIFICATIONS, HEREIN, ARE THE PROPERTY OF DIGITAL EQUIPMENT CORPORATION AND SHALL NOT BE REPRODUCED OR COPIED OR USED IN WHOLE OR IN PART AS THE BASIS FOR THE MANUFACTURE OR SALE OF ITEMS WITHOUT WRITTEN PERMISSION. COPYRIGHT © 1980 DIGITAL EQUIPMENT CORPORATION.

FOR FIELD MAINTENANCE PRINT SET

REFER TO B-TC-DMR11-B-1

## UNIT VARIATIONS

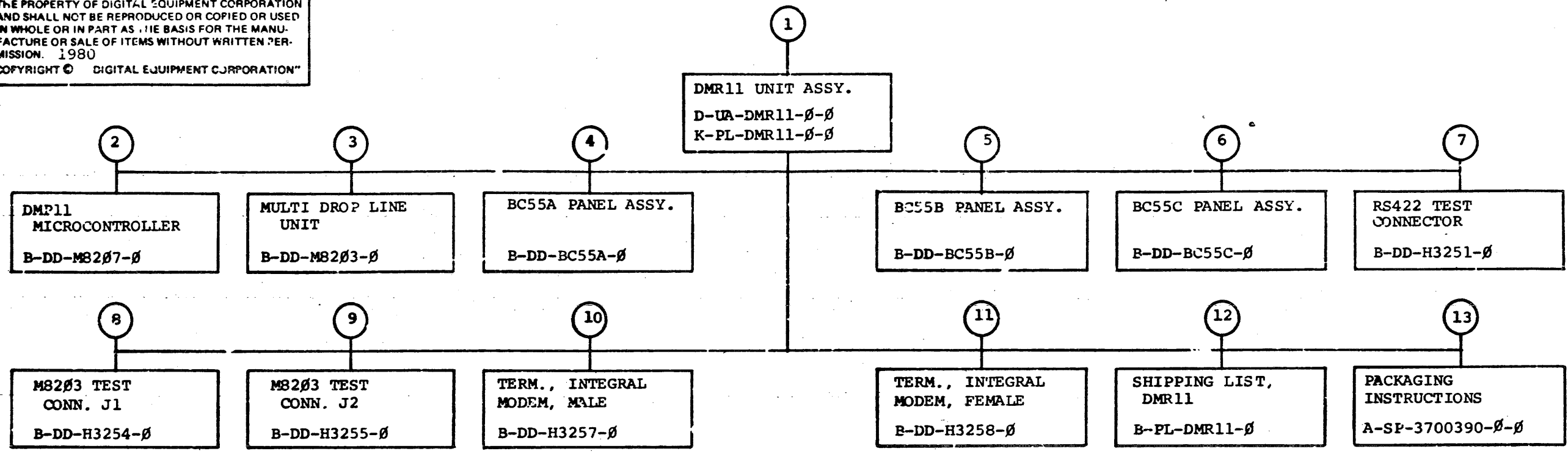
VAR	TITLE
DMR11-AA	uP, LU + CABLE FOR EIA RS232/RS42
DMR11-AB	uP, LU + CABLE FOR V.35
DMR11-AC	uP, LU + CABLE FOR INTEGRAL MODEM
DMR11-AD	uP, + LU
DMR11-AE	uP, LU + CABLE FOR EIA RS422

REV.	
CHANGES	
NO.	
CHK	

USED ON OPTION/MODEL	DRN	DATE	TITLE	
DMR11	<i>D. Gaudin</i>	<i>9 JAN 80</i>	<b>DRAWING DIRECTORY</b> (DMR11)	
	CHK'D	DATE		
	<i>R. Huntington</i>	<i>17 MAR 80</i>		
	PROJ. ENG.	DATE		
	<i>R. Huntington</i>	<i>17 MAR 80</i>		
	PROD.	DATE		
	<i>K. Lee</i>	<i>17 MAR 80</i>		
SHEET 1 OF 3	SIZE	CODE	NUMBER	REV
	B	DD	DMR11-B	*
	DIST.			



"THIS DRAWING AND SPECIFICATIONS, HEREIN, ARE THE PROPERTY OF DIGITAL EQUIPMENT CORPORATION AND SHALL NOT BE REPRODUCED OR COPIED OR USED IN WHOLE OR IN PART AS THE BASIS FOR THE MANUFACTURE OR SALE OF ITEMS WITHOUT WRITTEN PERMISSION. 1980  
COPYRIGHT © DIGITAL EQUIPMENT CORPORATION"



TITLE	SHEET 2 OF 3	SIZE CODE	NUMBER	REV
DRAWING DIRECTORY (DMR11)		B DD	DMR11-Ø	*

FIND NO.	DRAWING NO.	DESCRIPTION	TYPE	FIND NO.	DRAWING NO.	DESCRIPTION	TYPE
1	MP00911	PRINT SET ORDER NO. (MP)	-				
	B-TC-DMR11-0-1	FIELD MAINTENANCE PRINT SET (TC)	-				
	E-UA-DMR11-0-0	DMR11 UNIT ASSY	E/M	6	B-DD-BC55C-0	BC55C PANEL ASSY (DD)	-
	K-PL-DMR11-0-0	DMR11 UNIT ASSY (PL)	-				
	D-IA-BC08S-0-0	I/O CABLE ASSY	E/M				
	C-IA-H3250-0-0	CONN., TEST V.35/DDS	E/M				
	D-UA-BC05Z-0-0	CABLE, V35/DDS DSU	E/M				
	D-UA-BC05D-0-0	ASYNC MODEM INTERF CABLE ECT	*				
	D-UA-BC55M-0-0	CABLE, INTEGRAL MODEM	*				
	D-UA-BC55N-0-0	CABLE, INTEGRAL MODEM	*	7	B-DD-H3251-0	RS422 TEST CONNECTOR (DD)	-
2	B-DD-M8207-0	DMP11 MICROCONTROLLER (DD)	-	8	B-DD-H3254-0	M8203 TEST CONN. J1 (DD)	-
3	B-DD-M8203-0	MULTIDROP LINE UNIT (DD)	-	9	B-DD-H3255-0	M8203 TEST CONN. J2 (DD)	-
4	B-DD-BC55A-0	BC55A PANEL ASSY (DD)	-	10	B-DD-H3257-0	TERM., INTEGRAL MOLEM, MALE (DD)	-
				11	B-DD-H3258-0	TERM. INTEGRAL MODEM, FEMALE (DD)	-
				12	B-PL-DMR11-0	SHIPPING LIST, DMR11	-
5	B-DD-BC55B-0	BC55B PANEL ASSY (DD)	-	13	A-SP-370C390-0-0	PACKAGING INSTRUCTIONS	-
					9905016-00	CARTON, FOLDING	M
					9906088-07	CARTON, REGULAR SLOTTED	M
					9906080-07	SHEET, DIE CUT	M
					9905012-05	ENVELOPE, BUBBLITE	M

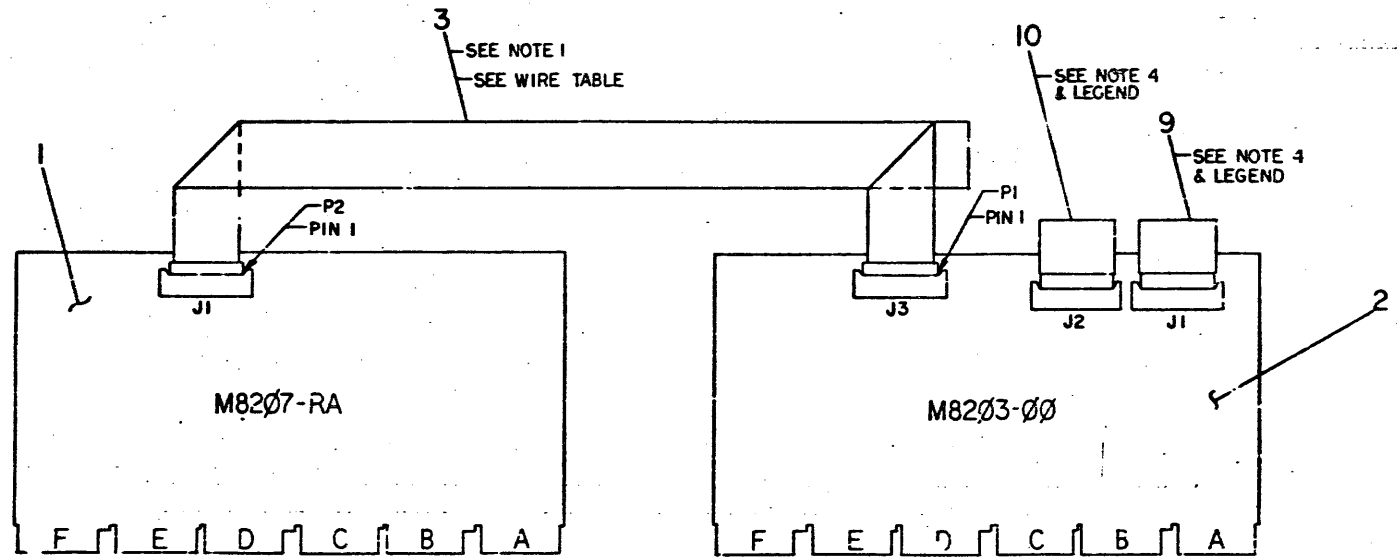
TYPE: E ELECTRICAL M MECHANICAL E/M ELECTRO/MECHANICAL	Asterisk (*) denotes optional equipment		TITLE DRAWING DIRECTORY (DMR11)	SHEET 3 OF 3	SIZE CODE B DD	NUMBER DMR11-0	REV *
--	---	--	------------------------------------	--------------	-------------------	-------------------	----------

THIS DRAWING AND SPECIFICATIONS HEREIN ARE THE PROPERTY OF DIGITAL EQUIPMENT CORPORATION AND SHOULD NOT BE REPRODUCED OR OTHERWISE USED IN WHOLE OR IN PART AS THE BASIS FOR THE MANUFACTURE OR SALE OF ITEMS WITHOUT WRITTEN PERMISSION. COPYRIGHT © 1980 DIGITAL EQUIPMENT CORPORATION

WIRE TABLE				
ITEM NO.	FROM		TO	
	CONN	WITH	CONN	WITH
3	J1 (ITEM 1)	P2	J3 (ITEM 2)	P1

LEGEND				
VARIATION	M8203 CONN	CABLE	TEST CONN	OPTIONAL EXTENSION CABLE
DMR11-AA	J2	BC55C	H3251	BC05D/RS232 BC55D/RS423
DMR11-AB	J1	BC05Z	H3250	NONE
DMR11-AC	J1	BC55A	NONE	BC55M (HI SPEED) BC55N (56 K)
DMR11-AD	---	---	---	---
DMR11-AE	J2	BC55B	H3251	BC55D/RS422

- NOTES:**
- IF I/O CABLE ASSY. BC05S-01, (ITEM 3) IS NOT AVAILABLE, I/O CABLE ASSY. (DUA-BC05R-01) MAY BE USED IN ITS PLACE.
  - POWER NOTE**  
MULTIPLE UNITS IN A BACKPLANE MAY EXCEED REGULATOR CAPACITY. SPLIT LOADING BETWEEN REGULATORS TO BALANCE REGULATOR CAPACITY. +5V CURRENT IS 8.5 AMPS/DMR11.
  - INSTALLATION NOTE**  
THE NPR GRANT JUMPER, (CA1 TO CB1) MUST BE REMOVED BEFORE M8207-RA, (ITEM 1) IS INSTALLED. THIS JUMPER MUST BE INSTALLED IF THE M8207-RA IS REMOVED FROM THE SYSTEM.
  - ITEMS 9 & 10 FOR TEST PROCEDURE ONLY.



THIS CONFIGURATION FOR DMR11-AD ONLY

**CAUTION:** OFF SHEET PARTS LIST EXIST, REFER TO K-PL-DMR11-0-0.

REV.	DATE	BY	CHKD.	DESCRIPTION
1				
2				
3				
4				
5				
6				
7				
8				

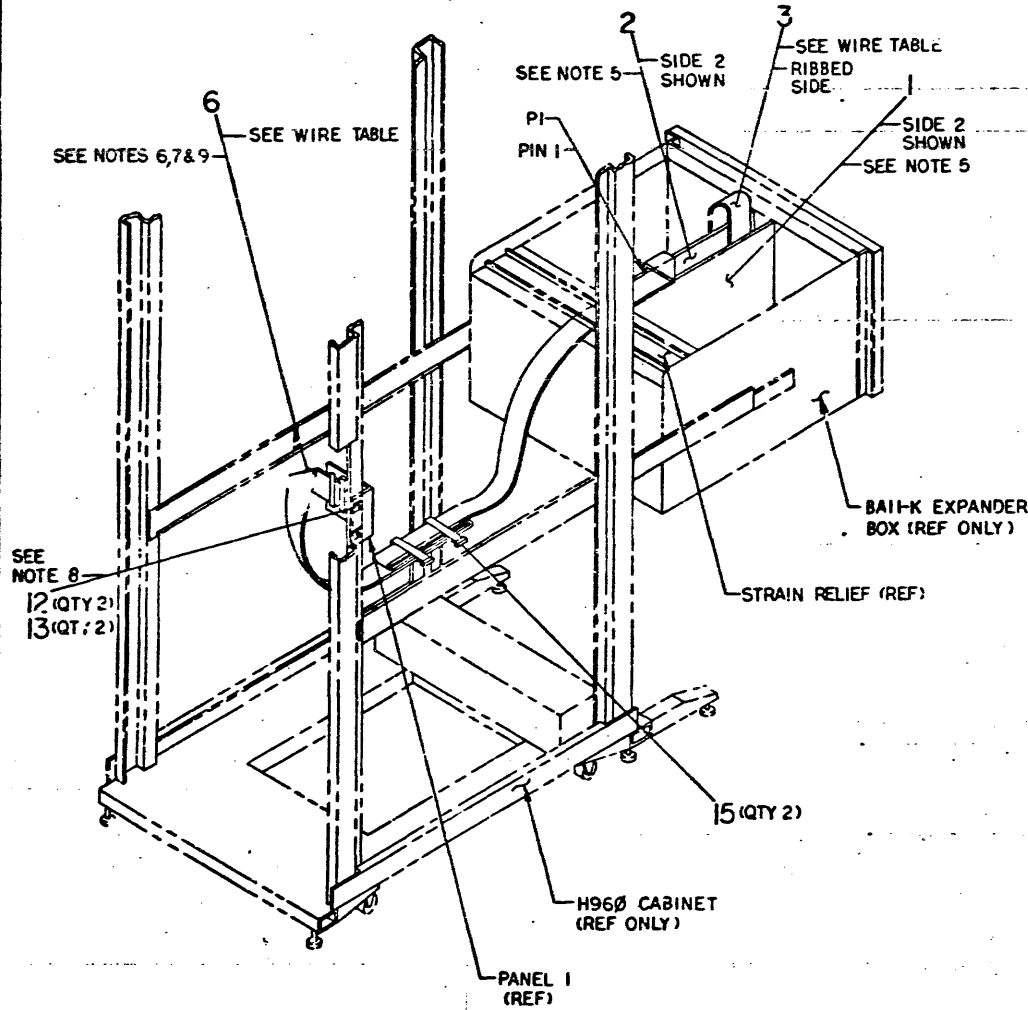
THIRD ANGLE PROJECTION	DRN	DATE	FIRST USED ON	DMR11 digital
	CHKD			
REMOVE BURRS AND BLANK SHARP CORNERS	ENG			
DO NOT SCALE DWG	PROJ. ENG.			
	PROD.			
	NEXT HIGHER ASSY.			
MATERIAL	SEE PARTS LIST	SIZE	CODE	NUMBER
FINISH	SCALE NONE	DUA		DMR11-0-0
	SHEET OF 8	DIST.		

THIS DRAWING AND SPECIFICATIONS HEREIN ARE THE PROPERTY OF DIGITAL EQUIPMENT CORPORATION AND SHALL NOT BE REPRODUCED OR COPIED OR USED IN WHOLE OR IN PART AS THE BASIS FOR THE MANUFACTURE OR SALE OF PEARLS WITHOUT WRITTEN PERMITS OR COPYRIGHT © 1980 DIGITAL EQUIPMENT CORPORATION

WIRE TABLE					
ITEM NO.	FROM:		TO:		REMARKS
	CONN	WITH	CONN	WITH	
3	J1 (ITEM 1)	P2	J3 (ITEM 2)	P1	BOTH TYP. INSTALL.
6	---	---	J2 (ITEM 2)	P1	

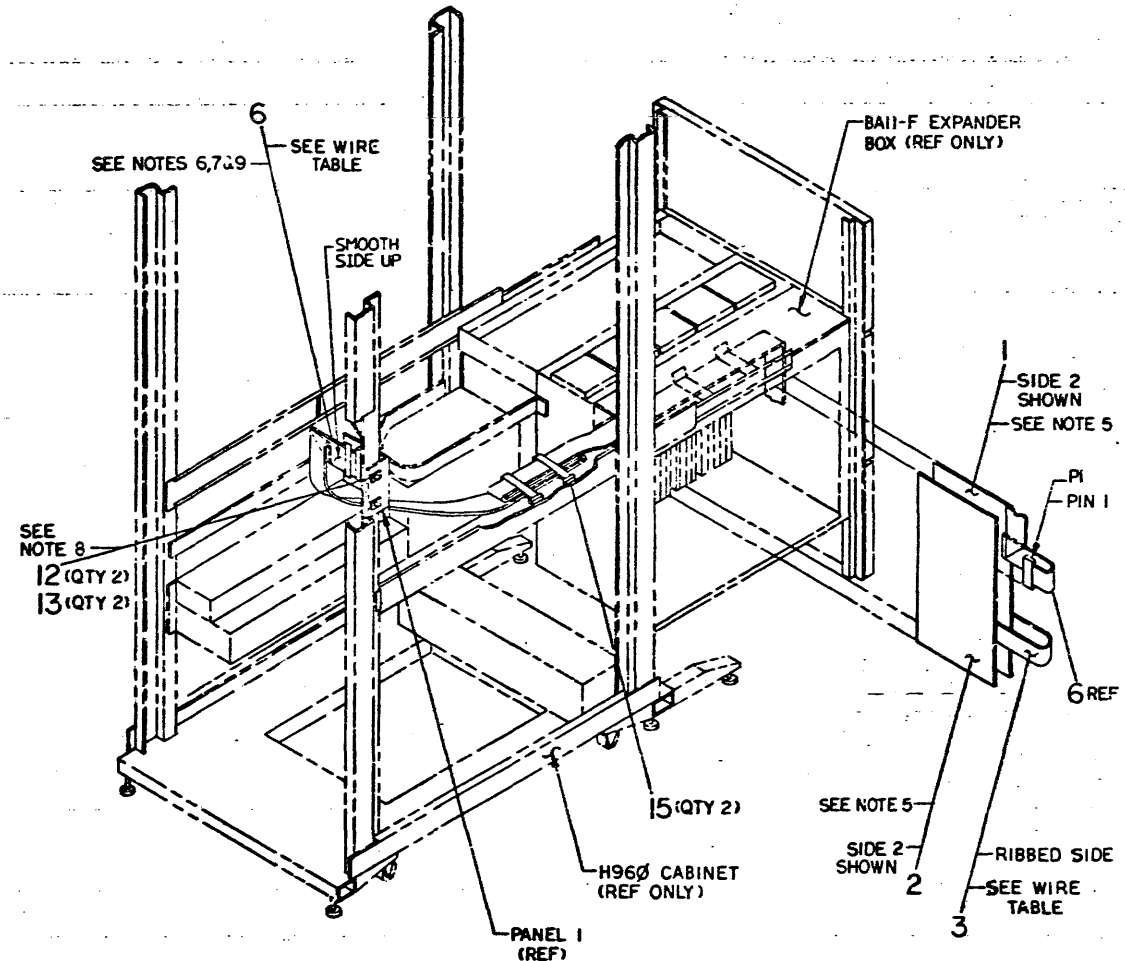
NOTES (CONTINUED):

- THE ORDER OF MODULES IN BACKPLANE IS NOT FIXED.
- SECURE CABLE ASSY. (ITEM 6) WITH STRAIN RELIEF WHICH IS INTEGRAL TO EACH BAII BOX.
- EXCESS CABLE TO BE LOOPED AND SECURED WITH 2 CABLE TIES (ITEM 15) AS SHOWN WHEN INSTALLED IN H960 SERIES CABS. REFER TO SHEET 6 FOR CABLE ROUTING WHEN OPTION IS INSTALLED IN H9602 SERIES CABS.
- FOR MOUNTING HOLE LOCATIONS, REFER TO SHEET 6.
- H3251 TEST CONNECTOR, (ITEM 8) TO BE CONNECTED TO J1 AT PANEL END OF BC55C CABLE ASSY, (ITEM 6) FOR TESTING PURPOSES ONLY.



TYP. INSTALLATION IN A BAII-K EXPANDER BOX

THIS CONFIGURATION FOR DMR11-AA ONLY



TYP. INSTALLATION IN A BAII-F EXPANDER BOX

REV.	CHANGE NO.	REV.

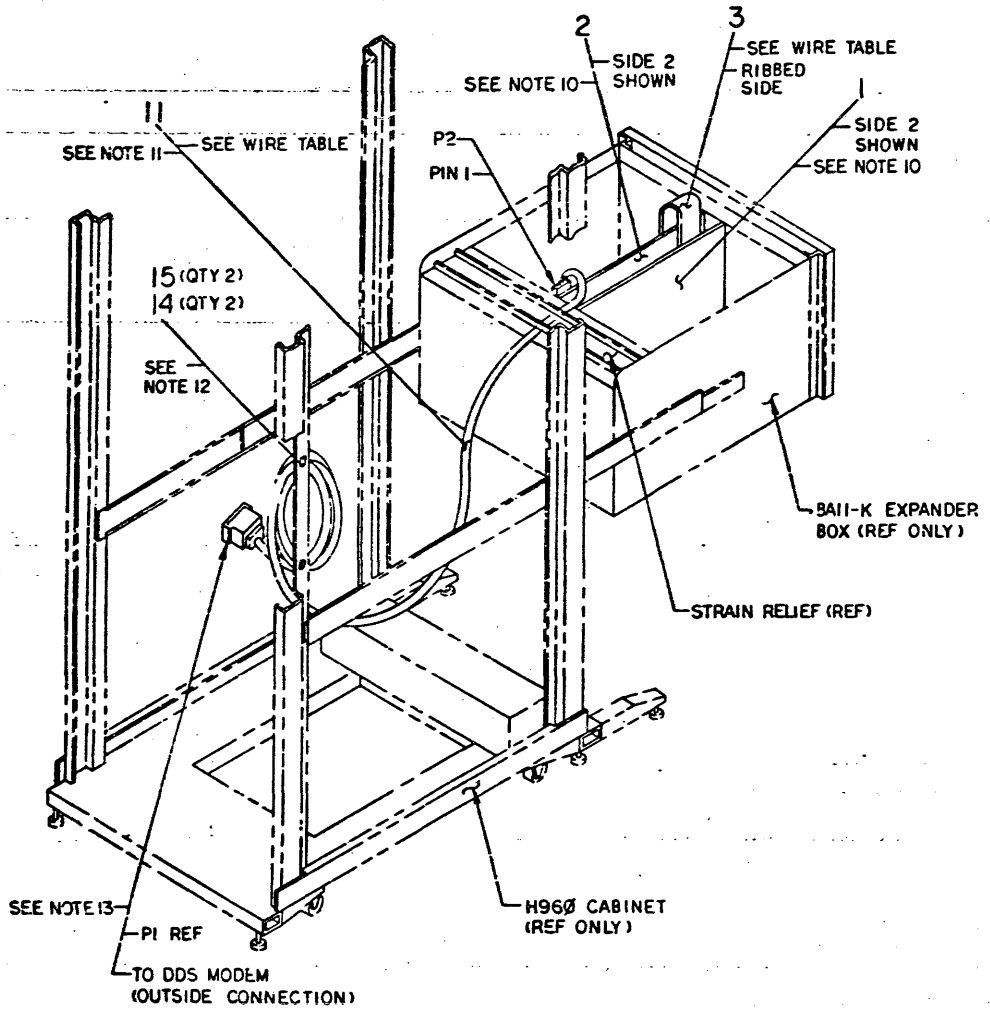
TITLE	SIZE CODE	NUMBER	REV.
DMRII UNIT ASSY.	DUA	DMRII-0-0	A
SCALE	SHEET 2 OF 8	DIST.	

THIS DRAWING AND SPECIFICATIONS HEREIN ARE THE PROPERTY OF DIGITAL EQUIPMENT CORPORATION AND SHALL NOT BE REPRODUCED OR COPIED OR USED IN WHOLE OR IN PART AS THE BASIS FOR THE MANUFACTURE OR SALE OF ITEMS WITHOUT WRITTEN PERMISSION. COPYRIGHT © 1980 DIGITAL EQUIPMENT CORPORATION

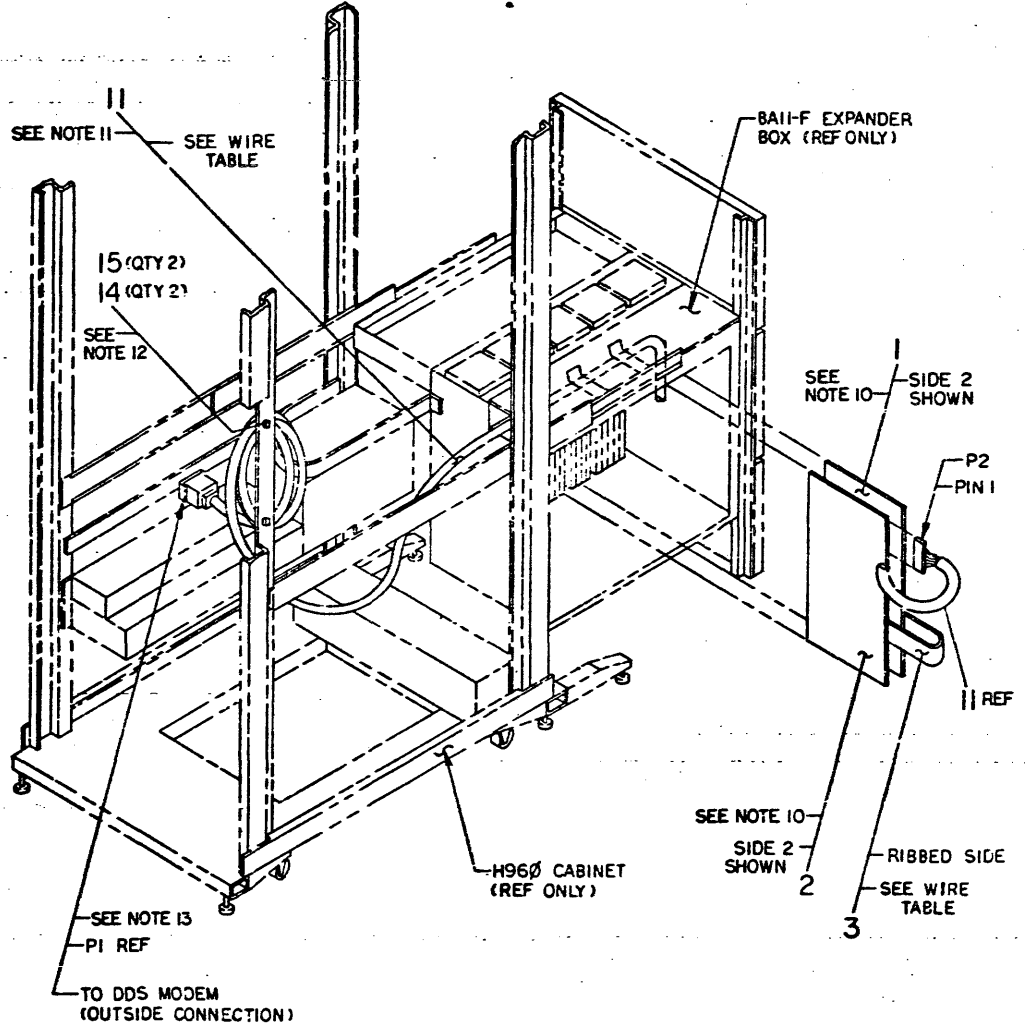
WIRE TABLE					
ITEM NO.	FROM		TO		REMARKS
	CONN	WITH	CONN	WITH	
3	J1 (ITEM 1)	P2	J3 (ITEM 2)	P1	TYR BOTH
11	—	—	J1 (ITEM 2)	P2	INSTALL.

NOTES (CONTINUED):

- THE ORDER OF MODULES IN BACKPLANE IS NOT FIXED.
- SECURE CABLE ASSY (ITEM 11) WITH STRAIN RELIEF WHICH IS INTEGRAL TO EACH BAI BOX.
- EXCESS CABLE TO BE LOOPED AND SECURED WITH 2 TIE MOUNTS, (ITEM 14) AND 2 CABLE TIES, (ITEM 15) AS SHOWN. FOR SHIPPING PURPOSES ONLY. REFER TO SHEET 6 FOR CABLE ROUTING WHEN OPTION IS INSTALLED IN H9622 SERIES CABS.
- H3250 TEST CONNECTOR, (ITEM 7) TO BE CONNECTED TO P1 OF BC052 CABLE ASSY, (ITEM 11) FOR TESTING PURPOSES ONLY.



TYR INSTALLATION IN A BAI-K EXPANDER BOX



TYR INSTALLATION IN A BAI-F EXPANDER BOX

THIS CONFIGURATION FOR DMR11-AB ONLY

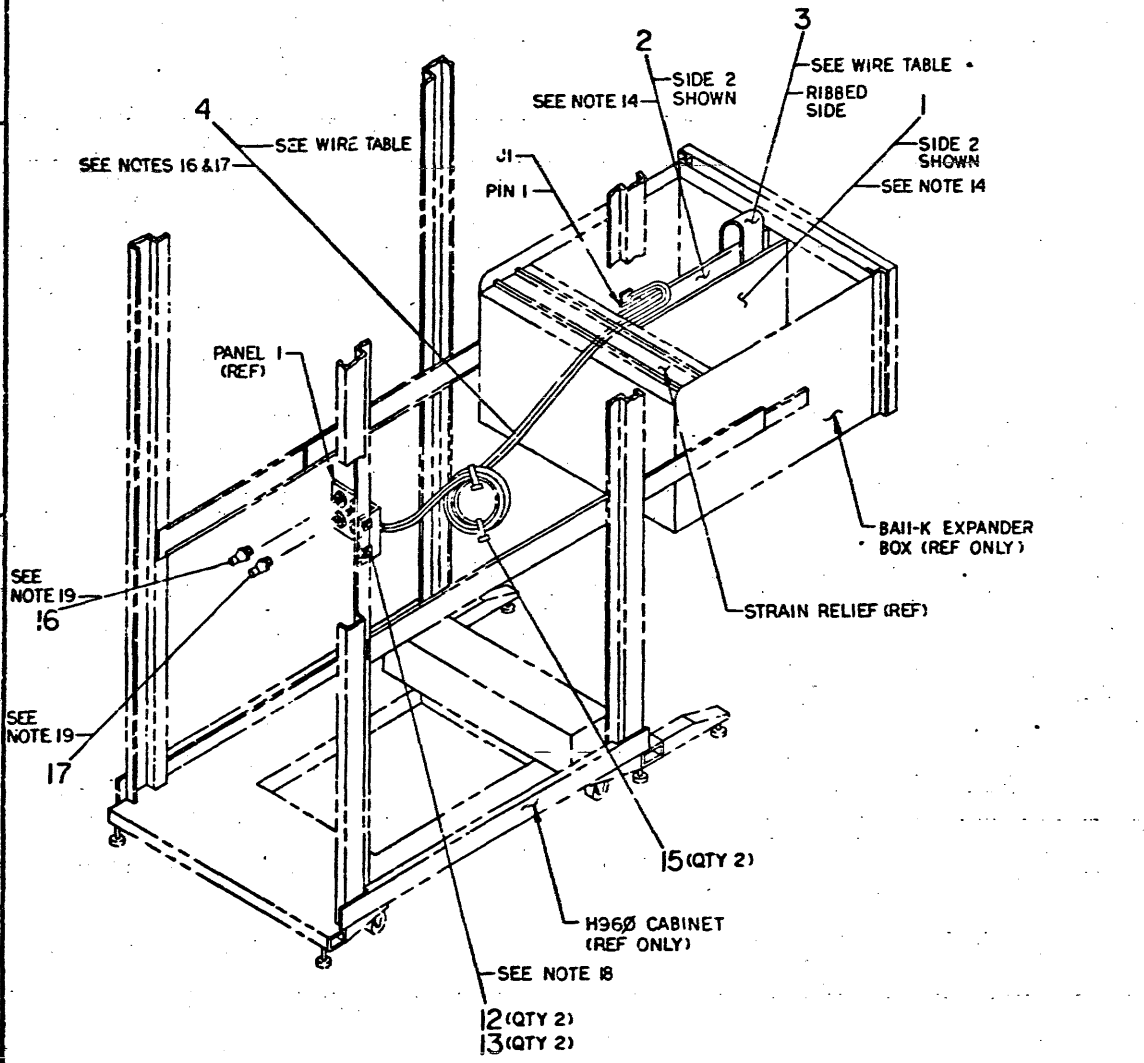
REVISIONS		
CHK	CHANGE NO.	REV.



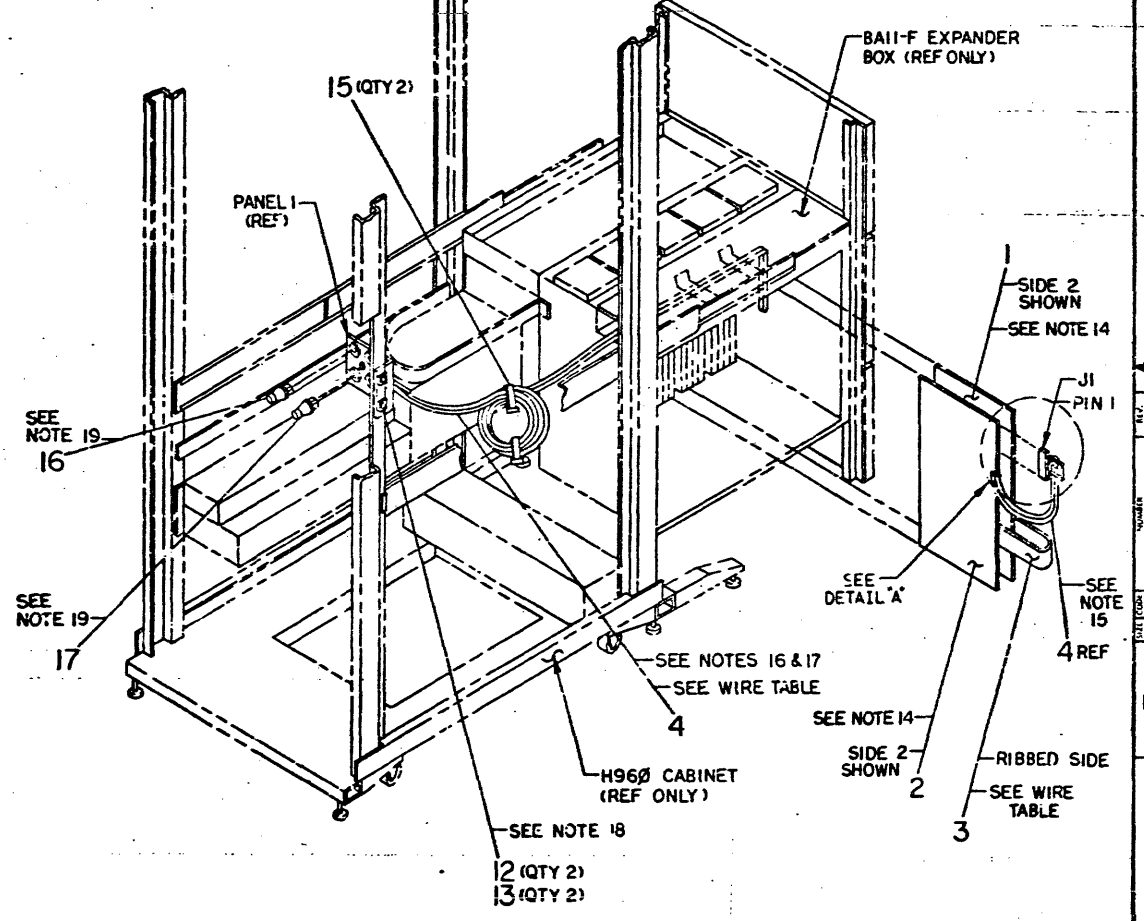
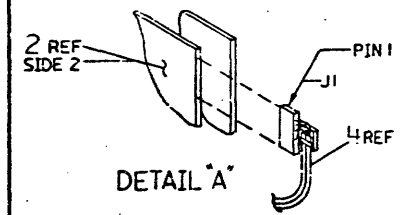
THIS DRAWING AND SPECIFICATIONS HEREIN ARE THE PROPERTY OF DIGITAL EQUIPMENT CORPORATION AND SHALL NOT BE REPRODUCED OR TRANSMITTED IN ANY FORM OR BY ANY MEANS, ELECTRONIC OR MECHANICAL, INCLUDING PHOTOCOPYING, RECORDING, OR BY ANY INFORMATION STORAGE AND RETRIEVAL SYSTEM, WITHOUT THE WRITTEN PERMISSION OF DIGITAL EQUIPMENT CORPORATION. ©1980 DIGITAL EQUIPMENT CORPORATION

WIRE TABLE					
ITEM NO.	FROM		TO		REMARKS
	CONN	WITH	CONN	WITH	
3	J1 (ITEM 1)	P2	J3 (ITEM 2)	P1	TYP. BOTH INSTALL.
4	—	—	J1 (ITEM 2)	J1	TYP. BOTH INSTALL.

- NOTES (CONTINUED):
- THE ORDER OF MODULES IN BACKPLANE IS NOT FIXED.
  - CABLES (ITEM 4) TO BE ROUTED UNDER HANDLE OF MODULE (ITEM 2) THEN UP INTO CABLE TROUGH AT A CONVENIENT OPENING BETWEEN LOGIC BACKPLANES. THIS PROCEDURE APPLIES TO BAI-F BOX ONLY.
  - SECURE CABLE ASSY. (ITEM 4) WITH STRAIN RELIEF WHICH IS INTEGRAL TO EACH BAI BOX.
  - EXCESS CABLE TO BE LOOPED AND SECURED WITH 2 CABLE TIES. (ITEM 15) AS SHOWN WHEN INSTALLED IN H960 SERIES CABS. REFER TO SHEET 6 FOR CABLE ROUTING WHEN OPTION IS INSTALLED IN H9602 SERIES CABS.
  - FOR MOUNTING HOLE LOCATIONS, REFER TO SHEET 6.
  - EITHER THE MALE TERMINATOR CONNECTOR, (ITEM 16) OR THE FEMALE TERMINATOR CONNECTOR, (ITEM 17) WILL BE USED ON THE PANEL. BETTER CLARIFICATION CAN BE OBTAINED FROM CHAPTER 2 OF THE DMR11 TECHNICAL MANUAL UNDER THE DMR11 INTEGRAL MODEM CABLING DIAGRAM.



TYP. INSTALLATION IN A BAI-K EXPANDER BOX

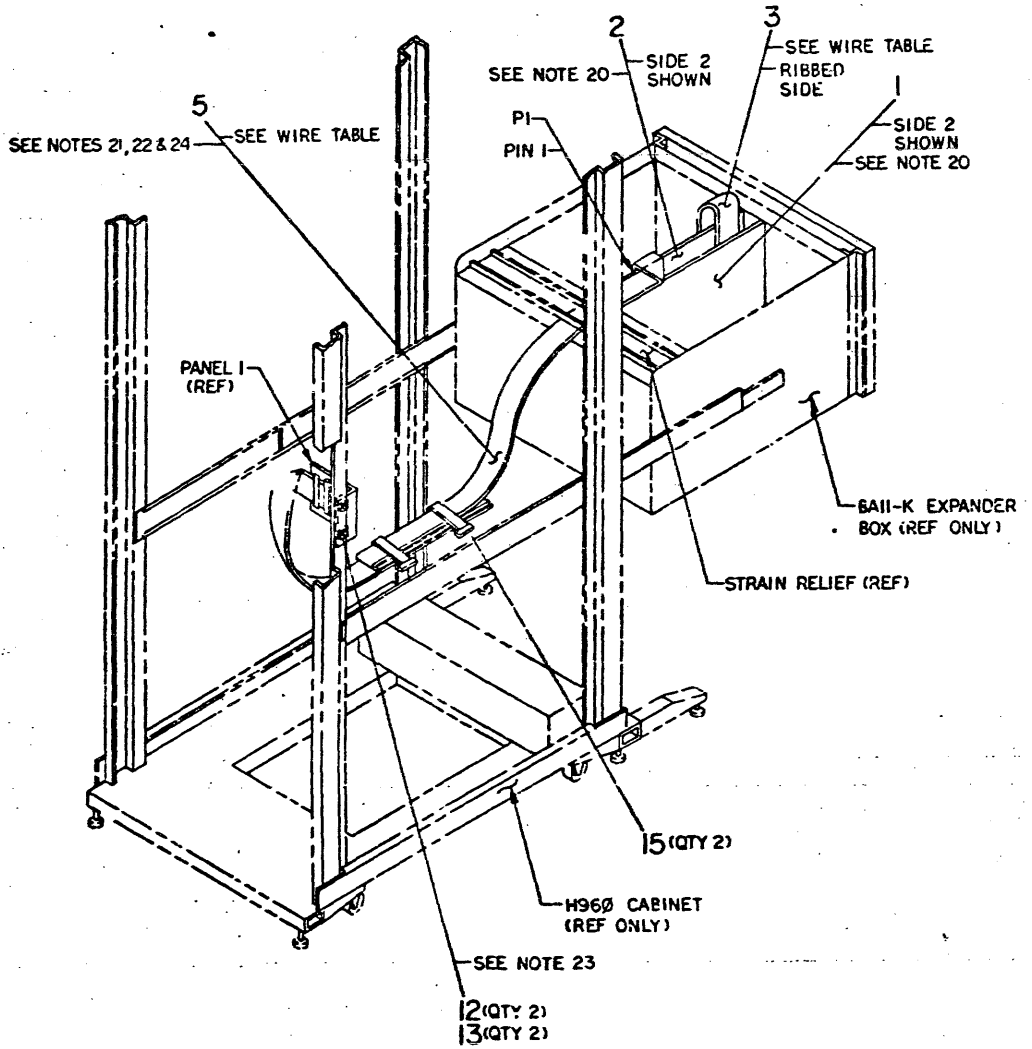


TYP. INSTALLATION IN A BAI-F EXPANDER BOX

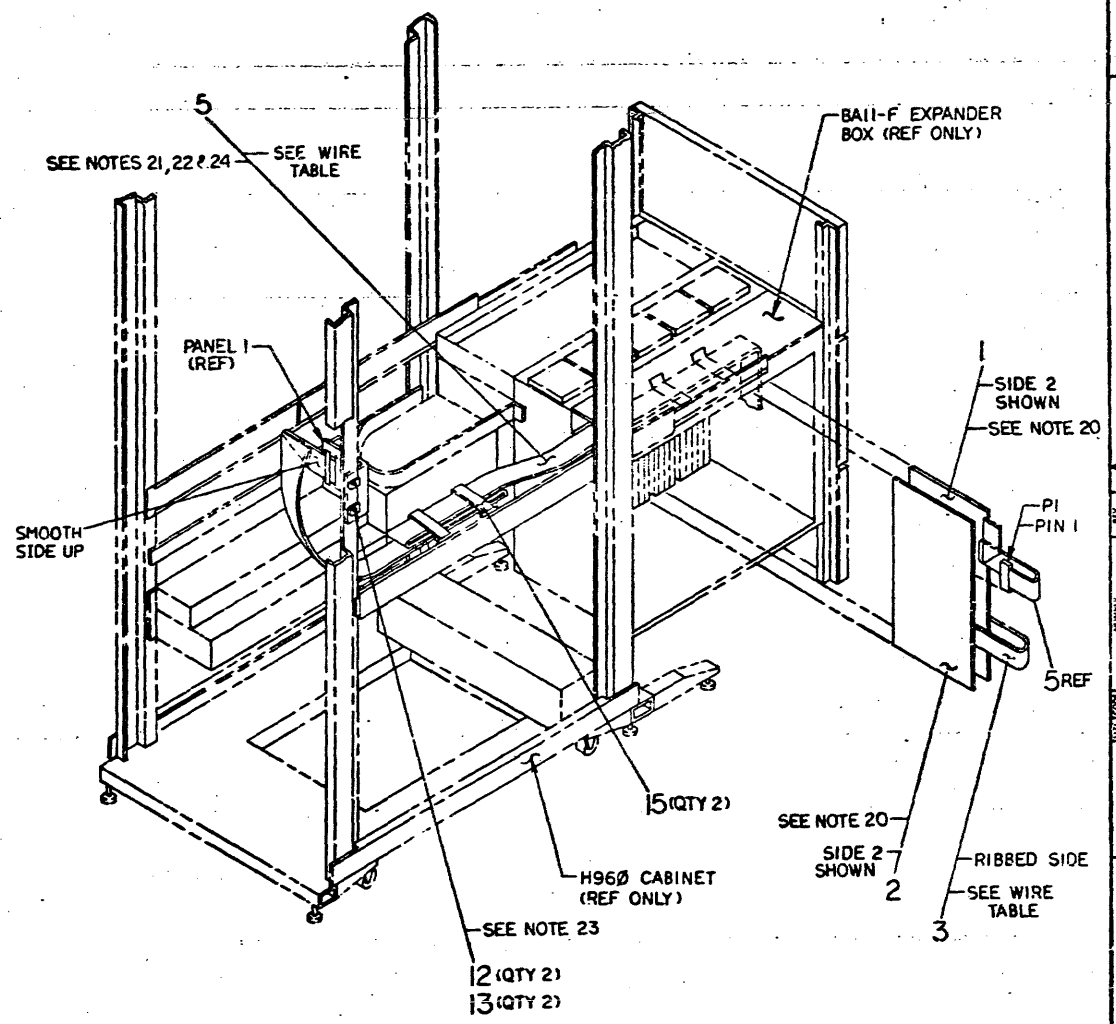
THIS DRAWING AND SPECIFICATION ARE THE PROPERTY OF DIGITAL EQUIPMENT CORPORATION AND SHALL NOT BE REPRODUCED OR COPIED OR USED IN WHOLE OR IN PART IN THE MANUFACTURE OF ANY PRODUCT OR OF ITED BY ANY OTHER FIRM WITHOUT THE WRITTEN PERMISSION OF DIGITAL EQUIPMENT CORPORATION.

WIRE TABLE					
ITEM NO.	FROM		TO		REMARKS
	CONN	WITH	CONN	WITH	
3	J1 (ITEM 1)	P2	J3 (ITEM 2)	P1	TYP. BOTH
5	—	—	J2 (ITEM 2)	P1	INSTALL.

- NOTES (CONTINUED):
- THE ORDER OF MODULES IN BACKPLANE IS NOT FIXED.
  - SECURE CABLE ASSY. (ITEM 5) WITH STRAIN RELIEF WHICH IS INTEGRAL TO EACH BAI BOX.
  - EXCESS CABLE TO BE LOOPED AND SECURED WITH 2 CABLE TIES (ITEM 15) AS SHOWN WHEN INSTALLED IN H960 SERIES CABS. REFER TO SHEET 6 FOR CABLE ROUTING WHEN OPTION IS INSTALLED IN H9602 SERIES CABS.
  - FOR MOUNTING HOLE LOCATIONS, REFER TO SHEET 6.
  - H3251 TEST CONNECTOR (ITEM 8) TO BE CONNECTED TO J2 AT PANEL END OF BC558 CABLE ASSY. (ITEM 5) FOR TESTING PURPOSES ONLY.



TYP. INSTALLATION IN A BAI-K EXPANDER BOX



TYP. INSTALLATION IN A BAI-F EXPANDER BOX

REVISIONS		
CHK	CHANGE NO.	REV.

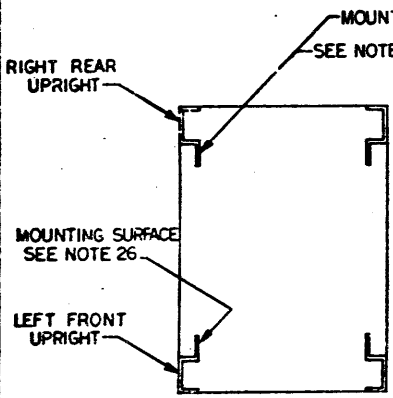
TITLE	DMR11 UNIT ASSY.	SIZE CODE	DUA	NUMBER	DMR11-0-0	REV.	A
SCALE	1:1	SHEET	5 OF 8	DIST.			

THIS DRAWING AND SPECIFICATIONS HEREIN ARE THE PROPERTY OF DIGITAL. FOR PERMIT OF REPRODUCTION OR TRANSMISSION OF THIS DRAWING IN WHOLE OR IN PART AS THE BASIS FOR THE MANUFACTURE OR SALE OF ITEMS WHICH ARE NOT SPECIFICALLY WRITTEN PERMITS BY DIGITAL EQUIPMENT CORPORATION.

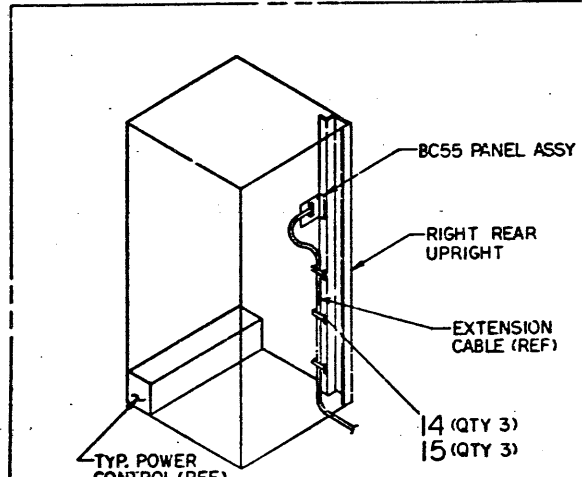
MTG. HOLE LOCATIONS FOR  
MULTIPLE BC55 SERIES CABLES IN H96Ø CABS.  
CHART APPLIES WHEN ONE (1) BAIL BOX EXISTS, ONLY.

HOLE CHART - BC55A CABLE ASSY.			
DESCRIPTION	MTG. HOLES	MTG. LOCATION	REMARKS
PANEL *1	93, 97	RIGHT REAR UPRIGHT	REAR MTG., FACING OUT
*2	84, 88	↓	↓
*3	72, 76	↓	↓
*4	63, 67	RIGHT REAR UPRIGHT	REAR MTG., FACING OUT
*5	93, 97	LEFT FRONT UPRIGHT	FRONT MTG., FACING REAR
*6	84, 88	↓	↓
*7	72, 76	↓	↓
PANEL *8	63, 67	LEFT FRONT UPRIGHT	FRONT MTG., FACING REAR

HOLE CHART - BC55B & BC55C CABLE ASSY'S.			
DESCRIPTION	MTG. HOLES	MTG. LOCATION	REMARKS
PANEL *1	94, 99	RIGHT REAR UPRIGHT	REAR MTG., FACING OUT
*2	92, 87	↓	↓
*3	73, 78	↓	↓
*4	61, 66	RIGHT REAR UPRIGHT	REAR MTG., FACING OUT
*5	94, 99	LEFT FRONT UPRIGHT	FRONT MTG., FACING REAR
*6	82, 87	↓	↓
*7	73, 78	↓	↓
PANEL *8	61, 66	LEFT FRONT UPRIGHT	FRONT MTG., FACING REAR



TOP VIEW OF H96Ø CAB (REF ONLY)



REAR VIEW OF H96Ø CAB (REF)  
EXTENSION CABLE ROUTING - FOR OPTIONAL EXT. CABLES -

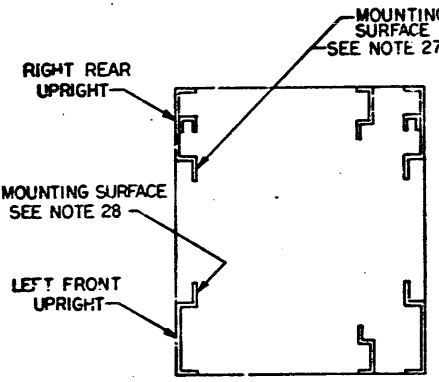
- NOTES (CONTINUED):
25. WHEN MULTIPLE OPTIONS ARE USED, PANELS \*1 THRU \*4 OF BC55 SERIES CABLES ARE INSTALLED ON RIGHT REAR UPRIGHT AS SHOWN. REFER TO HOLE CHART ABOVE FOR MTG. HOLE LOCATIONS.
26. PANELS \*5 THRU \*8 OF BC55 SERIES CABLES ARE INSTALLED ON LEFT FRONT UPRIGHT AS SHOWN. REFER TO HOLE CHART ABOVE FOR MTG. HOLE LOCATIONS.

REV.	CHANGE NO.	REV.

MTG. HOLE LOCATIONS FOR  
FOR MULTIPLE BC55 SERIES CABLES IN H96Ø2 CABS.  
CHART APPLIES WHEN ONE (1) BAIL BOX EXISTS, ONLY.

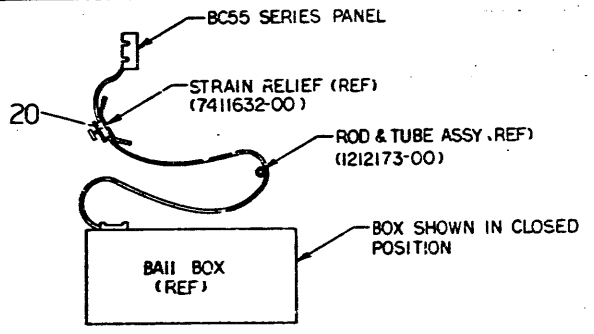
HOLE CHART - BC55A CABLE ASSY.			
DESCRIPTION	MTG. HOLES	MTG. LOCATION	REMARKS
PANEL *1	81, 85	RIGHT REAR UPRIGHT	REAR MTG., FACING OUT
*2	69, 73	↓	↓
*3	60, 64	↓	↓
*4	48, 52	RIGHT REAR UPRIGHT	REAR MTG., FACING OUT
*5	81, 85	LEFT FRONT UPRIGHT	FRONT MTG., FACING REAR
*6	69, 73	↓	↓
*7	60, 64	↓	↓
PANEL *8	42, 46	LEFT FRONT UPRIGHT	FRONT MTG., FACING REAR

HOLE CHART - BC55B & BC55C CABLE ASSY'S.			
DESCRIPTION	MTG. HOLES	MTG. LOCATION	REMARKS
PANEL *1	79, 84	RIGHT REAR UPRIGHT	REAR MTG., FACING OUT
*2	70, 75	↓	↓
*3	58, 63	↓	↓
*4	49, 54	RIGHT REAR UPRIGHT	REAR MTG., FACING OUT
*5	79, 84	LEFT FRONT UPRIGHT	FRONT MTG., FACING REAR
*6	70, 75	↓	↓
*7	58, 63	↓	↓
PANEL *8	40, 45	LEFT FRONT UPRIGHT	FRONT MTG., FACING REAR

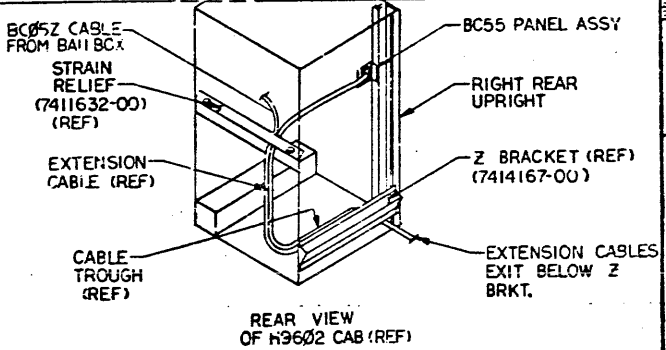


TOP VIEW OF H96Ø2 CAB (REF ONLY)

- NOTES (CONTINUED):
27. WHEN MULTIPLE OPTIONS ARE USED, PANELS \*1 THRU \*4 OF BC55 SERIES CABLES ARE INSTALLED ON RIGHT REAR UPRIGHT AS SHOWN. REFER TO HOLE CHART ABOVE FOR MTG. HOLE LOCATIONS.
28. PANELS \*5 THRU \*8 OF BC55 SERIES CABLES ARE INSTALLED ON LEFT FRONT UPRIGHT AS SHOWN. REFER TO HOLE CHART ABOVE FOR MTG. HOLE LOCATIONS.



SIMPLIFIED SIDE VIEW WITHOUT CAB.  
CABLE ROUTING OF BC55 SERIES PANEL ASSY. IN H96Ø2 CABS (TYP. ALL INSTALL.)



REAR VIEW OF H96Ø2 CAB (REF)  
EXTENSION CABLE ROUTING - FOR OPTIONAL EXT. CABLES -

TITLE	SIZE	CODE	NUMBER	REV.
DMR11 UNIT ASSY.	D	UA	DMR11-Ø-Ø	A
SCALE	SHEET	6 OF 8	DIST.	

MK

THIS DRAWING AND SPECIFICATIONS HEREAFTER ARE THE PROPERTY OF DIGITAL EQUIPMENT CORPORATION AND SHALL NOT BE REPRODUCED OR COPIED OR USED IN WHOLE OR IN PART AS THE BASIS FOR THE MANUFACTURE OR SALE OF ITEMS WITHOUT WRITTEN PERMISSION. COPYRIGHT © 1977, DIGITAL EQUIPMENT CORPORATION.

**M8207 SWITCHES**

1	2	3	4	5	6	7	8	9	10
OFF	OFF	OFF	OFF	ON	ON	ON	ON	ON	ON
A3	A4	A5	A6	A7	A8	A9	A10	A11	A12

CSR ADDRESS (760170)

SHOWS EXAMPLE SEE FLOATING ADDRESS ASSIGNMENT FOR INSTALLATION

1	2	3	4	5	6	7	8
OFF	OFF	OFF	ON	ON	OFF	ON	OFF
V3	V4	V5	V6	V7	V8	RUN	DISABLE CSR

VECTOR ADDRESS (300)

1	2	3	4
ON	OFF	OFF	OFF
BSEL 1 LOCKOUT	SPARES		

**M8203 SWITCHES**

E134 (SEE NOTE 29)

1	2	3	4	5	6	7	8	9	10
X	X	X	X	X	X	X	X	X	X
(LSB) BOOT PASSWORD								NOT USED	MICRO-DIAG.

\* (SEE CHART)

E121 (SEE NOTE 29)

1	2	3	4	5	6	7	8	9	10
X	X	X	X	X	X	X	X	X	X
(LSB) BOOT-OFFSET								DMC LINE HIGH SPEED COMPATIBLE SELECT	

\* \* (SEE CHART)

(X) SYSTEM PROGRAMMERS MUST DEFINE SWITCH SETTINGS

1	2	3	4	5	6	7	8	9	10
OFF	OFF	OFF	OFF	X	OFF	X	X	X	X
SPARES				V.35	RES	RS422	DATA RATE		

**DATA RATE FOR NULL CLK AND INTEGRAL MODEM**

2.4K BPS	OFF	OFF	OFF
4.8K BPS	ON	OFF	OFF
9.6K BPS	OFF	ON	OFF
19.2K BPS	ON	ON	OFF
56K BPS	OFF	OFF	ON
250K BPS	ON	OFF	ON
500K BPS	OFF	ON	ON
1M BPS	ON	ON	ON

**NOTES (CONTINUED):**

29. WHEN SWITCHES E121 AND E134 ARE SELECTED IN OFF POSITION THEY CORRESPOND TO A LOGICAL "1". SWITCH "OFF" = "1".

E.G. FOR BOOT PASSWORD OF "1" = SET E134 FOR SWITCH 1 = OFF  
 " " " " " " 2-8 = ON  
 FOR BOOT OFFSET OF "356" = SET E121 FOR SWITCH 145 = ON  
 " " " " " " 234 = OFF  
 " " " " " " 678 = OFF

\*

SEL 0 BIT 13 AT MASTER CLEAR TIME	SW 10 AT E134 ON M8223	EXECUTION OF MICRODIAGNOSTICS
CLEAR	ON	NO MICRODIAGNOSTICS IS RUN
CLEAR	OFF	RUN MICRODIAGNOSTICS
SET	ON	RUN MICRODIAGNOSTICS
SET	OFF	NO MICRODIAGNOSTICS IS RUN

\* \*

MODE OF OPERATION	DMC LINE COMPATIBLE SWITCH (SWS)	HIGH SPEED SWITCH (SW10)
LINE SPEED LESS THAN 1 MBPS AND DDCMP V.4 PROTOCOL SELECTED (NOT CONNECTED TO DMC11)	ON	ON
LINE SPEED IS 1 MBPS AND DDCMP V.4 PROTOCOL SELECTED (NOT CONNECTED TO DMC11)	ON	OFF
CONNECTED TO DMC11-AR (M8205-YA)	OFF	ON
CONNECTED TO DMC11-AL (M8205-YB)	OFF	OFF

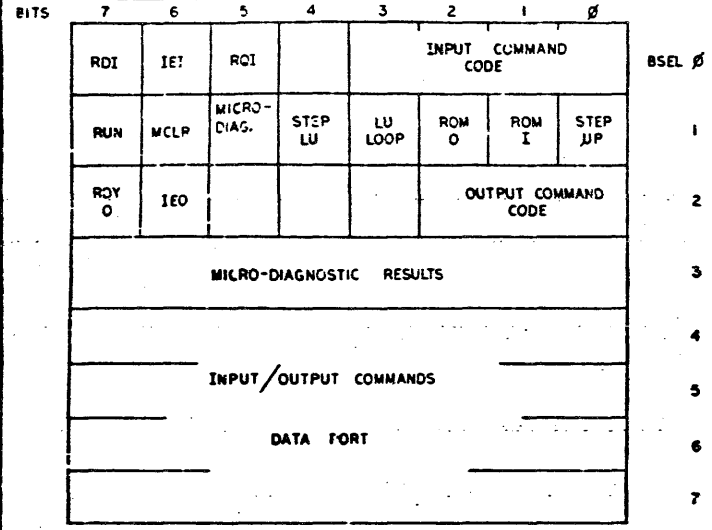
**REVISIONS**

CHK	CHANGE NO.	REV.

TITLE	DMR11 UNIT ASSY.	SHEET	7 OF 8	DIST		REV.	A
SCALE		SHEET 7 OF 8		DIST		REV. A	

THIS DRAWING AND SPECIFICATIONS HEREIN ARE THE PROPERTY OF DIGITAL EQUIPMENT CORPORATION AND SHALL NOT BE REPRODUCED OR USED IN WHOLE OR IN PART AS THE BASIS FOR THE MANUFACTURE OR SALE OF ITEMS WITHOUT THE WRITTEN PERMISSION OF DIGITAL EQUIPMENT CORPORATION.

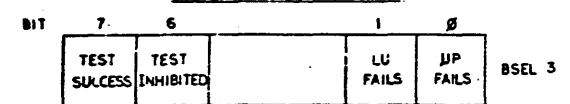
**CONTROL AND STATUS REGISTERS**



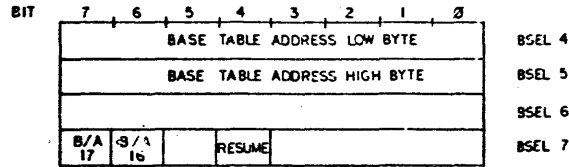
INPUT COMMAND CODE				FUNCTION
BSEL 0 BIT				
3	2	1	0	TRANSMIT BA/CC IN
0	0	0	0	CONTROL IN
0	0	1	0	HALT REQUEST
0	0	1	1	BASE IN
0	1	0	0	RECEIVE BA/CC IN

OUTPUT COMMAND CODE			FUNCTION
BSEL 2 BIT			
2	1	0	TRANSMIT BA/CC OUT
0	0	1	CONTROL OUT
1	0	0	RECEIVE BA/CC OUT

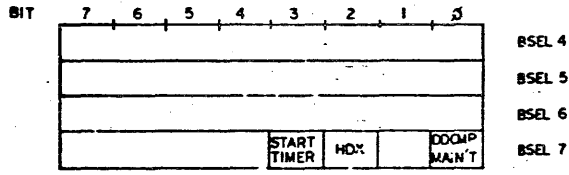
**MICRO-DIAGNOSTIC RESULTS**



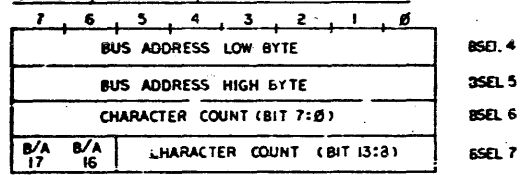
**BASE IN FORMAT**



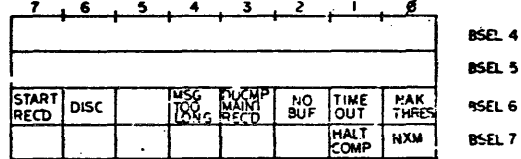
**CONTROL IN FORMAT**



**TRANSMIT/RECEIVE BA/CC IN AND OUT FORMAT**



**CONTROL OUT FORMAT**



REVISIONS		
CHK	CHANGE NO.	REV.

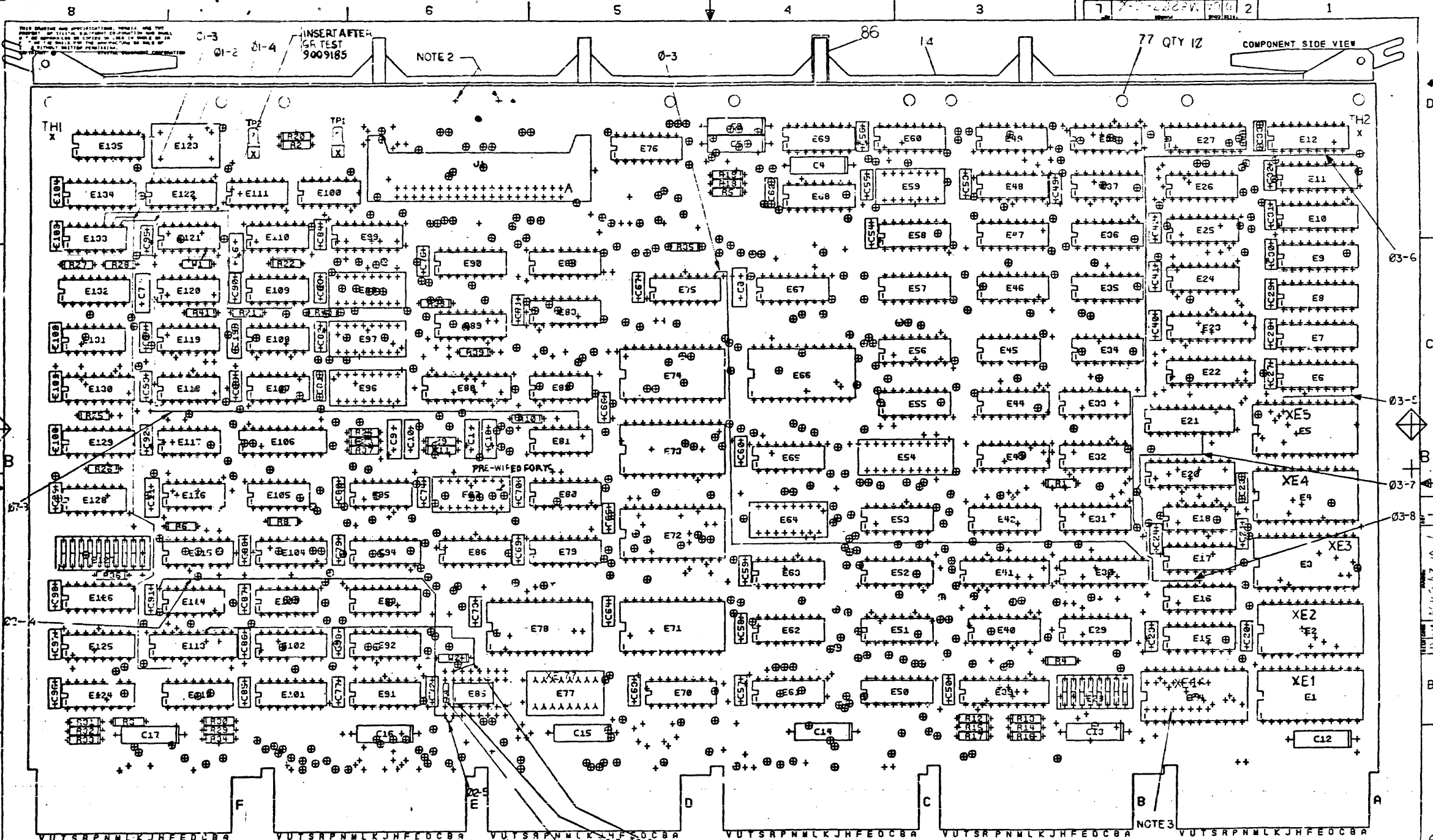
LINE	ITEM	DOCUMENT NUMBER	PART NUMBER	DESCRIPTION	QUANTITY PER VARIATION				
					AA	AB	AC	AD	AE
1	1	D-UA-M8207-0-0	M8207-RA	MICROPROCESSOR BASED SYNCHRONOUS	1	1	1	1	1
2	2	D-UA-M8203-0-0	M8203-00	DMP11 LINE UNIT,RS-449,INTEGRAL	1	1	1	1	1
3	3	D-IA-BC08S-0-0	BC08S-01	1/0 CABLE ASSY 1FT	1	1	1	1	1
4	4	D-UA-BC55A-0-0	BC55A-10	CABLE INTEGRAL MODEM	-	-	1	-	-
5	5	D-UA-BC55B-0-0	BC55B-10	EIA RS422 CABLE	-	-	-	-	1
6	6	D-UA-BC55C-0-0	BC55C-10	EIA RS232/RS423 CABLE	1	-	-	-	-
7	7	C-IA-H3250-0-0	H3250-00	DDS TEST CONN	-	1	-	-	-
8	8	D-UA-H3251-0-0	H3251-00	TEST CONNECTOR RS422	1	-	-	-	1
9	9	D-UA-H3254-0-0	H3254-00	M8203 TEST CONNECTOR J1	1	1	1	1	1
10	10	D-UA-H3255-0-0	H3255-00	M8203 TEST CONNECTOR J2	1	-	1	1	1
11	11	D-UA-BC05Z-0-0	BC05Z-25	CABLE, HB5A TC V35 - 25 FT	-	1	-	-	-
12	12		9007786-00	RETAINER, U-NUT, 10-32	2	-	2	-	2
13	13		9009700-00	SCREW, SEMS, PHILLIPS TRUSS HD 1	2	-	2	-	2
14	14		9007867-00	MOUNT, PUSH,CABLE TIE	3	5	3	-	3
15	15		9009617-00	TIE,CABLE BUNDL.IIA 0-3*TYPE=101	5	5	5	-	5
16	16	D-UA-H3257-0-0	H3257-00	MALE TERMINATOR FOR INTEGRAL MOD	-	-	1	-	-
17	17	D-UA-H3258-0-0	H3258-00	FEMALE TERMINATOR FOR INTEGRAL M	-	-	1	-	-
18	18	A-SP-3700390-0-0	3700390-07	PKG GENERAL PURPOSE SKIN PACKED	1	1	1	1	1
19	19	B-PL-DHR11-0		SHIPPING LIST, DHR11	1	1	1	1	1
20	20		9008214-00	FOAM, TAPE,ADHESIVE BACK-POLYURE	A/R	0	A/R	0	A/R
21	21	D-CS-H325-0-1	0H325-00	CONN. MODEM TEST	1	0	0	0	0

22 NOTE: 1. OPTIONAL EQUIPMENT: D-UA-BC05D-25-0, D-UA-BC55M-98-0, D-UA-BC55N-98-0.

REVISION HISTORY		BASIC PART NO: DHR11		DRN: D. ZWICKER		DATE: 08-FEB-80		DBP		DIGITAL		
ENC	ECO NUMBER	REV	SECTION A OF A	CHK'D:	G. HOVEY	DATE:	08-FEB-80	TITLE	PARTS LIST			
1			SECTION, VARIATION INDEX			DATE:	08-FEB-80	DHR11 UNIT ASSY				
1	DHR11-MK001	A	[A] AA,AB,AC,AD,AE			DES.ENG.:	H. YANG					
			[B]			DATE:	08-FEB-80					
			[C]			RESP.ENG.:	R. HARRINGTON		DOCUMENT NUMBER			
			[D]			DATE:	08-FEB-80					
			[E]			INF.ENG.:	J. ARMBRUSTER		SIZE	CODE	NUMBER	REV
			[F]			DATE:	08-FEB-80		K	PL	DHR11-0-0	A
						ASSEMBLY NUMBER:		TOP DOCUMENT NUMBER:	FILE NAME:		EDIT #	
						D-UA-DHR11-0-0		#B-DD-DHR11-0	M0021.PLS		6	

"THIS DRAWING AND SPECIFICATIONS HEREIN, ARE THE PROPERTY OF DIGITAL EQUIPMENT CORPORATION AND SHALL NOT BE REPRODUCED OR COPIED OR USED IN WHOLE OR IN PART AS THE BASIS FOR THE MANUFACTURE OR SALE OF ITEMS WITHOUT WRITTEN PERMISSION. COPYRIGHT (C) 1980. DIGITAL EQUIPMENT CORPORATION"

MK



INSERT AFTER  
GR TEST  
9009185

COMPONENT SIDE VIEW

PRE-WIRED PORTS

- NOTES: 1. REF DES NOT USED E19, C68, C75, C2  
 2. DO NOT USE EYELETS (2 PLACES)  
 3. E13 (16 PIN IC) UNDER E14 USED ON YO VARIATION  
 4. RESISTOR R7 IS MANUALLY INSERTED AND F85  
 5. UNUSUED GOLD CONNECTOR FINGERS MAY BE DELETED.

CHK	CHANGE NO	REV	DATE	BY	APP
1	1	1	10/27/71	P. ALOISI	
2	1	1	11/10/71	P. ALOISI	
3	1	1	11/10/71	P. ALOISI	
4	1	1	11/10/71	P. ALOISI	
5	1	1	11/10/71	P. ALOISI	
6	1	1	11/10/71	P. ALOISI	
7	1	1	11/10/71	P. ALOISI	
8	1	1	11/10/71	P. ALOISI	
9	1	1	11/10/71	P. ALOISI	
10	1	1	11/10/71	P. ALOISI	

ETCH REV. D
P.C. DESIGN DATA BASE REV. D

SIGNATURES		DATE
DRN.		
CHK'D.		
ENG.		
PROJ. ENG.		
PROD. CONTROLLER		
SCALE 3/1		
CHT. 1 OF 7		
NEXT HIGH-ER ASSY. E-00-4-22-2		

TITLE: SMP11  
 MICROCONTROLLER  
 SIZE CODE: D 10  
 NUMBER: M8207-0-0  
 REV: L

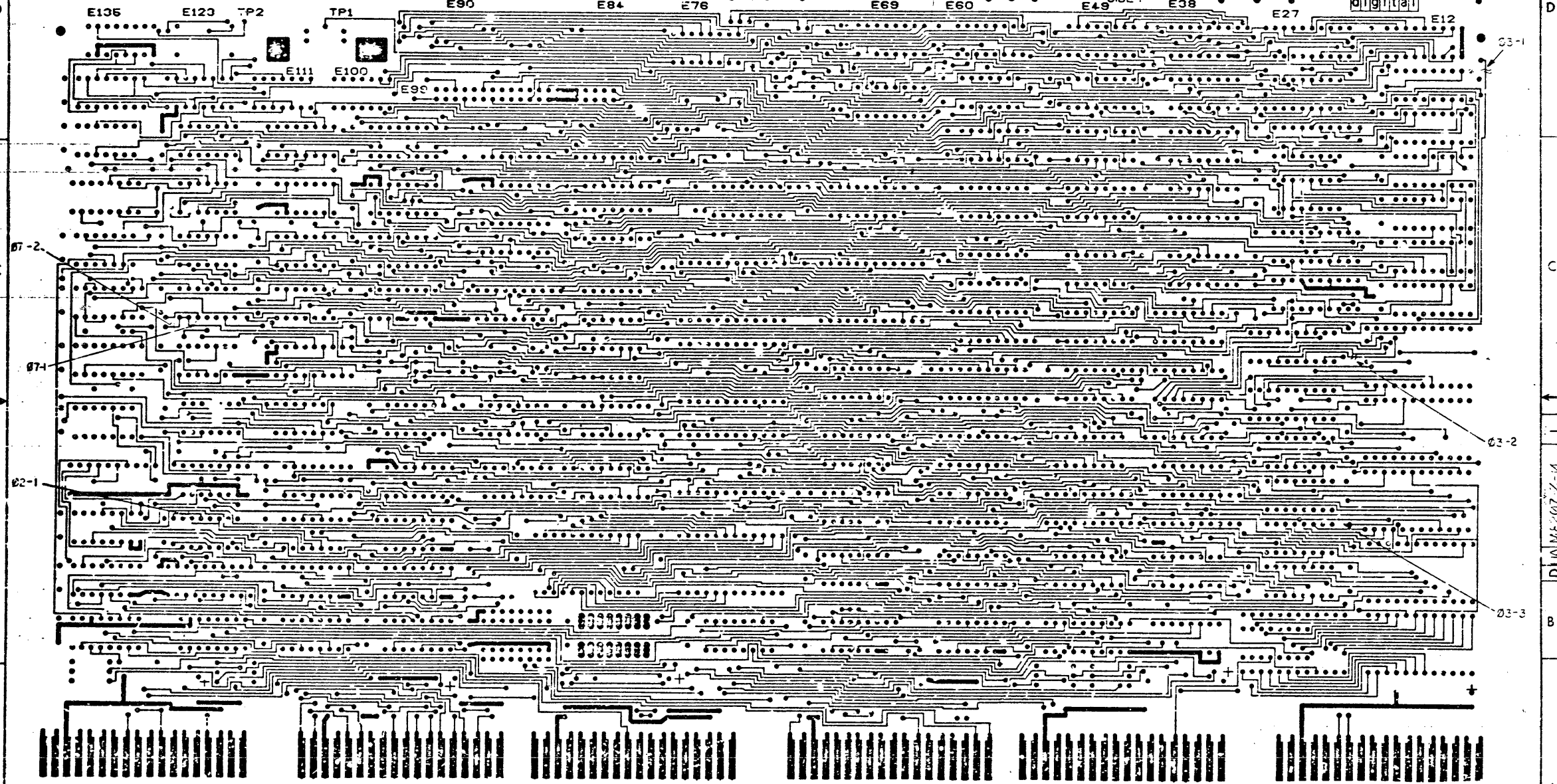
1 MS# 124122

REV. 001  
DATE: 11/1/77

NOTE 0-1

CSXABCDEFGHIJKLMNPRS

digital



REV.	DATE	BY
001	11/1/77	

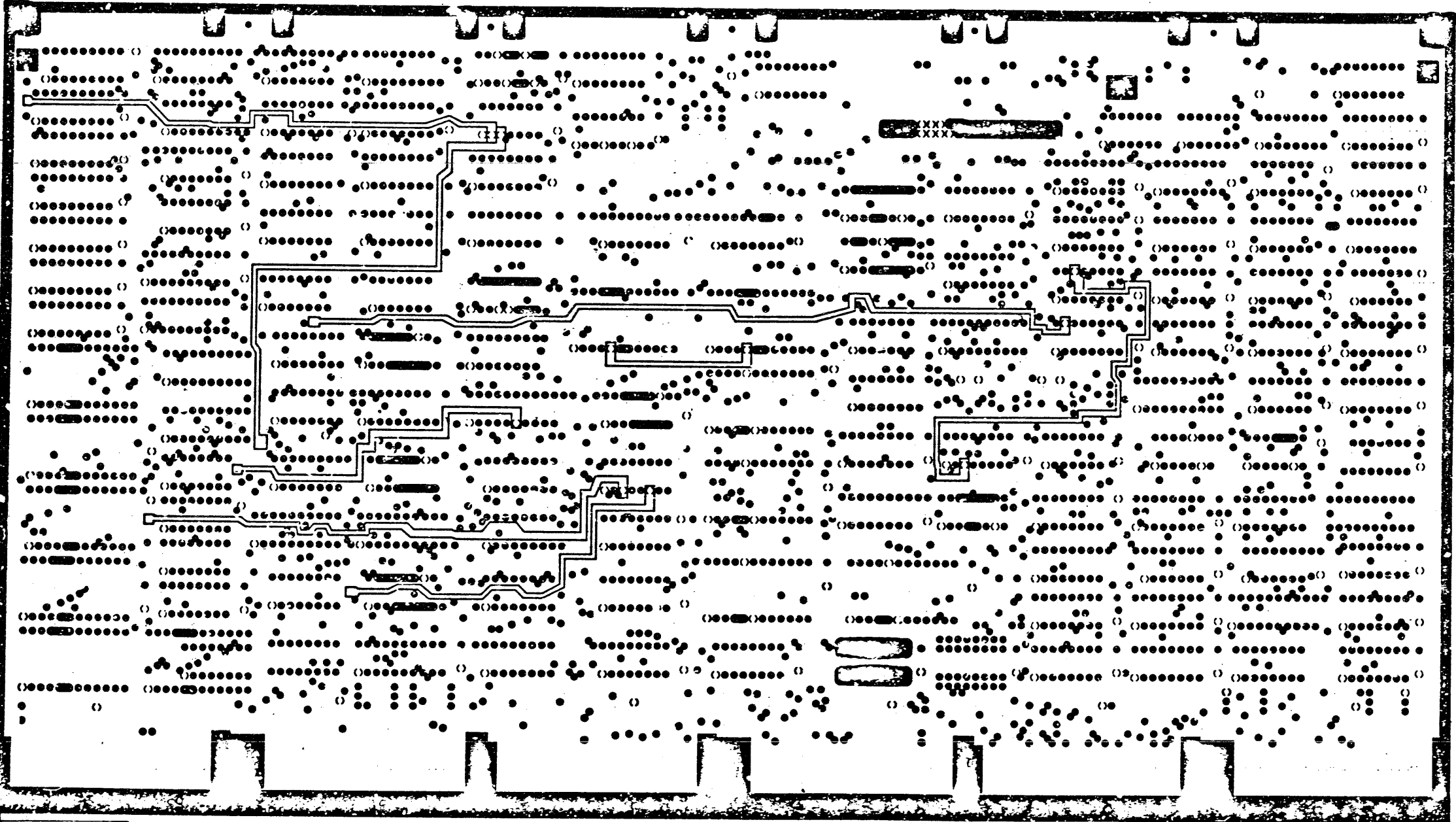
TITLE	SIZE CODE	NUMBER	REV.
DMP11 MICROCONTROLLER	DUA	18207-0-0	L
SCALE 2/1	SHEET 2 OF 7	DIST	

DUA M8207-0-0



REV 1.2

L2 50128450 M8207 MICROPROCESSOR LINK



REV		DATE		BY		CHKD		APP'D		TITLE		SIZE/DATE		NUMBER		REV	
											DMP II MICROCONTROLLER	D	UA	M8207-0-0			L
SCALE 2/1												SHEET 3 OF 7		DIST			

8

7

6

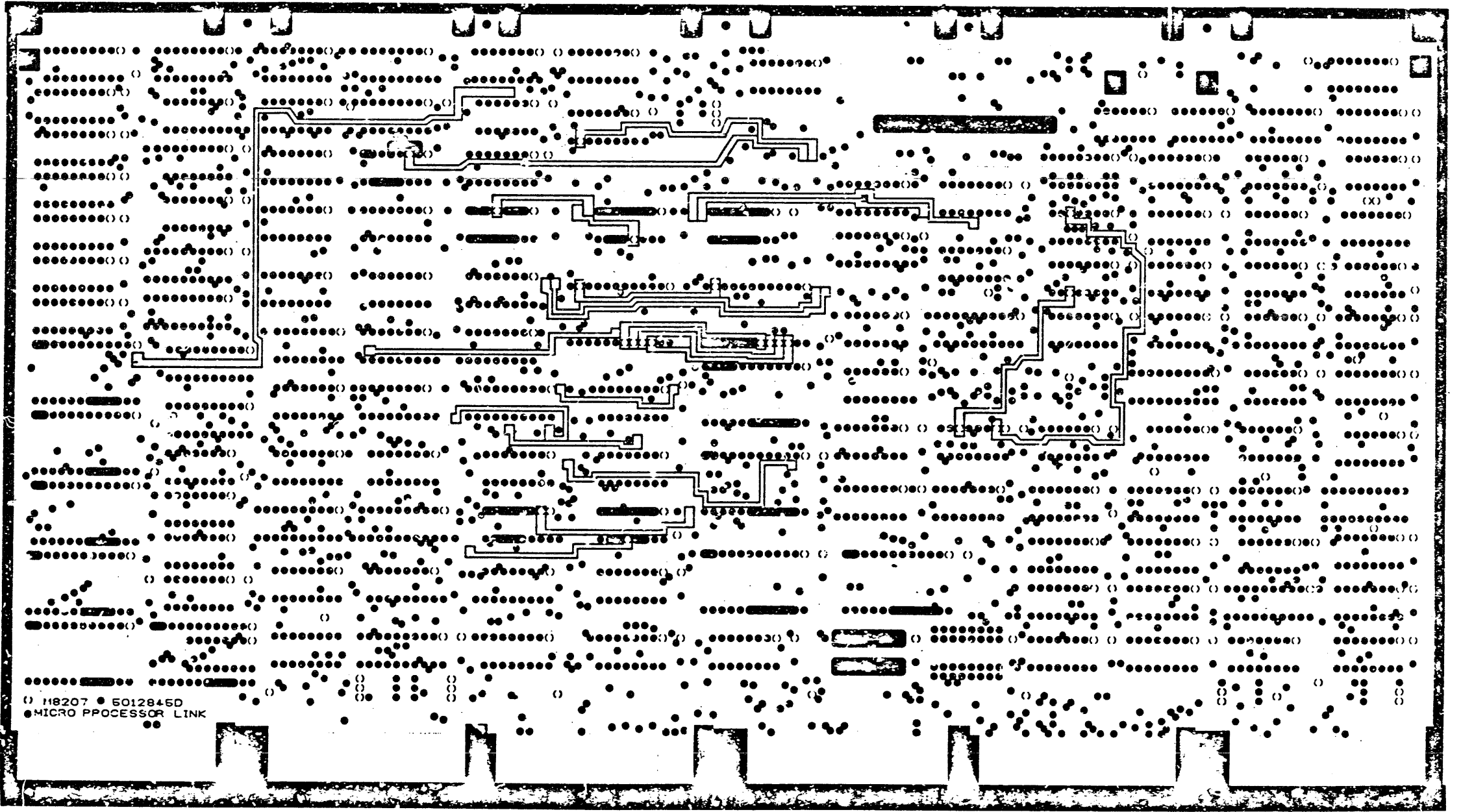
5

4

3

7-6-2007-02

01010101



○ M8207 • 5012845D  
 ● MICRO PROCESSOR LINK

REV	DATE	BY	CHKD

TITLE: DMP11 MICROCONTROLLER  
 SCALE: 1:1  
 SHEET 4 OF 7  
 D U A M 8 2 0 7 - 0 - 0

8

7

6

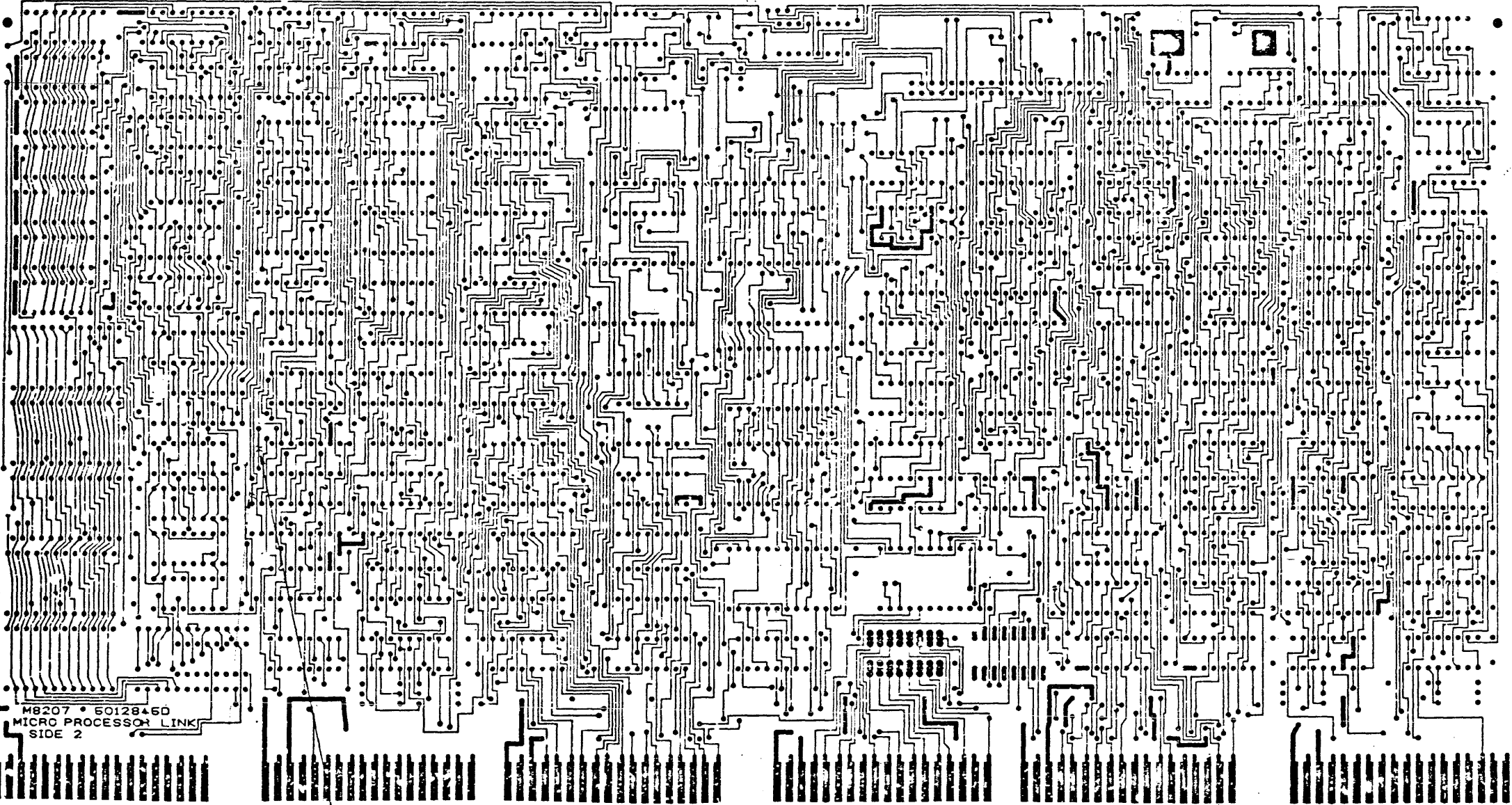
5

4

3

2

1



M8207 \* 5012845D  
 MICRO PROCESSOR LINK  
 SIDE 2

NOTE 0-2

23-4

REV.	DATE	BY	CHKD.

TITLE	SCALE	SHEET	OF	NUMBER	
DMPH MICR CC:TRC CLR	2/1	5	7	D UA M8207-0-0	L

ALL DRAWING AND SPECIFICATIONS HEREIN ARE THE PROPERTY OF DIGITAL EQUIPMENT CORPORATION AND SHALL NOT BE REPRODUCED OR USED IN WHOLE OR IN PART AS THE BASIS FOR THE MANUFACTURE OR SALE OF ITEMS WITHOUT WRITTEN PERMISSION. COPYRIGHT © 1970 - DIGITAL EQUIPMENT CORPORATION

REWORK INSTRUCTIONS:

RETROFIT M8207 REV. C

ETCH CUT SIDE 1:

Ø-1. AT E67-9.

ETCH CUT SIDE 2:

Ø-2. AT E30-11.

WIRE ADDS:

Ø-3. FROM E30-11 TO E75-9.

RETROFIT M8207 REV. D.

ETCH CUT SIDE 1:

~~Ø-1. AT E13-3.~~

WIRE ADDS:

Ø1-2. FROM E133-8 TO E118-1.

Ø1-3. FROM E133-9 TO E113-3.

Ø1-4. FROM E133-10 TO E109-6.

RETROFIT M8207 REV. E.

ETCH CUT SIDE 1

Ø2-1 AT E114-12.

COMPONENT ADDS

Ø2-2 1K RESISTOR 1300365-00  
E85-1 TO E85-16 PTH.

Ø2-3 SW 1211164-00 OR 1211164-C1.  
SW1 IN E85-2

WIRE ADDS

Ø2-4 FROM PTH NEAR E114-14 TO E85-1.

Ø2-5 FROM E85-1 TO E85-2.

Ø2-6 FROM E85-15 TO E113-14.

M8207 REV. L.

ETCH CUTS SIDE 1

Ø7-1 AT E118-2

Ø7-2 AT E118-1

WIRE ADD

Ø7-3 E81-9 TO PTH BELOW LEFT OF E118-1

REV. K'S		
CHK	CHANGE NO.	REV.

TITLE DAIPII MICROCONTROLLER		SIZE CODE DUA	NUMBER M8207-ØØ	REV. I.
SCALE 1/16"	SHEET 6	OF 7	DIST.	

DUA M8207-ØØ-1

THIS DRAWING AND SPECIFICATIONS HEREIN ARE THE PROPERTY OF DIGITAL EQUIPMENT CORPORATION AND SHALL NOT BE REPRODUCED, COPIED OR USED IN WHOLE OR IN PART AS THE BASIS FOR THE MANUFACTURE OR SALE OF ITEMS WITHOUT WRITTEN PERMISSION. COPYRIGHT © 1972 DIGITAL EQUIPMENT CORPORATION

DUAL M8207-0-0

"RA" ONLY

RETROFIT M8207 REV F. ECO M8207-MK003.  
REWORK INSTRUCTIONS M8207-RA VARIATION, CS REV F.

ETCH CUT SIDE 1:

- 03-1 FROM E21 PIN 13 TO E59 PIN 12 NEAR E11 PIN 10.
- 03-2 FROM E21 PIN 7 TO E5 PIN 21 BETWEEN E21 AND E5.
- 03-3 FROM E21 PIN 21 TO E17 PIN 12 NEAR E16 PIN 9.

ETCH CUT SIDE 2:

- 03-4 AT P.T.H. ABOVE AND TO LEFT OF E31 PIN 6.

WIRE ADDS:

- 03-5 FROM E5 PIN 21 TO E6 PIN 9.
- 03-6 FROM VIA HOLE NEAR E12 PIN 9 TO VIA HOLE NEAR E31 PIN 8.
- 03-7 FROM VIA HOLE NEAR E20 PIN 1 TO E21 PIN 7.
- 03-8 FROM VIA HOLE NEAR E20 PIN 1 TO VIA HOLE NEAR E16 PIN 12.

M8207 REV L

ETCH CUTS SIDE 1

- 07-1 AT E118-2
- 07-2 AT E118-1

WIRE ADDS

- 07-3 E81-9 TO PTH BELOW LEFT OF E118-1

REVISIONS		
CHK	CHANGE NO.	REV.

TITLE	DMP11 MICROCONTROLLER	SIZE CODE	DUAL M8207-0-0	NUMBER	L	REV.	L
SCALE	NONE	SHEET	7 OF 7	DIST.			

DUAL M8207-0-0 L

LINE	ITEM	DOCUMENT NUMBER	PART NUMBER	DESCRIPTION	QTY PER VARIATION			REFERENCE DESIGNATOR
					00	YA	RA	
1	1	D-MD-5012845-0-0	5012845-00	M8207	1	1		
2	2		1000042-00	1000.0 MHF 100V 5X200PPH MICA	3	3	C1,C7,C11	
3	3		1010031-00	.15 MFD 50V 10% N.POLYCARB	1	1	C3	
4	4		1000073-00	.39 MFD 10V 10% S.TANT	1	1	C4	
5	5	NOTE 1	1012084-01	8 MFD 25V +75-10% AL EL	7	7	C5,C12-C.7	
6	6		1000017-00	100.0 MHF 300V 5S200PPH MICA	2	2	C6,C8	
7	7		1000026-00	580.0 MHF 100V 5X200PPH MICA	2	2	C9,C10	
8	8		1000011-00	47.0 MHF 100V 5X200PPH MICA	1	1	C18	
9	9		1002427-00	15.0 MHF 100V 5X200PPH MICA	1	1	C19	
10	10		1010274-01	.22 MFD 50V +80-20% Z5U CER	25	25	C20-C24,C27-C33,C40-C42,C49,C50, C53-C60	
11	11		1001610-01	.01 MFD50/100V +80-20% DISC	41	41	C62-C67,C69-C74,C76-C104	
12	12		1209941-02	HEADER 100 40°DS RT ANGLE	1	1	J1	
13	13		1212385-04	SKT,IC 24PIN DIP GOLD PLATE	6	6	XE1-XE5,XF14	
14	14		1216983-02	HANDLE,MODULE,HEX TWO EJECTORS	1	1		
15	15		1209838-00	SKT,IC 16PIN DIP GOLD PLATE	1	1	XE77	
16	16		1300229-00	100.0 .25 W 5.0 X CC	6	6	R1,R22,R23,R35,R37,R41	
17	17		1300365-00	1.0 K .25 W 5.0 X CC	17	17	R2-R8,R12-R17,R24,R36,R39,R40	
18	18		1300271-00	220.0 .25 W 5.0 X CC	1	1	R9	
19	19		1301890-00	560.0 .25 W 5.0 X CC	1	1	R10	
20	20		1301322-00	180.0 .25 W 5.0 X CC	5	5	R11,R29,R32-R34	
21	21		1309419-00	19.60 K .25 W 1.0 X RN55D-F10	1	1	R18	
22	22		1302514-00	39.0 K .25 W 5.0 X CC	1	1	R19	
23	23		1301317-00	10.0 .25 W 5.0 X CC	3	3	R20,R21,R38	
24	24	BLANK		*** THIS ITEM IS NOT USED ***	-	-		
25	25		1303179-00	8.20 K .25 W 5.0 X CC	2	2	R26,R27	
26	26		1302177-00	47.0 K .25 W 5.0 X CC	2	2	R25,R28	
27	27		1300309-00	390.0 .25 W 5.0 X CC	2	2	R30,R31	
28	28		23027F4-00	F4-01	-	-	E1	
29	29		2114523-00	4K MOS RAM 55NS 18PIN	8	8	E6-E12,E27	

REVISION HISTORY		BASIC PART NO: M8207		DRN:	J. PLANTE	DATE: 14-MAR-79	DEP	DIGITAL		
ENG	ECO NUMBER	REV	SECTION 4 OF 4	CHK'D:	J. PELLETIER	DATE: 14-MAR-79	TITLE	PARTS LIST		
	MK002	ID	SECTION VARIATION INDEX				DMP11 MICROCONTROLLER			
IPA	M8207-MK003	IE	[A] 00,YA,RA							
IPA	M8207-MK005	IH	[B]							
IPA	M8207-MK006	IJ	[C]	DES.ENG:	P. ALOISI	DATE: 14-MAR-79				
IRH	M8207-MK007	IK	[D]							
		EL	[E]				DOCUMENT NUMBER			
		EM	[F]	RESP.ENG.:	F. ALOISI	DATE: 07-JAN-81				
		EN	[G]				SIZE CODE NUMBER	REV		
		EO	[H]							
		EP	[I]	MFG.ENG.:	W. KNAPP	DATE:	K PL	M8207-0-0	K	
		EQ	[J]							
		ER	[K]	ASSEMBLY NUMBER:		TOP DOCUMENT NUMBER:	FILE NAME:	EDIT #:		
		ES	[L]	D-UA-M8207-0-0		BB-DD-M8207-0	MK0230.PLS	17		
		ET	[M]							
		EU	[N]							

\*THIS DRAWING AND SPECIFICATIONS HEREIN, ARE THE PROPERTY OF DIGITAL EQUIPMENT CORPORATION AND SHALL NOT BE REPRODUCED OR COPIED OR USED IN WHOLE OR IN PART AS THE BASIS FOR THE MANUFACTURE OR SALE OF ITEMS WITHOUT WRITTEN PERMISSION. COPYRIGHT (C) 1981. DIGITAL EQUIPMENT CORPORATION \*

LINE	ITEM	DOCUMENT NUMBER	PART NUMBER	DESCRIPTION	QTY PER VARIATION			REFERENCE DESIGNATOR
					00	YA	RA	
30	30		1911579-00	8441 TRANSCEIVER,BUS,QUA	10	10	10	E50,E51,E61,E62,E91-E93,E101,E102,E115
31	31		1913294-00	93S16 COUNTER,SYNCH UP BIN	7	7	7	E15-E18,E24-E26
32	32		1914214-00	LS374 FF-D OCTAL EDGE TRIG	4	4	4	E20-E23
33	33		1912847-00	LS157 MUX 1 OF 2 (QUAD)	9	9	9	E29,E31,E40,E42,E52,E63,E70,E79,E94
34	34		1913671-00	74S374 FF-D OCTAL TRISTATE	3	3	3	E30,E41,E54
35	35		23202A1-00	A1-07	1	1	1	E32
36	36		1911675-00	74S138 DECODER/DEMUX 3-8 LIN	4	4	4	E33,E56,E80,E96
37	37		191272P-00	74S251 MUX 1 OF 8 TRI-STA	8	8	8	E34-E36,E46-E48,E57,E58
38	38		1912697-00	LS174 FF-D HEX W/CLEAR	3	3	3	E37,E43,E97
39	39		1912696-00	LS194A SHIFR REG.,4BIT BI-D	2	2	2	E38,E47
40	40		1913462-00	74S240 OCTAL BUFFER,INVERTI	4	4	4	E39,E88,E106,E113
41	41		23120A1-00	A1-07	1	1	1	E44
42	42		1910539-00	74S20 NAND GATE-DUAL 4INPU	1	1	1	E45
43	43		1912647-C0	LS257 MUX 1 OF 2 (QUAD)	2	2	2	E53,E64
44	44		1910956-00	74S151 MUX 1 OF 8	1	1	1	E55
45	45		1910532-00	74S00 NAND GATE-QUAD 2IN	2	2	2	E59,E108
46	46		1910549-00	74S158 MUX 1 OF 2 (QUAD)	1	1	1	E60
47	47		23121A1-00	A1-07	1	1	1	E65
48	48		1910531-00	DEC 74S181 ALU-4BIT	2	2	2	E66,E74
49	49		1910957-00	74S175 FF-D QUAD COMMON CLO	4	4	4	E67,E75,E89,E99
50	50		1910548-00	74S157 MUX 1 OF 2 (QUAD)	3	3	3	E68,E83,E86
51	51		1912837-C0	LS123 ONE SHOT-DUAL,RETRIG	3	3	3	E69,E129,E132
52	52		1912741-00	82S112 MEMORY REAR/WRITE, 3	4	4	4	E71-E73,E78
53	53		1912853-00	LS175 FF-D QUAD	1	1	1	E76
54	54		1905580-00	DEC 7450 A-0-I XPNDRLE GATE-D	2	2	2	E81,E117
55	55	C-IA-5400778-0-0	5408778-00	PLUG PRIORITY	1	1	1	E77
56	56		1910544-00	74S74 FF-D DUAL,EDGE TRIGG	4	4	4	E82,E105,E109,E121
57	57		1912661-00	74S189 MEMORY READ/WRITE	2	2	2	E84,E90
58	58		1910537-00	74S11 AND GATE-TRIPLE 3INP	2	2	2	E95,E119
59	59		1912845-00	LS153 MUX 1 OF 4 (DUAL)	1	1	1	E98
60	60		1909703-00	DEC 8981 NAND GATE-QUAD 2IN C	2	2	2	E100,E114
61	61		1912842-00	LS138 DECODER-THREX INPUT,	1	1	1	E104
62	62		1912805-00	LS08 AND GATE-QUAD 2IN,PO	1	1	1	E103
63	63		1910536-00	74S10 NAND GATE-TRIPLE 3IN	1	1	1	E107
64	64		1911712-00	74S51 AND-OR GATE-INVERT D	2	2	2	E110,E118
65	65		1910542-00	74S64 A-0-I GATE 4-2-3-2	1	1	1	E111
66	66		1914438-00	DC 013 LNBUS INTERRUPT-BIP	2	2	2	E112,E124
67	67		1912824-00	LS74 FF-D DUAL,EDGE TRIGG	2	2	2	E116,E120
68	68		1910545-00	74S112 FF-JK DUAL,EDGE TRIG	3	3	3	E122,E134,E135
69	69		1912395-00	DM 8136 COMPARATOR-6BIT UNIF	2	2	2	E125,E126
70	70		1811660-05	OSCILLATOR, XTAL 33.330 MHZ	1	1	1	E123
71	71		1912834-00	LS112 FF-JK DUAL,EDGE TRIG	1	1	1	E130
72	72		1909004-00	DEC 7402 NOR GATE-QUAD 2IN	1	1	1	E131
73	73		1912389-00	74S08 AND GATE-QUAD 2IN,PO	1	1	1	E133
74	74		1211164-C4	SW,DIP 1P 1A 8POS	1	1	1	E28
75	75		1211164-06	SW,DIP 1P 1A 10POS	1	1	1	E127

TITLE				SIZE	CODE	DOCUMENT NUMBER	REV
B	I	G	I	T	A	L	
DMP11 MICROCONTROLLER				SECTION A	OF A		
				K	PL	M8207-0-0	K

LINE	ITEM	DOCUMENT NUMBER	PART NUMBER	DESCRIPTION	QTY PER VARIATION			REFERENCE DESIGNATOR
					00	YA	RA	
76	76		1300005-03	R NETWORK 13-10K 5.0 X 14PIN	1	1	1	E128
77	77		9000024-01	EYELET,ROLL FLANGE .12.0DX .192	10	10	10	
78	78		9007112-00	TERM QUICK 1POS ADAPTER	2	2	2	TP1,TP2
79	79		9009000-00	EYELET,ROLL FLANGE .1210DX .156	2	2	2	
80	80		9009185-00	JUMPER, WIRE, INSULATED, BLACK B	1	1	1	
81	81		23002F4-00	F4-01	-	1	-	E2
82	82		23028F4-00	F4-01	-	1	-	E3
83	83		23029F4-00	F4-01	-	1	-	E4
84	84		23030F4-00	F4-01	-	1	-	E5
85	85		23006F4-00	F4-01	-	1	-	E14
86	86	C-MD-74219'-0-0	7421915-00	CKIP MODULE VARIATION I.D. "YA"	-	1	-	
87	87	NOTE 2	1211164-00	SW,DIP 1P 1A 4POS	1	1	1	E85
88	88		7421915-01	CLIP MODULE VARIATION I.D. "RA"	-	-	1	
89	89		23127F3-00	F3-03	-	-	1	E1
90	90		23100F3-00	F3-03	-	-	1	E2
91	91		23101F3-00	F3-03	-	-	1	E3
92	92		23128F3-00	F3-03	-	-	1	E4
93	93		23103F3-00	F3-03	-	-	1	E5
94	94		23104F3-00	F3-03	-	-	1	E14
95	95		9105740-55	WIRE(WRAP)30AWG	UL1423	A/R	A/R	A/R

96 NOTE: NOTE 1. 1004813-00 MAY BE USED INSTEAD OF 1012084-01.

97 NOTE: NOTE 2. 1211164-01 MAY BE USED INSTEAD OF 1211164-00

D	I	G	I	T	A	L	TITLE	SECTION A	OF A	SIZE	CODE	DOCUMENT NUMBER	REV
							DMP11 MICROCONTROLLER			K	PL	M8207-0-0	K



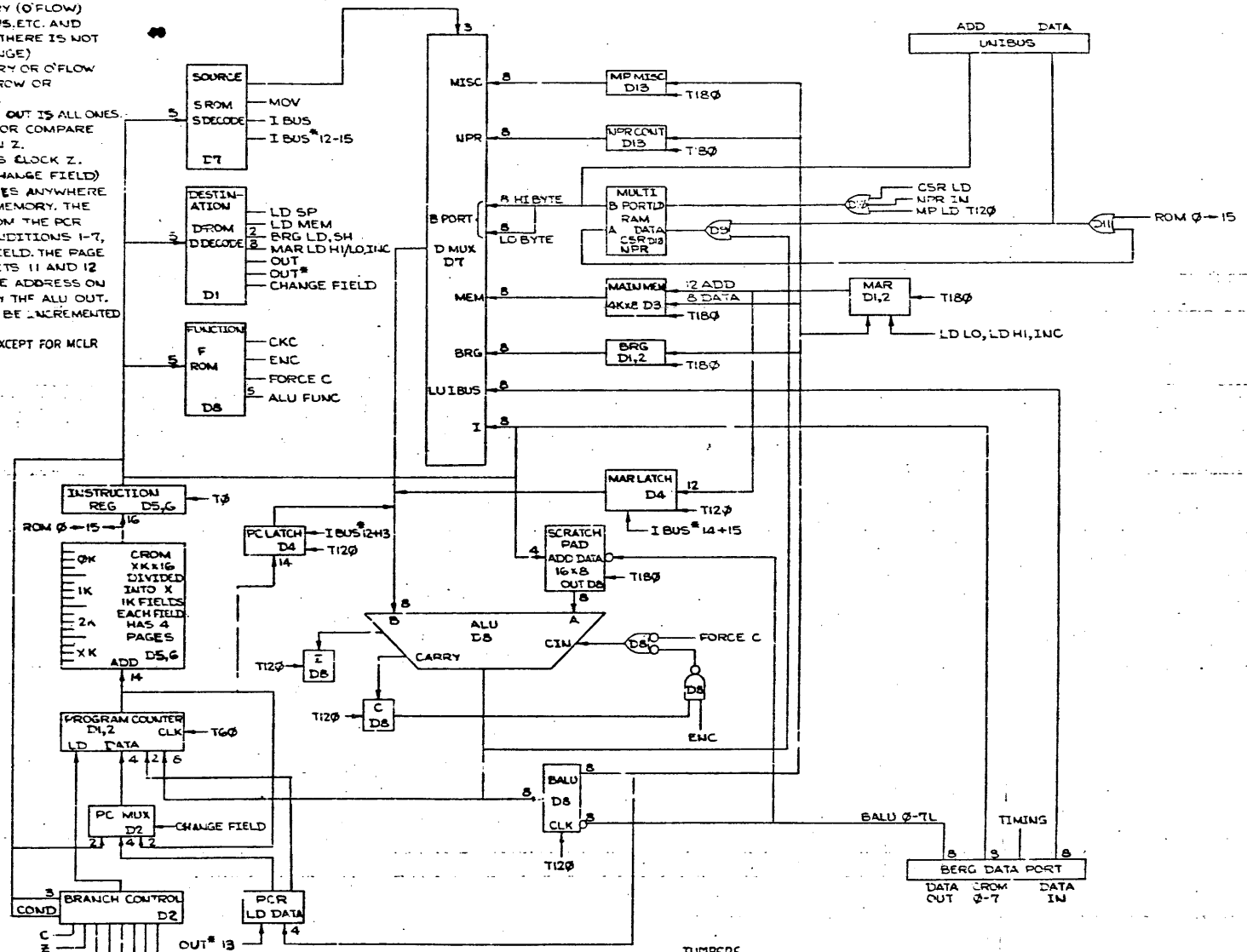
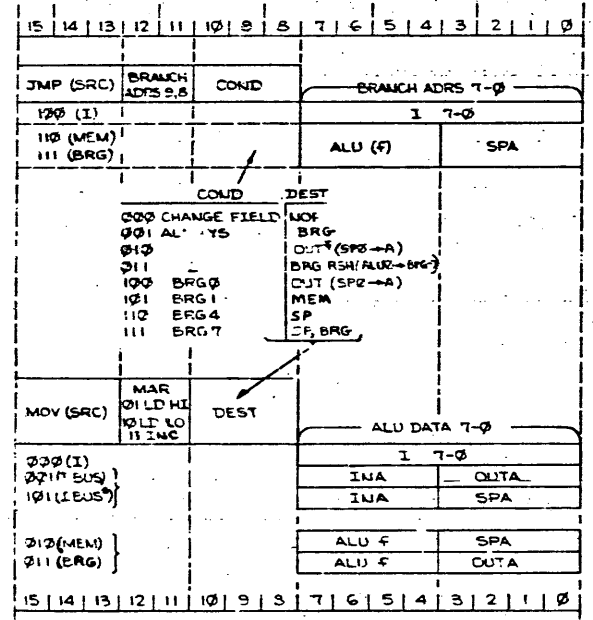
THIS MANUAL AND SPECIFICATIONS HEREIN ARE THE PROPERTY OF DIGITAL EQUIPMENT CORPORATION AND SHALL NOT BE REPRODUCED OR COPIED OR SOLD IN WHOLE OR IN PART AS THE BASIS FOR THE MANUFACTURE OR SALE OF THIS WITHOUT WRITTEN PERMISSION. COPYRIGHT © 1977, DIGITAL EQUIPMENT CORPORATION.

- NOTES**
- C WILL ASSERT FOR A CARRY (O'FLOW) DURING ANY ADD, INC, PLUS, ETC. AND FOR A SUB, DEC, ... WHEN THERE IS NOT A BORROW OR (SIGN CHANGE) ADD: C+ INDICATES CARRY OR O'FLOW SUB: C+ INDICATES BORROW OR SIGN CHANGE.
  - Z WILL ASSERT WHEN ALU OUT IS ALL ONES.
  - USE I 5 COMP SUB (1111) FOR COMPARE FOLLOWED BY BRANCH ON Z.
  - MOV INSTRUCTION ALWAYS LOCK Z.
  - BRANCH CONDITION 0 (CHANGE FIELD) UNCONDITIONALLY BRANCHES ANYWHERE IN THE XK INSTRUCTION MEMORY. THE ADDRESS IS MADE UP FROM THE PCR AND THE ALU. BRANCH CONDITIONS 1-7, BRANCHES WITHIN THE FIELD. THE PAGE BITS ARE DEFINED BY BITS 11 AND 12 OF THE INSTRUCTION. THE ADDRESS ON THE PAGE IS DEFINED BY THE ALU OUT.
  - ANY PAGE OR FIELD CAN BE INCREMENTED INTO.
  - CSR BYTE ONE IS LOCKED OUT EXCEPT FOR MCLR WHEN SWITCH IS ON.

**ALU F CODE**

25 COMP SUB	(A-B)	1110
15 COMP SUB	(A-B-1)	1111
ADD	(A,B)	0000
ADD W/C	(A,B,C)	0001
SUB W/C	(A-B-C)	0010
INC A	(A+1)	0011
A PLUS C	(A,C)	0100
2A	(A,A)	0101
2A W/C	(A,A,C)	0110
DECA	(A-1)	0111
SELA	(A)	1000
SELB	(B)	1001
A OR B	(A+B)	1010
A AND B	(A*B)	1011
A OR B	(A+B)	1100
A XOR B	A*B	1101

MOV INST  
CLOCK C



**FIELD PAGE**

13	12	11	10	9	8	7	6	5	4	3	2	1	0
CROW		ALU 7-0											
PCR 13-8		ALU 7-0											

**JUMPERS**

W1	33.33 MHZ CLK	IN
W2	ACLO TO UNIBUS	IN

**SWITCHES**

E17	CSR ADDRESS	OFF	OFF	OFF	OFF	ON	ON	ON	ON	ON	ON	ON	ON
E28	VECTOR ADDRESS	OFF	OFF	OFF	OFF	ON	ON	OFF					
	RUN											ON	
	CSR DISABLE												OFF
E85	CSR 1 LOCK	ON	NOTE 7										

**REVISIONS**

REV.	CHANGE NO.	DESCRIPTION	DATE	BY
1	1	INITIAL DESIGN	10-1-77	P. ALOISI
2	2	REVISED DESIGN	10-1-77	P. ALOISI
3	3	REVISED DESIGN	10-1-77	P. ALOISI
4	4	REVISED DESIGN	10-1-77	P. ALOISI
5	5	REVISED DESIGN	10-1-77	P. ALOISI
6	6	REVISED DESIGN	10-1-77	P. ALOISI
7	7	REVISED DESIGN	10-1-77	P. ALOISI
8	8	REVISED DESIGN	10-1-77	P. ALOISI
9	9	REVISED DESIGN	10-1-77	P. ALOISI
10	10	REVISED DESIGN	10-1-77	P. ALOISI
11	11	REVISED DESIGN	10-1-77	P. ALOISI
12	12	REVISED DESIGN	10-1-77	P. ALOISI
13	13	REVISED DESIGN	10-1-77	P. ALOISI
14	14	REVISED DESIGN	10-1-77	P. ALOISI
15	15	REVISED DESIGN	10-1-77	P. ALOISI

**DRN/ISS/CHKD**

DRN/ISS/CHKD	13
ENG	13
PROJ. ENG.	13
PROD. ENG.	13
NEXT HIGHER ASSY.	
SCALE	
SHEET	OF 2

**FIRST USED ON** DMP11-AD digital

**TITLE** DMP11 MICROC CONTROLLER

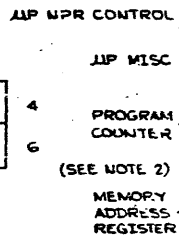
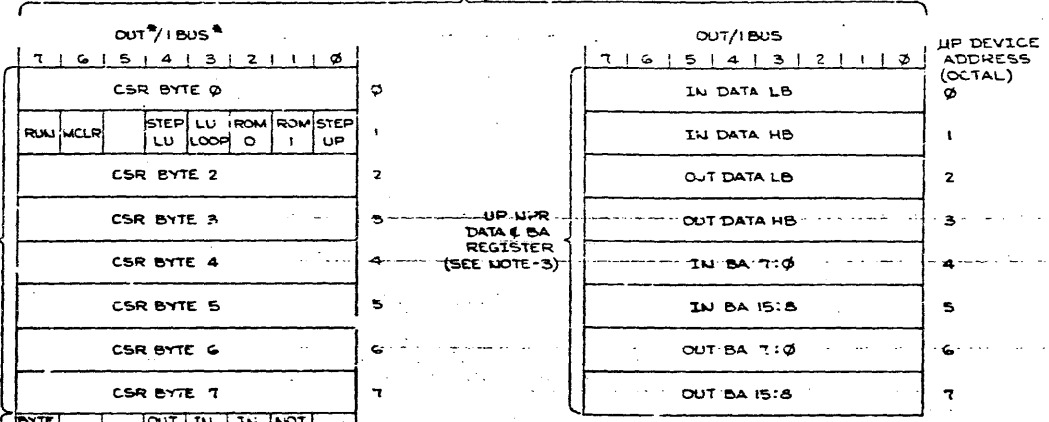
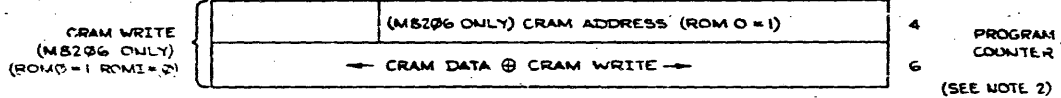
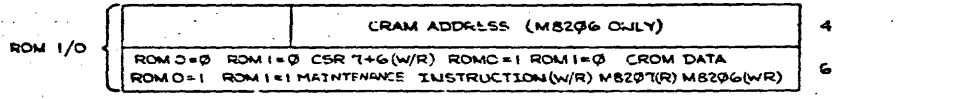
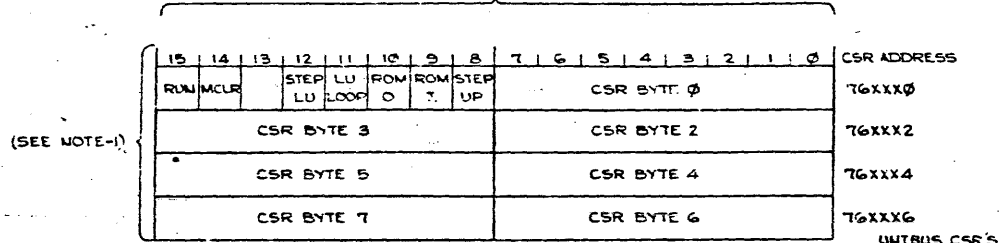
**SIZE CODE** DCS **NUMBER** M8207-01 **REV.** L

**DIST.**

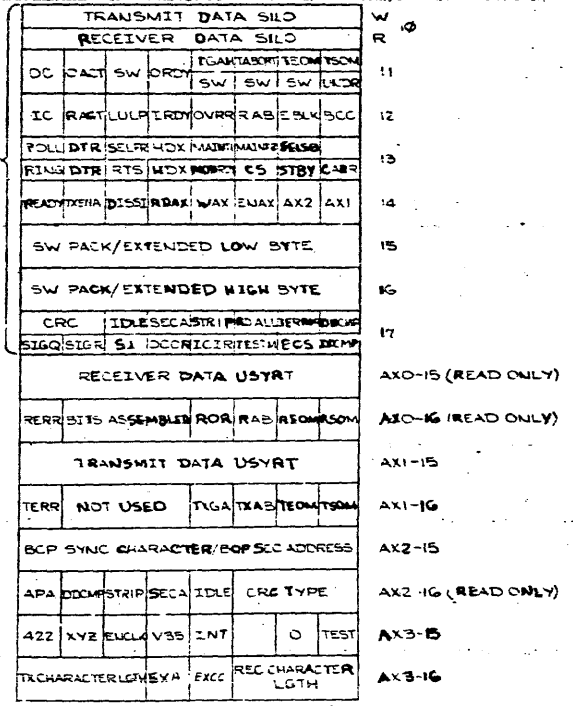
THIS DRAWING AND SPECIFICATIONS HEREIN ARE THE PROPERTY OF DIGITAL EQUIPMENT CORPORATION AND SHALL NOT BE REPRODUCED OR COPIED IN WHOLE OR IN PART AS THE BASIS FOR THE MANUFACTURE OR SALE OF ITEMS UNLESS WRITTEN PERMISSION IS GRANTED BY DIGITAL EQUIPMENT CORPORATION.

UNIBUS CONTROL & STATUS REGISTERS

UP & LU CONTROL & STATUS REGISTERS

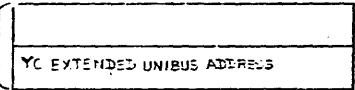


LU DEVICE REGISTERS (SEE NOTE-4)



NOTES

- UNIBUS CSRS ARE IN THE MULTIPORT RAM. BYTE 1 HAS A HARDWARE STATUS REGISTER THAT IS ADDRESSABLE ONLY FROM THE UNIBUS. IF THE UP ADDRESSES BYTE 1, IT WILL ONLY WRITE INTO THE RAM. ALL THE OTHER CSR BYTES ARE DEFINED BY THE MICROCODE EXCEPT IN MAINTENANCE MODE.
- IBUS\* 12-15 REFLECT THE PROGRAM COUNTER FOR THE INSTRUCTION BEING EXECUTED AND THE MEMORY ADDRESS REGISTER FOR THE PREVIOUS INSTRUCTION.
- OUT\* 13 IS THE PCR WHICH IS A SHADOW REGISTER. THE CONTENTS OF THE PCR WILL BE TRANSFERRED TO THE PC ONLY ON A BRANCH (CHANGE FIELD).
- NPR DATA AND BA REGISTER ARE HARDWIRED, HOWEVER ADDRESS ASSIGNMENTS ARE HARDWIRED AND CANNOT BE REDEFINED.
- OPTIONAL: THE BIT ASSIGNMENTS ARE ONLY VALID WITH THE M8207 LINE UNIT.

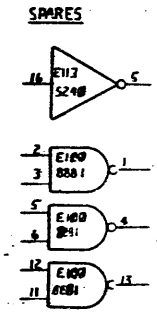
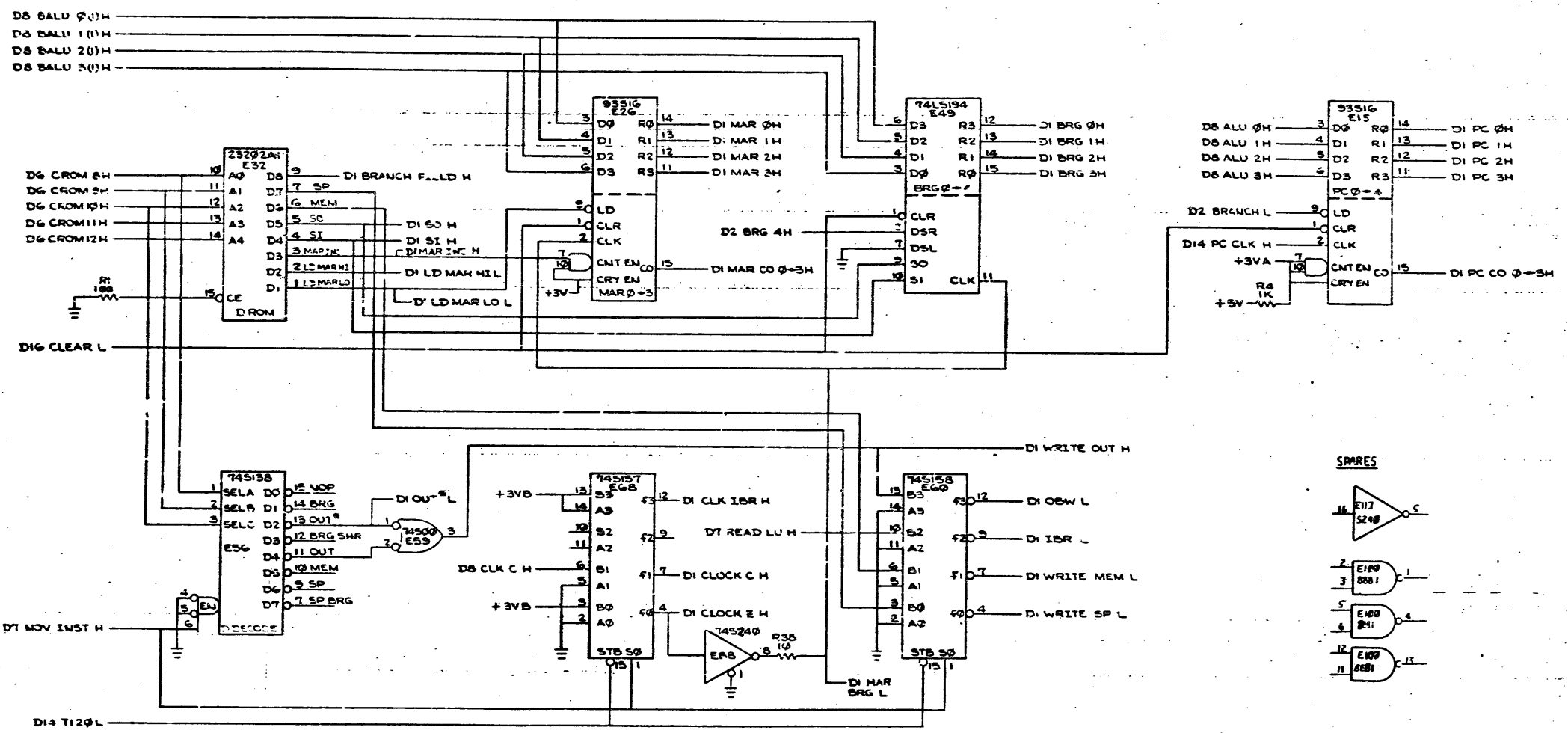


DRN	CHKD	ENG	PROJ	PROG	NEXT HIGHER ASSY	SCALE	SHEET	FIRST USED ON	TITLE	SIZE	CODE	NUMBER	REV.
								DMP11-AD digital	DMP11	D	CS	M8207-0-1	L
								MICROCONTROLLER					
								DIST.					

REVISIONS  
NO. CHANGE NO. REV.

M8207-0-1 L

THIS DRAWING AND SPECIFICATIONS HEREIN ARE THE PROPERTY OF DIGITAL EQUIPMENT CORPORATION AND SHALL NOT BE REPRODUCED OR TRANSMITTED IN ANY FORM OR BY ANY MEANS, ELECTRONIC OR MECHANICAL, INCLUDING PHOTOCOPYING, RECORDING, OR BY ANY INFORMATION STORAGE AND RETRIEVAL SYSTEM, WITHOUT WRITTEN PERMISSION FROM DIGITAL EQUIPMENT CORPORATION. COPYRIGHT © 1975, DIGITAL EQUIPMENT CORPORATION.

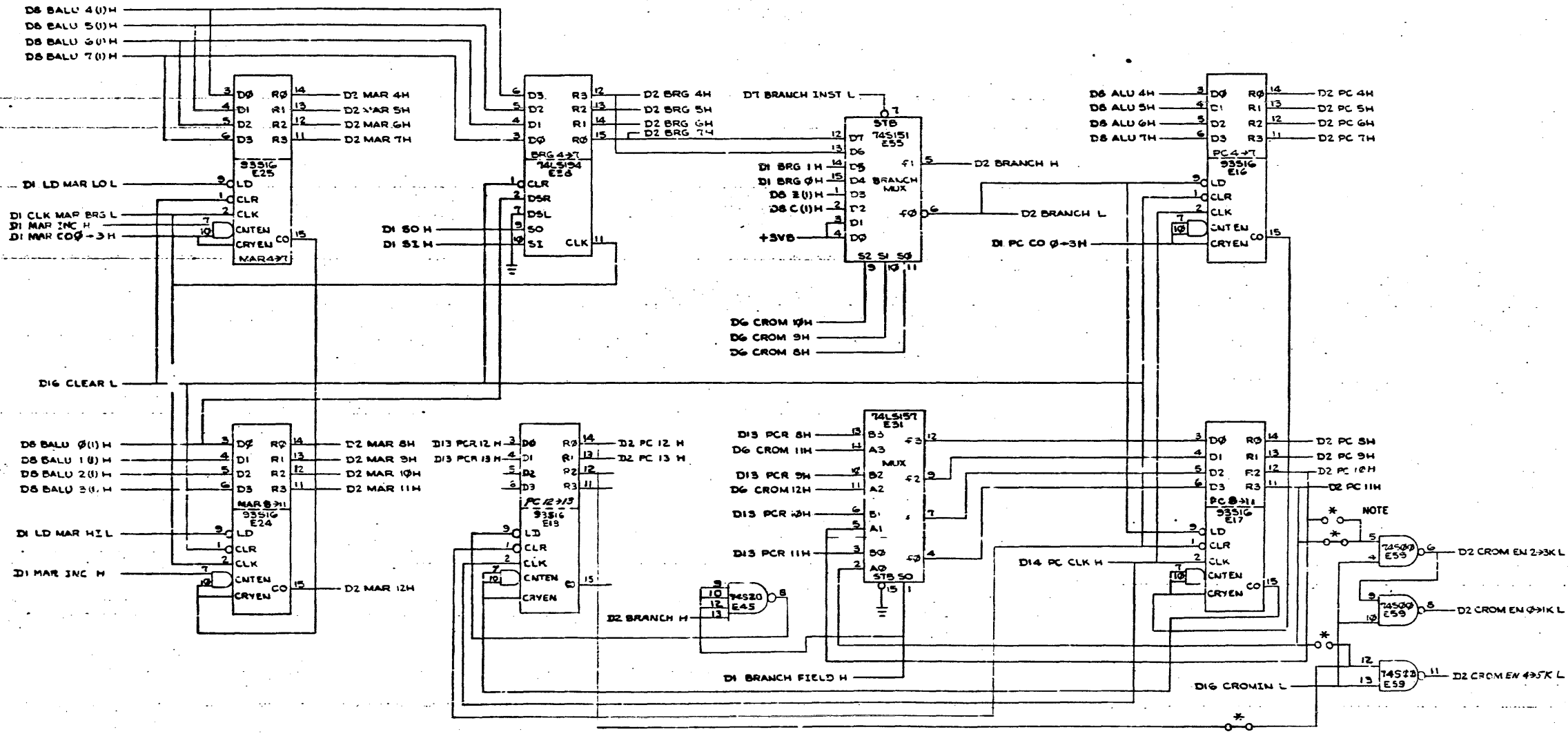


DRG 0-3, MAR 0-3, PC 0-3, DROM RES CLK		FIRST USED ON	
CHKD		DIGITAL	
ENG		TITLE	
PROJ. ENG.		DMP11	
PRCD		MICROCONTROLLER	
PRCD		(D1)	
SCALE		SIZE	CODE
SHEET		D	CS
		NUMBER	REV.
		M8207-0-1	L

THIS DRAWING AND SPECIFICATIONS HEREIN ARE THE PROPERTY OF DIGITAL EQUIPMENT CORPORATION AND SHALL NOT BE REPRODUCED OR COPIED OR USED IN WHOLE OR IN PART AS THE BASIS FOR THE MANUFACTURE OR SALE OF ITEMS WITHOUT WRITTEN PERMISSION. COPYRIGHT © 1971, DIGITAL EQUIPMENT CORPORATION.

7 1-0-2028W 300 2 1

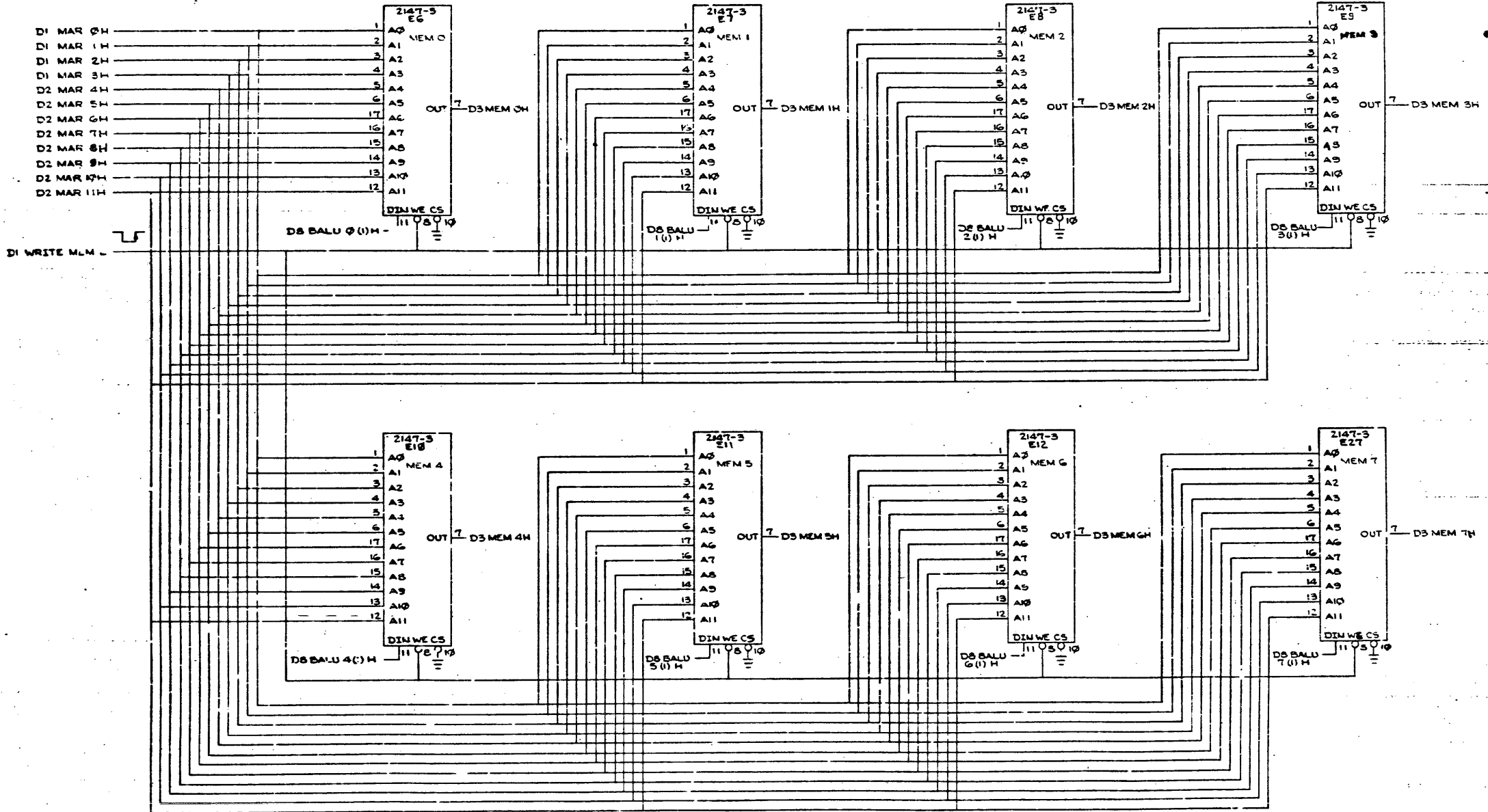
\* NOTE: OPTIONAL WIRING.  
CIRCLES SHOWN CONNECTED ARE FOR M8207-YA ONLY.  
CIRCLES NOT CONNECTED WOULD BE FOR M8207-RA ONLY.



ORIG. DATE		FIRST USED ON	
CHK'D		TITLE	
ENG.		DMP11	
PROJ. ENG.		MICROCONTROLLER	
PROD. ENG.		(D2)	
NEXT HIGHER ASSY:			
E-DP-M8207-1		SIZE CODE	NUMBER
SCALE 4		D CS	M8207-0-1
SHEET 4		OF 21	REV. L

M8207-0-1

THIS DRAWING AND SPECIFICATIONS HEREIN ARE THE PROPERTY OF DIGITAL EQUIPMENT CORPORATION AND SHALL NOT BE REPRODUCED OR TRANSMITTED IN ANY FORM OR BY ANY MEANS, ELECTRONIC OR MECHANICAL, INCLUDING PHOTOCOPYING, RECORDING, OR BY ANY INFORMATION STORAGE AND RETRIEVAL SYSTEM, WITHOUT WRITTEN PERMISSION OF DIGITAL EQUIPMENT CORPORATION.



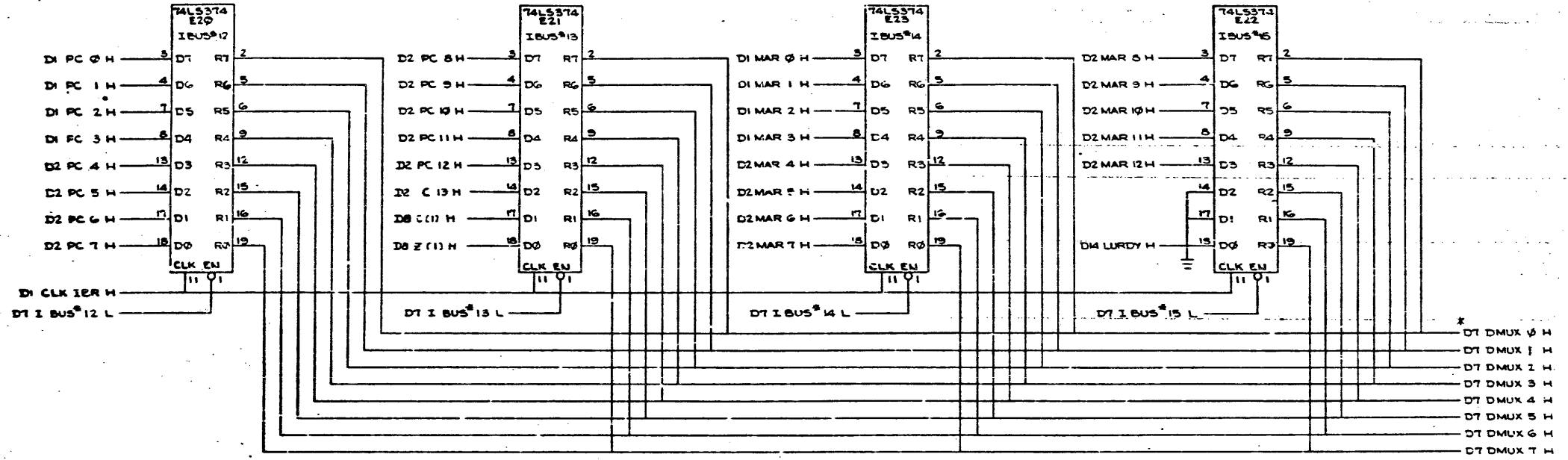
REV.	
BY	
CHKD	
DATE	

ORIGINATOR		FIRST USED ON	
ENG'D		DIGITAL	
PRG. ENG.		TITLE	
PROD.		DMP11 MICROCONTROLLER	
NEXT HIGHER ASSY.		D31	
SCALE		SIZE	CODE
		D	CS
SHEET	5 OF 21	NUMBER	M8227-0-1
		REV.	L

DCS M8227-0-1

THIS DRAWING AND SPECIFICATION, WHEN USED IN CONNECTION WITH THE  
 PARTS OF THE EQUIPMENT, SHALL BE REPRODUCED OR COPIED IN WHOLE OR IN  
 PART AS THE BASIS FOR THE MANUFACTURE OR SALE OF  
 EQUIPMENT WITHOUT WRITTEN PERMISSION FROM THE  
 COPYRIGHT © 1977 BY SIGNAL EQUIPMENT CORPORATION

7 1-0-1020W 2



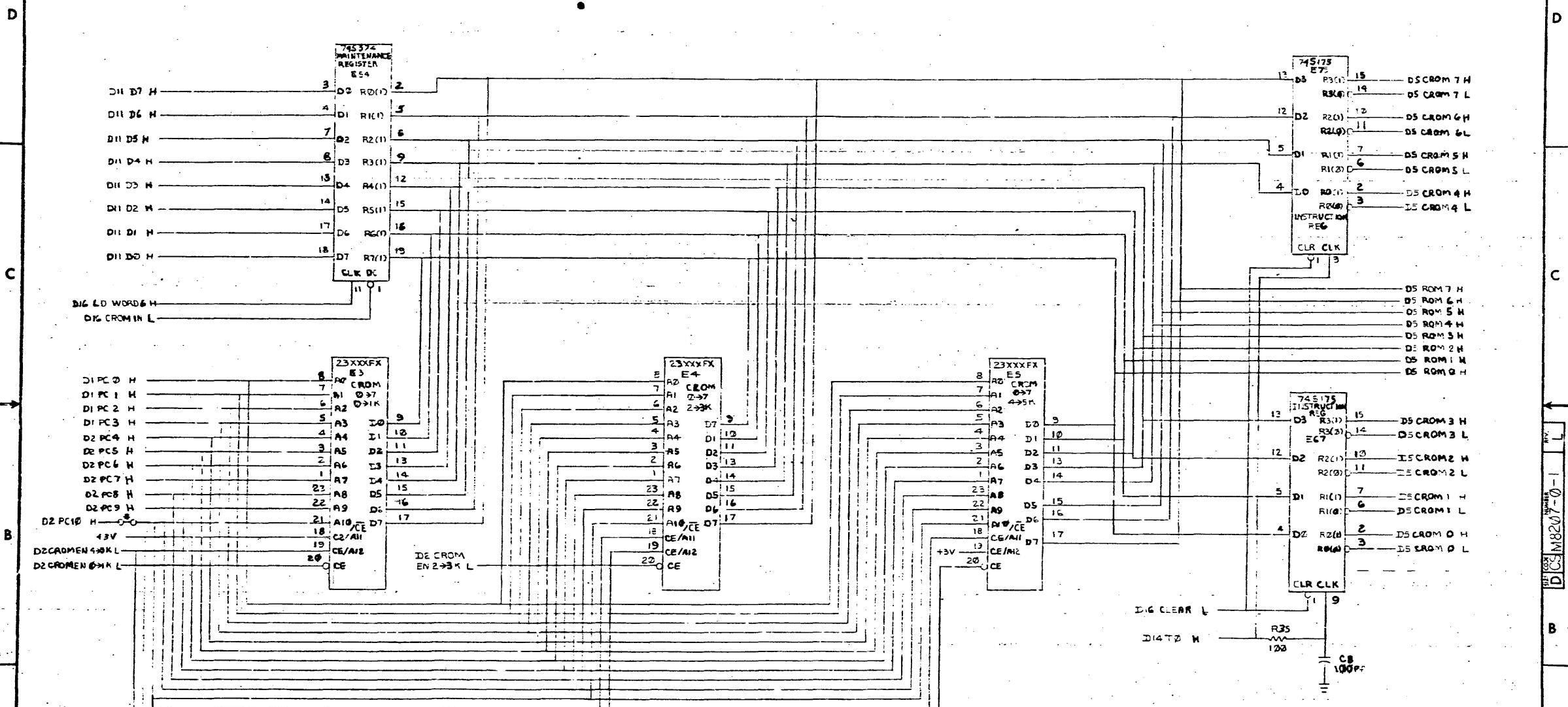
\* DMUX SIGNALS ARE TRI STATE

IBUS\* REGISTER 12-15

CHKD	DATE	FIRST USED ON	DMP11-AD digital
ENG. L. H. [Signature]	TITLE	DMP11 MICROCONTROLLER (D4)	
PROD. [Signature]	SCALE	SIZE CODE	NUMBER
NEXT HIGHER ASSY.	B-DDM-3237-7	D CS	M8207-0-1
SHEET 6	OF 21	DIST.	REV. L

M8207-0-1

THIS DRAWING AND SPECIFICATIONS HEREIN ARE THE PROPERTY OF DIGITAL EQUIPMENT CORPORATION AND SHALL NOT BE REPRODUCED OR COPIED OR USED IN WHOLE OR IN PART AS THE BASIS FOR THE MANUFACTURE OR SALE OF ITEMS WITHOUT WRITTEN PERMISSION. COPYRIGHT © 1971 DIGITAL EQUIPMENT CORPORATION



\*NOTE: OPTIONAL WIRING:  
 CIRCLES SHOWN CONNECTED ARE FOR M8207-YA ONLY.  
 CIRCLES NOT CONNECTED WOULD BE FOR M8207-RA ONLY.  
 D2 PC10 H BECOMES CE IN M8207-RA.

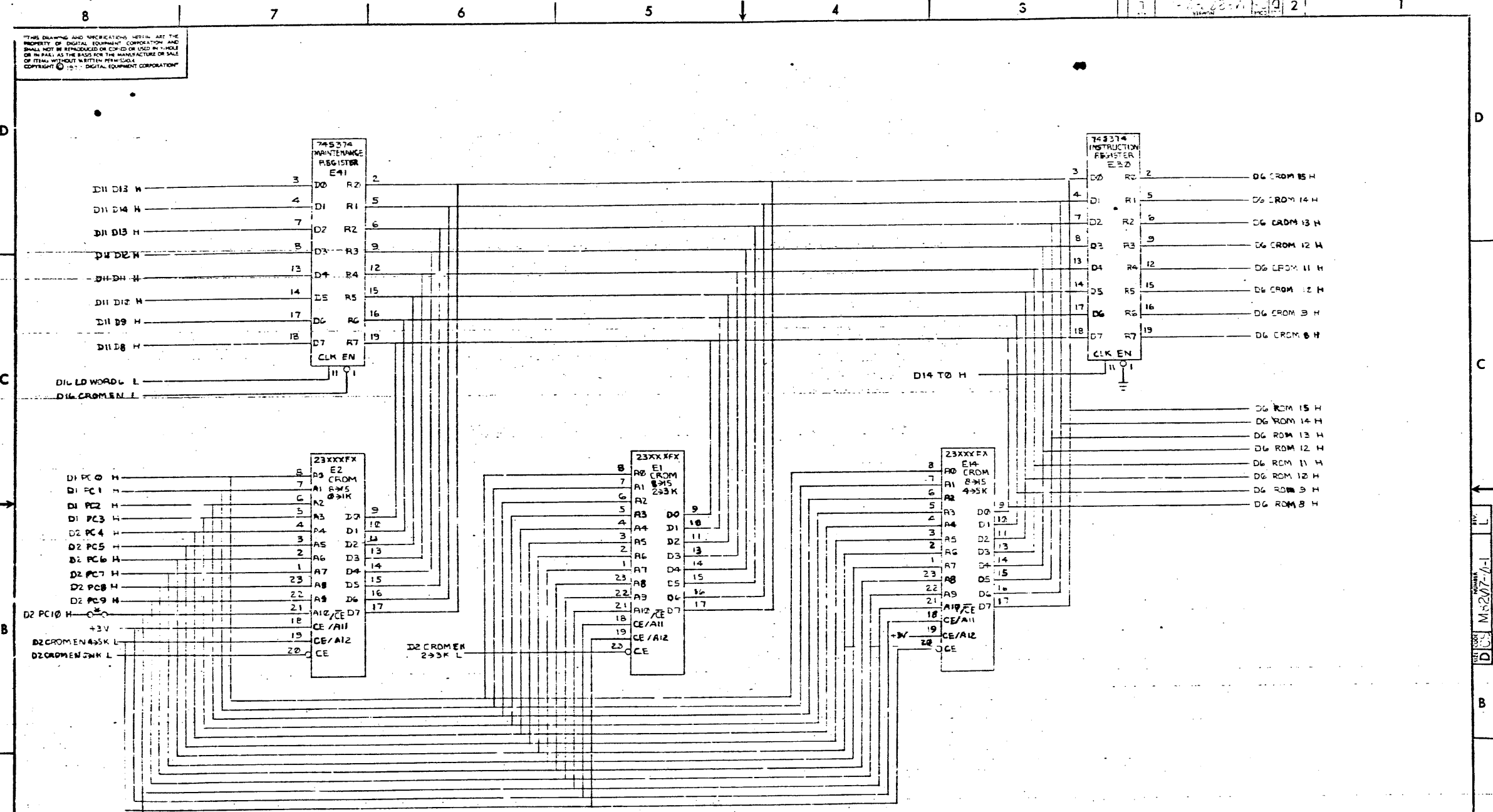
REVISIONS		
CHK	CHANGE NO	REV.

(CROM + IR + MAINTENANCE 0-7)

TITLE	DMP11	SIZE	CODE	NUMBER	REV.
MICROCONTROLLER		D	CS	M8207-0-1	L
SCALE		SHEET	7	OF 21	

REV. L  
D CS M8207-0-1

THIS DRAWING AND SPECIFICATIONS HEREIN ARE THE PROPERTY OF DIGITAL EQUIPMENT CORPORATION AND SHALL NOT BE REPRODUCED OR COPIED OR USED IN WHOLE OR IN PART AS THE BASIS FOR THE MANUFACTURE OR SALE OF ITEMS WITHOUT WRITTEN PERMISSION. COPYRIGHT © 1971 DIGITAL EQUIPMENT CORPORATION



\*NOTE: OPTIONAL WIRING  
 CIRCLES SHOWN CONNECTED ARE FOR MB207-YA ONLY.  
 CIRCLES NOT CONNECTED WOULD BE FOR MB207-RA ONLY.  
 D2 PC10 H BECOMES CE IN MB207-RA.

REVISIONS			TITLE			NUMBER			REV.		
CHK	CHANGE NO.	REV.	DMP11 MICROCONTROLLER			DCS M8207-0-1			L		

REV. L  
 M8207-0-1  
 DCS

(CROM+IR+MAINTENANCE 8-15)

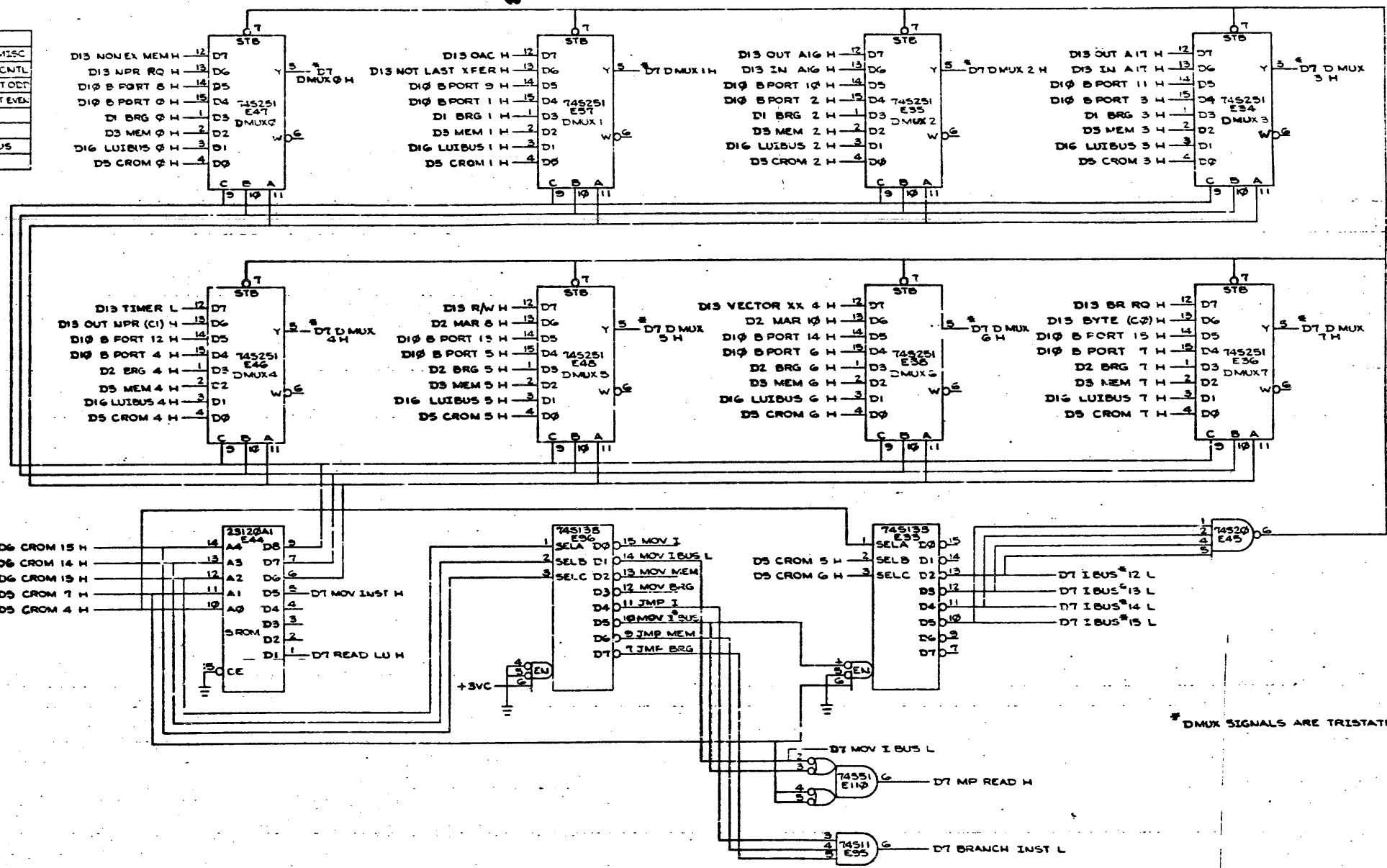
SCALE: SHEET 9 OF 21  
 DIST. MK 1



THIS DRAWING AND SPECIFICATIONS HEREIN ARE THE PROPERTY OF C. STA. L. COMPANY CORPORATION AND SHALL NOT BE REPRODUCED OR COPIED OR USED IN WHOLE OR IN PART AS THE BASIS FOR THE MANUFACTURE OR SALE OF ITEMS WITHOUT WRITTEN PERMISSION OF C. STA. L. COMPANY CORPORATION. COPYRIGHT © 1978 C. STA. L. COMPANY CORPORATION

74S25

H	H	H	UP MISC
H	H	L	NPR CNTL
H	L	H	B PORT ODT
L	L	L	B PORT EVEL
L	H	H	BRG
L	H	L	MEM
L	L	H	LUIBUS
L	L	L	I



D6 CROM 15 H  
D6 CROM 14 H  
D6 CROM 13 H  
D5 CROM 7 H  
D5 CROM 4 H

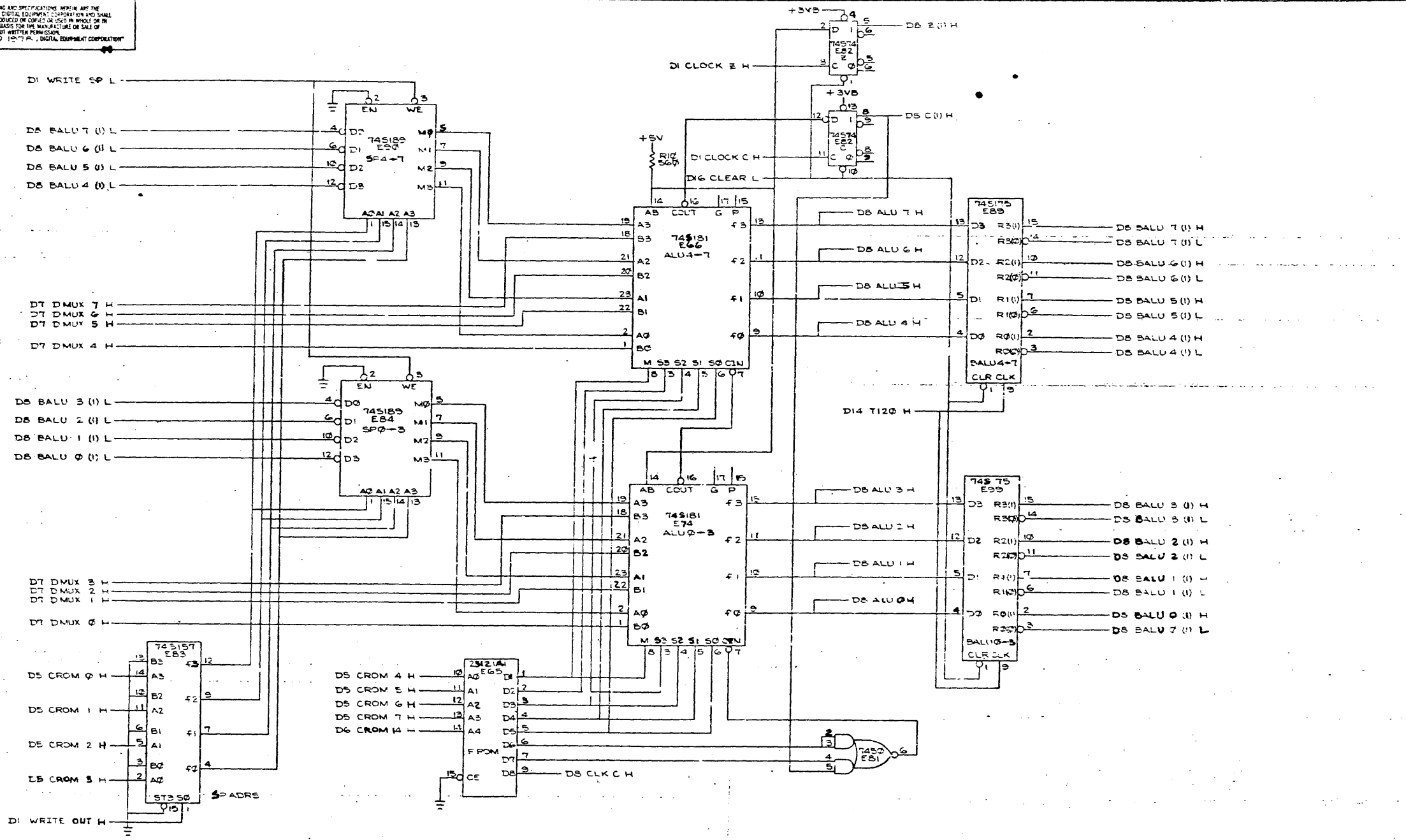
\* DMUX SIGNALS ARE TRISTATE

DMP11 SROM SPEC SHEET

CHK'D	DATE	FIRST USED ON	DMP11-AD digital
ENG. P. I. / [Signature]		TITLE	DMP11 MICROCONTROLLER (D7)
PROJ. ENG. / [Signature]		SIZE CODE	D CS
PROJ. / [Signature]		NUMBER	M8207-0-1
NEXT HIGHER ASSY.		REV.	L
SCALE		SHEET	C OF 2
DIST.			

REVISIONS  
CHANGE NO.  
DATE

THIS DRAWING AND SPECIFICATIONS HEREIN ARE THE PROPERTY OF DIGITAL EQUIPMENT CORPORATION AND SHALL NOT BE REPRODUCED OR COPIED OR USED IN WHOLE OR IN PART AS THE BASIS FOR THE MANUFACTURE OR SALE OF ITEMS WITHOUT WRITTEN PERMISSION. COPYRIGHT © 1974 A. DIGITAL EQUIPMENT CORPORATION

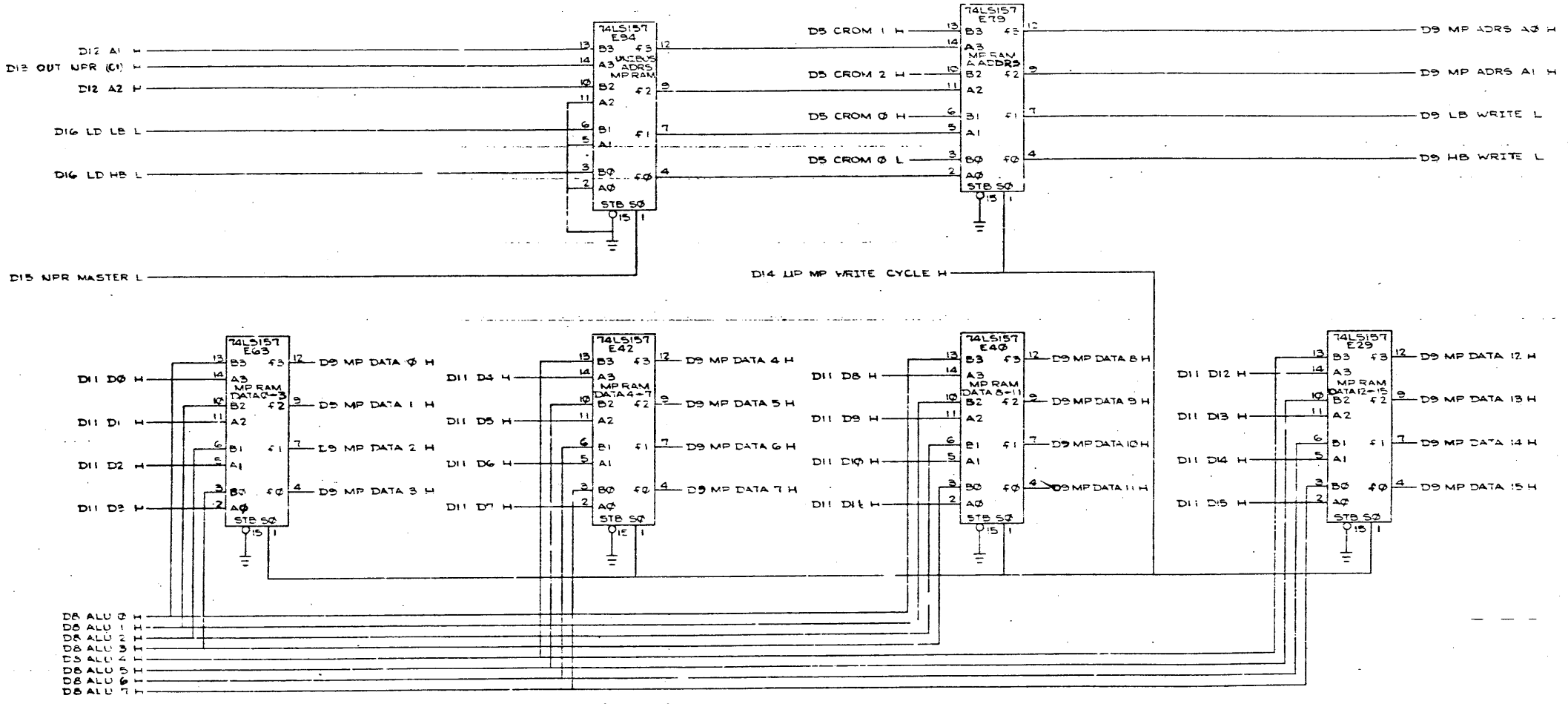


REV. 1  
CHK  
CHANGE NO.  
REVISIONS

DRN. Size		FIRST USE ON	
CHK'D		EMPIIAD digital	
ENG. FILE		TITLE	
PROJ. ENG.		EMPII	
PROD.		MICROCONTROLLER	
NEXT HIGHER ASSY.		(DS)	
SCALE	SIZE CODE	NUMBER	REV
1/8"	D CS	M8207-0-1	L
SHEET 10	OF 21	DIST.	

M8207-0-1  
 DCS  
 M8207-0-1  
 L

THIS DRAWING AND SPECIFICATIONS HEREIN ARE THE PROPERTY OF DIGITAL EQUIPMENT CORPORATION AND SHALL NOT BE REPRODUCED OR COPIED OR USED IN WHOLE OR IN PART AS THE BASIS FOR THE MANUFACTURE OR SALE OF ITEMS WITHOUT WRITTEN PERMISSION. COPYRIGHT © 1971 DIGITAL EQUIPMENT CORPORATION.



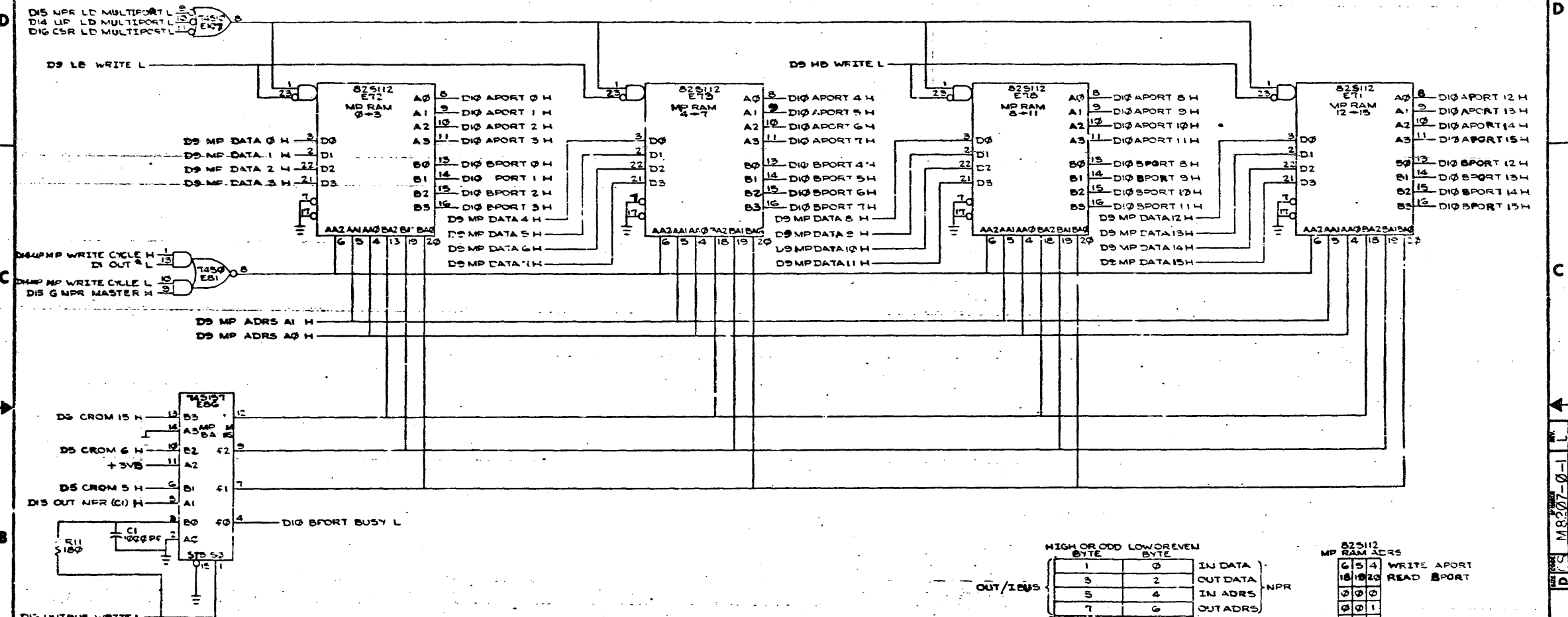
REV.	
CHG	
REVISIONS	CHANGE NO.

DRN <i>DRN</i>		FIRST USED ON	
CHK'D		DMP II-AD digital	
ENG.		TITLE	
PROJ. ENG.		DMP II MICROCONTROLLER	
PROD.		(D9)	
NEXT HIGHER ASSY			
B-D	SCALE	SIZE CODE	NUMBER
		D CS	M8207-0-1
SHEET	OF 2	DIST.	REV. L

REV. L  
D CS  
M8207-0-1

THIS DRAWING AND SPECIFICATIONS HEREIN ARE THE PROPERTY OF DIGITAL EQUIPMENT CORPORATION AND SHALL NOT BE REPRODUCED OR TRANSMITTED IN ANY FORM OR BY ANY MEANS, ELECTRONIC OR MECHANICAL, INCLUDING PHOTOCOPYING, RECORDING, OR BY ANY INFORMATION STORAGE AND RETRIEVAL SYSTEM, WITHOUT THE WRITTEN PERMISSION OF DIGITAL EQUIPMENT CORPORATION.

1-0-102341 5 0 2 1



HIGH OR ODD BYTE		LOW OR EVEN BYTE		IN DATA	OUT DATA	IN ADRS	OUT ADRS	CSR 0	CSR 2	CSR 4	CSR 6
1	3	5	7								
0	2	4	6	NPR							
3	2	4	6								
5	4	6	2								
7	6	2	1								
1	0	2	1								
3	2	1	0								
5	4	1	0								

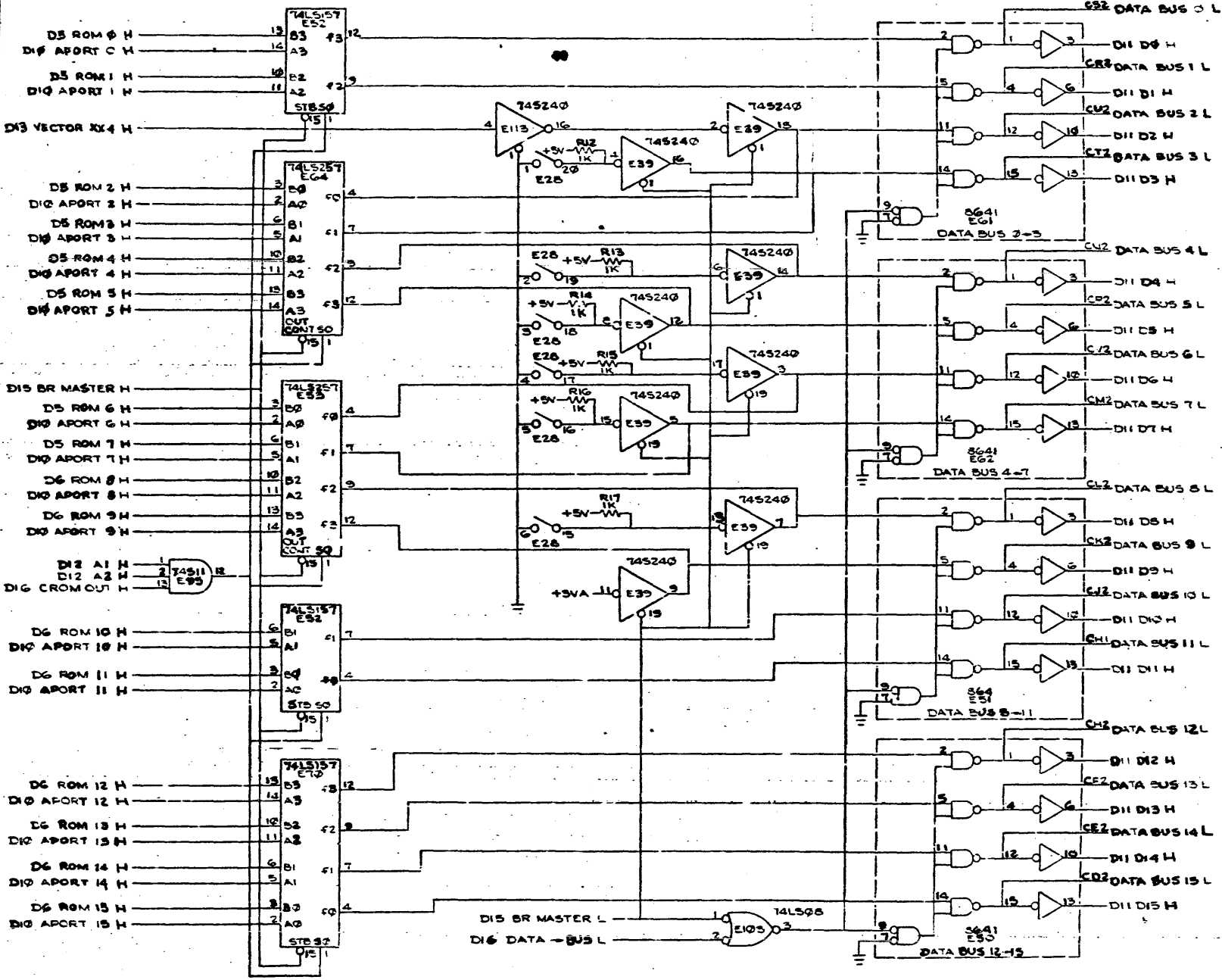
MP RAM ADRS			
6	5	4	WRITE APORT
15	14	13	READ BPORT
0	0	0	
0	0	1	
0	1	0	
0	1	1	
1	0	0	
1	0	1	
1	1	0	
1	1	1	

0, 2, 4, 6 WORD SELECT  
 0 = OUT/IBUS  
 1 = OUT\*/IBUS\*

MULTIPORT RAM		FIRST USED ON		digital	
CHK'D		DMP11-C			
ENG. DESIGNED		TITLE			
PROJ. ENG.		DMP11			
MOD.		MICROCONTROLLER			
NEXT HIGHER ASSY.		(D10)			
B-DD-102341-0	SIZE CODE	NUMBER	REV.		
SCALE 1	D CS	M8207-0-1	L		
SHEET 12	OF 21	LIST			

M8207-0-1

PRINTING AND REPRODUCTION RIGHTS ARE THE PROPERTY OF DIGITAL EQUIPMENT CORPORATION AND SHALL NOT BE REPRODUCED OR TRANSMITTED IN ANY FORM OR BY ANY MEANS, ELECTRONIC OR MECHANICAL, INCLUDING PHOTOCOPYING, RECORDING, OR BY ANY INFORMATION STORAGE AND RETRIEVAL SYSTEM, WITHOUT WRITTEN PERMISSION FROM DIGITAL EQUIPMENT CORPORATION.



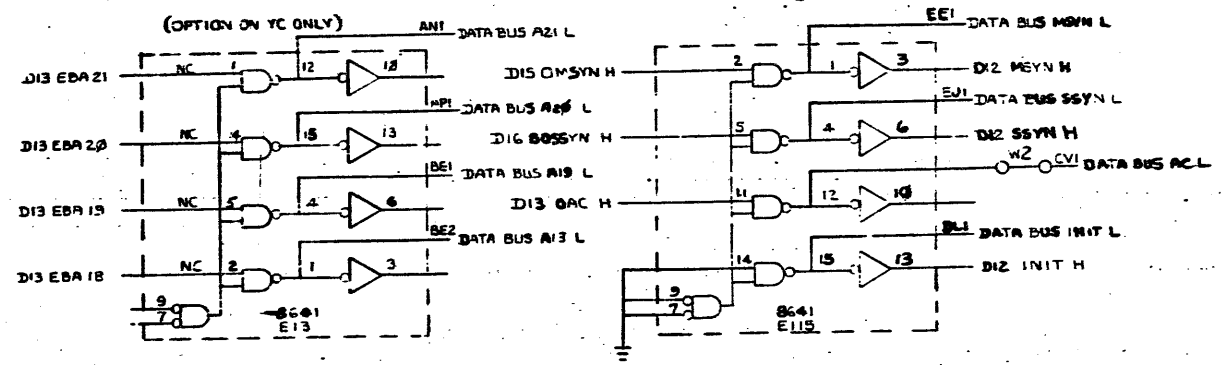
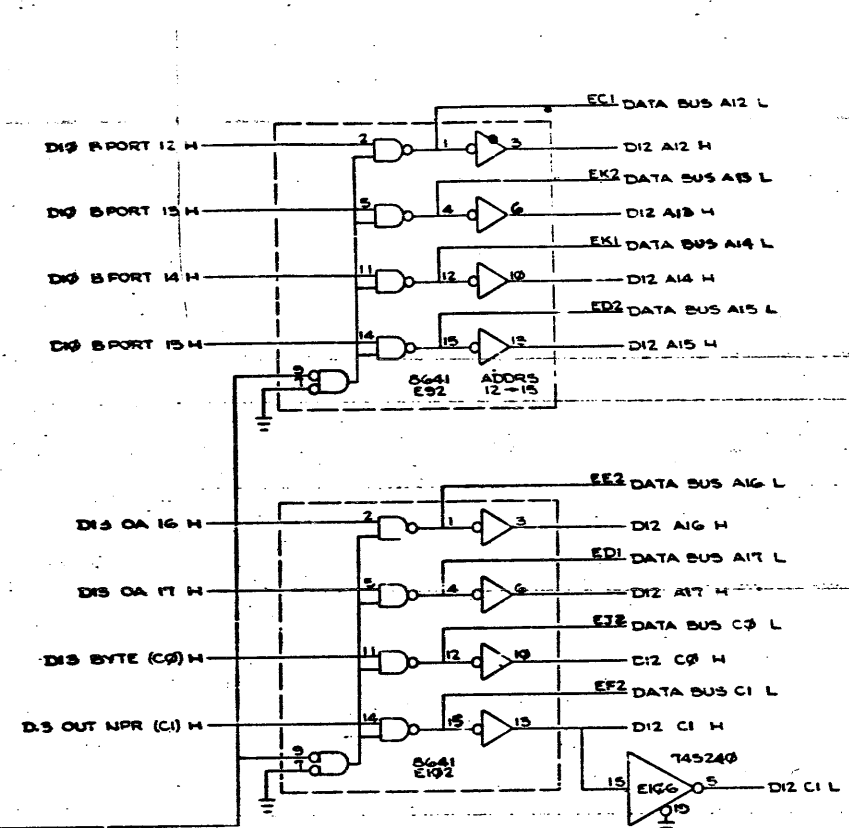
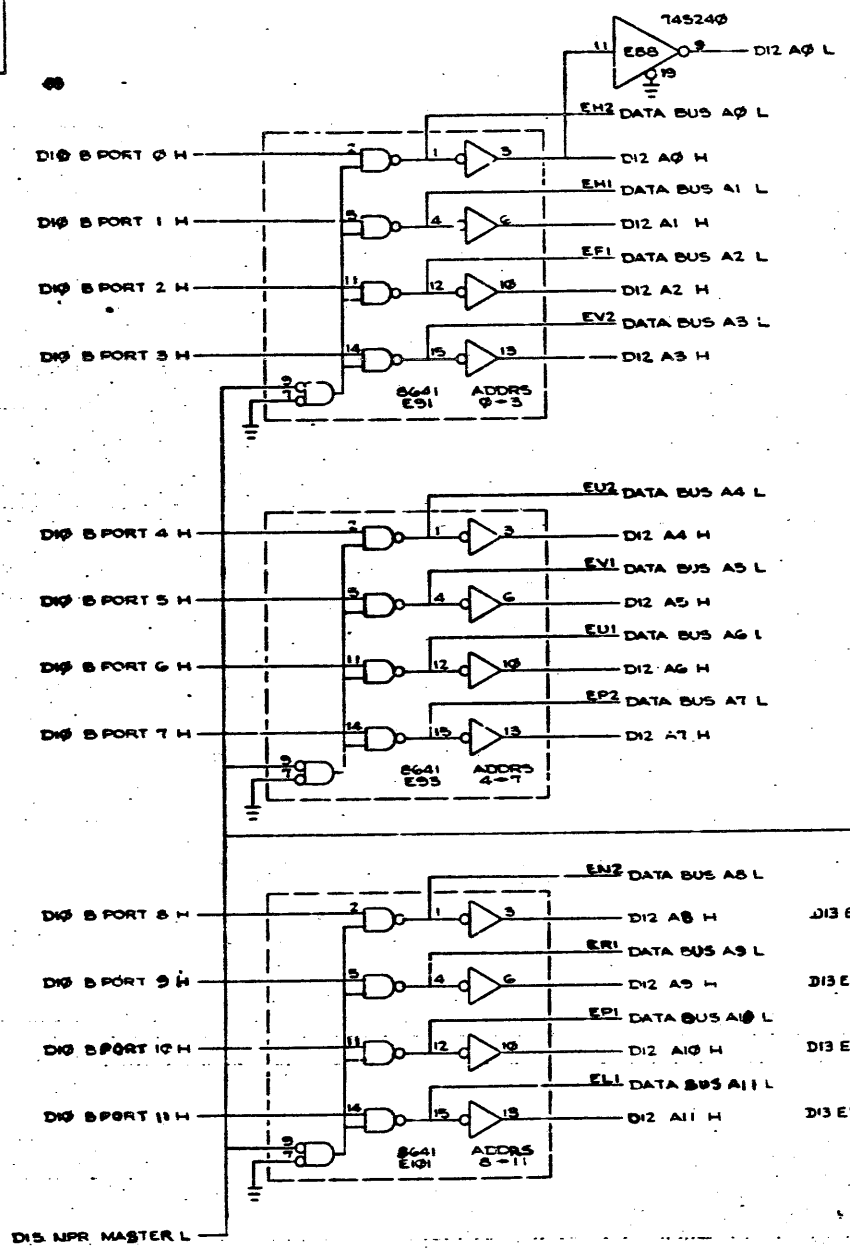
UNIBUS DATA INTERFACE			
DRAWN BY: [Signature]	DATE: 3-17-73	FIRST USED ON:	DMP II-AD digital
CHK'D:		TITLE:	DMP II MICROCONTROLLER (DI)
ENG. [Signature]		PROJ. ENG. [Signature]	
PROD. [Signature]			
NEXT HIGHER ASSY:			
REV. [Signature]	SIZE: D	CODE: 3S	NUMBER: M8207-0-1
SC/LE: /			REV. L
SHEET 13 OF 21	DIST.		

REVISIONS  
 CHANGE NO.  
 DATE

M8207-0-1

THIS DRAWING AND SPECIFICATIONS HEREIN ARE THE PROPERTY OF ROCKWELL INTERNATIONAL CORPORATION AND SHALL NOT BE REPRODUCED OR TRANSMITTED IN ANY FORM OR BY ANY MEANS, ELECTRONIC OR MECHANICAL, INCLUDING PHOTOCOPYING, RECORDING, OR BY ANY INFORMATION STORAGE AND RETRIEVAL SYSTEM, WITHOUT WRITTEN PERMISSION FROM ROCKWELL INTERNATIONAL CORPORATION.  
 COPYRIGHT © 1977, ROCKWELL INTERNATIONAL CORPORATION

1-0-22381 5000 2

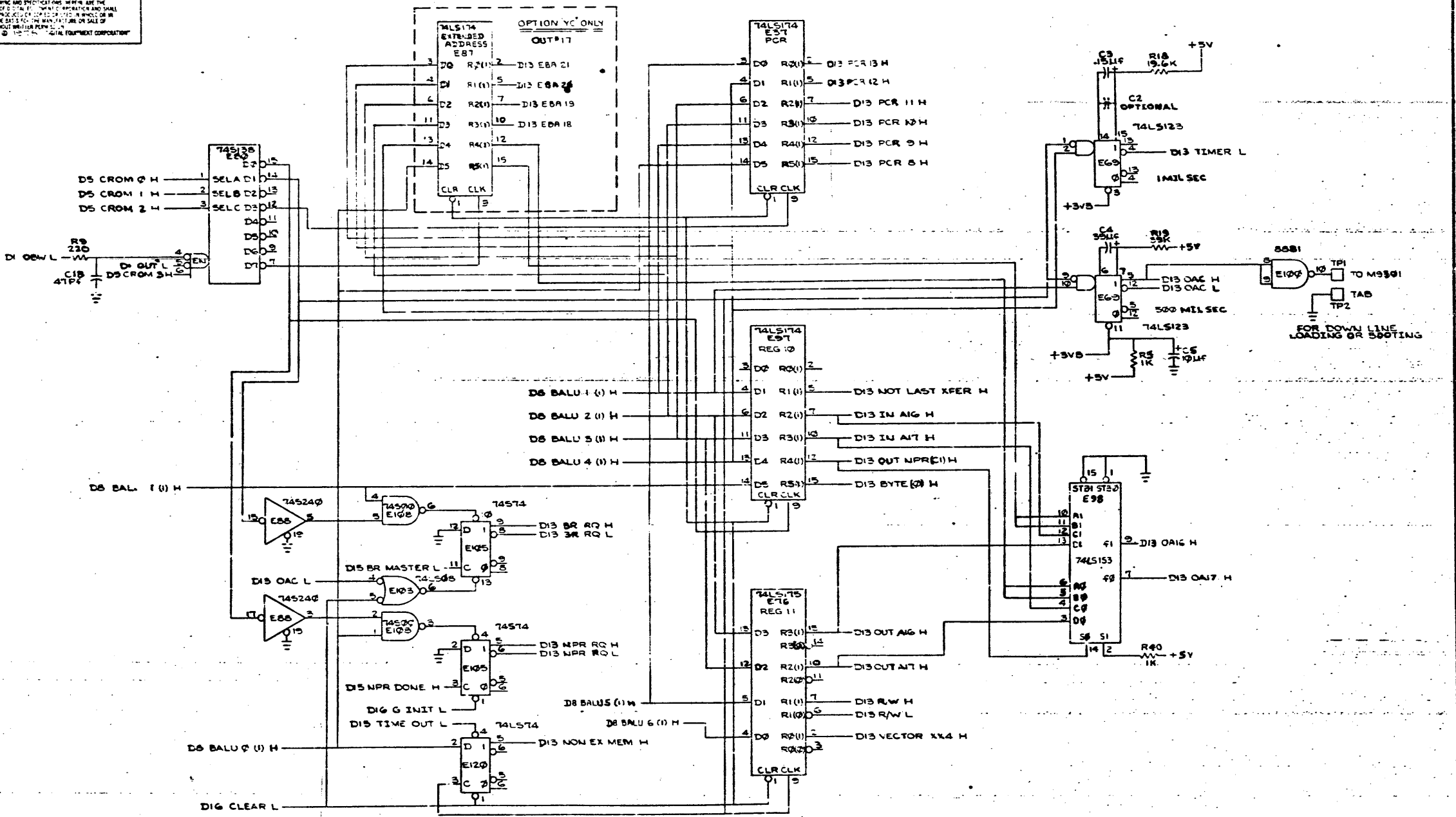


REV. 1  
 CHANGE NO.  
 DATE

UNIBUS ADDR INTERFACE		FIRST USED ON	
DATE		DMP II-AC	digital
ENG.		TITLE	
PRG. ENG.		DMP II MICROCONTROLLER	
PROD.		(D12)	
NEXT HIGHER ASSY.		SIZE CODE	NUMBER
E01-18207-0		D CS	M8207-0-1
SCALE		REV.	
SHEET 14	OF 21	DIST.	

D  
C  
B  
A  
MK

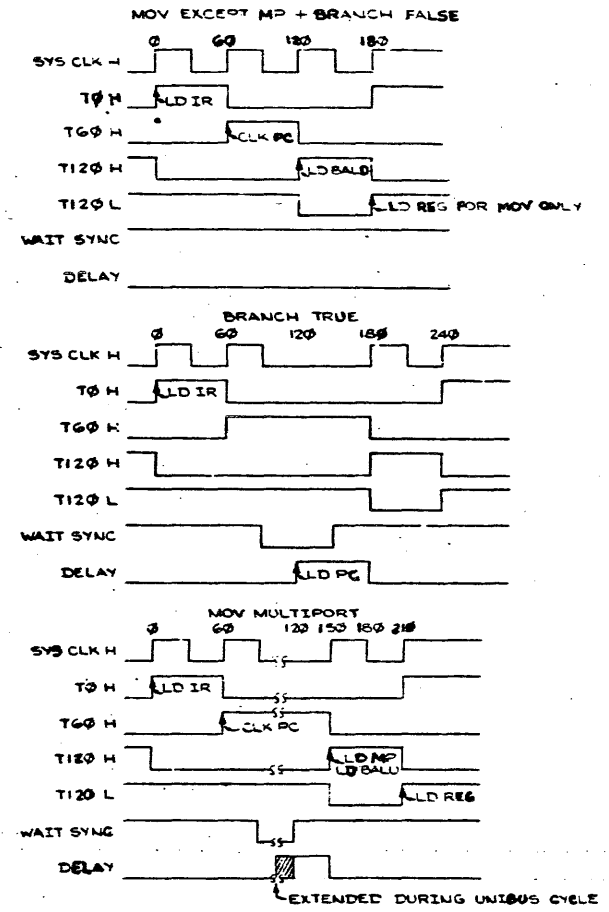
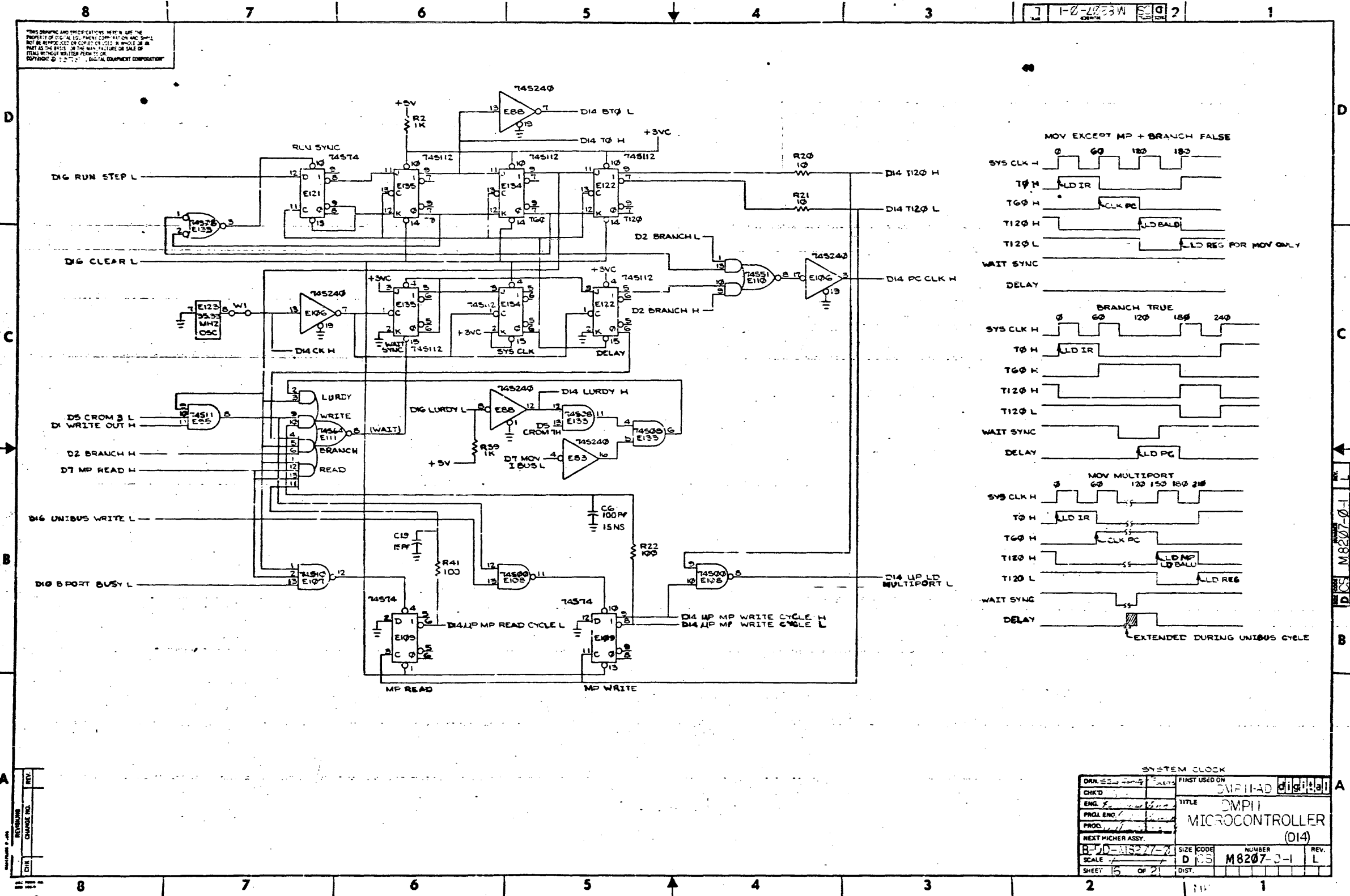
THIS DRAWING AND SPECIFICATIONS, WHEN APPLIED TO THE PRODUCT OF DIGITAL EQUIPMENT CORPORATION, SHALL NOT BE REPRODUCED, COPIED, OR TRANSMITTED IN ANY MANNER WITHOUT THE WRITTEN PERMISSION OF DIGITAL EQUIPMENT CORPORATION.



REV.	
CHG.	
INT.	

PROGRAMS COUNTER REGISTERS.	
NPR CONTROL MISC REGISTER	
DATE	FIRST USED ON
ENG. <i>R. J. ...</i>	TITLE
PROJ. ENG. <i>...</i>	DMP II - AD <b>digital</b>
PROD. <i>...</i>	DMP II MICROCONTROLLER (DI3)
NEXT HIGHER ASSY:	
B-DD-NS07-1	SIZE CODE
SCALE	DCS
SHEET 15	OF 21
	NUMBER
	M8207-0-1
	REV.
	L

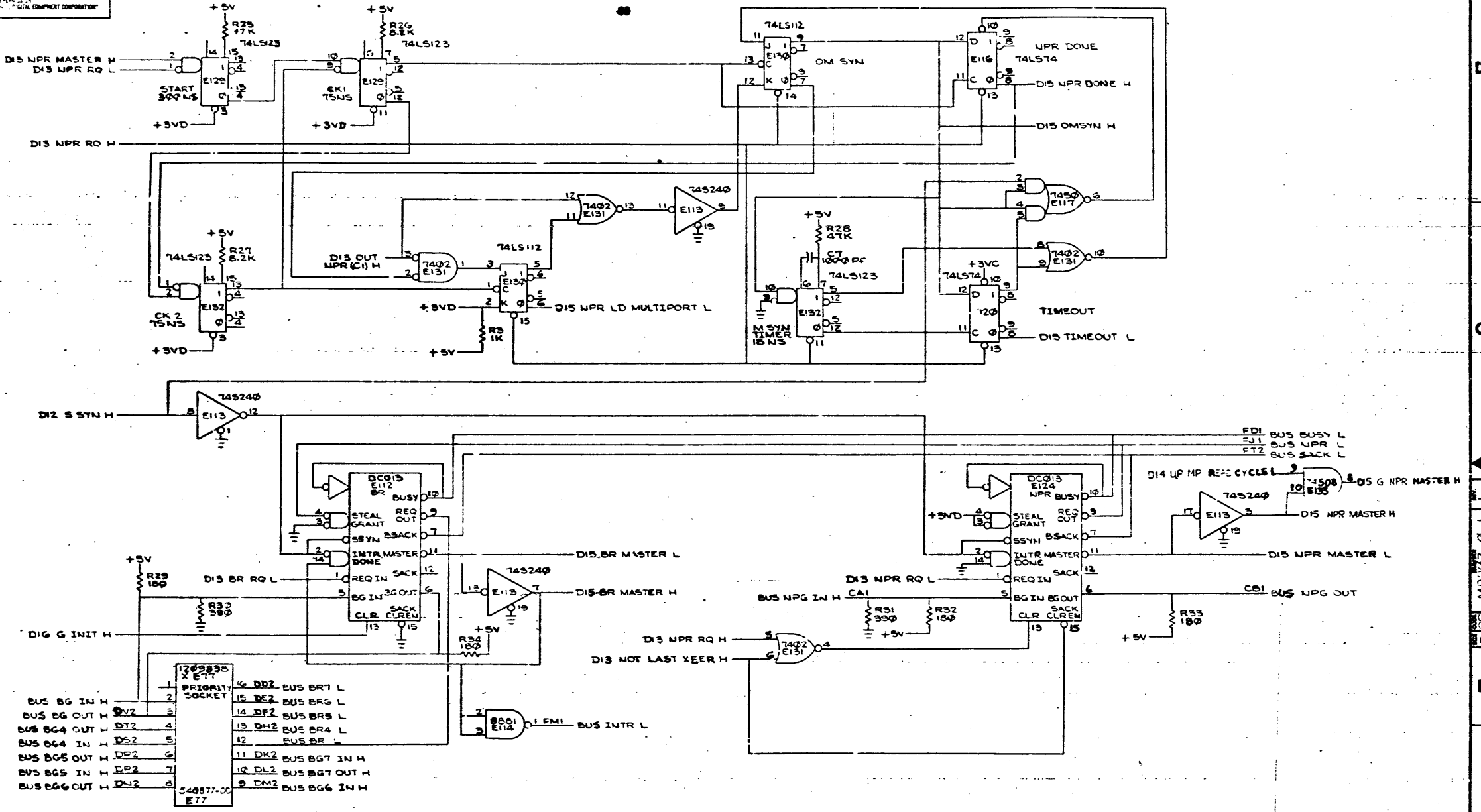
THIS DRAWING AND SPECIFICATIONS HEREIN ARE THE PROPERTY OF DIGITAL EQUIPMENT CORPORATION AND SHALL NOT BE REPRODUCED OR COPIED IN WHOLE OR IN PART AS THE BASIS OF THE MANUFACTURE OR SALE OF ITEMS WITHOUT WRITTEN PERMISSION OF DIGITAL EQUIPMENT CORPORATION.



SYSTEM CLOCK	
CHK'D	FIRST USED ON
ENG. <i>[Signature]</i>	TITLE
PROG. ENG. <i>[Signature]</i>	DMP11
PROD. <i>[Signature]</i>	MICROCONTROLLER
NEXT MICR ASSY.	(D14)
B-10-MS277-2	SIZE CODE
SCALE	D CS
SHEET 15 OF 21	NUMBER
	M8207-0-1
	REV.
	L



THIS DRAWING AND SPECIFICATIONS HEREON ARE THE PROPERTY OF DIGITAL EQUIPMENT CORPORATION AND SHALL NOT BE REPRODUCED OR TRANSMITTED IN ANY FORM OR BY ANY MEANS, ELECTRONIC OR MECHANICAL, INCLUDING PHOTOCOPYING, RECORDING, OR BY ANY INFORMATION STORAGE AND RETRIEVAL SYSTEM, WITHOUT THE WRITTEN PERMISSION OF DIGITAL EQUIPMENT CORPORATION.



INTERRUPT + NRP CONTROL		FIRST USED ON	
CHKD		DMP11-AC digital	
ENL		TITLE DMP11 MICROCONTROLLER (DIS)	
PROJ. ENG.		SIZE	CODE
PROJ. MGR.		D	CS
NEXT HIGHER ASSY.		NUMBER	REV.
BED-22-2		M8207-2-1	L
SCALE			
SHEET	7 OF 21	DIST.	

REV. 1  
REV. 2  
REV. 3  
REV. 4  
REV. 5  
REV. 6  
REV. 7  
REV. 8

DIGITAL EQUIPMENT CORPORATION  
M8207-0-1-L





THIS DRAWING AND SPECIFICATIONS HEREIN ARE THE PROPERTY OF DIGITAL EQUIPMENT CORPORATION, AND SHALL NOT BE REPRODUCED OR COPIED OR USED IN WHOLE OR IN PART AS THE BASIS FOR THE MANUFACTURE OR SALE OF ITEMS WITHOUT WRITTEN PERMISSION. COPYRIGHT © 1975 DIGITAL EQUIPMENT CORPORATION.

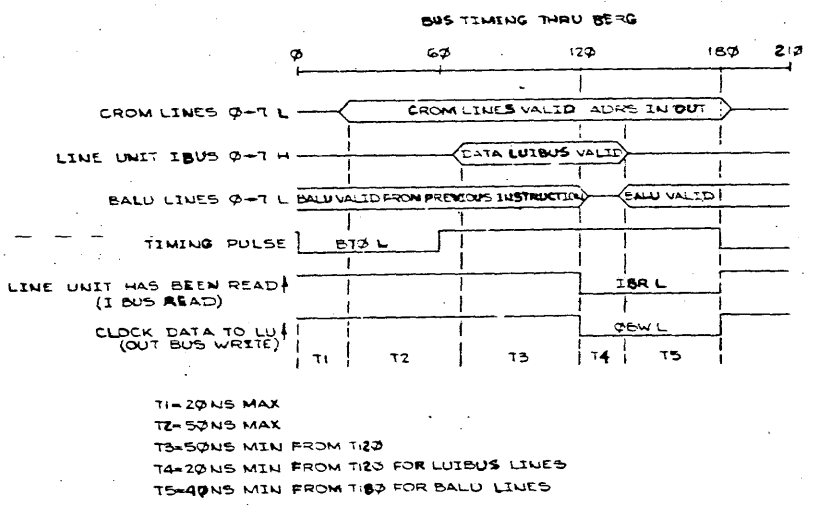
		DIG DATA BUS IN L																		DIG DATA BUS OUT L																
		1	2	3	4	5	6	7	8	9	10	11	12	13	14	15	16	BERG	1	2	3	4	5	6	7	8	9	10	11	12	13	14	15	16	BERG	
	DI7 AQH																																			

		DIG IN/OUT H																		DIG DATA BUS INIT L															
		1	2	3	4	5	6	7	8	9	10	11	12	13	14	15	16	BERG	1	2	3	4	5	6	7	8	9	10	11	12	13	14	15	16	BERG
	DI8 IN/OUT H																																		

		DIG CLEAR L																		DIG DATA BUS IN L															
		1	2	3	4	5	6	7	8	9	10	11	12	13	14	15	16	BERG	1	2	3	4	5	6	7	8	9	10	11	12	13	14	15	16	BERG
	DI9 CLEAR L																																		

		DIG DATA BUS INIT L																		DIG DATA BUS IN L															
		1	2	3	4	5	6	7	8	9	10	11	12	13	14	15	16	BERG	1	2	3	4	5	6	7	8	9	10	11	12	13	14	15	16	BERG
	DI10 DATA BUS INIT L																																		

		DIG DATA BUS IN L																		DIG DATA BUS INIT L															
		1	2	3	4	5	6	7	8	9	10	11	12	13	14	15	16	BERG	1	2	3	4	5	6	7	8	9	10	11	12	13	14	15	16	BERG
	DI11 DATA BUS IN L																																		



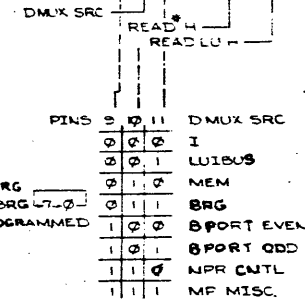
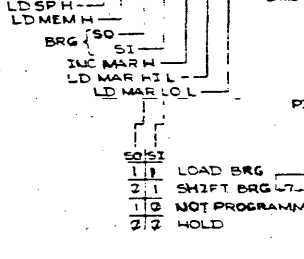
REVISIONS		
CHK	CHANGE NO	REV

TITLE DMP11 MICROCONTROLLER  
 SCALE 1:1 SHEET 20 OF 21  
 SIZE CODE DCS M8207-0-1  
 NUMBER  
 REV. L

THIS DRAWING AND SPECIFICATIONS HEREIN ARE THE PROPERTY OF S. L. EDWARDS CORPORATION AND SHALL NOT BE REPRODUCED OR COPIED OR USED IN WHOLE OR IN PART AS THE BASIS FOR THE MANUFACTURE OR SALE OF ITEMS BY ANY OTHER PERSON OR FIRM.  
 S. L. EDWARDS CORPORATION  
 COPYRIGHT © 1976

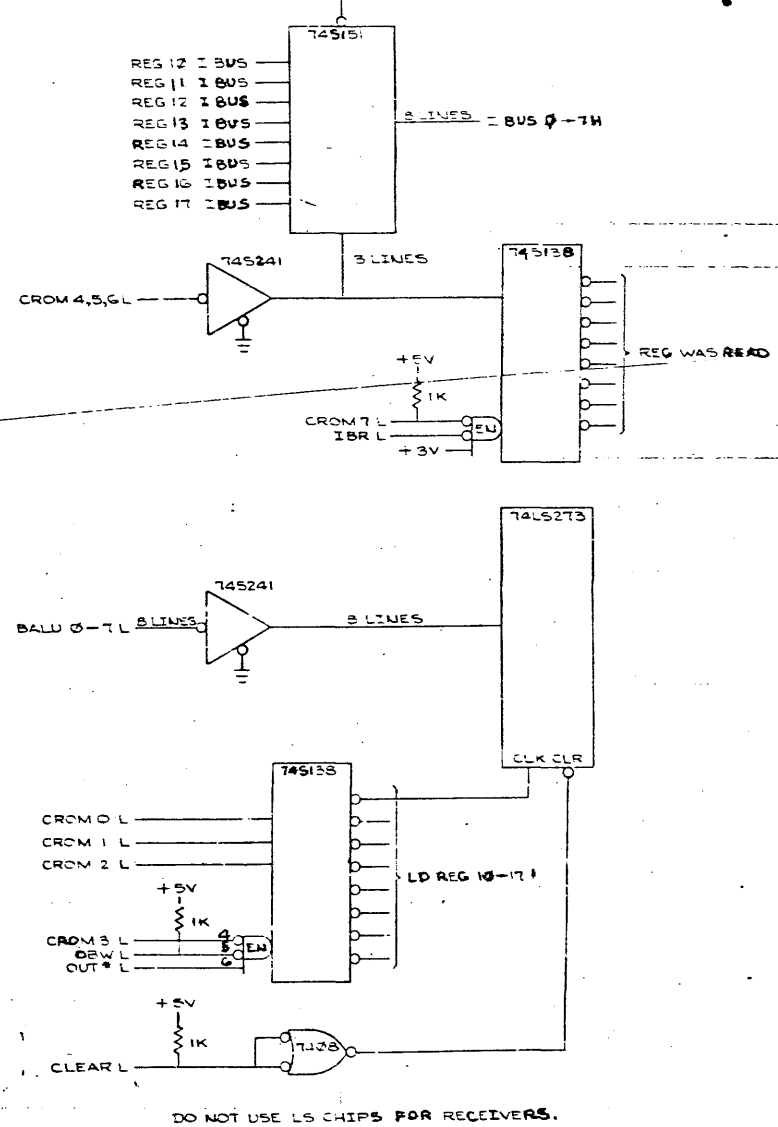
PROM/ROM	ADRS INPUT PINS	D ROM	S ROM	F ROM
	13 12 11 10	9 7 6 5 4 3 2 1	9 7 6 5 4 3 2 1	9 7 6 5 4 3 2 1
0	0 0 0 0	1 0 0 0 0 0 0 0	0 0 0 0 0 0 0 0	0 0 0 0 0 0 0 0
1	0 0 0 1	0 0 0 0 0 1 1 1	0 0 0 0 0 1 0 0	0 0 0 0 0 1 0 0
2	0 0 1 0	0 0 0 0 0 0 0 1	0 0 0 0 0 0 0 0	0 0 0 0 0 0 0 0
3	0 0 1 1	0 0 0 0 0 0 1 0	0 0 0 0 0 0 0 0	0 0 0 0 0 0 0 0
4	0 1 0 0	0 0 0 0 0 0 0 1	0 0 0 0 0 0 0 1	0 0 0 0 0 0 0 1
5	0 1 0 1	0 0 0 0 0 0 1 0	0 0 0 0 0 0 0 1	0 0 0 0 0 0 0 1
6	0 1 1 0	0 0 0 0 0 1 0 0	0 0 0 0 0 0 0 0	0 0 0 0 0 0 0 0
7	0 1 1 1	0 0 0 0 0 1 0 0	0 0 0 0 0 0 0 0	0 0 0 0 0 0 0 0
8	1 0 0 0	0 0 0 0 0 1 0 0	0 0 0 0 0 0 0 0	0 0 0 0 0 0 0 0
9	1 0 0 1	0 0 0 0 0 1 0 0	0 0 0 0 0 0 0 0	0 0 0 0 0 0 0 0
10	1 0 1 0	0 0 0 0 0 1 0 0	0 0 0 0 0 0 0 0	0 0 0 0 0 0 0 0
11	1 0 1 1	0 0 0 0 0 1 0 0	0 0 0 0 0 0 0 0	0 0 0 0 0 0 0 0
12	1 1 0 0	0 0 0 0 0 1 0 0	0 0 0 0 0 0 0 0	0 0 0 0 0 0 0 0
13	1 1 0 1	0 0 0 0 0 1 0 0	0 0 0 0 0 0 0 0	0 0 0 0 0 0 0 0
14	1 1 1 0	0 0 0 0 0 1 0 0	0 0 0 0 0 0 0 0	0 0 0 0 0 0 0 0
15	1 1 1 1	0 0 0 0 0 1 0 0	0 0 0 0 0 0 0 0	0 0 0 0 0 0 0 0

- ADD (A,B)
- ADD W/C (A,B,C)
- SUB W/C (A-B-C)
- INC A (A+1)
- A PLUS C (A,C)
- 2A (A,A)
- 2A X C (A,A,C)
- DECA (A-1)
- SEL A (A)
- SEL B (B)
- ACR B (A+B)
- A AND B (A B)
- A OR B (A+B)
- A XOR B (A+B)
- 2'S COMP SUB (A-B)
- 1'S COMP SUB (A-B-1)



- CROM BITS
- D ROM 12 11 10 9 8
- S ROM 15 14 13 12 11
- F ROM 14 7 6 5 4

RECOMMENDED BERG INTERFACE



DRN	CHK'D	ENG	PROJ ENG	PROD	NEXT HIGHER ASSY	SIZE	CODE	NUMBER	REV.
						D	CS	M8207-0-1	L
SHEET 21 OF 21					DIST				

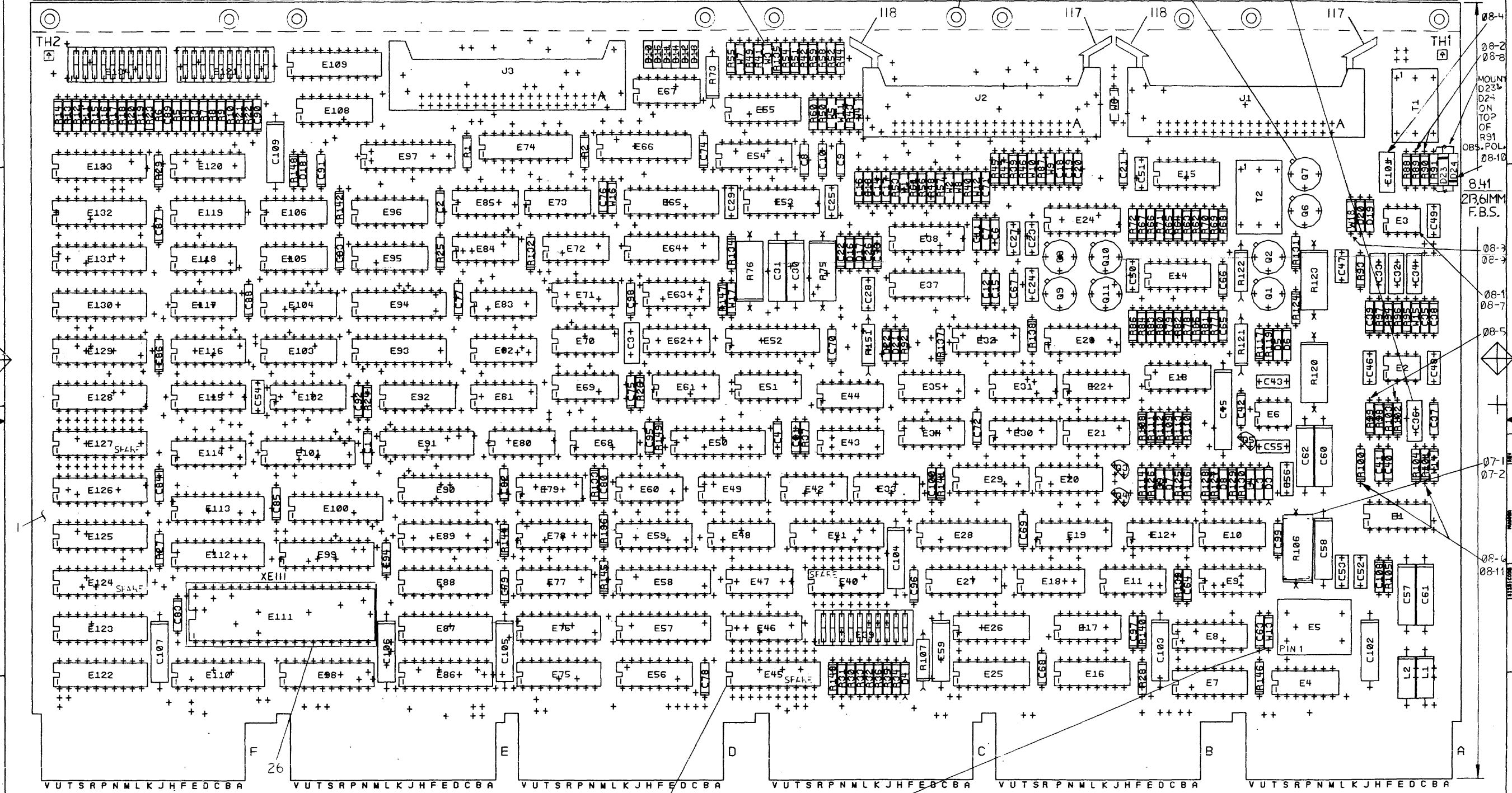
REV.	CHANGE NO.

11/80 M8207-0-1

15.688 F.B.S. REF  
398.47MM

COMPONENT SIDE VIEW

THIS DRAWING AND SPECIFICATIONS, GENERAL AND THE PARTICULARS THEREOF, SHALL BE THE PROPERTY OF THE GOVERNMENT AND SHALL NOT BE REPRODUCED OR COPIED IN WHOLE OR IN PART OR IN ANY MANNER WITHOUT THE WRITTEN PERMISSION OF THE GOVERNMENT CONTRACTOR.



- NOTES:
1. E40, E45, E124 & E127 ARE SPARE IC LOCATIONS.
  2. DO NOT INSERT EYELETS OVER J3.
  3. INSERT W3 (P/N 9009185-00) AFTER GR TEST.
  4. W1-W6, W11, W14-W16 & C36 ARE OPTIONAL LOCATIONS.
  5. INSERT ITEM 122 UNDER Q1, Q2, Q3-Q11 (QTY 8).
- |        |          |          |      |   |       |
|--------|----------|----------|------|---|-------|
| STEP   | E        | ↑ Y AXIS | STEP | T | TIMES |
| REPEAT | → X AXIS | STEP     | T    | T | TIMES |

CHG	NO	REV	ORIGINATED	DATE	BY	CHKD	DATE
			M8203-MK/JA	L			
			M8203-MK/JA	M			
			M8203-MK/JA	N			
			M8203-MK/JA	F. BACKES			

SPARE SEE NOTE 1

SEE NOTE 3

ETCH REV. F-P2
----------------

SIGNATURES		DATE	digital
DRN.			
CHK'D.			
MECH. ENG.			
PROJ. ENG.			
PROD.			TITLE
SCALE 2/1			MULDROP LINE UNIT
SHT. 1 OF 2			SIZE CODE
NEXT HIGHER ASSY. B-DD-M8203-0			NUMBER
			D UA M8203-0-0
			REV
			11

08-4  
08-2  
08-8  
MOUNT  
D234  
D24  
ON  
TOP  
OF  
R91  
OBS. POL  
08-10  
8.41  
213.61MM  
F.B.S.  
08-3  
08-2  
08-1  
08-7  
08-5  
07-1  
07-2  
08-6  
08-11

"THIS DRAWING AND SPECIFICATIONS HEREIN ARE THE PROPERTY OF DIGITAL EQUIPMENT CORPORATION AND SHALL NOT BE REPRODUCED OR COPIED OR USED IN WHOLE OR IN PART AS THE BASIS FOR THE MANUFACTURE OR SALE OF ITEMS WITHOUT WRITTEN PERMISSION. COPYRIGHT © 1981 DIGITAL EQUIPMENT CORPORATION"

REWORK INSTRUCTIONS

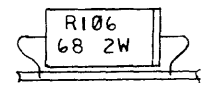
ECO #M8203-MK007 ETCH REV. F:

COMPONENT DELETE:

07-1 REMOVE R106 (P/N 1302382-00, 200, 1W)

COMPONENT ADD:

07-2 ADD R106 (P/N 1302308-00, 68, 2W). SEE DWG:



ECO #M8203-MK008, ETCH REV. F

COMPONENT REMOVAL:

08-1 REMOVE E3 (P/N 1914477-00, LF357, OP. AMP.).

08-2 REMOVE R89 & R90 (P/N 1313598-00, 32.4K, 1%).

08-3 REMOVE R150 (P/N 1300479-00, 10.0K, .25W).

08-4 REMOVE C101 (P/N 1002425-00, 5MMF, 5%).

08-5 REMOVE R99 & R102 (P/N 1300365-00, 1.0K, .25W).

08-6 REMOVE R100 & R101 (P/N 1302124-00, 18.0, .25W).

COMPONENT ADD:

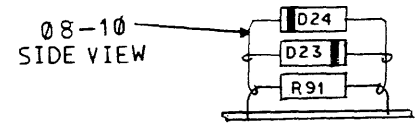
08-7 ADD E3 (P/N 1910375-02, LM318, OP. AMP.).

08-8 ADD R89 & R90 (P/N 1302886-00, 10K, 1%).

08-9 ADD W18 IN PLACE OF R150 (P/N 9009185-00, JUMPER, INSULATED).

08-10 ADD D23 & D24 ON TOP OF R91 (P/N 1100114-00 D664).

08-11 ADD R100 & R101 (P/N 1300250-00, 150.0, .25W).



REVISIONS		
CHK	CHANGE NO.	REV.

TITLE	SIZE CODE	NUMBER	REV.
MULTIDROP LINE UNIT	D UA	M8203-0-0	N
SCALE	SHEET	DIST.	
NONE	2 OF 2		

REV. N  
NUMBER 0-0-0  
DATE/COPIES

LINE ITEM	DOCUMENT NUMBER	PART NUMBER	DESCRIPTION	QTY PER VARIATION	REFERENCE DESIGNATOR
				00	
1	D-MD-5013292-0-0	5013292-00	DRILL AND ETCH BOARD	1	
2		1013466-06	100.0 MMF 50V 5% CER	2	C1,C37
3		1013466-18	330.0 MMF 50V 5% CER	1	C2
4		1000042-00	1000.0 MMF 100V 5%200PPM MICA	1	C3
5		1013466-30	560.0 MMF 50V 5% CER	1	C4
6		1013466-05	56.0 MMF 50V 5% CER	11	C11-C21
7		1012784-00	.047 MFD 50V +80-20% CER	41	C22,C26,C63-C100,C108
8		1010274-00	.22 MFD 50V +80-20% Z5U CER	18	C23-C25,C27-C29,C43,C46-C56
9		1012084-01	8 MFD 25V +75-10% AL EL	15	C30,C31,C57-C62,C102-C107,C109
10		1002424-00	1200.0 MMF 100V 5%200PPM MICA	3	C32,C33,C34
11		1013466-01	10.0 MMF 50V 5% CER	2	C35,C39
12	BLANK		*** THIS ITEM IS NOT USED ***	-	
13		1013466-07	220.0 MMF 50V 5% CER	1	C38
14		1013466-24	47.0 MMF 50V 5% CER	2	C40,C41
15		1000075-00	25 MFD 25V +75-10% AL EL	1	C45
16		1013466-12	2200.0 MMF 50V 10% X7R CER	5	C6-C10
17		1100114-00	D 664 QS\75FCB PIV= 25V SP	10	D5-D8,D18-D21,D23,D24
18		1109943-00	1N 4733A VZ= 5.1 5% 1W Y	1	D3
19		1109502-00	1N 4742 VZ= 12.0 10% 1W Y	1	D4
20		1104860-00	1N 746A VZ= 3.3 5%	1	D9
21		1114136-00	LED 16MA 5V	6	D10-D15
22		1102421-00	1N 753A VZ= 6.2 5% .40W P	2	D16,D17
23		1209941-02	HEADER 100 40POS RT ANGLE	3	J1-J3
24		1216988-02	HANDLE,MODULE,HEX TWO EJECTORS	1	
25		1211164-06	SW,DIP 1P 1A 10POS	3	E39,E121,E134
26		1215006-08	SKT,IC 40PIN DIP TIN PLATE	1	XE111
27		1300365-00	1.0 K .25 W 5.0 % CC	51	R1-R23,R27-R36,R92,R98,R103,
					CONT R132-R143,R146-R148
28		1300271-00	220.0 .25 W 5.0 % CC	10	R24-R26,R37,R39-R44
29		1303179-00	*** THIS ITEM IS NOT USED ***	-	

REVISION HISTORY		BASIC PART NO: M8203		DRN:	DON MACKINNON	DATE:	31-AUG-79	DBP	D	I	G	I	T	A	L
ENG	ECO NUMBER	REV	SECTION A OF A	CHK'D:		DATE:		TITLE	PARTS LIST						
PH	M8203-MK003A/3B	H	SECTION VARIATION INDEX					MULTIDROP LINE UNIT							
RH	M8203-MK004	J	[A] 00												
RH	M8203-MK005	K	[B]												
RH	M8203-MK006	L	[C]	DES.ENG:	PALL ALGISI	DATE:	15-JAN-80								
FB	M8203-MK007	M	[D]												
FB	M8203--MK008	N	[E]	RESP.ENG.:	F.BACKES	DATE:	19-JAN-82								
			[F]					SIZE	CODE	NUMBER	REV				
			[G]												
			[H]												
			[I]												
			[J]												
			[K]	MFG. NG.:	AL DERICK	DATE:	19-JAN-82	K	PL	M8203-0-0	N				
			[L]												
			[M]	ASSEMBLY NUMBER:		TOP DOCUMENT NUMBER:		FILE NAME:		EDIT #:					
			[N]	D-UA-M8203-0-0		#B-DD-M8203-0		MK0480.PLS		29					

\*THIS DRAWING AND SPECIFICATIONS HEREIN, ARE THE PROPERTY OF DIGITAL EQUIPMENT CORPORATION AND SHALL NOT BE REPRODUCED OR COPIED OR USED IN WHOLE OR IN PART AS THE BASIS FOR THE MANUFACTURE OR SALE OF ITEMS WITHOUT WRITTEN PERMISSION. COPYRIGHT (C) 1982. DIGITAL EQUIPMENT CORPORATION \*



LINE	ITEM	DOCUMENT NUMBER	PART NUMBER	DESCRIPTION	QTY	PER VARIATION	REFERENCE DESIGNATOR
					00		
30	30		1300447-00	4.70 K .25 W 5.0 % CC	9		R56-R61,R87,R104,R105
31	31	BLANK		*** THIS ITEM IS NOT USED ***	-		
32	32		1300432-00	3.0 K .25 W 5.0 % CC	3		R68,R69,R114
33	33		1300247-00	120.0 .25 W 5.0 % CC	6		R70-R72,R144,R145,R149
34	34		1300228-00	100.0 .50 W 5.0 % CC	1		R73
35	35		1300255-00	150.0 1.0 W 5.0 % CC	2		R75,R76
36	36		1313598-00	32.40 K .25 W 1.0 % RN55D-F10	4		R88,R91,R110,R111
37	37		1300347-00	680.0 .50 W 5.0 % CC	1		R151
38	38		1313842-00	48.70 K .25 W 1.0 % RN55D-F10	2		R93,R94
39	39		1302886-00	10.0 K .25 W 1.0 % RN55C-F 5	7		R95,R96,R108,R113,R117,R89,R90
40	40		1309418-00	24.30 K .25 W 1.0 % RN55D-F10	1		R97
41	41		1300250-00	150.0 .25 W 5.0 % CC	2		R100,R101
42	42		1302308-00	68.0 2.0 W 5.0 % CC	1		R106
43	43		1302378-00	51.0 .50 W 5.0 % CC	1		R107
44	44		1313077-00	12.80 K .25 W .10% RN55E-B 2	2		R109,R112
45	45		1300426-00	2.70 K .25 W 5.0 % CC	1		R116
46	46		1300479-00	10.0 K .25 W 5.0 % CC	2		R125,R130
47	47		1302389-00	4.30 K .25 W 5.0 % CC	2		R119,R124
48	48		1305653-00	22.0 1.0 W 10.0 % CC	2		R120,R123
49	49		1300168-00	10.0 .50 W 5.0 % CC	2		R121,R122
50	50		1300444-00	3.90 K .25 W 5.0 % CC	1		R126
51	51		1300496-00	15.0 K .25 W 5.0 % CC	2		R127,R129
52	52		1300391-00	1.50 K .25 W 5.0 % CC	1		R128
53	53		1302466-00	100.0 K .25 W 5.0 % CC	1		R131
54	54		1515018-00	2N 2905A PNP 600MW SI 40 10C	1		Q2
55	55		1501881-00	DEC221P NPN 3WC SI 30100	1		Q1
56	56		1509338-00	DEL6531B NPN 310.1W SI 40 90 P	2		Q3,Q4
57	57		1503409-00	DEC6534D PNP 310MW SI 40 90	1		Q5
58	58		1516150-00	VN 35AK FET 50MW	6		Q6-Q11
59	59		1602723-00	1000 UH 10% 125MA	2		L1,L2
60	60		1612946-01	33 UH 10% 260MA	2		L3,L4
61	61		1616045-00	XFMR,PULSE,RATIO 1:1,1500PV	1		T2
62	62		1616303-00	PULSE XFMR,RATIO 1:1:1	1		T1
63	63		1811660-00	OSCILLATOR, XTAL 20.000 MHZ	1		E5
64	64		1914214-00	LS374 FF-D OCTAL EDGE TRIG	13	CONT	E86,E88,E109,E122,E123,E125, E126,E128-E133
65	65		1913462-00	74S240 OCTAL BUFFER,INVERTI	2		E74,E97
66	66		1911675-00	74S138 DECODER/DEMUX 3-8 LIN	3		E59,E108,E119
67	67		1912863-00	LS273 FF-D OCTAL W/CLEAR	6		E58,E66,E87,E90,E91,E94
68	68		1912697-00	LS174 FF-D HEX W/CLEAR	2		E92,E96
69	69		1910534-00	74S04 INVERTER GATE-HEX 1I	1		E17
70	70		1912824-00	LS74 FF-D DUAL,EDGE TRIGG	7		E4,E62,E63,E68,E80,E84,E118
71	71		1912849-00	LS161 COUNTER,SYNCHR,4 BIT	1		E27
72	72		1913294-00	93S16 COUNTER,SYNCH UP BIN	4		E7,E8,E16,E56
73	73		1910956-00	74S151 MUX 1 OF 8	1		E26
74	74		1912847-00	LS157 MUX 1 OF 2 (QUAD)	2		E46,E95
75	75		1910548-00	74S157 MUX 1 OF 2 (QUAD)	1		E120
76	76		1915193-00	LS244 DRIVER,LINE,OCTAL,T	9		E64,E65,E89,E98,E99,E101,E110,

D	I	G	I	T	A	L	TITLE	SECTION A	OF A	SIZE	CODE	DOCUMENT NUMBER	REV
							MULTIDROP LINE UNIT					M8203-0-0	N

MK

LINE ITEM	DOCUMENT NUMBER	PART NUMBER	DESCRIPTION	QTY	PER VARIATION	REFERENCE DESIGNATOR
				00		
						CONT E112,E113
77	77	1912816-00	LS32 OR GATE-QUAD 2IN,POS	4		E20,E51,E81,E83
78	78	1913777-00	LS240 DRIVER,LINE,OCTAL,T	4		E28,E50,E52,E93
79	79	1915125-00	3691 DRIVER,QUAD,EIA RS-	2		E37,E53
80	90	1912742-00	75112 DRIVER,DUAL LINE	1		E13
81	81	1915851-00	26LS31 DRIVER,QUAD,EIA RS	1		E23
82	82	1915694-00	3692 DRIVER,QUAD,EIA RS-4	1		E24
83	83	1915123-02	26LS32-2 RECEIVER,LINE,12K T	3		E38,E54,E55
84	84	1914091-00	3603 RECEIVER,LINE,DUAL	3		E1,E14,E15
85	85	1910550-00	74S171 FF-D HEX	2		E77,E78
86	86	1910544-00	74S74 FF-D DUAL,EDGE TRIGG	7		E9,E10,E18,E35,E47,E61,E11
87	87	1910741-00	7406 INVERTER GATE-HEX 1I	1		E67
88	88	1912805-00	LS08 AND GATE-QUAD 2IN,PO	6		E31,E33,E60,E72,E79,E82
89	89	1912808-00	LS11 AND GATE-TRIPLE 3IN	3		E65,E105,E117
90	90	1912821-00	LS54 A-O-I GATE,3-2-2-3IN	1		E85
91	91	1910536-00	74S10 NAND GATE-TRIPLE 3IN	2		F48,E106
92	92	1912801-00	LS02 NOR-GATE-QUAD 2IN	1		E73
93	93	1910537-00	74S11 AND GATE-TRIPLE 3INP	1		E49
94	94	1910011-00	DEC 7486 X-OR GATE-QUAD 2INPU	1		E43
95	95	1911712-00	74S51 AND-OR GATE-INVERT D	2		E32,E44
96	96	BLANK	*** THIS ITEM IS NOT USED ***	-		
97	97	1912850-00	LS164 SHIFT REG. 8BIT SERI	3		E21,E30,E42
98	98	1910735-02	318 OP AMP	3		E2,E6,E3
99	99	1910532-00	74S00 NAND GATE-QUAD 2IN	2		E12,E34
100	100	1910545-00	74S112 FF-JK DUAL,EDGE TRIG	2		E19,E25
101	101	1912803-00	74LS04 INVERTER GATE,HEX	1		E22
102	102	1912853-00	LS175 FF-D QUAD	1		E29
103	103	1912799-00	LS00 NAND-GATE-QUAD 2IN,P	2		E70,E71
104	104	2111188-01	3341-01 64X4 FIFO MEMORY	6		E102-E104,E114-E116
105	105	2112517-01	RECIEVER/TRANSMITTER	1		E111
106	106	23043R1-00	B1-01	1		F41
107	107	23032B1-00	B1-01	1		E100
108	108	23036F1-00	F1-01	1		E76
109	109	23037F1-00	F1-01	1		E75
110	110	23042B1-00	B1-01	1		E57
111	111	9009185-00	JUMPER, WIRE, INSULATED, BLACK B	8		W7-W10,W12,W13,W17,W18
112	112	9000024-01	EYELET,ROLL FLANGE .1210DX .192	10		
113	113	1013466-31	15.0 MMF 50V 5% CER	1		C42
114	114	1301890-00	560.0 .25 W 5.0 % CC	2		R85,R86
115	115	1101938-00	1N 4370A VZ= 2.4 5% .40W	1		D22
116	116	1301422-00	7.50 K .25 W 5.0 % CC	11		R45-R55
117	117	1209941-03	HEADER RT ANGLE LEFT L	2		
118	113	1209941-04	HEADER RI ANGLE,RIGHT	2		
119	119	1316115-00	35.70 .25 W 1.0 % RN55D-F10	4		R81-R84
120	120	1316736-00	374.0 .25 W 1.0 % RN55D-F10	4		R77-R80
121	121	1312928-00	51.0 .25 W 5.0 % CC	6		R62-R67
122	122	9007201-00	TRANSIPADS #10253	8		

D	I	G	I	T	A	L	TITLE	SECTION A	OF A	SIZE	CODE	DOCUMENT NUMBER	REV
							MULTIDROP LINE UNIT					M8203-0-0	N

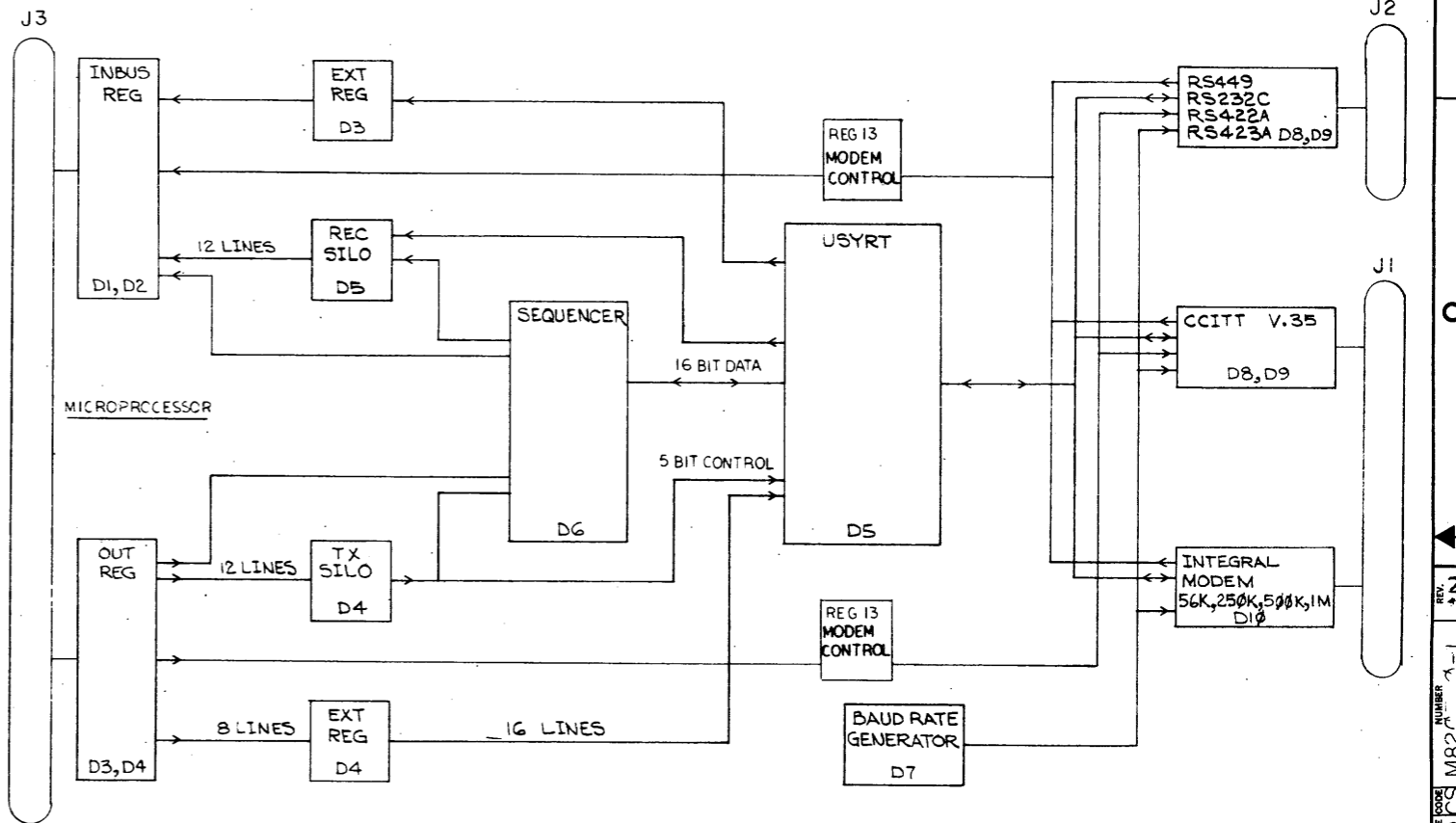
MK

THIS DRAWING AND SPECIFICATIONS, HEREIN, ARE THE PROPERTY OF DIGITAL EQUIPMENT CORPORATION AND SHALL NOT BE REPRODUCED OR COPIED OR USED IN WHOLE OR IN PART AS THE BASIS FOR THE MANUFACTURE OR SALE OF ITEMS WITHOUT WRITTEN PERMISSION. COPYRIGHT © 1978, DIGITAL EQUIPMENT CORPORATION

WRITE OUT REG		7	6	5	4	3	2	1	0	READ INBUS REG		7	6	5	4	3	2	1	0		
10	TRANSMIT DATA SILO									RECEIVER DATA SILO											
11	OC				GOAH	ABORT	EOM	SOM		OC	OACT	SW	ORDY	SW	SW	SW	UNDR				
12	IC	BPCLL	LULP							IC	IACT	LULP	IRDY	OVR	RAB	EBLK	BCC				
13	POLL DTR	SEL FREQ	-DX	WAIN	MAINT	2	SEL STBY			RING	DTR	RS	HDX	MODR	CS	STBY	CARR				
14	TX ENA ***	DISSI	RDAX	WAX	ENAX	AX2	AX1			RDY	TX ENA ***	DISSI	RDAX	WAX	ENAX	AX2	AX1				
15	LOW BYTE EXT REG	SWITCH PACK (x) / LOW BYTE EXT										SWITCH PACK (y) / HI BYTE EXT									
16	HI BYTE EXT REG	SWITCH PACK (x) / LOW BYTE EXT										SWITCH PACK (y) / HI BYTE EXT									
17	CRC TYPE	IDLE	SECA	STRIP	RDALL	IERR	DDCMP			SIG Q	SIGR	SI	OCOR	ICIR	TEST MODE	ECS	DDCMP				
AX0-15	NOT USED	RECEIVER DATA USYRT										TRANSMIT DATA USYRT									
AX0-16	NOT USED	RECEIVER DATA USYRT										TRANSMIT DATA USYRT									
AX1-15	TRANSMIT DATA USYRT	RECEIVER DATA USYRT										TRANSMIT DATA USYRT									
AX1-16		TXGA	TXAB	TEOM	TSOM					TERR		TXGA	TXAB	TEOM	TSOM						
AX2-15	SYNC CHARACTER	RECEIVER DATA USYRT										TRANSMIT DATA USYRT									
AX2-16	NOT USED	RECEIVER DATA USYRT										TRANSMIT DATA USYRT									
AX3-15	422 XYZ		V.35	INT	CR32	**EN	0	TEST		422	XYZ	CR32	**EN	V.35	INT	CR32	**EN	0	TEST		
AX3-16	TX CH LENGTH	*	*	REC CH LENGTH						TX CH LENGTH	*	*	REC CH LENGTH								

NOTES:

- AX REGISTERS ARE INDIRECTLY ADDRESSED BY USING AX1+AX2 FOR ADDRESS, WAX FOR WRITE, RDAX FOR READ, REGISTERS 15+16 FOR DATA, ENAX GOING TO A ONE TO START THE OPERATION AND RDY TO TELL WHEN THE OPERATION IS COMPLETE.
- BIT MAP AS SEEN BY THE KMC 11 AND DMC 11 MICRO PROCESSORS.
- \* DEFINED DIFFERENT WITH EACH USYRT VENDOR, CHARACTER LENGTH ENABLE WITH STANDARD USYRT
- \*\* OPTIONAL WHEN CRC32 CHIP IS INSTALLED.
- \*\*\* BIT 6 OF REG 14 IS DEFINED DIFFERENTLY DEPENDING ON THE STATE OF BITS:  
 BIT 5=0 BIT 6 WILL LOCK RTS ON  
 BIT 5=1 BIT 6 WITH ENABLE USYRT TRANSMITTER.



REV.	CHG	NO.	DATE	BY	REV.	DATE	BY
1		1	14-JAN-80	E			
2		2	14-JAN-80	P. ALOISI			
3		3	14-JAN-80	P. ALOISI			
4		4	14-JAN-80	P. ALOISI			
5		5	14-JAN-80	P. ALOISI			
6		6	14-JAN-80	P. ALOISI			
7		7	14-JAN-80	P. ALOISI			
8		8	14-JAN-80	P. ALOISI			

DRN. 1-0-028W	12-8-78	FIRST USED ON	DMP11-AD	digital
CHK'D	10-5-78	TITLE	MULTI DROP LINE UNIT	
ENG.	10-5-78	SCALE	NONE	
PROJ. ENG.	10-5-78	SHEET	1 OF 15	
PROD.	10-5-78	SIZE	D CS	
NEXT HIGHER ASSY.		NUMBER	M8203-0-1	
B-DD-M8203-0		DIST.		
SCALE	NONE	REV.	N	
SHEET	1 OF 15			

THIS DRAWING AND SPECIFICATIONS HEREIN ARE THE PROPERTY OF DIGITAL EQUIPMENT CORPORATION AND SHALL NOT BE REPRODUCED OR COPIED OR USED IN WHOLE OR IN PART AS THE BASIS FOR THE MANUFACTURE OR SALE OF ITEMS WITHOUT WRITTEN PERMISSION. COPYRIGHT © 1979 DIGITAL EQUIPMENT CORPORATION

M8203 OPTIONS:

SWITCHES:

- REGISTER 15 BITS 0-7 E134 1-8.
- REGISTER 16 BITS 0-7 E121 1-8.
- REGISTER 11
- REGISTER 11 BIT 1 E121 10
- BIT 2 E121 9
- BIT 3 E134 9
- BIT 5 E134 10
- E39 SELECTS THE DATA RATE WITH SWITCHES 8,9,10.

SW	8	9	10	DATA RATE
ON	ON	ON		1 MBPS
OFF	ON	ON		500 KBPS
ON	OFF	ON		250 KBPS
OFF	OFF	ON		56 KBPS
ON	ON	OFF		19.2 KBPS
OFF	ON	OFF		9.6 KBPS
ON	OFF	OFF		4.8 KBPS
OFF	OFF	OFF		2.4 KBPS

- E39 SWITCH 5 SELECTS V.35 INTERFACE.
- E39 SWITCH 6 SELECTS THE OPTICS, IF AVAILABLE.
- E39 SWITCH 7 SELECTS RS422.
- \* CRC 32 CHIP CAN BE INSTALLED IN E124.

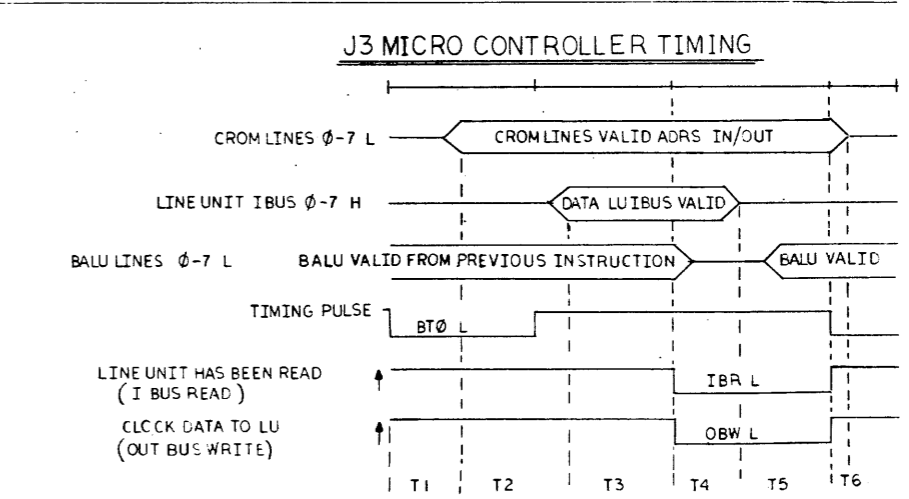
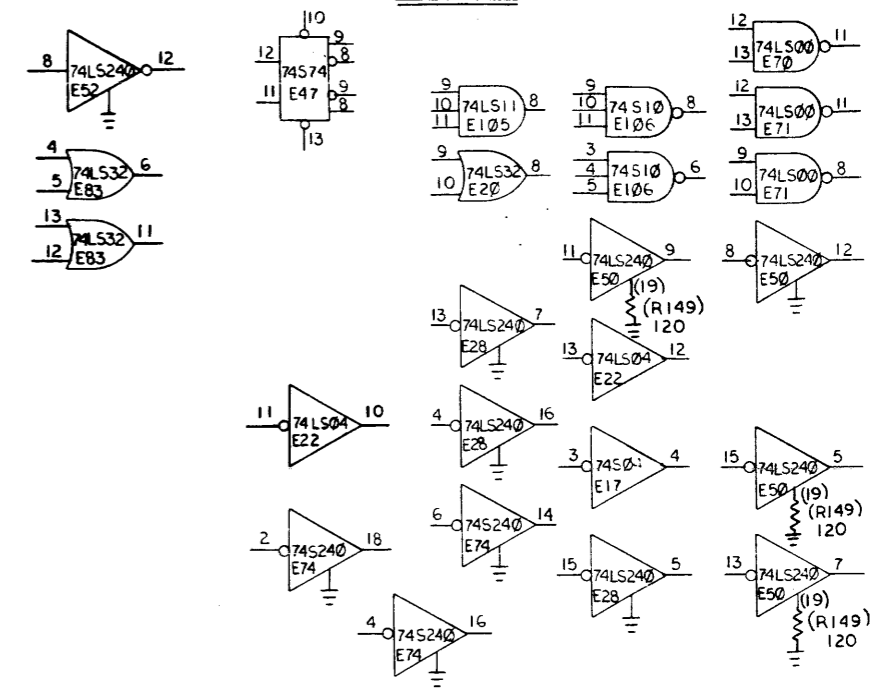
JUMPERS:

- W1 CAN BE USED FOR A RESISTOR OR CAPACITOR FOR THE "CLEAR TO SEND" RECEIVER.
- W2 CAN BE USED FOR A RESISTOR OR CAPACITOR FOR THE "DATA MODE" RECEIVER.
- W3 CAN BE USED FOR A RESISTOR OR CAPACITOR FOR THE "RECEIVER DATA" RECEIVER.
- W4 CAN BE USED AS A RESISTOR OR CAPACITOR FOR THE "RECEIVER CLOCK" RECEIVER.
- W5 CAN BE USED FOR A RESISTOR OR CAPACITOR FOR THE "RECEIVER READY" READY.
- W6 CAN BE USED FOR RESISTOR OR CAPACITOR FOR THE "TRANSMITTER CLOCK" RECEIVER.
- W7 BC050 ONLY PIN 9 BERG Y IS NORMALLY IN BUT CAN BE REMOVED TO DISABLE "SIGNAL RATE" ON SOME MODEMS THAT USE THIS SIGNAL AS A TEST CLOCK.
- W8 BC050 ONLY PIN 18 BERG U "DATA MODE" - JUMPER "NORMALLY IN" CAN BE USED WHEN PROBLEMS OCCUR WITH SOME MODEMS.
- W9 "NULL CLK" MAY CAUSE PROBLEMS WITH SOME MODEMS. REMOVE JUMPER FOR THESE APPLICATIONS.
- W10 BC05 ONLY PIN 10, BERG W "TERMINAL READY" - IS CONNECTED TO A TEST VOLTAGE ON SOME MODEMS.
- W11 INSTALL THIS JUMPER WHEN THE MODEM USED DOES NOT PROVIDE THE "CARRIER SIGNAL". THE CLOCKING OUT CIRCUIT WILL NOT WORK. THIS MAY CAUSE PROBLEMS WITH THE MICROCODE.

JUMPERS: (CONT'D).

- W12 BC05C ONLY 'TERMINAL IN SERVICE', THIS MAY CAUSE PROBLEMS WITH SOME MODEMS.
  - W14 & W15 THESE JUMPERS ARE USED TO REDUCE THE BANDPASS OF THE RECEIVER FILTER ON THE INTEGRAL MODEM. (USE FOR 56 KBPS ONLY). INSTALL AFTER GR TEST.
  - W13
  - W16 THIS JUMPER IS USED ONLY IF THE MODEM HAS A DELAY LONGER THAN FOUR BIT TIMES FOR NEGATING CLEAR TO SEND AFTER REQUEST TO SEND IS NEGATED. IF THE JUMPER IS NOT CHANGED A LOSS OF THE FIRST SYNC CHARACTER IS POSSIBLE CAUSING RANDOM LOSS OF MESSAGES, WHICH WILL CAUSE MORE RETRANSMISSIONS AND SOFT ERRORS.
  - W17 THIS JUMPER IS USED FOR MODEMS HAVING CONTINUOUS CARRIER, (NOT CONTROLLED BY REQUEST TO SEND FROM THE OTHER END).
  - W18 NOT TO BE REMOVED.
- LEDS:
- THERE ARE 6 LEDES ON THE M8203 TO AID THE FIELD MAINTENANCE OF THE M8203. THESE LEDES INDICATE STATUS OF THE MODEM THAT IS BEING USED WITH THE M8203 OR THE INTEGRAL MODEM IF IT IS SELECTED.
- D10 SIGNAL QUALITY (NOT USED WITH THE INTEGRAL MODEM).
  - D11 CARRIER (INDICATE THE RECEIVER IS IN SYNC).
  - D12 RECEIVER DATA.
  - D13 TRANSMIT DATA.
  - D14 REQUEST TO SEND.
  - D15 BEEN POLLED. (THIS IS FROM THE MICROPROCESSOR AND IS DEFINED BY THE OPTION MANUAL).

SPARES:



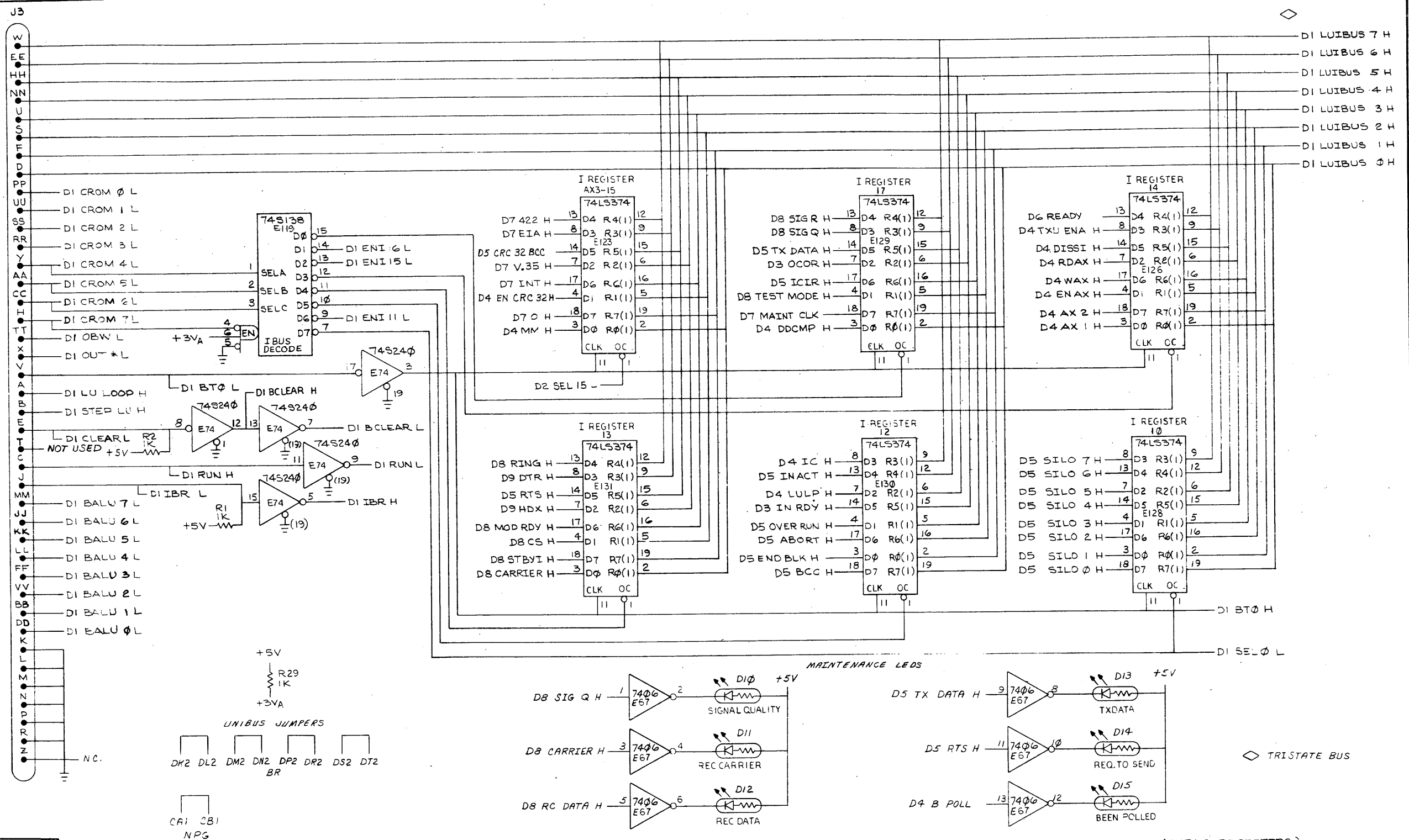
T1 + T2 = 60 NS MAXIMUM  
T2 = 50 NS MAXIMUM  
T3 = NA  
T4 = NA  
T5 = 25 NS MAXIMUM  
T6 = 16 NS MAXIMUM

BT0 L ↓ TO DATA VALID LUIBUS  
CROM LINES VALID TO DATA VALID LUIBUS

BALU VALID TO OBW L ↑  
OBW L ↑ TO CROM LINES INVALID

REVISIONS		
CHK	CHANGE NO.	REV.

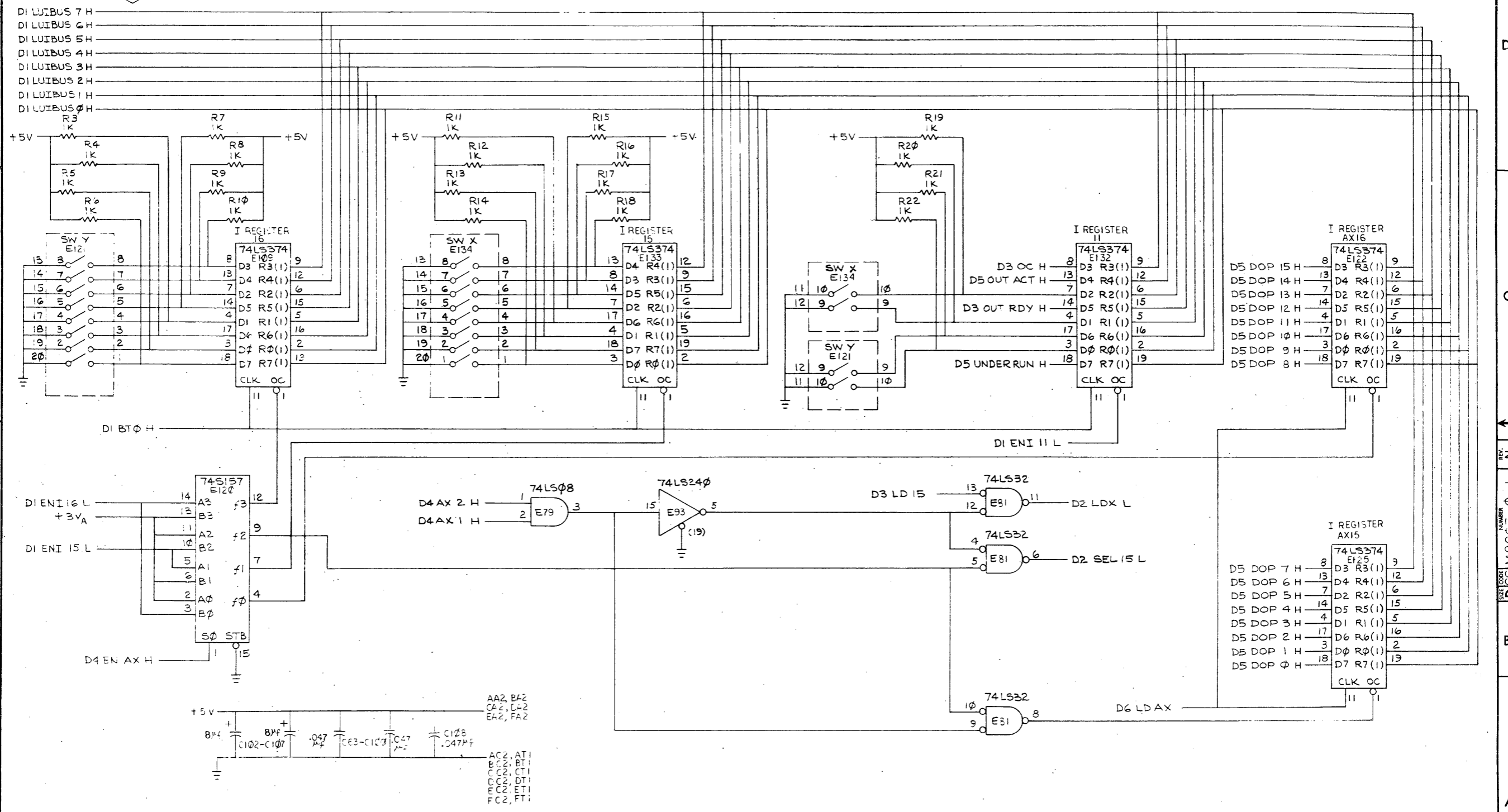
THIS DRAWING AND SPECIFICATIONS HEREIN ARE THE PROPERTY OF DIGITAL EQUIPMENT CORPORATION AND SHALL NOT BE REPRODUCED OR COPIED IN WHOLE OR IN PART AS THE BASIS FOR THE MANUFACTURE OR SALE OF ITEMS WITHOUT WRITTEN PERMISSION. COPYRIGHT © 1977 DIGITAL EQUIPMENT CORPORATION.



REVISIONS		
CHK	CHANGE NO.	REV.

TITLE MULTI DROP LINE UNIT DI		SIZE CODE D CS	NUMBER M8203-01	REV. N
SCALE 1/1	SHEET 5 OF 15	DIST.		

"THIS DRAWING AND SPECIFICATIONS HEREIN ARE THE PROPERTY OF DIGITAL EQUIPMENT CORPORATION AND SHALL NOT BE REPRODUCED OR COPIED OR USED IN WHOLE OR IN PART AS THE BASIS FOR THE MANUFACTURE OR SALE OF ITEMS WITHOUT WRITTEN PERMISSION. COPYRIGHT © 1975 DIGITAL EQUIPMENT CORPORATION"



REVISIONS		
CHK	CHANGE NO.	REV.

TITLE		MULTI DROP LINE UNIT D2		SIZE CODE	D	NUMBER	M8203-0-1	REV.	N
SCALE		SHEET	4 OF 15	DIST.					

THIS DRAWING AND SPECIFICATIONS HEREIN ARE THE PROPERTY OF DIGITAL EQUIPMENT CORPORATION AND SHALL NOT BE REPRODUCED OR COPIED OR USED IN WHOLE OR IN PART AS THE BASIS FOR THE MANUFACTURE OR SALE OF ITEMS WITHOUT WRITTEN PERMISSION. COPYRIGHT © 1978 DIGITAL EQUIPMENT CORPORATION

D

C

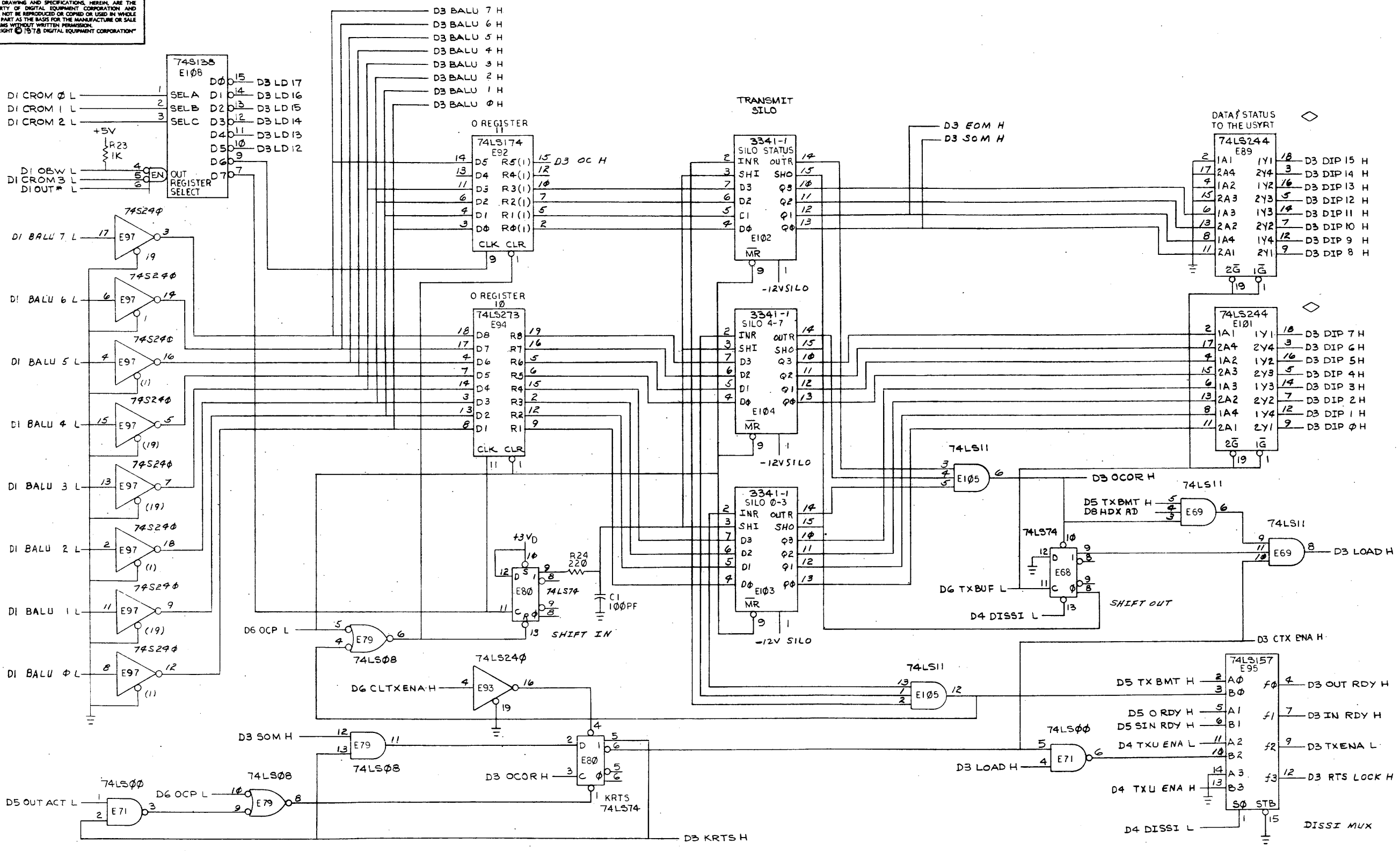
B

A

C

B

A

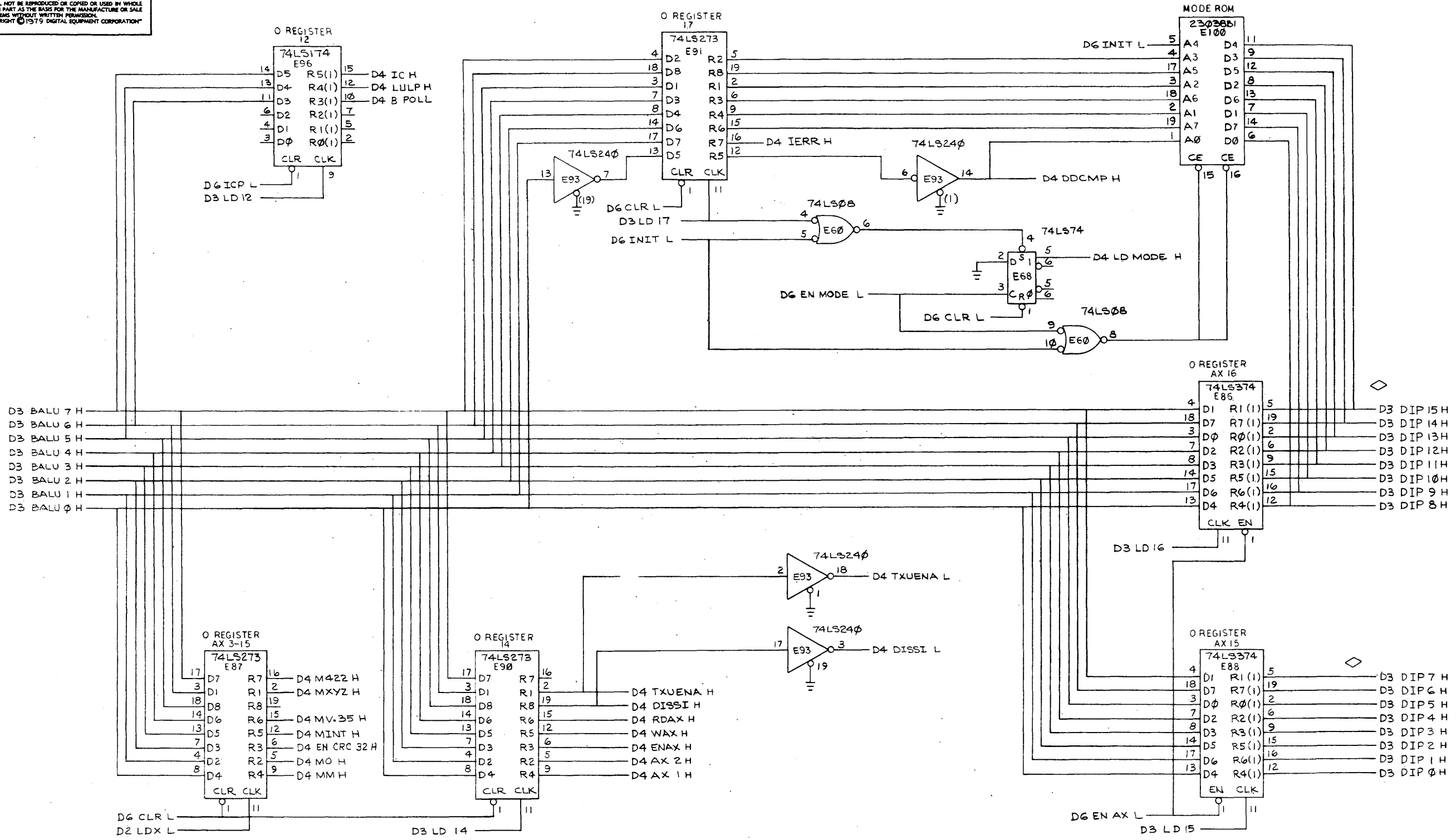


REVISIONS		
CHK	CHANGE NO.	REV.

TITLE		SIZE CODE	NUMBER	REV.
MULTI DROP LINE UNIT D3		D CS	M 8203-0-1	N
SCALE	SHEET	DIST.		
	5 OF 15			

(TRANSMIT SILO)

"THIS DRAWING AND SPECIFICATIONS HEREIN ARE THE PROPERTY OF DIGITAL EQUIPMENT CORPORATION AND SHALL NOT BE REPRODUCED OR COPIED OR USED IN WHOLE OR IN PART AS THE BASIS FOR THE MANUFACTURE OR SALE OF ITEMS WITHOUT WRITTEN PERMISSION. COPYRIGHT © 1979 DIGITAL EQUIPMENT CORPORATION"



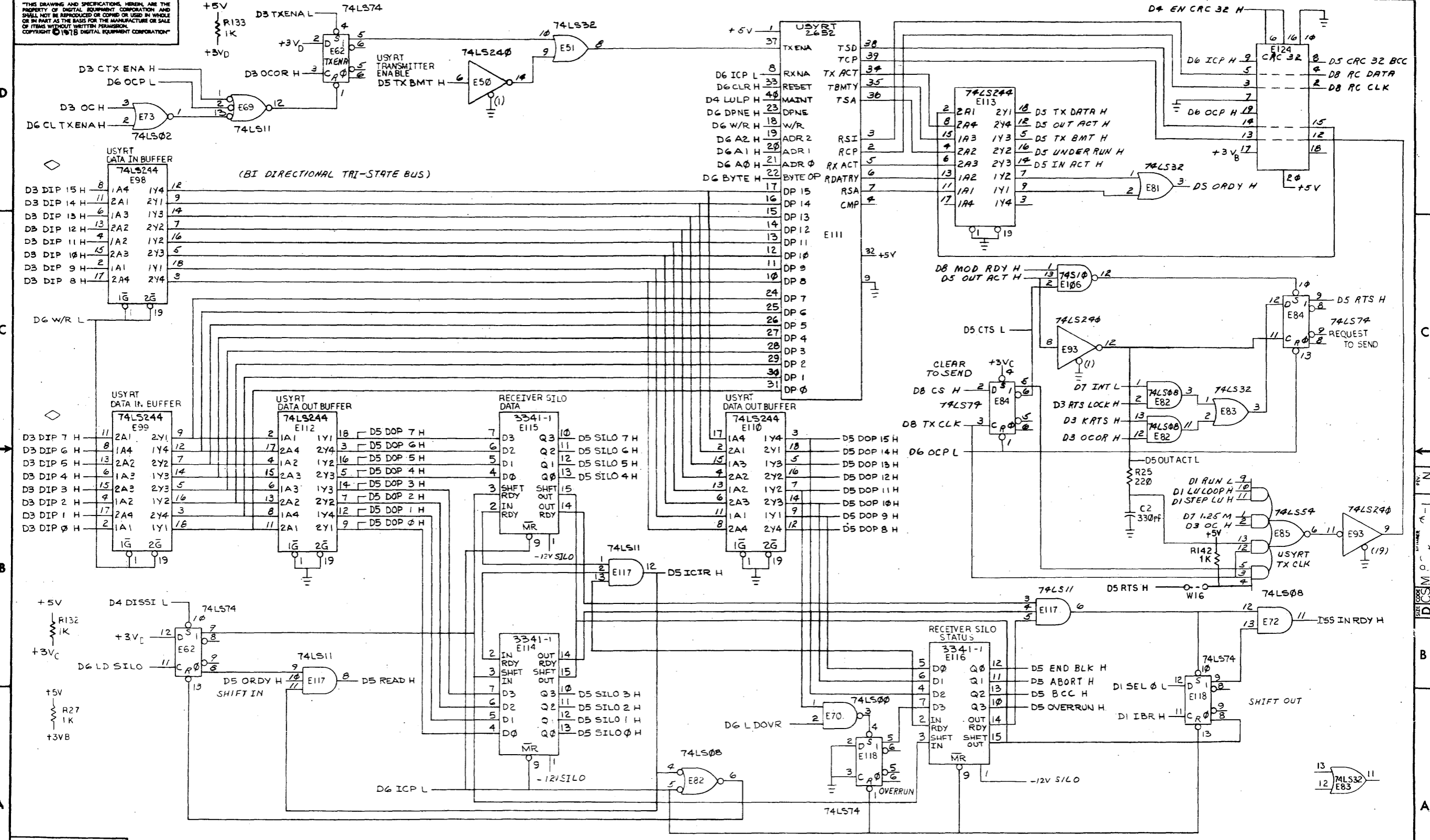
REVISIONS		
CHK	CHANGE NO.	REV.

(EXTENDED REG AND MODE)

TITLE	SIZE CODE	NUMBER	REV.
MULTI DROP LINE UNIT	D4 DCS	M8203-0-1	N
SCALE	SHEET	DIST.	
	6 OF 15		



"THIS DRAWING AND SPECIFICATIONS HEREIN ARE THE PROPERTY OF DIGITAL EQUIPMENT CORPORATION AND SHALL NOT BE REPRODUCED OR COPIED OR USED IN WHOLE OR IN PART AS THE BASIS FOR THE MANUFACTURE OR SALE OF ITEMS WITHOUT WRITTEN PERMISSION. COPYRIGHT © 1978 DIGITAL EQUIPMENT CORPORATION"

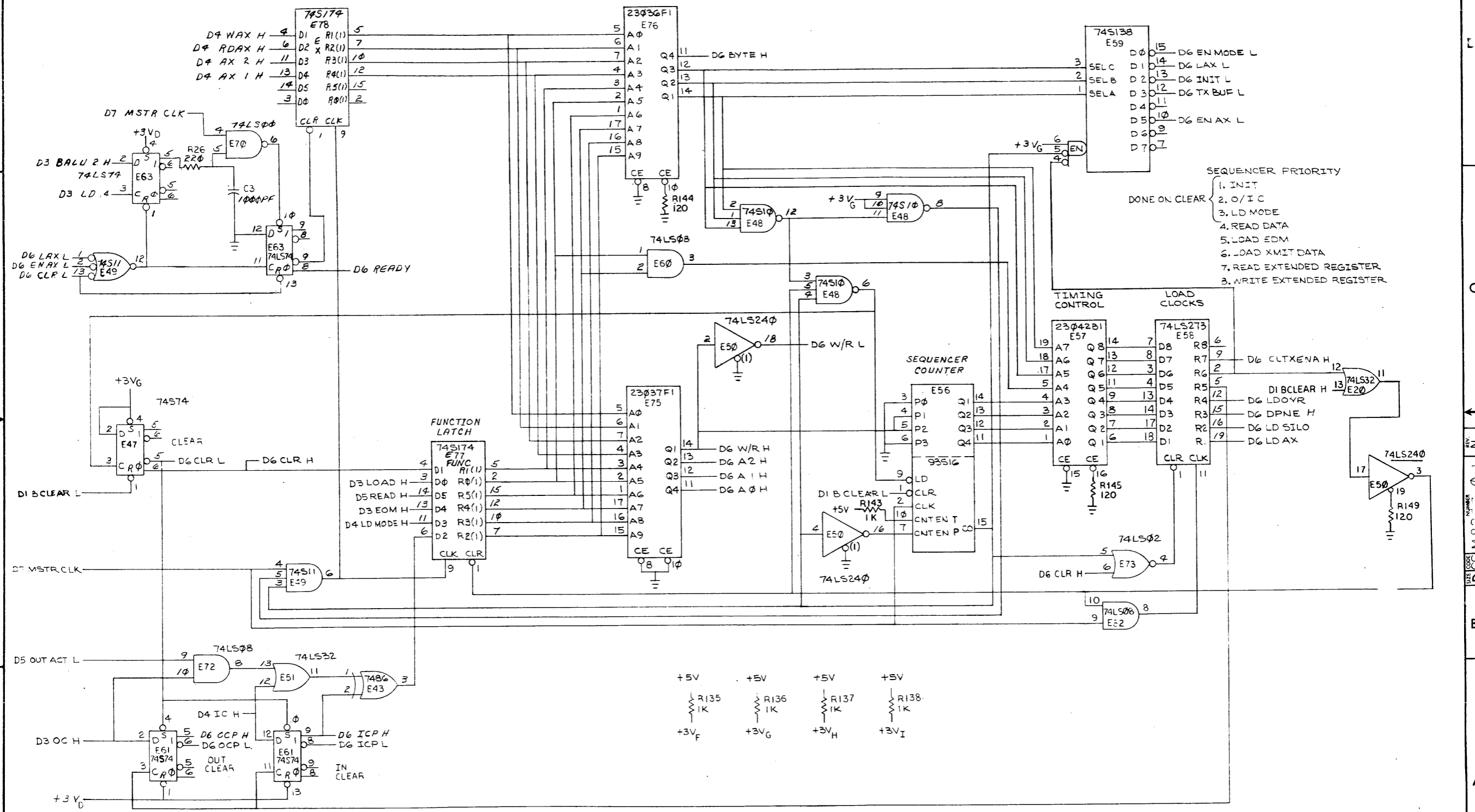


REVISIONS		
CHK	CHANGE NO.	REV.

USYRT AND REC SILO

TITLE	SIZE/SCALE	NUMBER	REV.
MULTI DROP LINE UNIT D5	D5 DCS M8203-0-1	7 OF 15	N
SCALE		SHEET	DIST.

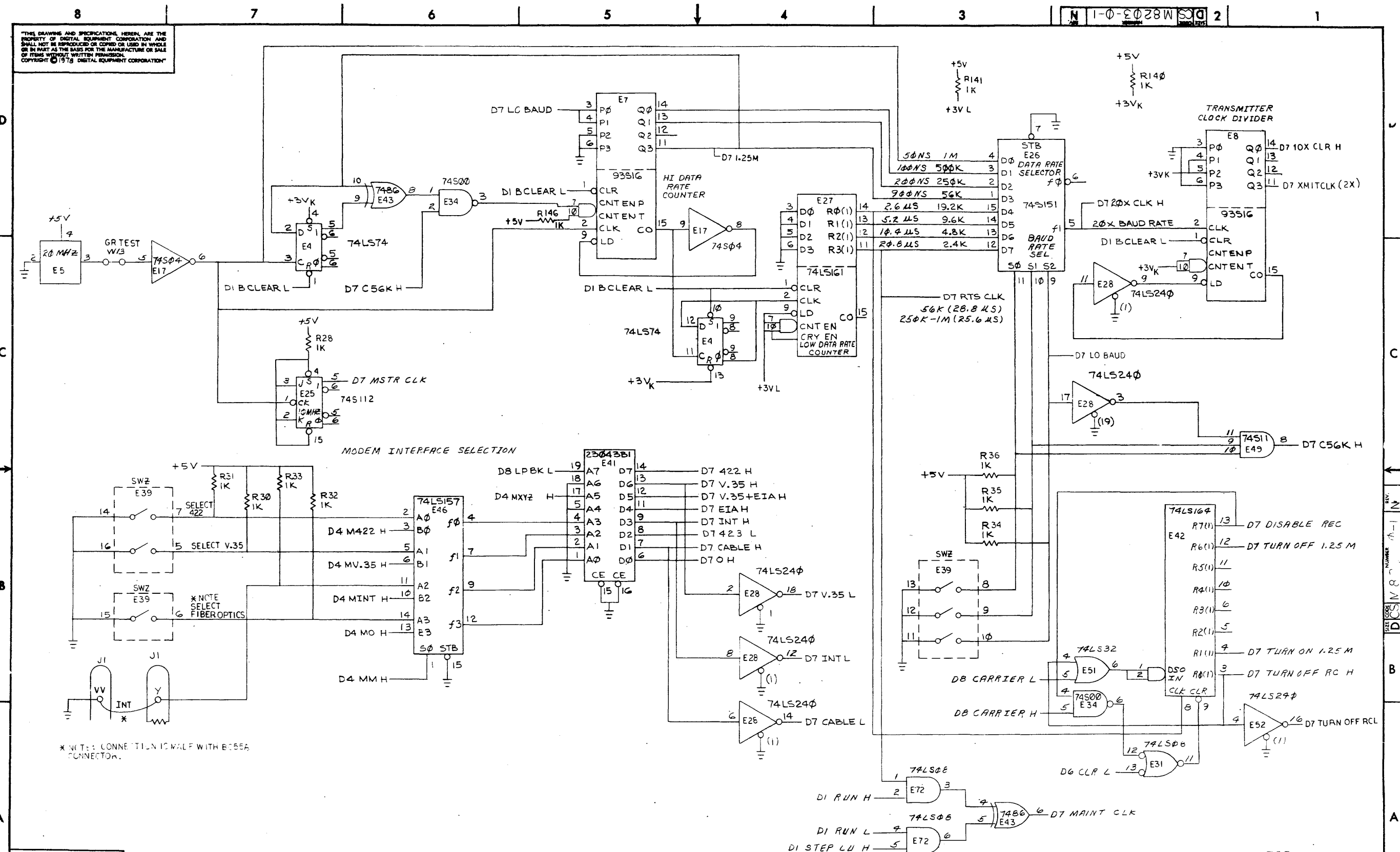
THIS DRAWING AND SPECIFICATIONS, HEREIN, ARE THE PROPERTY OF DIGITAL EQUIPMENT CORPORATION AND SHALL NOT BE REPRODUCED OR COPIED OR USED IN WHOLE OR IN PART AS THE BASIS FOR THE MANUFACTURE OR SALE OF ITEMS WITHOUT WRITTEN PERMISSION. COPYRIGHT © 1978 DIGITAL EQUIPMENT CORPORATION



REVISIONS		
CHK	CHANGE NO.	REV.

TITLE		(SEQUENCER)	
MULTI DROP LINE UNIT D6		SIZE CODE	NUMBER
SCALE		DCS	M&E203-0-1
SHEET 8 OF 15		DIST.	REV. N

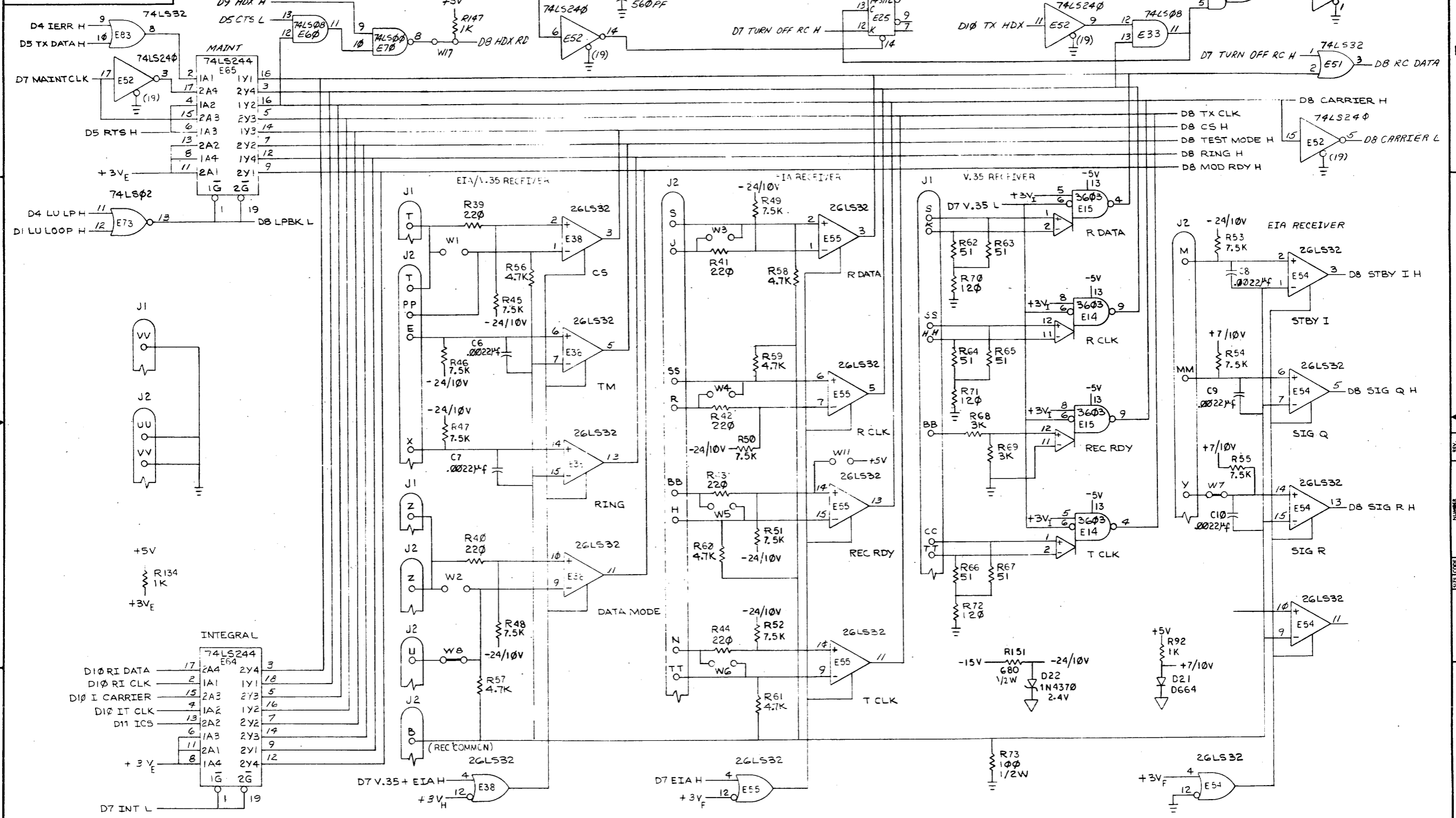
THIS DRAWING AND SPECIFICATIONS HEREIN ARE THE PROPERTY OF DIGITAL EQUIPMENT CORPORATION AND SHALL NOT BE REPRODUCED OR COPIED OR USED IN WHOLE OR IN PART AS THE BASIS FOR THE MANUFACTURE OR SALE OF ITEMS WITHOUT WRITTEN PERMISSION. COPYRIGHT © 1978 DIGITAL EQUIPMENT CORPORATION



REVISIONS		
CHK	CHANGE NO.	REV.

TITLE	MULTI DROP LINE UNIT D7	SIZE CODE	DCS	NUMBER	1A8203-0-1	REV.	N
SCALE	1/1	SHEET	9	OF	15	DIST.	

THIS DRAWING AND SPECIFICATIONS, HEREIN, ARE THE PROPERTY OF DIGITAL EQUIPMENT CORPORATION AND SHALL NOT BE REPRODUCED OR COPIED OR USED IN WHOLE OR IN PART AS THE BASIS FOR THE MANUFACTURE OR SALE OF ITEMS WITHOUT WRITTEN PERMISSION. COPYRIGHT © 1978 DIGITAL EQUIPMENT CORPORATION



REVISIONS			TITLE		SIZE	CODE	NUMBER	REV.
CHK	CHANGE NO.	REV.	MULTI DROP LINE UNIT DB		D	CS	M8203-0-1	N
			SCALE	SHEET 10 OF 15	DIST.			

"THIS DRAWING AND SPECIFICATIONS, HEREIN ARE THE PROPERTY OF DIGITAL EQUIPMENT CORPORATION AND SHALL NOT BE REPRODUCED OR COPIED IN WHOLE OR IN PART AS THE BASIS FOR THE MANUFACTURE OR SALE OF ITEMS WITHOUT WRITTEN PERMISSION. COPYRIGHT © 1973 DIGITAL EQUIPMENT CORPORATION"

EIA TRANSMITTERS

EIA TRANSMITTERS

- NOTE:
- 26LS30 AND 26LS29 USE ±6V  
26LS29 AND 26LS30  
+6V PIN1  
-6V PIN8  
GND PIN5
  - PINS F, L, V, AND DD OF J2 ARE SHOWN TWICE ON THIS PAGE
- 26LS30 = 3691  
26LS29 = 3692

D

C

B

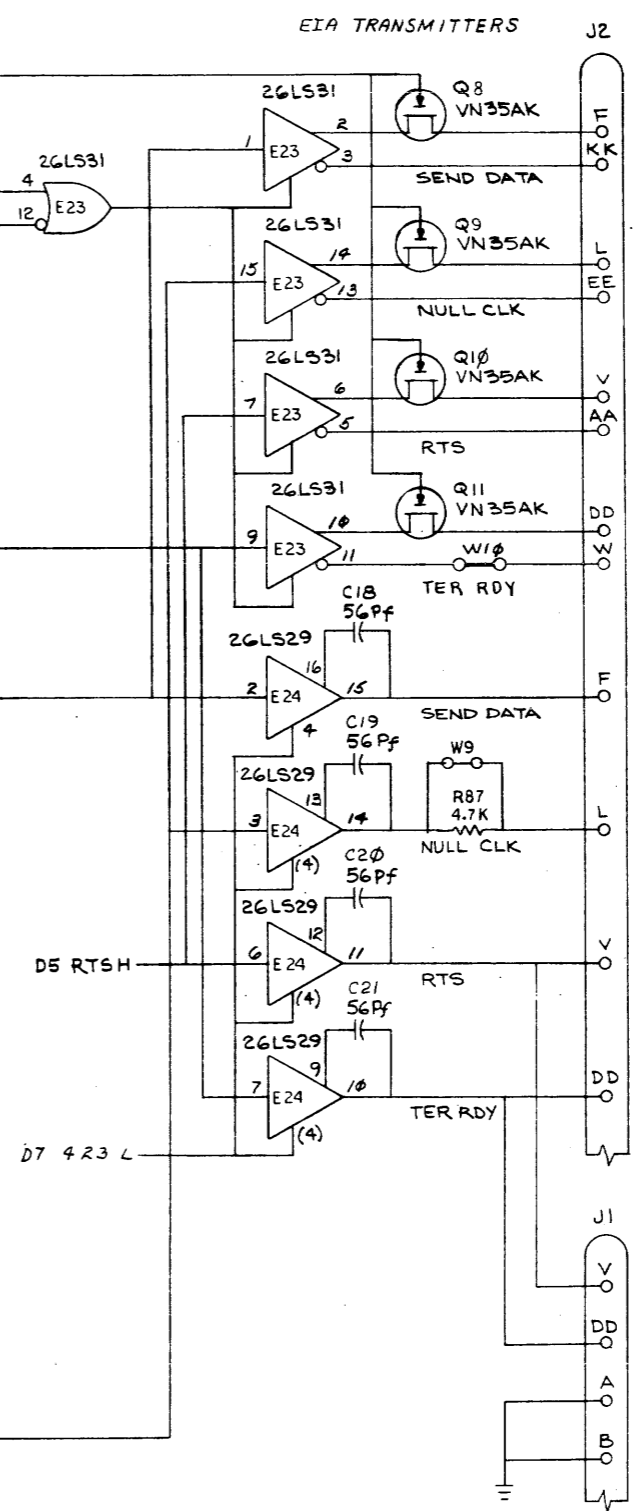
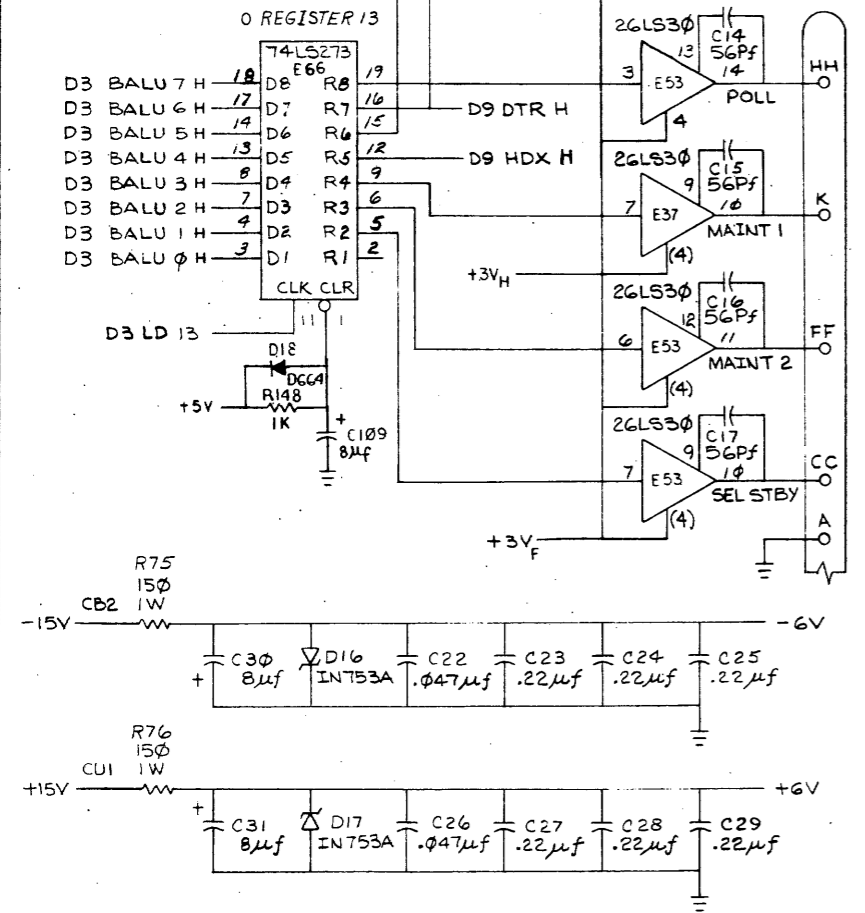
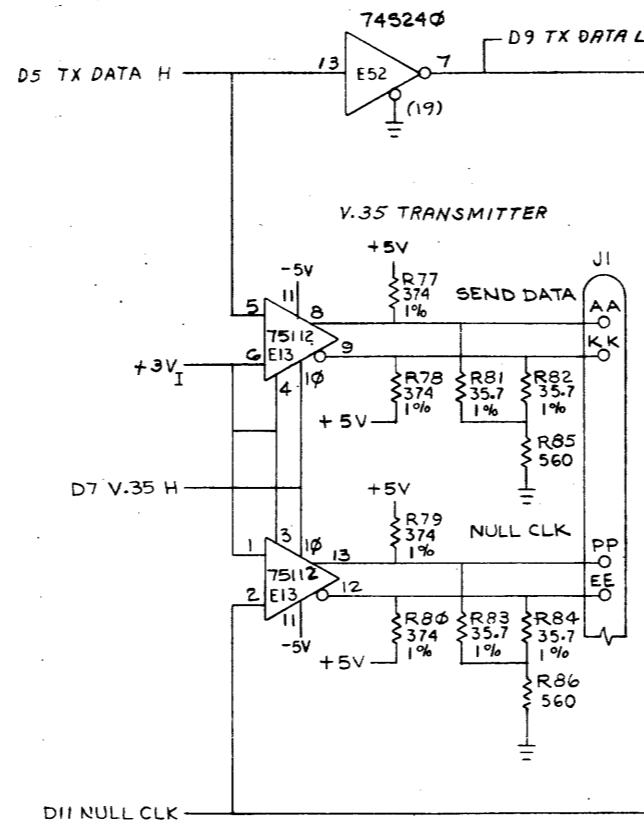
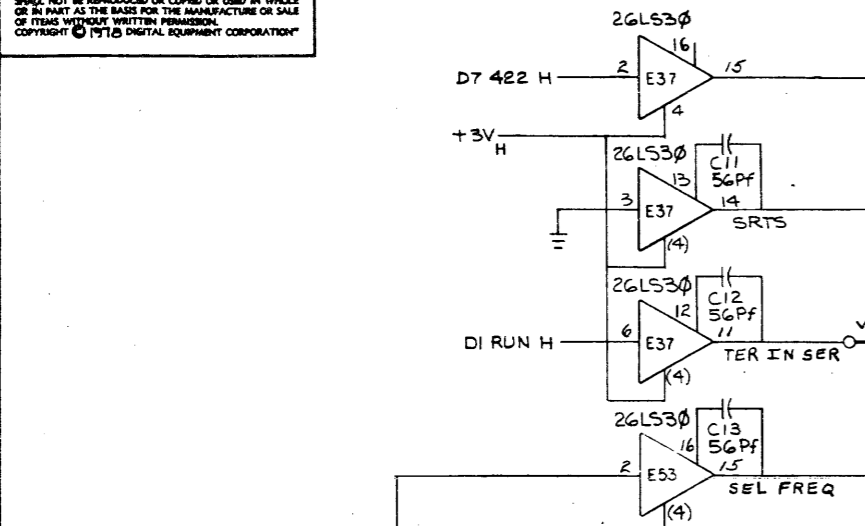
A

L

C

B

A

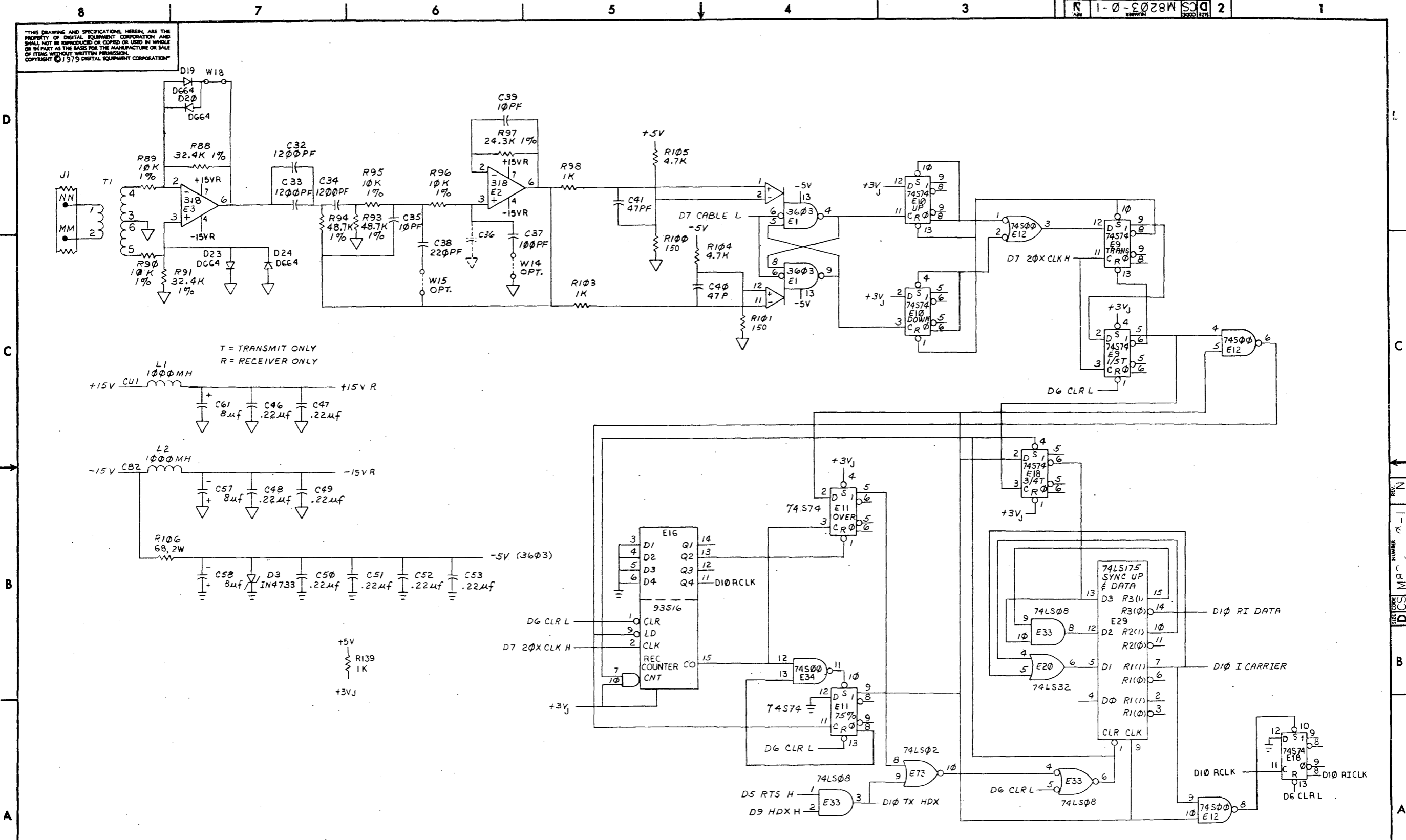


(MODEM INTERFACE DRIVERS)

REVISIONS		
CHK	CHANGE NO.	REV.

TITLE	SIZE CODE	NUMBER	REV.
MULTI DROP LINE UNIT D9	D CS	M8203-0-1	N
SCALE	SHEET 11	OF 15	DIST.

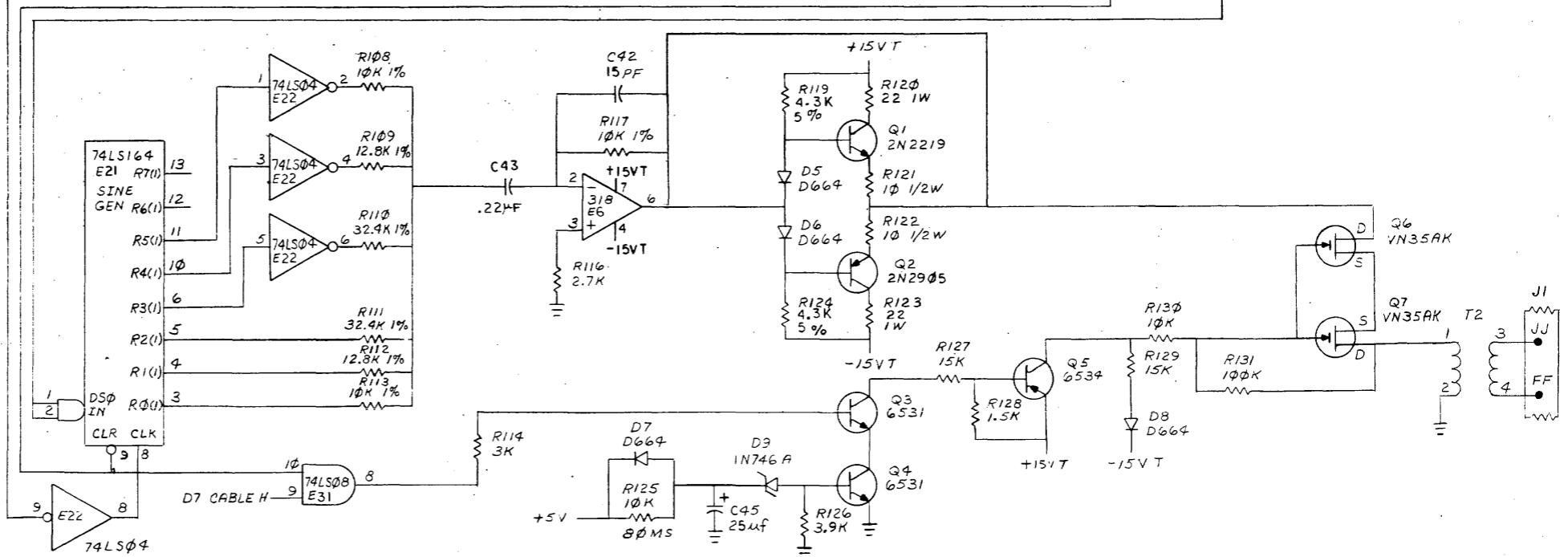
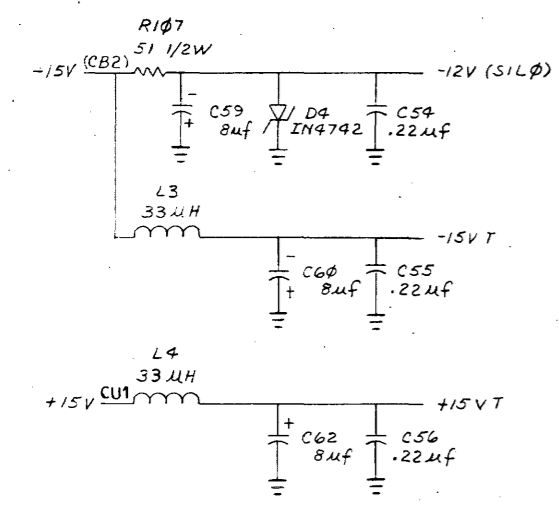
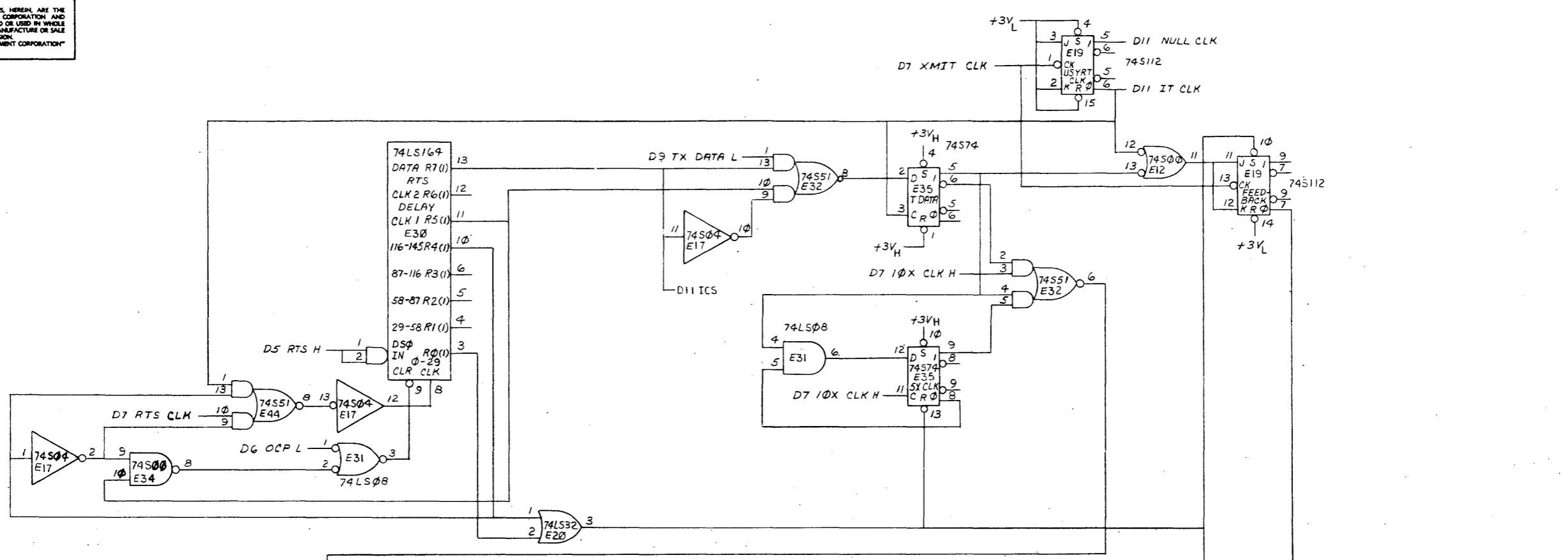
THIS DRAWING AND SPECIFICATIONS HEREIN ARE THE PROPERTY OF DIGITAL EQUIPMENT CORPORATION AND SHALL NOT BE REPRODUCED OR COPIED OR USED IN WHOLE OR IN PART AS THE BASIS FOR THE MANUFACTURE OR SALE OF ITEMS WITHOUT WRITTEN PERMISSION. COPYRIGHT © 1979 DIGITAL EQUIPMENT CORPORATION



REVISIONS		
CHK	CHANGE NO.	REV.

TITLE	SIZE CODE	NUMBER	REV.
MULTI DROP LINE UNIT D10	D CS	M8203-0-1	N
SCALE	SHEET	DIST.	
1	12 OF 15		

THIS DRAWING AND SPECIFICATIONS HEREIN ARE THE PROPERTY OF DIGITAL EQUIPMENT CORPORATION AND SHALL NOT BE REPRODUCED OR COPIED OR USED IN WHOLE OR IN PART AS THE BASIS FOR THE MANUFACTURE OR SALE OF ITEMS WITHOUT WRITTEN PERMISSION. COPYRIGHT © 1975 DIGITAL EQUIPMENT CORPORATION



REVISIONS		
CHK	CHANGE NO.	REV.

INTEGRAL MODEM TRANSMITTER

TITLE	SIZE CODE	NUMBER	REV.
MULTI DROP LINE UNIT D11	D CS	M8203-0-1	N
SCALE	SHEET	DIST.	
1/4	13 OF 15		





THIS DRAWING AND SPECIFICATIONS HEREIN ARE THE PROPERTY OF DIGITAL EQUIPMENT CORPORATION AND SHALL NOT BE REPRODUCED OR COPIED OR USED IN WHOLE OR IN PART AS THE BASIS FOR THE MANUFACTURE OR SALE OF ITEMS WITHOUT WRITTEN PERMISSION. DIGITAL EQUIPMENT CORPORATION. COPYRIGHT © 1979

D7	D1	D2	D3	D4	D5	D6	D7	D8	D9	D10	D11
1.25M				1		4	1				
422 H	1					1		2			
423 L						1		1			
CABLE H						2				1	
CABLE L						1			1		
C56K H						2					
DISABLE REC						2					
EIA H	1					1	1				
+3VK						7					
INT H	1					2					
INT L				1		1	2				
LO BAUD						6					
MAINT CLK	1					1	2				
MSTR CLK						4	1				
						4					
20X CLK H						2			3		
RTS CLK						3				1	
TURN OFF 1.25M						1	1				
TURN OFF RC L						1	1				
TURN OFF RC H						3	1				
TURN ON 1.25M						1	1				
V.35 H	1					2		1			
V.35 L						1	2				
V.35+EIA H						1	1				
XMIT CLK						1				2	
0 H	1					1					
+3VL						4				5	
10X CLK H						1				2	

D8	D1	D2	D3	D4	D5	D6	D7	D8	D9	D10	D11
CARRIER H	2					1	6				
CARRIER L						1	2				
CE H	1				1		3				
HDX RD		1					1				
LP BK L						1	3				
MOD RDY H	1				1		3				
RC CLK					3		1				
RC DATA	1				3		1				
RING H	1						3				
SIG Q H	2						1				
SIG R H	1						1				
STBY I H	1						1				
TEST MODE H	1						3				
TX CLK					3		4				
+3VE							7				
+7/10V							4				
-24/10V							11				

D9	D1	D2	D3	D4	D5	D6	D7	D8	D9	D10	D11
DTR H	1								3		
HDX H	1							1	1	1	
TX DATA L									3		1

D10	D1	D2	D3	D4	D5	D6	D7	D8	D9	D10	D11
I CARRIER								1		3	
+3VJ										7	

D11	D1	D2	D3	D4	D5	D6	D7	D8	D9	D10	D11
RI CLK								1		1	
RI DATA								1		1	
TX HDX								1		2	
RCLK										2	

D11	D1	D2	D3	D4	D5	D6	D7	D8	D9	D10	D11
ICS								1			3
ITCLK								1			4
NULL CLK									3		1

REV. N NUMBER M8203-0-1 DCS MK

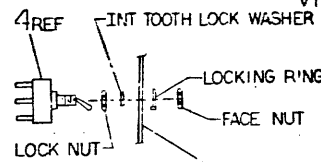
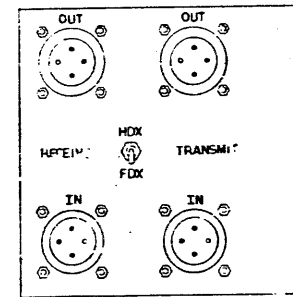
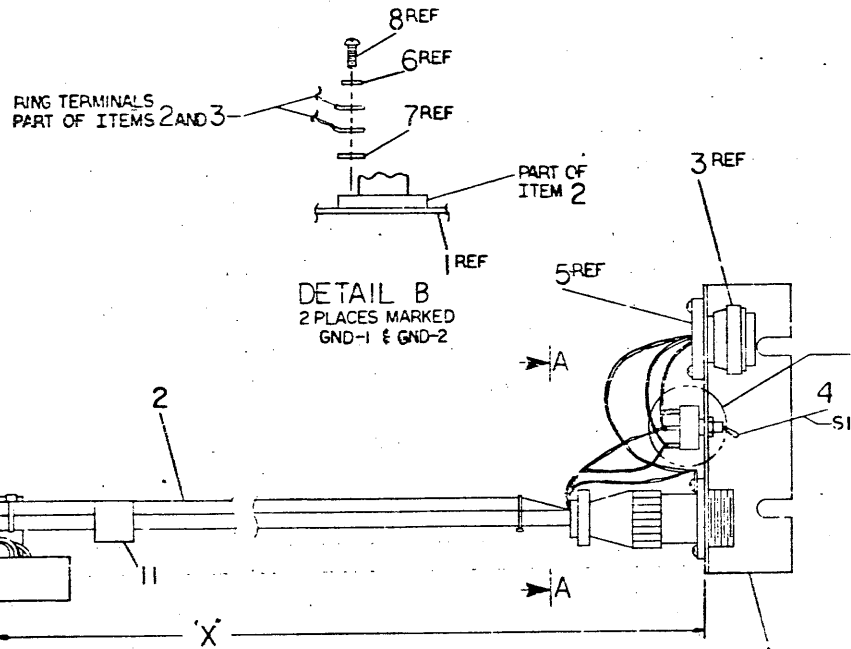
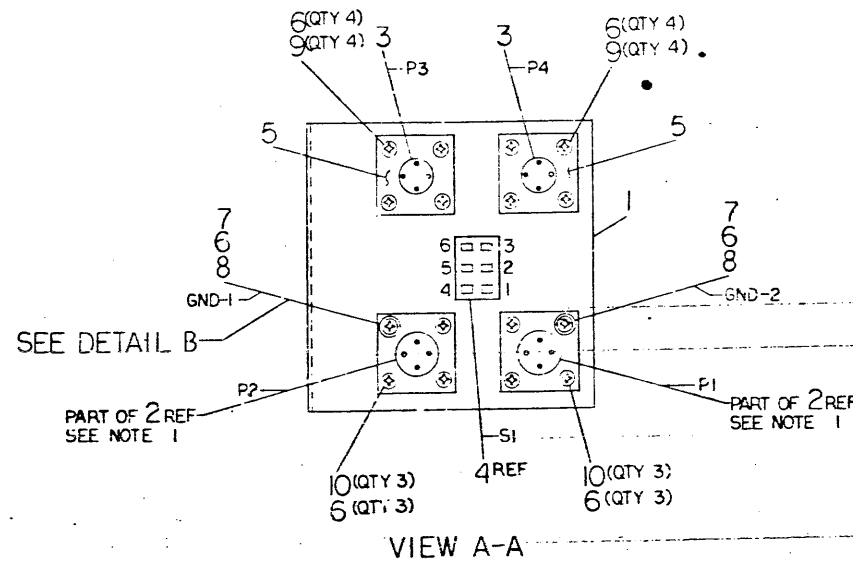
THIS DRAWING AND SPECIFICATIONS HEREIN ARE THE PROPERTY OF DIGITAL EQUIPMENT CORPORATION AND SHALL NOT BE REPRODUCED OR COPIED OR USED IN WHOLE OR IN PART AS THE BASIS FOR THE MANUFACTURE OR SALE OF ITEMS WITHOUT WRITTEN PERMISSION. COPYRIGHT © 1968 DIGITAL EQUIPMENT CORPORATION

### WIRE TABLE

ITEM NO	DESCRIPTION		FROM		TO		REMARKS
	AWG	COLOR	CONN	WITH	CONN	WITH	
2	20	BLU	P2		SI-2	SLDR	
3		BLU	P3				
2		WHT	P2		SI-5	SLDR	
3		WHT	P3				
2		BLK	P2		GND-1	6,7,8	
3		BLK	P3				
2		BLU	P1		SI-1	SLDR	
3		BLU	P4				
2		WHT	P1		SI-4	SLDR	
3		WHT	P4				
2		BLK	P1		GND-2	6,7,8	
3	20	BLK	P4				

### NOTES:

- INSTALL P1 END OF MALE HARNESS (ITEM 2) INTO HOLE MARKED P1 ON PANEL (ITEM 1) LIKEWISE INSTALL P2 END OF HARNESS INTO HOLE MARKED P2 ON PANEL.



DETAIL A  
HARDWARE SUPPLIED WITH ITEM 4

LEGEND			
NUMBER	DIM X VARIATION	METRIC	
BC55A-10	9 FT 10 IN ± 6 IN	3 METERS	

CAUTION: OFF SHEET PARTS LIST REFER TO K-PL-BC55A-0-0

QUANTITY & VARIATION	DESCRIPTION	DWG PART NO.	ITEM NO.							
				UNLESS OTHERWISE SPECIFIED DIMENSIONS ARE IN INCHES						
THIRD ANGLE PROJECTION	ANGLES 90°	CLASS OF ACCURACY	NOMINAL DIMENSION RANGE INCHES							
	CHK D.	CHECK ONE	0.001	0.005	0.010	0.015	0.020	0.030	0.040	0.050
DO NOT SCALE DWG	NEXT HIGHER ASSY.	MEDIUM	± .004	± .000	± .012	± .016	± .024	± .030	± .040	± .050
			PREFERRED	± .012	± .015	± .025	± .034	± .053	± .071	
MATERIAL SEE PARTS LIST	B-20-BC55A-0	SIZE CODE	NUMBER	REV.						
FINISH	SHEET	OF	DIST	MARK						

REV.	DATE	BY	CHK
1			
2			
3			
4			
5			
6			
7			
8			

BC55A-0-0

LINE ITEM	DOCUMENT NUMBER	PART NUMBER	DESCRIPTION	QUANTITY PER VARIATION
1	D-IA-7421935-0-0	7421935-0	BC55A PANEL	1
2	D-IA-7017241-0-0	7017241-00	MALE HARNESS FOR BC55A-10	1
3	C-IA-7017242-0-0	7017242-00	FEMALE HARNESS FOR BC55A-10	2
4		<del>1209592-00</del>	<del>SW,TOG 2P SA ON/NONE/ON</del>	<del>1</del>
5		1216949-00	CONN,PLUG MOUNT FOR 12-1	2
6		9006632-00	WASHER,LOCK,INT,.2600D X .120ID	16
7		9006655-00	WASHER, FLAT, .312 D.D. X .125 I	2
8		9006010-01	SCREW,PAN,PHIL 4-40X 5/16 SS	2
9		9008301-01	SCREW,PAN,PHIL 4-40X 1/4 SS	8
10		9008032-01	SCREW,PAN,PHIL 4-40X 3/16 SS	6
11		3616073-00	LABEL,CABLE IDENTIFICATION	1

REVISION HISTORY		BASIC PART NO: BC55A		DRN:	M DUGGAN	DATE:	25-SEP-79	DBP	D I G I T A I L			
ENG	ECD NUMBER	REV	SECTION A OF A	CHK'D:	J FALKOWSKI	DATE:	25-SEP-79	TITLE	PARTS LIST			
---	INITIAL	*	SECTION. VARIATION INDEX	CHK'D:	J FALKOWSKI	DATE:	25-SEP-79	BC55A PANEL ASSY				
PC	BC55A-MK001	A	[A] 10	DES.ENG.:	<i>P. Aloisi</i> P ALOISI	DATE:	25-SEP-79					
			[B]	RESP.ENG.:	<i>PBC</i> P ALOISI	DATE:	25-SEP-79	DOCUMENT NUMBER				
			[C]	MFG.ENG.:	G ARMBRUSTER	DATE:	25-SEP-79	SIZE	CODE	NUMBER	REV	
			[D]	ASSEMBLY NUMBER:		TOP DOCUMENT NUMBER:		K	PL	BC55A-0-0	A	
			[E]	D-IA-BC55A-0-0		B-DJ-BC55A-0-0		FILE NAME:	EDIT #			
			[F]					MK0261.PLS	5			

\*THIS DRAWING AND SPECIFICATIONS HEREIN, ARE THE PROPERTY OF DIGITAL EQUIPMENT CORPORATION AND SHALL NOT BE REPRODUCED OR COPIED OR USED IN WHOLE OR IN PART AS THE BASIS FOR THE MANUFACTURE OR SALE OF ITEMS WITHOUT WRITTEN PERMISSION.

COPYRIGHT (C) 1980, DIGITAL EQUIPMENT CORPORATION \*

MK

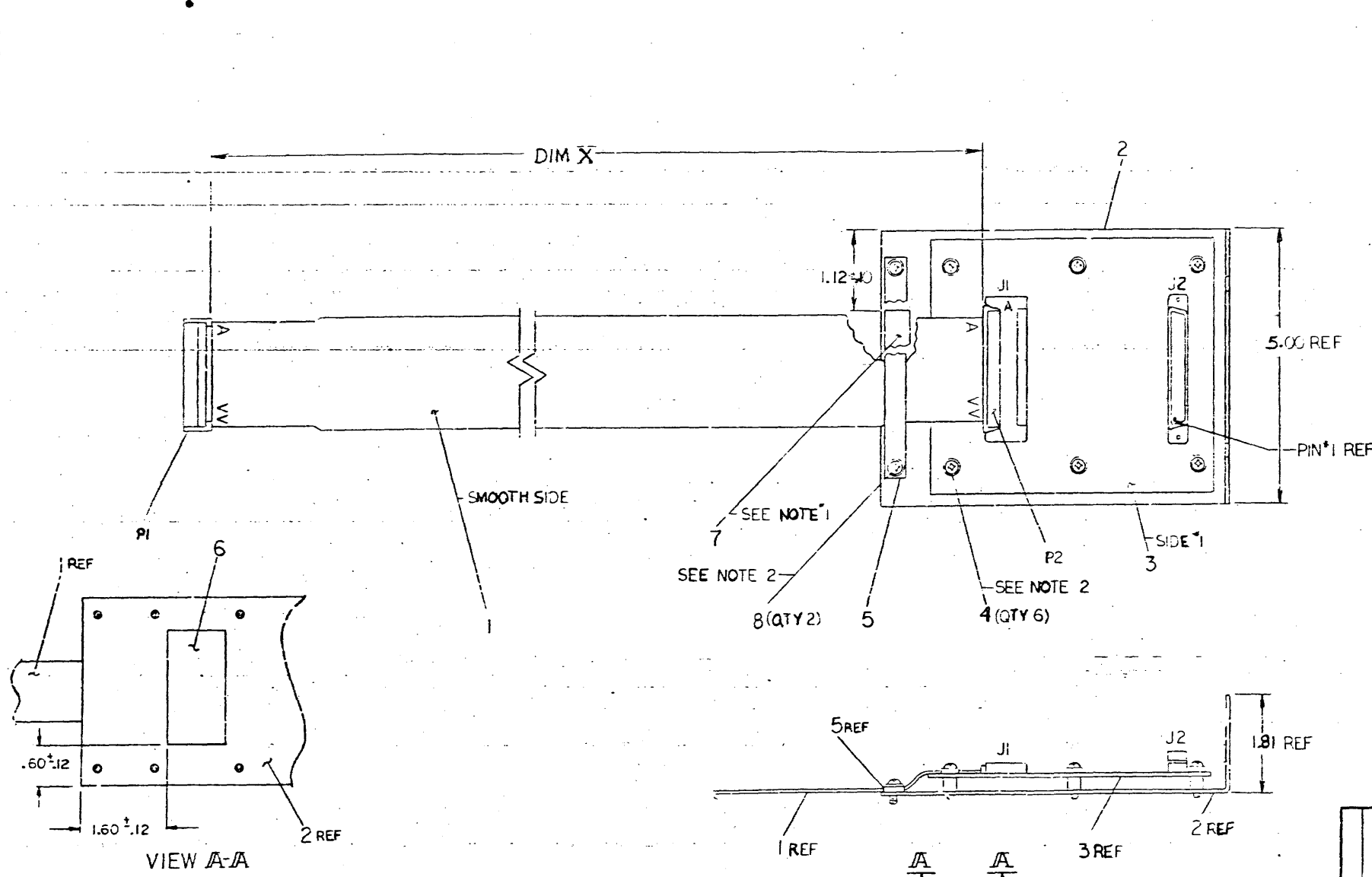
THIS DRAWING AND SPECIFICATIONS HEREBY ARE THE PROPERTY OF THE MANUFACTURER. NO PART THEREOF SHALL BE REPRODUCED OR TRANSMITTED IN ANY FORM OR BY ANY MEANS, ELECTRONIC OR MECHANICAL, INCLUDING PHOTOCOPYING, RECORDING, OR BY ANY INFORMATION STORAGE AND RETRIEVAL SYSTEM, WITHOUT PERMISSION IN WRITING FROM THE MANUFACTURER.

WIRE TABLE				
ITEM NO.	DESCRIPTION	FROM	TO	
1		P2	J1, ITEM 3	

LEGEND	
NUMBER	VARIATION (DIM X)
BC55B-10	10 FT. CABLE

**NOTES:**

- INSTALL TAPE (ITEM 7) TO PANEL (ITEM 2) BEFORE ASSEMBLING CABLE (ITEM 1) AND STRAIN RELIEF (ITEM 5). TAPE TO BE CUT APPROX 2.25 IN LONG TO ACT AS CUSHION FOR CABLE.
- TORQUE VALUE OF SCREW (ITEM 4) TO BE 10 IN LBS.



CAUTION: OFF SHEET PARTS LIST REFER TO K-PL-BC55B-0-0

DESCRIPTION		DWG. PART NO.	ITEM NO.
UNLESS OTHERWISE SPECIFIED DIMENSIONS ARE IN INCHES			
ANGLES 30° 30'	CLASS OF ACCURACY	NOMINAL DIMENSION RANGE INCHES	
SURFACE QUALITY	MICROINCHES	OVER 0 TO 0.5	OVER 0.5 TO 1.0
IN		OVER 1.0 TO 4.0	OVER 4.0 TO 80.0
QUANTITY & VARIATION	PREPARED	±.004	±.008
THIRD ANGLE PROJECTION	REMOVE BURRS AND BREAK SHARP CORNERS	±.012	±.016
DO NOT SCALE DIMS	DO NOT SCALE DIMS	±.025	±.04
MATERIAL SPEC	FINISH	±.04	±.063
SHEET	OF	±.08	±.1

DRN	CHK'D	ENG	PROJ. ENG.	PROD.	TEXT HIGHER ASSY
TITLE PANEL ASSY BC55B					
SIZE CODE		NUMBER		REV	
SCALE		DIST		REV	

REV	DESCRIPTION	DATE
1	CHANGE NO	

LINE ITEM	DOCUMENT NUMBER	PART NUMBER	DESCRIPTION	QUANTITY PER VARIATION
1	D-IA-BC08S-0-0	BC08S-10	CABLE 10" DC76	1
2	D-IA-7421940-0-0	7421940-00	PANEL BC55	1
3	D-UA-H8B55-0-0	H8B55-00	JUMPER BOARD + RS422 CONNECTOR F	1
4		9006453-00	SCREW, SEMS, SLOTTED HEX HEAD 6-	6
5	C-MD-7421941-0-0	7421941-00	STRAIN RELIEF BC55	1
6		3616073-00	LABEL, CABLE IDENTIFICATION	1
7		9007834-00	TAPE, DOUBLE COATED, 1/2" WIDE, A/R	A/R
8		9010174-00	SCREW, SEMS, PHILLIPS PAN HD 6-3	2

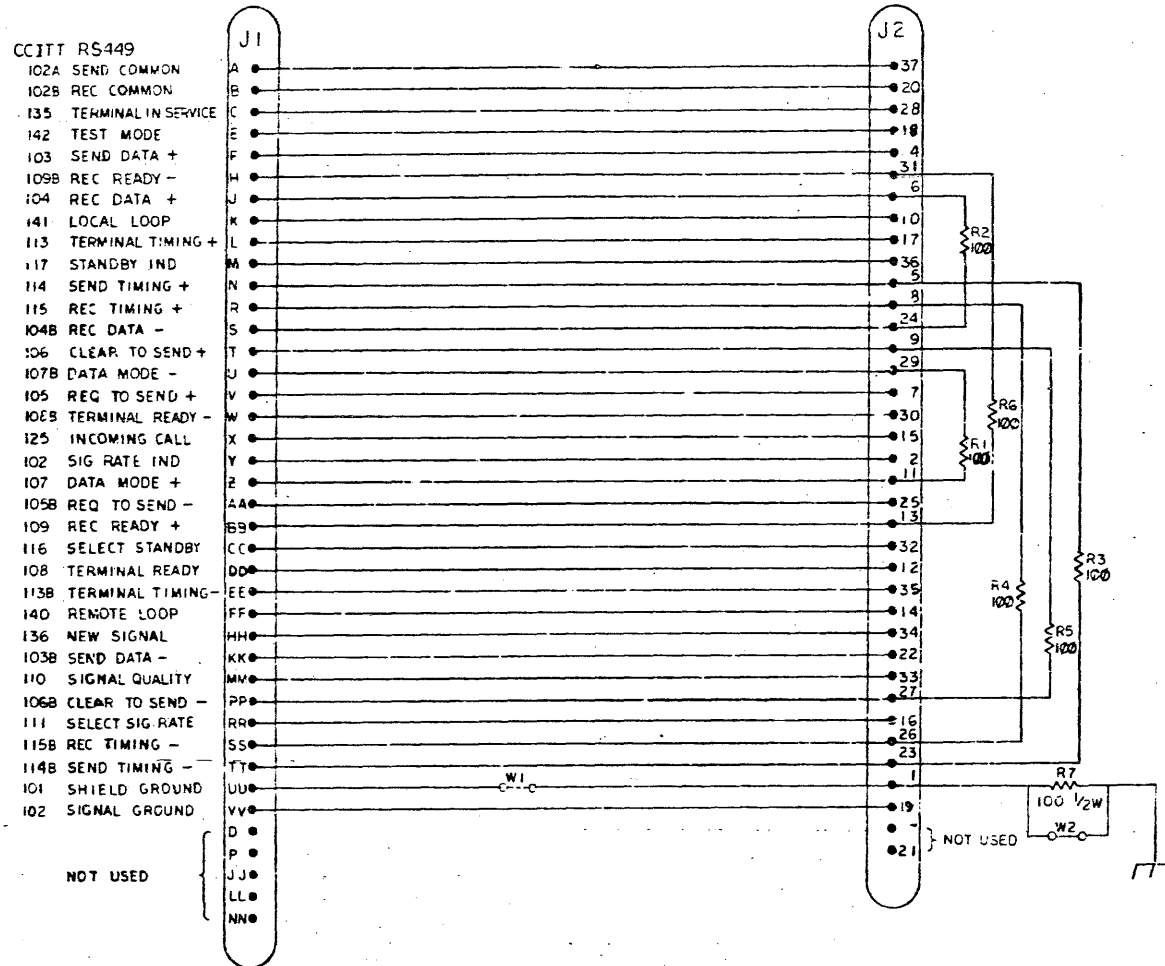
REVISION HISTORY		BASIC PART NO: BC55B		DRN: G HOVEY		DATE: 21-SEP-79		DIGITAL			
ENG	ECO NUMBER	REV	SECTION A OF A	CHG'D:	J FALKOWSKI	DATE:	21-SEP-79	TITLE		PARTS LIST	
PA	BC55B-MK001	A	[A] 10	DES.ENG.:	P ALOISI	DATE:	21-SEP-79	PANEL ASSY, BC55B			
			[B]	RESP.ENG.:	<i>Paul D Aloisi</i> P ALOISI	DATE:	21-SEP-79	DOCUMENT NUMBER			
			[C]	MFG.ENG.:	G ARMBRUSTER	DATE:	21-SEP-79	SIZE	CODE	NUMBER	REV
			[D]	ASSEMBLY NUMBER:	D-UA-BC55B-0-0	TOP DOCUMENT NUMBER:	B-DD-BC55B-0-0	K	PL	BC55B-0-0	A
			[E]			FILE NAME:	BC55B.PLS				EDIT #
			[F]								9

THIS DRAWING AND SPECIFICATIONS HEREIN ARE THE PROPERTY OF DIGITAL EQUIPMENT CORPORATION AND SHALL NOT BE REPRODUCED OR COPIED OR USED IN WHOLE OR IN PART AS THE BASIS FOR THE MANUFACTURE OR SALE OF ITEMS WITHOUT WRITTEN PERMISSION. COPYRIGHT (C) 1980. DIGITAL EQUIPMENT CORPORATION

mk

THIS DRAWING AND SPECIFICATIONS HEREBY ARE THE PROPERTY OF DIGITAL EQUIPMENT CORPORATION AND SHALL NOT BE REPRODUCED OR TRANSMITTED IN ANY FORM OR BY ANY MEANS, ELECTRONIC OR MECHANICAL, INCLUDING PHOTOCOPYING, RECORDING, OR BY ANY INFORMATION STORAGE AND RETRIEVAL SYSTEM, WITHOUT WRITTEN PERMISSION OF DIGITAL EQUIPMENT CORPORATION.

NOTE:  
W1 NORMALLY OUT, W2 NORMALLY IN



REV	1
CHKD	1
ENG	1
PRG. ENG.	1
PROD. ENG.	1
DATE	11/11/77
BY	1
CHKD	1
ENG	1
PRG. ENG.	1
PROD. ENG.	1
DATE	11/11/77
BY	1

DRN	DRN	FIRST USED ON	DMP11-AD	digital
CHKD	CHKD	TITLE	BC55B	
ENG	ENG	CONNECTOR MODULE		
PRG. ENG.	PRG. ENG.	SIZE	CODE	NUMBER
PROD. ENG.	PROD. ENG.	D	CS	H8B55-0-1
NEXT HIGHER ASSY.		SCALE		REV
RDD H8B55-0				*
SHEET	1 OF 1	DIST.		

H8B55-0-1 MK

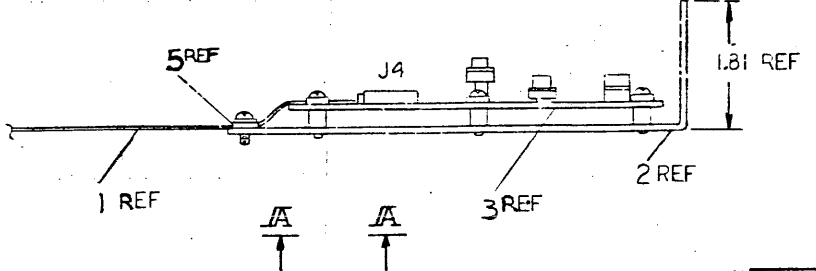
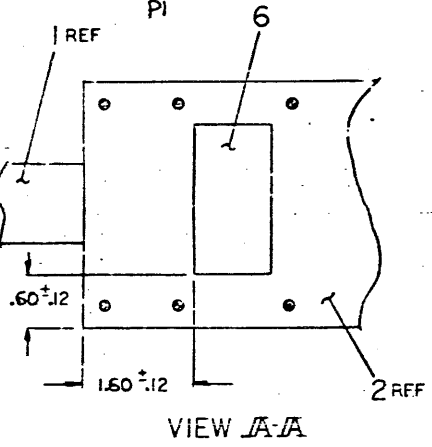
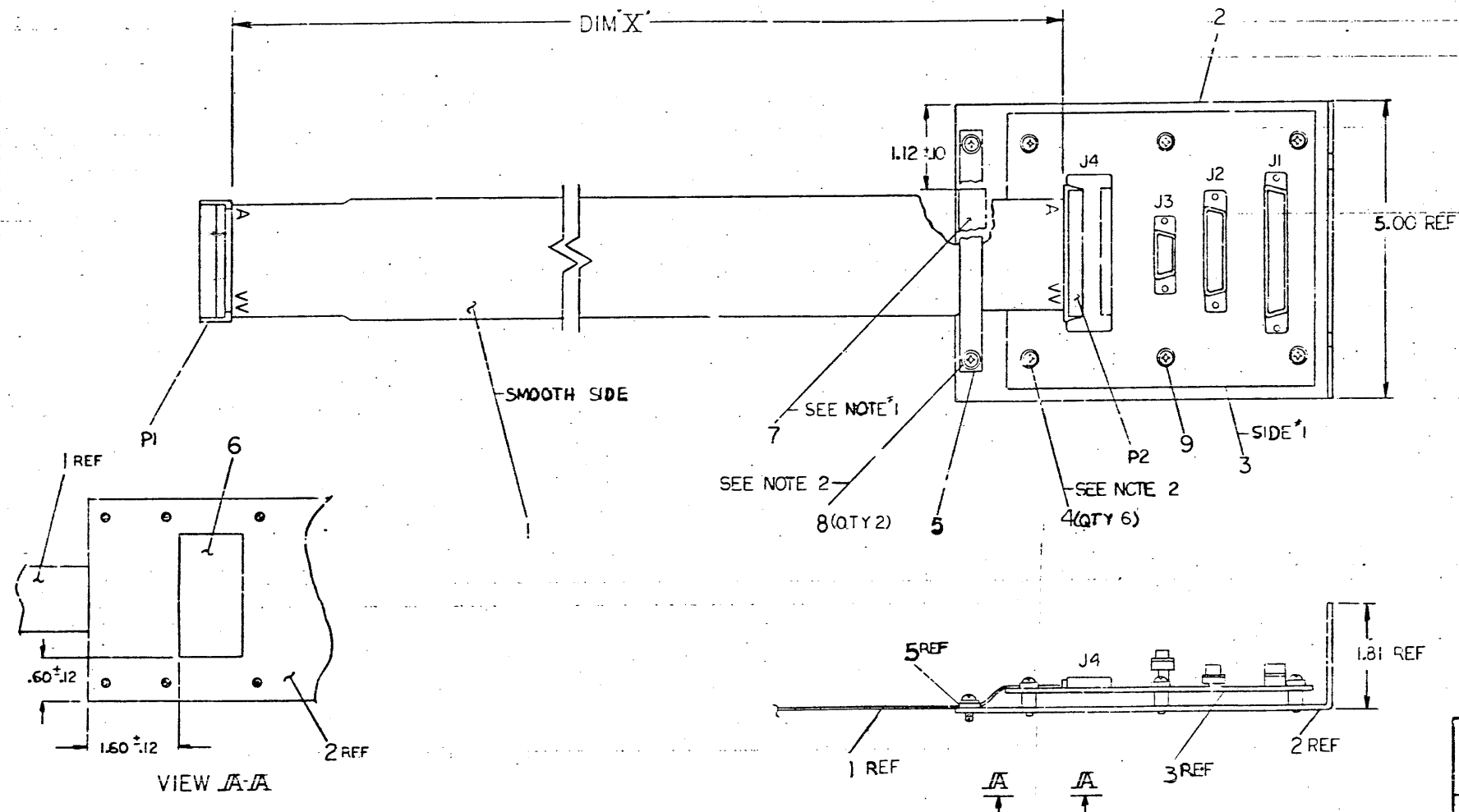
MK 1

ALL DIMENSIONS AND VARIATIONS LISTED ARE THE PROPERTY OF DIGITAL EQUIPMENT CORPORATION AND SHALL NOT BE REPRODUCED OR TRANSMITTED IN ANY FORM OR BY ANY MEANS, ELECTRONIC OR MECHANICAL, INCLUDING PHOTOCOPYING, RECORDING, OR BY ANY INFORMATION STORAGE AND RETRIEVAL SYSTEM, WITHOUT THE WRITTEN PERMISSION OF DIGITAL EQUIPMENT CORPORATION.

WIRE TABLE				
ITEM NO.	DESCRIPTION	FROM	TO	
1		P2	J4 (ITEM #5)	

LEGEND	
NUMBER	VARIATION (DIM X)
BC55C-1Z	10 FT. CABLE

- NOTES:
- INSTALL TAPE (ITEM #7) TO PANEL (ITEM #2) BEFORE ASSEMBLING CABLE (ITEM #1), AND STRAIN RELIEF (ITEM #5), TAPE TO BE CUT APPROX. 2.25 IN LONG TO ACT AS CUSHION FOR CABLE.
  - TORQUE VALUE OF SCREW (ITEM 4) TO BE 10 IN LBS.



CAUTION: OFF SHEET PARTS LIST REFER TO K-PL-BC55C-2-Φ

REV.	DATE	BY	CHK'D
1			

THIRD ANGLE PROJECTION	DESCRIPTION	DWG./PART NO.	ITEM NO.																			
	UNLESS OTHERWISE SPECIFIED DIMENSIONS ARE IN INCHES																					
QUANTITY & VARIATION	ANGLES	CLASS OF ACCURACY	NOMINAL DIMENSION RANGE INCHES																			
	SURFACE QUALITY	IN	<table border="1"> <tr> <th>OVER TO</th> <th>OVER TO</th> <th>OVER TO</th> <th>OVER TO</th> <th>OVER TO</th> </tr> <tr> <td>0</td> <td>0.25</td> <td>0.25</td> <td>0.50</td> <td>0.50</td> </tr> <tr> <td>0.25</td> <td>0.50</td> <td>0.50</td> <td>1.00</td> <td>1.00</td> </tr> <tr> <td>1.00</td> <td>1.00</td> <td>1.00</td> <td>1.00</td> <td>1.00</td> </tr> </table>	OVER TO	OVER TO	OVER TO	OVER TO	OVER TO	0	0.25	0.25	0.50	0.50	0.25	0.50	0.50	1.00	1.00	1.00	1.00	1.00	1.00
OVER TO	OVER TO	OVER TO	OVER TO	OVER TO																		
0	0.25	0.25	0.50	0.50																		
0.25	0.50	0.50	1.00	1.00																		
1.00	1.00	1.00	1.00	1.00																		
DO NOT SCALE DWG	FINISH	REMOVE BURRS AND BREAK SHARP CORNERS	SCALE																			
	MATERIAL	SEE PARTS LIST	SCALE																			
TITLE		SIZE	CODE																			
PANEL ASSY. BC55C		D	UA																			
SHEET OF		DIST																				
REV. A		NUMBER	REV. A																			
BC55C-00																						

THIS DRAWING AND SPECIFICATIONS HEREAFTER ARE THE PROPERTY OF DIGITAL EQUIPMENT CORPORATION... SHALL NOT BE REPRODUCED OR TRANSMITTED IN ANY FORM OR BY ANY MEANS, ELECTRONIC OR MECHANICAL, INCLUDING PHOTOCOPYING, RECORDING, OR BY ANY INFORMATION STORAGE AND RETRIEVAL SYSTEM, WITHOUT WRITTEN PERMISSION FROM DIGITAL EQUIPMENT CORPORATION.

### LEGEND

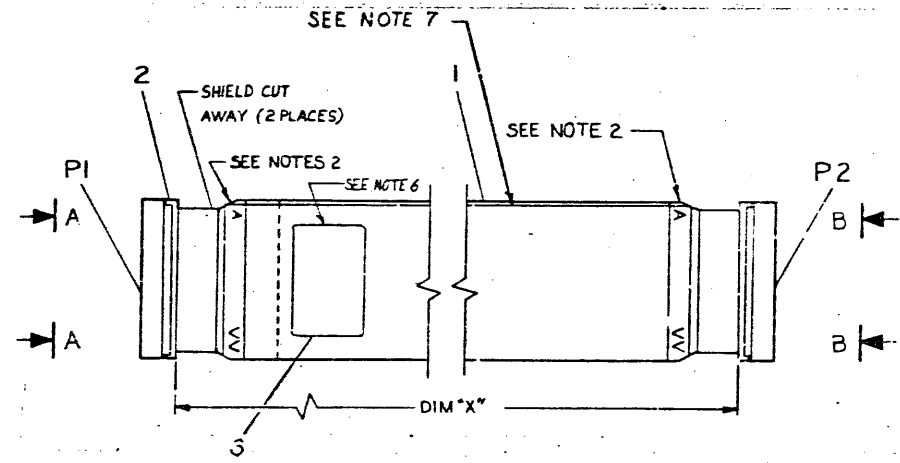
NUMBER	DIM. "X" VAR	DIM. "Y" REF
BC08S-0L	12.0 IN ± 0.5 IN	11.0 IN ± 0.5 IN
BC08S-0I	12.0 IN ± 1.0 IN	13.0 IN ± 1.0 IN
BC08S-1B	14.0 IN ± 1.0 IN	15.0 IN ± 1.0 IN
BC08S-1K	21.0 IN ± 1.0 IN	22.0 IN ± 1.0 IN
BC08S-22	24.0 IN ± 1.0 IN	25.0 IN ± 1.0 IN
BC08S-2K	33.0 IN ± 1.0 IN	34.0 IN ± 1.0 IN
BC08S-5L	70.0 IN ± 2.0 IN	71.0 IN ± 2.0 IN
BC08S-07	7.0 FT ± 2.0 IN	7.0 FT ± 2.0 IN
BC08S-08	8.0 FT ± 2.0 IN	8.0 FT ± 2.0 IN
BC08S-09	9.0 FT ± 2.0 IN	9.0 FT ± 2.0 IN
BC08S-10	12.0 FT ± 3.0 IN	12.0 FT ± 3.0 IN
BC08S-11	11.0 FT ± 3.0 IN	11.0 FT ± 3.0 IN
BC08S-12	12.0 FT ± 3.0 IN	12.0 FT ± 3.0 IN
BC08S-13	13.0 FT ± 3.0 IN	13.0 FT ± 3.0 IN
BC08S-14	14.0 FT ± 3.0 IN	14.0 FT ± 3.0 IN
BC08S-15	15.0 FT ± 3.0 IN	15.0 FT ± 3.0 IN
BC08S-16	16.0 FT ± 3.0 IN	16.0 FT ± 3.0 IN
BC08S-17	17.0 FT ± 3.0 IN	17.0 FT ± 3.0 IN
BC08S-18	18.0 FT ± 3.0 IN	18.0 FT ± 3.0 IN
BC08S-19	19.0 FT ± 3.0 IN	19.0 FT ± 3.0 IN
BC08S-20	20.0 FT ± 3.0 IN	20.0 FT ± 3.0 IN
BC08S-25	25.0 FT ± 3.0 IN	25.0 FT ± 3.0 IN
BC08S-30	30.0 FT ± 7.2 IN	30.0 FT ± 7.2 IN
BC08S-35	35.0 FT ± 8.4 IN	35.0 FT ± 8.4 IN
BC08S-50	50.0 FT ± 12.0 IN	50.0 FT ± 12.0 IN

### NOTES:

- CONNECTORS P1 AND P2 ARE TO BE WIRED POINT TO POINT.
- CONNECTOR LEGEND IDENTIFICATION TO BE PLACED ON SHIELD SIDE AT EACH END OF CABLE ASSEMBLY.
- MUST BE ASSEMBLED TO PROCESS SPECIFICATION 7606485-0-0.
- ~~INSPECTION AND TEST STAMPS TO BE PLACED AT EACH END OF THE CABLE ASSEMBLY.~~
- ~~THE NUMBER BC08S MUST BE ON THE CABLE IN CONNECTION WITH CONNECTOR LEGEND IDENTIFICATION.~~
- ADD ITEM 3 APPROX 4 IN FROM CONNECTOR P1, EITHER I.D. LABEL 3616989-00 OR 3616073-00 MAY BE USED. PLACE ON SMOOTH SIDE OF CABLE.
- IF MARKER STRIPE APPEARS ON CABLE, ITEM 1, IT IS TO BE POSITIONED BETWEEN A-A.

P  
A  
D  
R  
E  
J  
K  
L  
M  
N  
O  
S  
U  
V  
W  
X  
Y  
Z  
AA  
BB  
CC  
DD  
EE  
FF  
GG  
HH  
II  
JJ  
KK  
LL  
MM  
NN  
OO  
PP  
QQ  
RR  
SS  
TT  
VV  
UU

VIEW A-A  
CONN. LEGEND REF



VIEW B-B  
CONN. LEGEND REF

B  
A  
D  
C  
E  
F  
G  
H  
I  
J  
K  
L  
M  
N  
O  
P  
Q  
R  
S  
T  
U  
V  
W  
X  
Y  
Z  
AA  
BB  
CC  
DD  
EE  
FF  
GG  
HH  
II  
JJ  
KK  
LL  
MM  
NN  
OO  
PP  
QQ  
RR  
SS  
TT  
VV  
UU

CAUTION OFF SHEET PARTS LIST  
SEE A-PL-BC08S-0-0

ITEM NO.	DESCRIPTION	DWG. PART NO.	ITEM NO.
1	LABEL, CABLE I.D.	3616989-00	4
2	CONNECTOR, 40 SOCKET	7606485	3
3	WIRE CABLE, FLAT 40 COND	1700004-00	1

ANGLES REF BY	CLASS OF ACCURACY	NOMINAL DIMENSION RANGE INCHES							
0	CHECK ONE	OVER 0	OVER 0.2	OVER 0.6	OVER 1.2	OVER 2.0	OVER 4.0	OVER 12.0	OVER 40.0
15		0.1	0.2	0.4	0.6	1.0	2.0	6.0	18.0
30		0.1	0.2	0.4	0.6	1.0	2.0	6.0	18.0
45		0.1	0.2	0.4	0.6	1.0	2.0	6.0	18.0
60		0.1	0.2	0.4	0.6	1.0	2.0	6.0	18.0
90		0.1	0.2	0.4	0.6	1.0	2.0	6.0	18.0

THIRD ANGLE PROJECTION

REMOVE BURRS AND  
SHARP CORNERS

DO NOT SCALE DWG

MATERIAL  
SER. PARTS LIST

FINISH

QUANTITY & VARIATION

DRN FERGUSON-5-27

CHK'D K CRAE [5-13-71]

ENG'D K CRAE [5-13-71]

PROL. ENG. SUP'V. [5-21-71]

PROD. P. FAZIC [5-21-71]

NEXT HIGHER ASSY.

A-PL-DRR-BA-0

SCALE NONE

SHEET 1 OF 1

FIRST USED ON LABS-E

TITLE I/O CABLE ASS'Y (DIAG. JUMPER)

SIZE COU D IA

NUMBER BC08S-0-0

REV. U

REV.	DATE	BY	CHKD	DESCRIPTION
1	14 JUN 75	W FISHER		REVISED AND REDRAWN
2	23 JUN 76	S HOLMES		
3		D. CHIASSON		
4		E. J. NEUMYER		
5		A. FILZ		
6		ARTHUR FILZ		
7		A. FILZ		
8		J. BITTO		
9		A. FILZ		
10		L. NG		



THIS DRAWING AND SPECIFICATIONS HEREIN ARE THE PROPERTY OF DIGITAL EQUIPMENT CORPORATION AND SHALL NOT BE REPRODUCED OR COPIED OR USED IN WHOLE OR IN PART AS THE BASIS FOR THE MANUFACTURE OR SALE OF ITEMS WITHOUT WRITTEN PERMISSION. COPYRIGHT © 1970, DIGITAL EQUIPMENT CORPORATION

### WIRE TABLE

ITEM NO	DESCRIPTION	FROM		TO		REMARKS (SIGNAL NAME)	SHIELD COLOR	
		AWG	COLOR	CONN	WITH			CONN
4	*22 TWP	RED	PI-P	1 & 3	P2-KK	2 & 7	TX DATA DIFF +	RED
		BLK	PI-S		P2-AA		TX DATA DIFF -	
		WHT	PI-R		P2-K		RX DATA DIFF +	RED
		BLK	PI-T		P2-S		RX DATA DIFF -	
		GRN	PI-Y		P2-CC		TX CLOCK DIFF +	GRN
		BLK	PI-Q		P2-TT		TX CLOCK DIFF -	
		BLU	PI-V		P2-HH		RX CLOCK DIFF +	BLU
		BLK	PI-X		P2-SS		RX CLOCK DIFF -	
		YEL	PI-U		P2-PP		AUX CLOCK DIFF +	BLU
		BLK	PI-W		P2-EE		AUX CLOCK DIFF -	
		BRN	PI-C		P2-V		RTS	BLU
		BLK			P2-UU		GND	
		ORN	PI-E		P2-Z		DSR	BLU
		BLK	PI-A		P2-A		GND	
		WHT	PI-H		P2-DD		DTR	BLU
		RED	PI-F		P2-BB		CDET	
	*22 TWP	GRN	PI-D		P2-T		CTS	BLU
		RED			P2-VV	2 & 7	GND	
	ALL DRAIN WIRES		PI-B	1 & 3	SEE NOTE #3	GND		

### LEGEND

NUMBER	DIM "X" VARIATION	DIM "Y" (PRE-CUT) REF
BC05Z-25	25 FT Ø IN ± 3 IN	25 FT 2 IN ± 3 IN
BC05Z-50	50 FT ± 2%	50 FT 2 IN ± 2%

### NOTES:

- STRIP BACK OUTER JACKET TO ALLOW SEPARATION OF WIRES.
- STRIP BACK FOIL TAPE.
- ON PI END OF CABLE, TWIST DRAIN WIRES FROM ALL PAIRS TOGETHER AND CUT .62 LONG. SOLDER TO .50 IN. EXPOSED LEAD FROM ITEM #12 REF FIG.1. COVER SOLDERED CONNECTION WITH SHRINK TUBING (ITEM #6). CONNECT OTHER END OF ITEM #12 TO ITEM #3.
- ALL UNUSED WIRES (NOT CONNECTED TO PI OR P2) TO BE CUT FLUSH WITH OUTER INSULATION OF CABLE.
- ASSEMBLE ITEM #9 THRU CENTER HOLES OF ITEM #5 AND POSITION AS SHOWN.

MONO JACK SOCKET

1 REF

DIM "Y" (REF)

DIM "X"

4.00 ± .50

9 SEE NOTE 5

2 P2

2 REF P2

\* A \* B

uu vv

VIEW B-B

CAUTION: OFF SHEET PARTS LIST EXISTS. REFER TO K-PL-BC05Z-0-0.

DESCRIPTION	DWG. PART NO.	ITEM NO.
1 LABEL, CABLE IDENTIFICATION	3616073-00	11
1/2 R TARE, DOUBLE SIDED	9007834	10
2 WRAP, TPE	9007081	9
1 LABEL, CABLE	9009352	8
18 SOCKET, CRIMP	1210089-07	7
1/2 R TUBING, SHRINK	9107255-00	6
1 RELIEF STRAIN	1211166-00	5
1/2 R CABLE, #22 AWG (9 TWP)	9107687-00	4
17 CONN, PIN #22-#26 AWG	1209029-00	3
1 CONN, 44 POS HSG	1210918-15	2
1 CONN ASSY (34 POS)	1212109-00	1

DESCRIPTION		DNG. PART NO.		ITEM NO.	
UNLESS OTHERWISE SPECIFIED DIMENSIONS ARE IN INCHES					
ANGLES 30° 30'	GLASS OF ACCURACY (CHECK ONE)	FORM 1.3	OVER 1.3	OVER 12.0	OVER 48.0
SURFACE QUALITY IN	MEDIUM	2.000	2.012	2.024	2.036
FINISH	PREFINISHED	2.012	2.016	2.020	2.024

THIRD ANGLE PROJECTION	REMOVE BURRS AND BREAK SHARP CORNERS	DO NOT SCALE DWG
QUANTITY & VARIATION	NEXT HIGHER ASSY.	MATERIAL SEE PARTS LIST
FINISH	SCALE	SHEET 1 OF 1

CHKD 2-28-77	PROJ. ENG. 2-28-77	PROD. 2-28-77
FIRST USED ON DMCI1-FA		
TITLE CABLE, V35/DDS DSU		
SIZE D	CODE UA	NUMBER BC05Z-0-0
REV. F	DIST.	

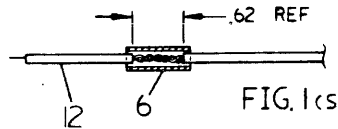
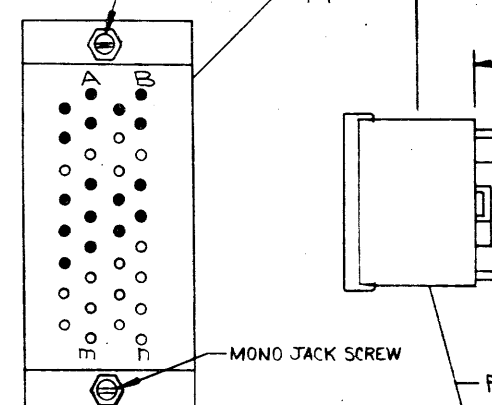


FIG. 1 (SEE NOTE 3)

REV.	DATE	BY	CHKD	APP'D
A	26 May 77	B. SMITH		
B	15 Jun 77	P. ALOISI		
C	14 Feb 78	R. HARRINGTON		
D	15 Feb 78	R. HARRINGTON		
E		R. HARRINGTON		
F		R. HARRINGTON		

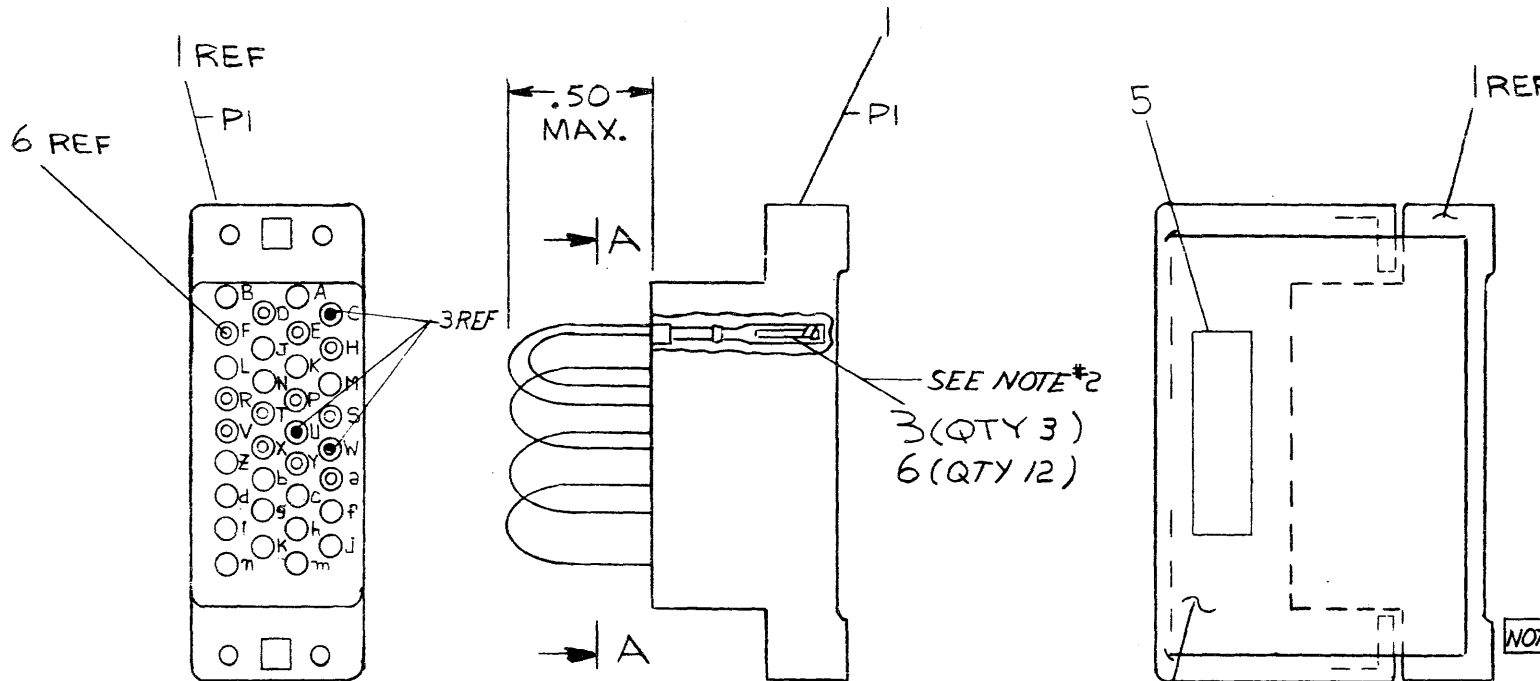
"THIS DRAWING AND SPECIFICATIONS, HEREIN, ARE THE PROPERTY OF DIGITAL EQUIPMENT CORPORATION AND SHALL NOT BE REPRODUCED OR COPIED OR USED IN WHOLE OR IN PART AS THE BASIS FOR THE MANUFACTURE OR SALE OF ITEMS WITHOUT WRITTEN PERMISSION. COPYRIGHT © 1977, DIGITAL EQUIPMENT CORPORATION"

### WIRE TABLE

ITEM NO	DESCRIPTION			FROM		TO		
	AWG	COLOR	POINT	DESCRIPTION	WITH	POINT	DESCRIPTION	WITH
2	20	BLK	PI-U	AUX CLK +	3	PI-Y	TX CLK DIFF +	6
			PI-U			PI-V	RX CLK DIFF +	6
			PI-W	AUX CLK -	3	PI-B	TX CLK DIFF -	6
			PI-W			PI-X	RX CLK DIFF -	6
			PI-P	TX DATA DIFF +	6	PI-R	RX DATA DIFF +	6
			PI-S	TX DATA DIFF -	6	PI-T	RX DATA DIFF -	6
			PI-C	RTS	3	PI-D	CTS	6
			PI-C			PI-F	CDT	6
	20	BLK	PI-H	DTR	6	PI-E	DSR	6

### NOTES:

- EACH PLANT MAY USE THE VARIATION OF (ITEM # 2) THAT IS OF HIGHEST AVAILABILITY. (I.E. USE THE COLOR YOU HAVE THE MOST OF -- AWG IS IMPORTANT, NOT COLOR).
- CONTACT P.N. 1210290-01 IS TO BE USED WHERE ONLY ONE WIRE IS INSERTED IN THE CONNECTOR. CONTACT P.N. 1210290-00 IS TO BE USED WHERE TWO WIRES ARE INSERTED (I.E. AT PI-C, PI-U, AND PI-W)



VIEW A-A  
REAR VIEW  
HOOD (ITEM #4)  
REMOVED

SIDE VIEW  
HOOD (ITEM #4)  
REMOVED

NOTE #	QTY	DESCRIPTION	DWG./PART NO.	ITEM NO.
NOTE #2	12	SOCKET, CONTACT (20 AWG)	1210290-01	6
	1	LABEL	9008473	5
	1	HOOD	1213032-0-0	4
NOTE #2	3	SOCKET, CONTACT (14 AWG)	1210290-00	3
NOTE #1	AVR	WIRE #20 AWG, BLK	9107460-00	2
	1	CONNECTOR BODY 34 PIN	1213033-0-0	1

UNLESS OTHERWISE SPECIFIED DIMENSIONS ARE IN INCHES		NOMINAL DIMENSION RANGE INCHES					
ANGLES	CLASS OF ACCURACY (CHECK ONE)	OVER 0 TO 0.2	OVER 0.2 TO 1.2	OVER 1.2 TO 4.0	OVER 4.0 TO 12.0	OVER 12.0 TO 40.0	OVER 40.0 TO 80.0
±0° 30'		MEDIUM <input type="checkbox"/>	±.004	±.008	±.012	±.016	±.024
SURFACE QUALITY IN MICROINCHES	PREFERRED <input checked="" type="checkbox"/>	±.012	±.016	±.025	±.04	±.063	±.1

THIRD ANGLE PROJECTION

REMOVE BURRS AND BREAK SHARP CORNERS

DO NOT SCALE DWG

MATERIAL: SEE PARTS LIST

FINISH: —

DRN: *[Signature]* 12-177

CHK'D: *[Signature]* 3-22-77

ENG: *[Signature]* 3-22-77

PROJ. ENG: *[Signature]* 3-22-77

PROD: *[Signature]* 3-30-77

NEXT HIGHER ASSY.

FIRST USED ON: DMCI1-FA

TITLE: CONNECTOR, TEST V.35/DDS

SIZE: C IA NUMBER: H3250-0-0 REV. B

SCALE: NONE SHEET 1 OF 1

REV.	CHANGE NO.	DATE	BY
A	H3250-00001	15 July 77	P. ALOISI
B	H3250-00002	13 Feb 78	R. HARRINGTON

MAKEFACE P-1885

8

A

0-0-152EHV07

6

5

4

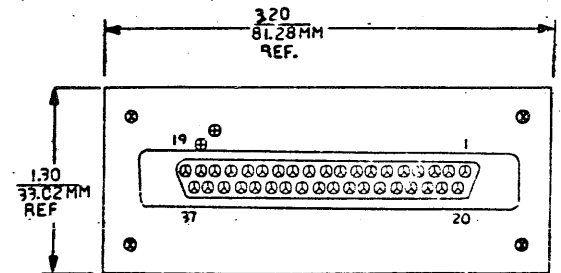
3

2

1

THIS DRAWING AND SPECIFICATIONS HEREOF ARE THE PROPERTY OF DIGITAL EQUIPMENT CORPORATION. THEY SHALL NOT BE REPRODUCED OR COPIED IN WHOLE OR IN PART OR IN ANY MANNER FOR THE DISSEMINATION OF ANY OF THESE ITEMS WITHOUT THE WRITTEN PERMISSION OF DIGITAL EQUIPMENT CORPORATION.

COMPONENT SIDE VIEW



NOTES:

STEP 6	+ Y AXIS	1.3	STEP 7	TIMES
REPEAT	+ X AXIS	3.2	STEP 4	TIMES

CHK	CHANGE	NO	REV	REVISED	DATE
				REDRAWN	H3251-000A


SIGNATURES	DATE	TITLE
DAN H. <i>Drummond</i>	3-25-68	RS422 TEST CONNECTOR
CHK'D BY <i>W. F. ...</i>	2-11-68	
MECH. ENG. <i>L. J. ...</i>	2-1-68	
PROJ. ENG. <i>J. J. ...</i>	1-1-68	
PROD. <i>W. F. ...</i>	3-2-68	
SCALE 2:1		
SHT. 1 OF 1		
NEXT HIGHER ASSY. G-00-H3251-0		

8

7

6

5

4

3

2

MK 1 WO# 301424

DUA H3251-0-0

LINE ITEM	DOCUMENT NUMBER	PART NUMBER	DESCRIPTION	QTY PER VARIATION 00	REFERENCE DESIGNATOR
1	1	D-MD-5013909-0-0	5013909-00	ETCH BRD FOR H3251	1
2	2		1214296-00	CONN,D SUB 37PIN SOCKET,CRIMP	1 J1

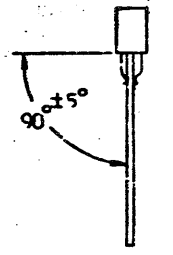
REVISION HISTORY		BASIC PART NO: H3251		DRN:	B.FRASER	DATE:	21-MAR-79	DIGITAL			
ENG	ECO NUMBER	REV	SECTION A OF A	CHK'D:	J.FALKOWSKI	DATE:	21-MAR-79	TITLE	PARTS LIST		
PA	MK001	A	SECTION VARIATION INDEX	DES.ENG:	<i>Paul D. Aloisi</i> P.ALOISI	DATE:	4-DEC-80	RS422 TEST CONNECTOR			
			[A] 00	RESP.ENG.:	<i>Paul D. Aloisi</i> P.ALOISI	DATE:	4-DEC-80	DOCUMENT NUMBER			
			[B]	MFG.ENG.:	<i>W.B. Mullin</i> BOB MULLIN	DATE:	8-DEC-80	SIZE CODE NUMBER	REV		
			[C]	ASSEMBLY NUMBER:		TOP DOCUMENT NUMBER:		FILE NAME:	EDIT #		
			[D]	D-1/A-H3251-0-0		B-DD-H3251-0-0		MK0111.PLS	1		

\*THIS DRAWING AND SPECIFICATIONS HEREIN, ARE THE PROPERTY OF DIGITAL EQUIPMENT CORPORATION AND SHALL NOT BE REPRODUCED OR COPIED OR USED IN WHOLE OR IN PART AS THE BASIS FOR THE MANUFACTURE OR SALE OF ITEMS WITHOUT WRITTEN PERMISSION. COPYRIGHT (C) 1980. DIGITAL EQUIPMENT CORPORATION \*

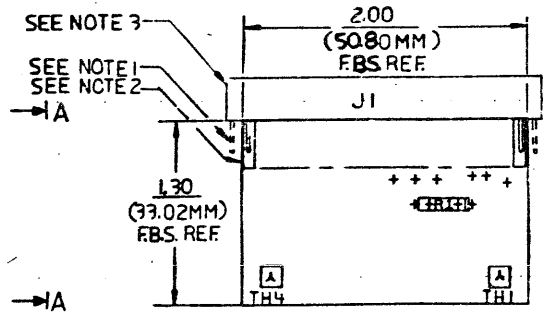
MK

THIS DRAWING AND SPECIFICATIONS, PRINTS, AND THE PROPERTY OF THE QUALITY CONTROL AND SHALL NOT BE REPRODUCED OR COPIED IN ANY MANNER WITHOUT THE WRITTEN PERMISSION OF QUALITY CONTROL. DIGITAL DESIGN INC. 1981

COMPONENT SIDE VIEW



VIEW A-A



NOTES:  
 1. PEWICK CONNECTOR TO REMOVE FOUR (4) PINS - TWO (2) AT EACH END OF THE CONNECTOR PRIOR TO ASSEMBLY TO THE BOARD.  
 2. OUTER FINGERS MAY BE CUT IN SHEARING PROCESS.  
 STEP E → Y AXIS 1.1 STEP 7 TIMES  
 REPEAT → X AXIS 4.0 STEP 7 TIMES

CHG	NO	REV	ORIGINATED	DATE
			H3254-PKT	

NOTES CONT:  
 3. SOLDER J1 TO PC BOARD

ETCH REV: B-P2
----------------

SIGNATURES	DATE	digital
DRN: <i>[Signature]</i>	DATE: <i>[Date]</i>	
CHK'D: <i>[Signature]</i>	DATE: <i>[Date]</i>	TITLE M8203
MECH. ENG. <i>[Signature]</i>	DATE: <i>[Date]</i>	TEST CONNECTOR J1
PROJ. ENG. <i>[Signature]</i>	DATE: <i>[Date]</i>	SIZE: CODE NUMBER REV
PROD. <i>[Signature]</i>	DATE: <i>[Date]</i>	0 IJA H3254-0-0 A
SCALE 2/1		
SHT. 1 OF 1		
NEXT HIGHER ASSY. F.C.D-H3254-0		

D:\UA H3254-0-0 A  
 B  
 A

M.K 1 WO#3015'

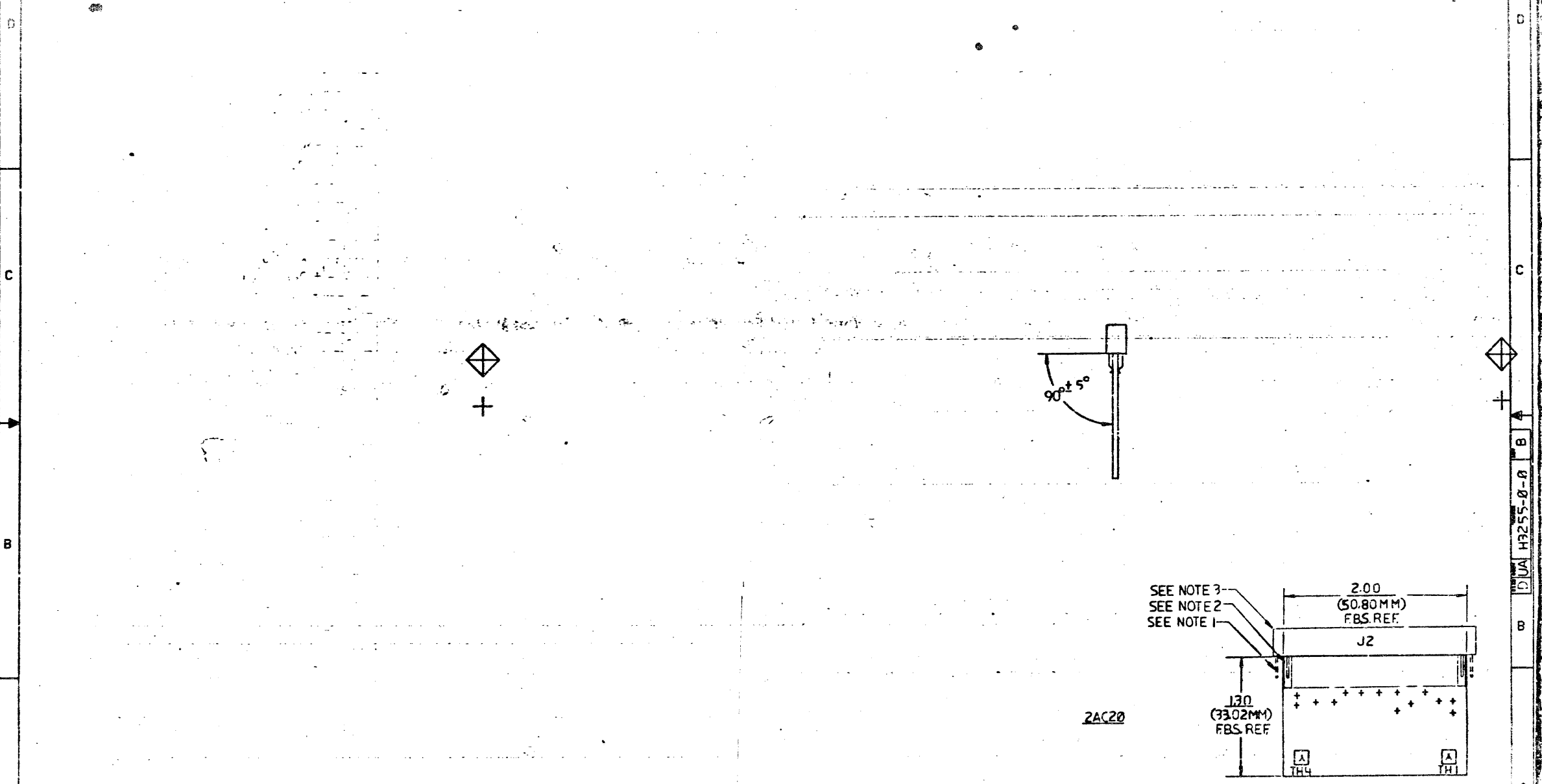
LINE ITEM	DOCUMENT NUMBER	PART NUMBER	DESCRIPTION	QTY PER VARIATION 00	REFERENCE DESIGNATOR
1	1	D-MD-5013900-0-0	M8203 TEST CONNECTOR	1	
2	2	1215563-00	RECEPTACLE,PC BOARD EDGE MOUNT,4	1	J1
3	3	1302379-00	75.0 .25 W 5.0 Z CC	1	R1

REVISION HISTORY		BASIC PART NO: H3254		DFN:	J. WHITNEY	DATE:	21-MAR-79	D I G I T A L			
ENG:	ECO NUMBER	REV	SECTION A OF A	CHK'D:	B.KUPPENAL	DATE:	21-MAR-79	TITLE	PARTS LIST		
PA	H3254-MK001A	A	SECTION.VARIATION INDEX					M8203 TEST CONNECTOR J1			
			[A] 00								
			[B]								
			[C]	DES.ENG:	PAUL ALOISI	DATE:	21-MAR-79				
			[D]								
			[E]						DOCUMENT NUMBER		
			[F]	RESP.ENG.:	PAUL ALOISI <i>ALC</i>	DATE:	12-SEP-80	SIZE	CODE	NUMBER	REV
			[G]								
			[H]								
			[I]								
			[J]								
			[K]	MFG.ENG.:	BOB O'CONNELL	DATE:	12-SEP-80	K	PL	H3254-0-0	A
			[L]		<i>BILL BROOK ALC</i>						
			[M]	ASSEMBLY NUMBER:		TOP DOCUMENT NUMBER:		FILE NAME:	EDIT #		
			[N]	D-UA-H3254-0-0		#B-DD-H3254-0		MK0201.PLS	4		

\*THIS DRAWING AND SPECIFICATIONS HEREIN, ARE THE PROPERTY OF DIGITAL EQUIPMENT CORPORATION AND SHALL NOT BE REPRODUCED OR COPIED OR USED IN WHOLE OR IN PART AS THE BASIS FOR THE MANUFACTURE OR SALE OF ITEMS WITHOUT WRITTEN PERMISSION. COPYRIGHT (C) 1981. DIGITAL EQUIPMENT CORPORATION \*

THIS DRAWING AND SPECIFICATIONS, ALONG WITH THE  
 PROPERTY OF THE UNITED STATES GOVERNMENT AND SHALL  
 NOT BE REPRODUCED OR TRANSMITTED IN ANY FORM OR BY  
 ANY MEANS, ELECTRONIC OR MECHANICAL, INCLUDING  
 PHOTOCOPYING, RECORDING, OR BY ANY INFORMATION  
 STORAGE AND RETRIEVAL SYSTEM, WITHOUT PERMISSION  
 THEREOF BY THE UNITED STATES GOVERNMENT.

COMPONENT SIDE VIEW



NOTES:  
 1 REWORK CONNECTOR TO REMOVE FOUR  
 (4) PINS - TWO (2) AT EACH END OF  
 CONNECTOR PRIOR TO ASSEMBLY TO  
 BOARD.  
 2 OUTER FINGERS MAY BE CUT IN SHEARING  
 PROCESS  
 STEP 6 → Y AXIS 1 TIME STEP 7 TIMES  
 REPEAT → Y AXIS 2 TIMES STEP 7 TIMES

CHK CHARGE NO	REV	DATE
1		
2		
3		

NOTES CONT  
 1 SOLDER J2 TO PC BOARD

ETCH REV. (C-1)	

SIGNATURES	DATE	digital
DAN. <i>[Signature]</i>	10/15/55	
CHK'D. <i>[Signature]</i>	10/15/55	
MECH. ENG. <i>[Signature]</i>	10/15/55	TITLE M8203
PROJ. ENG. <i>[Signature]</i>	10/15/55	TEST CONNECTOR J2
PROD. <i>[Signature]</i>	10/15/55	SIZE CODE NUMBER
SCALE 2/1		0 U/A H3255-0-0
SHT. 1 OF 1		REV B
NEXT HIGHER ASSY. 0-00-43255-0		

LINE ITEM	DOCUMENT NUMBER	PART NUMBER	DESCRIPTION	QTY PER VARIATION 00	REFERENCE DESIGNATOR
1	1	D-MD-5013901-0-0	M8203 TEST CONNECTOR	1	
2	2	5013901-00 1215563-00	RECEPTACLE,PC BOARD EDGE MOUNT,4	1	J2

REVISION HISTORY		BASIC PART NO: H3255		DRN:	J. WHITNEY	DATE:	21-MAR-79	D I G I T A L			
ENG:	ECO NUMBER	REV	SECTION A OF A	CHK'D:	E. KOPPENAL	DATE:	21-MAR-79	TITLE		PARTS LIST	
PA	INITIAL	A	SECTION VARIATION INDEX	CHK'D:	E. KOPPENAL	DATE:	21-MAR-79	M8203 TEST CONNECTOR J2			
PA	H3255-MK001	B	[A] 00					DOCUMENT NUMBER			
			[B]	DES.ENG:	P. ALOISI	DATE:	12-SEP-80				
			[C]		<i>P. Aloisi</i>						
			[D]	RESP.ENG.:	P. ALOISI	DATE:	09-FEB-81	SIZE	CODE	NUMBER	REV
			[E]		<i>Bill Connell for POC</i>						
			[F]	MFG.ENG.:	B. O CONNELL	DATE:	12-SEP-80	K	PL	H3255-0-0	B
			[G]								
			[H]	ASSEMBLY NUMBER:		TOP DOCUMENT NUMBER:		FILE NAME:		EDIT #	
			[I]	D-UA-H3255-0-0		#B-DD-H3255-0		MK0348.PLS		3	
			[J]								
			[K]								
			[L]								
			[M]								
			[N]								

\*THIS DRAWING AND SPECIFICATIONS HEREIN, ARE THE PROPERTY OF DIGITAL EQUIPMENT CORPORATION AND SHALL NOT BE REPRODUCED OR COPIED OR USED IN WHOLE OR IN PART AS THE BASIS FOR THE MANUFACTURE OR SALE OF ITEMS WITHOUT WRITTEN PERMISSION. COPYRIGHT (C) 1981, DIGITAL EQUIPMENT CORPORATION \*

MK



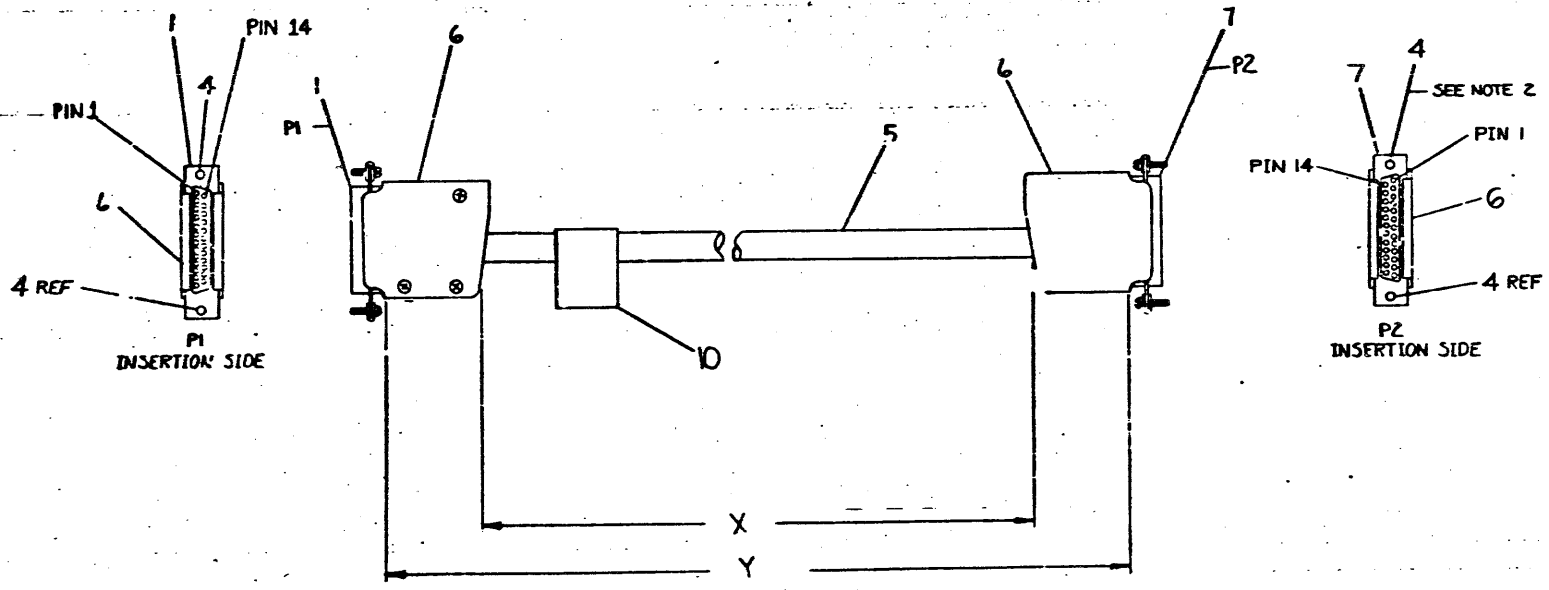
THIS DRAWING IS THE PROPERTY OF THE U.S. GOVERNMENT AND IS LOANED TO YOUR OFFICE FOR YOUR INFORMATION ONLY. IT IS NOT TO BE REPRODUCED OR TRANSMITTED IN ANY FORM OR BY ANY MEANS, ELECTRONIC OR MECHANICAL, INCLUDING PHOTOCOPYING, RECORDING, OR BY ANY INFORMATION STORAGE AND RETRIEVAL SYSTEM. THIS DRAWING IS THE PROPERTY OF THE U.S. GOVERNMENT AND IS LOANED TO YOUR OFFICE FOR YOUR INFORMATION ONLY. IT IS NOT TO BE REPRODUCED OR TRANSMITTED IN ANY FORM OR BY ANY MEANS, ELECTRONIC OR MECHANICAL, INCLUDING PHOTOCOPYING, RECORDING, OR BY ANY INFORMATION STORAGE AND RETRIEVAL SYSTEM.

WIRE TABLE							
ITEM NO.	DESCRIPTION	FROM		TO		REMARKS	
		CONN.	WITH	CONN.	WITH		
5	26	BU/WHT	P1-1	3	P2-1	9	SEE NOTE 1
		BRN	-1	3	-1	9	
		GRY	-2	2	-2	8	
		GRY/SPN	-3		-3		
		WHT/BLU	-4		-4		
		GRN/WHT	-5		-5		
		WHT/ORN	-6		-6		
		BRN/WHT	-7		-7		
		WHT/ORN	8		8		
		BRN/WHT	-9		-9		
		WHT/BRN	-10		-10		
		GRN/WHT	-11		-11		
		WHT/GRY	-12		-12		
5	26	BU/PSD	P1-13	2	P2-13	8	

WIRE TABLE						
ITEM NO.	DESCRIPTION	FROM		TO		REMARKS
		CONN.	WITH	CONN.	WITH	
5	26	RED/BLU	P1-14	2	P2-14	8
		ORY/RED	-15		-15	
		RED/ORS	-16		-16	
		BRN/RED	-17		-17	
		RED/BRN	-18		-18	
		GRY/RED	-19		-19	
		BRN/GRY	-20		-20	
		BLU/BLK	-21		-21	
		BLU/BLU	-22		-22	
		ORY/BLK	-23		-23	
		BLK/ORN	-24		-24	
5	26	GRN/BLK	P1-25	2	P2-25	8

LEGEND			
NUMBER	"X" DIA	M	PRECUT REF
BC05D-10	0FT=2IN	10FT	3IN
BC05D-25	25FT=3IN	25FT	3IN
BC05D-50	50FT=2IN	50FT	3IN
BC05D-06	6FT=2IN	6FT	3IN
BC05D-15	15FT=3IN	15FT	3IN
BC05D-27	20FT=3IN	20FT	3IN
BC05D-70	70FT=2%	70FT	3IN
BC05D-75	75FT=2%	75FT	3IN
BC05D-90	90FT=2%	90FT	3IN
BC05D-A0	100FT=2%	100FT	3IN
BC05D-A7	170FT=2%	170FT	3IN

NOTES:  
 1. ITEM '3' AND ITEM '9' REQUIRE THAT 3 WIRES BE SOLDERED INTO EACH OF THE CONTACTS.  
 2. MALE SCREW RETAINER MOUNTED HE-2.



CAUTION: OFF SHEET PARTS LIST EXISTS. REFER TO K-PL-BC05D-0-B.

QTY	DESCRIPTION	DWG PART NO.	REV. NO.
2	FE WRAP	2007031-06	
1	CABLE LABEL	36.6073-00	10
1	SOCKET CONTACT	1215443-00	7
24	SOCKET 24-28 AWG	1210493-45	8
1	SHELL & INSERT, FEMALE	1210493-32	7
2	HOOD	1210493-50	6
1/2	CABLE, MOHAWK 25 COAX	9107736-00	5
2	MALE SCREW RETAINER	1210493-51	4
1	PIN CONTACT	1215241-00	3
24	SH 24-28 AWG	1210493-43	2
1	SHELL & INSERT, MALE	1210493-31	1

REV.	DATE	BY	CHKD	APP'D
1	12/10/83	W. DUNNAN		
2	12/10/83	W. DUNNAN		
3	12/10/83	W. DUNNAN		
4	12/10/83	W. DUNNAN		
5	12/10/83	W. DUNNAN		
6	12/10/83	W. DUNNAN		
7	12/10/83	W. DUNNAN		
8	12/10/83	W. DUNNAN		

THIRD ANGLE PROJECTION

REMOVE BURRS AND BREAK SHARP CORNERS

DO NOT SCALE DIMS

MATERIAL: \_\_\_\_\_

SCALE: \_\_\_\_\_

FINISH: \_\_\_\_\_

QUANTITY & VARIATION

UNLESS OTHERWISE SPECIFIED DIMENSIONS ARE IN INCHES

DIMENSIONS	CLASS OF ACCURACY			
	OVER .01	OVER .01 TO .1	OVER .1 TO 1	OVER 1
ASSEMBLY	F	M	H	K
GENERAL	F	M	H	K
SURFACE QUALITY	12.5	12.5	12.5	12.5

PREFERRED: \_\_\_\_\_

DESCRIPTION: \_\_\_\_\_

DWG PART NO.: \_\_\_\_\_

REV. NO.: \_\_\_\_\_

DATE: \_\_\_\_\_

BY: \_\_\_\_\_

CHKD: \_\_\_\_\_

APP'D: \_\_\_\_\_

TITLE: ASYNC MODEM INTERF CABLE EXT

SIZE: D

CODE: UA

NUMBER: BC05D-0-0

REV: F

SHEET: 1 OF 1

DIST: \_\_\_\_\_

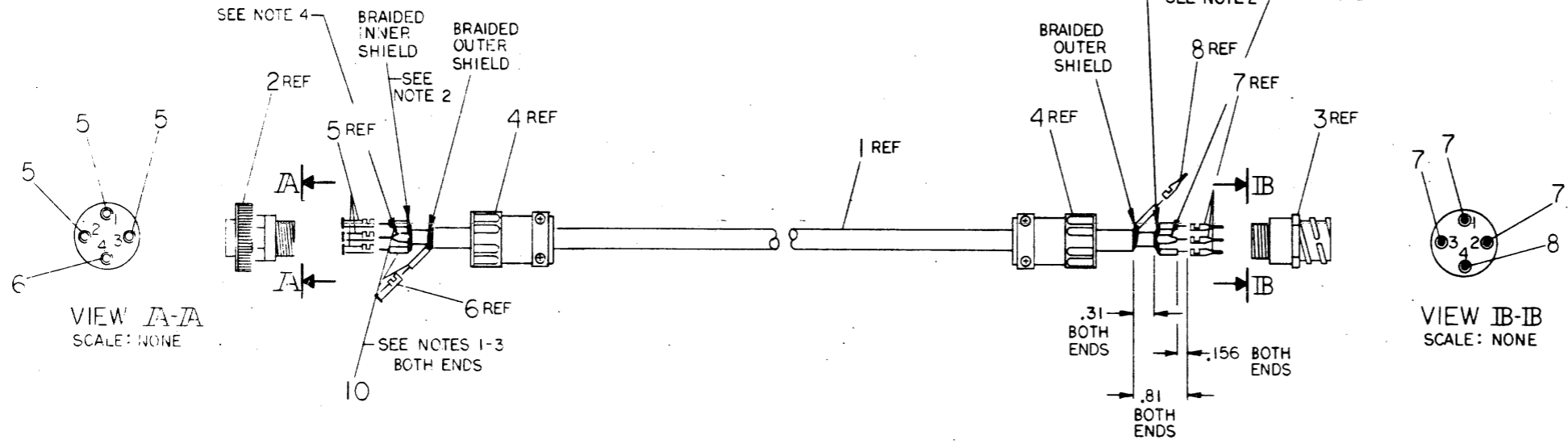
1 MK

THIS DRAWING AND SPECIFICATIONS HEREBY ARE THE PROPERTY OF DIGITAL EQUIPMENT CORPORATION AND SHALL NOT BE REPRODUCED OR COPIED OR USED IN WHOLE OR IN PART AS THE BASIS FOR THE MANUFACTURE OR SALE OF ITEMS WITHOUT WRITTEN PERMISSION. COPYRIGHT © 1975, DIGITAL EQUIPMENT CORPORATION

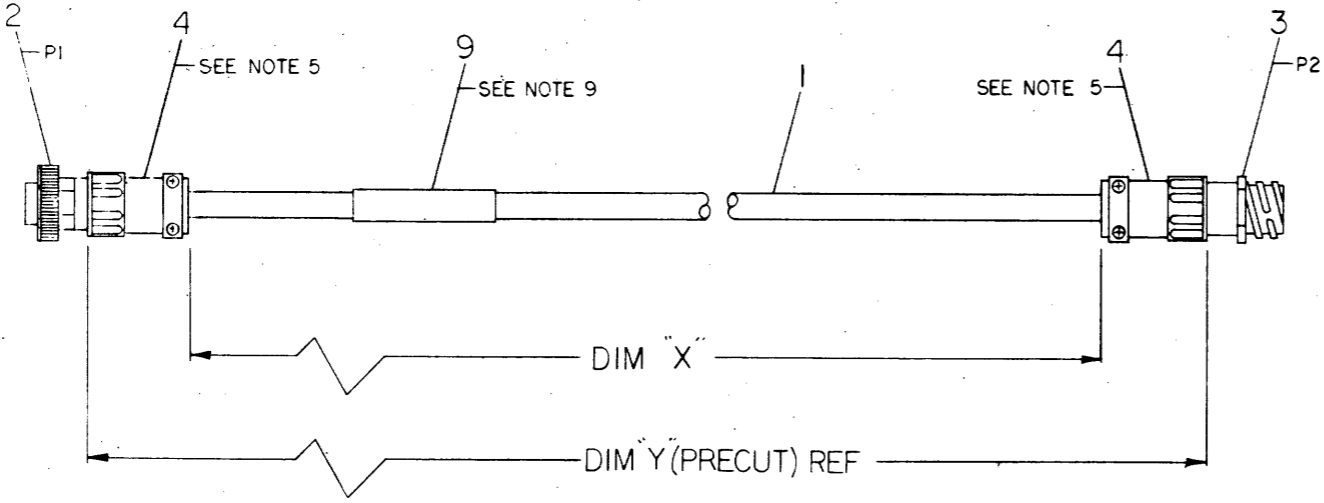
WIRE TABLE						
ITEM NO.	CONDUCTOR	FROM		TO		SIGNAL
		CONN	WITH	CONN	WITH	
1	CENTER	P1-1	5	P2-1	7	+ DIFF
	INNER SHIELD	P1-2	5	P2-2	7	- DIFF
	INNER SHIELD	P1-3	5	P2-3	7	- DIFF
	OUTER SHIELD	P1-4	6	P2-4	8	GND

LEGEND			
NUMBER	DIM "X" VARIATION	DIM "Y" (PRE-CUT) REF	METRIC (REF)
BC55M-98	98 FT. ± 2 FT.	98 FT. 6 IN.	30 METERS

- NOTES:
1. MAKE OUTER SHIELD ONE WINDING.
  2. SPLIT INNER SHIELD INTO TWO SEPARATE WINDINGS AT BOTH ENDS OF CABLE.
  3. PUT SHRINK TUBING, (ITEM\*10) OVER THE TWO INNER SHIELDS AND ONE OUTER SHIELD. LEAVE .156 OF SHIELDS EXPOSED FOR CRIMPING.
  4. STRIP BACK CENTER CONDUCTOR .156, TRIM BACK .38 OF REMAINING INSULATION TO A SUITABLE DIA. TO FIT INTO CONTACT AND CONNECTOR.
  5. USE CLAMPING INSERT\*2 SUPPLIED WITH CLAMP ASSY., (ITEM\*4).
  6. FOR CRIMPING TOOL USE AMP\*90277-01 FOR ITEMS 5 & 7. USE CRIMPING TOOL AMP\*90310-1 FOR ITEMS 6 & 8.
  7. FOR EXTRACTION TOOL USE AMP\*305183.
  8. FOR INSERTION TOOL USE AMP\*91002-1.
  9. APPLY LABEL, (ITEM\*9) APPROX. AS SHOWN.



LEGEND CONT.			
NUMBER	DIM "X"	DIM "Y" (PRE-CUT) REF	METRIC
BC55M-50	50 FT ± 2%	50 FT 6 IN ± 2%	—
BC55M-A5	150 FT ± 2%	150 FT 6 IN ± 2%	—
BC55M-B0	200 FT ± 2%	200 FT 6 IN ± 2%	—
BC55M-C0	300 FT ± 2%	300 FT 6 IN ± 2%	—
BC55M-E0	500 FT ± 2%	500 FT 6 IN ± 2%	—
BC55M-L0	1000 FT ± 2%	1000 FT 6 IN ± 2%	—
BC55M-Y0	2000 FT ± 2%	2000 FT 6 IN ± 2%	—
BC55M-YA	3500 FT ± 2%	3500 FT 6 IN ± 2%	—



CAUTION: OFF SHEET PARTS LIST EXISTS. REFER TO K-PL-BC55M-0-0.

DESCRIPTION	DWG./PART NO.	ITEM NO.
A/R TUBING SHRINK .125 I.D.	9107255-00	10
1 LABEL, CABLE IDENT.	3616073-00	9
1 CONTACT, MALE 14 AWG.	1212001-06	8
3 CONTACT, MALE 16-18 AWG.	1212001-00	7
1 CONTACT, FEMALE 14 AWG.	1212000-04	6
3 CONTACT, FEMALE 16-18 AWG.	1212000-00	5
2 CLAMP ASSY., CABLE	1211430-01	4
1 CONN., RECEPT., 4 PIN CIRC.	1212527-00	3
1 CONN., PLUG, 4 PIN CIRC.	1212526-00	2
A/R CABLE, TRIAX DOUBLE SHLD.	1700185-00	1

UNLESS OTHERWISE SPECIFIED DIMENSIONS ARE IN INCHES							
ANGLES 30° 30'	CLASS OF ACCURACY (CHECK ONE)	NOMINAL DIMENSION RANGE INCHES					
		DOWN TO 0.2	DOWN TO 1.2	DOWN TO 3.0	DOWN TO 12.0	DOWN TO 30.0	DOWN TO 100.0
SURFACE QUALITY IN	MEDIUM <input type="checkbox"/>	2.000	2.000	2.012	2.016	2.000	2.000
MICROINCHES	PREFERRED <input type="checkbox"/>	2.012	2.016	2.000	2.000	2.000	2.000

THIRD ANGLE PROJECTION	DRN: D. Zwickler 15 Nov 77	FIRST USED ON	DMPII-AD
REMOVE BURRS AND BREAK SHARP CORNERS	CHK: J. F. ...	PROJ. ENG.	...
DO NOT SCALE DWG	ENG. ...	PROJ. ENG.	...
MATERIAL SEE PARTS LIST	SCALE 1/1	SIZE CODE	D U A
FINISH	SHEET	OF	DIST.

QUANTITY & VARIATION	DESCRIPTION	DWG./PART NO.	ITEM NO.

TITLE	CABLE, INTEGRAL MODEM
NUMBER	BC55M-0-0
REV.	C

REV.	CHANGE NO.	BY	DATE
A	1	R. BLANCHETTE	16 NOV 77
B	2	R. BLANCHETTE	24 JAN 80
C	3	R. BLANCHETTE	11 FEB 80
D	4	R. HARRINGTON	14 FEB 80

THIS DRAWING AND SPECIFICATIONS, HEREIN, ARE THE PROPERTY OF DIGITAL EQUIPMENT CORPORATION AND SHALL NOT BE REPRODUCED OR COPIED OR USED IN WHOLE OR IN PART AS THE BASIS FOR THE MANUFACTURE OR SALE OF ITEMS WITHOUT WRITTEN PERMISSION. COPYRIGHT © 1979, DIGITAL EQUIPMENT CORPORATION.

WIRE TABLE

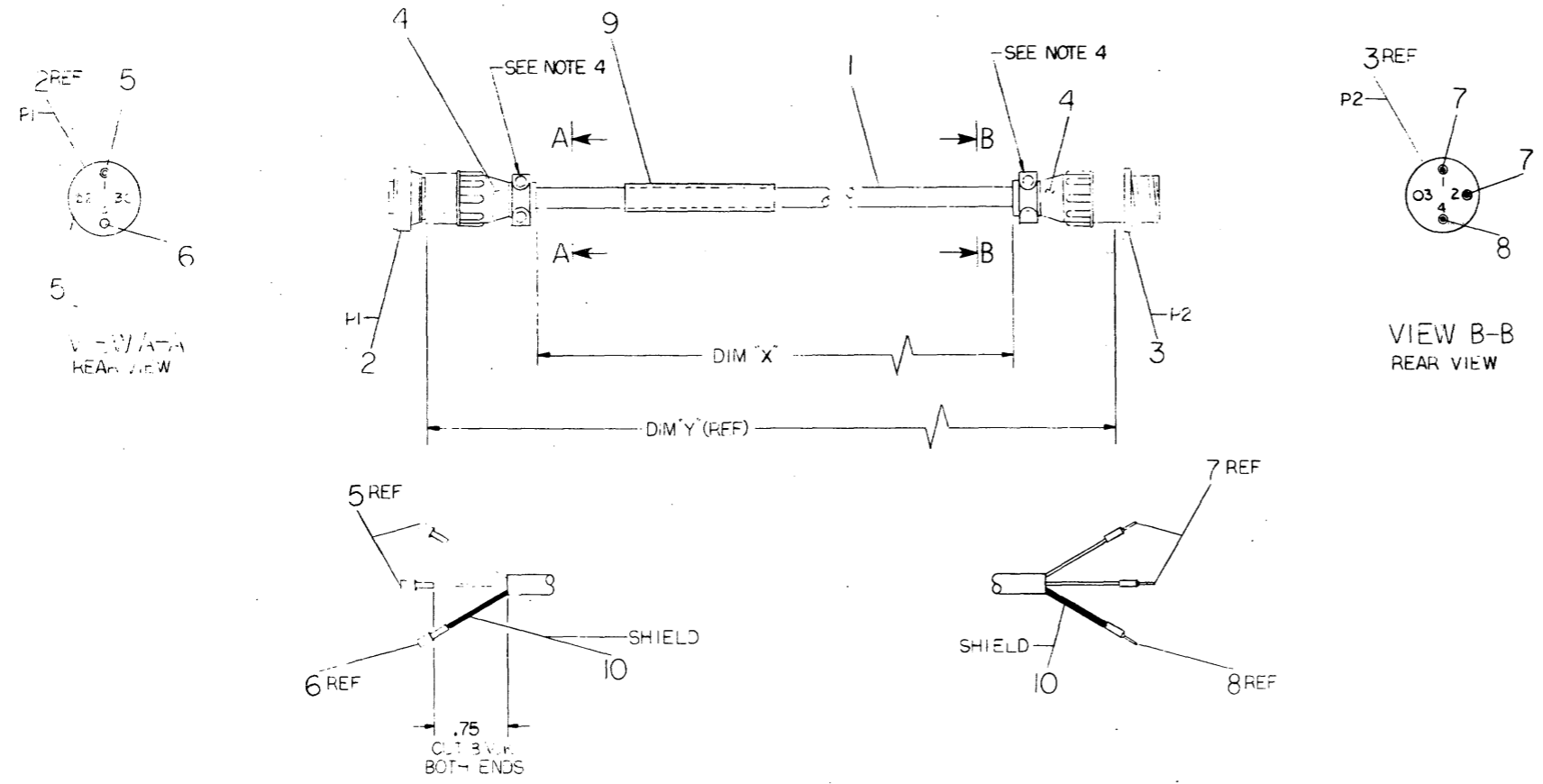
ITEM NO	DESCRIPTION		FROM		TO		SIGNAL NAME
	AWG	COLOR	CONN	WITH	CONN	WITH	
1	20	BLU	PI-1	5	P2-1	7	+DIFF
	20	CLEAR	PI-2	5	P2-2	7	-DIFF
		SHIELD	PI 4	6	P2 4	8	SHIELD

LEGEND

NUMBER	DIM "X" VARIATION	DIM "Y" (PRECUT) REF	METRIC LENGTH (REF)
BC55N-98	98 FT ± 2 FT	98 FT 6 IN	30 METERS
BC55N-50	50 FT ± 2%	50 FT 6 IN ± 2%	15 METERS
BC55N-A0	100 FT ± 2%	100 FT 6 IN ± 2%	30 METERS
BC55N-A5	150 FT ± 2%	150 FT 6 IN ± 2%	46 METERS
BC55N-B0	200 FT ± 2%	200 FT 6 IN ± 2%	61 METERS
BC55N-C0	300 FT ± 2%	300 FT 6 IN ± 2%	91 METERS
BC55N-E0	500 FT ± 2%	500 FT 6 IN ± 2%	152 METERS
BC55N-L0	1000 FT ± 2%	1000 FT 6 IN ± 2%	305 METERS
BC55N-Y0	2000 FT ± 2%	2000 FT 6 IN ± 2%	610 METERS
BC55N-YA	3500 FT ± 2%	3500 FT 6 IN ± 2%	1067 METERS

NOTES:

- FOR CRIMPING TOOL USE AMP #90277-01 ON ITEMS 5 & 7 AND AMP #90310-01 ON ITEMS 6 & 8.
- FOR EXTRACTION TOOL USE AMP #305183.
- FOR INSERTION TOOL USE AMP #91002-1.
- USE 'CLAMPING INSERT #3' SUPPLIED WITH 'CLAMP ASSY' (ITEM 4).



CAUTION: OFF SHEET PARTS LIST EXISTS. REFER TO K-PL-BC55N-0-0.

QTY	DESCRIPTION	DWG/PART NO.	ITEM NO.
10	AIR TUBING THIN WALL .106 ID (NAT)	9107302-11	10
1	LABEL, CABLE ID	3616073-00	9
1	CONTACT, MALE (.14 AWG)	1212001-06	8
2	CONTACT, MALE (24-20 AWG)	1212001-03	7
1	CONTACT, FEMALE (.14 AWG)	1212000-04	6
2	CONTACT, FEMALE (24-20 AWG)	1212000-02	5
2	CLAMP ASSY, CABLE	1214430-00	4
1	CONN, RECEPTACLE (4 PIN CIRCULAR)	1212527-00	3
1	CONN, PLUG 4 PIN CIRCULAR	1212526-00	2
1	AIR CABLE TWIN AX 2 COND 20 AWG	1700164-00	1

THIRD ANGLE PROJECTION		DRN: [Signature]	APR 79	FIRST USED ON	DMP11-AD
REMOVE BURRS AND BREAK SHARP CORNERS		CHK'D: [Signature]	ENG: [Signature]	TITLE	
DO NOT SCALE DWG		NEXT HIGHER ASSY.		CABLE, INTEGRAL MODEM	
MATERIAL SEE PARTS LIST		SCALE NONE		SIZE CODE	NUMBER
FINISH		SHEET OF		D	UA BC55N-0-0
				REV.	C

REV.	CHANGE NO.	DESCRIPTION
1	1	INITIAL REVISED
2	2	REVISED
3	3	REVISED
4	4	REVISED
5	5	REVISED
6	6	REVISED
7	7	REVISED
8	8	REVISED

# DIGITAL EQUIPMENT CORPORATION PARTS LIST

QUANTITY / VARIATION

NOTES:

MADE BY <i>D. Zucchi</i>	CHECKED <i>R. Harrington</i>	SECTION	1
DATE <i>9 JAN 80</i>	DATE <i>17 MAR 80</i>		
ENG <i>Hong</i>	PROD <i>R. Zucchi</i>	ISSUED SECTION	1
DATE <i>17 MAR 80</i>	DATE <i>17 MAR 80</i>		

ITEM NO.	DRAWING NO.	PART NO.	DESCRIPTION	DMR11-AA	DMR11-AB	DMR11-AC	DMR11-AD	DMR11-AE						REF DESIGNATION	
1	B-TC-DMR11-0-1	MP03911	CUSTOMER PRINT SET	1	1	1	1	1							
2		EK-DMR11-UG-001	DMR11 USERS GUIDE	1	1	1	1	1							
3		ZJ306-RB	DMR11 SOFTWARE LIBKIT	1	1	1	1	1							

E.C.O. NO. \_\_\_\_\_

THIS DRAWING AND SPECIFICATIONS, HEREIN, ARE THE PROPERTY OF DIGITAL EQUIPMENT CORPORATION AND SHALL NOT BE REPRODUCED OR COPIED OR USED IN WHOLE OR IN PART AS THE BASIS FOR THE MANUFACTURE OR SALE OF ITEMS WITHOUT WRITTEN PERMISSION. COPYR: SHT © 1980 DIGITAL EQUIPMENT CORPORATION

TITLE	ASSY NO.	SIZE	CODE	NUMBER	REV.
SHIPPING LIST, DMR11	D-UA-DMR11-0-0	B	PL	DMR11-0	*
	SHEET 1 OF 1	INSERTION PARTS LIST DATA BASE REV			

LINE ITEM	DOCUMENT NUMBER	PART NUMBER	DESCRIPTION	QUANTITY PER VARIATION
1	D-IA-BC08S-0-0	BC08S-10	CABLE 10" DC76	1
2	D-IA-7421940-0-0	7421940-00	PANEL BC55	1
3	D-UA-HBC55-0-0	HBC55-00	JUMPER BOARD + RS423/RS232C CONN	1
4		9006453-00	SCREW, SEMS, SLOTTED HEX HEAD 6-	6
5	C-MD-7421941-0-0	7421941-00	STRAIN RELIEF BC55	1
6		3616073-00	LABEL, CABLE IDENTIFICATION	1
7		9007834-00	TAPE, DOUBLE COATED, 1/2" WIDE, A/R	
8		9010174-00	SCREW, SEMS, PHILLIPS PAN HD 6-3	2
9		9008992-00	WASHER, FLAT, WHITE NYLON, 375 X	1

REVISION HISTORY		BASIC PART NO: BC55C		DRN:	G HOVEY	DATE:	21-SEP-79	DIGITAL			
ENG:	ECO NUMBER	REV	SECTION A OF A	CHK'D:	J FALKOWSKI	DATE:	21-SEP-79	TITLE		PARTS LIST	
PA	BC55C-MK001	A	[A] 10					PANEL ASSY, BC55C			
			[B]	DES.ENG.:	P ALOISI	DATE:	21-SEP-79	DOCUMENT NUMBER			
			[C]	RESP.ENG.:	<i>Paul D. Aloisi</i> P ALOISI	DATE:	21-SEP-79	SIZE	CODE	NUMBER	REV
			[D]								
			[E]	MFG.ENG.:	G ARMBRUSTER	DATE:	21-SEP-79	K	PL	BC55C-0-0	A
			[F]	ASSEMBLY NUMBER:		TOP DOCUMENT NUMBER:		FILE NAME:		EDIT #	
				D-UA-BC55C-0-0		B-DD-BC55C-0-0		BC55C.PLS		3	

\*THIS DRAWING AND SPECIFICATIONS HEREIN, ARE THE PROPERTY OF DIGITAL EQUIPMENT CORPORATION AND SHALL NOT BE REPRODUCED OR COPIED OR USED IN WHOLE OR IN PART AS THE BASIS FOR THE MANUFACTURE OR SALE OF ITEMS WITHOUT WRITTEN PERMISSION. COPYRIGHT (C) 1980. DIGITAL EQUIPMENT CORPORATION \*

m/c

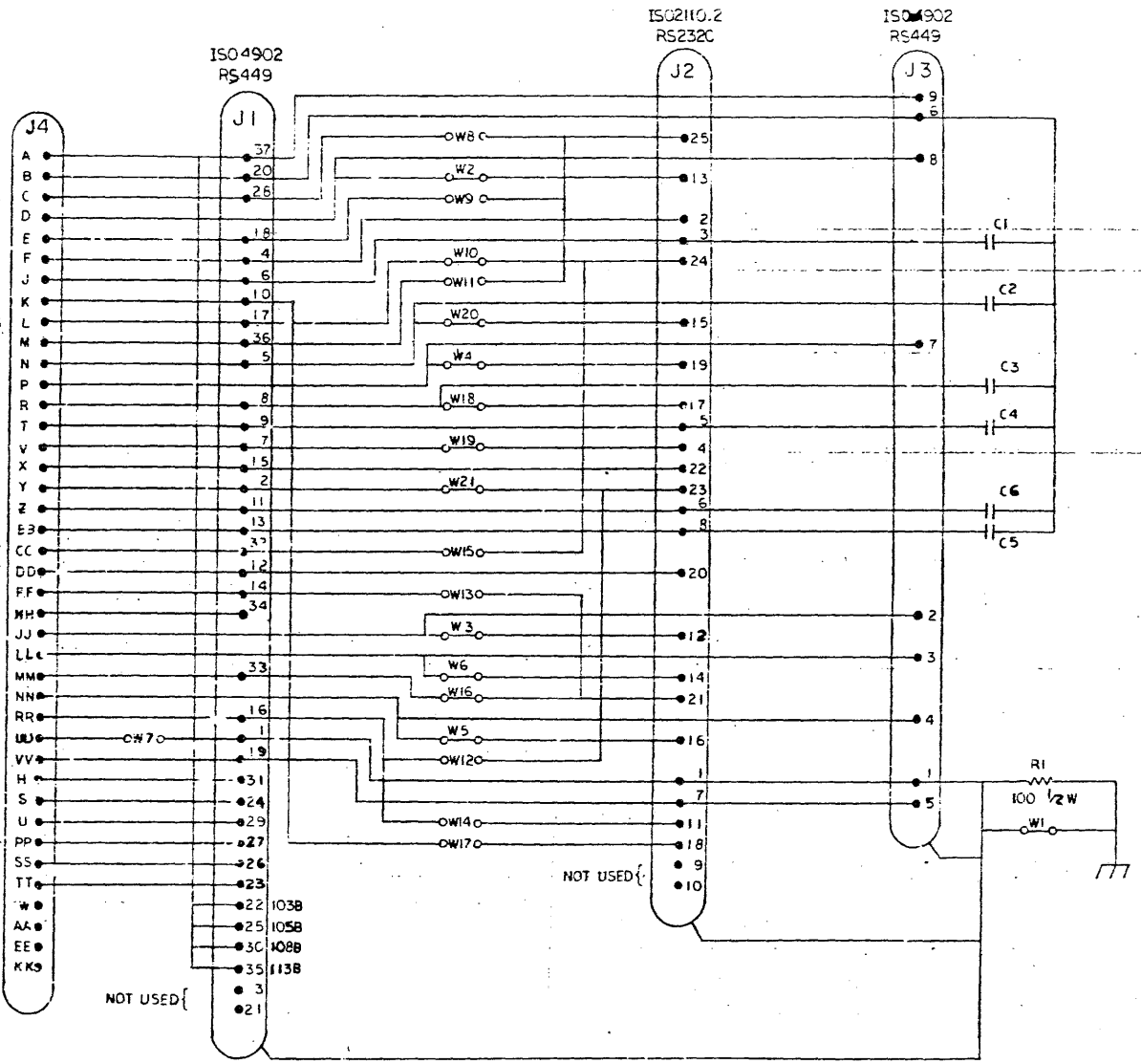
THIS DRAWING AND SPECIFICATIONS HEREIN ARE THE PROPERTY OF DIGITAL EQUIPMENT CORPORATION AND SHALL NOT BE REPRODUCED OR COPIED OR USED IN WHOLE OR IN PART AS THE BASIS FOR THE MANUFACTURE OR SALE OF ITEMS WITHOUT WRITTEN PERMISSION.  
 COPYRIGHT © 1972 DIGITAL EQUIPMENT CORPORATION

NOTES

- UNLESS OTHERWISE SPECIFIED ALL CAPACITORS 2200P 100VDC 20%
- W7 NEVER NORMALLY INSTALLED
- ASSEMBLED FOR RS232C IN MANUFACTURING

J2 PIN	JUMPER	RS232C	BELL 103J	BELL 208B	DATEL 209	DATEL 200	DATEL 600	DATEL 1800	CCITT V.21	CCITT V.23	CCITT V.27	ISO 210-1972	ISO 210-2	ISO 210-2	FUTURED X.21 BIS	FUTURED X.20 BIS	EIA RS232C	EIA RS449	CCITT V.24
1	W1	IN	IN	IN	IN	IN	IN	IN	IN	IN	IN	IN	IN	IN	IN	IN	AA	IO1	
13	W2	IN	IN	IN	IN	IN	IN	IN	IN	IN	IN	IN	IN	IN	IN	IN	SCB	SCS121	
12	W3	IN	IN	IN	IN	IN	IN	IN	IN	IN	IN	IN	IN	IN	IN	IN	SCF	SR122	
19	W4	IN	IN	IN	IN	IN	IN	IN	IN	IN	IN	IN	IN	IN	IN	IN	SCA	SR120	
16	W5	IN	IN	IN	IN	IN	IN	IN	IN	IN	IN	IN	IN	IN	IN	IN	SBB	SR119	
14	W6	IN	IN	IN	IN	IN	IN	IN	IN	IN	IN	IN	IN	IN	IN	IN	SB	SD118	
NOTE 2	W7																		
25	W8																MAKE BUDY		
25	W9					IN					IN	IN					TM	I42	
24	W10	IN	IN	IN		IN				IN	IN	IN	IN				DA	TT113	
25	W11					IN											SB	117	
23	W12																CI	SF112	
21	W13					IN				IN	IN						RL	I40	
11	W14		IN							IN							SF	I26	
24	W15					IN				IN							SS	I16	
21	W16	IN	IN														CG	SQ110	
18	W17					IN				IN	IN						LL	I41	
17	W18	IN	IN	IN		IN	IN	IN	IN	IN	IN	IN	IN				DD	RT115	
4	W19	IN	IN	IN	IN	IN	IN	IN	IN	IN	IN	IN	IN				CA	RS105	
15	W20	IN	IN	IN		IN	IN	IN	IN	IN	IN	IN	IN				DB	ST114	
23	W21	IN	IN	IN		IN	IN	IN	IN	IN	IN	IN	IN				CH	SR111	
2																	BA	SD103	
3																	BB	RD104	
5																	CB	CS106	
6																	CC	DM107	
7																	AB	SG102	
8																	CF	RR109	
20																	CD	TR108	
22																	CE	IC125	

- CCITT RS449
- 102A SEND COMMON
  - 102B REC COMMON
  - 135 TERM IN SERVICE
  - 121 S&C CTS
  - 142 TEST MODE
  - 103 SEND DATA
  - 104 REC DATA
  - 141 LOCAL LOOP
  - 113 TERMINAL TIMING
  - 117 STANDBY IND
  - 114 SEND TIMING
  - 120 SEC RTS
  - 115 REC TIMING
  - 106 CLEAR TO SEND
  - 105 REQ TO SEND
  - 125 INCOMING CALL
  - 102 SIG RATE IND
  - 107 DATA MODE
  - 109 REC READY
  - 116 SELECT STANDBY
  - 108 TERMINAL READY
  - 140 REMOTE LOOP
  - 136 NEW SIGNAL
  - 122 SEC REC READY
  - 118 SEC SEND DATA
  - 110 SIGNAL QUALITY
  - 119 SEC REC DATA
  - 111 SEL SIGNAL RATE
  - 101 SHIELD GROUND
  - 102 SIGNAL GROUND
  - 109B REC READY-
  - 104B REC DATA -
  - 107B DATA MODE-
  - 106B CLEAR TO SEND-
  - 115B REC TIMING -
  - 114B SEND TIMING-



CHK	CHK	CHK	CHK
DESIGNED	DESIGNED	DESIGNED	DESIGNED
APPROVED	APPROVED	APPROVED	APPROVED
DATE	DATE	DATE	DATE

DRN	10000	FIRST USED ON	DM111-AD	digital
CHKD	10000	TITLE	EC55C	
ENG	10000	PROD. ENG.	10000	
PROD.	10000	NEXT HIGHER ASSY.		
B-DD	H8C55-2-1	SIZE CODE	D	CS
SCALE		NUMBER	H8C55-2-1	REV
SHEET	1	OF	1	LIST

H8C55-0-1

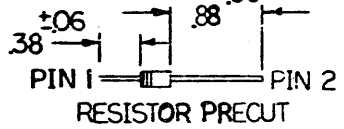
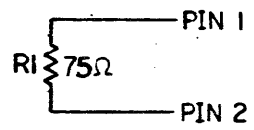
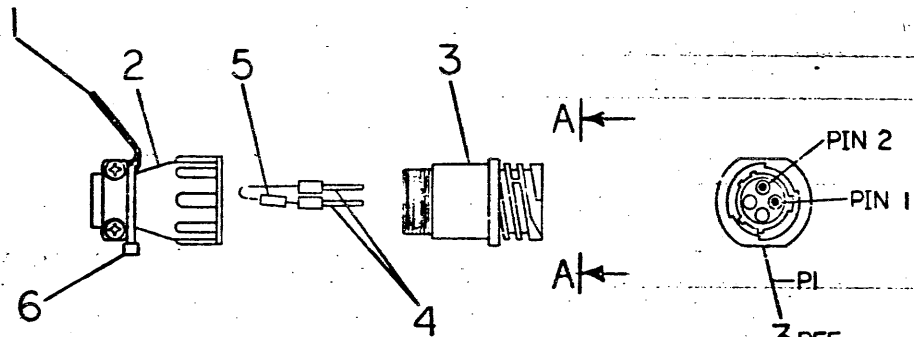
THIS DRAWING AND SPECIFICATIONS HEREIN ARE THE PROPERTY OF DIGITAL EQUIPMENT CORPORATION AND SHALL NOT BE REPRODUCED OR COPIED OR USED IN WHOLE OR IN PART AS THE BASIS FOR THE MANUFACTURE OR SALE OF ITEMS WITHOUT WRITTEN PERMISSION.  
 COPYRIGHT © 1979 DIGITAL EQUIPMENT CORPORATION

### WIRE TABLE

ITEM NO	DESCRIPTION		FROM		TO	
	AWG	REF-DES	CONN	WITH	CONN	WITH
5	22	PI	PI-1	4	PI-2	3,4

### NOTES:

1. USE CLAMPING INSERT \*1 SUPPLIED WITH CLAMP ASSY (ITEM 2).
2. FOR CRIMPING TOOL USE AMP\*90277-01
3. FOR EXTRACTION TOOL USE AMP\*305183
4. FOR INSERTION TOOL USE AMP\*91002-1
5. FOLD LABEL (ITEM 1) IN HALF. CUT OFF UNUSED AREA OF LABEL AND WRAP AROUND CABLE TIE (ITEM 6) LENGTHWISE. SECURE CABLE TIE AT NECK OF SHELL.



VIEW A-A  
FRONT VIEW

ITEM NO.	DESCRIPTION	QTY	DRG./PART NO.	ITEM NO.
1	TIE, CABLE, SSTI M		9007031-00	6
1	RES, 75 1/4W 5%		1302379-00	5
2	CONN, PIN 28-26AWG		1212001-02	4
1	CONN, RCPT 4 PIN CIRC FOR 1212526-00		1212527-00	3
1	CONN, RCPT CLAMP, CABLE CIRC SHELL SZ-11		1211430-00	2
1	LABEL, CABLE IDENTIFICATION		3616073-00	1

UNLESS OTHERWISE SPECIFIED DIMENSIONS ARE IN INCHES		NOMINAL DIMENSION RANGE INCHES	
ANGLES TO 30°	CLASS OF ACCURACY (CHECK ONE)	±.005	±.010
SURFACE QUALITY IN	MEDIUM	±.008	±.012
MICROINCHES	PREFERRED	±.012	±.016

QUANTITY & VARIATION

THIRD ANGLE PROJECTION

REMOVE BURRS AND BREAK SHARP CORNERS

DO NOT SCALE Dwg

MATERIAL: SEE PARTS LIST

FINISH: + / +

DRN: *[Signature]* 12/11/79

CHK'D: *[Signature]*

ENG: *[Signature]*

PROJ. ENG: *[Signature]*

PROD. CONTROL: *[Signature]*

NEXT HIGHER ASSY.

SCALE: 1/1

SHEET: OF

FIRST USED ON: DMP11-AC. digital

TITLE: TERM, INTEGRAL MODEM MALE

SIZE CODE: B

NUMBER: UAH3257-0-0

REV.:

REV.	CHANGE NO.

4

3

REV. A 0-0-0-003258-0-0 B SIZE CODE 2 |

1

THIS DRAWING AND SPECIFICATIONS HEREIN ARE THE PROPERTY OF DIGITAL EQUIPMENT CORPORATION AND SHALL NOT BE REPRODUCED OR COPIED OR USED IN WHOLE OR IN PART AS THE BASIS FOR THE MANUFACTURE OR SALE OF ITEMS WITHOUT WRITTEN PERMISSION

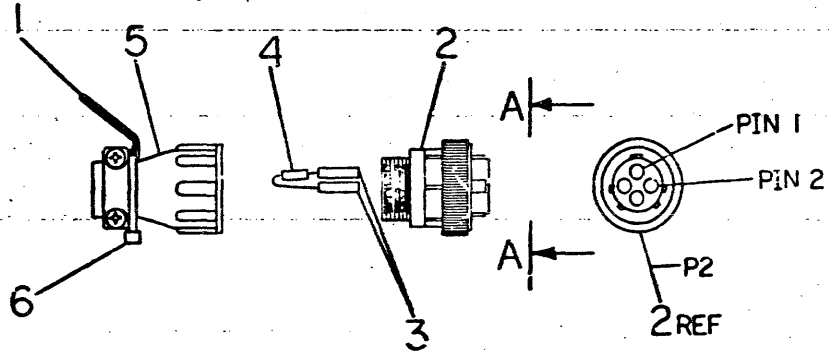
COPYRIGHT © 1979 DIGITAL EQUIPMENT CORPORATION

### WIRE TABLE

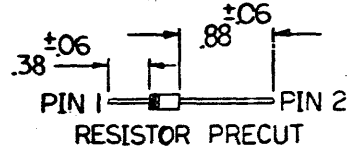
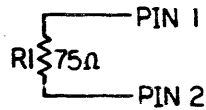
ITEM NO	DESCRIPTION		FROM		TO	
	AWG	REF-DES	CONN	WITH	CONN	WITH
4	22	RI	P2-1	3	P2-2	2,3

### NOTES:

1. USE CLAMPING INSERT\*1 SUPPLIED WITH CLAMP ASSY (ITEM\*5).
2. FOR CRIMPING TOOL USE AMP\*90277-01.
3. FOR EXTRACTION TOOL USE AMP\*305183.
4. FOR INSERTION TOOL USE AMP\*91002-1.
5. FOLD LABEL (ITEM 1) IN HALF. CUT OFF UNUSED AREA OF LABEL AND WRAP AROUND CABLE TIE (ITEM 6) LENGTHWISE. SECURE CABLE TIE AT NECK OF SHELL.



VIEW A-A  
FRONT VIEW



CAUTION: OFF SHEET PARTS LIST SEE K-PL-H3258-0-0

ITEM NO	DESCRIPTION	DWG/PART NO.	ITEM NO.
1	TIE, CABLE, SSTI M	9007031-00	5
1	CONN, RCPT CLAMP, CABLE CIRC SHELL SZ-11	1211430-00	5
1	RES, 75 1/4W 5%	1302379-00	4
2	CONN, SKT 28-26 AWG CRIMP	1212000-03	3
1	CONN, PLUG 4 PIN CIRC FOR 1212527-00	1212526-00	2
1	LABEL, CABLE IDENTIFICATION	3616073-00	1

DESCRIPTION	DWG/PART NO.	ITEM NO.														
UNLESS OTHERWISE SPECIFIED DIMENSIONS ARE IN INCHES																
ANGLES 2:00 30	CLASS OF ACCURACY (CHECK ONE)	NOMINAL DIMENSION RANGE INCHES														
SURFACE QUALITY IN	MEDIUM	<table border="1"> <tr> <td>OVER 1.0</td> <td>0.125 - 1.0</td> <td>1.0 - 2.0</td> <td>2.0 - 3.0</td> <td>3.0 - 4.0</td> <td>4.0 - 6.0</td> <td>6.0 - 10.0</td> </tr> <tr> <td>±.005</td> <td>±.002</td> <td>±.012</td> <td>±.014</td> <td>±.024</td> <td>±.04</td> <td>±.06</td> </tr> </table>	OVER 1.0	0.125 - 1.0	1.0 - 2.0	2.0 - 3.0	3.0 - 4.0	4.0 - 6.0	6.0 - 10.0	±.005	±.002	±.012	±.014	±.024	±.04	±.06
OVER 1.0	0.125 - 1.0	1.0 - 2.0	2.0 - 3.0	3.0 - 4.0	4.0 - 6.0	6.0 - 10.0										
±.005	±.002	±.012	±.014	±.024	±.04	±.06										
MICROINCHES	PRE-PROD	±.012 ±.018 ±.025 ±.04 ±.063														

CHK	CHANGE NO.	REV.
	H3258-MK001	A
	D. Chappin	13 July 81
	R. HARRINGTON	
		3 AUG 81

THIRD ANGLE PROJECTION

REMOVE BURRS AND BREAK SHARP CORNERS

DO NOT SCALE DWG

MATERIAL: SEE PARTS LIST

FINISH: + / +

DRN: J. Harrison 12/13/76

CHK'D: K. B. ...

ENG: Paul ...

PROJ. ENGR: ...

PROD. BY: ...

NEXT HIGHER ASSY:

DATE FIRST USED ON: 12/13/76

TITLE: DMPII-AC **digital**

TERM. INTEGRAL MODEM, FEMALE

MATERIAL: B-DD-H3258-0

SCALE: 1/1

SHEET: OF: DIST:

4

3

2

MK

1