

THIS DRAWING AND THE SPECIFICATIONS CONTAINED HEREIN ARE CONFIDENTIAL AND PROPRIETARY. THEY ARE THE PROPERTY OF DIGITAL EQUIPMENT CORPORATION AND SHALL NOT BE REPRODUCED OR COPIED OR USED IN WHOLE OR IN PART AS THE BASIS FOR MANUFACTURING OR SALE OF ITEMS WITHOUT WRITTEN PERMISSION. THIS IS AN UNPUBLISHED WORK PROTECTED UNDER THE FEDERAL COPYRIGHT LAWS.

COPYRIGHT 1987
FIELD MAINTENANCE PRINT SET

TABLE OF CONTENTS

UNIT VARIATIONS
COVERED BY THIS
PRINT SET

K-TC-BA11-A-1	FIELD MAINT. PRINT SET MPO0832
K-DD-BA11-A	DRAWING DIRECTORY-BA11-A UNIT ASSY.
E-UA-BA11-A-0	BA11-A UNIT ASSY.
K-PL-BA11-A-DBP	BA11-A UNIT ASSY. -P/L
E-AD-7016391-0-0	BA11-A BOX ASSEMBLY
K-PL-7016391-0-DBP	BA11-A BOX ASSY-P/L
C-IA-7016901-0-0	FAN POWER HARNESS
D-AD-7016472-0-0	FAN TRAY ASSEMBLY
K-PL-7016472-0-DBP	FAN TRAY ASSY-P/L
MPO0837	M7140 POWER SUPPLY FIELD MAINT. PRINT SET
D-AD-7016888-0-0	POWER DISTRIBUTION BD. ASSEMBLY
D-UA-5413632-0-0	POWER DISTRIBUTION BD.
D-CS-5413632-01	CIRCUIT SCHEMATIC (POWER DISTRIB. BD)
E-AD-7016493-0-0	BA11-A BOX FRAME ASSEMBLY
K-PL-7016943-0-DBP	BA11-A BOX FRAME ASSY-P/L
C-IA-7016392-0-0	FAN CABLE ASSEMBLY
D-AD-7016887-0-0	POWER DISTRIBUTION BD. HARNESS ASSY
MPO1760-01	M7204-A POWER SUPPLY FIELD MAINT. PRINT SET
MPO1762-01	M7204-B POWER SUPPLY FILED MAINT. PRINT SET
E-AD-7022115-0-DBU	FAN TRAY ASSY (DC)
K-PL-7022155-0-DBP	FAN TRAY ASSY-P/L
D-AD-7016479-0-0	BOTTOM COVER ASSY
D-IA-7016887-0-0	CABLE JUMPER ASSY
B-DD-M9049-0-0	ELEM POWER SUPPLY LOAD BOARD -DD
D-UA-M9049-0-0	ELEM POWER SUPPLY LOAD BOARD - ASSY
K-PL-M9049-0-DBP	ELEM POWER SUPPLY LOAD BOARD -PL
D-CS-M9049-0-LBD1	LOAD BOARD-M7209-B P.S.
E-AD-7016963-0-0	CONSOLE/BAZEL ASSY.
D-IA-7020490-0-0	TOP COVER ASSY.
K-PL-7020490-0-0	TOP COVER ASSY-P/L

- BA11-AA
- BA11-A9
- BA11-AE
- BA11-AF
- BA11-AM
- BA11-AL
- BA11-AS
- BA11-AT
- BA11-AU
- BA11-AV
- BA11-AW
- BA11-AX
- BA11-AY
- BA11-AZ

FIELD MAINTENANCE PRINT SET

DIGITAL EQUIPMENT CORPORATION
PRINT SET ORDER NO .
MPO0832 REV. B1

REVISION HISTORY

CONT. REVISION HISTORY

MADE BY : JOHN NAGLE
DATE : 20-JUN-79

REV	ECO NUMBER	DATE
A	INITIAL	- -79
B	BA11-A-ML002	29-JUL-83
C	BA11-A-TW003	-MAR-85
D	BA11-A-MK006	25-APR-86
E	BA11-A-MK007	20-APR-87

REV	ECO NUMBER	DATE
-	-	-
-	-	-
-	-	-
-	-	-
-	-	-

CHECKED BY : P. HELG
DATE : 17-AUG-79

PROJECT ENGR : R. GRUDA
DATE : 17-AUG-79

RSPBLE ENGR : R. GRUDA
DATE : 17-AUG-79

FIELD SERVICE : RALPH EVANS
DATE : 17-AUG-79

d i g i t a l

TITLE: FIELD MAINTENANCE PRINT SET
BA11-A UNIT ASSEMBLY

SIZE	CODE	DOCUMENT NUMBER	REV.
K	TC	BA11-A-1	E

SHEET 1 OF 1 | EDIT : 4

DRAWING NO.	NO. SHTS	PART NO.	DESCRIPTION	REVISIONS
		BA11-AA	A-BOX W/H7140-AA P.S. 120V	B1 B1
		BA11-AB	A-BOX W/H7140-AB P.S. 240V	B1 B1
		BA11-AS	A-BOX W/H7140-DA P.S. 120V	D1 D1
		BA11-AT	A-BOX W/H7140-DB P.S. 240V	D1 D1
		BA11-AU	A-BOX W/H7204-AA P.S. 120V	E1 E1
		BA11-AV	A-BOX W/H7204-AB P.S. 240V	E1 E1
		BA11-AM	A-BOX W/H7204-BA P.S. (ISOL. SLIDES)-120V	D1 E1
		BA11-AX	A-BOX W/H7204-BB P.S. (ISOL. SLIDES)-240V	D1 E1
		BA11-AY	A-BOX W/H7204-BA P.S. 120V	A1 B1
		BA11-AZ	A-BOX W/H7204-BB P.S. 240V	A1 B1
E-UA-BA11-A-0	3		UNIT ASSEMBLY ON BA11-A	E F
K-PL-BA11-A-DBP	2		PARTS LIST ON BA11-A	E F
K-TC-BA11-A-1	1		TABLE OF CONTENTS ON BA11-A	D E
		*BA11-AE	EXPANDER A-BOX W/H7140-BA P.S. 120V	
		*BA11-AF	EXPANDER A-BOX W/H7140-BB P.S.	

NOTES:
 BA11-A AA, AB, AS, AT, AU, AV, AM, AX, AY, AZ.
 * NOTE: FOR VARIATIONS AE, AF, AL, AM SEE DRAWING DIRECTORY
 K-DD-BA11-AE.

R E V I S I O N
 H I S T O R Y
 D E
 E M M
 C I K K
 O O O
 N 6 7
 O A
 D 0
 A 4
 T /
 E 8
 7

THIS DRAWING AND THE SPECIFICATIONS CONTAINED HEREIN ARE CONFIDENTIAL AND PROPRIETARY. THEY ARE THE PROPERTY OF DIGITAL EQUIPMENT CORPORATION AND SHALL NOT BE REPRODUCED OR COPIED OR USED IN WHOLE OR IN PART AS THE BASIS FOR THE MANUFACTURE OR SALE OF ITEMS WITHOUT WRITTEN PERMISSION. THIS IS AN UNPUBLISHED WORK PROTECTED UNDER THE FEDERAL COPYRIGHT LAWS.

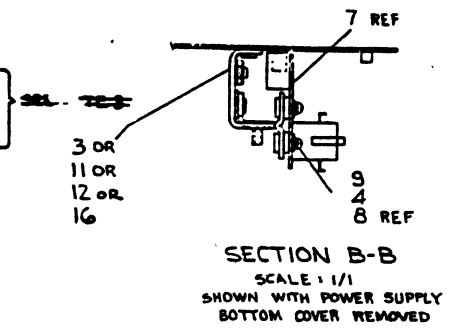
DRN: B. MORIN	DATE: 20-APR-87	d i g i t a l l	
CHK'D: P. HELG	DATE: 20-APR-87	TITLE BA11-A UNIT ASSEMBLY	
DES. ENG.: R. GRUDA	DATE: 20-APR-87	SHEET 1 OF 2	EDIT: 5
RESP. ENG.: R. GRUDA	DATE: 20-APR-87	DOCUMENT NUMBER	
		DD FILENAME: BA11-AE.DDF	
MFG. ENG.: R. LEWIS	DATE: 20-APR-87	SIZE: K DD	CODE: BA11-A-0 NUMBER: E REV: E

DRAWING NO.	NO. SHTS	PART NO.	DESCRIPTION	REVISIONS
		*BA11-AL	240V EXPANDER A-BOX W/H7140-CA P.S.	
		*BA11-AM	120V EXPANDER A-BOX W/H7140-CB P.S. 240V	

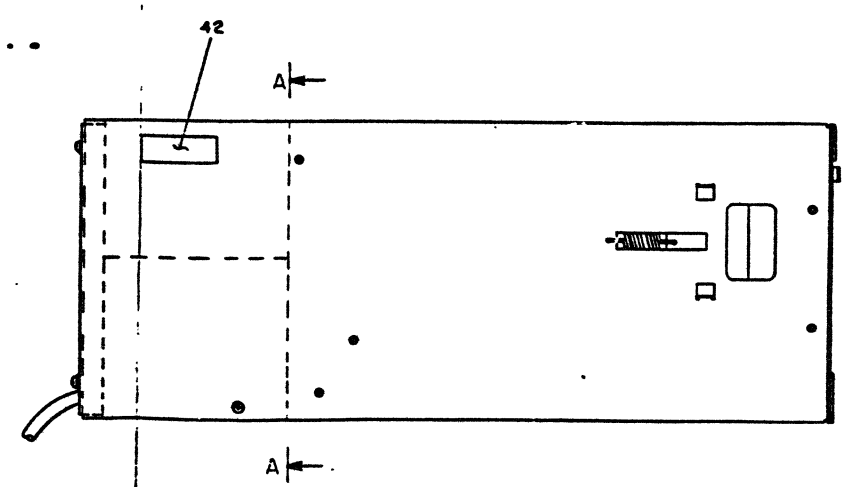
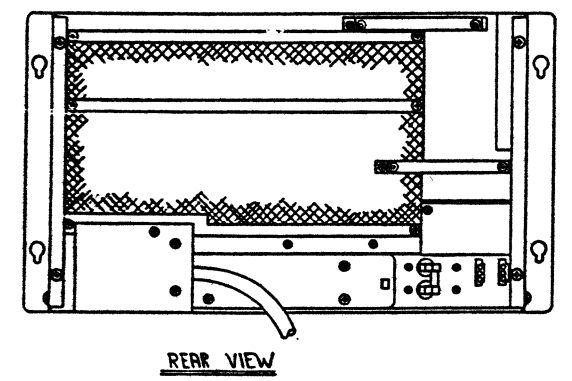
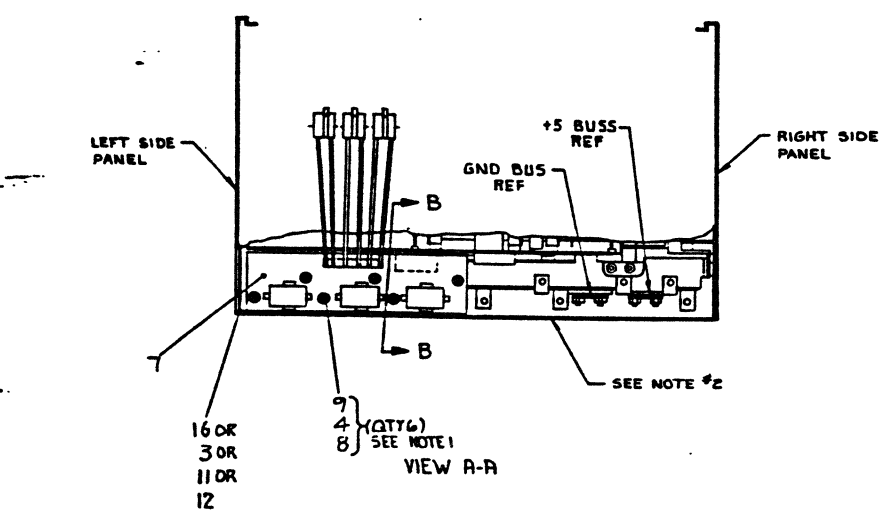
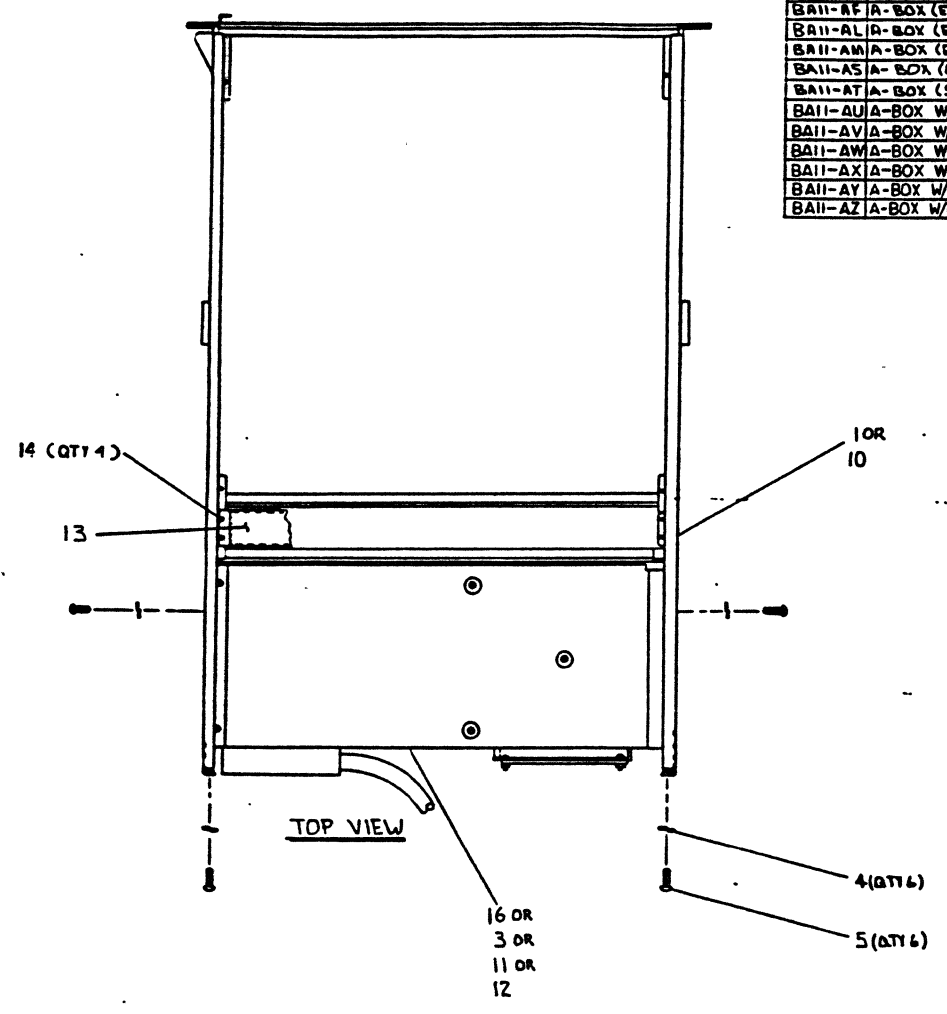
d i g i t a l	TITLE BA11-A UNIT ASSEMBLY	SHEET 2 OF 2	SIZE K	CODE DD	DOCUMENT NUMBER BA11-A-0	REV E
---------------	-------------------------------	--------------	-----------	------------	-----------------------------	----------

J
 H
 F
 E
 D
 C
 B
 A

VAR.	DESCRIPTION	REV
B11-AA	A-BOX (STD) W/H7140-AA P.S., 120V	B1
B11-AB	A-BOX (STD) W/H7140-AB P.S., 240V	B1
B11-AE	A-BOX (EXP) - SEE B-DD-B11-AE	REF
B11-AF	A-BOX (EXP) - SEE B-DD-B11-AE	REF
B11-AL	A-BOX (EXP) - SEE B-DD-B11-AE	REF
B11-AM	A-BOX (EXP) - SEE B-DD-B11-AE	REF
B11-AS	A-BOX (STD) W/H7140-DA P.S., 120V	D1
B11-AT	A-BOX (STD) W/H7140-DB P.S., 240V	D1
B11-AU	A-BOX W/H7204-AA P.S., 120V	D1
B11-AV	A-BOX W/H7204-AB P.S., 240V	D1
B11-AW	A-BOX W/H7204-BA P.S., 120V W/150 SLIDES	E1
B11-AX	A-BOX W/H7204-BB P.S., 240V W/150 SLIDES	E1
B11-AY	A-BOX W/H7204-BA P.S., 120V W/SLIDES	B1
B11-AZ	A-BOX W/H7204-BB P.S., 240V W/SLIDES	B1



1. TORQUE ITEMS 8 TO 22 W/BS.
2. POWER SUPPLY BOTTOM COVER MUST BE REMOVED TO INSTALL POWER DISTRIBUTION BOARD (ITEM 7)
3. VARIATIONS AE, AF, AL, AM ARE FOR REFERENCE ONLY. SEE DWS.
4. ELEM LOAD BOARD MODULE (ITEM 51) IS TO BE SUPPLIED WITHIN THE B11-A BOX WHEN SHIPPED. REFER TO EK-H7204-UG-002 FOR PROPER USAGE OF THE LOAD BOARD MODULE.



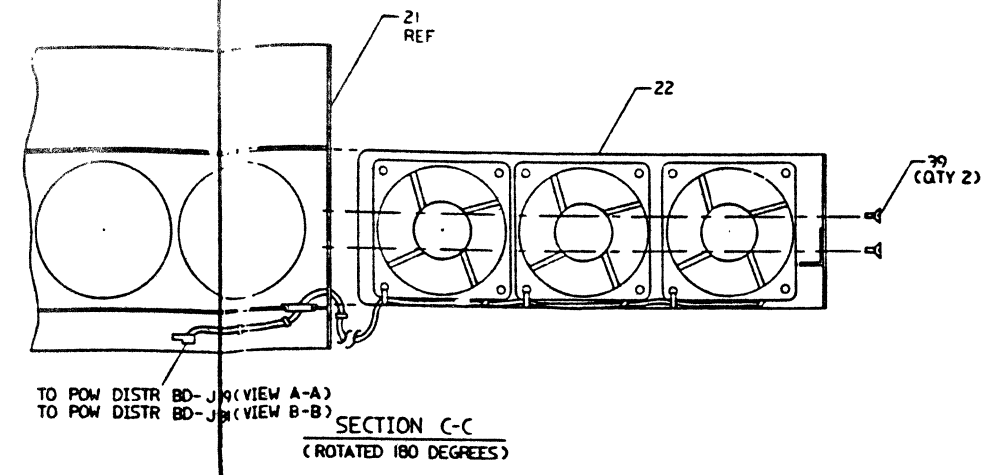
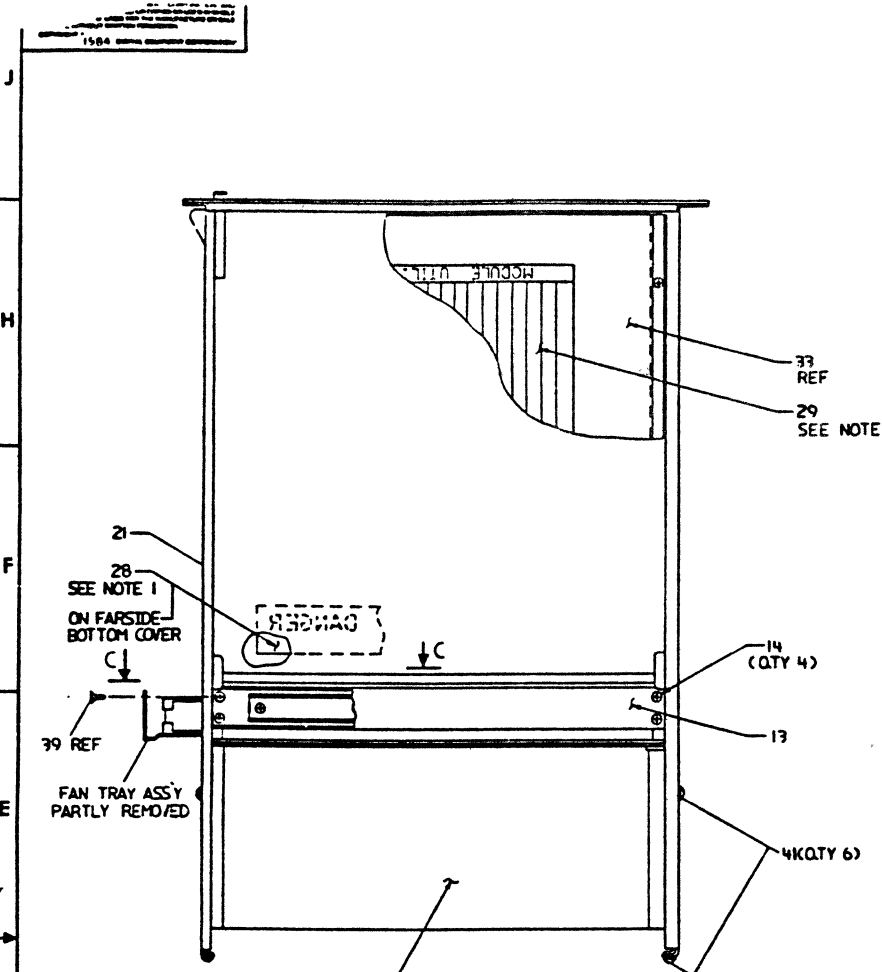
VARIATIONS -AA, -AB, -AS, & -AT

SEE OFF SHEET PARTS LIST
K-PL-B11-R-DBP

REV	DESCRIPTION	DATE	BY	CHKD
1	INITIAL DESIGN	11/44
2
3
4
5
6
7
8
9
10

QUANTITY & VARIATION	DESCRIPTION	DRAWING NO.	ITEM NO.
1	B11-A UNIT ASSEMBLY	11/44	...
1	K-DD-B11-A-O
1	EUA B11-A-O

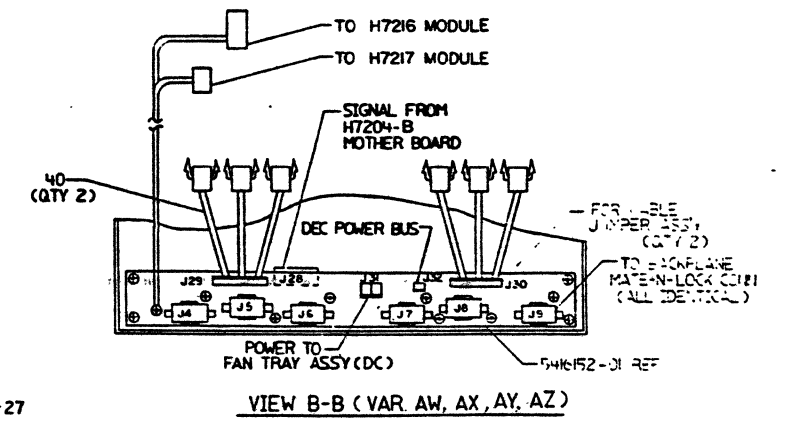
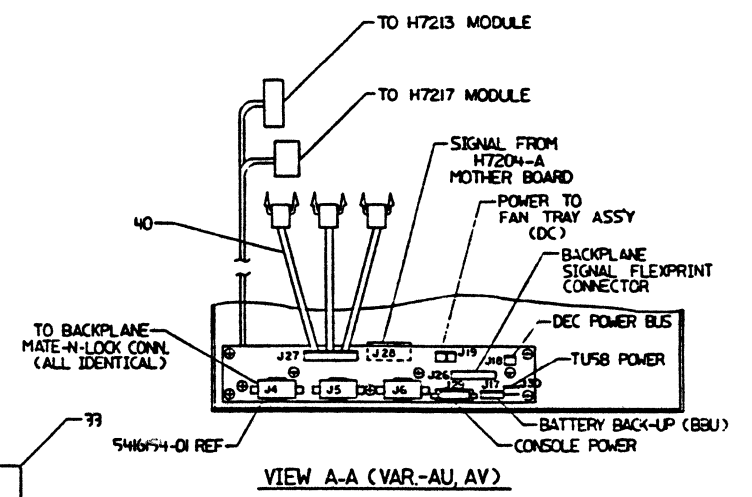
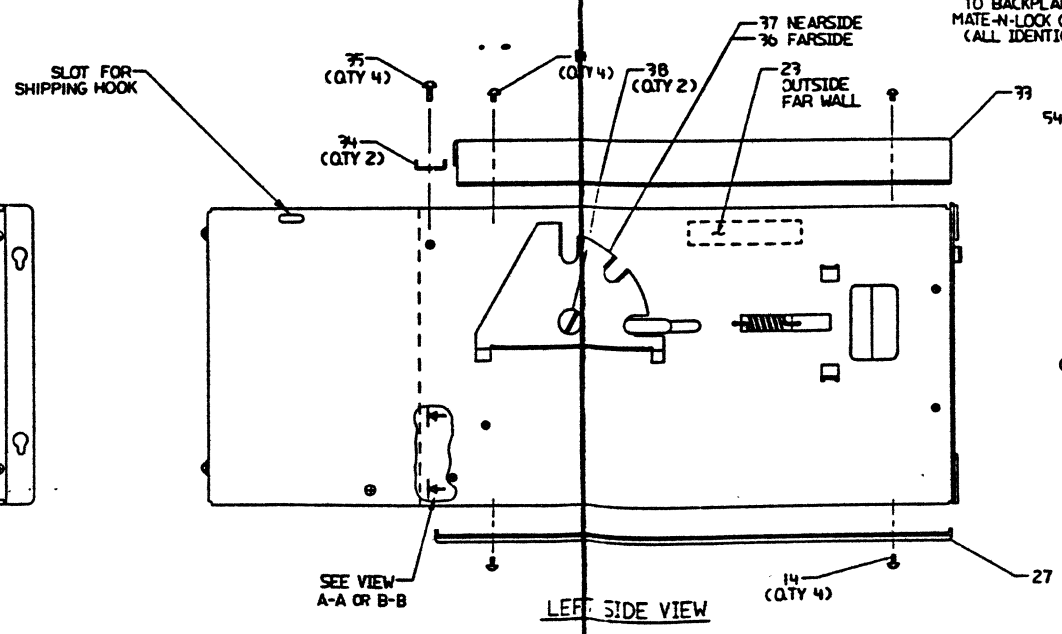
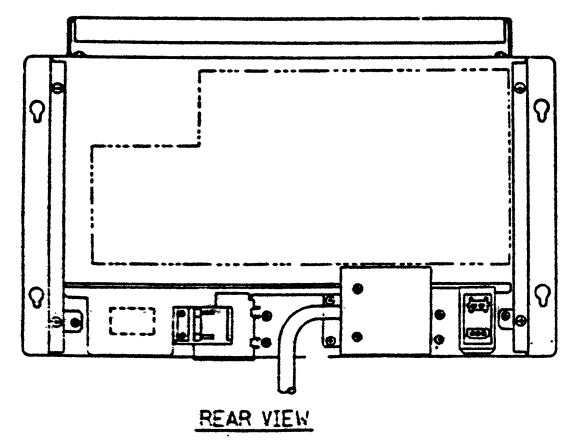
J
 H
 F
 E
 D
 C
 B
 A



NOTES:
1 LOCATE APPROX AS SHOWN.
PER DEC STD 178.
2 ITEMS 30 OR 30K(SLIDING SHIPPING BRKT)
AND 32 (KEP NUT) ARE NOT SHOWN
BUT ARE SUPPLIED WITH
VAR. -AW, -AX, -AY AND -AZ.
3. SEE SHEET 3 FOR SLIDE HARDWARE AND
MOUNTING INFO FOR VAR.-AW, -AX, -AY AND -AZ.

OVERALL DIMENSIONS
OF EXPANDER BOX (-AW&AX)
W/BEZEL AND W/TOP COVER

Q.A. LENGTH	27.5 IN.
Q.A. HEIGHT	11.8 IN.
WIDTH	19 IN. CABINET



VARIATIONS - AU, AV, AW, AX, AY, AZ

AUTOMATED BY VAXKPL (V1.3)

PARTS LIST

SHEET A1 OF A2

LINE	ITEM	TOP DOCUMENT	PART NUMBER	DESCRIPTION	QUANTITY PER VARIATION/REVISION									
					AA	AB	AE	AF	AL	AM	AS	AT	AU	AV
					B1	B1	A1	A1	A1	A1	D1	D1	D1	D1
1	1	E-AD-7016391-0-0	70-16391-00	BA11 BOX ASSY	1	1	-	-	-	-	-	-	-	-
2	2	E-UA-H7140-0-0	H7140-00	*** THIS ITEM IS NOT USED ***	-	-	-	-	-	-	-	-	-	-
3	3	E-UA-H7140-0-0	H7140-AB	H7140 W 240V LINE CORD, 50/60HZ	-	1	-	-	-	-	-	-	-	-
4	4		90-06690-00	WASHER, HELICAL SPLIT SST	12	12	-	-	-	-	12	12	-	-
5	5		90-06418-01	SCREW, THD RL PAN PHIL F/METAL	6	6	-	-	-	-	6	6	-	-
6	6	A-SP-3700472-0-0	37-00472-00	INSTR PKG COMPUTER (BA11-A)	REF	REF	-	-	-	-	-	-	REF	REF
7	7	D-AD-7016888-0-0	70-16888-00	POWER DIST. JUMPER ASSY	1	1	-	-	-	1	1	1	-	-
8	8		90-06039-01	SCREW, MACH PAN PHIL	6	6	-	-	-	-	6	6	-	-
9	9		90-06661-00	WASHER, FLAT SST	6	6	-	-	-	-	6	6	-	-
10	10	E-AD-7016391-0-0	70-16391-03	BA11-A BOX ASSY	-	-	-	-	-	-	1	1	-	-
11	11	E-UA-H7140-0-0	H7140-DA	H7140 EXCEPT +12V/-15V BATT, 120V L	-	-	-	-	-	-	1	-	-	-
12	12	E-UA-H7140-0-0	H7140-DB	H7140 EXCEPT +12V/-15V BATT, 240V L	-	-	-	-	-	-	-	1	-	-
13	13	D-IA-7426283-0-0	74-26283-01	COVER, CABLE COMPARTMENT	-	-	-	-	-	-	1	1	1	1
14	14		90-09701-00	SCREW, SEMS PAN PHIL	-	-	-	-	-	-	4	4	4	4
15	15	B-DD-BA11-AE	BA11-AE	10.5" EXPANSION BOX W H7140-BA PS	-	-	-	REF	REF	REF	-	-	-	-
16	16	E-UA-H7140-0-0	H7140-AA	H7140 W 120V LINE CORD, 50/60HZ	1	-	-	-	-	-	-	-	-	-
17	17	E-UA-H7204-A-DBU	H7204-AA E	H7203, H7213, H7217, 120V	-	-	-	-	-	-	-	-	1	-
18	18	E-UA-H7204-A-DBU	H7204-AB E	H7203, H7213, H7217, 240V	-	-	-	-	-	-	-	-	-	1
19	19	E-UA-H7204-B-DBU	H7204-BA E	H7203, H7216-A, H7217, 120V	-	-	-	-	-	-	-	-	-	-
20	20	E-UA-H7204-0-B	H7204-BB E	H7203, H7216-A, H7217, 240V	-	-	-	-	-	-	-	-	-	-
21	21	E-AD-7016391-0-0	70-16391-01	BALL BOX ASSY.	-	-	-	-	-	-	-	-	1	1
22	22	E-AD-7022115-0-DBU	70-22115-01	FAN TRAY ASSY.	-	-	-	-	-	-	-	-	1	1
23	23	A-PS-3622148-0-0	36-22148-01	LABEL, ELEC RATINGS	-	-	-	-	-	-	-	-	-	-
24	24	E-AD-7016963-0-0	70-16963-00	*** THIS ITEM IS NOT USED ***	-	-	-	-	-	-	-	-	-	-
25	25	A-PS-1217837-0-0	12-17837-00	*** THIS ITEM IS NOT USED ***	-	-	-	-	-	-	-	-	-	-
26	26		90-10119-00	*** THIS ITEM IS NOT USED ***	-	-	-	-	-	-	-	-	-	-
27	27	D-AD-7016479-0-0	70-16479-00	BOTTOM COVER ASSY.	-	-	-	-	-	-	-	-	-	-
28	28	A-PS-3615087-0-0	36-15087-02	LABEL, "DANGER - HIGH CURRENT"	-	-	-	-	-	-	-	-	-	-
29	29	A-PS-3617791-0-0	36-17791-01	LABEL, BA11-A MODULE UTILIZATION	-	-	-	-	-	-	-	-	-	-
30	30	A-PS-1216971-0-0	12-16971-01	CHASSIS SLIDE - NO MOUNTING BRACKET	-	-	-	-	-	-	-	-	-	-
31	31	C-MD-7413659-0-0	74-13659-00	BRACKET SHIPPING	-	-	-	-	-	-	-	-	-	-
32	32		90-06565-00	NUT, HEX EXT TOOTH LOCKWHR 10-32X	-	-	-	-	-	-	-	-	-	-

REVISION HISTORY			KPL MATRIX FORMAT SECTION A OF B			S. CHARTIER			DIGITAL		
ENG	ECO NUMBER	REV	SECTION/VARIATION INDEX			DATE: 16-APR-82					
	INITIAL	A	[A]	AA, AB, AE, AF, AL, AM, AS, AT, AU, AV	CHK'D: T. MCCULLOUGH			TITLE PARTS LIST			
RM	BA11-A-MLOD2	B	[B]	AW, AX, AY, AZ	DATE: 16-APR-82			BA11-A UNIT ASSY			
CG	BA11-A-MLOD4	C	[C]		DES. ENG: R. BOUDREAU						
RM	BA11-A-TW005	D	[D]		DATE: 16-APR-82			DOCUMENT NUMBER			
RM	BA11-A-MK006	E	[E]					SIZE CODE NUMBER REV			
RM	BA11-A-MK007	F	[F]		RESP. ENG: R. BOUDREAU						
			[H]		DATE: 16-APR-82			PL BA11-A-DBP F			
			[J]		MFG. ENG: J. GALLANT			RELEASE DATE: 07-JUL-87			
					DATE: 16-APR-82			RELEASE STATUS: RELEASED			
BASIC PART NUMBER: BA11			ASSEMBLY NUMBER: E-UA-BA11-A-0			TOP DOCUMENT NUMBER: E-UA-BA11-A-0			FILE NAME: BA11AF.PLS		
									EDIT # 2		

THIS DRAWING AND THE SPECIFICATIONS CONTAINED HEREIN ARE CONFIDENTIAL AND PROPRIETARY. THEY ARE THE PROPERTY OF DIGITAL EQUIPMENT CORPORATION AND SHALL NOT BE REPRODUCED OR COPIED OR USED IN WHOLE OR IN PART AS THE BASIS FOR THE MANUFACTURE OR SALE OF ITEMS WITHOUT WRITTEN PERMISSION. THIS IS AN UNPUBLISHED WORK PROTECTED UNDER THE FEDERAL COPYRIGHT LAWS.

AUTOMATED BY VAXKPL (V1.3)

PARTS LIST

SHEET A2 OF A2

LINE	ITEM	TOP DOCUMENT	PART NUMBER	MIN REV	DESCRIPTION	QUANTITY PER VARIATION/REVISION										
						AA B1	AB B1	AE A1	AF A1	AL A1	AM A1	AS D1	AT D1	AU D1	AV D1	
33	33	D-IA-7020490-0-0	70-20490-00		TOP COVER ASSY	-	-	-	-	-	-	-	-	-	-	-
34	34	C-IA-7020491-0-0	70-20491-00		CABLE CLAMP ASSY	-	-	-	-	-	-	-	-	-	-	-
35	35		90-06077-01		SCREW, MACH PAN PHIL 10-32	-	-	-	-	-	-	-	-	-	-	-
36	36	D-MD-7421613-0-0	74-21613-00		SLIDE INDEX PLATES	-	-	-	-	-	-	-	-	-	-	-
37	37	D-MD-7421613-0-0	74-21613-01		PLATE, SLIDE INDEX	-	-	-	-	-	-	-	-	-	-	-
38	38	A-PS-1216197-0-0	12-16197-00		SCREW, PIVOT	-	-	-	-	-	-	-	-	-	-	-
39	39		90-10120-00		SCREW, FLAT PHIL 6-32	-	-	-	-	-	-	-	-	-	-	-
40	40	D-IA-7016887-0-0	70-16887-00		CABLE, JUMPER ASSY	-	-	-	-	-	-	-	-	2	2	-
41	41		90-09984-00		SCREW, SEMS PAN PHIL 6-32	-	-	-	-	-	-	-	-	1	1	-
42	42		90-09255-01		LABEL, POWER SUPPLY, 2-7/8" LG X 1	1	1	-	-	-	-	-	-	6	6	-
43	43	C-MD-7431234-0-DBU	74-31234-01		BRACKET, SLIDE MTG. R.H.	-	-	-	-	-	-	-	-	-	-	-
44	44	C-MD-7431234-0-DBU	74-31234-02		BRACKET, SLIDE MTG. L.H.	-	-	-	-	-	-	-	-	-	-	-
45	45		90-08897-00		NUT, WELL 1/4-20X .7400D BRASS	-	-	-	-	-	-	-	-	-	-	-
46	46		90-06037-03		SCREW, MACH TRUSS PHIL 8-32	-	-	-	-	-	-	-	-	-	-	-
47	47		90-06563-00		NUT, HEX EXT TOOTH LCKWSHR 8-32X	-	-	-	-	-	-	-	-	-	-	-
48	48		90-06660-00		WASHER, FLAT SST	-	-	-	-	-	-	-	-	-	-	-
49	49		90-09329-01		SCREW, MACH PAN PHIL 1/4-20	-	-	-	-	-	-	-	-	-	-	-
50	50		12-16971-00		CHASSIS SLIDE FOR BA11-A	-	-	-	-	-	-	-	-	-	-	-
51	51		M9049-00		ELEM POWER SUPPLY LOAD BOARD	-	-	-	-	-	-	-	-	-	-	-

1 GEN: VARIATIONS AE, AF, AL, AM ARE REF. VARIATIONS ONLY. SEE B-DD-BA11-AE AND K-PL-BA11-AE.

D	I	G	I	T	A	L	TITLE	SECTION A OF B	SIZE	CODE	DOCUMENT NUMBER	REV
							BA11-A UNIT ASSY		K	PL	BA11-A-DBP	F

LINE	ITEM	TOP DOCUMENT	PART NUMBER	DESCRIPTION	MIN REV	QUANTITY PER VARIATION/REVISION			
						AW E1	AX E1	AY B1	AZ B1
1	1	E-AD-7016391-0-0	70-16391-00	BA11 BOX ASSY		-	-	-	-
2	2	E-UA-H7140-0-0	H7140-00	*** THIS ITEM IS NOT USED ***		-	-	-	-
3	3	E-UA-H7140-0-0	H7140-AB	H7140 W 240V LINE CORD,50/60HZ		-	-	-	-
4	4		90-06690-00	WASHER,HELICAL SPLIT SST		-	-	-	-
5	5		90-06418-01	SCREW,THD RL,PAN PHIL F/METAL 8		-	-	-	-
6	6	A-SP-3700472-0-0	37-00472-00	INSTR PKG COMPUTER(BA11-A)		REF	REF	REF	REF
7	7	D-AD-7016888-0-0	70-16888-00	POWER DIST. JUMPER ASSY		-	-	-	-
8	8		90-06039-01	SCREW,NACH PAN PHIL 8-32		-	-	-	-
9	9		90-06661-00	WASHER,FLAT SST		-	-	-	-
10	10	E-AD-7016391-0-0	70-16391-03	BA11-A BOX ASSY		-	-	-	-
11	11	E-UA-H7140-0-0	H7140-DA	H7140 EXCEPT +12V/-15V BATT,120V L		-	-	-	-
12	12	E-UA-H7140-0-0	H7140-DB	H7140 EXCEPT +12V/-15V BATT,240V L		-	-	-	-
13	13	D-IA-7426283-0-0	74-26283-01	COVER,CABLE COMPARTMENT		1	1	1	1
14	14		90-09701-00	SCREW,SEMS PAN PHIL 6-32		12	12	-	-
15	15	B-DD-BA11-AE	BA11-AE	10.5" EXPANSION BOX W H7140-BA PS,		-	-	-	-
16	16	E-UA-H7140-0-0	H7140-AA	H7140 W 120V LINE CORD,50/60HZ		-	-	-	-
17	17	E-UA-H7204-A-DBU	H7204-AA E	H7203,H7213,H7217,120V		-	-	-	-
18	18	E-UA-H7204-A-DBU	H7204-AB E	H7203,H7213,H7217,240V		-	-	-	-
19	19	E-UA-H7204-B-DBU	H7204-BA E	H7203,H7216-A,H7217,120V		1	-	1	-
20	20	E-UA-H7204-0-B	H7204-BB E	H7203,H7216-A,H7217,240V		-	1	-	1
21	21	E-AD-7016391-0-0	70-16391-01	BALL BOX ASSY.		1	1	1	1
22	22	E-AD-7022115-0-DBU	70-22115-01	FAN TRAY ASSY.		1	1	1	1
23	23	A-PS-3622148-0-0	36-22148-01	LABEL,ELEC RATINGS		1	1	1	1
24	24	E-AD-7016963-0-0	70-16963-00	*** THIS ITEM IS NOT USED ***		-	-	-	-
25	25	A-PS-1217837-0-0	12-17837-00	*** THIS ITEM IS NOT USED ***		-	-	-	-
26	26		90-10119-00	*** THIS ITEM IS NOT USED ***		-	-	-	-
27	27	D-AD-7016479-0-0	70-16479-00	BOTTOM COVER ASSY.		1	1	1	1
28	28	A-PS-3615087-0-0	36-15087-02	LABEL,"DANGER-HIGH CURRENT"		1	1	1	1
29	29	A-PS-3617791-0-0	36-17791-01	LABEL,BA11-A MODULE UTILIZATION		1	1	1	1
30	30	A-PS-1216971-0-0	12-16971-01	CHASSIS SLIDE - NO MOUNTING BRACKE		1	1	-	-
31	31	C-MD-7413659-0-0	74-13659-00	BRACKET SHIPPING		1	1	1	1
32	32		90-06565-00	NUT,HEX EXT TOOTH LCKWSHR 10-32X		1	1	1	1

REVISION HISTORY		KPL MATRIX FORMAT		SECTION B OF BIDRN: S. CHARTIER	
ENG	ECO NUMBER	REV	SECTION/VARIATION INDEX	DATE: 16-APR-82	D I G I T A L
	INITIAL	A	[A] AA,AB,AE,AF,AL,AM,AS,AT,AU,AV	CHK'D: T. MCCULLOUGH	TITLE PARTS LIST
PM	BA11-A-MLO02	B	[B] AW,AX,AY,AZ	DATE: 16-APR-82	BA11-A UNIT ASSY
CG	BA11-A-MLO04	C	[C]	DES.ENG: R. BOUDREAU	
RM	BA11-A-TW005	D	[D]	DATE: 16-APR-82	DOCUMENT NUMBER
RM	BA11-A-MK006	E	[E]	RESP.ENG.: R. BOUDREAU	SIZE CODE NUMBER REV
RM	BA11-A-MK007	F	[F]	DATE: 16-APR-82	K PL BA11-A-DBP F
			[H]	MFG.ENG: J. GALLANT	RELEASE DATE: 07-JUL-87
			[J]	DATE: 16-APR-82	RELEASE STATUS: RELEASED
BASIC PART NUMBER:		ASSEMBLY NUMBER:		TOP DOCUMENT NUMBER:	
BA11		E-UA-BA11-A-0		E-UA-BA11-A-0	
FILE NAME:		EDIT #			
BA11AF.PLS		2			

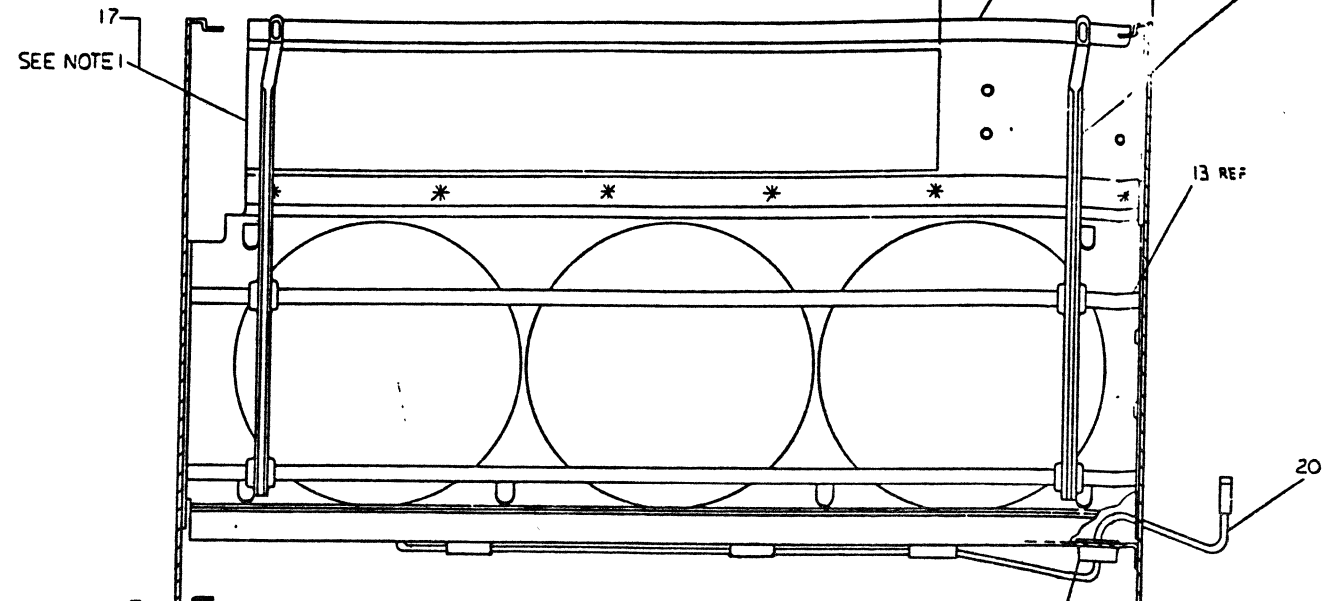
"THIS DRAWING AND THE SPECIFICATIONS CONTAINED HEREIN ARE CONFIDENTIAL AND PROPRIETARY. THEY ARE THE PROPERTY OF DIGITAL EQUIPMENT CORPORATION AND SHALL NOT BE REPRODUCED OR COPIED OR USED IN WHOLE OR IN PART AS THE BASIS FOR THE MANUFACTURE OR SALE OF ITEMS WITHOUT WRITTEN PERMISSION. THIS IS AN UNPUBLISHED WORK PROTECTED UNDER THE FEDERAL COPYRIGHT LAWS."

LINE	ITEM	TOP DOCUMENT	PART NUMBER	MIN REV	DESCRIPTION	QUANTITY PER VARIATION/REVISION			
						AW E1	AX E1	AY B1	AZ B1
1	1	E-AD-7016391-0-0	70-16391-00		BA11 BOX ASSY	-	-	-	-
2	2	E-UA-H7140-0-0	H7140-00		*** THIS ITEM IS NOT USED ***	-	-	-	-
3	3	E-UA-H7140-0-0	H7140-AB		H7140 W 240V LINE CORD,50/60HZ	-	-	-	-
4	4		90-06690-00		WASHER,HELICAL SPLIT SST	-	-	-	-
5	5		90-06418-01		SCREW,THD RL,PAN PHIL F/METAL 8	-	-	-	-
6	6	A-SP-3700472-0-0	37-00472-00		INSTR PKG COMPUTER(BA11-A)	REF	REF	REF	REF
7	7	D-AD-7016888-0-0	70-16888-00		POWER DIST. JUMPER ASSY	-	-	-	-
8	8		90-06039-01		SCREW,MACH PAN PHIL 8-32	-	-	-	-
9	9		90-06661-00		WASHER,FLAT SST	-	-	-	-
10	10	E-AD-7016391-0-0	70-16391-03		BA11-A BOX ASSY	-	-	-	-
11	11	E-UA-H7140-0-0	H7140-DA		H7140 EXCEPT +12V/-15V BATT,120V L	-	-	-	-
12	12	E-UA-H7140-0-0	H7140-DB		H7140 EXCEPT +12V/-15V BATT,240V L	-	-	-	-
13	13	D-IA-7426283-0-0	74-26283-01		COVER,CABLE COMPARTMENT	1	1	1	1
14	14		90-09701-00		SCREW,SEMS PAN PHIL 6-32	12	12	-	-
15	15	B-DD-BA11-AE	BA11 -AE		10.5" EXPANSION BOX W H7140-BA PS,	-	-	-	-
16	16	E-UA-H7140-0-0	H7140-AA		H7140 W 120V LINE CORD,50/60HZ	-	-	-	-
17	17	E-UA-H7204-A-DBU	H7204-AA E		H7203,H7213,H7217,120V	-	-	-	-
18	18	E-UA-H7204-A-DBU	H7204-AB E		H7203,H7213,H7217,240V	-	-	-	-
19	19	E-UA-H7204-B-DBU	H7204-BA E		H7203,H7216-A,H7217,120V	1	-	1	-
20	20	E-UA-H7204-0-B	H7204-BB E		H7203,H7216-A,H7217,240V	-	1	-	1
21	21	E-AD-7016391-0-0	70-16391-01		BALL BOX ASSY.	1	1	1	1
22	22	E-AD-7022115-0-DBU	70-22115-01		FAN TRAY ASSY.	1	1	1	1
23	23	A-PS-3622148-0-0	36-22148-01		LABEL,ELEC RATINGS	1	1	1	1
24	24	E-AD-7016963-0-0	70-16963-00		*** THIS ITEM IS NOT USED ***	-	-	-	-
25	25	A-PS-1217837-0-0	12-17837-00		*** THIS ITEM IS NOT USED ***	-	-	-	-
26	26		90-10119-00		*** THIS ITEM IS NOT USED ***	-	-	-	-
27	27	D-AD-7016479-0-0	70-16479-00		BOTTOM COVER ASSY.	1	1	1	1
28	28	A-PS-3615087-0-0	36-15087-02		LABEL,"DANGER-HIGH CURRENT"	1	1	1	1
29	29	A-PS-3617791-0-0	36-17791-01		LABEL,BA11-A MODULE UTILIZATION	1	1	1	1
30	30	A-PS-1216971-0-0	12-16971-01		CHASSIS SLIDE - NO MOUNTING BRACKE	1	1	-	-
31	31	C-MD-7413659-0-0	74-13659-00		BRACKET SHIPPING	1	1	1	1
32	32		90-06565-00		NUT,HEX EXT TOOTH LCKWSHR 10-32X	1	1	1	1

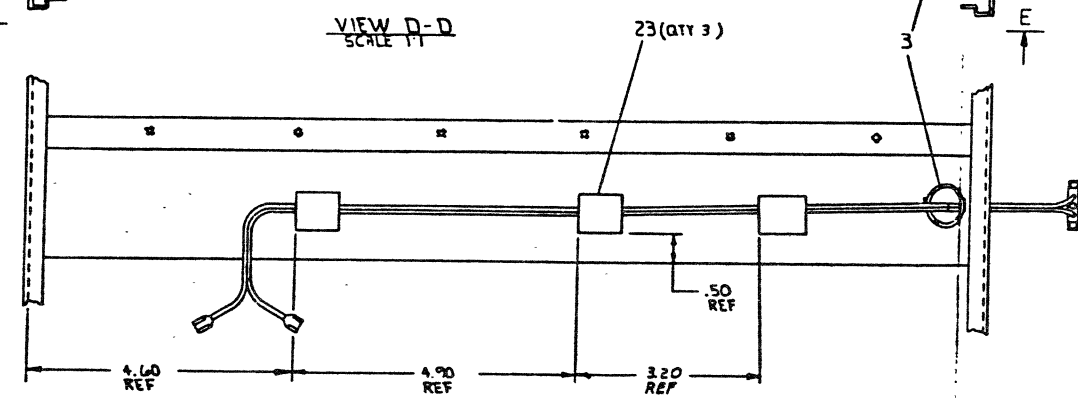
REVISION HISTORY		KPL MATRIX FORMAT		SECTION. B OF BIDRN: S. CHARTIER		DIGIT A L	
ENG	ECO NUMBER	REV	SECTION/VARIATION INDEX	DATE: 16-APR-82	CHK'D: T. MCCULLOUGH	TITLE	PARTS LIST
	INITIAL	A	[A] AA,AB,AE,AF,AL,AM,AS,AT,AU,AV	DATE: 16-APR-82		BA11-A UNIT ASSY	
RM	BA11-A-MLO02	B	[B] AW,AX,AY,AZ				
CG	BA11-A-MLO04	C	[C]	DES.ENG: R. BOUDREAU			
RM	BA11-A-TW005	D	[D]	DATE: 16-APR-82		DOCUMENT NUMBER	
RM	BA11-A-MK006	E	[E]	RESP.ENG.: R. BOUDREAU		SIZE:CODE: NUMBER	REV
RM	BA11-A-MK007	F	[F]	DATE: 16-APR-82		K PL BA11-A-DBP	F
			[H]				
			[J]				
				MFG.ENG: J. GALLANT		RELEASE DATE: 07-JUL-87	
				DATE: 16-APR-82		RELEASE STATUS: RELEASED	
				BASIC PART NUMBER:	ASSEMBLY NUMBER:	TOP DOCUMENT NUMBER:	FILE NAME:
				BA11	E-UA-BA11-A-0	E-UA-BA11-A-0	BA11AF.PLS
							EDIT #
							2
THIS DRAWING AND THE SPECIFICATIONS CONTAINED HEREIN ARE CONFIDENTIAL AND PROPRIETARY. THEY ARE THE PROPERTY OF DIGITAL EQUIPMENT CORPORATION AND SHALL NOT BE REPRODUCED OR COPIED OR USED IN WHOLE OR IN PART AS THE BASIS FOR THE MANUFACTURE OR SALE OF ITEMS WITHOUT WRITTEN PERMISSION. THIS IS AN UNPUBLISHED WORK PROTECTED UNDER THE FEDERAL COPYRIGHT LAWS.							

ALL DIMENSIONS UNLESS OTHERWISE SPECIFIED ARE IN INCHES AND DECIMALS THEREOF. DIMENSIONS IN PARENTHESES ARE FOR INFORMATION ONLY. DIMENSIONS IN BRACKETS ARE FOR INFORMATION ONLY. DIMENSIONS IN DASHES ARE FOR INFORMATION ONLY. DIMENSIONS IN DASHES ARE FOR INFORMATION ONLY.

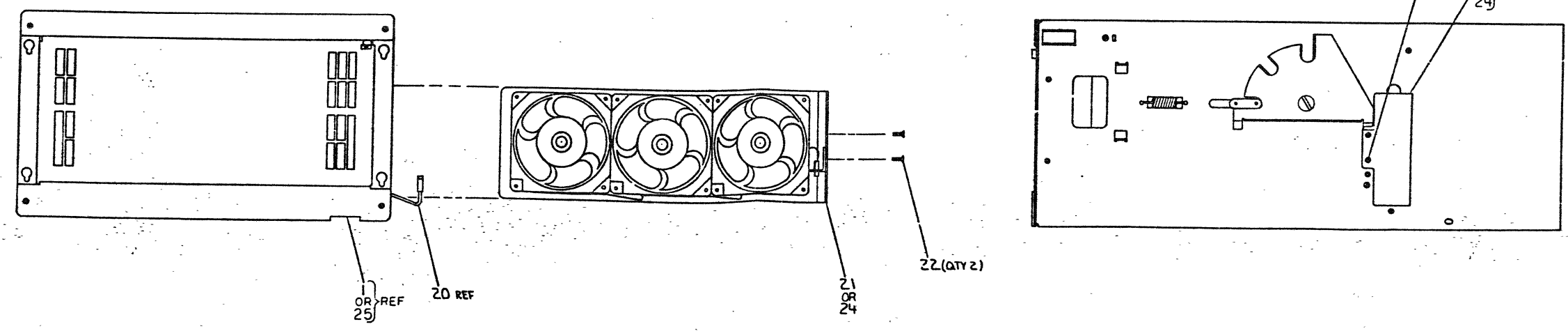
NOTES
 L TAPE (ITEM 17) TO BE BROUGHT OUT TO THE VERY EDGE OF FAN TRAY.



VIEW D-D
 SCALE 1:1



VIEW E-E
 SCALE 1:1

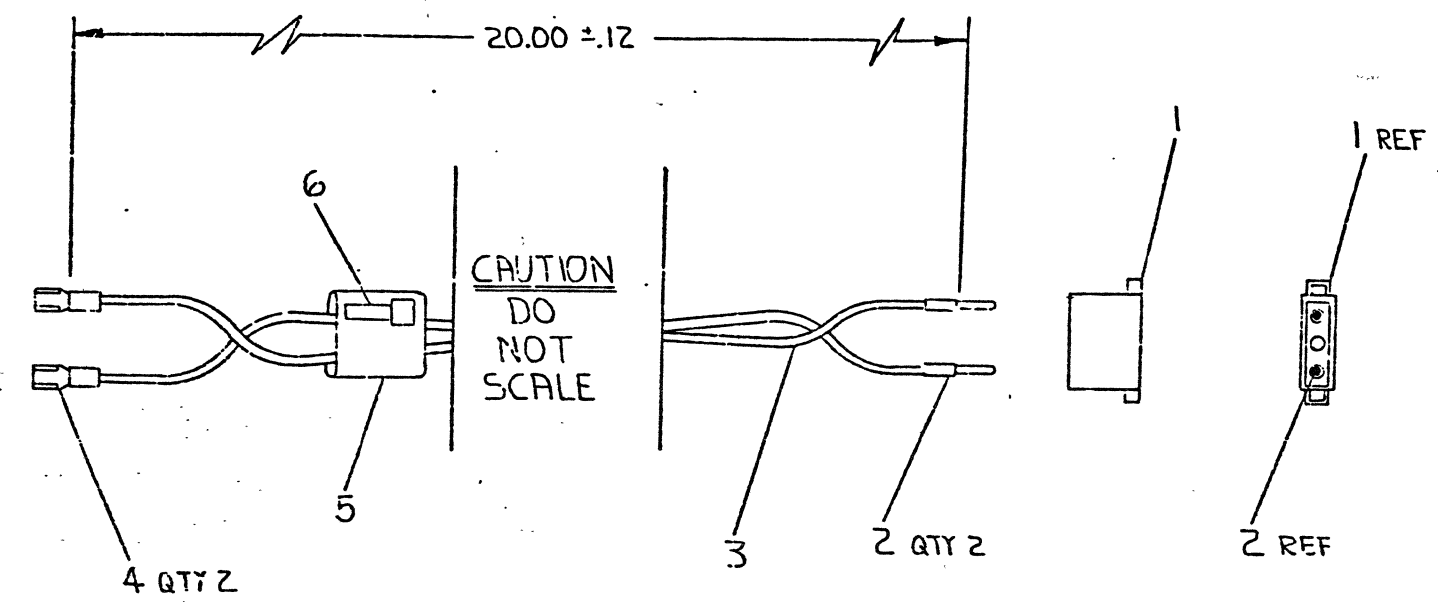


LINE	ITEM	TOP DOCUMENT	ITEM NUMBER	DESCRIPTION	QTY PER VARIATION			
					00	01	02	03
					VARIATION REVISION LEVEL:			
1	1	E-AD-7016493-0-0	7016493-00	BOX FRAME ASSY	1	-	-	-
2	2		9010107-00	SCREW,DRNG POLMIDE NATURAL,	2	2	2	2
3	3		9007783-00	SLIDING SNAP-IN NYLON .625 MTG	1	1	1	1
4	4		1217095-00	EXTRACTOR,SLIDE PAWL	2	2	2	2
5	5		1216190-00	SPRING,EXTENSION .50 ODX1.858	2	2	2	2
6	6	B-MD-7421611-0-0	7421611-00	SLIDE STRING	2	2	2	2
7	7	B-MD-7421444-0-0	7421444-00	PLATE, SLIDE NUT	2	2	2	2
8	8		1216785-00	SCREW,SEMS TRUSS PHIL 10-	4	4	4	4
9	9		9007035-00	GROMMET,CATERPILLAR POLYAMIDE	1	1	1	1
10	10	D-MD-7421613-0-0	7421613-00	SLIDE INDEX PLATES	-	-	1	-
11	11	D-MD-7421613-0-0	7421613-01	PLATE, SLIDE INDEX	-	-	1	-
12	12		1216197-00	SCREW,PIVOT	-	-	2	-
13	13	B-MD-7421612-0-0	7421612-00	GUIDE MTG BAR	2	2	2	2
14	14		1215848-00	GUIDE,CARD ,POLYCAR,NATURAL	15	15	15	15
15	15		1215848-01	GUIDE,CARD ,POLYCAR,BLACK	14	14	14	14
16	16		9010118-00	SCREW, FLAT PHIL 8-	4	4	4	4
17	17		9009087-00	FOAM, TAPE, SINGLE SIDED 1/8 THK	1	1	1	1
18	18		1212405-00	GUIDE,CARD ,NYLON ,NATURAL	15	15	15	15
19	19		1212405-10	GUIDE,CARD ,NYLON ,BLACK	14	14	14	14
20	20	C-IA-7016901-0-0	7016901-00	FAN,POWER HARNESS	1	-	1	1
21	21	D-AD-7016472-0-0	7016472-00	FAN TRAY ASSY	1	-	-	1
22	22		9010120-00	SCREW, FLAT PHIL 6-	2	-	2	2
23	23		9009771-03	CLAMP,CABLE,U CLIP,ADH.BACK 3/1	3	-	3	3
24	24	D-AD-7016472-0-0	7016472-01	FAN TRAY ASSY	-	-	1	-
25	25	E-IA-7016493-0-0	7016493-01	BA11 BOX FRAME ASSY W/BRKT	-	1	1	1

REVISION HISTORY			BASIC PART NO: 7016391		DRN:	S. CHARTIER	DATE:	16-APR-82	D I G I T A L			
ENG	ECO NUMBER	REV	SECTION A OF A		CHK'D:	T. MCCULLOUGH	DATE:	16-APR-82	TITLE PARTS LIST			
---	INITIAL	B	SECTION VARIATION INDEX						BA11-A BOX ASSY			
RM	BA11-AE-TW001	C	(A)00,01,02,03									
CG	BA11-A-ML003	D	(B)		DES.ENG:	R. BOUDREAU	DATE:	16-APR-82	DOCUMENT NUMBER			
RM	BA11-A-TW005	E	(C)						SIZE	CODE	NUMBER	REV
			(D)		RESP.ENG.:	R. BOUDREAU	DATE:	16-APR-82	K	PL	7016391-0-DBP	E
			(E)		MFG.ENG.:	J. GALLANT	DATE:	16-APR-82	RELEASE DATE: 17-JUN-85			
			(F)		ASSEMBLY NUMBER:		TOP DOCUMENT NUMBER:		FILE NAME:	EDIT #		
					E-AD-7016391-0-0				Z3626E.PLS	17		

"THIS DRAWING AND THE SPECIFICATIONS CONTAINED HEREIN ARE CONFIDENTIAL AND PROPRIETARY. THEY ARE THE PROPERTY OF DIGITAL EQUIPMENT CORPORATION AND SHALL NOT BE REPRODUCED OR COPIED OR USED IN WHOLE OR IN PART AS THE BASIS FOR THE MANUFACTURE OR SALE OF ITEMS WITHOUT WRITTEN PERMISSION. THIS IS AN UNPUBLISHED WORK PROTECTED UNDER THE FEDERAL COPYRIGHT LAWS."

"THIS DRAWING AND SPECIFICATIONS, HEREIN, ARE THE PROPERTY OF DIGITAL EQUIPMENT CORPORATION AND SHALL NOT BE REPRODUCED OR COPIED OR USED IN WHOLE OR IN PART AS THE BASIS FOR THE MANUFACTURE OR SALE OF ITEMS WITHOUT WRITTEN PERMISSION. COPYRIGHT © (1977), DIGITAL EQUIPMENT CORPORATION"



1	TIE, CABLE SSTI-M	9007031-00	6
1	LABLE, CABLE I.D.	9009532-00	5
2	TERM. QCK 1 POS INS 22-18A ROLL	9007970-00	4
R/R	WIRE, #18 AWG TWST PAIR	9107430-29	3
2	PIN, MATE'N LOC #18 AWG	1209378-00	2
1	CONN, MATE'N LOC 3 PIN	1209351-03	1

REV.	DATE	BY	CHK
1	10/1/77	J. M. [unclear]	J. M. [unclear]
2	10/1/77	J. M. [unclear]	J. M. [unclear]

THIRD ANGLE PROJECTION		DRN: [unclear]	DATE: 10/1/77	FIRST USED ON: B111-A Digital								
REMOVE BURRS AND BREAK SHARP CORNERS		CHK'D: [unclear]	DATE: 10/1/77	TITLE: FAN POWER HARNESS								
DO NOT SCALE DWG		PROJ. ENG: [unclear]	DATE: 10/1/77									
MATERIAL: [unclear]		PROD: [unclear]	DATE: 10/1/77									
FINISH: [unclear]		<table border="1"> <tr> <td>SIZE</td> <td>CODE</td> <td>NUMBER</td> <td>REV.</td> </tr> <tr> <td>C</td> <td>LA</td> <td>7016901-0-0</td> <td>A</td> </tr> </table>			SIZE	CODE	NUMBER	REV.	C	LA	7016901-0-0	A
SIZE	CODE	NUMBER	REV.									
C	LA	7016901-0-0	A									

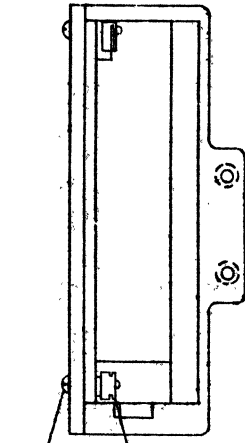
FILE NO. C1A 7016901-0-0 REV. A

TW 1

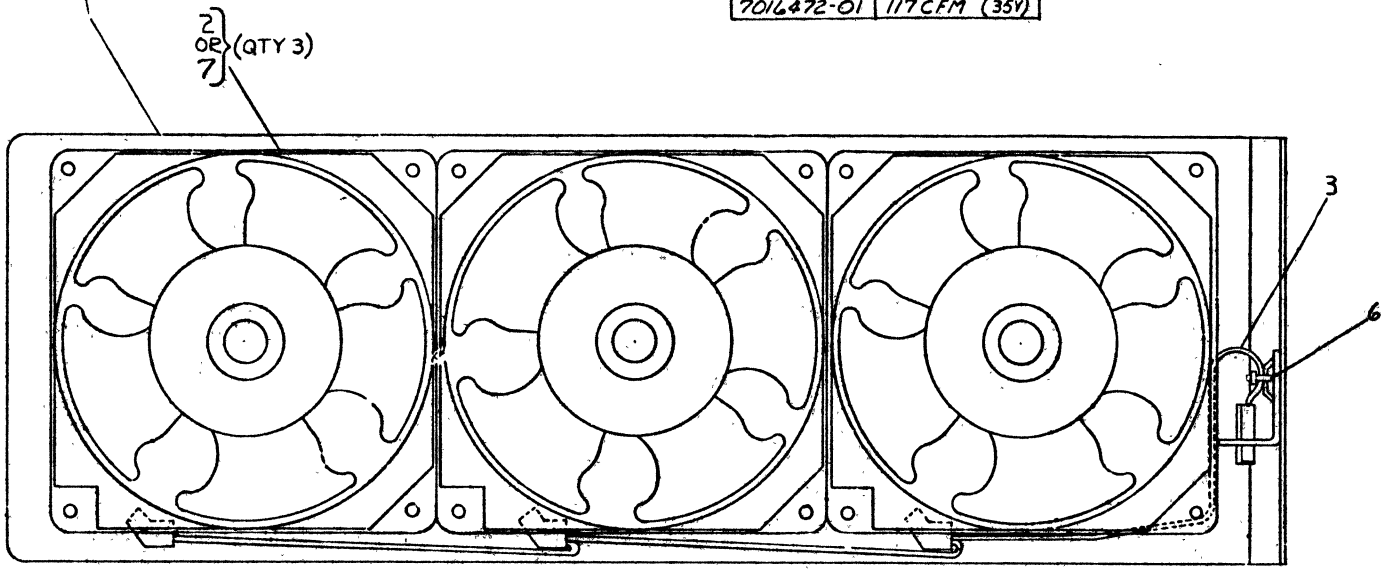
"THIS DRAWING AND SPECIFICATIONS HEREIN ARE THE PROPERTY OF DIGITAL EQUIPMENT CORPORATION AND SHALL NOT BE REPRODUCED OR COPIED OR USED IN WHOLE OR IN PART AS THE BASIS FOR THE MANUFACTURE OR SALE OF ITEMS WITHOUT WRITTEN PERMISSION. COPYRIGHT © 1978, DIGITAL EQUIPMENT CORPORATION"

LEGEND	
PART NUMBER	VAR.
7016472-00	110 CFM (35V)
7016472-01	117 CFM (35V)

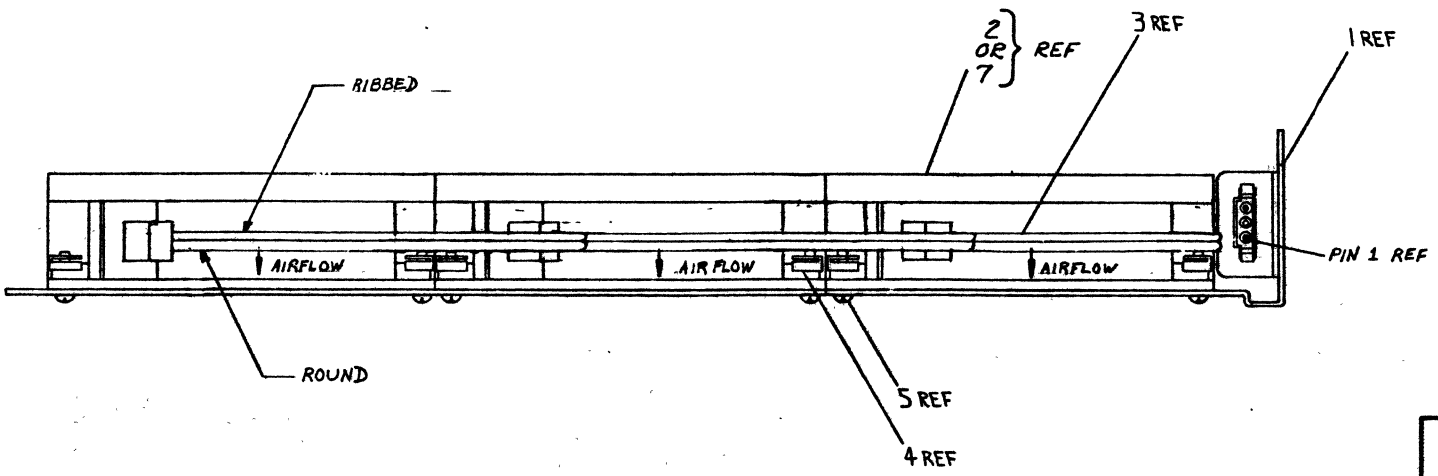
0-0-226910Z 07 2



5 (QTY 12) 4 (QTY 12)



2 OR 7 (QTY 3)



RIBBED

ROUND

2 OR 7 REF 3 REF 1 REF

PIN 1 REF

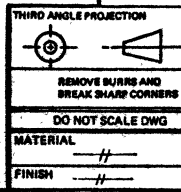
5 REF

4 REF

CAUTION: OFF SHEET PARTS LIST EXISTS, SEE K-PL-7016472-0-DBP, (MK1352, PLS).

DESCRIPTION	DWG./PART NO.	ITEM NO.
4 TIE WRAP	9007031-00	6
12 SCREW TRUSS HD 6-32x.62	9006025-03	5
12 CLIP FAN	9009165-00	4
1 CABLE FAN ASSEMBLY	D-AD-7016392-0-0	3
3 FAN, 35V, 70 HZ, SQ WAVE	1216569-00	2
1 FAN TRAY & BRKT ASSY	D-AD-7016376-0-0	1

UNLESS OTHERWISE SPECIFIED DIMENSIONS ARE IN INCHES							
ANGLES 30°-90°	CLASS OF ACCURACY	NOMINAL DIMENSION RANGE INCHES					
SURFACE QUALITY IN	MICRONS (DIN)	OVER 0	0.25	0.5	1.25	2.5	OVER 2.5
		0.3	0.5	0.75	1.25	2.0	40.0
MEDIUM	PREFERRED	0.006	0.008	0.012	0.016	0.024	0.04
		0.012	0.016	0.020	0.04	0.08	0.1



THIRD ANGLE PROJECTION
REMOVE BURRS AND BREAK SHARP CORNERS
DO NOT SCALE DWG
MATERIAL: #
FINISH: #

REV.	CHG. NO.	DATE	BY	CHKD.
A			W. R. HALL	
B			W. R. HALL	
C			R. MORIN	
D			R. MORIN	

DRN: W. R. HALL 19 SEP 78
CHK'D: J. F. Sullivan 10/13/78
ENG. IN CHARGE: J. F. Sullivan 10/13/78
PROJ. ENG.: J. F. Sullivan 10/13/78
NEXT HIGHER ASSY.
E-AD-7016391-0-0
SCALE: 1:1
SHEET 1 OF 1

FIRST USED ON: BAI1-A
TITLE: FAN TRAY ASSEMBLY

SIZE	CODE	NUMBER	REV.
D	AD	7016472-0-0	D

AUTOMATED BY VAXKPL (V1.1)

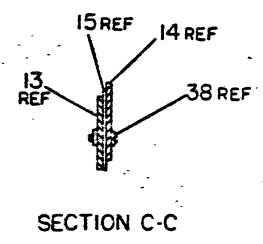
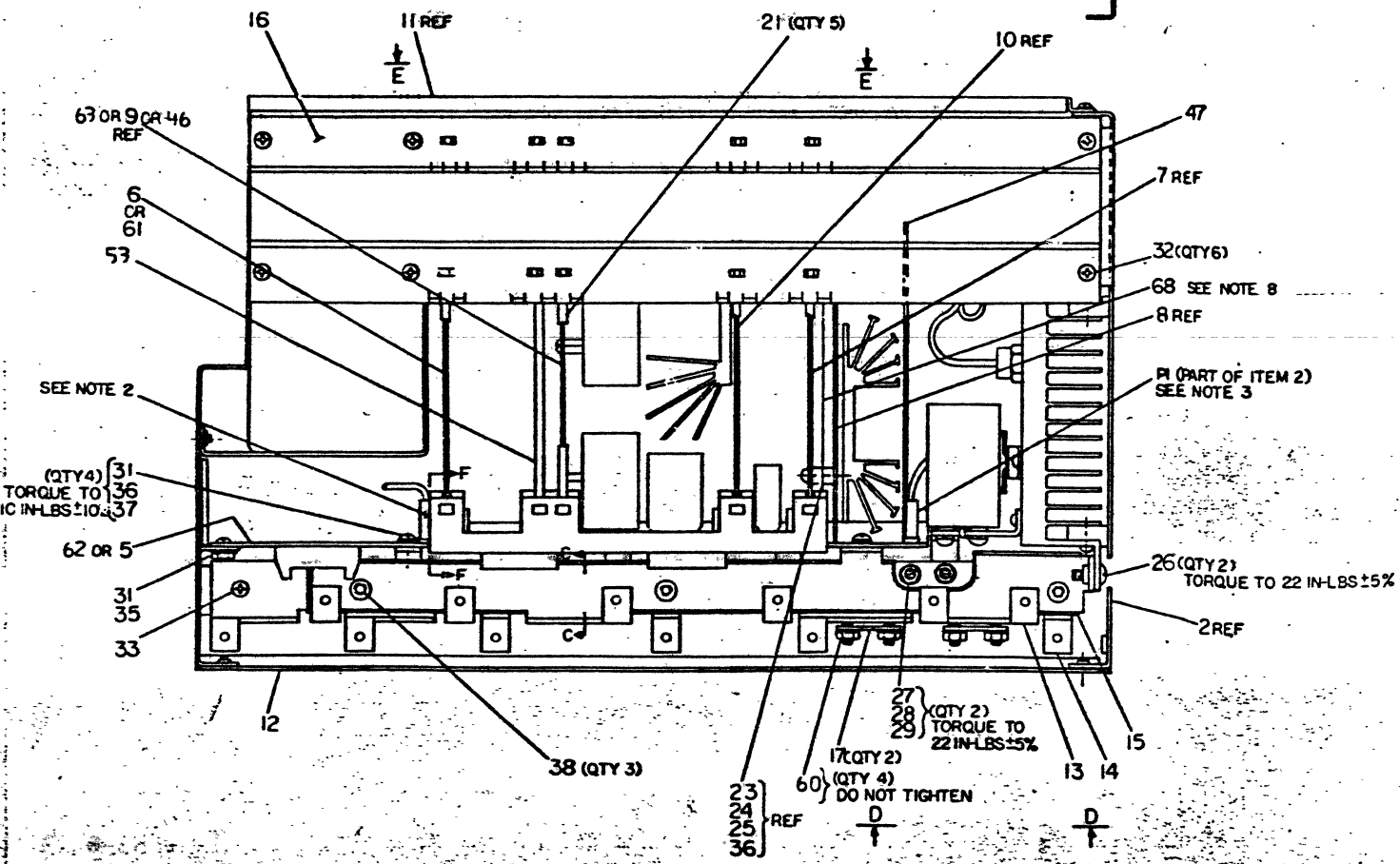
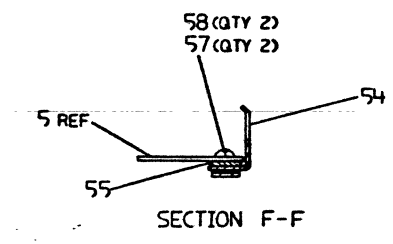
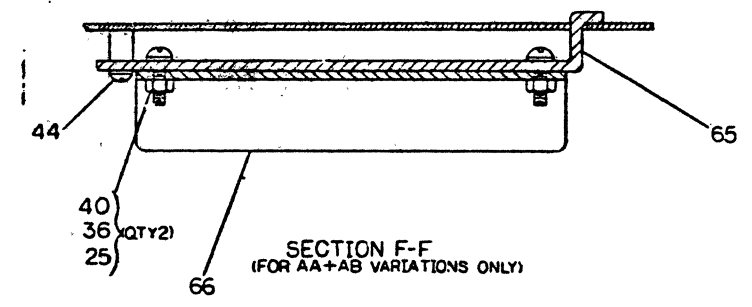
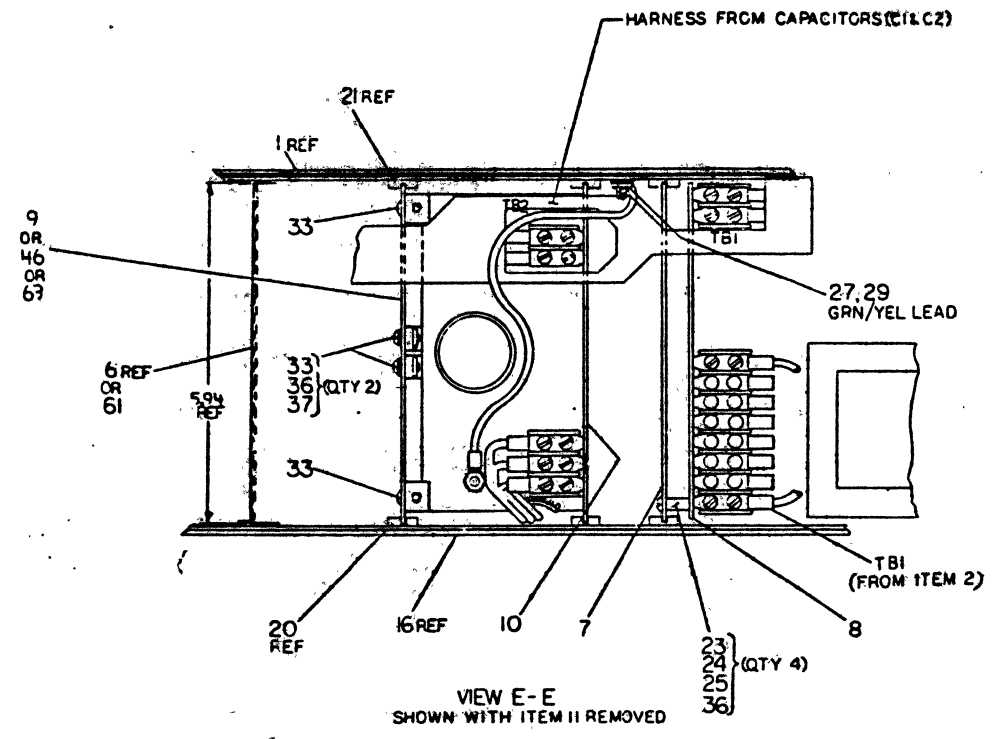
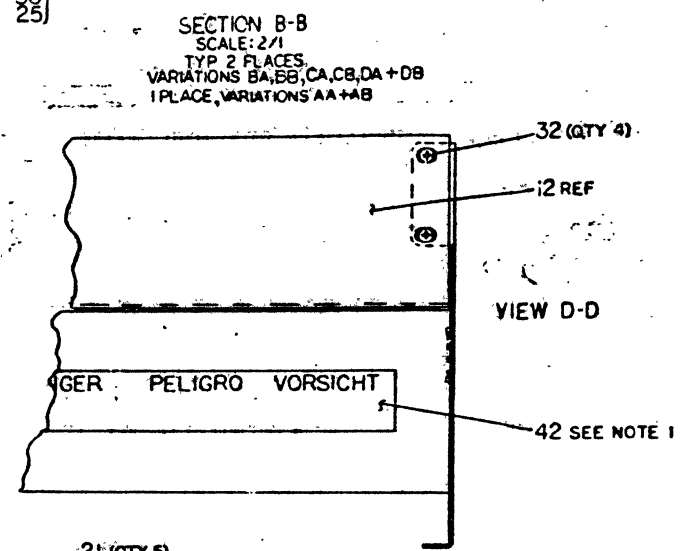
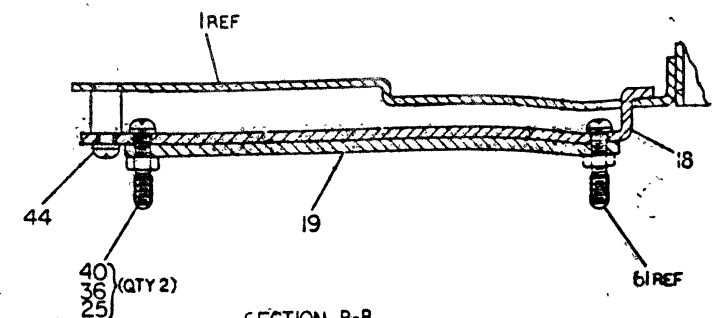
P A R T S L I S T

SHEET A1 OF A1

LINE ITEM	TOP DOCUMENT	PART NUMBER	MIN REV	DESCRIPTION	Q0	Q1	QUANTITY PER VARIATION/REVISION
1	D-AD-7016376-0-0	70-16376-00		FAN TRAY + BRACKET ASSY	1	1	
2		12-16563-00		FAN TUBE AXIAL 4.5" 110CFM 35VAC	3	-	
3	A-PS-1700591-0-0	17-00591-02		CABLE ASSY FAN	1	1	
4		90-09165-00		CLIP FAN MOUNTING (12-05033 FAN)	12	12	
5		90-06023-03		SCREW MACH TRUSS PHIL 6-32	12	12	
6		90-07031-00		TIE CABLE BUNDL DIA 0- 3/4"=101	1	1	
7		12-16563-01		FAN TUBE AXIAL 4.5" 117CFM 35VAC	-	3	

REVISION HISTORY		KPL MATRIX FORMAT		SECTION A OF A	DRN: A.RUSZCZYK	D I G I T A L		
ENG	ECO NUMBER	REV	SECTION/VARIATION INDEX	DATE: 26-APR-83	CHK'D: T.MCCULLOUGH	TITLE PARTS LIST		
	INITIAL	C	[A] 00,01	DATE: 26-APR-83	DATE: 26-APR-83	FAN TRAY ASSEMBLY		
PM	7016472-MK003	D	[B]	DES.ENG: R. BOUDREAU	DATE: 26-APR-83	DOCUMENT NUMBER		
			[C]	DATE: 26-APR-83	RESP.ENG.: R.MORIN	SIZE: CODE:	NUMBER	REV
			[D]	DATE: 26-APR-83	DATE: 26-APR-83	K	PL	7016472-0-DBP
			[E]	MFG.ENG: J.AVILES	DATE: 26-APR-83	RELEASE DATE: 18-APR-86		
			[F]	DATE: 26-APR-83	DATE: 26-APR-83	RELEASE STATUS: RELEASED		
			[G]	BASIC PART NUMBER: 7016472	ASSEMBLY NUMBER: D-AD-7016472-0-0	TOP DOCUMENT NUMBER: E-AD-7016391-C-0	FILE NAME: MK1352D.PLS	EDIT #: 1
			[H]	THIS DRAWING AND THE SPECIFICATIONS CONTAINED HEREIN ARE CONFIDENTIAL AND PROPRIETARY. THEY ARE THE PROPERTY OF DIGITAL EQUIPMENT CORPORATION AND SHALL NOT BE REPRODUCED OR COPIED OR USED IN WHOLE OR IN PART AS THE BASIS FOR THE MANUFACTURE OR SALE OF ITEMS WITHOUT WRITTEN PERMISSION. THIS IS AN UNPUBLISHED WORK PROTECTED UNDER THE FEDERAL COPYRIGHT LAWS.				
			[I]					
			[J]					

1. THIS DRAWING IS THE PROPERTY OF THE U.S. GOVERNMENT AND IS TO BE REPRODUCED IN WHOLE OR IN PART BY ANY PERSON OR ORGANIZATION WITHOUT PERMISSION OF THE U.S. GOVERNMENT.
 2. THIS DRAWING IS NOT TO BE USED FOR THE DESIGN OF ANY OTHER PRODUCT.
 3. THIS DRAWING IS NOT TO BE USED FOR THE DESIGN OF ANY OTHER PRODUCT.
 4. THIS DRAWING IS NOT TO BE USED FOR THE DESIGN OF ANY OTHER PRODUCT.



LINE	ITEM	TOP DOCUMENT	PART NUMBER	MIN REV	DESCRIPTION	QTY PER VARIATION							
						AA1	AB1	BA1	BB1	CA1	CB1	DA1	DB1
1	1	E-AD-7016476-0-0	7016476-00		INPUT ASSY.	1	1	1	1	1	1	1	1
2	2	E-AD-7016054-0-0	7016054-00		OUTPUT PANEL ASSY.	1	1	1	1	1	1	1	1
3	3	D-AD-7016478-0-0	7016478-00		AC CABLE ASSY	1	-	1	-	1	-	1	-
4	4	D-AD-7016478-1-0	7016478-01		2201 H7140 AB,AC, CABLE	-	1	-	1	-	1	-	1
5	5	E-UA-5413615-0-0	5413615-00		H7140 MOTHER BOARD	1	1	1	1	1	1	-	-
6	6	D-UA-5413605-0-0	5413605-00		BIAS AND INTERFACE BOARD FOR 111	1	1	1	1	-	-	1	1
7	7	D-UA-5413601-0-0	5413601-00		LOGIC INVERTER BD	1	1	1	1	1	1	1	1
8	8	D-UA-5413599-0-0	5413599-00		LOGIC INVERTER BD	1	1	1	1	1	1	1	1
9	9	D-UA-5413607-0-0	5413607-00		MEMORY REGULATOR BD	1	1	-	-	-	-	-	-
10	10	D-UA-5413603-0-0	5413603-00		MEMORY INVERTER BD	1	1	1	1	1	1	1	1
11	11	D-MD-7422396-0-0	7422396-00		TOP COVER	1	1	1	1	1	1	1	1
12	12	D-MD-7421436-0-0	7421436-00		COVER	1	1	1	1	1	1	1	1
13	13	D-MD-7422042-0-0	7422042-00		+5V BUS	1	1	1	1	1	1	1	1
14	14	D-MD-7422041-0-0	7422041-00		RETURN BUS	1	1	1	1	1	1	1	1
15	15	D-MD-7422044-0-0	7422044-00		BUS INSULATOR	1	1	1	1	1	1	1	1
16	16	D-MD-7425385-0-0	7425385-00		SHIELD	1	1	1	1	1	1	1	1
17	17	D-MD-7422731-0-0	7422731-00		MOUNTING BRACKET	2	2	2	2	2	2	2	2
18	18	C-MD-7423066-0-0	7423066-00		CABLE ROUTING BRKT.	1	1	2	2	2	2	2	2
19	19	B-MD-7423067-0-0	7423067-00		CABLE CLAMP	1	1	2	2	2	2	2	2
20	20	BLANK			*** THIS ITEM IS NOT USED ***	-	-	-	-	-	-	-	-
21	21		1212405-04		GUIDE,CARD ,NYLON ,NATURAL	10	10	10	10	10	10	10	10
22	22	BLANK			*** THIS ITEM IS NOT USED ***	-	-	-	-	-	-	-	-
23	23		9006844-00		SPACER,THREADED HEX ALUM 6-3	4	4	4	4	4	4	4	4
24	24		9007794-01		SCREW,MACH PAN PHIL 6-	4	4	4	4	4	4	4	4
25	25		9008957-00		NUT,HEX 6-32X .246AF SS/N	8	8	8	8	8	8	8	8
26	26		9010119-00		SCREW, TRUSS PHIL 10-	2	2	2	2	2	2	2	2
27	27		9009005-00		NUT,HEX 10-32X .246AF SS/N	3	3	3	3	3	3	3	3
28	28	BLANK			*** THIS ITEM IS NOT USED ***	-	-	-	-	-	-	-	-
29	29		9007906-00		WASHER,HELICAL SPLIT STEEL	3	3	3	3	3	3	3	3
30	30		9006037-01		SCREW,MACH PAN PHIL 8-	2	2	2	2	2	2	2	2

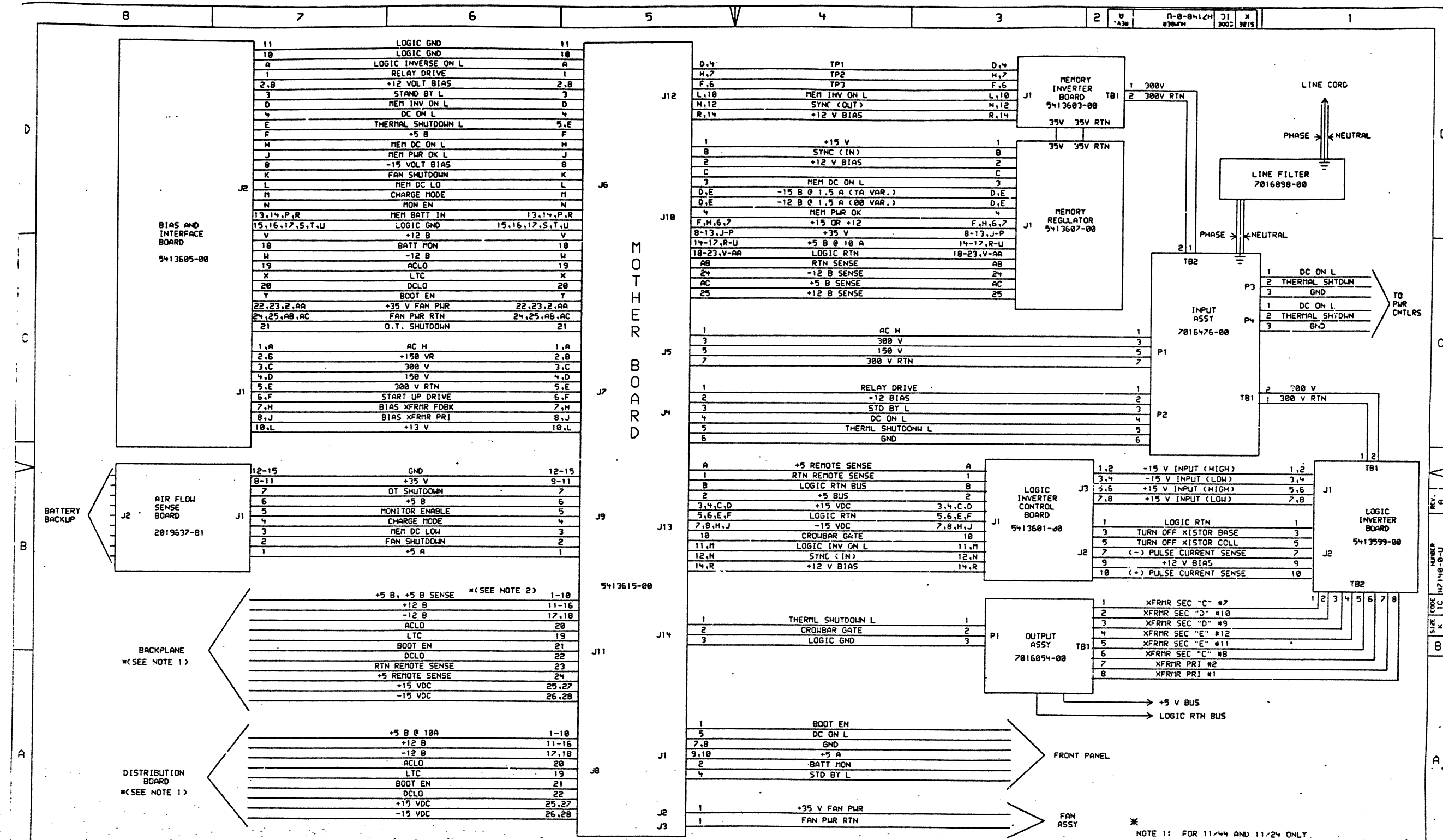
REVISION HISTORY			BASIC PART NO: H7140		DRN:	DATE:	DIGITAL				
ENG	ECO NUMBER	REV	SECTION A OF A		A. MOWRY	15-AUG-79					
!KK	!H7140-TW013	!N	SECTION VARIATION INDEX	CHK'D:	R. RILEY	17-AUG-79	TITLE PARTS LIST H7140 UNIT ASSEMBLY				
!AK	!H7140-TW014	!P	[A]AA,AB,BA,BB,CA,CB, DA,DB	DES.ENG:	R. J. WOLF	17-AUG-79	DOCUMENT NUMBER				
!KK	!H7140-TW016	!R	[B]	RESP.ENG.:	R. J. WOLF	17-AUG-79	SIZE	CODE	NUMBER	REV	
!PP	!H7140-TW018	!T	[C]				K	PL	H7140-0-DBP	AB	
!CS	!H7140-TW019	!U	[D]	MFG.ENG.:	F. MUNIZ	17-AUG-79	RELEASE DATE: 14-AUG-85				
!KK	!H7140-TW020	!V	[E]	ASSEMBLY NUMBER:			TOP DOCUMENT NUMBER:		FILE NAME:	EDIT #	
!KK	!H7140-TW021	!W	[F]	E-UA-H7140-0-0					Z2993B.PLS	33	
!KK	!H7140-TW022	!Y									
!KK	!H7140-TW023	!Z									
!RW	!H7140-TW024	!AA									
!RW	!H7140-TW025	!AB									

"THIS DRAWING AND THE SPECIFICATIONS CONTAINED HEREIN ARE CONFIDENTIAL AND PROPRIETARY. THEY ARE THE PROPERTY OF DIGITAL EQUIPMENT CORPORATION AND SHALL NOT BE REPRODUCED OR COPIED IN WHOLE OR IN PART AS THE BASIS FOR THE MANUFACTURE OR SALE OF ITEMS WITHOUT WRITTEN PERMISSION. THIS IS AN UNPUBLISHED WORK PROTECTED UNDER THE FEDERAL COPYRIGHT LAWS."

LINE	ITEM	TOP DOCUMENT	PART NUMBER	MIN REV	DESCRIPTION	QTY PER VARIATION							
						AA	AB	BA	BB	CA	CB	DA	DB
						AA1	AA1	AA1	AA1	AB1	AB1	AA1	AA1
31	31		9006022-01		SCREW,MACH PAN PHIL 6-	5	5	5	5	5	5	5	5
32	32		9009796-00		SCREW,THD RL,FLT PHIL F/METAL	14	14	14	14	14	14	14	14
33	33		9009708-00		SCREW,THD RL,PAN PHIL F/METAL	11	11	11	11	11	11	11	11
34	34		9006690-00		WASHER,HELICAL SPLIT SST	2	2	2	2	2	2	2	2
35	35		9009243-00		NUT,HEX EXT TOOTH LCKWSHR 6-32	1	1	1	1	1	1	1	1
36	36		9007801-00		WASHER,HELICAL SPLIT SST	14	14	14	14	14	14	14	14
37	37		9006656-00		WASHER,FLAT STEEL	6	6	6	6	6	6	6	6
38	38		9008212-00		SCREW,NYLN PAN SLOT 6-	3	3	3	3	3	3	3	3
39	39	BLANK			*** THIS ITEM IS NOT USED ***	-	-	-	-	-	-	-	-
40	40		9009587-01		SCREW,THD RL,PAN PHIL F/METAL	4	4	4	4	4	4	4	4
41	41	BLANK			*** THIS ITEM IS NOT USED ***	-	-	-	-	-	-	-	-
42	42		3615087-02		LABEL,"DANGER-HIGH CURRENT"	1	1	1	1	1	1	1	1
43	43		3616930-00		LABEL,DANGER STORED HIGH VOLTAGE	1	1	1	1	1	1	1	1
44	44		9009701-00		SCREW,SEMS PAN PHIL 6-	4	4	4	4	4	4	4	4
45	45	(SEE NOTE 1)	9009087-00		FOAM, TAPE, SINGLE SIDED 1/8 THK	0	0	0	0	0	0	0	0
46	46	D-UA-5413607-0-0	5413607-YA		MEMORY INVERTER BD.	-	-	1	1	1	1	-	-
47	47	B-MD-7424586-0-0	7424586-00		INSULATER, HEATSINK	1	1	1	1	1	1	1	1
48	48		3612063-00		LABEL, ,ADHESIVE I.D. FOR UL C	1	1	1	1	1	1	1	1
49	49		9009255-01		LABEL, POWER SUPPLY, 2-7/8" LG X	1	1	1	1	1	1	1	1
50	50		3613211-01		DECAL,CLEAR PREPRINTED CSA 1-1/4	1	1	1	1	1	1	1	1
51	51	BLANK			*** THIS ITEM IS NOT USED ***	-	-	-	-	-	-	-	-
52	52	BLANK			*** THIS ITEM IS NOT USED ***	-	-	-	-	-	-	-	-
53	53	A-PS-2919637-0-0	2019637-B1		MODULE,AIR FLOW SENSOR (BURNED I	1	1	1	1	-	-	1	1
54	54		7425384-00		BRACKET,LOWER CARD GUIDE	1	1	1	1	1	1	1	1
55	55		7425386-00		INSULATOR,CARD GUIDE BRACKET	1	1	1	1	1	1	1	1
56	56		3617664-00		LABEL,H7140 MODULE REV	1	1	1	1	1	1	1	1
57	57		9006010-01		SCREW,MACH PAN PHIL 4-	2	2	2	2	2	2	2	2
58	58		9006557-00		NUT,HEX EXT TOOTH LCKWSHR 4-40	2	2	2	2	2	2	2	2
59	59		9010164-00		WASHER,FLAT SS	2	2	2	2	2	2	2	2
60	60		9006565-00		NUT,HEX EXT TOOTH LCKWSHR 10-32	4	4	4	4	4	4	4	4
61	61		9009731-00		CAP,WHT. VINYL .112 ID	4	4	4	4	4	4	4	4
62	62		5413605-YA		BIAS & INTERFACE BD	-	-	-	-	1	1	-	-
63	63		5413615-YA		H7140 MOTHER BOARD	-	-	-	-	-	-	1	1
64	64		5413607-YB		MEMORY REGULATOR BOARD	-	-	-	-	-	-	1	1
65	65	C-MD-7428675-0-DBU	7428675-01		BRACKET,CABLE ROUTING	1	1	-	-	-	-	-	-
66	67	C-MD-7428672-0-DBU	7428672-01		CLAMP,CABLE	1	1	-	-	-	-	-	-
67	66	A-PS-2019637-0-0	2019637-B2		MODULE,AIR FLOW SENSOR	-	-	-	-	1	1	-	-
68	68	A-PS-1700021-0-0	1700021-08		SHIELD,ELECTROMAG	1	1	1	1	1	1	1	1
69	69	D-AD-7016050-0-0	7016050-00		H7140 MEMORY SUPPORT ASSY	REF	REF	REF	REF	REF	REF	REF	REF
70	70	D-AD-7016057-0-0	7016057-00		H7140 +5V CONTROL ASSY	REF	REF	REF	REF	REF	REF	REF	REF

71 NOTE: 1) ITEMS 45, ALL VARIATIONS ARE 2.25.
 72 NOTE: 2) ITEMS 69 AND 70 ARE FOR FIELD SERVICE USE ONLY.

D	I	G	I	T	A	L	TITLE	H7140 UNIT ASSEMBLY	SECTION A	OF A	SIZE	CODE	DOCUMENT NUMBER	REV
											K	PL	H7140-0-DBP	AB



REV.	NO.	DESCRIPTION
1	1	INITIAL ISSUE

CHK	CHANGE NO.	REV

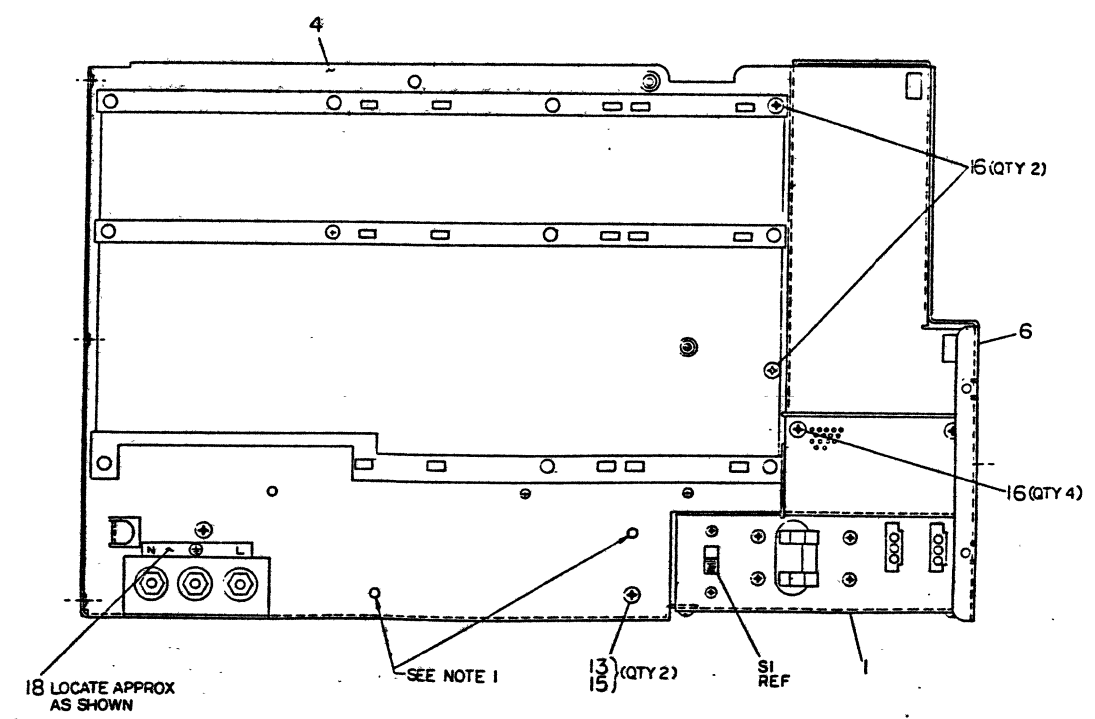
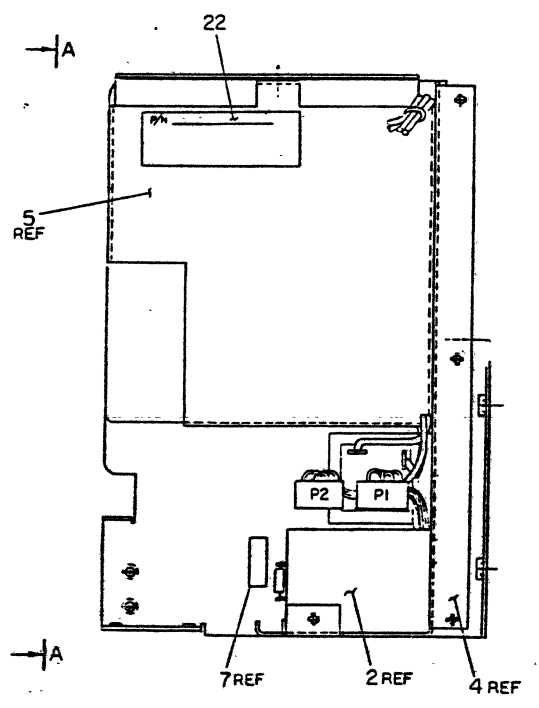
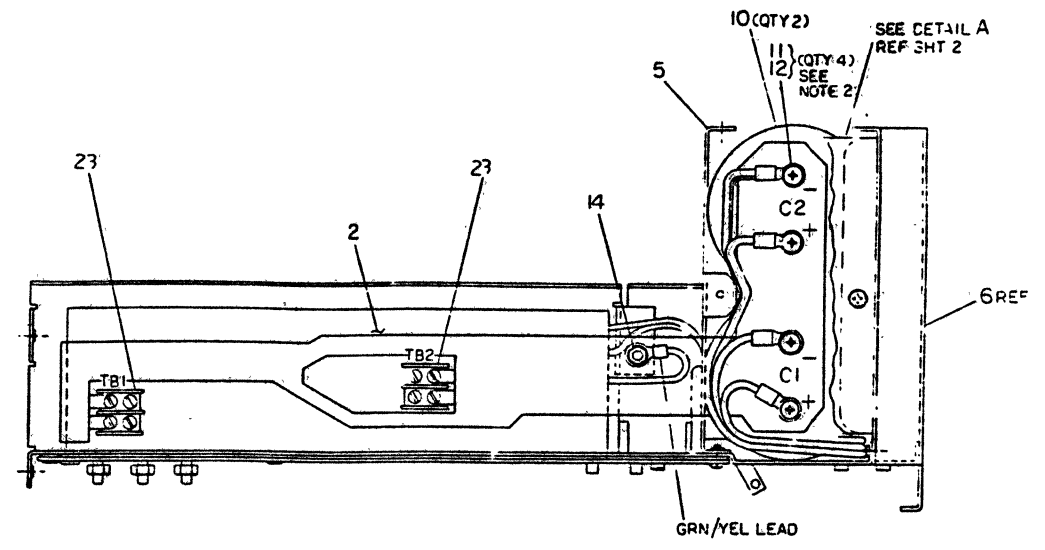
DRN	DATE	ENG	DATE	TITLE
P. HEBERT	22-JUN-83	C. J. JONES	22-JUN-83	H7140 INTERCONNECT DRWG

CD	SIZE	CODE	NUMBER	REV.
K	IC	H7140-0-J		A

NOTE 1: FOR 11/44 AND 11/24 ONLY
 NOTE 2: SIGNALS TIED TOGETHER IN BACKPLANE

1979

NOTE
 1. DO NOT INSTALL HARDWARE IN THESE HOLES.
 2. TORQUE TO 16 IN-LB ±10%.

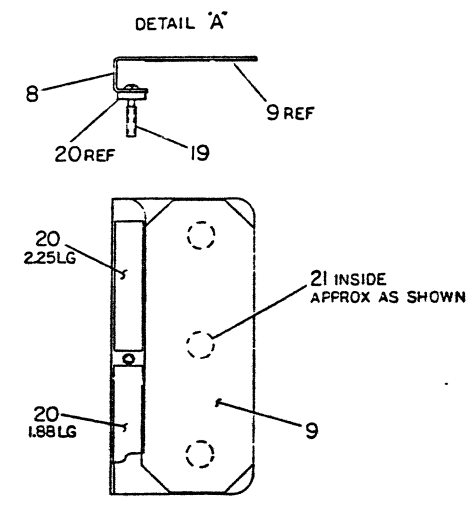
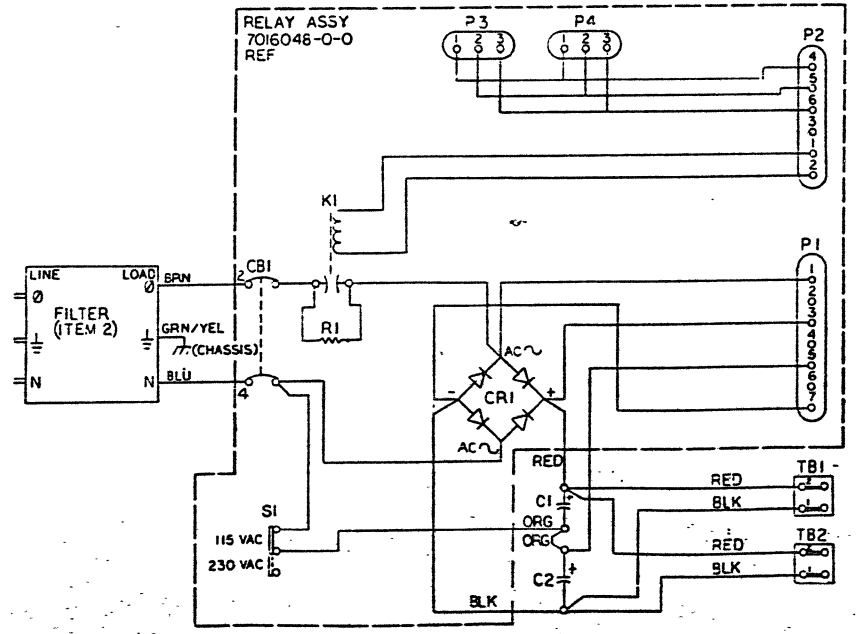
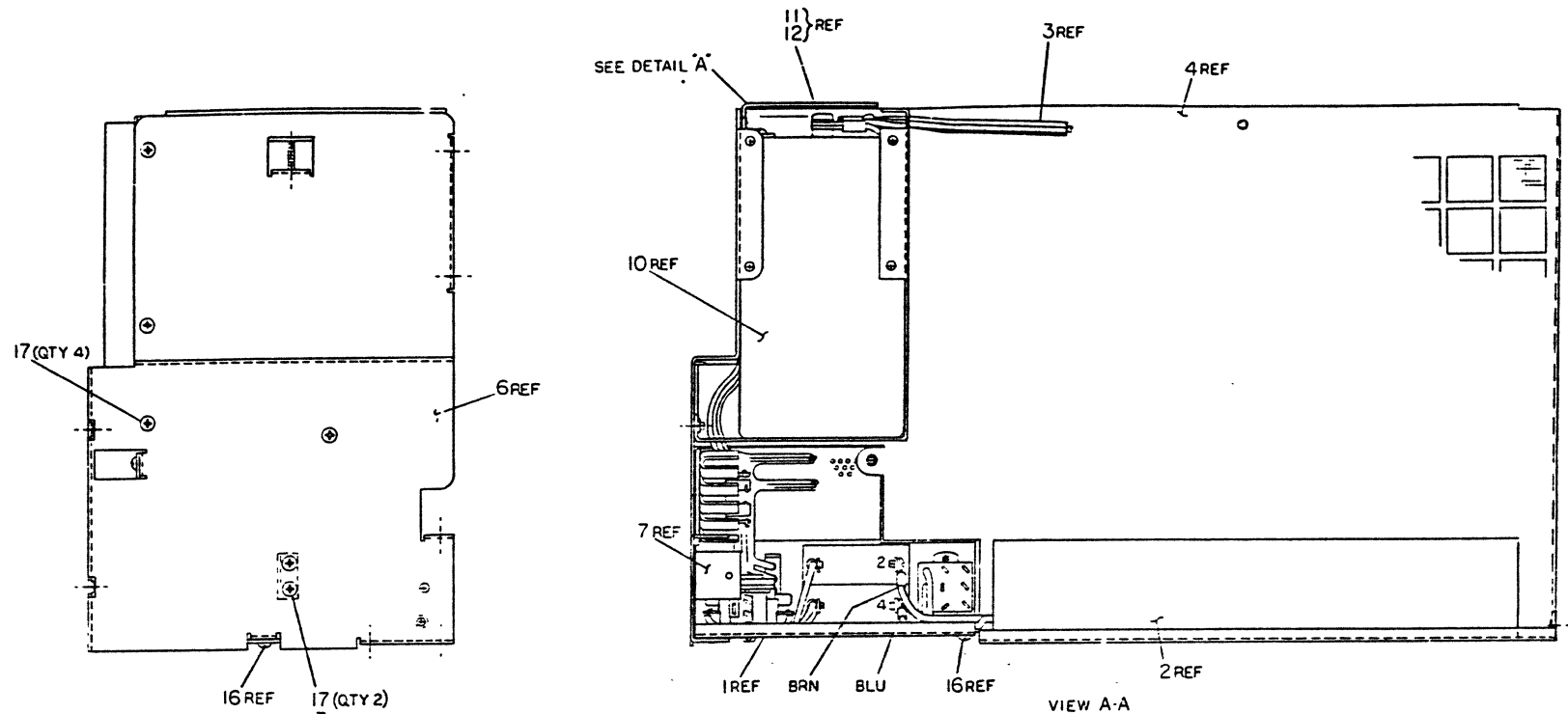


CAUTION: OFF SHEET PARTS LIST
 SEE 3-PL-7016476-0-0

QTY	DESCRIPTION	UNIT PART NO.	ITEM NO.
1	INPUT ASSY	H7140	1
1	SEE PARTS LIST	AD7016476-0-0	2

1979

ALL DIMENSIONS ARE IN INCHES UNLESS OTHERWISE SPECIFIED.
 DIMENSIONS ARE TO CENTER UNLESS OTHERWISE SPECIFIED.
 DIMENSIONS ARE TO CENTER UNLESS OTHERWISE SPECIFIED.



DIGITAL EQUIPMENT CORPORATION PARTS LIST

MADE BY DATE	A. MCWRY 04-09-79	CHECKED DATE	SECTION
ENG DATE	Robert J. Wolf 8-10-79	PROD DATE	ISSUED SECTION
		MUNIZ 9/10/79	

QUANTITY / VARIATION

NOTES:

ITEM NO.	DRAWING NO.	PART NO.	DESCRIPTION	QUANTITY	VARIATION
1	E-AD-7016048-0-0	7016048-00	RELAY ASSY	1	
2	C-IA-7016898-0-0	7016898-00	FILTER, RFI, ASSY	1	
3		1700245-00	CIRCUIT FLEX. FLAT POWER	1	
4	D-IA-7016926-0-0	7016926-00	CHASSIS ASSY, REAR	1	
5	D-MD-7421433-0-0	7421433-00	BRACKET, CAPACITOR	1	
6	D-MD-7421438-0-0	7421438-00	PANEL, SIDE	1	
7	B-MD-7423546-0-0	7423546-00	BLOCK, MTG	1	
8	B-MD-7422382-0-0	7422382-00	CLAMP, CAPACITOR	1	
9	B-MD-7422401-0-0	7422401-00	INSULATOR, CAPACITOR	1	
10		1014336-00	CAPACITOR, 4500 uf/200 VDC, E	2	
11		9006072-01	SCR, PHL PAN HD SS #10-32 x .438 LG	4	
12		9007906-00	WASHER, SPLIT, LOCK #10	4	
13		9006037-01	SCR, PHL PAN HD SS #8-32 x .375 LG	2	
14		9006565-00	NUT, KEP CS/CAD #10-32 x 3/8 AF	1	
15		9006690-00	WASHER, SPLIT, LOCK #8	2	
16		9009708-00	SCREW, PHL PAN HD SELF TAP #6-32 x .312	6	
17		9009796-00	SCR, PHL FLAT HD SELF TAP #6-32 x .250	6	
18		3617016-00	LABEL, N-GROUND-L	1	
19		9010133-00	SCREW, PHILL PAN HD #8-32 x .88 LG	1	
20		9009342-00	FOAM TAPE ADH. BACK .50 x .125	.35 FT	
21		9009157-00	ADHESIVE, PERMABOND #101	A/R	
22		9009255-00	LABEL, POWER SUPPLY	1	
23		12166 3-00	BLOCK, TERM, HIGH BARRIER	2	

REF DESIGNATION

E.C.O. NO.
H7140-
TW001
H7140-
TW021

"THIS DRAWING AND SPECIFICATIONS, HEREIN, ARE THE PROPERTY OF DIGITAL EQUIPMENT CORPORATION AND SHALL NOT BE REPRODUCED OR COPIED OR USED IN WHOLE OR IN PART AS THE BASIS FOR THE MANUFACTURE OR SALE OF ITEMS WITHOUT WRITTEN PERMISSION. COPYRIGHT © 1979 DIGITAL EQUIPMENT CORPORATION"

TITLE

INPUT ASSY

ASSY NO.

E-AD-7016476-00

SIZE

B

CODE

PL

NUMBER

7016476-0-0

REV.

B

SHEET 1 OF 1

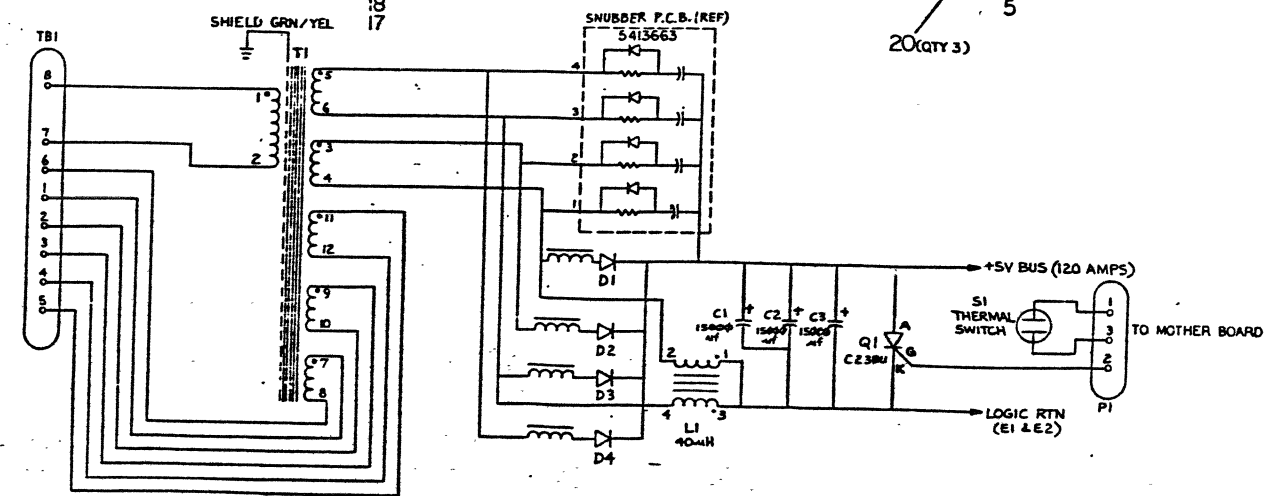
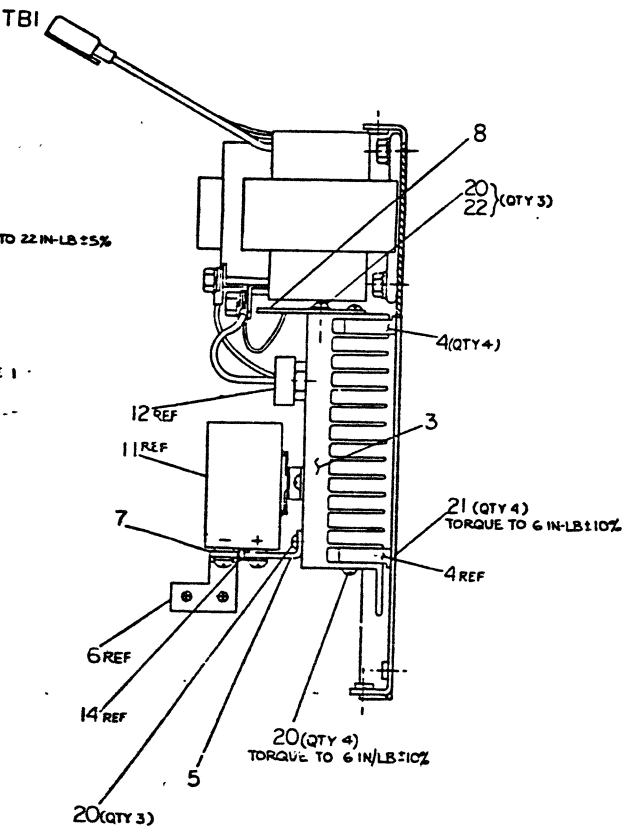
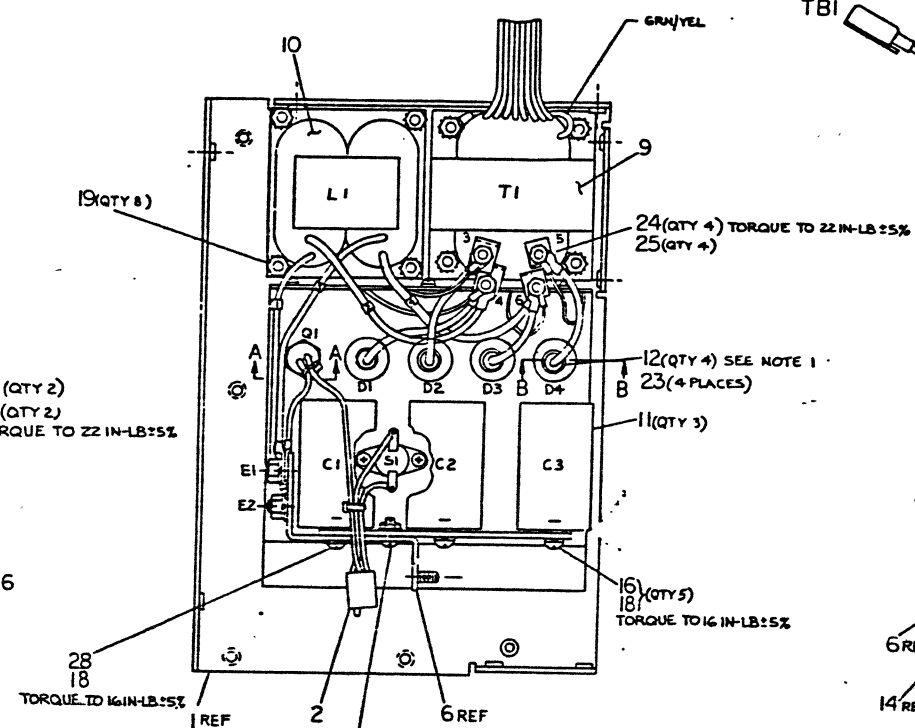
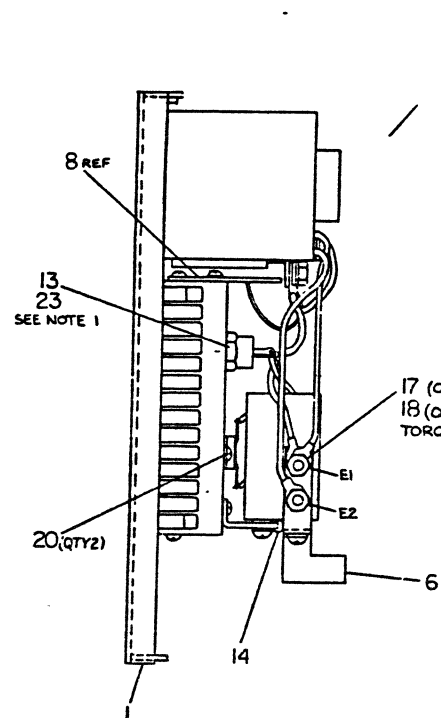
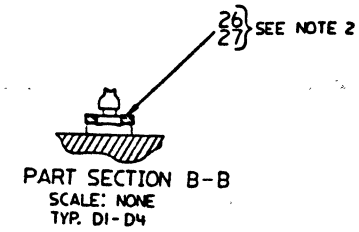
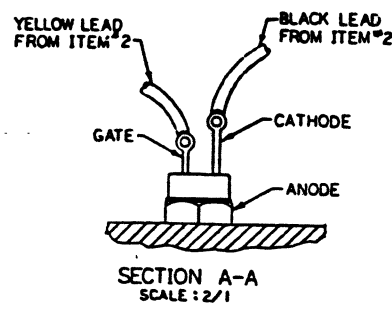
INSERTION PARTS LIST DATA BASE REV

1. UNLESS OTHERWISE SPECIFIED, ALL DIMENSIONS ARE IN INCHES.
 2. DIMENSIONS IN PARENTHESES ARE TYPICAL.
 3. DIMENSIONS IN BRACKETS ARE MINIMUMS.
 4. DIMENSIONS IN SQUARE BRACKETS ARE MAXIMUMS.
 5. DIMENSIONS IN DIAMETERS ARE TO BE TAKEN AT THE LARGEST POINT.
 6. DIMENSIONS IN SQUARE BRACKETS ARE TO BE TAKEN AT THE LARGEST POINT.
 7. DIMENSIONS IN SQUARE BRACKETS ARE TO BE TAKEN AT THE LARGEST POINT.
 8. DIMENSIONS IN SQUARE BRACKETS ARE TO BE TAKEN AT THE LARGEST POINT.

INTERCONNECTION TABLE		REMARKS
FROM	TO	
D1	T1-4	
L1-2	T1-3	
WIRE # 1 ITEM 8	T1-3	
D2	T1-6	
WIRE # 2 ITEM 8	T1-6	
D3	T1-5	
L1-4	T1-5	
WIRE # 3 ITEM 8	T1-5	
D4	T1-5	
WIRE # 4 ITEM 8	T1-5	
T1-GRN/YEL	MTD STUD	
YEL LEAD ITEM 2	Q1-GATE	
BLK LEAD ITEM 2	E1	
Q1-CATHODE	E1	
L1-3	E2	
L1-1	E2	

PART NUMBER/PART REV
 7016054-00 C1

NOTES:
 1. ITEMS 12 & 13 (D1-D4 & Q1) MUST BE SEATED IN HEAT SINK (ITEM 3). USE ITEM 23 UNDER ITEMS 12 & 13. TORQUE TO 25-4 LBS MIN. UNTIL FULLY SEATED.
 2. APPLY ITEM 26, 4 PLACES D1 THRU L1 USING ITEM 27.



REV	DESCRIPTION	DATE
1	INITIAL DESIGN	11-2-70
2	REVISED TO ADD DIMENSIONS	11-2-70
3	REVISED TO ADD DIMENSIONS	11-2-70
4	REVISED TO ADD DIMENSIONS	11-2-70
5	REVISED TO ADD DIMENSIONS	11-2-70
6	REVISED TO ADD DIMENSIONS	11-2-70
7	REVISED TO ADD DIMENSIONS	11-2-70
8	REVISED TO ADD DIMENSIONS	11-2-70
9	REVISED TO ADD DIMENSIONS	11-2-70
10	REVISED TO ADD DIMENSIONS	11-2-70
11	REVISED TO ADD DIMENSIONS	11-2-70
12	REVISED TO ADD DIMENSIONS	11-2-70
13	REVISED TO ADD DIMENSIONS	11-2-70
14	REVISED TO ADD DIMENSIONS	11-2-70
15	REVISED TO ADD DIMENSIONS	11-2-70
16	REVISED TO ADD DIMENSIONS	11-2-70
17	REVISED TO ADD DIMENSIONS	11-2-70
18	REVISED TO ADD DIMENSIONS	11-2-70
19	REVISED TO ADD DIMENSIONS	11-2-70
20	REVISED TO ADD DIMENSIONS	11-2-70
21	REVISED TO ADD DIMENSIONS	11-2-70
22	REVISED TO ADD DIMENSIONS	11-2-70
23	REVISED TO ADD DIMENSIONS	11-2-70
24	REVISED TO ADD DIMENSIONS	11-2-70
25	REVISED TO ADD DIMENSIONS	11-2-70
26	REVISED TO ADD DIMENSIONS	11-2-70
27	REVISED TO ADD DIMENSIONS	11-2-70
28	REVISED TO ADD DIMENSIONS	11-2-70

CAUTION: OFF SHEET, PARTS LIST
 SEE K-PL-7016054-0-DBP (24494)

DESCRIPTION	QTY	UNIT	REV
OUTPUT PANEL ASSY	1	ASSEMBLY	1

DATE: 11-2-70
 DRAWN BY: [Signature]
 CHECKED BY: [Signature]
 ENGR: [Signature]
 TITLE: OUTPUT PANEL ASSY
 PART NO: 7016054-0-0
 SCALE: NONE
 SHEET NO: 1 OF 1

LINE	ITEM	TOP DOCUMENT	PART NUMBER	MIN REV	DESCRIPTION	QTY	PER VARIATION	REFERENCE DESIGNATOR
					VARIATION REVISION LEVEL:	00		
						C1		
1	1	D-MD-7421434-0-0	7421434-00		PANEL, SIDE	1		
2	2	D-IA-7016511-0-0	7016511-00		OVER TEMP CABLE ASSY	1		
3	3		1216648-00		HEAT SINKS, 05.62X05.3	1		
4	4		1216965-00		BLOCK, MTG INSULATED	4		
5	5	B-MD-7422038-0-0	7422038-00		CAP,BRKT POS	1		
6	6	B-MD-7422037-0-0	7422037-00		RETURN BUS BRKT	1		
7	7	B-MD-7422036-0-0	7422036-00		CAP,BRKT NEG	1		
8	8	D-UA-5413663-0-0	5413663-00		SNUBBER BOARD	1		
9	9	C-IA-7016056-0-0	7016056-00		TRANSFORMER ASSY	1		T1
10	10	C-IA-7016055-0-0	7016055-00		CHOKE ASSY	1		L1
11	11		1014338-00		15,000 MFD 7.5V 20% AL EL	3		C1,C2,C3
12	12		1117833-00		SCHOTTKY PIV= 45 IO=75.00A	4		D1,D2,D3,D4
13	13		1109978-00		SCR PIV= 25 IO=25.00A	1		Q1
14	14	(SEE NOTE 1)	9007036-00		GROMMET,CATERPILLAR POLYAMIDE	0		
15	15		9006071-01		SCREW,MACH PAN PHIL 10-	1		
16	16		9006070-01		SCREW,MACH PAN PHIL 10-	5		
17	17		9009005-00		NUT,HEX 10-32X .246AF SS/N	3		
18	18		9007906-00		WASHER,HELICAL SPLIT STEEL	9		
19	19		9006563-00		NUT,HEX EXT TOOTH LCKWSHR 8-32	8		
20	20		9009708-00		SCREW,TAP PAN PHIL THD RL 6-	12		
21	21		9010369-01		SCREW,TAP FLAT PHIL THD RL 6-	4		
22	22		9009882-00		WASHER,LOCK INTERNAL SST	3		
23	23		9008 268-00		COMPOUND, THERMAL JOINT	A/R		
24	24		9006561-00		NUT,HEX 8-32X .307AF SS/N	4		
25	25		9006690-00		WASHER,HELICAL SPLIT SST	4		
26	26		1620201-01		CORE,POWDER IRON .9420DX.560IDX.	4		
27	27		4901462-00		ADHESIVE/SEALANT,SLICONE RUBBER	A/R		
28	28		9006072-01		SCREW,MACH PAN PHIL 10-	1		

REVISION HISTORY			BASIC PART NO: 7016054								
ENG	ECO NUMBER	REV	SECTION A OF A	DRN:	A.RUSZCZYK	DATE:	14-JUL-82	D I G I T A L			
---	INITIAL	A	SECTION VARIATION INDEX	CHK'D:	T.MCCULLOUGH	DATE:	14-JUL-82	TITLE PARTS LIST			
KK	7016054-TW002	B	[A] 00					OUTPUT PANEL ASSEMBLY			
KK	7016054-TW003	C	[B]	DES.ENG:	R.WOLF	DATE:	14-JUL-82	DOCUMENT NUMBER			
			[C]					!SIZE!CODE! NUMBER ! REV			
			[D]	RESP.ENG.:	K.KNOWLES	DATE:	14-JUL-82	K	PL	7016054-0-DBP	C
			[E]								
			[F]	MFG.ENG.:	C.ROLDAN	DATE:	14-JUL-82	RELEASE DATE: 01-NOV-84			
			[G]								
			[H]	ASSEMBLY NUMBER:	E-AD-7016054-0-0	TOP DOCUMENT NUMBER:	E-UA-H7140-0-0	FILE NAME:		Z4494C.PLS	EDIT #
			[I]								
			[J]								
			[K]								
			[L]								
			[M]								
			[N]								

"THIS DRAWING AND THE SPECIFICATIONS CONTAINED HEREIN ARE CONFIDENTIAL AND PROPRIETARY. THEY ARE THE PROPERTY OF DIGITAL EQUIPMENT CORPORATION AND SHALL NOT BE REPRODUCED OR COPIED OR USED IN WHOLE OR IN PART AS THE BASIS FOR THE MANUFACTURE OR SALE OF ITEM S WITHOUT WRITTEN PERMISSION. THIS IS AN UNPUBLISHED WORK PROTECTED UNDER THE FEDERAL COPYRIGHT LAWS."

AUTOMATED BY PRTLST.3P(44)

P A R T S L I S T

SHEET A2 OF A2

LINE ITEM TOP DOCUMENT_____

MIN
PART NUMBER REV DESCRIPTION

QTY PER VARIATION
00

REFERENCE DESIGNATOR

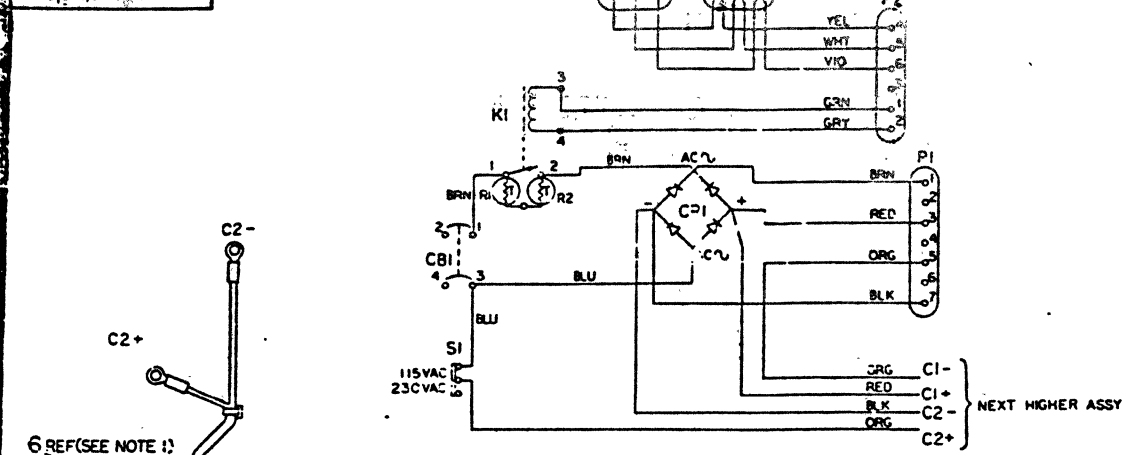
VARIATION REVISION LEVEL: C1

29 NOTE: 1. QUANTITY FOR ITEM NUMBER 14 IS .33 FT.

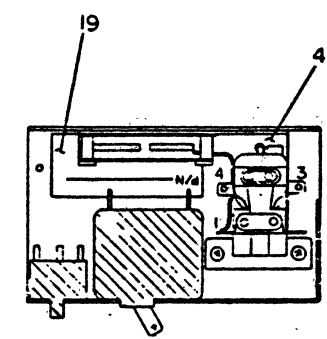
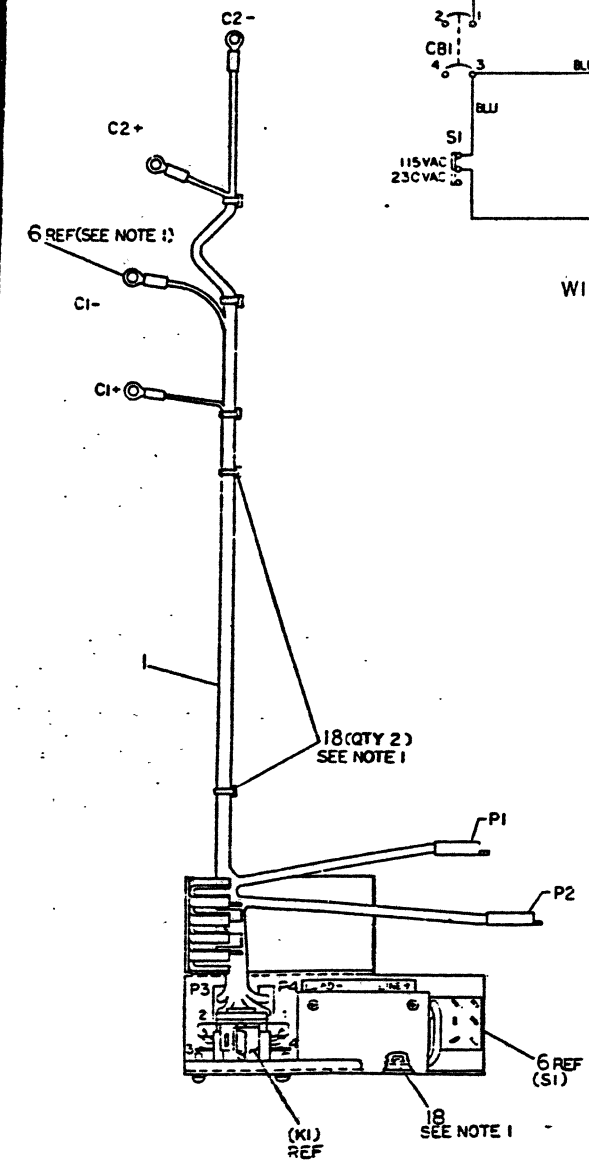
D I G I T A L	TITLE OUTPUT PANEL ASSEMBLY	SECTION A OF A	SIZE 11 PL	CODE 7016054	DOCUMENT NUMBER	REV C	PL
---------------------------------	--------------------------------	----------------	---------------	-----------------	-----------------	----------	----

NOTES:
 1 DRESS CRG LEAD OF ITEM 5 (APPROX 1/2 INCH)
 AND LAY IN WITH MAIN HARNESS BODY. USE
 ITEM 18 GABLE THIS APPROX WHERE SHOWN.

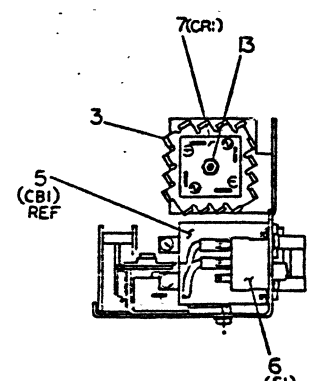
1
 2
 3
 4
 5
 6
 7
 8



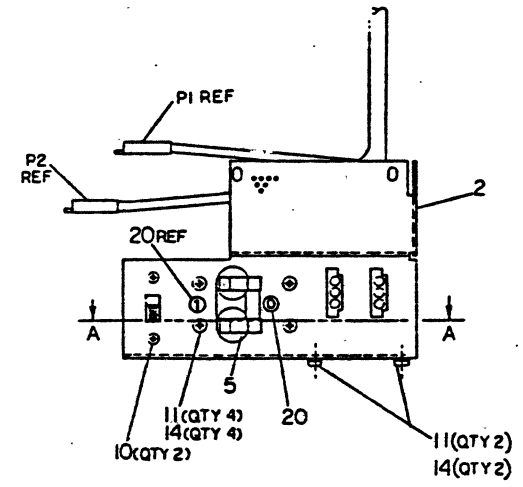
WIRING DIAGRAM



SECTION A-A



VIEW SHOWN WITH
 ITEM 1 (HARNESS)
 REMOVED FOR CLARITY



CAUTION: OFF SHEET PARTS LIST
 SEE K-PL-7016048-D-00P

QUANTITY	DESCRIPTION	QTY	UNIT	REF
1	RELAY ASSY	1	ASSEMBLY	1
2	...	2	...	2
3	...	3	...	3
4	...	4	...	4
5	...	5	...	5
6	...	6	...	6
7	...	7	...	7
8	...	8	...	8

REV	DATE	DESCRIPTION
1		
2		
3		
4		
5		
6		
7		
8		

U01

P A R T S L I S T

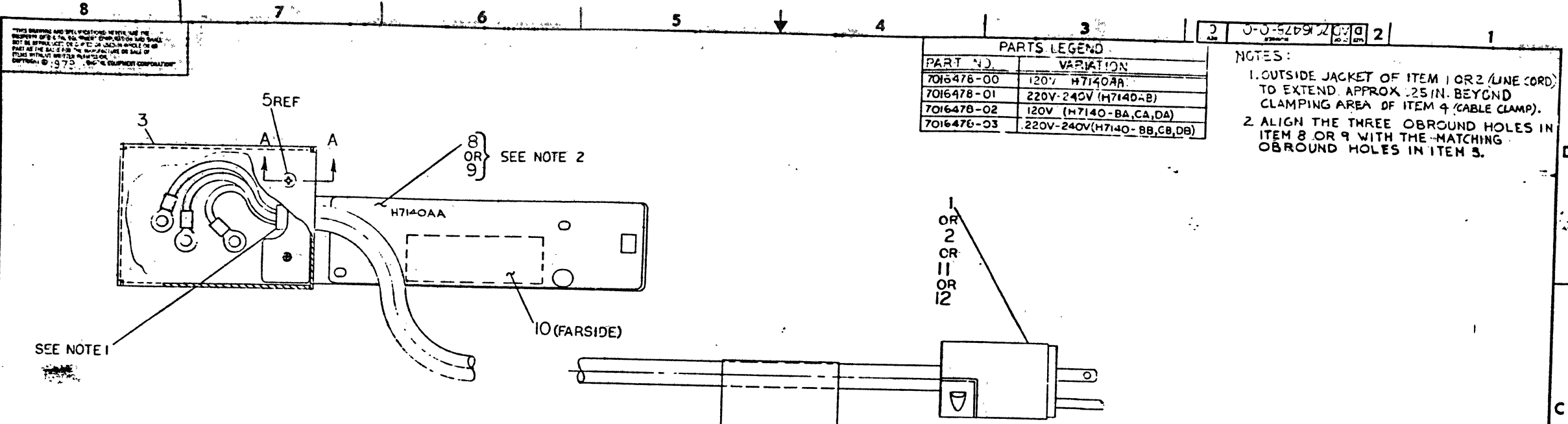
AUTOMATED BY PRTLST.3P(44)

SHEET A1 OF A1

LINE	ITEM	DOCUMENT NUMBER	PART NUMBER	DESCRIPTION	QUANTITY PER VARIATION
					00
1	1	D-IA-7016049-0-0	7016049-00	AC HARNESS ASSY	1
2	2	D-MD-7422040-0-0	7422040-00	INPUT BRKT	1
3	3		1216688-00	HEAT SINK, 1.810X01.8	1
4	4	D-AD-7018800-0-0	7018800-00	RELAY SUB ASSY. (H7140)	1
5	5		1212124-01	CKT BKR 20.0 A 240V 2P SERIES TR	1
6	6	C-IA-7016923-0-0	7016923-00	SWITCH ASSY	1
7	7		1116216-00	FWR8600V I=30A	1
8	8	BLANK		*** THIS ITEM IS NOT USED ***	-
9	9	BLANK		*** THIS ITEM IS NOT USED ***	-
10	10		9000039-06	SCREW,MACH FLAT PHIL 4-	2
11	11		9006020-01	SCREW,MACH PAN PHIL 6-	6
12	12	BLANK		*** THIS ITEM IS NOT USED ***	-
13	13		9009243-00	NUT,HEX EXT TOOTH LCKWSHR 6-32	1
14	14		9007801-00	WASHER,HELICAL SPLIT SST	6
15	15	BLANK		*** THIS ITEM IS NOT USED ***	-
16	16	BLANK		*** THIS ITEM IS NOT USED ***	-
17	17	BLANK		*** THIS ITEM IS NOT USED ***	-
18	18		9007031-00	TIE,CABLE BUNDL.DIA 0- 3/4"=101	3
19	19		9009255-00	LABEL, POWER SUPPLY, 2-15/16 " L	1
20	20		3615680-00	LABEL,ADHESIVE BACK,SWITCH POSIT	1

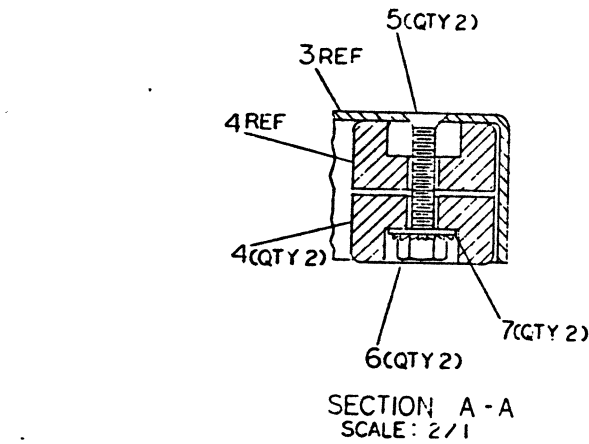
REVISION HISTORY			BASIC PART NO: 7016048			DRN: A.RUSZCZYK			DATE: 22-SEP-82			D I G I T A L		
ENG	ECO NUMBER	REV	SECTION A OF A	CHK'D:	T.MCCULLOUGH	DATE:	22-SEP-82	TITLE			PARTS LIST			
	INITIAL	A	SECTION. VARIATION INDEX:					RELAY ASSY						
			[A] 00	DES.ENG.:	R.WOLF	DATE:	22-SEP-82	DOCUMENT NUMBER						
			[B]	RESP.ENG.:	K.KNOWLES	DATE:	22-SEP-82	SIZE:	CODE:	NUMBER	REV			
			[C]	MFG.ENG.:	J.AVILES	DATE:	22-SEP-82	K	PL	7016048-0-DBP	A			
			[D]	ASSEMBLY NUMBER:	B-PL-7016048-0-0	TOP DOCUMENT NUMBER:	E-AD-7016048-0-0	FILE NAME:			EDIT			
			[E]					Z5521A.PLS			2			
			[F]											

"THIS DRAWING AND SPECIFICATIONS HEREIN, ARE THE PROPERTY OF DIGITAL EQUIPMENT CORPORATION AND SHALL NOT BE REPRODUCED OR COPIED OR USED IN WHOLE OR IN PART AS THE BASIS FOR THE MANUFACTURE OR SALE OF ITEMS WITHOUT WRITTEN PERMISSION."



PART NO.	VARIATION
7016476-00	120V H7140AA
7016478-01	220V-240V (H7140-B)
7016478-02	120V (H7140-BA,CA,DA)
7016476-03	220V-240V(H7140-BB,CB,DB)

NOTES:
 1. OUTSIDE JACKET OF ITEM 1 OR 2 (LINE CORD) TO EXTEND APPROX .25 IN. BEYOND CLAMPING AREA OF ITEM 4 (CABLE CLAMP).
 2. ALIGN THE THREE OBOUNDE HOLES IN ITEM 8 OR 9 WITH THE MATCHING OBOUNDE HOLES IN ITEM 5.



CAUTION: SEE OFF SHEET PARTS LIST
 K-PL-7016478-0-DBP, (Z5524)

ITEM NO.	DESCRIPTION	DWG PART NO.	ITEM NO.
1	LABEL, PWR SLIPPLY	9009255-00	10
1	LABEL, H7140AB (220-240V)	3616977-01	9
1	LABEL, H7140AA (120V)	3616977-00	5
2	WASHER, FLAT #8-32X.015	9006660-00	7
2	NUT, KEF #8-32X.2AF	9006523-00	6
2	SCR, FLAT, PHIL #8-32X1.5	9006042-02	5
2	CLAMP, CABLE	1248566-00	4
1	COVER, A.C.	D-MD-7650180-0	3
1	CORD ASSY. LINE (220-240V)	D-1A-7016478-1-0	2
1	CORD ASSY. LINE (120V)	D-1A-7016478-0-0	1

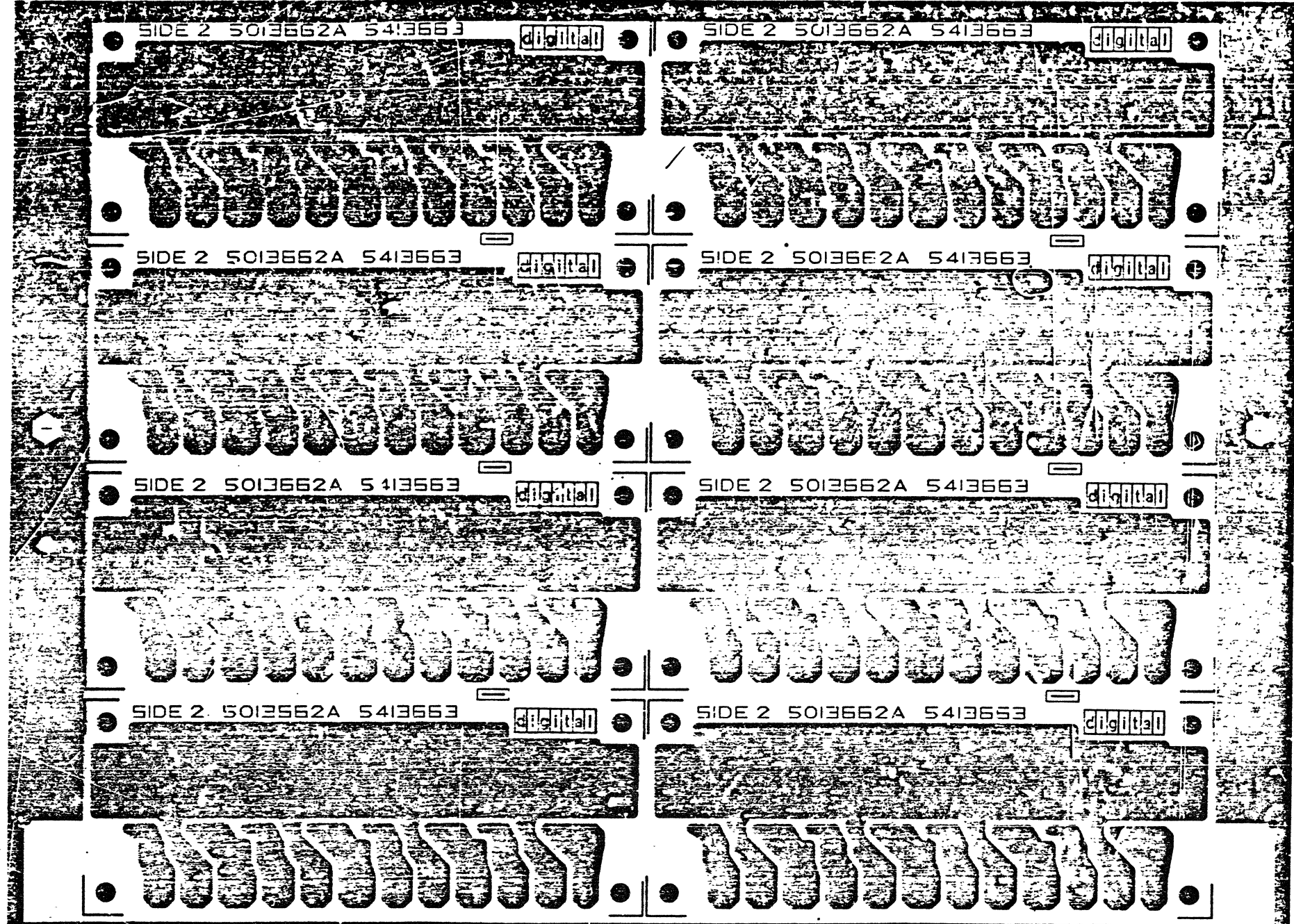
REV.	CHANGE NO.	DESCRIPTION	DATE	BY	CHKD.
1	1	INITIAL DESIGN	12/1/73	K. KNOWLES	
2	2	REVISION	12/1/73	K. KNOWLES	
3	3	REVISION	12/1/73	K. KNOWLES	
4	4	REVISION	12/1/73	K. KNOWLES	
5	5	REVISION	12/1/73	K. KNOWLES	
6	6	REVISION	12/1/73	K. KNOWLES	
7	7	REVISION	12/1/73	K. KNOWLES	
8	8	REVISION	12/1/73	K. KNOWLES	
9	9	REVISION	12/1/73	K. KNOWLES	
10	10	REVISION	12/1/73	K. KNOWLES	
11	11	REVISION	12/1/73	K. KNOWLES	
12	12	REVISION	12/1/73	K. KNOWLES	
13	13	REVISION	12/1/73	K. KNOWLES	
14	14	REVISION	12/1/73	K. KNOWLES	
15	15	REVISION	12/1/73	K. KNOWLES	
16	16	REVISION	12/1/73	K. KNOWLES	
17	17	REVISION	12/1/73	K. KNOWLES	
18	18	REVISION	12/1/73	K. KNOWLES	
19	19	REVISION	12/1/73	K. KNOWLES	
20	20	REVISION	12/1/73	K. KNOWLES	
21	21	REVISION	12/1/73	K. KNOWLES	
22	22	REVISION	12/1/73	K. KNOWLES	
23	23	REVISION	12/1/73	K. KNOWLES	
24	24	REVISION	12/1/73	K. KNOWLES	
25	25	REVISION	12/1/73	K. KNOWLES	
26	26	REVISION	12/1/73	K. KNOWLES	
27	27	REVISION	12/1/73	K. KNOWLES	
28	28	REVISION	12/1/73	K. KNOWLES	
29	29	REVISION	12/1/73	K. KNOWLES	
30	30	REVISION	12/1/73	K. KNOWLES	
31	31	REVISION	12/1/73	K. KNOWLES	
32	32	REVISION	12/1/73	K. KNOWLES	
33	33	REVISION	12/1/73	K. KNOWLES	
34	34	REVISION	12/1/73	K. KNOWLES	
35	35	REVISION	12/1/73	K. KNOWLES	
36	36	REVISION	12/1/73	K. KNOWLES	
37	37	REVISION	12/1/73	K. KNOWLES	
38	38	REVISION	12/1/73	K. KNOWLES	
39	39	REVISION	12/1/73	K. KNOWLES	
40	40	REVISION	12/1/73	K. KNOWLES	
41	41	REVISION	12/1/73	K. KNOWLES	
42	42	REVISION	12/1/73	K. KNOWLES	
43	43	REVISION	12/1/73	K. KNOWLES	
44	44	REVISION	12/1/73	K. KNOWLES	
45	45	REVISION	12/1/73	K. KNOWLES	
46	46	REVISION	12/1/73	K. KNOWLES	
47	47	REVISION	12/1/73	K. KNOWLES	
48	48	REVISION	12/1/73	K. KNOWLES	
49	49	REVISION	12/1/73	K. KNOWLES	
50	50	REVISION	12/1/73	K. KNOWLES	

THIRD ANGLE PROJECTION		FIRST USED ON H7140	
REMOVE BURRS AND BREAK SHARP CORNERS	DO NOT SCALE DWG	NEXT HIGHER ASSY	
MATERIAL SPEC PARTS LIST		SIZE CODE	NUMBER
FINISH		SCALE	DIST.
SHEET		REV	C

7016478-0-0

THIS DRAWING AND SPECIFICATIONS HEREIN ARE THE PROPERTY OF THE A. EQUIPMENT CORPORATION AND SHALL NOT BE REPRODUCED OR COPIED IN WHOLE OR IN PART FOR THE MANUFACTURE OR SALE OF THIS EQUIPMENT WITHOUT THE WRITTEN CONSENT OF THE A. EQUIPMENT CORPORATION

* 0-0-5413663-0-0 2

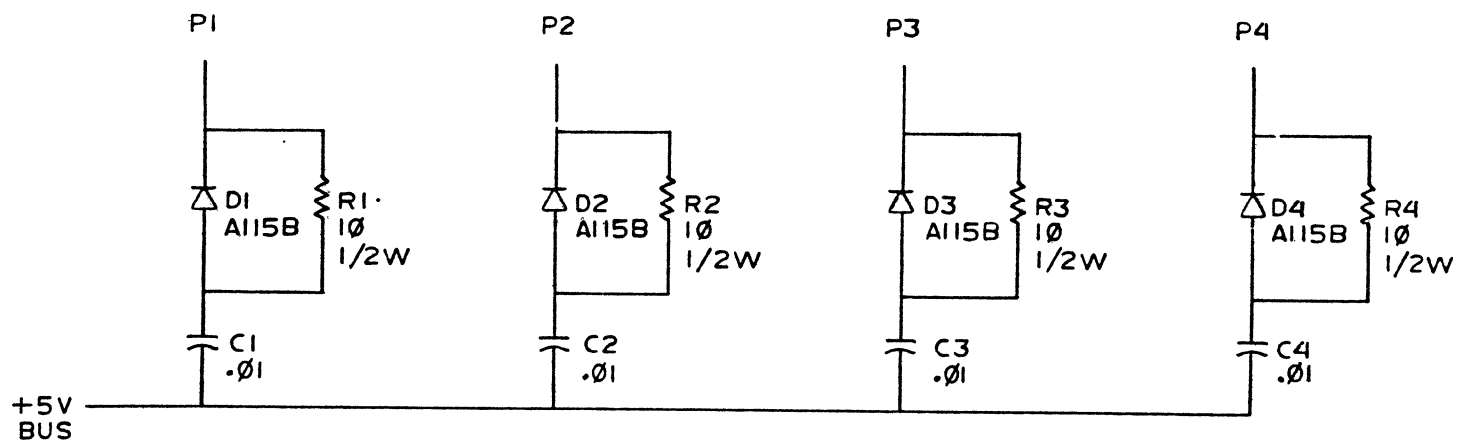


REVISIONS	
NO.	DESCRIPTION


TITLE	H 140 SNUBBER BOARD	SIZE CODE	D UA	NUMBER	5413663-0-0	REV	*
SCA	2/1	SHEET	2 OF 2	DIST			

D UA 5413663-0-0 K

"THIS DRAWING AND SPECIFICATIONS, HEREIN, ARE THE PROPERTY OF DIGITAL EQUIPMENT CORPORATION AND SHALL NOT BE REPRODUCED OR COPIED OR USED IN WHOLE OR IN PART AS THE BASIS FOR THE MANUFACTURE OR SALE OF ITEMS WITHOUT WRITTEN PERMISSION. COPYRIGHT © 1978 DIGITAL EQUIPMENT CORPORATION"



CHK	CHANGE NO.	REV.
J.M.	5413663 - JW001	A
A.	17-SEP-81	
R.	HEATON	
J.	12-0-81	

QTY.	DESCRIPTION	PART NO.	ITEM NO.
PARTS LIST			
DRM. <i>James Angeles</i>	DATE <i>5-29-78</i>	 TITLE H7140 SNUBBER BOARD	
CHK'D. <i>J. Heaton</i>	DATE <i>6-1-78</i>		
ENG. <i>R. Heaton</i>	DATE <i>6/26/78</i>		
PROJ. ENG. <i>R. Heaton</i>	DATE <i>6/26/78</i>		
PROD. <i>F. Munoz</i>	DATE <i>7-13-78</i>		
NEXT HIGHER ASSY.		SIZE CODE	NUMBER
FIRST USED ON OPTION/MODEL		C CS	5413663-0-1
SCALE	NONE		REV. A
SHEET 1	OF 1	DIST.	

REV. A
 NUMBER 5413663-0-1
 SIZE C CS

TW

AUTOMATED BY PRTLST.3L(32)

PARTS LIST

SHEET A1 OF A1

LINE ITEM	DOCUMENT NUMBER	PART NUMBER	DESCRIPTION	QTY PER VARIATION	REFERENCE DESIGNATOR
1	D-MD-5013662-C-0	5013662-00	DRILL & ETCH BD	1	C1-C4
		1011847-01	.01 MFD 400V 10% POLYPROP	4	D1-D4
		1112594-01	A115B PIV=200 I= 3A	4	R1-R4
		1300168-00	10.0 50 W 5.0 % CC	4	
		9107809-33	WIRE, STRND, 18AWG, IPVC UL1431	4	
		9007930-00	TERM, RING #10STUD CRIMP 16-2	4	
		9008356-01	WIRE MARKER, NUMERIC, 1-48	1	

8 NOTE: ITEM #5, 1.33' IS USED.

REVISION HISTORY		BASIC PART NO: 5413663		DRN: K.FRIEDGEN	DATE: 22-MAY-79	DIGITAL	
ENG:	ECO NUMBER	REV	SECTION A OF A	CHK'D: J.CASEY	DATE: 19-JUL-79	TITLE	PARTS LIST
	INITIAL	*	SECTION VARIATION INDEX	DES.ENG: J.A.HERRMANN	DATE: 22-MAY-79	SNUBBER BOARD ASSY	
EC	5413663-TN001	A	[A] 00	RESP.ENG.: J.A.HERRMANN	DATE: 22-MAY-79	DOCUMENT NUMBER	
			[B]	MFG.ENG.: F.MUNIZ	DATE: 19-JUL-79	SIZE	CCODE
			[C]	ASSEMBLY NUMBER:	TOP DOCUMENT NUMBER:	NUMBER	REV
			[D]	D-UA-5413663-0-0	D-MD-5413663-0-0	K	PL
			[E]			5413663-0-03P	A
			[F]			FILE NAME:	EDIT #
			[G]			Z0525A.PLS	10
			[H]				
			[I]				
			[J]				
			[K]				
			[L]				
			[M]				
			[N]				

"THIS DRAWING AND SPECIFICATIONS HEREIN, ARE THE PROPERTY OF DIGITAL EQUIPMENT CORPORATION AND SHALL NOT BE REPRODUCED OR COPIED OR USED IN WHOLE OR IN PART AS THE BASIS FOR THE MANUFACTURE OR SALE OF ITEMS WITHOUT WRITTEN PERMISSION. COPYRIGHT (C) 1981. DIGITAL EQUIPMENT CORPORATION"

THIS DRAWING AND SPECIFICATIONS, HEREIN, ARE THE PROPERTY OF THE UNITED STATES GOVERNMENT AND ARE TO BE USED AS THE BASIS FOR THE DESIGN AND CONSTRUCTION OF THE PROJECT DESCRIBED THEREIN. NO PART OF THIS DRAWING IS TO BE REPRODUCED OR TRANSMITTED IN ANY FORM OR BY ANY MEANS, ELECTRONIC OR MECHANICAL, INCLUDING PHOTOCOPYING, RECORDING, OR BY ANY INFORMATION STORAGE AND RETRIEVAL SYSTEM, WITHOUT PERMISSION IN WRITING FROM THE UNITED STATES GOVERNMENT.

REWORK INSTRUCTIONS

ECO #1

~~ETCH CUT SIDE~~
~~FROM C3/NEG TO J6-P15, J6-P17 AND J4-P6~~

WIRE ADDS: SIDE 2
I-2 FROM C3/NEG (TACK SOLDER TO ETCH) TO J6-P11
I-3 FROM J6-P11 TO J6-P10
I-4 FROM J6-P10 TO J9-P12

ECO #6

WIRE ADDS: SIDE 2
6-2 FROM J9 TO D7 CATHODE
6-3 FROM J9-7 TO .6-21 } USE ITEM 32
6-4 FROM J9-1 TO J9-2

COMPONENT ADDS: SIDE 1
6-5 (11 (P/N 1000040-00) FROM D8 ANODE TO J2-INSULATE LEADS WITH ITEM 33.
6-6 RIO (P/N 191220-00) IN FORMER D7 POSITION.
6-7 ITEM 36 (P/N 9009731-03) ADD ON C4-C8.

ECO #7

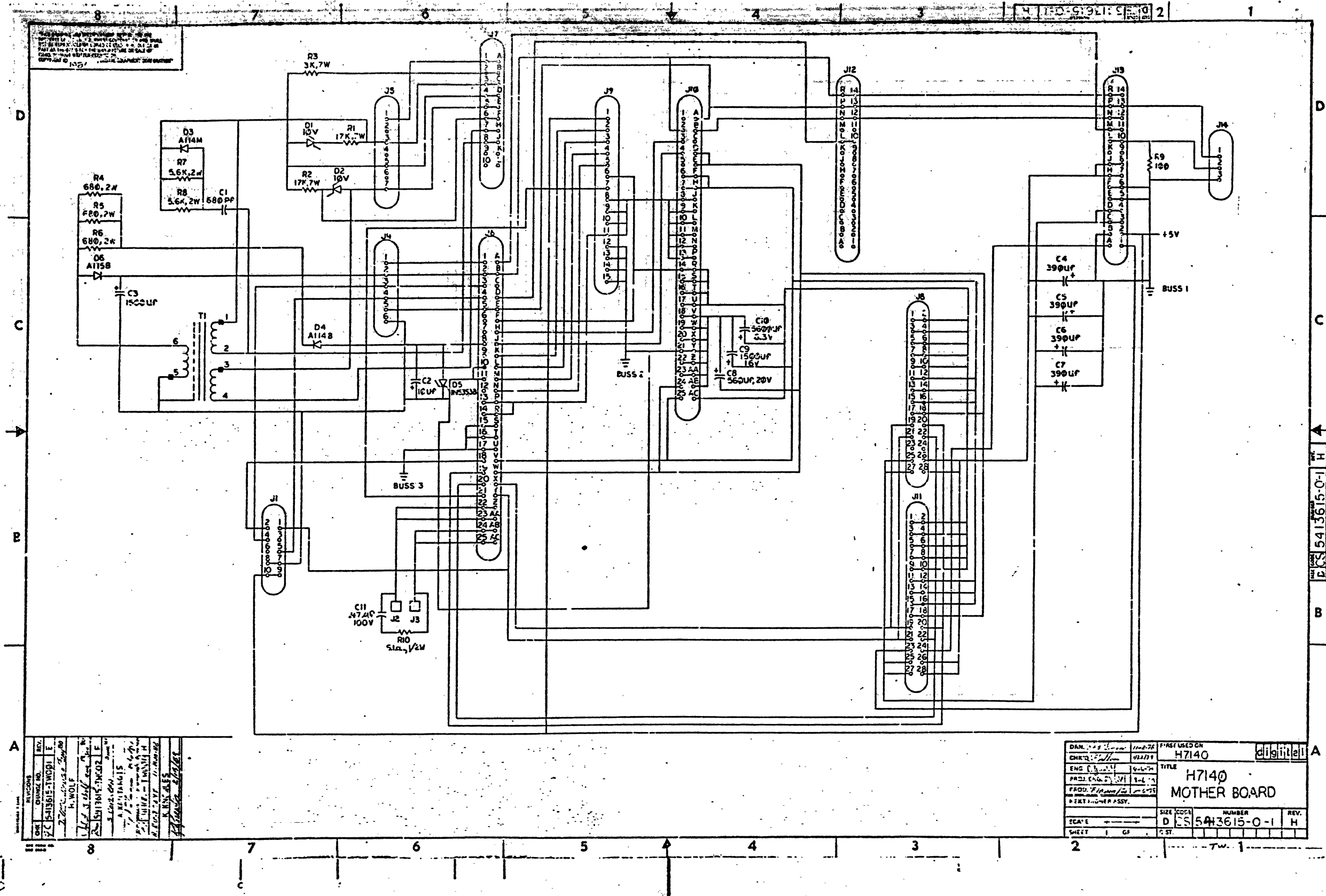
COMPONENT DELETES: SIDE 1
7-1 DELETE P/N 1300348-00 (R4-R6)
7-2 DELETE P/N 1300456-00 (R7,R8)

COMPONENT ADDS: SIDE 1
7-3 ADD P/N 1319471-26 (R4-R6)
7-4 ADD P/N 1319471-36 (R7,R8)
7-5 ADD P/N 743383-01, ITEM 37 UNDER RIO.

REV	DATE	BY

TITLE	H7140 MOTHER BD	REVISION	EUA	NUMBER	5413615-0-0	REV.	J
SCALE	NONE	SHEET	2 OF 2	DIST.			

5413615-0-0 J



REV.	DATE	BY	CHKD.
1	11-15-61	H. WOLF	
2	11-15-61	H. WOLF	
3	11-15-61	H. WOLF	
4	11-15-61	H. WOLF	
5	11-15-61	H. WOLF	
6	11-15-61	H. WOLF	
7	11-15-61	H. WOLF	
8	11-15-61	H. WOLF	

DAN. 11-15-61	11-15-61	FIRST USED ON	H7140	digital
ENG. 11-15-61	11-15-61	TITLE	H7140 MOTHER BOARD	
PROJ. ENG. 11-15-61	11-15-61	SIZE	D	CS 5413615-0-1
PROD. 11-15-61	11-15-61	NUMBER	0-1	REV. H
EXT. 11-15-61	11-15-61	SHEET	1	OF 1

LINE ITEM	TOP DOCUMENT	PART NUMBER	MIN REV	DESCRIPTION	VARIATION REVISION LEVEL:	QTY PER VARIATION	REFERENCE DESIGNATOR
1	1	D-MD-5013614-0-0		5013614-00	DRILL & ETCH BD	1	
2	2			1004813-00	10 MFD 20V 10% S.TANT	1	C2
3	3			1012607-00	560 MFD 20V+100-10% AL EL	1	C8
4	4			1012607-06	390 MFD 20V+100-10% AL EL	4	C4-C7
5	5			1013280-00	680.0 MMF 1000V 5%200PPM MICA	1	C1
6	6			1014229-00	1500 MFD 16V +75-10% AL EL	2	C9,C3
7	7			1016169-00	5600 MFD 6.3V +75-10% AL EL	1	C10
8	8			1110854-00	VZ= 16.0 5% 5 W 1N5353B	1	D5
9	9			1100125-00	VZ= 10.0 5% 400 MW 1N758A	2	D1,D2
10	10			1112594-01	PIV= 200 IO= 3.00A	1	D6
11	11			1112595-01	PIV= 200 IO= 1.00A AXIAL	1	D4
12	12			1112595-02	PIV= 600 IO= 1.00A AXIAL	1	D3
13	13			1215341-01	PCB HEADER 10PIN(2X05).100CC STR	1	J1
14	14			1211004-00	PCB,HEADER 28SKT(2X19).100CC	4	J12,J13,J11,J8
15	15			1211004-04	PCB,HEADER 40SKT(2X20).200CC	1	J7
16	16			1211004-05	PCB,HEADER 50SKT(2X25).100CC	2	J6,J10
17	17			1216122-01	PCB,HEADER 07PIN(1X07).156CC KEY	1	J5
18	18			1216122-02	PCB,HEADER 15PIN(1X15).156CC KEY	1	J9
19	19			1216122-04	/REPLACED BY 12-12619-08	1	J14
20	20			1216122-05	/REPLACED BY 12-12619-07	1	J4
21	21			1300229-00	100.0 .25 W 5.0 % CF	1	R9
22	22			1319471-26	680.0 2.0 W 5.0 % M.OXIDE	3	R4-R6
23	23			1319471-36	5.60 K 2.0 W 5.0 % M.OXIDE	2	R7,R8
24	24			1316207-00	3.0 K 7.0 W 5.0 % WW	1	R3
25	26			1316209-00	17.0 K 7.0 W 5.0 % WW	2	R1,R2
26	27			1616215-00	XFMR P=240/360 S=5V	1	T1
27	28			7422391-00	SUPPORT,MOTHER BOARD	1	
28	29			9008219-00	TERM,TAB .250TAB .130STUD MN	2	J2,J3
29	31			9009000-00	EYELET,ROLLED 0.1210DX0.156	5	
30	32	(SEE NOTE 1)		9107688-55	WIRE(WRAP) 24AWG KYNAR UL13 A/R		

REVISION HISTORY			BASIC PART NO: 5413615						
ENG!	ECO NUMBER	REV	SECTION A OF A	DRN:	M.CICCONE	DATE:	27-MAR-79	D I G I T A L	
---	INITIAL	D	SECTION VARIATION INDEX	CHK'D:	E.T.GERRY	DATE:	27-MAR-79	TITLE PARTS LIST	
R.W!	TW001	E	[A] 00					MOTHER BOARD	
AK!	TW002	F	[B]	DES.ENG:	R.WOLF	DATE:	27-MAR-79	DOCUMENT NUMBER	
KK!	5413615-TW006	H	[C]					SIZE!	CODE!
RW!	5413615-TW007	J	[D]	RESP.ENG.:	R.WOLF	DATE:	27-MAR-79	NUMBER	REV
			[E]					K	PL
			[F]	MFG.ENG.:	P.WAITKUS	DATE:	6-AUG-79	5413615-0-DBP	
			[G]					RELEASE DATE: 14-AUG-85	
			[H]	ASSEMBLY NUMBER:	D-UA-5413615-0-0	TOP DOCUMENT NUMBER:		FILE NAME:	EDIT #
			[I]					Z0376J.PLS	18
			[J]						
			[K]						
			[L]						
			[M]						
			[N]						

"THIS DRAWING AND THE SPECIFICATIONS CONTAINED HEREIN ARE CONFIDENTIAL AND PROPRIETARY. THEY ARE THE PROPERTY OF DIGITAL EQUIPMENT CORPORATION AND SHALL NOT BE REPRODUCED OR COPIED OR USED IN WHOLE OR IN PART AS THE BASIS FOR THE MANUFACTURE OR SALE OF ITEMS WITHOUT WRITTEN PERMISSION. THIS IS AN UNPUBLISHED WORK PROTECTED UNDER THE FEDERAL COPYRIGHT LAWS."

AUTOMATED BY PRTLST.3J(25)

PARTS LIST

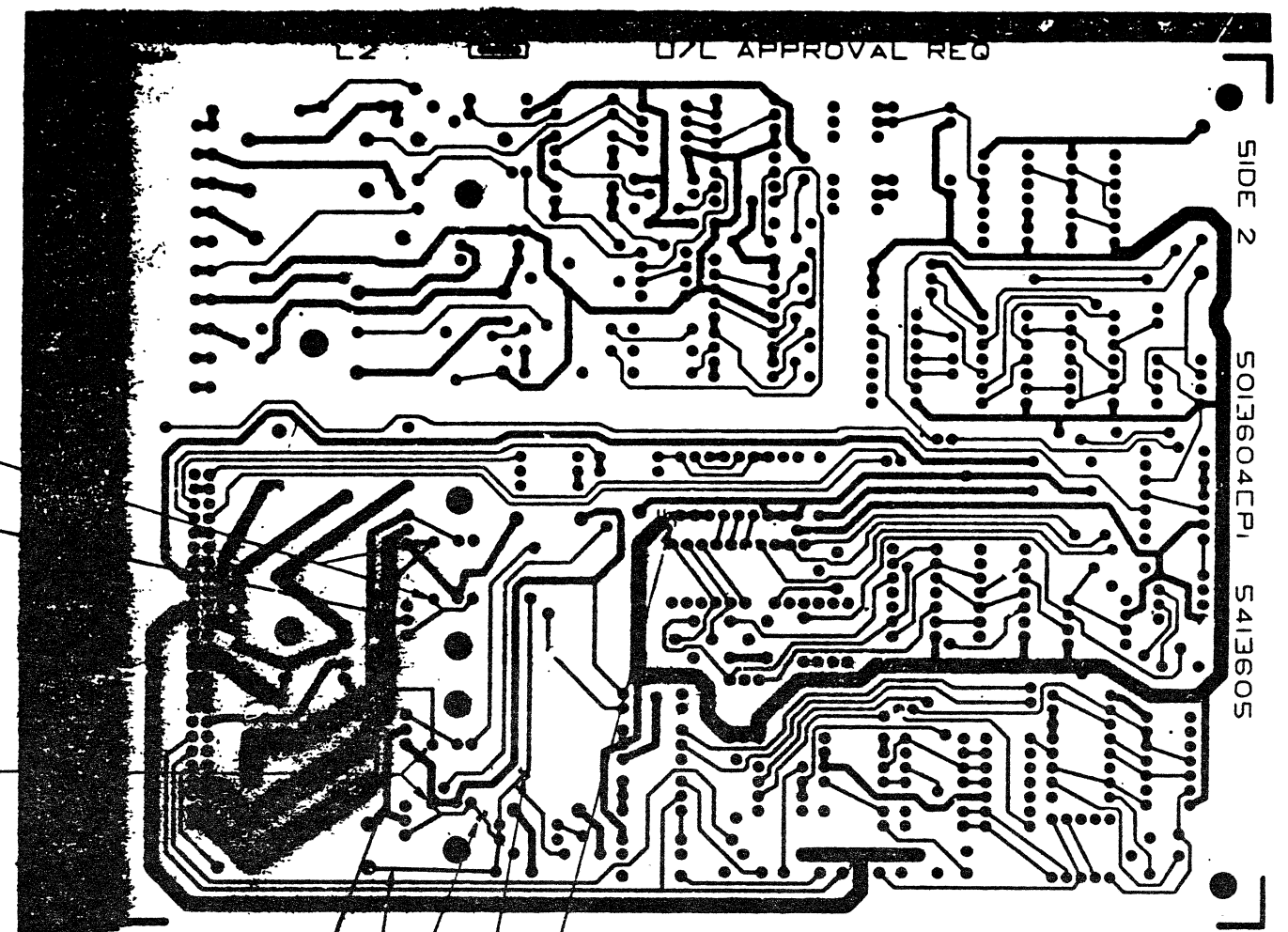
SHEET A2 OF A2

LINE	ITEM	TOP DOCUMENT	PART NUMBER	DESCRIPTION	VARIATION REVISION LEVEL:	QTY PER VARIATION	REFERENCE DESIGNATOR
31	33	(SEE NOTE 2)	9107278-11	TUBING, TEFLON .042 ID		A/R	
32	34		1000040-00	.47 MFD 100V 10%	MYLR	1	C11
33	35		1311220-00	5.10 .50 W 5.0 %	CF	1	R10
34	36		9009731-03	CAP, OPT. VINYL .500 ID		5	
35	37	B-MD-7431383-0-DBU	7431383-01	INSULATOR, COMPONENT		1	

36 NOTE: 1. FOR ITEM #32, 2 FT. IS USED.
 37 NOTE: 2. FOR ITEM #33, 12 INCHES IS USED.

D	I	G	I	T	A	L	TITLE	MOTHER BOARD	SECTION A	OF A	SIZE	CODE	DOCUMENT NUMBER	REV
											K	PL	5413615-0-DBP	J

THIS DRAWING AND SPECIFICATIONS HEREBY ARE THE PROPERTY OF THE U.S. GOVERNMENT. IT AND THE INFORMATION CONTAINED HEREIN ARE TO BE RELEASED TO THE PUBLIC AS AUTHORIZED BY THE NATIONAL ARCHIVES AND RECORDS ADMINISTRATION. DATE 11/19/80

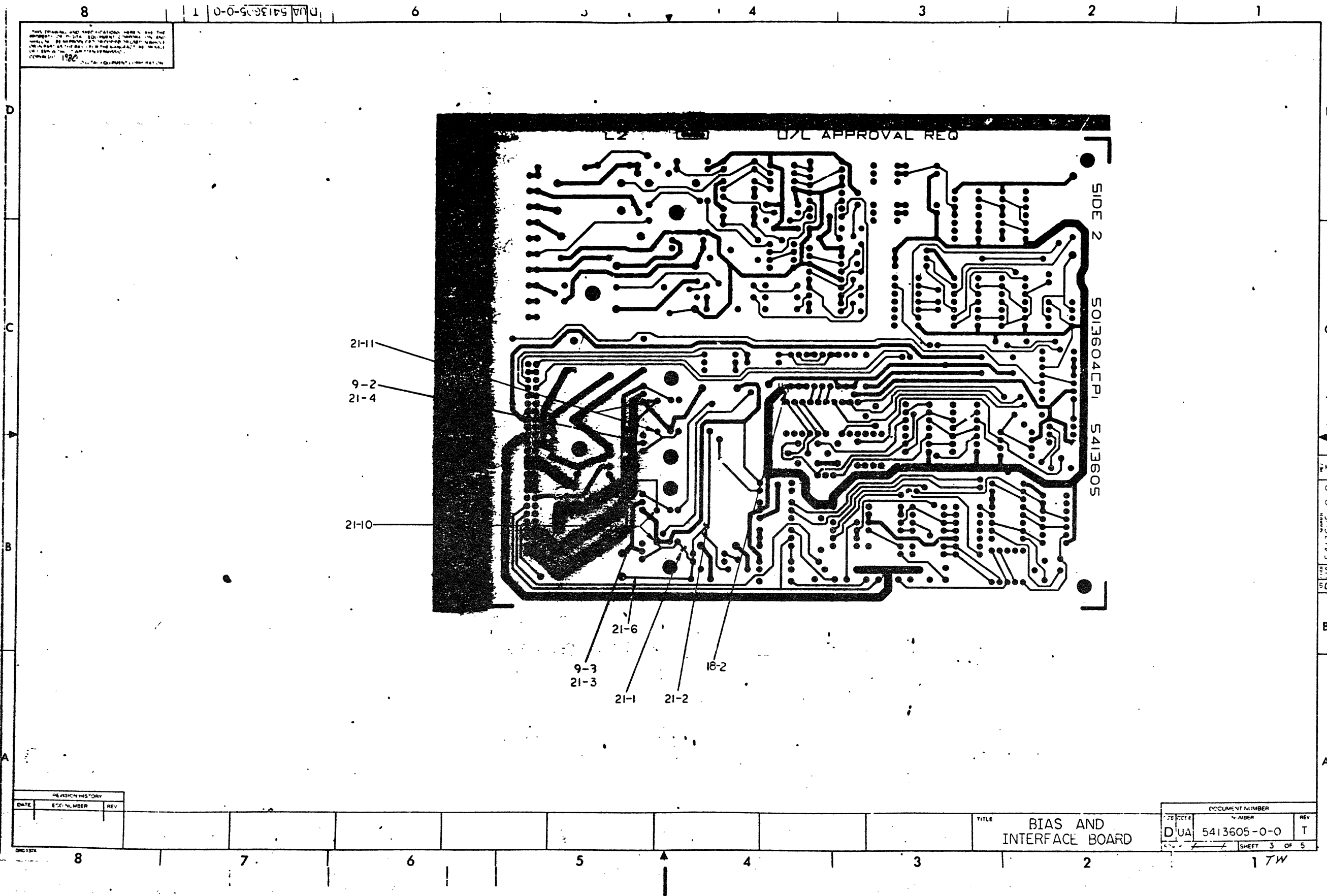


REVISION HISTORY		
DATE	ISS. NUMBER	REV.

TITLE
BIAS AND
INTERFACE BOARD

DOCUMENT NUMBER		
PROJECT NUMBER	NUMBER	REV.
DUA	5413605-0-0	T
SHEET 3 OF 5		

1 TW



THIS DRAWING AND SPECIFICATIONS HEREIN ARE THE PROPERTY OF DIGITAL EQUIPMENT CORPORATION AND SHALL NOT BE REPRODUCED OR COPIED OR USED IN WHOLE OR IN PART AS THE BASIS FOR THE MANUFACTURE OR SALE OF ITEMS WITHOUT WRITTEN PERMISSION.
 COPYRIGHT © DIGITAL EQUIPMENT CORPORATION

REWORK INSTRUCTIONS

ECO #9

ETCH CUTS SIDE 1:

9-1 CUT ETCH FROM E9-3 TO C20.

ETCH CUTS SIDE 2:

9-2 CUT ETCH FROM Q4-C TO Q5-C.

9-3 CUT ETCH FROM Q2-C TO Q3-C.

COMPONENT ADDS SIDE 1

9-4 INSTALL R94 ACROSS ETCH CUT 9-1 BY TACK SOLDER AS SHOWN.

9-5 INSTALL POS. END OF C31 TO END OF R59 ADJACENT TO E4 USING A .125" LENGTH OF TUBING (ITEM 110) AND SOLDERING NEG. END TO ETCH BETWEEN E4 AND Q14.

9-6 INSTALL SOLDER TERMINALS (ITEM 107) ON COLLECTOR TABS OF Q2-Q5 USING EXISTING HARDWARE AS SHOWN.

9-7 CONNECT D45 TO TERMINALS ON Q4 AND Q5 WITH CATHODE (BLACK BAND) CONNECTED TO Q4.

9-8 CONNECT D44 TO TERMINALS ON Q2 AND Q3 WITH CATHODE (BLACK BAND) CONNECTED TO Q2.

9-9 INSTALL C32 BY DRILLING TWO .055 HOLES (AS SHOWN ON SHEET 2 OF 3 OF THE UA PRINT) AND INSTALL GRIPLET (P/N 12-10244-01) IN HOLE NEAREST EDGE CONNECTOR ONLY. TACK SOLDER TO ETCH BETWEEN R5 AND R6 ON SIDE 2.

COMPONENT DELETE SIDE 1:

9-10 REMOVE HEAT SINKS (ITEM 95) FROM Q2-Q5.

COMPONENT DELETE SIDE 2:

9-11 REMOVE FOUR(4) TAPPING SCREWS (ITEM 104) USED TO SECURE HEAT SINKS (ITEM 95).

WIRE ADDS SIDE 1:

9-12 INSTALL WIRE (ITEM 114) IN HOLE WITH GRIPLET AND CONNECT TO Q7 COLLECTOR.

REWORK INSTRUCTIONS

ECO #10

COMPONENT ADD SIDE 1:

10-1 ADD C33 BY HANDDRILLING 2 .055 HOLES AND TACK SOLDERING ONE LEAD TO RUN THAT E3-PIN 3 IS ATTACHED TO, AND TACK SOLDERING THE OTHER LEAD TO RUN THAT IS ATTACHED TO E3-PIN 4 (BOTH CONNECTIONS SHOULD BE TACK SOLDERED ON SIDE #2).

REWORK INSTRUCTIONS

ECO #12

COMPONENT DELETE SIDE 1

12-1 DELETE R40, DEC P/N 1300439-00.

COMPONENT ADD SIDE 1

12-2 ADD R40, DEC P/N 1301890-00.

REWORK INSTRUCTIONS

ECO #14

COMPONENT DELETE SIDE 1

14-1 REMOVE D14

WIRE ADD SIDE 1

14-2 ADD JUMPER (ITEM #102) IN PLACE OF D14.

REWORK INSTRUCTIONS ECO #16

COMPONENT DELETES SIDE 1

16-1 REMOVE Q8 P/N 15-10959-00 AND DISCARD

COMPONENT ADDS SIDE 1

16-2 ADD Q8 P/N 15-10959-00 WITH QTY 2 OF ITEM 100 PREASSEMBLED WITH SMOOTH SURFACES TOGETHER

REWORK INSTRUCTIONS PER ECO#5013604-TW18

ETCH CUTS SIDE 1:

18-1 CUT ETCH AT JUNCTION OF R38, R39, AND R40.

SIDE 2

18-2 CUT ETCH AT JUNCTION OF R38, R39, AND R40.

CONT...

WIRE ADDS SIDE 1:

18-3 ADD JUMPER ITEM 114 FROM JUNCTION OF R38, R39 AND R40 TO D9 CATHODE.

18-4 ADD JUMPER ITEM 120 FROM POSITIVE SIDE OF C3 TO JUNCTION OF R1, E1-2.

REWORK INSTRUCTIONS PER ECO #19

WIRE ADDS SIDE 1

19-1 ADD WIRE (ITEM 114) FROM R38 TO ANODE OF D9 BY WRAPPING WIRE AROUND LEAD OF D9 ANODE AND SOLDERING OTHER END TO ETCH ADJACENT TO R38.

19-2 ADD WIRE (ITEM 120) FROM R1 ETCH TO POSITIVE LEAD OF C1 BY WRAPPING WIRE AROUND C1 POSITIVE LEAD. BE SURE TO WRAP LEAD COUNTER CLOCKWISE TO PREVENT LEAD FROM COMING IN CONTACT WITH ADJACENT COMPONENT. SECURE OTHER END BY SOLDERING TO ETCH ADJACENT TO R1.

REWORK INSTRUCTIONS PER ECO#20

COMPONENT ADDS SIDE 1

20-1 CUT AND REMOVE COLLECTOR LEAD OF Q1.

20-2 ADD TERMINAL LUG (ITEM 107) DEC P/N 9006761-00 TO COLLECTOR TAB OF Q1. LUG SHOULD BE PLACED BETWEEN SCREW HEAD (ITEM 96) AND RECTANGULAR WASHER (ITEM 103).

20-3 SOLDER FUSIBLE RESISTOR (ITEM 123) DEC P/N 1315518-02 FROM TERM LUG ON Q1 COLLECTOR TAB TO HOLE IN ETCH BOARD VACATED BY Q1 COLLECTOR LEAD.

REVISION HISTORY		
DATE	ECO NUMBER	REV

8	7	6	5	4	3	2	1	TITLE BIAS AND INTERFACE BOARD	DOCUMENT NUMBER NUMBER DUA 5413605-0-0	REV T
								SCALE 2/1	SHEET 4 OF 5	

THIS DRAWING AND THE SPECIFICATIONS CONTAINED HEREIN ARE CONFIDENTIAL AND PROPRIETARY. THEY ARE THE PROPERTY OF DIGITAL EQUIPMENT CORPORATION AND SHALL NOT BE REPRODUCED OR COPIED OR USED IN WHOLE OR IN PART AS THE BASIS FOR THE MANUFACTURE OR SALE OF ITEMS WITHOUT WRITTEN PERMISSION. THIS IS AN UNPUBLISHED WORK PROTECTED UNDER THE FEDERAL COPYRIGHT LAWS, 1984.

REWORK INSTRUCTIONS PER ECO *21

ETCH CUTS SIDE 2

- 21-1 CUT ETCH BETWEEN R16 AND R10
- 21-2 CUT ETCH BETWEEN PLATED THRU HOLE AND JUNCTION OF R16 AND Q9-E
- 21-3 DELETE ETCH CUT 9-3 ON NEW BOARDS
- 21-4 DELETE ETCH CUT 9-2 ON NEW BOARDS

WIRE ADDS SIDE 1

- 21-5 ADD WIRE (ITEM 120) FROM R16 TO R17 AND R17 TO ADJACENT GROUND ETCH

WIRE ADDS SIDE 2

- 21-6 ADD WIRE (ITEM 120) TO ETCH FROM Q9-E TO R17 SO THAT IT CONNECTS TO R16 AS WELL AND CONNECT OTHER END TO HOLE VACATED BY D1 ANODE

COMPONENT DELETES SIDE 1

- 21-7 DELETE THE FOLLOWING COMPONENTS:
 DEC P/N 1110420-00, D1-D4, D44, D45
 DEC P/N 1105796-00, D22, D23, D39
 DEC P/N 1510707-00, Q2, Q4
 DEC P/N 1510708-00, Q3, Q5
 DEC P/N 1300229-00, R9-R12
 DEC P/N 1305357-00, R18, R19
 DEC P/N 1300309-00, R33, R34
 DEC P/N 9006761-00, (ITEM 107)
 DEC P/N 9008301-00, (ITEM 111)

COMPONENT ADDS SIDE 1

- 21-8 ADD THE FOLLOWING COMPONENTS:
 DEC P/N 1105275-00 D39
 DEC P/N 7422047-01 HEATSINK (ITEM 95)
 Q2, Q3, AND Q4, Q5 MOUNT ON TO HEATSINK
 DEC P/N 1523358-01 Q2, Q4
 DEC P/N 1523357-01 Q3, Q5
 DEC P/N 1300365-00 R18, R19, R33, R34, R96, R97
 NOTE: R18 & R19 TO BE MOUNTED IN PLACE OF D22 AND D23
 DEC P/N 9006011-01 (ITEM 96) W/HEATSINK
 DEC P/N 1301424-00 R9-R12
 DEC P/N 9009769-00 (ITEM 103) W/HEATSINK
 DEC P/N 9010128-00 (ITEM 104) W/HEATSINK
- 21-9 INSTALL R96 AND R97 BY DRILLING FOUR .055 HOLES AS SHOWN ON SHEET 2 OF THE UA PRINT
- 21-10 BEND R96 LEAD NEAREST Q2 GATE; TACK SOLDER TO R10 ETCH GOING TO Q2 GATE; OTHER LEAD INSTALL SLEEVING (ITEM 110) AND SOLDER TO ETCH WHICH CONNECTS Q4-D AND Q5-D (SLEEVING 5/8")
- 21-11 BEND R97 LEAD NEAREST Q4 GATE; TACK SOLDER TO R12 ETCH GOING TO Q4 GATE; OTHER LEAD INSTALL APPROXIMATELY 1.75" LENGTH OF WIRE (WRAP)(ITEM 120) TO R97 AND SOLDER END TO HOLE VACATED BY D3 ANODE.

ECO *5413605-LK022

COMPONENT DELETES SIDE 1

- 22-1 DELETE P/N 1314023-00 (R8)
- 22-2 DELETE P/N 1302836-00 (R1)
- 22-3 DELETE P/N 1302334-00 (R2)

COMPONENT ADDS SIDE 1

- *THESE COMPONENTS MUST BE RAISED OUT 0.05" TO 0.10".
- 22-4 ADD P/N 1319471-08 (R8)
- 22-5 ADD P/N 1319471-09 (R1)
- 22-6 ADD P/N 1319471-40 (R2)

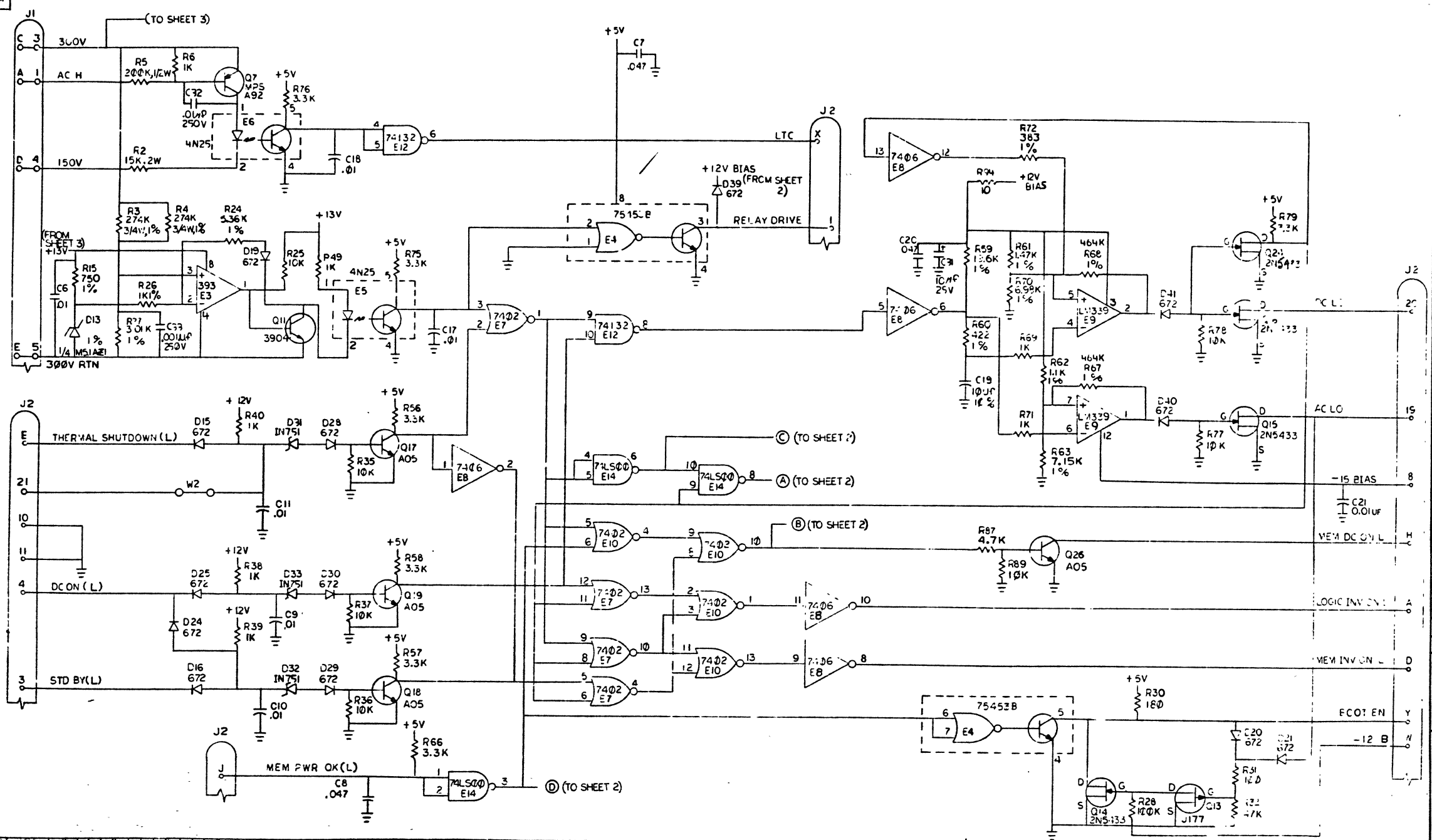
REVISION HISTORY		
REV	ECO NUMBER	DATE

TITLE
BIAS AND
INTERFACE BOARD

DOCUMENT NUMBER		
SIZE CODE	NUMBER	REV
DUA	5413605-0	T
SCALE	SHEET 3 OF 5	

ORC 137C
EN-7-84-1-REVA.388

THIS DRAWING AND SPECIFICATIONS HEREIN ARE THE PROPERTY OF DIGITAL EQUIPMENT CORPORATION AND SHALL NOT BE REPRODUCED OR COPIED OR USED IN WHOLE OR IN PART AS THE BASIS FOR THE MANUFACTURE OR SALE OF ITEMS WITHOUT WRITTEN PERMISSION.
 COPYRIGHT © 1975 DIGITAL EQUIPMENT CORPORATION

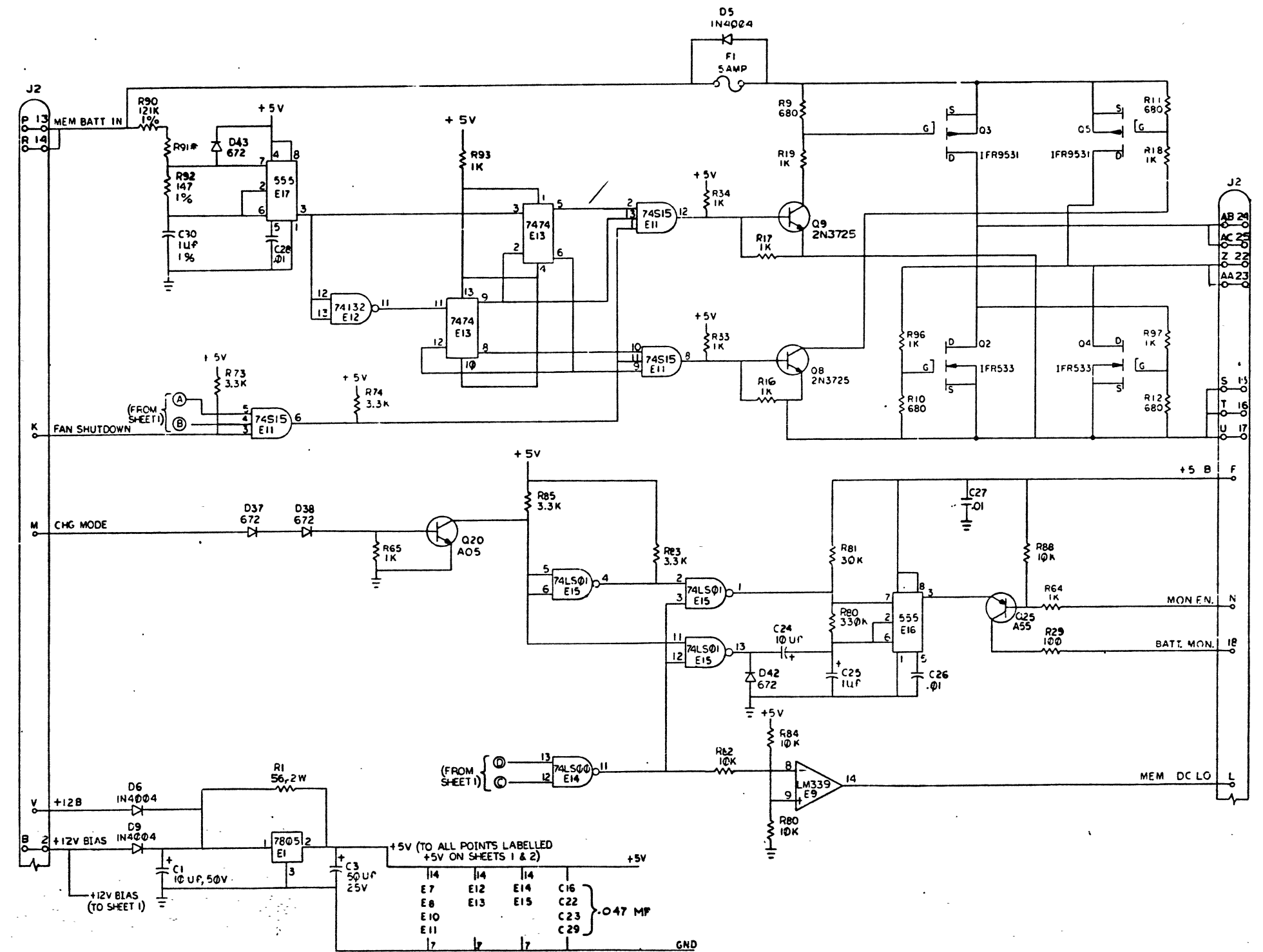


REV.	CHG.	BY	DATE	DESCRIPTION
1		R. WOLF	12/11/74	INITIAL DESIGN
2		R. WOLF	1/15/75	REVISED FOR MANUFACTURE
3		R. WOLF	2/10/75	REVISED FOR MANUFACTURE
4		R. WOLF	3/10/75	REVISED FOR MANUFACTURE
5		R. WOLF	4/10/75	REVISED FOR MANUFACTURE
6		R. WOLF	5/10/75	REVISED FOR MANUFACTURE
7		R. WOLF	6/10/75	REVISED FOR MANUFACTURE
8		R. WOLF	7/10/75	REVISED FOR MANUFACTURE

DRN.:	FIRST USED ON:	digital
CHK'D:	TITLE:	BIAS AND INTERFACE BOARD
ENG.:	PROJ. ENG.:	
PROD.:	SCALE:	
NEXT HIGHER ASSY.:	SIZE CODE:	D CS
	NUMBER:	5413605-0-1
	RTN:	S
SHEET 1 OF 2	DIST.:	

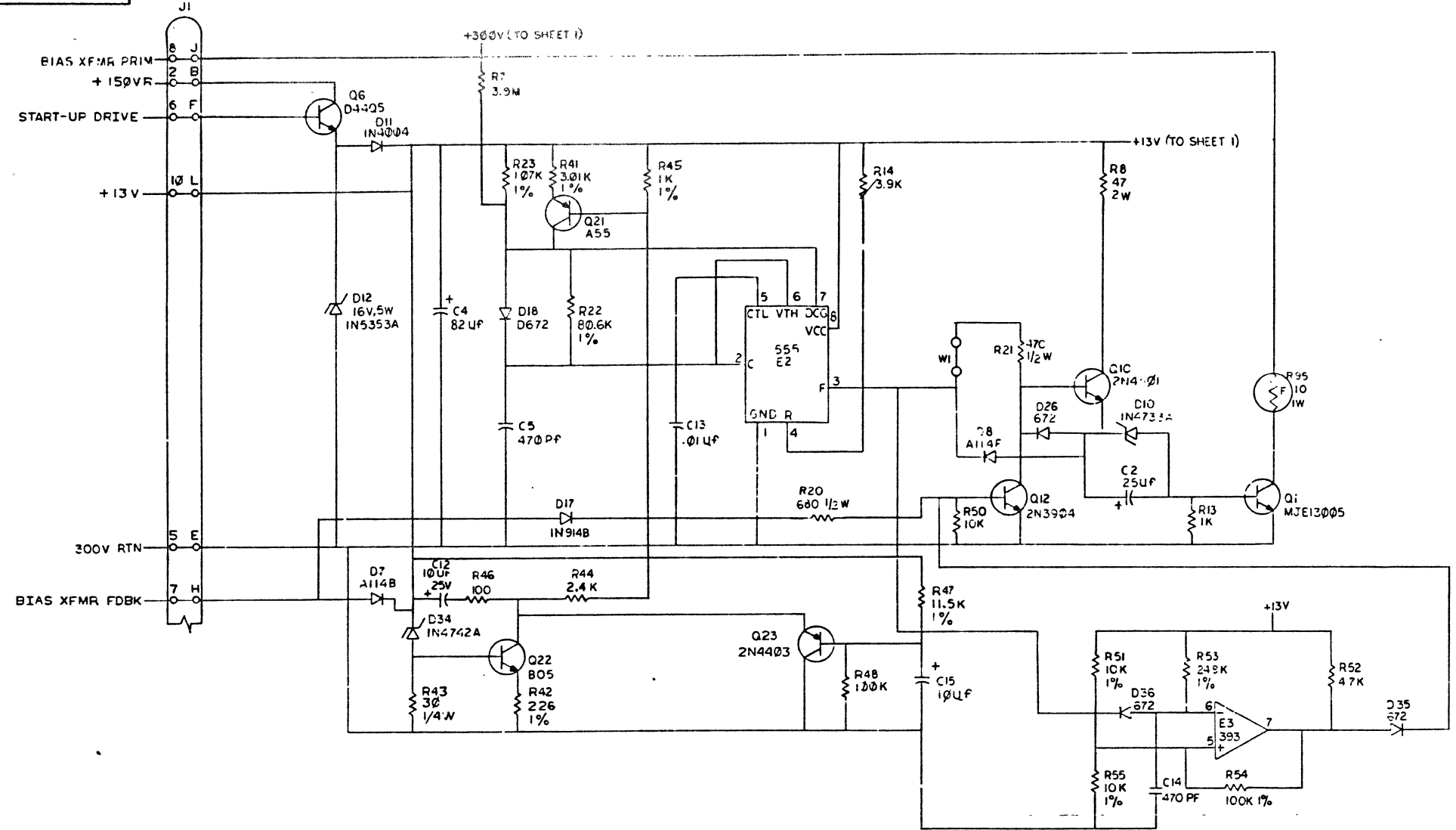
THIS DRAWING AND SPECIFICATIONS HEREIN ARE THE PROPERTY OF DIGITAL EQUIPMENT CORPORATION AND SHALL NOT BE REPRODUCED OR COPIED OR USED IN WHOLE OR IN PART AS THE BASIS FOR THE MANUFACTURE OF ANY OF ITS PRODUCTS WITHOUT WRITTEN PERMISSION OF DIGITAL EQUIPMENT CORPORATION. COPYRIGHT © 1976

COMPONENT DESIGNATORS	-00 VAR	YA VAR
R91	5.36K 1%	40.2K 1%



REVISIONS		
CHK	CHANGE NO.	REV.

THIS DRAWING AND SPECIFICATIONS HEREIN ARE THE PROPERTY OF DIGITAL EQUIPMENT CORPORATION AND SHALL NOT BE REPRODUCED OR COPIED OR USED IN WHOLE OR IN PART AS THE BASIS FOR THE MANUFACTURE OR SALE OF ITEMS WITHOUT WRITTEN PERMISSION. DIGITAL EQUIPMENT CORPORATION. COPYRIGHT © 1976



REVISIONS		
CHK	CHANGE NO.	REV.

TITLE	BIAS AND INTERFACE BOARD	SIZE CODE	D CS	NUMBER	5413605-01	REV	S
SCALE		SHEET	3	OF	3	DIST.	

LINE	ITEM	TOP DOCUMENT	PART NUMBER	MIN REV	DESCRIPTION	QTY	PER	VAR/REV	REFERENCE DESIGNATORS
						00	YA		
						S2	S2		
1	1	D-MD-5013604-0-0	50-13604-00		DRILL & ETCH BD	1	1		
2	2		10-00024-00		470 PFD 100V +/- 5% 200PP	2	2		C5,C14
3	3		10-00070-00		10 MFD 50V +100/-10% ALU	1	1		C1
4	4		10-00075-00		25 MFD 25V +75/-10% ALU	1	1		C2
5	5		10-01610-00		0.010MFD 50V +80/-20% Z5U C	11	11		C6,C9-C11,C13,C17,C18,C21, CONT C26-C28
6	6		10-01776-00		1.0 MFD 35V +/-10% SOL	1	1		C25
7	7		10-01796-00		50 MFD 25V +75/-10% ALU	1	1		C3
8	8		10-10866-02		10 MFD 25V +50/-20% SOL	4	4		C12,C15,C24,C31
9	9		10-12784-00		0.047MFD 50V +80/-20% Z5U C	6	6		C7,C16,C20,C22,C23,C29
10	10		10-13252-00		82 MFD 50V +100/-10% ALU	1	1		C4
11	11		10-16138-00		1.0 MFD 50V +/- 1% M.POL	1	1		C30
12	12		11-05275-00		PIV= 60 IO=300 MA -15NS	21	21		D15,D16,D18-D21,D24-D26, CONT D28-D30,D35-D43
13	13		11-05796-00		PIV= 400 IO= 1.00A 1N4004 D0-41	4	4		D5,D6,D9,D11
14	14		11-05871-00		VZ= 5.15 1% 250 MW	1	1		D13
15	15		11-09502-02		VZ= 12.0 5% 1 W 1N4742A	1	1		D34
16	16		11-09517-00		PIV= 75 IO=150 MA - 4NS 1N914B	1	1		D17
17	17		11-09943-00		VZ= 5.1 5% 1 W 1N4733A	1	1		D10
18	18	#BLANK			*** THIS ITEM IS NOT USED ***	-	-		
19	19		11-10854-00		VZ= 16.0 5% 5 W 1N5353B	1	1		D12
20	20		11-12595-00		PIV= 50 IO= 1.00A AXIAL	1	1		D8
21	21		11-12595-01		PIV= 200 IO= 1.00A AXIAL	1	1		D7
22	22		12-05747-00		FUSE PICO 5.0 A 125V AXIAL LEA	1	1		F1
23	23		12-16112-02		PCB,HEADER 20POS(2X10).100CC 90D	1	1		J1
24	24		12-16112-03		PCB,HEADER 50POS(2X25).100CC 90D	1	1		J2
25	25		13-00229-00		100.0 .25 W 5.0 % CF	3	3		R29,R31,R46
26	26	#BLANK			*** THIS ITEM IS NOT USED ***	-	-		
27	27		13-00315-00		470.0 .50 W 5.0 % CF	1	1		R21
28	28		13-00347-00		680.0 .50 W 5.0 % CF	1	1		R20
29	29		13-00365-00		1.0 K .25 W 5.0 % CF	19	19		R6,R13,R16-R19,R33,R34,R38-R40, CONT R49,R64,R65,R69,R71,R93,R96,R97

REVISION HISTORY			KPL MODULE FORMAT		SECTION A OF A		DRN: J.FERGUSON		DIGITAL				
ENG	ECO NUMBER	REV	SECTION/VARIATION INDEX		DATE: 16-OCT-80		CHK'D: F.GAROFALO		TITLE PARTS LIST				
	INITIAL	E	[A]	OO, YA	[M]	DATE: 16-OCT-80		BIAS AND INTERFACE BD					
EC	5413605-TW009	F	[B]		[N]	DATE: 16-OCT-80							
RH	5413605-TW010	H	[C]		[P]	DES.ENG: R.WOLF							
KK	5413605-TW012	J	[D]		[Q]	DATE: 16-OCT-80							
KK	5413605-TW014	K	[E]		[R]	RESP.ENG.: R.WOLF							
RH	5413605-TW015	L	[F]		[S]	DATE: 16-OCT-80				SIZE	CODE	NUMBER	REV
KK	5413605-TW016	M	[H]		[T]					K	PL	5413605-0-DBP	T
S	5413605-TW018	P	[J]		[V]	MFG.ENG: J.COMELLA				RELEASE DATE: 27-MAY-86			
RW	5413605-TW020	R	[K]		[W]	DATE: 16-OCT-80				RELEASE STATUS: RELEASED			
RW	5413605-TW021	S	[L]		[Y]								
JA	5413605-LK022	T											
			BASIC PART NUMBER:		ASSEMBLY NUMBER:		TOP DOCUMENT NUMBER:		FILE NAME:		EDIT #		
			5413605		L-UA-5413605-0-0		B-DD-5413605-0-0		Z0402T.PLS		2		

"THIS DRAWING AND THE SPECIFICATIONS CONTAINED HEREIN ARE CONFIDENTIAL AND PROPRIETARY. THEY ARE THE PROPERTY OF DIGITAL EQUIPMENT CORPORATION AND SHALL NOT BE REPRODUCED OR COPIED OR USED IN WHOLE OR IN PART AS THE BASIS FOR THE MANUFACTURE OR SALE OF ITEMS WITHOUT WRITTEN PERMISSION. THIS IS AN UNPUBLISHED WORK PROTECTED UNDER THE FEDERAL COPYRIGHT LAWS."

LINE	ITEM	TOP DOCUMENT	PART NUMBER	MTY REV	DESCRIPTION	QTY 00 S2	PER YA S2	VAR/REV	REFERENCE DESIGNATORS
30	30		13-00439-00	3.30 K	.25 W 5.0 % CF	-	11		
			CONT			11	-		R56-R58, R66, R73-R76, R79, R83, R85
31	31		13-00444-00	3.90 K	.25 W 5.0 % CF	1	1		R14
32	32		13-00447-00	4.70 K	.25 W 5.0 % CF	2	2		R52, R87
33	33		13-00479-00	10.0 K	.25 W 5.0 % CF	12	12		R25, R35-R37, R50, R77, R78, R82,
								CONT	R84, R86, R88, R89
34	34		13-01322-00	180.0	.25 W 5.0 % CF	1	1		R30
35	35		13-02091-00	330.0 K	.25 W 5.0 % CF	1	1		R80
36	36		13-02177-00	47.0 K	.25 W 5.0 % CF	1	1		R32
37	37		13-19471-40	15.0 K	2.0 W 5.0 % M.OXIDE	1	1		R2
38	38		13-02394-00	30.0 K	.25 W 5.0 % CF	1	1		R81
39	39		13-02466-00	100.0 K	.25 W 5.0 % CF	2	2		R28, R48
40	40		13-02479-00	200.0 K	.50 W 5.0 % CF	1	1		R5
41	41		13-02644-00	226.0	.25 W 1.0 % RN55D-F10	1	1		R42
42	42		13-02645-00	1.10 K	.25 W 1.0 % RN55D-F10	1	1		R62
43	43		13-02748-00	1.0 K	.25 W 1.0 % RN55C-F 5	2	2		R26, R45
44	44		13-02751-00	30.0	.25 W 5.0 % CF	1	1		R43
45	45		13-19471-09	56.0	2.0 W 5.0 % M.OXIDE	1	1		R1
46	46		13-02860-00	11.50 K	.25 W 1.0 % RN55D-F10	1	1		R47
47	47		13-02874-00	147.0	.25 W 1.0 % RN55D-F10	1	1		R92
48	48		13-02955-00	750.0	.25 W 1.0 % RN55D-F10	1	1		R15
49	49		13-03067-00	422.0	.25 W 1.0 % RN55D-F10	1	1		R60
50	50		13-03177-00	2.40 K	.25 W 5.0 % CF	1	1		R44
51	51		13-03305-00	6.98 K	.25 W 1.0 % RN55D-F10	1	1		R70
52	52		13-03322-00	274.0 K	.75 W 1.0 % RN65D-F10	2	2		R3, R4
53	53		13-03438-00	121.0 K	.25 W 1.0 % RN55D-F10	1	1		R90
54	54	#BLANK		*** THIS	ITEM IS NOT USED ***	-	-		
55	55		13-05108-00	1.47 K	.25 W 1.0 % RN55D-F10	1	1		R61
56	56		13-05125-00	383.0	.25 W 1.0 % RN55D-F10	1	1		R72
57	57		13-05253-00	7.15 K	.25 W 1.0 % RN55D-F10	1	1		R63
58	58	#BLANK		*** THIS	ITEM IS NOT USED ***	-	-		
59	59		13-09419-00	19.60 K	.25 W 1.0 % RN55D-F10	1	1		R59
60	60		13-05405-00	24.90 K	.25 W 1.0 % RN55D-F10	1	1		R53
61	61	#SEE NOTE 1	13-13341-00	5.36 K	.25 W 1.0 % RN55D-F10	2	2		R24, R91
62	62		13-13775-00	80.60 K	.25 W 1.0 % RN55D-F10	1	1		R22
63	63		13-13843-00	107.0 K	.25 W 1.0 % RN55D-F10	1	1		R23
64	64		13-19471-08	47.0	2.0 W 5.0 % M.OXIDE	1	1		R8
65	65		13-14041-00	3.01 K	.25 W 1.0 % RN55D-F10	2	2		R27, R41
66	66		13-03043-00	464.0 K	.25 W 1.0 % RN55D-F10	2	2		R67, R68
67	67		13-14387-00	3.90 M	.25 W 5.0 % CF	1	1		R7
68	68		15-09524-00	2N 3904	NPN 310MW SI 40 40 M	2	2		Q11, Q12
69	69		15-17832-00	J 177	FET 360MW SI P CHNNL	1	1		Q13
70	70		15-10705-00	XA 05	NPN 500MW SI 60 50 P	5	5		Q17-Q20, Q26
71	71		15-10706-00	XA 55	PNP 500MW SI 60 50 P	2	2		Q21, Q25
72	72		15-23358-01		FET, MOS, PWR 60W T0220	2	2		Q2, Q4
73	73		15-23357-01		FET, MOS, PWR 60W T0220	2	2		Q3, Q5
74	74		15-10959-00	2N 3725	NPN 3.5WC SI 50 60 P	2	2		Q8, Q9
75	75		15-11686-00	DEC5433	FET N 350MW 10 25 1A	4	4		Q14-Q16, Q24
76	76		15-13489-00	2N 4401	NPN 350MW SI 40 20	1	1		Q10
77	77		15-13490-00	2N 4403	PNP 350MW SI-40 30	1	1		Q23

D	I	G	I	T	A	L	TITLE	SECTION A	OF A	SIZE	CODE	DOCUMENT NUMBER	REV
							BIAS AND INTERFACE BD			K	PL	5413605-0-DBP	T

LINE	ITEM	TOP DOCUMENT	PART NUMBER	MIN REV	DESCRIPTION	QTY	PER	VAR/REV	REFERENCE DESIGNATORS
						00	YA		
						S2	S2		
78	78		15-14271-01	D	44Q5 NPN 31W SI225 30	1	1		Q6
79	79		15-16119-00		NPN 75W SI	1	1		Q1
80	80		15-16121-00	MPS	A92 PNP 625MW SI300 25	1	1		Q7
81	81		19-05547-00		7474 FF-D DUAL,EDGE TRIGG	1	1		E13
82	82		19-09004-00	DEC	7402 NOR GATE-QUAD 2IN	2	2		E7,E10
83	83		19-10538-00		74S15 AND GATE-TRIPLE 3IN	1	1		E11
84	84		19-10741-00		7406 INVERTER GATE-HEX 1I	1	1		E8
85	85		19-11036-00		75453 DRIVER,PERIPH,DUAL,0	1	1		E4
86	86		19-11637-00		74132 NAND GATE-QUAD 2 IN	1	1		E12
87	87		19-11944-00		555CN TIMER,FUNCT.BLOCK	2	2		E2,E16
88	88		19-12108-00		LM339 VOLT CMPRTR,QUAD	1	1		E9
89	89		19-12536-01		7805 VOLT REG,FIX +5V	1	1		E1
90	90		19-12799-00		LS00 NAND-GATE-QUAD 2IN,P	1	1		E14
91	91		19-12800-00		LS01 NAND-GATE-QUAD 2IN,P	1	1		E15
92	92		19-14156-00	LM	393 VOLT.COMPARATOR DUAL	1	1		E3
93	93		19-14194-00		OPTP-COUPLED ISOLATOR	-	1		
			CONT			1	-		E5
94	94	C-MD-7422046-0-0	74-22046-00		HEAT SINK,SINGLE	3	3		
95	95	#B-MD-7422047-0-0	74-22047-01		HEAT SINK DOUBLE	2	2		
96	96		90-06011-01		SCREW,MACH PAN PHIL 4-	7	7		
97	97		90-06556-00		NUT,HEX 4-40X .264AF SS/N	7	7		
98	98		90-06688-00		WASHER,HELICAL SPLIT SST	7	7		
99	99		90-06735-00		EYELET,FUNNEL 0.0590DX0.187	2	2		
100	100		90-07201-00		PAD,MOUNTING,COMPONENT	3	3		
101	101		90-08268-00		COMPOUND, THERMAL JOINT	A/R	A/R		
102	102		90-09185-00		JUMPER, WIRE, INSULATED, BLACK B	2	2		W1,W2
103	103		90-09769-00		WASHER,RECTNGLR STEEL	7	7		
104	104		90-10128-00		SCREW,THD RL,PAN PHIL F/METAL	7	7		
105	105		13-03312-00		10.0 K .25 W 1.0 % RN55D-F10	2	2		R51,R55
106	106		13-03044-00		100.0 K .25 W 1.0 % RN55D-F10	1	1		R54
107	107		90-06761-00		TERM,LUG #6STUD LOCKING 45	1	1		
108	108		10-10978-32		0.047MFD 50V +/-10% X7R C	1	1		C8
109	109		13-01317-00		10.0 .25 W 5.0 % CF	1	1		R94
110	110		91-07256-00		TUBING,TEFLON .027ID	A/R	A/R		
111	111	#BLANK			*** THIS ITEM IS NOT USED ***	-	-		
112	112		10-00043-00		1000 PFD 250V +/-20% Y5F	2	2		C32,C33
113	113		12-10244-01		GRIPLET, .050 STRIP FORM	1	1		
114	114		91-05740-55		WIRE(WRAP) 30AWG KYNAR UL14	A/R	A/R		
115	115	#BLANK			*** THIS ITEM IS NOT USED ***	-	-		
116	116		19-11944-01		555-1 TIMER FUNCT.BLOCK,5	1	1		E17
117	117		10-18571-00		10 MFD 25V +/-10% SOL	1	1		C19
118	118		15-10705-01	B	05 NPN 500MW SI 60 50	1	1		Q22
119	119	#SEE NOTE 1	13-14492-00		40.20 K .25 W 1.0 % RN55D-F10	-	1		
120	120		91-07688-55		WIRE(WRAP) 24AWG KYNAR UL13	A/R	A/R		
121	121		11-10994-00		VZ= 5.1 5% 400 MW 1N751A	-	3		
			CONT			3	-		D31-D33
122	122		19-14194-01		OPTO COUPLER,HIGH CT	-	1		
			CONT			1	-		E6
123	123		13-15518-02		10.0 1.0 W10.0 % FUSE	1	-		
			CONT			-	1		R95

D	I	G	I	T	A	L	TITLE	SECTION A	OF A	SIZE	CODE	DOCUMENT NUMBER	REV
							BIAS AND INTERFACE BD			K	PL	5413605-0-DBP	T

AUTOMATED BY VAXKPL (V1.1)

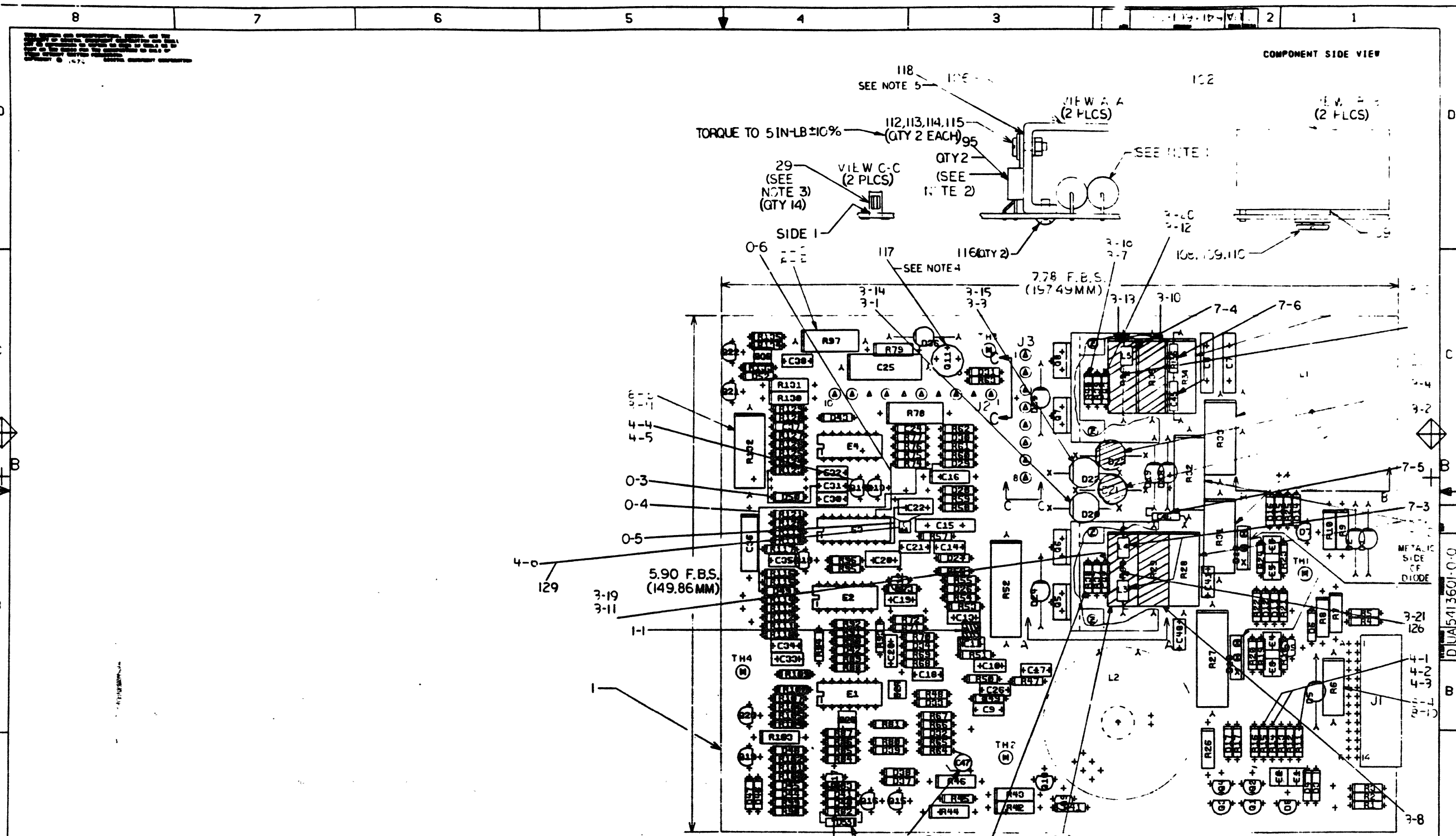
PARTS LIST

SHEET A4 OF A4

LINE ITEM	TOP DOCUMENT	PART NUMBER	MIN REV	DESCRIPTION	QTY PER VAR/REV	REFERENCE DESIGNATORS
					00 YA	
					S2 S2	
124 124		13-01424-00	680.0	.25 W 5.0 % CF	4 4	R9-R12

1 GEN: 1.) FOR ITEM #61 ONLY R24 IS USED ON VARIATION YA.

D	I	G	I	T	A	L	TITLE	SECTION A OF A	SIZE	CODE	DOCUMENT NUMBER	REV
							BIAS AND INTERFACE BD		K	PL	5413605-0-DBP	T



NOTES:
 1. SEE DRAWING 541360-01 FOR BOARD DIMENSIONS AND PIN LOCATIONS.
 2. USE THERMAL COMPOUND (ITEM 118) BETWEEN HEAT SINK AND Q5, 6, 7, 8.
 3. USE TRANSIPAC (ITEM 117) UNDER Q1.
 4. USE THERMAL COMPOUND (ITEM 118) BETWEEN HEAT SINK AND Q5, 6, 7, 8.
 5. USE THERMAL COMPOUND (ITEM 118) BETWEEN HEAT SINK AND Q5, 6, 7, 8.

CHG. NO.	REV.	DATE	BY	CHK'D.	DESCRIPTION
1	1	7-15-77	R. WOLF	D. GERRY	INITIAL DESIGN
2	1	7-22-77	R. WOLF	D. GERRY	REVISED FOR MANUFACTURE
3	1	7-22-77	R. WOLF	D. GERRY	REVISED FOR MANUFACTURE
4	1	7-22-77	R. WOLF	D. GERRY	REVISED FOR MANUFACTURE
5	1	7-22-77	R. WOLF	D. GERRY	REVISED FOR MANUFACTURE
6	1	7-22-77	R. WOLF	D. GERRY	REVISED FOR MANUFACTURE
7	1	7-22-77	R. WOLF	D. GERRY	REVISED FOR MANUFACTURE
8	1	7-22-77	R. WOLF	D. GERRY	REVISED FOR MANUFACTURE
9	1	7-22-77	R. WOLF	D. GERRY	REVISED FOR MANUFACTURE
10	1	7-22-77	R. WOLF	D. GERRY	REVISED FOR MANUFACTURE

NOTES:
 1. SEE DRAWING 541360-01 FOR BOARD DIMENSIONS AND PIN LOCATIONS.
 2. USE THERMAL COMPOUND (ITEM 118) BETWEEN HEAT SINK AND Q5, 6, 7, 8.
 3. USE TRANSIPAC (ITEM 117) UNDER Q1.
 4. USE THERMAL COMPOUND (ITEM 118) BETWEEN HEAT SINK AND Q5, 6, 7, 8.
 5. USE THERMAL COMPOUND (ITEM 118) BETWEEN HEAT SINK AND Q5, 6, 7, 8.

ETCH REV.	DATE	BY	CHK'D.
1	7-15-77	R. WOLF	D. GERRY
2	7-22-77	R. WOLF	D. GERRY
3	7-22-77	R. WOLF	D. GERRY
4	7-22-77	R. WOLF	D. GERRY
5	7-22-77	R. WOLF	D. GERRY
6	7-22-77	R. WOLF	D. GERRY
7	7-22-77	R. WOLF	D. GERRY
8	7-22-77	R. WOLF	D. GERRY
9	7-22-77	R. WOLF	D. GERRY
10	7-22-77	R. WOLF	D. GERRY

SIGNATURES	DATE	TITLE
DRN.	7-15-77	digital
CHK'D. E. GERRY	7-22-77	digital
ENG. D. GERRY	7-22-77	digital
PROJ. ENG. D. GERRY	7-22-77	digital
PROD. T. WOLF	7-15-77	digital

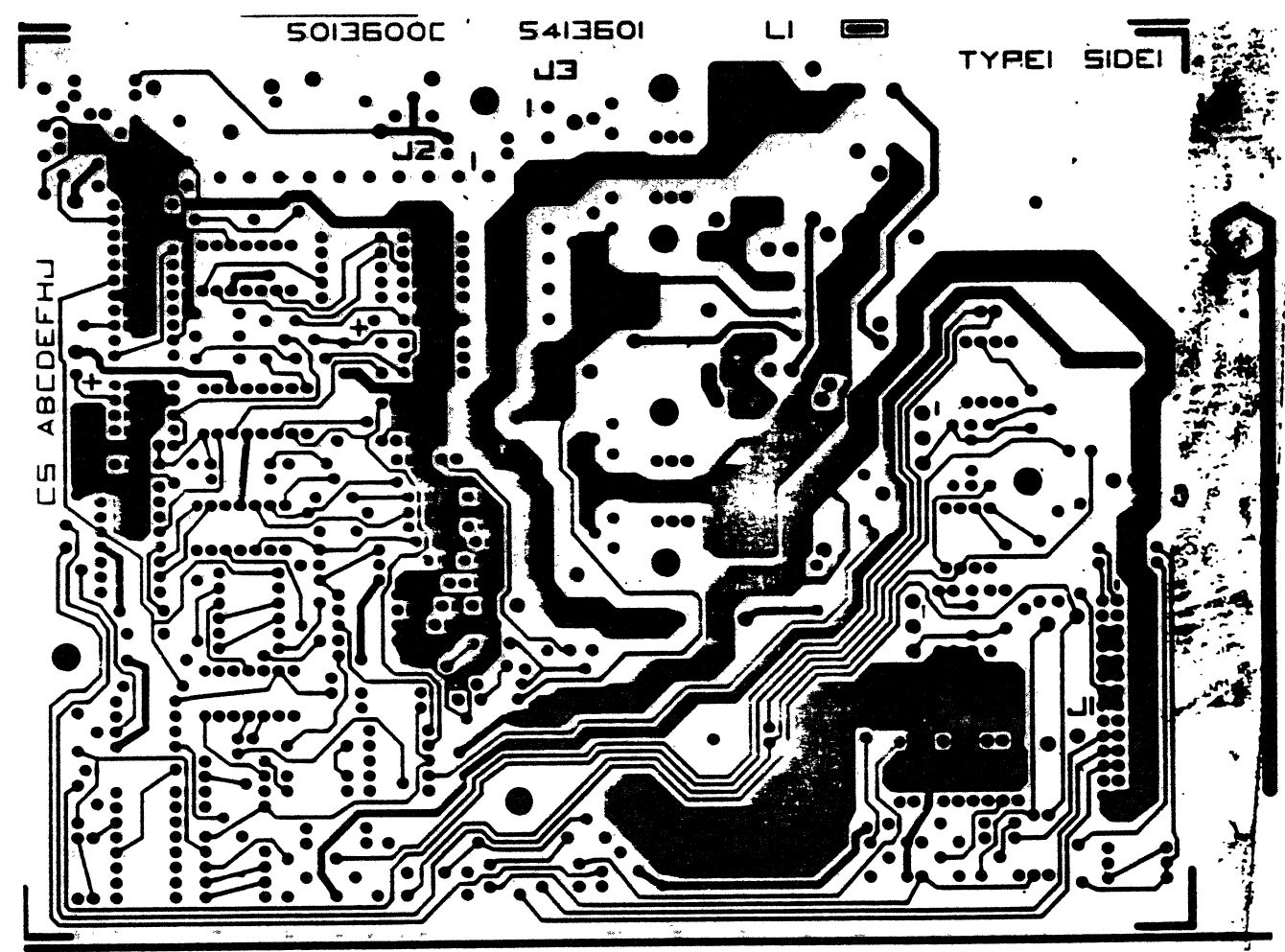
SCALE: 1 OF 4
 SHT. 1 OF 4
 NEXT HIGHER ASSY. B-DC-541360-01-0

8 7 6 5 4 3 2 1

ALL DIMENSIONS ARE IN MILLIMETERS UNLESS OTHERWISE SPECIFIED.
THIS DRAWING IS THE PROPERTY OF THE MANUFACTURER OF THIS BOARD AND IS NOT TO BE REPRODUCED OR COPIED IN WHOLE OR IN PART WITHOUT THE WRITTEN PERMISSION OF THE MANUFACTURER.
COPYRIGHT © 1964 BY THE MANUFACTURER OF THIS BOARD.

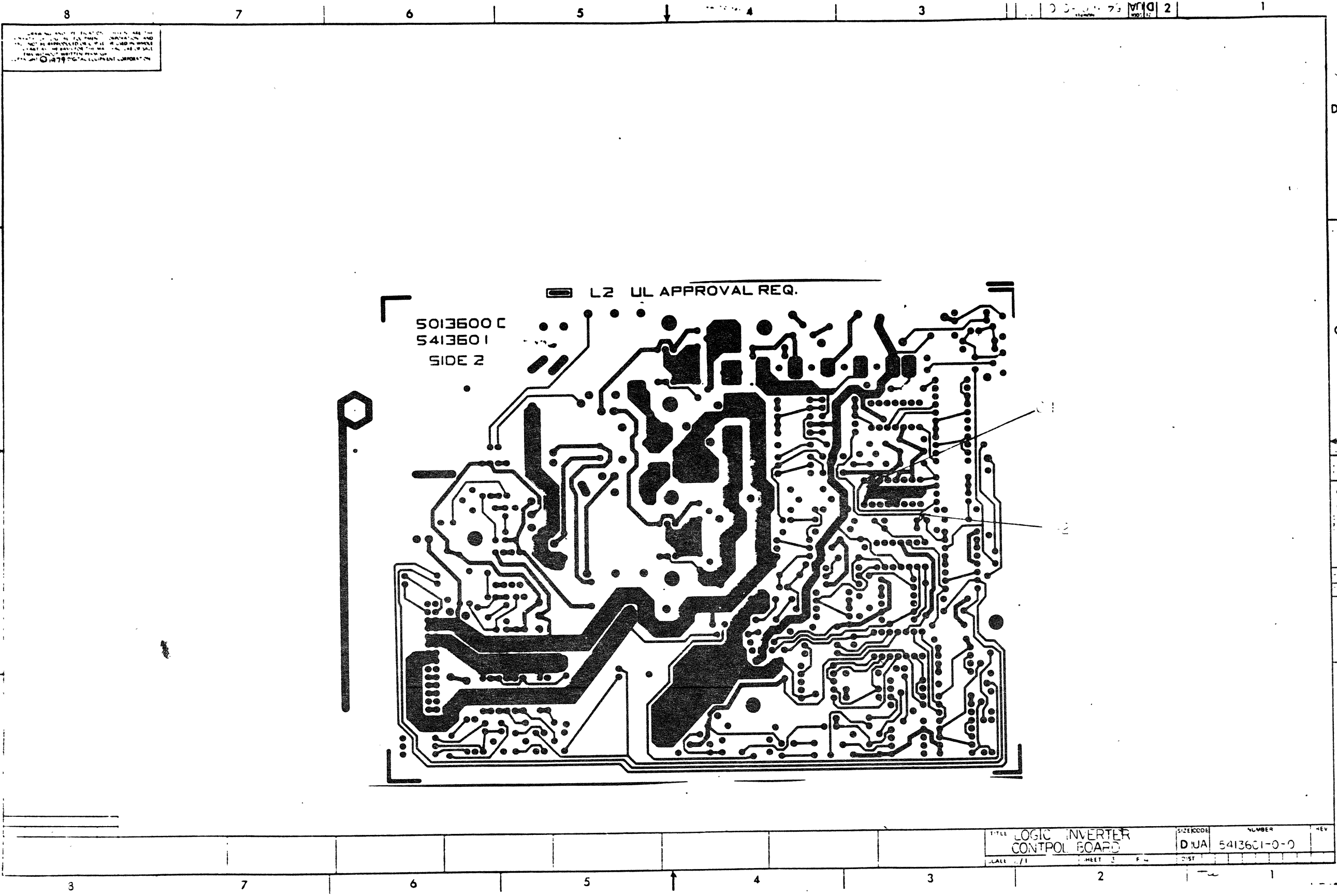
D
C
B
A

D
C
B
A



LOGIC INVERTER CONTROL BOARD
DIA 5413601-0-C
REV 1

8 7 6 5 4 3 2 1



ALL INFORMATION CONTAINED HEREIN IS UNCLASSIFIED EXCEPT WHERE SHOWN OTHERWISE AND IS NOT TO BE REPRODUCED, STORED IN RETRIEVAL SYSTEMS, OR TRANSMITTED IN ANY FORM OR BY ANY MEANS, ELECTRONIC OR MECHANICAL, INCLUDING PHOTOCOPYING, RECORDING, OR BY ANY INFORMATION STORAGE AND RETRIEVAL SYSTEM.

DJA 5413601-0-0

THIS DRAWING AND SPECIFICATIONS HEREBY ARE THE PROPERTY OF DIGITAL EQUIPMENT CORPORATION AND SHALL NOT BE REPRODUCED OR COPIED OR USED IN WHOLE OR IN PART AS THE BASIS FOR THE MANUFACTURE OR SALE OF ITEMS WITHOUT WRITTEN PERMISSION.
COPYRIGHT © 1979 DIGITAL EQUIPMENT CORPORATION

REWORK INSTRUCTIONS:

ETCH CUTS SIDE 2

- 0-1 CUT ETCH ON BOTH SIDES OF E3-10 (2 CUTS)
- 0-2 FROM R74 TO Q18 BASE (CUT NEAR BASE)

WIRE ADD SIDE

- 0-3 FROM R123 TO C31
- 0-4 FROM D49/CATHODE TO D29, CATHODE
- 0-5 FROM E3-8 TO C22
- 0-6 FROM E3-10 TO R74

REWORK INSTRUCTIONS: (ECO#)

- COMPONENT DELETE SIDE 1
- 1-1 DELETE C12

REWORK INSTRUCTIONS: (ECO #)

COMPONENT DELETES SIDE 1:

- 3-1 DELETE L20 DEC P/N 11-12594-01
- 3-2 DELETE D21 DEC P/N 11-12594-01
- 3-3 DELETE D22 DEC P/N 11-12594-01
- 3-4 DELETE D23 DEC P/N 11-12594-01
- 3-5 DELETE R82 DEC P/N 13-00791-00
- 3-6 DELETE R38 DEC P/N 13-00271-00
- 3-7 DELETE R40 DEC P/N 13-00271-00
- 3-8 DELETE R29 DEC P/N 13-11604-00
- 3-9 DELETE R30 DEC P/N 13-11604-00
- 3-10 DELETE R35 DEC P/N 13-11604-00
- 3-11 DELETE C42 DEC P/N 10-12783-00
- 3-12 DELETE C43 DEC P/N 10-12783-00
- 3-13 DELETE R36 DEC P/N 13-11604-00

COMPONENT ADDS SIDE 1:

- 3-14 ADD L20 DEC P/N 11-15273-00
- 3-15 ADD L22 DEC P/N 11-15273-00
- 3-16 ADD R82 DEC P/N 13-00791-00
- 3-17 ADD R38 DEC P/N 13-00271-00
- 3-18 ADD R40 DEC P/N 13-00271-00
- 3-19 ADD C42 DEC P/N 10-11683-00
- 3-20 ADD C43 DEC P/N 10-11683-00

WIRE ADDS SIDE 1:

- 3-21 ADD JUMPER DEC P/N 91-07560-03 IN FORMER LOCATION OF R30
- 3-22 ADD JUMPER DEC P/N 91-07560-03 IN FORMER LOCATION OF R36

REWORK INSTRUCTIONS

ECO#4

COMPONENT DELETES: SIDE 1

- 4-1 REMOVE R11, DEC P/N 1300365-00.
- 4-2 REMOVE R14, DEC P/N 1300365-00.
- 4-3 REMOVE R15, DEC P/N 1300365-00.
- 4-4 REMOVE Q14, DEC P/N 1510706-00.

COMPONENT ADDS: SIDE 1

- 4-5 ADD Q14, DEC P/N 1510706-00.
- 4-6 ADD C44, DEC P/N 1011740-03, SOLDER ONE LEAD TO E3-9, THE OTHER TO GROUND (APPROXIMATELY AS SHOWN). ADD TUBING, ITEM 129 TO BOTH LEADS OF C44.

REWORK INSTRUCTIONS PER ECO #7

COMPONENT ADDS SIDE 1

- 7-1 INSTALL D53, DEC P/N 1105275-00, ACROSS R82 WITH CATHODE TOWARD Q16.
- 7-2 INSTALL C47, DEC P/N 1010866-02, FROM LEAD OF R64, ADJACENT TO TH2 (-) AND (+) LEAD TO WIDE ETCH BETWEEN R64 AND R46.
- 7-3 INSTALL FERRITE BEADS L3-L4, DEC P/N 1623061-01, ON JUMPER ADJACENT TO C42.
- 7-4 INSTALL FERRITE BEAD L5, DEC P/N 1623061-01, ON JUMPER ADJACENT TO C43.
- 7-5 INSTALL C46, DEC P/N 1002315-00, FROM ANODE D19 TO JUNCTION OF R28 & R32.
- 7-6 INSTALL C45, DEC P/N 1010978-24, IN SERIES WITH R136, DEC P/N 1300202-00, ACROSS R34.

ECO #54:3601-LK005

COMPONENT DELETED SIDE 1:

- 8-1 DELETE P/N 13-14023-00 (R31, R33)
- 8-2 DELETE P/N 13-00292-00 (R97)
- 8-3 DELETE P/N 13-09855-00 (R34)
- 8-4 DELETE P/N 13-10352-00 (R6)
- 8-5 DELETE P/N 13-00257-00 (R132)
- 8-6 DELETE P/N 13-01952-00 (R28, R32)

COMPONENT ADDS SIDE 1:

* THESE COMPONENTS MUST BE RAISED TO 0.05" TO 0.10"

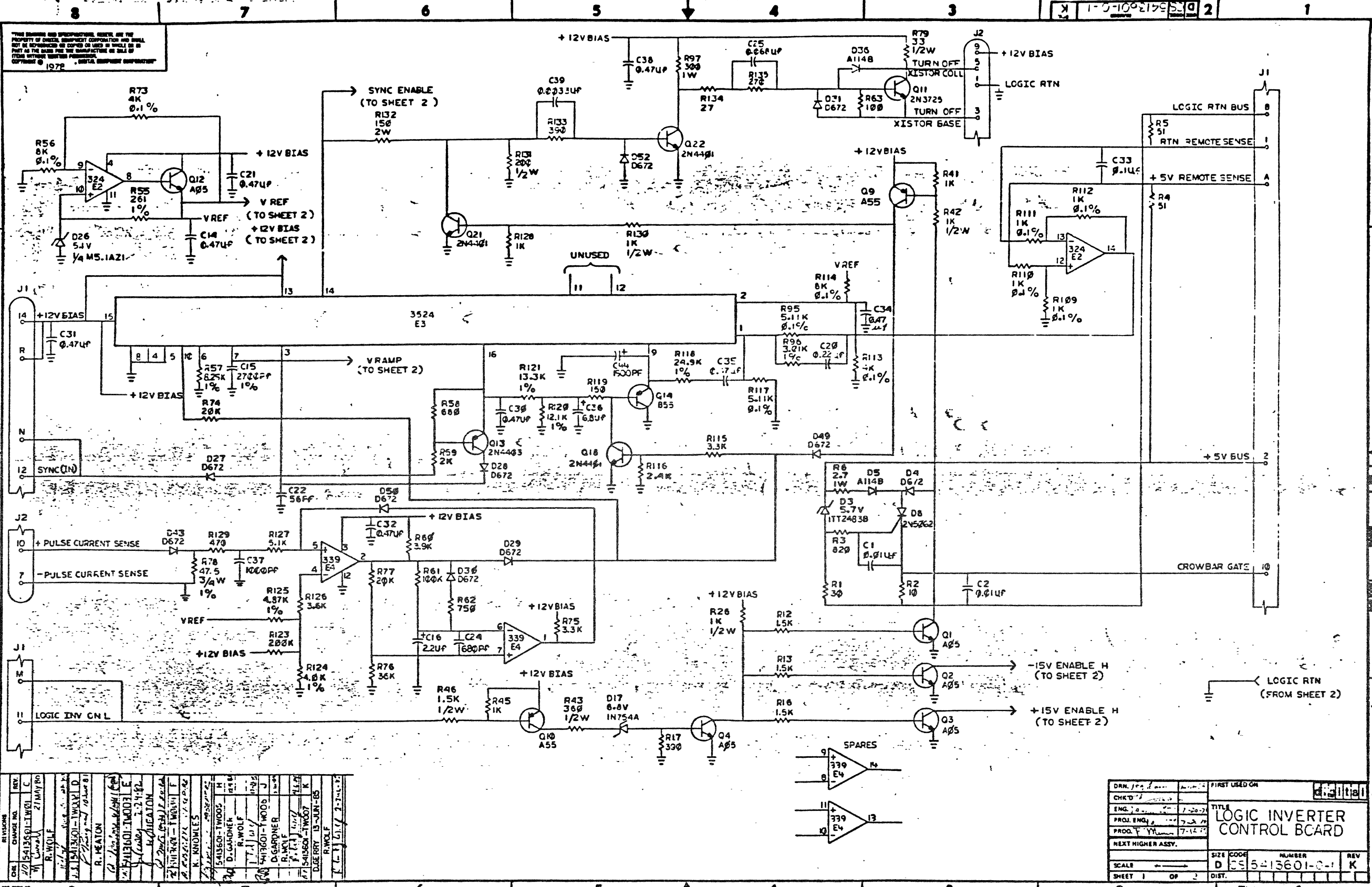
- 8-7 ADD P/N 13-19471-02 (R31, R33)
- 8-8 ADD P/N 13-19471-22 (R97)
- 8-9 ADD P/N 13-19471-21 (R34)
- 8-10 ADD P/N 13-19471-02 (R6)
- 8-11 ADD P/N 13-19471-16 (R132)
- 8-12 ADD P/N 13-19471-29 (R28, R32)

REVISION HISTORY		
DATE	ECO NUMBER	REV

TITLE LOGIC INVERTER CONTROL BOARD

DOCUMENT NUMBER			
SIZE	CODE	NUMBER	REV
D	UA	5413601-C-C	
SCALE NONE		SHEET 4	OF 4

DUA 5413601-C-C

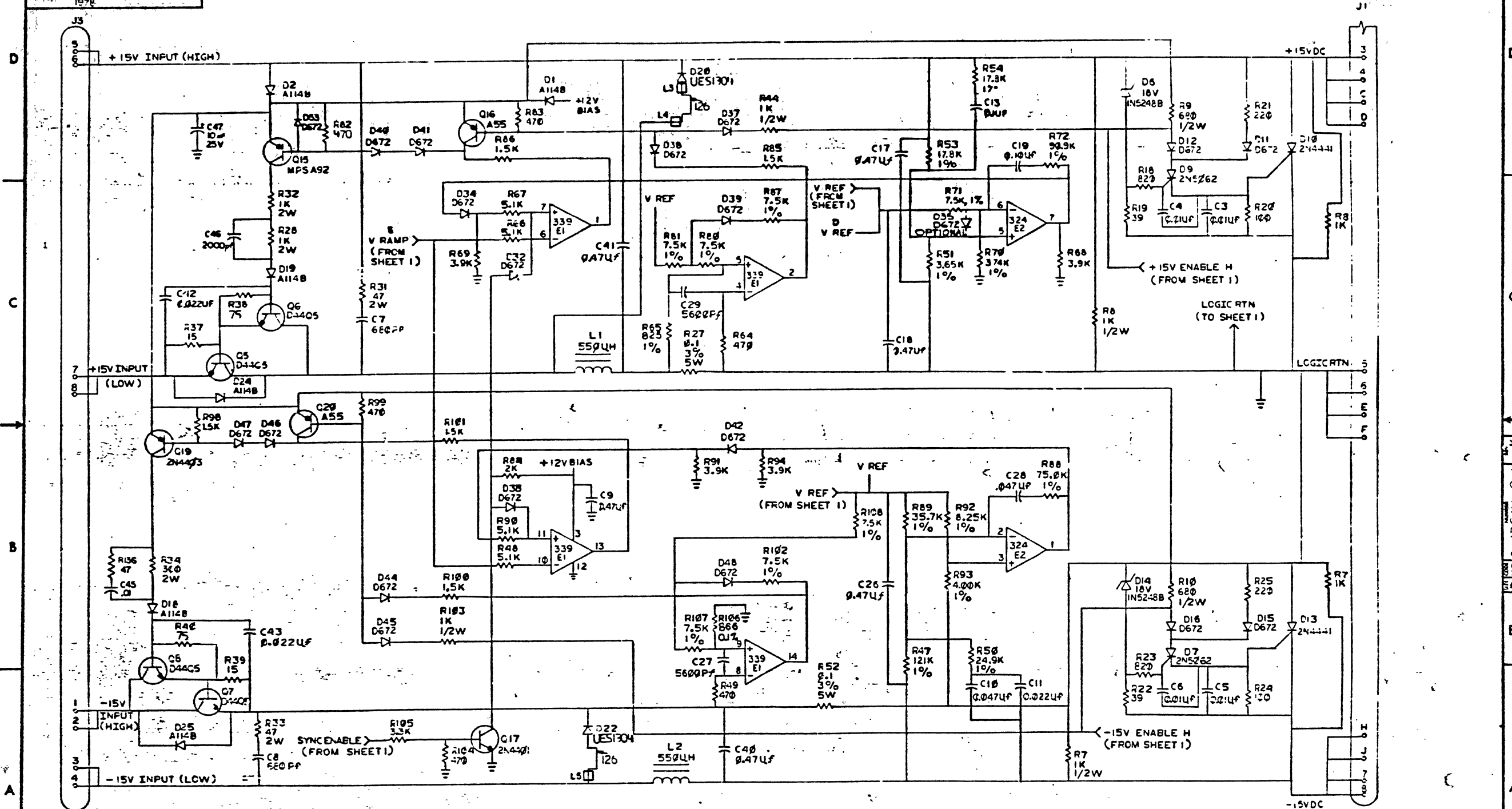


THIS DRAWING AND INFORMATION HEREON ARE THE PROPERTY OF ORACLE CORPORATION AND SHALL NOT BE REPRODUCED OR COPIED OR USED IN WHOLE OR IN PART AS THE BASIS FOR THE MANUFACTURE OR SALE OF OTHER WITHOUT WRITTEN PERMISSION. COPYRIGHT © 1972 ORACLE CORPORATION

REV	CHANGED BY	DATE	DESCRIPTION
1	R. WOLF	7-12-72	INITIAL DESIGN
2	R. WOLF	7-12-72	REVISION
3	R. WOLF	7-12-72	REVISION
4	R. WOLF	7-12-72	REVISION
5	R. WOLF	7-12-72	REVISION
6	R. WOLF	7-12-72	REVISION
7	R. WOLF	7-12-72	REVISION
8	R. WOLF	7-12-72	REVISION

DRN. J. WOLF	FIRST USED ON	3524 E3
CHK'D		
ENG. J. WOLF		
PROJ. ENGR.		
PROG. F. Y.		
NEXT HIGHER ASSY.		
SCALE	SIZE CODE	NUMBER
SHEET 1 OF 2	D 35	5-13601-0-1
	DIST.	REV K

THIS DRAWING AND SPECIFICATIONS HEREON ARE THE PROPERTY OF DIGITAL EQUIPMENT CORPORATION AND SHALL NOT BE REPRODUCED OR COPIED OR USED IN WHOLE OR IN PART AS THE BASIS FOR THE MANUFACTURE OR SALE OF ITEMS WITHOUT WRITTEN PERMISSION. COPYRIGHT © DIGITAL EQUIPMENT CORPORATION 1976



REVISIONS			TITLE		SIZE CODE		NUMBER		REV.
CHK	CHANGE NO.	REV.	LOGIC INVERTER CONTROL BOARD		DCS		5413601-0-1		K
			SCALE	SHEET 2 OF 2	DIST.				



AUTOMATED BY VAXKPL (V1.2)

PARTS LIST

SHEET A1 OF A4

LINE	ITEM	TOP DOCUMENT	PART NUMBER	MIN REV	DESCRIPTION	QTY PER VAR/REV	REFERENCE DESIGNATORS
1	1	D-MD-5013600-0-0	50-13600-00		DRILL & ETCH BD	1	
2	2		10-10978-24		0.010MFD 50V +/-10% X7R C	7	C1-C6,C45
3	3		10-13280-00		680 PFD 1000V +/- 5% 200PP	2	C7,C8
4	4		10-10279-01		0.47 MFD 25V +/-20% Z5U C	14	C9,C14,C17,C18,C21,C26,C30-C32, CONT C34,C35,C38,C40,C41
5	5		10-10978-32		0.047MFD 50V +/-10% X7R C	2	C10,C28
6	6		10-11683-00		0.022MFD 50V +/-10% X7R C	3	C11,C42,C43
7	7		10-14170-00		2700 PFD 100V +/- 1% 70PP	1	C15
8	8		10-02627-00		2.2 MFD 20V +/-10% SOL	1	C16
9	9	#BLANK			*** THIS ITEM IS NOT USED ***	-	
10	10		10-10978-36		0.10 MFD 50V +/-10% X7R C	3	C13,C19,C33
11	11		10-10274-00		0.22 MFD 50V +80/-20% Z5U C	1	C20
12	12		10-00012-00		56 PFD 100V +/- 5% 200PP	1	C22
13	13		10-13466-08		680 PFD 50V +/-10% X7R C	1	C24
14	14		10-00052-00		0.068MFD 100V +/-10% MYLAR	1	C25
15	15	#BLANK			*** THIS ITEM IS NOT USED ***	-	
16	16		10-11740-00		5600 PFD 50V +/-10% X7R C	2	C27,C29
17	17		10-05306-00		6.8 MFD 35V +/-10% SOL	1	C36
18	18		10-13466-09		1000 PFD 50V +/-10% X7R C	1	C37
19	19		10-11740-01		3300 PFD 50V +/-10% X7R C	1	C39
20	20		11-12595-01		PIV= 200 IO= 1.00A AXIAL	8	D1,D2,D5,D18,D19,D24,D25,D36
21	21		11-11205-00		VZ= 5.7 2% 400 MW	1	D3
22	22		11-05275-00		PIV= 60 IO=300 MA -15NS	29	D4,D11,D12,D15,D16,D27-D34, CONT D37-D50,D52,D53
23	23		11-10766-00		VZ= 18.0 5% 500M2 1N5248B D	2	D6,D14
24	24		11-10968-00		SCR PIV= 100 IO= .80A 2N5062	3	D7-D9
25	25		11-09991-00		VZ= 6.8 5% 400 MW 1N754A	1	D17
26	26		11-15273-00		RECT,ULTRA FAST PIV= 200 IO= 3.0	2	D20,D22
27	27		11-05871-00		VZ= 5.15 1% 250 MW	1	D26
28	28	#BLANK			*** THIS ITEM IS NOT USED ***	-	
29	29		12-11728-00		CONN,P+S 01SKT	2	J2,J3
30	30		12-16112-01		PCB,HEADER 28POS(2X14).100CC 90D	1	J1

REVISION HISTORY			KPL MODULE FORMAT		SECTION A OF A		DRN: J.LENT		DIGITAL			
ENG	ECO NUMBER	REV	SECTION/VARIATION INDEX		DATE:	03-JAN-79						
---	INITIAL	B	[A]	00	[M]	CHK'D:	F.GERRY		TITLE PARTS LIST			
---	INITIAL	B	[B]		[N]	DATE:	19-JUL-79		LOGIC INVERTER CONTROL BD			
RW	5413601-TW001	C	[C]		[P]	DES.ENG:	J.A.HERRMANN		DOCUMENT NUMBER			
RH	5413601-TW002	D	[D]		[Q]	DATE:	19-JUL-79		SIZE	CODE	NUMBER	REV
RH	5413601-TW003	E	[E]		[R]	RESP.ENG.:	J.A.HERRMANN		K	PL	5413601-0-DBP	L
KK	5413601-TW004	F	[F]		[S]	DATE:	19-JUL-79		RELEASE DATE: 30-JUN-86			
RW	5413601-TW005	H	[H]		[T]	DATE:	19-JUL-79		RELEASE STATUS: RELEASED			
RW	5413601-TW006	J	[J]		[V]	MFG.ENG:	F.MUNIZ					
RW	5413601-TW007	K	[K]		[W]	DATE:	19-JUL-79					
JA	5413601-LK008	L	[L]		[Y]							
BASIC PART NUMBER:			ASSEMBLY NUMBER:		TOP DOCUMENT NUMBER:		FILE NAME:		EDIT #			
5413601			D-UA-5413601-0-0		B-DD-5413601-0-0		Z0400L.PLS		3			

"THIS DRAWING AND THE SPECIFICATIONS CONTAINED HEREIN ARE CONFIDENTIAL AND PROPRIETARY. THEY ARE THE PROPERTY OF DIGITAL EQUIPMENT CORPORATION AND SHALL NOT BE REPRODUCED OR USED IN WHOLE OR IN PART AS THE BASIS FOR THE MANUFACTURE OR SALE OF ITEMS WITHOUT WRITTEN PERMISSION. THIS IS AN UNPUBLISHED WORK PROTECTED UNDER THE FEDERAL COPYRIGHT LAWS."

PARTS LIST

LINE	ITEM	TOP DOCUMENT	PART NUMBER	MIN REV	DESCRIPTION	QTY PER VAR/REV	REFERENCE DESIGNATORS
						00 K2	
31	31		13-02751-00	30.0	.25 W 5.0 % CF	1	R1
32	32		13-01317-00	10.0	.25 W 5.0 % CF	1	R2
33	33		13-01775-00	820.0	.25 W 5.0 % CF	3	R3,R18,R23
34	34		13-12928-00	51.0	.25 W 5.0 % CF	2	R4,R5
35	35		13-19470-02	2.70	1.0 W 5.0 % M.OXIDE	1	R6
36	36		13-00364-00	1.0 K	.50 W 5.0 % CF	7	R7,R8,R26,R42,R44,R103,R130
37	37		13-00347-00	680.0	.50 W 5.0 % CF	2	R9,R10
38	38		13-00365-00	1.0 K	.25 W 5.0 % CF	3	R41,R45,R128
39	39		13-00391-00	1.50 K	.25 W 5.0 % CF	8	R12,R13,R16,R85,R86,R98,R100, CONT R101
40	40		13-00309-00	390.0	.25 W 5.0 % CF	2	R17,R133
41	41		13-02377-00	39.0	.25 W 5.0 % CF	2	R19,R22
42	42		13-00229-00	100.0	.25 W 5.0 % CF	3	R20,R24,R63
43	43		13-00271-00	220.0	.25 W 5.0 % CF	2	R21,R25
44	44		13-05872-00	.10	5.0 W 3.0 % WW	2	R27,R52
45	45		13-19471-29	1.0 K	2.0 W 5.0 % M.OXIDE	2	R28,R32
46	46	#BLANK	*** THIS ITEM IS NOT USED ***			-	
47	47		13-19471-08	47.0	2.0 W 5.0 % M.OXIDE	2	R31,R33
48	48		13-19471-21	300.0	2.0 W 5.0 % M.OXIDE	1	R34
49	49		13-01421-00	15.0	.25 W 5.0 % CF	2	R37,R39
50	50		13-05143-00	825.0	.25 W 1.0 % RN55D-F10	1	R65
51	51		13-02383-00	360.0	.50 W 5.0 % CF	1	R43
52	52		13-00394-00	1.50 K	.50 W 5.0 % CF	1	R46
53	53		13-03438-00	121.0 K	.25 W 1.0 % RN55D-F10	1	R47
54	54		13-00316-00	470.0	.25 W 5.0 % CF	7	R49,R64,R82,R83,R99,R104,R129
55	55		13-05405-00	24.90 K	.25 W 1.0 % RN55D-F10	2	R50,R118
56	56		13-05337-00	3.65 K	.25 W 1.0 % RN55D-F10	1	R51
57	57		13-12989-00	17.80 K	.25 W 1.0 % RN55D-F10	2	R53,R54
58	58		13-13151-00	3.60 K	.25 W 5.0 % CF	1	R126
59	59		13-02873-00	261.0	.25 W 1.0 % RN55D-F10	1	R55
60	60		13-05356-00	8.0 K	.25 W 0.10% RN55C-B 5	2	R56,R114
61	61	#BLANK	*** THIS ITEM IS NOT USED ***			-	
62	62		13-12930-00	5.10 K	.25 W 5.0 % CF	5	R48,R66,R67,R90,R127
63	63		13-00444-00	3.90 K	.25 W 5.0 % CF	5	R60,R68,R69,R91,R94
64	64		13-02466-00	100.0 K	.25 W 5.0 % CF	1	R61
65	65		13-01401-00	750.0	.25 W 5.0 % CF	1	R62
66	66	#BLANK	*** THIS ITEM IS NOT USED ***			-	
67	67		13-02391-00	20.0 K	.25 W 5.0 % CF	2	R74,R77
68	68		13-12452-00	3.74 K	.25 W 1.0 % RN55D-F10	1	R70
69	69		13-13344-00	75.0 K	.25 W 1.0 % RN55D-F10	1	R88
70	70		13-11320-00	90.90 K	.25 W 1.0 % RN55D-F10	1	R72
71	71		13-04728-00	4.0 K	.25 W 0.10% RN55E-B 2	2	R73,R113
72	72		13-00439-00	3.30 K	.25 W 5.0 % CF	3	R75,R105,R115
73	73		13-12932-00	36.0 K	.25 W 5.0 % CF	1	R76
74	74		13-01459-00	47.50	.75 W 1.0 % RN65D-F10	1	R78
75	75		13-00195-00	33.0	.50 W 5.0 % CF	1	R79
76	76		13-05322-00	7.50 K	.25 W 1.0 % RN55D-F10	7	R71,R80,R81,R87,R102,R107,R108
77	77		13-02388-00	2.0 K	.25 W 5.0 % CF	2	R59,R84
78	78		13-05421-00	35.70 K	.25 W 1.0 % RN55D-F10	1	R89
79	79		13-05325-00	8.25 K	.25 W 1.0 % RN55D-F10	2	R57,R92

D	I	G	I	T	A	L	TITLE	LOGIC INVERTER CONTROL BD	SECTION A	OF A	SIZE	CODE	DOCUMENT NUMBER	REV
											K	PL	5413601-0-DBP	L

AUTOMATED BY VAXKPL (V1.2)

PARTS LIST

SHEET A3 OF A4

LINE	ITEM	TOP DOCUMENT	PART NUMBER	MIN REV	DESCRIPTION	QTY	PER VAR/REV	REFERENCE DESIGNATORS
						00		
						K2		
80	80		13-05127-00	4.0 K	.25 W 1.0 % RN55D-F10	2		R93,R124
81	81		13-05432-00	5.11 K	.25 W 0.1 % RN55E-B 2	2		R95,R117
82	82		13-14041-00	3.01 K	.25 W 1.0 % RN55D-F10	1		R96
83	83		13-19470-22	300.0	1.0 W 5.0 % M.OXIDE	1		R97
84	84		13-04865-00	1.0 K	.25 W 0.1 % RN55E-B 2	4		R109-R112
85	85		13-00250-00	150.0	.25 W 5.0 % CF	1		R119
86	86		13-03313-00	12.10 K	.25 W 1.0 % RN55D-F10	1		R120
87	87		13-12565-00	13.30 K	.25 W 1.0 % RN55D-F10	1		R121
88	88	#BLANK			*** THIS ITEM IS NOT USED ***	-		
89	89	#BLANK			*** THIS ITEM IS NOT USED ***	-		
90	90		13-02381-00	200.0	.50 W 5.0 % CF	1		R131
91	91		13-19471-16	150.0	2.0 W 5.0 % M.OXIDE	1		R132
92	92		13-01522-00	27.0	.25 W 5.0 % CF	1		R134
93	93		13-01972-00	270.0	.25 W 5.0 % CF	1		R135
94	94		15-10705-00	XA 05	NPN 500MW SI 60 50 P	5		Q1-Q4,Q12
95	95		15-14271-01	D 44Q5	NPN 31W SI225 30	4		Q5-Q8
96	96		15-10706-00	XA 55	PNP 500MW SI 60 50 P	4		Q9,Q10,Q16,Q20
97	97		15-10959-00	2N 3725	NPN 3.5WC SI 50 60 P	1		Q11
98	98		15-13490-00	2N 4403	PNP 350MW SI-40 30	2		Q13,Q19
99	99		15-16121-00	MPS A92	PNP 625MW SI300 25	1		Q15
100	100		15-13489-00	2N 4401	NPN 350MW SI 40 20	4		Q17,Q18,Q21,Q22
101	101		15-05867-00	SCR	PIV= 50 IO= 8.00A 2N4441	2		D10,D13
102	102		16-16213-00	450.0 UH	4 A	2		L1,L2
103	103		19-12108-00	LM339	VOLT CMPRTR,QUAD	2		E1,E4
104	104		19-12107-00	324	OP AMP,QUAD	1		E2
105	105		19-14250-00	3524	MODULATOR-REGULATING	1		E3
106	106		74-22047-01		HEAT SINK DOUBLE	2		
107	107		13-01424-00	680.0	.25 W 5.0 % CF	1		R58
108	108		90-06039-01		SCREW,MACH PAN PHIL 8-	2		
109	109		90-06660-00		WASHER,FLAT SST	4		
110	110		90-06690-00		WASHER,HELICAL SPLIT SST	2		
111	111		13-03177-00	2.40 K	.25 W 5.0 % CF	1		R116
112	112		90-06011-01		SCREW,MACH PAN PHIL 4-	4		
113	113		90-09769-00		WASHER,RECTNGLR STEEL	4		
114	114		90-06556-00		NUT,HEX 4-40X .264AF SS/N	4		
115	115		90-06688-00		WASHER,HELICAL SPLIT SST	4		
116	116		90-10128-00		SCREW,THD RL,PAN PHIL F/METAL	4		
117	117		90-07201-00		PAD,MOUNTING,COMPONENT	1		C23
118	118		90-08268-00		COMPOUND, THERMAL JOINT	A/R		
119	119		13-14516-00	200.0 K	.25 W 5.0 % CF	1		R123
120	120		13-13592-00	4.87 K	.25 W 1.0 % RN55D-F10	1		R125
121	121		91-05740-55		WIRE(WRAP) 30AWG KYNAR UL14	A/R		
122	122	#BLANK			*** THIS ITEM IS NOT USED ***	-		
123	123	#BLANK			*** THIS ITEM IS NOT USED ***	-		
124	124		13-09293-00	866.0	.25 W 0.1 % RN55E-B 2	1		R106
125	125		13-02379-00	75.0	.25 W 5.0 % CF	2		R38,R40
126	126		91-07560-03		WIRE,BUSS 18AWG TIN BARE	A/R		
127	127		15-10706-01	B 55	PNP 500MW SI 60 50	1		Q14
128	128		10-11740-03	1500	PFD 50V +/-10% X7R C	1		C44
129	129		91-07256-11		TUBING,TEFLON .027ID	A/R		

D	I	G	I	T	A	L	TITLE	SECTION A OF A	SIZE	CODE	DOCUMENT NUMBER	REV
							LOGIC INVERTER CONTROL BD		K	PL	5413601-0-DBP	L

AUTOMATED BY YAXKPL (V1.2)

PARTS LIST

SHEET A4 OF A4

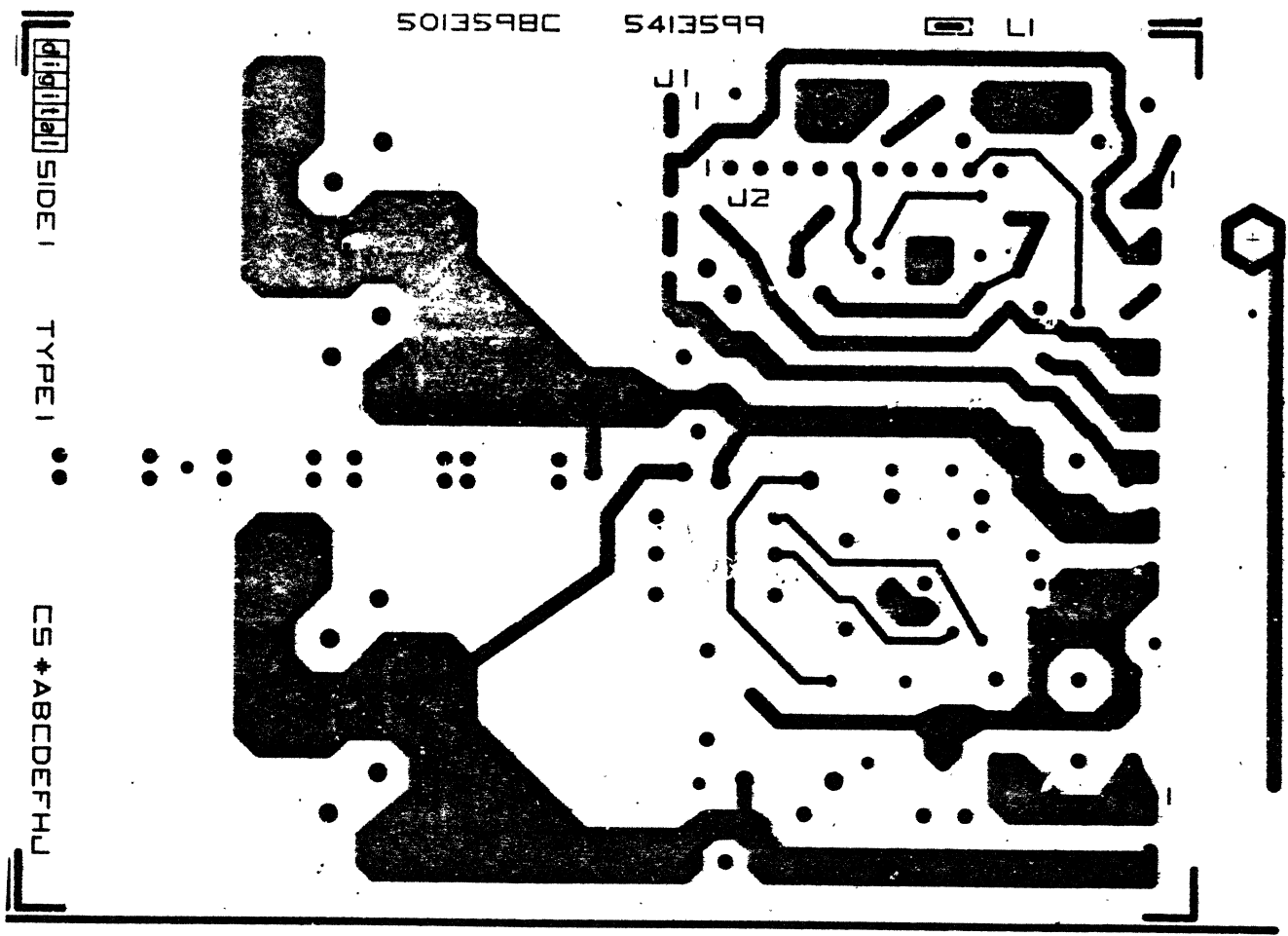
LINE	ITEM	TOP DOCUMENT	PART NUMBER	REV	DESCRIPTION	QTY	PER VAR/REV	REFERENCE DESIGNATORS
130	130		10-02315-00		2000 PFD 500V +/- 5% 200PP	1		C46
131	131		10-10866-02		10 MFD 25V +50/-20% SOL	1		C47
132	132		16-23061-01		BEAD, FERRITE, SHIELDED 134 OHMS	3		L3-L5
133	133		13-00202-00		47.0 .25 W 5.0 % CF	1		R136

1 GEN: ITEM #121: .52' IS USED.

D	I	G	I	T	A	L	TITLE	SECTION A	OF A	SIZE	CODE	DOCUMENT NUMBER	REV
							LOGIC INVERTER CONTROL BD			K	PL	5413601-0-DBP	L

THIS DRAWING AND SPECIFICATIONS HEREIN ARE THE PROPERTY OF DIGITAL EQUIPMENT CORPORATION AND SHALL NOT BE REPRODUCED OR COPIED OR USED IN WHOLE OR IN PART AS THE BASIS FOR THE MANUFACTURE OR SALE OF ITEMS WITHOUT WRITTEN PERMISSION. COPYRIGHT © 1973 DIGITAL EQUIPMENT CORPORATION.

H 0-0-665219 2



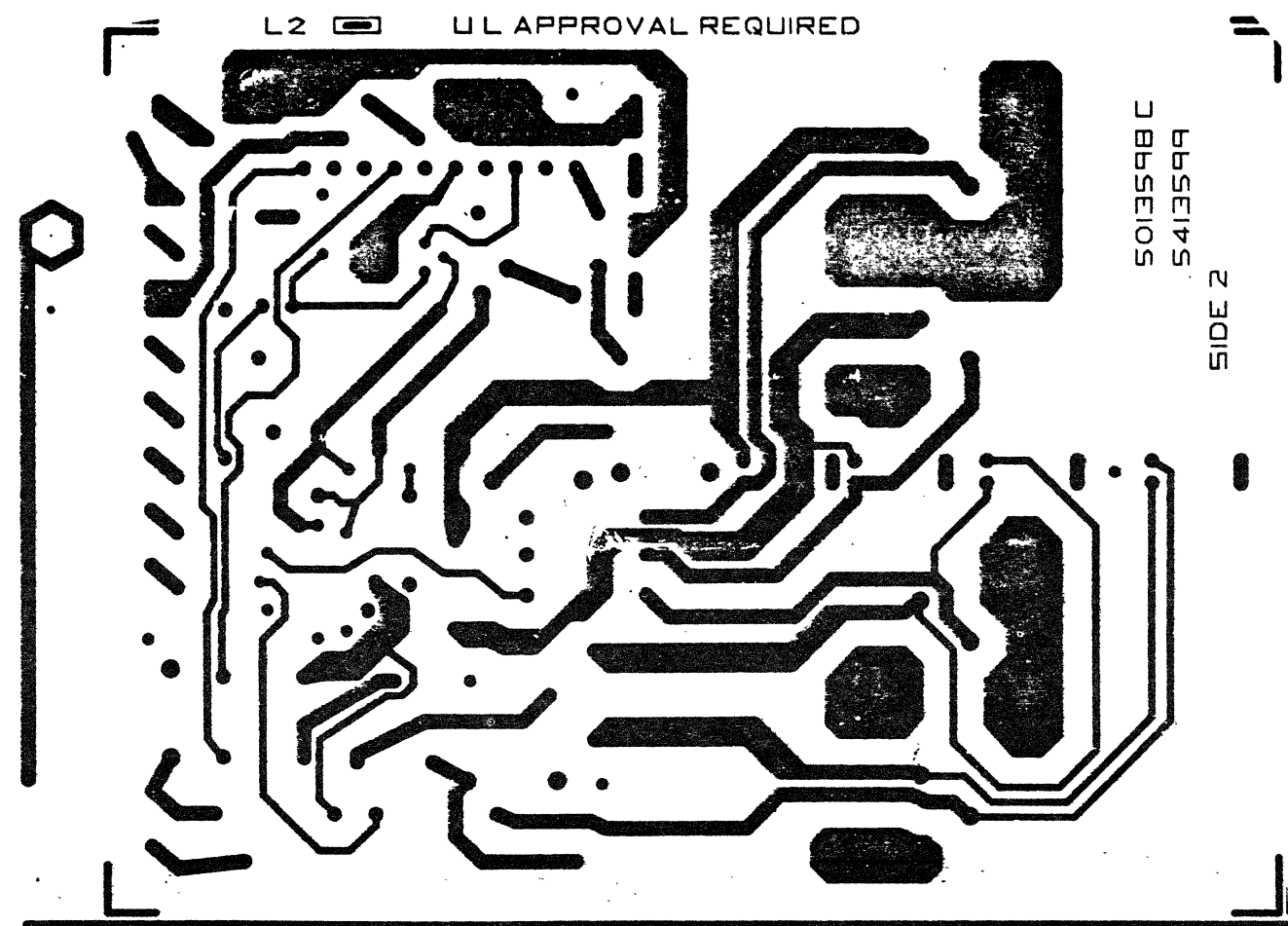
REVISIONS		
CHK	CHANGE NO.	REV.

TITLE	SIZE CODE	NUMBER	REV.
LOGIC INVERTER BOARD	D UA	5413599-0-0	H
SCALE c/1	SHEET 2 OF 4	DIST.	TW 1

D UA 5413599-0-C H

TRAINING AND SPECIFICATIONS ARE THE PROPERTY OF DIGITAL EQUIPMENT CORPORATION AND SHALL NOT BE REPRODUCED OR COPIED, IN WHOLE OR IN PART, FOR THE SALE OF THE MANUFACTURE OR SALE OF EQUIPMENT WITHOUT WRITTEN PERMISSION FROM DIGITAL EQUIPMENT CORPORATION.

DJA 5413599-0-0 H 2



5013598 C
5413599
SIDE 2

REVISIONS		
REV	CHANGE NO	REV

TITLE	LOGIC INVERTER BOARD	SIZE CODE	DJA	NUMBER	5413599-0-0	REV.	H
SCALE	2/1	SHEET	3	OF	4	DIST.	

DJA 5413599-0-0 H

TU 1

THIS DRAWING AND SPECIFICATIONS HEREAFTER ARE THE PROPERTY OF DIGITAL EQUIPMENT CORPORATION AND SHALL NOT BE REPRODUCED OR COPIED OR USED IN WHOLE OR IN PART AS THE BASIS FOR THE MANUFACTURE OR SALE OF ITEMS WITHOUT WRITTEN PERMISSION.
 COPYRIGHT © 1980 DIGITAL EQUIPMENT CORPORATION

REWORK INSTRUCTION (ECO #1)
 COMPONENT ADDS: SIDE 1:
 1-1 INSTALL R13 BY DRILLING ONE .055" HOLE AS SHOWN. (HOLE IS UNDERNEATH R13)
 1-2 C5 AND R13 ARE CONNECTED BY TWISTING ONE LEAD OF R13 WITH ONE LEAD OF C5 AND SOLDERING. THE OTHER LEAD OF R13 IS TACK SOLDERED TO THE ETCH ON SIDE 2 LEADING TO THE CATHODE OF D5. THE OTHER LEAD OF C5 IS CONNECTED TO THE ANODE OF D5. (SEE VIEW D-D)
 1-3 R12 AND C4 ARE CONNECTED BY TWISTING ONE LEAD OF R12 WITH ONE LEAD OF C4 AND SOLDERING. THE OTHER LEAD OF R12 IS CONNECTED TO THE ANODE OF D6. THE OTHER LEAD OF C4 IS TACK SOLDERED TO J1-1 AND 2. (SEE VIEW E-E)

REWORK INSTRUCTION (ECO #3)
 COMPONENT DELETES: SIDE 1:
 3-1 REMOVE D10 DEC. PT. NO. 1112594-02
 3-2 REMOVE R6 DEC. PT. NO. 1314172-01
 3-3 REMOVE Q2
 3-4 REMOVE Q3 } DEC. PT. NO. 1514195-00
 3-5 REMOVE Q4 }
 3-6 REMOVE Q5 }
 3-7 REMOVE D4 DEC. PT. NO. 1112595-01
 3-8 REMOVE D12
 3-9 REMOVE D14 } DEC. PT. NO. 1112595-00
 3-10 REMOVE D16 }
 3-11 REMOVE D19 }
 3-12 REMOVE D13 } DEC. PT. NO. 1114435-00
 3-13 REMOVE D15 }
 3-14 REMOVE D17 }
 3-15 REMOVE D18 }

COMPONENT ADD: SIDE 1:
 3-16 ADD D10 DEC. PT. NO. 1115273-01
 3-17 ADD R6 DEC. PT. NO. 1305260-00 (SEE 3-18)
 3-18 ADD SPACER ITEM 47 DEC. PT. NO. 9009798 01 TO EACH LEAD OF R6.
 3-19 ADD D4 DEC. PT. NO. 1115273-00
 3-20 ADD D12 }
 3-21 ADD D14 } DEC. PT. NO. 1105769-01
 3-22 ADD D16 }
 3-23 ADD D19 }
 3-24 ADD D13 } DEC. PT. NO. 1105796-01
 3-25 ADD D15 } REVERSE POLARITY FOR
 3-26 ADD D17 } THESE 4 PARTS WHEN
 3-27 ADD D18 } ASSEMBLING
 3-28 ADD Q2 }
 3-29 ADD Q3 } DEC. PT. NO. 1517365-00
 3-30 ADD Q4 }
 3-31 ADD Q5 }

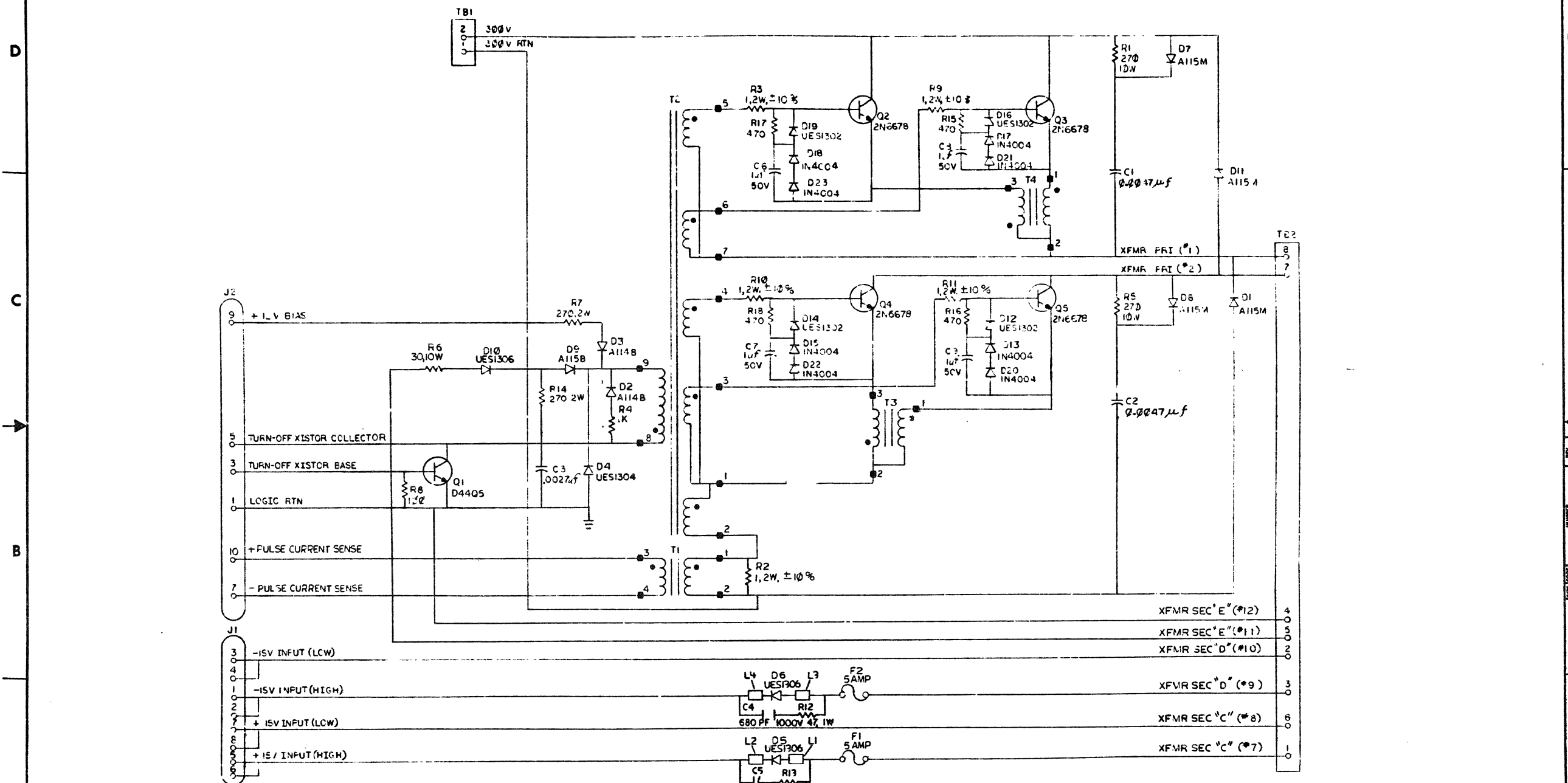
REWORK INSTRUCTIONS ECO #5
 COMPONENT DELETES SIDE 1:
 5-1 DELETE D12-D19 DEC P/N 105796-01.
 5-2 DELETE C3 DEC P/N 1017313-00.
 COMPONENT ADDS SIDE 1:
 5-3 ADD D12, D14, D16, D19, DEC P/N 1114602-00.
 5-4 ADD R15, R16, R17, R18, DEC P/N 1300316-00 TO D12, D14, D16, D19, AS SHOWN IN DETAIL E-E.
 5-5 ADD D13 & D20 DEC P/N 1105796-00
 ADD C6-C9 DEC P/N 1010274-02.
 CONNECT D13 IN SERIES WITH D20. CONNECT C9 IN PARALLEL WITH D13 AND D20 AS IN VIEW F-F. CONNECT D15 IN SERIES WITH D22. CONNECT C7 IN PARALLEL WITH D15 AND D22 AS IN VIEW F-F. CONNECT D17 IN SERIES WITH D21. CONNECT C8 IN PARALLEL WITH D17 AND D21 AS IN VIEW F-F. CONNECT D18 IN SERIES WITH D23. CONNECT C6 IN PARALLEL WITH D18 AND D23 AS IN VIEW F-F.
 NOTE: BE SURE CAPACITORS ARE ON SIDE NEAREST HEAT SINK AS SHOWN IN VIEW F-F TO PREVENT DIODES FROM SHORTING TO HEAT SINK.
 5-6 ADD C3 DEC P/N 1017425-00
 ADD R14 DEC P/N 1305380-00
 CONNECT C3 IN SERIES WITH R14 AS SHOWN IN VIEW G-G

REWORK INSTRUCTIONS ECO #8
 COMPONENT DELETES: SIDE 1:
 8-1 DELETE P/N 13-02199-00 (R12, R13)
 8-2 DELETE P/N 13-05380-00 (R7, R14)
 COMPONENT ADDS: SIDE 1:
 8-3 ADD P/N 13-19255-20 (R12, R13)
 8-4 ADD P/N 13-19471-20 (R7, R14)
 THESE COMPONENTS MUST BE RAISED 0.05" TO C.10"

REVISION HISTORY		
DATE	ECO NUMBER	REV.

TITLE		DOCUMENT NUMBER	
LOGIC INVERTER BOARD		SIZE CODE	NUMBER
		DUA	54-13599-0-0
		SCALE	SHEET
		2/1	1 OF 1

"THIS DRAWING AND SPECIFICATIONS, HEREIN, ARE THE PROPERTY OF DIGITAL EQUIPMENT CORPORATION AND SHALL NOT BE REPRODUCED OR COPIED OR USED IN WHOLE OR IN PART AS THE BASIS FOR THE MANUFACTURE OR SALE OF ITEMS WITHOUT WRITTEN PERMISSION.
 COPYRIGHT © 1978, DIGITAL EQUIPMENT CORPORATION"



REV	CHANGE NO.	BY	DATE
1	1	WOLF	7-15-78
2	1	WOLF	7-15-78
3	1	WOLF	7-15-78
4	1	WOLF	7-15-78
5	1	WOLF	7-15-78
6	1	WOLF	7-15-78
7	1	WOLF	7-15-78
8	1	WOLF	7-15-78

DRN: []	FIRST USED ON	digital
CHK'D: []	TITLE	LOGIC INVERTER BOARD
ENG: []	PROJ. ENGR: []	PROD. DATE: 7-15-78
NEXT HIGHER ASSY.	SIZE CODE	NUMBER
SCALE	D	CS 5413599-0-1
SHEET 1	OF 1	DIST.

LINE	ITEM	TOP DOCUMENT	PART NUMBER	MIN REV	DESCRIPTION	QTY	PER VAR/REV	REFERENCE DESIGNATORS
1	1	D-MD-5013598-0-0	50-13598-00		DRILL & ETCH BD	1		
2	2		10-11847-03		4700 PFD 600V +/-10% POLYP	2		C1,C2
3	3		10-17426-01		2700 PFD 250V +/-10% POLYP	1		C3
4	4		11-12594-01		PIV= 200 IO= 3.00A	1		D9
5	5		11-12594-02		PIV= 600 IO= 3.00A	4		D1,D7,D8,D11
6	6		11-05796-00		PIV= 400 IO= 1.00A 1N4004 DO-41	8		D13,D15,D17,D18,D20-D23
7	7		11-12595-01		PIV= 200 IO= 1.00A AXIAL	2		D2,D3
8	8	#BLANK			*** THIS ITEM IS NOT USED ***	-		
9	9	#BLANK			*** THIS ITEM IS NOT USED ***	-		
10	10		12-05747-00		FUSE PICO 5.0 A 125V AXIAL LEA	2		F1,F2
11	11	#BLANK			*** THIS ITEM IS NOT USED ***	-		
12	12		12-14789-00		INSERT,THREAD	8		
13	13		12-16108-00		PCB,HEADER 08POS(1X08).200CC STR	1		J1
14	14		12-16108-01		PCB,HEADER 01POS(1X01).200CC STR	1		J2
15	15		12-16269-00		TERM,SPADE .145STUD SOLDER	10		
16	16		12-16316-00		HEAT SINKS, 02.50X03.9	2		
17	17		13-00229-00		100.0 .25 W 5.0 % CF	1		R8
18	18		13-00365-00		1.0 K .25 W 5.0 % CF	1		R4
19	19		13-19471-20		270.0 2.0 W 5.0 % M.OXIDE	2		R7,R14
20	20		13-14350-00		1.0 2.0 W10.0 % WW FUS	5		R2,R3,R9-R11
21	21		13-05260-00		30.0 10.0 W 1.0 % WW	1		R6
22	22		13-14544-00		270.0 10.0 W 5.0 % WW	2		R1,R5
23	23		15-17365-00		2N 6678 NPN 175W SI	4		Q2-Q5
24	24		15-14271-01		D 44Q5 NPN 31W SI225 30	1		Q1
25	25		16-14202-00		XFMR,CURRENT	1		T1
26	26		16-14203-00		CHOKE,BALUN-COMMON MODE	2		T3,T4
27	27		16-14204-00		PULSE XFMR 20312 BALUN DRIVE	1		T2
28	28		74-22046-00		HEAT SINK,SINGLE	1		
29	29	#BLANK			*** THIS ITEM IS NOT USED ***	-		
30	30		90-06011-01		SCREW,MACH PAN PHIL 4-	1		
31	31		90-06025-01		SCREW,MACH PAN PHIL 6-	8		
32	32		90-06556-00		NUT,HEX 4-40X .264AF SS/N	1		

REVISION HISTORY			KPL MODULE FORMAT		SECTION A OF A		DRN: K.FRIFDGEN		DIGITAL				
ENG	ECO NUMBER	REV	SECTION/VARIATION INDEX		DATE: 20-JUL-79		CHK'D: F.GERRY		TITLE PARTS LIST				
---	INITIAL	B	[A]	00	[M]	DATE: 20-JUL-79		DES.ENG: J.A.HERRMANN		DOCUMENT NUMBER			
RR	5413599-TW001	C	[B]		[N]			DATE: 20-JUL-79		SIZE	CODE	NUMBER	REV
RH	5413599-TW002	D	[C]		[P]			RESP.ENG.: J.A.HERRMANN		K	PL	5413599-0-DBP	J
RH	5413599-TW002	D	[D]		[Q]			DATE: 20-JUL-79		RELEASE DATE: 07-JUL-87			
KK	5413599-TW003	E	[E]		[R]					RELEASE STATUS: RELEASED			
CS	5413599-TW004	F	[F]		[S]								
RW	5413599-TW005	H	[H]		[T]								
JA	5413599-LK008	J	[J]		[V]								
			[K]		[W]								
			[L]		[Y]								
BASIC PART NUMBER:			ASSEMBLY NUMBER:		TOP DOCUMENT NUMBER:		FILE NAME:		EDIT #				
5413599			D-UA-5413559-0-0		K-DD-5413599-0-0		5413599J2.PLS		2				

"THIS DRAWING AND THE SPECIFICATIONS CONTAINED HEREIN ARE CONFIDENTIAL AND PROPRIETARY. THEY ARE THE PROPERTY OF DIGITAL EQUIPMENT CORPORATION AND SHALL NOT BE REPRODUCED OR COPIED OR USED IN WHOLE OR IN PART AS THE BASIS FOR THE MANUFACTURE OR SALE OF ITEMS WITHOUT WRITTEN PERMISSION. THIS IS AN UNPUBLISHED WORK PROTECTED UNDER THE FEDERAL COPYRIGHT LAWS."

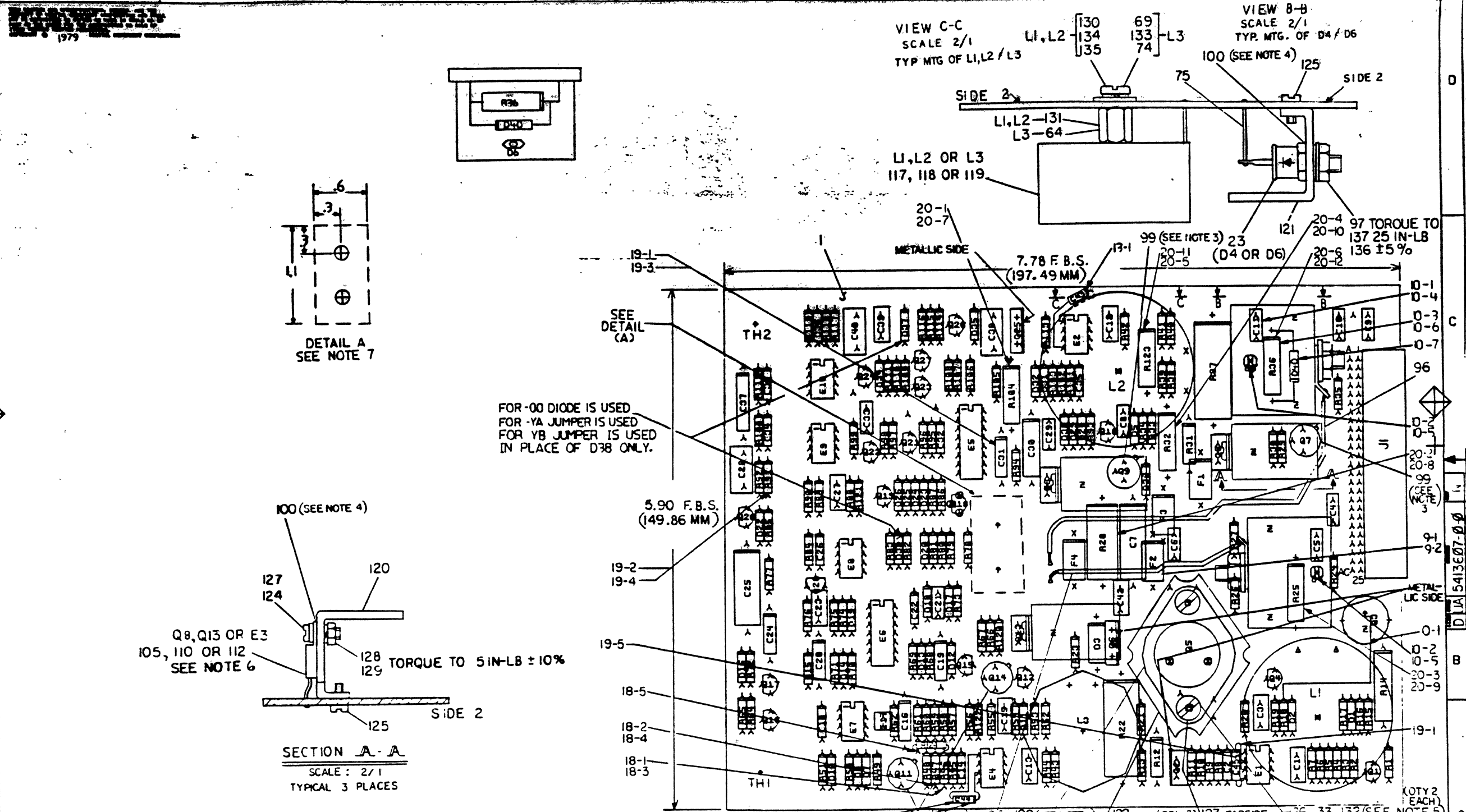
AUTOMATED BY VAXKPL (V1.3)

PARTS LIST

SHEET A2 OF A2

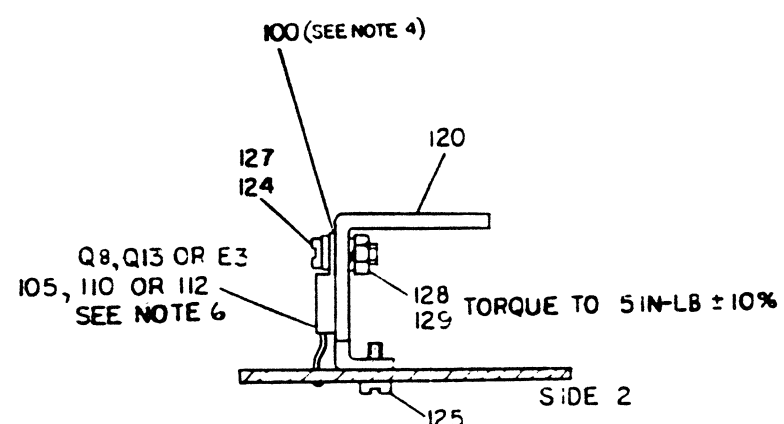
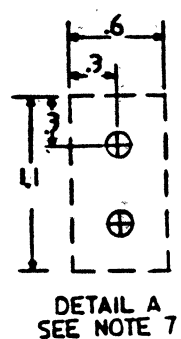
LINE	ITEM	TOP DOCUMENT	PART NUMBER	MIN REV	DESCRIPTION	QTY PER VAR/REV	REFERENCE DESIGNATORS
						00 J2	
33	33		90-06656-00		WASHER, FLAT STEEL	4	
34	34		90-06688-00		WASHER, HELICAL SPLIT SST	1	
35	35		90-06735-00		EYELET, FUNNEL 0.0590DX0.187	4	
36	36		90-07801-00		WASHER, HELICAL SPLIT SST	8	
37	37	#BLANK			*** THIS ITEM IS NOT USED ***	-	
38	38	#BLANK			*** THIS ITEM IS NOT USED ***	-	
39	39		90-09676-00		TERM, SOLDER BARRIER STR	4	
40	40		90-09769-00		WASHER, RECTNGLR STEEL	1	
41	41		90-10128-00		SCREW, THD RL, PAN PHIL F/METAL	1	
42	42	#BLANK			*** THIS ITEM IS NOT USED ***	-	
43	43		90-08268-00		COMPOUND, THERMAL JOINT	A/R	
44	44		10-13280-00		680 PFD 1000V +/- 5% 200PP	2	C4, C5
45	45		13-19255-20		47.0 1.0 W 5.0 % M.OXIDE	2	R12, R13
46	46		11-15273-01		RECT, ULTRA FAST PIV= 400 IO= 5.00	3	D5, D6, D10
47	47		90-09798-01		SPACER, CLEAR HOLE RND CERAM .07	2	
48	48		11-15273-00		RECT, ULTRA FAST PIV= 200 IO= 3.0	1	D4
49	49		16-23051-01		BEAD, FERRITE, SHIELDED 134 OHMS	4	L1-L4
50	50		13-00316-00		470.0 .25 W 5.0 % CF	4	R15-R18
51	51		11-14602-00		RECT, ULTRA FAST PIV= 100 IO= 4.0	4	D12, D14, D16, D19
52	52		10-10274-02		1.0 MFD 50V +80/-20% Z5U C	4	C6-C9

D	I	G	I	T	A	L	TITLE	SECTION A OF A	SIZE	CODE	DOCUMENT NUMBER	REV
							LOGIC INVERTER BD		K	PL	5413599-0-DBP	J



VIEW C-C
SCALE 2/1
TYP. MTG. OF L1, L2 / L3

VIEW 8-8
SCALE 2/1
TYP. MTG. OF D4 / D6



FOR -00 DIODE IS USED
FOR -YA JUMPER IS USED
FOR -YB JUMPER IS USED
IN PLACE OF D38 ONLY.

NOTES:

1. TORQUE TO 5 IN LB ± 10%.
2. Q8, Q13, D4, D6, MUST BE MOUNTED TO HEAT SINKS BEFORE BEING ATTACHED TO PCB.
3. MASK THIS AREA ON SIDE 2 ONLY, KEEP FREE OF SOLDER.

REV.	DATE	BY	CHK'D.	APP'D.
1				
2				
3				
4				
5				
6				
7				
8				
9				
10				

SIGNATURES		DATE
DRN. P. RICHARD TELLIER		12-27-74
CHK'D.		1-6-75
MECH. ENG.		
PROJ. ENG.		
PROD.		
SCALE		
SMT.		
NEXT HIGHER REV. 00-5413607-0		

TITLE: MEMORY REGULATOR

SIZE CODE: NUMBER: 17

REV: M

D LIA 5413607-0-0

THIS DRAWING AND SPECIFICATIONS, HEREIN, ARE THE PROPERTY OF DUA. REPRODUCTION, COPIES, AND USE IN ANY MANNER, WITHOUT WRITTEN PERMISSION OF DUA, IS PROHIBITED. THIS DRAWING IS THE PROPERTY OF DUA. REPRODUCTION, COPIES, AND USE IN ANY MANNER, WITHOUT WRITTEN PERMISSION OF DUA, IS PROHIBITED.

REWORK INSTRUCTION

WIRE ADD SIDE 1
 0-1 FROM R18 (WRAP WIRE AROUND COMPONENT LEAD) TO Q3 CATHODE (GND) (USE ITEM 144)

REWORK INSTRUCTION

ECO # 9
 COMPONENT DELETE SIDE 1
 9-1 DELETE F2 DEC P/N 12-05747-00
 COMPONENT ADD SIDE 1
 9-2 ADD F2 DEC P/N 12-10929-09

REWORK INSTRUCTIONS

ECO # 10
 COMPONENT DELETES SIDE 1
 10-1 DELETE C14, DEC P/N 1001610-01
 10-2 DELETE D4, D6, DEC P/N 1110491-01
 10-3 DELETE R36, DEC P/N 1300171-00
 COMPONENT ADDS SIDE 1
 10-4 ADD C14, DEC P/N 1012784-00
 10-5 ADD D4, D6, DEC P/N 1116645-03
 10-6 ADD R36, DEC P/N 1316575-00
 10-7 ADD D40, DEC P/N 1114893-00 ACROSS R36 CATHODE TO END NEAR Q7.

REWORK INSTRUCTIONS

ECO # 13
 COMPONENT ADD SIDE 1
 13-1 ADD C43 DEC P/N 1001610-01 FROM E2-2 TO E2-4 (GROUND)
 13-2 ADD C44 DEC P/N 1001610-01 FROM E4-2 TO E4-4 (GROUND)

REWORK INSTRUCTIONS

ECO # 18
 COMPONENT DELETES SIDE 1:
 18-1 DELETE R46 DEC P/N 1302545-00 ALL VARIATIONS.
 18-2 DELETE R47 DEC P/N 1305114-00 VARIATION CO. 1305145-00 VARIATION YA, YB.
 COMPONENT ADDS SIDE 1:
 18-3 ADD R46 DEC P/N 1304856-00 ALL VARIATIONS.
 18-4 ADD R47 DEC P/N 1313589-00 VARIATION CO. 1302871-00 VARIATION YA, YB.
 18-5 ADD R124 DEC P/N 1304856-00 FROM E4-3 TO VREF (FROM PLATED-THRU HOLE ADJACENT TO Q11 TO INNER LEG OF R46) ALL VARIATIONS.

REWORK INSTRUCTIONS PER ECO # 19

COMPONENT DELETES SIDE 1:
 19-1 DELETE C31, DEC P/N 1000060-00, ALL VARIATIONS.
 19-2 DELETE R94, DEC P/N 1304854-00, ALL VARIATIONS.
 COMPONENT ADDS SIDE 1:
 19-3 ADD C31, DEC P/N 1000023-00, ALL VARIATIONS.
 19-4 ADD R94, DEC P/N 1303044-00, ALL VARIATIONS.
 19-5 ADD C46, DEC P/N 1001610-01, USING TUBING, DEC P/N 9107256-11 ON LEADS (QTY A/R), FROM E1-3 TO E1-4, ALL VARIATIONS.
 19-6 CHANGE C44 FROM E4-4 TO E4-3.

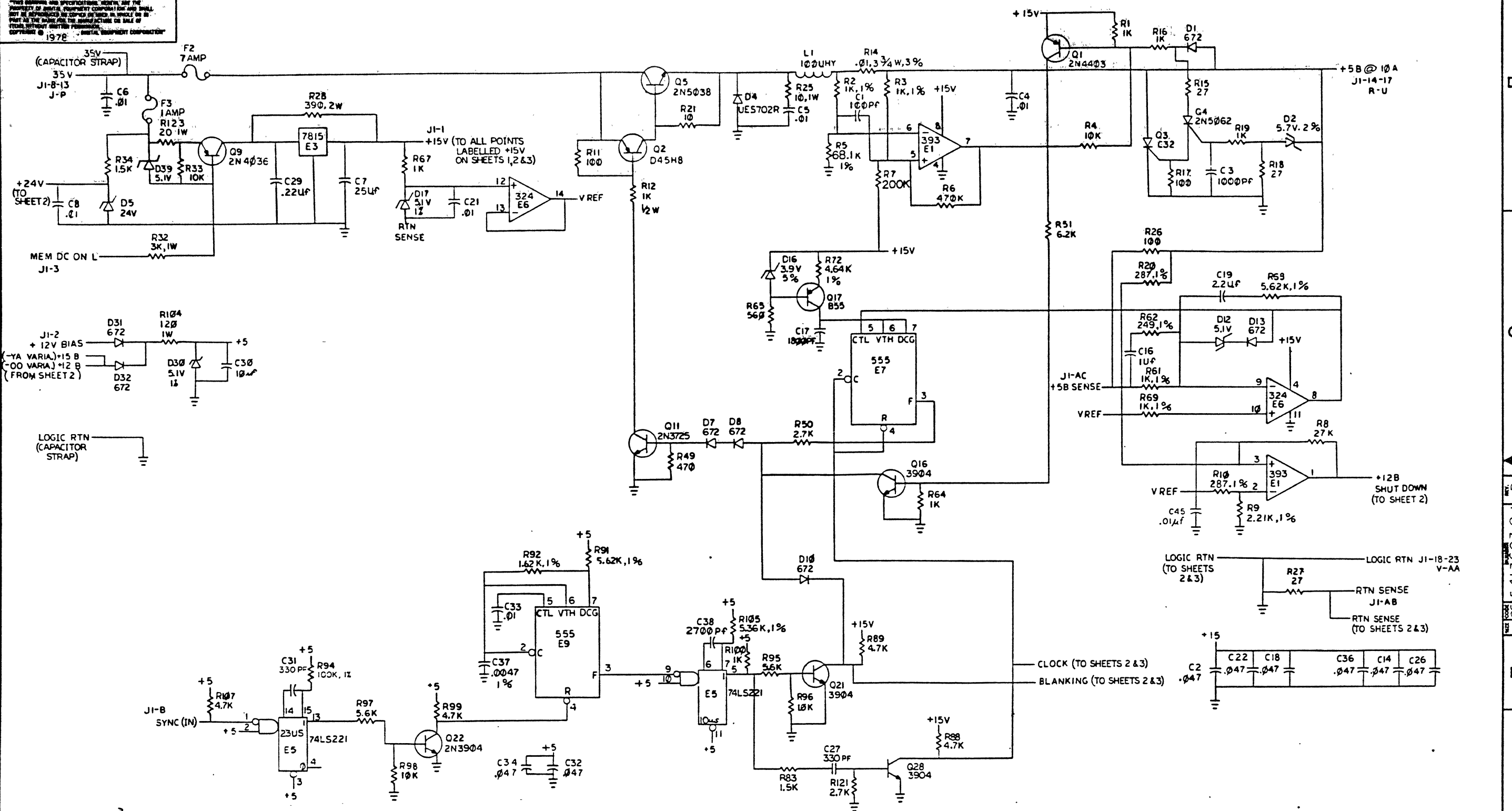
REWORK INSTRUCTIONS PER ECO # 20

COMPONENT DELETES SIDE 1:
 20-1 DELETE P/N 13-01838-00 (R104)
 20-2 DELETE P/N 13-01864-00 (R28)
 20-3 DELETE P/N 13-00171-00 (R25)
 20-4 DELETE P/N 13-00433-00 (R32)
 20-5 DELETE P/N 13-12993-00 (R123)
 20-6 DELETE P/N 13-16575-00 (R36)
 COMPONENT ADDS SIDE 1:
 *THESE COMPONENTS MUST BE RAISED TO 0.35" TO 0.10".
 20-7 ADD P/N 13-19470-14 (R104)
 20-8 ADD P/N 13-19471-23 (R28)
 20-9 ADD P/N 13-19255-04 (R25)
 20-10 ADD P/N 13-19470-38 (R32)
 20-11 ADD P/N 13-19255-11 (R123)
 20-12 ADD P/N 13-19471-01 (R36)

REVISION HISTORY		
DATE	NO NUMBER	REV

DOCUMENT NUMBER		
DOC CODE	NUMBER	REV
DUA	5413607-0-0	1
TITLE		SCALE
MEMORY REGULATOR		7W
SHEET		OF
1		2

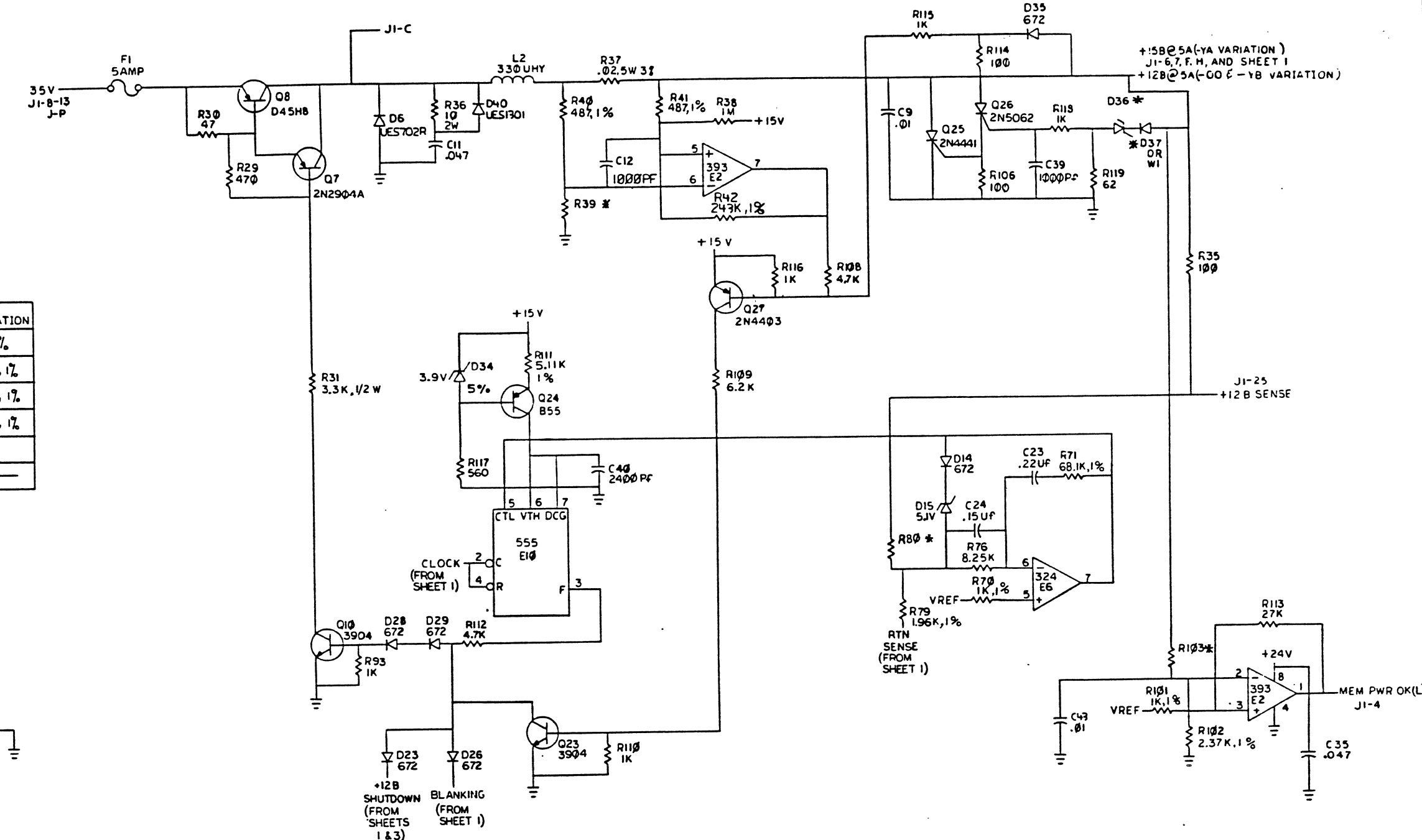
THIS DRAWING AND SPECIFICATIONS, INCLUDING THE PROPERTY OF DIGITAL EQUIPMENT CORPORATION AND SHALL NOT BE REPRODUCED OR COPIED IN WHOLE OR IN PART WITHOUT THE WRITTEN PERMISSION OF DIGITAL EQUIPMENT CORPORATION. COPYRIGHT © 1978



REV.	DATE	BY	CHK'D	DESCRIPTION
1	11/15/77	R. WOLF	R. WOLF	INITIAL DESIGN
2	12/1/77	R. WOLF	R. WOLF	REVISED FOR MANUFACTURE
3	12/1/77	R. WOLF	R. WOLF	REVISED FOR MANUFACTURE
4	12/1/77	R. WOLF	R. WOLF	REVISED FOR MANUFACTURE
5	12/1/77	R. WOLF	R. WOLF	REVISED FOR MANUFACTURE
6	12/1/77	R. WOLF	R. WOLF	REVISED FOR MANUFACTURE
7	12/1/77	R. WOLF	R. WOLF	REVISED FOR MANUFACTURE
8	12/1/77	R. WOLF	R. WOLF	REVISED FOR MANUFACTURE

DRN. NO.	5413607-0-1	FIRST USED ON	H7140
CHK'D	R. WOLF	TITLE	MEM REG
ENG. R. WOLF	8/16/77	SCALE	1 OF 3
PROJ. ENG. R. WOLF	8/16/77	SIZE CODE	D
PROD. F. A. WOLF	8/16/77	NUMBER	5413607-0-1
NEXT HIGHER ASSY.		DIST.	R

THIS DRAWING AND SPECIFICATIONS HEREON ARE THE PROPERTY OF DIGITAL EQUIPMENT CORPORATION AND SHALL NOT BE REPRODUCED OR COPIED OR USED IN WHOLE OR IN PART AS THE BASIS FOR THE MANUFACTURE OR SALE OF ITEMS WITHOUT WRITTEN PERMISSION. COPYRIGHT © DIGITAL EQUIPMENT CORPORATION 1972



*

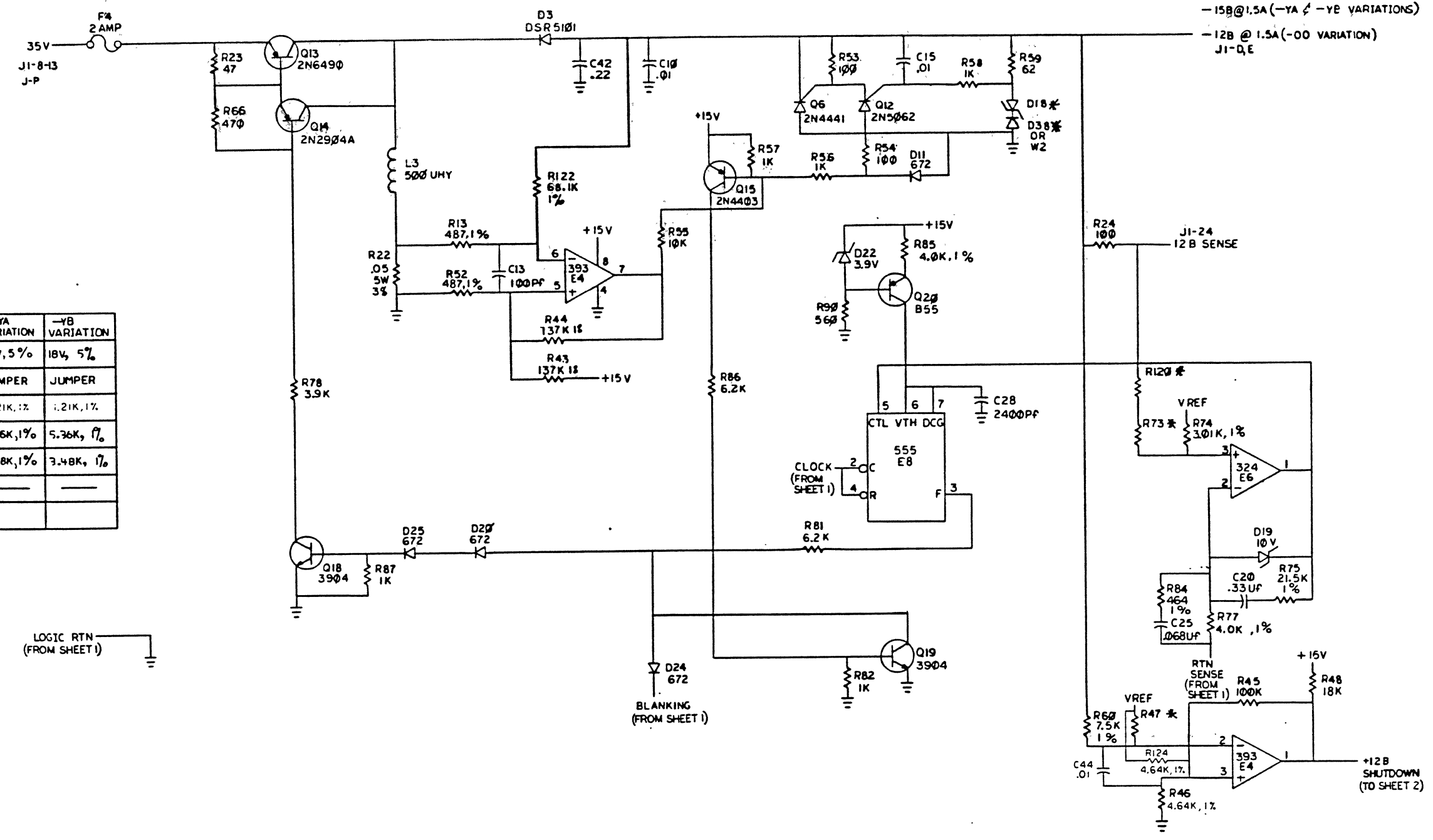
COMPONENT DESIGNATOR	-00 VARIATION	-YA VARIATION	-YB VARIATION
D36	13V, 1%	18V, 5%	13V, 1%
R39	4.22K, 1%	2.7K, 1%	4.22K, 1%
R80	2.67K, 1%	3.83K, 1%	2.67K, 1%
R103	2.67K, 1%	3.83K, 1%	2.67K, 1%
D37	672		672
W1		JUMPER	

REVISIONS		
CHK	CHANGE NO.	REV.

THE DRAWING AND SPECIFICATIONS HEREIN ARE THE PROPERTY OF DIGITAL EQUIPMENT CORPORATION AND SHALL NOT BE REPRODUCED OR COPIED OR USED IN WHOLE OR IN PART AS THE BASIS FOR THE MANUFACTURE OR SALE OF OTHER EQUIPMENT WITHOUT THE WRITTEN PERMISSION OF DIGITAL EQUIPMENT CORPORATION.
 1978

*
 COMPONENT DESIGNATOR -00 VARIATION -YA VARIATION -YB VARIATION

D18	13V, 1%	18V, 5%	18V, 5%
W2	—	JUMPER	JUMPER
R47	1.4K, 1%	1.21K, 1%	1.21K, 1%
R73	5.62K, 1%	5.36K, 1%	5.36K, 1%
R120	1.47K, 1%	3.48K, 1%	3.48K, 1%
D38	672	—	—



-15B@1.5A (-YA & -YE VARIATIONS)
 -12B @ 1.5A (-00 VARIATION)
 J1-D,E

REVISIONS

CHK	CHANGE NO.	REV.
-----	------------	------

LINE	ITEM	TOP DOCUMENT	PART NUMBER	MIN REV	DESCRIPTION	QTY	PER	VAR/REV	REFERENCE DESIGNATORS
						00	YA	YB	
						R2	R2	R2	
1	1	D-MD-5013606-0-0	50-13606-00		DRILL & ETCH BD	1	1	1	
2	2		10-04813-00		10 MFD 20V +/-10% SOL	1	1	1	C30
3	3		10-00042-00		1000 PFD 100V +/- 5% 200PP	3	3	3	C3,C12,C39
4	4		10-00052-00		0.068MFD 100V +/-10% MYLAR	1	1	1	C25
5	5	#BLANK			*** THIS ITEM IS NOT USED ***	-	-	-	
6	6		10-00075-00		25 MFD 25V +75/-10% ALU	1	1	1	C7
7	7	#SEE NOTE #160	10-01610-01		0.010MFD 50V +80/-20% Z5U	12	12	12	C4-C6,C8-C10,C15,C21,C33, CONT C43-C45
8	8		10-01776-00		1.0 MFD 35V +/-10% SOL	1	1	1	C16
9	9		10-01636-00		2400 PFD 100V +/- 5% 200PP	2	2	2	C28,C40
10	10		10-14170-00		2700 PFD 100V +/- 1% 70PP	1	1	1	C38
11	11		10-02627-00		2.2 MFD 20V +/-10% SOL	1	1	1	C19
12	12		10-05328-00		0.33MFD 20V +/-10% SOL	1	1	1	C20
13	13		10-09312-00		4700 PFD 100V +/- 1% MYLAR	1	1	1	C37
14	14		10-10274-01		0.22 MFD 50V +80/-20% Z5U C	1	1	1	C29
15	15		10-11740-02		1800 PFD 50V +/-10% X7R C	1	1	1	C17
16	16		10-11895-00		0.15MFD 35V +/-10% SOL	1	1	1	C24
17	17		10-12784-00		0.047MFD 50V +80/-20% Z5U C	10	10	10	C2,C11,C14,C18,C22,C26,C32, CONT C34-C36
18	18		11-00122-00		VZ= 3.9 5% 400 MW 1N748A	3	3	3	D16,D22,D34
19	19		11-05275-00		PIV= 60 IO=300 MA -15NS	19	-	-	D1,D7,D8,D10,D11,D13,D14,D20, CONT D23-D26,D28,D29,D31,D32,D35, CONT D37,D38
			CONT			-	17	-	D1,D7,D8,D10,D11,D13,D14,D20, CONT D23-D26,D28,D29,D31,D32,D35
			CONT			-	-	18	D1,D7,D8,D10,D11,D13,D14,D20, CONT D23-D26,D28,D29,D31,D32,D35,D37
20	20		11-00125-00		VZ= 10.0 5% 400 MW 1N758A	1	1	1	D19
21	21		11-05871-00		VZ= 5.15 1% 250 MW	3	3	3	D17,D30,D39
22	22		11-18411-00		VZ= 13.0 1% 500 MW 1N5243	2	-	-	D18,D36
			CONT			-	-	1	D36
23	23		11-16645-03		RECT,ULTRA FAST PIV= 100 IO=25.0	2	2	2	D4,D6

REVISION HISTORY			KPL MODULE FORMAT		SECTION A OF A	DRN: J.FERGUSON	D I G I T A L			
ENG	ECO NUMBER	REV	SECTION/VARIATION INDEX			DATE: 06-AUG-80	TITLE PARTS LIST			
---	TW005	H	[A]	00, YA, YB	[M]	CHK'D: J.FERGUSON	MEMORY REG			
MS	5413607-TW006	J	[B]		[N]	DATE: 06-AUG-80				
KK	5413607-TW009	K	[C]		[P]	DES.ENG: B.WOLF				
CS	5413607-TW010	L	[D]		[Q]	DATE: 06-AUG-80	DOCUMENT NUMBER			
CS	5413607-TW012	M	[E]		[R]		SIZE	CODE	NUMBER	REV
CS	5413607-TW013	N	[F]		[S]	RESP.ENG.: B.WOLF	K	PL	5413607-0-DBP	U
KK	5413607-TW014	P	[H]		[T]	DATE: 06-AUG-80	RELEASE DATE: 14-AUG-86			
CS	5413607-TW015	R	[J]		[V]		RELEASE STATUS: RELEASED			
BW	5413607-TW018	S	[K]		[W]	MFG.ENG: P.WAITKUS				
RW	5413607-TW019	T	[L]		[Y]	DATE: 06-AUG-80				
JA	5413607-LK020	U								
			BASIC PART NUMBER:		ASSEMBLY NUMBER:	TOP DOCUMENT NUMBER:	FILE NAME:	EDIT #		
			5413607		D-UA-5413607-0-0	B-DD-5413607-0-0	Z0403U.PLS	2		

"THIS DRAWING AND THE SPECIFICATIONS CONTAINED HEREIN ARE CONFIDENTIAL AND PROPRIETARY. THEY ARE THE PROPERTY OF DIGITAL EQUIPMENT CORPORATION AND SHALL NOT BE REPRODUCED OR COPIED OR USED IN WHOLE OR IN PART AS THE BASIS FOR THE MANUFACTURE OR SALE OF ITEMS WITHOUT WRITTEN PERMISSION. THIS IS AN UNPUBLISHED WORK PROTECTED UNDER THE FEDERAL COPYRIGHT LAWS."

LINE	ITEM	TOP DOCUMENT	PART NUMBER	MIN REV	DESCRIPTION	QTY	PER	VAR/REV	REFERENCE DESIGNATORS
						00	YA	YB	
						R2	R2	R2	
24	24		11-10713-00		VZ= 5.1 2% 400 MW 1N751	2	2	2	D12,D15
25	25		11-10856-00		VZ= 24.0 5% 400 MW 1N970B	1	1	1	D5
26	26		11-11205-00		VZ= 5.7 2% 400 MW	1	1	1	D2
27	27		11-14602-00		RECT,ULTRA FAST PIV= 100 IO= 4.0	1	1	1	D3
28	28		11-10968-00		SCR PIV= 100 IO= .80A 2N5062	3	3	3	Q4,Q12,Q26
29	29		10-10978-40		0.22 MFD 50V +/-10% X7R C	2	2	2	C23,C42
30	30		12-10929-02		FUSE PICO 1.0 A 125V AXIAL LEA	1	1	1	F3
31	31		12-05747-00		FUSE PICO 5.0 A 125V AXIAL LEA	1	1	1	F1
32	32		12-16112-03		PCB,HEADER 50POS(2X25) .100CC 90D	1	1	1	J1
33	33		13-05127-00		4.0 K .25 W 1.0 % RN55D-F10	2	2	2	R77,R85
34	34		13-04856-00		4.64 K .25 W 1.0 % RN55D-F10	3	3	3	R46,R72,R124
35	35		13-04854-00		5.11 K .25 W 1.0 % RN55D-F10	1	1	1	R111
36	36		13-00391-00		1.50 K .25 W 5.0 % CF	2	2	2	R34,R83
37	37		13-00316-00		470.0 .25 W 5.0 % CF	3	3	3	R29,R49,R66
38	38		13-00447-00		4.70 K .25 W 5.0 % CF	6	6	6	R88,R89,R99,R107,R108,R112
39	39		13-00229-00		100.0 .25 W 5.0 % CF	9	9	9	R11,R17,R24,R26,R35,R53,R54, CONT R106,R114
40	40		13-01317-00		10.0 .25 W 5.0 % CF	1	1	1	R21
41	41		13-00364-00		1.0 K .50 W 5.0 % CF	1	1	1	R12
42	42		13-19255-04		10.0 1.0 W 5.0 % M.OXIDE	1	1	1	R25
43	43		13-13014-00		.01 3.75 W 3.0 % WW	1	1	1	R14
44	44		13-19471-23		390.0 2.0 W 5.0 % M.OXIDE	1	1	1	R28
45	45		13-00479-00		10.0 K .25 W 5.0 % CF	5	5	5	R4,R33,R55,R96,R98
46	46		13-09595-00		1.0 M .25 W 5.0 % CF	1	1	1	R38
47	47		13-03114-00		1.0 K .25 W 1.0 % RN55D-F10	6	6	6	R2,R3,R61,R69,R70,R101
48	48	#BLANK			*** THIS ITEM IS NOT USED ***	-	-	-	
49	49		13-00365-00		1.0 K .25 W 5.0 % CF	16	16	16	R1,R16,R19,R56-R58,R64,R67,R82, CONT R87,R93,R100,R110,R115,R116, CONT R118
50	50		13-01522-00		27.0 .25 W 5.0 % CF	3	3	3	R15,R18,R27
51	51		13-05114-00		3.48 K .25 W 1.0 % RN55D-F10	-	1	1	R120
52	52		13-01890-00		560.0 .25 W 5.0 % CF	3	3	3	R65,R90,R117
53	53		13-00426-00		2.70 K .25 W 5.0 % CF	2	2	2	R50,R121
54	54		12-11751-00		FUSE PICO 2.0 A 125V AXIAL LEA	1	1	1	F4
55	55		13-05128-00		5.62 K .25 W 1.0 % RN55D-F10	3	-	-	R68,R73,R91
					CONT	-	2	-	R68,R91
						-	-	1	R68
56	56		13-03044-00		100.0 K .25 W 1.0 % RN55D-F10	2	2	2	R45,R94
57	57		13-09787-00		249.0 .25 W 1.0 % RN55E-F 2	1	1	1	R62
58	58		13-10876-03		.05 5.0 W 3.0 % WW	1	1	1	R22
59	59		13-05124-00		287.0 .25 W 1.0 % RN55D-F10	2	2	2	R10,R20
60	60		13-10631-00		2.21 K .25 W 1.0 % RN55D-F10	1	1	1	R9
61	61		13-13341-00		5.36 K .25 W 1.0 % RN55D-F10	1	-	-	R105
					CONT	-	2	2	R73,R105
62	62		13-04862-00		1.62 K .25 W 1.0 % RN55D-F10	1	1	1	R92
63	63		13-00202-00		47.0 .25 W 5.0 % CF	2	2	2	R23,R30
64	64		90-06801-00		SPACER,CLEAR HOLE HEX ALUM 6	1	1	1	
65	65		13-11845-00		487.0 .25 W 1.0 % RN55D-F10	4	4	4	R13,R40,R41,R52
66	66		13-15436-00		52.30 K .25 W 1.0 % RN55D-F10	-	1	-	R39
67	67		13-10876-00		.02 5.0 W 3.0 % WW	1	1	1	R37

D	I	G	I	T	A	L	TITLE	SECTION A	OF A	SIZE	CODE	DOCUMENT NUMBER	REV
							MEMORY REG			K	PL	5413607-0-DBP	U

LINE	ITEM	TOP DOCUMENT	PART NUMBER	MIN REV	DESCRIPTION	QTY	PER	VAR/REV	REFERENCE DESIGNATORS
						00	YA	YB	
						R2	R2	R2	
68	68		13-04843-00	243.0	K .25 W 1.0 % RN55D-F10	1	1	1	R42
69	69		90-06026-01		SCREW,MACH PAN PHIL 6-	1	1	1	
70	70		13-00440-00	3.30	K .50 W 5.0 % CF	1	1	1	R31
71	71		13-12929-00	62.0	.25 W 5.0 % CF	2	2	2	R59,R119
72	72		13-05252-00	68.10	K .25 W 1.0 % RN55D-F10	3	3	3	R5,R71,R122
73	73		13-05325-00	8.25	K .25 W 1.0 % RN55D-F10	1	1	1	R76
74	74		90-06653-00		WASHER,FLAT STEEL	1	1	1	
75	75	#SEE NOTE #157	91-07560-03		WIRE,BUSS 18AWG TIN BARE	A/R	A/R	A/R	
76	76		13-05346-00	27.0	K .25 W 5.0 % CF	2	2	2	R8,R113
77	77		13-10634-00	2.67	K .25 W 1.0 % RN55D-F10	2	-	2	R80,R103
78	78		13-10632-00	2.37	K .25 W 1.0 % RN55D-F10	1	1	1	R102
79	79		13-01874-00	5.60	K .25 W 5.0 % CF	2	2	2	R95,R97
80	80		13-00444-00	3.90	K .25 W 5.0 % CF	1	1	1	R78
81	81	#BLANK			*** THIS ITEM IS NOT USED ***	-	-	-	
82	82		13-03155-00	21.50	K .25 W 1.0 % RN55D-F10	1	1	1	R75
83	83		13-14041-00	3.01	K .25 W 1.0 % RN55D-F10	1	1	1	R74
84	84		13-12931-00	6.20	K .25 W 5.0 % CF	4	4	4	R51,R81,R86,R109
85	85		10-00016-00	100	PFD 100V +/- 5% 200PP	2	2	2	C1,C13
86	86		13-04833-00	1.96	K .25 W 1.0 % RN55D-F10	1	1	1	R79
87	87		13-05322-00	7.50	K .25 W 1.0 % RN55D-F10	1	1	1	R60
88	88	#BLANK			*** THIS ITEM IS NOT USED ***	-	-	-	
89	89		13-19470-38	3.0	K 1.0 W 5.0 % M.OXIDE	1	1	1	R32
90	90		13-02398-00	470.0	K .25 W 5.0 % CF	1	1	1	R6
91	91		10-00023-00	330	PFD 100V +/- 5% 200PP	2	2	2	C27,C31
92	92		13-02465-00	18.0	K .25 W 5.0 % CF	1	1	1	R48
93	93		13-03047-00	464.0	.25 W 1.0 % RN55D-F10	1	1	1	R84
94	94		13-05422-00	137.0	K .25 W 1.0 % RN55D-F10	2	2	2	R43,R44
95	95		13-19470-14	120.0	1.0 W 5.0 % M.OXIDE	1	1	1	R104
96	96	#SEE NOTE #159	91-07370-00		WIRE, 14AWG19/.0147IPVC 150V	A/R	A/R	A/R	
97	97		90-07928-00		TERM,RING #10STUD CRIMP 14-1	2	2	2	
98	98	#BLANK			*** THIS ITEM IS NOT USED ***	-	-	-	
99	99		90-07201-00		PAD,MOUNTING,COMPONENT	4	4	4	
100	100		90-08268-00		COMPOUND, THERMAL JOINT	A/R	A/R	A/R	
101	101		15-10928-00		SCR PIV= 100 IO=25.00A	-	1	-	
			CONT			1	-	1	Q3
102	102		15-05867-00		SCR PIV= 50 IO= 8.00A 2N4441	-	2	-	
			CONT			2	-	2	Q6,Q25
103	103		13-05108-00	1.47	K .25 W 1.0 % RN55D-F10	1	-	-	R120
104	104		15-10969-00		2N 5038 NPN 140WC SI 90 50 Y	-	1	-	
			CONT			1	-	1	Q5
105	105		15-10708-00		D 45H8 PNP 50WT SI 60 60 Y	-	2	-	
			CONT			2	-	2	Q2,Q8
106	106		15-10959-00		2N 3725 NPN 3.5WC SI 50 60 P	-	1	-	
			CONT			1	-	1	Q11
107	107		15-10706-01	B 55	PNP 500MW SI 60 50	-	3	-	
			CONT			3	-	3	Q17,Q20,Q24
108	108		15-13490-00		2N 4403 PNP 350MW SI-40 30	-	3	-	
			CONT			3	-	3	Q1,Q15,Q27
109	109		15-09524-00		2N 3904 NPN 310MW SI 40 40 M	-	8	-	
			CONT			8	-	8	Q10,Q16,Q18,Q19,Q21-Q23,Q28

D	I	G	I	T	A	L	TITLE	SECTION A	OF	A	SIZE	CODE	DOCUMENT NUMBER	REV
							MEMORY REG				K	PL	5413607-0-DBP	U

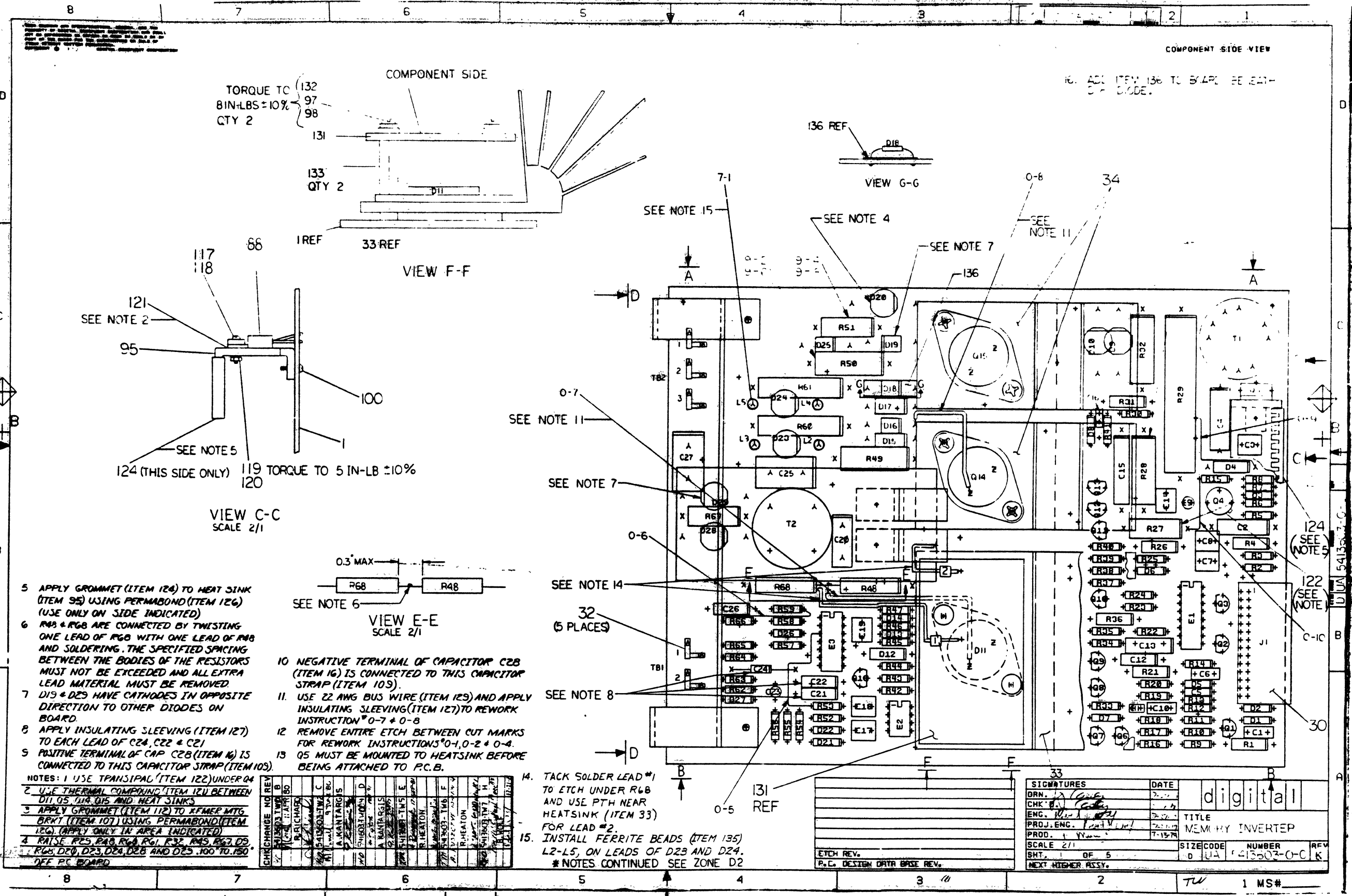
LINE	ITEM	TOP DOCUMENT	PART NUMBER	MIN REV	DESCRIPTION	QTY	PER	VAR	REV	REFERENCE DESIGNATORS
						00 R2	YA R2	YB R2		
110	110		15-12652-00		2N 6490 PNP 50W SI 60 40	-	1	-		Q13
			CONT			1	-	1		
111	111		15-01913-00		2N 2904A PNP 600MW SI 60 40 Y	-	2	-		Q7, Q14
			CONT			2	-	2		
112	112		19-14473-02		7815A VOLT REG, FIX +15V	-	1	-		E3
			CONT			1	-	1		
113	113		19-14156-00	LM	393 VOLT. COMPARATOR DUAL	-	3	-		E1, E2, E4
			CONT			3	-	3		
114	114		19-12107-00		324 OP AMP, QUAD	-	1	-		E6
			CONT			1	-	1		
115	115		19-11944-00		555CN TIMER, FUNCT. BLOCK	3	3	3		E7, E8, E10
116	116		19-12858-00		LS221 ONE SHOT-DUAL, SCHMIT	-	1	-		E5
			CONT			1	-	1		
117	117		16-16212-00		80.0 UH 12.5ADC 30KHZ	-	1	-		L1
			CONT			1	-	1		
118	118		16-16210-00		250.0 UH • 6.5A DC, 600.0 UH •	-	1	-		L2
			CONT			1	-	1		
119	119		16-16211-00		350.0 UH 3A	-	1	-		L3
			CONT			1	-	1		
120	120		74-22046-00		HEAT SINK, SINGLE	3	3	3		
121	121		74-22047-01		HEAT SINK DOUBLE	2	2	2		
122	122		12-13426-03		HEAT SINK, TO-3 1.880X01.4	1	1	1		
123	123		12-14789-00		INSERT, THREAD	2	2	2		
124	124		90-09769-00		WASHER, RECTNGLR STEEL	3	3	3		
125	125		90-10128-00		SCREW, THD RL, PAN PHIL F/METAL	7	7	7		
126	126		90-06024-01		SCREW, MACH PAN PHIL 6-	2	2	2		
127	127		90-06011-01		SCREW, MACH PAN PHIL 4-	3	3	3		
128	128		90-06688-00		WASHER, HELICAL SPLIT SST	3	3	3		
129	129		90-06556-00		NUT, HEX 4-40X .264AF SS/N	3	3	3		
130	130		90-06041-01		SCREW, MACH PAN PHIL 8-	2	2	2		
131	131		90-06802-00		SPACER, CLEAR HOLE HEX ALUM 8	2	2	2		
132	132		90-06656-00		WASHER, FLAT STEEL	2	2	2		
133	133		90-07801-00		WASHER, HELICAL SPLIT SST	3	3	3		
134	134		90-06690-00		WASHER, HELICAL SPLIT SST	2	2	2		
135	135		90-06660-00		WASHER, FLAT SST	2	2	2		
136	136		90-09005-00		NUT, HEX 10-32X .246AF SS/N	2	2	2		
137	137		90-07906-00		WASHER, HELICAL SPLIT STEEL	2	2	2		
138	138		90-09185-00		JUMPER, WIRE, INSULATED, BLACK B	-	2	-		W1, W2
			CONT			-	-	1		W2
139	139	#BLANK			*** THIS ITEM IS NOT USED ***	-	-	-		
140	140		15-09700-00		2N 4036 PNP 7WC SI 80100 M	1	-	1		Q9
			CONT			-	1	-		
141	141	#BLANK			*** THIS ITEM IS NOT USED ***	-	-	-		
142	142	#BLANK			*** THIS ITEM IS NOT USED ***	-	-	-		
143	143	#BLANK			*** THIS ITEM IS NOT USED ***	-	-	-		
144	144	#SEE NOTE #158	91-07688-55		WIRE(WRAP) 24AWG KYNAR UL13	A/R	A/R	A/R		D18, D36
145	145		11-10766-00		VZ= 18.0 5% 500M2 1N5248B D	-	2	-		D18
			CONT			-	-	1		R80, R103
146	146		13-09413-00		3.83 K .25 W 1.0 % RN55D-F10	-	2	-		R47
147	147		13-02871-00		1.21 K .25 W 1.0 % RN55D-F10	-	1	1		

D	I	G	I	T	A	L	TITLE	SECTION A	OF A	SIZE	CODE	DOCUMENT NUMBER	REV
							MEMORY REG.			K	PL	5413607-0-DBP	U

LINE	ITEM	TOP DOCUMENT	PART NUMBER	MIN REV	DESCRIPTION	QTY PER VAR/REV			REFERENCE DESIGNATORS
						00 R2	YA R2	YB R2	
148	148		13-19255-11	20.0	1.0 W 5.0 % M.OXIDE	-	1	-	
			CONT			1	-	1	R123
149	149		13-14923-00	42.20 K	.25 W 1.0 % RN55D-F10	1	-	1	R39
150	150		12-10929-09	FUSE PICO	7.0 A 125V AXIAL LEA	1	1	1	F2
151	151		13-19471-01	10.0	2.0 W 5.0 % M.OXIDE	1	1	1	R36
152	152		11-14893-00	RECT,ULTRA FAST	PIV= 50 IO= 6.0	1	1	1	D40
153	153		19-11944-01	555-1	TIMER FUNCT.BLOCK,5	1	1	1	E9
154	154		13-05336-00	200.0 K	.25 W 1.0 % RN55D-F10	1	1	1	R7
155	155		13-13589-00	1.40 K	.25 W 1.0 % RN55D-F10	1	-	-	R47
156	156		91-07256-11	TUBING,TEFLON	.027ID	A/R	A/R	A/R	

- 1 GEN: ITEM #75: .17' IS USED.
- 2 GEN: ITEM #144: .19' IS USED.
- 3 GEN: ITEM #96: .56' IS USED.
- 4 GEN: ITEM #7: FOR C43, C44 & C45, DEC P/N 1001610-00 MAY BE USED IN PLACE OF DEC P/N 1001610-01.

D	I	G	I	T	A	L	TITLE	SECTION A	OF A	SIZE	CODE	DOCUMENT NUMBER	REV
							MEMORY REG			K	PL	5413607-0-DBP	U



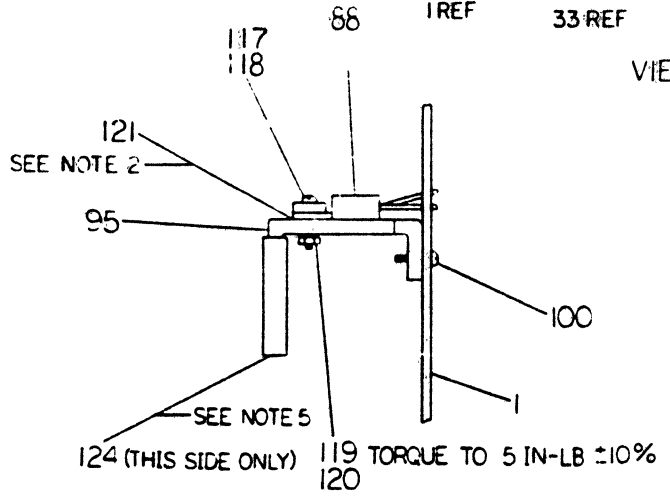
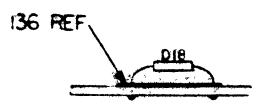
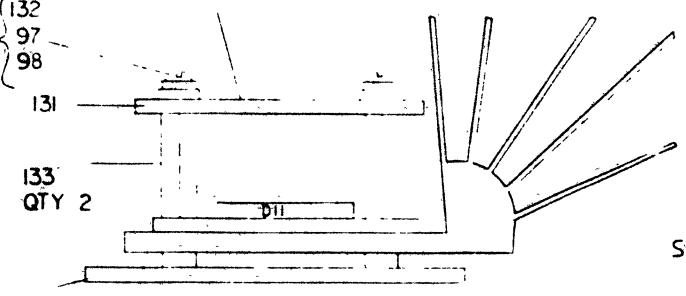
8
7
6
5
4
3
2
1

COMPONENT SIDE VIEW

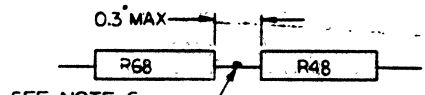
TORQUE TO BIN-LBS ±10% QTY 2
132
97
98

COMPONENT SIDE

16. ADD ITEM 136 TO BOARD SEE PART-DWG CODE.



VIEW C-C
SCALE 2/1



VIEW E-E
SCALE 2/1

- 5 APPLY GROMMET (ITEM 124) TO HEAT SINK (ITEM 95) USING PERMABOND (ITEM 126) (USE ONLY ON SIDE INDICATED)
- 6 R43 & R68 ARE CONNECTED BY TWISTING ONE LEAD OF R68 WITH ONE LEAD OF R43 AND SOLDERING. THE SPECIFIED SPACING BETWEEN THE BODIES OF THE RESISTORS MUST NOT BE EXCEEDED AND ALL EXTRA LEAD MATERIAL MUST BE REMOVED
- 7 D19 & D29 HAVE CATHODES IN OPPOSITE DIRECTION TO OTHER DIODES ON BOARD.
- 8 APPLY INSULATING SLEEVING (ITEM 127) TO EACH LEAD OF C24, C22 & C21
- 9 POSITIVE TERMINAL OF CAP C28 (ITEM 16) IS CONNECTED TO THIS CAPACITOR STRAP (ITEM 10S).

- 10 NEGATIVE TERMINAL OF CAPACITOR C28 (ITEM 16) IS CONNECTED TO THIS CAPACITOR STRAP (ITEM 10S).
- 11 USE 22 AWG BUS WIRE (ITEM 129) AND APPLY INSULATING SLEEVING (ITEM 127) TO REWORK INSTRUCTION 0-7 & 0-8
- 12 REMOVE ENTIRE ETCH BETWEEN CUT MARKS FOR REWORK INSTRUCTIONS 0-1, 0-2 & 0-4.
- 13 Q5 MUST BE MOUNTED TO HEATSINK BEFORE BEING ATTACHED TO P.C.B.

- 14 TACK SOLDER LEAD #1 TO ETCH UNDER R68 AND USE PTH NEAR HEATSINK (ITEM 33) FOR LEAD #2.
 - 15 INSTALL FERRITE BEADS (ITEM 135) L2-L5, ON LEADS OF D23 AND D24.
- * NOTES CONTINUED SEE ZONE D2

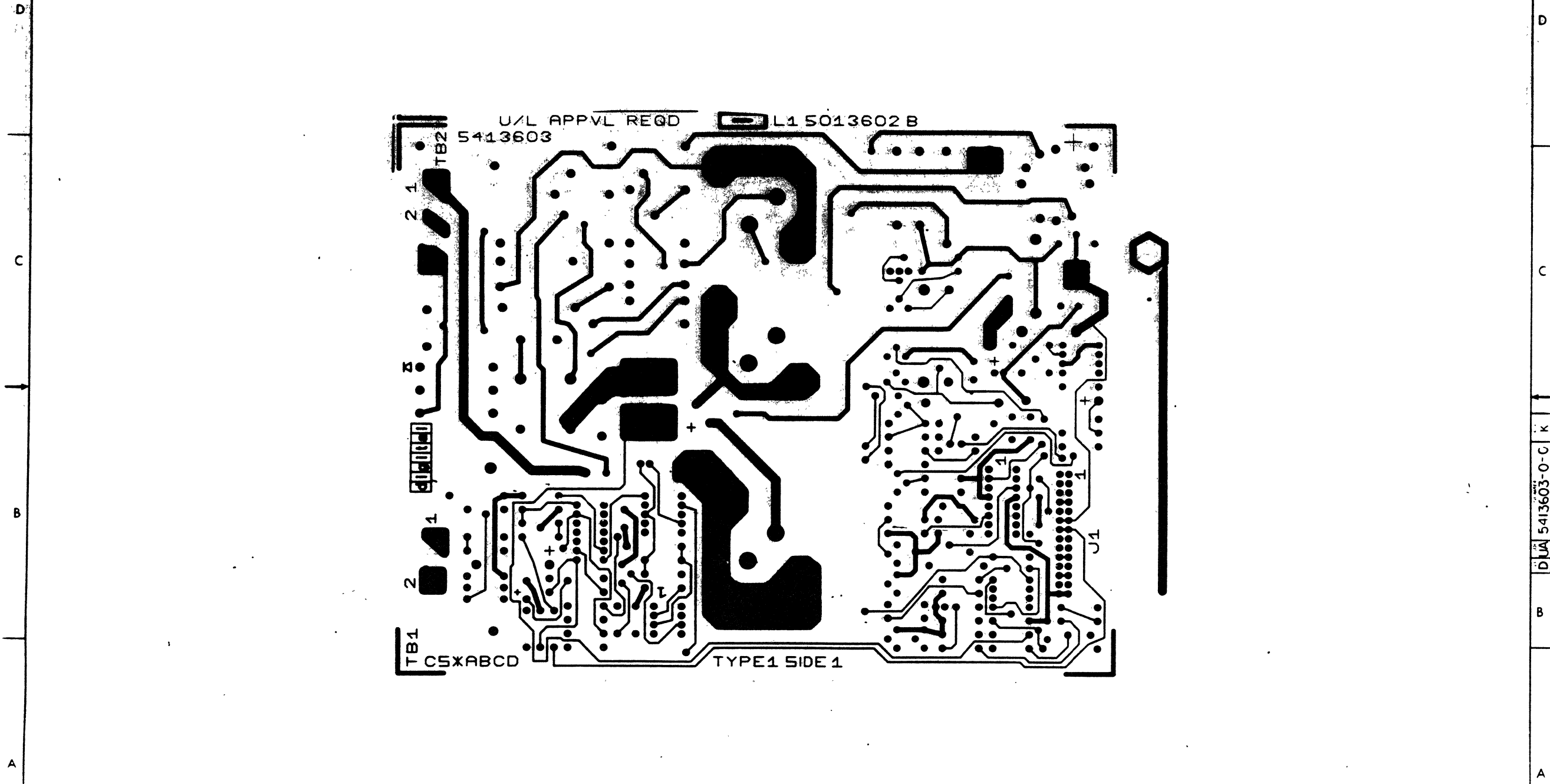
NOTES: 1 USE TRANSIPAL (ITEM 122) UNDER Q4

CHANGE NO	REV	DESCRIPTION
1	1	INITIAL DESIGN
2	1	REVISED TO ADD COMPONENTS
3	1	REVISED TO ADD COMPONENTS
4	1	REVISED TO ADD COMPONENTS
5	1	REVISED TO ADD COMPONENTS
6	1	REVISED TO ADD COMPONENTS
7	1	REVISED TO ADD COMPONENTS
8	1	REVISED TO ADD COMPONENTS
9	1	REVISED TO ADD COMPONENTS
10	1	REVISED TO ADD COMPONENTS
11	1	REVISED TO ADD COMPONENTS
12	1	REVISED TO ADD COMPONENTS
13	1	REVISED TO ADD COMPONENTS
14	1	REVISED TO ADD COMPONENTS
15	1	REVISED TO ADD COMPONENTS
16	1	REVISED TO ADD COMPONENTS
17	1	REVISED TO ADD COMPONENTS
18	1	REVISED TO ADD COMPONENTS
19	1	REVISED TO ADD COMPONENTS
20	1	REVISED TO ADD COMPONENTS
21	1	REVISED TO ADD COMPONENTS
22	1	REVISED TO ADD COMPONENTS
23	1	REVISED TO ADD COMPONENTS
24	1	REVISED TO ADD COMPONENTS
25	1	REVISED TO ADD COMPONENTS
26	1	REVISED TO ADD COMPONENTS
27	1	REVISED TO ADD COMPONENTS
28	1	REVISED TO ADD COMPONENTS
29	1	REVISED TO ADD COMPONENTS
30	1	REVISED TO ADD COMPONENTS
31	1	REVISED TO ADD COMPONENTS
32	1	REVISED TO ADD COMPONENTS
33	1	REVISED TO ADD COMPONENTS
34	1	REVISED TO ADD COMPONENTS
35	1	REVISED TO ADD COMPONENTS
36	1	REVISED TO ADD COMPONENTS
37	1	REVISED TO ADD COMPONENTS
38	1	REVISED TO ADD COMPONENTS
39	1	REVISED TO ADD COMPONENTS
40	1	REVISED TO ADD COMPONENTS
41	1	REVISED TO ADD COMPONENTS
42	1	REVISED TO ADD COMPONENTS
43	1	REVISED TO ADD COMPONENTS
44	1	REVISED TO ADD COMPONENTS
45	1	REVISED TO ADD COMPONENTS
46	1	REVISED TO ADD COMPONENTS
47	1	REVISED TO ADD COMPONENTS
48	1	REVISED TO ADD COMPONENTS
49	1	REVISED TO ADD COMPONENTS
50	1	REVISED TO ADD COMPONENTS

SIGNATURES		DATE	TITLE
DRN.			
CHK. E.			
ENG. R.			
PROJ. ENG.			
PROD. Y.			
SCALE 2/1			SIZE CODE
SHT. OF 5			NUMBER
NEXT HIGHER ASSY.			REV

THE DRAWING AND SPECIFICATIONS HEREIN ARE THE PROPERTY OF DIGITAL EQUIPMENT CORPORATION AND SHALL NOT BE REPRODUCED OR COPIED OR USED IN WHOLE OR IN PART AS THE BASIS FOR THE MANUFACTURE OR SALE OF ITEMS WITHOUT WRITTEN PERMISSION. COPYRIGHT © 1970 BY DIGITAL EQUIPMENT CORPORATION.

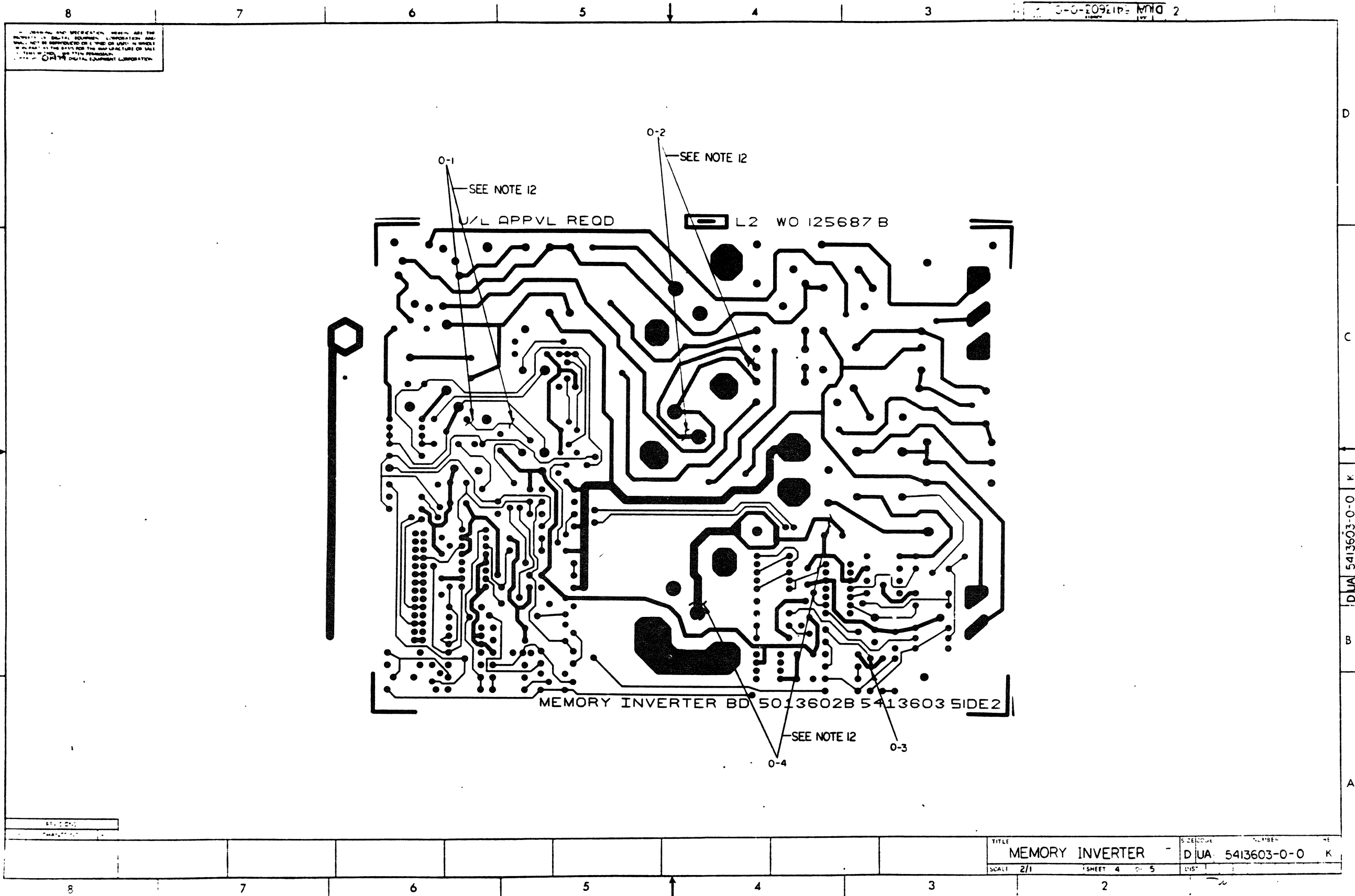
DJA 5413603-0-0 2



REVISIONS	
NO.	DESCRIPTION

TITLE	SIZE CODE	NUMBER	REV
MEMORY INVERTER	DJA	5413603-0-0	K
SCALE: 2/1	SHEET 3 OF 5	DIS	

DJA 5413603-0-C K



ALL DIMENSIONS AND SPECIFICATIONS HEREIN ARE THE PROPERTY OF DIGITAL EQUIPMENT CORPORATION AND SHALL NOT BE REPRODUCED OR TRANSMITTED IN ANY FORM OR BY ANY MEANS, ELECTRONIC OR MECHANICAL, INCLUDING PHOTOCOPYING, RECORDING, OR BY ANY INFORMATION STORAGE AND RETRIEVAL SYSTEM, WITHOUT THE WRITTEN PERMISSION OF DIGITAL EQUIPMENT CORPORATION.

5413603-0-0 2

MEMORY INVERTER BD 5013602B 5413603 SIDE 2

DUA 5413603-0-0 K

TITLE	MEMORY INVERTER	DESIGN NUMBER	DUA 5413603-0-0 K
SCALE	2/1	SHEET	4 OF 5

THIS DRAWING AND SPECIFICATIONS HEREBY ARE THE PROPERTY OF THE COMPANY AND WILL BE RETURNED TO THE COMPANY UPON REQUEST. IT IS NOT TO BE REPRODUCED OR TRANSMITTED IN ANY FORM OR BY ANY MEANS, ELECTRONIC OR MECHANICAL, INCLUDING PHOTOCOPYING, RECORDING, OR BY ANY INFORMATION STORAGE AND RETRIEVAL SYSTEM.

REWORK INSTRUCTIONS

ETCH CUTS SIDE 2:
 0-1 FROM RIS TO PTH BETWEEN C15 & R28. (REMOVE ENTIRE ETCH BETWEEN CUT MARKS)
 0-2 FROM Q14/BASE TO DIG/CATHODE. (REMOVE ENTIRE ETCH BETWEEN CUT MARKS)
 0-3 FROM R53 TO R55
 0-4 FROM D11/ANODE TO PTH CONNECTING TO TB2-1. (REMOVE ENTIRE ETCH BETWEEN CUT MARKS).

WIRE ADDS SIDE 1:
 0-5 FROM R53 TO E3-3
 0-6 FROM R66 TO R53
 0-7 FROM PTH CLOSER TO R66 TO D11/ANODE. (USE ITEMS 127 & 129)
 0-8 FROM DIG/CATHODE TO Q14/BASE. (USE ITEMS 127 & 129)
 0-9 FROM D4/CATHODE TO PTH BETWEEN C4 & R23
 0-10 FROM R27 TO RIS

COMPONENT ADDS:
 7-1 ADD L2-LS, DEC P/N 16-22663-01.
 ONE PART ON EACH LEAD OF D23 AND D24.

ECO # 5413603-LK009

COMPONENT DELETES SIDE 1:
 9-1 DELETE P/N 13-00292-00 (R27)
 9-2 DELETE P/N 13-05380-00 (R50)
 9-3 DELETE P/N 13-00257-00 (R28)
 9-4 DELETE P/N 13-00368-00 (R51)

COMPONENT ADDS SIDE 1:
 * THESE COMPONENTS MUST BE RAISED TO 0.05" TO 0.10"
 9-5 ADD P/N 13-19470-22 (R27)
 9-6 ADD P/N 13-19471-20 (R50)
 9-7 ADD P/N 13-19471-16 (R28)
 9-8 ADD P/N 13-19470-31 (R51)

REVISION HISTORY		
DATE	ECO NUMBER	REV.

							TITLE MEMORY INVERTER		DOCUMENT NUMBER DUA 5413603-0-0 K	
							SCALE 2/1	SHEET 5 OF 5		

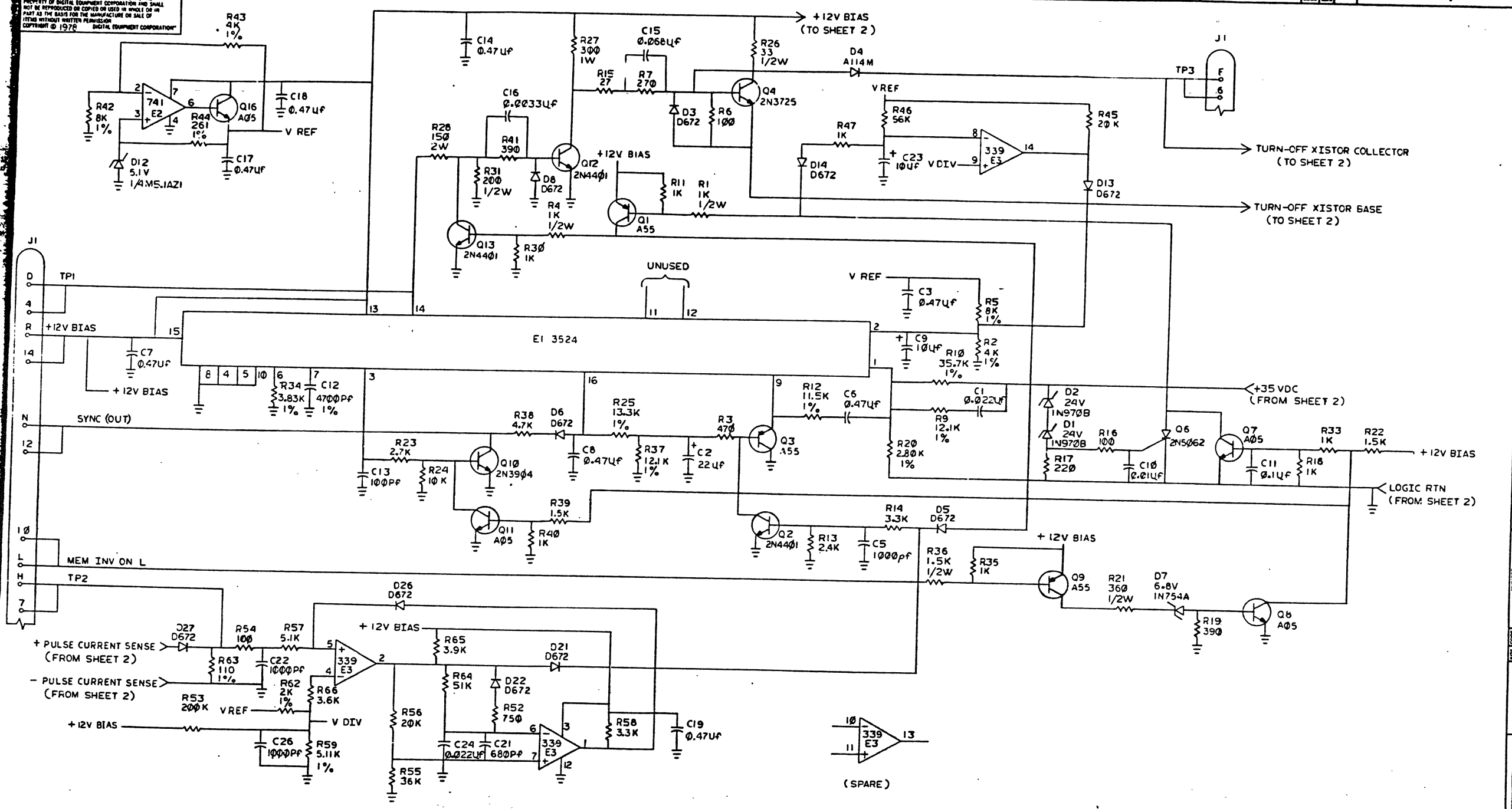
D
C
B
A

D
C
B
A

DUA 5413603-0-0 K

THIS DRAWING AND SPECIFICATIONS HEREIN ARE THE PROPERTY OF DIGITAL EQUIPMENT CORPORATION AND SHALL NOT BE REPRODUCED OR COPIED OR USED IN WHOLE OR IN PART AS THE BASIS FOR THE MANUFACTURE OR SALE OF ITEMS WITHOUT WRITTEN PERMISSION. COPYRIGHT © 1976 DIGITAL EQUIPMENT CORPORATION

1-0-2092105 2

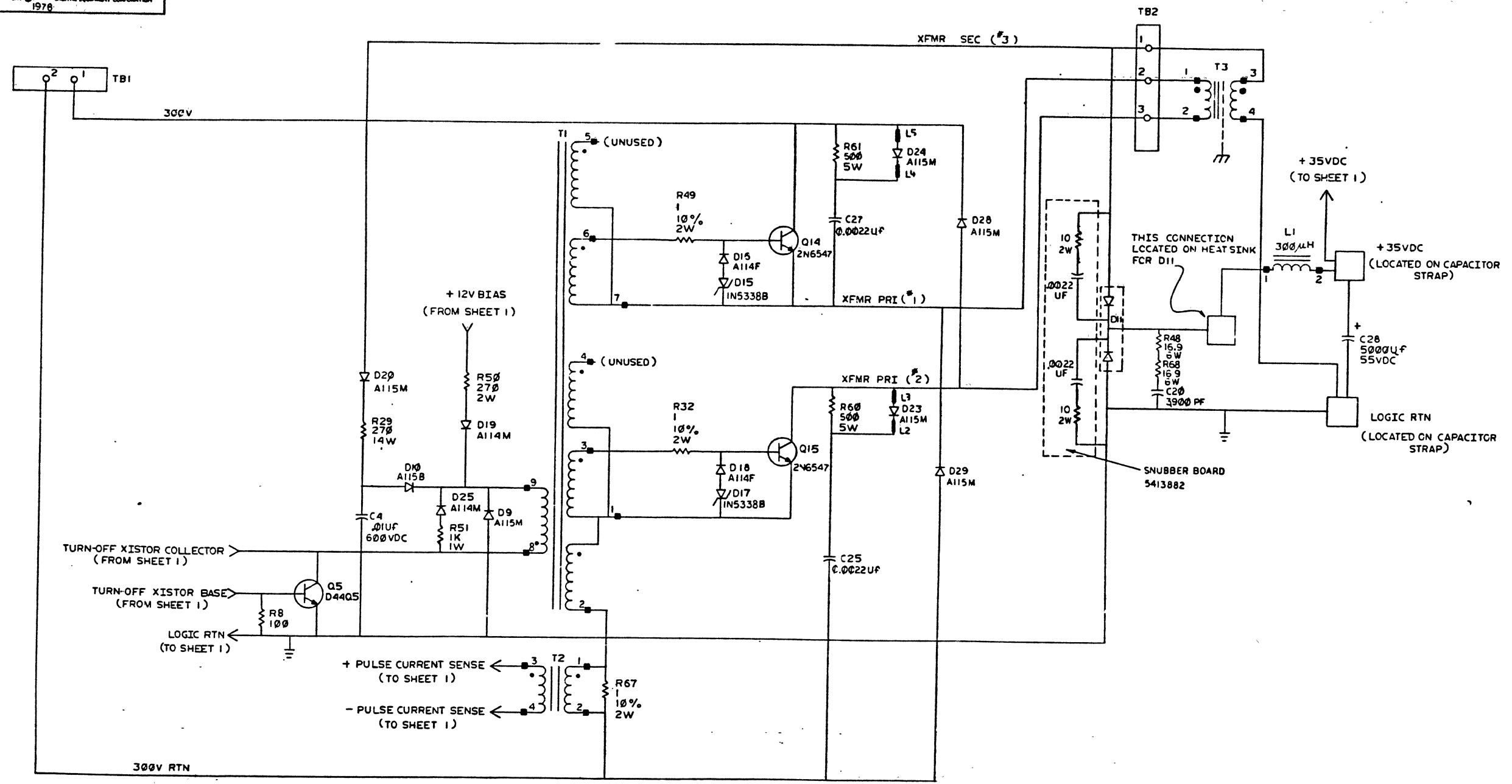


REV.	BY	DATE
1	W. J. WOOD	24 APR 76
2	R. RICHARD	20 APR 76
3	M. LAMAY	9 JUN 80
4	A. KANTARIS	31 JUL 80
5	R. RICHARD	15 SEP 76
6	M. P. WOOD	11 OCT 76
7	A. KANTARIS	11 OCT 76
8	R. HEATON	20 OCT 76
9	R. HEATON	20 OCT 76
10	R. HEATON	20 OCT 76
11	R. HEATON	20 OCT 76
12	R. HEATON	20 OCT 76
13	R. HEATON	20 OCT 76
14	R. HEATON	20 OCT 76
15	R. HEATON	20 OCT 76
16	R. HEATON	20 OCT 76
17	R. HEATON	20 OCT 76
18	R. HEATON	20 OCT 76
19	R. HEATON	20 OCT 76
20	R. HEATON	20 OCT 76
21	R. HEATON	20 OCT 76
22	R. HEATON	20 OCT 76
23	R. HEATON	20 OCT 76
24	R. HEATON	20 OCT 76
25	R. HEATON	20 OCT 76
26	R. HEATON	20 OCT 76
27	R. HEATON	20 OCT 76
28	R. HEATON	20 OCT 76
29	R. HEATON	20 OCT 76
30	R. HEATON	20 OCT 76

DRN	12-78	FIRST USED ON	digital
CHK'D			
ENGR.		TITLE	MEMORY INVERTER
PROJ. ENG.			
PROD. F.			
NEXT HIGHER ASSY.			
SCALE		SIZE CODE	NUMBER
SHEET 1	OF 2	D CS	5413603-0-1
			REV.
			J

THIS DRAWING AND SPECIFICATIONS HEREIN ARE THE PROPERTY OF DIGITAL EQUIPMENT CORPORATION AND SHALL NOT BE REPRODUCED OR COPIED OR USED IN WHOLE OR IN PART AS THE BASIS FOR THE MANUFACTURE OR SALE OF ITEMS WITHOUT WRITTEN PERMISSION. DIGITAL EQUIPMENT CORPORATION. COPYRIGHT © 1976

DCS 5413603-0-1 J



REVISIONS		
CHK	CHANGE NO.	REV.

TITLE MEMORY INVERTER
 SIZE CODE DCS NUMBER 5413603-0-1 REV. J
 SCALE SHEET 2 OF 2 DIST.

LINE	ITEM	TOP DOCUMENT	PART NUMBER	MIN REV	DESCRIPTION	QTY PER VAR/REV	REFERENCE DESIGNATORS
1	1	D-MD-5013602-0-0	50-13602-00		DRILL & ETCH BD	1	
2	2		10-00016-00		100 PFD 100V +/- 5% 200PP	1	C13
3	3		10-00052-00		0.068MFD 100V +/-10% MYLAR	1	C15
4	4	#BLANK			*** THIS ITEM IS NOT USED ***	-	
5	5		10-05636-00		22 MFD 6.0V +/-10% SOL	1	C2
6	6		10-09312-00		4700 PFD 100V +/- 1% MYLAR	1	C12
7	7		10-10279-00		0.47 MFD 25V +/-20% Z5U C	8	C3,C6-C8,C14,C17-C19
8	8		10-10978-24		0.010MFD 50V +/-10% X7R C	1	C10
9	9		10-11740-01		3300 PFD 50V +/-10% X7R C	1	C16
10	10		10-11683-00		0.022MFD 50V +/-10% X7R C	2	C1,C24
11	11		10-13466-08		680 PFD 50V +/-10% X7R C	1	C21
12	12		10-13466-09		1000 PFD 50V +/-10% X7R C	3	C5,C22,C26
13	13		10-11847-02		0.010MFD 600V +/-10% POLYP	1	C4
14	14		10-14139-00		2200 PFD 600V +/-10% POLYP	2	C25,C27
15	15		10-13397-00		3900 PFD 300V +/-10% 200PP	1	C20
16	16		10-16168-00		5000 MFD 55V +/-20% ALU	1	C28
17	17		10-10978-36		0.10 MFD 50V +/-10% X7R C	1	C11
18	18		10-10866-02		10 MFD 25V +50/-20% SOL	2	C9,C23
19	19		11-05275-00		PIV= 60 IO=300 MA -15NS	10	D3,D5,D6,D8,D13,D14,D21,D22, CONT D26,D27
20	20		11-05871-00		VZ= 5.15 1% 250 MW	1	D12
21	21		11-09991-00		VZ= 6.8 5% 400 MW 1N754A	1	D7
22	22		11-10856-00		VZ= 24.0 5% 400 MW 1N970B	2	D1,D2
23	23		11-12594-01		PIV= 200 IO= 3.00A	1	D10
24	24		11-12594-02		PIV= 600 IO= 3.00A	6	D9,D20,D23,D24,D28,D29
25	25		11-12595-00		PIV= 50 IO= 1.00A AXIAL	2	D16,D18
26	26		11-12595-02		PIV= 600 IO= 1.00A AXIAL	3	D4,D19,D25
27	27		11-14192-00		PIV= 400 IO=15.00A TO-3	1	D11
28	28		11-14435-00		VZ= 5.1 5% 5 W 1N5338	2	D15,D17
29	29		11-10968-00		SCR PIV= 100 IO= .80A 2N5062	1	Q6
30	30		12-16112-01		PCB,HEADER 28POS(2X14).100CC 90D	1	J1
31	31		12-14789-00		INSERT,THREAD	7	

REVISION HISTORY			KPL MODULE FORMAT		SECTION A OF A		DRN: K.SHEYTANIAN		DIGITAL			
ENG	ECO NUMBER	REV	SECTION	VARIATION INDEX	DATE	CHK'D	DATE	TITLE	PARTS LIST			
---	INIT	A	[A]	00	[M]	F.GAROFALO	20-DEC-78	MEMORY INVERTER				
RW	5413603-TW001	B	[B]		[N]							
AK	5413603-UW192!)	C	[C]		[P]	J.A.HERRMANN	20-DEC-78					
AK	5413603-TW002	C	[D]		[Q]							
RW	5413603-TW003	D	[E]		[R]							
RW	5413603-TW004	E	[F]		[S]	J.HERMANN	20-DEC-78					
EC	5413603-TW005	F	[H]		[T]							
EC	5413603-TW006	H	[J]		[V]							
RH	5413603-TW06A	H	[K]		[W]	J.COMELLA	20-DEC-78					
RW	5413603-TW007	J	[L]		[Y]							
RW	5413603-TW008	K										
JA	5413603-LK009	L										
			BASIC PART NUMBER:		ASSEMBLY NUMBER:		TOP DOCUMENT NUMBER:		FILE NAME:		EDIT #	
			5413603		D-UA-5413603-0-0		B-DD-5413603-0-0		Z0401L.PLS		3	

"THIS DRAWING AND THE SPECIFICATIONS CONTAINED HEREIN ARE CONFIDENTIAL AND PROPRIETARY. THEY ARE THE PROPERTY OF DIGITAL EQUIPMENT CORPORATION AND SHALL NOT BE REPRODUCED OR COPIED OR USED IN WHOLE OR IN PART AS THE BASIS FOR THE MANUFACTURE OR SALE OF ITEMS WITHOUT WRITTEN PERMISSION. THIS IS AN UNPUBLISHED WORK PROTECTED UNDER THE FEDERAL COPYRIGHT LAWS."

LINE	ITEM	TOP DOCUMENT	PART NUMBER	MIN REV	DESCRIPTION	QTY	PER VAR/REV	REFERENCE DESIGNATORS
						00		
						J2		
32	32		12-16269-01		TERM, SPADE .145STUD SOLDER	5		
33	33		12-16314-00		HEAT SINKS, 2.750X2.44	1		
34	34		12-16314-01		HEAT SINKS, 2.750X1.32	2		
35	35		13-09679-00	16.9	6.0 W 1.0 % WW	2		R48, R68
36	36		13-00195-00	33.0	.50 W 5.0 % CF	1		R26
37	37		13-00229-00	100.0	.25 W 5.0 % CF	4		R6, R8, R16, R54
38	38		13-00250-00		*** THIS ITEM IS NOT USED ***	-		
39	39		13-19471-16	150.0	2.0 W 5.0 % M.OXIDE	1		R28
40	40		13-00271-00	220.0	.25 W 5.0 % CF	1		R17
41	41		13-19470-22	300.0	1.0 W 5.0 % M.OXIDE	1		R27
42	42		13-00309-00	390.0	.25 W 5.0 % CF	2		R19, R41
43	43		13-00316-00	470.0	.25 W 5.0 % CF	1		R3
44	44		13-00364-00	1.0	K .50 W 5.0 % CF	2		R1, R4
45	45		13-00365-00	1.0	K .25 W 5.0 % CF	7		R11, R18, R30, R33, R35, R40, R47
46	46		13-00394-00	1.50	K .50 W 5.0 % CF	1		R36
47	47		13-00439-00	3.30	K .25 W 5.0 % CF	2		R14, R58
48	48		13-00444-00	3.90	K .25 W 5.0 % CF	1		R65
49	49		13-00447-00	4.70	K .25 W 5.0 % CF	1		R38
50	50		13-00479-00	10.0	K .25 W 5.0 % CF	1		R24
51	51		13-01401-00	750.0	.25 W 5.0 % CF	1		R52
52	52		13-01522-00	27.0	.25 W 5.0 % CF	1		R15
53	53		13-03169-00	500.0	5.0 W 5.0 % WW	2		R60, R61
54	54		13-01972-00	270.0	.25 W 5.0 % CF	1		R7
55	55		13-02873-00	261.0	.25 W 1.0 % RN55D-F10	1		R44
56	56		13-02377-00		*** THIS ITEM IS NOT USED ***	-		
57	57		13-02383-00	360.0	.50 W 5.0 % CF	1		R21
58	58		13-02391-00	20.0	K .25 W 5.0 % CF	2		R45, R56
59	59		13-04839-00	51.0	K .25 W 5.0 % CF	1		R64
60	60		13-03114-00		*** THIS ITEM IS NOT USED ***	-		
61	61		13-03313-00	12.10	K .25 W 1.0 % RN55D-F10	2		R9, R37
62	62		13-05127-00	4.0	K .25 W 1.0 % RN55D-F10	2		R2, R43
63	63		13-05129-00	8.0	K .25 W 1.0 % RN55D-F10	2		R5, R42
64	64		13-05145-00	2.80	K .25 W 1.0 % RN55D-F10	1		R20
65	65		13-05322-00		*** THIS ITEM IS NOT USED ***	-		
66	66		13-19471-20	270.0	2.0 W 5.0 % M.OXIDE	1		R50
67	67		13-05421-00	35.70	K .25 W 1.0 % RN55D-F10	1		R10
68	68		13-14350-00	1.0	2.0 W 10.0 % FUSE	3		R32, R49, R67
69	69		13-09413-00	3.83	K .25 W 1.0 % RN55D-F10	1		R34
70	70		13-14172-00	270.0	14.0 W 5.0 % WW	1		R29
71	71		13-00426-00	2.70	K .25 W 5.0 % CF	1		R23
72	72		13-12565-00	13.30	K .25 W 1.0 % RN55D-F10	1		R25
73	73		13-12923-00		*** THIS ITEM IS NOT USED ***	-		
74	74		13-12930-00	5.10	K .25 W 5.0 % CF	1		R57
75	75		13-12932-00	36.0	K .25 W 5.0 % CF	1		R55
76	76		13-13151-00	3.60	K .25 W 5.0 % CF	1		R66
77	77		13-13581-00	110.0	.25 W 1.0 % RN55D-F10	1		R63
78	78		13-00389-00		*** THIS ITEM IS NOT USED ***	-		
79	79		13-02381-00	200.0	.50 W 5.0 % CF	1		R31
80	80		13-19470-31	1.0	K 1.0 W 5.0 % M.OXIDE	1		R51
81	81		13-00391-00	1.50	K .25 W 5.0 % CF	2		R22, R39

D	I	G	I	T	A	L	TITLE	SECTION A OF A	SIZE	CODE	DOCUMENT NUMBER	REV
							MEMORY INVERTER		K	PL	5413603-0-DBP	L

LINE	ITEM	TOP DOCUMENT	PART NUMBER	MIN REV	DESCRIPTION	QTY PER VAR/REV	REFERENCE DESIGNATORS
82	82		13-02395-00		56.0 K .25 W 5.0 % CF	1	
83	83		15-10705-00		XA 05 NPN 500MW SI 60 50 P	4	R46
84	84		15-10706-00		XA 55 PNP 500MW SI 60 50 P	3	Q7,Q8,Q11,Q16
85	85		15-10959-00		2N 3725 NPN 3.5WC SI 50 60 P	1	Q1,Q3,Q9
86	86		15-13489-00		2N 4401 NPN 350MW SI 40 20	3	Q4
87	87		15-14195-00		2N 6547 NPN 400V SI 15A	2	Q2,Q12,Q13
88	88		15-14271-01		D 4405 NPN 31W SI225 30	1	Q14,Q15
89	89		15-09524-00		2N 3904 NPN 310MW SI 40 40 M	1	Q5
90	90		16-14202-00		XFMR,CURRENT	1	Q10
91	91		16-14204-00		PULSE XFMR 20312 BASE DRIVE	1	T2
92	92		19-10298-00		741 OP AMP GEN PURP. COM	1	T1
93	93		19-12108-00		LM339 VOLT CMPRTR,QUAD	1	E2
94	94		19-14250-00		3524 MODULATOR-REGULATING	1	E3
95	95		74-22046-00		HEAT SINK,SINGLE	1	E1
96	96		90-06025-01		SCREW,MACH PAN PHIL 6-	4	
97	97		90-06656-00		WASHER,FLAT STEEL	9	
98	98		90-07801-00		WASHER,HELICAL SPLIT SST	9	
99	99		90-07836-00		EYELET,ROLLED 0.1210DX0.093	6	
100	100		90-10128-00		SCREW,THD RL,PAN PHIL F/METAL	1	
101	101		70-16051-00		TRANSFORMER ASSY	1	T3
102	102		70-16052-00		CHOKO ASSY	1	
103	103		13-03177-00		2.40 K .25 W 5.0 % CF	1	L1
104	104		13-02860-00		11.50 K .25 W 1.0 % RN55D-F10	1	R13
105	105		13-04854-00		5.11 K .25 W 1.0 % RN55D-F10	1	R12
106	106		13-00411-00		2.0 K .25 W 1.0 % RN55D-F10	1	R59
107	107		74-21435-00		MTG BRKT	1	R62
108	108		90-09052-00		*** THIS ITEM IS NOT USED ***	-	
109	109		74-22045-00		CAPACITOR STRAP	2	
110	110		90-09708-00		SCREW,THD RL,PAN PHIL F/METAL	7	
111	111		90-09617-00		TIE,CABLE BUNDL.DIA 0-3"TYPE=101	2	
112	112		90-07035-00		GROMMET,CATERPILLAR POLYAMIDE	A/R	
113	113		90-06071-01		SCREW,MACH PAN PHIL 10-	2	
114	114		90-07906-00		WASHER,HELICAL SPLIT STEEL	2	
115	115		90-09243-00		*** THIS ITEM IS NOT USED ***	-	
116	116		90-07793-01		SCREW,MACH PAN PHIL 6-	1	
117	117		90-09769-00		WASHER,RECTNGLR STEEL	1	
118	118		90-06011-01		SCREW,MACH PAN PHIL 4-	1	
119	119		90-06688-00		WASHER,HELICAL SPLIT SST	1	
120	120		90-06556-00		NUT,HEX 4-40X .264AF SS/N	1	
121	121		90-08268-00		COMPOUND, THERMAL JOINT	A/R	
122	122		90-07201-00		PAD,MOUNTING,COMPONENT	1	
123	123		91-05740-55		WIRE(WRAP) 30AWG KYNAR UL14	A/R	
124	124		90-07036-00		GROMMET,CATERPILLAR POLYAMIDE	A/R	
125	125		13-14516-00		200.0 K .25 W 5.0 % CF	1	
126	126		90-09157-00		ADH,LIQ,RM.TEMP CURING COLORLESS	A/R	R53
127	127		91-07256-11		TUBING,TEFLON .027ID	A/R	
128	128		70-16920-00		JUMPER ASSY	1	
129	129		91-07560-01		WIRE,BUSS 22AWG TIN BARE	A/R	
130	130		90-06565-00		NUT,HEX EXT TOOTH LCKWSHR 10-32	1	
131	131		54-13882-00		SNV SNUBBER	1	

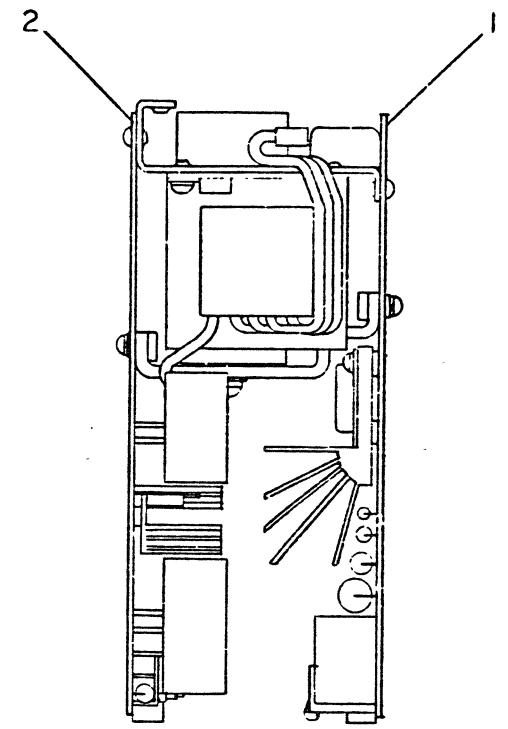
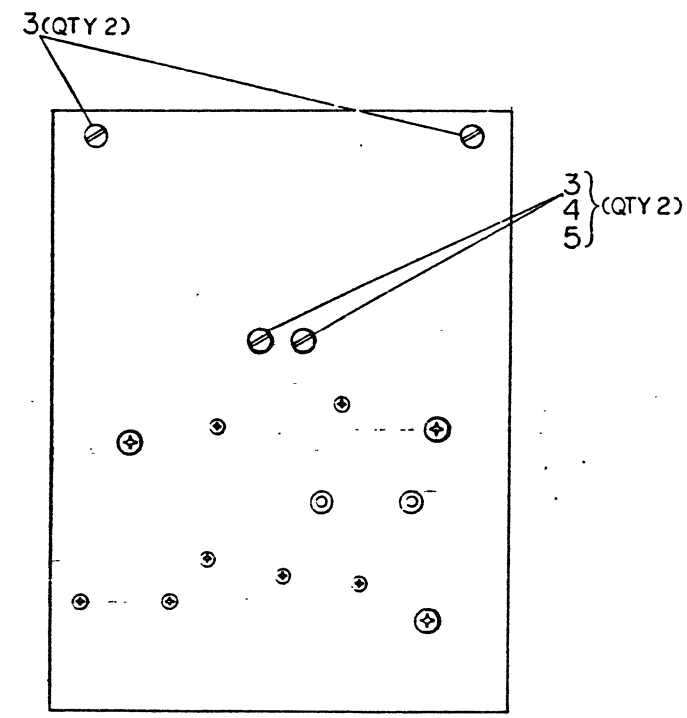
D	I	G	I	T	A	L	TITLE	SECTION A OF A	SIZE	CODE	DOCUMENT NUMBER	REV
							MEMORY INVERTER		K	PL	5413603-0-DBP	L

LINE	ITEM	TOP DOCUMENT	PART NUMBER	MIN REV	DESCRIPTION	QTY PER VAR/REV	REFERENCE DESIGNATORS
132	132		90-07853-01		SCREW, MACH PAN PHIL 6-	2	
133	133		90-06803-00		SPACER, CLEAR HOLE HEX ALUM 6	2	
134	134		90-09708-01		SCREW, THD RL, PAN PHIL F/METAL	1	
135	135		16-22663-01		BEAD, FERRITE .2000DX.250LG	4	L2-L5
136	136	B-MD-7431383-0-DBU	74-31383-01		INSULATOR, COMPONENT	1	

- 1 GEN: ITEM #123: .52' IS USED.
- 2 GEN: ITEM #124: .08' IS USED.
- 3 GEN: ITEM #127: .56' IS USED.
- 4 GEN: ITEM #129: .37' IS USED.

THIS DRAWING AND SPECIFICATIONS, HEREIN, ARE THE PROPERTY OF DIGITAL EQUIPMENT CORPORATION AND SHALL NOT BE REPRODUCED OR COPIED OR USED IN WHOLE OR IN PART AS THE BASIS FOR THE MANUFACTURE OR SALE OF ITEMS WITHOUT WRITTEN PERMISSION.
COPYRIGHT © 1979 . DIGITAL EQUIPMENT CORPORATION

DWG NO. AD7C16050-0-0



QTY	DESCRIPTION	DWG / PART NO.	ITEM NO.
2	WASHER, FLAT #6	9006556-00	5
2	WASHER, LOCK, S.S. #6	9007801-00	4
4	SCREW, PAN HD, SELF TAP #6-32 X .31 LG	9009708-00	3
1	MEMORY REGULATOR BOARD	5413607-00	2
1	MEMORY INVERTER BOARD	5413503-00	1

ANGLES		CLASS OF ACCURACY		NOMINAL DIMENSION RANGE INCHES				
REF 30°	CLASS	0	1.2	1.2	4.0	12.0	48.0	OVER
		0	0	0	0	0	0	0
		0	0	0	0	0	0	0
		0	0	0	0	0	0	0

THIRD ANGLE PROJECTION

REMOVE BURRS AND BREAK SHARP CORNERS

DO NOT SCALE DWG

MATERIAL SEE PARTS LIST

FINISH H

DRN. *A. Murphy* 6-6-79

CHK'D *PHL* 12/1/79

ENG. *PHL* 12/1/79

PROJ. ENG. *PHL* 12/1/79

PROD. *PHL* 12/1/79

FIRST USED ON 4740

TITLE H7-0

MEMORY VOLTAGE ASSY

SIZE CODE D

NUMBER AD7C16050-0-0

REV *

SHEET 2 OF 1

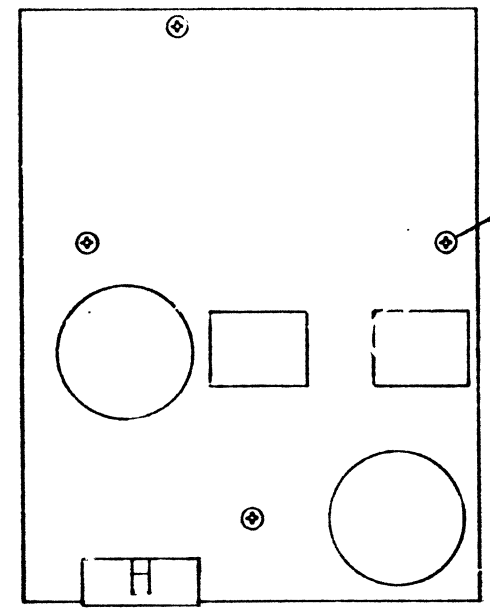
REV. CHANGE NO.

DWG NO. AD7C16050-0-0

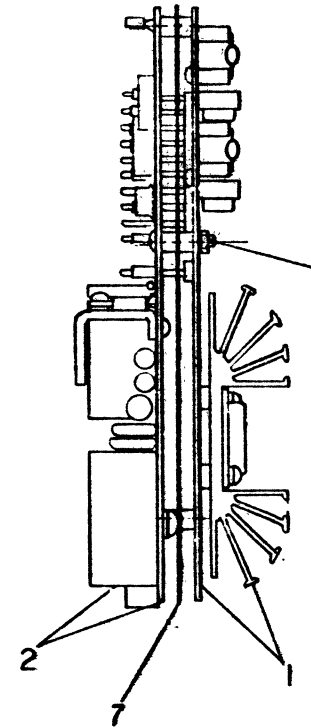
THIS DRAWING AND SPECIFICATIONS HEREBY ARE THE PROPERTY OF DIGITAL EQUIPMENT CORPORATION AND SHALL NOT BE REPRODUCED OR COPIED OR USED IN WHOLE OR IN PART AS THE BASIS FOR THE MANUFACTURE OR SALE OF ITEMS WITHOUT WRITTEN PERMISSION.
COPYRIGHT © 1979, DIGITAL EQUIPMENT CORPORATION

LEGEND	
PART NO.	REV.
7016057-00	A1

AD 7016057-0-0 2



QTY 4



REF

CAUTION: SEE OFF SHEET PARTS LIST
K-PL-7016057-0-DBP

DESCRIPTION	DWG./PART NO.	ITEM NO.
1 SHIELD, ELECTROMAGNETIC	1700021-08	7
4 NUT, HEX #6-32 X .25 A.F.	9008957-00	6
4 WASHER, LOCK SS #6	9007901-00	5
4 SCR, PHIL PAN HD #6-32 X .60 LG	9007794-01	4
4 SPACER, HEX ALUM #6-32 X .38 LG	9006844-00	3
1 LOGIC INVERTER CONT BD	5413501-00	2
1 LOGIC INVERTER BD	5413599-00	1

UNLESS OTHERWISE SPECIFIED DIMENSIONS ARE IN INCHES					
ANGLES 45° 90°	CLASS OF ACCURACY	NOMINAL DIMENSION RANGE INCHES			
SURFACE QUALITY IN	CHECK ONE	OVER 12.0	3.0 - 12.0	0.125 - 3.0	0.063 - 0.125
FINISH	MEDIUM	2.004	2.008	2.012	2.016
QUANTITY & VARIATION	PREFERRED	2.012	2.016	2.020	2.024

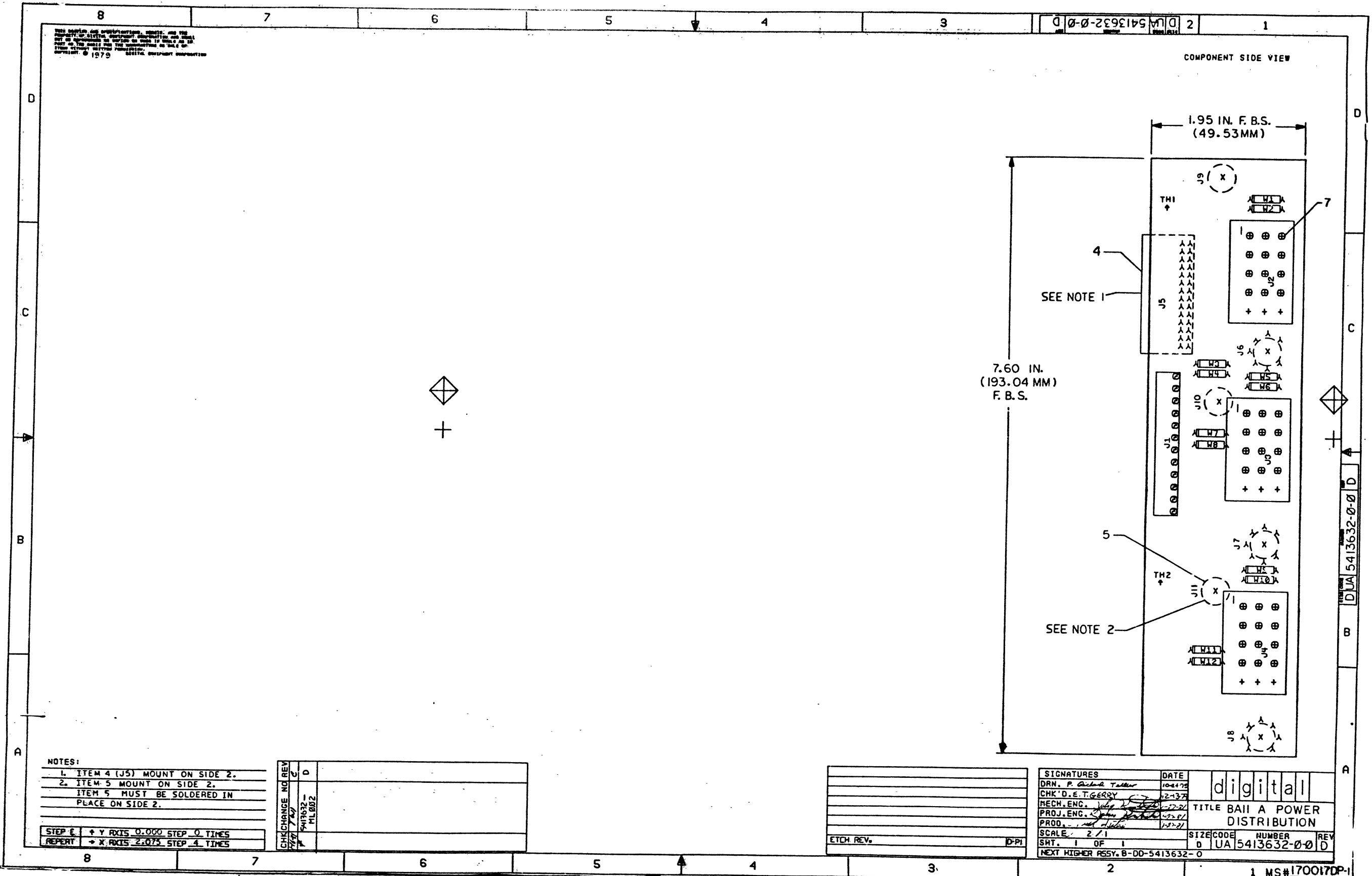
THIRD ANGLE PROJECTION	DRN. <i>A. Murray</i> 6-5-79	FIRST USED ON	H7140	digital
REMOVE BURRS AND BREAK SHARP CORNERS	CHK'D BY <i>[Signature]</i> 12-4-79	TITLE	H7140 +5V INVERTER ASSY	
DO NOT SCALE DWG	PROJ. ENGR. <i>[Signature]</i> 12-4-79	SCALE	NONE	
MATERIAL SEE PARTS LIST	FINISH	SIZE	CODE	NUMBER
		D	AD	7016057-0-0
		SHEET	1 OF 1	DIST.

REV.	BY	DATE
A	L.H. HAYES	11-14-79
B	R. WOLF	12-4-79

THIS DRAWING AND SPECIFICATIONS, REVISED, AND THE INFORMATION CONTAINED HEREIN ARE UNCLASSIFIED EXCEPT WHERE SHOWN OTHERWISE IN THIS DOCUMENT. DATE OF DECLASSIFICATION IS INDEFINITE. THIS DOCUMENT IS IN THE PUBLIC DOMAIN. © 1979 MILITARY SERVICE CONNECTIONS

2 DUA 5413632-0-0 D 1

COMPONENT SIDE VIEW



SEE NOTE 1

SEE NOTE 2

- NOTES:
- ITEM 4 (J5) MOUNT ON SIDE 2.
 - ITEM 5 MOUNT ON SIDE 2.
 - ITEM 5 MUST BE SOLDERED IN PLACE ON SIDE 2.

STEP 1 → Y AXIS 0.000 STEP 0 TIMES
 REPORT → X AXIS 2.075 STEP 4 TIMES

CHK CHANGE NO	REV	DATE	BY
	D		
5413632	ML	0882	

ETCH REV.	D-PI
-----------	------

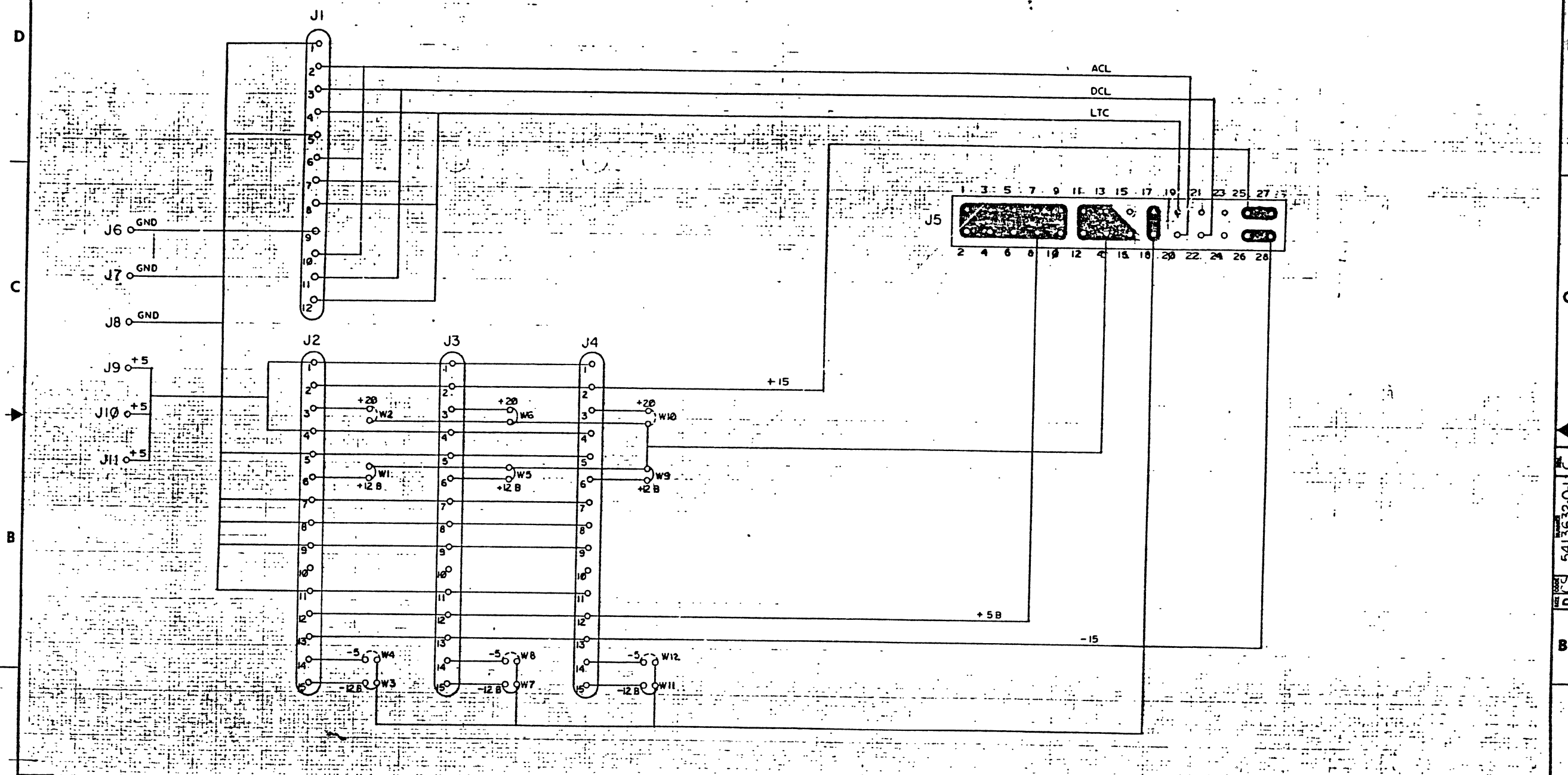
SIGNATURES	DATE
DRN. P. GARDNER TULLER	10-24-75
CHK'D. E. T. GERRY	12-13-77
MECH. ENG.	12-21-77
PROJ. ENG.	12-21-77
PROD.	12-21-77

digital		TITLE BAI A POWER DISTRIBUTION	
SCALE 2/1	SIZE CODE 0 UA	NUMBER 5413632-0-0	REV D
SMT. 1 OF 1		NEXT HIGHER RESSY. B-DD-5413632-0	

1 MS#1700170P-1

THIS DRAWING AND SPECIFICATIONS HEREAFTER ARE THE PROPERTY OF DIGITAL EQUIPMENT CORPORATION AND SHALL NOT BE REPRODUCED OR COPIED OR USED IN WHOLE OR IN PART AS THE BASIS FOR THE MANUFACTURE OF ANY OF THESE ITEMS WITHOUT WRITTEN PERMISSION.
 DIGITAL EQUIPMENT CORPORATION
 COPYRIGHT © 1979

DIGITAL 5413632-0-1 C

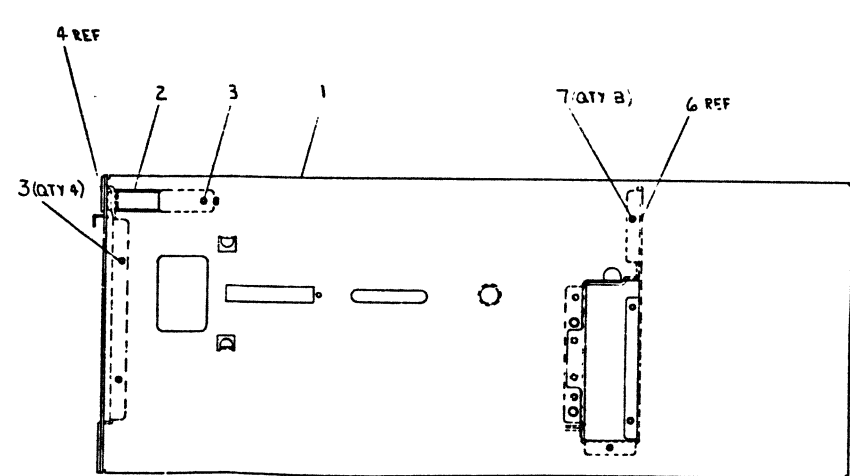
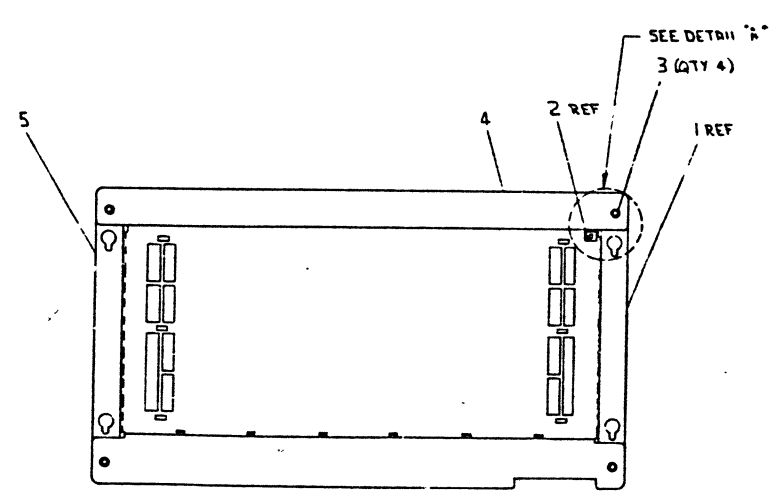
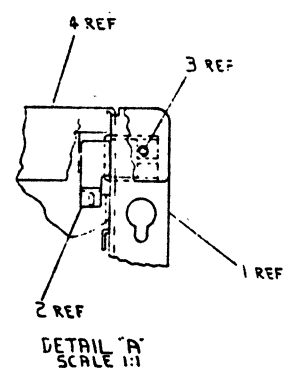
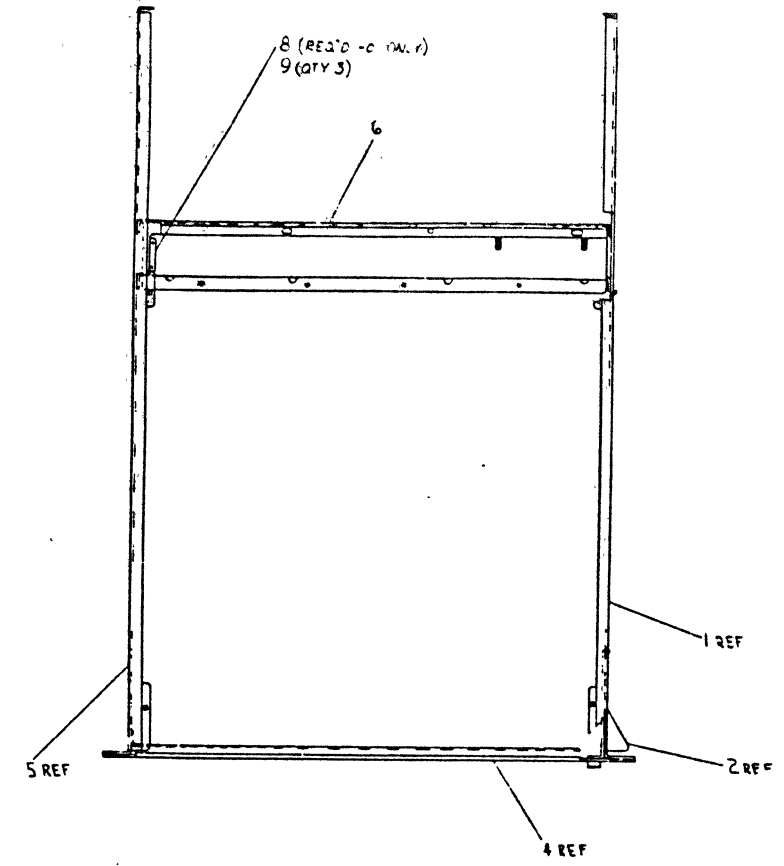


REV. C
DATE
BY
CHK'D
ENGR.
PROD. ENGR.
NEXT HIGHER ASSY.

DRN. <i>D. J. [Signature]</i>	REMARKS	FIRST USED ON
CHK'D <i>[Signature]</i>	BY <i>[Signature]</i>	
ENGR. <i>[Signature]</i>	DATE	
PROD. ENGR. <i>[Signature]</i>	TITLE	
NEXT HIGHER ASSY.	BA11-A POWER DISTRIBUTION BOARD	
SCALE	SIZE CODE	NUMBER
SHEET 1 OF 1	DIGITAL	5413632-0-1
	DIST.	REV. G

THIS DRAWING AND ALL INFORMATION CONTAINED HEREIN IS UNCLASSIFIED EXCEPT WHERE SHOWN OTHERWISE. DATE 01-11-2011 BY 60322 UCBAW/STP/STP

7-10-49-00	E2	E. C. HARRIS
7-10-49-01	E2	R. J. HARRIS



CAUTION: OFF SHEET PARTS LIST,
SEE K-PL-7016493-0-232
(Z3600)

NO.	DESCRIPTION	QTY
1	FRONT PANEL	1
2	BACK PANEL	1
3	FRONT PANEL LOCK	4
4	FRONT PANEL RIB	4
5	FRONT PANEL RIB	4
6	FRONT PANEL RIB	4
7	FRONT PANEL RIB	4
8	FRONT PANEL RIB	4
9	FRONT PANEL RIB	4
10	FRONT PANEL RIB	4
11	FRONT PANEL RIB	4
12	FRONT PANEL RIB	4
13	FRONT PANEL RIB	4
14	FRONT PANEL RIB	4
15	FRONT PANEL RIB	4
16	FRONT PANEL RIB	4
17	FRONT PANEL RIB	4
18	FRONT PANEL RIB	4
19	FRONT PANEL RIB	4
20	FRONT PANEL RIB	4
21	FRONT PANEL RIB	4
22	FRONT PANEL RIB	4
23	FRONT PANEL RIB	4
24	FRONT PANEL RIB	4
25	FRONT PANEL RIB	4
26	FRONT PANEL RIB	4
27	FRONT PANEL RIB	4
28	FRONT PANEL RIB	4
29	FRONT PANEL RIB	4
30	FRONT PANEL RIB	4
31	FRONT PANEL RIB	4
32	FRONT PANEL RIB	4
33	FRONT PANEL RIB	4
34	FRONT PANEL RIB	4
35	FRONT PANEL RIB	4
36	FRONT PANEL RIB	4
37	FRONT PANEL RIB	4
38	FRONT PANEL RIB	4
39	FRONT PANEL RIB	4
40	FRONT PANEL RIB	4
41	FRONT PANEL RIB	4
42	FRONT PANEL RIB	4
43	FRONT PANEL RIB	4
44	FRONT PANEL RIB	4
45	FRONT PANEL RIB	4
46	FRONT PANEL RIB	4
47	FRONT PANEL RIB	4
48	FRONT PANEL RIB	4
49	FRONT PANEL RIB	4
50	FRONT PANEL RIB	4

QUANTITY & VARIATION		UNLESS OTHERWISE SPECIFIED DIMENSIONS ARE IN INCHES	
QUANTITY	VARIATION	CLASS OF ACCURACY (CHECK ONE)	UNLESS OTHERWISE SPECIFIED DIMENSIONS ARE IN INCHES
1	1	AS SHOWN	SIZE
2	2	FRACTIONAL	1/16
3	3	DECIMAL	0.005
4	4	MICROMETERS	0.001
5	5	PRECISION	0.0005
6	6	EXTREMELY PRECISION	0.0002
7	7	EXTREMELY PRECISION	0.0001
8	8	EXTREMELY PRECISION	0.00005
9	9	EXTREMELY PRECISION	0.00002
10	10	EXTREMELY PRECISION	0.00001
THIRD ANGLE PROJECTION		FIRST USED ON	
1	1	DATE	3-11-4
2	2	BY	CHD/76
3	3	CHKD BY	76
4	4	ENGR. NO.	76
5	5	PROJ. ENG.	76
6	6	PROJ. ENG.	76
7	7	PROJ. ENG.	76
8	8	PROJ. ENG.	76
9	9	PROJ. ENG.	76
10	10	PROJ. ENG.	76
MATERIAL		NEXT HIGHER ASSY	
1	1	DATE	3-11-4
2	2	BY	CHD/76
3	3	CHKD BY	76
4	4	ENGR. NO.	76
5	5	PROJ. ENG.	76
6	6	PROJ. ENG.	76
7	7	PROJ. ENG.	76
8	8	PROJ. ENG.	76
9	9	PROJ. ENG.	76
10	10	PROJ. ENG.	76
DO NOT SCALE DWG		SCALE	
1	1	DATE	3-11-4
2	2	BY	CHD/76
3	3	CHKD BY	76
4	4	ENGR. NO.	76
5	5	PROJ. ENG.	76
6	6	PROJ. ENG.	76
7	7	PROJ. ENG.	76
8	8	PROJ. ENG.	76
9	9	PROJ. ENG.	76
10	10	PROJ. ENG.	76
FINISH		SHEET	
1	1	DATE	3-11-4
2	2	BY	CHD/76
3	3	CHKD BY	76
4	4	ENGR. NO.	76
5	5	PROJ. ENG.	76
6	6	PROJ. ENG.	76
7	7	PROJ. ENG.	76
8	8	PROJ. ENG.	76
9	9	PROJ. ENG.	76
10	10	PROJ. ENG.	76

DESCRIPTION	DWG. PART NO.	ITEM NO.
12 RIVET, COUNTERSINK HD	1-116	7
1 PAN TRAY, EXP. ALIGNMENT	1-116	7
1 SIDE PANEL, LEFT	1-116	7
1 CARD, PAGE, LEFT	1-116	7
1 SPRING, BOX LOCK	1-116	7
1 SIDE PANEL, RIGHT	1-116	7

LINE	ITEM	TOP DOCUMENT	PART NUMBER	MIN REV	DESCRIPTION	QTY PER VARIATION	
						00	01
1	1	E-ME-7421610-0-0	7421610-00		SIDE PANEL LEFT	1	1
2	2	D-MD-7421616-0-0	7421616-00		BOX, SPRING LOCK	1	1
3	3		9000030-05		RIVET, BLIND DOME 0.156DX0.362	9	9
4	4	E-MD-7421441-0-0	7421441-00		CARD CAGE FRONT	1	1
5	5	E-ME-7421631-0-0	7421631-00		SIDE PANEL LEFT	1	1
6	6	E-IA-7016390-0-0	7016390-00		FANTRAY SUPPORT WELDMENT	1	1
7	7		1216063-00		RIVET, BLIND	8	8
8	8	C-MD-7426276-0-0	7426276-01		SUPPORT, COVER, CABLE COMPARTMENT	-	1
9	9		9009626-00		RIVET, BLIND DOME 0.125DX0.275	-	3

REVISION HISTORY			BASIC PART NO: 7016493		
ENG	ECO NUMBER	REV	SECTION A OF A	DRN: H. DARAKJIAN	DATE: 5-JAN-82
---	INITIAL	D	SECTION VARIATION INDEX	CHK'D: T. MCCULLOUGH	DATE: 5-JAN-82
RM	BA11-AE-TW001	E	[A]00,01	DES.ENG: R. BOUDREAU	DATE: 29-JUN-82
RM	BA11-A-TW005	F	[B]	RESP.ENG.: R. GRUDA	DATE: 29-JUN-79
			[C]	MFG.ENG.: J. COMELLA	DATE: 6-JUL-79
			[D]	ASSEMBLY NUMBER:	TOP DOCUMENT NUMBER:
			[E]	E-IA-7016493-0-0	E-AD-7016391-0-0
			[F]		FILE NAME: Z3600F.PLS
					RELEASE DATE: 17-JUN-85
					EDIT #: 7

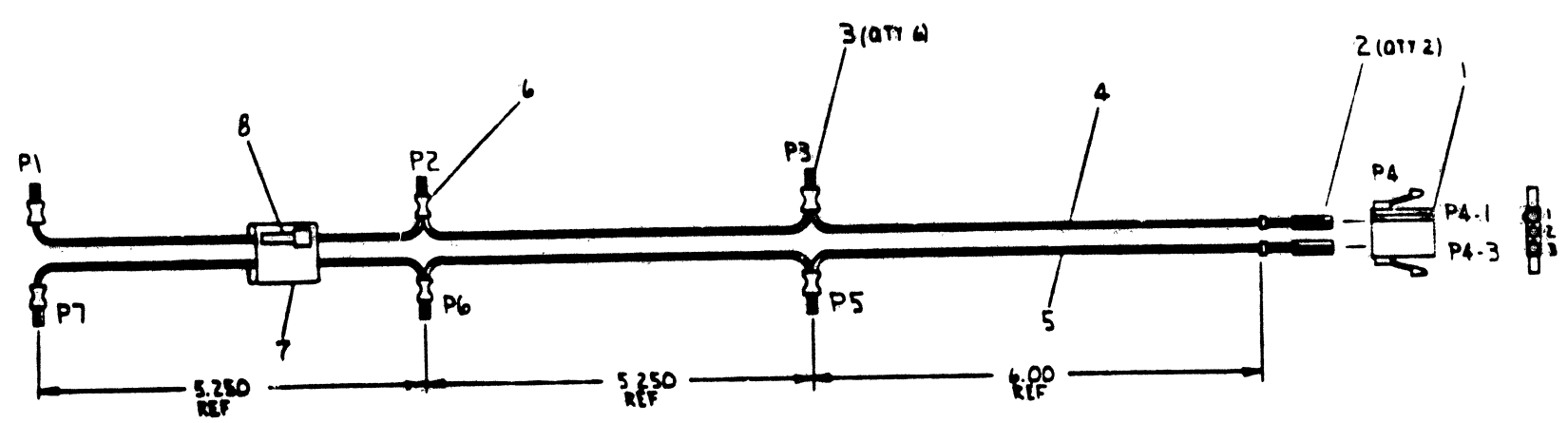
"THIS DRAWING AND THE SPECIFICATIONS CONTAINED HEREIN ARE CONFIDENTIAL AND PROPRIETARY. THEY ARE THE PROPERTY OF DIGITAL EQUIPMENT CORPORATION AND SHALL NOT BE REPRODUCED OR COPIED OR USED IN WHOLE OR IN PART AS THE BASIS FOR THE MANUFACTURE OR SALE OF ITEMS WITHOUT WRITTEN PERMISSION. THIS IS AN UNPUBLISHED WORK PROTECTED UNDER THE FEDERAL COPYRIGHT LAWS."

7 6 5 4 3 2 1

7016392-00

WIRE TABLE		FROM		TO		PRECUT LENGTH		
NO	AWG	COLOR	POINT	CONNECTION	POINT	CONNECTION	TERM	LENGTH
1	18	RED	P1		P2		3	6 IN ± 12
2	18	RED	P2		P3		3	6 IN
3	18	RED	P3		P4	P4-1	2	7 IN
4	18	WHITE	P7		P6		3	6 IN
5	18	WHITE	P6		P5		3	6 IN
6	18	WHITE	P5		P4	P4-3	2	7 IN ± 12

LEGEND	
PAR. NO.	PART REV.
7016392-00	B1



CAUTION: SEE OFF SHEET PARTS LIST K-PL-7016392-0-DBP. (27324B.PLS)

DESCRIPTION	QTY	PART NO.
1 CABLE 5571-M	1	9007031-00
1 LABEL CABLE I.D.	1	9009552-00
1/8" SHRINK TUBING 1/8" DIA	6	9103254-04
18 WIRE #18 AWG RED	5	9107360-22
18 WIRE #18 AWG WHITE	4	9107360-99
6 TERMINAL 1805 P150N	3	9004447-00
2 PIN #18 AWG MATE'N LOC	2	1204374-00
1 CONN 3 PIN MATE'N LOC	1	1204350-03

7016392-00	PL-7016392-0-DBP
7016392-00	PL-7016392-0-DBP
7016392-00	PL-7016392-0-DBP
7016392-00	PL-7016392-0-DBP

QUANTITY & VARIATION	DESCRIPTION	QTY	PART NO.	ITEM NO.
1	13H11-A	1	13H11-A	1
<p>DO NOT SCALE DIMS</p> <p>SEE PARTS LIST</p>				
TITLE		7016392-0-0		
FAN ASSEMBLY CABLE		7016392-0-0		
SCALE	DIA	7016392-0-0	REV	B
DATE	1A	7016392-0-0	REV	B
BY				
CHECKED				

7 6 5 4 3 2 1

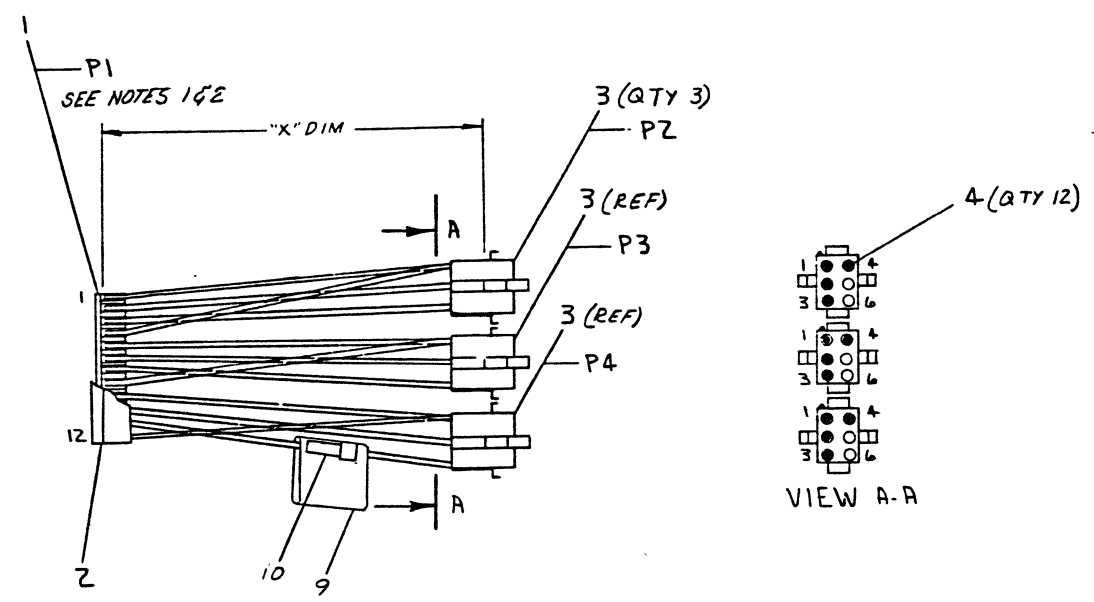
0-0-288910Z JAN 72

THIS DRAWING AND SPECIFICATIONS, HEREIN, ARE THE PROPERTY OF DIGITAL EQUIPMENT CORPORATION AND SHALL NOT BE REPRODUCED OR COPIED OR USED IN WHOLE OR IN PART AS THE BASIS FOR THE MANUFACTURE OR SALE OF ITEMS WITHOUT WRITTEN PERMISSION.
COPYRIGHT © 1972, DIGITAL EQUIPMENT CORPORATION

WIRE TABLE						
ITEM NO	AWG	COLOR	CONN	TERM	TO	NOTES
					CONN TERM	
5	18	BLK	P1-1		P2-1	4 5.00IN ± 0.06
6		YEL	P1-2		P2-4	
7		VIO	P1-3		P2-3	
8		BRN	P1-4		P2-2	
5		BLK	P1-5		P3-1	
6		YEL	P1-6		P3-4	
7		VIO	P1-7		P3-3	
8		BRN	P1-8		P3-2	
5		BLK	P1-9		P4-1	
6		YEL	P1-10		P4-4	
7		VIO	P1-11		P4-3	
8	18	BRN	P1-12		P4-2	4 5.00IN ± 0.06

LEGEND	
NUMBER	"X" DIM
7016887-0E	5.0 ± 0.5IN

- NOTES
1. WIRES TERMINATING TO P1 MUST NOT BE STRIPPED.
 2. PLACE COVER, ITEM #2, OVER CONN HOUSING, ITEM #3, AFTER WIRES HAVE BEEN TERMINATED.
 3. STRIP WIRES ONLY ON P2, P3, P4 ENDS .187 BEFORE CRIMPING CONTACTS.
 4. ITEM #4 CAN BE SUBSTITUTED BY PIN 12-09379-00 FOR MACHINE CRIMPING.



ITEM NO.	DESCRIPTION	DWG. PART NO.	ITEM NO.
1	TIE, CABLE SSTI-M	9007031-00	10
1	LABEL, CABLE IDENTIFICATION	9009532-00	9
15	WIRE, 18 AWG, BRN, UL 1430	9107786-11	8
15	WIRE, 18 AWG, VIO, UL 1430	9107786-77	7
15	WIRE, 18 AWG, YEL, UL 1430	9107786-44	6
15	WIRE, 18 AWG, BLK, UL 1430	9107786-00	5
12	SKT, MATE-N-LOK, 20-4AWG	1209379-D1	4
3	CONN, 6 PIN MATE-N-LOK	1209350-06	3
1	COVER, 12 PIN MATE CONN	1216650-00	2
1	CONN HOUSING, 12 POS MTR	1216651-00	1

UNLESS OTHERWISE SPECIFIED DIMENSIONS ARE IN INCHES

ANGLES 45° 30°	CLASS OF ACCURACY (CHECK ONE)	NOMINAL DIMENSION RANGE INCHES			
		OVER 0 TO 0.3	OVER 0.3 TO 1.2	OVER 1.2 TO 4.0	OVER 4.0 TO 80.0
SURFACE QUALITY IN	MEDIUM	± 0.004	± 0.008	± 0.012	± 0.016
MICRONCHES	PREFERRED	± 0.12	± 0.16	± 0.25	± 0.40

QUANTITY & VARIATION

THIRD ANGLE PROJECTION

REMOVE BURRS AND BREAK SHARP CORNERS

DO NOT SCALE DWG

NEXT HIGHER ASSY.

MATERIAL: //

FINISH: //

DRN: [Signature]

CHK'D: [Signature]

ENG: [Signature]

PROJ: [Signature]

FIRST USED ON: BAI-A digital

TITLE: CABLE JUMPER ASSEMBLY

DWG. PART NO.: 7016887-0-0

SIZE CODE: D

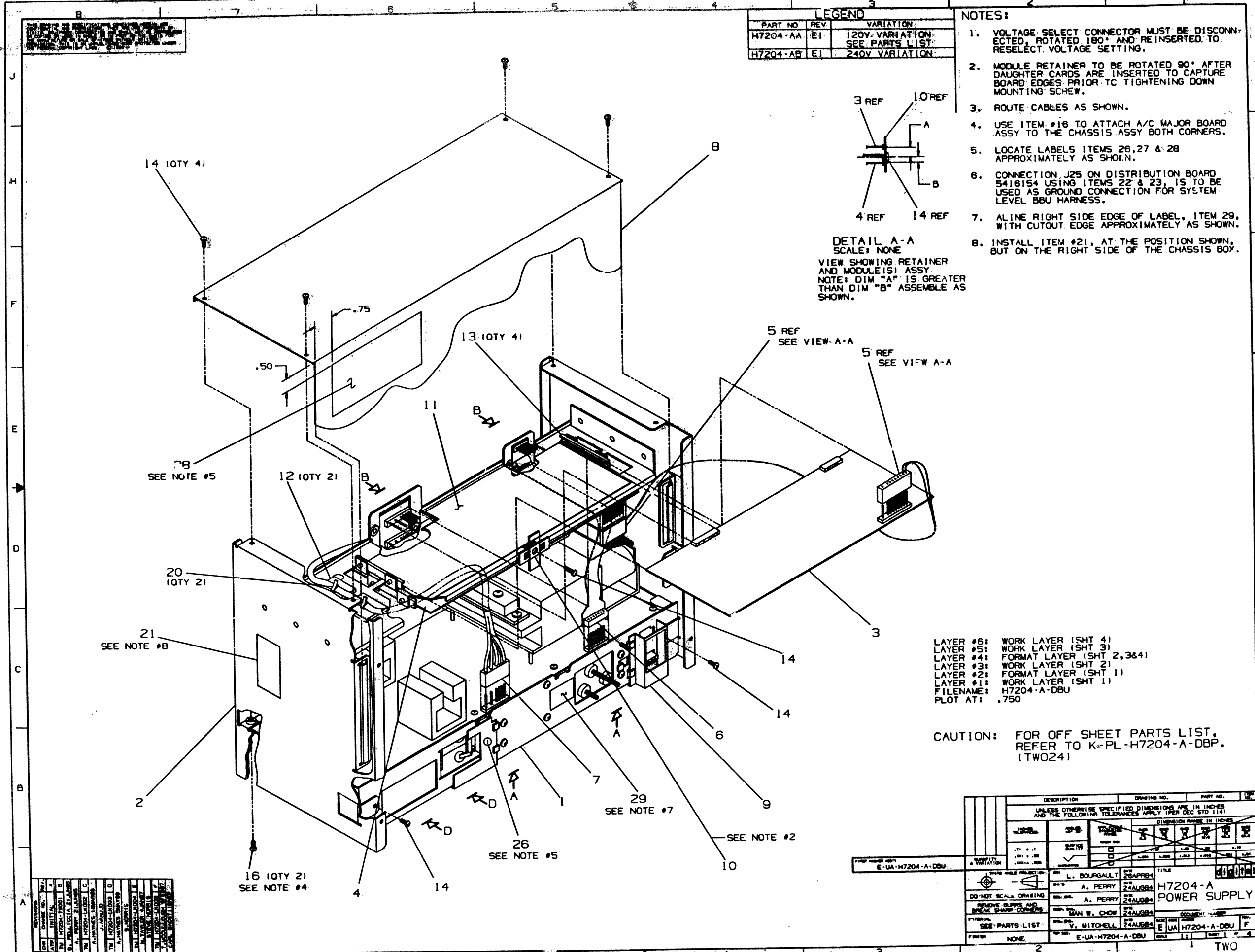
NUMBER: 1

REV. A

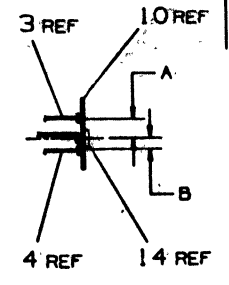
SHEET 1 OF 1

TW 1

REV.	DESCRIPTION	DATE
1	INITIAL	1/1/72
2	CHANGE NO.	
3	CHANGE NO.	
4	CHANGE NO.	
5	CHANGE NO.	
6	CHANGE NO.	
7	CHANGE NO.	
8	CHANGE NO.	



LEGEND		
PART NO	REV	VARIATION
H7204-AA	E1	120V VARIATION SEE PARTS LIST
H7204-AB	E1	240V VARIATION



DETAIL A-A
SCALE: NONE
VIEW SHOWING RETAINER AND MODULE(S) ASSY
NOTE: DIM "A" IS GREATER THAN DIM "B" ASSEMBLE AS SHOWN.

- NOTES:
- VOLTAGE SELECT CONNECTOR MUST BE DISCONNECTED, ROTATED 180° AND REINSERTED TO RESELECT VOLTAGE SETTING.
 - MODULE RETAINER TO BE ROTATED 90° AFTER DAUGHTER CARDS ARE INSERTED TO CAPTURE BOARD EDGES PRIOR TO TIGHTENING DOWN MOUNTING SCREW.
 - ROUTE CABLES AS SHOWN.
 - USE ITEM #16 TO ATTACH A/C MAJOR BOARD ASSY TO THE CHASSIS ASSY BOTH CORNERS.
 - LOCATE LABELS ITEMS 26, 27 & 28 APPROXIMATELY AS SHOWN.
 - CONNECTION J25 ON DISTRIBUTION BOARD 5418154 USING ITEMS 22 & 23, IS TO BE USED AS GROUND CONNECTION FOR SYSTEM LEVEL BBU HARNESS.
 - ALINE RIGHT SIDE EDGE OF LABEL, ITEM 29, WITH CUTOUT EDGE APPROXIMATELY AS SHOWN.
 - INSTALL ITEM #21, AT THE POSITION SHOWN, BUT ON THE RIGHT SIDE OF THE CHASSIS BOY.

LAYER #6: WORK LAYER (SHT 4)
LAYER #5: WORK LAYER (SHT 3)
LAYER #4: FORMAT LAYER (SHT 2, 3&4)
LAYER #3: WORK LAYER (SHT 2)
LAYER #2: FORMAT LAYER (SHT 1)
LAYER #1: WORK LAYER (SHT 1)
FILENAME: H7204-A-DBU
PLOT AT: .750

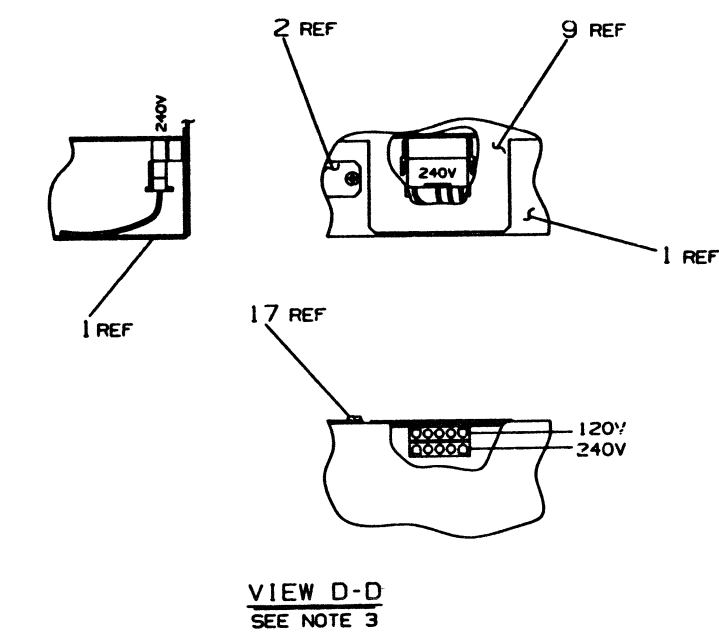
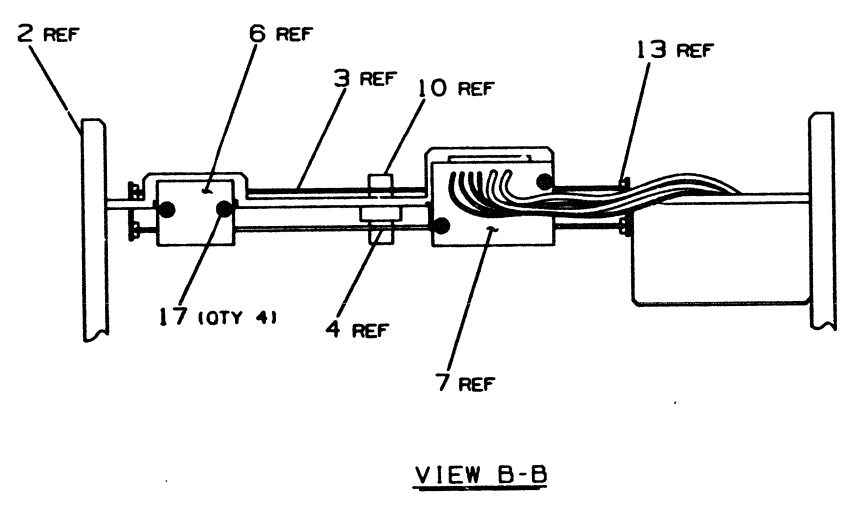
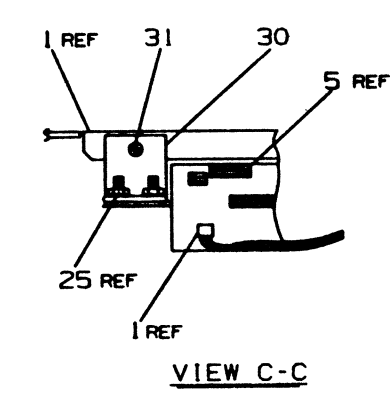
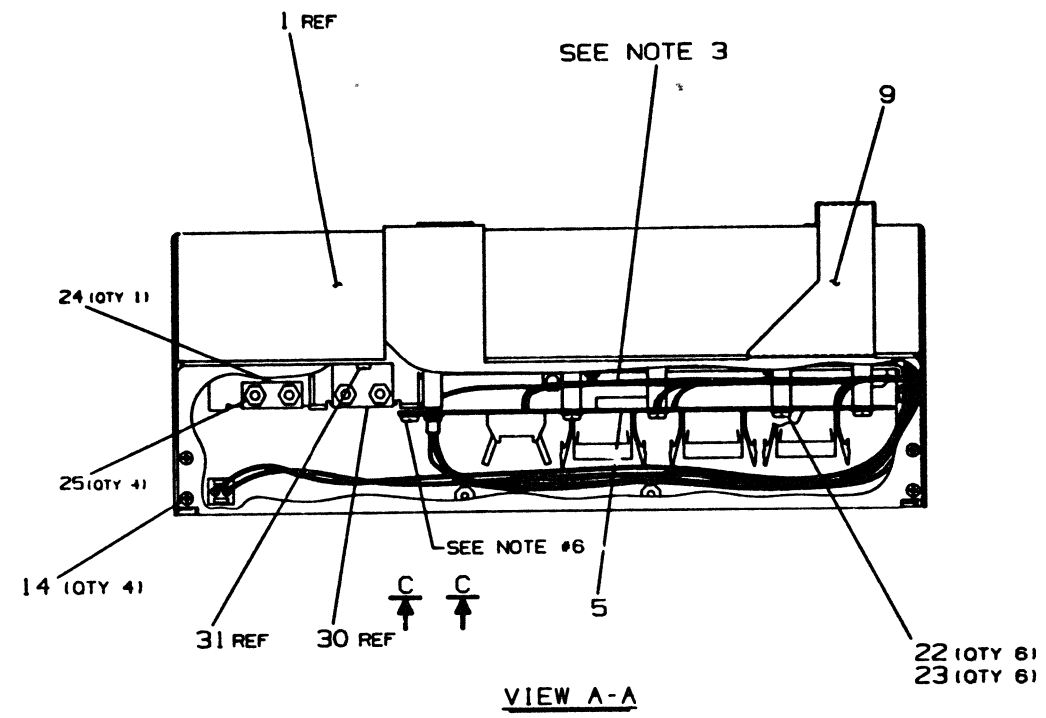
CAUTION: FOR OFF SHEET PARTS LIST, REFER TO K-PL-H7204-A-DBP. (TWO24)

REV	DATE	BY	CHKD	DESCRIPTION
1				
2				
3				
4				
5				
6				
7				
8				
9				
10				
11				
12				
13				
14				
15				
16				
17				
18				
19				
20				
21				
22				
23				
24				
25				
26				
27				
28				
29				
30				

DESCRIPTION		DRAWING NO.		PART NO.	
UNLESS OTHERWISE SPECIFIED DIMENSIONS ARE IN INCHES AND THE FOLLOWING TOLERANCES APPLY (PER DEC STD 114)					
DIMENSION RANGE IN INCHES					
0.000 - 0.250	0.250 - 0.500	0.500 - 1.000	1.000 - 2.000	2.000 - 5.000	5.000 - 10.000
±0.005	±0.005	±0.005	±0.005	±0.005	±0.005
QUANTITY & VARIATION					
E-UA-H7204-A-DBU					
THIRD ANGLE PROJECTION					
DESIGNED BY		DATE		FILE	
L. BOURGALLI		26APR84		H7204-A	
CHECKED BY		DATE		TITLE	
A. PERRY		24AUG84		POWER SUPPLY	
DRAWN BY		DATE		COCHECKED BY	
A. PERRY		24AUG84		E UA H7204-A-DBU	
INSTRUMENTED BY		DATE		SCALE	
MAN W. CHOW		24AUG84		1:1	
SEE PARTS LIST		DATE		SHEET NO.	
V. MITCHELL		24AUG84		1 OF 4	
FINISH		DATE		SHEET NO.	
NONE		E-UA-H7204-A-DBU		1 OF 4	

THIS DRAWING AND SPECIFICATIONS, INCLUDING THE
 COPY RIGHTS, ARE THE PROPERTY OF THE U.S. GOVERNMENT
 AND ARE LOANED TO YOU FOR THE PERFORMANCE OF YOUR
 DUTY. IT IS TO BE RETURNED TO THE OFFICE OF
 ORIGINAL ISSUE WHEN YOU ARE NO LONGER
 AUTHORIZED TO HAVE IT.

J
I
H
F
E
D
C
B
A



LAYER #6: WORK LAYER (SHT 4)
 LAYER #5: WORK LAYER (SHT 3)
 LAYER #4: FORMAT LAYER (SHT 2,3&4)
 LAYER #3: WORK LAYER (SHT 2)
 LAYER #2: FORMAT LAYER (SHT 1)
 LAYER #1: WORK LAYER (SHT 1)
 FILENAME: H7204-A-DBU
 PLOT AT: .750

REVISION HISTORY		
DATE	REV	DESCRIPTION

TITLE: H7204-A
 POWER SUPPLY

DOCUMENT NUMBER: E UAH7204-A-DBU F

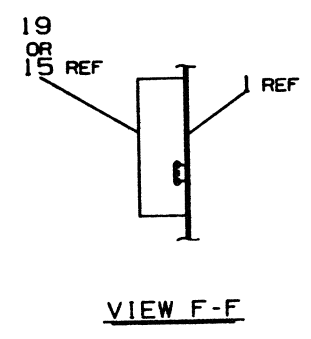
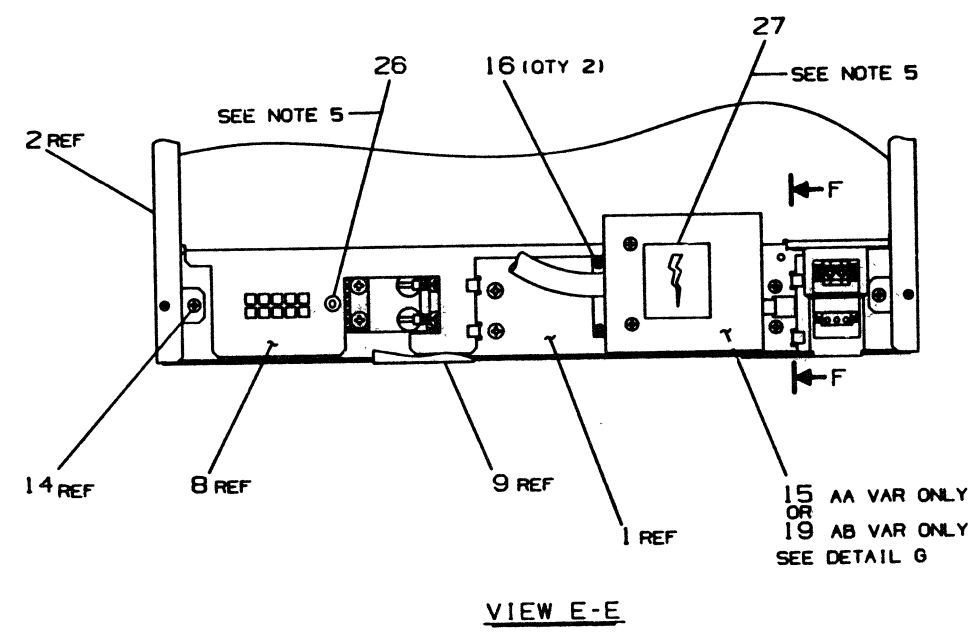
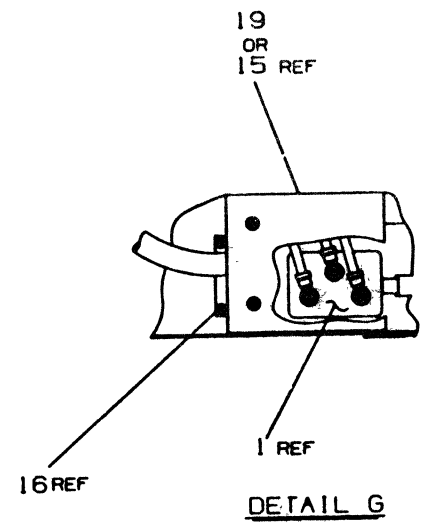
SCALE: 3/4 INCH = 1 FOOT

TWO

J
I
H
F
E
D
C
B
A

THIS DRAWING AND SPECIFICATIONS, AND THE
PROPERTY OF THE UNITED STATES GOVERNMENT.
IT IS TO BE USED FOR THE MANUFACTURE OR SALE OF
ITEMS IN THE UNITED STATES.
EXCEPT AS INDICATED OTHERWISE

EJA H7204-A-DBU F



LAYER #6: WORK LAYER (SHT 4)
LAYER #5: WORK LAYER (SHT 3)
LAYER #4: FORMAT LAYER (SHT 2,3&4)
LAYER #3: WORK LAYER (SHT 2)
LAYER #2: FORMAT LAYER (SHT 1)
LAYER #1: WORK LAYER (SHT 1)
FILENAME: H7204-A-DBU
PLOT AT: .750

REVISION HISTORY		
DATE	REV. HISTORY	BY

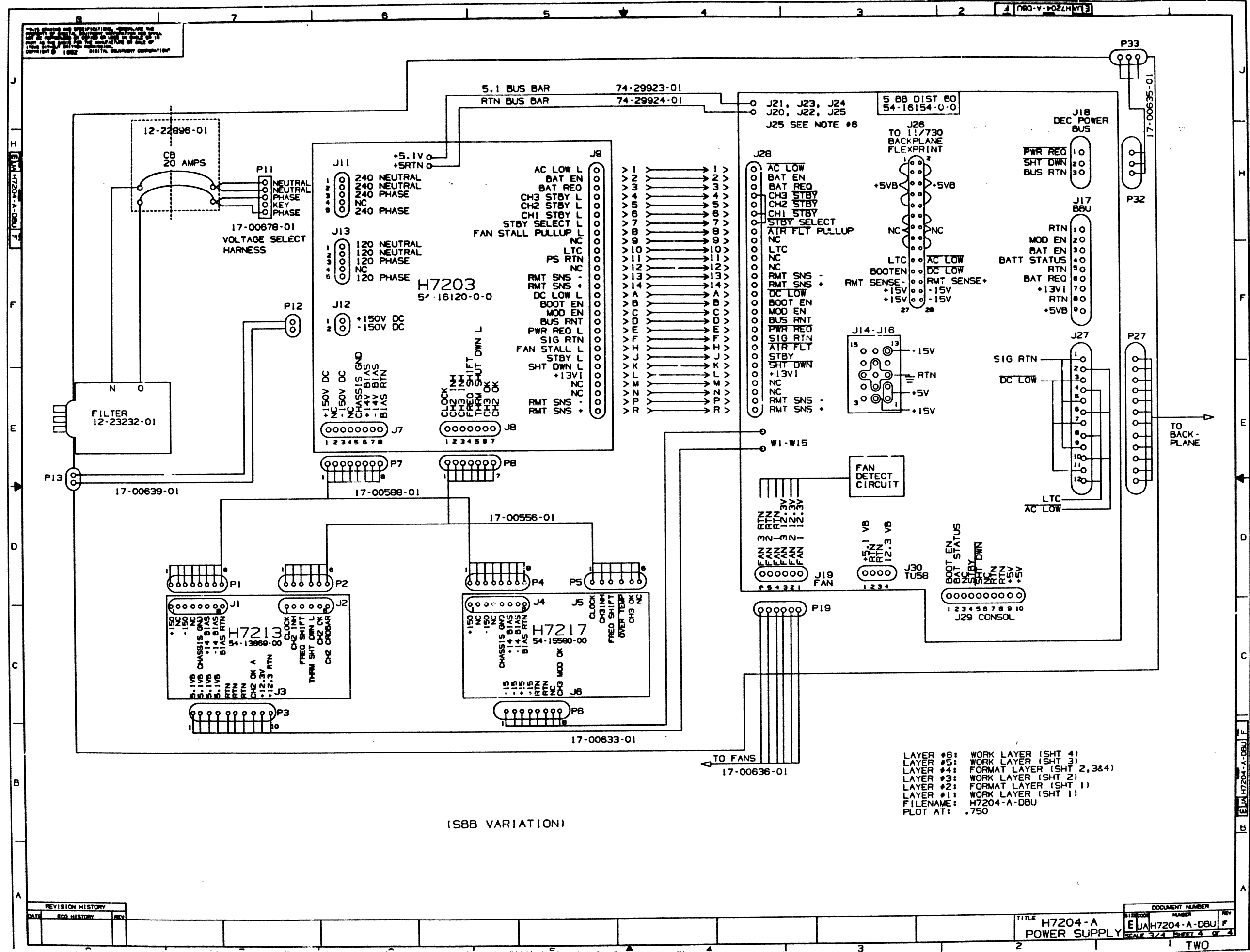
TITLE H7204-A
POWER SUPPLY

DOCUMENT NUMBER
EJA H7204-A-DBU F

SCALE 3/4 SHEET 3 OF 4

TWO

THIS DRAWING AND SPECIFICATIONS, WHEN USED WITH THE DRAWING OF THE COMPLETE SYSTEM, SHALL BE THE BASIS FOR THE MANUFACTURE OR SALE OF THIS EQUIPMENT. THE MANUFACTURER SHALL BE RESPONSIBLE FOR THE MANUFACTURE OR SALE OF THIS EQUIPMENT UNDER THESE CONDITIONS. COPYRIGHT © 1982 DIGITAL EQUIPMENT CORPORATION



(SBB VARIATION)

LAYER #6: WORK LAYER (SHT 4)
 LAYER #5: WORK LAYER (SHT 3)
 LAYER #4: FORMAT LAYER (SHT 2,3&4)
 LAYER #3: WORK LAYER (SHT 2)
 LAYER #2: FORMAT LAYER (SHT 1)
 LAYER #1: WORK LAYER (SHT 1)
 FILENAME: H7204-A-DBU
 PLOT AT: .750

REVISION HISTORY		
DATE	REV	DESCRIPTION

TITLE	H7204-A POWER SUPPLY	DOCUMENT NUMBER	EUAH7204-A-DBU F
SCALE	3/4	SHEET	4 OF 4

LINE	ITEM	TOP DOCUMENT	PART NUMBER	MIN REV	DESCRIPTION	AA E1	AB E1	QUANTITY PER VARIATION/REVISION
1	1	E-AD-7021682-0-DBU	70-21682-01	D	A/C MOJOR BOARD ASSY.	1	1	
2	2	E-IA-7020608-0-DBU	70-20608-01		CHASE ASSEMBLY	1	1	
3	3		54-13869-00		H7213 MEMORY REG	1	1	
4	4		H7217-00		COMMUNICATION REGULATOR,+15V 5A,-1	1	1	
5	5		54-16154-01		ELEM SBB PWR DIST FOR H7204 PS	1	1	
6	6		17-00556-01		WIRE HARN ASSY 07COND 26AWG P+S CO	1	1	
7	7		17-00588-01		HARNESS,WIRE 6COND TERM BOTH ENDS	1	1	
8	8	E-MD-7429749-0-DBU	74-29749-01		COVER, CHASSIS	1	1	
9	9	D-MD-7430190-0-DBU	74-30190-01		COVER,DISTRIBUTION	1	1	
10	10	B-MD-7430087-0-DBU	74-30087-01		RETAINER,MODULE	1	1	
11	11		36-17973-04		LABEL,INSULATOR ADH 10.5 X 2.80	1	1	
12	12		90-08264-00		MOUNT, CABLE TIE, ADHESIVE BACKED,	2	2	
13	13		12-11375-02		GUIDE,CARD ,NYLON ,SNAP-IN	4	4	
14	14		90-09701-00		SCREW,SEMS PAN PHIL 6-32	11	11	
15	15	E-IA-7022127-0-DBU	70-22127-01		POWER CORD ASSY.	1	-	
16	16		90-10155-00		SCREW,SEMS PAN PHIL 6-32	4	4	
17	17		90-09643-02		SCREW,SEMS PAN PHIL 4-40	4	4	
18	18	BLANK			*** THIS ITEM IS NOT USED ***	-	-	
19	19	E-IA-7022127-0-DBU	70-22127-02		POWER CORD ASSY	-	1	
20	20		90-07032-00		TIE,CABLE BUNDL DIA 0-1-3/4"=101	2	2	
21	21		90-09255-00		LABEL, POWER SUPPLY, 2-15/16 " LG	1	1	
22	22		90-06656-00		WASHER,FLAT STEEL	6	6	
23	23		90-09984-02		SCREW,SEMS PAN PHIL 6-32	6	6	
24	24	C-MD-7422731-0-0	74-22731-00		MOUNTING BRACKET	1	1	
25	25		90-06565-00		NUT,HEX EXT TOOTH LCKWSHR 10-32X	4	4	
26	26		36-15680-00		LABEL,ADHESIVE BACK,SWITCH POSITIO	1	1	
27	27		36-10267-00		LABEL,DANGER HIGH VOLTAGE,SMOOTH	1	1	
28	28		36-24103-01		LABEL,UNIT ID H7204	1	1	
29	29		36-24104-01		LABEL,TERMINAL ID	1	1	
30	30	C-MD-7422731-0-0	74-22731-01		BRACKET,MOUNTING	1	1	
31	31		90-06070-01		SCREW,MACH PAN PHIL 10-32	1	1	

REVISION HISTORY			KPL MATRIX FORMAT		SECTION A OF A	DRN: L. BOURGAULT	DIGITAL			
ENG:	ECO NUMBER	REV	SECTION/VARIATION INDEX			DATE: 27-AUG-84	TITLE PARTS LIST			
---	INITIAL	A	[A]	AA,AB		CHK'D: A. PERRY	H7204-A POWER SUPPLY			
AP	H7204-TW001	B	[B]			DATE: 27-AUG-84				
JA	H7204-LK002	C	[C]			DES.ENG: A. PERRY				
SN	H7204-LK003	D	[D]			DATE: 27-AUG-84	DOCUMENT NUMBER			
SN	H7204-LK004	E	[E]				SIZE	CODE	NUMBER	REV
CB	H7204-LK005	F	[F]			RESP.ENG.: MAN W. CHOW	K	PL	H7204-A-DBP	F
			[H]			DATE: 27-AUG-84				
			[J]			MFG.ENG: V. MITCHELL	RELEASE DATE: 05-MAR-87			
						DATE: 27-AUG-84	RELEASE STATUS: RELEASED			
BASIC PART NUMBER:			ASSEMBLY NUMBER:		TOP DOCUMENT NUMBER:		FILE NAME:		EDIT #	
H7204			E-UA-H7204-A-DBU		E-UA-H7204-A-DBU		TW024F.PLS		1	

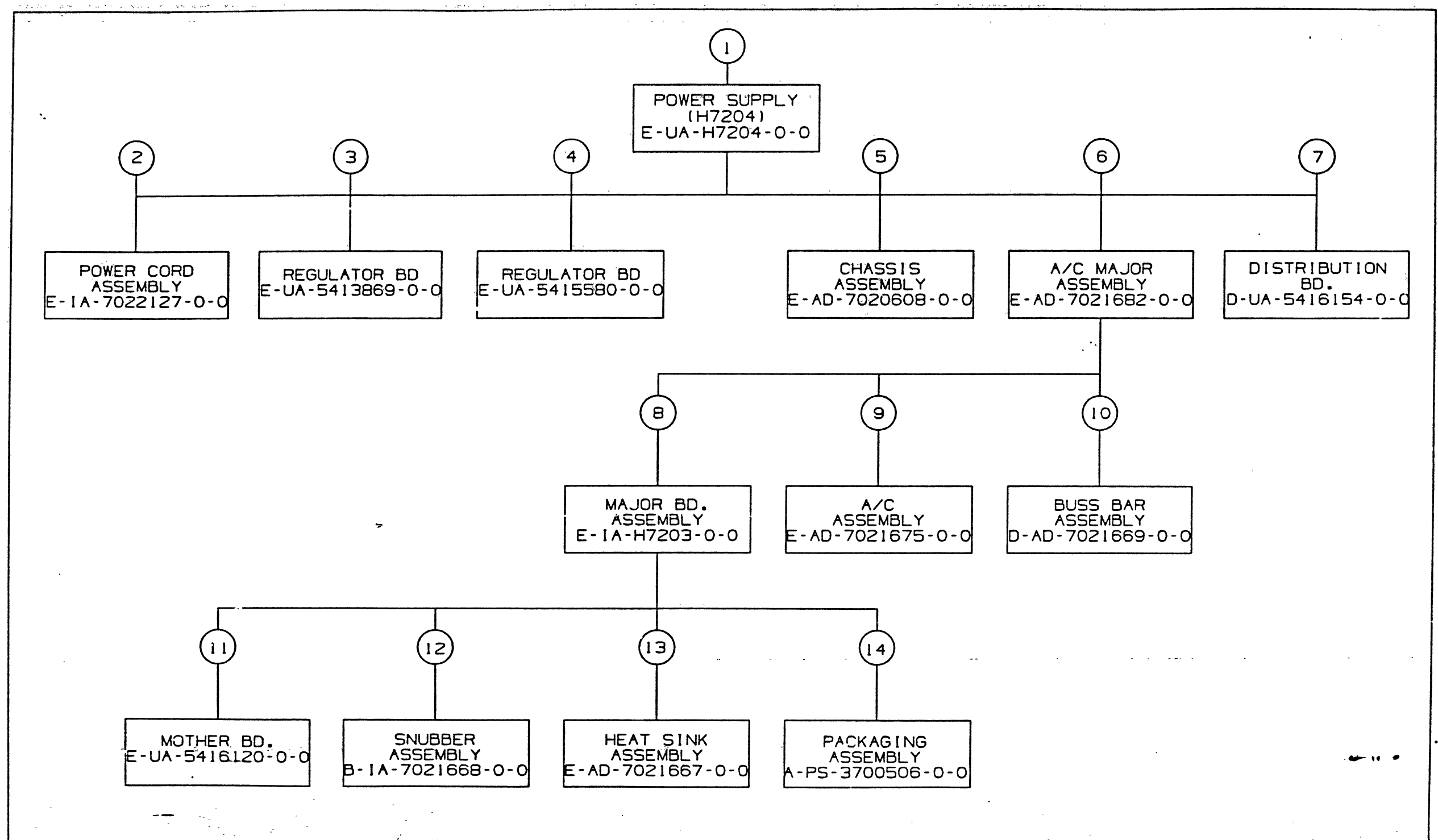
"THIS DRAWING AND THE SPECIFICATIONS CONTAINED HEREIN ARE CONFIDENTIAL AND PROPRIETARY. THEY ARE THE PROPERTY OF DIGITAL EQUIPMENT CORPORATION AND SHALL NOT BE REPRODUCED OR COPIED OR USED IN WHOLE OR IN PART AS THE BASIS FOR THE MANUFACTURE OR SALE OF ITEMS WITHOUT WRITTEN PERMISSION. THIS IS AN UNPUBLISHED WORK PROTECTED UNDER THE FEDERAL COPYRIGHT LAWS."

LINE	ITEM	TOP DOCUMENT	PART NUMBER	MIN REV	DESCRIPTION	QUANTITY PER VARIATION/REVISION	
						01	02
						A1	A1
1	1	C-MD-7430796-0-0	74-30796-01		COVER, A/C	1	1
2	2	A-PS-1215566-0-0	12-15566-00		CLAMP, CABLE SCREW MNT	2	2
3	3	#SEE NOTE	17-00027-01		PWR CORDAGE 3COND 14AWG SJT	A/R	A/R
4	4		90-08853-00		CONN, POWER 02P03W PLUG NEMA 06-15P	-	1
5	5		12-15183-00		CONN, POWER 02P03W PLUG NEMA 05-20	1	-
6	6		90-06042-02		SCREW, MACH FLAT PHIL 8-32	2	2
7	7		90-07928-00		TERM, RING #10STUD CRIMP 14-16A	3	3
8	8		90-06660-00		WASHER, FLAT SST	2	2
9	9		90-06563-00		NUT, HEX EXT TOOTH LCKWSHR 8-32X	2	2
10	10		90-09255-03		LABEL, P.S./SUB.ASSY ID	1	1

1 GEN: QUANTITY OF ITEM #3 TO BE 9.42 FEET.

REVISION HISTORY			KPL MATRIX FORMAT		SECTION A OF A		DRN: A. PERRY		DIGITAL			
ENG	ECO NUMBER	REV	SECTION/VARIATION INDEX		DATE: 20-AUG-84		DATE: 20-AUG-84		TITLE PARTS LIST			
---	INITIAL	A	[A]	01,02	CHK'D: A. PERRY		DATE: 20-AUG-84		POWER CORD ASSEMBLY			
AP	H7204-TW001	B	[B]		DES.ENG: A. PERRY		DATE: 20-AUG-84		DOCUMENT NUMBER			
JA	7022127-LK001	C	[C]		RESP.ENG.: MAN W. CHOW		DATE: 20-AUG-84		SIZE	CODE	NUMBER	REV
			[D]		MFG.ENG: V. MITCHELL		DATE: 20-AUG-84		K	PL	7022127-0-DBP	C
			[E]		RELEASE DATE: 21-FEB-86		RELEASE STATUS: RELEASED					
			[F]		BASIC PART NUMBER: 7022127		ASSEMBLY NUMBER: E-UA-H7204-A-DBU		TOP DOCUMENT NUMBER: E-IA-7022127-0-DBU		FILE NAME: Z9608C.PLS	
			[G]								EDIT # 2	
			[H]									
			[I]									
			[J]									

"THIS DRAWING AND THE SPECIFICATIONS CONTAINED HEREIN ARE CONFIDENTIAL AND PROPRIETARY. THEY ARE THE PROPERTY OF DIGITAL EQUIPMENT CORPORATION AND SHALL NOT BE REPRODUCED OR COPIED OR USED IN WHOLE OR IN PART AS THE BASIS FOR THE MANUFACTURE OR SALE OF ITEMS WITHOUT WRITTEN PERMISSION. THIS IS AN UNPUBLISHED WORK PROTECTED UNDER THE FEDERAL COPYRIGHT LAWS."



TITLE: H7204-A POWER SUPPLY	SHEET 2 OF 3	SIZE CODE B DD	NUMBER H7204-A-DBU	REV. B
--------------------------------	--------------	-------------------	-----------------------	-----------

FIND NO.	DRAWING NO.	DESCRIPTION	TYPE	FIND NO.	DRAWING NO.	DESCRIPTION	TYPE
1	E-UA-H7204-0-0	H7204-A POWER SUPPLY	E/M	8	E-1A-H7203-0-0	MAJOR BD. ASSEMBLY	E/M
	K-PL-H7204-0-DBP	POWER SUPPLY PARTS LIST	-		D-1A-7429748-0-0	MOTHER BD. BRACKET	M
	E-MD-7430190-0-0	DISTRIBUTION COVER	M		C-MD-7430094-0-0	CAPACITOR BRACKET	M
	E-MD-7429749-0-0	CHASSIS COVER	M				
	A-PS-1700556-0-0	FLEX CABLE	E				
	B-MD-7430087-0-0	MODULE RETAINER	M				
	A-PS-3615680-0-0	LABEL, ADHESIVE BACK, SWITCH POSITION		9	E-AD-7021675-0-0	A/C ASSEMBLY	E/M
	A-PS-3610267-0-0	LABEL, DANGER HIGH VOLTAGE			A-PS-1223232-0-0	LINE FILTER	E
	A-PS-3624103-0-0	LABEL, UNIT IDENTIFICATION			E-1A-7429745-0-0	A/C BRACKET	M
	A-PS-3624104-0-0	LABEL, TERMINAL IDENTIFICATION			A-PS-1222896-0-0	CIRCUIT BREAKER	E
					A-PS-1700639-0-0	BBU CABLE	E
2	E-1A-7022127-0-0	POWER CORD ASSEMBLY	E/M		A-PS-1700678-0-0	VOLTAGE SELECT HARNESS	E
	C-MD-7430794-0-0	A/C COVER	M		A-PS-1700635-0-0	CABLE ASSEMBLY	E
3	E-UA-5413869-0-0	H7213 REGULATOR BD.	E				
				10	D-AD-7021669-0-0	BUSS BAR ASSEMBLY	M
					D-1A-7429923-0-0	+5 BUSS	M
					D-1A-7429924-0-0	RETURN BUSS	M
4	E-UA-5415580-0-0	H7217 REGULATOR BD.	E				
5	E-AD-7020608-0-0	CHASSIS ASSEMBLY	M	11	E-UA-5416120-0-0	MOTHER BD.	E/M
	E-1A-7429743-0-0	RIGHT PANEL	M				
	E-1A-7429744-0-0	LEFT PANEL	M				
	E-1A-7429746-0-0	MODULE BRACKET	M				
	C-MD-7429747-0-0	BAFFLE BRACKET	M	12	B-1A-7021668-0-0	SNUBBER ASSEMBLY	E/M
6	E-AD-7021682-0-0	A/C MAJOR BD ASSEMBLY	E/M	13	E-AD-7021667-0-0	HEAT SINK ASSEMBLY	E/M
	C-MD-7430833-0-0	MYLAR INSULATOR	E/M		A-PS-1222726-0-0	HEAT SINK	
					C-1A-7430160-0-0	CAPACITOR BRACKET	M
7	D-UA-5416154-0-0	DISTRIBUTION BD.	E	14	A-PS-3700506-0-0	PACKAGING ASSEMBLY	
	A-PS-1700633-0-0	POWER HARNESS	E				

TYPE: E ELECTRICAL
M MECHANICAL
E/M ELECTRO/MECHANICAL



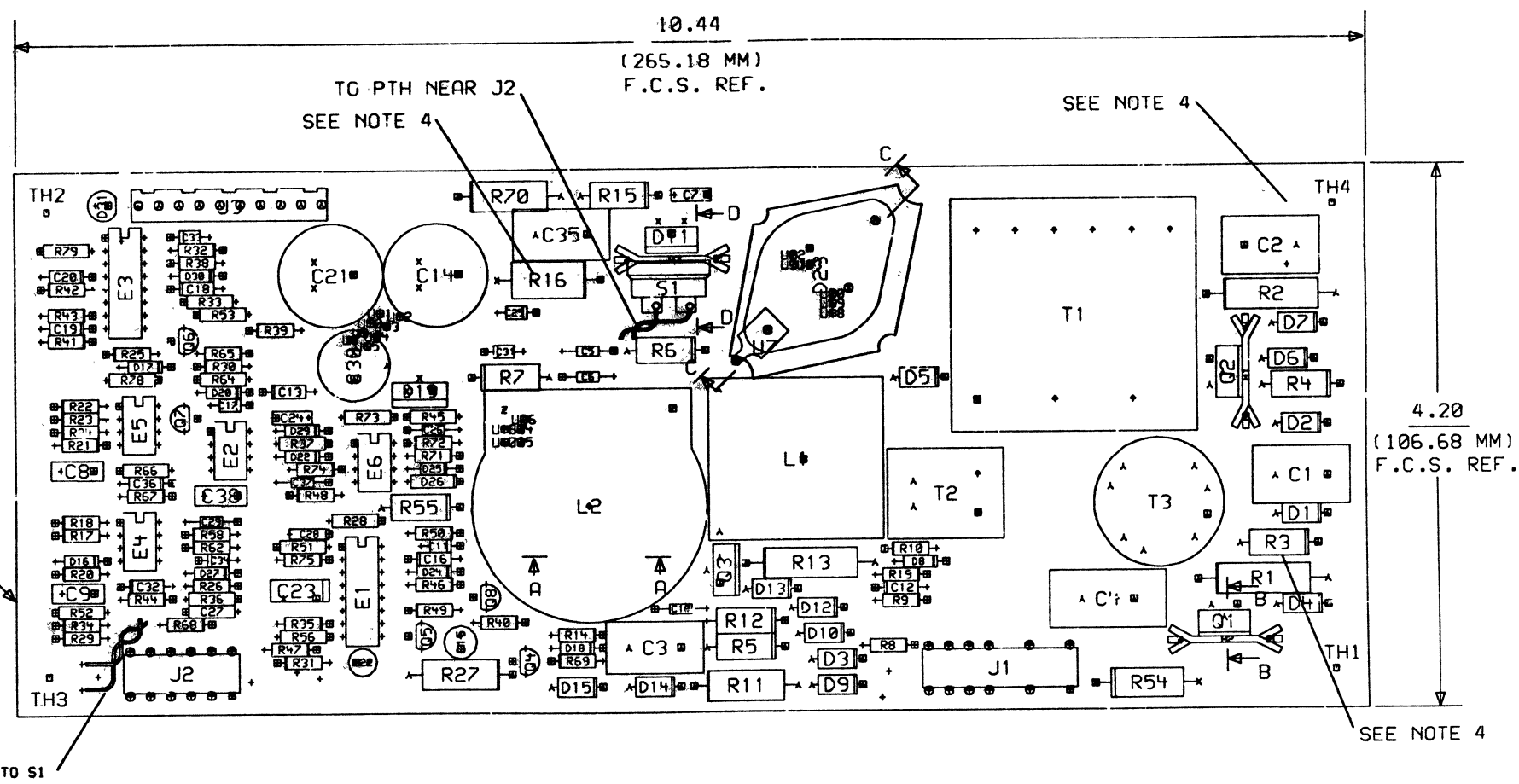
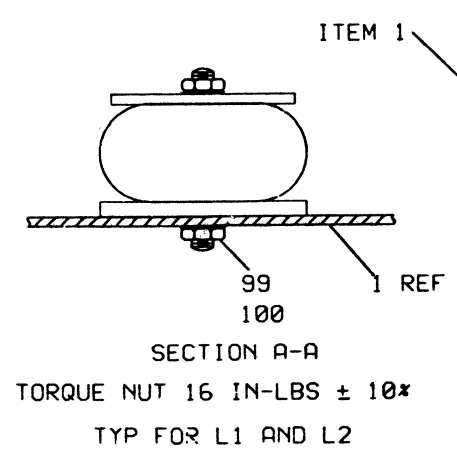
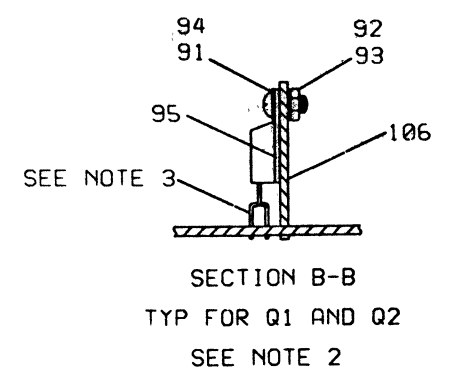
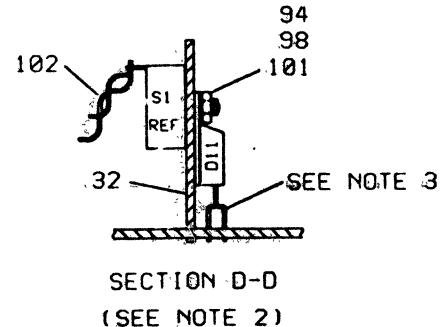
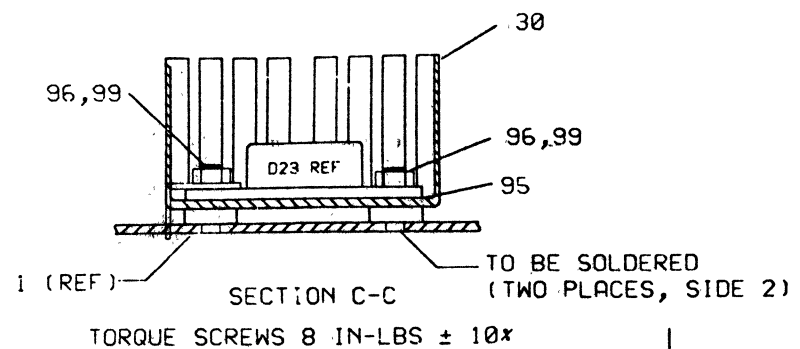
TITLE: H7204-A
POWER SUPPLY

SHEET 3 OF 3
SIZE CODE B DD
NUMBER H7204-A-DBU
REV. B

DRB 108A

TWO

THIS DRAWING AND THE SPECIFICATIONS CONTAINED HEREIN ARE THE PROPERTY OF DIGITAL EQUIPMENT CORPORATION. ANY REPRODUCTION OR TRANSMISSION OF THIS DRAWING OR THE SPECIFICATIONS CONTAINED HEREIN WITHOUT THE WRITTEN PERMISSION OF DIGITAL EQUIPMENT CORPORATION IS PROHIBITED. © 1983 DIGITAL EQUIPMENT CORPORATION



CHK	DRAWN BY	ENGINEER	CHANGE NO	DATE	REV
	TLW	M VACHEROT	AKOD8	5-27-83	1

CHK	DRAWN BY	ENGINEER	CHANGE NO	DATE	REV

NOTES
 1. UL REQUIREMENT IS HPWR
 2. ASSEMBLE ALL ITEMS BEFORE INSTALLING ON BOARD
 3. ADD STRAIN RELIEF AS SHOWN
 4. RAISE OFF BOARD .10 ± .05

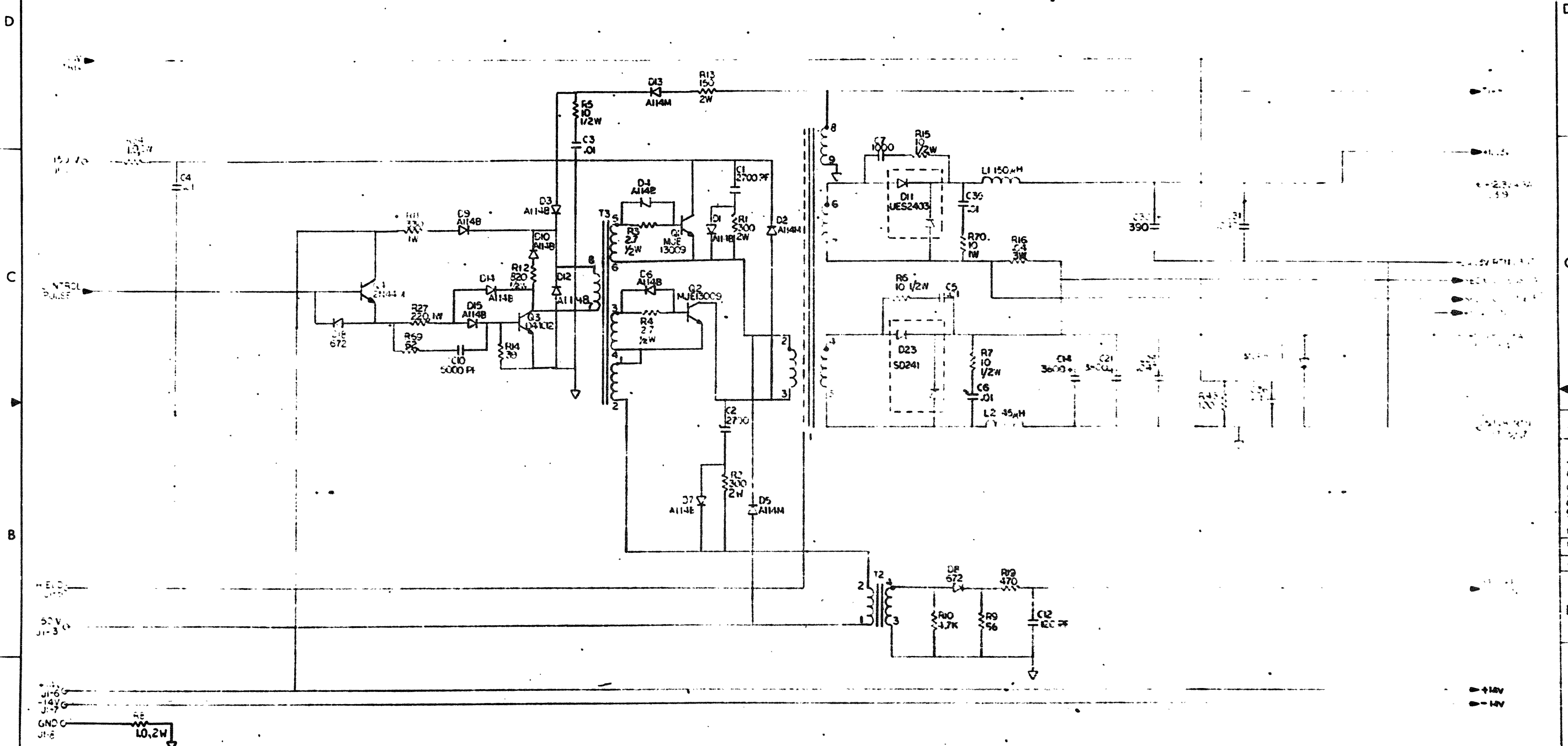
ETCH REV. E1P4

SIGNATURES		DATE
DRAWN R. WALDIE		03/09/82
CHECKED E.T. GERRY		03/11/82
MECH ENG B. STANDISH		01/12/83
PROJ ENG B. STANDISH		01/12/83
PROD H. PEREZ		01/11/83
SCALE 2/1		
SHEET 1 OF 1		
TOP DOC NO K-00-5413869-0-0		

digital
 TITLE MEMORY REGULATOR
 MODULE
 SIZE CODE D UA
 NUMBER 5413869-0-0
 REV H

D CS 5413869-0-1

THIS DRAWING IS THE PROPERTY OF THE GOVERNMENT AND IS LOANED TO YOU. IT AND ITS CONTENTS ARE NOT TO BE DISTRIBUTED OUTSIDE YOUR AGENCY.



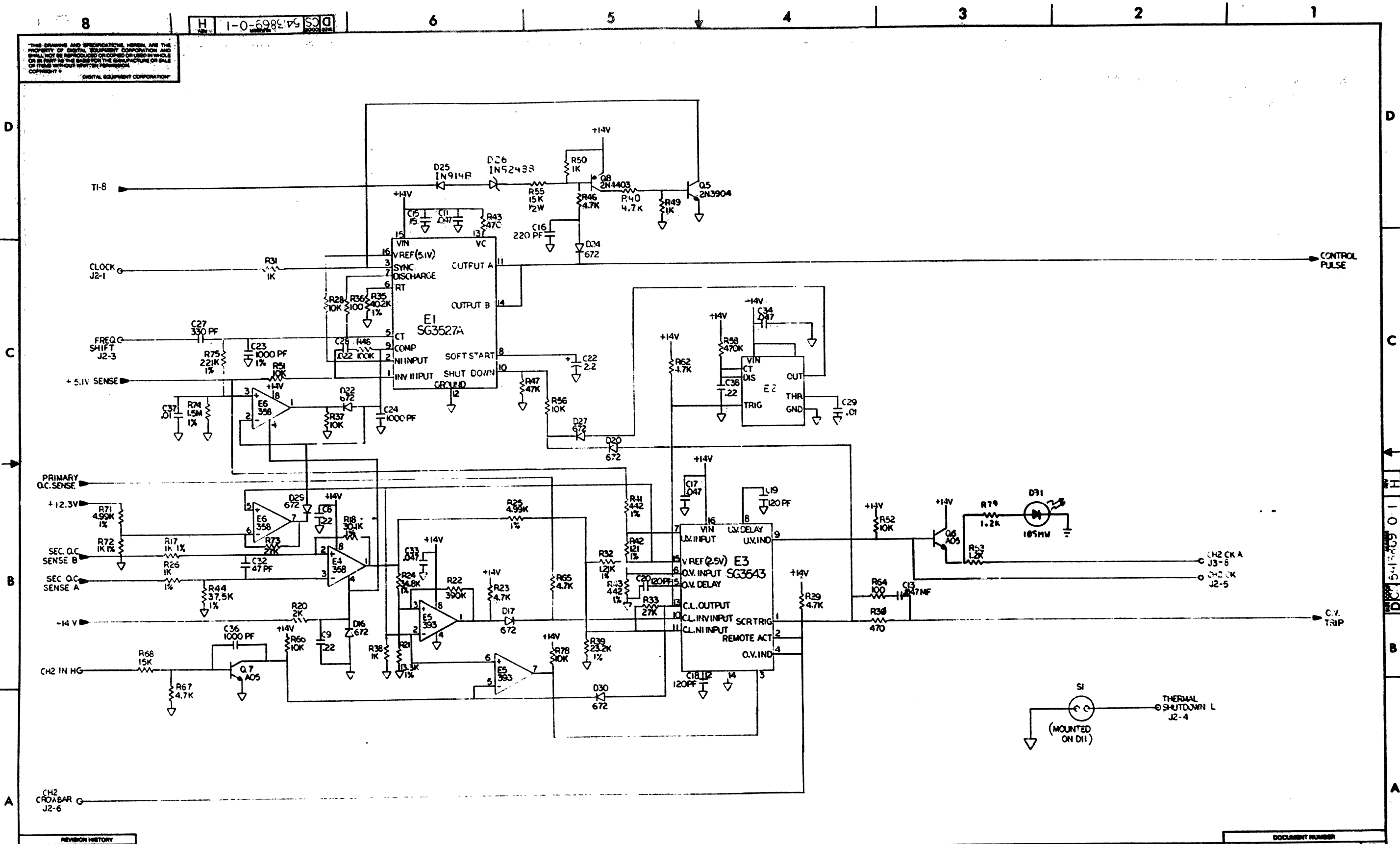
REV	DATE	BY	CHKD	APP'D
1	11/15/53	Thomas F. (W.L. 1-2)		
2		B. STANDISH		
3		S. C. LANDINO		
4		R. L. W. (W.L. 1-2)		
5		ROBERT WOLF		
6		C. J. (W.L. 1-2)		
7		A. VACAROT		

Thomas F. (W.L. 1-2)	11/15/53	TITLE H7213 MEMORY REGULATOR	digit
B. Standish	11/15/53		
B. Standish	11/15/53		
Check On file	1-2-53	D CS 5413869-0-1	11

D CS 5413869-0-1

REV 1

THIS DRAWING AND INFORMATION HEREIN ARE THE PROPERTY OF DIGITAL EQUIPMENT CORPORATION AND SHALL NOT BE REPRODUCED OR COPIED OR USED IN WHOLE OR IN PART AS THE BASIS FOR THE MANUFACTURE OR SALE OF ITEMS WITHOUT WRITTEN PERMISSION.
 DIGITAL EQUIPMENT CORPORATION
 COPYRIGHT ©



REVISION HISTORY		
DATE	ISS NUMBER	REV.

TITLE
 H7213
 MEMORY REGULATOR

DOCUMENT NUMBER		REV.
D	CS 5-13869-C-1	H
SCALE	2/1	SHEET 1 OF 2

MKO

LINE	ITEM	TOP DOCUMENT	PART NUMBER	MIN REV	DESCRIPTION	QTY	PER VAR/REV	REFERENCE DESIGNATORS
1	1	D-RO-5013363-0-0	50-13366-00		DRILL AND ETCH	1		
2	2		10-13446-25	120	PFD 50V +/- 5% NPO C	4		C12, C19-C20
3	3		10-12507-06	390	MFD 20V +100/-10% ALU	1		C30
4	4		10-13446-15	0.010MFD	50V +/-10% X7R C	5		C5, C6, C26, C29, C37
5	5		10-10274-00	0.22	MFD 50V +80/-20% Z5U C	2		C3, C9
6	6		10-12734-00	0.047MFD	50V +80/-20% Z5U C	6		C11, C17, C25, C31, C33, C34
7	7		10-11547-01	0.010MFD	400V +/-10% POLYP	2		C3, C35
8	5		10-13446-23	1000	PFD 50V +/- 5% NPO C	1		C36
9	9		10-14159-00	1000	PFD 100V +/- 1% 200PP	1		C23
10	10		10-13446-13	330	PFD 50V +/- 5% NPO C	1		C27
11	11		10-14277-00	3300	MFD 6.3V +75/-10% ALU	2		C16, C21
12	12		10-17426-01	2700	PFD 250V +/-10% POLYP	2		C1, C2
13	13		10-C0042-00	1000	PFD 100V +/- 5% 200PP	2		C7, C24
14	14		10-13446-20	5000	PFD 50V +/-10% X7R C	1		C10
15	15		10-11247-02	0.010MFD	600V +/-10% POLYP	1		C4
16	16		10-13446-07	220	PFD 50V +/- 5% NPO C	1		C16
17	17		10-13446-44	0.047MFD	50V +/-10% X7R C	1		C13
18	18		10-13000-00	2.2	MFD 63V +50/-20% ALU	1		C22
19	19		10-18000-01	15	MFD 25V +50/-20% ALU	1		C15
20	20		10-13446-24	47	PFD 50V +/- 5% NPO C	1		C32
21	21		11-05275-00		PIV= 60 IO=300 MA -15NS	10		C8, D16-D18, D20, D22, D24, D27, D29, CONT D30
22	22		11-12595-01		PIV= 200 IO= 1.00A AXIAL	10		CONT D15
23	23		10-10975-40	0.22	MFD 50V +/-10% X7R C	1		C35
24	24		11-12595-02		PIV= 600 IO= 1.00A AXIAL	3		D2, D5, D13
25	25		11-17555-00		RECT, ULTRA FAST PIV= 150 IO= 3.0	1		D11
26	26		11-16323-00		SCHOTTKY PIV= 45 IO=30.00A	1		D23
27	27		11-09517-00		PIV= 75 IO=150 MA - 4NS 1M914B	1		D25
28	28		11-10746-00		VZ= 19.0 5% 500M2 1M5248B D	1		D26
29	29		11-17061-00		THYRISTOR, VORN= 25 MC	1		D19
30	30				*** THIS ITEM IS NOT USED ***	-		

REVISION HISTORY		KPL MODULE FORMAT		SECTION A OF ADRN: M. VACHEROT		DIGITAL	
ENG	ECO NUMBER	REV	SECTION/VARIATION INDEX	DATE	CHK'D	TITLE	PARTS LIST
				15-APR-88	D. JANUSKIEWICZ	N7213 MEMORY REGULATOR	
RW		A	[A] 00	15-APR-88			
RW	15413869-TW001	B	[B]				
RW	15413869-TW002	C	[C]				
CL	15413869-TW004	D	[D]				
RW	15413869-TW006	E	[E]				
LF	15413869-KJ007	F	[F]				
JA	15413869-KJ008	H	[H]				
JA	15413869-KJ009	J	[J]				
		K	[K]				
		L	[L]				
BASIC PART NUMBER:		ASSEMBLY NUMBER:		TOP DOCUMENT NUMBER:		FILE NAME:	
15413869		D-UA-5413869-0-0		K-00-5413869-0-0		15413869J.PLS	
<p>THIS DRAWING AND THE SPECIFICATIONS CONTAINED HEREIN ARE CONFIDENTIAL AND PROPRIETARY. THEY ARE THE PROPERTY OF DIGITAL EQUIPMENT CORPORATION AND SHALL NOT BE REPRODUCED OR COPIED OR USED IN WHOLE OR IN PART AS THE BASIS FOR THE MANUFACTURE OR SALE OF ITEMS WITHOUT WRITTEN PERMISSION. THIS IS AN UNPUBLISHED WORK PROTECTED UNDER THE FEDERAL COPYRIGHT LAWS.</p>							

LINE	STEP	TOP DOCUMENT	PART NUMBER	MIN REV	DESCRIPTION	QTY	PER VAR/REV	REFERENCE DESIGNATORS
31	31				*** THIS ITEM IS NOT USED ***	-		
32	32		12-13426-06		HEAT SINK, TO-3 1.980X01.4	1		H1
33	33		12-17990-04		CONN, P+S 05SKT(1X06)-156CC	1		J2
34	34		12-16122-09		FCB, HEADER 10PIN(1X10)-156CC KEY	1		J3
35	35		12-17990-01		CONN, P+S 05SKT(1X06)-156CC	1		J1
36	36		13-C0279-09		100.0 .25 W 5.0 Z CF	3		R36, R45, R64
37	37		13-19470-20		220.0 1.0 W 5.0 Z M.OXIDE	1		R27
38	38		13-19471-21		300.0 2.0 W 5.0 Z M.OXIDE	2		R1, R2
39	39		13-19470-23		330.0 1.0 W 5.0 Z M.OXIDE	1		R11
40	40		13-C0316-00		470.0 .25 W 5.0 Z CF	3		R19, R30, R34
41	41		13-C0365-00		1.0 K .25 W 5.0 Z CF	4		R31, R39, R49, R50
42	42		13-C0447-00		4.70 K .25 W 5.0 Z CF	3		R10, R23, R29, R40, R46, R62, R65, R67
43	43		13-C0479-00		10.0 K .25 W 5.0 Z CF	7		R29, R37, R51, R52, R56, R66, R78
44	44		13-C0169-00		10.0 .50 W 5.0 Z CF	4		R5-R7, R15
45	45		13-13244-00		221.0 K .25 W 1.0 Z RN55D-F10	1		R75
46	46		13-C1320-00		1.20 K .25 W 5.0 Z CF	2		R53, R79
47	47		13-C2377-00		39.0 .25 W 5.0 Z CF	1		R14
48	48		13-C0356-00		20.0 .50 W10.0 Z CF	1		R12
49	49		13-19471-16		150.0 2.0 W 5.0 Z M.OXIDE	1		R13
50	50		13-20022-01		1.50 M .25 W 1.0 Z RN55D-F10	1		R74
51	51		13-C2957-00		121.0 .25 W 1.0 Z RN55D-F10	1		R42
52	52		13-C3114-00		1.0 K .25 W 1.0 Z RN55D-F10	3		R17, R26, R72
53	53		13-14492-00		40.20 K .25 W 1.0 Z RN55D-F10	1		R35
54	54		13-C9444-00		2.70 .50 W10.0 Z CF	2		R3, R4
55	55		13-14551-00		442.0 .25 W 1.0 Z RN55D-F10	2		R41, R43
56	56		13-C0496-00		15.0 K .25 W 5.0 Z CF	1		R69
57	57		13-C2602-00		56.0 .25 W 5.0 Z CF	1		R9
58	58		13-C3156-00		34.80 K .25 W 1.0 Z RN55D-F10	1		R24
59	59		13-13341-00		23.20 K .25 W 1.0 Z RN55D-F10	1		R39
60	60		13-C2177-00		47.0 K .25 W 5.0 Z CF	1		R47
61	61		13-C2338-00		2.0 K .25 W 5.0 Z CF	1		R20
62	62		13-C5324-00		4.40 K .25 W 1.0 Z RN55D-F10	2		R25, R71
63	63		13-17515-00		.04 3.0 W 3.0 Z WM	1		R16
64	64		13-17522-00		1.0 .25 W 5.0 Z CF	1		R8
65	65		13-C5345-00		27.0 K .25 W 5.0 Z CF	2		R33, R73
66	66		13-14350-00		1.0 2.0 W10.0 Z WM FUS	1		R54
67	67		13-11594-00		30.10 K .25 W 1.0 Z RN55D-F10	1		R19
68	68		13-12565-00		13.30 K .25 W 1.0 Z RN55D-F10	1		R21
69	69		13-C2496-00		100.0 K .25 W 5.0 Z CF	1		R48
70	70		13-C2571-00		1.21 K .25 W 1.0 Z RN55D-F10	1		R32
71	71		13-16511-00		15.0 K .50 W 5.0 Z CF	1		R55
72	72		13-C2376-00		470.0 K .25 W 5.0 Z CF	1		R58
73	73		13-12729-00		62.0 .25 W 5.0 Z CF	1		R49
74	74		13-19255-04		10.0 1.0 W 5.0 Z M.OXIDE	1		R70
75	75		10-11583-C0		0.022KFD 50V +/-10% X7R C	1		C28
76	76		15-10705-00		2A 05 NPN 500PW SI 60 50 P	2		06, 07
77	77		15-C9524-00		2N 3934 NPN 310MW SI 40 40 M	1		05
78	78		15-13459-00		2N 4401 NPN 350PW SI 40 20	1		04
79	79		15-12790-00		B 44C12 NPN 30W SI	1		03
80	80		15-17060-00		PJE13009 NPN 100W SI	2		01, 02

D	I	G	I	T	A	L	TITLE	SECTION A OF A	SIZE	CODE	DOCUMENT NUMBER	REV
							W7213 MENCAY REGULATOR		K	PL	5413869-0-BBP	J

AUTOMATED BY VAXKPL (V1.3)

PARTS LIST

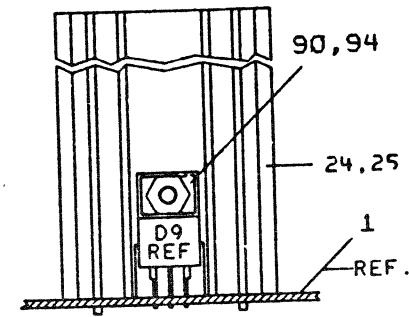
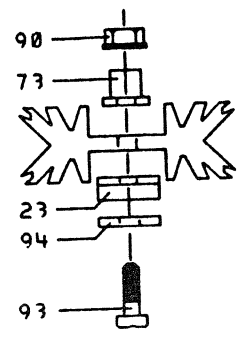
SHEET A3 OF A3

LINE	ITEM	TOP DOCUMENT	PART NUMBER	QTY	PER VAR/REV	REFERENCE DESIGNATORS
81	81		15-13490-00	24	4403 PNP 350M Ω SI-40 30	08
82	82		1c-17450-00		PULSE XFMR, RATIO 40:3:3:1	T3
83	83		1c-19379-00		XFMR P=150W	T1
84	84		1c-22012-01		XFMR, CURRENT RATIO 50:1 20-50KHZ	T2
85	85		1c-17562-07		35.0 UH 20X 15A	L2
86	86		1c-17657-00		200.0 UH 2A	L1
87	87		19-17908-00	L4	3527A OP AMP DUAL LOW POWE	E4, E6
88	88		19-16319-00		3527A MODULATOR, REGULATING	E1
89	89		19-17059-00		3543 P.S. SUPERVISORY CIR	E3
90	90		19-14156-00	L4	393 VOLT. COMPARATOR DUAL	E5
91	91		90-C6010-01		SCREW, MACH PAN PHIL 4-	
92	92		90-C6556-00		NUT, HEX 4-40X .264AF SS/M	
93	93		90-C6695-00		WASHER, HELICAL SPLIT SST	
94	94		90-C9769-00		WASHER, RECTNGLR STEEL	
95	95		90-C9268-00		COMPOUND, THERMAL JOINT	A/R
96	96				*** THIS ITEM IS NOT USED ***	-
97	97				*** THIS ITEM IS NOT USED ***	-
98	98		90-C7301-00		WASHER, HELICAL SPLIT SST	3
99	99		90-C8059-00		NUT, HEX SLF-LOCK NYL INS 10-32	2
100	100		90-C6660-00		WASHER, FLAT SST	2
101	101				*** THIS ITEM IS NOT USED ***	-
102	102				*** THIS ITEM IS NOT USED ***	-
103	103		90-C3957-00		NUT, HEX 6-32X .264AF SS/M	3
104	104				*** THIS ITEM IS NOT USED ***	-
105	105		91-C7592-02		WIRE, TYP 24AWG (07/32) IPVC 150V	A/R
106	106		19-11944-00		555CN TIMER, FUNCT. BLOCK	1
107	107		13-14951-00		390.0 K .25 W 5.0 X CF	1
108	108		12-13375-00		CERAMIC DIP, 24 LEAD (GOLD-GOLD-G	1
109	109		12-15228-01		HEAT SINKS, TO-220 0.920X0.87	2
110	110		90-C9675-00		TERM, SOLDER BARRIER STR	1
111	111		11-14334-00		LED 105M 35MA GREEN	1
112	112		12-15228-02		HEAT SINKS, TO-220 01.25X0.87	1
113	113		13-C5421-00		35.70 K .25 W 1.0 X RN550-F10	1

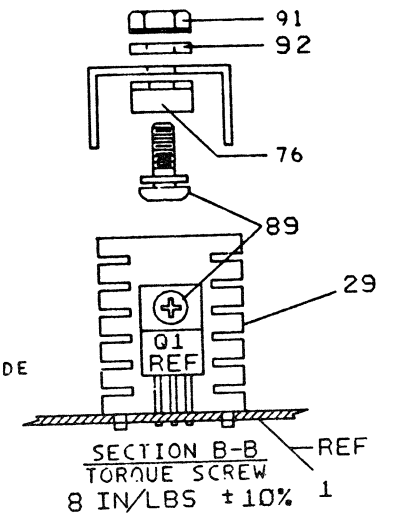
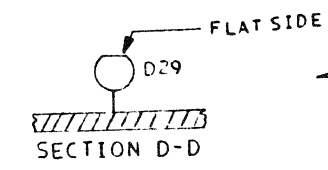
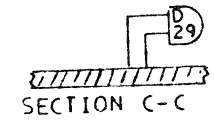
D	I	G	I	T	A	L	TITLE	SECTION A OF A	SIZE	CODE	DOCUMENT NUMBER	REV
							47213 MEMOY REGULATOR		K	PL	5413869-0-D9P	J

THIS DRAWING AND SPECIFICATIONS, HEREIN, ARE THE PROPERTY OF BUSHNELL EQUIPMENT CORPORATION AND SHALL NOT BE REPRODUCED OR COPIED IN ANY MANNER OR TO ANY PART OF THE WORLD FOR THE MANUFACTURE OF THIS OR FROM ANY SOURCE WITHOUT WRITTEN PERMISSION. BUSHNELL EQUIPMENT CORPORATION

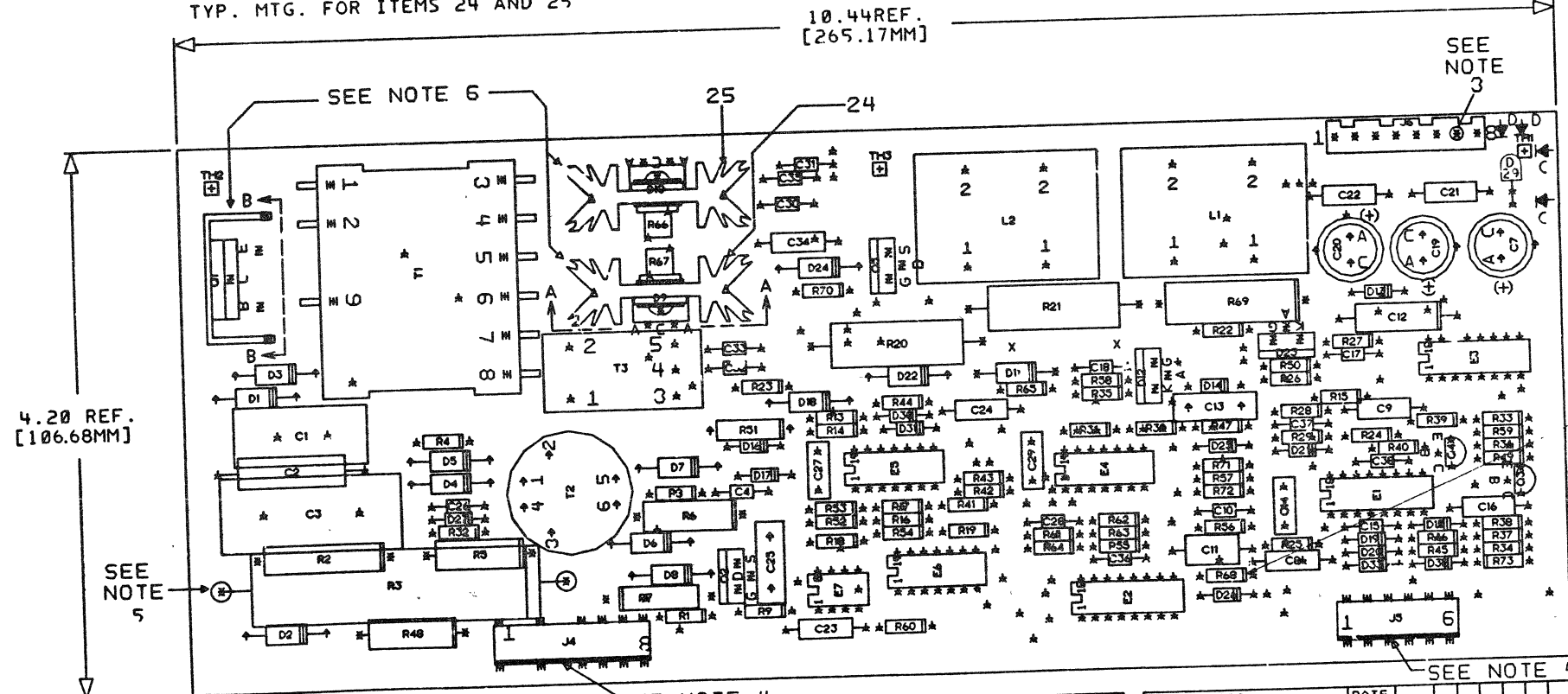
—TOP VIEW—



SECTION A-A
TORQUE SCREW
6 IN/LBS ±10%
TYP. MTG. FOR ITEMS 24 AND 25



SECTION B-B
TORQUE SCREW
8 IN/LBS ±10%



CHK	DRAWN BY	ENGINEER	CHANGE NO.	DATE	REV
DB	P. LENNON	D. CALDERAN	5415580-TH00	7-19-85	E
W	P. DENSMORE	K. BARTON	12-36	12-36	H

CHK	DRAWN BY	ENGINEER	CHANGE NO.	DATE	REV

NOTES: 1. THIS BOARD MEETS REQUIREMENTS FOR U1 RATING HPWR.
2. E2 IS A SPARE I.C.
3. REMOVE PIN 7 OF J6 PRIOR TO INSERTION.
4. DARK SIDE OF CONNECTOR J4, J5.
5. USE SPACERS (ITEM 95) TO RAISE R3 OFF P.C. BOARD. 2 PLACES

STEP E	↑ Y AXIS	STEP	TIMES
REPURT	→ X AXIS	STEP	TIMES

6. Q1D10D9 MUST BE MOUNTED TO HEATSINK BEFORE BEING ATTACHED TO P.C. BOARD.

SIGNATURES DATE
 DRN. M. McDONOUGH 7-19-85
 CHK. D. R. BARRIERE 7-19-85
 MECH. ENG. D. CALDERAN 7-19-85
 PROJ. ENG. D. CALDERAN 7-19-85
 PROD. J. ARAUJO 7-19-85

digital
 TITLE H7217 FCC
 +-15V EXPANDER
 SCALE 2:1
 SHT. 1 OF 2
 TOP DOC. NO. K-DD-5415580-0-0

SIZE CODE NUMBER REV
 D UA 5415580-0-0 H

DUAL 5415580-0-0

MK0 1 wJ# 1109

THIS DRAWING AND THE SPECIFICATIONS HEREIN ARE CONFIDENTIAL AND PROPRIETARY. THEY ARE THE PROPERTY OF DIGITAL EQUIPMENT CORPORATION AND SHALL NOT BE REPRODUCED, COPIED, EITHER WHOLLY OR IN PART, OR TRANSMITTED IN ANY MANNER, OR DISCLOSED TO ANY OTHER PERSON OR ENTITY, WITHOUT THE WRITTEN PERMISSION OF DIGITAL EQUIPMENT CORPORATION. THIS DRAWING AND SPECIFICATIONS ARE PROTECTED UNDER THE FEDERAL COPYRIGHT LAWS.

REWORK INSTRUCTIONS

COMPONENT DELETE:
5-1 DELETE PART NUMBER 1302398-00 (R68)

COMPONENT ADD
5-2 ADD PART NUMBER 1309595-00 (R69)

REVISION HISTORY		
REV	ECC NUMBER	DATE

TITLE
4727 FCC
+ ISX EXPANDER

SIZE CODE	DOCUMENT NUMBER	REV
D	1309595-00	H
SCALE	SHEET	OF 2
MKO	1	

H	1309595-00	D
---	------------	---

SIZE CODE	DOCUMENT NUMBER	REV
D	1309595-00	H

8

7

6

5

4

3

2

MKO

1

D

C

B

A

D

C

B

A

8

6

5

4

3

2

1

LINE ITEM	TOP DOCUMENT	PART NUMBER	MIN REV	DESCRIPTION	QTY PER VAR/REV	REFERENCE DESIGNATORS
					01 E1	
1	1	D-MD-5015579-0-0		50-15579-01	CIRCUIT DRILL & ETCH	1
2	2			10-00022-00	27C PFD 100V +/- 5% 200PP	2
3	3			10-00026-00	680 PFD 100V +/- 5% 200PP	1
4	4			10-01610-00	0.010MFD 50V +80/-20% Z5U C	3
5	5			10-10031-00	0.15 MFD 50V +/-10% M.POL	1
6	6			10-11847-02	0.010MFD 600V +/-10% POLYP	1
7	7			10-12607-00	560 MFD 20V +100/-10% ALU	3
8	8			10-12784-00	0.047MFD 50V +80/-20% Z5U C	6
9	9			10-13203-00	0.010MFD 400V +/-10% M.POL	1
10	10			10-13466-11	0.22 MFD 50V +80/-20% Z5U C	8
11	11			10-13466-12	2200 PFD 50V +/-10% X7R C	6
12	12			10-14170-00	2700 PFD 100V +/- 1% 70PP	2
13	13			10-15202-03	1300 PFD 1600V +/-10% POLYP	1
14	14			10-17472-00	10 MFD 35V +75/-10% ALU	1
15	15			11-05275-00	PIV= 60 IO=300 MA -15NS	13
16	16			11-05796-00	PIV= 400 IO= 1.00A 1M4004 DO-41	2
17	17			11-14384-00	LED 105M _d 35MA GREEN	1
18	18			11-12595-01	PIV= 200 IO= 1.00A AXIAL	8
19	19			11-12595-02	PIV= 600 IO= 1.00A AXIAL	1
20	20			11-15112-00	RECT,ULTRA FAST PIV= 800 IO= 1.0	2
21	21			11-15272-00	RECT,ULTRA FAST PIV= 150 IO= 6.0	1
22	22			11-17061-00	THYRISTOR, VDRM= 25 MC	2
23	23			11-17555-00	RECT,ULTRA FAST PIV= 150 IO= 3.0	2
24	24			12-13921-12	HEAT SINK, EXTRUSION 1.380X1.00	1
25	25			12-13921-13	HEAT SINK, EXTRUSION 1.380X1.50	1
26	26			12-16122-12	PCB, HEADER 08PIN(1X08).156CC KEY	1
27	27			12-17990-02	CONN,P+S 08SKT(1X06).156CC	1
28	28			12-17990-04	CONN,P+S 06SKT(1X06).156CC	1
29	29			12-18419-00	HEAT SINKS, TO-220 1.000X01.1	1
30	30			13-00197-00	33.0 .25 W 5.0 % CF	1
31	31			13-00229-00	100.0 .25 W 5.0 % CF	2
32	32			13-00250-00	150.0 .25 W 5.0 % CF	1

REVISION HISTORY			KPL MODULE FORMAT SECTION A OF A		DRM: J. LIZOTTE	DIGITAL		
ENG	ECO NUMBER	REV	SECTION/VARIATION INDEX	DATE: 23-MAR-84	CHK'D: D. BARRIERE	TITLE	DOCUMENT NUMBER	REV
DC	INITIAL	A	[A] 01	[M]	DATE: 25-JUN-84	H7217 +- 15V FCC EXPANDER		
DC	5415580-TW001	B	[B]	[N]	<i>Shawn F. Wall 12-22-86</i>			
DC	5415580-TW002	C	[C]	[P]	DES. ENG: D. CALDERAN			
DC	5415580-TW003	D	[D]	[Q]	DATE: 23-MAR-84			
DC	5415580-TW004	E	[E]	[R]	<i>Ed Calderan</i>	SIZE: CODE: NUMBER: REV		
JA	5415580-LK005	F	[F]	[S]	RESP. ENG.: D. CALDERAN			
CB	5415580-K006	H	[H]	[T]	DATE: 23-MAR-84	K PL 5415580-0-DBP	H	
			[J]	[V]	<i>Ed Calderan</i>			
			[K]	[W]	MFG. ENG: V. MITCHELL	RELEASE DATE: 11-DEC-86		
			[L]	[Y]	DATE: 23-MAR-84	RELEASE STATUS: RELEASED		
			BASIC PART NUMBER:	ASSEMBLY NUMBER:	TOP DOCUMENT NUMBER:	FILE NAME:	EDIT #	
			5415580	D-UA-5415580-0-0	K-DD-5415580-0-0	5415580H.PLS	1	

"THIS DRAWING AND THE SPECIFICATIONS CONTAINED HEREIN ARE CONFIDENTIAL AND PROPRIETARY. THEY ARE THE PROPERTY OF DIGITAL EQUIPMENT CORPORATION AND SHALL NOT BE REPRODUCED OR COPIED OR USED IN WHOLE OR IN PART AS THE BASIS FOR THE MANUFACTURE OR SALE OF ITEMS WITHOUT WRITTEN PERMISSION. THIS IS AN UNPUBLISHED WORK PROTECTED UNDER THE FEDERAL COPYRIGHT LAWS."

LINE	ITEM	TOP DOCUMENT	PART NUMBER	MIN REV	DESCRIPTION	QTY PER VAR/REV	REFERENCE DESIGNATORS
						01 E1	
33	33		13-00316-00	470.0	.25 W 5.0 X	CF 2	R72,R73
34	34		13-00365-00	1.0 K	.25 W 5.0 X	CF 3	R29,R34,R65
35	35		13-00439-00	3.30 K	.25 W 5.0 X	CF 1	R54
36	36		13-00445-00	4.70 K	.50 W 5.0 X	CF 1	R51
37	37		13-00447-00	4.70 K	.25 W 5.0 X	CF 3	R14,R56,R71
38	38		13-00479-00	10.0 K	.25 W 5.0 X	CF 7	R15,R24,R27,R47,R52,R63,R64
39	39		13-00496-00	15.0 K	.25 W 5.0 X	CF 1	R55
40	40		13-01317-00	10.0	.25 W 5.0 X	CF 2	R13,R32
41	41		13-01320-00	1.20 K	.25 W 5.0 X	CF 1	R45
42	42		13-01423-00	6.80 K	.25 W 5.0 X	CF 1	R46
43	43		13-01425-00	300.0	.25 W 5.0 X	CF 2	R36,R49
44	44		13-02092-00	220.0 K	.25 W 5.0 X	CF 1	R17
45	45		13-09595-00	1.0 M	.25 W 5.0 X	CF 1	R68
46	46		13-02466-00	100.0 K	.25 W 5.0 X	CF 2	R16,R44
47	47		13-02685-00	*** THIS	ITEM IS NOT USED ***	-	
48	48		13-03045-00	3.16 K	.25 W 1.0 X	RN55D-F10 2	R38,R61
49	49		13-05123-00	215.0	.25 W 1.0 X	RN55D-F10 1	R23
50	50		13-05346-00	27.0 K	.25 W 5.0 X	CF 3	R28,R53,R60
51	51		13-05356-00	8.0 K	.25 W 0.10X	RN55C-B 5	R30
52	52		13-05431-00	10.0 K	.25 W 0.1 X	RN55E-B 2	R57
53	53		13-05432-00	5.11 K	.25 W 0.1 X	RN55E-B 2	R58
54	54		13-19470-10	68.0	1.0 W 5.0 X	M.OXIDE 1	R7
55	55		13-09419-00	19.60 K	.25 W 1.0 X	RN55D-F10 1	R37
56	56		13-10631-00	2.21 K	.25 W 1.0 X	RN55D-F10 2	R41,R62
57	57		13-10876-00	.02	5.0 W 3.0 X	WW 1	R21
58	58		13-10876-01	.03	5.0 W 3.0 X	WW 1	R20
59	59		13-11522-00	200.0	.25 W 5.0 X	CF 3	R22,R35,R50
60	60		13-12924-00	10.70 K	.25 W 1.0 X	RN55D-F10 1	R59
61	61		13-12932-00	36.0 K	.25 W 5.0 X	CF 2	R18,R26
62	62		13-13076-00	16.0 K	.25 W 0.1 X	RN55E-B 2	R33,R39
63	63		13-13752-00	15.0 K	.25 W 1.0 X	RN55D-F10 2	R43
64	64		13-14350-00	1.0	2.0 W 10.0 X	FUSE 1	R5
65	65		13-14350-04	.47	2.0 W 5.0X	FLAMEPROO 1	R48
66	66		13-17390-00	2.74 K	.25 W 0.1 X	RN55E-B 2	R31
67	67		13-17398-00	4.22 K	.25 W 1.0 X	RN55D-F10 1	R40
68	68		13-17522-00	1.0	.25 W 5.0 X	CF 1	R1
69	69		13-18039-00	1.0 K	14.0 W 5.0 X	WW 1	R3
70	70		13-19470-19	200.0	1.0 W 5.0 X	M.OXIDE 1	R6
71	71		13-19471-19	220.0	2.0 W 5.0 X	M.OXIDE 1	R69
72	72		13-19471-45	150.0 K	2.0 W 5.0 X	M.OXIDE 1	R2
73	73		13-21270-01		THERMISTOR PTC 100 30%		R66,R67
74	74		15-10705-00	XA 05	NPN 500MW SI 60 50 P		Q4
75	75		15-10706-00	XA 55	PNP 500MW SI 60 50 P		Q3
76	76		15-20265-01	2UV 48A	NPN 150W 450V 15A		Q1
77	77		15-21424-01		FET 150V 2A N-CHNNL		Q2,Q5
78	78		16-20576-01		PULSE XFMR,33KHZ RATIO=1:8:32		T2
79	79		16-21222-01		325.0 UH 6A FILTER INDUCTOR		L1,L2
80	80		16-21223-01		XFMR P=360V S=15VA 6ADC 33KHZ		T1
81	81		16-22792-01		MAGNETIC AMPLIFIER,33KHZ,6A		T3
82	82		19-12107-30		LN 324 BURNED-IN OP AMP,QUA		E4

D I G I T A L		TITLE	SECTION A OF A	SIZE	CODE	DOCUMENT NUMBER	REV
		H7217 +- 15V FCC EXPANDER		K	PL	5415580-0-DBP	H

AUTOMATED BY VAXKPL (V1.3)

P A R T S L I S T

SHEET A3 OF A3

LINE ITEM	TOP DOCUMENT	PART NUMBER	MIN REV	DESCRIPTION	QTY PER VAR/REV	REFERENCE DESIGNATORS
					01 E1	
83		19-12108-80		339 BURNED-IN VOLT CMPRT	1	E6
84		19-14156-80	LM	393 BURNED-IN VOLT COMPA	1	E7
85	SEE NOTE # 35	19-16819-00		3527A MODULATOR,REGULATING	REF	
86		19-16819-80		3527A MODULATOR,REGULATING	1	E3
87		19-17059-00		3543 P.S. SUPERVISORY CIR	1	E1
88		21-17883-00		4011B NAND GATE,QUAD BUFFE	1	E5
89		90-00049-03		SCREW,SEMS TRUSS PHIL 6-	1	
90		90-06557-00		NUT,HEX EXT TOOTH LCKMSHR 4-40	2	
91		90-06560-00		NUT,HEX EXT TOOTH LCKMSHR 6-32	1	
92		90-06653-00		WASHER,FLAT STEEL	1	
93		90-09643-00		SCREW,SEMS PAN PHIL 4-	2	
94		90-09769-00		WASHER,RECTNGLR STEEL	2	
95		90-09798-00		SPACER,CLEAR HOLE RND CERAM .07	2	
96	SEE NOTE # 96	91-05740-55		WIRE(WRAP) 30AWG KYNAR UL14	A/R	
97		13-02391-00		20-0 K .25 W 5.0 X CF	2	R19,R25

85 NOTE: ITEM 85 IS OPTIONAL P/N 1916819-00 CAN BE SUBSTITUTED FOR ITEM 87 P/N 1916819-80.
 96 NOTE: ITEM 86 WILL HAVE A QUANTITY OF 0.86 FEET.

D I G I T A L				TITLE	SECTION A OF A		SIZE	CODE	DOCUMENT NUMBER	REV
				H7217 +- 15V FCC EXPANDER			K	PL	5415580-0-DBP	H

THIS BOARD IS TO BE USED IN THE HP-100 SYSTEM. IT IS A PART OF THE HP-100 SYSTEM. IT IS A PART OF THE HP-100 SYSTEM. IT IS A PART OF THE HP-100 SYSTEM.

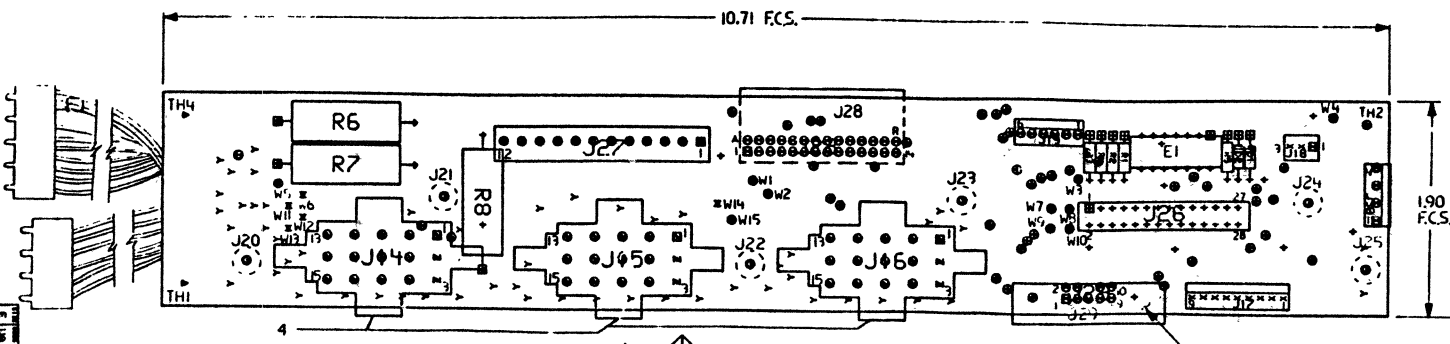
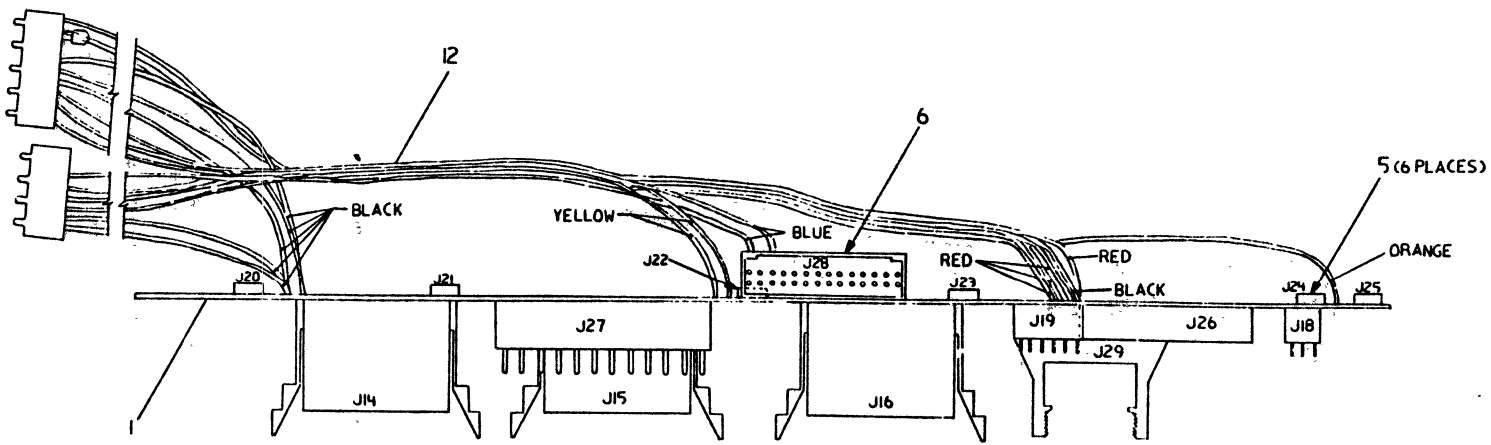


TABLE A (SEE NOTE 3)

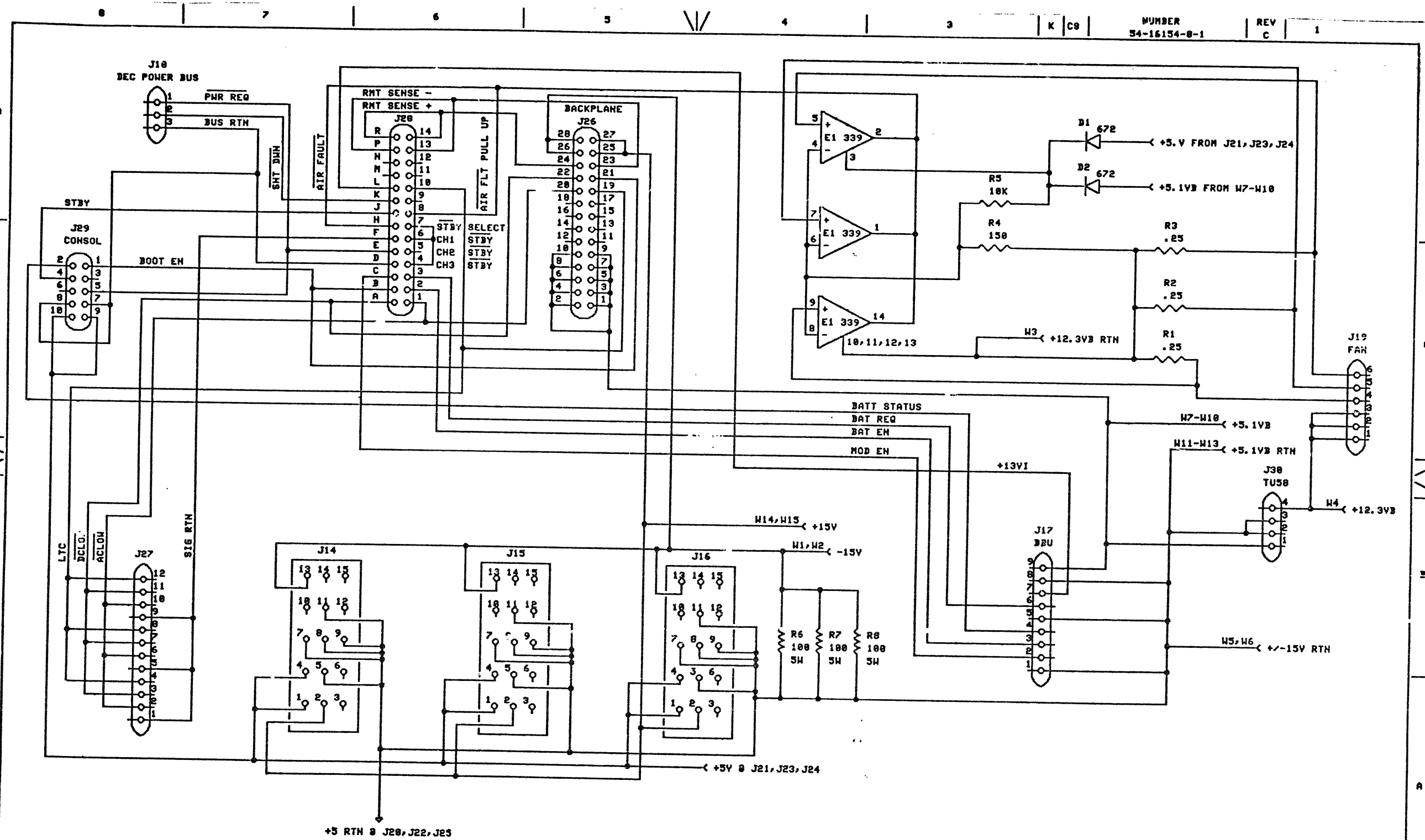
DESIGNATORS	WIRE COLOR	REMARKS
W1-W2	BLUE	+5V
W3	BLACK	+12.1Vd RTN
W4	ORANGE	+12.3Vd
W5-W6	BLACK	+5V RTN
W7-W10	RED	+5.1Vd
W11-W13	BLACK	+5.1Vd RTN
W14-W15	YELLOW	+5V

CHK	DRAWN BY	ENGINEER	CHANGE NO	DATE	REV	CHK	DRAWN BY	ENGINEER	CHANGE NO	DATE	REV
		W. WILLIAMS	TW022	9/28/51	C						

NOTES: THIS BOARD MEETS THE REQUIREMENTS FOR U1 TYPE HPWB.
 1. REMOVE J29-5 BEFORE INSERTION.
 2. USE TABLE 'A' AND DESIGNATORS W1-W15 FOR SOLDERING CABLE HARNESS OTHER THAN THIS BOARD.
 3. J28 IS MOUNTED ON SIDE 2.

ETCH REV. DIP2

SIGNATURES	DATE	TITLE
		digital
		DISTRIBUTION BY
		SCALE 2/1
		SIZE CODE NUMBER REV
		NEXT HIGHER REV. R 100 SURVIV



CHK	CHANGE NO	REV
NR	5416154-TM2	C

THIS DRAWING AND THE SPECIFICATIONS CONTAINED HEREIN ARE CONFIDENTIAL AND PROPRIETARY. THEY ARE THE PROPERTY OF DIGITAL EQUIPMENT CORP. AND SHALL NOT BE REPRODUCED OR COPIED OR USED IN WHOLE OR IN PART AS THE BASIS FOR MANUFACTURE OR SALE OF ITEMS WITHOUT WRITTEN PERMISSION. THIS IS AN UNPUBLISHED WORK PROTECTED UNDER THE FEDERAL COPYRIGHT LAWS. 1985

PAGE 1 OF 1
TOP DGC B-DD-5416154-8

DRN BY THOCAD GROUP	DATE 09-APR-85
CHK BY BOB WILLIAMS	DATE 09-APR-85
ENG DAVID CALDERON	DATE 09-APR-85

TITLE POWER DISTRIBUTION BOARD (PDB)	NUMBER 54-16154-8-1	REV C
--------------------------------------	---------------------	-------

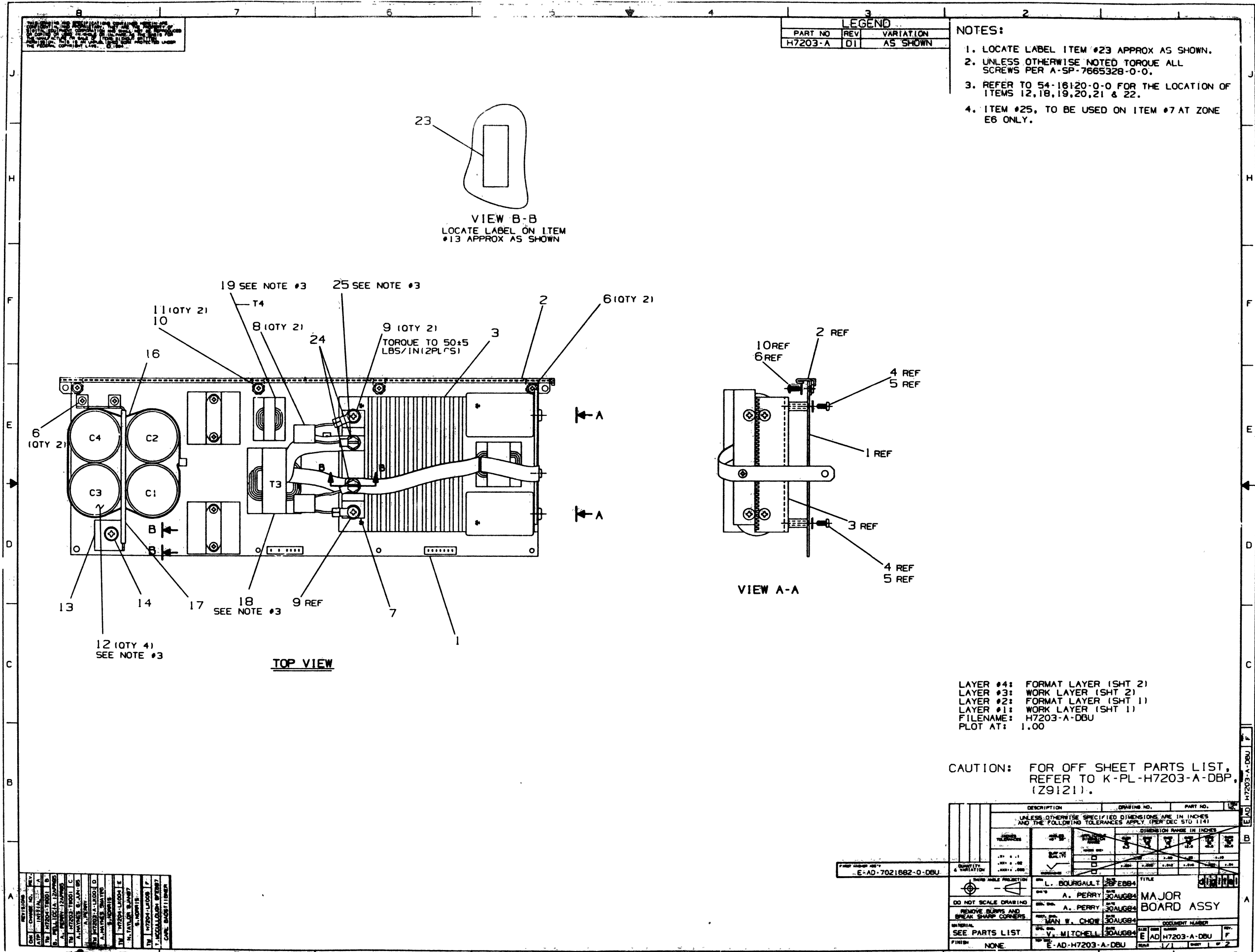
PDB1.DRAW

LINE	ITEM	TOP DOCUMENT	PART NUMBER	MIN REV	DESCRIPTION	QTY PER VAR/REV	REFERENCE DESIGNATORS
1	1		50-16153-01		ETCH CUT BOARD	1	
2	2	BLANK			*** THIS ITEM IS NOT USED ***	-	
3	3						
4	4		12-09350-15		MATE-N-LOK 15SKT(3X05).240CC HSG	3	J14-J16
5	5		12-09456-01		MATE-N-LOK 01SKT 20-18AWG .0870D	45	
6	6		12-14809-01		INSERT,W/O INTERNAL THREADS,THRU	6	J20-J25
7	7		12-16122-01		PCB,HEADER 07PIN(1X07).156CC KEY	1	J28
8	8		12-16652-00		PCB,HEADER 12PIN(1X12).156CC STR	1	J27
9	9		12-18243-01		PCB HEADER 04PIN(1X04).100CC STR	1	J30
10	10		13-00479-00		10.0 K .25 W 5.0 % CF	1	R5
11	11		13-00250-00		150.0 .25 W 5.0 % CF	1	R4
12	12		13-22891-01		.25 .25 W 5.0 % 20	3	R1-R3
13	13		17-00633-01		CABLE ASSY,17COND 18-20AWG W/CON	1	
14	14		19-12108-80		339 BURNED-IN VOLT CMPRT	1	E1
15	15		12-18243-00		PCB HEADER 03PIN(1X03).100CC STR	1	J18
16	16		12-18243-05		PCB HEADER 09PIN(1X09).100CC STR	1	J17
17	17		12-11004-00		PCB,HEADER 28SKT(2X19).100CC	1	J26
18	18		11-05275-00		PIV= 60 IO=300 MA -15NS	2	D1,D2
19	19		12-15341-01		PCB HEADER 10PIN(2X05).100CC STR	1	J29
20	20		12-18243-03		PCB HEADER 06PIN(1X06).100CC STR	1	J19
21	21		13-22542-01		100.0 5.0 W 3.0 % WW	3	R6-R8
			91-05740-55		WIRE(WRAP) 30AWG KYNAR UL14 A/R		

- 1 GEN: 1.ITEM #4,PART #1209456-01 GOES WITH PART #1209350-01.
- 2 GEN: 2.ITEM #12,PART #17-EWS-00 IS 18 AWG WIRE.
- 3 GEN: 3.ITEM #21 WILL HAVE A QUANTITY OF 0.92 FEET.

REVISION HISTORY		KPL MODULE FORMAT		SECTION A OF A		DRN: S.MANSOR		DIGITAL	
ENG	ECO NUMBER	REV	SECTION/VARIATION INDEX	DATE	CHK'D	TITLE	DOCUMENT NUMBER	SIZE	CODE
---	INITIAL	A	[A] 01 [M]	16-FEB-84	E.T.GERRY	PARTS LIST			
DC	5416154-TW001	B	[B] [N]	16-FEB-84		LEM DISTRIBUTION BD. SBB			
DC	5416154-TW002	C	[C] [P]		D.CALDERAN				
			[D] [Q]	16-AUG-84					
			[E] [R]						
			[F] [S]		D.CALDERAN				
			[H] [T]	16-AUG-84					
			[J] [V]						
			[K] [W]		HECTOR M. ORTIZ				
			[L] [Y]	16-AUG-84					
						RELEASE DATE: 24-MAR-86			
						RELEASE STATUS: RELEASED			
			BASIC PART NUMBER:	ASSEMBLY NUMBER:	TOP DOCUMENT NUMBER:	FILE NAME:	EDIT #		
			5416154	E-UA-5416154-0-0	B-DD-5416154-0-0	TW076C.PLS	4		

"THIS DRAWING AND THE SPECIFICATIONS CONTAINED HEREIN ARE CONFIDENTIAL AND PROPRIETARY. THEY ARE THE PROPERTY OF DIGITAL EQUIPMENT CORPORATION AND SHALL NOT BE REPRODUCED OR COPIED OR USED IN WHOLE OR IN PART AS THE BASIS FOR THE MANUFACTURE OR SALE OF ITEMS WITHOUT WRITTEN PERMISSION. THIS IS AN UNPUBLISHED WORK PROTECTED UNDER THE FEDERAL COPYRIGHT LAWS."



LEGEND		
PART NO	REV	VARIATION
H7203-A	01	AS SHOWN

- NOTES:
1. LOCATE LABEL ITEM #23 APPROX AS SHOWN.
 2. UNLESS OTHERWISE NOTED TORQUE ALL SCREWS PER A-SP-7665328-0-0.
 3. REFER TO 54-16120-0-0 FOR THE LOCATION OF ITEMS 12, 18, 19, 20, 21 & 22.
 4. ITEM #25, TO BE USED ON ITEM #7 AT ZONE E8 ONLY.

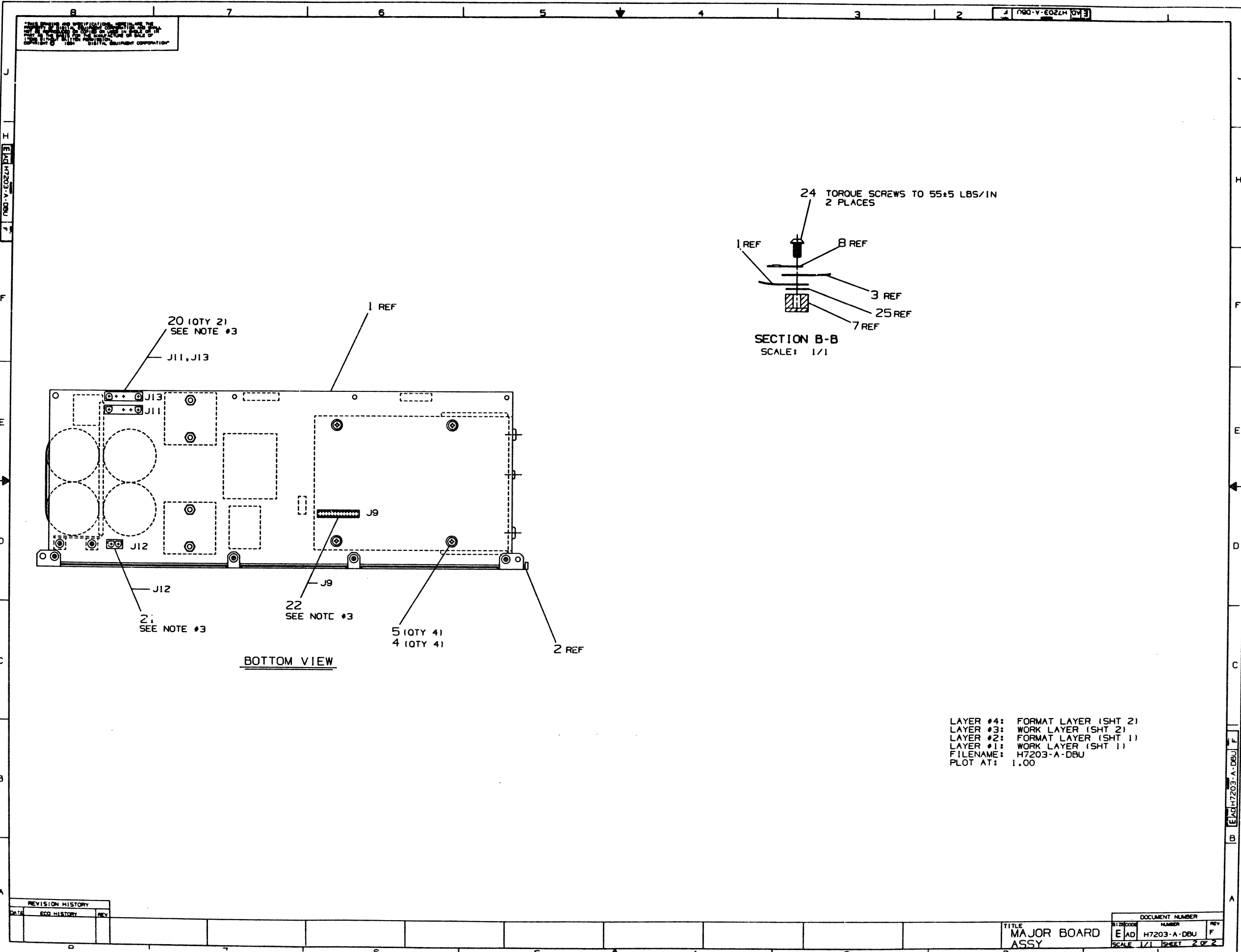
LAYER #4: FORMAT LAYER (SHT 2)
 LAYER #3: WORK LAYER (SHT 2)
 LAYER #2: FORMAT LAYER (SHT 1)
 LAYER #1: WORK LAYER (SHT 1)
 FILENAME: H7203-A-DBU
 PLOT AT: 1.00

CAUTION: FOR OFF SHEET PARTS LIST, REFER TO K-PL-H7203-A-DBP, (Z9121).

REV	DATE	BY	CHKD
01	10/11/82	A. PERRY	L. BOURGALL
02	11/11/82	A. PERRY	L. BOURGALL
03	12/11/82	A. PERRY	L. BOURGALL
04	01/11/83	A. PERRY	L. BOURGALL
05	02/11/83	A. PERRY	L. BOURGALL
06	03/11/83	A. PERRY	L. BOURGALL
07	04/11/83	A. PERRY	L. BOURGALL
08	05/11/83	A. PERRY	L. BOURGALL
09	06/11/83	A. PERRY	L. BOURGALL
10	07/11/83	A. PERRY	L. BOURGALL
11	08/11/83	A. PERRY	L. BOURGALL
12	09/11/83	A. PERRY	L. BOURGALL
13	10/11/83	A. PERRY	L. BOURGALL
14	11/11/83	A. PERRY	L. BOURGALL
15	12/11/83	A. PERRY	L. BOURGALL
16	01/11/84	A. PERRY	L. BOURGALL
17	02/11/84	A. PERRY	L. BOURGALL
18	03/11/84	A. PERRY	L. BOURGALL
19	04/11/84	A. PERRY	L. BOURGALL
20	05/11/84	A. PERRY	L. BOURGALL
21	06/11/84	A. PERRY	L. BOURGALL
22	07/11/84	A. PERRY	L. BOURGALL
23	08/11/84	A. PERRY	L. BOURGALL
24	09/11/84	A. PERRY	L. BOURGALL
25	10/11/84	A. PERRY	L. BOURGALL

DESCRIPTION		DRAWING NO.	PART NO.	REV
UNLESS OTHERWISE SPECIFIED DIMENSIONS ARE IN INCHES AND THE FOLLOWING TOLERANCES APPLY (PER DEC STD 1141)				
TOLERANCES	FRACTIONS	DECIMALS	DIMENSION RANGE IN INCHES	
.125 ± .015	1/16"	0.001 - 0.009	0.000 - 0.009	0.000 - 0.009
.125 ± .015	1/16"	0.010 - 0.049	0.010 - 0.049	0.010 - 0.049
.125 ± .015	1/16"	0.050 - 0.249	0.050 - 0.249	0.050 - 0.249
.125 ± .015	1/16"	0.250 - 1.000	0.250 - 1.000	0.250 - 1.000
QUANTITY & VARIATION		TITLE		
E-AD-7021682-0-DBU		L. BOURGALL 30AUG84		
DO NOT SCALE DRAWING		A. PERRY 30AUG84		
REMOVE BURRS AND BREAK SHARP CORNERS		A. PERRY 30AUG84		
SEE PARTS LIST		MAN W. CHOW 30AUG84		
FINISH NONE		V. MITCHELL 30AUG84		
		E-AD-H7203-A-DBU		
		MAJOR BOARD ASSY		
		DOCUMENT NUMBER		
		E AD H7203-A-DBU		
		REV 1 OF 2		

H7203-A-DBU



THIS DRAWING OR SPECIFICATION OR ANY PART THEREOF IS THE PROPERTY OF THE COMPANY AND IS NOT TO BE REPRODUCED OR TRANSMITTED IN ANY FORM OR BY ANY MEANS, ELECTRONIC OR MECHANICAL, INCLUDING PHOTOCOPYING, RECORDING, OR BY ANY INFORMATION STORAGE AND RETRIEVAL SYSTEM, WITHOUT THE WRITTEN PERMISSION OF THE COMPANY.

LAYER #4: FORMAT LAYER (SHT 2)
 LAYER #3: WORK LAYER (SHT 2)
 LAYER #2: FORMAT LAYER (SHT 1)
 LAYER #1: WORK LAYER (SHT 1)
 FILENAME: H7203-A-DBU
 PLOT AT: 1.00

REVISION HISTORY		
DATE	ECO HISTORY	REV

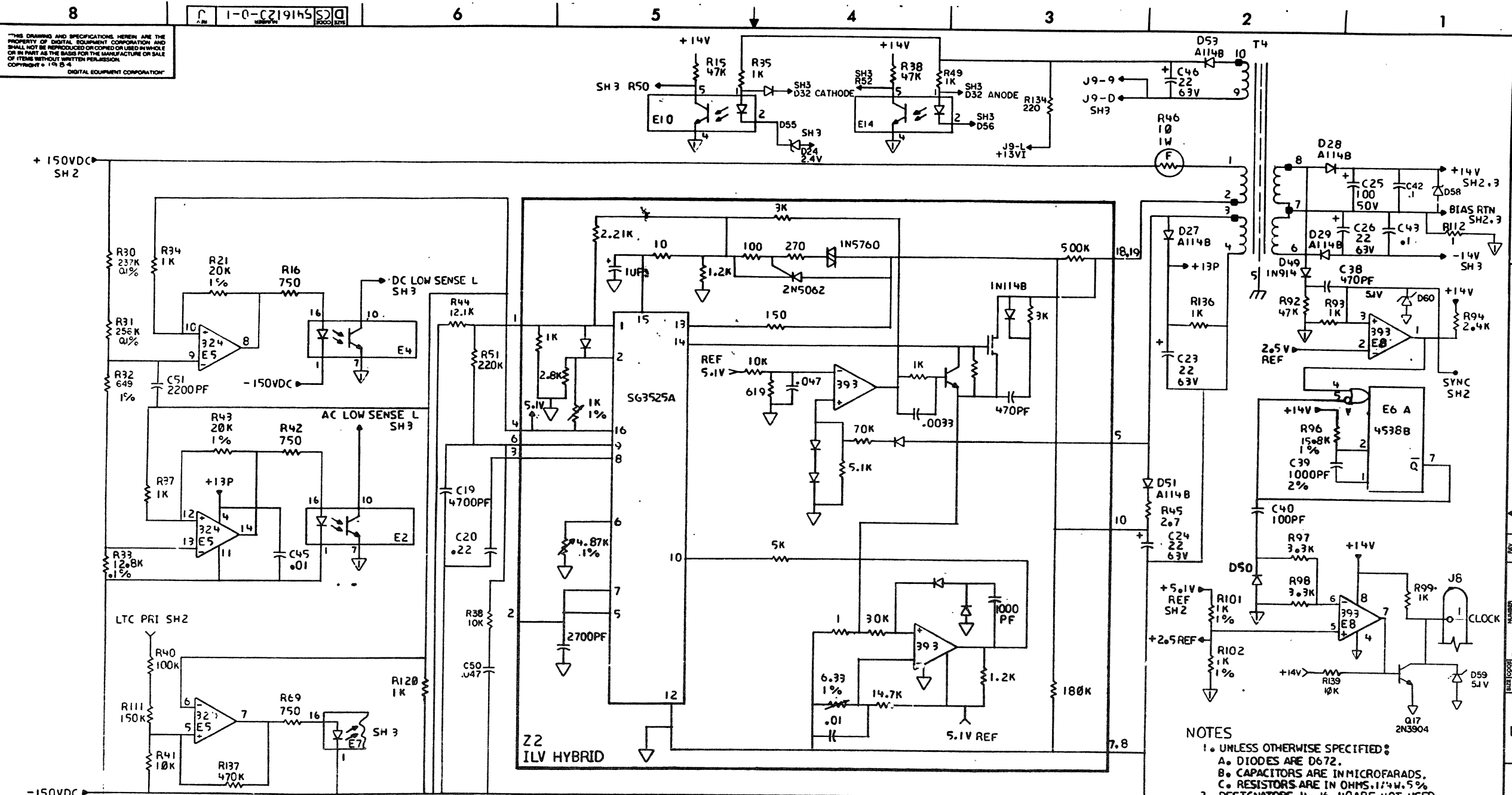
TITLE	MAJOR BOARD ASSY	DOCUMENT NUMBER	H7203-A-DBU
SCALE	1/1	SHEET	2 OF 2

LINE	ITEM	TOP DOCUMENT	PART NUMBER	MIN REV	DESCRIPTION	QTY PER VAR/REV	REFERENCE DESIGNATORS
1	1	E-UA-5416120-0-0	54-16120-01	J	ENHANCED LEM P.S	1	
2	2	D-IA-7429748-0-DBU	74-29748-01		BRACKET, MOTHER BOARD	1	
3	3	D-AD-7021667-0-DBU	70-21667-01		HEAT SINK ASSY.	1	
4	4		90-09701-00		SCREW, SEMS PAN PHIL 6-	4	
5	5		90-06656-00		WASHER, FLAT STEEL	4	
6	6		90-10174-00		SCREW, SEMS PAN PHIL 6-	4	
7	7		11-20811-01		SCHOTTKY PIV= 50 IO=200.0A	1	
8	8	B-IA-7021668-0-DBU	70-21668-01		SNUBBER ASSY.	2	
9	9		90-06056-01		SCREW, MACH PAN PHIL 1/4-	2	
10	10		90-06659-00		WASHER, FLAT S/PAS	1	
11	11		90-09984-02		SCREW, SEMS PAN PHIL 6-	2	
12	12		10-22889-01		3000 MFD 200V +75/-10% ALU	4	C1-C4
13	13	C-MD-7430094-0-DBU	74-30094-01		BRACKET, CAPACITOR	1	
14	14		90-09282-00		SCREW, SEMS PAN PHIL 10-	1	
15	15		90-06664-00		*** THIS ITEM IS NOT USED ***	-	
16	16		90-10006-00		TIE, CABLE BUNDL. DIA -4" TYPE=101	1	
17	17	#SEE NOTE	90-07035-00		GROMMET, CATERPILLAR POLYAMIDE	A/R	
18	18		16-22685-01		XFMR, OUTPUT POWER, 33KHZ, 200-380V	1	T3
19	19		16-23371-01		XFMR, POWER 33KHZ P=200-370V	1	T4
20	20		12-12297-13		MATE-N-LOK 05PIN(1X05).250CC HDR	2	J11, J13
21	21		12-12297-00		MATE-N-LOK 02PIN(1X02).250CC HDR	1	J12
22	22		12-11004-00		PCB, HEADER 28SKT(2X19).100CC	1	J9
23	23		90-09255-03		LABEL, P.S./SUB.ASSY ID	1	
24	24		90-09988-00		SCREW, SEMS HEX SLOT 1/4-	2	
25	25		90-06646-00		WASHER, FLAT SST	1	

1 GEN: ITEM #17 TO BE 4.25" LONG.

REVISION HISTORY			KPL MODULE FORMAT		SECTION A OF A		DRN: S. CORCORAN		DIGITAL				
ENG	ECO NUMBER	REV	SECTION/VARIATION INDEX		DATE: 14-JAN-87		CHK'D: T. MCCULLOUGH		TITLE PARTS LIST				
---	INITIAL	A	[A]	A	[M]	DATE: 14-JAN-87		TITLE PARTS LIST		MAJOR BOARD ASSEMBLY			
AP	H7204-TW001	B	[B]		[N]	DES. ENG: A. PERRY		DOCUMENT NUMBER					
AP	H7203-TW001	C	[C]		[P]	DATE: 30-AUG-84		SIZE CODE		NUMBER		REV	
SN	H7203-A-LK001	D	[D]		[Q]	RESP. ENG.: MAN W. CHOW		K		PL		H7203-A-DBP	F
SN	H7204-LK004	E	[E]		[R]	DATE: 30-AUG-84		MFG. ENG: V. MITCHELL		RELEASE DATE: 05-MAR-87		RELEASE STATUS: RELEASED	
CB	H7204-LK005	F	[F]		[S]								
			[H]		[T]								
			[J]		[V]								
			[K]		[W]								
			[L]		[Y]								
BASIC PART NUMBER:			ASSEMBLY NUMBER:		TOP DOCUMENT NUMBER:		FILE NAME:		EDIT #				
H7203			E-AD-7021682-0-DBU		E-AD-H7203-A-DBU		Z9121F.PLS		1				

"THIS DRAWING AND THE SPECIFICATIONS CONTAINED HEREIN ARE CONFIDENTIAL AND PROPRIETARY. THEY ARE THE PROPERTY OF DIGITAL EQUIPMENT CORPORATION AND SHALL NOT BE REPRODUCED OR COPIED OR USED IN WHOLE OR IN PART AS THE BASIS FOR THE MANUFACTURE OR SALE OF ITEMS WITHOUT WRITTEN PERMISSION. THIS IS AN UNPUBLISHED WORK PROTECTED UNDER THE FEDERAL COPYRIGHT LAWS."



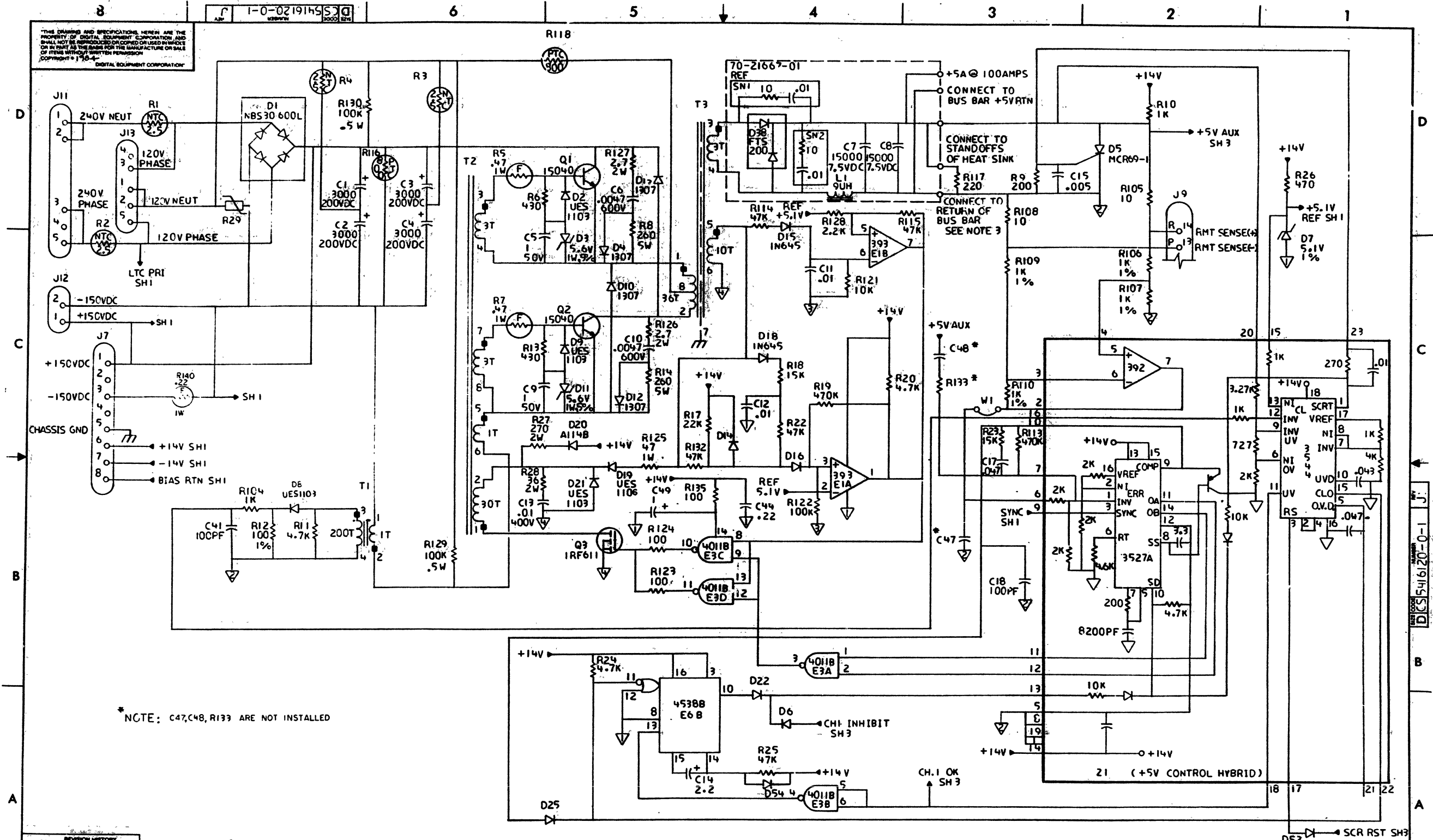
THIS DRAWING AND SPECIFICATIONS HEREIN ARE THE PROPERTY OF DIGITAL EQUIPMENT CORPORATION AND SHALL NOT BE REPRODUCED OR COPIED OR USED IN WHOLE OR IN PART AS THE BASIS FOR THE MANUFACTURE OR SALE OF ITEMS WITHOUT WRITTEN PERMISSION.
COPYRIGHT © 1984 D-E
DIGITAL EQUIPMENT CORPORATION

- NOTES
- UNLESS OTHERWISE SPECIFIED:
A. DIODES ARE D672.
B. CAPACITORS ARE IN MICROFARADS.
C. RESISTORS ARE IN OHMS, 1% 5%.
 - DESIGNATORS J1-J6, J10 ARE NOT USED.
 - EXTERNAL CONNECTION MUST BE MADE WHEN NOT USING A BUSBAR.

REV.	DATE	BY	CHKD.	APP'D.	DESCRIPTION
1	7-28-84	STU KEIR			INITIAL DESIGN
2	9-28-84	STU KEIR			REVISED FOR MANUFACTURE
3	9-28-84	STU KEIR			REVISED FOR MANUFACTURE
4	9-28-84	STU KEIR			REVISED FOR MANUFACTURE
5	9-28-84	STU KEIR			REVISED FOR MANUFACTURE
6	9-28-84	STU KEIR			REVISED FOR MANUFACTURE
7	9-28-84	STU KEIR			REVISED FOR MANUFACTURE
8	9-28-84	STU KEIR			REVISED FOR MANUFACTURE

DESIGNED BY G. D. Angelo	DATE 9-3-84	TITLE digital
CHECKED BY D. N. Williams	DATE 7-28-84	ENHANCED LEM PS.
APP'D. BY D. Stewart Keir	DATE 9-28-84	DOCUMENT NUMBER D KS 5416120-0-1 J
REVISED BY D. Stewart Keir	DATE 9-28-84	SCALE K-DD-5416120-0-0

THIS DRAWING AND SPECIFICATIONS HEREIN ARE THE PROPERTY OF DIGITAL EQUIPMENT CORPORATION AND SHALL NOT BE REPRODUCED OR COPIED OR USED IN WHOLE OR IN PART AS THE BASIS FOR THE MANUFACTURE OR SALE OF ITEMS WITHOUT WRITTEN PERMISSION. COPYRIGHT © 1964. DIGITAL EQUIPMENT CORPORATION

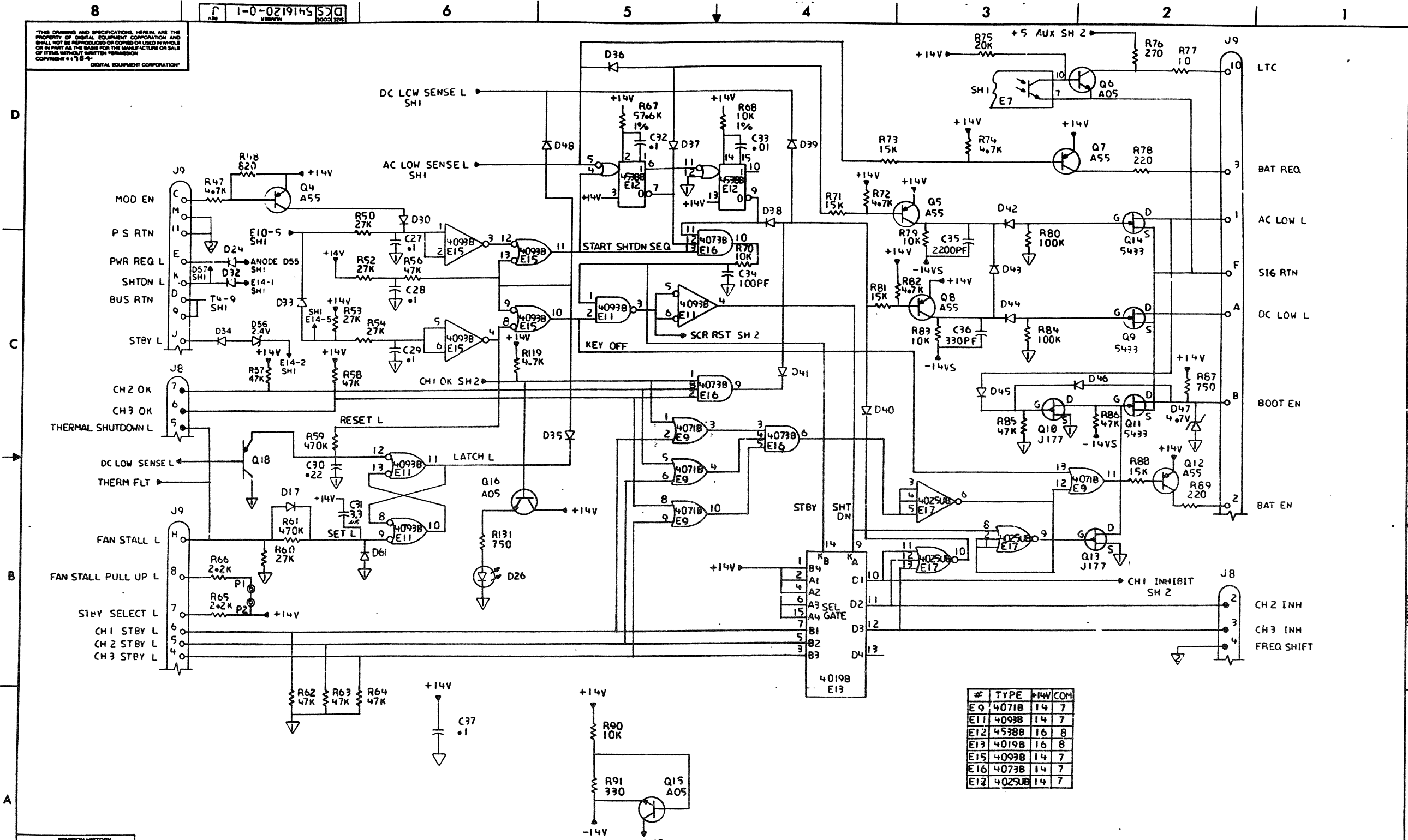


*NOTE: C47, C48, R133 ARE NOT INSTALLED

REVISION HISTORY		
DATE	ECC NUMBER	REV

TITLE		DOCUMENT NUMBER	
ENHANCED LEM P.S.		DCS 5416120-0-1	
SCALE		SHEET 2 OF 3	

THIS DRAWING AND SPECIFICATIONS HEREIN ARE THE PROPERTY OF DIGITAL EQUIPMENT CORPORATION AND SHALL NOT BE REPRODUCED OR COPIED OR USED IN WHOLE OR IN PART AS THE BASIS FOR THE MANUFACTURE OR SALE OF ITEMS WITHOUT WRITTEN PERMISSION.
 COPYRIGHT © 1978-79
 DIGITAL EQUIPMENT CORPORATION



#	TYPE	+14V/COM
E9	4071B	14 7
E11	4093B	14 7
E12	4538B	16 8
E13	4019B	16 8
E15	4093B	14 7
E16	4073B	14 7
E17	4025UB	14 7

REVISION HISTORY		
DATE	ECO NUMBER	REV.

TITLE
ENHANCED LEM P.S.

SIZE CODE	DOCUMENT NUMBER	REV
DCS	5416120-C-1	J

SCALE SHEET 3 OF 3

LINE	ITEM	TOP DOCUMENT	PART NUMBER	MIN REV	DESCRIPTION	QTY	PER VAR/REV	REFERENCE DESIGNATORS
						01		
						J2		
1	1		50-16119-01	H	DRILL AND ETCH	1		
2	2		10-01383-00		4700 PFD 100V +/- 3% 200PP	1		C19
3	3		10-01765-00		5000 PFD 100V +/- 20% Z5T	1		C15
4	4		10-02627-00		2.2 MFD 20V +/- 10% SOL	1		C14
5	5		10-05334-00		3.3 MFD 20V +/- 10% SOL	1		C31
6	6		10-10274-02		1.0 MFD 50V +80/-20% Z5U C	3		C5,C9,C49
7	7	BLANK			*** THIS ITEM IS NOT USED ***	-		
8	8		10-11847-01		0.010MFD 400V +/- 10% POLYP	1		C13
9	9		10-11847-03		4700 PFD 600V +/- 10% POLYP	2		C6,C10
10	10		10-12784-00		0.047MFD 50V +80/-20% Z5U C	2		C17,C50
11	11		10-13466-06		100 PFD 50V +/- 5% NPO C	4		C18,C34,C40,C41
12	12		10-13466-11		0.22 MFD 50V +80/-20% Z5U C	3		C20,C30,C44
13	13		10-13466-12		2200 PFD 50V +/- 10% X7R C	2		C35,C51
14	14		10-13466-16		0.010MFD 50V +/- 10% X7R C	4		C11,C12,C33,C45
15	15		10-13466-18		330 PFD 50V +/- 5% NPO C	1		C36
16	16		10-13466-19		470 PFD 50V +/- 5% NPO C	1		C38
17	17		10-13466-22		0.10 MFD 50V +80/-20% Z5U C	6		C27-C29,C37,C42,C43
18	18		10-13466-36		1000 PFD 50V +/- 2% NPO C	1		C39
19	19		10-23072-01		100 MFD 50V +75/-10% ALU	1		C25
20	20		10-23976-01		22 MFD 63V +/- 20% ALU	4		C23,C26,C26,C46
21	21		11-00124-00		VZ= 4.7 5% 400 MW 1N750A	1		D47
22	22		11-05275-00		PIV= 60 IO=300 MA -15MS	28		D6,D14,D16,D17,D22,D24,D25,D30, CONT D32-D46,D48,D50,D52,D54,D57
23	23		11-05314-00		PIV= 225 IO= .40A 1N645 DO-7	2		D15,D18
24	24		11-05871-00		VZ= 5.15 1% 250 MW	3		D7,D59,D60
25	25		11-09197-00		VZ= 5.6 5% 1 N 1N4734A	2		D3,D11
26	26		11-09517-00		PIV= 75 IO=150 MA - 4MS 1N914B	1		D49
27	27		11-12595-01		PIV= 200 IO= 1.00A AXIAL	6		D20,D27-D29,D51,D53
28	28		11-14245-00		RECT. ASSY PIV= 600 IO=30.00A	1		D1
29	29		11-15465-01		RECT. ULTRA FAST PIV=150 IO= 2.0	4		D2,D8,D9,D21
30	30		11-17061-00		THYRISTOR, VDRM= 25 MC	1		D5
31	31		11-17373-00		LED ASSY GREEN	1		D26

REVISION HISTORY		KPL MODULE FORMAT		SECTION A OF A1DRN:		M. DENSMORE	
ENG	ECO NUMBER	REV	SECTION/VARIATION INDEX	DATE:	16-FEB-88	DIGITAL	
SK	INITIAL	A	[A] 01	CHK'D:	D. JANUSKIEWICZ	TITLE PARTS LIST	
SK	5416160-TW001	B	[B]	DATE:	16-FEB-88	ENHANCED LEM P.S.	
SK	5416120-TW002	C	[C]	DES. ENG:	C. BADSTIBNER		
SK	5416120-TW004	D	[D]	DATE:	16-FEB-88	DOCUMENT NUMBER	
SK	5416120-TW005	E	[E]	RESP. ENG.:	J. ARRUJO	SIZE:	NUMBER
JA	5416120-LK006	F	[F]	DATE:	16-FEB-88	K	PL
SK	5416120-LK007	H	[H]	DATE:	16-FEB-88	5416120-0-DBP	K
CB	H7204-LK005	J	[J]	MFG. ENG.:	A. RIVERA	RELEASE DATE: 16-FEB-88	
CB	5416120-MK008	K	[K]	DATE:	16-FEB-88	RELEASE STATUS: RELEASED	
			[L]				
			[Y]				
BASIC PART NUMBER:		ASSEMBLY NUMBER:		TOP DOCUMENT NUMBER:		FILE NAME:	
5416120		D-UA-5416120-0-0		K-DD-5416120-0-0		5416120K.PLS	
						EDIT #	
						2	

"THIS DRAWING AND THE SPECIFICATIONS CONTAINED HEREIN ARE CONFIDENTIAL AND PROPRIETARY. THEY ARE THE PROPERTY OF DIGITAL EQUIPMENT CORPORATION AND SHALL NOT BE REPRODUCED OR COPIED OR USED IN WHOLE OR IN PART AS THE BASIS FOR THE MANUFACTURE OR SALE OF ITEMS WITHOUT WRITTEN PERMISSION. THIS IS AN UNPUBLISHED WORK PROTECTED UNDER THE FEDERAL COPYRIGHT LAWS."

AUTOMATED BY VAXKPL (V1.3)

PARTS LIST

SHEET A2 OF A4

LINE	ITEM	TOP DOCUMENT	PART NUMBER	MIN REV	DESCRIPTION	QTY	PER VAR/REV	REFERENCE DESIGNATORS
32	32		11-20562-01		PIV=500 I=33A 50WS	4		D4, D10, D12, D13
33	33		12-14255-14		HEAT SINK, TO-3	2		
34	34		12-16122-01		PCB, HEADER 07PIN(1X07), 156CC KEY	1		J8
35	35		12-18241-00		PCB, HEADER 06PIN(1X08), 156CC STR	1		J7
36	36		13-00229-00		100.0 .25 W 5.0 X CF	3		R123, R124, R135
37	37		13-00271-00		220.0 .25 W 5.0 X CF	4		R78, R89, R117, R136
38	38		13-00295-00		330.0 .25 W 5.0 X CF	1		R91
39	39		13-00316-00		470.0 .25 W 5.0 X CF	1		R26
40	40		13-00365-00		1.0 K .25 W 5.0 X CF	10		R10, R34, R35, R37, R49, R93, R99, CONT R104, R120, R136
41	41		13-00417-00		2.20 K .25 W 5.0 X CF	3		R65, R66, R128
42	42		13-00439-00		3.30 K .25 W 5.0 X CF	2		R97, R98
43	43	BLANK			*** THIS ITEM IS NOT USED ***	-		
44	44		13-00447-00		4.70 K .25 W 5.0 X CF	8		R11, R20, R24, R47, R72, R74, R82, CONT R119
45	45		13-00479-00		10.0 K .25 W 5.0 X CF	8		R41, R70, R79, R83, R90, R121, R138, CONT R139
46	46		13-00496-00		15.0 K .25 W 5.0 X CF	6		R18, R23, R71, R73, R81, R88
47	47		13-01317-00		10.0 .25 W 5.0 X CF	3		R77, R105, R108
48	48		13-01401-00		750.0 .25 W 5.0 X CF	5		R16, R42, R69, R87, R131
49	49		13-01775-00		820.0 .25 W 5.0 X CF	1		R48
50	50		13-01808-00		22.0 K .25 W 5.0 X CF	1		R17
51	51		13-01972-00		270.0 .25 W 5.0 X CF	1		R76
52	52		13-02092-00		220.0 K .25 W 5.0 X CF	1		R51
53	53		13-02177-00		47.0 K .25 W 5.0 X CF	16		R15, R22, R25, R38, R56-R58, CONT R62-R64, R85, R86, R92, R114, R115, CONT R132
54	54	BLANK			*** THIS ITEM IS NOT USED ***	-		
55	55		13-02391-00		20.0 K .25 W 5.0 X CF	1		R75
56	56		13-02396-00		150.0 K .25 W 5.0 X CF	1		R111
57	57		13-02398-00		470.0 K .25 W 5.0 X CF	5		R19, R59, R61, R113, R137
58	58		13-02466-00		100.0 K .25 W 5.0 X CF	4		R40, R80, R84, R122
59	59		13-02858-00		100.0 .25 W 1.0 X RN55D-F10	1		R12
60	60		13-03114-00		1.0 K .25 W 1.0 X RN55D-F10	6		R101, R102, R106, R107, R109, R110
61	61		13-03177-00		2.40 K .25 W 5.0 X CF	1		R94
62	62		13-03312-00		10.0 K .25 W 1.0 X RN55D-F10	1		R68
63	63		13-05346-00		27.0 K .25 W 5.0 X CF	5		R50, R52-R54, R60
64	64		13-09963-00		260.0 5.0 W 3.0 X MW	2		R8, R14
65	65	BLANK			*** THIS ITEM IS NOT USED ***	-		
66	66		13-11522-00		200.0 .25 W 5.0 X CF	1		R9
67	67		13-11996-01		VARISTOR 150VAC VOLT TRANS SUP	1		R29
68	68		13-12482-00		2.70 .25 W 5.0 X CF	1		R45
69	69	BLANK			*** THIS ITEM IS NOT USED ***	-		
70	70		13-13077-00		12.80 K .25 W 0.1 X RN55E-B 2	1		R33
71	71		13-13150-00		430.0 .25 W 5.0 X CF	2		R6, R13
72	72		13-13596-00		20.0 K .25 W 1.0 X RN55D-F10	2		R21, R43
73	73		13-14270-02		THERMISTOR NTC 2.5 25X	4		R1-R4
74	74		13-14350-04		.47 2.0 W 5.0 X MW FUS	2		R5, R7
75	75		13-18546-06		15.80 K .25 W 1.0 X RN55D-F10	1		R96
76	76		13-15518-02		10.0 1.0 W10.0 X MW FUS	1		R46

DIGITAL	TITLE	SECTION A OF A	SIZE	CODE	DOCUMENT NUMBER	REV
	ENHANCED LEM P.S.		K	PL	5416120-0-DBP	K

AUTOMATED BY VAXKPL (V1.3)

PARTS LIST

SHEET A3 OF A4

LINE	ITEM	TOP DOCUMENT	PART NUMBER	MIN REV	DESCRIPTION	QTY	PER VAR/REV	REFERENCE DESIGNATORS
						01		
						J2		
77	77		13-16506-00	100.0	K .50 W 5.0 X CF	2		R129,R130
78	78		13-17522-00	1.0	.25 W 5.0 X CF	1		R112
79	79		13-18546-15	57.60	K .25 W 1.0 X RN55D-F10	1		R67
80	80		13-19255-20	47.0	1.0 W 5.0 X M.OXIDE	1		R125
81	81		13-19471-06	36.0	2.0 W 5.0 X M.OXIDE	1		R28
82	82		13-19471-20	270.0	2.0 W 5.0 X M.OXIDE	1		R27
83	83		13-20602-10	2.70	2.0 W 5.0 X M.OXIDE	2		R126,R127
84	84		13-22890-02		THERMISTOR PTC 800 30X	2		R116,R118
85	85		15-10705-00		XA 05 NPN 500MW SI 60 50 P	3		Q6,Q15,Q16
86	86		15-10706-00		XA 55 PNP 500MW SI 60 50 P	6		Q4,Q5,Q7,Q8,Q12,Q18
87	87		15-11686-01		FET N 350MW T0-92	3		Q9,Q11,Q14
88	88		15-17832-00	J 177	FET 360MW SI P CHNML	2		Q10,Q13
89	89		15-20610-01		NPN 175W 80A 650V	2		Q1,Q2
90	90		15-21424-01		FET 150V 2A N-CHNML	1		Q3
91	91		16-21176-01		XFMR,CURRENT RATIO 200:1 33KHZ	1		T1
92	92		16-22686-01		XFMR,BASE DRIVE,RATIO 30:3:3:1,3	1		T2
93	93		19-12107-00		324 OP AMP,QUAD	1		E5
94	94		19-14156-00	LM	393 VOLT-COMPARATOR DUAL	2		E1,E8
95	95		19-14194-00		OPTP-COUPLED ISOLATOR	2		E10,E14
96	96		19-22364-01		OPTOCOUPLER HI ISOLATION 8KV 4P	3		E2,E4,E7
97	97		20-21063-02		HYBRID,INTERNAL LOW VOLTAGE MODU	1		Z2
98	98		20-22943-01		HYBRID,CONTROL 5.0V	1		Z1
99	99		21-13612-00		4019B AND-OR SELECT GATE-8	1		E13
100	100		21-13615-00		4025SUBNOR GATE-TRIPLE 3IN	1		E17
101	101		21-13635-00		4071B OR GATE-QUAD 2IN CHO	1		E9
102	102		21-13637-00		4073B AND GATE-TRIPLE 3IN	1		E16
103	103		21-13644-00		4093B NAND GATE-QUAD 2IN C	2		E11,E15
104	104		21-17883-00		4011B NAND GATE,QUAD BUFFE	1		E3
105	105		21-22143-01		M4538B DUAL PREC MONOSTABLE	2		E6,E12
106	106		74-30840-01		GUIDE,HYBRID	2		
107	107		90-06018-01		SCREW,MACH PAN PHIL 4-	2		
108	108		90-06632-00		WASHER,LOCK INTERNAL STEEL	2		
109	109		90-06659-00		WASHER,FLAT S/PAS	4		
110	110		90-09111-02		INSERT,THREAD PC BOARD	2		
111	111		90-09111-03		INSERT,THREAD PC BOARD	9		
112	112		90-09185-00		JUMPER, WIRE, INSULATED, BLACK 8	1		W1
113	113		90-09676-00		TERM,SOLDER BARRIER STR	4		
114	114		90-09798-00		SPACER,CLEAR HOLE RND CERAM .07	14		
115	115		90-07794-01		SCREW,MACH PAN PHIL 6-	4		
116	116		90-10531-01		STANDOFF,SNAGE ROUND 10-32	1		
117	117	SEE NOTE # 117	91-07796-88		WIRE, 22AWG(07/30)IPVC 300VT	A/R		
118	118		11-17721-02		TRANS,SUPP. 16V 5W	1		D58
119	119		11-01938-00		VZ= 2.4 5X 400 MW 1N4370A	2		D55,D56
120	120		90-06731-00		EYELET,SERRATED TP 0.04600DX0.08	3		
121	121	SEE NOTE # 121	91-05740-55		WIRE(WRAP) 30AWG KYMAR UL14	A/R		
122	122		13-15437-00	237.0	K .25 W 1.0 X RN55D-F10	1		R30
123	123		13-05517-00	256.0	K .25 W 0.1 X RN55E-B 2	1		R31
124	124		13-12921-00	649.0	.25 W 1.0 X RN55D-F10	1		R32
125	125		11-19609-02		RECT.FAST RECOVERY PIV= 400 IO=	1		D19
126	126		15-09524-00	2N 3904	NPN 310MW SI 40 40 M	1		Q17

D	I	G	I	T	A	L	TITLE	SECTION A OF A	SIZE	CODE	DOCUMENT NUMBER	REV
							ENHANCED LEM P.S.		K	PL	5416120-0-DBP	K

AUTOMATED BY VAXKPL (V1.3)

P A R T S L I S T

SHEET A4 OF A4

LINE	ITEM	TOP DOCUMENT	PART NUMBER	MIN REV	DESCRIPTION	QTY PER VAR/REV	REFERENCE DESIGNATORS
127	127		13-14350-01		.22 2.0 W 5.0 X MW FUS	1	R140
128	128		91-07688-55		*** THIS ITEM IS NOT USED ***	-	
129	129		90-08376-00		*** THIS ITEM IS NOT USED ***	-	
130	130		91-07278-11		*** THIS ITEM IS NOT USED ***	-	
131	131		13-03313-00		12.10 K .25 W 1.0 X RM550-F10	1	R44
132	132		10-15573-02		0.10 MFD SOV +/-10% X7R C	1	C32
133	133		11-18820-00		DIODE ARRAY PIV= 20 IO= 1.00A	1	D61
134	134		91-07256-11		TUBING,TEFLON .027ID	A/R	

117 NOTE: ITEM 117 0.8 FT. IS USED.
 121 NOTE: ITEM 121 4.5" IS USED.

1 GEN: ITEM 134 0.25" USED

D	I	G	I	T	A	L	TITLE	SECTION A OF A	SIZE	CODE	DOCUMENT NUMBER	REV
							ENHANCED LEM P.S.		K	PL	5416120-0-DBP	K

AUTOMATED BY PRTLST.5R(55)

PARTS LIST

SHEET A1 OF A1

LINE	ITEM	TOP DOCUMENT	PART NUMBER	MIN REV	DESCRIPTION	QTY.	PER VARIATION
					VARIATION REVISION LEVEL:	01	01
1	1	E-IA-7429746-0-0	7429746-01		BRACKET,MODULE	1	
2	2	E-IA-7429743-0-0	7429743-01		PANEL,RIGHT	1	
3	3	E-IA-7429744-0-0	7429744-01		PANEL,LEFT	1	
4	4	B-MD-7429747-0-0	7429747-01		BRACKET,BAFFLE	1	
5	5		9009626-00		RIVET,BLIND: DOME 0.125DX0.275	8	
6	6		9009255-03		LABEL,P.S./SUB.ASSY ID	1	

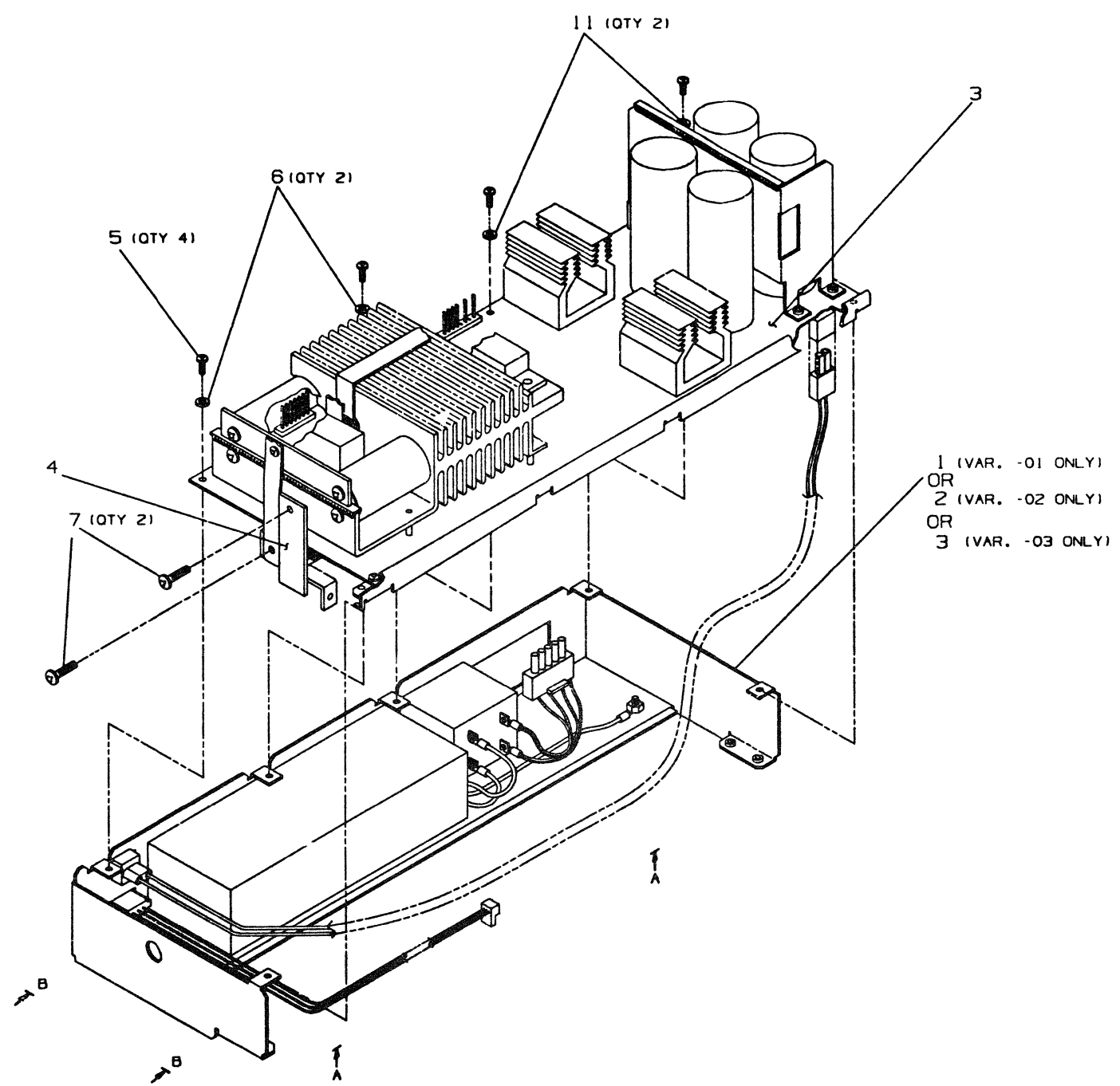
REVISION HISTORY			BASIC PART NO: 7020608				
ENG	ECO NUMBER	REV	SECTION A OF A	DRN: W. KNIGHT	DATE: 21-AUG-84	D I G I T A L	
	INITIAL	A	SECTION VARIATION INDEX (A)01	CHK'D: A. PERRY	DATE: 21-AUG-84		TITLE PARTS LIST CHASSIS ASSEMBLY
			(B)	DES.ENG: A. PERRY	DATE: 21-AUG-84	DOCUMENT NUMBER	
			(C)			SIZE CODE NUMBER REV	
			(D)	RESP.ENG.: MAN W. CHOW	DATE: 21-AUG-84	K PL 7020608-0-DBP A	
			(E)	MFG.ENG.: V. MITCHELL	DATE: 21-AUG-84	RELEASE DATE: 08-OCT-84	
			(F)	ASSEMBLY NUMBER: E-UA-H7204-0-DBUA	TOP DOCUMENT NUMBER: E-IA-7020608-0-DBUA	FILE NAME: Z7364.PLS	EDIT # 2

THIS DRAWING AND THE SPECIFICATIONS CONTAINED HEREIN ARE CONFIDENTIAL AND PROPRIETARY. THEY ARE THE PROPERTY OF DIGITAL EQUIPMENT CORPORATION AND SHALL NOT BE REPRODUCED OR COPIED OR USED IN WHOLE OR IN PART AS THE BASIS FOR THE MANUFACTURE OR SALE OF ITEMS WITHOUT WRITTEN PERMISSION. THIS IS AN UNPUBLISHED WORK PROTECTED UNDER THE FEDERAL COPYRIGHT LAWS.

THIS DRAWING AND SPECIFICATIONS ARE THE PROPERTY OF DIGITAL EQUIPMENT CORPORATION AND SHALL NOT BE REPRODUCED OR TRANSMITTED IN ANY FORM OR BY ANY MEANS, ELECTRONIC OR MECHANICAL, INCLUDING PHOTOCOPYING, RECORDING, OR BY ANY INFORMATION STORAGE AND RETRIEVAL SYSTEM, WITHOUT PERMISSION IN WRITING FROM DIGITAL EQUIPMENT CORPORATION.

LEGEND		
PART NO	REV	VARIATION
70-21682-01	D1	AS SHOWN
70-21682-02	D1	SEE PARTS LIST
70-21682-03	A1	SEE PARTS LIST

NOTE:
1. TORQUE ALL SCREWS PER A-SP-7665328-0-0.



LAYER #4: FORMAT LAYER (SHT 2)
LAYER #3: WORK LAYER (SHT 2)
LAYER #2: FORMAT LAYER (SHT 1)
LAYER #1: WORK LAYER (SHT 1)
PLOT SCALE: .750
FILE NAME: 7021682-0-DBUF

CAUTION: FOR OFF SHEET PARTS LIST, REFER TO K-PL-7021682-0-DBP.

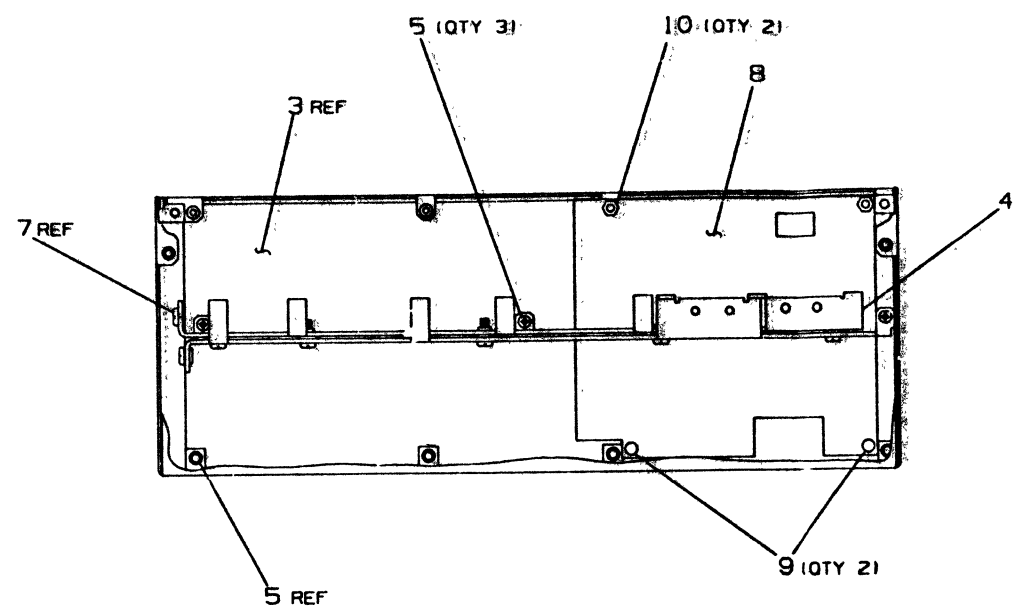
REV	DATE	BY	CHKD	DESCRIPTION
A		J. ARALDO		INITIAL
B		A. HAYNES		7021682-0-DBU
C		A. HAYNES		7021682-0-DBU
D		S. NORRIS		7021682-0-DBU
E		S. NORRIS		7021682-0-DBU
F		CARL BAZZILLI		7021682-0-DBU
G		B. MITCHELL		7021682-0-DBU
H		J. ARALDO		7021682-0-DBU

DESCRIPTION	DRAWING NO.	PART NO.	ITEM NO.
UNLESS OTHERWISE SPECIFIED DIMENSIONS ARE IN INCHES AND THE FOLLOWING TOLERANCES APPLY (PER DEC STD 114)			
DIMENSION RANGE IN INCHES			
SIZE	0.001	0.005	0.010
TOLERANCE	±.0005	±.0010	±.0015
FINISH	NONE		
FINISH	NONE		
THIRD ANGLE PROJECTION	L. BOURGALT		
DO NOT SCALE DRAWING	A. PERRY		
REMOVE BURRS AND BREAK SHARP CORNERS	A. PERRY		
MATERIAL	MAN W. CHOW		
SEE PARTS LIST	V. MITCHELL		
FINISH	E-AD-7021682-DBU		
SCALE	3/4		
TITLE		DOCUMENT NUMBER	
A/C MAJOR BOARD ASSY		7021682-0-DBU	
REV		REV	
F		2	

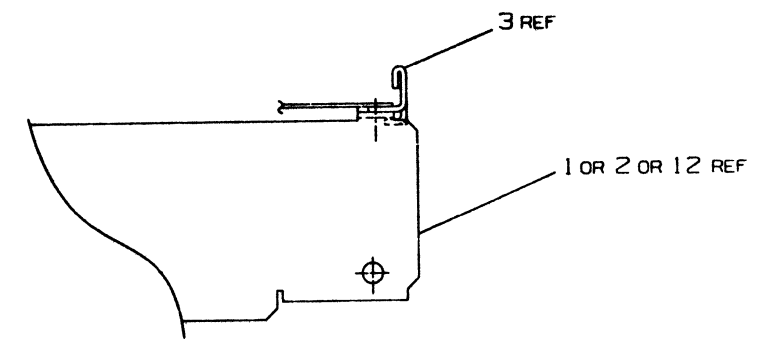
MKO

THIS DRAWING AND SPECIFICATION SHALL BE THE PROPERTY OF THE UNITED STATES GOVERNMENT. IT IS TO BE USED FOR THE MANUFACTURE OF A/C ONLY. IT IS NOT TO BE REPRODUCED OR TRANSMITTED IN ANY FORM OR BY ANY MEANS, ELECTRONIC OR MECHANICAL, INCLUDING PHOTOCOPYING, RECORDING, OR BY ANY INFORMATION STORAGE AND RETRIEVAL SYSTEM, WITHOUT PERMISSION IN WRITING FROM THE DISTAL EQUIPMENT CORPORATION.

7021682-0 DBU 3



VIEW A-A



VIEW B-B
BRACKET LOCKING AS SHOWN

REVISION HISTORY

DATE	ECO HISTORY	REV

DOCUMENT NUMBER
 TITLE: A/C MAJOR BOARD ASSY
 NUMBER: 7021682-0 DBU
 SCALE: 3/4
 SHEET: 2 OF 2
 MKO

AUTOMATED BY VAXKPL (V1.3)

PARTS LIST

SHEET A1 OF A1

LINE	ITEM	TOP DOCUMENT	PART NUMBER	MIN REV	DESCRIPTION	QUANTITY PER VARIATION/REVISION		
						01 01	02 01	03 01
1	1	E-AD-7021675-0-DBU	70-21675-01		A/C ASSY	1	-	-
2	2	E-AD-7021675-0-DBU	70-21675-02		A/C ASSY	-	1	-
3	3	E-AD-H7203-A-DBU	H7203-A	D	6411-XX PS: +5V 100A, 300VDC, ACLO, D	1	1	1
4	4	D-AD-7021669-0-DBU	70-21669-01		BUS BAR ASSY.	1	1	1
5	5		90-C9701-00		SCREW, SEMS PAN PHIL 6-32	7	7	7
6	6		90-06659-00		WASHER, FLAT S/PAS .	2	2	2
7	7		90-09223-10		SCREW, SEMS PAN PHIL 10-32	2	2	2
8	3	C-MD-7430833-0-DBU	74-30833-01		INSULATOR, THREE LAYER (2 KAPTON, 1	1	1	1
9	9		90-10223-00		RIVET, ACCORDIAN 0.1960X0.390LG	2	2	2
10	10		90-06560-00		NUT, HEX EXT TOOTH LCKWSHR 6-32X	2	2	2
11	11		90-06707-00		WASHER, FLAT NYLON .	2	2	2
12	12		70-21675-03		A/C ASSEMBLY	-	-	1

REVISION HISTORY			KPL MATRIX FORMAT		SECTION A OF A		DRN: L. BOURGAULT		DIGITAL		
ENG	ECO NUMBER	REV	SECTION/VARIATION INDEX		CHK'D:	A. PERRY	TITLE		PARTS LIST		
	INITIAL	A	[A]	01, 02, 03	DATE:	22-AUG-84	A/C MAJOR BOARD ASSY				
AP	H7204-TW001	B	[B]		DATE:	22-AUG-84					
JA	7021632-LK001	C	[C]		DEA. ENG:	A. PERRY			DOCUMENT NUMBER		
SN	7021682-LK002	D	[D]		DATE:	22-AUG-84	SIZE	CODE	NUMBER	REV	
CB	H7204-LK005	E	[E]		RESP. ENG.:	HAN W. CROW	K	PL	7021682-0-DBP	F	
JA	7021682-MK003	F	[F]		DATE:	22-AUG-84			RELEASE DATE: 14-OCT-87		
			[G]		MFG. ENG.:	V. MITCHELL			RELEASE STATUS: RELEASED		
			[H]		DATE:	22-AUG-84					
			[J]								
			BASIC PART NUMBER:		ASSEMBLY NUMBER:		TOP DOCUMENT NUMBER:		FILE NAME:		EDIT #
			7021682		E-UA-H7204-A-DBU		E-AD-7021682-0-DBU		7021682F.PLS		1

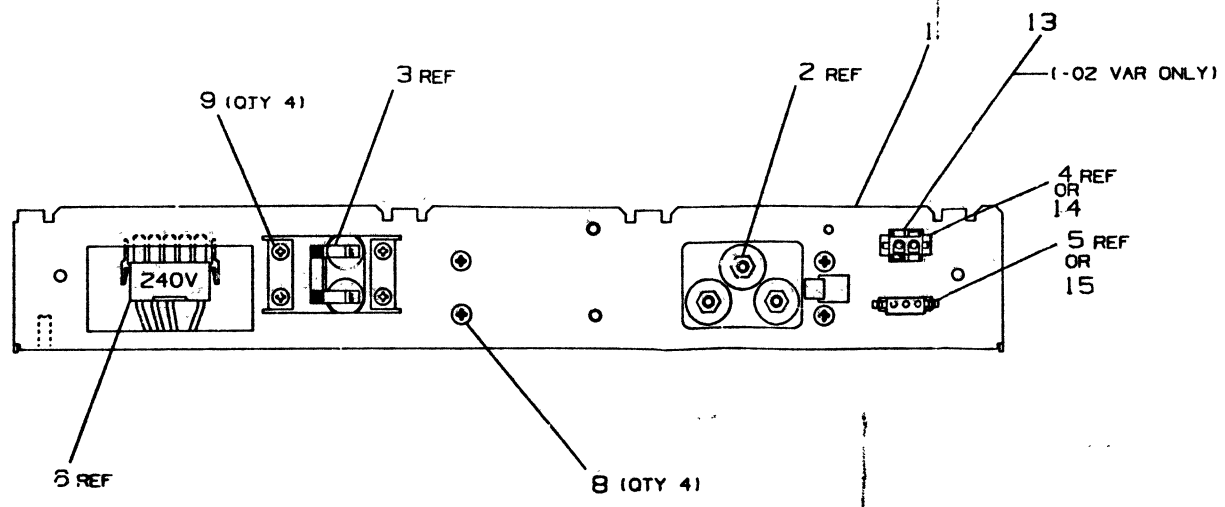
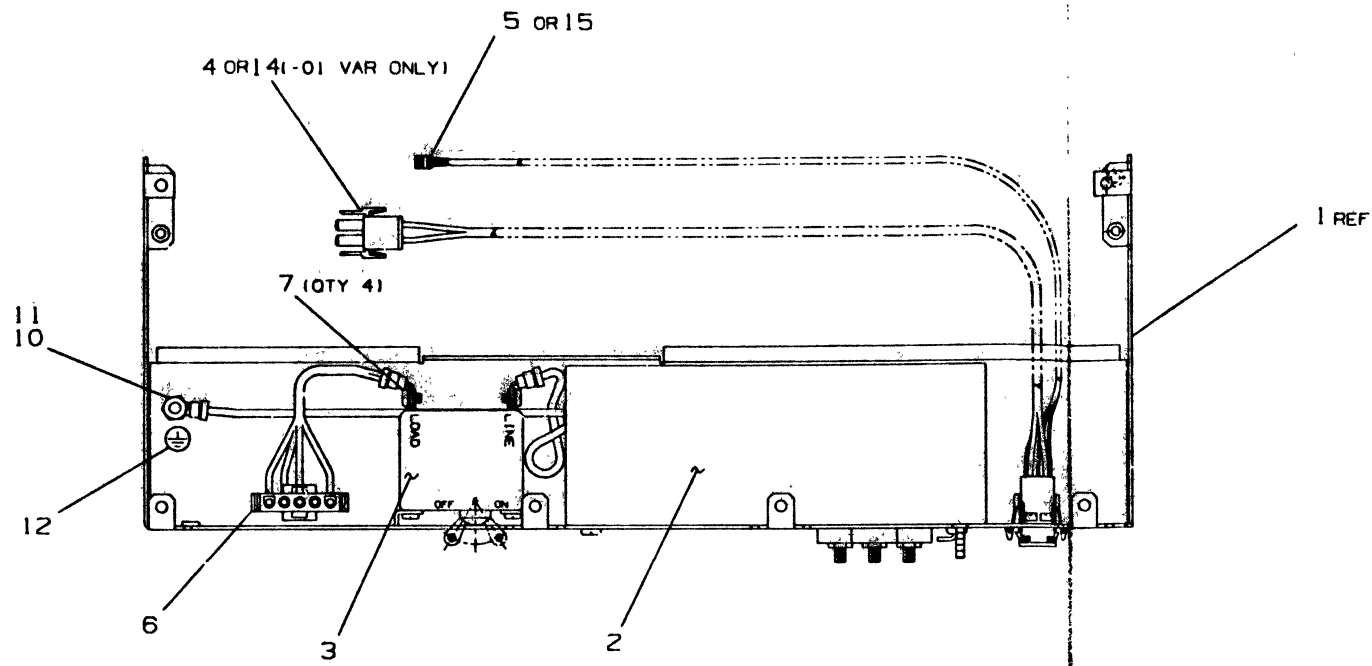
THIS DRAWING AND THE SPECIFICATIONS CONTAINED HEREIN ARE CONFIDENTIAL AND PROPRIETARY. THEY ARE THE PROPERTY OF DIGITAL EQUIPMENT CORPORATION AND SHALL NOT BE REPRODUCED OR COPIED OR USED IN WHOLE OR IN PART AS THE BASIS FOR THE MANUFACTURE OR SALE OF ITEMS WITHOUT WRITTEN PERMISSION. THIS IS AN UNPUBLISHED WORK PROTECTED UNDER THE FEDERAL COPYRIGHT LAWS.

THIS DRAWING AND SPECIFICATIONS ARE THE PROPERTY OF DIGITAL EQUIPMENT CORPORATION. IT IS TO BE USED ONLY FOR THE MANUFACTURE OF THE EQUIPMENT SPECIFIED HEREIN. NO PART OF THIS DRAWING IS TO BE REPRODUCED OR TRANSMITTED IN ANY FORM OR BY ANY MEANS, ELECTRONIC OR MECHANICAL, INCLUDING PHOTOCOPYING, RECORDING, OR BY ANY INFORMATION STORAGE AND RETRIEVAL SYSTEM, WITHOUT PERMISSION IN WRITING FROM DIGITAL EQUIPMENT CORPORATION.

WIRE TABLE					
ITEM NO.	DESCRIPTION	FROM	TO	REMARKS	
8	18 BLU	VOLTAGE SELECT	CB-2		
8	18 BRN	VOLTAGE SELECT	CB-4		
2	18 BLU	LINE FILTER	CB-1		
2	18 BRN	LINE FILTER	CB-3		

LEGEND		
PART NO	REV	VARIATION
70-21675-01	B1	AS SHOWN
70-21675-02	B1	SEE PARTS LIST
70-21675-03	A1	SEE PARTS LIST

1. INSTALL LEADS FROM THE LINE FILTER ITEM #2 TO THE CIRCUIT BREAKER ITEM #3 BEFORE MOUNTING THE CIRCUIT BREAKER TO THE A/C BRACKET ITEM #1.
2. TIGHTEN ALL SCREWS PER A-SP-7665328-0-0.



LAYER #2: FORMAT LAYER
 LAYER #1: WORK LAYER
 FILENAME: 7021675-0-DBUA
 PLOT AT 1.00

CAUTION: FOR OFF SHEET PARTS LIST, SEE K-PL-7021675-0-DBP.

REV	DATE	BY	CHKD	DESCRIPTION
A				
B				
C				
D				
E				
F				
G				
H				
I				
J				

DESCRIPTION		DRAWING NO.		PART NO.	
UNLESS OTHERWISE SPECIFIED DIMENSIONS ARE IN INCHES AND THE FOLLOWING TOLERANCES APPLY (PER DEC STD 114)					
DIMENSION RANGE IN INCHES	0.000 - 0.250	0.250 - 0.500	0.500 - 1.000	1.000 - 2.000	2.000 - 4.000
	±0.005	±0.005	±0.005	±0.005	±0.005
0.250 - 0.500	0.500 - 1.000	1.000 - 2.000	2.000 - 4.000	4.000 - 8.000	8.000 - 16.000
±0.005	±0.005	±0.005	±0.005	±0.005	±0.005
0.500 - 1.000	1.000 - 2.000	2.000 - 4.000	4.000 - 8.000	8.000 - 16.000	16.000 - 32.000
±0.005	±0.005	±0.005	±0.005	±0.005	±0.005
1.000 - 2.000	2.000 - 4.000	4.000 - 8.000	8.000 - 16.000	16.000 - 32.000	32.000 - 64.000
±0.005	±0.005	±0.005	±0.005	±0.005	±0.005
2.000 - 4.000	4.000 - 8.000	8.000 - 16.000	16.000 - 32.000	32.000 - 64.000	64.000 - 128.000
±0.005	±0.005	±0.005	±0.005	±0.005	±0.005
4.000 - 8.000	8.000 - 16.000	16.000 - 32.000	32.000 - 64.000	64.000 - 128.000	128.000 - 256.000
±0.005	±0.005	±0.005	±0.005	±0.005	±0.005
8.000 - 16.000	16.000 - 32.000	32.000 - 64.000	64.000 - 128.000	128.000 - 256.000	256.000 - 512.000
±0.005	±0.005	±0.005	±0.005	±0.005	±0.005
16.000 - 32.000	32.000 - 64.000	64.000 - 128.000	128.000 - 256.000	256.000 - 512.000	512.000 - 1024.000
±0.005	±0.005	±0.005	±0.005	±0.005	±0.005
32.000 - 64.000	64.000 - 128.000	128.000 - 256.000	256.000 - 512.000	512.000 - 1024.000	1024.000 - 2048.000
±0.005	±0.005	±0.005	±0.005	±0.005	±0.005
64.000 - 128.000	128.000 - 256.000	256.000 - 512.000	512.000 - 1024.000	1024.000 - 2048.000	2048.000 - 4096.000
±0.005	±0.005	±0.005	±0.005	±0.005	±0.005
128.000 - 256.000	256.000 - 512.000	512.000 - 1024.000	1024.000 - 2048.000	2048.000 - 4096.000	4096.000 - 8192.000
±0.005	±0.005	±0.005	±0.005	±0.005	±0.005
256.000 - 512.000	512.000 - 1024.000	1024.000 - 2048.000	2048.000 - 4096.000	4096.000 - 8192.000	8192.000 - 16384.000
±0.005	±0.005	±0.005	±0.005	±0.005	±0.005
512.000 - 1024.000	1024.000 - 2048.000	2048.000 - 4096.000	4096.000 - 8192.000	8192.000 - 16384.000	16384.000 - 32768.000
±0.005	±0.005	±0.005	±0.005	±0.005	±0.005
1024.000 - 2048.000	2048.000 - 4096.000	4096.000 - 8192.000	8192.000 - 16384.000	16384.000 - 32768.000	32768.000 - 65536.000
±0.005	±0.005	±0.005	±0.005	±0.005	±0.005
2048.000 - 4096.000	4096.000 - 8192.000	8192.000 - 16384.000	16384.000 - 32768.000	32768.000 - 65536.000	65536.000 - 131072.000
±0.005	±0.005	±0.005	±0.005	±0.005	±0.005
4096.000 - 8192.000	8192.000 - 16384.000	16384.000 - 32768.000	32768.000 - 65536.000	65536.000 - 131072.000	131072.000 - 262144.000
±0.005	±0.005	±0.005	±0.005	±0.005	±0.005
8192.000 - 16384.000	16384.000 - 32768.000	32768.000 - 65536.000	65536.000 - 131072.000	131072.000 - 262144.000	262144.000 - 524288.000
±0.005	±0.005	±0.005	±0.005	±0.005	±0.005
16384.000 - 32768.000	32768.000 - 65536.000	65536.000 - 131072.000	131072.000 - 262144.000	262144.000 - 524288.000	524288.000 - 1048576.000
±0.005	±0.005	±0.005	±0.005	±0.005	±0.005
32768.000 - 65536.000	65536.000 - 131072.000	131072.000 - 262144.000	262144.000 - 524288.000	524288.000 - 1048576.000	1048576.000 - 2097152.000
±0.005	±0.005	±0.005	±0.005	±0.005	±0.005
65536.000 - 131072.000	131072.000 - 262144.000	262144.000 - 524288.000	524288.000 - 1048576.000	1048576.000 - 2097152.000	2097152.000 - 4194304.000
±0.005	±0.005	±0.005	±0.005	±0.005	±0.005
131072.000 - 262144.000	262144.000 - 524288.000	524288.000 - 1048576.000	1048576.000 - 2097152.000	2097152.000 - 4194304.000	4194304.000 - 8388608.000
±0.005	±0.005	±0.005	±0.005	±0.005	±0.005
262144.000 - 524288.000	524288.000 - 1048576.000	1048576.000 - 2097152.000	2097152.000 - 4194304.000	4194304.000 - 8388608.000	8388608.000 - 16777216.000
±0.005	±0.005	±0.005	±0.005	±0.005	±0.005
524288.000 - 1048576.000	1048576.000 - 2097152.000	2097152.000 - 4194304.000	4194304.000 - 8388608.000	8388608.000 - 16777216.000	16777216.000 - 33554432.000
±0.005	±0.005	±0.005	±0.005	±0.005	±0.005
1048576.000 - 2097152.000	2097152.000 - 4194304.000	4194304.000 - 8388608.000	8388608.000 - 16777216.000	16777216.000 - 33554432.000	33554432.000 - 67108864.000
±0.005	±0.005	±0.005	±0.005	±0.005	±0.005
2097152.000 - 4194304.000	4194304.000 - 8388608.000	8388608.000 - 16777216.000	16777216.000 - 33554432.000	33554432.000 - 67108864.000	67108864.000 - 134217728.000
±0.005	±0.005	±0.005	±0.005	±0.005	±0.005
4194304.000 - 8388608.000	8388608.000 - 16777216.000	16777216.000 - 33554432.000	33554432.000 - 67108864.000	67108864.000 - 134217728.000	134217728.000 - 268435456.000
±0.005	±0.005	±0.005	±0.005	±0.005	±0.005
8388608.000 - 16777216.000	16777216.000 - 33554432.000	33554432.000 - 67108864.000	67108864.000 - 134217728.000	134217728.000 - 268435456.000	268435456.000 - 536870912.000
±0.005	±0.005	±0.005	±0.005	±0.005	±0.005
16777216.000 - 33554432.000	33554432.000 - 67108864.000	67108864.000 - 134217728.000	134217728.000 - 268435456.000	268435456.000 - 536870912.000	536870912.000 - 1073741824.000
±0.005	±0.005	±0.005	±0.005	±0.005	±0.005
33554432.000 - 67108864.000	67108864.000 - 134217728.000	134217728.000 - 268435456.000	268435456.000 - 536870912.000	536870912.000 - 1073741824.000	1073741824.000 - 2147483648.000
±0.005	±0.005	±0.005	±0.005	±0.005	±0.005
67108864.000 - 134217728.000	134217728.000 - 268435456.000	268435456.000 - 536870912.000	536870912.000 - 1073741824.000	1073741824.000 - 2147483648.000	2147483648.000 - 4294967296.000
±0.005	±0.005	±0.005	±0.005	±0.005	±0.005
134217728.000 - 268435456.000	268435456.000 - 536870912.000	536870912.000 - 1073741824.000	1073741824.000 - 2147483648.000	2147483648.000 - 4294967296.000	4294967296.000 - 8589934592.000
±0.005	±0.005	±0.005	±0.005	±0.005	±0.005
268435456.000 - 536870912.000	536870912.000 - 1073741824.000	1073741824.000 - 2147483648.000	2147483648.000 - 4294967296.000	4294967296.000 - 8589934592.000	8589934592.000 - 17179869184.000
±0.005	±0.005	±0.005	±0.005	±0.005	±0.005
536870912.000 - 1073741824.000	1073741824.000 - 2147483648.000	2147483648.000 - 4294967296.000	4294967296.000 - 8589934592.000	8589934592.000 - 17179869184.000	17179869184.000 - 34359738368.000
±0.005	±0.005	±0.005	±0.005	±0.005	±0.005
1073741824.000 - 2147483648.000	2147483648.000 - 4294967296.000	4294967296.000 - 8589934592.000	8589934592.000 - 17179869184.000	17179869184.000 - 34359738368.000	34359738368.000 - 68719476736.000
±0.005	±0.005	±0.005	±0.005	±0.005	±0.005
2147483648.000 - 4294967296.000	4294967296.000 - 8589934592.000	8589934592.000 - 17179869184.000	17179869184.000 - 34359738368.000	34359738368.000 - 68719476736.000	68719476736.000 - 137438953472.000
±0.005	±0.005	±0.005	±0.005	±0.005	±0.005
4294967296.000 - 8589934592.000	8589934592.000 - 17179869184.000	17179869184.000 - 34359738368.000	34359738368.000 - 68719476736.000	68719476736.000 - 137438953472.000	137438953472.000 - 274877906944.000
±0.005	±0.005	±0.005	±0.005	±0.005	±0.005
8589934592.000 - 17179869184.000	17179869184.000 - 34359738368.000	34359738368.000 - 68719476736.000	68719476736.000 - 137438953472.000	137438953472.000 - 274877906944.000	274877906944.000 - 549755813888.000
±0.005	±0.005	±0.005	±0.005	±0.005	±0.005
17179869184.000 - 34359738368.000	34359738368.000 - 68719476736.000	68719476736.000 - 137438953472.000	137438953472.000 - 274877906944.000	274877906944.000 - 549755813888.000	549755813888.000 - 1099511627776.000
±0.005	±0.005	±0.005	±0.005	±0.005	±0.005
34359738368.000 - 68719476736.000	68719476736.000 - 137438953472.000	137438953472.000 - 274877906944.000	274877906944.000 - 549755813888.000	549755813888.000 - 1099511627776.000	1099511627776.000 - 2199023255552.000
±0.005	±0.005	±0.005	±0.005	±0.005	±0.005
68719476736.000 - 137438953472.000	137438953472.000 - 274877906944.000	274877906944.000 - 549755813888.000	549755813888.000 - 1099511627776.000	1099511627776.000 - 2199023255552.000	2199023255552.000 - 4398046511104.000
±0.005	±0.005	±0.005	±0.005	±0.005	±0.005
137438953472.000 - 274877906944.000	274877906944.000 - 549755813888.000	549755813888.000 - 1099511627776.000	1099511627776.000 - 2199023255552.000	2199023255552.000 - 4398046511104.000	4398046511104.000 - 8796093022208.000
±0.005	±0.005	±0.005	±0.005	±0	

AUTOMATED BY VAXKPL (V1.3)

PARTS LIST

SHEET A1 OF A1

LINE	ITEM	TOP DOCUMENT	PART NUMBER	MIN REV	DESCRIPTION	QUANTITY PER VARIATION/REVISION		
						01 01	02 01	03 A1
1	1	E-1A-7429745-0-DBU	74-29745-01		BRACKET,A/C	1	1	1
2	2	A-PS-1223232-0-0	12-23232-01		FILTER,LINE,16A	1	1	1
3	3	A-PS-1222896-0-0	12-22896-01		BKR 2P 20A/ 20A 250V	1	1	1
4	4	A-PS-1700639-0-0	17-00639-01		CABLE ASSY,02 COND,FLAT,18AWG MATN	1	-	-
5	5	A-PS-1700635-0-0	17-00635-01		WIRE HARN ASSY 03COND 22AWG MATNLO	1	1	-
6	6	A-PS-1700673-0-0	17-00673-01		WIRE HARN ASSY 02COND 16AWG MATENL	1	1	1
7	7		90-09545-00		SCREW,SEMS PAN PHIL 8-32	4	4	4
8	8		90-10174-01		SCREW,SEMS PAN PHIL 8-32	4	4	4
9	9		90-10174-00		SCREW,SEMS PAN PHIL 6-32	4	4	4
10	10		90-06565-00		NUT,HEX EXT TOOTH LCK,SHR 10-32X	1	1	1
11	11		90-06664-00		WASHER,FLAT SST	1	1	1
12	12		36-12680-01		LABEL,GROUND SYMBOL WHITE	1	1	-
13	13		12-12165-01		MATE-N-LOK 02POS(1X02),250CC HSG	-	1	1
14	14		17-00639-02		CABLE ASSY,02 COND,FLAT,18AWG MATN	-	-	1
15	15		17-00635-02		WIRE HARN ASSY 03COND 22AWG MATNLO	-	-	1

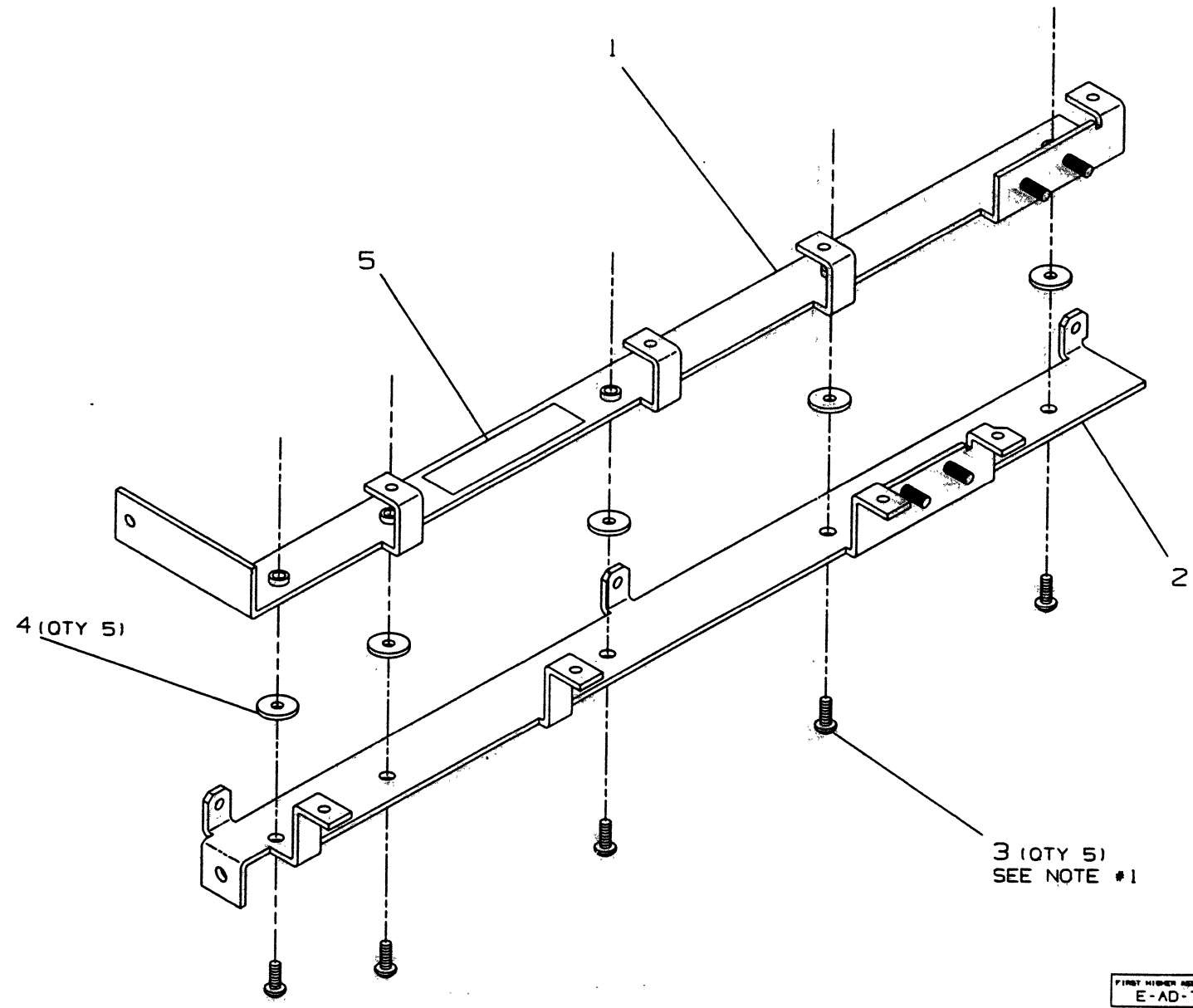
REVISION HISTORY			KPL MATRIX FORMAT		SECTION A OF A		DRN: L. BOURGAULT		DIGITAL		
ENG	ECO NUMBER	REV	SECTION/VARIATION INDEX		CHK'D:	A. PERRY		TITLE PARTS LIST			
	INITIAL	A	[A]	01,02,03	DATE:	17-AUG-84		A/C ASSEMBLY			
AP	H7204-T#001	B	[B]		DES. ENG:	A. PERRY		DOCUMENT NUMBER			
JA	7021682-MK003	C	[C]		DATE:	17-AUG-84		SIZE:	CODE:	NUMBER	REV
			[D]		RESP. ENG:	MAN W. CHOW		K	PL	7021675-0-DBP	C
			[E]		DATE:	17-AUG-84		RELEASE DATE: 14-OCT-87			
			[F]		MFG. ENG:	V. MITCHELL		RELEASE STATUS: RELEASED			
			[G]		DATE:	17-AUG-84					
			[H]		BASIC PART NUMBER:	ASSEMBLY NUMBER:	TOP DOCUMENT NUMBER:	FILE NAME:	EDIT #		
			[J]		7021675	E-AD-7021682-0-DBU	E-AD-7021675-0-DBU	7021675C.PLS	4		

THIS DRAWING AND THE SPECIFICATIONS CONTAINED HEREIN ARE CONFIDENTIAL AND PROPRIETARY. THEY ARE THE PROPERTY OF DIGITAL EQUIPMENT CORPORATION AND SHALL NOT BE REPRODUCED OR COPIED OR USED IN WHOLE OR IN PART AS THE BASIS FOR THE MANUFACTURE OR SALE OF ITEMS WITHOUT WRITTEN PERMISSION. THIS IS AN UNPUBLISHED WORK PROTECTED UNDER THE FEDERAL COPYRIGHT LAWS.

THIS DRAWING AND SPECIFICATIONS HEREIN ARE THE PROPERTY OF DIGITAL EQUIPMENT CORPORATION AND SHALL NOT BE REPRODUCED OR COPIED OR USED IN WHOLE OR IN PART AS THE BASIS FOR THE MANUFACTURE OR SALE OF ITEMS WITHOUT WRITTEN PERMISSION.
 COPYRIGHT © 1984 DIGITAL EQUIPMENT CORPORATION

LEGEND		
PART NO	REV	VARIATION
7021669-01	A1	AS SHOWN

NOTE:
 1. ENGAGE ALL SCREWS BEFORE TIGHTENING.



LAYER #2: FORMAT LAYER
 LAYER #1: WORK LAYER
 FILENAME: 7021669-0-DBUA
 PLOT AT: 1.00

CAUTION: FOR OFF SHEET PARTS LIST,
 SEE K-PL-7021669-0-DBP,
 (Z9091).

FIRST NUMBER NEXT
 E-AD-7021682-0-DBU

DESCRIPTION	DRAWING NO.	PART NO.	ITEM NO.
UNLESS OTHERWISE SPECIFIED DIMENSIONS ARE IN INCHES AND THE FOLLOWING TOLERANCES APPLY (PER DEC STD :14)			
INCHES TOLERANCES .X1 ± .01 .XX ± .02 .XXX ± .005	ANGLES 90° ± 30° SURFACE QUALITY <input checked="" type="checkbox"/> MICROINCHES	APPL TO DIMENSION RANGE	
		DIMENSION RANGE IN INCHES	
		OVER 0.2 TO 1.0	OVER 1.0 TO 12.0
		±.004	±.008
		±.012	±.018
		±.015	±.024
THIRD ANGLE PROJECTION <input checked="" type="checkbox"/>	DES. BY L. BOURGAULT	DATE 29FEB84	TITLE BUS BAR ASSY
DO NOT SCALE DRAWING	CHK'D BY A. PERRY	DATE 10AUG84	DOCUMENT NUMBER D AD 7021669-0-DBU A
REMOVE BURRS AND BREAK SHARP CORNERS	RES. ENG. A. PERRY	DATE 10AUG84	
MATERIAL SEE PARTS LIST	REP. ENG. S. CHOW	DATE 10AUG84	SCALE 1/1
FINISH NONE	FOR DEC. D-AD-7021669-0-DBU	SHEET 1	TWO

REV.	CHANGE NO.	INITIAL
A		ATP

AUTOMATED BY PRTLST.5R(55)

PARTS LIST

SHEET A1 OF A1

LINE	ITEM	TOP DOCUMENT	PART NUMBER	MIN REV	DESCRIPTION	QTY	PER VARIATION
1	1	D-IA-7429923-0-DBU	7429923-01		BUS,+5V	1	01
2	2	D-IA-7429924-0-DBU	7429924-01		BUS,RETURN	1	A1
3	3		9008208-05		SCREW,NYLN PAN	8-	
4	4		9008417-00		WASHER,FLAT	5	
5	5		9009255-03		LABEL,P.S./SUB.ASSY ID	1	

[F]

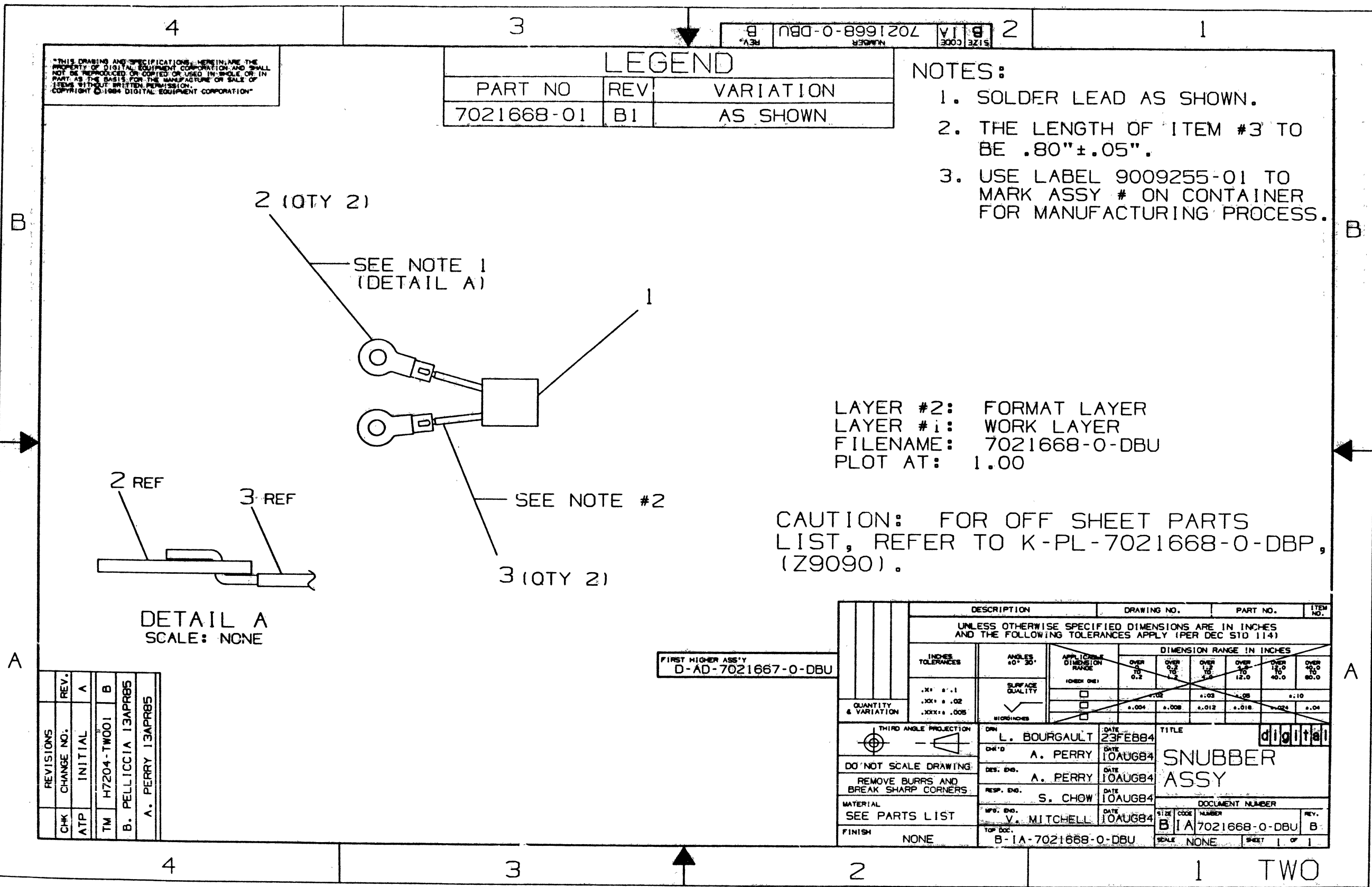
!BREVCSPTHTMSTOR021669 !				DRN:	L. BOURGAULT	DATE: 31-AUG-84	D I G I T A L
ENG:	ECO NUMBER	REV	SECTION A OF A	CHK'D:	A. PERRY	DATE: 31-AUG-84	TITLE PARTS LIST
-- [F]-!	INITIAL	A	SECTION.VARIATION INDEX				BUSS BAR ASSY
			[A]01				
UMBER			[B]	DES.ENG:	A. PERRY	DATE: 31-AUG-84	DOCUMENT N
			[C]				SIZE!CODE! NUMBER ! REV !
			[D]	RESP.ENG.:	MAN W. CHOW	DATE: 31-AUG-84	K ! PL ! 7021669-0-DBP ! A !
			[E]	MFG.ENG.:	V. MITCHELL	DATE: 31-AUG-84	[F] ! ! ! !
							RELEASE DATE: 08-OCT-84
!TOP DOCUMENT NUMBER:	!FILE NAME:	!EDITA	!ASSEMBLY NUMBER:				
			E-AD-7021682-0-DBUA		D-AD-7021669-0-DBU		Z9091A.PLS ! 5 !

"THIS DRAWING AND THE SPECIFICATIONS CONTAINED HEREIN ARE CONFIDENTIAL AND PROPRIETARY. THEY ARE THE PROPERTY OF DIGITAL EQUIPMENT CORPORATION AND SHALL NOT BE REPRODUCED OR COPIED OR USED IN WHOLE OR IN PART AS THE BASIS FOR THE MANUFACTURE OR SALE OF ITEMS WITHOUT WRITTEN PERMISSION. THIS IS AN UNPUBLISHED WORK PROTECTED UNDER THE FEDERAL COPYRIGHT LAWS."

"THIS DRAWING AND SPECIFICATIONS HEREIN ARE THE PROPERTY OF DIGITAL EQUIPMENT CORPORATION AND SHALL NOT BE REPRODUCED OR COPIED OR USED IN WHOLE OR IN PART AS THE BASIS FOR THE MANUFACTURE OR SALE OF ITEMS WITHOUT WRITTEN PERMISSION. COPYRIGHT © 1984 DIGITAL EQUIPMENT CORPORATION"

LEGEND		
PART NO	REV	VARIATION
7021668-01	B1	AS SHOWN

- NOTES:
1. SOLDER LEAD AS SHOWN.
 2. THE LENGTH OF ITEM #3 TO BE $.80" \pm .05"$.
 3. USE LABEL 9009255-01 TO MARK ASSY # ON CONTAINER FOR MANUFACTURING PROCESS.



LAYER #2: FORMAT LAYER
 LAYER #1: WORK LAYER
 FILENAME: 7021668-0-DBU
 PLOT AT: 1.00

CAUTION: FOR OFF SHEET PARTS LIST, REFER TO K-PL-7021668-0-DBP, (Z9090).

DETAIL A
 SCALE: NONE

REVISIONS	REV.	INITIAL
CHK	TM	H7204-TW001
ATP	B	PELLICCIA 13APR85
		A. PERRY 13APR85

FIRST HIGHER ASS'Y
 D-AD-7021667-0-DBU

DESCRIPTION	DRAWING NO.	PART NO.	ITEM NO.
UNLESS OTHERWISE SPECIFIED DIMENSIONS ARE IN INCHES AND THE FOLLOWING TOLERANCES APPLY (PER DEC STD 114)			
INDICES TOLERANCES	ANGLES $\pm 0^\circ 30'$	APPLICABLE DIMENSION RANGE	
		OVER 0 TO 0.2	OVER 0.2 TO 0.5
QUANTITY & VARIATION	SURFACE QUALITY	DIMENSION RANGE IN INCHES	
		OVER 0.5 TO 1.0	OVER 1.0 TO 12.0
		OVER 12.0 TO 40.0	OVER 40.0 TO 80.0
		OVER 80.0 TO 120.0	OVER 120.0 TO 180.0
		OVER 180.0 TO 240.0	OVER 240.0 TO 300.0
		OVER 300.0 TO 360.0	OVER 360.0 TO 420.0
		OVER 420.0 TO 480.0	OVER 480.0 TO 540.0
		OVER 540.0 TO 600.0	OVER 600.0 TO 660.0
		OVER 660.0 TO 720.0	OVER 720.0 TO 780.0
		OVER 780.0 TO 840.0	OVER 840.0 TO 900.0
		OVER 900.0 TO 960.0	OVER 960.0 TO 1020.0
		OVER 1020.0 TO 1080.0	OVER 1080.0 TO 1140.0
		OVER 1140.0 TO 1200.0	OVER 1200.0 TO 1260.0
		OVER 1260.0 TO 1320.0	OVER 1320.0 TO 1380.0
		OVER 1380.0 TO 1440.0	OVER 1440.0 TO 1500.0
		OVER 1500.0 TO 1560.0	OVER 1560.0 TO 1620.0
		OVER 1620.0 TO 1680.0	OVER 1680.0 TO 1740.0
		OVER 1740.0 TO 1800.0	OVER 1800.0 TO 1860.0
		OVER 1860.0 TO 1920.0	OVER 1920.0 TO 1980.0
		OVER 1980.0 TO 2040.0	OVER 2040.0 TO 2100.0
		OVER 2100.0 TO 2160.0	OVER 2160.0 TO 2220.0
		OVER 2220.0 TO 2280.0	OVER 2280.0 TO 2340.0
		OVER 2340.0 TO 2400.0	OVER 2400.0 TO 2460.0
		OVER 2460.0 TO 2520.0	OVER 2520.0 TO 2580.0
		OVER 2580.0 TO 2640.0	OVER 2640.0 TO 2700.0
		OVER 2700.0 TO 2760.0	OVER 2760.0 TO 2820.0
		OVER 2820.0 TO 2880.0	OVER 2880.0 TO 2940.0
		OVER 2940.0 TO 3000.0	OVER 3000.0 TO 3060.0
		OVER 3060.0 TO 3120.0	OVER 3120.0 TO 3180.0
		OVER 3180.0 TO 3240.0	OVER 3240.0 TO 3300.0
		OVER 3300.0 TO 3360.0	OVER 3360.0 TO 3420.0
		OVER 3420.0 TO 3480.0	OVER 3480.0 TO 3540.0
		OVER 3540.0 TO 3600.0	OVER 3600.0 TO 3660.0
		OVER 3660.0 TO 3720.0	OVER 3720.0 TO 3780.0
		OVER 3780.0 TO 3840.0	OVER 3840.0 TO 3900.0
		OVER 3900.0 TO 3960.0	OVER 3960.0 TO 4020.0
		OVER 4020.0 TO 4080.0	OVER 4080.0 TO 4140.0
		OVER 4140.0 TO 4200.0	OVER 4200.0 TO 4260.0
		OVER 4260.0 TO 4320.0	OVER 4320.0 TO 4380.0
		OVER 4380.0 TO 4440.0	OVER 4440.0 TO 4500.0
		OVER 4500.0 TO 4560.0	OVER 4560.0 TO 4620.0
		OVER 4620.0 TO 4680.0	OVER 4680.0 TO 4740.0
		OVER 4740.0 TO 4800.0	OVER 4800.0 TO 4860.0
		OVER 4860.0 TO 4920.0	OVER 4920.0 TO 4980.0
		OVER 4980.0 TO 5040.0	OVER 5040.0 TO 5100.0
		OVER 5100.0 TO 5160.0	OVER 5160.0 TO 5220.0
		OVER 5220.0 TO 5280.0	OVER 5280.0 TO 5340.0
		OVER 5340.0 TO 5400.0	OVER 5400.0 TO 5460.0
		OVER 5460.0 TO 5520.0	OVER 5520.0 TO 5580.0
		OVER 5580.0 TO 5640.0	OVER 5640.0 TO 5700.0
		OVER 5700.0 TO 5760.0	OVER 5760.0 TO 5820.0
		OVER 5820.0 TO 5880.0	OVER 5880.0 TO 5940.0
		OVER 5940.0 TO 6000.0	OVER 6000.0 TO 6060.0
		OVER 6060.0 TO 6120.0	OVER 6120.0 TO 6180.0
		OVER 6180.0 TO 6240.0	OVER 6240.0 TO 6300.0
		OVER 6300.0 TO 6360.0	OVER 6360.0 TO 6420.0
		OVER 6420.0 TO 6480.0	OVER 6480.0 TO 6540.0
		OVER 6540.0 TO 6600.0	OVER 6600.0 TO 6660.0
		OVER 6660.0 TO 6720.0	OVER 6720.0 TO 6780.0
		OVER 6780.0 TO 6840.0	OVER 6840.0 TO 6900.0
		OVER 6900.0 TO 6960.0	OVER 6960.0 TO 7020.0
		OVER 7020.0 TO 7080.0	OVER 7080.0 TO 7140.0
		OVER 7140.0 TO 7200.0	OVER 7200.0 TO 7260.0
		OVER 7260.0 TO 7320.0	OVER 7320.0 TO 7380.0
		OVER 7380.0 TO 7440.0	OVER 7440.0 TO 7500.0
		OVER 7500.0 TO 7560.0	OVER 7560.0 TO 7620.0
		OVER 7620.0 TO 7680.0	OVER 7680.0 TO 7740.0
		OVER 7740.0 TO 7800.0	OVER 7800.0 TO 7860.0
		OVER 7860.0 TO 7920.0	OVER 7920.0 TO 7980.0
		OVER 7980.0 TO 8040.0	OVER 8040.0 TO 8100.0
		OVER 8100.0 TO 8160.0	OVER 8160.0 TO 8220.0
		OVER 8220.0 TO 8280.0	OVER 8280.0 TO 8340.0
		OVER 8340.0 TO 8400.0	OVER 8400.0 TO 8460.0
		OVER 8460.0 TO 8520.0	OVER 8520.0 TO 8580.0
		OVER 8580.0 TO 8640.0	OVER 8640.0 TO 8700.0
		OVER 8700.0 TO 8760.0	OVER 8760.0 TO 8820.0
		OVER 8820.0 TO 8880.0	OVER 8880.0 TO 8940.0
		OVER 8940.0 TO 9000.0	OVER 9000.0 TO 9060.0
		OVER 9060.0 TO 9120.0	OVER 9120.0 TO 9180.0
		OVER 9180.0 TO 9240.0	OVER 9240.0 TO 9300.0
		OVER 9300.0 TO 9360.0	OVER 9360.0 TO 9420.0
		OVER 9420.0 TO 9480.0	OVER 9480.0 TO 9540.0
		OVER 9540.0 TO 9600.0	OVER 9600.0 TO 9660.0
		OVER 9660.0 TO 9720.0	OVER 9720.0 TO 9780.0
		OVER 9780.0 TO 9840.0	OVER 9840.0 TO 9900.0
		OVER 9900.0 TO 9960.0	OVER 9960.0 TO 10020.0
		OVER 10020.0 TO 10080.0	OVER 10080.0 TO 10140.0
		OVER 10140.0 TO 10200.0	OVER 10200.0 TO 10260.0
		OVER 10260.0 TO 10320.0	OVER 10320.0 TO 10380.0
		OVER 10380.0 TO 10440.0	OVER 10440.0 TO 10500.0
		OVER 10500.0 TO 10560.0	OVER 10560.0 TO 10620.0
		OVER 10620.0 TO 10680.0	OVER 10680.0 TO 10740.0
		OVER 10740.0 TO 10800.0	OVER 10800.0 TO 10860.0
		OVER 10860.0 TO 10920.0	OVER 10920.0 TO 10980.0
		OVER 10980.0 TO 11040.0	OVER 11040.0 TO 11100.0
		OVER 11100.0 TO 11160.0	OVER 11160.0 TO 11220.0
		OVER 11220.0 TO 11280.0	OVER 11280.0 TO 11340.0
		OVER 11340.0 TO 11400.0	OVER 11400.0 TO 11460.0
		OVER 11460.0 TO 11520.0	OVER 11520.0 TO 11580.0
		OVER 11580.0 TO 11640.0	OVER 11640.0 TO 11700.0
		OVER 11700.0 TO 11760.0	OVER 11760.0 TO 11820.0
		OVER 11820.0 TO 11880.0	OVER 11880.0 TO 11940.0
		OVER 11940.0 TO 12000.0	OVER 12000.0 TO 12060.0
		OVER 12060.0 TO 12120.0	OVER 12120.0 TO 12180.0
		OVER 12180.0 TO 12240.0	OVER 12240.0 TO 12300.0
		OVER 12300.0 TO 12360.0	OVER 12360.0 TO 12420.0
		OVER 12420.0 TO 12480.0	OVER 12480.0 TO 12540.0
		OVER 12540.0 TO 12600.0	OVER 12600.0 TO 12660.0
		OVER 12660.0 TO 12720.0	OVER 12720.0 TO 12780.0
		OVER 12780.0 TO 12840.0	OVER 12840.0 TO 12900.0
		OVER 12900.0 TO 12960.0	OVER 12960.0 TO 13020.0
		OVER 13020.0 TO 13080.0	OVER 13080.0 TO 13140.0
		OVER 13140.0 TO 13200.0	OVER 13200.0 TO 13260.0
		OVER 13260.0 TO 13320.0	OVER 13320.0 TO 13380.0
		OVER 13380.0 TO 13440.0	OVER 13440.0 TO 13500.0
		OVER 13500.0 TO 13560.0	OVER 13560.0 TO 13620.0
		OVER 13620.0 TO 13680.0	OVER 13680.0 TO 13740.0
		OVER 13740.0 TO 13800.0	OVER 13800.0 TO 13860.0
		OVER 13860.0 TO 13920.0	OVER 13920.0 TO 13980.0
		OVER 13980.0 TO 14040.0	OVER 14040.0 TO 14100.0
		OVER 14100.0 TO 14160.0	OVER 14160.0 TO 14220.0
		OVER 14220.0 TO 14280.0	OVER 14280.0 TO 14340.0
		OVER 14340.0 TO 14400.0	OVER 14400.0 TO 14460.0
		OVER 14460.0 TO 14520.0	OVER 14520.0 TO 14580.0
		OVER 14580.0 TO 14640.0	OVER 14640.0 TO 14700.0
		OVER 14700.0 TO 14760.0	OVER 14760.0 TO 14820.0
		OVER 14820.0 TO 14880.0	OVER 14880.0 TO 14940.0
		OVER 14940.0 TO 15000.0	OVER 15000.0 TO 15060.0
		OVER 15060.0 TO 15120.0	OVER 15120.0 TO 15180.0
		OVER 15180.0 TO 15240.0	OVER 15240.0 TO 15300.0
		OVER 15300.0 TO 15360.0	OVER 15360.0 TO 15420.0
		OVER 15420.0 TO 15480.0	OVER 15480.0 TO 15540.0
		OVER 15540.0 TO 15600.0	OVER 15600.0 TO 15660.0
		OVER 15660.0 TO 15720.0	OVER 15720.0 TO 15780.0
		OVER 15780.0 TO 15840.0	OVER 15840.0 TO 15900.0
		OVER 15900.0 TO 15960.0	OVER 15960.0 TO 16020.0
		OVER 16020.0 TO 16080.0	OVER 16080.0 TO 16140.0
		OVER 16140.0 TO 16200.0	OVER 16200.0 TO 16260.0
		OVER 16260.0 TO 16320.0	OVER 16320.0 TO 16380.0
		OVER 16380.0 TO 16440.0	OVER 16440.0 TO 16500.0
		OVER 16500.0 TO 16560.0	OVER 16560.0 TO 16620.0
		OVER 16620.0 TO 16680.0	OVER 16680.0 TO 16740.0
		OVER 16740.0 TO 16800.0	OVER 16800.0 TO 16860.0
		OVER 16860.0 TO 16920.0	OVER 16920.0 TO 16980.0
		OVER 16980.0 TO 17040.0	OVER 17040.0 TO 17100.0
		OVER 17100.0 TO 17160.0	OVER 17160.0 TO 17220.0
		OVER 17220.0 TO 17280.0	OVER 17280.0 TO 17340.0
		OVER 17340.0 TO 17400.0	OVER 17400.0 TO 17460.0
		OVER 17460.0 TO 17520.0	OVER 17520.0 TO 17580.0
		OVER 17580.0 TO 17640.0	OVER 17640.0 TO 17700.0
		OVER 17700.0 TO 17760.0	OVER 17760.0 TO 17820.0
		OVER 17820.0 TO 17880.0	OVER 17880.0 TO 17940.0
		OVER 17940.0 TO 18000.0	OVER 18000.0 TO 18060.0
		OVER 18060.0 TO 18120.0	OVER 18120.0 TO 18180.0
		OVER 18180.0 TO 18240.0	OVER 18240.0 TO 18300.0
		OVER 18300.0 TO 18360.0	OVER 18360.0 TO 18420.0
		OVER 18420.0 TO 18480.0	OVER 18480.0 TO 18540.0
		OVER 18540.0 TO 18600.0	OVER 18600.0 TO 18660.0
		OVER 18660.0 TO 18720.0	OVER 18720.0 TO 18780.0
		OVER 18780.0 TO 18840.0	OVER 18840.0 TO 18900.0
		OVER 18900.0 TO 18960.0	OVER 18960.0 TO 19020.0
		OVER 19020.0 TO 19080.0	OVER 19080.0 TO 19140.0
		OVER 19140.0 TO 19200.0	OVER 19200.0 TO 19260.0
		OVER 19260.0 TO 19320.0	OVER 19320.0 TO 19380.0
		OVER 19380.0 TO 19440.0	OVER 19440.0 TO 19500.0
		OVER 19500.0 TO 19560.0	OVER 19560.0 TO 19620.0
		OVER 19620.0 TO 19680.0	OVER 19680.0 TO 19740.0
		OVER 19740.0 TO 19800.0	OVER 19800.0 TO 19860.0
		OVER 19860.0 TO 19920.0	OVER 19920.0 TO 19980.0
		OVER 19980.0 TO 20040.0	OVER 20040.0 TO 20100.0
		OVER 20100.0 TO 20160.0	OVER 20160.0 TO 20220.0
		OVER 20220.0 TO 20280.0	OVER 20280.0 TO 20340.0
		OVER 20340.0 TO 20400.0	OVER 20400.0 TO 20460.0
		OVER 20460.0 TO 20520.0	OVER 20520.0 TO 20580.0
		OVER 20580.0 TO 20640.0	OVER 20640.0 TO 20700.0
		OVER 20700.0 TO 20760.0	OVER 20760.0 TO 20820.0
		OVER 20820.0 TO 20880.0	OVER 20880.0 TO 20940.0
		OVER 20940.0 TO 21000.0	OVER 21000.0 TO 21060.0
		OVER 21060.0 TO 21120.0	OVER 21120.0 TO 21180.0

AUTOMATED BY PRTLST.5R(55)

PARTS LIST

SHEET A1 OF A1

LINE	ITEM	TOP DOCUMENT	PART NUMBER	MIN REV	DESCRIPTION	QTY PER VARIATION
					VARIATION REVISION LEVEL:	B1
1	1	A-PS-1920316-0-0	1920316-01		RC NETWORK 1-10 OHM 1-.01MFD	1
2	2		9007815-00		TERM,LUG 1/4STUD LOCKING	2
3	3	SEE NOTE 1	9107278-09		TUBING,TEFLON .042ID	A/R

4 NOTE: 1.) LENGTH OF ITEM #3 TO BE .80 INCHES +.05 INCHES, -.05 INCHES.

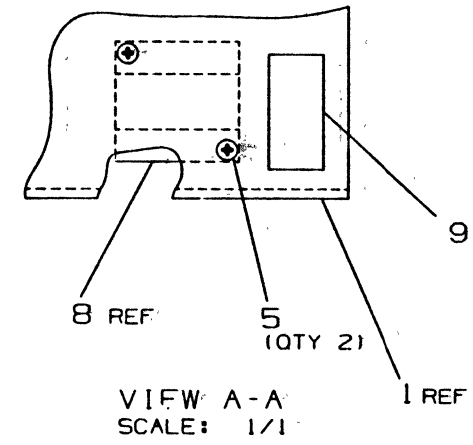
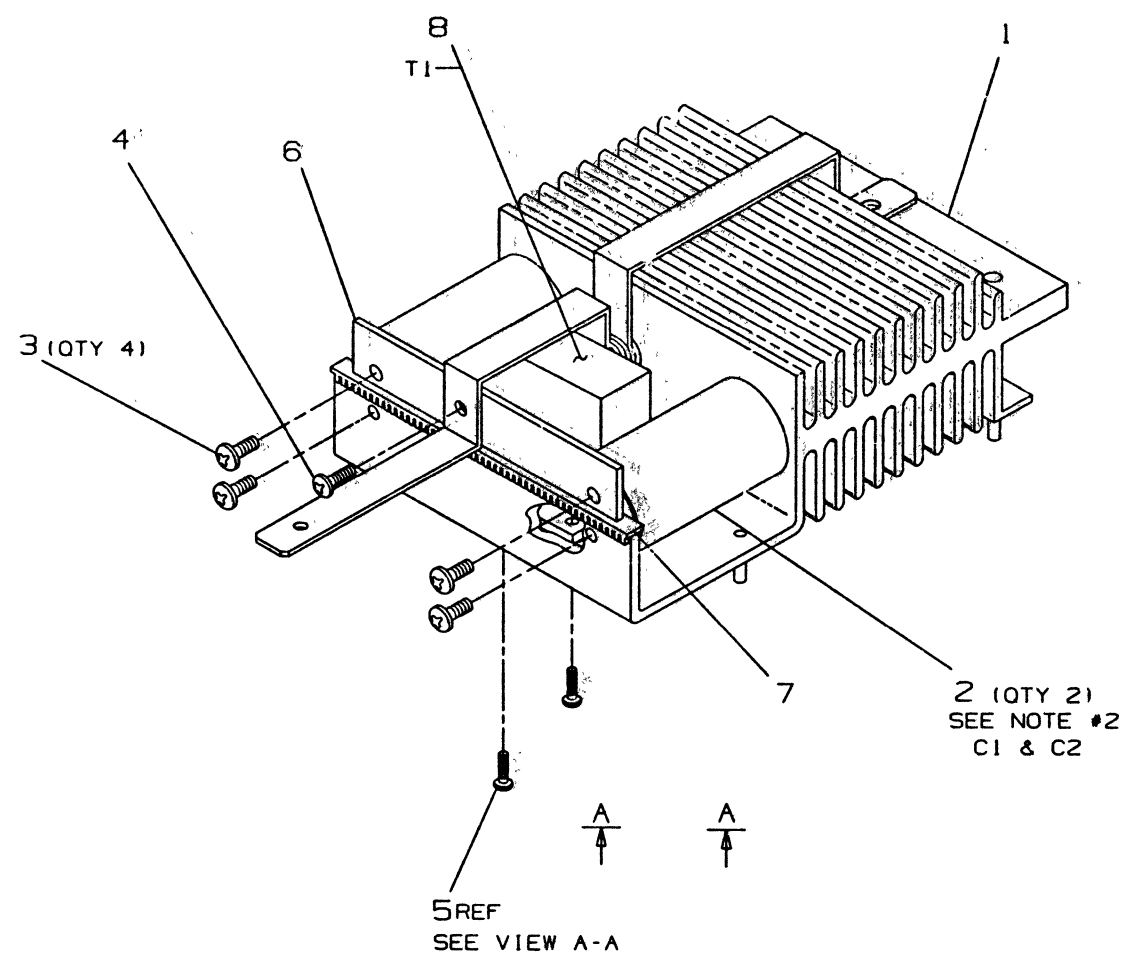
REVISION HISTORY			BASIC PART NO: 7021668		DRN:	DATE:	D I G I T A L			
ENG:	ECO NUMBER	REV	SECTION A OF A		L. BOURGALT	14-AUG-84	TITLE PARTS LIST			
---	INITIAL	A	SECTION.VARIATION INDEX	CHK'D:	A. PERRY	14-AUG-84	SNUBBER ASSY			
AP	H7204-TW001	B	(A)01				DOCUMENT NUMBER			
			(B)	DES.ENG:	A. PERRY	14-AUG-84	SIZE	CODE	NUMBER	REV
			(C)				K	PL	7021668-0-DBP	B
			(D)	RESP.ENG.:	MAN W. CHOW	14-AUG-84	RELEASE DATE: 10-SEP-85			
			(E)							
			(F)	MFG.ENG.:	V. MITCHELL	14-AUG-84				
				ASSEMBLY NUMBER:		TOP DOCUMENT NUMBER:	FILE NAME:	EDIT #		
				E-AD-H7203-A-DBU		B-IA-7021668-0-DBU	Z9090B.PLS	9		

"THIS DRAWING AND THE SPECIFICATIONS CONTAINED HEREIN ARE CONFIDENTIAL AND PROPRIETARY. THEY ARE THE PROPERTY OF DIGITAL EQUIPMENT CORPORATION AND SHALL NOT BE REPRODUCED OR COPIED OR USED IN WHOLE OR IN PART AS THE BASIS FOR THE MANUFACTURE OR SALE OF ITEMS WITHOUT WRITTEN PERMISSION. THIS IS AN UNPUBLISHED WORK PROTECTED UNDER THE FEDERAL COPYRIGHT LAWS."

*THIS DRAWING AND SPECIFICATIONS HEREIN ARE THE PROPERTY OF DIGITAL EQUIPMENT CORPORATION AND SHALL NOT BE REPRODUCED OR COPIED OR USED IN WHOLE OR IN PART AS THE BASIS FOR THE MANUFACTURE OR SALE OF ITEMS WITHOUT WRITTEN PERMISSION.
 COPYRIGHT © 1984 DIGITAL EQUIPMENT CORPORATION*

LEGEND		
PART NO	REV	VARIATION
7021667-01	B1	AS SHOWN

- NOTES:
1. TORQUE ALL SCREWS PER DEC A-SP-7665328-0-0.
 2. NEGATIVE SIDE OF CAPS ITEM #2 TO BE CONNECTED TO CAP BUSS ITEM #6.



LAYER #2: FORMAT LAYER
 LAYER #1: WORK LAYER
 FILENAME: 7021667-0-DBU
 PLOT AT: 1.00

CAUTION: FOR OFF SHEET PARTS LIST, REFER TO K-PL-7021667-0-DBP, (Z9089).

REV.	CHG. NO.	INITIAL	DATE
A		A. PERRY	12/11/83
B		A. PERRY	12/11/83
C		A. PERRY	12/11/83
D		A. PERRY	12/11/83
E		A. PERRY	12/11/83
F		A. PERRY	12/11/83
G		A. PERRY	12/11/83
H		A. PERRY	12/11/83
I		A. PERRY	12/11/83
J		A. PERRY	12/11/83

FIRST HIGHER REV.
 E-1A-H7203-A-DBU

DESCRIPTION	DRAWING NO.	PART NO.	ITEM NO.
UNLESS OTHERWISE SPECIFIED DIMENSIONS ARE IN INCHES AND THE FOLLOWING TOLERANCES APPLY (PER DEC STD 114)			
INCHES TOLERANCES	ANGLES 90°-50°	APPL. DIMENSION RANGE	
.XX ± .01	SURFACE QUALITY	OVER 10 TO 12.5	OVER 12.5 TO 40.0
.XX ± .02	✓	OVER 40.0 TO 80.0	OVER 80.0 TO 160.0
.XXX ± .005	MICROINCHES	±.004	±.008
		±.012	±.018
		±.024	±.04
THIRD ANGLE PROJECTION	DRW. L. BOURGAULT	DATE 22FEB84	TITLE digital
DO NOT SCALE DRAWING	DES'G'D A. PERRY	DATE 21AUG84	HEAT SINK ASSY
REMOVE BURRS AND BREAK SHARP CORNERS	DES'G'D A. PERRY	DATE 21AUG84	
MATERIAL	RESP'G'D MAN. W. CHOW	DATE 21AUG84	DOCUMENT NUMBER
SEE PARTS LIST	MFG'G'D V. MITCHELL	DATE 21AUG84	D AD 7021667-0-DBU
FINISH NONE	TOP DOC. D-AD-7021667-0-DBU	SCALE 1/1	SHEET 1 OF TWO

LINE ITEM	TOP DOCUMENT	PART NUMBER	MIN REV	DESCRIPTION	QTY PER VAR/REV	REFERENCE DESIGNATORS
1	1 A-PS-1222726-0-0	12-22726-01		HEAT SINK,SCHOTTKY	1	
2	2 A-PS-1014338-0-0	10-14338-00		15,000 MFD 7.5V +/-20% ALU	2	C1,C2
3	3	90-09228-10		SCREW,SEMS PAN PHIL 10-	4	
4	4	90-10174-01		SCREW,SEMS PAN PHIL 8-	1	
5	5	90-09984-02		SCREW,SEMS PAN PHIL 6-	2	
6	6 B-IA-7430160-0-DBU	74-30160-01		BUS,CAPACITOR	1	
7	7 #SEE NOTE	90-07622-00		GROMMET,CATERPILLAR POLYAMIDE	A/R	
8	8	16-22782-01		CHOKE,OUTPUT FILTER	1	T1
9	9	90-09255-03		LABEL,P.S./SUB.ASSY ID	1	
10	10 BLANK			*** THIS ITEM IS NOT USED ***	-	

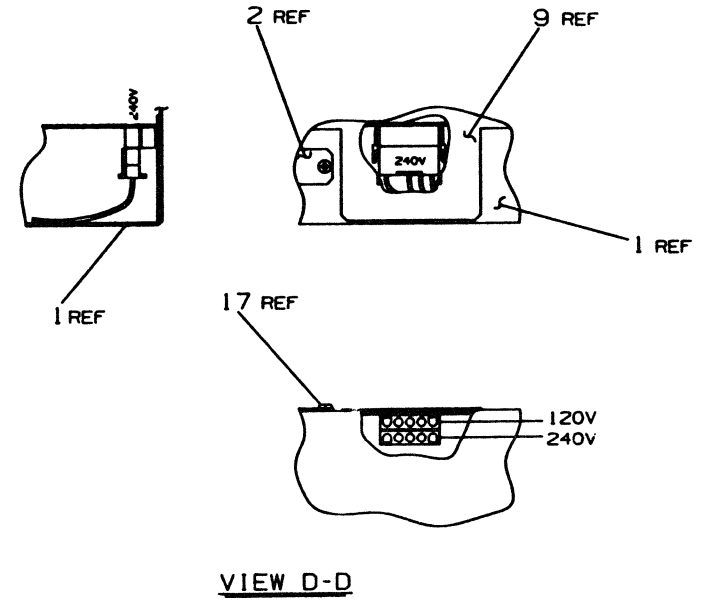
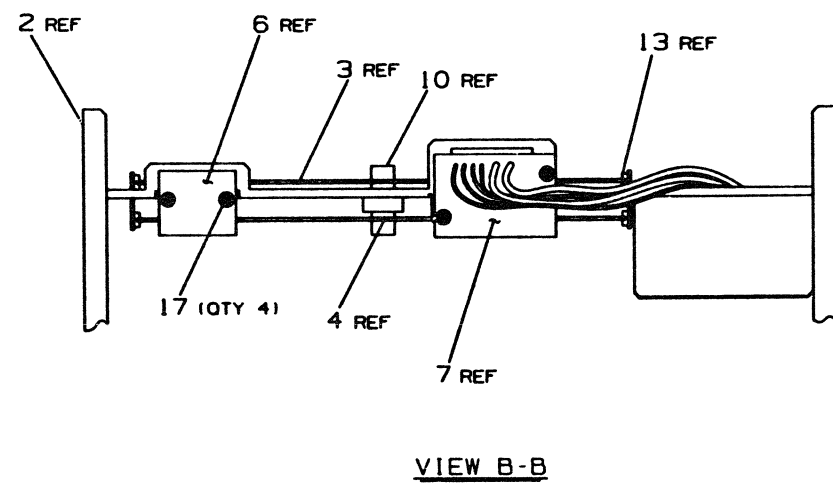
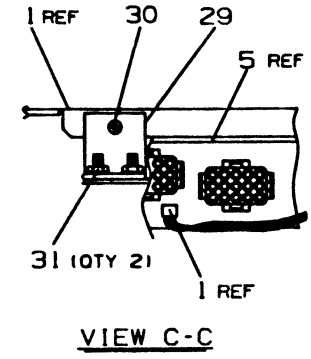
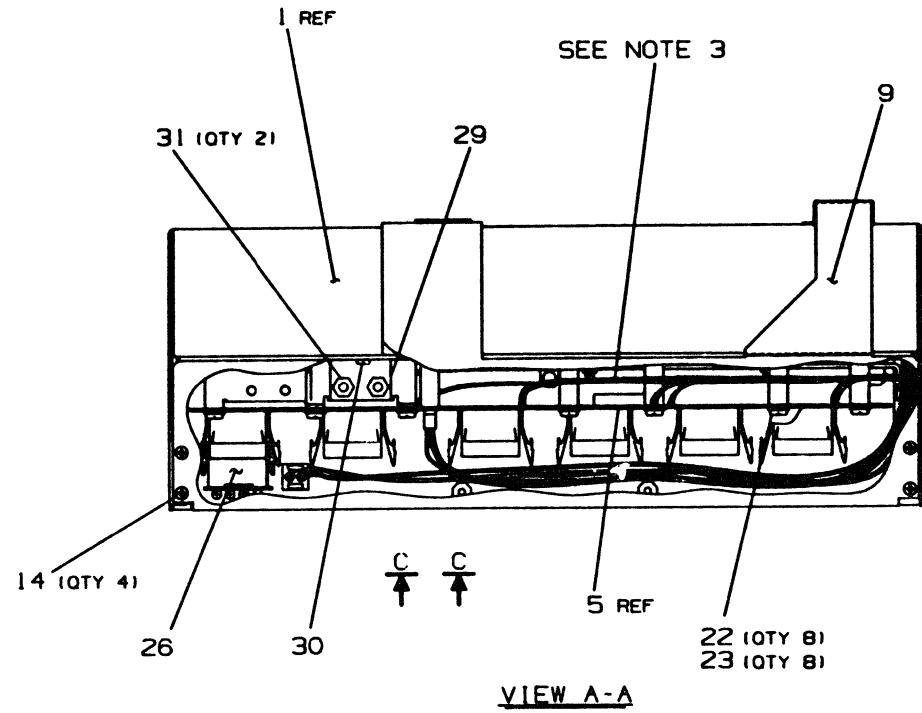
1 GEN: QUANTITY OF ITEM #7 TO BE 4.25 INCHES.

REVISION HISTORY		KPL MODULE FORMAT		SECTION A OF A		DRN: L. BOURGAULT		DIGITAL		
ENG	ECO NUMBER	REV	SECTION/VARIATION INDEX			DATE				
---	INITIAL	A	[A]	01	[M]	14-AUG-84	TITLE PARTS LIST			
AP	H7204-TW001	B	[B]		[N]	14-AUG-84	HEAT SINK ASSY			
AP	H7203-TW001	C	[C]		[P]	14-AUG-84	DES.ENG: A. PERRY			
JA	7021667-LK001	D	[D]		[Q]	14-AUG-84	DATE: 14-AUG-84			
			[E]		[R]		DOCUMENT NUMBER			
			[F]		[S]		SIZE	CODE	NUMBER	REV
			[H]		[T]		K	PL	7021667-0-DBP	D
			[J]		[V]		RESP.ENG.: MAN W. CHOW			
			[K]		[W]		DATE: 14-AUG-84			
			[L]		[Y]		MFG.ENG: V. MITCHELL			
							DATE: 14-AUG-84			
			BASIC PART NUMBER:		ASSEMBLY NUMBER:	TOP DOCUMENT NUMBER:		FILE NAME:		EDIT #
			7021667		E-AD-H7203-A-DBU	E-AD-7021667-0-DBU		Z9089D.PLS		1

"THIS DRAWING AND THE SPECIFICATIONS CONTAINED HEREIN ARE CONFIDENTIAL AND PROPRIETARY. THEY ARE THE PROPERTY OF DIGITAL EQUIPMENT CORPORATION AND SHALL NOT BE REPRODUCED OR COPIED OR USED IN WHOLE OR IN PART AS THE BASIS FOR THE MANUFACTURE OR SALE OF ITEMS WITHOUT WRITTEN PERMISSION. THIS IS AN UNPUBLISHED WORK PROTECTED UNDER THE FEDERAL COPYRIGHT LAWS."

THIS DRAWING AND SPECIFICATIONS, HEREIN, ARE THE PROPERTY OF THE UNITED STATES GOVERNMENT AND ARE LOANED TO YOU BY THE UNITED STATES GOVERNMENT. IT IS TO BE USED FOR THE PURPOSES AUTHORIZED BY THE UNITED STATES GOVERNMENT. IT IS TO BE RETURNED TO THE UNITED STATES GOVERNMENT WHEN NO LONGER REQUIRED.

EJAH7204-B-DBU

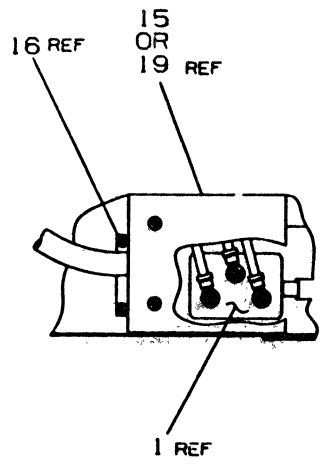


LAYER #6: WORK LAYER (SHT 4)
 LAYER #5: WORK LAYER (SHT 3)
 LAYER #4: FORMAT LAYER (SHT 2,3&4)
 LAYER #3: WORK LAYER (SHT 2)
 LAYER #2: FORMAT LAYER (SHT 1)
 LAYER #1: WORK LAYER (SHT 1)
 FILENAME: H7204-B-DBU
 PLOT AT: .750

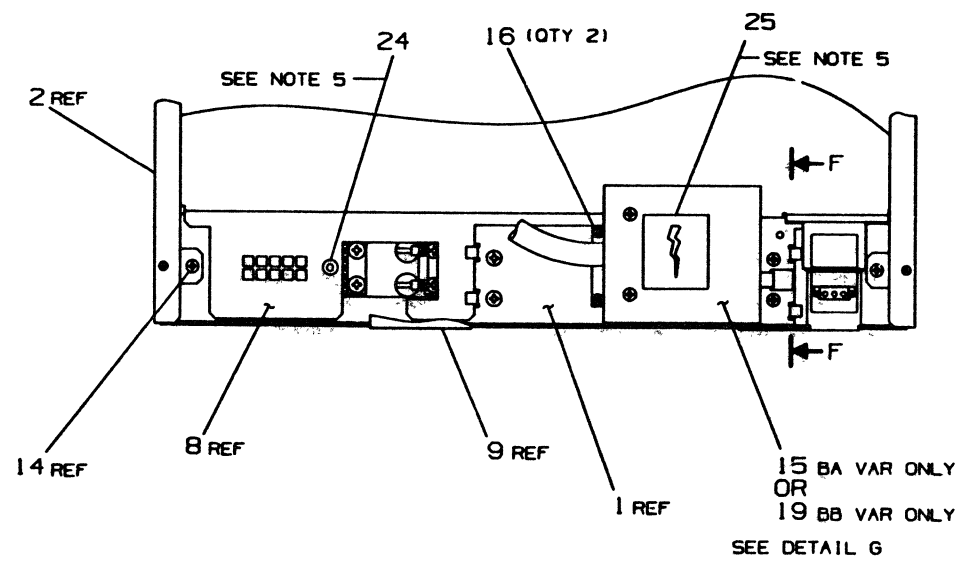
REVISION HISTORY		
DATE	ECO HISTORY	REV

THIS DRAWING AND SPECIFICATIONS, WHETHER THE PROPERTY OF DIGITAL EQUIPMENT CORPORATION OR NOT, ARE TO BE KEPT IN CONFIDENTIALITY AND SHALL NOT BE LOANED, REPRODUCED, COPIED, OR IN ANY MANNER BE MADE PUBLIC FOR THE MANUFACTURE OR SALE OF ITEMS IN THE UNITED STATES OR ABROAD.
 COPYRIGHT © 1984 DIGITAL EQUIPMENT CORPORATION

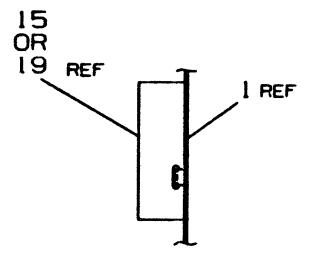
EJAH7204-B-DBU F



DETAIL G



VIEW E-E



VIEW F-F

LAYER #6: WORK LAYER (SHT 4)
 LAYER #5: WORK LAYER (SHT 3)
 LAYER #4: FORMAT LAYER (SHT 2,3&4)
 LAYER #3: WORK LAYER (SHT 2)
 LAYER #2: FORMAT LAYER (SHT 1)
 LAYER #1: WORK LAYER (SHT 1)
 FILENAME: H7204-B-DBU
 PLOT AT: .750

REVISION HISTORY		
DATE	ECO HISTORY	REV

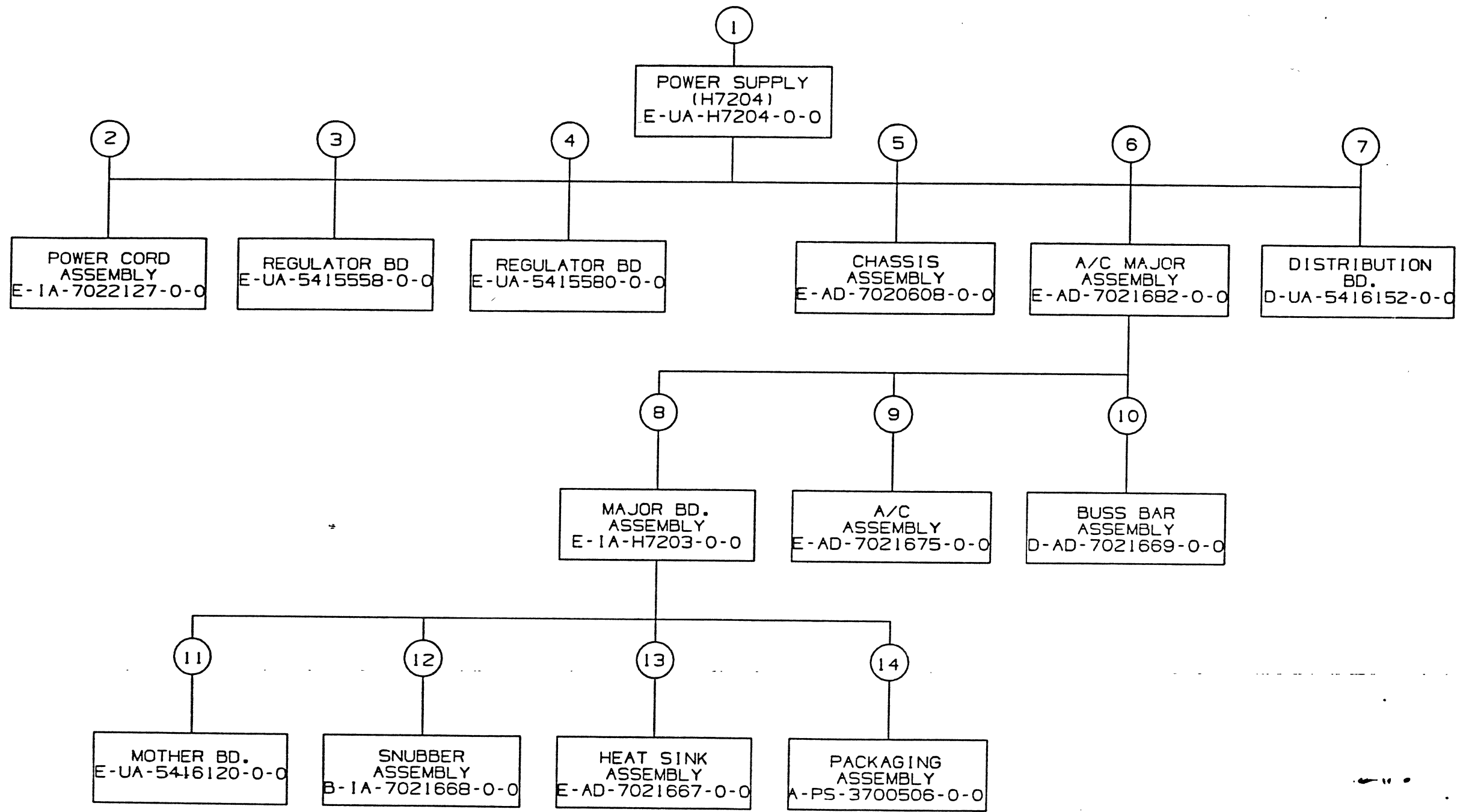
TITLE H7204-B
 POWER SUPPLY

DOCUMENT NUMBER
 EJAH7204-B-DBU F
 SCALE 3/4
 RESET 3 OF 1

LINE	ITEM	TOP DOCUMENT	ART NUMBER	IN REV	DESCRIPTION	BA	BB	QUANTITY PER VARIATION/REVISION	
				REV		E1	E1		
1	1	E-AD-7021682-0-DBU	70-21682-02	D	A/C MAJOR BD ASSY	1	1		
2	2	E-IA-7020608-0-DBU	70-20608-01		CHASE ASSEMBLY	1	1		
3	3		H7216-A		+12V 3A SWITCHER FROM H7200 OR H72	1	1		
4	4		H7217-00		COMMUNICATION REGULATOR,+15V 5A,-1	1	1		
5	5		54-16152-01		POWER DISTRIBUTION FOR H7204 POWER	1	1		
6	6		17-00556-01		WIRE HARN ASSY 07COND 26AWG P+S CO	1	1		
7	7		17-00588-01		HARNESS,WIRE 6COND TERM BOTH ENDS	1	1		
8	8	E-MD-7429749-0-DBU	74-29749-01		COVER, CHASSIS	1	1		
9	9	D-MD-7430190-0-DBU	74-30190-01		COVER,DISTRIBUTION	1	1		
10	10	B-MD-7430087-0-DBU	74-30087-01		RETAINER,MODULE	1	1		
11	11		36-17973-04		LABEL,INSULATOR ADH 10.5 X 2.80	1	1		
12	12		90-08264-00		MOUNT, CABLE TIE, ADHESIVE BACKED,	2	2		
13	13		12-11375-02		GUIDE,CARD ,NYLON ,SNAP-IN	4	4		
14	14		90-09701-00		SCREW,SEMS PAN PHIL 6-32	11	11		
15	15	E-IA-7022127-0-DBU	70-22127-01		POWER CORD ASSY.	1	-		
16	16		90-10155-00		SCREW,SEMS PAN PHIL 6-32	4	4		
17	17		90-09643-02		SCREW,SEMS PAN PHIL 4-40	4	4		
18	18	BLANK			*** THIS ITEM IS NOT USED ***	-	-		
19	19	E-IA-7022127-0-DBU	70-22127-02		POWER CORD ASSY	-	1		
20	20		90-07032-00		TIE,CABLE BUNDL.DIA 0-1-3/4"=101	2	2		
21	21		90-09255-00		LABEL, POWER SUPPLY, 2-15/16 " LG	1	1		
22	22		90-06656-00		WASHER,FLAT STEEL	8	8		
23	23		90-09984-02		SCREW,SEMS PAN PHIL 6-32	8	8		
24	24		36-15680-00		LABEL,ADHESIVE BACK,SWITCH POSITIO	1	1		
25	25		36-10267-00		LABEL,DANGER HIGH VOLTAGE,SMOOTH	1	1		
26	26		20-23924-01		ASSY,LOAD CONN W/13-220 OHM RESIST	1	1		
27	27		36-24103-01		LABEL,UNIT ID H7204	1	1		
28	28		36-24104-01		LABEL,TERMINAL ID	1	1		
29	29	C-MD-7422731-0-0	74-22731-01		BRACKET,MOUNTING	1	1		
30	30		90-09228-10		SCREW,SEMS PAN PHIL 10-32	1	1		
31	31		90-06565-00		NUT,HEX EXT TOOTH LCKWSHR 10-32X	2	2		

REVISION HISTORY		KPL MATRIX FORMAT		SECTION A OF A	DRN: L. BOURGAULT	DIGITAL			
ENG	ECO NUMBER	REV	SECTION/VARIATION INDEX		DATE: 24-AUG-84				
---	INITIAL	A	[A]	BA, BB	CHK'D: A. PERRY	TITLE PARTS LIST			
AP	H7204-TW001	B	[B]		DATE: 24-AUG-84	H7204-B POWER SUPPLY			
JA	H7204-LK002	C	[C]		DES.ENG: A. PERRY				
SN	H7204-LK003	D	[D]		DATE: 24-AUG-84	DOCUMENT NUMBER			
SN	H7204-LK004	E	[E]		RESP.ENG.: MAN W. CHOW	SIZE	CODE	NUMBER	REV
CB	H7204-LK005	F	[F]		DATE: 24-AUG-84	K	PL	H7204-B-DBP	F
			[H]		MFG.ENG: V. MITCHELL	RELEASE DATE: 05-MAR-87			
			[J]		DATE: 24-AUG-84	RELEASE STATUS: RELEASED			
		BASIC PART NUMBER:		ASSEMBLY NUMBER:	TOP DOCUMENT NUMBER:	FILE NAME:		EDIT #	
		H7204		E-UA-H7204-B-DBU	E-UA-H7204-B-DBU	Z9553F.PLS		1	

"THIS DRAWING AND THE SPECIFICATIONS CONTAINED HEREIN ARE CONFIDENTIAL AND PROPRIETARY. THEY ARE THE PROPERTY OF DIGITAL EQUIPMENT CORPORATION AND SHALL NOT BE REPRODUCED OR COPIED OR USED IN WHOLE OR IN PART AS THE BASIS FOR THE MANUFACTURE OR SALE OF ITEMS WITHOUT WRITTEN PERMISSION. THIS IS AN UNPUBLISHED WORK PROTECTED UNDER THE FEDERAL COPYRIGHT LAWS."



TITLE: H7204-B POWER SUPPLY	SHEET 2 OF 3	SIZE CODE BDD	NUMBER H7204-B-DBU	REV. B
--------------------------------	--------------	-------------------------	-----------------------	-----------

TWO

FIND NO.	DRAWING NO.	DESCRIPTION	TYPE	FIND NO.	DRAWING NO.	DESCRIPTION	TYPE
1	E-UA-H7204-0-0	H7204-B POWER SUPPLY	E/M	8	E-1A-H7203-0-0	MAJOR BD. ASSEMBLY	E/M
	K-PL-H7204-0-DBP	POWER SUPPLY PARTS LIST	-		D-1A-7429748-0-0	MOTHER BD. BRACKET	M
	E-MD-7430190-0-0	DISTRIBUTION COVER	M		C-MD-7430094-0-0	CAPACITOR BRACKET	M
	E-MD-7429749-0-0	CHASSIS COVER	M				
	A-PS-1700556-0-0	FLEX CABLE	E				
	B-MD-7430087-0-0	MODULE RETAINER	M				
	A-PS-3615680-0-0	LABEL, SWITCH POSITION		9	E-AD-7021675-0-0	A/C ASSEMBLY	E/M
	A-PS-3610267-0-0	LABEL, DANGER HIGH VOLTAGE			A-PS-1223232-0-0	LINE FILTER	E
	A-PS-3624103-0-0	LABEL, UNIT IDENTIFICATION			E-1A-7429745-0-0	A/C BRACKET	M
	A-PS-3624104-0-0	LABEL, TERMINAL IDENTIFICATION			A-PS-1222896-0-0	CIRCUIT BREAKER	E
					A-PS-1700678-0-0	VOLTAGE SELECT HARNESS	E
2	E-1A-7022127-0-0	POWER CORD ASSEMBLY	E/M		A-PS-1700635-0-0	CABLE ASSEMBLY	E
	C-MD-7430794-0-0	A/C COVER	M				
3	E-UA-5415558-0-0	H7216-A REGULATOR BD.	E				
				10	D-AD-7021669-0-0	BUSS BAR ASSEMBLY	M
					D-1A-7429923-0-0	+5 BUSS	M
					D-1A-7429924-0-0	RETURN BUSS	M
4	E-UA-5415580-0-0	H7217 REGULATOR BD.	E				
5	E-AD-7020608-0-0	CHASSIS ASSEMBLY	M	11	E-UA-5416120-0-0	MOTHER BD.	E/M
	E-1A-7429743-0-0	RIGHT PANEL	M				
	E-1A-7429744-0-0	LEFT PANEL	M				
	E-1A-7429746-0-0	MODULE BRACKET	M				
	C-MD-7429747-0-0	BAFFLE BRACKET	M	12	B-1A-7021668-0-0	SNUBBER ASSEMBLY	E/M
6	E-AD-7021682-0-0	A/C MAJOR BD ASSEMBLY	E/M	13	E-AD-7021667-0-0	HEAT SINK ASSEMBLY	E/M
	C-MD-7430833-0-0	MYLAR INSULATOR	E/M		A-PS-1222726-0-0	HEAT SINK	
					C-1A-7430160-0-0	CAPACITOR BRACKET	M
7	D-UA-5416152-0-0	DISTRIBUTION BD.	E	14	A-PS-3700506-0-0	PACKAGING ASSEMBLY	-
	A-PS-1700634-0-0	POWER HARNESS	E				

TYPE: E ELECTRICAL
M MECHANICAL
E/M ELECTRO/MECHANICAL



TITLE: H7204-B
POWER SUPPLY

SHEET 3 OF 3

SIZE CODE
B DD

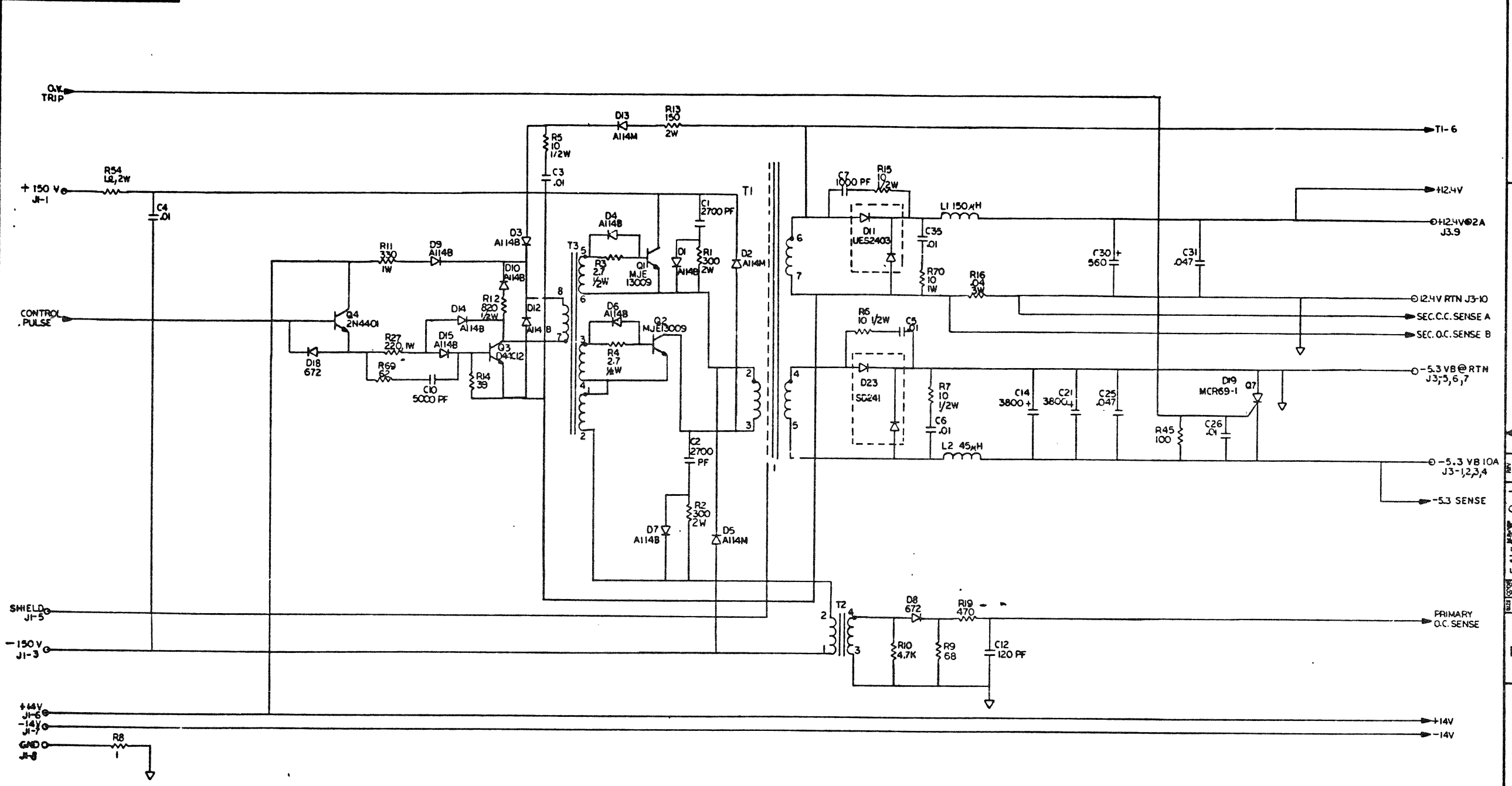
NUMBER
H7204-B-DBU

REV.
B

DRB 108A

TWO

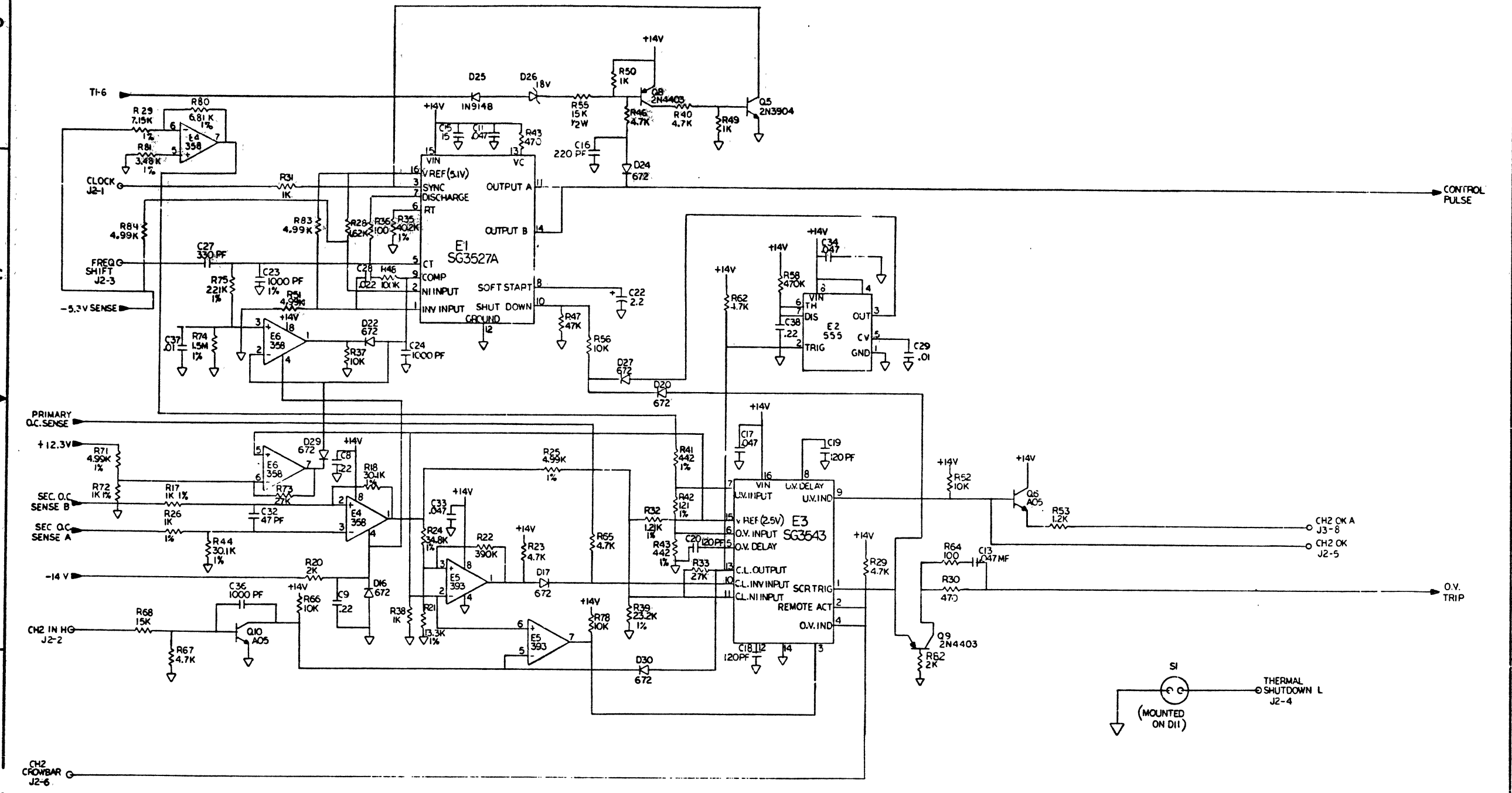
THIS DRAWING AND SPECIFICATIONS HEREON ARE THE PROPERTY OF DIGITAL EQUIPMENT CORPORATION AND SHALL NOT BE REPRODUCED OR COPIED OR USED IN WHOLE OR IN PART AS THE BASIS FOR THE MANUFACTURE OR SALE OF THIS WITHOUT WRITTEN PERMISSION.
 COPYRIGHT © 1962 DIGITAL EQUIPMENT CORPORATION



REVISION HISTORY			
DATE	ECO NUMBER	REV	
11/14/62	5415558-TW001	B	W.F. BALSMAN
12/14/62	5415558-TW003	C	S. MANAK
1/14/63			W.F. BALSMAN
4/14/63			W.F. BALSMAN

DATE: 11-14-62	TITLE: H7216	digital
DATE: 4/14/63	5.3, 12V	
DATE: 4/14/63	REGULATOR	
DATE: 1-14-63		
DOCUMENT NUMBER		
SIZE: TW	CODE: 5415558-0-1	REV: C
B-DD-541558-0		
SCALE: 1 of 2		

THE DESIGN AND SPECIFICATIONS HEREIN ARE THE PROPERTY OF DIGITAL EQUIPMENT CORPORATION AND SHALL NOT BE REPRODUCED OR COPIED OR USED IN WHOLE OR IN PART AS THE BASIS FOR THE MANUFACTURE OR SALE OF ITEMS WITHOUT THE WRITTEN PERMISSION OF DIGITAL EQUIPMENT CORPORATION © 1972



REVISION HISTORY		
DATE	ECO NUMBER	REV.

TITLE
H7216 -5.3, 12V
REGULATOR

DOCUMENT NUMBER		
SIZE	NUMBER	REV.
D	CS 5415558-0-1	C
SCALE 2/1	SHEET 2 OF 2	

DRAWING NO.	NO. OF SHTS.	PART NO.	DESCRIPTION	REVISIONS															
				A	B	B	C												
D-MD-5015557-0-0	3		DRILL & ETCH DRAWING	A	B	B	C												
		5015557-00	ETCH BOARD (SEE NOTE 1)	A	B	B	C												
D-UA-5415558-0-0	1		UNIT ASSEMBLY DRAWING	A	B	B	C												
D-EC-5015557-0-0	3		ETCH CUT DRAWING	A	B	B	C												
D-CS-5415558-0-1	2		CIRCUIT SCHEMATIC	A	B	B	C												
K-PC-5415558-0-DBG	-		P.C. DESIGN DATABASE	A	B	B	NA												
K-PL-5415558-0-DBP	4		PARTSLIST	A	B	B	C												
		5415558-00	PART REVISION				CI												
		5415558-01	PART REVISION				AI	BI											
D-UA-5415558-1-0	2		UNIT ASSEMBLY DRAWING		A	B													
D-EC-5015557-1-0	2		ETCH CUT DRAWING		A	B													
D-CS-5415558-1-0	2		CIRCUIT SCHEMATIC		A	B													
K-PL-5415558-1-DBP	3		PARTS LIST		A	B													
K-PC-5415558-1-DBA	-		PC DATA BASE					C											

NOTES:
 1. 5015557 ETCH BOARD IS USED ON BOTH THE $\phi\phi$ AND THE ϕI MODULES.

DATE	CHG NO.	REV.	REVISIONS			
			A	B	C	D
4/83	INIT					
6/83	TW001					
10/84	TW002					
11/85	TW003					

"THIS DRAWING AND SPECIFICATIONS, HEREIN, ARE THE PROPERTY OF DIGITAL EQUIPMENT CORPORATION AND SHALL NOT BE REPRODUCED OR COPIED OR USED IN WHOLE OR IN PART AS THE BASIS FOR THE MANUFACTURE OR SALE OF ITEMS WITHOUT WRITTEN PERMISSION.
 COPYRIGHT © 1983 DIGITAL EQUIPMENT CORPORATION



USED ON OPTION/MODEL		DRN	1-4-83	TITLE	
H7202-D		Thomas F. Wald		12V REGULATOR	
H7216-A		Thomas F. Wald	1-4-83	SIZE	CODE
				B	DD
		ENG	4/14/83	NUMBER	5415558-0
		PROD.	12-18-83	REV.	D
				SHEET	1 OF 1

LINE	ITEM	TOP DOCUMENT	PART NUMBER	MIN REV	DESCRIPTION	QTY	PER VAR/REV	REFERENCE DESIGNATORS
						00		
						C1		
1	1	D-MD-5015557-0-0	50-15557-00		DRILL AND ETCH CUT BOARD	1		
2	2		10-13466-26		120 PFD 50V +/- 5% NPO C	4		C12,C18-C20
3	3		10-12607-00		560 MFD 20V +100/-10% ALU	1		C30
4	4		10-13466-16		0.010MFD 50V +/-10% X7R C	5		C5,C6,C26,C29,C37
5	5		10-10274-00		0.22 MFD 50V +80/-20% Z5U C	2		C8,C9
6	6		10-12784-00		0.047MFD 50V +80/-20% Z5U C	6		C11,C17,C25,C31,C33,C34
7	7		10-11847-01		0.010MFD 400V +/-10% POLYP	2		C3,C35
8	8		10-13466-28		1000 PFD 50V +/- 5% NPO C	1		C36
9	9		10-14169-00		1000 PFD 100V +/- 1% 200PP	1		C23
10	10		10-13466-18		330 PFD 50V +/- 5% NPO C	1		C27
11	11		10-14277-00		3800 MFD 6.3V +75/-10% ALU	2		C14,C21
12	12		10-17426-01		2700 PFD 250V +/-10% POLYP	2		C1,C2
13	13		10-00042-00		1000 PFD 100V +/- 5% 200PP	2		C7,C24
14	14		10-13466-20		5000 PFD 50V +/-10% X7R C	1		C10
15	15		10-11847-02		0.010MFD 600V +/-10% POLYP	1		C4
16	16		10-13466-07		220 PFD 50V +/- 5% NPO C	1		C16
17	17		10-13466-46		0.047MFD 50V +/-10% X7R C	1		C13
18	18		10-18000-00		2.2 MFD 63V +50/-20% ALU	1		C22
19	19		10-18000-01		15 MFD 25V +50/-20% ALU	1		C15
20	20		10-13466-24		47 PFD 50V +/- 5% NPO C	1		C32
21	21		10-10978-40		0.22 MFD 50V +/-10% X7R C	1		C38
22	22		10-11683-00		0.022MFD 50V +/-10% X7R C	1		C28
23	23		11-05275-00		PIV= 60 IO=300 MA -15NS	10		D8,D16-D18,D20,D22,D24,D27,D29, CONT D30
24	24		11-12595-01		PIV= 200 IO= 1.00A AXIAL	10		D1,D3,D4,D6,D7,D9,D10,D12,D14, CONT D15
25	25		11-12595-02		PIV= 600 IO= 1.00A AXIAL	3		D2,D5,D13
26	26		11-17555-00		RECT,ULTRA FAST PIV= 150 IO= 3.0	1		D11
27	27		11-16323-00		SCHOTTKY PIV= 45 IO=30.00A	1		D23
28	28		11-09517-00		PIV= 75 IO=150 MA - 4NS 1N914B	1		D25
29	29		11-10766-00		VZ= 18.0 5% 500M2 1N5248B D	1		D26
30	30		11-17061-00		THYRISTOR, VDRM= 25 MC	1		Q7

REVISION HISTORY			KPL MODULE FORMAT		SECTION A OF A		DRN: F. GAROFALO		DIGITAL				
ENG	ECO NUMBER	REV	SECTION/VARIATION INDEX		DATE: 23-JUL-82		CHK'D: F. GERRY		TITLE PARTS LIST				
---	INITIAL	A	[A]	00	[M]	DATE: 23-JUL-82		H7216					
BB	5415558-TW001	B	[B]		[N]	DES.ENG: W. BAUSHA		DOCUMENT NUMBER					
SK	5415558-TW003	C	[C]		[P]	DATE: 23-JUL-82		SIZE		CODE		NUMBER	REV
			[D]		[Q]	RESP.ENG.: W. BAUSHA		K	PL	5415558-0-DBP		C	
			[E]		[R]	DATE: 23-JUL-82		RELEASE DATE: 22-MAY-86					
			[F]		[S]	MFG.ENG: RADEMES GARCIA		RELEASE STATUS: RELEASED					
			[H]		[T]	DATE: 14-APR-83							
			[J]		[V]								
			[K]		[W]								
			[L]		[Y]								
BASIC PART NUMBER:			ASSEMBLY NUMBER:		TOP DOCUMENT NUMBER:		FILE NAME:		EDIT #				
5415558			D-UA-5415558-0-0		B-DD-5415558-0-0		Z3927C.PLS		22				

"THIS DRAWING AND THE SPECIFICATIONS CONTAINED HEREIN ARE CONFIDENTIAL AND PROPRIETARY. THEY ARE THE PROPERTY OF DIGITAL EQUIPMENT CORPORATION AND SHALL NOT BE REPRODUCED OR COPIED OR USED IN WHOLE OR IN PART AS THE BASIS FOR THE MANUFACTURE OR SALE OF ITEMS WITHOUT WRITTEN PERMISSION. THIS IS AN UNPUBLISHED WORK PROTECTED UNDER THE FEDERAL COPYRIGHT LAWS."

PARTS LIST

LINE	ITEM	TOP DOCUMENT	PART NUMBER	MIN REV	DESCRIPTION	QTY	PER VAR/REV	REFERENCE DESIGNATORS
						00		
						C1		
31	31	#BLANK			*** THIS ITEM IS NOT USED ***	-		
32	32		12-13426-08		HEAT SINK,T0-3 1.880X01.4	1		
33	33				*** THIS ITEM IS NOT USED ***	-		
34	34		12-15228-02		HEAT SINKS,T0-220 01.25X0.87	1		
35	35		12-17990-04		CONN,P+S 06SKT(1X06).156CC	1		J2
36	36		12-16122-09		PCB,HEADER 10PIN(1X10).156CC KEY	1		J3
37	37		12-17990-01		CONN,P+S 08SKT(1X06).156CC	1		J1
38	38		12-18375-00		THERMOSTAT,0@170,C@220,NORM OPEN	1		S1
39	39		12-15228-01		HEAT SINKS,T0-220 0.920X0.87	2		
40	40		13-00229-00		100.0 .25 W 5.0 % CF	3		R36,R45,R64
41	41		13-19470-20		220.0 1.0 W 5.0 % M.OXIDE	1		R27
42	42		13-19471-21		300.0 2.0 W 5.0 % M.OXIDE	2		R1,R2
43	43		13-19470-23		330.0 1.0 W 5.0 % M.OXIDE	1		R11
44	44		13-00316-00		470.0 .25 W 5.0 % CF	3		R19,R30,R34
45	45		13-00365-00		1.0 K .25 W 5.0 % CF	4		R31,R38,R49,R50
46	46		13-00447-00		4.70 K .25 W 5.0 % CF	8		R10,R23,R29,R40,R46,R62,R65,R67
47	47		13-00479-00		10.0 K .25 W 5.0 % CF	5		R37,R52,R56,R66,R78
48	48		13-00168-00		10.0 .50 W 5.0 % CF	4		R5-R7,R15
49	49		13-13844-00		221.0 K .25 W 1.0 % RN55D-F10	1		R75
50	50		13-01320-00		1.20 K .25 W 5.0 % CF	1		R53
51	51		13-02377-00		39.0 .25 W 5.0 % CF	1		R14
52	52		13-00356-00		820.0 .50 W10.0 % CF	1		R12
53	53		13-19471-16		150.0 2.0 W 5.0 % M.OXIDE	1		R13
54	54		13-20022-01		1.50 M .25 W 1.0 % RN55D-F10	1		R74
55	55		13-02957-00		121.0 .25 W 1.0 % RN55D-F10	1		R42
56	56		13-03114-00		1.0 K .25 W 1.0 % RN55D-F10	3		R17,R26,R72
57	57		13-14492-00		40.20 K .25 W 1.0 % RN55D-F10	1		R35
58	58		13-09444-00		2.70 .50 W10.0 % CF	2		R3,R4
59	59		13-14551-00		442.0 .25 W 1.0 % RN55D-F10	2		R41,R43
60	60		13-00496-00		15.0 K .25 W 5.0 % CF	1		R68
61	61		13-00219-00		68.0 .25 W 5.0 % CF	1		R9
62	62		13-03156-00		34.80 K .25 W 1.0 % RN55D-F10	1		R24
63	63		13-13841-00		23.20 K .25 W 1.0 % RN55D-F10	1		R39
64	64		13-02177-00		47.0 K .25 W 5.0 % CF	1		R47
65	65		13-02388-00		2.0 K .25 W 5.0 % CF	2		R20,R82
66	66		13-05324-00		4.99 K .25 W 1.0 % RN55D-F10	5		R25,R51,R71,R83,R84
67	67		13-17515-00		.04 3.0 W 3.0 % WW	1		R16
68	68		13-17522-00		1.0 .25 W 5.0 % CF	1		R8
69	69		13-05346-00		27.0 K .25 W 5.0 % CF	2		R33,R73
70	70		13-14350-00		1.0 2.0 W10.0 % FUSE	1		R54
71	71		13-11594-00		30.10 K .25 W 1.0 % RN55D-F10	2		R18,R44
72	72		13-12565-00		13.30 K .25 W 1.0 % RN55D-F10	1		R21
73	73		13-02466-00		100.0 K .25 W 5.0 % CF	1		R48
74	74		13-02871-00		1.21 K .25 W 1.0 % RN55D-F10	1		R32
75	75		13-16511-00		15.0 K .50 W 5.0 % CF	1		R55
76	76		13-02398-00		470.0 K .25 W 5.0 % CF	1		R58
77	77		13-12929-00		62.0 .25 W 5.0 % CF	1		R69
78	78		13-19255-04		10.0 1.0 W 5.0 % M.OXIDE	1		R70
79	79		13-14951-00		390.0 F .25 W 5.0 % CF	1		R22
80	80		13-05253-00		7.15 K .25 W 1.0 % RN55D-F10	1		R79

D	I	G	I	T	A	L	TITLE	SECTION A	OF	A	SIZE	CODE	DOCUMENT NUMBER	REV
							H7216				K	PL	5415558-0-DBP	C

LINE	ITEM	TOP DOCUMENT	PART NUMBER	MIN REV	DESCRIPTION	QTY PER VAR/REV	REFERENCE DESIGNATORS
						00 C1	
81	81		13-04870-00		6.81 K .25 W 1.0 % RN55D-F10	1	R80
82	82		13-05114-00		3.48 K .25 W 1.0 % RN55D-F10	1	R81
83	83		15-10705-00	XA 05	NPN 500MW SI 60 50 P	2	Q6, Q10
84	84		15-09524-00	2N 3904	NPN 310MW SI 40 40 M	1	Q5
85	85		15-13489-00	2N 4401	NPN 350MW SI 40 20	1	Q4
86	86		15-12790-00	D 44C12	NPN 30W SI	1	Q3
87	87		15-17060-00	MJE13009	NPN 100W SI	2	Q1, Q2
88	88		15-13490-00	2N 4403	PNP 350MW SI-40 30	2	Q8, Q9
89	89		16-17450-00		PULSE XFMR, RATIO 40:3, 3:1	1	T3
90	90		16-17557-01		XFMR, CURRENT RATIO 50:1	1	T2
91	91		16-17668-00		35.0 UH 20% 15A	1	L2
92	92		16-17667-00		200.0 UH 2A	1	L1
93	93		19-17908-00	LM	358N OP AMP DUAL LOW POWE	2	E4, E6
94	94		19-16819-00		3527A MODULATOR, REGULATING	1	E1
95	95		19-17059-00		3543 P.S. SUPERVISORY CIR	1	E3
96	96		19-14156-00	LM	393 VOLT. COMPARATOR DUAL	1	E5
97	97		19-11944-00		555CN TIMER, FUNCT. BLOCK	1	E2
98	98		90-06010-01		SCREW, MACH PAN PHIL 4-	2	
99	99		90-06556-00		NUT, HEX 4-40X .264AF SS/N	2	
100	100		90-06688-00		WASHER, HELICAL SPLIT SST	2	
101	101		90-09769-00		WASHER, RECTNGLR STEEL	3	
102	102		90-08268-00		COMPOUND, THERMAL JOINT	A/R	
103	103				*** THIS ITEM IS NOT USED ***	-	
104	104		90-07801-00		WASHER, HELICAL SPLIT SST	5	
105	105				*** THIS ITEM IS NOT USED ***	-	
106	106		90-08059-00		NUT, HEX SLF-LOCK NYL INS 10-32	2	
107	107	#BLANK			*** THIS ITEM IS NOT USED ***	-	
108	108		90-09968-00		WASHER, FLAT SST	2	
109	109		90-08957-00		NUT, HEX 6-32X .246AF SS/N	3	
110	110				*** THIS ITEM IS NOT USED ***	-	
111	111		91-07420-01		WIRE, TWP 22AWG(07/30) IPVC 150V	A/R	
112	112		16-21268-01		XFMR P=360-420V 100W 33KHZ	1	T1
113	113		13-04862-00		1.62 K .25 W 1.0 % RN55D-F10	1	R28
114	114	#BLANK			*** THIS ITEM IS NOT USED ***	-	
115	115	#BLANK			*** THIS ITEM IS NOT USED ***	-	
116	116	B-MD-7425185-0-0	74-25185-00		SPACER, PCB	3	
117	117		90-06862-00		SPACER, THREADED HEX ALUM 6-3	2	
118	118		90-08185-00		NUT, HEX EXT TOOTH LCKWSHR 6-32	1	
119	119	#BLANK			*** THIS ITEM IS NOT USED ***	-	
120	120	#BLANK			*** THIS ITEM IS NOT USED ***	-	
121	121	#BLANK			*** THIS ITEM IS NOT USED ***	-	
122	122		90-06653-00		WASHER, FLAT STEEL	1	

1 GEN: ITEM 111 WILL HAVE A QUANTITY OF .66 FT

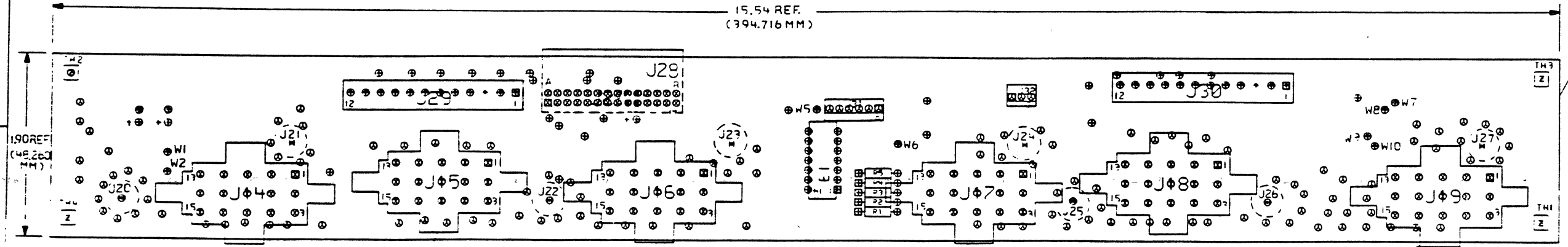
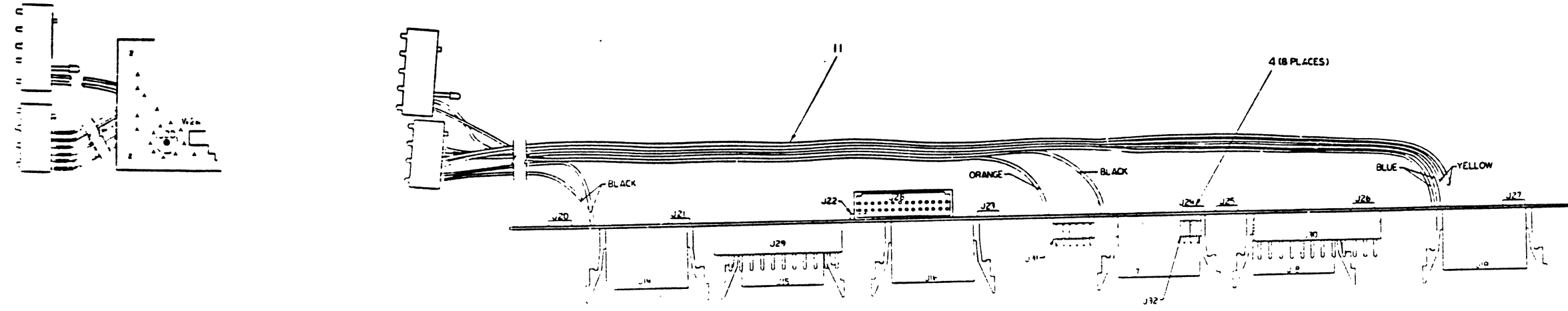
D	I	G	I	T	A	L	TITLE	SECTION A	OF A	SIZE	CODE	DOCUMENT NUMBER	REV
							H7216			K	PL	5415558-0-DBP	C

THIS DRAWING AND SPECIFICATIONS, GENERAL AND THE PROPERTY OF THE UNITED STATES GOVERNMENT AND IS LOANED TO YOU BY THE UNITED STATES GOVERNMENT. IT IS TO BE RETURNED TO THE UNITED STATES GOVERNMENT.

TABLE A (SEE NOTE 2)

NO. OF SIGNALS	WIRE COLOR	TERMINATION
1	BLACK	150Ω
2	ORANGE	150Ω
3	YELLOW	150Ω
4	BLUE	150Ω

NOT TO SCALE



NOTES

1. ALL WIRE ENDS TO BE STRIPPED TO THE REQUIRED LENGTH AND SOLDERED TO THE BOARD.
2. ALL WIRE ENDS TO BE MOUNTED ON SIDE A.
3. ALL WIRE ENDS TO BE MOUNTED ON SIDE A.

CHANGE NO. 1

ETCH REV.	

SIGNATURES	DATE
DRN.	
CHK. D.	
RECH. ENG.	
PROJ. ENG.	
PROD.	
SCALE	
ISMT.	OF

TITLE DIST. BL

SIZE CODE NUMBER

1011A R-16152-00 B

0-0-251915 (REV) 2

REV 0-0-2519145 DD B
 NUMBER 5416152-0-0 CODE SIZE

DRAWING NO.	NO. OF SHTS.	PART NO.	DESCRIPTION	REVISIONS													
				A	B	C											
		5416152-01	PART REVISION														
E-UA-5416152-0-0	1		UNIT ASSEMBLY	A	A	B											
K-PL-5416152-0-DBP	1		PARTS LIST	A	A	B											
K-PC-5416152-0-DRV	-		PC DESIGN DATA BASE	B	B	C											
K-CS-5416152-0-1	1		SCHEMATIC	A	A	B											
E-DD-5016151-0-0	1		DRAWING DIRECTORY	A	B	C											
K-CS-5416152-0-DBF	-		DISTRIBUTION BOARD ELEM	A	A	B											

NOTES:

REVISION HISTORY		DATE	ECO NO	REV
		7/84	INIT	A
		3/85	TW001	B
		9/85	TW002	C

THIS DRAWING AND SPECIFICATIONS, HEREIN, ARE THE PROPERTY OF DIGITAL EQUIPMENT CORPORATION AND SHALL NOT BE REPRODUCED OR COPIED OR USED IN WHOLE OR IN PART AS THE BASIS FOR THE MANUFACTURE OR SALE OF ITEMS WITHOUT WRITTEN PERMISSION.

COPYRIGHT © 1984 DIGITAL EQUIPMENT CORPORATION



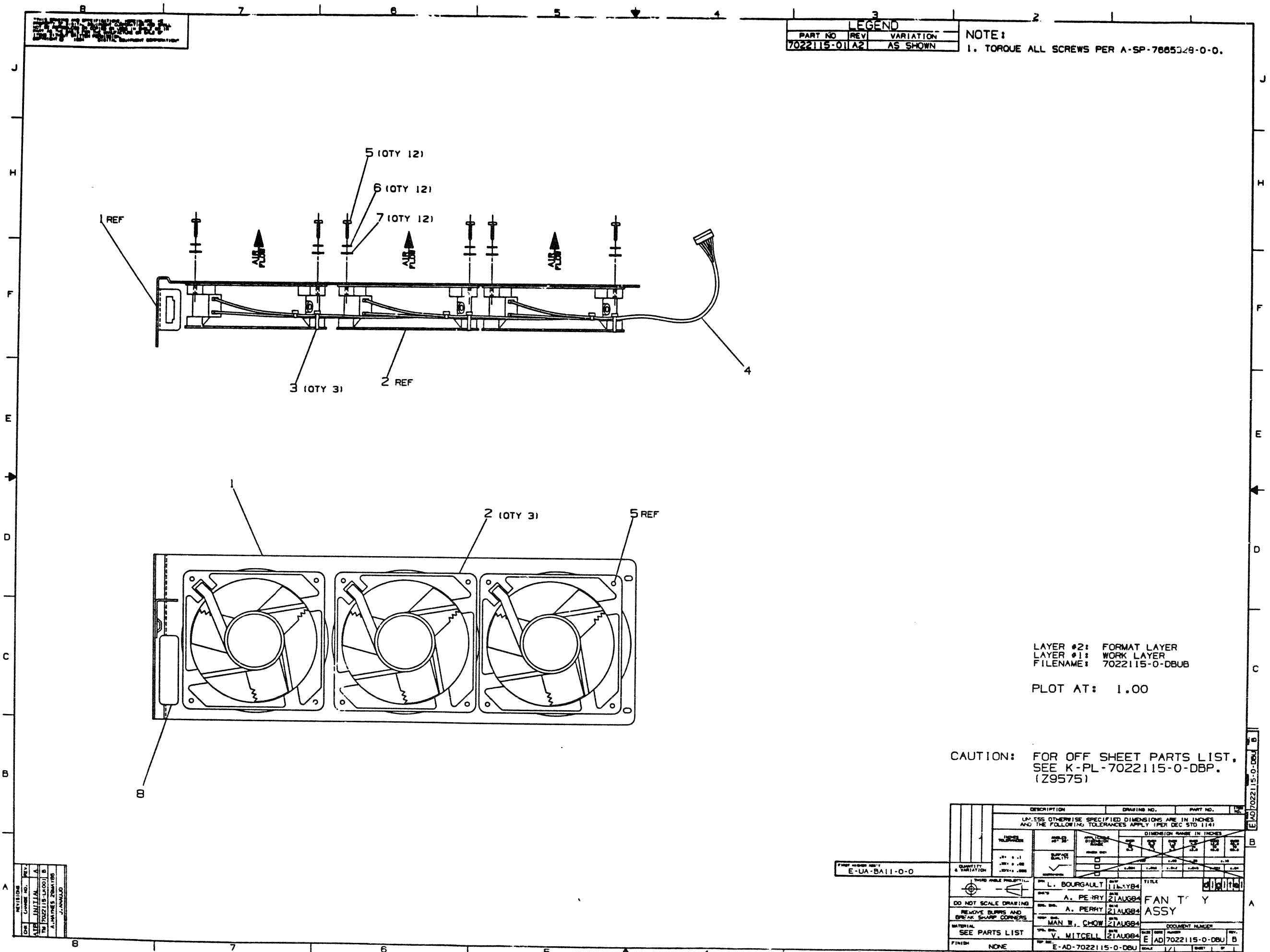
USED ON OPTION/MODEL	DRN. <i>5416152</i>	DATE <i>3-16-84</i>	TITLE
	CHK'D <i>[Signature]</i>	DATE <i>3-16-84</i>	DISTRIBUTION BOARD ELEM
	DES. ENG. <i>[Signature]</i>	DATE <i>3-16-84</i>	DOCUMENT NUMBER
	RESP. ENG. <i>[Signature]</i>	DATE <i>3-16-84</i>	SIZE CODE NUMBER REV
	MFG. ENG. <i>[Signature]</i>	DATE <i>3-16-84</i>	B DD 5416152-0-0
			SHEET 1 OF 1

TW

REVISIONS TO DRAWING: REV. A
 DATE: 10/11/84
 BY: J. ANGLIO

LEGEND		
PART NO.	REV.	VARIATION
7022115-01	A2	AS SHOWN

NOTE:
 1. TORQUE ALL SCREWS PER A-SP-786528-0-0.



LAYER #2: FORMAT LAYER
 LAYER #1: WORK LAYER
 FILENAME: 7022115-0-DBUB

PLOT AT: 1.00

CAUTION: FOR OFF SHEET PARTS LIST,
 SEE K-PL-7022115-0-DBP.
 (Z9575)

REV.	DATE	BY	CHKD.
A	10/11/84	J. ANGLIO	
B		A. PERRY	
C		A. MITCHELL	

DESCRIPTION	DRAWING NO.	PART NO.	REV.
FAN TRAY ASSY	E-AD-7022115-0-DBU		B

DIMENSION RANGE IN INCHES	
DIMENSION RANGE	TOLERANCE
0.00 - 0.25	±0.005
0.25 - 0.50	±0.005
0.50 - 1.00	±0.005
1.00 - 2.00	±0.005
2.00 - 3.00	±0.005
3.00 - 4.00	±0.005
4.00 - 6.00	±0.005
6.00 - 10.00	±0.005
10.00 - 20.00	±0.005
20.00 - 30.00	±0.005
30.00 - 40.00	±0.005
40.00 - 60.00	±0.005
60.00 - 100.00	±0.005
100.00 - 200.00	±0.005
200.00 - 300.00	±0.005
300.00 - 400.00	±0.005
400.00 - 600.00	±0.005
600.00 - 1000.00	±0.005

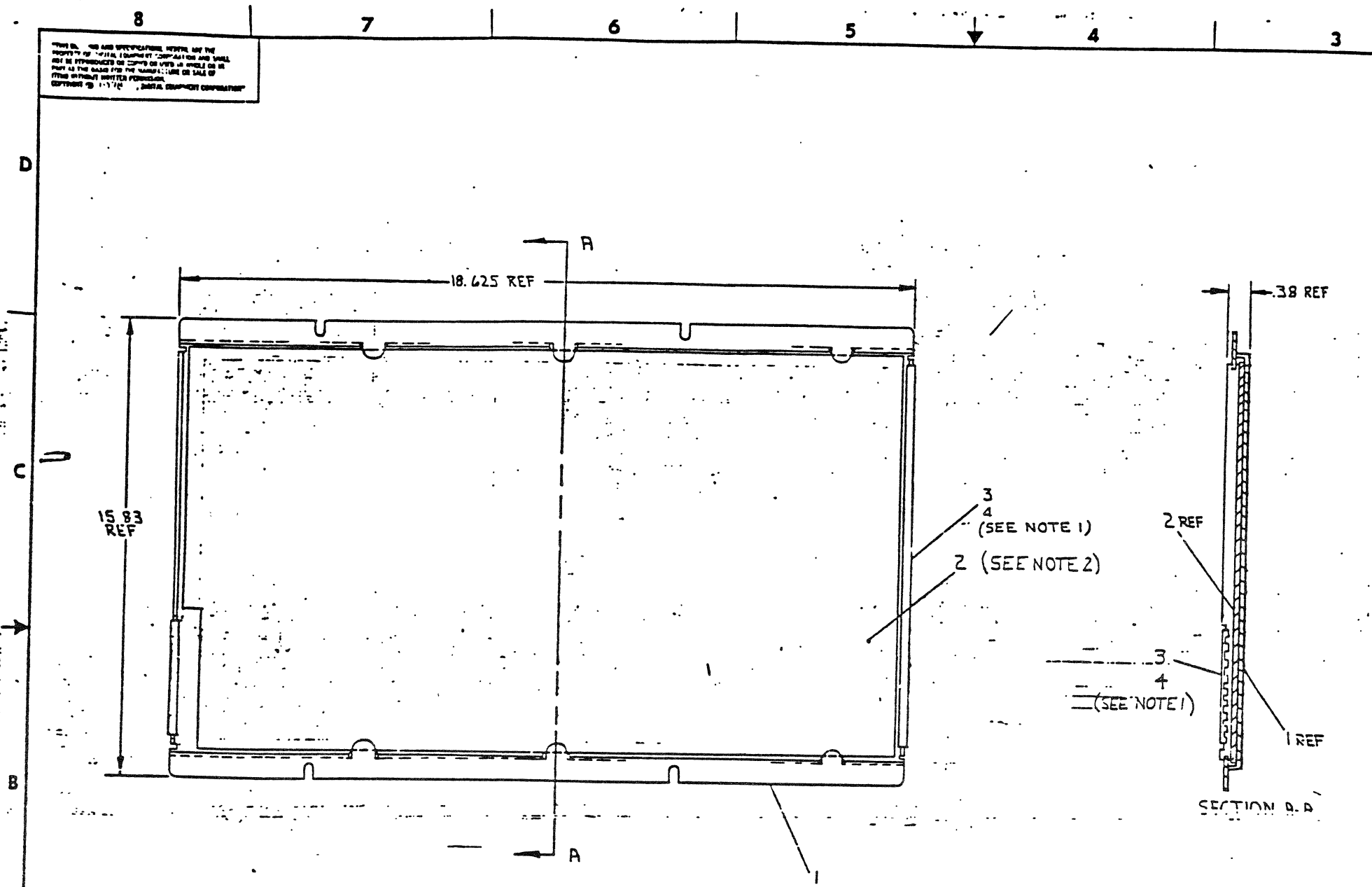
REV.	DATE	BY	CHKD.	TITLE
1		L. BOURGALT		FAN TRAY ASSY
2		A. PERRY		FAN TRAY ASSY
3		A. PERRY		FAN TRAY ASSY
4		MAN W. CHOW		FAN TRAY ASSY
5		V. MITCHELL		FAN TRAY ASSY

REV.	DATE	BY	CHKD.	DOCUMENT NUMBER
1		E-AD-7022115-0-DBU		E-AD-7022115-0-DBU

THIS DRAWING AND SPECIFICATIONS HERIN ARE THE PROPERTY OF THE AIR FORCE. IT IS TO BE KEPT IN CONFIDENCE AND NOT TO BE REPRODUCED OR COPIED IN WHOLE OR IN PART AS THE BASIS FOR THE MANUFACTURE OR SALE OF THIS OR OTHER IDENTICAL PRODUCTS. (THIS SYMBOL INDICATES PROHIBITION OF REPRODUCTION BY OTHERS WITHOUT WRITTEN PERMISSION.)

D 7016479-0-0 2

- NOTES:
1. INSTALL GROMMET, ITEM 3, INTO CUT-OUT AND ALONG TOP EDGE OF 90° REM FLANGE OF ITEM ONE USING ITEM FOUR. GROMMET LENGTH FOR CUT-OUT TO BE $2.88 \pm .10$ GROMMET LENGTH FOR REAR FLANGE TO BE $14.75 \pm .06$
 2. POSITION PAD, ITEM 2, SO THAT NOTCH IS ORIENTED TO COVER CUT-OUT. PAD WILL HAVE TEXTURED SIDE SHOWING.



REV	DATE	BY	CHKD	DESCRIPTION
1	10/10/70	B. MORIN		ISSUED FOR PRODUCTION
2	10/10/70	B. MORIN		REVISION
3	10/10/70	B. MORIN		REVISION
4	10/10/70	B. MORIN		REVISION
5	10/10/70	B. MORIN		REVISION
6	10/10/70	B. MORIN		REVISION
7	10/10/70	B. MORIN		REVISION
8	10/10/70	B. MORIN		REVISION

API ADHESIVE PERMABOND 100	9009157-00	4
API GROMMET, CATERPILLAR	9007035-00	3
1 PAD, INSULATOR	C-PS-121619-00	2
1 COVER BOTTOM	D-MD-7421617-0-0	1

DESCRIPTION	DWG. PART NO.	ITEM NO.
UNLESS OTHERWISE SPECIFIED DIMENSIONS ARE IN INCHES		
ANGLES	CLASS OF	TOLERANCE
OF 30°	ACCURACY	RANGE
SURFACE	CHECK ONE	FINISH
QUALITY	SMOOTH	TEXTURED
FINISH	PREPARED	OTHER

THIRD ANGLE PROJECTION	DRAWN BY	FIRST USED ON
REMOVE BURRS AND BREAK SHARP CORNERS	CHKD BY	TITLE
0.75 SCALE DWG	ENGR. BY	BOTTOM COVER ASSEMBLY
MATERIAL	PROJ. ENGR.	NO. 7016479-0-0
FINISH	PROD.	SCALE NONE
		SHEET ONE OF ONE

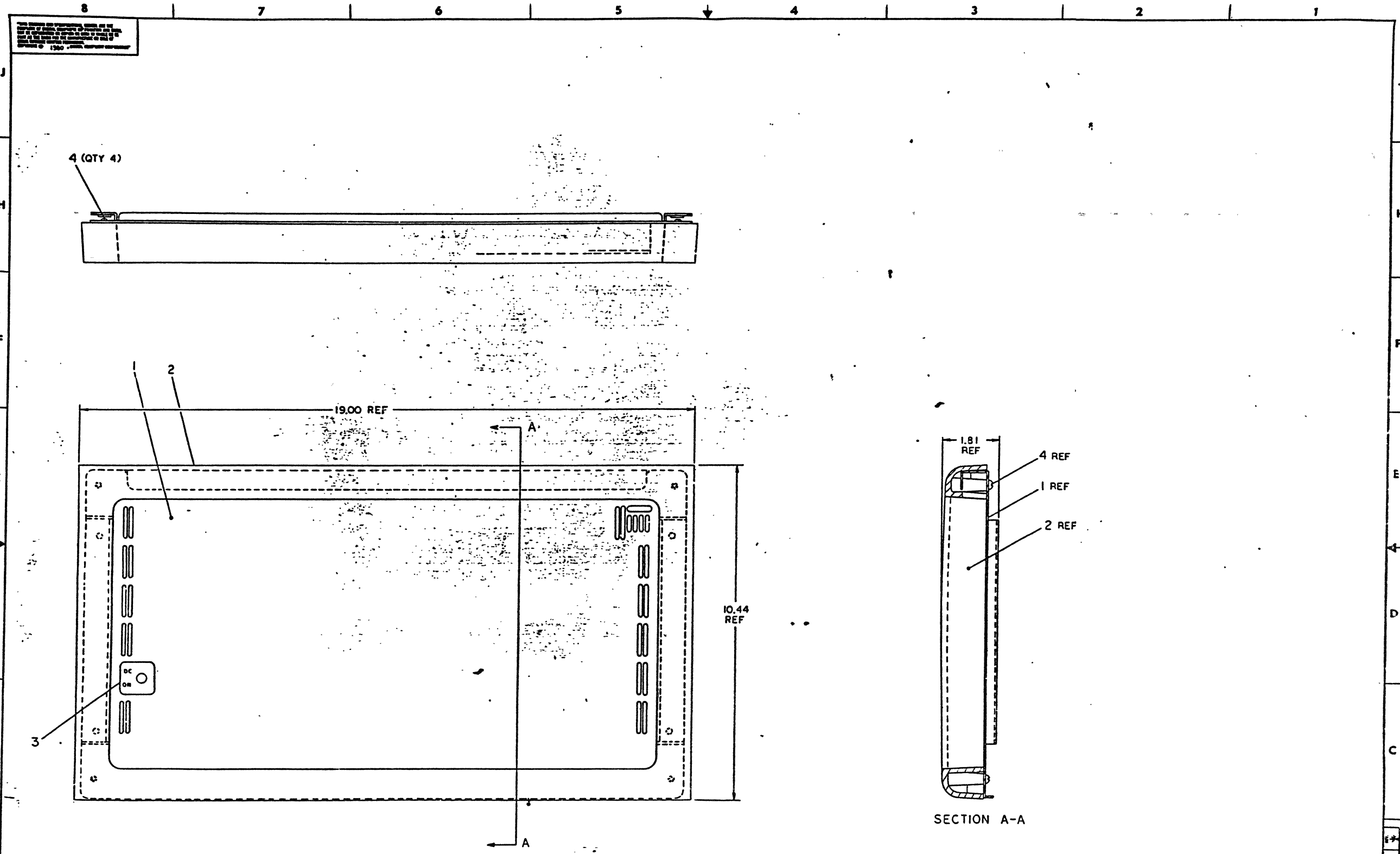
D 7016479-0-0 2

LINE ITEM	TOP DOCUMENT	PART NUMBER	MIN REV	DESCRIPTION	QTY PER VAR/REV	REFERENCE DESIGNATORS
1	D-MD-5017872-0-0	50-17872-01	A	DRILL & ETCH FOR M9049	1	
2	SEE NOTE # 2	13-19471-21	A	300.0 2.0 W 5.0 % M.OXIDE	16	R1-R16
3		90-00024-01		EYELET, ROLLED 0.1210DX0.192	2	
4		90-08337-06	D	HANDLE, FLIP CHIP, MAGENTA	1	

2 NOTE: 13-09855-00 CAN BE USED AS A REPLACEMENT FOR ITEM 2.

REVISION HISTORY		KPL MODULE FORMAT	SECTION A OF A	DRN: J PLANTE	D I G I T A L			
ENG	ECO NUMBER	REV	SECTION/VARIATION INDEX	DATE: 10-MAR-86				
---	INITIAL	A	[A] 00 [M] [B] [N] [C] [P] [D] [Q] [E] [R] [F] [S] [H] [T] [J] [V] [K] [W] [L] [Y]	CHK'D: J LENT DATE: 10-MAR-86	TITLE PARTS LIST ELEM PWR SUPPLY LOAD BD M9049			
				DES.ENG: P LAWRENCE DATE: 10-MAR-86	DOCUMENT NUMBER			
				RESP.ENG.: P LAWRENCE DATE: 10-MAR-86	SIZE: K	CODE: PL	NUMBER: M9049-0-DBP	REV: A
				MFG.ENG: LAURA BELMONT DATE: 10-MAR-86	RELEASE DATE: 06-MAY-86 RELEASE STATUS: RELEASED			
		BASIC PART NUMBER: M9049	ASSEMBLY NUMBER: D-UA-M9049-0-0	TOP DOCUMENT NUMBER: D-DD-M9049-0	FILE NAME: MR592A.PLS	EDIT # 14		

"THIS DRAWING AND THE SPECIFICATIONS CONTAINED HEREIN ARE CONFIDENTIAL AND PROPRIETARY. THEY ARE THE PROPERTY OF DIGITAL EQUIPMENT CORPORATION AND SHALL NOT BE REPRODUCED OR COPIED OR USED IN WHOLE OR IN PART AS THE BASIS FOR THE MANUFACTURE OR SALE OF ITEMS WITHOUT WRITTEN PERMISSION. THIS IS AN UNPUBLISHED WORK PROTECTED UNDER THE FEDERAL COPYRIGHT LAWS."



THIS DRAWING AND SPECIFICATIONS ARE UNCLASSIFIED AND PUBLIC RELEASE IS AUTHORIZED EXCEPT WHERE SHOWN OTHERWISE IN THIS DRAWING. DATE OF DECLASSIFICATION IS INDEFINITE.

4	SCREW .032 X .50 NYLON	9301115-30	4
1	DECAL	337722-00	1
1	BEZEL	E-25-027044-00	1
1	BEZEL MTG PANEL	E-1A-7016963-0-0	1

QUANTITY & VARIATION	DESCRIPTION	DISC. PART NO.	ITEM NO.
4	SCREW .032 X .50 NYLON	9301115-30	4
1	DECAL	337722-00	1
1	BEZEL	E-25-027044-00	1
1	BEZEL MTG PANEL	E-1A-7016963-0-0	1

DATE	BY	CHKD	BY	APPROVED	TITLE
10/1/53	J. J.	CONSOLE/BEZEL ASSEMBLY

UNLESS OTHERWISE SPECIFIED DIMENSIONS ARE IN INCHES					
FINISHES	1.000	1.000	1.000	1.000	1.000
PRECISION	1.000	1.000	1.000	1.000	1.000
DO NOT SCALE DIMS					
SEE PARTS LIST					

REV. 1
 CHANGE NO. 1
 DATE 10/1/53

7016963-0-0

AUTOMATED BY PRTLST.4Q(50)

PARTS LIST

QUANTITY PER VARIATION
00

LINE	ITEM	DOCUMENT NUMBER	PART NUMBER	DESCRIPTION	QUANTITY PER VARIATION
1	1	D-IA-7426280-0-0	7426280-01	COVER, TOP	1
2	2		1212461-19	FOAM, ACOUSTIC, ADH BACK, 15.38X14.	1
3	3		9009733-01	FOAM, SHEET, PRESSURE SENSITIVE	1

REVISION HISTORY			BASIC PART NO: 7020490		DRN: P.DENNISON		DATE: 16-NOV-82		DIGITAL				
ENGI	ECO NUMBER	REV	SECTION A OF A		CHK'D: B. HOVEY		DATE: 18-NOV-82		TITLE PARTS LIST				
	INITIAL	A	SECTION. VARIATION INDEX		DES.ENG.: P.PORRECA		DATE: 18-NOV-82		TOP COVER ASSY				
			[A] 00		RESP.ENG.: P.PORRECA		DATE: 18-NOV-82		DOCUMENT NUMBER				
			[B]		IMPG.ENG.: J.SANNICANORO		DATE: 18-NOV-82		SIZE		CODE NUMBER		REV
			[C]		ASSEMBLY NUMBER:		TOP DOCUMENT NUMBER:		K	PL	7020490-0-DBP		A
			[D]		ID-IA-7020490-0-0		FB-DD-8A11-AE				FILE NAME:		EDIT #
			[E]								Z5898A.PLS		4
			[F]										
<p>"THIS DRAWING AND SPECIFICATIONS HEREIN, ARE THE PROPERTY OF DIGITAL EQUIPMENT CORPORATION AND SHALL NOT BE REPRODUCED OR COPIED OR USED IN WHOLE OR IN PART AS THE BASIS FOR THE MANUFACTURE OR SALE OF ITEMS WITHOUT WRITTEN PERMISSION. COPYRIGHT (C) 1982. DIGITAL EQUIPMENT CORPORATION"</p>													

MRO