

**digital**

**BALI-K**

**Engineering Drawings**

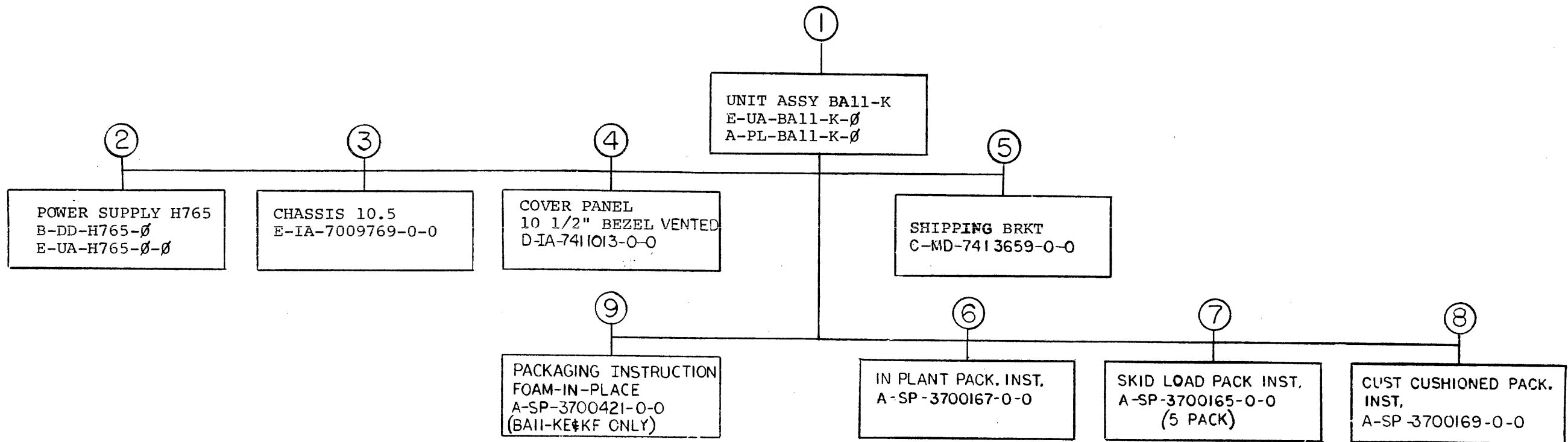
**Digital Equipment Corporation**

The material herein is for information purposes only and is subject to change without notice. Digital Equipment Corporation assumes no responsibility for any errors which may appear herein.

These drawings and specifications herein are the property of Digital Equipment Corporation and shall not be reproduced or copied or used in whole or in part as the basis for the manufacture or sale of items without written permission.

Copyright © 1975, Digital Equipment Corporation





TITLE	SIZE	CODE	NUMBER	REV
DRAWING DIRECTORY BALL-K	B	DD	BALL-K	P
SHEET 2 OF 4				



FIND NO.	DRAWING NO.	DESCRIPTION	TYPE	FIND NO.	DRAWING NO.	DESCRIPTION	TYPE
1	E-UA-BALL-K-Ø	UNIT ASSY BALL-K	E/M	6	A-SP-3700167-0-0	IN PLANT PACK. INST.	M
	A-PL-BALL-K-Ø	UNIT ASSY BALL-K PL	E/M				
	D-IA-7009768-0-0	COVER, CHASSIS	M				
	D-PS-1211825-0-0	SLIDE, 3 POS TILT	M				
	D-MD-7412184	CABLE, TROUGH CHASSIS	E/M				
	D-UA-BC11A-1Ø-Ø	UNIBUS, CABLE, 10 FT	E/M				
	B-CS-M919-Ø-1	BUS CONNECTOR M919	E				
	B-CS-M929-Ø-1	BUS CONNECTOR M929	E				
	D-PS-1212405-ØØ	CARD GUIDE	M				
	A-DC-5309414-Ø	DECAL UL	M				
	A-PS-3613281-Ø-Ø	DECAL	M				
	A-DC-5309413-Ø	DECAL NFPA	M				
	2	B-DD-H765-Ø	DWG DIRECTORY H765				
E-UA-H765-Ø-Ø		POWER SUPPLY H765	M				
3	E-IA-7009769-Ø-Ø	CHASSIS, 10.5	M	9	A-SP-3700421-0-0	PACKAGING INSTRUCTIONS (FOAM-IN-PLACE) (BALL-KE & KF VARIATIONS ONLY)	M
	E-IA-7411703-Ø-Ø	CHASSIS, FRONT	M				
	E-IA-7411707-Ø-Ø	CHASSIS, SIDE	M				
	D-MD-7411706-Ø-Ø	BRACKET, HAT	M				
	D-MD-7411705-Ø-Ø	BRACKET, CARD GUIDE	M				
	C-MD-7412185-Ø-Ø	PLATE CABLE	M				
4	D-IA-7411013-Ø-Ø	COVER PANEL 10 1/2 BEZEL	M				
5	C-MD-7413659-Ø-Ø	SHIPPING BRKT	M				

TYPE: E ELECTRICAL  
M MECHANICAL  
E/M ELECTRO/MECHANICAL



TITLE DRAWING DIRECTORY BALL-K

SHEET 4 OF 4

SIZE CODE B DD

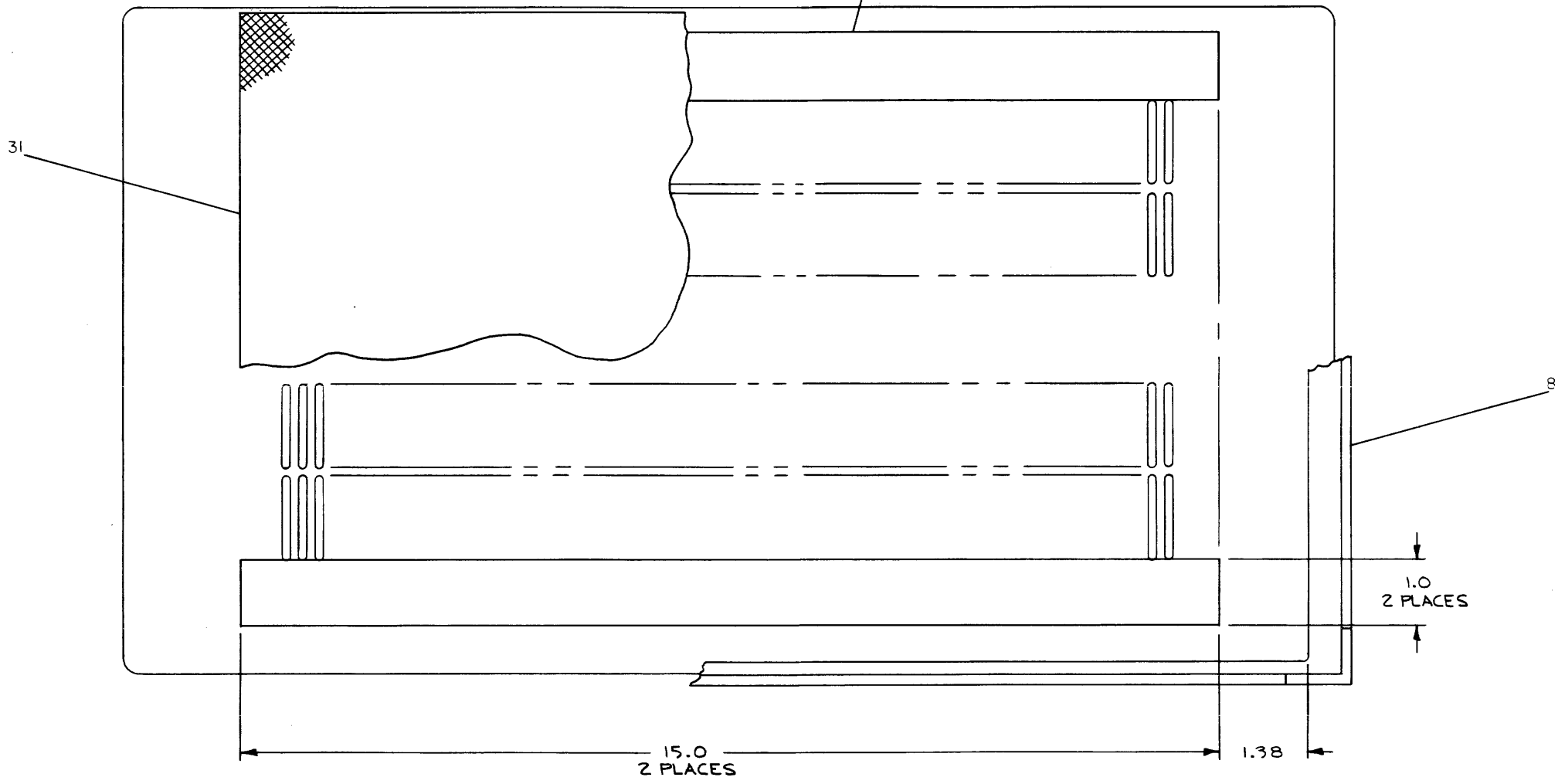
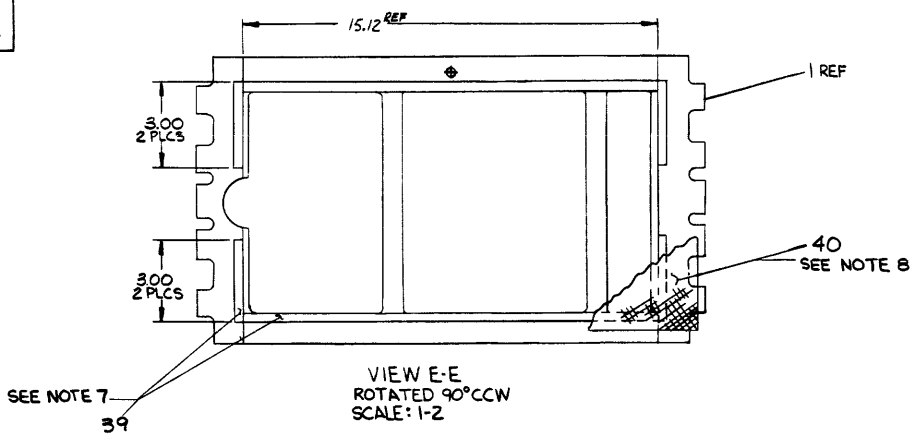
NUMBER BALL-K

REV P



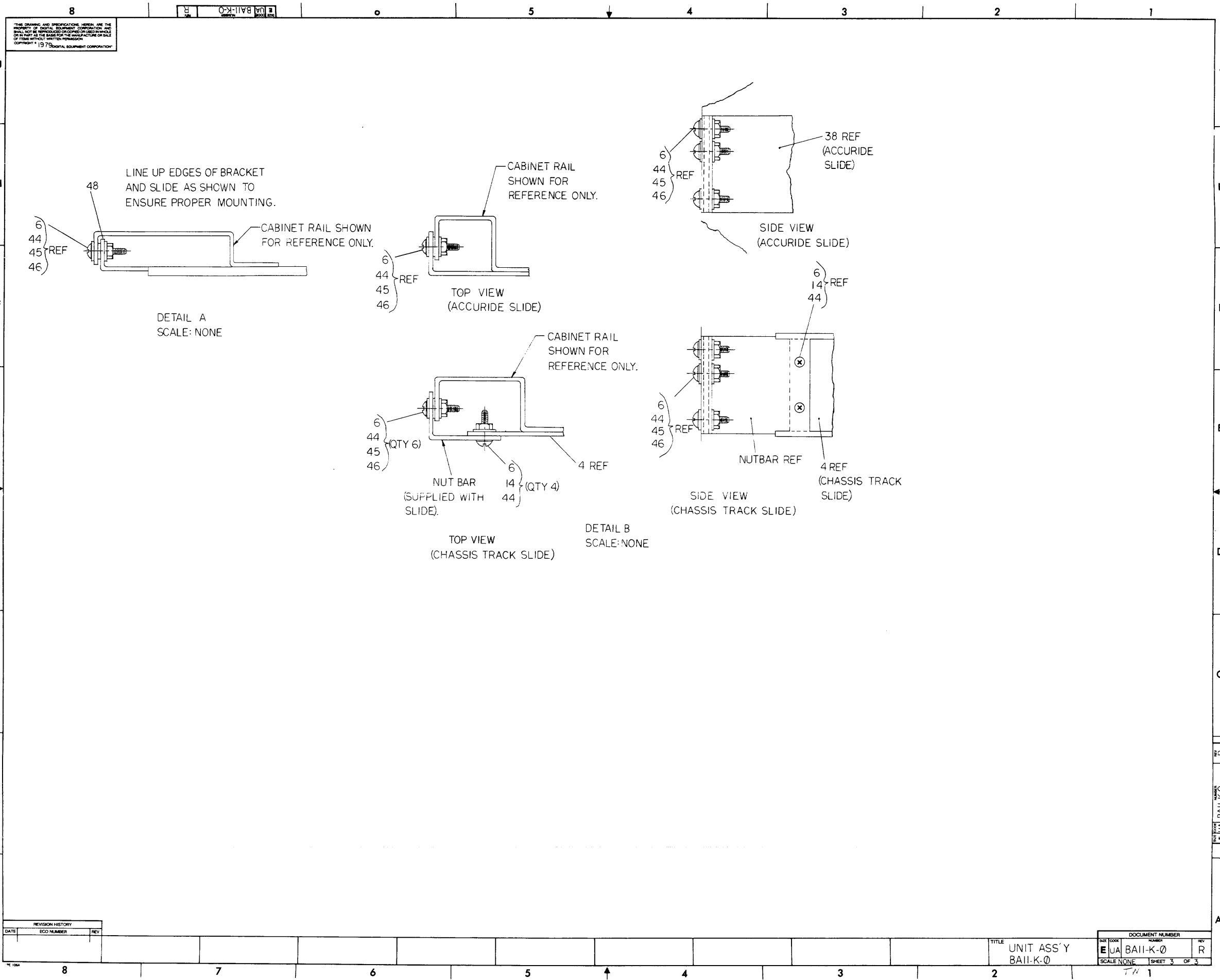
8 7 6 5 4 3 2 1

THIS DRAWING AND SPECIFICATIONS HEREBY ARE THE PROPERTY OF BELL TELEPHONE COMPANY AND WILL BE KEPT IN CONFIDENTIALITY AND NOT TO BE REPRODUCED OR TRANSMITTED IN ANY FORM OR BY ANY MEANS, ELECTRONIC OR MECHANICAL, INCLUDING PHOTOCOPYING, RECORDING, OR BY ANY INFORMATION STORAGE AND RETRIEVAL SYSTEM.



REVISIONS		
CHK	CHANGE NO.	REV.

B  
A  
R



THIS DRAWING AND SPECIFICATIONS HEREIN ARE THE PROPERTY OF DIGITAL EQUIPMENT CORPORATION AND SHALL NOT BE REPRODUCED OR COPIED IN WHOLE OR IN PART AS THE BASIS FOR THE MANUFACTURE OR SALE OF ITEMS WITHOUT WRITTEN PERMISSION. COPYRIGHT © 1975 DIGITAL EQUIPMENT CORPORATION.

REVISION HISTORY		
DATE	ECO NUMBER	REV

TITLE UNIT ASS'Y  
BAIL-K-0

DOCUMENT NUMBER  
EUA BAIL-K-0 R

SCALE NONE SHEET 3 OF 3



DIGITAL EQUIPMENT CORPORATION MAYNARD, MASSACHUSETTS PARTS LIST			QUANTITY / VARIATION									
MADE BY	CHECKED	SECTION	BALL-KE	BALL-KF	BALL-KH	BALL-KJ	BALL-KK	BALL-KL	BALL-KA	BALL-KS	BALL-KT	
BILL BLODGET	D. HEALY	1										
DATE 6/26/74	DATE 6/27/74	ISSUED SECT.										
ENG P. E. JANSON	PROD W. LUCAS	1										
DATE 8-23-74	DATE 8-23-74	1										
ITEM NO.	DWG NO. / PART NO.	DESCRIPTION	BALL-KE	BALL-KF	BALL-KH	BALL-KJ	BALL-KK	BALL-KL	BALL-KA	BALL-KS	BALL-KT	
1	E-IA-7009769-0-0	CHASSIS 10.5	1	1	1	1	1	1	1	1		
2	D-IA-7009768-0-0	COVER, CHASSIS	2	2						2	2	
3	D-CS-5410864-C-1	POWER DISTRIBUTION BOARD	REF	REF	REF	REF	REF	REF	REF	REF	REF	
4	D-PS-1211825-0-0	SLIDE, 3 POS TILT	1pr	1pr								
5	D-PS-1212405-0	CARD GUIDE, SINGLE	24	24	24	24	24	24	24	24		
6	9006071-3	SCREW, PHL TRUSS HD #10-32 X .38 *	16	16						16	16	
7	9006020-2	SCREW, PHL FLAT HD #6-32 X .25	4	4	4	4	4	4	4	4		
8	D-IA-7411013-0-0	COVER, PANEL 10 1/2 BEZEL (SNAP-ON/VENTED)	1	1								
9	B-DD-H765-A	POWER SUPPLY H765-A 120V 50/60 HZ	1		1					1		
10	9006020-3	SCREW, PHL. TRUSS HD #6-32 X .25	4	4	8	8	8	8	4	4	4	
11	9006033	WASHER, INTERNAL TOOTH LOCK #6	4	4								
12	9007651	WASHER EXTERNAL TOOTH #10 *	6	6						6	6	
13	9009599	SCREW, PHL FLAT HD (SPECIAL)	6	6	6	6	6	6	6	6		
14	9006565	NUT, KEPS, #10-32	6	6						6	6	
15	DEC-3-(374)-1825-N1174	STICKER, "CONFIGURATION"	1	1					1	1		
16	D-IA-7010059-0-0	SHIPPING BRKT, ASSY	1	1								
17	B-DD-H765-B	POWER SUPPLY H765-B, 240V 50/60 HZ		1		1					1	
18	D-MD-7412184-0-0	CABLE TROUGH CHASSIS			1	1	1					
19	9006020-1	SCREW, PHL FLAT HD #6-32 X .25	1	1	5	5						
20	D-UA-BC11A-10-0	UNIBUS CABLE, 10 FT	1	1					1	1		
21	1009224	LATCH MOLDING	4	4								
22	9006020-2	SCREW, PHL FLAT HD #6-32 X .25	4	4								
TITLE	UNIT ASSY BALL-K	ASSY NO. E-UA-BALL-K-0	SIZE A	CODE PL	NUMBER BALL-K-0	REV. R	ECO NO. 0000					
SHEET 1 OF 3		DIST.										

DEC FORM DEC 16 (325) 1031-N870  
DRA 110

TW

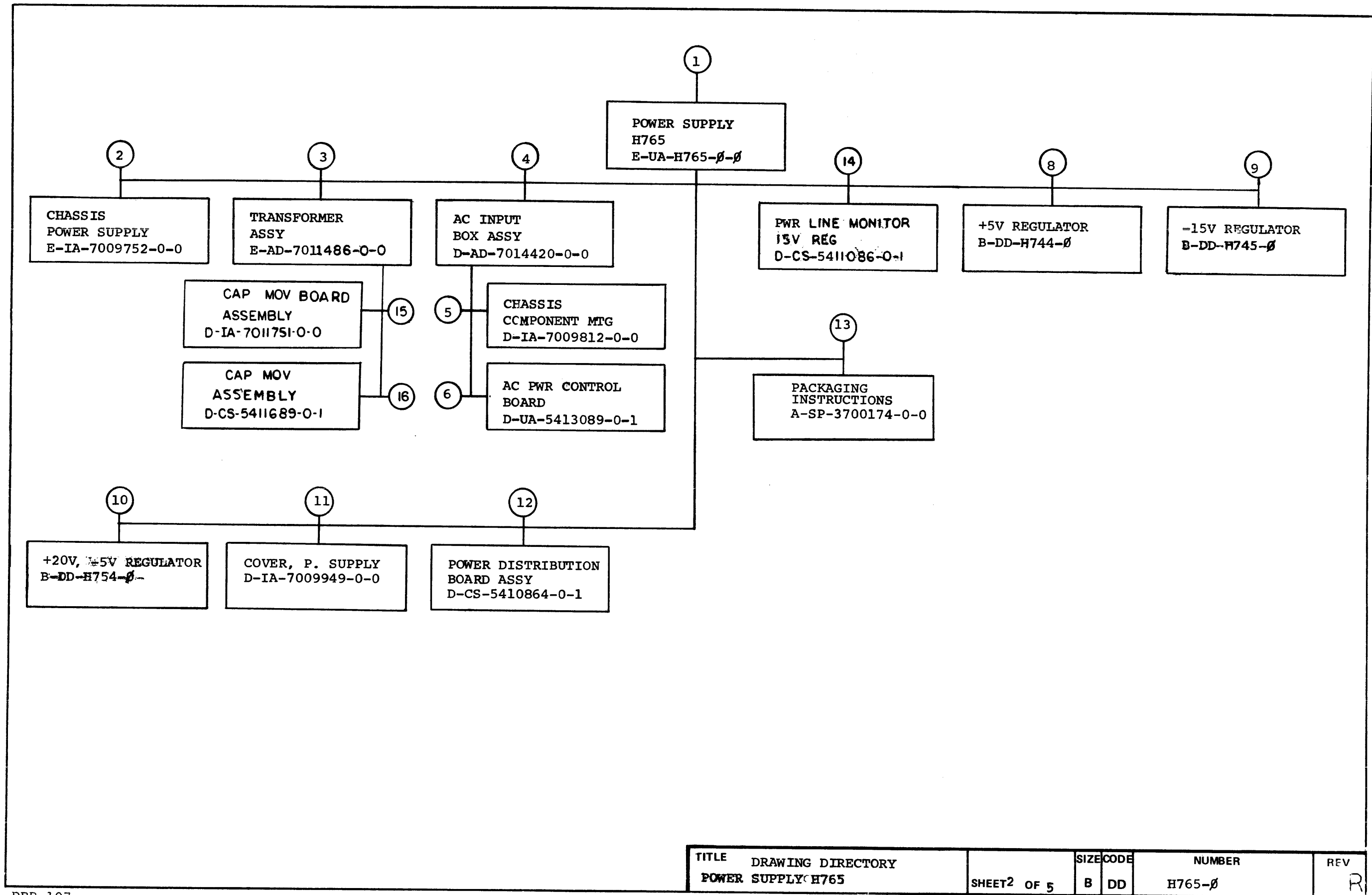
DIGITAL EQUIPMENT CORPORATION MAYNARD, MASSACHUSETTS PARTS LIST			QUANTITY VARIATION								
MADE BY	CHECKED	SECTION	BALL-KE	BALL-KF	BALL-KH	BALL-KJ	BALL-KK	BALL-KL	BALL-KA	BALL-KS	BALL-KT
BILL BLODGET	D. HEALY	1									
DATE 6/26/74	DATE 6/27/74	ISSUED SECT.									
ENG P. E. JANSON	PROD W. LUCAS	1									
DATE 8-23-74	DATE 8-23-74	1									
ITEM NO.	DWG NO./PART NO.	DESCRIPTION	BALL-KE	BALL-KF	BALL-KH	BALL-KJ	BALL-KK	BALL-KL	BALL-KA	BALL-KS	BALL-KT
44	90-06636	Washer, internal tooth #10*	18	18						18	18
45	90-07786-00	Nut, Tinnerman	14	14						14	14
46	90-06664-00	Washer, flat #10*	14	14						14	14
47	90-06073-03	Screw, Phil Truss hd #10-32.5*	8	8						8	8
48	A-SP-3700421-0-0	Packaging Instructions (foam in place)	Ref	Ref							
49	90-06070-02	Ph. Flat hd screw, #10-32 X 5/16	8	8							
50	A-PS-3613209-00	Serial Number Label	A/R	A/R	A/R	A/R	A/R	A/R	A/R	A/R	A/R
51	9009700	Sems screw, #10-32X.5	6	6						6	6
* Item 51 is an allowable substitute for the combination of these parts when used on items 38 or 4.											
TITLE	Unit Assy Ball-K	ASSY NO. E-UA-BALL-K-0	SIZE A	CODE PL	NUMBER BALL-K-0	REV. R	ECO NO. 0000				
SHEET 3 OF 3		DIST.									

DEC FORM  
DRA 110

DIGITAL EQUIPMENT CORPORATION MAYNARD, MASSACHUSETTS PARTS LIST			QUANTITY / VARIATION								
MADE BY	CHECKED	SECTION	BALL-KE	BALL-KF	BALL-KH	BALL-KJ	BALL-KK	BALL-KL	BALL-KA	BALL-KS	BALL-KT
BILL BLODGET	D. HEALY	1									
DATE 6/26/74	DATE 6/27/74	ISSUED SECT.									
ENG P. E. JANSON	PROD W. LUCAS	1									
DATE 8-23-74	DATE 8-23-74	1									
ITEM NO.	DWG NO. / PART NO.	DESCRIPTION	BALL-KE	BALL-KF	BALL-KH	BALL-KJ	BALL-KK	BALL-KL	BALL-KA	BALL-KS	BALL-KT
23	A-SP-3700167-0-0	IN PLANT PACK. INST.				REF	REF	REF	REF	REF	REF
24	A-SP-3700165-0-0	SKID LOAD PACK INST. (5 PACK)				REF	REF	REF	REF	REF	REF
25	A-SP-3700169-0-0	CUST. CUSHIONED PACK. INST. (SINGLE)				REF	REF	REF	REF	REF	REF
26	A-SP-BALL-K-6	BALL-K BASIC CHECKOUT AND ACCEPTANCE PROCEDURE	REF	REF	REF	REF	REF	REF	REF	REF	REF
27	A-SP-BALL-K-7	BALL-K BASIC ASSEMBLY PROCEDURE	REF	REF	REF	REF	REF	REF	REF	REF	REF
28	A-DC-5309414-0	DECAL, UL	1	1						1	1
29	A-DC-5309413-0	DECAL, NFPA									
30	1211336-02	TAPE	2	2							
31	1211255-0-0	PRE FILTER	1	1							
32	C-MD-7413659-0-0	SHIPPING BRACKET	2	2						2	2
33	B-DD-H765-C	POWER SUPPLY H765-C 120VAC 50/60HZ NO H754				1					
34	B-DD-H765-D	POWER SUPPLY H765-D 240VAC 50/60HZ NO H754				1					
35	A-PS-3613281-00	DECAL, ADHESIVE BACKED, BALL-K	2	2	1	1	1	1	1	2	2
36	D-PS-1212405-1	CARD GUIDE, SINGLE	24	24	24	24	24	24	24	24	
37	9007036-00	CLAMP, CABLE	1	1	1	1	1	1	1	1	1
38	D-PS-1211825-01	SLIDE, 3 POS. TILT								1pr	1pr
39	A-PS-1212431-00	TAPE, HOOK, MOLDED								A/L/I/I	
40	A-PS-1212392-01	FILTER, FOAM								1	1
41	9006635	WASHER, INTERNAL TOOTH LOCK #10	1	1	1	1	1	1	1	1	1
42	9006020-2	SCREW, PHL FLAT HD #10-32 X .5	1	1	1	1	1	1	1	1	1
43	9007032	TIE, CABLE CLAMP SST2-M	2	2	2	2	2	2	2	2	2
TITLE	UNIT ASSY BALL-K	ASSY NO. E-UA-BALL-K-0	SIZE A	CODE PL	NUMBER BALL-K-0	REV. R	ECO NO. 0000				
SHEET 2 OF 3		DIST.									

DEC FORM DEC 16 (325) 1031-N870  
DRA 110





TITLE	SIZE	CODE	NUMBER	REV
DRAWING DIRECTORY POWER SUPPLY H765	B	DD	H765-β	R

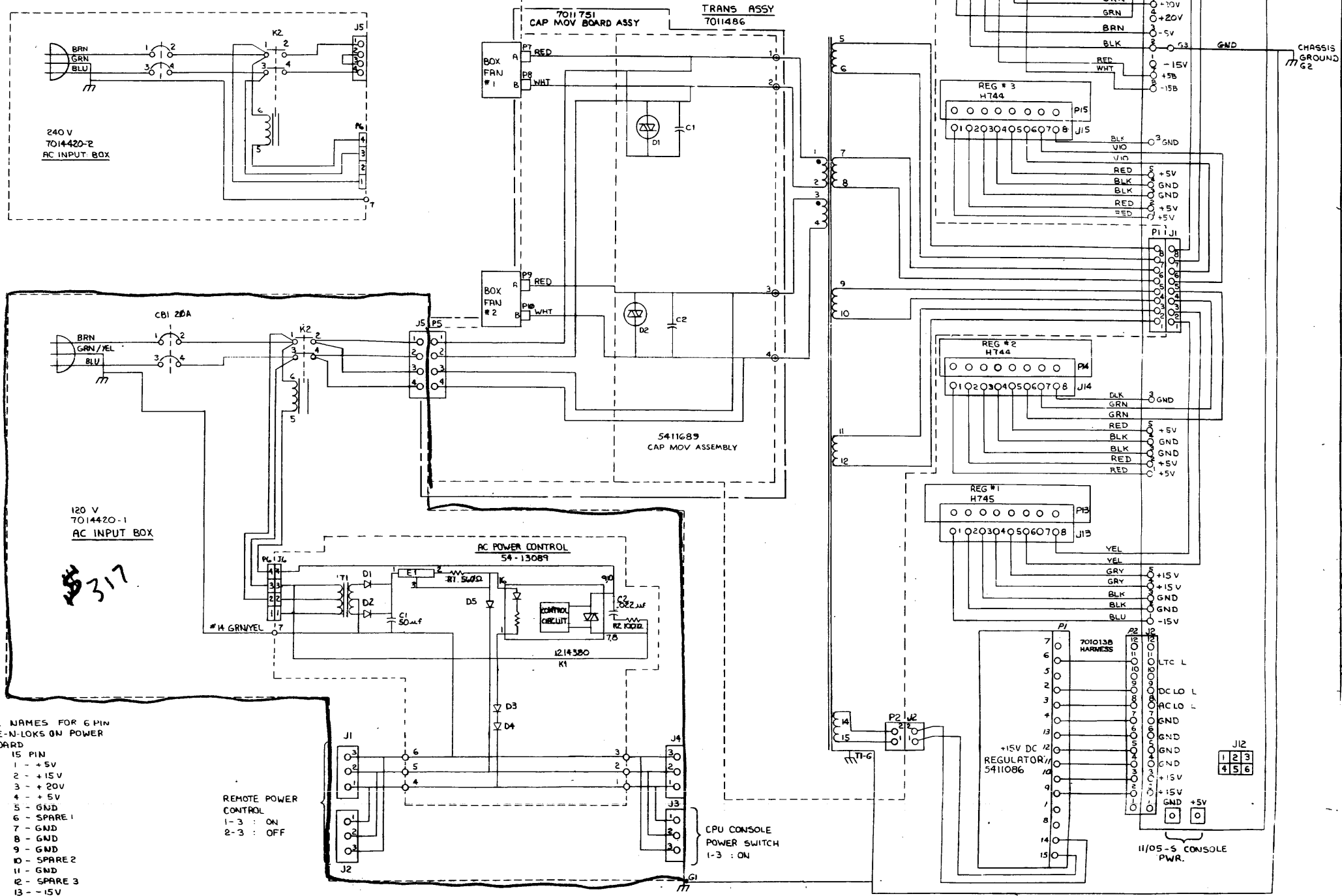
CUSTOMER PRINT SET		ELECTRICAL					CUSTOMER PRINT SET		ELECTRICAL											
		MFG. SET	FIND NO.	DRAWING NO.	REV	NO OF SHT	DESCRIPTION	OPTION NO./FILE DATE			MFG. SET	FIND NO.	DRAWING NO.	REV	NO OF SHT	DESCRIPTION	OPTION NO./FILE DATE			
1																				
X			1	E-UA-H765-0-0 A-SP-H765-0-9	T	2	POWER SUPPLY H765 H765 POWER SUPPLY ASSEMBLY PROCEDURE		X			12	D-CS-5410864-0-1 D-IA-5010863-0-0 A-SP-5410864-0-8 A-SP-5410864-0-9	# #	3 1	POWER DIST. BD. ASSY ETCHED CIRCUIT BOARD TEST PROCEDURE ASSEMBLY PROCEDURE				
X			3	E-AD-7011486-0-0 A-SP-7010014-0-8 A-CS-7010014-TA-1 A-UA-7010014-TA-0 A-PL-7010014-TA-0 A-SP-7011486-0-9	# A A A		TRANSFORMER ASSY TEST PROCEDURE TESTER C.S. TESTER U.A. TESTER P.L. TRANSFORMER ASSY PROCEDURE		X			14	D-CS-5411086-0-1 A-SP-11/45-TA-2 A-SP-5411086-0-3 D-IA-7010138-0-0	#	4	PWR LINE MONITOR/15V REG TEST PROCEDURE ENGINEERING SPECIFICATION HARNESS INTERCONNECTION				
X			4	D-AD-7014420-0-0 A-SP-7009811-0-8 A-CS-7009811-TA-1 A-UA-7009811-TA-0 A-PL-7009811-TA-0 A-SP-7009811-0-9	#	2	AC INPUT BOX ASSY TEST PROCEDURE TESTER C.S. TESTER U. A. TESTER P.L. AC INPUT BOX ASSY PROCEDURE					15	D-IA-7011751-0-0			CAP MOV BOARD ASSY				
X			6	D-UA-5413089-0-0			PILOT CONTROL BOARD					16	D-CS-5411689-0-1			CAP MOV ASSY				
C			8	B-DD-H744-0	#	2	DRAWING DIRECTORY H744													
C			9	B-DD-H745-0	#	2	DRAWING DIRECTORY H745													
C			10	B-DD-H754-0	#	3	DRAWING DIRECTORY H754													
CUSTOMER PRINT SET CODES		X = PRINT OF DOCUMENT INCLUDED IN PRINT SET C = INCLUDES ALL PRINTS INDICATED ON DOCUMENT S = CONFIDENTIAL AUTHORIZED SIGNATURE REQUIRED							TITLE		DRAWING DIRECTORY POWER SUPPLY H765		SHEET 3 OF 5		SIZE CODE		NUMBER		REV	
													B DD		H765-0		R			

CUSTOMER PRINT SET		MECHANICAL					CUSTOMER PRINT SET		MECHANICAL								
1	MFG. SET	FIND NO.	DRAWING NO.	REV	NO OF SHT	DESCRIPTION	OPTION NO./FILE DATE	1	MFG. SET	FIND NO.	DRAWING NO.	REV	NO OF SHT	DESCRIPTION	OPTION NO./FILE DATE		
		1	E-UA-H765-Ø-Ø	R	2	POWER SUPPLY H765				6	D-UA-5413089-0-0			PILOT CONTROL BOARD			
			D-IA-7009950-0-0		1	THROUGH WIRE											
		2	E-IA-7009752-0-0		1	CHASSIS, POWER SUPPLY											
			E-IA-7411682-0-0		1	CHASSIS, POWER SUPPLY											
			D-MD-7411685-0-0		1	SIDE, POWER SUPPLY											
			D-MD-7411684-0-0		1	HOUSING COMP. CHASSIS											
		3	E-AD-7011486-0-0		2	TRANSFORMER ASSY				8	B-DD-H744-Ø		2	DRAWING DIRECTORY H744			
			C-MD-7414301-0-0		1	COVER											
		4	D-AD-7014420-0-0		2	AC INPUT BOX ASSY				9	B-DD-H745-Ø		2	DRAWING DIRECTORY H745			
			A-DC-7412303-0-1		1	DECAL 115V											
X			D-AD-7012500-0-0		1	POWER CORD				10	B-DD-H754-Ø		3	DRAWING DIRECTORY H754			
			A-DC-7412380-0-1		1	DECAL 230V											
										11	D-IA-7009949-0-0		1	COVER, POWER SUPPLY			
											C-MD-7412473-0-0		1	STRIP, CLAMP			
		5	D-IA-7009812-0-0	A	1	CHASSIS COMPONENT MTG.											
			D-IA-7411765-0-0		1	PLATE SWITCH											
			D-IA-7411766-0-0	B	1	PLATE COMPONENT MTG.											
CUSTOMER PRINT SET CODES	X = PRINT OF DOCUMENT INCLUDED IN PRINT SET C = INCLUDES ALL PRINTS INDICATED ON DOCUMENT S = CONFIDENTIAL AUTHORIZED SIGNATURE REQUIRED						TITLE	DRAWING DIRECTORY POWER SUPPLY H765		SIZE CODE	B DD		NUMBER	H765-Ø		P-V	R
								SHEET 4 OF 5									

CUSTOMER PRINT SET				MECHANICAL					CUSTOMER PRINT SET							
1	MFG. SET	FIND NO.	DRAWING NO.	REV	NO OF SHT	DESCRIPTION	OPTION NO./FILE DATE	MFG. SET	FIND NO.	DRAWING NO.	REV	NO OF SHT	DESCRIPTION	OPTION NO./FILE DATE		
		12	D-CS-5410864-0-1		3	POWER DIST. BD. ASSY										
			C-MD-7412192-0-0		1	SHIELD										
			D-MD-7411704-0-0		1	BRACKET, CONN. MTG.										
			C-IA-9305937-0-0			MATE-N-LOK FIXTURES										
			D-IA-5010863-0-0		1	ETCHED CIRCUIT BD.										
			K-CO-5410864-0-4			X-Y COORDINATE HOLE LOC.										
			D-AH-5410864-0-5		1	ASSY DRILLING HOLE LAYOUT										
			B-MH-5410864-0-6		1	MODULE ECO HISTORY										
			5010863	REF		ETCH CIRCUIT BOARD										
	K	13	A-SP-3700174-0-0	-	2	PACKAGING INSTRUCTIONS										
			A-PS-9905664-0-0	-	2	REGULAR SLOTTED CARTON										
			A-PS-9905665-0-0	-	2	LAMINATED BUILDUP										
		14	D-AH-5411086-0-5		1	ASSY DRILLING HOLE LAYOUT										
			B-MH-5411086-0-6		1	MODULE ECO HISTORY										
		15	D-AD-7011486-0-0		1	ASSEMBLY DRAWING										
		16	D-AH-5411689-0-5		1	ASSY DRILLING HOLE LAYOUT										
			D-MH-5411689-0-6		1	MODULE ECO HISTORY										
CUSTOMER PRINT SET CODES		X = PRINT OF DOCUMENT INCLUDED IN PRINT SET C = INCLUDES ALL PRINTS INDICATED ON DOCUMENT S = CONFIDENTIAL AUTHORIZED SIGNATURE REQUIRED						TITLE		DRAWING DIRECTORY POWER SUPPLY H765		SIZE CODE		NUMBER		REV
								SHEET 5 OF 5		B DD		H765-Ø		R		



CONNECTION TABLE			CONNECTION TABLE		
FROM CONNECTION	TO CONNECTION	SIGNALS	FROM CONNECTION	TO CONNECTION	SIGNALS
P2 FROM TRANS. ASSY	J2 FROM +15V REG.	28 VAC	P4 FROM +15V REG.	J2 LOCATED ON PWR. DIST. BD	-15V, LTC L, AC LO L, DC LO L, GND
J16 FROM PWR. DIST. BD	P16 LOCATED ON REG. #4 (H754)	GND, -5V, +20V, 28 VAC			
J15 FROM PWR. DIST. BD	P15 LOCATED ON REG. #3 (H744)	GND, +5V, 28VAC	P5 FROM TRANS. ASSY	J5 LOCATED ON AC INPUT BOX	120/240 VAC
J14 FROM PWR. DIST. BD	P14 LOCATED ON REG. #2 (H744)	GND, +5V, 28VAC	P7 (RED)	FAN #1 - A	120 VAC - HOT
J13 FROM PWR. DIST. BD	P13 LOCATED ON REG. #1 (H745)	GND, +15V, -15V, 28 VAC	P8 (WHT)	FAN #1 - B	120 VAC - NEUTRAL
GND LUG LOCATED ON PWR. DIST. BD, G3	G1 YEL LUG.	SAFETY GROUND	P9 (RED)	FAN #2 - A	120 VAC - HOT
P1 FROM TRANS. ASSY	J1 LOCATED ON PWR. DIST. BD	28 VAC	P10 (WHT)	FAN #2 - B	120 VAC - NEUTRAL
			T1-G	G1	SAFETY GROUND
			G1	G2	ITEM 55



- COMMON SIGNAL NAMES FOR 6 PIN AND 15-PIN MATE-N-LOKS ON POWER DISTRIBUTION BOARD
- |             |              |
|-------------|--------------|
| 6 - M/N     | 15 - PIN     |
| 1 - GND     | 1 - +5V      |
| 2 - LTC L   | 2 - +15V     |
| 3 - DC LO L | 3 - +20V     |
| 4 - AC LO L | 4 - +5V      |
| 5 - SPARE 4 | 5 - GND      |
| 6 - SPARE 4 | 6 - SPARE 1  |
|             | 7 - GND      |
|             | 8 - GND      |
|             | 9 - GND      |
|             | 10 - SPARE 2 |
|             | 11 - GND     |
|             | 12 - SPARE 3 |
|             | 13 - -15V    |
|             | 14 - -5V     |
|             | 15 - SPARE 3 |

REMOTE POWER CONTROL  
1-3 : ON  
2-3 : OFF

CPU CONSOLE POWER SWITCH  
1-3 : ON

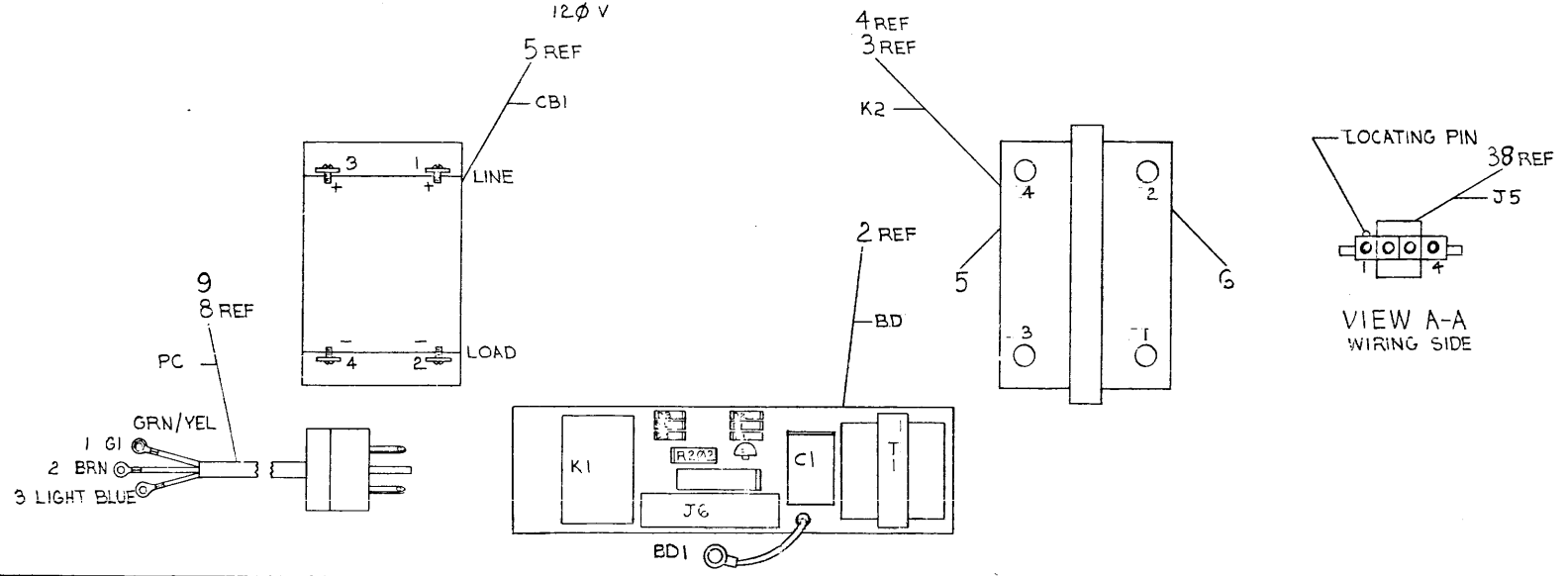
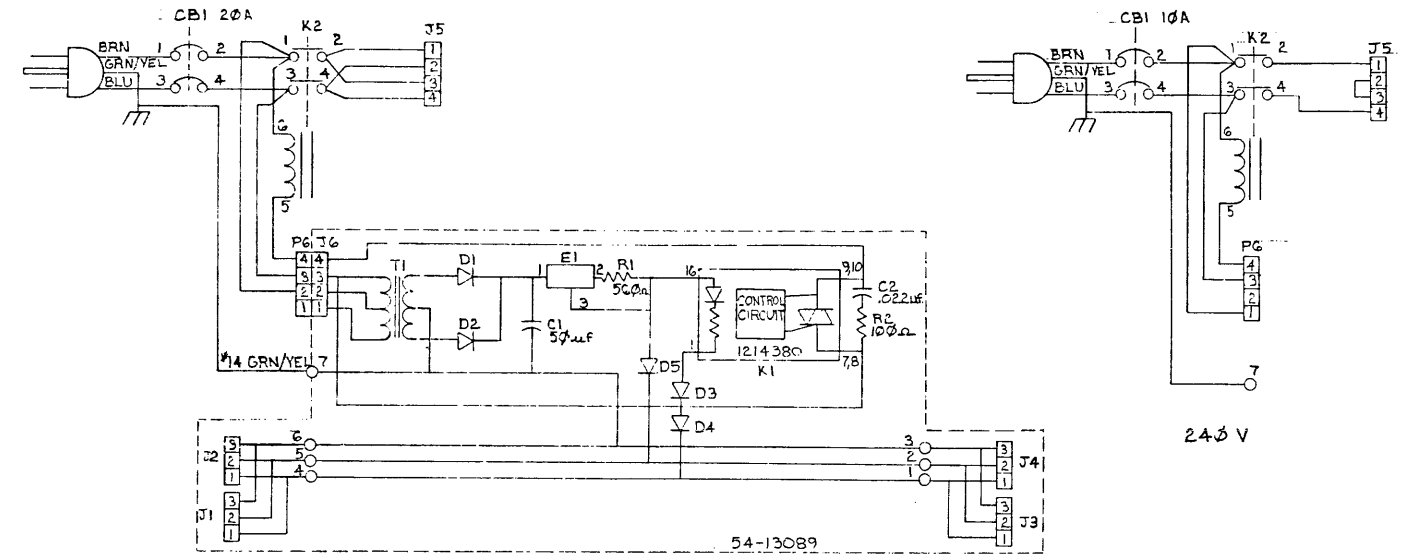




THIS DRAWING AND SPECIFICATIONS HEREIN ARE THE PROPERTY OF DIGITAL EQUIPMENT CORPORATION AND SHALL NOT BE REPRODUCED OR COPIED OR USED IN WHOLE OR IN PART AS THE BASIS FOR THE MANUFACTURE OR SALE OF ITEMS WITHOUT WRITTEN PERMISSION. COPYRIGHT © 1977, DIGITAL EQUIPMENT CORPORATION

WIRE TABLE-1 VAR 120V									
ITEM NO	DESCRIPTION	FROM	TO	PRECUT WIRE					
NO	AWG	COLOR	STRIP LENGTH	CONN	WITH	STRIP LENGTH	CONN	WITH	WIRE LENGTH
5	14	GRN/YEL	SEE NOTE 3	PC-1			G1		
8	14	BRN		PC-2			CBI-1		
8	14	BLU		PC-3			CBI-3		
33	18	BLU	SEE NOTE 4	K2-4	36	SEE NOTE 5	J5-2	37	3.0 ± 0.25
34	18	BRN	SEE NOTE 4	K2-2	36	SEE NOTE 5	J5-4	37	3.0 ± 0.25
34	18	BRN	SEE NOTE 4	K2-2	36	SEE NOTE 5	J5-1	37	3.0 ± 0.25
34	18	BRN	SEE NOTE 4	K2-1	36	SEE NOTE 6	J5-3	37	3.0 ± 0.25
3	18	YEL	SEE NOTE 4	K2-1	36	SEE NOTE 6	P6-2	35	3.5 ± 0.25
7				K2-1			CBI-2		STRAP
33	18	BLU	SEE NOTE 4	K2-3	29	SEE NOTE 6	P6-3	35	3.0 ± 0.25
7				K2-3			CBI-4		STRAP
3	18	YEL	SEE NOTE 4	K2-5		SEE NOTE 6	P6-4	35	4.75 ± 0.25
2	18	GRN/YEL	SEE NOTE 6	BD-1			G1		

WIRE TABLE-2VAR 240V									
ITEM NO	DESCRIPTION	FROM	TO	PRECUT WIRE					
NO	AWG	COLOR	STRIP LENGTH	CONN	WITH	STRIP LENGTH	CONN	WITH	WIRE LENGTH
9	14	GRN/YEL	SEE NOTE 3	PC-1			G1		
9	14	BRN		PC-2			CBI-1		
9	14	BLU		PC-3			CBI-3		
33	18	BLU	SEE NOTE 4	K2-4	29	SEE NOTE 5	J5-4	37	3.0 ± 0.25
34	18	BRN	SEE NOTE 4	K2-2	29	SEE NOTE 5	J5-1	37	3.0 ± 0.25
34	18	BRN	SEE NOTE 5	J5-2	37	SEE NOTE 5	J5-3	37	2.0 ± 0.25
34	18	BRN	SEE NOTE 4	K2-1	36	SEE NOTE 6	P6-1	35	3.5 ± 0.25
4	18	YEL	SEE NOTE 4	K2-1		SEE NOTE 6	K2-6		3.5 ± 0.25
7				K2-1			CBI-2		STRAP
33	18	BLU	SEE NOTE 4	K2-3	29	SEE NOTE 6	P6-3	35	3.0 ± 0.25
7				K2-3			CBI-4		STRAP
4	18	YEL	SEE NOTE 4	K2-5		SEE NOTE 6	P6-4	35	4.75 ± 0.25
2	18	GRN/YEL	SEE NOTE 6	BD-1			G1		

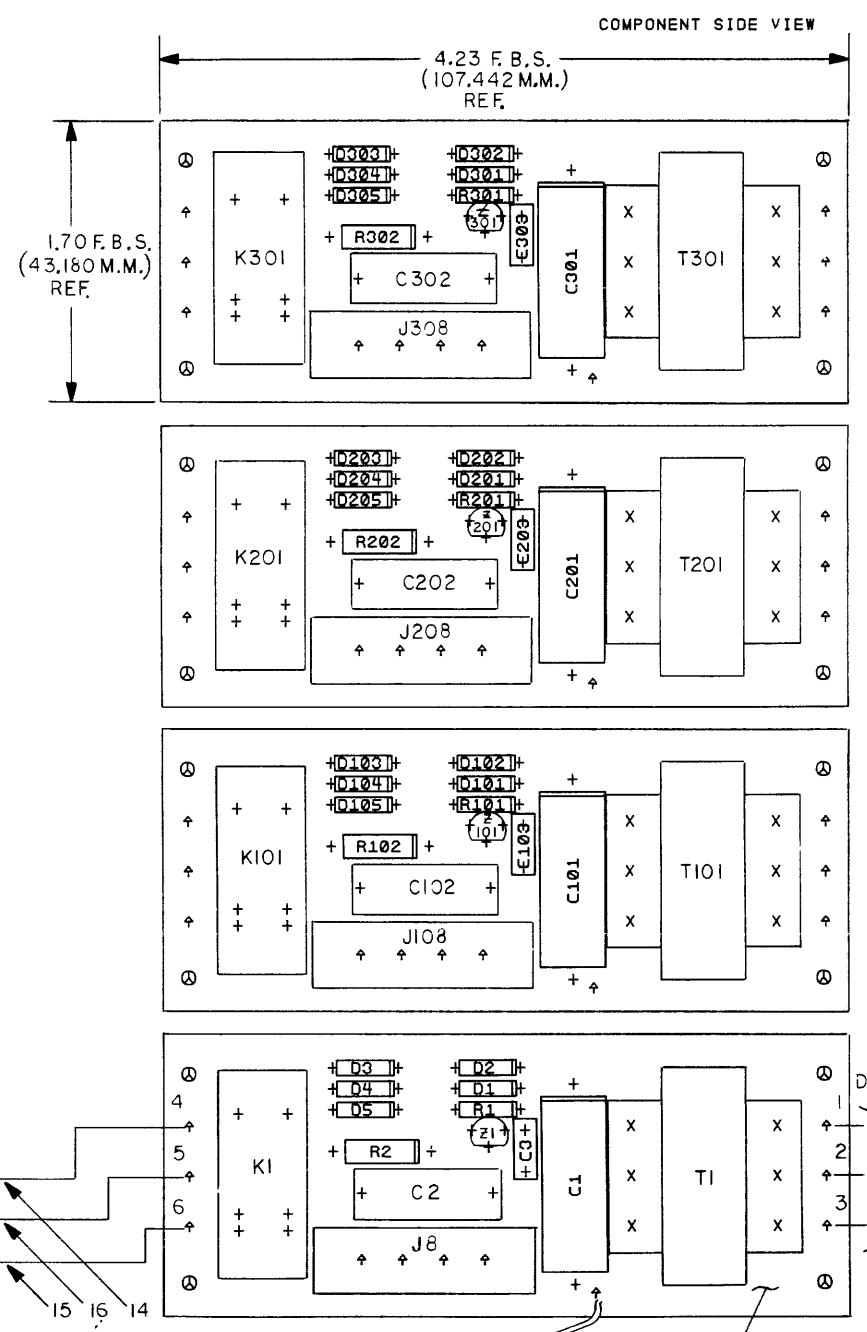


REVISIONS		
CHK	CHANGE NO.	REV.

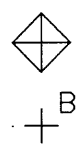
TITLE	AC INPUT BOX ASSY.	SIZE	LOC	NUMBER	REV.
SCALE	SHEET 2 OF 2	DIST.		7014420-0-0	B

REV. B  
NUMBER 7014420-0-0  
D/AU

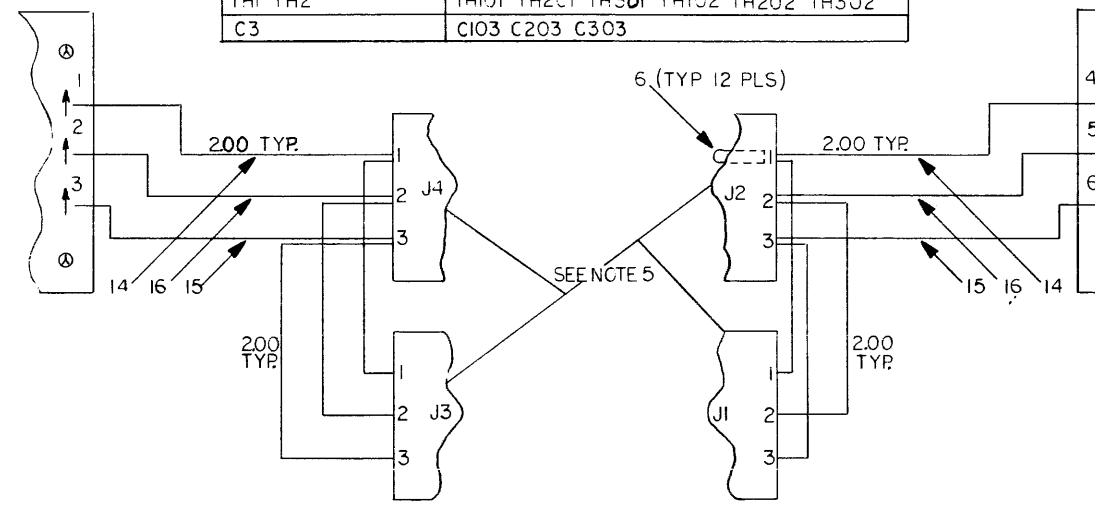
THIS DRAWING AND SPECIFICATIONS, HEREIN, ARE THE PROPERTY OF DIGITAL EQUIPMENT CORPORATION AND SHALL NOT BE REPRODUCED OR COPIED OR USED IN WHOLE OR IN PART AS THE BASIS FOR THE MANUFACTURE OR SALE OF ITEMS WITHOUT WRITTEN PERMISSION.  
 COPYRIGHT © 1978 DIGITAL EQUIPMENT CORPORATION



REFERENCE	DESIGNATION	CHART
ACTUAL REF DES	SUPERFICIAL REF DES	
C1 C2	C101 C201 C301	C102 C202 C302
D1 D2	D101 D201 D301	D102 D202 D302
D3 D4	D103 D203 D303	D104 D204 D304
D5	D105 D205 D305	
J8	J108 J208 J308	
K1	K101 K201 K301	
R1 R2	R101 R201 R301	R102 R202 R302
T1	T101 T201 T301	
Z1	Z101 Z201 Z301	
TH1 TH2	TH101 TH201 TH301	TH102 TH202 TH302
C3	C103 C203 C303	



DETAIL "A"



SEE DETAIL "A"

ACTUAL REF DESIGNATION SEE NOTE 4

NOTES: 1. THIS BOARD REQUIRES U/L APPROVAL.  
 2. DO NOT SLIT BOARD MUST BE SHEARED.  
 3. REFER TO PARTS LIST FOR IDENTIFICATION OF NUMBERED ITEMS.  
 4. MULTI-REF DESIGNATIONS ARE USED TO ACCOMMODATE PNL INS TECHNIQUES-SEE CHART FOR REF.  
 5. J1 J2 J3 J4 ARE NOT USED ON YA VARIATION.

CHANGE NO	REV	DATE	BY	CHK'D
ML004	E		W. BAUSHA	
4			W. BAUSHA	

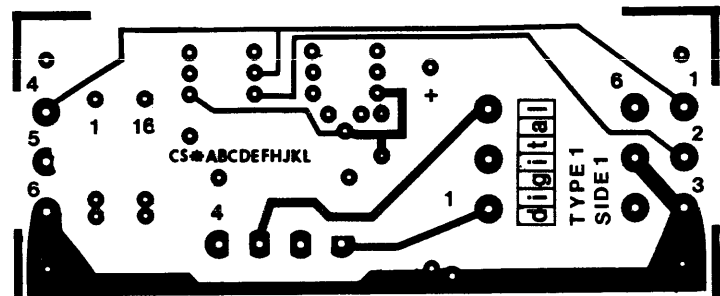
ETCH REV. C-PI
P.C. DESIGN DATA BASE REV. C

SIGNATURES	DATE
DRN. STU EVANS	7-27-78
CHK'D. <i>[Signature]</i>	1-9-79
ENG. <i>[Signature]</i>	11/9/79
PROJ. ENG. <i>[Signature]</i>	11/9/79
PROD. <i>[Signature]</i>	11/3/79

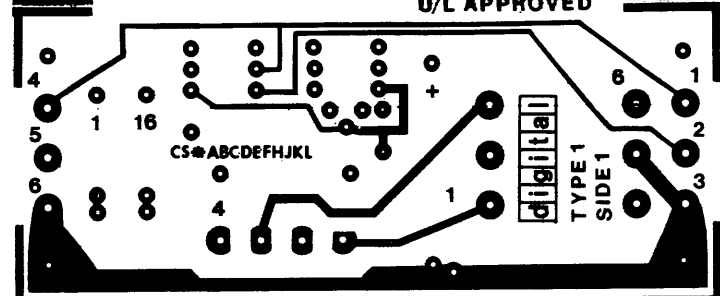
digital	
TITLE A.C. CONTROL BOARD	
SCALE 2/1	SIZE CODE NUMBER REV
SHT. 1 OF 3	D UA 5413089-0-0 E
NEXT HIGHER ASSY. B-D0-5413089-0-0	

THIS DRAWING AND SPECIFICATIONS HEREIN ARE THE PROPERTY OF DIGITAL EQUIPMENT CORPORATION AND SHALL NOT BE REPRODUCED OR COPIED OR USED IN WHOLE OR IN PART AS THE BASIS FOR THE MANUFACTURE OR SALE OF ITEMS WITHOUT WRITTEN PERMISSION.  
 © 1979 DIGITAL EQUIPMENT CORPORATION

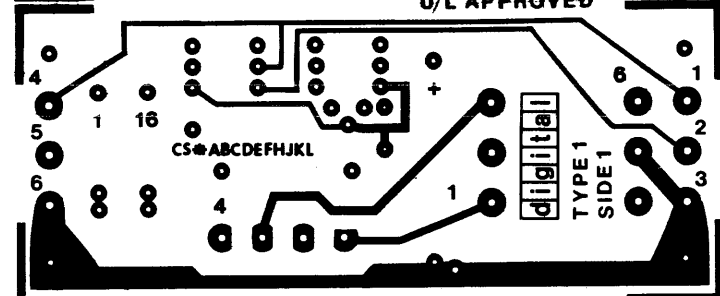
L1 5413089 5013088C-P1



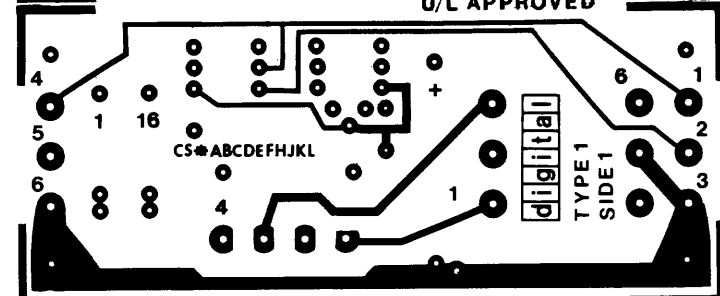
U/L APPROVED



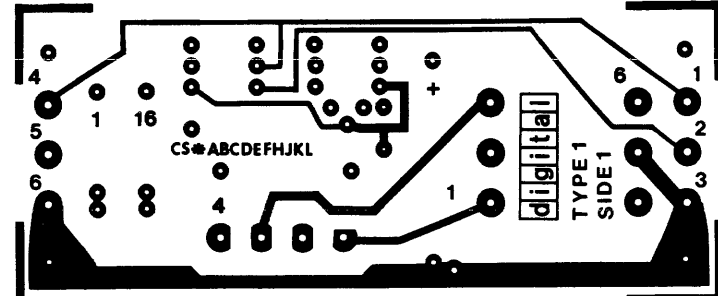
U/L APPROVED



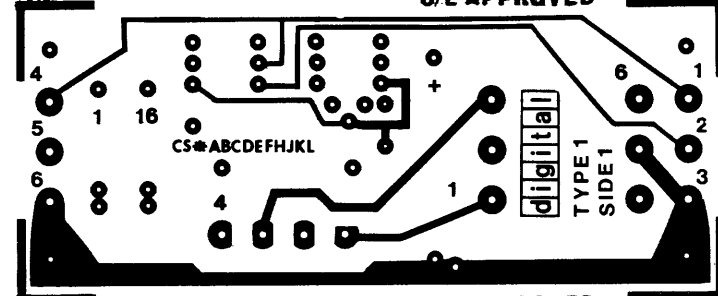
U/L APPROVED



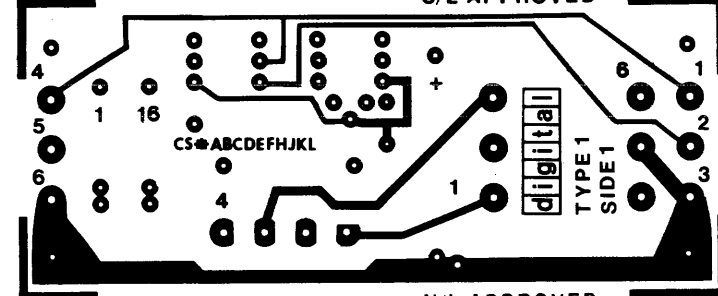
U/L APPROVED



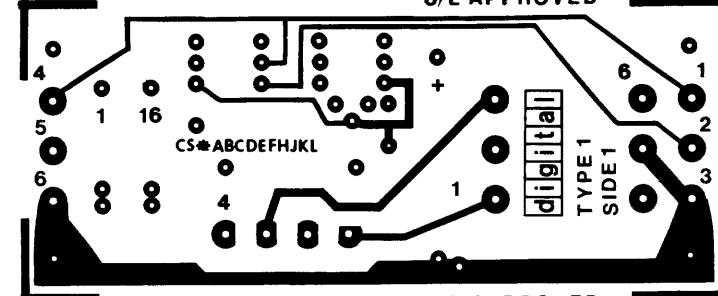
U/L APPROVED



U/L APPROVED



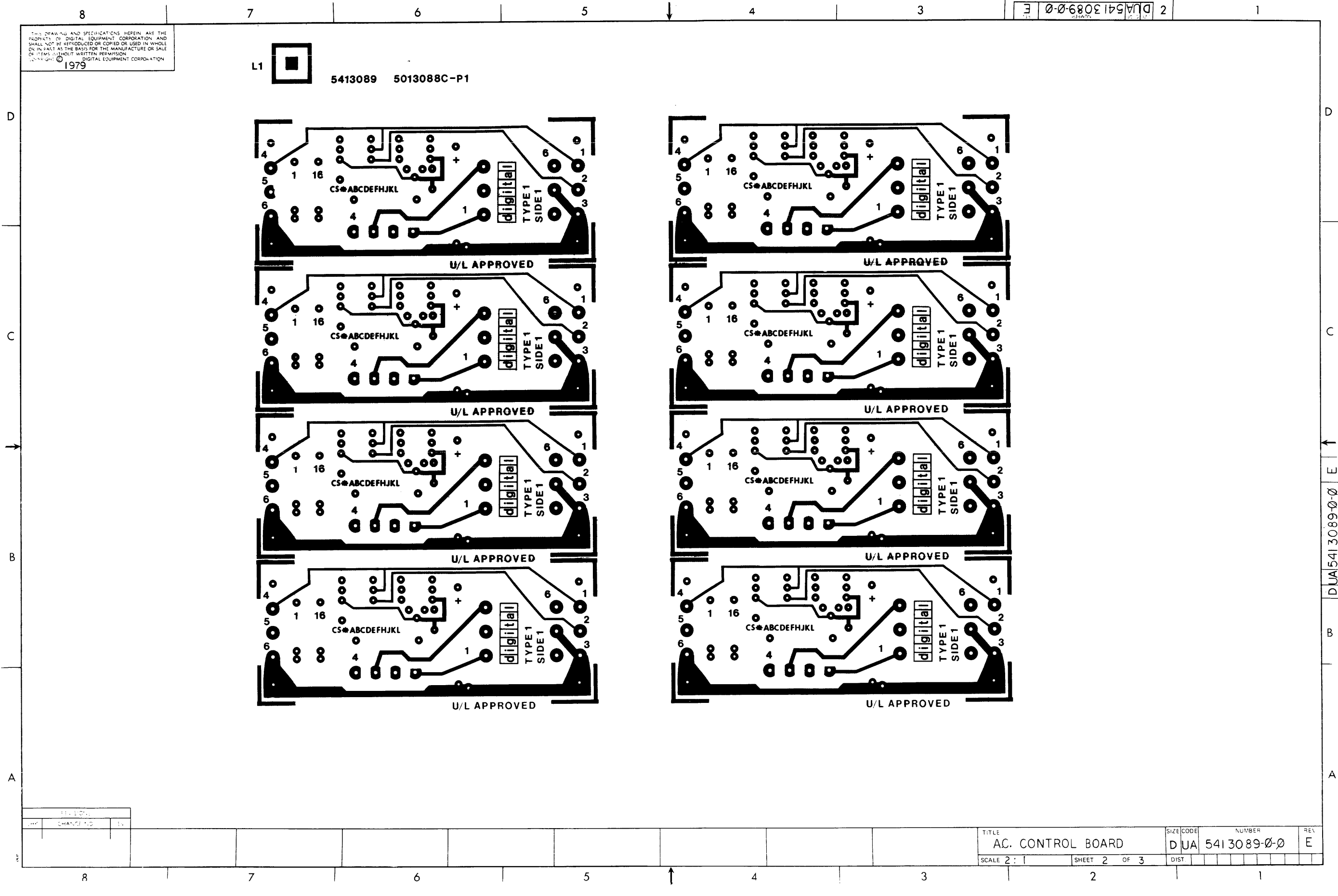
U/L APPROVED



U/L APPROVED

REV	CHANGE NO	BY

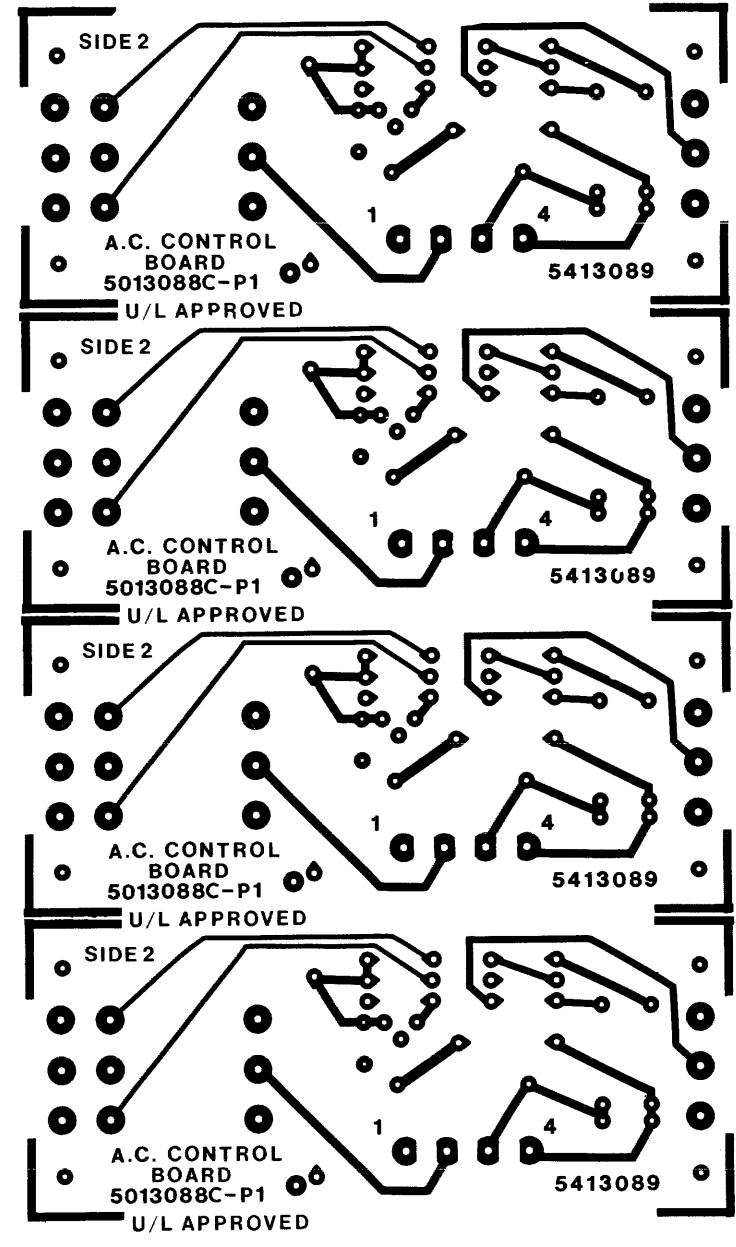
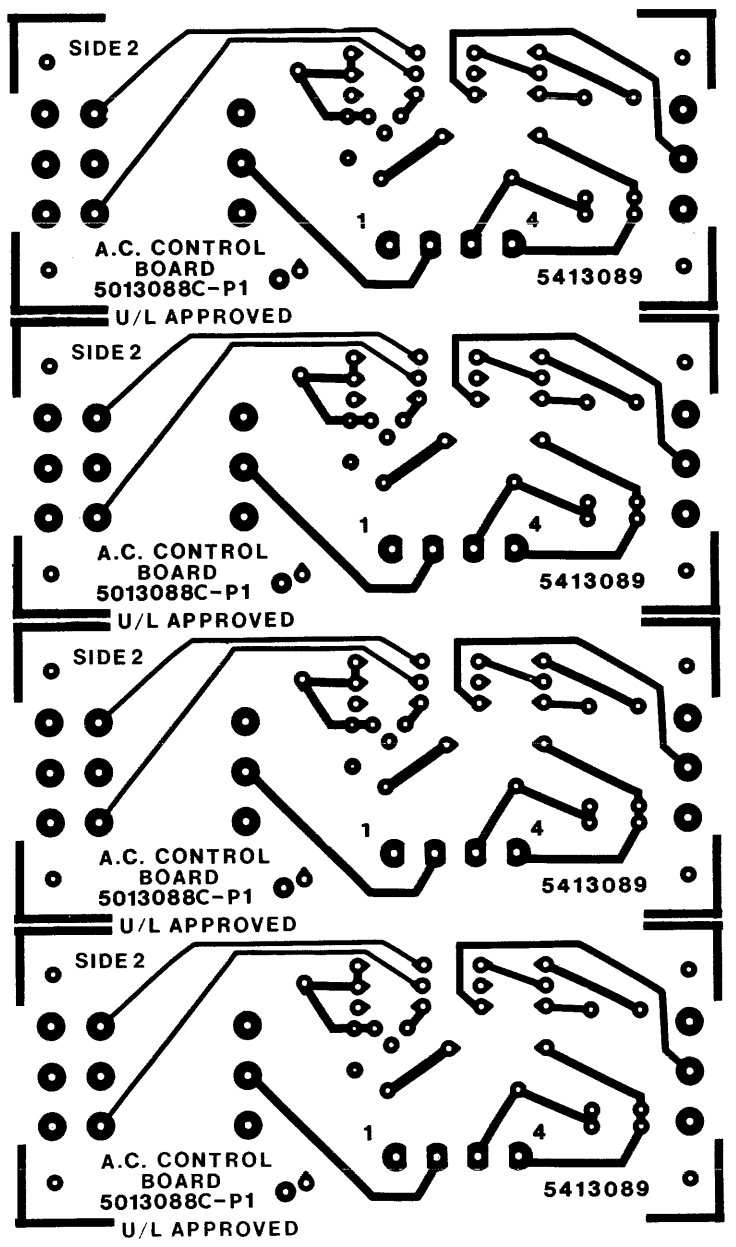
TITLE	AC. CONTROL BOARD	SIZE CODE	D UA	NUMBER	5413089-0-0	REV	E
SCALE	2:1	SHEET	2	OF	3	DIST	



THIS DRAWING AND SPECIFICATIONS HEREIN ARE THE PROPERTY OF DIGITAL EQUIPMENT CORPORATION AND SHALL NOT BE REPRODUCED OR COPIED OR USED IN WHOLE OR IN PART AS THE BASIS FOR THE MANUFACTURE OR SALE OF ITEMS WITHOUT WRITTEN PERMISSION.  
 COPYRIGHT © 1979 DIGITAL EQUIPMENT CORPORATION

D  
C  
B  
A

D  
C  
B  
A



REVISION		
CHK	CHANGE	BY

TITLE	A.C. CONTROL BOARD	SIZE CODE	DUA	NUMBER	5413089-0-0	REV.	E
SCALE	2:1	SHEET	3	OF	3	DIST.	

DUA 5413089-0-0 E



DRAWING NO.	NO. OF SHTS	PART NO.	DESCRIPTION	REVISIONS															
				Y	Y	Y													
D-AH-H744-Ø-5			ASSY DRILLING/HOLE LAYOUT	Y	Y	Y													
E-UA-H744-Ø-Ø	1		UNIT ASSY	Y	Z	AA													
D-CS-H744-Ø-1	1		CIRCUIT SCHEMATIC	Y	Y	Y													
B-MH-H744-Ø-6	4		MODULE ECO HISTORY	AD	AE	AE													
		5009725	ETCHED BOARD	H	H	H													
A-SP-H744-Ø-3			TEST PROCEDURE	REF	REF														
A-SP-H744-Ø-8			MFG SPEC	REF	REF														
D-PS-1210737-Ø-Ø	1		HEAT SINK	REF	REF														
D-IA-5309756-Ø-Ø	1		REGULATOR BRK'T	REF	REF														
C-MD-5309760-Ø-Ø	1		COMPONENT COVER	REF	REF														
C-MD-5309759-Ø-Ø	1		CAPACITOR STRAP	REF	REF														
A-PI-3700074-Ø-Ø	2		PACKAGING INSTRUCTION	REF	REF														
A-PS-9905211-Ø-Ø	2		OUTER CARTON	REF	REF														
A-PS-9905212-Ø-Ø	2		INNER PACKAGING	REF	REF														
C-IA-7412388-Ø-Ø			2.5 CAP HOLDER	REF	REF														
C-MD-7419952-Ø-Ø			COMPONENT COVER	REF															

NOTES:

REVISIONS		DATE	CHG NO.	REV.													
			00018														
		2-77	00019	R													
		3-78	00020	S													

"THIS DRAWING AND SPECIFICATIONS, HEREIN, ARE THE PROPERTY OF DIGITAL EQUIPMENT CORPORATION AND SHALL NOT BE REPRODUCED OR COPIED OR USED IN WHOLE OR IN PART AS THE BASIS FOR THE MANUFACTURE OR SALE OF ITEMS WITHOUT WRITTEN PERMISSION. COPYRIGHT © 1977, DIGITAL EQUIPMENT CORPORATION"



USED ON OPTION/MODEL	DRN.	TITLE
11/45	D. FONTAINE	+5V REGULATOR
	CHK'D	
	D. FONTAINE	
	ENG.	SIZE CODE
	G. POTTER	NUMBER
	PROD.	BDD
	A. HIRSCH	H744-Ø
		SHEET 2 OF 4
		REV. S

DRAWING NO.	NO. OF SHTS	PART NO.	DESCRIPTION	REVISIONS																			
				Y	Y																		
D-AH-H744-Ø-5			ASSY DRILLING/HOLE LAYOUT	Y	Y																		
E-UA-H744-Ø-Ø	1		UNIT ASSY	W	WL																		
D-CS-H744-Ø-1	1		CIRCUIT SCHEMATIC	W	WL																		
B-MH-H744-Ø-6	4		MODULE ECO HISTORY	AC	AE																		
		5009725	ETCHED BOARD	H	H																		
A-SP-H744-Ø-3			TEST PROCEDURE	REF																			
A-SP-H744-Ø-8			MFG SPEC	REF																			
D-PS-1210737-Ø-Ø	1		HEAT SINK	REF																			
D-IA-5309756-Ø-Ø	1		REGULATOR BRK'T	REF																			
C-MD-5309760-Ø-Ø	1		COMPONENT COVER	REF																			
C-MD-5309759-Ø-Ø	1		CAPACITOR STRAP	REF																			
A-PI-3700074-Ø-Ø	2		PACKAGING INSTRUCTION	REF																			
A-PS-9905211-Ø-Ø	2		OUTER CARTON	REF																			
A-PS-9905212-Ø-Ø	2		INNER PACKAGING	REF																			
C-IA-7412388-Ø-Ø			2.5 CAP HOLDER	REF																			
C-MD-7419952-Ø-Ø			COMPONENT COVER	REF																			

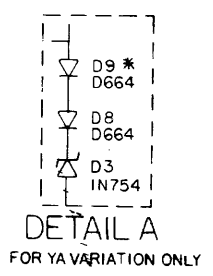
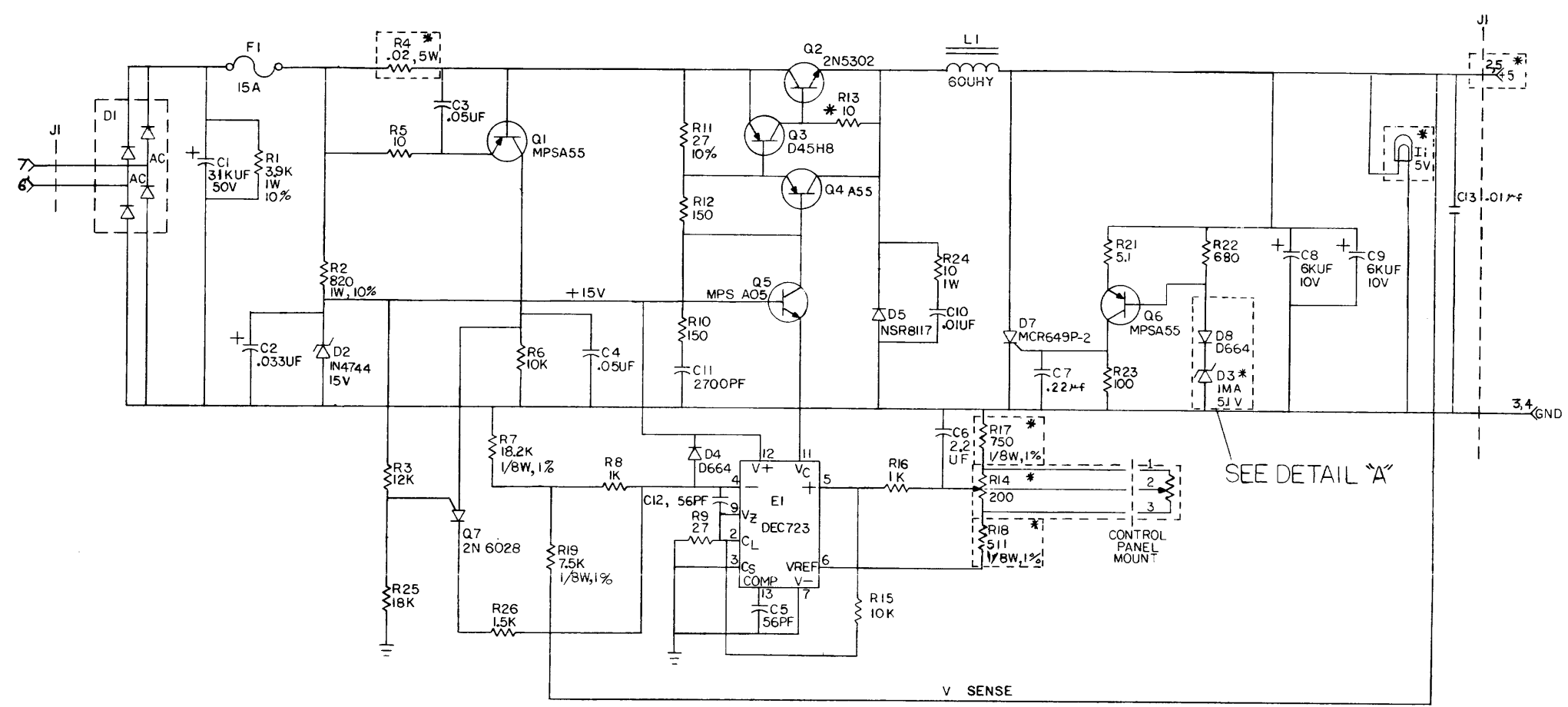
NOTES:	REVISIONS	DATE	CHG NO.	REV.																
		2-77	00017	R																

"THIS DRAWING AND SPECIFICATIONS, HEREIN, ARE THE PROPERTY OF DIGITAL EQUIPMENT CORPORATION AND SHALL NOT BE REPRODUCED OR COPIED OR USED IN WHOLE OR IN PART AS THE BASIS FOR THE MANUFACTURE OR SALE OF ITEMS WITHOUT WRITTEN PERMISSION. COPYRIGHT © 1977, DIGITAL EQUIPMENT CORPORATION"		USED ON OPTION/MODEL	DRN.	TITLE	
		11/45	D. FONTAINE	+5V REGULATOR	
			CHK'D		
			D. FONTAINE		
	ENG.				
	G. POTTER				
	PROD.				
	A. HIRSCH				





This drawing and specifications, herein, are the property of Digital Equipment Corporation and shall not be reproduced or copied or used in whole or in part as the basis for the manufacture or sale of items without written permission. © 1975 DIGITAL EQUIPMENT CORPORATION



\*FUSIBLE RESISTOR

- \* FOR YA VARIATION COMPONENT VALUES ARE AS FOLLOWS:
- R4 - .06 5W
- R14 - 1K 10 TURN
- R17 - 300 1/8W 1%
- R19 - 150 1/4W 5%
- D3 - IN754
- I1 - 15V
- J1-2,5 - +2.0-8.0V
- \* D9 - D664 ADDED FOR YA VARIATION ONLY

UNLESS OTHERWISE INDICATED:  
RESISTORS ARE 1/4W, 5%

01-12-77	D. MARTEL	Y	5S
02-12-77	H744-00018	Y	
03-12-77	A. BARON	W	
04-12-77	H744-00016	W	
05-12-77	A. BARON	2-3-74	
06-12-77	H744-00015	V	
07-12-77	A. BARON	9-11-71	
08-12-77	H744-00014	U	
09-12-77	A. BARON	7-7-75	
10-12-77	H744-00013	T	
11-12-77	A. BARON	6-5-75	
12-12-77	H744-00012	S	
13-12-77	A. BARON	4-12-71	
14-12-77	H744-00011	R	
15-12-77	D. MARTEL		
16-12-77	H744-00009	N	
17-12-77	A. BARON	1-7-75	
18-12-77	H744-00010	P	
19-12-77	D. MARTEL		
20-12-77	H744-00008	M	
21-12-77	A. BARON	1-1-74	
22-12-77	H744-00007	L	
23-12-77	A. BARON	8-24-73	
24-12-77	H744-00006	K	
25-12-77	A. BARON	1-1-74	
26-12-77	H744-00005	J	
27-12-77	A. BARON	3-8-72	
28-12-77	H744-00004	I	
29-12-77	A. BARON	5-17-72	
30-12-77	H744-00003	H	
31-12-77	A. BARON	5-2-72	
32-12-77	H744-00002	F	
33-12-77	A. BARON	1-14-72	
34-12-77	H744-00001	E	

QTY	REF DESIGNATION	DESCRIPTION	PART NO.	ITEM NO.
PARTS LIST				
ETCH BOARD REV F H				
	IN964A	SAME	MPSA55	
	D664	IN3606	2N5302	
	MCR649P-2		D45H8	
	IN751A	SAME	MPSA05	
	IN4744	SAME		
	NSR8117			
	2N6028			
	DEC NO.	EIA NO.	DEC NO.	EIA NO.

digital EQUIPMENT CORPORATION  
BATHURST, MASSACHUSETTS

TITLE: 5V REGULATOR

DATE: 11-2-77  
DATE: 7-5-77  
DATE: 1/17/72  
DATE: 1/17/72  
DATE: 1/17/72

SCALE: DIST. H744-00-1 Y

SEMICONDUCTOR CONVERSION CHART

DATE CODE DCS H744-00-1

NUMBER H744-00-1

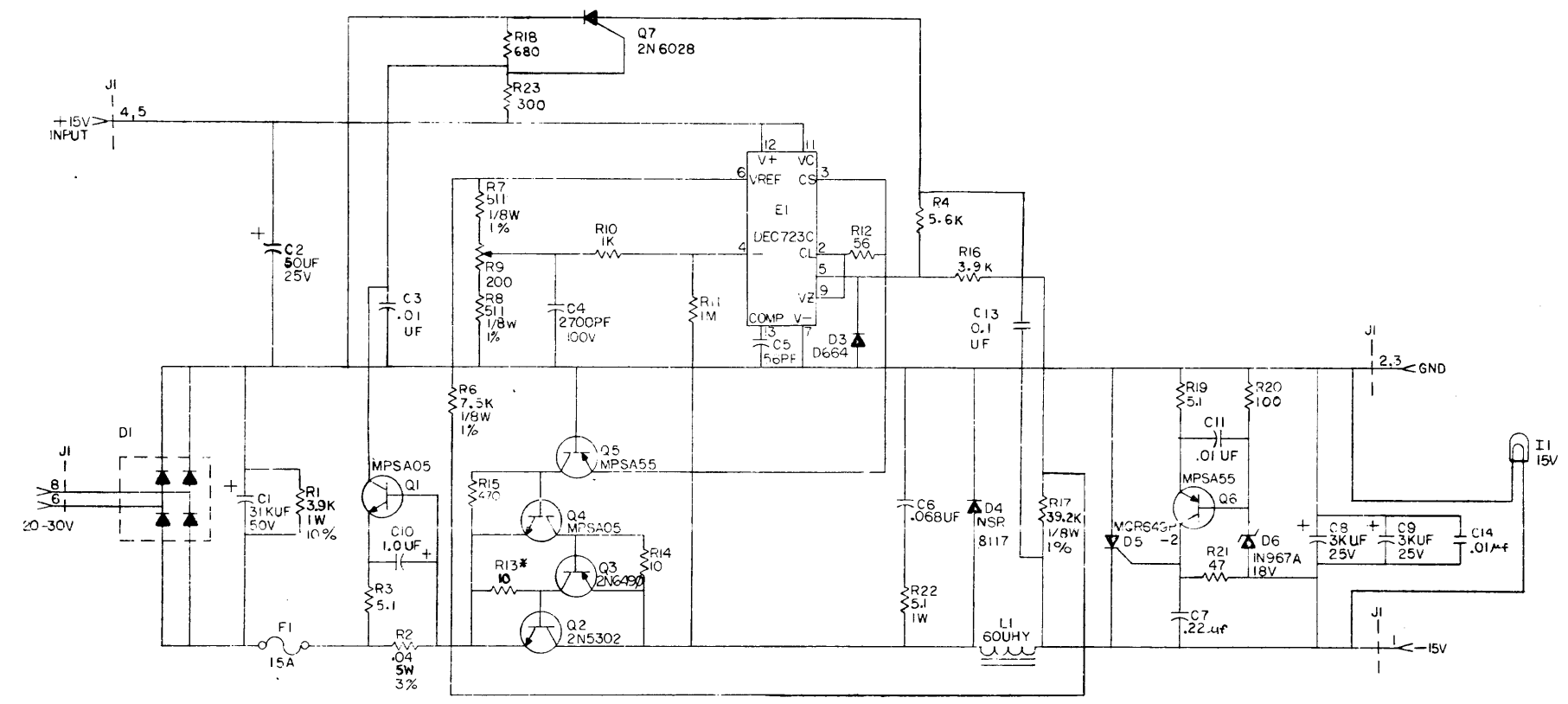
SHEET 1 OF 1







This drawing and specifications herein are the property of Digital Equipment Corporation and shall not be reproduced or copied or used in whole or in part as the basis for the manufacture or sale of items without written permission. (COPYRIGHT © 1976)  
 DIGITAL EQUIPMENT CORPORATION, MAYNARD, MASS.



\* FUSIBLE  
 UNLESS OTHERWISE INDICATED:  
 RESISTORS = 1/4W, 5%

QTY	REF DESIGNATION	DESCRIPTION	PART NO.	ITEM NO.
PARTS LIST				
	ETCH BOARD REV	E		
	D664	IN 3606	D45H B	
	NSR 8117		2N 6028	
	MCR4CP - 2			
	IN967A	SAME		
	2N 5302			
	MPS A05			
	MPS A55			
	DEC 10	EIA 10	DEC 10	EIA 10
SEMICONDUCTOR CONVERSION CHART				
				D CS H745-0-1 AA

SIZE FOOT  
 D|CS  
 H745-0-1 AA  
 B









①  
+20 VOLT REGULATOR  
E-CS-H754-0-1

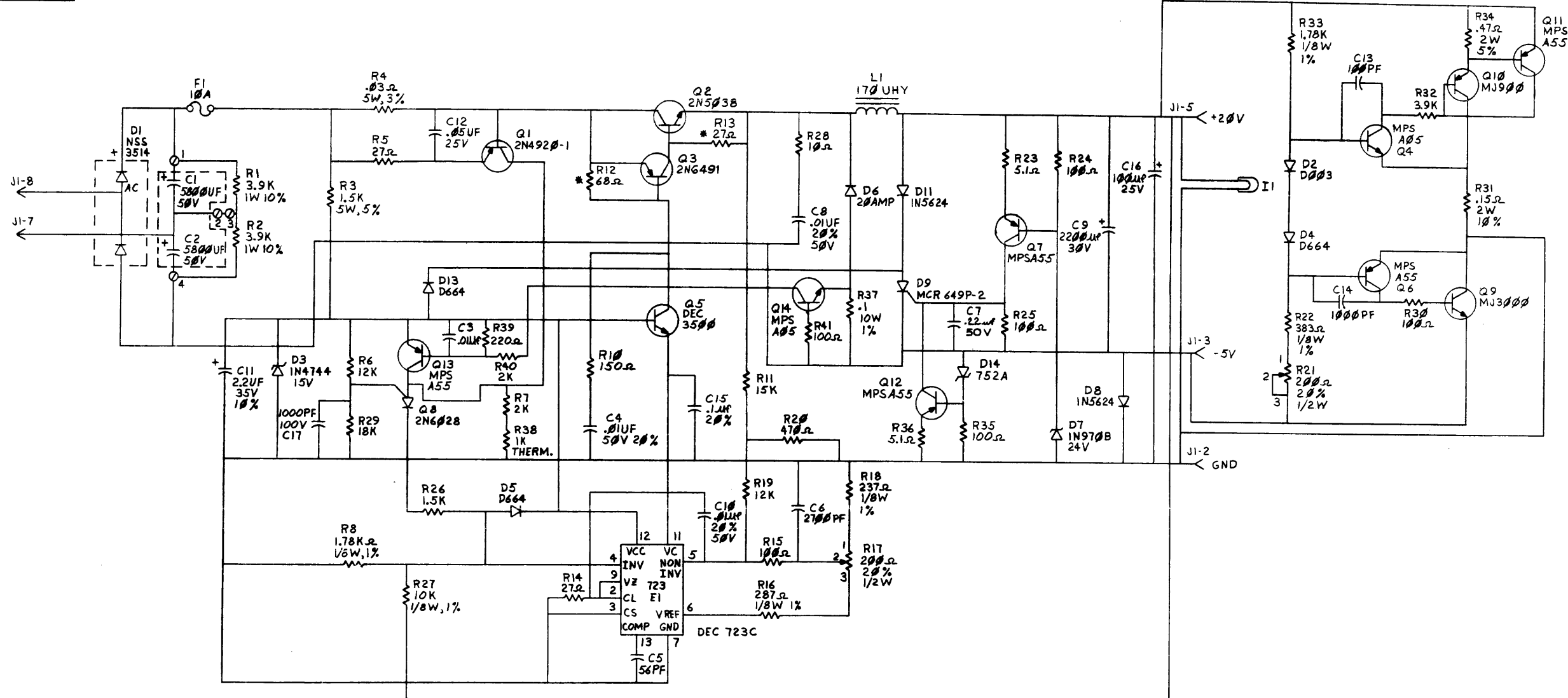
②  
REGULATOR BRACKET  
D-IA-5309756-0-1

TITLE	SHEET OF	SIZE CODE	NUMBER	REV
+20 VOLT REGULATOR	3 OF 3	B DD	H754-Ø	B



THIS DRAWING AND SPECIFICATIONS HEREIN ARE THE PROPERTY OF DIGITAL EQUIPMENT CORPORATION AND SHALL NOT BE REPRODUCED OR COPIED OR USED IN WHOLE OR IN PART AS THE BASIS FOR THE MANUFACTURE OR SALE OF ITEMS WITHOUT WRITTEN PERMISSION.  
 COPYRIGHT © 1972, DIGITAL EQUIPMENT CORPORATION

DIGITAL EQUIPMENT CORPORATION  
 H754-0-1



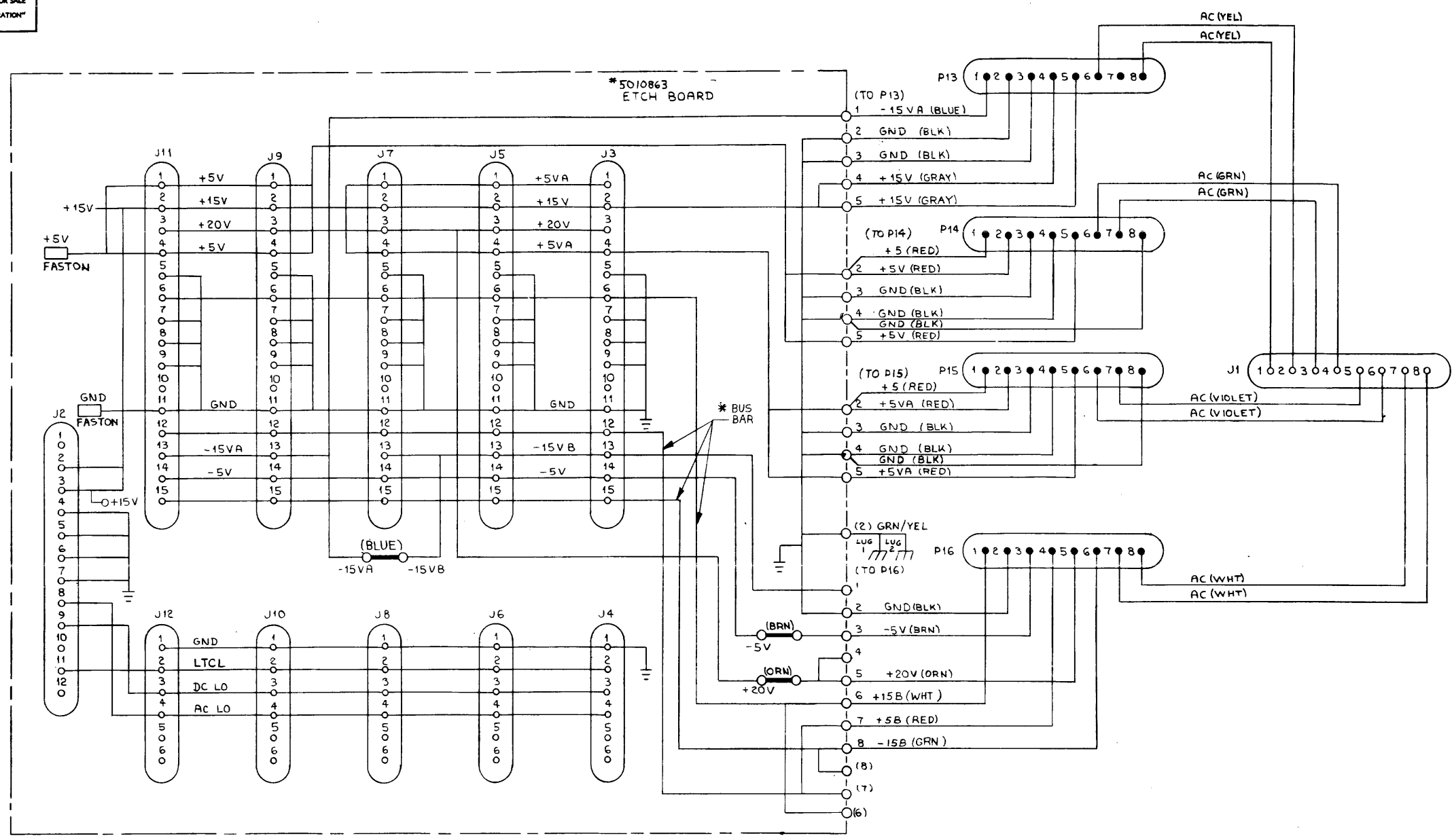
\* FUSIBLE RESISTOR

REV. V  
 NUMBER H754-0-1  
 SIZE CODE DCS

DRN: BISSONNETTE 8-29-72	FIRST USED ON: H754	digital
CHK'D: R. VOWLES 2-17-72	ENG. R. BURTON 5-7-73	
PROJ. ENG. R. BURTON 5-7-73	PROD. L. BAPTISTE 5-9-73	TITLE: +20 VOLT REGULATOR
NEXT HIGHER ASSY.	SCALE: 1/1	SIZE CODE: DCS
SHEET 2 OF 2	DIST.	NUMBER: H754-0-1
		REV. V



THIS DRAWING AND SPECIFICATIONS HEREIN ARE THE PROPERTY OF DIGITAL EQUIPMENT CORPORATION AND SHALL NOT BE REPRODUCED OR COPIED OR USED IN WHOLE OR IN PART AS THE BASIS FOR THE MANUFACTURE OR SALE OF ITEMS WITHOUT WRITTEN PERMISSION. COPYRIGHT © 1974 DIGITAL EQUIPMENT CORPORATION



\* BUS BAR USED IN THE YA VARIATION ONLY

REVISIONS		
CHK	CHANGE NO.	REV.

TITLE	SIZE CODE	NUMBER	REV.
PWR DIST BOARD	D CS	5410864-0-1	L
SCALE NONE	SHEET 2 OF 3	DIST.	

D CS 5410864-0-1

THIS DRAWING AND SPECIFICATIONS HEREIN ARE THE PROPERTY OF DIGITAL EQUIPMENT CORPORATION AND SHALL NOT BE REPRODUCED OR COPIED OR USED IN WHOLE OR IN PART AS THE BASIS FOR THE MANUFACTURE OR SALE OF ITEMS WITHOUT WRITTEN PERMISSION. COPYRIGHT © 1974, DIGITAL EQUIPMENT CORPORATION.

WIRE TABLE

ITEM NO	AWG	COLOR	FROM		TO		LENGTH	SIGNAL NAME
			CONNECTION	WITH	CONNECTION	WITH		
24	14	YEL	J1-1	8	P13-8	7	12.5"	AC/H745
24		YEL	J1-2		P13-6		12.5"	AC/H745
25		GRN	J1-3		P14-7		11"	AC/H744-1
25		GRN	J1-4		P14-6		11"	AC/H744-1
26		VIO	J1-5		P15-7		8.75"	AC/H744-2
26		VIO	J1-6		P15-6		8.75"	AC/H744-2
27		WHT	J1-7		P16-8		11.25"	AC/H754
27		WHT	J1-8	8	P16-7		11.25"	AC/H754
23		BLU	PDBP13-1	SOLDER	P13-1		5"	-15V
22		BLK	PDBP13-2		P13-2			GND
22		BLK	PDBP13-3		P13-3			GND
21		GRY	PDBP13-4		P13-4			+15V
21		GRY	PDBP13-5		P13-5			+15V
20		RED	PDBP14-2		P14-2			+5V
22		BLK	PDBP14-3		P14-3			GND
22		BLK	PDBP14-4		P14-4			GND
20		RED	PDBP14-5		P14-5			+5V
20		RED	PDBP15-2		P15-2			+5V
22		BLK	PDBP15-3		P15-3			GND
22		BLK	PDBP15-4		P15-4			GND
20		RED	PDBP15-5		P15-5			+5V
22		BLK	PDBP16-2		P16-2			GND
19		BRN	PDBP16-3		P16-3			-5V
18		ORN	PDBP16-5		P16-5	7	5"	+20V
23		BLU	PDP-15A		PDB-15B	SOLDER	1.75"	-15V
18		ORN	PDBP16-5		PDB+20V		5"	+20V
19		BRN	PDBP16-3	SOLDER	PDB-5V		2"	-5V
33		GRN/YEL	LUG 1	35	PDBP16-2	SOLDER	11"	SAFETY GND
33					LUG 2	34	15"	SAFETY GND
20		RED	PDBP16-7	SOLDER	P16-4	7	5.5"	+5B
20		RED	PDBP15-1		P15-1		5"	+5V
20		RED	PDBP14-1		P14-1		5"	+5V
22		BLK	PDBP15-4		P15-8		5.5"	GND
22		BLK	PDBP14-4		P14-8			GND
27		WHT	PDBP16-6		P16-1			+15B
25	14	GRN	PDBP16-8	SOLDER	P16-6	7	5.5"	-15B

YA VARIATION ONLY.

SEE NOTE 1

BUS BAR CONNECTIONS FOR YA VARIATION

LEVEL A	PDB P16-6 J11,J9,J7,J5,J3 ALL PIN#6	+15V.B
LEVEL B	PDB P16-7 J11,J9,J7,J5,J3 ALL PIN#12	+5V
LEVEL C	PDB P16-8 J11,J9,J7,J5,J3 ALL PIN#15	-15V.B

NOTES:

1. CS REV. K AND EARLIER PWR DISTRIBUTION BOARDS HAD THE GREEN AND WHITE WIRES REVERSED IN COLOR ONLY. THE POINT-TO-POINT CONNECTIONS REMAIN THE SAME.

REVISIONS		
CHK	CHANGE NO	REV

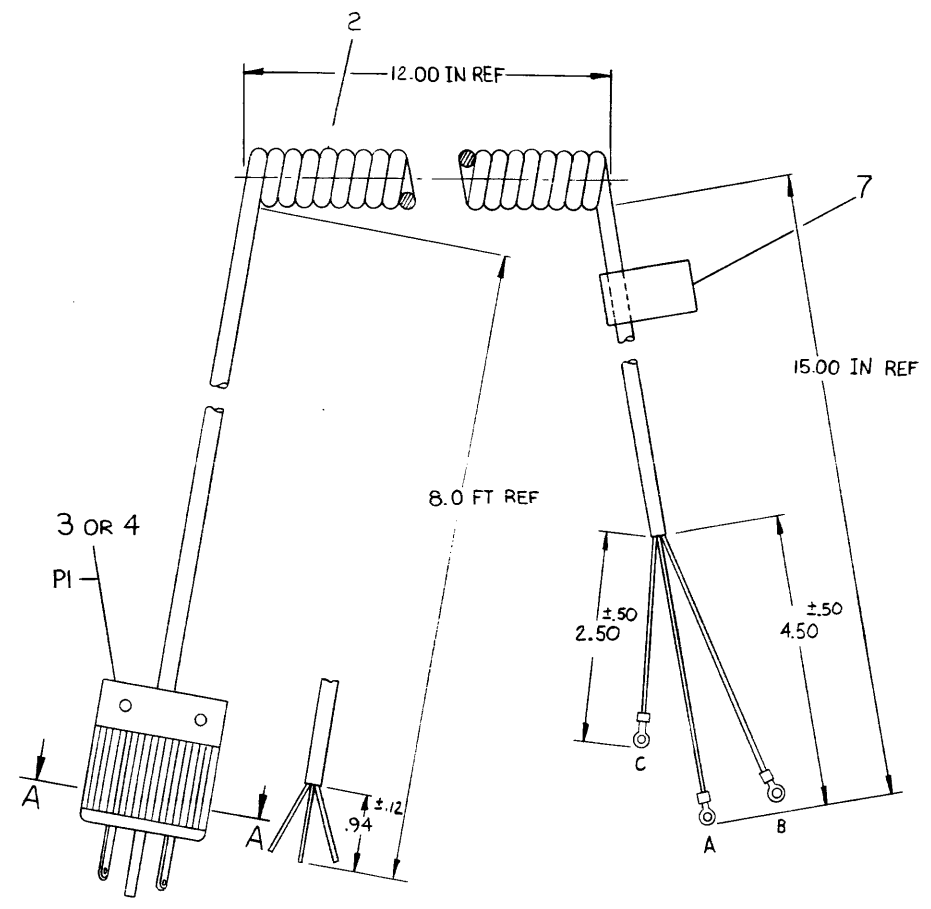
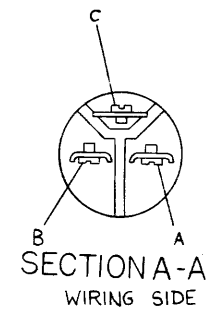
TITLE	SIZE CODE	NUMBER	REV.
PWR DIST BOARD	D CS	5410864-0-1	L
SCALE NONE	SHEET 3 OF 3	DIST.	

DRAWING NUMBER DCS 5410864-0-1 L

WIRE TABLE (7012500-0)								WIRE TABLE (7012500-1)							
ITEM NO.	DESCRIPTION	FROM	TO	WITH	CONNECTION	WITH	REMARKS	ITEM NO.	DESCRIPTION	FROM	TO	WITH	CONNECTION	WITH	REMARKS
2	14	BRN	PI-B	---	B	6	AC LINE	2	14	BRN	PI-B	---	B	6	LINE
2	14	LT BLU	PI-A	---	A	6	AC NEUTRAL	2	14	LT BLU	PI-A	---	A	6	NEUTRAL
2	14	GRN/YEL	PI-C	---	C	6	AC SAFETY GND	2	14	GRN/YEL	PI-C	---	C	6	AC SAFETY GND

THIS DRAWING AND SPECIFICATIONS, HEREIN, ARE THE PROPERTY OF DIGITAL EQUIPMENT CORPORATION AND SHALL NOT BE REPRODUCED OR COPIED OR USED IN WHOLE OR IN PART AS THE BASIS FOR THE MANUFACTURE OR SALE OF ITEMS WITHOUT WRITTEN PERMISSION. COPYRIGHT © 1976, DIGITAL EQUIPMENT CORPORATION

NUMBER	VARIATION
7012500-0	120V
7012500-1	240V



QTY	DESCRIPTION	DWG. PART NO.	ITEM NO.
1	TABLE, I.D.	3416073-00	7
3	TERMINAL, RING TONGUE	9007923	6
2	TERMINAL, QUICK CONNECT	9007919-0	5
1	PLUG, 240 V	9008853	4
1	PLUG, 120 V	9008938	3
1	POWER CORD	1700065-0	2
1	POWER CORD	1700065-1	1

REV.	CHANGE NO.	BY	DATE
1	00004	A	
2			
3			
4			
5			
6			
7			
8			

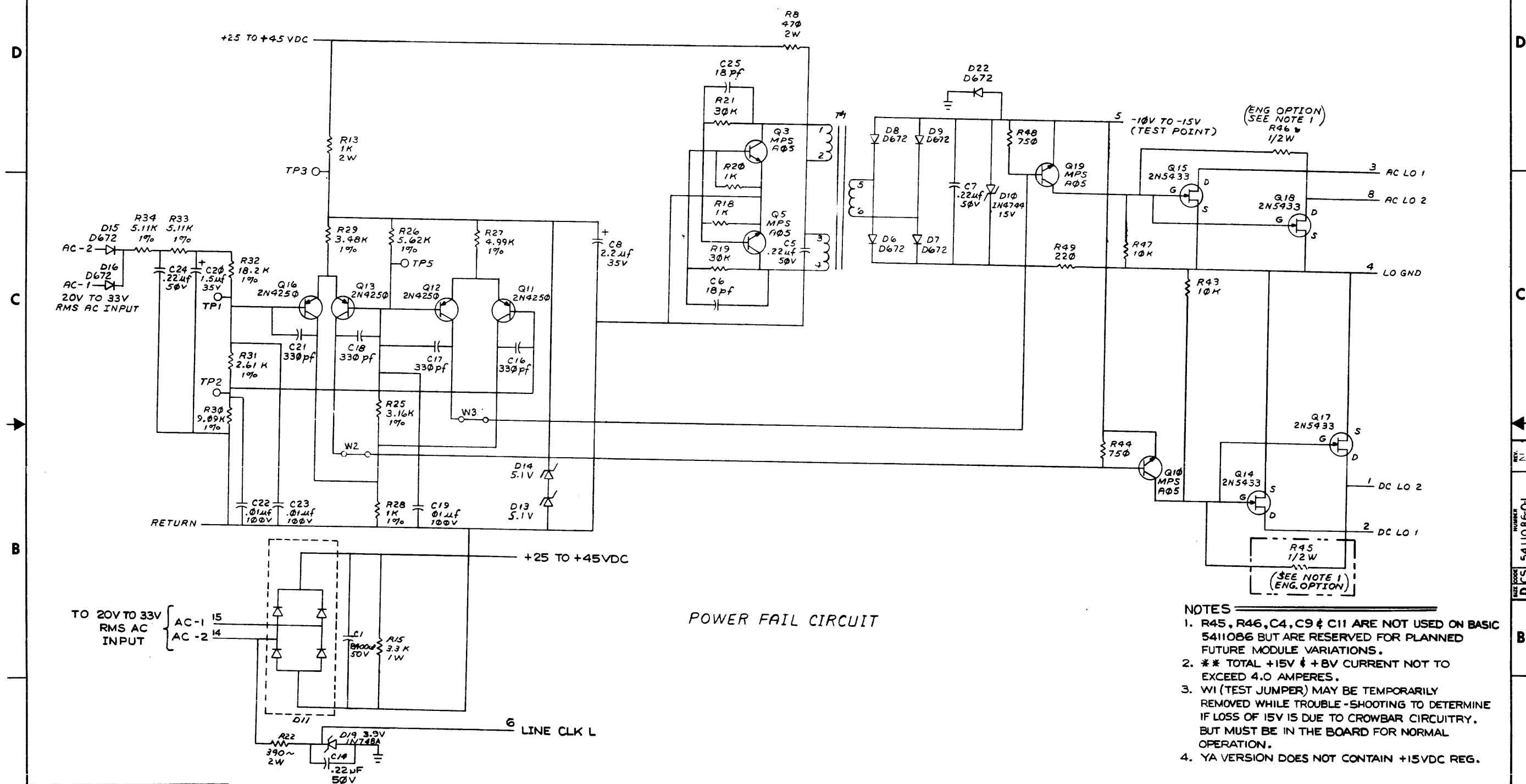
THIRD ANGLE PROJECTION	DRN. R. B. 2-27-76	FIRST USED ON	BAIL-K
REMOVE BURRS AND BREAK SHARP CORNERS	CHK'D. [Signature]	SCALE	NONE
DO NOT SCALE DWG	ENG. [Signature]	TITLE	POWER CORD 120V 240V
MATERIAL SEE PARTS LIST	PROJ. ENG. [Signature]	SIZE	D IA
FINISH	PROD. [Signature]	NUMBER	7012500-0-0
		REV.	C

7012500-0-0



THIS DRAWING AND SPECIFICATIONS, HEREIN, ARE THE PROPERTY OF DIGITAL EQUIPMENT CORPORATION AND SHALL NOT BE REPRODUCED OR COPIED OR USED IN WHOLE OR IN PART AS THE BASIS FOR THE MANUFACTURE OR SALE OF ITEMS WITHOUT WRITTEN PERMISSION.  
 COPYRIGHT © 1979 DIGITAL EQUIPMENT CORPORATION

REV. 2  
 DCS 5411086-0-1  
 1-17-79



- NOTES
1. R45, R46, C4, C9 & C11 ARE NOT USED ON BASIC 5411086 BUT ARE RESERVED FOR PLANNED FUTURE MODULE VARIATIONS.
  2. \*\* TOTAL +15V & +5V CURRENT NOT TO EXCEED 4.0 AMPERES.
  3. W1 (TEST JUMPER) MAY BE TEMPORARILY REMOVED WHILE TROUBLE-SHOOTING TO DETERMINE IF LOSS OF 15V IS DUE TO CROWBAR CIRCUITRY. BUT MUST BE IN THE BOARD FOR NORMAL OPERATION.
  4. YA VERSION DOES NOT CONTAIN +15VDC REG.

REV.	CHANGE NO.	BY	DATE
1		M	
2		R. KENNEDY	
3		G. BARNUM	
4		A. BARON	

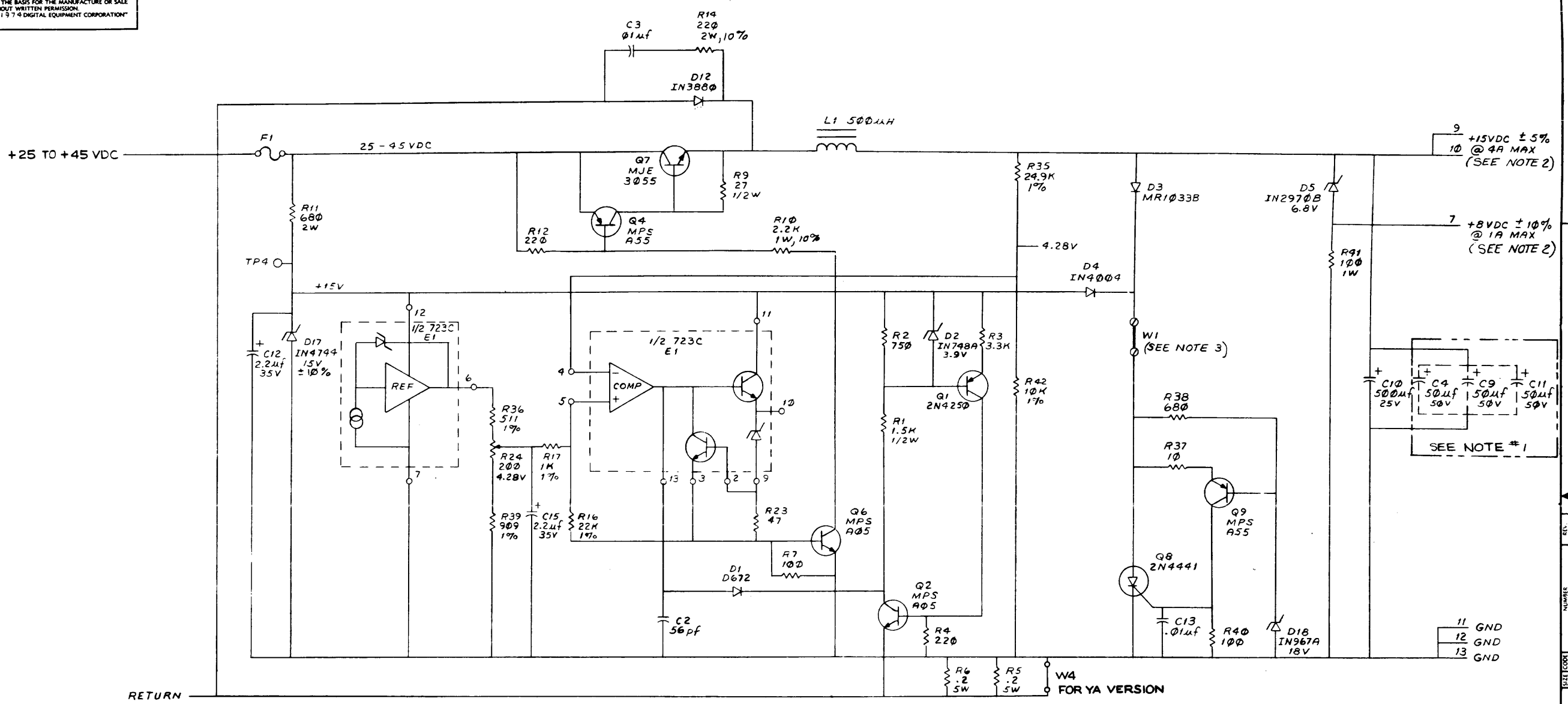
DRN POWERS	1-17-79	FIRST USED ON	digital
CHK'D	2-15-79	TITLE	POWER LINE
ENG. a. BARNUM	2-6-79		MONITOR 15V REG
PROJ. ENG. a. BARNUM	2-6-79		
PROD. a. BARNUM	2-15-79		
NEXT HIGHER ASSY.			
B-DD-5411086-0	SIZE CODE	NUMBER	REV
SCALE NONE	D	CS 5411086-0-1	N
SHEET 1	OF 2	DIST.	

REV. 2  
 NUMBER  
 DCS 5411086-0-1  
 SIZE CODE

TW 1

"THIS DRAWING AND SPECIFICATIONS, HEREIN, ARE THE PROPERTY OF DIGITAL EQUIPMENT CORPORATION AND SHALL NOT BE REPRODUCED OR COPIED OR USED IN WHOLE OR IN PART AS THE BASIS FOR THE MANUFACTURE OR SALE OF ITEMS WITHOUT WRITTEN PERMISSION. COPYRIGHT © 1974 DIGITAL EQUIPMENT CORPORATION"

DCS 5411086-0-1 N



15V REGULATOR  
(SEE NOTE #4)

REVISIONS		
CHK	CHANGE NO	REV.

TITLE	PWR. LINE MONITOR/15V REG.	SIZE CODE	NUMBER	REV.
SCALE	1:1	SHEET	2 OF 2	N
DIST.				

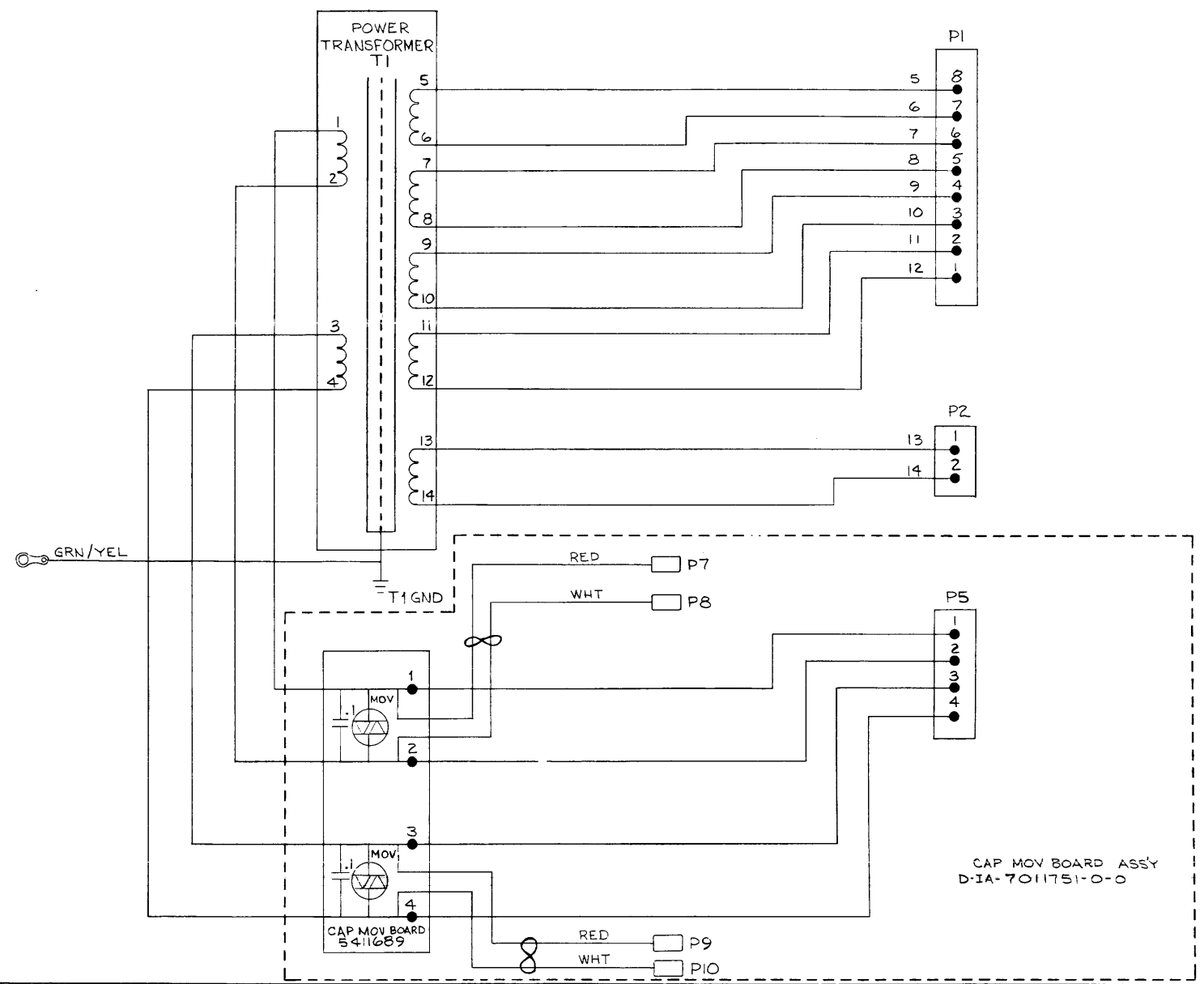
DEC FORM NO 500 130

8 7 6 5 4 3 2 1 TW

DCS 5411086-0-1 N



WIRE TABLE							
ITEM NO.	DESCRIPTION	COLOR	FROM		TO		WIRE LENGTH
			CONNECTION	WITH	CONNECTION	WITH	
1	14	BLK	T1-1	---	CAP MOV BD-1	SOLDER	1.5 IN
↑	↑	↑	T1-2	---	CAP MOV BD-2	SOLDER	2.0 IN
			T1-3	---	CAP MOV BD-3	SOLDER	2.0 IN
			T1-4	---	CAP MOV BD-4	SOLDER	1.5 IN
			T1-5	---	PI-8	ITEM 4	12.0 IN
			T1-6	---	PI-7	↑	↑
			T1-7	---	PI-6	↑	↑
			T1-8	---	PI-5	↑	↑
			T1-9	---	PI-4	↑	↑
			T1-10	---	PI-3	↑	↑
			T1-11	---	PI-2	↓	↓
			T1-12	---	PI-1	ITEM 4	↑
↓	↓	↓	T1-13	---	P2-1	ITEM 4	↓
1	14	BLK	T1-14	---	P2-2	ITEM 4	12.0 IN
1	14	GRN/YEL	T1-GND	---	GND LUG (ITEM 7)	SOLDER	16.0 IN



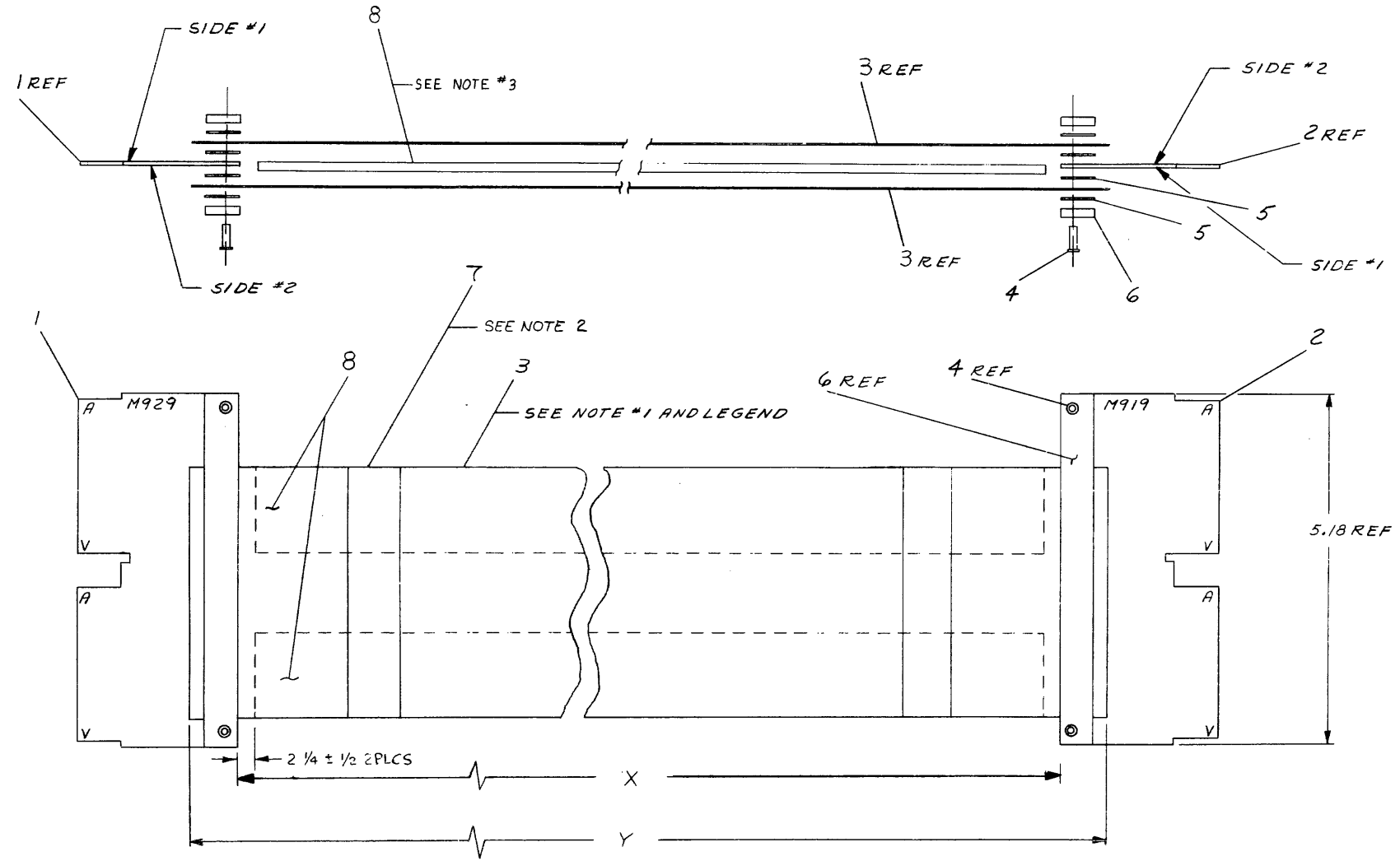
"THIS DRAWING AND SPECIFICATIONS HEREIN ARE THE PROPERTY OF DIGITAL EQUIPMENT CORPORATION AND SHALL NOT BE REPRODUCED OR COPIED OR USED IN WHOLE OR IN PART AS THE BASIS FOR THE MANUFACTURE OR SALE OF ITEMS WITHOUT WRITTEN PERMISSION. COPYRIGHT © 1975 DIGITAL EQUIPMENT CORPORATION"

REVISIONS		
CHK	CHANGE NO	REV

This drawing and specifications herein are the property of Digital Equipment Corporation and shall not be reproduced or copied or used in whole or in part as the basis for the manufacture of items without written permission.

**NOTES:**

- VARIATIONS AND LENGTHS SHOWN IN LEGEND ARE STANDARD. OTHER THAN STANDARD VARIATIONS WILL BE SPECIFIED BY ALPHANUMERIC DESIGNATION. FOR LENGTHS OTHER THAN FOOT INCREMENTS FROM ONE (1) FOOT THRU NINE (9) FEET, ELEVEN (11) INCHES.  
 A=1" G=7"  
 B=2" H=8"  
 C=3" J=9"  
 D=4" K=10"  
 E=5" L=11"  
 F=6"  
 EXAMPLE: BC11A-3D=3'4". LENGTHS WILL BE IN FOOT INCREMENTS FROM TEN (10) FEET ON, AND WILL BE SPECIFIED BY THE CORRESPONDING NUMERICAL DESIGNATION. EXAMPLE: BC11A-11=11 FEET. THE TOLERANCE ON DIMENSION 'A' WILL BE 2% OF THE FOOT INCREMENT.
- FLEXPRINTS TO BE BOUND TOGETHER BY WRAPPING WITH ELECTRICAL TAPE (ITEM 7) EVERY 18 INCHES.
- INSTALL 2 PIECES OF FOAM TAPE (ITEM 8) BETWEEN FLEX PRINT CABLES AS SHOWN.



QTY.	DESCRIPTION	PART NO.	ITEM NO.
A/R	GRAY FOAM - 3" WIDE	9008851-01	8
A/R	ELECTRICAL TAPE	9009260	7
4	CLAMP, CABLE	C-SC-120976A-00	6
1/2	TAPE #4032 1/4 W X 3 11/16 LG	9007834-01	5
4	EYELET GS-4-11 STIMSON	9006750	4
2	CABLE, FLEXPRINT	1700002-01	3
1	EXT. BUS CONN	A-PL-M919-0-0	2
1	BUS CONN	A-PL-M929-0-0	1

FIRST USED ON OPTION / MODEL PDP11		DO NOT SCALE DRAWING UNLESS OTHERWISE SPECIFIED DIMENSION IN INCHES		DATE 11/19/69		digital EQUIPMENT CORPORATION MAYNARD, MASSACHUSETTS	
TOLERANCES DECIMALS FRACTIONS ANGLES ± .005 ± 1/64 = 0°30'		FINAL SURFACE QUALITY REMOVE BURRS AND BREAK SHARP CORNERS		DATE 11/19/69		TITLE CABLE ASSY (BC11A)	
MATERIAL +		FINISH +		NEXT HIGHER ASSY D-UA-11/20-0-0		SIZE CODE NUMBER D UA BC11A-0-0	
SCALE 1/1		SHEET OF 2		DATE 11/20/69		REV. H	

CHK	REV	CHANGE NO.	BY	DATE
1	A	BC11A-00001	BLASI	5-11-70
2	B	BC11A-00002	BLASI	5-11-70
3	C	BC11A-00003	BLASI	5-11-70
4	D	BC11A-00004	BLASI	5-11-70
5	E	BC11A-00005	BLASI	5-11-70
6	F	BC11A-00006	BLASI	5-11-70
7	G	BC11A-00007	BLASI	5-11-70
8	H	BC11A-00008	BLASI	5-11-70

MP-BC11A-00

8

7

6

5

4

3

H 0-0-VI08 2

1

"THIS DRAWING AND SPECIFICATIONS, HEREIN, ARE THE PROPERTY OF DIGITAL EQUIPMENT CORPORATION AND SHALL NOT BE REPRODUCED OR COPIED OR USED IN WHOLE OR IN PART AS THE BASIS FOR THE MANUFACTURE OR SALE OF ITEMS WITHOUT WRITTEN PERMISSION. COPYRIGHT © 1975 DIGITAL EQUIPMENT CORPORATION"

LEGEND

NUMBER	DIM X" VARIATION	DIM Y" (PRECUT) REF.
BC11A-02	2'0"±0.5"	2'1.5"
BC11A-03	3'0"±1.0"	3'1.5"
BC11A-04	4'0"±1.0"	4'1.5"
BC11A-05	5'0"±1.0"	5'1.5"
BC11A-06	6'0"±1.0"	6'1.5"
BC11A-07	7'0"±2.0"	7'1.5"
BC11A-08	8'0"±2.0"	8'1.5"
BC11A-09	9'0"±2.0"	9'1.5"
BC11A-10	10'0"±2.0"	10'1.5"
BC11A-11	11'0"±3.0"	11'1.5"
BC11A-12	12'0"±3.0"	12'1.5"
BC11A-13	13'0"±3.0"	13'1.5"
BC11A-14	14'0"±3.0"	14'1.5"
BC11A-15	15'0"±4.0"	15'1.5"
BC11A-16	16'0"±4.0"	16'1.5"
BC11A-17	17'0"±4.0"	17'1.5"
BC11A-18	18'0"±4.0"	18'1.5"
BC11A-19	19'0"±5.0"	19'1.5"
BC11A-20	20'0"±5.0"	20'1.5"
BC11A-21	21'0"±5.0"	21'1.5"
BC11A-22	22'0"±5.0"	22'1.5"
BC11A-23	23'0"±6.0"	23'1.5"
BC11A-24	24'0"±6.0"	24'1.5"
BC11A-25	25'0"±6.0"	25'1.5"
BC11A-0F	0'6"±0.5"	0'7.5"
BC11A-8F	8'6"±2.0"	8'7.5"

D

D

C

C

B

B

A

A

REVISED BY: H  
BY: DUA  
CHECKED BY: H  
TITLE: BC11A-0-0

REVISIONS		
CHK	CHANGE NO	REV

TITLE	SIZE CODE	NUMBER	REV.
CABLE ASSY (BC11A)	DUA	BC11A-0-0	H
SCALE	SHEET 2 OF 2	DIST.	

8

7

6

5

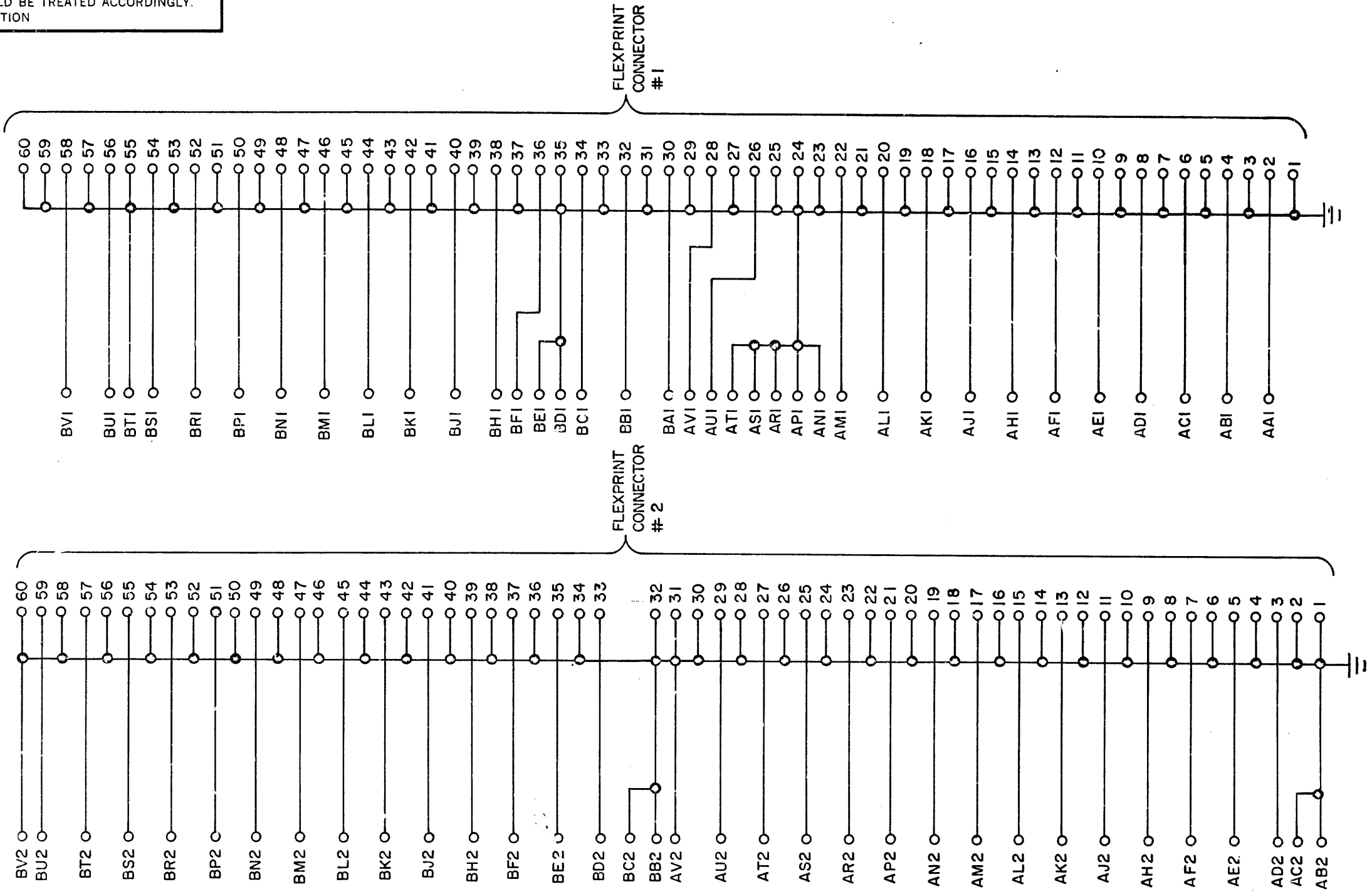
4

3

2

1

THIS SCHEMATIC IS FURNISHED ONLY FOR TEST AND MAINTENANCE PURPOSES. THE CIRCUITS ARE PROPRIETARY IN NATURE AND SHOULD BE TREATED ACCORDINGLY. COPYRIGHT 1969 BY DIGITAL EQUIPMENT CORPORATION



REVISIONS	
CHK/CHG NO.	REV.
00001	A
ML002	B

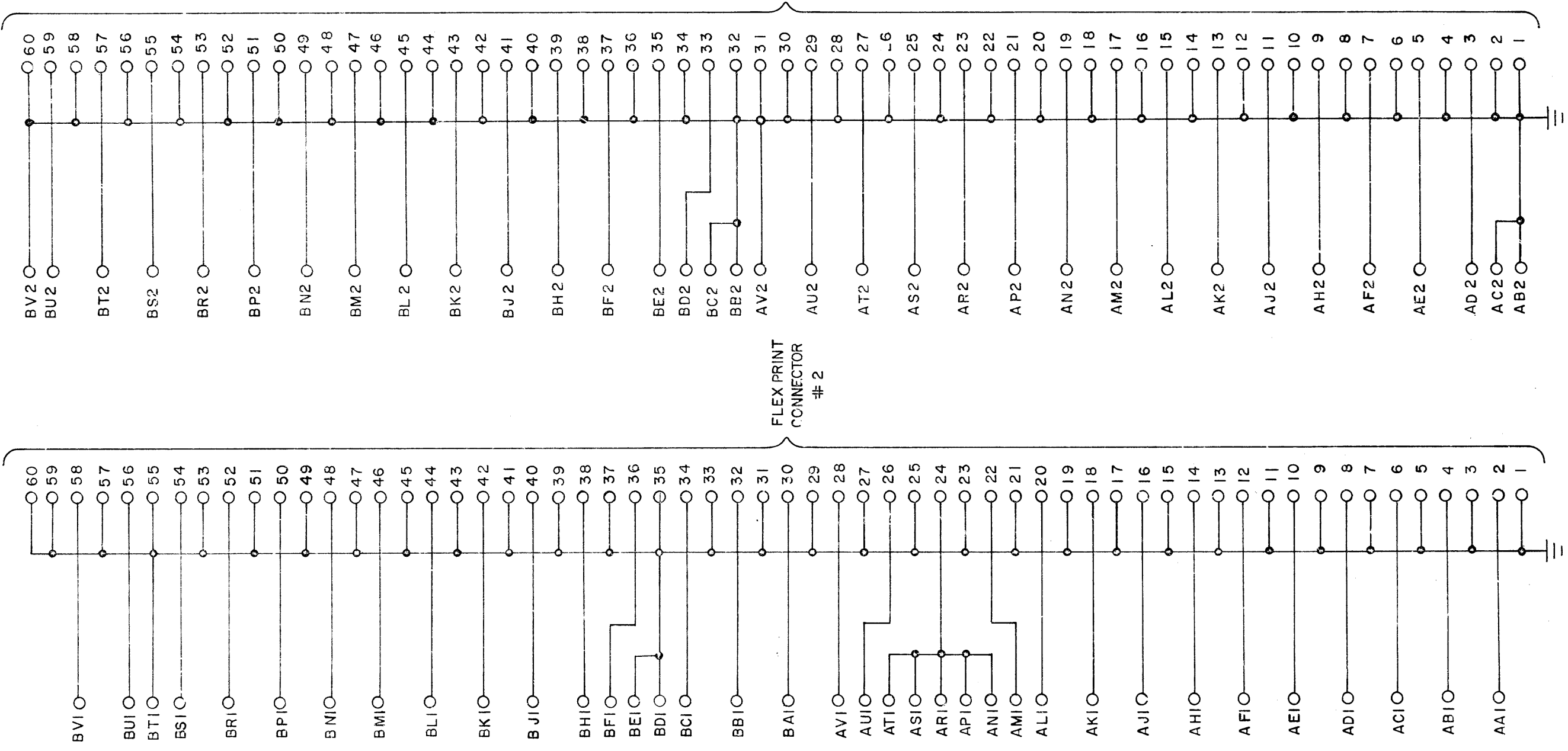
DRN.	<i>BUTLER</i>	DATE	10/17/69
CHK'D	<i>G. Young</i>	DATE	12-20-69
ENG.	<i>C. Blinn</i>	DATE	11-7-69
PROD.		DATE	

TRANSISTOR & DIODE CONVERSION CHART			
DEC		EIA	

**EQUIPMENT CORPORATION**  
MAYNARD, MASSACHUSETTS

TITLE			
BUS CONNECTOR M919			
SIZE	CODE	NUMBER	REV.
B	CS	M919-0-1	B
PRINTED CIRCUIT REV.			
BC			

THIS SCHEMATIC IS FURNISHED ONLY FOR TEST AND MAINTENANCE PURPOSES. THE CIRCUITS ARE PROPRIETARY IN NATURE AND SHOULD BE TREATED ACCORDINGLY. COPYRIGHT 1969 BY DIGITAL EQUIPMENT CORPORATION



REVISIONS	
CHK	CHG NO
	71

REV	DATE
1	10-17-69
2	10-20-69
3	11/13/69

DRN.	<i>A. Clemente</i>	DATE	10-17-69
CHK'D	<i>C. V. Moore</i>	DATE	10-20-69
ENG.	<i>C. Blaser</i>	DATE	11/13/69
PROD.		DATE	

TRANSISTOR & DIODE CONVERSION CHART			
DEC	EIA	DEC	EIA

**EQUIPMENT CORPORATION**  
MAYNARD, MASSACHUSETTS

TITLE			
BUS CONNECTOR M929			
SIZE	CODE	NUMBER	REV.
B	CS	M929-0-1	A
PRINTED CIRCUIT REV.			
XC			