



THIS DRAWING AND SPECIFICATIONS HEREIN ARE THE PROPERTY OF DIGITAL EQUIPMENT CORPORATION AND SHALL NOT BE REPRODUCED OR COPIED OR USED IN WHOLE OR IN PART AS THE BASIS FOR THE MANUFACTURE OR SALE OF ITEMS WITHOUT WRITTEN PERMISSION. COPYRIGHT © 1975 DIGITAL EQUIPMENT CORPORATION

D  
C  
B  
A

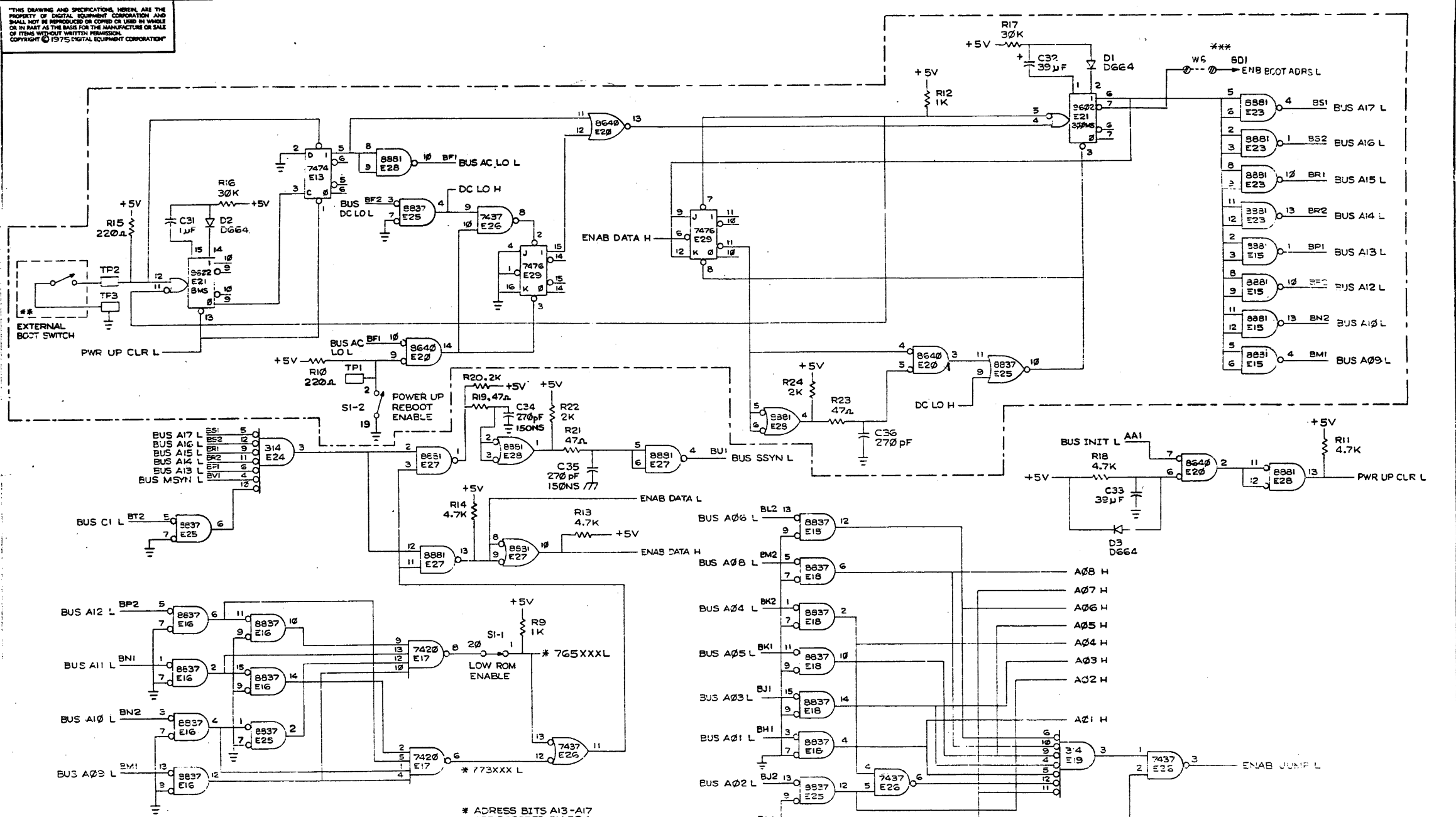
4	4	4	4	4	4	4	4	4	4	E5, E6, E11, E12	SOCKET, 16 PIN, I.C.	1211813	37
0	0	0	0	0	0	0	0	0	0	E5	I.C. DEC. TRI-STATE 2048 ROM	23034A9	38
0	0	0	0	0	0	0	0	0	0	E6	I.C. DEC TRI-STATE 2048 ROM	23035A9	39
0	0	0	0	0	0	0	0	0	0	E11	I.C. DEC TRI-STATE 2048 ROM	23036A9	40
0	0	0	0	0	0	0	0	0	0	E12	I.C. DEC TRI-STATE 2048 ROM	23037A9	41
0	0	0	0	0	0	0	0	0	0	E5	I.C. DEC TRI-STATE 2048 ROM	23038A9	42
0	0	0	0	0	0	0	0	0	0	E6	I.C. DEC TRI-STATE 2048 ROM	23039A9	43
0	0	0	0	0	0	0	0	0	0	E11	I.C. DEC TRI-STATE 2048 ROM	23040A9	44
0	0	0	0	0	0	0	0	0	0	E12	I.C. DEC TRI-STATE 2048 ROM	23041A9	45
0	0	0	0	0	0	0	0	0	0	E5	I.C. DEC TRI-STATE 2048 ROM	23042A9	46
0	0	0	0	0	0	0	0	0	0	E6	I.C. DEC TRI-STATE 2048 ROM	23043A9	47
0	0	0	0	0	0	0	0	0	0	E11	I.C. DEC TRI-STATE 2048 ROM	23044A9	48
0	0	0	0	0	0	0	0	0	0	E12	I.C. DEC TRI-STATE 2048 ROM	23045A9	49
0	0	0	0	0	0	0	0	0	0	E5	I.C. DEC TRI-STATE 2048 ROM	23046A9	50
0	0	0	0	0	0	0	0	0	0	E6	I.C. DEC TRI-STATE 2048 ROM	23047A9	51
0	0	0	0	0	0	0	0	0	0	E11	I.C. DEC TRI-STATE 2048 ROM	23048A9	52
0	0	0	0	0	0	0	0	0	0	E12	I.C. DEC TRI-STATE 2048 ROM	23049A9	53
0	0	0	0	0	0	0	0	0	0	WI THRU WS	JUMPER, WIRE, WHITE INSULATION.	9009185	54
2	2	2	2	2	2	2	2	2	2	RIO. RIS	RES 220Ω, 1/4W, 5%	1300271	55
2	2	2	2	2	2	2	2	2	2		SPLIT LUG	9006735	56
0	0	0	0	0	0	0	0	0	0	E5	I.C. DEC TRI-STATE 2048 ROM	23480A9	57
0	0	0	0	0	0	0	0	0	0	E6	I.C. DEC TRI-STATE 2048 ROM	23481A9	58
0	0	0	0	0	0	0	0	0	0	E11	I.C. DEC TRI-STATE 2048 ROM	23482A9	59
0	0	0	0	0	0	0	0	0	0	E12	I.C. DEC TRI-STATE 2048 ROM	23483A9	60
0	0	0	0	0	0	0	0	0	0	E5	I.C. DEC TRI-STATE 2048 ROM	23332A9	61
0	0	0	0	0	0	0	0	0	0	E6	I.C. DEC TRI-STATE 2048 ROM	23333A9	62
0	0	0	0	0	0	0	0	0	0	E11	I.C. DEC TRI-STATE 2048 ROM	23334A9	63
0	0	0	0	0	0	0	0	0	0	E12	I.C. DEC TRI-STATE 2048 ROM	23335A9	64
0	0	0	0	0	0	0	0	0	0	E5	I.C. DEC TRI-STATE 2048 ROM	23538A9	65
0	0	0	0	0	0	0	0	0	0	E6	I.C. DEC TRI-STATE 2048 ROM	23539A9	66
0	0	0	0	0	0	0	0	0	0	E11	I.C. DEC TRI-STATE 2048 ROM	23540A9	67
0	0	0	0	0	0	0	0	0	0	E12	I.C. DEC TRI-STATE 2048 ROM	23541A9	68
0	0	0	0	0	0	0	0	0	0	E5	I.C. DEC TRI-STATE 2048 ROM	23520A9	69
0	0	0	0	0	0	0	0	0	0	E6	I.C. DEC TRI-STATE 2048 ROM	23521A9	70
0	0	0	0	0	0	0	0	0	0	E11	I.C. DEC TRI-STATE 2048 ROM	23522A9	71
0	0	0	0	0	0	0	0	0	0	E12	I.C. DEC TRI-STATE 2048 ROM	23523A9	72
A/R/A/R	A/R	A/R	A/R	A/R	A/R	A/R	A/R	A/R	A/R		WIRE 30 GA.	9105740-55	73
1	0	0	0	0	0	0	0	0	0	E5	I.C. DEC TRI-STATE 2048 ROM	23744A9	74
1	0	0	0	0	0	0	0	0	0	E6	I.C. DEC TRI-STATE 2048 ROM	23745A9	75
1	0	0	0	0	0	0	0	0	0	E11	I.C. DEC TRI-STATE 2048 ROM	23746A9	76
1	0	0	0	0	0	0	0	0	0	E12	I.C. DEC TRI-STATE 2048 ROM	23747A9	77
A/R/A/R/A/R/A/R/A/R/A/R	A/R/A/R/A/R/A/R/A/R/A/R										CEMENT PERMAEOND	9009157	78

QTY	QTY	QTY	QTY	QTY	QTY	QTY	QTY	QTY	QTY	REF DESIGNATION	DESCRIPTION	PART NO.	ITEM NO.
M9301-YX													
M9301-YU													
M9301-YV													
M9301-YE													
M9301-YF													
M9301-YD													
M9301-YC													
M9301-YB													
M9301-YA													
M9301													

REVISIONS		
CHK	CHANGE NO.	REV.

TITLE UNIBUS TERMINATOR/BOOTSTRAP  
 SIZE CODE DCS  
 NUMBER M9301-0-1  
 SCALE SHEET 2 OF 5  
 REV. 1 V

THIS DRAWING AND SPECIFICATIONS HEREIN ARE THE PROPERTY OF DIGITAL EQUIPMENT CORPORATION AND SHALL NOT BE REPRODUCED OR COPIED OR USED IN WHOLE OR IN PART AS THE BASIS FOR THE MANUFACTURE OR SALE OF ITEMS WITHOUT WRITTEN PERMISSION. COPYRIGHT © 1975 DIGITAL EQUIPMENT CORPORATION

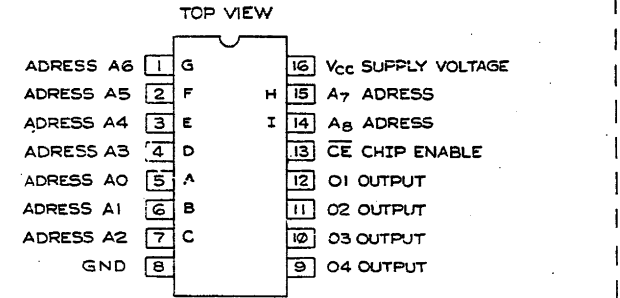
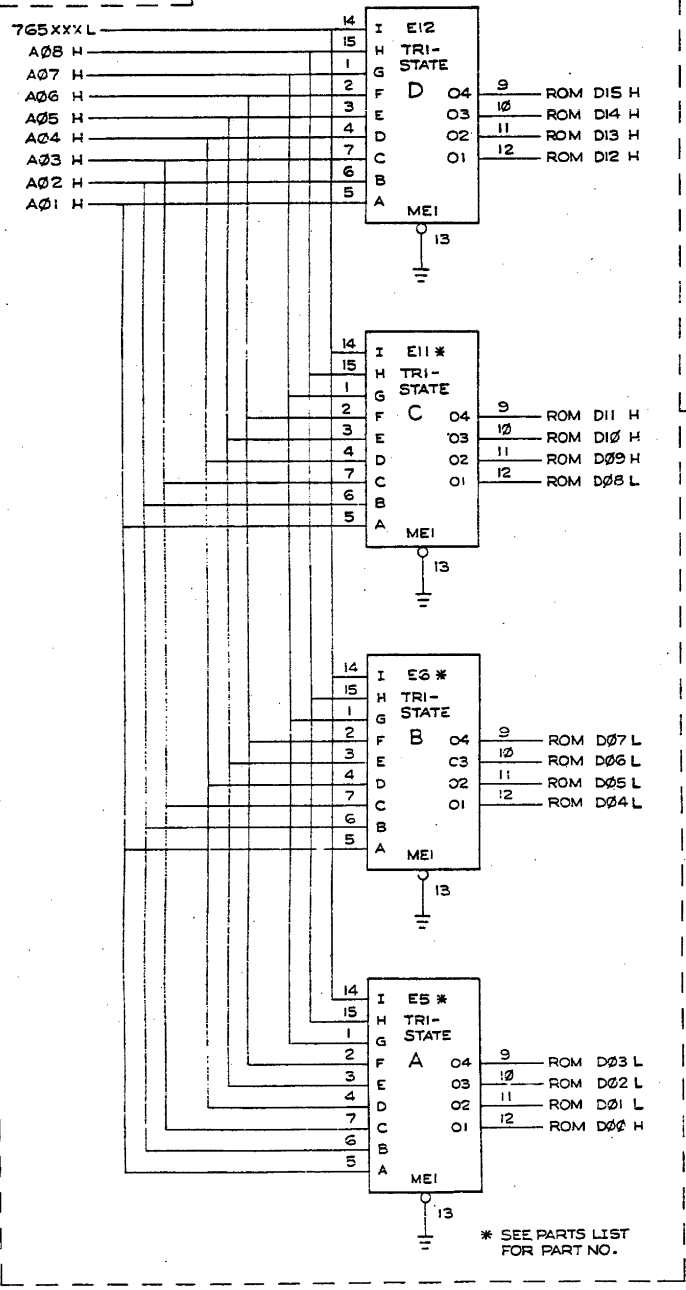


\* ADDRESS BITS A13-A17 ARE DECODED BY E24  
 \*\* CAUTION SHOULD BE TAKEN TO GUARANTEE PROPER NOISE FILTERING & LOGIC LEVELS ON THESE INPUTS  
 \*\*\* JUMPER W6 SHOULD ONLY BE INSTALLED IN 11/55 AND 11/70 COMPUTERS WHOSE BACK PLANES HAVE BEEN MODIFIED FOR THIS MODULE.

REVISIONS		
CHK	CHANGE NO.	REV.

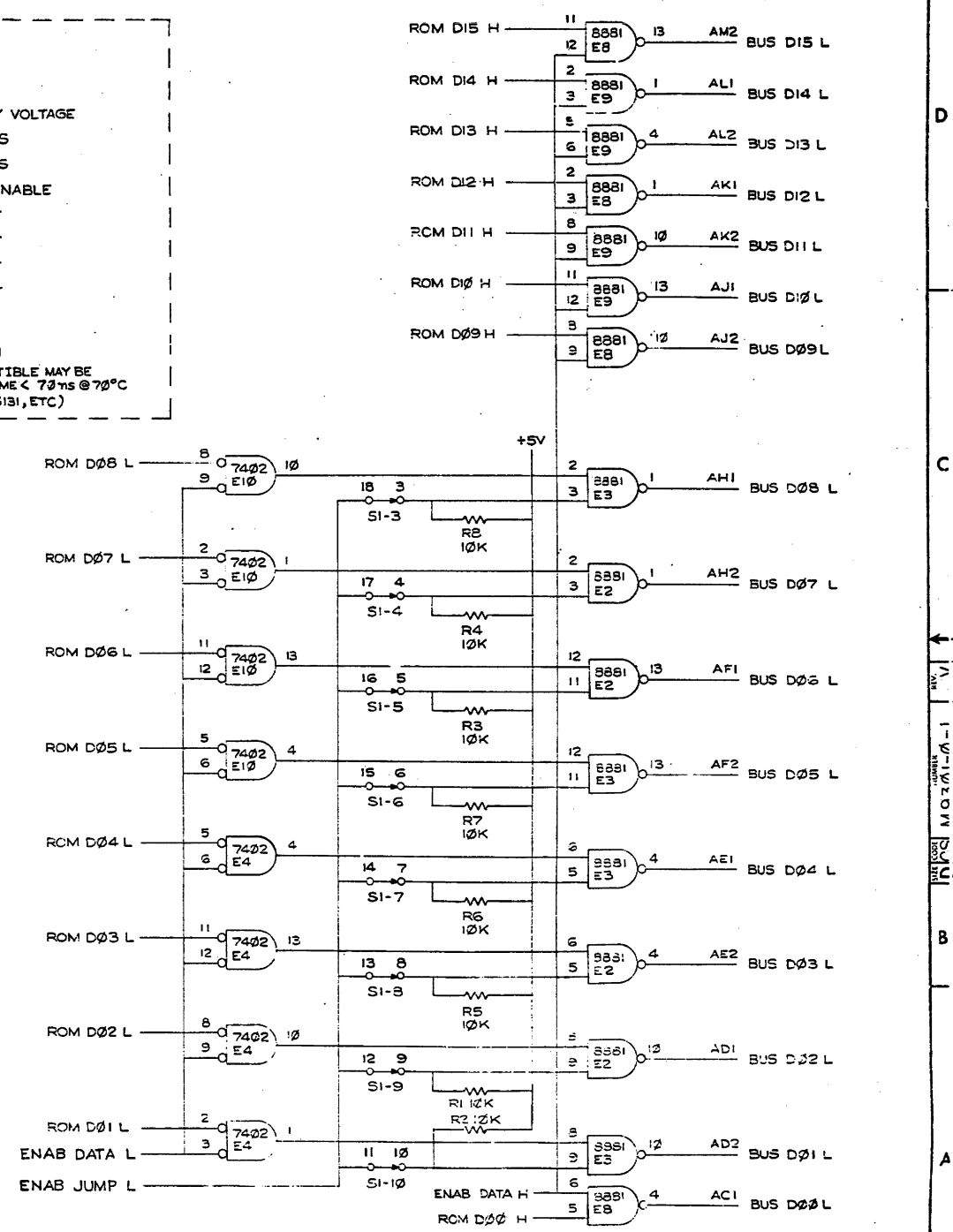
TITLE	UNIBUS TERMINATOR/BOOTSTRAP	SIZE CODE	D CS	NUMBER	M9301-0-1	REV.	V
SCALE	SHEET 3 OF 5		DIST.				

THIS DRAWING AND SPECIFICATIONS HEREIN ARE THE PROPERTY OF DIGITAL EQUIPMENT CORPORATION AND SHALL NOT BE REPRODUCED OR COPIED OR USED IN WHOLE OR IN PART AS THE BASIS FOR THE MANUFACTURE OR SALE OF ITEMS WITHOUT WRITTEN PERMISSION. COPYRIGHT © 1975 DIGITAL EQUIPMENT CORPORATION



- 3. BLANK PROMS HAVE DEC PART NO. 23-000A901
- 4. BIPOLAR 2048 (512 X 4) BIT PROMS PIN COMPATIBLE MAY BE USED WITH TRI-STATE OUTPUTS AND ACCESS TIME < 70 ns @ 70°C (INTERIL 5624, MMI 6306, SIGNETICS 82513, ETC)

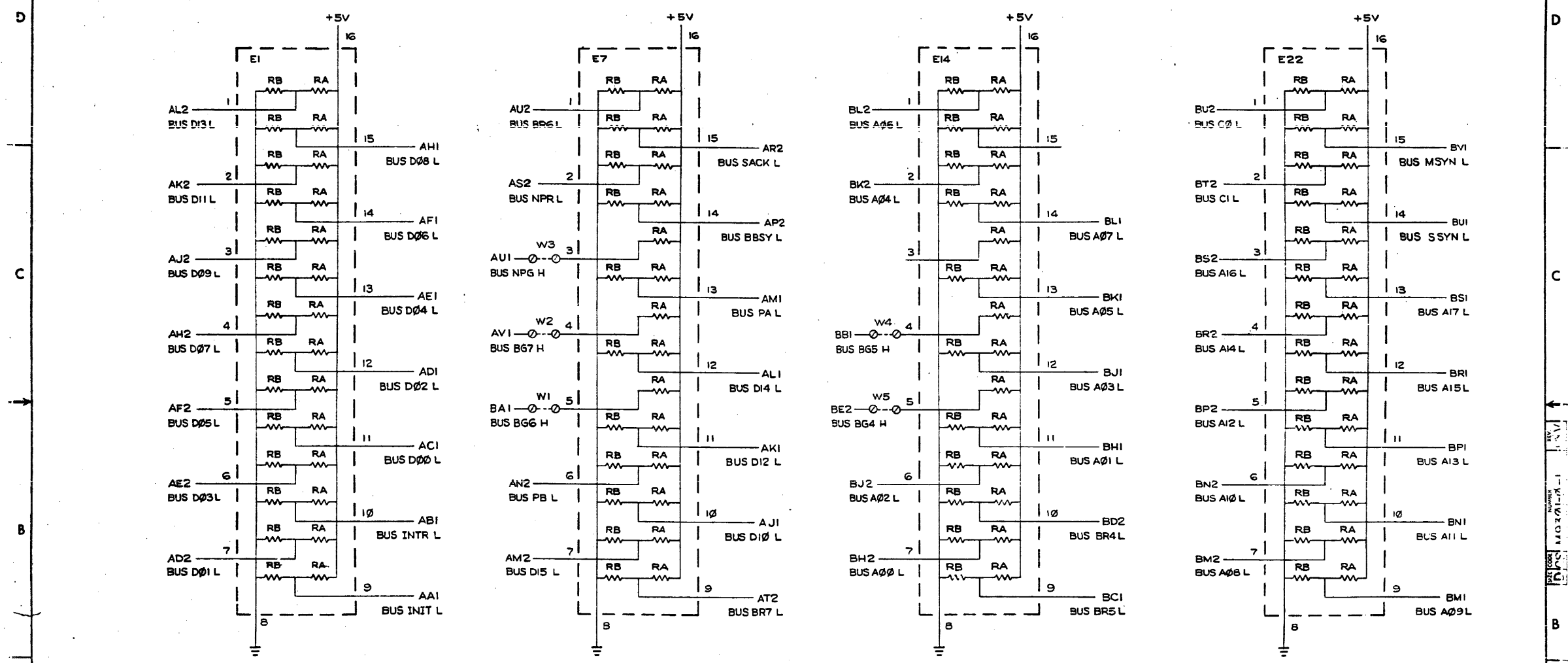
ADDRESS RANGE	
765000-765776	LOW ROM
773000-773776	HIGH ROM



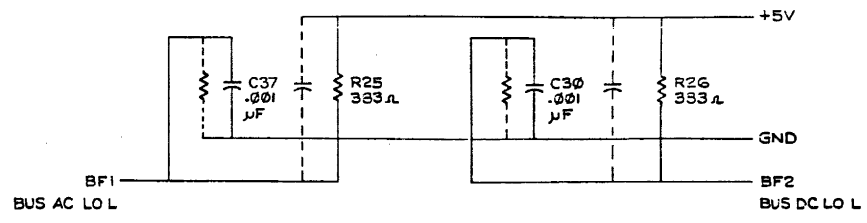
REVISIONS		
CHK	CHANGE NO.	REV.

TITLE	UNIBUS TERMINATOR/BOOTSTRAP	SIZE CODE	DCS	NUMBER	M9301-0-1	REV.	V
SCALE		SHEET	4	OF	5	DIST.	

THIS DRAWING AND SPECIFICATIONS HEREIN ARE THE PROPERTY OF DIGITAL EQUIPMENT CORPORATION AND SHALL NOT BE REPRODUCED OR COPIED OR USED IN WHOLE OR IN PART AS THE BASIS FOR THE MANUFACTURE OR SALE OF ITEMS WITHOUT WRITTEN PERMISSION. COPYRIGHT © 1975 DIGITAL EQUIPMENT CORPORATION



- NOTES :
1. ALL RA RESISTORS SHOWN ARE 176.5Ω, ±2%
  2. ALL RB RESISTORS SHOWN ARE 375Ω, ±2%
  3. JUMPERS W1 THRU W5 ARE ONLY INSERTED ON THE M9301-YC AND M9301-YH IF USED IN AN i1/70 COMPUTER.



REVISIONS		
CHK	CHANGE NO.	REV.

TITLE: UNIBUS TERMINATOR/BOOTSTRAP  
 SIZE CODE: DCS  
 NUMBER: M9301-0-1  
 SHEET 5 OF 5