



THE MATERIAL HEREIN IS FOR INFORMATION PURPOSES ONLY AND IS SUBJECT TO CHANGE WITHOUT NOTICE. DIGITAL EQUIPMENT CORPORATION ASSUMES NO RESPONSIBILITY FOR ANY ERRORS WHICH MAY APPEAR HEREIN. 1976

DRAWING DIRECTORY

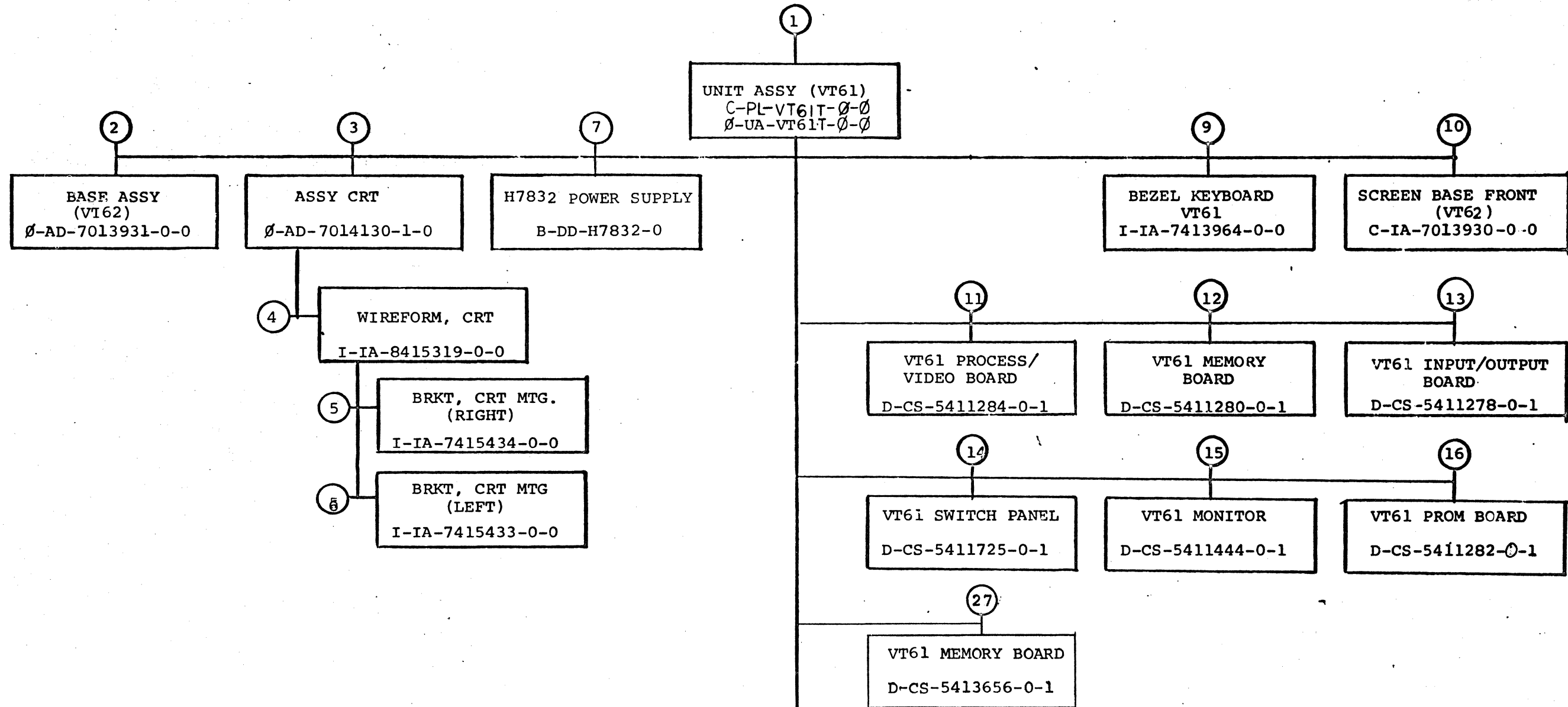
"THIS DRAWING AND SPECIFICATIONS, HEREIN, ARE THE PROPERTY OF DIGITAL EQUIPMENT CORPORATION AND SHALL NOT BE REPRODUCED OR COPIED OR USED IN WHOLE OR IN PART AS THE BASIS FOR THE MANUFACTURE OR SALE OF ITEMS WITHOUT WRITTEN PERMISSION. COPYRIGHT © 1976, DIGITAL EQUIPMENT CORPORATION"

FOR FIELD MAINTENANCE PRINT SET REFER TO:

B-TC-VT61T-Ø-2

UNIT VARIATIONS	
VAR	TITLE
VT61T-AA	BLOCK MODE, EDITING VIDEO TERMINAL 2Ø MA 115V/6ØHZ
VT61T-AB	BLOCK MODE EDITING VIDEO TERMINAL 2Ø MA 23ØV/5Ø HZ
VT61T-AC	BLOCK MODE EDITING VIDEO TERMINAL EIA WITH CONTROL 115V/6Ø HZ
VT61T-AD	BLOCK MODE EDITING VIDEO TERMINAL EIA WITH CONTROL 23ØV/5Ø HZ
VT61T-AE	BLOCK MODE EDITING VIDEO TERMINAL EIA 115V/6Ø HZ
VT61T-AF	BLOCK MODE EDITING VIDEO TERMINAL EIA 23ØV/5Ø HZ
VT61T-AM	BLOCK MODE EDITING VIDEO TERMINAL 283 B PLUG 115V/60HZ
VT61T-AN	BLOCK MODE EDITING VIDEO TERMINAL 283 B PLUG 230V/50HZ
VT61T-DC	BLOCK MODE EDITING VIDEO TERMINAL EIA WITH CONTROL 115V/60HZ
VT61T-DD	BLOCK MODE EDITING VIDEO TERMINAL EIA WITH CONTROL 230V/50HZ
VT61T-DE	BLOCK MODE EDITING VIDEO TERMINAL EIA 115V/60HZ
VT61T-DF	BLOCK MODE EDITING VIDEO TERMINAL EIA 230V/50HZ
VT61T-DM	BLOCK MODE EDITING VIDEO TERMINAL 283B PLUG 115V/60HZ
VT61T-DN	BLOCK MODE EDITING VIDEO TERMINAL 283B PLUG 230V/50HZ

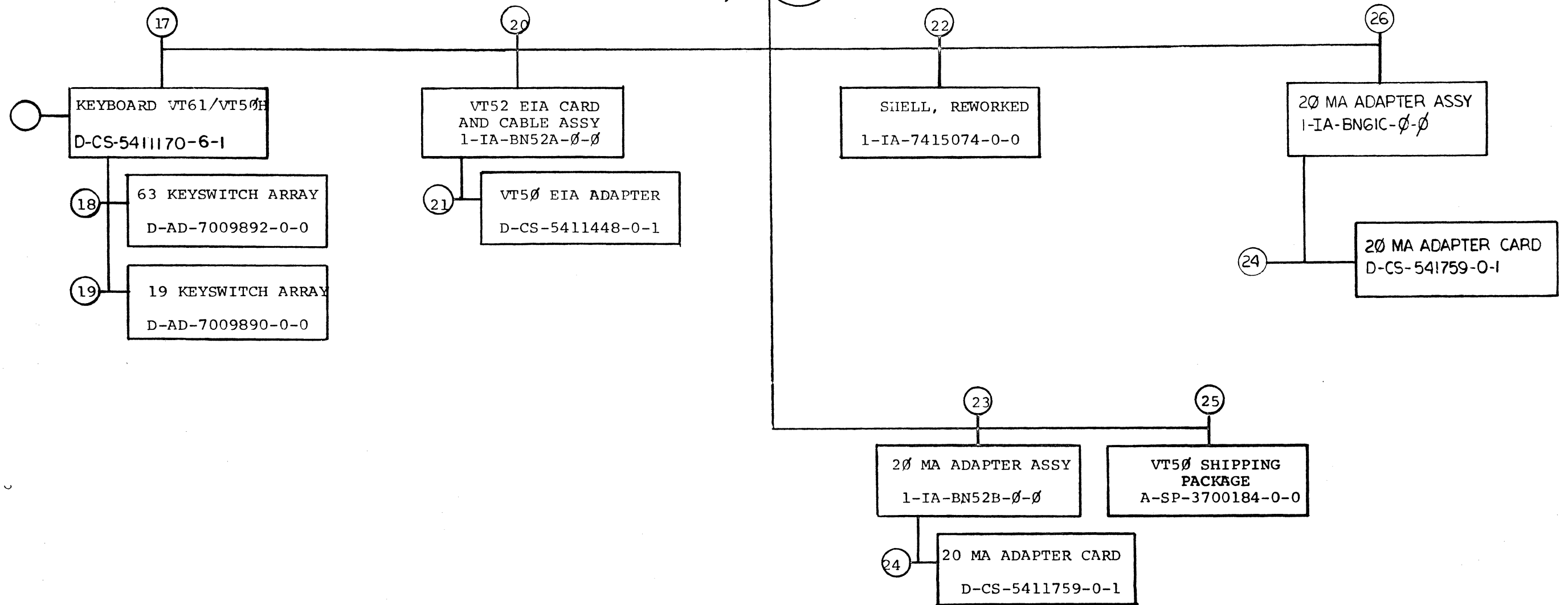
REV. A	REV. B	REV. C	REVISIONS	USED OR OPTION/MODEL	DRN.	DATE	TITLE	digital
					CHANGE NO.	VT61T-1		
CHK	J.C.	A.		VT61T	CHK'D.	DATE	UNIT ASSY (VT61T)	
					<i>[Signature]</i>	<i>23/10/76</i>		
					PROJ. ENG.	DATE	SIZE CODE	NUMBER
					<i>[Signature]</i>	<i>23/10/76</i>	B DD	VT61T-Ø
					PROD.	DATE	DIST.	REV
					<i>[Signature]</i>	<i>7/10/76</i>		C
				SHEET 1 OF 6				



CONTINUED ON SHEET # 4

TITLE	SHEET	OF	SIZE	CODE	NUMBER	REV
UNIT ASSY (VT61T)	2	6	B	DD	VT61T-0	C

CONTINUED FROM SHEET #3



TITLE	SHEET	CODE	NUMBER	REV
UNIT ASSY (VT61T)	3 OF 6	B DD	VT61T-0	C

FIND NO.	DRAWING NO.	DESCRIPTION	TYPE							
				FIND NO.	DRAWING NO.	DESCRIPTION	TYPE			
1	B-TC-VT61T-0-2	VT61T FIELD MAINTENANCE PRINT SET	-	4	1-IA-7415319-0-0	WIREFORM CRT	M			
	MP00110	VT61T FIELD MAINTENANCE PRINT SET	-		2-MD-7415430-0-0	STRAP, GROUND	M			
	0-UA-VT61T-0-0	UNIT ASSY (VT61T)	E/M							
	A-PL-VT61T-0-0	UNIT ASSY (VT61T)(PL)	E/M							
	A-PL-VT61T-0-1	VT61T SHIPPING LIST	-							
	A-SP-VT61T-0-3	VT61T ENGINEERING SPEC.	-							
	A-SP-VT61T-0-4	VT61T ACCEPTANCE TEST	-							
	B-MD-7414751-0-0	SUPPORT, FOAM	M							
	D-MD-7413103-0-0	COVER, CASSETTE	M	5	1-IA-7415434-0-0	BRKT, CRT MTG (RIGHT)	M			
	0-MD-7412573-0-0	FIXED COVER VT50	M		2-MD-7415427-0-0	SUPPORT, WIRE	M			
	I-MD-7412574-0-0	COPIER COVER (VT61)	M		B-MD-7415429-0-0	NUT, WELD (LOWER)	M			
					B-MD-7415428-0-0	NUT, WELD (UPPER)	M			
		I-IA-7415317-0-0	PLATE, MTG. (VT61)	M						
		2-MD-7415342-0-0	CLIP, BD MTG	M						
		A-PS-3612680-01	DECAL	M						
		I-IA-BN618-0-0	CABLE ASSY, VT61 EIA CARD	E/M	6	1-IA-7415433-0-0	BRKT, CRT MTG. (LEFT)	M		
		C-MD-7413400-0-0	BRACKET COPIER WELL	M		2-MD-7415427-0-0	SUPPORT, WIRE	M		
		1-PS-3513241-0-0	DECAL BASE FRONT (VT61)	M		B-MD-7415429-0-0	NUT, WELD (LOWER)	M		
						B-MD-7415428-0-0	NUT, WELD (UPPER)	M		
		B-MD-7415063-0-0	CLIP, MODULE	M						
		A-PS-3610267-0-0	STICKER, "DANGER HIGH VOLTAGE"	M						
		B-MD-7415062-0-0	CLIP, ADAPTER	M						
		1-MD-7418566-0-0	HEAT SINK (VT61)	M						
		D-IA-7012017-0-0	HARNESS, POWER (VT61)	E/M	7	B-DD-H7832-0	H7832 POWER SUPPLY	E/M		
		D-BD-VT61-0-5	BLOCK DIAGRAM	E						
		A-DC-7414213-0-0	VT50 UL STICKER	M						
		D-UA-7012697-0-0	VT61 TEST PANEL	E/M						
		A-SP-VT61-0-7	VT61/VT61T MACRO INSTRUCTION SPEC.	-						
		A-SP-VT61-0-6	VT61 TEST DIAGNOSTIC FAULT LOCATING PROCEDURE	-						
2	0-AD-7013931-0-0	BASE ASSY (VT61)	M	9	1-IA-7413984-0-0	BEZEL, KEYBOARD VT61	M			
	E-MD-7411539-0-0	BASE VT50	M		A-SS-7413964-0-1	SILK SCREEN	M			
	L-IA-7418564-0-0	SCREEN, BASE BEAR	M		A-SS-7413964-0-2	SILK SCREEN	M			
	B-MD-7418565-0-0	PLATE, COVER (VT61)	M							
3	0-AD-7014130-1-0	ASSEMBLY CRT	E/M	10	C-IA-7013930-0-0	SCREEN BASE FRONT (VT61)	M			
	2-IA-7010906-0-0	YOKE ASSEMBLY	E/M		C-MD-7418563-0-0	HANDLE SCREEN (VT61)	M			
					C-MD-7418562-0-0	PLATE SCREEN (VT61)	M			

TITLE

digital

UNIT ASSY (VT61T)

SHEET 4 OF 6

SIZE CODE
B DD

NUMBER
VT61T-0

REV
C

EN-01062-2C-16-R376-1325

FIND NO.	DRAWING NO.	DESCRIPTION	TYPE	FIND NO.	DRAWING NO.	DESCRIPTION	TYPE
11	D-CS-5411284-0-1	VT61 PROCESS/VIDEO BOARD	E/M	16	D-CS-5411282-1-1	VT61 PROM BOARD	E/M
	K-CO-5411284-0-4	X-Y COORDINATE HOLE LOCATION	M		K-CO-5411282-1-4	X-Y COORDINATE HOLE LOCATION	M
	E-AH-5411284-0-5	ASSY?DRILLING HOLE LAYOUT	M		D-AH-5411282-1-5	ASSY/DRILLING HOLE LAYOUT	M
	B-MH-5411284-0-6	MODULE ECO HISTORY	-		B-MH-5411282-1-6	MODULE ECO HISTORY	-
	D-MD-5011283-0-0	VT61 PROCESS VIDEO PANEL DRAWING	M		1-MD-5011281-0-0	VT61 PROM PANEL	M
	C-AD-7011144-0-0	CABLE ASSEMBLY (10 CONDUCTOR)	E/M		C-IA-7012015-0-0	CABLE ASSY (VT61)	E/M
12	D-CS-5411280-0-1	VT61 MEMORY BOARD	E/M	17	D-CS-5411170-6-1	KEYBOARD, VT61/VT50 H	E/M
	K-CO-5411280-0-4	X-Y COORDINATE HOLE LOCATION	M		K-CO-5411170-6-4	X-Y COORDINATE HOLE LOCATION	M
	D-AH-5411280-0-5	ASSY/DRILLING HOLE LAYOUT	M		D-AH-5411170-6-5	ASSY/DRILLING HOLE LAYOUT	M
	B-MH-5411280-0-6	MODULE ECO HISTORY	-		B-MH-5411170-6-6	MODULE ECO HISTORY	-
	D-MD-5011279-0-0	VT61 MEMORY PANEL	M		5011169	ETCH CIRCUIT BOARD	M
	D-MD-5011279-0-0	VT61 MEMORY PANEL	M		D-IA-7010912-0-0	KEYBOARD CABLE, VT50/VT50H	E/M
	C-IA-7012015-0-0	CABLE ASSY (VT61)	E/M		B-DD-7010054-0	VT50/61 KEYBOARD TESTER	E/M
	B-DD-7011594-0-0	TESTER	M				
13	D-CS-5411278-0-1	VT61 INPUT/OUTPUT BOARD	E/M	18	D-AD-7009892-0-0	63 KEYSWITCH ARRAY	M
	K-CO-5411278-0-4	X-Y COORDINATE HOLE LOCATION	M		D-AD-7010035-0-0	63 KEYSWITCH HOUSING ASSEMBLY	M
	D-AH-5411278-0-5	ASSY/DRILLING HOLE LAYOUT	M		D-AD-7009939-0-0	SPACE BAR ASSEMBLY	M
	B-MH-5411278-0-6	MODULE ECO HISTORY	-				
	D-MD-5011277-0-0	VT61 I/O PANEL	M				
14	D-CS-5411725-0-1	VT61 SWITCH PANEL	E/M	19	D-AD-7009890-0-0	19 KEYSWITCH ARRAY	M
	K-CO-5411725-0-4	X-Y COORDINATE HOLE LOCATION	M		D-AD-7010034-0-0	KEYSWITCH HOUSING ASSEMBLY	M
	D-AH-5411725-0-5	ASSY/DRILLING HOLE LAYOUT	M				
	B-MH-5411725-0-6	MODULE ECO HISTORY	-	20	1-IA-BN52A-0-0	VT52 EIA CARD AND ASSEMBLY	E/M
	1-MD-5011724-0-0	PANEL SWITCH VT61	M		E-UA-7012186-0-0	TESTER ASSY EIA VT50/52/01	E/M
	1-IA-7012014-0-0	CABLE, VT61 SWITCH PANEL	E/M				
15	D-CS-5411444-0-1	VT61 MONITOR	E/M	21	D-CS-5411448-0-1	VT50 EIA ADAPTER	E/M
	K-CO-5411444-0-4	X-Y COORDINATE HOLE LOCATION	M		K-CO-5411448-0-4	X-Y COORDINATE HOLE LOCATION	M
	D-AH-5411444-0-5	ASSY DRILLING HOLE LAYOUT	M		D-AH-5411448-0-5	ASSY/DRILLING HOLE LAYOUT	M
	B-MH-5411444-0-6	MODULE ECO HISTORY	-		B-MH-5411448-0-6	MODULE ECO HISTORY	-
	1-MD-5011443-0-0	VT61 MONITOR PANEL	M		5011447	ETCHED CIRCUIT BOARD	M
	1-IA-7011187-0-0	HARNESS YOKE	E/M				
	2-IA-7012096-0-0	HARNESS CRT	E/M	22	1-IA-7415074-0-0	SHELL, REWORKED	M
	B-DD-7012848-0	PS MONITOR TESTER	E/M		E-MD-7411540-0-0	SHELL, VT50	M

TYPE: E ELECTRICAL
M MECHANICAL
E/M ELECTRO/MECHANICAL

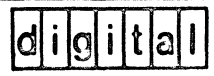
digital

TITLE	SIZE	CODE	NUMBER	REV
UNIT ASSY (VT61T)	B	DD	VT61T-0	C

SHEET 5 OF 6

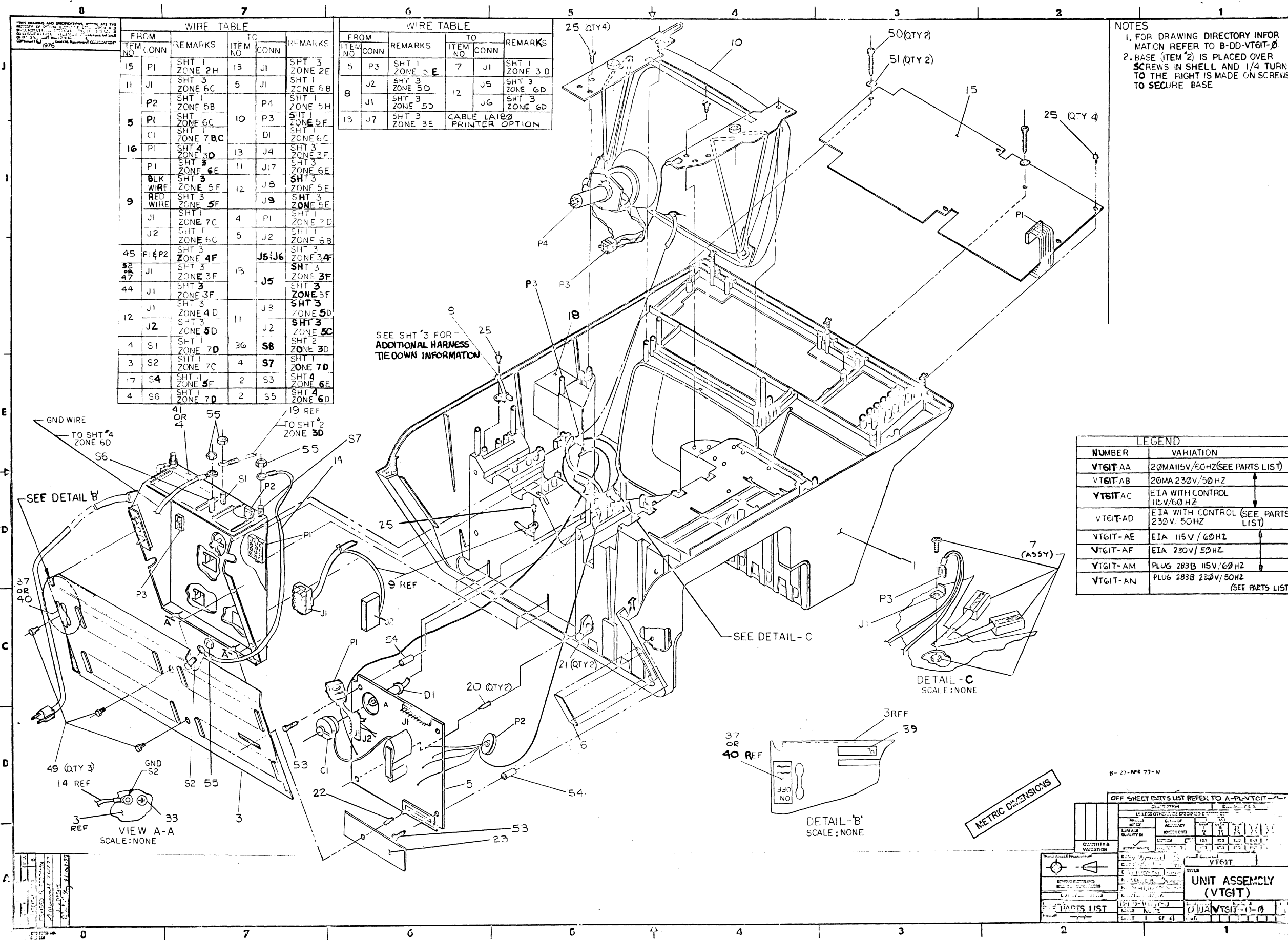
FIND NO.	DRAWING NO.	DESCRIPTION	TYPE	FIND NO.	DRAWING NO.	DESCRIPTION	TYPE
23	1-IA-BN52B-0-0	20 MA ADAPTER ASSY	E/M				
	E-UA-7012002-0-0	TESTER, 20 MA. LOOP ASSY	E/M				
24	D-CS-5411759-0-1	20 MA ADAPTER CARD	E/M				
	K-CO-5411759-0-4	X-Y COORDINATE HOLE LOCATION	M				
	D-AH-5411759-0-5	ASSY/DRILLING HOLE LAYOUT	M				
	B-MH-5411759-0-6	MODULE ECO HISTORY	-				
	5011758	ETCHED CIRCUIT BOARD	M				
25	A-SP-3700184-0-0	VT50 SHIPPING PACKAGE	-				
	9905698	REGULAR SLOTTED CARTON	M				
	9905699	FOAM PIECES (1 SET EQUALS 6 PIECES)	M				
	9905639	LAMINATED BUILDUP	M				
	9905729	CARTON SEALING TAPE	M				
	9009634	TAPE (SCOTCH Y-8921)	M				
26	1-IA-BNGIC-0-0	ADAPTER, 20 MA ASSY	E/M				
	E-UA-7012002-0-0	TESTER, 20 MA LOOP ASSY	E/M				
27	B-DD-5413656-0	VT61 MEMORY BOARD	E				
	D-UA-5413656-0-0	VT61 MEMORY BOARD	E/M				
	K-PL-5413656-0-DBP	PARTS LIST DATA BASE	E				
	D-CS-5413656-0-1	VT61 MEMORY BOARD	E				
	D-MD-5413655-0-0	DRILL & ETCH DRAWING	M				
	K-PC-5413656-0-DBG	P.C. DESIGN DATA BASE	M				
	K-PL-5413656-01-DBP	VT61 MEMORY BOARD	E				

TYPE: E ELECTRICAL
M MECHANICAL
E/M ELECTRO/MECHANICAL



TITLE	UNIT ASSY (VT61T)	SHEET 6 OF 6	SIZE CODE	B DD	NUMBER	VT61T-0	REV	C
-------	-------------------	--------------	-----------	------	--------	---------	-----	---

EN-01062-2C-16-R376-1325



WIRE TABLE				
FROM ITEM NO	CONN	REMARKS	TO ITEM NO	CONN
15	P1	SHT 1 ZONE 2H	13	J1
11	J1	SHT 3 ZONE 6C	5	J1
	P2	SHT 1 ZONE 5B		P4
5	P1	SHT 1 ZONE 6C	10	P3
	C1	SHT 1 ZONE 7B.C		D1
16	P1	SHT 4 ZONE 3D	13	J4
	P1	SHT 3 ZONE 6E	11	J17
	BLK WIRE	SHT 3 ZONE 5F	12	J8
	RED WIRE	SHT 3 ZONE 5F	12	J9
9	J1	SHT 1 ZONE 7C	4	P1
	J2	SHT 1 ZONE 6C	5	J2
45	P1 & P2	SHT 3 ZONE 4F	J5 & J6	J5 & J6
32 OR 47	J1	SHT 3 ZONE 3F	13	J5
44	J1	SHT 3 ZONE 3F		J3
12	J1	SHT 3 ZONE 4D	11	J2
	J2	SHT 3 ZONE 5D		J2
4	S1	SHT 1 ZONE 7D	36	S8
3	S2	SHT 1 ZONE 7C	4	S7
17	S4	SHT 1 ZONE 3F	2	S3
4	S6	SHT 4 ZONE 7D	2	S5

WIRE TABLE				
FROM ITEM NO	CONN	REMARKS	TO ITEM NO	CONN
5	P3	SHT 1 ZONE 5E	7	J1
8	J2	SHT 3 ZONE 5D	12	J5
	J1	SHT 3 ZONE 5D		J6
13	J7	SHT 3 ZONE 3E		

CABLE LABEL PRINTER OPTION

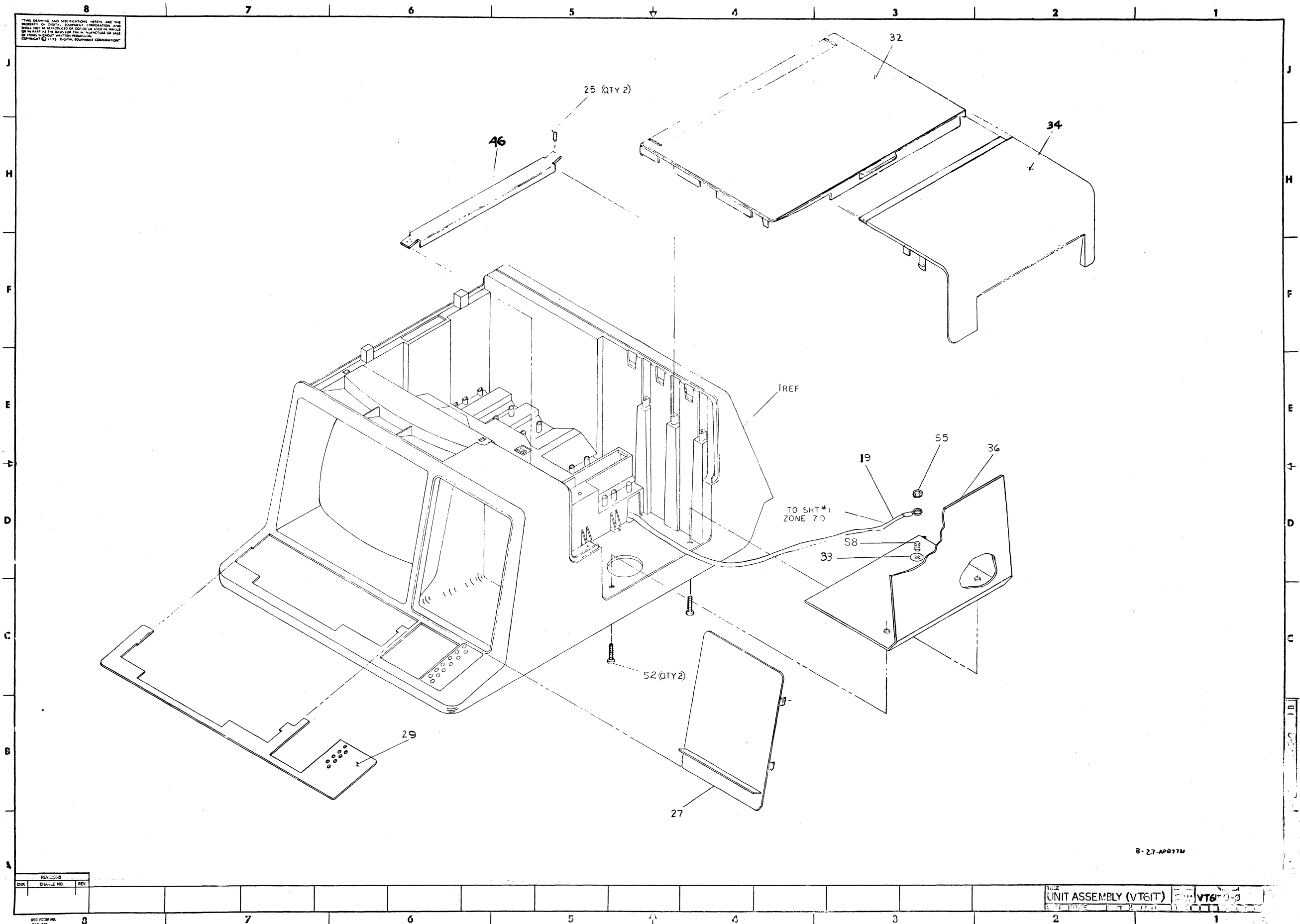
NOTES
 1. FOR DRAWING DIRECTORY INFORMATION REFER TO B-DD-VTGIT-0
 2. BASE (ITEM 2) IS PLACED OVER SCREWS IN SHELL AND 1/4 TURN TO THE RIGHT IS MADE ON SCREWS TO SECURE BASE

LEGEND	
NUMBER	VARIATION
VTGIT-AA	20MA 115V/60HZ (SEE PARTS LIST)
VTGIT-AB	20MA 230V/50HZ
VTGIT-AC	EIA WITH CONTROL 115V/60HZ
VTGIT-AD	EIA WITH CONTROL (SEE PARTS LIST) 230V/50HZ
VTGIT-AE	EIA 115V/60HZ
VTGIT-AF	EIA 230V/50HZ
VTGIT-AM	PLUG 283B 115V/60HZ
VTGIT-AN	PLUG 283B 230V/50HZ (SEE PARTS LIST)

THIS DRAWING AND OPERATIONAL MANUAL ARE THE PROPERTY OF THE UNITED STATES GOVERNMENT. IT IS TO BE REPRODUCED AND TRANSMITTED IN ANY FORM AND BY ANY MEANS, ELECTRONIC OR MECHANICAL, INCLUDING PHOTOCOPYING, RECORDING, OR BY ANY INFORMATION STORAGE AND RETRIEVAL SYSTEM, WITHOUT PERMISSION IN WRITING FROM THE DIRECTOR, FEDERAL BUREAU OF INVESTIGATION, DEPARTMENT OF JUSTICE.

OFF SHEET PARTS LIST REFER TO A-PL-VTGIT-0	
QUANTITY & VARIATION	DESCRIPTION
1	VTGIT
1	UNIT ASSEMBLY (VTGIT)
1	VTGIT-0-0

THIS DRAWING AND SPECIFICATIONS HEREIN ARE THE PROPERTY OF DIGITAL EQUIPMENT CORPORATION AND SHALL NOT BE REPRODUCED OR COPIED OR IN ANY MANNER OR BE MADE AS THE BASIS FOR THE REPRODUCTION OR SALE OF ITEMS WITHOUT WRITTEN PERMISSION. COPYRIGHT © 1978 DIGITAL EQUIPMENT CORPORATION



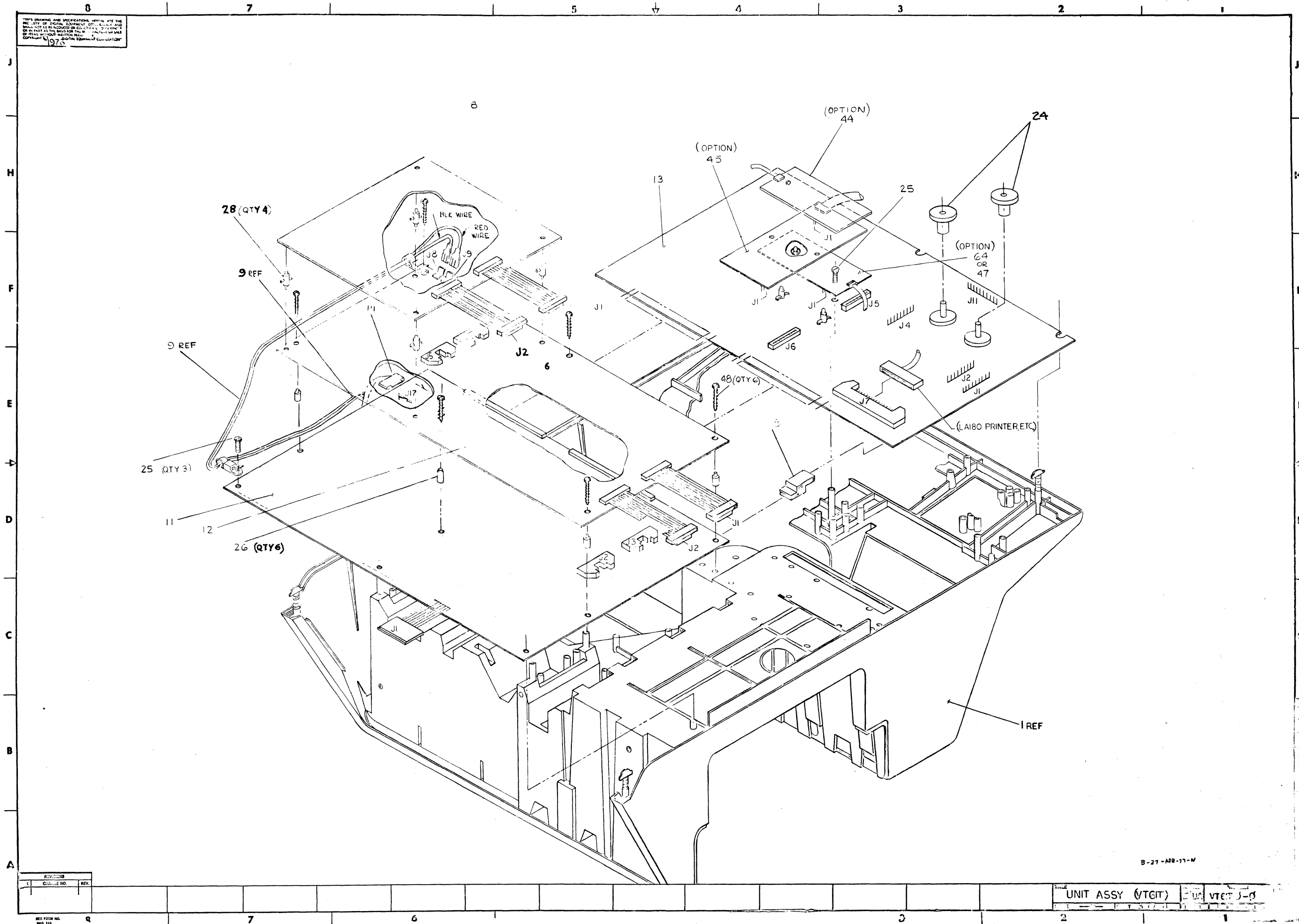
B-27-APR77M

REVISIONS		
CHK	CHANGE NO.	REV.

UNIT ASSEMBLY (VT6IT) VT6IT-0-0

800 FORM NO. 623-314

THIS DRAWING AND SPECIFICATIONS HEREIN ARE THE PROPERTY OF SIGNAL EQUIPMENT CORP. AND SHALL NOT BE REPRODUCED OR COPIED IN ANY MANNER OR IN ANY MEDIUM WITHOUT WRITTEN PERMISSION OF SIGNAL EQUIPMENT CORP. DATE 1975



B-27-ARR-17-M

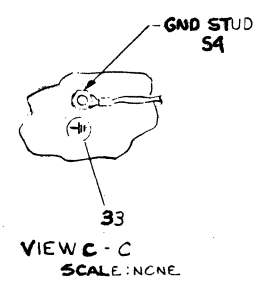
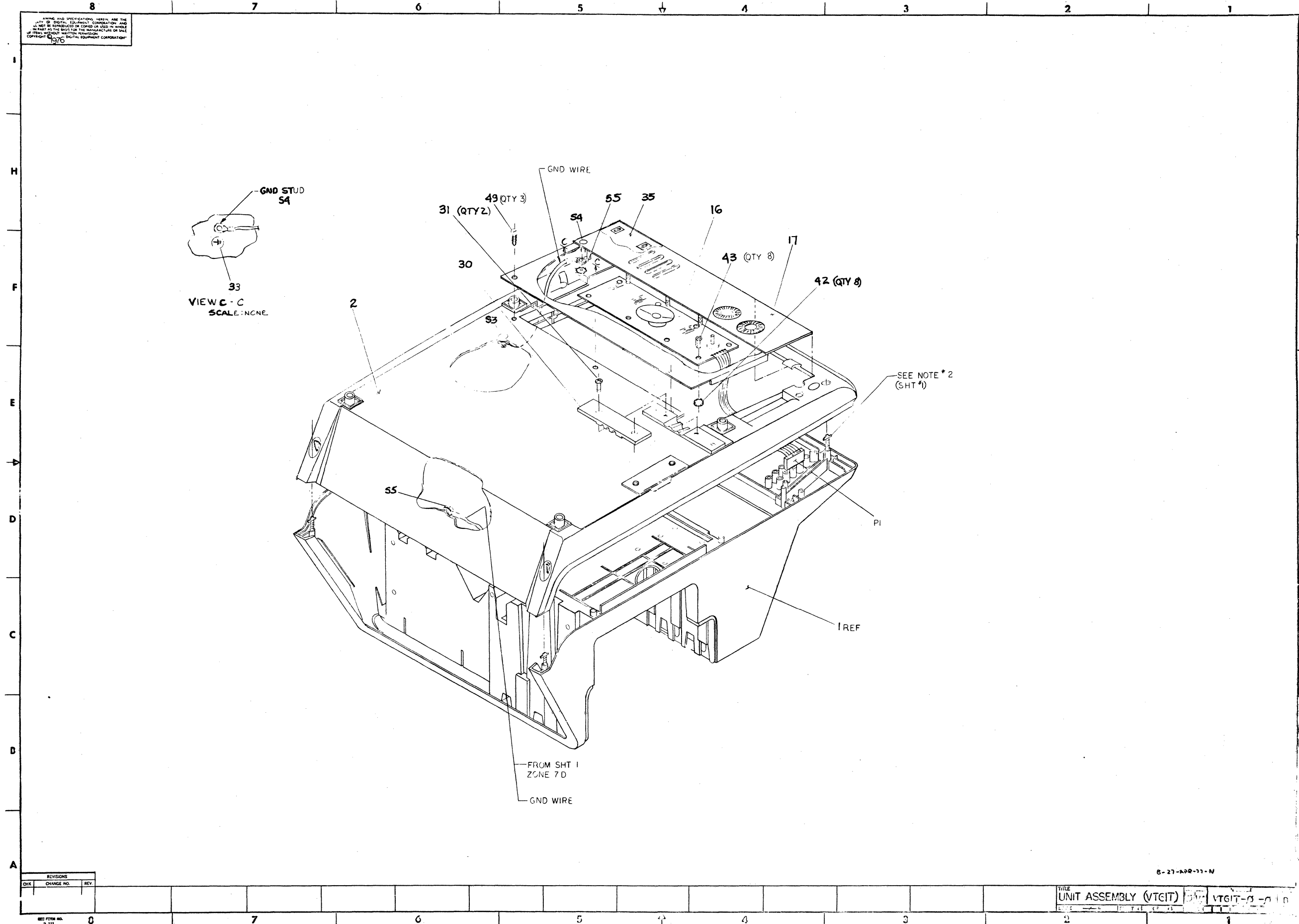
REV.	DATE	BY

UNIT ASSY (VTGIT) UN VTGIT J-0

DES FORM NO. 113

7	6	5	4	3	2	1
---	---	---	---	---	---	---

DRAWING AND SPECIFICATIONS HEREIN ARE THE PROPERTY OF DIGITAL EQUIPMENT CORPORATION AND SHALL NOT BE REPRODUCED OR COPIED OR USED IN WHOLE OR IN PART AS THE BASIS FOR THE MANUFACTURE OR SALE OF ITEMS WITHOUT WRITTEN PERMISSION OF DIGITAL EQUIPMENT CORPORATION.
 1976



REVISIONS		
CHK	CHANGE NO.	REV

8-27-APR-77-N

TITLE UNIT ASSEMBLY (VTGIT) VTGIT-3-010

DIGITAL EQUIPMENT CORPORATION

MAYNARD, MASSACHUSETTS

PARTS LIST

MADE BY G. DRAYTON	CHECKED P. CAPPADIANCA	SECTION
DATE 3-9-76	DATE 6-6-76	
ENG J. BUZYNSKI	PROD M. WHITTLESEY	ISSUED SECT.
DATE 5-25-76	DATE 5-26-76	

QUANTITY / VARIATION

ITEM NO	DWG NO. / PART NO.	DESCRIPTION	VT61T-AA	VT61T-AB	VT61T-AC	VT61T-AD	VT61T-AE	VT61T-AF	VT61T-AM	VT61T-AN				
			115V 60 HZ	230V 50HZ	115V 60HZ	230V 50HZ	115V 60HZ	230V 50HZ	115V 60HZ	230V 50HZ				
1	1-IA-7415074-0-0	SHELL REWORKED	1	1	1	1	1	1	1	1				
2	Ø-AD-7013931-0-0	BASE ASSEMBLY	1	1	1	1	1	1	1	1				
3	1-IA-7418566-0-0	HEAT SINK (VT62)	1	1	1	1	1	1	1	1				
4	Ø-UA-J17832A	POWER SUPPLY (115V-60HZ)	1	-	1	-	1	-	1	-				
5	D-CS-5411444-0-1	BOARD, MCNITOR (VT61)	1	1	1	1	1	1	1	1				
6	A-PS-3613210-0-0	LABEL, ALU. ADHESIVE	1	1	1	1	1	1	1	1				
7	1-IA-7011197-0-0	CRT, GROUNDING ASSY	1	1	1	1	1	1	1	1				
8	D-CS-5411282-1-1	BOARD, PROM (VT61)	1	1	1	1	1	1	1	1				
9	D-IA-7012017-0-0	HARNESS, POWER (VT61)	1	1	1	1	1	1	1	1				
10	1-AD-7014130-1-0	CRT ASSEMBLY	1	1	1	1	1	1	1	1				
11	D-CS-5411284-0-1	BOARD, PROCESS VIDEO (VT61)	1	1	1	1	1	1	1	1				
12	D-CS-5411280-0-1	BOARD, MEMORY (VT61)	1	1	1	1	1	1	1	1				
13	D-CS-5411278-0-1	BOARD, INPUT/OUTPUT (VT61)	1	1	1	1	1	1	1	1				
14	C-IA-7418251-0-0	CABLE, SAFETY GND	1	1	1	1	1	1	1	1				
15	D-CS-5411170-6-1	KEYBOARD VT61/VT50 H	1	1	1	1	1	1	1	1				
16	D-CS-5411725-0-1	BOARD, SWITCH PANEL (VT61)	1	1	1	1	1	1	1	1				
17	1-IA-7013930-0-0	SCREEN, BASE FRONT (VT62)	1	1	1	1	1	1	1	1				
18	B-MD-7414751-0-0	SUPPORT, FOAM	1	1	1	1	1	1	1	1				
19	C-IA-7418251-3-0	CABLE, SAFETY GND	1	1	1	1	1	1	1	1				
20	9009670-00	STANDOFF, PLASTIC SNAP-IN .25 LG	2	2	2	2	2	2	2	2				
21	9008407-J1	SCR. PH: PAN HD. #6-20 x .38 LG	2	2	2	2	2	2	2	2				
22	1213771	SPRING, SLIDE COVER	1	1	1	1	1	1	1	1				

TITLE	UNIT ASSEMBLY VT61T	ASSY NO.	B-DD-VT61T-0	SIZE	CODE	NUMBER	VT61T-0-0	REV.	B	ECO NO.	VT61T PNC02
		SHEET	1	OF	3	DIST					

DIGITAL EQUIPMENT CORPORATION MAYNARD, MASSACHUSETTS				QUANTITY / VARIATION													
PARTS LIST				VT61T-AA	VT61T-AB	VT61T-AC	VT61T-AD	VT61T-AE	VT61T-AF	VT61T-AM	VT61T-AN						
ITEM NO.	DWG NO. / PART NO.	DESCRIPTION		115V 60HZ	230V 50HZ	115V 60HZ	230V 50HZ	115V 60HZ	230V 50HZ	115V 60HZ	230V 50HZ						
23	2-MD-7417806-0-0	COVER, SLIDE		1	1	1	1	1	1	1	1						
24	2-MD-7417802-0-0	SPACER, SWITCH		2	2	2	2	2	2	2	2						
25	9009681-05	SCR. THD. ROLLING #10 x .38		16	16	16	16	16	16	16	16						
26	1212891-0-0	SPACER, PILOTED .75 LG		6	6	6	6	6	6	6	6						
27	D-MD-7413103-0-0	COVER, CASSETTE		1	1	1	1	1	1	1	1						
28	9009747-00	STANDOFF, RICH0 .50 LG		4	4	4	4	4	4	4	4						
29	1-IA-7413964-0-0	BEZEL, KEYBOARD (VT61)		1	1	1	1	1	1	1	1						
30	C-MD-7417804-0-0	CABLE CLAMP, UPPER		1	1	1	1	1	1	1	1						
31	9007854-01	SCR. PHL PAN HD. #8-32 x .56 LG		2	2	2	2	2	2	2	2						
32	Ø-AD-7412573-0-0	COVER, BLANK FIXED ASSY		1	1	1	1	1	1	1	1						
33	A-PS-3612680-0-0	DECAL, GND SYMBOL		3	3	3	3	3	3	3	3						
34	E-MD-7412574-1-0	COPIER COVER (VT61)		1	1	1	1	1	1	1	1						
35	A-PS-3613241-0-0	DECAL, BASS FRONT		1	1	1	1	1	1	1	1						
36	1-IA-7415317-0-0	PLATE, MTG. (VT61)		1	1	1	1	1	1	1	1						
37	A-PS-3614166-1-0	LABEL, ADHESIVE BACK PRINTED		-	1	-	1	-	1	-	1						
38	2-MD-7415342-0-0	CLIP, BD. MTG.		1	1	1	1	1	1	1	1						
39	A-DC-7414213-0-0	DECAL (UL)		1	1	1	1	1	1	1	1						
40	A-PS-3614166-0-0	LABEL, ADHESIVE BACK PRINTED		1	-	1	-	1	-	1	-						
41	Ø-UA-H7832-B	POWER SUPPLY (VT62) (230V-50HZ)		-	1	-	1	-	1	-	1						
42	9008185-00	KEPNUT #6-32		8	8	8	8	8	8	8	8						
43	9006801-00	SPACER, METAL .25 HEX x .38 LG		8	8	8	8	8	8	8	8						
44	1-IA-BN52A-7F	CABLE, EIA CARD (VT52)		-	-	-	-	1	1	-	-						
TITLE			ASSY NO.	SIZE	CODE	NUMBER						REV.	ECO NO.				
UNIT ASSEMBLY VT61T			B-DD-VT61T-0	A	PL	VT61T-0-0						B					
			SHEET 2 OF 3	DIST.													

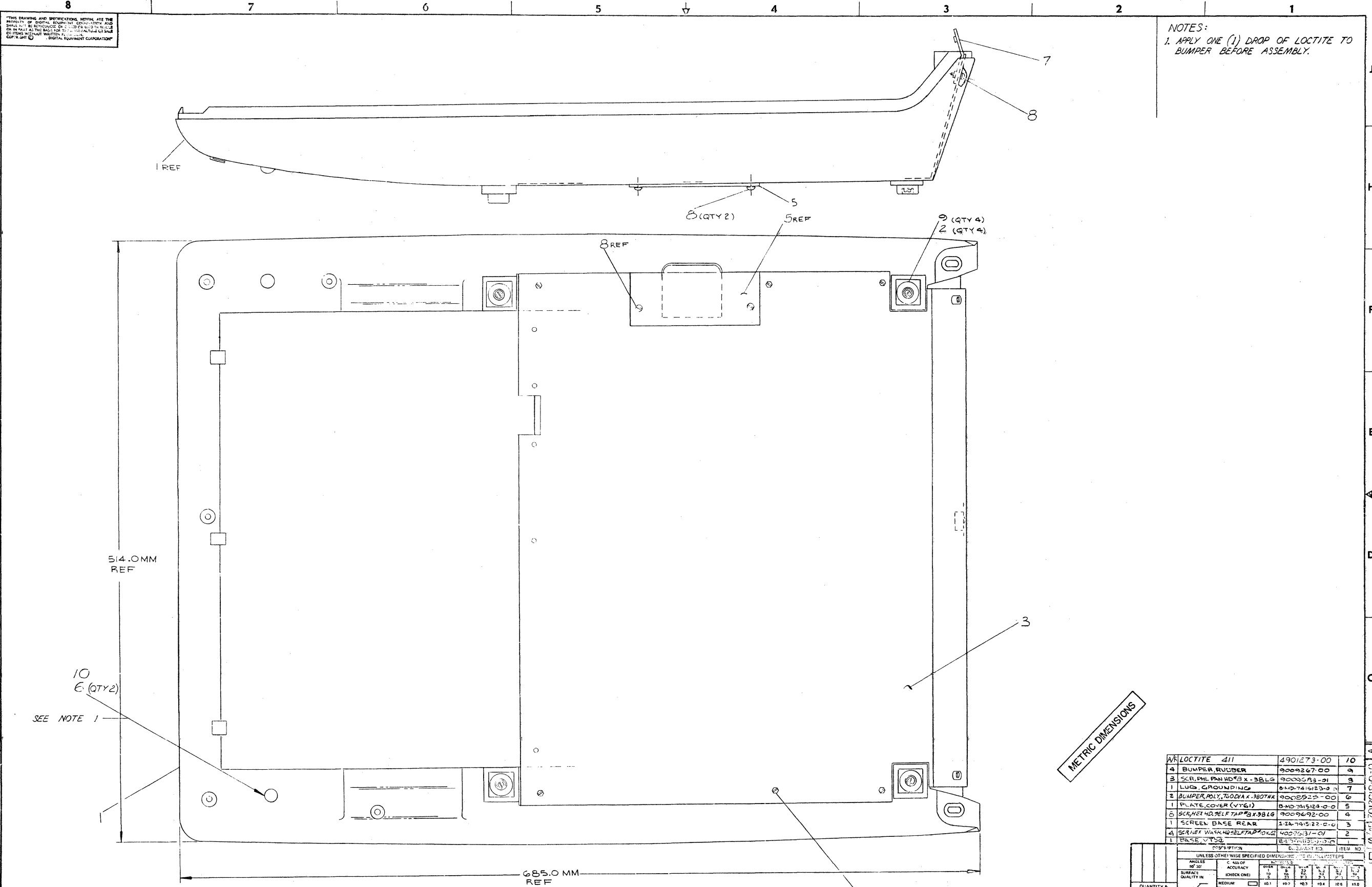
DIGITAL EQUIPMENT CORPORATION
MAYNARD, MASSACHUSETTS
PARTS LIST

MADE BY G. DRAYTON DATE 3-9-76	CHECKED P. CAPPADIANCA DATE 6-6-76	SECTION
ENG J. BUZYNSKI DATE 5-25-76	PROD M. WHITTLESEY DATE 5-26-76	ISSUED SECT.

QUANTITY / VARIATION

ITEM NO	DWG NO. / PART NO.	DESCRIPTION	VT61T-AA	VT61T-AB	VT61T-AC	VT61T-AD	VT61T-AE	VT61T-AF	VT61T-AM	VT61T-AN					
			115V 60HZ	230V 50HZ	115V 60HZ	230V 50HZ	115V 60HZ	230V 50HZ	115V 60HZ	230V 50HZ					
45	1-IA-BN61B-05	CABLE, EIA CARD (VT61)	-	-	1	1	-	-	-	-					
46	C-MD-7413400-0-0	BRACKET, COPIER WELL	1	1	1	1	1	1	1	1					
47	1-IA-BN52B-7F	ADAPTOR ASSY. 20 MA	1	1	-	-	-	-	-	-					
48	9009803-00	SCR. IND. HEX WASHER HD. #8-15 x 1.38 LG	6	6	6	6	6	6	6	6					
49	9009683-01	SCR. HEX WASHER HD (BLK) #8-32 x .38 LG	6	6	6	6	6	6	6	6					
50	9009873-00	SCR. PHL HEX HD. SELF TAP #4	2	2	2	2	2	2	2	2					
51	9009671-00	WASHER METAL WITH GASKET	2	2	2	2	2	2	2	2					
52	9006043-03	SCR. PHL TRUSS HD. #8-32 x 1.0 LG	2	2	2	2	2	2	2	2					
53	9009679-02	SCR. HEX WASHER HD. #8 x.75 LG	2	2	2	2	2	2	2	2					
54	9009672-00	SPACER, PLASTIC .25 LG	2	2	2	2	2	2	2	2					
55	9006565-00	KEPNUT #10-32	6	6	6	6	6	6	6	6					
56	A-PL-VT61T-0-1	SHIPPING LIST	1	1	1	1	1	1	1	1					
57	A-SP-3700184-0-0	PACK INST TERMINAL WITHOUT COPIER	1	1	1	1	1	1	1	1					
58	1-IA-BN61C-7F	PLUG 238 B, TO CURRENT LOOP	-	-	-	-	-	-	1	1					

TITLE UNIT ASSEMBLY VT61T	ASSY NO. B-DD-VT61T-0	SIZE A CODE PL	NUMBER VT61T-0-0	REV. B	ECO NO.
SHEET 3 OF 3		DIST.			



NOTES:
 1. APPLY ONE (1) DROP OF LOCTITE TO BUMPER BEFORE ASSEMBLY.

THIS DRAWING AND SPECIFICATIONS BEING THE PROPERTY OF DIGITAL EQUIPMENT CORPORATION, ANY REPRODUCTION OR TRANSMISSION OF THIS DRAWING OR SPECIFICATIONS IN ANY MANNER OR BY ANY MEANS, WITHOUT WRITTEN PERMISSION OF DIGITAL EQUIPMENT CORPORATION IS PROHIBITED.

REV. 1
 J. BITTO
 DATE: 10/19/77

METRIC DIMENSIONS

ITEM NO.	DESCRIPTION	QTY	UNIT
10	LOCTITE 411	4901273-00	10
4	BUMPER RUBBER	9009267-00	10
3	SCR. PHL PAN HD 3 X .38 LG	9009293-21	8
1	LUG, GROUNDING	8ND-7416153-01	7
2	BUMPER POLY. 750DIA X .380THK	9009525-00	6
1	PLATE COVER (VT61)	8ND-7415124-0-0	5
6	SCR. HX 4D SELF TAP 3 X .98 LG	9009692-00	4
1	SCREEN BASE REAR	1EA-7415123-0-0	3
4	SCR. HX WASH HD SELF TAP 4 X .98 LG	9009763-01	2
1	BASE VT61	8ND-7415124-0-0	1

QUANTITY & VARIATION		MICROMETERS		FINISH USED ON	
10	10.0	10.0	10.0	10.0	10.0
8	8.0	8.0	8.0	8.0	8.0
7	7.0	7.0	7.0	7.0	7.0
6	6.0	6.0	6.0	6.0	6.0
5	5.0	5.0	5.0	5.0	5.0
4	4.0	4.0	4.0	4.0	4.0
3	3.0	3.0	3.0	3.0	3.0
2	2.0	2.0	2.0	2.0	2.0
1	1.0	1.0	1.0	1.0	1.0

UNLESS OTHERWISE SPECIFIED DIMENSIONS ARE IN MILLIMETERS

ANGLE: 10° 20° 30° 45° 60° 75° 90° 105° 120° 135° 150° 165° 180°

SURFACE QUALITY: 10 20 30 40 50 60 70 80 90 100 110 120 130 140 150 160 170 180 190 200

FINISH USED ON: VT61

REMOVE BURRS AND BREAK SHARP CORNERS

DO NOT SCALE DIMS

SEE PARTS LIST

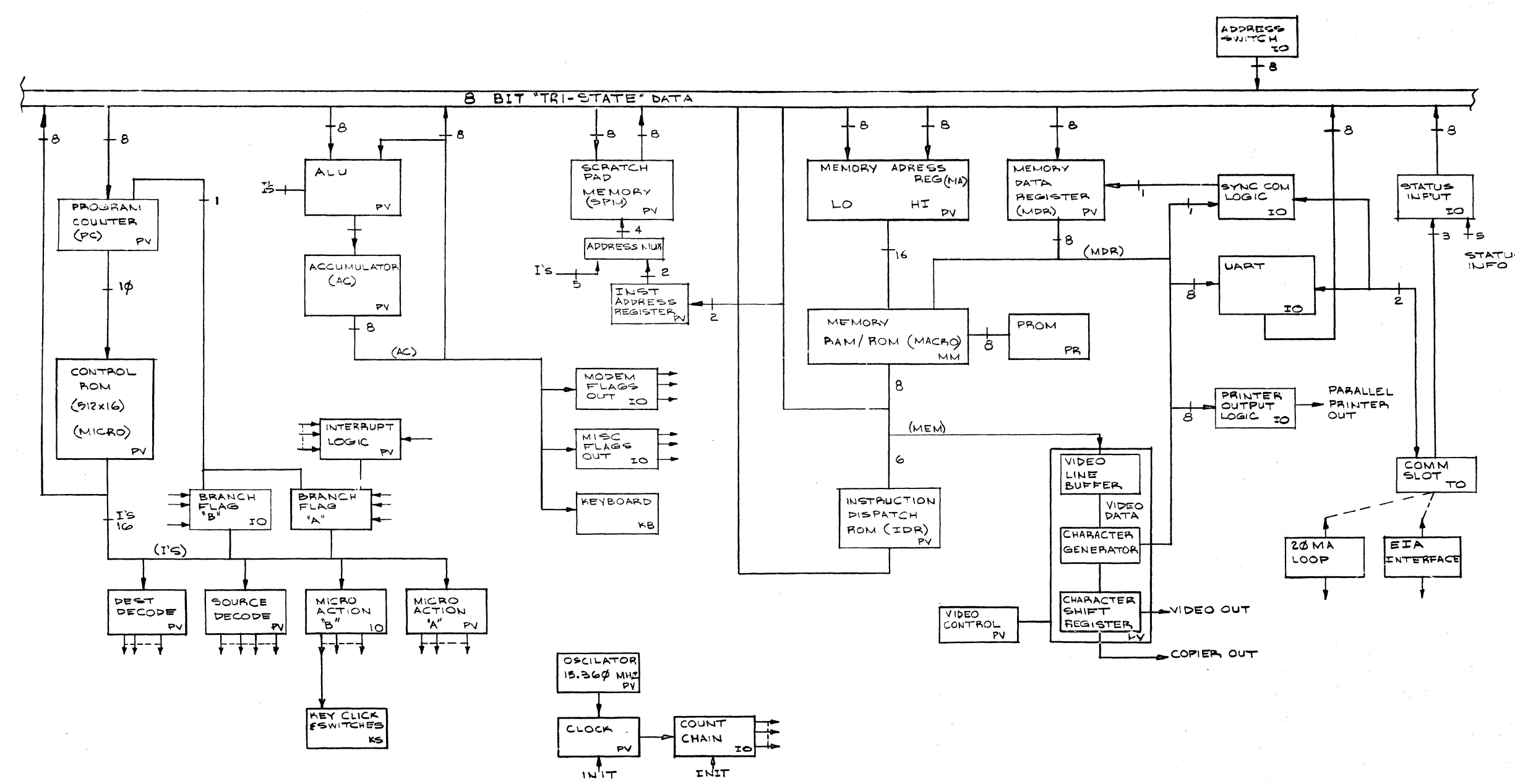
BASE ASSEMBLY (VT61)

SCALE: 1/1

REV. A

DRAWING AND SPECIFICATIONS HEREIN ARE THE PROPERTY OF DIGITAL EQUIPMENT CORPORATION AND SHALL NOT BE REPRODUCED OR TRANSMITTED IN ANY FORM OR BY ANY MEANS, ELECTRONIC OR MECHANICAL, INCLUDING PHOTOCOPYING, RECORDING, OR BY ANY INFORMATION STORAGE AND RETRIEVAL SYSTEM, WITHOUT PERMISSION IN WRITING FROM DIGITAL EQUIPMENT CORPORATION. COPYRIGHT © 1976

VT 9-0-91A 2



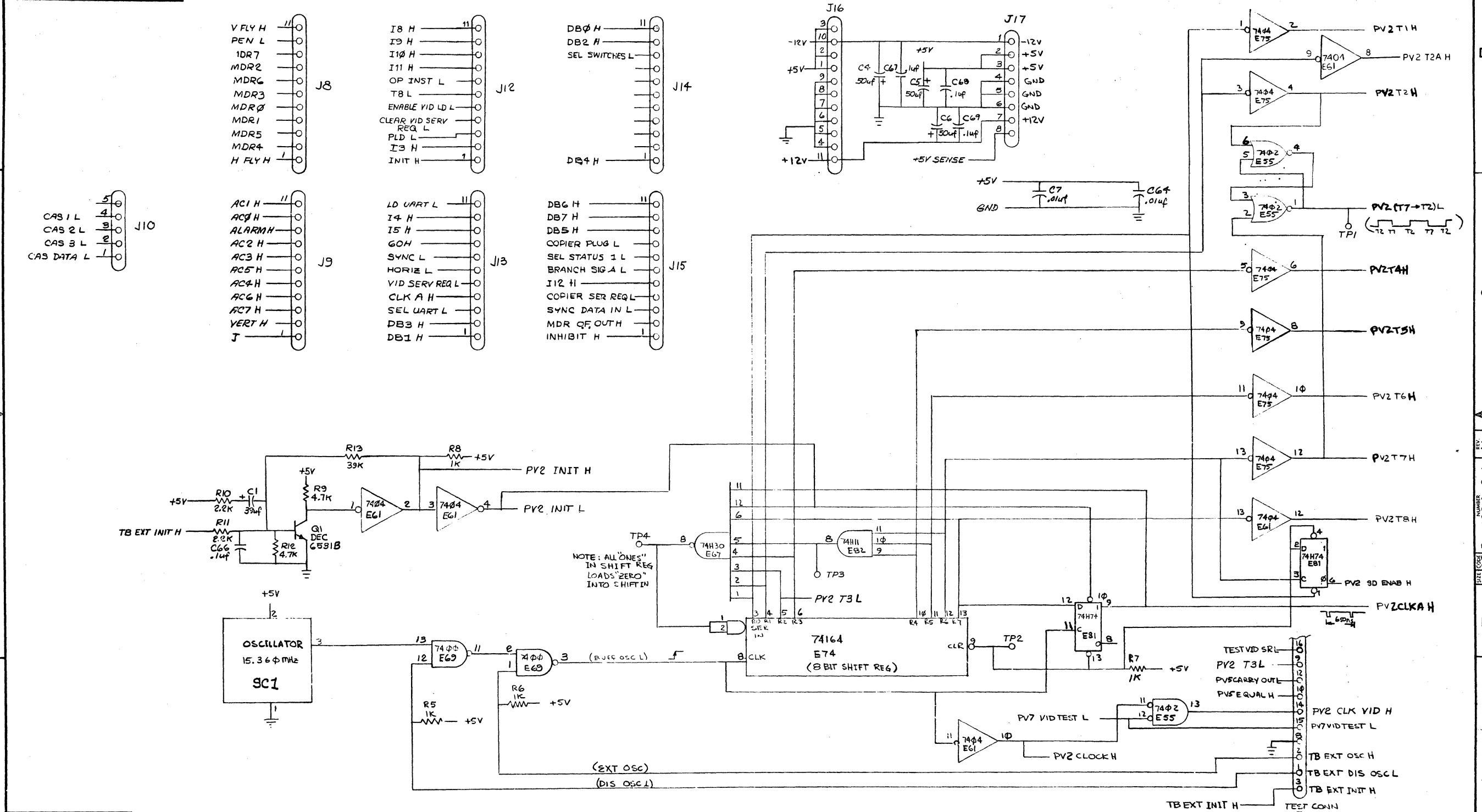
REV.	CHG.	NO.	DATE	BY	DESCRIPTION
1					
2					
3					
4					
5					
6					
7					
8					

DATE	11/10/76	FIRST USED ON	VT61
CHG.	1/1	TITLE	BLOCK DIAGRAM
PROJ.	VT61-0-5	SCALE	D 3D
NO. OF SHEETS	1 OF 2	NUMBER	VT61-0-5
REV.	A	LIST.	

DEC 3000

REV. 1
NO. 5
VT61-0-5

THIS DRAWING AND SPECIFICATIONS HEREIN ARE THE PROPERTY OF DIGITAL EQUIPMENT CORPORATION AND SHALL NOT BE REPRODUCED OR COPIED IN WHOLE OR IN PART AS THE BASIS FOR THE MANUFACTURE OR SALE OF ITEMS WITHOUT WRITTEN PERMISSION OF DIGITAL EQUIPMENT CORPORATION.



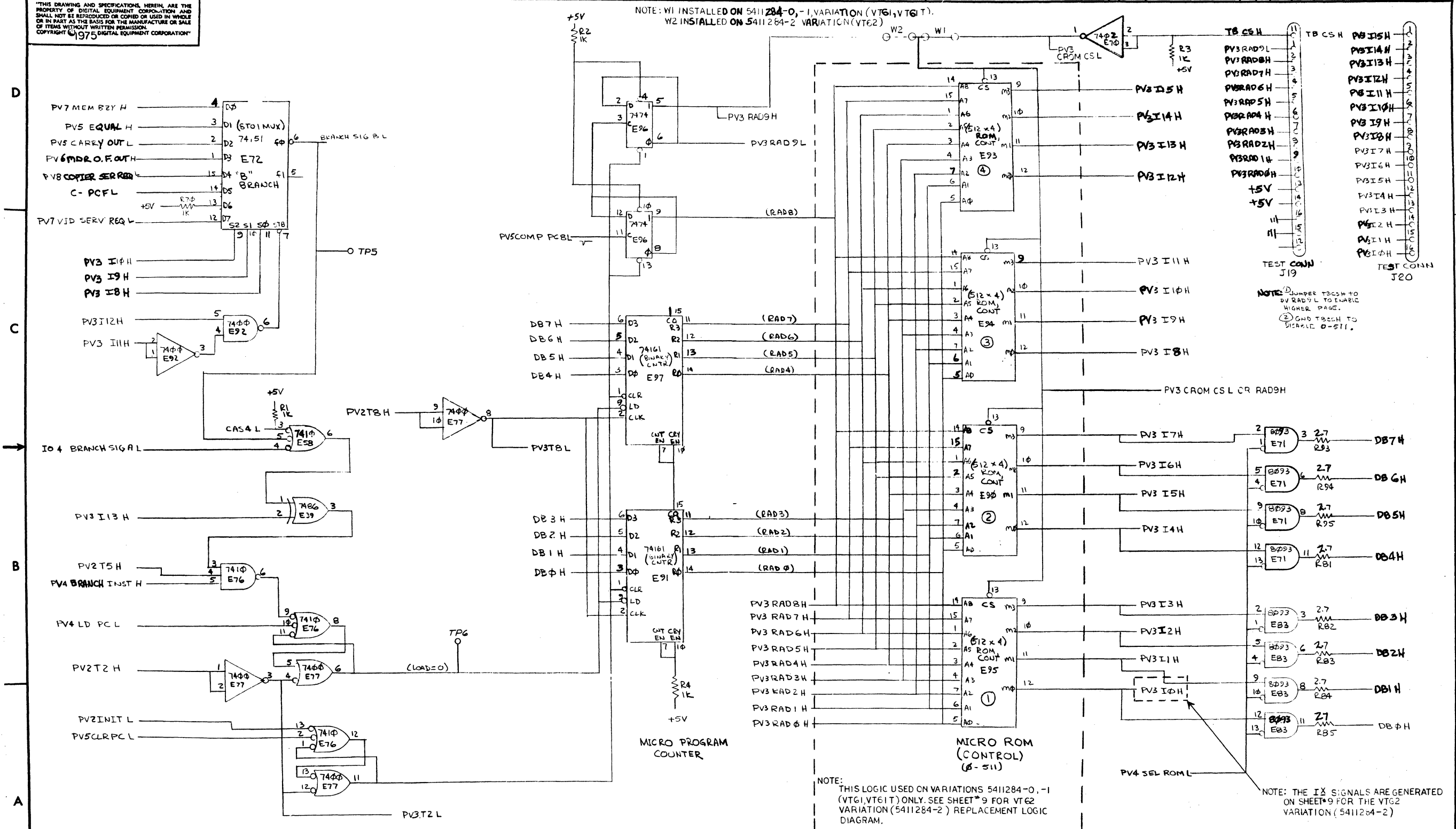
REVISIONS		
CHK	CHANGE NO.	REV.

REV. NUMBER DCS 5411284-0-1 M

"THIS DRAWING AND SPECIFICATIONS, HEREIN, ARE THE PROPERTY OF DIGITAL EQUIPMENT CORPORATION AND SHALL NOT BE REPRODUCED OR COPIED IN WHOLE OR IN PART AS THE BASIS FOR THE MANUFACTURE OR SALE OF ITEMS WITHOUT WRITTEN PERMISSION. COPYRIGHT © 1975 DIGITAL EQUIPMENT CORPORATION"

NOTE: W1 INSTALLED ON 5411284-0, -1 VARIATION (VT61, VT61T).
W2 INSTALLED ON 5411284-2 VARIATION (VT62)

1-0-0821125012



NOTE: ① JUMPER TOCSH TO PV RAD9L TO ENABLE HIGHER PAGE.
② GND TESTH TO SERIAL 0-511.

NOTE: THIS LOGIC USED ON VARIATIONS 5411284-0, -1 (VT61, VT61T) ONLY. SEE SHEET*9 FOR VT62 VARIATION (5411284-2) REPLACEMENT LOGIC DIAGRAM.

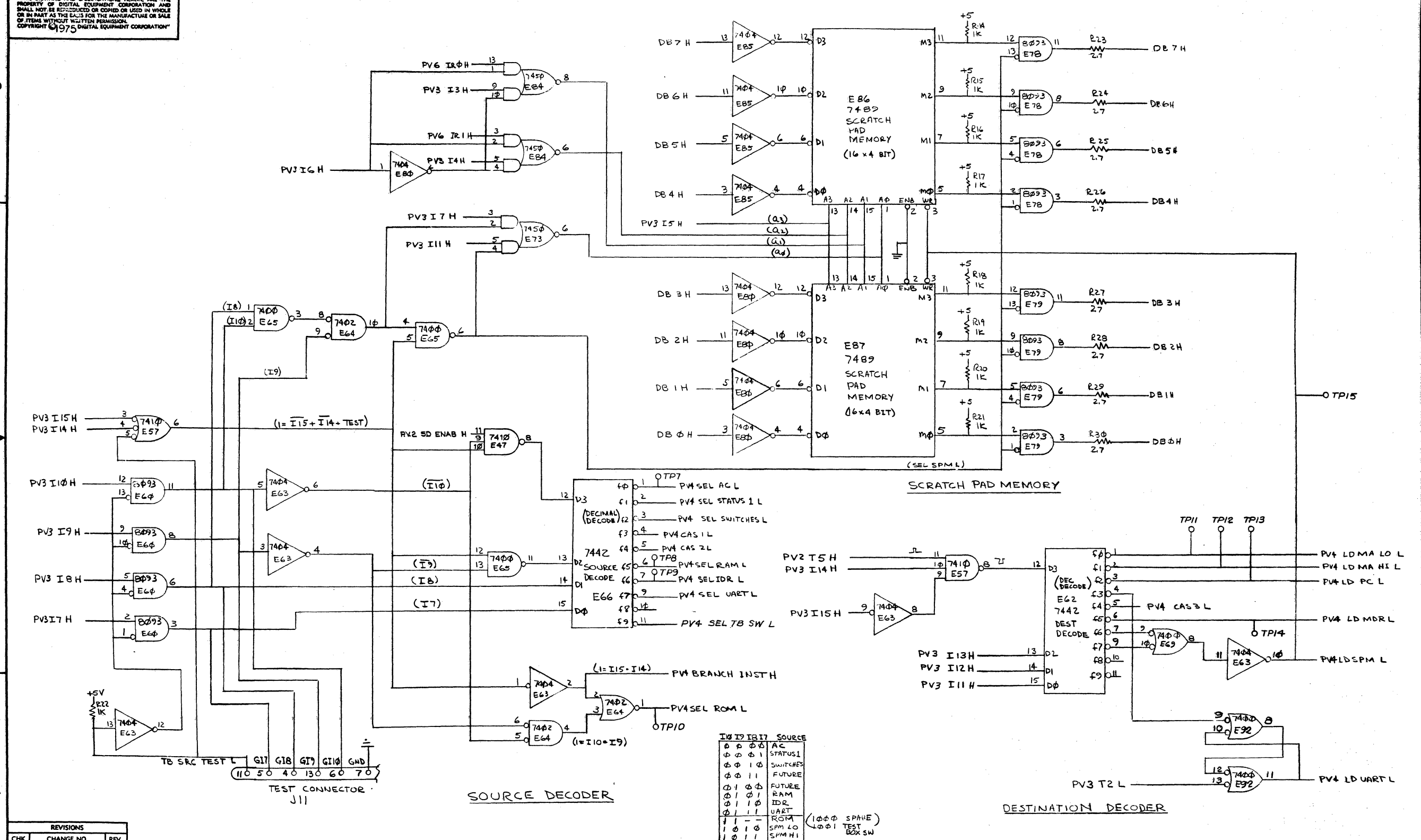
NOTE: THE IX SIGNALS ARE GENERATED ON SHEET*9 FOR THE VT62 VARIATION (5411284-2)

REVISIONS		
CHK	CHANGE NO.	REV.

TITLE	VT61 PROCESSOR/VIDEO	SIZE CODE	NUMBER	REV.
(MICRO PC/CONTROL ROM/R.BR)	D CS 5411284-0-1	M		
SCALE	SHEET 3 OF 10	DIST.		

REV. NUMBER DCS 5411284-0-1 M

THIS DRAWING AND SPECIFICATIONS HEREIN ARE THE PROPERTY OF DIGITAL EQUIPMENT CORPORATION AND SHALL NOT BE REPRODUCED OR COPIED IN WHOLE OR IN PART AS THE BASIS FOR THE MANUFACTURE OR SALE OF ITEMS WITHOUT WRITTEN PERMISSION. COPYRIGHT © 1975 DIGITAL EQUIPMENT CORPORATION

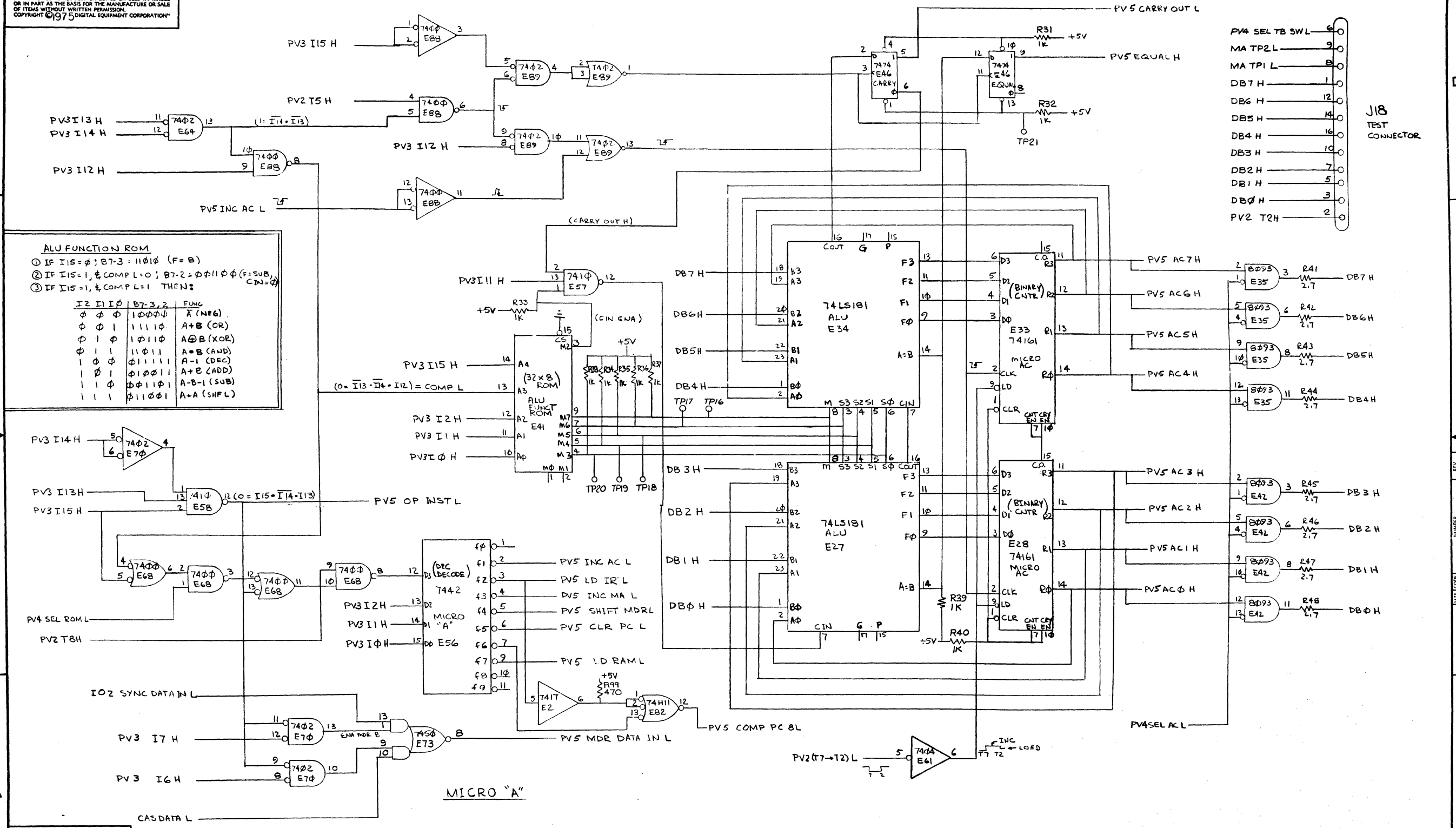


IO	IO	IO	IO	SOURCE
0	0	0	0	AC STATUS
0	0	0	1	SWITCHES FUTURE
0	0	1	0	FUTURE RAM
0	1	0	1	IDR UART
0	1	1	1	ROM (1000 SPARE)
1	0	1	0	SPM LO (1001 TEST BOX SW)
1	0	1	1	SPM HI

REVISIONS		
CHK	CHANGE NO.	REV.

"THIS DRAWING AND SPECIFICATIONS, HEREIN, ARE THE PROPERTY OF DIGITAL EQUIPMENT CORPORATION AND SHALL NOT BE REPRODUCED OR COPIED OR USED IN WHOLE OR IN PART AS THE BASIS FOR THE MANUFACTURE OR SALE OF ITEMS WITHOUT WRITTEN PERMISSION. COPYRIGHT © 1975 DIGITAL EQUIPMENT CORPORATION"

1-0-792119 2



ALU FUNCTION ROM

① IF I15=0; B7-3 = 11010 (F=0)
 ② IF I15=1; COMP L=0; B7-2 = 01100 (F=SUB; CIN=0)
 ③ IF I15=1; COMP L=1 THEN:

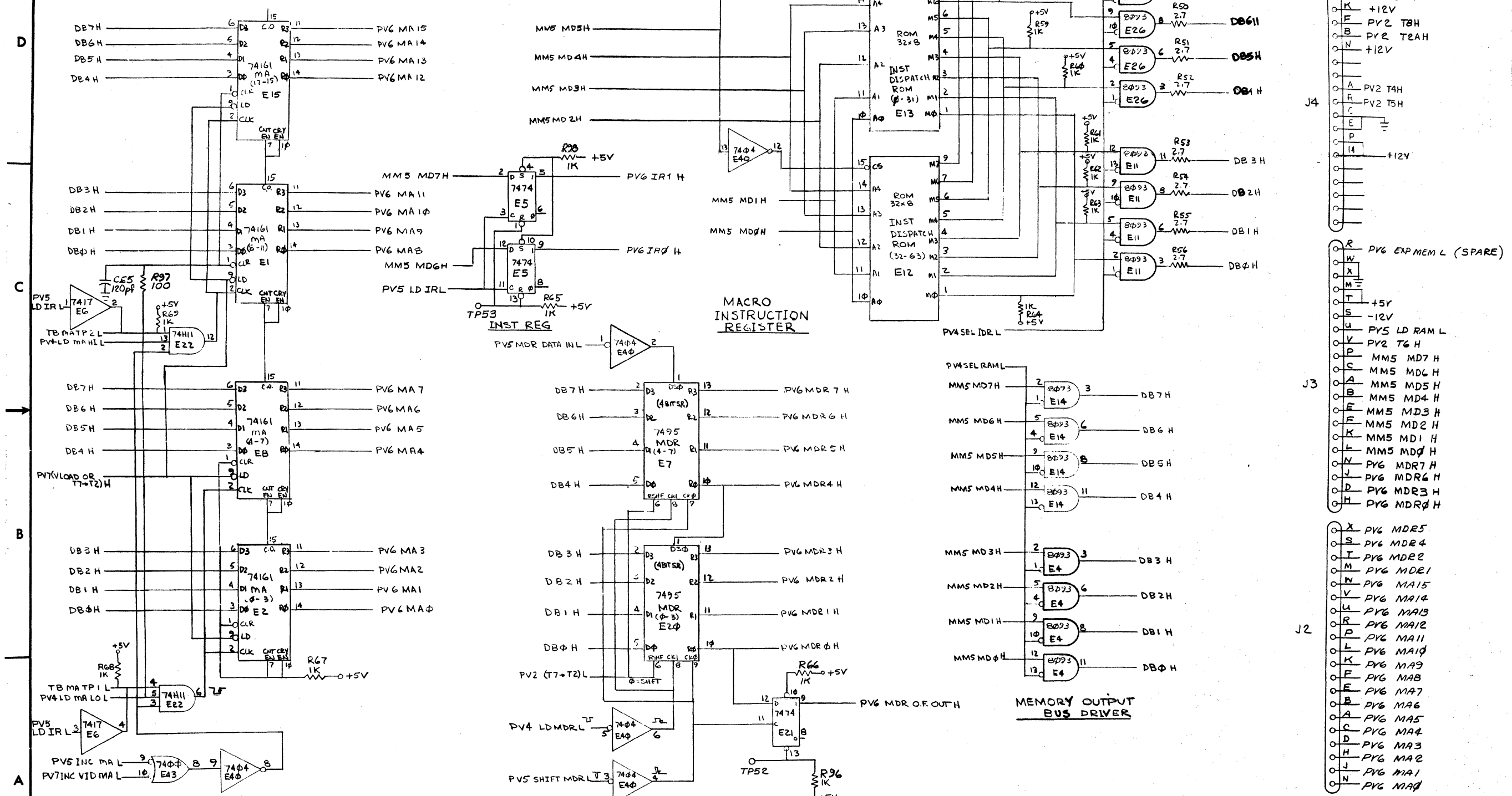
I2	I1	I0	B7-3, 2	FUNC
0	0	0	10000	A (NEG)
0	0	1	11110	A+B (OR)
0	1	0	10110	A⊕B (XOR)
0	1	1	11011	A=B (AND)
1	0	0	01111	A-1 (DEC)
1	0	1	01011	A+B (ADD)
1	1	0	00111	A-B-1 (SUB)
1	1	1	01101	A+A (SHFL)

- J18 TEST CONNECTOR
- PV4 SEL TB SWL — 6
 - MA TP2L — 9
 - MA TP1L — 8
 - DB7H — 1
 - DB6H — 12
 - DB5H — 14
 - DB4H — 16
 - DB3H — 10
 - DB2H — 7
 - DB1H — 5
 - DB0H — 3
 - PV2 T2H — 2

REVISIONS

CHK	CHANGE NO.	REV.

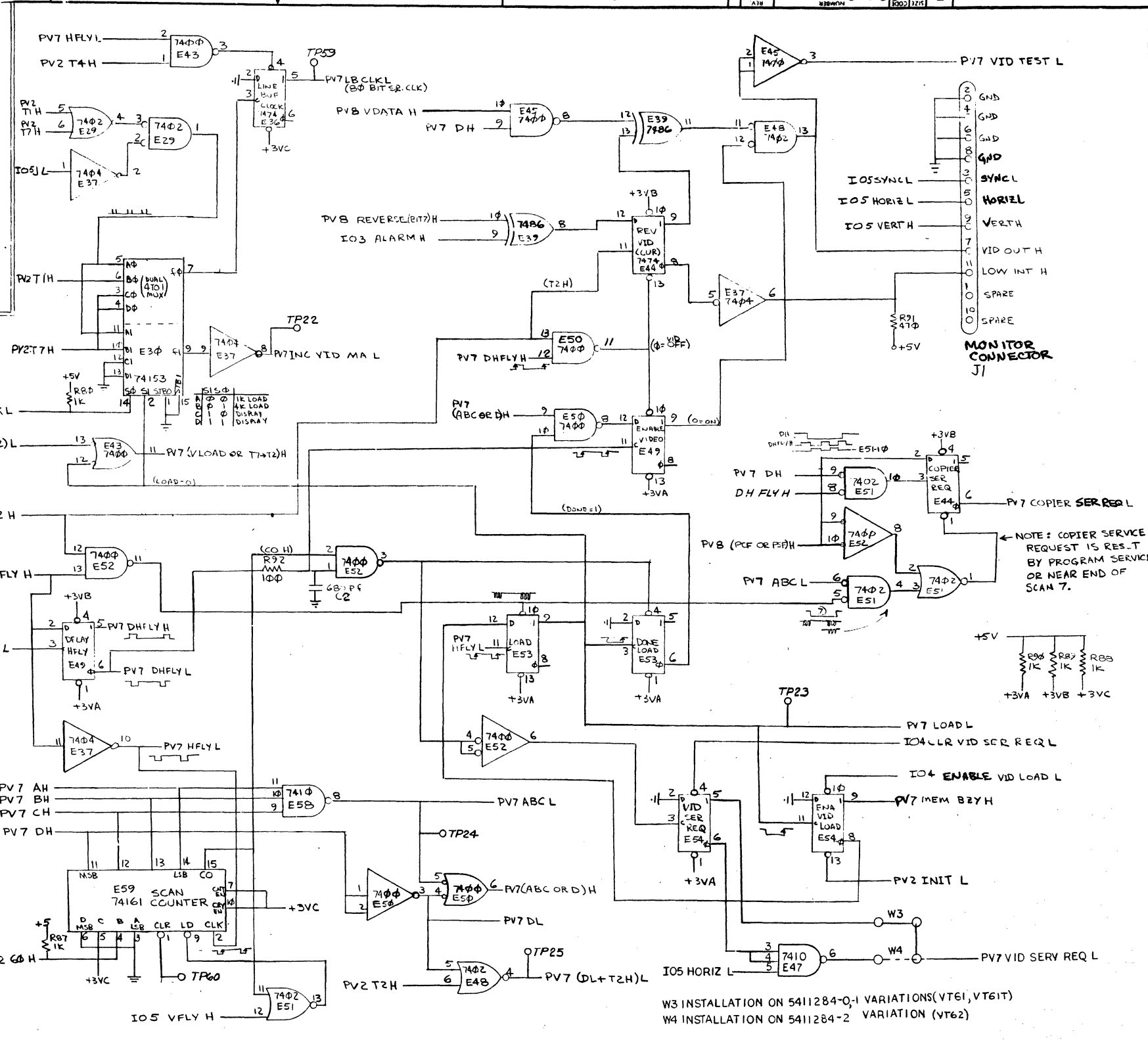
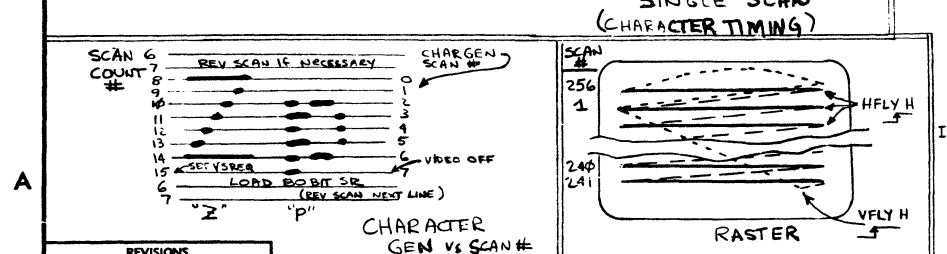
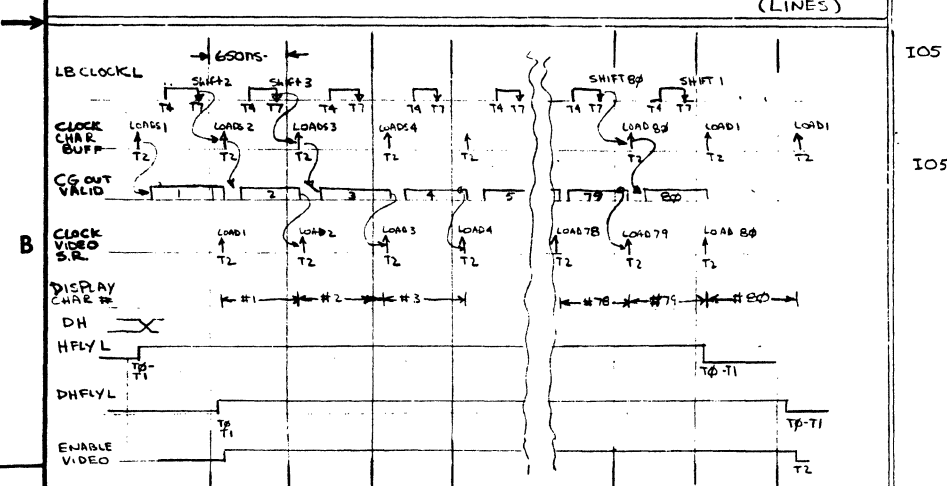
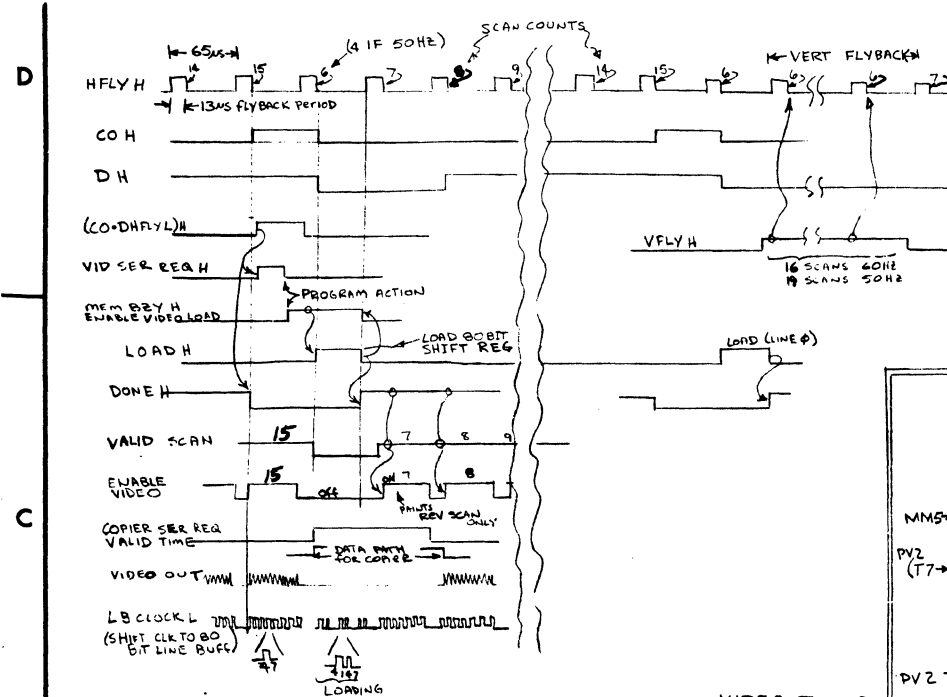
THIS DRAWING AND SPECIFICATIONS HEREIN ARE THE PROPERTY OF DIGITAL EQUIPMENT CORPORATION AND SHALL NOT BE REPRODUCED OR COPIED OR USED IN WHOLE OR IN PART AS THE BASIS FOR THE MANUFACTURE OR SALE OF ITEMS WITHOUT WRITTEN PERMISSION. COPYRIGHT © 1975 DIGITAL EQUIPMENT CORPORATION



REVISIONS			TITLE VT61 PROCESSOR / VIDEO		SIZE CODE		NUMBER		REV.	
CHK	CHANGE NO.	REV.	MA, MDR, IR, IDR, MEM CONN		DCS		5411284-0-1		M	

THIS DRAWING AND SPECIFICATIONS, HEREIN, ARE THE PROPERTY OF DIGITAL EQUIPMENT CORPORATION AND SHALL NOT BE REPRODUCED OR COPIED OR USED IN WHOLE OR IN PART AS THE BASIS FOR THE MANUFACTURE OR SALE OF ANY ITEMS WITHOUT WRITTEN PERMISSION FROM DIGITAL EQUIPMENT CORPORATION.

DCS 5411284-0-1



REVISIONS		
CHK	CHANGE NO.	REV.

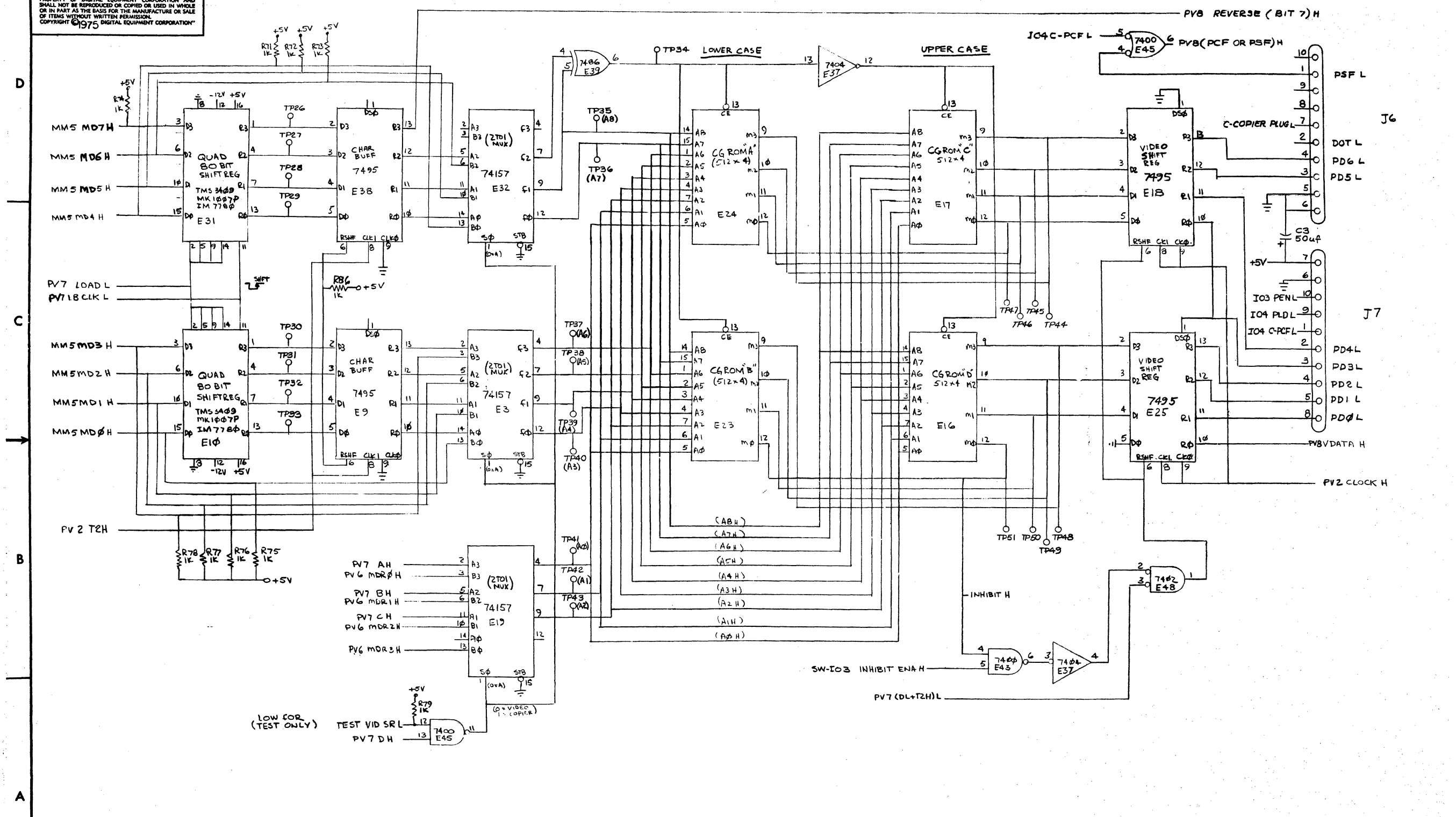
TITLE VT61 PROCESSOR VIDEO (VIDEO CONTROL / COPIER) SIZE CODE NUMBER REV. DCS 5411284-0-1 11

SCALE 1:1 SHEET 7 OF 10 DIST.

REV. 5411284-0-1 M

"THIS DRAWING AND SPECIFICATIONS, HEREIN, ARE THE PROPERTY OF DIGITAL EQUIPMENT CORPORATION AND SHALL NOT BE REPRODUCED OR COPIED OR USED IN WHOLE OR IN PART AS THE BASIS FOR THE MANUFACTURE OR SALE OF ITEMS WITHOUT WRITTEN PERMISSION. COPYRIGHT © 1975 DIGITAL EQUIPMENT CORPORATION"

1-0-7801179 2

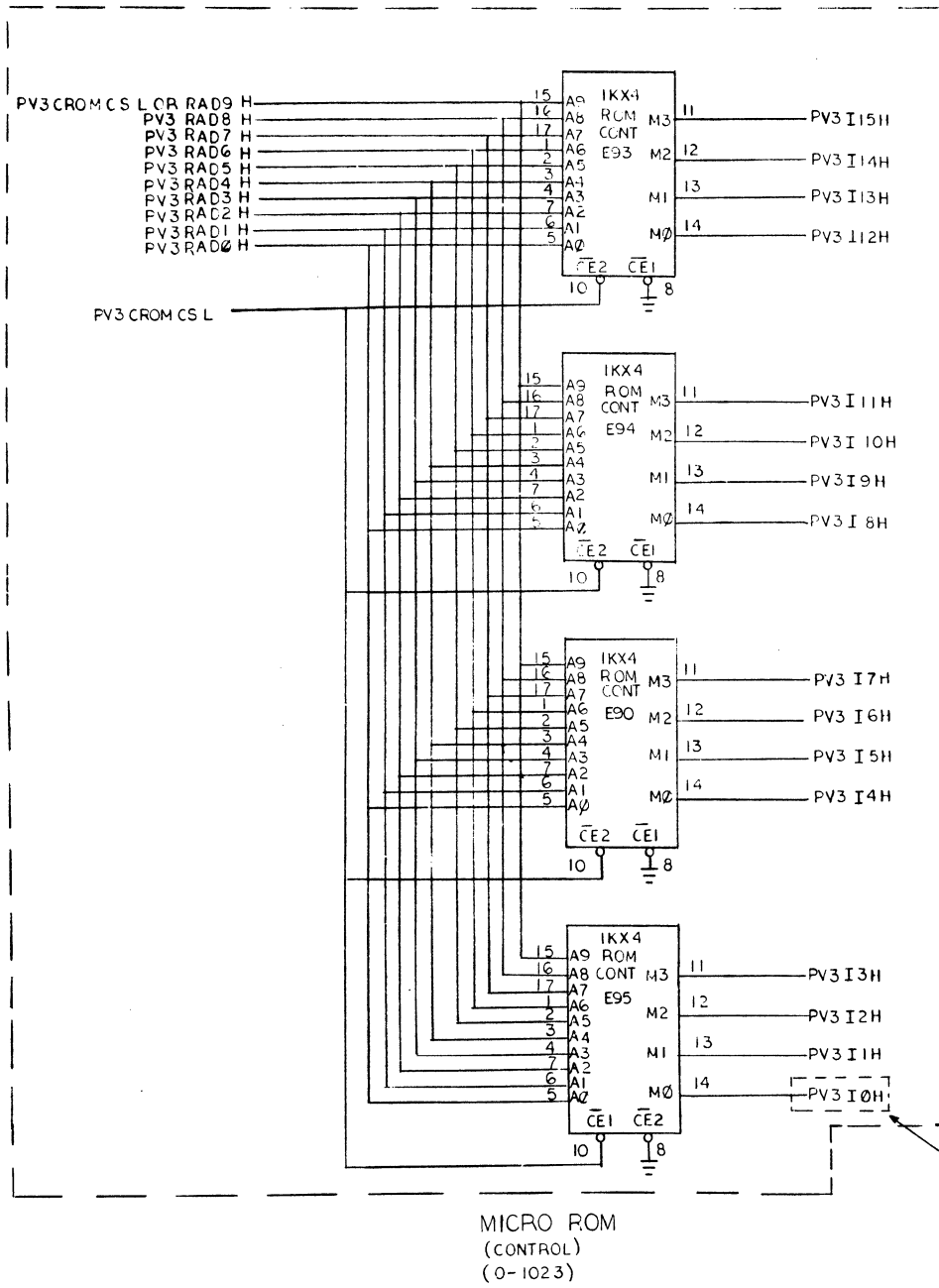


REVISIONS		
CHK	CHANGE NO.	REV.

TITLE VT61 PROCESSOR VIDEO DATA PATH/COPIER COMMAND CS 5411284-0-1 M

REV. M
NUMBER DCS 5411284-0-1

"THIS DRAWING AND SPECIFICATIONS HEREIN, ARE THE PROPERTY OF DIGITAL EQUIPMENT CORPORATION AND SHALL NOT BE REPRODUCED OR COPIED OR USED IN WHOLE OR IN PART AS THE BASIS FOR THE MANUFACTURE OR SALE OF ITEMS WITHOUT WRITTEN PERMISSION. COPYRIGHT © 1976 DIGITAL EQUIPMENT CORPORATION"



MICRO ROM
(CONTROL)
(0-1023)

NOTE:
THIS LOGIC USED ON VT62 VARIATION (5411284-2) ONLY.
SEE SHEET*3 FOR VT6I,VT6IT,VARIATIONS (5411284-0,-1).
IX SIGNALS ARE GENERATED ON SHEET*3 FOR THE VT6I,
VT6IT VARIATIONS (5411284-0,-1).

REVISIONS		
CHK	CHANGE NO.	REV.

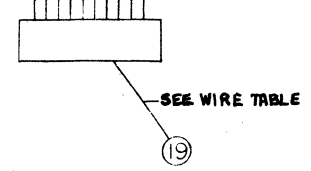
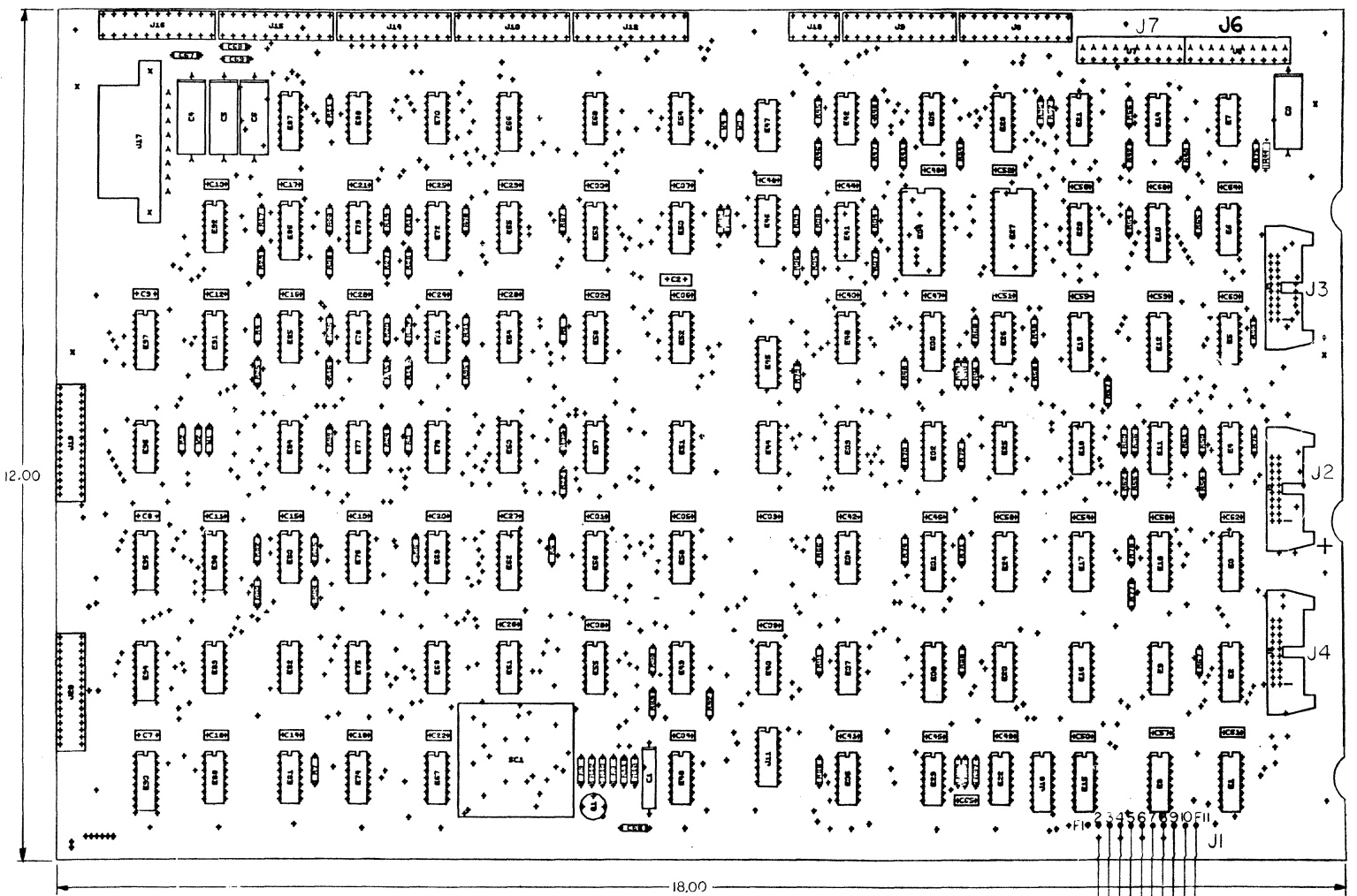
TITLE	VT6I PROCESSOR/VIDEO (CONTROL ROM 1KX16)	SIZE CODE	D	NUMBER	5411284-0-1	REV.	M
SCALE	1/1	SHEET	9	OF	10	DIST.	

REV. M
NUMBER 5411284-0-1
SIZE CODE D

8 7 6 5 4 3 2 1

"THIS DRAWING AND SPECIFICATIONS, HEREIN, ARE THE PROPERTY OF DIGITAL EQUIPMENT CORPORATION AND SHALL NOT BE REPRODUCED OR COPIED OR USED IN WHOLE OR IN PART AS THE BASIS FOR THE MANUFACTURE OR SALE OF ITEMS WITHOUT WRITTEN PERMISSION. COPYRIGHT © 1973 DIGITAL EQUIPMENT CORPORATION"

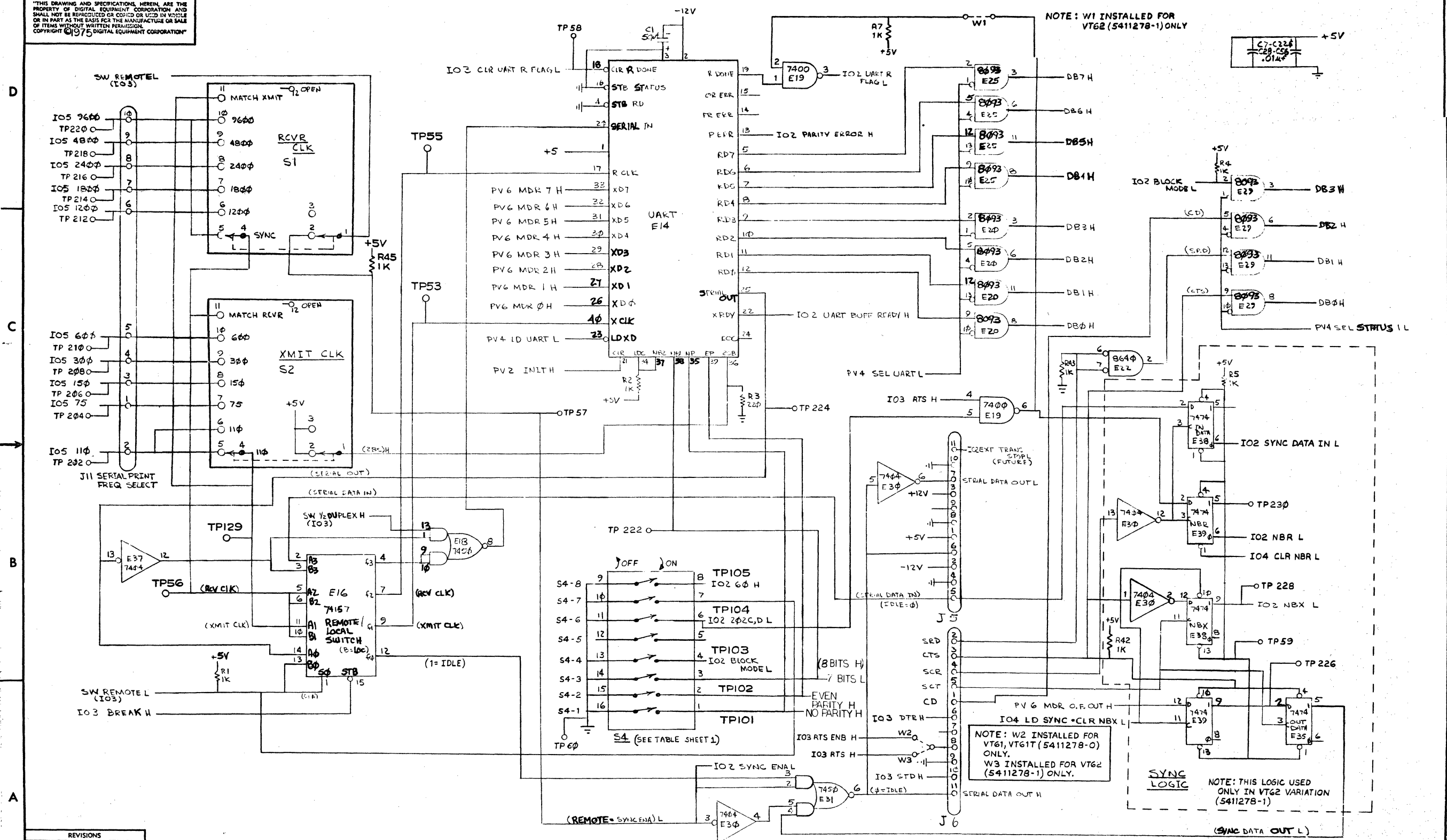
WIRE TABLE					
ITEM NO.	DESCRIPTION		FROM	TO	REMARKS
	AWG	COLOR	CONNECTION	CONNECTION	
19		BLK		FC-2	SOLID
		BRN		FC-3	
		RED		FC-4	
		ORN		FC-5	
		YEL		FC-6	
		GRN		FC-7	
		BLU		FC-8	
		VIO		FC-9	
		GRY		FC-10	
19		WHT		FC-11	SOLID



REVISIONS		
CHK	CHANGE NO.	REV.

SIZE CODE D CS 5411284-0-1
 NUMBER
 REV. M

"THIS DRAWING AND SPECIFICATIONS HEREIN ARE THE PROPERTY OF DIGITAL EQUIPMENT CORPORATION AND SHALL NOT BE REPRODUCED OR COPIED OR USED IN WHOLE OR IN PART AS THE BASIS FOR THE MANUFACTURE OR SALE OF ITEMS WITHOUT WRITTEN PERMISSION. COPYRIGHT © 1975 DIGITAL EQUIPMENT CORPORATION"



NOTE: W1 INSTALLED FOR VT62 (5411278-1) ONLY

NOTE: W2 INSTALLED FOR VT61, VT61T (5411278-0) ONLY. W3 INSTALLED FOR VT62 (5411278-1) ONLY.

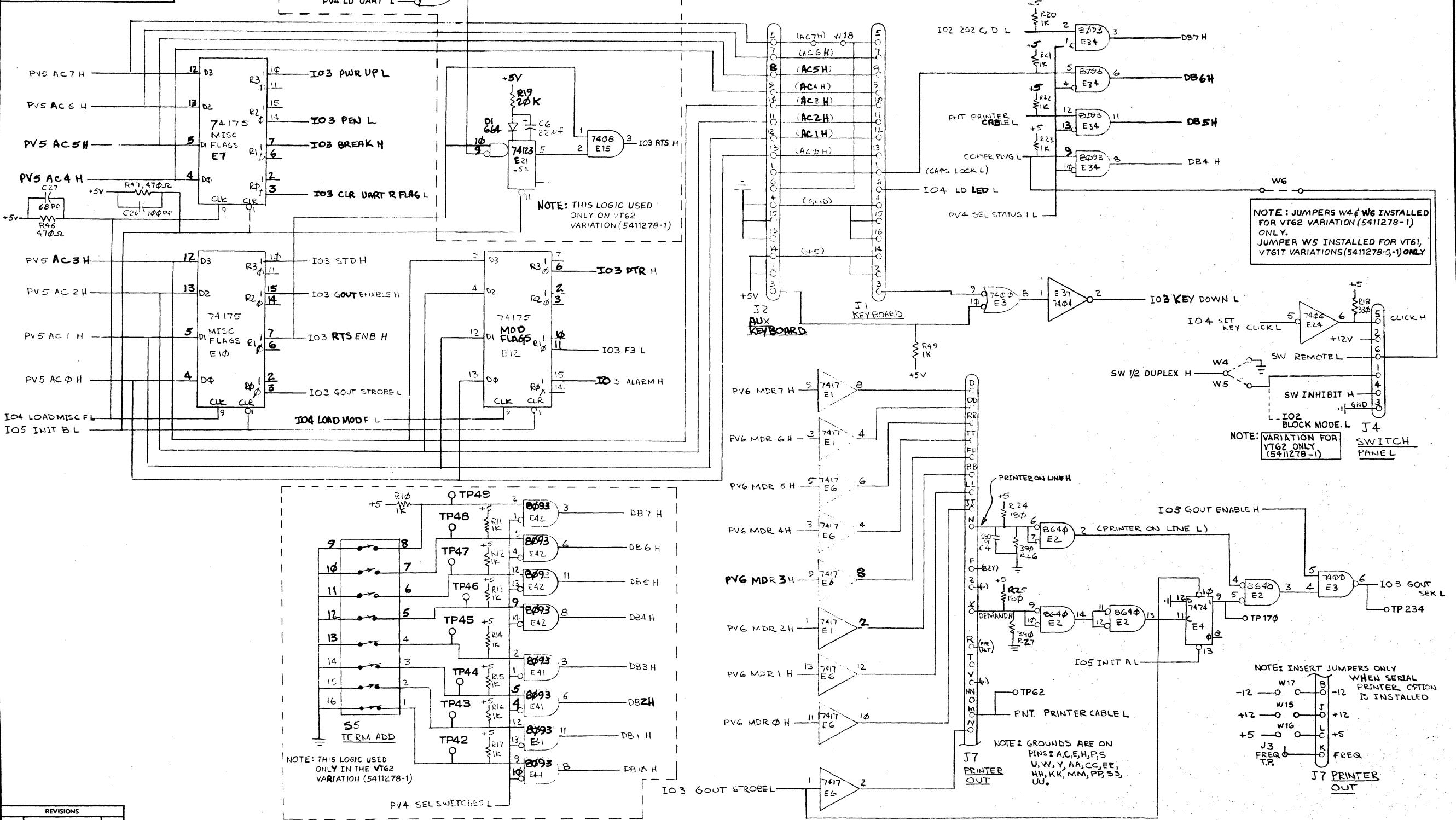
NOTE: THIS LOGIC USED ONLY IN VT62 VARIATION (5411278-1)

REVISIONS		
CHK	CHANGE NO.	REV.

TITLE	VT61 INPUT/OUTPUT BOARD (UART SYNC COMM SLOT)	SIZE	CODE	NUMBER	REV.
SCALE	SHEET 2 OF 5	DIST.	DCS	5411278-0-1	J

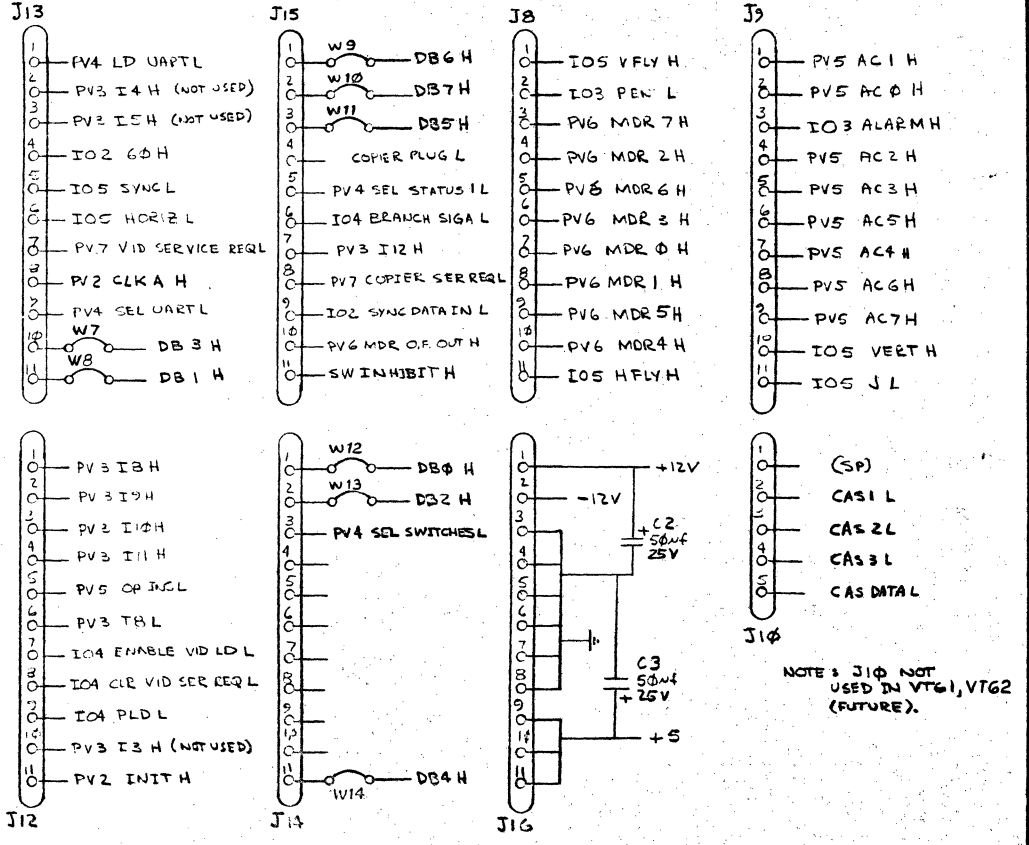
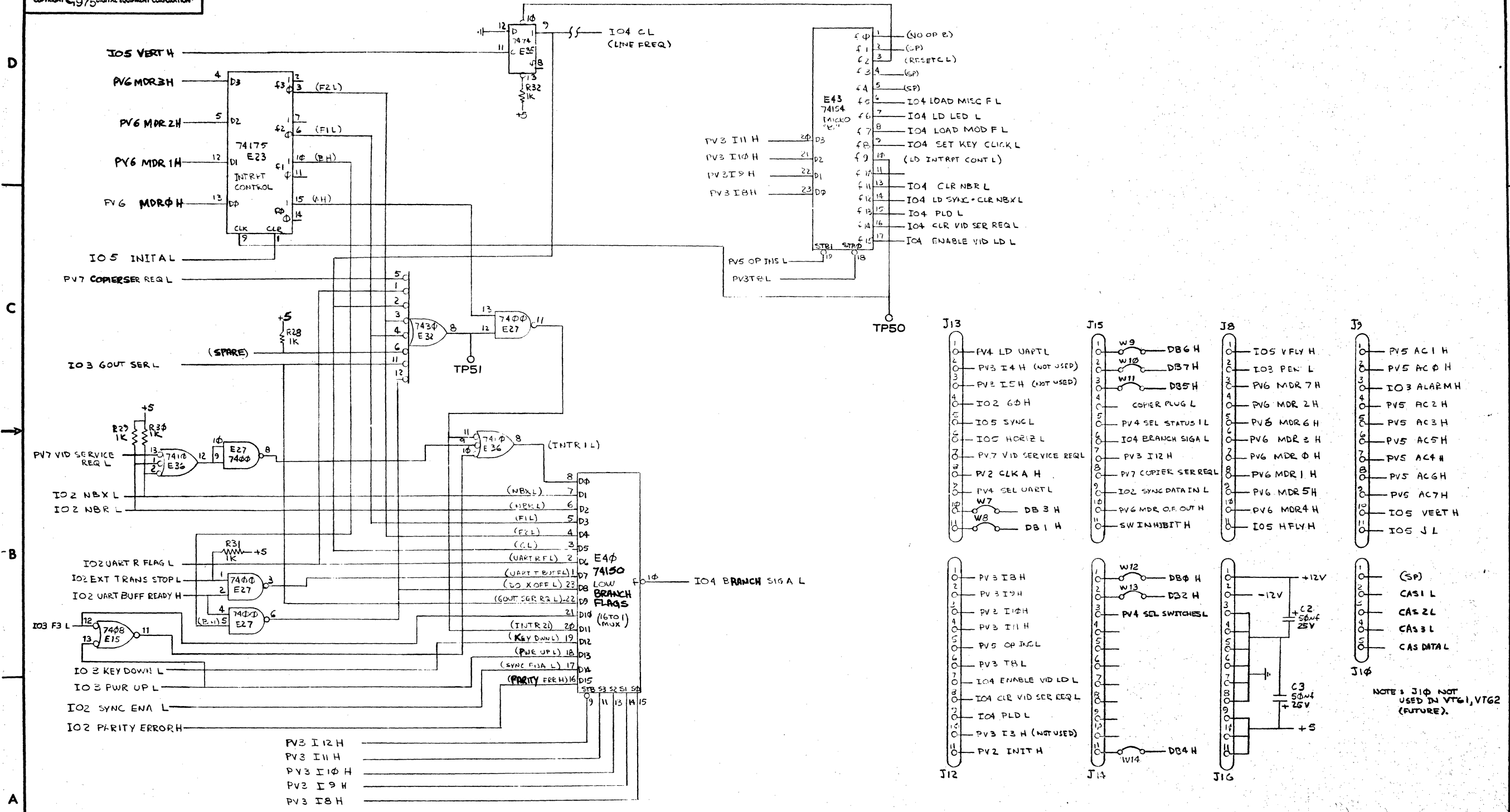
DCS 5411278-0-1

"THIS DRAWING AND SPECIFICATIONS, HEREIN, ARE THE PROPERTY OF DIGITAL EQUIPMENT CORPORATION AND SHALL NOT BE REPRODUCED OR COPIED OR USED IN WHOLE OR IN PART AS THE BASIS FOR THE MANUFACTURE OR SALE OF ITEMS WITHOUT WRITTEN PERMISSION OF DIGITAL EQUIPMENT CORPORATION" COPYRIGHT © 1975



REVISIONS		
CHK	CHANGE NO.	REV.

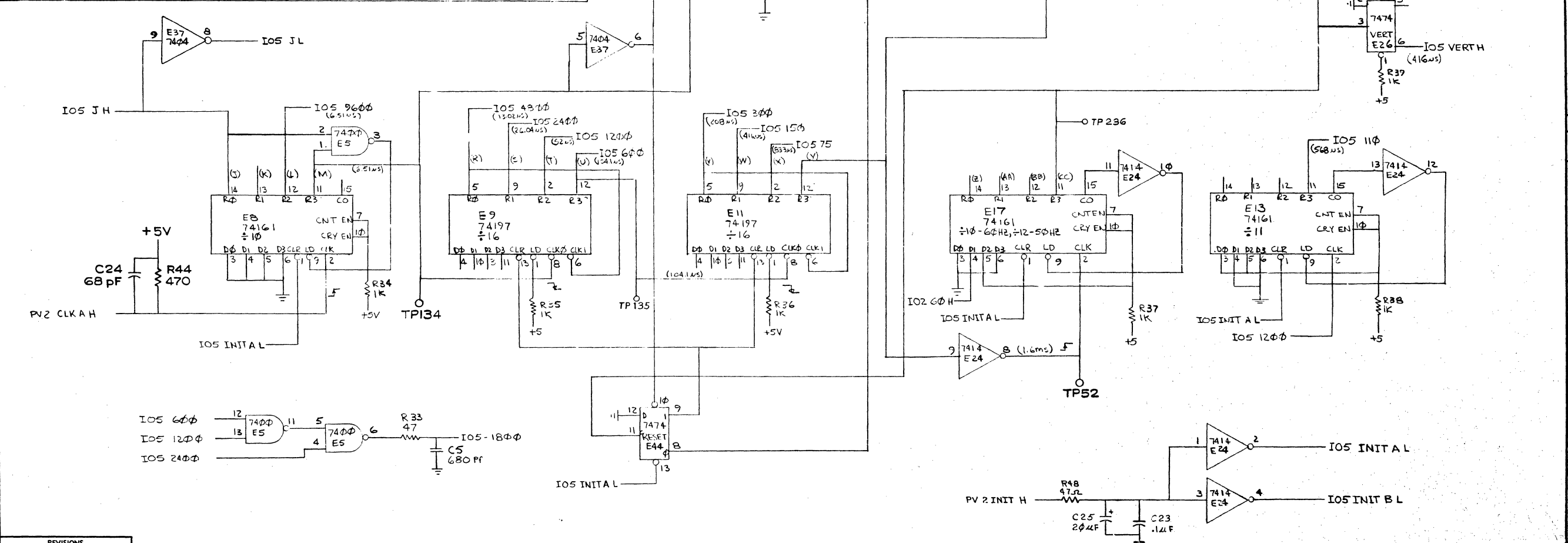
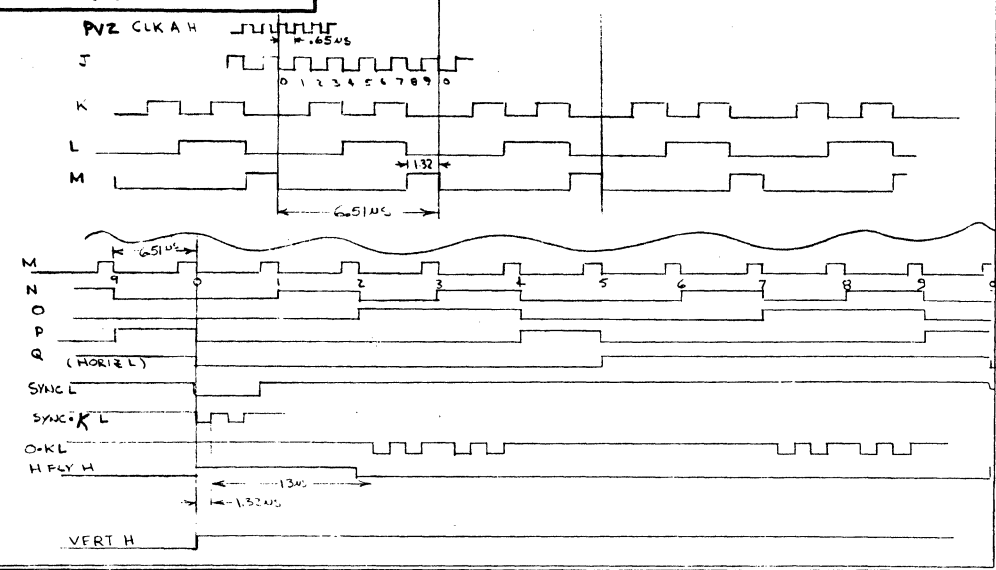
THIS DRAWING AND SPECIFICATIONS HEREIN ARE THE PROPERTY OF DIGITAL EQUIPMENT CORPORATION AND SHALL NOT BE REPRODUCED OR COPIED IN WHOLE OR IN PART AS THIS IS UNLAWFUL FOR THE MANUFACTURE OR SALE OF ITEMS WITHOUT THE WRITTEN PERMISSION OF DIGITAL EQUIPMENT CORPORATION
 COPYRIGHT © 1975 DIGITAL EQUIPMENT CORPORATION



REVISIONS		
CHK	CHANGE NO.	REV.

NUMBER 5411284-0-1
 REV. J
 DATE 10/1/75

THIS DRAWING AND SPECIFICATIONS HEREIN ARE THE PROPERTY OF DIGITAL EQUIPMENT CORPORATION AND SHALL NOT BE REPRODUCED OR COPIED OR USED IN WHOLE OR IN PART AS THE BASIS FOR THE MANUFACTURE OR SALE OF ITEMS WITHOUT WRITTEN PERMISSION. COPYRIGHT © 1975 DIGITAL EQUIPMENT CORPORATION



REVISIONS		
CHK	CHANGE NO.	REV.

TITLE VTSI INPUT/OUTPUT BOARD
 SIZE CODE DCS 5411273-0-1
 NUMBER 5411273-0-1
 REV. 1
 SHEET 5 OF 5
 DIST.

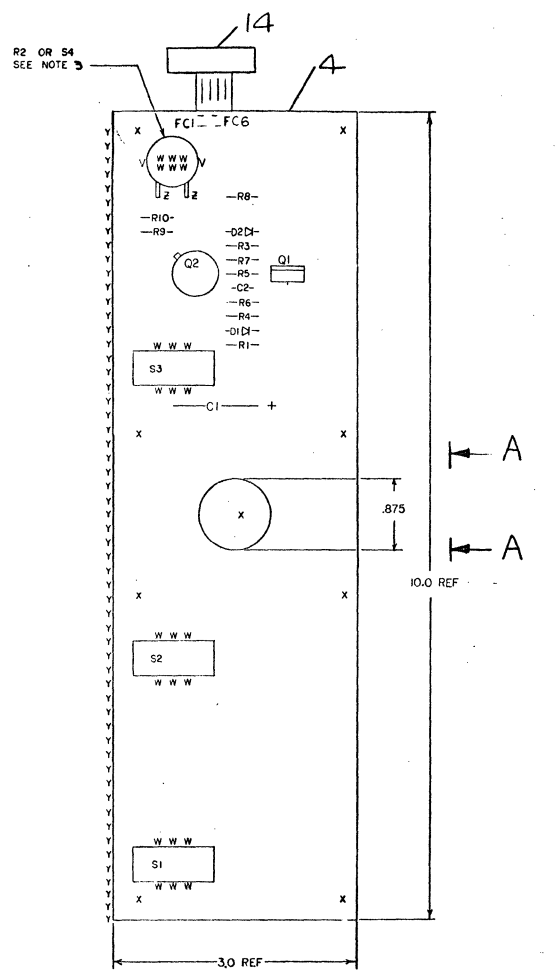
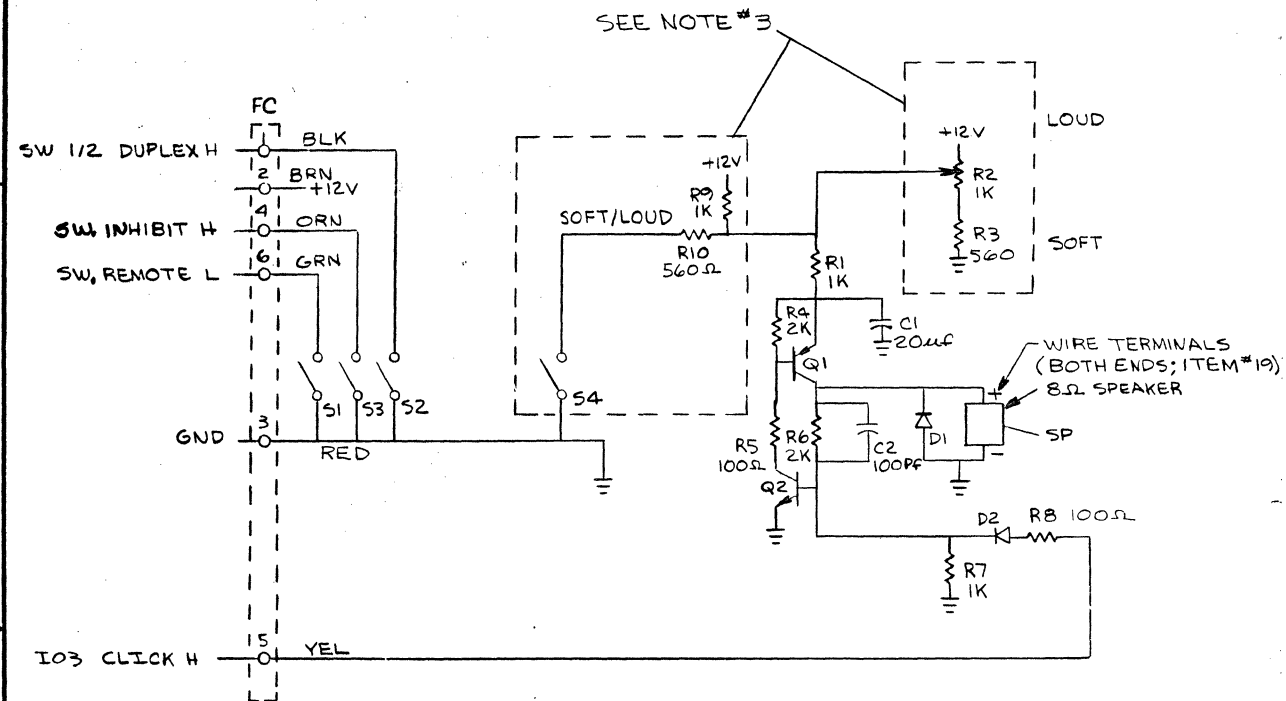
NUMBER DCS 5411284-0-1
 SIZE CODE

When processing any production order, please use the following information to identify the correct lot and quantity for the order. This information is for internal use only and should not be used for sales or other purposes. © 1975 United Equipment Corporation

NOTES:

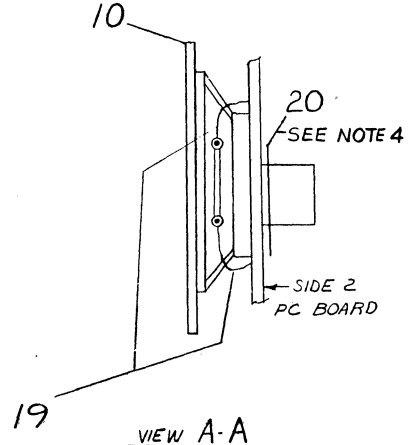
- 1. SIGNAL PREFIX NOTATION (EX. SW1) IDENTIFIES THE SIGNAL SOURCE (BOARD & PRINT). THE FIRST 2(TWO) LETTERS OF THE PREFIX IDENTIFY THE BOARD PRINT SET. THE NUMBER INDICATES THE SHEET NUMBER WITHIN THE PRINT SET. SIGNALS WHICH ARE FROM MULTIPLE SOURCES (EX. DE SIGNALS, TRI-STATE BUS, OR WIRED OR'ED FROM OUTPUTS) DO NOT CARRY A SIGNAL PREFIX.
- 2. UNLESS OTHERWISE NOTED: RESISTANCE IS IN OHMS, CAPACITANCE IS IN PICOFARADS
- 3. R2 AND R3 ARE NORMALLY INSERTED. R9, R10 AND S4 COMPRISE AN ALTERNATE CIRCUIT, WHICH IS ETCHED BUT NOT NORMALLY INSERTED.

- 4. RETAINING RING (ITEM #20) SHOULD BE PUSHED DOWN FLUSH WITH PC BOARD, HOLDING SPEAKER (ITEM #10) SECURELY TO BOARD.



WIRE TABLE

ITEM NO	DESCRIPTION	FROM	TO	REMARKS	
	AWG	COLOR	CONNECTION	CONNECTION	WITH
14		BLK	FC-1	FC-1	SOLD
		BRN	FC-2	FC-2	
		RED	FC-3	FC-3	
		ORN	FC-4	FC-4	
		VEL	FC-5	FC-5	
14		GRN	FC-6	FC-6	SOLD



IC TYPE	GND	+5V

GND AND 5V ARE USUALLY PIN 7 AND 14 RESPECTIVELY EXCEPTIONS ARE STATED ABOVE

IC PIN LOCATIONS

REF		X-Y COORDINATE HOLE LOC	QTY
REF		ASSY/DRILLING HOLE LAYOUT	D-AH-5411725-0-1 2
REF		MODULE ECC HISTORY	D-MH-5411725-0-1 3
		PANEL SWITCH VT61	IND-5011724-00 4
1	C2	CAP 100 PF	1000016-00 5
1	C1	CAP 204F 50V 75%	1002839-00 6
1	D2	DIODE D662	1100113-00 7
1	D1	DIODE D664	1100114-00 8
2	R5, R8	RES 100 Ω 1/4W 5%	1300229-00 9
1	SP	SPEAKER	1212564-00 10
1	R3	RES 560 Ω 1/4W 5%	1301890-00 11
2	R1, R7	RES 1K 1/4W 5%	1300965-00 12
2	R4, R6	RES 2K 1/4W 5%	1302388-00 13
1		CABLE ASSY	ITA-1012014-0-0 14
1	Q1	TRANSISTOR D45CG	1510414-00 15
1	Q2	TRANSISTOR DEC 6531B	1509338-00 16
1	R2	POT 1K	1312961-00 17
3	S1-S3	SWITCH DPDT	1210919-00 18
A/R	USE WITH ITEM #10	WIRE #22 AWG, GRN	9107350-55 19
1	USE WITH ITEM #10	RING, RETAINING	9009792-00 20

QTY	REF. DESIGNATION	DESCRIPTION	PART NO.	ITEM NO.

FIRST USED ON OPTION MODEL
VT61

ETCH BOARD REV. B

DATE	BY	REVISION
8-9-75	Co. Hany	1
12-2-75		2
12-5-75		3
12-23-75		4
12-23-75		5

digital

TITLE
VT61 SWITCH PANEL

NEXT HIGHER ASSY
φ-UA-VT61-0

DEC NO. EIA NO. DEC NO. EIA NO.

SCALE NONE

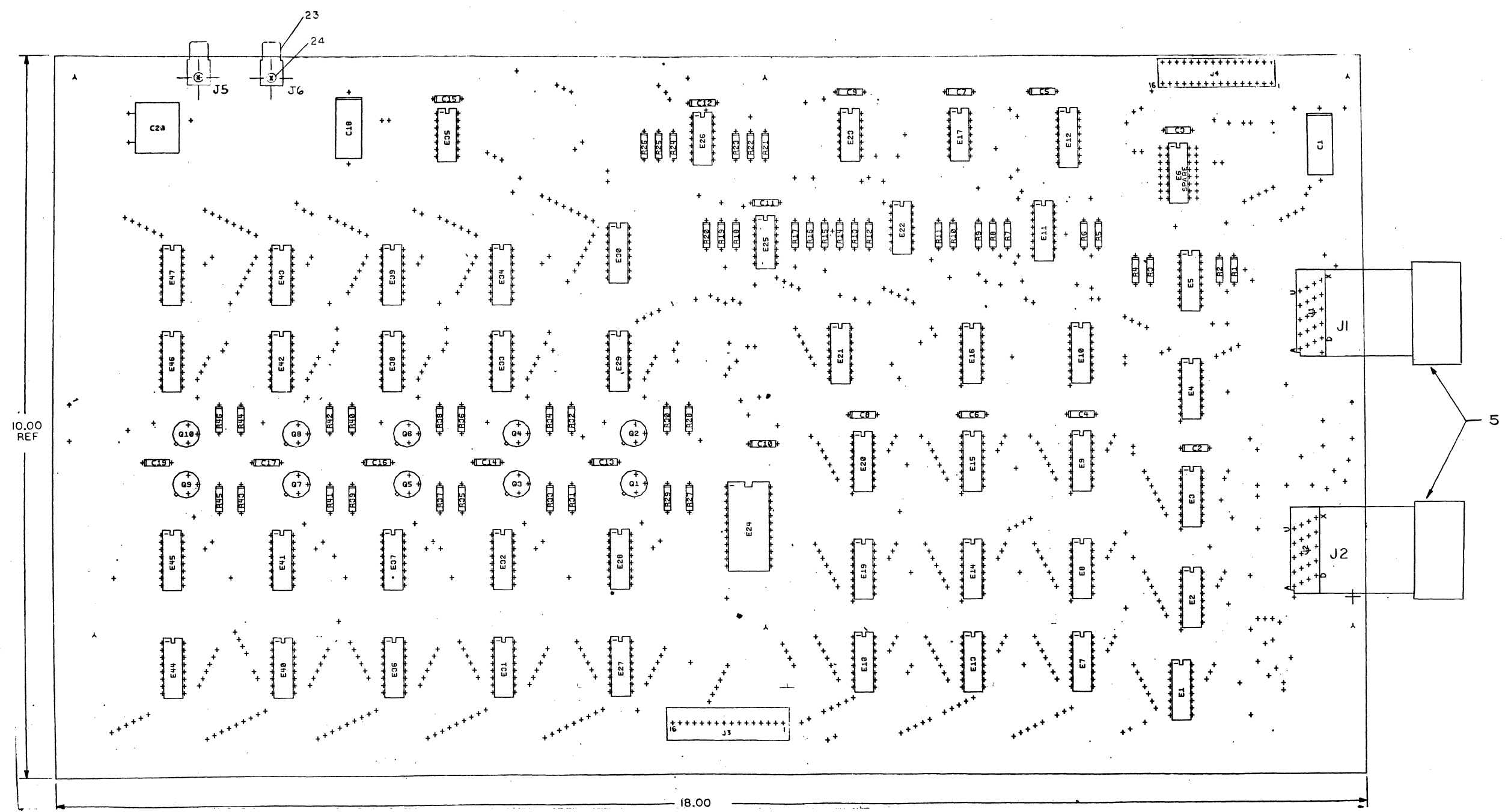
SEMICONDUCTOR CONVERSION CHART

SHEET 1 OF 1

SIZE CODE NUMBER REV.
D CS 5411725-0-1 1 B

THIS DRAWING AND SPECIFICATIONS, HEREIN, ARE THE PROPERTY OF DIGITAL EQUIPMENT CORPORATION AND SHALL NOT BE REPRODUCED OR TRANSMITTED IN ANY FORM OR BY ANY MEANS, ELECTRONIC OR MECHANICAL, INCLUDING PHOTOCOPYING, RECORDING, OR BY ANY INFORMATION STORAGE AND RETRIEVAL SYSTEM, WITHOUT PERMISSION IN WRITING FROM DIGITAL EQUIPMENT CORPORATION.

DCS 5411280-0-0 2 1



REVISIONS		
CHK	CHANGE NO.	REV.
5411280-2 & 2A		D
	3/19/78	
J. BUZYBS		

FIRST USED ON OPTION MODEL
VT 61

SIGNATURES	DATE
DRN. D. Donnellon	2-7-78
CHK'D	3/19/78
ENG. J. Buzbybs	2-2-78
PROV. ENG. J. Buzbybs	2/1/78
PRD. J. Buzbybs	2/1/78

digital	
TITLE VT 61 MEMORY BOARD	
SIZE CODE	NUMBER
DCS 5411280-0-0	D
DIST.	

8 7 6 5 4 3 2 1

8

7

6

5

4

3

1

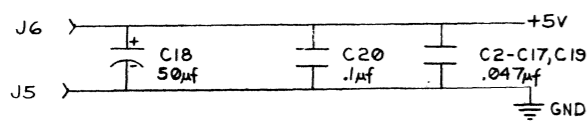
THIS DRAWING AND SPECIFICATIONS HEREIN ARE THE PROPERTY OF DIGITAL EQUIPMENT CORPORATION AND SHALL NOT BE REPRODUCED OR TRANSMITTED IN ANY FORM OR BY ANY MEANS, ELECTRONIC OR MECHANICAL, INCLUDING PHOTOCOPYING, RECORDING, OR BY ANY INFORMATION STORAGE AND RETRIEVAL SYSTEM, WITHOUT THE WRITTEN PERMISSION OF DIGITAL EQUIPMENT CORPORATION.
Copyright © 1978 Digital Equipment Corporation

NOTES:

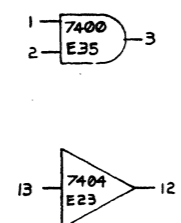
1. SIGNAL PREFIX NOTATION (EX. MM2) IDENTIFIES THE SIGNAL SOURCE (BOARD AND PRINT). THE FIRST (2) TWO LETTERS OF THE PREFIX IDENTIFY THE BOARD PRINT SET. THE NUMBER INDICATES THE SHEET NUMBER WITHIN THE PRINT SET. SIGNALS FROM MULTIPLE SOURCES (EX. DB SIGNALS, TRI-STATE BUS, WIRE OR LED PROM OUTPUTS), DO NOT CARRY A SIGNAL PREFIX.
2. UNLESS OTHERWISE NOTED: RESISTANCE IS IN OHMS, CAPACITANCE IS IN PICO-FARADS.

1-0-02117957 2

LEGEND	
NUMBER	VARIATION
5411280-0	VT6I
5411280-1	VT6IT (TYPE SET)



SPARE GATES



IC TYPE	GND	+5V
ROMS	8	16
74154	12	24
74157	8	16
2102	9	10
IC TYPE	GND	+5V

GND AND 5V ARE USUALLY PIN 7 AND 14 RESPECTIVELY EXCEPTIONS ARE STATED ABOVE
IC PIN LOCATIONS

QTY	QTY	REF.	DESIGNATION	DESCRIPTION	PART NO.	ITEM NO.	QTY	QTY	REF.	DESIGNATION	DESCRIPTION	PART NO.	ITEM NO.
			E33	IC DEC 23380A9	23380A9	46	REF	REF		X-Y COORDINATE HOLE LOCATION	K-CO-5411280-0-4		1
			E43	IC DEC 23067A9	23067A9	47	REF	REF		ASSY/DRILLING HOLE LAYOUT	D-AH-5411280-0-5		2
			E43	IC DEC 23384A9	23384A9	48	REF	REF		MODULE ECO HISTORY	8-MM-5411280-C-6		3
			E41	IC DEC 23068A9	23068A9	49	REF	REF		VT6I MEMORY PANEL	D-MD-5011279-0-0		4
			E41	IC DEC 23102A9	23102A9	50	2	2		CABLE ASSY	C-TA-701ZC15-1		5
			E31	IC DEC 23069A9	23069A9	51	1	1		ETCH CIRCUIT BOARD	5011279		6
			E31	IC DEC 23381A9	23381A9	52	17	17	C2-C17, C19	CAP .047UF	1012784		7
			E29	IC DEC 23542A9	23542A9	53	1	1	C20	CAP .1UF, 100V, 20%	1000030		8
			E29	IC DEC 23530A9	23530A9	54	2	2	C1, C19	CAP 50UF, 25V	1001796		9
			E47	IC DEC 23071A9	23071A9	55	1	1	J4	CONN 16 PIN, SIDE ENTRY	1212152		10
			E47	IC DEC 23105A9	23105A9	56	1	1	J3	PIN STRAIGHT	1212518-01		11
			E45	IC DEC 23072A9	23072A9	57	2	2	J1, J2	CONN PC MOUNTABLE, 20 PIN	1210722-01		12
			E45	IC DEC 23106A9	23106A9	58	16	16	E27, E29, E31, E33, E36-E47	CONN 16 PIN DIP (SOCKET)	1211813-02		13
			E27	IC DEC 23543A9	23543A9	59	8	8	R1-R8	RES, 12K, 1/4W, 5%	1300488		14
			E27	IC DEC 23531A9	23531A9	60	8	8	R30, R34, R37, R38, R41, R42, R45, R46	RES, 330, 1/4W, 5%	1300295		15
							26	26	R9-R26, R28, R32, R35, R36, R39, R40, R43, R44	RES, 1K, 1/4W, 5%	1300365		16
							8	8	Q2, Q4-Q10	TRANSISTOR 6534D	1503409		17
							2	2	E17, E35	IC DEC 7400	1905575		18
							1	1	E23	IC DEC 7404	1909686		19
							3	3	E22, E25, E26	IC DEC 7417	1909929		20
							1	1	E24	IC DEC 74154	1909701		21
							2	2	E5, E11	IC DEC 74157	1910655		22
							2	2	J5, J6	CONN ADAPTOR (TAB)	9007112		23
							2	2		EYELET	9009000		24
													25
							16	16	E1-E4, E7-10, E13-16, E18-21	IC 2102 (RAM)	2111318		26
													27
							1	1	E46	IC DEC 23058A9	23058A9		28
							1	1	E46	IC DEC 23382A9	23382A9		29
							1	1	E44	IC DEC 23059A9	23059A9		30
							1	1	E44	IC DEC 23383A9	23383A9		31
							1	1	E42	IC DEC 23060A9	23060A9		32
							1	1	E42	IC DEC 23094A9	23094A9		33
													34
							1	1	E40	IC DEC 23061A9	23061A9		35
							1	1	E40	IC DEC 23095A9	23095A9		36
							1	1	E38	IC DEC 23062A9	23062A9		37
							1	1	E38	IC DEC 23096A9	23096A9		38
							1	1	E39	IC DEC 23544A9	23544A9		39
							1	1	E39	IC DEC 23532A9	23532A9		40
							1	1	E37	IC DEC 23545A9	23545A9		41
							1	1	E37	IC DEC 23533A9	23533A9		42
							1	1	E36	IC DEC 23065A9	23065A9		43
							1	1	E36	IC DEC 23099A9	23099A9		44
							1	1	E33	IC DEC 23066A9	23066A9		45

PARTS LIST

ETCH BOARD REV. **D**

CHK	CHANGE NO.	REV.

DATE	BY
6-1-77	DRM HANSEN
12-5-75	CHKD J BUZYNSKI
12-3-75	ENG J BUZYNSKI
12-3-75	PRJ ENG M LETS
12-3-75	DRS E NEUMANN

VT6I

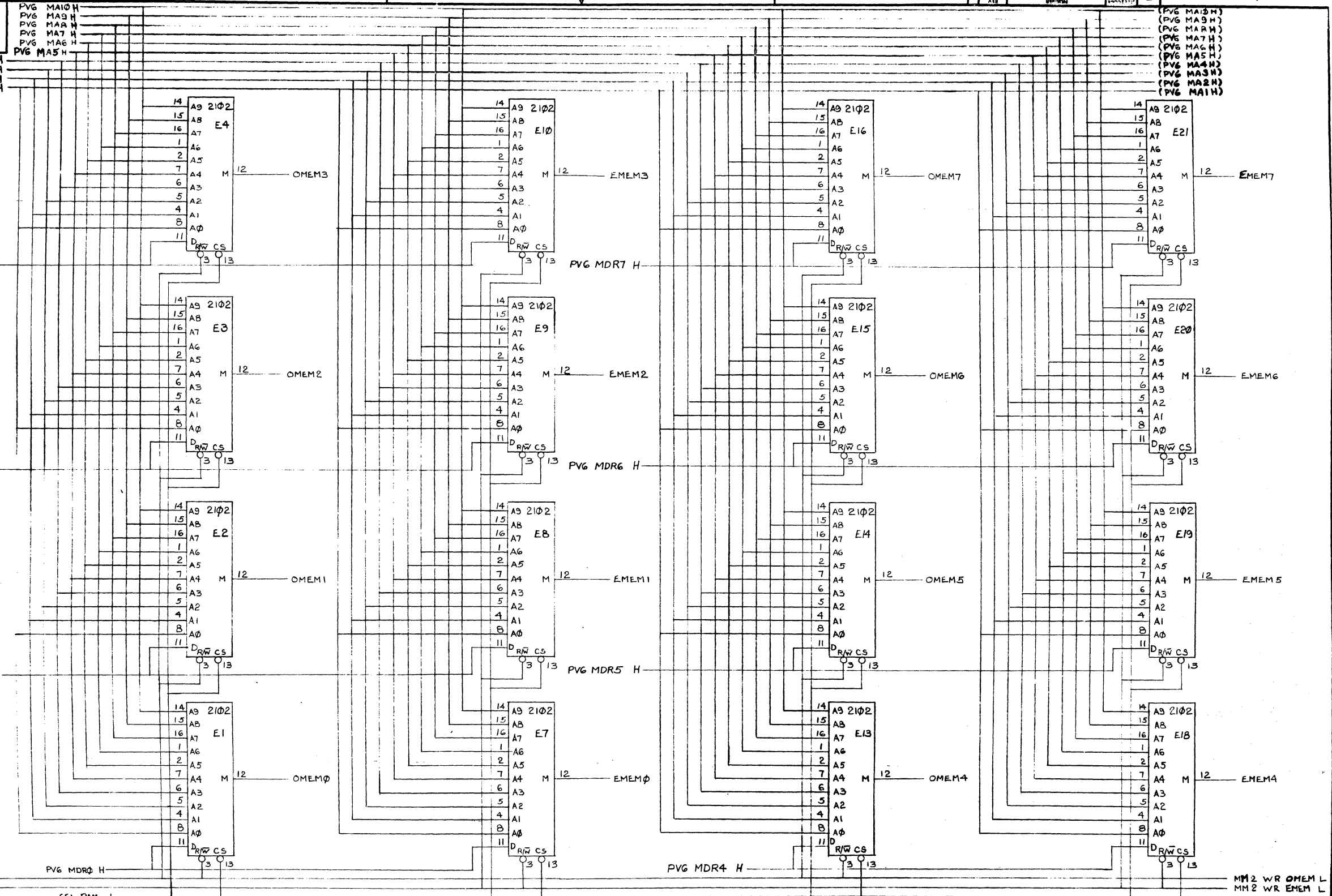
TITLE: **VT6I MEMORY BOARD**

PART NO. **5411280-0-1**

SCALE: **1/4"**

SHEET: **2 OF 7**

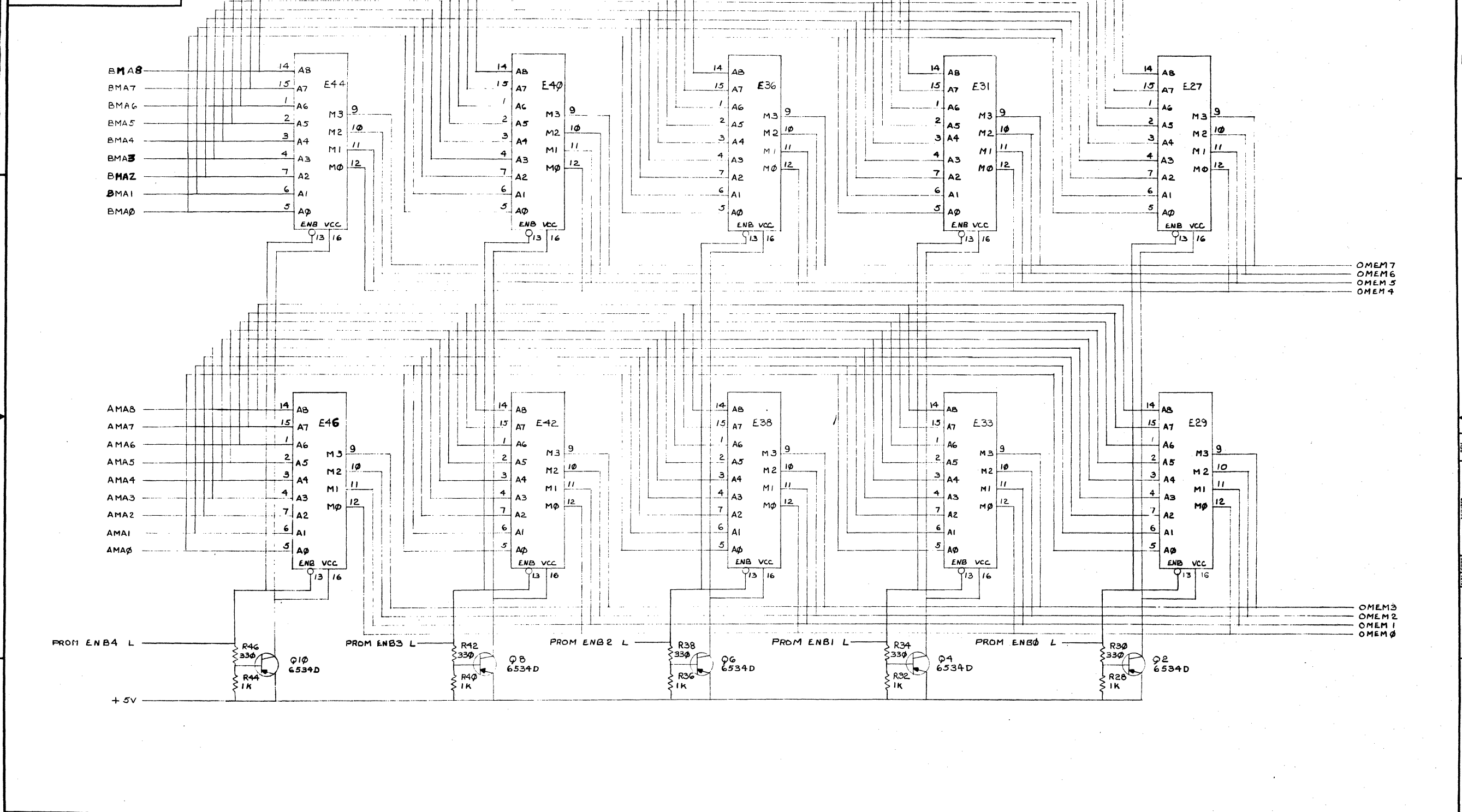
THIS DRAWING AND SPECIFICATIONS HEREIN ARE THE PROPERTY OF DIGITAL EQUIPMENT CORPORATION AND SHALL NOT BE REPRODUCED OR TRANSMITTED IN ANY FORM OR BY ANY MEANS, ELECTRONIC OR MECHANICAL, INCLUDING PHOTOCOPYING, RECORDING, OR BY ANY INFORMATION STORAGE AND RETRIEVAL SYSTEM, WITHOUT PERMISSION IN WRITING FROM DIGITAL EQUIPMENT CORPORATION.



REVISIONS		
CHK	CHANGE NO.	REV.

TITLE	VT61 MEM BOARD (MM2)	SIZE CODE	D CS	NUMBER	5411280-0-1	REV.	D
SCALE		SHEET	3 OF 7	DIST.			

"THIS DRAWING AND SPECIFICATIONS HEREIN ARE THE PROPERTY OF DIGITAL EQUIPMENT CORPORATION AND SHALL NOT BE REPRODUCED OR COPIED OR USED IN WHOLE OR IN PART AS THE BASIS FOR THE MANUFACTURE OR SALE OF ITEMS WITHOUT WRITTEN PERMISSION. COPYRIGHT © 1977 DIGITAL EQUIPMENT CORPORATION"



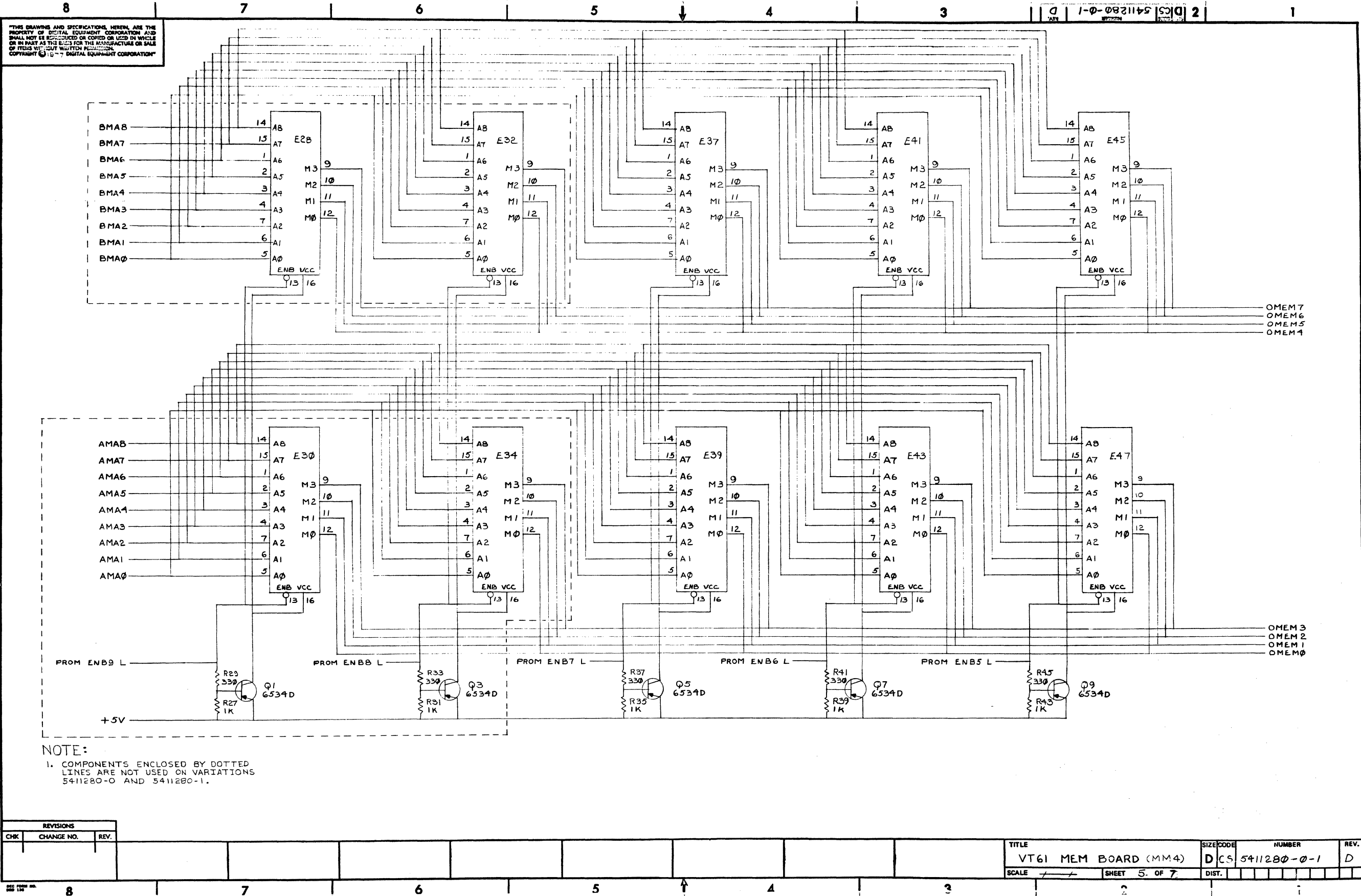
OMEM7
OMEM6
OMEM5
OMEM4

OMEM3
OMEM2
OMEM1
OMEM0

REVISIONS		
CHK	CHANGE NO.	REV.

TITLE	VT61 MEM BOARD (MM3)	SIZE CODE	D CS	NUMBER	5411280-0-1	REV.	D
SCALE		SHEET	4 OF 7	DIST.			

"THIS DRAWING AND SPECIFICATIONS, HEREIN, ARE THE PROPERTY OF DIGITAL EQUIPMENT CORPORATION AND SHALL NOT BE REPRODUCED OR COPIED OR USED IN WHOLE OR IN PART AS THE BASIS FOR THE MANUFACTURE OR SALE OF ITEMS WITHOUT WRITTEN PERMISSION. COPYRIGHT © 1977 DIGITAL EQUIPMENT CORPORATION"



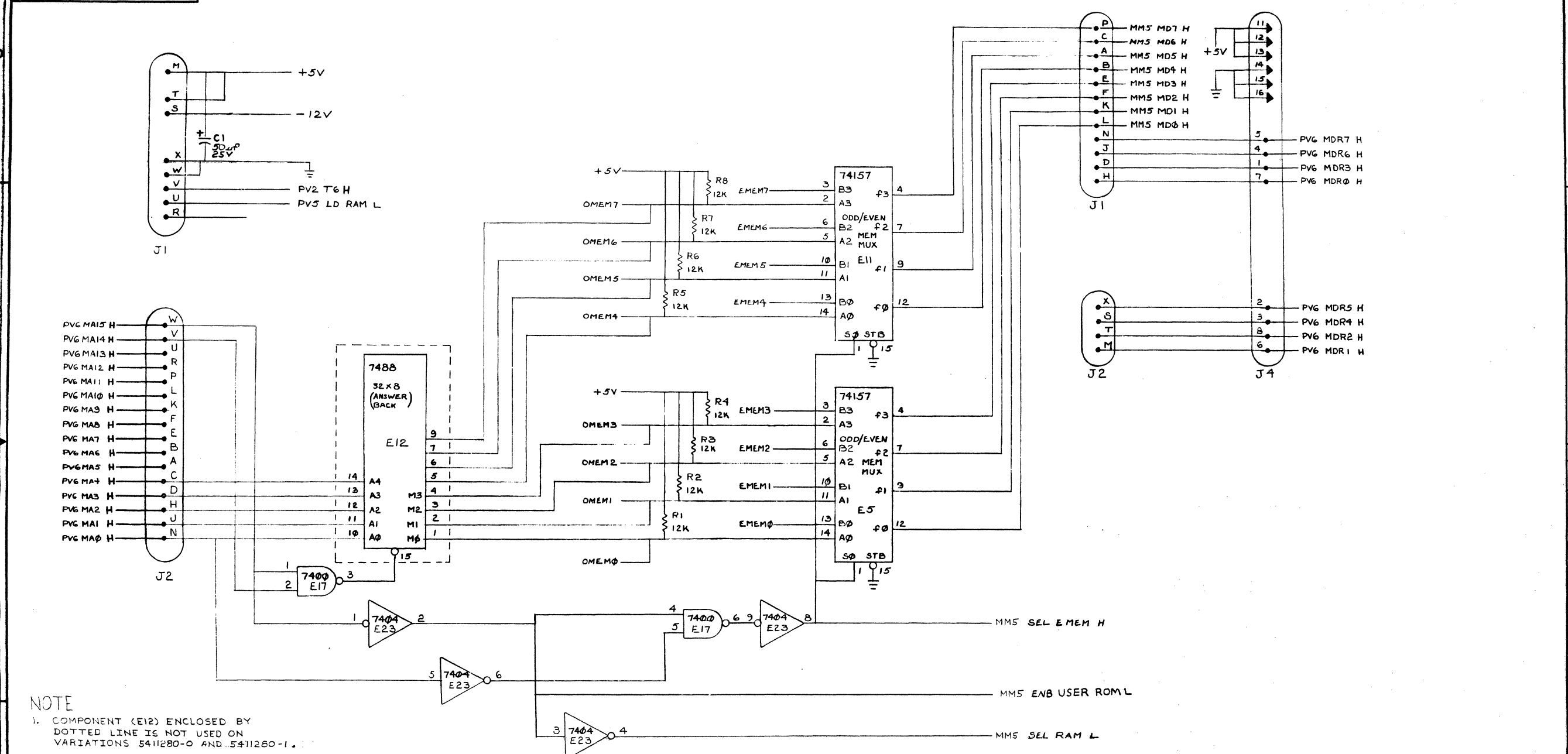
NOTE:
 1. COMPONENTS ENCLOSED BY DOTTED LINES ARE NOT USED ON VARIATIONS 5411280-0 AND 5411280-1.

REVISIONS		
CHK	CHANGE NO.	REV.

TITLE	SIZE/DATE	NUMBER	REV.
VT61 MEM BOARD (MM4)	DCS 5411280-0-1	D	D
SCALE	SHEET 5 OF 7	DIST.	

THIS DRAWING AND SPECIFICATIONS, HEREIN, ARE THE PROPERTY OF DIGITAL EQUIPMENT CORPORATION AND SHALL NOT BE REPRODUCED OR COPIED OR USED IN WHOLE OR IN PART AS THE BASIS FOR THE MANUFACTURE OR SALE OF ITEMS WITHOUT WRITTEN PERMISSION.
 COPYRIGHT © 1977 DIGITAL EQUIPMENT CORPORATION

1-0-0021145 2



NOTE
 1. COMPONENT (E12) ENCLOSED BY DOTTED LINE IS NOT USED ON VARIATIONS 5411280-0 AND 5411280-1.

REVISIONS		
CHK	CHANGE NO.	REV.

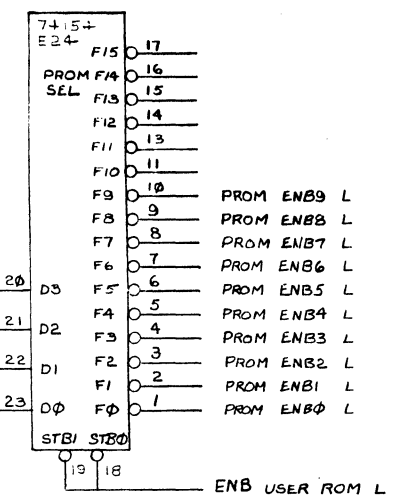
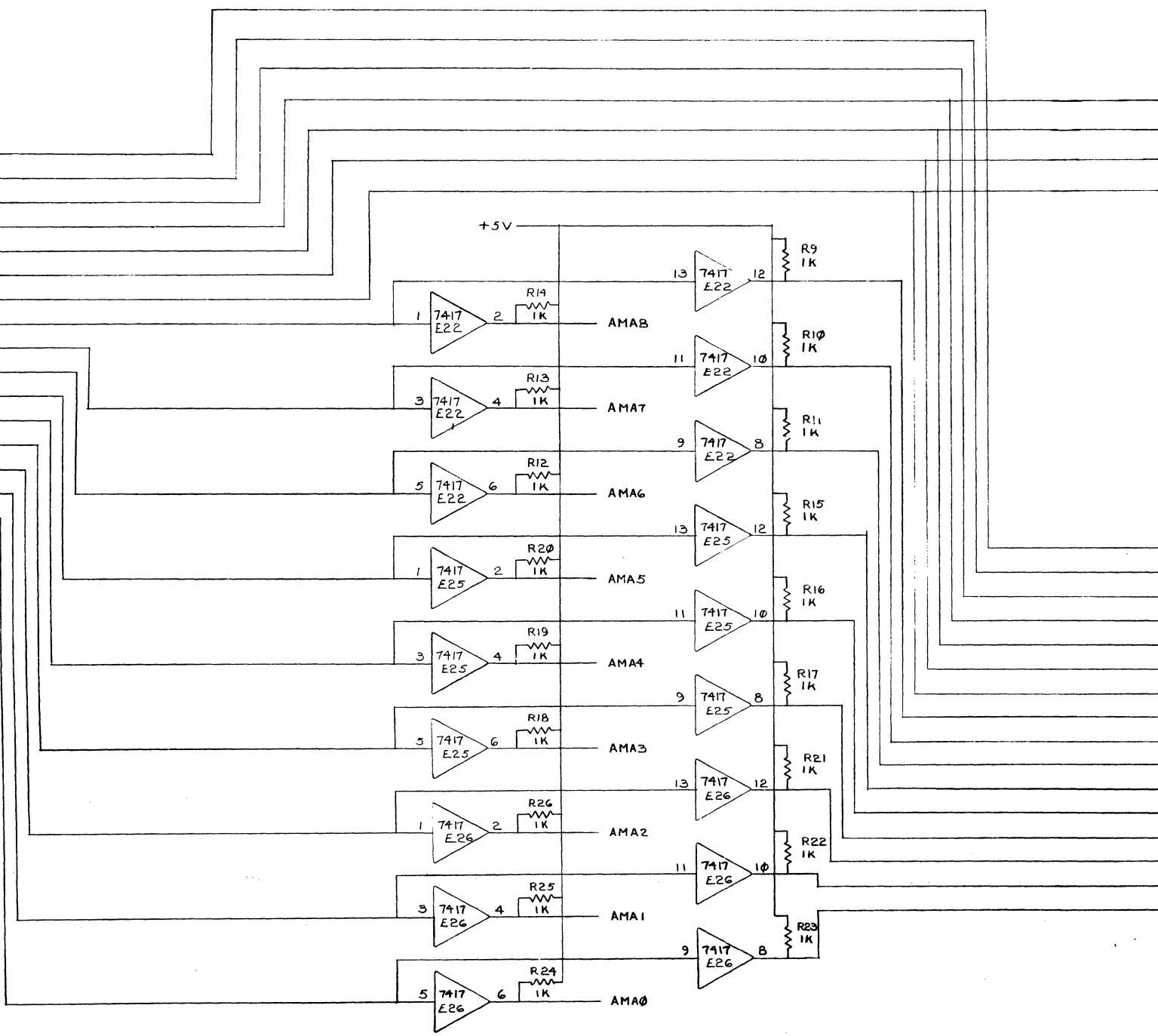
TITLE	SIZE CODE	NUMBER	REV.
VT61 MEM BOARD (MMS)	D CS	5411280-0-1	D
SCALE	SHEET	DIST.	
	6 OF 7		

THIS DRAWING AND SPECIFICATIONS HEREIN ARE THE PROPERTY OF DIGITAL EQUIPMENT CORPORATION AND SHALL NOT BE REPRODUCED OR COPIED OR USED IN WHOLE OR IN PART AS THE BASIS FOR THE MANUFACTURE OR SALE OF ITEMS WITHOUT WRITTEN PERMISSION. COPYRIGHT © 1977 DIGITAL EQUIPMENT CORPORATION

D 1-0-002116 CS 5411280-0-1

8 7 6 5 4 3 2 1

PV6 MA15H
 PV6 MA14H
 PV6 MA13H
 PV6 MA12H
 PV6 MA11H
 PV6 MA10H
 PV6 MA9H
 PV6 MABH
 PV6 MATH
 PV6 MA6H
 PV6 MA5H
 PV6 MA4H
 PV6 MA3H
 PV6 MA2H
 PV6 MA1H
 PV6 MA0H



1 PV6 MA15H
 2 PV6 MA14H
 3 PV6 MA13H
 4 PV6 MA12H
 5 PV6 MA11H
 6 PV6 MA10H
 7 PV6 MABH
 8 BMA8
 9 BMA7
 10 BMA6
 11 BMA5
 12 BMA4
 13 BMA3
 14 BMA2
 15 BMA1
 16 BMA0
 J3

REVISIONS		
CHK	CHANGE NO.	REV.

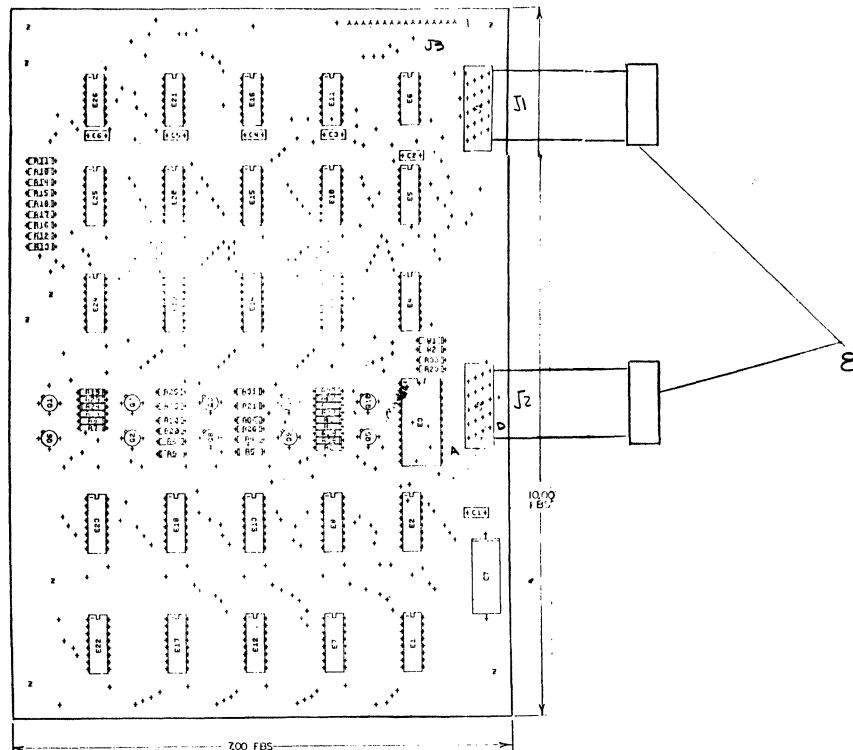
TITLE	SIZE CODE	NUMBER	REV.
VT61 MEM BOARD (MM6)	D CS	5411280-0-1	D
SCALE	SHEET	OF	
+	7	7	

8 7 6 5 4 3 2 1

THIS DRAWING AND SPECIFICATIONS, HEREIN, ARE THE PROPERTY OF DIGITAL EQUIPMENT CORPORATION AND SHALL NOT BE REPRODUCED OR COPIED OR USED IN WHOLE OR IN PART AS THE BASIS FOR THE MANUFACTURE OR SALE OF ITEMS WITHOUT WRITTEN PERMISSION.
 COPYRIGHT © 1975 DIGITAL EQUIPMENT CORPORATION

NOTES:

- SIGNAL PREFIX NOTATION (EX. PR2) IDENTIFIES THE SIGNAL SOURCE (BOARD AND PRINT). THE FIRST 2 (TWO) LETTERS OF THE PREFIX IDENTIFY THE BOARD PRINT SET, THE NUMBER INDICATES THE SHEET NUMBER WITHIN THE PRINT SET. SIGNALS WHICH ARE FROM MULTIPLE SOURCES (EX. DB SIGNALS, TRI-STATE BUS, OR WIRE OR'ED FROM OUTPUTS) DO NOT CARRY A SIGNAL PREFIX.
- UNLESS OTHERWISE NOTED: RESISTANCE IS IN OHMS, CAPACITANCE IS IN PICOFARADS.



VARIATION TABLE (ITEM #14)			
VARIATION			
		5411282-1	5411282-0
E1		23382A9	23058A9
E2			
E4			
E5		23383A9	23059A9
E7		23094A9	23060A9
E8			
E9			
E10		23095A9	23061A9
E12		23096A9	23062A9
E13		23532A9	23544A9
E14		23553A9	23545A9
E15		23097A9	23063A9
E17		23380A9	23064A9
E18		23384A9	23067A9
E19		23102A9	23068A9
E20		23381A9	23069A9
E22		23530A9	23542A9
E23		23105A9	23071A9
E24		23106A9	23072A9
E25		23531A9	23543A9

* QUANTITY ONE UNLESS OTHERWISE NOTED

LEGEND	
NUMBER	VARIATION
5411282-0	VT61
5411282-1	VT61T (TYPESET)

REF	REF	DESCRIPTION	PART NO.	ITEM NO.
		X-Y COORDINATE HOLE LOCATION	K-CO-5411282-0-4	1
		ASSY/DRILLING HOLE LAYOUT	D-AH-5411282-0-3	2
		MODULE ECO HISTORY	B-MH-5411282-0-0	3
1	1	VT61 FROM PANEL	5011281	4
6	6	C1-C6 CAP .01	1001610-01	5
1	1	C7 CAP 50.0UF 25V	1001796-00	6
28	28	R1-R28 RES, 1K 1/4W 5%	1300365-00	7
2	2	CABLE ASSY (VT61)	C-7A-702015-0-0	8
10	10	R29, R38 RES, 330.0 1/4W 5%	1300295-00	9
10	10	Q1-Q10 TRANSISTOR 6534D	1503409-00	10
3	3	E16, E21, E26 IC 7417	1909929-00	11
1	1	E3 IC 74154	1909701-00	12
2	2	E6, E11 IC 8093	1910837-00	13
A/R	A/R	E1, E2, E4, E5, E7-E10, E12-E15, E17-E20, E22-E25 PROMS (SEE VARIATION TABLE, THIS PAGE)		14
1	1	J3 PIN, STRAIGHT	1212518-01	15
2	2	J1, J2 CONN, CABLE	1210722-01	16
1	1	W1 JUMPER,	9107560-1	17
0	0	W2 JUMPER	9107560-1	18
16	16	E1, E5, E10, E12-E15, E17-E20, E22-E25 CONN, 16 PIN DIP	1211813-02	19

IC TYPE	GND	+5V
PROMS (ITEM #14)	8	16
74154	12	24

GND AND 5V ARE USUALLY PIN 7 AND 14 RESPECTIVELY EXCEPTIONS ARE STATED ABOVE

IC PIN LOCATIONS

REV.	DATE	BY	CHK	CHARGE NO.
1	23 AUG 77	J. DESUK		
2	23 AUG 77	J. DESUK		
3	4/15/77	J. DESUK		
4	6/15/77	J. DESUK		
5	11/15/77	J. DESUK		
6	11/15/77	J. DESUK		
7	11/15/77	J. DESUK		
8	11/15/77	J. DESUK		
9	11/15/77	J. DESUK		
10	11/15/77	J. DESUK		
11	11/15/77	J. DESUK		
12	11/15/77	J. DESUK		
13	11/15/77	J. DESUK		
14	11/15/77	J. DESUK		
15	11/15/77	J. DESUK		
16	11/15/77	J. DESUK		
17	11/15/77	J. DESUK		
18	11/15/77	J. DESUK		
19	11/15/77	J. DESUK		
20	11/15/77	J. DESUK		
21	11/15/77	J. DESUK		
22	11/15/77	J. DESUK		
23	11/15/77	J. DESUK		
24	11/15/77	J. DESUK		
25	11/15/77	J. DESUK		
26	11/15/77	J. DESUK		
27	11/15/77	J. DESUK		
28	11/15/77	J. DESUK		
29	11/15/77	J. DESUK		
30	11/15/77	J. DESUK		
31	11/15/77	J. DESUK		
32	11/15/77	J. DESUK		
33	11/15/77	J. DESUK		
34	11/15/77	J. DESUK		
35	11/15/77	J. DESUK		
36	11/15/77	J. DESUK		
37	11/15/77	J. DESUK		
38	11/15/77	J. DESUK		
39	11/15/77	J. DESUK		
40	11/15/77	J. DESUK		
41	11/15/77	J. DESUK		
42	11/15/77	J. DESUK		
43	11/15/77	J. DESUK		
44	11/15/77	J. DESUK		
45	11/15/77	J. DESUK		
46	11/15/77	J. DESUK		
47	11/15/77	J. DESUK		
48	11/15/77	J. DESUK		
49	11/15/77	J. DESUK		
50	11/15/77	J. DESUK		

FIRST USED ON OPTION MODEL: VT61

ETCH BOARD REV. C

DRN. *C. Harvey* DATE *8-18-75*

CHK. *J. Desuk* DATE *12-5-75*

DATE *12-5-75*

DATE *12-5-75*

DATE *12-5-75*

DATE *12-5-75*

NEXT HIGHER ASSY: 0-UA-VT61-0

SCALE: 1/1

SHEET OF 4

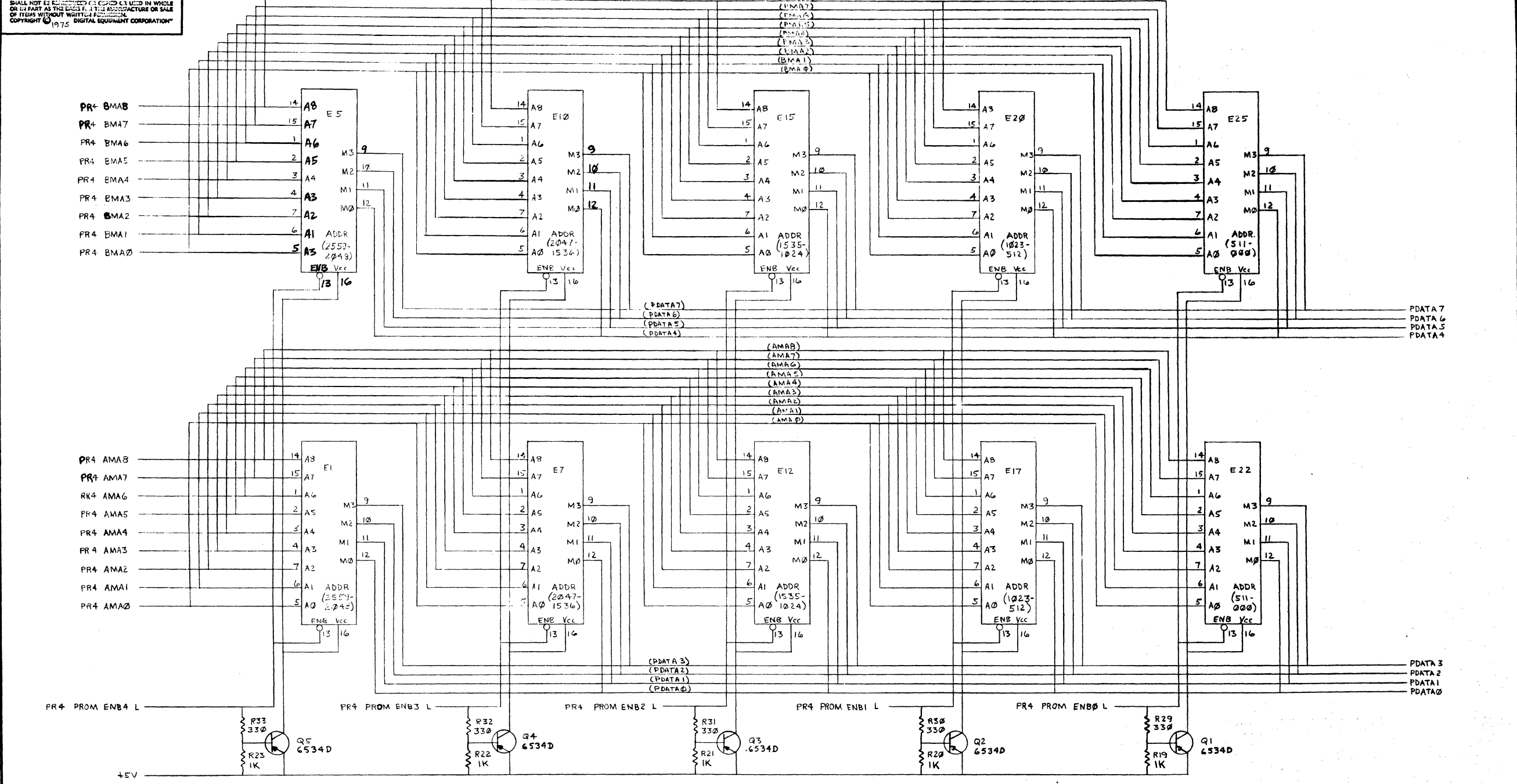
TITLE: VT61 PROM BOARD

DCS 5411282-0-1

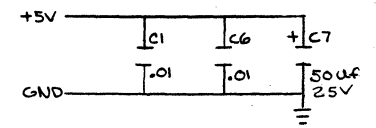
SEMICONDUCTOR CONVERSION CHART

"THIS DRAWING AND SPECIFICATIONS, HEREIN, ARE THE PROPERTY OF DIGITAL EQUIPMENT CORPORATION AND SHALL NOT BE REPRODUCED OR TRANSMITTED IN ANY FORM OR BY ANY MEANS, ELECTRONIC OR MECHANICAL, INCLUDING PHOTOCOPYING, RECORDING, OR BY ANY INFORMATION STORAGE AND RETRIEVAL SYSTEM, WITHOUT PERMISSION IN WRITING FROM DIGITAL EQUIPMENT CORPORATION. COPYRIGHT © 1975 DIGITAL EQUIPMENT CORPORATION"

DCS 5411282-01



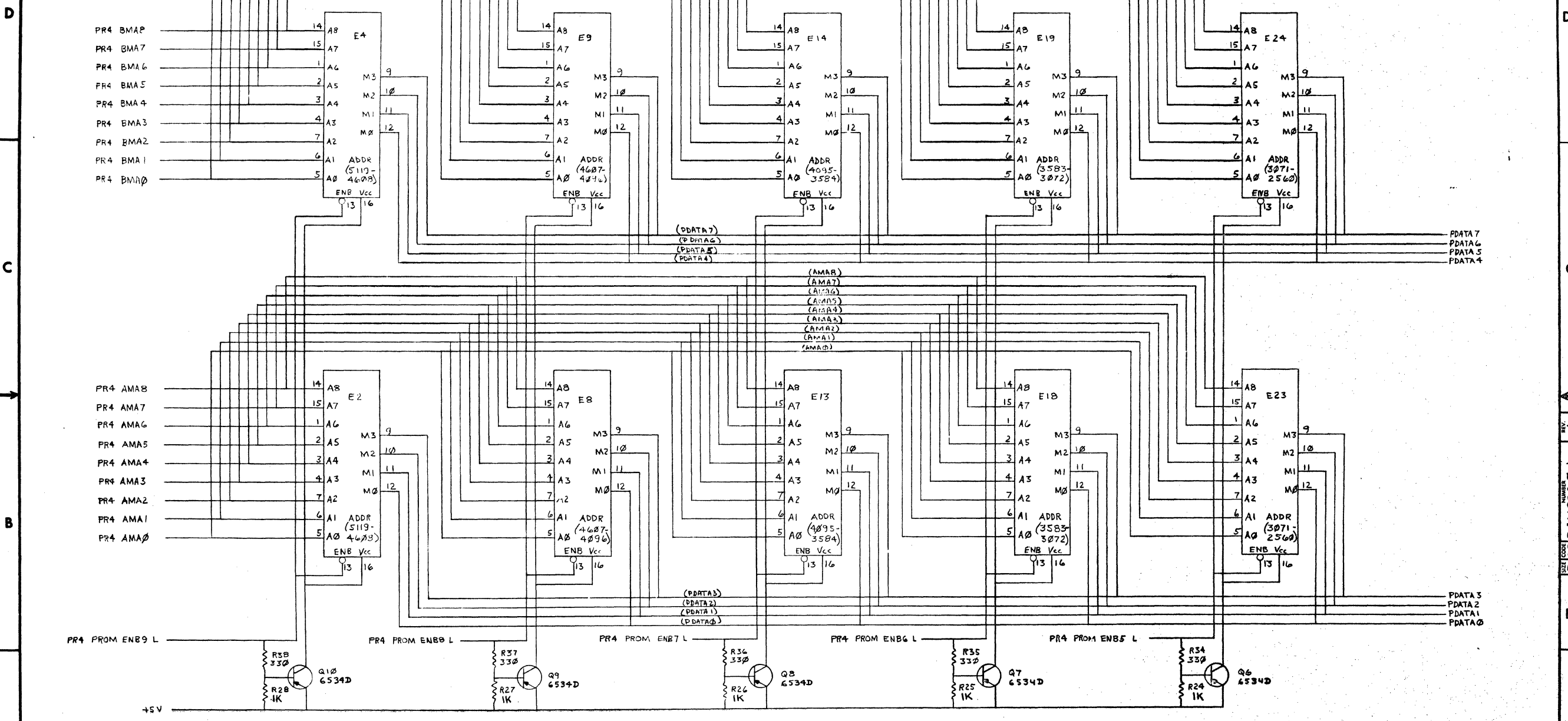
NOTE: +5V IS APPLIED TO THE INDIVIDUAL PROMS ONLY WHEN THE INDIVIDUAL IC IS ENABLED.



REVISIONS		
CHK	CHANGE NO.	REV.

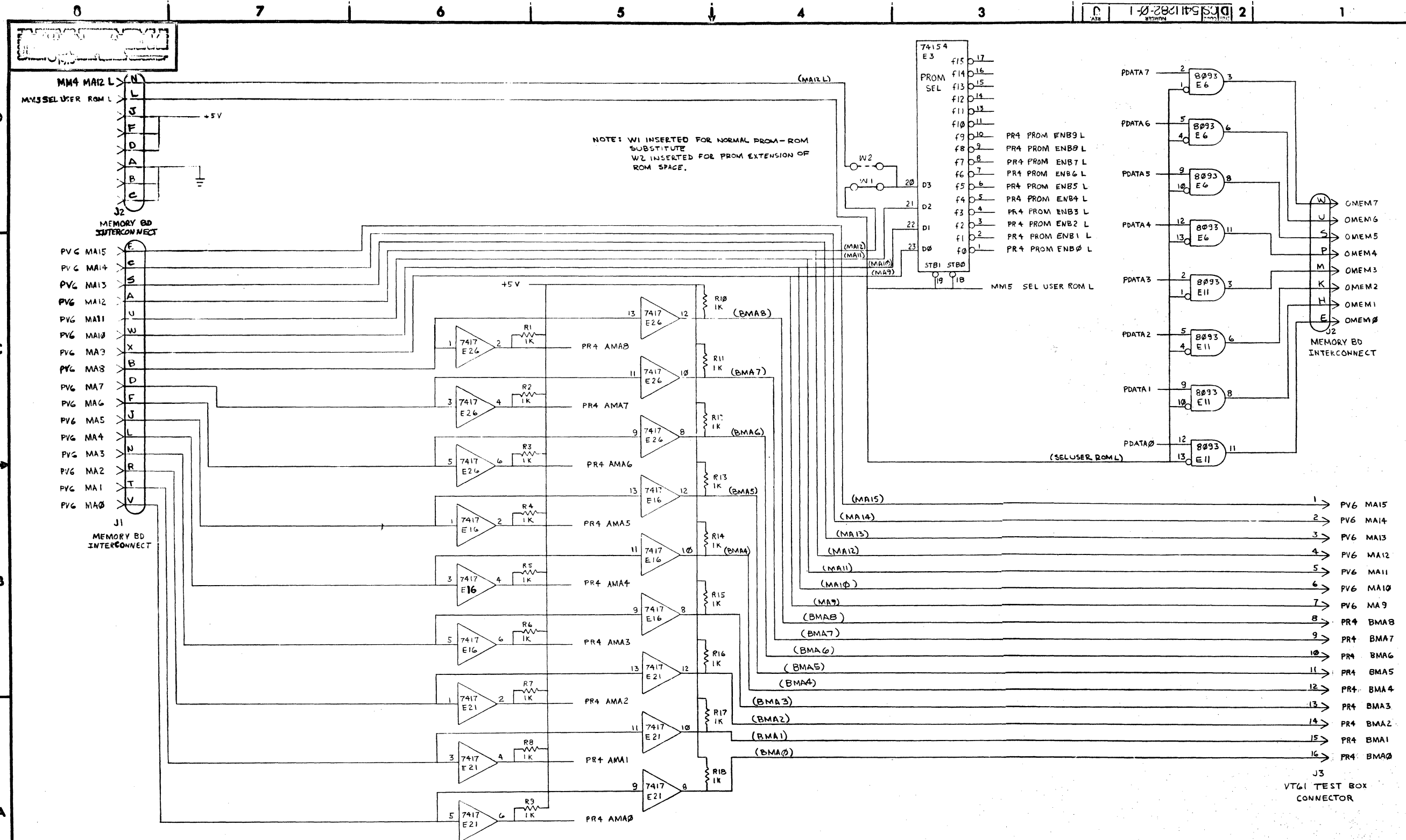
TITLE VT61 PROM BOARD (PR2)
 SHEET 2 OF 4
 NUMBER DCS 5411282-01
 REV. 11

THIS DRAWING AND SPECIFICATIONS HEREAFTER ARE THE PROPERTY OF DIGITAL EQUIPMENT CORPORATION AND SHALL BE KEPT CONFIDENTIAL. NO PART OF THIS DRAWING OR SPECIFICATIONS SHALL BE REPRODUCED OR TRANSMITTED IN ANY FORM OR BY ANY MEANS, ELECTRONIC OR MECHANICAL, INCLUDING PHOTOCOPYING, RECORDING, OR BY ANY INFORMATION STORAGE AND RETRIEVAL SYSTEM, WITHOUT PERMISSION IN WRITING FROM DIGITAL EQUIPMENT CORPORATION.
 COPYRIGHT © 1975



NOTE: +5V IS APPLIED TO THE INDIVIDUAL PROMS ONLY WHEN THE INDIVIDUAL IC IS ENABLED.

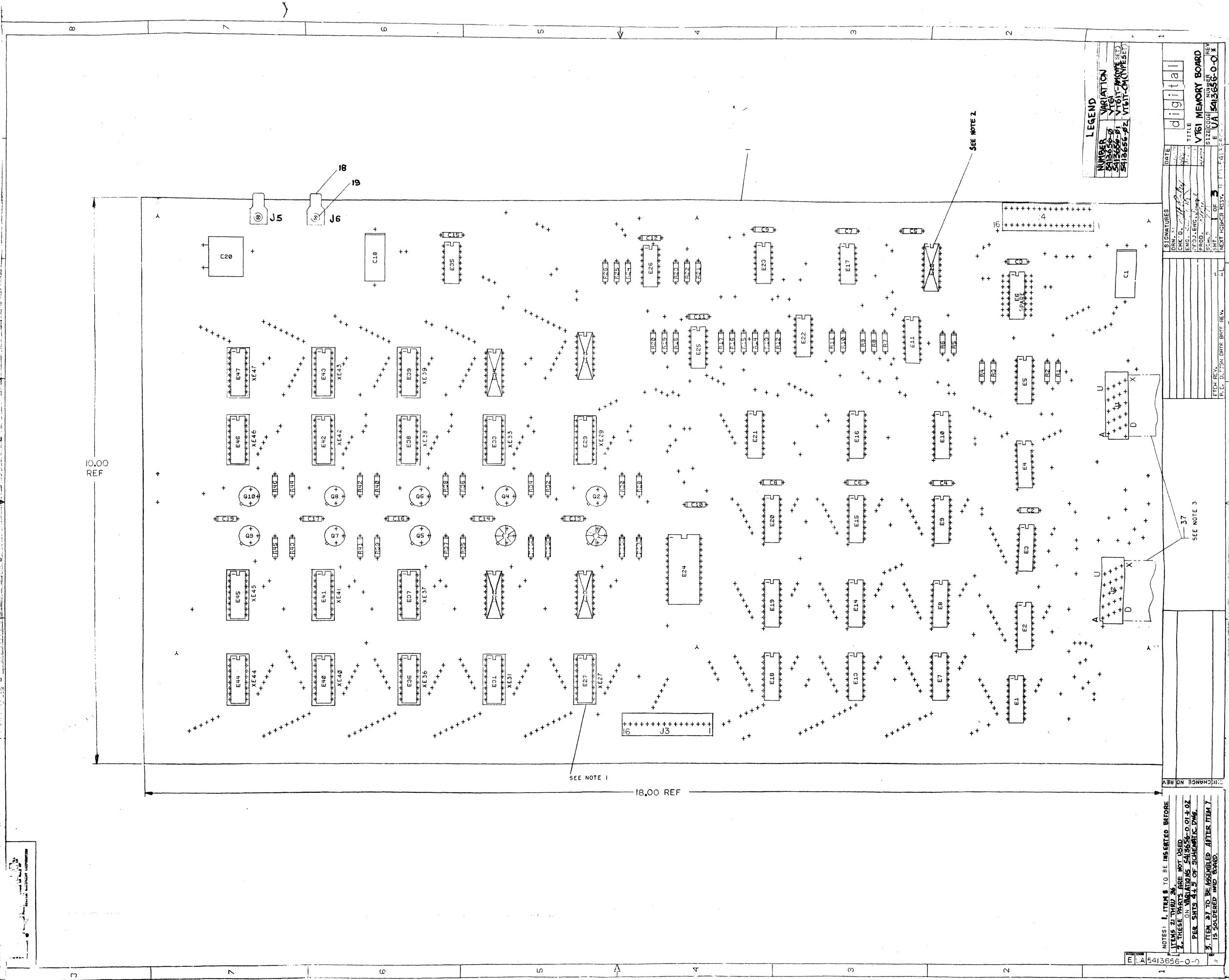
REVISIONS		
CHK	CHANGE NO.	REV.



NOTE: W1 INSERTED FOR NORMAL PROM-ROM
SUBSTITUTE
W2 INSERTED FOR PROM EXTENSION OF
ROM SPACE.

REVISIONS		
CHK	CHANGE NO.	REV.

REV. J
NUMBER 5411282-0-1



LEGEND

NUMBER	VARIATION
5413656-01	VT61
5413656-02	VT61-MANAGE
5413656-03	VT61-CH (WAVE 8.7)

SIGNATURES	
DRN. V. <i>[Signature]</i>	DATE
CHK. D. <i>[Signature]</i>	DATE
APP. J. <i>[Signature]</i>	DATE
PRO. <i>[Signature]</i>	DATE
REV. <i>[Signature]</i>	DATE
SHT. 1 OF 3	REV. 3
NEXT PAPER REV. N. T. 7-61-57	

TITLE	
digital	
VT61 MEMORY BOARD	
DESIGNED BY	DATE
STRIPPED BY	DATE
REV. 3	DATE
E. A. 5413656-0-0 X	

NOTES: 1. ITEM 8 TO BE INSERTED BEFORE ITEM 21 THIRD 2M.
 2. THESE PARTS ARE NOT USED ON VARIATIONS 5413656-01 & 02 PER SHTS 4 & 5 OF SCHEMATIC DWG.
 3. ITEM 37 TO BE ASSEMBLED AFTER ITEM 7 IS SOLDERED INTO BOARD.

10.00 REF

SEE NOTE 1

18.00 REF

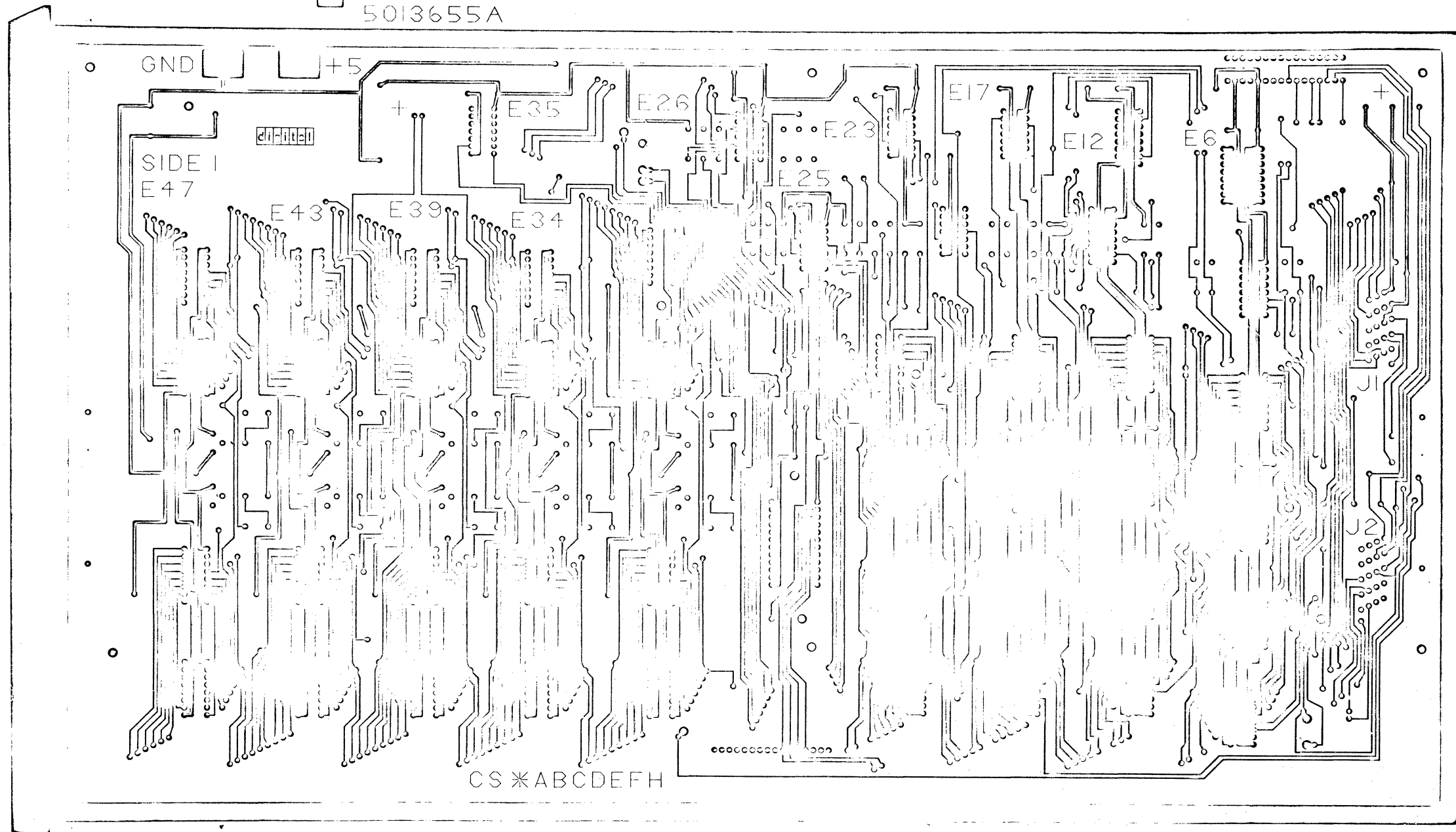
SEE NOTE 2

37
SEE NOTE 3

E. A. 5413656-0-0

8 7 6 5 4 3 2 1

LI
5413656
5013655A



SIDE 1
E47

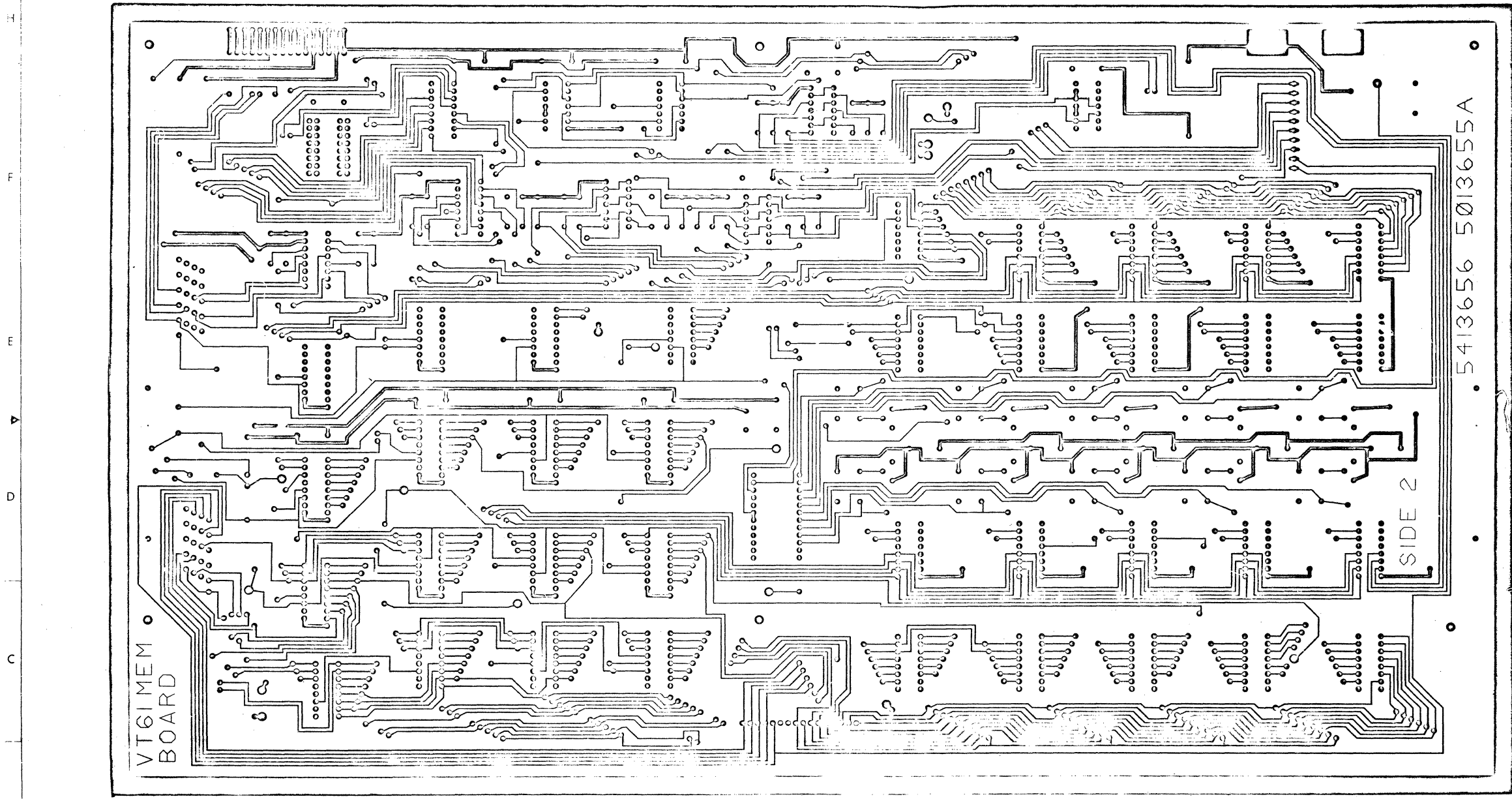
CS * ABCDEFH

REV	REV
DATE	BY

TITLE	VT61 MEMORY BOARD	SIZE/CODE	EUA	NUMBER	5413656-0-0	REV.	*
SCALE	2/1	SHEET	2	OF	3	DIST.	

8 7 6 5 4 3 2 1

1976



REV	DATE	BY	CHKD	APP'D

8	7	6	5	4	4	3	2	1
---	---	---	---	---	---	---	---	---

TITLE: VT61 MEMORY BOARD
 SCALE: 2/1
 SHEET: 3 OF 3
 SIZE: 000
 QUANTITY: 1
 REV: E
 PART: 5413656-0-0
 DIST: *
 DATE: 11/1/76

5413656-0-0

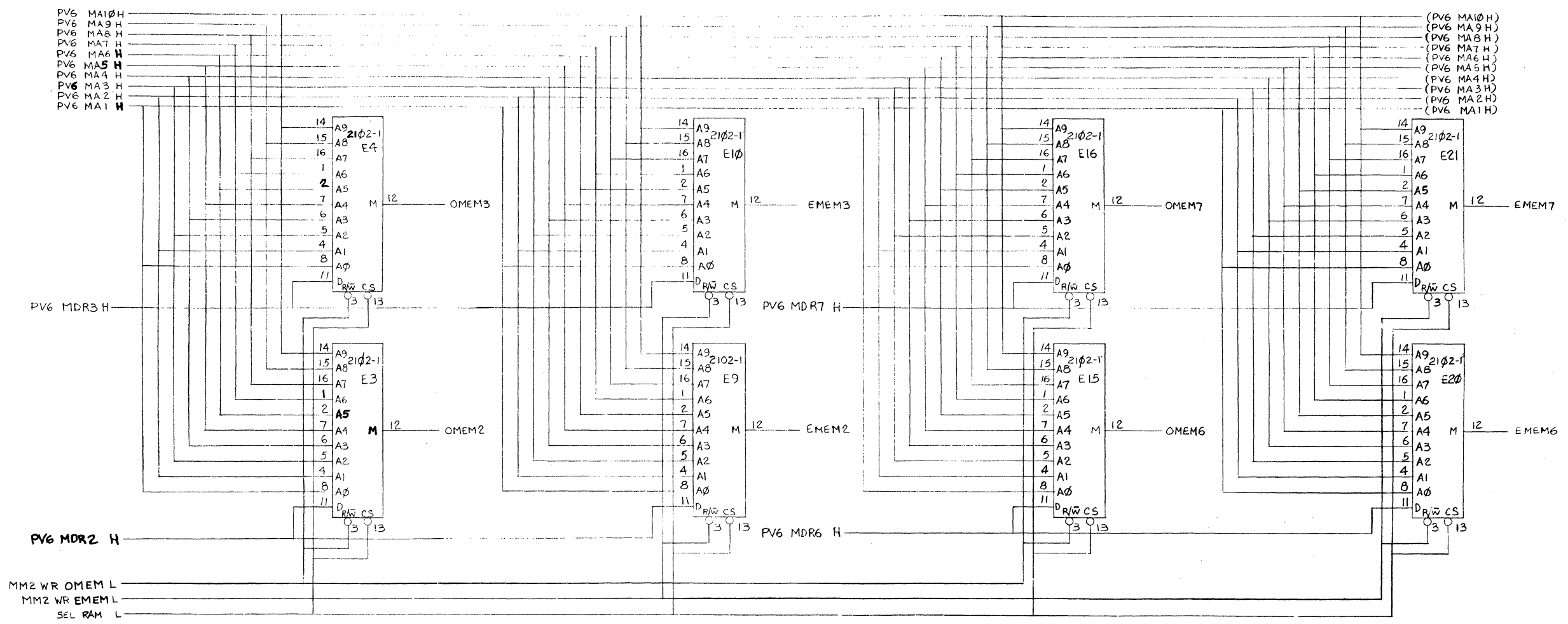
5413656 5013655A

SIDE 2

VT61 MEM
BOARD

"THIS DRAWING AND SPECIFICATIONS, HEREIN, ARE THE PROPERTY OF DIGITAL EQUIPMENT CORPORATION AND SHALL NOT BE REPRODUCED OR COPIED OR USED IN WHOLE OR IN PART AS THE BASIS FOR THE MANUFACTURE OR SALE OF ITEMS WITHOUT WRITTEN PERMISSION. COPYRIGHT © 1975 DIGITAL EQUIPMENT CORPORATION"

LEGEND	
NUMBER	VARIATION
5413656-0	VT61
5413656-1	VT61T-AM(TYPE SET)
5413656-2	VT61T-CM(TYPE SET)



ROMS	8	16
74154	12	24
74151	8	16
2102-1	9	10

IC TYPE	GND	+5V

GND AND 5V ARE USUALLY PIN 7 AND 14 RESPECTIVELY EXCEPT IONS ARE STATED ABOVE

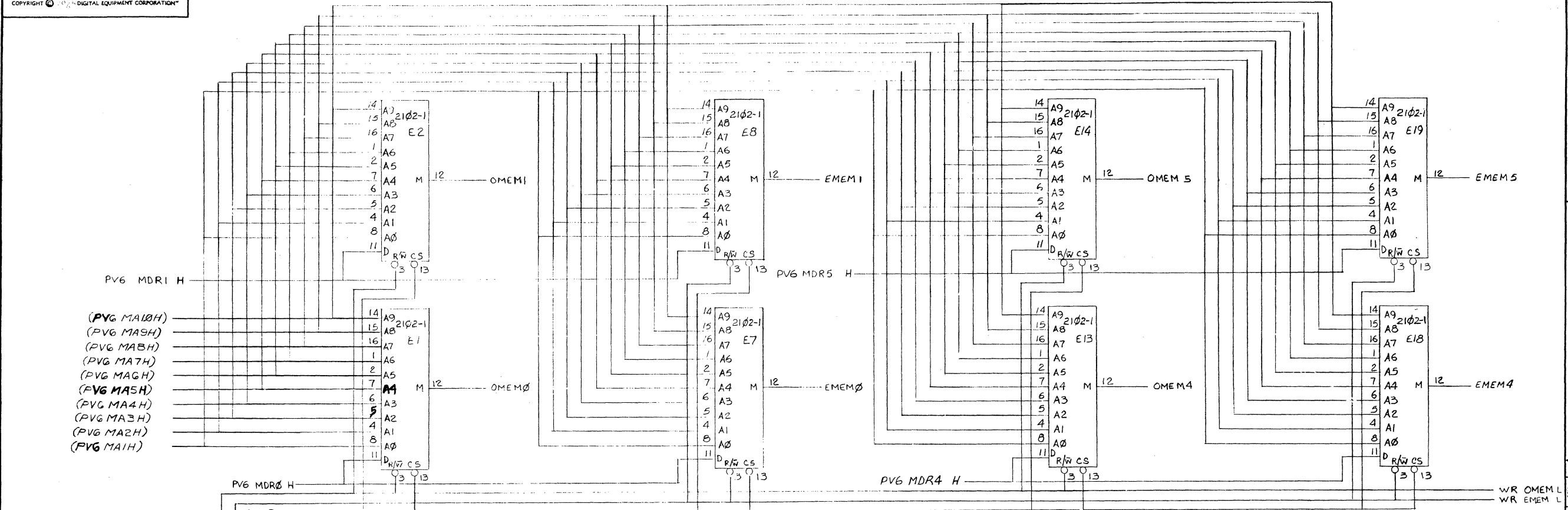
IC PIN LOCATIONS

NOTES: 1. SIGNAL PREFIX NOTATION (EX. MM2) IDENTIFIES THE SIGNAL SOURCE (BOARD AND PRINT). THE FIRST (2) TWO LETTERS OF THE PREFIX IDENTIFY THE BOARD PRINT SET, THE NUMBER INDICATES THE SHEET NUMBER WITHIN THE PRINT SET. SIGNALS FROM MULTIPLE SOURCES (EX. DB SIGNALS, TRI-STATE BUS, WIRE OR PROM OUTPUTS), DO NOT CARRY A SIGNAL PREFIX.
 2. UNLESS OTHERWISE NOTED: RESISTANCE IS IN OHMS, CAPACITANCE IS IN PICO-FARADS.

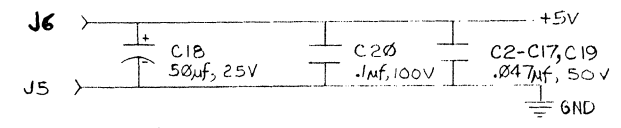
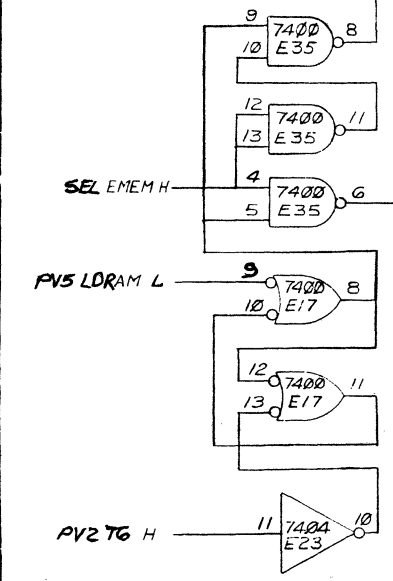
REV.	CHANGE NO.	DATE

DRN	FIRST USED ON	VT61	digital
CHK'D	TITLE	VT61	MEMORY BOARD
ENG'G	PROJ. ENG.		
PROD.	NEXT HIGHER ASSY.		
SCALE	SIZE	CODE	NUMBER
	D	CS	5413656-0-i
SHEET	1 OF 6	DIST.	

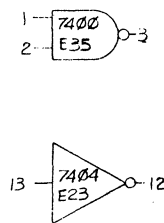
"THIS DRAWING AND SPECIFICATIONS, HEREIN, ARE THE PROPERTY OF DIGITAL EQUIPMENT CORPORATION AND SHALL NOT BE REPRODUCED OR COPIED OR USED IN WHOLE OR IN PART AS THE BASIS FOR THE MANUFACTURE OR SALE OF ITEMS WITHOUT WRITTEN PERMISSION. COPYRIGHT © 1968 DIGITAL EQUIPMENT CORPORATION"



- (PVG MA10H)
- (PVG MASH)
- (PVG MASH)
- (PVG MA7H)
- (PVG MAGH)
- (PVG MASH)
- (PVG MA4H)
- (PVG MA3H)
- (PVG MA2H)
- (PVG MA1H)

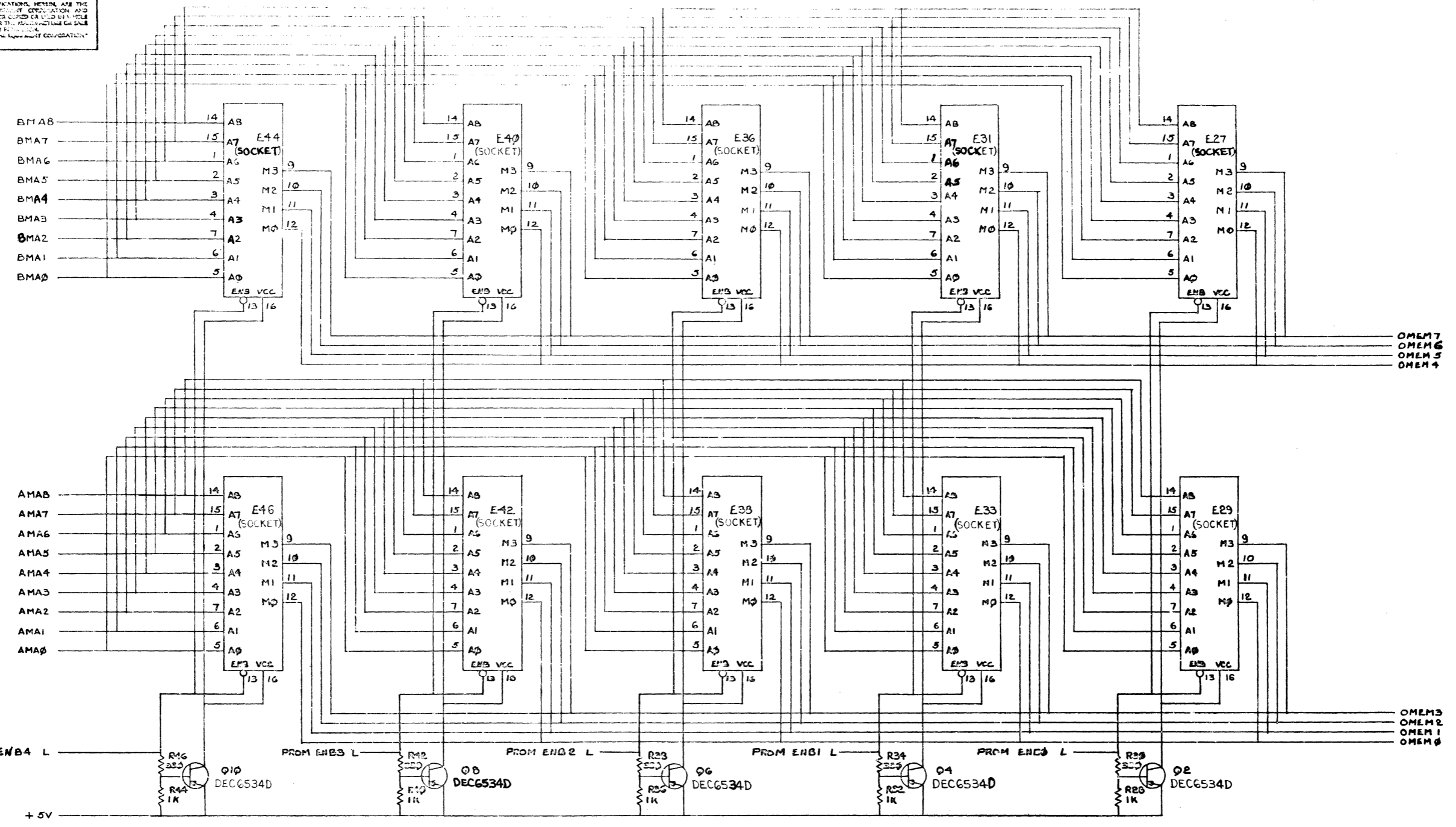


SPARE GATES



REVISIONS		
CHK	CHANGE NO.	REV.

THIS DRAWING AND SPECIFICATIONS HEREIN ARE THE PROPERTY OF DIGITAL EQUIPMENT CORPORATION AND SHALL NOT BE REPRODUCED OR COPIED IN ANY MANNER OR IN PART AS THE BASIS FOR THE MANUFACTURE OR SALE OF EQUIPMENT WITHOUT THE WRITTEN PERMISSION OF DIGITAL EQUIPMENT CORPORATION.



REVISIONS		
CHK	CHANGE NO.	REV.

8 7 6 5 4 3 2 1

THIS DRAWING AND SPECIFICATIONS HEREIN ARE THE PROPERTY OF DIGITAL EQUIPMENT CORPORATION AND SHALL NOT BE REPRODUCED OR TRANSMITTED IN ANY FORM OR BY ANY MEANS, ELECTRONIC OR MECHANICAL, INCLUDING PHOTOCOPYING, RECORDING, OR BY ANY INFORMATION STORAGE AND RETRIEVAL SYSTEM, WITHOUT THE WRITTEN PERMISSION OF DIGITAL EQUIPMENT CORPORATION. COPYRIGHT © 1977 DIGITAL EQUIPMENT CORPORATION

BMA8
BMA7
BMA6
BMA5
BMA4
BMA3
BMA2
BMA1
BMA0

AMA8
AMA7
AMA6
AMA5
AMA4
AMA3
AMA2
AMA1
AMA0

PROM ENB5 L
+5V

PROM ENB7 L

PROM ENB6 L

PROM ENB5 L

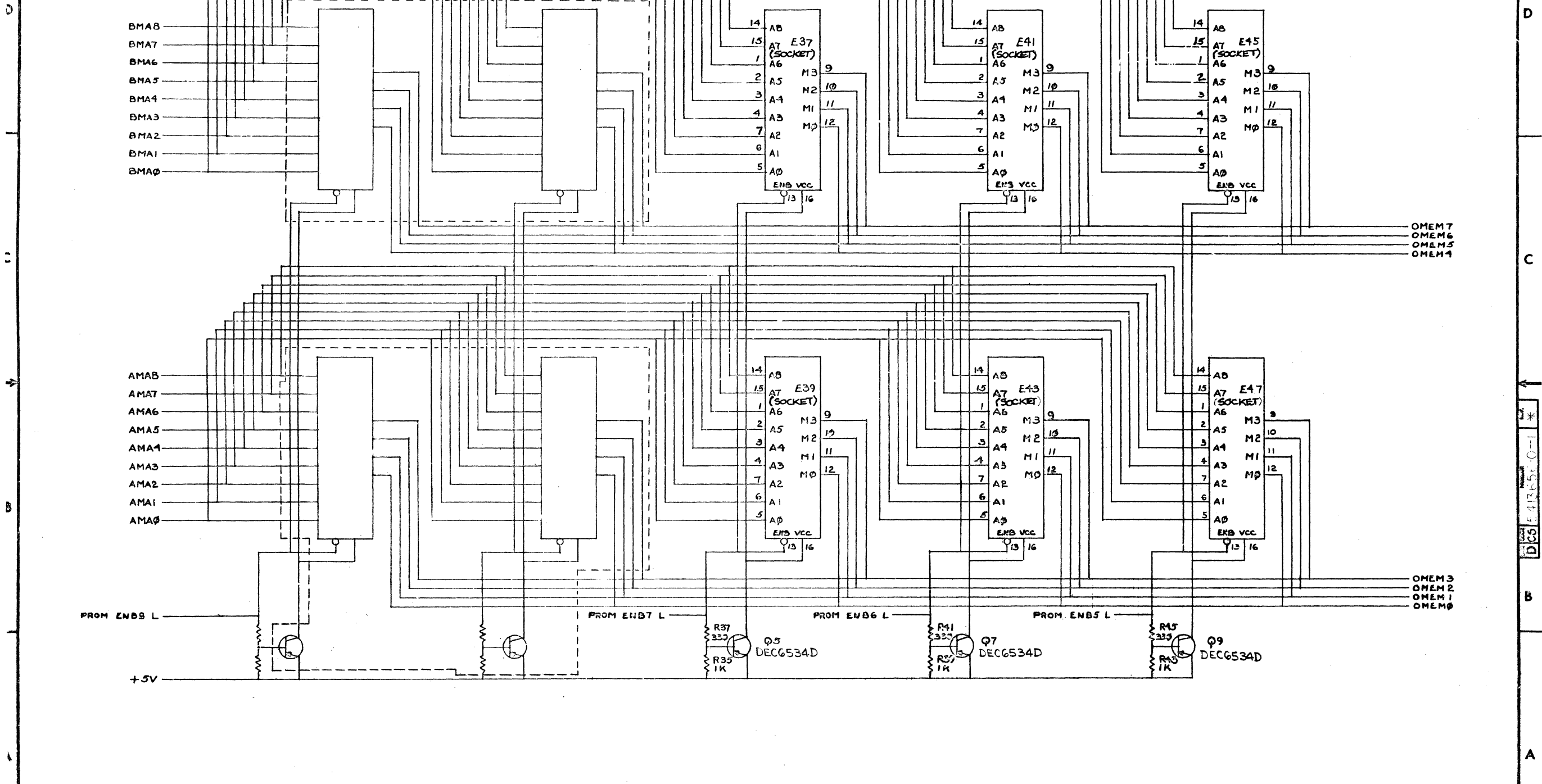
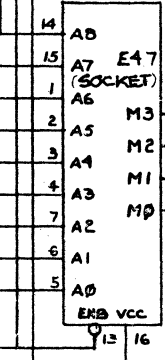
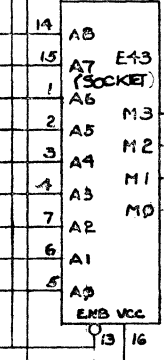
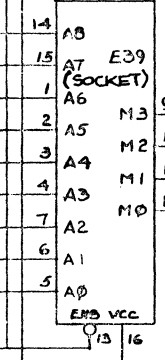
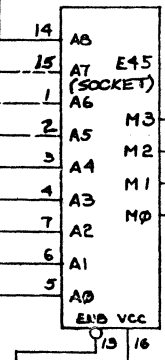
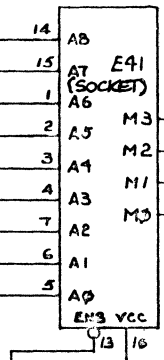
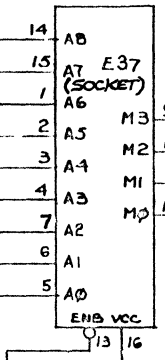
R37 330
R35 1K
Q5 DEC6534D

R41 330
R39 1K
Q7 DEC6534D

R45 330
R43 1K
Q9 DEC6534D

OMEM7
OMEM6
OMEM5
OMEM4

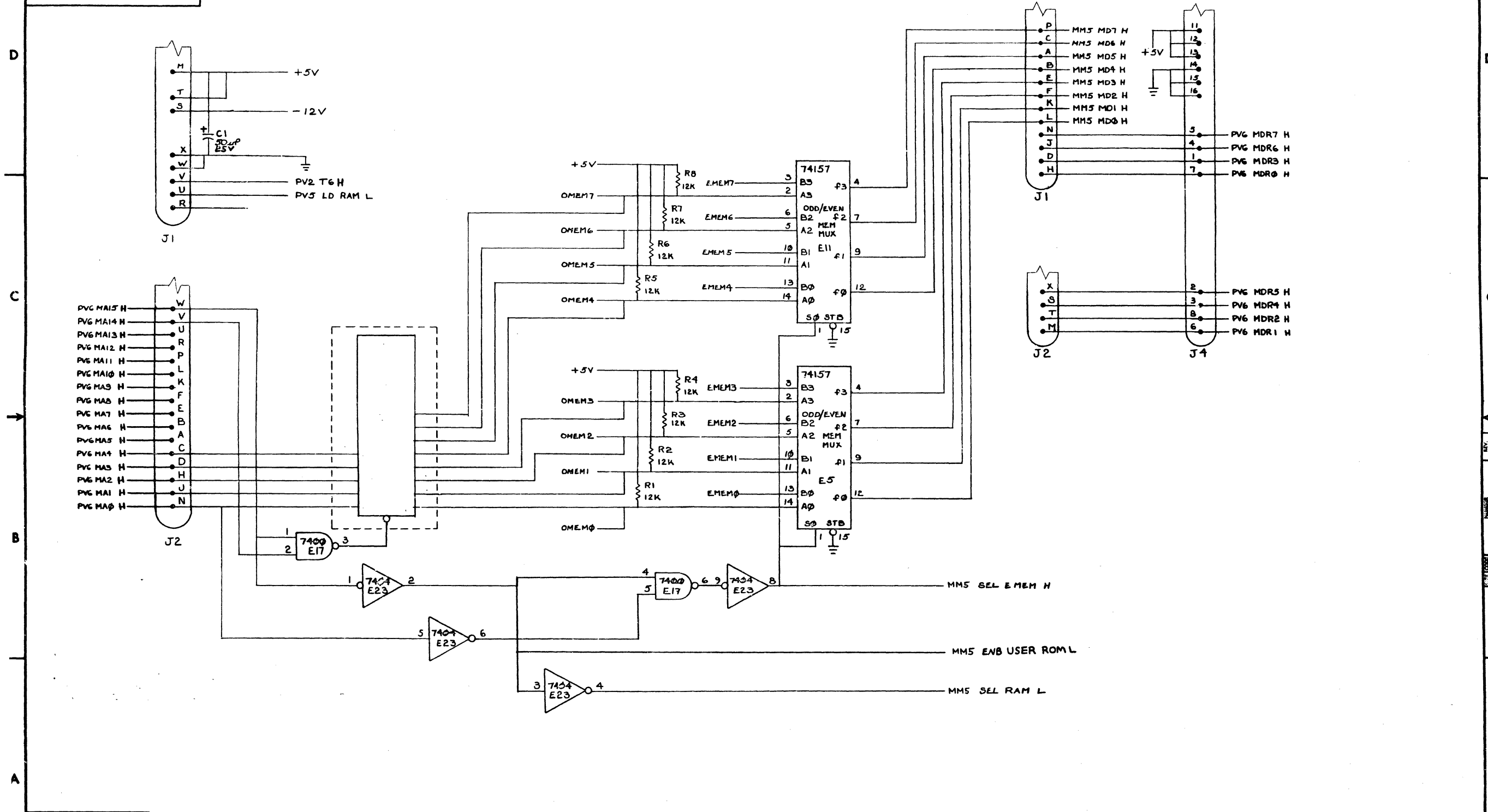
OMEM3
OMEM2
OMEM1
OMEM0



CHK	CHANGE NO.	REV.

TITLE: VT61 MEM BOARD
 SIZE CODE: DCS
 NUMBER: 5413656-0-1
 SCALE: 1:1
 SHEET: 4 OF 6
 REV.:

8 7 6 5 4 3 2 1

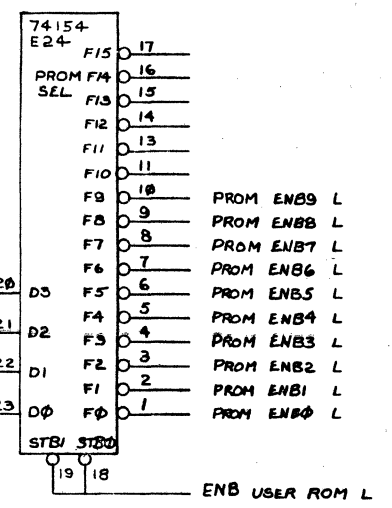
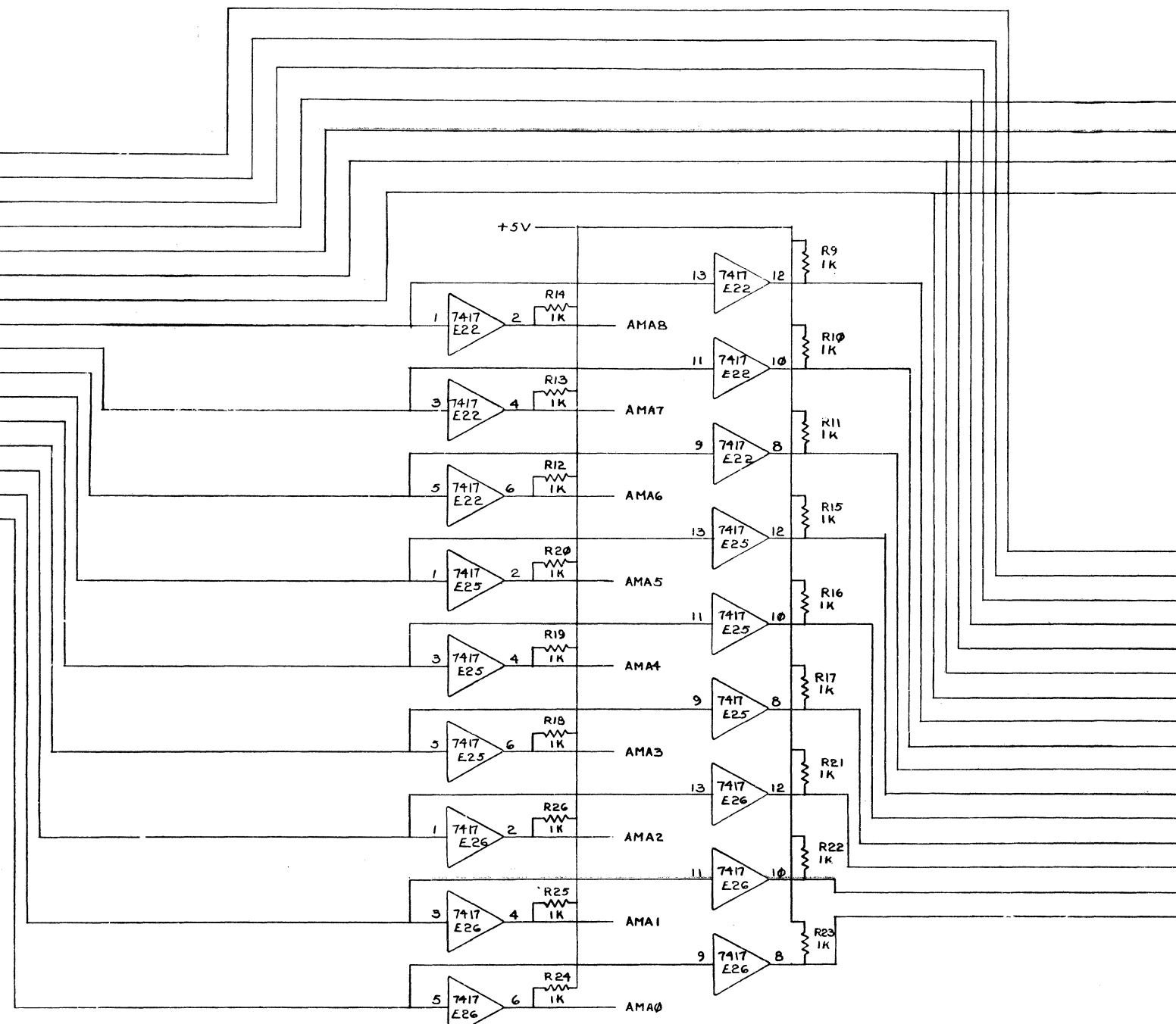


REVISIONS		
CHK	CHANGE NO.	REV.

THIS DRAWING AND SPECIFICATIONS, HEREIN, ARE THE PROPERTY OF DIGITAL EQUIPMENT CORPORATION AND SHALL NOT BE REPRODUCED OR TRANSMITTED IN ANY FORM OR BY ANY MEANS, ELECTRONIC OR MECHANICAL, INCLUDING PHOTOCOPYING, RECORDING, OR BY ANY INFORMATION STORAGE AND RETRIEVAL SYSTEM, WITHOUT WRITTEN PERMISSION. COPYRIGHT © 1976 DIGITAL EQUIPMENT CORPORATION

DES 5413656-0-1

PV6 MA15H
 PV6 MA14H
 PV6 MA13H
 PV6 MA12H
 PV6 MA11H
 PV6 MA10H
 PV6 MA9H
 PV6 MA8H
 PV6 MA7H
 PV6 MA6H
 PV6 MA5H
 PV6 MA4H
 PV6 MA3H
 PV6 MA2H
 PV6 MA1H
 PV6 MA0H



1 PV6 MA15H
 2 PV6 MA14H
 3 PV6 MA13H
 4 PV6 MA12H
 5 PV6 MA11H
 6 PV6 MA10H
 7 PV6 MA9H
 8 BMA8
 9 BMA7
 10 BMA6
 11 BMA5
 12 BMA4
 13 BMA3
 14 BMA2
 15 BMA1
 16 BMA0
 J3

REVISIONS		
CHK	CHANGE NO.	REV.

TITLE
 VT61 MEM BOARD
 SIZE CODE
 DCS
 NUMBER
 5413656-0-1
 REV.
 *
 SCALE
 SHEET 6 OF 6
 DIST.

DES 5413656-0-1

LINE	ITEM	DOCUMENT NUMBER	PART NUMBER	DESCRIPTION	QTY	REFERENCE DESIGNATOR
1	1		5013655-00	DRILL & ETCH BD	1	
2	2		1012704-00	.047 MFD 50V -20+00 CER	17	C2=C17,C19
3	3		1000030-00	.1 MFD 100V 20% Z5U DISC	1	C20
4	4		1001796-00	50 MFD 25V 60 300 AL EL	2	C1,C18
5	5		1212152-00	CONN .100 10POS SIDE ENTRY	1	J4
6	6		1212518-01	HEADER.100 10POS STRAIGHT	1	J3
7	7		1210073-02	CONN 20POS INSUL PIERCING	2	J1,J2
8	8		1211013-02	SOCKET 16PIN IC LOW PROFILE,	16	XE27,XE29,XE31,XE33,XE36-XE47
9	9		1300400-00	12 K 1/4W 5% CC	8	R1-R8
10	10		1300295-00	330 1/4W 5% CC	8	R30,R34,R37,R38,R41,R42,R45,R46
11	11		1300365-00	1 K 1/4W 5% CC	26	R9-R26,R28,R32,R35,R36,R39,R40,R43,R44
12	12		1503409-00	DEC6534D PNP 310MW SI 40 00	8	C2,C4-G10
13	13		1905575-00	7400 NAND GATE-QUAD 2IN	2	E17,E35
14	14		1909686-00	7404 INVERTER GATE-HEX 1I	1	E23
15	15		1909929-00	7417 BUFFER GATE-HEX 1IMP	3	E22,E25,E26
16	16		1909701-00	74154 1 OF 16,DINA	1	E24
17	17		1910655-00	74157 MUX 2 TO 1 QUAD	2	E5,E11
18	18		9007112-00	TERM CHECK 1POS ADAPTER	2	J5,J6
19	19	FOR J5,J6	9009000-00	EYELET, ROLLED FLANGE, .121 OD X	2	
20	20		2111310-01	2102-1 RAM,1024BIT,STATIC	16	E1-E4,E7-E10,E13-E16,E18-E21
21	21		23050A9-00	A9-03	1	E46
22	22		23059A9-00	A9-03	1	E44
23	23		23060A9-00	A9-03	1	E42
24	24		23061A9-00	A9-03	1	E40
25	25		23062A9-00	A9-03	1	E38
26	26		23544A9-00	A9-03	1	E39
27	27		23545A9-00	A9-03	1	E37
28	28		23065A9-00	A9-03	1	E36
29	29		23066A9-00	A9-03	1	E33
30	30		23067A9-00	A9-03	1	E43

REVISION HISTORY			BASIC PART NO. 5413656		DRN: M. RIPLEY		DATE: 16-JAN-79		D I G I T A L			
ENG	ECO NUMBER	REV	SECTION	1 OF 3	CHK'D:	P. BOSSMAN	DATE:	16-JAN-79	TITLE PARTS LIST			
---	INITIAL	*	SECTION VARIATION INDEX						VT61 MEMORY BOARD			
			[1]	00					DOCUMENT NUMBER			
			[2]	01					SIZE	CODE	NUMBER	REV
			[3]	02	REQ. ENG.:	LEUNG C NG	DATE:	16-JAN-79	K	PL	5413656-0-DBP	*
			[4]		MFG. ENG.:	LEUNG C NG	DATE:	16-JAN-79				
			[5]		ASSEMBLY NUMBER:	E-01A-5413656-0-0					FILE NAME:	EDIT #
			[6]								E0300.PLS	3
			[7]									
			[8]									
			[9]									
			[10]									
			[11]									
			[12]									

"THIS DRAWING AND SPECIFICATIONS HEREIN, ARE THE PROPERTY OF DIGITAL EQUIPMENT CORPORATION AND SHALL NOT BE REPRODUCED OR COPIED OR USED IN WHOLE OR IN PART AS THE BASIS FOR THE MANUFACTURE OR SALE OF ITEMS WITHOUT WRITTEN PERMISSION, COPYRIGHT (C) 1979, DIGITAL EQUIPMENT CORPORATION."

LINE	ITEM	DOCUMENT NUMBER	PART NUMBER	DESCRIPTION	QTY	REFERENCE DESIGNATOR
31	31		23060A9-00	A9-03	1	E41
32	32		23069A9-00	A9-03	1	E31
33	33		23542A9-00	A9-03	1	E29
34	34		23071A9-00	A9-03	1	E47
35	35		23072A9-00	A9-03	1	E45
36	36		23543A9-00	A9-03	1	E27
37	37	FOR J1,J2	7012015-01	CABLE ASSY	2	
38	38		23531A9-00	*** THIS ITEM IS NOT USED ***	-	
39	39		23302A9-00	*** THIS ITEM IS NOT USED ***	-	
40	40		23303A9-00	*** THIS ITEM IS NOT USED ***	-	
41	41		23094A9-00	*** THIS ITEM IS NOT USED ***	-	
42	42		23095A9-00	*** THIS ITEM IS NOT USED ***	-	
43	43		23096A9-00	*** THIS ITEM IS NOT USED ***	-	
44	44		23532A9-00	*** THIS ITEM IS NOT USED ***	-	
45	45		23533A9-00	*** THIS ITEM IS NOT USED ***	-	
46	46		23099A9-00	*** THIS ITEM IS NOT USED ***	-	
47	47		23300A9-00	*** THIS ITEM IS NOT USED ***	-	
48	48		23304A9-00	*** THIS ITEM IS NOT USED ***	-	
49	49		23102A9-00	*** THIS ITEM IS NOT USED ***	-	
50	50		23301A9-00	*** THIS ITEM IS NOT USED ***	-	
51	51		23530A9-00	*** THIS ITEM IS NOT USED ***	-	
52	52		23105A9-00	*** THIS ITEM IS NOT USED ***	-	
53	53		23106A9-00	*** THIS ITEM IS NOT USED ***	-	
54	54		23031A9-00	*** THIS ITEM IS NOT USED ***	-	
55	55		23030A9-00	*** THIS ITEM IS NOT USED ***	-	
56	56		23039A9-00	*** THIS ITEM IS NOT USED ***	-	
57	57		23036A9-00	*** THIS ITEM IS NOT USED ***	-	
58	58		23037A9-00	*** THIS ITEM IS NOT USED ***	-	
59	59		23034A9-00	*** THIS ITEM IS NOT USED ***	-	
60	60		23044A9-00	*** THIS ITEM IS NOT USED ***	-	
61	61		23045A9-00	*** THIS ITEM IS NOT USED ***	-	
62	62		23035A9-00	*** THIS ITEM IS NOT USED ***	-	
63	63		23032A9-00	*** THIS ITEM IS NOT USED ***	-	
64	64		23042A9-00	*** THIS ITEM IS NOT USED ***	-	
65	65		23043A9-00	*** THIS ITEM IS NOT USED ***	-	
66	66		23033A9-00	*** THIS ITEM IS NOT USED ***	-	
67	67		23030A9-00	*** THIS ITEM IS NOT USED ***	-	
68	68		23040A9-00	*** THIS ITEM IS NOT USED ***	-	
69	69		23041A9-00	*** THIS ITEM IS NOT USED ***	-	
70	70	SPARE IC LOCATION			1	E6

D	I	G	I	T	A	L	TITLE	VT61 MEMORY BOARD	SECTION	1	OF	3
---	---	---	---	---	---	---	-------	-------------------	---------	---	----	---

ISSUE/	CODE	DOCUMENT NUMBER	REV
K	PL	5413656-0-DBP	*

LINE ITEM	DOCUMENT NUMBER	PART NUMBER	DESCRIPTION	QTY	REFERENCE DESIGNATOR
1		5013655-00	DRILL & ETCH BO	1	
2		1012700-00	.047 MFD 50V -20+00 CER	17	C2-C17,C19
3		1000030-00	.1 MFD 100V 20% 25U DISC	1	C20
4		1001796-00	50 MFD 25V CS 300 AL EL	2	C1,C18
5		1212152-00	CONN .100 16POS SIDE ENTRY	1	J4
6		1212510-01	HEADER.100 16POS STRAIGHT	1	J3
7		1210073-02	CONN 20POS THRU, PIERCING	2	J1,J2
8		1211013-02	COCKET 16PIN IC LOW PROFILE,	16	XE27,XE29,XE31,XE33,XE36-XE47
9		1300400-00	12 K 1/4W 5% CC	0	R1-R0
10		1300295-00	330 1/4W 5% CC	0	R30,R34,R37,R38,R41,R42,R45,R46
11		1300305-00	1 K 1/4W 5% CC	26	R0-R26,R28,R32,R35,R36,R39,R40,R43,R44
12		1503409-00	DEC6534D PNP 310MH SI 40 90	0	O2,O4-O10
13		1905575-00	7400 NAND GATE=QUAD 2IN	2	E17,E35
14		1909606-00	7404 INVERTER GATE=HEX 1I	1	E23
15		1909929-00	7417 BUFFER GATE=HEX 1IMP	3	E22,E25,E26
16		1909701-00	74154 1 OF 16, DINA	1	E24
17		1910655-00	74157 MUX 2 TO 1 QUAD	2	E5,E11
18		9007112-00	TERM CHECK 1POS ADAPTER	2	J5,J6
19	FOR J5,J6	9009000-00	EYELET, ROLLED FLANGE, .121 OD X	2	
20		2111310-01	2102-1 RAM,1024BIT,STATIC	16	E1-E4,E7-E10,E13-E16,E18-E21
21		23059A9-00	*** THIS ITEM IS NOT USED ***	-	
22		23059A9-00	*** THIS ITEM IS NOT USED ***	-	
23		23060A9-00	*** THIS ITEM IS NOT USED ***	-	
24		23061A9-00	*** THIS ITEM IS NOT USED ***	-	
25		23062A9-00	*** THIS ITEM IS NOT USED ***	-	
26		23544A9-00	*** THIS ITEM IS NOT USED ***	-	
27		23545A9-00	*** THIS ITEM IS NOT USED ***	-	
28		23065A9-00	*** THIS ITEM IS NOT USED ***	-	
29		23066A9-00	*** THIS ITEM IS NOT USED ***	-	
30		23067A9-00	*** THIS ITEM IS NOT USED ***	-	

REVISION HISTORY		BASIC PART NO. 5413656		DRN:	M. RIPLEY	DATE:	16-JAN-79	D I G I T A L			
ENG:	ECO NUMBER	REV	SECTION 2 OF 3	CHK'D:	P. BOSSMAN	DATE:	16-JAN-79	TITLE			PARTS LIST
---	INITIAL	*	SECTION VARIATION INDEX	DES. ENG.:	LEUNG C NG	DATE:	16-JAN-79	VT61 MEMORY BOARD			
			(1) 00					DOCUMENT NUMBER			
			(2) 01					SIZE:	CODE:	NUMBER	REV
			(3) 02	REQ. ENG.:	LEUNG C NG	DATE:	16-JAN-79	K	PL	5413656-0-DBP	*
			(4)								
			(5)								
			(6)								
			(7)								
			(8)								
			(9)	DEG. ENG.:	LEUNG C NG	DATE:	16-JAN-79				
			(10)								
			(11)	ASSEMBLY NUMBER:						FILE NAME:	EDIT #
			(12)	E-0A-5413656-0-0						Z0300.PLS	5

"THIS DRAWING AND SPECIFICATIONS HEREIN, ARE THE PROPERTY OF DIGITAL EQUIPMENT CORPORATION AND SHALL NOT BE REPRODUCED OR COPIED OR USED IN WHOLE OR IN PART AS THE BASIS FOR THE MANUFACTURE OR SALE OF ITEMS WITHOUT WRITTEN PERMISSION. COPYRIGHT (C) 1979, DIGITAL EQUIPMENT CORPORATION."

LINE ITEM	DOCUMENT NUMBER	PART NUMBER	DESCRIPTION	QTY	REFERENCE DESIGNATOR
31	31	23068A9-00	*** THIS ITEM IS NOT USED ***	-	
32	32	23069A9-00	*** THIS ITEM IS NOT USED ***	-	
33	33	23542A9-00	*** THIS ITEM IS NOT USED ***	-	
34	34	23071A9-00	*** THIS ITEM IS NOT USED ***	-	
35	35	23072A9-00	*** THIS ITEM IS NOT USED ***	-	
36	36	23543A9-00	*** THIS ITEM IS NOT USED ***	-	
37	37	7012015-01	CABLE ASSY	2	
38	38	23531A9-00	A9-03	1	E27
39	39	23302A9-00	A9-03	1	E46
40	40	23303A9-00	A9-03	1	E44
41	41	23094A9-00	A9-03	1	E42
42	42	23095A9-00	A9-03	1	E40
43	43	23096A9-00	A9-03	1	E38
44	44	23532A9-00	A9-03	1	E39
45	45	23533A9-00	A9-03	1	E37
46	46	23099A9-00	A9-03	1	E36
47	47	23300A9-00	A9-03	1	E33
48	48	23304A9-00	A9-03	1	E43
49	49	23102A9-00	A9-03	1	E41
50	50	23301A9-00	A9-03	1	E31
51	51	23530A9-00	A9-03	1	E29
52	52	23105A9-00	A9-03	1	E47
53	53	23106A9-00	A9-03	1	E45
54	54	23031A9-00	*** THIS ITEM IS NOT USED ***	-	
55	55	23030A9-00	*** THIS ITEM IS NOT USED ***	-	
56	56	23039A9-00	*** THIS ITEM IS NOT USED ***	-	
57	57	23036A9-00	*** THIS ITEM IS NOT USED ***	-	
58	58	23037A9-00	*** THIS ITEM IS NOT USED ***	-	
59	59	23034A9-00	*** THIS ITEM IS NOT USED ***	-	
60	60	23044A9-00	*** THIS ITEM IS NOT USED ***	-	
61	61	23045A9-00	*** THIS ITEM IS NOT USED ***	-	
62	62	23035A9-00	*** THIS ITEM IS NOT USED ***	-	
63	63	23032A9-00	*** THIS ITEM IS NOT USED ***	-	
64	64	23042A9-00	*** THIS ITEM IS NOT USED ***	-	
65	65	23843A9-00	*** THIS ITEM IS NOT USED ***	-	
66	66	23833A9-00	*** THIS ITEM IS NOT USED ***	-	
67	67	23830A9-00	*** THIS ITEM IS NOT USED ***	-	
68	68	23840A9-00	*** THIS ITEM IS NOT USED ***	-	
69	69	23841A9-00	*** THIS ITEM IS NOT USED ***	-	
70	70		SPARE IC LOCATION	1	E6

D	I	G	I	T	A	L	TITLE	SECTION	2	OF	3	SIZE	CODE	DOCUMENT NUMBER	REV
							VT61 MEMORY BOARD							5413656-0-DBP	*

LINE ITEM	DOCUMENT NUMBER	PART NUMBER	DESCRIPTION	QTY	REFERENCE DESIGNATOR
1		5013655-00	DRILL & ETCH BD	1	
2		1012704-00	.047 MFD 50V -20%00 CER	17	C2=C17,C19
3		1000030-00	.1 MFD 100V 203 Z5U DISC	1	C20
4		1001796-00	50 MFD 25V G3 300 AL EL	2	C1,C18
5		1212152-00	CONN .100 16POS SIDE ENTRY	1	J4
6		1212510-01	HEADER.100 16POS STRAIGHT	1	J3
7		1210073-02	CONN 20POS INSUL PIERCING	2	J1,J2
8		1211813-02	SOCKET 16PIN IC LOW PROFILE,	16	XE27,XE29,XE31,XE33,XE36-XE47
9		1300400-00	12 K 1/4W 5% CC	8	R1-R8
10		1300295-00	330 1/4W 5% CC	8	R30,R34,R37,R39,R41,R42,R45,R46
11		1300365-00	1 K 1/4W 5% CC	26	R9-R26,R28,R32,R35,R36,R39,R40,R43,R44
12		1503409-00	DEC6534D PNP 310MW SI 40 90	8	Q2,Q4-Q10
13		1905575-00	7400 NAND GATE=QUAD 2IN	2	E17,E35
14		1909686-00	7404 INVERTER GATE=HEX 1I	1	E23
15		1909929-00	7417 BUFFER GATE=HEX 1INP	3	E22,E25,E26
16		1909701-00	74154 1 OF 16,BINA	1	E24
17		1910655-00	74157 MUX 2 TO 1 QUAD	2	E5,E11
18		9007112-00	TERM QUICK 1POS ADAPTER	2	J5,J6
19	FOR J5,J6	9009000-00	EYELET, ROLLED FLANGE, .121 OD X	2	
20		2111310-01	2102-1 RAM,1024BIT,STATIC	16	E1-E4,E7-E10,E13-E16,E18-E21
21		23050A9-00	*** THIS ITEM IS NOT USED ***	-	
22		23059A9-00	*** THIS ITEM IS NOT USED ***	-	
23		23060A9-00	*** THIS ITEM IS NOT USED ***	-	
24		23061A9-00	*** THIS ITEM IS NOT USED ***	-	
25		23062A9-00	*** THIS ITEM IS NOT USED ***	-	
26		23544A9-00	*** THIS ITEM IS NOT USED ***	-	
27		23545A9-00	*** THIS ITEM IS NOT USED ***	-	
28		23065A9-00	*** THIS ITEM IS NOT USED ***	-	
29		23066A9-00	*** THIS ITEM IS NOT USED ***	-	
30		23067A9-00	*** THIS ITEM IS NOT USED ***	-	

REVISION HISTORY		BASIC PART NO: 5413656		DRN: M. RIPLEY	DATE: 16-JAN-79	D I G I T A L				
ENG	ECO NUMBER	REV	SECTION 3 OF 3	CHK'D: P. BOSSMAN	DATE: 16-JAN-79	TITLE PARTS LIST				
	INITIAL	*	SECTION VARIATION INDEX			VT61 MEMORY BOARD				
			[1] 00							
			[2] 01							
			[3] 02	DES. ENG: LEUNG C NG	DATE: 16-JAN-79					
			[4]							
			[5]							
			[6]	RESP. ENG.: LEUNG C NG	DATE: 16-JAN-79	DOCUMENT NUMBER				
			[7]			SIZE	CODE	NUMBER	REV	
			[8]							
			[9]	MFG. ENG.: LEUNG C NG	DATE: 16-JAN-79	K	PL	5413656-0-DBP	*	
			[10]							
			[11]	ASSEMBLY NUMBER:				FILE NAME:	EDIT #	
			[12]	E-UA-5413656-0-0				20300.PLS	6	

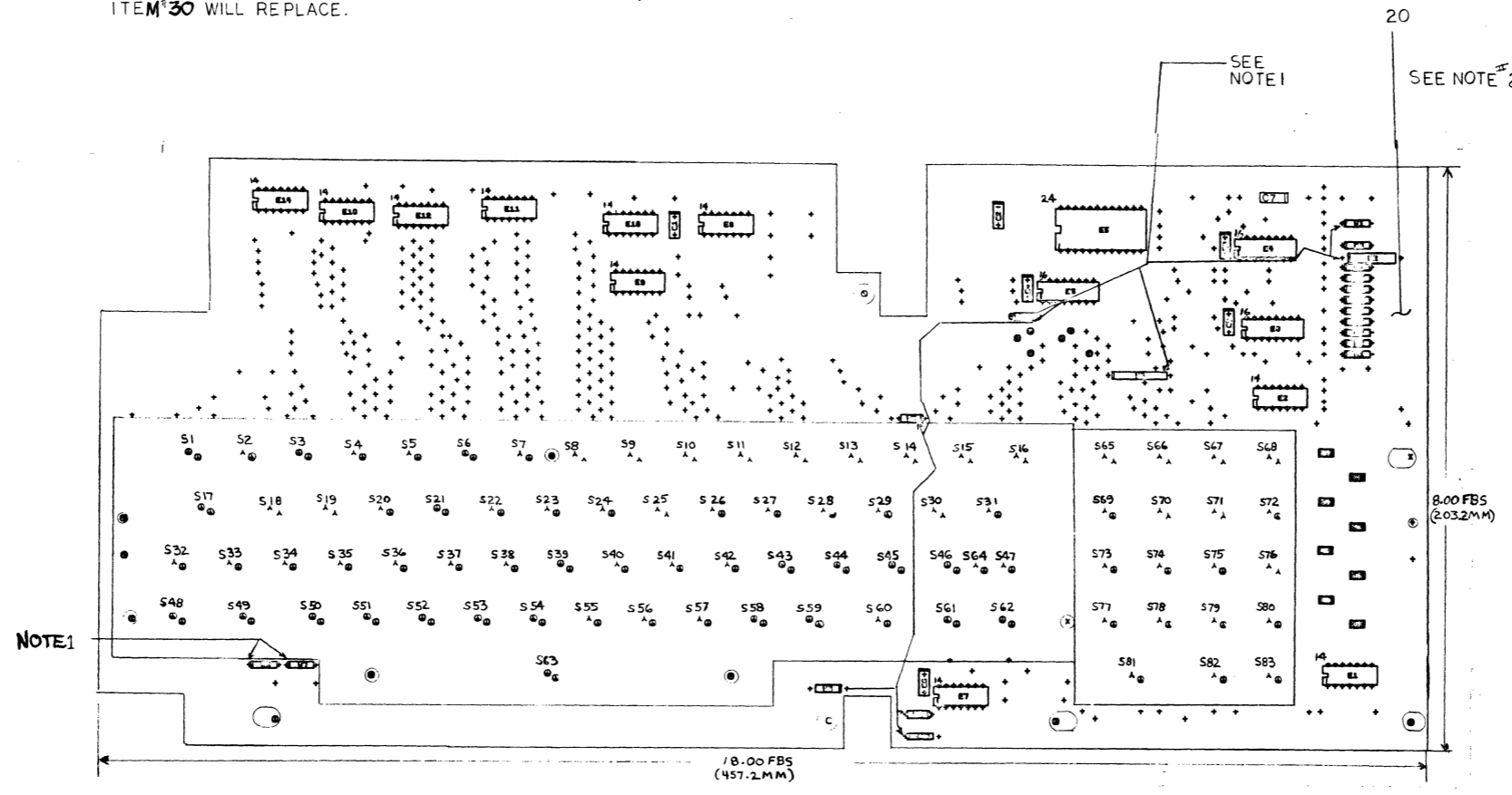
"THIS DRAWING AND SPECIFICATIONS HEREIN, ARE THE PROPERTY OF DIGITAL EQUIPMENT CORPORATION AND SHALL NOT BE REPRODUCED OR COPIED OR USED IN WHOLE OR IN PART AS THE BASIS FOR THE MANUFACTURE OR SALE OF ITEMS WITHOUT WRITTEN PERMISSION. COPYRIGHT (C) 1979, DIGITAL EQUIPMENT CORPORATION."

LINE	ITEM	DOCUMENT NUMBER	PART NUMBER	DESCRIPTION	QTY	REFERENCE DESIGNATOR
31	31		23068A9-00	*** THIS ITEM IS NOT USED ***	-	
32	32		23069A9-00	*** THIS ITEM IS NOT USED ***	-	
33	33		23542A9-00	*** THIS ITEM IS NOT USED ***	-	
34	34		23071A9-00	*** THIS ITEM IS NOT USED ***	-	
35	35		23072A9-00	*** THIS ITEM IS NOT USED ***	-	
36	36		23543A9-00	*** THIS ITEM IS NOT USED ***	-	
37	37	FOR J1,J2	7012015-01	CABLE ASSY	2	
38	38		23531A9-00	*** THIS ITEM IS NOT USED ***	-	
39	39		23382A9-00	*** THIS ITEM IS NOT USED ***	-	
40	40		23383A9-00	*** THIS ITEM IS NOT USED ***	-	
41	41		23094A9-00	*** THIS ITEM IS NOT USED ***	-	
42	42		23095A9-00	*** THIS ITEM IS NOT USED ***	-	
43	43		23096A9-00	*** THIS ITEM IS NOT USED ***	-	
44	44		23532A9-00	*** THIS ITEM IS NOT USED ***	-	
45	45		23533A9-00	*** THIS ITEM IS NOT USED ***	-	
46	46		23099A9-00	*** THIS ITEM IS NOT USED ***	-	
47	47		23300A9-00	*** THIS ITEM IS NOT USED ***	-	
48	48		23384A9-00	*** THIS ITEM IS NOT USED ***	-	
49	49		23102A9-00	*** THIS ITEM IS NOT USED ***	-	
50	50		23381A9-00	*** THIS ITEM IS NOT USED ***	-	
51	51		23530A9-00	*** THIS ITEM IS NOT USED ***	-	
52	52		23105A9-00	*** THIS ITEM IS NOT USED ***	-	
53	53		23106A9-00	*** THIS ITEM IS NOT USED ***	-	
54	54		23031A9-00	A9-03	1	E27
55	55		23030A9-00	A9-03	1	E46
56	56		23039A9-00	A9-03	1	E44
57	57		23036A9-00	A9-03	1	E42
58	58		23037A9-00	A9-03	1	E40
59	59		23034A9-00	A9-03	1	E38
60	60		23044A9-00	A9-03	1	E39
61	61		23045A9-00	A9-03	1	E37
62	62		23035A9-00	A9-03	1	E36
63	63		23032A9-00	A9-03	1	E33
64	64		23042A9-00	A9-03	1	E43
65	65		23043A9-00	A9-03	1	E41
66	66		23033A9-00	A9-03	1	E31
67	67		23030A9-00	A9-03	1	E29
68	68		23040A9-00	A9-03	1	E47
69	69		23041A9-00	A9-03	1	E45
70	70	SPARE IC LOCATION			1	E6

D	I	G	I	T	A	L	TITLE	SECTION	3	OF	3	SIZE	CODE	DOCUMENT NUMBER	REV
							VI61 MEMORY BOARD							5413656-0-DBP	*

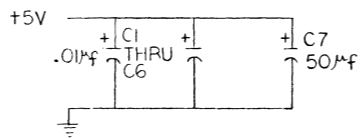
"THIS DRAWING AND SPECIFICATIONS, HEREIN, ARE THE PROPERTY OF DIGITAL EQUIPMENT CORPORATION AND SHALL NOT BE REPRODUCED OR TRANSMITTED IN ANY FORM OR BY ANY MEANS, ELECTRONIC OR MECHANICAL, INCLUDING PHOTOCOPYING, RECORDING, OR BY ANY INFORMATION STORAGE AND RETRIEVAL SYSTEM, WITHOUT PERMISSION IN WRITING FROM DIGITAL EQUIPMENT CORPORATION. COPYRIGHT © 1977 DIGITAL EQUIPMENT CORPORATION"

- NOTES:**
1. OPTIONAL JUMPERS: SEE SHEET 2 FOR CONFIGURATION TABLE.
 2. SEE SHEET 3 OF 5 FOR WIRING TABLE.
 3. SEE SHEETS 4 & 5 FOR VARIATION KEYCAP PLACEMENT.
 4. NOTE THAT THE B.C.M. FOR ALL VARIATIONS OF THIS BOARD MAY REQUIRE UPDATING ON ANY ECO.
 5. VARIATION 14 UTILIZES THE KEYCAP SET, ITEM #27 WITH THE EXCEPTION OF POSITION S4 WHICH THE KEYCAP, ITEM #30 WILL REPLACE.



VARIATION EXPLANATION	
VARIATION	COMMENT
5411170-0	VT61
5411170-1	HEAT CYCLED, SYSTEM TESTED 5411170-0
5411170-2	BASIC VT50H
5411170-3	HEAT CYCLED, SYSTEM TESTED 5411170-2
5411170-4	VT52
5411170-5	HEAT CYCLED, SYSTEM TESTED 5411170-4
5411170-6	VT61T
5411170-7	HEAT CYCLED, SYSTEM TESTED 5411170-6
5411170-8	VT52-W
5411170-9	HEAT CYCLED, SYSTEM TESTED 5411170-8
5411170-10	VT62
5411170-11	HEAT CYCLED, SYSTEM TESTED 5411170-10
5411170-12	VT52-N
5411170-13	HEAT CYCLED, SYSTEM TESTED 5411170-12
5411170-14	VT52-W W/UK KEYCAP-S4
5411170-15	HEAT CYCLED, SYSTEM TESTED 5411170-14

NOTE 1



IC TYPE	GND	+5V
DEC IC 7442	8	16
DEC IC 74175	8	16
DEC IC 74150	12	24

GND AND 5V ARE USUALLY PIN 7 AND 14 RESPECTIVELY EXCEPTIONS ARE STATED ABOVE

IC PIN LOCATIONS

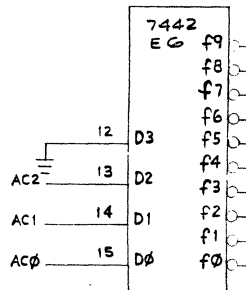
SEE OFF SHEET PARTS LIST

QTY	REF. DESIGNATION	DESCRIPTION	PART NO.	ITEM NO.
		PARTS LIST		
		VT61/VT50		
		ETCH BOARD REV. D		
		DRN. DATE 6-27-77		
		CHKD. DATE 5 JUL 77		
		EIA. DATE 25-10-77		
		PRD. DATE 25-10-77		
		FIN. DATE		
		NEXT HIGHER ASSY		
		0-UA-VT50-0-0		
DEC NO.	EIA NO.	DEC NO.	EIA NO.	REV. N
SEMICONDUCTOR CONVERSION CHART				
SCALE 1/1				
SHEET 1 OF 5				

THIS DRAWING AND SPECIFICATIONS, HEREIN, ARE THE PROPERTY OF DIGITAL EQUIPMENT CORPORATION AND SHALL NOT BE REPRODUCED OR COPIED OR USED IN WHOLE OR IN PART AS THE BASIS FOR THE MANUFACTURE OR SALE OF ITEMS WITHOUT WRITTEN PERMISSION. COPYRIGHT © 1975 DIGITAL EQUIPMENT CORPORATION

NOTE: NUMBERS 000 THRU 117 REPRESENT THE OCTAL AC ADDRESS OF EACH KEY.

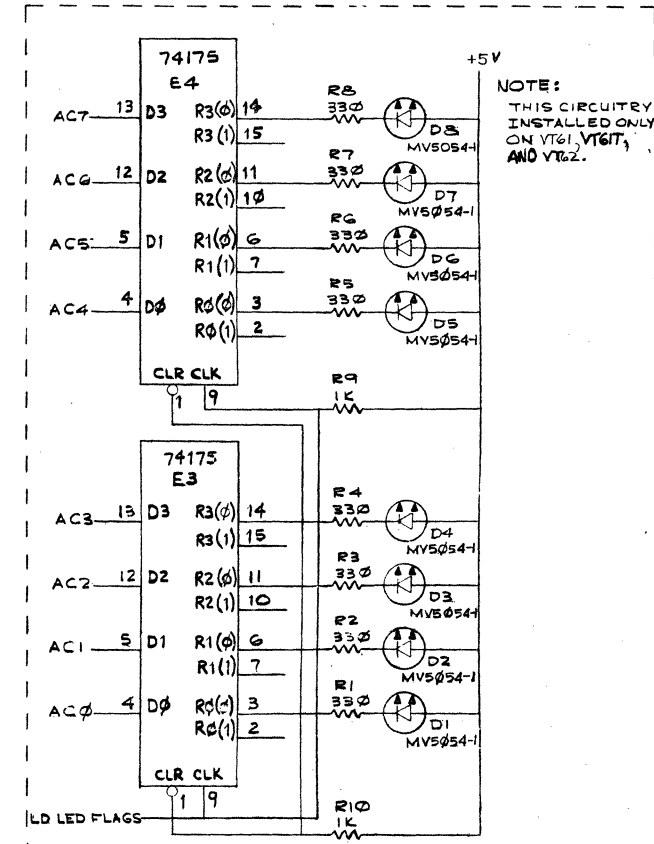
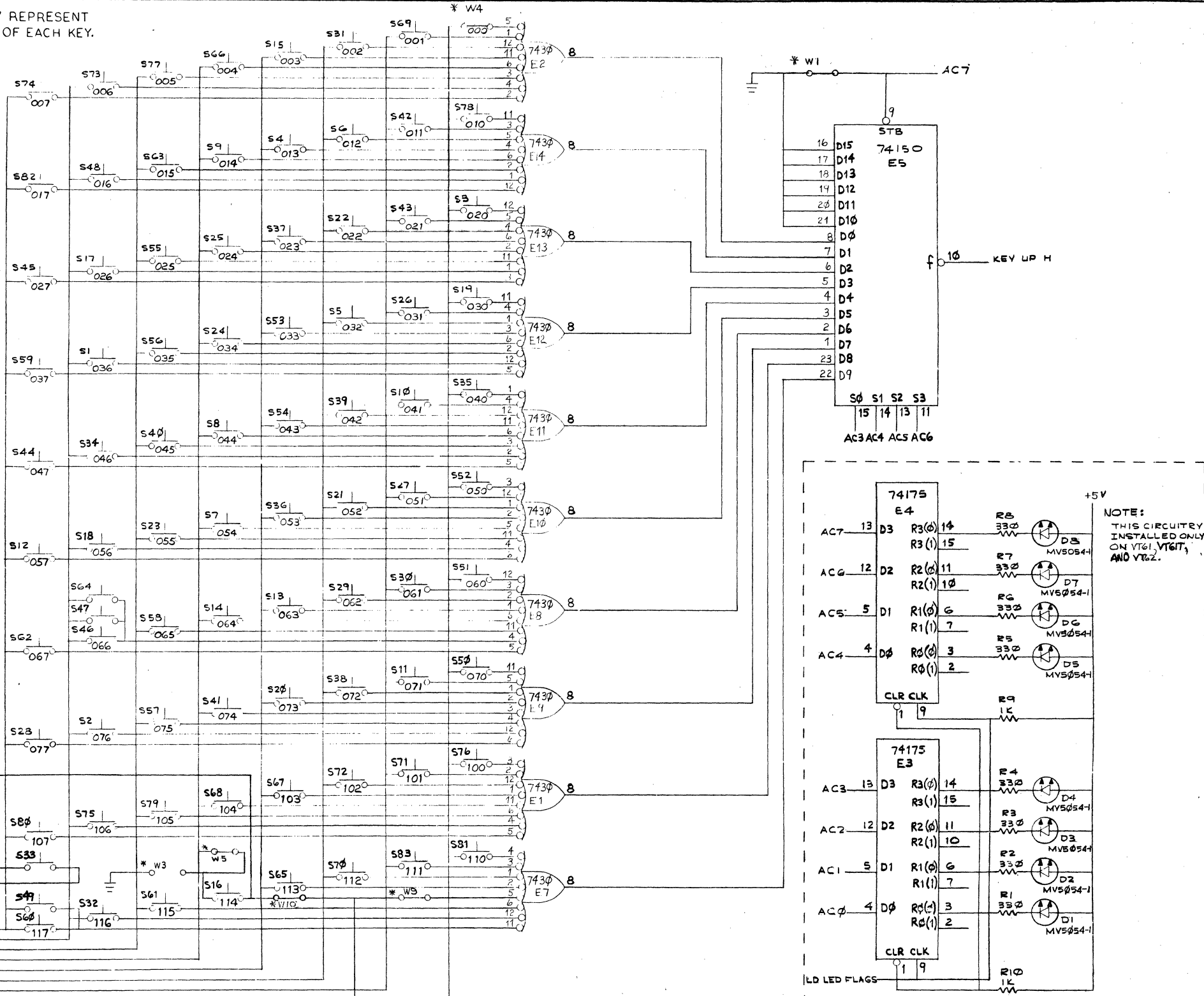
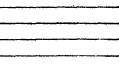
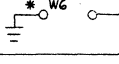
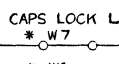
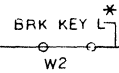
JUMPER	VT50H, J 5411170-2	VT52-N 5411170-4 5411170-8 5411170-12	VT61/VT6IT/VT62 5411170-C 5411170-G 5411170-10
W1	IN	IN	OUT
W2	IN	IN	OUT
W3	IN	IN	OUT
W4	IN	IN	OUT
W5	OUT	OUT	IN
W6	IN	OUT	IN
W7	OUT	IN	OUT
W8	OUT	IN	OUT
W9	OUT	IN	IN
W10	OUT	OUT	IN



NOTE: SEE SHEET 3 FOR WIRE TABLES

FCI CONN

- 1 CAPS LOCK L
- 2 +5V
- 3 KEY UP H
- 4 GND
- 5 AC7
- 6 LD LED FLAGS
- 7 AC6
- 8 AC5
- 9 AC4
- 10 AC3
- 11 AC2
- 12 AC1
- 13 AC0
- 14 +5V
- 15 GND
- 16 GND



NOTE: THIS CIRCUITRY INSTALLED ONLY ON VT61, VT6IT, AND VT62.

REVISIONS		
CHK	CHANGE NO.	REV.

8

7

6

5

4

3

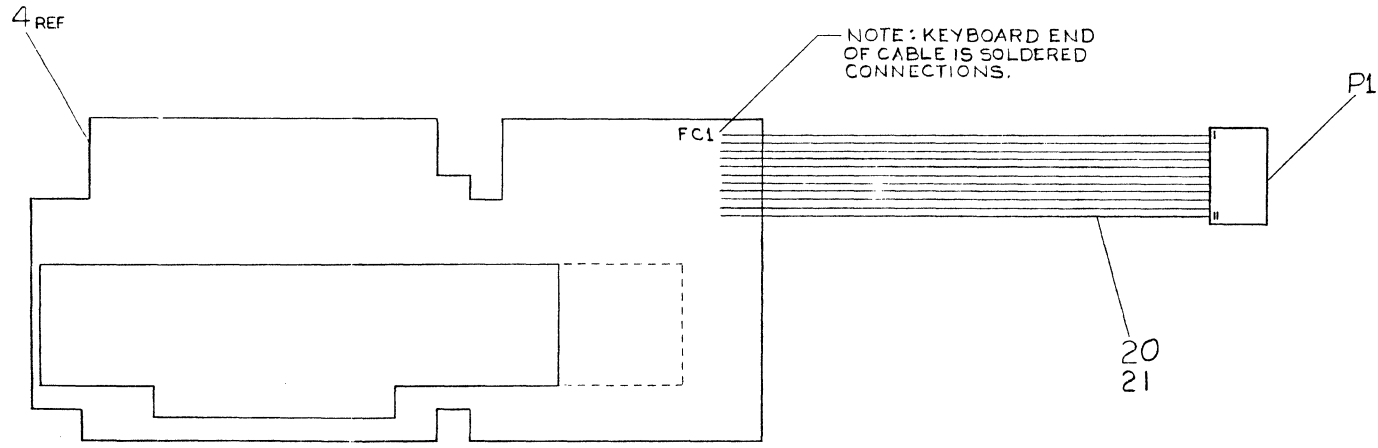
1

N 1-0-0211179 CS d 2
A3B NUMBER 3001 3225

"THIS DRAWING AND SPECIFICATIONS, HEREIN, ARE THE PROPERTY OF DIGITAL EQUIPMENT CORPORATION AND SHALL NOT BE REPRODUCED OR COPIED OR USED IN WHOLE OR IN PART AS THE BASIS FOR THE MANUFACTURE OR SALE OF ITEMS WITHOUT WRITTEN PERMISSION. COPYRIGHT © 1970, DIGITAL EQUIPMENT CORPORATION"

WIRE TABLE (5411170-2,4,8,12)					
ITEM NO	DESCRIPTION	FROM CONNECTION	TO CONNECTION	REMARKS	
21	22	BLK	P1-1	FC1-2	+5V
A	A	BRN	P1-2	FC1-3	KEY UP H
		RED	P1-3	FC1-4	GND
		ORN	P1-4	FC1-8	AC5
		YEL	P1-5	FC1-9	AC4
		GRN	P1-6	FC1-10	AC3
		BLU	P1-7	FC1-11	AC2
		VIO	P1-8	FC1-12	AC1
		GRY	P1-9	FC1-13	AC0
V	V	WHT	P1-10	FC1-6	BRK KEY
21	22	BLU	P1-11	FC1-7	AC6

WIRE TABLE (5411170-0,6,10)					
ITEM NO	DESCRIPTION	FROM CONNECTION	TO CONNECTION	REMARKS	
22	22	ELK	P1-1	FC1-1	CAPS LOGIC
↓	↓	BRN	P1-2	FC1-2	+5V
		RED	P1-3	FC1-3	KEY UP
		ORN	P1-4	FC1-4	GND
		YEL	P1-5	FC1-5	AC7
		GRN	P1-6	FC1-6	LO LED FLAGS
		BLU	P1-7	FC1-7	AC6
		VIO	P1-8	FC1-8	AC5
		GRY	P1-9	FC1-9	AC4
		WHT	P1-10	FC1-10	AC3
		WHT/BLK	P1-11	FC1-11	AC2
		WHT/BRN	P1-12	FC1-12	AC1
		WHT/RED	P1-13	FC1-13	AC0
		WHT/ORN	P1-14	FC1-14	+5V
V	V	WHT/YEL	P1-15	FC1-15	GND
22	22	WHT/GRN	P1-16	FC1-16	GND



INCH

REV.	
CHG.	
REV.	
CHG.	

DEC FORM NO. DRD 100-C

8

7

6

5

4

3

DESCRIPTION	DWG./PART NO.	ITEM NO.
UNLESS OTHERWISE SPECIFIED DIMENSIONS ARE IN INCHES		
ANGLES ±0° 30'	CLASS OF ACCURACY	NOMINAL DIMENSION RANGE INCHES
SURFACE QUALITY IN	(CHECK ONE)	OVER 0 TO 0.2
QUANTITY & VARIATION	MEDIUM	OVER 0.2 TO 1.2
	PREFERRED	OVER 1.2 TO 4.0
		OVER 4.0 TO 12.0
		OVER 12.0 TO 40.0
		OVER 40.0 TO 80.0
		OVER 80.0 TO 100.0
THIRD ANGLE PROJECTION	DRN. <i>[Signature]</i>	FIRST USED ON
REMOVE BURRS AND BREAK SHARP CORNERS	CHK'D <i>[Signature]</i>	VT50H/VT61
DO NOT SCALE DWG	ENG. <i>[Signature]</i>	TITLE
	PROJ. ENG. <i>[Signature]</i>	KEYBOARD VT61/VT50H
	PROB. <i>[Signature]</i>	(CABLE CONN)
MATERIAL	NEXT HIGHER ASSY.	SCALE
FINISH		SHEET 3 OF 5
		DIST.

SIZE CODE DCS 5411170-0-1 REV. A

8

7

6

5

4

3

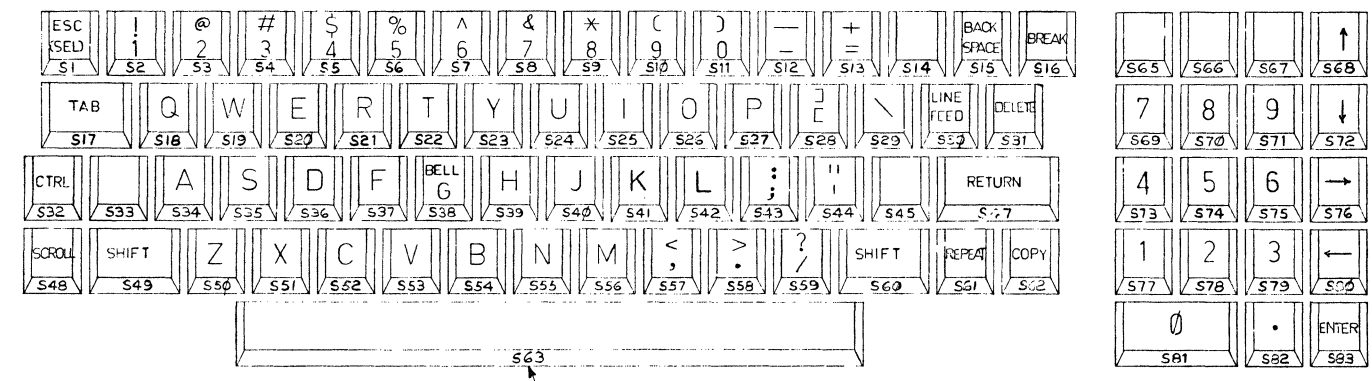
2

1

"THIS DRAWING AND SPECIFICATIONS, HEREIN, ARE THE PROPERTY OF DIGITAL EQUIPMENT CORPORATION, AND SHALL NOT BE REPRODUCED OR COPIED OR USED IN WHOLE OR IN PART AS THE BASIS FOR THE MANUFACTURE OR SALE OF ITEMS WITHOUT WRITTEN PERMISSION. COPYRIGHT © 1975, DIGITAL EQUIPMENT CORPORATION"

NOTES: 1. THE KEYCAP PLACEMENT ON THIS SHEET REPRESENTS THE VT50H, VT50J PLACEMENT. TO FIND KEYCAP LOCATIONS FOR OTHER VARIATIONS MATCH THE SWITCH NUMBERS (EXAMPLE S9) ON EACH KEYCAP ON THIS SHEET WITH THE CORRESPONDING SWITCH NUMBER FOR THE DESIRED VARIATION ON SHEET 5.
2. SEE PARTS LIST FOR ITEM NUMBERS FOR DESIRED VARIATIONS.

SEE NOTE 2



REV.	
CHG.	
CHK.	

DRN. G. Mitchell	3-1-75	FIRST USED ON	VT50 H/ VT61	digital
CHK'D. G. Mitchell	3/1/75	TITLE	KEYBOARD VT61/VT50H	
ENG. J. B. ...	2-12-75	(KEYCAP VARIATIONS)		
PROJ. ENG. ...	3-12-75	SCALE NONE	SIZE CODE	NUMBER
PROD. ...		SHEET 4 OF 5	D CS 54 11170-0-1	REV. N
NEXT HIGHER ASSY.		DIST.		

THIS DRAWING AND SPECIFICATIONS HEREIN ARE THE PROPERTY OF DIGITAL EQUIPMENT CORPORATION AND SHALL NOT BE REPRODUCED OR COPIED OR USED IN WHOLE OR IN PART AS THE BASIS FOR THE MANUFACTURE OR SALE OF ITEMS WITHOUT WRITTEN PERMISSION. COPYRIGHT © 1976 DIGITAL EQUIPMENT CORPORATION

COLOR GUIDE
 NO. NUMBER : GRAY
 1 : RED
 2 : BLUE
 3 : WHITE
 4 : GOLD
 5 : GRAY LIGHT

NOTE: 1) LEGENDS IN LOWER PORTION OF BOX ARE ON THE FRONT FACE OF THE KEY.
 2) LEGEND ON SIDE IS ON SIDE OF KEY.

KEYCAP PLACEMENT

SWITCH NUMBER

VARIATION	S1	S2	S3	S4	S5	S6	S7	S8	S9	S10	S11	S12	S13	S14	S15	S16	S17	S18	S19	S20	S21	S22	S23	S24	S25	S26	S27	S28	S29	S30	S31	S32	S33	S34	S35	S36	S37	S38	S39	S40	S41	S42	
5411170-0 (VT61)	ESC (SEL)	1	@	#	\$	%	^	&	*	()	-	=	~	BACK SPACE	BREAK	TAB	Q	W	E	R	T	Y	U	I	O	P	[]	LINE FEED	DELETE	CTRL	CAPS LOCK	A	S	D	F	BELL	G	H	J	K	L
5411170-2 (VT50H)	ESC (SEL)	1	@	#	\$	%	^	&	*	()	-	=	~	BACK SPACE	BREAK	TAB	Q	W	E	R	T	Y	U	I	O	P	[]	LINE FEED	DELETE	CTRL	CAPS LOCK	A	S	D	F	BELL	G	H	J	K	L
5411170-4 (VT52)	ESC (SEL)	1	@	#	\$	%	^	&	*	()	-	=	~	BACK SPACE	BREAK	TAB	Q	W	E	R	T	Y	U	I	O	P	[]	LINE FEED	DELETE	CTRL	CAPS LOCK	A	S	D	F	BELL	G	H	J	K	L
5411170-6 (VT61T)	ESC (SEL)	1	@	#	\$	%	^	&	*	()	-	=	~	BACK SPACE	BREAK	TAB	Q	W	E	R	T	Y	U	I	O	P	[]	LINE FEED	DELETE	CTRL	CAPS LOCK	A	S	D	F	BELL	G	H	J	K	L
5411170-8 (VT52-W)	ESC (SEL)	1	@	#	\$	%	^	&	*	()	-	=	~	HYPH (PUSH)	TAB (CENTER)	BREAK	Q	W	E	R	T	Y	U	I	O	P	[]	LINE FEED	DELETE	CTRL	CAPS LOCK	A	S	D	F	BELL	G	H	J	K	L
5411170-10 (VT62)	SELECT DE SELECT	1	@	#	\$	%	^	&	*	()	-	=	~	HOME (FORM)	2 CLEAR	2 ERROR RE-ET	Q	W	E	R	T	Y	U	I	O	P	[]	DELETE FIELD	ERASE CHAR	DELETE CHAR	CAPS LOCK	A	S	D	F	G	H	J	K	L	
5411170-12 (VT52-N)	ESC (SEL)	1	@	#	\$	%	^	&	*	()	-	=	~	BACK SPACE	BREAK	TAB	Q	W	E	R	T	Y	U	I	O	P	[]	DEL FIELD	DEL CHAR	CTRL	CAPS LOCK	A	S	D	F	BELL	G	H	J	K	L
5411170-14 (VT52-W)	ESC (SEL)	1	@	#	\$	%	^	&	*	()	-	=	~	HYPH (PUSH)	TAB (CENTER)	BREAK	Q	W	E	R	T	Y	U	I	O	P	[]	LINE FEED	DELETE	CTRL	CAPS LOCK	A	S	D	F	G	H	J	K	L	

SWITCH NUMBER (CONT.)

VARIATION	S43	S44	S45	S46	S47	S48	S49	S50	S51	S52	S53	S54	S55	S56	S57	S58	S59	S60	S61	S62	S63	S64	S65	S66	S67	S68	S69	S70	S71	S72	S73	S74	S75	S76	S77	S78	S79	S80	S81	S82	S83	
5411170-0	:	11	1	3	2	RETURN	SCROLL	SHIFT	Z	X	C	V	B	N	M	<	>	?	2	SHIFT	REPEAT	COPY	SPACE BAR	FCN	BKFLD	FWFLD	↑	7	8	9	↓	4	5	6	→	1	2	3	←	0	•	ENTER
5411170-2	:	11	1	3	2	RETURN	SCROLL	SHIFT	Z	X	C	V	B	N	M	<	>	?	2	SHIFT	REPEAT	COPY	SPACE BAR	FCN	BKFLD	FWFLD	↑	7	8	9	↓	4	5	6	→	1	2	3	←	0	•	ENTER
5411170-4	:	11	1	3	2	RETURN	SCROLL	SHIFT	Z	X	C	V	B	N	M	<	>	?	2	SHIFT	REPEAT	COPY	SPACE BAR	FCN	BKFLD	FWFLD	↑	7	8	9	↓	4	5	6	→	1	2	3	←	0	•	ENTER
5411170-6	:	11	1	3	2	RETURN	SCROLL	SHIFT	Z	X	C	V	B	N	M	<	>	?	2	SHIFT	REPEAT	COPY	SPACE BAR	FCN	BKFLD	FWFLD	↑	7	8	9	↓	4	5	6	→	1	2	3	←	0	•	ENTER
5411170-8 (VT52-W)	:	11	1	3	2	RETURN	SCROLL	SHIFT	Z	X	C	V	B	N	M	<	>	?	2	SHIFT	REPEAT	COPY	SPACE BAR	FCN	BKFLD	FWFLD	↑	7	8	9	↓	4	5	6	→	1	2	3	←	0	•	ENTER
5411170-10 (VT62)	:	11	1	3	2	RETURN	SCROLL	SHIFT	Z	X	C	V	B	N	M	<	>	?	2	SHIFT	REPEAT	COPY	SPACE BAR	FCN	BKFLD	FWFLD	↑	7	8	9	↓	4	5	6	→	1	2	3	←	0	•	ENTER
5411170-12 (VT52-N)	:	11	1	3	2	RETURN	SCROLL	SHIFT	Z	X	C	V	B	N	M	<	>	?	2	SHIFT	REPEAT	COPY	SPACE BAR	FCN	BKFLD	FWFLD	↑	7	8	9	↓	4	5	6	→	1	2	3	←	0	•	ENTER
5411170-14 (VT52-W)	:	11	1	3	2	RETURN	SCROLL	SHIFT	Z	X	C	V	B	N	M	<	>	?	2	SHIFT	REPEAT	COPY	SPACE BAR	FCN	BKFLD	FWFLD	↑	7	8	9	↓	4	5	6	→	1	2	3	←	0	•	ENTER

REVISIONS		
CHK	CHANGE NO.	REV.

TITLE: KEYBOARD, VT61/VT50H (KEYCAP PLACEMENT) SIZE CODE: DCS NUMBER: 5411170-0-1 REV: N
 SCALE: SHEET 5 OF 5



"THE MATERIAL HEREIN IS FOR INFORMATION PURPOSES ONLY AND IS SUBJECT TO CHANGE WITHOUT NOTICE. DIGITAL EQUIPMENT CORPORATION ASSUMES NO RESPONSIBILITY FOR ANY ERRORS WHICH MAY APPEAR HEREIN." 1976

FIELD MAINTENANCE PRINT SET

"THIS DRAWING AND SPECIFICATIONS, HEREIN, ARE THE PROPERTY OF DIGITAL EQUIPMENT CORPORATION AND SHALL NOT BE REPRODUCED OR COPIED OR USED IN WHOLE OR IN PART AS THE BASIS FOR THE MANUFACTURE OR SALE OF ITEMS WITHOUT WRITTEN PERMISSION. COPYRIGHT © 1976 , DIGITAL EQUIPMENT CORPORATION."

TABLE OF CONTENTS

Ø-UA-H783-Ø-Ø POWER SUPPLY H783 (VT61)
 Ø-IA-7012018-0-0 WIRING ASSY, H783
 D-CS-5411987-0-1 CIRCUIT SCHEMATIC

UNIT VARIATIONS COVERED BY THIS PRINT SET
H783-A
H783-B

H783
Field Maintenance
Print Set

Digital Equipment
Corporation
 PRINT SET ORDER NO.
 MPØØ157

REV.	CHG. NO.	DATE	USED ON OPTION/MODEL	DRN.	DATE	TITLE:	SIZE	CODE	NUMBER	REV.
NR			VT61	G. HOVEY	5-MAR-76	H783 FIELD MAINTENANCE PRINT SET	B	TC	H783-Ø-1	
				CHK'D	DATE					
				<i>S. B. BOERS</i>	<i>12 July 76</i>					
				PROJ. ENG.	DATE					
				<i>B. B. BOERS</i>	<i>12 July 76</i>					
				FIELD SERV.	DATE					
				<i>[Signature]</i>	<i>9 July 76</i>					
			SHEET I OF 1				DIST.			

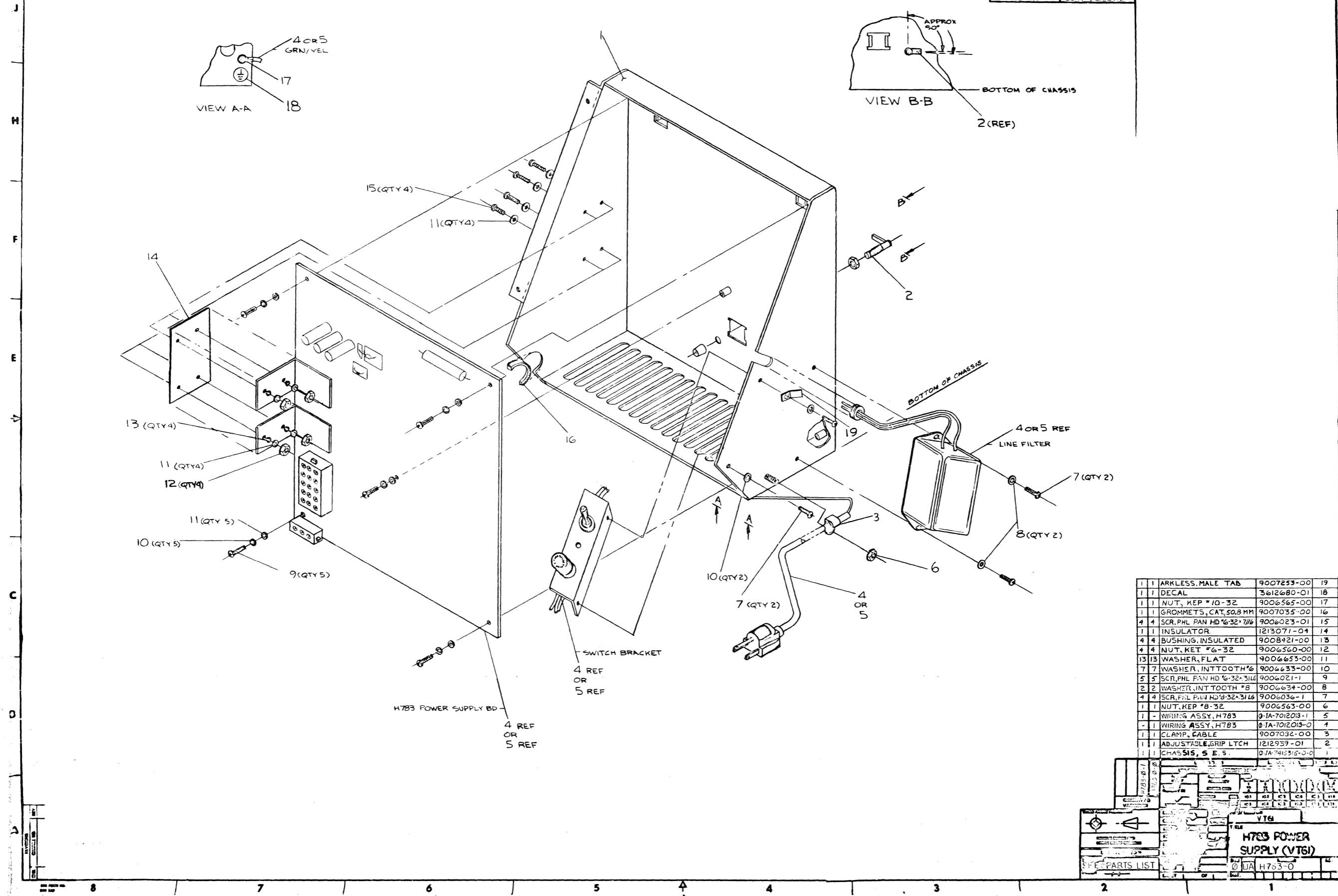


EN-01124-16-N678-(327)



ALL DIMENSIONS AND SPECIFICATIONS HEREIN ARE THE PROPERTY OF DIGITAL EQUIPMENT CORPORATION AND SHALL NOT BE REPRODUCED OR TRANSMITTED IN ANY FORM OR BY ANY MEANS, ELECTRONIC OR MECHANICAL, INCLUDING PHOTOCOPYING, RECORDING, OR BY ANY INFORMATION STORAGE AND RETRIEVAL SYSTEMS, WITHOUT THE WRITTEN PERMISSION OF DIGITAL EQUIPMENT CORPORATION.

LEGEND	
NUMBER	VARIATION
H783-00	115 V 20/60 HZ
H733-01	230V 50/60 HZ



1	1	ARKLESS, MALE TAB	9007253-00	19
1	1	DECAL	3612680-01	18
1	1	NUT, KEP #10-32	9006565-00	17
1	1	GROMMETS, CAT, 50.8 MM	9007035-00	16
4	4	SCR, PHL PAN HD #6-32 x 7/16	9006023-01	15
1	1	INSULATOR	1213071-04	14
4	4	BUSHINGS, INSULATED	9008421-00	13
4	4	NUT, KEP #6-32	9006560-00	12
13	13	WASHER, FLAT	9006653-00	11
7	7	WASHER, INTTOOTH #6	9006633-00	10
5	5	SCR, PHL PAN HD #6-32 x 3/16	9006021-1	9
2	2	WASHER, INTTOOTH #8	9006634-00	8
4	4	SCR, PHL PAN HD #8-32 x 3/16	9006036-1	7
1	1	NUT, KEP #8-32	9006563-00	6
1	1	WIRING ASSY, H783	01A-701203-1	5
1	1	WIRING ASSY, H783	01A-701203-0	4
1	1	CLAMP, CABLE	9007032-00	3
1	1	ADJUSTABLE, GRIP LTCH	1212959-01	2
1	1	CHASSIS, S.E.S.	01A-7413315-0-0	1

H783 POWER SUPPLY (VT6)

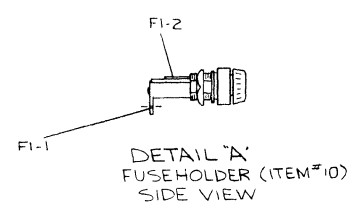
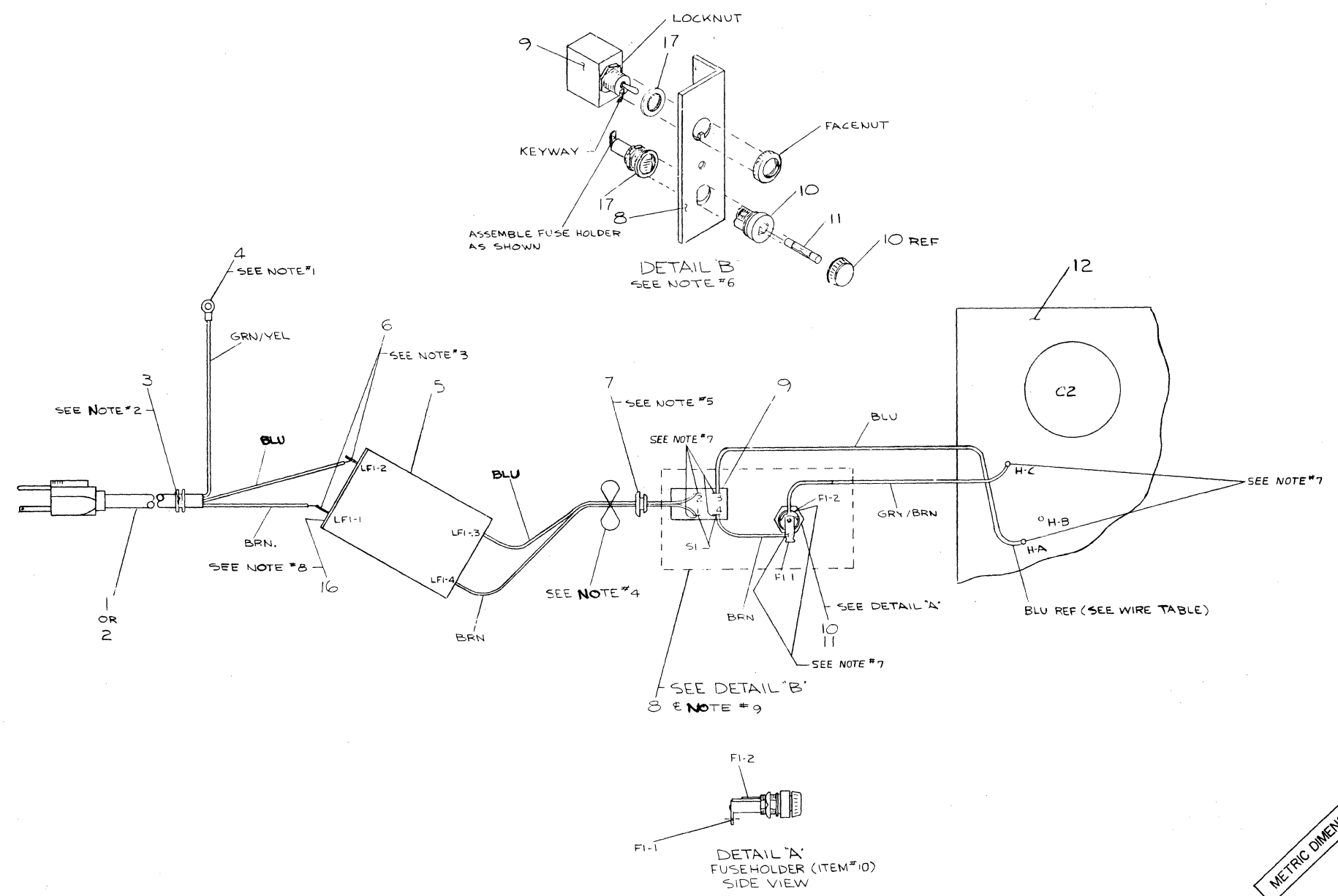
 PARTS LIST

THIS DRAWING AND SPECIFICATIONS HEREIN ARE THE PROPERTY OF DIGITAL EQUIPMENT CORPORATION AND SHALL NOT BE REPRODUCED OR COPIED OR USED IN WHOLE OR IN PART AS THE BASIS FOR THE MANUFACTURE OR SALE OF ANY EQUIPMENT WITHOUT THE WRITTEN PERMISSION OF DIGITAL EQUIPMENT CORPORATION.

WIRE TABLE									
ITEM NO	DESCRIPTION	FROM			TO			LENGTH	
		AWG	COLOR	POINT	CONNECTION	WITH	POINT		CONNECTION
10R2	18	BLU					LFI-1	SOLD	
10R2	18	BLU					LFI-2	SOLD	
10R2	18	GRN/YEL			4				
5	18	BLU					SI-2	SOLD	150 MM
5	18	BRN					SI-1	SOLD	150 MM
13	18	BRN					FI-1	SOLD	95 MM
14	18	GRN/BRN					H-C (ITEM#12)	SOLD	100 MM
15	18	BLU					H-A (ITEM#12)	SOLD	100 MM

LEGEND	
NUMBER	VARIATION
7012018-00	115V 50/60HZ
7012018-01	230V 50/60HZ

- NOTES:
1. TERMINAL RING TONGUE (ITEM#4) TO BE CRIMPED TO GRN/YEL WIRE.
 2. GROMMET (ITEM#3) TO BE SLID OVER POWER CORD (ITEM#1).
 3. BLU & BRN LEADS FROM POWER CORD (ITEM#1) TO BE SOLDERED TO FILTER (ITEM#5) INPUT TERMINALS AND INSULATED WITH SHRINK TUBING (ITEM#6).
 4. BLU & BRN OUTPUT LEADS ARE TWISTED TOGETHER, 9 TWIST PER FOOT.
 5. GROMMET (ITEM#7) TO BE SLID OVER TWISTED OUTPUT LEADS OF FILTER (ITEM#5) WITH LARGER DIA FACING FILTER.
 6. ADJUST LOCKNUT (SEE DETAIL 'B') SO THAT FACENUT IS FLUSH WITH TOGGLE SWITCH THREADS PROTRUDING THROUGH SWITCH BRACKET (ITEM#8).
 7. WIRES TO BE STRIPPED 5MM AND TINNED.
 8. PLACE COVER (ITEM#16) ON FILTER LINE (ITEM#5) BEFORE WIRING.
 9. ASSEMBLE FUSE HOLDER (ITEM#10) & SWITCH (ITEM#9) BEFORE WIRING.



METRIC DIMENSIONS

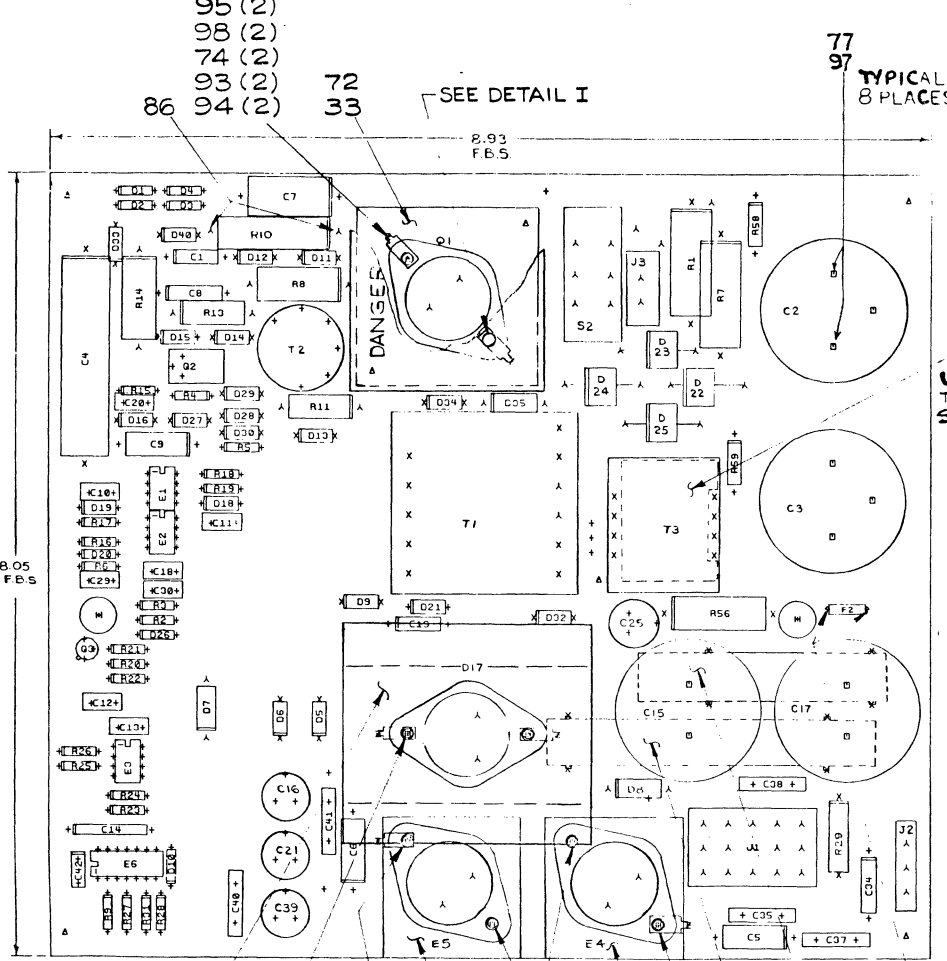
QTY	DESCRIPTION	ITEM NO	QTY	DESCRIPTION	ITEM NO
2	WASHER, INTERNAL TOOTH	9008990	17		
1	COVER, LINE FILTER TERMINAL	2-ND-7416297-00	16		
1	WIRE #18 AWG BLU	9107360-06	15		
1	WIRE #18 AWG GRN/BRN	9107410-01	14		
1	WIRE #18 AWG BRN	9107360-11	13		
1	VT62, VT78 POWER SUPPLY	D-VA-531273-0-0	12		
1	FUSE	9007223-00	11		
1	HOLDER FUSE	1216003-02	10		
1	SWITCH TOGGLE	12601-1-01	9		
1	BRACKET SWITCH	9007223-00	8		
1	GROMMET	9007223-00	7		
1	TUBING, SHRINK	9007303-00	6		
1	FILTER LINE	1216003-00	5		
1	TERMINAL RING TONGUE	9007223-00	4		
1	GROMMET	9007223-00	3		
1	CORD, POWER REWORK	6-ND-7416127-1-0	2		
1	CORD, POWER REWORK	6-ND-7416127-1-0	1		

REV	DATE	BY	CHKD	APP'D
1	9-27-77	A		
2	10-17-77	B		
3	11-17-77	C		
4	12-17-77	D		
5	1-17-78	E		
6	2-17-78	F		
7	3-17-78	G		
8	4-17-78	H		
9	5-17-78	I		
10	6-17-78	J		

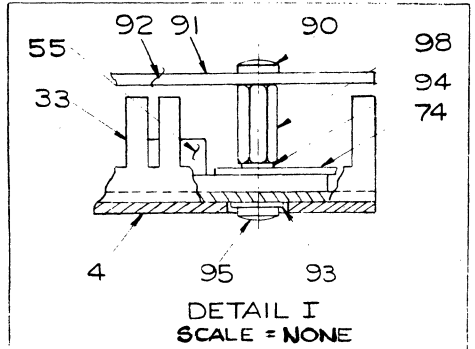
THIRD ANGLE PROJECTION	DRN: [Signature]	FIRST USED ON: VT61
REMOVE BURRS AND BREAK SHARP CORNERS	CHK'D: [Signature]	TITLE: WIRING ASSY, H783
DO NOT SCALE DWG	ENG: [Signature]	PROJ ENG: [Signature]
SEE PARTS LIST	PROJ: [Signature]	SCALE: NONE
FINISH	MATERIAL: [Signature]	SHEET: 1 OF 1
	DATE: [Signature]	NUMBER: 7012018-0-0
		DIST: [Signature]

THIS DRAWING AND SPECIFICATIONS HEREIN ARE THE PROPERTY OF DIGITAL EQUIPMENT CORPORATION AND SHALL NOT BE REPRODUCED OR COPIED OR USED IN WHOLE OR IN PART AS THE BASIS FOR THE MANUFACTURE OR SALE OF ITEMS WITHOUT WRITTEN PERMISSION. COPYRIGHT © 1978 BY DIGITAL EQUIPMENT CORPORATION

NOTES: 1. POWER RESISTORS & DIODES TO BE MOUNTED 1/2 INCH OFF BOARD. R1,R7, R8, R11, R13, R14, R29. D5-D7, D9, D11, D12, D22-D25, D40.



72 26(2) 76 73 76(2) 73 76 79 78 32(2)
39 74(2) 65 72 65(2) 72 65 74 UNDER C15, C17 ON SIDE I
65(2) 74



IC TYPE	GND	+5V

GND AND 5V ARE USUALLY PIN 7 AND 14 RESPECTIVELY EXCEPTS ARE STATED ABOVE

IC PIN LOCATIONS

QTY	REF. DESIGNATION	DESCRIPTION	PART NO.	ITEM NO.
1	U1	TRANSISTOR (TI BUY-698)	1512782	55
2	R1, 7	RES. 7.62W, 5% WW	1312394	56
1	R10	RES. 1K, 9W, 5% WW	1313191	57
1	T1	TRANSFORMER PWR HIGH FREQ	1612890-01	58
1	T3	TRANSFORMER PWR	1612919-01	59
1	T2	TRANSFORMER PULSE	1612920-C2	60
1	E6	COMPARATOR (LM339)	1912108	61
1	E3	OP. AMP (DEC301)	1910282	62
2	E1,2	TIMER (DEC 555)	1911944	63
1	E5	VOLT. REG (7812C)	1912048	64
6		KEPNUT #6-32	9008195-00	65
1	R29	RES. .01, 3W, 3%, WW	1313014	66
1	R20	RES. 10K, 1/4W, 5%	1300479	67
1	R22	RES. 4.64K, 1/4W, 1%, MF	1304856	68
1	R18	RES. 24.3K, 1/8W, 1%, MF	1309418	69
1	R19	RES. 39.2K, 1/8W, 1%, MF	1305265	70
1	R31	RES. 1K, 1/4W, 1% MF	1303114	71
4		INSULATOR, SILICONE RUBBER (T03)	1213071-02	72
2	HS3, HS4	HEAT SINK	B-MD-7415206-0-0	73
6		TERMINAL LUG SOLDER	9009676	74
1	R9	RES. 1M, 1/4 W, 5% CC	1309595	75
4		SCR. PHL. PAN HD. #6-32 5/16	9005021-01	76
8		FLAT WASHER	9006660	77
1		BUS BAR	B-MC-7415614-0	78
1		BUS BAR	B-MD-7415615-0	79
1	D21	DIODE, ZENER, 4733, 5.1V, 10% 1W	1110488	80
1	C19	CAP. 0.68uF, 35V, S. TANT.	1009964	81
1	C25	CAP. 20uF, 200V, AL. EL.	1012607-05	82
1	R56	RES. 10K, 6.5W, 5% WW	1312995	83
1	F2	PICOFUSE, 1A AXIAL LEAD	1210929-02	84
1	C1	CAP, 680pF, 500V	1005726	85
2		STANDOFF, CERAMIC	9009798	86
3		HEAT SINK	1211921-01	87
AR		THERMAL COMPOUND	9008268	88
2	D11, 40	RECTIFIER (A115M)	1112594-02	89
2		SCREW, NYLON #6-32 x 7/16	9008212	90
1		DECAL "DANGER HIGH VOLTAGE"	3610267	91
1		COVER, SAFETY	7416423	92
2		WASHER, FLAT #6	9006653	93
2		WASHER, INT. TOOTH #6	9006633	94
2		SCR. PHL. PAN HD. #6-32 x 1/2	9006024-01	95
1	D35	TRANSORB 200V, 5W	1113123	96
8		SCR. SEMS #10-32 x 3/8	9009795	97
2		STANDOFF #6-32 (1/4AF) x 1/8	9007985	98
1	E4	VOLT. REG. (7812C)	1912048-03	99
1		SPACER, INSULATOR	7419001-0-0	100

QTY	REF. DESIGNATION	DESCRIPTION	PART NO.	ITEM NO.
		X-Y COORDINATE HOLE LOCATION	K-00-5411987-0-4	1
		ASSY DRILL HOLE LAYOUT	D-AH-5411987-0-5	2
		MODULE ECO HISTORY	B-MH-5411987-0-6	3
		ETCH CIRCUIT BOARD	5011986	4
3	C12, 29, 42	CAP. 0.1UF 100V	1001610-01	5
1	C13	CAP 33PF, 100V, 5% DM	1000009	6
5	C35, 37, 38, 40, 41	CAP .1 UF, 100V DISK CERAMIC	1000030	7
4	C10, 11, 18, 30	CAP 1000 PF, 100V, 5% DM	1000042	8
1	C20	CAP 2200 PF DISK CERAMIC	1000055	9
1	C34	CAP .27 UF, 250V, 20% MET. MYL.	1003055	10
3	C5, 6, 9	CAP 1 UF, 100V AL. EL.	1005507	11
1	C8	CAP .01 UF, 100V, 10% MYLAR	1005784	12
		SCR. PHL. PAN HD. #6-32 1/2	9006013-01	13
1	C4	CAP 600 UF, 25V AL. EL.	1011849-01	14
2	C15, 17	CAP 3900 UF, 6V, AL. EL. STACKED FOIL	1012740	15
1	C14	CAP .27 UF, 100V, 10% MET. MYL.	1012743	16
2	C2, 3	CAP 590 UF, 200V, AL. EL.	1012744	17
1	C7	CAP 0.01UF 400V POLYCARB	1013203	18
		WASHER FLAT	9006653-00	19
3	C16, 21, 39	CAP 270 UF, 40V, AL. EL.	1012607-04	20
2	D18, 19	DIODE 135 MA 25V (D664)	1100114	21
1	D26	DIODE, ZENER, 10V, .4W IN758A	1100125	22
6	D1, 2, 3, 4, 10, 13	RECT (1N4004)	1105796	23
1	D20	DIODE, ZENER 5.1V, 1%, .4W	1105873	24
1	D8	RECT (GE A15B) (1N5624)	1110420	25
2		SCR PHL PAN HD #6-32 3/8	9006022-01	26
4	D22-25	RECT 6A, 600V, (NR756)	1110615-01	27
1	D17	RECT 20A, 75V (NSR117)	1110715	28
11	D5, 6, 9, 14, 15, 16, 27, 28, 29, 30, 33	RECT (A114B)	1112595-01	29
3	D12, 32, 34	RECT (A114M)	1112595-02	30
1	D7	RECT (A115B)	1112594-01	31
2		CONN	1209336-01	32
1	HS1	HEAT SINK	1210012-02	33
		KEPNUT #6-32	9006557-00	34
1	J3	CONN, 2 PIN, UNIV. MATE-N-LOCK	1212297-00	35
1	J2	CONN, 3 PIN, UNIV. MATE-N-LOCK 350429-1	1212297-03	36
1	J1	CONN, 15 PIN, UNIV. MATE-N-LOCK 350434-1	1212297-04	37
1	S2	SW. SLIDE, DPDT	1212794	38
1	HS2	HEAT SINK	1212941	39
1	R13	RES 330, 1W, 10% CC	1300298	40
2	R2, 4	RES 68, 1/4W, 5% CC	1300219	41
1	R14	RES 270, 2W, 10% CC	1300288	42
3	R23, 25, 26	RES 1K, 1/4W, 5% CC	1300365	43
1	R8	RES 1K, 2W, 10% CC	1301392	44
2	R3, 17	RES 4.7K, 1/4W, 5% CC	1300447	45
1	R16	RES 39K, 1/4W, 5% CC	1302514	46
2	R58, 59	RES 180K, 1/2W, 10% CC	1300544	47
1	R24	RES 56K, 1/4W, 5% CC	1302395	48
1	R11	RES 1, 2W, 5% WW	1305428	49
2	R6, 27	RES 5.1, 1/4W, 5% CC	1309422	50
2	R21, 28	RES 215, 1/4W, 1% MF	1305123	51
2	R5, 15	RES 330, 1/4W, 5% CC	1300295	52
1	Q3	TRANSISTOR (A55)	1510706	53
1	Q2	TRANSISTOR (D44C11)	1512190	54

VT61

PARTS LIST

ETCH BOARD REV. D

DRN	DATE
CHK'D	DATE
DATE	DATE
DATE	DATE
DATE	DATE

digital

TITLE H783 POWER SUPPLY (VT61)

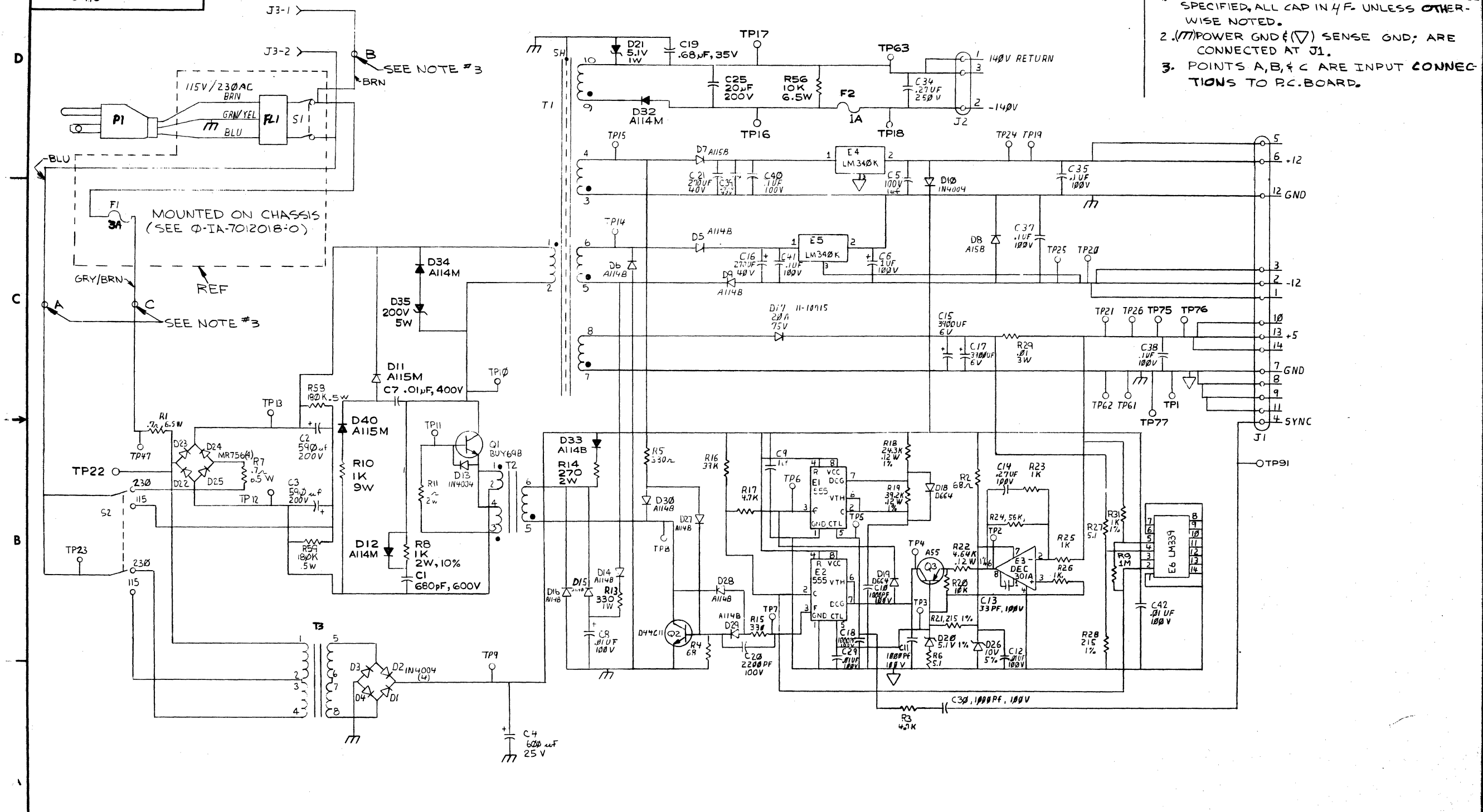
SIZE CODE D CSI 5411987-0-1

REV. H

SEMICONDUCTOR CONVERSION CHART

"THIS DRAWING AND SPECIFICATIONS, HEREIN, ARE THE PROPERTY OF DIGITAL EQUIPMENT CORPORATION AND SHALL NOT BE REPRODUCED OR COPIED OR USED IN WHOLE OR IN PART AS THE BASIS FOR THE MANUFACTURE OR SALE OF ITEMS WITHOUT WRITTEN PERMISSION. COPYRIGHT © 1971, DIGITAL EQUIPMENT CORPORATION"

- NOTES:
1. ALL RESISTORS ARE 1/4W, 5% UNLESS OTHERWISE SPECIFIED, ALL CAP IN 4F. UNLESS OTHERWISE NOTED.
 2. (//) POWER GND (▽) SENSE GND; ARE CONNECTED AT J1.
 3. POINTS A, B, & C ARE INPUT CONNECTIONS TO P.C. BOARD.



REVISIONS		
CHK	CHANGE NO.	REV.

TITLE	H783 POWER SUPPLY (VT6I)	SIZE/CODE	D CS	NUMBER	5411987-0-1	REV.	H
SCALE		SHEET	2	OF	2	DIST.	

"THE MATERIAL HEREIN IS FOR INFORMATION PURPOSES ONLY AND IS SUBJECT TO CHANGE WITHOUT NOTICE. DIGITAL EQUIPMENT CORPORATION ASSUMES NO RESPONSIBILITY FOR ANY ERRORS WHICH MAY APPEAR HEREIN."

FIELD MAINTENANCE PRINT SET

"THIS DRAWING AND SPECIFICATIONS, HEREIN, ARE THE PROPERTY OF DIGITAL EQUIPMENT CORPORATION AND SHALL NOT BE REPRODUCED OR COPIED OR USED IN WHOLE OR IN PART AS THE BASIS FOR THE MANUFACTURE OR SALE OF ITEMS WITHOUT WRITTEN PERMISSION. COPYRIGHT © 1977, DIGITAL EQUIPMENT CORPORATION."


TABLE OF CONTENTS

Ø-UA-H7832-Ø-Ø	POWER SUPPLY H7832 (VT62)
Ø-IA-7418696-0-0	WIRING ASSY, H7832
D-CS-5412973-0-1	CIRCUIT SCHEMATIC

UNIT VARIATIONS COVERED BY THIS PRINT SET
H7832 A
H7832 B

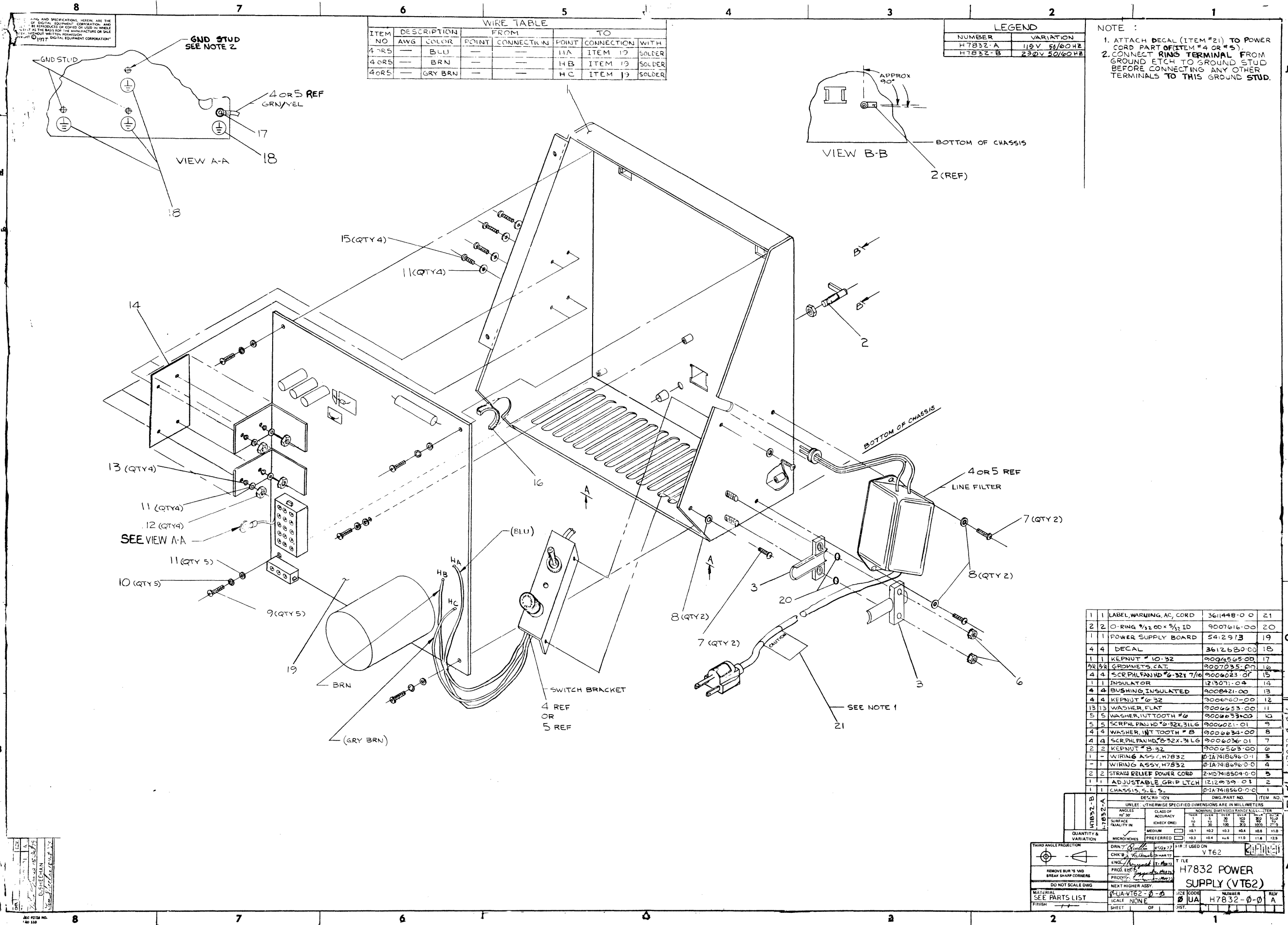
H7832
Field Maintenance
Print Set

Digital Equipment
Corporation
PRINT SET ORDER NO.
MPØØ353

REV. CHG. NO. DATE	UCED ON OPTION/MODEL	DRN.		TITLE:					
		DRN.	DATE	H7832 FIELD MAINTENANCE PRINT SET					
			VT62	T. QUILLIN	3/10/77				
		<i>J. Fellows</i>	31 MAR 77						
		<i>Busynski</i>	31 MAR 77						
		FIELD SERV.							
		<i>John Zahner</i>							
SHEET 1 OF 1				SIZE B	CODE TC	NUMBER H7832-0-1	REV.		
				DIST.					

EN-01134-10-NOV-78-(227)





WIRE TABLE						
ITEM NO	DESCRIPTION	FROM		TO		WITH
		POINT	CONNECTION	POINT	CONNECTION	
4 OR 5	BLU			HA	ITEM 19	SOLDER
4 OR 5	BRN			HB	ITEM 19	SOLDER
4 OR 5	GRY BRN			HC	ITEM 19	SOLDER

LEGEND	
NUMBER	VARIATION
H7832-A	110V 50/60HZ
H7832-B	230V 50/60HZ

NOTE:
 1. ATTACH DECAL (ITEM #21) TO POWER CORD PART OF (ITEM #4 OR #5).
 2. CONNECT RING TERMINAL FROM GROUND ETCH TO GROUND STUD BEFORE CONNECTING ANY OTHER TERMINALS TO THIS GROUND STUD.

WORKING AND PRECAUTIONS: REFER TO THE INSTRUCTIONS AND SPECIFICATIONS OF THE MANUFACTURER OF THE DIGITAL EQUIPMENT CORPORATION AND BE RESPONSIBLE FOR THE PROPER USE OF THE PRODUCT AS THE BASIS FOR THE MANUFACTURE OR SALE OF THE PRODUCT WITHOUT WRITTEN PERMISSION FROM THE DIGITAL EQUIPMENT CORPORATION.

REV. 10/77
 DESIGNED BY: [Signature]
 DRAWN BY: [Signature]
 CHECKED BY: [Signature]
 APPROVED BY: [Signature]

1	LABEL, WARNING, AC, CORD	3611448-0-0	21
2	O-RING 1/2 OD x 3/16 ID	9007616-00	20
1	POWER SUPPLY BOARD	542913	19
4	DECAL	3612680-00	18
1	KEPNUT #10-32	9006565-00	17
4	GRIP METS. CAT.	9007035-00	16
4	SCR PHL PAN HD #6-32 7/16	9006023-01	15
1	INSULATOR	1213071-04	14
4	BUSHING, INSULATED	9006421-00	13
4	KEPNUT #6-32	9006660-00	12
13	WASHER, FLAT	9006653-00	11
5	WASHER, INT TOOTH #6	9006633-00	10
5	SCR PHL PAN HD #6-32X.31LG	9006021-01	9
4	WASHER, INT TOOTH #8	9006634-00	8
4	SCR PHL PAN HD #8-32X.31LG	9006036-01	7
2	KEPNUT #8-32	9006663-00	6
1	WIRING ASSY, H7832	01A741856-01	5
1	WIRING ASSY, H7832	01A741856-00	4
2	STRAIN RELIEF POWER CORD	2ND7418504-00	3
1	ADJUSTABLE GRIP LTCH	1212939-01	2
1	CHASSIS, S.E. 5.	01A741856-00	1

UNLESS OTHERWISE SPECIFIED DIMENSIONS ARE IN MILLIMETERS

CLASS OF ACCURACY	01	02	03	04	05	06	07	08	09	10	11	12
ANGLE	±30'	±30'	±30'	±30'	±30'	±30'	±30'	±30'	±30'	±30'	±30'	±30'
SURFACE QUALITY	1	2	3	4	5	6	7	8	9	10	11	12
QUANTITY & VARIATION	MICROINCHES		PREFERRED		PREFERRED		PREFERRED		PREFERRED		PREFERRED	

THIRD ANGLE PROJECTION

DRN: [Signature] DATE: 10/77

CHK'D: [Signature]

ENG: [Signature]

PROJ. ENG: [Signature]

DO NOT SCALE DWG

REMOVE BURRS AND BREAK SHARP CORNERS

SCALE: NONE

SEE PARTS LIST

FINISH: [Symbol]

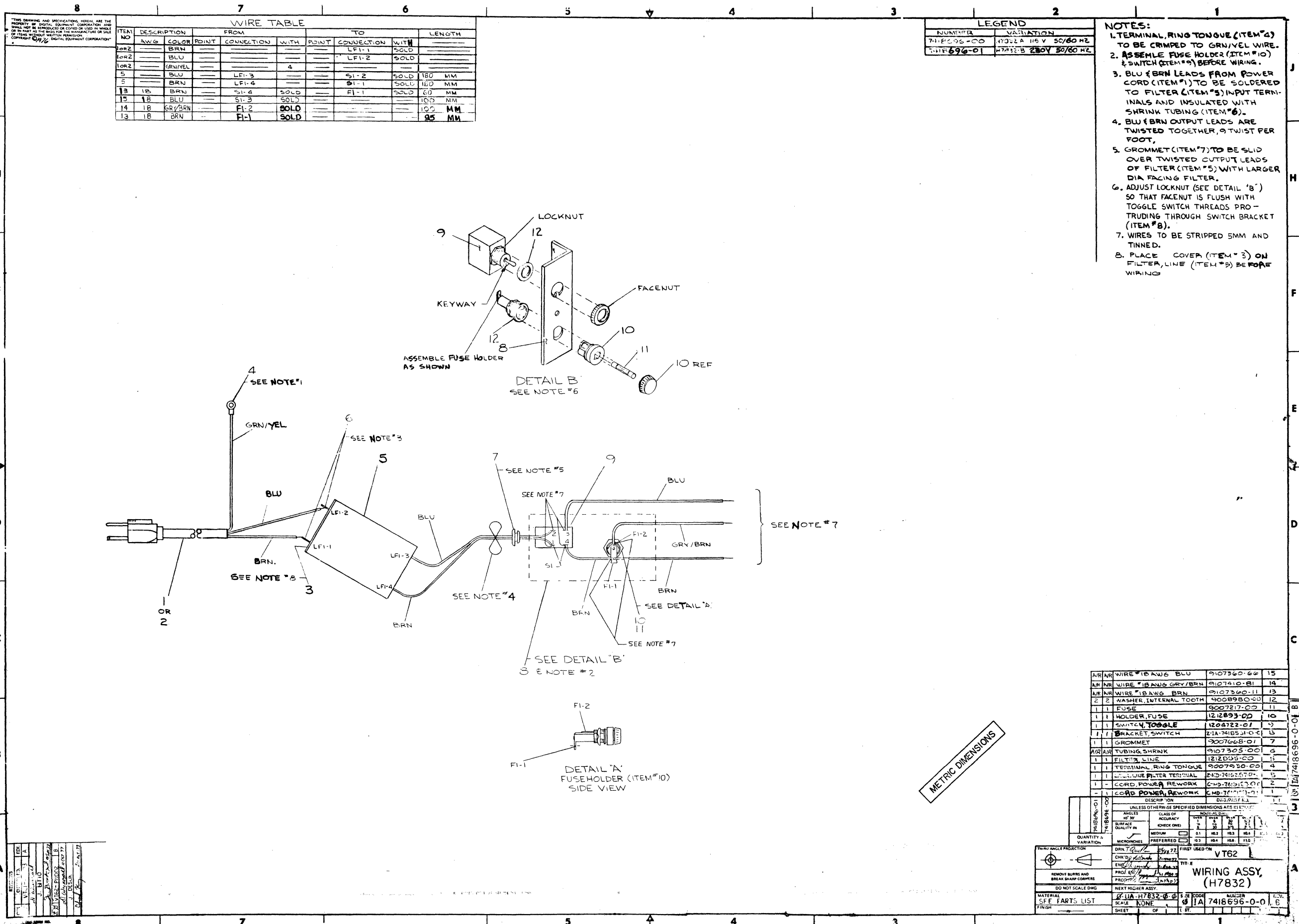
H7832 POWER SUPPLY (VT62)

SCALE: NONE

NUMBER: H7832-0-0

REV: A

SHEET: 1 OF 1



THIS DRAWING AND SPECIFICATIONS HEREIN ARE THE PROPERTY OF DIGITAL EQUIPMENT CORPORATION AND SHALL NOT BE REPRODUCED OR COPIED OR USED IN WHOLE OR IN PART AS THE BASIS FOR THE MANUFACTURE OR SALE OF ITEMS WITHOUT WRITTEN PERMISSION OF DIGITAL EQUIPMENT CORPORATION.

DATE: 6/27/76

REV. 1
REV. 2
REV. 3
REV. 4
REV. 5
REV. 6
REV. 7
REV. 8

WIRE TABLE									
ITEM NO	DESCRIPTION	FROM	TO	LENGTH					
AWG	COLOR	POINT	CONNECTION	WITH	POINT	CONNECTION	WITH		
1 OR 2	BRN		LFI-1	SOLD					
1 OR 2	BLU		LFI-2	SOLD					
1 OR 2	GRN/YEL								
5	BLU		LFI-3	SOLD		SI-2	SOLD	180	MM
5	BRN		LFI-4	SOLD		SI-1	SOLD	180	MM
13	18	BRN	SI-4	SOLD		FI-1	SOLD	60	MM
13	18	BLU	SI-3	SOLD				100	MM
14	18	GRY/BRN	FI-2	SOLD				100	MM
13	18	BRN	FI-1	SOLD				95	MM

LEGEND	
NUMBER	VARIATION
7418696-00	17021A 115 V 50/60 HZ
7418696-01	17021B 230V 50/60 HZ

- NOTES:
1. TERMINAL, RING TONGUE (ITEM #2) TO BE CRIMPED TO GRN/YEL WIRE.
 2. ASSEMBLE FUSE HOLDER (ITEM #10) & SWITCH (ITEM #9) BEFORE WIRING.
 3. BLU & BRN LEADS FROM POWER CORD (ITEM #1) TO BE SOLDERED TO FILTER (ITEM #5) INPUT TERMINALS AND INSULATED WITH SHRINK TUBING (ITEM #6).
 4. BLU & BRN OUTPUT LEADS ARE TWISTED TOGETHER, 9 TWIST PER FOOT.
 5. GROMMET (ITEM #7) TO BE SLID OVER TWISTED OUTPUT LEADS OF FILTER (ITEM #5) WITH LARGER DIA FACING FILTER.
 6. ADJUST LOCKNUT (SEE DETAIL 'B') SO THAT LOCKNUT IS FLUSH WITH TOGGLE SWITCH THREADS PROTRUDING THROUGH SWITCH BRACKET (ITEM #8).
 7. WIRES TO BE STRIPPED 5MM AND TINNED.
 8. PLACE COVER (ITEM #3) ON FILTER, LINE (ITEM #5) BEFORE WIRING.

A/R	NR	WIRE #18 AWG BLU	9107360-04	15
A/R	NR	WIRE #18 AWG GRY/BRN	9107410-01	14
A/R	NR	WIRE #18 AWG BRN	9107360-11	13
2	2	WASHER, INTERNAL TOOTH	4008980-00	12
1	1	FUSE	9007217-00	11
1	1	HOLDER, FUSE	1212893-00	10
1	1	SWITCH, TOGGLE	1204722-01	9
1	1	BRACKET, SWITCH	21A-7418531-0-C	8
1	1	GROMMET	9007668-01	7
A/R/A/R	A/R	TUBING, SHRINK	9107305-00	6
1	1	FILTER, LINE	1212035-00	5
1	1	TERMINAL, RING TONGUE	9007930-00	4
1	1	LINE FILTER TERMINAL	21D-7418567-00	3
1	1	CORD, POWER, REWORK	62D-7418131-00	2
1	1	CORD, POWER, REWORK	62D-7418131-00	1
1	1	COVER, POWER REWORK	62D-7418131-00	1

UNLESS OTHERWISE SPECIFIED DIMENSIONS ARE IN INCHES

CLASS OF ACCURACY	OVER	UNDER	FR	FR	FR	FR
CHECK ONE	0.1	0.2	0.3	0.4	0.5	0.6
MEDIUM	<input type="checkbox"/>	<input type="checkbox"/>	<input type="checkbox"/>	<input type="checkbox"/>	<input type="checkbox"/>	<input type="checkbox"/>
PREFERRED	<input type="checkbox"/>	<input type="checkbox"/>	<input type="checkbox"/>	<input type="checkbox"/>	<input type="checkbox"/>	<input type="checkbox"/>

QUANTITY VARIATION

DRN: 7/2/77
CHK'D: [Signature]
PROJ: [Signature]
PROP: [Signature]

REV. 1
REV. 2
REV. 3
REV. 4
REV. 5
REV. 6
REV. 7
REV. 8

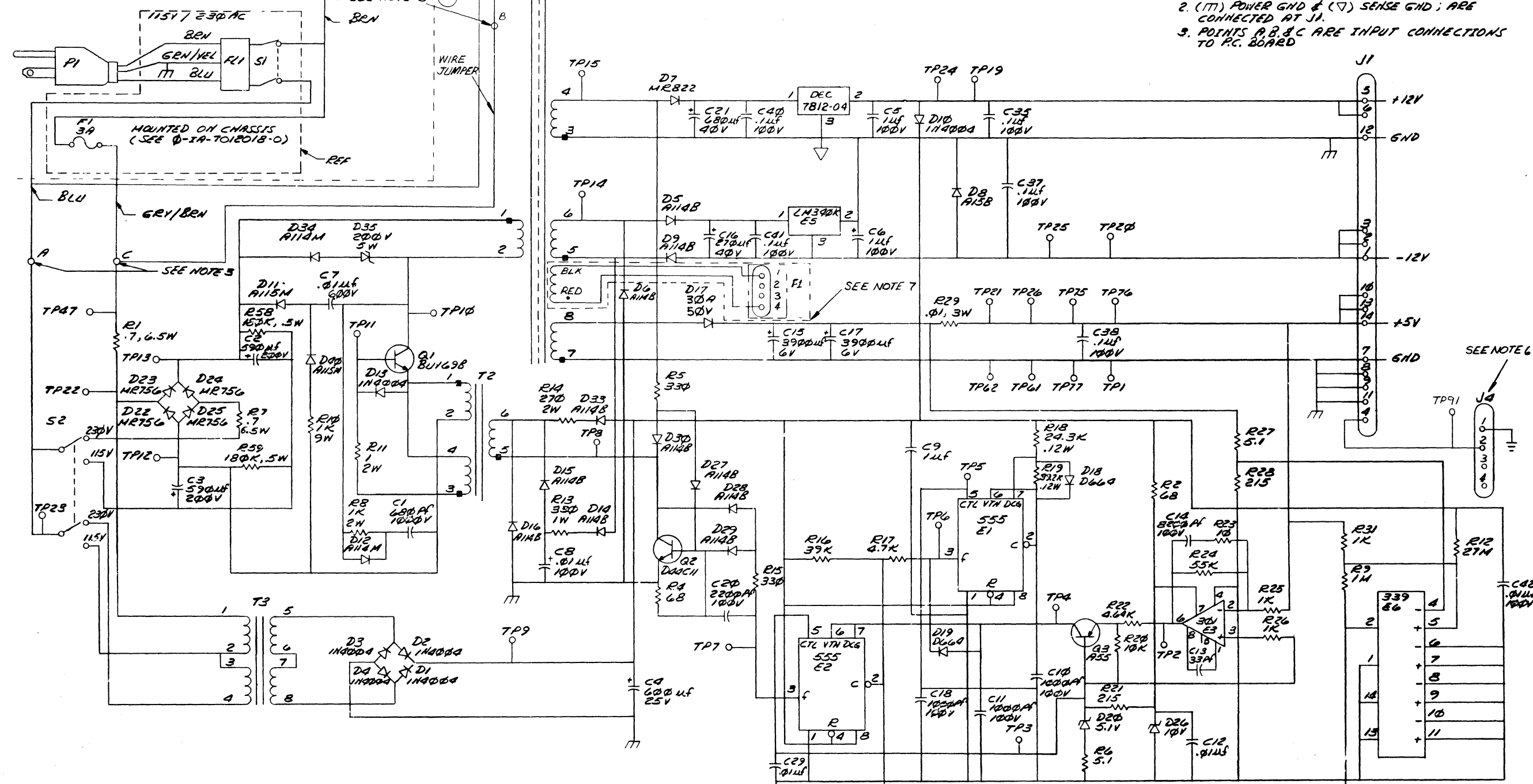
VT62
WIRING ASSY, (H7832)

MATERIAL: 62-11A-H7832-0-0
SCALE: NONE
SHEET: 1 OF 1

METRIC DIMENSIONS

THIS DRAWING AND SPECIFICATIONS, HEREIN, ARE THE PROPERTY OF DIGITAL EQUIPMENT CORPORATION AND SHALL NOT BE REPRODUCED OR COPIED OR USED IN WHOLE OR IN PART AS THE BASIS FOR THE MANUFACTURE OR SALE OF ITEMS WITHOUT WRITTEN PERMISSION. COPYRIGHT © 1977, DIGITAL EQUIPMENT CORPORATION

- NOTES:
1. ALL RESISTORS ARE 1/4 W, 5% UNLESS OTHERWISE SPECIFIED, ALL CAP IN UF, UNLESS OTHERWISE SPECIFIED.
 2. (TT) POWER GND & (▽) SENSE GND; ARE CONNECTED AT J1.
 3. POINTS A, B & C ARE INPUT CONNECTIONS TO PC BOARD



- NOTES CONT.
4. THIS SECTION IS ONLY USED FOR -0 VARIATION. THE FOLLOWING PARTS ARE OMITTED FROM THE -YA VARIATION: C1, C2, C3, C4, C5, C6, C7, C8, C9, C10, C11, C12, C13, C14, C15, C16, C17, C18, C19, C20, C21, C22, C23, C24, C25, C26, C27, C28, C29.
 5. LM390K (U2) IS USED ON -YA VARIATION.
 6. J1 IS USED ON -YA VARIATION.
 7. 300 V TRANSFORMER WINDING IS ONLY PRESENT ON -YA VARIATION.

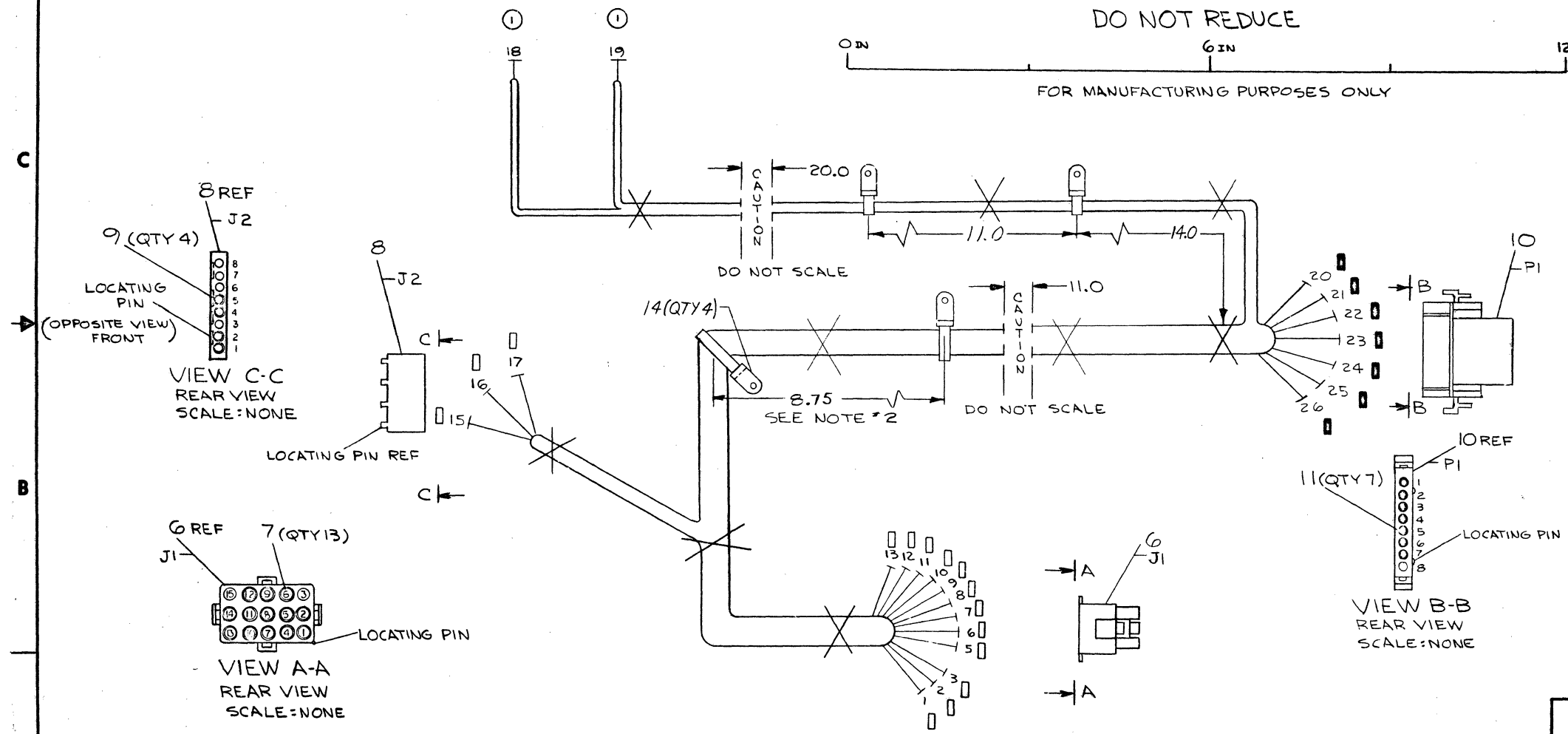
REV. 1	DATE 7/11/77	FIRST USED ON	VT62/VT68
CHK 151	DATE 7/11/77	TITLE	VT6, VT62, VT78, FDCT
ENG. 151	DATE 7/11/77	PROJECT	POWER SUPPLY
PROJ. ENG. C. 151	DATE 7/11/77	SIZE CODE	D
PROD. 151	DATE 7/11/77	NUMBER	5412973-0-1
NEXT HIGHER ASSY.		REV.	L
D-1A 5412973-0-0		SCALE	
SHEET 1	OF 1	DIST.	

REV. 1	DATE 7/11/77
CHK 151	DATE 7/11/77
ENG. 151	DATE 7/11/77
PROJ. ENG. C. 151	DATE 7/11/77
PROD. 151	DATE 7/11/77
NEXT HIGHER ASSY.	
D-1A 5412973-0-0	
SHEET 1	OF 1

THIS DRAWING AND SPECIFICATIONS HEREIN ARE THE PROPERTY OF DIGITAL EQUIPMENT CORPORATION AND SHALL NOT BE REPRODUCED OR USED IN WHOLE OR IN PART AS THE BASIS FOR THE MANUFACTURE OR SALE OF ITEMS WITHOUT WRITTEN PERMISSION. COPYRIGHT © 1975, DIGITAL EQUIPMENT CORPORATION

ITEM NO	DESCRIPTION			FROM			TO		
	AWG	COLOR	POINT	CONNECTION	WITH	POINT	CONNECTION	WITH	
15	18	BLU	1	J1-1	7	15	J2-2	9	
4	14	BLU	2	J1-2	7	20	P1-1	11	
17	18	GRN	4	J1-5	7	16	J2-4	9	
3	14	GRN	5	J1-6	7	20	P1-7	11	
5	18	BLK	6	J1-7	7	17	J2-5	9	
1	14	BLK	7	J1-8	7	23	P1-4	11	
1	14	BLK	8	J1-9	7	24	P1-5	11	
2	14	RED	9	J1-10	7	21	P1-2	11	
1	14	BLK	10	J1-11	7	19		12	
1	14	BLK	11	J1-12	7	25	P1-6	11	
2	14	RED	12	J1-13	7	22	P1-3	11	
2	14	RED	13	J1-14	7	18		12	

NOTES:
 1. USE CABLE TIE (ITEM #13) APPROXIMATELY EVERY (3) THREE INCHES WHEN NECESSARY AND AT EVERY BREAKOUT POINT.
 2. ASSEMBLE CABLE TIE AND MOUNT (ITEM #14) AS SHOWN (REAR VIEW).



ITEM NO	DESCRIPTION	DWG/PART NO.	ITEM NO.
A/R	WIRE # 18 AWG GRN	9107360-55	17
A/R	WIRE # 18 AWG BLU	9107360-66	15
A/R	WIRE # 14 AWG BLU	9107370-66	4
9	TIE AND MOUNT, CABLE	9007033-00	14
X	TIE, CABLE	9007880-00	13
2	TERMINAL, QUICK CONNECT	9007969-00	12
7	TERMINAL, PIN CONTACT	1209378-00	11
1	CONTACT, B PIN HOUSING	1209340-01	10
3	CONTACT, PIN	1212203-00	9
1	CONN, B SKT HOUSING	121220-00	8
12	CONTACT, SOCKET	1212170-00	7
1	HOUSING, 15 CIRCUIT	121267-05	6
A/R	WIRE # 18 AWG BLK	9107360-00	5
A/R	WIRE # 14 AWG BLU	9107370-66	4
A/R	WIRE # 14 AWG GRN	9107370-55	3
A/R	WIRE # 14 AWG RED	9107370-22	2
A/R	WIRE # 14 AWG BLK	9107370-00	1

SYMBOLS		UNLESS OTHERWISE SPECIFIED DIMENSIONS ARE IN INCHES	
ANGLES ±0°30'	CLASS OF ACCURACY	NOMINAL DIMENSION RANGE INCHES	
SURFACE QUALITY	(CHECK ONE)	OVER 0 TO 0.2	OVER 0.2 TO 0.5
IN	MEDIUM	OVER 0.5 TO 1.0	OVER 1.0 TO 1.5
MICROINCHES	PREFERRED	OVER 1.5 TO 3.0	OVER 3.0 TO 6.0
QUANTITY & VARIATION		OVER 6.0 TO 12.0	OVER 12.0 TO 24.0
		OVER 24.0 TO 48.0	OVER 48.0 TO 96.0

THIRD ANGLE PROJECTION
 REMOVE BURRS AND BREAK SHARP CORNERS
 DC NOT SCALE DWG
 MATERIAL SEE PARTS LIST
 FINISH

DRN. *Conroy* 11-26-75
 CHK'D. *M. J. ...* 12-5-75
 ENG. *M. J. ...* 12-5-75
 PROJ. ENG. *M. J. ...* 12-5-75
 PROD. *M. J. ...* 12-5-75

FIRST USED ON
 VT61

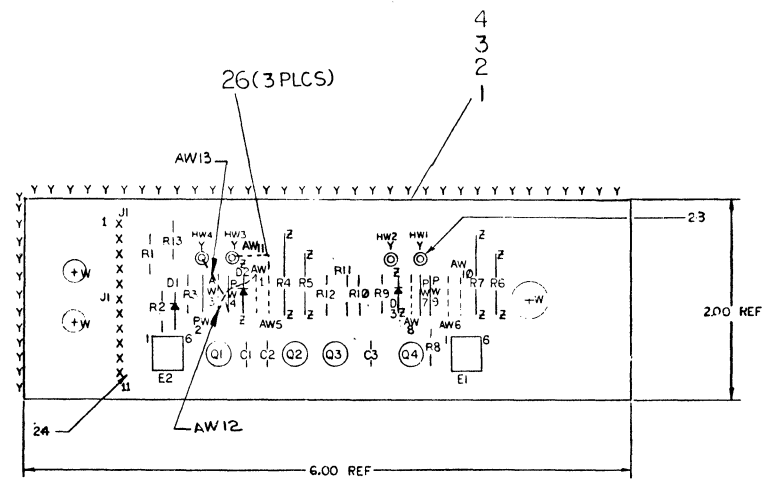
TITLE
 HARNESS, POWER (VT61)

SIZE D 1A
 CODE 7012017-0-0
 SHEET OF DIST.

REV.	CHG.	NO.	DATE	BY
1	A	1	7/17/75	J. BUZINSKI

THIS DRAWING AND SPECIFICATIONS HEREIN ARE THE PROPERTY OF DIGITAL EQUIPMENT CORPORATION AND SHALL NOT BE REPRODUCED OR COPIED OR USED IN WHOLE OR IN PART AS THE BASIS FOR THE MANUFACTURE OR SALE OF ITEMS WITHOUT WRITTEN PERMISSION.
 COPYRIGHT © 1975 DIGITAL EQUIPMENT CORPORATION

NOTES:



REF	DESCRIPTION	PART NO.	QTY
REF	X-Y COORDINATE HOLE LOCATION	K-CO-5411759-0-4	1
REF	ASSY/DRILLING HOLE LAYOUT	E-AH-5411759-0-5	2
REF	MODULE ECO HISTORY	B-MH-5411759-0-6	3
1	ETCHED CIRCUIT BOARD	5011758	4
2	C1, C2 CAP. 270PF 100V DM	1000022	5
1	C3 CAP. .01uF 100V DISC	1001610-01	6
1	R9 RES. 33 1/4W 5%	1300197	7
1	R1 RES. 150 1/4W 5%	1300250	8
1	R8 RES. 220 1/4W 5%	1300271	9
1	R3 RES. 390 1/4W 5%	1300309	10
1	R11 RES. 750 1/4W 5%	1301401	11
2	R12, R13 RES. 7.5K 1/4W 5%	1301422	12
1	R2 RES. 68K 1/4W 5%	1301327	13
1	R10 RES. 120K 1/4W 5%	1300539	14
2	R5, R6 RES. 180 1/2W 5%	1300260	15
2	R4, R7 RES. 470 1W 5%	1300319	16
1	D1 DIODE MCL1301 (1MA @ 1.8-80V)	1105610	17
2	D2, D3 DIODE 1N4004	1105796	18
1	Q1 TRANS. SILICON, ASS PNP	1510706	19
1	Q2 TRANS. SILICON, ABS NPN	1510705	20
2	Q3, Q4 TRANS. DEC 6531B NPN	1509338	21
2	E1, E2 PHOTO OPTIC COUPLER	1911998	22
4	HW1 - HW4 EYELET, FLANGED	9007836	23
355	J1 HEADER, 11 POSITION	1212519-04	24
AR	PW2, PW4, PW7, PW9 WIRE, BUSS # 22AWG	9107560-01	25
NR	SEE NOTE 4 TUBING, THIN WALL, .027 I.D.	9107256-00	26

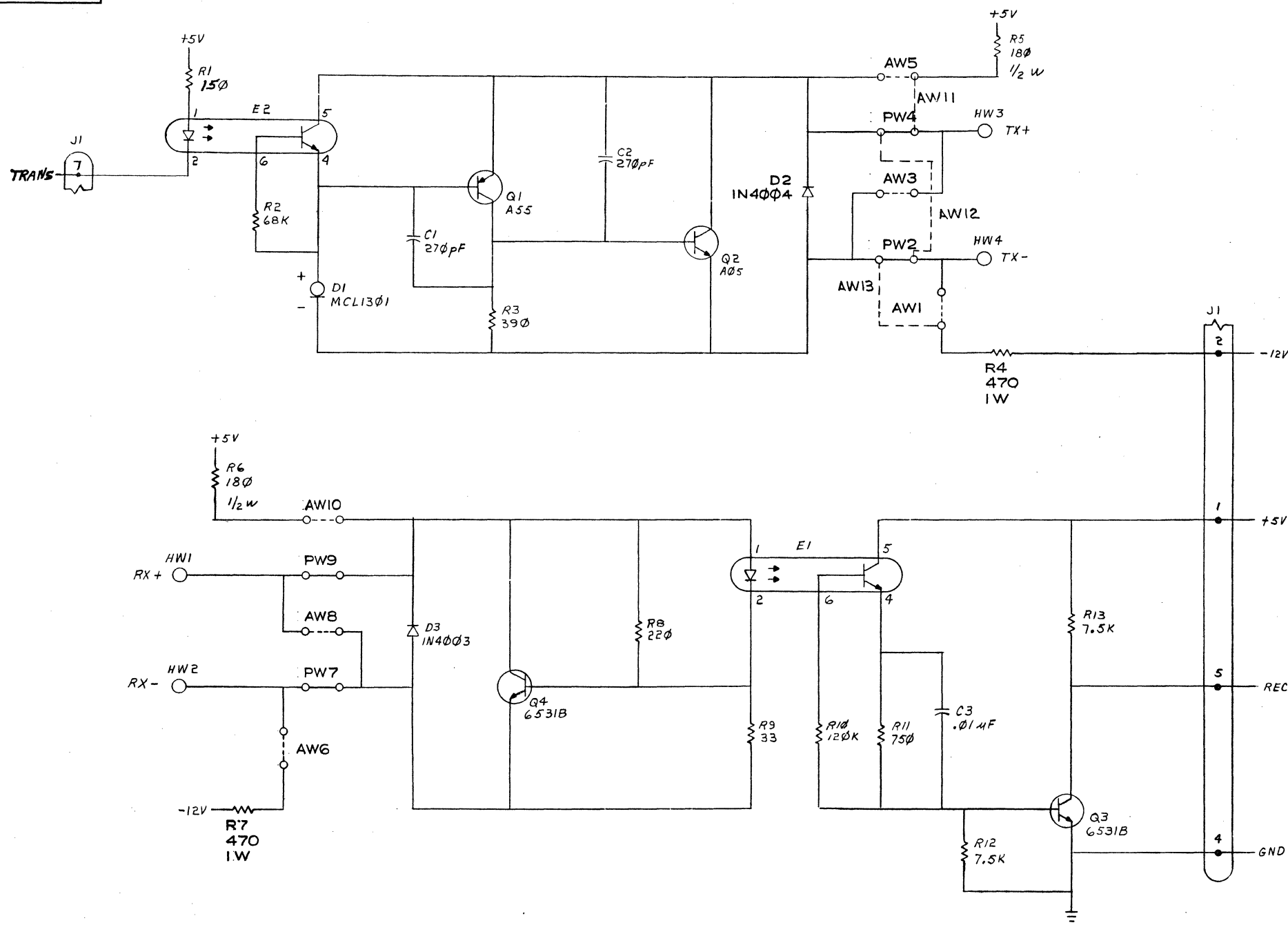
IC TYPE	GND	+5V

FIRST USED ON OPTION MODEL VT52		ETCH BOARD REV. B		DATE 6-11-75	
ORIGINATED #		CHECKED #		DATE 8-27-75	
REVISIONS		DATE 8-27-75		DATE 8-27-75	
DEC NO.		EIA NO.		DATE 8-27-75	
SEMICONDUCTOR CONVERSION CHART		SCALE		DATE 8-27-75	
SHEET 1 OF 2		NEXT HIGHER ASSY		DATE 8-27-75	
		1-1A-BN52B-0-0		DATE 8-27-75	
		TITLE 20 MA ADAPTER CARD		DATE 8-27-75	
		SIZE CODE DCS 5411759-0-1		DATE 8-27-75	
		NUMBER		DATE 8-27-75	
		REV. C		DATE 8-27-75	

SIZE CODE DCS 5411759-0-1
 NUMBER 1
 REV. C
 SHEET 1 OF 2

"THIS DRAWING AND SPECIFICATIONS HEREIN ARE THE PROPERTY OF DIGITAL EQUIPMENT CORPORATION AND SHALL NOT BE REPRODUCED OR COPIED OR USED IN WHOLE OR IN PART AS THE BASIS FOR THE MANUFACTURE OR SALE OF ITEMS WITHOUT WRITTEN PERMISSION. COPYRIGHT © 1975 DIGITAL EQUIPMENT CORPORATION"

REV. NUMBER 5411759-0-1 2



NOTES :

1. HW = EYELETS FOR HARDWIRING POINTS
2. AW JUMPERS ARE OPTIONAL JUMPERS
3. TO CONVERT FROM PASSIVE TO ACTIVE MODE, DELETE JUMPERS PW2, PW4, PW7 & PW9. ADD JUMPERS AW1, AW3, AW5, AW6, AW8 & AW10.
4. FOR VT61T ONLY, TO CONVERT FROM PASSIVE TRANSMIT TO ACTIVE TRANSMIT, DELETE JUMPERS PW2 & PW4, ADD JUMPERS AW11, AW12 & AW13 INSTEAD OF AW1, AW3 & AW5. USE ITEM 26, TUBING (9107256-00) WITH JUMPERS.

REVISIONS		
CHK	CHANGE NO.	REV.

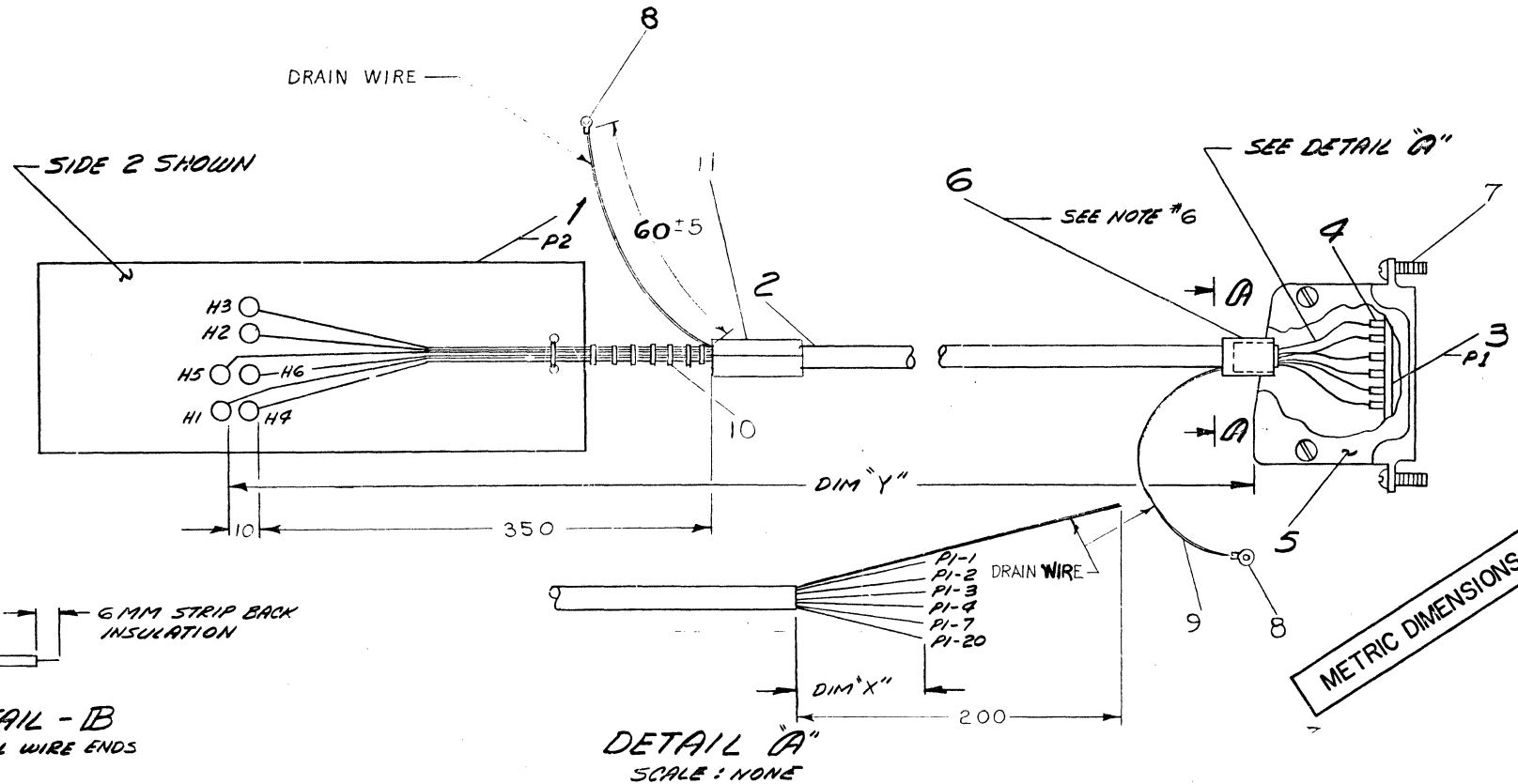
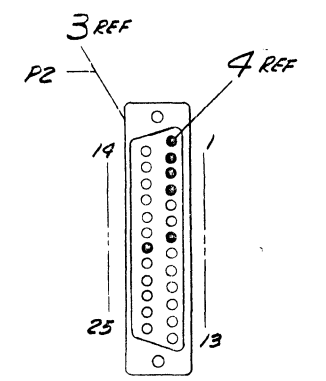
TITLE	20MA ADAPTER CARD	SIZE CODE	D CS	NUMBER	5411759-0-1	REV.	C
SCALE	---	SHEET	2	OF	2	DIST.	

THIS DRAWING AND SPECIFICATIONS, HEREIN, ARE THE PROPERTY OF DIGITAL EQUIPMENT CORPORATION AND SHALL NOT BE REPRODUCED OR COPIED OR USED IN WHOLE OR IN PART AS THE BASIS FOR THE MANUFACTURE OR SALE OF ITEMS WITHOUT WRITTEN PERMISSION. COPYRIGHT © 1975 - DIGITAL EQUIPMENT CORPORATION

WIRE TABLE						
ITEM NO	AWG	COLOR	FROM		TO	
			CONNECTION	WITH	CONNECTION	WITH
1	24	GRN	P2-H1	SOLDER	P1-1	44CRIMP
		BLU	P2-H2		P1-2	
		RED	P2-H3		P1-3	
		WHT	P2-H4		P1-4	
		BLK	P2-H5		P1-7	
1	24	GRN	P2-H6	SOLDER	P1-20	44CRIMP

LEGEND		
NUMBER	VARIATION	
	DIM "X"	DIM "Y"
BN52A-7F	25MM ± 10MM	7600MM ± 50MM

- NOTES:**
- ALTERNATE PARTS FOR ITEMS 3, 4 AND 5 ARE 1205885 HOOD AND 1205886 FOR THE CONNECTOR.
 - ALTERNATE CABLE NO. IS 9107578
 - ALL WIRES ARE SOLDERED ON SIDE 2 OF ITEM #1
 - CRIMPING TOOL IS MS 3198 1 OR AMPHENOL NO. 357-100 WITH NO. 357-300-2 CONTACT LOCATOR.
 - BN52A-7F IS A 25 FOOT CABLE ASSY.
 - USE 2 LENGTHS OF 9107685-09 (ITEM #6) TUBING OVER END OF CABLE WHEN USING ALTERNATE CONNECTOR, 25.9 MM AND 31.75 MM LONG.
 - ALTERNATE METHOD OF TERMINATING SHIELD IS TO REPLACE RING TERMINAL 1214628 WITH RING TERMINAL 9007928 AND USE SHIELD ITSELF IN PLACE OF DRAIN WIRE. TUBING 9107256 NOT USED.



ITEM NO	DESCRIPTION	DWG/PART NO.	ITEM NO.
1	SLEEVE, CABLE	3-MD-7419728-0-0	11
8	TIE WRAP	9007031	10
4/R	SLEEVE TWT	9107256-00	9
2	RING, TONGUE, TERMINAL	1214628-00	8
2	SCREW AND RETAINER	1210493-51	7
6/R	SHRINKABLE TUBING	9107685-09	6
1	HOOD STRAIN RELIEF	1210493-50	5
6	MALE PIN	1210493-39	4
1	SHELL AND INSERT	1210493-31	3
4/R	CABLE 6 CONDUCTOR	9107733-0-0	2
1	EIA CARD	5411973-1-0	1

UNLESS OTHERWISE SPECIFIED DIMENSIONS ARE IN MILLIMETERS	NOMINAL DIMENSION RANGE MILLIMETER					
	OVER 1 TO 5	OVER 5 TO 30	OVER 30 TO 100	OVER 100 TO 300	OVER 300 TO 1000	OVER 1000 TO 2000
CLASS OF ACCURACY	±0.1	±0.2	±0.3	±0.4	±0.6	±1.0
SURFACE QUALITY IN	MEDIUM					
QUANTITY & VARIATION	MICROMETRES PREFERRED ±0.3 ±0.4 ±0.6 ±1.0 ±1.6 ±2.5					

THIRD ANGLE PROJECTION

REMOVE BURRS AND BREAK SHARP CORNERS

DO NOT SCALE DWG

MATERIAL SEE PARTS LIST

FINISH

FIRST USED ON VT52

TITLE VT52 EIA CARD AND CABLE ASSEMBLY

SIZE CODE 1 IA

NUMBER BN52A-0-0

REV. H

SHEET 1 OF 1

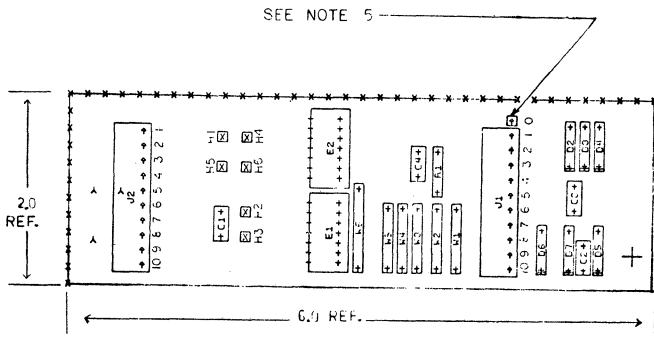
DIST.

REV.	CHANGE NO.	DESCRIPTION
1	1	EN52A-0001 A
2	2	EN52A-0002 B
3	3	EN52A-0003 C
4	4	EN52A-0004 D
5	5	EN52A-0005 E
6	6	EN52A-0006 F
7	7	EN52A-0007 G
8	8	EN52A-0008 H
9	9	EN52A-0009 I
10	10	EN52A-0010 J

"THIS DRAWING AND SPECIFICATIONS HEREIN ARE THE PROPERTY OF DIGITAL EQUIPMENT CORPORATION AND SHALL NOT BE REPRODUCED OR COPIED OR USED IN WHOLE OR IN PART AS THE BASIS FOR THE MANUFACTURE OR SALE OF ITEMS WITHOUT WRITTEN PERMISSION. COPYRIGHT © 1975 DIGITAL EQUIPMENT CORPORATION"

NOTES:

1. THIS CIRCUIT IS REPEATED 12 TIMES ON A 8" X 18" CIRCUIT BOARD
2. ALL DIODES ARE D664
3. MARK = -10V = LOGIC 1
SPACE = +10V = LOGIC 0
4. PLACEMENT OF COMPONENTS IS DEPENDANT ON DEC DRAWING 5410302 (VT50) AND 5411743 (VT52) FOR MOUNTING AND CLEARANCE
5. WHEN BUILDING THE DASH 'O' VARIATION THE EXTRA HOLE ON CONN. J1 IS AS SHOWN BELOW



QTY	QTY	REF. DESIGNATION	DESCRIPTION	PART NO.	ITEM NO.
		5411448-1	VT52		
		5411448-0	VT50		
		J1	HEADER, II POSITION	1212519-04	14
		H1-H6	EYELET G54-3	98-87936	13
		W1-WG	JUMPER	9-07560-1	12
1	1	E1	MC 1489L EIA RECEIVER	19-18323	11
1	1	E2	MC 1488L EIA DRIVER	19-18322	10
1	1	R1	RES 2.2K 1/4W 5% C.C.	13-00417	9
-	2	J1, 2	CONN AMP CIS TOP ENTRY 10 PIN	12-11982	8
6	6	D2-D7	DIODE D664	11-00114	7
3	3	C2,3,4	CAP .01UF 100V 20% DISC	10-01618-01	6
1	1	C1	CAP 470PF 100V D.M.	10-00024	5
1	1		ETCHED CIRCUIT BOARD	5011447	4
REF	REF		MODULE HISTORY LIST	B-MH-5411448-0-6	3
REF	REF		ASSY/DRILLING HOLE LAYOUT	D-AH-5411448-0-5	2
REF	REF		X-Y COORDINATE HOLE LOC.	K-CO-5411448-0-4	1

IC TYPE	GND	+5V	+11.5V	-10.5V
DEC 1488 L	7	14	1	

GND AND 5V ARE USUALLY PIN 7 AND 14 RESPECTIVELY EXCEPTIONS ARE STATED ABOVE

IC PIN LOCATIONS

FIRST USED ON OPTION MODEL: VT50

ETCH BOARD REV: D

SEMICONDUCTOR CONVERSION CHART

REVISIONS:

ORIG. DATE 12-20-70

CHKD. DATE 1-6-75

ENG. DATE 1-6-75

DRAWN. DATE 1-6-75

DATE 1-6-75

TITLE: VT50 EIA ADAPTER

SIZE CODE: DCS

NUMBER: 5411448-0-1

REV: E

SHEET 1 OF 2

REVISIONS

CHKD. CHANGE NO. REV.

1-6-75 5411448-00001 B

1-6-75 5411448-00001 B

M. WHITTLESEY

2-3-76

R. PUCCI

5-3-76

5-3-76 5411448-00002 C

5-3-76 5411448-00002 C

5-3-76 5411448-00003 D

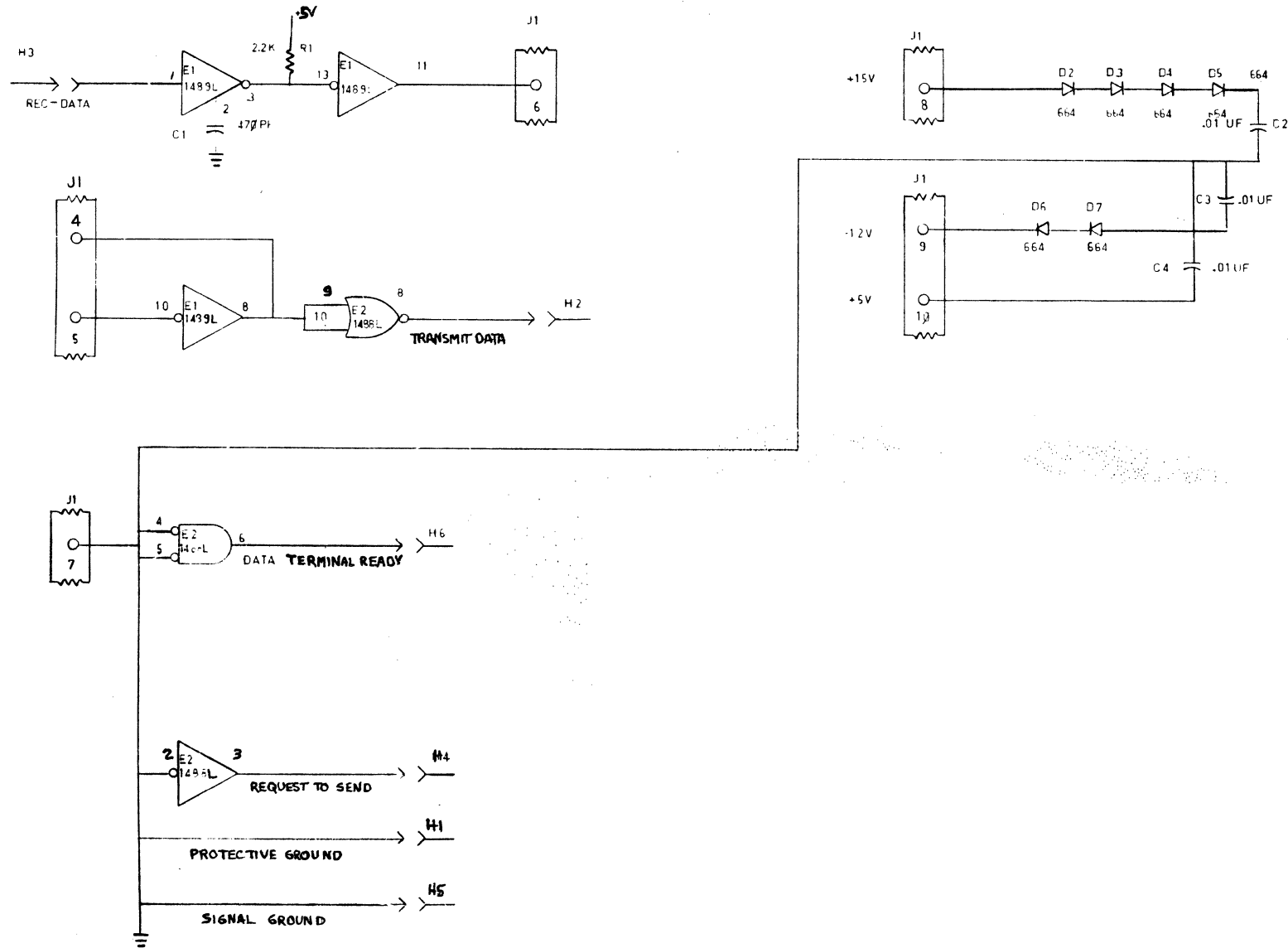
5-3-76 5411448-00003 D

5-3-76 5411448-00004 I

5-3-76 5411448-00004 I

"THIS DRAWING AND SPECIFICATIONS HEREIN ARE THE PROPERTY OF DIGITAL EQUIPMENT CORPORATION AND SHALL NOT BE REPRODUCED OR COPIED OR USED IN WHOLE OR IN PART AS THE BASIS FOR THE MANUFACTURE OR SALE OF ITEMS WITHOUT WRITTEN PERMISSION. COPYRIGHT © DIGITAL EQUIPMENT CORPORATION"

3 1-0-8771175 DCS 2



REVISIONS		
CHK	CHANGE NO.	REV.

TITLE	VT50 EIA ADAPTER CARD	SIZE CODE	DCS	NUMBER	5411448-0-1	REV.	E
SCALE		SHEET	2	OF	2	DIST.	

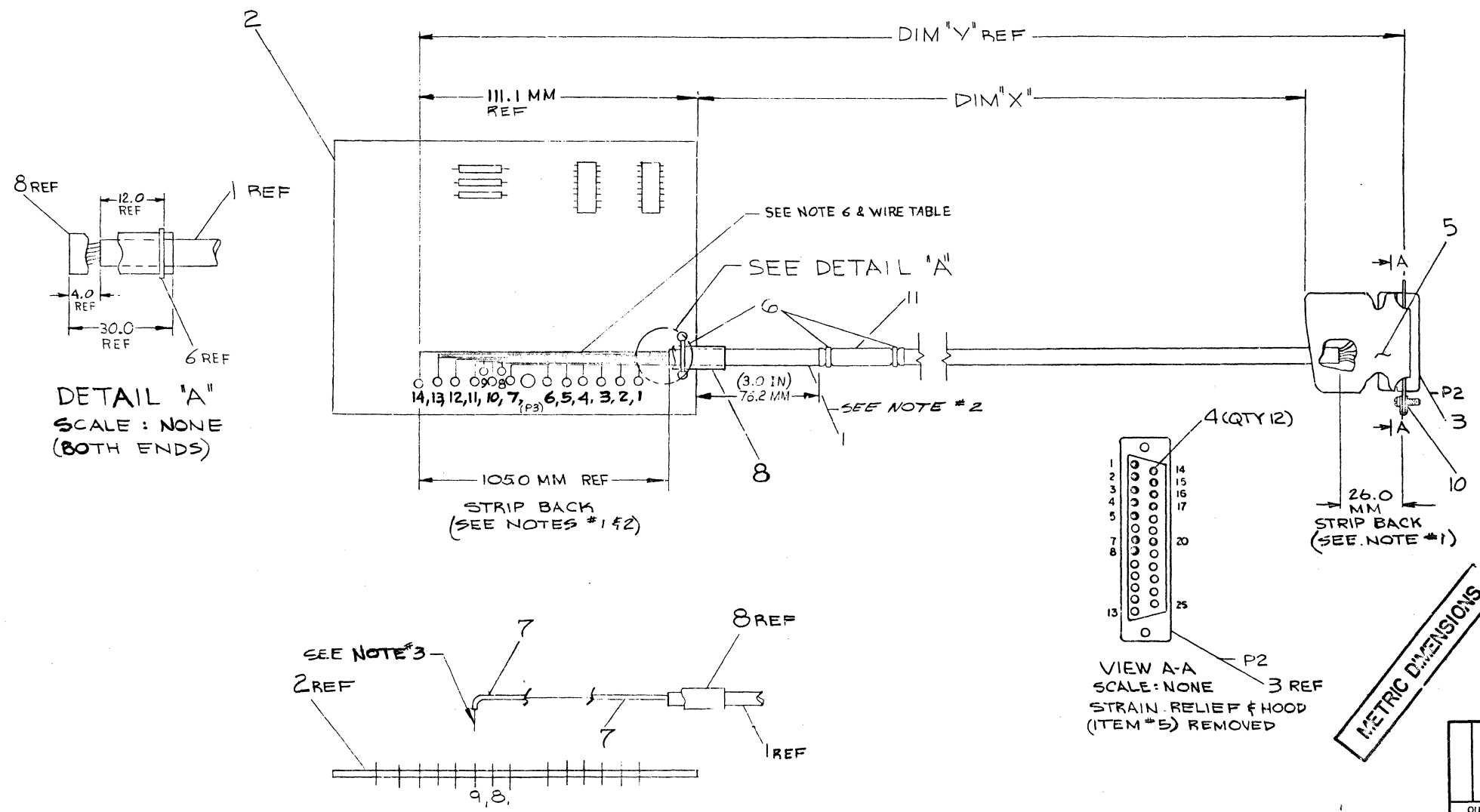
REV. E
NUMBER 5411448-0-1
DCS

"THIS DRAWING AND SPECIFICATIONS, HEREIN, ARE THE PROPERTY OF DIGITAL EQUIPMENT CORPORATION AND SHALL NOT BE REPRODUCED OR COPIED OR USED IN WHOLE OR IN PART AS THE BASIS FOR THE MANUFACTURE OR SALE OF ITEMS WITHOUT WRITTEN PERMISSION. COPYRIGHT © 1975 DIGITAL EQUIPMENT CORPORATION"

WIRE TABLE								
ITEM NO	AWG	COLOR	FROM		TO		REMARKS	WIRE LENGTH SEE NOTE 6
			CONNECTION	WITH	CONNECTION	WITH		
1	26	GRY/WHT	P3-1	9#SOLD	P2-3	4	REC DATA	40 MM
		WHT/BRN	P3-2		P2-8		CARRIER	40 MM
		RED/BRN	P3-3		P2-16		EIA SECONDARY RCVD DATA	40 MM
		GRY/WHT	P3-4		P2-5		CLEAR TO SEND	40 MM
		GRAY	P3-5		P2-17		SERIAL CLK RCV	40 MM
		SHIELD 'A'	P3-8				GND SHIELD FOR P3-5 CONN. SEE NOTE #2	80 MM
		GRY/GRN	P3-6		P2-15		SERIAL CLK TRANS	45 MM
		SHIELD 'B'	P3-9				GND SHIELD FOR P3-6 CONN. SEE NOTE #2	80 MM
		BRN/WHT	P3-7		P2-7		GND	75 MM
		BLU/WHT	P3-10		P2-1		GND	80 MM
		BLU/BLU	P3-11		P2-20		DATA TERMINAL READY	85 MM
		WHT/GRN	P3-12		P2-4		REQUEST TO SEND	95 MM
		WHT/BLU	P3-13		P2-2		TRANSMITTED DATA	100 MM
1	26	GRY/RED	P3-14	9#SOLD	P2-14	4	EIA SECONDARY TRANS DATA	105 MM

LEGEND		
NUMBER	DIM 'X'	DIM 'Y' (PRECUT) REF
BN618-05	5.0 ± .01M	5.140M

- NOTES:
1. STRIP BACK CUTTER JACKET (BOTH ENDS AS SHOWN).
 2. STRIP BACK TIN FOIL ON WIRES GOING TO P3-8 & P3-9 ON VT61 EIA CARD AND PLACE TUBING EXTRUDED OVER STRIPPED WIRES.
 3. AFTER ASSEMBLING TERMINALS ON WIRES MAKE CONNECTIONS TO EIA CARD AND SOLDER AS SHOWN.
 4. CUT BACK ALL UNUSED WIRES TO END OF CABLE JACKET (BOTH ENDS).
 5. CABLE JACKET SHOULD EXTEND UNDER THE CABLE TIE (ITEM 6) BY APPROX. 12.0 MM.
 6. WIRE LENGTH INFORMATION APPLIES TO ITEM #2 END OF CABLE.



DETAIL 'A'
SCALE: NONE
(BOTH ENDS)

VIEW A-A
SCALE: NONE
STRAIN RELIEF & HOOD
(ITEM #5) REMOVED

IDENTIFIER, LABEL	QTY	DESCRIPTION	DWG./PART NO.	ITEM NO.
1		IDENTIFIER, LABEL	9009532-00	11
2		SCREW, RETAINER MALE	1210493-51	10
4		TERMINAL CABLELESS CHIMP	9009746-00	9
4		TUBING, SHAINK.	9107252-09	8
4		TUBING, EXTRUDED	9107278-11	7
3		TIE, CABLE	9007031-00	6
1		CONN, HOOD & STRAIN RELIEF	1210493-50	5
12		CONTACT, FIN	1210493-43	4
1		CONN, SHELL & INSERT	1210493-31	3
1		VT61 EIA CARD	D-C5-541379-0-1	2
1		CABLE, 25 COND 26 AWG	9107136-00	1

UNLESS OTHERWISE SPECIFIED DIMENSIONS ARE IN MILLIMETERS	
ANGLE	CLASS OF ACCURACY
±0° 30'	(CHECK ONE)
SURFACE QUALITY IN	MEDIUM
QUANTITY & VARIATION	PREFERRED
MICROINCHES	
OVER 1 TO 5	±0.1
OVER 5 TO 30	±0.2
OVER 30 TO 100	±0.3
OVER 100 TO 300	±0.4
OVER 300 TO 1000	±0.6
OVER 1000 TO 2000	±1.0
OVER 2000 TO 5000	±1.6
OVER 5000 TO 10000	±2.5

REV.	CHANGE NO.	DATE	BY	CHK
A	0004	11 APR 77	J. BUZYNSKI	J. BUZYNSKI
B		22 MAY 77	J. BUZYNSKI	J. BUZYNSKI
C		1 MAR 79	J. BUZYNSKI	J. BUZYNSKI
D		10 FEB 79	J. BUZYNSKI	J. BUZYNSKI
E		10 FEB 79	J. BUZYNSKI	J. BUZYNSKI

THIRD ANGLE PROJECTION

REMOVE BURRS AND BREAK SHARP CORNERS

DO NOT SCALE DWG

MATERIAL SEE PARTS LIST

FINISH

DRN. *Coslyn* 10/25/75

CHK'D BY *...*

ENG. *...*

PROJ. ENG. *...*

PROD. *...*

FIRST USED ON VT61

TITLE CABLE ASSY, VT61 EIA CARD

SIZE CODE 1 IA BN618-0-0

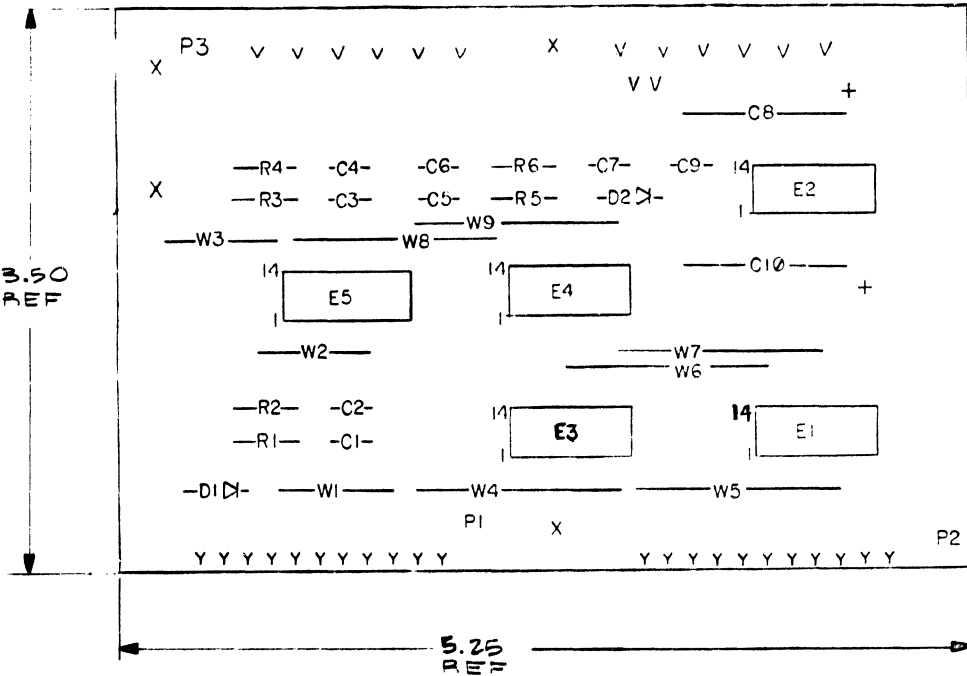
NUMBER 1

REVISION C

SHEET 1 OF 1

THIS DRAWING AND SPECIFICATIONS, HEREIN, ARE THE PROPERTY OF DIGITAL EQUIPMENT CORPORATION AND SHALL NOT BE REPRODUCED OR COPIED OR USED IN WHOLE OR IN PART AS THE BASIS FOR THE MANUFACTURE OR SALE OF ITEMS WITHOUT WRITTEN PERMISSION. COPYRIGHT © 1975 DIGITAL EQUIPMENT CORPORATION

NOTES:



IC TYPE	GND	+5V

GND AND 5V ARE USUALLY PIN 7 AND 14 RESPECTIVELY EXCEPTIONS ARE STATED ABOVE

IC PIN LOCATIONS

REF	DESCRIPTION	PART NO.	ITEM NO.
REF	X-Y COORDINATE HOLE LOCATION	KCO-341379-04	1
REF	ASSY/DRILLING HOLE LAYOUT	D-4H-541379-0-5	2
REF	MODULE ECO HISTORY	3-MH-541379-0-6	3
	ETCHED CIRCUIT BOARD	O-MO-50115704	
6	C1-C6	CAP 470 PF 100V	1000024-20 5
2	C7, C9	CAP .01UF 100V	1201610-01 2
2	C8, C10	CAP 25UF 25V	1000079-20 7
2	D1, D2	DIODE 1N4004	1105790-00 8
9	W1-W9	JUMPER #22AWG	912760-21 9
6	R1-R6	RES 24K 1/4W 5010	1304857-00 10
1	E2	IC 1488L	1910322-00 11
2	E4, E5	IC, 1489L	1910323-00 12
2	E1, E3	IC, 7404	1909686-00 13
Q71	P1, P2	PINS STRAIGHT	1212519-20 14

PARTS LIST

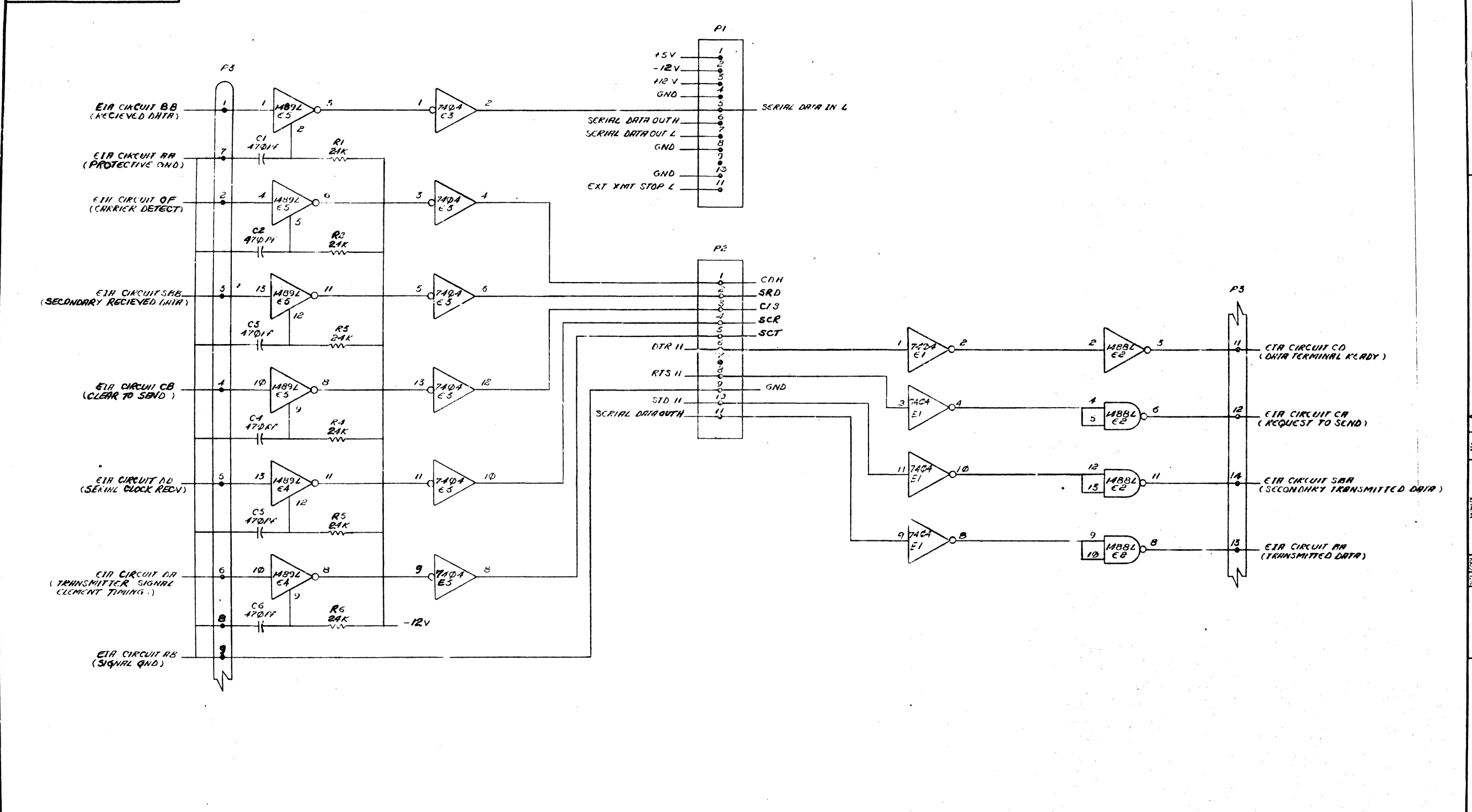
DEC NO.	EIA NO.	DEC NO.	EIA NO.	SCALE	SHEET	OF	DIST.
					1	2	

SEMICONDUCTOR CONVERSION CHART

TITLE
BOARD, EIA
CONVERSION VT61

DEC CODE: DCS:541379-0-1
REV. D

"THIS DRAWING AND SPECIFICATIONS HEREIN ARE THE PROPERTY OF DIGITAL EQUIPMENT CORPORATION AND SHALL NOT BE REPRODUCED OR COPIED IN WHOLE OR IN PART AS THIS IS THE MANUFACTURE OR SALE OF ITEMS WITHOUT WRITTEN PERMISSION. COPYRIGHT © 1976, DIGITAL EQUIPMENT CORPORATION"



REVISIONS		
CHK	CHANGE NO.	REV.

TITLE	VT61 EIA CONVERSION ED.	SIZE CODE	DCS	NUMBER	5411379-0-1	REV.	D
EDITION	1.0	SHEET	2 OF 2	DIST.			

DCS 5411379-0-1 D

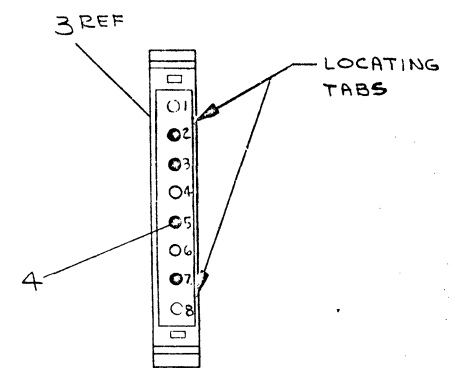
THIS DRAWING AND SPECIFICATIONS HEREIN ARE THE PROPERTY OF DIGITAL EQUIPMENT CORPORATION AND SHALL NOT BE REPRODUCED OR COPIED OR USED IN WHOLE OR IN PART AS THE BASIS FOR THE MANUFACTURE OR SALE OF ITEMS WITHOUT THE WRITTEN PERMISSION. COPYRIGHT © 1975, DIGITAL EQUIPMENT CORPORATION

WIRE TABLE

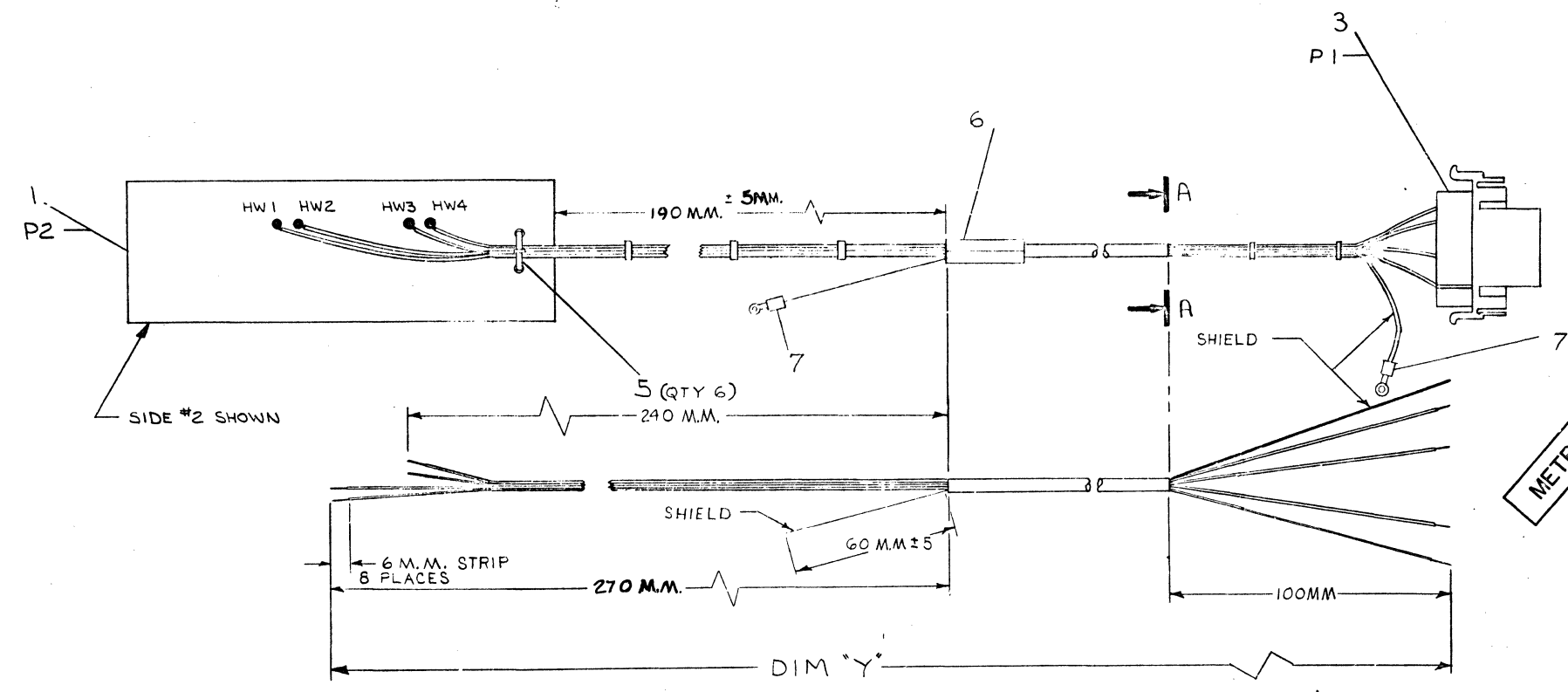
ITEM NO.	DESCRIPTION	FROM	TO	SIGNAL
2	22 BLK	P1-2	3 P2-HW2	SOLD. RX-
4	RED	P1-3	4 P2-HW4	TX-
4	WHT	P1-5	4 P2-HW1	TX+
2	22 GRN	P1-7	3 P2-HW3	SOLD. TX+

LEGEND

NUMBER	DIAMETER PRE-CUT (REF)	NOTE
BN52B-04	4.0 M.	
BN52B-7F	7.6 M.	



VIEW A-A
SCALE: NONE
REAR VIEW



METRIC DIMENSIONS

QTY	DESCRIPTION	DWG./PART NO.	ITEM NO.
2	2 TERMINAL, RING TONGUE	9007928	7
1	1 SLEEVE, CABLE	3MD-749728-0-0	6
6	6 TIE WRAP	9007031	5
4	4 TERMINAL, PIN CONTACT	1209378-03	4
1	1 CONN. PANEL MOUNT, 8 PIN	1209340-01	3
A/R	A/R CABLE, 4 COND. #22 AWG STD.	1700097-00	2
1	1 20 MA ADAPTER CARD	D-CS-5411759-01	1

UNLESS OTHERWISE SPECIFIED DIMENSIONS ARE IN MILLIMETERS	
ANGLES	CLASS OF ACCURACY
SURFACE QUALITY	NOMINAL DIMENSION RANGE MILLIMETER
QUANTITY & VARIATION	MEDIUM
	PREFERRED

REVISIONS

REV.	CHARGE NO.	DATE	BY	DESCRIPTION
A	00001	10/1/75	J. DESUK	INITIAL DESIGN
B	00002	10/1/75	J. DESUK	REVISED TO 20 MA
C	00003	10/1/75	J. DESUK	REVISED TO 20 MA
D	00004	10/1/75	J. DESUK	REVISED TO 20 MA

THIRD ANGLE PROJECTION

REMOVE BURRS AND BREAK SHARP CORNERS

DO NOT SCALE DWG

MATERIAL SEE PARTS LIST

FINISH: /

DRN: J. DESUK 7-7-75

CHKD: J. DESUK 7-31-75

ENGR: J. DESUK 7-31-75

PROJ. ENG: J. DESUK 7-31-75

FIRST USED ON: VT52

TITLE: 20 MA. ADAPTER ASSY

SIZE CODE: 1 IA

NUMBER: BN52B-0-0

SHEET 1 OF 1

PARTS LIST

"THIS DRAWING AND SPECIFICATIONS HEREIN ARE THE PROPERTY OF DIGITAL EQUIPMENT CORPORATION AND SHALL NOT BE REPRODUCED OR COPIED OR USED IN WHOLE OR IN PART AS THE BASIS FOR THE MANUFACTURE OR SALE OF ITEMS WITHOUT WRITTEN PERMISSION. COPYRIGHT © 1976 DIGITAL EQUIPMENT CORPORATION"

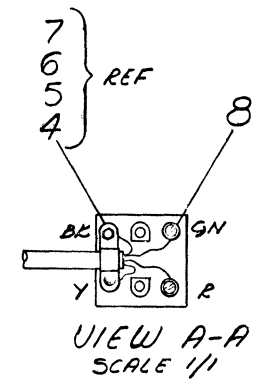
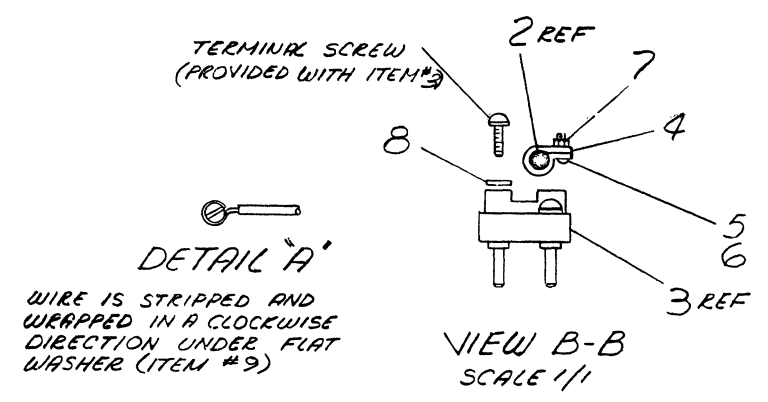
WIRE TABLE **							
ITEM NO	DESCRIPTION	FROM	TO		SIGNAL NAME		
			CONNECTION WITH	CONNECTION WITH			
2	22 BLE	P1-BK	*	P2-HW3	SOL	TX+	
		P1-R	*	P2-HW2		RX-	
		P1-Y	*	P2-HW4		TX-	
2	22 GRN	P1-GN	*	P2-HW1	SOL	RX+	

* SEE NOTE #2
** SEE NOTE #3

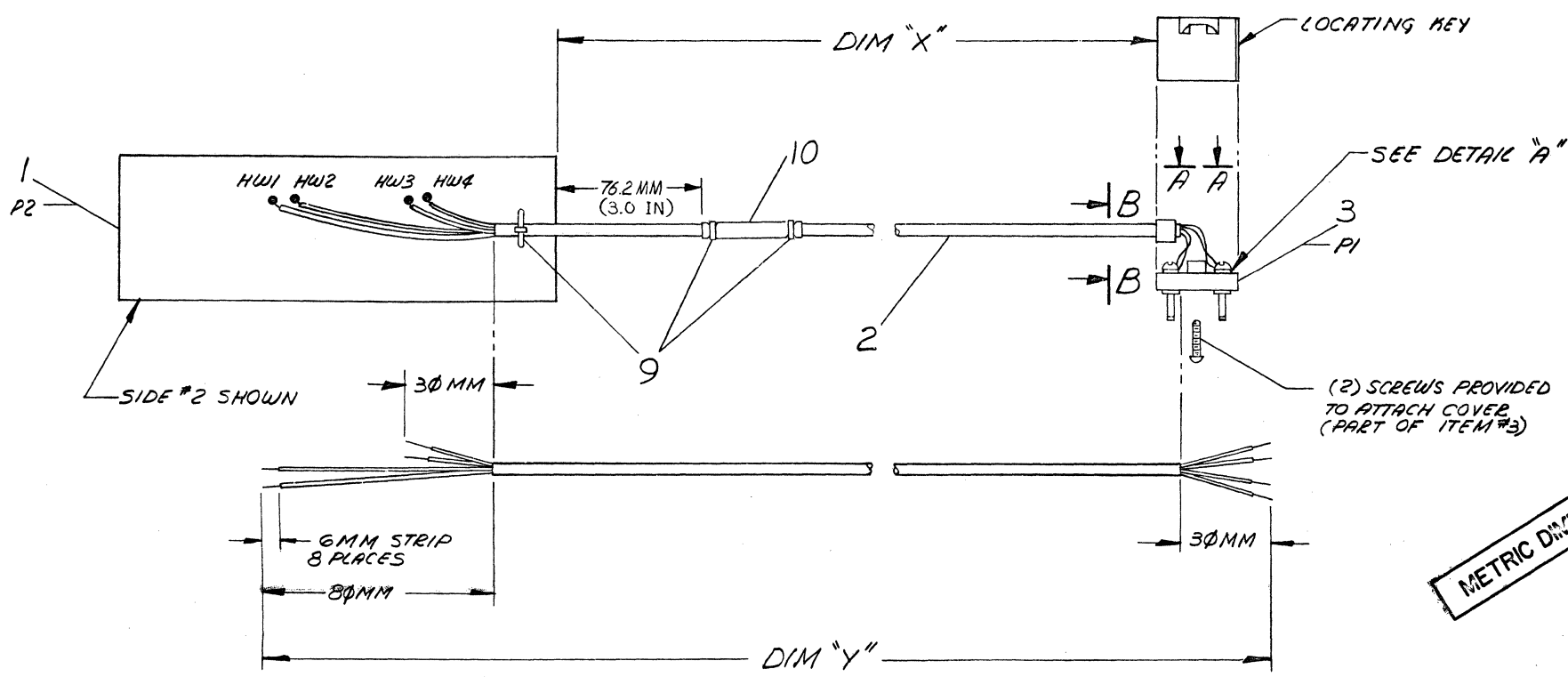
LEGEND		
NUMBER	DIM X VARIATION	DIM Y PRECUT (REF)
BNGIC-04	3.0 M	0.0 M
BNGIC-7F	7.5 M	7.6 M

- NOTES:
- DISCARD SMALL SCREW SUPPLIED WITH PLUG (ITEM #3)
 - ATTACH WIRES INDICATED BY ASTERISK (*) TO ITEM #3 USING ITEM #8 AND SUPPLIED WITH ITEM #3
 - THE BN52C CAN BE MADE INTO A BNGIC BY INTERCHANGING CONNECTIONS GOING TO:
 - (A) P1-BK AND P1-Y
 - (B) P2-HW3 AND P2-HW4
 - (A) ITEM #1 MUST BE EQUIVALENT TO CIRCUIT SCHEMATIC REVISION "C" OR HIGHER.
 - (B) THE JUMPER CONFIGURATION ON ITEM #1 MUST BE SET UP FOR ACTIVE TRANSMIT AND PASSIVE RECEIVE AS FOLLOWS:

TRANSMIT	RECEIVE
AW1-OUT	AW6-OUT
AW3-OUT	AW8-OUT
PW2-OUT	AW10-OUT
PW4-OUT	PW7-IN
AW5-OUT	PW9-IN
AW11-IN	
AW12-IN	
AW13-IN	



6 MM STRIP BACK INSULATION
DETAIL - B
TYP ALL WIRE ENDS



METRIC DIMENSIONS

IDENTIFIER LABEL	QTY	ITEM NO.
1 IDENTIFIER LABEL	9009532-00	10
3 TIE WRAP	9007031-00	9
4 WASHER FLAT #4	9008172-00	8
1 NUT, NYLON #4-40	9007992-00	7
1 SCR, NYLON BIND. HD. #4X.28	9006401-00	6
1 WASHER, FLAT NYL. #4	9006706-00	5
1 CABLE CLAMP .12	9007079-00	4
1 CONN. TELEPHONE (PLUG)	1205857-01	3
42 CABLE, 4 COND #22 AWG	9107706-00	2
1 20 MA ADAPTER CARD	D-CS-541759-04	1

THIRD ANGLE PROJECTION

UNLESS OTHERWISE SPECIFIED DIMENSIONS ARE IN MILLIMETERS

ANGLES 0° 30'	CLASS OF ACCURACY (CHECK ONE)	NOMINAL DIMENSION RANGE MILLIMETER					
		OVER 1 TO 5	OVER 5 TO 30	OVER 30 TO 100	OVER 100 TO 300	OVER 300 TO 1000	OVER 1000 TO 2000
SURFACE QUALITY IN MICR./INCHES	MEDIUM	±0.1	±0.2	±0.3	±0.4	±0.6	±1.0
	PREFERRED	±0.3	±0.4	±0.5	±1.0	±1.6	±2.5

QUANTITY & VARIATION

REMOVE BURRS AND BREAK SHARP CORNERS
DO NOT SCALE DWG

MATERIAL: SEE PARTS LIST
FINISH: -

DRN: [Signature]
CHK: [Signature]
ENG: [Signature]
PROJ. ENG: [Signature]
PROD: [Signature]

FIRST USED IN: V7617

TITLE: CURRENT LOOP TO 283B PLUG

NUMBER: 0-09-V7617-0-0
SCALE: 1/1
SHEET: 1 OF 1

REV. B

REV.	CHANGE NO.	DESCRIPTION
A	1	INITIAL RELEASE
B	1	REVISED TO SHOW 283B PLUG
C	1	REVISED TO SHOW 283B PLUG

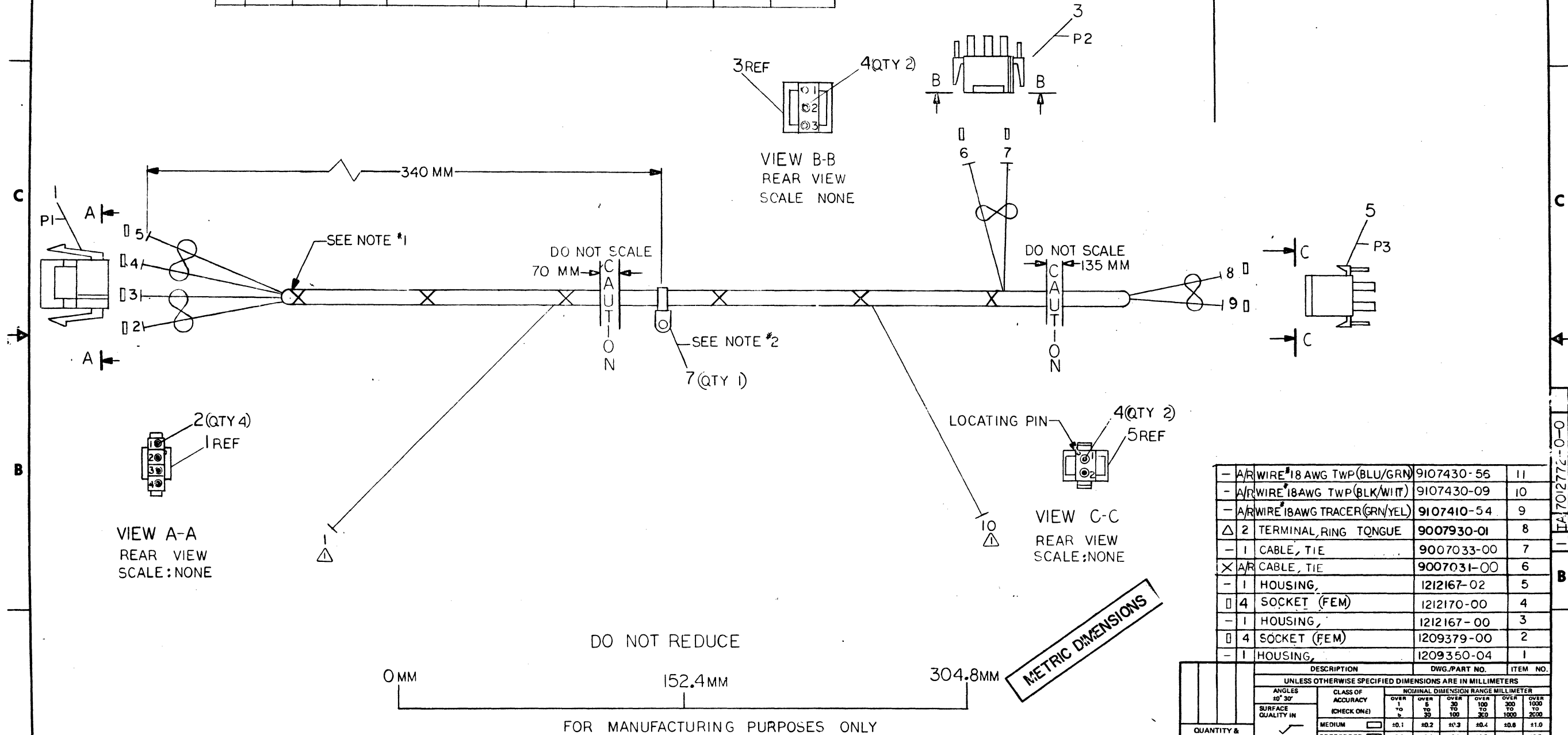
DEC FORM NO. 150
DATE: 11/15/76

THIS DRAWING AND SPECIFICATIONS, HEREIN, ARE THE PROPERTY OF DIGITAL EQUIPMENT CORPORATION AND SHALL NOT BE REPRODUCED OR COPIED OR USED IN WHOLE OR IN PART AS THE BASIS FOR THE MANUFACTURE OR SALE OF ITEMS WITHOUT WRITTEN PERMISSION. COPYRIGHT © DIGITAL EQUIPMENT CORPORATION 1976

WIRE TABLE										
ITEM NO.	DESCRIPTION	FROM	TO		WIKE LENGTH	REMARKS				
	AWG	COLOR	POINT	CONNECTION	WITH	POINT	CONNECTION	WITH		
9	#18	GRN/YEL	1	---	8# CRIMP	10	---	8# CRIMP	543 MM	---
10	#18	BLK	2	PI-2	2# CRIMP	9	P3-1	4# CRIMP	753 MM	---
		WHT	3	PI-1		8	P3-2		MM	
11	TWP	BLUE	4	PI-4	2# CRIMP	6	P2-3	4# CRIMP	579 MM	---
		GRN	5	PI-3		7	P2-2		MM	

0-0-2222102 V1 2 1

NOTES:
 1. USE CABLE TIES (ITEM #6) APPROXIMATELY EVERY 75.0 MM WHEN NECESSARY AND AT EVERY BREAKOUT POINT.
 2. ASSEMBLE CABLE, TIE (ITEM #7) AS SHOWN (FRONT VIEW)



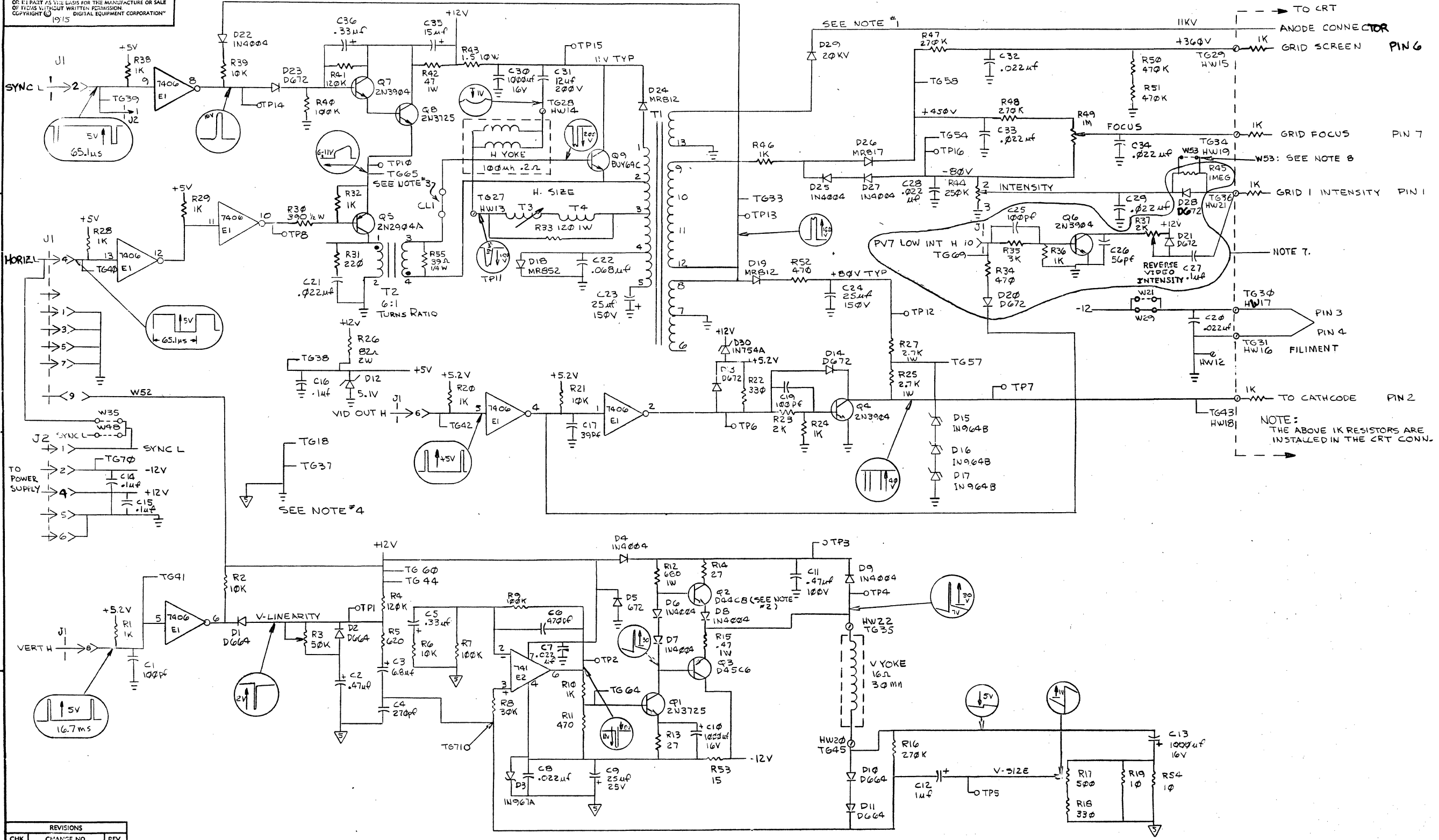
DESCRIPTION	DWG. PART NO.	ITEM NO.
- WIRE #18 AWG TWP (BLU/GRN)	9107430-56	11
- WIRE #18 AWG TWP (BLK/WHT)	9107430-09	10
- WIRE #18 AWG TRACER (GRN/YEL)	9107410-54	9
Δ 2 TERMINAL RING TONGUE	9007930-01	8
- 1 CABLE, TIE	9007033-00	7
X W CABLE, TIE	9007031-00	6
- 1 HOUSING,	1212167-02	5
□ 4 SOCKET (FEM)	1212170-00	4
- 1 HOUSING,	1212167-00	3
□ 4 SOCKET (FEM)	1209379-00	2
- 1 HOUSING,	1209350-04	1

UNLESS OTHERWISE SPECIFIED DIMENSIONS ARE IN MILLIMETERS	
ANGLES	CLASS OF ACCURACY
30° 30'	(CHECK ONE)
SURFACE QUALITY IN	MEDIUM
QUANTITY & VARIATION	PREFERRED
MICROINCHES	
±0.1	±0.2
±0.3	±0.4
±0.6	±1.0
±1.0	±2.5

DRN: <i>Drayton 1/21/76</i>	FIRST USED ON	VT61
CHK'D: <i>Reginald 1/22/76</i>	TITLE	HARNESS, COPIER
ENG: <i>Reginald</i>	PROJ. ENG: <i>Reginald</i>	PROD. M: <i>Reginald</i>
NEXT HIGHER ASSY.		
MATERIAL	0-UA-VT61-0-0	SIZE CODE
SEE PARTS LIST	SCALE 1/1	NUMBER
FINISH	SHEET 1 OF 1	DIST.

REV.	CHANGE NO.

"THIS DRAWING AND SPECIFICATIONS, HEREIN, ARE THE PROPERTY OF DIGITAL EQUIPMENT CORPORATION AND SHALL NOT BE REPRODUCED OR COPIED OR USED IN WHOLE OR IN PART AS THE BASIS FOR THE MANUFACTURE OR SALE OF THIS VACUUM TUBE WITHOUT WRITTEN PERMISSION. COPYRIGHT © 1975 DIGITAL EQUIPMENT CORPORATION"

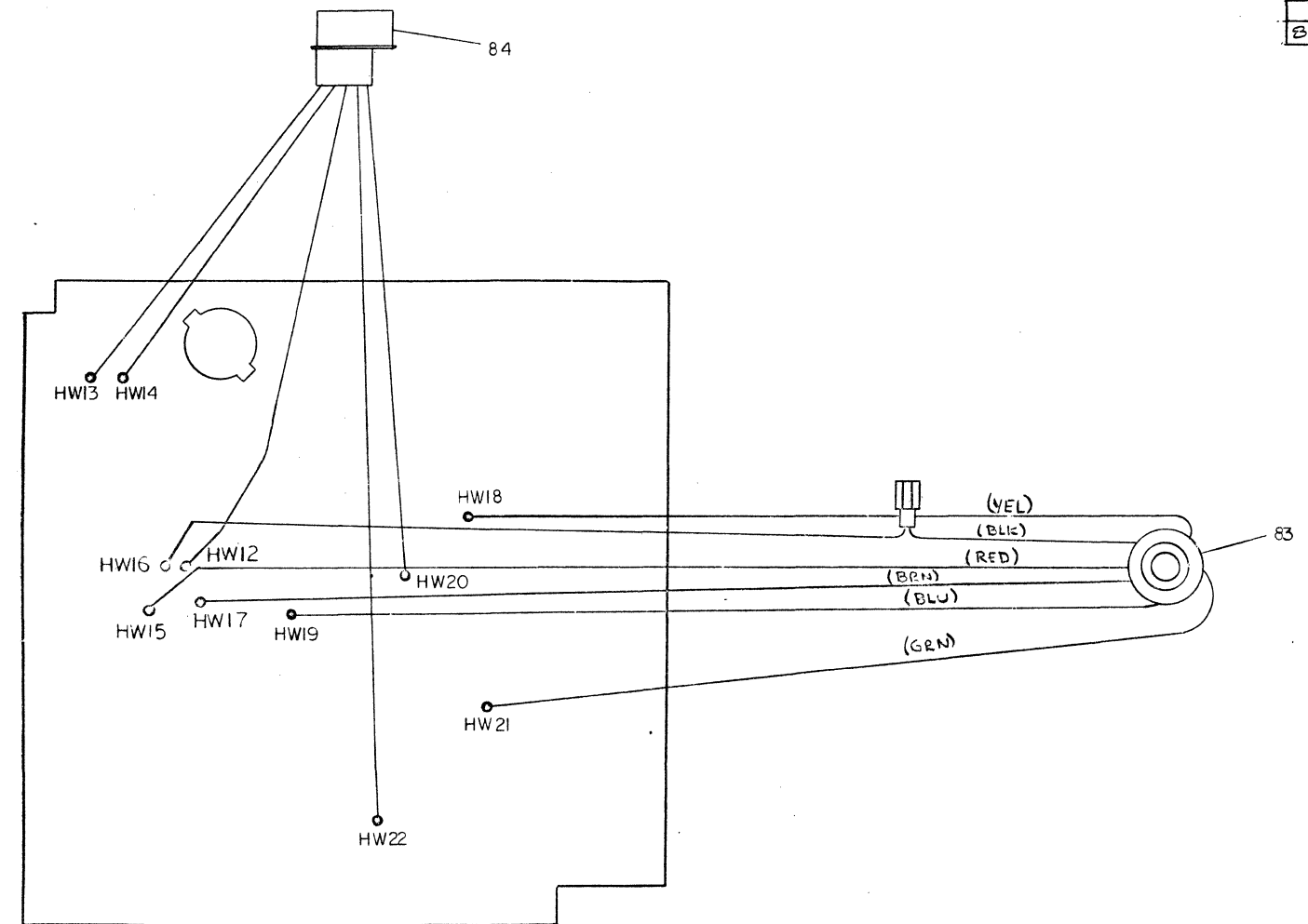


REVISIONS		
CHK	CHANGE NO.	REV.

"THIS DRAWING AND SPECIFICATIONS HEREIN ARE THE PROPERTY OF DIGITAL EQUIPMENT CORPORATION AND SHALL NOT BE REPRODUCED OR COPIED OR USED IN WHOLE OR IN PART AS THE BASIS FOR THE MANUFACTURE OR SALE OF ITEMS WITHOUT WRITTEN PERMISSION. COPYRIGHT © 1975 DIGITAL EQUIPMENT CORPORATION"

5411444-01
REV. 12/75

WIRE TABLE								
ITEM NO	RNG	COLOR	FROM			TO		
			POINT	CONNECTION	WITH	POINT	CONNECTION	WITH
B3	10	GRN	10	PIN-1	---	HW12	---	SOLD
↓	22	BLK	9	PIN-3	---	HW20	---	↑
↓	TWP	RED	8	PIN-6	---	HW22	---	
↓	22	WHT	7	PIN-5	---	HW14	---	
B3	TWP	BLU	6	PIN-2	---	HW13	---	
E4	22	GRN	---	---	---	HW21	---	
↑	↓	YEL	---	---	---	HW18	---	
↑	↓	BRN	---	---	---	HW17	---	
↑	↓	BLK	---	---	---	HW16	---	
↑	↓	RED	---	---	---	HW15	---	↓
B4	22	BLU	---	---	---	HW19	---	SOLD



REVISIONS		
CHK	CHANGE NO.	REV.

TITLE: VTGI MONITOR PANEL
 SIZE CODE: DCS
 NUMBER: 5411444-01
 REV: R
 SHEET 3 OF 3

REV. P
 NUMBER 5411444-01
 SIZE CODE DCS