

"THE MATERIAL HEREIN IS FOR INFORMATION PURPOSES ONLY AND IS SUBJECT TO CHANGE WITHOUT NOTICE. DIGITAL EQUIPMENT CORPORATION ASSUMES NO RESPONSIBILITY FOR ANY ERRORS WHICH MAY APPEAR HEREIN."

# FIELD MAINTENANCE PRINT SET

"THIS DRAWING AND SPECIFICATIONS, HEREIN, ARE THE PROPERTY OF DIGITAL EQUIPMENT CORPORATION AND SHALL NOT BE REPRODUCED OR COPIED OR USED IN WHOLE OR IN PART AS THE BASIS FOR THE MANUFACTURE OR SALE OF ITEMS WITHOUT WRITTEN PERMISSION. COPYRIGHT © 1975, DIGITAL EQUIPMENT CORPORATION."

## TABLE OF CONTENTS

FIELD MAINTENANCE PRINT  
 SET TABLE OF CONTENTS  
 UNIT ASSY VT5Ø  
 UNIT ASSY VT5Ø  
 MONITOR POWER SUPPLY  
 DATA PATHS MEMORY AND  
 DECODER  
 ROM UART AND TIMING  
 CRT ASSEMBLY  
 KEYBOARD A VT5Ø  
 TRANSFORMER ASSY  
 VT5Ø EIA CARD AND  
 CABLE ASSEMBLY  
 283B CONN TO VT5Ø TERM  
 TRANSFORMER ASSEMBLY  
 CABLE, EXTENSION  
 CABLE, PRIMARY POWER  
 SHIPPING LIST VT5Ø  
 VT5Ø E.I.A. ADAPTER  
 KEYBOARD VT5I/VT5ØH

B-TC-VT5Ø-Ø-5  
  
 Ø-UA-VT5Ø-Ø-Ø  
 A-PL-VT5Ø-Ø-Ø  
 D-CS-5410886-0-1  
  
 D-CS-5410906-0-1  
 D-CS-5410902-0-1  
 Ø-AD-7010859-0-0  
 D-CS-5410893-0-1  
 1-AD-7010861-0-0  
  
 D-UA-BN5ØA-25  
 D-IA-7011089-0-0  
 2-AD-7011852-0-0  
 D-IA-7011868-0-0  
 D-IA-7011867-0-0  
 A-PL-VT5Ø-Ø-6  
 D-CS-5411448-0-1  
 D-CS-5411170-0-1

UNIT VARIATIONS COVERED BY THIS PRINT SET
VT5Ø-AA
VT5Ø-AB
VT5Ø-AC
VT5Ø-HA
VT5Ø-HB
VT5Ø-HC

### VT5Ø Field Maintenance Print Set

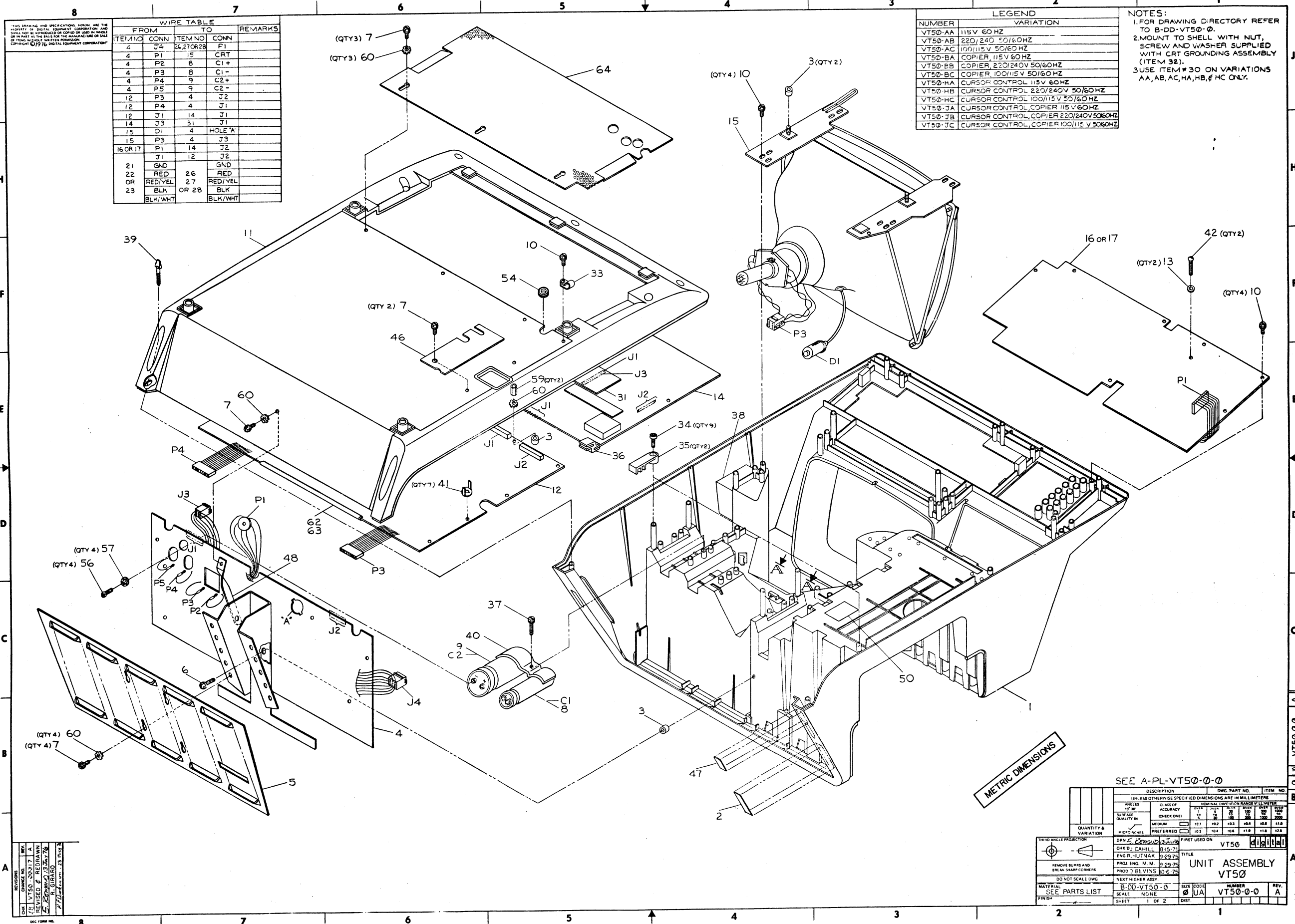
**Digital Equipment  
Corporation**

PRINT SET ORDER NO.  
MPØØØ36

EN-01124-16-N675-(327)

REVISIONS	REV.									<b>digital</b>			
	CHG. NO.			USED ON OPTION/MODEL	VT5Ø	DRN.	K. DAVIS	DATE	12-11-75		TITLE: FIELD MAINTENANCE PRINT SET (VT5Ø)		
	DATE					CHK'D	<i>R. Dickenson</i>	DATE	9 JAN 76				
						PROJ. ENG.	<i>Morgan</i>	DATE	12 Jan 76				
						FIELD SERV.	<i>R. Dickenson</i>	DATE	1/8/76	SIZE <b>B</b>	CODE <b>TC</b>	NUMBER VT5Ø-Ø-5	REV.
										DIST.			

SHEET 1 OF 1



THIS DRAWING AND SPECIFICATIONS HEREIN ARE THE PROPERTY OF DIGITAL EQUIPMENT CORPORATION AND SHALL NOT BE REPRODUCED OR COPIED OR USED IN WHOLE OR IN PART AS THE BASIS FOR THE MANUFACTURE OR SALE OF ITEMS WITHOUT WRITTEN PERMISSION. COPYRIGHT © 1976 DIGITAL EQUIPMENT CORPORATION.

WIRE TABLE			
ITEM NO	FROM	TO	REMARKS
2	J4	26, 27 OR 28	F1
4	P1	15	CRT
4	P2	8	C1+
4	P3	8	C1-
4	P4	9	C2+
4	P5	9	C2-
12	P3	4	J2
12	P4	4	J1
12	J1	14	J1
14	J3	31	J1
15	D1	4	HOLE "A"
15	P3	4	J3
16 OR 17	P1	14	J2
	J1	12	J2
21	GND	GND	
22	RED	26	RED
OR	RED/YEL	27	RED/YEL
23	BLK OR	28	BLK
	BLK/WHT		BLK/WHT

LEGEND	
NUMBER	VARIATION
VT50-AA	115V 60 HZ
VT50-AB	220/240 50/60 HZ
VT50-AC	100/115V 50/60 HZ
VT50-BA	COPIER, 115V 60 HZ
VT50-BB	COPIER, 220/240V 50/60 HZ
VT50-BC	COPIER, 100/115V 50/60 HZ
VT50-HA	CURTAIN CONTROL 115V 60 HZ
VT50-HB	CURTAIN CONTROL 220/240V 50/60 HZ
VT50-HC	CURTAIN CONTROL 100/115V 50/60 HZ
VT50-JA	CURTAIN CONTROL, COPIER 115V 60 HZ
VT50-JB	CURTAIN CONTROL, COPIER 220/240V 50/60 HZ
VT50-JC	CURTAIN CONTROL, COPIER 100/115V 50/60 HZ

NOTES:  
 1. FOR DRAWING DIRECTORY REFER TO B-DD-VT50-0.  
 2. MOUNT TO SHELL WITH NUT, SCREW AND WASHER SUPPLIED WITH CRT GROUNDING ASSEMBLY (ITEM # 32).  
 3. USE ITEM # 30 ON VARIATIONS AA, AB, AC, HA, HB, & HC ONLY.

SEE A-PL-VT50-0-0

DESCRIPTION	DWG. PART NO.	ITEM NO.
UNLESS OTHERWISE SPECIFIED DIMENSIONS ARE IN MILLIMETERS		
ANGLES		
CLASS OF ACCURACY		
SURFACE QUALITY		
MICROFINISH		
QUANTITY & VARIATION		
THIRD ANGLE PROJECTION		
REMOVE BURRS AND BREAK SHARP CORNERS		
DO NOT SCALE DWG		
MATERIAL - SEE PARTS LIST		
FINISH		

DRN	CHK'D	APP'D	FIRST USED ON
DRN J. CAHILL	8-15-74		VT50
CHK'D J. CAHILL	8-15-74		
ENG. R. HUTNAK	8-29-74		
PROJ. ENG. M. M.	8-29-74		
PROD. T. BLVINS	8-6-74		

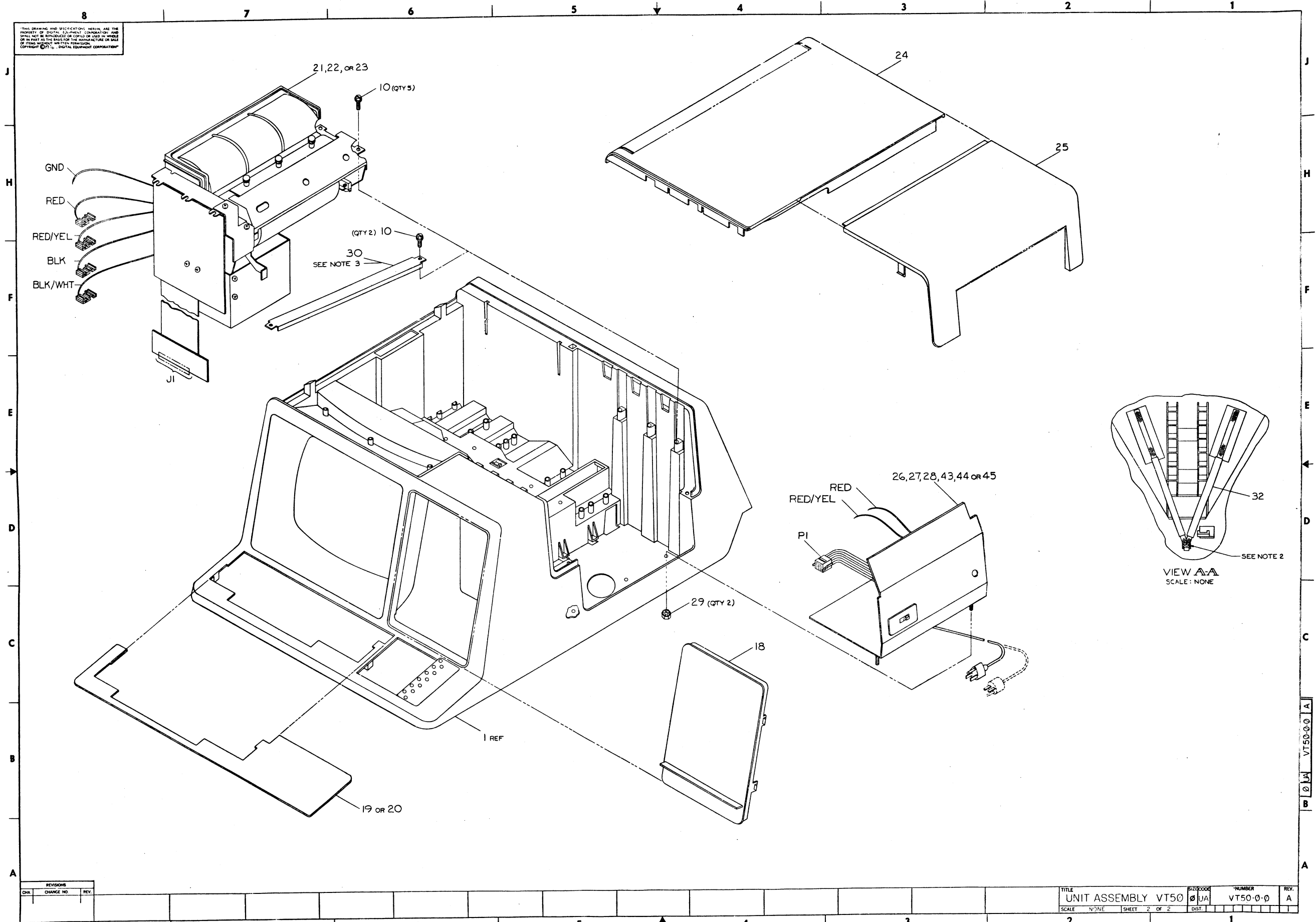
TITLE	NUMBER	REV.
UNIT ASSEMBLY	VT50	A
VT50	VT50-0-0	
SCALE	NONE	
SHEET	1 OF 2	

REV.	DESCRIPTION	DATE
1	REVISED TO ADD PARTS LIST	8/15/74
2	REVISED TO ADD PARTS LIST	8/29/74
3	REVISED TO ADD PARTS LIST	8/29/74
4	REVISED TO ADD PARTS LIST	8/29/74
5	REVISED TO ADD PARTS LIST	8/29/74
6	REVISED TO ADD PARTS LIST	8/29/74
7	REVISED TO ADD PARTS LIST	8/29/74
8	REVISED TO ADD PARTS LIST	8/29/74

METRIC DIMENSIONS

VT50-0-0

THIS DRAWING AND SPECIFICATIONS HEREIN ARE THE PROPERTY OF DIGITAL EQUIPMENT CORPORATION AND SHALL NOT BE REPRODUCED OR COPIED OR USED IN WHOLE OR IN PART AS THE BASIS FOR THE MANUFACTURE OR SALE OF ITEMS WITHOUT WRITTEN PERMISSION OF DIGITAL EQUIPMENT CORPORATION.



REVISIONS		
CHR	CHANGE NO	REV.

TITLE	UNIT ASSEMBLY VT50	SHEET	2 OF 2	DIST.	
SCALE	NONE	NUMBER	VT50-0-0	REV.	A

DIGITAL EQUIPMENT CORPORATION MAYNARD, MASSACHUSETTS <b>PARTS LIST</b>					QUANTITY / VARIATION													
MADE BY P. CAPPABIANCA		CHECKED J. CAHILL		SECTION		VT50-AA	VT50-AB	VT50-AC	VT50-BA	VT50-BB	VT50-BC	VT50-HA	VT50-HB	VT50-HC	VT50-JA	VT50-JB	VT50-JC	
DATE 17-MAR-75		DATE 15-AUG-75		1														
ENG M. MORGANSTERN		PROD D. BEVINS		ISSUED SECT.														
DATE 29-SEP-75		DATE 1-OCT-75		1														
ITEM NO.	DWG NO. / PART NO.	DESCRIPTION																
1	E-MD-7411540-0-0	SHELL, VT50																
2	9008141	TAG, SERIAL																
3	9009672	SPACER, PLASTIC																
4	D-CS-5410886-0-1	MONITOR, P.S.																
5	I-MD-7412866-0-0	SINK, HEAT																
6	9009679-02	SCREW, HEX WASHER HD., #8 x 3/4																
7	9009683-01	SCREW, HEX WASHER HD., #8 - 32 x 3/8																
8	1012412	CAP., 6,000 UF, 40V, 20%, AL EL																
9	1011643	CAP., 18,000 UF, 25V, 20%, AL EL																
10	9009681-05	SCREW, HEX WASHER HD., #10 x 3/8																
11	Ø-AD-7010858-0-0	BASE ASSEMBLY																
12	D-CS-5410906-0-1	DATA PATHS MEMORY AND DECODER																
13	9009671	WASHER, BARSEAL, #8																
14	D-CS-5410902-0-1	ROM UART AND TIMING																
15	Ø-AD-7010859-0-0	CRT ASSEMBLY																
16	D-CS-5410893-0-1	KEYBOARD A VT50																
17	D-CS-5411170-0-1	KEYBOARD H-J																
18	D-MD-7413103-0-0	COVER, CASSETTE																
19	D-IA-7413093-0 2	BEZEL, KEYBOARD																
20	D-IA-7413432-0-0	BEZEL, KEYBOARD H-J																
21	Ø-UA-7010068-0-0	COPIER, ASSEMBLY 115V/60HZ																
22	Ø-UA-7010068-1-0	COPIER, ASSEMBLY 220/240 50HZ																
TITLE UNIT ASSEMBLY VT50		ASSY NO. Ø-UA-VT50-Ø-Ø		SIZE CODE A PL		NUMBER VT50-Ø-Ø											REV. A	ECO NO. VT50-00017
		SHEET 1 OF 3		DIST.														

DEC FORM DEC 16-(325)-1031-N870  
DRA 110

DIGITAL EQUIPMENT CORPORATION MAYNARD, MASSACHUSETTS <b>PARTS LIST</b>					QUANTITY / VARIATION													
MADE BY P. CAPPABIANCA		CHECKED J. CAHILL		SECTION		VT50-AA	VT50-AB	VT50-AC	VT50-BA	VT50-BB	VT50-BC	VT50-HA	VT50-HB	VT50-HC	VT50-JA	VT50-JB	VT50-JC	
DATE 17-MAR-75		DATE 15-AUG-75		1														
ENG M. MORGANSTERN		PROD D. BEVINS		ISSUED SECT.														
DATE 29-SEP-75		DATE 1-OCT-75		1														
ITEM NO.	DWG NO. / PART NO.	DESCRIPTION																
23	Ø-UA-7010068-2-0	COPIER ASSEMBLY 100/115V 50HZ																
24	Ø-MD-7412573-0-0	COVER, FIXED																
25	E-MD-7412574-1	COVER, COPIER																
26	1-AD-7010861-0-0	TRANS. MTG. PLATE ASSY 115V/60HZ																
27	1-AD-7010861-1-0	TRANS. MTG. PLATE ASSY 220/240V, 50/60HZ																
28	1-AD-7010861-2-0	TRANS. MTG. PLATE ASSY 100/115V, 50/60HZ																
29	9006563	NUT, KEP, S.S. #8 - 32																
30	C-MD-7413400-0-0	BRACKET COPIER WELL																
31	D-CS-5411448-0-1	VT50 EIA ADAPTER (OPTION)																
32	1-IA-7011197-0-0	CRT GROUND ASSEMBLY																
33	9007080	CLAMP, CABLE, SCREW MNT 3/16																
34	9006304-10	SCREW, SET, SOCKET #8 -32 x 1/2																
35	2-MD-7415343-0-0	CLIP, P.S. MTG																
36	2-MD-7415342-0-0	CLIP, BD. MTG																
37	9009681-03	SCREW, HEX WASHER HD. #10 x 7/8																
38	B-MD-7414751-0-0	SUPPORT, FOAM																
39	2-MD-7415344-0-0	SCREW, THUMB																
40	2-MD-7414797-0-0	CLAMP, CAPACITOR																
41	2-MD-7415345-0-0	NUT, WING																
42	9009745	SCREW, SLOTTED PAN HD. #4																
43	1-AD-7010861-3-0	TRANS. MTG. PLATE ASSY 115V/60HZ																
44	1-AD-7010861-4-0	TRANS. MTG. PLATE ASSY 110/115V 50/60HZ																
TITLE UNIT ASSEMBLY VT50		ASSY NO. Ø-UA-VT50-Ø-Ø		SIZE CODE A PL		NUMBER VT50-Ø-Ø											REV. A	ECO NO.
		SHEET 2 OF 3		DIST.														

DEC FORM DEC 16-(325)-1031-N870  
DRA 110

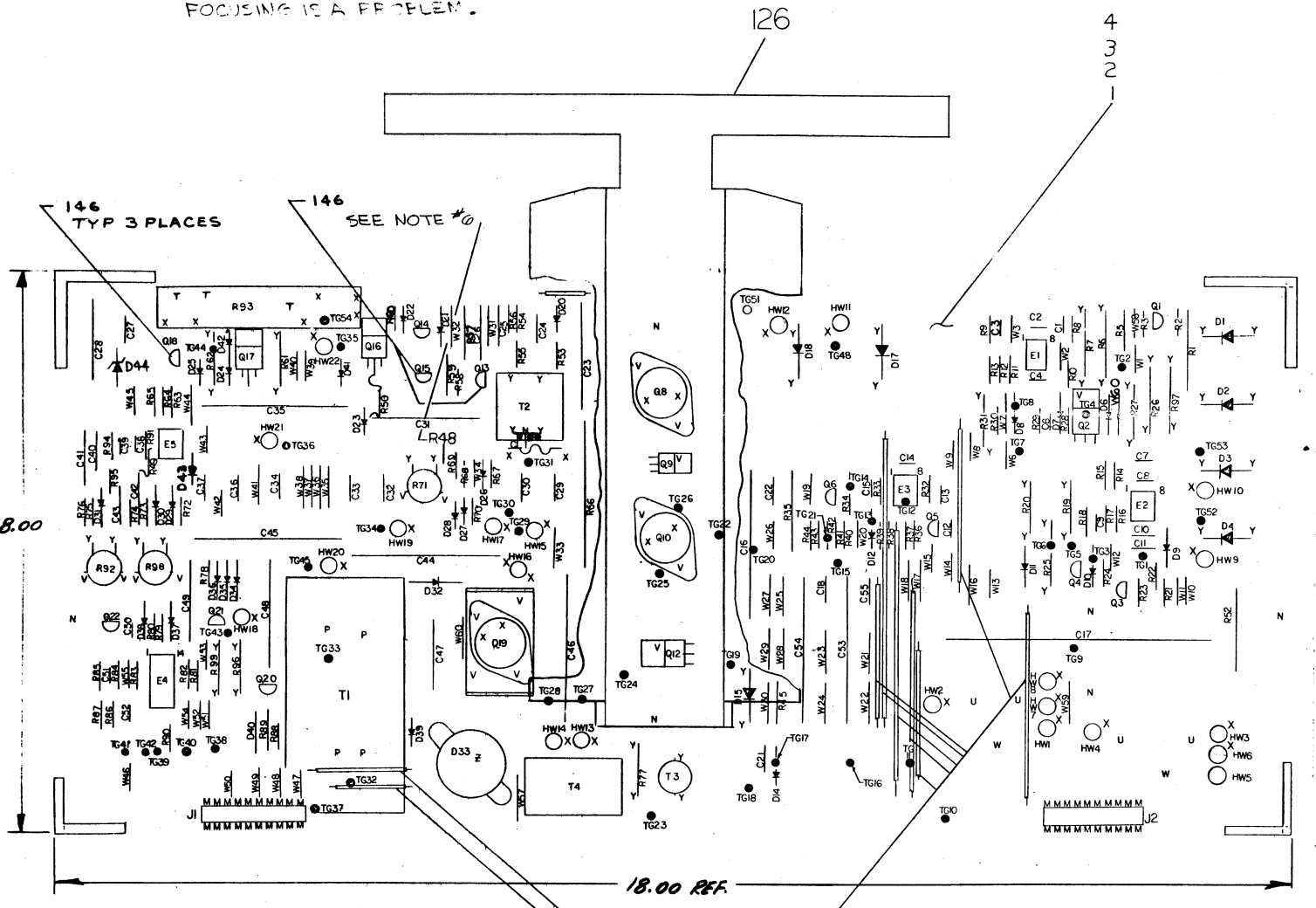
DIGITAL EQUIPMENT CORPORATION MAYNARD, MASSACHUSETTS <b>PARTS LIST</b>				QUANTITY / VARIATION													
MADE BY P. CAPPABIANCA		CHECKED J. CAHILL		SECTION													
DATE 17-MAR-75		DATE 15-AUG-75		1													
ENG M. MORGANSTERN		PROD D. BEVINS		ISSUED SECT.													
DATE 29-SEP-75		DATE 1-OCT-75		1													
ITEM NO.	DWG NO. / PART NO.	DESCRIPTION				VT50-AA	VT50-AB	VT50-AC	VT50-BA	VT50-BB	VT50-BC	VT50-HA	VT50-HB	VT50-HC	VT50-JA	VT50-JB	VT50-JC
45	1-AD-7010861-5-0	TRANS. MTG. PLATE ASSY 22Ø/24ØV, 5Ø/6ØHZ				-	-	1	-	-	-	-	-	1	-	-	-
46	2-MD-7415346-0-0	COVER, SLIDING				1	1	1	1	1	1	1	1	1	1	1	1
47	A-DC-7414213-0-0	LABEL, UL				1	1	1	1	1	1	1	1	1	1	1	1
48	2-IA-7416189-0-0	BRACKET, GROUND				1	1	1	1	1	1	1	1	1	1	1	1
49	C-IA-7606961	DATA CABLE, VT5Ø				1	1	1	1	1	1	1	1	1	1	1	1
50	A-PS-3610267	DECAL, HI - VOLTAGE				1	1	1	1	1	1	1	1	1	1	1	1
51	D-IA-7011868	CABLE EXTENSION				REF	REF	REF	REF	REF	REF	REF	REF	REF	REF	REF	REF
52	D-CS-5410902-4	TIMING BD., COPIER, ROM UART				-	-	-	1	1	1	-	-	-	1	1	1
53	D-CS-5410902-2	TIMING BD., ROM UART				-	-	-	-	-	-	1	1	1	-	-	-
54	9007015	GROMMET, RUBBER				1	1	1	1	1	1	1	1	1	1	1	1
55	E-MD-7412574-2	COVER, COPIER				1	1	1	-	-	-	1	1	1	-	-	-
56	9006070-1	SCREW, PAN, PHL., #10 - 32 x 5/16				4	4	4	4	4	4	4	4	4	4	4	4
57	9006635	WASHER, LOCK, INT. TOOTHED #10				4	4	4	4	4	4	4	4	4	4	4	4
58	9007031	TIE, CABLE				7	7	7	7	7	7	7	7	7	7	7	7
59	9006852	SPACER, HEX, ALUM #8 - 32 x .50				2	2	2	2	2	2	2	2	2	2	2	2
60	9008151	WASHER, LOCK, EXT. TOOTHED #8				9	9	9	9	9	9	9	9	9	9	9	9
61	9008268	COMPOUND, THERMAL JOINT				A/RA/RA/R	A/RA/RA/R	A/RA/RA/R	A/RA/RA/R	A/RA/RA/R	A/RA/RA/R	A/RA/RA/R	A/RA/RA/R	A/RA/RA/R	A/RA/RA/R	A/RA/RA/R	A/RA/RA/R
62	9008209	GROMMET, STRIP x 650				A/RA/RA/RA/R	A/RA/RA/RA/R	A/RA/RA/RA/R	A/RA/RA/RA/R	A/RA/RA/RA/R	A/RA/RA/RA/R	A/RA/RA/RA/R	A/RA/RA/RA/R	A/RA/RA/RA/R	A/RA/RA/RA/R	A/RA/RA/RA/R	A/RA/RA/RA/R
63	9007594	ADHESIVE, RUBBER				A/RA/RA/RA/R	A/RA/RA/RA/R	A/RA/RA/RA/R	A/RA/RA/RA/R	A/RA/RA/RA/R	A/RA/RA/RA/R	A/RA/RA/RA/R	A/RA/RA/RA/R	A/RA/RA/RA/R	A/RA/RA/RA/R	A/RA/RA/RA/R	A/RA/RA/RA/R
64	1-MD-7413322-0-0	SCREEN, BASE, FRONT				1	1	1	1	1	1	1	1	1	1	1	1
TITLE		ASSY NO.		SIZE	CODE	NUMBER				REV.	ECO NO.						
UNIT ASSEMBLY		Ø-UA-VT5Ø-Ø-Ø		A	PL	VT5Ø-Ø-Ø				A							
		SHEET 3 OF 3		DIST.													

"THIS DRAWING AND SPECIFICATIONS, HEREIN, ARE THE PROPERTY OF DIGITAL EQUIPMENT CORPORATION AND SHALL NOT BE REPRODUCED OR COPIED OR USED IN WHOLE OR IN PART AS THE BASIS FOR THE MANUFACTURE OR SALE OF ITEMS WITHOUT WRITTEN PERMISSION. COPYRIGHT © 1974, DIGITAL EQUIPMENT CORPORATION"

**NOTES:**

1. THERE IS NO ETCH BETWEEN T1 AND D33
2. ETCH & PUNCH/DRILL FOR T05 AND T0220
3. CURRENT LOOP 4 INCH LENGTH 22 AWG WIRE
4. ~~ETCH BUT DO NOT INSERT~~
5.  $\nabla$  MUST BE CONNECTED TO A POINT GROUND
6. ECO #5 IS IMPLEMENTED ONLY ON BOARDS WHERE FOCUSING IS A PROBLEM.

LEGEND	
VARIATION	DESCRIPTION
5410886-0-0	BASIC VT50
5410886-1-0	HEAT CYCLED, SYSTEM TESTED 5410886-0



REF	REF	DESCRIPTION	K-CO-5410886-0-4	1
		X-Y COORDINATE HOLE LOCATION	D-AH-5410886-0-5	2
		ASSY/DRILLING HOLE LAYOUT	B-MH-5410886-0-6	3
		MODULE ECO HISTORY		
1		ETCH CIRCUIT BOARD	5010885	4
2	C50,52	CAP 100 PF 100V 5% DM	1000016	5
2	C8,38	CAP 470 PF 100V 5% DM	1000024	6
2	C25,40	CAP .33 UF 20V 10% S.TANT	1005328	7
1	C41	CAP 6.8 UF 35V 10% S.TANT	1005306	8
1	C26	CAP 15 UF 20V 10% S.TANT	1004812	9
1	C42	CAP 1 UF 35V 10% S.TANT	1001776	10
1	C43	CAP .47 UF 35V 10% S.TANT	1005965	11
1	C31	CAP .47 UF 100V 10% MYLAR	1000040	12
1	C39	CAP 270 PF 100V 5% DM	1000022	13
2	C28,49	CAP 25 UF 25V G% AL EL	1000075	14
		WIRE 22 AWG	9107776	15
1	C17	CAP 1900 UF 40V	1011607	18
6	C4,6,7,11,12,14,	CAP .01 UF 100V 20% DISC	1001610-1	19
4	C55,21,18,22	CAP .1 UF 100V 20% DISC	1000030	20
9	C29,32,33,36,30,34,24,37, C27	CAP .022 UF 600V	1011046	21
4	C44,35,45,16	CAP 1000UF 16V	1011849-02	22
2	C23,48	CAP 25 UF 150V	1011849-00	23
1	C47	CAP .068 UF 600V	1011847	24
1	C46	CAP 7.0 UF 200V	1011848	25
2	C53,54	CAP 600 UF 25V	1011849-01	26
2	C2, C51	CAP 100 PF 100V 5% DM	1000020	27
1	C46	CAP 12.0 UF 200V	1011848-02	28
1	D44	DIODE IN967A	1110068	29
1	D6	DIODE IN4732A 4.7V	1105138	30
4	D21,38,37,43	DIODE D672	1105275	31
8	D22,27,28,25,24,23,D41,D42	DIODE IN4004	1105796	32
2	D40,7	DIODE IN752 A 5.6V 5% ZENER	1102808	33
3	D34,35,36	DIODE IN964B 13V 5% ZENER	1109988	34
5	D1,23,4,15	DIODE IN5624	1110420	35
2	D17,18	DIODE MR752	1110615	36
3	D8,9,14	DIODE 4M5.1Z1 5.1V 1% ZENER	1105873	37
1	D12	DIODE IN754A 6.8V 5% ZENER	1109991	38
4	D31,10,29,30,	DIODE D664	1100114	39
1	D11	DIODE IN4730A 2.4V 5% ZENER	1101938	40
1	D32	DIODE MR852	1109634-01	41
2	D39,20	DIODE MR812	1111854-00	42
1	D26	DIODE MR817	1111854-01	43
1	D33	DIODE H-V DIODE ASSY (20KV)	11-12553	44
1		HOBSON P92 CAP	1212126	45
2		TIE WRAP	9007031	46
1	R28	RES. 5.6K, 1/4W, 5%	1301874	47
1	R61	RES. .47,2W,5%	1305258	48
1	R73	RES. 5.1 1/4W 5%	1309422	49
2	R63, R50	RES. 27 1/4W 5%	1301522	50
1	R55	RES. 220 1/4W 5%	1300271	51
3	R79,74,88	RES. 330 1/4W 5%	1300295	52
1	R59	RES. 390 1/2W 5%	1300308	53
1	R57	RES. 47 1W 5%	1302199	54

FIRST USED ON OPTION MODEL		PARTS LIST	
VT50		ETCH BOARD REV	D
QTY	REF DESIGNATION	DESCRIPTION	PART NO.
			ITEM NO.

IC TYPE	GND	+5V	-12	+15	-V	+V
DEC 741			4	7		
DEC LM301			4	7		
GND AND 5V ARE USUALLY PIN 7 AND 14 RESPECTIVELY. EXCEPTIONS ARE STATED ABOVE						
IC PIN LOCATIONS						

CHK	REV	CHANGE NO.	ORIGINATOR	DATE
			M. MORGANSTERN	
			George Dwyer 4/1/75	
			5410886-00003 G	
			Richard Pucci 4-2-75	
			Dick Pucci	
			RA Adkins 3-12-75	
			5410886-00000 D	
			M. MORGANSTERN	
			R.R. 5410886-00001 C	
			ORIGINAL	
			CHANGE NO.	
			REV	

DEC NO.	EIA NO.	DEC NO.	EIA NO.

DRN	E. Wilson	DATE	9/25/74
CHKD	Pucci	DATE	10/17/75
ENG	Morganstern	DATE	10/17/75
PROJ. ENG	Morganstern	DATE	10/17/75
PROD.	Morganstern	DATE	10/17/75

digital EQUIPMENT CORPORATION  
NATYARD MASSACHUSETTS

TITLE  
MONITOR POWER SUPPLY

SIZE CODE NUMBER REV.  
DCS 5410886-0-1 S

SCALE NONE  
SHEET 1 OF 5

DCS 5410886-0-1 S



THIS DRAWING AND SPECIFICATIONS, HEREIN, ARE THE PROPERTY OF DIGITAL EQUIPMENT CORPORATION AND SHALL NOT BE REPRODUCED OR COPIED OR USED IN WHOLE OR IN PART AS THE BASIS FOR THE MANUFACTURE OR SALE OF ITEMS WITHOUT WRITTEN PERMISSION. COPYRIGHT © 1977 DIGITAL EQUIPMENT CORPORATION

S 1-0-5820179 50 2

QTY	REF	DESIGNATION	DESCRIPTION	PART NO.	ITEM NO.
1	T1	TRAN AT 2072 (FLY BACK XFMR)		16-11896	117
1	T2	TRAN DRIVER XFMR U8737 (7.5:1)		16-11897	118
1	T4	TRAN AT 4072 (LINEARITY COIL)		16-11899	119
1	T3	TRAN U9934 (SIZE COIL)		16-11898	120
1		CRT CONN. (WITH (4) 1K 1/2W RES.)		1212127	121
1	E4	IC DEC 7406		1910741	122
1	E5	IC DEC 741 OP-AMP		1910298	123
3	E1, E2, E3	IC DEC LM301C		1910282	124
20		F PINS		900-9607	125
1		HEAT SPREADER		7412849	126
22	HW1-HW22	TERMINAL, SOLDERLESS, CRIMP		9009746	127
57	W1-W3, W6-W56, W58, W59, W60	JUMPERS .6 #22 WIRE		9107560-1	128
1		SCR, PHL HD PAN #6-32x.37 LG		9006022-1	129
4		TERMINAL RING TONGUE (RED)		9007930	130
A/R		WIRE #18 AWG STRD (BLK)		9107360-00	131
A/R		WIRE #18 AWG STRD (RED)		9107360-22	132
1		NUT, KEPS #6-32		9008185	133
1		HARNESS CRT		2-IA-7012096-0-0	134
1		HARNESS YOKE		1-IA-7011187-00	135
1		HARNESS POWER SUPPLY		1-IA-7011186-00	136
6		SCR, PPH #2-56 X 1/2" LG		9006005-1	137
8		NUT, #2-56		9006555	138
2		INSULATOR, THERMA FILM		9006721	139
2		INSULATOR, THERMA FILM		9009597	140
A/R		COMPOUND, THERMAL		9008268	141
9		WASHER, #2 INT TOOTH		9006631	142
A/R (6MM)		TUBING, TEPHLON, 1/2 AWG		9107301-10	143
2		WASHER, FLAT, SS		9008877	144
8		SCR, PPH #2-56 X 7/16" LG		9006004-1	145
3	TO5 TRANSISTORS	TRANSIPADS		9008206	146

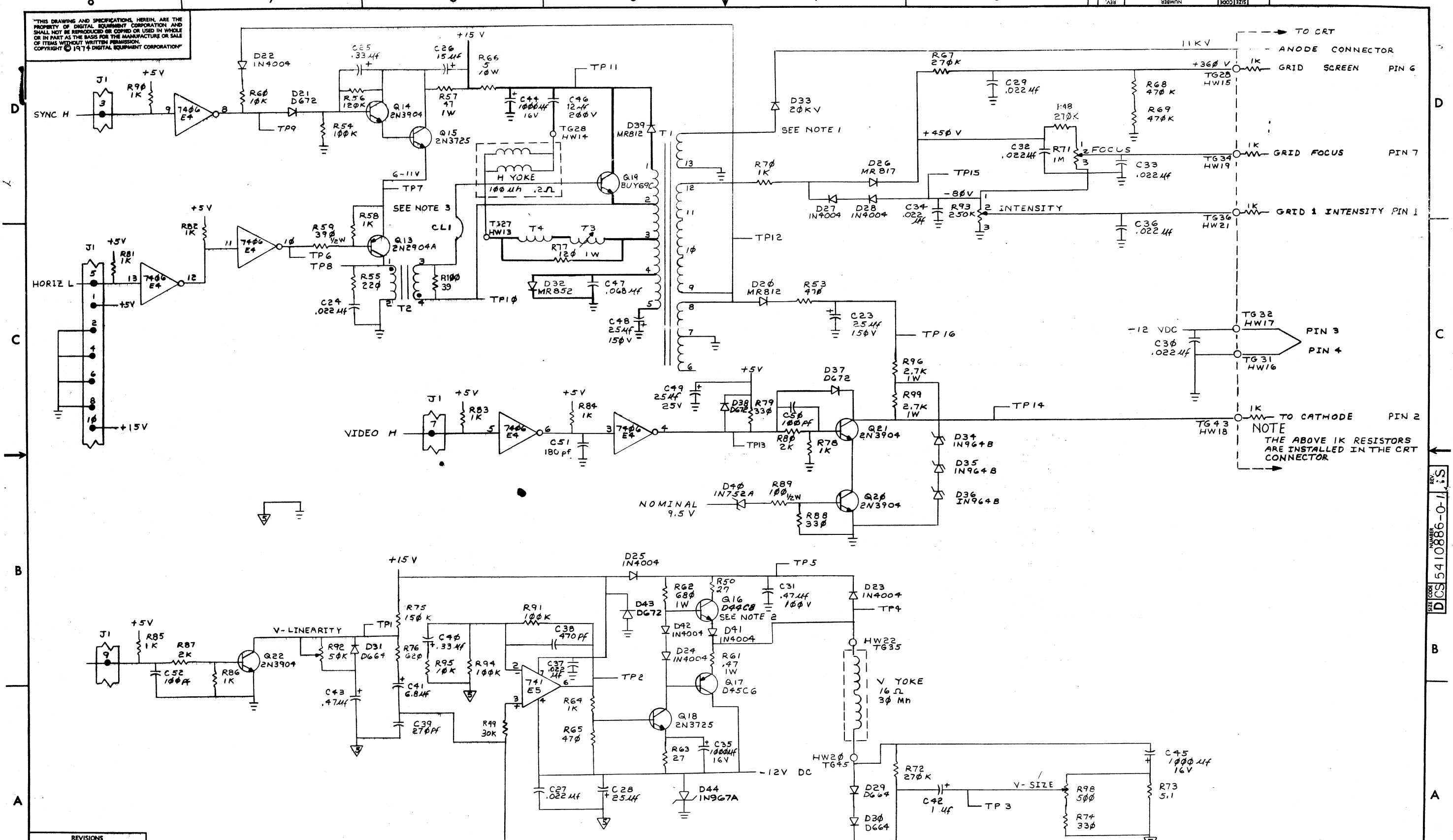
QTY	REF	DESIGNATION	DESCRIPTION	PART NO.	ITEM NO.
1	R75		RES. 620 1/4W 5%		1303178
13	R37, 23, 90, 58, 81, 84, 84, 70, 82, 78, 83, 85, 86		RES. 1K 1/4W 5%		1300365
2	R87, 87		RES. 2K 1/4W 5%		1302388
5	R29, 33, 36, 60, 95		RES. 10K 1/4W 5%		1300479
3	R34, 91, 54		RES. 100K 1/4W 5%		1302466
1	R53		RES. 120K 1/4W 5%		1300539
1	R75		RES. 150K 1/4W 5%		1302396
2	R68, R69		RES. 470K 1/4W 5%		1302398
1	R52		RES. 680 1W 5%		1300346
2	R72, 67, R48		RES. 270K 1/4W 10%		1301310
2	R53, 85		RES. 470 1/4W 5%		1300316
1	R77		RES. 120 1W 5%		1301838
2	R34, 89		RES. 100 1/2W 5%		1300228
2	R98, 99		RES. 2.7K 1W 10%		1309023
1	R1		RES. .2 3W 3% WW		1311604
1	R35		RES. .08 5W 3% WW		1311603
4	R2, 21, 38, 10		RES. 100 1/4W 5%		1300229
2	R97, R26		RES. 130, 2W 5%		1304032
1	R32		RES. 1 MEG 1/4W 5%		1309595
1	R9		RES. 6 8K 1/4W 5%		1301423
1	R11		RES. 330K 1/4W 5%		1302091
1	R13		RES. 10K 1/8W 1%		1303312
2	R2, 15		RES. 4.99K 1/8W 1%		1305324
1	R31		RES. 511 3/4W 1%		1300324
1	R52		RES. 0.5 3W 3%		1311611
1	R16		RES. 47K 1/4W 5%		1302177
1	R14		RES. 4.7K 1/4W 5%		1300447
1	R17		RES. 12.1K 1/8W 1%		1303313
1	R45		RES. 200 1/2W 5%		1302381
1	R5		RES. 3.9K 1/2W 5%		1300443
1	R22		RES. 4.3K 1/4W 5%		1302389
2	R37, 24		RES. 1.5K 1/4W 5%		1300391
1	R40		RES. 12K 1/4W 5%		1300488
2	R6, 7		RES. 15 2W 5%		1303039
1	R8		RES. 2.7M 1/4W 5%		1309680
3	R30, 42, 41		RES. 10 1/4W 5%		1301317
1	R3		RES. 82 1/4W 5%		1301477
1	R43		RES. 150 1/4W 5%		1300250
2	R44, R100		RES. 39 1/4W 5%		1302377
1	R18		RES. 180K 1/4W 5%		1302397
1	P19		RES. 300 1W 5%		1300292
1	L25		RES. 1.5K 1/2W 5%		1300394
1	R20		RES. 330 1W 5%		1300297
1	R98		RES. 500 POT BLUE		13-11853-00
1	R71		RES. 1 MEG POT CLEAR		13-11853-02
1	R92		RES. 50K POT RED		13-11853-01
1	R93		RES. 250K		13-11844
1	R66		RES. 5.1, 10%, 10W		13-11842
1	R49		RES. 30K 1/4W 5%		13-02394
1	Q17		TRANS. D45C6		1510414
2	Q15, 18		TRANS. 2N3725		1510959
1	Q13		TRANS. 2N2904A		1501913
4	Q14, 20, 21, 22		TRANS. 2N3904		1509524
1	Q10		TRANS. 2N3791		1509581
2	Q1, 4		TRANS. MXAA55		1510706
2	Q2, 12		TRANS. 2N5294		1510377
3	Q5, 8, 3		TRANS. MXAA05		1510705
1	Q8		TRANS. 2N3055		1505819
1	Q9		TRANS. 2N4923		1509604
1	Q16		TRANS. D44C8		1510421
1	Q19		TRANS. BUY69C BDY98		15-11852

REVISIONS		REVISIONS		REVISIONS	
CHK	CHANGE NO.	REV.	CHK	CHANGE NO.	REV.
EV	5410386-00012	P	5410886-00013	R	5410886-00014
	J. O'Brien 21 Nov 76		R. Puccia 9-JUNE-76		M. Whittlesey 25-JUN-76
	M. Whittlesey		R. Puccia 8-16-76		M. Whittlesey
	2-Puccia 5-10-76				

TITLE: MONITOR POWER SUPPLY  
 SIZE CODE: DCS5410886-0-1  
 NUMBER: 1  
 REV. S  
 SCALE: SHEET OF 5  
 DIST.

REV. S  
NUMBER DCS5410886-0-1

THIS DRAWING AND SPECIFICATIONS HEREIN ARE THE PROPERTY OF DIGITAL EQUIPMENT CORPORATION AND SHALL NOT BE REPRODUCED OR COPIED OR USED IN WHOLE OR IN PART AS THE BASIS FOR THE MANUFACTURE OR SALE OF ITEMS WITHOUT WRITTEN PERMISSION. COPYRIGHT © 1974 DIGITAL EQUIPMENT CORPORATION



NOTE  
THE ABOVE 1K RESISTORS  
ARE INSTALLED IN THE CRT  
CONNECTOR

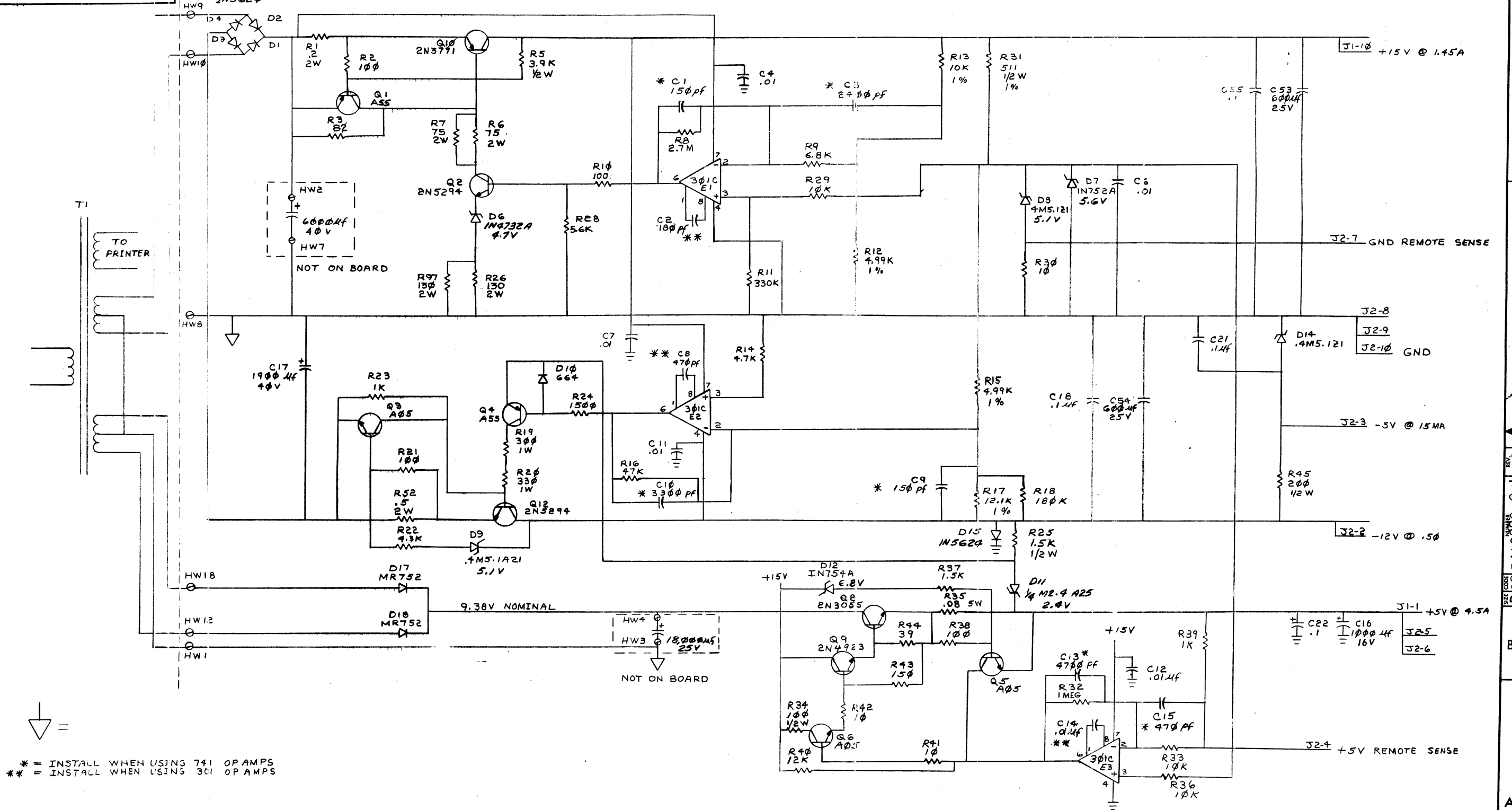
REVISIONS		
CHK	CHANGE NO.	REV.

TITLE	MONITOR/POWER SUPPLY	SIZE CODE	DCS	NUMBER	5410886-0-1	REV.	1
SCALE		SHEET	3 OF 5	DIST.			

SIZE CODE NUMBER DCS 5410886-0-1



"THIS DRAWING AND SPECIFICATIONS HEREIN ARE THE PROPERTY OF DIGITAL EQUIPMENT CORPORATION AND SHALL NOT BE REPRODUCED OR COPIED OR USED IN WHOLE OR IN PART AS THE BASIS FOR THE MANUFACTURE OR SALE OF ITEMS WITHOUT WRITTEN PERMISSION. COPYRIGHT © 1974 DIGITAL EQUIPMENT CORPORATION"



\* = INSTALL WHEN USING 741 OP AMPS  
 \*\* = INSTALL WHEN USING 301 OP AMPS

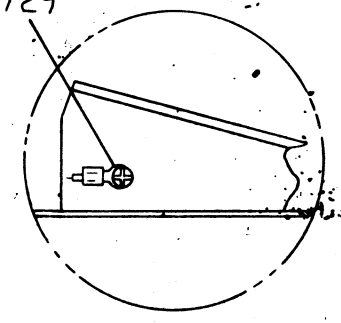
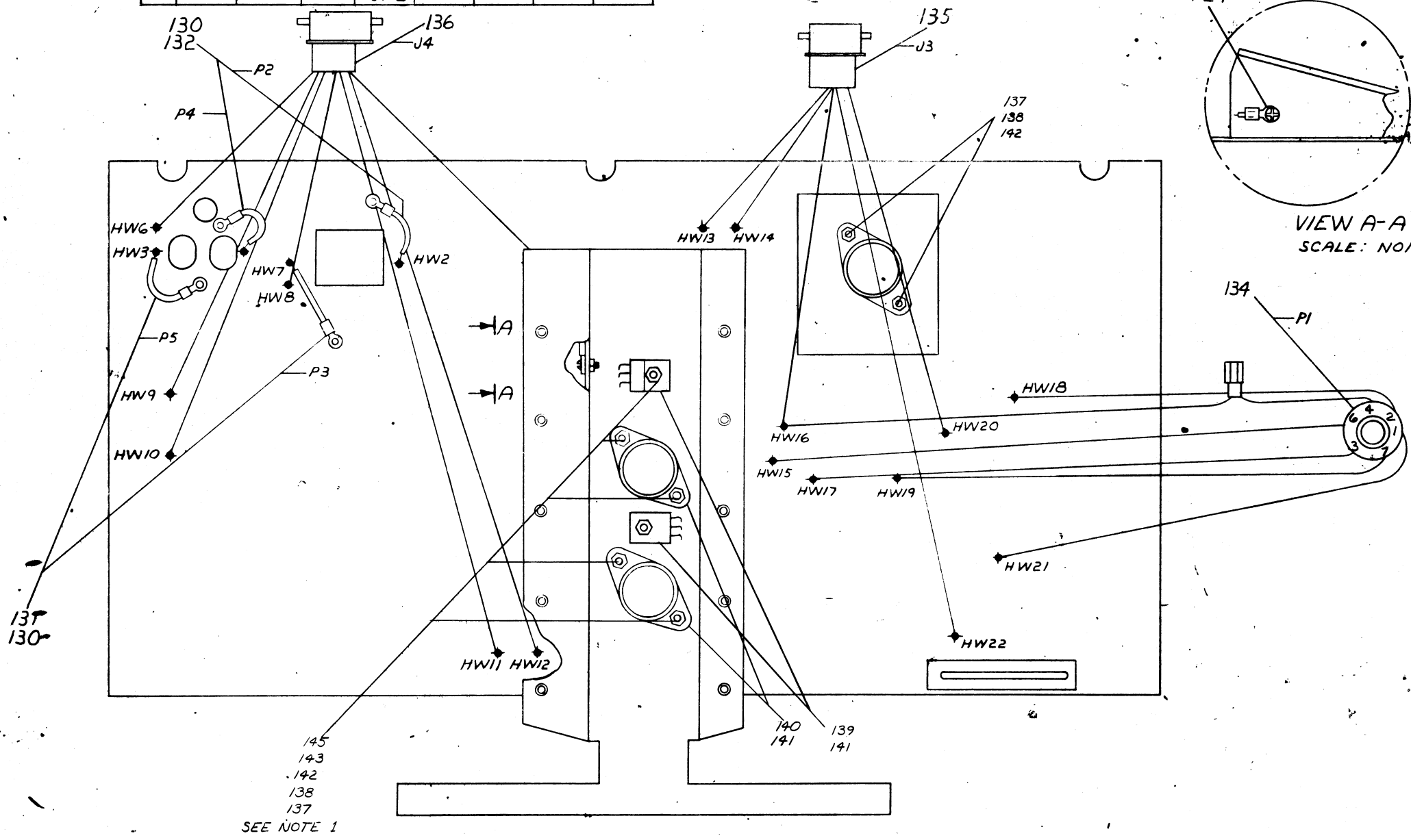
REVISIONS		
CHK	CHANGE NO.	REV.

WIRE TABLE									
ITEM NO.	DESCRIPTION	FROM			TO			WIRE LENGTH	
		AWG.	COLOR	POINT	CONN	WITH	POINT		
136	18	GRN		J4-1			PC-HW6	SOLD	
		GRN		J4-2			GND	SOLD	
		VIO		J4-4			PC-HW12	SOLD	
		VIO		J4-5			PC-HW11		
		BLUE		J4-7			PC-HW10		
		BLUE		J4-8			PC-HW9		
		BLU/BLK					PC-HW1		
136		VIO/BLK		J4-6			PC-HW8		
135	18	GRN		J1-1			PC-HW5		
	22	BLK		J1-3			PC-HW20		
	TWP	RED		J1-6			PC-HW22		
	22	WHT		J1-5			PC-HW14		
135	TWP	BLUE		J1-2			PC-HW13	SOLD	

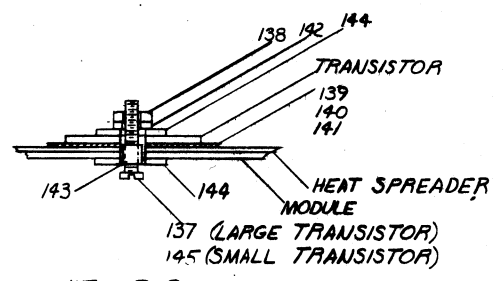
WIRE TABLE									
ITEM NO.	DESCRIPTION	FROM			TO			WIRE LENGTH	
		AWG.	COLOR	POINT	CONN	WITH	POINT		
134	22	GRN		PI-1			PC-HW21	SOLD	
		YEL		PI-2			PC-HW18		
		BRN		PI-3			PC-HW17		
		BLK		PI-4			PC-HW16		
		RED		PI-6			PC-HW15		
134	22	BLUE		PI-7			PC-HW19		
131	18	BLK					PC-HW3	76.2 MM	
131	18	BLK					PC-HW7	76.2 MM	
132	18	RED					PC-HW4	76.2 MM	
132	18	RED					PC-HW2	76.2 MM	

NOTE 1. SHOWN BELOW IN VIEW B-B IS A VIEW OF THE SCREW ASSY FOR ALL SIX (6) MOUNTING SCREWS.

NOTE 2. ITEM 145 IS A SHORTER SCREW AND IS REQUIRED WITH A DIFFERENT TRANSISTOR.



VIEW A-A  
SCALE: NONE



VIEW B-B  
SCALE: NONE

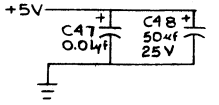
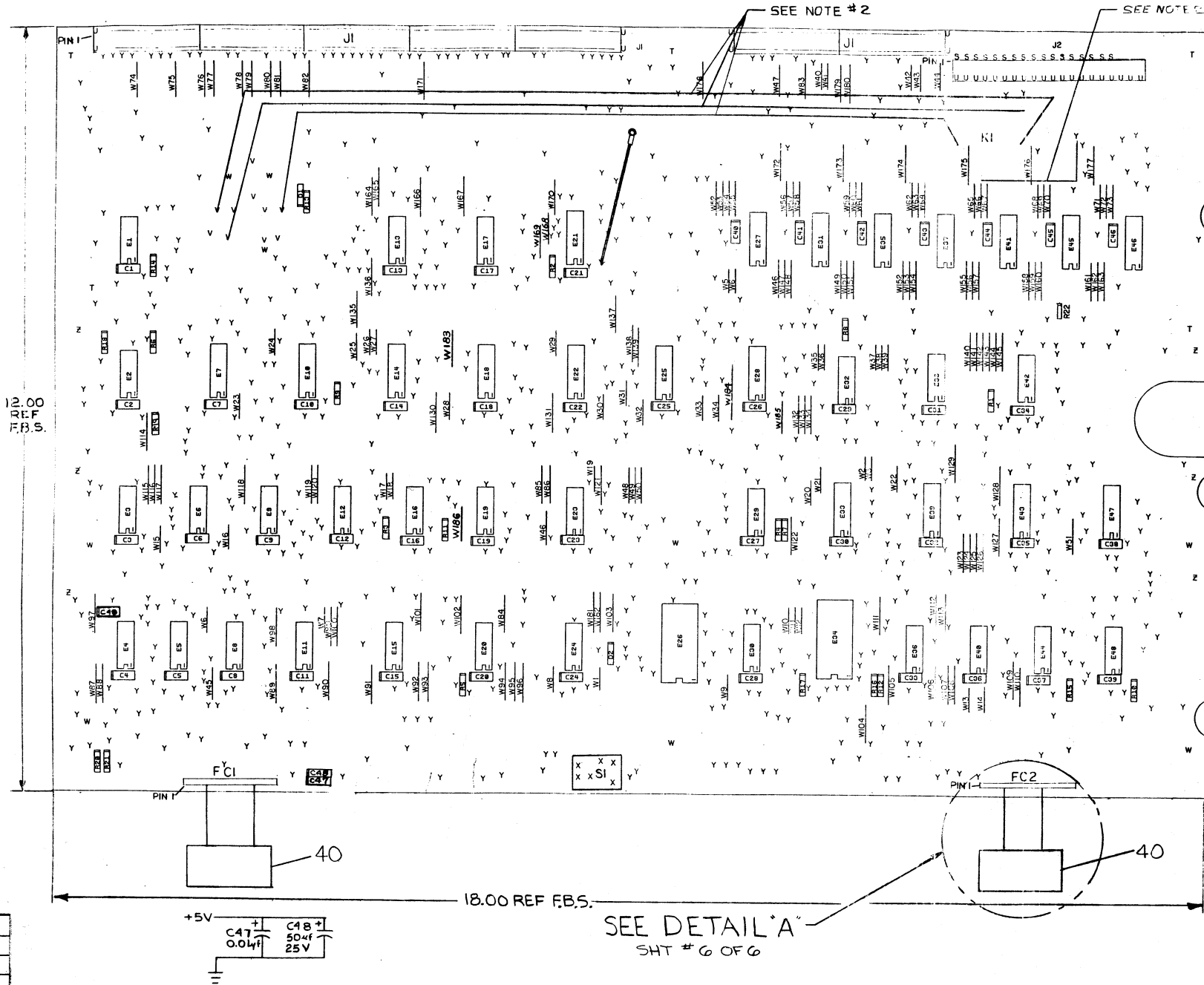
145  
143  
142  
138  
137  
SEE NOTE 1

REVISIONS		
CHK	CHANGE NO.	REV.

THIS DRAWING AND SPECIFICATIONS, HEREIN, ARE THE PROPERTY OF DIGITAL EQUIPMENT CORPORATION AND SHALL NOT BE REPRODUCED OR COPIED OR USED IN WHOLE OR IN PART AS THE BASIS FOR THE MANUFACTURE OR SALE OF ITEMS WITHOUT WRITTEN PERMISSION.  
 COPYRIGHT © 1974 DIGITAL EQUIPMENT CORPORATION

**NOTES:**

- 5410906-1 IS THE HEAT AND SYSTEM TESTED 5410906-0.
- WIRES ADDED FOR RELOCATION OF K1 (ITEM #9) SEE AH DWG FOR FEMORK DETAILS.



SEE DETAIL 'A'  
 SHT # 6 OF 6

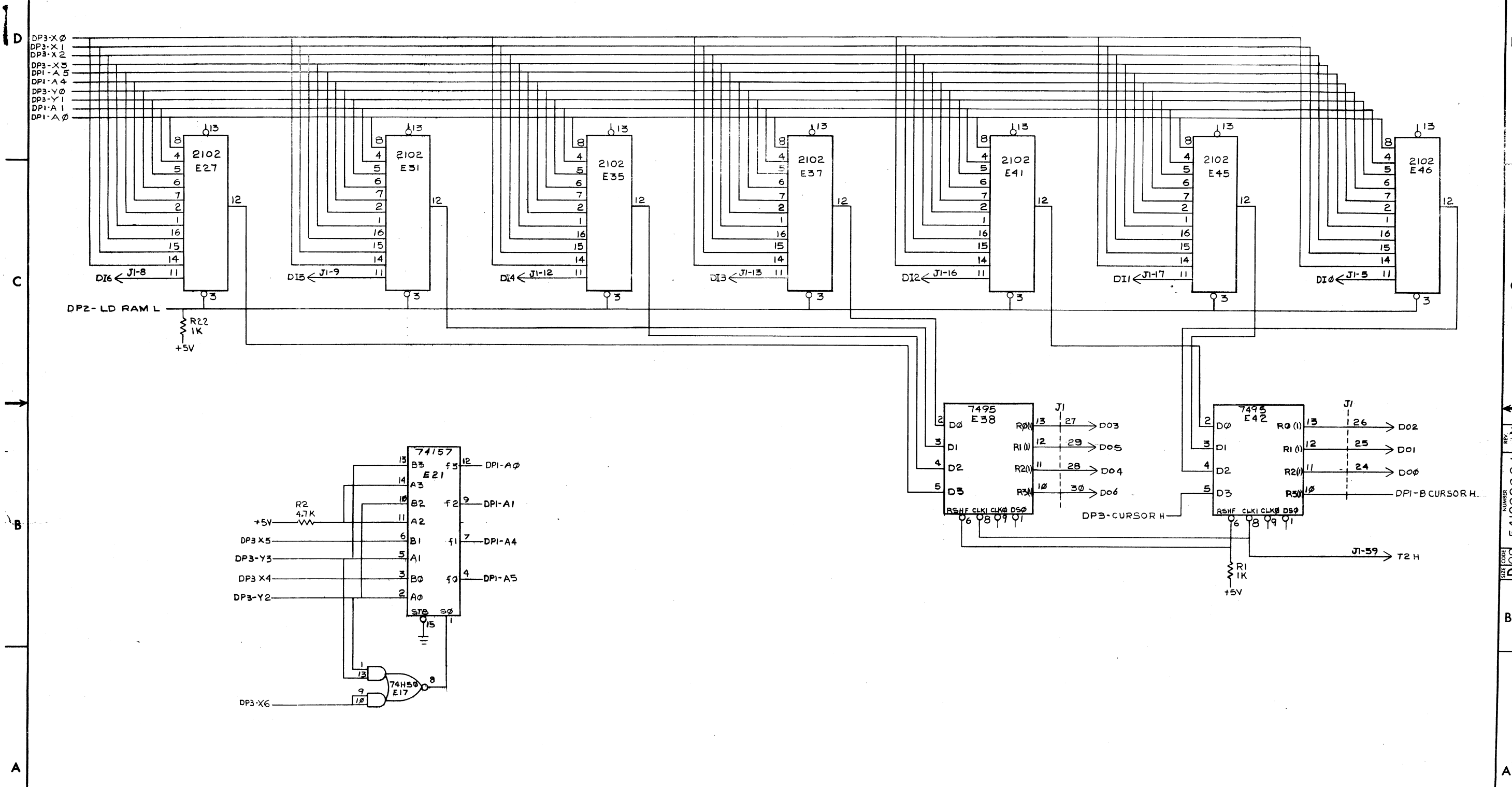
REF	DESCRIPTION	PART NO.	ITEM NO.
	X-Y COORDINATE HOLE LOCATION	K-C0-5410906-4	1
	ASSY/DRILLING HOLE LAYOUT	E-AH-5410906-5	2
	MODULE ECO HISTORY	B-MH-5410906-6	3
	ETCHED CIRCUIT BOARD	5010905	4
	CAPACITOR 50µF 25V	1001796	5
	CAPACITOR .01 DISC	1001610-01	6
	DIODE D664	1100114	7
	SLIDE SWITCH	1210919	8
	RELAY PHILIPS 12V DC 19A111 AE	1212049-0-0	9
	11 PIN SIDE ENTRY AMP CONNECTOR	1211851	10
	19 PIN BOTTOM ENTRY AMP CONNECTOR	1211850	11
	RESISTOR 100 OHM 1/4W 5%	1300229	12
	RESISTOR 1K 1/4W 5%	1300365	13
	RESISTOR 4.7K 1/4W 5%	1300447	14
	RESISTOR 470 1/4W 5%	1300316	15
	RESISTOR 47 1/4W 5%	1300202	16
	IC DEC 7495	1909055	17
	IC DEC 7400	1905575	18
	IC DEC 74H50	1909060	19
	IC DEC 74157	1910655	20
	IC DEC 74193	1910019	21
	IC DEC 7485	1910224	22
	IC DEC 8242	1909712	23
	IC DEC 7474	1905547	24
	IC DEC 74H10	1909057	25
	IC DEC 7404	1909686	26
	IC DEC 7406	1910741	27
	IC DEC 74150	1910153	28
	IC DEC 7442	1910046	29
	IC DEC 74155	1910856	30
	IC DEC 74H11	1909267	31
	IC DEC 7402	1909004	32
	IC DEC 2102-1 1024 X 1 RAM	2111318-1	33
	IC DEC 2513 24 PIN CHAR GEN	23000A7-01	34
	EYELET	9007831	35
	JUMPERS	907560-01	36
	24 PIN IC SOCKET	1210892	37
	WIRE, 30 AWG, INSULATED	9105740	38
	JUMPERS, INS	9009185	39
	CABLE ASSY,	CAD-701144-00	40
	TERMINAL	9007730	41
	WIRE, 18 AWG, INSULATED	9107360-55	42
	CAP 82pF 100V 5%	1000015	43
	JUMPERS, INS	9009185	44

FIRST USED ON OPTION MODEL		VT50	
QTY	REF. DESIGNATION	DESCRIPTION	PART NO.
		ETCH BOARD REV. C	

IC TYPE	GND	+5V
IC 74150	12	24
IC 7475	8	14
IC 2102	9	10
IC 2513	12	24

CHK	CHANGE NO.	REV.
	CP-INITIATED	A
		B
		C
		D
		E
		F
		G
		H
		I
		J
		K
		L
		M
		N
		O
		P
		Q
		R
		S
		T
		U
		V
		W
		X
		Y
		Z

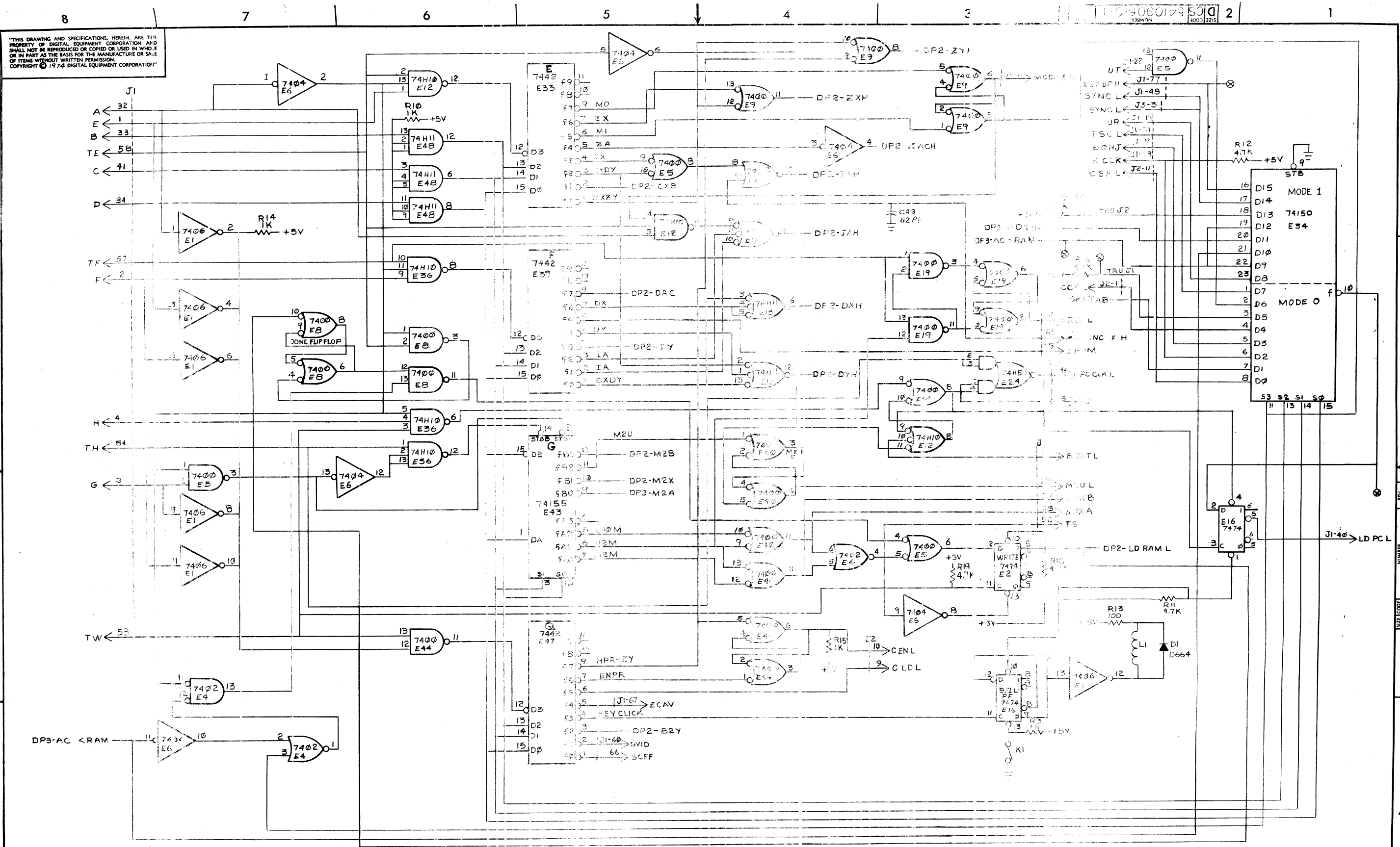
"THIS DRAWING AND SPECIFICATIONS, HEREIN, ARE THE PROPERTY OF DIGITAL EQUIPMENT CORPORATION AND SHALL NOT BE REPRODUCED OR COPIED OR USED IN WHOLE OR IN PART AS THE BASIS FOR THE MANUFACTURE OR SALE OF ITEMS WITHOUT WRITTEN PERMISSION. COPYRIGHT © 1974 DIGITAL EQUIPMENT CORPORATION"



REVISIONS		
CHK	CHANGE NO.	REV.

REV. N  
NUMBER  
DCS 5410906-0-1

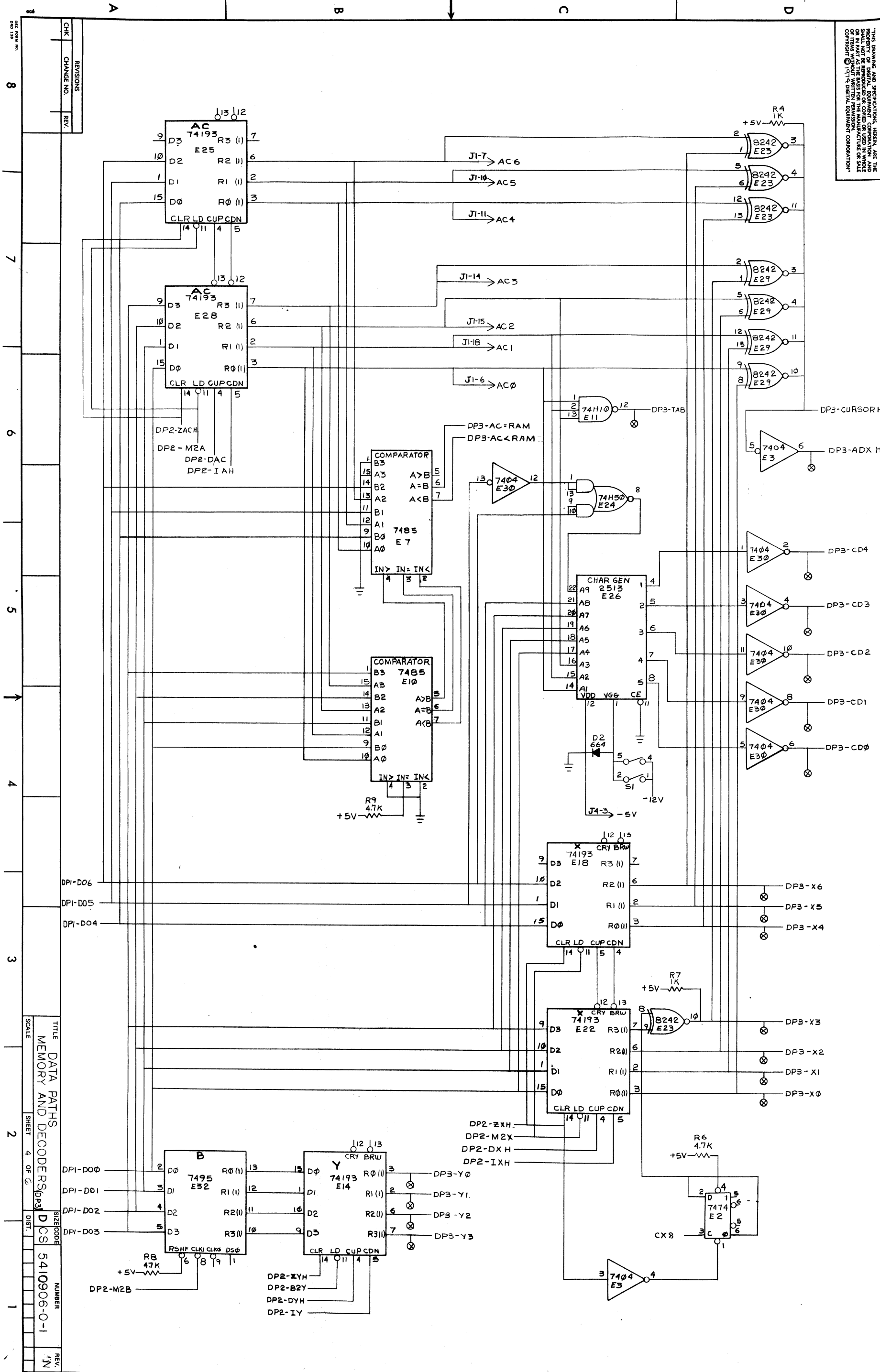
"THIS DRAWING AND SPECIFICATIONS, HEREIN, ARE THE PROPERTY OF DIGITAL EQUIPMENT CORPORATION, AND SHALL NOT BE REPRODUCED OR COPIED OR USED IN WHOLE OR IN PART AS THE BASIS FOR THE MANUFACTURE OR SALE OF ITEMS WITHOUT WRITTEN PERMISSION. COPYRIGHT © 1974 DIGITAL EQUIPMENT CORPORATION"



REVISIONS		
CHK	CHANGE NO.	REV.

NUMBER 5410906-0-1  
 REV. N  
 DCS 5410906-0-1

THIS DRAWING AND SPECIFICATIONS, HEREIN, ARE THE PROPERTY OF DIGITAL EQUIPMENT CORPORATION AND ARE NOT TO BE REPRODUCED, COPIED, OR TRANSMITTED IN ANY FORM OR BY ANY MEANS, WITHOUT WRITTEN PERMISSION FROM DIGITAL EQUIPMENT CORPORATION.



CHK	REVISIONS
	CHANGE NO. REV.

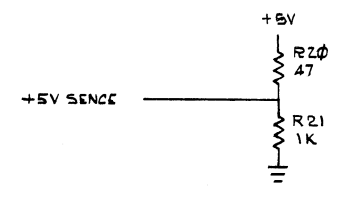
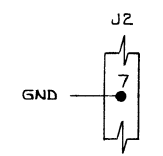
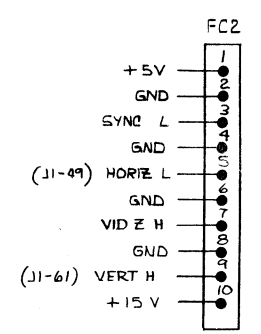
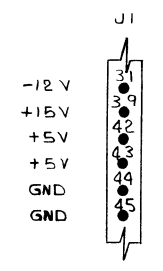
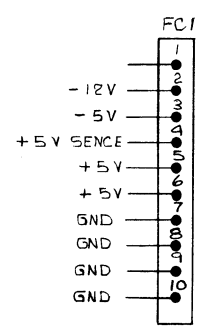
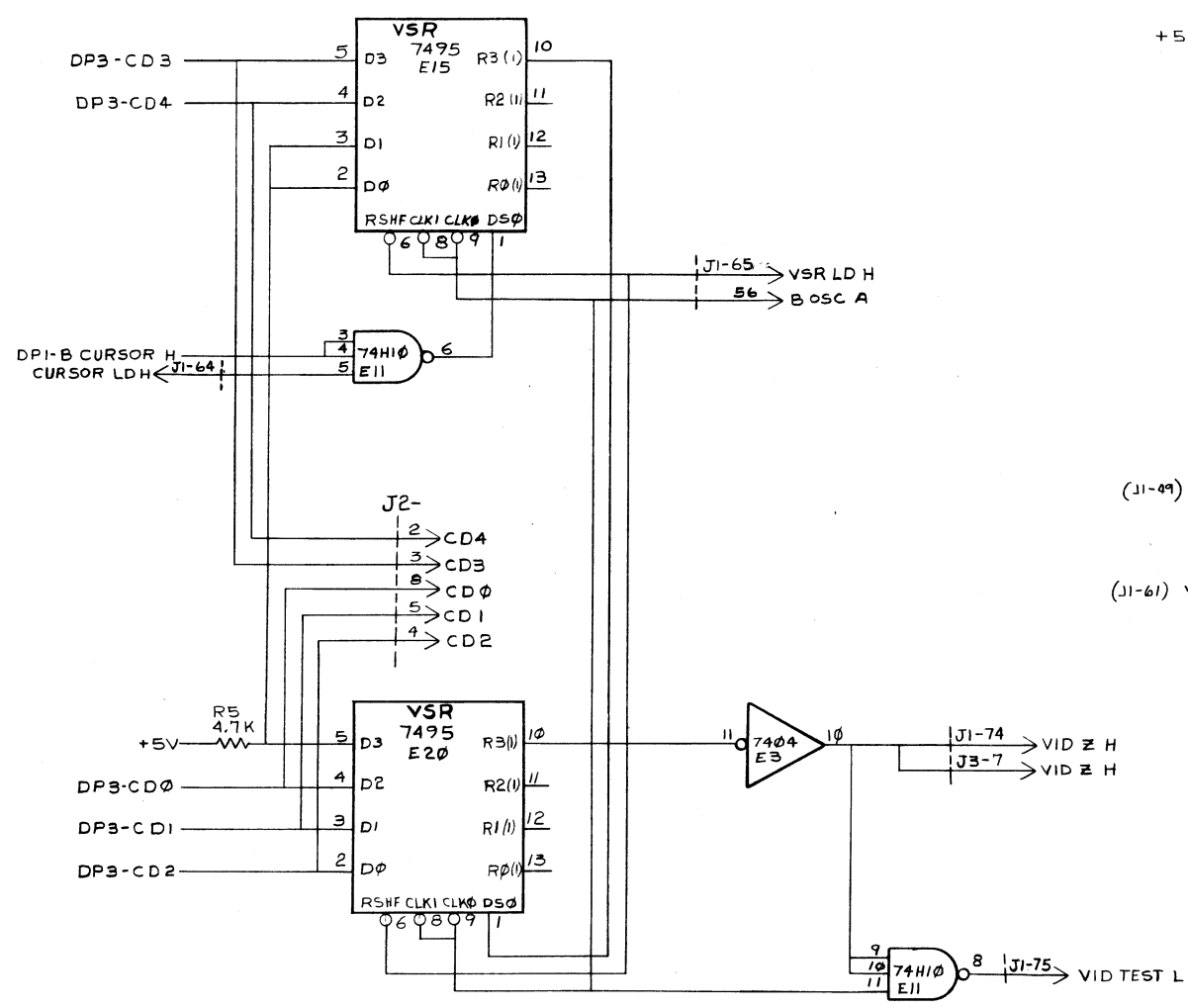
TITLE DATA PATHS  
 MEMORY AND DECODERS  
 SIZE CODE DCS  
 NUMBER 5410906-0-1  
 SHEET 4 OF 6

SIZE CODE DCS  
 NUMBER 5410906-0-1  
 REV. 1

N  
 1-0-9060145  
 CS  
 D  
 2



"THIS DRAWING AND SPECIFICATIONS, HEREIN, ARE THE PROPERTY OF DIGITAL EQUIPMENT CORPORATION AND SHALL NOT BE REPRODUCED OR COPIED OR USED IN WHOLE OR IN PART AS THE BASIS FOR THE DESIGN OR CONSTRUCTION OF ITEMS WITHOUT WRITTEN PERMISSION. COPYRIGHT © 1974 DIGITAL EQUIPMENT CORPORATION"



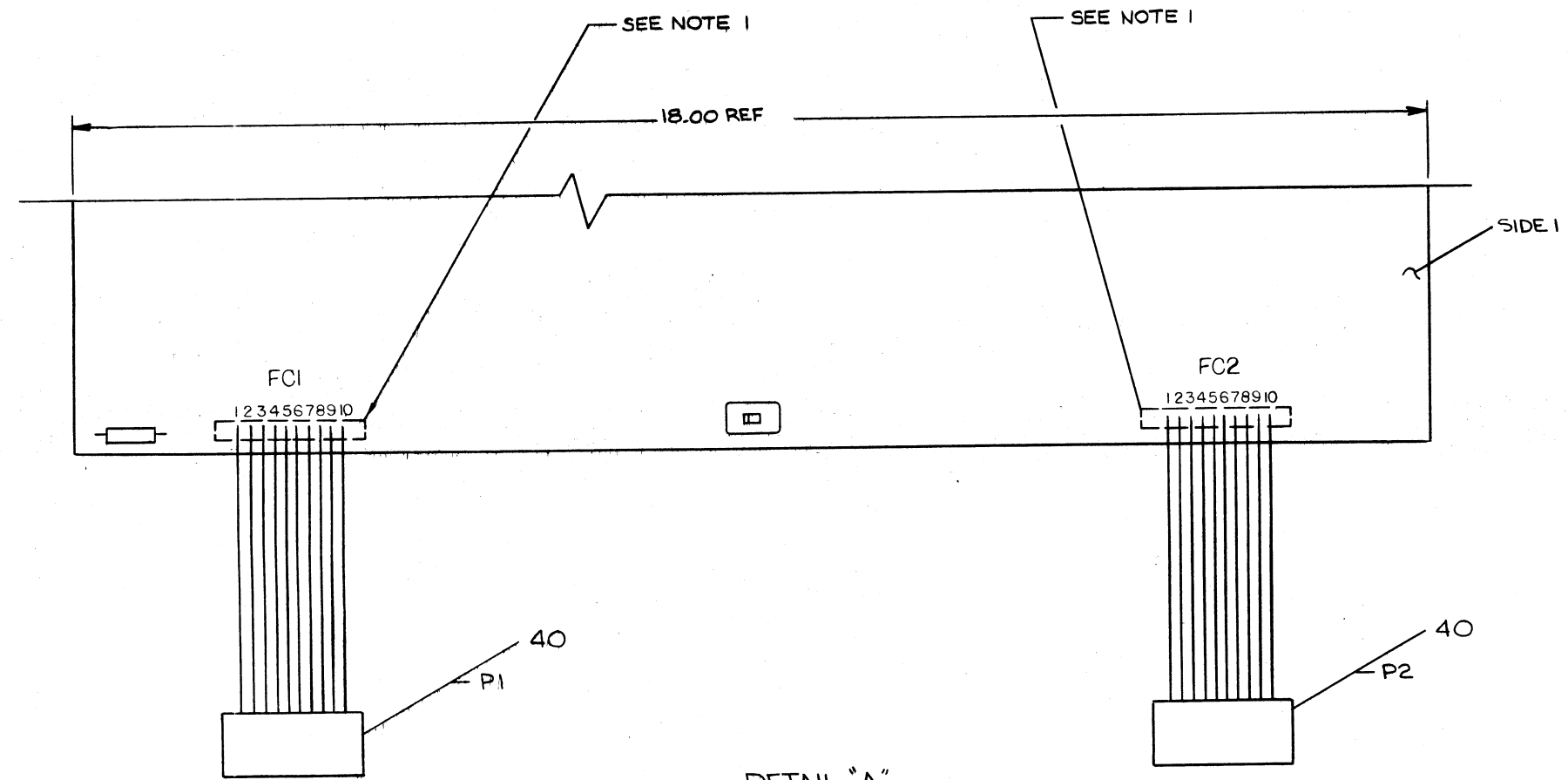
REVISIONS		
CHK	CHANGE NO.	REV.

THIS DRAWING AND SPECIFICATIONS HEREIN ARE THE PROPERTY OF DIGITAL EQUIPMENT CORPORATION AND SHALL NOT BE REPRODUCED OR COPIED OR USED IN WHOLE OR IN PART AS THE BASIS FOR THE MANUFACTURE OR SALE OF ITEMS WITHOUT WRITTEN PERMISSION. DIGITAL EQUIPMENT CORPORATION. COPYRIGHT © 1975

WIRE TABLE

ITEM NO	DESCRIPTION		FROM	TO
	AWG	COLOR	CONNECTION	CONNECTION
40	22	BLK	=====	FC1-1
		BRN	=====	2
		RED	=====	3
		ORN	=====	4
		YEL	=====	5
		GRN	=====	6
		BLU	=====	7
		VIO	=====	8
		GRY	=====	9
40		WHT	=====	FC1-10
40		BLK	=====	FC2-1
		BRN	=====	2
		RED	=====	3
		ORN	=====	4
		YEL	=====	5
		GRN	=====	6
		BLU	=====	7
		VIO	=====	8
		GRY	=====	9
40	22	WHT	=====	FC2-10

NOTES:  
1. APPLY HOT MELT ADHESIVE (4901185-00).

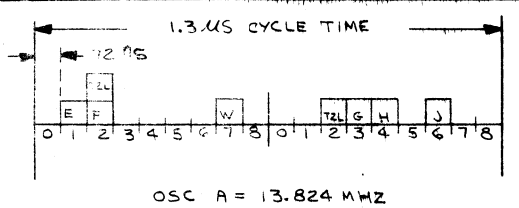


DETAIL "A"  
SCALE: NONE

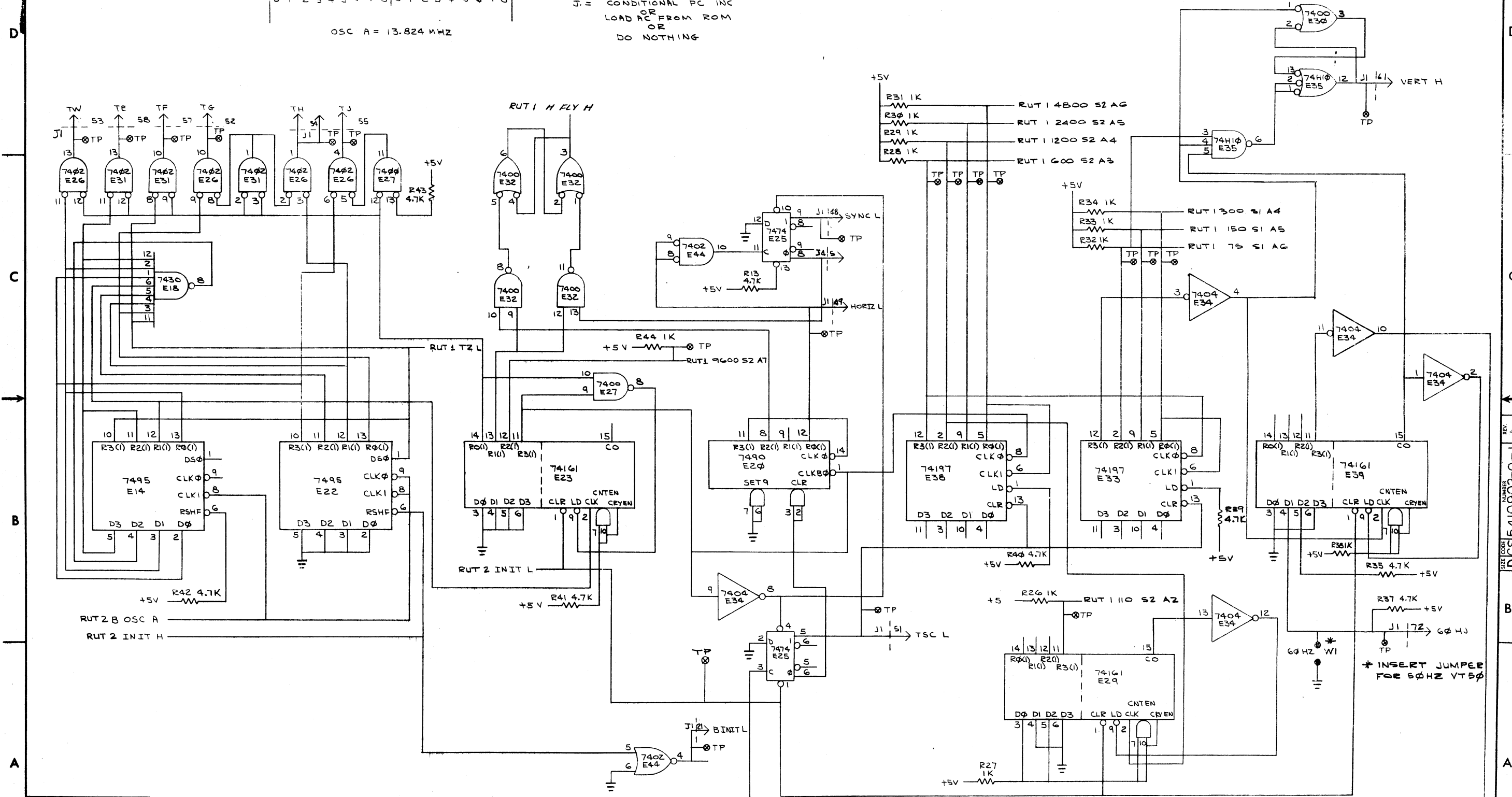
REVISIONS		
CHK	CHANGE NO.	REV.



"THIS DRAWING AND SPECIFICATIONS, HEREIN, ARE THE PROPERTY OF DIGITAL EQUIPMENT CORPORATION AND SHALL NOT BE REPRODUCED OR COPIED OR USED IN WHOLE OR IN PART AS THE BASIS FOR THE MANUFACTURE OR SALE OF ITEMS WITHOUT WRITTEN PERMISSION. COPYRIGHT © 1975, DIGITAL EQUIPMENT CORPORATION"



- E. = DO "E" INSTRUCTIONS
- F. = DO "F" INSTRUCTIONS
- W. = WRITE ENABLE, IF SELECTED
- G. = CLEAR WRITE FLOP
- H. = TEST FLAGS, INC PC
- J. = CONDITIONAL PC INC OR LOAD AC FROM ROM OR DO NOTHING



REVISIONS		
CHK	CHANGE NO.	REV.

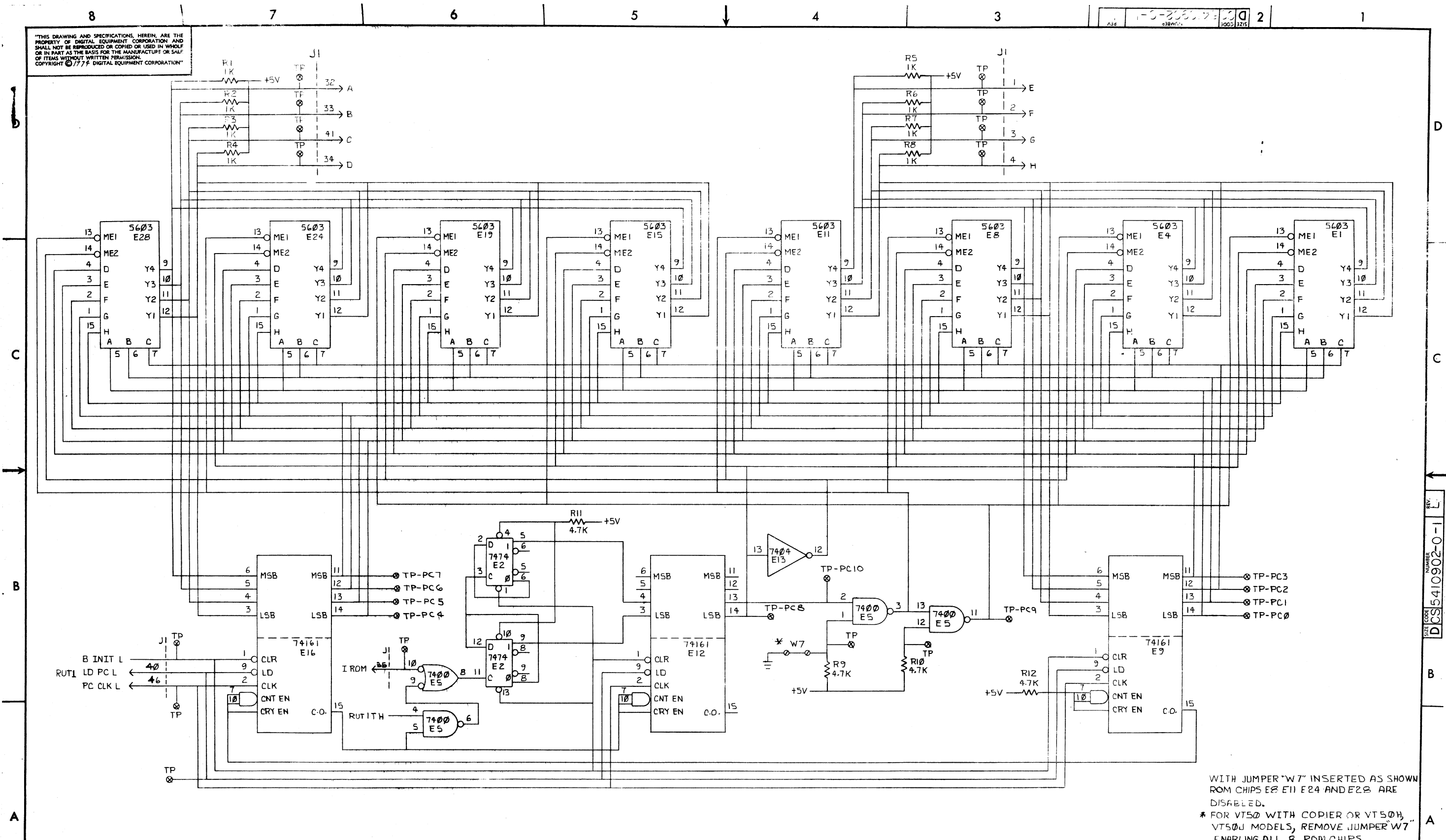
TITLE	ROM UART & TIMING (RUT 1)	SIZE CODE	D	NUMBER	DCS 5410902-0-1	REV.	L
SCALE	1/1	SHEET	2	OF	5	DIST.	

REV. L  
NUMBER DCS 5410902-0-1



"THIS DRAWING AND SPECIFICATIONS, HEREIN, ARE THE PROPERTY OF DIGITAL EQUIPMENT CORPORATION AND SHALL NOT BE REPRODUCED OR COPIED OR USED IN WHOLE OR IN PART AS THE BASIS FOR THE MANUFACTURE OR SALE OF ITEMS WITHOUT WRITTEN PERMISSION. COPYRIGHT © 1977 DIGITAL EQUIPMENT CORPORATION"

33 0-2000-1-1 2 1



WITH JUMPER "W7" INSERTED AS SHOWN ROM CHIPS E8 E11 E24 AND E28 ARE DISABLED.  
 \* FOR VT50 WITH COPIER OR VT50H, VT50J MODELS, REMOVE JUMPER "W7" ENABLING ALL 8 ROM CHIPS.

REVISIONS		
CHK	CHANGE NO.	REV.

TITLE	ROM, UART & TIMING (RUT 3)	SIZE CODE	D CS	NUMBER	5410902-0-1	REV.	L
SCALE	1:1	SHEET	4	OF	5	DIST.	

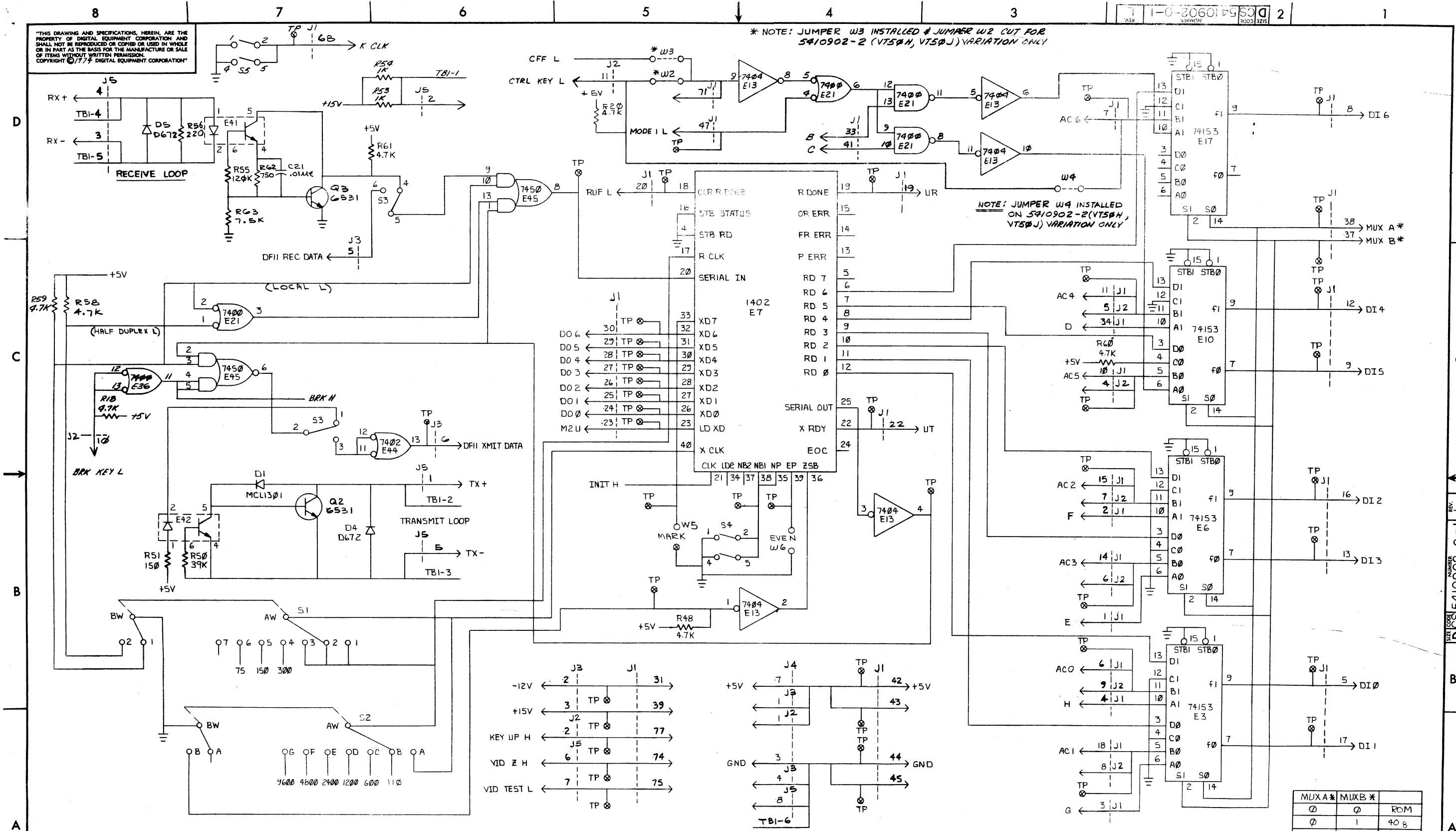
SIZE CODE NUMBER DCS5410902-0-1 REV. L



"THIS DRAWING AND SPECIFICATIONS, HEREIN, ARE THE PROPERTY OF DIGITAL EQUIPMENT CORPORATION, AND SHALL NOT BE REPRODUCED OR COPIED OR USED IN WHOLE OR IN PART AS THE BASIS FOR THE MANUFACTURE OR SALE OF ITEMS WITHOUT WRITTEN PERMISSION. COPYRIGHT © 1977 DIGITAL EQUIPMENT CORPORATION"

\* NOTE: JUMPER W3 INSTALLED & JUMPER W2 CUT FOR 5410902-2 (VT50H, VT50J) VARIATION ONLY

NOTE: JUMPER W4 INSTALLED ON 5410902-2 (VT50H, VT50J) VARIATION ONLY

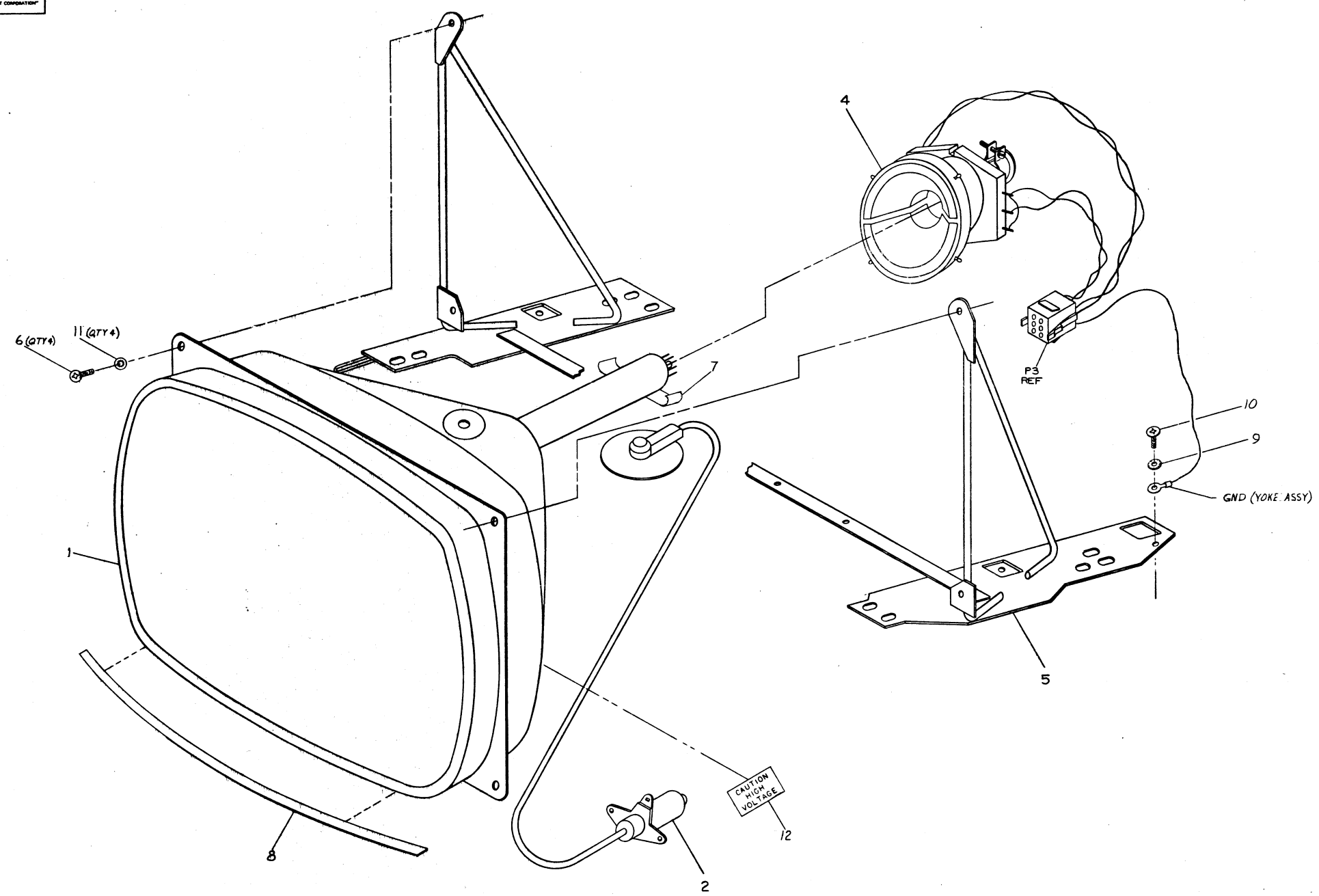


MUX A*	MUX B*	ROM
0	0	ROM
0	1	408
1	0	AC
1	1	UART

REVISIONS		
CHK	CHANGE NO.	REV.

TITLE	ROM, UART & TIMING	SIZE CODE	D CS	NUMBER	5410902-0-1	REV.	L
SCALE		SHEET	5	OF	5	DIST.	

THIS DRAWING AND SPECIFICATIONS HEREIN ARE THE PROPERTY OF DIGITAL EQUIPMENT CORPORATION AND NOT BE REPRODUCED OR COPIED IN WHOLE OR IN PART AS THE BASIS FOR THE MANUFACTURE OR SALE OF ITEMS WITHOUT THE WRITTEN PERMISSION OF DIGITAL EQUIPMENT CORPORATION.



METRIC DIMENSIONS

QTY	DESCRIPTION	DWG. PART NO.	ITEM NO.
1	DECAL, HIGH VOLTAGE	3610267	12
4	LOCKWASHER, INT. THZ.	9006635	11
1	SCREW, MACH. #4-32	9006022-1	10
1	LOCKWASHER, EXT. THZ.	9007649	9
1/4	TAPE, GREEN	9007834	8
1/4	TAPE, GRAY, DULT	9009339	7
4	SCREW, TRUSS HD., MACH	9006037-3	6
1	WIREFORM, CRT	1-IA-7415319-0	5
1	ASSEMBLY, YOKE	2-IA-7010900-0	4
1	SCREW, TORX, PAN H.D., MACH	9006030-1	3
REF	CONN, HIGH VOLTAGE		2
1	TUBE, CATHODE RAY	1211901	1

THIRD ANGLE PROJECTION		UNLESS OTHERWISE SPECIFIED DIMENSIONS ARE IN MILLIMETERS	
REMOVE BURRS AND BREAK SHARP CORNERS	DO NOT SCALE DWG	ANGLE	CLASS OF ACCURACY
SEE PARTS LIST	SEE PARTS LIST	FINISH	QUALITY
SCALE	SCALE	FINISH	QUALITY
SHEET	SHEET	FINISH	QUALITY

REV.	DATE	BY	CHK'D	APP'D
1	11/15/75	R. GIRARD	J. CAHILL	
2	12/15/75	R. GIRARD	J. CAHILL	
3	1/15/76	R. GIRARD	J. CAHILL	
4	2/15/76	R. GIRARD	J. CAHILL	
5	3/15/76	R. GIRARD	J. CAHILL	
6	4/15/76	R. GIRARD	J. CAHILL	
7	5/15/76	R. GIRARD	J. CAHILL	
8	6/15/76	R. GIRARD	J. CAHILL	

ASSEMBLY, CRT

7010859-0-0

7010859-0-0 B

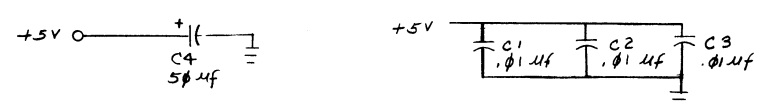
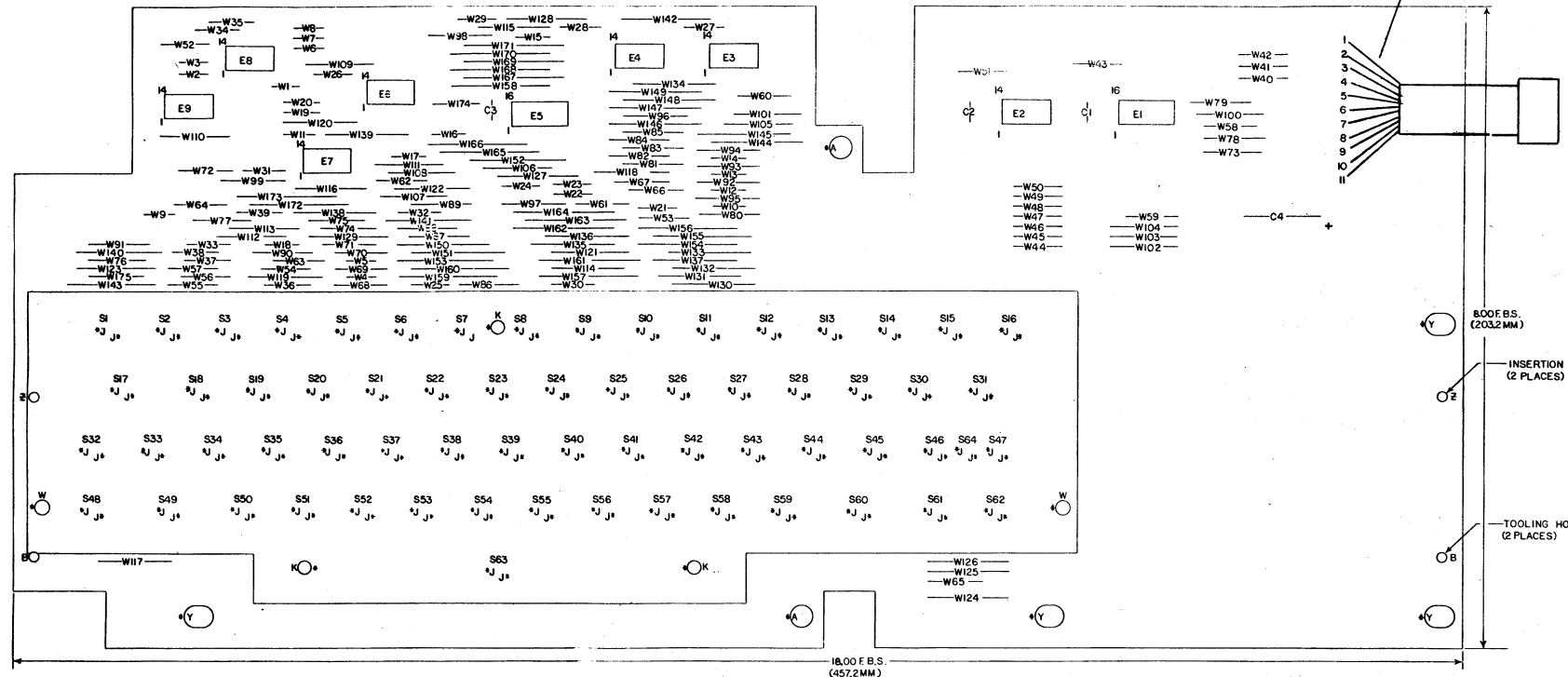
THIS DRAWING AND SPECIFICATIONS, HEREIN, ARE THE PROPERTY OF DIGITAL EQUIPMENT CORPORATION AND SHALL NOT BE REPRODUCED OR COPIED OR USED IN WHOLE OR IN PART AS THE BASIS FOR THE MANUFACTURE OR SALE OF ITEMS WITHOUT WRITTEN PERMISSION. COPYRIGHT © 1977, DIGITAL EQUIPMENT CORPORATION

NOTES:

LEGEND table with columns for NUMBER and VARIATION. Row 1: 5410893-0-0 BASIC VT50. Row 2: 5410893-1-0 HEAT CYCLE SYSTEM TESTED 5410893-0

REF table with columns for REF, DESCRIPTION, PART NO., and ITEM NO. Lists components like X-Y COORDINATE HOLE LOCATION, ASSY/DRILLING HOLE LAYOUT, MODULE ECO HISTORY, etc.

JUMPER TABLE with columns for REFERENCED BY and JUMPER. Lists various jumper locations like W1, W2, W3, etc.



IC PIN LOCATIONS table. Lists IC types like DEC 7442, DEC 74151, and their pin assignments for GND and +5V.

SEMICONDUCTOR CONVERSION CHART table. Lists manufacturer names (MORGANSTERN, DICKENSON, etc.) and part numbers.

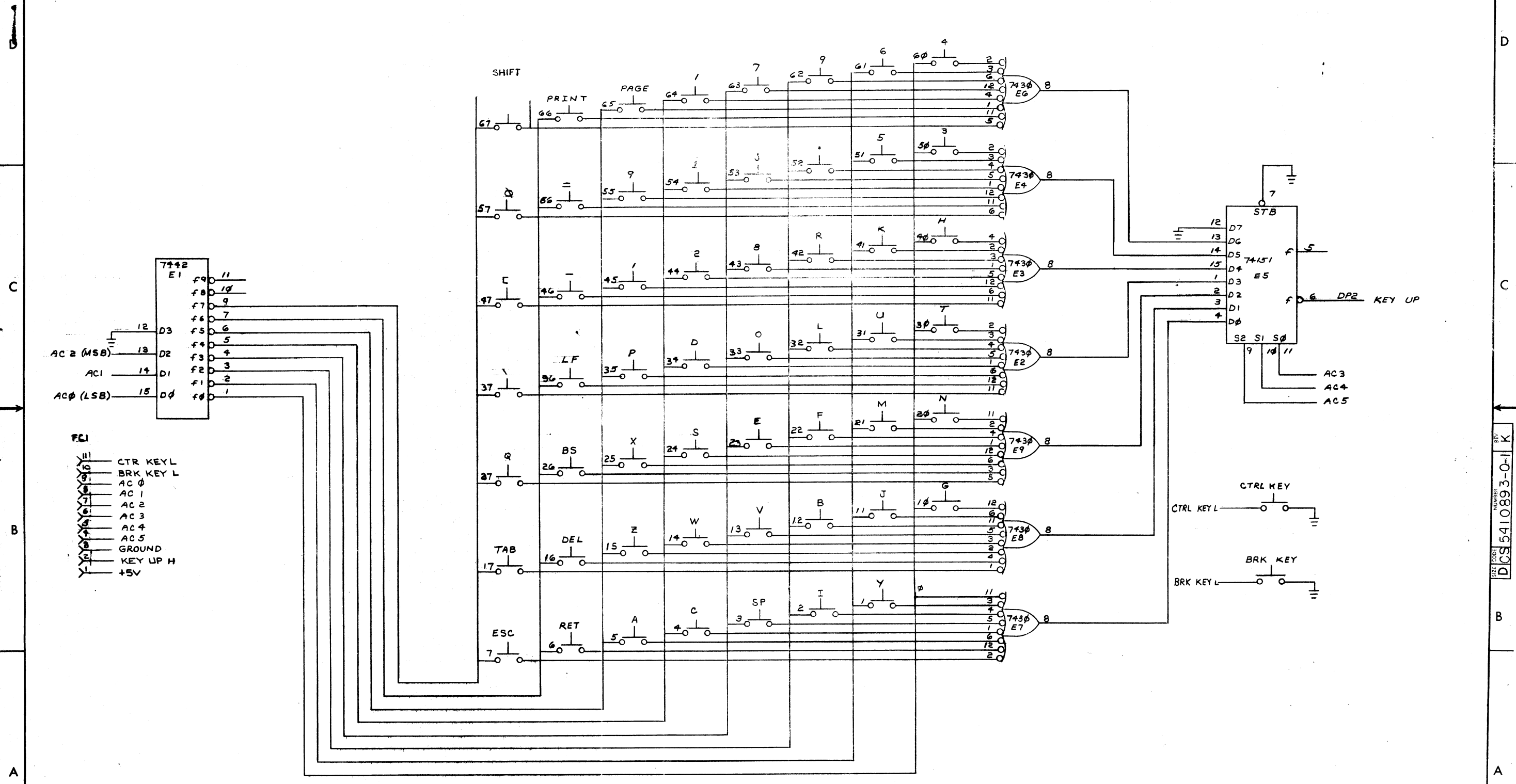
REVISIONS and PARTS LIST tables. Includes revision history with dates and names, and a parts list for the keyboard assembly.

Large empty table area with columns for QTY, REF DESIGNATION, DESCRIPTION, PART NO., and ITEM NO.

A, B, C, D (Vertical grid labels on the left side)

A, B, C, D (Vertical grid labels on the right side)

"THIS DRAWING AND SPECIFICATIONS, HEREIN, ARE THE PROPERTY OF DIGITAL EQUIPMENT CORPORATION AND SHALL NOT BE REPRODUCED OR COPIED OR USED IN WHOLE OR IN PART AS THE BASIS FOR THE MANUFACTURE OR SALE OF ITEMS WITHOUT WRITTEN PERMISSION. COPYRIGHT © 1974, DIGITAL EQUIPMENT CORPORATION"



- FCI
- 11 CTR KEY L
  - 10 BRK KEY L
  - 9 AC 0
  - 8 AC 1
  - 7 AC 2
  - 6 AC 3
  - 5 AC 4
  - 4 AC 5
  - 3 GROUND
  - 2 KEY UP H
  - 1 +5V

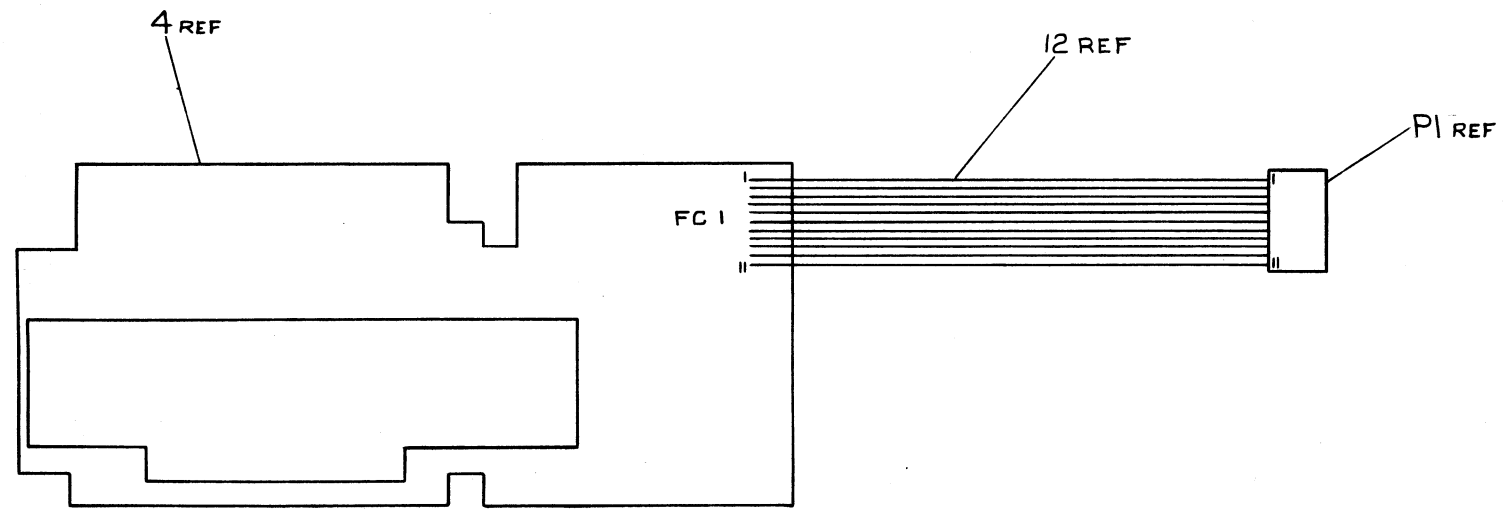
REVISIONS		
CHK	CHANGE NO.	REV.

TITLE	KEYBOARD A VT50	SIZE CODE	DCS 5410893-0-1	NUMBER	K	REV.	
SCALE		SHEET	2	OF	4	DIST.	

"THIS DRAWING AND SPECIFICATIONS, HEREIN, ARE THE PROPERTY OF DIGITAL EQUIPMENT CORPORATION AND SHALL NOT BE REPRODUCED OR COPIED OR USED IN WHOLE OR IN PART AS THE BASIS FOR THE MANUFACTURE OR SALE OF ITEMS WITHOUT WRITTEN PERMISSION. COPYRIGHT © 1975 DIGITAL EQUIPMENT CORPORATION"

WIRE TABLE

ITEM NO	AWG	COLOR	FROM		TO		REMARKS
			CONN	WITH	CONN	WITH	
12	22	BLK	PI-1	---	FCI-1	SOLDER	+5V
		BRN	PI-2	---	FCI-2		KEY UP H
		RED	PI-3	---	FCI-3		GND
		ORN	PI-4	---	FCI-4		AC5
		YEL	PI-5	---	FCI-5		AC4
		GRN	PI-6	---	FCI-6		AC3
		BLU	PI-7	---	FCI-7		AC2
		VIO	PI-8	---	FCI-8		AC1
		GRY	PI-9	---	FCI-9		AC0
		WHT	PI-10	---	FCI-10		BRK KEY
12	22	BLU	PI-11	---	FCI-11	SOLDER	CTRL KEY



REVISIONS		
CHK	CHANGE NO.	REV.

8

7

6

5

4

3

DCS 5410893-0-1 K

1

"THIS DRAWING AND SPECIFICATIONS, HEREIN, ARE THE PROPERTY OF DIGITAL EQUIPMENT CORPORATION AND SHALL NOT BE REPRODUCED OR COPIED OR USED IN WHOLE OR IN PART AS THE BASIS FOR THE MANUFACTURE OR SALE OF ITEMS WITHOUT WRITTEN PERMISSION. COPYRIGHT ©1975, DIGITAL EQUIPMENT CORPORATION"

D

D

C

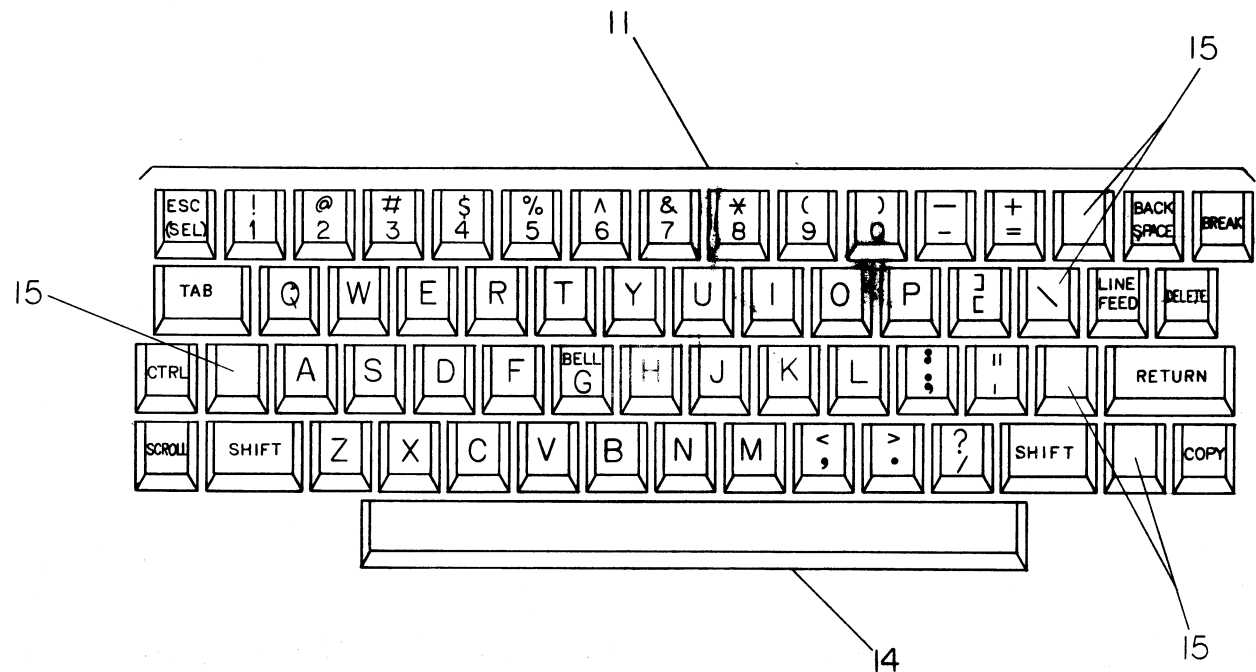
C

B

B

A

A



REVISIONS		
CHK	CHANGE NO.	REV

DEC FORM 110 DRD 137

8

7

6

5

4

3

2

1

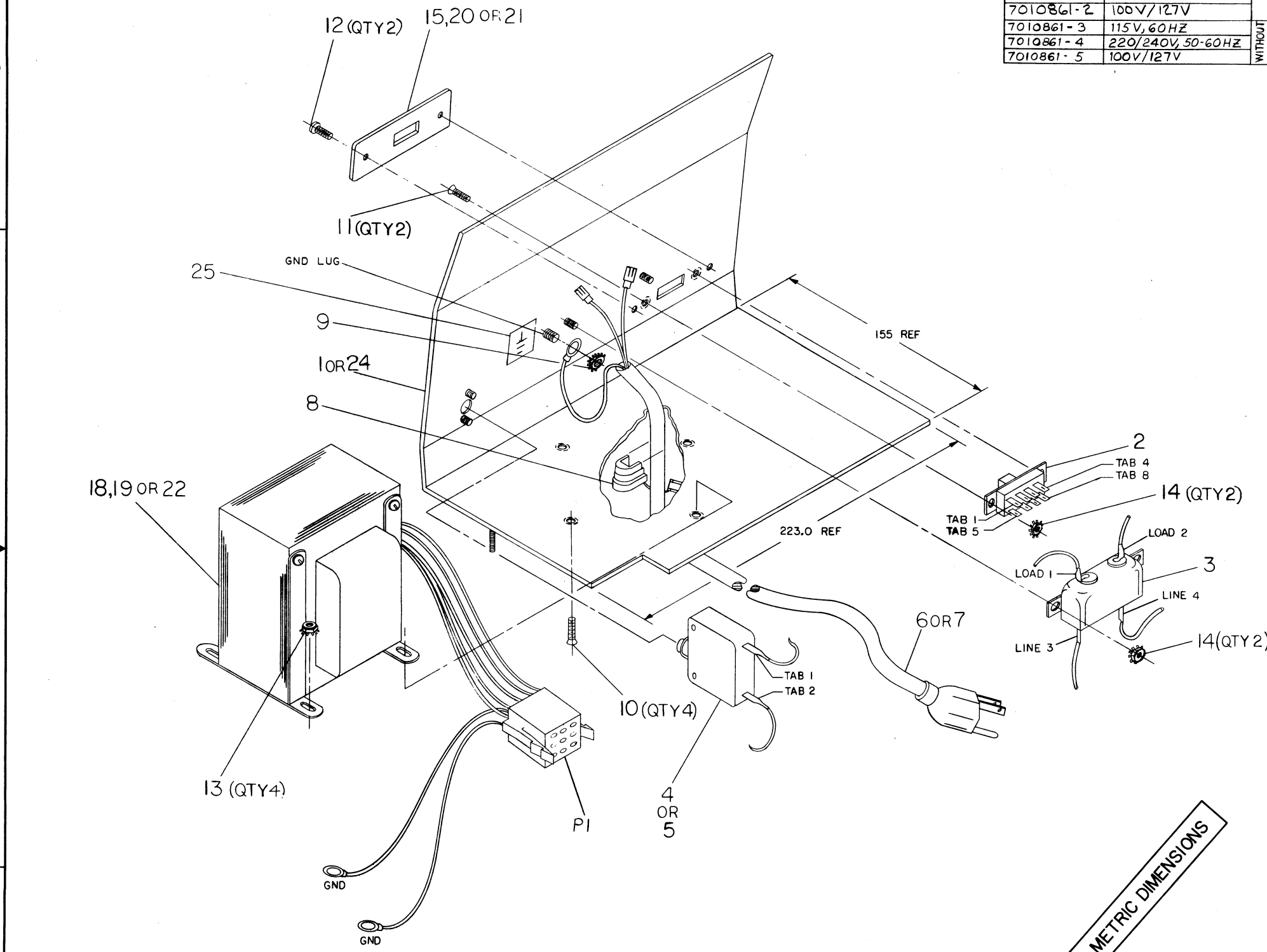
TITLE	KEYBOARD, VT50	SIZE CODE	DCS	NUMBER	5410893-0-1	REV.	K
SCALE	1:1	SHEET	4	OF	4	DIST.	

DCS 5410893-0-1 K



"THIS DRAWING AND SPECIFICATIONS HEREIN ARE THE PROPERTY OF DIGITAL EQUIPMENT CORPORATION AND SHALL NOT BE REPRODUCED OR COPIED OR USED IN WHOLE OR IN PART AS THE BASIS FOR THE MANUFACTURE OR SALE OF ITEMS WITHOUT WRITTEN PERMISSION. COPYRIGHT © 1975, DIGITAL EQUIPMENT CORPORATION"

LEGEND		WITH COPIER
NUMBER	VARIATION	
7010861-0	115V, 60 HZ	WITHOUT COPIER
7010861-1	220/240V, 50-60 HZ	
7010861-2	100V/127V	
7010861-3	115V, 60 HZ	
7010861-4	220/240V, 50-60 HZ	
7010861-5	100V/127V	



METRIC DIMENSIONS

QTY	DESCRIPTION	DWG. PART NO.	ITEM NO.
1	DECAL, GROUND	A-DC-3612680-01	25
1	PLATE, MTG. TRANSFORMER	1-IA-7415341-0-0	24
1	STRIP, VT50-51	0-IA-7011131-1-0	23
1	HARNESS, TRANSFORMER (50HZ)	0-IA-7011131-1-0	22
1	PLATE, VT50-51	2-IA-7413407-3-0	21
1	PLATE, VT50-51	2-IA-7413407-2-0	20
1	HARNESS, TRANSFORMER (50HZ)	0-IA-7011131-0-0	19
1	HARNESS, TRANSFORMER (60HZ)	1-IA-7011130-0-0	18
1	TUBING, SHRINKABLE WHT	9107253-09	17
1	NUT, 8-32, HEX	9006561	16
1	PLATE, VT50-51	2-IA-7413407-1-0	15
4	NUT, 4-40, KEP	9006557	14
4	NUT, 8-32, KEP	9006563	13
2	SCREW, 8-32X.250 BUTTON HD	9009744	12
2	SCREW, 4-40X.312 FLATHEAD	9006010-02	11
4	SCREW, 8-32X.437 FLATHEAD	9006038-02	10
1	NUT, 10-32, KEP	9006565	9
1	RELIEF, CABLE STRAIN	9008492-02	8
1	CORD POWER, 220/240	C-IA-701019-1	7
1	CORD POWER, 115V	C-IA-701019-0	6
1	BREAKER CIRCUIT	1210242-01	5
1	BREAKER CIRCUIT	1210242-00	4
1	FILTER	1212877-00	3
1	SWITCH	1211997	2
1	PLATE MTG TRANSFORMER	D-IA-7412850-0-0	1

DESCRIPTION		DWG. PART NO.	ITEM NO.
UNLESS OTHERWISE SPECIFIED DIMENSIONS ARE IN MILLIMETERS			
ANGLES	CLASS OF ACCURACY	NOMINAL DIMENSION RANGE MILL/METER	
±0° 30'		OVER 1 TO 5	OVER 5 TO 30
		OVER 30 TO 100	OVER 100 TO 300
		OVER 300 TO 1000	OVER 1000 TO 2000
SURFACE QUALITY IN	(CHECK ONE)	±0.1	±0.2
	MEDIUM	±0.3	±0.4
	PREFERRED	±0.6	±1.0
		±1.6	±2.5
QUANTITY & VARIATION	THIRD ANGLE PROJECTION		
REMOVE BURRS AND BREAK SHARP CORNERS	DO NOT SCALE DWG		
MATERIAL SEE PARTS LIST	NEXT HIGHER ASSY.		
FINISH	SCALE NONE		
	SHEET OF 2		
	DIST.		
DRN. [Signature]	FIRST USED ON		
CHK'D [Signature]	VT50		
END [Signature]	TITLE		
PROJ. ENG. [Signature]	TRANSFORMER ASSY		
PROD. [Signature]	SIZE CODE NUMBER REV.		
	1 AD 7010861-0-0 C		

REV.	CHANGE NO.	DATE	BY	APP.
A	00012		R. DOANE	
B	00015		W. J. HAZEN	
C	00001		R. GIRARD	

"THIS DRAWING AND SPECIFICATIONS, HEREIN, ARE THE PROPERTY OF DIGITAL EQUIPMENT CORPORATION AND SHALL NOT BE REPRODUCED OR COPIED OR USED IN WHOLE OR IN PART AS THE BASIS FOR THE MANUFACTURE OR SALE OF ITEMS WITHOUT WRITTEN PERMISSION. COPYRIGHT © 1975, DIGITAL EQUIPMENT CORPORATION"

115 VOLTS  
60 HZ

ITEM NO.	DESCRIPTION	FROM			TO			SIGNAL	
		AWG	COLOR	POINT	CONNECTION	WITH	POINT		CONNECTION
18					PI				
				1				SI-5	
				2				SI-1	
				3					NOT USED
				4					NOT USED
18	BLK	13	FL LOAD 1	17	18	CB-1	17		
14	BLK	14	SI-2		17	CB-2	17		
14	WHT	15	SI-6		16	FL LOAD 2	17		
18	GRN	19				GND			
18	GRN	20				GND			
6	18	WHT				FL LINE 3	17		
6	18	BLK				FL LINE 4	17		
6	18	GRN				GND			

100/127 VOLTS  
220/240 VOLTS  
50-60 HZ

ITEM NO.	DESCRIPTION	FROM			TO			SIGNAL	
		AWG	COLOR	POINT	CONNECTION	WITH	POINT		CONNECTION
19 or 22					PI				
16	BLK	1					SI-1		
18	GRN	2					GND		
18	GRN	3					GND		
14	BLK	12					CB-2	17	
18	BLK	17	CB-1	15	18	FL LOAD 1	17		
14	WHT	19					FL LOAD 2	17	
18	BLK	13					SI-2		
18	BLK	14					SI-3		
18	WHT	15					SI-5		
18	WHT	16					SI-6		
18	BLK/WHT	22					SI-4		
18	WHT	24					SI-7		
18	WHT	25					SI-8		
16	RED/YEL	26							NOT USED
19 or 22	16	RED/YEL	27						NOT USED
7	18	BRN					FL LINE 4	17	
7	18	BLU					FL LINE 3	17	
7	18	GRN/YEL					GND	9	

REVISIONS		
CHK	CHANGE NO.	REV.

TITLE	TRANSFORMER ASSY	SIZE CODE	1 AD	NUMBER	7010861-0-0	REV.	C
SCALE	NONE	SHEET	2	OF	2	DIST.	

I AD 7010861-0-0 C

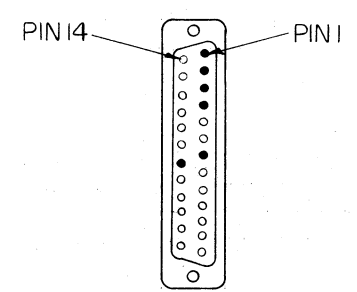
THIS DRAWING AND SPECIFICATIONS, HEREIN, ARE THE PROPERTY OF DIGITAL EQUIPMENT CORPORATION AND SHALL NOT BE REPRODUCED OR COPIED OR USED IN WHOLE OR IN PART AS THE BASIS FOR THE MANUFACTURE OR SALE OF ITEMS WITHOUT WRITTEN PERMISSION. COPYRIGHT © 1975, DIGITAL EQUIPMENT CORPORATION

ITEM NO	DESCRIPTION	FROM		TO		CUT POINT
		AWG	COLOR	CONNECTION	WITH	
1	20	GREEN	H1	SOLDER	P1-1	CRIMP
1	20	BLUE	H2		P1-2	
1	20	RED	H3		P1-3	
1	20	WHITE	H4		P1-4	
1	20	BLACK	H5		P1-7	
1	20	ORN	H6	SOLDER	P1-20	CRIMP

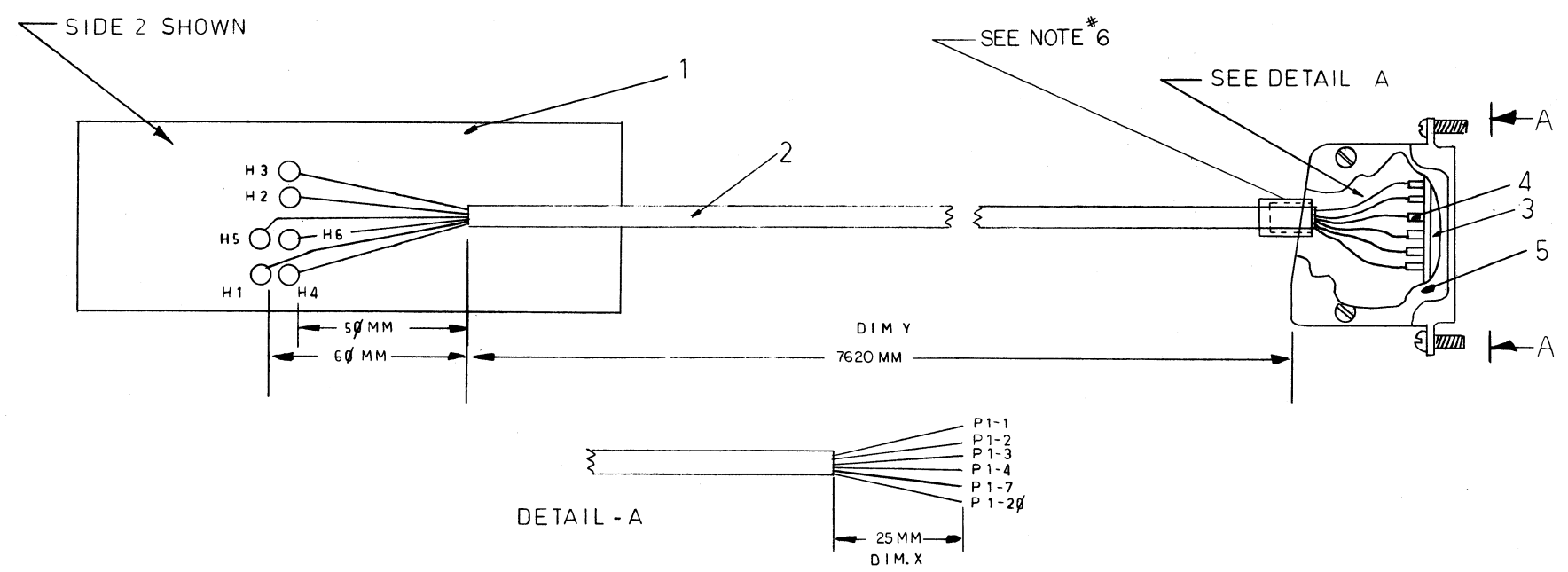
NUMBER	VARIATION	
	DIM X	DIM Y
BN50A-25	25MM ± 10 MM	7620MM ± 50 MM

- NOTES:
- ALTERNATE PARTS FOR ITEMS 3,4 AND 5 ARE 1205885 HOOD AND 1205866 FOR THE CONNECTOR
  - ALTERNATE CABLE NO IS 91-07578
  - ALL WIRES ARE SOLDERED ON SIDE 2 OF ITEM 1
  - CRIMPING TOOL IS MS 3198 1 OR AMPHENOL NO. 357-100 WITH NO. 357-300-2 CONTACT LOCATOR
  - BN50A-25 IS A 25FOOT CABLE ASSY.
  - USE 2 LENGTHS OF 91-07685-09 TUBING OVER END OF CABLE WHEN USING ALTERNATE CONNECTOR, 25.4MM AND 31.75MM LONG.

METRIC DIMENSIONS



VIEW A-A



A/R	DESCRIPTION	PART NO.	QTY.	ITEM NO.
	SHRINKABLE TUBING	9107685-09	6	
1	HOOD, STRAIN RELIEF	1210493-50	5	
6	MALE PINS	1210493-39	4	
1	SHELL AND INSERT	1210493-31	3	
A/R	CABLE & CONDUCTOR	1700012	2	
1	VT50 EIA CARD	5411440-0-0	1	

FIRST USED ON OPTION/MODEL VT50		DATE 1-4-75	
DIMENSIONAL TOLERANCE DIMENSIONS ARE MILLIMETERS UNLESS OTHERWISE SPECIFIED		DATE 1-6-75	
MILLIMETERS	INCHES	ANGLES	DATE 1-6-75
XX ±0.10	XX ±0.005	30° 30'	DATE 1-6-75
XX ±0.5	XX ±.02		DATE 1-6-75
X ±2	X ±.2		DATE 1-6-75
THIRD ANGLE PROJECTION	REMOVE BURRS AND BREAK SHARP CORNERS SURFACE QUALITY	NEXT HIGHER ASSY.	
MATERIAL		SCALE	
FINISH		NOTICE	
SHEET 1 OF 1		DIST.	

REV.	CHANGE NO.	BY	DATE
A	00001	M. MORGANSTERN	1-4-75
B	00002	M. MORGANSTERN	1-4-75
C	00003	M. MORGANSTERN	1-4-75
D	00004	M. MORGANSTERN	1-4-75

REV. D  
NUMBER  
DUA BN50A-0-0

SIZE CODE  
DUA

digital

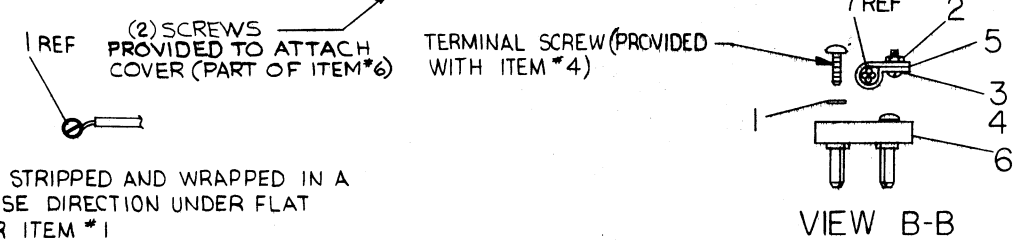
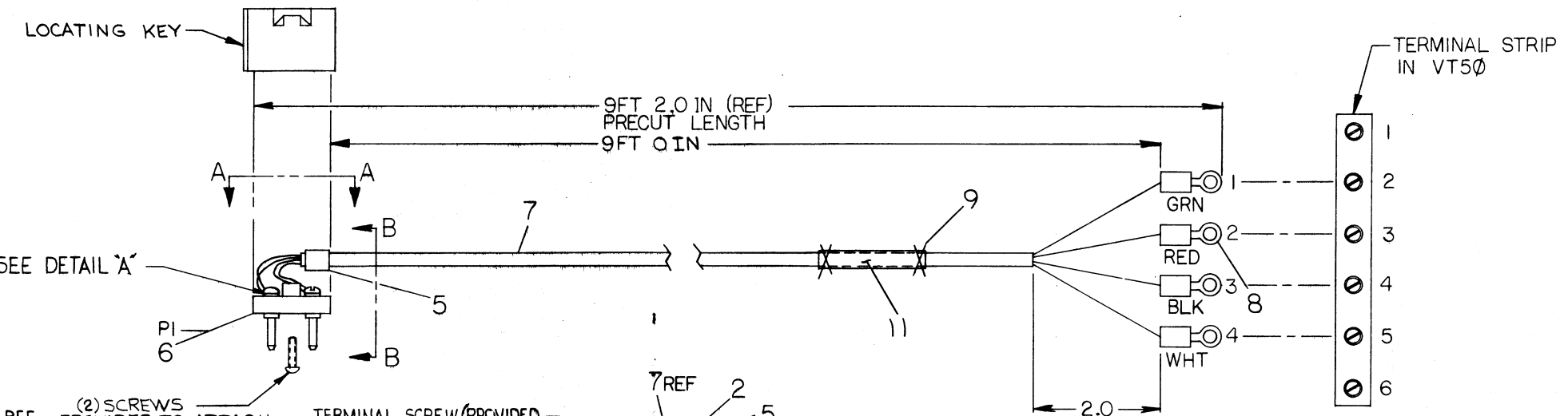
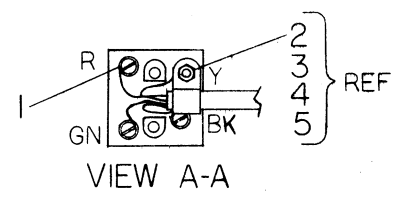
VT50 EIA CARD AND CABLE ASSEMBLY

DUA BN50A-0-0

THIS DRAWING AND SPECIFICATIONS HEREIN ARE THE PROPERTY OF DIGITAL EQUIPMENT CORPORATION AND SHALL NOT BE REPRODUCED OR COPIED OR USED IN WHOLE OR IN PART AS THE BASIS FOR THE MANUFACTURE OR SALE OF ITEMS WITHOUT WRITTEN PERMISSION. COPYRIGHT © 1974, DIGITAL EQUIPMENT CORPORATION

WIRE TABLE									
ITEM NO	DESCRIPTION	FROM			TO			SIGNAL	
NO	AWG	COLOR	POINT	CONNECTOR	WITH	POINT	CONNECTOR	WITH	
7	22	RED	—	PI - R	—	2	—	ITEM #8	KEYBOARD-(OUTPUT)
		BLK	—	PI - BK	—	3	—		PRINTER+(INPUT)
		GRN	—	PI - GN	—	1	—		KEYBOARD+(OUTPUT)
7	22	WHT	—	PI - Y	—	4	—	ITEM #8	PRINTER -(INPUT)

NOTES:  
 1. DISCARD SMALL SCREW SUPPLIED WITH PLUG (ITEM #6).  
 2. ATTACH CONN (ITEM #10) TO CABLE WITH ONE (1) CABLE TIE (ITEM #9) DO NOT REMOVE CONN FROM BAG.



WIRE IS STRIPPED AND WRAPPED IN A CLOCKWISE DIRECTION UNDER FLAT WASHER ITEM #1  
 DETAIL 'A'

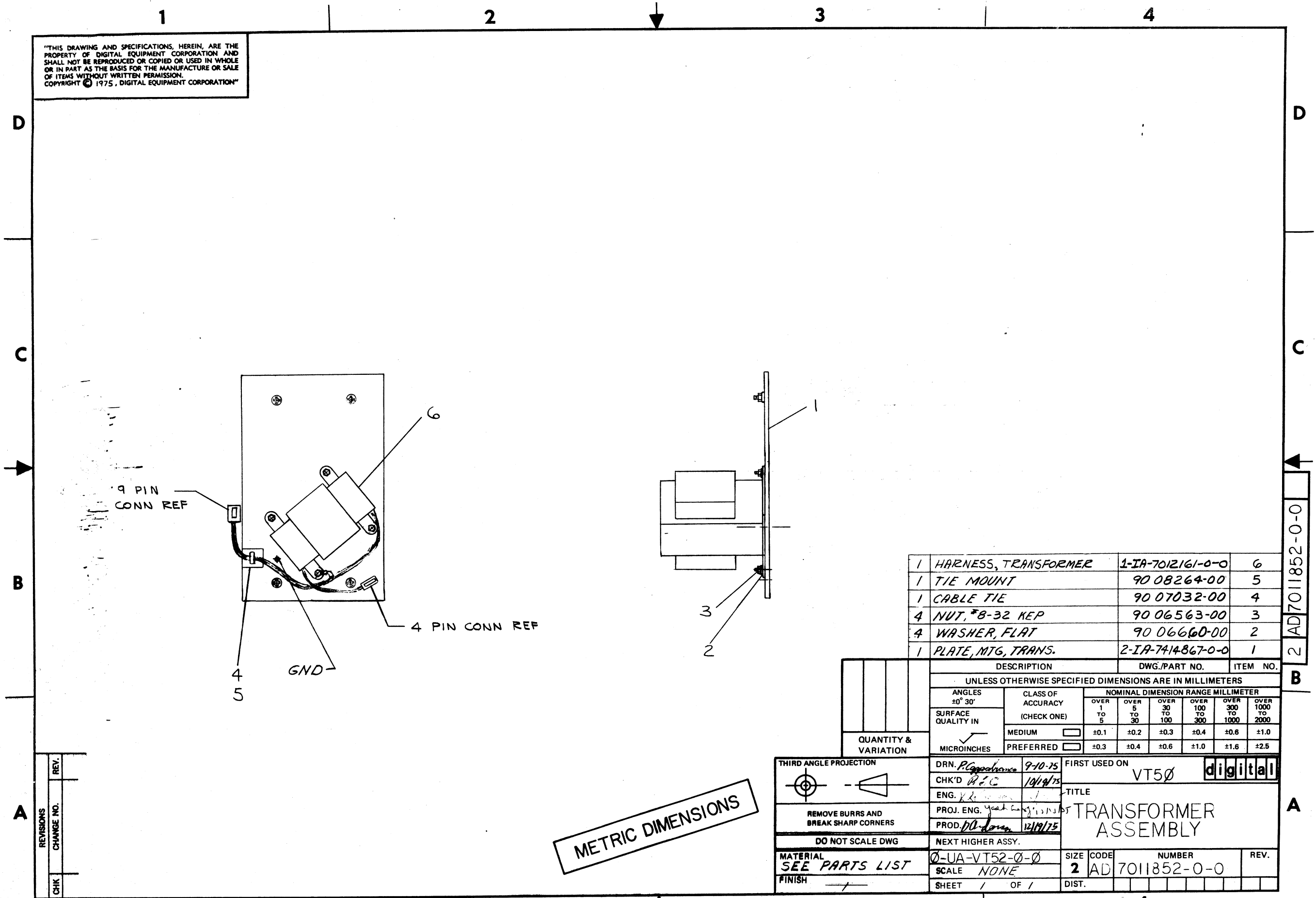
QTY.	DESCRIPTION	PART NO.	ITEM NO.
1	LABEL, CABLE ID	9009332	11
1	CONN, TELEPHONE (JACK)	1205857-02	10
3	CABLE, TIE	9007880	9
4	TERMINAL, RING TONGUE	9007930-00	8
A/R	CABLE, 4 CONDUCTOR	9107706	7
1	CONN, TELEPHONE (PLUG)	1205857-01	6
1	CABLE CLAMP .12	9007079	5
1	WASHER, FLAT NYLON *4	9006706	4
1	SCR, NYLON BIND. HD 4-40X.38	9006401-4	3
1	NUT, NYLON 4-40	9007992	2
4	WASHER, FLAT *4	9008172	1

FIRST USED ON OPTION/MODEL VT50/DEC SYSTEM 10		PARTS LIST	
DIMENSIONAL TOLERANCE DIMENSIONS ARE IN INCHES UNLESS OTHERWISE SPECIFIED		DRN. M. G. G. 10-25-74	DATE
MILLIMETERS		CHK'D. [Signature]	DATE 2-28-75
X.XX ±0.10	.XXX ±.005	ENG. [Signature]	DATE
X.X ±0.5	.XX ±.02	PROJ. ENG. [Signature]	DATE
X ±2	.X ±.1	PROD. [Signature]	DATE
THIRD ANGLE PROJECTION	REMOVE BURRS AND BREAK SHARP CORNERS SURFACE QUALITY ✓	TITLE 293B CONN TO VT50 TERM	
MATERIAL SEE PARTS LIST	FINISH	SCALE 1/1	SHEET 1 OF 1
SIZE CODE D IA		NUMBER 701089-0-0	

REVISIONS  
 CHANGE NO.  
 REV.

DIA 701089-0-0

"THIS DRAWING AND SPECIFICATIONS, HEREIN, ARE THE PROPERTY OF DIGITAL EQUIPMENT CORPORATION AND SHALL NOT BE REPRODUCED OR COPIED OR USED IN WHOLE OR IN PART AS THE BASIS FOR THE MANUFACTURE OR SALE OF ITEMS WITHOUT WRITTEN PERMISSION. COPYRIGHT © 1975, DIGITAL EQUIPMENT CORPORATION"



1	HARNES, TRANSFORMER	1-IA-7012161-0-0	6
1	TIE MOUNT	90 08264-00	5
1	CABLE TIE	90 07032-00	4
4	NUT, #8-32 KEP	90 06563-00	3
4	WASHER, FLAT	90 06660-00	2
1	PLATE, MTG, TRANS.	2-IA-7414867-0-0	1

DESCRIPTION		DWG./PART NO.		ITEM NO.			
UNLESS OTHERWISE SPECIFIED DIMENSIONS ARE IN MILLIMETERS							
ANGLES ±0° 30'	CLASS OF ACCURACY (CHECK ONE)	NOMINAL DIMENSION RANGE MILLIMETER					
		OVER 1 TO 5	OVER 5 TO 30	OVER 30 TO 100	OVER 100 TO 300	OVER 300 TO 1000	OVER 1000 TO 2000
SURFACE QUALITY IN MICROINCHES	MEDIUM <input type="checkbox"/>	±0.1	±0.2	±0.3	±0.4	±0.6	±1.0
	PREFERRED <input type="checkbox"/>	±0.3	±0.4	±0.6	±1.0	±1.6	±2.5

THIRD ANGLE PROJECTION	DRN. <i>P. Gagnon</i> 9-10-75	FIRST USED ON	VT50	<b>digital</b>
REMOVE BURRS AND BREAK SHARP CORNERS	CHK'D <i>R.C.</i> 10/14/75	TITLE	TRANSFORMER ASSEMBLY	
DO NOT SCALE DWG	ENG. <i>K.L.</i>	PROJECT	VT50	
MATERIAL SEE PARTS LIST	PROJ. ENG. <i>Yoshida</i> 9/15/75	SCALE	NONE	
FINISH	PROD. <i>D.A. Jones</i> 12/19/75	SIZE	2	
	NEXT HIGHER ASSY.	CODE	AD 7011852-0-0	
		NUMBER	1	
		REV.		
		SHEET	1 OF 1	
		DIST.		

REVISIONS	REV.
CHANGE NO.	
CHK	

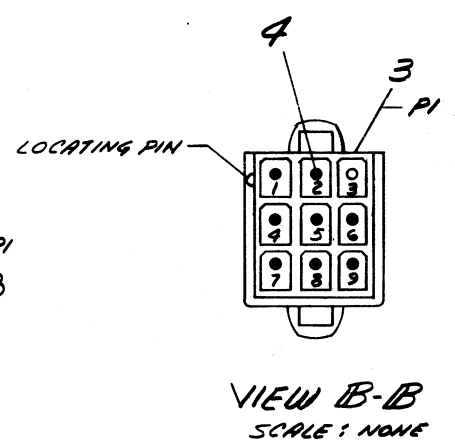
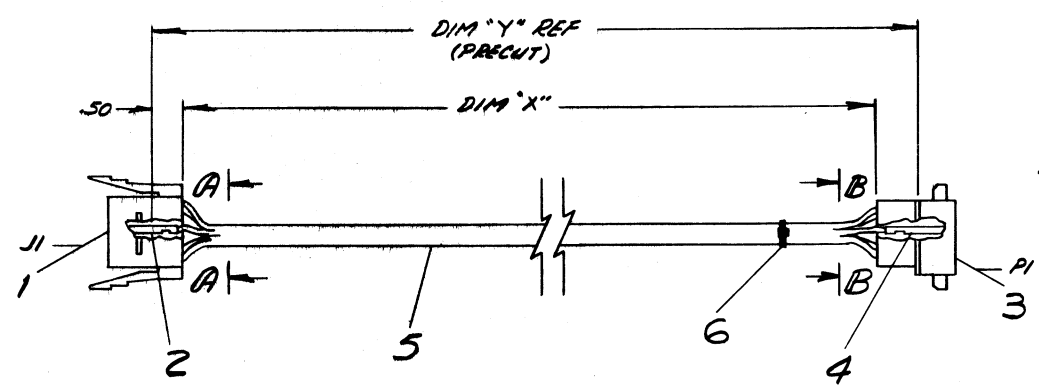
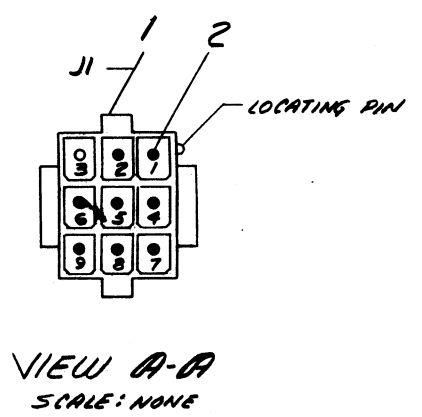
2 AD7011852-0-0

THIS DRAWING AND SPECIFICATIONS HEREIN ARE THE PROPERTY OF DIGITAL EQUIPMENT CORPORATION AND SHALL NOT BE REPRODUCED OR COPIED OR USED IN WHOLE OR IN PART AS THE BASIS FOR THE MANUFACTURE OR SALE OF ITEMS WITHOUT WRITTEN PERMISSION. COPYRIGHT © 1975, DIGITAL EQUIPMENT CORPORATION

WIRE TABLE						
ITEM NO	DESCRIPTION	FROM		TO		
		CONNECTION	WITH	CONNECTION	WITH	
6	18 GRN	J1-1	2	PI-1	4	
6	18 GRN	J1-2	2	PI-2	4	
7	18 VIO	J1-4	2	PI-4	4	
7	18 VIO	J1-5	2	PI-5	4	
8	18 W/BLK	J1-6	2	PI-6	4	
9	18 BLUE	J1-7	2	PI-7	4	
9	18 BLUE	J1-8	2	PI-8	4	
10	18 BLUE/BLK	J1-9	2	PI-9	4	

LEGEND		
NUMBER	VARIATION	
	DIM X"	
	DIM Y" REF	
	1/4 IN ± 1 IN	
	1/8 IN ± 1 IN	

NOTES:  
1. ALL CONNECTIONS TO BE MADE POINT TO POINT. (J1-1 TO PI-1) ETC.



DESCRIPTION	DWG./PART NO.	ITEM NO.
WIRE, #18 AWG BLUE/BLK	9107410-60	10
WIRE, #18 AWG BLUE	9107360-66	9
WIRE, #18 AWG VIO/BLK	9107410-70	8
WIRE, #18 AWG VIO	9107360-77	7
WIRE, #18 AWG GRN	9107360-55	6
TIE WRAP	9007031-00	5
PIN, TERMINAL	1209378-00	4
PIN, HOUSING	1209351-09	3
SOCKET, TERMINAL	1209379-00	2
SOCKET, HOUSING	1209350-09	1

UNLESS OTHERWISE SPECIFIED DIMENSIONS ARE IN INCHES						
ANGLES ±0° 30'	CLASS OF ACCURACY (CHECK ONE)	NOMINAL DIMENSION RANGE INCHES				
SURFACE QUALITY IN		OVER 0 TO 0.2	OVER 0.2 TO 1.2	OVER 1.2 TO 4.0	OVER 4.0 TO 12.0	OVER 12.0 TO 40.0
MEDIUM	<input type="checkbox"/>	±.004	±.008	±.012	±.016	±.024
PREFERRED	<input checked="" type="checkbox"/>	±.012	±.016	±.025	±.04	±.063

THIRD ANGLE PROJECTION

REMOVE BURRS AND BREAK SHARP CORNERS

DO NOT SCALE DWG

MATERIAL: SEE PARTS LIST

FINISH: —

QUANTITY & VARIATION

DESCRIPTION: CABLE, EXTENSION

DWG./PART NO.: 0-0-899110Z

ITEM NO.: 1

UNLESS OTHERWISE SPECIFIED DIMENSIONS ARE IN INCHES

CLASS OF ACCURACY (CHECK ONE): PREFERRED

NOMINAL DIMENSION RANGE INCHES: ±.012, ±.016, ±.025, ±.04, ±.063, ±.1

FIRST USED ON: VT52

DATE: 9/17/75

CHK'D: [Signature]

ENG. [Signature]

PROJ. ENG. [Signature]

PROD. [Signature]

SCALE: NONE

SHEET 1 OF 1

SIZE: D

CODE: IA

NUMBER: 7011868-0-0

REV.:

REV.	CHANGE NO.

REV. NUMBER D IA 7011868-0-0

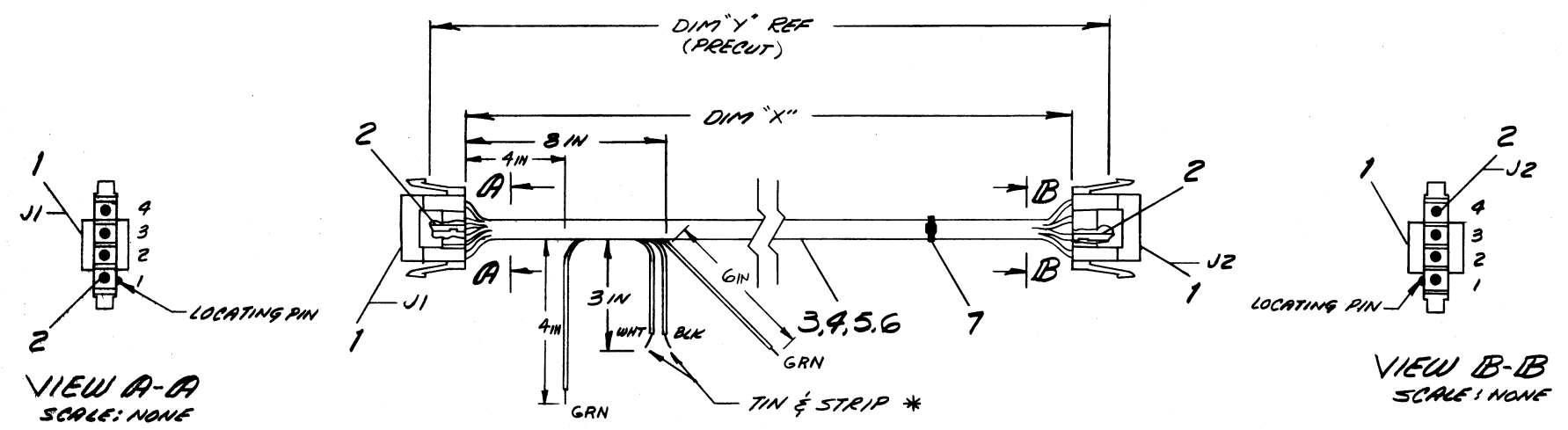


"THIS DRAWING AND SPECIFICATIONS, HEREIN, ARE THE PROPERTY OF DIGITAL EQUIPMENT CORPORATION AND SHALL NOT BE REPRODUCED OR COPIED OR USED IN WHOLE OR IN PART AS THE BASIS FOR THE MANUFACTURE OR SALE OF ITEMS WITHOUT WRITTEN PERMISSION. COPYRIGHT © 1975, DIGITAL EQUIPMENT CORPORATION"

LEGEND		
NUMBER	VARIATION	
	DIM "X"	DIM "Y" REF
7011867-1	16 IN. ± 1 IN.	17 IN. ± 1 IN.

WIRE TABLE						
ITEM NO	DESCRIPTION	FROM		TO		
		AWG	COLOR	CONNECTION	WITH CONNECTION	
3	#18 RED			J1-4	#2 J2-4	
6	#18 RED/YEL			J1-3	#2 J2-3	
4	#18 BLK			J1-2	#2 J2-2	
4	#18 BLK				*	
5	#18 WHT			J1-1	#2 J2-1	
5	#18 WHT				*	
8	#18 GRN			GROUND	9 GROUND	

\* INDICATES TIN & STRIP



DESCRIPTION	DWG./PART NO.	ITEM NO.
2 TERMINAL, RING TONGUE*	9007930-01	9
8 WIRE, #18 AWG GRN	9107360-55	8
WIRE WRAP	9007031-00	7
WIRE, #18 AWG RED/YEL	9107410-24	6
WIRE, #18 AWG WHT	9107360-99	5
WIRE, #18 AWG BLK	9107360-00	4
WIRE, #18 AWG RED	9107360-22	3
8 SOCKET, TERMINAL	1209379-00	2
2 SOCKET, HOUSING	1209350-00	1

THIRD ANGLE PROJECTION	QUANTITY & VARIATION	DESCRIPTION	DWG./PART NO.	ITEM NO.																							
REMOVE BURRS AND BREAK SHARP CORNERS	PROJ. ENG. 10/14/75	UNLESS OTHERWISE SPECIFIED DIMENSIONS ARE IN INCHES																									
DO NOT SCALE DWG	PROJ. ENG. 12/17/75	<table border="1"> <tr> <th rowspan="2">CLASS OF ACCURACY (CHECK ONE)</th> <th colspan="5">NOMINAL DIMENSION RANGE INCHES</th> </tr> <tr> <th>0 TO 0.2</th> <th>0.2 TO 1.2</th> <th>1.2 TO 4.0</th> <th>4.0 TO 12.0</th> <th>12.0 TO 40.0</th> </tr> <tr> <td>MEDIUM</td> <td>±.004</td> <td>±.008</td> <td>±.012</td> <td>±.016</td> <td>±.024</td> </tr> <tr> <td>PREFERRED</td> <td>±.012</td> <td>±.016</td> <td>±.025</td> <td>±.04</td> <td>±.063</td> </tr> </table>			CLASS OF ACCURACY (CHECK ONE)	NOMINAL DIMENSION RANGE INCHES					0 TO 0.2	0.2 TO 1.2	1.2 TO 4.0	4.0 TO 12.0	12.0 TO 40.0	MEDIUM	±.004	±.008	±.012	±.016	±.024	PREFERRED	±.012	±.016	±.025	±.04	±.063
CLASS OF ACCURACY (CHECK ONE)	NOMINAL DIMENSION RANGE INCHES																										
	0 TO 0.2	0.2 TO 1.2	1.2 TO 4.0	4.0 TO 12.0	12.0 TO 40.0																						
MEDIUM	±.004	±.008	±.012	±.016	±.024																						
PREFERRED	±.012	±.016	±.025	±.04	±.063																						
MATERIAL SEE PARTS LIST	FINISH	CHK'D P. 9/17/75	FIRST USED ON VT52	digital																							
		ENG. 10/14/75	TITLE	CABLE, PRIMARY POWER																							
		PROD. 12/17/75	SIZE	D IA																							
			NUMBER	7011867-0-0																							
			REV.																								
			SHEET	1 OF 1																							

REVISIONS  
CHANGE NO. REV.  
CHK

REV. NUMBER  
D IA 7011867-0-0

**DIGITAL EQUIPMENT CORPORATION**  
MAYNARD, MASSACHUSETTS  
**PARTS LIST**

MADE BY K. DAVIS	CHECKED <i>R. Dickerson</i>	SECTION 1
DATE 12-11-75	DATE 9 JAN 76	ISSUED SECT. 1
ENG <i>Morgan</i> 1-12-76	PROD <i>M. Whittier</i> / <i>R. D.</i>	
DATE	DATE 20 JAN 76	

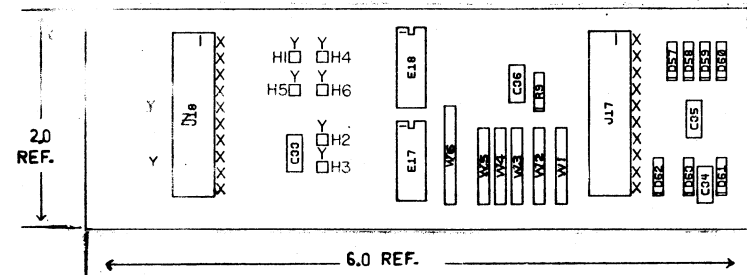
**QUANTITY / VARIATION**

ITEM NO.	DWG NO. / PART NO.	DESCRIPTION	VT50-AA	VT50-AB	VT50-AC	VT50-HA	VT50-HB	VT50-HC	VT50-BA	VT50-BB	VT50-BC	VT50-JA	VT50-JB	VT50-JC
1	MP00036	VT50 PRINT SET	*	*	*	*	*	*	*	*	*	*	*	*
2	EK-VT5X-OP	USER MANUAL	1	1	1	1	1	1	1	1	1	1	1	1
3	3612418	COPIER PAPER	-	-	-	-	-	-	1	1	1	1	1	1
4	2-MD-7413264-0-0	ANODE	-	-	-	-	-	-	1	1	1	1	1	1
5	EK-VT5C-OP	COPIER MANUAL	-	-	-	-	-	-	1	1	1	1	1	1
6	EK-VT50-TM	SYSTEM MANUAL	*	*	*	*	*	*	*	*	*	*	*	*
* THESE ITEMS ARE OPTIONAL; TO BE SHIPPED ONLY WHEN PURCHASED AS SEPERATE ITEMS BY CUSTOMER.														

TITLE SHIPPING LIST VT50	ASSY NO. 0-UA-VT50-0-0	SIZE A	CODE PL	NUMBER VT50-0-6	REV.	ECO NO.
	SHEET 1 OF 1	DIST.				

**NOTES:**

- 1 THIS CIRCUIT IS REPEATED 12 TIMES ON A 8" x 18" CIRCUIT BOARD
- 2 ALL DIODES ARE D664
- 3 MARK = -10V = LOGIC 1  
SPACE = +10V = LOGIC 0
- 4 BOARD STOCK IS DEC PART NUMBER
- 5 PLACEMENT OF COMPONENTS IS DEPENDANT ON DEC DRAWING 5410906, FOR MOUNTING AND CLEARANCE



QTY	REF. DESIGNATION	DESCRIPTION	PART NO.	ITEM NO.
6	H1-H6	EYELET GS4-3	98-87836	13
6	W1-W6	JUMPER	9107560-01	12
1	E1	MC 1489 EIA RECEIVER	19-18323	11
1	E2	MC 1488 EIA DRIVER	19-18322	10
1	R1	RES 2.2K-1/4W 5% C.C.	13-00417	9
2	J1, 2	CONN AMP CIS TOP ENTRY 10 PIN	12-11982	8
7	D1-D7	DIODE D664	11-00114	7
3	C2,3,4	CAP .01UF 100V 20% DISC	18-01618-01	6
1	C1	CAP 470PF 100V D.M.	18-00024	5
1		ETCHED CIRCUIT BOARD	5011447	4
REF		MODULE HISTORY LIST	B-MH-5411448-0-6	3
REF		ASSY DRILLING HOLE LAYOUT	D-AH-5411448-0-5	2
REF		X-Y COORDINATE HOLE LOC.	K-CO-5411448-0-4	1

DEC 1480 L	7	14	1
IS TYPE	END	+5V	+115V

END AND BY ARE USUALLY FOR 7 AND 14  
RESISTOR VALUES ARE LISTED ABOVE

FIRST USED ON OPTION MODEL  
**VT50**

ETCH BOARD REV.  A  B

DRN. *P. Pucci* DATE 12-28-74  
 CHG. *P. Pucci* DATE 1-6-75  
 ENG. *P. Pucci* DATE 1-6-75  
 PROJ. ENG. *P. Pucci* DATE 1-6-75  
 PROD. *P. Pucci* DATE 1-6-75

digital

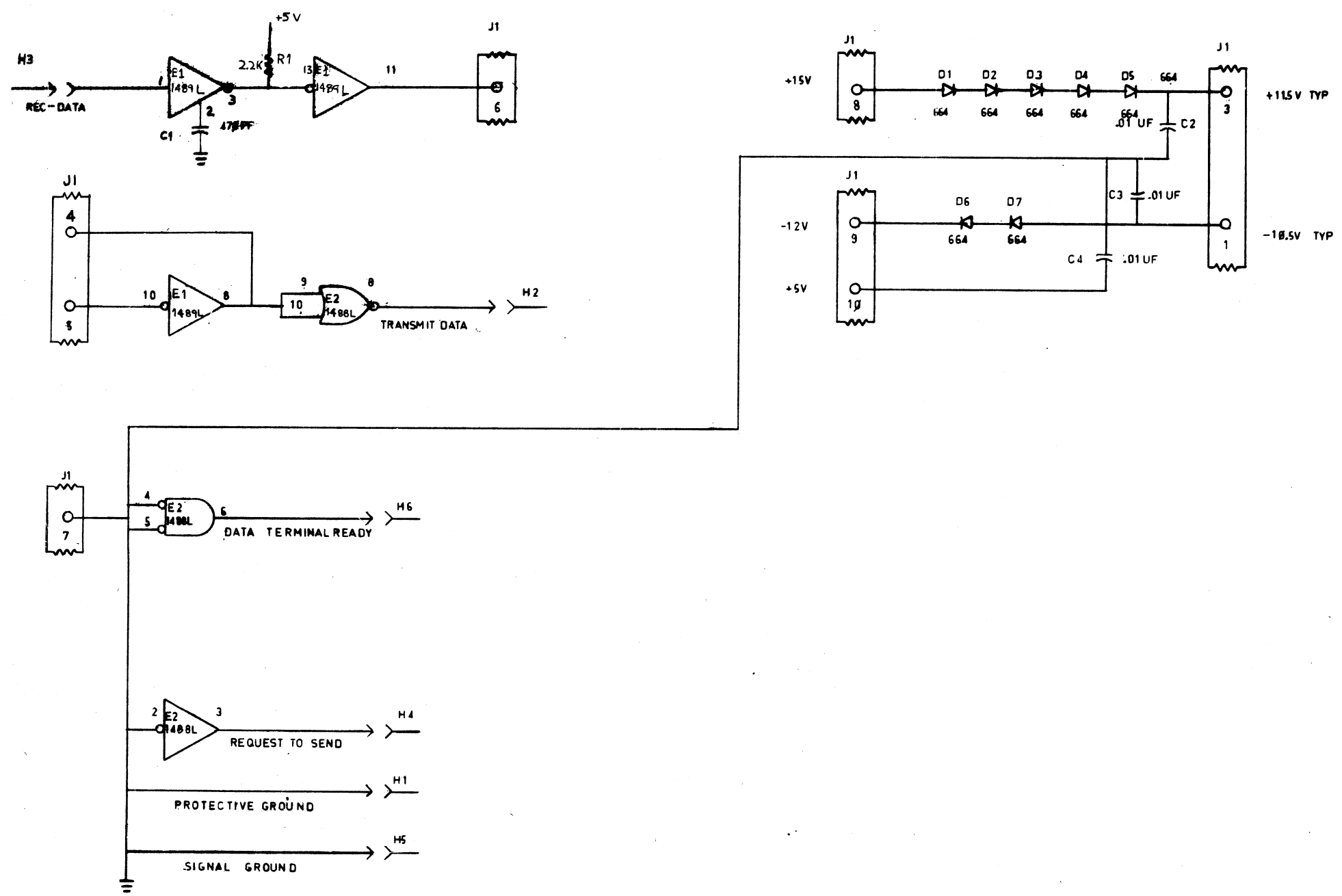
TITLE  
**VT50 EIA ADAPTER**

SCALE NONE  
D UA-BN50A-0-0

SIZE CODE NUMBER  
D CS 5411448-0-1

REV. B

SEMICONDUCTOR CONVERSION CHART  
SHEET 1 OF 2



REVISIONS		
NO.	CHANGE NO.	REV.

TITLE	VT50 EJA ADAPTER CARD	SIZE CODE	DCS	NUMBER	5411448-0-1	REV.	B
SCALE		SHEET	2	OF	2	DIST.	

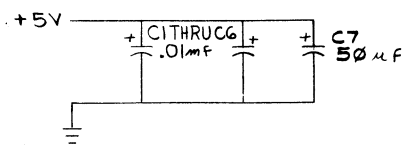
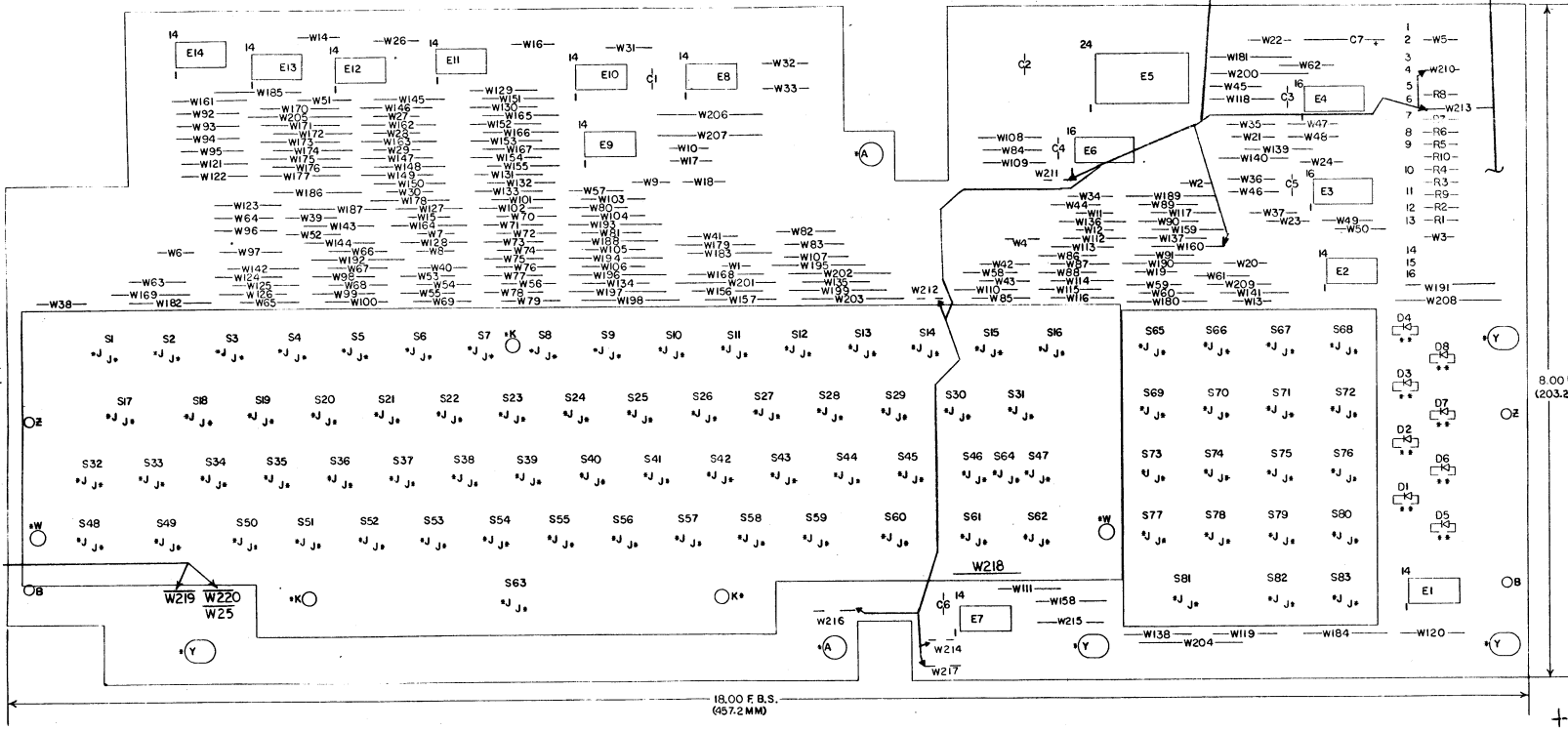
"THIS DRAWING AND SPECIFICATIONS, HEREIN, ARE THE PROPERTY OF DIGITAL EQUIPMENT CORPORATION AND SHALL NOT BE REPRODUCED OR COPIED OR USED IN WHOLE OR IN PART AS THE BASIS FOR THE MANUFACTURE OR SALE OF ITEMS WITHOUT WRITTEN PERMISSION. COPYRIGHT © 1975 DIGITAL EQUIPMENT CORPORATION"

**NOTES:**  
 1. OPTIONAL JUMPERS: SEE SHEET 2 FOR CONFIGURATION TABLE.  
 2. SEE SHEET 3 OF 5 FOR WIRE TABLE.  
 3. SEE SHEETS 4&5 FOR VARIATION KEYCAP PLACEMENT.  
 4. NOTE THAT THE BUM. FOR ALL VARIATIONS (-OTHU-6) OF THIS BOARD MAY REQUIRE UPDATING ON ANY ECO.

VARIATION EXPLANATION	
VARIATION	COMMENT
5411170-0	VT61
5411170-1	HEAT CYCLED, SYSTEM-TESTED 5411170-0
5411170-2	BASIC VT50H
5411170-3	HEAT CYCLED, SYSTEM-TESTED 5411170-2
5411170-4	VT52
5411170-5	HEAT CYCLED, SYSTEM TESTED 5411170-4
5411170-6	VTT61
5411170-7	HEAT CYCLED, SYSTEM TESTED 5411170-6
5411170-8	VT52-W
5411170-9	HEAT CYCLED, SYS. TESTED 5411170-8

5411170-8  
 5411170-6  
 5411170-4  
 5411170-2  
 5411170-0

QTY	REF. DESIGNATION	DESCRIPTION	PART NO.	ITEM NO.
		X-Y COORDINATE HOLE LOCATION	K-CO-5411170-0-4	1
		ASS'Y/DRILLING HOLE LAYOUT	E-AH-5411170-0-5	2
		MODULE ECO HISTORY	B-MH-5411170-0-6	3
1	1	ETCH CIRCUIT BOARD	5011169	4
6	6	C1-C6	CAP. 0.1 uF 100V 20% DISC	5
1	1	C7	CAP 50 uF 25V	6
-	-	63 KEY ARRAY	KEYCAPS (1SET)	7
-	-	KEYCAP (REPEAT)	1212287-43	8
1	1	SPACE BAR, BLUE	7009939-1	9
-	-	19 KEY ARRAY	KEYCAPS (1SET)	10
-	-	8 DI-D8	DIODE MV5054-1 LED	11
-	-	2 R7-R10	RES. 1K, 1/4W, 5%	12
-	-	8 R1-R8	RES 330, 1/4W, 5%	13
1	1	E6	IC DEC 7442	14
1	1	E5	IC DEC 74150	15
10	10	E1, E2, E7-E14	IC DEC 7430	16
-	-	2 E3, E4	IC DEC 74175	17
1	1	S1-S63	63 KEY SWITCH ASSY	18
1	1	S65-S83	19 KEYSWITCH ASS'Y	19
21	21	WI-W210, W212-W218, W220	REEL JUMPER	20
-	-	CABLE KEYBOARD VT50/VT50H	D-1A-7010912-0-0	21
-	-	INTERCONN., KEYBOARD, VT61	1-1A-7012013-0-0	22
3	3	WASHER, INT TOOTH	9006633	23
-	-	KEYCAPS (1SET)	1212287-E1	24
-	-	KEYCAPS (1SET)	1212287-M5	25
-	-	KEYCAPS (1SET)	1212287-RO	26
-	-	KEYCAPS (1SET)	1212287-R1	27
1	1	KEYCAPS (1SET)	1212287-5B	28



DEC IC 7442	8	16
DEC IC 74175	8	16
DEC IC 74150	12	24
IC TYPE	GND	+5V
GND AND 5V ARE USUALLY PIN 7 AND 14 RESPECTIVELY EXCEPTIONS ARE STATED ABOVE		
IC PIN LOCATIONS		

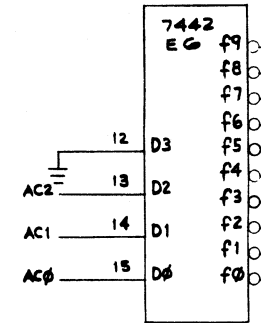
Handwritten signatures and dates:  
 J. BEATTY 5/11/76  
 J. BUZYNSKI 4-29-76  
 J. BUZYNSKI 2-20-76  
 M. WHITTESEY 3-1-76  
 J. BUZYNSKI 10-18-75  
 J. BUZYNSKI 5-9-75

FIRST USED ON OPTION MODEL		PARTS LIST	
VT61/VT50	ETCH BOARD REV. C	DRN. DATE 3/6/76	TITLE KEYBOARD VT61/VT50H
DEC NO.	EIA NO.	CHK. DATE	
DEC NO.	EIA NO.	ENG. DATE	
DEC NO.	EIA NO.	PROD. DATE	
SEMICONDUCTOR CONVERSION CHART		NEXT HIGHER ASSY 0-0A-VT50	
SCALE	SHEET 1 OF 5	SIZE CODE D CS	NUMBER 5411170-0-1
REV. E		REV. E	

"THIS DRAWING AND SPECIFICATIONS, HEREIN, ARE THE PROPERTY OF DIGITAL EQUIPMENT CORPORATION AND SHALL NOT BE REPRODUCED OR COPIED IN WHOLE OR IN PART AS THE BASIS FOR THE MANUFACTURE OR SALE OF ITEMS WITHOUT WRITTEN PERMISSION. COPYRIGHT © 1975 DIGITAL EQUIPMENT CORPORATION"

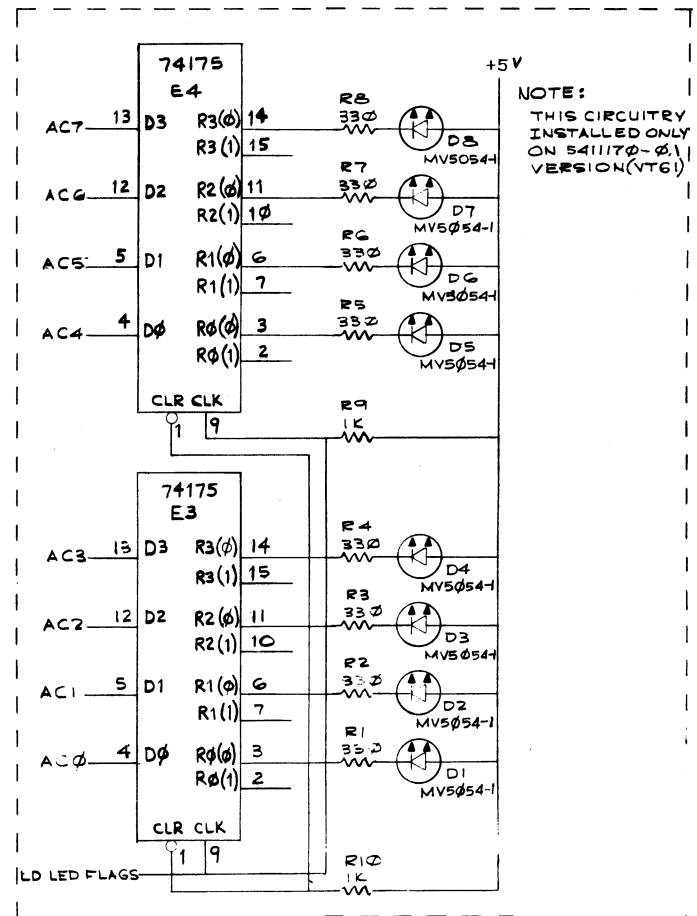
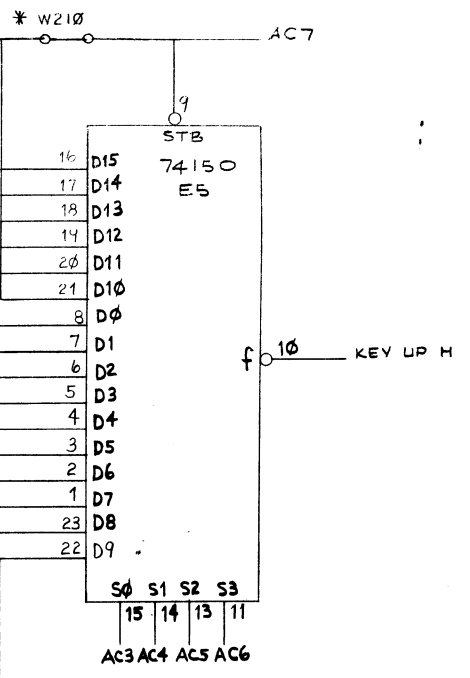
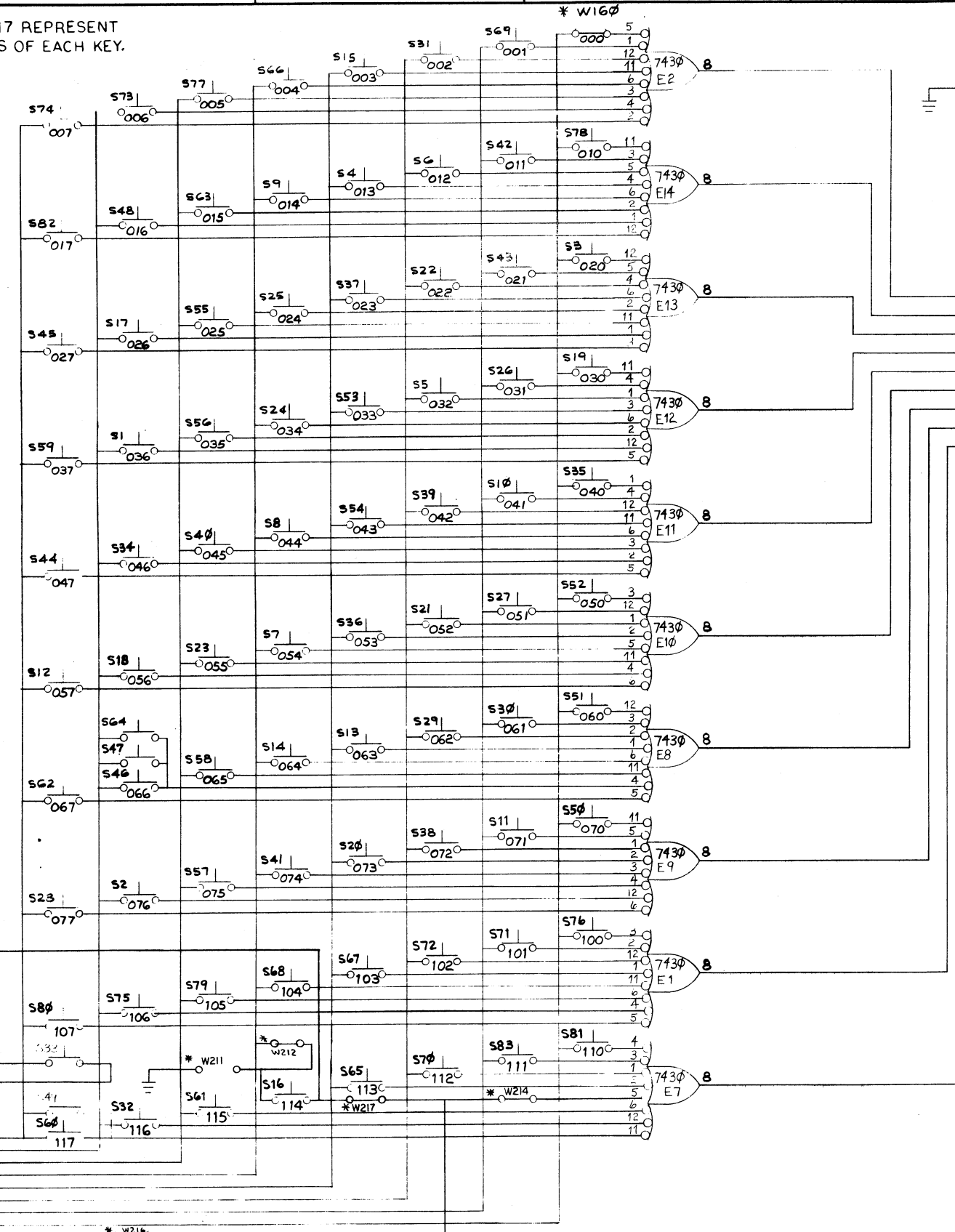
NOTE: NUMBERS 000 THRU 117 REPRESENT THE OCTAL AC ADDRESS OF EACH KEY.

JUMPER	VT50H, J 5411170-2	VT52,52-W 5411170-4 5411170-8	VT61/VTT61 5411170-C 5411170-F
W160	IN	IN	OUT
W210	IN	IN	OUT
W211	IN	IN	OUT
W212	OUT	OUT	IN
W213	IN	IN	OUT
W214	OUT	IN	IN
W216	OUT	IN	OUT
W217	OUT	OUT	IN
W219	IN	OUT	IN
W220	OUT	IN	OUT



NOTE: SEE SHEET 3 FOR WIRE TABLES

- FCI CONN
- 1 CAPS LOCK L
  - 2 +5V
  - 3 KEY UP H
  - 4 GND
  - 5 AC7
  - 6 LD LED FLAGS
  - 7 AC6
  - 8 AC5
  - 9 AC4
  - 10 AC3
  - 11 AC2
  - 12 AC1
  - 13 AC0
  - 14 +5V
  - 15 GND
  - 16 GND



NOTE: THIS CIRCUITRY INSTALLED ONLY ON 541170-0-1 VERSION (VT61)

REVISIONS		
CHK	CHANGE NO.	REV.

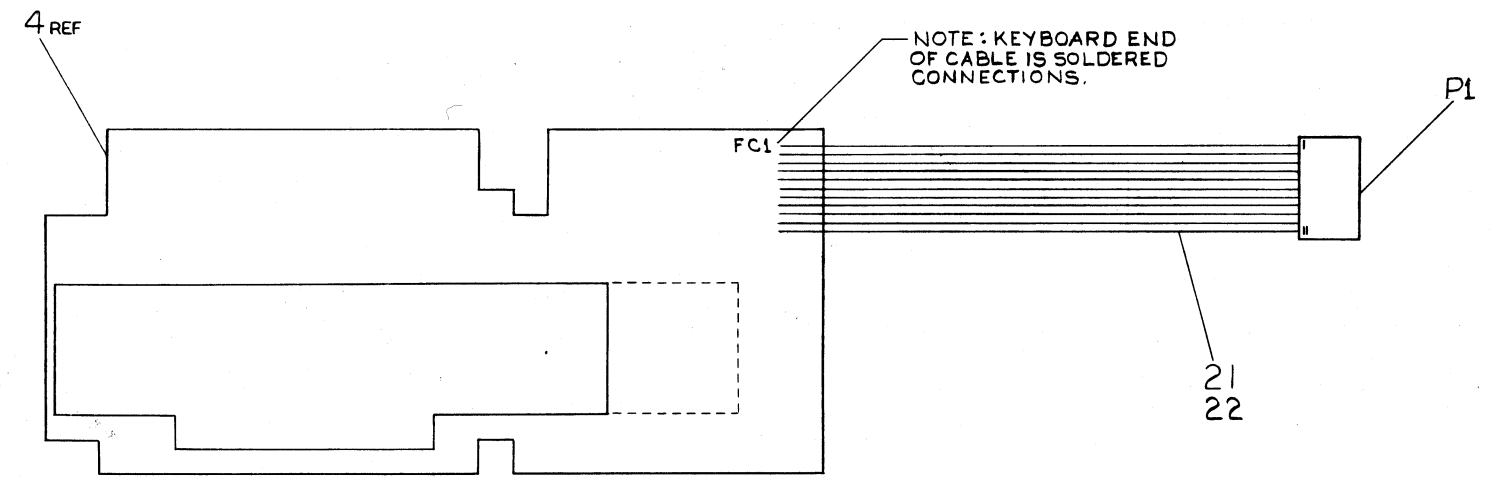
"THIS DRAWING AND SPECIFICATIONS, HEREIN, ARE THE PROPERTY OF DIGITAL EQUIPMENT CORPORATION AND SHALL NOT BE REPRODUCED OR COPIED OR USED IN WHOLE OR IN PART AS THE BASIS FOR THE MANUFACTURE OR SALE OF ITEMS WITHOUT WRITTEN PERMISSION. COPYRIGHT © 1975, DIGITAL EQUIPMENT CORPORATION"

WIRE TABLE (541170-2,4,8)

ITEM NO	DESCRIPTION	FROM CONNECTION	TO CONNECTION	REMARKS	
21	22	BLK	P1-1	FC1-2	+5V
		BRN	P1-2	FC1-3	KEY UP H
		RED	P1-3	FC1-4	GND
		ORN	P1-4	FC1-8	AC5
		YEL	P1-5	FC1-9	AC4
		GRN	P1-6	FC1-10	AC3
		BLU	P1-7	FC1-11	AC2
		VIO	P1-8	FC1-12	AC1
		GRY	P1-9	FC1-13	AC0
		WHT	P1-10	FC1-6	BRK KEY
21	22	BLU	P1-11	FC1-7	AC6

WIRE TABLE (541170-0,6)

ITEM NO	DESCRIPTION	FROM CONNECTION	TO CONNECTION	REMARKS	
22	22	BLK	P1-1	FC1-1	CAPS LOGIC
		BRN	P1-2	FC1-2	+5V
		RED	P1-3	FC1-3	KEY UP
		ORN	P1-4	FC1-4	GND
		YEL	P1-5	FC1-5	AC7
		GRN	P1-6	FC1-6	LO LED FLAGS
		BLU	P1-7	FC1-7	AC6
		VIO	P1-8	FC1-8	AC5
		GRY	P1-9	FC1-9	AC4
		WHT	P1-10	FC1-10	AC3
		WHT/BLK	P1-11	FC1-11	AC2
		WHT/BRN	P1-12	FC1-12	AC1
		WHT/RED	P1-13	FC1-13	AC0
		WHT/ORN	P1-14	FC1-14	+5V
		WHT/YEL	P1-15	FC1-15	GND
22	22	WHT/BLU	P1-16	FC1-16	GND



INCH

REV. E

CHANGE NO.

CHK

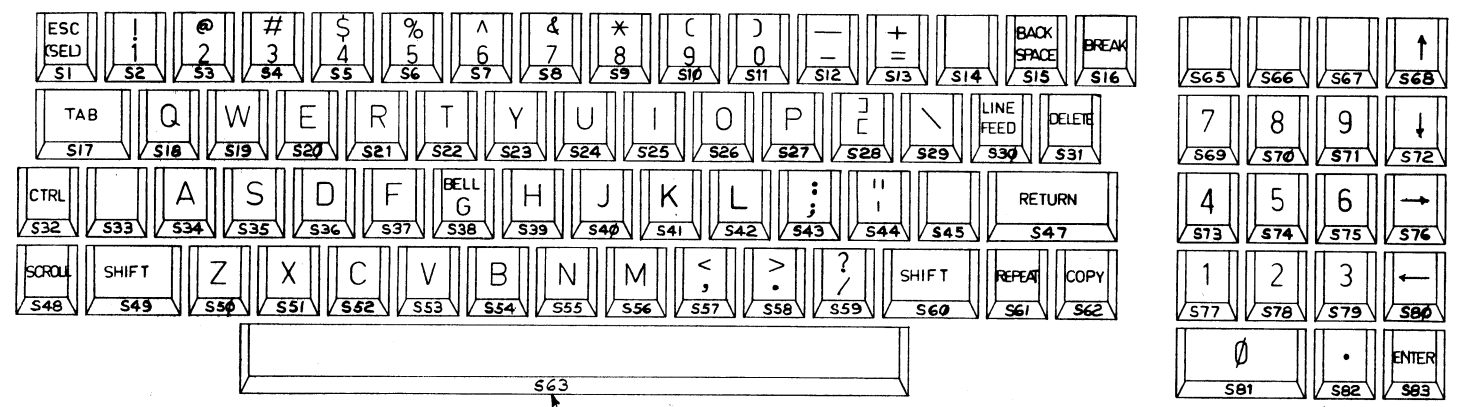
DEC FORM NO. DRD 100-C

QUANTITY & VARIATION	DESCRIPTION	DWG./PART NO.	ITEM NO.
	UNLESS OTHERWISE SPECIFIED DIMENSIONS ARE IN INCHES		
	ANGLES ±0° 30'	CLASS OF ACCURACY	NOMINAL DIMENSION RANGE INCHES
		(CHECK ONE)	OVER 0 TO 0.2
			OVER 0.2 TO 1.2
			OVER 1.2 TO 4.0
			OVER 4.0 TO 12.0
			OVER 12.0 TO 40.0
			OVER 40.0 TO 80.0
			OVER 80.0 TO 100.0
			OVER 100.0 TO 160.0
			OVER 160.0 TO 250.0
			OVER 250.0 TO 500.0
			OVER 500.0 TO 1000.0
			OVER 1000.0 TO 1600.0
			OVER 1600.0 TO 2500.0
			OVER 2500.0 TO 5000.0
			OVER 5000.0 TO 10000.0
			OVER 10000.0 TO 16000.0
			OVER 16000.0 TO 25000.0
			OVER 25000.0 TO 50000.0
			OVER 50000.0 TO 100000.0
			OVER 100000.0 TO 160000.0
			OVER 160000.0 TO 250000.0
			OVER 250000.0 TO 500000.0
			OVER 500000.0 TO 1000000.0
			OVER 1000000.0 TO 1600000.0
			OVER 1600000.0 TO 2500000.0
			OVER 2500000.0 TO 5000000.0
			OVER 5000000.0 TO 10000000.0
			OVER 10000000.0 TO 16000000.0
			OVER 16000000.0 TO 25000000.0
			OVER 25000000.0 TO 50000000.0
			OVER 50000000.0 TO 100000000.0
			OVER 100000000.0 TO 160000000.0
			OVER 160000000.0 TO 250000000.0
			OVER 250000000.0 TO 500000000.0
			OVER 500000000.0 TO 1000000000.0
			OVER 1000000000.0 TO 1600000000.0
			OVER 1600000000.0 TO 2500000000.0
			OVER 2500000000.0 TO 5000000000.0
			OVER 5000000000.0 TO 10000000000.0
			OVER 10000000000.0 TO 16000000000.0
			OVER 16000000000.0 TO 25000000000.0
			OVER 25000000000.0 TO 50000000000.0
			OVER 50000000000.0 TO 100000000000.0
			OVER 100000000000.0 TO 160000000000.0
			OVER 160000000000.0 TO 250000000000.0
			OVER 250000000000.0 TO 500000000000.0
			OVER 500000000000.0 TO 1000000000000.0
			OVER 1000000000000.0 TO 1600000000000.0
			OVER 1600000000000.0 TO 2500000000000.0
			OVER 2500000000000.0 TO 5000000000000.0
			OVER 5000000000000.0 TO 10000000000000.0
			OVER 10000000000000.0 TO 16000000000000.0
			OVER 16000000000000.0 TO 25000000000000.0
			OVER 25000000000000.0 TO 50000000000000.0
			OVER 50000000000000.0 TO 100000000000000.0
			OVER 100000000000000.0 TO 160000000000000.0
			OVER 160000000000000.0 TO 250000000000000.0
			OVER 250000000000000.0 TO 500000000000000.0
			OVER 500000000000000.0 TO 1000000000000000.0
			OVER 1000000000000000.0 TO 1600000000000000.0
			OVER 1600000000000000.0 TO 2500000000000000.0
			OVER 2500000000000000.0 TO 5000000000000000.0
			OVER 5000000000000000.0 TO 10000000000000000.0
			OVER 10000000000000000.0 TO 16000000000000000.0
			OVER 16000000000000000.0 TO 25000000000000000.0
			OVER 25000000000000000.0 TO 50000000000000000.0
			OVER 50000000000000000.0 TO 100000000000000000.0
			OVER 100000000000000000.0 TO 160000000000000000.0
			OVER 160000000000000000.0 TO 250000000000000000.0
			OVER 250000000000000000.0 TO 500000000000000000.0
			OVER 500000000000000000.0 TO 1000000000000000000.0
			OVER 1000000000000000000.0 TO 1600000000000000000.0
			OVER 1600000000000000000.0 TO 2500000000000000000.0
			OVER 2500000000000000000.0 TO 5000000000000000000.0
			OVER 5000000000000000000.0 TO 10000000000000000000.0
			OVER 10000000000000000000.0 TO 16000000000000000000.0
			OVER 16000000000000000000.0 TO 25000000000000000000.0
			OVER 25000000000000000000.0 TO 50000000000000000000.0
			OVER 50000000000000000000.0 TO 100000000000000000000.0
			OVER 100000000000000000000.0 TO 160000000000000000000.0
			OVER 160000000000000000000.0 TO 250000000000000000000.0
			OVER 250000000000000000000.0 TO 500000000000000000000.0
			OVER 500000000000000000000.0 TO 1000000000000000000000.0
			OVER 1000000000000000000000.0 TO 1600000000000000000000.0
			OVER 1600000000000000000000.0 TO 2500000000000000000000.0
			OVER 2500000000000000000000.0 TO 5000000000000000000000.0
			OVER 5000000000000000000000.0 TO 10000000000000000000000.0
			OVER 10000000000000000000000.0 TO 16000000000000000000000.0
			OVER 16000000000000000000000.0 TO 25000000000000000000000.0
			OVER 25000000000000000000000.0 TO 50000000000000000000000.0
			OVER 50000000000000000000000.0 TO 100000000000000000000000.0
			OVER 100000000000000000000000.0 TO 160000000000000000000000.0
			OVER 160000000000000000000000.0 TO 250000000000000000000000.0
			OVER 250000000000000000000000.0 TO 500000000000000000000000.0
			OVER 500000000000000000000000.0 TO 1000000000000000000000000.0
			OVER 1000000000000000000000000.0 TO 1600000000000000000000000.0
			OVER 1600000000000000000000000.0 TO 2500000000000000000000000.0
			OVER 2500000000000000000000000.0 TO 5000000000000000000000000.0
			OVER 5000000000000000000000000.0 TO 10000000000000000000000000.0
			OVER 10000000000000000000000000.0 TO 16000000000000000000000000.0
			OVER 16000000000000000000000000.0 TO 25000000000000000000000000.0
			OVER 25000000000000000000000000.0 TO 50000000000000000000000000.0
			OVER 50000000000000000000000000.0 TO 100000000000000000000000000.0
			OVER 100000000000000000000000000.0 TO 160000000000000000000000000.0
			OVER 160000000000000000000000000.0 TO 250000000000000000000000000.0
			OVER 250000000000000000000000000.0 TO 500000000000000000000000000.0
			OVER 500000000000000000000000000.0 TO 1000000000000000000000000000.0
			OVER 1000000000000000000000000000.0 TO 1600000000000000000000000000.0
			OVER 1600000000000000000000000000.0 TO 2500000000000000000000000000.0
			OVER 2500000000000000000000000000.0 TO 5000000000000000000000000000.0
			OVER 5000000000000000000000000000.0 TO 10000000000000000000000000000.0
			OVER 10000000000000000000000000000.0 TO 16000000000000000000000000000.0
			OVER 16000000000000000000000000000.0 TO 25000000000000000000000000000.0
			OVER 25000000000000000000000000000.0 TO 50000000000000000000000000000.0
			OVER 50000000000000000000000000000.0 TO 100000000000000000000000000000.0
			OVER 100000000000000000000000000000.0 TO 160000000000000000000000000000.0
			OVER 160000000000000000000000000000.0 TO 250000000000000000000000000000.0
			OVER 250000000000000000000000000000.0 TO 500000000000000000000000000000.0
			OVER 500000000000000000000000000000.0 TO 1000000000000000000000000000000.0
			OVER 1000000000000000000000000000000.0 TO 1600000000000000000000000000000.0
			OVER 1600000000000000000000000000000.0 TO 2500000000000000000000000000000.0
			OVER 2500000000000000000000000000000.0 TO 5000000000000000000000000000000.0
			OVER 5000000000000000000000000000000.0 TO 10000000000000000000000000000000.0
			OVER 10000000000000000000000000000000.0 TO 16000000000000000000000000000000.0
			OVER 16000000000000000000000000000000.0 TO 25000000000000000000000000000000.0
			OVER 25000000000000000000000000000000.0 TO 50000000000000000000000000000000.0
			OVER 50000000000000000000000000000000.0 TO 100000000000000000000000000000000.0
			OVER 100000000000000000000000000000000.0 TO 160000000000000000000000000000000.0
			OVER 160000000000000000000000000000000.0 TO 250000000000000000000000000000000.0
			OVER 250000000000000000000000000000000.0 TO 500000000000000000000000000000000.0
			OVER 500000000000000000000000000000000.0 TO 1000000000000000000000000000000000.0
			OVER 1000000000000000000000000000000000.0 TO 1600000000000000000000000000000000.0
			OVER 1600000000000000000000000000000000.0 TO 2500000000000000000000000000000000.0
			OVER 2500000000000000000000000000000000.0 TO 5000000000000000000000000000000000.0
			OVER 5000000000000000000000000000000000.0 TO 10000000000000000000000000000000000.0
			OVER 10000000000000000000000000000000000.0 TO 16000000000000000000000000000000000.0
			OVER 16000000000000000000000000000000000.0 TO 25000000000000000000000000000000000.0
			OVER 25000000000000000000000000000000000.0 TO 50000000000000000000000000000000000.0
			OVER 50000000000000000000000000000000000.0 TO 100000000000000000000000000000000000.0

"THIS DRAWING AND SPECIFICATIONS, HEREIN, ARE THE PROPERTY OF DIGITAL EQUIPMENT CORPORATION AND SHALL NOT BE REPRODUCED OR COPIED OR USED IN WHOLE OR IN PART AS THE BASIS FOR THE MANUFACTURE OR SALE OF ITEMS WITHOUT WRITTEN PERMISSION. COPYRIGHT © 1975, DIGITAL EQUIPMENT CORPORATION"

NOTES: 1. THE KEYCAP PLACEMENT ON THIS SHEET REPRESENTS THE VT50H, VT50J PLACEMENT. TO FIND KEYCAP LOCATIONS FOR OTHER VARIATIONS MATCH THE SWITCH NUMBER (EXAMPLE S9) ON EACH KEYCAP ON THIS SHEET WITH THE CORRESPONDING SWITCH NUMBER FOR THE DESIRED VARIATION ON SHEET 5.  
2. SEE PARTS LIST FOR ITEM NUMBERS FOR DESIRED VARIATIONS.

SEE NOTE 2



REV.	
CHG.	
CHK.	

DRN. <i>J. Mitchell</i>	3-1-75	FIRST USED ON	VT50 H/ VT61	digital
CHK'D <i>[Signature]</i>	3/1/75	TITLE	KEYBOARD VT61/VT50H	
ENG. <i>[Signature]</i>	3-1-75	(KEYCAP VARIATIONS)		
PROJ. ENG. <i>[Signature]</i>	3-1-75			
NEXT HIGHER ASSY.				
SCALE NONE		SIZE CODE	D CS	NUMBER
SHEET 4	OF 5	DIST.		REV. E

1-0-0211170-0-1 (E)



"THIS DRAWING AND SPECIFICATIONS, HEREIN, ARE THE PROPERTY OF DIGITAL EQUIPMENT CORPORATION AND SHALL NOT BE REPRODUCED OR COPIED OR USED IN WHOLE OR IN PART AS THE BASIS FOR THE MANUFACTURE OR SALE OF ITEMS WITHOUT WRITTEN PERMISSION. COPYRIGHT © 1974 DIGITAL EQUIPMENT CORPORATION"

COLOR GUIDE #  
 NO NUMBER : GRAY  
 1 : RED  
 2 : BLUE  
 3 : WHITE  
 4 : GOLD

NOTE: 1) LEGENDS IN LOWER PORTION OF BOX ARE ON THE FRONT FACE OF THE KEY.  
 2) LEGEND ON SIDE IS ON SIDE OF KEY.

KEYCAP PLACEMENT

SWITCH NUMBER

VARIATION	S1	S2	S3	S4	S5	S6	S7	S8	S9	S10	S11	S12	S13	S14	S15	S16	S17	S18	S19	S20	S21	S22	S23	S24	S25	S26	S27	S28	S29	S30	S31	S32	S33	S34	S35	S36	S37	S38	S39	S40	S41	S42
5411170-0 (VT61)	ESC (SEL) 1	@ 2	# 3	\$ 4	% 5	^ 6	& 7	* 8	( 9	) 0	-	=	~	BACK SPACE	BREAK 1	TAB 2	Q	W	E	R	T	Y	U	I	O	P	[	]	LINE FEED 2	DELETE 2	CTRL 1	CAPS LOCK 2	A	S	D	F	BELL G	H	J	K	L	
5411170-2 (VT50H)	ESC (SEL) 1	@ 2	# 3	\$ 4	% 5	^ 6	& 7	* 8	( 9	) 0	-	=	~	BACK SPACE	BREAK 1	TAB 2	Q	W	E	R	T	Y	U	I	O	P	[	]	LINE FEED 2	DELETE 2	CTRL 1	CAPS LOCK 2	A	S	D	F	BELL G	H	J	K	L	
5411170-4 (VT52)	ESC (SEL) 1	@ 2	# 3	\$ 4	% 5	^ 6	& 7	* 8	( 9	) 0	-	=	~	BACK SPACE	BREAK 1	TAB 2	Q	W	E	R	T	Y	U	I	O	P	[	]	LINE FEED 2	DELETE 2	CTRL 1	CAPS LOCK 2	A	S	D	F	BELL G	H	J	K	L	
5411170-6 (VT61)	ESC (SEL) 1	@ 2	# 3	\$ 4	% 5	^ 6	& 7	* 8	( 9	) 0	-	=	~	BACK SPACE	BREAK 1	TAB 2	Q	W	E	R	T	Y	U	I	O	P	[	]	LINE FEED 2	DELETE 2	CTRL 1	CAPS LOCK 2	A	S	D	F	BELL G	H	J	K	L	
5411170-8 (VT52-W)	ESC (SEL) 1	@ 2	# 3	\$ 4	% 5	^ 6	& 7	* 8	( 9	) 0	-	=	~	BACK SPACE	BREAK 1	TAB 2	Q	W	E	R	T	Y	U	I	O	P	[	]	LINE FEED 2	DELETE 2	CTRL 1	CAPS LOCK 2	A	S	D	F	BELL G	H	J	K	L	

SWITCH NUMBER (CONT.)

VARIATION	S43	S44	S45	S46	S47	S48	S49	S50	S51	S52	S53	S54	S55	S56	S57	S58	S59	S60	S61	S62	S63	S64	S65	S66	S67	S68	S69	S70	S71	S72	S73	S74	S75	S76	S77	S78	S79	S80	S81	S82	S83														
5411170-0	:	1	2	3	RETURN	SCROLL	SHIFT	Z	X	C	V	B	N	M	<	>	?	SHIFT	REPEAT	COPY	SPACE BAR	FCN	BK FLD	FW FLD	↑	7	8	9	↓	4	5	6	→	1	2	3	←	0	.	ENTER															
5411170-2	:	1	2	3	RETURN	SCROLL	SHIFT	Z	X	C	V	B	N	M	<	>	?	SHIFT	REPEAT	COPY	SPACE BAR	FCN	BK FLD	FW FLD	↑	7	8	9	↓	4	5	6	→	1	2	3	←	0	.	ENTER															
5411170-4	:	1	2	3	RETURN	SCROLL	SHIFT	Z	X	C	V	B	N	M	<	>	?	SHIFT	REPEAT	COPY	SPACE BAR	FCN	BK FLD	FW FLD	↑	7	8	9	↓	4	5	6	→	1	2	3	←	0	.	ENTER															
5411170-6	:	1	2	3	RETURN	SHIFT	Z	X	C	V	B	N	M	<	>	?	SHIFT	REPEAT	COPY	SPACE BAR	BACK FIELD	WORD WRAP	BLOCK START	MAKE ROOM	DELETE LINE	PREV PAGE	XMIT FIELD	NEXT PAGE	DELETE WORD	BEGIN TEXT	↑	3	END TEXT	DELETE CHAR	3	←	3	↓	3	→	EXECUTE	CMD	FCN												
5411170-8 (VT52-W)	:	1	2	3	RETURN	PHRA MARKER	SCROLL	SHIFT	Z	X	C	V	B	N	M	<	>	?	SHIFT	REPEAT	COPY	SPACE BAR	2	PAGE SWAP	DEL CHAR	2	SENT	2	TAB POS	3	UNDER LINE	1	DEL WORD	2	WORD	2	PARA	3	BOLD	1	CUT	3	BACK UP	2	LINE	3	SUPPR CASE	PASTE	3	ADVA-ACE	3	SEL	2	<>	ENTER

REVISIONS		
CHK	CHANGE NO.	REV.

TITLE: KEYBOARD, VT61/VT50H (KEYCAP PLACEMENT)  
 SIZE CODE: D CS  
 NUMBER: 5411170-0-1  
 REV: E  
 SCALE: 1:1  
 SHEET 5 OF 5  
 DIST.: