

VT 420

1968

WIRE TABLE FOR -01 VARIATION

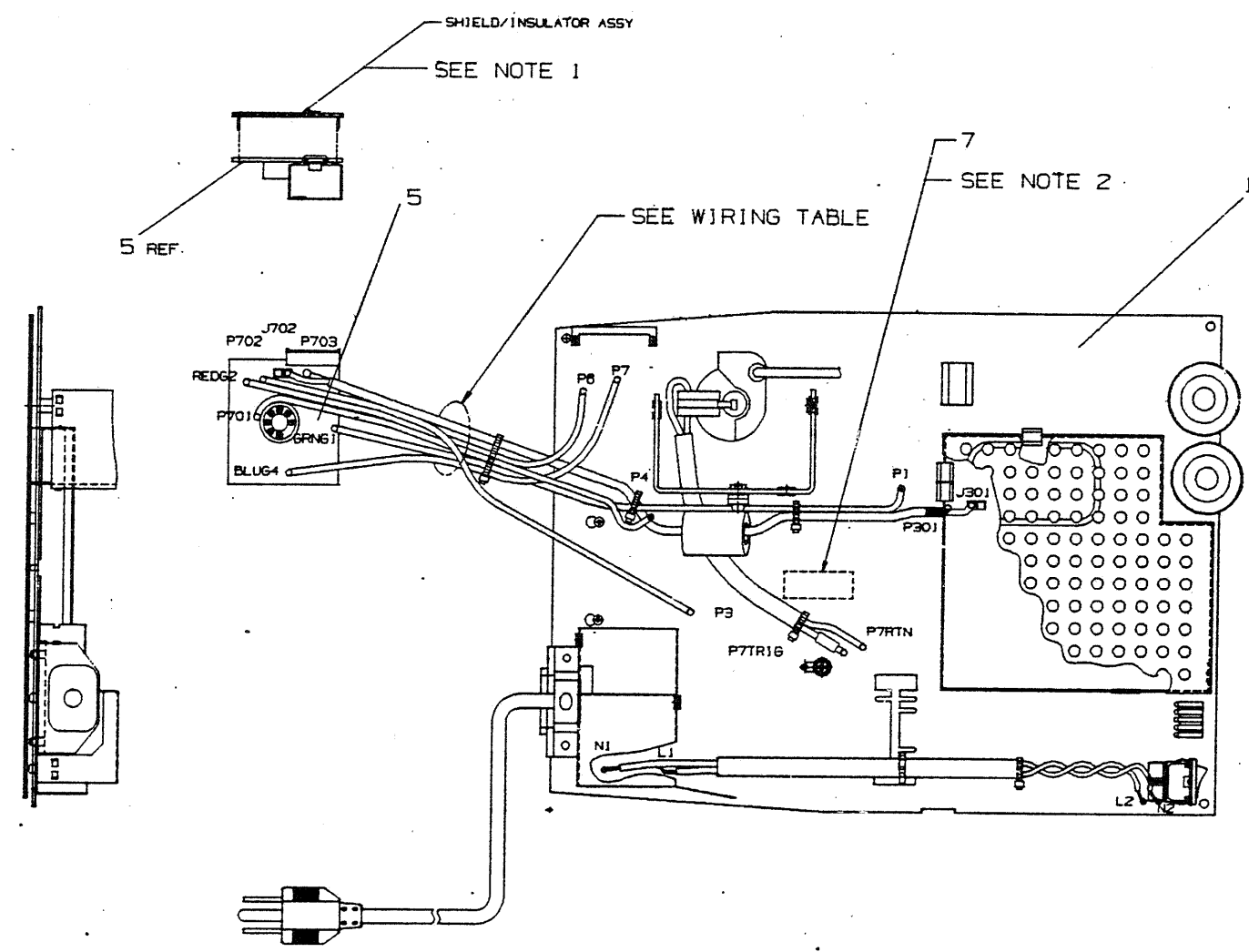
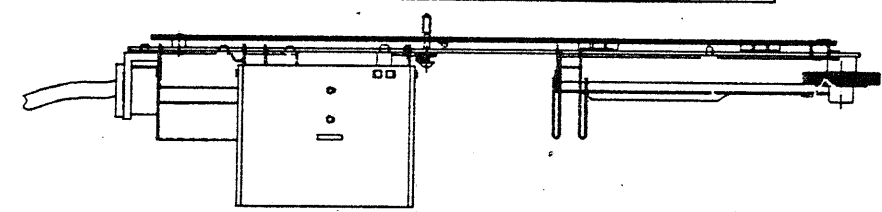
FROM				TO		
ITEM	COLOR	CONNECTION	WITH	ITEM	CONNECTION	WITH
5	GRN	GRNG1	SOLDER	1	P1	SOLDER
5	BLK	P701	SOLDER	1	P4	SOLDER
5	BRN	P702	SOLDER	1	P3	SOLDER
5	RED	REDG2	SOLDER	1	P6	SOLDER
5	BLU	BLUG4	SOLDER	1	P7	SOLDER
5		VIDEO WIRE P703	SOLDER	1	P301	SOLDER
5		VIDEO WIRE J702	SOLDER	1	J301	SOLDER

LEGEND

PART NO.	REV	VARIATION
70-26536-01	A01	N.A. SYSTEM
70-26536-02	A01	W.W. SYSTEM
70-26536-03	A01	L.E. SYSTEM
70-26536-04	A01	W.W. HEBREW

NOTES:

- SHIELD/INSULATOR ASSY MUST INSERT INTO PCB SLOTS UNTIL PCB (ITEM 5) STOPS THE TABS OF SHIELD/INSULATOR ASSY, THEN SOLDERING THE TABS OF ASSY IN THE LOWER LEVEL (5419521-0-0 OR 419523-0-0).
- ADHERE ITEM 7 ONTO BACKSIDE OF SHIELD (70-26588-0-DBU) FIRMLY APPROX AS SHOWN.



-01 AS SHOWN

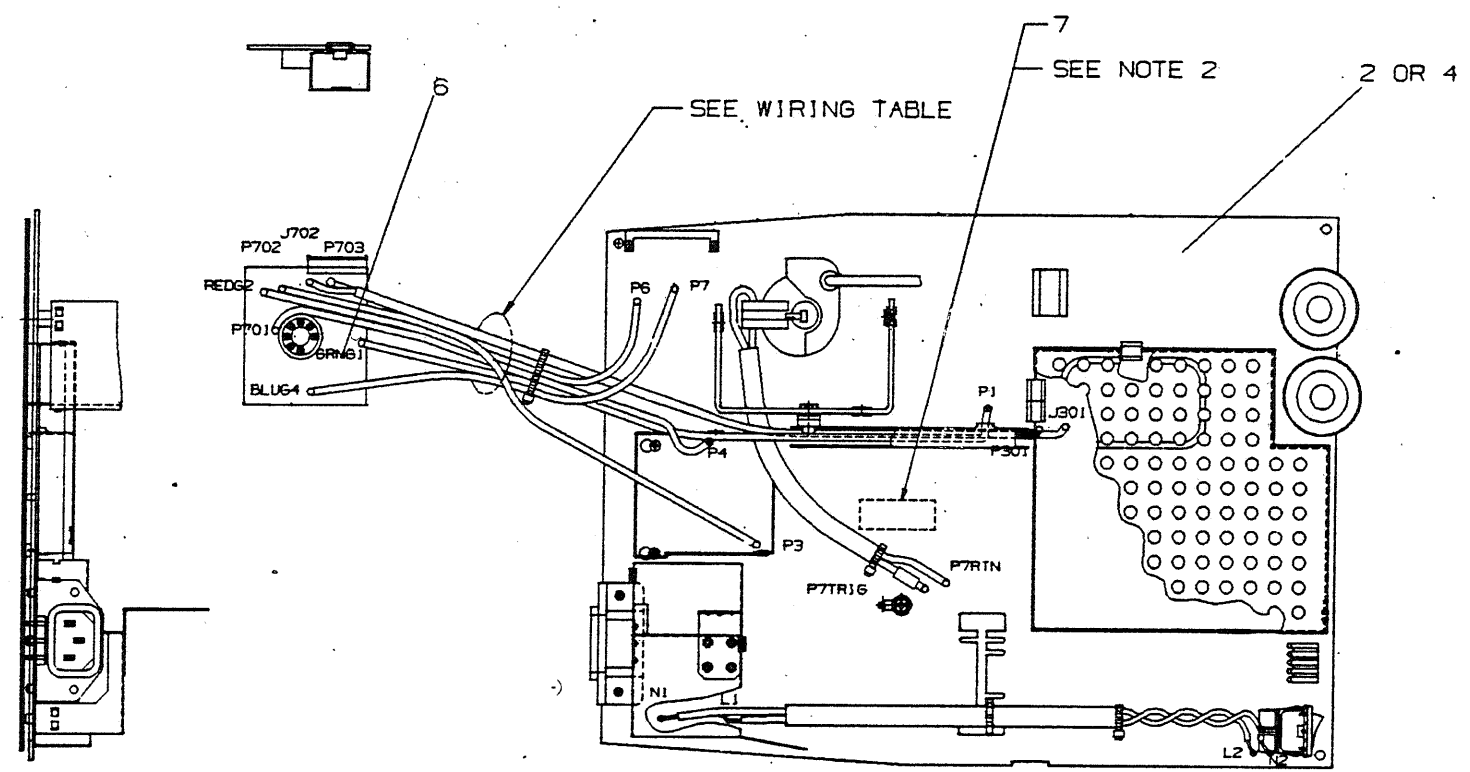
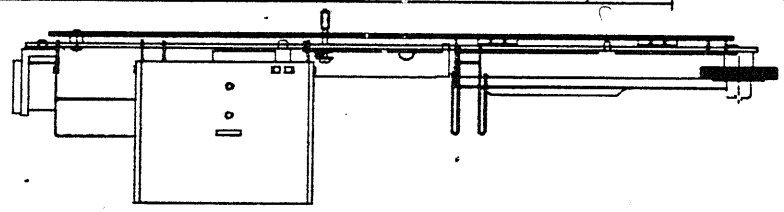
CAUTION : OFF SHEET PARTS LIST EXISTS.  
SEE K-PL-7026536-0-DBP REV A (TA42M03A.PLS)  
NEXT HIGHER ASSY: K-AD-7026570-0-DBU  
MAG MEDIA FILE NAME: 7026536-DBUA.PRT

REVISIONS

REV	DATE	BY	CHK
A			

<p>DO NOT SCALE DRAWING</p> <p>REMOVE DIMS AND BREAK DIMENSION LINES</p> <p>TOLERANCES:</p> <p>UNLESS OTHERWISE SPECIFIED</p>	<p>DESIGNER: C.C. HUANG</p> <p>DATE: 28-NOV-68</p> <p>DRW: R.J. LIN</p> <p>DATE: 28-NOV-68</p> <p>CHK: J. LO</p> <p>DATE: 28-NOV-68</p> <p>APP: O. LIN</p> <p>DATE: 28-NOV-68</p> <p>APP: T. EAVES</p> <p>DATE: 30-NOV-68</p> <p>REV: K-1A-7026536-0-DBU</p>	<p>TITLE: digital</p> <p>SYSTEM ASSY</p> <p>DOCUMENT NUMBER: K-1A-7026536-0-DBU A</p> <p>REV: A</p> <p>SHEET 1 OF 3</p>
-------------------------------------------------------------------------------------------------------------------------------	--------------------------------------------------------------------------------------------------------------------------------------------------------------------------------------------------------------------------------------------------------------	-------------------------------------------------------------------------------------------------------------------------

WIRE TABLE FOR -02 OR -04 VARIATION						
ITEM	COLOR	CONNECTION FROM	WITH	ITEM	CONNECTION TO	WITH
6	GRN	GRNG1	SOLDER	2 OR 4	P1	SOLDER
6	BLK	P701	SOLDER	2 OR 4	P4	SOLDER
6	BRN	P702	SOLDER	2 OR 4	P3	SOLDER
6	RED	REDG2	SOLDER	2 OR 4	P6	SOLDER
6	BLU	BLUG4	SOLDER	2 OR 4	P7	SOLDER
6	-	VIDEO WIRE P703	SOLDER	2 OR 4	P301	SOLDER
6	-	VIDEO WIRE J702	SOLDER	2 OR 4	J301	SOLDER



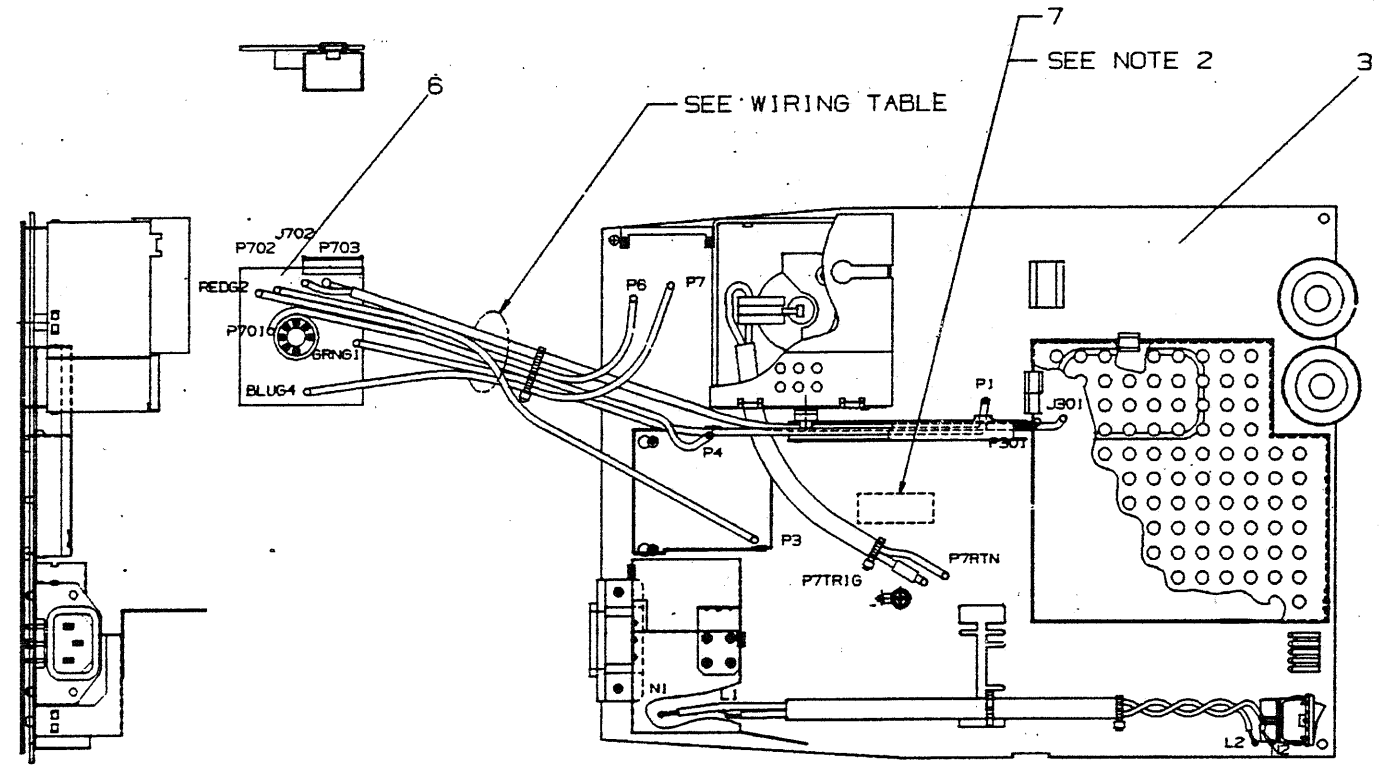
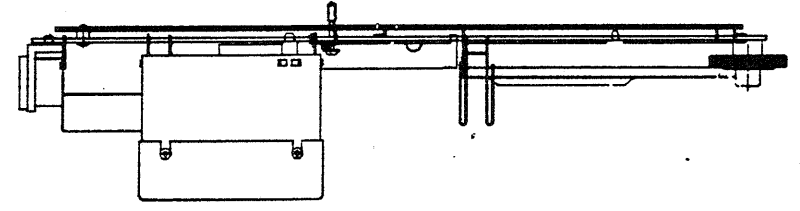
-02/-04 AS SHOWN

MAG MEDIA FILE NAME: 7026536-DBUA.PPT

REVISION HISTORY		
DATE	ECO NUMBER	REV.

DOCUMENT NUMBER			
REV.	DATE	DESCRIPTION	REV.
K	1A	7026536-0-DBU	A
SCALE: NONE		SHEET 2 OF 3	

WIRE TABLE FOR -03 VARIATION						
FROM				TO		
ITEM	COLOR	CONNECTION	WITH	ITEM	CONNECTION	WITH
6	GRN	GRNG1	SOLDER	3	P1	SOLDER
6	BLK	P701	SOLDER	3	P4	SOLDER
6	BRN	P702	SOLDER	3	P3	SOLDER
6	RED	REDG2	SOLDER	3	P6	SOLDER
6	BLU	BLUG4	SOLDER	3	P7	SOLDER
6	-	VIDEO WIRE P703	SOLDER	3	P301	SOLDER
6	-	VIDEO WIRE J702	SOLDER	3	J301	SOLDER



-03 AS SHOWN

MAG MEDIA FILE NAME: 7026536-DBUA.PRT

REVISION HISTORY		
DATE	ECD NUMBER	REV

TITLE  
SYSTEM ASSY

DOCUMENT NUMBER			
SIZE	CODE	NUMBER	REV
K	IA	7026536-0-DBU	A
SCALE		SHEET 3 OF 3	

LINE	ITEM	TOP DOCUMENT	PART NUMBER	MIN REV	DESCRIPTION	01 A01
1	1	K-IA-7438588-0-DBU	74-38588-01		SHIELD,PCB	1
2	2	K-MD-7438589-0-DBU	74-38589-01		INSULATOR	1
3	3	K-MD-7439512-0-DBU	74-39512-01		FINGER,GROUND	8
4	4		12-20580-11	B	SHIELD,EMI/RFI FINGERS 7POS .380W	A/R
5	5		12-20840-01	A	STRIP,SHIELDING EMI/RFI 1.250LG	A/R

REVISION HISTORY		KPL MATRIX FORMAT		SECTION A OF A		DRN: C.C. HUANG		D I G I T A L	
ENG	ECO NUMBER	REV	SECTION/VARIATION INDEX		DATE	CHK'D	TITLE	DOCUMENT NUMBER	REV
---	INITIAL	A	[A]	01	27-DEC-89	R.J. LIN	SHIELD/INSULATOR ASSY		
			[B]		27-DEC-89	J. LO			
			[C]		27-DEC-89	O. LIN			
			[D]			T. EAVES			
			[E]						
			[F]						
			[H]						
			[J]						
		BASIC PART NUMBER:		ASSEMBLY NUMBER:		TOP DOCUMENT NUMBER:		EDIT #	
		7026538		K-IA-7026538-0-DBU		K-IA-7026538-0-DBU		5	
		FILE NAME: TA42M04A.PLS							

"THIS DRAWING AND THE SPECIFICATIONS CONTAINED HEREIN ARE CONFIDENTIAL AND PROPRIETARY. THEY ARE THE PROPERTY OF DIGITAL EQUIPMENT CORPORATION AND SHALL NOT BE REPRODUCED OR COPIED OR USED IN WHOLE OR IN PART AS THE BASIS FOR THE MANUFACTURE OR SALE OF ITEMS WITHOUT WRITTEN PERMISSION. THIS IS AN UNPUBLISHED WORK PROTECTED UNDER THE FEDERAL COPYRIGHT LAWS."

LINE ITEM	TOP DOCUMENT	PART NUMBER	MIN REV	DESCRIPTION	QTY PER VAR/REV				REFERENCE DESIGNATORS
					01 A01	02 A01	03 A01	04 A01	
1	1	K-DD-5019520-0-0		50-19520-01 C PWB,02L,12X09X062,12/13,038,PT,T	1	1	1	1	
2	2			10-10274-00 0.22 MFD 50V +80/-20% Z5U C	4	4	4	4	C805,C908,C910,C913
3	3			10-13466-12 2200 PFD 50V +/-10% X7R C	1	1	1	1	C811
4	4			10-13466-22 0.10 MFD 50V +80/-20% Z5U C	4	4	4	4	C304-C306,C915
5	5			10-13466-50 680 PFD 50V +/- 5% NP0 C	2	2	2	2	C608,C609
6	6			10-16184-00 1200 PFD 600V +/-10% POLYP	1	1	1	1	C814
7	7			10-16548-00 1000 MFD 16V +50/-10% 85	1	1	1	1	C905
8	8			10-16570-00 1000 PFD 500V +80/-20% X5S/Z	1	1	1	1	C308
9	9			10-16572-00 300 PFD 500V +/-10% X5F/X	1	1	1	1	C815
10	10			10-18000-12 4.7 MFD 35V +50/-20% 85	1	1	1	1	C812
11	11			10-18000-14 1.0 MFD 63V +50/-20% 85	1	1	1	1	C613
12	12			10-18000-15 10 MFD 250V +50/-20% 85	1	1	1	1	C626
13	13			10-18000-17 470 MFD 25V +50/-20% 85	1	1	1	1	C602
14	14			10-18000-20 470 MFD 63V +50/-20% 85	1	1	1	1	C619
15	15			10-18000-21 100 MFD 63V +50/-20% 85	1	1	1	1	C903
16	16			10-18000-25 220 MFD 16V +/-20% 85	1	1	1	1	C907
17	17			10-18000-27 0.47MFD 100V +50/-20% 85	1	1	1	1	C622
18	18			10-18000-28 1.0 MFD 100V +50/-20% 85	1	1	1	1	C916
19	19			10-18000-29 10 MFD 25V +75/-20% 85	4	4	4	4	C311,C808,C912,C914
20	20			10-18000-33 100 MFD 25V +50/-20% 85	3	3	3	3	C601,C807,C911
21	21			10-18000-34 100 MFD 100V +50/-20% 85	1	1	1	1	C624
22	22			10-18000-35 10 MFD 100V +50/-20% 85	1	1	1	1	C313
23	23			10-18000-40 47 MFD 25V +/-20% 85	3	3	3	3	C16,C604,C618
24	24			10-19413-06 220 MFD 250V +50/-20% 85	1	1	1	1	C804
25	25			10-19559-02 0.010MFD 1000V +/-20% Y5U/Z	2	2	2	2	C620,C623
26	26			10-20446-12 220 MFD 16V +50/-10% 85	1	1	1	1	C12
27	27			10-20604-10 1.0 MFD 250V +/- 5% MET.	1	1	1	1	C621
28	28			10-22087-01 1000 PFD 100V +/-20% Z5P	1	1	1	1	C301
29	29			10-23486-03 22 MFD 16V +/-20% 85	1	1	1	1	C615
30	30			10-23859-02 0.22 MFD 50V +/- 2% M.POL	1	1	1	1	C603

REVISION HISTORY		KPL MODULE FORMAT		SECTION A OF A		DRN: A LEE		DIGITAL		
ENG	ECO NUMBER	REV	SECTION/VARIATION INDEX		DATE: 12-MAR-89		TITLE PARTS LIST			
---	INITIAL	A	[A]	01,02,03,04	[M]	CHK'D: A LEE	PARTS LIST SYSTEM MODULE			
			[B]		[N]	DATE: 12-MAR-89				
			[C]		[P]	DES.ENG: V.LIN/W.I.HUANG				
			[D]		[Q]	DATE: 12-MAR-89	DOCUMENT NUMBER			
			[E]		[R]	RESP.ENG.: J.B. LOU	SIZE	CODE	NUMBER	REV
			[F]		[S]	DATE: 12-MAR-89	K	PL	5419521-0-DBP	A
			[H]		[T]	MFG.ENG: JIN CHANG	RELEASE DATE: 14-MAR-90			
			[J]		[V]	DATE: 12-MAR-89	RELEASE STATUS: RELEASED			
			[K]		[W]					
			[L]		[Y]					
BASIC PART NUMBER:			ASSEMBLY NUMBER:			TOP DOCUMENT NUMBER:			EDIT #	
5419521			D-UA-5419521-0-0			K-DD-5419521-0-0			35	
FILE NAME: TA42E01A.PLS										

"THIS DRAWING AND THE SPECIFICATIONS CONTAINED HEREIN ARE CONFIDENTIAL AND PROPRIETARY. THEY ARE THE PROPERTY OF DIGITAL EQUIPMENT CORPORATION AND SHALL NOT BE REPRODUCED OR COPIED OR USED IN WHOLE OR IN PART AS THE BASIS FOR THE MANUFACTURE OR SALE OF ITEMS WITHOUT WRITTEN PERMISSION. THIS IS AN UNPUBLISHED WORK PROTECTED UNDER THE FEDERAL COPYRIGHT LAWS."

LINE	ITEM	TOP DOCUMENT	PART NUMBER	MIN REV	DESCRIPTION	QTY PER VAR/REV				REFERENCE DESIGNATORS
						01 A01	02 A01	03 A01	04 A01	
31	31		10-23859-03		0.33 MFD 50V +/- 2% M.POL	1	1	1	1	C606
32	32		10-24051-21		470 PFD 50V +/- 5% NPO CE	1	1	1	1	C314
33	33		10-24053-01		0.010MFD 50V +/-20% Z5U CE	16	16	16	16	C3-C6,C9,C11,C13,C14,C17-C22, CONT C809,C813
34	34		10-24053-14		0.47 MFD 50V +/-20% Z5U CE	8	8	8	8	C1,C2,C7,C8,C10,C15,C23,C24
35	35		10-24205-01		1000 MFD 10V +/-20% 85	1	1	1	1	C909
36	36		10-24317-01		0.33 MFD 250VAC +/-20% LIN	1	1	1	1	C801
37	37		10-24375-01		2200 PFD 250VAC +/-20% LIN	2	2	2	2	C802,C806
38	38		10-26654-01		0.010MFD 100V +/- 5% MYLAR	1	1	1	1	C612
39	39		10-26655-01		0.10 MFD 100V +/- 5% MYLAR	2	2	2	2	C310,C605
40	40		10-26938-01		2200 MFD 16V +/-20% 85	2	2	2	2	C607,C906
41	41		10-26959-01		2200 PFD 100V +/- 5% POLYP	1	1	1	1	C810
42	42		10-27183-02		270 PFD 1000V +/-20% POLYP	1	1	1	1	C901
43	43		10-27656-01		0.022MFD 100V +/- 5% MET.	4	4	4	4	C610,C614,C616,C904
44	44		10-28377-01		4700 PFD 2000V +80/-20% Z5U	1	1	1	1	C625
45	45		10-30970-01		330 MFD 63V +/-20% 105	1	1	1	1	C902
46	46		10-31156-02		0.010MFD 1500V +/- 5% POLYP	1	1	1	1	C617
47	47		10-32126-01		1000 PFD 100V +/- 5% POLYP	1	1	1	1	C611
48	48		10-33339-01		470 UF 16V +/-20% ALU.	2	2	2	2	C303,C307
49	49		11-00114-00		PIV= 25 IO=135 MA	1	1	1	1	D1
50	50		11-02421-00		VZ= 6.2 5% 400 MW 1N753A	1	1	1	1	D302
51	51		11-04860-00		VZ= 3.3 5% 400 MW 1N746A	1	1	1	1	D12
52	52		11-05796-00		PIV= 400 IO= 1.00A 1N4004 DO-41	2	2	2	2	D601,D802
53	53		11-05871-00		VZ= 5.15 1% 250 MW	1	1	1	1	D905
54	54		11-12594-01		PIV= 200 IO= 3.00A	1	1	1	1	D902
55	55		11-12594-02		PIV= 600 IO= 3.00A	2	2	2	2	D603,D901
56	56		11-12595-02		PIV= 600 IO= 1.00A AXIAL	5	5	5	5	D604,D606,D803,D808,D904
57	57		11-16474-00		PIV=1000 IO= 1.00A 1N4007 DO-41	1	1	1	1	D607
58	58		11-16475-00		PIV= 75 - 4NS 1N4148	11	11	11	11	D28,D301,D303-D306,D602, CONT D804-D807
59	59		11-21435-01		RECT. ASSY PIV= 600 IO= 2.00A	1	1	1	1	D801
60	60		11-21581-01		PIV=1500 IO= 60MA	1	1	1	1	D605
61	61		11-26662-02		RECT,ULTRA FAST PIV= 100 IO= 3.0	1	1	1	1	D903
62	62		11-32715-01		TRANS SUPP	4	4	4	4	D6-D9
63	63		11-32715-02		TRANS SUPP	6	6	6	6	D19-D24
64	64		12-13071-06		INSULATOR,RUBBER SILICONE	1	1	1	1	
65	65		12-13071-22		INSULATOR,RUBBER SILICONE	1	1	1	1	
66	66		12-15006-25		SKT,IC 32PIN DIP TIN SOLD	1	1	1	1	XE2
67	67		12-15228-03		HEAT SINKS,TO-220 1.250X0.87	2	2	2	2	H901,H902
68	68		12-18826-07		CONN,PHONE MOD JACK 04POS	1	1	1	1	J3
69	69		12-23192-08		FUSE 5X20 3.0 A 250V FAST ACTI	1	1	1	1	F801
70	70		12-23433-02		CONN,LAN JACK 06 POS	2	2	2	2	J1,J2
71	71		12-26619-01		FUSE CLIP 5MM TYPE	2	2	2	2	
72	72		12-27325-02		PCB HEADER 06POS(1X06).156CC STR	1	1	1	1	J601
73	73		12-32607-01		HEATSINK	1	1	1	1	H801
74	74		12-33169-01		PCB HEADER 02PIN(1X02).100CC STR	1	1	1	1	J301
75	75		13-00274-00		220.0 .50 W 5.0 % CF	2	2	2	2	R625,R649
76	76		13-00354-00		750.0 .50 W 5.0 % CF	3	3	3	3	R806,R809,R905
77	77		13-11996-00		VARISTOR 150VAC VOLT TRANS SUP	1	1	1	1	R801
78	78		13-12934-00		.6.80 M .25 W 5.0 % CF	1	1	1	1	R604

D	I	G	I	T	A	L	TITLE	PARTS LIST SYSTEM MODULE	SECTION A	OF A	SIZE	CODE	DOCUMENT NUMBER	REV
											K	PL	5419521-0-DBP	A

LINE	ITEM	TOP DOCUMENT	PART NUMBER	MIN REV	DESCRIPTION	QTY PER VAR/REV				REFERENCE DESIGNATORS
						01 A01	02 A01	03 A01	04 A01	
79	79		13-16511-00	15.0	K .50 W 5.0 % CF	2	2	2	2	R623,R624
80	80		13-17522-00	1.0	.25 W 5.0 % CF	1	1	1	1	R620
81	81		13-19255-14	27.0	1.0 W 5.0 % M.OXIDE	1	1	1	1	R628
82	82		13-19255-43	2.0	K 1.0 W 5.0 % M.OXIDE	2	2	2	2	R601,R650
83	83		13-19470-50	56.0	K 1.0 W 5.0 % M.OXIDE	1	1	1	1	R804
84	84		13-19471-16	150.0	2.0 W 5.0 % M.OXIDE	1	1	1	1	R913
85	85		13-19471-29	1.0	K 2.0 W 5.0 % M.OXIDE	1	1	1	1	R821
86	86		13-19563-01		POT-OPEN/TRIM 5.0M 0.33W 20.0	2	2	2	2	R656,R657
87	87		13-20602-38	360.0	2.0 W 5.0 % M.OXIDE	1	1	1	1	R901
88	88		13-20617-01	2.20	.25 W 5.0 % CF	2	2	2	2	R602,R607
89	89		13-20676-01	43.0	.50 W 5.0 % CF	1	1	1	1	R310
90	90		13-20713-01	390.0	K .50 W 5.0 % CF	1	1	1	1	R651
91	91		13-20715-01	470.0	K .50 W 5.0 % CF	1	1	1	1	R802
92	92		13-20725-01	1.50	M .50 W 5.0 % CF	1	1	1	1	R655
93	93		13-21218-01		R. NET 39.0 - 4 1.0	3	3	3	3	Z1-Z3
94	94		13-23825-01	10.0	.25 W 5.0 % CHIP	2	2	2	2	R303,R652
95	95		13-23825-07	18.0	.25 W 5.0 % CHIP	1	1	1	1	R629
96	96		13-23825-09	22.0	.25 W 5.0 % CHIP	2	2	2	2	R317,R318
97	97		13-23825-11	27.0	.25 W 5.0 % CHIP	1	1	1	1	R606
98	98		13-23825-15	39.0	.25 W 5.0 % CHIP	2	2	2	2	R26,R27
99	99		13-23825-17	47.0	.25 W 5.0 % CHIP	1	1	1	1	R822
100	100		13-23825-19	56.0	.25 W 5.0 % CHIP	1	1	1	1	R817
101	101		13-23825-23	82.0	.25 W 5.0 % CHIP	2	2	2	2	R14,R321
102	102		13-23825-25	100.0	.25 W 5.0 % CHIP	1	1	1	1	R632
103	103		13-23825-27	120.0	.25 W 5.0 % CHIP	1	1	1	1	R311
104	104		13-23825-30	160.0	.25 W 5.0 % CHIP	1	1	1	1	R608
105	105		13-23825-31	180.0	.25 W 5.0 % CHIP	3	3	3	3	R3,R4,R6
106	106		13-23825-33	220.0	.25 W 5.0 % CHIP	1	1	1	1	R819
107	107		13-23825-41	470.0	.25 W 5.0 % CHIP	6	6	6	6	R302,R307-R309,R646,R907
108	108		13-23825-42	510.0	.25 W 5.0 % CHIP	1	1	1	1	R320
109	109		13-23825-43	560.0	.25 W 5.0 % CHIP	1	1	1	1	R815
110	110		13-23825-45	680.0	.25 W 5.0 % CHIP	2	2	2	2	R818,R910
111	111		13-23825-47	820.0	.25 W 5.0 % CHIP	1	1	1	1	R15
112	112		13-23825-49	1.0	K .25 W 5.0 % CHIP	3	3	3	3	R5,R8,R319
113	113		13-23825-56	2.00	K .25 W 5.0 % CHIP	2	2	2	2	R16,R616
114	114		13-23825-57	2.20	K .25 W 5.0 % CHIP	2	2	2	2	R305,R306
115	115		13-23825-58	2.40	K .25 W 5.0 % CHIP	1	1	1	1	R666
116	116		13-23825-61	3.30	K .25 W 5.0 % CHIP	1	1	1	1	R909
117	117		13-23825-63	3.90	K .25 W 5.0 % CHIP	1	1	1	1	R7
118	118		13-23825-65	4.70	K .25 W 5.0 % CHIP	2	2	2	2	R1,R24
119	119		13-23825-68	6.20	K .25 W 5.0 % CHIP	2	2	2	2	R11,R904
120	120		13-23825-69	6.80	K .25 W 5.0 % CHIP	1	1	1	1	R911
121	121		13-23826-01	10.0	K .25 W 5.0 % CHIP	10	10	10	10	R2,R19,R22,R23,R609,R664,R665, CONT R812,R823,R906
122	122		13-23826-05	15.0	K .25 W 5.0 % CHIP	4	4	4	4	R312,R612,R617,R814
123	123		13-23826-07	18.0	K .25 W 5.0 % CHIP	2	2	2	2	R618,R622
124	124		13-23826-10	24.0	K .25 W 5.0 % CHIP	5	5	5	5	R17,R18,R20,R21,R807
125	125		13-23826-11	27.0	K .25 W 5.0 % CHIP	2	2	2	2	R610,R811
126	126		13-23826-13	33.0	K .25 W 5.0 % CHIP	1	1	1	1	R12
127	127		13-23826-16	43.0	K .25 W 5.0 % CHIP	2	2	2	2	R9,R10

D	I	G	I	T	A	L	TITLE	SECTION A	OF A	SIZE	CODE	DOCUMENT NUMBER	REV
							PARTS LIST SYSTEM MODULE			K	PL	5419521-0-DBP	A



LINE	ITEM	TOP DOCUMENT	PART NUMBER	MIN REV	DESCRIPTION	QTY PER VAR/REV				REFERENCE DESIGNATORS
						01 A01	02 A01	03 A01	04 A01	
128	128		13-23826-17	47.0 K	.25 W 5.0 % CHIP	2	2	2	2	R614,R658
129	129		13-23826-18	51.0 K	.25 W 5.0 % CHIP	1	1	1	1	R903
130	130		13-23826-19	56.0 K	.25 W 5.0 % CHIP	2	2	2	2	R816,R912
131	131		13-23826-25	100.0 K	.25 W 5.0 % CHIP	3	3	3	3	R13,R605,R621
132	132		13-23826-29	150.0 K	.25 W 5.0 % CHIP	1	1	1	1	R660
133	133		13-23826-33	220.0 K	.25 W 5.0 % CHIP	1	1	1	1	R653
134	134		13-23826-39	390.0 K	.25 W 5.0 % CHIP	1	1	1	1	R662
135	135		13-23826-45	680.0 K	.25 W 5.0 % CHIP	1	1	1	1	R813
136	136		13-23826-49	1.00 M	.25 W 5.0 % CHIP	1	1	1	1	R659
137	137		13-23829-66	4.75 K	.25 W 1.0 % CHIP	1	1	1	1	R626
138	138		13-23829-77	6.19 K	.25 W 1.0 % CHIP	1	1	1	1	R630
139	139		13-23829-83	7.15 K	.25 W 1.0 % CHIP	1	1	1	1	R627
140	140		13-23830-34	22.1 K	.25 W 1.0 % CHIP	1	1	1	1	R613
141	141		13-23831-76	604.0 K	.25 W 1.0 % CHIP	2	2	2	2	R603,R631
142	142		13-27013-07	390.0	5.0 W 5.0 % M.OXIDE	1	1	1	1	R301
143	143		13-27943-02	POT-OPEN/TRIM	100.0K 0.15W 20.0	1	1	1	1	R661
144	144		13-27943-03	POT-OPEN/TRIM	500.0 0.15W 20.0	1	1	1	1	R648
145	145		13-28026-07	POT-OPEN/TRIM	3.0K 0.2 W 20.0	1	1	1	1	R908
146	146		13-28257-01	2.7	5.0 W 5.0 % WW	2	2	2	2	R803,R805
147	147		13-28261-01	.32	1.0 W 3.0 % WW	1	1	1	1	R820
148	148		13-28450-01	47.0	.50 W10.0 % CC	2	2	2	2	R304,R314
149	149		13-28450-02	1.2 K	.50 W10.0 % CC	2	2	2	2	R315,R316
150	150		13-31674-01	POT-OPEN/TRIM	100.0 0.2 W 20.0%	1	1	1	1	R619
151	151		13-31674-02	POT-OPEN/TRIM	500.0 0.2 W 20.0	1	1	1	1	R647
152	152		13-31674-03	POT-OPEN/TRIM	10.0K 0.2 W 20.0	1	1	1	1	R810
153	153		13-31674-04	POT-OPEN/TRIM	20.0K 0.2 W 20.0	1	1	1	1	R615
154	154		13-31674-05	POT-OPEN/TRIM	100.0K 0.2 W 20.0	1	1	1	1	R611
155	155		15-09338-00	DEC6531B	NPN 310MW SI 40 90 P	1	1	1	1	Q5
156	156		15-09524-00	2N 3904	NPN 310MW SI 40 40 M	4	4	4	4	Q2,Q4,Q601,Q610
157	157		15-09525-00	2N 3906	PNP 310MW SI 40100 Y	4	4	4	4	Q1,Q302,Q305,Q306
158	158		15-10706-00	XA 55	PNP 500MW SI 60 50 P	2	2	2	2	Q3,Q611
159	159		15-20857-01	MPS2369	NPN 350MW 40V 200MA T	3	3	3	3	Q303,Q304,Q309
160	160		15-28225-01		MOSFET 400V 5.5A 10HM	1	1	1	1	Q801
161	161		15-28392-01		TRANSISTOR,VIDEO OUTPUT	1	1	1	1	Q307
162	162		15-31115-01	MJE1600	NPN 80W SI 5.0A 450V	1	1	1	1	Q602
163	163		15-32613-01		TRANSISTOR,PNP	1	1	1	1	Q308
164	164		15-32714-01	2SC 3951	NPN SI TR	1	1	1	1	Q301
165	165		16-18238-02	BEAD,FERRITE	.1380DX.330LG	5	5	5	5	L1,L2,L6,L25,L26
166	166		16-18437-03	BEAD,FERRITE	W/2.5	2	2	2	2	L802,L804
167	167		16-20182-03		5.6 UH 10% 565MA	1	1	1	1	L303
168	168		16-27345-01	CHOKE 30UH	0.65A SLUG CORE	2	2	2	2	L901,L904
169	169		16-27761-01	10.0 UH 10%	Q= 55 @ 7.9MHZ SRF=	3	3	3	3	L5,L8,L801
170	170		16-28226-01	CHOKE COIL	2.2UH 10%	11	11	11	11	L7,L9-L18
171	171		16-31230-01	XFMR,SWITCHING	37.6KHZ 44W	1	1	1	1	T802
172	172		16-31233-01	XFMR,FILTER	2A 250VAC 25MH	1	1	1	1	T801
173	173		16-31234-01	CHOKE 10UH	2A	2	2	2	2	L902,L903
174	174		16-31641-01	XFMR,DRIVER		1	1	1	1	T602
175	175		16-31642-01	COIL,HORIZONTAL WIDTH	9-33UH	1	1	1	1	L602
176	176		16-31643-01	XFMR,DYNAMIC FOCUS		1	1	1	1	T603
177	177		16-31669-01	XFMR,FLYBACK	37.6KHZ	1	1	1	1	T601

D	I	G	I	T	A	L	TITLE	SECTION A	OF A	SIZE	CODE	DOCUMENT NUMBER	REV
							PARTS LIST SYSTEM MODULE			K	PL	5419521-0-DBP	A

LINE	ITEM	TOP DOCUMENT	PART NUMBER	MIN REV	DESCRIPTION	QTY PER VAR/REV				REFERENCE DESIGNATORS
						01 A01	02 A01	03 A01	04 A01	
178	178		16-32212-01		COIL,LINEARITY	1	1	1	1	L601
179	179		16-32388-04		1.0UH 10% RF COATED CHOKE	1	1	1	1	L301
180	180		16-32388-05		.22UH.105 RF COATED CHOKE	1	1	1	1	L302
181	181		16-32388-06		.47UH 10% RF COATED CHOKE	1	1	1	1	L306
182	182		16-32757-01		2.5 MH +50% -30% @16KHZ	1	1	1	1	T803
183	183		18-11660-86		OSCILLATOR, XTAL 43.32 MHZ	1	1	1	1	Y1
184	184		19-15415-00		9636 DRIVER,DUAL,EIA RS-4	2	2	2	2	E12,E13
185	185		19-17908-00		LM 358N OP AMP DUAL LOW POWE	1	1	1	1	E901
186	186		19-21010-01		74F373 OCTAL TRANSPARENT LA	1	1	1	1	E3
187	187		19-21323-01		74F174 FF-D,HEX	1	1	1	1	E6
188	188		19-21337-03		OPTOISLTR,XSTR,CTR100-200%IF5MA	1	1	1	1	E801
189	189		19-23626-01		PWM OFF-LINE CURRENT	1	1	1	1	E802
190	190		19-27782-01		DUAL LINE RECEIVER	2	2	2	2	E14,E15
191	191		19-31235-01		DELECTION MONITOR,HO	1	1	1	1	E601
192	192		21-20068-05		2681 REC./TRANS.,ASYNC.,D	1	1	1	1	E10
193	193		21-20115-02		8031AH MICROPROCESSOR,8BIT	1	1	1	1	E1
194	194		21-24412-03		NMOS DRAM 120NS 64KX	-	1	-	1	E8
195	195		21-26307-06		STATIC RAM CMOS 32KX	1	1	1	1	E9
196	196		21-27503-43		CMOS DRAM MULTIPOINT 120NS 64KX	-	1	-	1	E7
197	197		21-28123-01		1024 SERIAL ELEC ERASABLE + PRO	1	1	1	1	E11
198	198		21-30395-43		CMOS DRAM MULTIPOINT 120NS 256KX	1	-	1	-	E5
199	199		21-31623-01		DC7166C VIDEO CONTROLLER ARRAY T	-	-	1	1	E4
200	200		21-32133-01		TA01 VIDEO CONTROLLER STA	1	1	-	-	E4
201	201		23-68E9 -00		E9-03	1	1	1	1	E2
202	202		36-10267-05		LABEL,DANGER HIGH VOLTAGE,TEXTUR	1	1	1	1	
203	203	K-IA-7026538-0-DBU	70-26538-01		SHIELD/INSULATOR ASSY	1	1	1	1	
204	204	K-IA-7026543-0-DBU	70-26543-01		POWER CORD ASSY	1	1	1	1	
205	205	K-IA-7026544-0-DBU	70-26544-01		AC WIRE ASSY	1	1	1	1	
206	206	K-IA-7026589-0-DBU	70-26589-01		POWER SWITCH ASSY	1	1	1	1	
207	207	K-IA-7438596-0-DBU	70-26598-01		SHIELD, FILTER ASSY	1	1	1	1	
208	208	K-IA-7438592-0-DBU	70-26599-01		SHIELD ASSY, FLYBACK	1	1	1	1	H602
209	209	K-MD-7435248-0-DBU	74-35248-01		CLIP	1	1	1	1	
210	210	K-MD-7438591-0-DBU	74-38591-01		THUMBWHEEL	2	2	2	2	
211	211	K-MD-7438593-0-DBU	74-38593-01		FINGER, CRT GROUND	1	1	1	1	
212	212	K-MD-7438595-0-DBU	74-38595-01		COVER, LOGIC	1	1	1	1	
213	213	K-IA-7439137-0-DBU	74-39137-01		BAFFLE, LOGIC	1	1	1	1	H301
214	214	K-MD-7439215-0-DBU	74-39215-01		CLIP,POWER SWITCH	1	1	1	1	
215	215	K-MD-7439216-0-DBU	74-39216-01		CLIP,HEAT SINK	1	1	1	1	H601
216	216	K-MD-7439514-0-DBU	74-39514-01		PANEL,PROTECT	1	1	1	1	
217	217	K-MD-7439638-0-DBU	74-39638-01		CLIP (FOR EGRET)	1	1	1	1	
218	218	K-MD-7439957-0-DBU	74-39957-01		HOLDER, WIRE	1	1	1	1	
219	219	K-MD-7440115-0-DBU	74-40115-01		CLIP,SPRING (EGRET)	3	3	3	3	
220	220	K-MD-7440803-0-DBU	74-40803-01		PAD,SCREW	1	1	1	1	
221	221	K-MD-7441000-0-DBU	74-41000-01		CONTACT, A	1	1	1	1	
222	222		90-09185-00		JUMPER, WIRE, INSULATED, BLACK B	2	2	2	-	W3,W901
			CONT			-	-	-	2	W1,W901
223	223		90-09718-03		GROMMET,STRIP STYRENE	1	1	1	1	
224	224		90-09798-01		SPACER,CLEAR HOLE RND CERAM .07	1	1	1	1	
225	225		90-10874-05		SCREW,MACH M3 PAN 14.00	2	2	2	2	
226	226		90-11075-01		SCREW,MACH M3 WASHER 6.00	2	2	2	2	

D	I	G	I	T	A	L	TITLE	SECTION A	OF A	SIZE	CODE	DOCUMENT NUMBER	REV
							PARTS LIST SYSTEM MODULE			K	PL	5419521-0-DBP	A

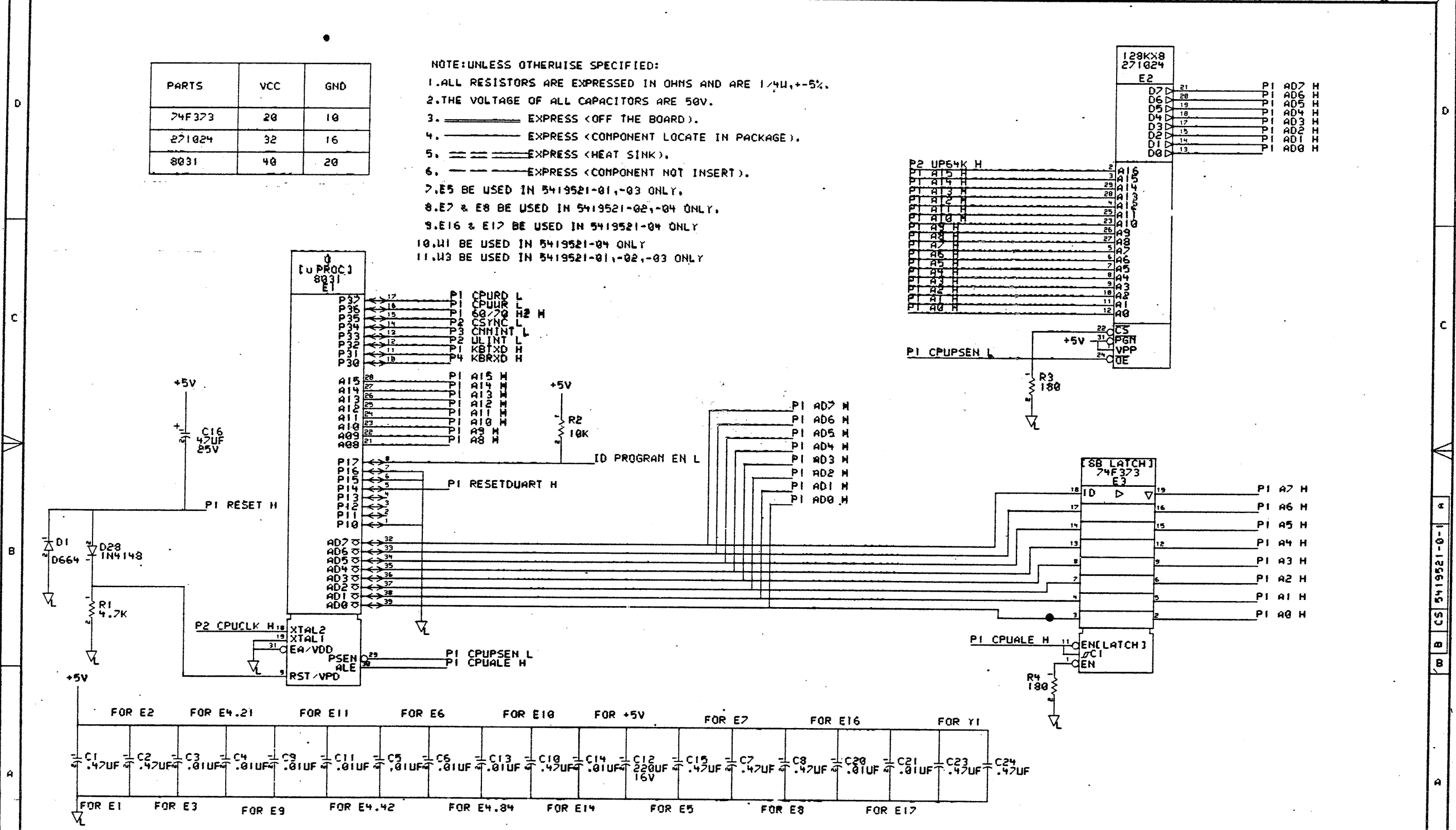
LINE ITEM	TOP DOCUMENT	PART NUMBER	MIN REV	DESCRIPTION	QTY PER VAR/REV				REFERENCE DESIGNATORS
					01	02	03	04	
227	227	90-11089-02		SCREW,CAPT,M3-05	1	1	1	1	
228	228	91-05740-55		WIRE(WRAP) 30AWG KYNAR UL14	A/R	A/R	A/R	A/R	
229	229	91-07560-01		WIRE,BUSS 22AWG TIN BARE	A/R	A/R	A/R	A/R	

1 GEN: 1. 21-30395-43 CAN BE SUBSTITUTE BY 64K\*4 DRAM & 64K\*4 VRAM. FOLLOWING PART NUMBER OF 64K\*4 D/U RAM CAN BE USED:  
 2 GEN: A. DRAM: DIP 21-24412-03 HITACHI  
 3 GEN: 21-14413-03 MITSUBISHI  
 4 GEN: 21-30437-03 MICRON  
 5 GEN: B. VRAM: ZIP 21-27053-43 MITSUBISHI  
 6 GEN: 21-31901-43 MICRON

D	I	G	I	T	A	L	TITLE	SECTION A	OF	A	SIZE	CODE	DOCUMENT NUMBER	REV
							PARTS LIST SYSTEM MODULE				K	PL	5419521-0-DBP	A

PARTS	VCC	GND
74F373	20	10
271024	32	16
8031	40	20

NOTE: UNLESS OTHERWISE SPECIFIED:  
 1. ALL RESISTORS ARE EXPRESSED IN OHMS AND ARE 1/4W, +-5%.  
 2. THE VOLTAGE OF ALL CAPACITORS ARE 50V.  
 3. \_\_\_\_\_ EXPRESS <OFF THE BOARD>.  
 4. \_\_\_\_\_ EXPRESS <COMPONENT LOCATE IN PACKAGE>.  
 5. \_\_\_\_\_ EXPRESS <HEAT SINK>.  
 6. \_\_\_\_\_ EXPRESS <COMPONENT NOT INSERT>.  
 7. E5 BE USED IN 5419521-01, -03 ONLY.  
 8. E7 & E8 BE USED IN 5419521-02, -04 ONLY.  
 9. E16 & E17 BE USED IN 5419521-04 ONLY.  
 10. U1 BE USED IN 5419521-04 ONLY.  
 11. U3 BE USED IN 5419521-01, -02, -03 ONLY.



FOR E2	FOR E4.21	FOR E11	FOR E6	FOR E10	FOR +5V	FOR E7	FOR E16	FOR Y1
C1	C2	C3	C4	C9	C11	C5	C6	C13
.47UF	.47UF	.01UF	.01UF	.01UF	.01UF	.01UF	.01UF	.01UF
FOR E1	FOR E3	FOR E9	FOR E4.42	FOR E4.34	FOR E14	FOR E5	FOR E8	FOR E17
C10	C14	C12	C15	C7	C8	C20	C21	C23
.47UF	.01UF	220UF	.47UF	.47UF	.47UF	.01UF	.01UF	.47UF
		16V						

THIS DRAWING AND THE SPECIFICATIONS CONTAINED HEREIN ARE CONFIDENTIAL AND PROPRIETARY. THEY ARE THE PROPERTY OF DIGITAL EQUIPMENT CORP. AND SHALL NOT BE REPRODUCED OR COPIED OR USED IN WHOLE OR IN PART AS THE BASIS FOR THE MANUFACTURE OR SALE OF ITEMS WITHOUT WRITTEN PERMISSION. THIS IS AN UNPUBLISHED WORK PROTECTED UNDER THE FEDERAL COPYRIGHT LAWS. COPYRIGHT © 1988 DIGITAL EQUIPMENT CORPORATION.

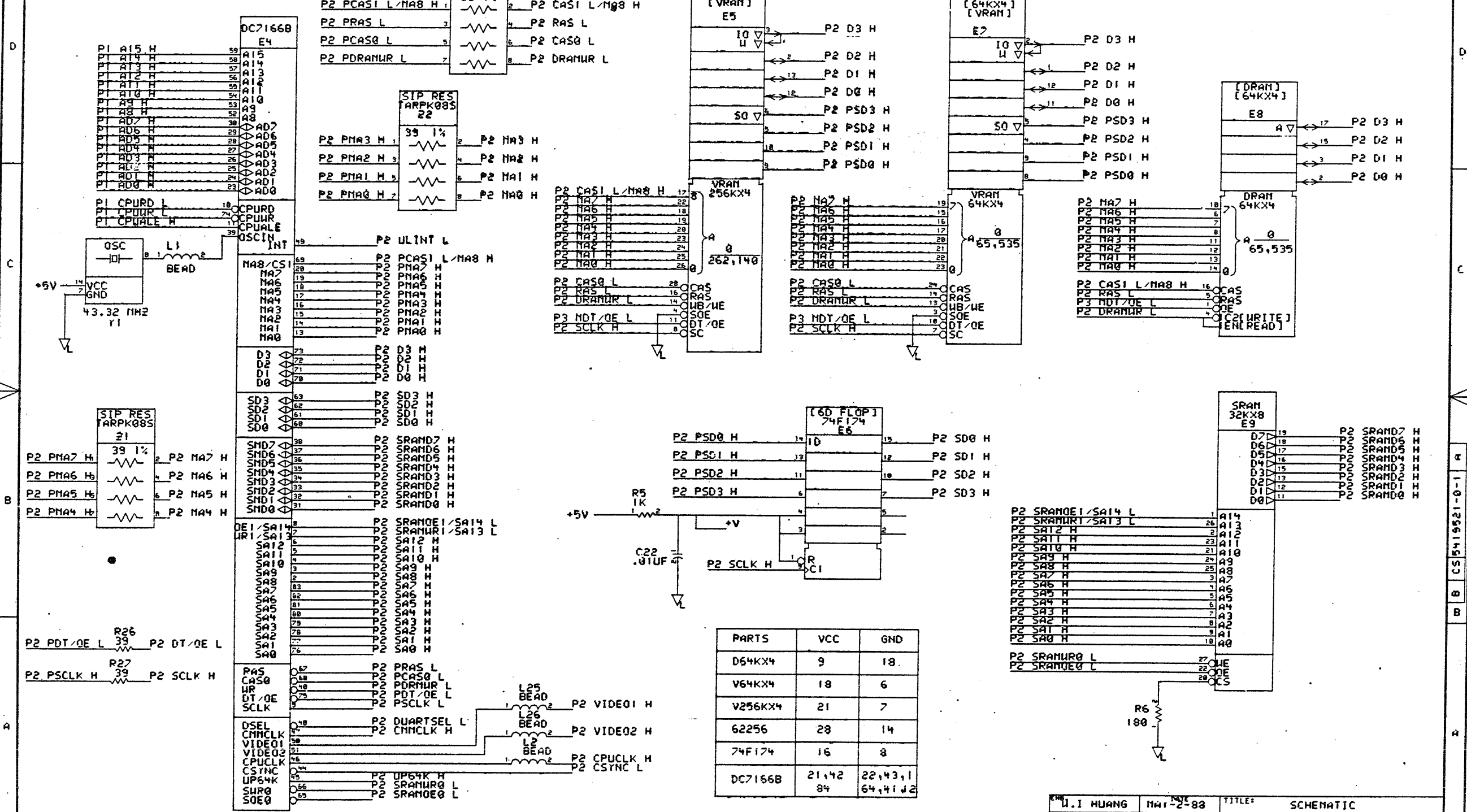
REVISION	CHK	CHANGE NO	REV

DRAWING  
 LAST MODIFIED=Wed Dec 27 07:35:21 1989

digital	OWN. C. LIN	DATE MAY-2-88	DES. U. I. HUANG	DATE MAY-2-88	TITLE: SCHEMATIC SYSTEM MODULE
	CHK'D. C. CHO	DATE MAY-2-88	BOARD LOCATION	SHEET	REV. A
USRA:	FIRST USED ON OPT/ON/MODEL	TOP DOCUMENT NUMBER: B-DD-5419521-0-0	SIZE CODE B CS	NUMBER 5419521-0-1	REV. A

THIS DRAWING AND THE SPECIFICATIONS CONTAINED HEREIN ARE CONFIDENTIAL AND PROPRIETARY. THEY ARE THE PROPERTY OF DIGITAL EQUIPMENT CORP. AND SHALL NOT BE REPRODUCED OR COPIED OR USED IN WHOLE OR IN PART AS THE BASIS FOR THE MANUFACTURE OR SALE OF ITEMS WITHOUT WRITTEN PERMISSION. THIS IS AN UNPUBLISHED WORK PROTECTED UNDER THE FEDERAL COPYRIGHT LAWS. COPYRIGHT © 1989 DIGITAL EQUIPMENT CORPORATION

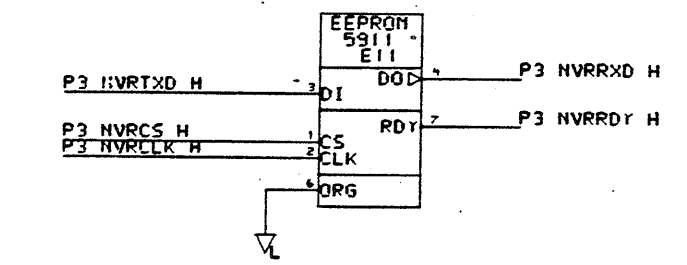
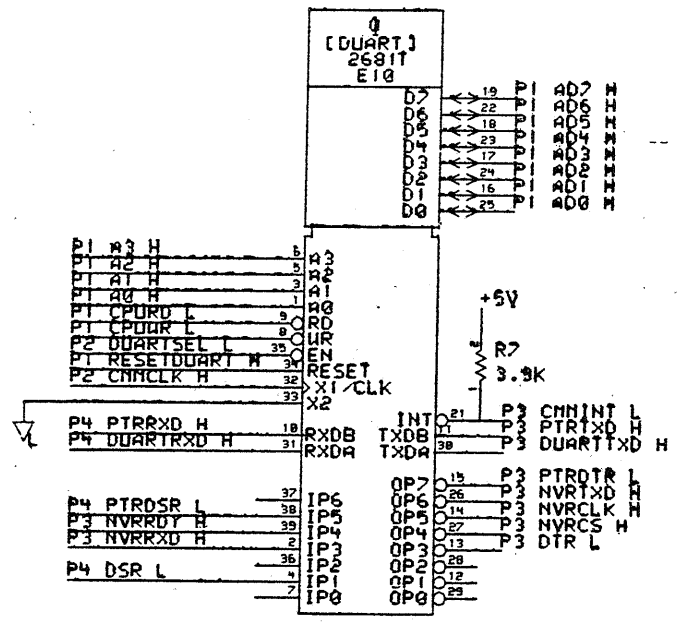
NOTE:  
 1.E4 DC7166B BE USED IN 5419521-01,-02 ONLY  
 2.E4 DC7166C BE USED IN 5419521-03,-04 ONLY



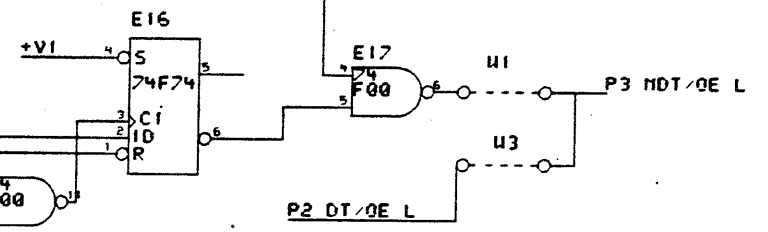
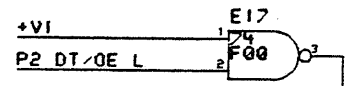
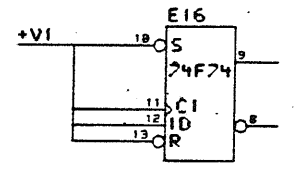
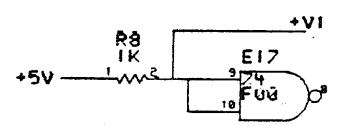
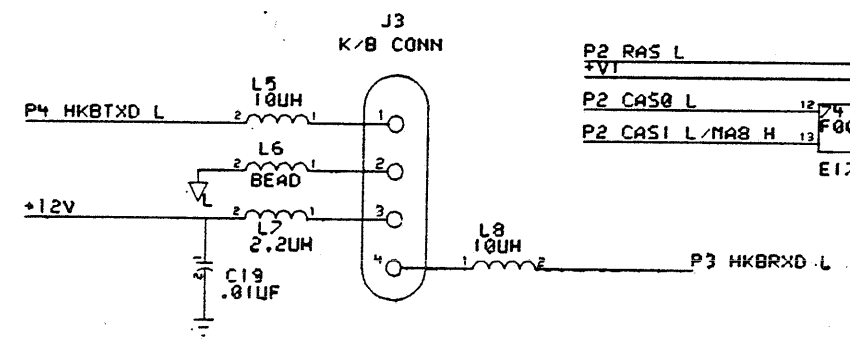
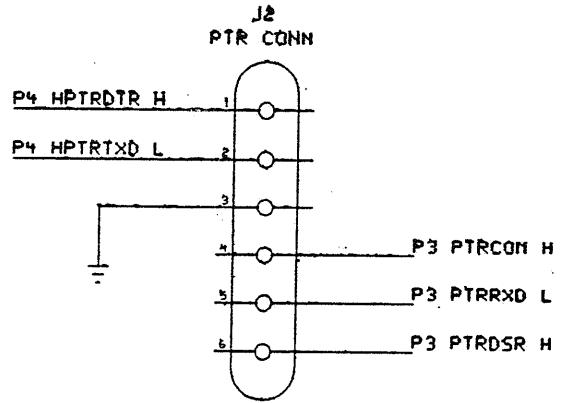
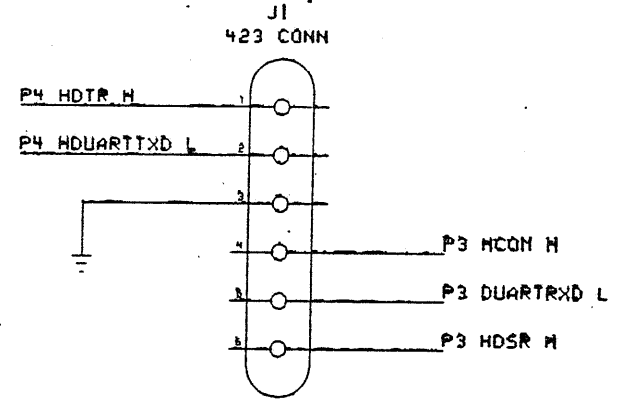
PARTS	VCC	GND
D64KX4	9	18
V64KX4	18	6
V256KX4	21	7
62256	28	14
74F174	16	8
DC7166B	21,42	22,43,1
	84	64,41,42

U.I HUANG	DATE: MAY-2-88	TITLE: SCHEMATIC
BOARD LOCATION: 2	OF: 7	SYSTEM MODULE
SHEET: 2	OF: 7	
TOP DOCUMENT NUMBER: B-DD-5419521-0-0	SIZE: B CS	NUMBER: 5419521-0-1
		REV: A

THIS DRAWING AND THE SPECIFICATIONS CONTAINED HEREIN ARE CONFIDENTIAL AND PROPRIETARY. THEY ARE THE PROPERTY OF DIGITAL EQUIPMENT CORP. AND SHALL NOT BE REPRODUCED OR COPIED OR USED IN WHOLE OR IN PART AS THE BASIS FOR THE MANUFACTURE OR SALE OF ITEMS WITHOUT WRITTEN PERMISSION. THIS IS AN UNPUBLISHED WORK PROTECTED UNDER THE FEDERAL COPYRIGHT LAWS. COPYRIGHT © 1989 DIGITAL EQUIPMENT CORPORATION

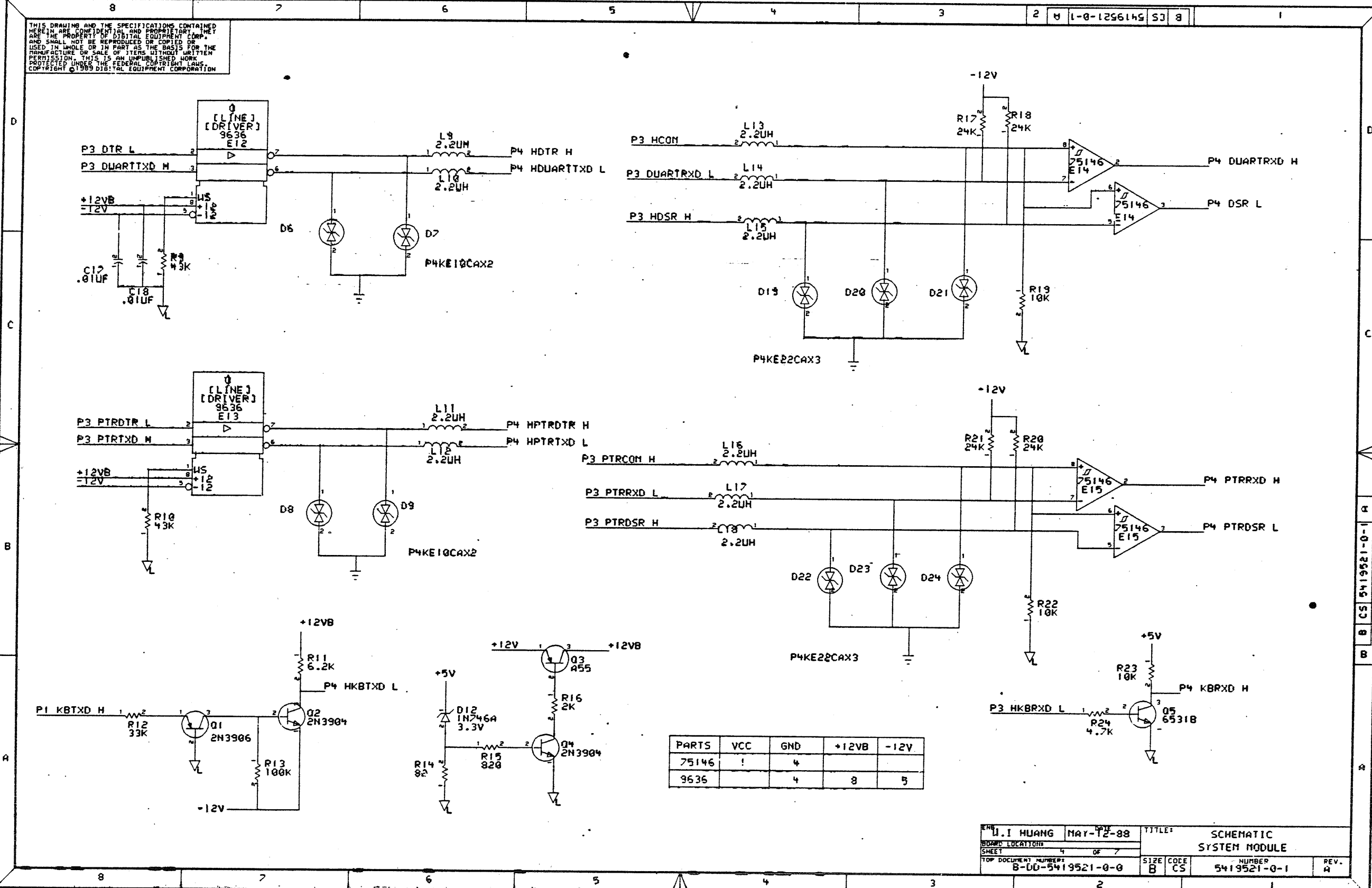


PARTS	VCC	GND
2681T	40	20
5911	8	5



DESIGNER: U.I. HUANG	DATE: MAY-2-88	TITLE: SCHEMATIC SYSTEM MODULE
BOARD LOCATION: SHEET 2 OF 7	SIZE/ CODE: B CS	NUMBER: 5419521-0-1
TOP DOCUMENT NUMBER: B-DO-5419521-0-0		REV: W

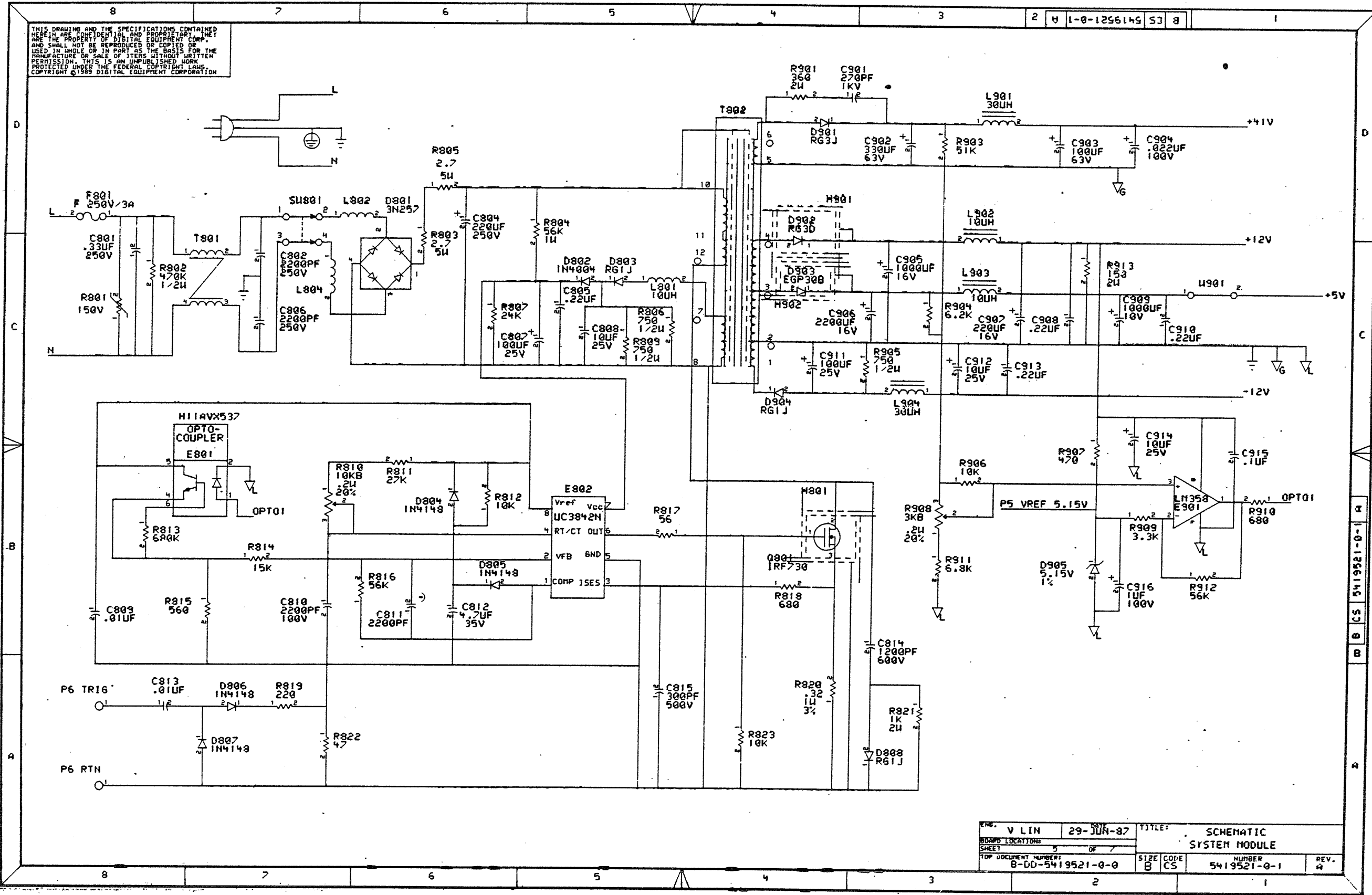
THIS DRAWING AND THE SPECIFICATIONS CONTAINED HEREIN ARE CONFIDENTIAL AND PROPRIETARY. THEY ARE THE PROPERTY OF DIGITAL EQUIPMENT CORP. AND SHALL NOT BE REPRODUCED OR COPIED OR USED IN WHOLE OR IN PART AS THE BASIS FOR THE MANUFACTURE OR SALE OF ITEMS WITHOUT WRITTEN PERMISSION. THIS IS AN UNPUBLISHED WORK PROTECTED UNDER THE FEDERAL COPYRIGHT LAWS. COPYRIGHT © 1989 DIGITAL EQUIPMENT CORPORATION



PARTS	VCC	GND	+12VB	-12V
75146	!	4		
9636		4	8	5

U.I HUANG MAY-12-88 TITLE: SCHEMATIC SYSTEM MODULE  
 SHEET 4 OF 7  
 TOP DOCUMENT NUMBER: B-DU-5419521-0-0 SIZE CODE NUMBER REV.  
 B CS 5419521-0-1 A

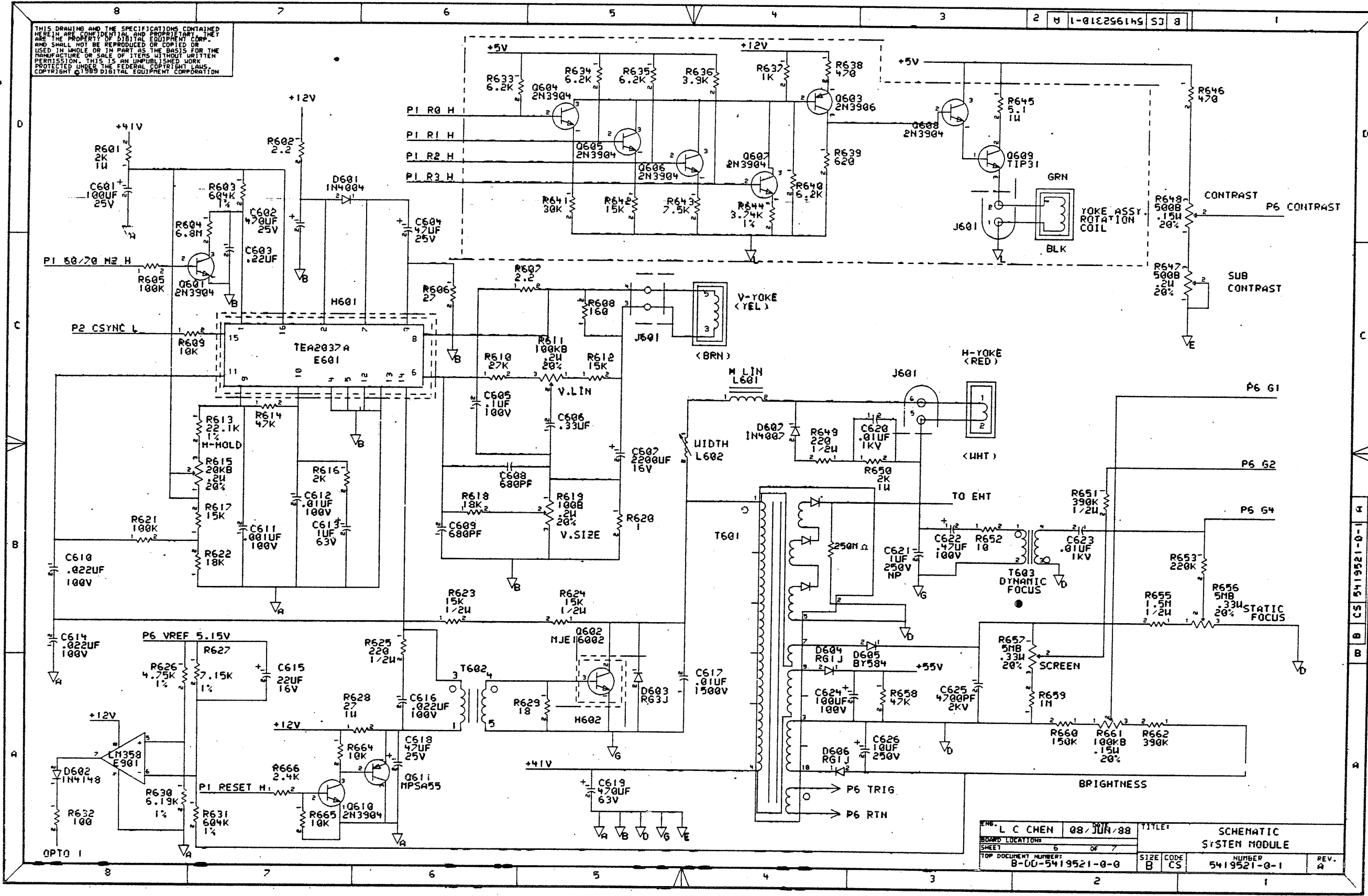
THIS DRAWING AND THE SPECIFICATIONS CONTAINED HEREIN ARE CONFIDENTIAL AND PROPRIETARY. THEY ARE THE PROPERTY OF DIGITAL EQUIPMENT CORP. AND SHALL NOT BE REPRODUCED OR COPIED OR USED IN WHOLE OR IN PART AS THE BASIS FOR THE MANUFACTURE OR SALE OF ITEMS WITHOUT WRITTEN PERMISSION. THIS IS AN UNPUBLISHED WORK PROTECTED UNDER THE FEDERAL COPYRIGHT LAWS. COPYRIGHT © 1989 DIGITAL EQUIPMENT CORPORATION



ENG. V LIN	29-JUN-87	TITLE: SCHEMATIC
BOARD LOCATION: 5 OF 7		SYSTEM MODULE
TOP DOCUMENT NUMBER: B-DD-5419521-0-0		SIZE: B CS
		NUMBER: 5419521-0-1
		REV. A

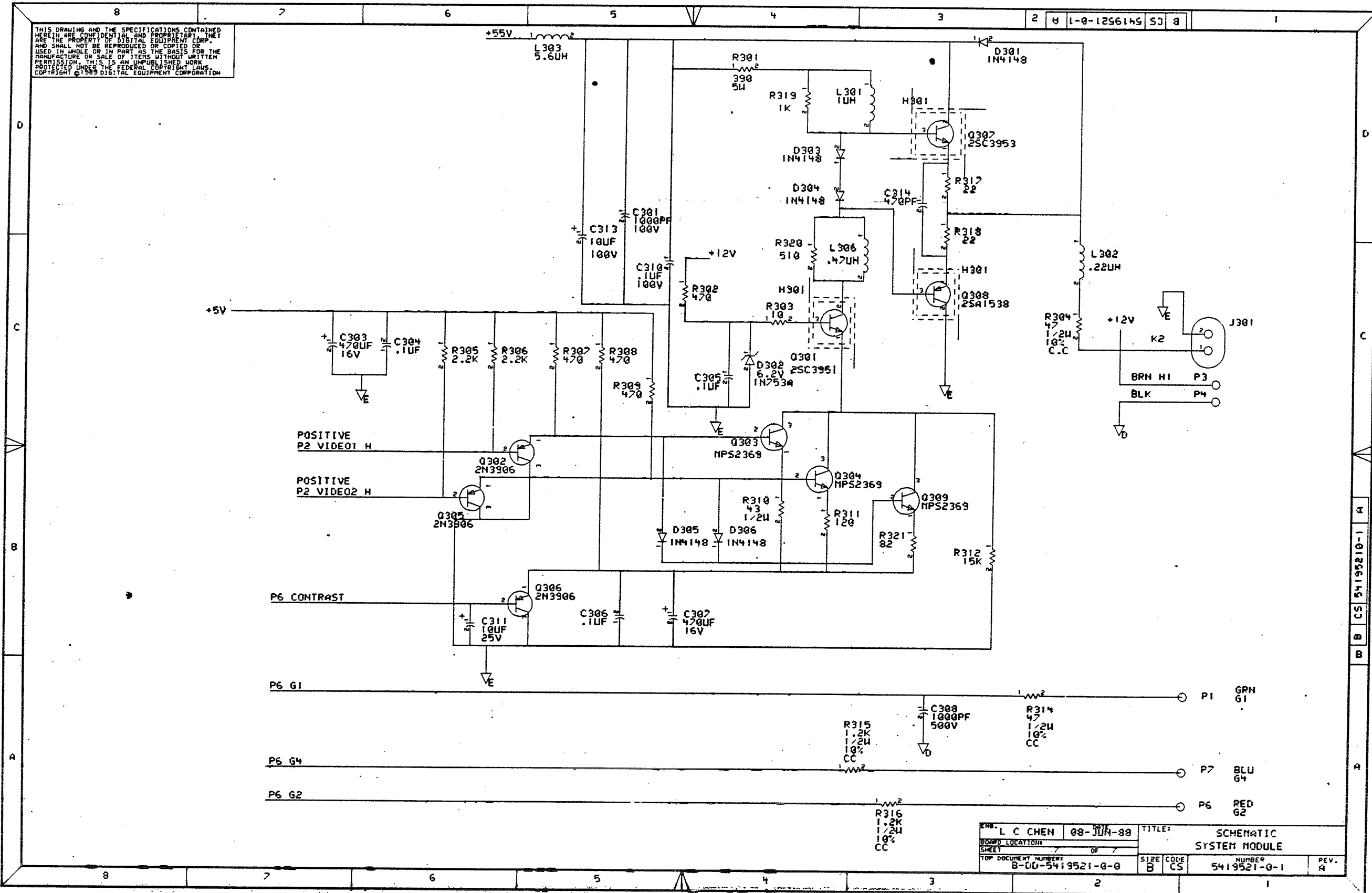


THIS DRAWING AND THE SPECIFICATIONS CONTAINED HEREIN ARE CONFIDENTIAL AND PROPRIETARY. THEY ARE THE PROPERTY OF DIGITAL EQUIPMENT CORP. AND SHALL NOT BE REPRODUCED OR COPIED OR USED IN WHOLE OR IN PART AS THE BASIS FOR THE MANUFACTURE OR SALE OF ITEMS WITHOUT WRITTEN PERMISSION. THIS IS AN UNPUBLISHED WORK PROTECTED UNDER THE FEDERAL COPYRIGHT LAWS. COPYRIGHT © 1989 DIGITAL EQUIPMENT CORPORATION



DESIGNER: L C CHEN	DATE: 08/JUN/88	TITLE: SCHEMATIC SYSTEM MODULE
BOARD LOCATION: 6	SHEET: 6 OF 7	NUMBER: 5419521-0-1
TOP DOCUMENT NUMBER: B-00-5419521-0-0	SIZE: B	CODE: CS
		REV: A

THIS DRAWING AND THE SPECIFICATIONS CONTAINED HEREIN ARE CONFIDENTIAL AND PROPRIETARY. THEY ARE THE PROPERTY OF DIGITAL EQUIPMENT CORP. AND SHALL NOT BE REPRODUCED OR COPIED OR USED IN WHOLE OR IN PART AS THE BASIS FOR THE MANUFACTURE OR SALE OF ITEMS WITHOUT WRITTEN PERMISSION. THIS IS AN UNPUBLISHED WORK PROTECTED UNDER THE FEDERAL COPYRIGHT LAWS. COPYRIGHT © 1989 DIGITAL EQUIPMENT CORPORATION



DESIGNED BY	L C CHEN	DATE	08-JUN-88	TITLE	SCHEMATIC SYSTEM MODULE		
BOARD LOCATION				SIZE	B	CS	
SHEET				NUMBER	5419521-0-1		
TOP DOCUMENT NUMBER	B-00-5419521-0-0			REV.	A		

8 6 5 4 3 2 1

THIS DRAWING AND THE SPECIFICATIONS CONTAINED HEREIN ARE CONFIDENTIAL AND PROPRIETARY. THEY ARE THE PROPERTY OF DIGITAL EQUIPMENT CORPORATION AND SHALL NOT BE REPRODUCED OR COPIED OR USED IN WHOLE OR IN PART BY THE PUBLIC FOR THE MANUFACTURE OR SALE OF ITEMS WITHOUT WRITTEN PERMISSION. THIS IS AN UNQUALIFIED MARK. NOTIFIED UNDER THE FEDERAL COPYRIGHT LAW. COPYRIGHT © 1988 DIGITAL EQUIPMENT CORPORATION

DRAWING NUMBER	NO OF SHEETS	PART NUMBER	DESCRIPTION	REVISIONS
		54-19523-01	SYSTEM MODULE	A01
		54-19523-02	SYSTEM MODULE	A01
		54-19523-03	SYSTEM MODULE	A01
		54-19523-04	SYSTEM MODULE	A01
		54-19523-05	SYSTEM MODULE	A01
		54-19523-06	SYSTEM MODULE	A01
		54-19523-07	SYSTEM MODULE	A01
		54-19523-08	SYSTEM MODULE	A01
		54-19523-09	SYSTEM MODULE	A01
		54-19523-10	SYSTEM MODULE	A01
		54-19523-11	SYSTEM MODULE	A01
		54-19523-12	SYSTEM MODULE	A01
K-UR-5419523-0-0	5		UNIT ASSY	A
B-CS-5419523-0-1	8		CIRCUIT SCHEMATIC	A
K-PL-5419523-0-DBP	18		PARTS LIST	A
K-PC-5419523-0-DBV	1		P.C. DESIGN DATA BASE	A
K-CS-5419523-0-DBX	1		VALID DATA BASE	A
		50-19522-01	ETCH CIRCUIT BOARD	C01
K-DD-5019522-0-0	1		DRAWING DIRECTORY	A

REVISION HISTORY		DATE	EDD NO	INITIAL	REV
		05FEB90			A

NOTES:

APPROVALS	DATE
DRAWN GPTA CHEN	22-AUG-88
CHECKED S.L. KUONG/ANGEL LEE	22-AUG-88
MECH ENG C. S. CHEN	22-AUG-88
PROJ ENG J. B. LOU	22-AUG-88
MFG ENG T. N. HUANG	22-AUG-88

TITLE DWG DIR, SYSTEM MODULE

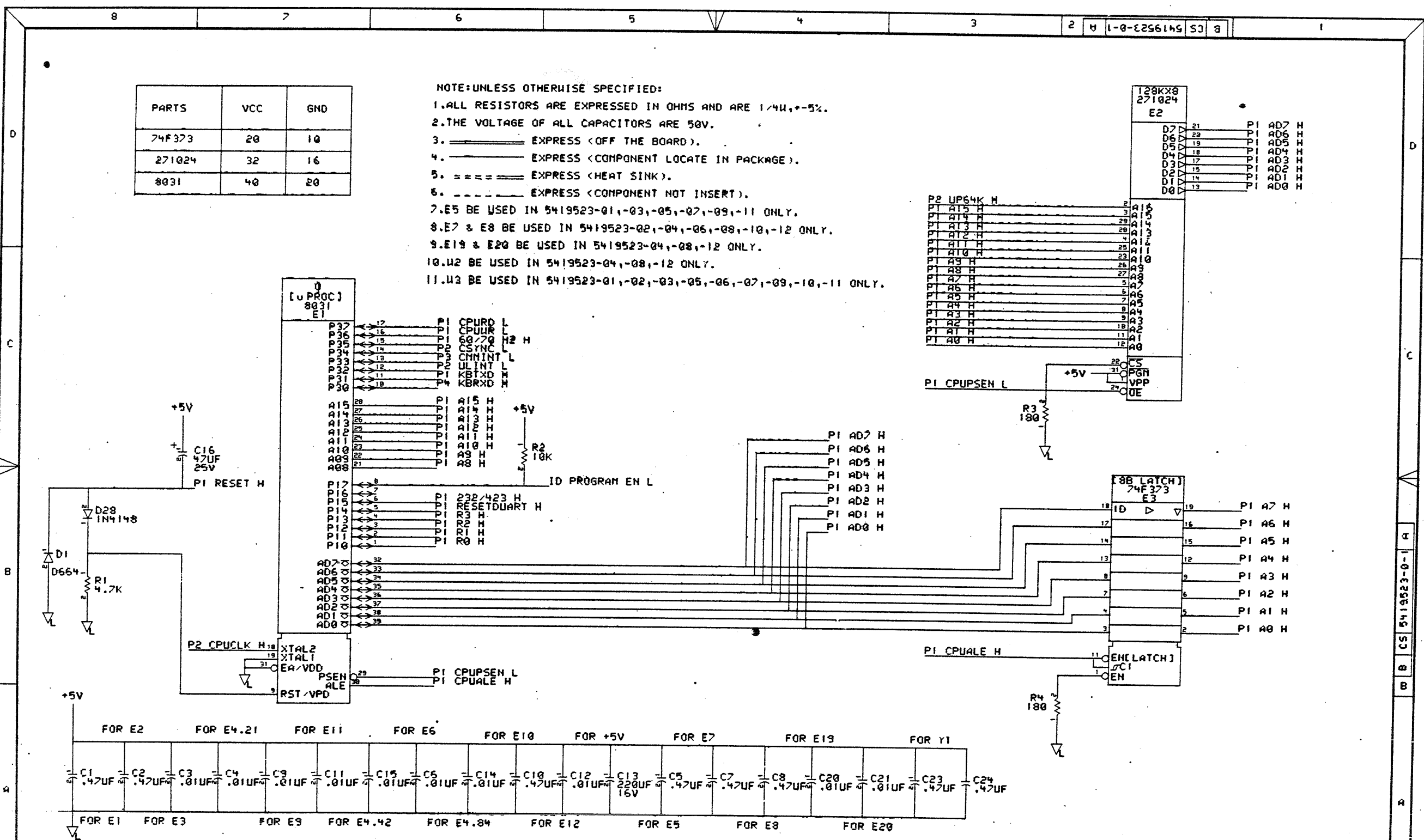
MEDIA SIZE CODE NUMBER REV  
SHEET 1 OF 1 K 0 00 5419523-1-0 A

8 7 6 5 4 3 2 1 WO# N/A

DIGITAL EQUIPMENT CORPORATION 5419523-0-0

PARTS	VCC	GND
74F373	20	10
271024	32	16
8031	40	20

- NOTE: UNLESS OTHERWISE SPECIFIED:
1. ALL RESISTORS ARE EXPRESSED IN OHMS AND ARE 1/4W, +-5%.
  2. THE VOLTAGE OF ALL CAPACITORS ARE 50V.
  3. ===== EXPRESS (OFF THE BOARD).
  4. ----- EXPRESS (COMPONENT LOCATE IN PACKAGE).
  5. ===== EXPRESS (HEAT SINK).
  6. ----- EXPRESS (COMPONENT NOT INSERT).
  7. E5 BE USED IN 5419523-01, -03, -05, -07, -09, -11 ONLY.
  8. E7 & E8 BE USED IN 5419523-02, -04, -06, -08, -10, -12 ONLY.
  9. E19 & E20 BE USED IN 5419523-04, -08, -12 ONLY.
  10. U2 BE USED IN 5419523-04, -08, -12 ONLY.
  11. U3 BE USED IN 5419523-01, -02, -03, -05, -06, -07, -09, -10, -11 ONLY.



THIS DRAWING AND THE SPECIFICATIONS CONTAINED HEREIN ARE CONFIDENTIAL AND PROPRIETARY. THEY ARE THE PROPERTY OF DIGITAL EQUIPMENT CORP. AND SHALL NOT BE REPRODUCED OR COPIED OR USED IN WHOLE OR IN PART AS THE BASIS FOR THE MANUFACTURE OR SALE OF ITEMS WITHOUT WRITTEN PERMISSION. THIS IS AN UNPUBLISHED WORK PROTECTED UNDER THE FEDERAL COPYRIGHT LAWS. COPYRIGHT © 1988 DIGITAL EQUIPMENT CORPORATION.

CHK	REVISION	NO.	REV

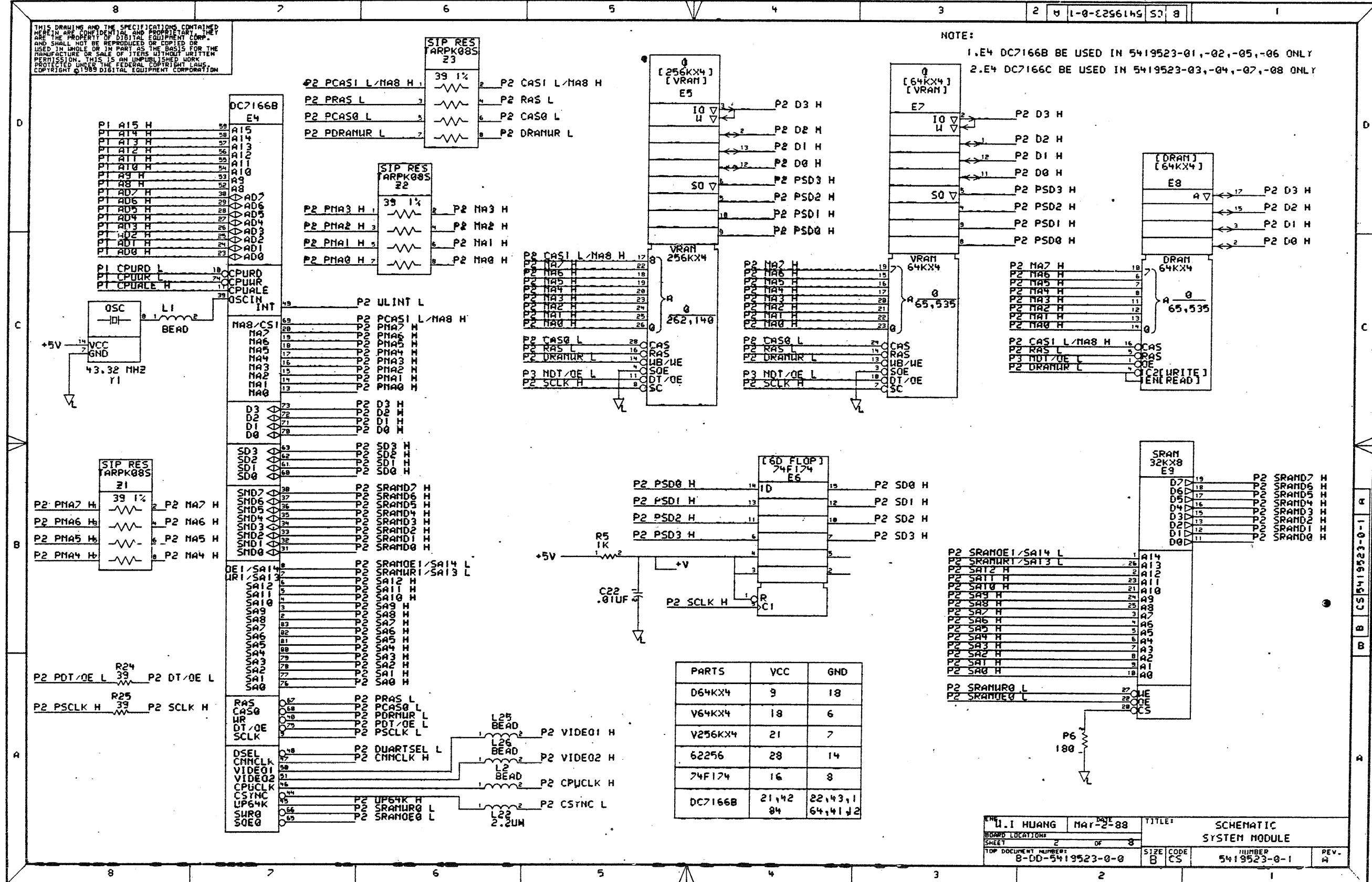
DRAWING  
 LAST MODIFIED=Wed Dec 27 08:59:00 1988

digital	DRW. C U LIN	DATE MAY-02-88	DES. U: I HUANG	DATE MAY-2-88	TITLE: SCHEMATIC SYSTEM MODULE
	CHK'D. LC CHO	DATE MAY-02-88	BOARD LOCATION: 1	SHEET 1 OF 8	SIZE CODE CS
USRA: FIRST USED ON OPTION-MODELS	TOP DOCUMENT NUMBER: B-DD-5419523-0-0		NUMBER 5419523-0-1	REV. A	

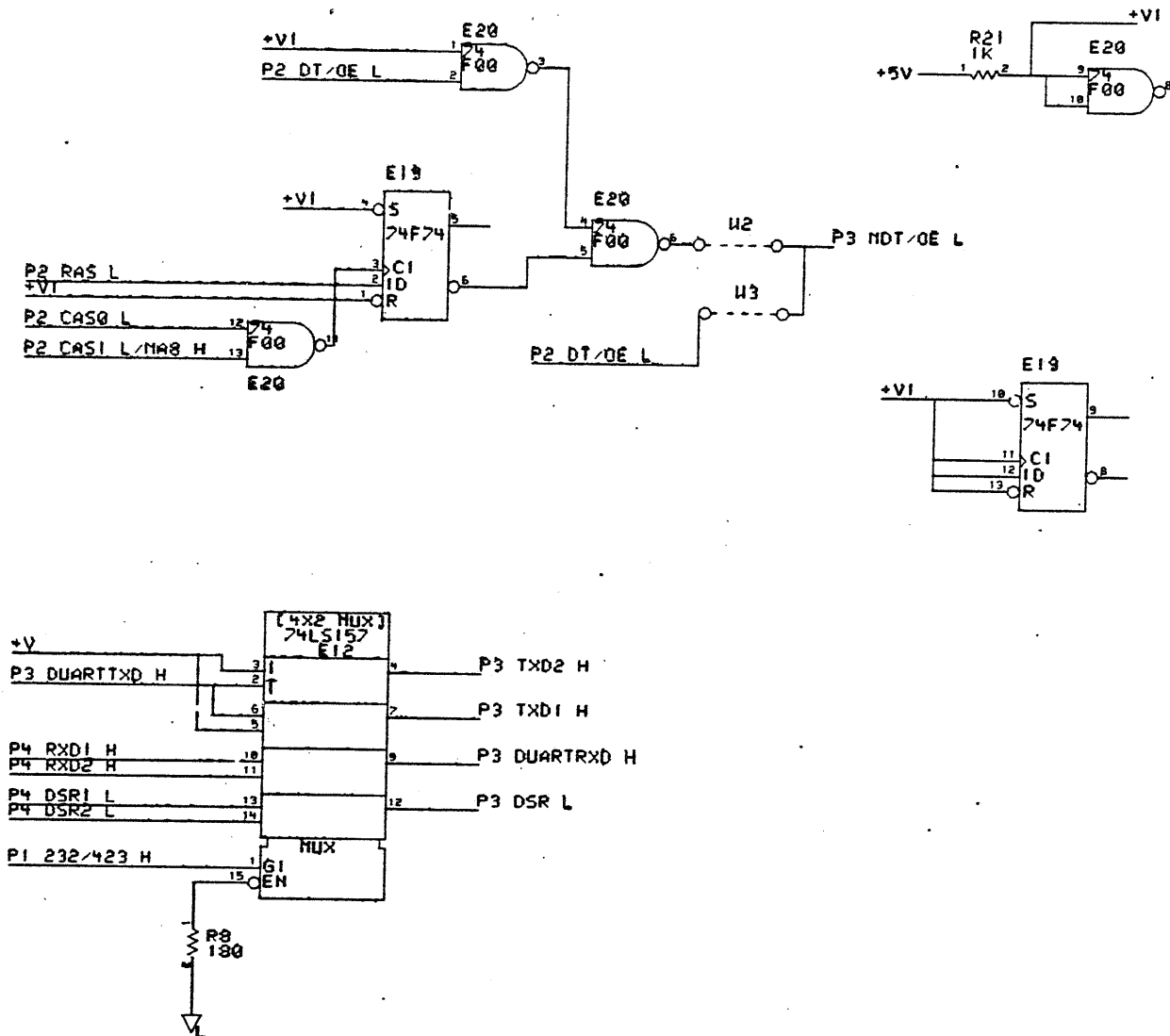
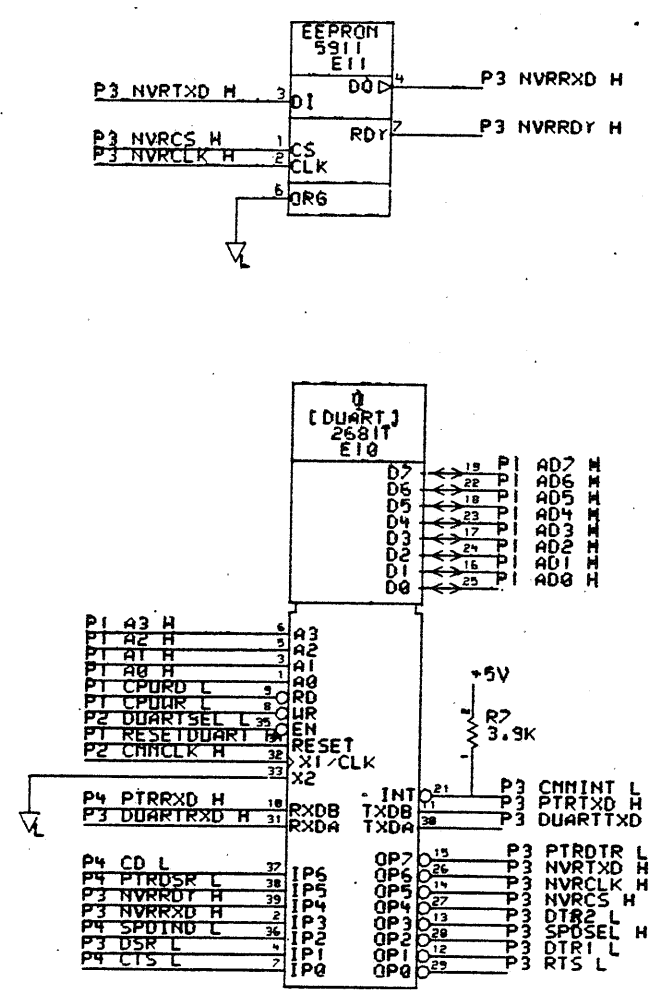
A B CS 5419523-0-1

THIS DRAWING AND THE SPECIFICATIONS CONTAINED HEREIN ARE CONFIDENTIAL AND PROPRIETARY. THEY ARE THE PROPERTY OF DIGITAL EQUIPMENT CORP. AND SHALL NOT BE REPRODUCED OR COPIED OR USED IN WHOLE OR IN PART AS THE BASIS FOR THE MANUFACTURE OR SALE OF OTHERS WITHOUT WRITTEN PERMISSION. THIS IS AN UNPUBLISHED WORK PROTECTED UNDER THE FEDERAL COPYRIGHT LAWS. COPYRIGHT © 1989 DIGITAL EQUIPMENT CORPORATION

NOTE:  
 1.E4 DC7166B BE USED IN 5419523-01,-02,-05,-06 ONLY  
 2.E4 DC7166C BE USED IN 5419523-03,-04,-07,-08 ONLY



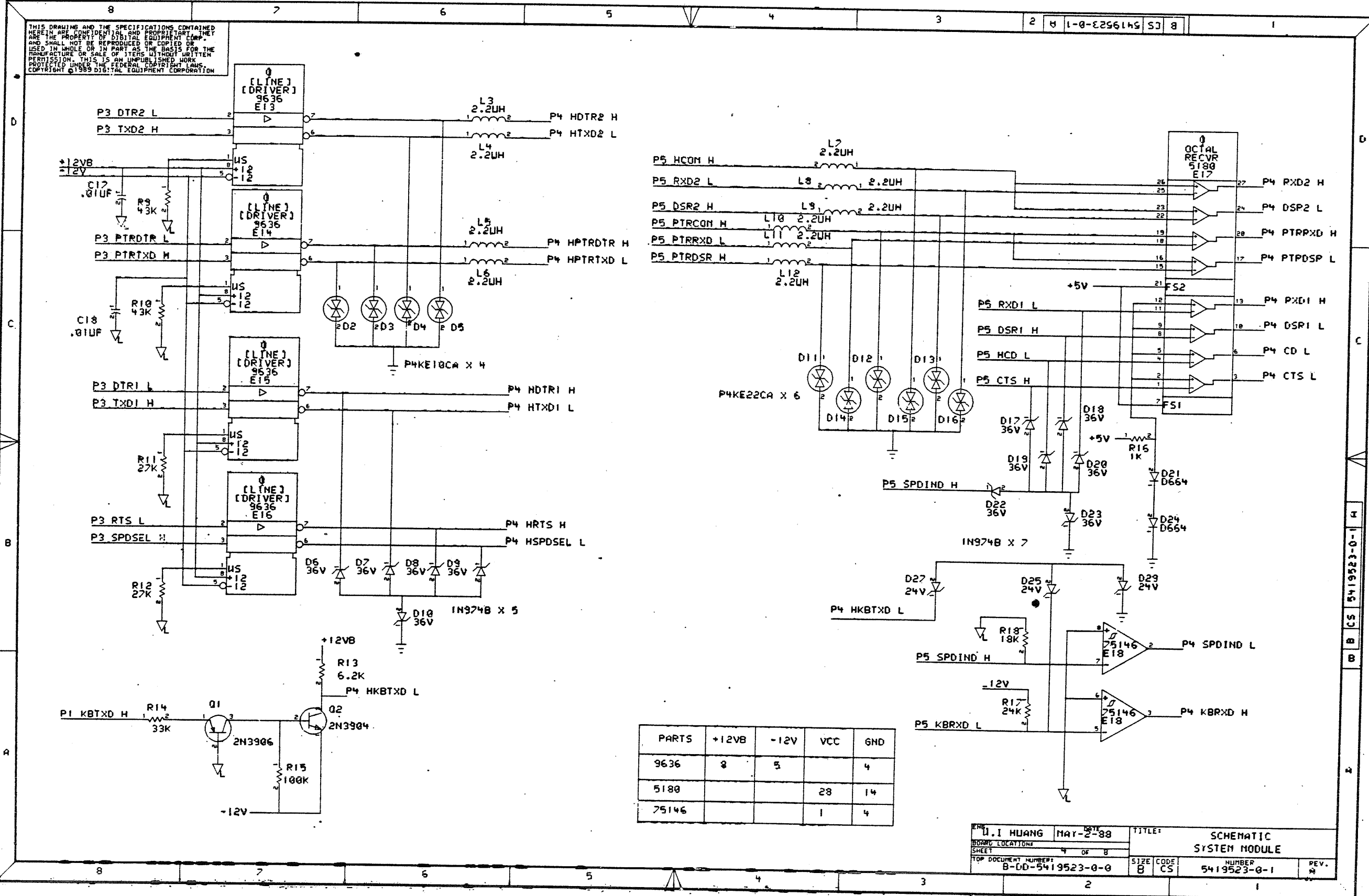
THIS DRAWING AND THE SPECIFICATIONS CONTAINED HEREIN ARE CONFIDENTIAL AND PROPRIETARY. THEY ARE THE PROPERTY OF DIGITAL EQUIPMENT CORP. AND SHALL NOT BE REPRODUCED OR COPIED OR USED IN WHOLE OR IN PART AS THE BASIS FOR THE MANUFACTURE OR SALE OF ITEMS WITHOUT WRITTEN PERMISSION. THIS IS AN UNPUBLISHED WORK PROTECTED UNDER THE FEDERAL COPYRIGHT LAWS. COPYRIGHT © 1989 DIGITAL EQUIPMENT CORPORATION



PARTS	VCC	GND
2681T	40	20
5911	8	5
74LS157	16	8

U. I. HUANG MAY-2-89 TITLE: SCHEMATIC SYSTEM MODULE  
 BOARD LOCATION: 3 OF 8  
 SHEET: 3 OF 8  
 TOP DOCUMENT NUMBER: B-00-5419523-0-0 SIZE: CODE B CS NUMBER: 5419523-0-1 REV: A

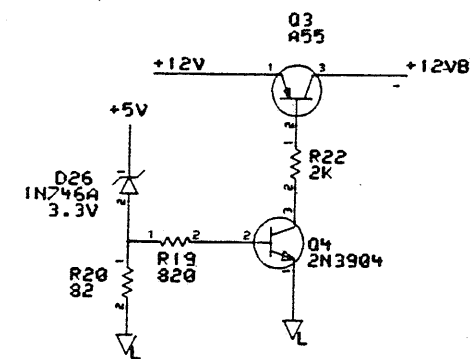
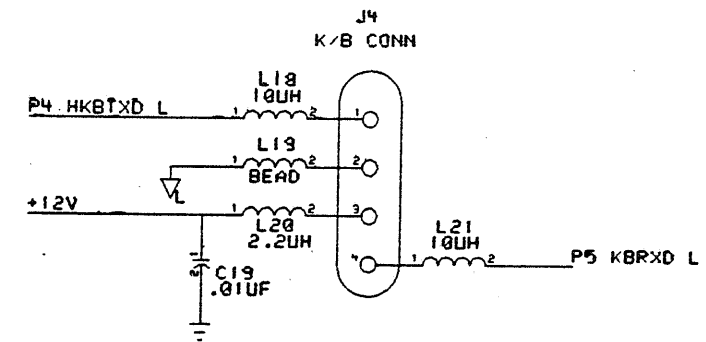
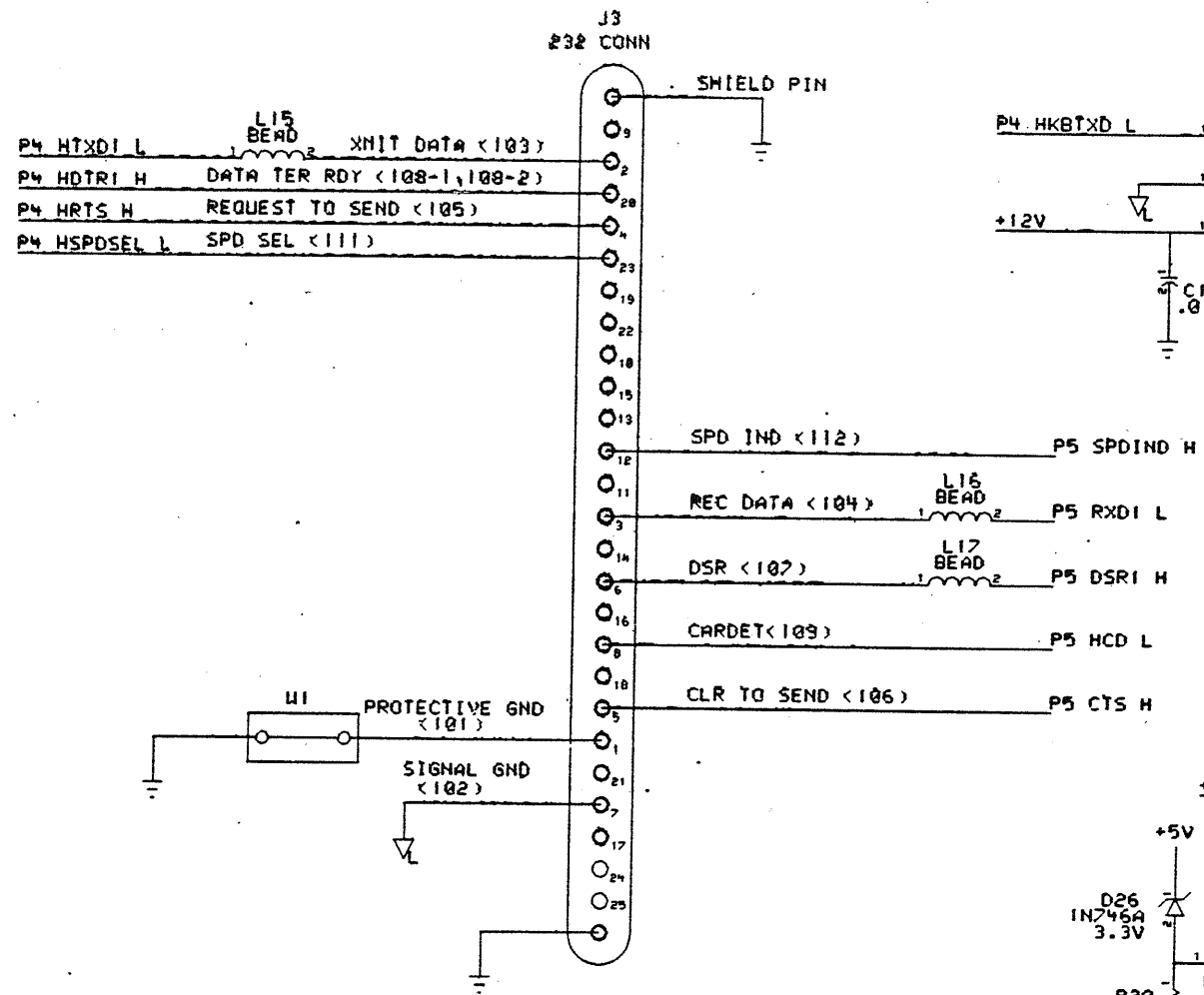
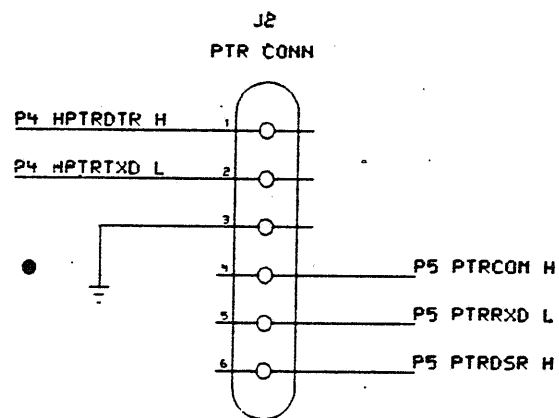
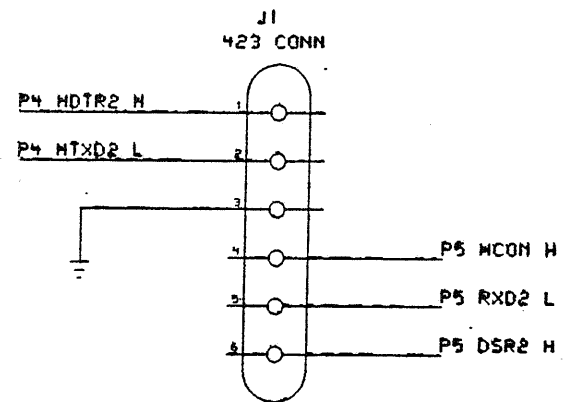
THIS DRAWING AND THE SPECIFICATIONS CONTAINED HEREIN ARE UNCLASSIFIED AND PROPRIETARY. THEY ARE THE PROPERTY OF DIGITAL EQUIPMENT CORP. AND SHALL NOT BE REPRODUCED OR COPIED OR USED IN WHOLE OR IN PART AS THE BASIS FOR THE MANUFACTURE OR SALE OF ITEMS WITHOUT WRITTEN PERMISSION. THIS IS AN UNPUBLISHED WORK PROTECTED UNDER THE FEDERAL COPYRIGHT LAWS. COPYRIGHT © 1989 DIGITAL EQUIPMENT CORPORATION



PARTS	+12VB	-12V	VCC	GND
9636	3	5		4
5180			28	14
75146			1	4

U. I. HUANG MAY-2-88  
 BOARD LOCATION: 4 OF 8  
 SHEET: 4 OF 8  
 TOP DOCUMENT NUMBER: B-00-5419523-0-0  
 TITLE: SCHEMATIC SYSTEM MODULE  
 SIZE: B CS  
 NUMBER: 5419523-0-1  
 REV. N

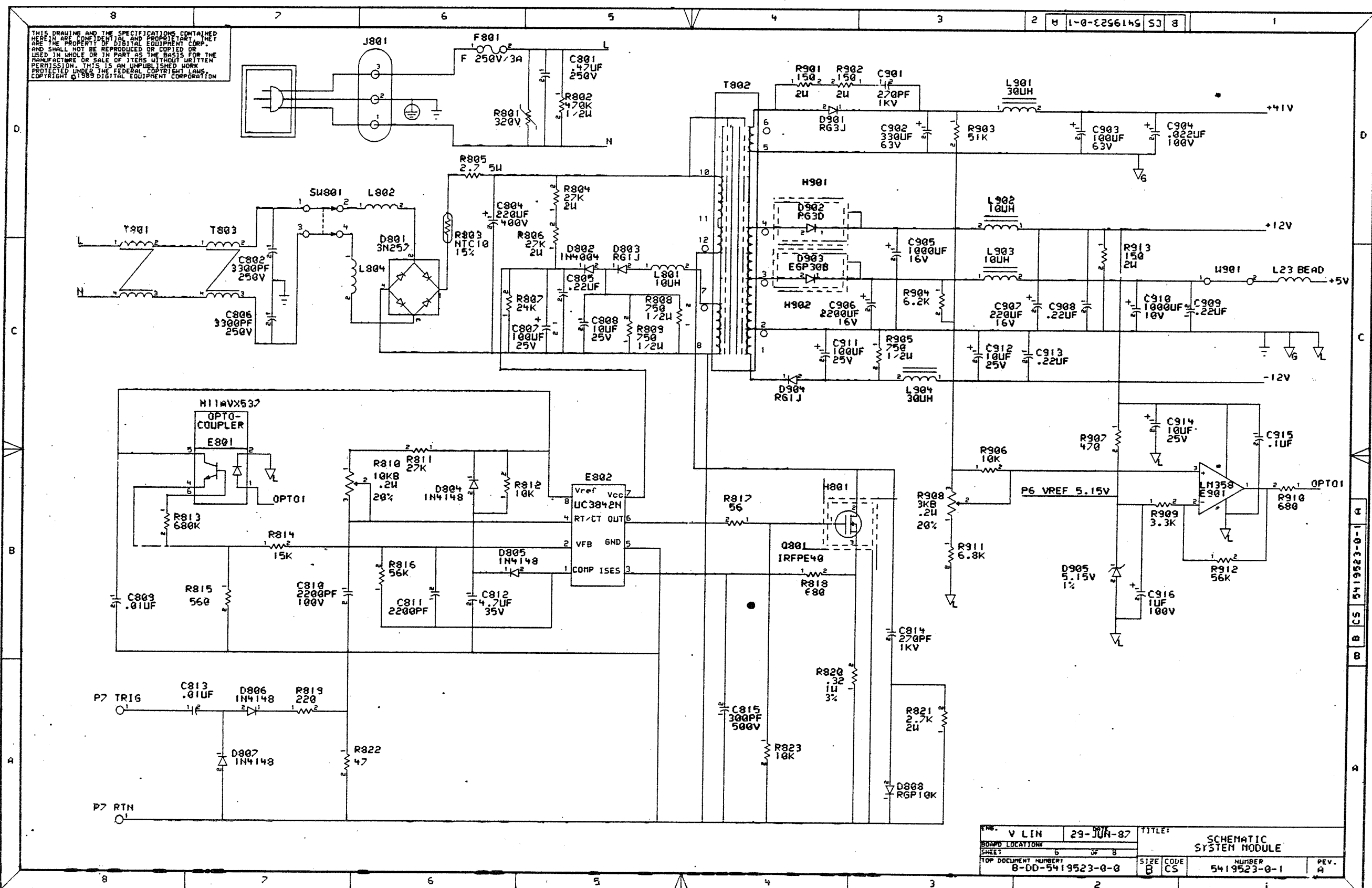
THIS DRAWING AND THE SPECIFICATIONS CONTAINED HEREIN ARE CONFIDENTIAL AND PROPRIETARY. THEY ARE THE PROPERTY OF DIGITAL EQUIPMENT CORP. AND SHALL NOT BE REPRODUCED OR COPIED OR USED IN WHOLE OR IN PART AS THE BASIS FOR THE MANUFACTURE OR SALE OF ITEMS WITHOUT WRITTEN PERMISSION. THIS IS AN UNPUBLISHED WORK PROTECTED UNDER THE FEDERAL COPYRIGHT LAWS. COPYRIGHT © 1989 DIGITAL EQUIPMENT CORPORATION



DESIGNER: U I HUANG	DATE: JUN-89-88	TITLE: SCHEMATIC SYSTEM MODULE
BOARD LOCATION: SHEET 5 OF 8	SIZE: B	CODE: CS
TOP DOCUMENT NUMBER: B-DD-5419523-0-0	NUMBER: 5419523-0-1	REV: A

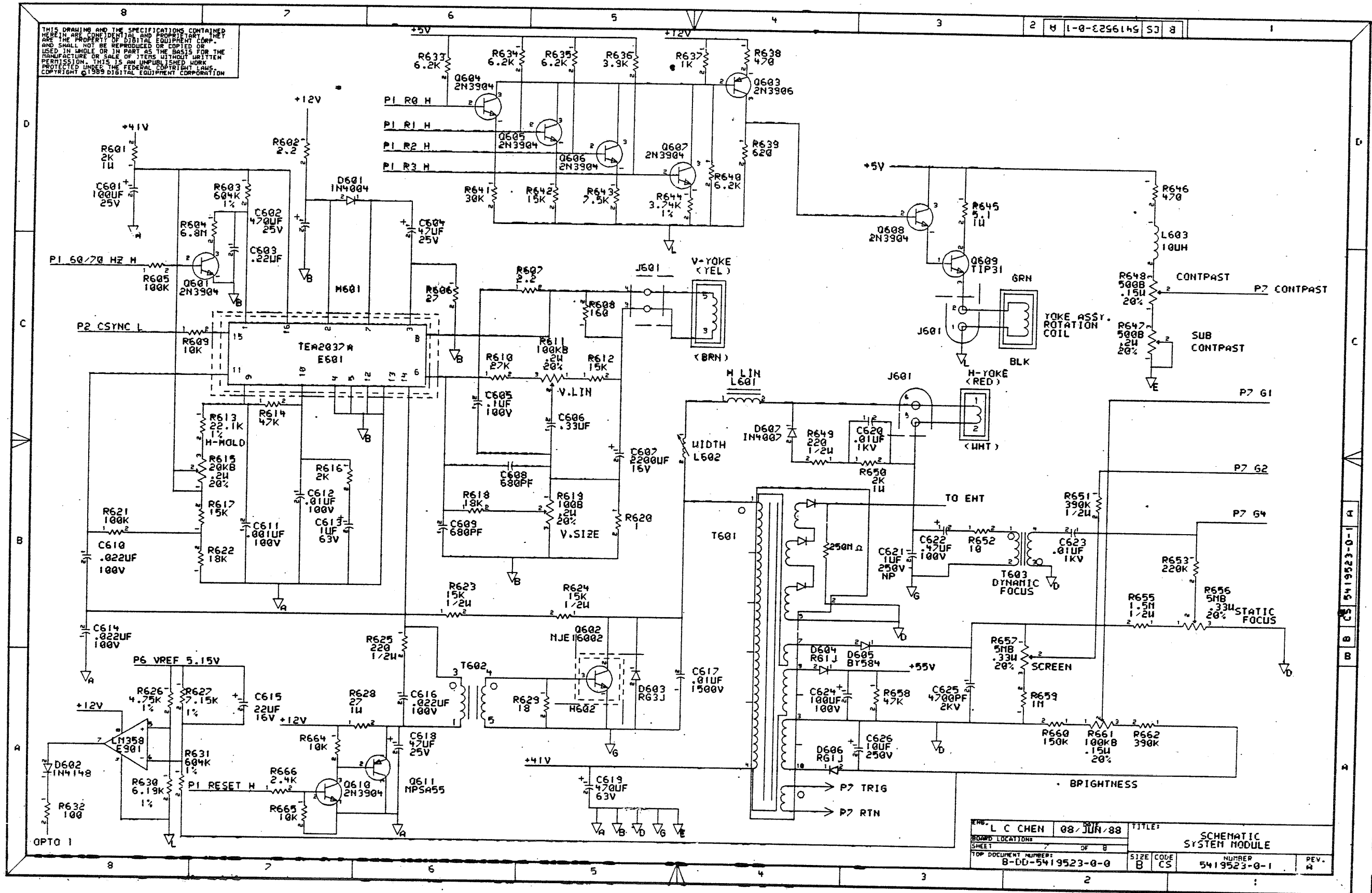


THIS DRAWING AND THE SPECIFICATIONS CONTAINED HEREIN ARE CONFIDENTIAL AND PROPRIETARY. THEY ARE THE PROPERTY OF DIGITAL EQUIPMENT CORP. AND SHALL NOT BE REPRODUCED OR COPIED OR USED IN WHOLE OR IN PART AS THE BASIS FOR THE MANUFACTURE OR SALE OF ITEMS WITHOUT WRITTEN PERMISSION. THIS IS AN UNPUBLISHED WORK PROTECTED UNDER THE FEDERAL COPYRIGHT LAWS. COPYRIGHT © 1989 DIGITAL EQUIPMENT CORPORATION



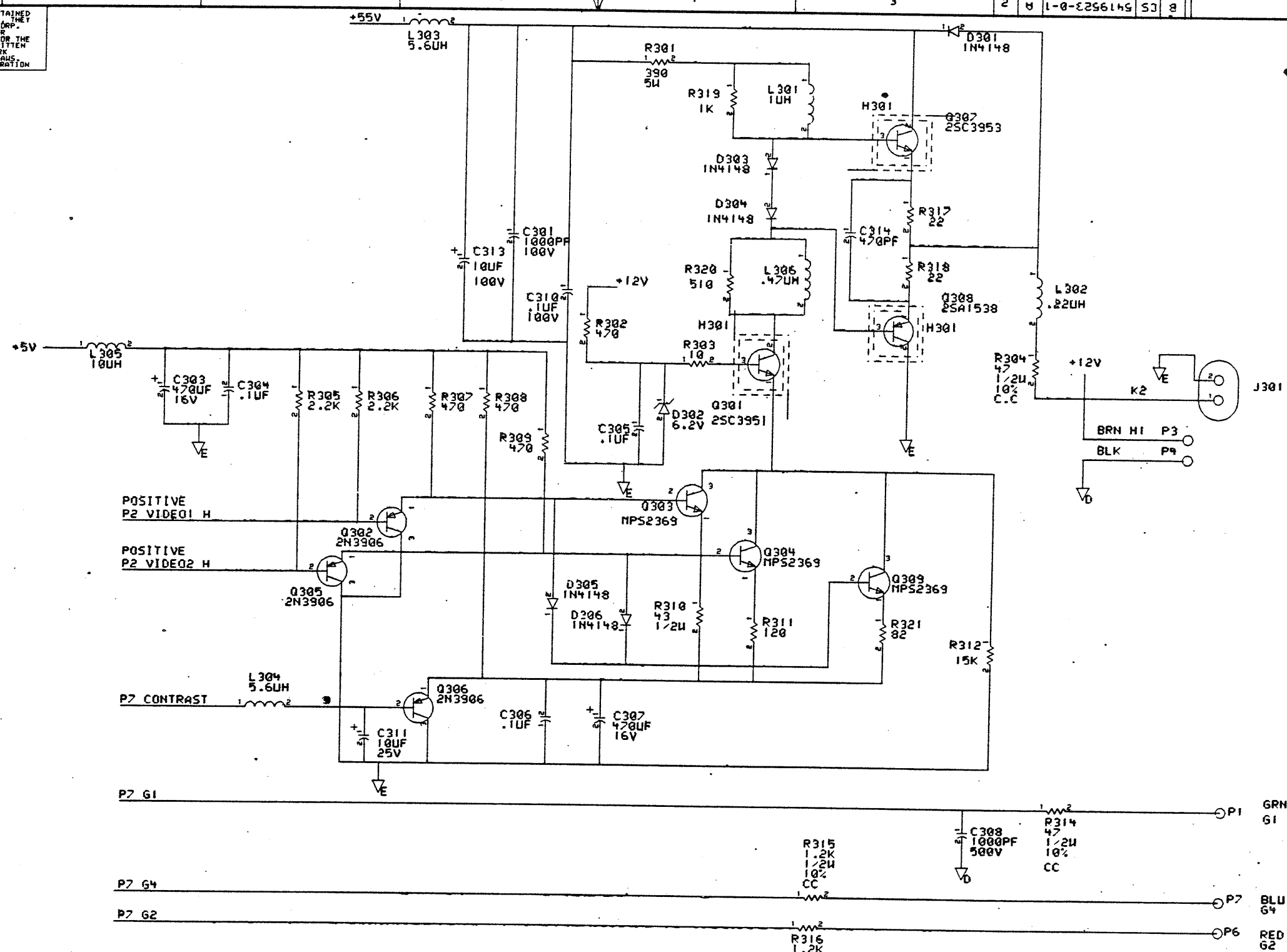
ENR.	V LIN	29-JUN-87	TITLE:	SCHEMATIC SYSTEM MODULE
SHEET	5	OF 8	SIZE	B CS
TOP DOCUMENT NUMBER:	8-DD-5419523-0-0		NUMBER	5419523-0-1
			REV.	A

THIS DRAWING AND THE SPECIFICATIONS CONTAINED HEREIN ARE CONFIDENTIAL AND PROPRIETARY. THEY ARE THE PROPERTY OF DIGITAL EQUIPMENT CORP. AND SHALL NOT BE REPRODUCED OR COPIED OR USED IN WHOLE OR IN PART AS THE BASIS FOR THE MANUFACTURE OR SALE OF ITEMS WITHOUT WRITTEN PERMISSION. THIS IS AN UNPUBLISHED WORK PROTECTED UNDER THE FEDERAL COPYRIGHT LAWS. COPYRIGHT © 1989 DIGITAL EQUIPMENT CORPORATION



DESIGNED BY: L C CHEN	DATE: 08/JUN/88	TITLE: SCHEMATIC SYSTEM MODULE
BOARD LOCATION: 8	SHEET: 8	SIZE: B
TOP DOCUMENT NUMBER: B-DD-5419523-0-0	CODE: CS	NUMBER: 5419523-0-1
		REV: A

THIS DRAWING AND THE SPECIFICATIONS CONTAINED HEREIN ARE CONFIDENTIAL AND PROPRIETARY. THEY ARE THE PROPERTY OF DIGITAL EQUIPMENT CORP. AND SHALL NOT BE REPRODUCED OR COPIED OR USED IN WHOLE OR IN PART AS THE BASIS FOR THE MANUFACTURE OR SALE OF ITEMS WITHOUT WRITTEN PERMISSION. THIS IS AN UNPUBLISHED WORK PROTECTED UNDER THE FEDERAL COPYRIGHT LAWS. COPYRIGHT © 1969 DIGITAL EQUIPMENT CORPORATION



DESIGNED BY	L C CHEN	DATE	08-JUN-68	TITLE	SCHEMATIC SYSTEM MODULE			
BOARD LOCATION	B OF B			SIZE	B	CODE	CS	
SHEET	B OF B			TOP DOCUMENT NUMBER	B-DD-5419523-0-0		NUMBER	5419523-0-1
REV.	A							

B CS 5419523-01

LINE	ITEM	TOP DOCUMENT	PART NUMBER	MIN REV	DESCRIPTION	QTY PER VAR/REV				REFERENCE DESIGNATORS
						01 A01	02 A01	03 A01	04 A01	
1	1	K-DD-5019522-0-0	50-19522-01	C	PWB,02L,12X09X062,12/13,038,PT,T	1	1	1	1	
2	2		10-10274-00		0.22 MFD 50V +80/-20% Z5U C	4	4	4	4	C805,C908,C909,C913
3	3		10-13466-12		2200 PFD 50V +/-10% X7R C	1	1	1	1	C811
4	4		10-13466-22		0.10 MFD 50V +80/-20% Z5U C	4	4	4	4	C304-C306,C915
5	5		10-13466-50		680 PFD 50V +/- 5% NPO C	2	2	2	2	C608,C609
6	6		10-16548-00		1000 MFD 16V +50/-10% 85	1	1	1	1	C905
7	7		10-16570-00		1000 PFD 500V +80/-20% X5S/Z	1	1	1	1	C308
8	8		10-16572-00		300 PFD 500V +/-10% X5F/X	1	1	1	1	C815
9	9		10-18000-12		4.7 MFD 35V +50/-20% 85	1	1	1	1	C812
10	10		10-18000-14		1.0 MFD 63V +50/-20% 85	1	1	1	1	C613
11	11		10-18000-15		10 MFD 250V +50/-20% 85	1	1	1	1	C626
12	12		10-18000-17		470 MFD 25V +50/-20% 85	1	1	1	1	C602
13	13		10-18000-20		470 MFD 63V +50/-20% 85	1	1	1	1	C619
14	14		10-18000-21		100 MFD 63V +50/-20% 85	1	1	1	1	C903
15	15		10-18000-25		220 MFD 16V +/-20% 85	1	1	1	1	C907
16	16		10-18000-27		0.47MFD 100V +50/-20% 85	1	1	1	1	C622
17	17		10-18000-28		1.0 MFD 100V +50/-20% 85	1	1	1	1	C916
18	18		10-18000-29		10 MFD 25V +75/-20% 85	4	4	4	4	C311,C808,C912,C914
19	19		10-18000-33		100 MFD 25V +50/-20% 85	3	3	3	3	C601,C807,C911
20	20		10-18000-34		100 MFD 100V +50/-20% 85	1	1	1	1	C624
21	21		10-18000-35		10 MFD 100V +50/-20% 85	1	1	1	1	C313
22	22		10-18000-40		47 MFD 25V +/-20% 85	3	3	3	3	C16,C604,C618
23	23		10-19559-02		0.010MFD 1000V +/-20% Y5U/Z	2	2	2	2	C620,C623
24	24		10-20446-12		220 MFD 16V +50/-10% 85	1	1	1	1	C13
25	25		10-20604-10		1.0 MFD 250V +/- 5% MET.	1	1	1	1	C621
26	26		10-22087-01		1000 PFD 100V +/-20% Z5P	1	1	1	1	C301
27	27		10-23486-03		22 MFD 16V +/-20% 85	1	1	1	1	C615
28	28		10-23859-02		0.22 MFD 50V +/- 2% M.POL	1	1	1	1	C603
29	29		10-23859-03		0.33 MFD 50V +/- 2% M.POL	1	1	1	1	C606
30	30		10-24051-21		470 PFD 50V +/- 5% NPO CE	1	1	1	1	C314

REVISION HISTORY		KPL MODULE FORMAT		SECTION A OF C		DRN: A LEE		DIGIT A L		
ENG	ECO NUMBER	REV	SECTION/VARIATION INDEX		DATE:	12-MAR-89				
---	INITIAL	A	[A]	01,02,03,04	[M]	CHK'D:	A LEE		TITLE	PARTS LIST
			[B]	05,06,07,08	[N]	DATE:	12-MAR-89		SYSTEM MODULE	
			[C]	09,10,11,12	[P]	DES.ENG:	V.LIN/W.I HUANG			
			[D]		[Q]	DATE:	12-MAR-89		DOCUMENT NUMBER	
			[E]		[R]	RESP.ENG.:	J.B. LOU		SIZE	CODE
			[F]		[S]	DATE:	12-MAR-89		NUMBER	REV
			[H]		[T]	MFG.ENG:	Y.M. HUANG		K	PL
			[J]		[V]	DATE:	12-MAR-89		5419523-0-DBP	A
			[K]		[W]	RELEASE DATE:	14-MAR-90		RELEASE STATUS: RELEASED	
			[L]		[Y]	DATE:	12-MAR-89			
BASIC PART NUMBER:			ASSEMBLY NUMBER:			TOP DOCUMENT NUMBER:			EDIT #	
5419523			D-UA-5419523-0-0			K-DD-5419523-0-0			33	
FILE NAME: TA42E02A.PLS										

"THIS DRAWING AND THE SPECIFICATIONS CONTAINED HEREIN ARE CONFIDENTIAL AND PROPRIETARY. THEY ARE THE PROPERTY OF DIGITAL EQUIPMENT CORPORATION AND SHALL NOT BE REPRODUCED OR COPIED OR USED IN WHOLE OR IN PART AS THE BASIS FOR THE MANUFACTURE OR SALE OF ITEMS WITHOUT WRITTEN PERMISSION. THIS IS AN UNPUBLISHED WORK PROTECTED UNDER THE FEDERAL COPYRIGHT LAWS."

LINE	ITEM	TOP DOCUMENT	PART NUMBER	MIN REV	DESCRIPTION	QTY PER VAR/REV				REFERENCE DESIGNATORS
						01 A01	02 A01	03 A01	04 A01	
31	31		10-24053-01		0.010MFD 50V +/-20% Z5U CE	16	16	16	16	C3,C4,C6,C9,C11,C12,C14,C15, CONT C17-C22,C809,C813
32	32		10-24053-14		0.47 MFD 50V +/-20% Z5U CE	8	8	8	8	C1,C2,C5,C7,C8,C10,C23,C24
33	33		10-24205-01		1000 MFD 10V +/-20% 85	1	1	1	1	C910
34	34		10-24317-02		0.47 MFD 250VAC +/-20% LIN	1	1	1	1	C801
35	35		10-24375-02	3300	PFD 250VAC +/-20% LIN	2	2	2	2	C802,C806
36	36		10-26654-01		0.010MFD 100V +/- 5% MYLAR	1	1	1	1	C612
37	37		10-26655-01		0.10 MFD 100V +/- 5% MYLAR	2	2	2	2	C310,C605
38	38		10-26938-01		2200 MFD 16V +/-20% 85	2	2	2	2	C607,C906
39	39		10-26959-01	2200	PFD 100V +/- 5% POLYP	1	1	1	1	C810
40	40		10-27183-02	270	PFD 1000V +/-20% POLYP	2	2	2	2	C814,C901
41	41		10-27656-01		0.022MFD 100V +/- 5% MET.	4	4	4	4	C610,C614,C616,C904
42	42		10-27944-01		220 MFD 400V +/-20% 85	1	1	1	1	C804
43	43		10-28377-01	4700	PFD 2000V +80/-20% Z5U	1	1	1	1	C625
44	44		10-30970-01	330	MFD 63V +/-20% 105	1	1	1	1	C902
45	45		10-31156-02		0.010MFD 1500V +/- 5% POLYP	1	1	1	1	C617
46	46		10-32126-01	1000	PFD 100V +/- 5% POLYP	1	1	1	1	C611
47	47		10-33339-01	470	UF 16V +/-20% ALU	2	2	2	2	C303,C307
48	48		11-00114-00		PIV= 25 IO=135 MA	3	3	3	3	D1,D21,D24
49	49		11-02421-00		VZ= 6.2 5% 400 MW 1N753A	1	1	1	1	D302
50	50		11-04860-00		VZ= 3.3 5% 400 MW 1N746A	1	1	1	1	D26
51	51		11-05796-00		PIV= 400 IO= 1.00A 1N4004 DO-41	2	2	2	2	D601,D802
52	52		11-05871-00		VZ= 5.15 1% 250 MW	1	1	1	1	D905
53	53		11-10856-00		VZ= 24.0 5% 400 MW 1N970B	3	3	3	3	D25,D27,D29
54	54		11-12594-01		PIV= 200 IO= 3.00A	1	1	1	1	D902
55	55		11-12594-02		PIV= 600 IO= 3.00A	2	2	2	2	D603,D901
56	56		11-12595-02		PIV= 600 IO= 1.00A AXIAL	4	4	4	4	D604,D606,D803,D904
57	57		11-16474-00		PIV=1000 IO= 1.00A 1N4007 DO-41	1	1	1	1	D607
58	58		11-16475-00		PIV= 75 - 4NS 1N4148	11	11	11	11	D28,D301,D303-D306,D602, CONT D804-D807
59	59		11-21435-01		RECT. ASSY PIV= 600 IO= 2.00A	1	1	1	1	D801
60	60		11-21581-01		PIV=1500 IO= 60MA	1	1	1	1	D605
61	61		11-24037-01		VZ= 36.0 5% 400 MW 1N974B DO-35	11	11	11	11	D6-D10,D17-D20,D22,D23
62	62		11-25268-06		PIV= 800 IO= 1.00A 50ONS	1	1	1	1	D808
63	63		11-26662-02		RECT,ULTRA FAST PIV= 100 IO= 3.0	1	1	1	1	D903
64	64		11-32715-01		TRANS SUPP	4	4	4	4	D2-D5
65	65		11-32715-02		TRANS SUPP	6	6	6	6	D11-D16
66	66		12-13071-06		INSULATOR,RUBBER SILICONE	1	1	1	1	
67	67		12-13071-22		INSULATOR,RUBBER SILICONE	1	1	1	1	
68	68		12-15006-25		SKT,IC 32PIN DIP TIN SOLD	1	1	1	1	XE2
69	69		12-15228-03		HEAT SINKS,T0-220 1.250X0.87	2	2	2	2	H901,H902
70	70		12-18826-07		CONN,PHONE MOD JACK 04POS	1	1	1	1	J4
71	71		12-23192-08		FUSE 5X20 3.0 A 250V FAST ACTI	1	1	1	1	F801
72	72		12-23433-02		CONN,LAN JACK 06 POS	2	2	2	2	J1,J2
73	73		12-26314-01		CONN,D.SUB 25POS ASSY 90D GOLD	1	1	1	1	J3
74	74		12-26619-01		FUSE CLIP 5MM TYPE	2	2	2	2	
75	75		12-27325-02		PCB HEADER 06POS(1X06).156CC STR	1	1	1	1	J601
76	76		12-32607-01		HEATSINK	1	1	1	1	H801
77	77		12-33169-01		PCB HEADER 02PIN(1X02).100CC STR	1	1	1	1	J301
78	78		13-00274-00		220.0 .50 W 5.0 % CF	2	2	2	2	R625,R649

D	I	G	I	T	A	L	TITLE	SECTION A OF C	SIZE	CODE	DOCUMENT NUMBER	REV
							SYSTEM MODULE		K	PL	5419523-0-DBP	A

LINE	ITEM	TOP DOCUMENT	PART NUMBER	MIN REV	DESCRIPTION	QTY PER VAR/REV				REFERENCE DESIGNATORS
						01 A01	02 A01	03 A01	04 A01	
79	79		13-00354-00	750.0	.50 W 5.0 % CF	3	3	3	3	R808, R809, R905
80	80		13-12934-00	6.80 M	.25 W 5.0 % CF	1	1	1	1	R604
81	81		13-16511-00	15.0 K	.50 W 5.0 % CF	2	2	2	2	R623, R624
82	82		13-17522-00	1.0	.25 W 5.0 % CF	1	1	1	1	R620
83	83		13-19255-14	27.0	1.0 W 5.0 % M.OXIDE	1	1	1	1	R628
84	84		13-19255-43	2.0 K	1.0 W 5.0 % M.OXIDE	2	2	2	2	R601, R650
85	85		13-19470-06	5.10	1.0 W 5.0 % M.OXIDE	1	1	1	1	R645
86	86		13-19471-16	150.0	2.0 W 5.0 % M.OXIDE	3	3	3	3	R901, R902, R913
87	87		13-19471-32	2.70 K	2.0 W 5.0 % M.OXIDE	1	1	1	1	R821
88	88		13-19471-75	27.0 K	2.0 W 5.0 % M.OXIDE	2	2	2	2	R804, R806
89	89		13-19563-01	POT-OPEN/TRIM	5.0M 0.33W 20.0	2	2	2	2	R656, R657
90	90		13-20617-01	2.20	.25 W 5.0 % CF	2	2	2	2	R602, R607
91	91		13-20676-01	43.0	.50 W 5.0 % CF	1	1	1	1	R310
92	92		13-20713-01	390.0 K	.50 W 5.0 % CF	1	1	1	1	R651
93	93		13-20715-01	470.0 K	.50 W 5.0 % CF	1	1	1	1	R802
94	94		13-20725-01	1.50 M	.50 W 5.0 % CF	1	1	1	1	R655
95	95		13-21218-01	R. NET	39.0 - 4 1.0	3	3	3	3	Z1-Z3
96	96		13-22504-01	VARISTOR	320VAC VOLT TRANS SUP	1	1	1	1	R801
97	97		13-23825-01	10.0	.25 W 5.0 % CHIP	2	2	2	2	R303, R652
98	98		13-23825-07	18.0	.25 W 5.0 % CHIP	1	1	1	1	R629
99	99		13-23825-09	22.0	.25 W 5.0 % CHIP	2	2	2	2	R317, R318
100	100		13-23825-11	27.0	.25 W 5.0 % CHIP	1	1	1	1	R606
101	101		13-23825-15	39.0	.25 W 5.0 % CHIP	2	2	2	2	R24, R25
102	102		13-23825-17	47.0	.25 W 5.0 % CHIP	1	1	1	1	R822
103	103		13-23825-19	56.0	.25 W 5.0 % CHIP	1	1	1	1	R817
104	104		13-23825-23	82.0	.25 W 5.0 % CHIP	2	2	2	2	R20, R321
105	105		13-23825-25	100.0	.25 W 5.0 % CHIP	1	1	1	1	R632
106	106		13-23825-27	120.0	.25 W 5.0 % CHIP	1	1	1	1	R311
107	107		13-23825-30	160.0	.25 W 5.0 % CHIP	1	1	1	1	R608
108	108		13-23825-31	180.0	.25 W 5.0 % CHIP	4	4	4	4	R3, R4, R6, R8
109	109		13-23825-33	220.0	.25 W 5.0 % CHIP	1	1	1	1	R819
110	110		13-23825-41	470.0	.25 W 5.0 % CHIP	7	7	7	7	R302, R307-R309, R638, R646, R907
111	111		13-23825-42	510.0	.25 W 5.0 % CHIP	1	1	1	1	R320
112	112		13-23825-43	560.0	.25 W 5.0 % CHIP	1	1	1	1	R815
113	113		13-23825-44	620.0	.25 W 5.0 % CHIP	1	1	1	1	R639
114	114		13-23825-45	680.0	.25 W 5.0 % CHIP	2	2	2	2	R818, R910
115	115		13-23825-47	820.0	.25 W 5.0 % CHIP	1	1	1	1	R19
116	116		13-23825-49	1.0 K	.25 W 5.0 % CHIP	5	5	5	5	R5, R16, R21, R319, R637
117	117		13-23825-56	2.00 K	.25 W 5.0 % CHIP	2	2	2	2	R22, R616
118	118		13-23825-57	2.20 K	.25 W 5.0 % CHIP	2	2	2	2	R305, R306
119	119		13-23825-58	2.40 K	.25 W 5.0 % CHIP	1	1	1	1	R666
120	120		13-23825-61	3.30 K	.25 W 5.0 % CHIP	1	1	1	1	R909
121	121		13-23825-63	3.90 K	.25 W 5.0 % CHIP	2	2	2	2	R7, R636
122	122		13-23825-65	4.70 K	.25 W 5.0 % CHIP	1	1	1	1	R1
123	123		13-23825-68	6.20 K	.25 W 5.0 % CHIP	6	6	6	6	R13, R633-R635, R640, R904
124	124		13-23825-69	6.80 K	.25 W 5.0 % CHIP	1	1	1	1	R911
125	125		13-23825-70	7.50 K	.25 W 5.0 % CHIP	1	1	1	1	R643
126	126		13-23826-01	10.0 K	.25 W 5.0 % CHIP	7	7	7	7	R2, R609, R664, R665, R812, R823, R906
127	127		13-23826-05	15.0 K	.25 W 5.0 % CHIP	5	5	5	5	R312, R612, R617, R642, R814

D	I	G	I	T	A	L	TITLE	SECTION A	OF C	SIZE	CODE	DOCUMENT NUMBER	REV
							SYSTEM MODULE			K	PL	5419523-0-DBP	A

LINE	ITEM	TOP DOCUMENT	PART NUMBER	MIN REV	DESCRIPTION	QTY PER VAR/REV				REFERENCE DESIGNATORS
						01 A01	02 A01	03 A01	04 A01	
128	128		13-23826-07	18.0 K	.25 W 5.0 % CHIP	3	3	3	3	R18,R618,R622
129	129		13-23826-10	24.0 K	.25 W 5.0 % CHIP	2	2	2	2	R17,R807
130	130		13-23826-11	27.0 K	.25 W 5.0 % CHIP	4	4	4	4	R11,R12,R610,R811
131	131		13-23826-12	30.0 K	.25 W 5.0 % CHIP	1	1	1	1	R641
132	132		13-23826-13	33.0 K	.25 W 5.0 % CHIP	1	1	1	1	R14
133	133		13-23826-16	43.0 K	.25 W 5.0 % CHIP	2	2	2	2	R9,R10
134	134		13-23826-17	47.0 K	.25 W 5.0 % CHIP	2	2	2	2	R614,R658
135	135		13-23826-18	51.0 K	.25 W 5.0 % CHIP	1	1	1	1	R903
136	136		13-23826-19	56.0 K	.25 W 5.0 % CHIP	2	2	2	2	R816,R912
137	137		13-23826-25	100.0 K	.25 W 5.0 % CHIP	3	3	3	3	R15,R605,R621
138	138		13-23826-29	150.0 K	.25 W 5.0 % CHIP	1	1	1	1	R660
139	139		13-23826-33	220.0 K	.25 W 5.0 % CHIP	1	1	1	1	R653
140	140		13-23826-39	390.0 K	.25 W 5.0 % CHIP	1	1	1	1	R662
141	141		13-23826-45	680.0 K	.25 W 5.0 % CHIP	1	1	1	1	R813
142	142		13-23826-49	1.00 M	.25 W 5.0 % CHIP	1	1	1	1	R659
143	143		13-23829-56	3.74 K	.25 W 1.0 % CHIP	1	1	1	1	R644
144	144		13-23829-66	4.75 K	.25 W 1.0 % CHIP	1	1	1	1	R626
145	145		13-23829-77	6.19 K	.25 W 1.0 % CHIP	1	1	1	1	R630
146	146		13-23829-83	7.15 K	.25 W 1.0 % CHIP	1	1	1	1	R627
147	147		13-23830-34	22.1 K	.25 W 1.0 % CHIP	1	1	1	1	R613
148	148		13-23831-76	604.0 K	.25 W 1.0 % CHIP	2	2	2	2	R603,R631
149	149		13-27007-01	THERMISTOR NTC 10	15%	1	1	1	1	R803
150	150		13-27013-07	390.0	5.0 W 5.0 % M.OXIDE	1	1	1	1	R301
151	151		13-27943-02	POT-OPEN/TRIM 100.0K	0.15W 20.0	1	1	1	1	R661
152	152		13-27943-03	POT-OPEN/TRIM 500.0	0.15W 20.0	1	1	1	1	R648
153	153		13-28026-07	POT-OPEN/TRIM 3.0K	0.2 W 20.0	1	1	1	1	R908
154	154		13-28257-01	2.7	5.0 W 5.0 % WW	1	1	1	1	R805
155	155		13-28261-01	.32	1.0 W 3.0 % WW	1	1	1	1	R820
156	156		13-28450-01	47.0	.50 W10.0 % CC	2	2	2	2	R304,R314
157	157		13-28450-02	1.2 K	.50 W10.0 % CC	2	2	2	2	R315,R316
158	158		13-31674-01	POT-OPEN/TRIM 100.0	0.2 W 20.0%	1	1	1	1	R619
159	159		13-31674-02	POT-OPEN/TRIM 500.0	0.2 W 20.0	1	1	1	1	R647
160	160		13-31674-03	POT-OPEN/TRIM 10.0K	0.2 W 20.0	1	1	1	1	R810
161	161		13-31674-04	POT-OPEN/TRIM 20.0K	0.2 W 20.0	1	1	1	1	R615
162	162		13-31674-05	POT-OPEN/TRIM 100.0K	0.2 W 20.0	1	1	1	1	R611
163	163		15-09524-00	2N 3904	NPN 310MW SI 40 40 M	9	9	9	9	Q2,Q4,Q601,Q604-Q608,Q610
164	164		15-09525-00	2N 3906	PNP 310MW SI 40100 Y	5	5	5	5	Q1,Q302,Q305,Q306,Q603
165	165		15-10706-00	XA 55	PNP 500MW SI 60 50 P	2	2	2	2	Q3,Q611
166	166		15-19270-01	TIP 31A	NPN 50V 3A	1	1	1	1	Q609
167	167		15-20857-01	MPS2369	NPN 350MW 40V 200MA T	3	3	3	3	Q303,Q304,Q309
168	168		15-28392-01	TRANSISTOR,VIDEO OUTPUT		1	1	1	1	Q307
169	169		15-31115-01	MJE1600	NPN 80W SI 5.0A 450V	1	1	1	1	Q602
170	170		15-31157-01		FET 800V 5.3A 2 OHM N	1	1	1	1	Q801
171	171		15-32613-01	TRANSISTOR,PNP		1	1	1	1	Q308
172	172		15-32714-01	2SC 3951	NPN SI TR	1	1	1	1	Q301
173	173		16-18238-02	BEAD,FERRITE .1380DX.330LG		8	8	8	8	L1,L2,L15-L17,L19,L25,L26
174	174		16-18437-03	BEAD,FERRITE	W/2.5	3	3	3	3	L23,L802,L804
175	175		16-20182-03	5.6 UH 10% .565MA		2	2	2	2	L303,L304
176	176		16-27345-01	CHOKE 30UH 0.65A SLUG CORE		2	2	2	2	L901,L904
177	177		16-27761-01	10.0 UH 10% Q= 55 @ 7.9MHZ SRF=		5	5	5	5	L18,L21,L305,L603,L801

D	I	G	I	T	A	L	TITLE	SECTION A OF C	SIZE	CODE	DOCUMENT NUMBER	REV
							SYSTEM MODULE		K	PL	5419523-0-DBP	A

LINE	ITEM	TOP DOCUMENT	PART NUMBER	MIN REV	DESCRIPTION	QTY PER VAR/REV				REFERENCE DESIGNATORS
						01 A01	02 A01	03 A01	04 A01	
178	178		16-28226-01		CHOKE COIL 2.2UH 10%	12	12	12	12	L3-L12,L20,L22
179	179		16-31230-01		XFMR,SWITCHING 37.6KHZ 44W	1	1	1	1	T802
180	180		16-31233-01		XFMR,FILTER 2A 250VAC 25MH	1	1	1	1	T801
181	181		16-31234-01		CHOKE 10UH 2A	2	2	2	2	L902,L903
182	182		16-31641-01		XFMR,DRIVER	1	1	1	1	T602
183	183		16-31642-01		COIL,HORIZONTAL WIDTH 9-33UH	1	1	1	1	L602
184	184		16-31643-01		XFMR,DYNAMIC FOCUS	1	1	1	1	T603
185	185		16-31669-01		XFMR,FLYBACK 37.6KHZ	1	1	1	1	T601
186	186		16-32212-01		COIL,LINEARITY	1	1	1	1	L601
187	187		16-32388-04		1.0UH 10% RF COATED CHOKE	1	1	1	1	L301
188	188		16-32388-05		.22UH.105 RF COATED CHOKE	1	1	1	1	L302
189	189		16-32388-06		.47UH 10% RF COATED CHOKE	1	1	1	1	L306
190	190		16-32757-01		2.5 MH +50% -30% @16KHZ	1	1	1	1	T803
191	191		18-11660-86		OSCILLATOR,- XTAL 43.32 MHZ	1	1	1	1	Y1
192	192		19-12847-00		LS157 MUX 1 OF 2(QUAD)	1	1	1	1	E12
193	193		19-15415-00		9636 DRIVER,DUAL,EIA RS-4	4	4	4	4	E13-E16
194	194		19-17908-00		LM 358N OP AMP DUAL LOW POWE	1	1	1	1	E901
195	195		19-21010-01		74F373 OCTAL TRANSPARENT LA	1	1	1	1	E3
196	196		19-21305-02		74F00 NAND GATE,QUAD,2-IN	-	-	-	1	E20
197	197		19-21314-02		74F74 FF-D,DUAL SOIC	-	-	-	1	E19
198	198		19-21323-01		74F174 FF-D,HEX	1	1	1	1	E6
199	199		19-21337-03		OPTOISLTR,XSTR,CTR100-200%@IF5MA	1	1	1	1	E801
200	200		19-23626-01		PWM OFF-LINE CURRENT	1	1	1	1	E802
201	201		19-23890-01		EIA OCTAL LINE RECEI	1	1	1	1	E17
202	202		19-27782-01		DUAL LINE RECEIVER	1	1	1	1	E18
203	203		19-31235-01		DELECTION MONITOR,H0	1	1	1	1	E601
204	204		21-20068-05		2681 REC./TRANS.,ASYNC.,D	1	1	1	1	E10
205	205		21-20115-02		8031AH MICROPROCESSOR,8BIT	1	1	1	1	E1
206	206		21-24412-03		NMOS DRAM 120NS 64KX	-	1	-	1	E8
207	207		21-26307-06		STATIC RAM CMOS 32KX	1	1	1	1	E9
208	208		21-27503-43		CMOS DRAM MULTIPOINT 120NS 64KX	-	1	-	1	E7
209	209		21-28123-01		1024 SERIAL ELEC ERASABLE + PRO	1	1	1	1	E11
210	210		21-30395-43		CMOS DRAM MULTIPOINT 120NS 256KX	1	-	1	-	E5
211	211		21-31623-01		DC7166C VIDEO CONTROLLER ARRAY T	-	-	1	1	E4
212	212		21-32133-01		TA01 VIDEO CONTROLLER STA	1	1	-	-	E4
213	213		23-68E9 -00		E9-03	1	1	1	1	E2
214	214		23-43E9 -00		E9-04	-	-	-	-	
215	215		36-10267-05		LABEL,DANGER HIGH VOLTAGE,TEXTUR	1	1	1	1	
216	216	K-IA-7026538-0-DBU	70-26538-01		SHIELD/INSULATOR ASSY	1	1	1	1	
217	217	K-IA-7026544-0-DBU	70-26544-01		AC WIRE ASSY	1	1	1	1	
218	218	K-IA-7026545-0-DBU	70-26545-01		AC RECEPTACLE	1	1	1	1	J801
219	219	K-IA-7026589-0-DBU	70-26589-01		POWER SWITCH ASSY	1	1	1	1	SW801
220	220	K-IA-7026598-0-DBU	70-26598-01		SHIELD, FILTER ASSY	1	1	1	1	
221	221	K-IA-7026599-0-DBU	70-26599-01		SHIELD ASSY, FLYBACK	1	1	1	1	H602
222	222	K-IA-7026600-0-DBU	70-26600-01		SHIELD ASSY, FLYBACK LE	-	-	-	-	
223	223	K-MD-7438591-0-DBU	74-38591-01		THUMBWHEEL	2	2	2	2	
224	224	K-MD-7438593-0-DBU	74-38593-01		FINGER, CRT GROUND	1	1	1	1	
225	225	K-MD-7438595-0-DBU	74-38595-01		COVER, LOGIC	1	1	1	1	
226	226	K-IA-7439137-0-DBU	74-39137-01		BAFFLE, LOGIC	1	1	1	1	H301
227	227	K-MD-7439215-0-DBU	74-39215-01		CLIP,POWER SWITCH	1	1	1	1	

D	I	G	I	T	A	L	TITLE	SYSTEM MODULE	SECTION A	OF C	SIZE	CODE	DOCUMENT NUMBER	REV
											K	PL	5419523-0-DBP	A



LINE	ITEM	TOP DOCUMENT	PART NUMBER	MIN REV	DESCRIPTION	QTY PER VAR/REV				REFERENCE DESIGNATORS
						01	02	03	04	
						A01	A01	A01	A01	
228	228	K-MD-7439216-0-DBU	74-39216-01		CLIP,HEAT SINK	1	1	1	1	H601
229	229	K-MD-7439514-0-DBU	74-39514-01		PANEL,PROTECT	1	1	1	1	
230	230	K-MD-7439638-0-DBU	74-39638-01		CLIP (FOR EGRET)	2	2	2	2	
231	231	K-MD-7439640-0-DBU	74-39640-01		COVER (FOR EGRET-LR)	-	-	-	-	
232	232	K-MD-7439772-0-DBU	74-39772-01		BRACKET,VIDEO WIRE	1	1	1	1	
233	233	K-IA-7439773-0-DBU	74-39773-01		BAFFLE,SUPPORT	1	1	1	1	
234	234	K-MD-7439957-0-DBU	74-39957-01		HOLDER, WIRE	1	1	1	1	
235	235	K-MD-7440115-0-DBU	74-40115-01		CLIP,SPRING (EGRET)	3	3	3	3	
236	236	K-MD-7440803-0-DBU	74-40803-01		PAD,SCREW	1	1	1	1	
237	237	K-MD-7441000-0-DBU	74-41000-01		CONTACT, A	1	1	1	1	
238	238		90-09185-00		JUMPER, WIRE, INSULATED, BLACK B	2	2	2	-	W3,W901
			CONT			-	-	-	2	W2,W901
239	239		90-09718-03		GROMMET,STRIP STYRENE	1	1	1	1	
240	240		90-09798-01		SPACER,CLEAR HOLE RND CERAM .07	1	1	1	1	
241	241		90-10874-05		SCREW,MACH M3 PAN 14.00	2	2	2	2	
242	242		90-11075-01		SCREW,MACH M3 WASHER 6.00	2	2	2	2	
243	243		90-11089-02		SCREW,CAPT,M3-05	1	1	1	1	
244	244		91-05740-55		WIRE(WRAP) 30AWG KYNAR UL14	A/R	A/R	A/R	A/R	
245	245		91-05740-99		WIRE(WRAP) 30AWG KYNAR UL14	A/R	A/R	A/R	A/R	
246	246		91-07560-01		WIRE,BUSS 22AWG TIN BARE	A/R	A/R	A/R	A/R	

- 1 GEN: 1. 19-23890-01 CAN BE SUBSTITUTE BY 19-23890-03.
- 2 GEN: 2. 21-30395-43 CAN BE SUBSTITUTE BY 64K\*4 DRAM & 64K\*4 VRAM. FOLLOWING PART NUMBER OF 64K\*4 D/U RAM CAN BE USED:
- 3 GEN: A. DRAM: DIP 21-24412-03 HITACHI
- 4 GEN: 21-24413-03 MITSUBISHI
- 5 GEN: 21-30437-03 MICRON
- 6 GEN: B. VRAM: ZIP 21-27053-43 MITSUBISHI
- 7 GEN: 21-31901-43 MICRON

D	I	G	I	T	A	L	TITLE	SECTION A	OF C	SIZE	CODE	DOCUMENT NUMBER	REV
							SYSTEM MODULE			K	PL	5419523-0-DBP	A



LINE	ITEM	TOP DOCUMENT	PART NUMBER	MIN REV	DESCRIPTION	QTY PER VAR/REV				REFERENCE DESIGNATORS
						05 A01	06 A01	07 A01	08 A01	
31	31		10-24053-01		0.010MFD 50V +/-20% Z5U CE	16	16	16	16	C3,C4,C6,C9,C11,C12,C14,C15, CONT C17-C22,C809,C813
32	32		10-24053-14		0.47 MFD 50V +/-20% Z5U CE	8	8	8	8	C1,C2,C5,C7,C8,C10,C23,C24
33	33		10-24205-01		1000 MFD 10V +/-20% 85	1	1	1	1	C910
34	34		10-24317-02		0.47 MFD 250VAC +/-20% LIN	1	1	1	1	C801
35	35		10-24375-02	3300	PFD 250VAC +/-20% LIN	2	2	2	2	C802,C806
36	36		10-26654-01		0.010MFD 100V +/- 5% MYLAR	1	1	1	1	C612
37	37		10-26655-01		0.10 MFD 100V +/- 5% MYLAR	2	2	2	2	C310,C605
38	38		10-26938-01		2200 MFD 16V +/-20% 85	2	2	2	2	C607,C906
39	39		10-26959-01	2200	PFD 100V +/- 5% POLYP	1	1	1	1	C810
40	40		10-27183-02	270	PFD 1000V +/-20% POLYP	2	2	2	2	C814,C901
41	41		10-27656-01		0.022MFD 100V +/- 5% MET.	4	4	4	4	C610,C614,C616,C904
42	42		10-27944-01		220 MFD 400V +/-20% 85	1	1	1	1	C804
43	43		10-28377-01	4700	PFD 2000V +80/-20% Z5U	1	1	1	1	C625
44	44		10-30970-01	330	MFD 63V +/-20% 105	1	1	1	1	C902
45	45		10-31156-02		0.010MFD 1500V +/- 5% POLYP	1	1	1	1	C617
46	46		10-32126-01	1000	PFD 100V +/- 5% POLYP	1	1	1	1	C611
47	47		10-33339-01	470	UF 16V +/-20% ALU	2	2	2	2	C303,C307
48	48		11-00114-00		PIV= 25 IO=135 MA	3	3	3	3	D1,D21,D24
49	49		11-02421-00		VZ= 6.2 5% 400 MW 1N753A	1	1	1	1	D302
50	50		11-04860-00		VZ= 3.3 5% 400 MW 1N746A	1	1	1	1	D26
51	51		11-05796-00		PIV= 400 IO= 1.00A 1N4004 DO-41	2	2	2	2	D601,D802
52	52		11-05871-00		VZ= 5.15 1% 250 MW	1	1	1	1	D905
53	53		11-10856-00		VZ= 24.0 5% 400 MW 1N970B	3	3	3	3	D25,D27,D29
54	54		11-12594-01		PIV= 200 IO= 3.00A	1	1	1	1	D902
55	55		11-12594-02		PIV= 600 IO= 3.00A	2	2	2	2	D603,D901
56	56		11-12595-02		PIV= 600 IO= 1.00A AXIAL	4	4	4	4	D604,D606,D803,D904
57	57		11-16474-00		PIV=1000 IO= 1.00A 1N4007 DO-41	1	1	1	1	D607
58	58		11-16475-00		PIV= 75 - 4NS 1N4148	11	11	11	11	D28,D301,D303-D306,D602, CONT D804-D807
59	59		11-21435-01		RECT. ASSY PIV= 600 IO= 2.00A	1	1	1	1	D801
60	60		11-21581-01		PIV=1500 IO= 60MA	1	1	1	1	D605
61	61		11-24037-01		VZ= 36.0 5% 400 MW 1N974B DO-35	11	11	11	11	D6-D10,D17-D20,D22,D23
62	62		11-25268-06		PIV= 800 IO= 1.00A 500NS	1	1	1	1	D808
63	63		11-26662-02		RECT,ULTRA FAST PIV= 100 IO= 3.0	1	1	1	1	D903
64	64		11-32715-01		TRANS SUPP.	4	4	4	4	D2-D5
65	65		11-32715-02		TRANS SUPP.	6	6	6	6	D11-D16
66	66		12-13071-06		INSULATOR,RUBBER SILICONE	1	1	1	1	
67	67		12-13071-22		INSULATOR,RUBBER SILICONE	1	1	1	1	
68	68		12-15006-25		SKT,IC 32PIN DIP TIN SOLD	1	1	1	1	XE2
69	69		12-15228-03		HEAT SINKS,T0-220 1.250X0.87	2	2	2	2	H901,H902
70	70		12-18826-07		CONN,PHONE MOD JACK 04POS	1	1	1	1	J4
71	71		12-23192-08		FUSE 5X20 3.0 A 250V FAST ACTI	1	1	1	1	F801
72	72		12-23433-02		CONN,LAN JACK 06 POS	2	2	2	2	J1,J2
73	73		12-26314-01		CONN,D SUB 25POS ASSY 90D GOLD	1	1	1	1	J3
74	74		12-26619-01		FUSE CLIP 5MM TYPE	2	2	2	2	
75	75		12-27325-02		PCB HEADER 06POS(1X06).156CC STR	1	1	1	1	J601
76	76		12-32607-01		HEATSINK	1	1	1	1	H801
77	77		12-33169-01		PCB HEADER 02PIN(1X02).100CC STR	1	1	1	1	J301
78	78		13-00274-00		220.0 .50 W 5.0 % CF	2	2	2	2	R625,R649

D	I	G	I	T	A	L	TITLE	SECTION B OF C	SIZE	CODE	DOCUMENT NUMBER	REV
							SYSTEM MODULE		K	PL	5419523-0-DBP	A

LINE	ITEM	TOP DOCUMENT	PART NUMBER	MIN REV	DESCRIPTION	QTY PER VAR/REV				REFERENCE DESIGNATORS			
						05 A01	06 A01	07 A01	08 A01				
79	79		13-00354-00		750.0	.50 W	5.0 %	CF	3	3	3	3	R808,R809,R905
80	80		13-12934-00		6.80 M	.25 W	5.0 %	CF	1	1	1	1	R604
81	81		13-16511-00		15.0 K	.50 W	5.0 %	CF	2	2	2	2	R623,R624
82	82		13-17522-00		1.0	.25 W	5.0 %	CF	1	1	1	1	R620
83	83		13-19255-14		27.0	1.0 W	5.0 %	M.OXIDE	1	1	1	1	R628
84	84		13-19255-43		2.0 K	1.0 W	5.0 %	M.OXIDE	2	2	2	2	R601,R650
85	85		13-19470-06		5.10	1.0 W	5.0 %	M.OXIDE	1	1	1	1	R645
86	86		13-19471-16		150.0	2.0 W	5.0 %	M.OXIDE	3	3	3	3	R901,R902,R913
87	87		13-19471-32		2.70 K	2.0 W	5.0 %	M.OXIDE	1	1	1	1	R821
88	88		13-19471-75		27.0 K	2.0 W	5.0 %	M.OXIDE	2	2	2	2	R804,R806
89	89		13-19563-01		POT-OPEN/TRIM	5.0M	0.33W	20.0	2	2	2	2	R656,R657
90	90		13-20617-01		2.20	.25 W	5.0 %	CF	2	2	2	2	R602,R607
91	91		13-20676-01		43.0	.50 W	5.0 %	CF	1	1	1	1	R310
92	92		13-20713-01		390.0 K	.50 W	5.0 %	CF	1	1	1	1	R651
93	93		13-20715-01		470.0 K	.50 W	5.0 %	CF	1	1	1	1	R802
94	94		13-20725-01		1.50 M	.50 W	5.0 %	CF	1	1	1	1	R655
95	95		13-21218-01		R. NET	39.0	- 4	1.0	3	3	3	3	Z1-Z3
96	96		13-22504-01		VARISTOR	320VAC	VOLT	TRANS SUP	1	1	1	1	R801
97	97		13-23825-01		10.0	.25 W	5.0 %	CHIP	2	2	2	2	R303,R652
98	98		13-23825-07		18.0	.25 W	5.0 %	CHIP	1	1	1	1	R629
99	99		13-23825-09		22.0	.25 W	5.0 %	CHIP	2	2	2	2	R317,R318
100	100		13-23825-11		27.0	.25 W	5.0 %	CHIP	1	1	1	1	R606
101	101		13-23825-15		39.0	.25 W	5.0 %	CHIP	2	2	2	2	R24,R25
102	102		13-23825-17		47.0	.25 W	5.0 %	CHIP	1	1	1	1	R822
103	103		13-23825-19		56.0	.25 W	5.0 %	CHIP	1	1	1	1	R817
104	104		13-23825-23		82.0	.25 W	5.0 %	CHIP	2	2	2	2	R20,R321
105	105		13-23825-25		100.0	.25 W	5.0 %	CHIP	1	1	1	1	R632
106	106		13-23825-27		120.0	.25 W	5.0 %	CHIP	1	1	1	1	R311
107	107		13-23825-30		160.0	.25 W	5.0 %	CHIP	1	1	1	1	R608
108	108		13-23825-31		180.0	.25 W	5.0 %	CHIP	4	4	4	4	R3,R4,R6,R8
109	109		13-23825-33		220.0	.25 W	5.0 %	CHIP	1	1	1	1	R819
110	110		13-23825-41		470.0	.25 W	5.0 %	CHIP	7	7	7	7	R302,R307-R309,R638,R646,R907
111	111		13-23825-42		510.0	.25 W	5.0 %	CHIP	1	1	1	1	R320
112	112		13-23825-43		560.0	.25 W	5.0 %	CHIP	1	1	1	1	R815
113	113		13-23825-44		620.0	.25 W	5.0 %	CHIP	1	1	1	1	R639
114	114		13-23825-45		680.0	.25 W	5.0 %	CHIP	2	2	2	2	R818,R910
115	115		13-23825-47		820.0	.25 W	5.0 %	CHIP	1	1	1	1	R19
116	116		13-23825-49		1.0 K	.25 W	5.0 %	CHIP	5	5	5	5	R5,R16,R21,R319,R637
117	117		13-23825-56		2.00 K	.25 W	5.0 %	CHIP	2	2	2	2	R22,R616
118	118		13-23825-57		2.20 K	.25 W	5.0 %	CHIP	2	2	2	2	R305,R306
119	119		13-23825-58		2.40 K	.25 W	5.0 %	CHIP	1	1	1	1	R666
120	120		13-23825-61		3.30 K	.25 W	5.0 %	CHIP	1	1	1	1	R909
121	121		13-23825-63		3.90 K	.25 W	5.0 %	CHIP	2	2	2	2	R7,R636
122	122		13-23825-65		4.70 K	.25 W	5.0 %	CHIP	1	1	1	1	R1
123	123		13-23825-68		6.20 K	.25 W	5.0 %	CHIP	6	6	6	6	R13,R633-R635,R640,R904
124	124		13-23825-69		6.80 K	.25 W	5.0 %	CHIP	1	1	1	1	R911
125	125		13-23825-70		7.50 K	.25 W	5.0 %	CHIP	1	1	1	1	R643
126	126		13-23826-01		10.0 K	.25 W	5.0 %	CHIP	7	7	7	7	R2,R609,R664,R665,R812,R823, CONT R906
127	127		13-23826-05		15.0 K	.25 W	5.0 %	CHIP	5	5	5	5	R312,R612,R617,R642,R814

D	I	G	I	T	A	L	TITLE	SECTION B OF C	SIZE	CODE	DOCUMENT NUMBER	REV
							SYSTEM MODULE		K	PL	5419523-0-DBP	A

LINE	ITEM	TOP DOCUMENT	PART NUMBER	MIN REV	DESCRIPTION	QTY PER VAR/REV				REFERENCE DESIGNATORS
						05 A01	06 A01	07 A01	08 A01	
128	128		13-23826-07	18.0	K .25 W 5.0 % CHIP	3	3	3	3	R18,R618,R622
129	129		13-23826-10	24.0	K .25 W 5.0 % CHIP	2	2	2	2	R17,R807
130	130		13-23826-11	27.0	K .25 W 5.0 % CHIP	4	4	4	4	R11,R12,R610,R811
131	131		13-23826-12	30.0	K .25 W 5.0 % CHIP	1	1	1	1	R641
132	132		13-23826-13	33.0	K .25 W 5.0 % CHIP	1	1	1	1	R14
133	133		13-23826-16	43.0	K .25 W 5.0 % CHIP	2	2	2	2	R9,R10
134	134		13-23826-17	47.0	K .25 W 5.0 % CHIP	2	2	2	2	R614,R658
135	135		13-23826-18	51.0	K .25 W 5.0 % CHIP	1	1	1	1	R903
136	136		13-23826-19	56.0	K .25 W 5.0 % CHIP	2	2	2	2	R816,R912
137	137		13-23826-25	100.0	K .25 W 5.0 % CHIP	3	3	3	3	R15,R605,R621
138	138		13-23826-29	150.0	K .25 W 5.0 % CHIP	1	1	1	1	R660
139	139		13-23826-33	220.0	K .25 W 5.0 % CHIP	1	1	1	1	R653
140	140		13-23826-39	390.0	K .25 W 5.0 % CHIP	1	1	1	1	R662
141	141		13-23826-45	680.0	K .25 W 5.0 % CHIP	1	1	1	1	R813
142	142		13-23826-49	1.00	M .25 W 5.0 % CHIP	1	1	1	1	R659
143	143		13-23829-56	3.74	K .25 W 1.0 % CHIP	1	1	1	1	R644
144	144		13-23829-66	4.75	K .25 W 1.0 % CHIP	1	1	1	1	R626
145	145		13-23829-77	6.19	K .25 W 1.0 % CHIP	1	1	1	1	R630
146	146		13-23829-83	7.15	K .25 W 1.0 % CHIP	1	1	1	1	R627
147	147		13-23830-34	22.1	K .25 W 1.0 % CHIP	1	1	1	1	R613
148	148		13-23831-76	604.0	K .25 W 1.0 % CHIP	2	2	2	2	R603,R631
149	149		13-27007-01		THERMISTOR NTC 10 15%	1	1	1	1	R803
150	150		13-27013-07	390.0	5.0 W 5.0 % M.OXIDE	1	1	1	1	R301
151	151		13-27943-02		POT-OPEN/TRIM 100.0K 0.15W 20.0	1	1	1	1	R661
152	152		13-27943-03		POT-OPEN/TRIM 500.0 0.15W 20.0	1	1	1	1	R648
153	153		13-28026-07		POT-OPEN/TRIM 3.0K 0.2 W 20.0	1	1	1	1	R908
154	154		13-28257-01	2.7	5.0 W 5.0 % WW	1	1	1	1	R805
155	155		13-28261-01	.32	1.0 W 3.0 % WW	1	1	1	1	R820
156	156		13-28450-01	47.0	.50 W10.0 % CC	2	2	2	2	R304,R314
157	157		13-28450-02	1.2	K .50 W10.0 % CC	2	2	2	2	R315,R316
158	158		13-31674-01		POT-OPEN/TRIM 100.0 0.2 W 20.0%	1	1	1	1	R619
159	159		13-31674-02		POT-OPEN/TRIM 500.0 0.2 W 20.0	1	1	1	1	R647
160	160		13-31674-03		POT-OPEN/TRIM 10.0K 0.2 W 20.0	1	1	1	1	R810
161	161		13-31674-04		POT-OPEN/TRIM 20.0K 0.2 W 20.0	1	1	1	1	R615
162	162		13-31674-05		POT-OPEN/TRIM 100.0K 0.2 W 20.0	1	1	1	1	R611
163	163		15-09524-00		2N 3904 NPN 310MW SI 40 40 M	9	9	9	9	Q2,Q4,Q601,Q604-Q608,Q610
164	164		15-09525-00		2N 3906 PNP 310MW SI 40100 Y	5	5	5	5	Q1,Q302,Q305,Q306,Q603
165	165		15-10706-00		XA 55 PNP 500MW SI 60 50 P	2	2	2	2	Q3,Q611
166	166		15-19270-01		TIP 31A NPN 50V 3A	1	1	1	1	Q609
167	167		15-20857-01		MPS2369 NPN 350MW 40V 200MA T	3	3	3	3	Q303,Q304,Q309
168	168		15-28392-01		TRANSISTOR,VIDEO OUTPUT	1	1	1	1	Q307
169	169		15-31115-01		MJE1600 NPN 80W SI 5.0A 450V	1	1	1	1	Q602
170	170		15-31157-01		FET 800V 5.3A 2 OHM N	1	1	1	1	Q801
171	171		15-32613-01		TRANSISTOR,PNP	1	1	1	1	Q308
172	172		15-32714-01		2SC 3951 NPN SI TR	1	1	1	1	Q301
173	173		16-18238-02		BEAD,FERRITE .1380DX.330LG	8	8	8	8	L1,L2,L15-L17,L19,L25,L26
174	174		16-18437-03		BEAD,FERRITE W/2.5	3	3	3	3	L23,L802,L804
175	175		16-20182-03		5.6 UH 10% 565MA	2	2	2	2	L303,L304
176	176		16-27345-01		CHOKE 30UH 0.65A SLUG CORE	2	2	2	2	L901,L904
177	177		16-27761-01		10.0 UH 10% Q= 55 @ 7.9MHZ SRF=	5	5	5	5	L18,L21,L305,L603,L801

D	I	G	I	T	A	L	TITLE	SECTION B OF C	SIZE	CODE	DOCUMENT NUMBER	REV
							SYSTEM MODULE		K	PL	5419523-0-DBP	A

LINE	ITEM	TOP DOCUMENT	PART NUMBER	MIN REV	DESCRIPTION	QTY PER VAR/REV				REFERENCE DESIGNATORS
						05 A01	06 A01	07 A01	08 A01	
178	178		16-28226-01		CHOKE COIL 2.2UH 10%	12	12	12	12	L3-L12,L20,L22
179	179		16-31230-01		XFMR,SWITCHING 37.6KHZ 44W	1	1	1	1	T802
180	180		16-31233-01		XFMR,FILTER 2A 250VAC 25MH	1	1	1	1	T801
181	181		16-31234-01		CHOKE 10UH 2A	2	2	2	2	L902,L903
182	182		16-31641-01		XFMR,DRIVER	1	1	1	1	T602
183	183		16-31642-01		COIL,HORIZONTAL WIDTH 9-33UH	1	1	1	1	L602
184	184		16-31643-01		XFMR,DYNAMIC FOCUS	1	1	1	1	T603
185	185		16-31669-01		XFMR,FLYBACK 37.6KHZ	1	1	1	1	T601
186	186		16-32212-01		COIL,LINEARITY	1	1	1	1	L601
187	187		16-32388-04		1.0UH 10% RF COATED CHOKE	1	1	1	1	L301
188	188		16-32388-05		.22UH.105 RF COATED CHOKE	1	1	1	1	L302
189	189		16-32388-06		.47UH 10% RF COATED CHOKE	1	1	1	1	L306
190	190		16-32757-01		2.5 MH +50% -30% @16KHZ	1	1	1	1	T803
191	191		18-11660-86		OSCILLATOR, XTAL 43.32 MHZ	1	1	1	1	Y1
192	192		19-12847-00		LS157 MUX 1 OF 2(QUAD)	1	1	1	1	E12
193	193		19-15415-00		9636 DRIVER,DUAL,EIA RS-4	4	4	4	4	E13-E16
194	194		19-17908-00		LM 358N OP AMP DUAL LOW POWE	1	1	1	1	E901
195	195		19-21010-01		74F373 OCTAL TRANSPARENT LA	1	1	1	1	E3
196	196		19-21305-02		74F00 NAND GATE,QUAD,2-IN	-	-	-	1	E20
197	197		19-21314-02		74F74 FF-D,DUAL SOIC	-	-	-	1	E19
198	198		19-21323-01		74F174 FF-D,HEX	1	1	1	1	E6
199	199		19-21337-03		OPTOISLTR,XSTR,CTR100-200%IF5MA	1	1	1	1	E801
200	200		19-23626-01		PWM OFF-LINE CURRENT	1	1	1	1	E802
201	201		19-23890-01		EIA OCTAL LINE RECEI	1	1	1	1	E17
202	202		19-27782-01		DUAL LINE RECEIVER	1	1	1	1	E18
203	203		19-31235-01		DELECTION MONITOR,H0	1	1	1	1	E601
204	204		21-20068-05		2681 REC./TRANS.,ASYNC.,D	1	1	1	1	E10
205	205		21-20115-02		8031AH MICROPROCESSOR,8BIT	1	1	1	1	E1
206	206		21-24412-03		NMOS DRAM 120NS 64KX	-	1	-	1	E8
207	207		21-26307-06		STATIC RAM CMOS 32KX	1	1	1	1	E9
208	208		21-27503-43		CMOS DRAM MULTIPOINT 120NS 64KX	-	1	-	1	E7
209	209		21-28123-01		1024 SERIAL ELEC ERASABLE + PRO	1	1	1	1	E11
210	210		21-30395-43		CMOS DRAM MULTIPOINT 120NS 256KX	1	-	1	-	E5
211	211		21-31623-01		DC7166C VIDEO CONTROLLER ARRAY T	-	-	1	1	E4
212	212		21-32133-01		TA01 VIDEO CONTROLLER STA	1	1	-	-	E4
213	213		23-68E9 -00		E9-03	1	1	1	1	E2
214	214		23-43E9 -00		E9-04	-	-	-	-	
215	215		36-10267-05		LABEL,DANGER HIGH VOLTAGE,TEXTUR	1	1	1	1	
216	216	K-IA-7026538-0-DBU	70-26538-01		SHIELD/INSULATOR ASSY	1	1	1	1	
217	217	K-IA-7026544-0-DBU	70-26544-01		AC WIRE ASSY	1	1	1	1	
218	218	K-IA-7026545-0-DBU	70-26545-01		AC RECEPTACLE	1	1	1	1	J801
219	219	K-IA-7026589-0-DBU	70-26589-01		POWER SWITCH ASSY	1	1	1	1	SW801
220	220	K-IA-7026598-0-DBU	70-26598-01		SHIELD, FILTER ASSY	1	1	1	1	
221	221	K-IA-7026599-0-DBU	70-26599-01		SHIELD ASSY, FLYBACK	-	-	-	-	
222	222	K-IA-7026600-0-DBU	70-26600-01		SHIELD ASSY, FLYBACK LE	1	1	1	1	
223	223	K-MD-7438591-0-DBU	74-38591-01		THUMBWHEEL	2	2	2	2	
224	224	K-MD-7438593-0-DBU	74-38593-01		FINGER, CRT GROUND	1	1	1	1	
225	225	K-MD-7438595-0-DBU	74-38595-01		COVER, LOGIC	1	1	1	1	
226	226	K-IA-7439137-0-DBU	74-39137-01		BAFFLE, LOGIC	1	1	1	1	H301
227	227	K-MD-7439215-0-DBU	74-39215-01		CLIP,POWER SWITCH	1	1	1	1	

D	I	G	I	T	A	L	TITLE	SECTION B OF C	SIZE	CODE	DOCUMENT NUMBER	REV
							SYSTEM MODULE		K	PL	5419523-0-DBP	A

LINE	ITEM	TOP DOCUMENT	PART NUMBER	MIN REV	DESCRIPTION	QTY PER VAR/REV				REFERENCE DESIGNATORS
						05 A01	06 A01	07 A01	08 A01	
228	228	K-MD-7439216-0-DBU	74-39216-01		CLIP,HEAT SINK	1	1	1	1	H601
229	229	K-MD-7439514-0-DBU	74-39514-01		PANEL,PROTECT	1	1	1	1	
230	230	K-MD-7439638-0-DBU	74-39638-01		CLIP (FOR EGRET)	2	2	2	2	
231	231	K-MD-7439640-0-DBU	74-39640-01		COVER (FOR EGRET-LR)	1	1	1	1	
232	232	K-MD-7439772-0-DBU	74-39772-01		BRACKET,VIDEO WIRE	1	1	1	1	
233	233	K-IA-7439773-0-DBU	74-39773-01		BAFFLE,SUPPORT	1	1	1	1	
234	234	K-MD-7439957-0-DBU	74-39957-01		HOLDER, WIRE	1	1	1	1	
235	235	K-MD-7440115-0-DBU	74-40115-01		CLIP,SPRING (EGRET)	3	3	3	3	
236	236	K-MD-7440803-0-DBU	74-40803-01		PAD,SCREW	1	1	1	1	
237	237	K-MD-7441000-0-DBU	74-41000-01		CONTACT, A	1	1	1	1	
238	238		90-09185-00		JUMPER, WIRE, INSULATED, BLACK B	2	2	2	-	W3,W901
			CONT			-	-	-	2	W2,W901
239	239		90-09718-03		GROMMET,STRIP STYRENE	1	1	1	1	
240	240		90-09798-01		SPACER,CLEAR HOLE RND CERAM .07	1	1	1	1	
241	241		90-10874-05		SCREW,MACH M3 PAN 14.00	2	2	2	2	
242	242		90-11075-01		SCREW,MACH M3 WASHER 6.00	4	4	4	4	
243	243		90-11089-02		SCREW,CAPT,M3-05	1	1	1	1	
244	244		91-05740-55		WIRE(WRAP) 30AWG KYNAR UL14	A/R	A/R	A/R	A/R	
245	245		91-05740-99		WIRE(WRAP) 30AWG KYNAR UL14	A/R	A/R	A/R	A/R	
246	246		91-07560-01		WIRE,BUSS 22AWG TIN BARE	A/R	A/R	A/R	A/R	

- 1 GEN: 1. 19-23890-01 CAN BE SUBSTITUTE BY 19-23890-03.
- 2 GEN: 2. 21-30395-43 CAN BE SUBSTITUTE BY 64K\*4 DRAM & 64K\*4 VRAM. FOLLOWING PART NUMBER OF 64K\*4 D/U RAM CAN BE USED:
- 3 GEN: A. DRAM: DIP 21-24412-03 HITACHI
- 4 GEN: 21-24413-03 MITSUBISHI
- 5 GEN: 21-30437-03 MICRON
- 6 GEN: B. VRAM: ZIP 21-27053-43 MITSUBISHI
- 7 GEN: 21-31901-43 MICRON

D	I	G	I	T	A	L	TITLE	SECTION B	OF	C	SIZE	CODE	DOCUMENT NUMBER	REV
							SYSTEM MODULE				K	PL	5419523-0-DBP	A

LINE	ITEM	TOP DOCUMENT	PART NUMBER	MIN REV	DESCRIPTION	QTY PER VAR/REV				REFERENCE DESIGNATORS
						09 A01	10 A01	11 A01	12 A01	
1	1	K-DD-5019522-0-0	50-19522-01	C	PWB,02L,12X09X062,12/13,038,PT,T	1	1	1	1	
2	2		10-10274-00		0.22 MFD 50V +80/-20% Z5U C	4	4	4	4	C805,C908,C909,C913
3	3		10-13466-12		2200 PFD 50V +/-10% X7R C	1	1	1	1	C811
4	4		10-13466-22		0.10 MFD 50V +80/-20% Z5U C	4	4	4	4	C304-C306,C915
5	5		10-13466-50		680 PFD 50V +/- 5% NP0 C	2	2	2	2	C608,C609
6	6		10-16548-00		1000 MFD 16V +50/-10% 85	1	1	1	1	C905
7	7		10-16570-00		1000 PFD 500V +80/-20% X5S/Z	1	1	1	1	C308
8	8		10-16572-00		300 PFD 500V +/-10% X5F/X	1	1	1	1	C815
9	9		10-18000-12		4.7 MFD 35V +50/-20% 85	1	1	1	1	C812
10	10		10-18000-14		1.0 MFD 63V +50/-20% 85	1	1	1	1	C613
11	11		10-18000-15		10 MFD 250V +50/-20% 85	1	1	1	1	C626
12	12		10-18000-17		470 MFD 25V +50/-20% 85	1	1	1	1	C602
13	13		10-18000-20		470 MFD 63V +50/-20% 85	1	1	1	1	C619
14	14		10-18000-21		100 MFD 63V +50/-20% 85	1	1	1	1	C903
15	15		10-18000-25		220 MFD 16V +/-20% 85	1	1	1	1	C907
16	16		10-18000-27		0.47MFD 100V +50/-20% 85	1	1	1	1	C622
17	17		10-18000-28		1.0 MFD 100V +50/-20% 85	1	1	1	1	C916
18	18		10-18000-29		10 MFD 25V +75/-20% 85	4	4	4	4	C311,C808,C912,C914
19	19		10-18000-33		100 MFD 25V +50/-20% 85	3	3	3	3	C601,C807,C911
20	20		10-18000-34		100 MFD 100V +50/-20% 85	1	1	1	1	C624
21	21		10-18000-35		10 MFD 100V +50/-20% 85	1	1	1	1	C313
22	22		10-18000-40		47 MFD 25V +/-20% 85	3	3	3	3	C16,C604,C618
23	23		10-19559-02		0.010MFD 1000V +/-20% Y5U/Z	2	2	2	2	C620,C623
24	24		10-20446-12		220 MFD 16V +50/-10% 85	1	1	1	1	C13
25	25		10-20604-10		1.0 MFD 250V +/- 5% MET.	1	1	1	1	C621
26	26		10-22087-01		1000 PFD 100V +/-20% Z5P	1	1	1	1	C301
27	27		10-23486-03		22 MFD 16V +/-20% 85	1	1	1	1	C615
28	28		10-23859-02		0.22 MFD 50V +/- 2% M.POL	1	1	1	1	C603
29	29		10-23859-03		0.33 MFD 50V +/- 2% M.POL	1	1	1	1	C606
30	30		10-24051-21		470 PFD 50V +/- 5% NP0 CE	1	1	1	1	C314

REVISION HISTORY		KPL MODULE FORMAT		SECTION C OF C		DRN: A LEE		DIGITAL		
ENG	ECO NUMBER	REV	SECTION/VARIATION INDEX		DATE: 12-MAR-89		TITLE PARTS LIST			
---	INITIAL	A	[A] 01,02,03,04	[M]	CHK'D: A LEE		SYSTEM MODULE			
			[B] 05,06,07,08	[N]	DATE: 12-MAR-89					
			[C] 09,10,11,12	[P]	DES.ENG: V.LIN/W.I HUANG					
			[D]	[Q]	DATE: 12-MAR-89		DOCUMENT NUMBER			
			[E]	[R]	RESP.ENG.: J.B. LOU		SIZE	CODE	NUMBER	REV
			[F]	[S]	DATE: 12-MAR-89		K	PL	5419523-0-DBP	A
			[H]	[T]	MFG.ENG: Y.M. HUANG		RELEASE DATE: 14-MAR-90			
			[J]	[V]	DATE: 12-MAR-89		RELEASE STATUS: RELEASED			
			[K]	[W]	BASIC PART NUMBER: 5419523		ASSEMBLY NUMBER: D-UA-5419523-0-0		TOP DOCUMENT NUMBER: K-DD-5419523-0-0	
			[L]	[Y]	FILE NAME: TA42E02A.PLS				EDIT # 33	

"THIS DRAWING AND THE SPECIFICATIONS CONTAINED HEREIN ARE CONFIDENTIAL AND PROPRIETARY. THEY ARE THE PROPERTY OF DIGITAL EQUIPMENT CORPORATION AND SHALL NOT BE REPRODUCED OR COPIED OR USED IN WHOLE OR IN PART AS THE BASIS FOR THE MANUFACTURE OR SALE OF ITEMS WITHOUT WRITTEN PERMISSION. THIS IS AN UNPUBLISHED WORK PROTECTED UNDER THE FEDERAL COPYRIGHT LAWS."



LINE	ITEM	TOP DOCUMENT	PART NUMBER	MIN REV	DESCRIPTION	QTY PER VAR/REV				REFERENCE DESIGNATORS
						09 A01	10 A01	11 A01	12 A01	
31	31		10-24053-01		0.010MFD 50V +/-20% Z5U CE	16	16	16	16	C3,C4,C6,C9,C11,C12,C14,C15, CONT C17-C22,C809,C813
32	32		10-24053-14		0.47 MFD 50V +/-20% Z5U CE	8	8	8	8	C1,C2,C5,C7,C8,C10,C23,C24
33	33		10-24205-01		1000 MFD 10V +/-20% 85	1	1	1	1	C910
34	34		10-24317-02		0.47 MFD 250VAC +/-20% LIN	1	1	1	1	C801
35	35		10-24375-02	3300	PFD 250VAC +/-20% LIN	2	2	2	2	C802,C806
36	36		10-26654-01		0.010MFD 100V +/-5% MYLAR	1	1	1	1	C612
37	37		10-26655-01		0.10 MFD 100V +/-5% MYLAR	2	2	2	2	C310,C605
38	38		10-26938-01		2200 MFD 16V +/-20% 85	2	2	2	2	C607,C906
39	39		10-26959-01	2200	PFD 100V +/-5% POLYP	1	1	1	1	C810
40	40		10-27183-02	270	PFD 1000V +/-20% POLYP	2	2	2	2	C814,C901
41	41		10-27656-01		0.022MFD 100V +/-5% MET.	4	4	4	4	C610,C614,C616,C904
42	42		10-27944-01		220 MFD 400V +/-20% 85	1	1	1	1	C804
43	43		10-28377-01	4700	PFD 2000V +80/-20% Z5U	1	1	1	1	C625
44	44		10-30970-01	330	MFD 63V +/-20% 105	1	1	1	1	C902
45	45		10-31156-02		0.010MFD 1500V +/-5% POLYP	1	1	1	1	C617
46	46		10-32126-01	1000	PFD 100V +/-5% POLYP	1	1	1	1	C611
47	47		10-33339-01	470	UF 16V +/-20% ALU	2	2	2	2	C303,C307
48	48		11-00114-00		PIV= 25 IO=135 MA	3	3	3	3	D1,D21,D24
49	49		11-02421-00		VZ= 6.2 5% 400 MW 1N753A	1	1	1	1	D302
50	50		11-04860-00		VZ= 3.3 5% 400 MW 1N746A	1	1	1	1	D26
51	51		11-05796-00		PIV= 400 IO= 1.00A 1N4004 DO-41	2	2	2	2	D601,D802
52	52		11-05871-00		VZ= 5.15 1% 250 MW	1	1	1	1	D905
53	53		11-10856-00		VZ= 24.0 5% 400 MW 1N970B	3	3	3	3	D25,D27,D29
54	54		11-12594-01		PIV= 200 IO= 3.00A	1	1	1	1	D902
55	55		11-12594-02		PIV= 600 IO= 3.00A	2	2	2	2	D603,D901
56	56		11-12595-02		PIV= 600 IO= 1.00A AXIAL	4	4	4	4	D604,D606,D803,D904
57	57		11-16474-00		PIV=1000 IO= 1.00A 1N4007 DO-41	1	1	1	1	D607
58	58		11-16475-00		PIV= 75 - 4NS 1N4148	11	11	11	11	D28,D301,D303-D306,D602, CONT D804-D807
59	59		11-21435-01		RECT. ASSY PIV= 600 IO= 2.00A	1	1	1	1	D801
60	60		11-21581-01		PIV=1500 IO= 60MA	1	1	1	1	D605
61	61		11-24037-01		VZ= 36.0 5% 400 MW 1N974B DO-35	11	11	11	11	D6-D10,D17-D20,D22,D23
62	62		11-25268-06		PIV= 800 IO= 1.00A 500NS	1	1	1	1	D808
63	63		11-26662-02		RECT,ULTRA FAST PIV= 100 IO= 3.0	1	1	1	1	D903
64	64		11-32715-01		TRANS SUPP	4	4	4	4	D2-D5
65	65		11-32715-02		TRANS SUPP	6	6	6	6	D11-D16
66	66		12-13071-06		INSULATOR,RUBBER SILICONE	1	1	1	1	
67	67		12-13071-22		INSULATOR,RUBBER SILICONE	1	1	1	1	
68	68		12-15006-25		SKT,IC 32PIN DIP TIN SOLD	1	1	1	1	XE2
69	69		12-15228-03		HEAT SINKS,TO-220 1.250X0.87	2	2	2	2	H901,H902
70	70		12-18826-07		CONN,PHONE MOD JACK 04POS	1	1	1	1	J4
71	71		12-23192-08		FUSE 5X20 3.0 A 250V FAST ACTI	1	1	1	1	F801
72	72		12-23433-02		CONN,LAN JACK 06 POS	2	2	2	2	J1,J2
73	73		12-26314-01		CONN,D SUB 25POS ASSY 90D GOLD	1	1	1	1	J3
74	74		12-26619-01		FUSE CLIP 5MM TYPE	2	2	2	2	
75	75		12-27325-02		PCB HEADER 06POS(1X06).156CC STR	1	1	1	1	J601
76	76		12-32607-01		HEATSINK	1	1	1	1	H801
77	77		12-33169-01		PCB HEADER 02PIN(1X02).100CC STR	1	1	1	1	J301
78	78		13-00274-00		220.0 .50 W 5.0 % CF	2	2	2	2	R625,R649

D	I	G	I	T	A	L	TITLE	SECTION C OF C	SIZE	CODE	DOCUMENT NUMBER	REV
							SYSTEM MODULE		K	PL	5419523-0-DBP	A

LINE	ITEM	TOP DOCUMENT	PART NUMBER	MIN REV	DESCRIPTION	QTY PER VAR/REV				REFERENCE DESIGNATORS
						09 A01	10 A01	11 A01	12 A01	
79	79		13-00354-00	750.0	.50 W 5.0 % CF	3	3	3	3	R808,R809,R905
80	80		13-12934-00	6.80 M	.25 W 5.0 % CF	1	1	1	1	R604
81	81		13-16511-00	15.0 K	.50 W 5.0 % CF	2	2	2	2	R623,R624
82	82		13-17522-00	1.0	.25 W 5.0 % CF	1	1	1	1	R620
83	83		13-19255-14	27.0	1.0 W 5.0 % M.OXIDE	1	1	1	1	R628
84	84		13-19255-43	2.0 K	1.0 W 5.0 % M.OXIDE	2	2	2	2	R601,R650
85	85		13-19470-06	5.10	1.0 W 5.0 % M.OXIDE	1	1	1	1	R645
86	86		13-19471-16	150.0	2.0 W 5.0 % M.OXIDE	3	3	3	3	R901,R902,R913
87	87		13-19471-32	2.70 K	2.0 W 5.0 % M.OXIDE	1	1	1	1	R821
88	88		13-19471-75	27.0 K	2.0 W 5.0 % M.OXIDE	2	2	2	2	R804,R806
89	89		13-19563-01	POT-OPEN/TRIM	5.0M 0.33W 20.0	2	2	2	2	R656,R657
90	90		13-20617-01	2.20	.25 W 5.0 % CF	2	2	2	2	R602,R607
91	91		13-20676-01	43.0	.50 W 5.0 % CF	1	1	1	1	R310
92	92		13-20713-01	390.0 K	.50 W 5.0 % CF	1	1	1	1	R651
93	93		13-20715-01	470.0 K	.50 W 5.0 % CF	1	1	1	1	R802
94	94		13-20725-01	1.50 M	.50 W 5.0 % CF	1	1	1	1	R655
95	95		13-21218-01	R. NET	39.0 - 4 1.0	3	3	3	3	Z1-Z3
96	96		13-22504-01	VARISTOR	320VAC VOLT TRANS SUP	1	1	1	1	R801
97	97		13-23825-01	10.0	.25 W 5.0 % CHIP	2	2	2	2	R303,R652
98	98		13-23825-07	18.0	.25 W 5.0 % CHIP	1	1	1	1	R629
99	99		13-23825-09	22.0	.25 W 5.0 % CHIP	2	2	2	2	R317,R318
100	100		13-23825-11	27.0	.25 W 5.0 % CHIP	1	1	1	1	R606
101	101		13-23825-15	39.0	.25 W 5.0 % CHIP	2	2	2	2	R24,R25
102	102		13-23825-17	47.0	.25 W 5.0 % CHIP	1	1	1	1	R822
103	103		13-23825-19	56.0	.25 W 5.0 % CHIP	1	1	1	1	R817
104	104		13-23825-23	82.0	.25 W 5.0 % CHIP	2	2	2	2	R20,R321
105	105		13-23825-25	100.0	.25 W 5.0 % CHIP	1	1	1	1	R632
106	106		13-23825-27	120.0	.25 W 5.0 % CHIP	1	1	1	1	R311
107	107		13-23825-30	160.0	.25 W 5.0 % CHIP	1	1	1	1	R608
108	108		13-23825-31	180.0	.25 W 5.0 % CHIP	4	4	4	4	R3,R4,R6,R8
109	109		13-23825-33	220.0	.25 W 5.0 % CHIP	1	1	1	1	R819
110	110		13-23825-41	470.0	.25 W 5.0 % CHIP	7	7	7	7	R302,R307-R309,R638,R646,R907
111	111		13-23825-42	510.0	.25 W 5.0 % CHIP	1	1	1	1	R320
112	112		13-23825-43	560.0	.25 W 5.0 % CHIP	1	1	1	1	R815
113	113		13-23825-44	620.0	.25 W 5.0 % CHIP	1	1	1	1	R639
114	114		13-23825-45	680.0	.25 W 5.0 % CHIP	2	2	2	2	R818,R910
115	115		13-23825-47	820.0	.25 W 5.0 % CHIP	1	1	1	1	R19
116	116		13-23825-49	1.0 K	.25 W 5.0 % CHIP	5	5	5	5	R5,R16,R21,R319,R637
117	117		13-23825-56	2.00 K	.25 W 5.0 % CHIP	2	2	2	2	R22,R616
118	118		13-23825-57	2.20 K	.25 W 5.0 % CHIP	2	2	2	2	R305,R306
119	119		13-23825-58	2.40 K	.25 W 5.0 % CHIP	1	1	1	1	R666
120	120		13-23825-61	3.30 K	.25 W 5.0 % CHIP	1	1	1	1	R909
121	121		13-23825-63	3.90 K	.25 W 5.0 % CHIP	2	2	2	2	R7,R636
122	122		13-23825-65	4.70 K	.25 W 5.0 % CHIP	1	1	1	1	R1
123	123		13-23825-68	6.20 K	.25 W 5.0 % CHIP	6	6	6	6	R13,R633-R635,R640,R904
124	124		13-23825-69	6.80 K	.25 W 5.0 % CHIP	1	1	1	1	R911
125	125		13-23825-70	7.50 K	.25 W 5.0 % CHIP	1	1	1	1	R643
126	126		13-23826-01	10.0 K	.25 W 5.0 % CHIP	7	7	7	7	R2,R609,R664,R665,R812,R823, CONT R906
127	127		13-23826-05	15.0 K	.25 W 5.0 % CHIP	5	5	5	5	R312,R612,R617,R642,R814

D	I	G	I	T	A	L	TITLE	SECTION C	OF C	SIZE	CODE	DOCUMENT NUMBER	REV
							SYSTEM MODULE			K	PL	5419523-0-DBP	A

LINE	ITEM	TOP DOCUMENT	PART NUMBER	MIN REV	DESCRIPTION	QTY PER VAR/REV				REFERENCE DESIGNATORS
						09 A01	10 A01	11 A01	12 A01	
128	128		13-23826-07	18.0 K	.25 W 5.0 % CHIP	3	3	3	3	R18,R618,R622
129	129		13-23826-10	24.0 K	.25 W 5.0 % CHIP	2	2	2	2	R17,R807
130	130		13-23826-11	27.0 K	.25 W 5.0 % CHIP	4	4	4	4	R11,R12,R610,R811
131	131		13-23826-12	30.0 K	.25 W 5.0 % CHIP	1	1	1	1	R641
132	132		13-23826-13	33.0 K	.25 W 5.0 % CHIP	1	1	1	1	R14
133	133		13-23826-16	43.0 K	.25 W 5.0 % CHIP	2	2	2	2	R9,R10
134	134		13-23826-17	47.0 K	.25 W 5.0 % CHIP	2	2	2	2	R614,R658
135	135		13-23826-18	51.0 K	.25 W 5.0 % CHIP	1	1	1	1	R903
136	136		13-23826-19	56.0 K	.25 W 5.0 % CHIP	2	2	2	2	R816,R912
137	137		13-23826-25	100.0 K	.25 W 5.0 % CHIP	3	3	3	3	R15,R605,R621
138	138		13-23826-29	150.0 K	.25 W 5.0 % CHIP	1	1	1	1	R660
139	139		13-23826-33	220.0 K	.25 W 5.0 % CHIP	1	1	1	1	R653
140	140		13-23826-39	390.0 K	.25 W 5.0 % CHIP	1	1	1	1	R662
141	141		13-23826-45	680.0 K	.25 W 5.0 % CHIP	1	1	1	1	R813
142	142		13-23826-49	1.00 M	.25 W 5.0 % CHIP	1	1	1	1	R659
143	143		13-23829-56	3.74 K	.25 W 1.0 % CHIP	1	1	1	1	R644
144	144		13-23829-66	4.75 K	.25 W 1.0 % CHIP	1	1	1	1	R626
145	145		13-23829-77	6.19 K	.25 W 1.0 % CHIP	1	1	1	1	R630
146	146		13-23829-83	7.15 K	.25 W 1.0 % CHIP	1	1	1	1	R627
147	147		13-23830-34	22.1 K	.25 W 1.0 % CHIP	1	1	1	1	R613
148	148		13-23831-76	604.0 K	.25 W 1.0 % CHIP	2	2	2	2	R603,R631
149	149		13-27007-01	THERMISTOR NTC 10 15%		1	1	1	1	R803
150	150		13-27013-07	390.0	5.0 W 5.0 % M.OXIDE	1	1	1	1	R301
151	151		13-27943-02	POT-OPEN/TRIM 100.0K 0.15W 20.0		1	1	1	1	R661
152	152		13-27943-03	POT-OPEN/TRIM 500.0 0.15W 20.0		1	1	1	1	R648
153	153		13-28026-07	POT-OPEN/TRIM 3.0K 0.2 W 20.0		1	1	1	1	R908
154	154		13-28257-01	2.7	5.0 W 5.0 % WW	1	1	1	1	R805
155	155		13-28261-01	.32	1.0 W 3.0 % WW	1	1	1	1	R820
156	156		13-28450-01	47.0	.50 W10.0 % CC	2	2	2	2	R304,R314
157	157		13-28450-02	1.2 K	.50 W10.0 % CC	2	2	2	2	R315,R316
158	158		13-31674-01	POT-OPEN/TRIM 100.0 0.2 W 20.0%		1	1	1	1	R619
159	159		13-31674-02	POT-OPEN/TRIM 500.0 0.2 W 20.0		1	1	1	1	R647
160	160		13-31674-03	POT-OPEN/TRIM 10.0K 0.2 W 20.0		1	1	1	1	R810
161	161		13-31674-04	POT-OPEN/TRIM 20.0K 0.2 W 20.0		1	1	1	1	R615
162	162		13-31674-05	POT-OPEN/TRIM 100.0K 0.2 W 20.0		1	1	1	1	R611
163	163		15-09524-00	2N 3904	NPN 310MW SI 40 40 M	9	9	9	9	Q2,Q4,Q601,Q604-Q608,Q610
164	164		15-09525-00	2N 3906	PNP 310MW SI 40100 Y	5	5	5	5	Q1,Q302,Q305,Q306,Q603
165	165		15-10706-00	XA 55	PNP 500MW SI 60 50 P	2	2	2	2	Q3,Q611
166	166		15-19270-01	TIP 31A	NPN 50V 3A	1	1	1	1	Q609
167	167		15-20857-01	MPS2369	NPN 350MW 40V 200MA T	3	3	3	3	Q303,Q304,Q309
168	168		15-28392-01	TRANSISTOR,VIDEO OUTPUT		1	1	1	1	Q307
169	169		15-31115-01	MJE1600	NPN 80W SI 5.0A 450V	1	1	1	1	Q602
170	170		15-31157-01	FET 800V 5.3A 2 OHM N		1	1	1	1	Q801
171	171		15-32613-01	TRANSISTOR,PNP		1	1	1	1	Q308
172	172		15-32714-01	2SC 3951	NPN SI TR	1	1	1	1	Q301
173	173		16-18238-02	BEAD,FERRITE .1380DX.330LG		8	8	8	8	L1,L2,L15-L17,L19,L25,L26
174	174		16-18437-03	BEAD,FERRITE W/2.5		3	3	3	3	L23,L802,L804
175	175		16-20182-03	5.6 UH 10% 565MA		2	2	2	2	L303,L304
176	176		16-27345-01	CHOKE 30UH 0.65A SLUG CORE		2	2	2	2	L901,L904
177	177		16-27761-01	10.0 UH 10% Q= 55 @ 7.9MHZ SRF=		5	5	5	5	L18,L21,L305,L603,L801

D	I	G	I	T	A	L	TITLE	SECTION C OF C	SIZE	CODE	DOCUMENT NUMBER	REV
							SYSTEM MODULE		K	PL	5419523-0-DBP	A

LINE	ITEM	TOP DOCUMENT	PART NUMBER	MIN REV	DESCRIPTION	QTY PER VAR/REV				REFERENCE DESIGNATORS
						09 A01	10 A01	11 A01	12 A01	
178	178		16-28226-01		CHOKE COIL 2.2UH 10%	12	12	12	12	L3-L12,L20,L22
179	179		16-31230-01		XFMR,SWITCHING 37.6KHZ 44W	1	1	1	1	T802
180	180		16-31233-01		XFMR,FILTER,2A 250VAC 25MH	1	1	1	1	T801
181	181		16-31234-01		CHOKE 10UH 2A	2	2	2	2	L902,L903
182	182		16-31641-01		XFMR,DRIVER	1	1	1	1	T602
183	183		16-31642-01		COIL,HORIZONTAL WIDTH 9-33UH	1	1	1	1	L602
184	184		16-31643-01		XFMR,DYNAMIC FOCUS	1	1	1	1	T603
185	185		16-31669-01		XFMR,FLYBACK 37.6KHZ	1	1	1	1	T601
186	186		16-32212-01		COIL,LINEARITY	1	1	1	1	L601
187	187		16-32388-04		1.0UH 10% RF COATED CHOKE	1	1	1	1	L301
188	188		16-32388-05		.22UH.105 RF COATED CHOKE	1	1	1	1	L302
189	189		16-32388-06		.47UH 10% RF COATED CHOKE	1	1	1	1	L306
190	190		16-32757-01		2.5 MH +50% -30% @16KHZ	1	1	1	1	T803
191	191		18-11660-86		OSCILLATOR, XTAL 43.32 MHZ	1	1	1	1	Y1
192	192		19-12847-00		LS157 MUX 1 OF 2(QUAD)	1	1	1	1	E12
193	193		19-15415-00		9636 DRIVER,DUAL,EIA RS-4	4	4	4	4	E13-E16
194	194		19-17908-00	LM	358N OP AMP DUAL LOW POWE	1	1	1	1	E901
195	195		19-21010-01		74F373 OCTAL TRANSPARENT LA	1	1	1	1	E3
196	196		19-21305-02		74F00 NAND GATE,QUAD,2-IN	-	-	-	-	E20
197	197		19-21314-02		74F74 FF-D,DUAL SOIC	-	-	-	-	E19
198	198		19-21323-01		74F174 FF-D,HEX	1	1	1	1	E6
199	199		19-21337-03		OPTOISLTR,XSTR,CTR100-200%@IF5MA	1	1	1	1	E801
200	200		19-23626-01		PWM OFF-LINE CURRENT	1	1	1	1	E802
201	201		19-23890-01		EIA OCTAL LINE RECEI	1	1	1	1	E17
202	202		19-27782-01		DUAL LINE RECEIVER	1	1	1	1	E18
203	203		19-31235-01		DELECTION MONITOR,HO	1	1	1	1	E601
204	204		21-20068-05		2681 REC./TRANS.,ASYNC.,D	1	1	1	1	E10
205	205		21-20115-02		8031AH MICROPROCESSOR,8BIT	1	1	1	1	E1
206	206		21-24412-03		NMOS DRAM 120NS 64KX	-	1	-	-	E8
207	207		21-26307-06		STATIC RAM CMOS 32KX	1	1	1	1	E9
208	208		21-27503-43		CMOS DRAM MULTIPOST 120NS 64KX	-	1	-	-	E7
209	209		21-28123-01		1024 SERIAL ELEC ERASABLE + PRO	1	1	1	1	E11
210	210		21-30395-43		CMOS DRAM MULTIPOST 120NS 256KX	1	-	1	-	E5
211	211		21-31623-01		DC7166C VIDEO CONTROLLER ARRAY T	-	-	1	1	E4
212	212		21-32133-01		TA01 VIDEO CONTROLLER STA	1	1	-	-	E4
213	213		23-68E9 -00		E9-03	-	-	-	-	
214	214		23-43E9 -00		E9-04	1	1	1	1	E2
215	215		36-10267-05		LABEL,DANGER HIGH VOLTAGE,TEXTUR	1	1	1	1	
216	216	K-IA-7026538-0-DBU	70-26538-01		SHIELD/INSULATOR ASSY	1	1	1	1	
217	217	K-IA-7026544-0-DBU	70-26544-01		AC WIRE ASSY	1	1	1	1	
218	218	K-IA-7026545-0-DBU	70-26545-01		AC RECEPTACLE	1	1	1	1	J801
219	219	K-IA-7026589-0-DBU	70-26589-01		POWER SWITCH ASSY	1	1	1	1	SW801
220	220	K-IA-7026598-0-DBU	70-26598-01		SHIELD, FILTER ASSY	1	1	1	1	
221	221	K-IA-7026599-0-DBU	70-26599-01		SHIELD ASSY, FLYBACK	1	1	1	1	H602
222	222	K-IA-7026600-0-DBU	70-26600-01		SHIELD ASSY, FLYBACK LE	-	-	-	-	
223	223	K-MD-7438591-0-DBU	74-38591-01		THUMBWHEEL	2	2	2	2	
224	224	K-MD-7438593-0-DBU	74-38593-01		FINGER, CRT GROUND	1	1	1	1	
225	225	K-MD-7438595-0-DBU	74-38595-01		COVER, LOGIC	1	1	1	1	
226	226	K-IA-7439137-0-DBU	74-39137-01		BAFFLE, LOGIC	1	1	1	1	H301
227	227	K-MD-7439215-0-DBU	74-39215-01		CLIP,POWER SWITCH	1	1	1	1	

D	I	G	I	T	A	L	TITLE	SECTION C	OF C	SIZE	CODE	DOCUMENT NUMBER	REV
							SYSTEM MODULE			K	PL	5419523-0-DBP	A

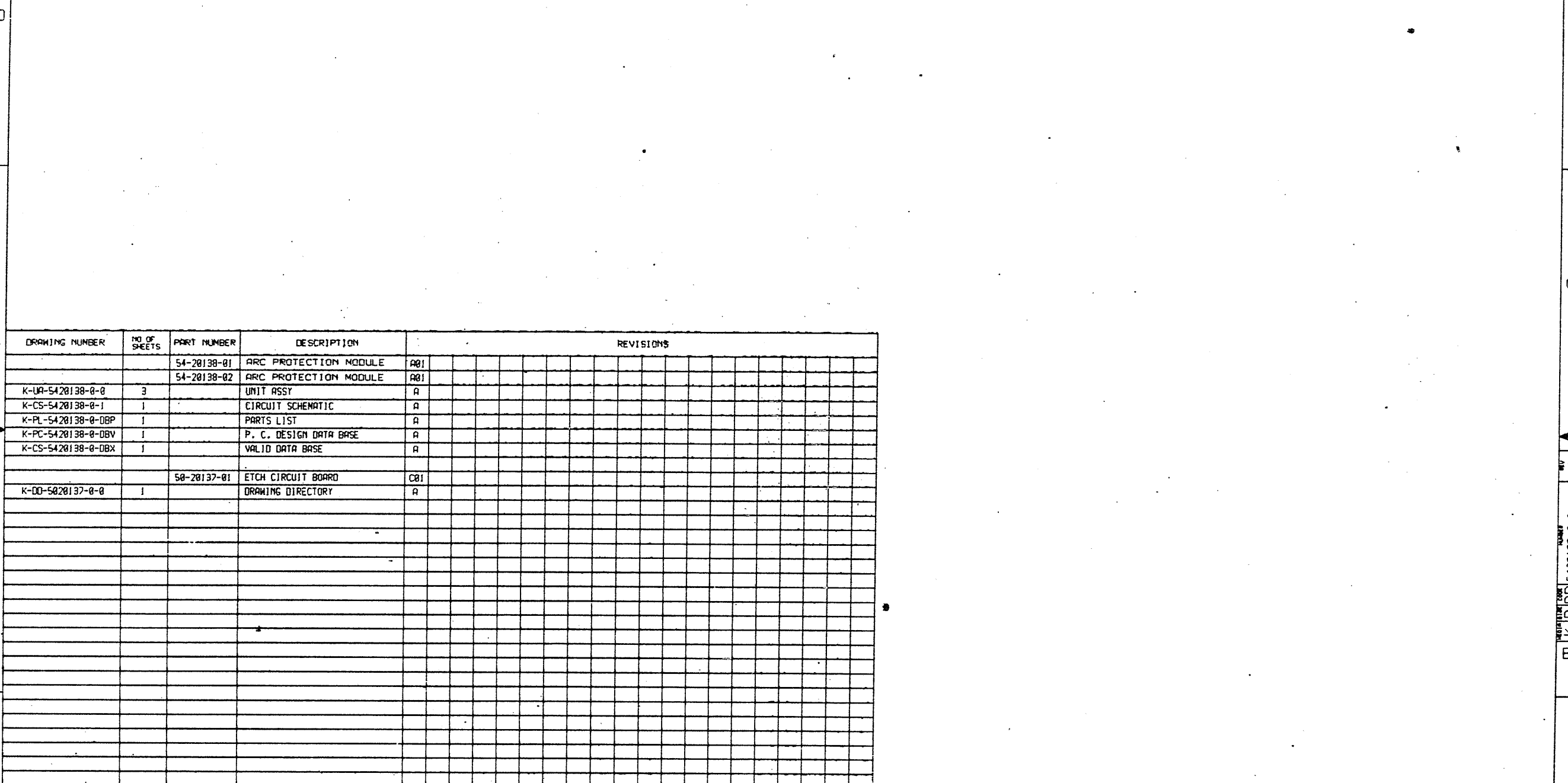
LINE	ITEM	TOP DOCUMENT	PART NUMBER	MIN REV	DESCRIPTION	QTY PER VAR/REV				REFERENCE DESIGNATORS
						09 A01	10 A01	11 A01	12 A01	
228	228	K-MD-7439216-0-DBU	74-39216-01		CLIP,HEAT SINK	1	1	1	1	H601
229	229	K-MD-7439514-0-DBU	74-39514-01		PANEL,PROTECT.	1	1	1	1	
230	230	K-MD-7439638-0-DBU	74-39638-01		CLIP (FOR EGRET)	2	2	2	2	
231	231	K-MD-7439640-0-DBU	74-39640-01		COVER (FOR EGRET-LR)	-	-	-	-	
232	232	K-MD-7439772-0-DBU	74-39772-01		BRACKET,VIDEO WIRE	1	1	1	1	
233	233	K-IA-7439773-0-DBU	74-39773-01		BAFFLE,SUPPORT	1	1	1	1	
234	234	K-MD-7439957-0-DBU	74-39957-01		HOLDER, WIRE	1	1	1	1	
235	235	K-MD-7440115-0-DBU	74-40115-01		CLIP,SPRING (EGRET)	3	3	3	3	
236	236	K-MD-7440803-0-DBU	74-40803-01		PAD,SCREW	1	1	1	1	
237	237	K-MD-7441000-0-DBU	74-41000-01		CONTACT, A	1	1	1	1	
238	238		90-09185-00		JUMPER, WIRE, INSULATED, BLACK B	2	2	2	-	W3,W901
			CONT			-	-	-	-	W2,W901
239	239		90-09718-03		GROMMET,STRIP STYRENE	1	1	1	1	
240	240		90-09798-01		SPACER,CLEAR HOLE RND CERAM .07	1	1	1	1	
241	241		90-10874-05		SCREW,MACH M3 PAN 14.00	2	2	2	2	
242	242		90-11075-01		SCREW,MACH M3 WASHER 6.00	2	2	2	2	
243	243		90-11089-02		SCREW,CAPT,M3-05	1	1	1	1	
244	244		91-05740-55		WIRE(WRAP) 30AWG KYNAR UL14	A/R	A/R	A/R	A/R	
245	245		91-05740-99		WIRE(WRAP) 30AWG KYNAR UL14	A/R	A/R	A/R	A/R	
246	246		91-07560-01		WIRE,BUSS 22AWG TIN BARE	A/R	A/R	A/R	A/R	

- 1 GEN: 1. 19-23890-01 CAN BE SUBSTITUTE BY 19-23890-03.
- 2 GEN: 2. 21-30395-43 CAN BE SUBSTITUTE BY 64K\*4 DRAM & 64K\*4 VRAM. FOLLOWING PART NUMBER OF 64K\*4 D/U RAM CAN BE USED:
- 3 GEN: A. DRAM: DIP 21-24412-03 HITACHI
- 4 GEN: 21-24413-03 MITSUBISHI
- 5 GEN: 21-30437-03 MICRON
- 6 GEN: B. VRAM: ZIP 21-27053-43 MITSUBISHI
- 7 GEN: 21-31901-43 MICRON

D	I	G	I	T	A	L	TITLE	SECTION C	OF C	SIZE	CODE	DOCUMENT NUMBER	REV
							SYSTEM MODULE			K	PL	5419523-0-DBP	A

8 7 6 5 4 3 2 1

THIS DRAWING AND THE SPECIFICATIONS CONTAINED HEREIN ARE CONFIDENTIAL AND PROPRIETARY. THEY ARE THE PROPERTY OF DIGITAL EQUIPMENT CORPORATION AND SHALL NOT BE REPRODUCED OR COPIED OR USED IN WHOLE OR IN PART AS THE BASIS FOR THE MANUFACTURE OR SALE OF ITEMS WITHOUT WRITTEN PERMISSION. THIS IS AN UNCLASSIFIED MARK PROTECTED UNDER THE DIGITAL EQUIPMENT CORPORATION COPYRIGHT © 1988. DIGITAL EQUIPMENT CORPORATION



DRAWING NUMBER	NO OF SHEETS	PART NUMBER	DESCRIPTION	REVISIONS
		54-20138-01	ARC PROTECTION MODULE	A01
		54-20138-02	ARC PROTECTION MODULE	A01
K-UA-5420138-0-0	3		UNIT ASSY	A
K-CS-5420138-0-1	1		CIRCUIT SCHEMATIC	A
K-PL-5420138-0-DBP	1		PARTS LIST	A
K-PC-5420138-0-DBV	1		P. C. DESIGN DATA BASE	A
K-CS-5420138-0-DBX	1		VALID DATA BASE	A
		50-20137-01	ETCH CIRCUIT BOARD	C01
K-DD-5020137-0-0	1		DRAWING DIRECTORY	A

REVISION HISTORY		REV
DATE	ECO NO	INITIAL
		A

NOTES:

APPROVALS	DATE
DRAWN S. LEE	19-AUG-88
CHECKED S.L. KUONG/ANGEL LEE	19-AUG-88
MECH ENG C. S. CHEN	19-AUG-88
PROJ ENG J. B. LOU	19-AUG-88
MFG ENG T. N. HUANG	19-AUG-88

digital

TITLE DWG DIR, ARC PROTECTION MODULE

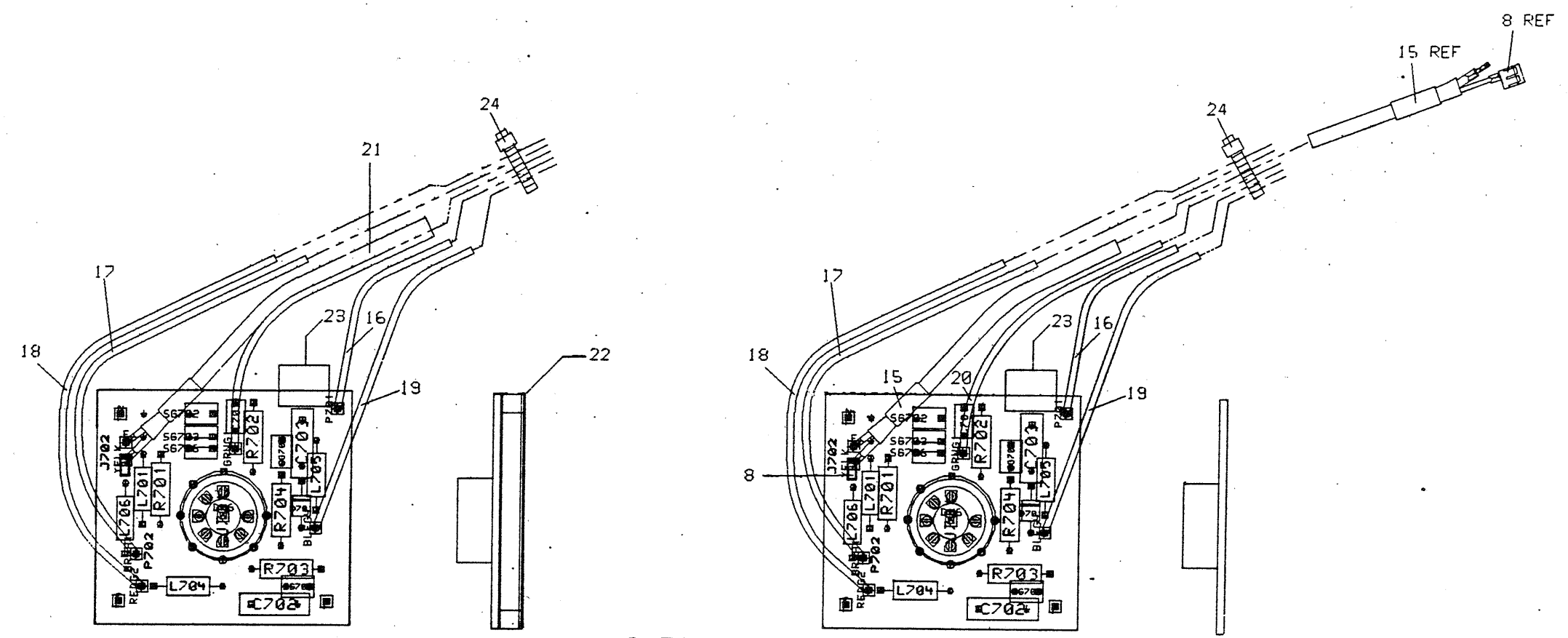
SHEET	OF	MEDIA	SIZE	CODE	NUMBER	REV
1	1	K	D	DD	5420138-0-0	A

5420138-0-0  
 K D DD  
 B A

8 7 6 5 4 3 2 1 WO# N/A

THIS DRAWING AND THE SPECIFICATIONS CONTAINED HEREIN ARE CONFIDENTIAL AND PROPRIETARY AND SHALL NOT BE REPRODUCED OR COPIED OR USED IN WHOLE OR IN PART BY THE BUYER FOR THE MANUFACTURE OR SALE OF ITEMS WITHOUT WRITTEN PERMISSION FROM THE SELLER. THIS WORK IS CONTROLLED UNDER THE FEDERAL ACQUISITION REGULATION CONTRACTOR © 1999 DIGITAL EQUIPMENT CORPORATION

VIEWED FROM SIDE ONE



FOR 54-20138-01 ONLY

FOR 54-20138-02 ONLY

1.700

1.700

2.700

2.700

H-MASTER-REF.

H-MASTER-REF.

CHK	DRAWN BY	ENGINEER	CHANGE NO	DATE	REV

CHK	DRAWN BY	ENGINEER	CHANGE NO	DATE	REV

NOTES

APPROVALS	DATE
DRAWN S. LEE	29-AUG-99
CHECKED S.L. KUONG/ANGEL LEE	29-AUG-99
MECH ENG C. S. CHEN	29-AUG-99
PROJ ENG J. B. LOU	29-AUG-99
MFG ENG Y. N. HUANG	29-AUG-99

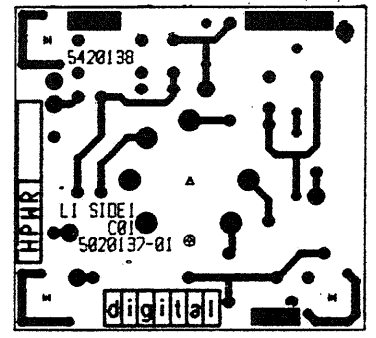
SCALE 2/1	MEDIA CODE	TITLE	REV
SHEET 1 OF 3	K. UA	UNIT ASSY, ARC PROTECTION MODULE	A
TOP DOC NO' K-DD-5420138-0-0	5420138-0-0	SIZE - 0	

digital

1 WO# N/A

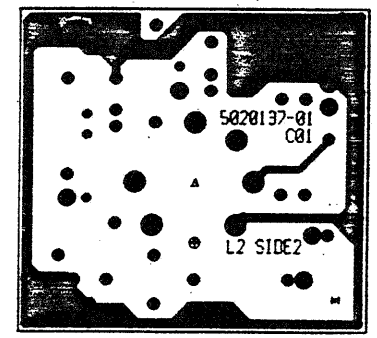
THIS DRAWING AND THE SPECIFICATIONS CONTAINED HEREIN ARE CONFIDENTIAL AND PROPRIETARY. THEY ARE THE PROPERTY OF DIGITAL EQUIPMENT CORPORATION AND SHALL NOT BE REPRODUCED OR COPIED OR USED IN WHOLE OR IN PART BY THE USER FOR THE MANUFACTURE OR SALE OF ITEMS WITHOUT WRITTEN PERMISSION. THIS IS AN UNCLASSIFIED WORK PROTECTED UNDER THE FEDERAL COPYRIGHT LAWS. COPYRIGHT © 1986 DIGITAL EQUIPMENT CORPORATION

VIEWED FROM SIDE ONE

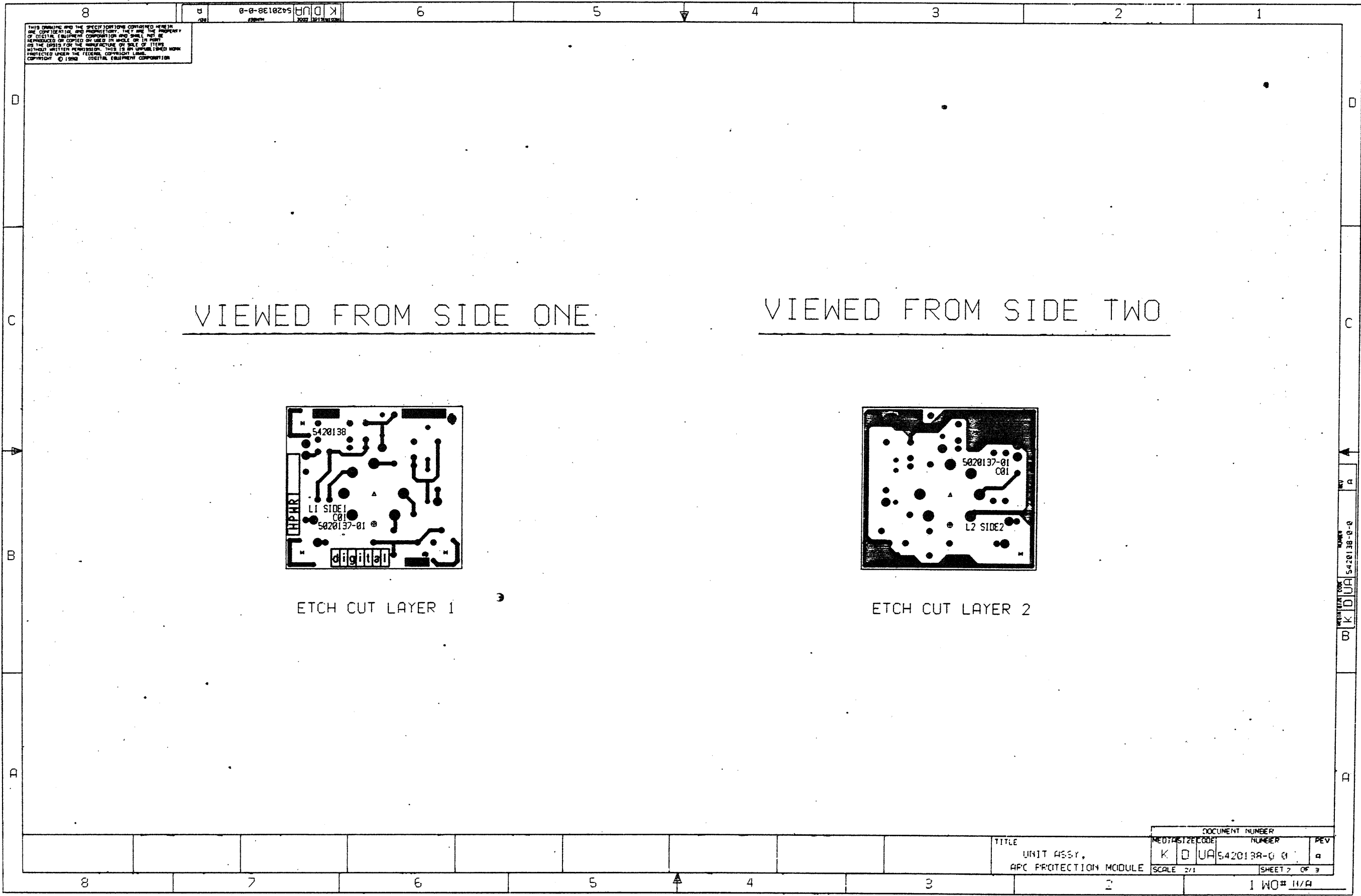


ETCH CUT LAYER 1

VIEWED FROM SIDE TWO



ETCH CUT LAYER 2



DOCUMENT NUMBER	
MEDIA SIZE CODE	NUMBER
K D UA	5420138-0 01
SCALE 2/1	SHEET 2 OF 3

IWO# 11/A

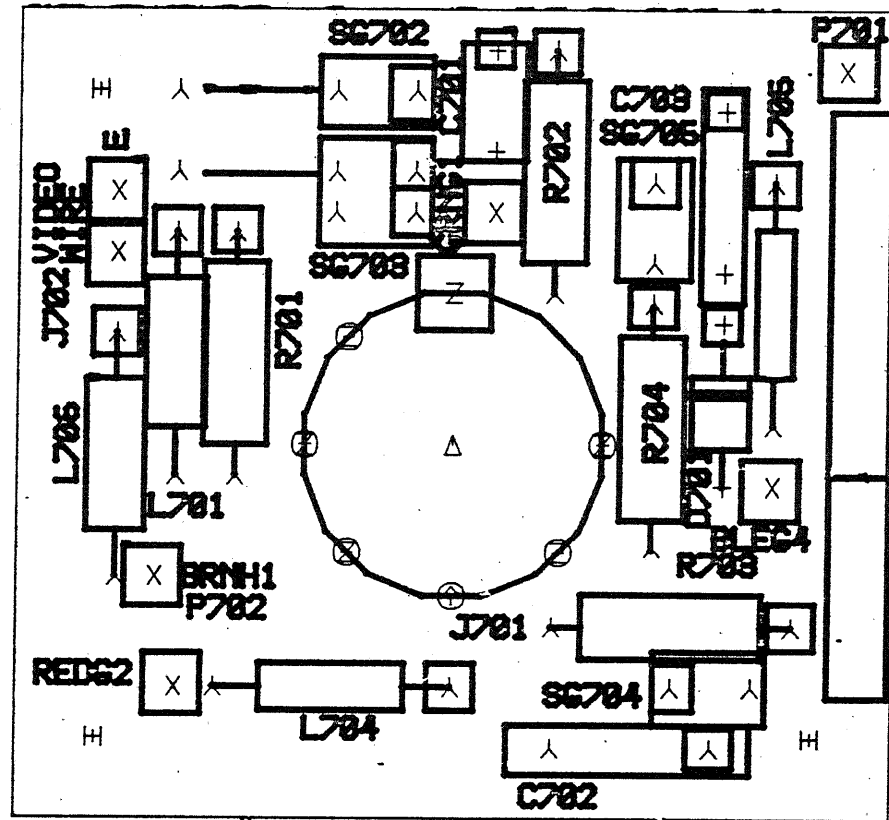
TITLE  
UNIT ASSY,  
APC PROTECTION MODULE

REV A  
K D UA 5420138-0-0



8  
 THIS DRAWING AND THE SPECIFICATIONS CONTAINED HEREIN ARE THE PROPERTY OF DIGITAL EQUIPMENT CORPORATION AND SHALL NOT BE REPRODUCED OR COPIED IN WHOLE OR IN PART, OR IN ANY MANNER, FOR THE MANUFACTURE OR SALE OF ITEMS, WITHOUT WRITTEN PERMISSION. THIS IS AN UNCLASSIFIED WORK PROTECTED UNDER THE FEDERAL COPYRIGHT LAWS. COPYRIGHT © 1988 DIGITAL EQUIPMENT CORPORATION

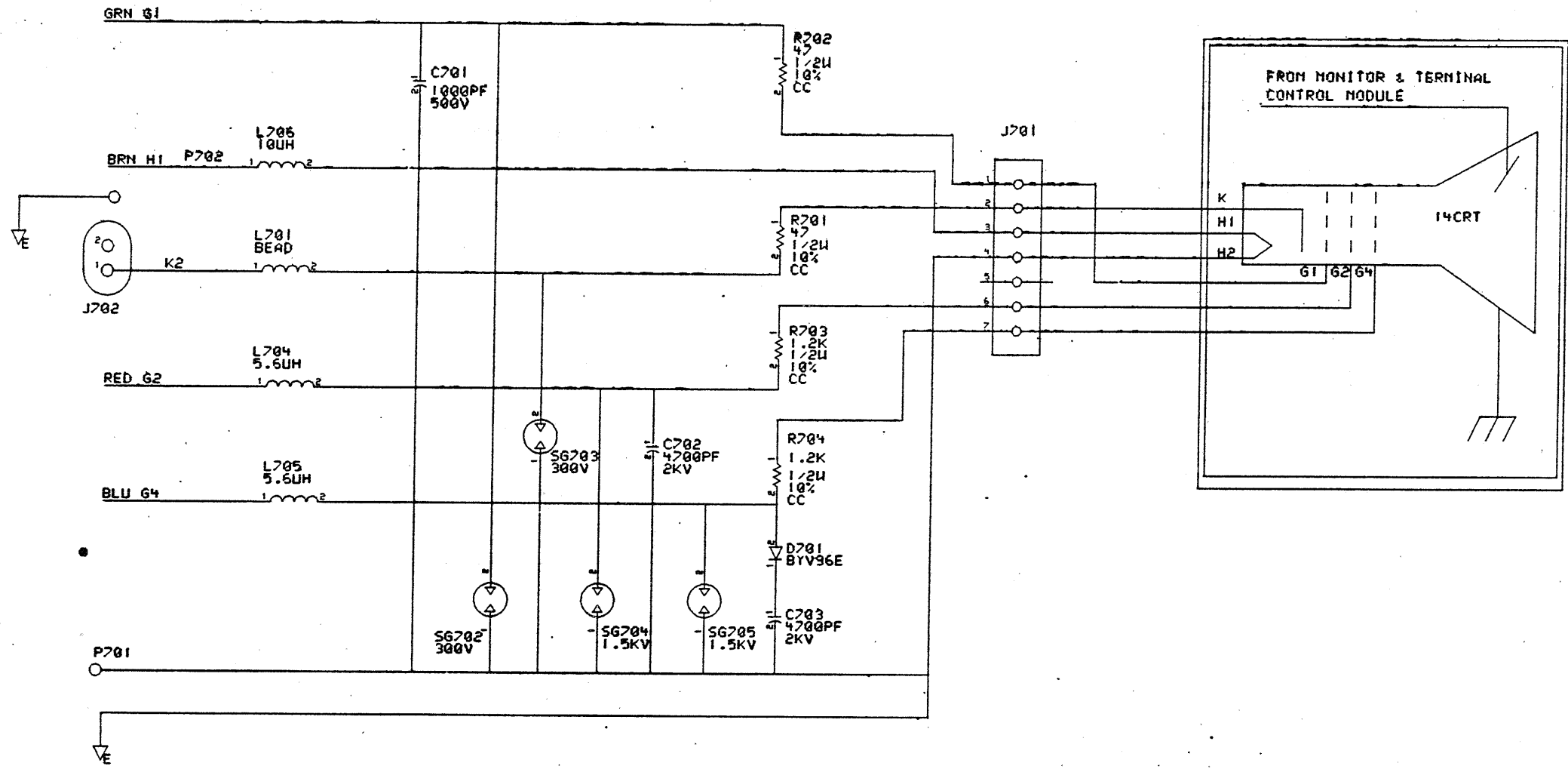
VIEWED FROM SIDE ONE



COMPONENT REFERENCE LOCATION ON SIDE 1

TITLE		DOCUMENT NUMBER	
UNIT ASSY, ARC PROTECTION MODULE		NUMBER	REV
K	D	UA 5420138-0-0	A
SCALE	5/1	SHEET 3 OF 3	
1 WO# N/A			

- NOTE: UNLESS OTHERWISE SPECIFIED: 6P
1. ALL RESISTORS ARE EXPRESSED IN OHMS AND ARE 1/4W, +/-5%.
  2. THE VOLTAGE OF ALL CAPACITORS ARE 50V.
  3. ——— EXPRESS (OFF THE BOARD).
  4. ——— EXPRESS (COMPONENT LOCATE IN PACKAGE).
  5. ===== EXPRESS (HEAT SINK).
  6. - - - - - EXPRESS (COMPONENT NOT INSERT).



THIS DRAWING AND THE SPECIFICATIONS CONTAINED HEREIN ARE CONFIDENTIAL AND PROPRIETARY. THEY ARE THE PROPERTY OF DIGITAL EQUIPMENT CORP. AND SHALL NOT BE REPRODUCED OR COPIED OR USED IN WHOLE OR IN PART AS THE BASIS FOR THE MANUFACTURE OR SALE OF ITEMS WITHOUT WRITTEN PERMISSION. THIS IS AN UNPUBLISHED WORK PROTECTED UNDER THE FEDERAL COPYRIGHT LAWS. COPYRIGHT © 1989 DIGITAL EQUIPMENT CORPORATION.

REVISION	
CHK	CHANGE NO. REV

**digital**  
FIRST USED ON OPTION/MODEL:

DRW. AN LEE JUN-12-1989  
CHK'D LC CHO JUN-12-1989

ENG. LC CHEN JUN-12-1989  
SHEET 1 OF 1

TITLE: SCHEMATIC  
ARC PROTECTION MODULE

TOP DOCUMENT NUMBER: B-DD-5420138-0-0  
SIZE: B CS NUMBER: 5420138-0-1 REV. A

B B CS 5420138-0-1 A