

"THIS DOCUMENT AND SPECIFICATION HEREIN, ARE THE PROPERTY OF DIGITAL EQUIPMENT CORPORATION AND SHALL NOT BE REPRODUCED OR COPIED OR USED IN WHOLE OR IN PART AS THE BASIS FOR THE MANUFACTURE OR SALE OF ITEMS WITHOUT WRITTEN PERMISSION."
 COPYRIGHT (C) 1987. DIGITAL EQUIPMENT CORPORATION

DOCUMENT/PART NO.	DESCRIPTION	DOCUMENT/PART REVISIONS
VT320-A2	MONO WHT,TEXT TERM,120V W/ATTCH PWR CD(NO KYBD/RS232) EK-VT320-UG,VT3XX-BA(LEGEND STRIP)	A01
VT320-A3	MONO WHT,TEXT TERM,240V W/RS232(NO KYBD/PWR) EK-VT320-UU	A01
VT320-B2	MONO GRN,TEXT TERM,120V W/ATTCH PWR CD(NO KYBD/RS232) EK-VT320-UG,VT3XX-BA(LEGEND STRIP)	A01
VT320-B3	MONO GRN,TEXT TERM,240V W/RS232(NO KYBD/PWR) EK-VT320-UU	A01
VT320-C2	MONO AMB,TEXT TERM,120V W/ATTCH PWR CD(NO KYBD/RS232) EK-VT320-UG,VT3XX-BA(LEGEND STRIP)	A01
VT320-C3	MONO AMB,TEXT TERM,240V W/RS232(NO KYBD/PWR) EK-VT320-UU	A01
VT320-G2	MONO WHT,TEXT TERM,120V W/RS232(NO KYBD/PWR CD) EK-VT320-UU,VT3XX-BA(LEGEND STRIP)	A01
VT320-H2	MONO GRN,TEXT TERM,120V W/RS232(NO KYBD/PWR CD) EK-VT320-UU,VT3XX-BA(LEGEND STRIP)	A01
VT320-J2	MONO AMB,TEXT TERM,120V W/RS232(NO KYBD/PWR CD) EK-VT320-UU,VT3XX-BA(LEGEND STRIP)	A01
K-PL-VT320-0-DBP	PARTS LIST	A
E-UA-VT320-0-DBU	UNIT ASSY	A
K-TC-VT320-0-0	TABLE OF CONTENTS	A
DRAWING DIRECTORY REVISION		A

NOTES:

REVISION HISTORY												
DATE	ECO NUMBER	REV	DATE	ECO NUMBER	REV	DATE	ECO NUMBER	REV	DATE	ECO NUMBER	REV	
	INITIAL	A										
d	i	g	i	t	a	l	DRN:	Bruce Harvey	DATE	17 Mar 87	TITLE:	DRAWING DIRECTORY, VT320 MONO TEXT
							CHK'D:	R.J. Lin	DATE	07 Jul 87		TERMINAL W/ AND W/O PWR CORD
							DES.ENG:	J. Kuo	DATE	07 Jul 87		
							RES.ENG:	O. Lin	DATE	07 Jul 87	SECTION	SHEET
							IMFG.ENG:	Gordon Wu	DATE	07 Jul 87	A OF A	1 OF 1
											DOCUMENT NUMBER	REV
											K-DD-VT320-0-0	A

AUTOMATED BY VAXKPL (V1.3)

PARTS LIST

SHEET A1 OF A2

LINE ITEM	TOP DOCUMENT	PART NUMBER	MIN REV	DESCRIPTION	QUANTITY PER VARIATION/REVISION									
					A2 A1	A3 A1	B2 A1	B3 A1	C2 A1	C3 A1	G2 A1	H2 A1	J2 A1	
1	1	D-IA-7024577-0-DBU	70-24577-01	A	MONITOR AND LOGIC W/ARC PROTECTION	1	-	1	-	1	-	-	-	-
2	2	D-IA-7024577-0-DBU	70-24577-02	A	MONITOR AND LOGIC W/ARC PROTECTION	-	1	-	1	-	1	1	1	1
3	3	E-AD-7024240-0-DBU	70-24240-01	A	CRT/BEZEL/YOKE ASSY WHT	1	1	-	-	-	-	1	-	-
4	4	E-AD-7024240-0-DBU	70-24240-02	A	CRT/BEZEL/YOKE ASSY, GRN	-	-	1	1	-	-	-	1	-
5	5	E-AD-7024240-0-DBU	70-24240-03	A	CRT/BEZEL/YOKE ASSY, AMB	-	-	-	-	1	1	-	-	1
6	6	E-AD-7024242-0-DBU	70-24242-01	A	COVER ASSY	1	1	1	1	1	1	1	1	1
7	7	D-AD-7024244-0-DBU	70-24244-01	A	PS 120V W/ATTACHED PWR CORD	1	-	1	-	1	-	-	-	-
8	8	D-AD-7024244-0-DBU	70-24244-02	A	PS 120-240V W/O PWR CORD	-	1	-	1	-	1	1	1	1
9	9	E-AD-7024245-0-DBU	70-24245-01	A	BOTTOM ASSY	1	1	1	1	1	1	1	1	1
10	10	C-MD-7434816-0-DBU	74-34816-01	A	COVER	1	-	1	-	1	-	-	-	-
11	11	C-MD-7434531-0-DBU	74-34531-01	A	BAFFLE	1	1	1	1	1	1	1	1	1
12	12	SEE GEN NOTES 1 TO 6	36-28183-01		LABEL,REGULATORY NORTH AMERICAN VT	1	-	1	-	1	-	-	-	-
13	13	SEE GEN NOTES 1 TO 6	36-28183-02		LABEL,REGULATORY INTERNATIONAL VT3	-	1	-	1	-	1	1	1	1
14	14		36-26331-17		LABEL,SERIAL,VT320-A2	1	-	-	-	-	-	-	-	-
15	15		36-26331-18		LABEL,SERIAL,VT320-A3	-	1	-	-	-	-	-	-	-
16	16		36-26331-19		LABEL,SERIAL,VT320-G2	-	-	-	-	-	-	1	-	-
17	17		36-26331-20		LABEL,SERIAL,VT320-B2	-	-	1	-	-	-	-	-	-
18	18		36-26331-21		LABEL,SERIAL,VT320-B3	-	-	-	1	-	-	-	-	-
19	19		36-26331-22		LABEL,SERIAL,VT320-H2	-	-	-	-	-	-	-	1	-
20	20		36-26331-23		LABEL,SERIAL,VT320-C2	-	-	-	-	1	-	-	-	-
21	21		36-26331-24		LABEL,SERIAL,VT320-C3	-	-	-	-	-	1	-	-	-
22	22		36-26331-25		LABEL,SERIAL,VT320-J2	-	-	-	-	-	-	-	-	1
23	23	C-PA-3701001-0-DBU	37-01001-01		PKG MONITOR VT320	1	-	1	-	1	-	-	-	-
24	24		12-28172-01		CONN,D SUB ADAPTOR	1	-	1	-	1	-	-	-	-
25	25		17-00811-02		CABLE ASSY 06COND OVAL 26AWG LAN C	1	-	1	-	1	-	-	-	-
26	26		36-20220-A1		LABEL,KEYBOARD,VT320 NORTH AMERICA	1	-	1	-	1	-	1	1	1
27	27		36-18460-01		LABEL,BAR CODE BLANK .38 X1.5	1	1	1	1	1	1	1	1	1
28	28		EK-VT320-UG		INSTLL/USING VT320 VIDEO TERMNL NO	1	-	1	-	1	-	-	-	-
29	29		EK-VT320-UU		INSTALLING AND USING THE VT320 VID	-	1	-	1	-	1	1	1	1

REVISION HISTORY		KPL MATRIX FORMAT		SECTION A OF A	DRN: J. N. LIN	DIGITAL		
ENG	ECO NUMBER	REV	SECTION/VARIATION INDEX		DATE: 17-SEP-86	TITLE PARTS LIST		
---	INITIAL	A	[A]	A2,A3,B2,B3,C2,C3,G2,H2,J2	CHK'D: R. J. LIN	UNIT ASSY		
			[B]		DATE: 08-MAY-87	DOCUMENT NUMBER		
			[C]		DES.ENG: J. KOU	SIZE	CODE	NUMBER
			[D]		DATE: 17-SEP-86	K	PL	VT320-0-DBP
			[E]		RESP.ENG.: O. LIN	REV		
			[F]		DATE: 09-MAY-87	A		
			[H]		MFG.ENG: GORDON WU	RELEASE DATE: 24-JUL-87		
			[J]		DATE: 11-JUN-87	RELEASE STATUS: RELEASED		
BASIC PART NUMBER:		ASSEMBLY NUMBER:		TOP DOCUMENT NUMBER:		FILE NAME:		EDIT #
VT320		E-UA-VT320-0-DBU		K-DD-VT320-0-0		MLA0360A.PLS		32

"THIS DRAWING AND THE SPECIFICATIONS CONTAINED HEREIN ARE CONFIDENTIAL AND PROPRIETARY. THEY ARE THE PROPERTY OF DIGITAL EQUIPMENT CORPORATION AND SHALL NOT BE REPRODUCED OR COPIED OR USED IN WHOLE OR IN PART AS THE BASIS FOR THE MANUFACTURE OR SALE OF ITEMS WITHOUT WRITTEN PERMISSION. THIS IS AN UNPUBLISHED WORK PROTECTED UNDER THE FEDERAL COPYRIGHT LAWS."

AUTOMATED BY VAXKPL (V1.3)

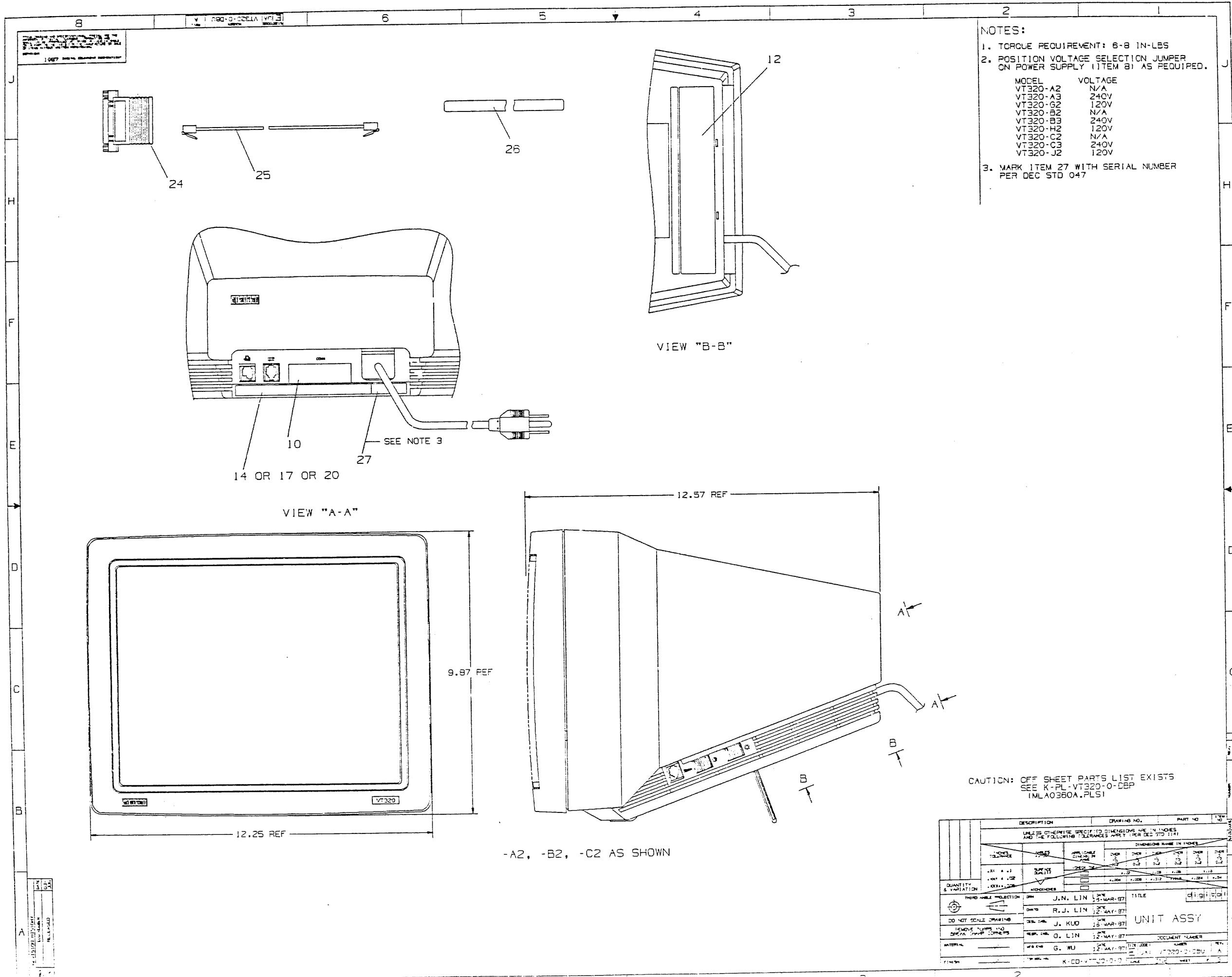
P A R T S L I S T

SHEET A2 OF A2

LINE ITEM	TOP DOCUMENT	PART NUMBER	MIN REV	DESCRIPTION	QUANTITY PER VARIATION/REVISION								
					A2	A3	B2	B3	C2	C3	G2	H2	J2
					A1	A1	A1	A1	A1	A1	A1	A1	A1

- 1 GEN: 36-28183-01 (ITEM 12) IS REQUIRED WHEN MADE IN TAIWAN.
- 2 GEN: 36-28183-02 (ITEM 13) IS REQUIRED WHEN MADE IN TAIWAN.
- 3 GEN: 36-28183-03 IS MANDATORY ALTERNATE FOR 36-28183-01 WHEN MADE IN HONG KONG.
- 4 GEN: 36-28183-04 IS MANDATORY ALTERNATE FOR 36-28183-02 WHEN MADE IN HONG KONG.
- 5 GEN: 36-28183-05 IS MANDATORY ALTERNATE FOR 36-28183-01 WHEN MADE IN MEXICO.
- 6 GEN: 36-28183-06 IS MANDATORY ALTERNATE FOR 36-28183-02 WHEN MADE IN MEXICO.

D	I	G	I	T	A	L	TITLE	SECTION A OF A	SIZE	CODE	DOCUMENT NUMBER	REV
							UNIT ASSY		K	PL	VT320-0-DBP	A

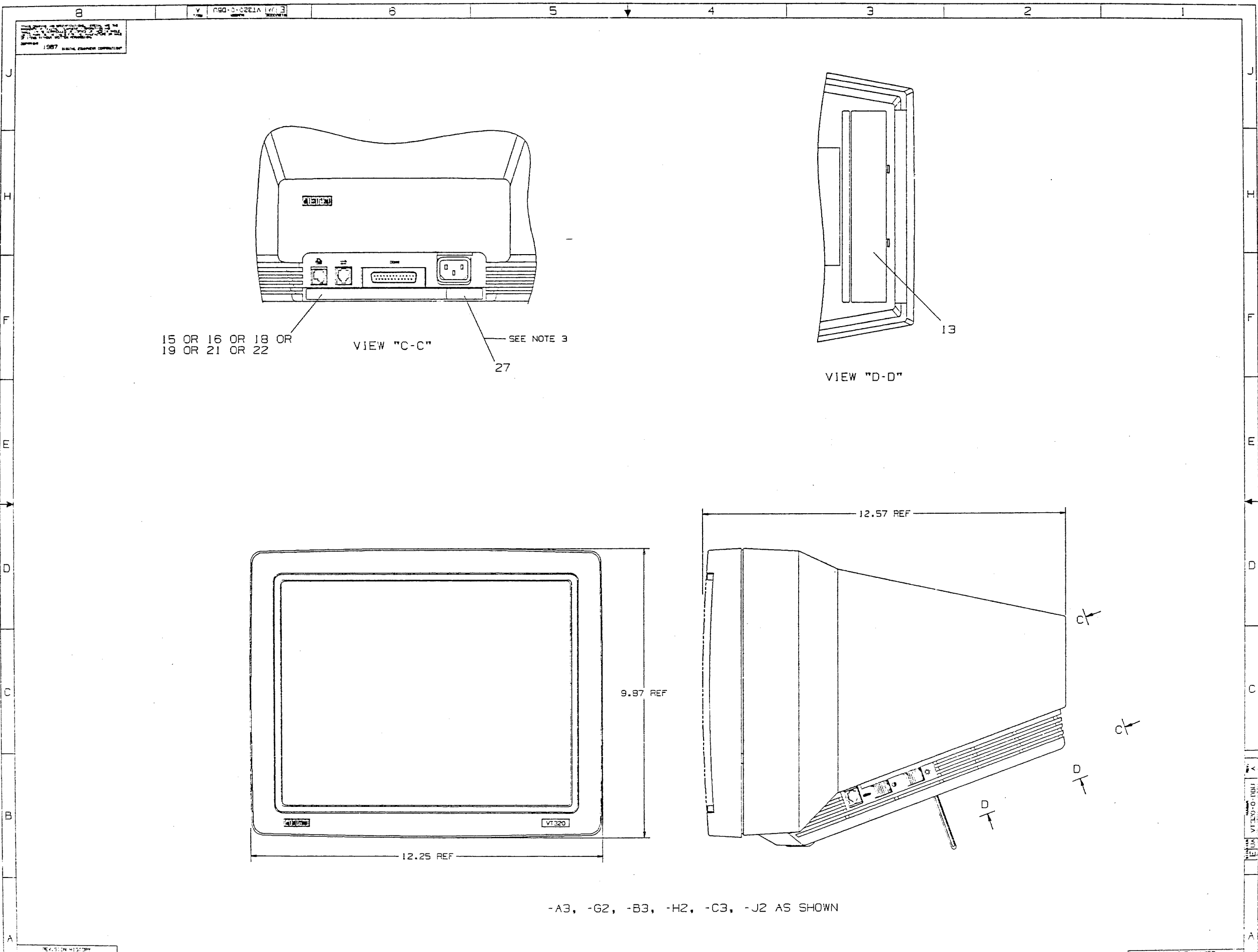


- NOTES:
- TORQUE REQUIREMENT: 6-8 IN-LBS
 - POSITION VOLTAGE SELECTION JUMPER ON POWER SUPPLY (ITEM 8) AS EQUIPPED.
- | MODEL | VOLTAGE |
|----------|---------|
| VT320-A2 | N/A |
| VT320-A3 | 240V |
| VT320-G2 | 120V |
| VT320-B2 | N/A |
| VT320-B3 | 240V |
| VT320-H2 | 120V |
| VT320-C2 | N/A |
| VT320-C3 | 240V |
| VT320-J2 | 120V |
- MARK ITEM 27 WITH SERIAL NUMBER PER DEC STD 047

CAUTION: OFF SHEET PARTS LIST EXISTS
SEE K-PL-VT320-0-CBP
(MLA0360A.PLS)

DESCRIPTION	DRAWING NO.	PART NO.	REV.
UNLESS OTHERWISE SPECIFIED DIMENSIONS ARE IN INCHES AND THE FOLLOWING TOLERANCES APPLY PER DEC STD 0141			
DIMENSION NAME IN INCHES			
FRONT VIEW	ASSEMBLY	DATE	BY
QUANTITY & VARIATION	ASSEMBLY	DATE	BY
THIRD ANGLE PROJECTION	J.N. LIN	15-MAR-87	UNIT ASSY
DO NOT SCALE DRAWING	R.J. LIN	12-MAY-87	
REMOVE DIMENSIONS FROM ORIGINAL DRAWING	J. KUO	15-MAR-87	
MATERIAL	G. LIN	12-MAY-87	
FINISH	G. WU	12-MAY-87	
	K-CD-VT320-0-CBP		

-A2, -B2, -C2 AS SHOWN



1987 MILITARY STANDARD
 1987 MILITARY STANDARD

15 OR 16 OR 18 OR
 19 OR 21 OR 22

VIEW "C-C"

SEE NOTE 3

VIEW "D-D"

9.87 REF

12.57 REF

12.25 REF

-A3, -G2, -B3, -H2, -C3, -J2 AS SHOWN

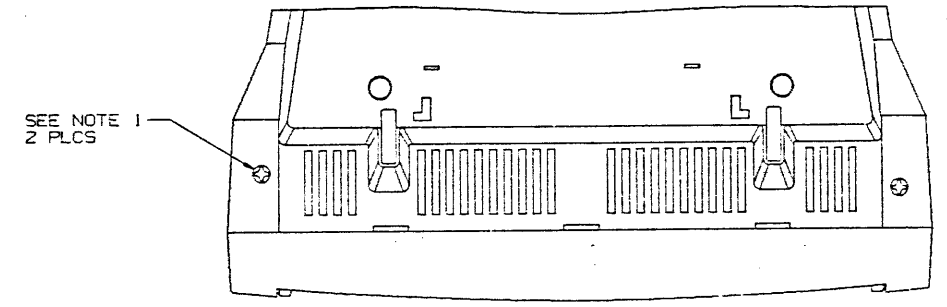
DATE	REVISION HISTORY	REV.
	ISSUE	

TITLE
 UNIT ASSY

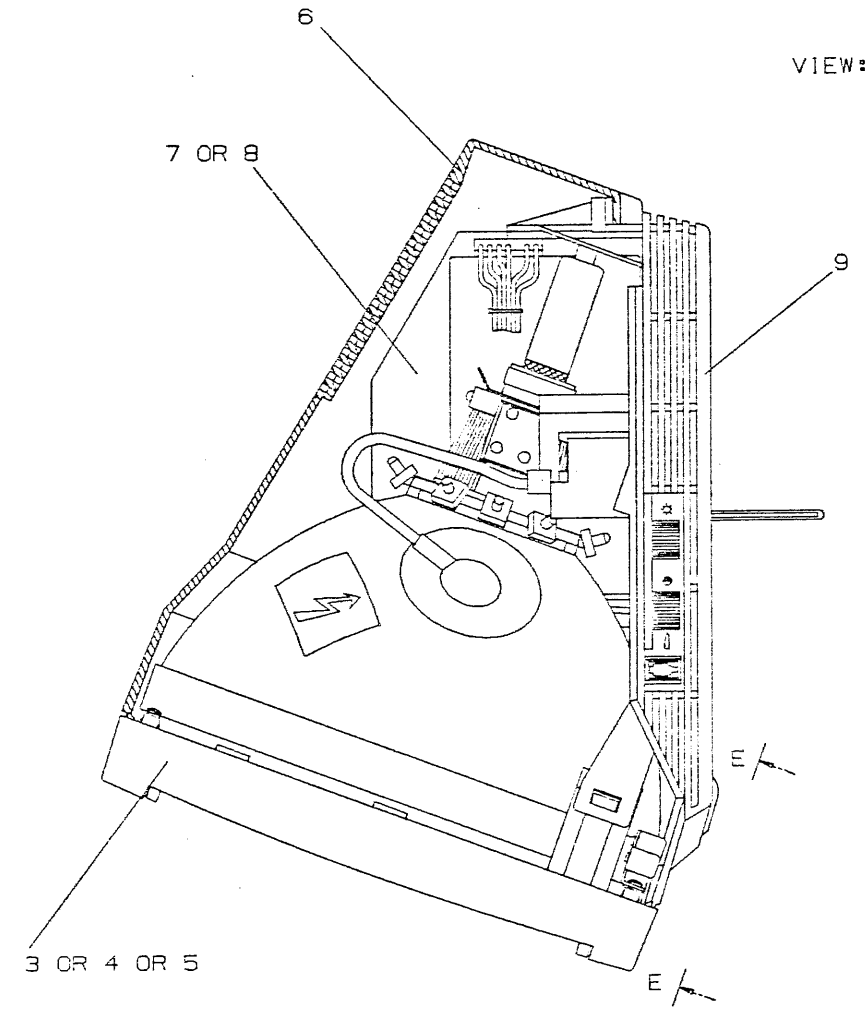
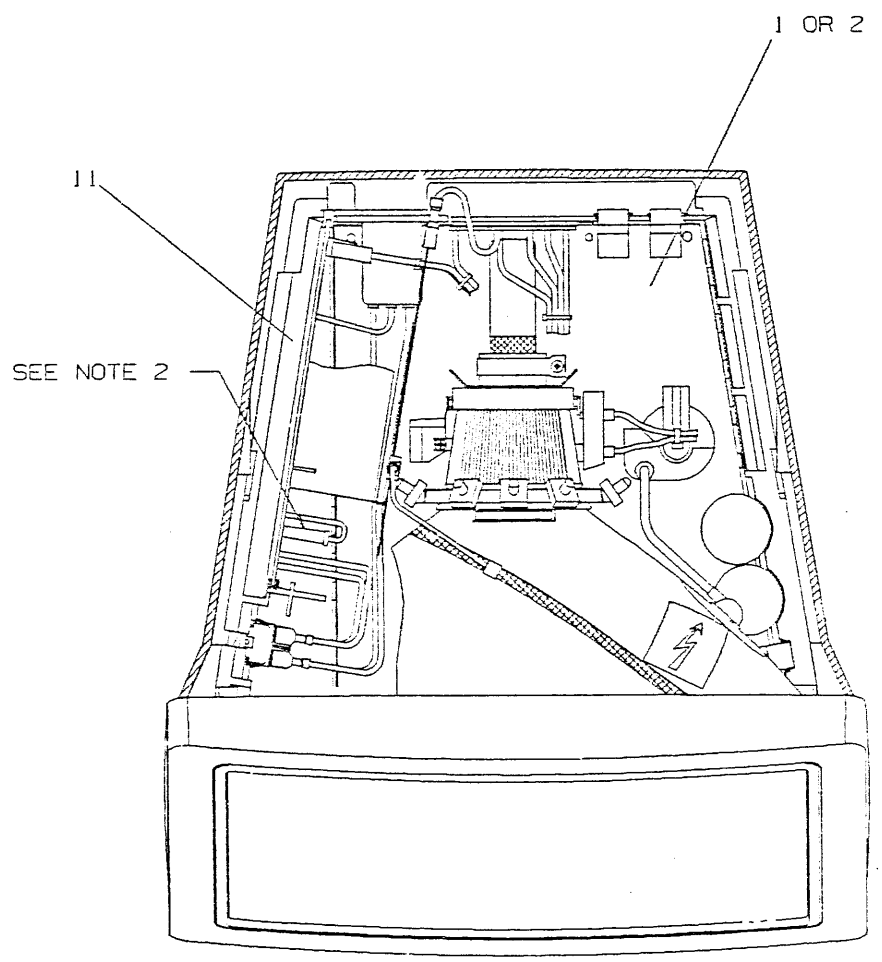
REV.	DATE	BY	CHKD.	APP'D.	DESCRIPTION
A					VT20-D-DBU

8 7 6 5 4 3 2 1

INTERCONNECTION TABLE			
FROM		TO	
ITEM	DESCRIPTION	ITEM	DESCRIPTION
1 OR 2	MONITOR & LOGIC W/ARC PROTECTION FLYBACK	3 OR 4 OR 5	CRT/BEZEL/YOKE ASSY CRT ANODE
1 OR 2	MONITOR & LOGIC W/ARC PROTECTION ARC PROTECTION BOARD	3 OR 4 OR 5	CRT/BEZEL/YOKE ASSY CRT
1 OR 2	MONITOR & LOGIC W/ARC PROTECTION ARC PROTECTION BOARD	7 OR 8	POWER SUPPLY ASSY SHIELD GND TAB
1 OR 2	MONITOR & LOGIC W/ARC PROTECTION CONN/WIRE ASSY	7 OR 8	POWER SUPPLY ASSY J502
3 OR 4 OR 5	CRT/BEZEL/YOKE ASSY YOKE CABLE PI	1 OR 2	MONITOR & LOGIC W/ARC PROTECTION MONITOR MODULE JIC2
3 OR 4 OR 5	CRT/BEZEL/YOKE ASSY GROUND STRAP ASSY	7 OR 9	POWER SUPPLY ASSY SHIELD GND TAB
1 OR 2	MONITOR & LOGIC W/ARC PROTECTION MONITOR, LOGIC CONTROL MODULE WIRE W/CONNECTOR AT PB	1 OR 2	MONITOR & LOGIC W/ARC PROTECTION MONITOR, LOGIC CONTROL MODULE, J7 IF PHILIPS CRT, J8 IF CLINTON CRT.



VIEW: "E-E"



REVISION HISTORY		
DATE	ECO NUMBER	REV.

TITLE
UNIT ASSY

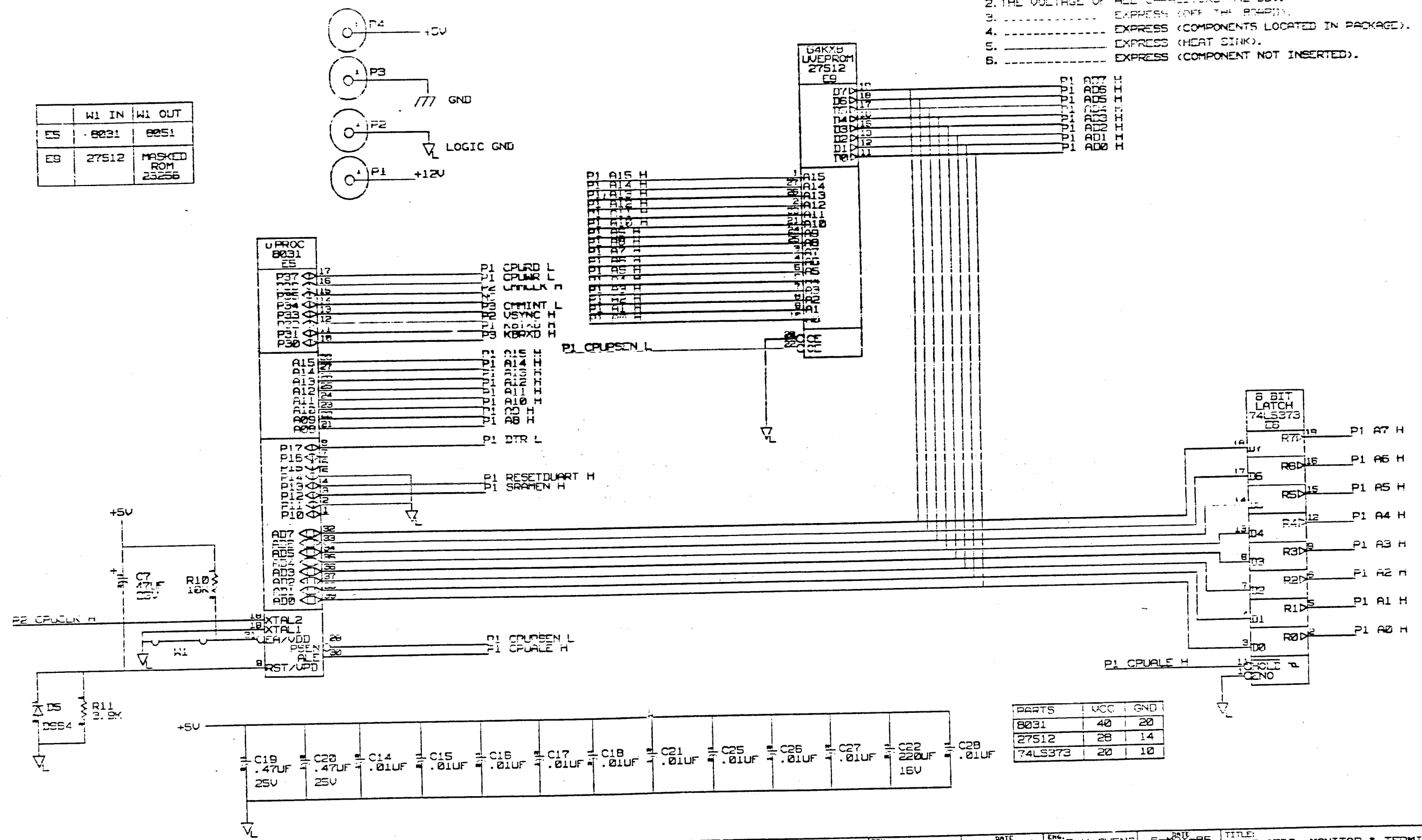
EQUIPMENT NUMBER		
W/O	W/	REV.
E	A	A

8 7 6 5 4 3 2 1

NOTE: UNLESS OTHERWISE SPECIFIED:

1. ALL RESISTORS ARE EXPRESSED IN OHMS AND ARE 1/4W, +-5%.
2. THE VOLTAGE OF ALL CAPACITORS ARE 50V.
3. ----- EXPRESS (OFF THE BOARD).
4. ----- EXPRESS (COMPONENTS LOCATED IN PACKAGE).
5. ----- EXPRESS (HEAT SINK).
6. ----- EXPRESS (COMPONENT NOT INSERTED).

	W1 IN	W1 OUT
E5	8031	8051
E9	27512	MASKED ROM 23256



PARTS	UCC	GND
8031	40	20
27512	28	14
74LS373	20	10

THIS DRAWING AND SPECIFICATIONS ARE THE PROPERTY OF DIGITAL EQUIPMENT CORPORATION AND SHALL NOT BE REPRODUCED OR COPIED OR USED IN WHOLE OR IN PART AS THE BASIS FOR THE MANUFACTURE OR SALE OF ITEMS WITHOUT WRITTEN PERMISSION. COPYRIGHT © 1987 DIGITAL EQUIPMENT CORPORATION

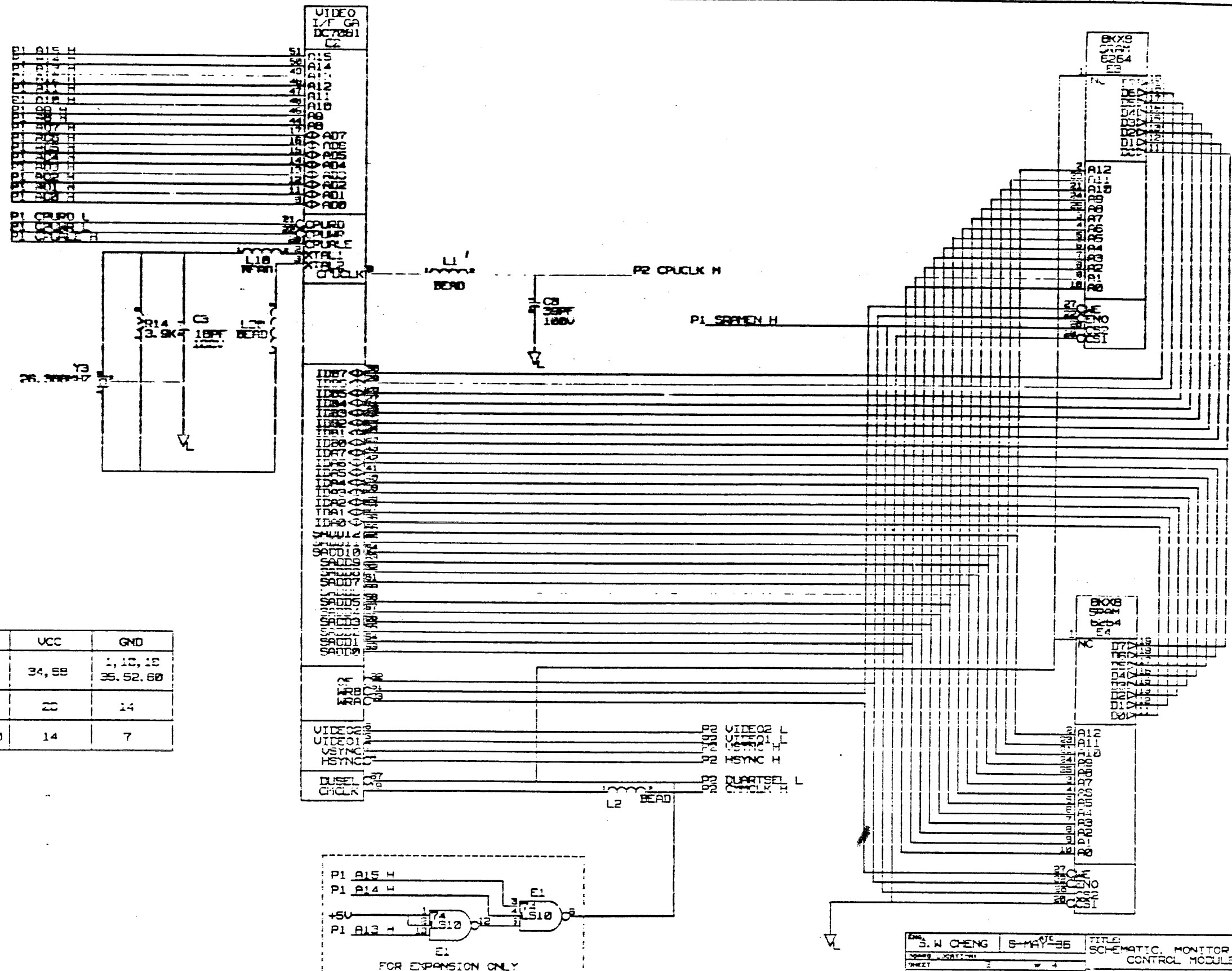
REVISION	CHG	CHANGE NO.	REV
JUN '87			
RELEASED A			

DRAWING
LAST_MODIFIED=Sat Jun 6 10:14:07 1987

DRN. C.M WANG	DATE 6-MAY-85	ENG. S.W CHENG	DATE 6-MAY-85	TITLE: SCHEMATIC, MONITOR & TERMINAL CONTROL MODULE (USA)
CHK'D. S.F LU	DATE 6-MAY-85	BOARD LOCATION:	OF 4	
USED ON OPTION/MODEL:		TOP DOCUMENT NUMBER:	B-DD-5417189-0-0	REV. 1

THIS DRAWING AND SPECIFICATIONS
 HEREIN, ARE THE PROPERTY OF
 SULLIVAN ELECTRONIC CORPORATION AND
 SHALL BE KEPT SECRET AND NOT TO
 BE USED IN WHOLE OR IN PART OR
 THE BASIS FOR THE REPRODUCTION OR
 IN ANY MANNER WITHOUT THE
 PERMISSION OF SULLIVAN
 ELECTRONIC CORPORATION 1967

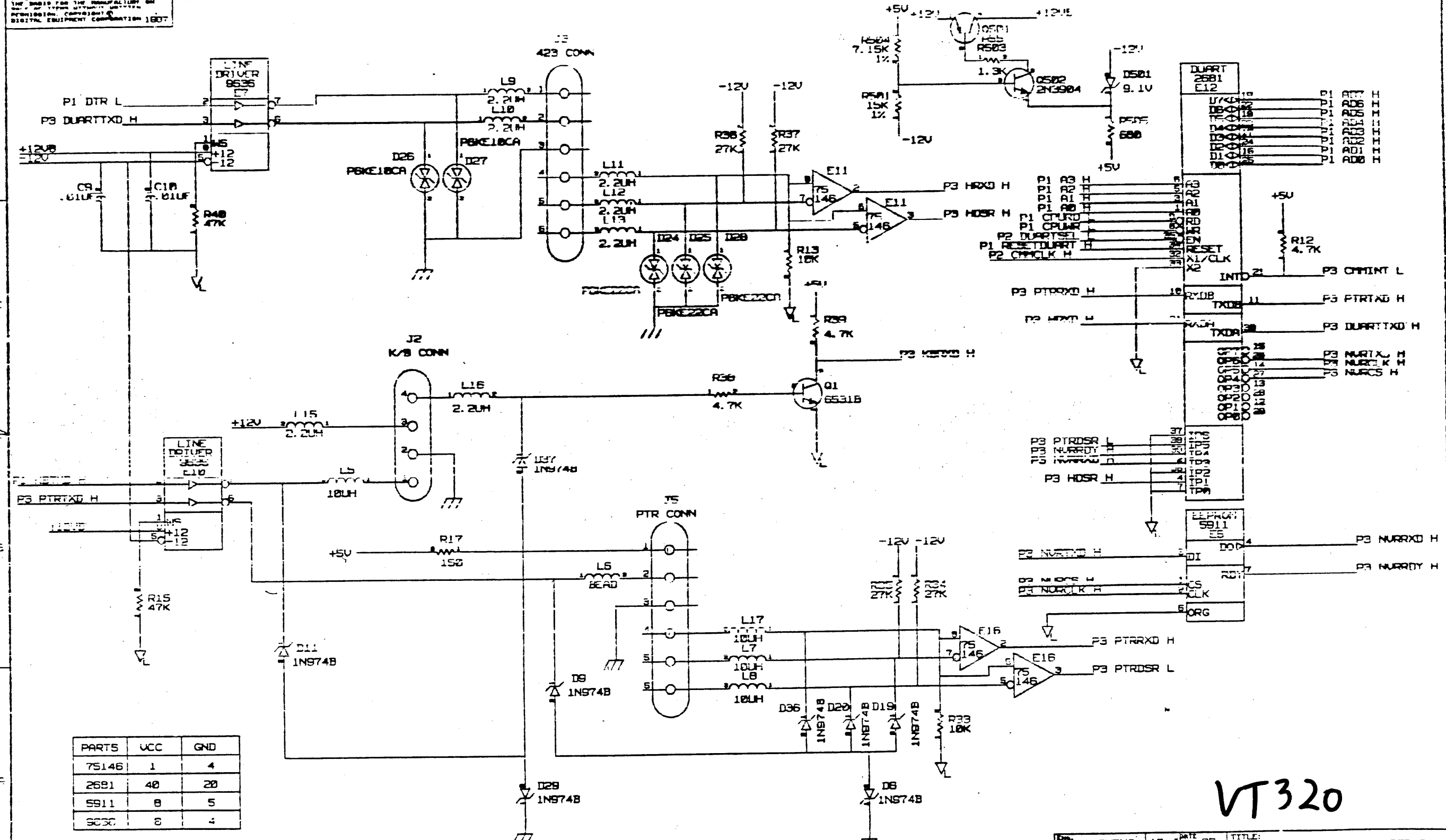
PARTS	VCC	GND
DC7881	34, 58	1, 10, 18
8204	20	14
74LS10	14	7



DESIGNER S. W. CHENG	DATE 5-MAY-66	TITLE SCHEMATIC, MONITOR & TERMINAL CONTROL MODULE (USA)
CHECKED	BY	DATE
WORKING DRAWING NO. E-33-5417139-2-3	REV. CS	QUANTITY 5417139-2-1

W D C 5 4 1 7 1 3 9 - 0 - 1 A

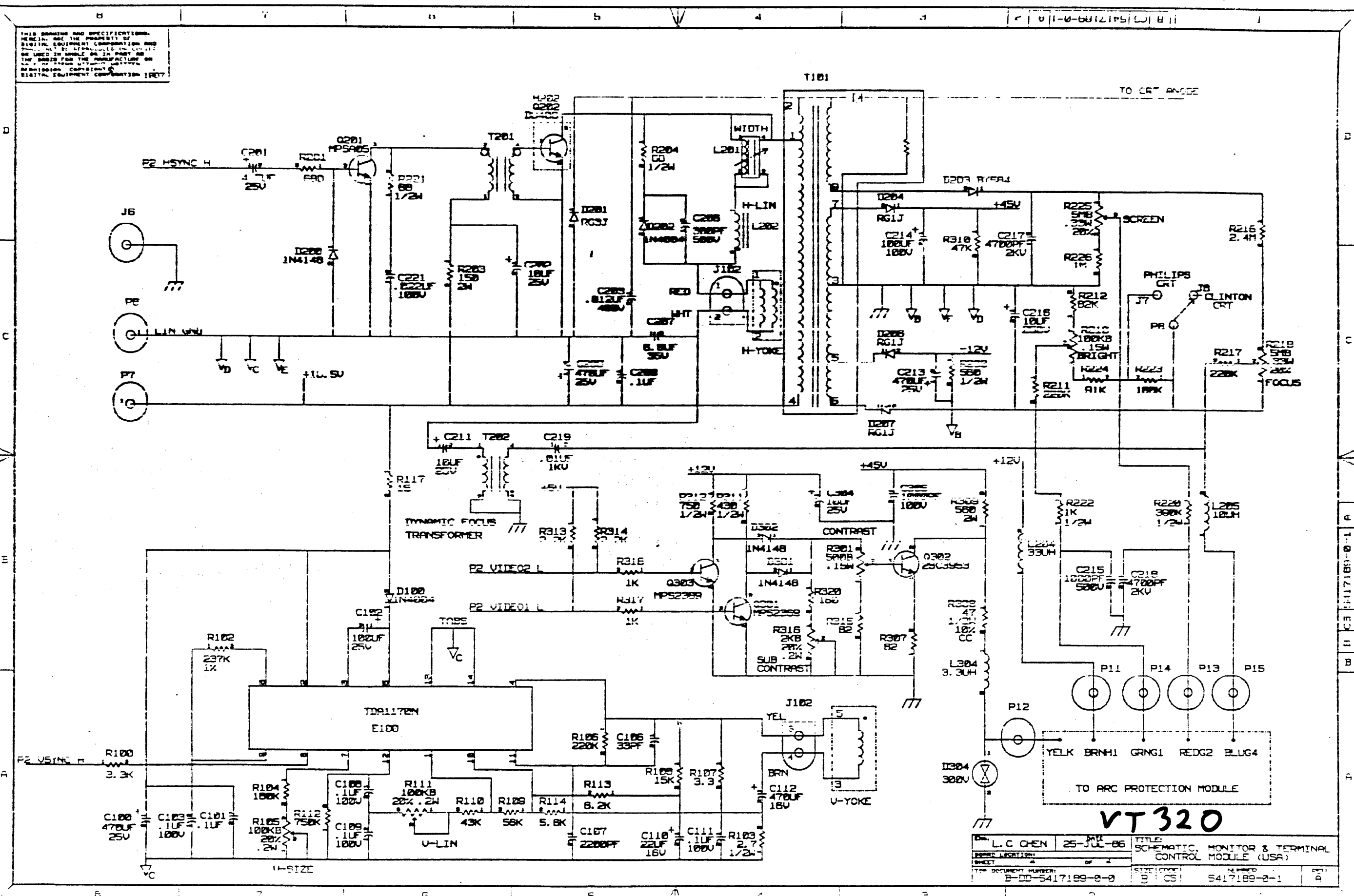
THIS DRAWING AND SPECIFICATIONS HEREIN ARE THE PROPERTY OF DIGITAL EQUIPMENT CORPORATION AND SHALL NOT BE REPRODUCED OR USED IN WHOLE OR IN PART AS THE BASIS FOR THE MANUFACTURE OR SALE OF ANY EQUIPMENT WITHOUT THE WRITTEN PERMISSION OF DIGITAL EQUIPMENT CORPORATION 1987



PARTS	VCC	GND
75146	1	4
2681	40	20
5911	8	5
SC50	8	4

VT320

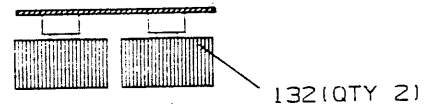
THIS DRAWING AND SPECIFICATIONS
HEREIN ARE THE PROPERTY OF
DIGITAL EQUIPMENT CORPORATION AND
SHALL BE APPROVED IN WRITING
BY THE AUTHORITY OF THE COMPANY
BEFORE ANY REVISIONS ARE MADE
HEREON. COPYRIGHT ©
DIGITAL EQUIPMENT CORPORATION 1977



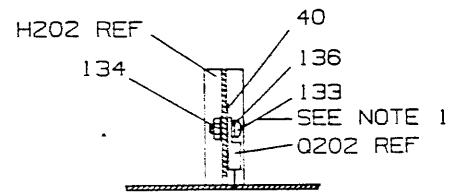
DESIGNED BY	L. C. CHEN	DATE	25-JUL-86	TITLE	SCHEMATIC, MONITOR & TERMINAL CONTROL MODULE (USA)
APPROVED BY				SIZE	B
DOCUMENT NUMBER	P-ID-5417189-2-0			REVISED	5417189-2-1
				REV	A

THIS DRAWING AND THE SPECIFICATIONS CONTAINED HEREIN ARE CONFIDENTIAL AND PROPRIETARY. THEY ARE THE PROPERTY OF DIGITAL EQUIPMENT CORPORATION AND SHALL NOT BE REPRODUCED OR COPIED IN WHOLE OR IN PART AS THE BASIS FOR THE MANUFACTURE OF ANY OF THESE UNLESS WRITTEN PERMISSION IS GRANTED BY DIGITAL EQUIPMENT CORPORATION. COPYRIGHT © 1987 DIGITAL EQUIPMENT CORPORATION

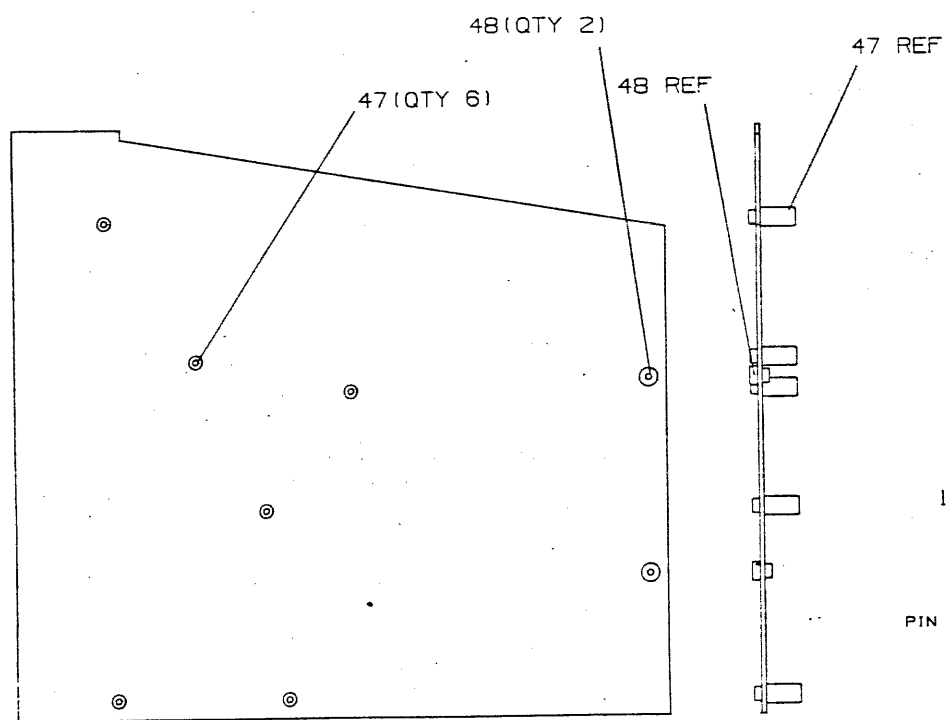
0-0-0-6B17189-0-0
7
7
7



VIEW "A-A"

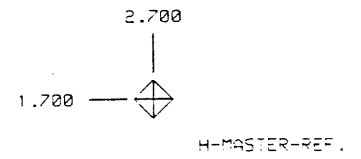


SECTION "B-B"



- NOTE:
1. TORQUE REQUIREMENT: ITEM 133 3-5 IN-LBS.
 2. THIS BOARD MUST MEET SAFETY REQUIREMENT FOR HPWR.
 3. E1 IS NOT INSERTED.
 4. MARK LABEL WITH SERIAL NUMBER PER DEC STD 047, LOCATED APPROXIMATELY AS SHOWN.

SEE NOTE 3



CH#	APP'D BY	ENGINEER	CHANGE NO	DATE	REV

CHK#	DRAWN BY	ENGINEER	CHANGE NO	DATE	REV

NOTES 50/PART REV: H01

STEP #	+ Y AXIS	STEP	TIMES
REPEAT	+ X AXIS	STEP	TIMES

SIGNATURES	DATE
DRAWN C. H. YU	08-08-88
CHECKED B. CHEN	08-08-88
MECH ENG J. KOU	08-08-88
PROJ ENG S. CHEN/C. L. CHANG	08-08-88

TITLE		UNIT ASSY.	
MONITOR, LOGIC CONTROL MODULE			
SCALE	1/1	SIZE	CODE
SHEET	1 OF 1	D	UA
TOP DOC NO	B-DD-5417189-0-0	NUMBER	5417189-0-0
		REV	A

VT320

LINE	ITEM	TOP DOCUMENT	PART NUMBER	MIN REV	DESCRIPTION	QTY PER VAR/REV	REFERENCE DESIGNATORS
						01 A1	
1	1	B-DD-5017188-0-0	50-17188-01	H	CIRCUIT DRILL & ETCH	1	
2	2		10-00010-00		39 PFD 100V +/- 5% 200PP	1	C8
3	3		10-01610-00		0.010MFD 50V +80/-20% Z5U C	12	C9,C10,C14-C18,C21,C25-C28
4	4		10-02608-00		18 PFD 100V +/- 5% 200PP	1	C3
5	5		10-10279-01		0.47 MFD 25V +/-20% Z5U C	2	C19,C20
6	6		10-13466-04		33 PFD 50V +/- 5% NPO C	1	C106
7	7		10-13466-12		2200 PFD 50V +/-10% X7R C	1	C107
8	8		10-13466-22		0.10 MFD 50V +80/-20% Z5U C	2	C101,C209
9	9		10-16544-00		0.10 MFD 100V +/-10% MYLAR	1	C111
10	10		10-16553-00		4.7 MFD 25V +75/-10% ALU	1	C201
11	11		10-16570-00		1000 PFD 500V +80/-20% X5S/Z	1	C215
12	12		10-16572-00		300 PFD 500V +/-10% X5F/X	1	C206
13	13		10-18000-15		10 MFD 250V +50/-20% ALU	1	C216
14	14		10-18000-17		470 MFD 25V +50/-20% ALU	3	C100,C208,C213
15	15		10-18000-29		10 MFD 25V +75/-20% ALU	3	C202,C211,C304
16	16		10-18000-31		470 MFD 16V +50/-20% ALU	1	C112
17	17		10-18000-33		100 MFD 25V +50/-20% ALU	1	C102
18	18		10-18000-34		100 MFD 100V +50/-20% ALU	1	C214
19	19		10-18000-40		47 MFD 25V +/-20% ALU	1	C7
20	20		10-19559-02		0.010MFD 1000V +/-20% Y5U/Z	1	C219
21	21		10-20446-12		220 MFD 16V +50/-10% ALU	1	C22
22	22		10-20604-03		0.10 MFD 100V +/- 5% MET.	3	C103,C108,C109
23	23		10-21480-07		0.012MFD 400V +/- 5% POLYP	1	C203
24	24		10-22087-01		1000 PFD 100V +/-20% Z5P	1	C305
25	25		10-23486-03		22 MFD 16V +/-20% ALU	1	C110
26	26		10-27656-01		0.022MFD 100V +/- 5% MET.	1	C221
27	27		10-28139-01		6.8 MFD 35V +/-20% ALU	1	C207
28	28		10-28377-01		4700 PFD 2000V +80/-20%	2	C217,C218
29	29		11-00114-00		PIV= 25 IO=135 MA	1	D5
30	30		11-05796-00		PIV= 400 IO= 1.00A 1N4004 D0-41	2	D100,D202
31	31		11-09990-00		VZ= 9.1 5% 400 MW 1N757A	1	D501
32	32		11-12594-02		PIV= 600 IO= 3.00A	1	D201

REVISION HISTORY		KPL MODULE FORMAT		SECTION A OF A		DRN: F LIU		D I G I T A L			
ENG	ECO NUMBER	REV	SECTION/VARIATION INDEX		DATE:	20-NOV-86					
---	INITIAL	A	[A]	01	[M]	CHK'D:	B CHEN		TITLE	PARTS LIST	
			[B]		[N]	DATE:	20-NOV-86		MONITOR, LOGIC CONTROL MODULE		
			[C]		[P]	DES.ENG:	LC CHEN		DOCUMENT NUMBER		
			[D]		[Q]	DATE:	20-NOV-86		SIZE	CODE	NUMBER
			[E]		[R]	RESP.ENG.:	CL CHUANG		K	PL	5417189-0-DBP
			[F]		[S]	DATE:	20-NOV-86		RELEASE DATE: 16-JUN-87		
			[H]		[T]	MFG.ENG.:	G.CHRISTIANSEN		RELEASE STATUS: RELEASED		
			[J]		[V]	DATE:	09-JUN-87				
			[K]		[W]			BASIC PART NUMBER:		ASSEMBLY NUMBER:	TOP DOCUMENT NUMBER:
			[L]		[Y]			5417189		D-UA-5417189-0-0	B-DD-5417189-0-0
								FILE NAME:		EDIT #	
								MLA0776A.PLS		20	

"THIS DRAWING AND THE SPECIFICATIONS CONTAINED HEREIN ARE CONFIDENTIAL AND PROPRIETARY. THEY ARE THE PROPERTY OF DIGITAL EQUIPMENT CORPORATION AND SHALL NOT BE REPRODUCED OR COPIED OR USED IN WHOLE OR IN PART AS THE BASIS FOR THE MANUFACTURE OR SALE OF EQUIPMENT WITHOUT WRITTEN PERMISSION. THIS IS AN UNPUBLISHED WORK PROTECTED UNDER THE FEDERAL COPYRIGHT LAWS."

LINE	ITEM	TOP DOCUMENT	PART NUMBER	MIN REV	DESCRIPTION	QTY PER VAR/REV	REFERENCE DESIGNATORS
						01 A1	
33	33		11-12595-02		PIV= 600 IO= 1.00A AXIAL	3	D204,D206,D207
34	34		11-16475-00		PIV= 75 - 4NS 1N4148	3	D200,D301,D302
35	35		11-21531-01		PIV=1500 IO= 60MA	1	D203
36	36		11-24037-01		VZ= 36.0 5% 400 MW 1N9748 DO-35	8	D6,D9,D11,D19,D20,D29,D36,D37
37	37	SEE NOTE 1	11-26743-01		TRANS SUPP 600W 10V +/-	2	D26,D27
38	38	SEE NOTE 2	11-26743-02		TRANS SUPP 600W 22V +/-	3	D24,D25,D28
39	39		11-27611-01		DIA SURGE ABSORBER 300V +/-15%	1	D304
40	40		12-13071-06		INSULATOR,RUBBER SILICONE	1	
41	41		12-13921-11		HEAT SINK,EXTRUSION 1.380X1.50	1	H202
42	42		12-15006-07		SKT,IC 28PIN DIP TIN SOLD	1	XE9
43	43		12-15006-08		SKT,IC 40PIN DIP TIN SOLD	1	XE5
44	44		12-16521-00		PCB,HEADER 04PIN(1X04).156CC STR	1	J102
45	45		12-18826-07		CONN,PHONE JACK 04POS	1	J2
46	46		12-23433-02		CONN,LAN JACK 06 POS	2	J3,J5
47	47		12-28433-01		INSERT	6	
48	48		12-28433-02		INSERT	2	
49	49		12-28473-01		PCB HEADER PIN .06200 TIN	2	J7,J8
50	50		13-00250-00		150.0 .25 W 5.0 % CF	1	R17
51	51		13-00338-00		560.0 .50 W 5.0 % CF	1	R208
52	52		13-00354-00		750.0 .50 W 5.0 % CF	1	R312
53	53		13-00364-00		1.0 K .50 W 5.0 % CF	1	R222
54	54		13-00365-00		1.0 K .25 W 5.0 % CF	2	R317,R318
55	55		13-00417-00		2.20 K .25 W 5.0 % CF	2	R313,R314
56	56		13-00439-00		3.30 K .25 W 5.0 % CF	1	R100
57	57		13-00444-00		3.90 K .25 W 5.0 % CF	2	R11,R14
58	58		13-00447-00		4.70 K .25 W 5.0 % CF	3	R12,R38,R39
59	59		13-00479-00		10.0 K .25 W 5.0 % CF	3	R10,R13,R33
60	60		13-00496-00		15.0 K .25 W 5.0 % CF	1	R108
61	61		13-01322-00		180.0 .25 W 5.0 % CF	1	R320
62	62		13-01421-00		15.0 .25 W 5.0 % CF	1	R117
63	63		13-01424-00		680.0 .25 W 5.0 % CF	2	R201,R505
64	64		13-01477-00		82.0 .25 W 5.0 % CF	2	R307,R315
65	65		13-01874-00		5.60 K .25 W 5.0 % CF	1	R114
66	66		13-02092-00		220.0 K .25 W 5.0 % CF	3	R106,R211,R217
67	67		13-02177-00		47.0 K .25 W 5.0 % CF	3	R15,R40,R310
68	68		13-02395-00		56.0 K .25 W 5.0 % CF	1	R109
69	69		13-02397-00		180.0 K .25 W 5.0 % CF	1	R104
70	70		13-02466-00		100.0 K .25 W 5.0 % CF	1	R223
71	71		13-03219-00		82.0 K .25 W 5.0 % CF	1	R212
72	72		13-04838-00		43.0 K .25 W 5.0 % CF	1	R110
73	73		13-05253-00		7.15 K .25 W 1.0 % RN55D-F10	1	R504
74	74		13-05346-00		27.0 K .25 W 5.0 % CF	4	R34-R37
75	75		13-09405-00		68.0 .50 W 5.0 % CF	2	R204,R221
76	76		13-09595-00		1.0 M .25 W 5.0 % CF	1	R226
77	77		13-12931-00		6.20 K .25 W 5.0 % CF	1	R113
78	78		13-13752-00		15.0 K .25 W 1.0 % RN55D-F10	1	R501
79	79		13-14650-00		91.0 K .25 W 5.0 % CF	1	R224
80	80		13-14954-00		430.0 .50 W 5.0 % CF	1	R311
81	81		13-15437-00		237.0 K .25 W 1.0 % RN55D-F10	1	R102
82	82		13-16441-00		2.40 M .25 W 5.0 % CF	1	R216

D	I	G	I	T	A	L	TITLE	SECTION A OF A	SIZE	CODE	DOCUMENT NUMBER	REV
							MONITOR, LOGIC CONTROL MODULE		K	PL	5417183-0-OSP	A

AUTOMATED BY VAXKPL (V1.3)

P A R T S L I S T

SHEET A4 OF A4

LINE ITEM	TOP DOCUMENT	PART NUMBER	MIN. REV	DESCRIPTION	QTY PER VAR/REV	REFERENCE DESIGNATORS
133	133	90-06010-01		SCREW, MACH PAN PHIL 4-	1	
134	134	90-06557-00		NUT, HEX EXT TOOTH LCKWSHR 4-40	1	
135	135	90-09185-00		JUMPER, WIRE, INSULATED, BLACK B	1	W1
136	136	90-10057-00		WASHER, SHOULDER INSULATG PPS	1	

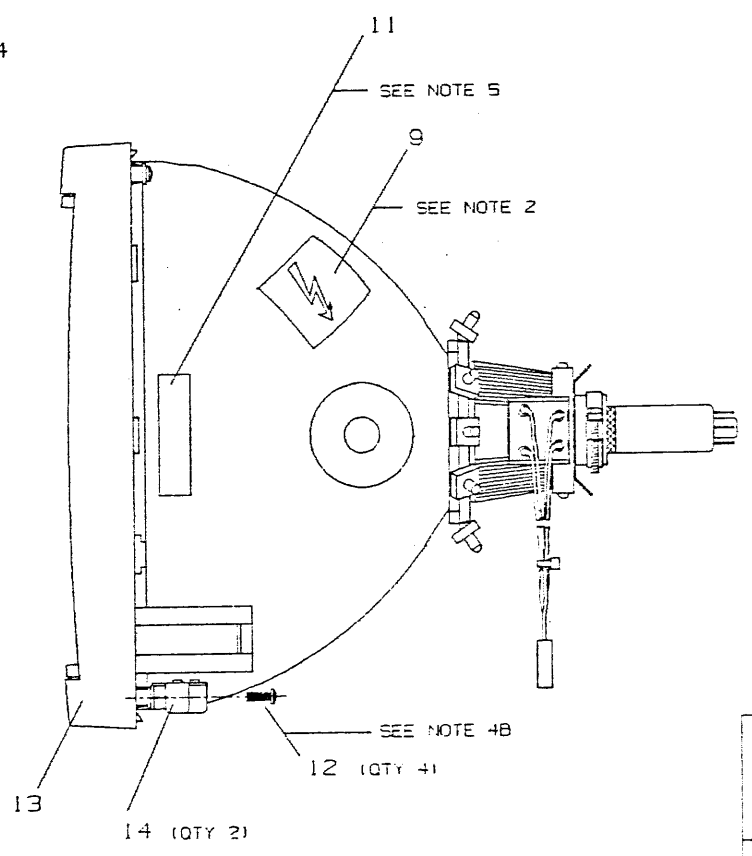
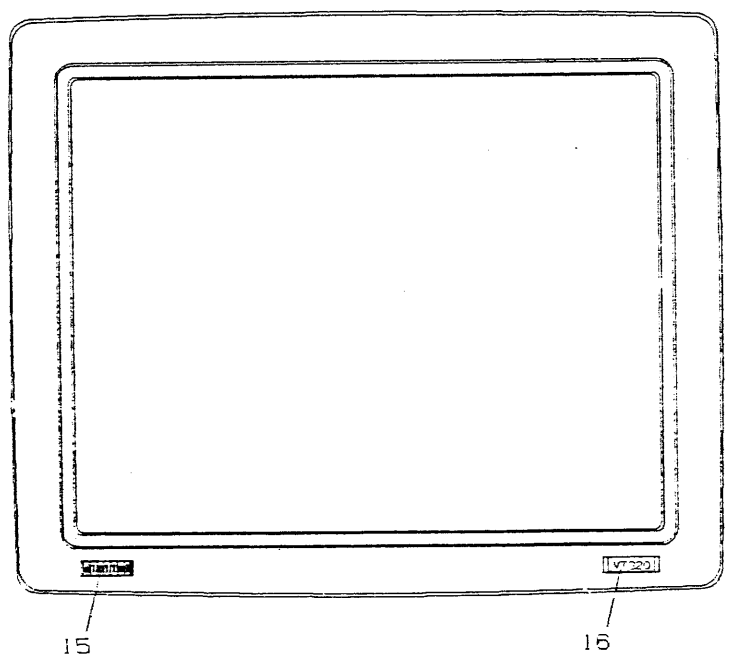
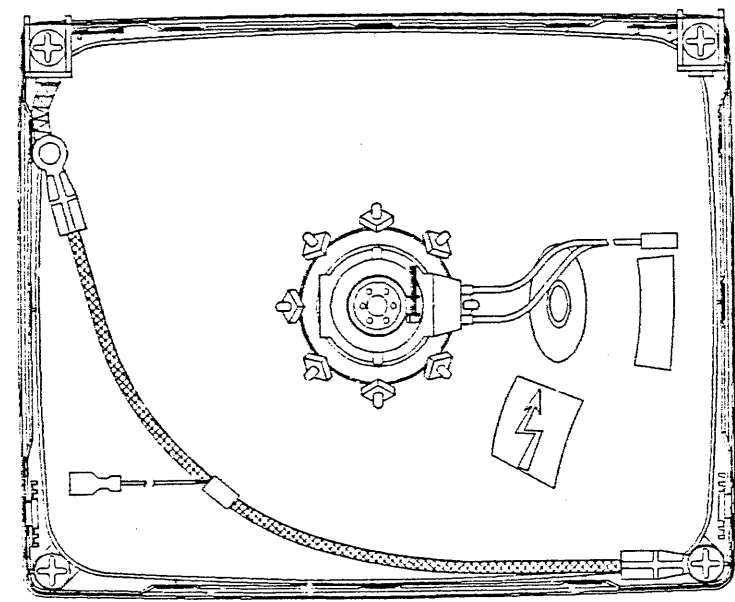
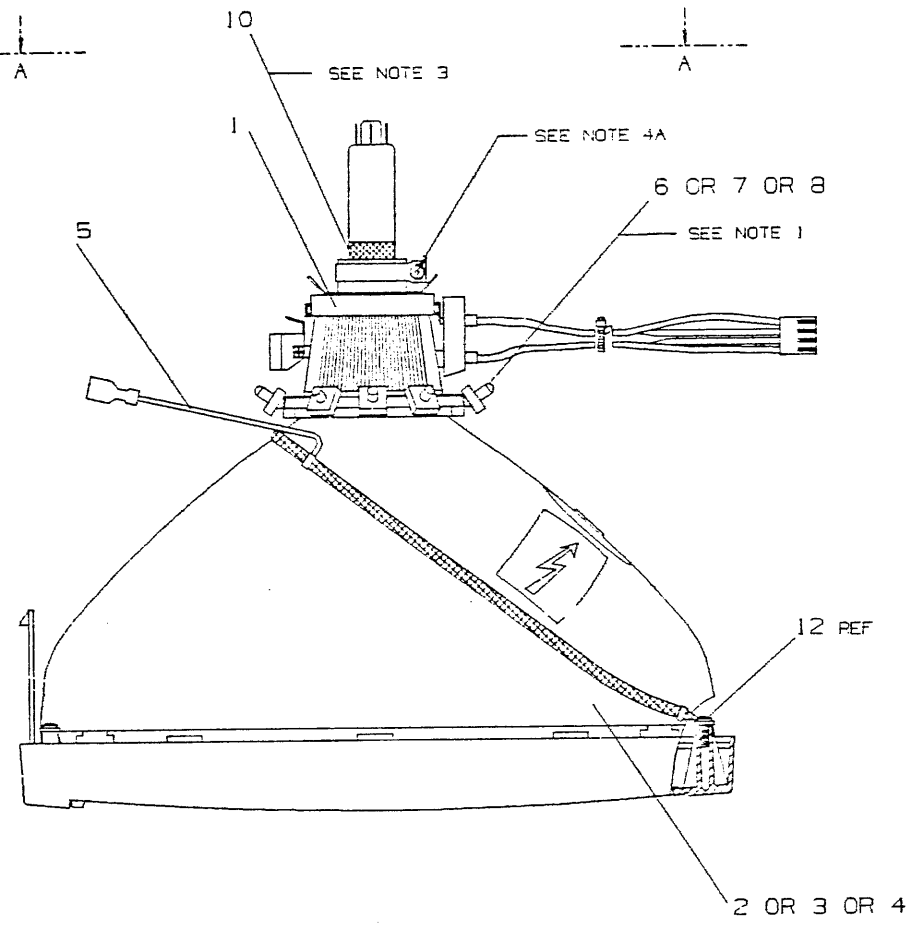
- 1 GEN: 11-26743-01 CAN BE SUBSTITUTED BY 11-28275-01.
- 2 GEN: 11-26743-02 CAN BE SUBSTITUTED BY 11-28275-02.
- 3 GEN: 15-20857-01 CAN BE SUBSTITUTED BY 15-21002-01.

1967 BIRTH BRAND CORPORATION
 1967 BIRTH BRAND CORPORATION

DEC 0-0-04240-0-DBU

LEGEND		
PART NO	REV.	DESCRIPTION
7024240-01	A01	W/WHT CRT
7024240-02	A01	W/GRN CRT
7024240-03	A01	W/AMB CRT

- NOTE:
1. USE MAGNETS AS REQUIRED FOR PINCUSION CORRECTION, MAINTAIN SETTINGS OF MAGNETS WITH HOT WAX OR SEAL.
 2. LOCATE APPROXIMATE WHERE SHOWN WITH ARROW POINTING TO ANODE CONNECTION AS SHOWN. (UNDER YOKE CLAMP)
 3. LOCATE TAPE, ITEM 10 APPROXIMATELY AS SHOWN. (UNDER YOKE CLAMP)
 4. TORQUE REQUIREMENT:
 A) YOKE CLAMP 4-6 IN-LBS
 B) ITEM 12 8-10 IN-LBS
 5. MARK ITEM 11 WITH PART NO AND REV. PER DEC STD 047. LOCATED APPROXIMATELY AS SHOWN



CAUTION: OFF SHEET PARTS LIST EXISTS.
 SEE K-PL-7024240-0-DBP
 (MLA0714A.PLS)

DESCRIPTION	DRAWING NO.	PART NO.
UNLESS OTHERWISE SPECIFIED DIMENSIONS ARE IN INCHES AND THE FOLLOWING TOLERANCES APPLY (PER DEC STD 014)		
TOLERANCE	APPLICABLE DIMENSION RANGE	OVER
±.004	0 - .125	±.004
±.006	.125 - .250	±.006
±.008	.250 - .375	±.008
±.010	.375 - .500	±.010
±.012	.500 - .750	±.012
±.015	.750 - 1.000	±.015
±.020	1.000 - 1.500	±.020
±.025	1.500 - 2.000	±.025
±.030	2.000 - 3.000	±.030
±.040	3.000 - 4.000	±.040
±.050	4.000 - 6.000	±.050
±.060	6.000 - 8.000	±.060
±.070	8.000 - 10.000	±.070
±.080	10.000 - 12.000	±.080
±.090	12.000 - 14.000	±.090
±.100	14.000 - 16.000	±.100
±.120	16.000 - 20.000	±.120
±.150	20.000 - 30.000	±.150
±.200	30.000 - 48.000	±.200
±.250	48.000 - 72.000	±.250
±.300	72.000 - 120.000	±.300
±.375	120.000 - 240.000	±.375
±.500	240.000 - 480.000	±.500
±.750	480.000 - 960.000	±.750
±1.000	960.000 - 1920.000	±1.000
±1.500	1920.000 - 2880.000	±1.500
±2.000	2880.000 - 4800.000	±2.000
±3.000	4800.000 - 9600.000	±3.000
±4.000	9600.000 - 19200.000	±4.000
±5.000	19200.000 - 28800.000	±5.000
±6.000	28800.000 - 38400.000	±6.000
±7.000	38400.000 - 48000.000	±7.000
±8.000	48000.000 - 57600.000	±8.000
±9.000	57600.000 - 67200.000	±9.000
±10.000	67200.000 - 76800.000	±10.000
±12.000	76800.000 - 96000.000	±12.000
±15.000	96000.000 - 192000.000	±15.000
±20.000	192000.000 - 384000.000	±20.000
±25.000	384000.000 - 480000.000	±25.000
±30.000	480000.000 - 576000.000	±30.000
±35.000	576000.000 - 672000.000	±35.000
±40.000	672000.000 - 768000.000	±40.000
±45.000	768000.000 - 864000.000	±45.000
±50.000	864000.000 - 960000.000	±50.000
±55.000	960000.000 - 1056000.000	±55.000
±60.000	1056000.000 - 1152000.000	±60.000
±65.000	1152000.000 - 1248000.000	±65.000
±70.000	1248000.000 - 1344000.000	±70.000
±75.000	1344000.000 - 1440000.000	±75.000
±80.000	1440000.000 - 1536000.000	±80.000
±85.000	1536000.000 - 1632000.000	±85.000
±90.000	1632000.000 - 1728000.000	±90.000
±95.000	1728000.000 - 1824000.000	±95.000
±100.000	1824000.000 - 1920000.000	±100.000
±105.000	1920000.000 - 2016000.000	±105.000
±110.000	2016000.000 - 2112000.000	±110.000
±115.000	2112000.000 - 2208000.000	±115.000
±120.000	2208000.000 - 2304000.000	±120.000
±125.000	2304000.000 - 2400000.000	±125.000
±130.000	2400000.000 - 2496000.000	±130.000
±135.000	2496000.000 - 2592000.000	±135.000
±140.000	2592000.000 - 2688000.000	±140.000
±145.000	2688000.000 - 2784000.000	±145.000
±150.000	2784000.000 - 2880000.000	±150.000
±155.000	2880000.000 - 2976000.000	±155.000
±160.000	2976000.000 - 3072000.000	±160.000
±165.000	3072000.000 - 3168000.000	±165.000
±170.000	3168000.000 - 3264000.000	±170.000
±175.000	3264000.000 - 3360000.000	±175.000
±180.000	3360000.000 - 3456000.000	±180.000
±185.000	3456000.000 - 3552000.000	±185.000
±190.000	3552000.000 - 3648000.000	±190.000
±195.000	3648000.000 - 3744000.000	±195.000
±200.000	3744000.000 - 3840000.000	±200.000
±205.000	3840000.000 - 3936000.000	±205.000
±210.000	3936000.000 - 4032000.000	±210.000
±215.000	4032000.000 - 4128000.000	±215.000
±220.000	4128000.000 - 4224000.000	±220.000
±225.000	4224000.000 - 4320000.000	±225.000
±230.000	4320000.000 - 4416000.000	±230.000
±235.000	4416000.000 - 4512000.000	±235.000
±240.000	4512000.000 - 4608000.000	±240.000
±245.000	4608000.000 - 4704000.000	±245.000
±250.000	4704000.000 - 4800000.000	±250.000
±255.000	4800000.000 - 4896000.000	±255.000
±260.000	4896000.000 - 4992000.000	±260.000
±265.000	4992000.000 - 5088000.000	±265.000
±270.000	5088000.000 - 5184000.000	±270.000
±275.000	5184000.000 - 5280000.000	±275.000
±280.000	5280000.000 - 5376000.000	±280.000
±285.000	5376000.000 - 5472000.000	±285.000
±290.000	5472000.000 - 5568000.000	±290.000
±295.000	5568000.000 - 5664000.000	±295.000
±300.000	5664000.000 - 5760000.000	±300.000
±305.000	5760000.000 - 5856000.000	±305.000
±310.000	5856000.000 - 5952000.000	±310.000
±315.000	5952000.000 - 6048000.000	±315.000
±320.000	6048000.000 - 6144000.000	±320.000
±325.000	6144000.000 - 6240000.000	±325.000
±330.000	6240000.000 - 6336000.000	±330.000
±335.000	6336000.000 - 6432000.000	±335.000
±340.000	6432000.000 - 6528000.000	±340.000
±345.000	6528000.000 - 6624000.000	±345.000
±350.000	6624000.000 - 6720000.000	±350.000
±355.000	6720000.000 - 6816000.000	±355.000
±360.000	6816000.000 - 6912000.000	±360.000
±365.000	6912000.000 - 7008000.000	±365.000
±370.000	7008000.000 - 7104000.000	±370.000
±375.000	7104000.000 - 7200000.000	±375.000
±380.000	7200000.000 - 7296000.000	±380.000
±385.000	7296000.000 - 7392000.000	±385.000
±390.000	7392000.000 - 7488000.000	±390.000
±395.000	7488000.000 - 7584000.000	±395.000
±400.000	7584000.000 - 7680000.000	±400.000
±405.000	7680000.000 - 7776000.000	±405.000
±410.000	7776000.000 - 7872000.000	±410.000
±415.000	7872000.000 - 7968000.000	±415.000
±420.000	7968000.000 - 8064000.000	±420.000
±425.000	8064000.000 - 8160000.000	±425.000
±430.000	8160000.000 - 8256000.000	±430.000
±435.000	8256000.000 - 8352000.000	±435.000
±440.000	8352000.000 - 8448000.000	±440.000
±445.000	8448000.000 - 8544000.000	±445.000
±450.000	8544000.000 - 8640000.000	±450.000
±455.000	8640000.000 - 8736000.000	±455.000
±460.000	8736000.000 - 8832000.000	±460.000
±465.000	8832000.000 - 8928000.000	±465.000
±470.000	8928000.000 - 9024000.000	±470.000
±475.000	9024000.000 - 9120000.000	±475.000
±480.000	9120000.000 - 9216000.000	±480.000
±485.000	9216000.000 - 9312000.000	±485.000
±490.000	9312000.000 - 9408000.000	±490.000
±495.000	9408000.000 - 9504000.000	±495.000
±500.000	9504000.000 - 9600000.000	±500.000
±505.000	9600000.000 - 9696000.000	±505.000
±510.000	9696000.000 - 9792000.000	±510.000
±515.000	9792000.000 - 9888000.000	±515.000
±520.000	9888000.000 - 9984000.000	±520.000
±525.000	9984000.000 - 10080000.000	±525.000
±530.000	10080000.000 - 10176000.000	±530.000
±535.000	10176000.000 - 10272000.000	±535.000
±540.000	10272000.000 - 10368000.000	±540.000
±545.000	10368000.000 - 10464000.000	±545.000
±550.000	10464000.000 - 10560000.000	±550.000
±555.000	10560000.000 - 10656000.000	±555.000
±560.000	10656000.000 - 10752000.000	±560.000
±565.000	10752000.000 - 10848000.000	±565.000
±570.000	10848000.000 - 10944000.000	±570.000
±575.000	10944000.000 - 11040000.000	±575.000
±580.000	11040000.000 - 11136000.000	±580.000
±585.000	11136000.000 - 11232000.000	±585.000
±590.000	11232000.000 - 11328000.000	±590.000
±595.000	11328000.000 - 11424000.000	±595.000
±600.000	11424000.000 - 11520000.000	±600.000
±605.000	11520000.000 - 11616000.000	±605.000
±610.000	11616000.000 - 11712000.000	±610.000
±615.000	11712000.000 - 11808000.000	±615.000
±620.000	11808000.000 - 11904000.000	±620.000
±625.000	11904000.000 - 12000000.000	±625.000
±630.000	12000000.000 - 12096000.000	±630.000
±635.000	12096000.000 - 12192000.000	±635.000
±640.000	12192000.000 - 12288000.000	±640.000
±645.000	12288000.000 - 12384000.000	±645.000
±650.000	12384000.000 - 12480000.000	±650.000
±655.000	12480000.000 - 12576000.000	±655.000
±660.000	12576000.000 - 12672000.000	±660.000
±665.000	12672000.000 - 12768000.000	±665.000
±670.000	12768000.000 - 12864000.000	±670.000
±675.000	12864000.000 - 12960000.000	±675.000
±680.000	12960000.000 - 13056000.000	±680.000
±685.000	13056000.000 - 13152000.000	±685.000
±690.000	13152000.000 - 13248000.000	±690.000
±695.000	13248000.000 - 13344000.000	±695.000
±700.000	13344000.000 - 13440000.000	±700.000
±705.000	13440000.000 - 13536000.000	±705.000
±710.000	13536000.000 - 13632000.000	±710.000
±715.000	13632000.000 - 13728000.000	±715.000
±720.000	13728000.000 - 13824000.000	±720.000
±725.000		

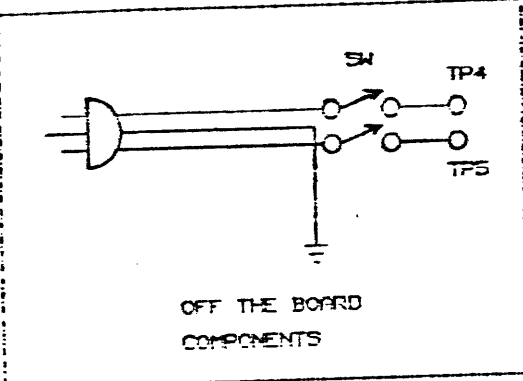
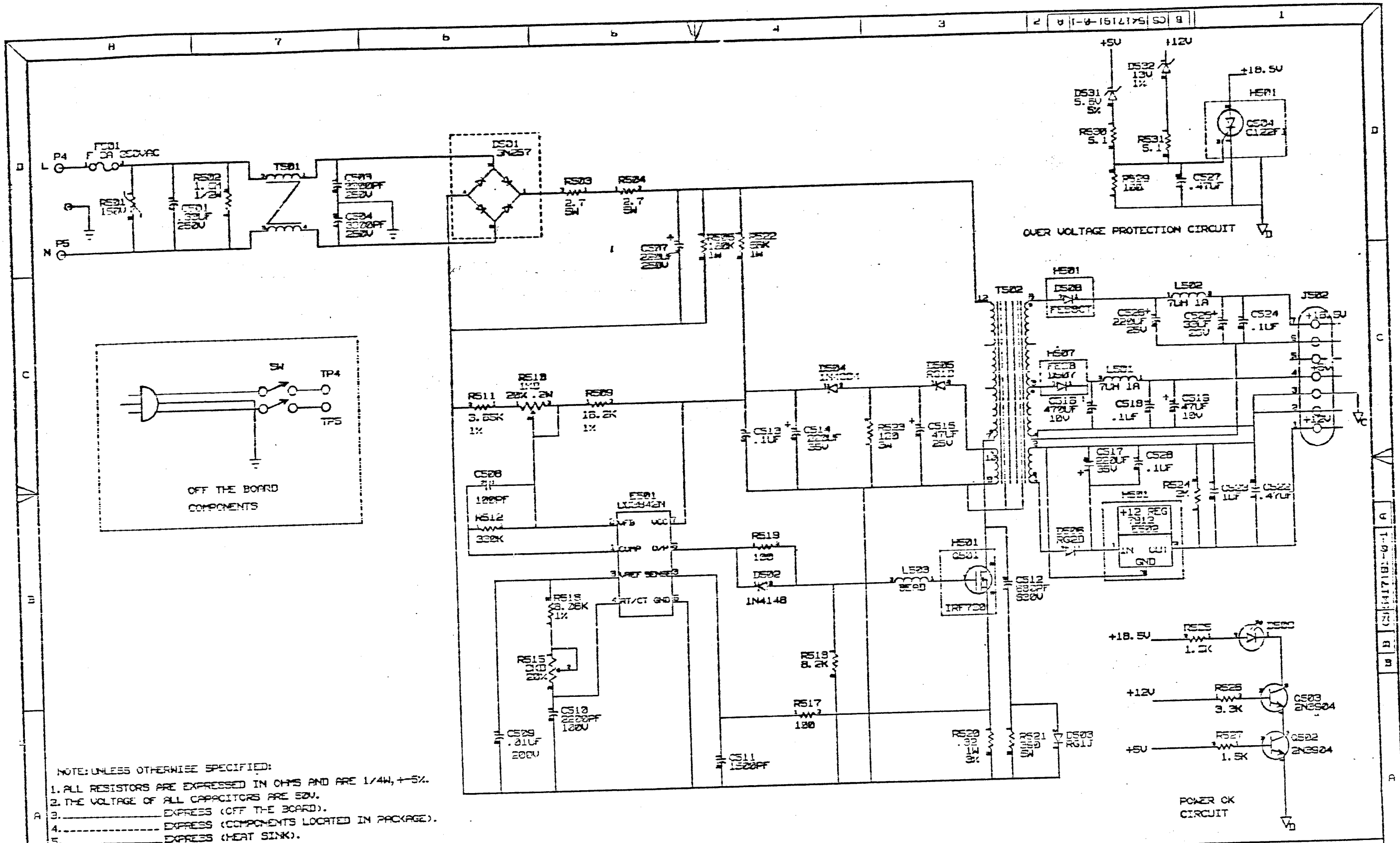
PARTS LIST

LINE ITEM	TOP DOCUMENT	PART NUMBER	MIN REV	DESCRIPTION	QUANTITY PER VARIATION/REVISION		
					01 A1	02 A1	03 A1
1		12-28258-01		YOKE, DEFLECTION 14"	1	1	1
2		12-28178-01		TUBE, CATHODE RAY (PAPER WHITE)	1	-	-
3		12-28178-02		TUBE, CATHODE RAY (GREEN)	-	1	-
4		12-28178-03		TUBE, CATHODE RAY (AMBER)	-	-	1
5	C-IA-7024537-0-DBU	70-24537-01	A	GROUND STRAP ASSY	1	1	1
6		12-23217-01		MAGNET, PINCUSHION 6.0 GAUSS	A/R	A/R	A/R
7		12-23217-02		MAGNET, PINCUSHION 8.5 GAUSS	A/R	A/R	A/R
8		12-23217-03		MAGNET, PINCUSHION 15.5 GAUSS	A/R	A/R	A/R
9		36-10267-00		LABEL, DANGER HIGH VOLTAGE, SMOOTH	1	1	1
10	SEE NOTE # 10	36-15670-01		TAPE, FIBGLAS ADH 1.0 WDX .007T	4	4	4
11		36-18460-03		LABEL, BAR CODE BLANK .90 X2.2	1	1	1
12		90-09800-08		SCREW, THD RL, PAN PHIL F/PLAS	4	4	4
13	E-MD-7434073-0-DBU	74-34073-01	A	BEZEL	1	1	1
14	B-MD-7435851-0-DBU	74-35851-01	A	ENCLOSURE, TAB	2	2	2
15	B-IA-7433851-0-DBU	74-33851-02	A	LOGO, DIGITAL	1	1	1
16	B-IA-7435733-0-DBU	74-35733-01	A	NAMEPLATE, VT320	1	1	1

10 NOTE: QTY FOR ITEM 10 IS IN INCHES.

REVISION HISTORY		KPL MATRIX FORMAT		SECTION A OF A		DRN: C. J. LEE		D I G I T A L		
ENG	ECO NUMBER	REV	SECTION/VARIATION INDEX		DATE: 17-SEP-86		TITLE PARTS LIST			
---	INITIAL	A	[A] 01,02,03		CHK'D: R. J. LIN		CRT/BEZEL/YOKE ASSY			
			[B]		DATE: 14-MAY-87					
			[C]		DES. ENG: J. KUO					
			[D]		DATE: 17-SEP-86		DOCUMENT NUMBER			
			[E]		RESP. ENG.: O. LIN		SIZE	CODE	NUMBER	REV
			[F]		DATE: 14-MAY-87		K	PL	7024240-0-DBP	A
			[H]		MFG. ENG: GORDON WU		RELEASE DATE: 25-JUN-87			
			[J]		DATE: 11-JUN-87		RELEASE STATUS: RELEASED			
BASIC PART NUMBER:		ASSEMBLY NUMBER:		TOP DOCUMENT NUMBER:		FILE NAME:		EDIT #		
7024240		E-AD-7024240-0-DBU		E-AD-7024240-0-DBU		MLA0714A.PLS		16		

"THIS DRAWING AND THE SPECIFICATIONS CONTAINED HEREIN ARE CONFIDENTIAL AND PROPRIETARY. THEY ARE THE PROPERTY OF DIGITAL EQUIPMENT CORPORATION AND SHALL NOT BE REPRODUCED OR COPIED OR USED IN WHOLE OR IN PART AS THE BASIS FOR THE MANUFACTURE OR SALE OF ITEMS WITHOUT WRITTEN PERMISSION. THIS IS AN UNPUBLISHED WORK PROTECTED UNDER THE FEDERAL COPYRIGHT LAWS."



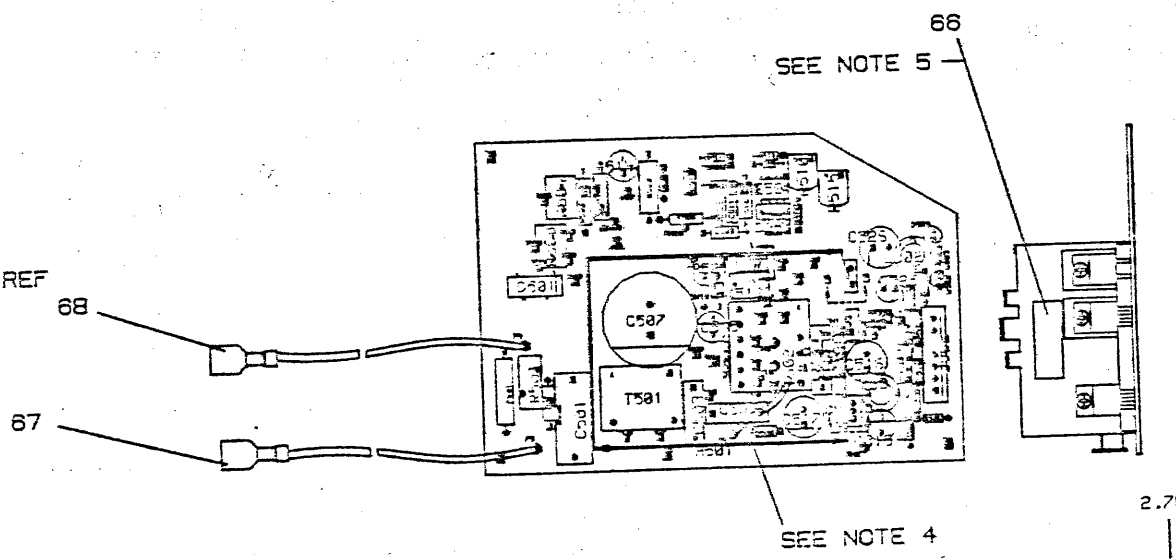
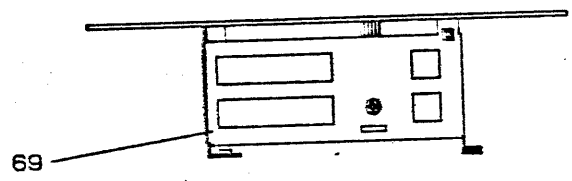
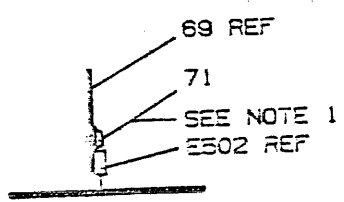
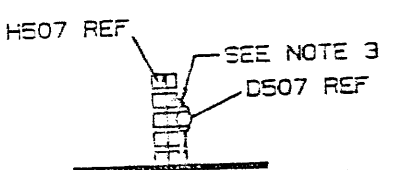
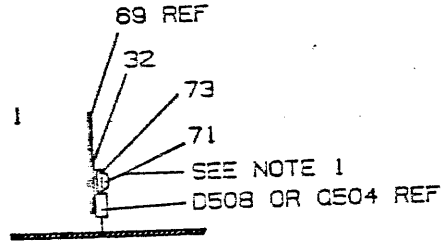
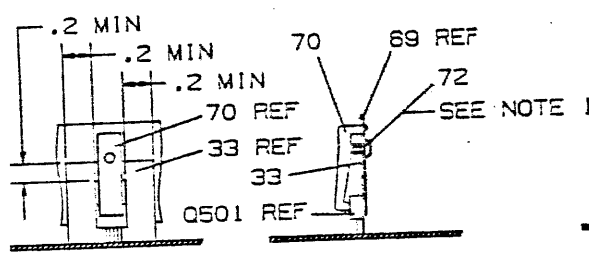
- NOTE: UNLESS OTHERWISE SPECIFIED:
1. ALL RESISTORS ARE EXPRESSED IN OHMS AND ARE 1/4W, +5%.
 2. THE VOLTAGE OF ALL CAPACITORS ARE 50V.
 3. _____ EXPRESS (OFF THE BOARD).
 4. - - - - - EXPRESS (COMPONENTS LOCATED IN PACKAGE).
 5. _____ EXPRESS (HEAT SINK).

TITLE: SCHEMATIC, POWER SUPPLY MODULE (LS9)		DATE: 24-JUL-86		DESIGNED BY: Victor Lin	
DRAWN BY: C. H. WANG		DATE: 24-JUL-86		CHECKED BY:	
PROJECT NO: 3-13-5417191-3-3		SHEET NO: 3		TOTAL SHEETS: 3	
PART NO: 5417191-3-1		REV: A		BPO	
LAST_MODIFIED: Thu Jun 4 11:42:26 1987		REVISION:		OK: OPAKE NOLEU	
JUN '87		RELEASED A		3	

THIS DRAWING AND THE INFORMATION CONTAINED HEREIN ARE UNCLASSIFIED EXCEPT WHERE SHOWN OTHERWISE. DATE 11-15-01 BY 60322 UCBA/STP/STP

0-0-181719S 7 DUA 5417191-0-0

- NOTE:**
1. TORQUE REQUIREMENT: ITEMS 71 & 72 3-5 IN-LBS.
 2. THIS BOARD MUST MEET SAFETY REQUIREMENT FOR HPWR.
 3. LEAD OF D507 PIN 1 AS SHORT AS POSSIBLE.
 4. SOLDER GROUNDING WIRE OF T502 TO P8 (GND HOLE).
 5. MARK LABEL WITH SERIAL NUMBER PER DEC STD 047, LOCATED APPROXIMATELY AS SHOWN.



CHK	DRAWN BY	ENGINEER	CHANGE NO	DATE	REV

CHK	DRAWN BY	ENGINEER	CHANGE NO	DATE	REV

STEP	BY	DATE	REVISION

SIGNATURES	DATE

DRAWN		DATE		digital	
CHKD	BY	DATE	TITLE	UNIT ASSY.	
MECH ENG	J. KOU		POWER SUPPLY MODULE		
PROJ ENG	J. B. LO				
SCALE	1/1	SIZE	CODE	NUMBER	REV
SHEET	1 OF 1	D	UA	5417191-0-0	A
TOP DOC NO	3-00-5417191-0-0	BPO	1	WO#	

5417191-0-0
 DUA
 H-MASTER-REF.

LINE	ITEM	TOP DOCUMENT	PART NUMBER	MIN REV	DESCRIPTION	QTY PER VAR/REV	REFERENCE DESIGNATORS
						01 A1	
1	1	B-DD-5017190-0-0	50-17190-01	H	CIRCUIT DRILL & ETCH	1	
2	2		10-10274-02		1.0 MFD 50V +80/-20% Z5U C	1	C523
3	3		10-10978-60		0.10 MFD 50V +/-10% X7R C	3	C513,C518,C524
4	4		10-12312-01		0.47 MFD 50V +80/-20% Z5U C	2	C522,C527
5	5		10-13466-06		100 PFD 50V +/- 5% NP0 C	1	C508
6	6		10-13466-22		0.10 MFD 50V +80/-20% Z5U C	1	C528
7	7		10-13466-29		1500 PFD 50V +/- 5% NP0 C	1	C511
8	8		10-16639-00		0.010MFD 200V +/-10% MYLAR	1	C509
9	9		10-19413-06		220 MFD 250V +50/-20% ALU	1	C507
10	10		10-21480-08		680 PFD 630V +/-20% POLYP	1	C512
11	11		10-22398-01		470 MFD 10V +/-20% ALU	1	C516
12	12		10-24317-01		0.33 MFD 250VAC +/-20% LIN	1	C501
13	13		10-24375-02		3300 PFD 250VAC +/-20% LIN	2	C503,C504
14	14		10-24422-01		220 MFD 35V +/-20% ALU	1	C514
15	15		10-26456-01		2200 PFD 100V +/- 1% POLYPR	1	C510
16	16		10-27912-01		47 MFD 25 +/-20% ALU	1	C515
17	17		10-27942-01		220 MFD 25V +/-20% ALU	1	C526
18	18		10-27955-01		33 MFD 25V +/-20% ALU	1	C525
19	19		10-28104-01		47 MFD IPV +/-20% ALU	1	C519
20	20		10-28114-01		220 MFD 35V +/-20% ALU	1	C517
21	21		11-02808-00		VZ= 5.6 5% 400 MW 1N752A	1	D531
22	22		11-05796-00		PIV= 400 IO= 1.00A 1N4004 DO-41	1	D504
23	23		11-12595-01		PIV= 200 IO= 1.00A AXIAL	1	D505
24	24		11-12595-02		PIV= 600 IO= 1.00A AXIAL	1	D503
25	25		11-14384-00		LED 105MW 35MA GREEN	1	D509
26	26		11-16475-00		PIV= 75 - 4NS 1N4148	1	D502
27	27		11-17490-00		RECT,ULTRA FAST PIV= 150 IO= 8.0	1	D508
28	28		11-18411-00		VZ= 13.0 1% 500 MW 1N5243	1	D532
29	29		11-21435-01		RECT. ASSY PIV= 600 IO= 2.00A	1	D501
30	30		11-25363-04		RECT,ULTRA FAST PIV=200 IO= 2.0A	1	D506
31	31		11-28186-01		PIV= 100 IO= 3.0 A 35NS	1	D507
32	32		12-13071-06		INSULATOR,RUBBER SILICONE	2	

REVISION HISTORY		KPL MODULE FORMAT		SECTION A OF A		DRN: F. LIU		DIGITAL			
ENG	ECO NUMBER	REV	SECTION/VARIATION INDEX			DATE: 20-NOV-86	TITLE PARTS LIST				
---	INITIAL	A	[A]	01	[M]	DATE: 20-NOV-86	POWER SUPPLY MODULE				
			[B]		[N]	CHK'D: B. CHEN					
			[C]		[P]	DATE: 20-NOV-86					
			[D]		[Q]	DES.ENG: V. LIN					
			[E]		[R]	DATE: 20-NOV-86	DOCUMENT NUMBER				
			[F]		[S]	RESP.ENG.: J. B. LO	SIZE	CODE	NUMBER	REV	
			[H]		[T]	DATE: 20-NOV-86	K	PL	5417191-0-DBP	A	
			[J]		[V]	MFG.ENG: G. CHRISTIANSEN	RELEASE DATE: 17-JUN-87				
			[K]		[W]	DATE: 09-JUN-87	RELEASE STATUS: RELEASED				
			[L]		[Y]						
			BASIC PART NUMBER:		ASSEMBLY NUMBER:		TOP DOCUMENT NUMBER:		FILE NAME:		EDIT #
			5417191		D-UA-5417191-0-0		B-DD-5417191-0-0		MLA0777A.PLS		19

"THIS DRAWING AND THE SPECIFICATIONS CONTAINED HEREIN ARE CONFIDENTIAL AND PROPRIETARY. THEY ARE THE PROPERTY OF DIGITAL EQUIPMENT CORPORATION AND SHALL NOT BE REPRODUCED OR COPIED OR USED IN WHOLE OR IN PART AS THE BASIS FOR THE MANUFACTURE OR SALE OF ITEMS WITHOUT WRITTEN PERMISSION. THIS IS AN UNPUBLISHED WORK PROTECTED UNDER THE FEDERAL COPYRIGHT LAWS."

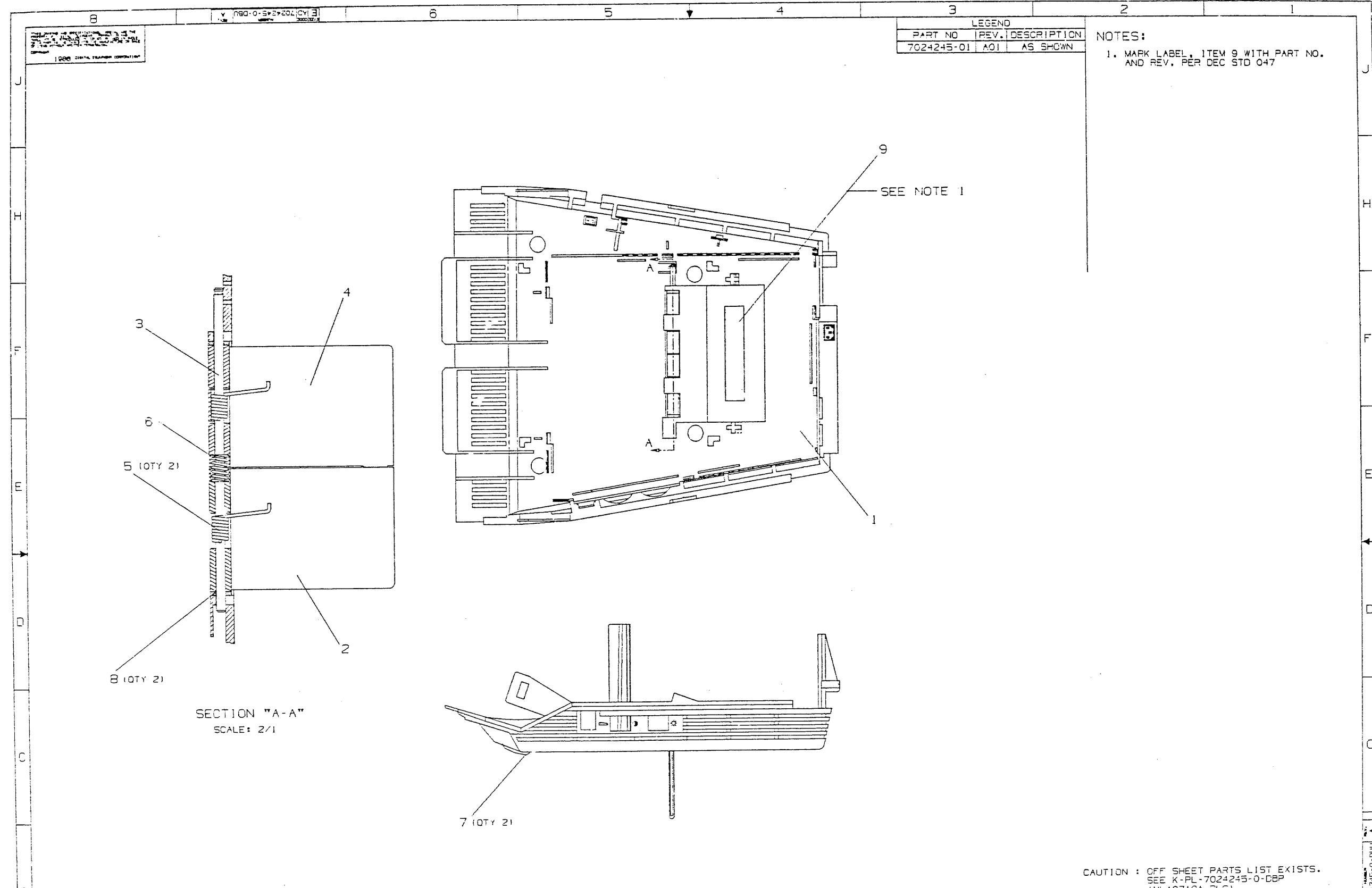
LINE	ITEM	TOP DOCUMENT	PART NUMBER	MIN REV	DESCRIPTION	QTY PER VAR/REV	REFERENCE DESIGNATORS
						01 A1	
33	33		12-13071-22		INSULATOR,RUBBER SILICONE	1	
34	34		12-15228-03		HEAT SINKS,T0-220 1.250X0.87	1	H507
35	35		12-28096-01		FUSE,5X20 3.0 A 250V AXIAL LEA	1	F501
36	36		12-28477-01		PCB HEADER 07PIN(1X07),156CC STR	1	J502
37	37		13-00229-00		100.0 .25 W 5.0 % CF	3	R517,R519,R529
38	38		13-00391-00		1.50 K .25 W 5.0 % CF	2	R525,R527
39	39		13-00439-00		3.30 K .25 W 5.0 % CF	1	R526
40	40		13-02091-00		330.0 K .25 W 5.0 % CF	1	R512
41	41		13-02388-00		2.0 K .25 W 5.0 % CF	1	R524
42	42		13-03179-00		8.20 K .25 W 5.0 % CF	1	R518
43	43		13-05337-00		3.65 K .25 W 1.0 % RN55D-F10	1	R511
44	44		13-09412-00		18.20 K .25 W 1.0 % RN55D-F10	1	R509
45	45		13-09422-00		5.10 .25 W 5.0 % CF	2	R530,R531
46	46		13-11996-00		VARISTOR 150VAC VOLT TRANS SUP	1	R501
47	47		13-18150-12		8.06 K .25 W 1.0 % RN55D-F10	1	R516
48	48		13-19470-50		56.0 K 1.0 W 5.0 % M.OXIDE	1	R522
49	49		13-19470-53		100.0 K 1.0 W 5.0 % M.OXIDE	1	R505
50	50		13-20725-01		1.50 M .50 W 5.0 % CF	1	R502
51	51		13-27013-07		390.0 5.0 W 5.0 % M.OXIDE	1	R521
52	52		13-27013-13		120.0 3.0 W 5.0 % M.OXIDE	1	R523
53	53		13-28026-02		POT-OPEN/TRIM 1.0K 0.2 W 20.0	1	R510
54	54		13-28026-07		POT-OPEN/TRIM 3.0K 0.2 W 20.0	1	R515
55	55		13-28257-01		2.7 5.0 W 5.0 % WW	2	R503,R504
56	56		13-28261-01		.32 1.0 W 3.0 % WW	1	R520
57	57		15-09524-00		2N 3904 NPN 310MW SI 40 40 M	2	Q502,Q503
58	58		15-19536-01		SCR PIV= 50 IO= 8.00A	1	Q504
59	59		15-28225-01		MOSFET 400V 5.5A 10HM	1	Q501
60	60		16-18238-02		BEAD,FERRITE .1380DX.330LG	1	L503
61	61		16-28285-01		CHOKE COIL 7.0UH	2	L501,L502
62	62		16-28362-01		XFMR,SWITCH MODE (USA ONLY)	1	T502
63	63		16-28430-01		XFMR FILTER 1KHZ	1	T501
64	64		19-12048-05		7812 VOLT REG,FIX +12V	1	E502
65	65		19-23626-01		PWM OFF-LINE CURRENT	1	E501
66	66		36-18460-01		LABEL,BAR CODE BLANK .38 X1.5	1	
67	67	B-IA-7023276-0-DBU	70-23276-05	A	WIRE W/FASTON	1	P5
68	68	B-IA-7023276-0-DBU	70-23276-06	A	WIRE W/FASTON	1	P4
69	69	B-IA-7024553-0-DBU	70-24553-01	A	ENCLOSURE, SHIELD W/GND TABS	1	H501
70	70	C-MD-7435248-0-DBU	74-35248-01	A	CLIP	1	
71	71		90-08301-01		SCREW,MACH PAN PHIL 4-	3	
72	72		90-09800-02		SCREW,THD RL,PAN PHIL F/PLAS	1	
73	73		90-10057-00		WASHER,SHOULDER INSULATG PPS	2	

D	I	G	I	T	A	L	TITLE	SECTION A	OF A	SIZE	CODE	DOCUMENT NUMBER	REV
							POWER SUPPLY MODULE			K	PL	5417191-0-DBP	A

LINE	ITEM	TOP DOCUMENT	PART NUMBER	MIN REV	DESCRIPTION	QTY
1	1	E-MD-7434075-0-DBU	74-34075-01	A	BOTTOM	1
2	2	D-MD-7434076-0-DBU	74-34076-01	A	ARM,LEFT,TILT	1
3	3	B-MD-7434077-0-DBU	74-34077-01	A	SHAFT,TILT	1
4	4	D-MD-7434078-0-DBU	74-34078-01	A	ARM,TILT,RIGHT	1
5	5		12-28165-01		SPRING,OTRSION .2700D	2
6	6		12-28163-01		SPRING,COMPRESSION .2600DX .70 LG	1
7	7		12-28243-01		BUMPER,FRONT	2
8	8		12-28360-01		WASHER,SPECIAL	2
9	9		36-18460-03		LABEL,BAR CODE BLANK .90 X2.2	1

REVISION HISTORY		KPL MATRIX FORMAT		SECTION A OF A		DRN: C.J. LEE		DIGITAL	
ENG	ECO NUMBER	REV	SECTION/VARIATION INDEX		DATE	TITLE PARTS LIST		DOCUMENT NUMBER	
---	INITIAL	A	[A]	01	DATE: 17-SEP-86	BOTTOM ASSY		NUMBER	
			[B]		CHK'D: R.J. LIN			SIZE	CODE
			[C]		DATE: 08-MAY-87			NUMBER	REV
			[D]		DES.ENG: J. KOU			K	PL
			[E]		DATE: 17-SEP-86			7024245-0-DBP	A
			[F]		RESP.ENG.: O. LIN			RELEASE DATE: 25-JUN-87	
			[H]		DATE: 09-MAY-87			RELEASE STATUS: RELEASED	
			[J]		MFG.ENG: GORDON WU				
					DATE: 11-JUN-87				
		BASIC PART NUMBER:		ASSEMBLY NUMBER:		TOP DOCUMENT NUMBER:		FILE NAME:	
		7024245		E-AD-7024245-0-DBU		E-AD-7024245-0-DBU		MLA0719A.PLS	
								EDIT #	
								15	

"THIS DRAWING AND THE SPECIFICATIONS CONTAINED HEREIN ARE CONFIDENTIAL AND PROPRIETARY. THEY ARE THE PROPERTY OF DIGITAL EQUIPMENT CORPORATION AND SHALL NOT BE REPRODUCED OR COPIED OR USED IN WHOLE OR IN PART AS THE BASIS FOR THE MANUFACTURE OR SALE OF ITEMS WITHOUT WRITTEN PERMISSION. THIS IS AN UNPUBLISHED WORK PROTECTED UNDER THE FEDERAL COPYRIGHT LAWS."



CAUTION: OFF SHEET PARTS LIST EXISTS.
 SEE K-PL-7024245-0-DBP
 (MLA0719A.PLS)

DESCRIPTION	DRAWING NO.	PART NO.	REV.
UNLESS OTHERWISE SPECIFIED DIMENSIONS ARE IN INCHES AND THE FOLLOWING TOLERANCES APPLY (PER DEC STD 114)			
		DIMENSIONS ARE IN INCHES	
INCHES TOLERANCE		DIMENSIONS	
OVER	UNDER	OVER	UNDER
±.001	±.002	±.005	±.010
±.002	±.003	±.010	±.020
±.005	±.007	±.020	±.050
±.010	±.015	±.050	±.100
±.020	±.030	±.100	±.200
±.050	±.075	±.200	±.500
±.100	±.150	±.500	±.1000

QUANTITY & VARIATION	<input type="checkbox"/> 1.000 ±.001	<input type="checkbox"/> 1.000 ±.002	<input type="checkbox"/> 1.000 ±.005	<input type="checkbox"/> 1.000 ±.010	<input type="checkbox"/> 1.000 ±.020	<input type="checkbox"/> 1.000 ±.050	<input type="checkbox"/> 1.000 ±.100	<input type="checkbox"/> 1.000 ±.200	<input type="checkbox"/> 1.000 ±.500	<input type="checkbox"/> 1.000 ±.1000
THIRD ANGLE PROJECTION	DATE	BY	TITLE	DRAWN BY						
	DATE	DATE	DATE	DATE						
DO NOT SCALE DRAWING	DATE	DATE	DATE	DATE						
GENERAL NOTES	DATE	DATE	DATE	DATE						
SPECIAL NOTES	DATE	DATE	DATE	DATE						

DRAWING NO.	NO. OF SHTS.	PART NO.	DESCRIPTION	REVISIONS																		
				1	2	3	4	5	6	7	8	9	10	11	12							
		54-17339-01	ARC PROTECTION MODULE	A1																		
D-UA-5417339-0-0	1		UNIT ASSY	A																		
B-CS-5417339-0-1	1		SCHEMATIC	A																		
X-PL-5417339-0-C2P	1		PARTS LIST	A																		
X-PC-5417339-0-C8V	1		P.C. DESIGN DATA BASE	A																		
X-CS-5417339-0-C8X	1		VALID DATA BASE	A																		
		50-17338-01	ETCH CIRCUIT BOARD	A01																		
B-CD-5017338-0-0	1		DRAWING DIRECTORY	A																		

NOTES:

REVISION HISTORY	
DATE	REV.
JUN '87	RELEASED A

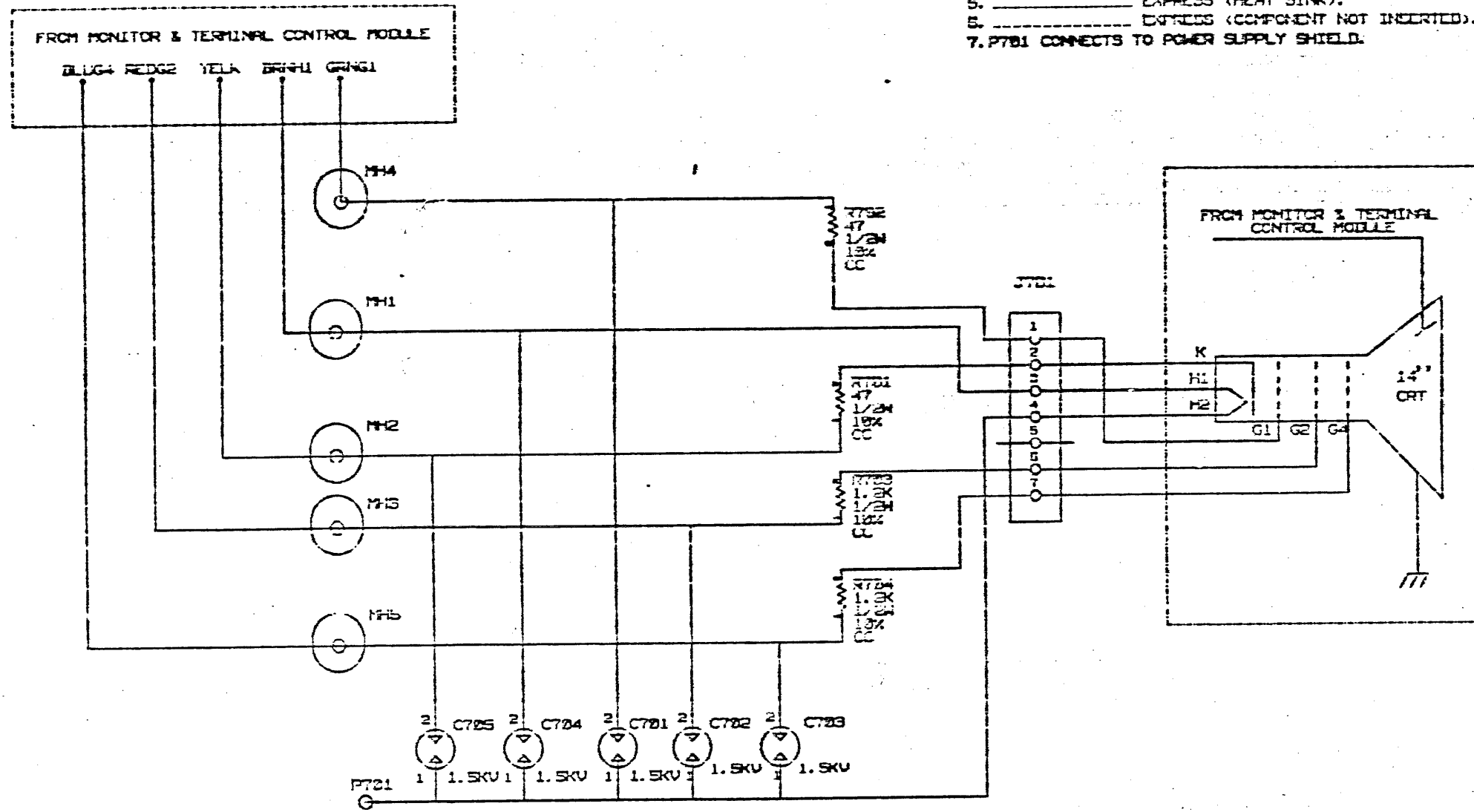
THIS DRAWING AND THE SPECIFICATIONS CONTAINED HEREIN ARE CONFIDENTIAL AND PROPRIETARY. THEY ARE THE PROPERTY OF DIGITAL EQUIPMENT CORPORATION AND SHALL NOT BE REPRODUCED OR COPIED OR USED IN WHOLE OR IN PARTS AS THE BASIS FOR THE MANUFACTURE OR SALES OF ITEMS WITHOUT WRITTEN PERMISSION. THIS IS AN UNPUBLISHED WORK PROTECTED UNDER THE FEDERAL COPYRIGHT LAWS.



CRN.	F. LIU	DATE	13-MAY-87	TITLE	DWS DIR, ARC PROTECTION MODULE		
CHK'D	B. CHEN	DATE	14-MAY-87	DOCUMENT NUMBER			
DES. ENG.	C. E. LIN	DATE	14-MAY-87	SIZE	CODE	NUMBER	REV.
PREP. ENG.	S. Y. CHENG	DATE	14-MAY-87	B	DD	5417339-0-0	A
WFS. ENG.	B. CHRISTENSEN	DATE	16-JUN-87	SHEET 1 OF 1			

NOTE: UNLESS OTHERWISE SPECIFIED:

1. ALL RESISTORS ARE EXPRESSED IN OHMS AND ARE 1/4W, +5%.
2. THE VOLTAGE OF ALL CAPACITORS ARE 50V.
3. ----- EXPRESS (OFF THE BOARD).
4. ----- EXPRESS (COMPONENTS LOCATED IN PACKAGE).
5. ----- EXPRESS (HEAT SINK).
6. ----- EXPRESS (COMPONENT NOT INSERTED).
7. P701 CONNECTS TO POWER SUPPLY SHIELD.



THIS DRAWING IS UNCLASSIFIED
DATE 06-11-2013 BY 60322 UCBAW/SJS/STP

REVISION	DATE	BY
1	JUN '87	RELEASED A

LAST MODIFIED=Sat Jun 6 09:47:22 1987

31321

C. M. WANG 12-MAY-87
S. F. LU 12-MAY-87

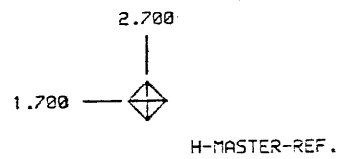
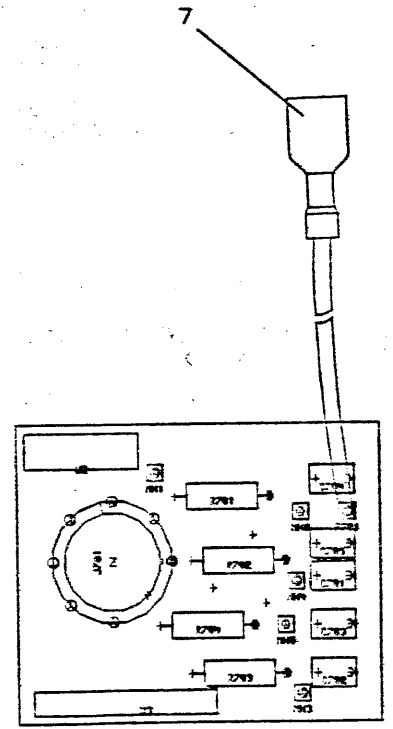
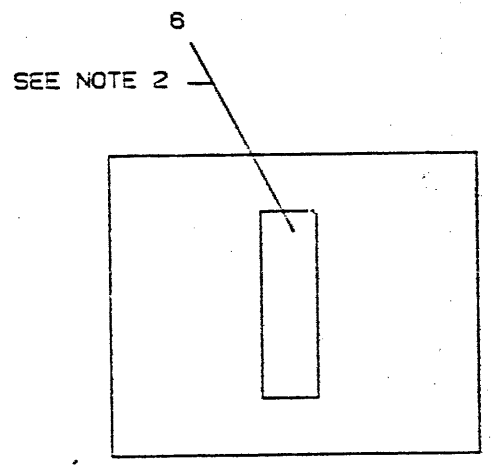
C. E. LIN 12-MAY-87
3-03-5417339-3-3

TITLE: ARC PROTECTION MODULE
5417339-3-1

BPO

ALL DIMENSIONS ARE IN INCHES UNLESS NOTED OTHERWISE. ALL DIMENSIONS ARE TO CENTER UNLESS NOTED OTHERWISE. ALL DIMENSIONS ARE TO CENTER UNLESS NOTED OTHERWISE. ALL DIMENSIONS ARE TO CENTER UNLESS NOTED OTHERWISE.

- NOTE:**
1. THIS BOARD MUST MEET SAFETY REQUIREMENT FOR HPWR.
 2. MARK LABEL WITH SERIAL NUMBER PER DEC STD 047, LOCATED APPROXIMATELY AS SHOWN.



CHK	DRAWN BY	ENGINEER	CHANGE NO	DATE	REV

CHK	DRAWN BY	ENGINEER	CHANGE NO	DATE	REV

NOTES	EQ/PART	REV	NO

SIGNATURES	DATE

DRAWN C. H. YU		DATE	
CHECKED S. CHEN		DATE	
MECH ENG J. COU		DATE	
PROJ ENG S. CHEN		DATE	
SCALE 2/1		TITLE UNIT ASSY, ARC PROTECTION MODULE	
SHEET 1 OF 1		SIZE CODE	NUMBER
TOP OCC NO 3-CD-5417330-0-0		D UA	5417330-0-0
		REV	A

370 1 WO*

LINE ITEM	TOP DOCUMENT	PART NUMBER	MIN REV	DESCRIPTION	QTY PER VAR/REV 01 A1	REFERENCE DESIGNATORS
1	B-DD-5017338-0-0	50-17338-01	A	CIRCUIT DRILL AND ETCH	1	
2		10-27658-01		1.0 PFD 1500V + 0/-100%	5	C701-C705
3		12-28476-01		SKT,CRT 07POS BLK 2KV SPRK GA	1	J701
4		13-28450-01		47.0 .50 W10.0 % CC	2	R701,R702
5		13-28450-02		1.2 K .50 W10.0 % CC	2	R703,R704
6		36-18460-01		LABEL,BAR CODE BLANK .38 X1.5	1	
7	B-IA-7023276-0-DBU	70-23276-07	A	WIRE W/FASTON	1	P701

REVISION HISTORY		KPL MODULE FORMAT		SECTION A OF A	DRN: F LIU	D I G I T A L			
ENG	ECO NUMBER	REV	SECTION/VARIATION INDEX		DATE: 20-NOV-86	TITLE PARTS LIST			
---	INITIAL	A	[A] 01	[M]	CHK'D: B CHEN	ARC PROTECTION MODULE			
			[B]	[N]	DATE: 20-NOV-86				
			[C]	[P]	DES.ENG: CE LIN	DOCUMENT NUMBER			
			[D]	[Q]	DATE: 20-NOV-86	SIZE	CODE	NUMBER	REV
			[E]	[R]	RESP.ENG.: SW CHENG	K	PL	5417339-0-DBP	A
			[F]	[S]	DATE: 20-NOV-86	RELEASE DATE: 16-JUN-87			
			[H]	[T]	MFG.ENG: G.CHRISTIANSEN	RELEASE STATUS: RELEASED			
			[J]	[V]	DATE: 09-JUN-87				
			[K]	[W]					
			[L]	[Y]					
		BASIC PART NUMBER:		ASSEMBLY NUMBER:	TOP DOCUMENT NUMBER:	FILE NAME:		EDIT #	
		5417339		D-UA-5417339-0-0	B-DD-5417339-0-0	MLA1527A.PLS		11	

"THIS DRAWING AND THE SPECIFICATIONS CONTAINED HEREIN ARE CONFIDENTIAL AND PROPRIETARY. THEY ARE THE PROPERTY OF DIGITAL EQUIPMENT CORPORATION AND SHALL NOT BE REPRODUCED OR COPIED OR USED IN WHOLE OR IN PART AS THE BASIS FOR THE MANUFACTURE OR SALE OF ITEMS WITHOUT WRITTEN PERMISSION. THIS IS AN UNPUBLISHED WORK PROTECTED UNDER THE FEDERAL COPYRIGHT LAWS."

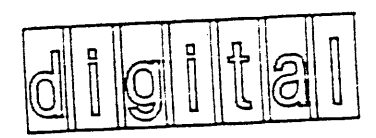
REVISIONS

DRAWING NO.	NO. OF SHTS.	PART NO.	DESCRIPTION	REV.																
		54-17277-01	MONITOR, LOGIC CONTROL MODULE	A1																
D-UA-5417277-0-0	1		UNIT ASSY	A																
B-CS-5417277-0-1	4		SCHEMATIC	A																
K-PL-5417277-0-DBP	4		PARTS LIST	A																
K-PC-5417277-0-DBV	1		P.C. DESIGN DATA BASE	A																
K-CS-5417277-0-DBX	1		VALID DATA BASE	A																
		50-17276-01	ETCH CIRCUIT BOARD	E01																
B-DD-5017276-0-0	1		DRAWING DIRECTORY	A																

NOTES:

REVISION HISTORY	
DATE	ECO NO.
JUN '87	RELEASED A

THIS DRAWING AND THE SPECIFICATIONS CONTAINED HEREIN ARE CONFIDENTIAL AND PROPRIETARY. THEY ARE THE PROPERTY OF DIGITAL EQUIPMENT CORPORATION AND SHALL NOT BE REPRODUCED OR COPIED OR USED IN WHOLE OR IN PARTS AS THE BASIS FOR THE MANUFACTURE OR SALES OF ITEMS WITHOUT WRITTEN PERMISSION. THIS IS AN UNPUBLISHED WORK PROTECTED UNDER THE FEDERAL COPYRIGHT LAWS.



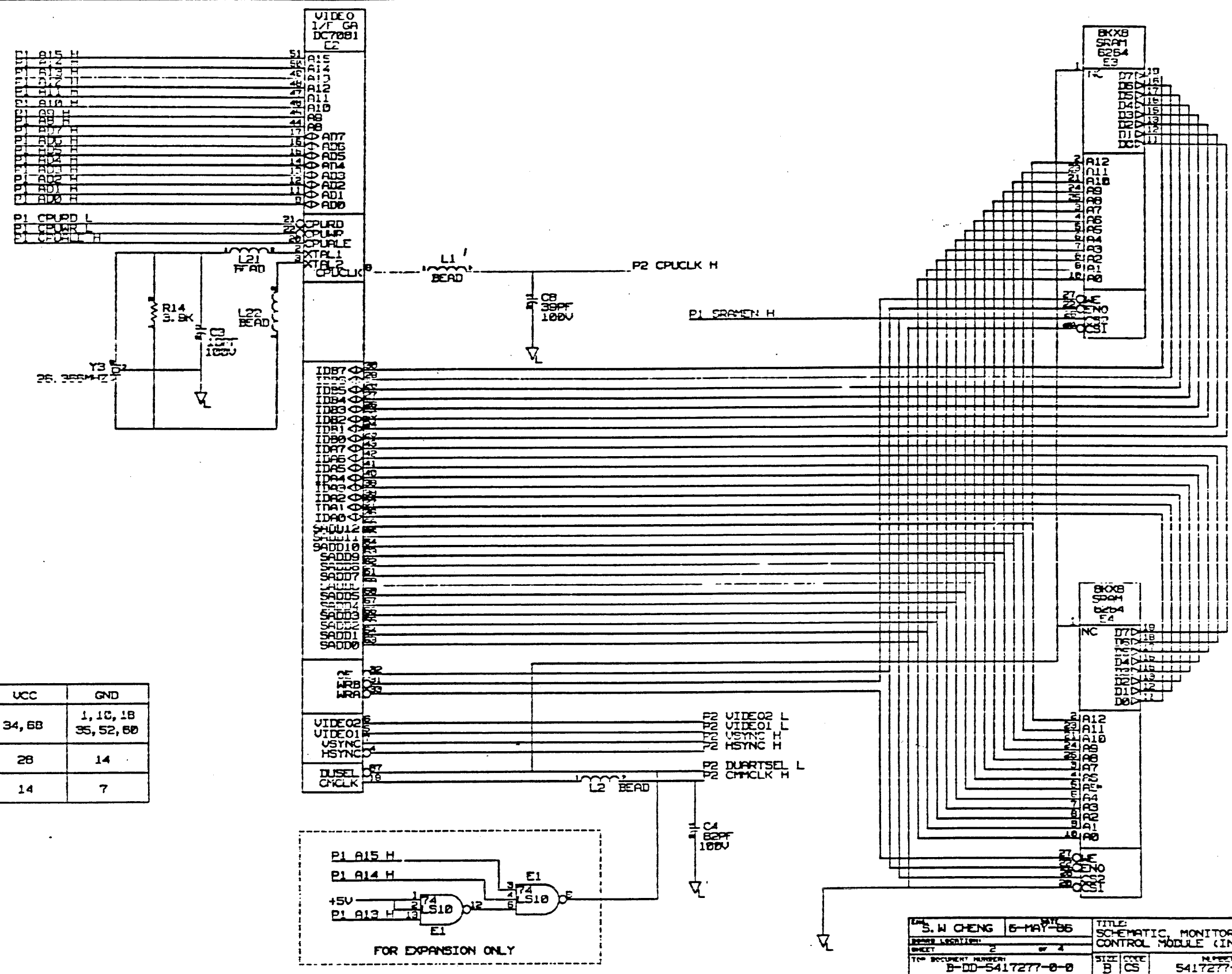
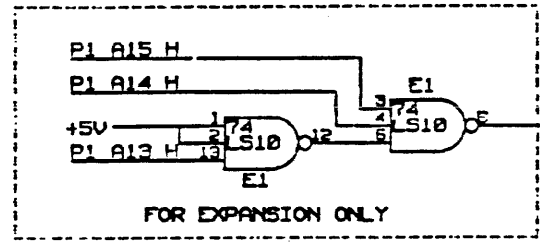
1987

DRN.	F. LIU	DATE	20-NOV-86	TITLE	DWG DIR, MONITOR, LOGIC CONTROL MODULE
CHK'D	B. CHEN	DATE	20-NOV-86	DOCUMENT NUMBER	
DES. ENG.	L C CHEN/R. HU	DATE	20-NOV-86	SIZE	B
RESP. ENG.	C L CHUANG/S W CHENG	DATE	20-NOV-86	CODE	DD
MFG. ENG.		DATE		NUMBER	5417277-0-0
				REV.	A
				SHEET	1 OF 1

VT320

THIS DRAWING AND SPECIFICATIONS, INCLUDING THE PROPERTY OF DIGITAL EQUIPMENT CORPORATION AND SHALL NOT BE REPRODUCED OR TRANSMITTED IN ANY FORM OR BY ANY MEANS, ELECTRONIC OR MECHANICAL, INCLUDING PHOTOCOPYING, RECORDING, OR BY ANY INFORMATION STORAGE AND RETRIEVAL SYSTEM, WITHOUT PERMISSION IN WRITING FROM DIGITAL EQUIPMENT CORPORATION 1807

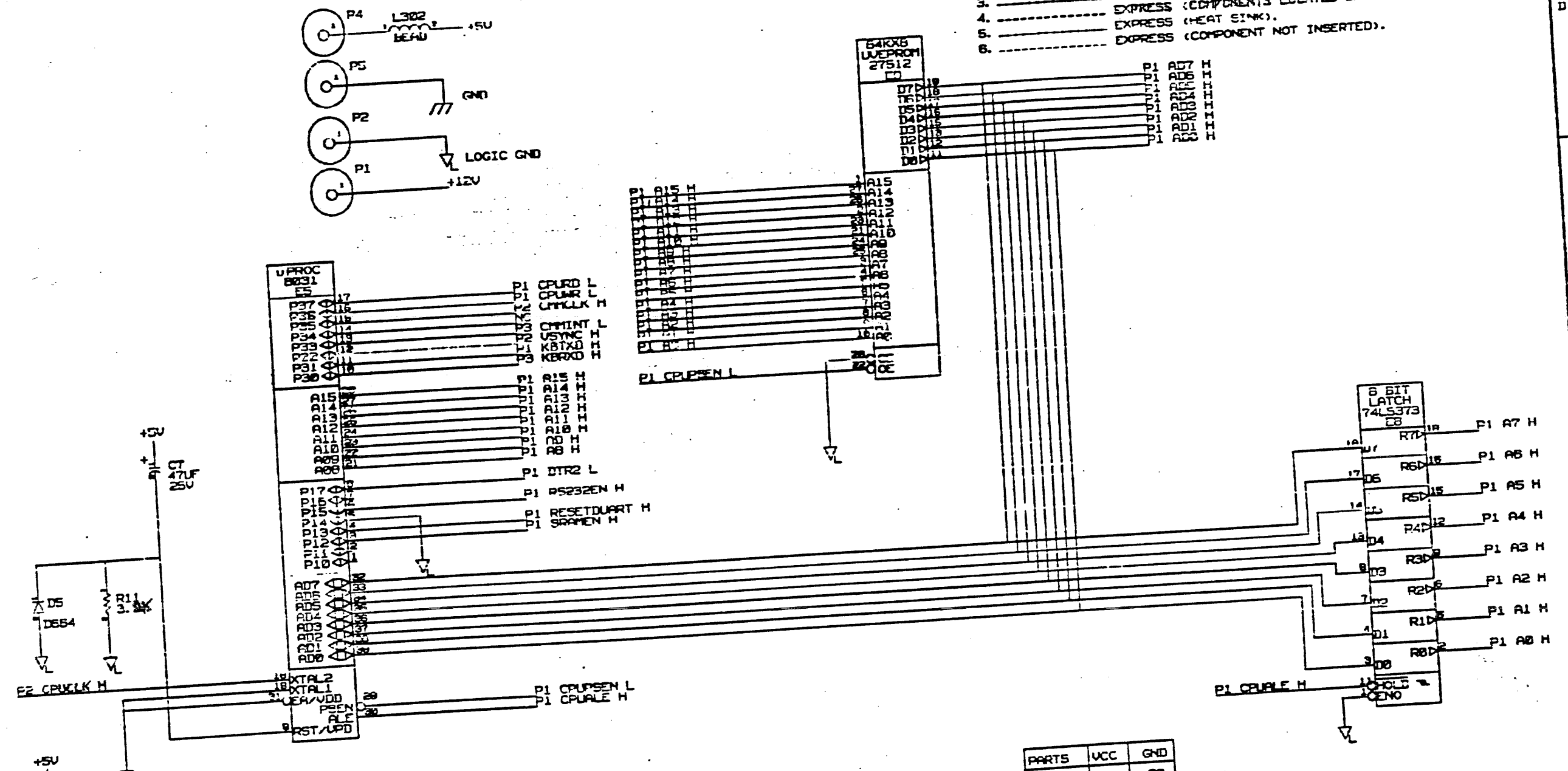
PARTS	UCC	GND
DC7081	34, 68	1, 10, 18 35, 52, 60
6254	28	14
74LS10	14	7



DESIGNED BY: S. W. CHENG DATE: 6-MAY-86
 TITLE: SCHEMATIC, MONITOR & TERMINAL CONTROL MODULE (INTERNATIONAL)
 SHEET: 2 OF 4
 TOP DOCUMENT NUMBER: B-DD-5417277-0-0
 SIZE: B CS
 REVISION: 1
 REV: A

NOTE: UNLESS OTHERWISE SPECIFIED:

1. ALL RESISTORS ARE EXPRESSED IN OHMS AND ARE 1/4W, +-5%.
2. THE VOLTAGE OF ALL CAPACITORS ARE 50V.
3. _____ EXPRESS (OFF THE BOARD).
4. _____ EXPRESS (COMPONENTS LOCATED IN PACKAGE).
5. _____ EXPRESS (HEAT SINK).
6. _____ EXPRESS (COMPONENT NOT INSERTED).



PARTS	UCC	GND
8031	40	20
27512	28	14
74LS373	20	10

- C13 = .47UF 25V
- C14 = .47UF 25V
- C15 = .01UF
- C16 = .01UF
- C17 = .01UF
- C18 = .01UF
- C19 = .01UF
- C20 = .01UF
- C21 = .01UF
- C22 = .01UF
- C23 = .01UF
- C24 = .01UF
- C25 = .01UF
- C26 = .01UF
- C27 = .01UF
- C28 = .01UF

THIS DRAWING AND SPECIFICATIONS ARE THE PROPERTY OF DIGITAL EQUIPMENT CORPORATION AND SHALL NOT BE REPRODUCED OR COPIED OR USED IN ANY MANNER OR IN ANY MANNER WITHOUT THE WRITTEN PERMISSION OF DIGITAL EQUIPMENT CORPORATION.

REVISION	CHANGE NO.	REV.
JUN 87	RELEASED	A

DRAWING
LAST_MODIFIED=Sat Jun 8 10:27:57 1987

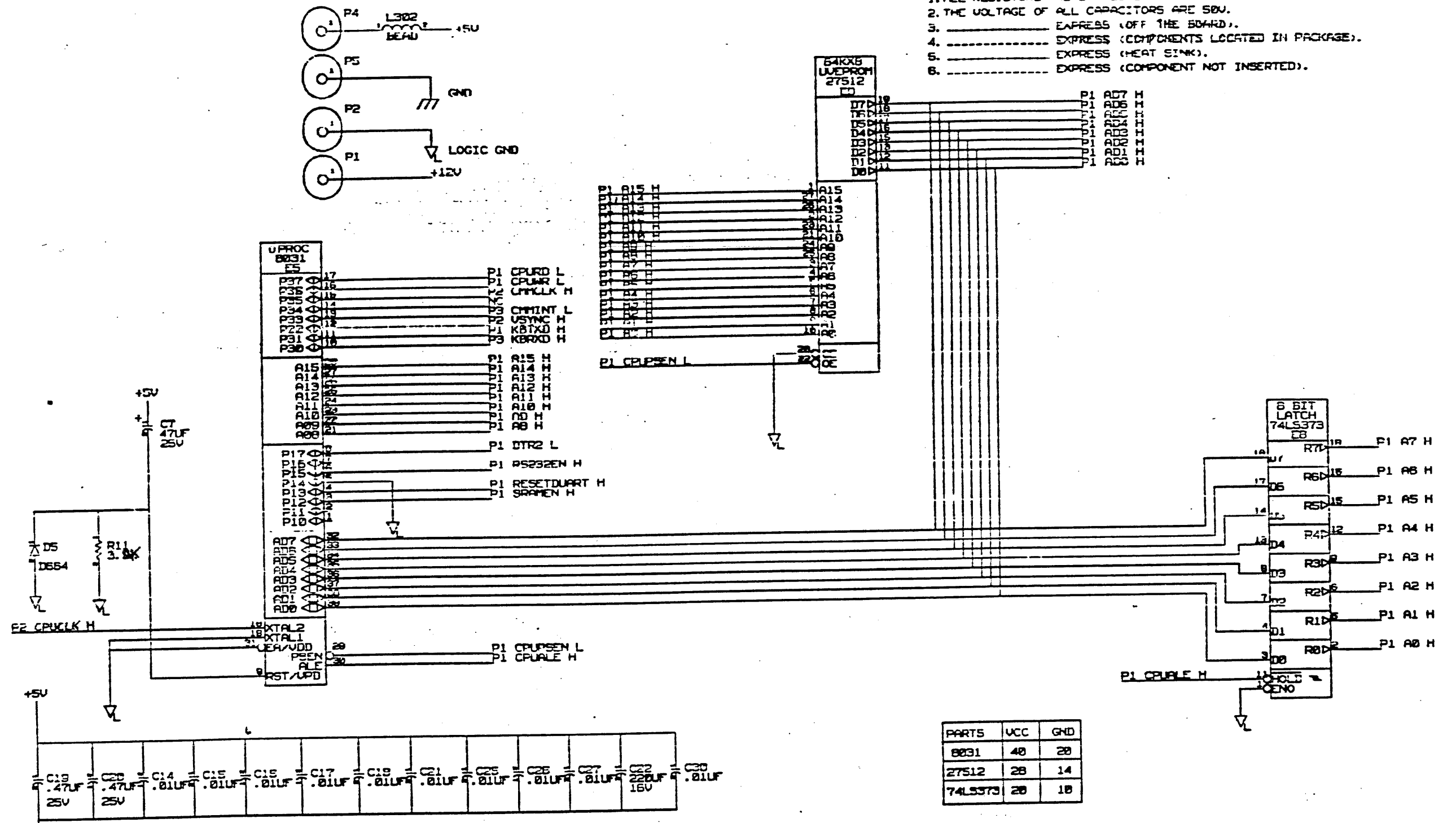
DESIGNED BY S. F. LU	CHECKED BY S. F. LU	DATE 6-MAY-86	DATE 6-MAY-86	DESIGNED BY S. W. CHENG	CHECKED BY S. W. CHENG	DATE 6-MAY-86	DATE 6-MAY-86	TITLE SCHEMATIC, MONITOR & TERMINAL CONTROL MODULE (INTERNATIONAL)
TOP DOCUMENT NUMBER B-D0-541277-0-0				SIZE B		CODE CS		NUMBER 541277-0-1
FIRST USED ON OPTION/MODEL 3				2		1		REV. A

BPO

VT320

NOTE: UNLESS OTHERWISE SPECIFIED:

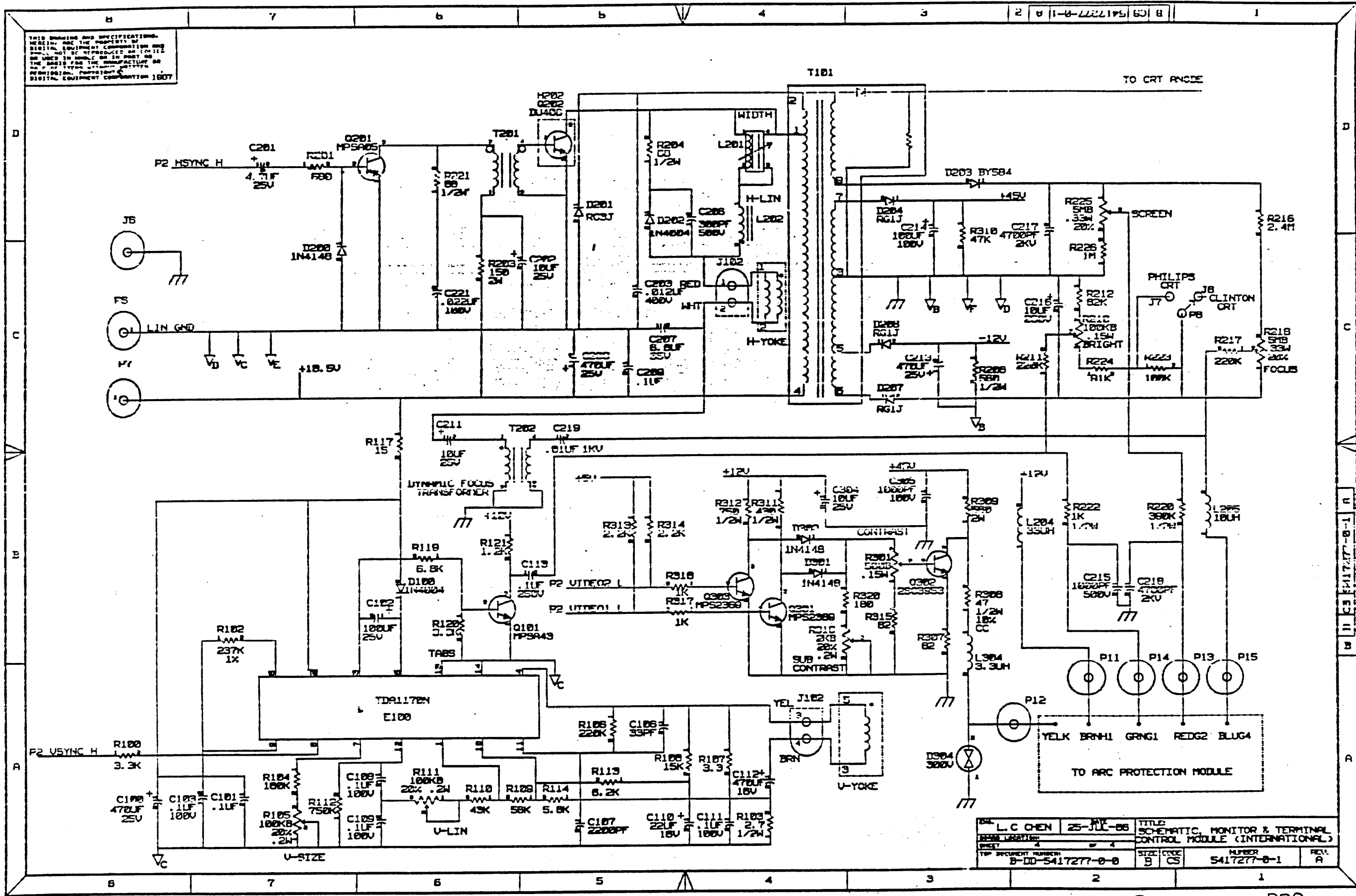
1. ALL RESISTORS ARE EXPRESSED IN OHMS AND ARE 1/4W, +-5%.
2. THE VOLTAGE OF ALL CAPACITORS ARE 50V.
3. _____ EXPRESS (OFF THE BOARD).
4. - - - - - EXPRESS (COMPONENTS LOCATED IN PACKAGE).
5. _____ EXPRESS (HEAT SINK).
6. - - - - - EXPRESS (COMPONENT NOT INSERTED).



<p>THIS DRAWING AND SPECIFICATIONS HERETO ARE THE PROPERTY OF DIGITAL EQUIPMENT CORPORATION AND SHALL NOT BE REPRODUCED OR COPIED OR USED IN WHOLE OR IN PART ON THE BASIS FOR THE MANUFACTURE OR SALE OF ITEMS WITHOUT WRITTEN PERMISSIONAL CONSENT OF DIGITAL EQUIPMENT CORPORATION</p>	<p>REVISION</p> <p>OK CHANGE NO. REV</p> <p>JUN '87 RELEASED A</p>	<p>DRAWING</p> <p>LAST_MODIFIED=Sat Jun 6 10:27:57 1987</p>	<p>DESIGNED BY</p> <p>C. H. WANG</p> <p>DATE</p> <p>6-MAY-86</p>	<p>DESIGNED BY</p> <p>S. F. LU</p> <p>DATE</p> <p>6-MAY-86</p>	<p>DESIGNED BY</p> <p>S. W. CHENG</p> <p>DATE</p> <p>6-MAY-86</p>	<p>DESIGNED BY</p> <p>S. W. CHENG</p> <p>DATE</p> <p>6-MAY-86</p>	<p>TITLE</p> <p>SCHEMATIC, MONITOR & TERMINAL CONTROL MODULE (INTERNATIONAL)</p>	<p>SIZE</p> <p>B CS</p>	<p>NUMBER</p> <p>5417277-0-1</p>	<p>REV</p> <p>A</p>	
	<p>TOP DOCUMENT NUMBER</p> <p>B-DD-5417277-0-0</p>			<p>TOP DOCUMENT NUMBER</p> <p>B-DD-5417277-0-0</p>		<p>TOP DOCUMENT NUMBER</p> <p>B-DD-5417277-0-0</p>		<p>1</p>			
	<p>71887 USED ON OPTION/MODEL:</p>										

BPO
VT320

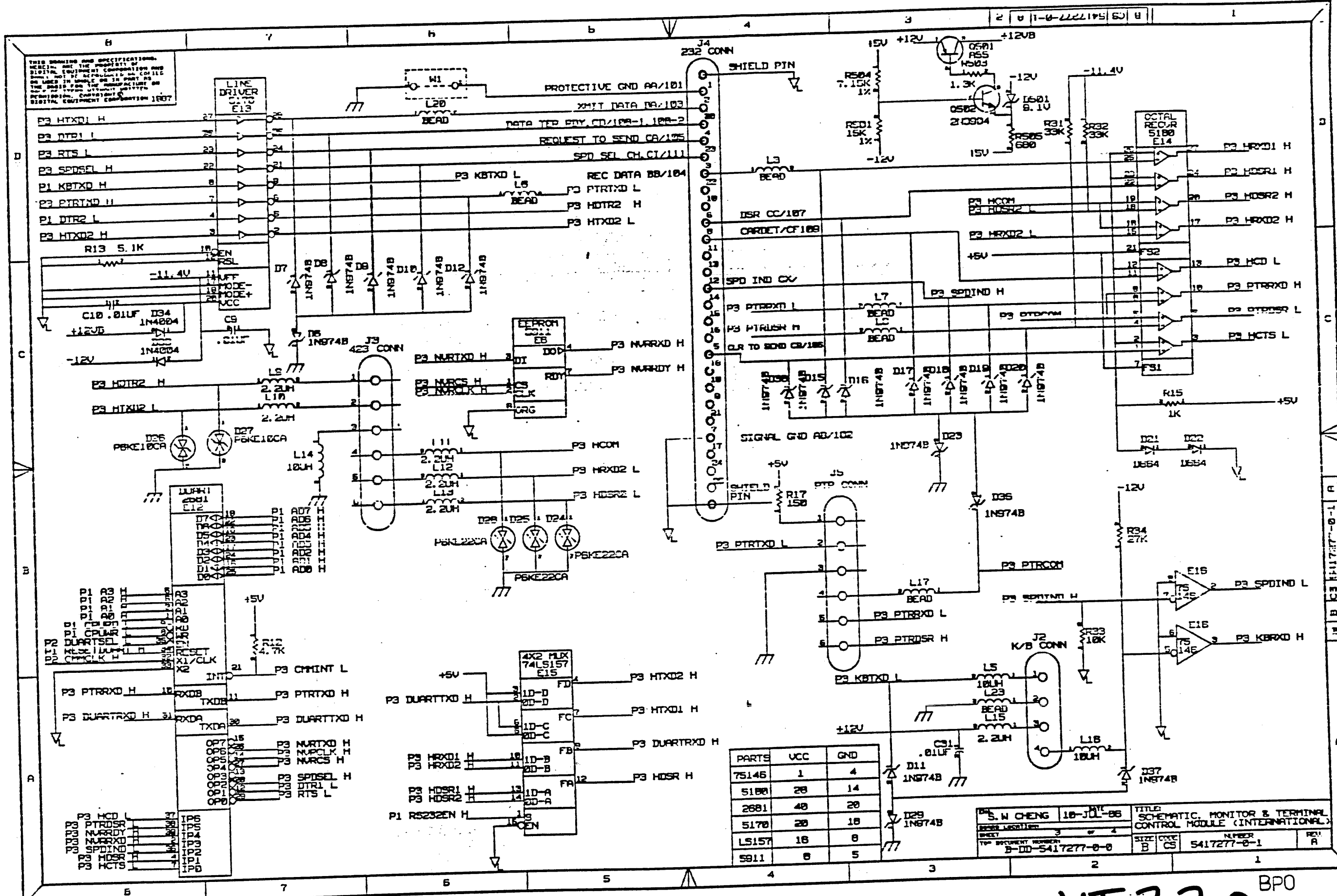
THIS DRAWING AND SPECIFICATIONS
HEREIN ARE THE PROPERTY OF
DIGITAL EQUIPMENT CORPORATION AND
SHALL NOT BE REPRODUCED OR COPIED
OR USED IN ANY MANNER OR IN ANY
THE BASIS FOR THE MANUFACTURE OF
ANY PRODUCT WITHOUT THE WRITTEN
PERMISSION OF CORPORATION OF
DIGITAL EQUIPMENT CORPORATION 1967



DESIGNER	L. C. CHEN	DATE	25-JUL-66	TITLE	SCHEMATIC, MONITOR & TERMINAL CONTROL MODULE (INTERNATIONAL)
ISSUED	1	BY	4	SIZE	B
PROJECT NUMBER	B-DD-541727-8-8			CODE	CS
				NUMBER	541727-8-1
				REV.	A

VT320 BPO

THIS DRAWING AND SPECIFICATIONS ARE THE PROPERTY OF DIGITAL EQUIPMENT CORPORATION AND SHALL NOT BE REPRODUCED OR TRANSMITTED IN ANY FORM OR BY ANY MEANS, ELECTRONIC OR MECHANICAL, INCLUDING PHOTOCOPYING, RECORDING, OR BY ANY INFORMATION STORAGE AND RETRIEVAL SYSTEMS. THIS DRAWING IS THE PROPERTY OF DIGITAL EQUIPMENT CORPORATION 1987

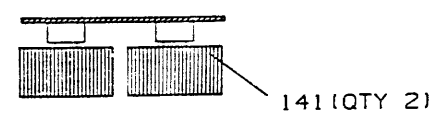


PARTS	UCC	GND
75146	1	4
5180	28	14
2681	40	20
5170	20	18
LS157	18	8
5811	8	5

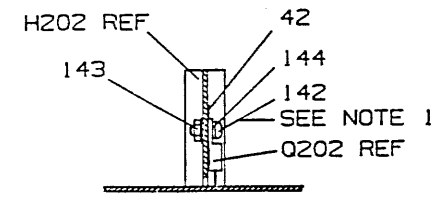
DESIGNED BY S. W. CHENG 18-JUL-86
 TITLE SCHEMATIC, MONITOR & TERMINAL CONTROL MODULE (INTERNATIONAL)
 SHEET 3 OF 4
 SIZE B CS
 NPNR 5417277-0-1
 REV A

VT 320 BPO

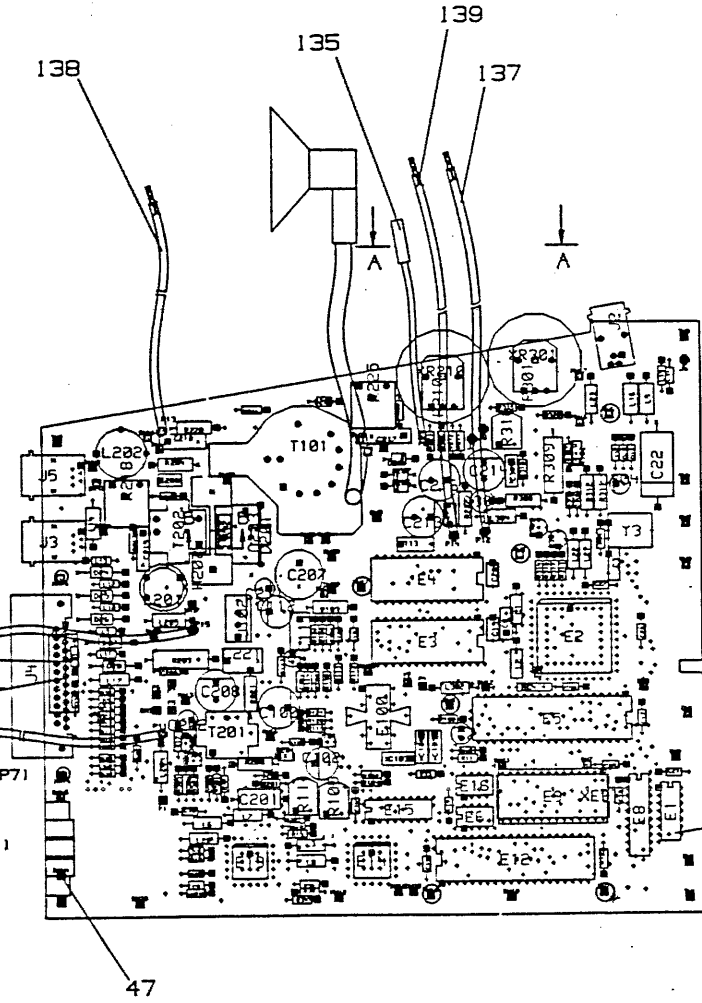
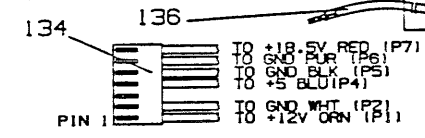
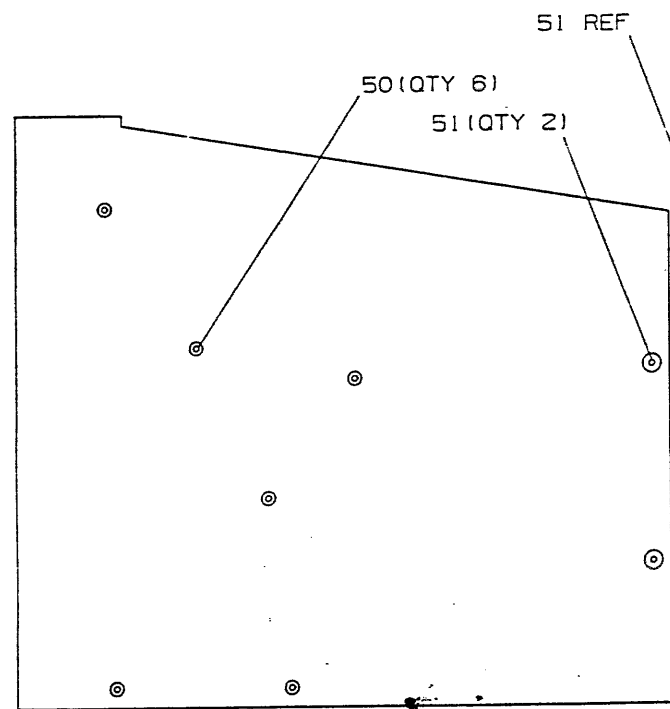
THIS DRAWING AND THE SPECIFICATIONS CONTAINED HEREIN ARE CONFIDENTIAL AND PROPRIETARY. THEY ARE THE PROPERTY OF DIGITAL EQUIPMENT CORPORATION AND SHALL NOT BE REPRODUCED IN ANY FORM OR BY ANY MEANS OR IN ANY MANNER WITHOUT WRITTEN PERMISSION. THIS IS AN UNCLASSIFIED WORK PRODUCT UNDER THE FEDERAL COPYRIGHT LAW. COPYRIGHT © 1987 DIGITAL EQUIPMENT CORPORATION



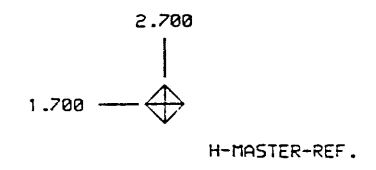
VIEW "A-A"



SECTION "B-B"



- NOTE:
1. TORQUE REQUIREMENT: ITEM 142 3-5 IN-LBS.
 2. THIS BOARD MUST MEET SAFETY REQUIREMENT FOR HPWR.
 3. W1 & E1 ARE NOT INSERTED.
 4. MARK LABEL WITH SERIAL NUMBER PER DEC STD 047, LOCATED APPROXIMATELY AS SHOWN.



CHK	DRAWN BY	ENGINEER	CHANGE NO	DATE	REV	CHK	DRAWN BY	ENGINEER	CHANGE NO	DATE	REV

NOTES 50/PART REV: E01

STEP 4	+ Y AXIS	STEP	TIMES
REPEAT	+ X AXIS	STEP	TIMES

SIGNATURES		DATE
DRAWN	C. K. LIAO	
CHECKED	B. CHEN	
MECH ENG	J. KOU	
PROJ ENG	S. W. CHEN / L. CHEN	
SCALE	1/1	
SHEET	1 OF 1	
TOP DOC NO	B-DD-5417277-0-0	

digital

TITLE	UNIT ASSY.
MONITOR, LOGIC CONTROL MODULE	
SIZE	CODE
D	UA
NUMBER	REV
5417277-0-0	A

BPO 1 WO#

LINE ITEM	TOP DOCUMENT	PART NUMBER	MIN REV	DESCRIPTION	QTY	PER VAR/REV	REFERENCE DESIGNATORS
1	B-DD-5017276-0-0	50-17276-01	E	CIRCUIT DRILL AND ETCH	1		
2		10-00010-00	39	PFD 100V +/- 5% 200PP	1		C8
3		10-00015-00	82	PFD 100V +/- 5% 200PP	1		C4
4		10-01610-00		0.010MFD 50V +80/-20% Z5U C	13		C9,C10,C14-C18,C21,C25-C27,C30,
							CONT C31
5		10-02608-00	18	PFD 100V +/- 5% 200PP	1		C3
6		10-10279-01	0.47	MFD 25V +/-20% Z5U C	2		C19,C20
7		10-13466-04	33	PFD 50V +/- 5% NP0 C	1		C106
8		10-13466-12	2200	PFD 50V +/-10% X7R C	1		C107
9		10-13466-22	0.10	MFD 50V +80/-20% Z5U C	2		C101,C209
10		10-16544-00	0.10	MFD 100V +/-10% MYLAR	1		C111
11		10-16553-00	4.7	MFD 25V +75/-10% ALU	1		C201
12		10-16570-00	1000	PFD 500V +80/-20% X5S/Z	1		C215
13		10-16572-00	300	PFD 500V +/-10% X5F/X	1		C206
14		10-18000-15	10	MFD 250V +50/-20% ALU	1		C216
15		10-18000-17	470	MFD 25V +50/-20% ALU	3		C100,C208,C213
16		10-18000-29	10	MFD 25V +75/-20% ALU	3		C202,C211,C304
17		10-18000-31	470	MFD 16V +50/-20% ALU	1		C112
18		10-18000-33	100	MFD 25V +50/-20% ALU	1		C102
19		10-18000-34	100	MFD 100V +50/-20% ALU	1		C214
20		10-18000-40	47	MFD 25V +/-20% ALU	1		C7
21		10-19559-02	0.010MFD	1000V +/-20% Y5U/Z	1		C219
22		10-20446-12	220	MFD 16V +50/-10% ALU	1		C22
23		10-20604-03	0.10	MFD 100V +/- 5% MET.	3		C103,C108,C109
24		10-21480-07	0.012MFD	400V +/- 5% POLYP	1		C203
25		10-22087-01	1000	PFD 100V +/-20% Z5P	1		C305
26		10-23486-03	22	MFD 16V +/-20% ALU	1		C110
27		10-26646-01	0.10	MFD 250V +/-10% MYLAR	1		C113
28		10-27656-01	0.022MFD	100V +/- 5% MET.	1		C221
29		10-28139-01	6.8	MFD 35V +/-20% ALU	1		C207
30		10-28377-01	4700	PFD 2000V +80/-20%	2		C217,C218
31		11-00114-00	PIV=	25 IO=135 MA	3		D5,D21,D22

REVISION HISTORY		KPL MODULE FORMAT SECTION A OF A		DRN: F. LIU	DIGITAL		
				DATE: 20-NOV-86			
ENG:	ECO NUMBER	REV	SECTION/VARIATION INDEX	CHK'D: B. CHEN	TITLE PARTS LIST		
---	INITIAL	A	[A] 01 [M]	DATE: 20-NOV-86	MONITOR, LOGIC CONTROL MODULE		
			[B] [N]	DES.ENG: L.C. CHEN	DOCUMENT NUMBER		
			[C] [P]	DATE: 20-NOV-86	SIZE: CODE:	NUMBER	REV
			[D] [Q]	RESP.ENG.: C.L. CHUANG	K	PL	5417277-0-DBP
			[E] [R]	DATE: 20-NOV-86	RELEASE DATE: 16-JUN-87		
			[F] [S]	MFG.ENG: G. CHRISTIANSEN	RELEASE STATUS: RELEASED		
			[H] [T]	DATE: 09-JUN-87			
			[J] [V]	BASIC PART NUMBER: 5417277		ASSEMBLY NUMBER: D-UA-5417277-0-0	TOP DOCUMENT NUMBER: B-DD-5417277-0-0
			[K] [W]	FILE NAME: MLA1269A.PLS		EDIT #: 20	
			[L] [Y]				

"THIS DRAWING AND THE SPECIFICATIONS CONTAINED HEREIN ARE CONFIDENTIAL AND PROPRIETARY. THEY ARE THE PROPERTY OF DIGITAL EQUIPMENT CORPORATION AND SHALL NOT BE REPRODUCED OR COPIED OR USED IN WHOLE OR IN PART AS THE BASIS FOR THE MANUFACTURE OR SALE OF ITEMS WITHOUT WRITTEN PERMISSION. THIS IS AN UNPUBLISHED WORK PROTECTED UNDER THE FEDERAL COPYRIGHT LAWS."

LINE ITEM	TOP DOCUMENT	PART NUMBER	MIN REV	DESCRIPTION	QTY	PER VAR/REV	REFERENCE DESIGNATORS
					01		
					A1		
32	32	11-05796-00		PIV= 400 IO= 1.00A 1N4004 D0-41	4		D33,D34,D100,D202
33	33	11-09990-00		VZ= 9.1 5% 400 MW 1N757A	1		D501
34	34	11-12594-02		PIV= 600 IO= 3.00A	1		D201
35	35	11-12595-02		PIV= 600 IO= 1.00A AXIAL	3		D204,D206,D207
36	36	11-16475-00		PIV= 75 - 4NS 1N4148	3		D200,D301,D302
37	37	11-21581-01		PIV=1500 IO= 60MA	1		D203
38	38	11-24037-01		VZ= 36.0 5% 400 MW 1N974B D0-35	18		D6-D12,D15-D20,D23,D29,D36-D38
39	39	11-26743-01	SEE NOTE 1	TRANS SUPP 600W 10V +/-	2		D26,D27
40	40	11-26743-02	SEE NOTE 2	TRANS SUPP 600W 22V +/-	3		D24,D25,D28
41	41	11-27611-01		DIA SURGE ABSORBER 300V +/-15%	1		D304
42	42	12-13071-06		INSULATOR,RUBBER SILICONE	1		H202
43	43	12-13921-11		HEAT SINK,EXTRUSION 1.380X1.50	1		XE9
44	44	12-15006-07		SKT,IC 28PIN DIP TIN SOLD	1		J102
45	45	12-16521-00		PCB,HEADER 04PIN(1X04).156CC STR	1		J2
46	46	12-18826-07		CONN,PHONE JACK 04POS	1		
47	47	12-20840-01		STRIP,SHIELDING EMI/RFI 1.250LG	1		J3,J5
48	48	12-23433-02		CONN,LAN JACK 06 POS	2		J4
49	49	12-26314-01		CONN,D SUB 25POS ASSY 90D GOLD	1		
50	50	12-28433-01		INSERT	6		
51	51	12-28433-02		INSERT	2		J7,J8
52	52	12-28473-01		PCB HEADER PIN .0620D TIN	2		R17
53	53	13-00250-00		150.0 .25 W 5.0 % CF	1		R208
54	54	13-00338-00		560.0 .50 W 5.0 % CF	1		R312
55	55	13-00354-00		750.0 .50 W 5.0 % CF	1		R222
56	56	13-00364-00		1.0 K .50 W 5.0 % CF	1		R15,R317,R318
57	57	13-00365-00		1.0 K .25 W 5.0 % CF	3		R313,R314
58	58	13-00417-00		2.20 K .25 W 5.0 % CF	2		R100,R120
59	59	13-00439-00		3.30 K .25 W 5.0 % CF	2		R11,R14
60	60	13-00444-00		3.90 K .25 W 5.0 % CF	2		R12
61	61	13-00447-00		4.70 K .25 W 5.0 % CF	1		R33
62	62	13-00479-00		10.0 K .25 W 5.0 % CF	1		R108
63	63	13-00496-00		15.0 K .25 W 5.0 % CF	1		R121
64	64	13-01320-00		1.20 K .25 W 5.0 % CF	1		R320
65	65	13-01322-00		180.0 .25 W 5.0 % CF	1		R117
66	66	13-01421-00		15.0 .25 W 5.0 % CF	1		R119
67	67	13-01423-00		6.80 K .25 W 5.0 % CF	1		R201,R505
68	68	13-01424-00		680.0 .25 W 5.0 % CF	2		R307,R315
69	69	13-01477-00		82.0 .25 W 5.0 % CF	2		R114
70	70	13-01874-00		5.60 K .25 W 5.0 % CF	1		R106,R211,R217
71	71	13-02092-00		220.0 K .25 W 5.0 % CF	3		R310
72	72	13-02177-00		47.0 K .25 W 5.0 % CF	1		R109
73	73	13-02395-00		56.0 K .25 W 5.0 % CF	1		R104
74	74	13-02397-00		180.0 K .25 W 5.0 % CF	1		R223
75	75	13-02466-00		100.0 K .25 W 5.0 % CF	1		R212
76	76	13-03219-00		82.0 K .25 W 5.0 % CF	1		R110
77	77	13-04838-00		43.0 K .25 W 5.0 % CF	1		R504
78	78	13-05253-00		7.15 K .25 W 1.0 % RN55D-F10	1		R34
79	79	13-05346-00		27.0 K .25 W 5.0 % CF	1		R204,R221
80	80	13-09405-00		68.0 .50 W 5.0 % CF	2		R226
81	81	13-09595-00		1.0 M .25 W 5.0 % CF	1		

D	I	G	I	T	A	L	TITLE	SECTION A OF A	SIZE	CODE	DOCUMENT NUMBER	REV
							MONITOR, LOGIC CONTROL MODULE		K	PL	5417277-0-DBP	A

AUTOMATED BY VAXKPL (V1.3)

PARTS LIST

LINE ITEM	TOP DOCUMENT	PART NUMBER	MIN REV	DESCRIPTION	QTY	PER VAR/REV	REFERENCE DESIGNATORS
					01		
					A1		
82	82	13-12930-00	5.10 K	.25 W 5.0 % CF	1		R13
83	83	13-12931-00	6.20 K	.25 W 5.0 % CF	1		R113
84	84	13-13349-00	33.0 K	.25 W 5.0 % CF	2		R31,R32
85	85	13-13752-00	15.0 K	.25 W 1.0 % RN55D-F10	1		R501
86	86	13-14650-00	91.0 K	.25 W 5.0 % CF	1		R224
87	87	13-14954-00	430.0	.50 W 5.0 % CF	1		R311
88	88	13-15437-00	237.0 K	.25 W 1.0 % RN55D-F10	1		R102
89	89	13-16441-00	2.40 M	.25 W 5.0 % CF	1		R216
90	90	13-16507-00	2.70	.50 W 5.0 % CF	1		R103
91	91	13-19242-00	750.0 K	.25 W 5.0 % CF	1		R112
92	92	13-19471-16	150.0	2.0 W 5.0 % M.OXIDE	1		R203
93	93	13-19471-25	560.0	2.0 W 5.0 % M.OXIDE	1		R309
94	94	13-19563-01	POT-OPEN/TRIM	5.0M 0.33W 20.0	2		R218,R225
95	95	13-20608-01	3.30	.25 W 5.0 % CF	1		R107
96	96	13-20632-01	1.30 K	.25 W 5.0 % CF	1		R503
97	97	13-20713-01	390.0 K	.50 W 5.0 % CF	1		R220
98	98	13-27943-02	POT-OPEN/TRIM	100.0K 0.15W 20.0	1		R210
99	99	13-27943-03	POT-OPEN/TRIM	500.0 0.15W 20.0	1		R301
100	100	13-28026-01	POT-OPEN/TRIM	2.0K 0.2 W 20.0	1		R316
101	101	13-28026-03	POT-OPEN/TRIM	100.0K 0.2 W 20.0	2		R105,R111
102	102	15-09524-00	47.0	.50 W10.0 % CC	1		R308
103	103	15-10705-00	2N 3904	NPN 310MW SI 4C 40 M	1		Q502
104	104	15-10706-00	XA 05	NPN 500MW SI 60 50 P	1		Q201
105	105	15-12976-00	XA 55	PNP 500MW SI 60 50 P	1		Q501
106	106	15-20857-01	MPSA43	NPN 625MW SI200 50	1		Q101
107	107	15-27609-01	MPS2369	NPN 350MW 40V 200MA T	2		Q301,Q303
108	108	15-28392-01	BU406	NPN 400V 60W T0220	1		Q202
109	109	16-13898-01	TRANSISTOR,VIDEO OUTPUT		1		Q302
110	110	16-18238-02	33.0 UH	INDUCTOR	1		L204
111	111	16-21807-01	BEAD,FERRITE .1380DX.330LG		12		L1-L3,L6-L8,L17,L20-L23,L302
112	112	16-27761-01	COIL,WIDTH,VARIABLE	INDUCTOR	1		L201
113	113	16-27975-01	10.0 UH 10% Q= 55 @ 7.9MHZ	SRF=	4		L5,L14,L16,L205
114	114	16-28226-01	XFR,FLYBACK,HI VOLT	18.9KHZ	1		T101
115	115	16-28286-01	CHOKE COIL 2.2UH 10%		6		L9-L13,L15
116	116	16-28287-01	XFMR,HOR BUFFER		1		T201
117	117	16-28364-01	COIL,LINEARITY		1		L202
118	118	16-28365-01	XFMR,DYNAMIC FOCUS LP=15MH	TURNS	1		T202
119	119	18-28361-01	CHOKE,RF COATED 3.3UH 10% Q=65@7		1		L304
120	120	19-12847-00	XTAL 26.366	MHZ	1		Y3
121	121	19-15219-00	LS157	MUX 1 OF 2(QUAD)	1		E15
122	122	19-23889-01	LS373	FF-D OCTAL-TRANSPARE	1		E8
123	123	19-23890-01		EIA OCTAL LINE DRIVE	1		E13
124	124	19-27621-01		EIA OCTAL LINE RECEI	1		E14
125	125	19-27782-01		VERT DEFLECTION CHIP	1		E100
126	126	21-20068-01		DUAL LINE RECEIVER	1		E16
127	127	21-20115-02	2681	REC./TRANS.,ASYNC.,D	1		E12
128	128	21-21384-03	8031AH	MICROPROCESSOR,8BIT	1		E5
129	129	21-27705-02		RAM 8KX8,STATIC 120	2		E3,E4
130	130	23-N4	DC7081	CONTROLLER,VIDEO+RAM,420	1		E2
131	131		1024	EPROM	1		E6

SEE NOTE 3

D	I	G	I	T	A	L	TITLE	SECTION A OF A	SIZE	CODE	DOCUMENT NUMBER	REV
							MONITOR, LOGIC CONTROL MODULE		K	PL	5417277-0-DBP	A

LINE ITEM	TOP DOCUMENT	PART NUMBER	MIN REV	DESCRIPTION	QTY PER VAR/REV	REFERENCE DESIGNATORS
132	132	23-48E7 -00	E7-01		1	E9
133	133	36-18460-01		LABEL, BAR CODE BLANK .38 X1.5	1	
134	134	C-IA-7024307-0-DBU	70-24307-02 A	CONN/WIRE ASSY	1	
135	135	B-IA-702476-0-DBU	70-24576-01 A	WIRE W/CONNECTOR	1	P8
136	136	B-IA-7024586-0-DBU	70-24586-01 A	WIRE W/PCB CRIMP	1	P11
137	137	B-IA-7024586-0-DBU	70-24586-02 A	WIRE W/PCB CRIMP	1	P12
138	138	B-IA-7024586-0-DBU	70-24586-03 A	WIRE W/PCB CRIMP	1	P13
139	139	B-IA-7024586-0-DBU	70-24586-04 A	WIRE W/PCB CRIMP	1	P14
140	140	B-IA-7024586-0-DBU	70-24586-05 A	WIRE W/PCB CRIMP	1	P15
141	141	C-MD-7434090-0-DBU	74-34090-01 A	THUMBWHEEL	2	
142	143		90-06010-01	SCREW, MACH PAN PHIL 4-	1	
143	144		90-06557-00	NUT, HEX EXT TOOTH LCKWSHR 4-40	1	
144	145		90-10057-00	WASHER, SHOULDER INSULATG PPS	1	

1 GEN: 11-26743-01 CAN BE SUBSTITUTED BY 11-28275-01.
 2 GEN: 11-26743-02 CAN BE SUBSTITUTED BY 11-28275-02.
 3 GEN: 15-20857-01 CAN BE SUBSTITUTED BY 15-21002-01.

D	I	G	I	T	A	L	TITLE	SECTION A OF A	SIZE	CODE	DOCUMENT NUMBER	REV
							MONITOR, LOGIC CONTROL MODULE		K	PL	5417277-0-DBP	A

LINE ITEM	TOP DOCUMENT	PART NUMBER	MIN REV	DESCRIPTION	QUANTITY PER VARIATION/REVISION	
					01 A1	02 A1
1	B-DD-5417191-0-0	54-17191-01	A	POWER SUPPLY BOARD	1	-
2	B-DD-5417279-0-0	54-17279-01	A	PWR SUPPLY BRD	-	1
3	B-IA-7024296-0-DBU	70-24296-01	A	POWER CORD ASSY	1	-
4	B-IA-7024298-0-DBU	70-24298-01	A	FILTER ASSY	-	1
5	C-IA-7024570-0-DBU	70-24570-01	A	SHIELD/GND TAB ASSY	1	-
6	C-IA-7024570-0-DBU	70-24570-02	A	SHIELD/GND TAB ASSY	-	1
7	7	12-23381-02		SW,RKR DPST ON-NONE-OFF 10A25	1	1
8	8	90-00049-66		SCREW,SEMS PAN PHIL EXT WSH 4-40	1	1
9	9	36-18460-03		LABEL,BAR CODE BLANK .90 X2.2	1	1

REVISION HISTORY			KPL MATRIX FORMAT		SECTION A OF A		DRN: C.H. CHEN		D I G I T A L			
ENG	ECO NUMBER	REV	SECTION/VARIATION INDEX		DATE: 17-SEP-86		CHK'D: R.J. LIN		TITLE PARTS LIST			
---	INITIAL	A	[A]	01,02	DATE: 13-MAY-87		DES.ENG: J. KOU		DOCUMENT NUMBER			
			[B]		DATE: 17-SEP-86		DATE: 17-SEP-86		SIZE	CODE	NUMBER	REV
			[C]				RESP.ENG.: O. LIN		K	PL	7024244-0-DBP	A
			[D]				DATE: 13-MAY-87		RELEASE DATE: 18-JUN-87			
			[E]				MFG.ENG: GORDON WU		RELEASE STATUS: RELEASED			
			[F]				DATE: 11-JUN-87					
			[H]									
			[J]									
			BASIC PART NUMBER:		ASSEMBLY NUMBER:		TOP DOCUMENT NUMBER:		FILE NAME:		EDIT #	
			7024244		D-AD-7024244-0-DBU		D-AD-7024244-0-DBU		MLA0718A.PLS		13	

"THIS DRAWING AND THE SPECIFICATIONS CONTAINED HEREIN ARE CONFIDENTIAL AND PROPRIETARY. THEY ARE THE PROPERTY OF DIGITAL EQUIPMENT CORPORATION AND SHALL NOT BE REPRODUCED OR COPIED OR USED IN WHOLE OR IN PART AS THE BASIS FOR THE MANUFACTURE OR SALE OF ITEMS WITHOUT WRITTEN PERMISSION. THIS IS AN UNPUBLISHED WORK PROTECTED UNDER THE FEDERAL COPYRIGHT LAWS."

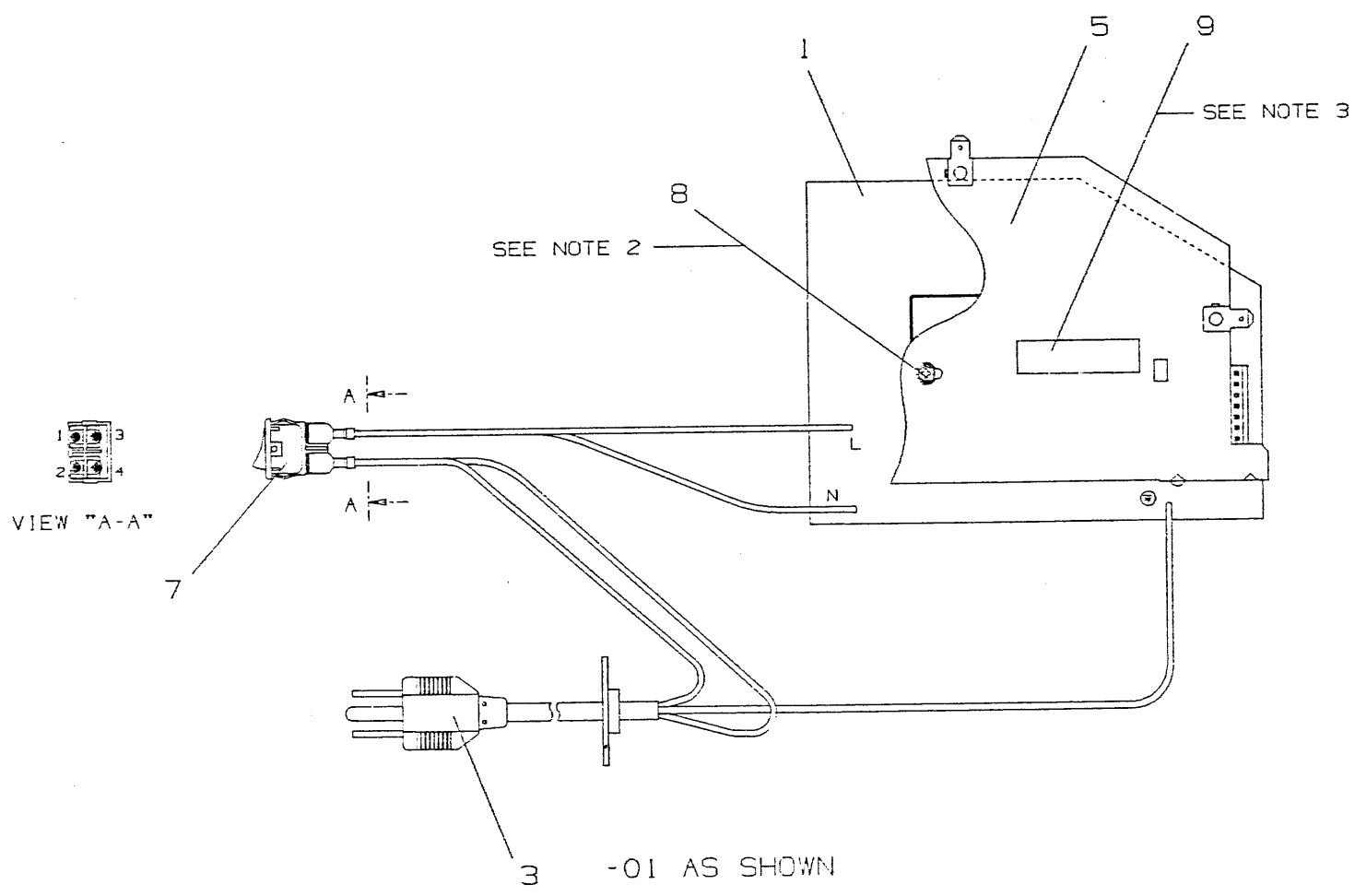
1987 DIGITAL EQUIPMENT CORPORATION

V 7024244-0-DBU

LEGEND		
PART NO	REV.	DESCRIPTION
7024244-01	A01	120V W/ATTACHED PWR CORD
7024244-02	A01	120/240V W/O PWR CORD

WIRE TABLE -01 VAR							
ITEM NO.	DESCRIPTION	FROM		TO			
		AWG	COLOR	CONNECTION	WITH		CONNECTION
3	-	BLU	-	-	-	ITEM 7 PWR SW "4"	-
3	-	BRN	-	-	-	ITEM 7 PWR SW "2"	-
3	-	GRN/YEL	-	-	-	ITEM 1 "GND SYMBOL"	SOLDER
-	18	BLU	ITEM 1 "N"	-	-	ITEM 7 PWR SW "3"	-
-	18	BRN	ITEM 1 "L"	-	-	ITEM 7 PWR SW "1"	-

- NOTES:
1. POSITION VOLTAGE SELECTION JUMPER FOR 240V ON -02 VAR.
 2. TORQUE REQUIREMENT 4-6 IN-LBS
 3. MARK ITEM 9 WITH PART NO. AND REV. PER DEC STD 047. LOCATED APPROXIMATELY AS SHOWN.



CAUTION: OFF SHEET PARTS LIST EXISTS. SEE K-PL-7024244-0-DBP (MLA0718A.PLS)

REV	ECO NUMBER	DATE	BY
A			

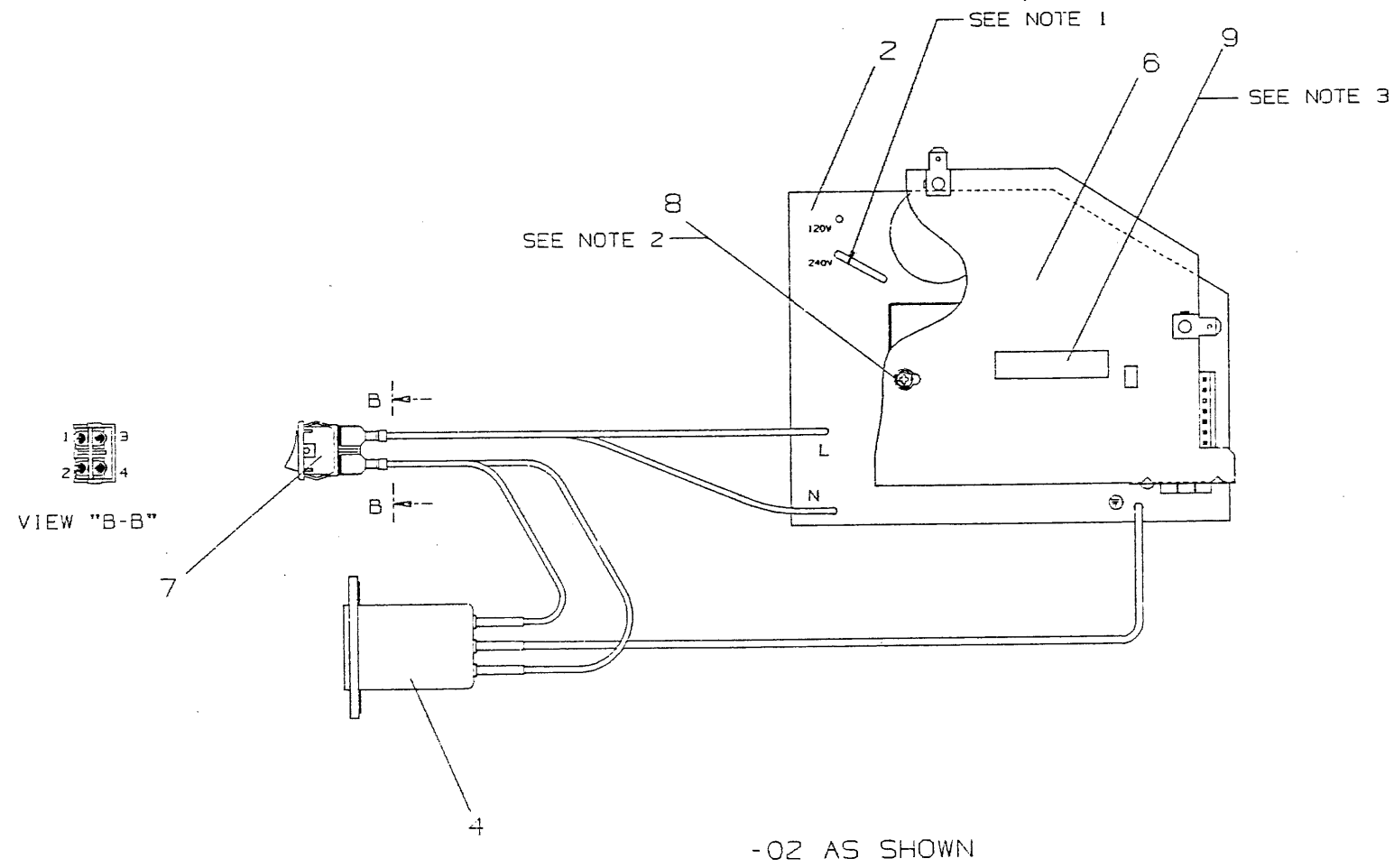
DESCRIPTION	DRAWING NO.	PART NO	ITEM NO.
UNLESS OTHERWISE SPECIFIED DIMENSIONS ARE IN INCHES AND THE FOLLOWING TOLERANCES APPLY (PER DEC STD 114)			
DIMENSIONS RANGE IN INCHES			
INCHES TOLERANCE	ANGLES TOLERANCE	APPLICABLE DIMENSION RANGE	DIMENSIONS RANGE IN INCHES
.XX ± .01	SURFACE QUALITY	(CHECK DIM)	OVER 10 .5
.XXX ± .02			OVER 2 .2
.XXX ± .005	MICROINCHES		OVER .10 .2
			OVER .05 .1
			OVER .02 .1
			OVER .01 .1
THIRD ANGLE PROJECTION	DRW C.H. CHEN	DATE 15-SEP-88	TITLE
DO NOT SCALE DRAWING	CHK'D R.J. LIN	DATE 14-MAY-87	POWER SUPPLY ASSY
REMOVE BURRS AND BREAK SHARP CORNERS	DES. ENG. J. KOU	DATE 15-SEP-88	DOCUMENT NUMBER
MATERIAL	RESP. ENG. O. LIN	DATE 14-MAY-87	
FINISH	W/S ENG. G. WU	DATE 14-MAY-87	
	TOP DOC. NO. D-AD-7024244-0-CBU	SCALE 1/1	SHEET 1 OF 2

ALL DIMENSIONS AND SPECIFICATIONS, UNLESS OTHERWISE SPECIFIED, ARE THE PROPERTY OF DIGITAL EQUIPMENT CORPORATION AND SHALL NOT BE REPRODUCED OR TRANSMITTED IN ANY FORM OR BY ANY MEANS, ELECTRONIC OR MECHANICAL, INCLUDING PHOTOCOPYING, RECORDING, OR BY ANY INFORMATION STORAGE AND RETRIEVAL SYSTEM, WITHOUT THE WRITTEN PERMISSION OF DIGITAL EQUIPMENT CORPORATION.

1987 DIGITAL EQUIPMENT CORPORATION

6 5 4 3 2 1

WIRE TABLE -02 VAR						
ITEM NO.	DESCRIPTION		FROM		TO	
	AWG	COLOR	CONNECTION	WITH	CONNECTION	WITH
4	-	BLU	-	-	ITEM 7 PWR SW "4"	-
4	-	BRN	-	-	ITEM 7 PWR SW "2"	-
4	-	GRN/YEL	-	-	ITEM 2 "GND SYMBOL"	SOLDER
-	18	BLU	ITEM 1 "N"	-	ITEM 7 PWR SW "3"	-
-	18	BRN	ITEM 1 "L"	-	ITEM 7 PWR SW "1"	-



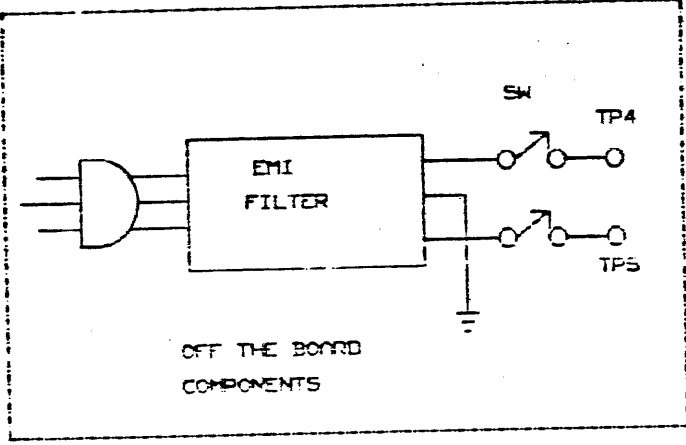
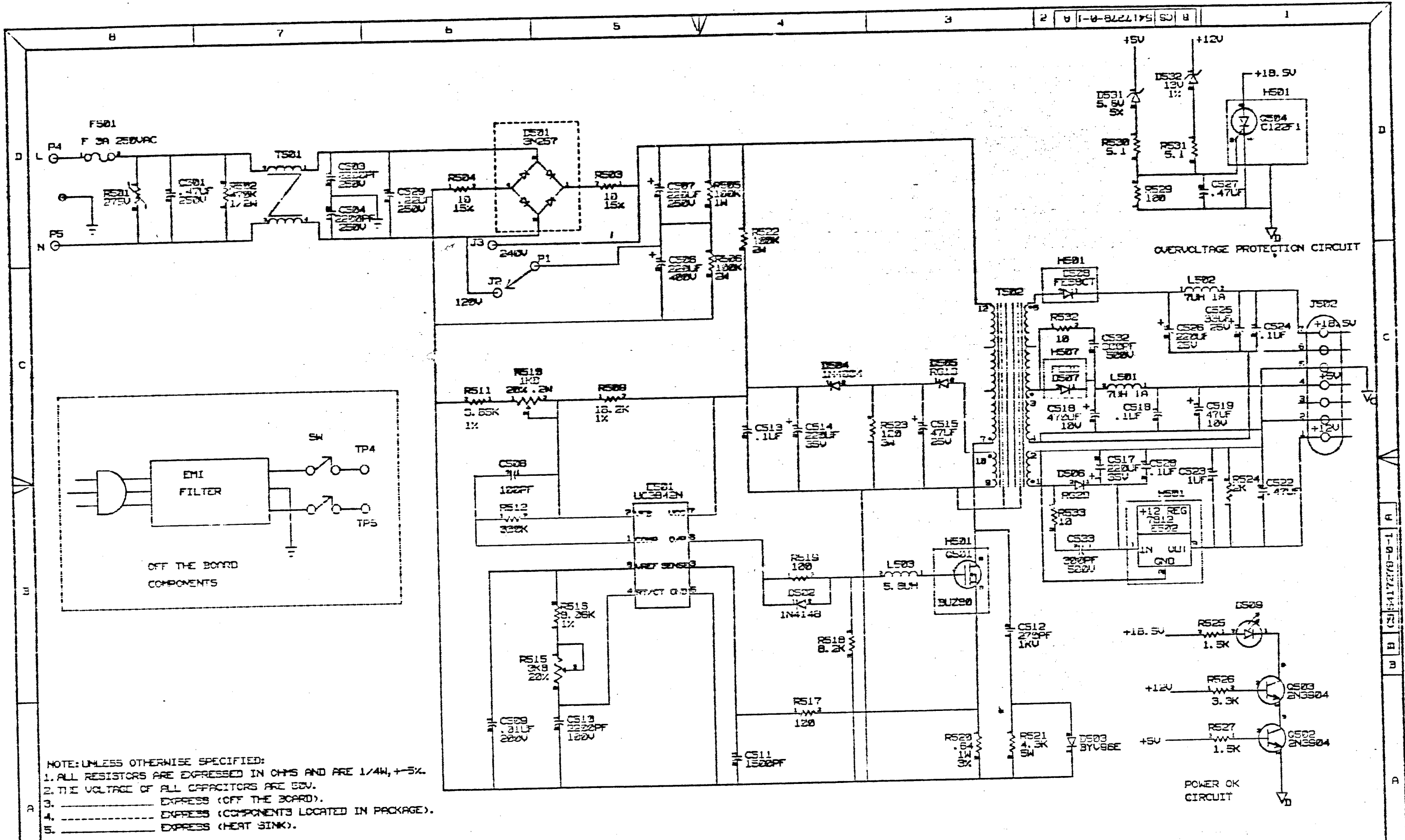
REVISION HISTORY		
REV	ECO NUMBER	DATE

TITLE POWER SUPPLY ASSY

DOCUMENT NUMBER			
SIZE	CODE	NUMBER	REV.
D	AD	7024241-0-DBU	A
SCALE 1/1		SHEET 2 OF 2	

8 7 6 5 4 3 2 1

REV. A
 7024241-0-DBU



NOTE: UNLESS OTHERWISE SPECIFIED:
 1. ALL RESISTORS ARE EXPRESSED IN OHMS AND ARE 1/4W, +5%.
 2. THE VOLTAGE OF ALL CAPACITORS ARE 50V.
 3. _____ EXPRESS (OFF THE BOARD).
 4. - - - - - EXPRESS (COMPONENTS LOCATED IN PACKAGE).
 5. _____ EXPRESS (HEAT SINK).

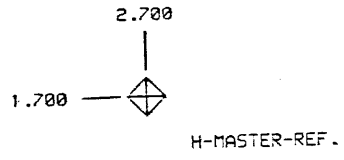
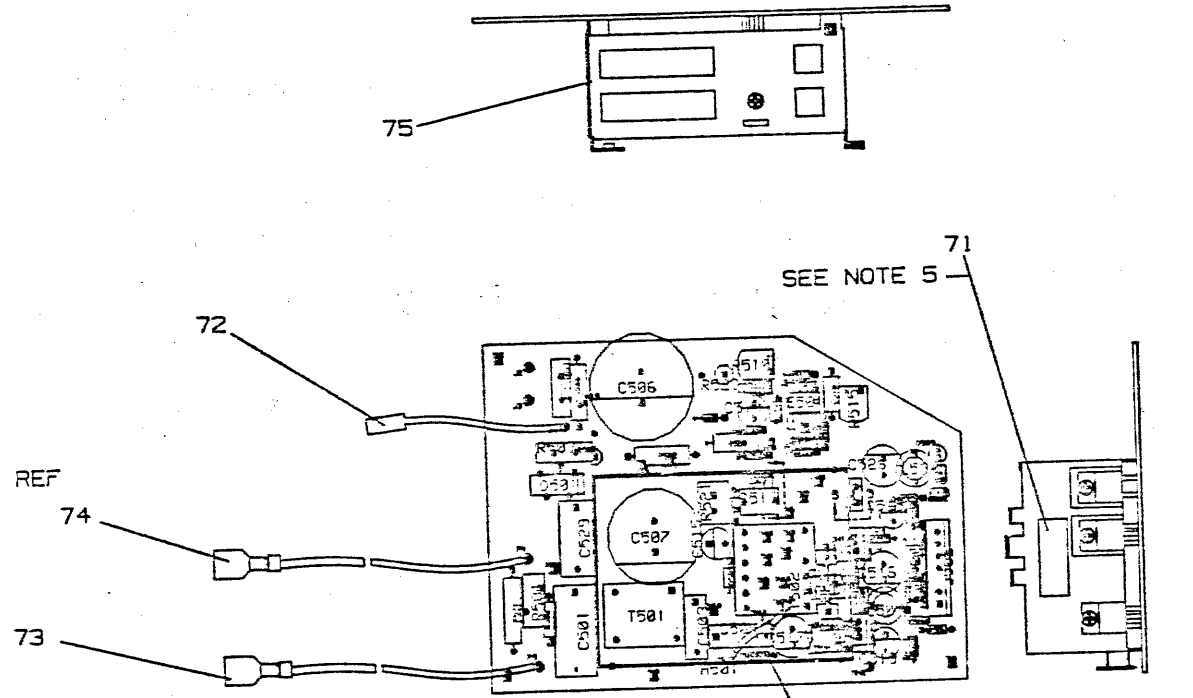
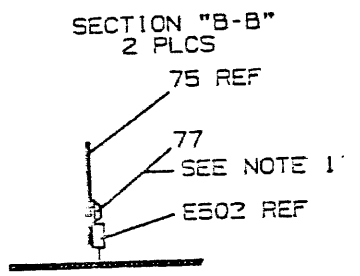
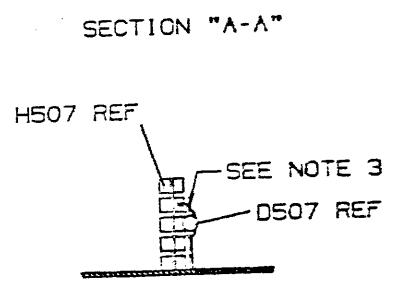
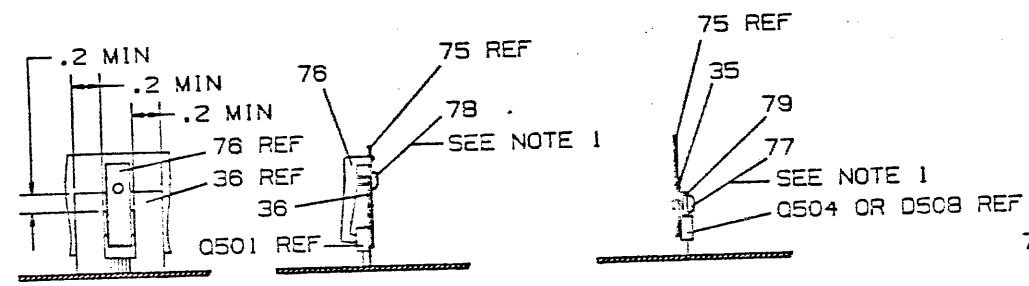
THIS DRAWING IS UNCLASSIFIED DATE 07-27-2011 BY 60322/UC/BAW/STP AUTHORITY 25X U.S.C. 552A 15 USC 552A	REVISION OR CHANGE NO. REV JUN '97 RELEASED A	DRAWING LAST_MODIFIED=Thu Jun 4 11:45:27 1987	Victor Lin 24-JUL-86 Victor Lin 24-JUL-86	TITLE SCHEMATIC, POWER SUPPLY MODULE (INTERNATIONAL)
	3 CS 5417279-3-1 1	3 CS 5417279-3-1 1	3 CS 5417279-3-1 1	3 CS 5417279-3-1 1

BPO

THE DESIGN AND THE SPECIFICATIONS CONTAINED HEREIN ARE CONFIDENTIAL AND PROPRIETARY AND ARE THE PROPERTY OF DIGITAL EQUIPMENT CORPORATION AND SHALL BE KEPT SECRET AND NOT TO BE DISCLOSED OR REPRODUCED IN ANY MANNER OR BY ANY MEANS WITHOUT EXPRESS PERMISSION FROM DIGITAL EQUIPMENT CORPORATION. © 1977 DIGITAL EQUIPMENT CORPORATION

0-0-5417279-0-0
DUA 7

- NOTE:**
1. TORQUE REQUIREMENT: ITEMS 77 & 78 3-5 IN-LBS.
 2. THIS BOARD MUST MEET SAFETY REQUIREMENT FOR HPWR.
 3. LEAD OF D507 PIN 1 AS SHORT AS POSSIBLE.
 4. SOLDER GROUNDING WIRE OF T502 TO P6 (GND HOLE).
 5. MARK LABEL WITH SERIAL NUMBER PER DEC STD 047, LOCATED APPROXIMATELY AS SHOWN.



CHK	DRAWN BY	ENGINEER	CHANGE NO	DATE	REV

CHK	DRAWN BY	ENGINEER	CHANGE NO	DATE	REV

NOTES	EQ/PART	REV	EQ1

SIGNATURES		DATE	digital
DRAWN	NELSON LEE	30-NOV-77	
CHECKED	B. CHEN	30-NOV-77	
MECH ENG	J. KOU	30-NOV-77	
PROD ENG	J. B. LO	30-NOV-77	
PROD			
SCALE	1/1		
SHEET	1 OF 1		
TOP DOC NO	B-00-5417279-0-0		

TITLE UNIT ASSY.
POWER SUPPLY MODULE

SIZE CODE NUMBER REV
D UA 5417279-0-0 A

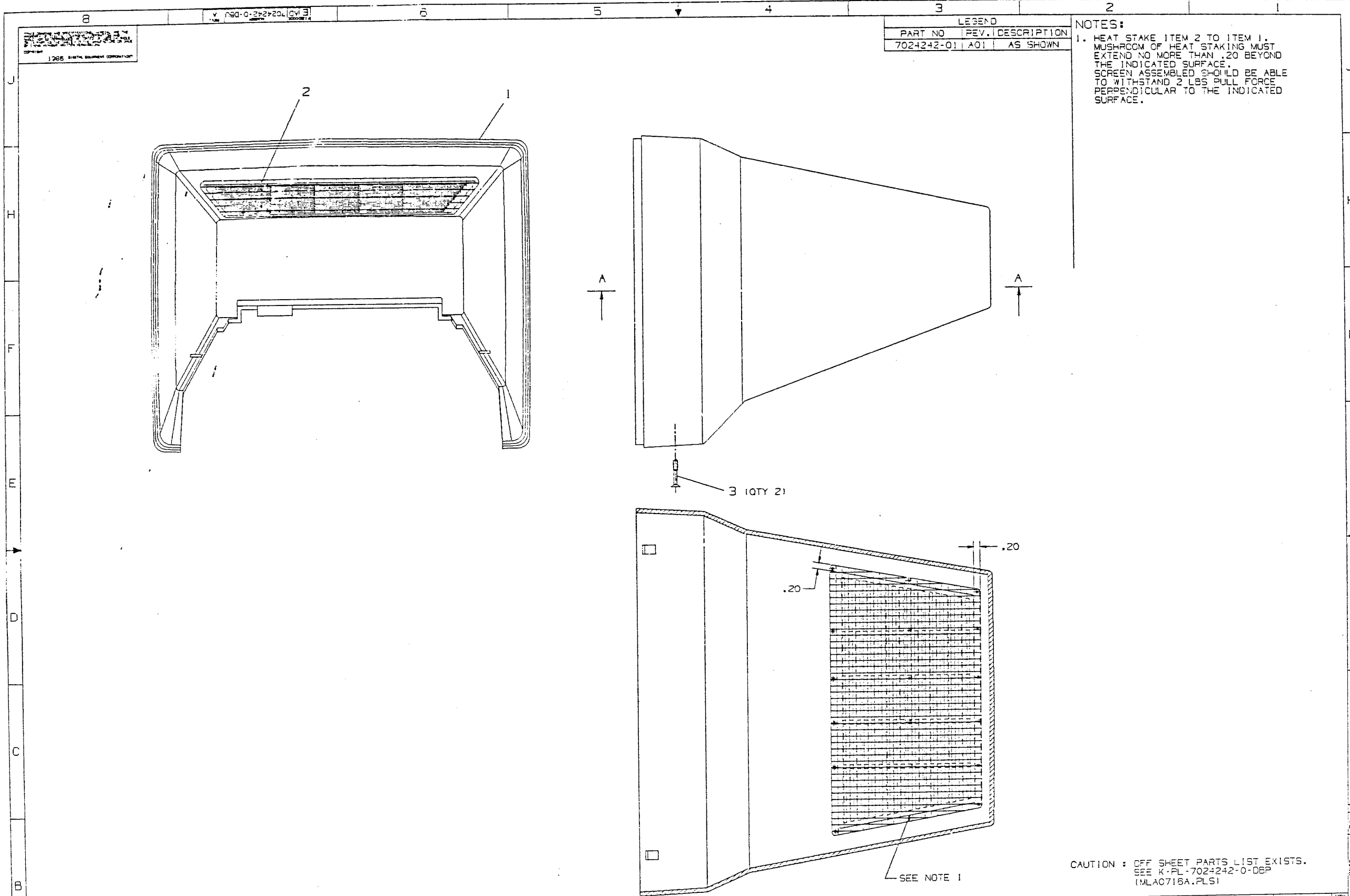
BPU 1 WO#

LINE	ITEM	TOP DOCUMENT	PART NUMBER	MIN REV	DESCRIPTION	QTY PER VAR/REV	REFERENCE DESIGNATORS
						01 A1	
1	1	B-DD-5017278-0-0	50-17278-01	E	DRILL AND ETCH	1	
2	2		10-10274-02		1.0 MFD 50V +80/-20% Z5U C	1	C523
3	3		10-10978-60		0.10 MFD 50V +/-10% X7R C	3	C513,C518,C524
4	4		10-12312-01		0.47 MFD 50V +80/-20% Z5U C	2	C522,C527
5	5		10-13466-06		100 PFD 50V +/- 5% NP0 C	1	C508
6	6		10-13466-22		0.10 MFD 50V +80/-20% Z5U C	1	C528
7	7		10-13466-29		1500 PFD 50V +/- 5% NP0 C	1	C511
8	8		10-16572-00		300 PFD 500V +/-10% X5F/X	2	C532,C533
9	9		10-16639-00		0.010MFD 200V +/-10% MYLAR	1	C509
10	10		10-19413-06		220 MFD 250V +50/-20% ALU	1	C507
11	11		10-22398-01		470 MFD 10V +/-20% ALU	1	C516
12	12		10-24317-02		0.47 MFD 250VAC +/-20% LIN	1	C501
13	13		10-24317-03		0.22 MFD 250VAC +/-20% LIN	1	C529
14	14		10-24375-01		2200 PFD 250VAC +/-20% LIN	2	C503,C504
15	15		10-24422-01		220 MFD 35V +/-20% ALU	1	C514
16	16		10-26456-01		2200 PFD 100V +/- 1% POLYPR	1	C510
17	17		10-27183-02		270 PFD 1000V +/-20% POLYP	1	C512
18	18		10-27912-01		47 MFD 25V +/-20% ALU	1	C515
19	19		10-27942-01		220 MFD 25V +/-20% ALU	1	C526
20	20		10-27944-01		220 MFD 400V +/-20% ALU	1	C506
21	21		10-27955-01		33 MFD 25V +/-20% ALU	1	C525
22	22		10-28104-01		47 MFD IPV +/-20% ALU	1	C519
23	23		10-28114-01		220 MFD 35V +/-20% ALU	1	C517
24	24		11-02808-00		VZ= 5.6 5% 400 MW 1N752A	1	D531
25	25		11-05796-00		PIV= 400 IO= 1.00A 1N4004 DO-41	1	D504
26	26		11-12595-01		PIV= 200 IO= 1.00A AXIAL	1	D505
27	27		11-14384-00		LED 105MW 35MA GREEN	1	D509
28	28		11-16475-00		PIV= 75 - 4NS 1N4148	1	D502
29	29		11-17490-00		RECT,ULTRA FAST PIV= 150 IO= 8.0	1	D508
30	30		11-18411-00		VZ= 13.0 1% 500 MW 1N5243	1	D532
31	31		11-20828-01		PIV=1000 IO= 1.50A	1	D503
32	32		11-21435-01		RECT. ASSY PIV= 600 IO= 2.00A	1	D501

REVISION HISTORY		KPL MODULE FORMAT		SECTION A OF A		DRN: F LIU		D I G I T A L			
ENG	ECO NUMBER	REV	SECTION/VARIATION INDEX		DATE:	CHK'D: B CHEN		TITLE PARTS LIST			
---	INITIAL	A	[A]	01	[M]	20-NOV-86	DATE:	POWER SUPPLY MODULE			
			[B]		[N]	20-NOV-86	DES.ENG:	DOCUMENT NUMBER			
			[C]		[P]	20-NOV-86	DATE:	SIZE	CODE	NUMBER	REV
			[D]		[Q]	20-NOV-86	RESP.ENG.:	K	PL	5417279-0-DBP	A
			[E]		[R]	20-NOV-86	DATE:	RELEASE DATE: 17-JUN-87			
			[F]		[S]	20-NOV-86	MFG.ENG.:	RELEASE STATUS: RELEASED			
			[H]		[T]	20-NOV-86	DATE:				
			[J]		[V]	20-NOV-86					
			[K]		[W]	20-NOV-86					
			[L]		[Y]	20-NOV-86					
BASIC PART NUMBER:		ASSEMBLY NUMBER:		TOP DOCUMENT NUMBER:		FILE NAME:		EDIT #			
5417279		D-UA-5417279-0-0		B-DD-5417279-0-0		MLA1270A.PLS		16			

"THIS DRAWING AND THE SPECIFICATIONS CONTAINED HEREIN ARE CONFIDENTIAL AND PROPRIETARY. THEY ARE THE PROPERTY OF DIGITAL EQUIPMENT CORPORATION AND SHALL NOT BE REPRODUCED OR COPIED OR USED IN WHOLE OR IN PART AS THE BASIS FOR THE MANUFACTURE OR SALE OF ANY ITEM WITHOUT WRITTEN PERMISSION. THIS IS AN UNPUBLISHED WORK PROTECTED UNDER THE FEDERAL COPYRIGHT LAW."

LINE	ITEM	TOP DOCUMENT	PART NUMBER	MIN REV	DESCRIPTION	QTY	PER VAR/REV	REFERENCE DESIGNATORS
						01		
						A1		
33	33		11-25363-04		RECT,ULTRA FAST PIV=200 IO= 2.0A	1		D506
34	34		11-28186-01		PIV= 100 IO= 3.0 A 35NS	1		D507
35	35		12-13071-06		INSULATOR,RUBBER SILICONE	2		
36	36		12-13071-22		INSULATOR,RUBBER SILICONE	1		
37	37		12-15228-03		HEAT SINKS,T0-220 1.250X0.87	1		H507
38	38		12-24261-01		PCB HEADER PIN .1250D TIN	2		J2,J3
39	39		12-28096-01		FUSE,5X20 3.0 A 250V AXIAL LEA	1		F501
40	40		12-28477-02		PCB HEADER 07POS(1X07).156CC STR	1		J502
41	41		13-00229-00		100.0 .25 W 5.0 % CF	3		R517,R519,R529
42	42		13-00391-00		1.50 K .25 W 5.0 % CF	2		R525,R527
43	43		13-00439-00		3.30 K .25 W 5.0 % CF	1		R526
44	44		13-01317-00		10.0 .25 W 5.0 % CF	2		R532,R533
45	45		13-02091-00		330.0 K .25 W 5.0 % CF	1		R512
46	46		13-02388-00		2.0 K .25 W 5.0 % CF	1		R524
47	47		13-03179-00		8.20 K .25 W 5.0 % CF	1		R518
48	48		13-05337-J0		3.65 K .25 W 1.0 % RN55D-F10	1		R511
49	49		13-09412-00		18.20 K .25 W 1.0 % RN55D-F10	1		R509
50	50		13-09422-00		5.10 .25 W 5.0 % CF	2		R530,R531
51	51		13-11996-02		VARISTOR 275VAC VOLT TRANS SUP	1		R501
52	52		13-18150-12		8.06 K .25 W 1.0 % RN55D-F10	1		R516
53	53		13-19470-53		100.0 K 1.0 W 5.0 % M.OXIDE	1		R505
54	54		13-19471-44		100.0 K 2.0 W 5.0 % M.OXIDE	2		R506,R522
55	55		13-20715-01		470.0 K .50 W 5.0 % CF	1		R502
56	56		13-27007-01		THERMISTOR NTC 10. 15%	2		R503,R504
57	57		13-27013-13		120.0 3.0 W 5.0 % M.OXIDE	1		R523
58	58		13-28026-02		POT-OPEN/TRIM 1.0K 0.2 W 20.0	1		R510
59	59		13-28026-07		POT-OPEN/TRIM 3.0K 0.2 W 20.0	1		R515
60	60		13-28255-01		4.3 K 5.0 W 5.0% MO	1		R521
61	61		13-28260-01		0.64 1.0 W 3.0 % WW	1		R520
62	62		15-09524-00		2N 3904 NPN 310MW SI 40 40 M	2		Q502,Q503
63	63		15-19536-01		SCR PIV= 50 IO= 8.00A	1		Q504
64	64		15-21377-01		FET 75W 850V 2A N CH	1		Q501
65	65		16-12946-03		5.6 UH 10% 0 MIN=52@7.9MHZ	1		L503
66	66		16-28285-01		CHOKE COIL 7.0UH	2		L501,L502
67	67		16-28363-01		XFMR,SWITCH MODE 8.5KHZ	1		T502
68	68		16-28431-01		INDUCTOR,COMMON MODE	1		T501
69	69		19-12048-05		7812 VOLT REG,FIX +12V	1		E502
70	70		19-23626-01		PWM OFF-LINE CURRENT	1		E501
71	71		36-18460-01		LABEL,BAR CODE BLANK .38 X1.5	1		
72	72	D-1A-7022361-0-0	70-22361-00	A	JUMPER VOLTAGE SELECTOR	1		P1
73	73	B-1A-7023276-0-DBU	70-23276-05	A	WIRE W/FASTON	1		P5
74	74	B-1A-7023276-0-DBU	70-23276-06	A	WIRE W/FASTON	1		P4
75	75	B-1A-7024553-0-DBU	70-24553-01	A	ENCLOSURE, SHIELD W/GND TABS	1		H501
76	76	C-MD-7435248-0-DBU	74-35248-01	A	CLIP	1		
77	77		90-08301-01		SCREW,MACH PAN PHIL 4-	3		
78	78		90-09800-02		SCREW,THD RL,PAN PHIL F/PLAS	1		
79	79		90-10057-00		WASHER,SHOULDER INSULATG PPS	2		



VIEW "A-A"

DESCRIPTION	DRAWING NO.	PART NO.	REV.
COVER ASSY	7024242-01	A01	

INDEX TOLERANCE	DIMENSION RANGE IN INCHES							
	0.001	0.002	0.003	0.004	0.005	0.006	0.007	0.008
±.01 ±.01	✓							
±.005 ±.002		✓						
±.001 ±.000			✓					

QUANTITY & VARIATION	DATE	TITLE	DESIGNER
1	10/1/57	COVER ASSY	C. J. LEE
	10/1/57		P. J. LIN
	10/1/57		A. J. LIN

DO NOT SCALE DRAWING

REMOVE ALL DIMENSIONS FROM DRAWING

DATE: 10/1/57

DESIGNER: C. J. LEE

CHECKER: P. J. LIN

APPROVER: A. J. LIN

PARTS LIST

LINE ITEM	TOP DOCUMENT	PART NUMBER	MIN REV	DESCRIPTION	01 A1
1	E-MD-7434074-0-DBU	74-34074-01	A	COVER, TOP	1
2	B-MD-7434862-0-DBU	74-34862-01	A	SCREEN, LOUVER	1
3		12-28386-01		SCREW, CAPTIVE	2

REVISION HISTORY		KPL MATRIX FORMAT		SECTION A OF A	DRN: C. J. LEE	D I G I T A L				
ENG	ECO NUMBER	REV	SECTION/VARIATION INDEX		DATE: 17-SEP-86	TITLE PARTS LIST		DOCUMENT NUMBER		REV
---	INITIAL	A	[A]	01	CHK'D: R. J. LIN	COVER ASSY				
			[B]		DATE: 13-MAY-87					
			[C]		DES. ENG: J. KOU					
			[D]		DATE: 17-SEP-86					
			[E]		RESP. ENG.: O. LIN	SIZE	CODE	NUMBER		
			[F]		DATE: 13-MAY-87	K	PL	7024242-0-DBP		A
			[H]		MFG. ENG: GORDON WU	RELEASE DATE: 18-JUN-87				
			[J]		DATE: 11-JUN-87	RELEASE STATUS: RELEASED				
		BASIC PART NUMBER:		ASSEMBLY NUMBER:	TOP DOCUMENT NUMBER:	FILE NAME:		EDIT #		
		7024242		E-AD-7024242-0-DBU	E-AD-7024242-0-DBU	MLA0716A.PLS		5		

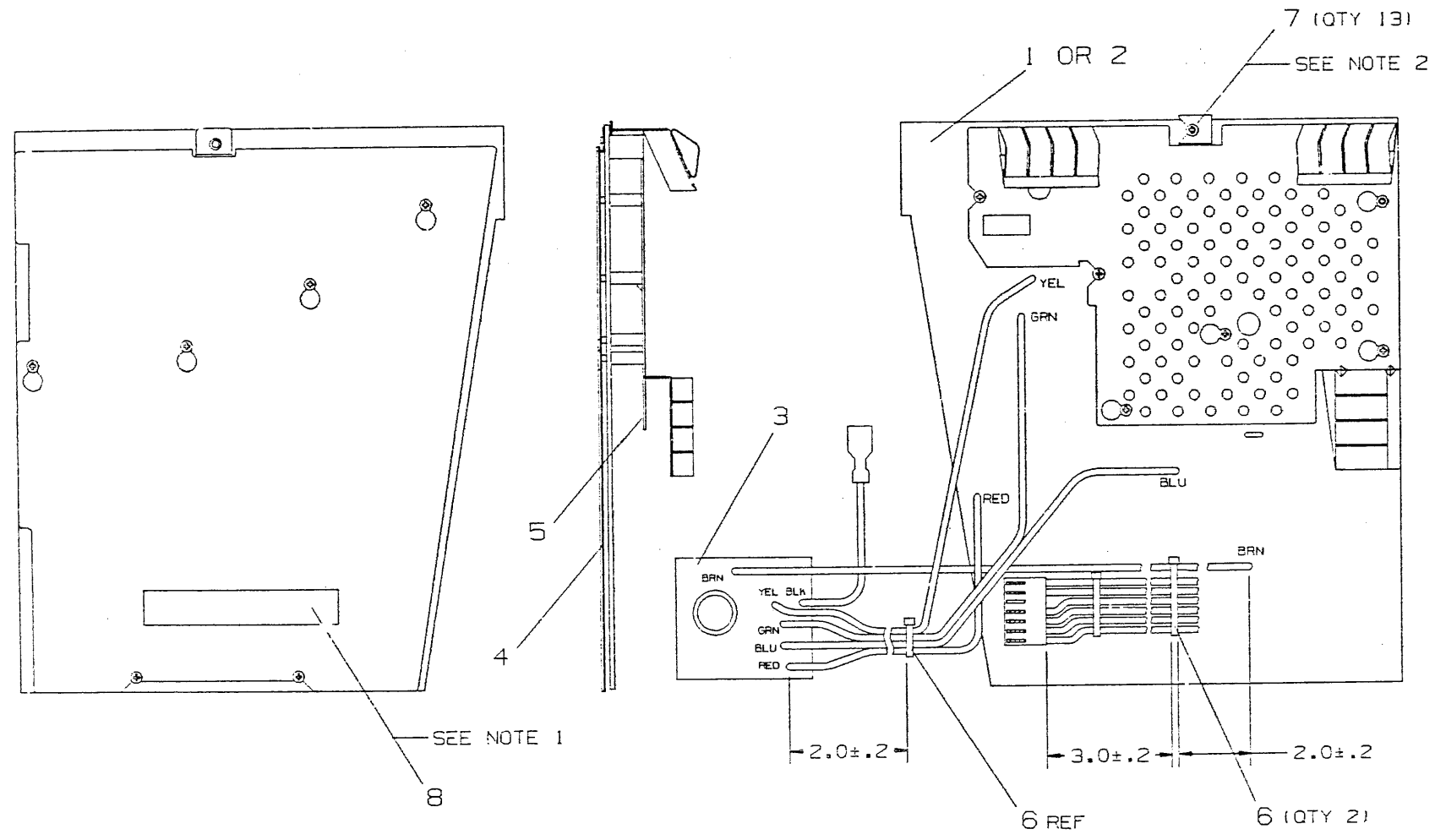
"THIS DRAWING AND THE SPECIFICATIONS CONTAINED HEREIN ARE CONFIDENTIAL AND PROPRIETARY. THEY ARE THE PROPERTY OF DIGITAL EQUIPMENT CORPORATION AND SHALL NOT BE REPRODUCED OR COPIED OR USED IN WHOLE OR IN PART AS THE BASIS FOR THE MANUFACTURE OR SALE OF ITEMS WITHOUT WRITTEN PERMISSION. THIS IS AN UNPUBLISHED WORK PROTECTED UNDER THE FEDERAL COPYRIGHT LAWS."

THIS DRAWING AND SPECIFICATIONS ARE THE PROPERTY OF DIGITAL EQUIPMENT CORPORATION. NO PARTS OF THIS DRAWING OR SPECIFICATIONS ARE TO BE REPRODUCED OR COPIED IN ANY MANNER OR FOR ANY PURPOSE WITHOUT PERMISSION OF DIGITAL EQUIPMENT CORPORATION.
COPYRIGHT 1987 DIGITAL EQUIPMENT CORPORATION

LEGEND		
PART NO	REV.	DESCRIPTION
7024577-01	A01	AS SHOWN
7024577-02	A01	AS SHOWN

- NOTES:
1. MARK ITEM 8 WITH PART NO. AND REV. PER DEC STD 047. LOCATED APPROXIMATELY AS SHOWN.
 2. TORQUE REQUIREMENT:
ITEM 7 4-6 IN-LBS

INTERCONNECTION TABLE					
ITEM	FROM		TO		WITH
	DESCRIPTION		DESCRIPTION		
1 OR 2	MONITOR, LOGIC CONTROL MODULE WIRE W/PCB CRIMP BRN		3	ARC PROTECTION MODULE MH1	SOLDER
1 OR 2	MONITOR, LOGIC CONTROL MODULE WIRE W/PCB CRIMP YEL		3	ARC PROTECTION MODULE MH2	SOLDER
1 OR 2	MONITOR, LOGIC CONTROL MODULE WIRE W/PCB CRIMP RED		3	ARC PROTECTION MODULE MH3	SOLDER
1 OR 2	MONITOR, LOGIC CONTROL MODULE WIRE W/PCB CRIMP GRN		3	ARC PROTECTION MODULE MH4	SOLDER
1 OR 2	MONITOR, LOGIC CONTROL MODULE WIRE W/PCB CRIMP BLU		3	ARC PROTECTION MODULE MH5	SOLDER



CAUTION: OFF SHEET PARTS LISTS EXISTS
SEE K-PL-7024577-0-DBP
(MLA1472A.PLS)

DESCRIPTION	DRAWING NO.	PART NO	ITEM NO	
UNLESS OTHERWISE SPECIFIED DIMENSIONS ARE IN INCHES AND THE FOLLOWING TOLERANCES APPLY (PER DEC STD 114)				
INCHES TOLERANCE X: .1 XXX: .005	ANGLES 90°±30° SURFACE QUALITY MICROINCHES	DIMENSIONS RANGE IN INCHES		
		APPLICABLE DIMENSION RANGE	OVER TO	OVER TO
QUANTITY & VARIATION		CHECK ONE		
THIRD ANGLE PROJECTION	DATE 12-MAY-87	Y.W. LEE	DATE 12-MAY-87	
DO NOT SCALE DRAWING	DATE 12-MAY-87	R.J. LIN	DATE 12-MAY-87	
REMOVE BURRS AND SPEAK SHARP CORNERS	DATE 12-MAY-87	J. KUO	DATE 12-MAY-87	
MATERIAL	DATE 12-MAY-87	O. LIN	DATE 12-MAY-87	
FINISH	DATE 12-MAY-87	G. WU	DATE 12-MAY-87	
TITLE	MONITOR & LOGIC W/ARC PROTECTION	DOCUMENT NUMBER		
SHEET CODE	D11A	PART NO	7024577-0-DBU	
SCALE	1/1	REV.	A	
SHEET	1 OF 1			

REV.	ECO NUMBER	DATE	BY
A			

REV. A
7024577-0-DBU

LINE ITEM	TOP DOCUMENT	PART NUMBER	MIN REV	DESCRIPTION	QUANTITY PER VARIATION/REVISION	
					01 A1	02 A1
1	1 B-DD-5417189-0-0	54-17189-01 A		MONITOR LOGIC CONTROL BOARD	1	-
2	2 B-DD-5417277-0-0	54-17277-01 A		LOGIC CNTRL BRD MONITOR	-	1
3	3 B-DD-5417339-0-0	54-17339-01 A		ARC PROTECTION BOARD	1	1
4	4 C-IA-7024597-0-DBU	70-24597-01 A		SHIELD/INSULATOR	1	1
5	5 C-IA-7025384-0-DBU	70-25384-01 A		COVER EMI W/GND FINGERS	1	1
6	6	90-09996-00		TIE,CABLE PRELOADED MAG.100 EA	2	2
7	7	12-23598-02		SCREW,PAN, WASHER 4-40	13	13
8	8	36-18460-03		LABEL,BAR CODE BLANK .90 X2.2	1	1

REVISION HISTORY			KPL MATRIX FORMAT	SECTION A OF A	DRN: Y.W. LEE	D I G I T A L					
ENG	ECO NUMBER	REV	SECTION/VARIATION INDEX		DATE: 11-MAY-87	TITLE PARTS LIST		DOCUMENT NUMBER		REV	
---	INITIAL	A	[A]	01,02	CHK'D: R.J. LIN	MONITOR & LOGIC		NUMBER		A	
			[B]		DATE: 14-MAY-87	W/ARC PROTECTION					
			[C]		DES.ENG: J. KUO			NUMBER			
			[D]		DATE: 11-MAY-87			SIZE	CODE	REV	
			[E]		RESP.ENG.: O. LIN	K	PL	7024577-0-DBP			
			[F]		DATE: 14-MAY-87						
			[H]		MFG.ENG: GORDON WU	RELEASE DATE: 18-JUN-87					
			[J]		DATE: 11-JUN-87	RELEASE STATUS: RELEASED					
			BASIC PART NUMBER:		ASSEMBLY NUMBER:		TOP DOCUMENT NUMBER:		FILE NAME:		EDIT #
			7024577		D-IA-7024577-0-DBU		D-IA-7024577-0-DBU		MLA1472A.PLS		11

"THIS DRAWING AND THE SPECIFICATIONS CONTAINED HEREIN ARE CONFIDENTIAL AND PROPRIETARY. THEY ARE THE PROPERTY OF DIGITAL EQUIPMENT CORPORATION AND SHALL NOT BE REPRODUCED OR COPIED OR USED IN WHOLE OR IN PART AS THE BASIS FOR THE MANUFACTURE OR SALE OF ITEMS WITHOUT WRITTEN PERMISSION. THIS IS AN UNPUBLISHED WORK PROTECTED UNDER THE FEDERAL COPYRIGHT LAWS."