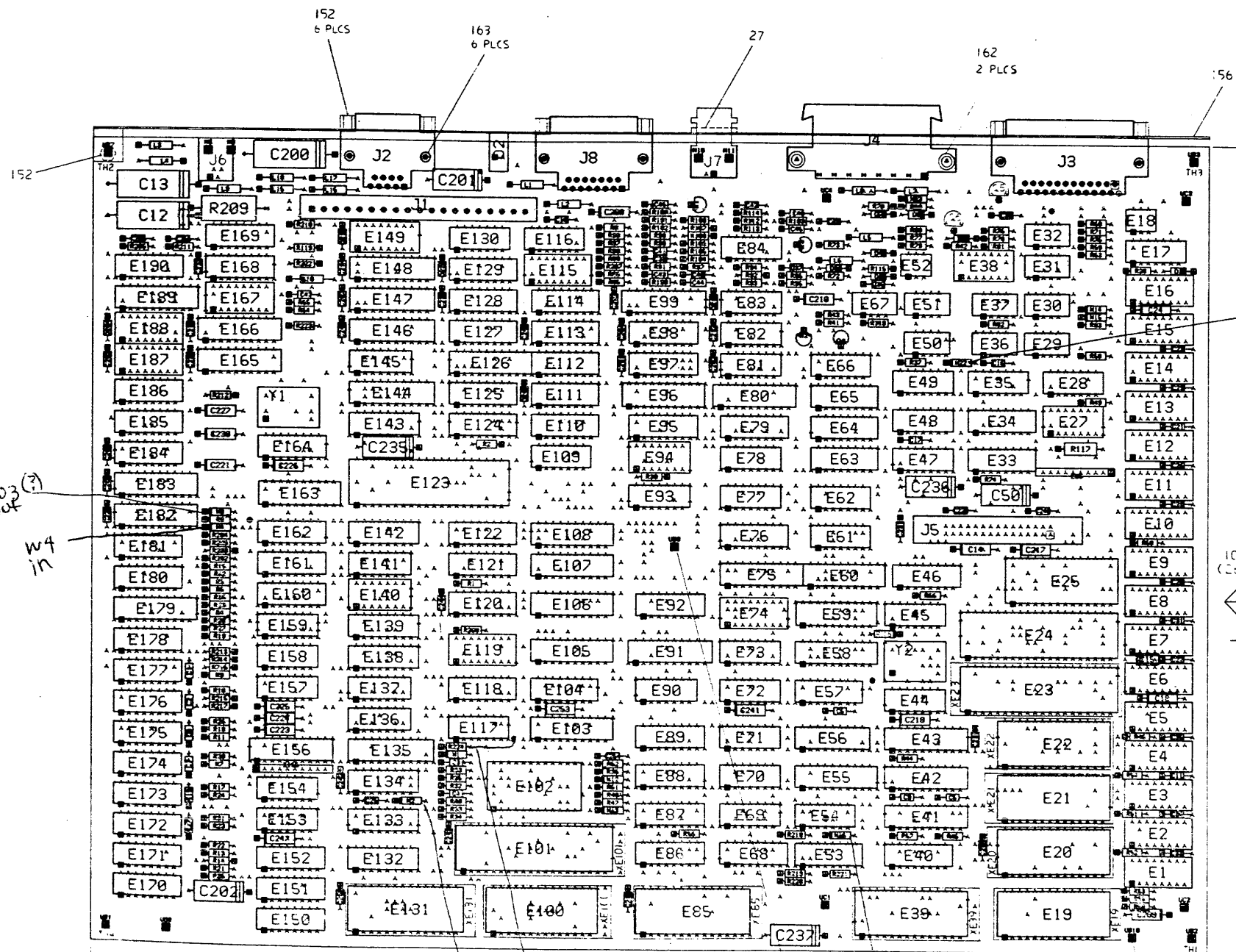


DATE	DESIGNED BY	DRN. NO.	REV. NO.
1/11/68	W. J. ...	...	...
TITLE	PROJECT	SCALE	DATE
digital	VT240	1/16"	1/11/68
BY	CHECKED	APPROVED	DATE
...	...	...	...



w3 out  
w4 in

w2 in  
R224 where w1 would be - connected to lead thru which goes to pin 3 - E117 4.7K  
w16

10.40 FCS  
(264.16 MM)

STEP	BY	DATE
1	...	...
2	...	...
3	...	...
4	...	...
5	...	...

151 155

PARTS LIST

LINE	ITEM	TOP DOCUMENT	PART NUMBER	MIN REV	DESCRIPTION	QTY	PER VARIATION	REFERENCE DESIGNATOR
					VARIATION REVISION LEVEL:	01		
						E1		
1	1		5015494-01		CIRCUIT DRILL AND ETCH	1		
2	2		1001610-00	.01	MFD 50V +80-20% Z5U CER	1		
3	3		1010274-02	1	MFD 50V +80-20% CER	1		C38
4	4		1012084-03	150	MFD 15V +75-10% AL EL	1		C15
5	5		1013466-07	220.0	MMF 50V 5% CER	5		C12
6	6		1013466-11	.22	MFD 50V +80-20% Z5U CER	18		C43-C46,C48
								C14,C18,C24,C208-C210,C217,C218, C221,C223-C227,C230,C253,C241, C247
7	7		1013466-22	.1	MFD 50V +80-20% Z5U CER	25		C3-C6,C11,C16,C17,C20-C23,C25, C26,C28,C29,C31,C33-C35,C39-C42, C254,C255
								C9,C10,C220,C240,C256
8	8		1013466-30	560.0	MMF 50V 5% CER	5		C254,C255
9	9		1013466-40	270.0	MMF 50V 5% NPO CER	2		
10	10		1014052-00	100	MFD 25V+100-10% AL EL	2		C36,C37
11	11		1014265-00	.22	MFD 50V +80-20% CER	36		C13,C200
								C203-C207,C211-C216,C219,C222, C228,C229,C231,C238,C239, C242-C244,C246,C248-C252,C258, C259,C264,C1,C2,C7,C19,C8,C27 C201,C202,C235-C237
12	12		1016553-00	4.7	MFD 25V +75-10% AL EL	5		D5,D6
13	13		1105275-00		PIV= 60 IO=300 MA -15NS	2		D3
14	14		1105610-00		CURRENT LIMIT 1.0 MA	1		D1
15	15		1109443-00		VZ= 5.1 5% 50 W 1N5231B	1		D4
16	16		1113003-00		PIV= 55 IO=200 MA - 4NS 1N5282	1		D7
17	17		1113117-00		VZ= 6.0 5% 1 W 1N4745A	1		D2
18	18		1117373-00		LED ASSY GREEN	1		J4
19	19		1209340-00		MATE-N-LOK 08SKT(1X08) HSG	1		
20	20	USED ON J4	1209456-01		MATE-N-LOK 01SKT 20-18AWG .0870D	8		
21	21		1215006-17		SKT,IC 28PIN DIP TIN SOLD	8		XE100,XE131,XE20-XE22,XE19,XE39, XE95
								XE23,XE101
22	22		1215006-18		SKT,IC 40PIN DIP TIN SOLD	2		

REVISION HISTORY			BASIC PART NO: 5415495							
ENG	ECO NUMBER	REV	SECTION A OF A	DRN:	WALT SUPINSKI	DATE: 10-JUN-83	D I G I T A L			
---	INITIAL	A	SECTION VARIATION INDEX	CHK'D:	D. BARRIERE	DATE: 10-JUN-83	TITLE PARTS LIST			
FM	5415495-ML002	B	(A) 01				VT240			
FM	5415495-ML003	C	(B)							
FM	5415495-ML004	D	(C)	DES.ENG:	F. MEDRICK	DATE: 10-JUN-83	DOCUMENT NUMBER			
FM	5415495-ML006	E	(D)				SIZE	CODE	NUMBER	REV
FM	5415495-ML007	F	(E)	RESP.ENG.:	F. MEDRICK	DATE: 10-JUN-83	K	PL	5415495-0-0BP	F
			(F)				RELEASE DATE: 22-MAR-84			
			(H)	MFG.ENG.:	M. LUNSTRA	DATE: 10-JUN-83				
			(J)	ASSEMBLY NUMBER:		TOP DOCUMENT NUMBER:	FILE NAME:		EDIT #	
			(L)	E-UA-5415495-0-0		B-DD-5415495-0-0	24439F.PLS		27	
			(M)							
			(N)							

THIS DRAWING AND THE SPECIFICATIONS CONTAINED HEREIN ARE CONFIDENTIAL AND PROPRIETARY. THEY ARE THE PROPERTY OF DIGITAL EQUIPMENT CORPORATION AND SHALL NOT BE REPRODUCED OR COPIED OR USED IN WHOLE OR IN PART AS THE BASIS FOR THE MANUFACTURE OR SALE OF ITEMS WITHOUT WRITTEN PERMISSION. THIS IS AN UNPUBLISHED WORK PROTECTED UNDER THE FEDERAL COPYRIGHT LAWS.

LINE	ITEM	TOP DOCUMENT	PART NUMBER	MIN REV	DESCRIPTION	QTY	PER VARIATION	REFERENCE DESIGNATOR
						01		
						E1		
23	23		1218826-00		CONN,PHONE JACK 04 POS	1		J6
24	24		1219066-04		PCB HEADER 30PIN(2X15).100CC STR	1		J5
25	25		1219678-04		*** THIS ITEM IS NOT USED ***	-		
26	26		1219678-05		*** THIS ITEM IS NOT USED ***	-		
27	27		1222292-01		CONN,COAX BNC RCPT 90	1		J7
28	28		1220398-01		CONN,D SUB 9PIN ASSY RT ANGLE	1		J2
29	29		1220398-02		CONN,D SUB 15PIN ASSY RT ANGLE	1		J8
30	30		1220398-03		CONN,D SUB 25PIN ASSY RT ANGLE	1		J3
31	31		1300005-03		R NETWORK 13-10K 5.0 % 14PIN	1		E38
32	32		1300005-07		R NETWORK 15-4.7K 5.0 % 16PIN	1		E63
33	33		1300197-00		33.0 .25 W 5.0 % CF	14		R49-R61,R28
34	34		1300229-00		100.0 .25 W 5.0 % CF	1		R81
35	35		1300250-00		150.0 .25 W 5.0 % CF	1		R71
36	36		1300271-00		220.0 .25 W 5.0 % CF	1		R38
37	37		1300309-00		390.0 .25 W 5.0 % CF	7		R73,R80,R218-R221,R66
38	38		1300316-00		470.0 .25 W 5.0 % CF	2		R32,R33
39	39		1300365-00		1.0 K .25 W 5.0 % CF	7		R1,R35,R69,R70,R65,R30,R31
40	40		1300391-00		1.50 K .25 W 5.0 % CF	1		R74
41	41		1300426-00		*** THIS ITEM IS NOT USED ***	-		
42	42		1300439-00		3.30 K .25 W 5.0 % CF	1		R43
43	43		1300444-00		3.90 K .25 W 5.0 % CF	1		R75
44	44		1300447-00		4.70 K .25 W 5.0 % CF	4		R37,R62,R115,R224
45	45		1300539-00		120.0 K .25 W 5.0 % CF	1		R77
46	46		1301322-00		180.0 .25 W 5.0 % CF	32		R2,R3,R34,R36,R39,R40,R44,R45, CONT R47,R48,R64,R85,R86,R118,R119, CONT R200,R202-R205,R207,R208, CONT R210-R217,R222,R223
47	47		1301327-00		68.0 K .25 W 5.0 % CF	1		R72
48	48		1301401-00		750.0 .25 W 5.0 % CF	1		R76
49	49		1301422-00		7.50 K .25 W 5.0 % CF	1		R78
50	50		1301522-00		27.0 .25 W 5.0 % CF	1		R79
51	51		1301890-00		560.0 .25 W 5.0 % CF	1		R114
52	52		1301972-00		270.0 .25 W 5.0 % CF	1		R42
53	53		1302379-00		75.0 .25 W 5.0 % CF	7		R109,R112,R113,R91,R103,R116,R92
54	54		1318341-19		274.0 .25 W 1.0 % RN550-F10	1		R106
55	55		1302875-01		82.50 .25 W 1.0 % RN550-F10	4		R89,R94,R98,R104
56	56		1302962-00		200.0 .25 W .10% RN550-B 5	1		R108
57	57		1303114-00		1.0 K .25 W 1.0 % RN550-F10	1		R46
58	58		1304937-00		24.0 K .25 W 5.0 % CF	3		R68,R82,R83
59	59		1304841-00		75.0 K .25 W 5.0 % CF	1		R63
60	60		1304858-00		348.0 .25 W 1.0 % RN550-F10	2		R90,R102
61	61		1305121-00		38.30 .25 W 1.0 % RN550-F10	4		R93,R99,R105,R190
62	62		1314551-00		442.0 .25 W 1.0 % RN550-F10	1		R107
63	63		1309293-00		866.0 .25 W .10% RN550-B 2	3		R88,R97,R101
64	64		1316395-00		R NETWORK 9-1.7K 2.0 % 10PIN	2		E26,E155
65	65		1316837-00		412.0 .25 W 1.0 % RN550-F10	3		R87,R96,R100
66	66		1318341-23		332.0 .25 W 1.0 % RN550-F10	1		R95
67	67		1503409-00		DEC65340 PNP 310MW SI 40 90	1		Q2

DIGITAL	TITLE	SECTION A OF A	SIZE CODE	DOCUMENT NUMBER	REV
	VT240		K PL	5415495-0-DBP	F

PARTS LIST

LINE	ITEM	TOP DOCUMENT	PART NUMBER	MIN REV	DESCRIPTION	QTY	PER VARIATION	REFERENCE DESIGNATOR
						01		
						E1		
68	68		1509338-00		DEC6531B NPN 310MW SI 40 90 P	2		
69	69		1509524-00		2N 3904 NPN 310MW SI 40 40 M	1		Q5,Q6
70	70		1510705-00		XA 05 NPN 500MW SI 60 50 P	1		Q1
71	71		1510706-00		XA 55 PNP 500MW SI 60 50 P	1		Q4
72	72		1517999-00		3906 PNP 900MW ARRAY 14PIN	1		Q3
73	73		1618238-02		BEAD,FERRITE .1380DX.330LG	1		E84
74	74		1811660-47		OSCILLATOR, XTAL 16.09728 MHZ	13		L1-L8,L15-L18,L9
75	75		1820210-01		OSCILLATOR, XTAL 7.3728&3.68	1		Y1
76	76		1910532-00		74S00 NAND GATE-QUAD 2IN	1		Y2
77	77		1910534-00		74S04 INVERTER GATE-HEX 1I	3		E49,E159,E109
78	78		1910544-00		74S74 FF-D DUAL,EDGE TRIGG	1		E141
79	79		1910545-00		74S112 FF-JK DUAL,EDGE TRIG	2		E157,E116
80	80		1910548-00		74S157 MUX 1 OF 2 (QUAD)	1		E160
81	81		1911641-00	SN	74S257 MUX,QUAD 2 TO 1	1		E164
82	82		1911676-00		74S139 DECODER-DUAL TWO-INP	6		E129,E87,E120,E128,E132,E151
83	83		1911712-00		74S51 AND-OR GATE-INVERT D	1		E138
84	84		1911998-00		4N26 OPTO COUPLED ISLTR	1		E140
85	85		1912096-00	DEC	74S86 XOR GATE,QUAD 2IN	2		E18,E52
86	86		1912389-00		74S08 AND GATE-QUAD 2IN,PO	1		E94
87	87		1912536-00		*** THIS ITEM IS NOT USED ***	3		E28,E130,E145
88	88		1912646-00		LS253 MUX 1 OF 4 (DUAL)	-		
89	89		1912647-00		LS257 MUX 1 OF 2 (QUAD)	1		E139
90	90		1912649-00		LS75 LATCH 4BIT,BISTABLE	7		E86,E152,E88,E104,E118,E190,E186
91	91		1912661-00		74S189 MEMORY READ/WRITE	2		E64,E122
92	92		1912799-00		LS00 NAND-GATE-QUAD 2IN,P	6		E134,E98,E97,E133,E185,E184
93	93		1912801-00		LS02 NOR-GATE-QUAD 2IN	1		E47
94	94		1912803-00		LS04 INVERTER GATE,HEX	1		E70
95	95		1912805-00		LS08 AND GATE-QUAD 2IN,PO	7		E61,E44,E117,E78,E77,E137,E153
96	96		1912815-00		LS30 NAND GATE-SINGLE 3IN	2		E72,E66
97	97		1912816-00		LS32 OR GATE-QUAD 2IN,POS	1		E154
98	98		1912820-00		LS51 A-O-I GATE 2-WIDE 2I	4		E136,E71,E90,E69
99	99		1912824-00		LS74 FF-D DUAL,EDGE TRIG	1		E93
100	100		1912833-00		LS109 FF-JK DUAL,POS EDGE	2		E73,E158
101	101		1912834-00		LS112 FF-JK,DUAL,EDGE TRIG	1		E46
102	102		1912842-00		LS138 DECODER-THREE INP,T,	2		E119,E121
103	103		1912843-00		LS139 DECODER, 2 OF 4(DUAL	3		E57,E76,E68
104	104		1912845-00		LS153 MUX 1 OF 4 (DUAL)	2		E89,E34
105	105		1912846-00		LS155 DECODER,2 OF 4(DUAL)	1		E33
106	106		1912847-00		LS157 MUX 1 OF 2(QUAD)	2		E92,E150
107	107		1912849-00		LS161 COUNTER,SYNCHR,4BIT	2		E161,E162
108	108		1912851-00		LS169 COUNTER,SYNCH. UP/D	1		E169
109	109		1912863-00		LS273 FF-D OCTAL W/CLEAR	1		E65
110	110		1912867-00		LS298 MUX 1 OF 4,2IN W/S	3		E96,E59,E163
111	111		1913340-00		74S32 OR GATE-QUAD 2IN	3		E125,E127,E124,E114
112	112		1913471-00		LS367 DRIVER,BUS,HEX,TRI-	4		E35,E48,E62
113	113		1913777-00		LS240 DRIVER,LINE,OCTAL,T	2		E55,E40
114	114		1913839-00		LS165 SHIFT REG.,8BIT	2		E80,E135
115	115		1913939-00		LS191 COUNTER,SYNCHR. UP/D	1		E79
						5		E110-E113,E178

D	I	G	I	T	A	L	TITLE	SECTION A OF A	SIZE	CODE	DOCUMENT NUMBER	REV
							VT240		K	PL	5415495-0-CBP	F

PARTS LIST

LINE ITEM	TOP DOCUMENT	PART NUMBER	MIN REV DESCRIPTION	QTY	PER VARIATION	REFERENCE DESIGNATOR
				01		
				E1		
116	116	1913948-00	LS40 NAND BUFFER-DUAL 4IN	1		E54
117	117	1914082-00	74S163 COUNTER, SYNCH UP/DOW	1		E168
118	118	1914084-00	74S299 SHIFT REG. .8BIT RIGH	4		E147, E146, E166, E165
119	119	1914214-00	LS374 FF-D OCTAL EDGE TRIG	2		E105, E106
120	120	1914560-00	LS368 DRIVER, BUS, HEX, TRI-	1		E167
121	121	1914845-00	2918 FF-D QUAD TRI-STATE	1		E115
122	122	1915193-00	LS244 DRIVER, LINE, OCTAL, T	3		E60, E58, E179
123	123	1915218-00	LS245 TRANSCEIVER, BUS, OCT	3		E107, E108, E55
124	124	1915219-01	LS373 FF-D, OCTAL, TRI-STATE	9		E126, E144, E41-E43, E91, E103, E75, E156
125	125	1915415-00	9636 DRIVER, DUAL, EIA RS-	4	CONT	E31, E51, E29, E32
126	126	1916139-00	LS126A BUS DRIVER, QUAD	1		E45
127	127	1918194-00	LS92 COUNTER, DIVIDE BY 12	1		E27
128	128	1918868-00	LS26 NAND GATE, 2-IN, HIGH	1		E17
129	129	1919542-01	9639 RECEIVER, LINE, DUAL	4		E37, E30, E36, E67
130	130	1920442-01	74F374 FF-D, OCTAL, TRI-STATE	3		E189, E99, E148
131	131	2113107-01	P 8251A PUSART COMM. INTERFA	1		E25
132	132	2114897-01	16K MOS RAM 200NS 1	16		E1-E16
133	133	2116962-00	UP, 8-BTT NMOS .8MICRO SEC. INSTR	1		E101
134	134	2117311-01	T-11 MICROPROCESSOR W/LSI-	1		E23
135	135	2117872-02	RAM 2KX8 I/O MUXD 20	1		E102
136	136	2118470-02	4864-2 MOS RAM 64K X1, 150	8		E170-E177
137	137	2119771-01	CONTROLLER, GRAPHICS	1		E123
138	138	2120068-01	2681 REC./TRANS., ASYNC., D	1		E24
139	139	2120263-01	2212 RAM 256X4 NON-VOLATI	1		E56
140	140	23E5 -02	*** THIS ITEM IS NOT USED ***	-		
141	141	23087J5-00	J5-01 PAL, LOGIC DRIV	2		E182, E183
142	142	23351A1-00	A1-08	1		E149
143	143	23352A1-00	A1-08	1		E187
144	144	23369A1-00	A1-08	1		E53
145	145	23370A1-00	A1-08	1		E188
146	146	23994A9-00	A9-01	1		E74
147	147	9009185-00	JUMPER, WIRE, INSULATED, BLACK B	6		W2, W4, W13, W14, W16, W23
148	148	1216652-13	PCB, HEADER 19PIN(1X19), .156CC STR	1		J1
149	149	1913887-00	74S258 MUX 1 OF 2 (QUAD) TRI	2		E180, E181
150	150	1912848-00	LS158 MUX 1 OF 2 (QUAD)	2		E142, E143
151	151	9009966-00	GROMMET, SNAP-IN POLYCARBONAT	3		
152	152	9008451-06	SCREW, JACK HEX WASHER	7		
153	153	9006655-00	*** THIS ITEM IS NOT USED ***	-		
154	154	9009280-00	*** THIS ITEM IS NOT USED ***	-		
155	155	9009963-00	PLUNGER, 1/4 DIA	3		
156	156	7428423-01	PLATE, RETAINER	1		
157	157	1911637-00	74132 NAND GATE-QUAD 2 IN	3		E81, E82, E83
158	158	1013466-04	33.0 MMF 50V 5% CER	1		C47
159	159	1302602-00	56.0 .25 W 5.0 % CF	25		R4-R27, R29
160	160	1219857-03	STANDOFF, NYLON	4		UC1, UC2, UC3, UC4
161	161			0		
162	162	9000024-01	EYELET, ROLLED 0.1210DX0.192	2		

BLANK

DIGITAL	TITLE	VT240	SECTION A OF A	SIZE	CODE	DOCUMENT NUMBER	REV
				K	PL	5415495-0-DBP	F

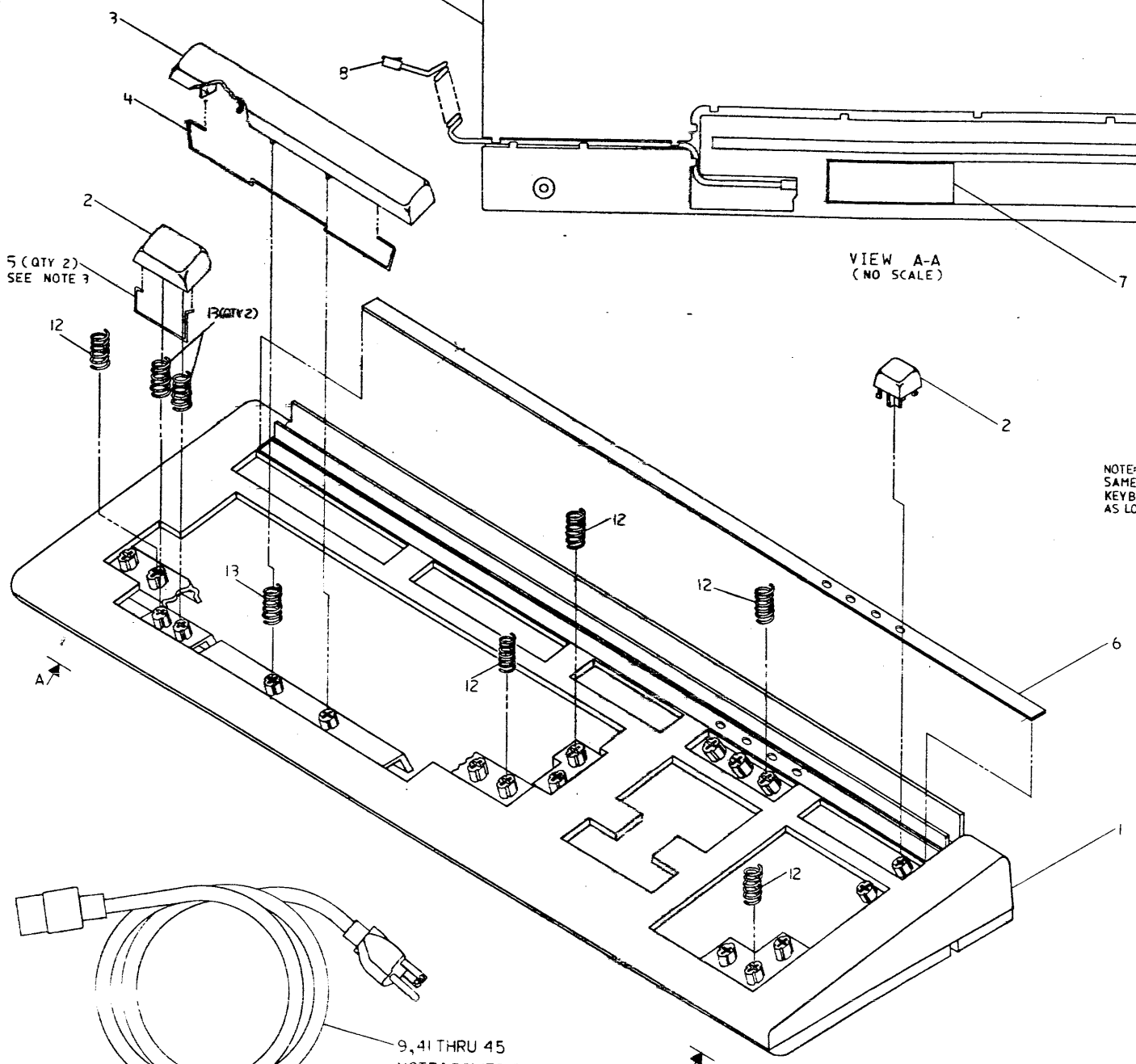
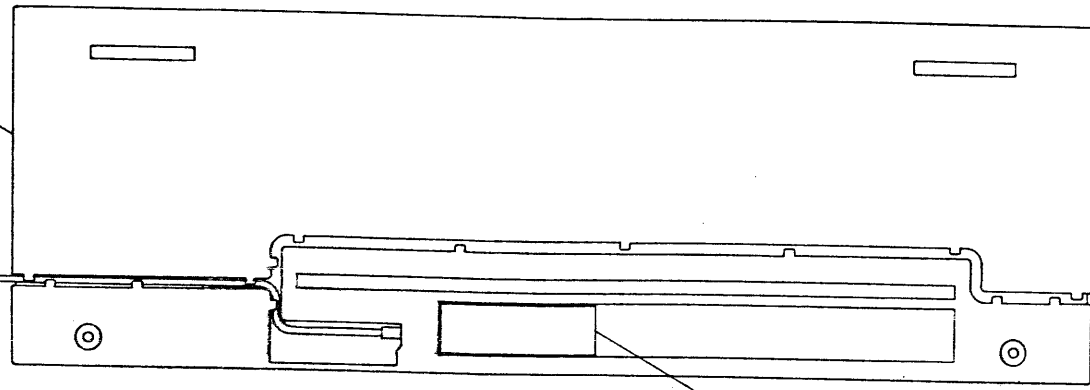
LINE ITEM	TOP DOCUMENT	PART NUMBER	MIN REV	DESCRIPTION	VARIATION REVISION LEVEL:	QTY PER VARIATION	REFERENCE DESIGNATOR
163	163	9006732-00		EYELET,ROLLED	0.1210DX0.219	6	
164	164	1105796-00		PIV= 400 IO= 1.00A 1N4004	D0-41	1	
165	165	1016549-00		47 MFD	10V +50-10% AL EL	1	D8
166	166	1302336-00		39.0	50 W 5.0 % CF	1	C50
167	167	1217000-00		*** THIS ITEM IS NOT USED ***		-	R117
168	168	9107560-01		WIRE,BUSS 22AWG	TIN BARE	A/R	
169	169	1618437-00		BEAD,FERRITE	.23600X.394LG	1	
170	170	23003E5-00		*** THIS ITEM IS NOT USED ***		-	L10
171	171	23004E5-00		*** THIS ITEM IS NOT USED ***		-	
172	172	23005E5-00		*** THIS ITEM IS NOT USED ***		-	
173	173	23006E5-00		*** THIS ITEM IS NOT USED ***		-	
174	174	23007E5-00		*** THIS ITEM IS NOT USED ***		-	
175	175	23008E5-00		*** THIS ITEM IS NOT USED ***		-	
176	176	23009E5-00		*** THIS ITEM IS NOT USED ***		-	
177	177	23010E5-00		*** THIS ITEM IS NOT USED ***		-	
178	178	9105740-55		*** THIS ITEM IS NOT USED ***		-	
179	179	1919542-02		DEC 9639	RECEIVER,LINE,DUAL	1	
180	180	23002E6-00	A	E6-01		1	E50
181	181	23001E6-00	A	E6-01		1	E22
182	182	23048E5-00	A	E5-01		1	E20
183	183	23049E5-00	A	E5-01		1	E19
184	184	23003E6-00	A	E6-01		1	E21
185	185	9107267-11		*** THIS ITEM IS NOT USED ***		-	E100

- 186 NOTE: XJ2,XJ8,XJ3 INSTALL 2 PART NUMBER 9006732-00.  
 187 NOTE: P/N 21-14927-01 IS AN ALT. FOR PRIME P/N 21-14897-01. MIXING OF PRIME AND ALT. PARTS NOT ALLOWED.  
 188 NOTE: NOTE 3A - P/N 2118472-02 AND 2118467-02 IS AN ALT. PART FOR PRIME P/N 2118470-02.  
 189 NOTE: NOTE 3B - MIXING OF PRIME AND/OR ALT. PARTS NOT ALLOWED.  
 190 NOTE: XJA INSTALL 2 PART 9000024.01  
 191 NOTE: 4- X1618437-00 USES 9107560-01 WIRE FOR 1.5 TURN BEAD.

D I G I T A L	TITLE VT240	SECTION A OF A	SIZE: 0000	DOCUMENT NUMBER 5415495-0-000	REV F
---------------	----------------	----------------	------------	----------------------------------	----------

LEGEND	
NUMBER	VARIATION
LK201-A	BASIC UNIT
LK201-AA	AS SHOWN

- NOTES:
- KEYCAPS ARRANGED ACCORDING TO ARRANGEMENT DRAWING D-AD-7019005-0-DBU.
  - DELETED
  - ITEM 5 IS USED ON SWITCHES A20 A21 & A99 (THE TWO DOUBLE KEYS IN FIRST ROW) ON ARRANGEMENT DRAWING D-AD-7019005-0-DBU.
  - APPLY THIN FILM OF LUBRICANT (ITEM 11) ON PLUNGER AREA OF 5 KEYS PRIOR TO ADDING THEM TO THE KEYBOARD. KEYS IDENTIFIED BY LOCATIONS B99, B11, A23, C13 AND G16 ON KEYCAP ARRANGEMENT DRAWING D-AD-7019005-0-DBU. LUBRICANT MUST BE KEPT OFF VISIBLE (TEXTURED) SURFACES OF KEYS.



46 (QTY 2)  
NOTE: FEET SHIPPED IN SAME CONTAINER WITH KEYBOARD ASSEMBLY AS LOOSE PART

9, 41 THRU 45  
NOTE: POWER CORD SHIPPED IN SAME CONTAINER WITH KEYBOARD ASSY AS A LOOSE PART.

CAUTION:  
OFF SHEET PARTS LIST EXISTS.  
SEE K-PL-LK201-A-DBP.

REV	DESCRIPTION	DATE	BY	CHKD
A	RELEASED	11-1-53		
B	REVISED TO ADD PARTS LIST	11-1-53		
C	REVISED TO ADD PARTS LIST	11-1-53		
D	REVISED TO ADD PARTS LIST	11-1-53		
E	REVISED TO ADD PARTS LIST	11-1-53		
F	REVISED TO ADD PARTS LIST	11-1-53		
G	REVISED TO ADD PARTS LIST	11-1-53		
H	REVISED TO ADD PARTS LIST	11-1-53		
I	REVISED TO ADD PARTS LIST	11-1-53		
J	REVISED TO ADD PARTS LIST	11-1-53		

DESCRIPTION	DRAWING NO.	PART NO.	REV.
LK201-A KEYBOARD			
UNLESS OTHERWISE SPECIFIED DIMENSIONS ARE IN INCHES AND THE FOLLOWING TOLERANCES APPLY (FOR DIM STD 1:4)			
FINISH	APPLICABLE DIMENSION RANGE	TOLERANCES	
		OVER	UNDER
PLACES TOLERANCES		0.005	0.005
APPLICABLE DIMENSION RANGE		0.005	0.005
SURFACE QUALITY		0.005	0.005
OTHER DIM		0.005	0.005
QUANTITY			
VARIATION			
THIRD ANGLE PROJECTION			
DO NOT SCALE DRAWING			
REMOVE BURRS AND BREAK SHARP CORNERS			
MATERIAL			
SEE PARTS LIST			
DATE			
BY			
CHKD			
APP'D			
DATE			
REVISED TO ADD PARTS LIST			
DATE			
BY			
CHKD			
APP'D			
DATE			
REVISED TO ADD PARTS LIST			
DATE			
BY			
CHKD			
APP'D			
DATE			
REVISED TO ADD PARTS LIST			
DATE			
BY			
CHKD			
APP'D			
DATE			
REVISED TO ADD PARTS LIST			
DATE			
BY			
CHKD			
APP'D			
DATE			
REVISED TO ADD PARTS LIST			
DATE			
BY			
CHKD			
APP'D			
DATE			
REVISED TO ADD PARTS LIST			
DATE			
BY			
CHKD			
APP'D			
DATE			
REVISED TO ADD PARTS LIST			
DATE			
BY			
CHKD			
APP'D			
DATE			
REVISED TO ADD PARTS LIST			
DATE			
BY			
CHKD			
APP'D			
DATE			
REVISED TO ADD PARTS LIST			
DATE			
BY			
CHKD			
APP'D			
DATE			
REVISED TO ADD PARTS LIST			
DATE			
BY			
CHKD			
APP'D			
DATE			
REVISED TO ADD PARTS LIST			
DATE			
BY			
CHKD			
APP'D			
DATE			
REVISED TO ADD PARTS LIST			
DATE			
BY			
CHKD			
APP'D			
DATE			
REVISED TO ADD PARTS LIST			
DATE			
BY			
CHKD			
APP'D			
DATE			
REVISED TO ADD PARTS LIST			
DATE			
BY			
CHKD			
APP'D			
DATE			
REVISED TO ADD PARTS LIST			
DATE			
BY			
CHKD			
APP'D			
DATE			
REVISED TO ADD PARTS LIST			
DATE			
BY			
CHKD			
APP'D			
DATE			
REVISED TO ADD PARTS LIST			
DATE			
BY			
CHKD			
APP'D			
DATE			
REVISED TO ADD PARTS LIST			
DATE			
BY			
CHKD			
APP'D			
DATE			
REVISED TO ADD PARTS LIST			
DATE			
BY			
CHKD			
APP'D			
DATE			
REVISED TO ADD PARTS LIST			
DATE			
BY			
CHKD			
APP'D			
DATE			
REVISED TO ADD PARTS LIST			
DATE			
BY			
CHKD			
APP'D			
DATE			
REVISED TO ADD PARTS LIST			
DATE			
BY			
CHKD			
APP'D			
DATE			
REVISED TO ADD PARTS LIST			
DATE			
BY			
CHKD			
APP'D			
DATE			
REVISED TO ADD PARTS LIST			
DATE			
BY			
CHKD			
APP'D			
DATE			
REVISED TO ADD PARTS LIST			
DATE			
BY			
CHKD			
APP'D			
DATE			
REVISED TO ADD PARTS LIST			
DATE			
BY			
CHKD			
APP'D			
DATE			
REVISED TO ADD PARTS LIST			
DATE			
BY			
CHKD			
APP'D			
DATE			
REVISED TO ADD PARTS LIST			
DATE			
BY			
CHKD			
APP'D			
DATE			
REVISED TO ADD PARTS LIST			
DATE			
BY			
CHKD			
APP'D			
DATE			
REVISED TO ADD PARTS LIST			
DATE			
BY			
CHKD			
APP'D			
DATE			
REVISED TO ADD PARTS LIST			
DATE			
BY			
CHKD			
APP'D			
DATE			
REVISED TO ADD PARTS LIST			
DATE			
BY			
CHKD			
APP'D			
DATE			
REVISED TO ADD PARTS LIST			
DATE			
BY			
CHKD			
APP'D			
DATE			
REVISED TO ADD PARTS LIST			
DATE			
BY			
CHKD			
APP'D			
DATE			
REVISED TO ADD PARTS LIST			
DATE			
BY			
CHKD			
APP'D			
DATE			
REVISED TO ADD PARTS LIST			
DATE			
BY			
CHKD			
APP'D			
DATE			
REVISED TO ADD PARTS LIST			
DATE			
BY			
CHKD			
APP'D			
DATE			
REVISED TO ADD PARTS LIST			
DATE			
BY			
CHKD			
APP'D			
DATE			
REVISED TO ADD PARTS LIST			
DATE			
BY			
CHKD			
APP'D			
DATE			
REVISED TO ADD PARTS LIST			
DATE			
BY			
CHKD			
APP'D			
DATE			
REVISED TO ADD PARTS LIST			
DATE			
BY			
CHKD			
APP'D			
DATE			
REVISED TO ADD PARTS LIST			
DATE			
BY			
CHKD			
APP'D			
DATE			
REVISED TO ADD PARTS LIST			
DATE			
BY			
CHKD			
APP'D			
DATE			
REVISED TO ADD PARTS LIST			
DATE			
BY			
CHKD			
APP'D			
DATE			
REVISED TO ADD PARTS LIST			
DATE			
BY			
CHKD			
APP'D			
DATE			
REVISED TO ADD PARTS LIST			
DATE			
BY			
CHKD			
APP'D			
DATE			
REVISED TO ADD PARTS LIST			
DATE			
BY			
CHKD			
APP'D			
DATE			
REVISED TO ADD PARTS LIST			
DATE			
BY			
CHKD			
APP'D			
DATE			
REVISED TO ADD PARTS LIST			
DATE			
BY			
CHKD			
APP'D			
DATE			
REVISED TO ADD PARTS LIST			
DATE			
BY			
CHKD			
APP'D			
DATE			
REVISED TO ADD PARTS LIST			
DATE			
BY			
CHKD			
APP'D			
DATE			
REVISED TO ADD PARTS LIST			
DATE			
BY			
CHKD			
APP'D			
DATE			
REVISED TO ADD PARTS LIST			
DATE			
BY			
CHKD			
APP'D			
DATE			
REVISED TO ADD PARTS LIST			
DATE			
BY			
CHKD			
APP'D			
DATE			
REVISED TO ADD PARTS LIST			
DATE			
BY			
CHKD			
APP'D			
DATE			
REVISED TO ADD PARTS LIST			
DATE			
BY			
CHKD			
APP'D			
DATE			
REVISED TO ADD PARTS LIST			
DATE			

AUTOMATED BY PRTLST.3P(44)

PARTS LIST

LINE	ITEM	TOP DOCUMENT	PART NUMBER	MIN REV	DESCRIPTION	VARIATION REVISION LEVEL:											
						QTY	PER	VARIATION	AF	AG	AH	AI	AJ	AK	AL		
						A	AA	AC	AD	AE	AF	AG	AH	AI	AJ	AK	AL
1	1	E-AD-7018416-0-0	7018416-00		KEYBOARD ASSY												
2	2	D-AR-7019005-0-DBU	7019005-00		KEYCAP SET WITH U.S. LEGENDS	1	1	1	1	1	1	1	1	1	1	1	1
3	3	E-MD-7426051-0-DBU	7426051-00		SPACE BAR LOW-PROFILE	1	1	-	-	-	-	-	-	-	-	-	-
4	4	C-MD-7427103-0-DBU	7427103-01		EQUALIZER, SPACE BAR	1	1	1	1	1	1	1	1	1	1	1	1
5	5	B-MD-7426989-0-DBU	7426989-01		BAR, EQUALIZER, DOUBLE KEY	1	1	1	1	1	1	1	1	1	1	1	1
6	6		3620219-01		LABEL, KEYBOARD, W/ADH, AMERICAN	2	2	2	2	2	2	2	2	2	2	2	2
7	7		3620312-01		LABEL, SERIAL/REGULATORY	-	-	-	-	-	-	-	-	-	-	-	-
8	8		1700294-00		CABLE, ASSY, CT150 KEYBOARD	1	1	1	1	1	1	1	1	1	1	1	1
9	9		1700083-09		PWR CORD, TERM 3-18 SJT	1	1	1	1	1	1	1	1	1	1	1	1
10	10	A-PA-3700698-0-0	3700698-01		PKKG KEYBOARD LK201-A	125	125	125	125	125	125	125	125	125	125	125	125
11	11	SEE NOTE	4901569-01		LUBRICANT, SILICONE	-	-	-	-	-	-	-	-	-	-	-	-
12	12		1220374-01		SPRING, COMPRESSION .4200DX .250	A/R	A/R	A/R	A/R	A/R	A/R	A/R	A/R	A/R	A/R	A/R	A/R
13	13		1220374-02		SPRING, COMPRESSION HIGH FORCE	5	5	5	5	5	5	5	5	5	5	5	5
14	14	D-AR-7019005-0-DBU	7019005-01		KEYCAP SET W/CAN (FRENCH) LEGEND	3	3	3	3	3	3	3	3	3	3	3	3
15	15	D-AR-7019005-0-DBU	7019005-02		KEYCAP SET W/DANISH LEGENDS	-	-	1	-	-	-	-	-	-	-	-	-
16	16	D-AR-7019005-0-DBU	7019005-03		KEYCAP SET W/ U.K. LEGENDS	-	-	-	1	-	-	-	-	-	-	-	-
17	17	D-AR-7019005-0-DBU	7019005-04		KEYCAP SET W/FINNISH LEGENDS	-	-	-	-	1	-	-	-	-	-	-	-
18	18	D-AR-7019005-0-DBU	7019005-05		KEYCAP SET W/GERMAN LEGENDS	-	-	-	-	-	1	-	-	-	-	-	-
19	19	D-AR-7019005-0-DBU	7019005-06		KEYCAP SET W/HOLLAND LEGENDS	-	-	-	-	-	-	1	-	-	-	-	-
20	20	D-AR-7019005-0-DBU	7019005-07		KEYCAP SET W/ITALIAN LEGENDS	-	-	-	-	-	-	-	1	-	-	-	-
21	21	D-AR-7019005-0-DBU	7019005-08		REPLACED BY 7021081-01	-	-	-	-	-	-	-	-	1	-	-	-
22	22	D-AR-7019005-0-DBU	7019005-09		KEYCAP SET W/SWISS-FRENCH LEGEND	-	-	-	-	-	-	-	-	-	1	-	-
23	23	D-AR-7019005-0-DBU	7019005-10		KEYCAP SET W/SWISS-GERMAN LEGEND	-	-	-	-	-	-	-	-	-	-	1	-
24	24	D-AR-7019005-0-DBU	7019005-11		*** THIS ITEM IS NOT USED ***	-	-	-	-	-	-	-	-	-	-	-	1
25	25	D-AR-7019005-0-DBU	7019005-12		*** THIS ITEM IS NOT USED ***	-	-	-	-	-	-	-	-	-	-	-	-
26	26	D-AR-7019005-0-DBU	7019005-13		*** THIS ITEM IS NOT USED ***	-	-	-	-	-	-	-	-	-	-	-	-
27	27	D-AR-7019005-0-DBU	7019005-14		*** THIS ITEM IS NOT USED ***	-	-	-	-	-	-	-	-	-	-	-	-
28	28	D-AR-7019005-0-DBU	7019005-15		*** THIS ITEM IS NOT USED ***	-	-	-	-	-	-	-	-	-	-	-	-
29	29	D-AR-7019005-0-DBU	7019005-16		*** THIS ITEM IS NOT USED ***	-	-	-	-	-	-	-	-	-	-	-	-
30	30	A-PS-3620219-0-0	3620219-02		LABEL, KEYBOARD, W/ADH, AUSTRIAN/GE	-	-	-	-	-	-	1	-	-	-	-	1

REVISION HISTORY		BASIC PART NO: LK201		DRN: D. HEALY		DATE: 18-MAR-82		D I G I T A L	
ENG	ECO NUMBER	REV	SECTION A OF C	CHK'D:	C. LARSON	DATE:	19-MAY-82	TITLE PARTS LIST	
AL	INITIAL	A	SECTION VARIATION INDEX	DES. ENG:	R. LIETERMANN <td>DATE:</td> <td>19-MAY-82 <td>SIZE</td> <td>CODE</td> </td>	DATE:	19-MAY-82 <td>SIZE</td> <td>CODE</td>	SIZE	CODE
AL	LK201-ML001	B	[A]A, AA, AC, AD, AE, AF,	RESP. ENG.:	A. LEN <td>DATE:</td> <td>19-MAY-82 <td>K</td> <td>PL</td> </td>	DATE:	19-MAY-82 <td>K</td> <td>PL</td>	K	PL
AL	LK201-ML002	C	AG, AH, AI, AJ, AK, AL	MFG. ENG.:	L. QUARLES <td>DATE:</td> <td>19-MAY-82 <td colspan="2">RELEASE DATE:</td> </td>	DATE:	19-MAY-82 <td colspan="2">RELEASE DATE:</td>	RELEASE DATE:	
AL	LK201-ML003	D	[B]AM, AN, AP, AS, AB, AZ,	ASSEMBLY NUMBER:	E-UA-LK201-A-0 <td>TOP DOCUMENT NUMBER:</td> <td>#B-DD-LK201-A <td>FILE NAME:</td> <td>Z4412J.PLS</td> </td>	TOP DOCUMENT NUMBER:	#B-DD-LK201-A <td>FILE NAME:</td> <td>Z4412J.PLS</td>	FILE NAME:	Z4412J.PLS
AL	LK201-A-ML004	E	BA, CA, CE, CG, CP, BE					EDIT	6
AL	LK201-ML006	F	[C]BZ, AT						
AL	LK201-A-ML007	H	[D]						
AL	LK201-ML008	J	[E]						
			[F]						

"THIS DRAWING AND THE SPECIFICATIONS CONTAINED HEREIN ARE CONFIDENTIAL AND PROPRIETARY. THEY ARE THE PROPERTY OF DIGITAL EQUIPMENT CORPORATION AND SHALL NOT BE REPRODUCED OR COPIED OR USED IN WHOLE OR IN PART AS THE BASIS FOR THE MANUFACTURE OR SALE OF ITEMS WITHOUT WRITTEN PERMISSION. THIS IS AN UNPUBLISHED WORK PROTECTED UNDER THE FEDERAL COPYRIGHT LAWS."



LINE	ITEM	TOP DOCUMENT	PART NUMBER	MIN REV	DESCRIPTION	QTY PER VARIATION																	
						A	AA	AC	AD	AE	AF	AG	AH	AI	AJ	AK	AL						
31	31	A-PS-3620219-0-0	3620219-03		LABEL,KEYBOARD,W/ADH,DANISH	-	-	-	1	-	-	-	-	-	-	-	-	-	-	-	-	-	-
32	32	A-PS-3620219-0-0	3620219-04		LABEL,KEYBOARD,W/ADH,FRENCH	-	-	1	-	-	-	-	-	-	-	-	-	-	-	-	1	-	-
33	33	A-PS-3620219-0-0	3620219-05		LABEL,KEYBOARD,W/ADH,FINNISH	-	-	-	-	-	1	-	-	-	-	-	-	-	-	-	-	-	-
34	34	A-PS-3620219-0-0	3620219-06		LABEL,KEYBOARD,W/ADH,DUTCH	-	-	-	-	-	-	-	-	-	1	1	-	-	-	-	-	-	-
35	35	A-PS-3620219-0-0	3620219-07		*** THIS ITEM IS NOT USED ***	-	-	-	-	-	-	-	-	-	-	-	-	-	-	-	-	-	-
36	36	A-PS-3620219-0-0	3620219-08		*** THIS ITEM IS NOT USED ***	-	-	-	-	-	-	-	-	-	-	-	-	-	-	-	-	-	-
37	37	A-PS-3620219-0-0	3620219-09		*** THIS ITEM IS NOT USED ***	-	-	-	-	-	-	-	-	-	-	-	-	-	-	-	-	-	-
38	38	A-PS-3620219-0-0	3620219-10		*** THIS ITEM IS NOT USED ***	-	-	-	-	-	-	-	-	-	-	-	-	-	-	-	-	-	-
39	39	A-PS-3620219-0-0	3620219-11		LABEL,KEYBOARD,W/ADH,KATAKANA	-	-	-	-	-	-	-	-	-	-	-	-	-	-	1	-	-	-
40	40	A-PS-3620219-0-0	3620219-13		*** THIS ITEM IS NOT USED ***	-	-	-	-	-	-	-	-	-	-	-	-	-	-	-	-	-	-
41	41		1700209-00		PWR CORD,TERM 3-.75MM 5A 250	-	-	-	-	1	-	-	-	-	-	-	-	-	-	-	-	-	-
42	42		1700199-00		PWR CORD,TERM 3 250	-	-	-	-	-	1	1	1	-	-	-	-	-	-	-	-	-	-
43	43		1700310-01		PWR CORD,TERM 3-.75MM 250	-	-	-	1	-	-	-	-	-	-	-	-	-	-	-	-	-	-
44	44		1700210-00		PWR CORD,TERM 3-.75MM 250V 6	-	-	-	-	-	-	-	-	-	-	-	-	-	-	1	1	-	-
45	45		1700198-00		*** THIS ITEM IS NOT USED ***	-	-	-	-	-	-	-	-	-	-	-	-	-	-	-	-	-	-
46	46	D-MD-7427577-0-DBU	7427577-01		FOOT,KEYBOARD SLOPE,5 DEGREES	-	2	2	2	2	2	2	2	2	2	2	2	2	2	2	2	2	2
47	47		1700364-01		PWR CORD,TERM 3-.75MM 250V	-	-	-	-	-	-	-	-	-	1	-	-	-	-	-	-	-	-
48	48	A-PS-3620219-0-0	3620219-17		*** THIS ITEM IS NOT USED ***	-	-	-	-	-	-	-	-	-	-	-	-	-	-	-	-	-	-
49	49	A-PS-3620219-0-0	3620219-18		*** THIS ITEM IS NOT USED ***	-	-	-	-	-	-	-	-	-	-	-	-	-	-	-	-	-	-
50	50		1700397-01		*** THIS ITEM IS NOT USED ***	-	-	-	-	-	-	-	-	-	-	-	-	-	-	-	-	-	-
51	51	D-AR-7019005-0-DBU	7019005-17		*** THIS ITEM IS NOT USED ***	-	-	-	-	-	-	-	-	-	-	-	-	-	-	-	-	-	-
52	52	D-AR-7019005-0-DBU	7019005-18		*** THIS ITEM IS NOT USED ***	-	-	-	-	-	-	-	-	-	-	-	-	-	-	-	-	-	-
53	53	D-AR-7019005-0-DBU	7019005-19		*** THIS ITEM IS NOT USED ***	-	-	-	-	-	-	-	-	-	-	-	-	-	-	-	-	-	-
54	54	D-AR-7019005-0-DBU	7019005-20		*** THIS ITEM IS NOT USED ***	-	-	-	-	-	-	-	-	-	-	-	-	-	-	-	-	-	-
55	55		3620312-03		*** THIS ITEM IS NOT USED ***	-	-	-	-	-	-	-	-	-	-	-	-	-	-	-	-	-	-
56	56		1700083-26		*** THIS ITEM IS NOT USED ***	-	-	-	-	-	-	-	-	-	-	-	-	-	-	-	-	-	-
57	57	K-PL-7019005-0-DBP	7019005-21		KEYCAP SET W/DECMATE UK LEGENDS	0	0	0	0	0	0	0	0	0	0	0	0	0	0	0	0	0	0
58	58	D-AR-7019005-0-DBU	7019005-22		*** THIS ITEM IS NOT USED ***	-	-	-	-	-	-	-	-	-	-	-	-	-	-	-	-	-	-
59	59	A-PS-3620219-0-0	3620219-19		*** THIS ITEM IS NOT USED ***	-	-	-	-	-	-	-	-	-	-	-	-	-	-	-	-	-	-

60 NOTE: QUANTITY OF ITEM #11 IS .0002 GALS.

D I G I T A L	TITLE	SECTION A OF C	SIZE	CODE	DOCUMENT NUMBER	REV
	LK201 KEYBOARD		K	PL	LK201-A-DBP	J

PARTS LIST

LINE	ITEM	TOP DOCUMENT	PART NUMBER	MIN REV	DESCRIPTION	VARIATION REVISION LEVEL:												
						AM	AN	AP	AS	AB	AZ	BA	CA	CE	CG	CP	BE	
1	1	E-AD-7018416-0-0	7018416-00		KEYBOARD ASSY	1	1	1	1	1	1	1	1	1	1	1	1	1
2	2	D-AR-7019005-0-DBU	7019005-00		KEYCAP SET WITH U.S. LEGENDS	-	-	-	-	-	1	1	1	1	1	1	1	1
3	3	E-MD-7426051-0-DBU	7426051-00		SPACE BAR LOW-PROFILE	1	1	1	1	1	1	1	1	1	1	1	1	1
4	4	C-MD-7427103-0-DBU	7427103-01		EQUALIZER, SPACE BAR	1	1	1	1	1	1	1	1	1	1	1	1	1
5	5	B-MD-7426989-0-DBU	7426989-01		BAR, EQUALIZER, DOUBLE KEY	2	2	2	2	2	2	2	2	2	2	2	2	2
6	6		3620219-01		LABEL, KEYBOARD, W/AOH, AMERICAN	-	-	-	-	-	1	1	1	1	1	1	1	1
7	7		3620312-01		LABEL, SERIAL/REGULATORY	1	1	1	1	1	1	1	1	1	1	1	1	1
8	8		1700294-00		CABLE, ASSY, CT150 KEYBOARD	1	1	1	1	1	1	1	1	1	1	1	1	1
9	9		1700083-09		PWR CORD, TERM 3-18 SJT	125	125	125	125	125	125	125	125	125	125	125	125	125
10	10	A-PA-3700698-0-0	3700698-01		PKKG KEYBOARD LK201-A	1	1	1	1	1	1	1	1	1	1	1	1	1
11	11	SEE NOTE	4901569-01		LUBRICANT, SILICONE	A/R	A/R	A/R	A/R	A/R	A/R	A/R	A/R	A/R	A/R	A/R	A/R	A/R
12	12		1220374-01		SPRING, COMPRESSION .4200DX .25	5	5	5	5	5	5	5	5	5	5	5	5	5
13	13		1220374-02		SPRING, COMPRESSION HIGH FORCE	3	3	3	3	3	3	3	3	3	3	3	3	3
14	14	D-AR-7019005-0-DBU	7019005-01		*** THIS ITEM IS NOT USED ***	-	-	-	-	-	-	-	-	-	-	-	-	-
15	15	D-AR-7019005-0-DBU	7019005-02		*** THIS ITEM IS NOT USED ***	-	-	-	-	-	-	-	-	-	-	-	-	-
16	16	D-AR-7019005-0-DBU	7019005-03		*** THIS ITEM IS NOT USED ***	-	-	-	-	-	-	-	-	-	-	-	-	-
17	17	D-AR-7019005-0-DBU	7019005-04		*** THIS ITEM IS NOT USED ***	-	-	-	-	-	-	-	-	-	-	-	-	-
18	18	D-AR-7019005-0-DBU	7019005-05		*** THIS ITEM IS NOT USED ***	-	-	-	-	-	-	-	-	-	-	-	-	-
19	19	D-AR-7019005-0-DBU	7019005-06		*** THIS ITEM IS NOT USED ***	-	-	-	-	-	-	-	-	-	-	-	-	-
20	20	D-AR-7019005-0-DBU	7019005-07		*** THIS ITEM IS NOT USED ***	-	-	-	-	-	-	-	-	-	-	-	-	-
21	21	D-AR-7019005-0-DBU	7019005-08		*** THIS ITEM IS NOT USED ***	-	-	-	-	-	-	-	-	-	-	-	-	-
22	22	D-AR-7019005-0-DBU	7019005-09		*** THIS ITEM IS NOT USED ***	-	-	-	-	-	-	-	-	-	-	-	-	-
23	23	D-AR-7019005-0-DBU	7019005-10		*** THIS ITEM IS NOT USED ***	-	-	-	-	-	-	-	-	-	-	-	-	-
24	24	D-AR-7019005-0-DBU	7019005-11		KEYCAP SET W/SWEDISH LEGENDS	1	1	1	1	1	1	1	1	1	1	1	1	1
25	25	D-AR-7019005-0-DBU	7019005-12		KEYCAP SET W/NORWEGIAN LEGEND	-	1	-	-	-	-	-	-	-	-	-	-	-
26	26	D-AR-7019005-0-DBU	7019005-13		KEYCAP SET W/FRENCH LEGENDS	-	-	1	-	-	-	-	-	-	-	-	-	-
27	27	D-AR-7019005-0-DBU	7019005-14		KEYCAP SET W/SPAIN LEGENDS	-	-	-	1	-	-	-	-	-	-	-	-	-
28	28	D-AR-7019005-0-DBU	7019005-15		KEYCAP SET W/DECMATE II LEGEND	-	-	-	-	-	1	-	-	-	-	-	-	-
29	29	D-AR-7019005-0-DBU	7019005-16		KEYCAP SET/FLEMISH LEGENDS	-	-	-	-	1	-	-	-	-	-	-	-	-
30	30	A-PS-3620219-0-0	3620219-02		*** THIS ITEM IS NOT USED ***	-	-	-	-	-	-	-	-	-	-	-	-	-

REVISION HISTORY			BASIC PART NO: LK201			DRN: D. HEALY			DATE: 18-MAR-82			D I G I T A L		
ENG	ECO NUMBER	REV	SECTION B OF C	CHK'D:	C. LARSON	DATE:	19-MAY-82	TITLE	PARTS LIST					
AL	!LK201-ML001	A	SECTION VARIATION INDEX	DES. ENG.:	R. LIETERMANN	DATE:	19-MAY-82	SIZE	CODE	NUMBER	REV			
AL	!LK201-ML002	B	[A] A, AA, AC, AD, AE, AF,	RESP. ENG.:	A. LEN	DATE:	19-MAY-82	K	PL	LK201-A-DBP	J			
AL	!LK201-ML003	C	AG, AH, AI, AJ, AK, AL,	MFG. ENG.:	L. QUARLES	DATE:	19-MAY-82	RELEASE DATE:						
AL	!LK201-ML004	D	[B] AM, AN, AP, AS, AB, AZ,	ASSEMBLY NUMBER:	E-UA-LK201-A-0	TOP DOCUMENT NUMBER:	#B-DD-LK201-A	FILE NAME:	Z4412J.PLS					
AL	!LK201-ML006	E	BA, CA, CE, CG, CP, BE							EDIT #				
AL	!LK201-ML007	F	[C] BZ, AT							6				
AL	!LK201-ML008	H	[D]											
		J	[E]											
			[F]											

"THIS DRAWING AND THE SPECIFICATIONS CONTAINED HEREIN ARE CONFIDENTIAL AND PROPRIETARY. THEY ARE THE PROPERTY OF DIGITAL EQUIPMENT CORPORATION AND SHALL NOT BE REPRODUCED OR COPIED OR USED IN WHOLE OR IN PART AS THE BASIS FOR THE MANUFACTURE OR SALE OF ITEMS WITHOUT WRITTEN PERMISSION. THIS IS AN UNPUBLISHED WORK PROTECTED UNDER THE FEDERAL COPYRIGHT LAWS."

LINE ITEM	TOP DOCUMENT	PART NUMBER	MIN REV	DESCRIPTION	VARIATION REVISION LEVEL:												
					AM	AN	AP	AS	AB	AZ	BA	CA	CE	CG	CP	BE	
31	31	A-PS-3620219-0-0	3620219-03	*** THIS ITEM IS NOT USED ***	-	-	-	-	-	-	-	-	-	-	-	-	-
32	32	A-PS-3620219-0-0	3620219-04	LABEL,KEYBOARD,W/ADH,FRENCH	-	-	1	-	-	-	-	-	-	-	-	-	-
33	33	A-PS-3620219-0-0	3620219-05	*** THIS ITEM IS NOT USED ***	-	-	-	-	-	-	-	-	-	-	-	-	-
34	34	A-PS-3620219-0-0	3620219-06	LABEL,KEYBOARD,W/ADH,DUTCH	-	-	-	-	1	-	-	-	-	-	-	-	-
35	35	A-PS-3620219-0-0	3620219-07	*** THIS ITEM IS NOT USED ***	-	-	-	-	-	-	-	-	-	-	-	-	-
36	36	A-PS-3620219-0-0	3620219-08	LABEL,KEYBOARD,W/ADH,SPANISH	-	-	-	1	-	-	-	-	-	-	-	-	-
37	37	A-PS-3620219-0-0	3620219-09	LABEL,KEYBOARD,W/ADH,SWEDISH	1	-	-	-	-	-	-	-	-	-	-	-	-
38	38	A-PS-3620219-0-0	3620219-10	LABEL,KEYBOARD,W/ADH,NORWEIGN	-	1	-	-	-	-	-	-	-	-	-	-	-
39	39	A-PS-3620219-0-0	3620219-11	*** THIS ITEM IS NOT USED ***	-	-	-	-	-	-	-	-	-	-	-	-	-
40	40	A-PS-3620219-0-0	3620219-13	LABEL,KEYBOARD,DECMATE II	-	-	-	-	-	-	1	-	-	-	-	-	1
41	41		1700209-00	PWR CORD,TERM 3- .75MM 5A 250	-	-	-	-	-	-	-	-	1	-	-	1	-
42	42		1700199-00	PWR CORD,TERM 3 250	1	1	1	1	1	-	-	-	-	1	1	1	-
43	43		1700310-01	*** THIS ITEM IS NOT USED ***	-	-	-	-	-	-	-	-	-	-	-	-	-
44	44		1700210-00	*** THIS ITEM IS NOT USED ***	-	-	-	-	-	-	-	-	-	-	-	-	-
45	45		1700198-00	PWR CORD,TERM 3-18 250	-	-	-	-	-	1	-	-	-	-	-	-	-
46	46	D-MD-7427577-0-DBU	7427577-01	FOOT,KEYBOARD SLOPE,5 DEGREES	2	2	2	2	2	2	2	2	2	2	2	2	2
47	47		1700364-01	*** THIS ITEM IS NOT USED ***	-	-	-	-	-	-	-	-	-	-	-	-	-
48	48	A-PS-3620219-0-0	3620219-17	LABEL,KEYBOARD,ENGLISH,VAXSTATIO	-	-	-	-	-	-	-	1	1	-	-	-	-
49	49	A-PS-3620219-0-0	3620219-18	LABEL,KEYBOARD,FOREIGN,VAXSTATIO	-	-	-	-	-	-	-	-	-	1	1	-	-
50	50		1700397-01	CABLE ASSY,COIL CORD 14'LG	-	-	-	-	-	-	-	1	1	1	1	-	-
51	51	D-AR-7019005-0-DBU	7019005-17	REPLACED BY 7021081-01	-	-	-	-	-	-	-	1	-	-	-	-	-
52	52	D-AR-7019005-0-DBU	7019005-18	KEYCAP SET W/VAX UK LEGENDS	-	-	-	-	-	-	-	-	1	-	-	-	-
53	53	D-AR-7019005-0-DBU	7019005-19	KEYCAP SET W/VAX GERMAN LEGENDS	-	-	-	-	-	-	-	-	-	1	-	-	-
54	54	D-AR-7019005-0-DBU	7019005-20	KEYCAP SET W/VAX FRENCH LEGENDS	-	-	-	-	-	-	-	-	-	-	1	-	-
55	55		3620312-03	LABEL,SERIAL/REGULATORY LK201-CA	-	-	-	-	-	-	-	1	1	1	1	-	-
56	56		1700083-26	PWR CORD,TERM 3-18 SJT 125V	-	-	-	-	-	-	-	1	-	-	-	-	-
57	57	K-PL-7019005-0-DBP	7019005-21	KEYCAP SET W/DECMATE UK LEGENDS	0	0	0	0	0	0	0	0	0	0	0	0	0
58	58	D-AR-7019005-0-DBU	7019005-22	*** THIS ITEM IS NOT USED ***	-	-	-	-	-	-	-	-	-	-	-	-	-
59	59	A-PS-3620219-0-0	3620219-19	*** THIS ITEM IS NOT USED ***	-	-	-	-	-	-	-	-	-	-	-	-	-

60 NOTE: QUANTITY OF ITEM #11 IS .0002 GALS.

D	I	G	I	T	A	L	TITLE	LK201 KEYBOARD	SECTION B OF C	SIZE	CODE	DOCUMENT NUMBER	REV
										K	PL	LK201-A-DBP	J

LINE	ITEM	TOP DOCUMENT	PART NUMBER	MIN REV	DESCRIPTION	QTY	PER	VARIATION
						BZ	AT	
1	1	E-AD-7018416-0-0	7018416-00		KEYBOARD ASSY	1	1	
2	2	D-AR-7019005-0-DBU	7019005-00		*** THIS ITEM IS NOT USED ***	-	-	
3	3	E-MD-7426051-0-DBU	7426051-00		SPACE BAR LOW-PROFILE	1	1	
4	4	C-MD-7427103-0-DBU	7427103-01		EQUALIZER, SPACE BAR	1	1	
5	5	B-MD-7426989-0-DBU	7426989-01		BAR, EQUALIZER, DOUBLE KEY	2	2	
6	6		3620219-01		*** THIS ITEM IS NOT USED ***	-	-	
7	7		3620312-01		LABEL, SERIAL/REGULATORY	1	1	
8	8		1700294-00		CABLE, ASSY, CT150 KEYBOARD	1	1	
9	9		1700083-09		PWR CORD, TERM 3-18 SJT	125	1	
10	10	A-PA-3700698-0-0	3700698-01		PKKG KEYBOARD LK201-A	-	1	
11	11	SEE NOTE	4901569-01		LUBRICANT, SILICONE	A/R	A/R	
12	12		1220374-01		SPRING, COMPRESSION .42000X .250	5	5	
13	13		1220374-02		SPRING, COMPRESSION HIGH FORCE	3	3	
14	14	D-AR-7019005-0-DBU	7019005-01		*** THIS ITEM IS NOT USED ***	-	-	
15	15	D-AR-7019005-0-DBU	7019005-02		*** THIS ITEM IS NOT USED ***	-	-	
16	16	D-AR-7019005-0-DBU	7019005-03		*** THIS ITEM IS NOT USED ***	-	-	
17	17	D-AR-7019005-0-DBU	7019005-04		*** THIS ITEM IS NOT USED ***	-	-	
18	18	D-AR-7019005-0-DBU	7019005-05		*** THIS ITEM IS NOT USED ***	-	-	
19	19	D-AR-7019005-0-DBU	7019005-06		*** THIS ITEM IS NOT USED ***	-	-	
20	20	D-AR-7019005-0-DBU	7019005-07		*** THIS ITEM IS NOT USED ***	-	-	
21	21	D-AR-7019005-0-DBU	7019005-08		*** THIS ITEM IS NOT USED ***	-	-	
22	22	D-AR-7019005-0-DBU	7019005-09		*** THIS ITEM IS NOT USED ***	-	-	
23	23	D-AR-7019005-0-DBU	7019005-10		*** THIS ITEM IS NOT USED ***	-	-	
24	24	D-AR-7019005-0-DBU	7019005-11		*** THIS ITEM IS NOT USED ***	-	-	
25	25	D-AR-7019005-0-DBU	7019005-12		*** THIS ITEM IS NOT USED ***	-	-	
26	26	D-AR-7019005-0-DBU	7019005-13		*** THIS ITEM IS NOT USED ***	-	-	
27	27	D-AR-7019005-0-DBU	7019005-14		*** THIS ITEM IS NOT USED ***	-	-	
28	28	D-AR-7019005-0-DBU	7019005-15		KEYCAP SET W/DECMATE II LEGEND	1	-	
29	29	D-AR-7019005-0-DBU	7019005-16		*** THIS ITEM IS NOT USED ***	-	-	
30	30	A-PS-3620219-0-0	3620219-02		*** THIS ITEM IS NOT USED ***	-	-	

REVISION HISTORY		BASIC PART NO: LK201		DRN: D. HEALY	DATE: 18-MAR-82	D I G I T A L		
ENG	ECO NUMBER	REV	SECTION C OF C	CHK'D: C. LARSON	DATE: 19-MAY-82	TITLE PARTS LIST		
AL	LK201-ML001	B	[A]A, AA, AC, AD, AE, AF,	DES. ENG: R. LIETERMANN	DATE: 19-MAY-82	DOCUMENT NUMBER		
AL	LK201-ML002	C	AG, AH, AI, AJ, AK, AL	RESP. ENG.: A. LEN	DATE: 19-MAY-82	SIZE	CODE	NUMBER
AL	LK201-ML003	D	[B]AM, AN, AP, AS, AB, AZ,	MFG. ENG.: L. QUARLES	DATE: 19-MAY-82	K	PL	LK201-A-DBP
AL	LK201-A-ML004	E	BA, CA, CE, CG, CP, BE	ASSEMBLY NUMBER:	TOP DOCUMENT NUMBER:	FILE NAME:		EDIT #
AL	LK201-ML006	F	[C]BZ, AT	E-UA-LK201-A-0	#B-DD-LK201-A	Z4412J.PLS		6
AL	LK201-A-ML007	H	[D]	RELEASE DATE:				
AL	LK201-ML008	J	[E]					
			[F]					

"THIS DRAWING AND THE SPECIFICATIONS CONTAINED HEREIN ARE CONFIDENTIAL AND PROPRIETARY. THEY ARE THE PROPERTY OF DIGITAL EQUIPMENT CORPORATION AND SHALL NOT BE REPRODUCED OR COPIED OR USED IN WHOLE OR IN PART AS THE BASIS FOR THE MANUFACTURE OR SALE OF ITEMS WITHOUT WRITTEN PERMISSION. THIS IS AN UNPUBLISHED WORK PROTECTED UNDER THE FEDERAL COPYRIGHT LAWS."

LINE	ITEM	TOP DOCUMENT	PART NUMBER	MIN REV	DESCRIPTION	QTY PER VARIATION	
						BZ	AT
						VARIATION REVISION LEVEL:	
31	31	A-PS-3620219-0-0	3620219-03		*** THIS ITEM IS NOT USED ***	-	-
32	32	A-PS-3620219-0-0	3620219-04		*** THIS ITEM IS NOT USED ***	-	-
33	33	A-PS-3620219-0-0	3620219-05		*** THIS ITEM IS NOT USED ***	-	-
34	34	A-PS-3620219-0-0	3620219-06		*** THIS ITEM IS NOT USED ***	-	-
35	35	A-PS-3620219-0-0	3620219-07		*** THIS ITEM IS NOT USED ***	-	-
36	36	A-PS-3620219-0-0	3620219-08		*** THIS ITEM IS NOT USED ***	-	-
37	37	A-PS-3620219-0-0	3620219-09		*** THIS ITEM IS NOT USED ***	-	-
38	38	A-PS-3620219-0-0	3620219-10		*** THIS ITEM IS NOT USED ***	-	-
39	39	A-PS-3620219-0-0	3620219-11		*** THIS ITEM IS NOT USED ***	-	-
40	40	A-PS-3620219-0-0	3620219-13		*** THIS ITEM IS NOT USED ***	-	-
41	41		1700209-00		*** THIS ITEM IS NOT USED ***	-	-
42	42		1700199-00		*** THIS ITEM IS NOT USED ***	-	-
43	43		1700310-01		*** THIS ITEM IS NOT USED ***	-	-
44	44		1700210-00		*** THIS ITEM IS NOT USED ***	-	-
45	45		1700198-00		*** THIS ITEM IS NOT USED ***	-	-
46	46	D-MD-7427577-0-DBU	7427577-01		FOOT,KEYBOARD SLOPE,5 DEGREES	-	2
47	47		1700364-01		*** THIS ITEM IS NOT USED ***	-	-
48	48	A-PS-3620219-0-0	3620219-17		*** THIS ITEM IS NOT USED ***	-	-
49	49	A-PS-3620219-0-0	3620219-18		*** THIS ITEM IS NOT USED ***	-	-
50	50		1700397-01		*** THIS ITEM IS NOT USED ***	-	-
51	51	D-AR-7019005-0-DBU	7019005-17		*** THIS ITEM IS NOT USED ***	-	-
52	52	D-AR-7019005-0-DBU	7019005-18		*** THIS ITEM IS NOT USED ***	-	-
53	53	D-AR-7019005-0-DBU	7019005-19		*** THIS ITEM IS NOT USED ***	-	-
54	54	D-AR-7019005-0-DBU	7019005-20		*** THIS ITEM IS NOT USED ***	-	-
55	55		3620312-03		*** THIS ITEM IS NOT USED ***	-	-
56	56		1700083-26		*** THIS ITEM IS NOT USED ***	-	-
57	57	K-PL-7019005-0-DBP	7019005-21		KEYCAP SET W/DECMATE UK LEGENDS	0	0
58	58	D-AR-7019005-0-DBU	7019005-22		REPLACED BY 7021081-01	-	1
59	59	A-PS-3620219-0-0	3620219-19		LABEL,KEYBOARD,W/ADH,HEBREW	-	1

60 NOTE: QUANTITY OF ITEM #11 IS .0002 GALS.

D	I	G	I	T	A	L	TITLE	LK201 KEYBOARD	SECTION C OF C	SIZE	CODE	DOCUMENT NUMBER	REV
										K	PL	LK201-A-DBP	J

**digital****PARTS LIST**

QUANTITY / VARIATION

NOTES:

DRN. P. MOLLE  
DATE 5-14-82DES. ENG. R. LEITTERMANN  
DATE 7-1-82MFG. ENG. L. QUARLES  
7-1-82CHK'D. C. LARSEN  
DATE 5-21-82RESP. ENG. ARTHUR LEN  
DATE 7-1-82NEXT HIGHER DOC.  
B-DD-LK201-A

ITEM NO.	DRAWING NO.	PART NO.	DESCRIPTION	QUANTITY / VARIATION												REFERENCE DESIGNATORS		
				LK201-A	LK201-AA	LK201-AC	LK201-AD	LK201-AE	LK201-AF	LK201-AG	LK201-AH	LK201-AI	LK201-AJ	LK201-AK	LK201-AL			
1	E-UA-LK201-A-0	LK201-A	LK201 KEYBOARD	1	-	-	-	-	-	-	-	-	-	-	-	-	-	-
2	E-UA-LK201-A-0	LK201-AA	LK201A KEYBOARD W/US KEYCAPS	-	1	-	-	-	-	-	-	-	-	-	-	-	-	-
3	E-UA-LK201-A-0	LK201-AC	LK201 KEYBOARD W/CANADA (FRENCH) KEYCAPS	-	-	1	-	-	-	-	-	-	-	-	-	-	-	-
4	E-UA-LK201-A-0	LK201-AD	LK201 KEYBOARD W/DANISH KEYCAPS	-	-	-	1	-	-	-	-	-	-	-	-	-	-	-
5	E-UA-LK201-A-0	LK201-AE	LK201 KEYBOARD W/U.K. KEYCAPS	-	-	-	-	1	-	-	-	-	-	-	-	-	-	-
6	E-UA-LK201-A-0	LK201-AF	LK201 KEYBOARD W/FINNISH KEYCAPS	-	-	-	-	-	1	-	-	-	-	-	-	-	-	-
7	E-UA-LK201-A-0	LK201-AG	LK201 KEYBOARD W/GERMAN KEYCAPS	-	-	-	-	-	-	1	-	-	-	-	-	-	-	-
8	E-UA-LK201-A-0	LK201-AH	LK201 KEYBOARD W/DUTCH KEYCAPS	-	-	-	-	-	-	-	1	-	-	-	-	-	-	-
9	E-UA-LK201-A-0	LK201-AI	LK201 KEYBOARD W/ITALIAN KEYCAPS	-	-	-	-	-	-	-	-	1	-	-	-	-	-	-
10	E-UA-LK201-A-0	LK201-AJ	LK201 KEYBOARD W/KATAKANA KEYCAPS	-	-	-	-	-	-	-	-	-	1	-	-	-	-	-
11	E-UA-LK201-A-0	LK201-AK	LK201 KEYBOARD W/SWISS FRENCH KEYCAPS	-	-	-	-	-	-	-	-	-	-	-	1	-	-	-
12	E-UA-LK201-A-0	LK201-AL	LK201 KEYBOARD W/SWISS GERMAN KEYCAPS	-	-	-	-	-	-	-	-	-	-	-	-	-	1	-

ECO NO.  
ML002  
ML006  
ML007  
ML008THIS DRAWING AND SPECIFICATIONS, HEREIN, ARE THE PROPERTY OF DIGITAL EQUIPMENT CORPORATION AND SHALL NOT BE REPRODUCED OR COPIED OR USED IN WHOLE OR IN PART AS THE BASIS FOR THE MANUFACTURE OR SALE OF ITEMS WITHOUT WRITTEN PERMISSION.  
COPYRIGHT © 1982 DIGITAL EQUIPMENT CORPORATIONTITLE  
SHIPPING LIST

ASSY. NO. \_\_\_\_\_

SIZE  
BCODE  
PLNUMBER  
LK201-AREV.  
E

SECTION 1 OF 1

SHEET 1 OF 3

**digital****PARTS LIST**

QUANTITY / VARIATION

NOTES:

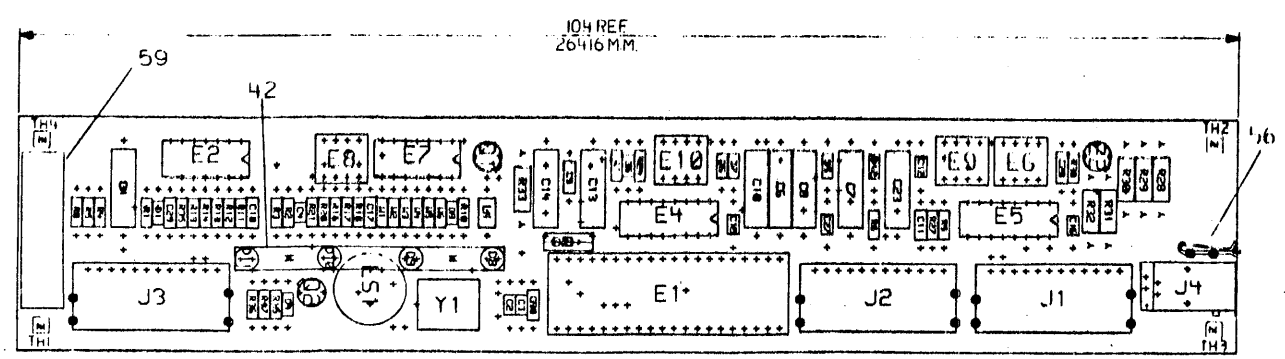
DRN. P. MOLLE DATE 5-14-82	DES. ENG. R. LEITTERMANN DATE 7-1-82	MFG. ENG. L. QUARLES DATE 7-1-82
CHK'D. C. LARSEN DATE 5-21-82	RESP. ENG. ARTHUR LEN DATE 7-1-82	NEXT HIGHER DOC. D-DD-LK201-A

ITEM NO.	DRAWING NO.	PART NO.	DESCRIPTION	LK201-AM	LK201-AN	LK201-AP	LK201-AS	LK201-AB	LK201-AZ	LK201-BA	LK201-CA	LK201-CE	LK201-CG	LK201-CP	REFERENCE DESIGNATORS
13	E-UA-LK201-A-0	LK201-AM	LK201 KEYBOARD W/SWEDISH KEYCAPS	1	-	-	-	-	-	-	-	-	-	-	
14	E-UA-LK201-A-0	LK201-AN	LK201 KEYBOARD W/NORWEGIAN KEYCAPS	-	1	-	-	-	-	-	-	-	-	-	
15	E-UA-LK201-A-0	LK201-AP	LK201 KEYBOARD W/FRENCH KEYCAPS	-	-	1	-	-	-	-	-	-	-	-	
16	E-UA-LK201-A-0	LK201-AS	LK201 KEYBOARD W/SPANISH KEYCAPS	-	-	-	1	-	-	-	-	-	-	-	
17	E-UA-LK201-A-0	LK201-AB	LK201 KEYBOARD W/FLEMISH KEYCAPS	-	-	-	-	1	-	-	-	-	-	-	
18	E-UA-LK201-A-0	LK201-AZ	LK201 KEYBOARD W/U.S. KEYCAPS	-	-	-	-	-	1	-	-	-	-	-	
19	E-UA-LK201-A-0	LK201-BA	LK201 KEYBOARD W/DECMATE (U.S.) KEYCAPS	-	-	-	-	-	-	1	-	-	-	-	
20	E-UA-LK201-A-0	LK201-CA	LK201 KEYBOARD (VAX STATION) W/U.S. KEYCAPS	-	-	-	-	-	-	-	1	-	-	-	
21	E-UA-LK201-A-0	LK201-CE	LK201 KEYBOARD (VAX STATION) W/UK KEYCAPS	-	-	-	-	-	-	-	-	1	-	-	
22	E-UA-LK201-A-0	LK201-CG	LK201 KEYBOARD (VAX STATION) W/GERMAN KEYCAPS	-	-	-	-	-	-	-	-	-	1	-	
23	E-UA-LK201-A-0	LK201-CP	LK201 KEYBOARD (VAX STATION) W/FRENCH KEYCAPS	-	-	-	-	-	-	-	-	-	-	1	

ALL DIMENSIONS AND SPECIFICATIONS HEREIN ARE THE PROPERTY OF DIGITAL EQUIPMENT CORPORATION. THIS DOCUMENT IS NOT TO BE REPRODUCED OR COPIED OR USED IN WHOLE OR IN PART AS THE BASIS FOR THE SALE OF ITEMS WITHOUT WRITTEN PERMISSION. DIGITAL EQUIPMENT CORPORATION

TITLE	ASSY. NO.	SIZE	CODE	NUMBER	REV.
SHIPPING LIST	NONE	B	PL	LK201-A	E
SECTION	OF	SHEET		2	OF 3

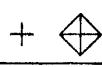
1. A drawing and specification shall be prepared and approved by the design engineer and the project engineer before any work is started. 2. The drawing shall be prepared in accordance with the standards of the company. 3. The drawing shall be prepared in accordance with the standards of the industry. 4. The drawing shall be prepared in accordance with the standards of the government.



NOTES:

STEP	Y AXIS	STEP	TIMS
1			
2			
3			
4			
5			

DATE	BY	DESCRIPTION



ETCH REV. P2-P1

SIGNATURES	DATE	SIZE	CODE	NUMBER
CHK. D. <i>D. D.</i>	2/22/72			
RECH. ENG. <i>D. D.</i>				
PROJ. ENG. <i>D. D.</i>	2/22/72			
SCALE 1:1				
SHT. 1 OF 1				
NEXT HIGHER ASSY. 11-00				
		digital		
			11000000	
			11000000	
			11000000	
			11000000	



THIS DRAWING AND THE INFORMATION HEREON ARE THE PROPERTY OF DATA GENERAL CORPORATION AND SHALL NOT BE REPRODUCED OR COPIED OR USED IN WHOLE OR IN PART AS THE BASIS OF ANY OTHER DRAWING OR DESIGN WITHOUT THE WRITTEN PERMISSION OF DATA GENERAL CORPORATION. COPYRIGHT © 1978

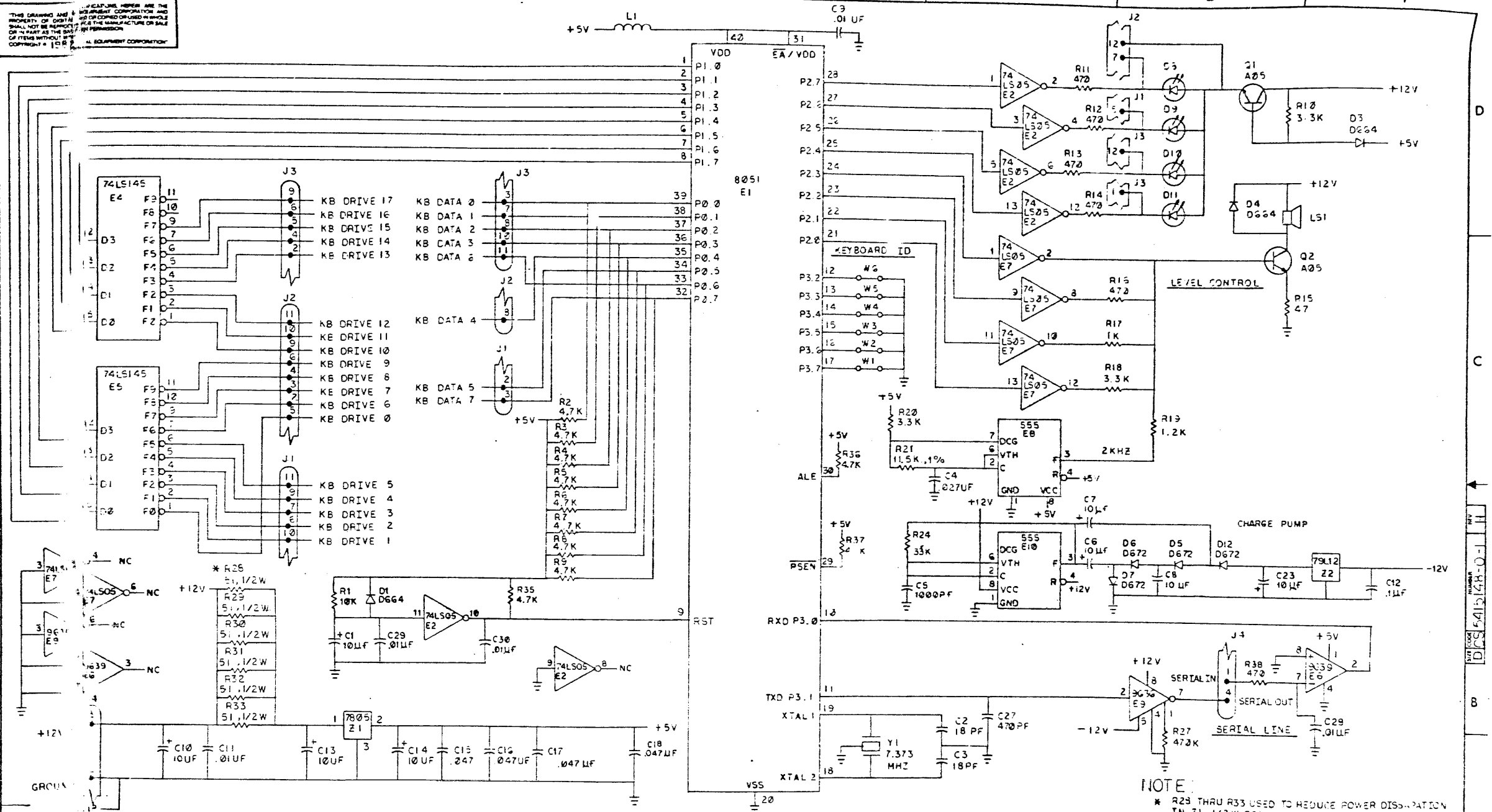
D  
C  
B  
A

TO FCC

DATE	INITIAL	ECO NUMBER	REV
5/23/78	ML	5415148-ML000	A
			B

DATE	INITIAL	ECO NUMBER	REV
5/23/78	ML	5415148-ML000	A
5/23/78	ML	5415148-ML001	B
5/23/78	ML	5415148-ML002	C
5/23/78	ML	5415148-ML003	D
5/23/78	ML	5415148-ML004	E
5/23/78	ML	5415148-ML005	F
5/23/78	ML	5415148-ML006	G
5/23/78	ML	5415148-ML007	H
5/23/78	ML	5415148-ML008	I
5/23/78	ML	5415148-ML009	J
5/23/78	ML	5415148-ML010	K
5/23/78	ML	5415148-ML011	L
5/23/78	ML	5415148-ML012	M
5/23/78	ML	5415148-ML013	N
5/23/78	ML	5415148-ML014	O
5/23/78	ML	5415148-ML015	P
5/23/78	ML	5415148-ML016	Q
5/23/78	ML	5415148-ML017	R
5/23/78	ML	5415148-ML018	S
5/23/78	ML	5415148-ML019	T
5/23/78	ML	5415148-ML020	U
5/23/78	ML	5415148-ML021	V
5/23/78	ML	5415148-ML022	W
5/23/78	ML	5415148-ML023	X
5/23/78	ML	5415148-ML024	Y
5/23/78	ML	5415148-ML025	Z



NOTE:  
 \* R29 THRU R33 USED TO REDUCE POWER DISSIPATION IN 21.1/2W RES CHOSEN TO SPREAD OUT THE HEAT AND FOR MACHINE INSERTABILITY.

DATE	BY	TITLE
5/23/78	ML	DIGITAL
DATE	BY	ENCODING MOD.
5/23/78	ML	K200 KEYBOARD
DATE	BY	DOCUMENT NUMBER
5/23/78	ML	D CS 5415148-0-1 H
DATE	BY	SHEET
5/23/78	ML	1 of 1

D  
C  
B  
A

ML3

8. REFERENCE DATA (CONTINUED):

ACTUATION OF A SWITCH SHALL OCCUR WHEN A WEIGHT OF 32 GRAMS (±10/-10) IS APPLIED WITH A .08 DIAMETER HARD SPHERICAL ACTUATOR AT SWITCH CENTER (OR WITHIN .04" OF CENTER). EACH SWITCH SHALL OPERATE CLEANLY AT UP TO 10 HZ ACTUATION FREQUENCY. MAXIMUM ALLOWABLE CONTACT BOUNCE 5 MS. CAPACITANCE ACROSS ANY OPEN SWITCH 100 PICO FARADS MAXIMUM. MINIMUM RESISTANCE BETWEEN LINES 20 MEG OHMS. MAXIMUM RESISTANCE ACROSS ANY CLOSED SWITCH WHEN MEASURED AT FLEX TAILS 25 OHMS. UNIT MUST MEET ALL OF THE ABOVE CRITERIA WHEN SUBJECTED TO THE FOLLOWING CONDITIONS: 20 MILLION ACTUATION CYCLES WITH STANDARD SPHERICAL ACTUATOR WITH MAXIMUM ACTUATOR FORCE OF 150 GRAMS. STORAGE TEMPERATURES FROM -40°C TO 80°C. OPERATING TEMPERATURES FROM -10°C TO 40°C. VOLTAGE ACROSS EACH SWITCH 2 VOLTS. CURRENT ACROSS EACH SWITCH 2 MA MAXIMUM. RELATIVE HUMIDITY 10% TO 90% WITH MAXIMUM WETBULB OF 28°C AND MINIMUM D露POINT 2°C. FLAMMABILITY: PART SHALL PASS UL94HB APPLICATION TEST WHEN TESTED IN FINAL END USER CONFIGURATION. SHELF LIFE: ONE YEAR PACKAGED AT ABOVE TEMPERATURE AND HUMIDITY CONDITIONS WITHOUT DEGRADATION. ASSEMBLY LIFE: 10 YEARS IN APPLICATION.

NOTES:

- INTERLAYER BONDING: 3 LAYERS TO BE PERMANENTLY BONDED BY MEANS OF A MINIMUM OF 4 TACK WELDS TO BE LOCATED COMPLETELY WITHIN CROSS-HATCHED AREA SHOWN. NO INTERLAYER BONDING ALLOWED OUTSIDE OF CROSS-HATCHED AREA SHOWN. BONDING MAY BE VIA HEAT WELDING OR ULTRASONIC WELDING WITHIN REQUIREMENTS OF DETAIL J. BONDS MUST NOT CONTACT ANY CONDUCTIVE TRACE EVEN WITHIN CROSS-HATCHED AREAS. BONDS ARE INTENDED TO MAINTAIN ALIGNMENT BETWEEN LAYERS AND NOT FOR SEALING PURPOSES. HOWEVER, BONDS SHOULD EXHIBIT STRENGTH OF THE BASE MATERIAL IN PEEL TEST.
- ALIGNMENT BETWEEN LAYERS: HOLE PATTERNS ON 2 HALVES OF FOLDED MEMBRANE (ITEM 1) AND HOLE PATTERN IN SPACER (ITEM 2) SHOULD BE SUBSTANTIALLY ALIGNED AFTER BONDING SUCH THAT WHEN ASSEMBLY IS RESTRAINED IN FLAT POSITION, A .076 DIAMETER PIN MAY PASS THROUGH EACH OF 280 .100 DIA MOUNTING HOLES WITHOUT CAUSING DEFORMATION OF ANY KIND. THIS IS A MINIMUM REQUIREMENT AND SUBSTANTIALLY BETTER ALIGNMENT BETWEEN HOLE PATTERNS IS A PLUS.
- FOLDS: INSIDE RADIUS OF 4 FOLDS IN ITEM 1 SHOULD BE GREATER THAN .015 INCHES.
- MARKING: PARTS SHOULD BE MARKED IN AREA SHOWN (BY MEANS OF INK STAMP OR LABEL) WITH THE FOLLOWING INFORMATION: DIGITAL PART NUMBER AND REVISION LEVEL, VENDOR SYMBOL, VENDOR LOT NUMBER, AND DATE CODE.
- WORKMANSHIP: ITEM SHALL BE UNIFORM IN QUALITY AND BE FREE FROM DEFECTS. ITEM SHALL CONFORM TO ALL PROVISIONS OF DOCUMENTS DESCRIBING INDIVIDUAL PARTS PRIOR TO THIS ASSEMBLY.
- PACKAGING AND SHIPPING: UNIT SHALL BE SUPPLIED IN SEALED PLASTIC BAG. ITEM SHALL BE PROPERLY PACKAGED FOR PROTECTION AGAINST DAMAGE AND CONTAMINATION DURING HANDLING, TRANSIT AND STORAGE. PACKAGING SHALL BE SULPHUR FREE, LINT FREE AND FREE OF DEBRIS. MINIMUM MARKING DATA ON CONTAINER SHALL INCLUDE VENDOR SYMBOL, DIGITAL PART NUMBER AND REVISION LEVEL, PURCHASE ORDER NUMBER AND QUANTITY.
- QUALITY ASSURANCE PROVISION: ITEMS SUBMITTED SHALL HAVE BEEN INITIALLY APPROVED BY DIGITAL. APPROVAL SHALL BE GIVEN ONLY AFTER SAMPLES REPRESENTATIVE OF THE VENDOR'S NORMAL PRODUCTION RUN HAVE BEEN EXAMINED, TESTED AND FOUND TO MEET THE REQUIREMENTS OF THIS SPEC. NO CHANGES IN MATERIALS OR PROCESS MAY BE MADE WITHOUT REQUALIFICATION BY DIGITAL.
- PERFORMANCE CRITERIA (REFERENCE): THIS ASSEMBLY HAS BEEN DESIGNED TO OPERATE UNDER THE FOLLOWING CONDITIONS AND MEET THE FOLLOWING CRITERIA. WHEN PARTS ARE BUILT TO MEET THE ABOVE SPECIFICATIONS, IT IS DIGITAL'S BELIEF THAT THE FOLLOWING CRITERIA WILL AUTOMATICALLY BE MET. THEREFORE THIS INFORMATION IS PROVIDED FOR REFERENCE ONLY.

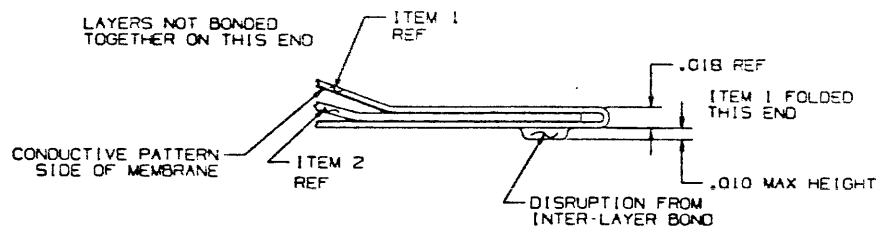
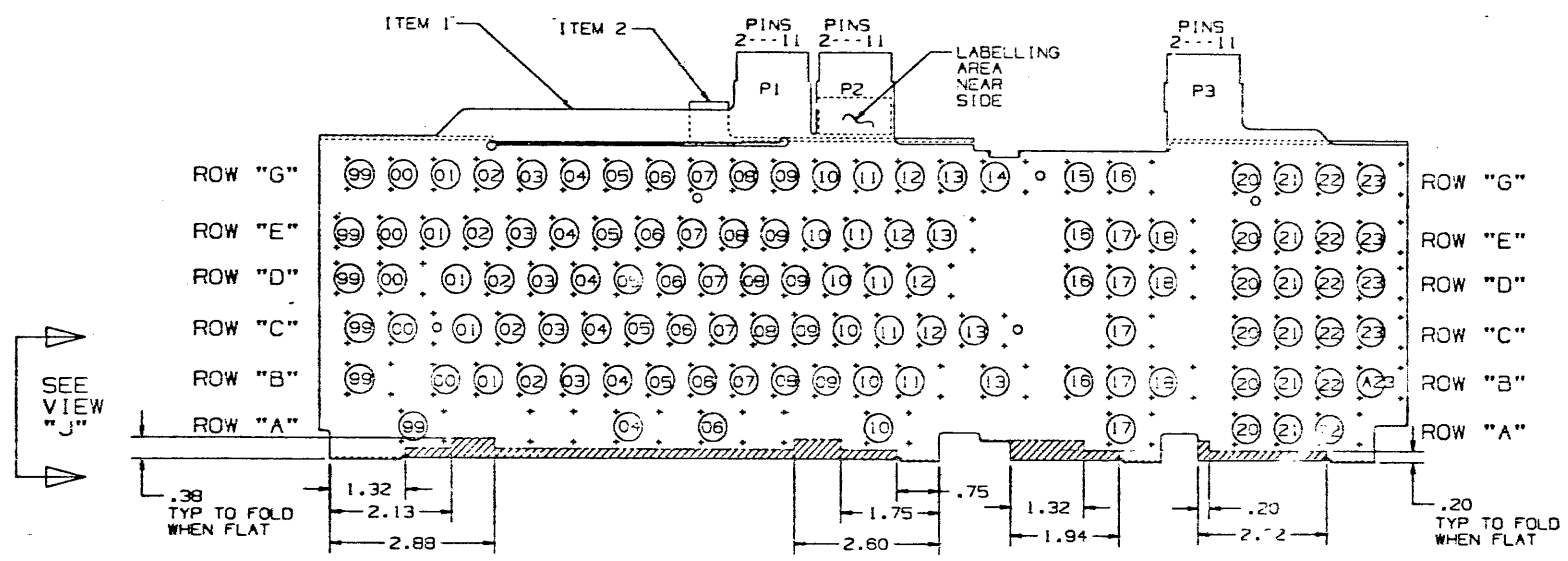
(CONTINUED IN NEXT COLUMN)

DEC CONFIDENTIAL PROPRIETARY INFORMATION

THIS DOCUMENT CONTAINS CONFIDENTIAL PROPRIETARY INFORMATION OF DEC. THIS INFORMATION SHALL NOT BE DISCLOSED TO PERSONS OUTSIDE THE EMPLOY OF DEC, EXCEPT BY DEC PERSONNEL SO AUTHORIZED BY DEC, AND ONLY FOR USE BY SUCH OTHER PERSONS IN THE DESIGN, PRODUCTION, OR MANUFACTURE OF PRODUCTS FOR DEC.

CAUTION: OFF-SHEET PARTS LIST EXISTS SEE K-PL-5415172-0-DBP

PLOT LAYER 1 AT SCALE 1/1



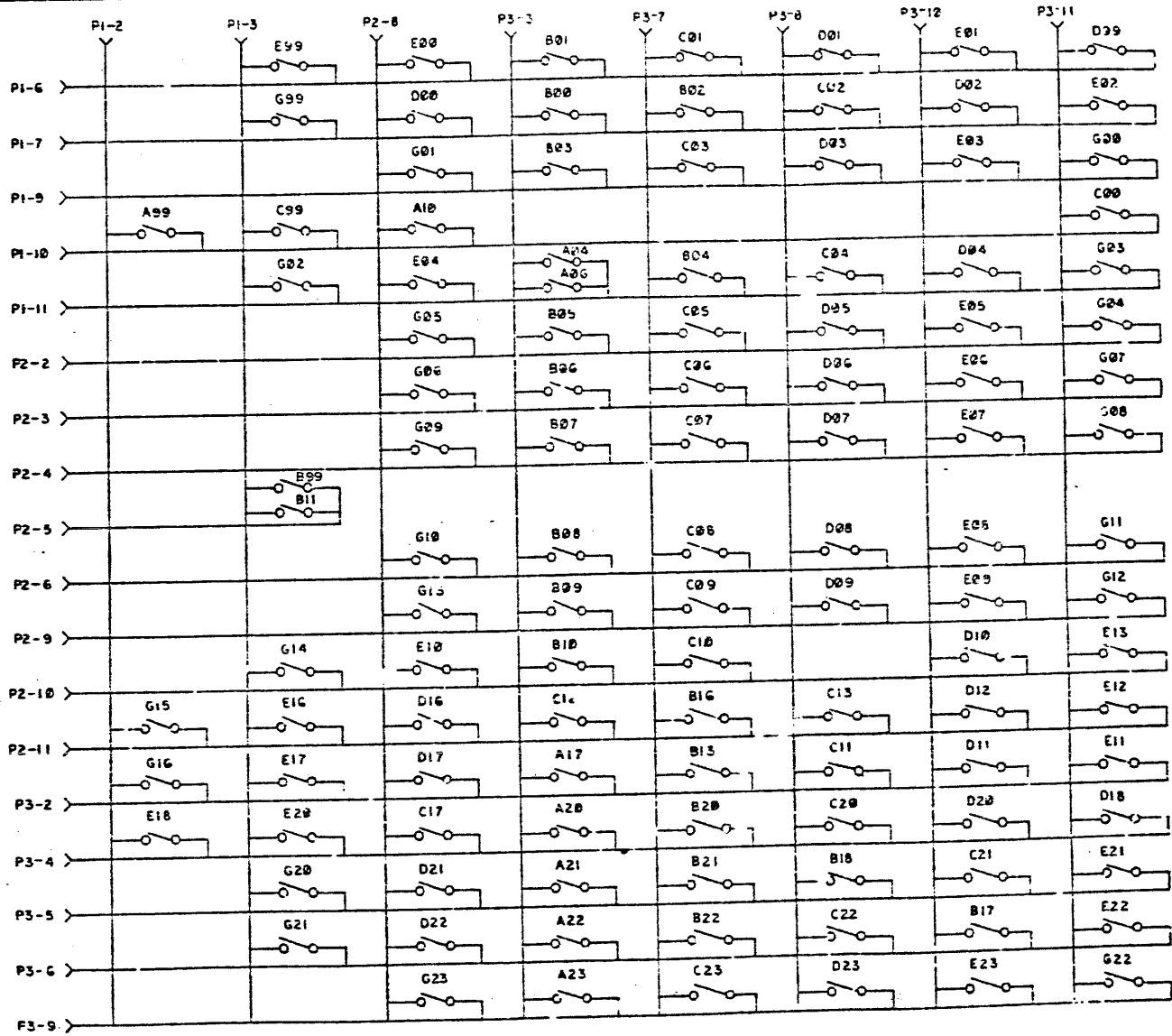
VIEW J  
SCALE 20/1  
(VIEW ROTATED 90°)

REV.	CHG.	DATE	BY	INITIAL	DESCRIPTION
A					INITIAL
B					5415172-M.001
C					5415172-M.002
D					5415172-M.003
E					5415172-M.004

DESCRIPTION	DRAWING NO.	PART NO.	REV.
MEMBRANE ASSY SWITCH ARRAY LK201 KEYBD			
UNLESS OTHERWISE SPECIFIED DIMENSIONS ARE IN INCHES AND THE FOLLOWING TOLERANCES APPLY (PER DEC STD 1141)			
DIMENSION RANGE IN INCHES			
0.000 - 0.009	±0.0005	0.010 - 0.049	±0.0005
0.050 - 0.099	±0.0005	0.100 - 0.249	±0.0005
0.250 - 0.499	±0.0010	0.500 - 0.999	±0.0015
1.000 - 4.999	±0.0020	5.000 - 9.999	±0.0030
10.000 - 49.999	±0.0040	50.000 - 99.999	±0.0060
100.000 - 499.999	±0.0070	500.000 - 999.999	±0.0100
1000.000 - 4999.999	±0.0120	5000.000 - 9999.999	±0.0150
10000.000 - 49999.999	±0.0200	50000.000 - 99999.999	±0.0300
100000.000 - 499999.999	±0.0300	500000.000 - 999999.999	±0.0500
1000000.000 - 4999999.999	±0.0500	5000000.000 - 9999999.999	±0.0750
10000000.000 - 49999999.999	±0.0750	50000000.000 - 99999999.999	±0.1000
100000000.000 - 499999999.999	±0.1000	500000000.000 - 999999999.999	±0.1500
1000000000.000 - 4999999999.999	±0.1500	5000000000.000 - 9999999999.999	±0.2000
10000000000.000 - 49999999999.999	±0.2000	50000000000.000 - 99999999999.999	±0.3000
100000000000.000 - 499999999999.999	±0.3000	500000000000.000 - 999999999999.999	±0.4000
1000000000000.000 - 4999999999999.999	±0.4000	5000000000000.000 - 9999999999999.999	±0.5000
10000000000000.000 - 49999999999999.999	±0.5000	50000000000000.000 - 99999999999999.999	±0.6000
100000000000000.000 - 499999999999999.999	±0.6000	500000000000000.000 - 999999999999999.999	±0.7000
1000000000000000.000 - 4999999999999999.999	±0.7000	5000000000000000.000 - 9999999999999999.999	±0.8000
10000000000000000.000 - 49999999999999999.999	±0.8000	50000000000000000.000 - 99999999999999999.999	±0.9000
100000000000000000.000 - 499999999999999999.999	±0.9000	500000000000000000.000 - 999999999999999999.999	±1.0000
1000000000000000000.000 - 4999999999999999999.999	±1.0000	5000000000000000000.000 - 9999999999999999999.999	±1.2000
10000000000000000000.000 - 49999999999999999999.999	±1.2000	50000000000000000000.000 - 99999999999999999999.999	±1.5000
100000000000000000000.000 - 499999999999999999999.999	±1.5000	500000000000000000000.000 - 999999999999999999999.999	±2.0000
1000000000000000000000.000 - 4999999999999999999999.999	±2.0000	5000000000000000000000.000 - 9999999999999999999999.999	±2.5000
10000000000000000000000.000 - 49999999999999999999999.999	±2.5000	50000000000000000000000.000 - 99999999999999999999999.999	±3.0000
100000000000000000000000.000 - 499999999999999999999999.999	±3.0000	500000000000000000000000.000 - 999999999999999999999999.999	±4.0000
1000000000000000000000000.000 - 4999999999999999999999999.999	±4.0000	5000000000000000000000000.000 - 9999999999999999999999999.999	±5.0000
10000000000000000000000000.000 - 49999999999999999999999999.999	±5.0000	50000000000000000000000000.000 - 99999999999999999999999999.999	±6.0000
100000000000000000000000000.000 - 499999999999999999999999999.999	±6.0000	500000000000000000000000000.000 - 999999999999999999999999999.999	±7.0000
1000000000000000000000000000.000 - 4999999999999999999999999999.999	±7.0000	5000000000000000000000000000.000 - 9999999999999999999999999999.999	±8.0000
10000000000000000000000000000.000 - 49999999999999999999999999999.999	±8.0000	50000000000000000000000000000.000 - 99999999999999999999999999999.999	±9.0000
100000000000000000000000000000.000 - 499999999999999999999999999999.999	±9.0000	500000000000000000000000000000.000 - 999999999999999999999999999999.999	±10.0000

DCS 5415172-0-1 B

THIS DRAWING AND SPECIFICATIONS HERETO ARE THE PROPERTY OF THE UNITED STATES GOVERNMENT AND SHOULD NOT BE REPRODUCED OR TRANSMITTED IN ANY FORM OR BY ANY MEANS, ELECTRONIC OR MECHANICAL, INCLUDING PHOTOCOPYING, RECORDING, OR BY ANY INFORMATION STORAGE AND RETRIEVAL SYSTEM, WITHOUT PERMISSION IN WRITING FROM THE UNITED STATES GOVERNMENT. 1988



DATE	15 JUL 88
DESIGNER	W. J. LEN
CHECKER	W. J. LEN
APPROVER	W. J. LEN
REVISION	1
DESCRIPTION	MEMBRANE ASSY, SW ARRAY LK201 KEYBD.
PROJECT	DCS 5415172-0-1 B

DATE	15 JUL 88
DESIGNER	W. J. LEN
CHECKER	W. J. LEN
APPROVER	W. J. LEN
REVISION	1
DESCRIPTION	MEMBRANE ASSY, SW ARRAY LK201 KEYBD.
PROJECT	DCS 5415172-0-1 B

DCS 5415172-0-1 B

ML3



LINE ITEM	TOP DOCUMENT	PART NUMBER	MIN REV	DESCRIPTION	VARIATION REVISION LEVEL:	QTY	PER VARIATION	REFERENCE DESIGNATOR
						00		
						J3		
1	1	D-MD-5015499-0-0		5015499-00	CIRCUIT DRILL & ETCH	1		
2	2			10000C9-00	33.0 MMF 100V 5%200PPM MICA	1		C36
3	3			1000016-00	100.0 MMF 100V 5%200PPM MICA	1		C206
4	4			1000060-00	6800.0 MMF 200V 10% MYLR	1		C307
5	5			1001631-00	390.0 MMF 100V 5%200PPM MICA	1		C99
6	6			1004813-00	10 MFD 20V 10% S.TANT	2		C15,C43
7	7			1009312-00	.0047 MFD 100V 1% MYLR	1		C13
8	8			1010274-02	1 MFD 50V +80-20% CER	1		C601
9	9			1010978-36	.1 MFD 50V 10% CER	5		C306,C314,C316,C406,C407
10	10			1010978-40	.22 MFD 50V 10% CER	3		C204,C205,C200
11	11			1012219-00	.47 MFD 30V +75-10% AL EL	1		C211
12	12			1012312-01	.47 MFD 50V +80-20% CER	8		C1,C3,C4,C16,C207,C311,C313,C217
13	13			1012784-00	.047 MFD 50V +80-20% CER	1		C214
14	14			1013280-00	680.0 MMF 1000V 5%200PPM MICA	1		C500
15	15			1013291-00	*** THIS ITEM IS NOT USED ***	-		
16	16			1013669-02	.10 MFD 150V 5% M.POLYPROP	3		C35,C37,C38
17	17			1013963-00	3300.0 MMF 500V 20% Z5U DISC	3		C400,C401,C403
18	18			1014052-00	100 MFD 25V+100-10% AL EL	5		C34,C310,C312,C404,C39
19	19			1016544-00	.1 MFD 100V 10% MYLR	4		C19,C22,C25,C40
20	20			1016546-00	.22 MFD 660V 10% MET. MYLR	2		C216,C308
21	21			1016547-00	*** THIS ITEM IS NOT USED ***	-		
22	22			1016548-00	1000 MFD 16V +50-10% AL EL	4		C24,C30,C41,C303
23	23			1016553-00	4.7MFD 25V +75-10% AL EL	1		C209
24	24			1016555-00	22 MFD 50V +50-10% AL EL	4		C18,C26,C32,C300
25	25			1016557-00	470 MFD 16V +50-10% AL EL	3		C42,C309,C318
26	26			1016558-00	10 MFD 25V 20% AL EL	1		C23
27	27			1016571-00	.02 MFD 500V +80-20%Z5U DISC	1		C5
28	28			1017891-02	.01 MFD 50V 5% POLYPROP	1		C10
29	29			1019559-01	.02 MFD 1000V +80-20% CER	3		C27,C29,C317
30	30			1020166-01	10 MFD 250V +50-10% AL EL	1		C6

REVISION HISTORY			BASIC PART NO: 5415500			DRN: R.Z. BUREAU			DATE: 03-MAY-82			D I G I T A L		
ENG	ECO NUMBER	REV	SECTION A OF A			CHK'D: JOHN COTE			DATE: 22-JUN-82			TITLE PARTS LIST		
INITIAL			SECTION VARIATION INDEX			DES.ENG: BILL NOTT			DATE: 22-JUN-82			DOCUMENT NUMBER		
JF	5415500-ML001	B	(A)	00										
BN	5415500-ML002	C	(B)											
JF	5415500-ML003	D	(C)											
CT	5415500-ML004	E	(D)											
CT	5415500-ML005	F	(E)											
BN	5415500-ML006	H	(F)											
B.N	5415500-ML007	J	(H)											
BN	5415500-ML008	K	(J)											
AJ	5415500-ML009	L	(K)											
AJ	5415500-ML012	M	(L)											
			(M)											
			(N)											
			ASSEMBLY NUMBER:			TOP DOCUMENT NUMBER:			FILE NAME:			EDIT #		
			D-UA-5415500-0-0			#B-DD-5415500-0			Z4454M.PLS			35		

THIS DRAWING AND THE SPECIFICATIONS CONTAINED HEREIN ARE CONFIDENTIAL AND PROPRIETARY. THEY ARE THE PROPERTY OF DIGITAL EQUIPMENT CORPORATION AND SHALL NOT BE REPRODUCED OR COPIED OR USED IN WHOLE OR IN PART AS THE BASIS FOR THE MANUFACTURE OR SALE OF ITEMS WITHOUT WRITTEN PERMISSION. THIS IS AN UNPUBLISHED WORK PROTECTED UNDER THE FEDERAL COPYRIGHT LAWS.

LINE	ITEM	TOP DOCUMENT	PART NUMBER	MIN REV	DESCRIPTION	QTY	PER VARIATION	REFERENCE DESIGNATOR
					VARIATION REVISION LEVEL:	00		
						J3		
31	31		1105796-00		PIV= 400 IO= 1.00A 1N4004 D0-41	6		D3,D21,D302-D304,D400
32	32		1109443-00		VZ= 5.1 5% 50 W 1N5231B	1		D11
33	33		1109502-00		VZ= 12.0 10% 1 W 1N4742	1		D9
34	34		1109988-00		VZ= 13.0 5% 400 MW 1N964B	1		D404
35	35		1112594-02		PIV= 600 IO= 3.00A	2		D6,D301
36	36		1112595-01		PIV= 200 IO= 1.00A AXIAL	4		D1,D2,D4,D7
37	37		1112595-02		PIV= 600 IO= 1.00A AXIAL	1		D300
38	38		1115112-00		RECT,ULTRA FAST PIV= 800 IO= 1.0	1		D5
39	39		1120091-01		VZ= 9.6 1% 500 MW	1		D202
40	40		1210929-05		FUSE, SUB-MINI, 2.500A, 125V, A	1		F1
41	41		1212487-02		HEAT SINK 01.18X01.	2		
42	42		1214460-01		*** THIS ITEM IS NOT USED ***	-		
43	43		1215228-03		HEAT SINKS,TO-220 1.250X0.87	1		
44	44		1216521-00		PCB,HEADER 04PIN(1X04).156CC STR	1		J2
45	45		1218826-00		CONN,PHONE JACK 04 POS	1		J3
46	46		1219608-01		CONN,HI V 07POS SOCKET CRT	1		P1
47	47		1220128-01		HEAT SINK,TO-202 1.450X01.	1		
48	48		1300168-00		10.0 .50 W 5.0 % CF	1		R20
49	49		1300197-00		33.0 .25 W 5.0 % CF	1		R19
50	50		1300228-00		100.0 .50 W 5.0 % CF	1		R44
51	51		1300229-00		100.0 .25 W 5.0 % CF	1		R108
52	52		1300249-00		150.0 .50 W 5.0 % CF	1		R311
53	53		1300250-00		150.0 .25 W 5.0 % CF	1		R57
54	54		1300271-00		220.0 .25 W 5.0 % CF	3		R600,R603,R601
55	55		1300274-00		220.0 .50 W 5.0 % CF	1		R35
56	56		1300316-00		470.0 .25 W 5.0 % CF	3		R6,R7,R227
57	57		1300348-00		680.0 2.0 W 5.0 % CC	1		R34
58	58		1300365-00		1.0 K .25 W 5.0 % CF	1		R225
59	59		1300398-00		*** THIS ITEM IS NOT USED ***	-		
60	60		1300417-00		*** THIS ITEM IS NOT USED ***	-		
61	61		1300426-00		*** THIS ITEM IS NOT USED ***	-		
62	62		1300439-00		3.30 K .25 W 5.0 % CF	1		R39
63	63		1300444-00		*** THIS ITEM IS NOT USED ***	-		
64	64		1300445-00		4.70 K .50 W 5.0 % CF	1		R40
65	65		1300447-00		4.70 K .25 W 5.0 % CF	3		R117,R501,R209
66	66		1300521-00		*** THIS ITEM IS NOT USED ***	-		
67	67		1301310-00		270.0 K .25 W 5.0 % CF	1		R224
68	68		1301317-00		10.0 .25 W 5.0 % CF	2		R106,R605
69	69		1301320-00		*** THIS ITEM IS NOT USED ***	-		
70	70		1301477-00		*** THIS ITEM IS NOT USED ***	-		
71	71		1301969-00		22.0 .25 W 5.0 % CF	2		R107,R216
72	72		1301972-00		270.0 .25 W 5.0 % CF	3		R12,R61,R502
73	73		1302092-00		220.0 K .25 W 5.0 % CF	1		R36
74	74		1302379-00		75.0 .25 W 5.0 % CF	1		R8
75	75		1302391-00		20.0 K .25 W 5.0 % CF	1		R214
76	76		1302395-00		*** THIS ITEM IS NOT USED ***	-		
77	77		1302396-00		150.0 K .25 W 5.0 % CF	1		R500
78	78		1302397-00		180.0 K .25 W 5.0 % CF	1		R204

D	I	G	I	T	A	L	TITLE	SECTION A	OF A	SIZE	CODE	DOCUMENT NUMBER	REV
							VR201 MONITOR			K	PL	5415500-0-DBP	M

LINE	ITEM	TOP DOCUMENT	PART NUMBER	MIN REV	DESCRIPTION	QTY	PER VARIATION	REFERENCE DESIGNATOR
					VARIATION REVISION LEVEL:	00		
						J3		
79	79		1302411-00		511.0 .25 W 1.0 % RN55D-F10	1		R10
80	80		1302465-00		*** THIS ITEM IS NOT USED ***	-		
81	81		1302466-00		100.0 K .25 W 5.0 % CF	6		R210,R217,R230,R316,R317,R602
82	82		1302887-00		130.0 .25 W 1.0 % RN55D-F10	2		R219,R503
83	83		1303114-00		1.0 K .25 W 1.0 % RN55D-F10	1		R319
84	84		1303177-00		2.40 K .25 W 5.0 % CF	1		R228
85	85		1303187-00		820.0 K .25 W 5.0 % CF	1		R320
86	86		1303219-00		82.0 K .25 W 5.0 % CF	3		R110,R212,R54
87	87		1304833-00		1.96 K .25 W 1.0 % RN55D-F10	1		R14
88	88		1304841-00		75.0 K .25 W 5.0 % CF	3		R206,R222,R400
89	89		1304855-00		9.09 K .25 W 1.0 % RN55D-F10	1		R211
90	90		1304868-00		2.74 K .25 W 1.0 % RN55D-F10	2		R17,R18
91	91		1305131-00		*** THIS ITEM IS NOT USED ***	-		
92	92		1305890-00		*** THIS ITEM IS NOT USED ***	-		
93	93		1309386-00		*** THIS ITEM IS NOT USED ***	-		
94	94		1309405-00		68.0 .50 W 5.0 % CF	1		R28
95	95		1309422-00		5.10 .25 W 5.0 % CF	1		R315
96	96		1309595-00		1.0 M .25 W 5.0 % CF	2		R207,R208
97	97		1309680-00		2.70 M .25 W 5.0 % CF	2		R41,R42
98	98		1311422-00		178.0 .25 W 1.0 % RN55D-F10	2		R2,R3
99	99		1311845-00		487.0 .25 W 1.0 % RN55D-F10	1		R220
100	100		1312482-00		2.70 .25 W 5.0 % CF	2		R301,R314
101	101		1312747-00		*** THIS ITEM IS NOT USED ***	-		
102	102		1312989-00		*** THIS ITEM IS NOT USED ***	-		
103	103		1313151-00		3.60 K .25 W 5.0 % CF	1		R313
104	104		1313580-00		360.0 .25 W 5.0 % CF	1		R312
105	105		1313589-00		1.40 K .25 W 1.0 % RN55D-F10	1		R64
106	106		1313794-00		787.0 .25 W 1.0 % RN55D-F10	1		R15
107	107		1315725-00		.50 5.0 W 3.0 % WW	1		R45
108	108		1316012-00		.10 2.0 W 5.0 % WW	1		R215
109	109		1316522-01		100.0 K .25 W20.0 % POT	2		R48,R53
110	110		1316522-02		5.0 M .25 W20.0 % POT	2		R43,R120
111	111		1316522-03		1.0 K .25 W20.0 % POT	1		R119
112	112		1316522-05		250.0 K .25 W20.0 % POT	2		R218,R50
113	113		1316522-06		25.0 K .25 W20.0 % POT	1		R213
114	114		1316836-00		402.0 .25 W 1.0 % RN55D-F10	1		R318
115	115		1316845-00		3.30 .50 W 5.0 % CF	2		R56,R309
116	116		1317522-00		1.0 .25 W 5.0 % CF	1		R118
117	117		1318430-00		165.0 .25 W 1.0 % RN55D-F10	1		R11
118	118		1320082-01		250.0 .25 W30.0 % POT	1		R5
119	119		1320082-02		100.0 K .25 W10.0 % POT	1		R38
120	120		1509524-00		2N 3904 NPN 310MW SI 40 40 M	1		Q3
121	121		1509525-00		2N 3906 PNP 310MW SI 40100 Y	3		Q1,Q9,Q5
122	122		1516490-00		MPSU05 NPN 10W SI 2A	1		Q10
123	123		1519535-01		D40D7 NPN 50MW 60V 1A	1		Q2
124	124		1520089-01		MDS 20 NPN 2W 250V 1.5A	1		Q204
125	125		1520090-01		13006 NPN 80W 300V 8A	1		Q4
126	126		1520092-01		MTP5N05 FET T0-220	2		Q200,Q201

D	I	G	I	T	A	L	TITLE	VR201 MONITOR	SECTION A	OF A	SIZE	CODE	DOCUMENT NUMBER	REV
											K	PL	5415500-0-DBP	M

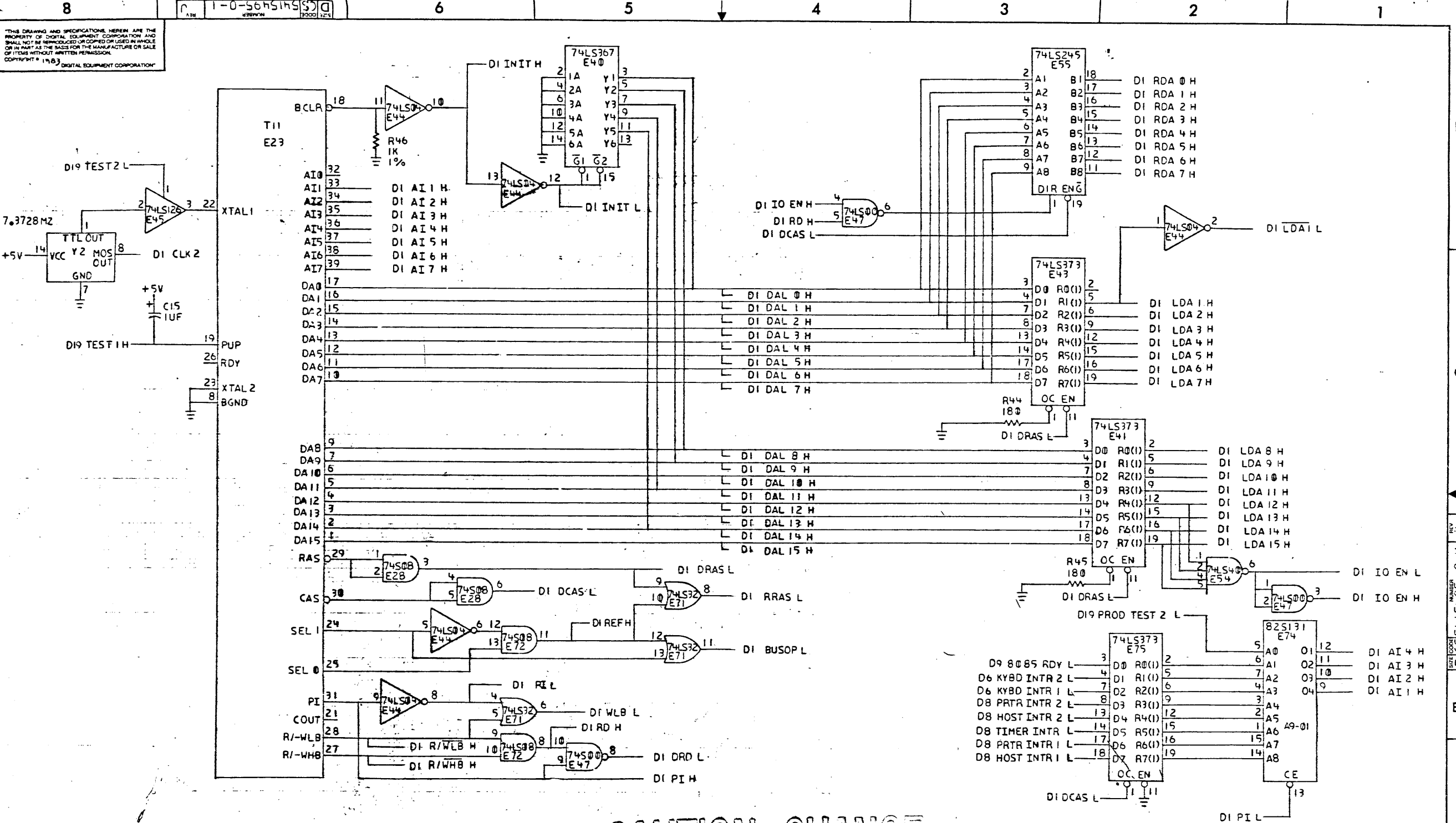
LINE	ITEM	TOP DOCUMENT	PART NUMBER	MIN REV	DESCRIPTION	QTY	PER VARIATION	REFERENCE DESIGNATOR
					VARIATION REVISION LEVEL:	00		
						J3		
127	127		1520093-01		BC237B NPN TO-92	1		Q202
128	128		1602723-00		1000 UH 10% 125MA	1		L300
129	129		1616309-02		XFMR,HORIZONTAL DRIVE	1		T1
130	130		1616536-00		XFMR HORIZONTAL WIDTH	1		L1
131	131		1616538-00		COIL,HORIZONTAL,LINEAR	1		L2
132	132		1618238-02		BEAD,FERRITE .1380DX.330LG	7		L400-L406
133	133		1620097-01		XFMR,FLYBACK,HIGH VOLTAGE	1		T2
134	134		1913017-00		3046 XSISTOR ARRAY,3 ISOL	1		E1
135	135		1919235-00		TDA 1170 AMP,VERTICAL DEFLECT	1		Z1
136	136		1920088-01		1180 PROCESSOR,TV HORIZ..	1		E2
137	137		7427002-01		THUMBWHEEL	2		
138	138		9006010-01		SCREW,MACH PAN PHIL 4-	2		
139	139		9006557-00		NUT,HEX EXT TOOTH LCKWSHR 4-40	7		
140	140		9008054-00		NUT,HEX SLF LCKNG NYL INS 4-40	2		
141	141		9008268-00		COMPOUND, THERMAL JOINT	A/R		
142	142		9008301-01		SCREW,MACH PAN PHIL 4-	3		
143	143		9008451-00		SCREW LOCK,ASSY .060TH	1		
144	144		9009185-00		JUMPER, WIRE, INSULATED, BLACK B	2		W1,W2
145	145		9009798-01		SPACER,CLEAR HOLE RND CERAM .07	2		
146	146		9009993-01		WASHER,INSUL,TRANSISTOR PLASTIC	1		
147	147		9009996-00		TIE,CABLE PRELOADED MAG.100 EA	1		
148	148		9010057-00		WASHER,SHOULDER INSULATG PPS	1		
149	149		9105740-55		WIRE(WRAP) 30AWG KYNAR UL14	A/R		
150	150		1314253-00		240.0 K .25 W 5.0 % CF	2		R51,R310
151	151		1310867-00		680.0 K .25 W 5.0 % CF	1		R55
152	152		1316444-00		150.0 K .25 W 1.0 % RN55D-F10	1		R52
153	153		1303313-00		12.10 K .25 W 1.0 % RN55D-F10	1		R63
154	154		1303312-00		10.0 K .25 W 1.0 % RN55D-F10	1		R59
155	155		1305128-00		5.62 K .25 W 1.0 % RN55D-F10	1		R58
156	156		1314990-00		158.0 K .25 W 1.0 % RN55D-F10	1		R49
157	157		1000024-00		470.0 MMF 100V 5%200PPM MICA	1		C215
158	158		1220959-01		CONN,D SUB 15PIN ASSY PC MNT	1		J1
159	159		9006012-01		*** THIS ITEM IS NOT USED ***	-		
160	160		9006706-00		*** THIS ITEM IS NOT USED ***	-		
161	161		9107253-00		TUBING,SHRINK .250ID EXP	A/R		
162	162		1300479-00		10.0 K .25 W 5.0 % CF	2		R604,R701
163	163		1301423-00		6.80 K .25 W 5.0 % CF	2		R203,R22
164	164		1018000-14		1 MFD 63V +50-10% AL EL	1		C20
165	165		1313008-00		5.11 .25 W 1.0 % RN55D-F10	1		R121
166	166		1302875-00		82.50 .25 W 1.0 % RN55D-F10	1		R4
167	167		1021480-05		.022 MFD 250V 5% POLYPROP	1		C21

D	I	G	I	T	A	L	TITLE	VR201 MONITOR	SECTION A OF A	SIZE	CODE	DOCUMENT NUMBER	REV
										K	PL	5415500-0-DBP	M









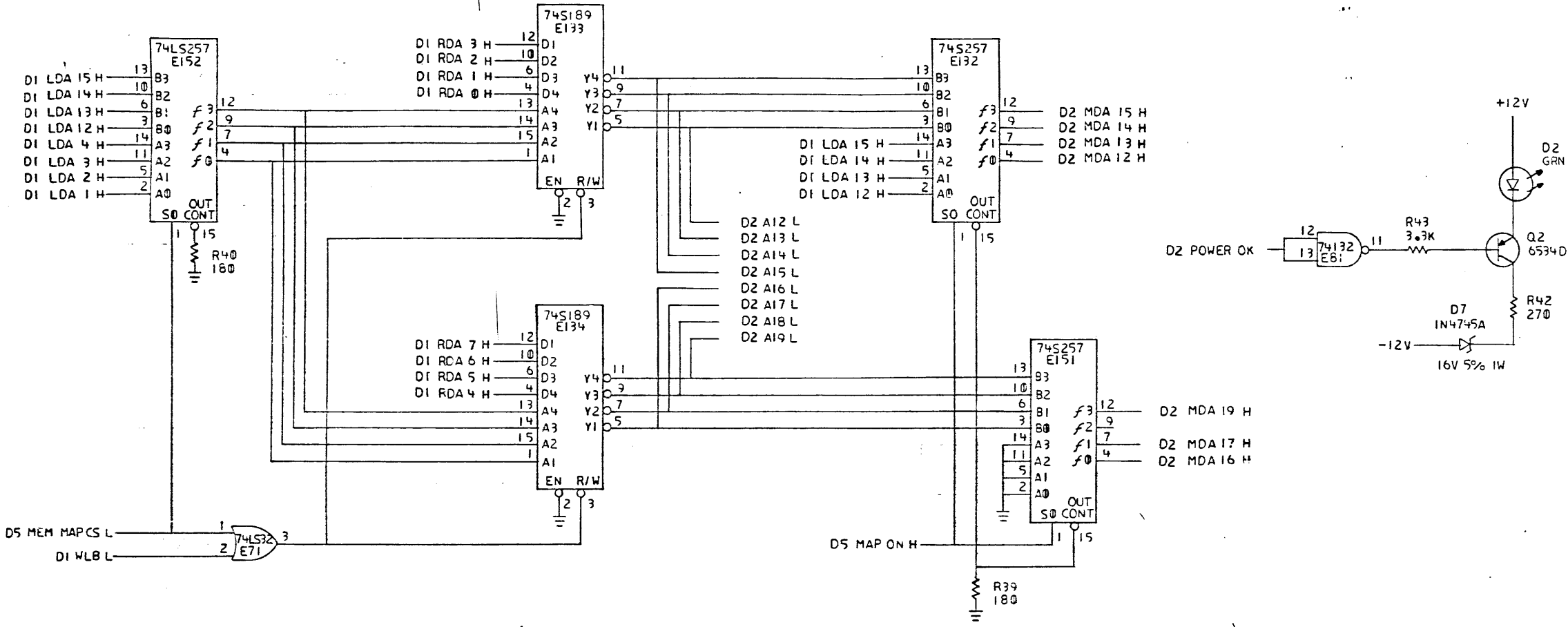
THIS DRAWING AND SPECIFICATIONS HEREIN ARE THE PROPERTY OF DIGITAL EQUIPMENT CORPORATION AND SHALL NOT BE REPRODUCED OR COPIED OR USED IN WHOLE OR IN PART AS THE BASIS FOR THE MANUFACTURE OR SALE OF ITEMS WITHOUT WRITTEN PERMISSION. COPYRIGHT © 1983 DIGITAL EQUIPMENT CORPORATION

CAUTION CHANGE  
M-PROCESS

REVISION HISTORY	ECO NUMBER	REV
	5415495-ML002	B
	F. MEDRICK	C
	5415495-ML003	C
	F. MEDRICK	D
	5415495-ML004	D
	F. MEDRICK	E
	5415495-ML006	E
	F. MEDRICK	F
	5415495-ML007	F
	F. MEDRICK	G
	5415495-ML009	H
	F. MEDRICK	I
	5415495-ML011	J
	F. MEDRICK	K
	5415495-ML012	L
	F. MEDRICK	M
	5415495-ML013	N
	F. MEDRICK	O
	5415495-ML014	P
	F. MEDRICK	Q
	5415495-ML015	R
	F. MEDRICK	S
	5415495-ML016	T
	F. MEDRICK	U
	5415495-ML017	V
	F. MEDRICK	W
	5415495-ML018	X
	F. MEDRICK	Y
	5415495-ML019	Z
	F. MEDRICK	AA
	5415495-ML020	AB
	F. MEDRICK	AC
	5415495-ML021	AD
	F. MEDRICK	AE
	5415495-ML022	AF
	F. MEDRICK	AG
	5415495-ML023	AH
	F. MEDRICK	AI
	5415495-ML024	AJ
	F. MEDRICK	AK
	5415495-ML025	AL
	F. MEDRICK	AM
	5415495-ML026	AN
	F. MEDRICK	AO
	5415495-ML027	AP
	F. MEDRICK	AQ
	5415495-ML028	AR
	F. MEDRICK	AS
	5415495-ML029	AT
	F. MEDRICK	AU
	5415495-ML030	AV
	F. MEDRICK	AW
	5415495-ML031	AX
	F. MEDRICK	AY
	5415495-ML032	AZ
	F. MEDRICK	BA
	5415495-ML033	BB
	F. MEDRICK	BC
	5415495-ML034	BD
	F. MEDRICK	BE
	5415495-ML035	BF
	F. MEDRICK	BG
	5415495-ML036	BH
	F. MEDRICK	BI
	5415495-ML037	BJ
	F. MEDRICK	BK
	5415495-ML038	BL
	F. MEDRICK	BM
	5415495-ML039	BN
	F. MEDRICK	BO
	5415495-ML040	BP
	F. MEDRICK	BQ
	5415495-ML041	BR
	F. MEDRICK	BS
	5415495-ML042	BT
	F. MEDRICK	BU
	5415495-ML043	BV
	F. MEDRICK	BW
	5415495-ML044	BX
	F. MEDRICK	BY
	5415495-ML045	BZ
	F. MEDRICK	CA
	5415495-ML046	CB
	F. MEDRICK	CC
	5415495-ML047	CD
	F. MEDRICK	CE
	5415495-ML048	CF
	F. MEDRICK	CG
	5415495-ML049	CH
	F. MEDRICK	CI
	5415495-ML050	CK
	F. MEDRICK	CL
	5415495-ML051	CM
	F. MEDRICK	CN
	5415495-ML052	CO
	F. MEDRICK	CP
	5415495-ML053	CQ
	F. MEDRICK	CR
	5415495-ML054	CS
	F. MEDRICK	CT
	5415495-ML055	CU
	F. MEDRICK	CV
	5415495-ML056	CU
	F. MEDRICK	CV
	5415495-ML057	CU
	F. MEDRICK	CV
	5415495-ML058	CU
	F. MEDRICK	CV
	5415495-ML059	CU
	F. MEDRICK	CV
	5415495-ML060	CU
	F. MEDRICK	CV
	5415495-ML061	CU
	F. MEDRICK	CV
	5415495-ML062	CU
	F. MEDRICK	CV
	5415495-ML063	CU
	F. MEDRICK	CV
	5415495-ML064	CU
	F. MEDRICK	CV
	5415495-ML065	CU
	F. MEDRICK	CV
	5415495-ML066	CU
	F. MEDRICK	CV
	5415495-ML067	CU
	F. MEDRICK	CV
	5415495-ML068	CU
	F. MEDRICK	CV
	5415495-ML069	CU
	F. MEDRICK	CV
	5415495-ML070	CU
	F. MEDRICK	CV
	5415495-ML071	CU
	F. MEDRICK	CV
	5415495-ML072	CU
	F. MEDRICK	CV
	5415495-ML073	CU
	F. MEDRICK	CV
	5415495-ML074	CU
	F. MEDRICK	CV
	5415495-ML075	CU
	F. MEDRICK	CV
	5415495-ML076	CU
	F. MEDRICK	CV
	5415495-ML077	CU
	F. MEDRICK	CV
	5415495-ML078	CU
	F. MEDRICK	CV
	5415495-ML079	CU
	F. MEDRICK	CV
	5415495-ML080	CU
	F. MEDRICK	CV
	5415495-ML081	CU
	F. MEDRICK	CV
	5415495-ML082	CU
	F. MEDRICK	CV
	5415495-ML083	CU
	F. MEDRICK	CV
	5415495-ML084	CU
	F. MEDRICK	CV
	5415495-ML085	CU
	F. MEDRICK	CV
	5415495-ML086	CU
	F. MEDRICK	CV
	5415495-ML087	CU
	F. MEDRICK	CV
	5415495-ML088	CU
	F. MEDRICK	CV
	5415495-ML089	CU
	F. MEDRICK	CV
	5415495-ML090	CU
	F. MEDRICK	CV
	5415495-ML091	CU
	F. MEDRICK	CV
	5415495-ML092	CU
	F. MEDRICK	CV
	5415495-ML093	CU
	F. MEDRICK	CV
	5415495-ML094	CU
	F. MEDRICK	CV
	5415495-ML095	CU
	F. MEDRICK	CV
	5415495-ML096	CU
	F. MEDRICK	CV
	5415495-ML097	CU
	F. MEDRICK	CV
	5415495-ML098	CU
	F. MEDRICK	CV
	5415495-ML099	CU
	F. MEDRICK	CV
	5415495-ML100	CU
	F. MEDRICK	CV

DRN S. D'Angeli	DATE 16 FEB 83	TITLE digital
CHKD [Signature]	DATE	VT240
DESIGN [Signature]	DATE	
RESP [Signature]	DATE	
APP [Signature]	DATE	
DOC NO. B-DD-5415495-0	SCALE NONE	SHEET 1 OF 19

THIS DRAWING AND SPECIFICATIONS HEREIN ARE THE PROPERTY OF DIGITAL EQUIPMENT CORPORATION AND SHALL NOT BE REPRODUCED OR COPIED OR USED IN WHOLE OR IN PART AS THE BASIS FOR THE MANUFACTURE OR SALE OF ITEMS WITHOUT WRITTEN PERMISSION OF DIGITAL EQUIPMENT CORPORATION. COPYRIGHT © 1963



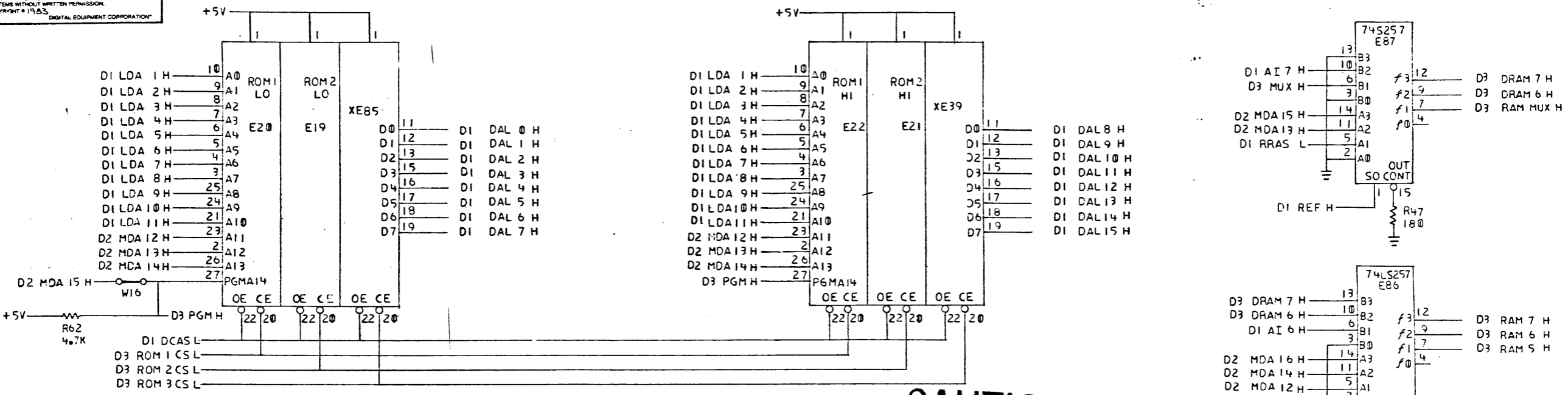
CAUTION CHANGE  
IN-PROCESS

REVISION HISTORY		
DATE	ECO NUMBER	REV.

TITLE  
VT240

DOCUMENT NUMBER		
SIZE CODE	NUMBER	REV.
D	CS 5415495-01-1	J
SCALE	SHEET 2 OF 19	

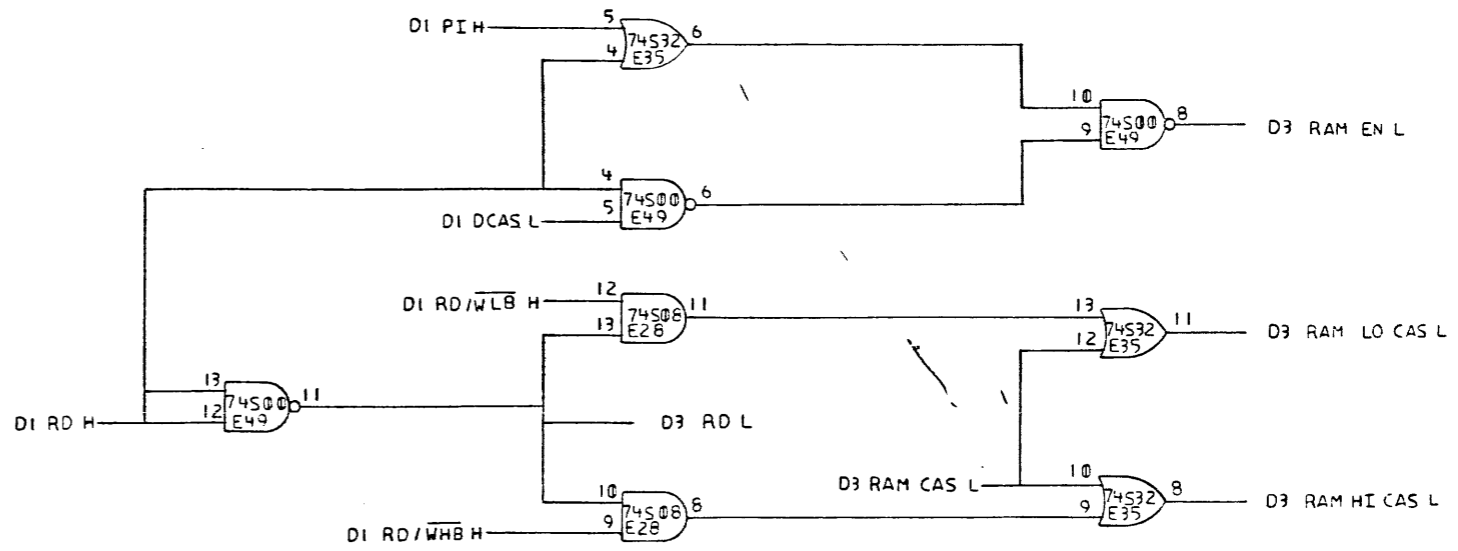
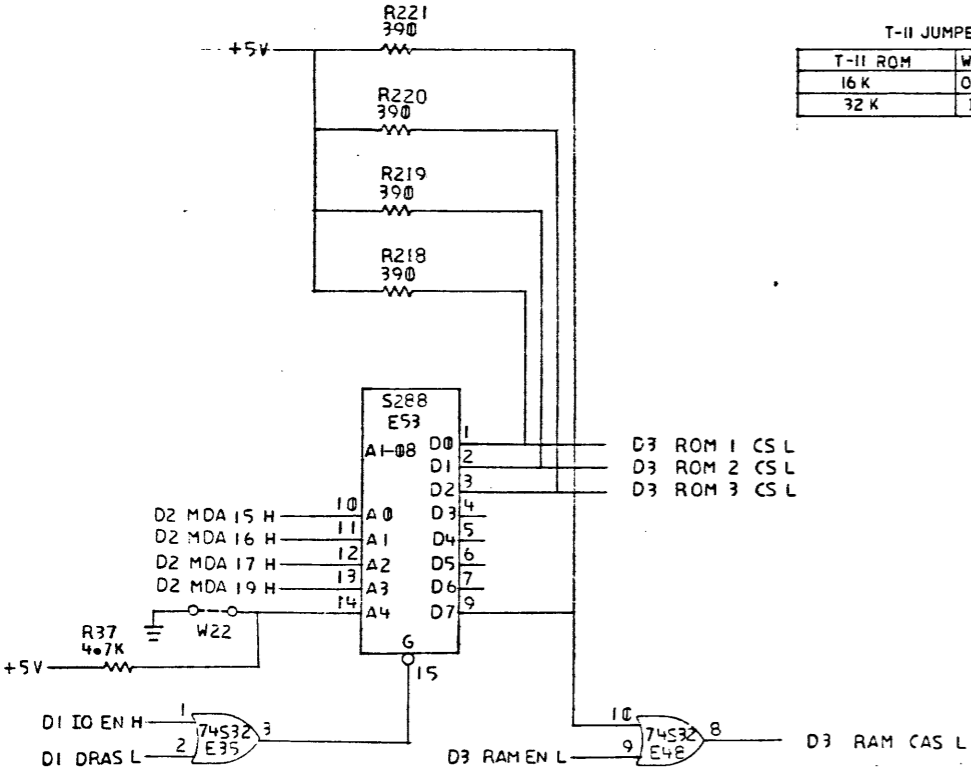
THIS DRAWING AND SPECIFICATIONS HEREIN ARE THE PROPERTY OF DIGITAL EQUIPMENT CORPORATION AND SHALL NOT BE REPRODUCED OR COPIED OR USED IN WHOLE OR IN PART AS THE BASIS FOR THE MANUFACTURE OR SALE OF ITEMS WITHOUT WRITTEN PERMISSION. COPYRIGHT © 1983 DIGITAL EQUIPMENT CORPORATION



**CAUTION CHANGE  
IN-PROCESS**

T-II JUMPERS

T-II ROM	W16	W22
16 K	OLT	IN
32 K	IN	OUT



REVISION HISTORY

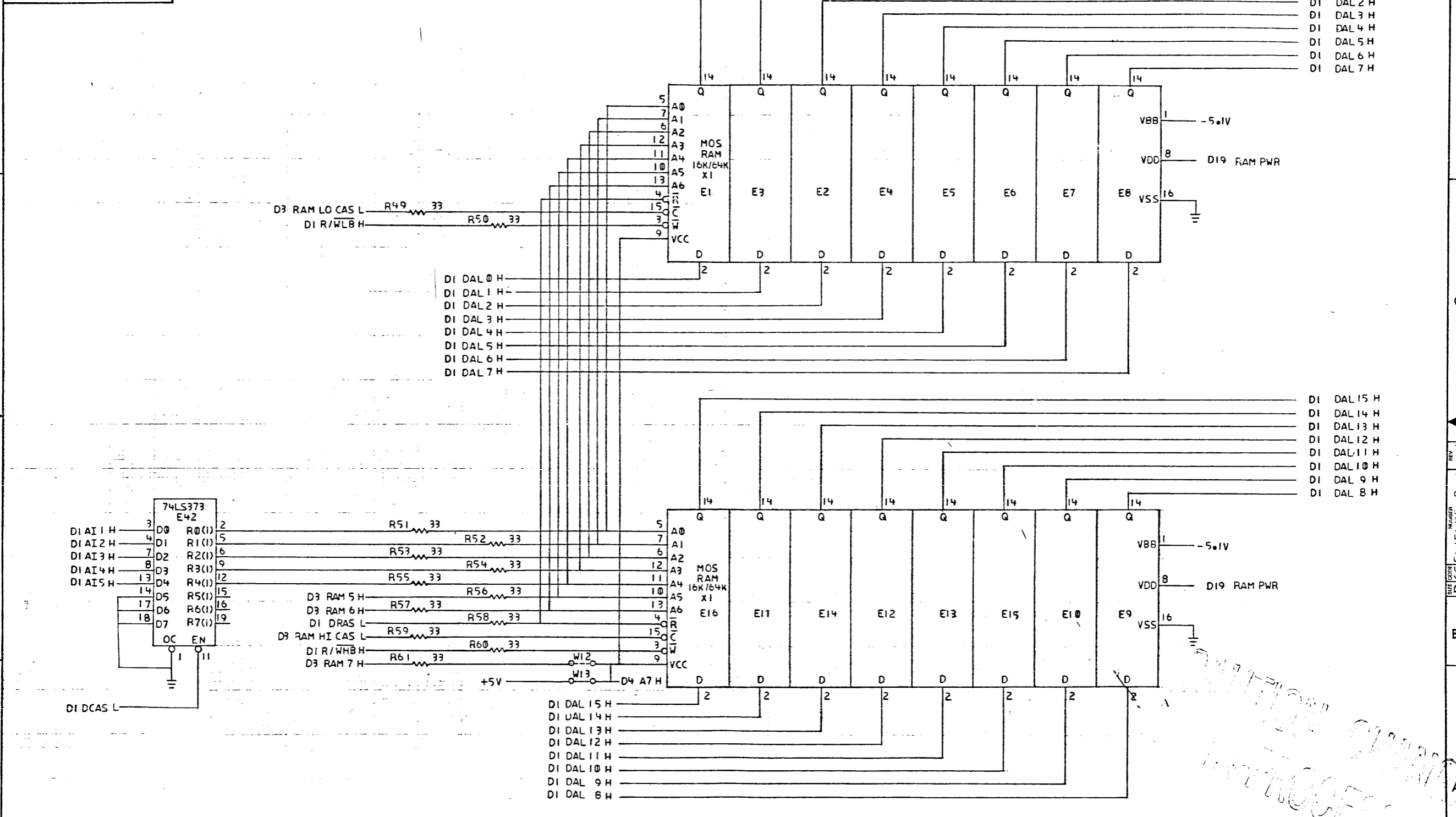
DATE	ECO NUMBER	REV.

DOCUMENT NUMBER

SIZE	CODE	NUMBER	REV.
D	C	5415495-0-1	J

SCALE: *JA* SHEET 3 OF 19

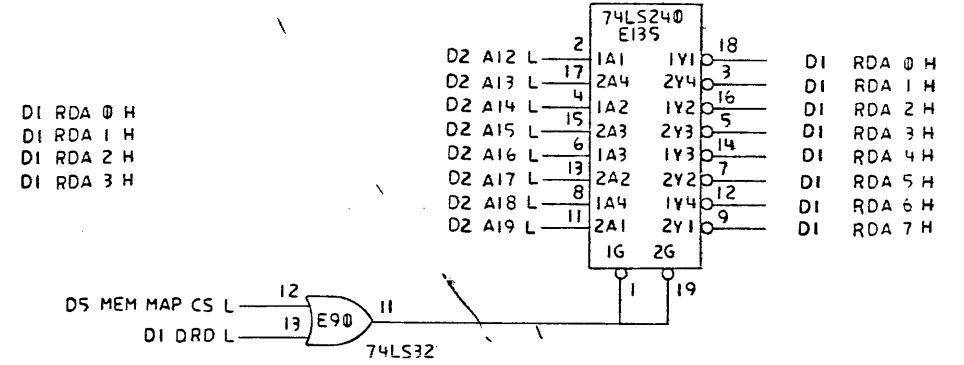
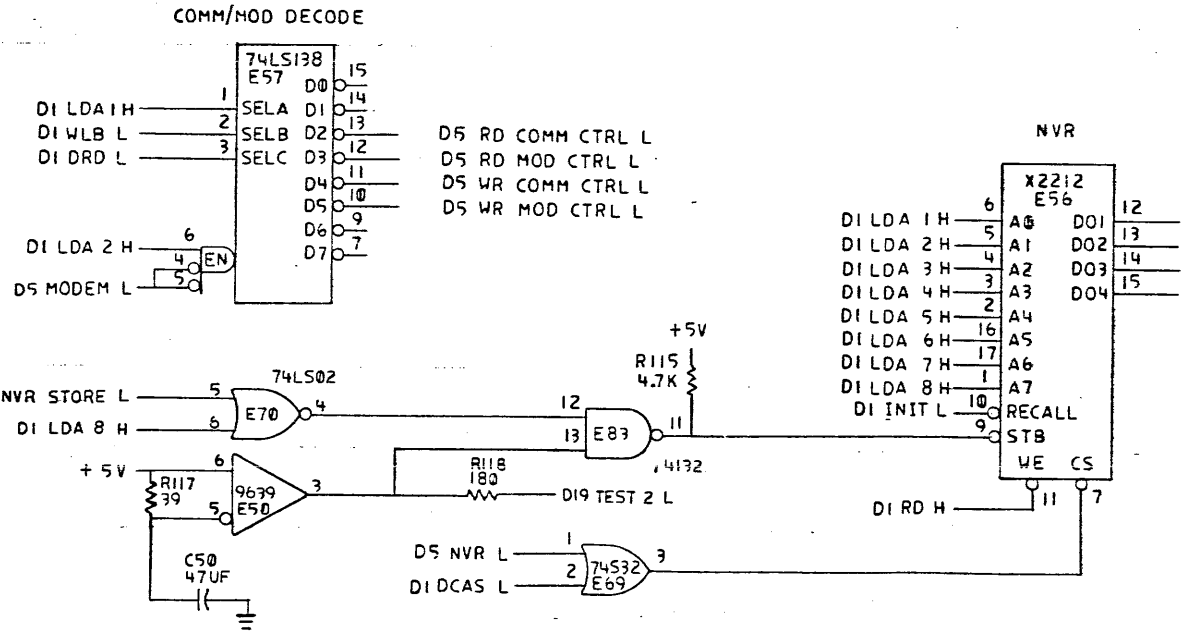
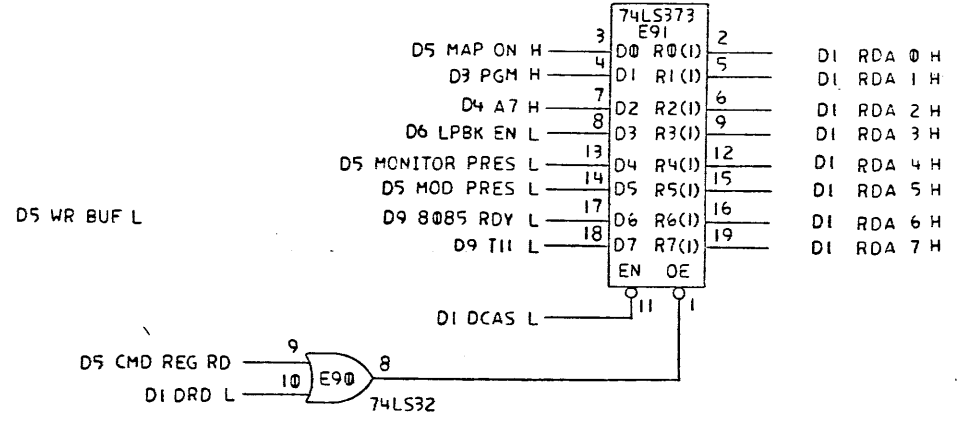
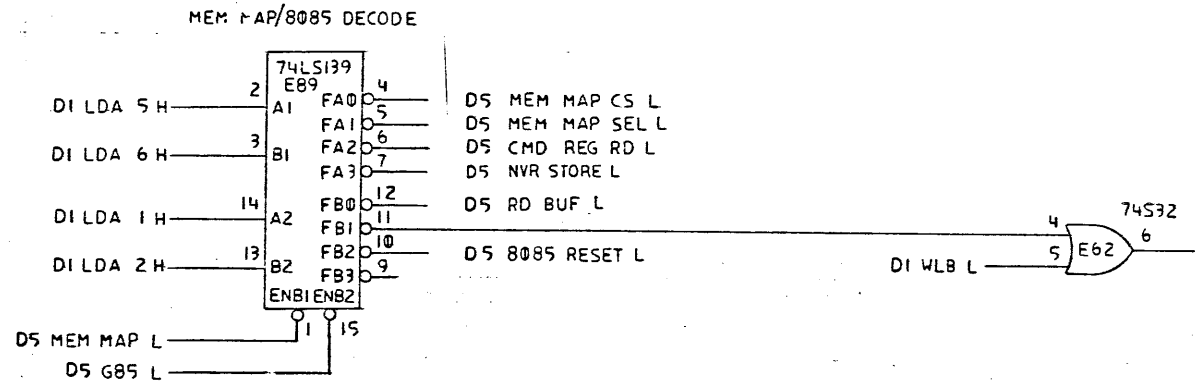
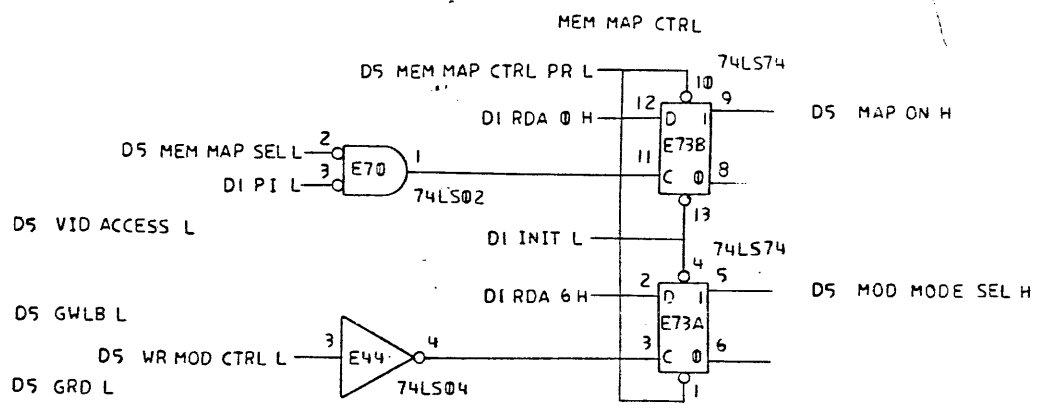
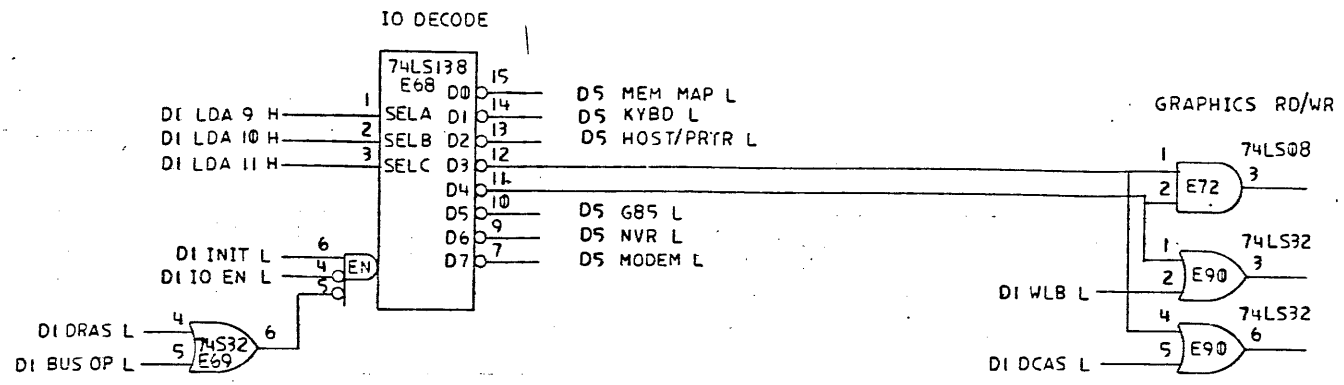
THIS DRAWING AND SPECIFICATIONS HEREIN ARE THE PROPERTY OF DIGITAL EQUIPMENT CORPORATION AND SHALL NOT BE REPRODUCED OR COPIED OR USED IN WHOLE OR IN PART AS THE BASIS FOR THE MANUFACTURE OR SALE OF ITEMS WITHOUT WRITTEN PERMISSION. COPYRIGHT © 1983 DIGITAL EQUIPMENT CORPORATION



- DI DAL 0 H
- DI DAL 1 H
- DI DAL 2 H
- DI DAL 3 H
- DI DAL 4 H
- DI DAL 5 H
- DI DAL 6 H
- DI DAL 7 H

- DI DAL 15 H
- DI DAL 14 H
- DI DAL 13 H
- DI DAL 12 H
- DI DAL 11 H
- DI DAL 10 H
- DI DAL 9 H
- DI DAL 8 H

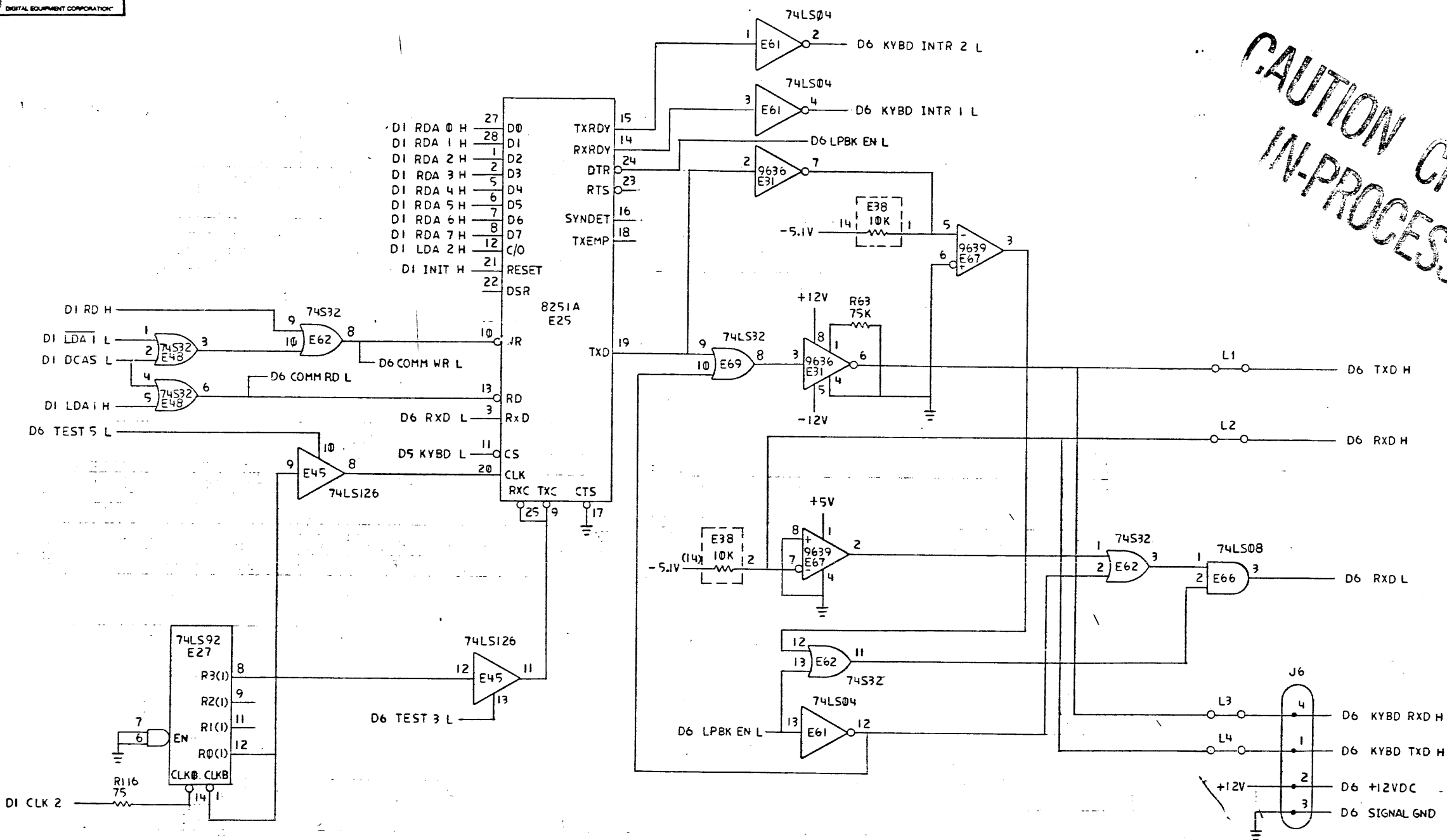
THIS DRAWING AND SPECIFICATIONS HEREIN ARE THE PROPERTY OF DIGITAL EQUIPMENT CORPORATION AND SHALL NOT BE REPRODUCED OR COPIED OR USED IN WHOLE OR IN PART AS THE BASIS FOR THE MANUFACTURE OR SALE OF ITEMS WITHOUT WRITTEN PERMISSION. COPYRIGHT © 1983 DIGITAL EQUIPMENT CORPORATION



CAUTION CHANGE

THIS DRAWING AND SPECIFICATIONS HEREIN ARE THE PROPERTY OF DIGITAL EQUIPMENT CORPORATION AND SHALL NOT BE REPRODUCED OR COPIED OR USED IN WHOLE OR IN PART AS THE BASIS FOR THE MANUFACTURE OR SALE OF ITEMS WITHOUT WRITTEN PERMISSION.  
 COPYRIGHT © 1983 DIGITAL EQUIPMENT CORPORATION

CAUTION CHANGE  
 IN-PROCESS



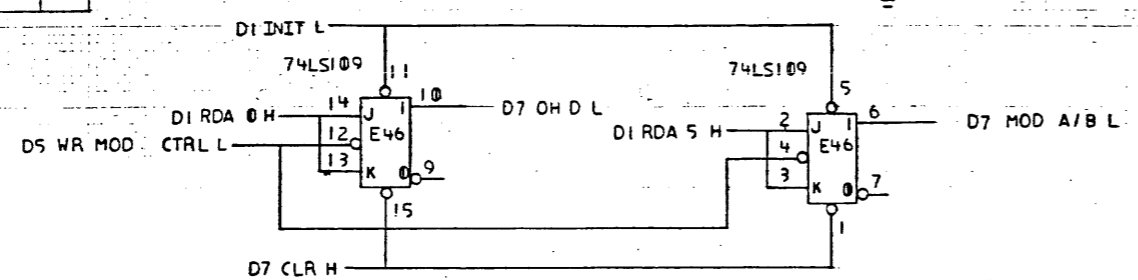
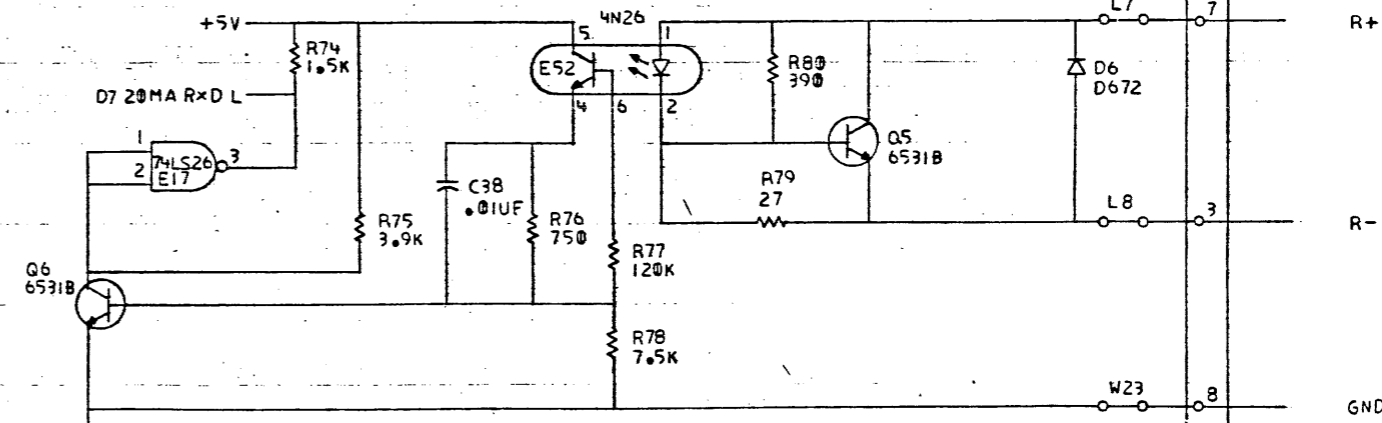
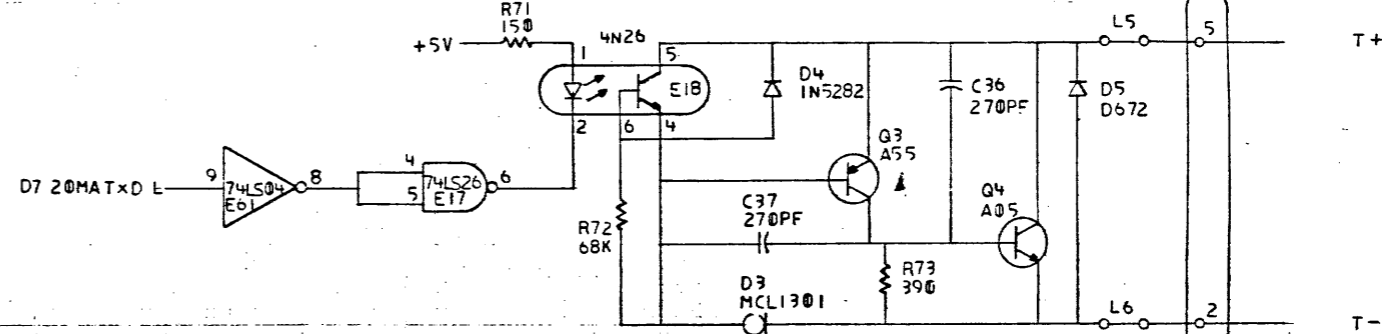
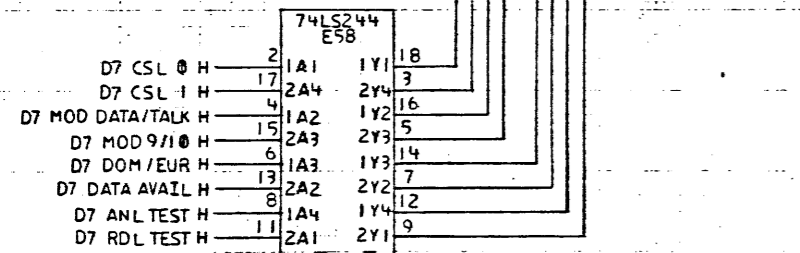
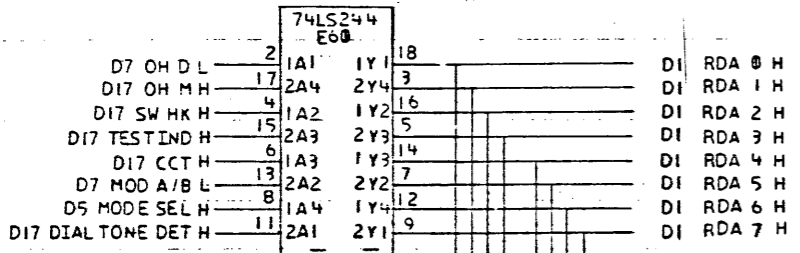
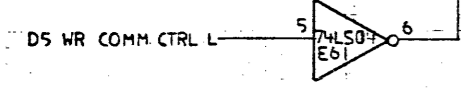
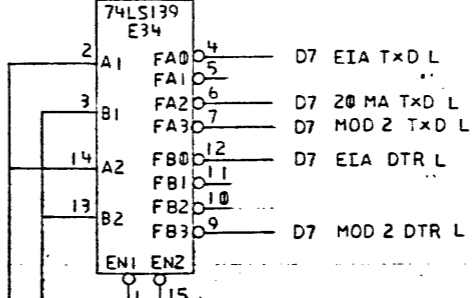
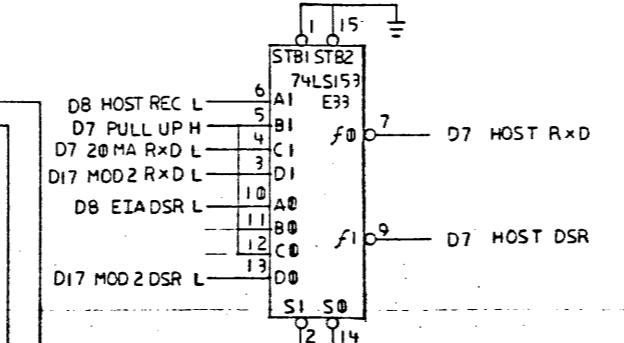
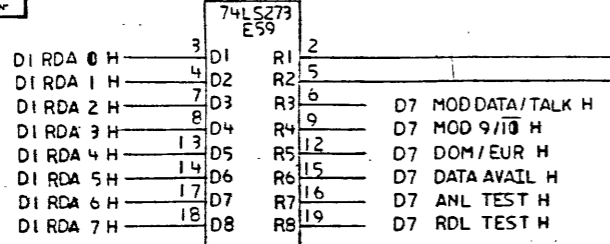
REVISION HISTORY			DOCUMENT NUMBER		
DATE	ECO NUMBER	REV.	SIZE CODE	NUMBER	REV.
			D	CS 5415495-0-1	J
			SCALE		SHEET 6 OF 19

TITLE: VT240



THIS DRAWING AND SPECIFICATIONS HEREIN ARE THE PROPERTY OF DIGITAL EQUIPMENT CORPORATION AND SHALL NOT BE REPRODUCED OR COPIED OR USED IN WHOLE OR IN PART AS THE BASIS FOR THE MANUFACTURE OR SALE OF ITEMS WITHOUT WRITTEN PERMISSION. COPYRIGHT © 1983 DIGITAL EQUIPMENT CORPORATION

CAUTION CHANGE IN-PROCESS



REVISION HISTORY		
DATE	ECO NUMBER	REV.

DOCUMENT NUMBER		REV.
SIZE CODE	NUMBER	
D	CS 5415495-0-1	J
SCALE	SHEET 7 OF 19	

TITLE VT240

THIS DRAWING AND SPECIFICATIONS HEREIN ARE THE PROPERTY OF DIGITAL EQUIPMENT CORPORATION AND SHALL NOT BE REPRODUCED OR COPIED OR USED IN WHOLE OR IN PART AS THE BASIS FOR THE MANUFACTURE OR SALE OF ITEMS WITHOUT WRITTEN PERMISSION.  
 DIGITAL EQUIPMENT CORPORATION  
 COPYRIGHT © 1983

HOST/EIA PORT  
 J3

AUX/PRTR PORT  
 J2

D

C

B

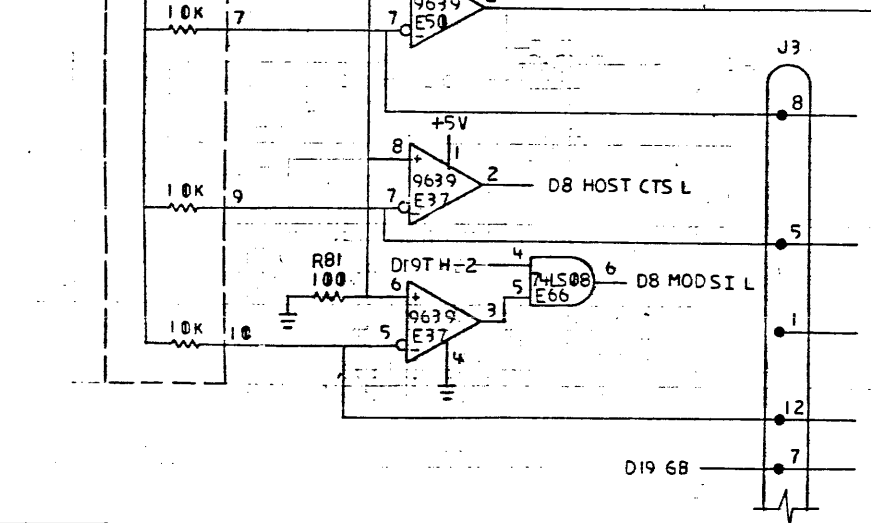
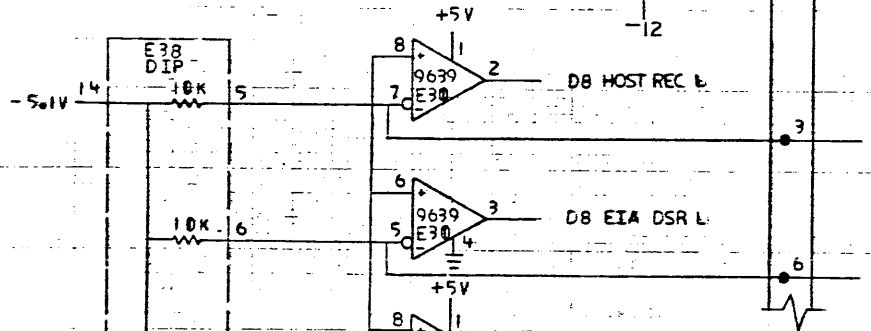
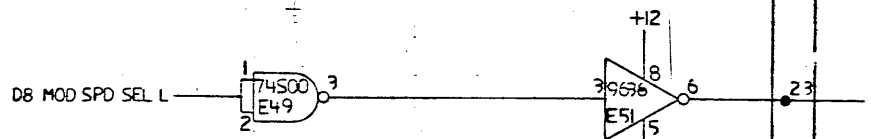
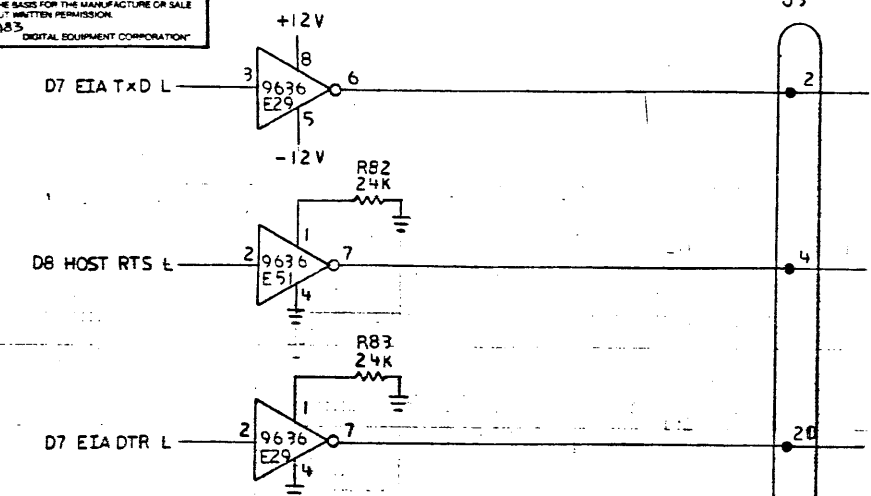
A

D

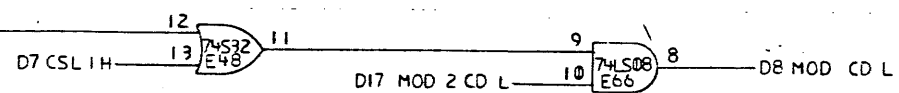
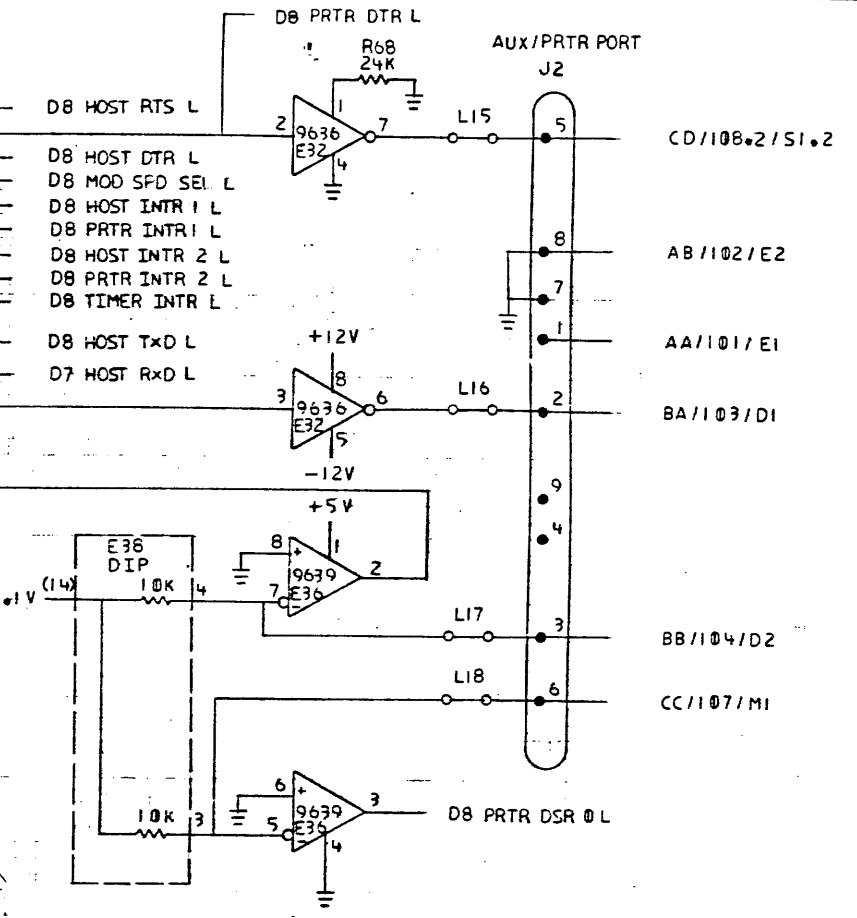
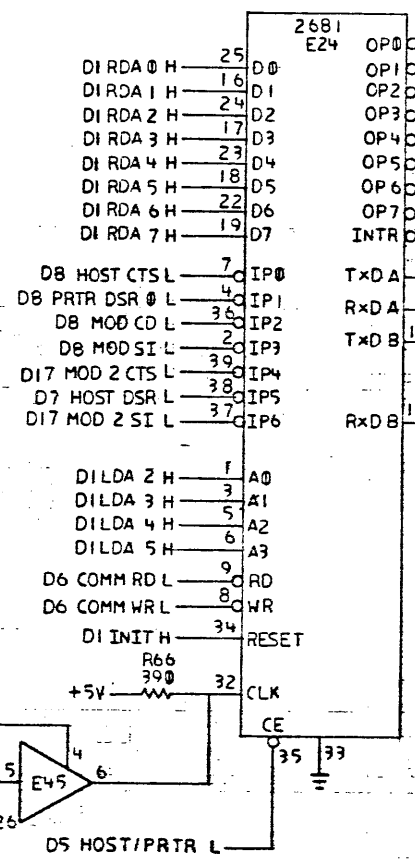
C

B

A



- BA/103/DI
- CA/105/SE
- CD/108.2/SI.2
- CH/111/S4
- BB/104/D2
- CC/107/M1
- CF/109/M5
- CB/106/M2
- AA/110/E1
- CI/112/M4
- AB/102/E2

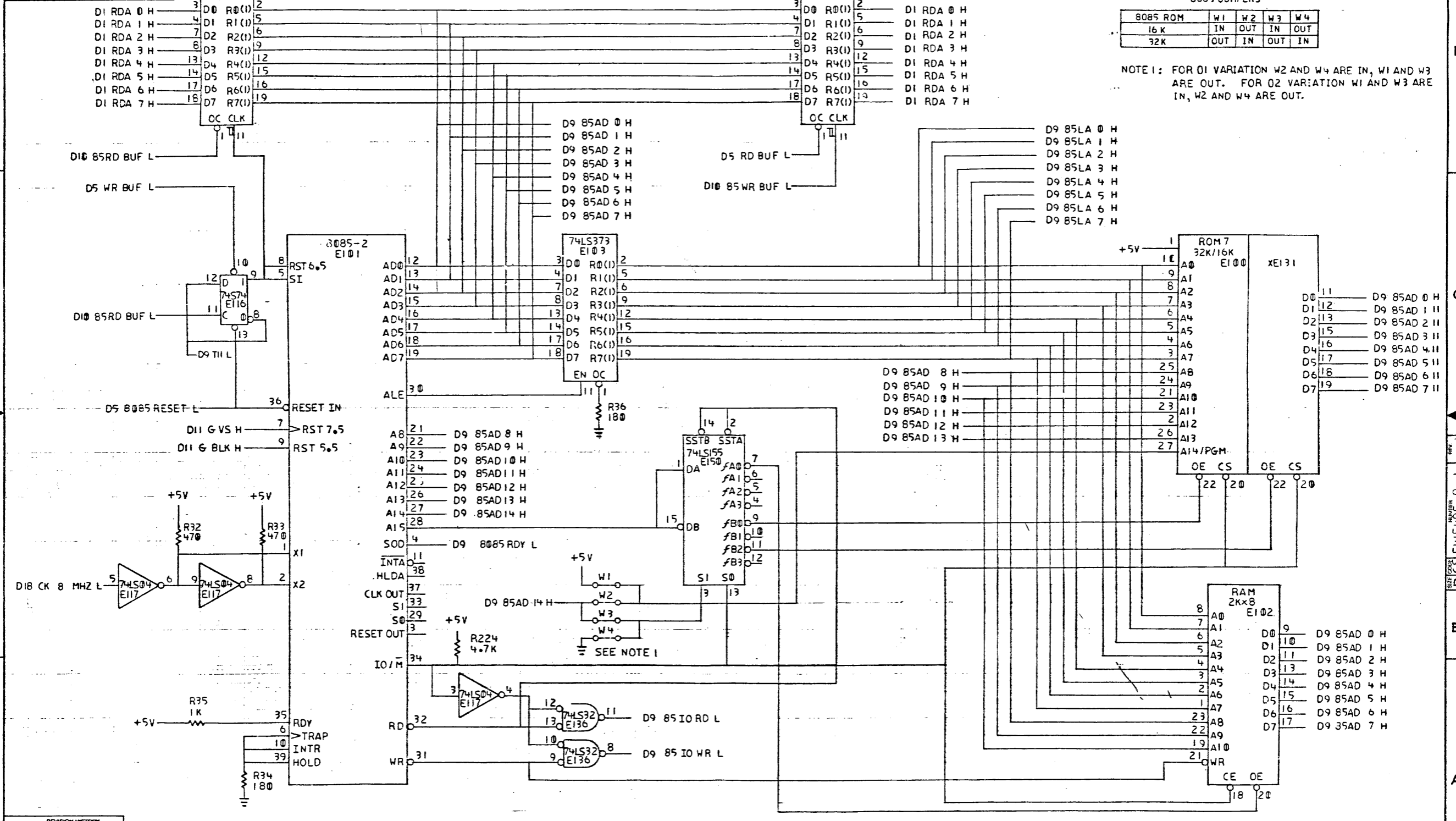


CAUTION CHASSIS  
 NOT TO BE TOUCHED

REVISION HISTORY		
DATE	ECO NUMBER	REV.

8	7	6	5	4	3	2	1
---	---	---	---	---	---	---	---

THIS DRAWING AND SPECIFICATIONS HEREIN ARE THE PROPERTY OF DIGITAL EQUIPMENT CORPORATION AND SHALL NOT BE REPRODUCED OR COPIED OR USED IN WHOLE OR IN PART AS THE BASIS FOR THE MANUFACTURE OR SALE OF ITEMS WITHOUT WRITTEN PERMISSION.  
 COPYRIGHT © 1983  
 DIGITAL EQUIPMENT CORPORATION



8085 JUMPERS

8085 ROM	W1	W2	W3	W4
16K	IN	OUT	IN	OUT
32K	OUT	IN	OUT	IN

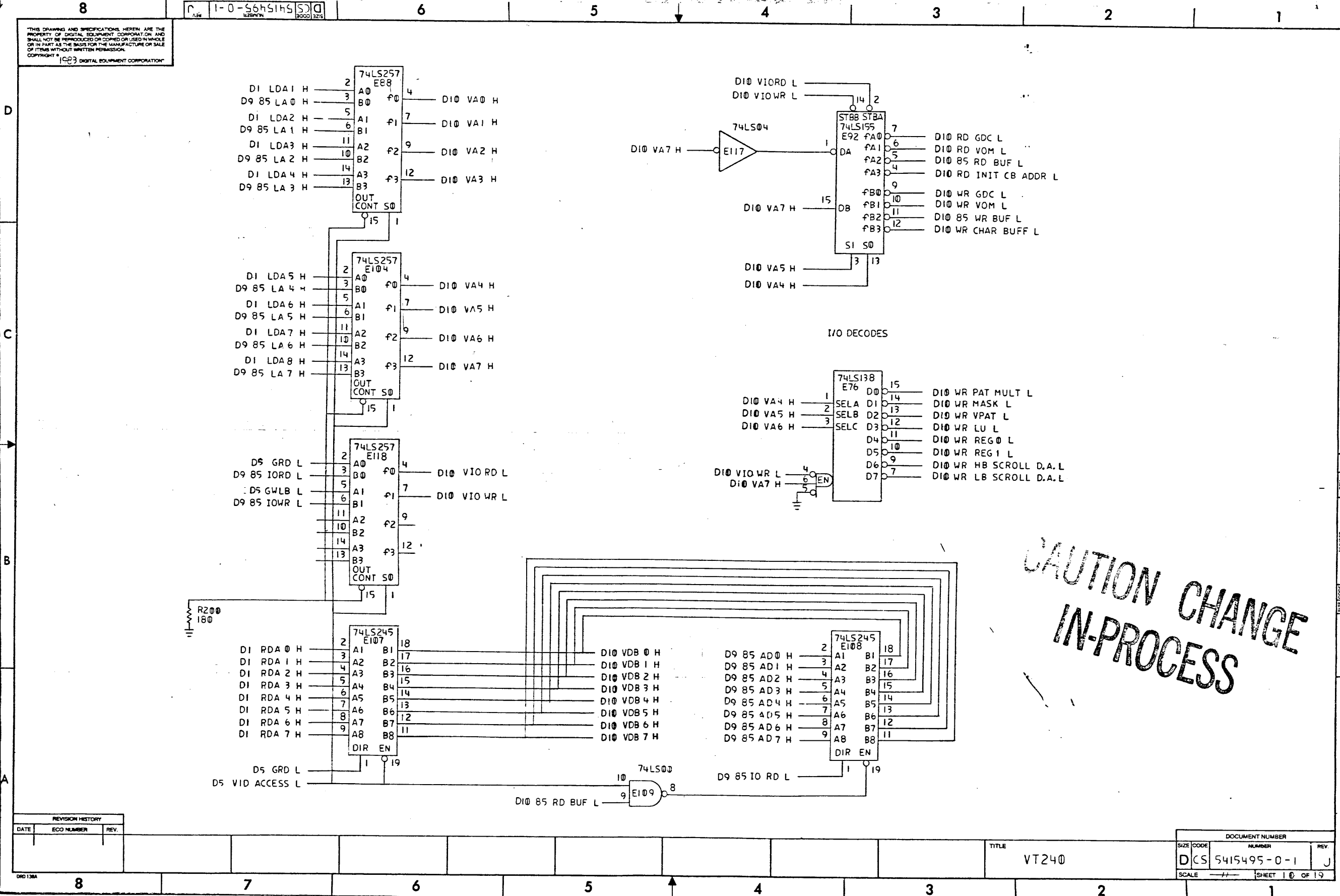
NOTE 1: FOR O1 VARIATION W2 AND W4 ARE IN, W1 AND W3 ARE OUT. FOR O2 VARIATION W1 AND W3 ARE IN, W2 AND W4 ARE OUT.

REVISION HISTORY

DATE	ECO NUMBER	REV.

THIS DRAWING AND SPECIFICATIONS HEREIN ARE THE PROPERTY OF DIGITAL EQUIPMENT CORPORATION AND SHALL NOT BE REPRODUCED OR COPIED OR USED IN WHOLE OR IN PART AS THE BASIS FOR THE MANUFACTURE OR SALE OF ITEMS WITHOUT WRITTEN PERMISSION.  
 COPYRIGHT © 1983 DIGITAL EQUIPMENT CORPORATION

1-0-56451HS

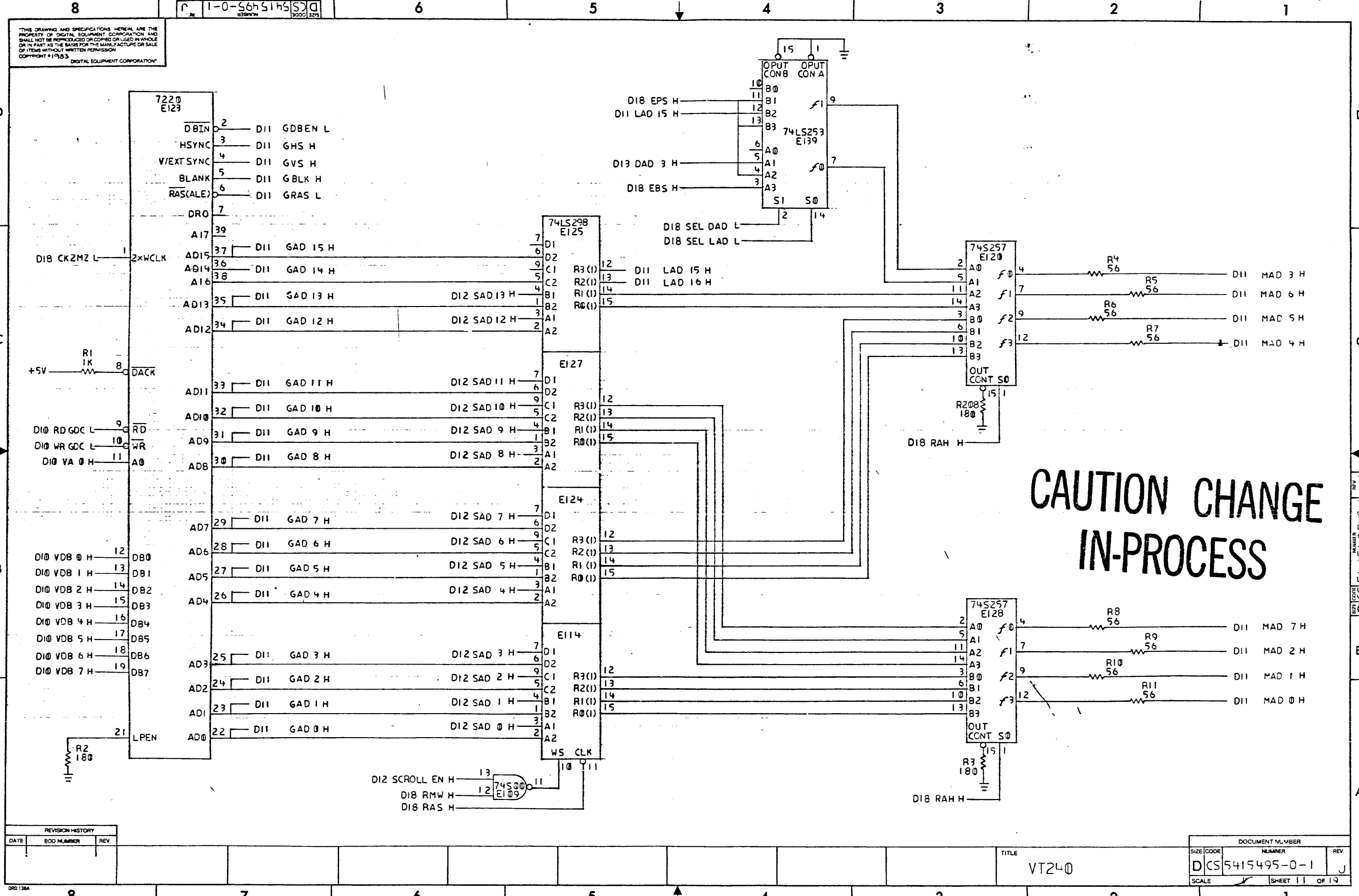


REVISION HISTORY		
DATE	ECO NUMBER	REV.

TITLE  
VT240

DOCUMENT NUMBER		
SIZE CODE	NUMBER	REV.
D	CS 5415495-0-1	J
SCALE		SHEET 10 OF 19

THIS DRAWING AND SPECIFICATIONS HEREIN ARE THE PROPERTY OF DIGITAL EQUIPMENT CORPORATION AND SHALL NOT BE REPRODUCED OR COPIED OR USED IN WHOLE OR IN PART AS THE BASIS FOR THE MANUFACTURE OR SALE OF ITEMS WITHOUT WRITTEN PERMISSION. COPYRIGHT © 1973. DIGITAL EQUIPMENT CORPORATION



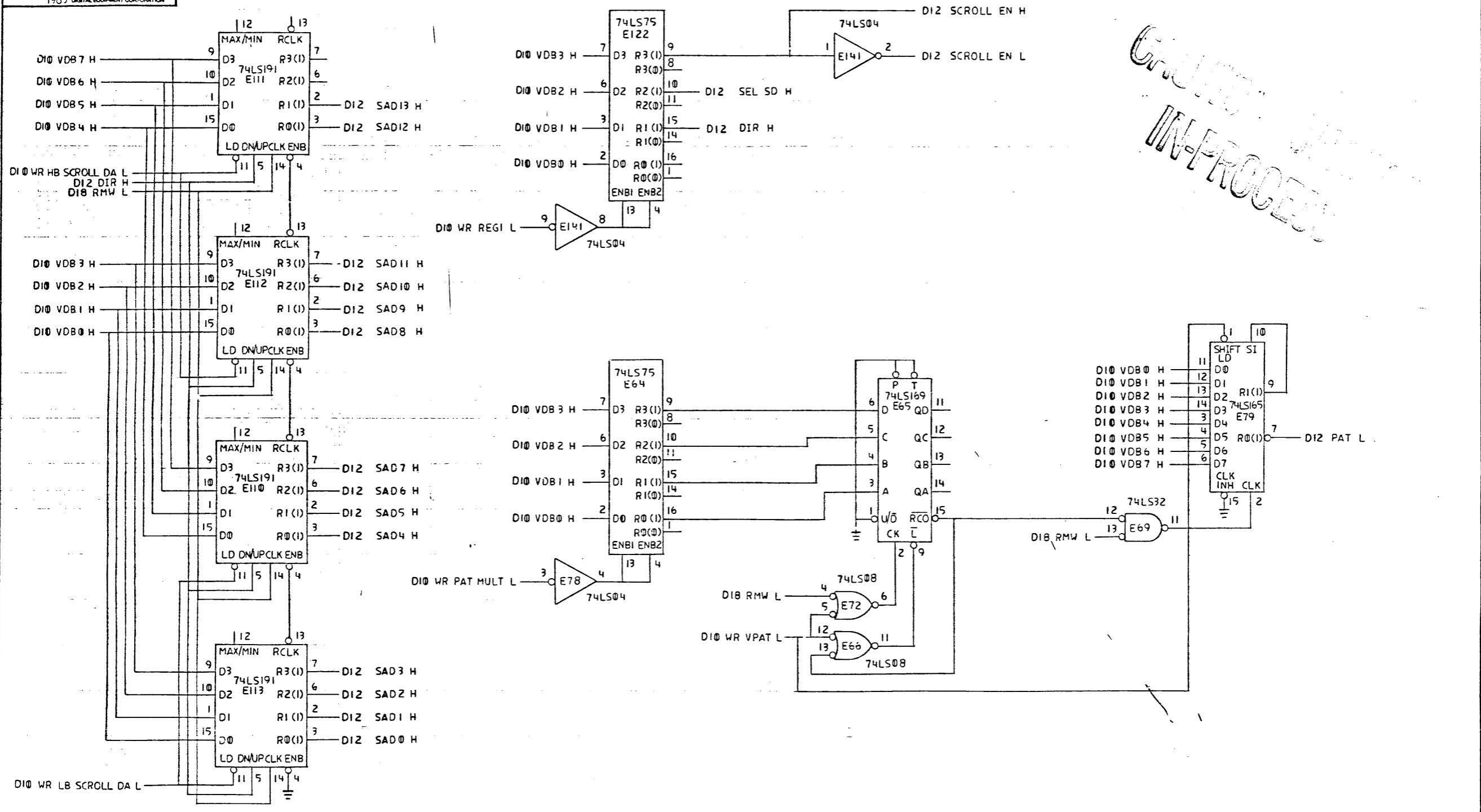
**CAUTION CHANGE IN-PROCESS**

REVISION HISTORY			DOCUMENT NUMBER			
DATE	ECC NUMBER	REV.	SIZE	CODE	NUMBER	REV.
			DCS		5415495-0-1	J
			SCALE		SHEET 11	OF 19

TITLE: VT240

SIZE CODE NUMBER DCS 5415495-0-1 J

THIS DRAWING AND SPECIFICATIONS HEREIN ARE THE PROPERTY OF DIGITAL EQUIPMENT CORPORATION AND SHALL NOT BE REPRODUCED OR COPIED IN WHOLE OR IN PART AS THE BASIS FOR THE MANUFACTURE OR SALE OF ITEMS WITHOUT WRITTEN PERMISSION. COPYRIGHT © 1983 DIGITAL EQUIPMENT CORPORATION.



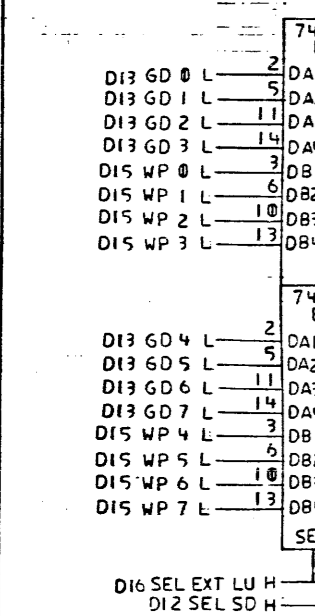
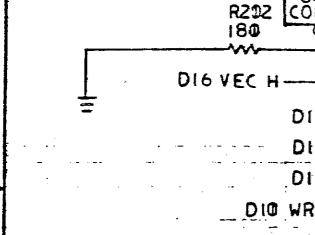
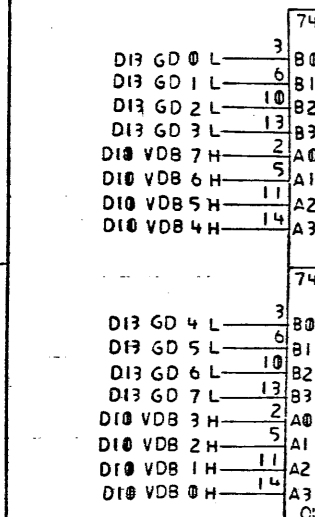
CANCELLED  
 IN-PROGRESS

DATE	ECO NUMBER	REV.

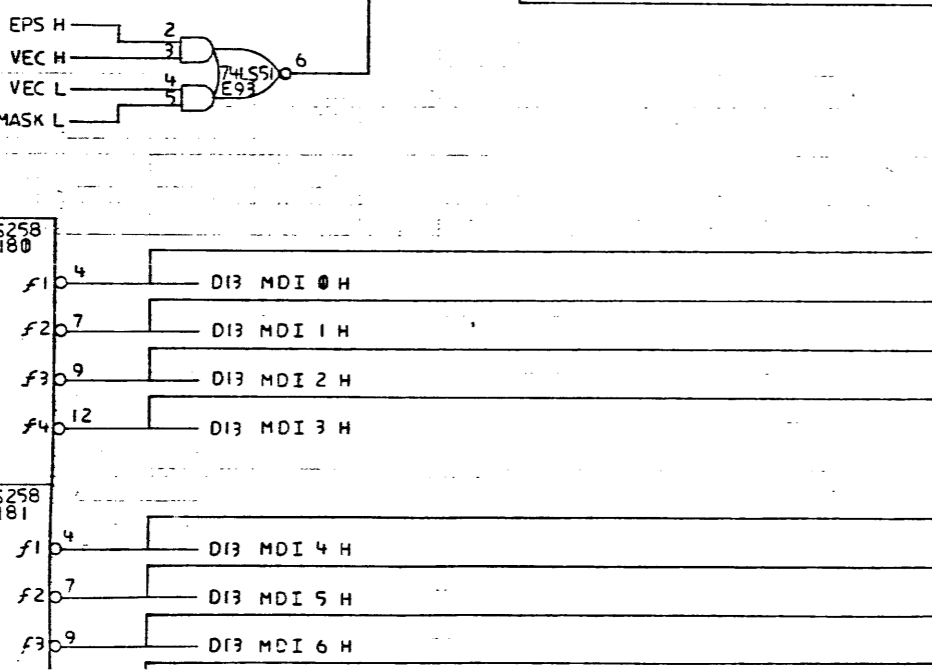
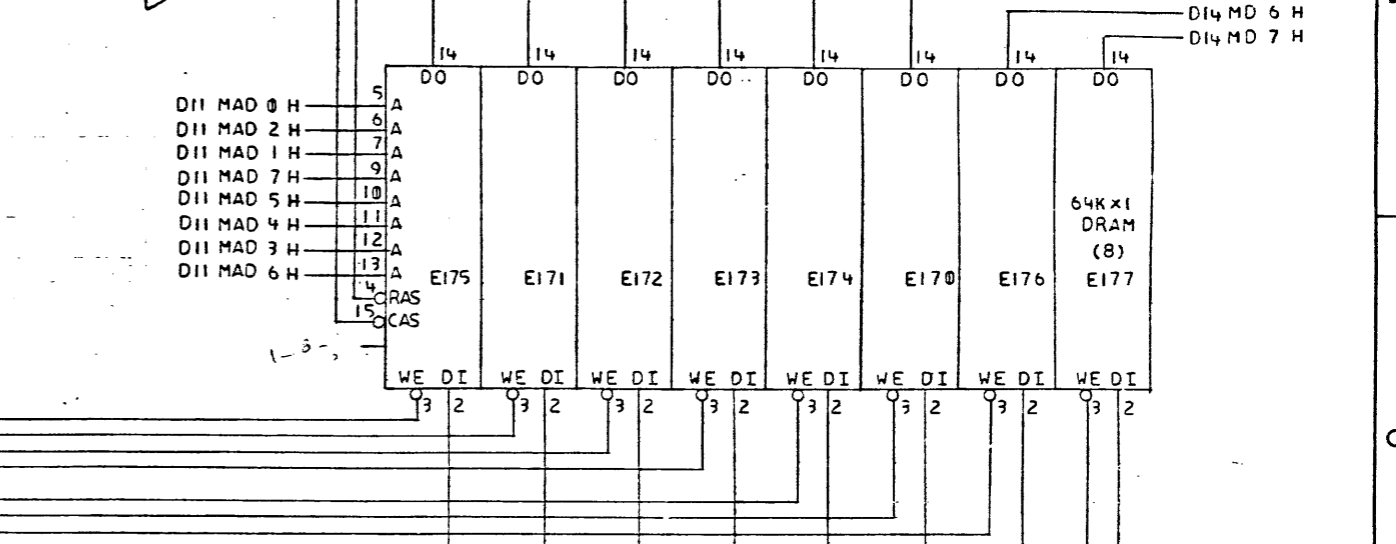
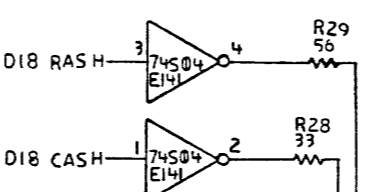
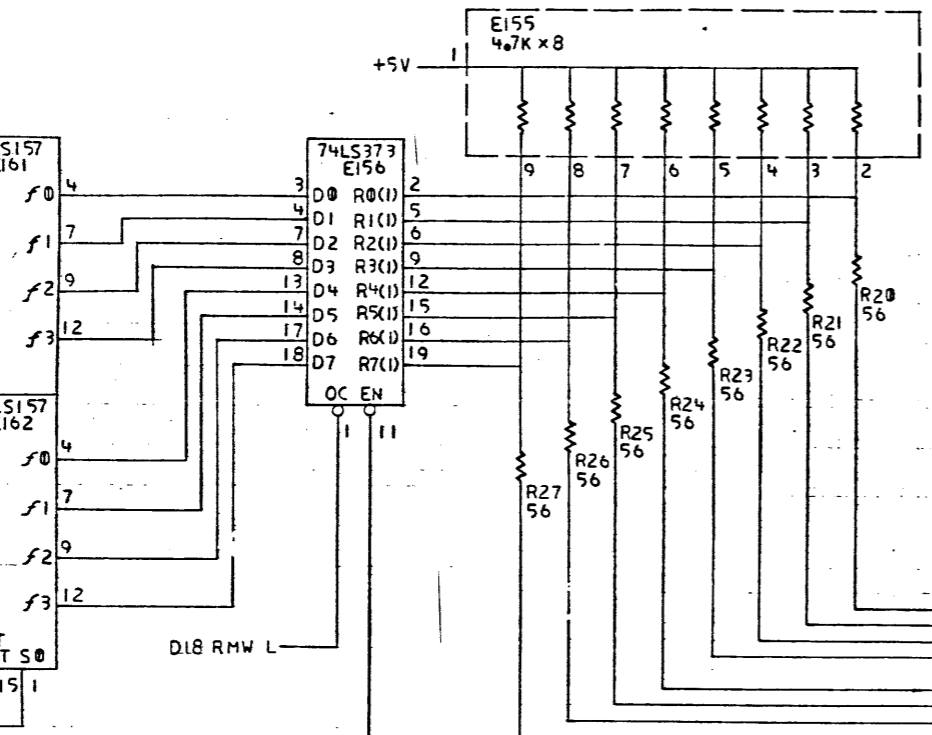
	TITLE	VT240		DOCUMENT NUMBER
	SCALE	SHEET 12 OF 19		NUMBER
				REV. J



THIS DRAWING AND SPECIFICATIONS HEREIN ARE THE PROPERTY OF DIGITAL EQUIPMENT CORPORATION AND SHALL NOT BE REPRODUCED OR COPIED OR USED IN WHOLE OR IN PART AS THE BASIS FOR THE MANUFACTURE OR SALE OF ITEMS WITHOUT WRITTEN PERMISSION. COPYRIGHT © 1983 DIGITAL EQUIPMENT CORPORATION



REVISION HISTORY		
DATE	ECC NUMBER	REV.



**CAUTION CHANGE  
 IN ADDRESS**



THIS DRAWING AND SPECIFICATIONS HEREIN ARE THE PROPERTY OF DIGITAL EQUIPMENT CORPORATION AND SHALL NOT BE REPRODUCED OR COPIED OR USED IN WHOLE OR IN PART AS THE BASIS FOR THE MANUFACTURE OR SALE OF ITEMS WITHOUT WRITTEN PERMISSION.  
 COPYRIGHT © 1973 DIGITAL EQUIPMENT CORPORATION

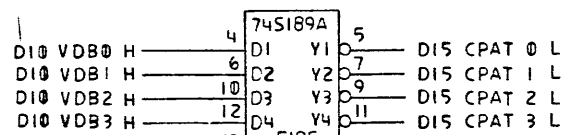
D

C

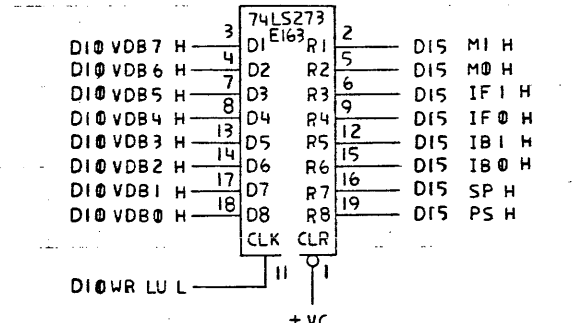
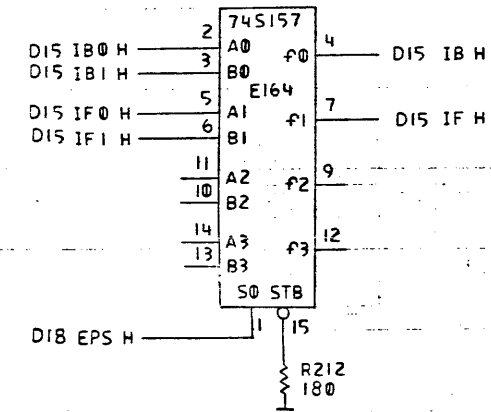
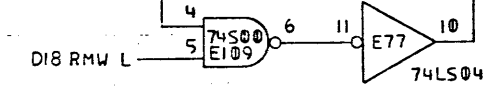
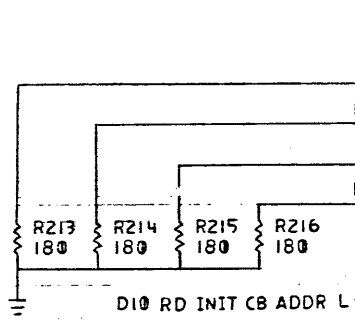
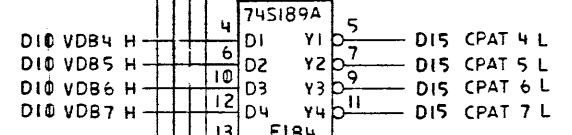
B

A

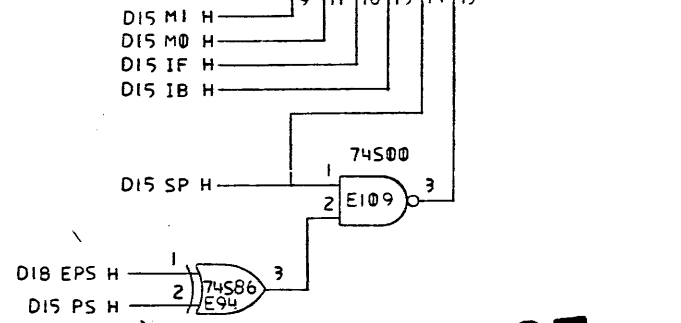
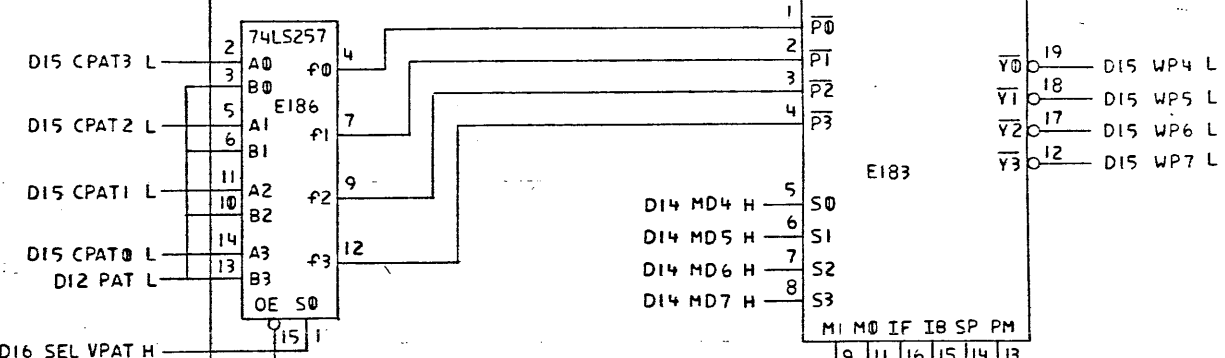
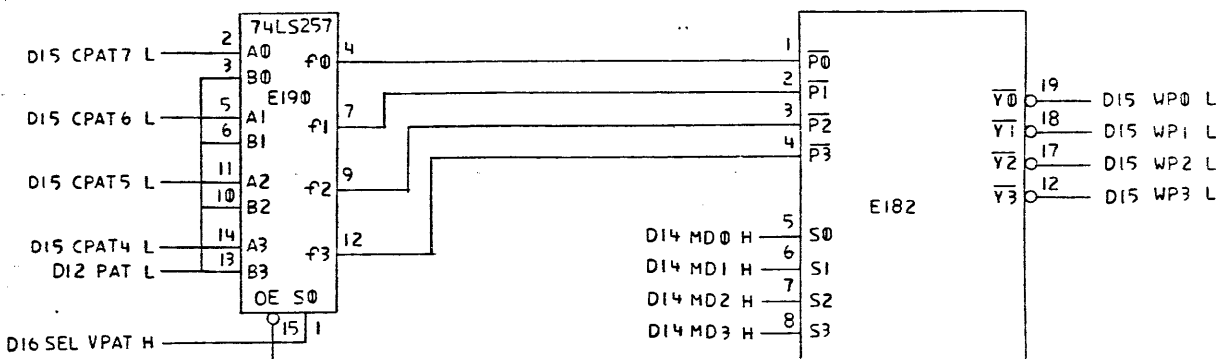
CHAR PAT BUF



D10 WR CHAR BUFF L



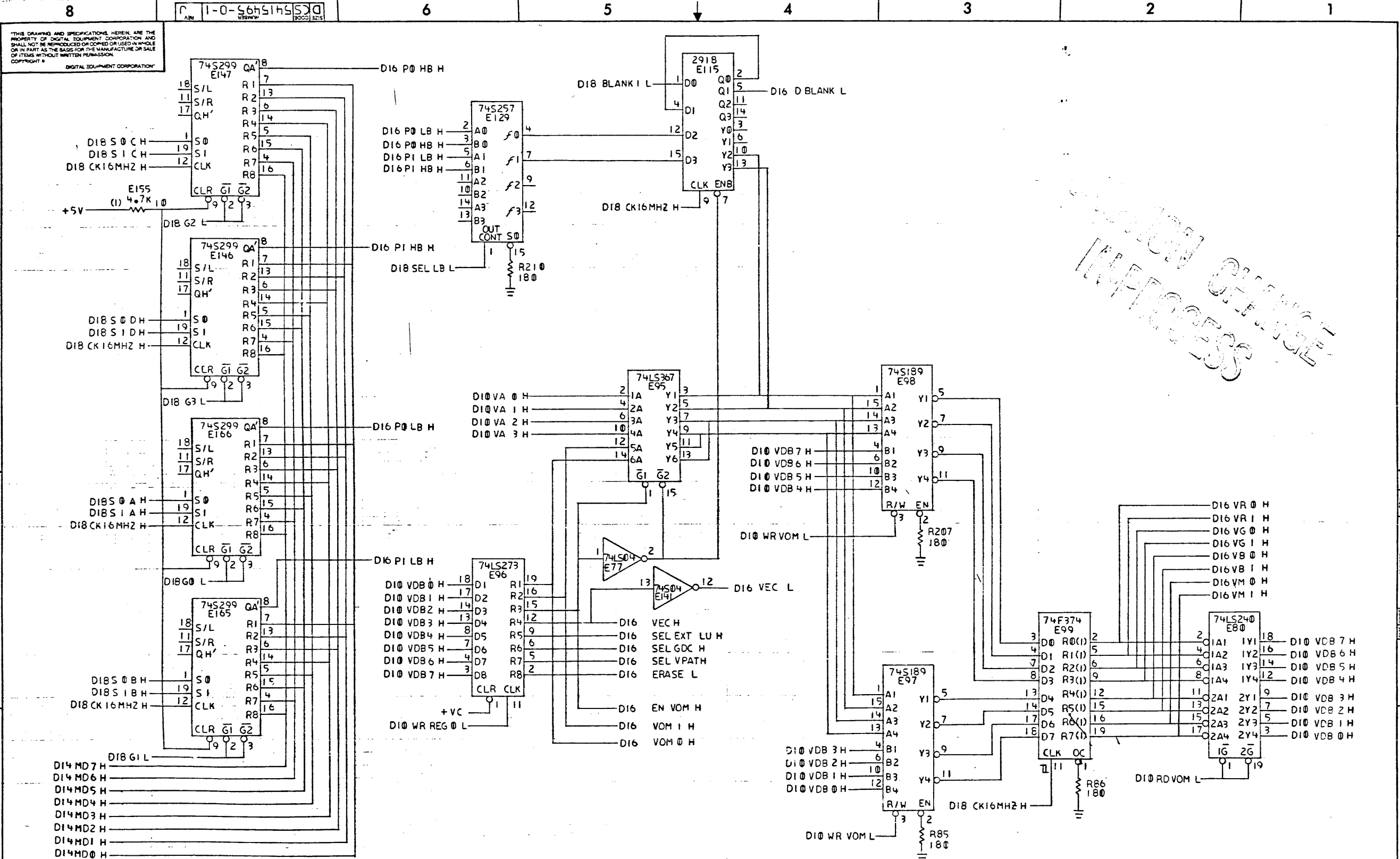
LOGIC UNIT



**CAUTION CHANGE IN-PROCESS**

REVISION HISTORY		
DATE	ECO NUMBER	REV.

TITLE		DOCUMENT NUMBER	
VT240		SIZE CODE	NUMBER
		DCS	5415495-0-1
		SCALE	SHEET 15 OF 19

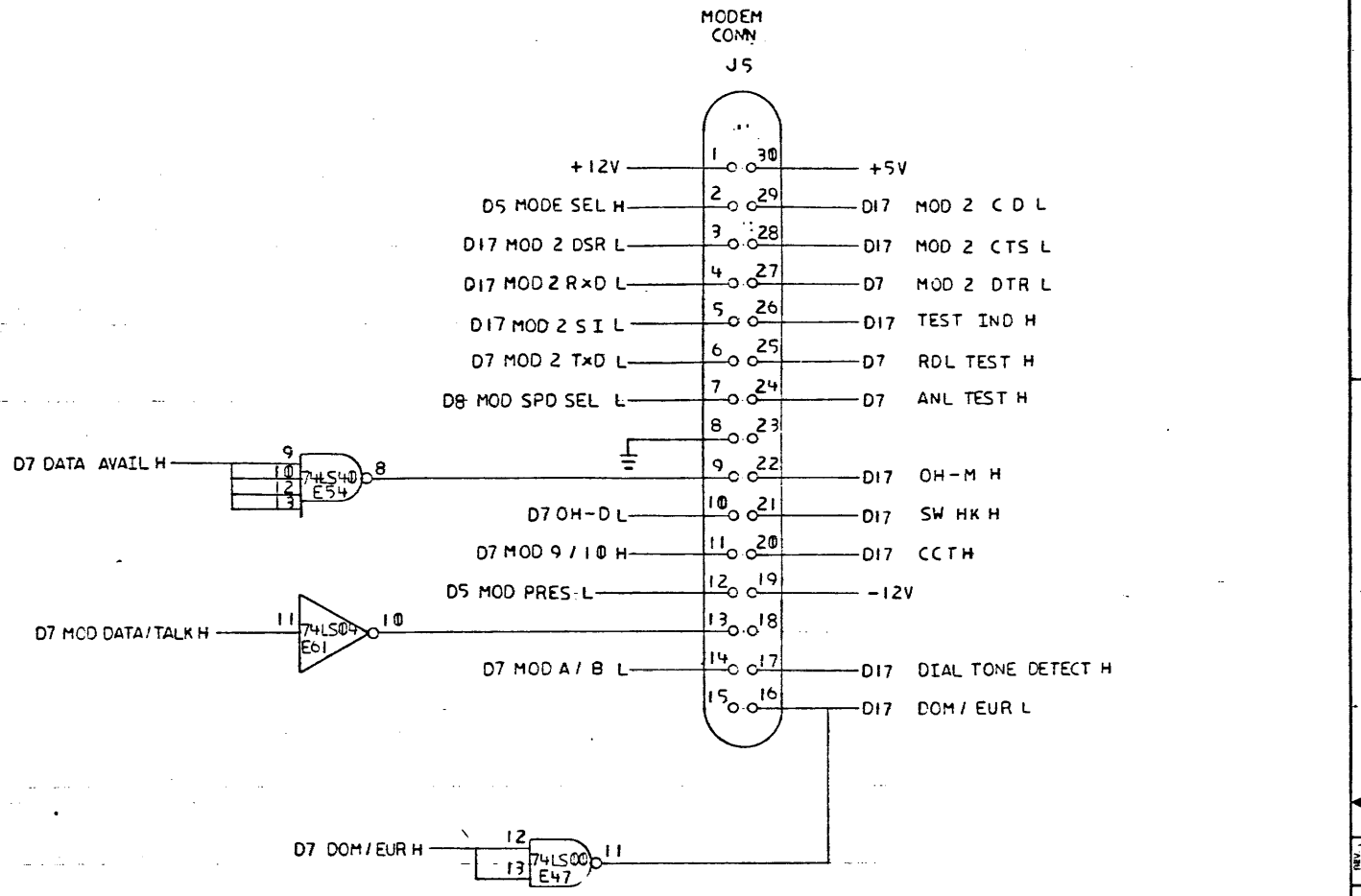
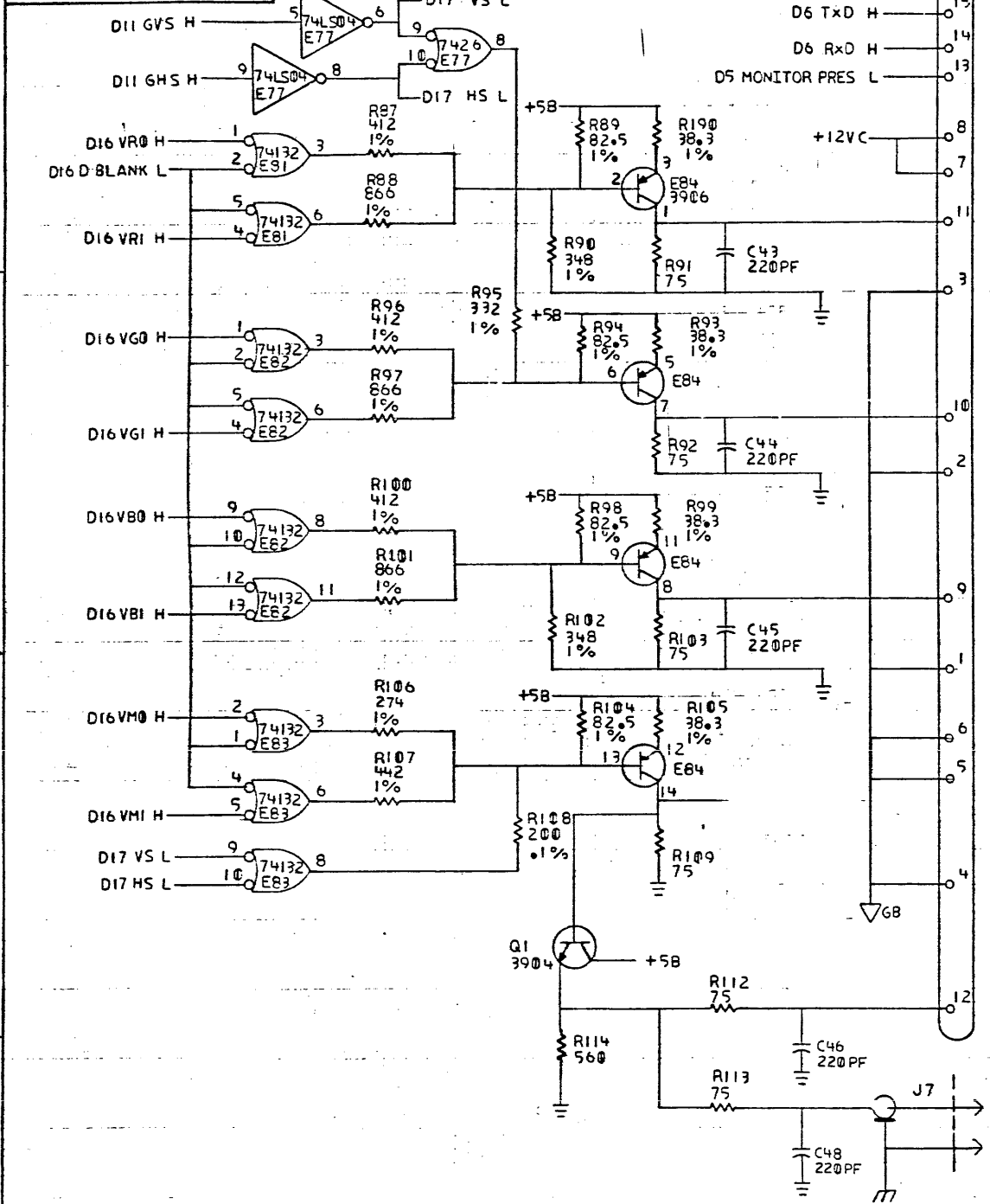


ALL INFORMATION CONTAINED  
 HEREIN IS UNCLASSIFIED

REVISION HISTORY			DOCUMENT NUMBER		
DATE	ECO NUMBER	REV.	SIZE CODE	NUMBER	REV
			DCS	5415495-0-1	J
			SCALE	SHEET 16 OF 19	

VT240

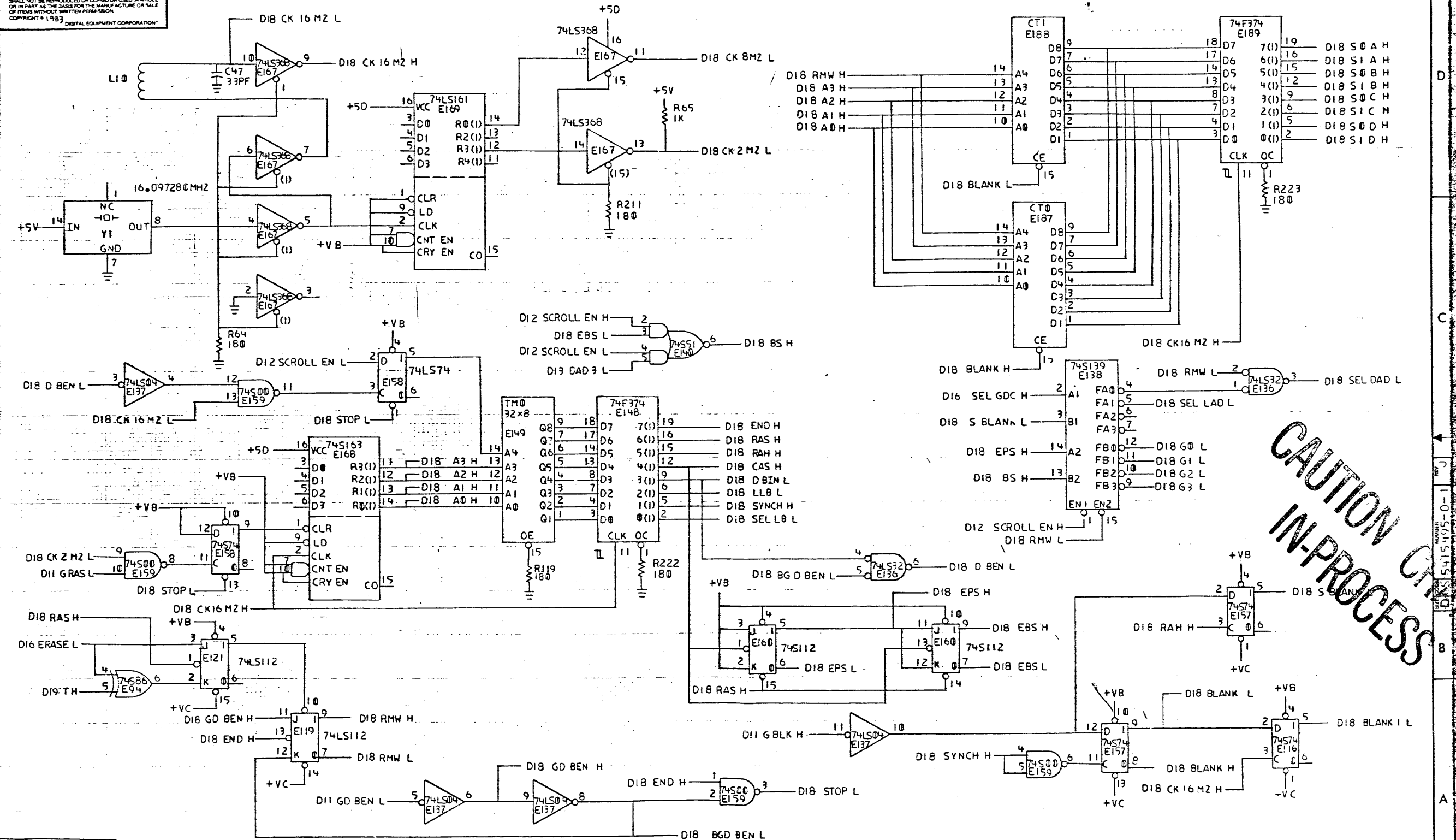
THIS DRAWING AND SPECIFICATIONS HEREIN ARE THE PROPERTY OF DIGITAL EQUIPMENT CORPORATION AND SHALL NOT BE REPRODUCED OR COPIED OR USED IN WHOLE OR IN PART AS THE BASIS FOR THE MANUFACTURE OR SALE OF ITEMS WITHOUT WRITTEN PERMISSION. COPYRIGHT © 1982 DIGITAL EQUIPMENT CORPORATION.



CAUTION CHANGE IN-PROCESS

REVISION HISTORY			DOCUMENT NUMBER		
DATE	ECD NUMBER	REV.	SIZE CODE	NUMBER	REV
			D	CS 5415495-0-1	J
SCALE				SHEET 17 OF 19	

THIS DRAWING AND SPECIFICATIONS HEREIN ARE THE PROPERTY OF DIGITAL EQUIPMENT CORPORATION AND SHALL NOT BE REPRODUCED OR COPIED OR USED IN WHOLE OR IN PART AS THE BASIS FOR THE MANUFACTURE OR SALE OF ITEMS WITHOUT WRITTEN PERMISSION.  
 COPYRIGHT © 1983 DIGITAL EQUIPMENT CORPORATION

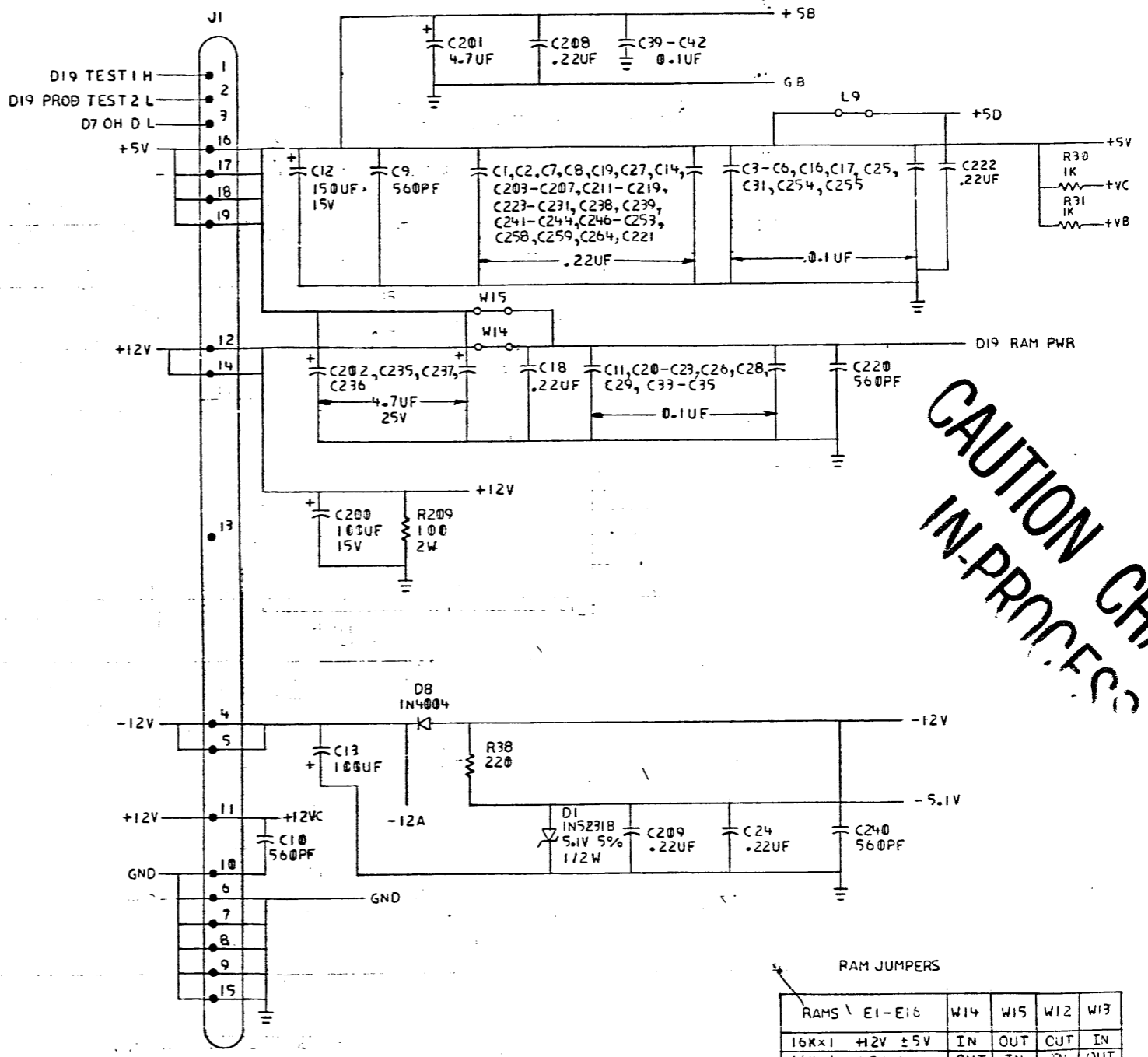
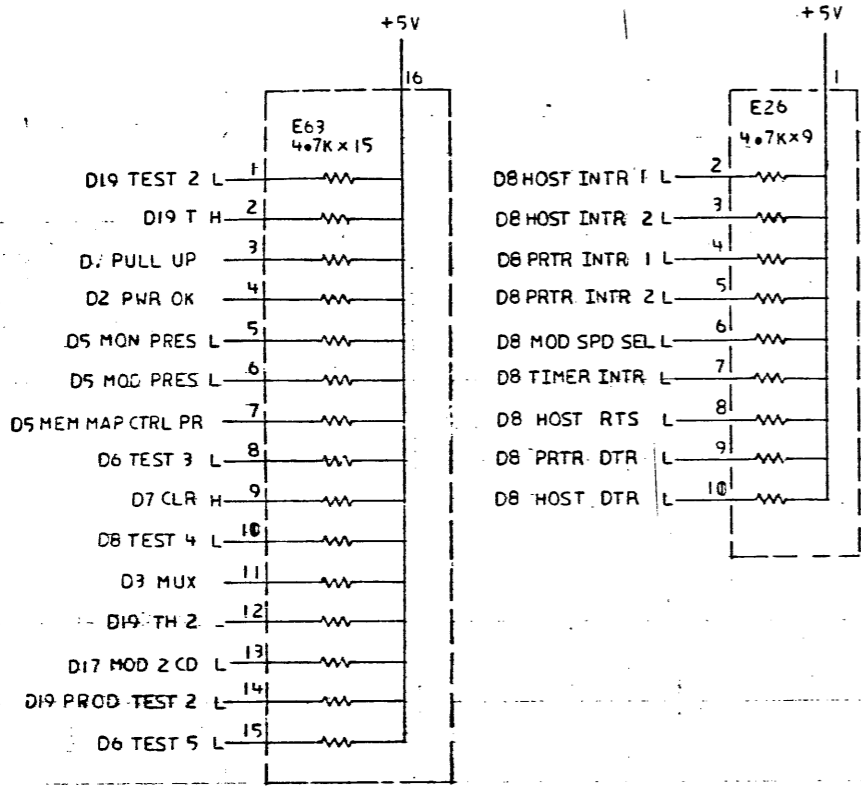


CAUTION  
IN-PROCESS

REVISION HISTORY			DOCUMENT NUMBER			
DATE	ECO NUMBER	REV	SIZE	CODE	NUMBER	REV
			D	CS	5415495-0-1	J
			SCALE		SHEET	18 OF 19

VT240

THIS DRAWING AND SPECIFICATIONS HEREIN ARE THE PROPERTY OF DIGITAL EQUIPMENT CORPORATION AND SHALL NOT BE REPRODUCED OR COPIED OR USED IN WHOLE OR IN PART AS THE BASIS FOR THE MANUFACTURE OR SALE OF ITEMS WITHOUT WRITTEN PERMISSION.  
 COPYRIGHT © 1985 DIGITAL EQUIPMENT CORPORATION

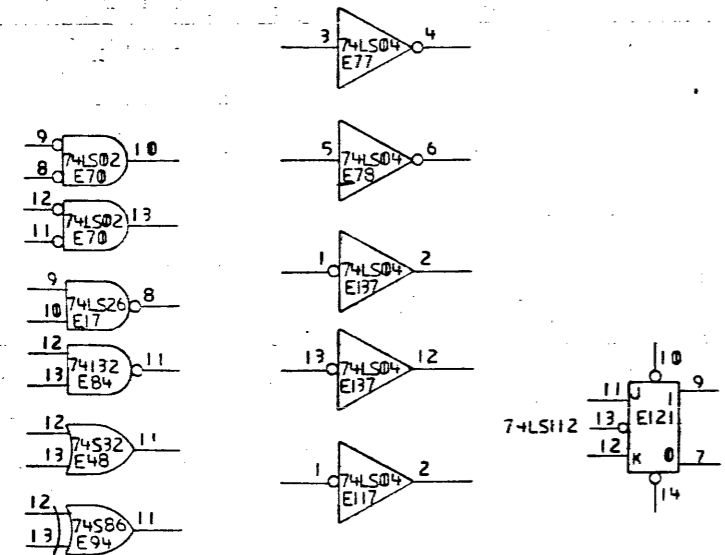


**CAUTION CHANGE IN-PROCESS**

RAM JUMPERS

RAMS \ E1-E16	W14	W15	W12	W13
16Kx1 +12V ±5V	IN	OUT	CUT	IN
16Kx1 +5V ONLY	CUT	IN	IN	OUT
64Kx1	OUT	IN	IN	OUT

T. I. & MOSTEK 64K RAMS CANNOT BE USED  
 R209 INSTALLED W/SIN6L VOLTAGE RAMS



SPARES

REVISION HISTORY			DOCUMENT NUMBER		
DATE	ECO NUMBER	REV.	SIZE CODE	NUMBER	REV.
			DCS	5415495-0-1	
			SCALE	SHEET 19 OF 19	

VT240