

ILLUSTRATED PARTS BREAKDOWN

VT100 VIDEO TERMINAL

HOW TO USE THE IPB

GENERAL

This IPB is compiled following the organization and nomenclature of the engineering drawing structure.

MAJOR ASSEMBLY LOCATOR

The Major Assembly Locator (first illustration) is an index that provides a description and a figure reference for all illustrations used in this manual.

INDENTED PARTS LIST

This manual identifies each assembly being broken down (figure reference callout), and all parts of that assembly. Further breakdown of an assembly is shown by an asterisk (*) preceding the item callouts in the Description Column. The number of asterisks preceding an item is used to denote the subordination of that item with respect to the Major Assembly. A single asterisk preceding an item description indicates that the item is part of the major assembly being illustrated. Items that are subordinate to single asterisks items, are denoted by two asterisks (**) and immediately follow the related single asterisk item. Additional asterisks are used, as required, to denote further subordination. This system of part identification, provides a means for the user to identify the next higher assembly item and make alternate selections for parts when the required replacement part or assembly is not immediately available.

COLUMN CALLOUT DESCRIPTION

Figure & Item – Indicates the figure number and item number of each part.

Description – Lists the name of the part and pertinent specifications (when required). Asterisks preceding the description denote the subordination of the part to the next higher assembly.

DEC Part No. – Lists the DEC part ordering number. A blank in this column indicates a DEC part number was not assigned at the time of publication.

ECO Cut-In – The notation at the top of this column indicates the ECO level of the system (option), at which the IPB was initially prepared. Subsequent ECO level designations, that modify existing parts or add new parts to the device, are inserted in the ECO Cut-In column next to the part that is added or modified. A bracket ([]) preceding the item description is used to indicate the parts affected by ECO's.

Vendor Code/Part No. – Indicates vendor parts that are not stocked by DEC. Refer to the Field Service Spares Catalog (vendor part number to DEC part number) for the vendor code cross-reference.

Used On Code – Letters in this column correspond to the variation codes assigned in Figure 1. Parts with an Alpha notation(s) are used only in those option variations. A blank indicates that the part is used on all option variations.

Ref Fig No. – A cross reference between illustrations. For each Major Assembly, the number in this column denotes the figure of the next higher assembly. For all subassemblies, the number in this column denotes the figure showing additional detailed breakdown.

SYMBOL USAGE

Hardware Designators – Alpha designators for screws (S), washers (W), nuts (N), and retaining rings (R) are inserted after the item number callouts on the illustration when stacked item numbers are used.

Attaching Hardware – The @ symbol is inserted before any part that is used as attaching hardware. Attaching hardware is denoted as those parts that are not an integral part of the referenced assembly.

(NFR) Not Field Repairable – The (NFR) symbol is inserted after any assembly that is not to be field dismantled.

Other Symbols – Any other symbols that are required for kits, accessories, etc., will be explained and appear as part of the item description.

REVISION HISTORY

PRINTING	ECO LEVEL	DATE	PAGES AFFECTED
4th Printing	VT100 00000-00038	12-8-80	N/A
	70-14975 VT100-00022		
	70-14979 00000-00005		
	70-15053 VT100-00038		
	70-14977 VT100-00038		
	70-14980 00000-00003		
	70-14653 00000-00004		
	70-15765 VT100-00038		
	VT1XX-AA 00000-00001		

OTHER IPB MANUALS REQUIRED TO SUPPORT THIS OPTION.....

N/A

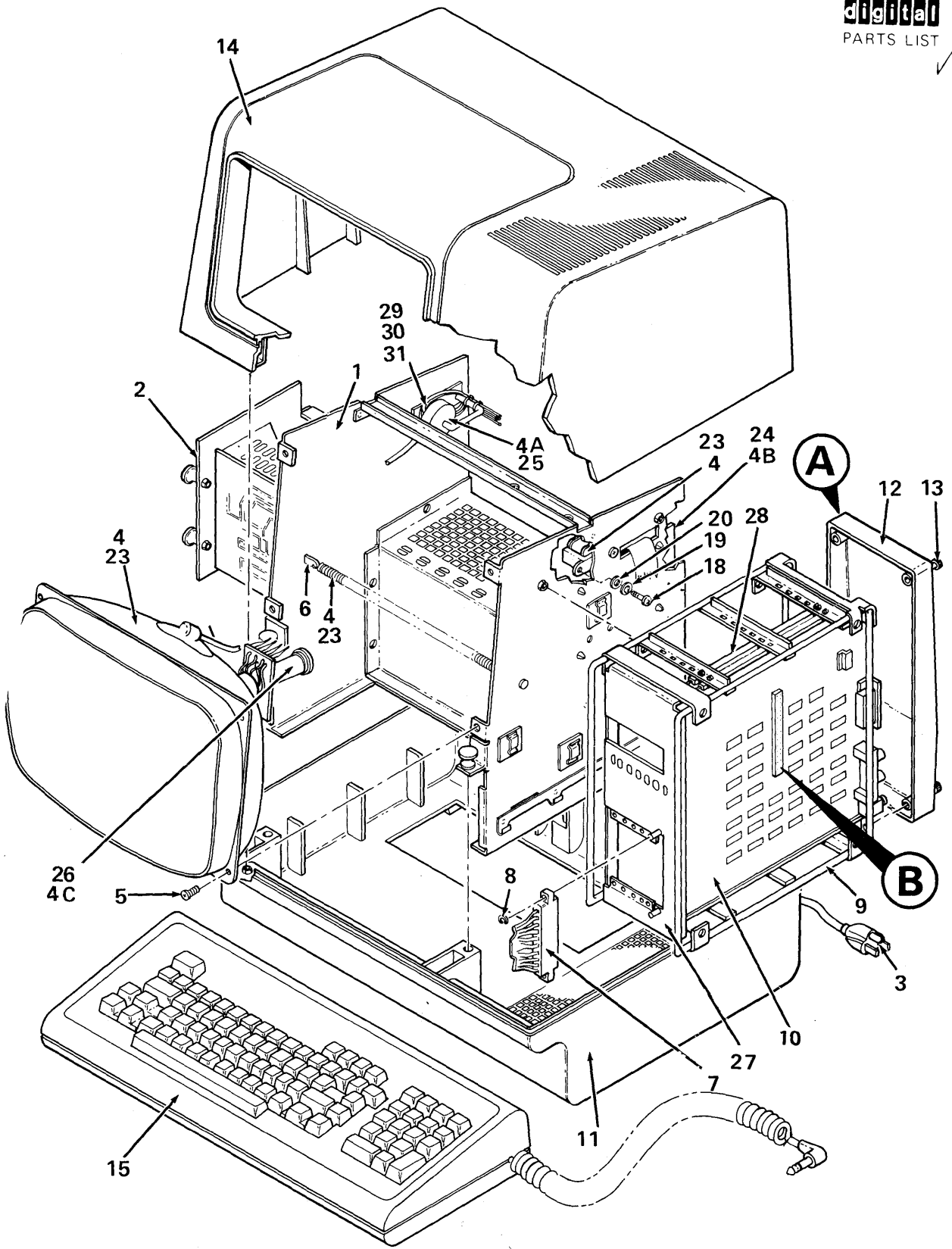
This 4th Printing EK-VT100-IP-004
SUPERCEDES 3rd Printing EK-VT100-IP-003

Copyright © 1978, 1979, 1980 by Digital Equipment Corporation
All rights reserved.

DEC reserves the right, without notice, to make substitutions and modifications in the specifications of products documented in this manual and further reserves the right to withdraw any of these products from the market without notice.

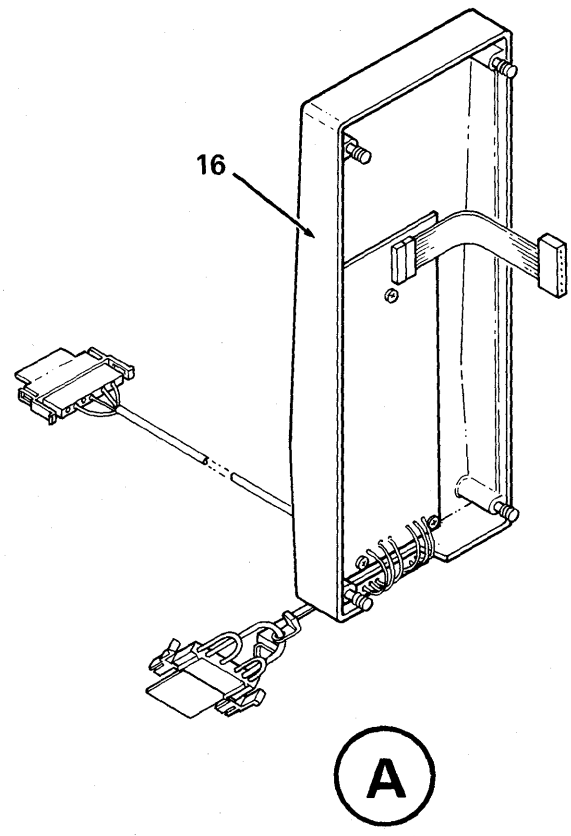
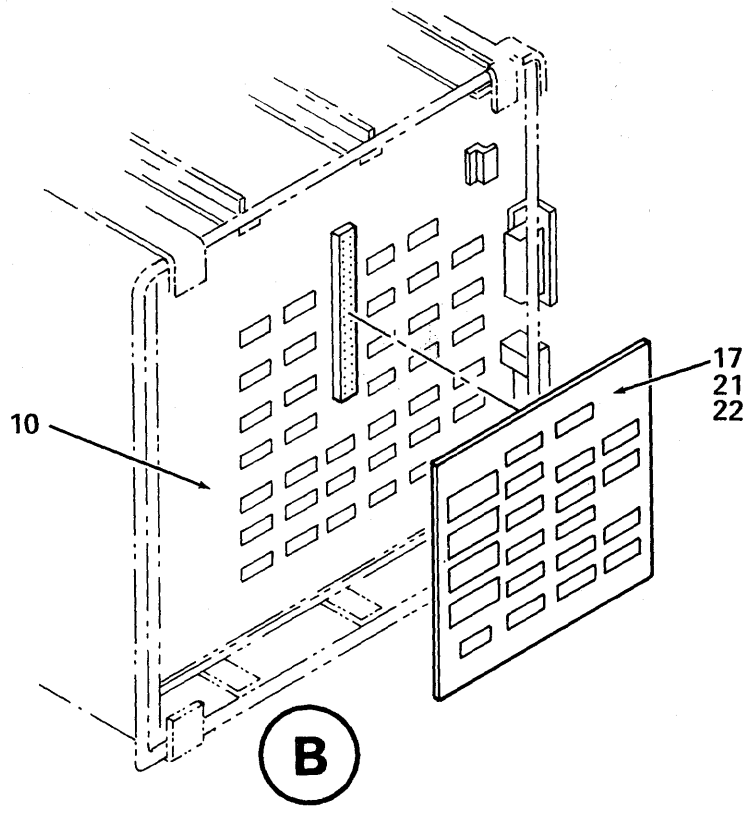
DEC is not responsible for errors which may appear in the technical description (including illustrations and photographs) of the products covered by this manual.

None of the descriptions contained in this manual imply the granting of any license whatsoever to make, use or sell equipment constructed in accordance therewith.



VT100-01

Figure 1. VT100 Unit Assembly (Sheet 1 of 2)

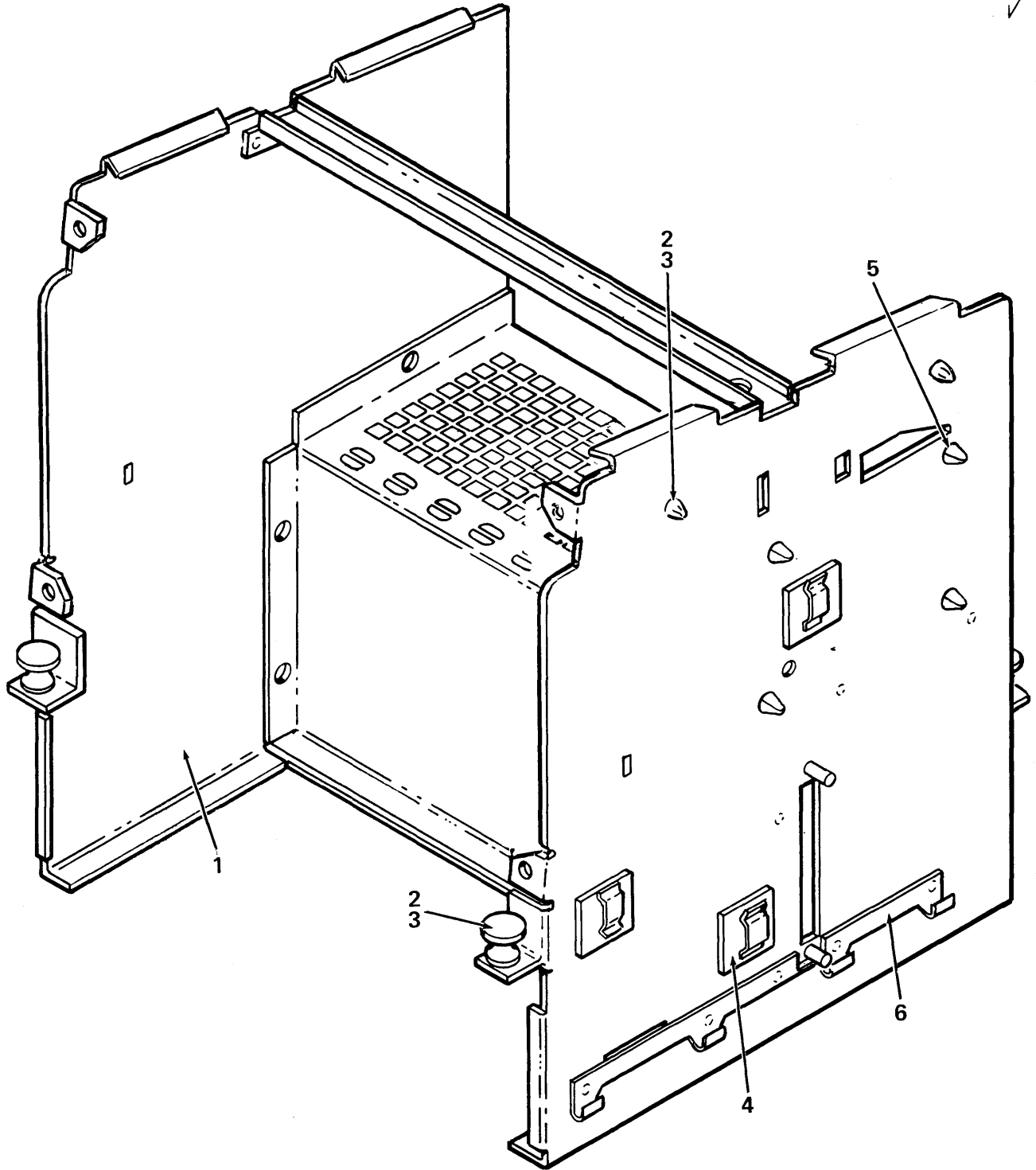


VT100-01A

Figure 1. VT100 Unit Assembly (Sheet 2 of 2)

FIG. & ITEM NO.	DESCRIPTION	DEC PART NO.	ECO CUT-IN VT100 00000	USED ON CODE	REF FIG NO.
1-	Code V - Used on Model VT100-PA, W/115 V Plug (added)	VT100-PA	00032	V	
	Code W - Used on Model VT100-PB, W/230 V Plug (added)	VT100-PB	00032	W	
	Code X - Used on Model VT100-PC, W/115 V Plug (added)	VT100-PC	00032	X	
	Code Y - Used on Model VT100-PD, W/230 V Plug (added)	VT100-PD	00032	Y	
	Code Z - Used on Model VT100-PE, W/115 V Plug (No Keyboard/Keycap Assembly) (added)	VT100-PE	00032	Z	
	Code AA - Used on Model VT100-PF, W/230 V Plug (No Keyboard/Keycap Assembly) (added)	VT100-PF	00032	AA	
1	*CRT CHASSIS ASSEMBLY (See Note)	70-14975-00			2
2	*POWER SUPPLY ASSEMBLY	70-14979-00			3
3	*Power Cord (115 V USA)	17-00083-09		ACEGJL NRTVXZ	
	*Power Cord (230 V USA)	17-00083-10		BDFHKM PSUWY, AA	
4	*CRT MONITOR ASSEMBLY (Phosphor P4 CRT)	30-16080-00		A-S, V-AA	
4A	**PCB Monitor Assembly	30-16080-02		A-S, V-AA	
4B	**Flyback/Choke Assembly	30-16080-04		A-S, V-AA	
4C	**CRT/Yoke Assembly	30-16080-06		A-S, V-AA	
5	*Screw, Slotted Hex Hd No. 6-32 x .31	90-09967-00			
6	*Retainer, Ground Sprint CRT	74-19836-00			
7	*D.C. POWER CABLE ASSEMBLY	70-14978-01	00030		
8	*Retaining Ring	90-10007-00			
9	*P.C. CARD FRAME ASSEMBLY	70-14977-00			5
10	*Basic Video Module Assembly	54-13009-00		A-F, T-W	
	*Foreign Character Set W/WP Roms Video Module Assembly (added)	54-13009-02	00028	G-S	
11	*BASE ENCLOSURE ASSEMBLY	70-14980-00			6
12	*WORT BOX ASSEMBLY	70-14976-00			
13	**Screw, Captive	90-08911-01			
14	*TOP ENCLOSURE ASSEMBLY	70-14974-00		A-U	
	*TOP ENCLOSURE ASSEMBLY	70-14974-02	00033	V-AA	
15	*KEYBOARD ASSEMBLY (W/AUX, KEYPAD)	70-14653-00		ABTU	7
	*KEYBOARD ASSEMBLY (DECFORM)	70-14653-02		CD	7
	*KEYBOARD ASSEMBLY (WORD PROCESSING) (added)	70-14653-03	00003	EFRS	7
	*KEYBOARD ASSEMBLY (FRENCH CANADIAN) (added)	70-14653-05	00028	GH	7
	*KEYBOARD ASSEMBLY (FRENCH) (added)	70-14653-06	00028	JK	7
	*KEYBOARD ASSEMBLY (DUTCH) (added)	70-14653-07	00028	LM	7
	*KEYBOARD ASSEMBLY (GERMAN) (added)	70-14653-08	00028	NP	7
	*KEYBOARD ASSEMBLY (added)	70-14653-09	00032	VWXY	7
	*KEYBOARD ASSEMBLY (added)	70-14653-10	00032	Z, AA	7

FIG. & ITEM NO.	DESCRIPTION	DEC PART NO.	ECO CUT-IN VT100 00000	USED ON CODE	REF FIG NO.
1-					9
16	*20 mA Current Loop Adapter (Optional)	VT1XX-AA			
17	*Advance Video Board (Optional)	VT1XX-AB		A-F	
	*Foreign Advanced Video Board (ROM "A") (added)	54-13097-03	00028	G-S	
18	*Screw, Self Tap No. 6 x 3/8 (added)	90-10112-00	00002		
19	*Washer, External Tooth Lock No. 6 (added)	90-07649-00	00002		
20	*Washer, Flat No. 6 (added)	90-06659-00	00002		
21	*Word Processing Advance Video Module (added)	54-13097-01	00003	EF	
22	*Support, Circuit (added)	90-09313-01	00003	E-S	
23	*CRT MONITOR ASSEMBLY (Phosphor P40 CRT) (added)	30-16080-53	00031	TU	
24	*PCB Monitor Assembly (added)	30-16080-02	00031	TU	
25	**Flyback/Choke Assembly (added)	30-16080-04	00031	TU	
26	**CRT/Yoke Assembly (added)	30-16080-54	00031	TU	
27	*PC Card Stop (added)	74-19469-00	00035		
28	*Card Guide (added)	12-12405-00	00035		
29	*Isolation Mount (Used to Assemble Item 25 to Chassis Item 1) (added)	74-23018-00	00034		
30	*Screw, 4-40 x .375 (Used to Assemble Item 25 to Chassis Item 1) (added)	74-23006-00	00034		
31	*Washer, Flat (Used to Assemble Item 25 to Chassis Item 1) (added)	90-08193-00	00034		
	Labels (Not Shown)				
	*Label, UL (deleted)	74-14213-00	00038		
	*Label, Electrical Data (deleted)	36-13210-01	00038		
	*Label, Electrical Data (deleted)	36-13210-02	00038		
	*Label, CSA (deleted)	36-13211-01	00038		
	*Label, Switch Position	36-15680-00			
	*Label, X-Ray Radiation (added)	36-17544-00	00036		
	*Label, Serial and Power, Universal (added)	36-17674-00	00038		
	NOTE: When ordering a "Field Service Monitor Assembly Kit" specify Part No. 70-16187-00. This assembly consists of a CRT Monitor Assembly 30-16080-00 (Item 4) mounted in a CRT Chassis Assembly 70-14975-00 (Item 1).				

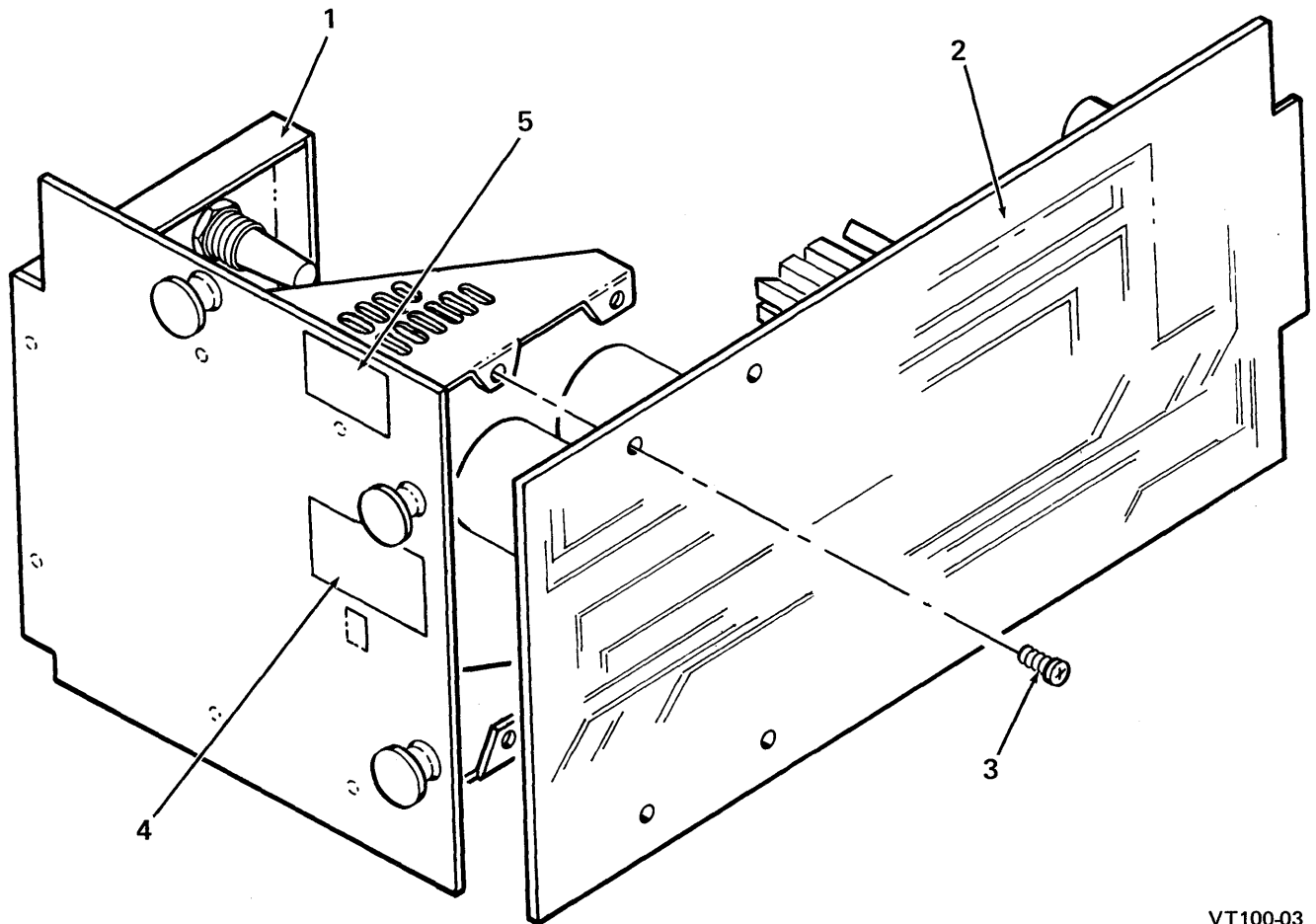


VT100-02

Figure 2. CRT Chassis Assembly

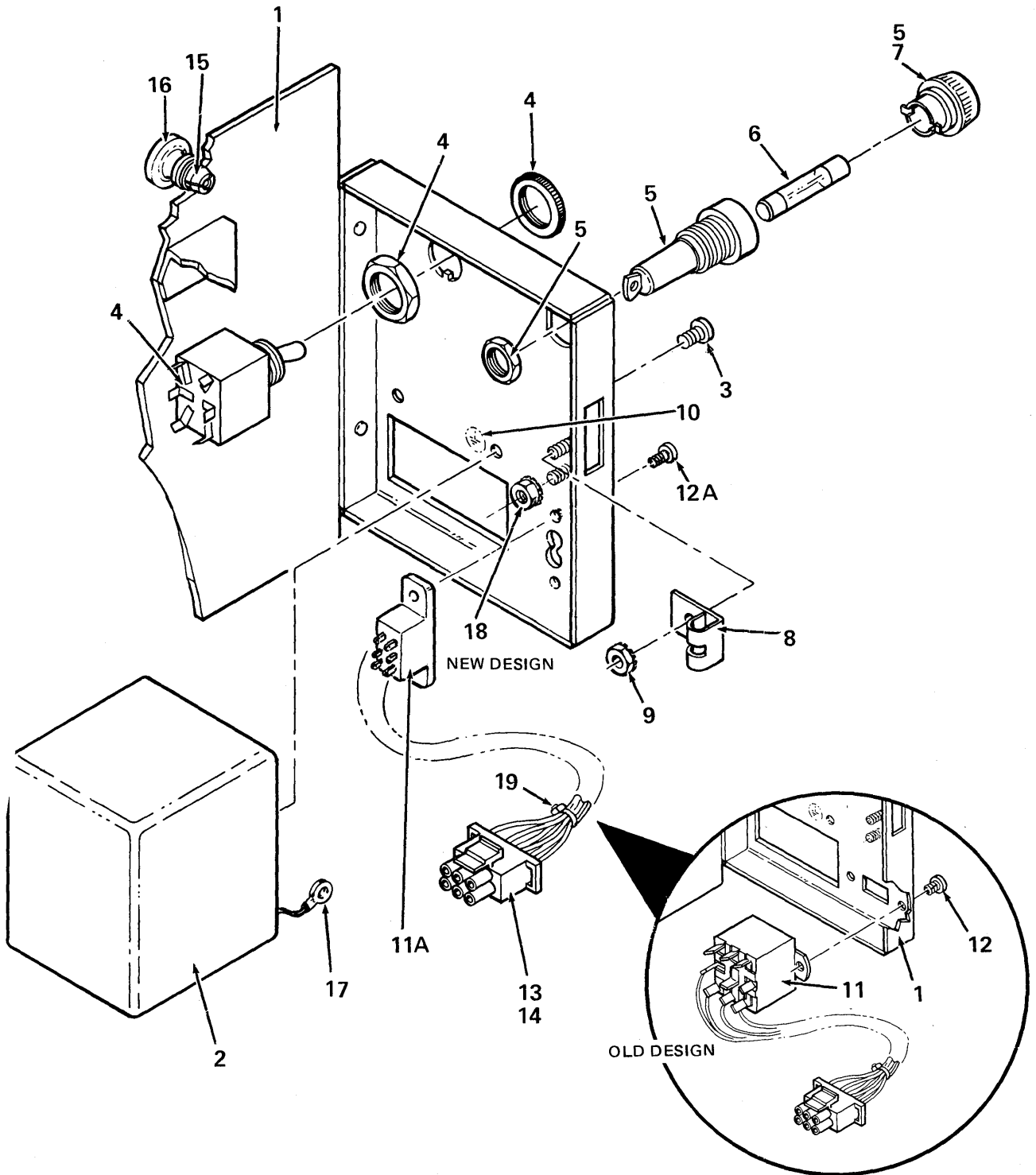
FIG. & ITEM NO.	DESCRIPTION	DEC PART NO.	ECO CUT-IN 70-14975 00000	USED ON CODE	REF FIG NO.
2-	CRT CHASSIS ASSEMBLY	70-14975-00			1
1	*Chassis, CRT Weldment	70-14552-00			
2	*Plunger	90-09964-00			
3	*Grommet	90-09966-01			
4	*Clamp, Cable (deleted)	90-10016-00			
4	*Clamp, Cable (added)	90-09636-00	00002		
5	*Support, Circuit Board	90-09747-01			
6	*Clip, Support	74-19419-00			

FIG. & ITEM NO.	DESCRIPTION	DEC PART NO.	ECO CUT-IN 70-14979 00001	USED ON CODE	REF FIG NO.
3-	POWER SUPPLY ASSEMBLY	70-14979-00			1
1	*EMI FILTER ASSEMBLY	70-15053-00			4
2	*H7831 POWER SUPPLY MODULE	54-12996-00			
3	*Screw, Slotted Self Tap No. 6-32 x 5/16	90-09967-00			
4	*Label, VT100 "DANGER"	36-15869-00			
5	*Label, Serial	36-13210-02			



VT100-03

Figure 3. Power Supply Assembly

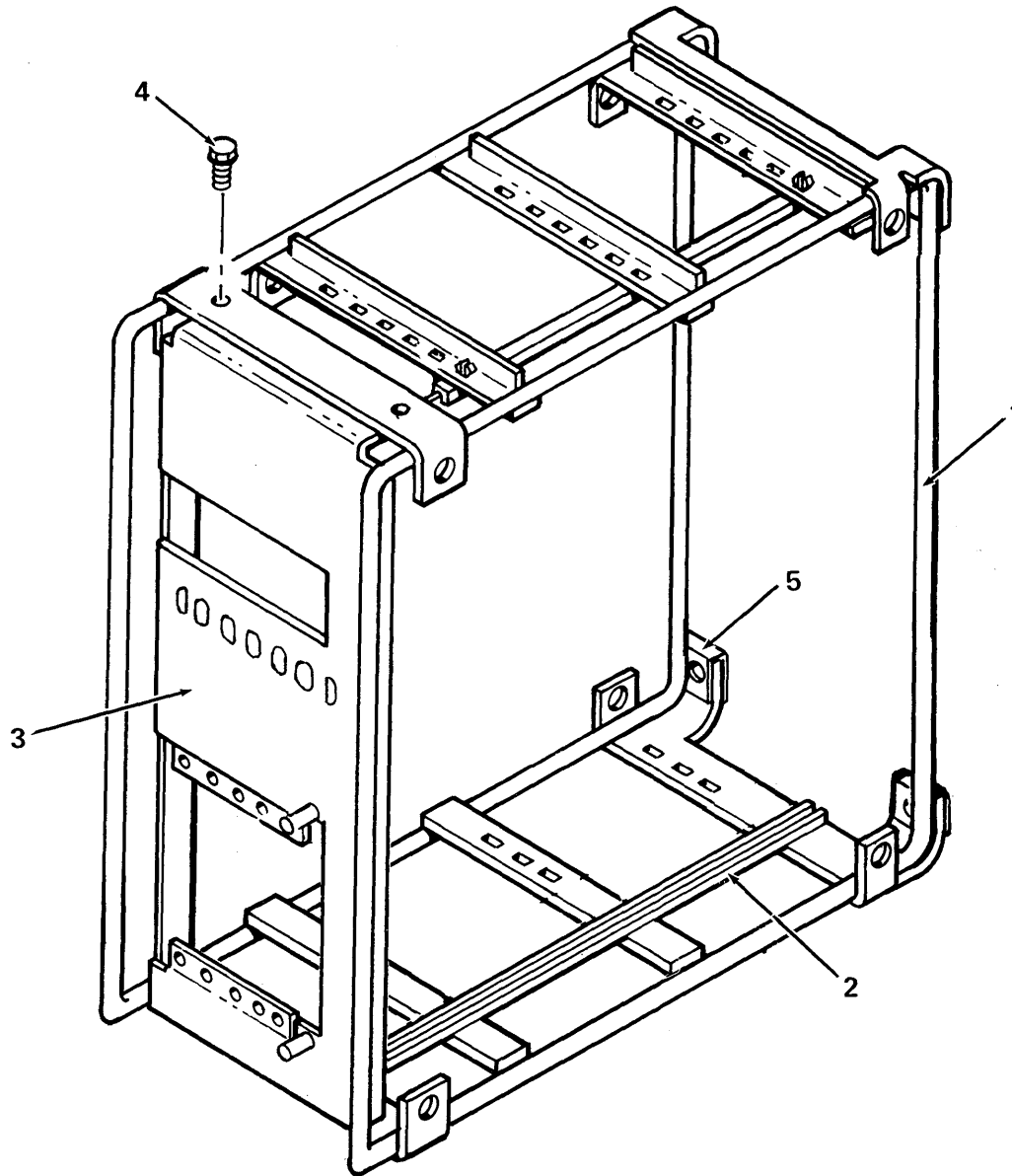


VT100-04

Figure 4. EMI Filter Assembly

FIG. & ITEM NO.	DESCRIPTION	DEC PART NO.	ECO CUT-IN 70-15053 00000	USED ON CODE	REF FIG NO.
4-	EMI FILTER ASSEMBLY	70-15053-00			3
1	*Cover, Power Supply Stop (deleted)	70-14313-00			
	*Cover, Power Supply Stop (added)	70-17066-00	VT100-00033		
2	*EMI FILTER (deleted)	12-15493-00			
	*EMI FILTER (added)	12-15494-00	VT100-00014		
3	*Screw, Slotted Hex Hd No. 6-32 x .38	90-06453-00			
4	*Switch, Toggle (deleted)	12-15232-00			
	*Switch, Toggle (added)	12-16985-00	VT100-00033		
5	*Fuse Holder	12-12893-00			
6	*Fuse, 3A 250 V	90-07217-00			
7	*Decal, Fuse Current	36-15285-00			
8	*Clip, Ground	74-20322-00			
9	*Nut, Kep No. 6-32	90-06560-00			
10	*Decal, Ground	36-12680-00			
11	*Switch, Slide (deleted)	12-14155-00			
11A	*Switch Slide (added)	12-16901-00	VT100-00033		
12	*Screw Phl Flat Hd No. 4-40 x .25 (deleted)	90-09643-02			
12A	*Screw, Hex Washer, 8-18 x 3/8 (added)	90-10193-00	VT100-00033		
13	*Connector, (P1) 6 Pin Mate-N-Lok	12-12167-06			
14	*Terminal, (P1) Socket Crimp	12-12170-00			
15	*Grommet	90-09966-01			
16	*Plunger	90-09964-00			
17	*Terminal, Ring Tongue (added)	90-07930-00	VT100-00024		
18	*Nut, Kep No. 10-32 (added)	90-06565-00	VT100-00024		
19	*Tie Wrap (added)	90-07031-00	VT100-00025		

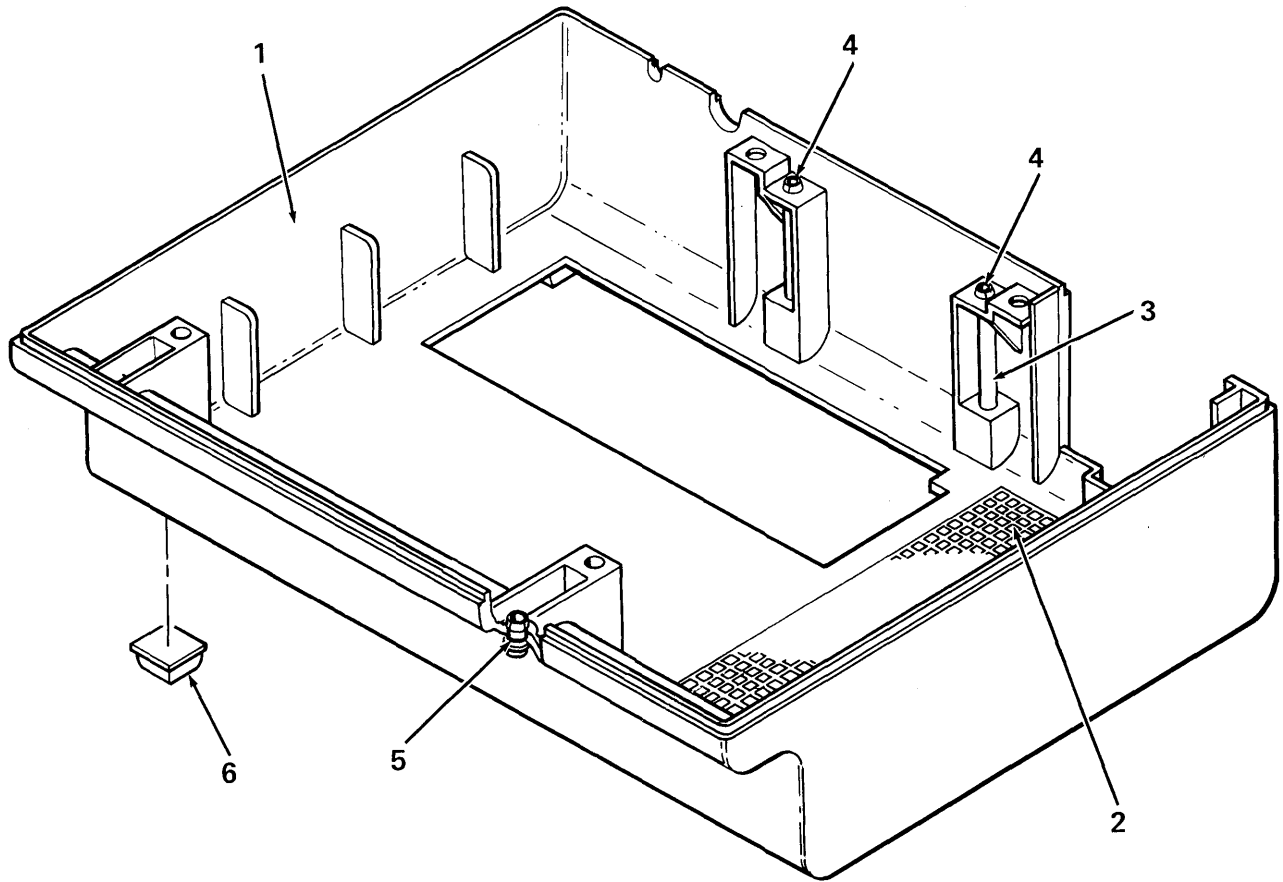
FIG. & ITEM NO.	DESCRIPTION	DEC PART NO.	ECO CUT-IN 70-14977 00000	USED ON CODE	REF FIG NO.
5-	P.C. CARD FRAME ASSEMBLY	70-14977-00			1
1	*Frame, P.C. Card (deleted) *Frame, P.C. Card (added)	70-14247-00 70-16624-00	VT100 00035		
2	*Guide, P.C. Board	12-12405-00			
3	*Stop, P.C. Card	74-19469-00			
4	*Screw, Hex Hd Self Tap No. 6-32 x .31	90-09967-00			
5	*Nut, "U" Type Speed No. 6-32 (deleted)	90-09978-00	00001		



VT100-05

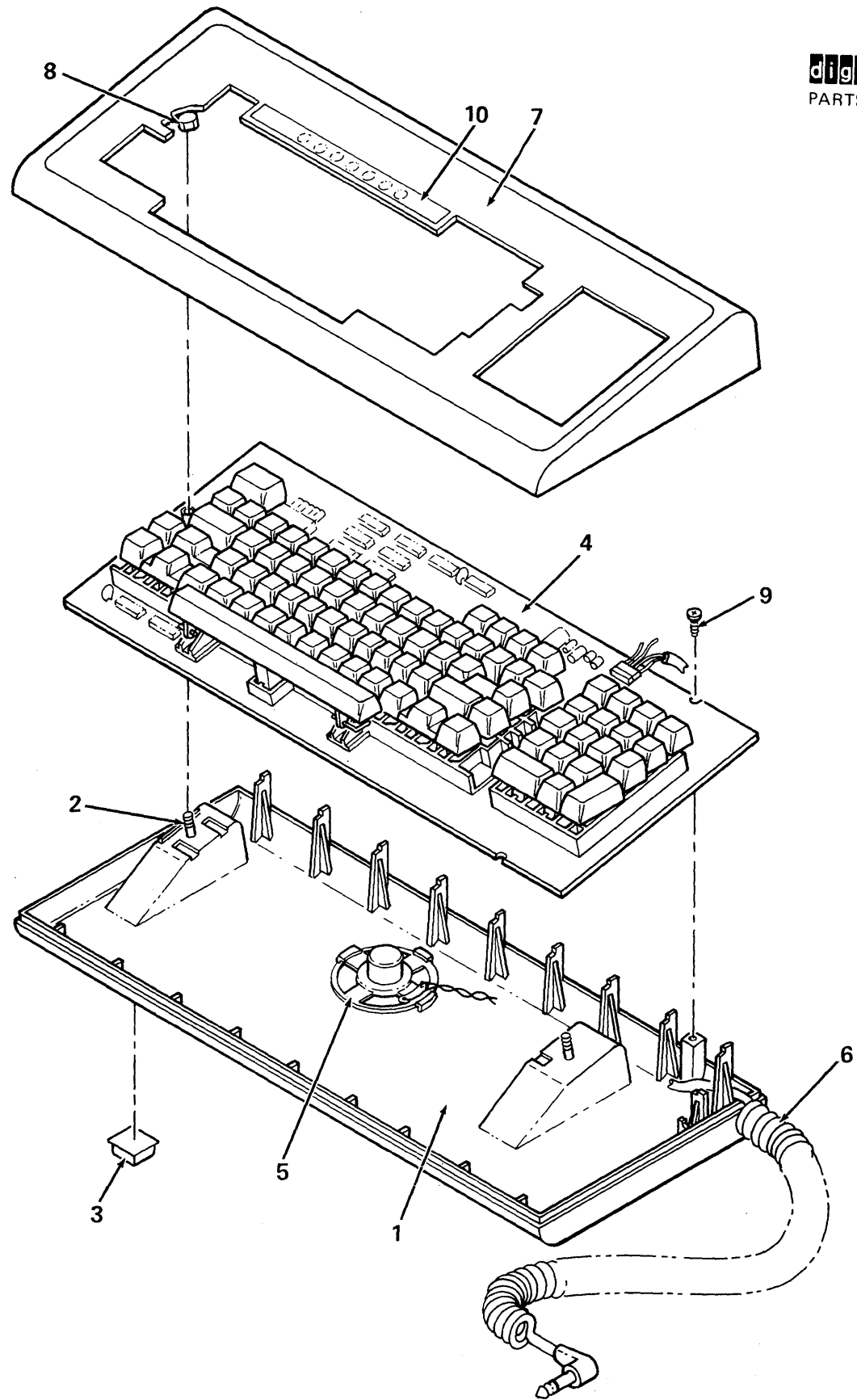
Figure 5. P.C. Card Frame Assembly

FIG. & ITEM NO.	DESCRIPTION	DEC PART NO.	ECO CUT-IN 70-14980 00000	USED ON CODE	REF FIG NO.
6-	BASE ENCLOSURE ASSEMBLY	70-14980-00			1
1	*Enclosure, CRT Bottom	74-18871-00			
2	*Screen, Insert	74-19837-00			
3	*Plunger, Special	12-14740-00			
4	*Grommet (deleted)	90-09966-00			
	*Grommet (added)	90-09966-02	VT100 00009		
	*Grommet (deleted)	90-09966-02			
	*Grommet (added)	12-17630-00	00003		
5	*Plunger (deleted)	90-09965-00			
	*Plunger (added)	12-17631-00	00003		
6	*Feet, Black Rubber	90-09624-00			



VT100-06

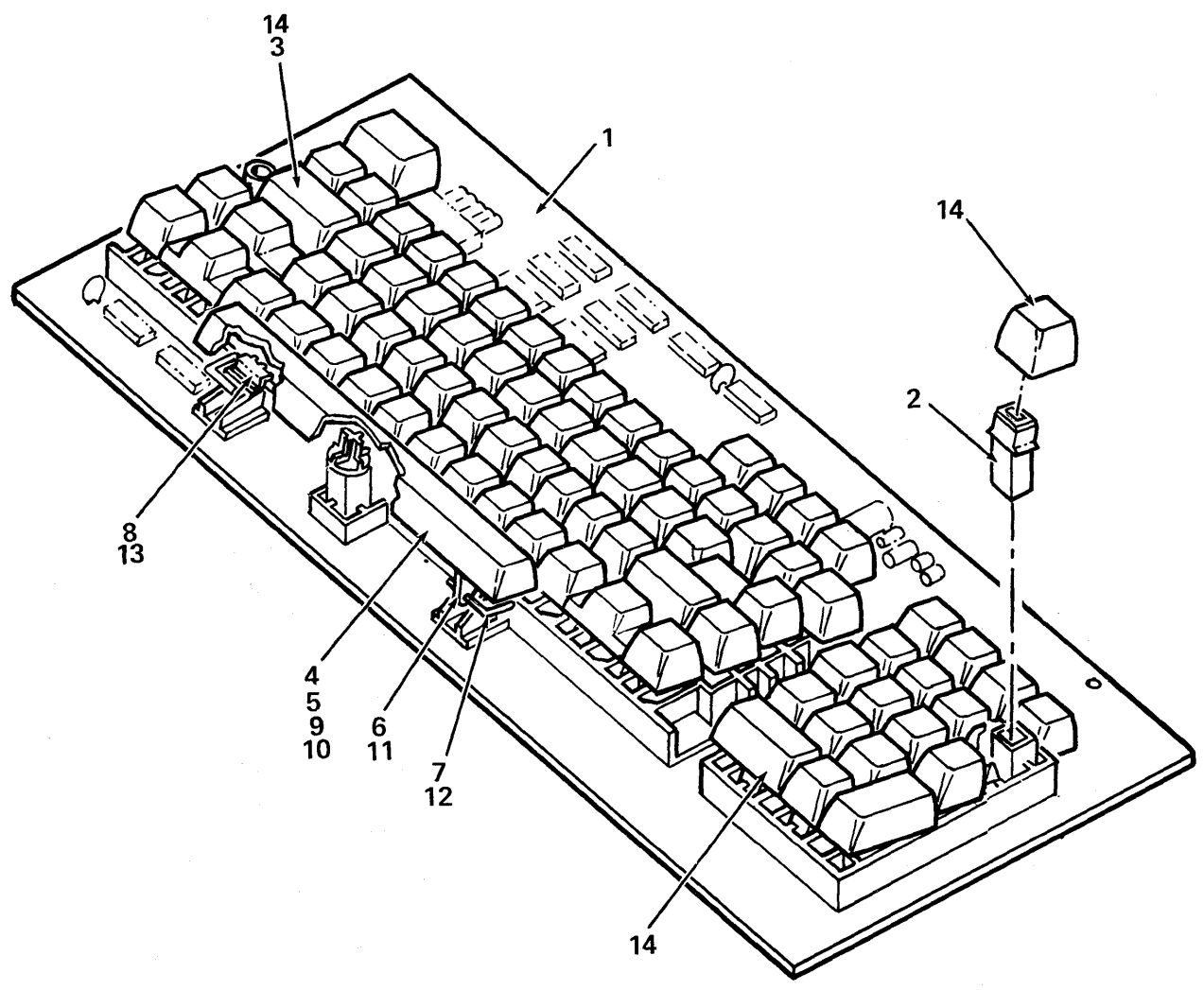
Figure 6. Base Enclosure Assembly



VT100-07

Figure 7. Keyboard Assembly

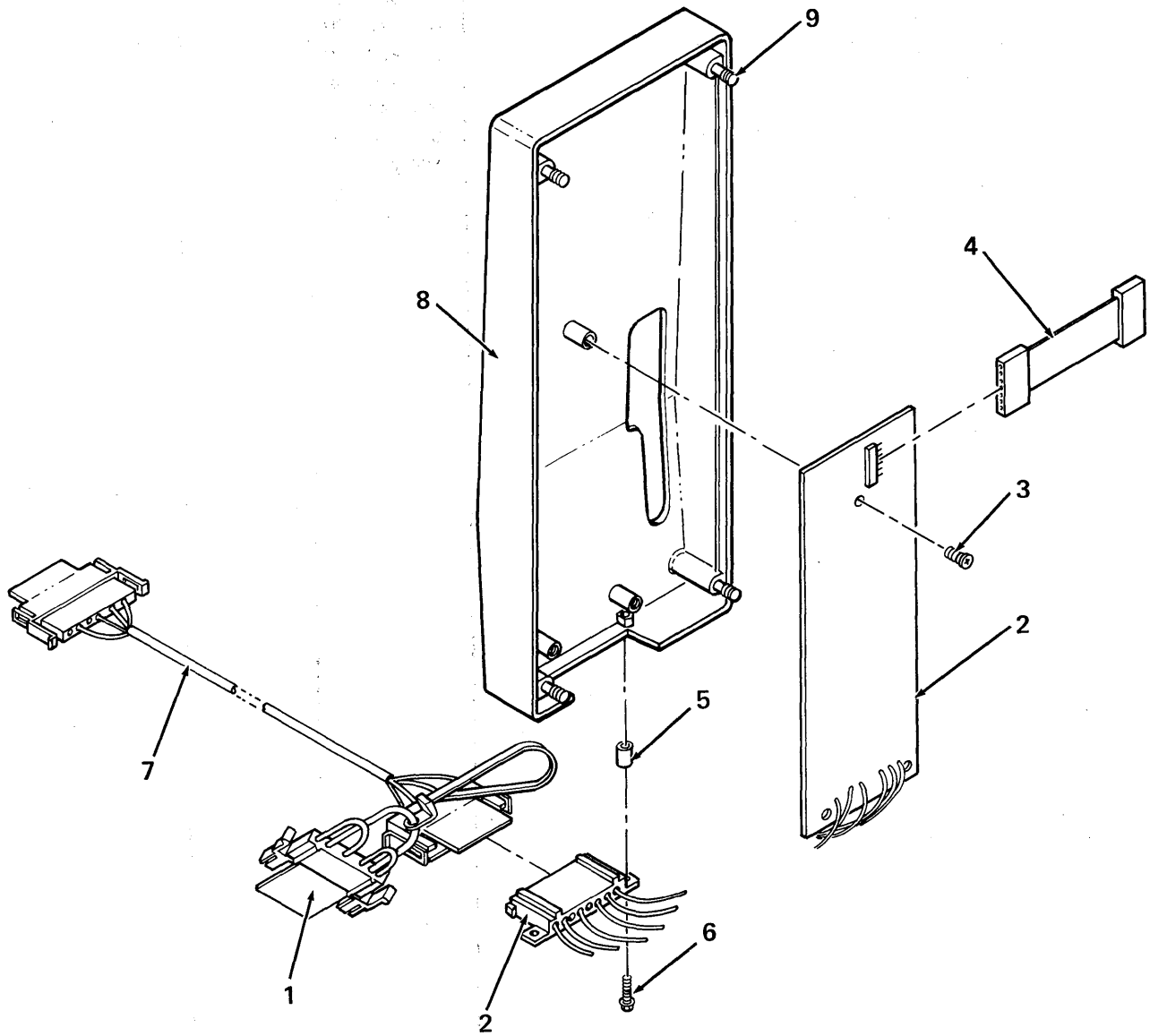
FIG. & ITEM NO.	DESCRIPTION	DEC PART NO.	H ECO CUT-IN 70-14653 00000	USED ON CODE	REF FIG NO.
7-	KEYBOARD ASSEMBLY (W/AUX, KEYPAD)	70-14653-00		ABTU	1
	KEYBOARD ASSEMBLY (DECFORM)	70-14653-02		CD	1
	KEYBOARD ASSEMBLY (WORD PROCESSING) (added)	70-14653-03	00002	EFRS	1
	KEYBOARD ASSEMBLY (FRENCH CANADIAN) (added)	70-14653-05	VT100-00028	GH	1
	KEYBOARD ASSEMBLY (FRENCH) (added)	70-14653-06	VT100-00028	JK	1
	KEYBOARD ASSEMBLY (DUTCH) (added)	70-14653-07	VT100-00028	LM	1
	KEYBOARD ASSEMBLY (GERMAN) (added)	70-14653-08	VT100-00028	NP	1
	KEYBOARD ASSEMBLY (added)	70-14653-09	VT100-00032	VWXY	1
	KEYBOARD ASSEMBLY (added)	70-14653-10	VT100-00032	Z, AA	1
1	*Enclosure, Keyboard Bottom	74-19028-00			
2	**Screw, Captive No. 6-32	12-14817-00			
3	**Feet, Rubber	90-09624-00			
4	*KEYBOARD/KEYCAP ASSEMBLY (W/AUX, KEYPAD)	70-15765-00		ABTU	8
	*KEYBOARD/KEYCAP ASSEMBLY (DECFORM)	70-15765-02		CD	8
	*KEYBOARD/KEYCAP ASSEMBLY (WORD PROCESSING) (added)	70-15765-03	00002	EFRS	8
	*KEYBOARD/KEYCAP ASSEMBLY (FRENCH CANADIAN) (added)	70-15765-05	VT100-00028	GH	8
	*KEYBOARD/KEYCAP ASSEMBLY (FRENCH) (added)	70-15765-06	VT100-00028	JK	8
	*KEYBOARD/KEYCAP ASSEMBLY (DUTCH) (added)	70-15765-07	VT100-00028	LM	8
	*KEYBOARD/KEYCAP ASSEMBLY (GERMAN) (added)	70-15765-08	VT100-00028	NP	8
	KEYBOARD/KEYCAP ASSEMBLY (added)	70-15765-09	VT100-00032	VWXY	8
5	*Speaker, Round	12-15050-00			
6	*Power Cable Assembly	70-14652-00			
7	*Top Enclosure Assembly (deleted)	70-14654-00			
	*Top Enclosure Assembly (added)	70-14654-02	00004	A-U	
	*Top Enclosure Assembly (added)	70-14654-09	VT100-00032	V-AA	
8	**Onsert, Faston No. 6-32	90-09601-00			
9	*Screw, Phi Hd Self Tap No. 6-32 x .25 (deleted)	90-09680-00	00003		
10	*Label, LED Display Panel (added)	74-19592-00	00004	A-U	
	*Label, LED Display Panel (added) (Dark Gray)	74-19592-01	00004	V-AA	



VT100-08

Figure 8. Keyboard/Keycap Assembly

FIG. & ITEM NO.	DESCRIPTION	DEC PART NO.	ECO CUT-IN 70-15765 00000	USED ON CODE	REF FIG NO.
8-	KEYBOARD/KEYCAP ASSEMBLY (W/AUX KEYPAD)	70-15765-00		AB	7
	KEYBOARD/KEYCAP ASSEMBLY (DECFORM)	70-15765-02		CD	7
	KEYBOARD/KEYCAP ASSEMBLY (WORD PROCESSING (added))	70-15765-03	00002	EFRS	7
	KEYBOARD/KEYCAP ASSEMBLY (FRENCH CANADIAN) (added)	70-15765-05	VT100-00028	GH	7
	KEYBOARD/KEYCAP ASSEMBLY (FRENCH) (added)	70-15765-06	VT100-00028	JK	7
	KEYBOARD/KEYCAP ASSEMBLY (DUTCH) (added)	70-15765-07	VT100-00028	LM	7
	KEYBOARD/KEYCAP ASSEMBLY (GERMAN) (added)	70-15765-08	VT100-00028	NP	7
	KEYBOARD/KEYCAP ASSEMBLY (added)	70-15765-09	VT100-00032	V-Y	7
1	*KEYBOARD MODULE ASSEMBLY	54-13404-00			
2	*Adapter, Keycap	12-14332-00			
3	*Keycap Set (Basic Set VT100)	12-14333-72		AB	
	*Keycap Set (DECform Set)	12-14333-CO		CD	
	*Keycap Set (Word Processing) (deleted)	12-14333-JO	00002	EFRS	
4	*SPACE BAR ASSEMBLY	70-15050-00			
5	**Bar, Space	12-11857-02			
6	**Bracket, Spacer Bar	74-20119-00			
7	**Bar, Equalizer	12-11858-00			
8	*Clip, Equalizer Bar	74-20120-00			
9	*SPACE BAR ASSEMBLY (added)	70:15050-01	VT100-00032	V-Y	
10	**Bar, Space	12-11857-02			
11	**Bracket, Space Bar	74-24159-00			
12	**Bar, Equalizer	12-11858-00			
13	*Clip, Equalizer Bar	74-20120-00			
14	*Keycap Set (Basic Numeric Pad)	12-14333-91		AB	
	*Keycap Set (French Canadian) (added)	12-14333-CP	VT100-00028	GH	
	*Keycap Set (French) (added)	12-14333-CB	VT100-00028	JK	
	*Keycap Set (Dutch) (added)	12-14333-8U	VT100-00028	LM	
	*Keycap Set (German) (added)	12-14333-EY	VT100-00028	NP	
	*Keycap Set (Special) (added)	12-14333-2Y	VT100-00032	V-Y	
	*Keycap Set (Special Numeric) (added) (Dark Gray)	12-14333-3W	VT100-00032	V-Y	



VT100-09

Figure 9. 20 mA Current Loop Adapter (Optional)

FIG. & ITEM NO.	DESCRIPTION	DEC PART NO.	ECO CUT-IN VT1XX 00000	USED ON CODE	REF FIG NO.
9-	20 MA CURRENT LOOP ADAPTER (Optional)	VT1XX-AA			1
1	*20 MA Loopback Connector	70-15503-00			
2	*20 MA Adapter Assembly	70-15273-00			
3	*Screws, Sems Phi Hd No. 6-32 x .312	90-09701-00			
4	*Cable, Internal	70-15506-08			
5	*Spacer, Round	90-09672-02			
6	*Screw, Self Tapping No. 6-32 x .62	90-10097-00			
7	*Cable, Interface	BC05F-15			
8	*Wort Box Assembly	70-14976-00			
9	**Screw, Captive Hex Hd No. 6-32 x 1-3/8	90-08911-01			
					DEC

**ILLUSTRATED PARTS BREAKDOWN
COMMENT SHEET**

Any and all comments and suggestions for correcting errors and/or additional information to improve this manual will be reviewed and researched for possible use when this manual is revised and/or reprinted. Enter your comments and suggestions in the form provided below and return to Technical Documentation.

MODEL VT100 VIDEO TERMINAL

PUBLICATION NO. EK-VT100-IP-004

FIGURE NO. _____ ITEM NO. _____
CHANGE FROM _____
CHANGE TO _____

FIGURE NO. _____ ITEM NO. _____
CHANGE FROM _____
CHANGE TO _____

FIGURE NO. _____ ITEM NO. _____
CHANGE FROM _____
CHANGE TO _____

FIGURE NO. _____ ITEM NO. _____
CHANGE FROM _____
CHANGE TO _____

FIGURE NO. _____ ITEM NO. _____
CHANGE FROM _____
CHANGE TO _____

FIGURE NO. _____ ITEM NO. _____
CHANGE FROM _____
CHANGE TO _____

ADDITIONAL COMMENT(S)

Please describe your position. _____

Name _____ Organization _____

Street _____ Department _____

City _____ State _____ Zip or Country _____

Fold Here

Do Not Tear - Fold Here and Staple

digital



No Postage
Necessary
if Mailed in the
United States

BUSINESS REPLY MAIL

FIRST CLASS PERMIT NO. 33 MAYNARD, MA.

POSTAGE WILL BE PAID BY ADDRESSEE

Digital Equipment Corporation
Educational Services Development and Publishing
129 Parker Street, PK3-1/T12
Maynard, MA 01754

