

"THE MATERIAL HEREIN IS FOR INFORMATION PURPOSES ONLY AND IS SUBJECT TO CHANGE WITHOUT NOTICE. DIGITAL EQUIPMENT CORPORATION ASSUMES NO RESPONSIBILITY FOR ANY ERRORS WHICH MAY APPEAR HEREIN."

# FIELD MAINTENANCE PRINT SET

"THIS DRAWING AND SPECIFICATIONS, HEREIN, ARE THE PROPERTY OF DIGITAL EQUIPMENT CORPORATION AND SHALL NOT BE REPRODUCED OR COPIED OR USED IN WHOLE OR IN PART AS THE BASIS FOR THE MANUFACTURE OR SALE OF ITEMS WITHOUT WRITTEN PERMISSION. COPYRIGHT © 1977 DIGITAL EQUIPMENT CORPORATION."

## TABLE OF CONTENTS

B-TC-LS120-0-1	LS120 PRINT SET
B-DD-LS120-0	TABLE OF CONTENTS
E-UA-LS120-0-0	DRAWING DIRECTORY
E-AD-7013841-0-0	LS120 UNIT ASSY
A-PL-LS120-0-0	CAB ASSY W/POWER SUPPLY
A-PL-7013841-0-0	LS120 UNIT ASSY (P.L.)
D-CS-5411023-0-1	CAB ASSY W/POWER SUPPLY (P.L.)
D-CS-5411021-0-1	LA180 LOGIC BOARD
E-UA-5412610-0-0	LA180 POWER BOARD
D-CS-5412610-0-1	LS120 LOGIC BOARD
B-PL-5412610-0-0	LS120 LOGIC BOARD
D-CS-LS120-0-2	LS120 LOGIC BOARD
D-CS-5410736-0-1	LS120 POWER SCHEMATIC
A-SP-3700131-0-0	LK02 KEY BOARD
	PACKAGING INSTRUCTIONS

UNIT VARIATIONS COVERED BY THIS PRINT SET
LS120-HE
LS120-HF
LS120-HH
LS120-HJ

**LS120**  
**Field Maintenance**  
**Print Set**

**Digital Equipment**  
**Corporation**

PRINT SET ORDER NO.  
MP00322

REVISIONS	REV.					USED ON OPTION/MODEL	DRN	DATE	<b>digital</b>					
	CHG. NO.						LS120	<i>M. Pascarelli</i>					9 FEB 77	TITLE: LS120 PRINT SET
							CHK'D	DATE					SIZE	CODE
	DATE						<i>Bill Honey</i>	10 FEB 77	<b>B</b>	<b>TC</b>	LS120-0-1			
						PROJ. ENG.	DATE	DIST.						
						<i>D. Richmond</i>	28 MAR 77							
						FIELD SERV.	DATE							
					SHEET 1 OF 1	<i>Lee</i>	30 MAR 77							

EN-0124-16-N678-(327)



"THE MATERIAL HEREIN IS FOR INFORMATION PURPOSES ONLY AND IS SUBJECT TO CHANGE WITHOUT NOTICE. DIGITAL EQUIPMENT CORPORATION ASSUMES NO RESPONSIBILITY FOR ANY ERRORS WHICH MAY APPEAR HEREIN."

# DRAWING DIRECTORY

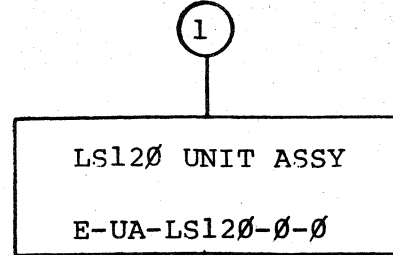
"THIS DRAWING AND SPECIFICATIONS, HEREIN, ARE THE PROPERTY OF DIGITAL EQUIPMENT CORPORATION AND SHALL NOT BE REPRODUCED OR COPIED OR USED IN WHOLE OR IN PART AS THE BASIS FOR THE MANUFACTURE OR SALE OF ITEMS WITHOUT WRITTEN PERMISSION. COPYRIGHT © 1977 DIGITAL EQUIPMENT CORPORATION.

## UNIT VARIATIONS

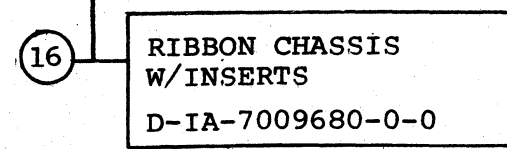
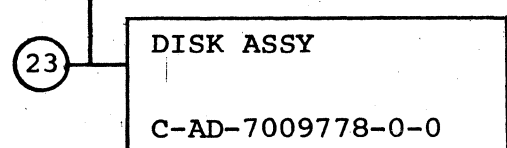
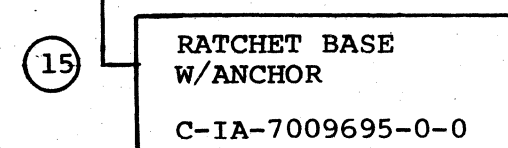
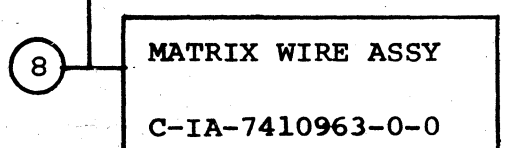
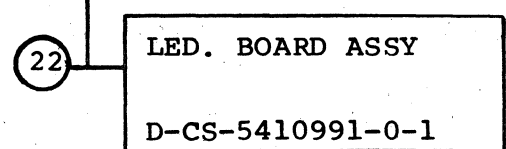
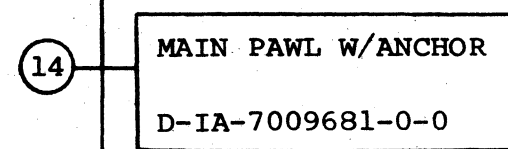
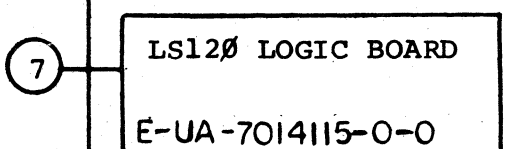
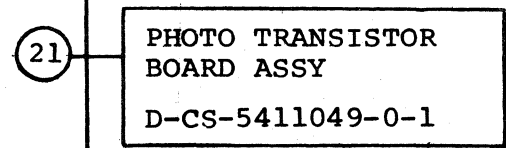
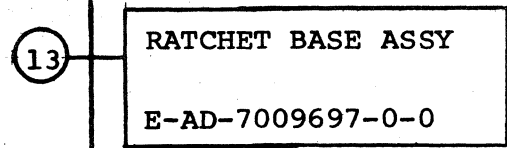
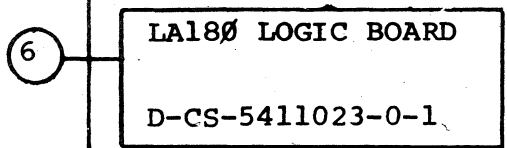
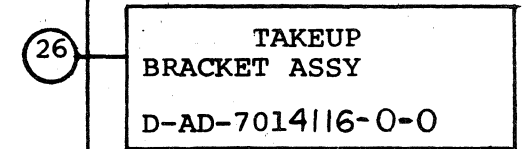
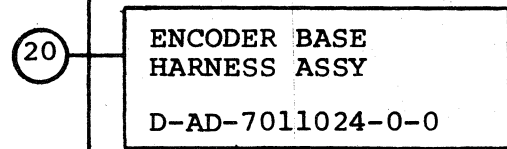
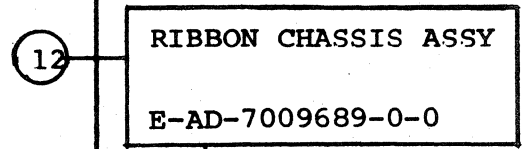
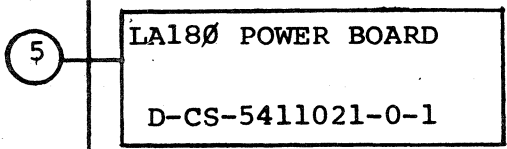
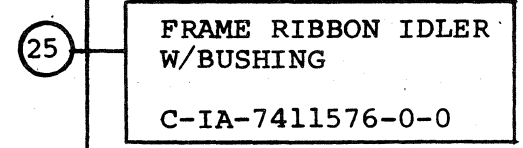
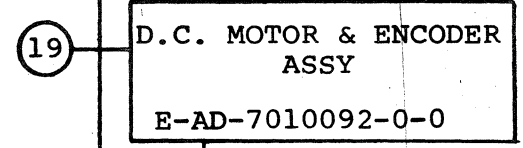
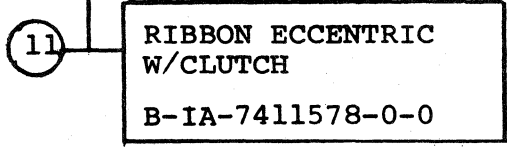
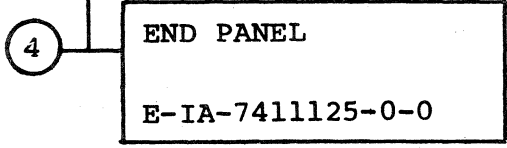
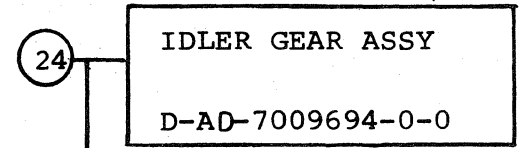
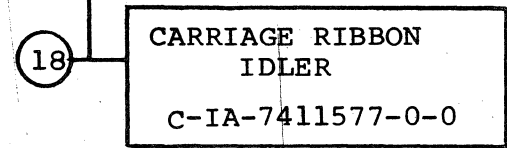
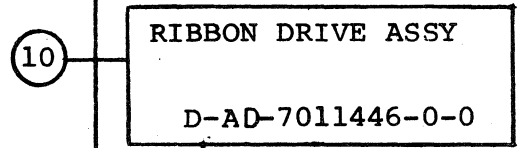
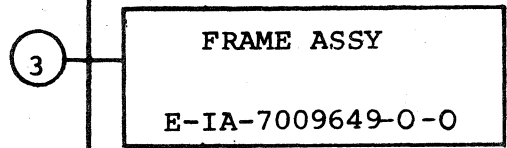
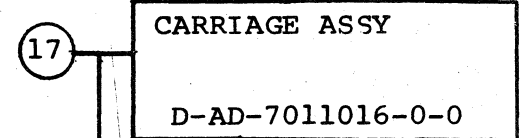
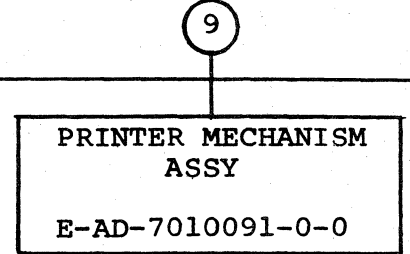
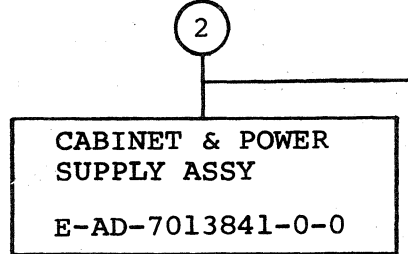
VAR	TITLE
LS120-HE	LS120 UNIT ASSY. (115V 60HZ)
LS120-HF	LS120 UNIT ASSY. (230V 60HZ)
LS120-HH	LS120 UNIT ASSY. (115V 50HZ)
LS120-HJ	LS120 UNIT ASSY. (230V 50HZ)

REVISIONS	REV.		USED ON OPTION/MODEL	DRN.	DATE	TITLE	<b>digital</b>						
	CHANGE NO.			LS120	<i>M. Pascarella</i>							8 FEB 77	LS120 DRAWING DIRECTORY
					CHK'D.							DATE	
					<i>B. Honey</i>							10 FEB 77	
				PROJ. ENG.	DATE	SIZE	CODE	NUMBER	REV				
CHK				<i>D. Richmond</i>	28 MAR 77	B	DD	LS120-0					
			SHEET 1 OF 8	PROD.	DATE								
				<i>M. Nelson</i>	28 MAR 77	DIST.							

"THIS DRAWING AND SPECIFICATIONS, HEREIN, ARE THE PROPERTY OF DIGITAL EQUIPMENT CORPORATION AND SHALL NOT BE REPRODUCED OR COPIED OR USED IN WHOLE OR IN PART AS THE BASIS FOR THE MANUFACTURE OR SALE OF ITEMS WITHOUT WRITTEN PERMISSION. 1977  
 COPYRIGHT © DIGITAL EQUIPMENT CORPORATION"



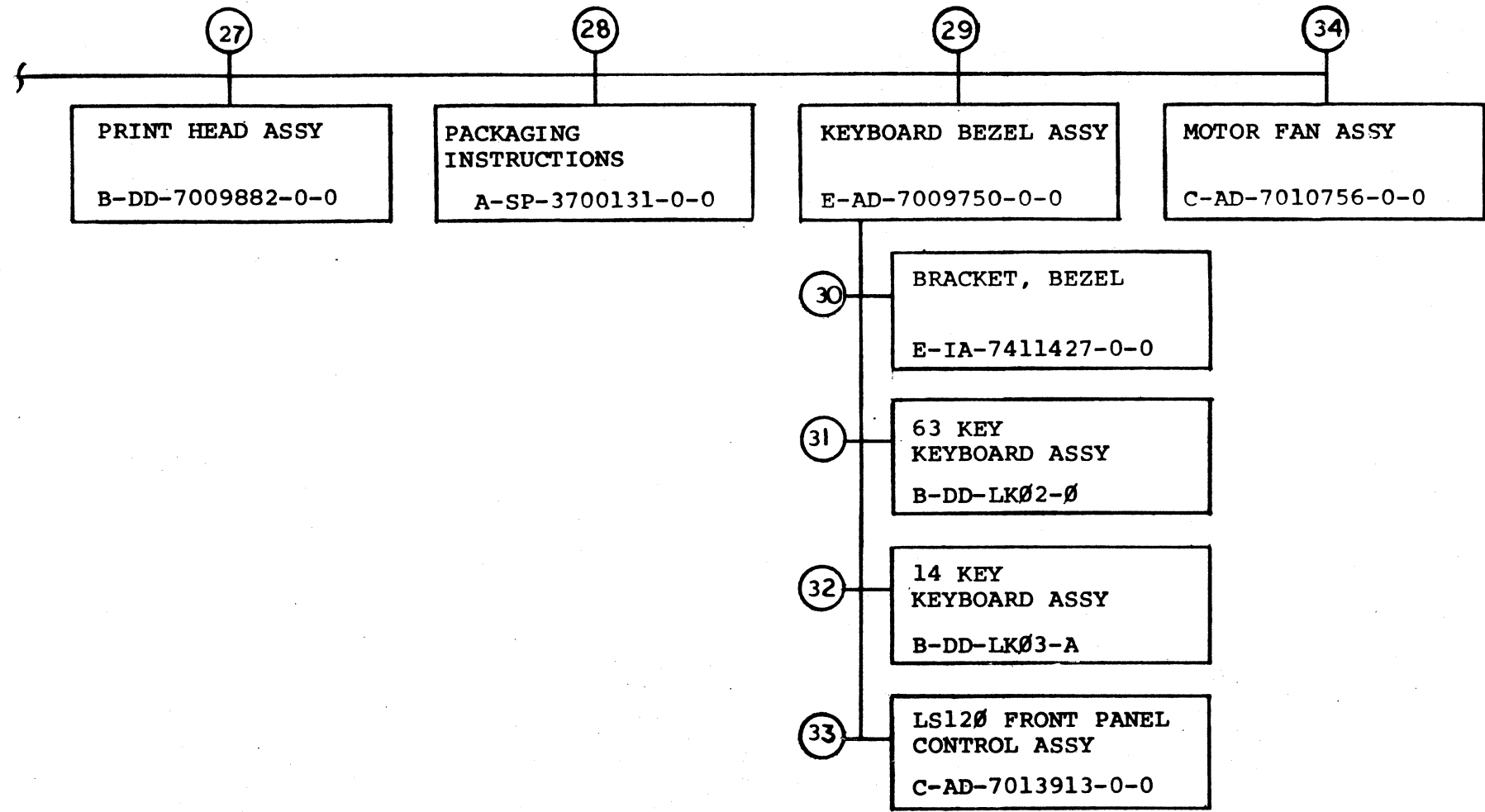
CONTINUED ON SHEET 3



TITLE	SIZE CODE	NUMBER	REV
LS120 DRAWING DIRECTORY	B DD	LS120-0	
SHEET 2 OF 8			

"THIS DRAWING AND SPECIFICATIONS, HEREIN, ARE THE PROPERTY OF DIGITAL EQUIPMENT CORPORATION AND SHALL NOT BE REPRODUCED OR COPIED OR USED IN WHOLE OR IN PART AS THE BASIS FOR THE MANUFACTURE OR SALE OF ITEMS WITHOUT WRITTEN PERMISSION. 1977  
 COPYRIGHT © DIGITAL EQUIPMENT CORPORATION"

CONTINUED FROM SHEET 2



TITLE	SIZE CODE	NUMBER	REV
LS120 DRAWING DIRECTORY	B DD	LS120-0	

SHEET 3 OF 8

FIND NO.	DRAWING NO.	DESCRIPTION	TYPE	FIND NO.	DRAWING NO.	DESCRIPTION	TYPE
1	MP00322	FIELD MAINTENANCE PRINT SET (MP)	-		D-UA-BC05C-0-0	EIA INTERFACE CABLE	E
	B-TC-LS120-0-0	FIELD MAINTENANCE PRINT SET (TC)	-		D-UA-BC05L-0-0	CABLE JUMPER	E
	E-UA-LS120-0-0	LS120 UNIT ASSY	E/M		D-IA-7010964-0-0	AC HARNESS	E
	A-PL-LS120-0-0	LS120 UNIT ASSY (PL)	E/M		E-IA-7013916-0-0	CONTROL HARNESS	E
	D-IA-7010758-0-0	COVER	M		C-IA-7414041-0-0	BRACKET HINGE	M
	E-MD-7411116-0-0	HOUSING	M				
	C-MD-7411818-0-0	CLIP, COVER	M				
	B-MD-7413675-0-0	BEZEL SPACER	M				
	A-MD-7412103-0-0	PKG. OF PAPER	M				
	E-PS-1212009-0-0	PRINT WINDOW	M				
	A-DC-7416197-0-1	UNDERWRITERS LABEL	M				
	C-PS-3611826-0-0	NAME PLATE	M				
	D-IC-LS120-0-2	INTERCONNECTION DRAWING	E				
2	E-AD-7013841-0-0	CABINET ASSY W/POWER SUPPLY	E/M	3	E-IA-7009649-0-0	FRAME ASSY	M
	A-PL-7013841-0-0	CABINET ASSY W/POWER SUPPLY (PL)	E/M		E-IA-7411080-0-0	BASE	M
	E-IA-7411120-0-0	DOOR, CABINET	M		E-IA-7411121-0-0	HOUSING, COMPONENT FRAME ASSY	M
	B-AD-7009673-0-0	POWER CORD ASSY	E				
	C-AD-7011045-0-0	POWER CORD ASSY	E				
	D-PS-1612256-0-0	TRANSFORMER ASSY 60HZ	E/M	4	E-IA-7411125-0-0	END PANEL, FRAME ASSY	M
	C-MD-7411607-0-0	PLATE, COVER	M		C-IA-7411117-0-0	FOOT, FRAME ASSY	M
	D-AD-7009895-0-0	HARNESS, CAPACITOR	E				
	C-AD-7010001-0-0	JUMPER	E				
	D-IA-7010964-0-0	AC HARNESS	E				
	B-MD-7417011-0-0	CLIP ENCLOSURE	M				
	A-DC-7415773-0-0	FUSE DECAL	M				
	C-IA-7011657-0-0	CABLE PAPER OUT	E				
	C-MD-7412996-0-0	BRACKET SPEAKER	M				
	A-DC-7412548-0-0	FUSE RATING LABEL	M	5	D-CS-5411021-0-1	LA180 POWER BOARD	E
	C-MD-7413286-0-0	COVER, EMI FILTER	M		K-CO-5411021-0-4	X-Y COORDINATE HOLE LOCATION	E
	D-IA-7412158-0-0	PAPER GUIDE	M		E-AH-5411021-0-5	ASSY DRILLING HOLE LAYOUT	E/M
	B-MD-7414144-0-0	FOAM, PROTECTIVE	M		B-MH-5411021-0-6	MODULE ECO HISTORY	E
	C-MD-7412424-0-0	SWITCH REWORK	E/M				
	D-PS-1612257-0-0	TRANSFORMER ASSY 50HZ	E/M				
	B-MD-7415068-0-0	PIVOT, CABINET DOOR	M				
	B-MD-7415067-0-0	SCR, SPECIAL	M				
	C-MD-7415114-0-0	COVER, CAPACITOR	M				
	B-MD-7415374-0-0	SPACER, FUSE HOLDER	M				
	D-MD-7414044-0-0	SIDE RAIL (L.H.)	M				
	D-MD-7414045-0-0	SIDE RAIL (R.H.)	M				

TYPE: E ELECTRICAL  
M MECHANICAL  
E/M ELECTRO/MECHANICAL



TITLE  
LS120 DRAWING DIRECTORY

SHEET 4 OF 8

SIZE CODE  
**B DD**

NUMBER  
LS120-0

REV

FIND NO.	DRAWING NO.	DESCRIPTION	TYPE	FIND NO.	DRAWING NO.	DESCRIPTION	TYPE
6	D-CS-5411023-0-1	LA18Ø LOGIC BOARD	E		B-MD-7411575-0-0	SHAFT, IDLER	M
	K-CO-5411023-0-4	X-Y COORDINATE HOLE LOCATION	E		B-MD-7411412-0-0	RETAINER, BUMPER SPRING	M
	E-AH-5411023-0-5	ASSY DRILLING HOLE LAYOUT	E/M		C-PS-1212510-0-0	SPRING, CARRIAGE BUMPER	M
	B-MH-5411023-0-6	MODULE ECO HISTORY	E		E-IA-7411028-0-0	SIDE PLATE	M
					C-MD-7413672-0-0	RESERVOIR	M
					C-MD-7413699-0-0	SPRING	M
					C-IA-7011147-0-0	MOTOR, STEPPING	E/M
					C-MD-7413705-0-0	STIFFENER	M
					B-MD-7412535-0-0	ADAPTER, LINE FEED	E/M
					B-MD-7413698-0-0	WICK	E/M
					C-MD-7414433-0-0	SCREW, TRACTOR	M
					B-MD-7415318-0-0	SHIM, CARRIAGE SHAFT	M
7	E-UA-7014115-0-0	LS12Ø LOGIC BOARD	E		C-MD-7414835-0-0	SPRING, PLAIN BEARING	M
					D-MD-7415802-0-0	BRACKET, COVER INTERLOCK	M
					C-AD-7010001-0-0	JUMPER INTERLOCK	E
8	C-IA-7410963-0-0	MATRIX WIRE ASSY	M				
	B-MD-7411279-0-0	BRAZE PREFORM	M				
	C-MD-7410876-0-0	ARMATURE BODY SOLENOID	M	10	D-AD-7011446-0-0	RIBBON DRIVE ASSY	M
	A-MD-7411280-0-0	LA3Ø MATRIX PRINTER WIRE	M		C-MD-7411426-0-0	SPRING BACKSTOP	M
					C-MD-7413526-0-0	PUSH ROD	M
					B-MD-7411123-0-0	WASHER ECCENTRIC	M
					C-MD-7411124-0-0	CLAMP, COLLAR	M
					B-MD-7411068-0-0	SHAFT, RIBBON IDLER	M
					C-MD-7411084-0-0	ROD END	M
					D-MD-7411113-0-0	BRACKET, RIBBON DRIVE	M
9	E-AD-7010091-0-0	PRINTER MECHANISM ASSY	E/M				
	D-MD-7411072-0-0	BAR, PRINT	M				
	C-MD-7411033-0-0	SHAFT CARRIAGE	M				
	B-MD-7411439-0-0	PIVOT LOWER	M				
	B-MD-7411103-0-0	RACHET, PIVOT	M				
	B-MD-7414845-0-0	BUSHING, PLAIN	M				
	C-MD-7411076-0-0	SHAFT, TRACTOR SUPPORT	M	11	B-IA-7411578-0-0	RIBBON ECCENTRIC W/CLUTCH	M
	C-MD-7411075-0-0	SHAFT, TRACTOR DRIVE	M		B-MD-7411069-0-0	ECCENTRIC RIBBON	M
	C-MD-7411425-0-0	BUSHING, TRACTOR SHAFT RETAINING	M				
	B-MD-7411098-0-0	COLLAR, SIDE PLATE	M				
	D-MD-7411441-0-0	HUB, CLUTCH	M				
	E-MD-7411440-0-0	GEAR DRIVE CLUTCH	M				
	B-MD-7411443-0-0	WASHER, CLUTCH	M				
	D-MD-7411437-0-0	KNOB, LINE FEED	M				

TYPE: E ELECTRICAL  
M MECHANICAL  
E/M ELECTRO/MECHANICAL



TITLE LS12Ø DRAWING DIRECTORY

SHEET 5 OF 8

SIZE CODE  
B DD

NUMBER  
LS12Ø-Ø

REV

FIND NO.	DRAWING NO.	DESCRIPTION	TYPE	FIND NO.	DRAWING NO.	DESCRIPTION	TYPE
12	E-AD-7009689-0-0	RIBBON CHASSIS ASSY	M	16	D-IA-7009680-0-0	RIBBON CHASSIS W/INSERTS	M
	B-MD-7412976-0-0	CAP. STANDOFF SPOOL	M		B-MD-7416620-0-0	RETAINING RING, SPECIAL	M
	C-MD-7411058-0-0	INTERPOSER	M		C-MD-7412977-0-0	STAND OFF, SPOOL RIBBON	M
	C-MD-7411087-0-0	SPRING INTERPOSER	M				
	D-MD-7411060-0-0	SENSOR, REVERSE	M				
	C-MD-7411419-0-0	GUIDE SHOE	M				
	B-MD-7411061-0-0	WASHER, RACHET	M				
	B-IA-7411405-0-0	DISK, FRICTION	M				
	B-MD-7411103-0-0	PIVOT RATCHET	M				
	B-MD-7411098-0-0	COLLAR SIDE PLATE	M				
	D-MD-7411048-0-0	DRIVER, SPOOL	M				
	C-MD-7411105-0-0	SPRING, UPPER PAWL	M	17	D-AD-7011016-0-0	CARRIAGE ASSY	M
	C-MD-7411090-0-0	SPRING MAIN PAWL	M		B-MD-7411115-0-0	SHAFT, IDLER	M
	D-MD-7411432-0-0	RATCHET WHEEL	M		D-MD-7413606-0-0	LEVER, CARRIAGE ADJUSTMENT	M
					E-PS-1212544-0-0	CARRIAGE	M
					7415125	BUSHING, ECCENTRIC	M
13	E-AD-7009697-0-0	RATCHET BASE ASSY	M				
	B-MD-7411063-0-0	PAWL, PIVOT	M				
	D-MD-7411054-0-0	PAWL, UPPER	M	18	C-IA-7411577-0-0	CARRIAGE RIBBON IDLER W/BUSHING	M
					C-MD-7411102-0-0	IDLER, CARRIAGE RIBBON	M
14	D-IA-7009681-0-0	MAIN PAWL W/ANCHOR	M				
	B-MD-7411104-0-0	ANCHOR, SPRING	M	19	E-AD-7010092-0-0	D.C. MOTOR & ENCODER BASE	E/M
	B-MD-7411059-0-0	PAWL MAIN	M		D-MD-7416402-0-0	CLAMP PULLEY	M
					D-MD-7411416-0-0	DUST COVER ENCODER	M
					C-MD-7411124-0-0	CLAMP, COLLAR	M
					C-MD-7414943-0-0	PULLEY, DRIVE	M
					C-IA-7010495-0-0	D.C. MOTOR ASSY	E/M
15	C-IA-7009695-0-0	RATCHET BASE W/ANCHOR	M				
	B-MD-7411104-0-0	ANCHOR SPRING	M				
	D-MD-7411055-0-0	BASE, RATCHET	M				

TYPE: E ELECTRICAL  
M MECHANICAL  
E/M ELECTRO/MECHANICAL



TITLE  
LS12Ø DRAWING DIRECTORY

SHEET 6 OF 8

SIZE CODE  
B DD

NUMBER  
LS12Ø-Ø

REV



FIND NO.	DRAWING NO.	DESCRIPTION	TYPE	FIND NO.	DRAWING NO.	DESCRIPTION	TYPE
20	D-AD-7011024-0-0	ENCODER BASE HARNESS ASSY	E/M	24	D-AD-7009694-0-0	IDLER GEAR ASSY	M
	C-IA-7011023-0-0	HARNESS ENCODER	E		C-MD-7416219-0-0	STANDOFF, GEAR	M
	B-MD-7411580-0-0	ADHESIVE ENCODER MASK	M		B-MD-7411420-0-0	BRACKET, GEAR	M
	C-MD-7411089-0-0	MASK, ENCODER	M				
	D-MD-7411603-0-0	GIZZIE ENCODER	E/M				
21	D-CS-5411049-0-1	PHOTO TRANSISTOR BOARD ASSY	E/M	25	C-IA-7411576-0-0	FRAME RIBBON IDLER W/BUSHING	M
	K-CO-5411049-0-4	X-Y COORDINATE HOLE LOCATIONS	E/M		D-MD-7411085-0-0	IDLER, FRAME RIBBON	M
	D-AH-5411049-0-5	ASSY DRILLING HOLE LAYOUT	E/M				
	B-MH-5411049-0-6	MODULE ECO HISTORY	E/M				
	D-IA-5010990-0-0	ETCH CIRCUIT BOARD	E/M				
22	D-CS-5410991-0-1	L.E.D. BOARD ASSY	E/M	26	D-AD-7014116-0-0	TAKEUP BRACKET ASSY	E/M
	K-CO-5410991-0-4	X-Y COORDINATE HOLE LOCATIONS	E/M		C-MD-7413753-0-0	SUPPORT, PIVOT PIN	M
	D-AH-5410991-0-5	ASSY DRILLING HOLE LAYOUT	E/M		C-MD-7416249-0-0	SPRING TAKEUP ARM	M
	B-MH-5410991-0-6	MODULE ECO HISTORY	E/M		D-IA-7413603-0-0	VFU & TAKEUP BRACKET	M
	D-IA-5010990-0-0	ETCH CIRCUIT BOARD	E/M				
23	C-AD-7009778-0-0	DISK ASSY	M				
	C-MD-7411088-0-0	DISK, ENCODER	M				
	B-MD-7411757-0-0	ADHESIVE, ENCODER DISK	M				
	C-MD-7411414-0-0	HUB, ENCODER	M				



TITLE  
LS12Ø DRAWING DIRECTORY

SHEET 7 OF 8

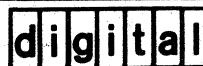
SIZE CODE  
B DD

NUMBER  
LS12Ø-Ø

REV

FIND NO.	DRAWING NO.	DESCRIPTION	TYPE	FIND NO.	DRAWING NO.	DESCRIPTION	TYPE
				31	B-DD-LKØ2-Ø	63KEY KEYBOARD ASSY	E/M
27	B-DD-7009882-0-0	PRINT HEAD ASSY	E/M	32	B-DD-LKØ3-Ø	14KEY KEYBOARD ASSY	E/M
28	A-SP-3700131-0-0	PACKAGING INSTRUCTIONS	M	33	C-AD-7013913-0-0	LA36 FRONT PANEL CONTROL ASSY	E/M
					A-SP-7011525-0-2	TEST SPEC	E/M
					A-SP-LA36-Ø-1	ENGINEERING SPEC	E/M
					D-PS-1212287-Ø-Ø	KEYCAP SET	M
					D-CS-5411727-0-1	FRONT PANEL CONTROL ASSY	E/M
29	E-AD-7009750-0-0	KEYBOARD BEZEL ASSY	M				
	D-AD-7011519-0-0	LA36 KEYBOARD CABLE	M				
	C-AD-7010001-0-0	JUMPER	M				
	C-IA-7008612-0-0	CABLE, KEYBOARD	M				
				34	C-AD-7010756-0-0	MOTOR FAN ASSY	E/M
					D-MD-7413337-0-0	FAN EKT, DC MOTOR	E/M
					C-AD-7010001-0-0	JUMPER	E
30	E-IA-7411427-0-0	BRACKET, BEZEL	M				
	C-SS-7411427-0-2	KEYBOARD BEZEL	M				

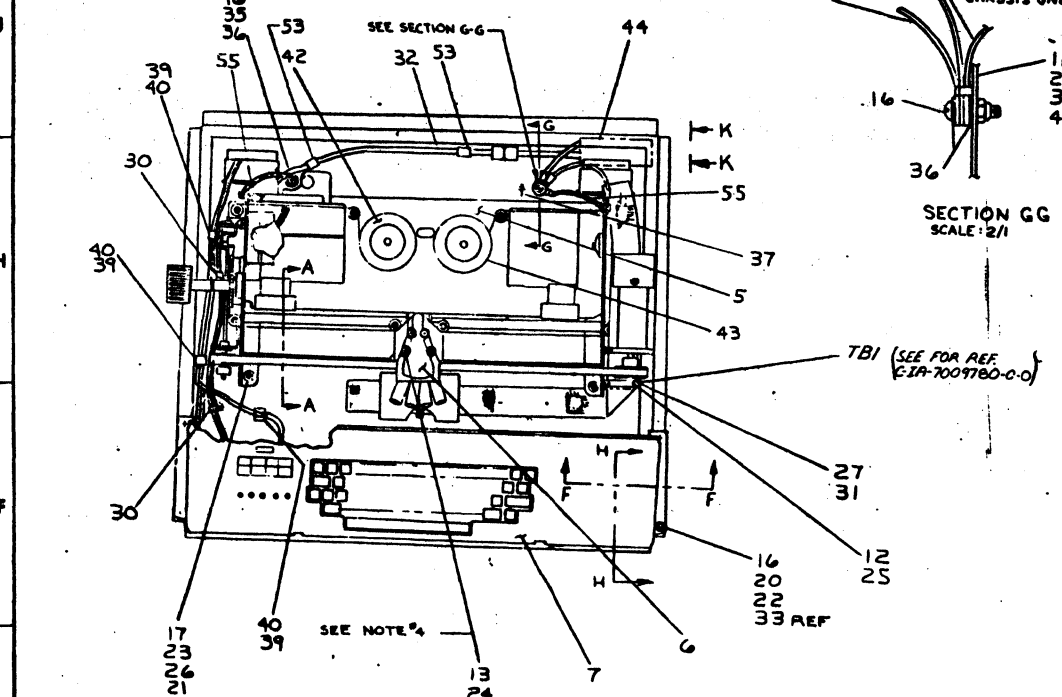
TYPE: E ELECTRICAL  
M MECHANICAL  
E/M ELECTRO/MECHANICAL



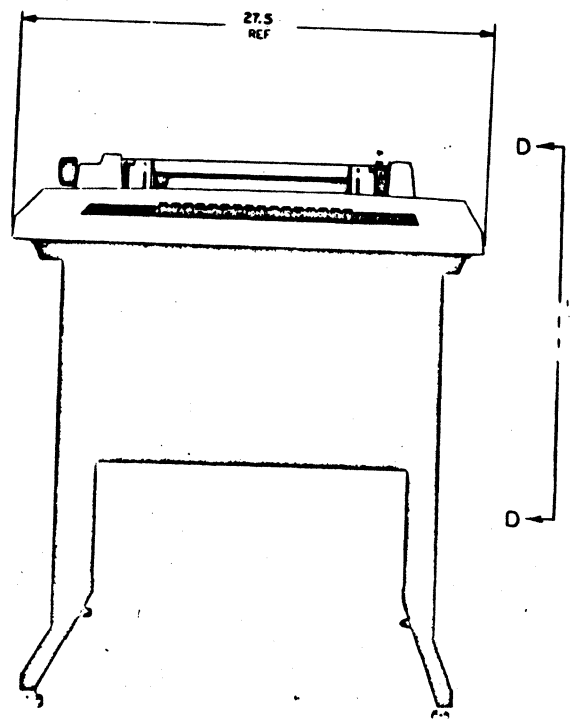
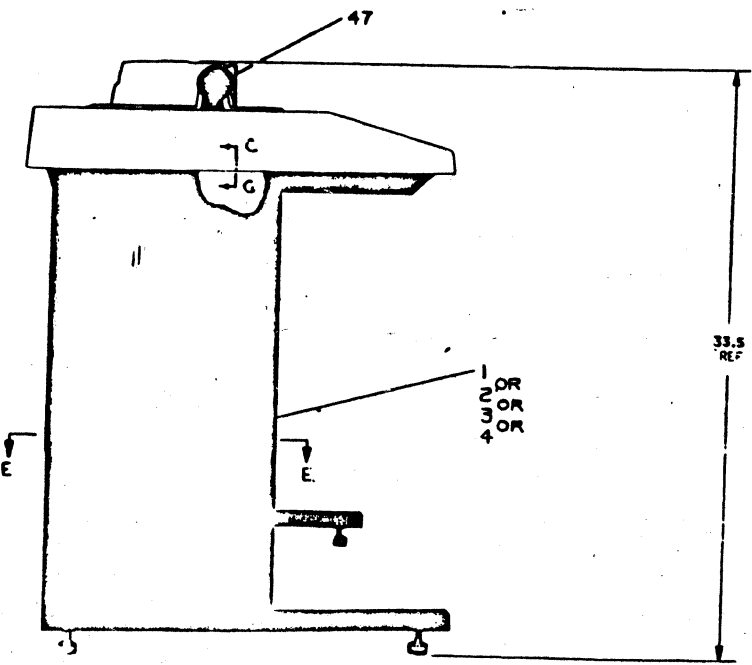
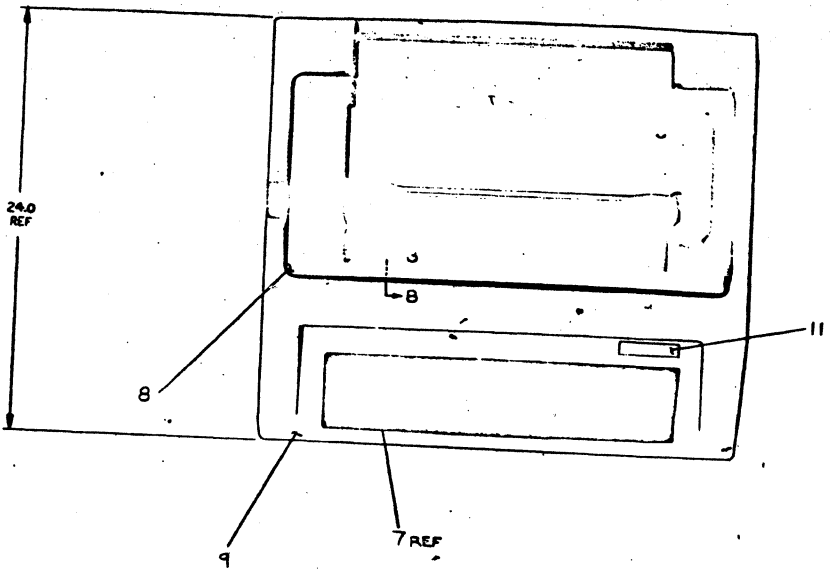
TITLE  
LS12Ø DRAWING DIRECTORY

SHEET 8 OF 8 SIZE CODE NUMBER REV  
**B DD** LS12Ø-Ø

NO INFORMATION FROM THE  
 THE INFORMATION CONTAINED HEREIN IS UNCLASSIFIED EXCEPT WHERE SHOWN  
 OTHERWISE AND IS IN THE PUBLIC DOMAIN IN WHOLE OR IN PART.



TOP VIEW OF MACHINE  
 SHOWN W/OUT COVER (ITEM 8) &  
 HOUSING (ITEM 9)



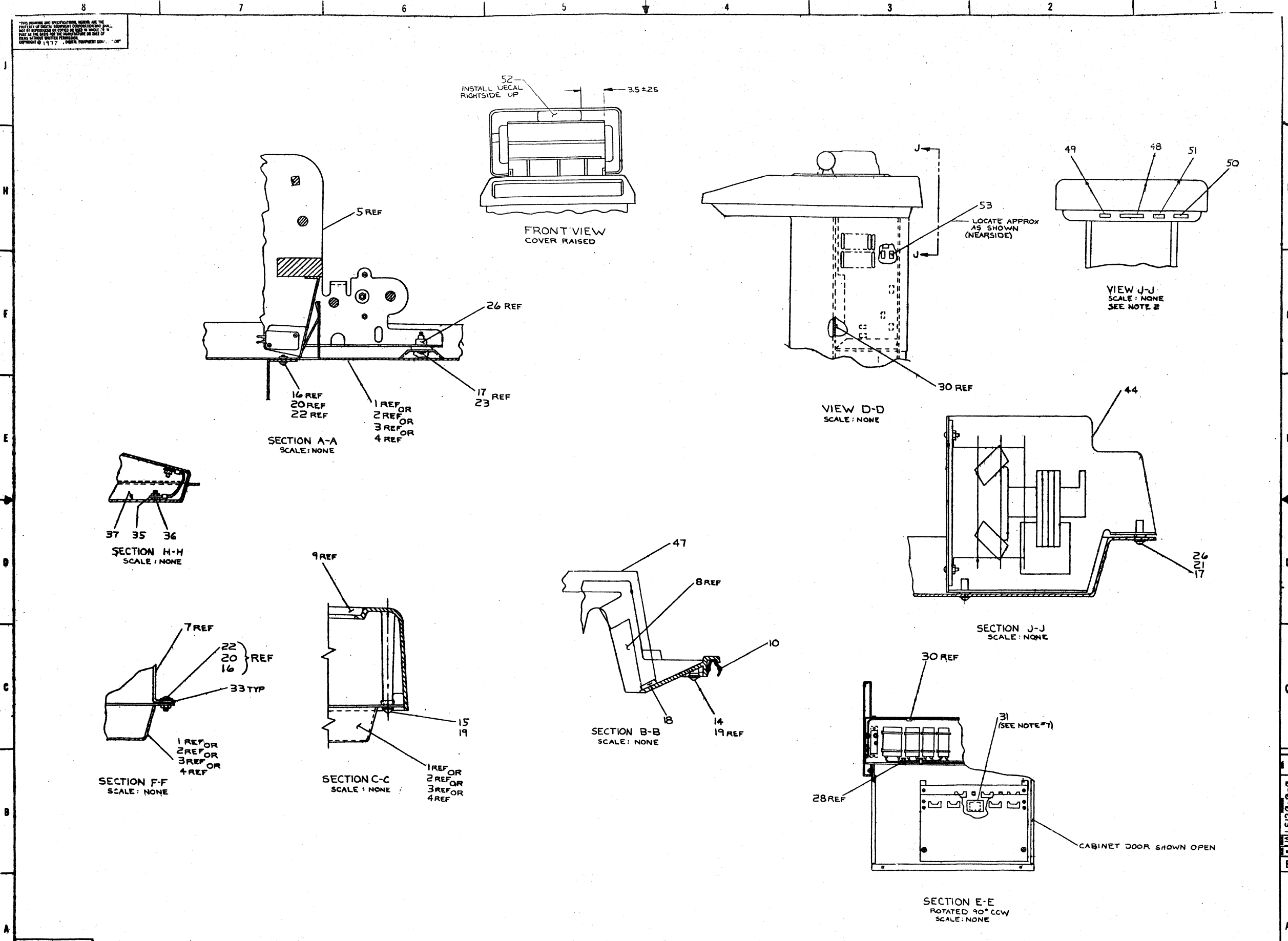
1. REMOVE PROTECTIVE PAPER FROM DOUBLE COATED TAPE (ITEM 31) AND USE TO STICK CABLE CLAMPS (ITEM 27) TO CABLE OF PRINT HEAD (ITEM 6) IN POSIT ONS SHOWN. MAKE 90° FOLD IN CABLE & INSTALL INTO PRINTER.
2. INSTALL LABEL (ITEM 51) IN POSITION SHOWN AFTER PEELING OFF PROTECTIVE PAPER.
3. HEAD GAP SHALL BE .0035/.015 TIR WITH DIMENSION BEING WITHIN .0015 TIR ON BOTH ENDS.
4. ALL WIRES TERMINATING ON AB-S1 ARE TO BE COVERED WITH SHRINK TUBING (ITEM 32)
5. WIRES FROM T1 TO S1-1 & S1-2 ARE TO BE TWISTED AND SLEEVED.
6. UL & CSA LABELS TO BE APPLIED ONLY WHEN UNIT HAS MET ALL UL & CSA REQUIREMENTS.
7. INSULATE CRYSTAL WITH TAPE (ITEM 31). EXPOSE ADHESIVE ON ONE SIDE ONLY.

LEGEND	
NUMBER	VARIATION
LS120-HE	115V 60HZ
LS120-HF	230V 60HZ
LS120-HH	115V 50HZ
LS120-HJ	230V 50HZ

CAUTION: OFF SHEET PARTS LIST EXISTS  
 SEE A-PL-LS120-0-0

QUANTITY	1	DESCRIPTION	LS120 UNIT ASSY
DATE	11/11/77	BY	LS120
APPROVED		REVISION	1
MATERIAL		SEE PARTS LIST	
PARTS LIST		B-DD-LS120-0	
SCALE		EUA LS120-0-0	

THIS DRAWING AND SPECIFICATIONS HEREBY ARE THE PROPERTY OF SPECTRA ELECTRONIC CORPORATION AND SHALL NOT BE REPRODUCED OR COPIED IN WHOLE OR IN PART WITHOUT THE WRITTEN PERMISSION OF SPECTRA ELECTRONIC CORPORATION. © 1977 SPECTRA ELECTRONIC CORP.



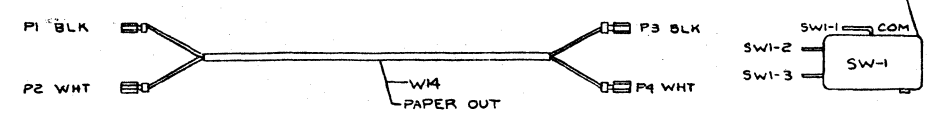
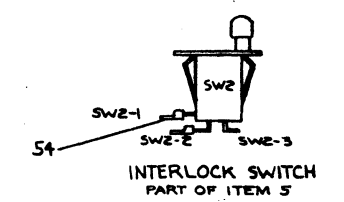
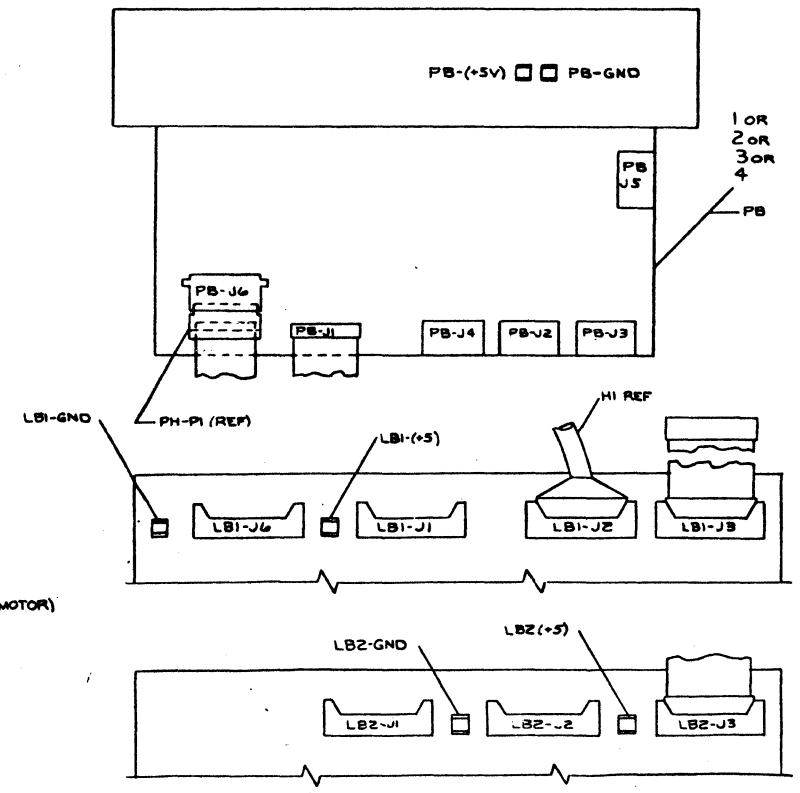
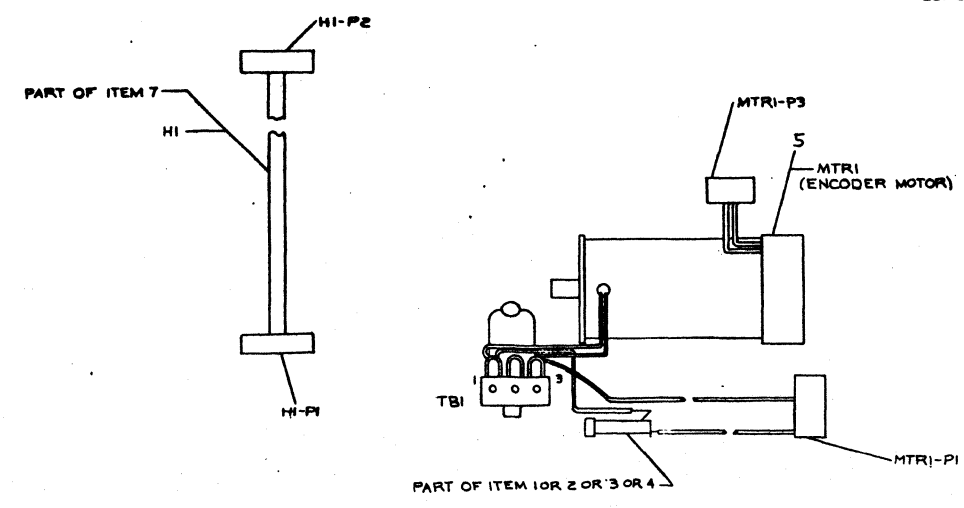
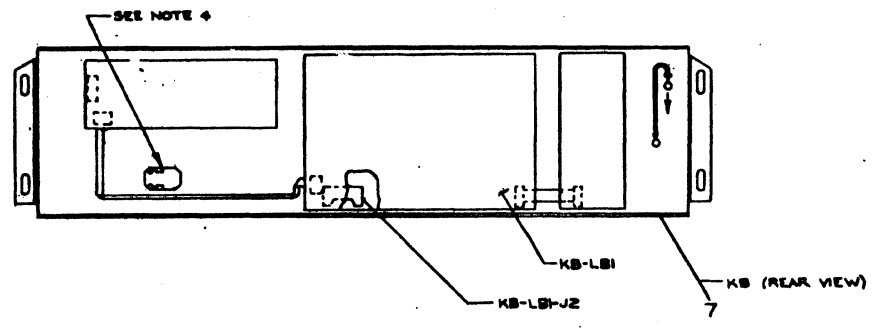
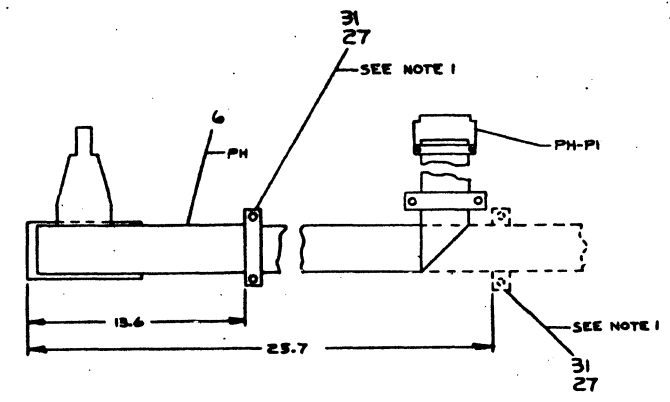
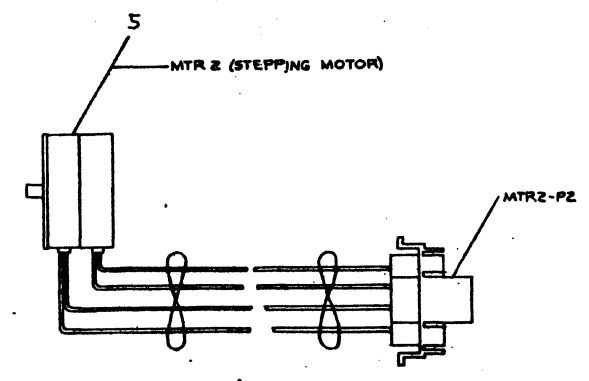
REV.	CHANGE NO.	DATE

TITLE LS120 UNIT ASSY		SIZE CODE E JA	NUMBER LS120-0-0	REV.
SCALE N.P.	SHEET 2 OF 3	DIST.		

LS120-0-0

THIS DRAWING IS THE PROPERTY OF THE U.S. GOVERNMENT AND IS TO BE REPRODUCED IN WHOLE OR IN PART BY ANY PERSON OR ORGANIZATION WITHOUT PERMISSION OF THE U.S. GOVERNMENT.

WIRE TABLE						
ITEM NO.	DESCRIPTION	CONN	FROM TERM	TO TERM	CONN	REMARKS
5	14 GRN	MTR1-P1		PB-J4		SEE SHEET 1
	18 BLK	MECH ASSY GND		CAB. GND		
		TBI-3		FZ-1		
		MTR1-P3		CH-J		
		HI-P2		LB-J2		
		HI-J5		KB-53-4		SEE 7009750-0-0
		HI-J3		KB-52-3		ITEM 22
		HI-J4		KB-52-4		
		HI-J6-1		KB-52-6		
		HI-J6-2		KB-53-5		
		HI-J6-3		KB-53-2		
		HI-P1		KB-LB1-J2		
6		PH-P1		PB-J6		
5		MTR2-P2		PB-J5		
1 or 2 or 3 or 4	18 BLK	FZ-2		MTR1-P1 PW#8		SEE 701001-7-0
	18 BLK	WI4-P1		SW1-1		
	18 WHT	WI4-P2		SW1-3		
	18 BLK	WI4-P3		SW2-1		
	18 WHT	WI4-P4		SW2-2		



REV.	CHG. NO.	REV.

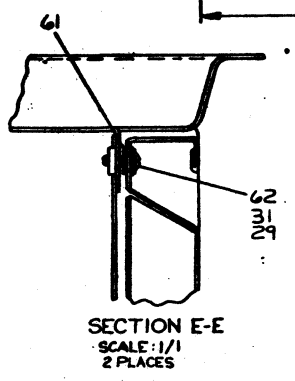
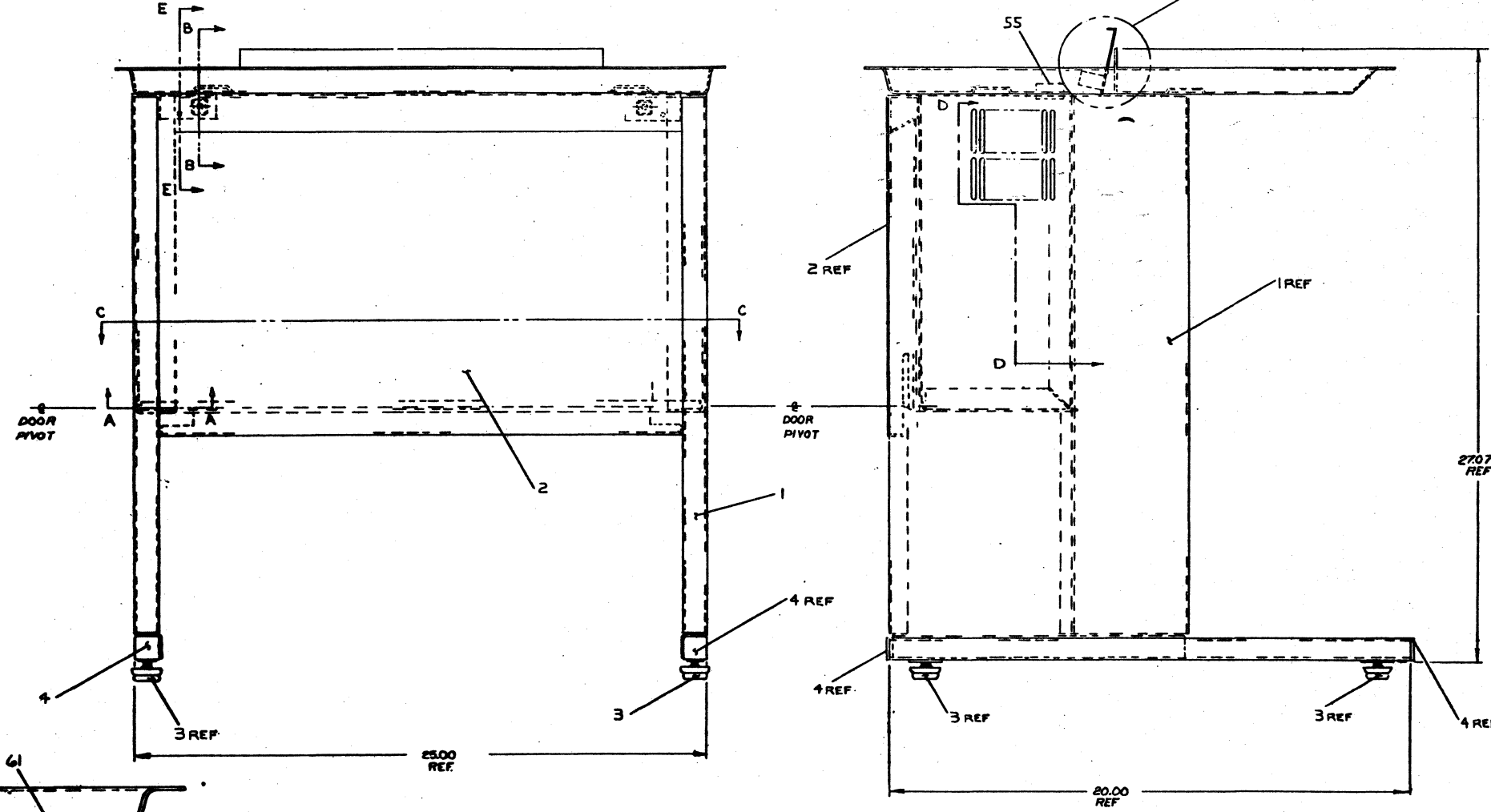
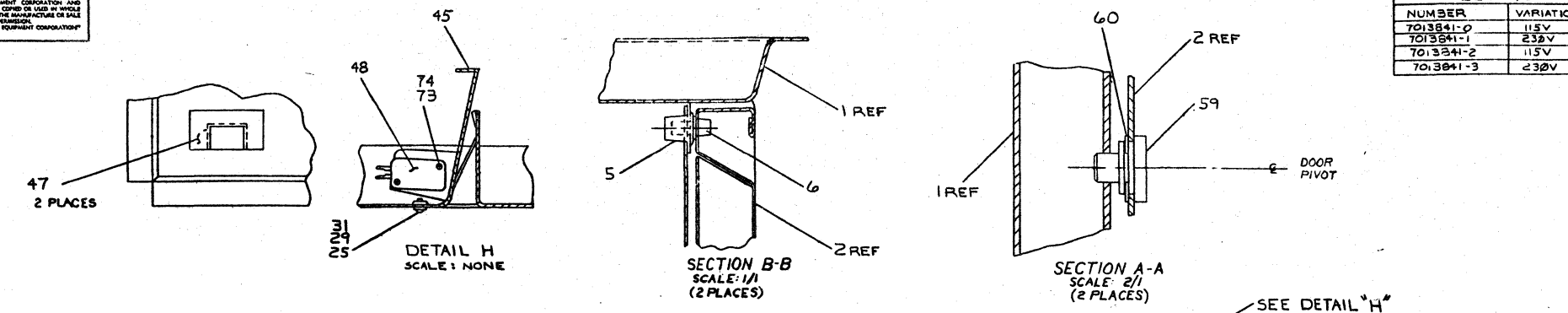
THIS DRAWING AND SPECIFICATIONS HEREAFTER ARE THE PROPERTY OF DIGITAL EQUIPMENT CORPORATION AND SHALL NOT BE REPRODUCED OR COPIED IN WHOLE OR IN PART AS THE BASIS FOR THE MANUFACTURE OR SALE OF ITEMS WITHOUT WRITTEN PERMISSION. COPYRIGHT © 1977 DIGITAL EQUIPMENT CORPORATION.

**LEGEND**

NUMBER	VARIATION
7013841-0	115V 60 HZ
7013841-1	230V 50 HZ
7013841-2	115V 50 HZ
7013841-3	230V 60 HZ

**NOTES:**

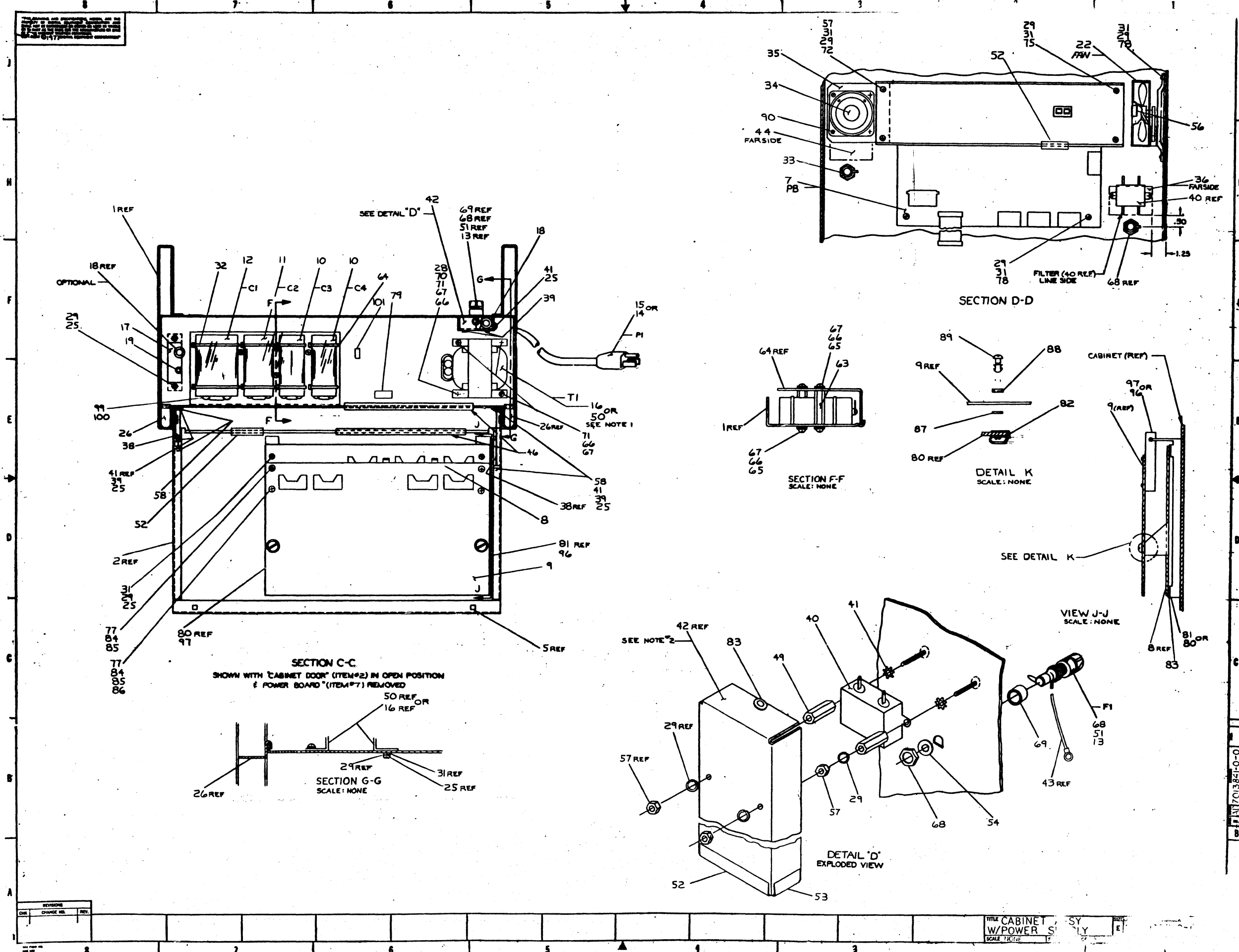
- INSTALL TRANSFORMER ASSY (ITEMS 16 OR 50) AFTER INSTALLING & WIRING COMPLETE. EMI FILTER ASSY (ITEMS 40&42) SEE DETAIL "D" (SHEET 2 OF 3).
- AFTER INSTALLING JUMPER (ITEM 31) SLIDE GROMMET (ITEM 83) UP OR DOWN AS REQUIRED TO SEAT IN NOTCH BEFORE MOUNTING COVER (ITEM 42).
- ALL WIRES TERMINATING ON LINE FILTER (LF) AND FUSE (FI) ARE TO BE COVERED WITH SHRINK TUBING (ITEM 37).
- ASTERISK (\*) INDICATES HARNESS CONNECTIONS TO BE MADE AT NEXT HIGHER ASSY.



CAUTION:  
FOR PARTS LIST SEE A-PL-7013841-0-0

QUANTITY & VARIATION		DESCRIPTION	DWG. PART NO.	ITEM NO.
ANGLES UNLESS OTHERWISE SPECIFIED DIMENSIONS ARE IN INCHES CLASS OF ACCURACY SURFACE QUALITY IN MICRONS QUANTITY & VARIATION THIRD ANGLE PROJECTION REMOVE BURRS AND BREAK SHARP CORNERS DO NOT SCALE DWG MATERIAL FINISH		UNLESS OTHERWISE SPECIFIED DIMENSIONS ARE IN INCHES CLASS OF ACCURACY SURFACE QUALITY IN MICRONS QUANTITY & VARIATION THIRD ANGLE PROJECTION REMOVE BURRS AND BREAK SHARP CORNERS DO NOT SCALE DWG MATERIAL FINISH	UNLESS OTHERWISE SPECIFIED DIMENSIONS ARE IN INCHES CLASS OF ACCURACY SURFACE QUALITY IN MICRONS QUANTITY & VARIATION THIRD ANGLE PROJECTION REMOVE BURRS AND BREAK SHARP CORNERS DO NOT SCALE DWG MATERIAL FINISH	UNLESS OTHERWISE SPECIFIED DIMENSIONS ARE IN INCHES CLASS OF ACCURACY SURFACE QUALITY IN MICRONS QUANTITY & VARIATION THIRD ANGLE PROJECTION REMOVE BURRS AND BREAK SHARP CORNERS DO NOT SCALE DWG MATERIAL FINISH
FIRST USED ON: LS120 TITLE: CABINET ASSY W/POWER SUPPLY E-LIA-LS120-8-2 NUMBER: AD7013841-0-0 SHEET: 1 OF 3				

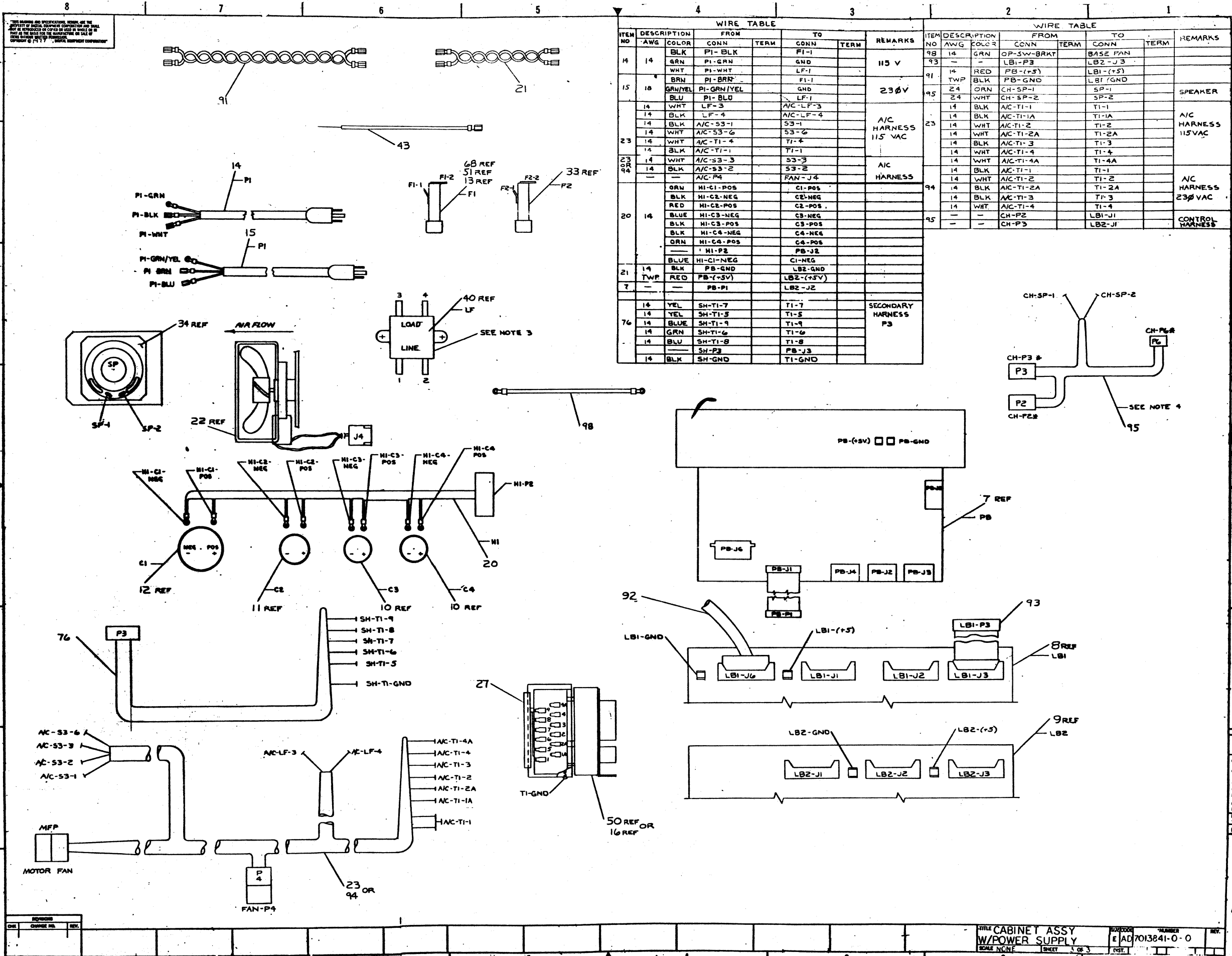
ALL DIMENSIONS UNLESS OTHERWISE SPECIFIED ARE IN INCHES AND DECIMALS THEREOF.



REV	CHG	BY	DATE

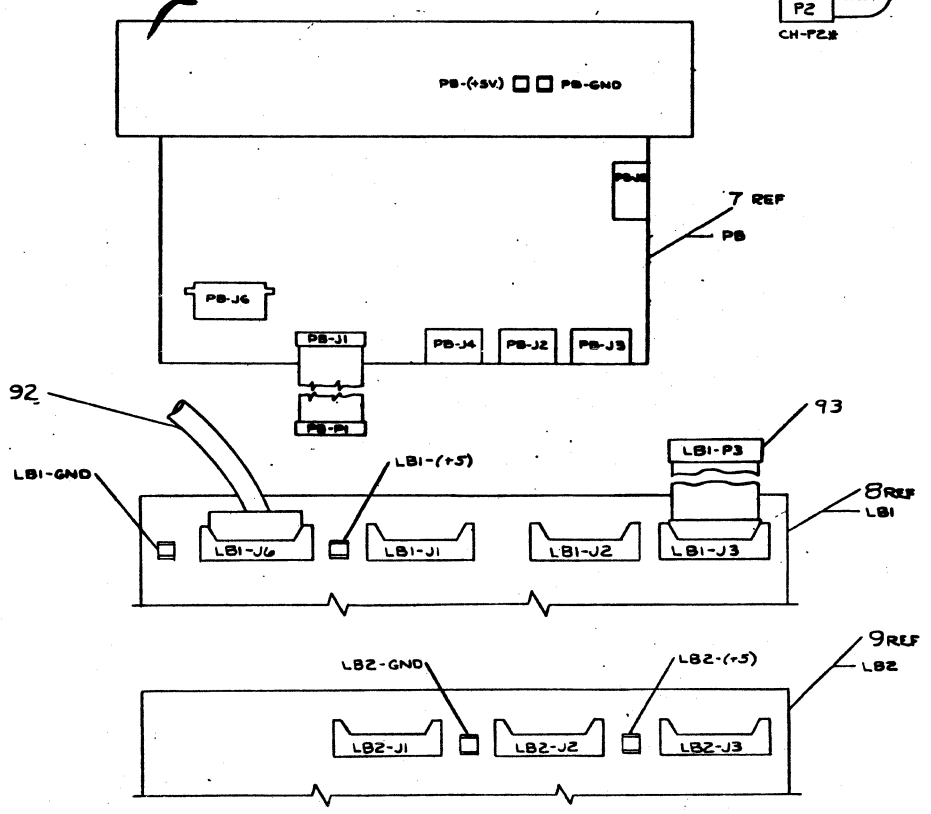
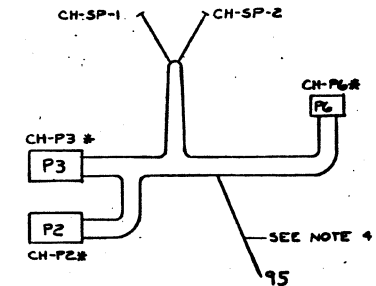
TITLE CABINET W/POWER SUPPLY  
SCALE 1/8"=1"

170138-10-0



WIRE TABLE						
ITEM NO	AWG	COLOR	FROM CONN	TERM	TO CONN	TERM
14	14	BLK	PI-BLK		FI-1	
		GRN	PI-GRN		GND	
		WHT	PI-WHT		LF-1	
		BRN	PI-BRN		FI-1	
15	18	GRN/YEL	PI-GRN/YEL		GND	
		BLU	PI-BLU		LF-1	
		WHT	LF-3		A/C-LF-3	
14	14	BLK	LF-4		A/C-LF-4	
		BLK	A/C-S3-1		S3-1	
		WHT	A/C-S3-6		S3-6	
		WHT	A/C-TI-4		TI-4	
23	14	BLK	A/C-TI-1		TI-1	
		WHT	A/C-S3-3		S3-3	
23 OR 94	14	BLK	A/C-S3-2		S3-2	
		---	A/C-P4		FAN-J4	
20	14	GRN	HI-C1-POS		C1-POS	
		BLK	HI-C2-NEG		C2-NEG	
		RED	HI-C2-POS		C2-POS	
		BLUE	HI-C3-NEG		C3-NEG	
		BLK	HI-C3-POS		C3-POS	
		GRN	HI-C4-NEG		C4-NEG	
		ORN	HI-C4-POS		C4-POS	
		---	HI-P2		PB-J2	
		BLUE	HI-C1-NEG		C1-NEG	
		RED	PB-GND		LB2-GND	
21	14	BLK	PB-7(+5V)		LB2-7(+5V)	
		---	PB-P1		LB2-J2	
76	14	YEL	SH-TI-7		TI-7	
		YEL	SH-TI-5		TI-5	
		BLUE	SH-TI-9		TI-9	
		GRN	SH-TI-6		TI-6	
		BLU	SH-TI-8		TI-8	
		---	SH-P3		PB-J3	
14	14	BLK	SH-GND		TI-GND	

WIRE TABLE						
ITEM NO	AWG	COLOR	FROM CONN	TERM	TO CONN	TERM
98	14	GRN	OP-SW-BRKT		BASE FAN	
93	---	---	LB1-P3		LB2-J3	
91	14	RED	PB-7(+5)		LB1-7(+5)	
		TWP	BLK	PB-GND		LB1-GND
95	24	ORN	CH-SP-1		SP-1	
		WHT	CH-SP-2		SP-2	
23	14	BLK	A/C-TI-1		TI-1	
		BLK	A/C-TI-1A		TI-1A	
		WHT	A/C-TI-2		TI-2	
		WHT	A/C-TI-2A		TI-2A	
		BLK	A/C-TI-3		TI-3	
		WHT	A/C-TI-4		TI-4	
		WHT	A/C-TI-4A		TI-4A	
		BLK	A/C-TI-1		TI-1	
94	14	WHT	A/C-TI-2		TI-2	
		BLK	A/C-TI-2A		TI-2A	
		BLK	A/C-TI-3		TI-3	
		WHT	A/C-TI-4		TI-4	
95	---	---	CH-P2		LB1-J1	
		---	CH-P3		LB2-J1	
		---	---		---	





DIGITAL EQUIPMENT CORPORATION MAYNARD, MASSACHUSETTS PARTS LIST					QUANTITY VARIATION																
MADE BY <i>M. Passarelli</i>		CHECKED <i>Bill Hawk</i>		SECTION	LS120-HE	LS120-HF	LS120-HH	LS120-HJ													
DATE <i>2 FEB 77</i>		DATE <i>28 MAR 77</i>		1																	
ENG <i>D. Richmond</i>		PROD <i>M. Nelson</i>		ISSUED SECT.																	
DATE <i>28 MAR 77</i>		DATE <i>28 MAR 77</i>		1																	
ITEM NO.	DWG NO./PART NO.	DESCRIPTION																			
1	E-AD-7013841-0-0	CABINET ASSY W/POWER SUPPLY (115V)60 HZ			1	-	-	-													
2	E-AD-7013841-3-0	CABINET ASSY W/POWER SUPPLY (230V)60 HZ			-	1	-	-													
3	E-AD-7013841-2-0	CABINET ASSY W/POWER SUPPLY (115V)50 HZ			-	-	1	-													
4	E-AD-7013841-1-0	CABINET ASSY W/POWER SUPPLY (230V)50 HZ			-	-	-	1													
5	E-AD-7010091-1-0	PRINTER MECHANISM ASSY			1	1	1	1													
6	D-AD-7009882-0-0	PRINT HEAD ASSY			1	1	1	1													
7	E-AD-7009750-5-0	KEYBOARD BEZEL ASSY			1	1	1	1													
8	D-IA-7011447-0-0	COVER, SUB ASSY			1	1	1	1													
9	E-MD-7411116-0-0	HOUSING			1	1	1	1													
10	C-MD-7411818-0-0	CLIP, COVER			2	2	2	2													
11	3611826-1-0	NAME PLATE, LS120			1	1	1	1													
12	9006011-1	SCR, PHL PAN HD #4-40 x .38 LG			4	4	4	4													
13	9007793-1	SCR, PHL PAN HD #6-32 x .56 LG			4	4	4	4													
14	9009622-01	SCR, PHL PAN HD #6-18 x .38 LG			2	2	2	2													
15	9009630-01	SCR, PHL PAN HD #6-18 x .50 LG			9	9	9	9													
16	9006037-1	SCR, PHL PAN HD #8-32 x .38 LG			9	9	9	9													
17	9008955-1	SCR, PHL PAN HD #10-32 x .94 LG			7	7	7	7													
18	9007834-1	FOAM TAPE			A/R	A/R	A/R	A/R													
19	9006653	WASHER, FLAT #6			9	9	9	9													
20	9006660	WASHER, FLAT #8			7	7	7	7													
21	9006664	WASHER, FLAT #10			7	7	7	7													
22	9006690	WASHER, SPLIT LOCK #8			7	7	7	7													
TITLE LS120 UNIT ASSY				ASSY NO. E-UA-LS120-0-0	SIZE A	CODE PL	NUMBER LS120-0-0				REV	ECO NO.									
SHEET 1 OF 3				DIST																	

DIGITAL EQUIPMENT CORPORATION MAYNARD, MASSACHUSETTS PARTS LIST					QUANTITY VARIATION																
MADE BY <i>M. Passarelli</i>		CHECKED <i>Bill Hawk</i>		SECTION	LS120-HE	LS120-HF	LS120-HH	LS120-HJ													
DATE <i>2 FEB 77</i>		DATE <i>28 MAR 77</i>		1																	
ENG <i>D. Richmond</i>		PROD <i>M. Nelson</i>		ISSUED SECT.																	
DATE <i>28 MAR 77</i>		DATE <i>28 MAR 77</i>		1																	
ITEM NO.	DWG NO./PART NO.	DESCRIPTION																			
23	9007906	WASHER, SPLIT LOCK #10			4	4	4	4													
24	9006633	WASHER, INT TOOTH LOCK #6			4	4	4	4													
25	9006557	NUT, KEPS #4-40			4	4	4	4													
26	9008896	NUT, WELL #10-32			7	7	7	7													
27	1202704	CLAMP, CABLE			2	2	2	2													
28	9007031	TIE, CABLE			A/R	A/R	A/R	A/R													
29																					
30	9008340	CLIP, HARNESS			2	2	2	2													
31	9007834	TAPE, DOUBLE COATED .50 WIDE			A/R	A/R	A/R	A/R													
32	9107253-09	TUBING, SHRINKABLE			A/R	A/R	A/R	A/R													
33	B-MD-7413675-0-0	BEZEL SPACER			2	2	2	2													
34	A-SP-3700131-0-0	PACKAGING INSTRUCTIONS			1	1	1	1													
35	9006563	NUT, KEPS #8-32			2	2	2	2													
36	9008072	WASHER, EXT TOOTH LOCK #8			4	4	4	4													
37	3612680	DECAL, GROUND SYMBOL			3	3	3	3													
38	EK-LS120-OP-001	OPERATING INSTRUCTIONS (LS120)			1	1	1	1													
39	9008264	MOUNT, CABLE TIE, ADHESIVE BACKED			3	3	3	3													
40	9007880	TIE, CABLE			4	4	4	4													
41	A-MD-7412103-0-0	PKG. OF PAPER (100 SHEETS)			1	1	1	1													
42	3612153	RIBBON SPOOL W/RIBBON			1	1	1	1													
43	1212008	RIBBON SPOOL (EMPTY)			1	1	1	1													
44	C-AD-7010756-0-0	MOTOR FAN ASSY			1	1	1	1													
TITLE LS120 UNIT ASSY				ASSY NO. E-UA-LS120-0-0	SIZE A	CODE PL	NUMBER LS120-0-0				REV	ECO NO.									
SHEET 2 OF 3				DIST																	

**DIGITAL EQUIPMENT CORPORATION  
MAYNARD, MASSACHUSETTS  
PARTS LIST**

MADE BY <i>M. Passarelli</i>	CHECKED <i>BD Howell</i>	SECTION 1
DATE <i>2 FEB 77</i>	DATE <i>28 MAR 77</i>	ISSUED SECT. 1
ENG <i>D. Richmond</i>	PROD <i>M. Nulsen</i>	
DATE <i>28 MAR 77</i>	DATE <i>28 MAR 77</i>	

QUANTITY VARIATION

ITEM NO.	DWG NO./PART NO.	DESCRIPTION	LS120-HE	LS120-HF	LS120-HH	LS120-HJ												
45																		
46																		
47	E-PS-1212009-0-0	PRINT WINDOW	1	1	1	1												
48	A-PS-3613210-0-0	TAG, SERIAL NO.	1	1	1	1												
49	A-PS-3613211-0-0	DECAL, CSA	1	1	1	1												
50	A-PS-3613088-0-0	LABEL, ADHESIVE BACKED (RF1 SUPPRESSION)	1	1	1	1												
51	A-DC-7416197-0-1	UNDERWRITERS LABEL	1	1	1	1												
52	A-DC-7416178-0-0	DECAL, RIBBON CHANGING INSTRUCTIONS	1	1	1	1												
53	9008341	CLIP, HARNESS	5	5	5	5												
54	9009797	TAB, ADAPTER	2	2	2	2												
55	9009830	GROUND STRAP	2	2	2	2												

TITLE LS120 UNIT ASSY	ASSY NO. E-UA-LS120-0-0	SIZE <b>A</b>	CODE <b>PL</b>	NUMBER LS120-0-0	REV	ECO NO.
SHEET 3 OF 3		DIST				

DIGITAL EQUIPMENT CORPORATION MAYNARD, MASSACHUSETTS PARTS LIST					QUANTITY VARIATION																
MADE BY <i>M. Passarelli</i>		CHECKED <i>B.D. Henry</i>		SECTION	7013841-0	7013841-1	7013841-2	7013841-3													
DATE <i>2 FEB 77</i>		DATE <i>28 MAR 77</i>		1																	
ENG <i>D. Richmond</i>		PROD <i>M. Neuman</i>		ISSUED SECT.																	
DATE <i>28 MAR 77</i>		DATE <i>28 MAR 77</i>		1																	
ITEM NO.	DWG NO./PART NO.	DESCRIPTION																			
1	E-IA-7009649-0-0	FRAME ASSY			1	1	1	1													
2	E-IA-7411120-0-0	DOOR, CABINET			1	1	1	1													
3	9009685	LEVELING FOOT			4	4	4	4													
4	1211067-02	TUBING CLOSURE (BLACK)			4	4	4	4													
5	9009571-01	CATCH, DOOR LATCH			2	2	2	2													
6	9009571-00	CATCH, DOOR STRIKE			2	2	2	2													
7	D-CS-5411021-0-1	POWER BOARD (LA180)			1	1	1	1													
8	D-CS-5411023-0-1	LOGIC BOARD (LA180)			1	1	1	1													
9	E-UA-7014115-0-0	LOGIC BOARD (LS120)			1	1	1	1													
10	1010187	CAPACITOR 14000 uFD			2	2	2	2													
11	1010426	CAPACITOR 37000 uFD			1	1	1	1													
12	1011545	CAPACITOR 33000 uFD			1	1	1	1													
13	9009740	FUSE, 1.5 AMP SLO BLO			-	1	-	1													
14	B-AD-7009673-0-0	POWER CORD ASSY (120)			1	-	1	-													
15	C-AD-7011045-0-0	POWER CORD ASSY (230)			-	1	-	1													
16	1612256-00	TRANSFORMER ASSY (60 HZ)			1	-	-	1													
17	C-MD-7413216-0-0	PLATE, COVER			1	1	1	1													
18	9009768	STRAIN RELIEF			2	2	2	2													
19	9008509	STRAIN RELIEF			1	1	1	1													
20	D-AD-7009895-0-0	HARNESS, CAPACITOR			1	1	1	1													
21	C-AD-7010001-8-0	JUMPER			1	1	1	1													
22	1212581-02	FAN ASSY			1	1	1	1													
TITLE CABINET ASSY W/POWER SUPPLY				ASSY NO. E-AD-7013841-0-0		SIZE <b>A</b>	CODE <b>PL</b>		NUMBER 7013841-0-0			REV	ECO NO.								
				SHEET 1 OF 5		DIST															

DEC FORM  
DRA 110

DIGITAL EQUIPMENT CORPORATION MAYNARD, MASSACHUSETTS PARTS LIST					QUANTITY VARIATION																
MADE BY <i>M. Passarelli</i>		CHECKED <i>B.D. Henry</i>		SECTION	7013841-0	7013841-1	7013841-2	7013841-3													
DATE <i>2 FEB 77</i>		DATE <i>28 MAR 77</i>		1																	
ENG <i>D. Richmond</i>		PROD <i>M. Neuman</i>		ISSUED SECT.																	
DATE <i>28 MAR 77</i>		DATE <i>28 MAR 77</i>		1																	
ITEM NO.	DWG NO./PART NO.	DESCRIPTION																			
23	D-IA-7010964-2-0	AC HARNESS (115V)			1	-	1	-													
24	9006037-3	SCR, PHL TRUSS HD #8-32 X.38			4	4	4	4													
25	9006037-1	SCR, PHL PAN HD #8-32 x .38			15	15	15	15													
26	B-MD-7417011-0-0	CLIP ENCLOSURE			2	2	2	2													
27	9009718-4	GROMMET			1	1	1	1													
28	9007651	WASHER, LOCK EXT TOOTH #12			2	2	2	2													
29	9006690	WASHER, SPLIT LOCK #8			28	28	28	28													
30	C-IA-7010001-14-0	CABLE, PAPER OUT			1	1	1	1													
31	9006660	WASHER, FLAT #8			22	22	22	22													
32	9009350	TIE WRAP			8	8	8	8													
33	1211638	FUSE HOLDER			1	1	1	1													
34	1210299	SPEAKER 2.5 IN.			1	1	1	1													
35	C-MD-7412996-0-0	BRACKET, SPEAKER			1	1	1	1													
36	A-DC-7412548-0-0	FUSE RATING LABEL			1	1	1	1													
37	9107253-09	SHRINK TUBING			A/R	A/R	A/R	A/R													
38	9006990	GROUND STRAP			2	2	2	2													
39	9006563	NUT, KEPS #8-32			4	4	4	4													
40	1212877	FILTER EMI			1	1	1	1													
41	9008151	WASHER, EXT TOOTH LOCK #8			7	7	7	7													
42	C-MD-7413286-0-0	COVER, EMI FILTER			1	1	1	1													
43	C-AD-7010001-12-0	JUMPER			1	1	1	1													
44	A-DC-7415773-0-0	FUSE DECAL			1	1	1	1													
TITLE CABINET ASSY W/POWER SUPPLY				ASSY NO. E-AD-7013841-0-0		SIZE <b>A</b>	CODE <b>PL</b>		NUMBER 7013841-0-0			REV	ECO NO.								
				SHEET 2 OF 5		DIST															

DEC FORM  
DRA 110

DIGITAL EQUIPMENT CORPORATION MAYNARD, MASSACHUSETTS PARTS LIST					QUANTITY VARIATION																
MADE BY <i>M. Pascarelli</i>		CHECKED <i>Bill Harty</i>		SECTION	7013841-0	7013841-1	7013841-2	7013841-3													
DATE <i>2 FEB 77</i>		DATE <i>28 MAR 77</i>		1																	
ENG <i>D. Richmond</i>		PROD <i>M. Wilson</i>		ISSUED SECT.																	
DATE <i>28 MAR 77</i>		DATE <i>28 MAR 77</i>		1																	
ITEM NO.	DWG NO./PART NO.	DESCRIPTION																			
45	D-IA-7412158-0-0	PAPER GUIDE			1	1	1	1													
46	9009718	GROMMET			2	2	2	2													
47	B-MD-7414144-0-0	FOAM, PROTECTIVE			2	2	2	2													
48	C-MD-7412424-0-0	SWITCH REWORK			1	1	1	1													
49	9009285	SPACER, #8 HOLE x 1.00 LG.			2	2	2	2													
50	1612257-00	TRANSFORMER ASSY (50 HZ)			-	1	1	-													
51	9007218	FUSE, 3 AMP SLO BLO			2	1	2	1													
52	9009718-02	GROMMET			2	2	2	2													
53	9009718-03	GROMMET			2	2	2	2													
54	9008292	WASHER, INT TOOTH 1/2			2	2	2	2													
55	9007018	GROMMET			1	1	1	1													
56	9008340	CLIP, HARNESS			1	1	1	1													
57	9006561	NUT, HEX #8-32			4	4	4	4													
58	3612680	DECAL, GND SYMBOL			4	4	4	4													
59	B-MD-7415068-0-0	PIVOT, CABINET DOOR			2	2	2	2													
60	9009773	"E" RING, EXT. SER.			2	2	2	2													
61	9009871	"O" RING			2	2	2	2													
62	B-MD-7415067-0-0	SCR, SPECIAL			2	2	2	2													
63	9006881	SPACER, ALUM. 3/8 x 3" x 10.32			3	3	3	3													
64	C-MD-7415114-0-0	COVER, CAPACITOR			1	1	1	1													
65	9006071-1	SCR, PHL PAN HD #10-32 x .38 LG			6	6	6	6													
66	9007906	WASHER, SPLIT LOCK #10			9	9	9	9													
TITLE CABINET ASSY W/POWER SUPPLY				ASSY NO. E-AD-7013841-0-0		SIZE A	CODE PL	NUMBER 7013841-0-0				REV	ECO NO.								
				SHEET 3 OF 5		DIST															

DEC FORM  
DRA 110

DIGITAL EQUIPMENT CORPORATION MAYNARD, MASSACHUSETTS PARTS LIST					QUANTITY VARIATION																
MADE BY <i>M. Pascarelli</i>		CHECKED <i>Bill Harty</i>		SECTION	7013841-0	7013841-1	7013841-2	7013841-3													
DATE <i>2 FEB 77</i>		DATE <i>28 MAR 77</i>		1																	
ENG <i>D. Richmond</i>		PROD <i>M. Wilson</i>		ISSUED SECT.																	
DATE <i>28 MAR 77</i>		DATE <i>28 MAR 77</i>		1																	
ITEM NO.	DWG NO./PART NO.	DESCRIPTION																			
67	9006664	WASHER, FLAT #10			9	9	9	9													
68	1212893	FUSE HOLDER			1	1	1	1													
69	B-MD-7415374-0-0	SPACER, FUSE HOLDER			1	1	1	1													
70	9006565	NUT, KEPS #10-32			1	1	1	1													
71	9006074 -01	SCR, PHL PAN HD #10-32 x .62 LG			4	4	4	4													
72	9006306-10	SCR, SOCKET SET HEX #8-32			2	2	2	2													
73	9008033-01	SCR, PHL, PAN HD #4-40 x .562 LG			2	2	2	2													
74	9006557	NUT, KEPS #4-40			2	2	2	2													
75	9006039	SCR, PHL, PAN HD #8-32 x .50 LG			2	2	2	2													
76	C-IA-7410963-0-0	HARNESS SEC TRANSFORMER			1	1	1	1													
77	9006022-1	SCR, PHL PAN HD #6-32 x .38 LG			4	4	4	4													
78	9006036-1	SCR, PHL PAN HD #8-32 x .31			6	6	6	6													
79	9007084	CABLE CLAMP			1	1	1	1													
80	D-MD-7414044-0-0	SIDE RAIL (L.H.)			1	1	1	1													
81	D-MD-7414045-0-0	SIDE RAIL (R.H.)			1	1	1	1													
82	9009151	1/2 TURN RECEPTACLES			2	2	2	2													
83	9007017	GROMMET			4	4	4	4													
84	9007649	WASHER, EXT. TOOTH LOCK #6			4	4	4	4													
85	9006653	WASHER FLAT #6			4	4	4	4													
86	9006560	NUT KEPS #6-32			2	2	2	2													
87	9008200	RETAINER			2	2	2	2													
88	9009146	WASHER, NYLON			2	2	2	2													
TITLE CABINET ASSY W/POWER SUPPLY				ASSY NO. E-AD-7013841-0-0		SIZE A	CODE PL	NUMBER 7013841-0-0				REV	ECO NO.								

**DIGITAL EQUIPMENT CORPORATION  
MAYNARD, MASSACHUSETTS  
PARTS LIST**

MADE BY <i>M. Passarelli</i>	CHECKED <i>Bill Henry</i>	SECTION
DATE <i>2 FEB 77</i>	DATE <i>28 MAR 77</i>	1
ENG <i>D. Richmond</i>	PROD <i>M. Wulser</i>	ISSUED SECT.
DATE <i>28 MAR 77</i>	DATE <i>28 MAR 77</i>	1

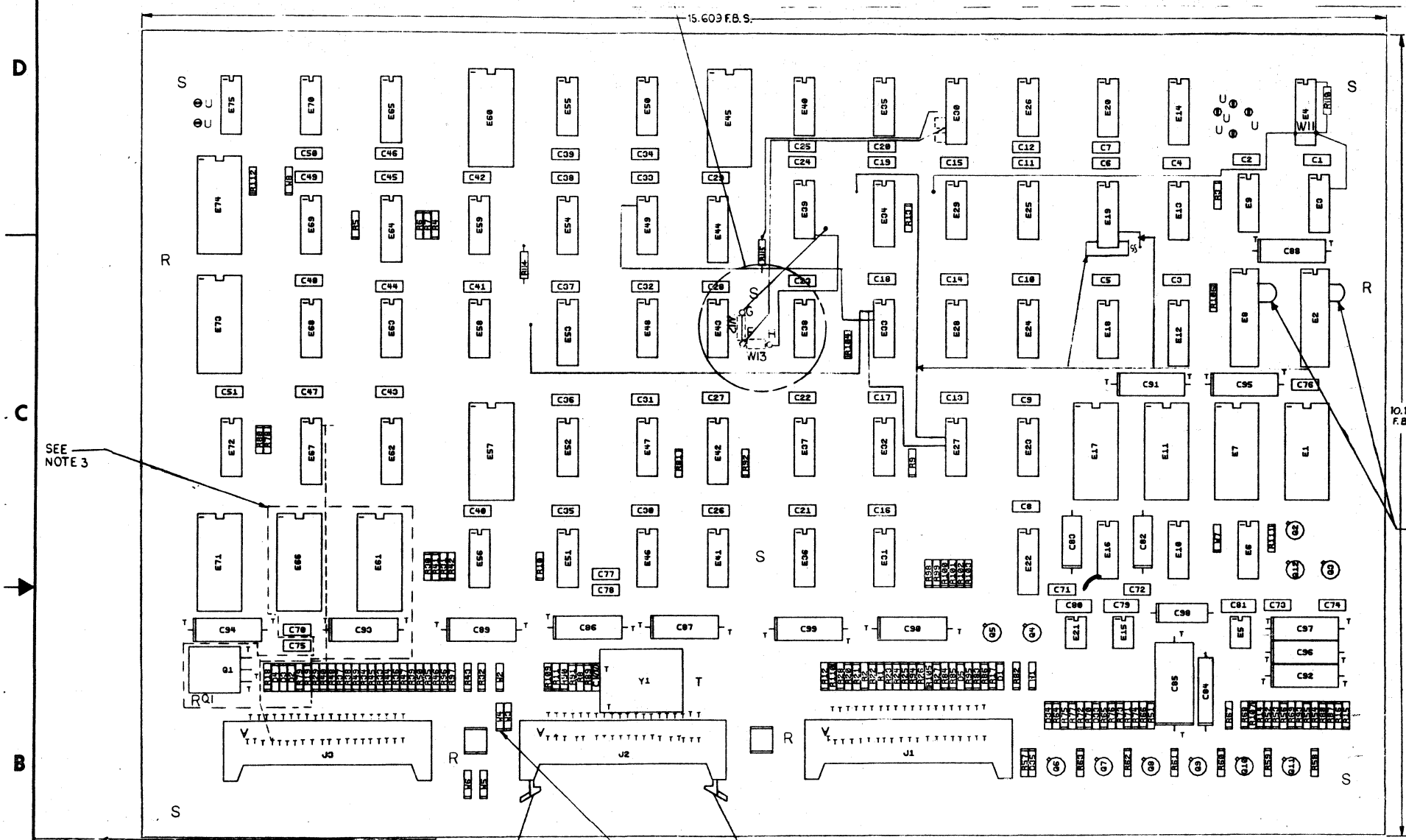
QUANTITY VARIATION

ITEM NO.	DWG NO./PART NO.	DESCRIPTION	QUANTITY VARIATION																
			7013841-0	7013841-1	7013841-2	7013841-3													
89	9008343	½ TURN FASTENER	2	2	2	2													
90	9006020-1	SCR, PHL PAN HD #6-32 X 1	2	2	2	2													
91	C-AD-7010001-15-0	JUMPER	1	1	1	1													
92	BC05C-09	EIA INTERFACE CABLE	1	1	1	1													
93	BC05L-0C	CABLE, JUMPER	1	1	1	1													
94	D-IA-7010964-3-0	AC HARNESS (230V)	-	1	-	1													
95	E-IA-7013916-0-0	CONTROL HARNESS	1	1	1	1													
96	C-IA-7414041-0-0	BRACKET, HINGE (R.H.)	1	1	1	1													
97	C-IA-7414041-1-0	BRACKET, HINGE (L.H.)	1	1	1	1													
98	7010001-5-0	JUMPER, GROUNDING	1	1	1	1													
99	9006636	WASHER, LOCK INT TOOTH #12	16	16	16	16													
100	9006070-1	SCR, PHL PAN HD #10-32 X.31	8	8	8	8													
101	9008341	CLIP, HARNESS	1	1	1	1													
<b>TITLE</b>	<b>CABINET ASSY W/POWER SUPPLY</b>	<b>ASSY NO.</b> E-AD-7013841-0-0	<b>SIZE</b> A	<b>CODE</b> PL	<b>NUMBER</b> 7013841-0-0				<b>REV</b>	<b>ECO NO.</b>									
		<b>SHEET</b> 5 <b>OF</b> 5	<b>DIST</b>																

"THIS DRAWING AND SPECIFICATIONS HEREIN ARE THE PROPERTY OF DIGITAL EQUIPMENT CORPORATION AND SHALL NOT BE REPRODUCED OR COPIED OR USED IN WHOLE OR IN PART AS THE BASIS FOR THE MANUFACTURE OR SALE OF ITEMS WITHOUT WRITTEN PERMISSION.  
 COPYRIGHT © 1975 DIGITAL EQUIPMENT CORPORATION"

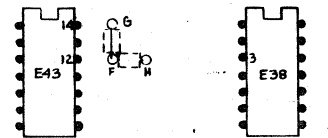
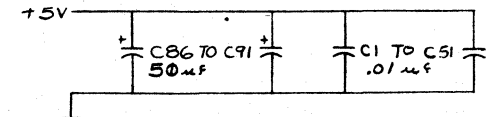
NOTES: SEE DETAIL A

- NOTE: 1. W2-W7, ARE NOT INSERTED  
 2. JUMPER WIRES ADDED - 8 PLACES  
~~E2-18 TO E2-19~~  
~~E8-18 TO E8-19~~  
 3. COMPONENTS WITHIN OUTLINE WERE USED ONLY WHEN PROMS WERE USED ON SERIAL # 11303 AND EARLIER.  
 4. W4 NECESSARY FOR 591 NS CR 1200 BAUD CLOCK TO J3.



2G11 1P	12	24						
74175	8	16						
74161	8	16						
74123	8	16						
7489	8	16						
74150	12	24						
74190	8	16						
7442	8	16						
74193	8	16						
74154	12	24						
2101-2	8	22						
8640	1	8						
7493A	10	5						
1702A		12,22,23						16,24
LM301A			7		4			
2627	12	24						
2626	12	24						
IC TYPE	GND	+5V	+12V	-12V	-9V			
GND AND 5V ARE USUALLY PIN 7 AND 14 RESPECTIVELY EXCEPTIONS ARE STATED ABOVE								
IC PIN LOCATIONS								

88 TYP. 3PLACES SEE NOTE 4 89 TYP. 3PLACES



LA 180 (REV. 1) 1/24/77	J. BITTO	31.4.77	S
5411023-00011	J. BITTO	31.4.77	S
5411023-00012	J. BITTO	31.4.77	S
5411023-00013	J. BITTO	31.4.77	S
5411023-00014	J. BITTO	31.4.77	S
5411023-00015	J. BITTO	31.4.77	S
5411023-00016	J. BITTO	31.4.77	S
5411023-00017	J. BITTO	31.4.77	S
5411023-00018	J. BITTO	31.4.77	S
5411023-00019	J. BITTO	31.4.77	S
5411023-00020	J. BITTO	31.4.77	S
5411023-00021	J. BITTO	31.4.77	S
5411023-00022	J. BITTO	31.4.77	S
5411023-00023	J. BITTO	31.4.77	S
5411023-00024	J. BITTO	31.4.77	S
5411023-00025	J. BITTO	31.4.77	S
5411023-00026	J. BITTO	31.4.77	S
5411023-00027	J. BITTO	31.4.77	S
5411023-00028	J. BITTO	31.4.77	S
5411023-00029	J. BITTO	31.4.77	S
5411023-00030	J. BITTO	31.4.77	S
5411023-00031	J. BITTO	31.4.77	S
5411023-00032	J. BITTO	31.4.77	S
5411023-00033	J. BITTO	31.4.77	S
5411023-00034	J. BITTO	31.4.77	S
5411023-00035	J. BITTO	31.4.77	S
5411023-00036	J. BITTO	31.4.77	S
5411023-00037	J. BITTO	31.4.77	S
5411023-00038	J. BITTO	31.4.77	S
5411023-00039	J. BITTO	31.4.77	S
5411023-00040	J. BITTO	31.4.77	S
5411023-00041	J. BITTO	31.4.77	S
5411023-00042	J. BITTO	31.4.77	S
5411023-00043	J. BITTO	31.4.77	S
5411023-00044	J. BITTO	31.4.77	S
5411023-00045	J. BITTO	31.4.77	S
5411023-00046	J. BITTO	31.4.77	S
5411023-00047	J. BITTO	31.4.77	S
5411023-00048	J. BITTO	31.4.77	S
5411023-00049	J. BITTO	31.4.77	S
5411023-00050	J. BITTO	31.4.77	S
5411023-00051	J. BITTO	31.4.77	S
5411023-00052	J. BITTO	31.4.77	S
5411023-00053	J. BITTO	31.4.77	S
5411023-00054	J. BITTO	31.4.77	S
5411023-00055	J. BITTO	31.4.77	S
5411023-00056	J. BITTO	31.4.77	S
5411023-00057	J. BITTO	31.4.77	S
5411023-00058	J. BITTO	31.4.77	S
5411023-00059	J. BITTO	31.4.77	S
5411023-00060	J. BITTO	31.4.77	S
5411023-00061	J. BITTO	31.4.77	S
5411023-00062	J. BITTO	31.4.77	S
5411023-00063	J. BITTO	31.4.77	S
5411023-00064	J. BITTO	31.4.77	S
5411023-00065	J. BITTO	31.4.77	S
5411023-00066	J. BITTO	31.4.77	S
5411023-00067	J. BITTO	31.4.77	S
5411023-00068	J. BITTO	31.4.77	S
5411023-00069	J. BITTO	31.4.77	S
5411023-00070	J. BITTO	31.4.77	S
5411023-00071	J. BITTO	31.4.77	S
5411023-00072	J. BITTO	31.4.77	S
5411023-00073	J. BITTO	31.4.77	S
5411023-00074	J. BITTO	31.4.77	S
5411023-00075	J. BITTO	31.4.77	S
5411023-00076	J. BITTO	31.4.77	S
5411023-00077	J. BITTO	31.4.77	S
5411023-00078	J. BITTO	31.4.77	S
5411023-00079	J. BITTO	31.4.77	S
5411023-00080	J. BITTO	31.4.77	S
5411023-00081	J. BITTO	31.4.77	S
5411023-00082	J. BITTO	31.4.77	S
5411023-00083	J. BITTO	31.4.77	S
5411023-00084	J. BITTO	31.4.77	S
5411023-00085	J. BITTO	31.4.77	S
5411023-00086	J. BITTO	31.4.77	S
5411023-00087	J. BITTO	31.4.77	S
5411023-00088	J. BITTO	31.4.77	S
5411023-00089	J. BITTO	31.4.77	S
5411023-00090	J. BITTO	31.4.77	S
5411023-00091	J. BITTO	31.4.77	S
5411023-00092	J. BITTO	31.4.77	S
5411023-00093	J. BITTO	31.4.77	S
5411023-00094	J. BITTO	31.4.77	S
5411023-00095	J. BITTO	31.4.77	S
5411023-00096	J. BITTO	31.4.77	S
5411023-00097	J. BITTO	31.4.77	S
5411023-00098	J. BITTO	31.4.77	S
5411023-00099	J. BITTO	31.4.77	S
5411023-00100	J. BITTO	31.4.77	S

SEE SHEET 2

QTY	REF. DESIGNATION	DESCRIPTION	PART NO.	ITEM NO.										
PARTS LIST														
ETCH BOARD REV. E														
<table border="1"> <tr> <td>DRN. J. EGGER</td> <td>DATE 3-15-75</td> </tr> <tr> <td>CHK'D. J. EGGER</td> <td>DATE 3-16-75</td> </tr> <tr> <td>ENG. J. EGGER</td> <td>DATE 3-17-75</td> </tr> <tr> <td>PROJ. ENG. J. EGGER</td> <td>DATE 3-17-75</td> </tr> <tr> <td>PROD. J. EGGER</td> <td>DATE 3-17-75</td> </tr> </table>					DRN. J. EGGER	DATE 3-15-75	CHK'D. J. EGGER	DATE 3-16-75	ENG. J. EGGER	DATE 3-17-75	PROJ. ENG. J. EGGER	DATE 3-17-75	PROD. J. EGGER	DATE 3-17-75
DRN. J. EGGER	DATE 3-15-75													
CHK'D. J. EGGER	DATE 3-16-75													
ENG. J. EGGER	DATE 3-17-75													
PROJ. ENG. J. EGGER	DATE 3-17-75													
PROD. J. EGGER	DATE 3-17-75													
TITLE LA 180 LOGIC BOARD														
<table border="1"> <tr> <td>SIZE CODE</td> <td>NUMBER</td> <td>REV.</td> </tr> <tr> <td>DCS</td> <td>5411023-0-1</td> <td>1.3</td> </tr> </table>					SIZE CODE	NUMBER	REV.	DCS	5411023-0-1	1.3				
SIZE CODE	NUMBER	REV.												
DCS	5411023-0-1	1.3												
SEMICONDUCTOR CONVERSION CHART														
DEC NO.	EIA NO.	DEC NO.	EIA NO.											
SHEET 1 OF 9														

DCS 5411023-0-1 5

THIS DRAWING AND SPECIFICATIONS HEREIN ARE THE PROPERTY OF DIGITAL EQUIPMENT CORPORATION AND SHALL NOT BE REPRODUCED OR COPIED OR USED IN WHOLE OR IN PART AS THE BASIS FOR THE MANUFACTURE OR SALE OF ITEMS WITHOUT WRITTEN PERMISSION. COPYRIGHT © 1974, DIGITAL EQUIPMENT CORPORATION.

PARTS LIST

Table with columns: QTY, REF DESIGNATION, DESCRIPTION, PART NO, ITEM NO. Rows include X-Y COORDINATE HOLE LOCATION, ASSY/DRILLING HOLE LAYOUT, MODULE ECO HISTORY, ETCHED CIRCUIT BOARD, CAP 39pF 100V 5%, CAP .68uF 50V 10%, CAP .047uF 100V 10%, CAP 25uF 25V 10%, CAP .01uF 50V, CAP .1uF 100V 10%, CAP .005uF 100V 20%, CAP 50uF 25V 10%, DIODE D664, DIODE 1N748A 3.9V 5%, DIODE D662, DIODE D662, CONN 40 PIN, SOCKET I.C. 24 PIN, RES 51W 1/4W 5%, RES 150 1/4W 5%, RES 100 1/4W 5%, RES 820 1/4W 5%, RES 180 1/4W 5%, RES 560 1/4W 5%, RES 330 1/4W 5%, RES 470 1/4W 5%, RES 1K 1/4W 5%, RES 1.5K 1/4W 5%, RES 5.6K 1/4W 5%, RES 1K 1/8W 1%, RES 47K 1/4W 5%, RES 11.5K 1/8W 1%, RES 820K 1/4W 10%, RES 2.61K 1/4W 1%, RES 5.11K 1/4W 1%, RES 619 1/4W 1%, RES 31.6K 1/8W 1%, RES 232K 1/8W 1%, RES 2K 1/4W 5%, RES 16.9K 1/8W 1%, RES 24.3K 1/4W 1%, TRANS 6S34D PNP, TRANS MPS405 NPN, TRANS DMSCA PNP, CRYSTAL 1.6896 MHz, I.C. 7474, I.C. 7400, I.C. 7410, I.C. 7420, I.C. 7431, I.C. 7493A.

PARTS LIST

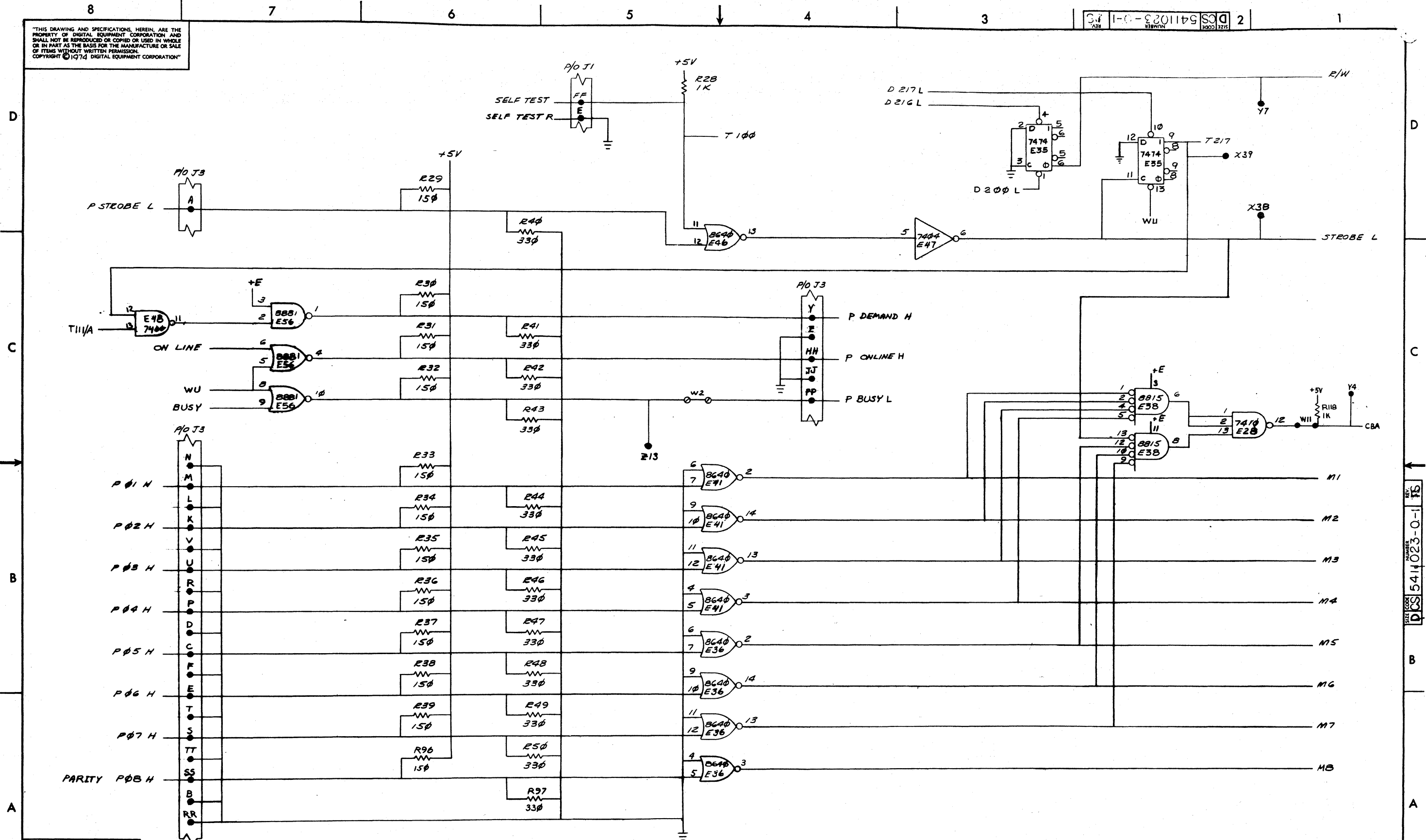
Table with columns: QTY, REF DESIGNATION, DESCRIPTION, PART NO, ITEM NO. Rows include I.C. 8640, I.C. 7404, I.C. 74154, I.C. 7413, I.C. 74193, I.C. 7442, I.C. 74190, I.C. 8881, I.C. 74150, I.C. LM301A, I.C. 7489, I.C. 74123, I.C. 74161, I.C. 74175, I.C. 2101-2, I.C. 1702A PROMS, I.C. 9815, I.C. 74197, I.C. 7408, I.C. MK2626 (UNSLASHED O), I.C. MK2627 (ALPHA SET), SPLIT LUGS, SCREW PPH, FASTEN TAB, KEP NUT, EYLETS, RES 47K 1/4W 5%, I.C. 7414, I.C. 74180, I.C. 9601, I.C. 7406, CAP 39uF 10V 10%, RES 4.7K 1/4W 5%, INSULATED JUMPER, JUMPER, INSULATED, LATCH, LEFT, LATCH, RIGHT, IC MK2611 1P CROM.

Table with columns: CHK, CHANGE NO, REV. Header: REVISIONS.

Table with columns: TITLE, NUMBER, REV., SIZE CODE, DIST. Header: LA180 LOGIC BOARD, DCS 5411023-0-1 S.

SIZE CODE NUMBER DCS 5411023-0-1 S

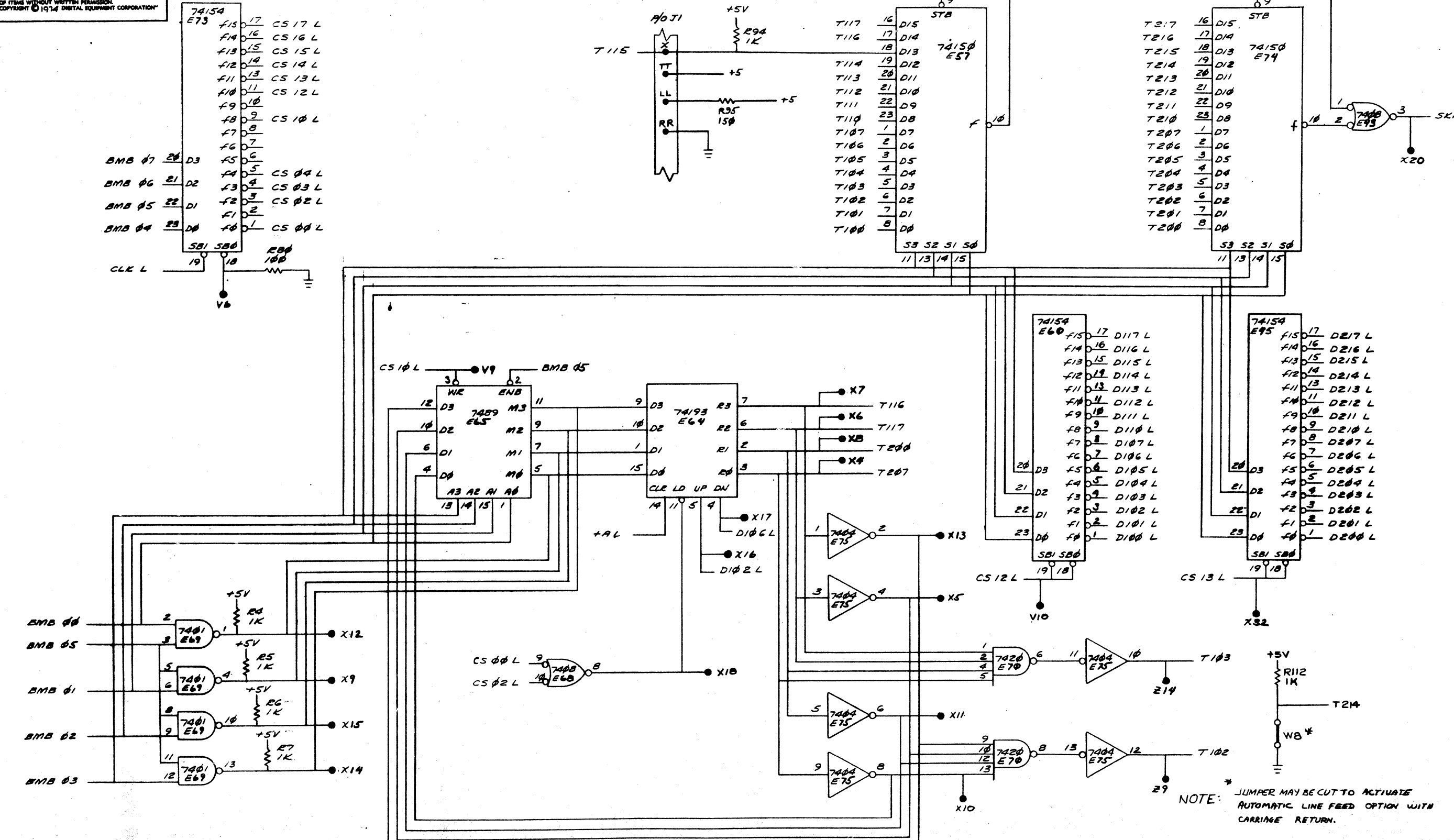
THIS DRAWING AND SPECIFICATIONS, HEREIN, ARE THE PROPERTY OF DIGITAL EQUIPMENT CORPORATION AND SHALL NOT BE REPRODUCED OR COPIED OR USED IN WHOLE OR IN PART AS THE BASIS FOR THE MANUFACTURE OR SALE OF ITEMS WITHOUT WRITTEN PERMISSION. COPYRIGHT © 1974 DIGITAL EQUIPMENT CORPORATION



REVISIONS		
CHK	CHANGE NO.	REV.



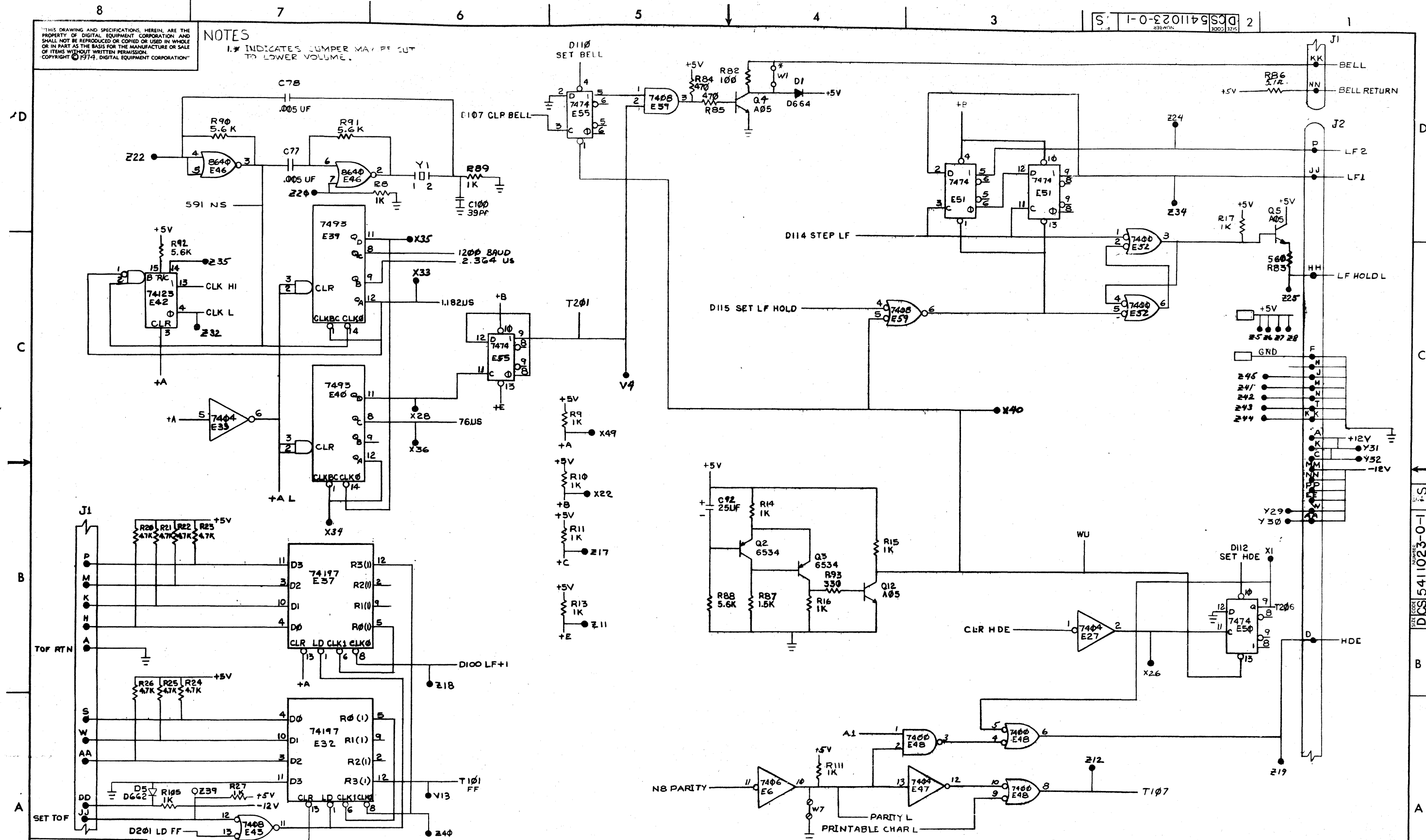
THIS DRAWING AND SPECIFICATIONS HEREIN ARE THE PROPERTY OF DIGITAL EQUIPMENT CORPORATION AND SHALL NOT BE REPRODUCED OR COPIED OR USED IN WHOLE OR IN PART AS THE BASIS FOR THE MANUFACTURE OR SALE OF ITEMS WITHOUT WRITTEN PERMISSION. COPYRIGHT © 1974 DIGITAL EQUIPMENT CORPORATION



REVISIONS		
CHK	CHANGE NO.	REV.

THIS DRAWING AND SPECIFICATIONS, HEREIN, ARE THE PROPERTY OF DIGITAL EQUIPMENT CORPORATION AND SHALL NOT BE REPRODUCED OR COPIED OR USED IN WHOLE OR IN PART AS THE BASIS FOR THE MANUFACTURE OR SALE OF ITEMS WITHOUT WRITTEN PERMISSION. COPYRIGHT © 1974, DIGITAL EQUIPMENT CORPORATION.

NOTES  
1. \* INDICATES LUMPER MAY BE CUT TO LOWER VOLUME.

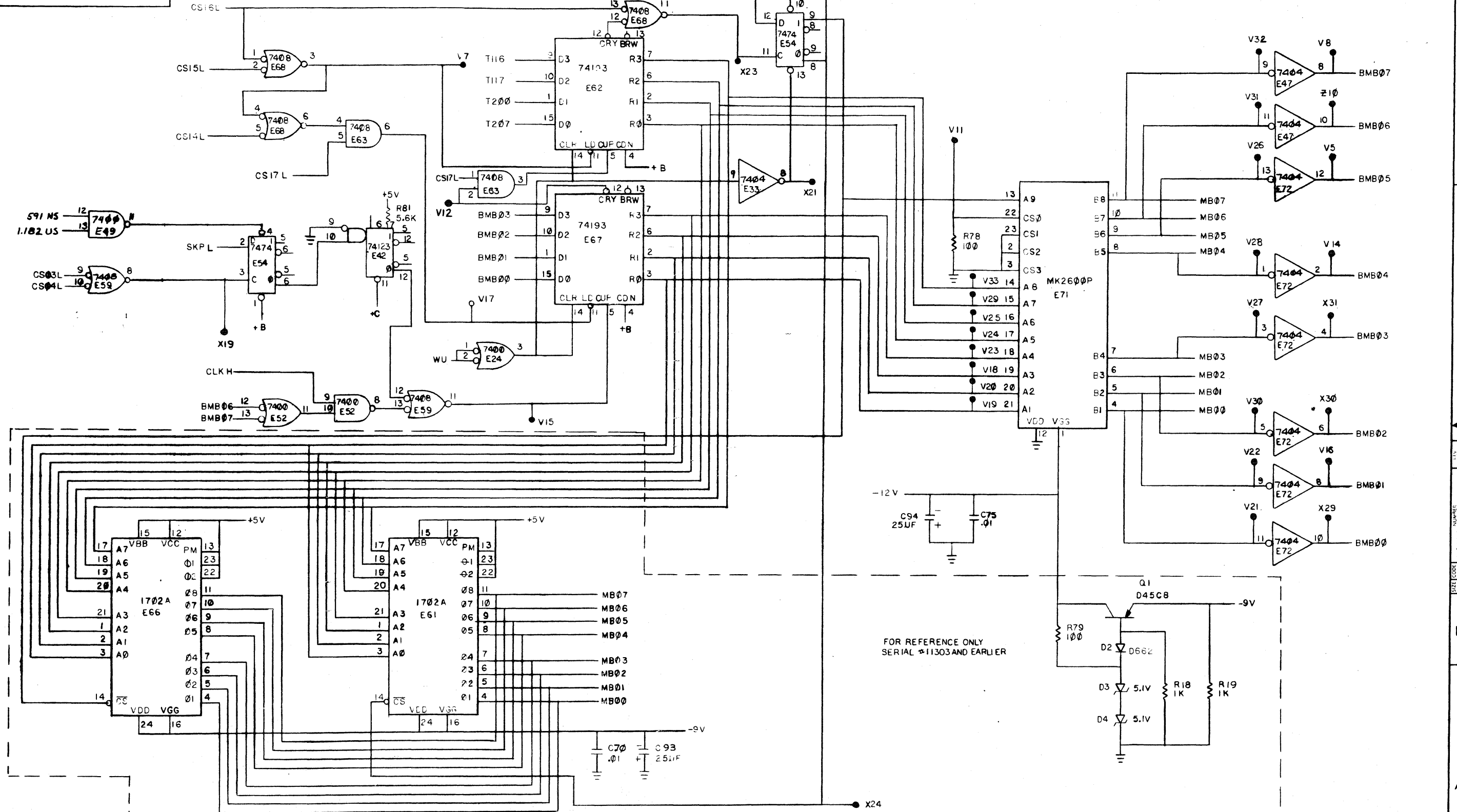


REVISIONS

CHK	CHANGE NO.	REV.

TITLE	LA180 LOGIC BOARD	SIZE CODE	D CS	NUMBER	5411023-0-1	REV.	S
SCALE	SHEET 5 OF 9		DIST.				

THE DRAWING AND SPECIFICATIONS HEREIN ARE THE PROPERTY OF DIGITAL EQUIPMENT CORPORATION AND SHALL NOT BE REPRODUCED OR COPIED OR USED IN WHOLE OR IN PART AS THE BASIS FOR THE MANUFACTURE OR SALE OF ITEMS WITHOUT WRITTEN PERMISSION. COPYRIGHT © 1974, DIGITAL EQUIPMENT CORPORATION.

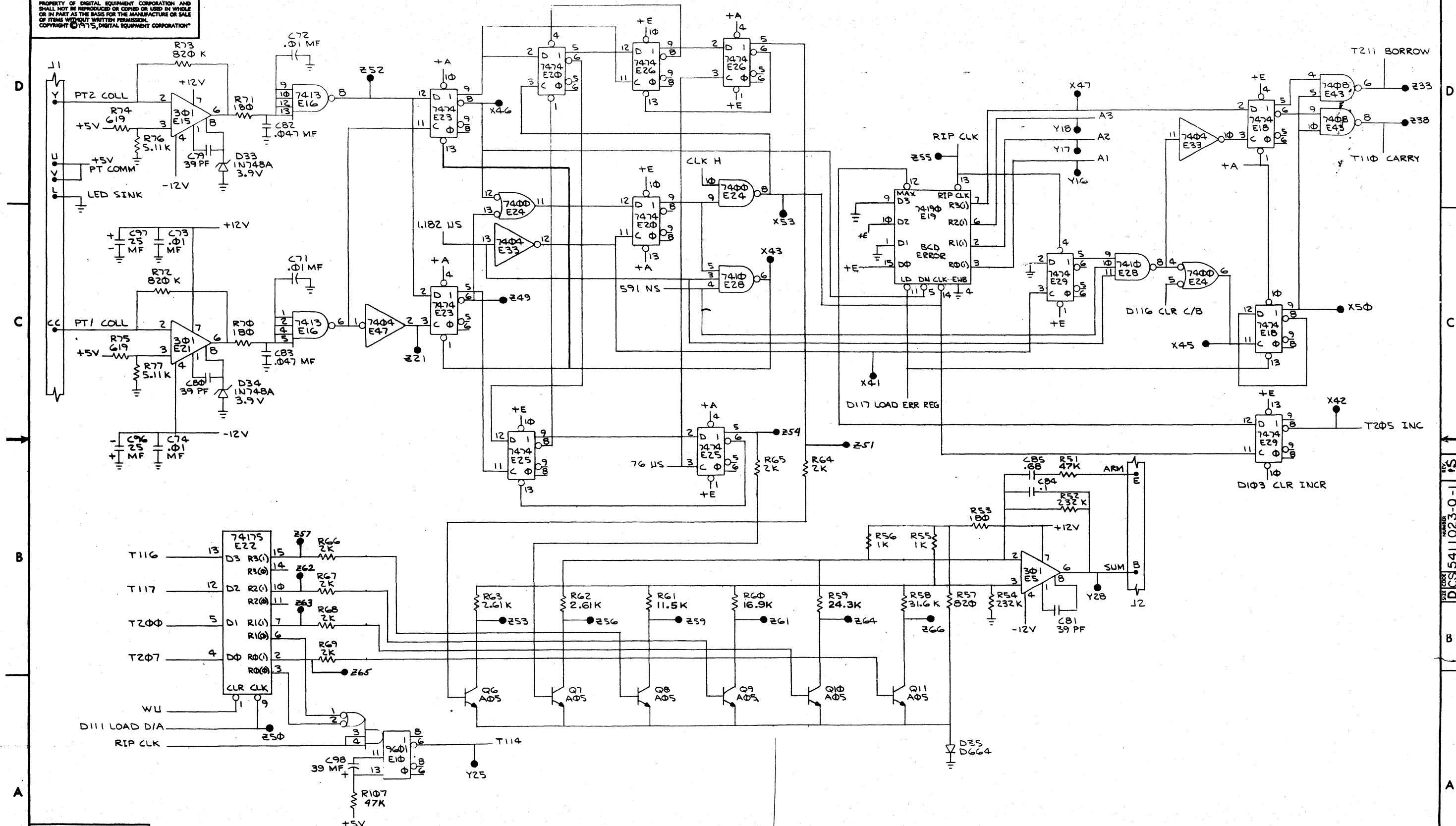


REVISIONS		
CHK	CHANGE NO.	REV

TITLE	LA180 LOGIC BOARD	SIZE CODE	NUMBER	REV.
SCALE		SHEET	6 OF 9	CS
DISTRIBUTION		DIST.		

DGS 5411023-0-1

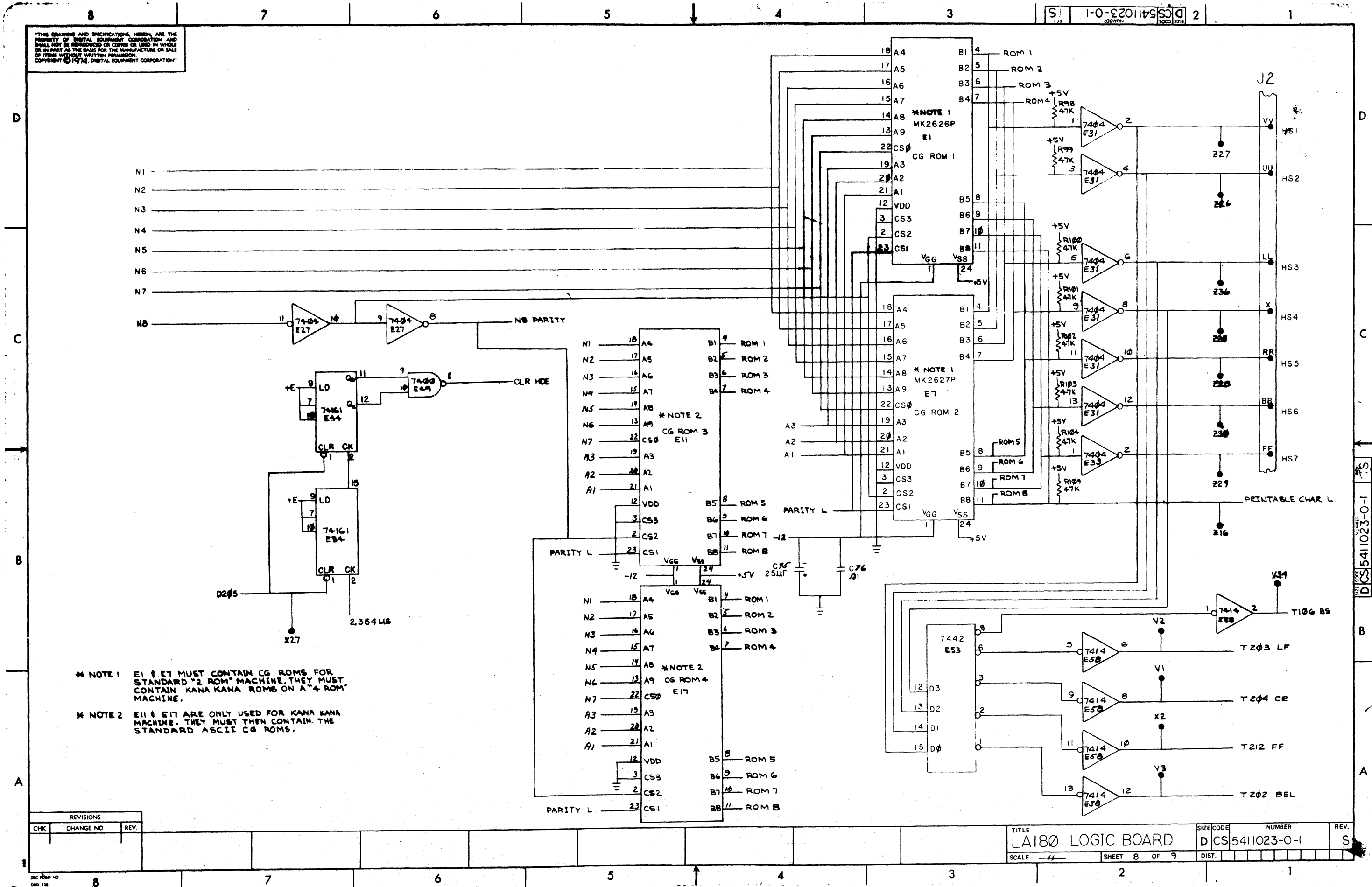
"THIS DRAWING AND SPECIFICATIONS, HEREIN, ARE THE PROPERTY OF DIGITAL EQUIPMENT CORPORATION AND SHALL NOT BE REPRODUCED OR COPIED OR USED IN WHOLE OR IN PART AS THE BASIS FOR THE MANUFACTURE OR SALE OF ITEMS WITHOUT WRITTEN PERMISSION. COPYRIGHT © 1975, DIGITAL EQUIPMENT CORPORATION"



REVISIONS		
CHK	CHANGE NO.	REV.

REV. 15  
NUMBER DCS 5411023-0-1

THIS DRAWING AND SPECIFICATIONS HEREIN ARE THE PROPERTY OF DIGITAL EQUIPMENT CORPORATION AND SHALL NOT BE REPRODUCED OR COPIED OR USED IN WHOLE OR IN PART AS THE BASIS FOR THE MANUFACTURE OR SALE OF ITEMS WITHOUT WRITTEN PERMISSION. COPYRIGHT © 1974, DIGITAL EQUIPMENT CORPORATION.



\* NOTE 1 E1 & E7 MUST CONTAIN CG ROMS FOR STANDARD "2 ROM" MACHINE. THEY MUST CONTAIN KANA KANA ROMS ON A "4 ROM" MACHINE.

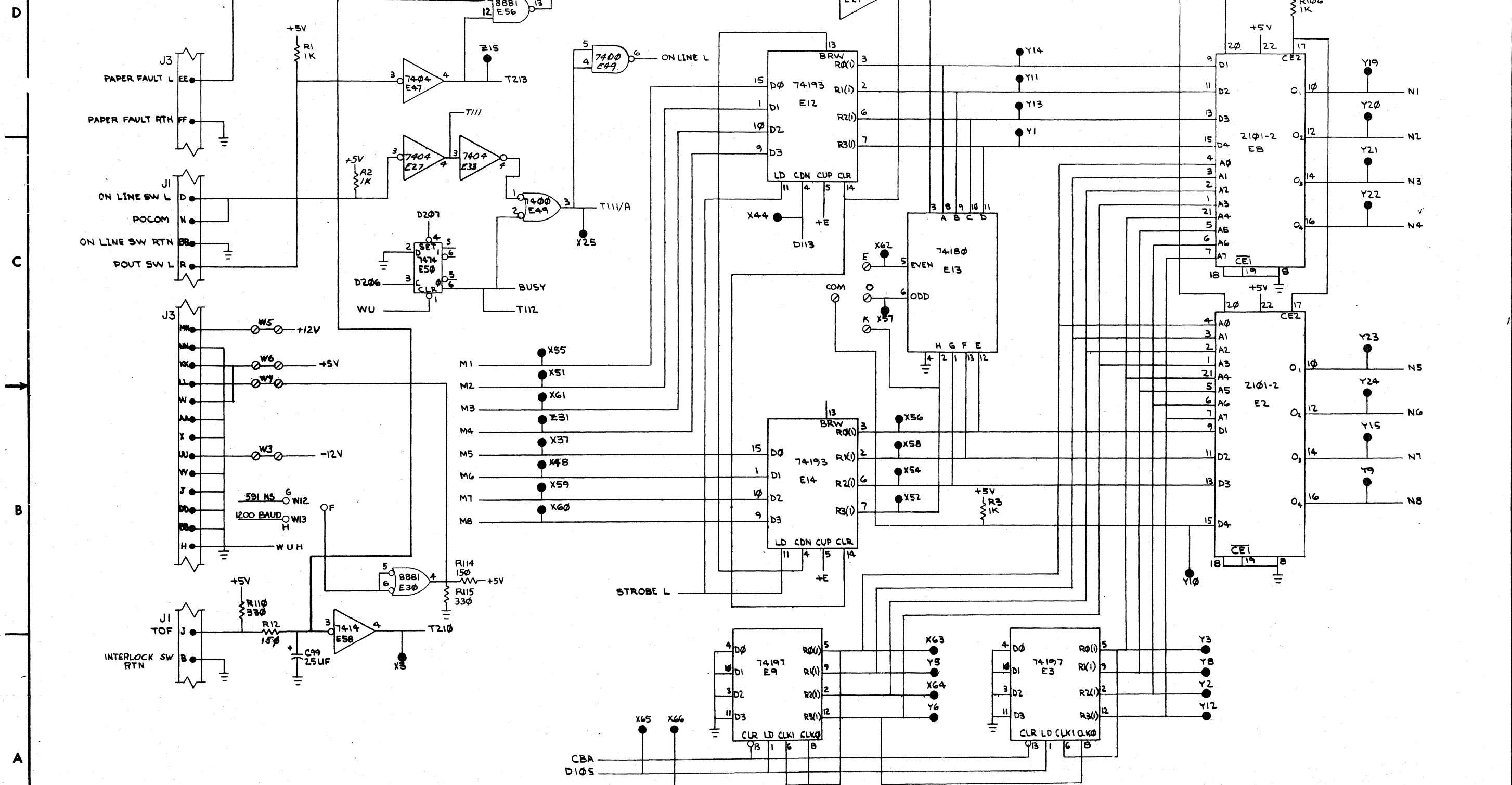
\* NOTE 2 E11 & E17 ARE ONLY USED FOR KANA KANA MACHINE. THEY MUST THEN CONTAIN THE STANDARD ASCII CG ROMS.

REVISIONS		
CHK	CHANGE NO	REV.

TITLE	LAI80 LOGIC BOARD	SIZE CODE	D CS 5411023-0-1	NUMBER		REV.	S
SCALE		SHEET	8 OF 9	DIST.			

D CS 5411023-0-1

"THIS DRAWING AND SPECIFICATIONS, HEREIN, ARE THE PROPERTY OF DIGITAL EQUIPMENT CORPORATION AND SHALL NOT BE REPRODUCED OR COPIED OR USED IN WHOLE OR IN PART AS THE BASIS FOR THE MANUFACTURE OR SALE OF ITEMS WITHOUT WRITTEN PERMISSION. COPYRIGHT © 1974 DIGITAL EQUIPMENT CORPORATION"



REVISIONS		
CHK	CHANGE NO.	REV.

REV. S  
 NUMBER  
 CS 5411023-0-1



THIS DRAWING AND SPECIFICATIONS HERIN ARE THE PROPERTY OF DIGITAL EQUIPMENT CORPORATION AND SHALL NOT BE REPRODUCED OR COPIED OR USED IN WHOLE OR IN PART AS THE BASIS FOR THE MANUFACTURE OR SALE OF ITEMS WITHOUT WRITTEN PERMISSION. COPYRIGHT © 1975 DIGITAL EQUIPMENT CORPORATION.

PARTS LIST				
QTY	REF DESIGNATIONS	DESCRIPTION	PART NO	ITEM NO
REF		X-Y COORDINATE HOLE LOCATION	KCO-5411021-0-4	1
REF		ASSY/DRILLING HOLE LAYOUT	EAM-5411021-0-5	2
REF		MODULE ECO HISTORY	B-MH-5411021-0-6	3
1		ETCHED CIRCUIT BOARD	5011020	4
3	C18, C21, C22	CAP 25UF, 25V, 10% +75% AL EL	1000075-00	5
6	C16, C17, C28, C29-C31	CAP .01UF, 100V 20% DISC	1001610-01	6
1	C19	CAP .22UF, 10V, 10% MYLAR	1000037-00	7
1	C20	CAP 190UF, 12V, 20% AL EL	1009933-00	8
2	C25, C26	CAP 20UF, 50V, 10% +75% AL EL	1002839-00	9
1	C24	CAP 1.5UF, 35V, 10% S.TANT	1009725-00	10
7	C13, C5, C7, C9, C11, C13	CAP 15PF, 100V, 5% D.M.	1002427-00	11
8	C2, C4, C6, C8, C10, C12, C14, C32	CAP .1UF, 100V, 20% DISC	1000030-00	12
1	C23	CAP .33UF, 20V, 10% S.TANT	1005328-00	13
22	D2, D3, D6, D7, D10, D11, D14, D15, D18, D19, D26, D27, D22, D23, D38, D40, D41, D39, D52, D61, D58, D62	DIODE D664	1100114-00	14
2	D31, D33	DIODE IN4794	1105648-00	15
13	D4, D8, D12, D16, D20, D28, D46, D47, D44, D43, D50, D51, D24	DIODE IN4004	1105796-00	16
4	D54 THRU D57	DIODE IN4721	1110182-00	17
1	D53	DIODE BRIDGE 2IV	1110714-00	18
4	D29, D35, D59, D60	DIODE .4M 5.1A 21.5V, 1% ZENER	1105873-00	19
2	D32, D34	DIODE IN4733	1110488-00	20
1	D30	DIODE IN748A	1100122-00	21
2	D42, D48	DIODE IN748A	1100122-00	22
4		KEYING PLUG, MATE-N-LOK	1211595-00	23
4	J2, J3, J4, J5	CONN MATE-N-LOK 8 SKT	1209340-00	25
28		SOCKET PC, MATE-N-LOK	1209456-01	26
2	R52, R60	RES 2K, 1/4W, 5%	1302388-00	27
1	R47	RES 39, 1/2W, 5%	1302336-00	28
7	R93 THRU R99	RES 1, 3W, 5% W.W.	1312547-00	29
4	R100 THRU R103	RES 4, 5W, 5% W.W.	1311624-00	30
1	R67	RES 100, 1/4W, 5%	1300229-00	31
1	R76	RES 18, 1/4W, 5%	1302124-00	32
2	R73, R74	RES 100, 10W, 5% W.W.	1310597-00	33
7	R5, R10, R15, R20, R25, R30, R35	RES 100, 1/2W, 5%	1300228-00	34
5	R44, R58, R92, R108, R112	RES 1.5K, 1/4W, 5%	1300391-00	35
1	R84	RES 220, 1/4W, 5%	1300271-00	36
2	R56, R64	RES 150, 2W, 5% W.W.	1305524-00	37
2	R55, R63	RES 150, 5W, 5% W.W.	1301898-00	38
1	R83	RES 270, 1/4W, 5%	1301972-00	39
1	R50	RES 390, 2W, 5%	1301864-00	40
1	R75	RES 270, 2W, 10%	1300288-00	41
1	R82	RES 300, 2W, 5%	1309855-00	42
2	R78, R81	RES 390, 1/4W, 5%	1300309-00	43
1	R79	RES 470, 2W, 5%	1303062-00	44
2	R85, R86	RES 150, 1/4W, 5%	1300250-00	45
2	R51, R59	RES 300, 1/2W, 5%	1300291-00	46
9	R43, R4, R9, R14, R19, R24, R29, R34, R105	RES 1K, 1/4W, 5%	1300365-00	47

PARTS LIST				
QTY	REF DESIGNATIONS	DESCRIPTION	PART NO	ITEM NO
2	R45, R48	RES 560, 1W, 5%	1303048-00	48
3	R77, R80, R91	RES 3.9K, 1/4W, 5%	1300444-00	49
2	R90, R97	RES 4.7K, 1/4W, 5%	1300447-00	50
3	R53, R61, R66	RES 10K, 1/4W, 5%	1300479-00	51
2	R88, R89	RES 464, 1/4W, 1%	1303047-00	52
2	R87, R90	RES 619, 1/4W, 1%	1305126-00	53
15	R3, R8, R13, R18, R23, R33, R38, R28, R39, R46, R49, R54, R57, R5, R65	RES 470, 1/4W, 5%	1300316-00	54
1	R40	RES 820, 1/2W, 10%	1300356-00	55
1	R36	RES 3K, 1/4W, 5%	1300432-00	56
5	R2, R7, R17, R27, R32	RES 75K, 1/4W, 1%	1305322-00	57
1	R41	RES 1.78K, 1/4W, 1%	1302612-00	58
5	R1, R6, R16, R26, R31	RES 2.94K, 1/4W, 1%	1301981-00	59
1	R42	RES 3.83K, 1/4W, 1%	1309413-00	60
2	R11, R21	RES 2.32K, 1/4W, 1%	1312545-00	61
9	Q3, Q6, Q9, Q12, Q15, Q18, Q23, Q24, Q21	TRANS 2N3716	1503069-00	62
2	Q42, Q43	TRANS 3715	1503068-00	63
1	Q51	TRANS 2N3791	1509581-00	64
2	Q38, Q39	TRANS 6531B	1509338-00	65
6	Q26, Q36, Q37, Q47, Q48, Q33	TRANS MPS A05	1510705-00	66
13	Q37, Q35, Q14, Q4, Q7, Q10, Q13, Q16, Q19, Q27, Q22, Q45, Q46	TRANS MPS A55	1510706-00	67
5	Q41, Q28, Q30, Q49, Q32	TRANS TIP31A	1512590-00	68
4	Q40, Q29, Q31, Q50	TRANS TIP32A	1512589-00	69
7	Q2, Q5, Q8, Q11, Q44, Q17, Q20	TRANS D45H8	1510708-00	70
2	E9, E10	IC 7402	1909004-00	71
1	EB	IC LM309K REGULATOR	1910460-00	72
7	E1 THRU E7	IC LM301A OP AMP	1910282-00	73
1	J6	H802 18 PIN (MODIFIED)	5510831-00	74
2		RIVET, POP	9006460-00	75
1		HEAT SINK	7413424-00	76
4		FUSE CLIP	9009513-01	77
8		WASHER (MATE-N-LOK STANDOFF)	9006693-00	78
8		EYELET	9006732-00	79
2	F1, F2	FUSE 3 AMP SLO BLO	9007218-00	80
2		FASTON TAB	9007113-00	81
2		EYELET	9009000-00	82
26		SCREW PPH 4-40 X 1/2	9006013-01	83
35		NUT, KEP 4-40	9006557-00	84
1		SCREW, PPH 6-32 X 15/16	9007838-01	85
1		NUT, KEP 6-32	9006560-00	86
1		CABLE, POWER BOARD	CAD-7010363-1	87
13		INSULATOR, TO-3	9006721-00	88
9		INSULATOR	9009597-00	89
A/R		COMPOUND, THERMAL JOINT	9008268-00	90
9		SCREW PPH 4-40 X 7/16	9006012-01	91
7	F3 THRU F9	FUSE, PICO, 2 AMP	1211751-00	92
1		LABEL	3611567-00	93
5	R104, R106, R110, R114, R116	RES 1.8K, 1/4W, 5%	1300398-00	94
2	R12, R22	RES 16.5K, 1/4W, 1%	1312546-00	95
14"	WIRE	WIRE, AWG 14, GREEN	9107370-55	96
2	R70, R71	RES. 60, 10W, 5%	1312997	97

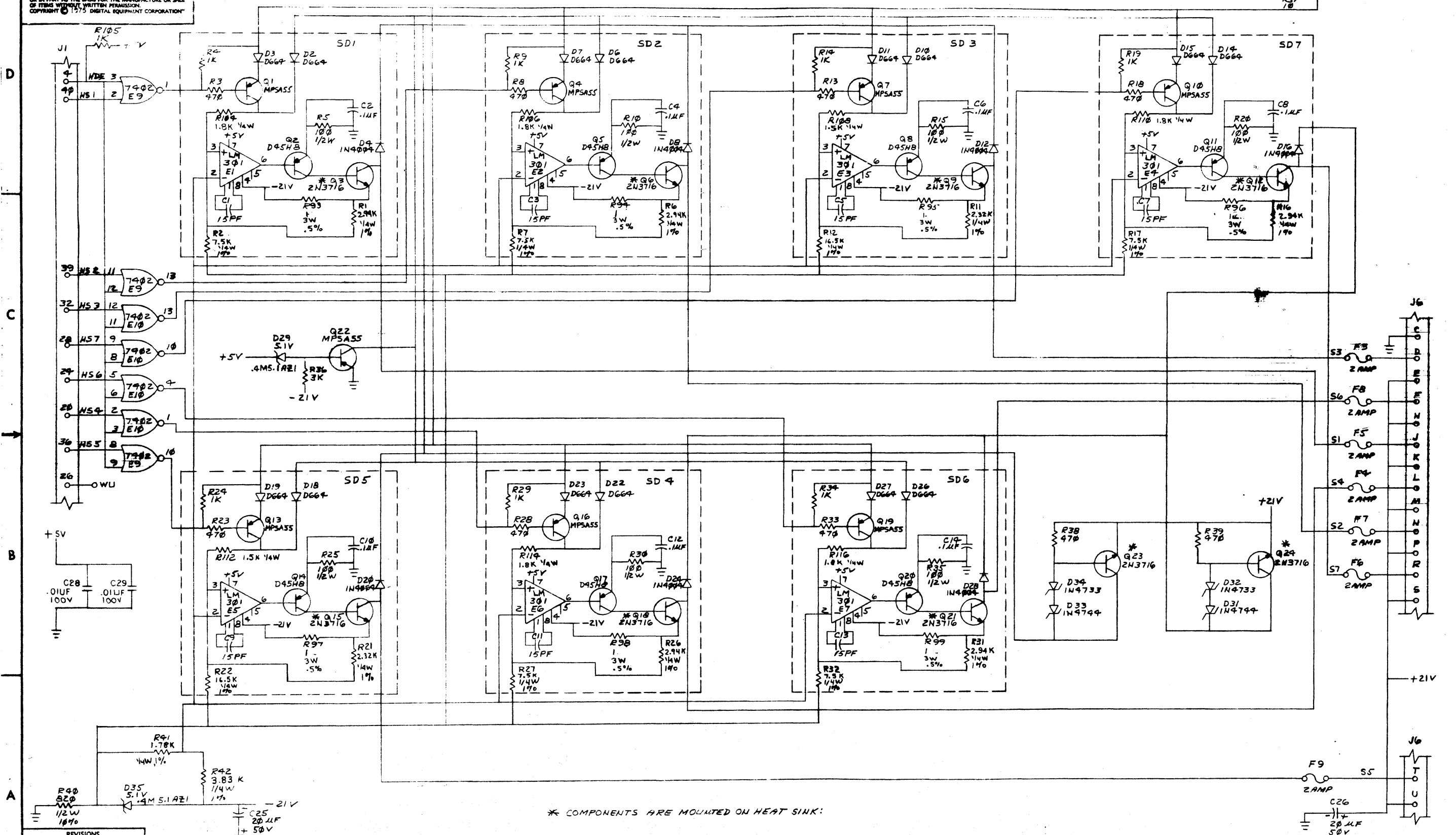
PARTS LIST				
QTY	REF. DESIGNATION	DESCRIPTION	PART NO.	ITEM NO.
1	R37	RES 10, 1/4W, 5%	1301317-00	98
2	R117, R118	RES 100, 1/4W, 5%	1310881-03	99
1		LABEL, ADHESIVE BACKED, PRINTED	3613307-0-0	100

REVISIONS		
CHK	CHANGE NO	REV.

TITLE	LA180 POWER BOARD	SIZE CODE	DCS	NUMBER	5411021-0-1	REV.	N
SCALE	#	SHEET	2	OF	5	DIST.	



THIS DRAWING AND SPECIFICATIONS HEREIN ARE THE PROPERTY OF DIGITAL EQUIPMENT CORPORATION AND SHALL NOT BE REPRODUCED OR COPIED OR USED IN WHOLE OR IN PART AS THE BASIS FOR THE MANUFACTURE OR SALE OF ITEMS WITHOUT WRITTEN PERMISSION.  
 COPYRIGHT © 1975 DIGITAL EQUIPMENT CORPORATION

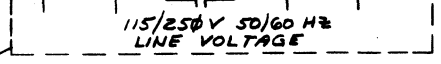
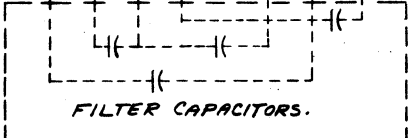
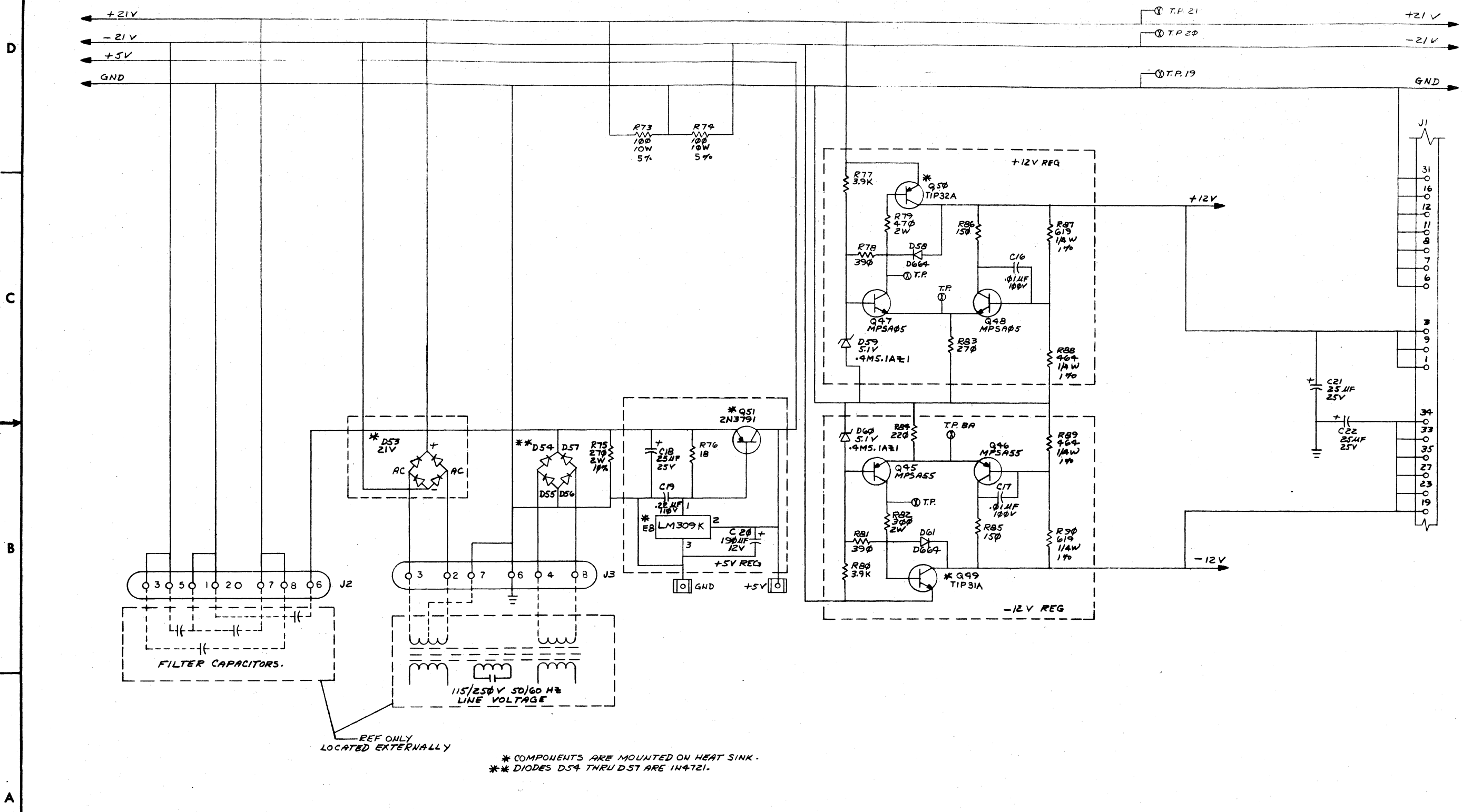


CHK	CHANGE NO.	REV.

REVISIONS		TITLE	SIZE CODE	NUMBER	REV.
		LAI80 POWER BOARD	D	CS5411021-0-1	N
		SCALE	SHEET	3 OF 5	DIST.

SIZE CODE NUMBER  
 DCS5411021-0-1

"THIS DRAWING AND SPECIFICATIONS HEREIN ARE THE PROPERTY OF DIGITAL EQUIPMENT CORPORATION AND SHALL NOT BE REPRODUCED OR COPIED OR USED IN WHOLE OR IN PART AS THE BASIS FOR THE MANUFACTURE OR SALE OF ITEMS WITHOUT WRITTEN PERMISSION. COPYRIGHT © 1975 DIGITAL EQUIPMENT CORPORATION"



REF ONLY LOCATED EXTERNALLY

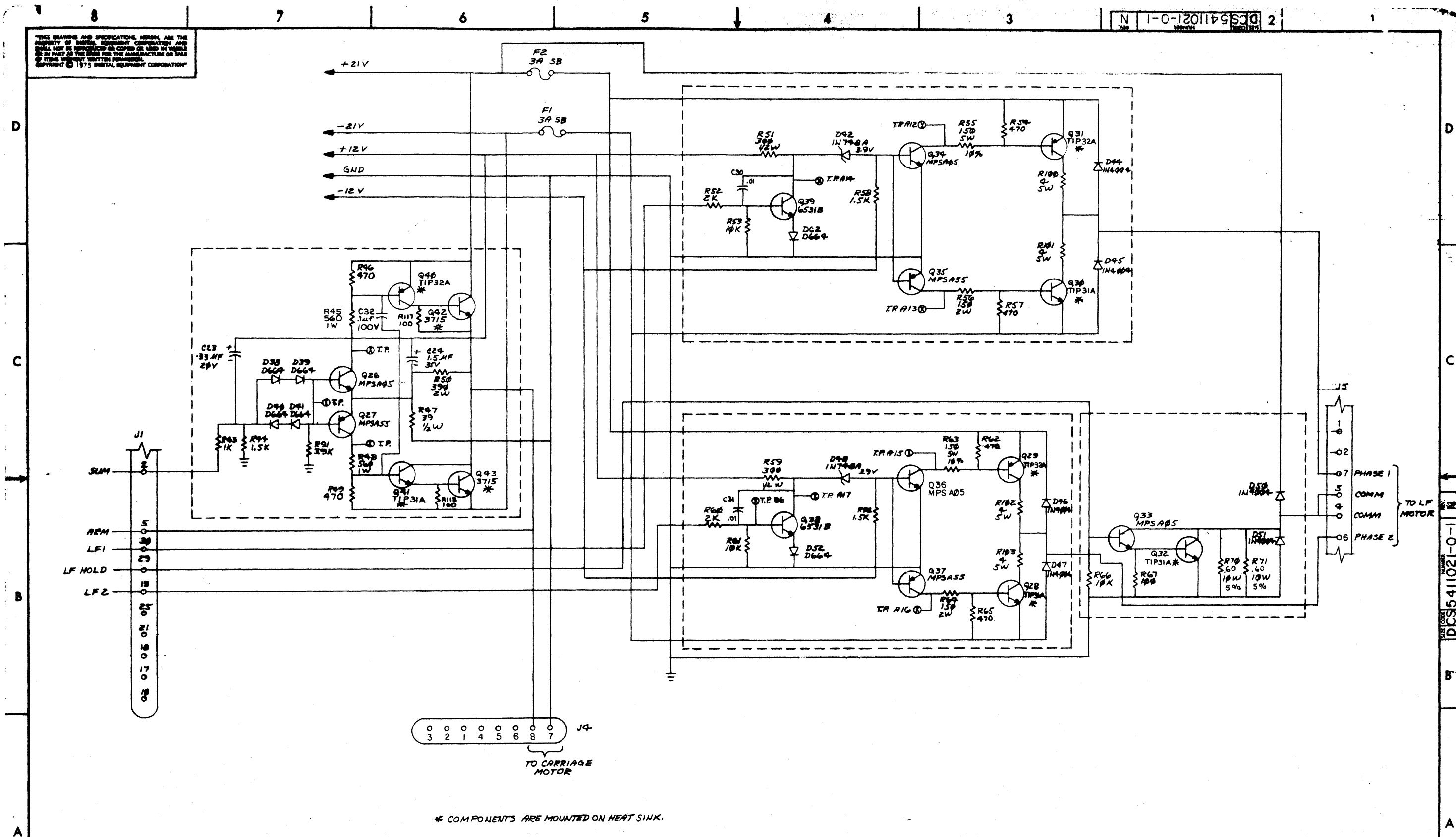
\* COMPONENTS ARE MOUNTED ON HEAT SINK.  
 \*\* DIODES DS4 THRU DS7 ARE 1N4721.

REVISIONS		
CHK	CHANGE NO.	REV.

TITLE	LA180 POWER BOARD	SIZE CODE	NUMBER	REV.
SCALE	1/16"	SHEET	4 OF 5	DIST.
DCS 5411021-0-1		N		

DCS 5411021-0-1 N

THIS DRAWING AND SPECIFICATIONS HEREIN ARE THE PROPERTY OF DIGITAL EQUIPMENT CORPORATION AND SHALL NOT BE REPRODUCED OR COPIED OR USED IN WHOLE OR IN PART AS THE BASIS FOR THE MANUFACTURE OR SALE OF ITEMS WITHOUT WRITTEN PERMISSION. COPYRIGHT © 1973 DIGITAL EQUIPMENT CORPORATION

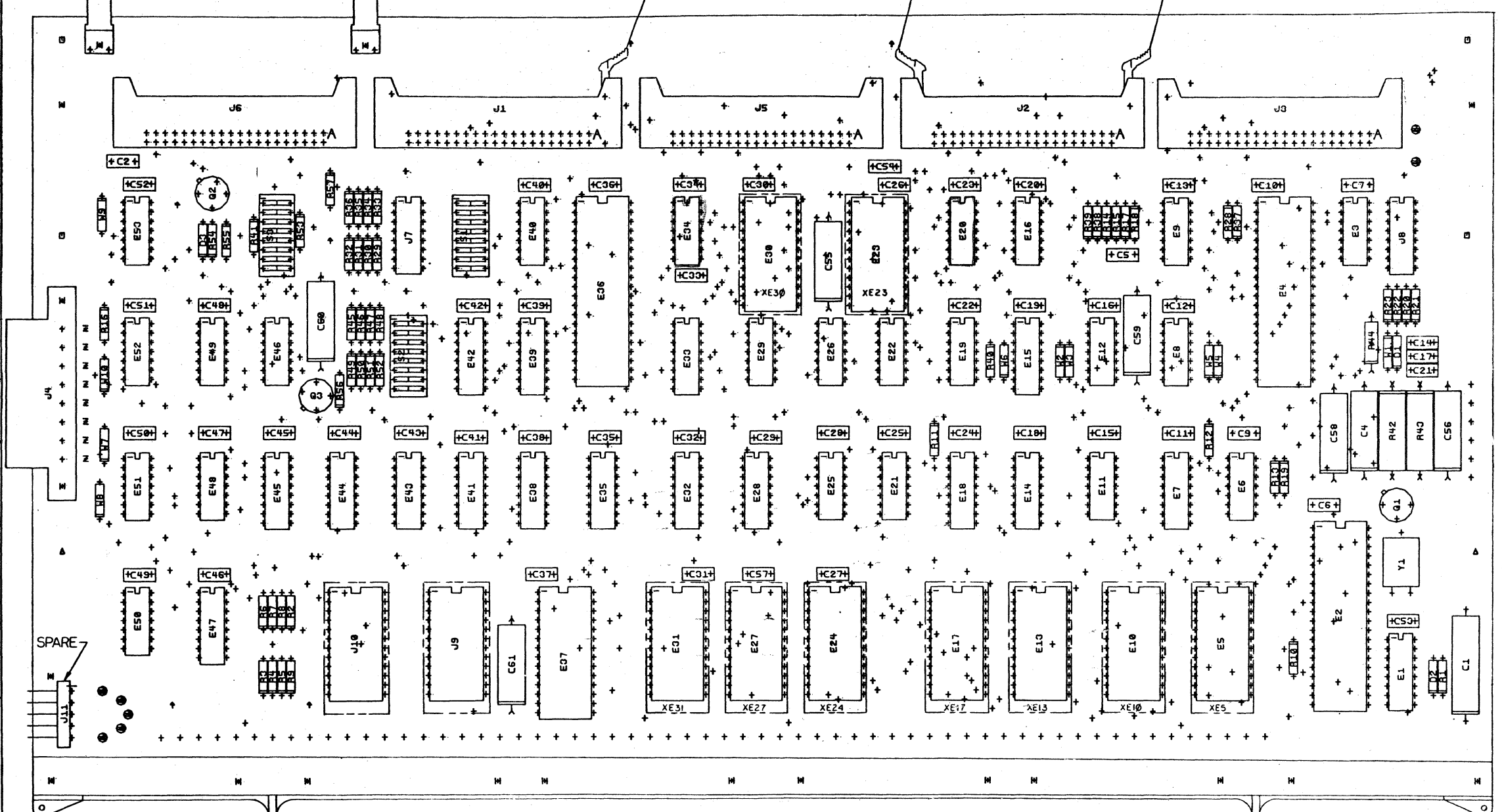


\* COMPONENTS ARE MOUNTED ON HEAT SINK.

REVISIONS		
CHK	CHANGE NO.	REV.

TITLE	LA180 PCWER BOARD	SIZE CODE	D	NUMBER	CS 541102-0-1	REV.	N
SCALE		SHEET	5	OF	5	DIST.	

THIS BOARD AND SPECIFICATIONS HEREON ARE THE PROPERTY OF DIGITAL EQUIPMENT CORPORATION AND SHALL NOT BE REPRODUCED OR COPIED IN WHOLE OR IN PART OR THE BASIS FOR THE CONSTRUCTION OR SALE OF OTHER EQUIPMENT WITHOUT PERMISSION. DIGITAL EQUIPMENT CORPORATION © 1977

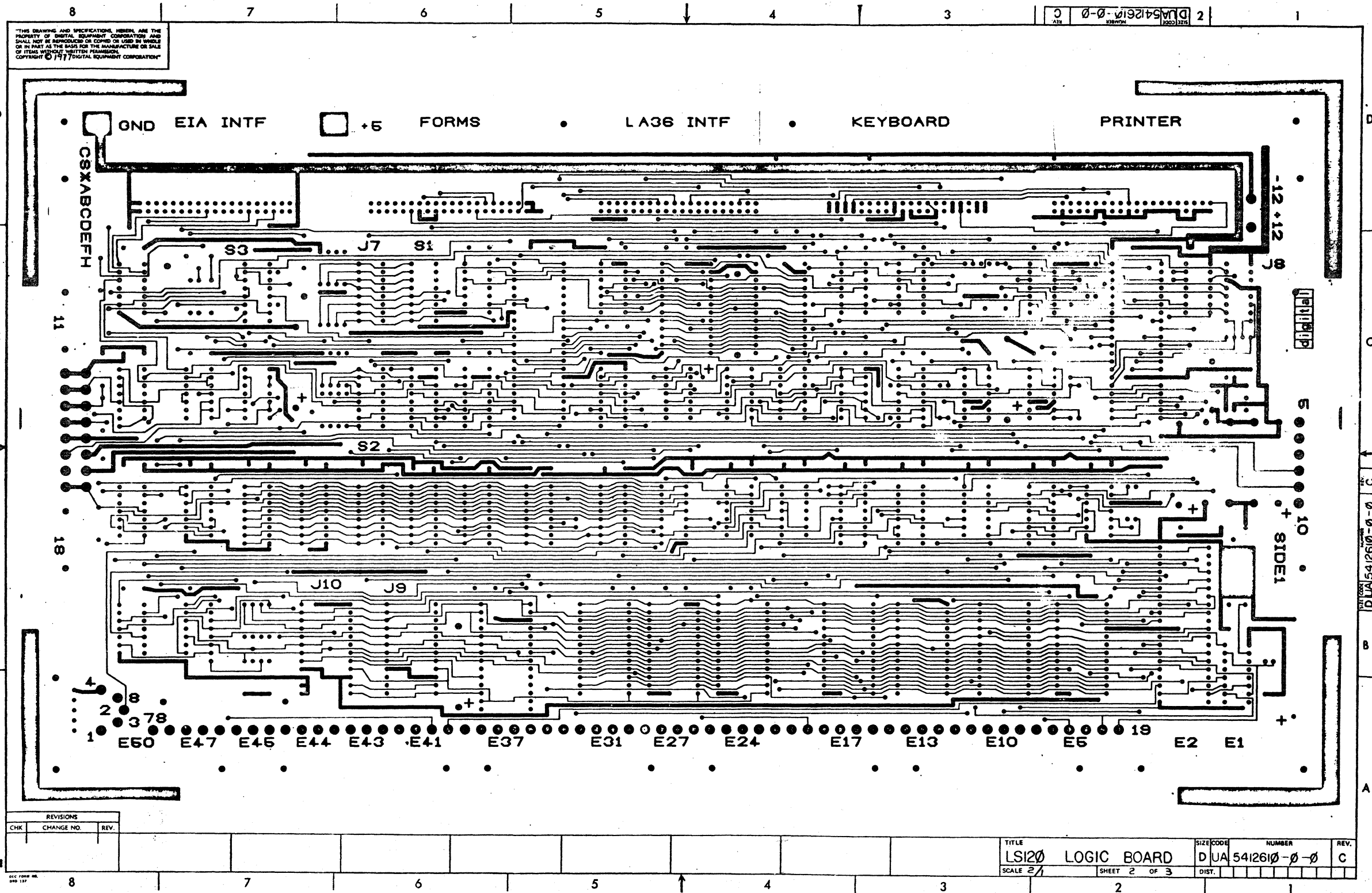


NOTES: 1. J4 AND FASTON TABS MUST BE INSTALLED AFTER THE BOARD IS CUT TO SIZE.  
 2. INSTALL HANDLE ON SIDE 1.

CHANGE NO	REV

ETCH REV.	D
P.C. DESIGN DATA BRISE REV.	D

SIGNATURES	DATE	digital
DRN. <i>[Signature]</i>	12/20/77	
CHK'D. <i>[Signature]</i>	1/26/78	
ENC. <i>[Signature]</i>	1/20/78	
PROJ. ENG. <i>[Signature]</i>	1/20/78	
PROD. <i>[Signature]</i>	1/20/78	TITLE
SCALE 2/1	SHT. 1 OF 3	LSI20 LOGIC BOARD
NEXT HIGHER ASSY. B-00-542610-0		SIZE CODE NUMBER
		DUA 542610-0-0

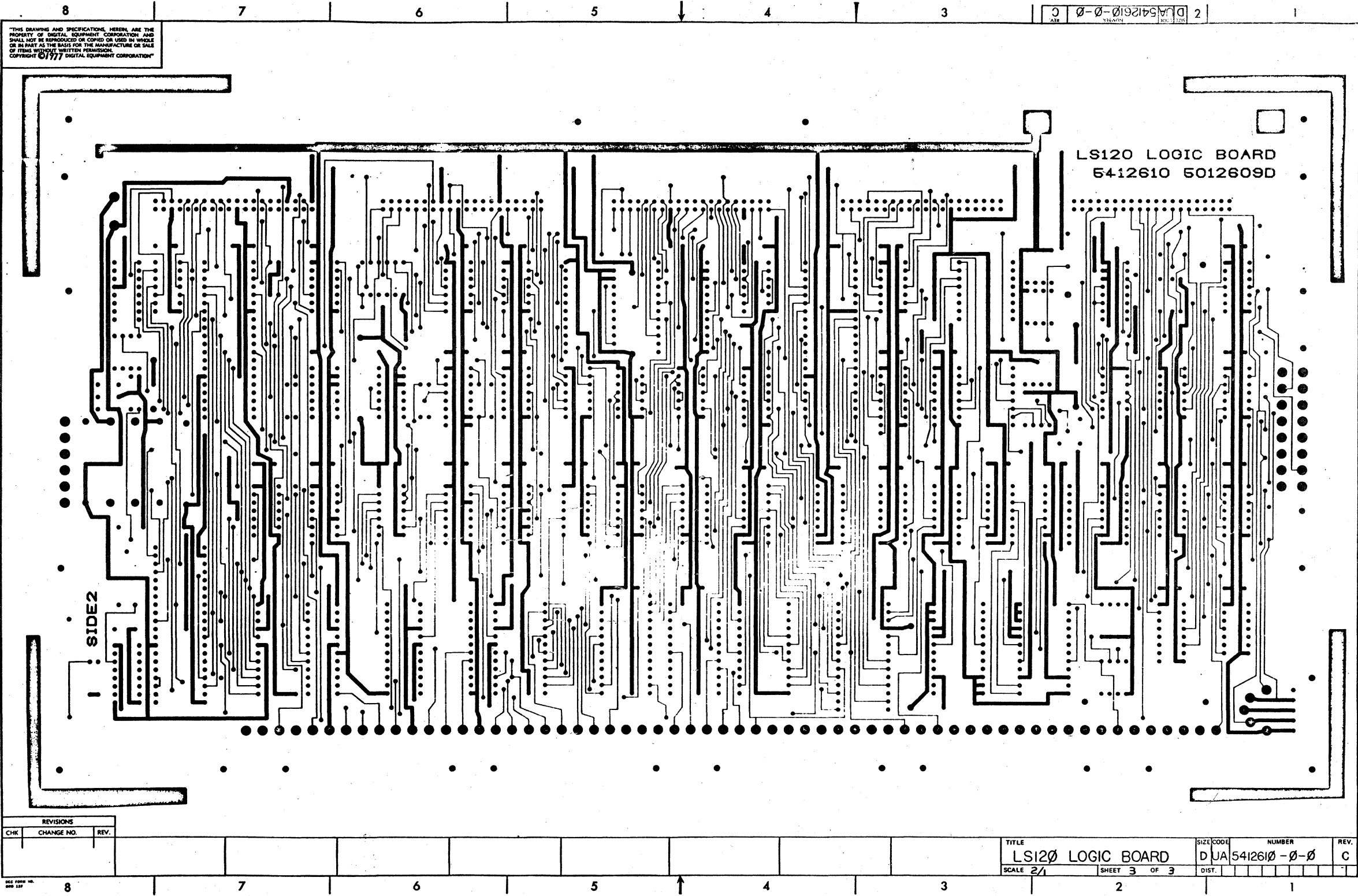


THIS DRAWING AND SPECIFICATIONS HEREIN ARE THE PROPERTY OF DIGITAL EQUIPMENT CORPORATION AND SHALL NOT BE REPRODUCED OR COPIED OR USED IN WHOLE OR IN PART AS THE BASIS FOR THE MANUFACTURE OR SALE OF ITEMS WITHOUT WRITTEN PERMISSION. COPYRIGHT © 1977 DIGITAL EQUIPMENT CORPORATION.

2 DUA542610-0-0 C

REVISIONS		
CHK	CHANGE NO.	REV.

TITLE	LS120 LOGIC BOARD	SIZE CODE	DUA 5412610-0-0	NUMBER	C
SCALE	2/1	SHEET	2 OF 3	DIST.	



"THIS DRAWING AND SPECIFICATIONS, HEREIN, ARE THE PROPERTY OF DIGITAL EQUIPMENT CORPORATION AND SHALL NOT BE REPRODUCED OR COPIED OR USED IN WHOLE OR IN PART AS THE BASIS FOR THE MANUFACTURE OR SALE OF ITEMS WITHOUT WRITTEN PERMISSION. COPYRIGHT © 1977 DIGITAL EQUIPMENT CORPORATION"

LS120 LOGIC BOARD  
5412610 5012609D

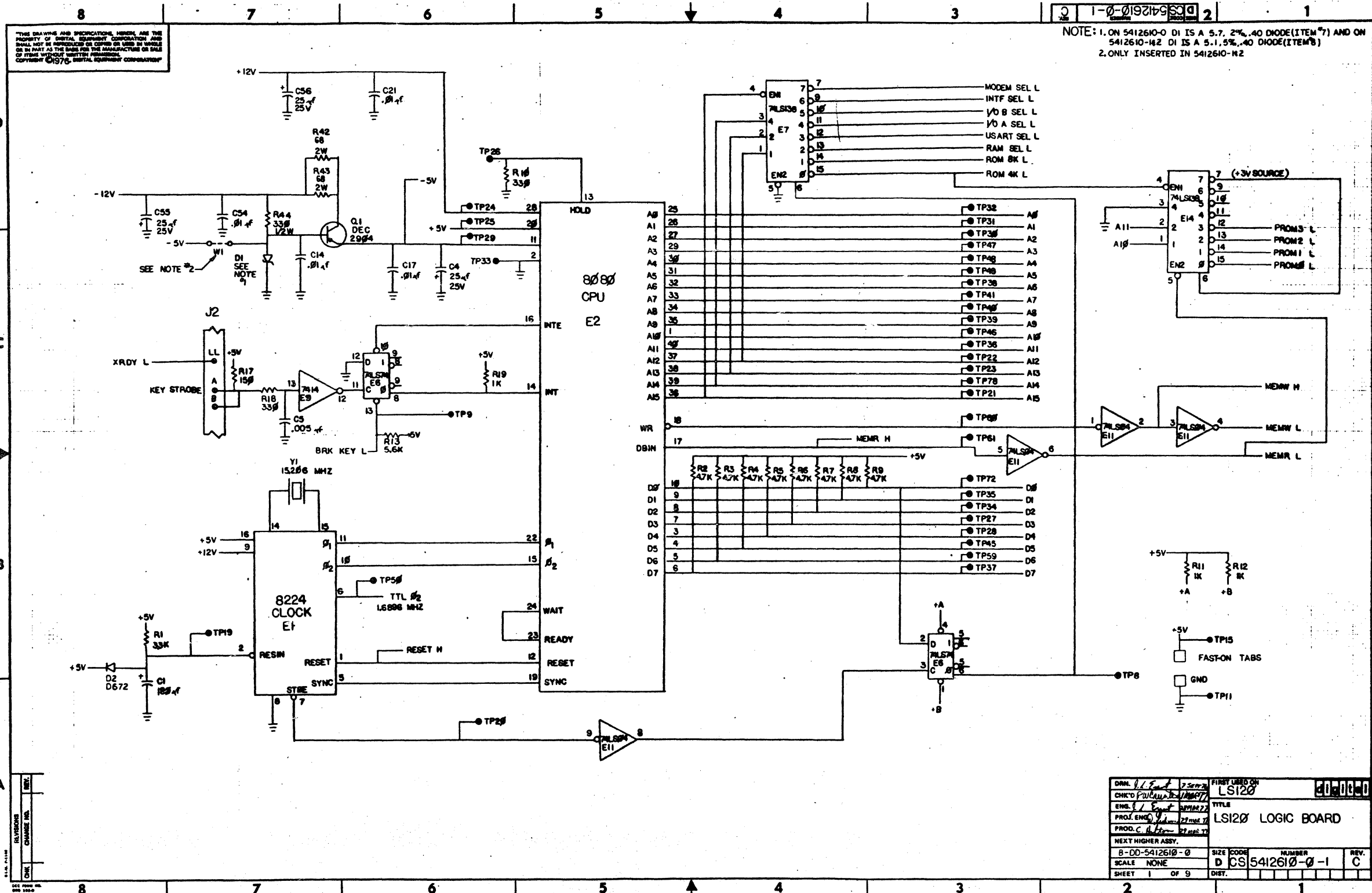
SIDE 2

REVISIONS		
CHK	CHANGE NO.	REV.

TITLE	SIZE CODE	NUMBER	REV.
LS120 LOGIC BOARD	DJA	5412610-0-0	C
SCALE 2/1	SHEET 3	OF 3	DIST.

DJA 5412610-0-0 2

DJA 5412610-0-0 C



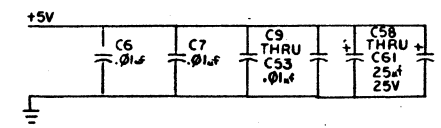
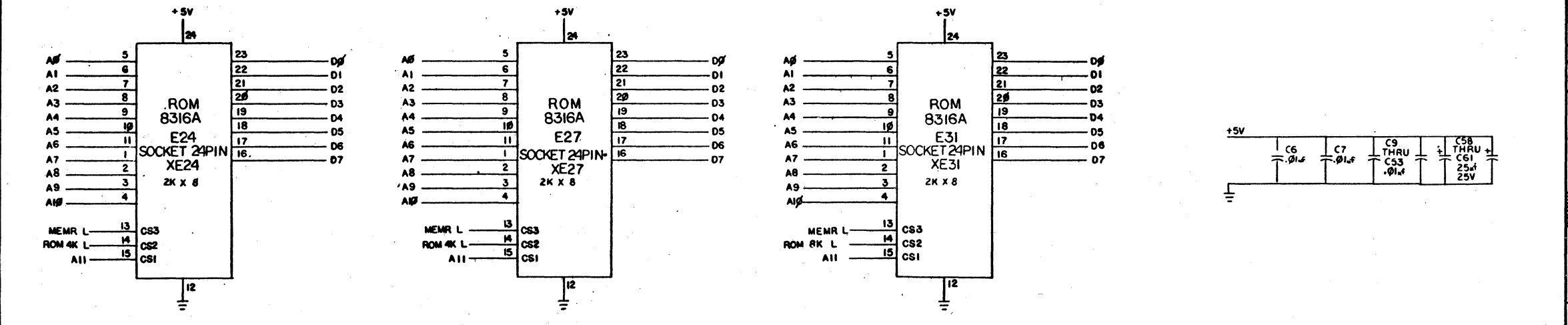
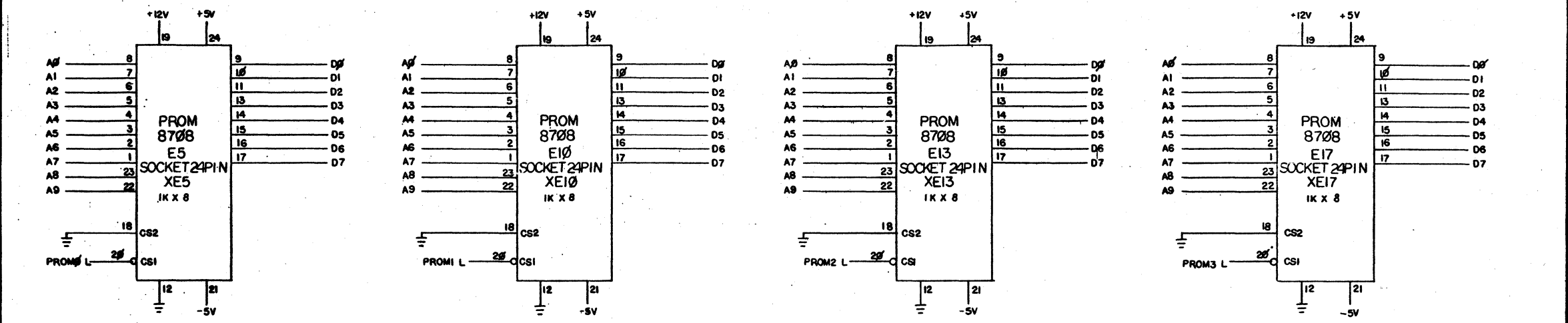
THIS DRAWING AND SPECIFICATIONS HEREIN ARE THE PROPERTY OF DIGITAL EQUIPMENT CORPORATION AND SHALL NOT BE REPRODUCED OR COPIED OR USED IN WHOLE OR IN PART AS THE BASIS FOR THE MANUFACTURE OR SALE OF ITEMS WITHOUT WRITTEN PERMISSION. COPYRIGHT © 1976, DIGITAL EQUIPMENT CORPORATION

NOTE: 1. ON 5412610-0 DI IS A 5.7, 2%, .40 DIODE (ITEM 7) AND ON 5412610-142 DI IS A 5.1, 5%, .40 DIODE (ITEM 8)  
2. ONLY INSERTED IN 5412610-N2

DRN. <i>J. J. Smith</i>	FIRST USED ON	LSI20
CHK'D <i>P. Williams</i>	TITLE	LSI20 LOGIC BOARD
ENG. <i>J. J. Smith</i>	DATE	07/19/77
PROJ. ENG. <i>J. J. Smith</i>	REV.	C
PROD. C. <i>J. J. Smith</i>	SIZE	D
NEXT HIGHER ASSY.	CODE	5412610-0-1
B-D0-5412610-0	NUMBER	1
SCALE NONE	DIST.	
SHEET 1 OF 9		

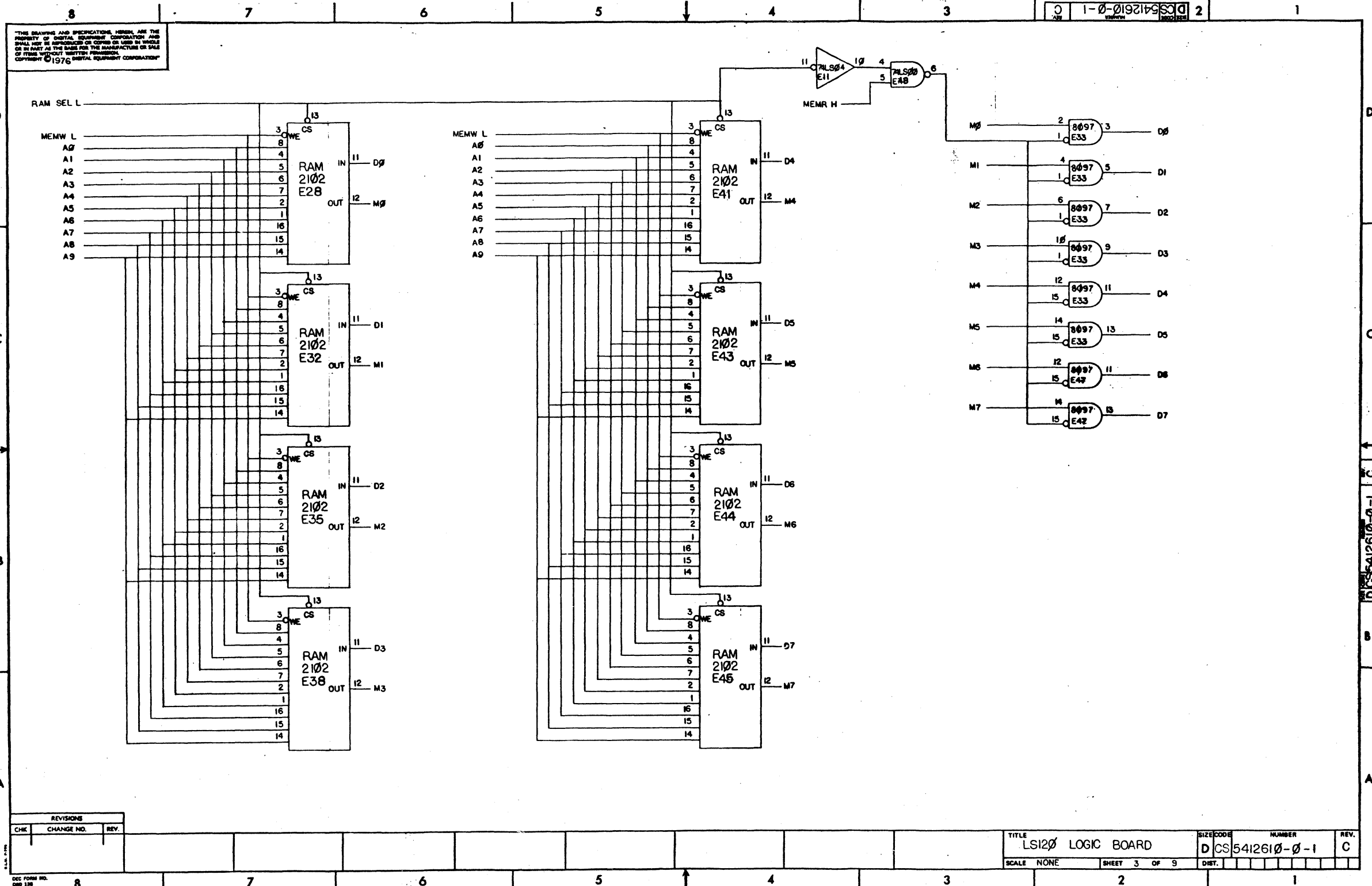
REV. C  
CHG. NO. 1  
DATE 07/19/77

THIS DRAWING AND SPECIFICATIONS HEREIN ARE THE PROPERTY OF DIGITAL EQUIPMENT CORPORATION AND SHALL NOT BE REPRODUCED OR COPIED IN WHOLE OR IN PART AS THE BASIS FOR THE MANUFACTURE OR SALE OF ITEMS WITHOUT WRITTEN PERMISSION OF DIGITAL EQUIPMENT CORPORATION. COPYRIGHT © 1976



REVISIONS		
CHK	CHANGE NO.	REV.

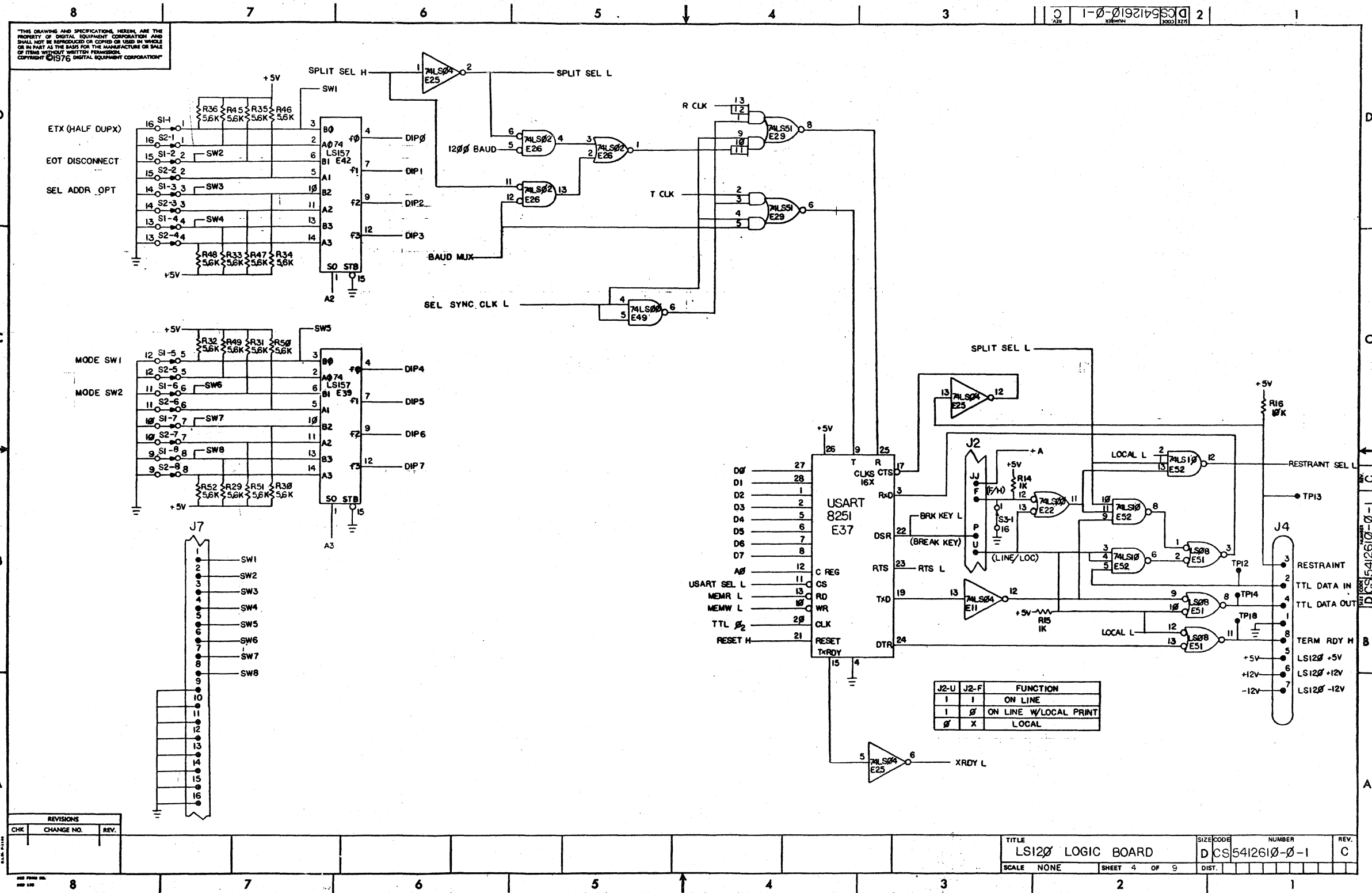




THE DRAWING AND SPECIFICATIONS HEREIN ARE THE PROPERTY OF DIGITAL EQUIPMENT CORPORATION AND SHALL NOT BE REPRODUCED OR COPIED OR USED IN WHOLE OR IN PART AS THE BASIS FOR THE MANUFACTURE OR SALE OF ITEMS WITHOUT WRITTEN PERMISSION. COPYRIGHT © 1976 DIGITAL EQUIPMENT CORPORATION

REVISIONS		
CHK	CHANGE NO.	REV.

TITLE	LSI20 LOGIC BOARD	SIZE CODE	D CS 5412610-0-1	NUMBER		REV.	C
SCALE	NONE	SHEET	3 OF 9	DIST.			



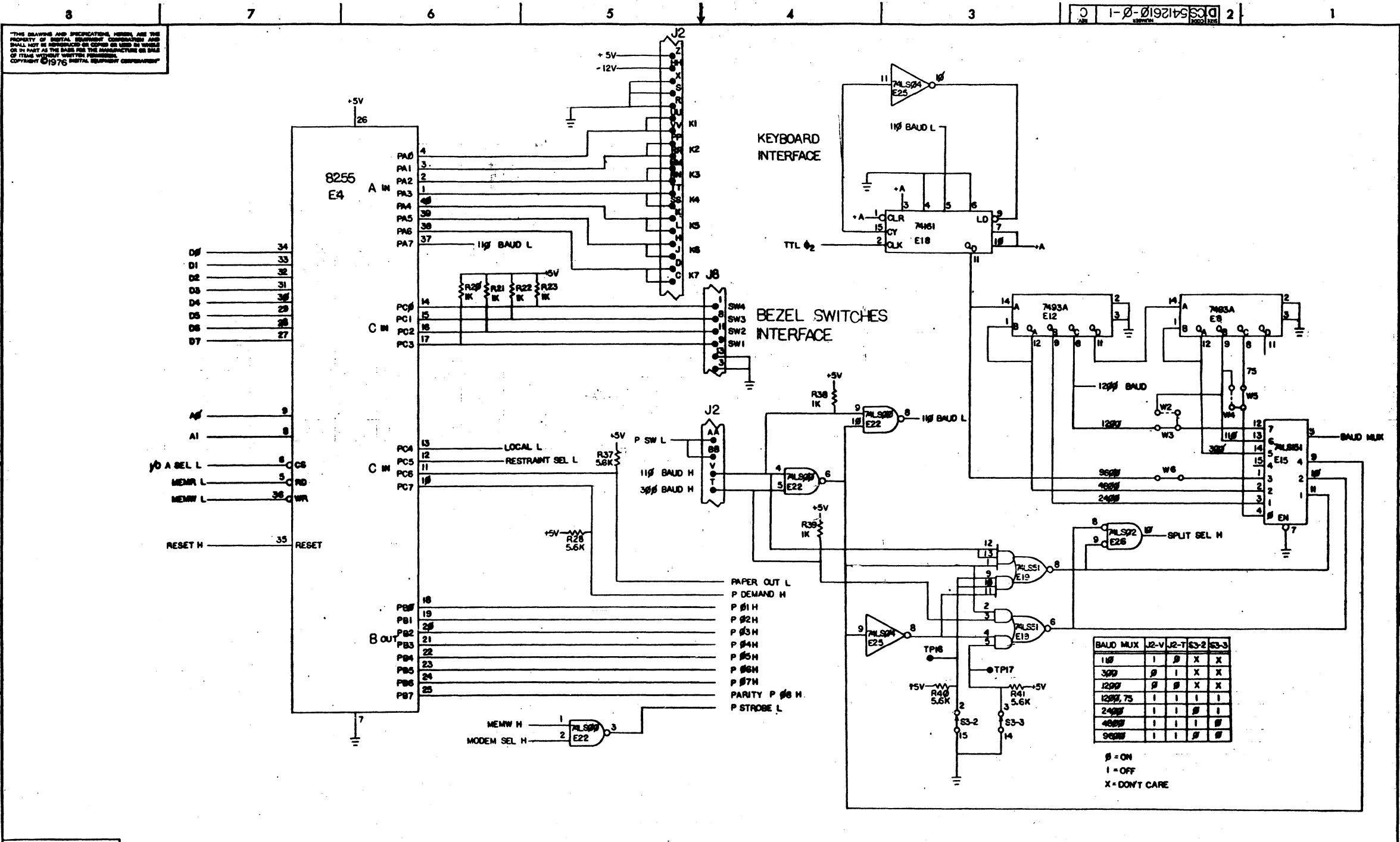
THIS DRAWING AND SPECIFICATIONS HEREIN ARE THE PROPERTY OF DIGITAL EQUIPMENT CORPORATION AND SHALL NOT BE REPRODUCED OR COPIED OR USED IN WHOLE OR IN PART AS THE BASIS FOR THE MANUFACTURE OR SALE OF ITEMS WITHOUT WRITTEN PERMISSION. COPYRIGHT © 1976 DIGITAL EQUIPMENT CORPORATION

D CS 5412610-0-1 2

REVISIONS		
CHK	CHANGE NO.	REV.

J2-U	J2-F	FUNCTION
1	1	ON LINE
1	Ø	ON LINE W/LOCAL PRINT
Ø	X	LOCAL

TITLE: LS120 LOGIC BOARD  
 SCALE: NONE  
 SHEET: 4 OF 9  
 SIZE CODE: D  
 NUMBER: CS 5412610-0-1  
 REV: C



THE DRAWING AND SPECIFICATIONS HEREIN ARE THE PROPERTY OF DIGITAL EQUIPMENT CORPORATION AND SHALL NOT BE REPRODUCED OR COPIED IN WHOLE OR IN PART AS THE BASIS FOR THE MANUFACTURE OR SALE OF ITEMS WITHOUT WRITTEN PERMISSION. COPYRIGHT © 1976 DIGITAL EQUIPMENT CORPORATION.

DCS 5412610-0-1 2

REVISIONS		
CHK	CHANGE NO.	REV.

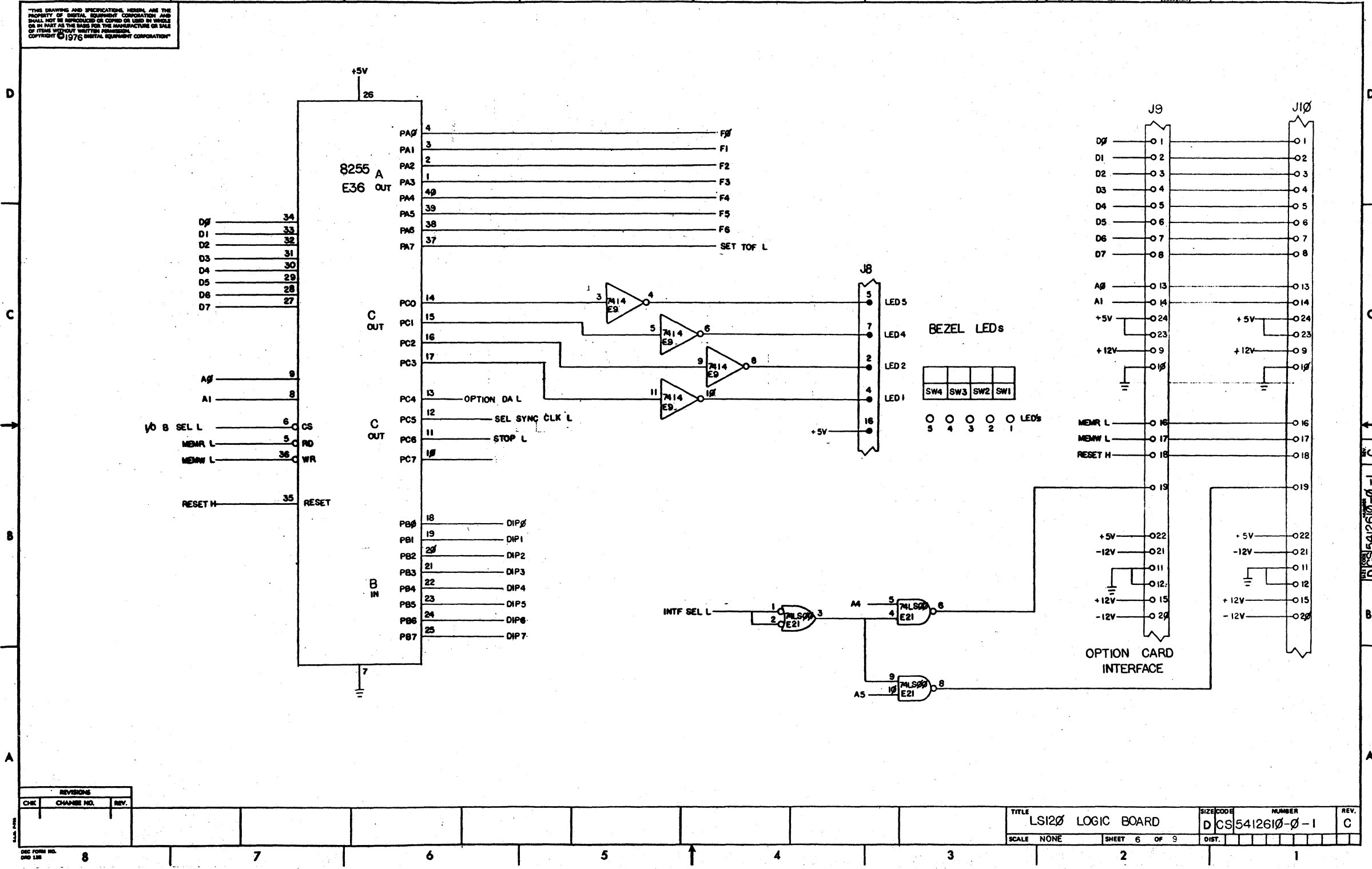
TITLE: LS120 LOGIC BOARD  
 SIZE CODE: DCS 5412610-0-1  
 NUMBER: 1  
 REV: C  
 SCALE: NONE  
 SHEET: 5 OF 9  
 DIST.:

BAUD MUX	J2-V	J2-T	S3-2	S3-3
110	1	0	X	X
300	0	1	X	X
1200	0	0	X	X
1200, 75	1	1	1	1
2400	1	1	0	1
4800	1	1	1	0
9600	1	1	0	0

0 = ON  
 1 = OFF  
 X = DON'T CARE

THIS DRAWING AND SPECIFICATIONS HEREIN ARE THE PROPERTY OF DIGITAL EQUIPMENT CORPORATION AND SHALL NOT BE REPRODUCED OR COPIED OR USED IN WHOLE OR IN PART AS THE BASIS FOR THE MANUFACTURE OR SALE OF ITEMS WITHOUT WRITTEN PERMISSION. COPYRIGHT © 1976 DIGITAL EQUIPMENT CORPORATION

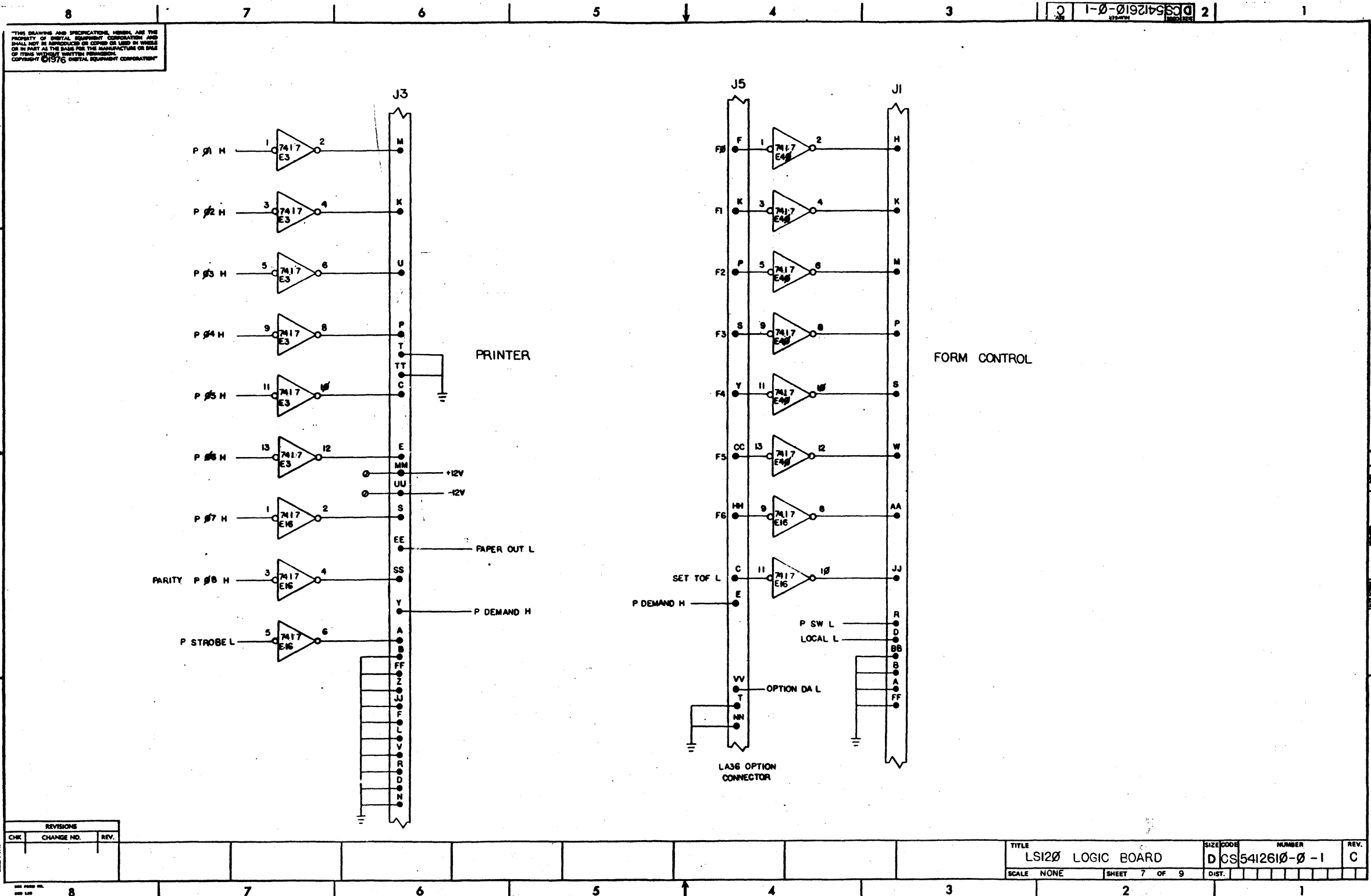
1-0-0192179-0-1 2



REVISIONS		
CHK	CHANGE NO.	REV.

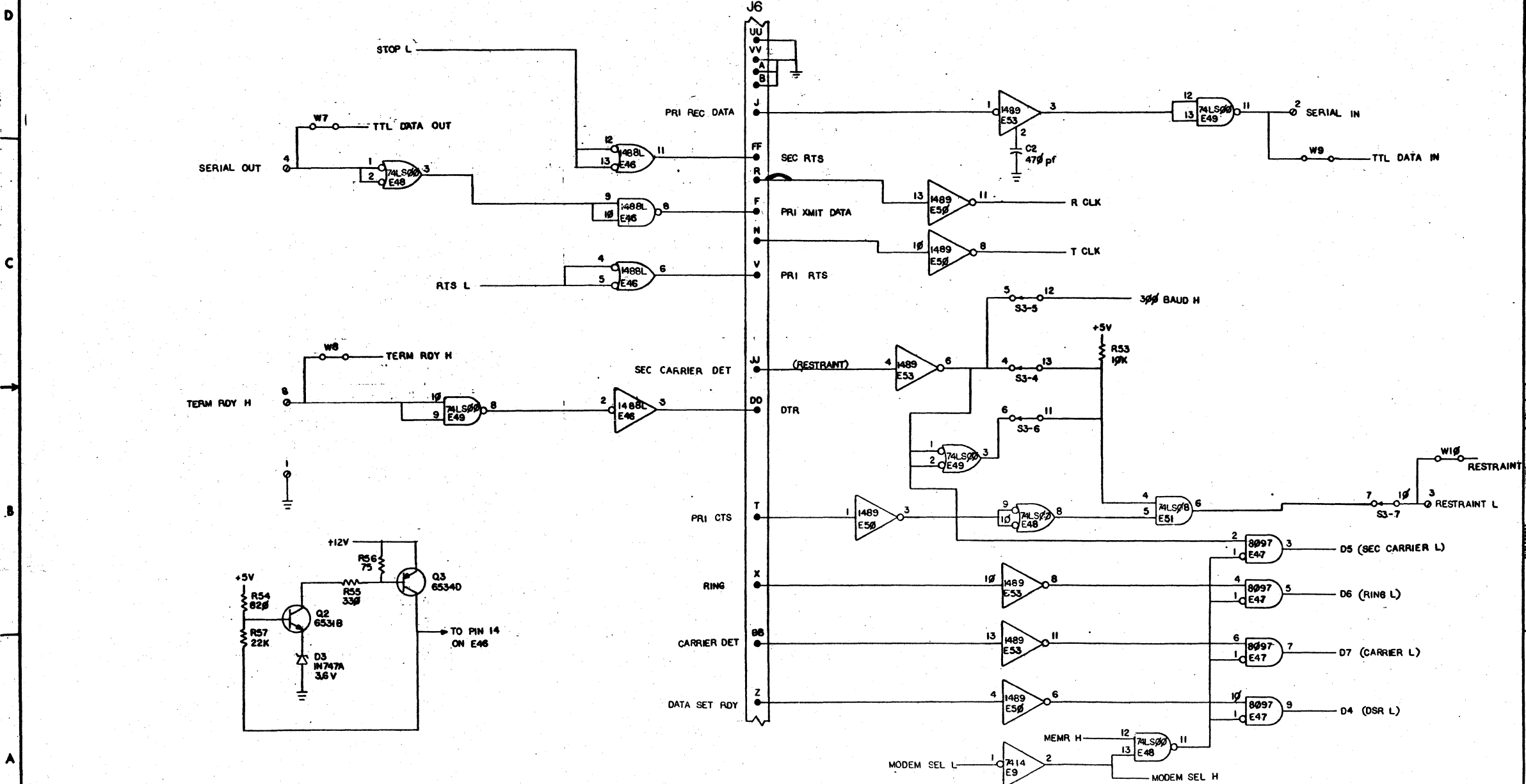
TITLE LSI20 LOGIC BOARD  
 SCALE NONE SHEET 6 OF 9  
 SIZE CODE NUMBER DCS5412610-0-1  
 REV. C

DEC FORM NO. 100 120

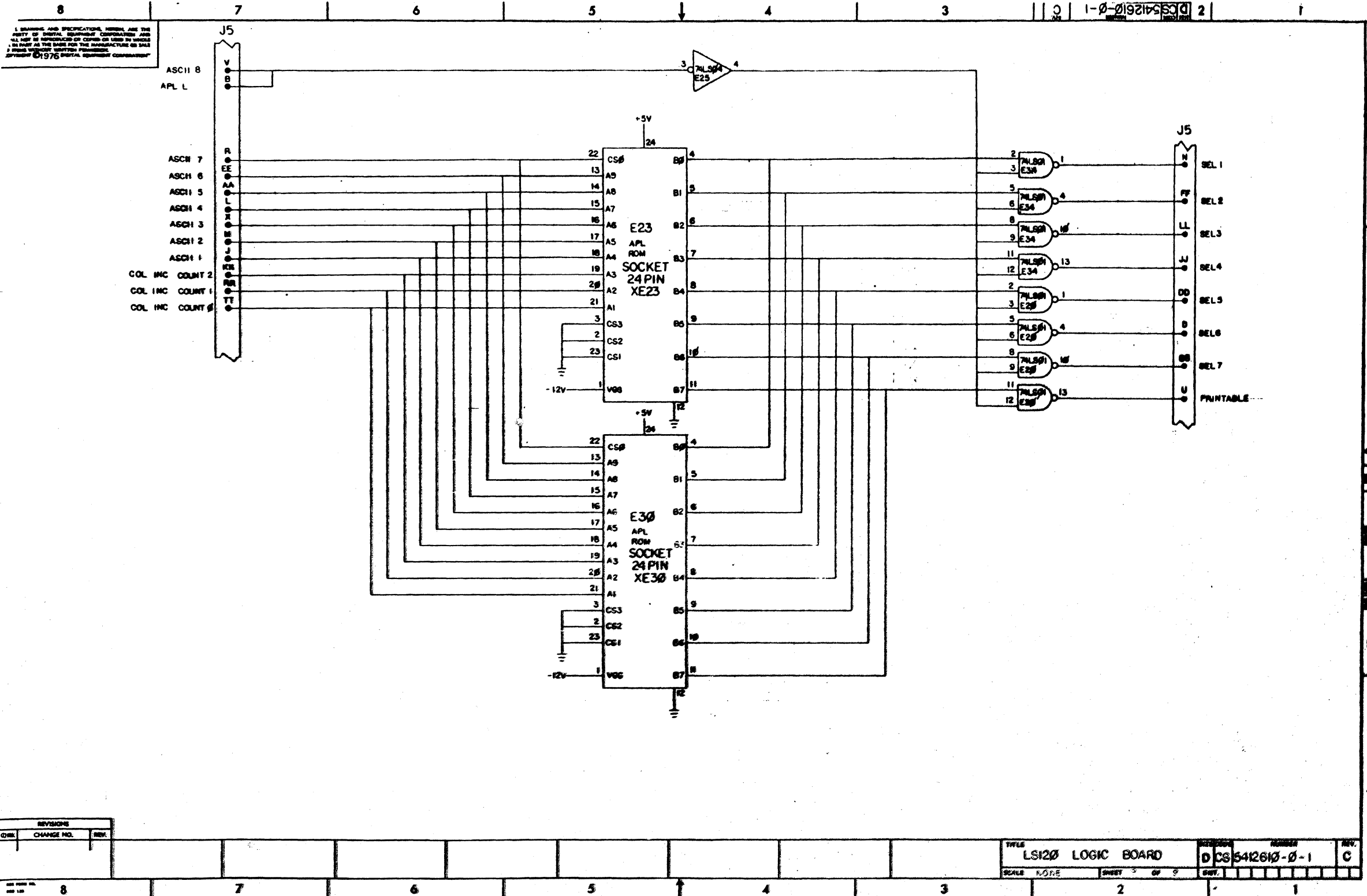


THIS DRAWING AND SPECIFICATIONS HEREIN ARE THE PROPERTY OF DIGITAL EQUIPMENT CORPORATION AND SHALL NOT BE REPRODUCED OR COPIED OR USED IN WHOLE OR IN PART AS THE BASIS FOR THE MANUFACTURE OR SALE OF OTHER EQUIPMENT WITHOUT PERMISSION. COPYRIGHT © 1976 DIGITAL EQUIPMENT CORPORATION

BC050 CABLE  
EIA INTERFACE



REVISIONS		
CHK	CHANGE NO.	REV.



1. DRAWING AND SPECIFICATIONS HEREIN ARE THE PROPERTY OF DIGITAL EQUIPMENT CORPORATION AND ALL RIGHTS ARE RESERVED. NO PART OF THIS DOCUMENT IS TO BE REPRODUCED OR TRANSMITTED IN ANY FORM OR BY ANY MEANS WITHOUT THE WRITTEN PERMISSION OF DIGITAL EQUIPMENT CORPORATION. ©1976 DIGITAL EQUIPMENT CORPORATION

REVISIONS		
DATE	CHANGE NO.	REV.

TITLE		L5120 LOGIC BOARD		PART NUMBER		D CS 5412610-0-1		REV.		C	
SCALE		NONE		SHEET		2		OF		9	

# DIGITAL EQUIPMENT CORPORATION PARTS LIST

QUANTITY / VARIATION

NOTES:

MADE BY <i>K. Damache</i>	CHECKED <i>RW Counter</i>	SECTION 1
DATE <i>7/MAR/77</i>	DATE <i>7 Mar 77</i>	
ENG <i>John L. Egert</i>	PROD <i>C. Hilton</i>	ISSUED SECTION 1
DATE <i>28/MAR/77</i>	DATE <i>29 MAR 77</i>	

5412610-0

5412610-1

5412610-2

REF DESIGNATION

ITEM NO.	DRAWING NO.	PART NO.	DESCRIPTION	5412610-0	5412610-1	5412610-2																
1	D-MD-5012609-0-0	5012609	ETCHED CIRCUIT BOARD	1	1	1																
2		1000086	CAP 180UF 6V 20%	1	1	1																C1
3		1000024	CAP 470UF 100V 5%	1	1	1																C2
4		1000075	CAP 25UF 25V	7	7	7																C4, C55, C56, C58 THRU C61
5		1001765	CAP .005UF 100V 20%	1	1	1																C5
6		1001610-01	CAP .01UF 100V	49	49	49																C6, C7, C9 THRU C54, C57
7		1111205	DIODE Z483B 2% .40W	1	0	0																D1
8		1110994	DIODE 1N751A 5% .40W	0	1	1																D1
9		1105275	DIODE D672	1	1	1																D2
10		1110672	DIODE 1N747A 5% .40W	1	1	1																D3
11		1209941-02	CONN., 40 PINS	4	4	0																J1, J2, J3, J6
12		1209941-02	CONN., 40 PINS	0	0	3																J2, J5, J6
13		1209340	CONN., MATE-N-LOK, 8 PIN HOUSING	1	1	1																J4
14		1211813	SOCKET 16 PINS	2	2	2																J7, J8
15		1210693	SOCKET 24 PINS	6	0	0																J9, J10, XE5, XE10, XE13, XE17
16		1210693	SOCKET 24 PINS	0	5	0																J9, J10, XE24, XE27, XE31
17		1809880-10	CRYSTAL 15.206 MHZ	1	1	1																Y1
18		1211164-04	SWITCH 8POS	3	3	3																S1, S2, S3
19		1300439	RES 3.3K 5% $\frac{1}{4}$ W	1	1	1																R1
20		1300447	RES 4.7K 5% $\frac{1}{4}$ W	8	8	8																R2 THRU R9
21		1300295	RES 330 5% $\frac{1}{4}$ W	3	3	3																R10, R18, R55

E.C.O. NO.			
------------	--	--	--

"THIS DRAWING AND SPECIFICATIONS, HEREIN, ARE THE PROPERTY OF DIGITAL EQUIPMENT CORPORATION AND SHALL NOT BE REPRODUCED OR COPIED OR USED IN WHOLE OR IN PART AS THE BASIS FOR THE MANUFACTURE OR SALE OF ITEMS WITHOUT WRITTEN PERMISSION. COPYRIGHT © 1977 DIGITAL EQUIPMENT CORPORATION"

**TITLE**  
LS12Ø LOGIC BOARD

**ASSY NO.**  
D-UA-541261Ø-Ø-Ø  
**SHEET** 1 OF 4

<b>SIZE</b>	<b>CODE</b>	<b>NUMBER</b>	
B	PL	541261Ø-Ø-Ø	

INSERTION PARTS LIST DATA BASE REV

**REV.**  
C



# DIGITAL EQUIPMENT CORPORATION PARTS LIST

MADE BY <i>K. Damacke</i>	CHECKED <i>RW Counter</i>	SECTION 1
DATE <i>7/MAR/77</i>	DATE <i>7 MAR 77</i>	
ENG <i>John L. Egert</i>	PROD <i>C. Hilton</i>	ISSUED SECTION 1
DATE <i>28/MAR/77</i>	DATE <i>29 MAR 77</i>	

ITEM NO.	DRAWING NO.	PART NO.	DESCRIPTION	QUANTITY / VARIATION												NOTES:  REF DESIGNATION	
				5412610-0	5412610-1	5412610-2											
22		1300365	RES 1K 5% 1/4W	11	11	11											R11, R12, R14, R15, R19 THRU R23, R38, R39
23		1301874	RES 5.6K 5% 1/4W	21	21	21											R13, R28, THRU R37, R40, R41, R45 THRU R52
24		1300479	RES 10K 5% 1/4W	2	2	2											R16, R53
25		1300250	RES 150 5% 1/4W	1	1	1											R17
26		1302308	RES 68 5% 2W	2	0	0											R42, R43
27		1300296	RES 330 5% 1/2W	1	1	1											R44
28		1301775	RES 820 5% 1/4W	1	1	1											R54
29		1302379	RES 75 5% 1/4W	1	1	1											R56
30		1301808	RES 22K 5% 1/4W	1	1	1											R57
31		1501742	TRANS 2904	1	0	0											Q1
32		1509338	TRANS 6531B	1	1	1											Q2
33		1503409	TRANS 6534D	1	1	1											Q3
34		1913105	I.C. DEC 8224	1	1	1											E1
35		2113108	I.C. DEC 8080	1	1	1											E2
36		1909929	I.C. DEC 7417	3	3	0											E3, E16, E40
37		2113894	I.C. DEC 8255	2	2	2											E4, E36
38		1912824	I.C. DEC 74LS74	1	1	1											E6
39		1912842	I.C. DEC 74LS138	2	0	0											E7, E14
40		1912842	I.C. DEC 74LS138	0	1	1											E7
41		1909054	I.C. DEC 7493A	2	2	2											E8, E12
42		1911324	I.C. DEC 7414	1	1	1											E9

E.CO. NO. \_\_\_\_\_

"THIS DRAWING AND SPECIFICATIONS, HEREIN, ARE THE PROPERTY OF DIGITAL EQUIPMENT CORPORATION AND SHALL NOT BE REPRODUCED OR COPIED OR USED IN WHOLE OR IN PART AS THE BASIS FOR THE MANUFACTURE OR SALE OF ITEMS WITHOUT WRITTEN PERMISSION. COPYRIGHT © 1977 DIGITAL EQUIPMENT CORPORATION"	TITLE LS120 LOGIC BOARD	ASSY NO. D-UA-5412610-0-0 SHEET 2 OF 4	SIZE <b>B</b>	CODE <b>PL</b>	NUMBER 5412610-0-0 INSERTION PARTS LIST DATA BASE REV
---	----------------------------	--	------------------	-------------------	---

# DIGITAL EQUIPMENT CORPORATION PARTS LIST

QUANTITY / VARIATION

NOTES:

MADE BY *R. Damache*  
DATE *7/MAR/77*

CHECKED *R.W. Cooney*  
DATE *7 Mar 77*

SECTION  
1

ENG *John L. Eggert*  
DATE *28/MAR/77*

PROD *C. Hilton*  
DATE *29-MAR-77*

ISSUED SECTION  
1

ITEM NO.	DRAWING NO.	PART NO.	DESCRIPTION	QUANTITY / VARIATION											REF DESIGNATION		
				5412610-0	5412610-1	5412610-2											
43		1912803	I.C. DEC 74LS04	2	2	2											E11, E25
44		1912844	I.C. DEC 74LS151	1	1	1											E15
45		1910650	I.C. DEC 74161	1	1	1											E18
46		1912820	I.C. DEC 74LS51	2	2	2											E19, E29
47		1912799	I.C. DEC 74LS00	4	4	4											E21, E22, E48, E49
48		1912801	I.C. DEC 74LS02	1	1	1											E26
49		2111318-01	I.C. DEC 2102	8	8	8											E28, E32, E35, E38, E41, E43, E44, E45
50		1911527	I.C. DEC 8097	2	2	2											E33, E47
51		2113107	I.C. DEC 8251	1	1	1											E37
52		1912847	I.C. DEC 74LS157	2	2	2											E39, E42
53		1910322	I.C. DEC 1488L	1	1	1											E46
54		1910323	I.C. DEC 1489	2	2	2											E50, E53
55		1912805	I.C. DEC 74LS08	1	1	1											E51
56		1912807	I.C. DEC 74LS10	1	1	1											E52
57		1209456-01	PINS, CONN, FEMALE	8	8	8											
58		9009185	JUMPER, WHT INSULATION	7	0	0											W3, W5 THRU W10
59		9009185	JUMPER, WHT INSULATION	0	8	0											W1, W3, W5 THRU W10
60		9006735	SPLIT LUGS	7	7	7											
61		9007112	FASTON TABS	2	2	2											
62		1210711-01	HANDLE, MODULE, HEX BD.	1	1	1											
63		9007201	TRANSIPADS	1	0	0											

E.C.O. NO.

"THIS DRAWING AND SPECIFICATIONS, HEREIN, ARE THE PROPERTY OF DIGITAL EQUIPMENT CORPORATION AND SHALL NOT BE REPRODUCED OR COPIED OR USED IN WHOLE OR IN PART AS THE BASIS FOR THE MANUFACTURE OR SALE OF ITEMS WITHOUT WRITTEN PERMISSION. COPYRIGHT © 1977 DIGITAL EQUIPMENT CORPORATION"

TITLE  
LS120 LOGIC BOARD

ASSY NO.  
D-UA-5412610-0-0  
SHEET 3 OF 4

SIZE CODE NUMBER  
**B PL** 5412610-0-0  
INSERTION PARTS LIST DATA BASE REV

REV.  
C

# DIGITAL EQUIPMENT CORPORATION PARTS LIST

QUANTITY / VARIATION

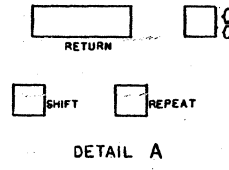
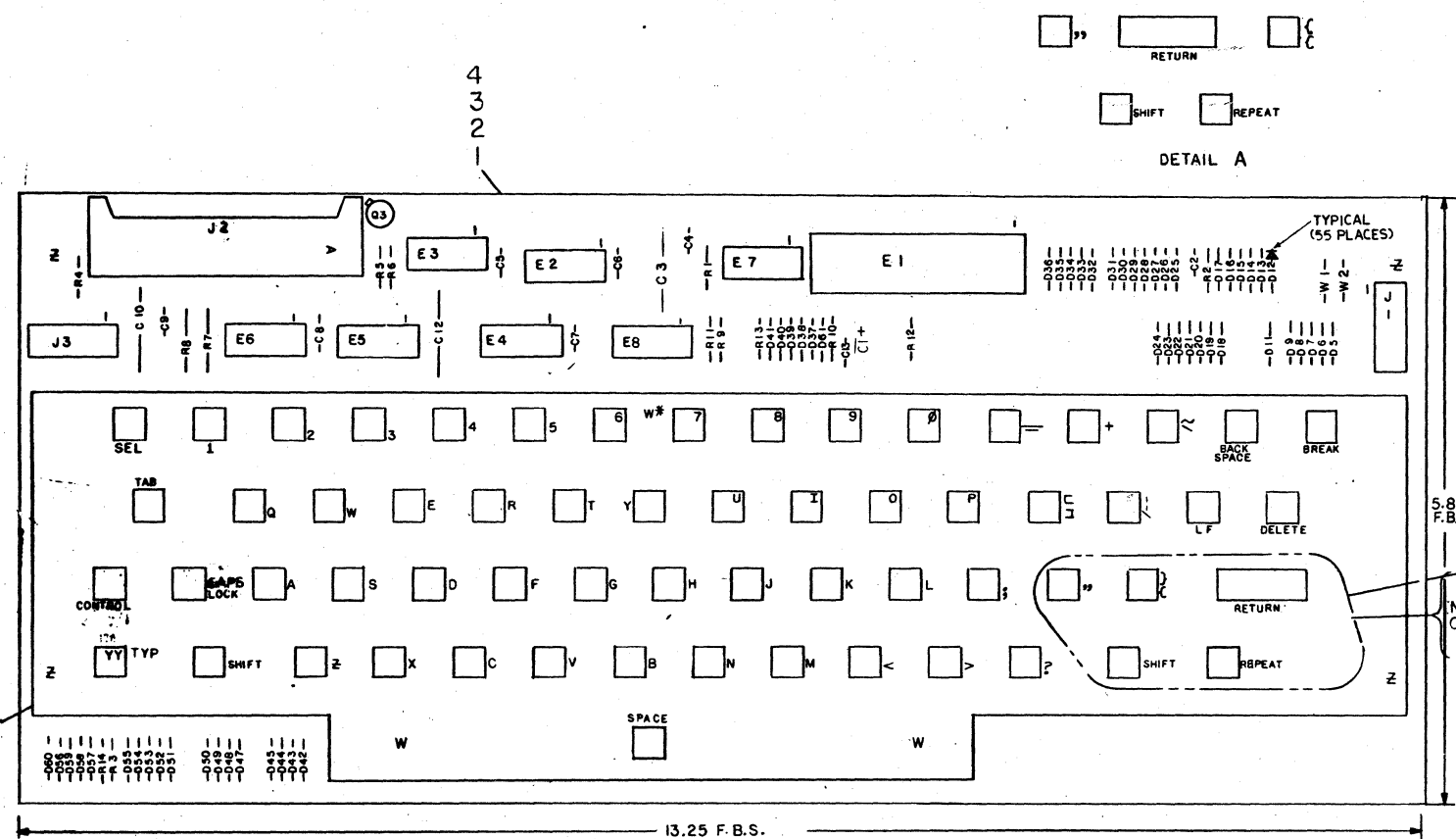
NOTES:

MADE BY <i>X. Samach</i>	CHECKED <i>RW Coenter</i>	SECTION 1
DATE <i>7/MAR/77</i>	DATE <i>7 mar 77</i>	
ENG <i>John L. Eggert</i>	PROD <i>C. Hilton</i>	ISSUED SECTION 1
DATE <i>28/MAR/77</i>	DATE <i>29 MAR 77</i>	

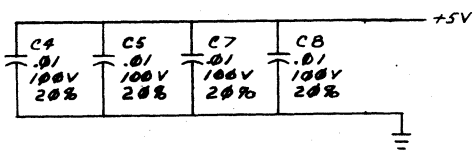
ITEM NO.	DRAWING NO.	PART NO.	DESCRIPTION	5412610-0	5412610-1	5412610-2										REF DESIGNATION
64		1210693	SOCKET 24 PINS	0	0	7										J9, J10, XE23, XE24, XE27, XE30, XE31
65		1912800	I.C. DEC 74LS01 ←	0	0	2										E20, E34
66		1209941-03	LATCH, LEFT	2	2	1										
67		1209941-04	LATCH, RIGHT	1	1	1										
68		9009000	EYELET (FASTON TAB)	2	2	2										
69		9006732	EYELET (MATE-N-LOK)	2	2	2										
70		9006732	EYELET (HANDLE)	12	12	12										
71		9009185	JUMPER WHT INSULATION	0	0	8										W1, W2, W5 THRU W10

Specifications, herein, are the property of Digital Equipment Corporation and shall not be used in whole or in part as a basis for the manufacture or sale of items without the written permission of Digital Equipment Corporation. COPYRIGHT © 1975

NOTES: TWO VARIATIONS OF THIS BOARD SHALL BE AVAILABLE:  
 1. 5410736-0-0 NORMAL = NORMAL KEY CAP CONFIGURATION; WI, IN, NR, OUT  
 2. 5410736-YA-0 YA = OPTIONAL KEY CAP CONFIGURATION; WI, IN, NR, OUT



SEE DETAIL (A)  
 NORMAL KEY CAP CONFIGURATION



REF	REF	QTY	DESCRIPTION	PART NO.	ITEM NO.
			X-Y COORDINATE HOLE LOCATION	K-CO-5410736-0-4	1
			ASSY/DRILLING HOLE LAYOUT	D-AH-5410736-0-5	2
			MODULE ECO HISTORY	B-MH-5410736-0-6	3
1	1		ETCHED CIRCUIT BOARD	5010735	4
1	1	C3	CAP., .01UF, 100V 10% MYLAR	1005704	5
6	6	C4, C5, C7, C8, C9, C13	CAP., .01UF, 100V 20% DISC	1001610-01	6
1	1	C1	CAP., .1UF, 25V TANT	1010866-01	7
1	1	C2	CAP., 180PF, 100V 5% NICH	1000020-00	8
2	2	C10, C12	CAP., .10UF, 20V 10% TANT	1004813	9
55	55	D5-D9, D11-D*5, D47-D61	DIODE, D664	1100114-00	10
1	1	Q3	TRANSISTOR DEC 3009B	1503100-00	11
2	2	J1, J3	SOCKET (16 PINS)	1211813	12
1	1	J2	CONNECTOR, RIGHT ANGLE HEADER	1209941-02	13
1	1	XE1	SOCKET ROM	1212305-00	14
1	1	E2	I.C. 7404	1909686	15
2	2	E3, E8	I.C. 7400	1905575	16
2	2	E5, E6	I.C. 7437	1910091	17
1	1	E4	I.C. 9601	1909373	18
1	1	E1	I.C. ROM	23002C1	19
0	1	W1	JUMPER (INSULATED .4)	9009185	20
1	1		63 KEYSWITCH ARRAY	D-AD-7009892-0-21	21
9	9	R1, R3, R4, R5, R10-RM	RES 1K 1/4W 5%	1300365-00	22
1	1	R6	RES 3.9K 1/4W 5%	1300444-00	23
1	1	R9	RES 22K 1/4W 5%	1301808-00	24
1	1	R2	RES 100K 1/4W 5%	1302466-00	25
2	2	R7, R8	RES 2 OHM 1/2W 5%	1309021-00	26
1	1	E7	I.C. 7410	1905576	27
1	0	W2	JUMPER (INSULATED .4)	9009185	28
1	1	C6	CAP., 1000PF 100V 5% NICH	1000042-00	29

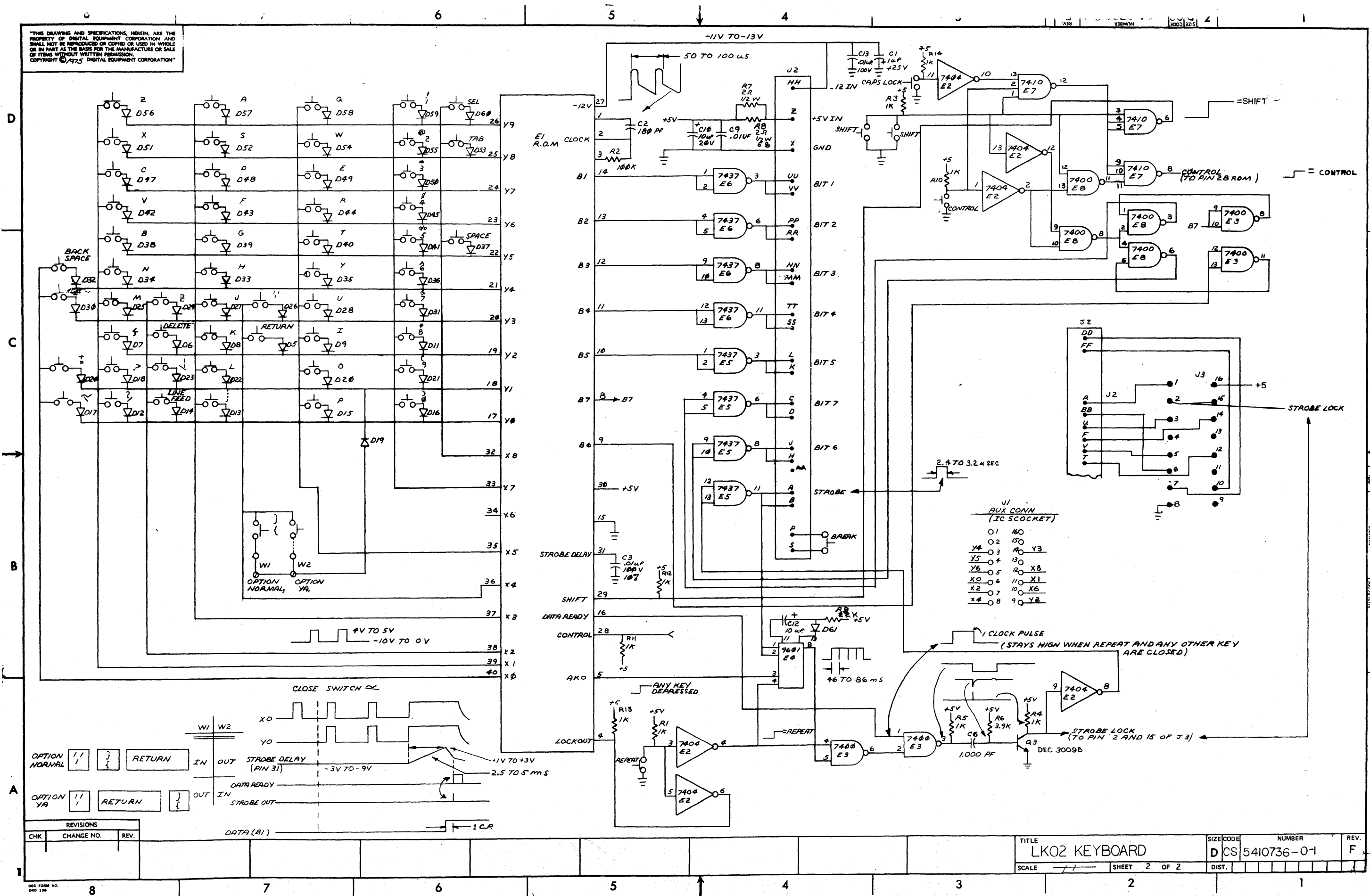
QTY	REF DESIGNATION	DESCRIPTION	PART NO.	ITEM NO.
PARTS LIST				
ETCH BOARD REV F				
DRN. POIRIER		DATE 1-25-74		<b>digital</b> EQUIPMENT CORPORATION MAYNARD, MASSACHUSETTS
CHK'D. <i>Costello</i>		DATE 3-2-75		
ENG. P. NELSON		DATE 2-4-74		TITLE <b>LK02 KEYBOARD</b>
PROJ. ENG. P. NELSON		DATE 2-4-74		
PROD.		DATE		NEXT HIGHER ASSY D-UA-LK02-0-0 SCALE 1 OF 2 SHEET 1 OF 2
REV. IN 759A N.A.				
REV. D664 IN 3606				SIZE CODE NUMBER DICS 5410736-0-1 DIST.
DEC NO. EIA NO. DEC NO. EIA NO.				
SEMICONDUCTOR CONVERSION CHART				

REV. IN 759A N.A.	DATE	1-25-74
CHK'D. <i>Costello</i>	DATE	3-2-75
ENG. P. NELSON	DATE	2-4-74
PROJ. ENG. P. NELSON	DATE	2-4-74
PROD.	DATE	
REV. IN 759A N.A.	DATE	
REV. D664 IN 3606	DATE	

DEC FORM NO. DED-135

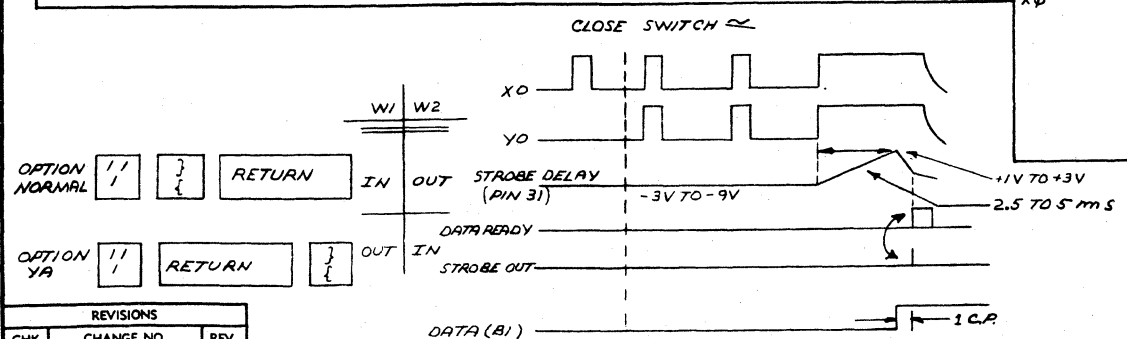
REV. F  
 NUMBER 5410736-0-1  
 SIZE CODE DICS

"THIS DRAWING AND SPECIFICATIONS, HEREIN, ARE THE PROPERTY OF DIGITAL EQUIPMENT CORPORATION, AND SHALL NOT BE REPRODUCED OR COPIED OR USED IN WHOLE OR IN PART AS THE BASIS FOR THE MANUFACTURE OR SALE OF ITEMS WITHOUT WRITTEN PERMISSION. COPYRIGHT © 1975 DIGITAL EQUIPMENT CORPORATION"



J1  
AUX CONN  
(IC SOCKET)

01	160
02	150
Y4	A0
Y5	04
Y6	05
X0	06
X2	07
X4	08
Y3	Y3
130	X8
110	X1
100	X6
90	Y2



REVISIONS

CHK	CHANGE NO.	REV.

This drawing and specifications, herein, are the property of Digital Equipment Corporation and shall not be reproduced or copied or used in whole or in part as the basis for the manufacture or sale of items without written permission.

## DIGITAL EQUIPMENT CORPORATION MAYNARD MASSACHUSETTS

### PACKAGING INSTRUCTION

TITLE DECwriter

REV:   A   DATE:   7/75    
  B     1/76    
  C     11/76    
  D     4/77  

#### LEGEND

3700131-00	DECwriter with Keyboard
3700131-01	DECwriter without Keyboard

#### MATERIAL REQUIREMENTS - 3700131-00

Quantity	Purchase Specification No.	Description
1	9905601	Stitched Tube
1	9905601-01	Full Telescope Cap
1	9905639	Pad with Foam (LA36/LA35 only)
1	9905129-39	Poly Bag
1	9905651	Wood Skid
1	9905651-01	Wood Brace
2	90-09290-03	3/8-16 X 3 Hex-Head Bolt
1	36-12520-0-0	Caution Tag
6 ft	90-09634	Stain Resistant Tape
1	90-07032	Panduit Cable Tie
20 ft	9905734-02	Polypropylene Strapping
1	9905129-35	Poly Bag
2	9008319	Washer, Flat

#### PACKAGING INSTRUCTIONS - 3700131-00

- | Step | Procedure  |
|------|--|
| 1.   | Lift the cover and slide the print head to the left as far as it will go. Slip the Panduit Cable Tie (90-07032) around the ribbon rollers (A and B). Do not over-tighten. Fasten Caution Tag (36-12520-0-0) to tractor drive shaft. Close cover. |
| 2.   | Place Pad with Foam (9905639) (foam side down) on top of the LA36/LA35 keyboard. Tape with two (2) strips of glass filament tape (90-09634). Tape back door closed, using two (2) strips of glass filament tape (90-09634).                      |
| 3.   | Place DECwriter on top of Skid Deck (9905651).   |
| 4.   | Place all hardware and software into Poly Bag (9905129-35) and staple to deck of skid.   |
| 5.   | Place one strip of CW21 (Custom Wrap) or Microfoam, over each leg of the DECwriter.  |
| 6.   | Place Wood Brace (9905651-01) on top of legs <i>as far back as it will go</i> to properly align the bolt holes.  |
| 7.   | Place Hex-Head Bolts (9009290-03) and washers (9008319) through the bolt holes in the wood brace into the Tee Nuts in the underside of the skid deck; then tighten down.   |
| 8.   | Place a Poly Bag (9905129-39) over the DECwriter. Then, place the Stitched Tube (9905601) over and around the unit. Assemble Full Telescope Cap (9905601-01) and place on top of Stitched Tube.  |

#### NOTE

Make sure that the Stitched Tube is resting on the wood skid base, on all 4 sides.

9. Strap in two places as shown in Figure 2.

ENG Bill Patton 4/26/77	APPD LJ Nielsen 4-27-77	SIZE A	CODE SP	NUMBER 3700131-0-0	REV D
----------------------------	----------------------------	-----------	------------	-----------------------	----------

## PACKAGING INSTRUCTION

CONTINUATION SHEET

TITLE DECwriter

#### MATERIAL REQUIREMENTS - 3700131-01

Quantity	Purchase Specification No.	Description
1	9905601	Stitched Tube
1	9905601-01	Full Telescope Cap
1	9905129-39	Poly Bag
1	9905651	Wood Skid
1	9905651-01	Wood Brace (2 X 3)
2	90-09290-03	3/8-16 X 3 Hex-Head Bolts
1	36-12520-0-0	Caution Tag
2 ft	90-09634	Stain Resistant Tape (3M)
1	90-07032	Panduit Cable Tie
20 ft	9905734-02	Polypropylene Strapping
1	9905129-35	Poly Bag
2	9008319	Washer, Flat

#### PACKAGING INSTRUCTIONS - 3700131-01

- | Step | Procedure  |
|------|--|
| 1.   | Lift the cover and slide the print head to the left as far as it will go. Slip the Panduit Cable Tie (90-07032) around the ribbon rollers (A and B). Do not over-tighten. Fasten Caution Tag (36-12520-0-0) to tractor drive shaft. Close cover. |
| 2.   | With two (2) strips of glass filament tape (90-09634) tape back door closed.   |
| 3.   | Place DECwriter on top of Skid Deck (9905651).   |
| 4.   | Place all hardware and software into Poly Bag (9905129-35) and staple to deck of skid.   |
| 5.   | Place one strip of CW21 (Custom Wrap) or Microfoam, over each leg of the DECwriter.  |
| 6.   | Place Wood Brace (9905651-01) on top of legs <i>as far back as it will go</i> to properly align the bolt holes.  |
| 7.   | Place Hex-Head Bolts (9009290-03) and washers (9008319) through the bolt holes in the wood brace into the Tee Nuts in the underside of the skid deck; then tighten down.   |
| 8.   | Place a Poly Bag (9905129-39) over the DECwriter. Then, place the Stitched Tube (9905601) over and around the unit. Assemble Full Telescope Cap (9905601-01) and place on top of Stitched Tube.  |

#### NOTE

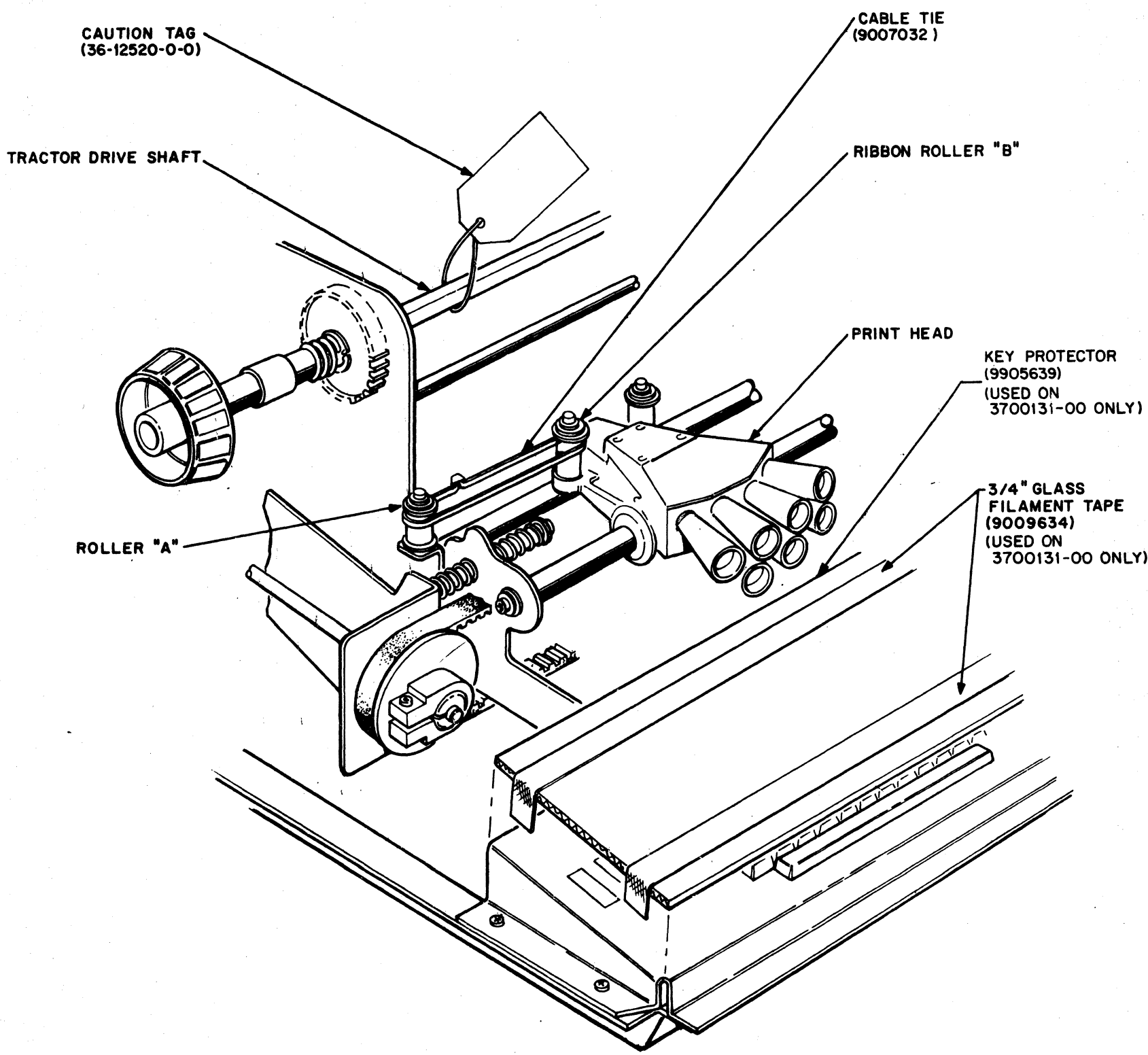
Make sure that the Stitched Tube is resting on the wood skid base, on all 4 sides.

9. Strap in two places as shown in Figure 2. Use Polypropylene strapping (9905734-02).

ENG Bill Patton 4/26/77	APPD LJ Nielsen 4-27-77	SIZE A	CODE SP	NUMBER 3700131-0-0	REV D
----------------------------	----------------------------	-----------	------------	-----------------------	----------

This drawing and specifications, herein, are the property of Digital Equipment Corporation and shall not be reproduced or copied or used in whole or in part as the basis for the manufacture or sale of items without written permission.

<b>PACKAGING INSTRUCTION</b>	<b>REV:</b> <u>    C    </u> <b>DATE:</b> <u>  11/76  </u> <u>    D    </u> <u>    4/77    </u> <u>          </u> <u>          </u>
<b>TITLE</b> DECWRITER	



**NOTE:**  
 Make changes to "C" size original only and rephotograph.

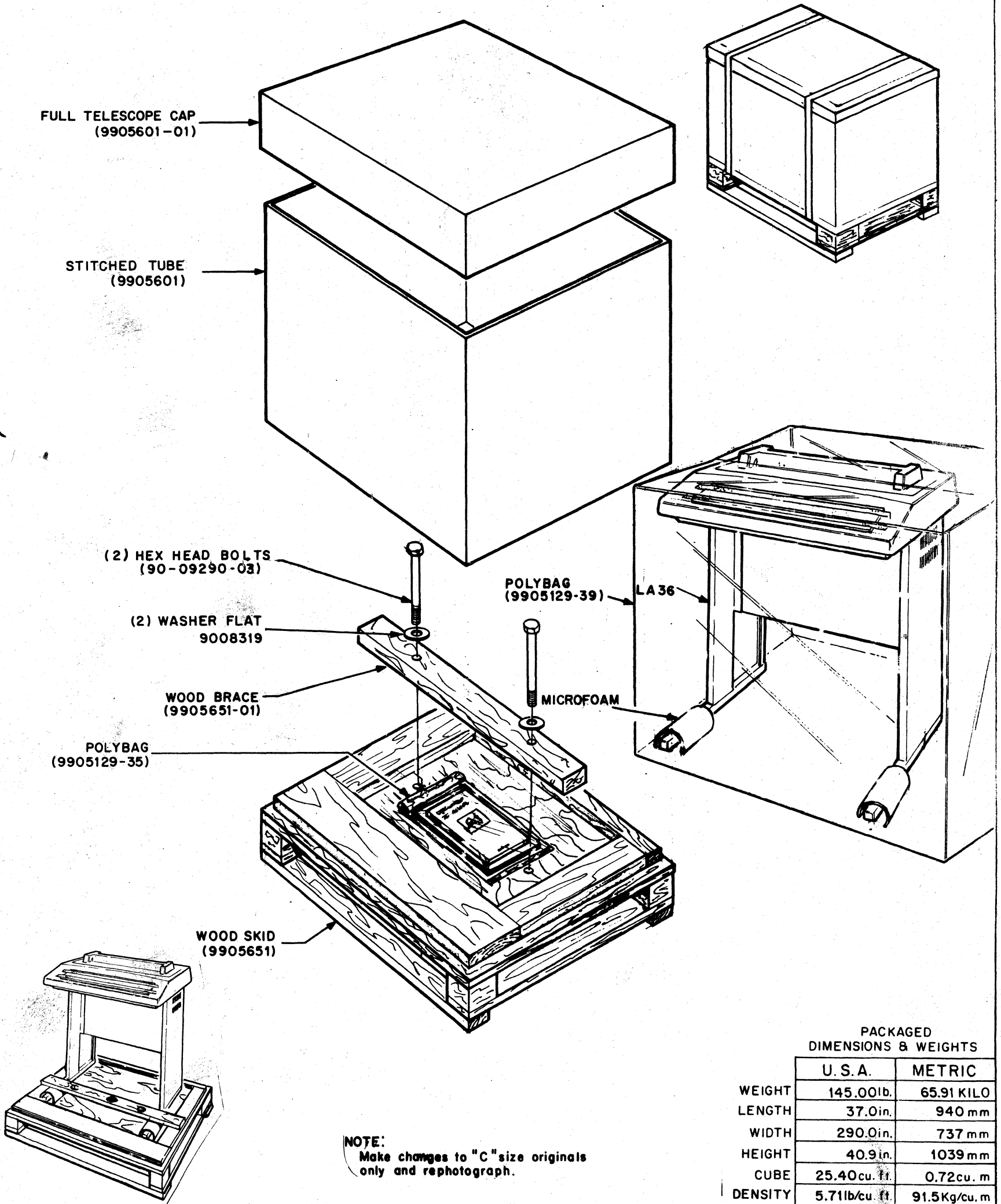
<b>ENG.</b> <i>Ken Merriam</i> 7/7/75	<b>APPD.</b> <i>J.W. Lawrence</i> 1/7/75	<b>SIZE</b> A	<b>CODE</b> SP	<b>NUMBER</b> 3700131-0-0	<b>REV</b> D
--	---	------------------	-------------------	------------------------------	-----------------

This drawing and specifications, herein, are the property of Digital Equipment Corporation and shall not be reproduced or copied or used in whole or in part as the basis for the manufacture or sale of items without written permission.

# PACKAGING INSTRUCTION

REV:     C          DATE:   11/76    
           D                            4/77      
       \_\_\_\_\_                    \_\_\_\_\_

TITLE  
**DECWRITER**



**NOTE:**  
 Make changes to "C" size originals  
 only and rephotograph.

	PACKAGED DIMENSIONS & WEIGHTS	
	U. S. A.	METRIC
WEIGHT	145.00lb.	65.91 KILO
LENGTH	37.0in.	940 mm
WIDTH	290.0in.	737 mm
HEIGHT	40.9in.	1039 mm
CUBE	25.40cu. ft.	0.72cu. m
DENSITY	5.71lb/cu. ft.	91.5Kg/cu. m

ENG. <i>Ken Merian</i> 9/04/76	APPD. <i>J. W. Lawrence</i> 2/24/75	SIZE A	CODE SP	NUMBER 3700131-0-0	REV, D
--------------------------------	-------------------------------------	-----------	------------	-----------------------	-----------

DRC-108