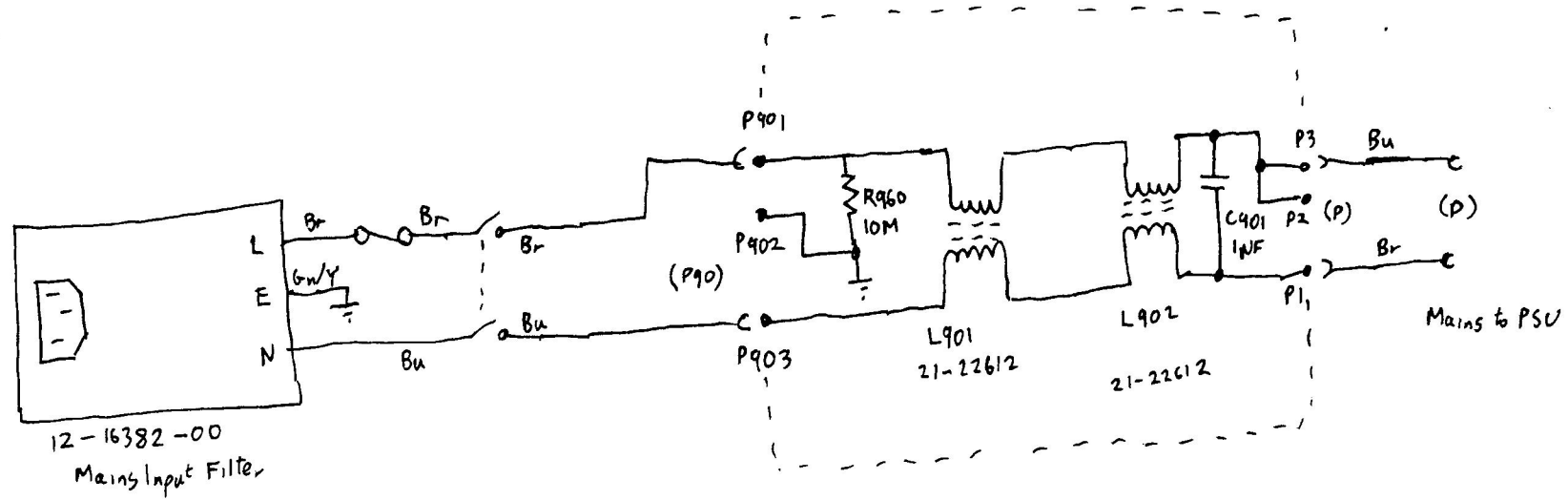
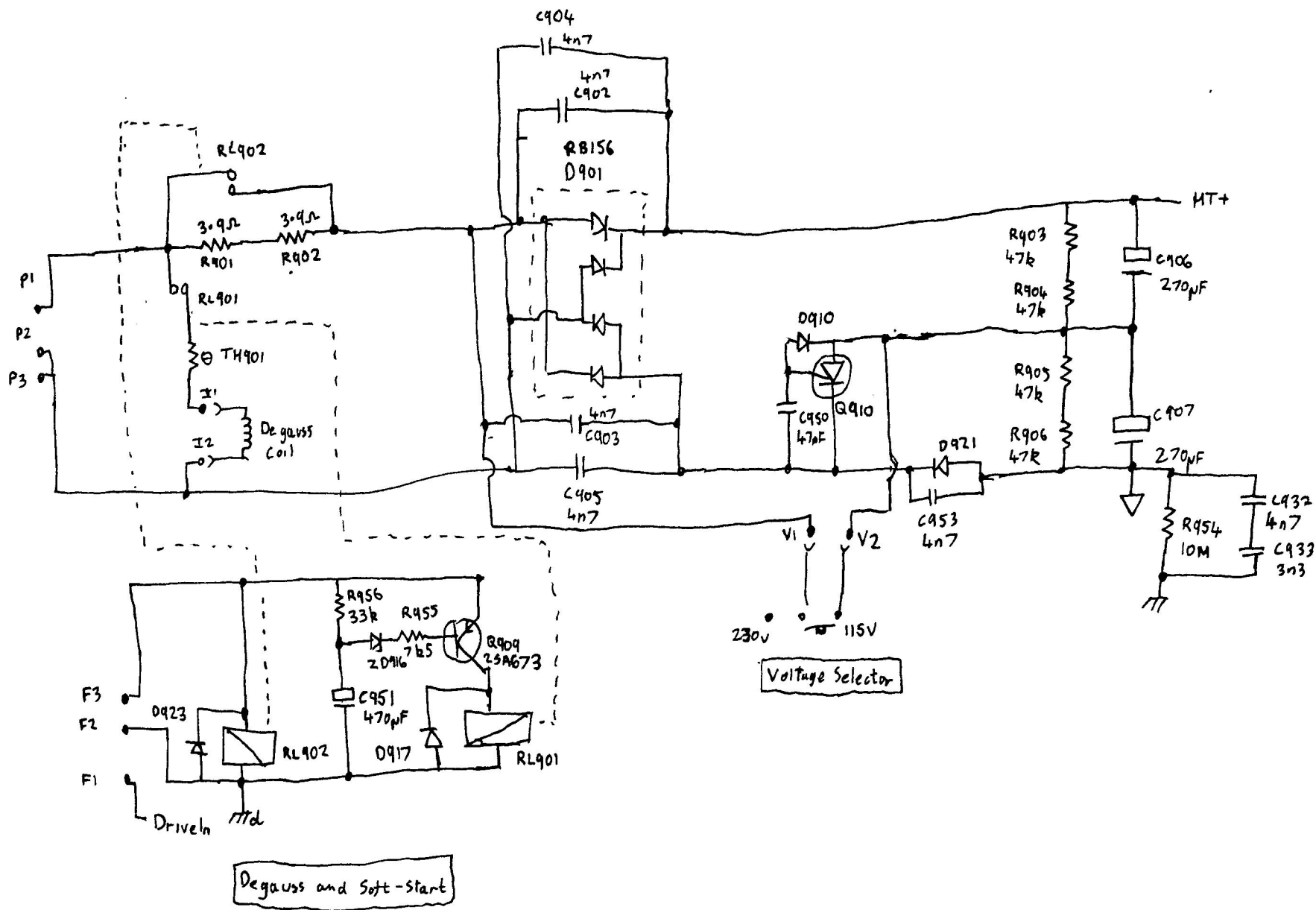


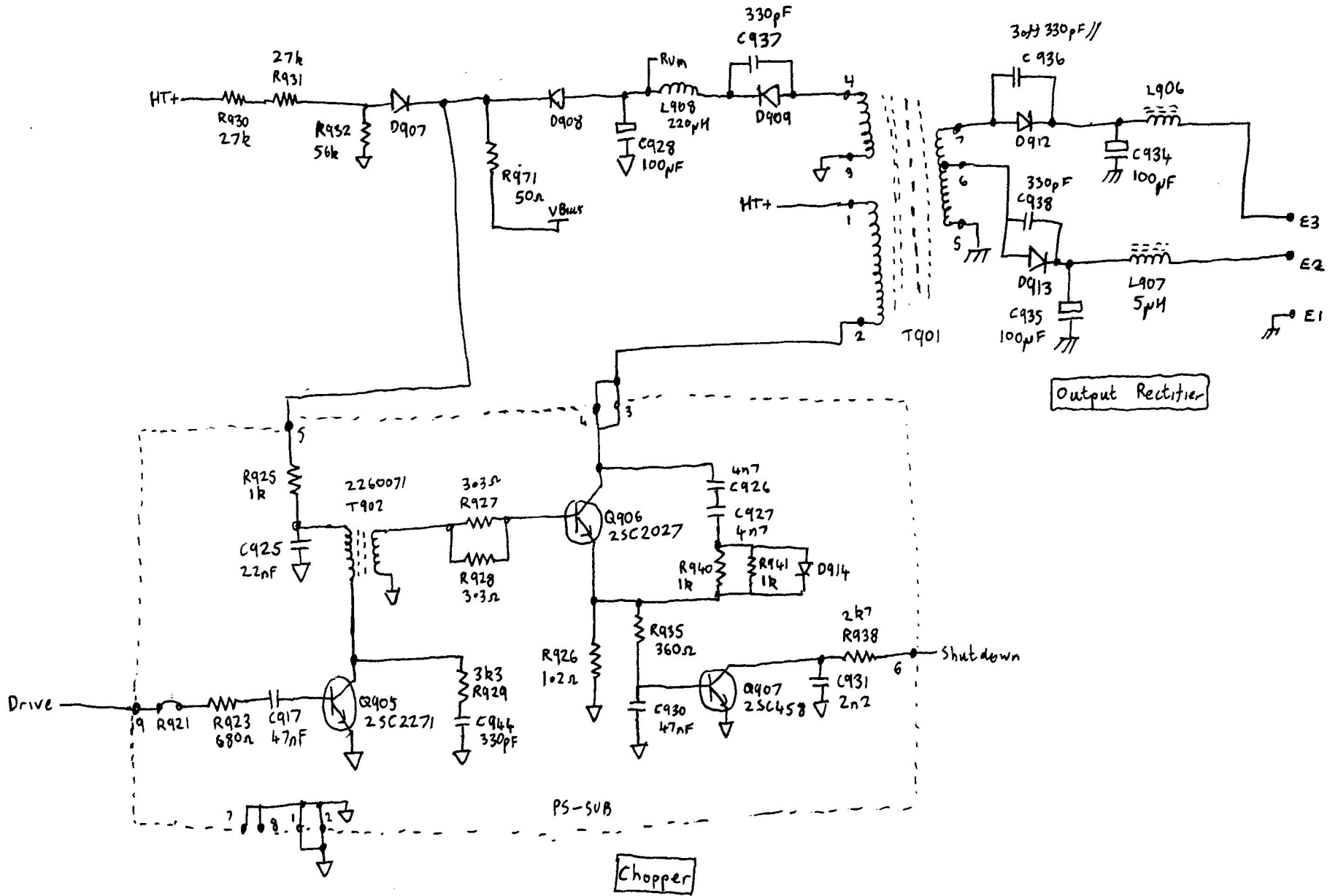
VR241 Wiring Diagram



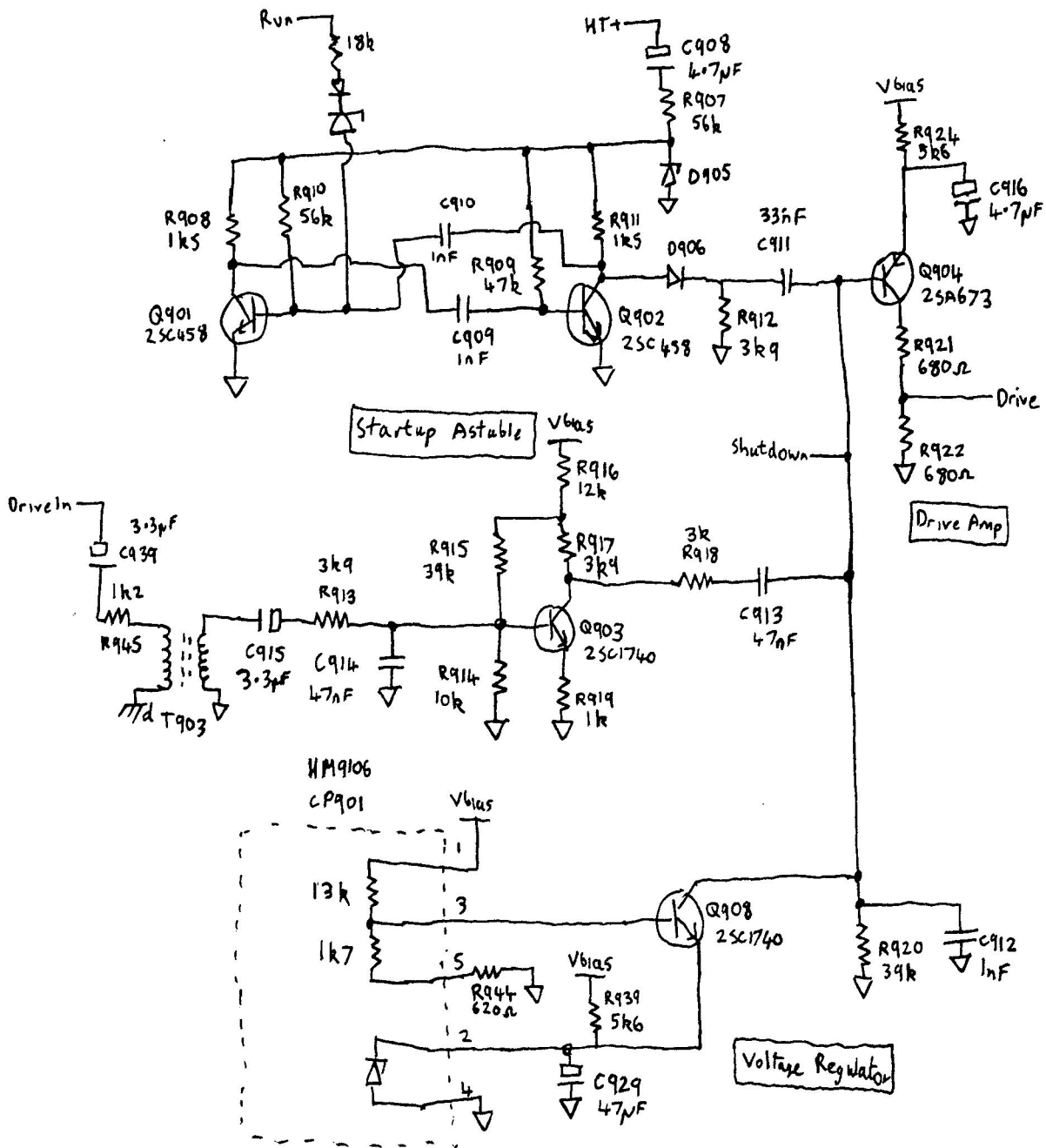
VR241 Mains Input



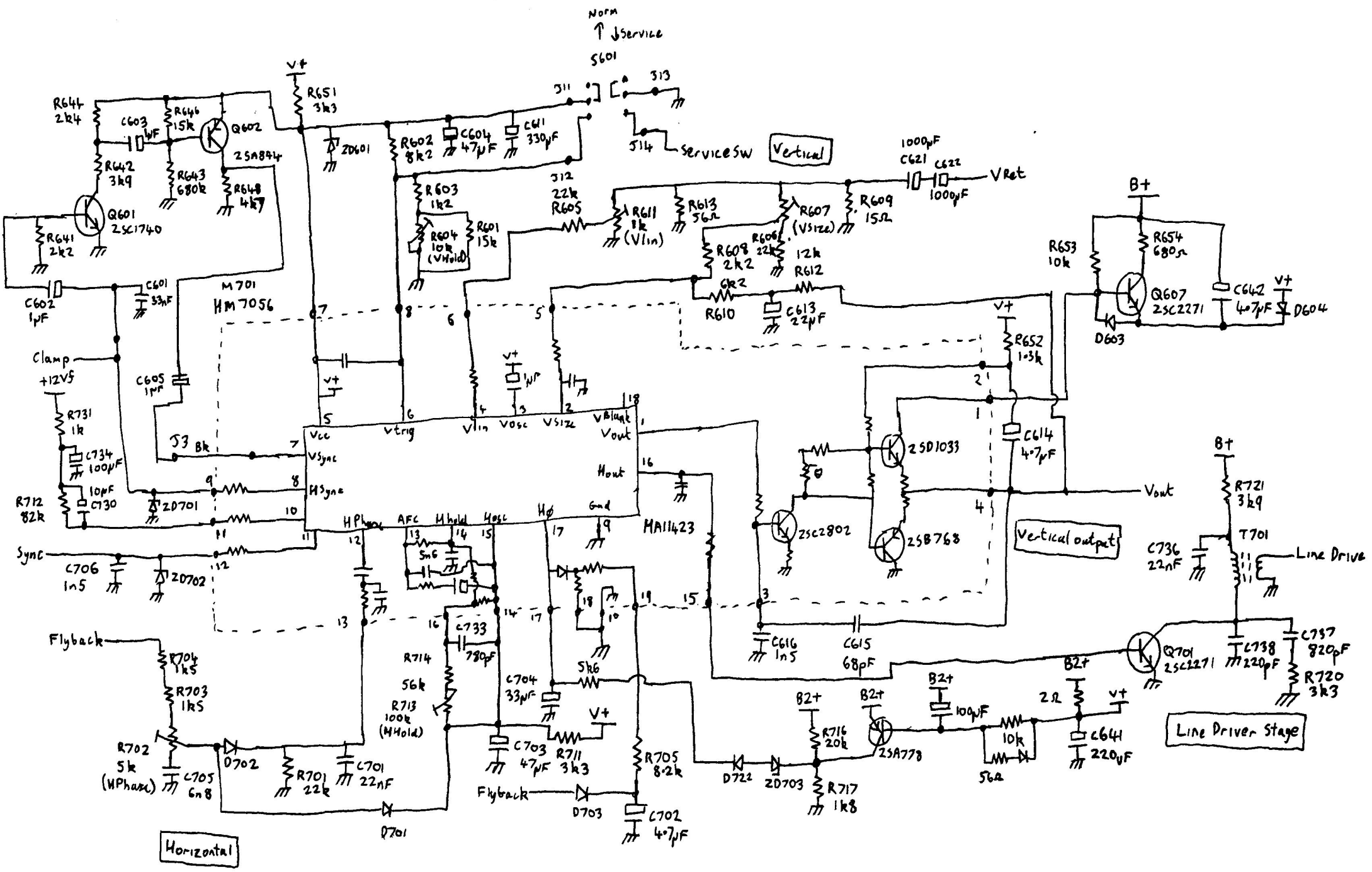
VR241 PSU Board sheet ①



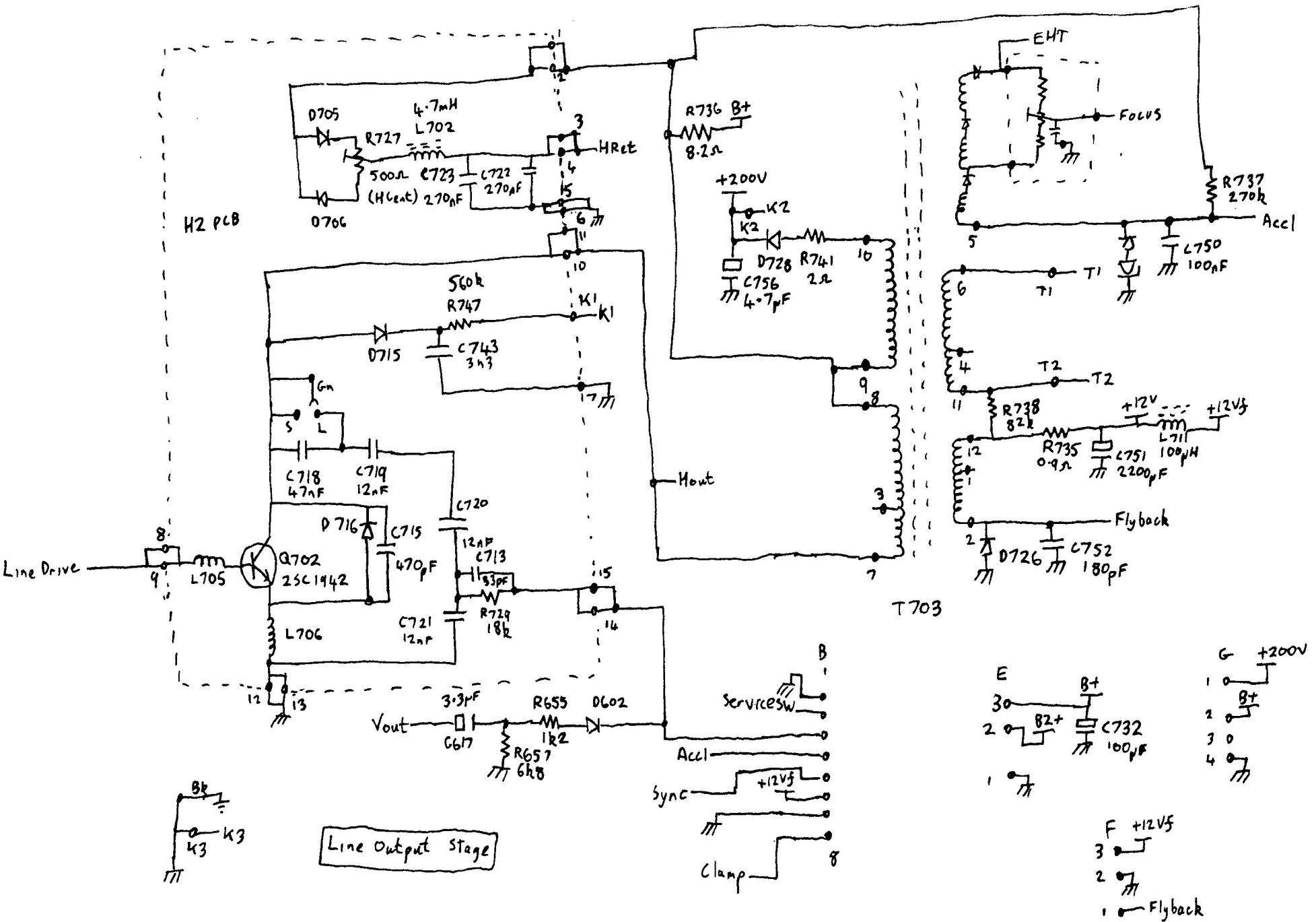
VR241 PSU Board Sheet ②



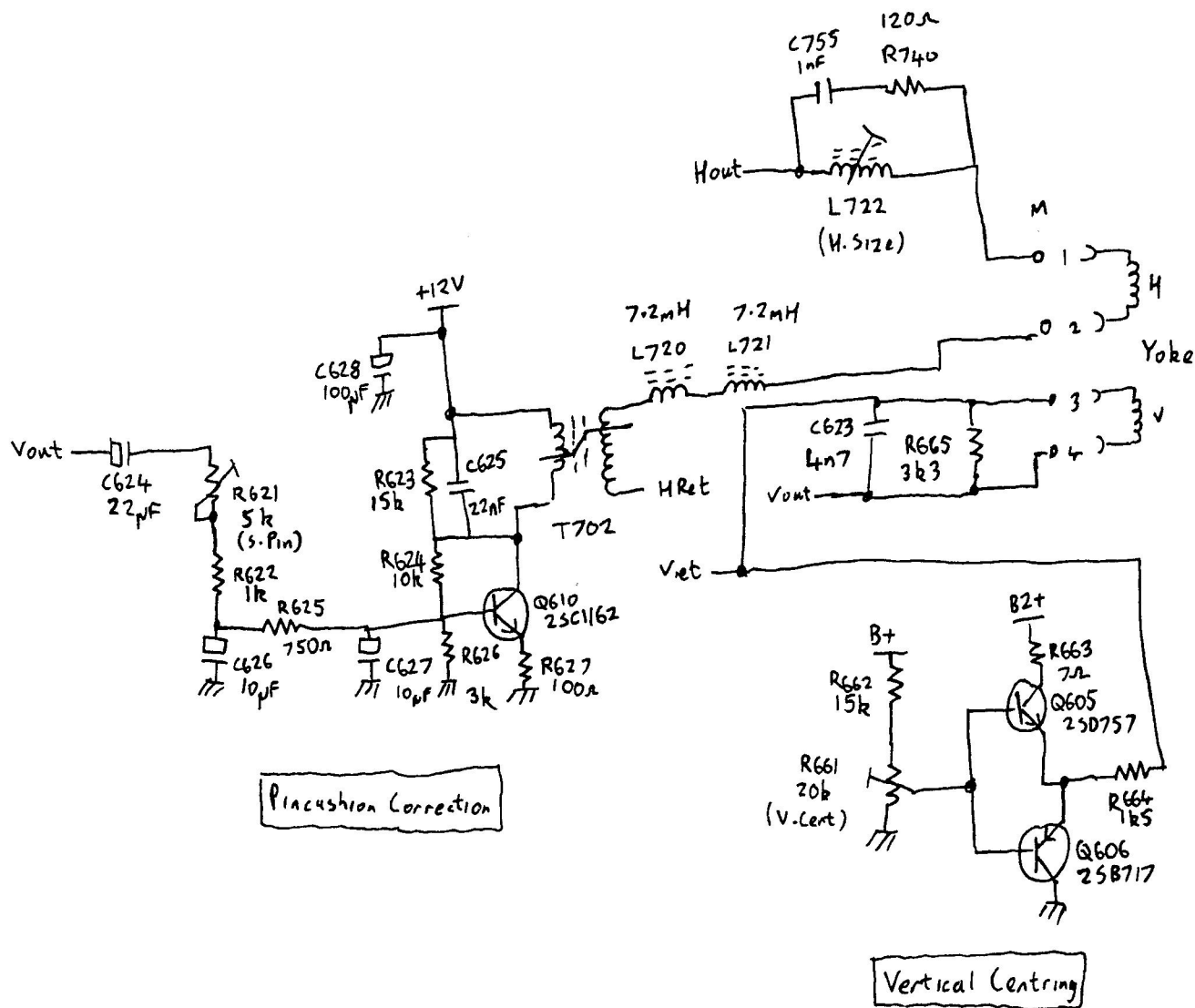
VR241 PSU Board sheet ③



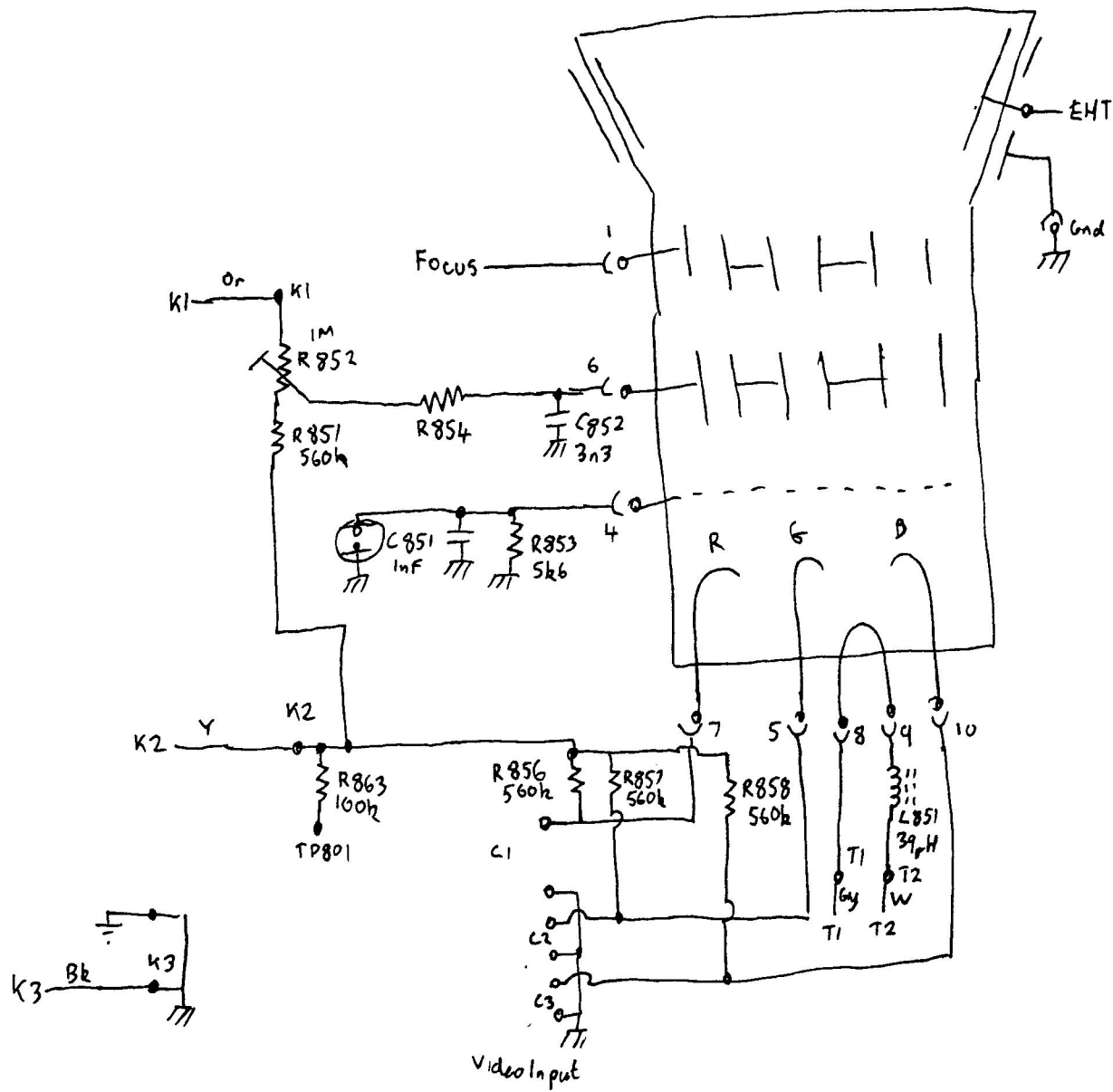
VR241 Scan Board sheet (1)



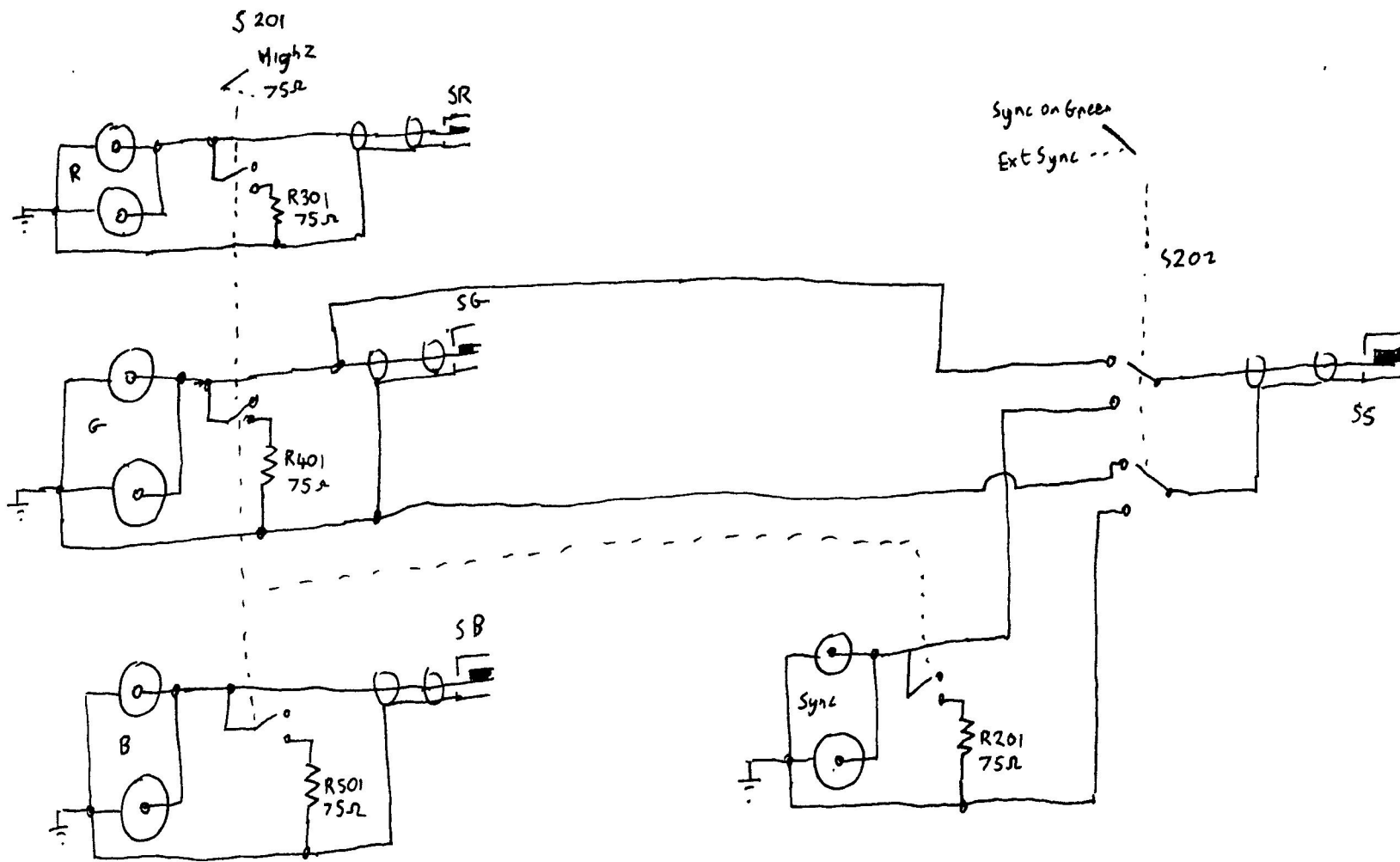
VR241 Scan Board Sheet (2)



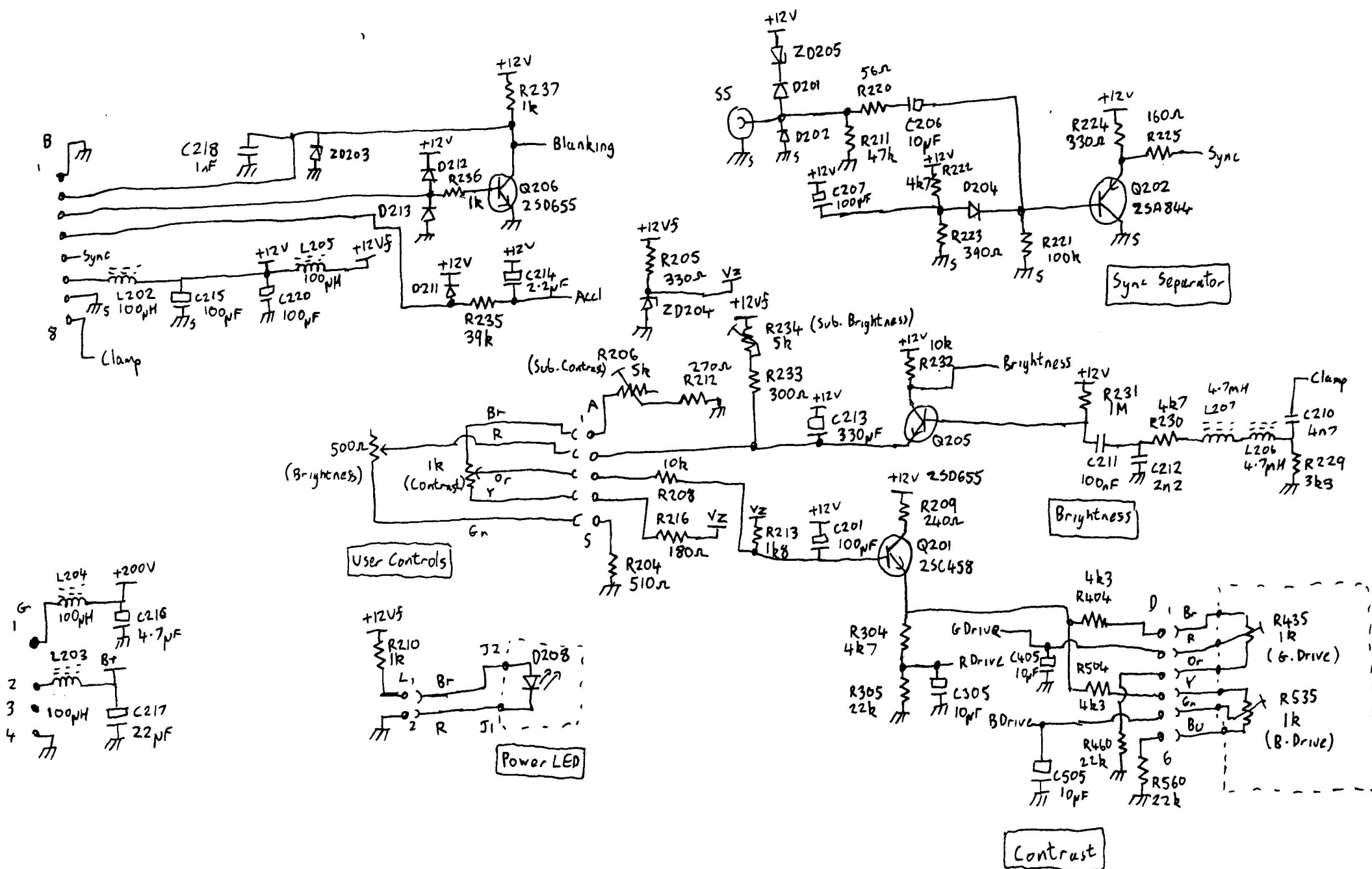




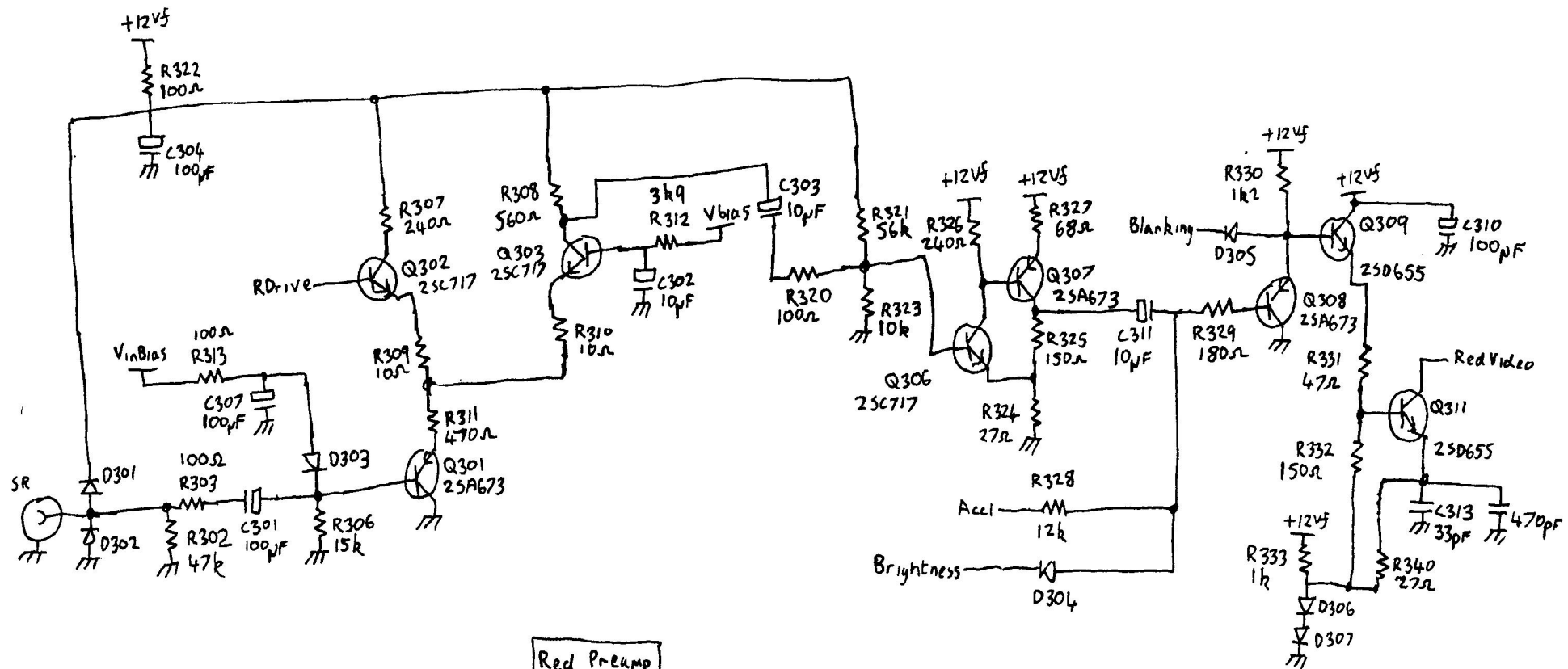
VR241 CRT Base



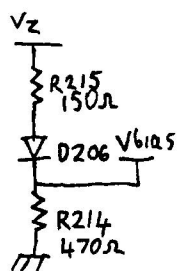
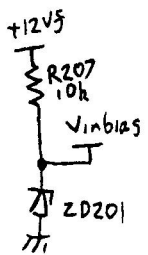
VR241 Video Input Panel

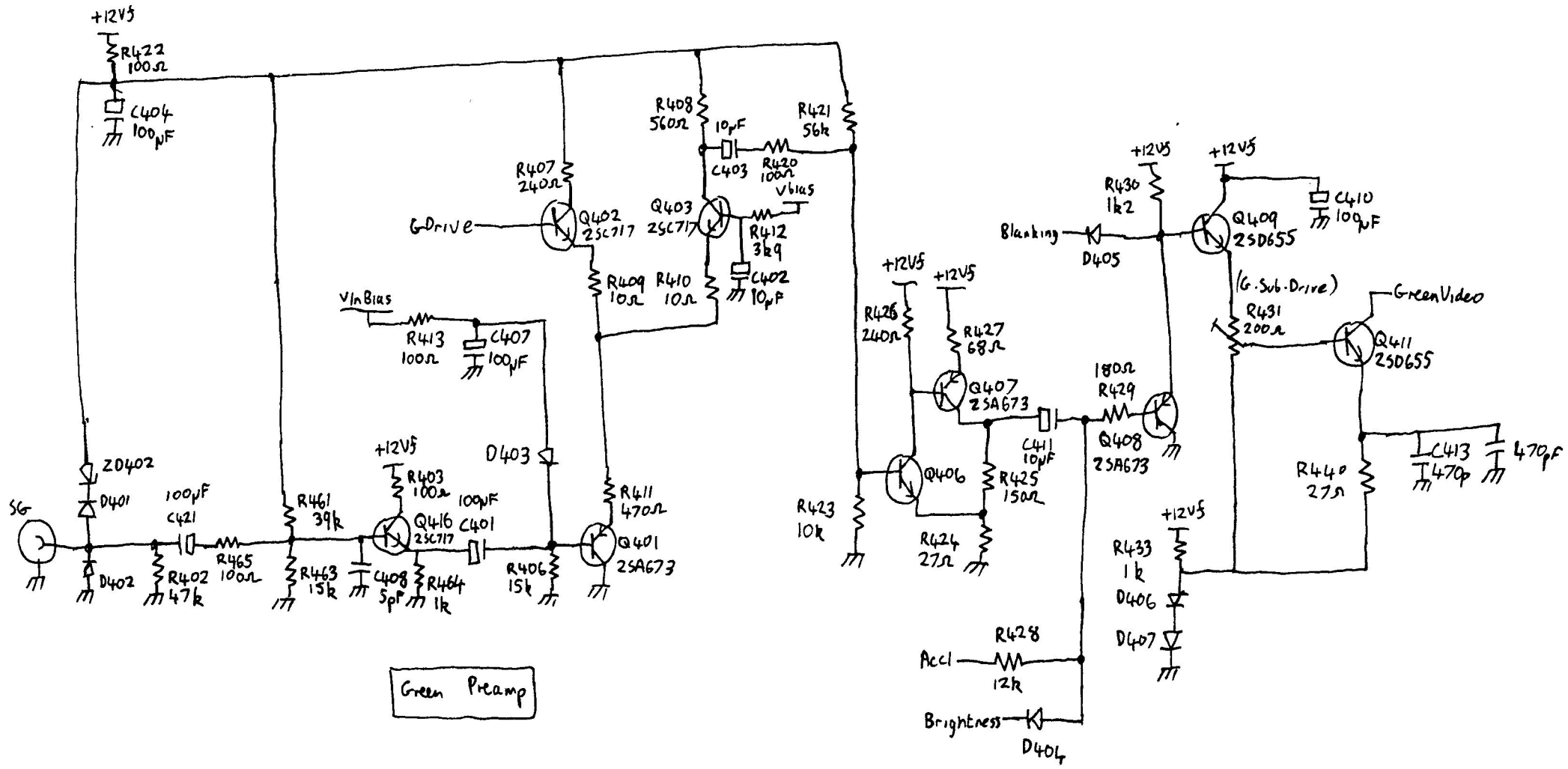


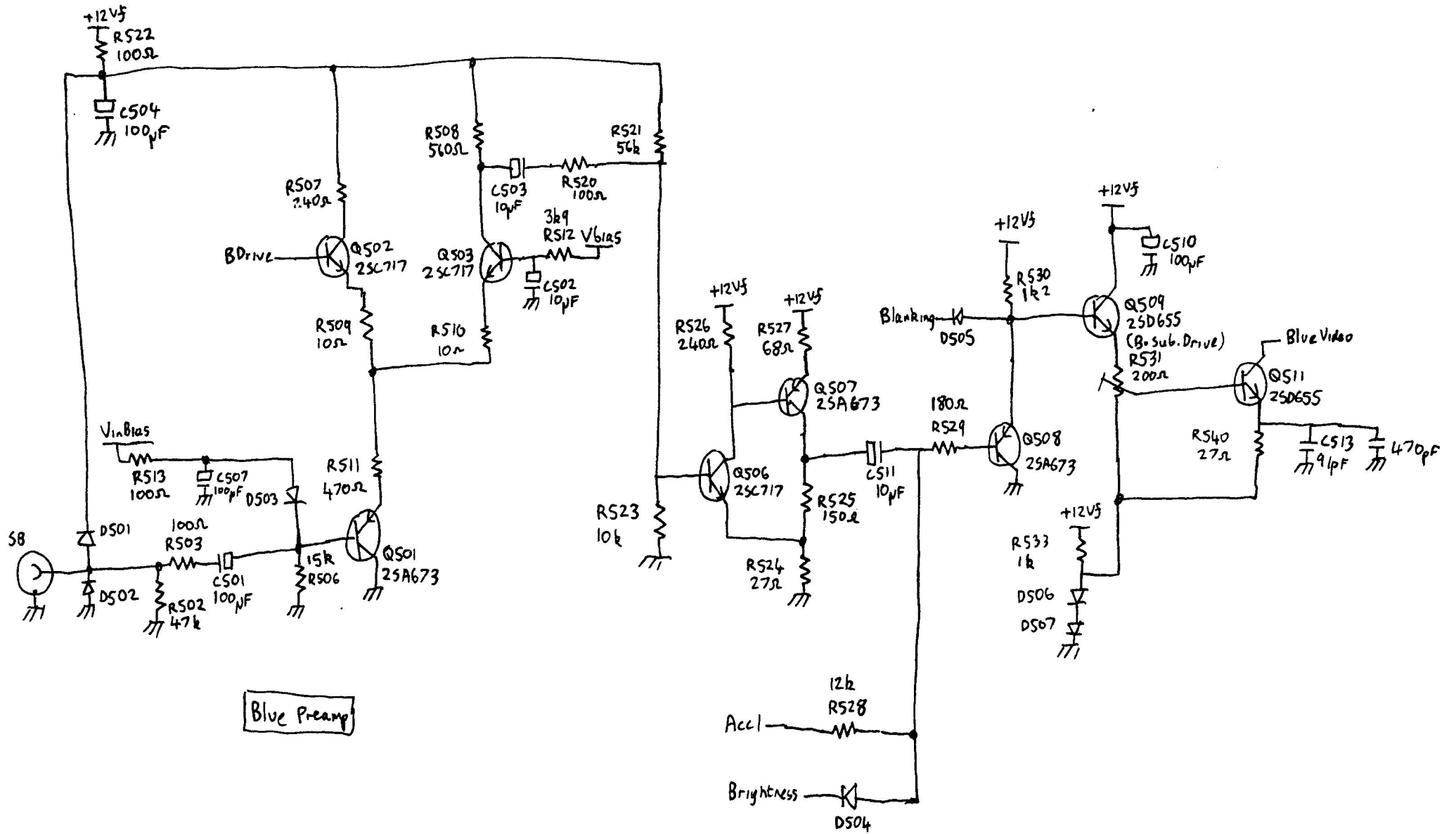
VR241 Video Board Sheet ①

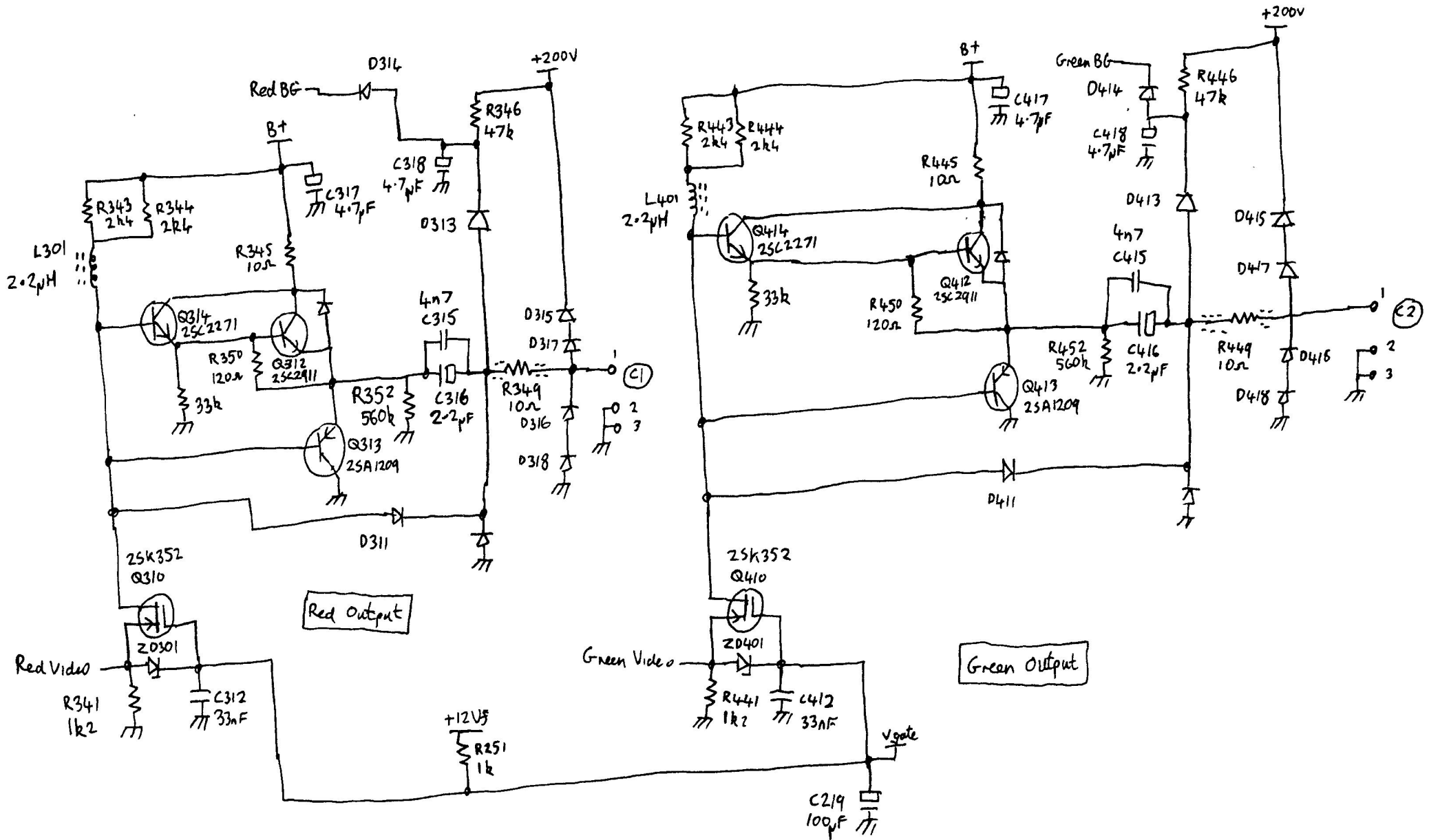


Red Preamp

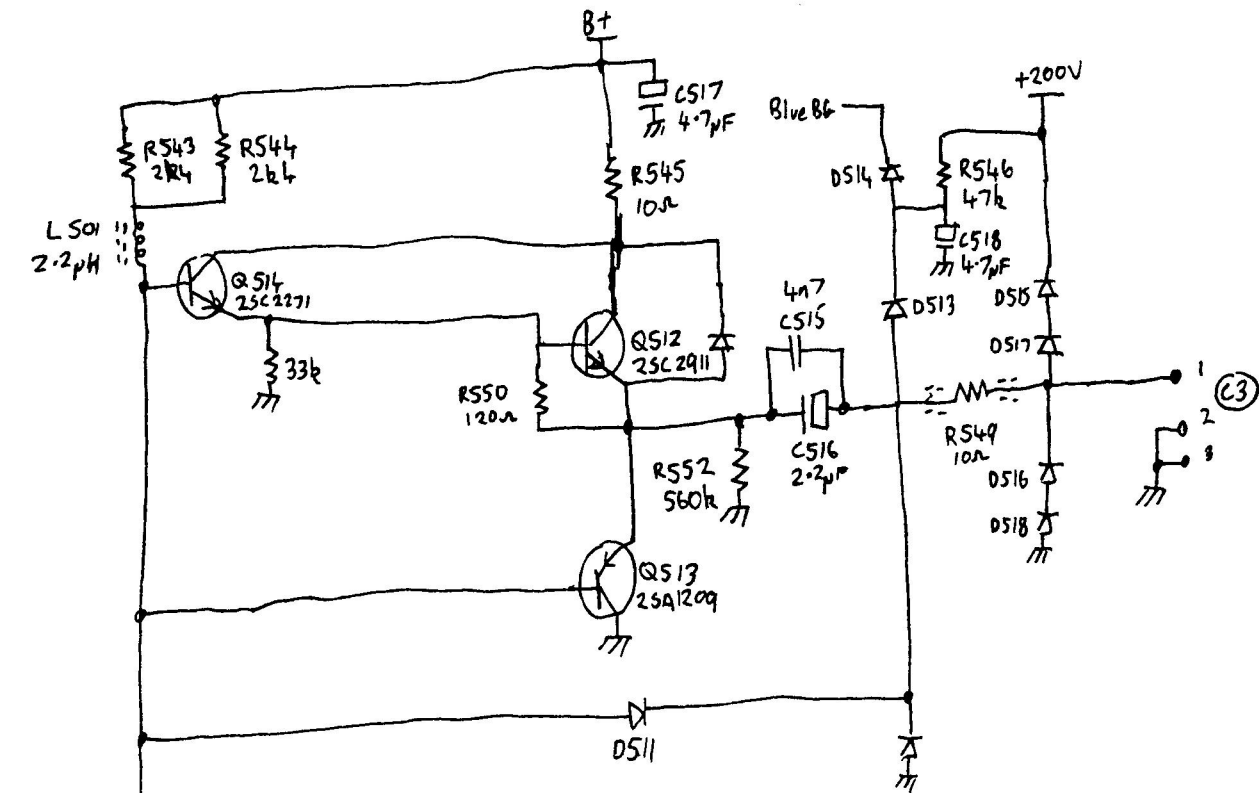




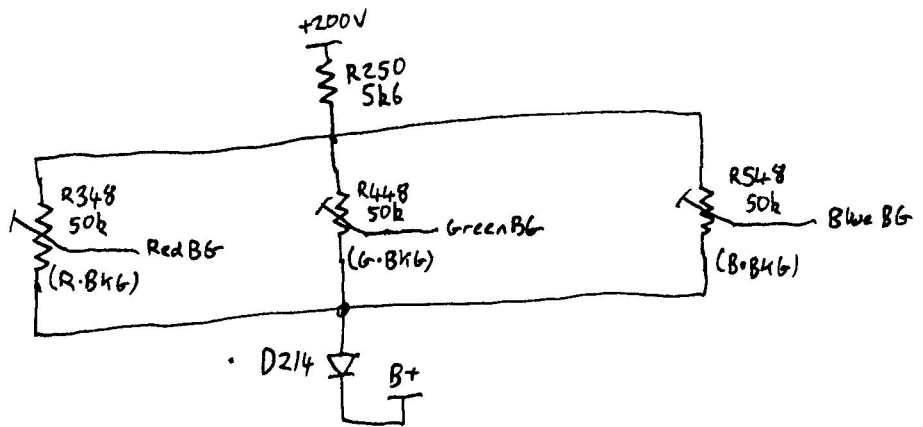
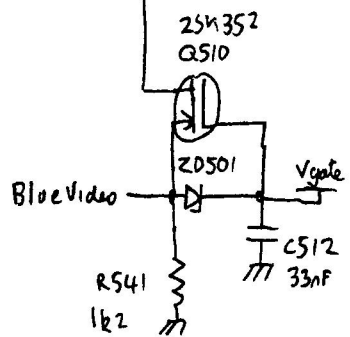




VR241 Video Board sheet 5



Blue Output



Background Controls