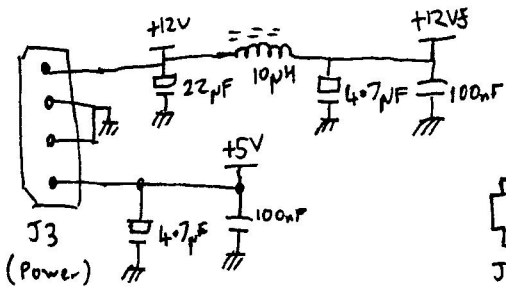
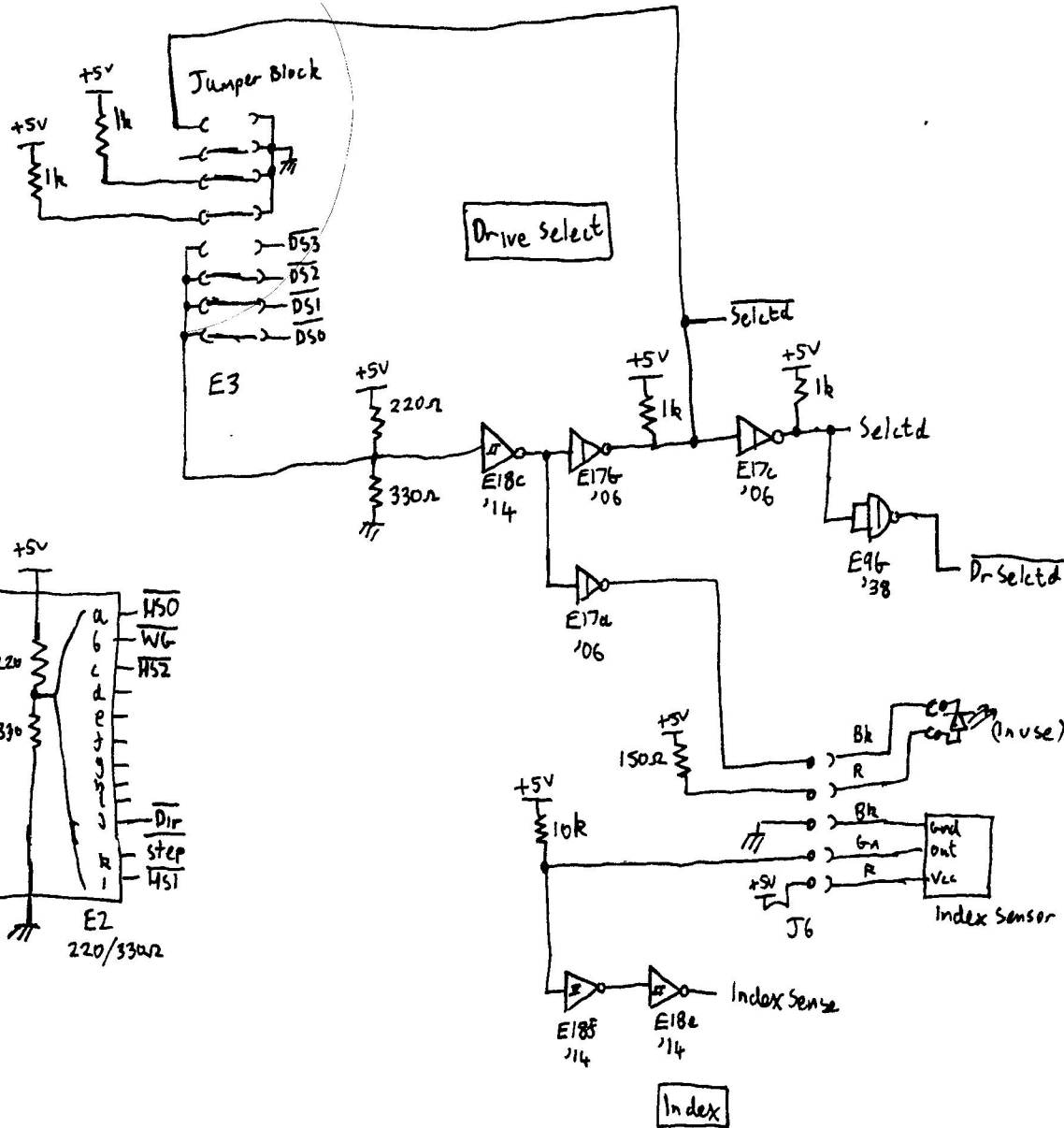
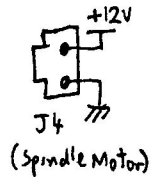


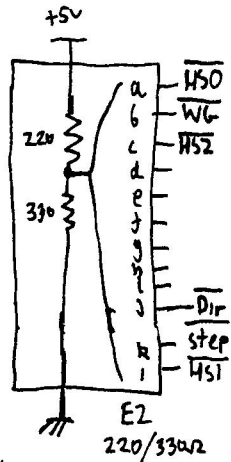
J1 (Control)

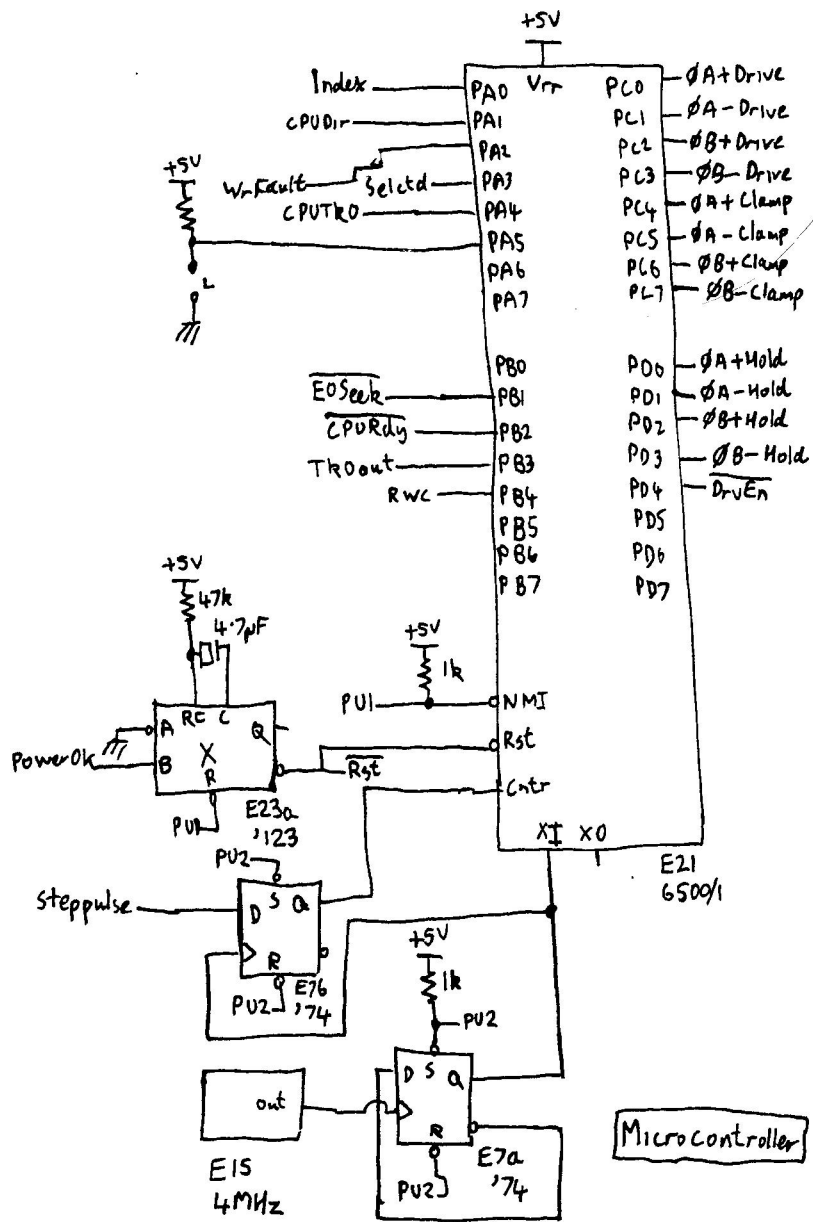


J3 (Power)

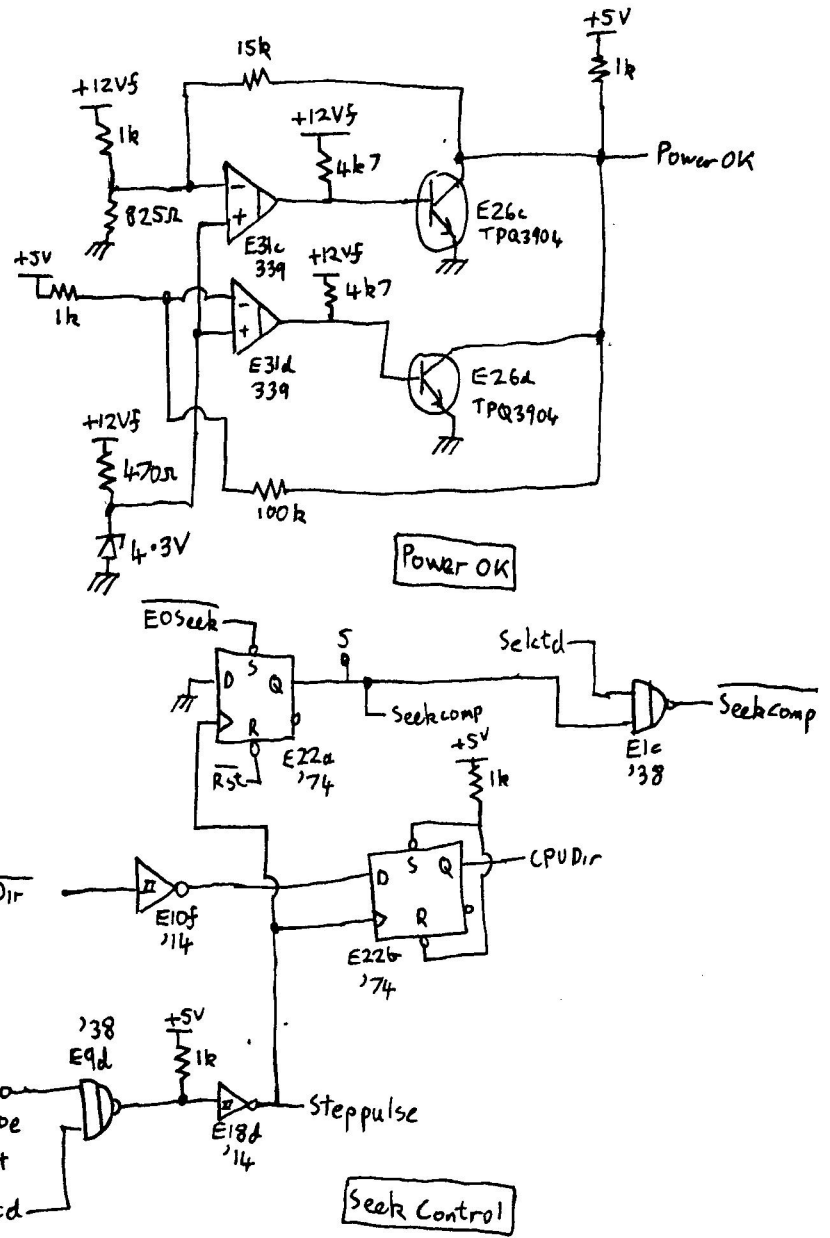


J4 (Spindle Motor)



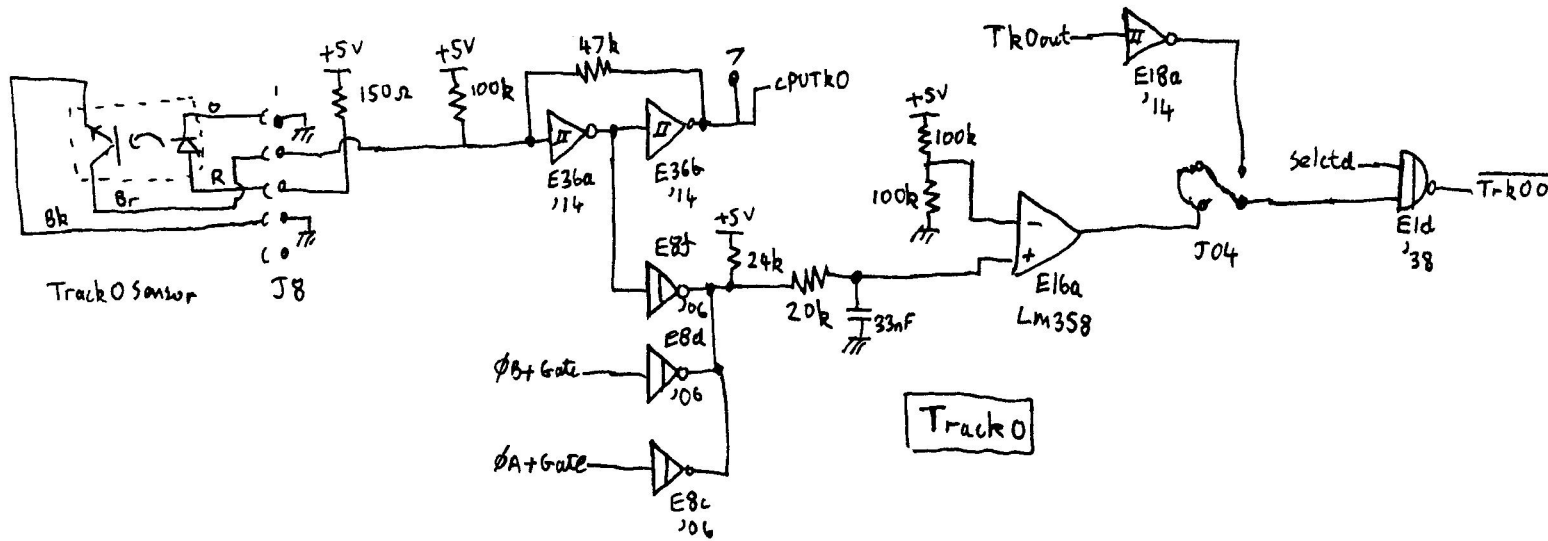
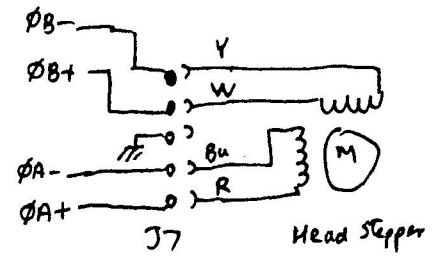
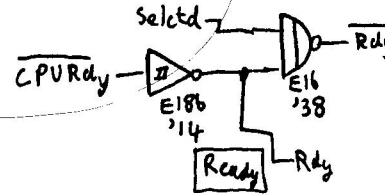
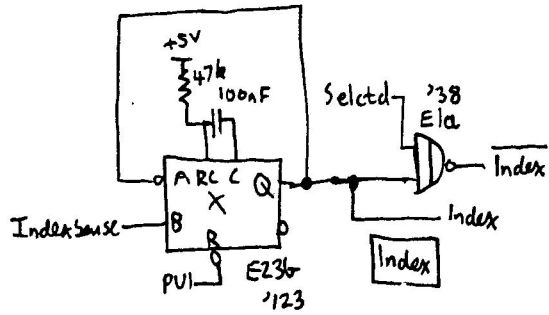


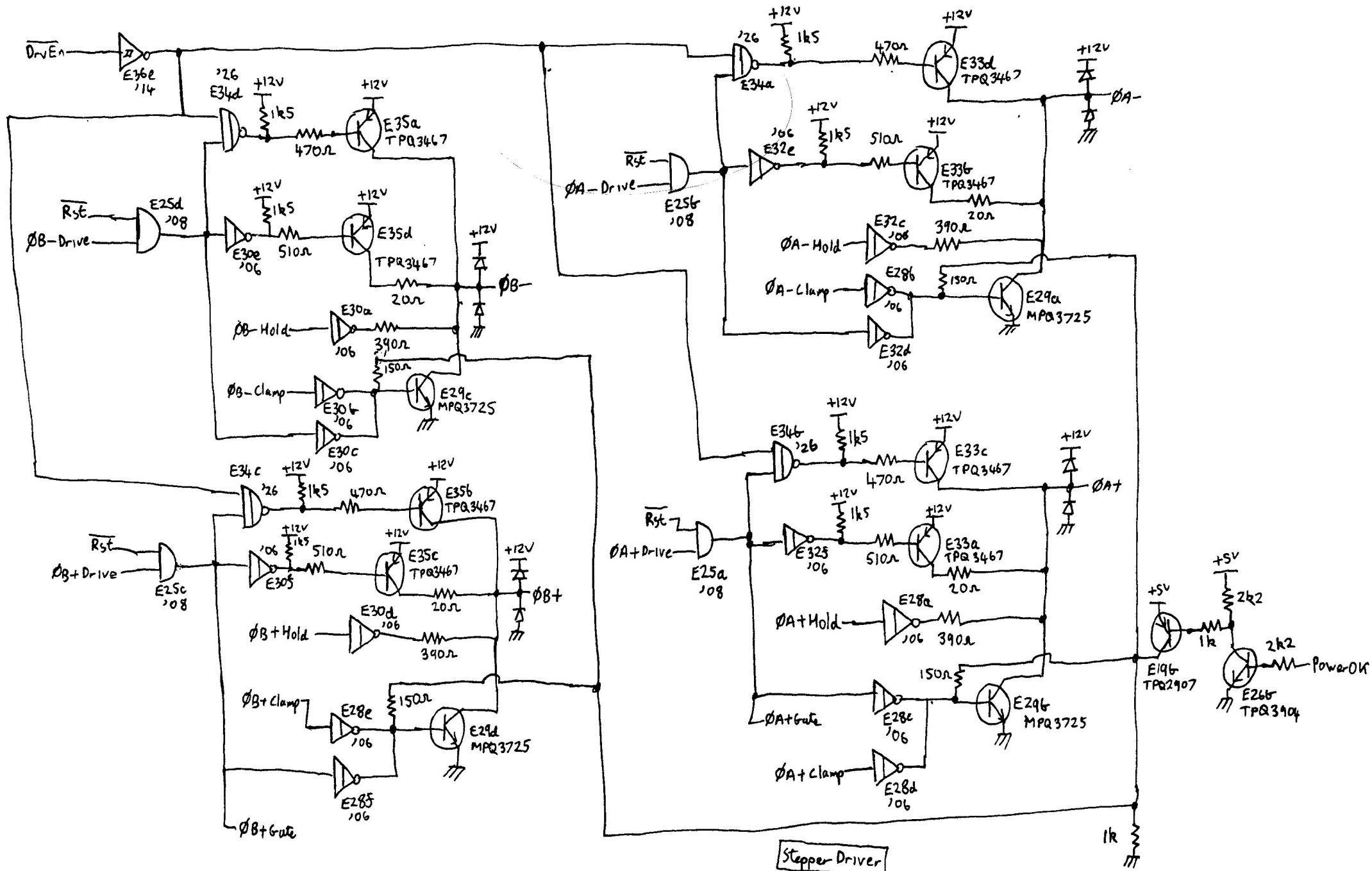
Microcontroller



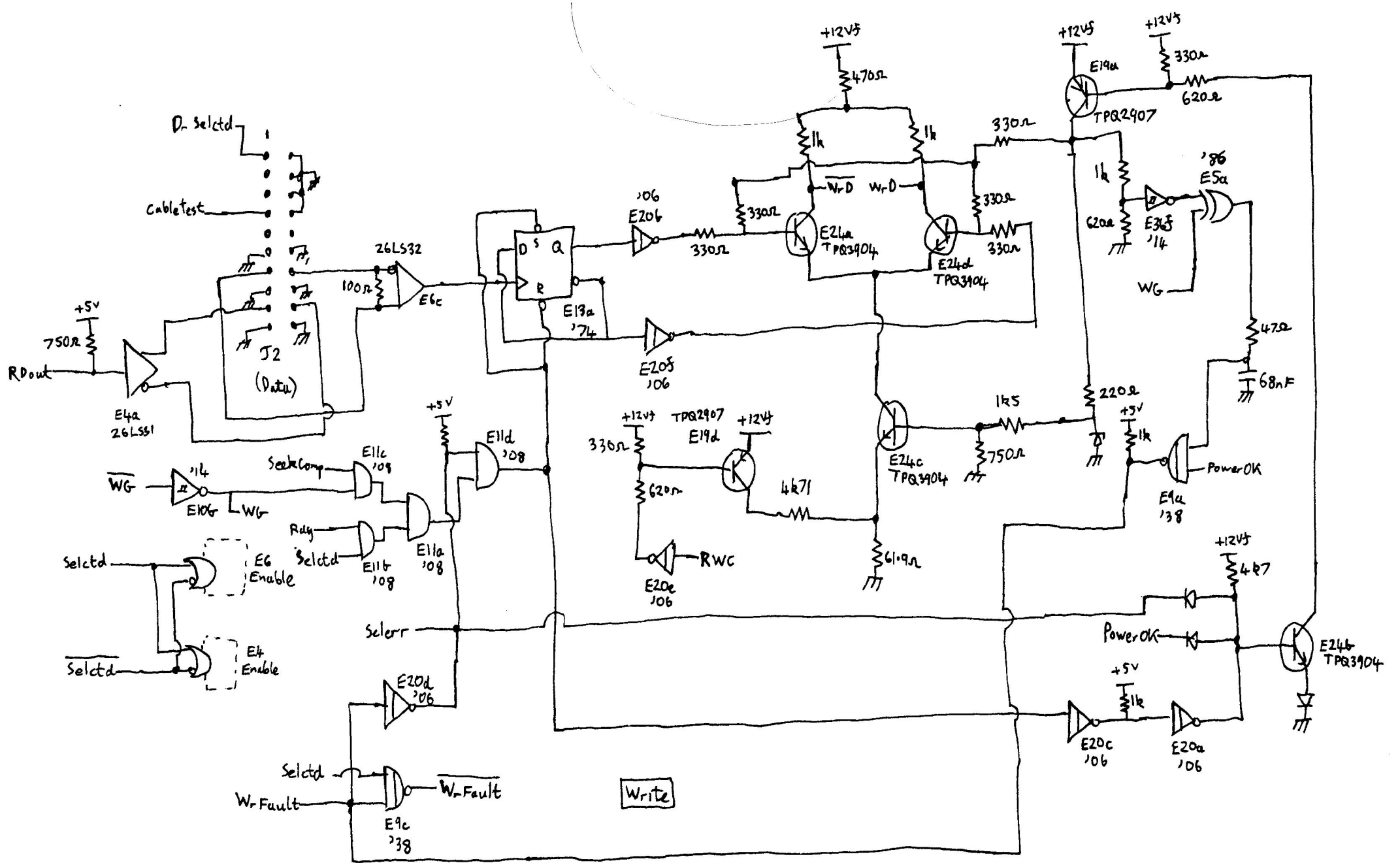
Power OK

Seek Control

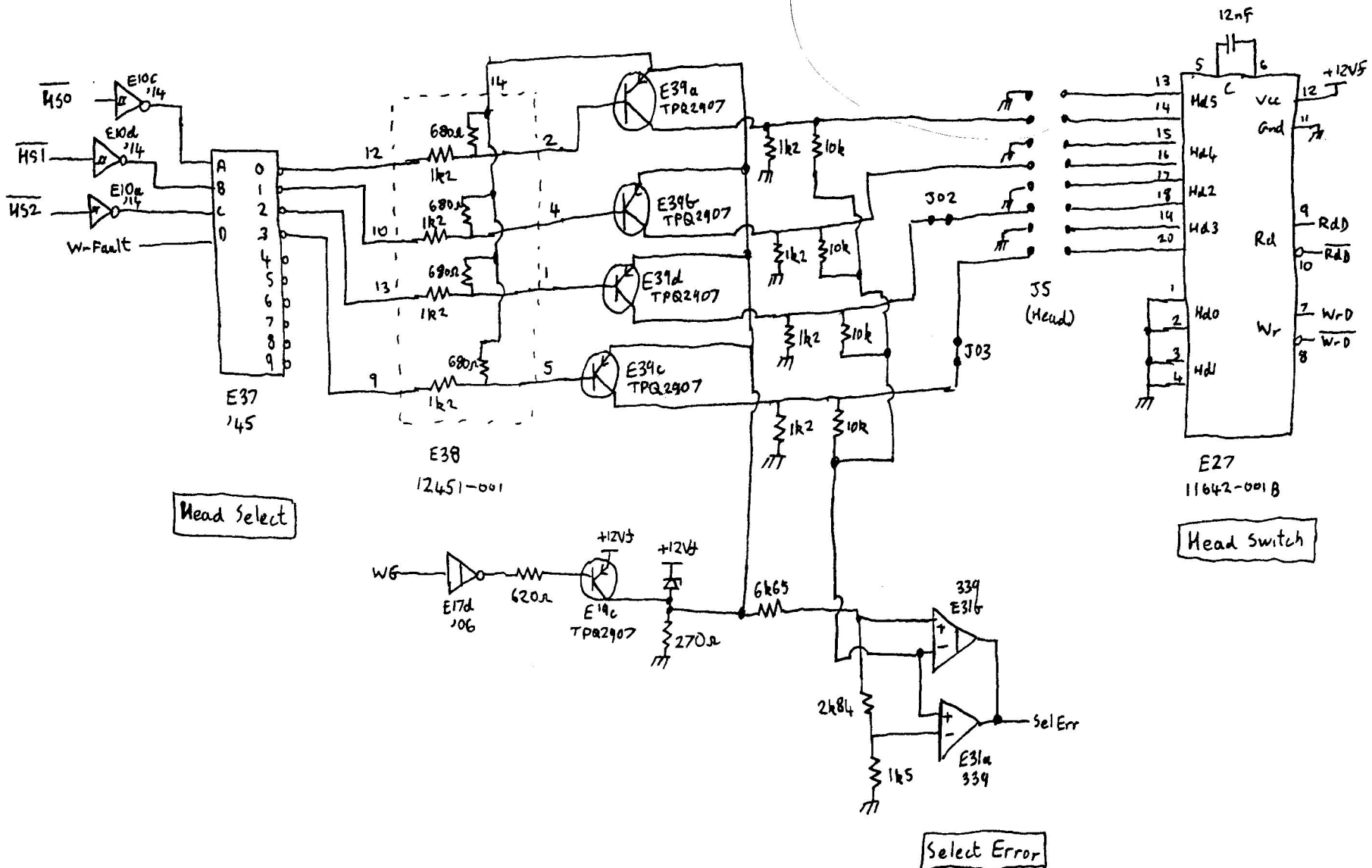


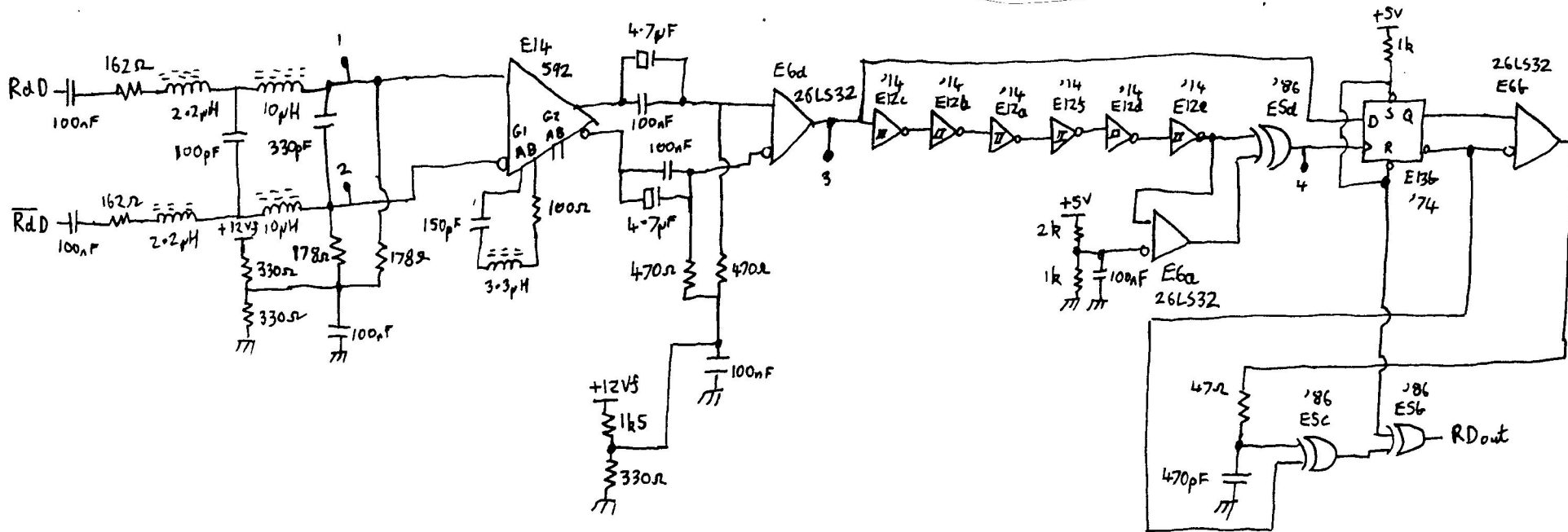


RDS1 Logic Board sheet 4

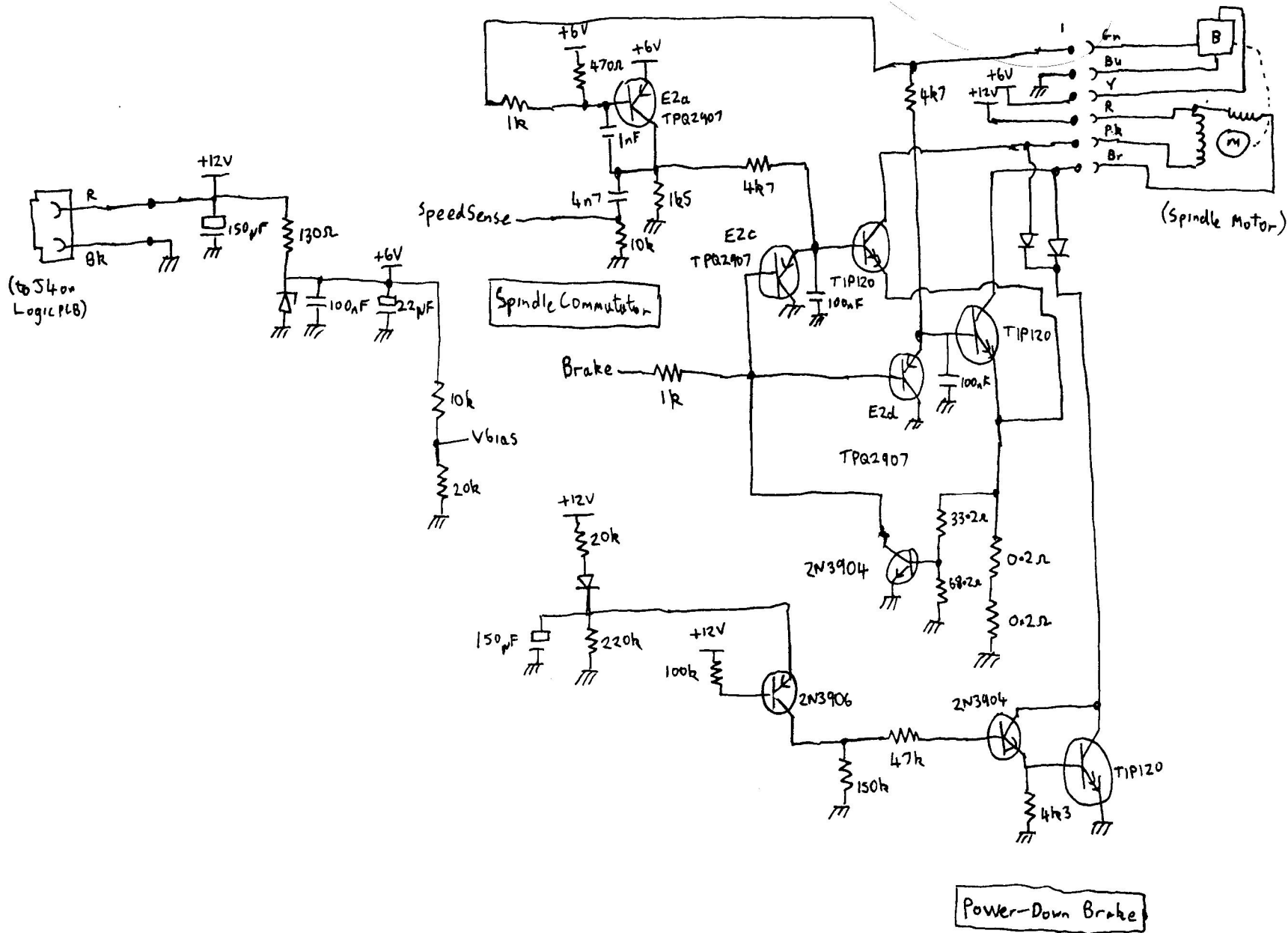


RD51 Logic Board Sheet 5



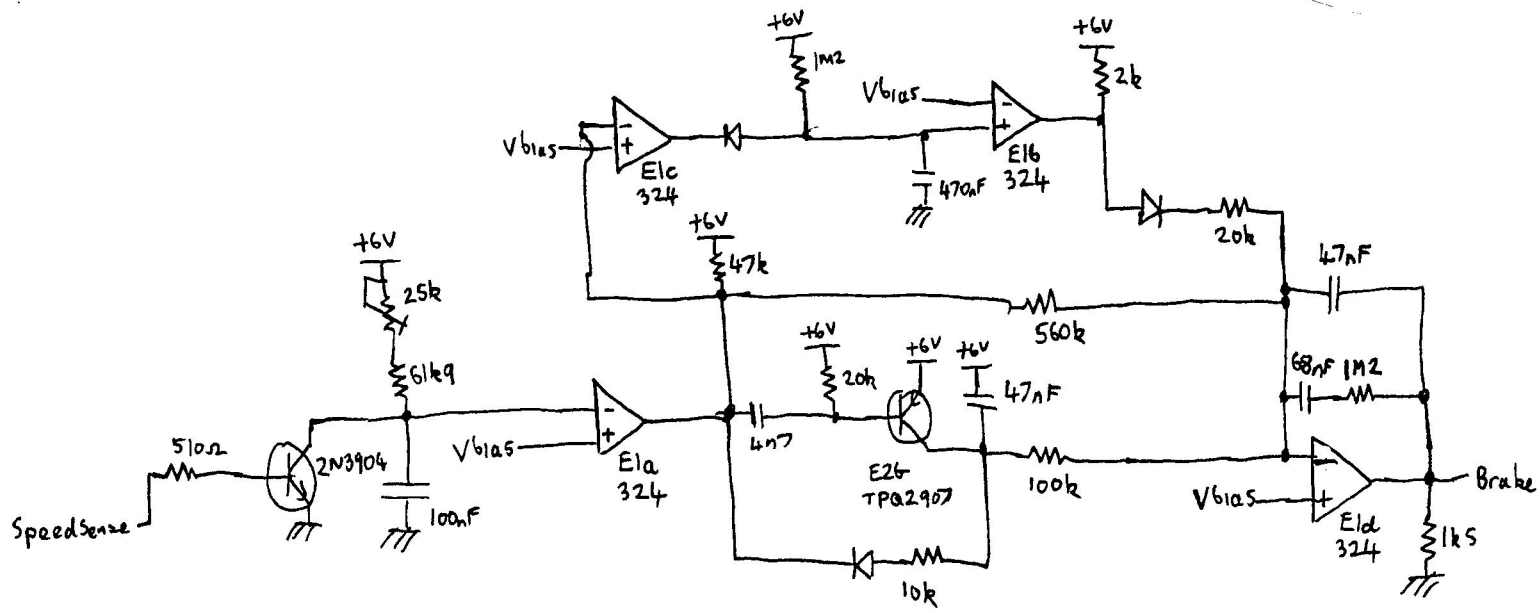


Read



RDS1 Spindle Motor PCB sheet ①





Speed Control